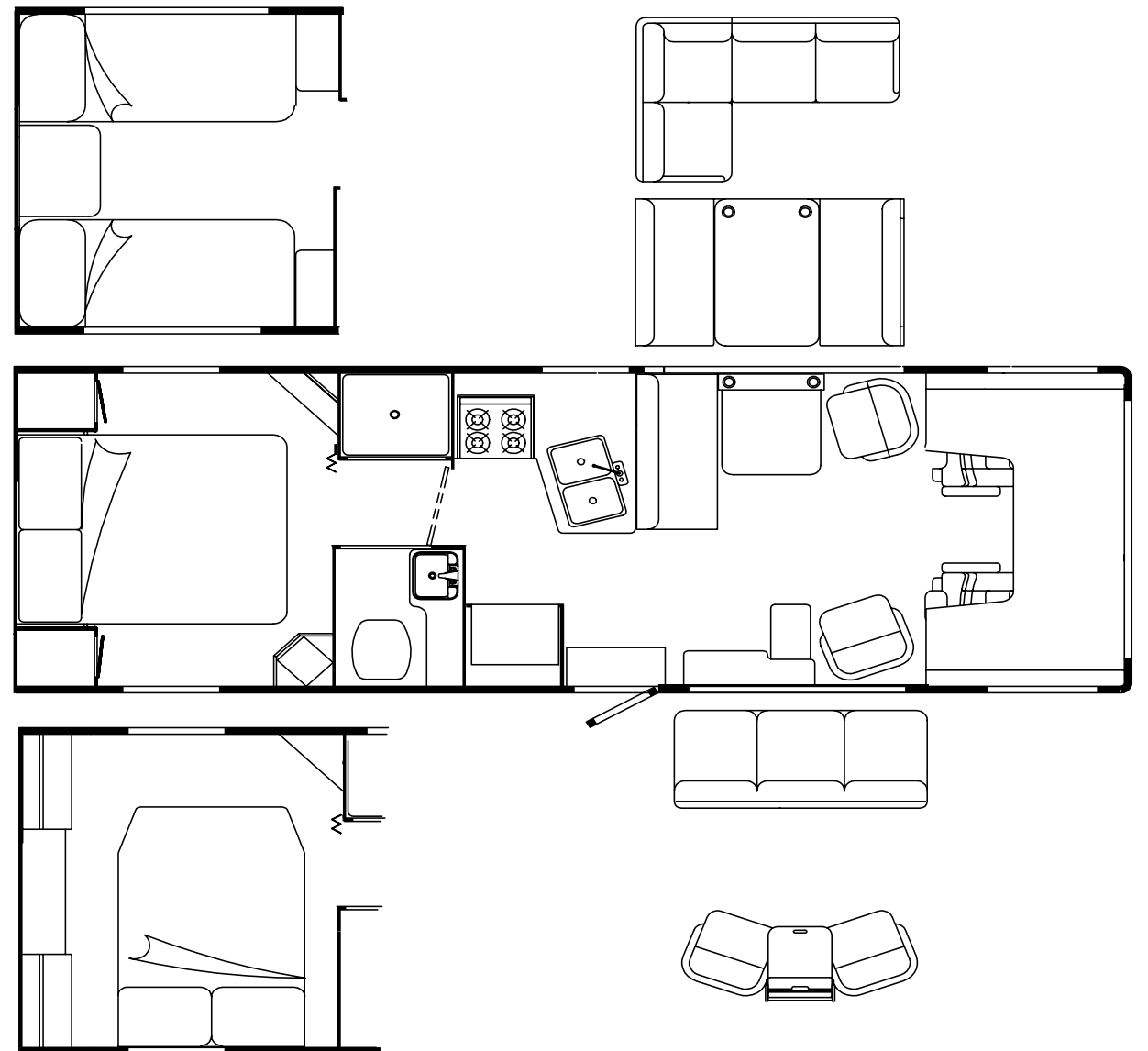
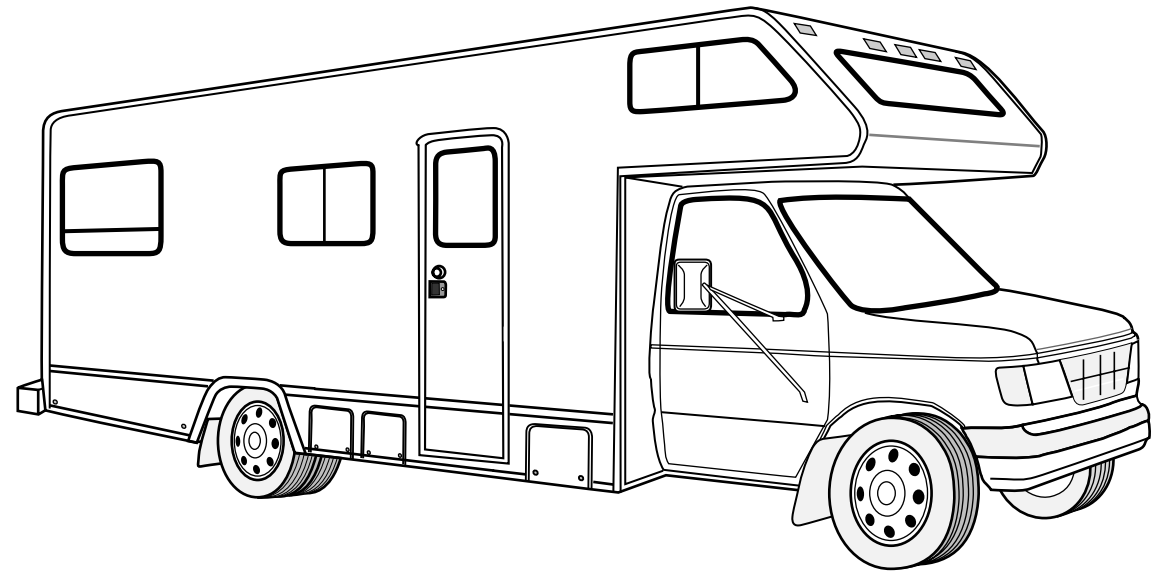


**1997**  
**IF429WQ DL**

**H30**  
**GEMSTONE(GREEN)**

**H31**  
**LAPIS(NAVY)**



## ACCESSORIESGROUP

### OPERATORSMANUAL

KEY	PARTNUMBER	U/M	DESCRIPTION
	054185-F6-000	EA	MANUAL-OPERATOR97SUNDANCER
	092318-01-000	EA	BINDER-3RING,MOTORHOMEMANUAL
	092319-01-000	EA	POCKETPAGE-3RINGBINDER-PLASTIC-(50PERPKG)
	121390-01-000	DW	TOPELVEL-C,1997

## AUDIOVIDEOGROUP

### RADIOSYSTEM&ANTENNA

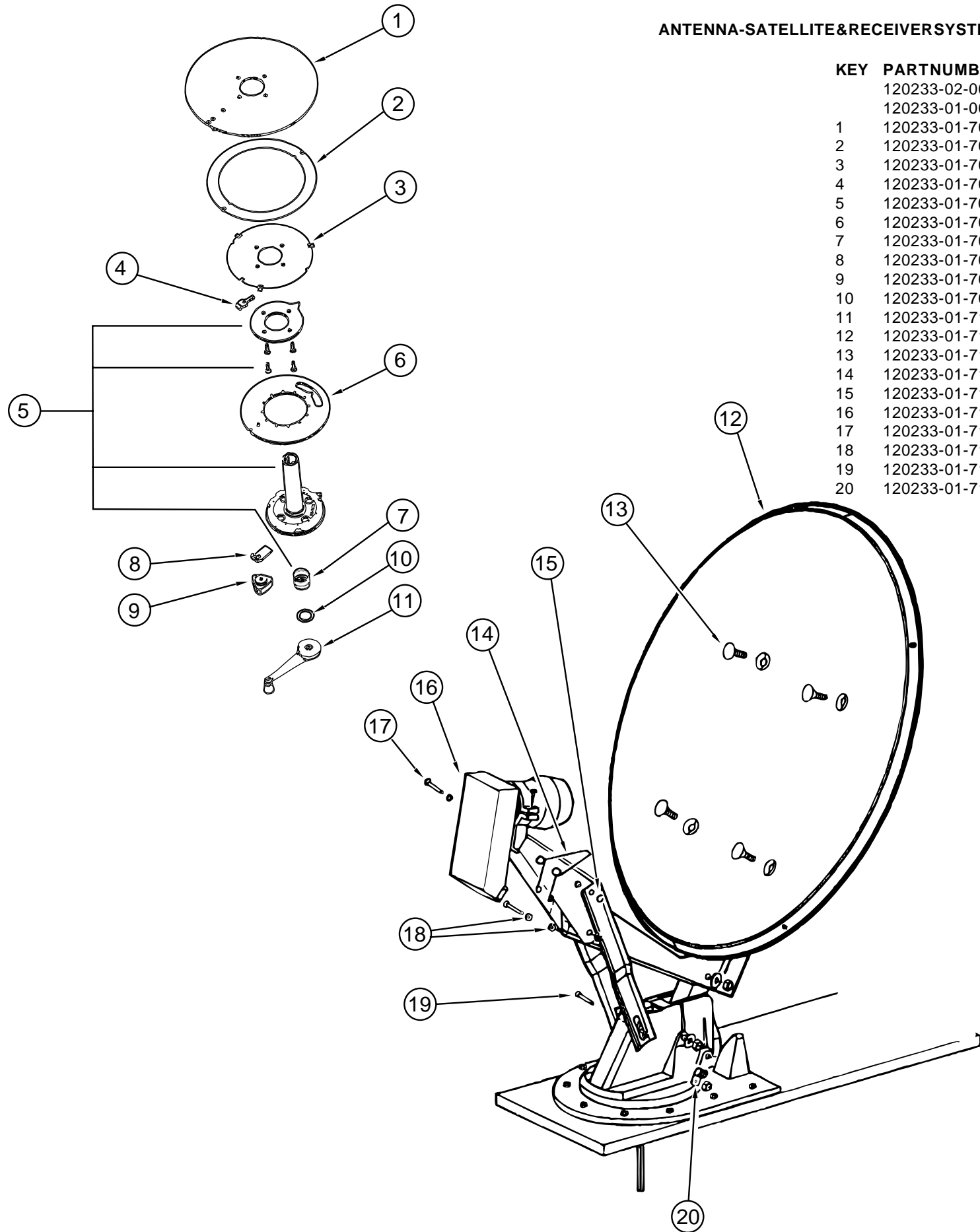
KEY	PARTNUMBER	U/M	DESCRIPTION
	N/A	EA	SPEAKER-5"X7"OVAL-FORDF2UF-18814-CD
	111177-01-01A	EA	GRILLE-8.9"X6.5"HOUSINGF/5"X7"OVALSPEAKER-GRAY
	087683-03-000	EA	RADIO-AM/FMSTEREOCASSETTE
	090944-01-000	EA	ANTENNA-RADIO-RUBBER-16"
	077069-02-000	EA	CABLE-EXTENSION-RADIOANTENNA96"
	108137-01-000	EA	PLUG-ANTENNAHOLE,92E350 -WARDPRODUCTS
	108847-01-000	EA	BRACKET-ANTENNAGROUND
	109889-04-000	EA	EXTENDER-ANTENNASHAFT-3"
	110469-01-000	EA	SPEAKER-4"X6"OVAL-COAXIAL
	110470-01-01A	EA	GRILLE-4"X6"BLACKOVALSPEAKER
	093901-03-000	EA	PLATE-COAXIALCABLE
	105230-03-H07	EA	SHELF-EXTERIORTV

### TV&VCRSYSTEMS

KEY	PARTNUMBER	U/M	DESCRIPTION	VENDORNO.
	113684-02-000	EA	TV-19"COLORW/1/8"JACK-193/8"WX173/16"HX181/4"D	
	113684-01-700	EA	REMOTE	0892345
	086231-08-000	EA	TV-COLOR13"DCAUDIOVOX -AVT-1475	
	086231-08-700	EA	REMOTE-UNIVERSAL	8822325
	119120-02-000	EA	VCR/VHS-CABLEREADYW/REMOTE	
	119120-02-700	EA	REMOTE	8874569
	094487-03-000	EA	VIDEOCASSETTEPLAYERW/OREMOTE-AUDIOVOXAVP-6750	
	082134-01-000	EA	ADAPTER-TV-CABLETOCABLE	
	082136-01-000	EA	NUT-HEXJAM-3/8-32	
	076319-06-000	EA	ADAPTER-CABLEROOFPLATE	
	076319-08-000	EA	WALLPLATE-CABLERECEPTACLE-TV-SINGLE/IVORY	
	086777-02-000	EA	WALLPLATE-TV-CABLE-W/ANTENNASWITCH	
	086777-06-000	EA	WALLPLATE-ANTENNA1OUTPUT	
	086756-01-000	EA	SPLITTER-TV-2WAY	
	086757-03-000	EA	CONTROLCENTER-SWITCH-VCR/TV	
	099717-02-000	EA	STRAP-TVTIEDOWNW/29.9"FEMALESTRAP&14.2"MALESTRAP	

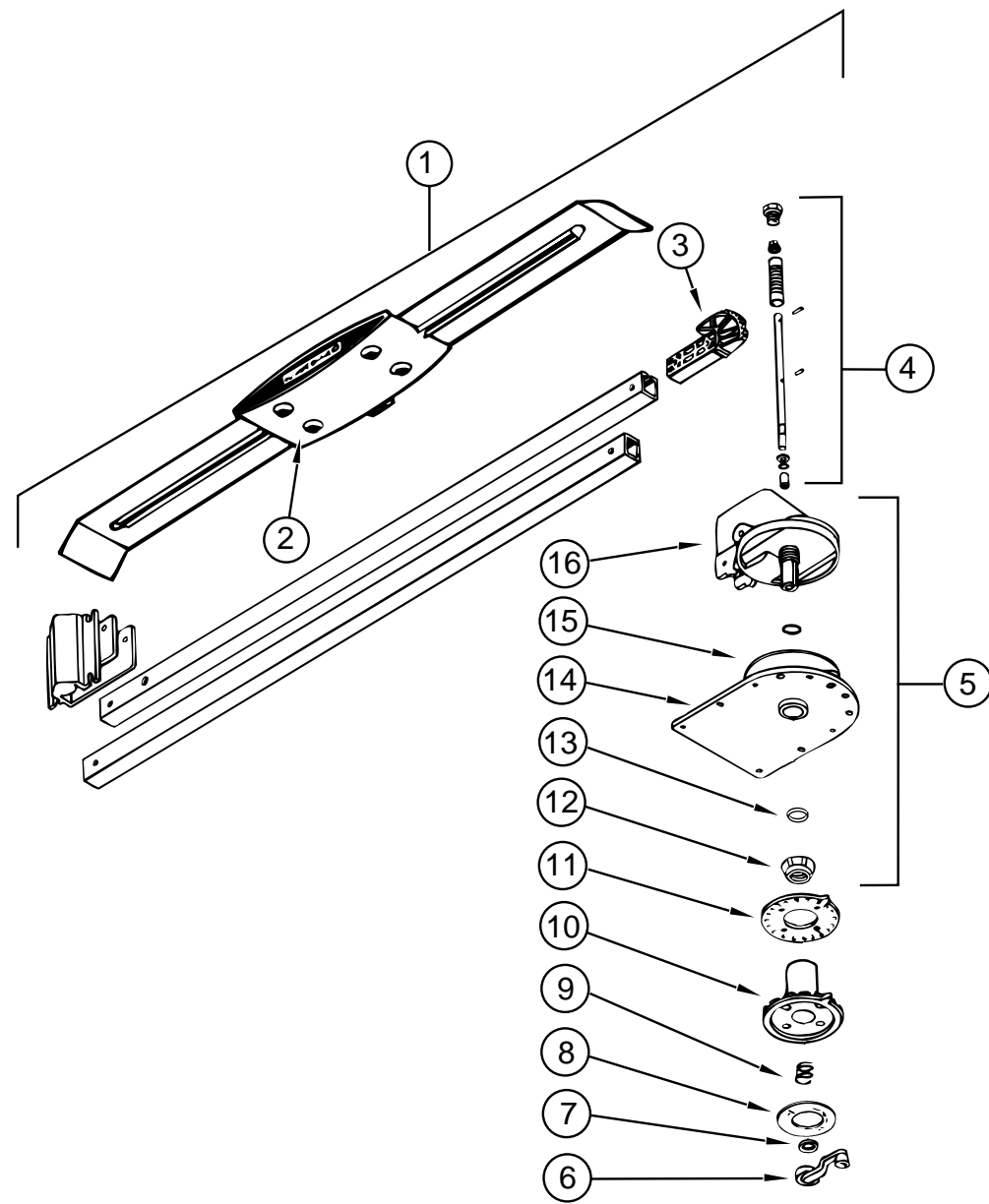
# AUDIOVIDEOGROUP(CONTINUED)

## ANTENNA-SATELLITE&RECEIVERSYSTEMS



KEY	PARTNUMBER	U/M	DESCRIPTION	VENDORNO.
	120233-02-000	EA	RECEIVER-SATELLITEONLY	
	120233-01-000	EA	ANTENNA-SATELLITEW/ORECEIVER(DISH&HDWKIT)MANUAL	
1	120233-01-700	EA	PLATE-FIXED	3750821
2	120233-01-701	EA	DIAL-DIRECTIONAL	2745056
3	120233-01-702	EA	PIVOT-DIAL-DIRECTIONAL	2745058
4	120233-01-703	EA	STOP-ROTATION	3711281
5	120233-01-704	EA	PLATE-CEILINGW/DIR.HANDLE	RP-6300
6	120233-01-705	EA	PLATE-ROTATE	3750820
7	120233-01-706	EA	SPRING	RP-6822
8	120233-01-707	EA	CLAMP-ROTATE	3711280
9	120233-01-708	EA	KNOB-CLAMP	2200061
10	120233-01-709	EA	WASHER-NYLON	RP-2658
11	120233-01-710	EA	HANDLE-CRANK	RP-6795
12	120233-01-711	EA	REFLECTOR-46CM	2745304
13	120233-01-712	EA	BOLT-FLATHEAD	2160253
14	120233-01-713	EA	SPRING	2160820
15	120233-01-714	EA	CLIP-E	5160818
16	120233-01-715	EA	RCALNB	278015
17	120233-01-716	EA	PIN	2160814
18	120233-01-717	EA	BEARING-NYLON	2200728
19	120233-01-718	EA	PIN	5160817
20	120233-01-719	EA	CLAMP-CABLE	2200060

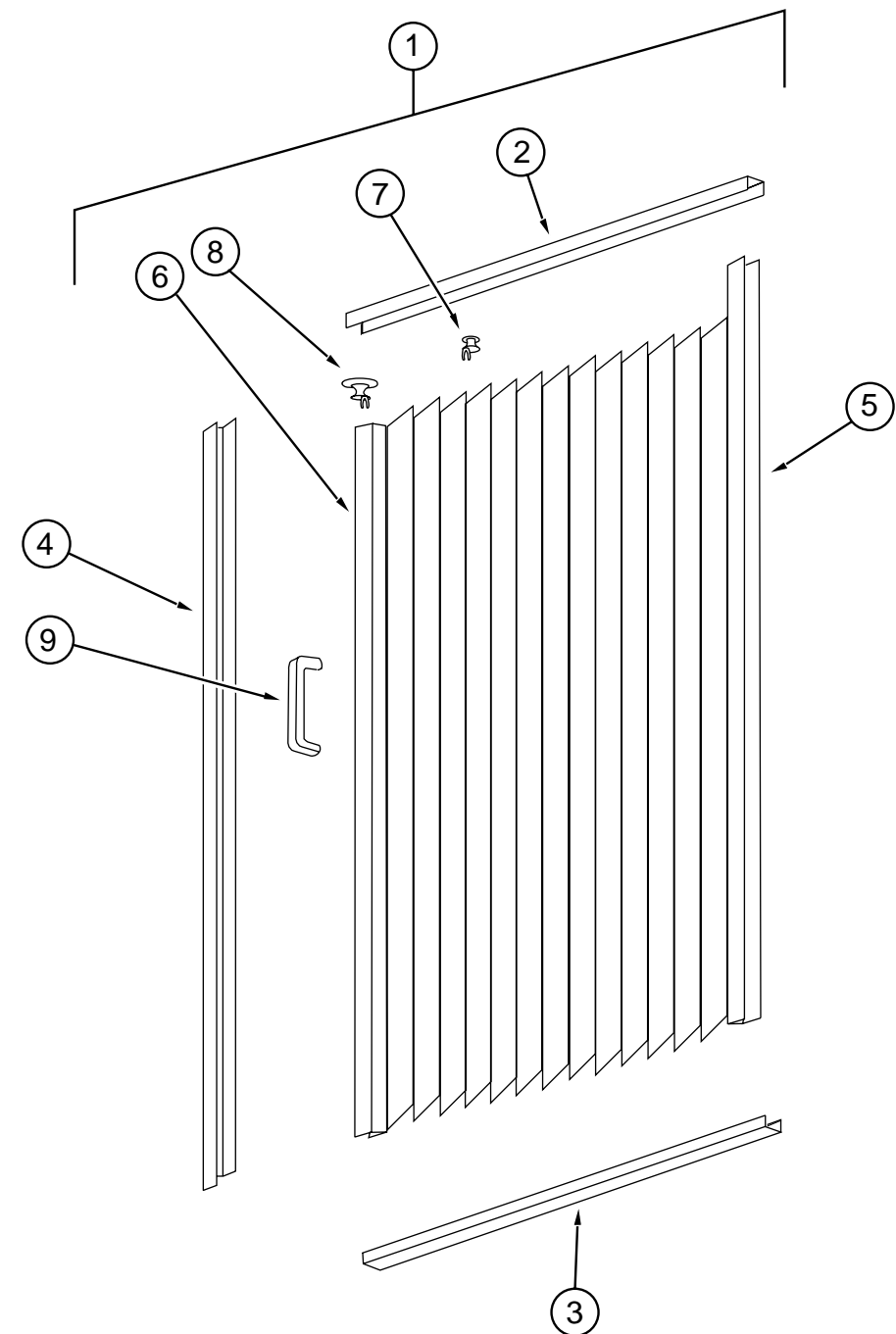
### AUDIOVIDEOGROUP(CONTINUED)



**TV ANTENNA - WINEGARD - MODEL RVAW02**

KEY	PARTNUMBER	U/M	DESCRIPTION	VENDOR NO.
1	076319-21-000	EA	ANTENNA-TVROOFMOUNT3"ROOF	
2	076319-01-700	EA	HEAD-ANTENNA,AMPLIFIED	RVSAU/V
3	076319-01-701	EA	GEAR-ELEVATING,PLASTIC	2200046
4	076319-01-702	EA	SHAFTASM-ELEVATING	RVP-400A
5	076319-01-711	EA	BASE&LIFTASM	2762802
6	076319-01-706	EA	CRANK-ELEVATING,W/SETSCREW	2750897
7	076319-01-705	EA	GROMMET-NYLON,7/8"ID	3200658
8	076319-01-708	EA	DECAL-CRANK	5413002
9	076319-01-707	EA	SPRING-HANDLE	5160822
10	076319-01-709	EA	PLATE-DIRECTIONAL,F/HEAD	3200621
11	076319-01-712	EA	PLATE-CEILING,DIRECTIONAL	3200608
12	076319-01-715	EA	NUT(GEARHOUSING)	2200047
13	076319-01-704	EA	BEARING-NYLON,1.25"OD	3200657
14	076319-01-713	EA	PLATE-BASE,STEEL	3100523
15	076319-01-703	EA	BEARING-NYLON,5"OD	3200656
16	076319-01-714	EA	HOUSING,ROTATINGGEAR	2200049
	076319-03-000	FT	CABLE-COAXIAL-75OHM	
	076319-12-000	EA	CONNECTOR-COAXIAL-ONEPIECE	

### BATHGROUP

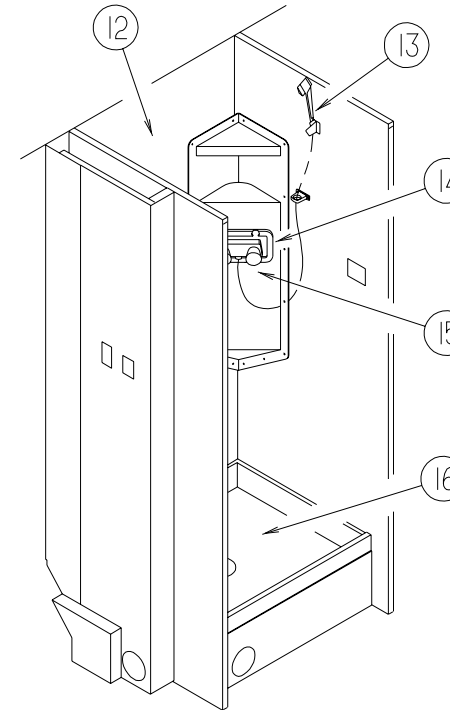
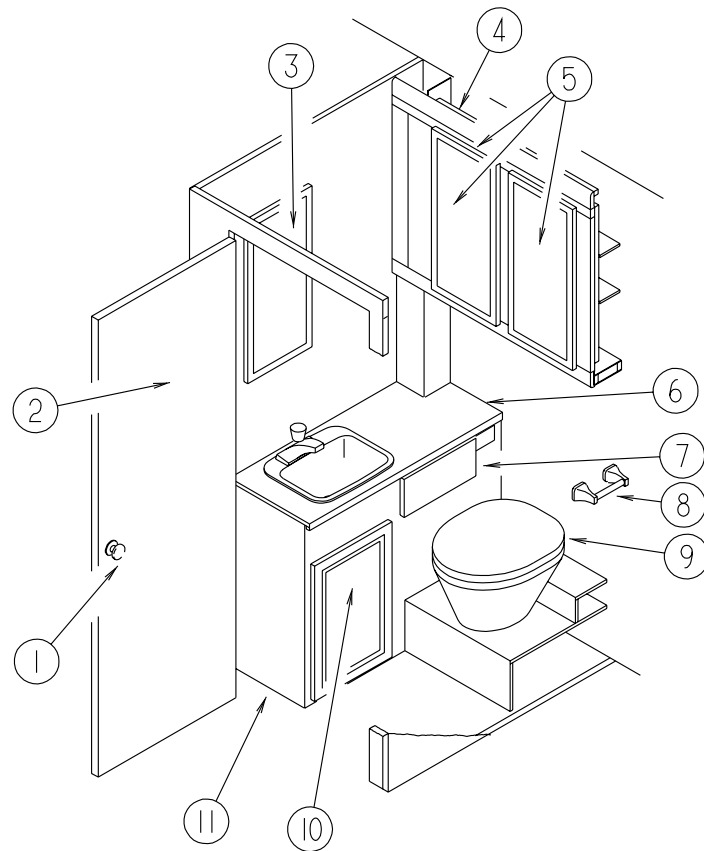


**SHOWER DOOR - COASTAL**

KEY	PARTNUMBER	U/M	DESCRIPTION
1	117431-01-01A	EA	DOOR-SHOWER-FABRICPLEATED-29.6"X63.0"
2	117431-01-700	EA	TRACK-TOP,ALUM.IVORYINSERT 48"
3	117431-01-701	EA	TRACK-BOTTOM,40"
4	117431-01-702	EA	RAIL-SIDE,67"
5	117431-01-703	EA	RAIL-STATIONARY,67"
6	117431-01-704	EA	RAIL-LEAD,67"
7	117431-01-705	EA	GLIDE-IVORY,TRAVELER
8	117431-01-706	EA	GLIDE-IVORYLEAD,TRAVELER
	117431-01-707	EA	LATCH
9	117431-01-708	EA	HANDLES&SCREWS
	117431-01-709	EA	STRAP-VINYLSHOWER

## BATHGROUP(CONTINUED)

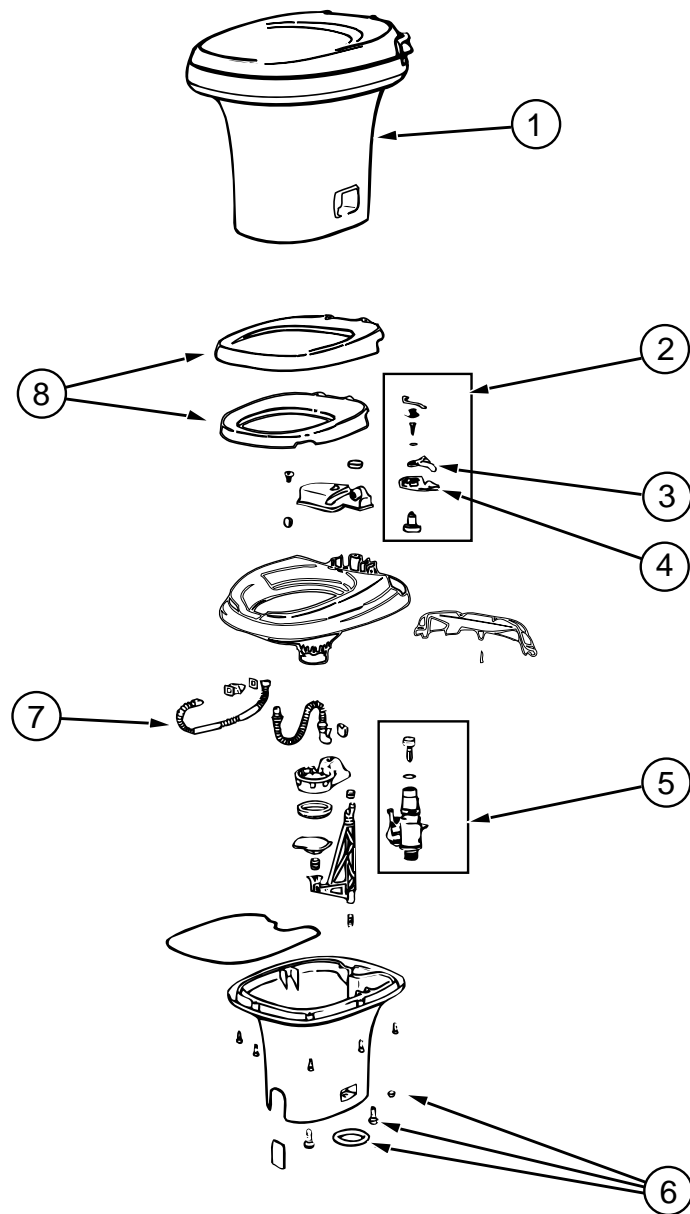
### BATHROOMCABINETS&FIXTURES



KEY	PARTNUMBER	U/M	DESCRIPTION	VENDORNO.
1	094485-03-01A	EA	KNOB-DOOR-BRASS	
	105394-01-06A	EA	EXTR-DOORJAMB	
2	121449-04-H30	EA	DOOR-BATH-W/OHARDWARE	
	121449-12-H37	EA	RACK-TOWEL-BATHDOOR	
	100357-01-000	EA	ROD-TOWEL-BRASSW/ENDSBENTF/BACKOFBATHDOOR	
	110496-01-01A	EA	HINGE-DOOR-SPRINGLOADED/BRASS	
	102920-01-01A	EA	HINGE-DOOR-SPRINGLOADED/BRASS	
3	058331-01-000	EA	MIRROR-SAFETYGLASS-19"X26"	
4	122820-01-H30	EA	CABINET-MEDICINE	
	109908-54-H30	EA	ENDCAP-OVERHEADCABINET	
			FROM: 08-30-96 THRU: 99-99-99	
4	122820-12-H30	EA	SHELF-W/PLASTICEDGETRIM	
	109180-03-H30	EA	CABINET-PIPECOVERW/OHARDWARE	
	109180-03-H31	EA	CABINET-PIPECOVERW/OHARDWARE	
5	M06803-X3-H30	EA	DOOR-MITEREDCORNER/OGEEEDGE-14.3"X16.1"-W/OHDW	
6	123571-12-H11	EA	COUNTERTOP-LAVATORY(H30)	
6	123571-12-H31	EA	COUNTERTOP-LAVATORY(H31)	
	096927-01-01A	EA	SINK-LAVATORY-RECTANGULAR-PLASTIC/BONE	
	096927-01-700	EA	SINKSTOPPER	M9801
	096927-01-701	EA	TAILPIECE-DRAIN-LAVATORY	M9802
	075240-06-000	EA	FAUCET-LAVATORYBONE	
	091253-01-000	EA	GASKET-FAUCET-LAVATORY/GALLEY	
7	M05970-BM-H30	EA	DRAWER-OGEEEDGE-10.9"WX9.8"W-W/O SLIDES/HDW	
8	075452-02-000	EA	HOLDER-TOILETTISSUE-BRASS	
9	063740-01-000	EA	TOILET-HIGH/HANDFLUSH-AQUAMAGICIV	

KEY	PARTNUMBER	U/M	DESCRIPTION	VENDORNO.
10	M06803-V8-H30	EA	DOOR-MITEREDCORNER/OGEEEDGE-14.3"X21.8"-W/OHDW	
11	P23571-02-H30	EA	CABINET-LAVATORY-W/O DOORS/DRAWERS/HARDWARE	
11	P23571-02-H31	EA	CABINET-LAVATORY-W/O DOORS/DRAWERS/HARDWARE	
12	105629-01-01A	EA	SURROUND-SHOWER	
13	103092-01-000	EA	SHOWERHEAD-W/60"HOSE	
	103092-01-700	EA	SHOWERHEAD-W/HOSE-CSA	
	093527-02-000	EA	BRACKET-F/SHOWERHEAD,CLEAR	
	011048-03-700	EA	BRACKET-EXTERIORSHOWERHEAD/SQUEEGEE	2328029-3
14	075241-05-000	EA	FAUCET-SHOWER-BONEW/3/4"MPTX1.4"LONGINLETPIPES	
15	075606-01-000	EA	PANEL-FAUCETBACK-SHOWER-5"X9"	
16	M02673-05-B13	EA	PAN-SHOWER-29.8"X22.7"X5.7"	
	066436-01-000	EA	NUT-SLIP-TAILPIECE1.5"	
	122192-01-01A	EA	PANEL-SKYLITE-OUTER-16.4"X27.8"	
			FROM: 00-00-00 THRU: 02-13-97	
	122192-01-02A	EA	PANEL-SKYLITE-OUTER	
			FROM: 02-14-97 THRU: 99-99-99	
	122193-01-01A	EA	PANEL-SKYLITE-INNER	
			FROM: 00-00-00 THRU: 02-13-97	
	122193-01-02A	EA	PANEL-SKYLITE-INNER	
			FROM: 02-14-97 THRU: 99-99-99	

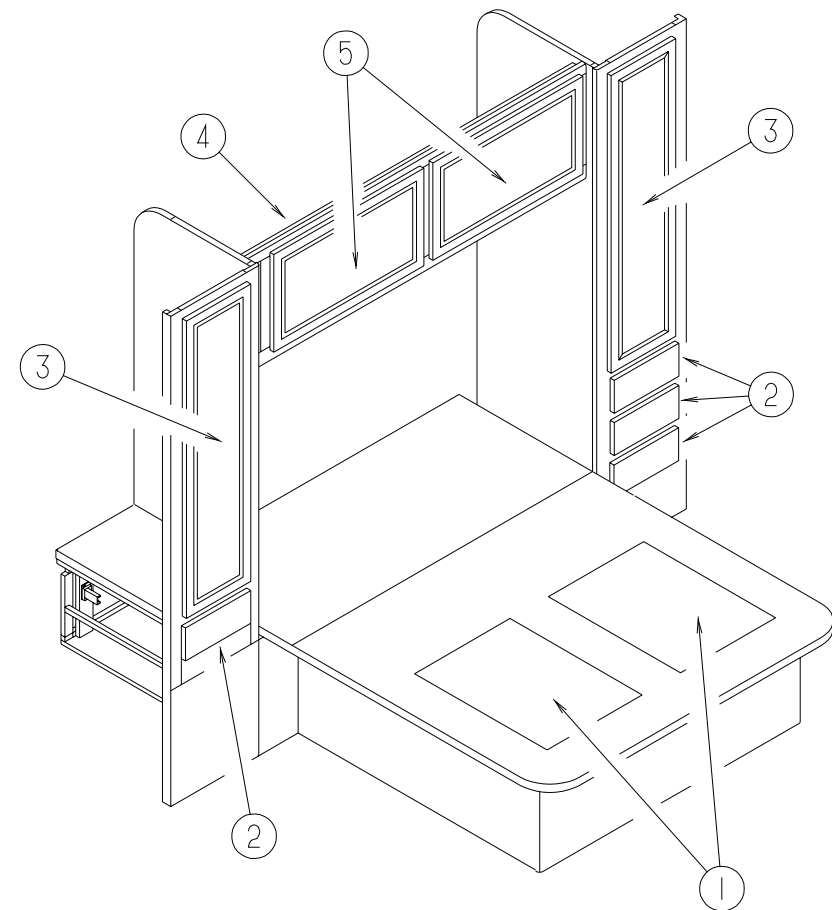
## BATHGROUP(CONTINUED)



### AQUAMAGICVLOWTOILET-THETFORD

KEY	PARTNUMBER	U/M	DESCRIPTION	VENDORNO.
1	063740-01-000	EA	TOILET-HIGH/HANDFLUSH-AQUAMAGICIV	
2	063740-01-720	EA	LEVERKIT,WAT-FLUSH-BEARING	24629
3	063740-01-700	EA	LEVER-WATER	12514THETFORD
4	063740-01-701	EA	LEVER-FLUSH	12515THETFORD
5	063740-01-714	EA	VALVEASM(VALVE-BALLSEAL)	13168
6	063740-01-706	EA	BOLTPACKAGE-FLOORFLANGE	12524THETFORD
7	063740-01-717	EA	TUBE-FLUSH	12509
8	063740-02-700	EA	SEAT&COVER,PARCHMENT	2464157
	063740-01-721	EA	BLADEONLY	1248232

## BEDROOMGROUP

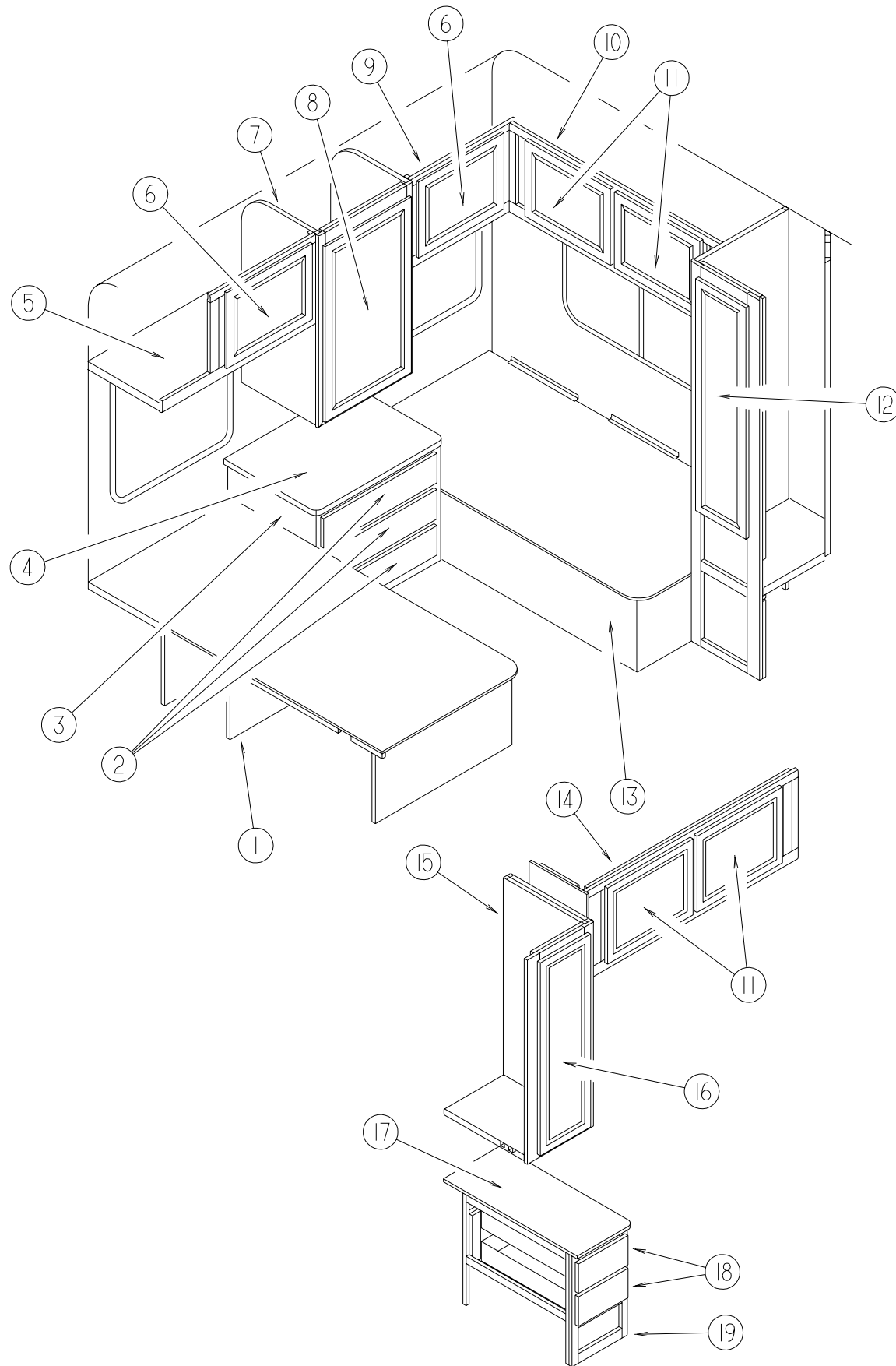


### CENTERQUEENBEDCABINERY

KEY	PARTNUMBER	U/M	DESCRIPTION
1	091261-01-000	FT	SLIPNOT-ANTISLIP-1"WIDE(100'ROLL)
	P18430-04-H30	EA	CABINET-BASE-QUEENBED-W/ODOORS/DRAWERS/HARDWARE
	M07550-02-000	EA	QUEENBEDTOP-W/OHARDWARE
	107796-05-000	EA	BRACKET-SUPPORT-GASSPRINGTOBED-FLAT(LOWER)
	107796-06-000	EA	GASSPRING-12"COMPRESSED/20"EXTENDED-120LB.
	107796-07-000	EA	BRACKET-SUPPORT-GASSPRINGTOBED-ANGLE(UPPER)
	097872-04-000	EA	DOWEL-WOOD-1"DIAMETERX1.38"LONG
2	M05971-49-H30	EA	DRAWER-OGEEEDGE-9.8"X17.7"-W/OSLIDES/HARDWARE
3	M06803-66-H30	EA	DOOR-MITEREDCORNER/OGEEEDGE12"X50"W/OHDW
	097872-04-000	EA	DOWEL-WOOD-1"DIAMETERX1.38"LONG
	091952-01-000	EA	CLIP-GRIPPER-1"
	009112-01-000	EA	FLANGE-1"CLOTHESROD-OFFWHITEPLASTIC
4	120419-01-H30	EA	CABINET-OVERHEAD/REAR-W/ODOORS/HARDWARE
5	M06803-13-H30	EA	DOOR-MIRROR/MITEREDCRNR/OGEEEDGE-15.7"X28"-W/OHDW
5	M06803-82-H30	EA	DOOR-MITEREDCORNER/OGEEEDGE-15.7"X28"-W/OHDW
	120071-02-H30	EA	CABINET-CORNER-W/ODOORS/DRAWERS/HARDWARE
	120071-02-H31	EA	CABINET-CORNER-W/ODOORS/DRAWERS/HARDWARE
	120071-12-H11	EA	COUNTERTOP-CORNERCABINET(H30)
	120071-12-G28	EA	COUNTERTOP-CORNERCABINET(H31)
	116553-03-H30	EA	CABINET-TVSHLF-W/BRASSRODS/POSTENDS
	116553-15-H30	EA	WEDGE-TVSHLF

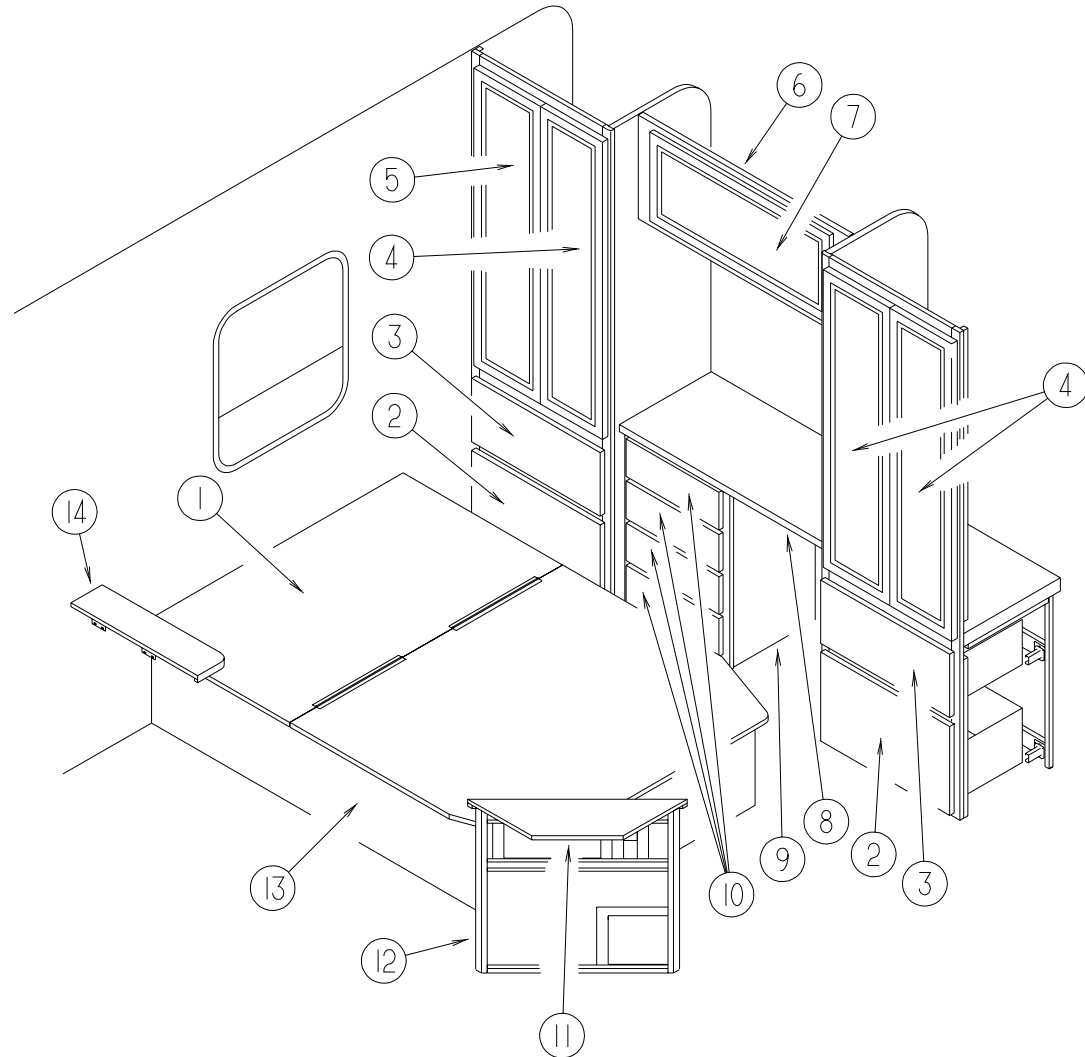
# BEDROOMGROUP(CONTINUED)

## TWINBEDCABINERY



KEY	PARTNUMBER	U/M	DESCRIPTION
1	P18690-01-H30	EA	CABINET-BASE-TWINBED/RIGHTHAND-W/ODOORS/DRAWERS/HDW
	107796-05-000	EA	BRACKET-SUPPORT-GASSPRINGTOBED-FLAT(LOWER)
	107796-06-000	EA	GASSPRING-12"COMPRESSED/20"EXTENDED-120LB.
	107796-07-000	EA	BRACKET-SUPPORT-GASSPRINGTOBED-ANGLE(UPPER)
	091952-01-000	EA	CLIP-GRIPPER
	097872-04-000	EA	DOWEL-WOOD,1.00DIAX1.38LG
	091261-01-000	FT	SLIPNOT-ANTISLIP-1"WIDE(100'ROLL)
2	M05971-M3-H30	EA	DRAWER-OGEEEDGE-19.9"X11.8"W/OSLIDES/HARDWARE
3	118679-02-H30	EA	CABINET-NIGHTSTAND-W/ODOORS/DRAWERS/HARDWARE
3	118679-02-H31	EA	CABINET-NIGHTSTAND-W/ODOORS/DRAWERS/HARDWARE
4	118679-12-H10	EA	COUNTERTOP-NIGHTSTAND(H30)
4	118679-12-H31	EA	COUNTERTOP-NIGHTSTAND(H31)
5	110004-01-H30	EA	CABINET-OVERHEAD-REARRIGHTHAND-W/ODOORS/HARDWARE
6	M06803-41-H30	EA	DOOR-MITEREDCORNER/OGEEEDGE-15.7"X20.4"-W/OHDW
6	M06803-B1-H30	EA	DOOR-MITEREDCORNER/OGEEEDGE-15.7"X20.4"-W/OHDW
7	123051-01-H30	EA	CABINET-SHIRT-CLOSET/RIGHTREAR-W/ODOORS/DRAWERS/HDW
8	M06803-F0-H30	EA	DOOR-MITEREDCORNER/OGEEEDGE-20.6"X36.4"-W/OHDW
9	110004-02-H30	EA	CABINET-OVERHEAD-REARLEFTHAND-W/ODOORS/HARDWARE
10	109578-04-H30	EA	CABINET-OVERHEAD,LEFTREAR-W/ODRS/DWRS/HARDWARE
10	109578-04-H31	EA	CABINET-OVERHEAD,LEFTREAR-W/ODRS/DWRS/HARDWARE
	109908-09-H30	EA	ENDCAP-OVERHEADCABINET
11	M06803-B1-H30	EA	DOOR-MITEREDCORNER/OGEEEDGE-15.7"X20.4"-W/OHDW
12	M06803-E9-H30	EA	DOOR-MITEREDCORNER/OGEEEDGE-12"X47.9"-W/OHDW
13	P18689-01-H30	EA	CABINET-BASE-TWINBED/LEFTHAND-W/ODOORS/DRAWER/HDW
14	109578-03-H30	EA	CABINET-OVERHEAD,RIGHTREAR-W/ODRS/DRWS/HARDWARE
14	109578-03-H31	EA	CABINET-OVERHEAD,RIGHTREAR-W/ODRS/DRWS/HARDWARE
	109908-08-H30	EA	ENDCAP-OVERHEADCABINET
15	112831-01-H30	EA	CABINET-SHIRT-CLOSET/RIGHTHAND-W/ODOORS/HARDWARE
16	M06803-F3-H30	EA	DOOR-MITEREDCORNER/OGEEEDGE-12"X40"-W/OHARDWARE
	042438-01-000	EA	DOWEL-WOOD-CLOTHESROD-1"DIAMETERX4'
	009112-01-000	EA	FLANGE-1"CLOTHESROD-OFFWHITEPLASTIC
17	118680-12-H11	EA	COUNTERTOP-NIGHTSTAND(H30)
17	118680-12-G28	EA	COUNTERTOP-NIGHTSTAND(H31)
18	M05971-U4-H30	EA	DRAWER-OGEEEDGE,9.4"X23.6"W/OSLIDES/HARDWARE
19	P18680-02-H30	EA	CABINET-NIGHTSTAND/RIGHTHAND-W/ODOORS/DRAWERS/HDW
19	P18680-02-H31	EA	CABINET-NIGHTSTAND/RIGHTHAND-W/ODOORS/DRAWERS/HDW
	084357-02-H30	EA	TVSTAND-FOLDDOWNW/MIRROR
	058331-14-000	EA	MIRROR-SAFETYGLASS-14"X12.7"
	084356-08-000	EA	INSERT-TVSTAND-W/SUPPORTHINGE
	084412-01-000	EA	SUPPORT/HINGEKIT(LEFT&RIGHTHINGES)
	084451-01-000	EA	CATCH-BRASS

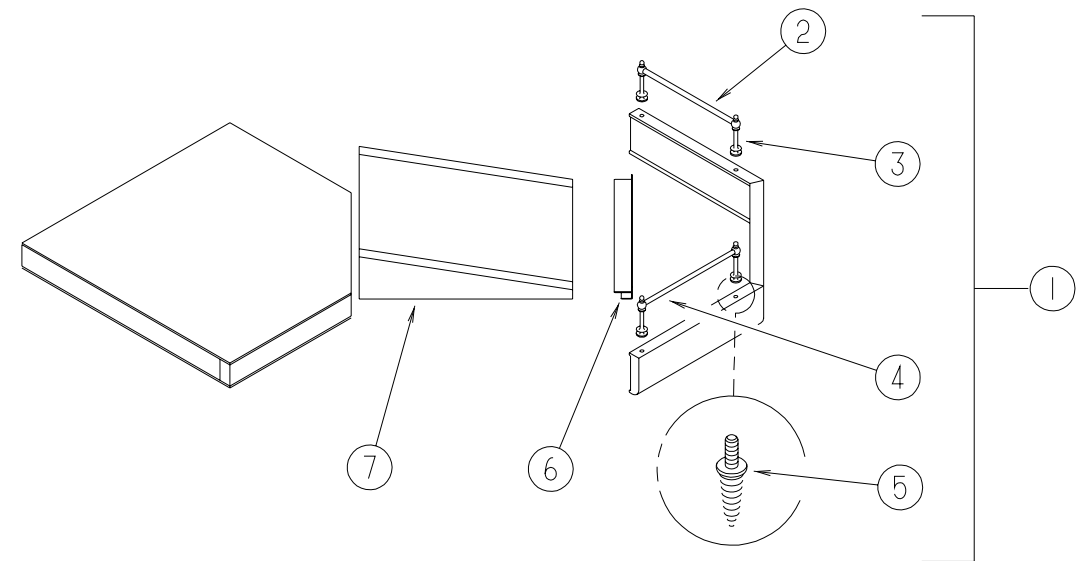
**BEDROOMGROUP(CONTINUED)**



**DOUBLEBEDCABINTRY**

KEY	PARTNUMBER	U/M	DESCRIPTION
1	091261-01-000	FT	SLIPNOT-ANTISLIP-1"WIDE(100'ROLL)
	107796-05-000	EA	BRACKET-SUPPORT-GASSPRINGTOBED-FLAT(LOWER)
	107796-06-000	EA	GASSPRING-12"COMPRESSED/20"EXTENDED-120LB.
	107796-07-000	EA	BRACKET-SUPPORT-GASSPRINGTOBED-ANGLE(UPPER)
	097872-04-000	EA	DOWEL-WOOD,1.00DIA X1.38LG
2	M05971-T3-H30	EA	DRAWER-OGEEEDGE-21.8"W X13.8"D-W/OSLIDES/HARDWARE
3	M05971-T4-H30	EA	DRAWER-OGEEEDGE-21.8"W X13.8"D-W/OSLIDES/HARDWARE
4	M06803-R8-H30	EA	DOOR-MITEREDCORNER/OGEEEDGE-12" X48"-W/OHARDWARE
5	M06803-66-H30	EA	DOOR-MITEREDCORNER/OGEEEDGE12" X50" W/OHDW
	009112-01-000	EA	FLANGE-1"CLOTHESROD-OFFWHITEPLASTIC
	042438-01-000	EA	DOWEL-WOOD-CLOTHESROD-1"DIAMETER X4'
6	118677-01-H30	EA	CABINET-REAROVERHEAD-W/ODOORS/HARDWARE
6	118677-01-H31	EA	CABINET-REAROVERHEAD-W/ODOORS/HARDWARE
7	M06803-P5-H30	EA	DOOR-MITEREDCORNER/OGEEEDGE14.3" X33.4" W/OHDW
7	M06803-P4-H30	EA	DOOR-MITEREDCORNER/OGEEEDGE14.3" X33.4" W/OHDW(EXPORT)
8	118676-12-H11	EA	COUNTERTOP-VANITY(H30)
8	118676-12-G28	EA	COUNTERTOP-VANITY(H31)
9	P18676-02-H30	EA	CABINET-VANITY-W/ODOORS/DRAWERS/HARDWARE
9	P18676-02-H31	EA	CABINET-VANITY-W/ODOORS/DRAWERS/HARDWARE
10	M05971-T5-H30	EA	DRAWER-OGEEEDGE-15.4"W X13.8"D-W/OSLIDES/HARDWARE
11	120071-12-H11	EA	COUNTERTOP-CORNERCABINET(H30)
11	120071-12-H28	EA	COUNTERTOP-CORNERCABINET(H31)
12	120071-02-H30	EA	CABINET-CORNER-W/ODOORS/DRAWERS/HARDWARE
12	120071-02-H31	EA	CABINET-CORNER-W/ODOORS/DRAWERS/HARDWARE
13	P19644-02-H30	EA	CABINET-BASE-DOUBLEBED-W/ODOORS/DRAWERS/HARDWARE
14	116842-02-G25	EA	SHELF-DOUBLEBED-W/OHARDWARE(H30)
14	116842-02-G05	EA	SHELF-DOUBLEBED-W/OHARDWARE(H31)

**BEDROOMGROUP(CONTINUED)**



**TVSHELF-QUEENBEDROOM**

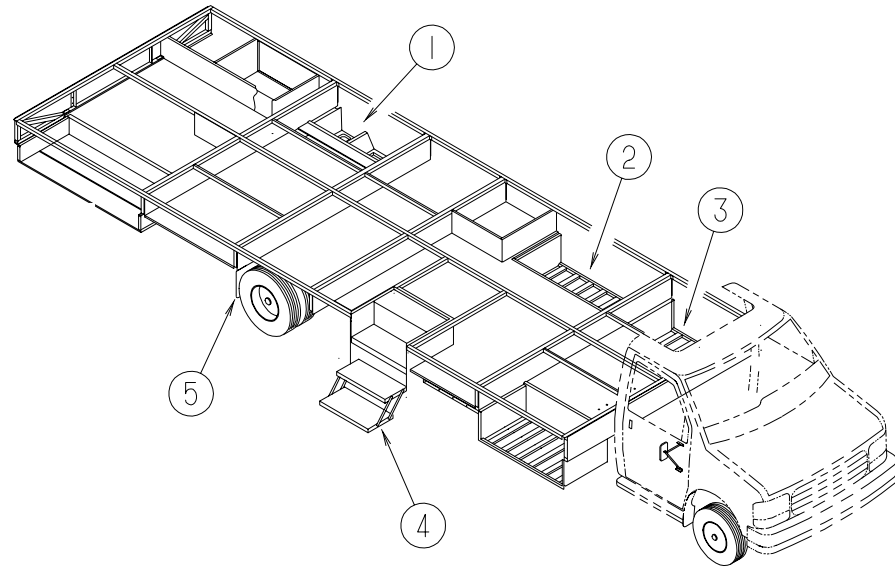
KEY	PARTNUMBER	U/M	DESCRIPTION
1	116553-03-H30	EA	CABINET-TV SHELF-W/BRASSRODS/POSTENDS
2	084071-12-000	EA	ROD-BRASS-4.08"LONG
	084071-19-000	EA	ROD-BRASS-7.8"LONG
3	084070-02-000	EA	POST-END-2.4"-BRASS
			FROM: 00-00-00 THRU: 07-14-96
3	084070-03-000	EA	POST-END-BRASS
			FROM: 07-15-96 THRU: 99-99-99
4	106166-01-000	EA	BOLT-COLLARED HANGER
5	105247-01-000	EA	INSERT NUT-8-32 THD X .394 LG
6	103186-01-05A	FT	MOLDING-PLASTIC-SHELF
7	116553-15-H30	EA	WEDGE-TV SHELF

**BEDROOMFOLDINGDOOR**

KEY	PARTNUMBER	U/M	DESCRIPTION	VENDOR NO.
	094856-10-01A	EA	TRACK-DOOR,FOLDINGO/W	
	042488-10-000	EA	DOOR-FABRICFOLDING-37" X75"-OFFWHITE	
	042488-04-700	EA	LATCH&CATCHASM.LEADEDGE	DW-21632
	042488-10-700	EA	LEADRAIL-PREPUNCHED/FHANDLE	DW2100
	080224-01-703	EA	HANDLEW/LATCH-CATCH,ALMOND	NE03505
	080224-01-705	EA	LATCH&CATCHASM.,ALMOND	DE25010&DE25020



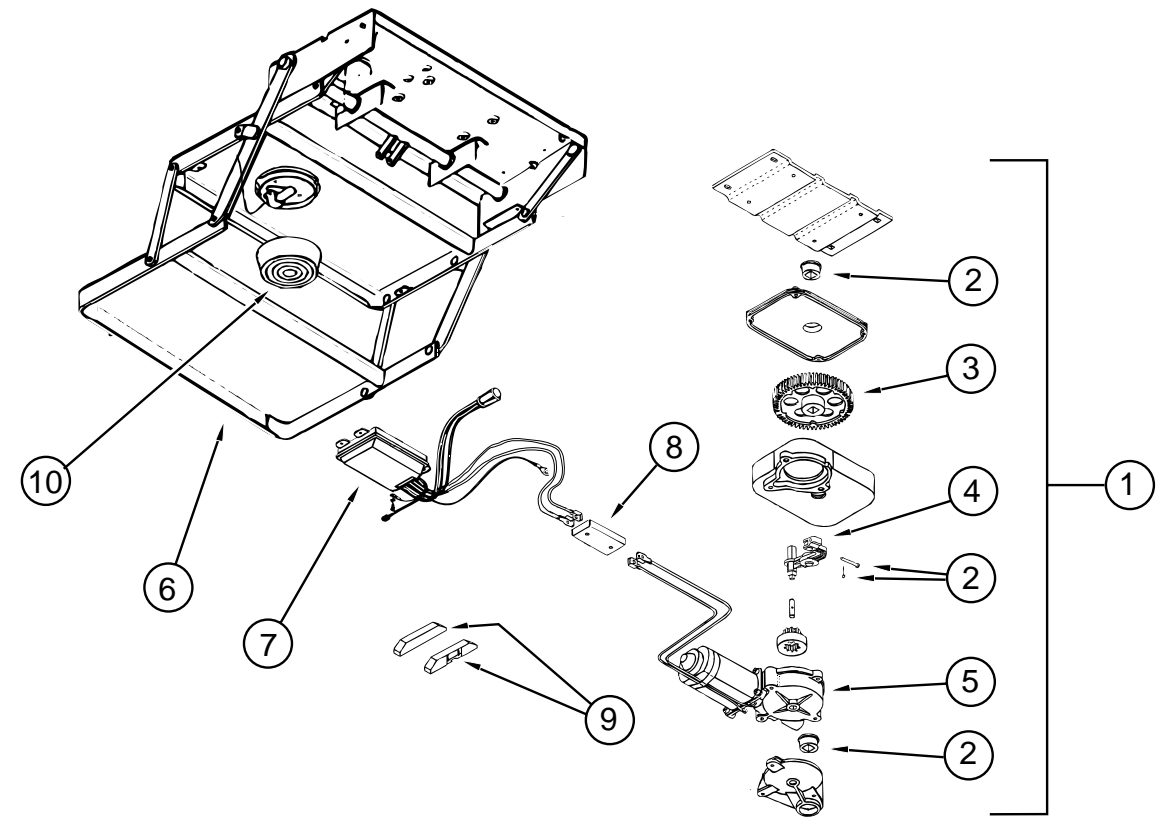
## CHASSISGROUP



### COMPARTMENTS, PLUGS & SEALS

KEY	PARTNUMBER	U/M	DESCRIPTION
1	116926-02-01A	EA	COMPARTMENT-SEWER&110VPOWERCORD
	M06991-02-FQ0	EA	HATCH-W/FOAMINSULATION(110POWER)
	M06991-04-FB1	EA	HATCH-W/FOAMINSULATION(WATERORSEWER)
	121175-01-01A	EA	LATCH-SWELL-BLACK
2	117928-01-01A	EA	COMPARTMENT-STORAGE
	093873-01-01A	EA	TRIM-CARPET-L-ANGLE 1.1" X 1.3" X 12' - GRAY VINYL
3	117928-06-01A	EA	COMPARTMENT-STORAGE
4	094707-01-01A	EA	STEP-DOUBLE-ELECTRIC-KWIKEE
5	017516-01-000	EA	FLAP-MUD-14" X 18" - BLACK
	065450-05-000	EA	TIEDOWNBATTERY-8.4" TUBE
	084993-01-000	EA	STRAP-BATTERY
	121948-01-000	EA	SHIELD-SIGHT
	119845-01-01A	EA	PLUG-PLASTIC-BLACK
	115361-01-01A	EA	PLUG-PLASTIC
	056746-01-000	EA	PLUG-CAP-1" DIAMETER
	056748-01-000	EA	PLUG-CAP-1.5" DIAMETER
	112864-01-000	FT	FOAM-BUTYL COVERED 3/8"

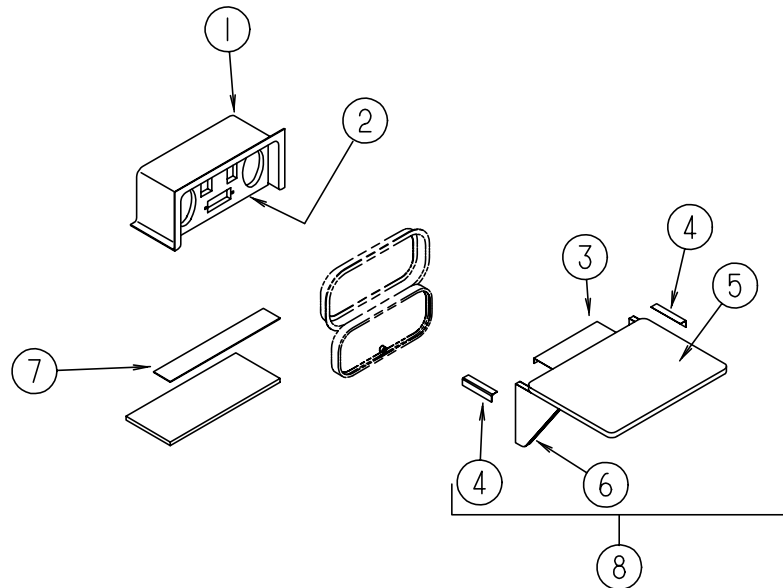
## CHASSISGROUP(CONTINUED)



### STEP ASSEMBLY

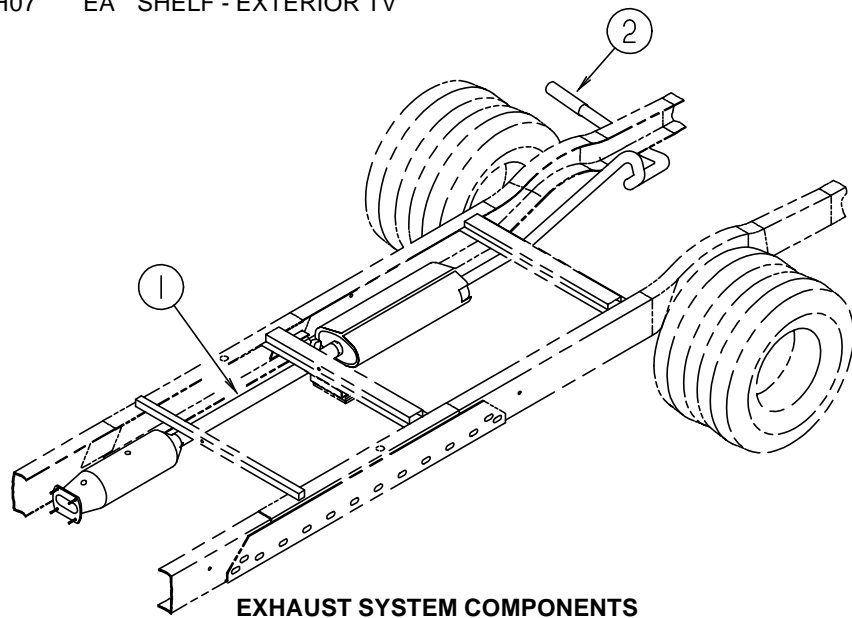
KEY	PARTNUMBER	U/M	DESCRIPTION	VENDOR NO.
1	094707-01-01A	EA	STEP-DOUBLE-ELECTRIC-KWIKEE	
2	094707-02-703	EA	BEARING&PINS	909530
3	094707-02-702	EA	GEAR KIT, W/BEARINGS, PIN-CASE	909525
4	094707-02-701	EA	LINKAGE ASM. W/BEARINGS-PINS	909534
5	094707-02-700	EA	MOTOR ASM., W/BEARINGS&PINS	909520
6	094707-01-702	EA	FRAME W/DBL STEP, 3200 SERIES	908032
7	094707-02-705	EA	CONTROL UNIT, WHITE	909513
8	094707-02-704	EA	CONNECTOR-MOTOR ASM. W/PLATES	909537
	094707-02-707	EA	TREAD-NONSKID, BLACK 6" X 21"	909333
9	116995-01-000	EA	SWITCH/MAGNET-STEP-ELECTRIC-KWIKEE-905306	
10	088746-01-705	EA	LIGHT-UNDERSTEP	9004
	088733-01-700	EA	BULB	9004
	091176-01-000	EA	SUPPORT-BASE-ENTRANCE STEP	

### CHASSIS GROUP (CONTINUED)



#### ENTERTAINMENT COMPARTMENT

KEY	PART NUMBER	U/M	DESCRIPTION
1	104897-02-02A	EA	BOX - EXTERIOR ENTERTAINMENT CENTER
2	104899-01-C05	EA	PLATE - RADIO MOUNTING
3	105377-01-01A	EA	BRACKET - TABLE HANGER
3	105377-01-04A	EA	BRACKET - TABLE HANGER
			FROM: 00-00-00 THRU: 01-05-97
4	105376-01-02A	EA	HINGE - CONTINUOUS - 2" X 5.5"
			FROM: 01-06-97 THRU: 99-99-99
4	105376-01-03A	EA	HINGE - CONTINUOUS - 2" X 5.5"
			FROM: 00-00-00 THRU: 01-05-97
			FROM: 01-06-97 THRU: 99-99-99
5	105230-11-E01	EA	SHELF - EXTERIOR ENTERTAINMENT CENTER - W/O HARDWARE
6	105230-13-H07	EA	SUPPORT ASM
7	104898-01-02A	EA	PLATE - PLASTIC BOTTOM
8	105230-03-H07	EA	SHELF - EXTERIOR TV



#### EXHAUST SYSTEM COMPONENTS

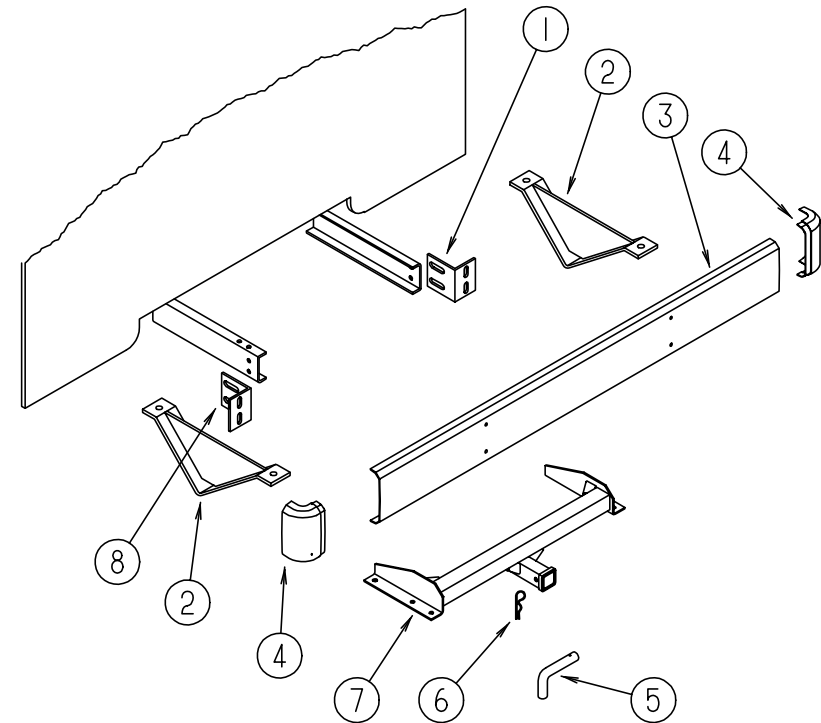
KEY	PART NUMBER	U/M	DESCRIPTION
1	111478-02-000	EA	EXHAUST PIPE - DOUBLE WALL STAINLESS STEEL - 33.9" LONG - GAS
	094918-06-000	EA	CLAMP - EXHAUST - 3" - HEAVY DUTY - GAS
1	098762-13-000	EA	PIPE - EXHAUST - STRAIGHT - 3.5" - DIESEL
	094918-02-000	EA	CLAMP - EXHAUST - 3.5" - DIESEL
2	098672-18-000	EA	PIPE - EXHAUST - STRAIGHT

FROM: 10-14-96 THRU: 99-99-99

### CHASSIS GROUP (CONTINUED)

#### DRIVESHAFT & BRAKE LINE FLARE UNION

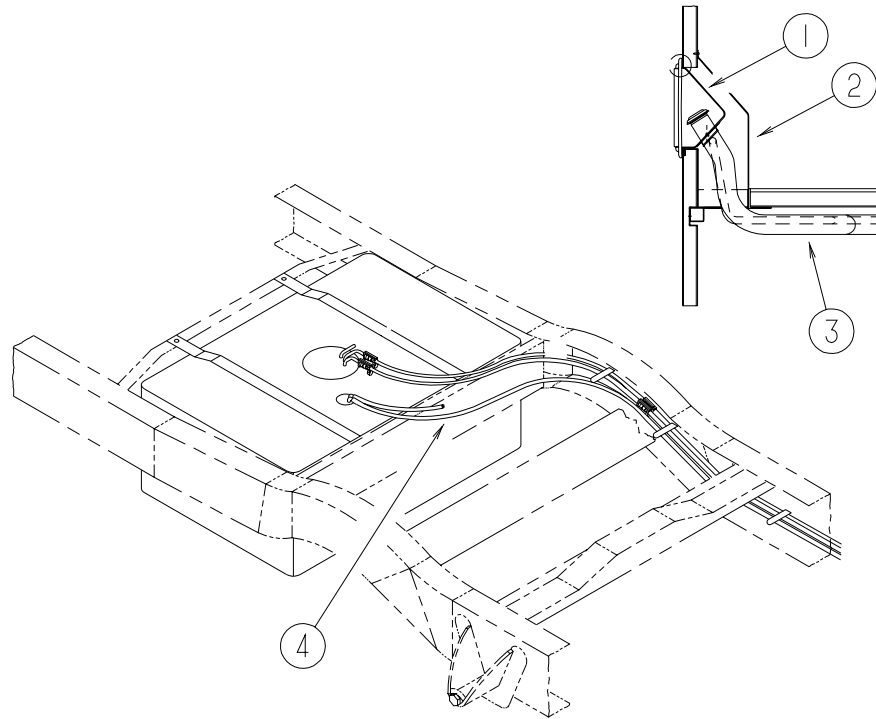
KEY	PART NUMBER	U/M	DESCRIPTION
	103653-10-000	EA	DRIVESHAFT - BALANCED PAIR - 190" WB - DIESEL ENGINE
	115043-02-000	EA	BUSHING - INCREASE - 2.5 OD - 3.5 OD
	074833-01-000	EA	SPACER - BEARING - DRIVESHAFT - 2" X 8" X .5" THICK
	085771-03-000	EA	NUT - HEX - FLARE TORQUE - GRADE G - DRIVESHAFT
	088498-01-000	EA	UNION - INVERTED FLARE - BRASS - 3/16 - 3/8 - 24THD
	103653-16-000	EA	DRIVESHAFT - BALANCED PAIR - 190" WB - GAS ENGINE



#### REAR BUMPER & HITCH

KEY	PART NUMBER	U/M	DESCRIPTION
1	104420-01-000	EA	SUPPORT/ANGLE - REAR BUMPER
2	083376-01-000	EA	PLATE/SKID - 13.2" X 6" X 2" STEEL
3	103099-05-02A	EA	BUMPER - REAR - BRIGHT WHITE
	105933-01-000	EA	BRACKET - BUMPER - REAR/RIGHT HAND
	105933-02-000	EA	BRACKET - BUMPER - REAR/LEFT HAND
4	106147-01-02A	EA	CAP-END - BUMPER - BLACK
5	034512-01-000	EA	PIN - LOCKING - DRAWBAR
6	034513-01-000	EA	PIN - HITCH - 3/16" WIRE
7	107707-08-000	EA	HITCH RECEIVER - BOLT-ON CLASS II
8	104420-02-000	EA	SUPPORT/ANGLE - REAR BUMPER
	097744-02-000	EA	HOUSING - TRAILER PIN - 48"
	097745-02-000	EA	HOUSING - RECEPTACLE - TRAILER - 48' WIRE LENGTH
	113634-01-000	EA	WIRE ASSEMBLY - TRAILER ADAPTER
	113589-02-000	EA	CONNECTOR - SOCKET - TRAILER
	113589-01-000	EA	CONNECTOR - PLUG - TRAILER
	113588-02-01B	EA	BRACKET - CONNECTOR - TRAILER W/O LIP
	070579-09-000	EA	PLATE - ANCHOR

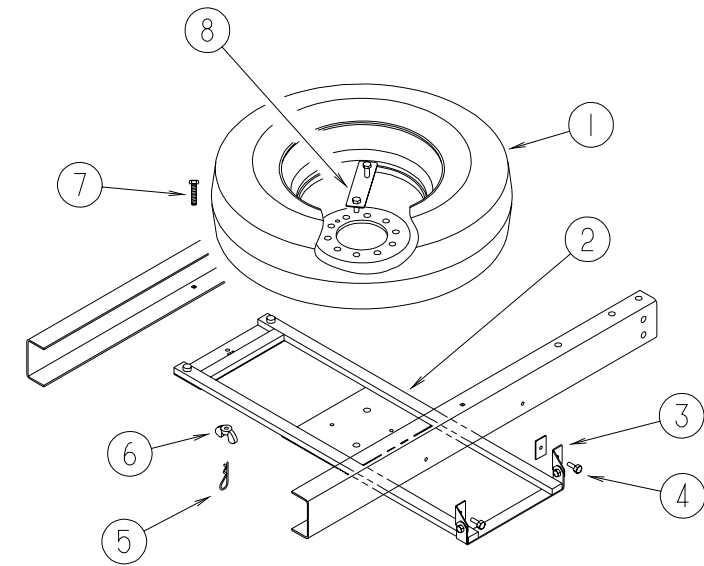
## CHASSISGROUP(CONTINUED)



### FUELSYSTEMCOMPONENTS

KEY	PARTNUMBER	U/M	DESCRIPTION
1	095854-01-04A	EA	SHROUD-FUELFILL-BRIGHTWHITE
2	078040-06-000	EA	SHROUD-FUELFILL,UPPER
3	117934-01-000	EA	NECK-FILLER,FUELFILL -BAUERWELDUNLEAD FROM: 00-00-00 THRU: 10-13-96
3	124994-01-000	EA	NECK-FILLER-FUELFILL FROM: 10-14-96 THRU: 99-99-99
3	117934-02-000	EA	NECK-FILLER,FUELFILL-BAUERWELDDIESEL
	078200-01-000	EA	GASKET-FUELFILL-3.5"ODX2"ID
4	007063-01-000	FT	HOSE-FUEL 1/4"IDX 1/2"OD
	044317-01-000	FT	HOSE-FUEL-3/8"ID FROM: 00-00-00 THRU: 10-14-96
	125187-03-000	EA	HOSE-FUEL-11.1"ID-LOWPERM FROM: 10-15-96 THRU: 99-99-99
	125187-04-000	EA	HOSE-FUEL-12.7"ID-LOWPERM FROM: 10-15-96 THRU: 99-99-99
	084884-01-000	EA	PLUG-BRASS-3/8"

## CHASSISGROUP(CONTINUED)



### SPARETIRE

KEY	PARTNUMBER	U/M	DESCRIPTION
1	070917-06-000	EA	TIRE-LT225/75R16E-R4S-M/S
1	083617-03-000	EA	WHEEL-STEEL-16.0X6
2	116348-01-02B	EA	CRADLE-SPARETIRE-E-COATED
3	116349-01-02B	EA	BRACKET/HINGE-SPARETIRE-E-COATED
4	000C26-06-12B	EA	BOLT-HEX-SERFLANGE-3/8-16X3/4-ZINC
4	000E13-17-00B	EA	WASHER-FLANGE-3/8"ARZINC
4	000D34-06-00B	EA	NUT-HEX,LK-3/8-16GRADECZN-PREVAILINGTORQUE
5	034513-01-000	EA	PIN-HITCH-3/16"WIRE
6	064081-03-000	EA	NUT-WING,3/8-16,W/WELDNUT
7	000C18-06-56A	EA	BOLT-ELEVATOR-3/8-16X3 1/2-GRADE5
8	116338-02-02B	EA	BRACKET/CLAMP-SPARETIRE-E-COATED
8	000D29-09-00B	EA	NUT-HEX-SELFLOCKING-9/16-12-ZINC
	112358-01-000	EA	WRENCH-LUG-7/8"-L-SHAPE
	115580-01-000	EA	STRAP-SPARETIRE

### WHEELLINERS&COVERS

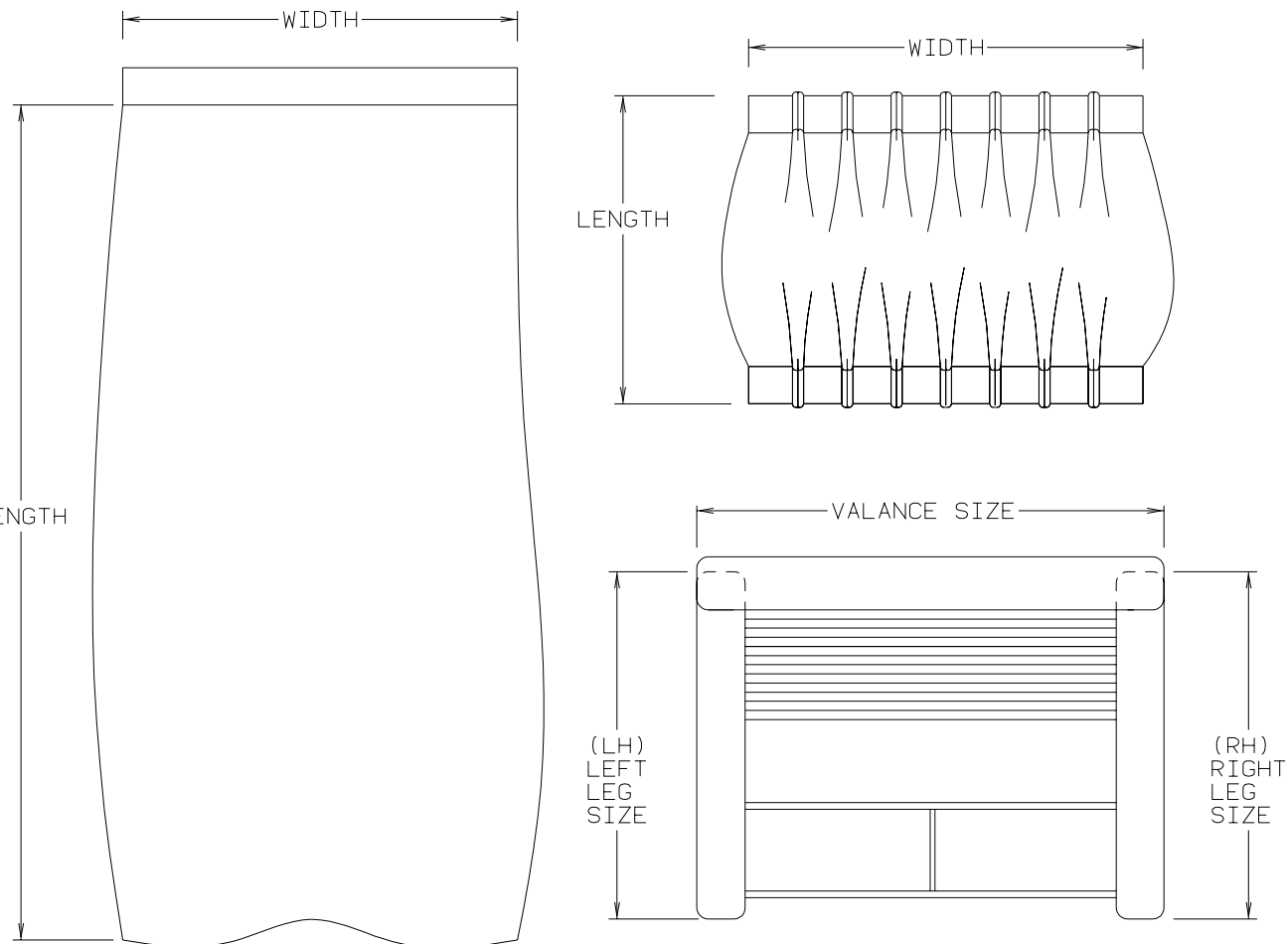
KEY	PARTNUMBER	U/M	DESCRIPTION	VENDORNO.
	110435-02-000	EA	LINER-WHEEL,SET4E350 DICORV160F2	
	110435-01-711	EA	DECAL-CENTERCAP,2"	2"DECAL
	110435-02-700	EA	LINER-WHEEL,FRONT	V160F2-FWC
	110435-02-701	EA	LINER-WHEEL,REAR	V160F2-RWC
	110435-02-702	EA	STUDEXTENDER	V160SD-STX
	110435-02-703	EA	NUT(JAMB)	V160SD-JNT
	110435-02-704	EA	COVER-LUGNUT	V160F0-LNC
	110435-02-705	EA	TOOLF/JAMBNUT,INSTALL.	V160FO-TOL
	095012-05-000	EA	EXTENSION-VALVESTEM-LIVE5"	
	095012-06-000	EA	STABLIZER-VALVE-EXTENSION-L	

## CURTAIN&CUSHIONGROUP

### NOTICE

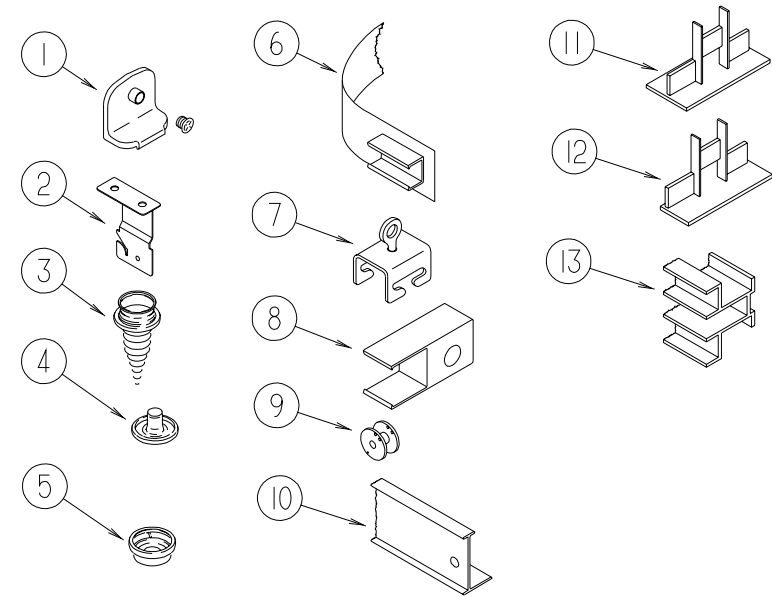
INORDERTOASSISTOURPARTSSALESDEPT.INPROVIDINGINTERIORSOFTWAREITEMS, PLEASEINCLUDETHESERIALNUMBERANDTHECOLORCODENUMBERFROMTHEVEHICLE CERTIFICATIONLABELWHENORDERING. THISLABELISLOCATEDONTHELEFTSIDEWALL ATTHEENDOFTHEDASH(A-BODY),ORONTHEDRIVER'SDOORLATCHPLATE(C-BODY).

ANEXAMPLEOFACOLORCODENUMBERISB07,WHICHDESIGNATESANOVERALLCOLOR SCHEMEOFPARTICULARUNIT. THECOLORLISTEDAFTERTHEITEMDESCRIPTIONONTHE MICROFICHE,INDICATESTHEOVERALLUNITCOLOR. ORDERTHEITEMYOUDESIREACCORD- INGTOUNITCOLORCODE.



NOTE:USETHISILLUSTRATIONWHENDETERMININGLENGTHANDWIDTHMEASUREMENTSFOR CURTAINS. YOUWILLNOTETHIEWIDTHMEASUREMENTISTAKENONTHE TOP OF THE CURTAIN WITH THE CURTAIN FULLY EXTENDED. THE LENGTH MEASUREMENT IS TAKEN FROM TOP TO BOTTOM. LEFT AND RIGHT WINDOW LEGS ARE DETERMINED WHEN FACING THE WINDOW.

## CURTAIN&CUSHIONGROUP(CONTINUED)

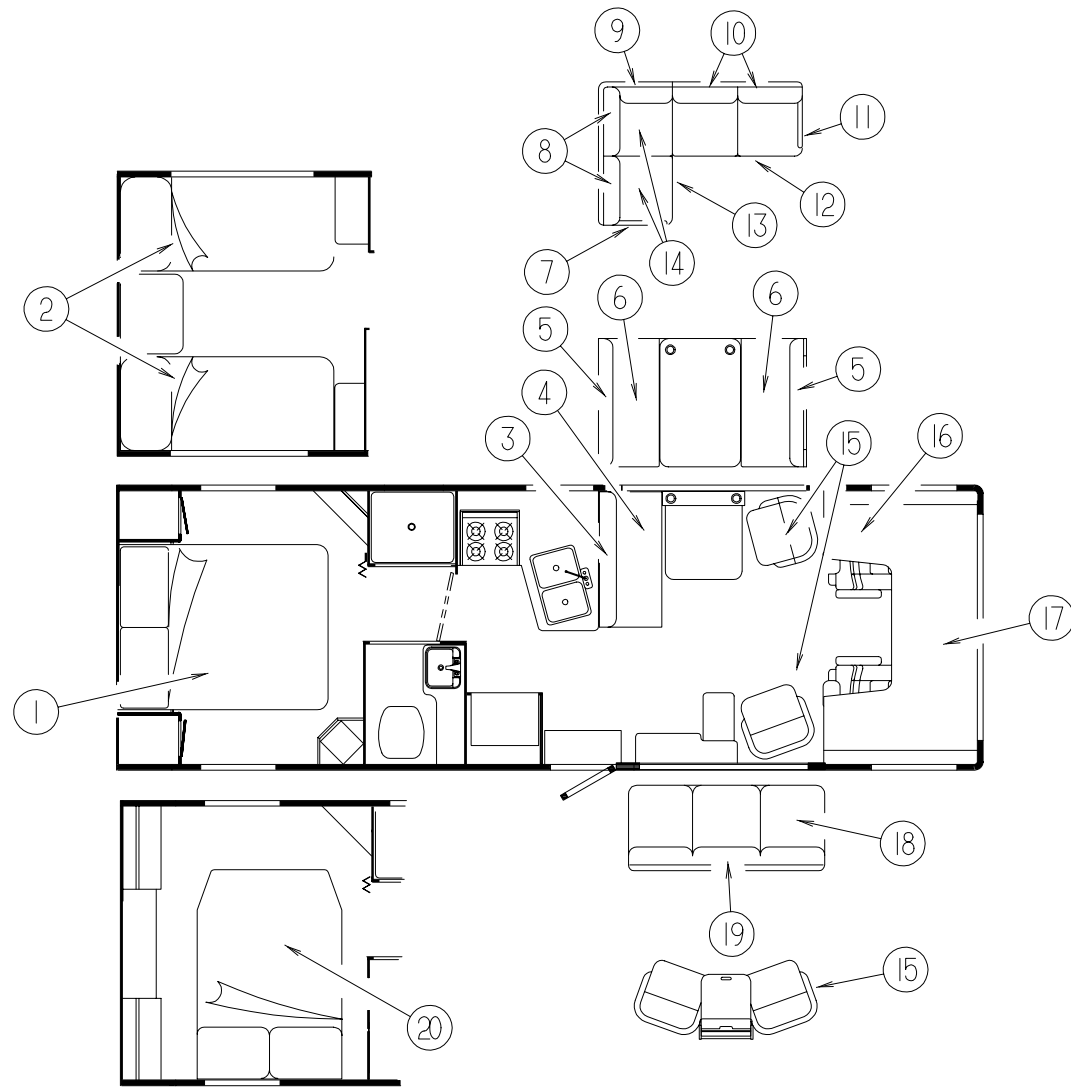


### CURTAIN&BLINDHARDWARE

KEY	PARTNUMBER	U/M	DESCRIPTION
1	106544-01-000	EA	PULL-SHADE/BRASS
	106544-01-001	EA	SCREW-SHADE/BRASS
2	084434-01-000	EA	BRACKET-MOUNTING,ROLLERSHADE-13/8"
3	029130-01-000	EA	SCREW-SNAP SOCKET-8PHX5/8"
4	029155-01-000	EA	CAP-SNAP-NICKEL
5	029156-01-000	EA	SOCKET-SNAPFASTENER-NICKEL
6	101031-01-000	YD	TAPE-GLIDE/CURTAIN-4.25"SPACING
7	009702-01-000	EA	ENDSTOP-CURTAINCARRIER-LROD
8	101033-02-000	EA	ENDCAP-TRACK-CLEAR
9	097592-01-000	EA	SPOOL-CORD-ELEVATEDBLINDHOLDUP-CLEARPLASTIC
10	009700-04-002	EA	TRACK-L-SHAPED195.2"-OFFWHITE
11	094907-02-000	EA	ENDCAP-TOP/PLEATEDBLIND-PLASTIC-GRAY
12	094907-04-000	EA	HARDWARE-ENDCAPBOTTOM-PULLTYPE(RH&LH)
	094907-04-701	EA	ENDCAP-LHBOTTOMBLIND
	094907-04-700	EA	ENDCAP-RHBOTTOMBLIND
13	101033-04-000	EA	TRACK-WALL-3'
13	101033-06-000	EA	TRACK-WALL-6.5'
13	101033-07-000	EA	TRACK-WALL-2.5'
	094896-02-000	EA	GROMMET-CORD/PLEATEDBLIND-NYLON-GRAY
	097564-01-000	EA	HANDLE-T-EZLIFTSHADE
	097565-01-000	EA	BRACKET-MOUNTING/PLEATEDBLIND
	097591-01-000	EA	SPRING-EXTENSION/PLEATEDBLIND
	046867-03-000	EA	GROMMET-HANDYBUTTON#3
	048394-02-000	YD	VELCROTAPE-HOOK-ADHESIVEBACK-.75"WIDE-BEIGE
	075943-10-000	EA	BRACE-VALANCE-20"
	076827-02-000	EA	BRACKET-LEG,2.9"X1.8"TRIANGLE-
	088792-01-000	YD	VELCRO-HOOK-.75"WIDE-BEIGE
	088792-02-000	YD	VELCROTAPE-LOOP-ADHESIVEBACKED-.75"WIDE-BEIGE
	096843-01-000	EA	SPRING-REWIND-ROLLERSHADE
	086276-01-000	EA	TAPE-DOUBLESIDED-1/2"(ONPULLSHADES)
	097593-02-000	FT	CORD-BLIND-PLEATED-DAWNGRAY

## CURTAIN&CUSHIONGROUP(CONTINUED)

### FORWARDFACINGCOUCH



KEY	PARTNUMBER	U/M	DESCRIPTION
3	115469-01-H30	EA	BACK-SOFA/BED-W/OARMS
3	114969-01-H31	EA	BACK-SOFA/BED
	115469-02-H30	EA	BACK-SOFA/BED-END-W/OARMS
	114969-02-H31	EA	BACK-SOFA/BED-RIGHTANDLEFTCUSHIONS
	P15469-02-H30	EA	COVER-END-BACK
	P14969-02-H31	EA	COVER-BACK-RIGHT/LEFTCUSHIONS-SOFA/BED
	115469-03-H30	EA	BED-FORWARDFACING/CENTERCUSHION-W/OARMS
	114969-03-H31	EA	BACK-COUCH/BED-CENTERCUSHION
	P15469-03-H30	EA	COVER-END-CENTER
	P14969-03-H31	EA	COVER-CENTERBACKCUSHION-SOFA/BED
4	114969-04-H30	EA	SEAT-SOFA/BED-W/OBACK
4	114969-04-H31	EA	SEAT-SOFA/BED-W/OBACK
	P14969-04-H30	EA	COVER-SEAT-SOFA/BED
	P14969-04-H31	EA	COVER-SEAT-SOFA/BED
	10416604H30	EA	PILLOW-14"X14"
	104166-04-H31	EA	PILLOW-14"X14"
	114763-01-000	EA	FRAME-FORWARDFACINGBASE
	114763-02-000	EA	FRAME-FORWARDFACINGSEAT
	114763-07-000	EA	FRAME-FORWARDFACINGLEGS-SOFA/BED
	117125-01-02B	EA	BRACKET-CABLEHOLDER-E-COAT
	114726-01-H30	EA	TRAY-BEVERAGE-W/OHARDWARE

**NOTE: COUCHFRONTANDSIDE PANELSARE FOUNDINTHE LOUNGE GROUP.**

### DINETTECUSHIONS

KEY	PARTNUMBER	U/M	DESCRIPTION
5	111897-05-H30	EA	CUSHION-BACK-13.5"X42"X5"
5	111897-05-H31	EA	CUSHION-BACK-13.5"X42"X5"
	P11897-05-H30	EA	COVER-BACK-13.5"X42"X5"
	P11897-05-H31	EA	COVER-BACK-13.5"X42"X5"
6	105603-15-H30	EA	CUSHION-SEAT-23"X42"X5"
6	105603-15-H31	EA	CUSHION-SEAT-23"X42"X5"
	P05603-15-H30	EA	COVER-SEAT-23"X42"X5"
	P05603-15-H31	EA	COVER-SEAT-23"X42"X5"
	078155-01-000	EA	STRAP-SNAP-BACKRESTCUSHION

### SECTIONALCOUCH

KEY	PARTNUMBER	U/M	DESCRIPTION
7	125471-01-H30	EA	ARMREST-RIGHTHAND
7	125471-01-H31	EA	ARMREST-RIGHTHAND
8	104655-03-H30	EA	CUSHION-BACK-SOFA/BED
8	104655-03-H31	EA	CUSHION-BACK-SOFA/BED
	P04655-03-H30	EA	COVER-BACKCUSHION
	P04655-03-H31	EA	COVER-BACKCUSHION
9	104655-04-H30	EA	CUSHION-CORNER-SOFA/BED
9	104655-04-H31	EA	CUSHION-CORNER-SOFA/BED
	P04655-04-H30	EA	COVER-CORNERCUSHION
	P04655-04-H31	EA	COVER-CORNERCUSHION
10	125060-01-H30	EA	BEDCOMPLETE-SOFA/BED
10	125060-01-H31	EA	BEDCOMPLETE-SOFA/BED
	P25060-01-H30	EA	COVER-SOFA/BED
	P25060-01-H31	EA	COVER-SOFA/BED
11	125471-02-H30	EA	ARMREST-LEFTHAND
11	125471-02-H31	EA	ARMREST-LEFTHAND
12	120992-06-H30	EA	COUCH-FRONT-FABRICCOVERED
12	120992-06-H31	EA	COUCH-FRONT-FABRICCOVERED
13	120992-05-H30	EA	COUCHFRONT-STATIONARY
13	120992-05-H31	EA	COUCHFRONT-STATIONARY
14	125059-01-H30	EA	SEAT-SOFA/BED-STATIONARY
14	125059-01-H31	EA	SEAT-SOFA/BED-STATIONARY
	P25059-01-H30	EA	COVER-SEAT-SOFA/BED
	P25059-01-H31	EA	COVER-SEAT-SOFA/BED

### QUEENBEDBEDSPREAD,PILLOW&MATTRESS

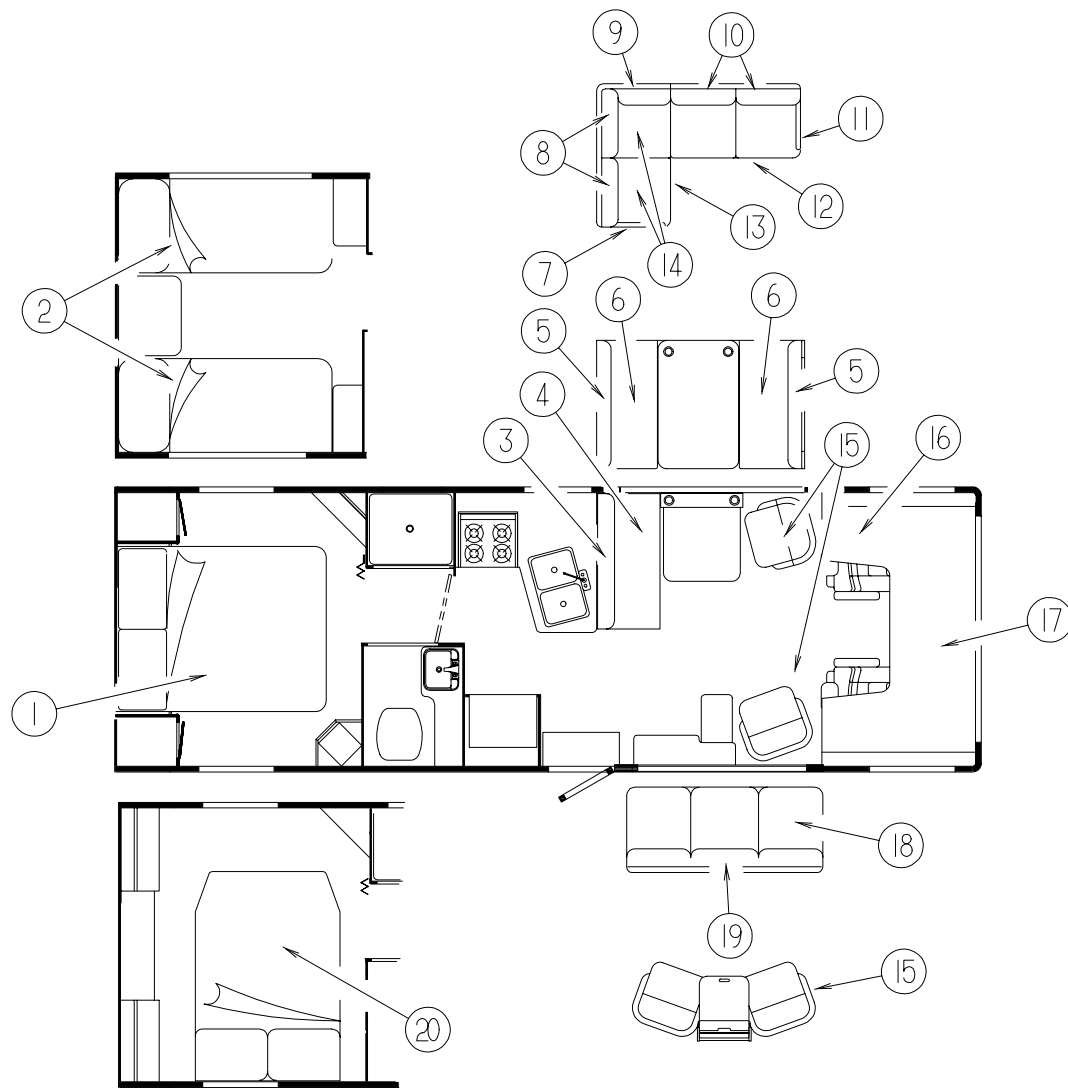
KEY	PARTNUMBER	U/M	DESCRIPTION
1	123015-06-000	EA	MATTRESS-INNERSPRING-60"X74.5"
	123471-01-H30	EA	BEDSPREAD/THROW-60"X75"(H30)
	123471-04-H27	EA	BEDSPREAD/THROW-60"X75"(H31)
	119555-01-H30	EA	PILLOWSHAM-20"X33"
	119555-01-H31	EA	PILLOWSHAM-20"X33"
	111862-07-H30	EA	PILLOW-15"X15"
	111862-07-H31	EA	PILLOW-15"X15"

### TWINBEDBEDSPREAD,PILLOW&MATTRESS

KEY	PARTNUMBER	U/M	DESCRIPTION
2	101123-29-000	EA	MATTRESS-FOAM-35"X74"
2	P01123-29-000	EA	COVER-MATTRESS-35"X74"
	123471-02-H30	EA	BEDSPREAD-THROW-36"X75"
	123471-02-H31	EA	BEDSPREAD-THROW-36"X75"
	119555-03-H30	EA	PILLOWSHAM
	119555-03-H31	EA	PILLOWSHAM
	111862-07-H30	EA	PILLOW-15"X15"
	111862-07-H31	EA	PILLOW-15"X15"

## CURTAIN&CUSHIONGROUP(CONTINUED)

### SECTIONALCOUCHCONTINUED



KEY	PARTNUMBER	U/M	DESCRIPTION
	123622-06-000	EA	FRAME-BASEWITHLEGS-44"
	123622-04-000	EA	FRAME-BACK-44"
	123622-05-000	EA	FRAME-SEAT-44"
	124366-01-000	EA	SOFA-RIGHTWOODARM-8'SECTIONAL
	124366-02-000	EA	SOFA-LEFTWOODARM-8'SECTIONAL
	123624-01-000	EA	FRAME-FIXED55"

### SWIVELCHAIR

KEY	PARTNUMBER	U/M	DESCRIPTION
15	115470-01-H30	EA	CHAIR-SWIVEL(H30)
15	115470-01-H10	EA	CHAIR-SWIVEL(H31)
	P15470-01-H30	EA	COVER-CHAIR(H30)
	P15470-01-H10	EA	COVER-CHAIR(H31)

### BUNKCUSHIONS

KEY	PARTNUMBER	U/M	DESCRIPTION
16	105573-10-H30	EA	CUSHION-OVERHEAD-REARBUNK-27"X23"X80"X5"(H30)
16	105573-10-H10	EA	CUSHION-OVERHEAD-REARBUNK-27"X23"X80"X5"(H31)
	P05573-10-H30	EA	COVER-OVERHEAD-REARBUNKCUSHION-27"X23"X80"X5"(H30)
	P05573-10-H10	EA	COVER-OVERHEAD-REARBUNKCUSHION-27"X23"X80"X5"(H31)
17	105573-09-H30	EA	CUSHION-OVERHEAD-FRONTBUNK-32.5"X80"X5"(H30)
17	105573-09-H10	EA	CUSHION-OVERHEAD-FRONTBUNK-32.5"X80"X5"(H31)
	P05573-09-H30	EA	COVER-OVERHEAD-FRONTBUNKCUSHION-32.5"X80"X5"(H30)
	P05573-09-H10	EA	COVER-OVERHEAD-FRONTBUNKCUSHION-32.5"X80"X5"(H31)
	079145-08-000	EA	CUSHION-BUNK-25"X74"X3.5'(FRONTENTERTAINMENTCENTER)
	M79145-08-000	EA	COVER-BUNKCUSHION-25"X74"X3.5'(FRONTENTERTAINMENTCENTER)
	094658-02-H30	EA	OAKHANDLE-SOLARMAPLE

### PASSENGERSIDECOUCH

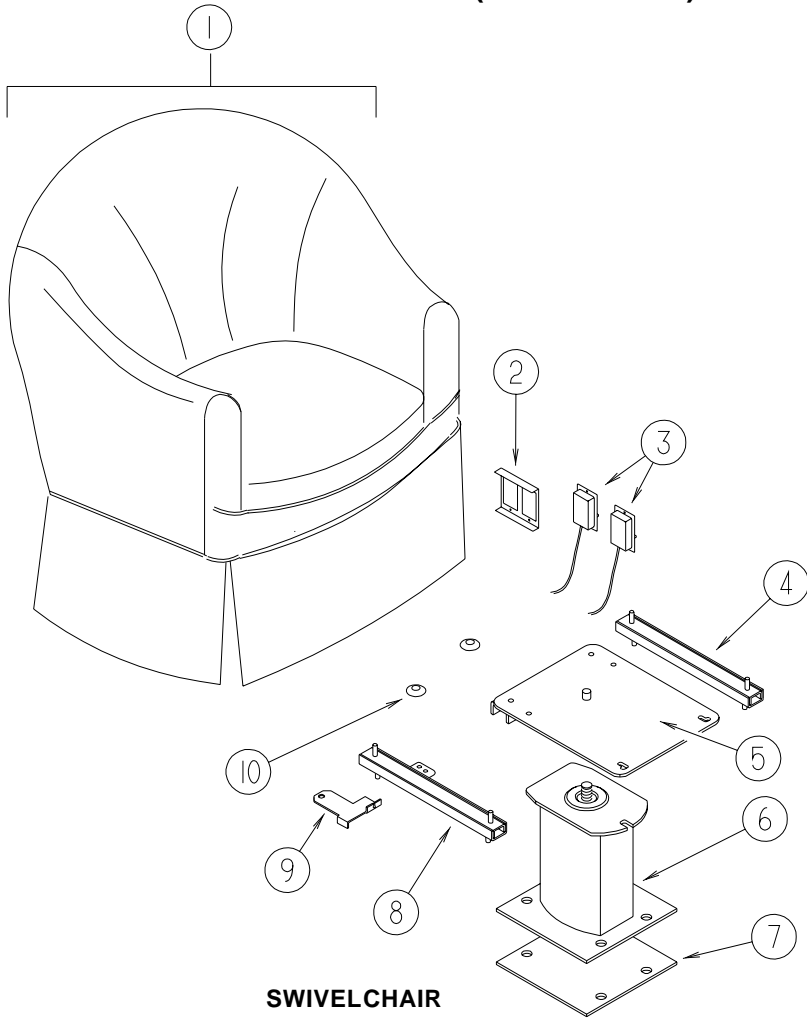
KEY	PARTNUMBER	U/M	DESCRIPTION
18	100032-37-H30	EA	SEAT-66.5"COUCH/BED-JACKKNIFEW/FRAME
18	100032-37-H31	EA	SEAT-66.5"COUCH/BED-JACKKNIFEW/FRAME
	P00032-37-H30	EA	COVER-SEAT-SOFA/BED-66.5"
	P00032-37-H31	EA	COVER-SEAT-SOFA/BED-66.5"
	101085-01-000	EA	FRAME-SOFASEAT-66.5"
	101085-03-000	EA	FRAME-SOFABASE-66.5"
19	112104-02-H30	EA	BACK-SOFA/BED-W/OARMS-66.5"
19	111319-03-H31	EA	BACK-SOFA/BED-W/FRAME-66.5"
	P12104-02-H30	EA	COVER-BACK-SOFA/BED-66.5"
	P11319-03-H31	EA	COVER-BACK-SOFA/BED-66.5"
	101085-09-000	EA	FRAME-BACK-SOFA/BACK-66.5"X16"
	104166-04-H30	EA	PILLOW-14"X14"
	104166-04-H31	EA	PILLOW-14"X14"
	120962-01-000	EA	BRACKET-QUICKRELEASECLAMP

**NOTE: COUCHFRONTANDSIDE PANELSARE FOUNDINTHE LOUNGE GROUP.**

### DOUBLEBEDBEDSPREAD,PILLOW&MATTRESS

KEY	PARTNUMBER	U/M	DESCRIPTION
20	101123-32-000	EA	MATTRESS-FOAM-54"X75"
	P01123-16-000	EA	COVER-MATTRESS-W/CUTCORNER-54"X74"X5"
	123471-03-H30	EA	BEDSPREAD-THROW-54"X75"
	123471-03-H31	EA	BEDSPREAD-THROW-54"X75"
	119555-02-H30	EA	PILLOWSHAM
	119555-02-H31	EA	PILLOWSHAM
	111862-07-H30	EA	PILLOW-15"X15"
	111862-07-H31	EA	PILLOW-15"X15"

**CURTAIN&CUSHIONGROUP(CONTINUED)**



**SWIVELCHAIR**

KEY	PARTNUMBER	U/M	DESCRIPTION
1	115470-01-H30	EA	CHAIR-SWIVEL(H30)
1	115470-01-H10	EA	CHAIR-SWIVEL(H31)
	P15470-01-H30	EA	COVER-CHAIR(H30)
	P15470-01-H10	EA	COVER-CHAIR(H31)
	P07977-01-H30	EA	COVER-SKIRT(H30)
	P07977-01-H10	EA	COVER-SKIRT(H31)
2	097683-02-000	EA	BRACKET-REMOTE/SIDEMOUNT-DOUBLE
3	108049-03-000	EA	CABLE/CONTROL25.5"SHEATH/28.5"CABLEW/DOGLEG
	108049-02-000	EA	CLIP-CABLE/PEDESTAL
4	119952-01-000	EA	SLIDE/SEAT-HEAVYDUTYNONLOCKING
5	107921-08-000	EA	TOPPLATE-PEDESTAL-W/OSEATBELTBAR
	107921-06-000	EA	BEARINGKIT-PEDESTAL
6	107921-01-000	EA	PEDESTAL/FLOORMOUNTED-W/9.75"EXTENSION
7	108445-02-000	EA	PLATE/FLOORMOUNTED-PEDESTALSEAT
8	119952-03-000	EA	SLIDE/SEAT-HEAVYDUTYLOCKING-2STUDS
9	117125-01-02B	EA	BRACKET-CABLEMOUNT-ADJUSTERW/LOCK
10	007221-01-000	EA	SPACER-SEAT/ADJUSTER
	114889-01-000	EA	STOPBAR-UNIVERSAL

**VINYLAASSISTHANDLE,BUTTONS,WELTING&SEATBELTS**

KEY	PARTNUMBER	U/M	DESCRIPTION
	007021-01-000	EA	SEATBELT-2"X90"-BLACK
	057759-01-000	EA	WASHERBRACKET-SEATBELT-4"DIAMETER
	079349-04-H27	YD	WELT-NARROW
	069178-02-000	EA	BRACKET-MOUNTING/ASSISTHANDLE
	000C16-07-16B	EA	BOLT-CARRIAGE-ASSISTHANDLE-7/16"-14X1"
	000D20-07-00B	EA	NUT-ACORN-ASSISTHANDLE-7/16-14
	053552-02-AA8	EA	HANDLE-ASSIST-INTERIOR/ENTRYDOOR-VINYLOFFWHITE

**CURTAIN&CUSHIONGROUP(CONTINUED)**

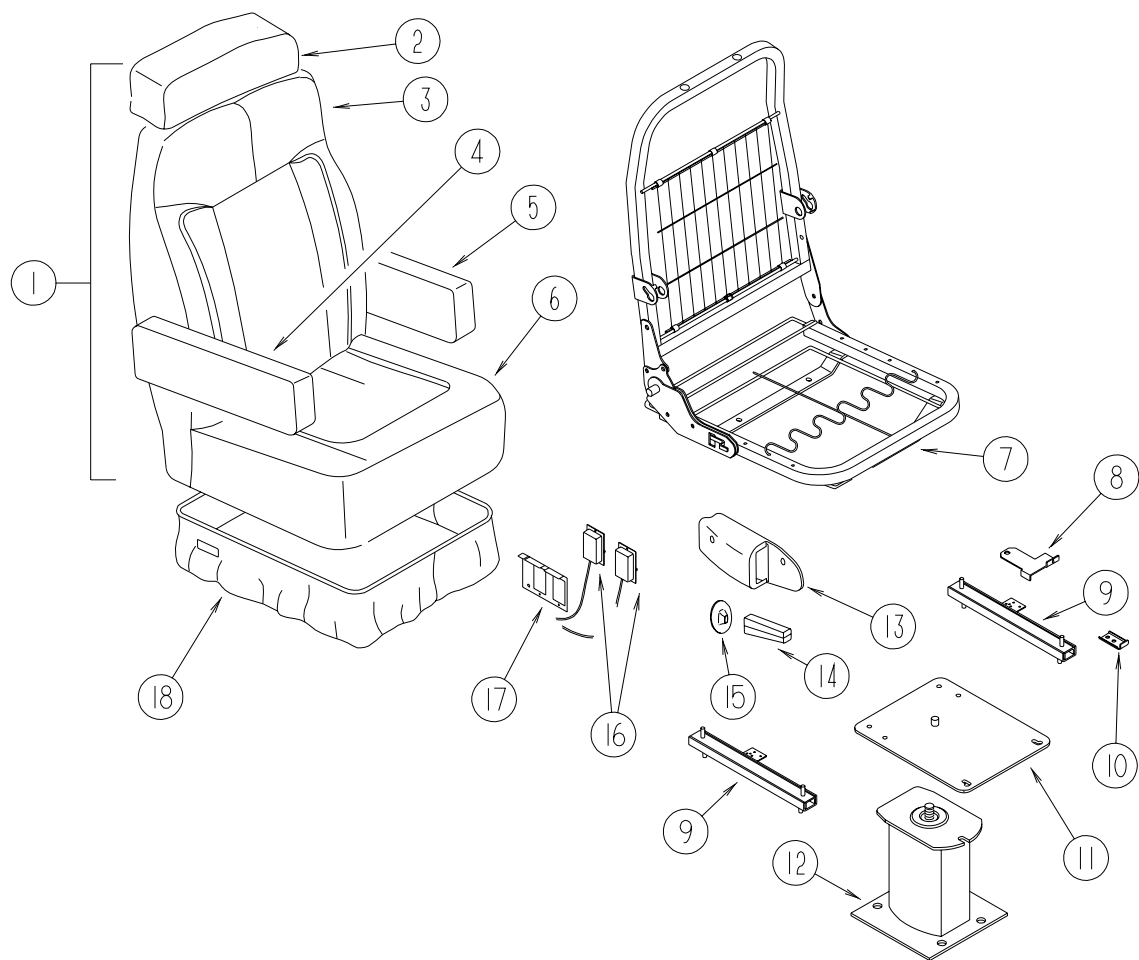
**SUNDANCERDL FABRICS**

Family-400DL	H30 Gemstone	H31 Lapis
<b>Bucket Seats</b>	108446-G0-000	108446-G3-000
<b>Dinette</b>	108446-N4-000	108446-N2-000
<b>Dinette Pads</b>	108446-G0-000	108446-G3-000
<b>Sofa</b>	108446-N4-000	108446-N2-000
<b>SwivelChair</b>	108446-N3-000	108446-G3-000
<b>Lounge Window</b>	108446-N3-000 108446-N4-000	108446-G3-000 108446-N2-000
<b>Legs</b>	108446-N3-000	108446-N2-000
<b>Buttons</b>	108446-N4-000	108446-N2-000
<b>Lounge Pillow</b>	108446-N3-000 084415-70-000	108446-G3-000 084415-88-000
<b>Overhead Bunk</b>	108446-N3-000	108446-G3-000
<b>Bedroom Window</b>	105745-E6-000 105745-E7-000	105745-E9-000 105745-61-000
<b>Bedroom Legs</b>	105745-E6-000	105745-E9-000
<b>Bedroom Pillow</b>	105745-E6-000 105745-E7-000	105745-E9-000 105745-61-000
<b>Bedsread</b>	105745-E6-000 084415-70-000	105745-E9-000 084415-87-000
<b>Pillow Shams</b>	105745-E6-000	105745-E9-000

**NOTE:FABRICLISTEDFIRSTINABLOCKISTHELARGESTQUANTITYOFFABRICUSED.**

## CURTAIN&CUSHIONGROUP(CONTINUED)

### BUCKETSEATS (FROM: 00-00-00 THRU: 10-13-96)

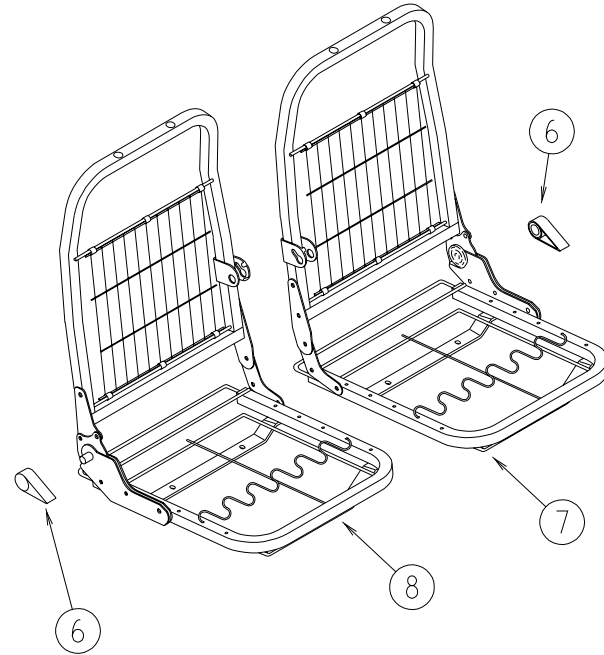
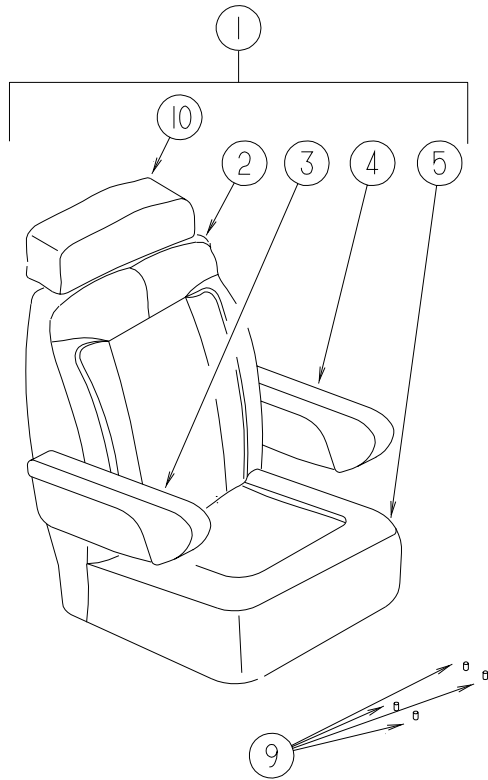


KEY	PARTNUMBER	U/M	DESCRIPTION
1	122738-03-H30	EA	SEAT-BUCKET-DRIVER-W/HEADREST/ARMRESTS
1	122738-03-H31	EA	SEAT-BUCKET-DRIVER-W/HEADREST/ARMRESTS
2	119509-01-H30	EA	HEADREST-BUCKETSEAT
2	119509-01-H31	EA	HEADREST-BUCKETSEAT
	P19509-01-H30	EA	COVER-HEADREST
	P19509-01-H31	EA	COVER-HEADREST
	113977-12-000	EA	INSERT/HEADREST-W/OLOCK
	113977-13-000	EA	INSERT/HEADREST-W/LOCK
3	M05962-41-H30	EA	COVER-BUCKETBACK-530NARROW
3	M05962-41-H31	EA	COVER-BUCKETBACK-530NARROW
4	122780-01-H30	EA	ARMREST-RIGHTHAND(H30)
4	122780-01-H10	EA	ARMREST-RIGHTHAND(H31)
4	P22780-01-H30	EA	COVER-ARMREST-RIGHTHAND(H30)
4	P22780-01-H10	EA	COVER-ARMREST-RIGHTHAND(H31)
4	115617-03-000	EA	ARMREST-W/OCOVER-RIGHTHAND
5	122780-02-H30	EA	ARMREST-LEFTHAND(H30)
5	122780-02-H10	EA	ARMREST-LEFTHAND(H31)
5	P22780-02-H30	EA	COVER-ARMREST-LEFTHAND(H30)
5	P22780-02-H10	EA	COVER-ARMREST-LEFTHAND(H31)
5	115617-04-000	EA	ARMREST-W/OCOVER-LEFTHAND
6	M05962-42-H30	EA	COVER-BUCKETSEAT,530NARROW
6	M05962-42-H31	EA	COVER-BUCKETSEAT,530NARROW
7	122695-02-01B	EA	FRAME-SEAT/BACK
8	117125-01-02B	EA	BRACKET-CABLEMOUNT-ADJUSTERW/LOCK
9	119952-06-000	EA	SLIDE/SEAT-HEAVYDUTYLOCKING-4STUDS
	119952-07-000	EA	WIRE-LATCHRELEASE/ROTARY
10	114889-01-000	EA	STOPBAR-UNIVERSAL
11	107921-08-000	EA	TOPPLATE-PEDESTAL-W/OSEATBELTBAR
	107921-06-000	EA	BEARINGKIT-PEDESTAL
12	107921-09-000	EA	PEDESTAL-SEAT-FORD
13	080730-09-000	EA	SHIELD-RECLINERHANDLE
	000G39-10-000	EA	SHIELDSCREW
14	080730-08-000	EA	HANDLE-RECLINER
15	080730-11-000	EA	SHIELD-RUBBERBOOT
16	108049-03-000	EA	CABLE/CONTROL25.5" SHEATH/28.5" CABLEW/DOGLEG
	108049-02-000	EA	CLIP-CABLE/PEDESTAL
17	097683-02-000	EA	BRACKET-REMOTE/SIDEMOUNT-DOUBLE
18	071126-42-H30	EA	SKIRT-7"-W/OPENBACKCORNERS(H30)
18	071126-42-H10	EA	SKIRT-7"-W/OPENBACKCORNERS(H31)
	089323-01-000	FT	STRIP-POLYENTHYLENE-J-CHANNEL FLEX-O-LATORS



## CURTAIN&CUSHIONGROUP(CONTINUED)

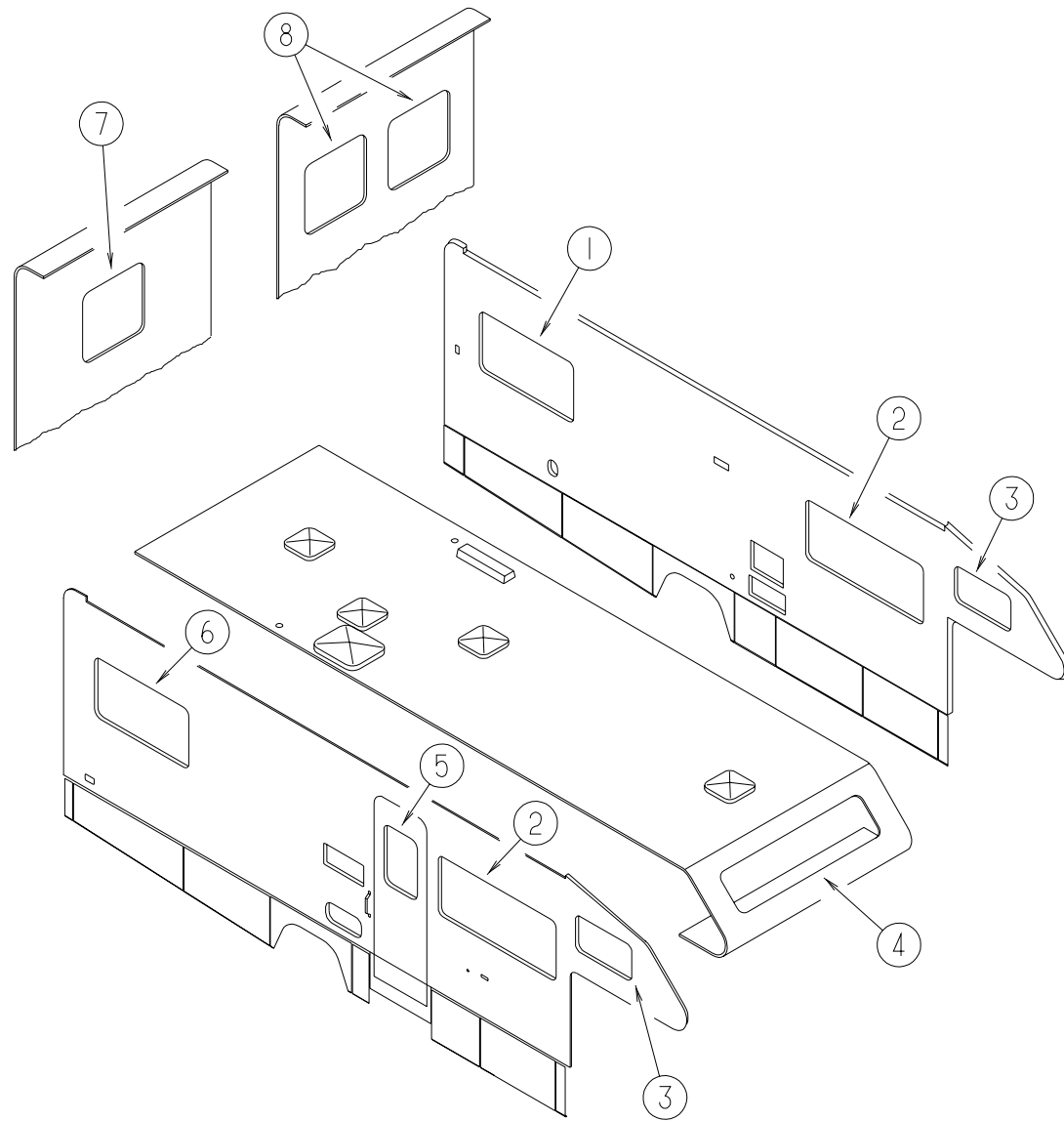
### BUCKETSEATS (FROM: 10-14-96 THRU: 99-99-99)



KEY	PARTNUMBER	U/M	DESCRIPTION
1	122738-04-H30	EA	SEAT-BUCKET/PASSENGER-W/HEADREST/LEFTARMREST
1	122738-04-H31	EA	SEAT-BUCKET/PASSENGER-W/HEADREST/LEFTARMREST
1	122738-05-H30	EA	SEAT-BUCKET/DRIVER-W/HEADREST/RIGHTARMREST
1	122738-05-H31	EA	SEAT-BUCKET/DRIVER-W/HEADREST/RIGHTARMREST
2	M05962-59-H30	EA	COVER-BACK
2	M05962-59-H31	EA	COVER-BACK
3	122780-01-H30	EA	ARMREST-RIGHTHAND(H30)
3	122780-01-H10	EA	ARMREST-RIGHTHAND(H31)
3	P22780-01-H30	EA	COVER-ARMREST-RIGHTHAND(H30)
3	P22780-01-H10	EA	COVER-ARMREST-RIGHTHAND(H31)
3	115617-03-000	EA	ARMREST-W/OCOVER-RIGHTHAND
4	122780-02-H30	EA	ARMREST-LEFTHAND
4	122780-02-H10	EA	ARMREST-LEFTHAND
4	P22780-02-H30	EA	COVER-ARMREST-LEFTHAND(H30)
4	P22780-02-H10	EA	COVER-ARMREST-LEFTHAND(H31)
4	115617-04-000	EA	ARMREST-W/OCOVER-LEFTHAND
5	M05962-60-H30	EA	COVER-SEAT
5	M05962-60-H31	EA	COVER-SEAT
6	125229-03-000	EA	KNOB-RECLINING
7	125229-02-000	EA	FRAME-SEAT-RIGHT
8	125229-01-000	EA	FRAME-SEAT-LEFT
9	125229-05-000	EA	PALNUT
10	119509-01-H30	EA	HEADREST-BUCKETSEAT(H30)
10	119509-01-H10	EA	HEADREST-BUCKETSEAT(H31)
10	P19509-01-H30	EA	COVER-HEADREST(H30)
10	P19509-01-H10	EA	COVER-HEADREST(H31)
	113977-12-000	EA	HEADRESTINSERT-W/OLOCK
	113977-13-000	EA	HEADRESTINSERT-W/LOCK

## CURTAIN&CUSHIONGROUP(CONTINUED)

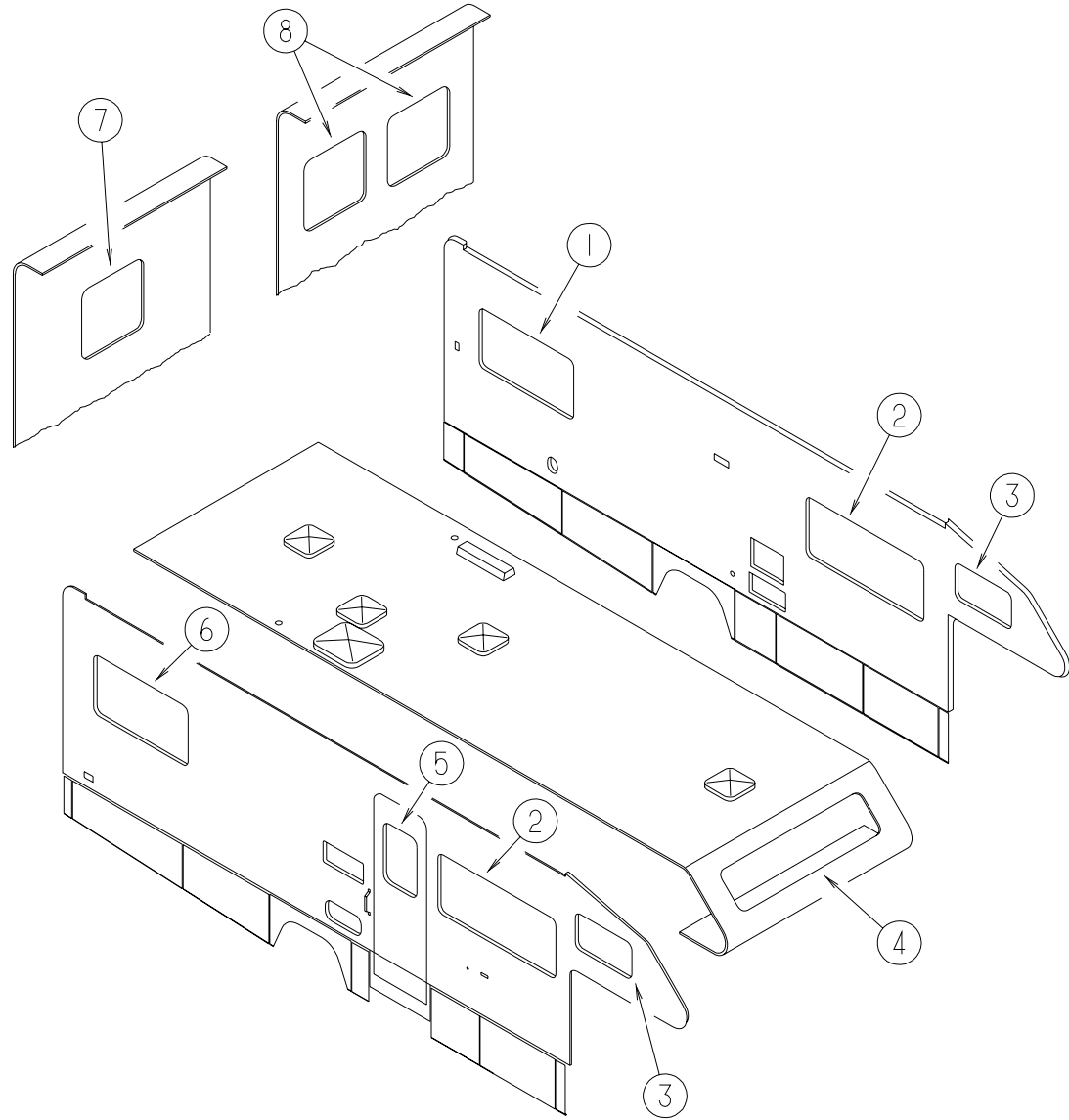
### CURTAINS,SHADESVALANCES&BLINDS



KEY	PARTNUMBER	U/M	DESCRIPTION
1	115398-02-H30	EA	VALANCE-BRIGHTON,45"(QUEEN)
1	115398-02-H31	EA	VALANCE-BRIGHTON,45"(QUEEN)
1	115398-01-H30	EA	VALANCE-BRIGHTON,53"(TWIN,DOUBLE)
1	115398-01-H31	EA	VALANCE-BRIGHTON,53"(TWIN,DOUBLE)
1	123910-07-H30	EA	LEG-RIGHT-28"
1	123910-07-H31	EA	LEG-RIGHT-28"
1	123910-08-H30	EA	LEG-LEFT-28"
1	123910-08-H31	EA	LEG-LEFT-28"
1	111910-25-H30	EA	BLIND-DAY/NIGHTER41"X28.5" FROM: 00-00-00THRU: 10-27-96
1	111910-25-H31	EA	BLIND-DAY/NIGHTER,41"X28.5" FROM: 00-00-00THRU: 10-27-96
1	111910-25-HA3	EA	BLIND-DAY/NIGHTER-41"X28.5"(H30,H31) FROM: 10-28-96THRU: 99-99-99
1	111910-19-H30	EA	BLIND-DAY/NIGHTER-50"X28"(TWIN,DOUBLE) FROM: 00-00-00THRU: 10-27-96
1	111910-19-H31	EA	BLIND-DAY/NIGHTER-50"X28"(TWIN,DOUBLE) FROM: 00-00-00THRU: 10-27-96
1	111910-19-HA3	EA	BLIND-DAY/NIGHTER-50"X28"(TWIN,DOUBLE)(H30,H31) FROM: 10-28-96THRU: 99-99-99
2	119136-07-H30	EA	VALANCE-STANWICK,64.5"
2	119136-07-H31	EA	VALANCE-STANWICK,64.5"
2	119333-01-H30	EA	LEG-RIGHT-25"
2	119333-01-H31	EA	LEG-RIGHT-25"
2	119333-02-H30	EA	LEG-LEFT-25"
2	119333-02-H31	EA	LEG-LEFT-25"
2	111910-22-H11	EA	BLIND-DAY/NIGHTER-60"X28.5" FROM: 00-00-00THRU: 10-27-96
2	111910-22-HA3	EA	BLIND-DAY/NIGHTER-60"X28.5" FROM: 10-28-96THRU: 99-99-99
3	101034-51-H30	EA	CURTAIN-RIGHTHAND-19"X34"(H30)
3	101034-51-H10	EA	CURTAIN-RIGHTHAND-19"X34"(H31)
3	101034-52-H30	EA	CURTAIN-LEFTHAND-19"X34"(H30)
3	101034-52-H10	EA	CURTAIN-LEFTHAND-19"X34"(H31)
4	101034-33-H30	EA	CURTAIN-RIGHTHAND-21"X60"
4	101034-33-H31	EA	CURTAIN-RIGHTHAND-21"X60"
4	101034-34-H30	EA	CURTAIN-LEFTHAND-21"X60"
4	101034-34-H31	EA	CURTAIN-LEFTHAND-21"X60"
5	119136-13-H30	EA	VALANCE-STANWICK-11"X31.75"
5	119136-13-H31	EA	VALANCE-STANWICK-11"X31.75"
5	084755-57-E07	EA	SHADE-PULL-27.25"
6	115398-02-H30	EA	VALANCE-BRIGHTON,45"(QUEEN)
6	115398-02-H31	EA	VALANCE-BRIGHTON,45"(QUEEN)
6	115398-01-H30	EA	VALANCE-BRIGHTON,53"(TWIN,DOUBLE)
6	115398-01-H31	EA	VALANCE-BRIGHTON,53"(TWIN,DOUBLE)
6	123910-07-H30	EA	LEG-RIGHT-28"
6	123910-07-H31	EA	LEG-RIGHT-28"
6	123910-08-H30	EA	LEG-LEFT-28"
6	123910-08-H31	EA	LEG-LEFT-28"
6	111910-25-H30	EA	BLIND-DAY/NIGHTER41"X28.5"(QUEEN) FROM: 00-00-00THRU: 10-27-96
6	111910-25-H31	EA	BLIND-DAY/NIGHTER,41"X28.5"(QUEEN) FROM: 00-00-00THRU: 10-27-96
6	111910-25-HA3	EA	BLIND-DAY/NIGHTER-41"X28.5"(QUEEN)(H30,H31) FROM: 10-28-96THRU: 99-99-99
6	111910-19-H30	EA	BLIND-DAY/NIGHTER-50"X28"(TWIN,DOUBLE) FROM: 00-00-00THRU: 10-27-96
6	111910-19-H31	EA	BLIND-DAY/NIGHTER-50"X28"(TWIN,DOUBLE) FROM: 00-00-00THRU: 10-27-96
6	111910-19-HA3	EA	BLIND-DAY/NIGHTER-50"X28"(TWIN,DOUBLE)(H30,H31) FROM: 10-28-96THRU: 99-99-99

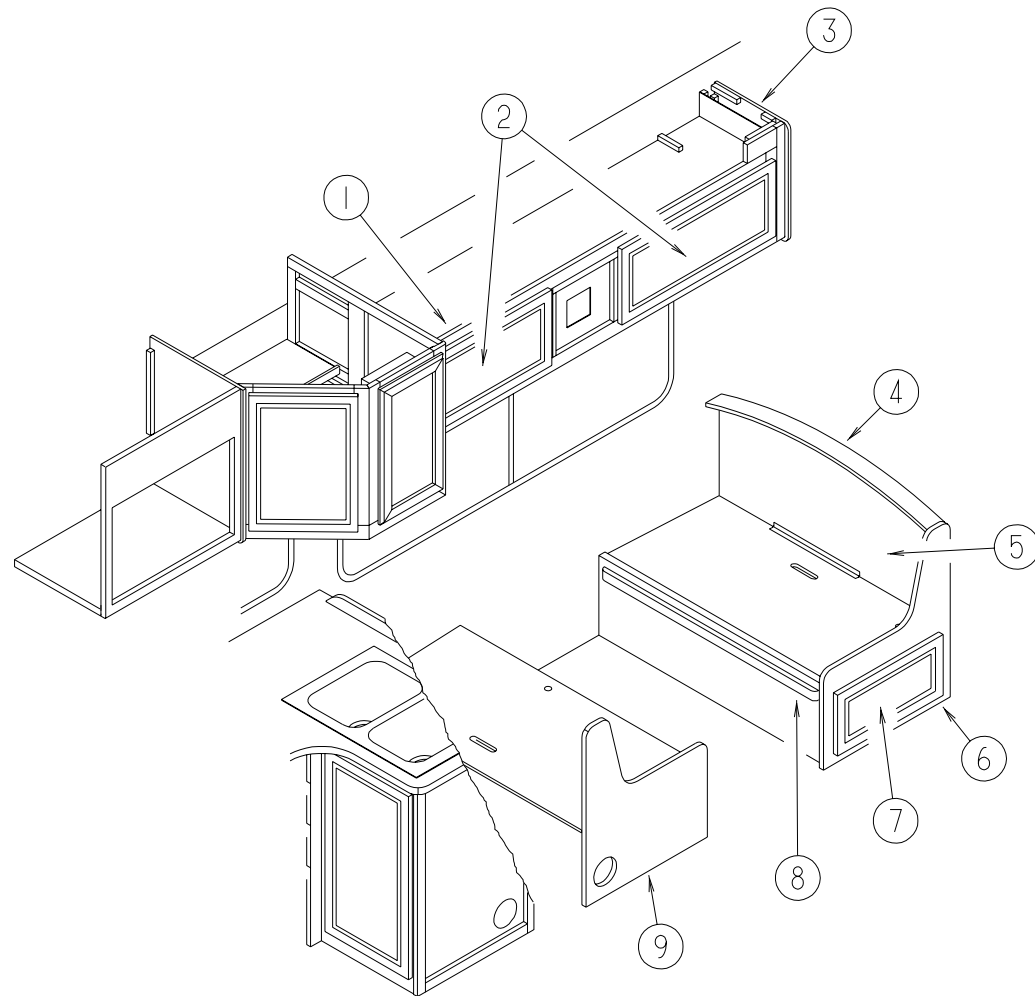
**CURTAIN&CUSHIONGROUP(CONTINUED)**

**CURTAINS,SHADESVALANCES&BLINDS(CONTINUED)**



KEY	PARTNUMBER	U/M	DESCRIPTION
7	115398-01-H30	EA	VALANCE-BRIGHTON,53"(QUEEN)
7	115398-01-H31	EA	VALANCE-BRIGHTON-53"(QUEEN)
7	115398-04-H30	EA	VALANCE-BRIGHTON-31"(DOUBLE)
7	115398-04-H31	EA	VALANCE-BRIGHTON-31"(DOUBLE)
7	123910-07-H30	EA	LEG-RIGHT-28"(QUEEN)
7	123910-07-H31	EA	LEG-RIGHT-28"(QUEEN)
7	123910-08-H30	EA	LEG-LEFT-28"(QUEEN)
7	123910-08-H31	EA	LEG-LEFT-28"(QUEEN)
7	123910-09-H30	EA	LEG-RIGHT-28"(DOUBLE)
7	123910-09-H31	EA	LEG-RIGHT-28"(DOUBLE)
7	123910-10-H30	EA	LEG-LEFT-28"(DOUBLE)
7	123910-10-H31	EA	LEG-LEFT-28"(DOUBLE)
7	111910-19-H30	EA	BLIND-DAY/NIGHTER-50"X28"(QUEEN)
			FROM: 00-00-00 THRU: 10-27-96
7	111910-19-H31	EA	BLIND-DAY/NIGHTER-50"X28"(QUEEN)
			FROM: 00-00-00 THRU: 10-27-96
7	111910-19-HA3	EA	BLIND-DAY/NIGHTER-50"X28"(QUEEN)(H30,H31)
			FROM: 10-28-96 THRU: 99-99-99
7	111910-20-H30	EA	BLIND-DAY/NIGHTER-28"X28"(DOUBLE)
			FROM: 00-00-00 THRU: 10-27-96
7	111910-20-H31	EA	BLIND-DAY/NIGHTER-28"X28"(DOUBLE)
			FROM: 00-00-00 THRU: 10-27-96
7	111910-20-HA3	EA	BLIND-DAY/NIGHTER-28"X28"(DOUBLE)(H30,H31)
			FROM: 10-28-96 THRU: 99-99-99
8	115398-04-H30	EA	VALANCE,BRIGHTON-31"(TWIN)
8	115398-04-H31	EA	VALANCE,BRIGHTON-31"(TWIN)
8	123910-09-H30	EA	LEG-RIGHT-28"(TWIN)
8	123910-09-H31	EA	LEG-RIGHT-28"(TWIN)
8	123910-10-H30	EA	LEG-LEFT-28"(TWIN)
8	123910-10-H31	EA	LEG-LEFT-28"(TWIN)
8	111910-20-H30	EA	BLIND-DAY/NIGHTER-28"X28"(TWIN)
			FROM: 00-00-00 THRU: 10-27-96
8	111910-20-H31	EA	BLIND-DAY/NIGHTER-28"X28"(TWIN)
			FROM: 00-00-00 THRU: 10-27-96
8	111910-20-HA3	EA	BLIND-DAY/NIGHTER-28"X28"(TWIN)(H30,H31)
			FROM: 10-28-96 THRU: 99-99-99
	093487-10-01A	EA	CURTAIN-PLEATED31"X100"BUNKPRIVACY
	076892-23-G07	EA	CURTAIN-44"X80"

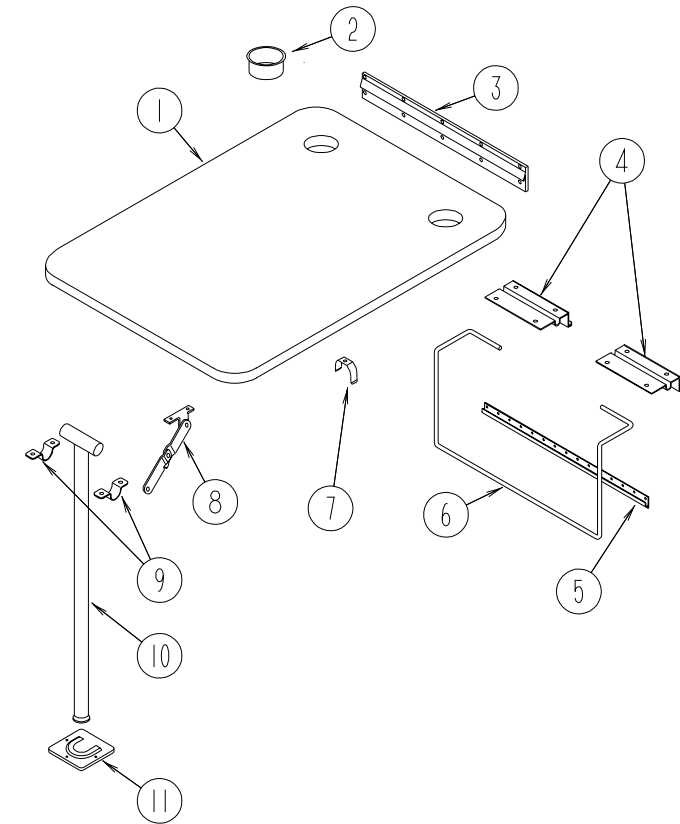
## DINETTEGROUP



### DINETTECABINETS

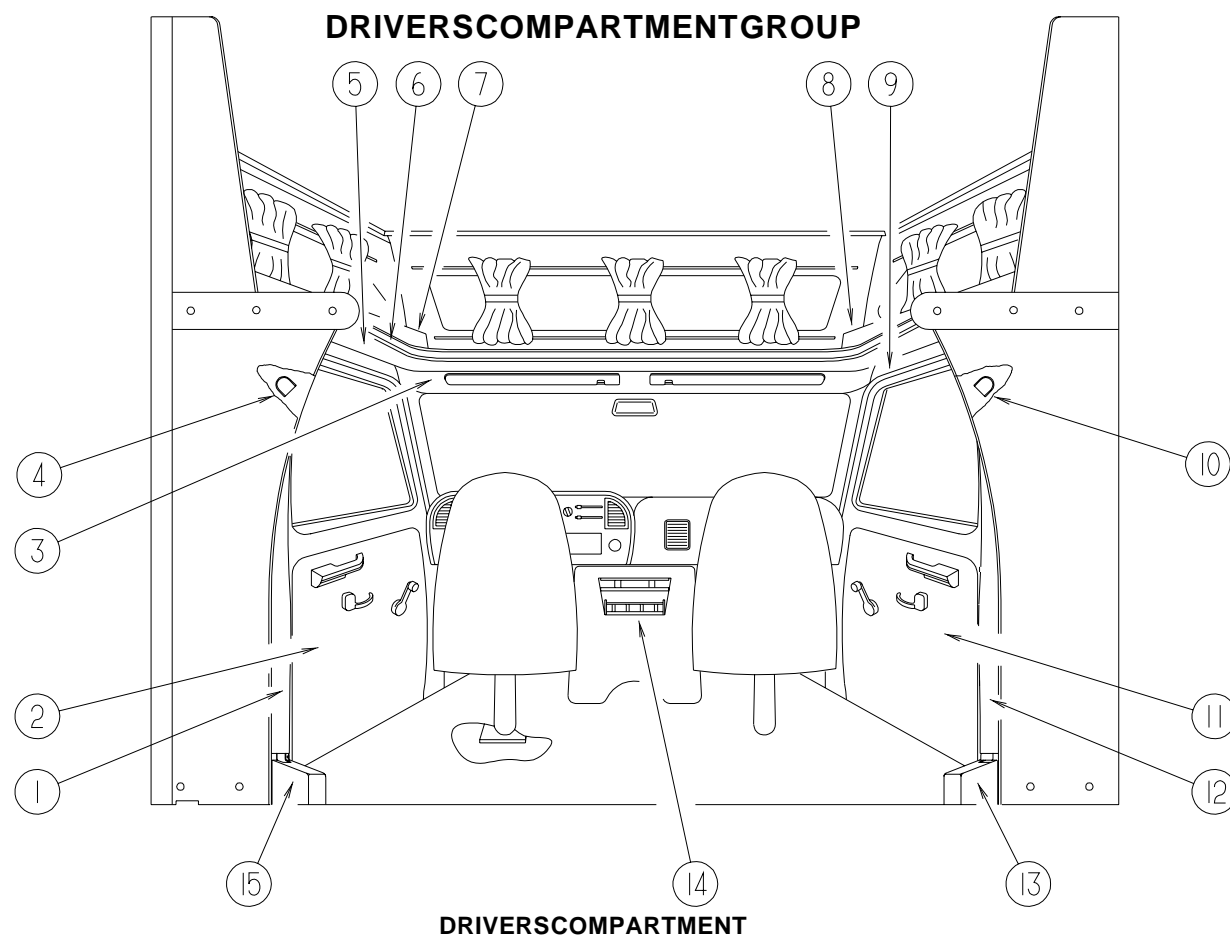
KEY	PARTNUMBER	U/M	DESCRIPTION
1	122926-01-H30	EA	CABINET-DINETTEOVERHEAD, W/ODOORS/HARDWARE
1	122926-01-H31	EA	CABINET-DINETTEOVERHEAD, W/ODOORS/HARDWARE
2	M06803-W9-H30	EA	DOOR-MIRROR/MTRDCRNRS/OGEEEDGE-11.4"X28"-W/OHDW
2	M06803-D5-H30	EA	DOOR-MITEREDCORNER/OGEEEDGE-11.4"X28"-W/OHDW
3	109908-09-H30	EA	ENDCAP-OVERHEADCABINET
4	111338-06-G15	EA	PAD-DINETTESEATBACK(H30)
4	111338-06-H10	EA	PAD-DINETTESEATBACK(H31)
5	M08123-04-H30	EA	CABINET-SEATBACK-W/OHARDWARE
6	M08122-10-H30	EA	CABINET-SEATBASE-RIGHTHAND-W/ENDCAP-W/ODOOR/HARDWARE
7	M06803-T5-H30	EA	DOOR-MITEREDCORNER/OGEEEDGE-10"X19.1"-W/OHDW
8	081295-04-G04	EA	SUPPORT-BED/DINETTE-40"LONG
9	M06885-24-H30	EA	CABINET-SEATBASE-LEFTHAND-W/ENDCAP-W/OHARDWARE

## DINETTEGROUP(CONTINUED)



### DINETTETABLE

KEY	PARTNUMBER	U/M	DESCRIPTION
1	081322-12-F09	EA	TABLETOPONLY(H30)
1	081322-12-H31	EA	TABLETOPONLY(H31)
2	064781-06-000	EA	HOLDER-CUP-TWOSTEP-OFFWHITE
3	053200-12-000	EA	BRACKET-TABLESUPPORT-UPPERWALLMOUNTED-23.50"-OFFWHITE
4	088410-02-000	EA	BRACKET-LIFT-TABLEMOUNTED-OFFWHITE
5	024281-14-000	EA	BRACKET-LIFTROD/LOWERWALLMOUNTED-22.12"-OFFWHITE
6	024275-12-000	EA	ROD-TABLELIFT-OFFWHITE
7	024283-01-000	EA	CLIP-LEG-1"-1.125"OD-BLACK
8	024282-01-000	EA	BRACE-TABLELEG-HINGED
9	064050-05-000	EA	HINGE-TABLELEG-OFFWHITE
10	024276-23-000	EA	LEG-TABLE-METAL-OFFWHITE
11	049493-12-000	EA	CATCH-LEG,FLOORMOUNTED-2.5"X2.7"-OFFWHITE
11	049493-11-700	EA	CATCH-LEG,FLOORMOUNTED-2.5"X2.7"-METAL-E-COAT



KEY	PARTNUMBER	U/M	DESCRIPTION
1	106446-02-C03	EA	TRIM-CABB-PILLAR-DRIVERSSIDE FROM: 00-00-00 THRU: 10-13-96
1	125031-02-G04	EA	TRIM-CABB-PILLAR-DRIVERSSIDE FROM: 10-14-96 THRU: 12-13-96
1	125031-02-H04	EA	TRIM-CABB-PILLAR-DRIVERSSIDE FROM: 12-14-96 THRU: 99-99-99
2	109573-02-H30	EA	PANEL-DOOR, DRIVER
2	109573-02-H31	EA	PANEL-DOOR, DRIVER
3	106448-01-C03	EA	HEADLINER-W/VINYL FROM: 00-00-00 THRU: 10-13-96
3	106448-01-C52	EA	HEADLINER-W/VINYL FROM: 10-14-96 THRU: 12-13-96
3	106448-01-H04	EA	HEADLINER-W/VINYL FROM: 12-14-96 THRU: 99-99-99
4	115038-02-01A	EA	COVER-SEATBELTUPPERLEFTHAND FROM: 00-00-00 THRU: 10-13-96
5	106447-02-C03	EA	TRIM-CABDOOR-UPPER-DRIVERSSIDE FROM: 00-00-00 THRU: 10-13-96
5	106447-02-C52	EA	TRIM-CABDOOR-UPPER-DRIVERSSIDE FROM: 10-14-96 THRU: 12-13-96
5	106447-02-H04	EA	TRIM-CABDOOR-UPPER-DRIVERSSIDE FROM: 12-14-96 THRU: 99-99-99
6	119520-01-01A	FT	MOLDING-T-1"W/EDGE LIPS(OFF/WHITE-CREAM)
7	109894-01-H30	EA	CABINET-HAMPER-FRONT-DRIVER
7	109894-01-H31	EA	CABINET-HAMPER-FRONT-DRIVER
8	109894-03-H30	EA	CABINET-HAMPER-FRONT-PASSENGER
8	109894-03-H31	EA	CABINET-HAMPER-FRONT-PASSENGER
9	106447-01-C03	EA	TRIM-CABDOOR-UPPER-PASSENGERSIDE FROM: 00-00-00 THRU: 10-13-96
9	106447-01-C52	EA	TRIM-CABDOOR-UPPER-PASSENGERSIDE FROM: 10-14-96 THRU: 12-13-96
9	106447-01-H04	EA	TRIM-CABDOOR-UPPER-PASSENGERSIDE FROM: 12-14-96 THRU: 99-99-99

## DRIVERSCOMPARTMENTGROUP(CONTINUED)

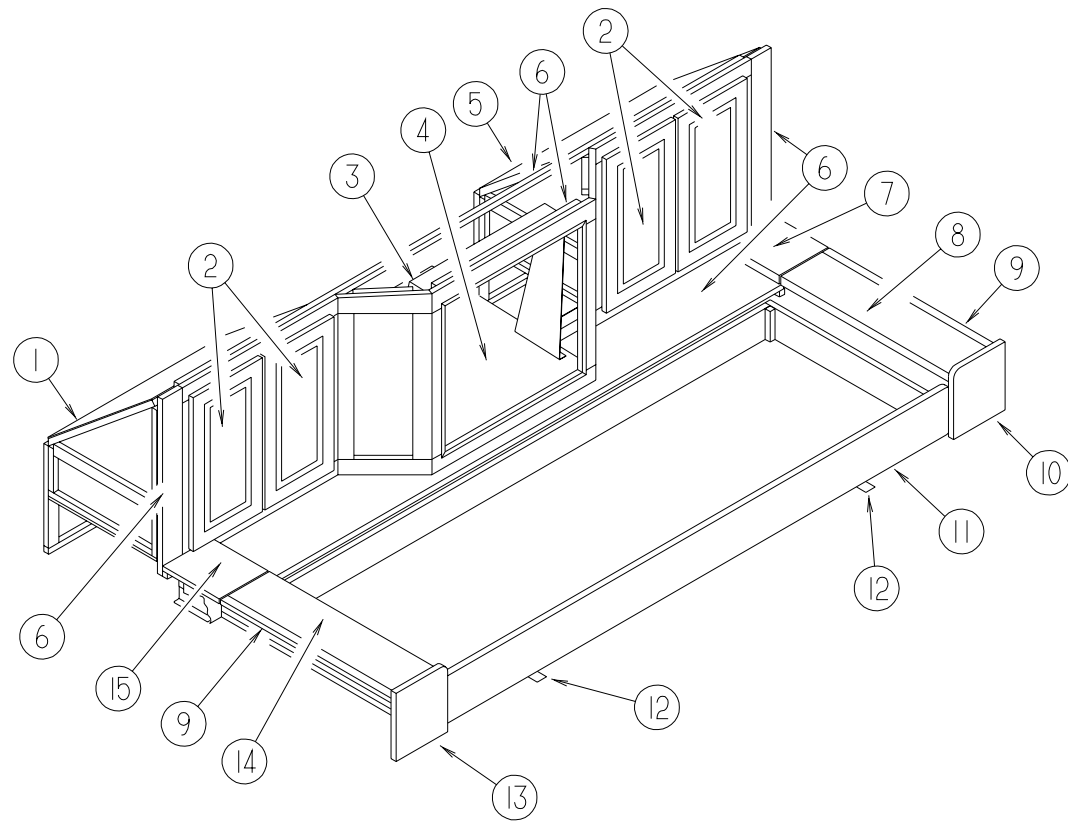
### DRIVERSCOMPARTMENT(CONTINUED)

KEY	PARTNUMBER	U/M	DESCRIPTION	VENDOR NO.
10	115038-01-01A	EA	COVER-SEATBELTUPPERRIGHTHAND FROM: 00-00-00 THRU: 10-13-96	
11	109573-01-H30	EA	PANEL-DOORPASSENGER	
11	109573-01-H31	EA	PANEL-DOORPASSENGER	
12	106446-01-C03	EA	TRIM-CABB-PILLAR-PASSENGERSIDE FROM: 00-00-00 THRU: 10-13-96	
12	125031-01-G04	EA	TRIM-CABB-PILLAR-PASSENGERSIDE FROM: 10-14-96 THRU: 12-13-96	
12	125031-01-H04	EA	TRIM-CABB-PILLAR-PASSENGERSIDE FROM: 12-14-96 THRU: 99-99-99	
13	106431-01-01A	EA	COVER-SEATBELTRECOIL-PASSENGERSIDE-OFFWHITE FROM: 00-00-00 THRU: 12-13-96	
13	106431-01-02A	EA	COVER-SEATBELTRECOIL-PASSENGERSIDE-VWGREY FROM: 12-14-96 THRU: 99-99-99	
14	112185-02-H30	EA	TRAY-BEVERAGE FROM: 00-00-00 THRU: 10-14-96	
14	046886-03-000	EA	ASHTRAY-CHROME W/COVER FROM: 00-00-00 THRU: 10-14-96	
14	125291-01-01A	EA	TRAY-BEVERAGE-F/DELUXEMOTORCOVER FROM: 10-15-96 THRU: 99-99-99	
	069885-23-G07	EA	COVER-MOTOR-W/POCKET(FORD)(H30)	
	069885-23-H10	EA	COVER-MOTOR-W/POCKET(FORD)(H31)	
15	106431-02-01A	EA	COVER-SEATBELTRECOIL-DRIVERSIDE-OFFWHITE FROM: 00-00-00 THRU: 12-13-96	
15	106431-02-02A	EA	COVER-SEATBELTRECOIL-DRIVERSIDE-VWGREY FROM: 12-14-96 THRU: 99-99-99	
	106025-03-01A	EA	LADDER-BUNK-BLACK-47.3"	
	106025-01-700	EA	BRACKETSET-F/BUNKLADDER	08-0030-00
	091952-01-000	EA	CLIP-GRIPPER-1"	

### INSTRUMENTCLUSTERS&BATTERY SWITCH

KEY	PARTNUMBER	U/M	DESCRIPTION
	094795-09-000	EA	CLUSTER-INSTRUMENTPANEL-KM-GAS/DIESEL-FORD
	100138-01-000	EA	MODULE-DAYTIME/RUNNINGLIGHT-CANADIAN
	081994-06-000	EA	PLATE-SWITCH-AUXILIARY START
	108357-09-000	EA	SWITCH-ROCKERSPDT-ON/NONE/MOM-3TERMINAL
	108356-07-01A	EA	COVER/ACTUATOR SWITCH-2ROWSDIMPLES-AUXSTART-BLACK
	087202-01-000	EA	SWITCH-4POSITION W/KNOB 5TERMINAL(REAR AUTO HEATER)

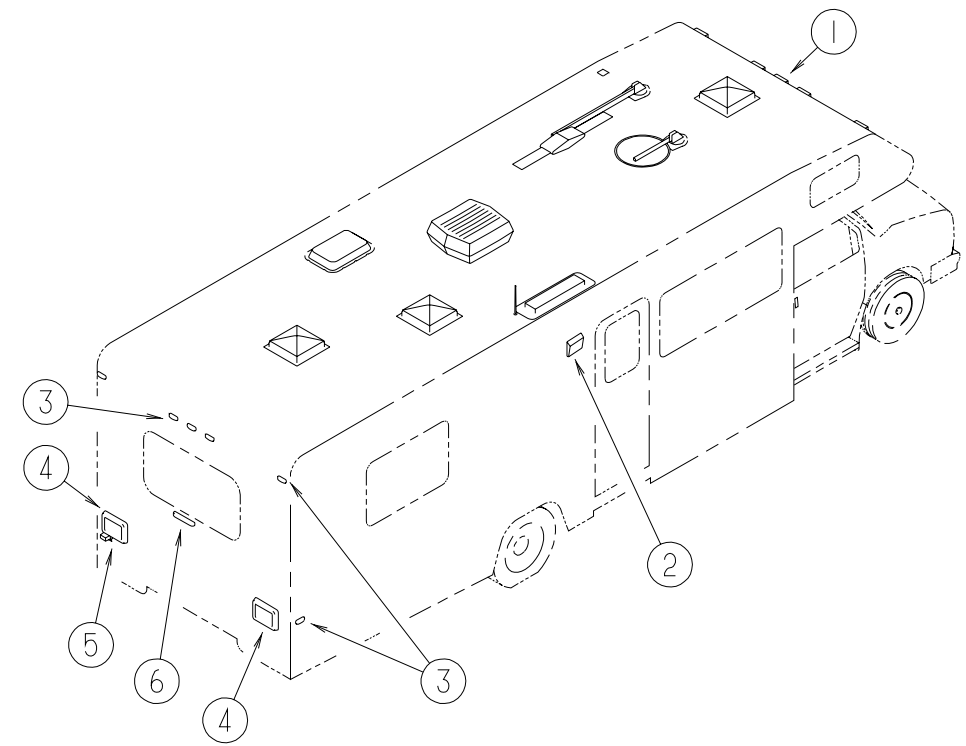
## DRIVERSCOMPARTMENTGROUP(CONTINUED)



**FRONTENTERTAINMENTCENTER**

KEY	PARTNUMBER	U/M	DESCRIPTION
1	113156-02-H30	EA	CABINET-ENTERTAINMENTCTR-W/SHELF-DRIVERSIDE-W/ODOOR/HDW
2	M06803-F1-H30	EA	DOOR-MITEREDCORNER/OGEEEDGE-10.6"X19.9"-W/OHDW
3	110790-02-000	EA	BRACKET-TVTIEDOWN
4	113156-01-H30	EA	SHELF-TV-W/TIEDOWNBRACKET
5	113156-01-H30	EA	CABINET-ENTERTAINMENTCTR-W/SHELF-PASSSIDE-W/ODOOR/HDW
6	121563-01-H30	EA	FACE-ENTERTAINMENTCENTER-W/OHARDWARE
7	113155-11-F09	EA	COUNTERTOP-ENTERTAINMENTCENTER(H30)
7	113155-11-G05	EA	COUNTERTOP-ENTERTAINMENTCENTER(H31)
8	113155-12-G07	EA	COUNTERTOP-HINGED,ENTERTAINMENTCENTER(H30)
8	113155-12-G05	EA	COUNTERTOP-HINGED,ENTERTAINMENTCENTER(H31)
9	113155-21-F09	EA	COUNTERTOP-ENTERTAINMENTCENTER(H30)
9	113155-21-G05	EA	COUNTERTOP-ENTERTAINMENTCENTER(H31)
10	113155-01-H30	EA	CABINET/STORAGE-RIGHTEND-W/FLIPUPCOUNTERTOP
10	113155-01-H31	EA	CABINET/STORAGE-RIGHTEND-W/FLIPUPCOUNTERTOP
11	100847-01-H30	EA	DRAWER-FRONTENTERTAINMENT,76.7"X26.7"-W/OHARDWARE(H30)
11	100847-01-H31	EA	DRAWER-FRONTENTERTAINMENT,76.7"X26.7"-W/OHARDWARE(H31)
12	093673-01-01A	FT	TRIM/MOLDING-1.4"WIDEX8'LONG
13	113155-02-H30	EA	CABINET/STORAGE-FLIPUP-W/FLIPUPCOUNTERTOP
13	113155-02-H31	EA	CABINET/STORAGE-FLIPUP-W/FLIPUPCOUNTERTOP
14	113155-18-G07	EA	CABINET/STORAGE-FLIPUP-W/FLIPUPCOUNTERTOP
14	113155-18-G05	EA	CABINET/STORAGE-FLIPUP-W/FLIPUPCOUNTERTOP
15	113155-19-F09	EA	COUNTERTOP-ENTERTAINMENTCENTER(H30)
15	113155-19-G05	EA	COUNTERTOP-ENTERTAINMENTCENTER(H31)
	106699-01-01A	EA	BRACKET-OVERHEADCABINET/TV
	099717-02-000	EA	STRAP-TVTIEDOWNW/29.9" FEMALESTRAP&14.2" MALESTRP

## ELECTRICALGROUP



**EXTERIORLIGHTS**

KEY	PARTNUMBER	U/M	DESCRIPTION	VENDORNO.
1	111102-01-000	EA	LAMP-MARKER-BASE	
1	111102-02-000	EA	LENS-MARKERLAMP-AMBER	
	036196-01-000	EA	BULB-12VOLT-#194-.27AMP-BAYONETTE	
2	097917-01-06A	EA	LIGHT-PORCH-BRIGHTWHITE	
	097917-01-700	EA	LENS-LIGHT,CLEAR	30-78-021
	008215-01-000	EA	BULB-12VOLT-#1003-.94AMP	
2	008089-02-000	EA	LIGHT-PORCH-RECESSED-CANADIAN	
	008089-01-700	EA	LENS-LIGHT,RECESSED,PORCH	DECO
	008214-01-000	EA	BULB-12VOLTNO67-0.59AMP	
	091981-01-000	EA	GASKET-PORCHLIGHT	
3	111102-01-000	EA	LAMP-MARKER-BASE	
3	111102-03-000	EA	LENS-MARKERLAMP-RED	
	036196-01-000	EA	BULB-12VOLT-#194-.27AMP-BAYONETTE	
4	081638-01-000	EA	TAILLIGHT/DOUBLEW/BLACKTRIM-DRIVER/PASSENGERSIDE	
4	081638-01-700	EA	LENS-TAILLIGHT,RED	30-84-010
4	081638-01-701	EA	LENS-TAILLIGHT,W/BACKUP	30-84-700
4	103355-01-05A	EA	POD-TAILLIGHT,BRIGHTWHITE	
4	037934-01-000	EA	BULB-12V-#1156-2.1AMP CLEARGLASS	
4	037935-01-000	EA	BULB-12V-#1157OR#2057-2.1AMP-CLEARGLASS	
5	066432-02-000	EA	LIGHT-LICENSE-BLACK	
	066432-03-000	EA	BRACKET-LICENSEPLATE	
6	121950-01-000	EA	LIGHT-BRAKE-CENTERMOUNT	

**ELECTRICALGROUP(CONTINUED)****FUSES&CIRCUITBREAKERS**

KEY	PARTNUMBER	U/M	DESCRIPTION
	008235-01-000	EA	FUSE-AUTOMOTIVE,12V-15AMP
	062901-02-000	EA	FUSE-5AMPS-AUTOMOTIVE
	062901-05-000	EA	FUSE-15AMPS-AUTOMOTIVE
	083209-02-000	EA	CIRCUITBREAKER-15/15AMP-120VOLT
	083209-03-000	EA	CIRCUITBREAKER-15/20AMP-120VOLT
	083209-04-000	EA	CIRCUITBREAKER-30AMP-120VOLT
	083209-06-000	EA	CIRCUITBREAKER-30/15AMP-120VOLT
	093654-01-000	EA	CIRCUITBREAKER-6AMP-12VOLT
	093654-03-000	EA	CIRCUITBREAKER-20AMP-12VOLT
	093655-01-000	EA	CIRCUITBREAKER-25AMP-12VOLT
	093655-02-000	EA	CIRCUITBREAKER-30AMP-12VOLT
	100341-01-000	EA	FUSEHOLDER-INLINETYPE
	108669-01-000	EA	HOUSING-AUTOFUSEHOLDER

**POWERCONVERTER&INVERTER**

KEY	PARTNUMBER	U/M	DESCRIPTION
	099048-03-000	EA	INVERTER-130WATT
	113132-01-000	EA	LOADCENTER-120/240VOLT-60AMP
	123058-02-000	EA	CONVERTER-45AMP-ELECTRONIC-4 1/8" H X 7" W X 12 3/8" L

**WIRINGASSEMBLIES**

KEY	PARTNUMBER	U/M	DESCRIPTION
	073328-B4-000	EA	CABLEASSEMBLY-BATTERY-W/TERMINALS
	090986-01-000	EA	WIREASSEMBLY-ELECTRICSTEP-KWIKEE9009
	096449-01-000	EA	WIREASSEMBLY-WATERTANKTOMONITORPANEL
	097618-01-000	EA	WIREASSEMBLY-MONITORPANEL-W/3WIRES&ORANGERESISTOR
	106851-01-000	EA	WIREASM-DAYRUNLAMP,FUSE
	116894-01-000	EA	WIREASM-SPEEDSENSOREXTEND,JFBL-322B

**ELECTRICALGROUP(CONTINUED)****CONDUIT,CONNECTORS,HOUSINGS&TERMINALS**

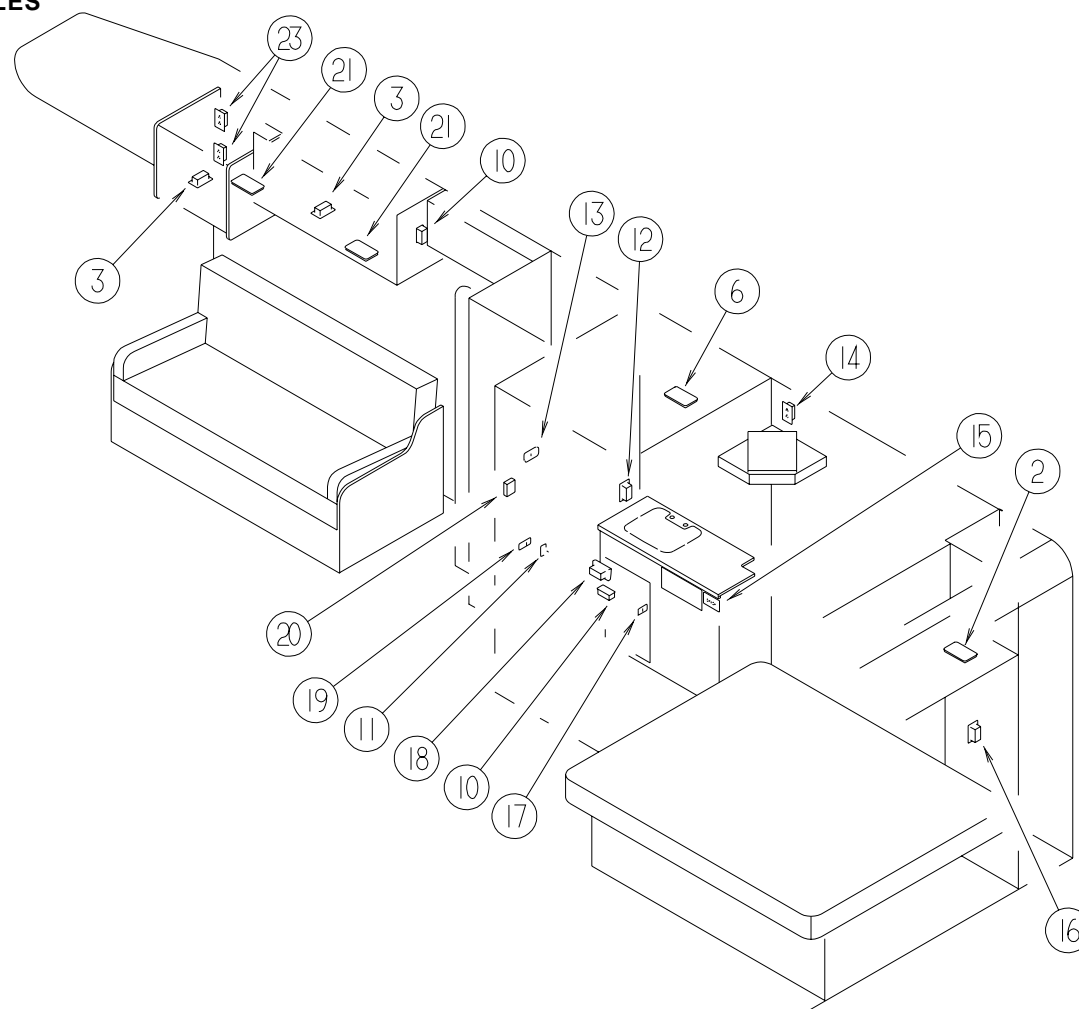
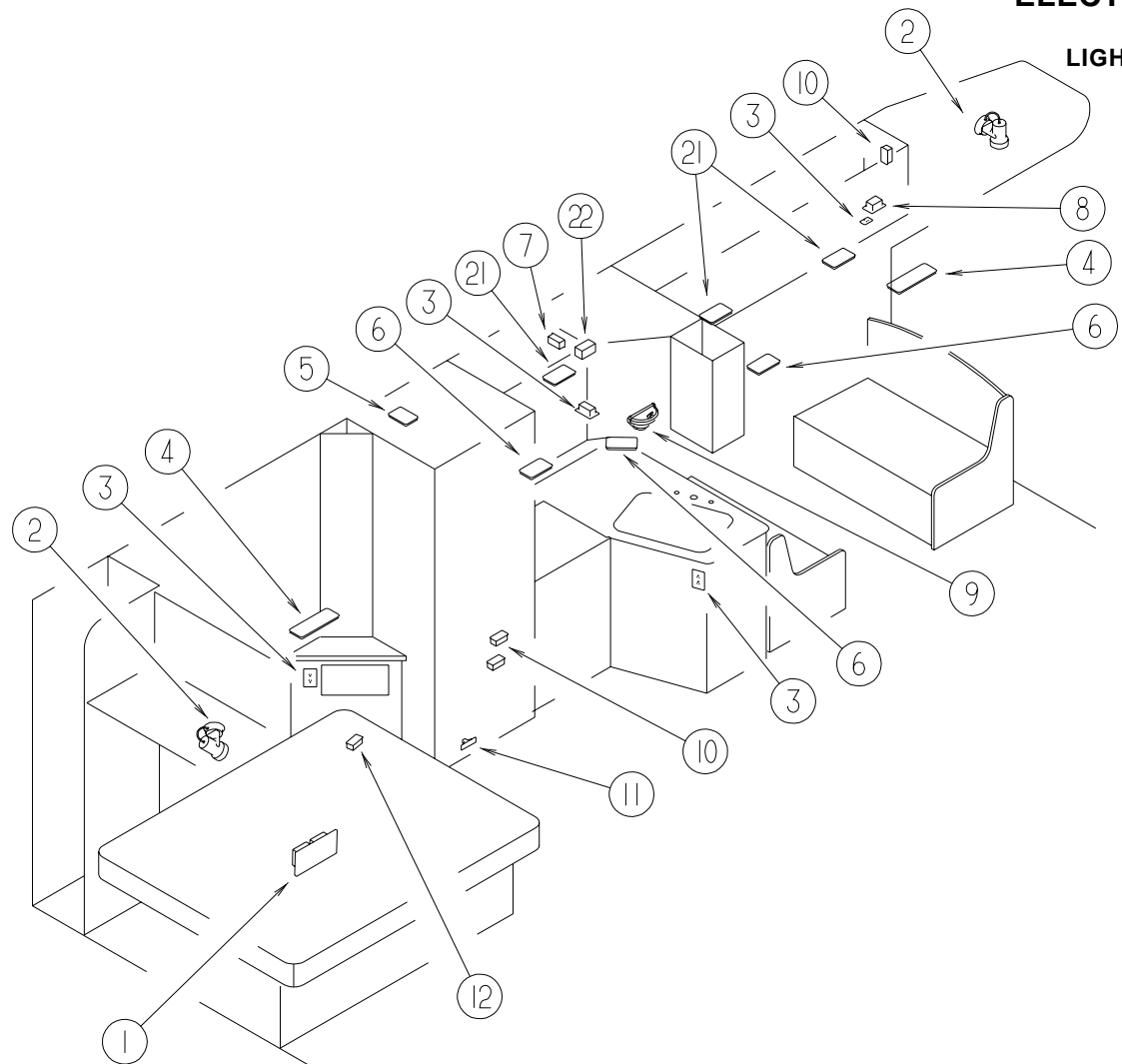
KEY	PARTNUMBER	U/M	DESCRIPTION
	007956-05-000	EA	INSULATOR-SHRINK-.25IDX1.50
	008311-01-000	EA	CONNECTOR-WIRENUT-INSULATED-RED
	008313-01-000	EA	CONNECTOR-WIRENUT-INSULATED-YELLOW
	008314-01-000	EA	CONNECTOR-WIRENUT-INSULATED-GRAY
	008326-01-000	EA	TERMINAL-RING16/14WIRE-3/8"STUD
	008328-01-000	EA	TERMINAL-RING-12/10WIRE-#10STUDFIT
	008331-01-000	EA	TERMINAL-RING-TONGUE-#4WIRE-3/8"STUD-COPPER
	008348-01-000	EA	TERMINAL-RING-3/8"STUD2GA.WIRE
	008355-01-000	EA	CONNECTOR-CABLECLAMPING-3/4"
	008356-01-000	EA	CONNECTOR-PLASTIC-3/8"AVG
	035416-04-000	EA	TERMINAL-RING-#10STUDFIT-INSULATEDBARREL#16/14
	041953-01-000	FT	CONDUIT-CONVOLUTESLIT-.5"ID
	041953-03-000	FT	CONDUIT-CONVOLUTESLIT-1"ID(CLOTHESRODCOVER)
	041953-05-000	FT	CONDUIT-CONVOLUTESOLID-.62"ID
	041953-06-000	FT	CONDUIT-CONVOLUTESLIT-.375"ID
	041953-07-000	FT	CONDUIT-CONVOLUTESLIT-.25"ID
	041953-08-000	FT	CONDUIT-CONVOLUTESLIT-1.50"ID
	041953-09-000	FT	CONDUIT-CONVOLUTESLIT-.50"ID
	041953-10-000	FT	CONDUIT-CONVOLUTESLIT-.75"ID
	041953-11-000	FT	CONDUIT-CONVOLUTESLIT-1.06"ID
	041953-12-000	FT	CONDUIT-CONVOLUTENONSLIT-1.1"ID
	047443-01-000	EA	TERMINAL-.250RECEPTACLEFIT-INSULATED-16/14AWG
	058028-01-000	EA	CONNECTOR-ELECTRICALPIGTAIL-NYLON-CLEAR
	077479-01-000	EA	BOOT-BATTERYTERMINAL-DOUBLECABLE
	077479-02-000	EA	BOOT-BATTERYTERMINAL-SINGLECABLE
	080015-02-000	EA	RECEPTACLE-FLAG-.185-16/14GAUGE-AMP3
	080015-03-000	EA	RECEPTACLE-FLAG,.250-14/16GA
	087949-01-000	EA	BUSSBAR-2POSITION-.6"X1.5"
	088473-01-000	EA	HOUSING-PIN-12CAVITY
	088473-02-000	EA	HOUSING-PIN-15CAVITY
	088473-03-000	EA	HOUSING-PIN-9CAVITY
	088473-05-000	EA	HOUSING-PIN-6CAVITY
	088473-08-000	EA	HOUSING-PIN-4CAVITY
	088473-09-000	EA	HOUSING-PIN-3CAVITY
	088473-10-000	EA	HOUSING-PIN-2CAVITY
	088474-01-000	EA	HOUSING-SOCKET-12CAVITY
	088474-02-000	EA	HOUSING-SOCKET-12CAVITY
	088474-03-000	EA	HOUSING-SOCKET-9CAVITY
	088474-07-000	EA	HOUSING-SOCKET-5CAVITY
	088474-08-000	EA	HOUSING-SOCKET-4CAVITY
	088474-09-000	EA	HOUSING-SOCKET-3CAVITY
	088474-10-000	EA	HOUSING-SOCKET-2CAVITY
	088475-01-000	EA	PIN-CONNECTOR-14-20AWG
	088475-02-000	EA	PIN-CONNECTOR-10-12AWG
	088476-01-000	EA	SOCKET-CONNECTOR-BRASS-PRE-TIN
	088476-02-000	EA	SOCKET-CONNECTOR-12-10GA-PHOSBRZ-PRE-TIN
	098262-01-000	EA	SEAL-CONNECTOR-WEATHERPACK
	098265-02-000	EA	PIN-CONNECTOR,WEATHERPACK-PACKARD12089305
	101751-01-000	EA	HOUSING-1PIN,WEATHERPACK
	101751-02-000	EA	HOUSING-1PIN,WEATHERPACK
	102777-02-000	EA	TERMINAL-RING#6STUD,10AWG
	106655-01-000	EA	TERMINAL-FUSEBLOCK-14-16AWG
	106655-02-000	EA	TERMINAL-FUSEBLOCK-10-12AWG
	125323-02-000	EA	HOUSING-8POSITION-MALE
	125324-01-000	EA	TERMINAL-MALE
	125325-01-000	EA	SEAL-CAVITY

**WATERPUMPSWITCH&COVER/ACTUATOR**

KEY	PARTNUMBER	U/M	DESCRIPTION
	108357-08-000	EA	SWITCH-ROCKERDPDT-ON/NONE/ON-6TERMINAL
	108356-02-01A	EA	COVER/ACTUATORSWITCH-2ROWSDIMPLES-CONTURAI-BLACK

## ELECTRICAL GROUP (CONTINUED)

### LIGHTS, SWITCHES & RECEPTACLES



KEY	PARTNUMBER	U/M	DESCRIPTION	VENDORNO.
1	024924-02-000	EA	RECEPTACLE-POWERCORD-W/PARTIALPLATE	
1	069238-01-000	EA	COVER-ELECTRICALBOX-W/HOLE-4"X4"-GRAY	
2	104173-01-01A	EA	LIGHT-DESIGNER-BRASS	
2	104173-01-700	EA	BULB	81900
2	104172-01-01A	EA	LIGHT-BULLET-BULB#9312V-CANADIAN	
3	058708-01-000	EA	RECEPTACLE-ELECTRIC-DOUBLE-BROWN	
4	098024-03-02A	EA	LIGHT-DOME-2BULB-WHITE	
4	008218-01-000	EA	BULB-DOMELIGHT-12VOLT-NO.1141	
4	098024-01-700	EA	LENS-LIGHT	807877
5	121935-01-01A	EA	LIGHT-DOME-SHOWER	
6	098024-01-03A	EA	LIGHT-DOME-1BULB-WHITE	
6	008218-01-000	EA	BULB-DOMELIGHT-12VOLT-NO.1141	
6	098024-01-700	EA	LENS-LIGHT	807877
7	058708-05-000	EA	RECEPTACLE-SINGLE-BROWN	
8	098351-02-01A	EA	PLATE-SWITCH-2GANGPOLISHEDBRASS(W/SIDETVCABINET)	
8	079364-01-000	EA	SWITCH-ON/OFFROCKER-2PRONGS-BROWN-TV(W/SIDETVCABINET)	
8	079364-03-000	EA	SWITCH-ON/OFFROCKER-3PRONGS-BROWN-COURTESYLIGHT	
8	098351-01-01A	EA	PLATE-SWITCH-1GANGPOLISHEDBRASS(W/OSIDETVCABINET)	
9	065202-38-000	EA	LAMP-WALL	
9	117806-01-000	EA	BULB-12VOLT-#912-1.0AMPS	
10	058707-02-000	EA	RECEPTACLE-BLANKJUNCTIONBOX	
11	061424-01-000	EA	LIGHT-AISLE-12VOLT-RECTANGULAR	
11	008103-01-000	EA	BULB-DASH/AISLELIGHT-#53-12VOLT-.12AMP	
12	058707-01-000	EA	RECEPTACLE-ELECTRIC-SINGLE-BROWN	
13	098351-05-01A	EA	PLATE-SWITCH-3GANGPOLISHEDBRASS	
13	079364-01-000	EA	SWITCH-ON/OFFROCKER-2PRONGS-BROWN-STEP/CEILING/PORCH	
13	095188-02-01A	EA	SPACER-SWITCH-2.3"X4.1"-PLASTIC-DARKBROWN	

KEY	PARTNUMBER	U/M	DESCRIPTION	VENDORNO.
14	058708-02-000	EA	RECEPTACLE-ELECTRIC-DOUBLE-IVORY	
14	102568-01-E41	EA	SPACER-RECEPTACLE-SIDEWALL	
15	084076-02-000	EA	RECEPTACLE-GFI-15AMP-125VOLT-BROWN	
16	058708-02-000	EA	RECEPTACLE-ELECTRIC-DOUBLE-IVORY	
17	098351-02-01A	EA	PLATE-SWITCH-2GANGPOLISHEDBRASS	
17	095188-01-01A	EA	SPACER-SWITCH-2.3"X3.4"-PLASTIC-DARKBROWN	
17	079364-01-000	EA	SWITCH-ON/OFFROCKER-2PRONGS-BROWN-CEILING	
17	079364-03-000	EA	SWITCH-ON/OFFROCKER-3PRONGS-BROWN-COURTESY	
18	112822-01-01A	EA	RECEPTACLE-DUPLEX-IVORY	
18	112824-01-03A	EA	COVER-RECEPTACLE-EXTERIORDUPLEX	
19	098351-03-01A	EA	PLATE-SWITCH-3GANGPOLISHEDBRASS	
19	079364-01-000	EA	SWITCH-ON/OFFROCKER-2PRONGS-BROWN-CEILING/SHOWER	
19	079364-03-000	EA	SWITCH-ON/OFFROCKER-3PRONGS-BROWN-PUMP	
19	095188-02-01A	EA	SPACER-SWITCH-2.3"X4.1"-PLASTIC-DARKBROWN	
20	098351-07-01A	EA	PLATE-SWITCH-GENERATOR-POLISHEDBRASS	
20	108357-06-000	EA	SWITCH-ROCKERDPDT-MOM/OFF/MOM-6TERMINAL	
20	108356-11-01A	EA	COVER-ACTUATORSWITCH-3GROOVES-AUXBATT-BLACK	
21	098024-05-02A	EA	LIGHT-DOME-1BULB-SKYLITE-WHITE	
21	008218-01-000	EA	BULB-DOMELIGHT-12VOLT-NO.1141	
21	098024-01-701	EA	LENS-OPTICLEAR-SKYLITE	809902
22	091927-01-000	EA	COVER-RECEPTACLE-DOUBLE-IVORY	
				FROM: 10-14-96 THRU: 99-99-99
23	111414-01-000	EA	RECEPTACLE-12V-W/OBIMETAL	
	086280-01-000	EA	LIGHT-SURFACEMOUNT-12VOLT	
	086280-01-700	EA	BULB,12V	ARP1089
	108355-01-000	EA	HOUSING-SWITCH	



**ELECTRICALGROUP(CONTINUED)**

**ELECTRICBOXES,COVERS&POWERCORDS**

KEY	PARTNUMBER	U/M	DESCRIPTION
	008052-01-000	EA	CORD-POWER-10/3-30AMP-25'-CANADIAN
	008054-01-000	EA	CORD-POWER-10/3-30AMP-25'
	008289-01-000	EA	BOX-ELECTRIC/STEEL-12"&3/4"KNOCKOUTS-4"X4"
	008289-02-000	EA	BOX-ELECTRICAL-4"X4"-1/2"&3/4"KNOCKOUTS-CANADIAN
	008294-01-000	EA	COVER-ELECTRICALBOX-BLANK/STEEL-4"X4"-GRAY
	091910-01-000	EA	BOX-ELECTRIC-3.8"X3.5"X1.8"-PLASTIC
	091910-02-000	EA	BOX-ELECTRIC-2.2"X3.5"X1.7"-PLASTIC
	093257-02-000	EA	BOX-ELECTRIC,CIRCUITBREAKER-B&WRV80-9
	093603-01-000	EA	BOX-ELECTRIC,4"X21/8"X21/8"-STEEL
			FROM: 00-00-00 THRU: 10-13-96
	107165-01-01A	EA	BOX-CIRCUITBREAKERMOUNT,14.6"X4"-BLACKPLASTIC
	107165-03-01A	EA	BOX-CIRCUITBREAKER

**RELAYHOUSING&SOLENOID**

KEY	PARTNUMBER	U/M	DESCRIPTION
	008188-01-000	EA	SOLENOID-3POST-BATTERYCHANGE OVER
	063910-01-000	EA	HOUSING-RELAY
	086233-01-000	EA	STUD-ISOLATED-3/8"X7/8"LONG
			FROM: 10-14-96 THRU: 99-99-99
	086273-01-000	EA	RELAY-BATTERYDISCONNECT

**EXTERIORBODYGROUP**

**FIBERGLASS,STYROFOAM&ALUMINUMCHANNEL**

KEY	PARTNUMBER	U/M	DESCRIPTION
	100619-01-000	BF	EXPANDEDFOAMSHEET-4'X8'X1.34"
	100619-02-000	BF	FOAM-EXPANDEDPOLYSTYRENE
	100619-04-000	BF	FOAM-EXPANDEDPOLYSTYRENE-.5"X4'X8'
	100619-05-000	BF	FOAM-EXPANDEDPOLYSTYRENE-.75"X4'X8'
	100619-11-000	BF	FOAM-EXPANDEDPOLYSTYRENE-4'X8'X2"
	100619-13-000	BF	FOAM-EXPANDEDPOLYSTYRENE-34.65"X8'X.34"
	117754-03-01A	EA	FIBERGLASSSHEET-10.5"X96"BRIGHTWHITE
	076054-P9-000	EA	FIBERGLASSSHEET-37.4"X99.25"BRIGHTWHITE
	076054-R1-000	EA	FIBERGLASSSHEET-24"X65.9"BRIGHTWHITE
	076054-S3-000	EA	FIBERGLASSSHEET-101.4"X106.9"BRIGHTWHITE
			FROM: 00-00-00 THRU: 09-19-96
	076054-W2-000	EA	FIBERGLASSSHEET85"X339"BRIGHTWHITE
	076054-W5-000	EA	FIBERGLASSSHEET-101.42"X108.66"BRTWHT
	077517-65-000	EA	FIBERGLASS-SHEET-48"X96"BRIGHTWHITE
	076054-N9-000	EA	FIBERGLASSSHEET-96"X102"BRIGHTWHITE
	000870-08-000	SF	STYROFOAM-.75"X4'X8'-PLANED
	083574-06-000	SF	STYROFOAM-.75X48"X108"-INCREMENTSOF14SF
	068716-01-001	EA	BRACE-90DEGREEL-ANGLE-16'
	002726-01-001	EA	GARNISH-U-CHANNEL-1.38"X19'-SERRATED
	089297-01-000	SF	PLYWOOD-LUAN-OVERLAYGRADE-4'X8'
	108535-06-701	SF	FIBERGLASSSHEET-102"X396'ROLL-BRIGHTWHITE

**RUNNINGBOARDS**

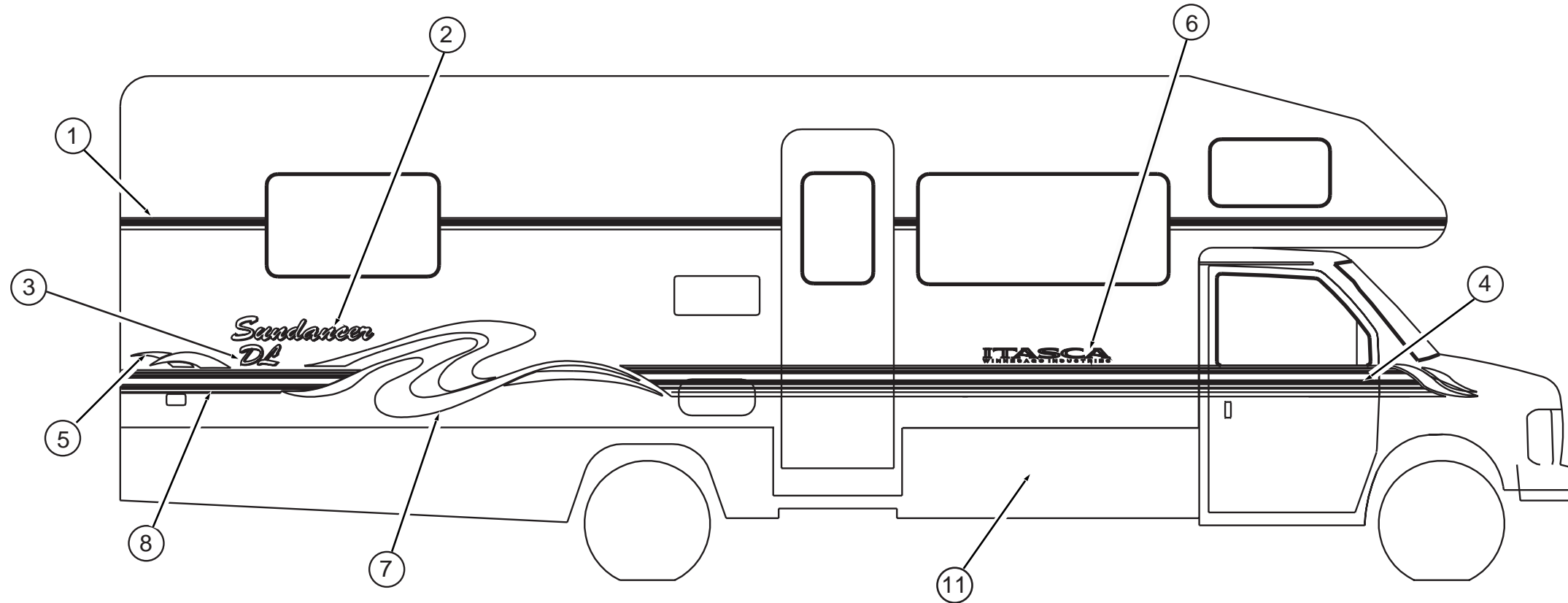
KEY	PARTNUMBER	U/M	DESCRIPTION
	106461-03-000	EA	HARDWAREKIT-RUNNINGBOARD
	106461-06-01A	EA	RUNNINGBOARD-FORD-RIGHTHAND
	106461-07-01A	EA	RUNNINGBOARD-FORD-LEFTHAND
	106461-04-000	EA	TRIM-RUNNINGBOARDFORD -QUALITYSET/2
	106461-05-000	EA	NONSKIDSTRIP-RUNNINGBOARD-QUALITYSET/6

**AWNINGA&E**

KEY	PARTNUMBER	U/M	DESCRIPTION	VENDORNO.
	113874-05-03A	EA	AWNING-W/OHARDWARE-14'(POLARBLUE)VINYL	
	111038-01-01A	EA	SPACER-AWNING-LOWER	
	113874-01-02A	EA	AWNING-HARDWAREKIT-BRIGHTWHITE	
	113874-01-702	EA	KNOB-ADJUSTING	3105421.014
	113874-01-703	EA	ROD-CENTERPULLW/ACCESSORYS	830152.102
	113874-01-706	EA	LOCK-TRAVEL	830587.001
	113874-01-707	EA	HANDLE-LIFTW/RIVETS	830644
	113874-01-709	EA	NAIL-SPIKE,8"	113006
	113874-01-710	EA	PLUG-STOPKIT	830456
	113874-01-712	EA	FOOT-PATIO	730366-001
	113874-01-714	EA	RAFTER-MAINRH/LHBRT/WHT	830295.536F
	113874-01-715	EA	RAFTER-SECONDARYBRT/WHT	830463.511F
	113874-01-716	EA	ARM-MAINSUPPORTBRT/WHT	3104502.293/F
	113874-01-717	EA	ARM-ADJUSTABLEBRT/WHT	830467.517/F

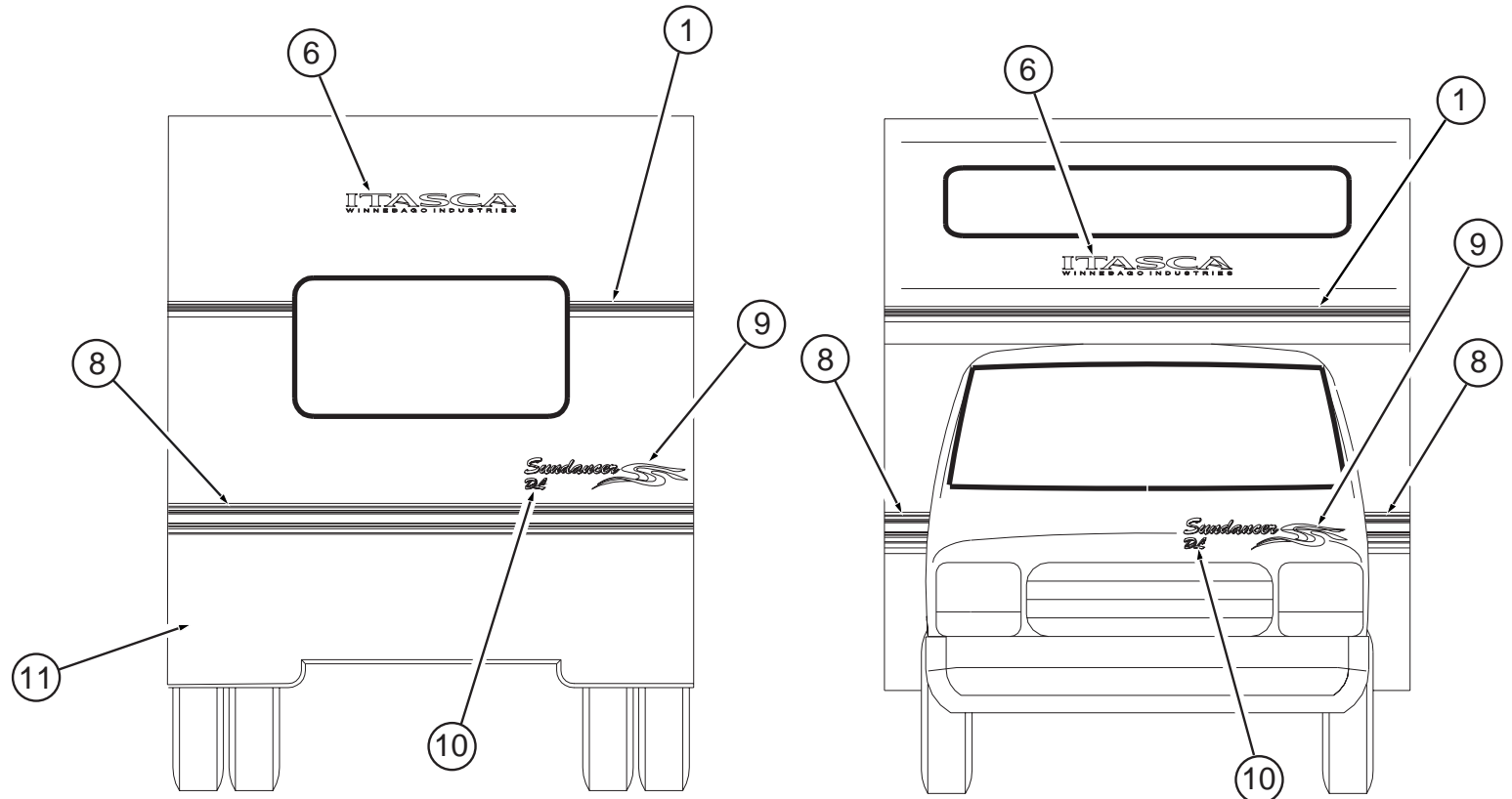
# EXTERIORBODYGROUP(CONTINUED)

## DECALS,STRIPES&PAINT



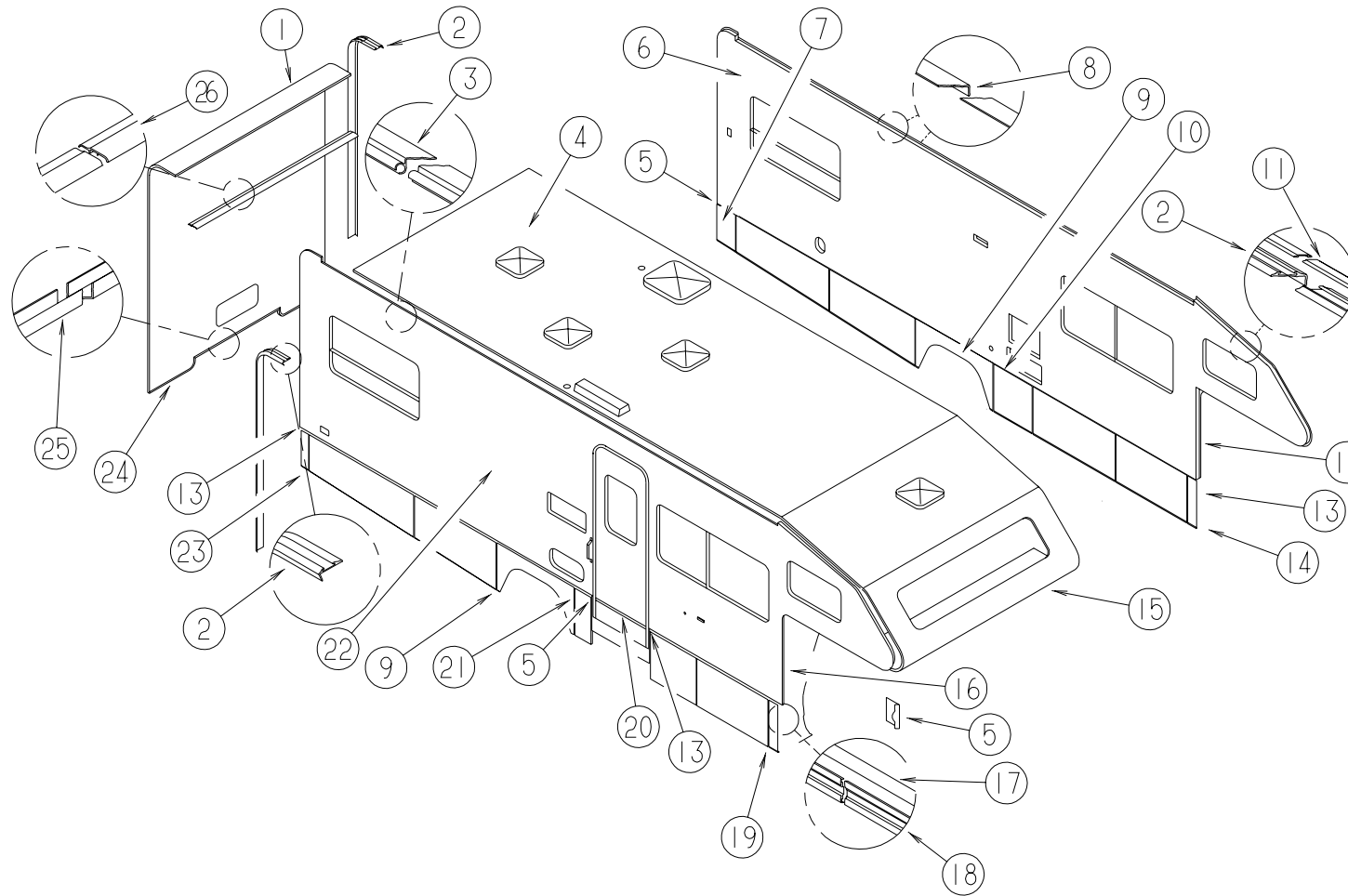
KEY	PARTNUMBER	U/M	DESCRIPTION
1	093689-21-01A	FT	FILM-MULTISTRIFE-2.7"
2	120996-01-01A	EA	DECAL-LOGO-SUNDANCER
3	120995-01-01A	EA	DECAL-LOGO,DL,LG
4	120999-01-01A	EA	DECAL-CAB-RIGHTHAND
4	120999-02-01A	EA	DECAL-CAB-LEFTHAND
5	120998-01-01A	EA	DECAL-TAILS-RIGHTHAND
5	120998-02-01A	EA	DECAL-TAILS-LEFTHAND
6	120711-02-01A	EA	DECAL-ITASCA-WINNEBAGOINDUSTRIES
7	120997-01-01A	EA	DECAL-SWIRL-RIGHTHAND
7	120997-02-01A	EA	DECAL-SWIRL-LEFTHAND
8	121001-01-01A	FT	FILM-OVERLAY-MULTISTRIFE-7.4"
9	121000-01-01A	EA	DECAL-SUNDANCER-W/SWIRL
10	120995-02-01A	EA	DECAL-LOGO,DL,SML
11	N/A		PAINT-SUPERBLUE DUPONTF1915U

DUPONTCOLORCODES	
BRIGHTWHITE	B8951
SUPERBLUEMET	F1915
BROWNMET	MM031
SUPERBLUEMET	BM351
LIGHTGREENMET	GM200
DUSTYORCHIDMET	F2984



# EXTERIORBODYGROUP(CONTINUED)

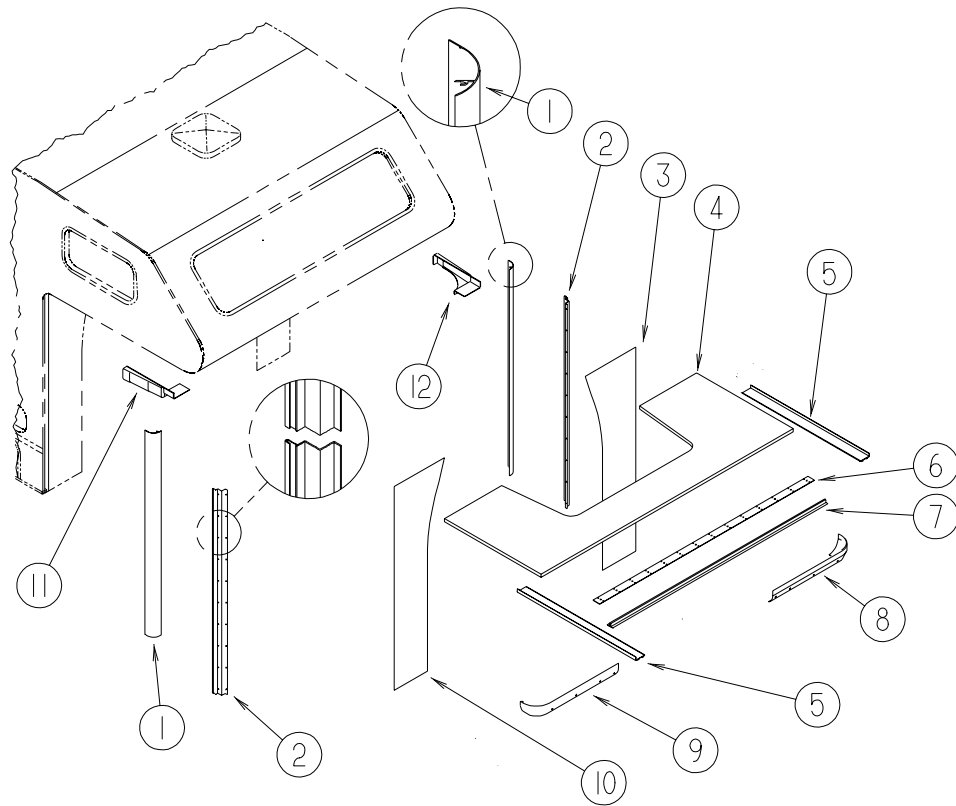
## BODYPANELS&TRIMS



KEY	PARTNUMBER	U/M	DESCRIPTION
1	P22251-01-H30	EA	BACKWALL-W/OWINDOW/TRIM-QUEENBED
1	P22251-01-H31	EA	BACKWALL-W/OWINDOW/TRIM-QUEENBED
1	P22251-02-H30	EA	BACKWALL-W/OWINDOW/TRIM-TWINBED
1	P22251-02-H31	EA	BACKWALL-W/OWINDOW/TRIM-TWINBED
1	P22251-03-H30	EA	BACKWALL-W/OWINDOW/TRIM-DOUBLEBED
1	P22251-03-H31	EA	BACKWALL-W/OWINDOW/TRIM-DOUBLEBED
2	096854-05-02A	EA	TRIM-CONTOUR-115"LONG-PASSENGER/DRIVERSIDE
3	099583-55-004	EA	AWNINGRAIL-133.9"-BRIGHTWHITE
	099583-55-003	EA	AWNINGRAIL-25.4"
4	P22250-01-H07	EA	ROOF-W/OLIGHTS/VENTS-W/WIRING
5	124132-01-01A	EA	CAP-TRIM-SIDEWALL
			FROM: 06-24-96 THRU: 99-99-99
6	P22248-02-H30	EA	SIDEWALL-DRIVER-W/OWINDOWS/TRIM
6	P22248-02-H31	EA	SIDEWALL-DRIVER-W/OWINDOWS/TRIM
7	122732-04-H30	EA	PANEL-VALANCE/REAR-W/OHARDWAR
8	096864-01-02A	EA	TRIM-CONTOUR
8	096864-02-02A	EA	TRIM-CONTOUR
9	121304-02-02A	EA	PANEL-WHEELIP-REAR
10	122776-10-H30	EA	PANEL-VALANCE-W/OHARDWARE
11	105312-01-07A	FT	INSERT-FEATURESTRIPVINYL-BRIGHTWHITE
12	108037-02-02A	EA	COVER-WINGWALLOUTER-CURVEDBRIGHTWHITEALUMINUM
12	105015-02-02A	EA	TRIM-WINGWALL/SIDEWALLINNERSUPPORTBRACKET
12	076322-03-000	FT	TAPE-DOUBLECOATED/ADHESIVEBACK-.045"THKX.50"WX9'
12	122802-01-01A	EA	TRIM-RETAINER,MILL

KEY	PARTNUMBER	U/M	DESCRIPTION
13	124132-02-01A	EA	CAP-TRIM-SIDEWALL
			FROM: 06-24-96 THRU: 99-99-99
14	122776-07-H30	EA	PANEL-VALANCE-W/OHARDWARE
15	P21337-01-H07	EA	ROOF-W/OLIGHTS/VENTS-W/WIRING
15	P21337-01-H07	EA	ROOF-W/OLIGHTS/VENTS-W/WIRING
16	108037-02-02A	EA	COVER-WINGWALLOUTER-CURVEDBRIGHTWHITEALUMINUM
16	105015-02-02A	EA	TRIM-WINGWALL/SIDEWALLINNERSUPPORTBRACKET
16	076322-03-000	FT	TAPE-DOUBLECOATED/ADHESIVEBACK-.045"THKX.50"WX9'
17	122802-01-01A	EA	TRIM-RETAINER,MILL
18	124176-01-01A	EA	TRIM-SIDEWALL-BRIGHTWHITE
19	122776-06-H30	EA	PANEL-VALANCE-W/OHARDWARE
20	108688-01-03A	EA	STRIP-FEATURE-15'
20	122828-23-01A	EA	TRIM-SIDEWALL-FEATURESTRIP
21	122776-03-H30	EA	PANEL-VALANCE-W/OHARDWARE
22	P22249-02-H30	EA	SIDEWALL-PASSENGER-W/OWINDOWS/TRIM
22	P22249-02-H31	EA	SIDEWALL-PASSENGER-W/OWINDOWS/TRIM
23	122732-03-H30	EA	PANEL-VALANCE/REAR-W/OHARDWARE
24	103334-03-02A	EA	TRIM-BACKWALL/LOWER
25	103335-02-02A	EA	TRIM-BACKWALL/LOWER
26	078580-02-000	EA	TRIM-ROOF/FROTCAP
	107865-06-000	EA	ROD-SUPPORT-VALANCEPANEL-15"
	107865-01-000	EA	ROD-SUPPORT-VALANCEPANEL-14.3"
	107865-07-000	EA	ROD-SUPPORT-VALANCEPANEL
	002726-01-001	EA	GARNISH-U-CHANNEL-1.38"X19"-SERRATED
	002365-03-006	EA	U-CHANNEL-EXTRUDED-1"X192"-BRIGHTWHITE
	122613-55-002	EA	EXTRUDED-ROCKERPANEL-192"-SUPERBLUE

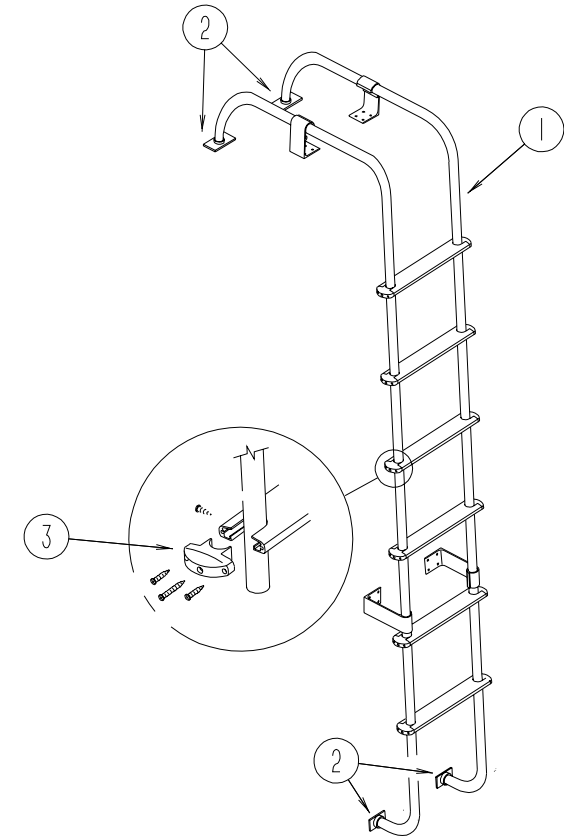
**EXTERIORBODYGROUP(CONTINUED)**



**WINGWALL,SLEEPERBOARD&TRIM**

KEY	PARTNUMBER	U/M	DESCRIPTION
1	108037-02-02A	EA	COVER-WINGWALLOUTER-CURVEDBRIGHTWHITEALUMINUM
2	105015-02-02A	EA	TRIM-WINGWALL/SIDEWALLINNERSUPPORTBRACKET
3	118336-02-G07	EA	WINGWALL
4	P18335-01-G04	EA	SLEEPERBOARD
5	096854-05-02A	EA	TRIM-CONTOUR-115"LONG-PASSENGER/DRIVERSIDE
5	105312-01-07A	FT	INSERT-VINYLFEATURESTRIP-BRIGHTWHITE
6	100086-04-01A	EA	TRIM-SLEEPERBOARD/ROOF-2"X96.6"
7	100085-05-01A	EA	TRIM-STRAP-SLEEPERBOARD
8	122910-02-G07	EA	COVER-WINGWALL
9	122910-01-G07	EA	COVER-WINGWALL
10	118336-01-G07	EA	WINGWALL
11	104444-01-02A	EA	COVER-WINGWALLTRIM-UPPERPASSENGER
12	104444-02-02A	EA	COVER-WINGWALLTRIM-UPPERDRIVER

**EXTERIORBODYGROUP(CONTINUED)**



**LADDER**

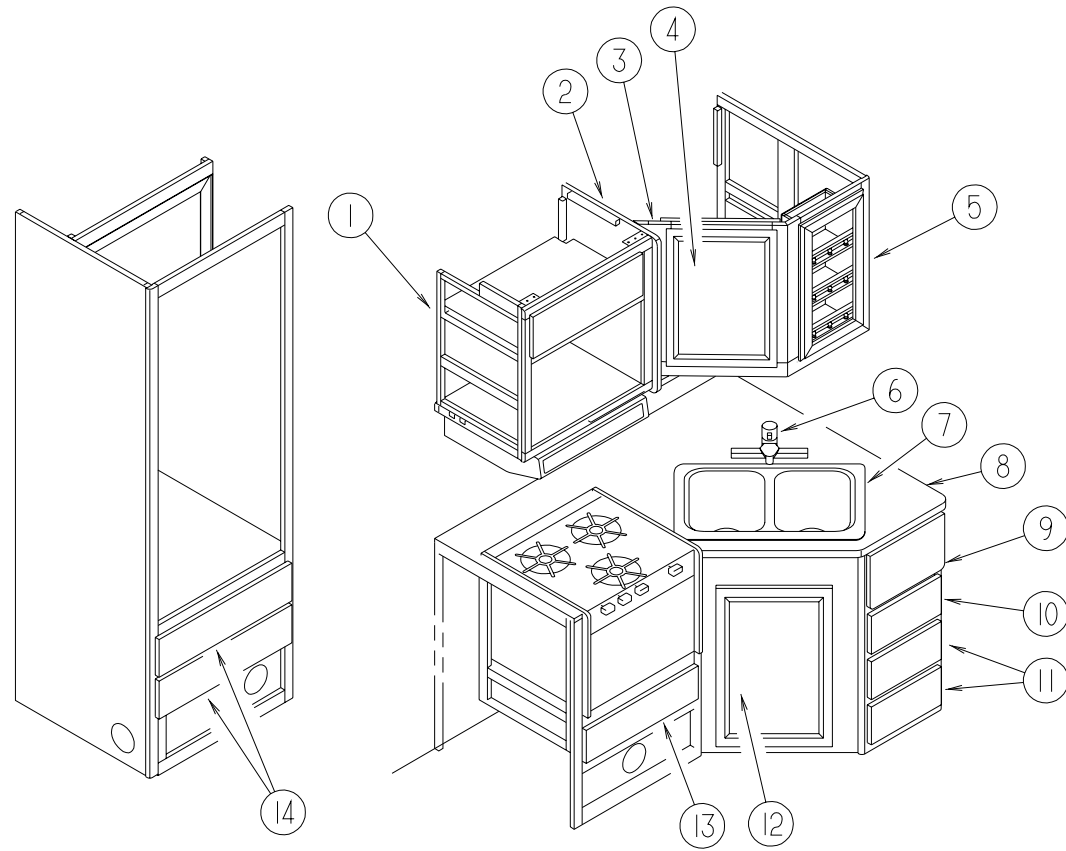
KEY	PARTNUMBER	U/M	DESCRIPTION
1	102953-15-G04	EA	LADDERASM
2	067165-01-000	EA	MOUNTINGBRACKET-LOWERLADDER
	000G39-06-10T	EA	SCREW-SF/DR-6-20X5/8PPH-BLACK
	000G68-10-36T	EA	SCREW-10-12X2.25POHBLACK
3	076980-02-000	EA	ENDCAP-STEP-BLACK
	038327-01-000	EA	TAPE-ANTI-SLIP-2"X60'

**EXTERIORMIRRORS-VELVAC**

KEY	PARTNUMBER	U/M	DESCRIPTION	VENDORNO.
	120269-05-01A	EA	MIRROR-EXTERIOR-W/HEAT/REMOTE-PASSENGER	
	120269-06-01A	EA	MIRROR-EXTERIOR-W/HEAT/REMOTE-DRIVER	
	120269-05-701	EA	GLASSONLYREPLACEMENTRH/LH	709411-8
	120269-07-01A	EA	PANEL-DRIVERSDOORMIRRORCONTROLW/SWITCH&PIGTAIL	
	120269-08-000	EA	HARNESSELECTMIRROR-VELVAC	748304-8

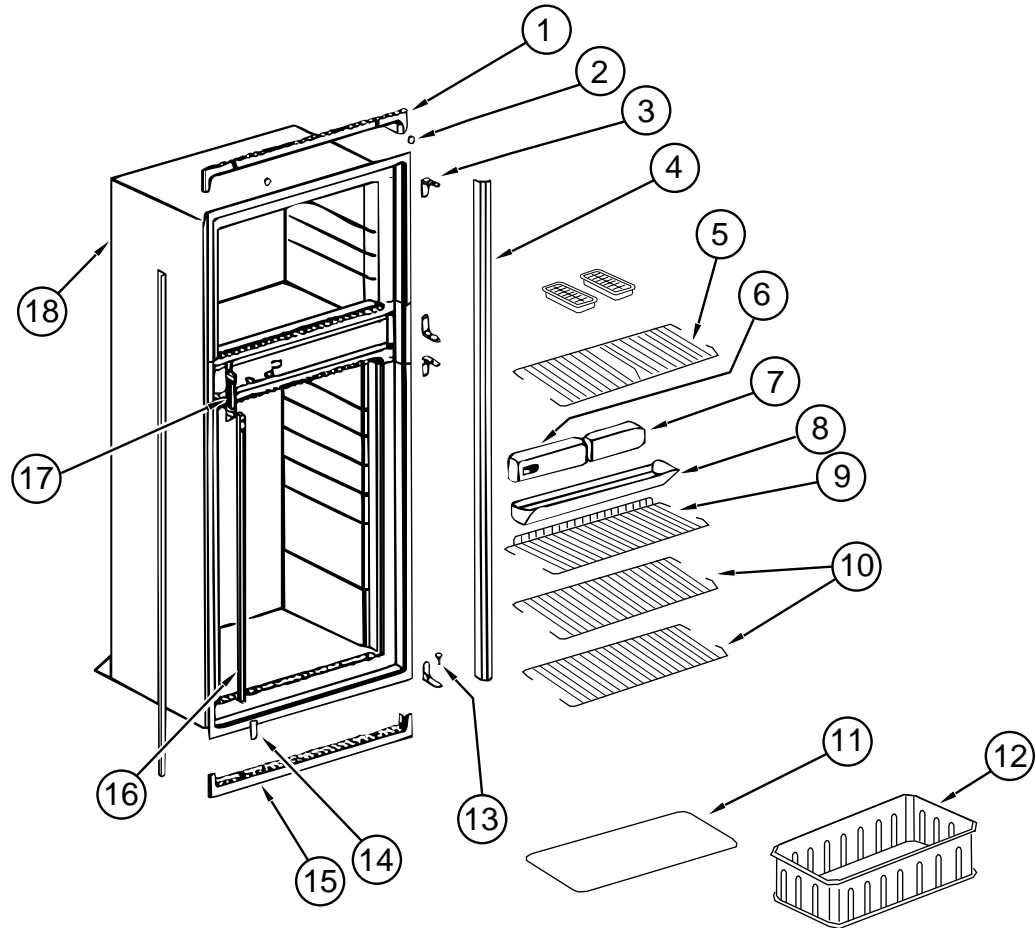
# GALLEYGROUP

## CABINETS&FIXTURES



KEY	PARTNUMBER	U/M	DESCRIPTION
1	122267-01-H30	EA	CABINET-MICROWAVE,W/ODOORS/DRAWERS/HARDWARE
2	109908-21-H30	EA	ENDCAP-OVERHEADCABINET
3	116669-01-H30	EA	CABINET-GALLEYOVERHEAD-W/ODOORS/HARDWARE
	116669-11-H30	EA	SHELF-W/PLASTICEDGETRIM
4	M06803-V8-H30	EA	DOOR-MITEREDCORNER/OGEEEDGE-14.3"X21.8"-W/OHDW
5	112076-03-H30	EA	CABINET-SPICERACK-W/ODOORS/HARDWARE
6	104114-02-01A	EA	FAUCET-SINGLECONTROL
7	104113-01-000	EA	SINK-DOUBLE-STAINLESSSTEEL
	092303-01-000	EA	STRAINER-SINK
	103610-01-F09	EA	COVER-SINK-15.1"X15.8"(H30)
			FROM: 00-00-00 THRU: 02-12-97
	103610-03-H07	EA	COVER-SINK-15.1"X15.8"(H30)
			FROM: 02-13-97 THRU: 99-99-99
	103610-01-F29	EA	COVER-SINK-15.1"X15.8"(H31)
			FROM: 00-00-00 THRU: 02-12-97
	103610-03-H05	EA	COVER-SINK-15.1"X15.8"(H31)
			FROM: 02-13-97 THRU: 99-99-99
8	122362-13-H07	EA	COUNTERTOP(H30)
8	122362-13-H31	EA	COUNTERTOP(H31)
8	P22362-01-H30	EA	CABINET-GALLEY/DINETTE-W/ODOORS/DRAWERS/HARDWARE
8	P22362-01-H31	EA	CABINET-GALLEY/DINETTE-W/ODOORS/DRAWERS/HARDWARE
8	P22362-02-H30	EA	CABINET-GALLEY/COUCH-W/ODOORS/DRAWERS/HARDWARE
8	P22362-02-H31	EA	CABINET-GALLEY/COUCH-W/ODOORS/DRAWERS/HARDWARE
9	080812-08-H30	EA	EXTENSION-GALLEYCOUNTERTOP
9	080812-08-H31	EA	EXTENSION-GALLEYCOUNTERTOP
10	M05971-F4-H30	EA	DRAWER-RADIUSEDGE 14.3"X11.8"W/OHARDWARE
11	M05971-E6-H30	EA	DRAWER-RADIUSEDGE 14.3"X21.7"W/OHARDWARE
12	110140-32-H30	EA	DOOR-MITEREDCORNER/VINYLRAP-13.6"X30.3"-W/OHDW
13	M05971-E7-H30	EA	DRAWER-RADIUSEDGE 19.8"X15.7"W/OHARDWARE
	090329-01-000	FT	SEAL-T-REFRIGERATORCABINET-.6"WIDETOPX2"TAIL
14	M05971-S0-H30	EA	DRAWER-RADIUSEDGE 22.5"X19.7"W/OHARDWARE
	091257-09-000	EA	HANDLE-ASSIST-CHERRY
	098335-14-H07	EA	RAIL-GALLEY-41"(H30)
	098335-14-H31	EA	RAIL-GALLEY-41"(H31)

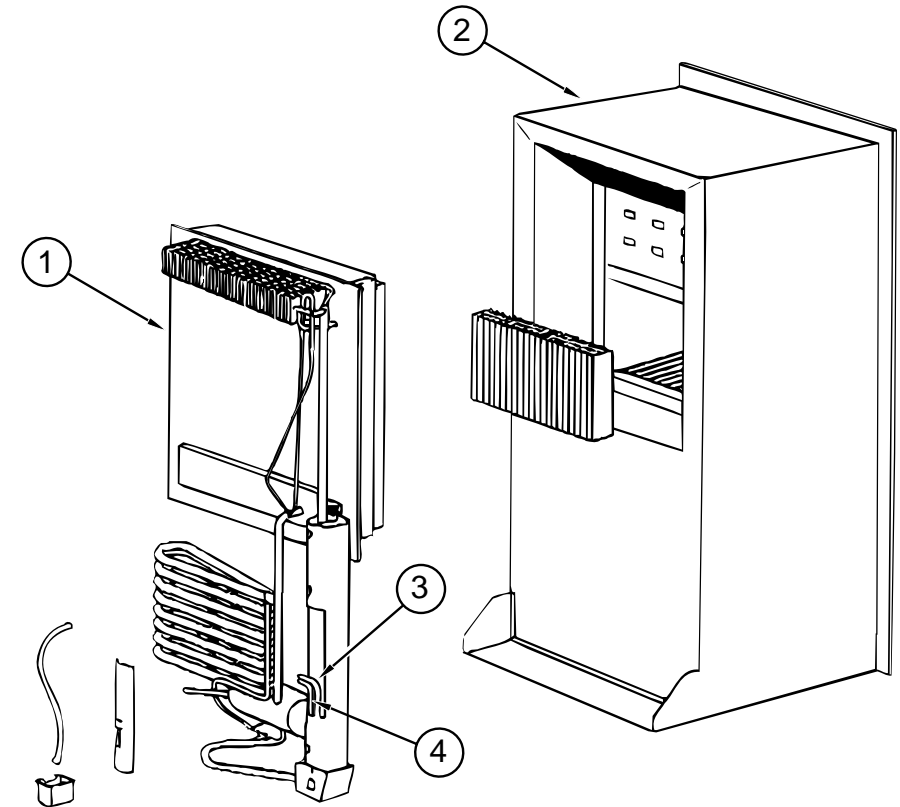
**GALLEYGROUP(CONTINUED)**



**NORCOLDMODEL9162RREFRIGERATORCABINETASMWITHTRAY,TIEDOWNS,&LEVEL**

KEY	PARTNUMBER	U/M	DESCRIPTION	VENDORNO.
	121568-01-01A	EA	REFRIGERATOR-SMALLDOUBLEDOOR-2-WAY	
1	120075-01-713	EA	TRIM-TOPPIECE	618124
2	120075-01-714	EA	PLUG-HOLE	618170
3	120075-01-715	EA	HINGE-CABINET	618512
4	120076-01-702	EA	TRIM,SIDIEPIECE	618133
5	121568-01-705	EA	SHELF-WIREFREEZER	618620
6	121568-01-706	EA	CONTROLBOXASSEMBLY	618588
	120075-01-708	EA	BUSHING-DOORHINGE	618144
7	120075-01-718	EA	BOX-FILLER	618112
8	120075-01-720	EA	TRAY-DRIP	618137
	120075-01-721	EA	LOUVER-DRIPTRAY	618176
9	121568-01-707	EA	SHELF-WIRE-SHORT	618624
10	121568-01-708	EA	SHELF-WIRE	618589
11	120075-01-725	EA	COVER-CRISPER	618158
12	121568-01-709	EA	CRISPER	618571
13	120075-01-727	EA	PIN-HINGE	618145
14	120075-01-728	EA	COVER-HINGEHOLE	618171
15	120075-01-729	EA	TRIM-BOTTOMPIECE	618136
16	120075-01-730	EA	RETAINER-SHELF	618181
17	120075-01-732	EA	PLATE-STRIKE	618167
18	120076-01-703	EA	CABINET-FOAMED	618260
	120075-01-731	EA	PLUG-FACADE	618184
	093646-01-000	EA	BRACKET-TIEDOWN/REFRIGERATOR-RIGHTHAND	
	093646-02-000	EA	BRACKET-TIEDOWN/REFRIGERATOR-LEFTHAND	
	116751-05-01A	EA	TRAY-REFRIGERATOR	
	054450-01-000	EA	LEVEL-REFRIGERATOR	
	065225-02-000	EA	PLATE-TIEDOWN-REFRIGERATOR	
	117089-01-000	FT	HOSE-1/2"ID-GARDEN	

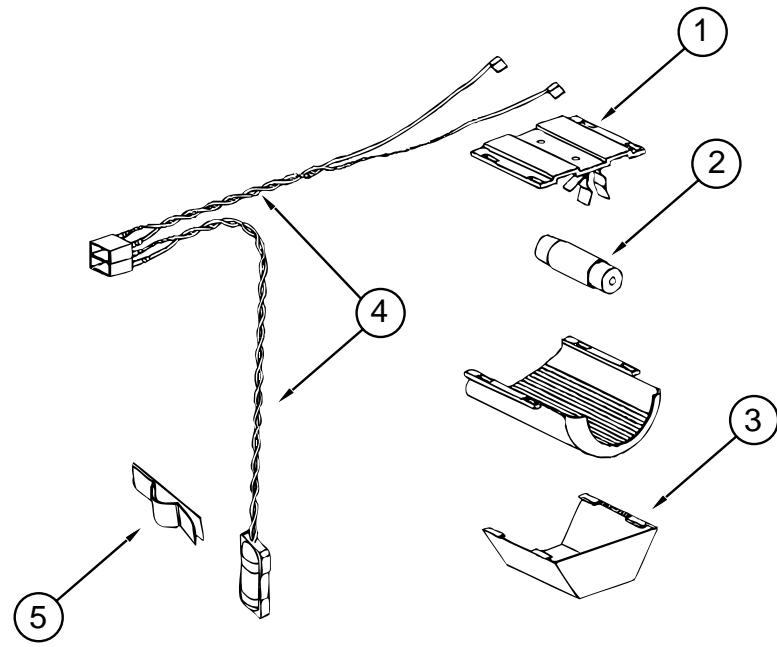
**GALLEYGROUP(CONTINUED)**



**COOLINGUNIT&CABINETASMFORNORCOLDMODEL9162R**

KEY	PARTNUMBER	U/M	DESCRIPTION	VENDORNO.
	121568-01-01A	EA	REFRIGERATOR-SMALLDOUBLEDOOR-2-WAY	
1	120076-01-704	EA	COOLINGUNIT,SERVICEPACK	618543
2	120076-01-703	EA	CABINET-FOAMED	618260
3	088248-01-710	EA	HEATERDC(HORIZONTAL)	61562822
4	088248-01-709	EA	HEATER-AC(HORIZONTAL)	61562722

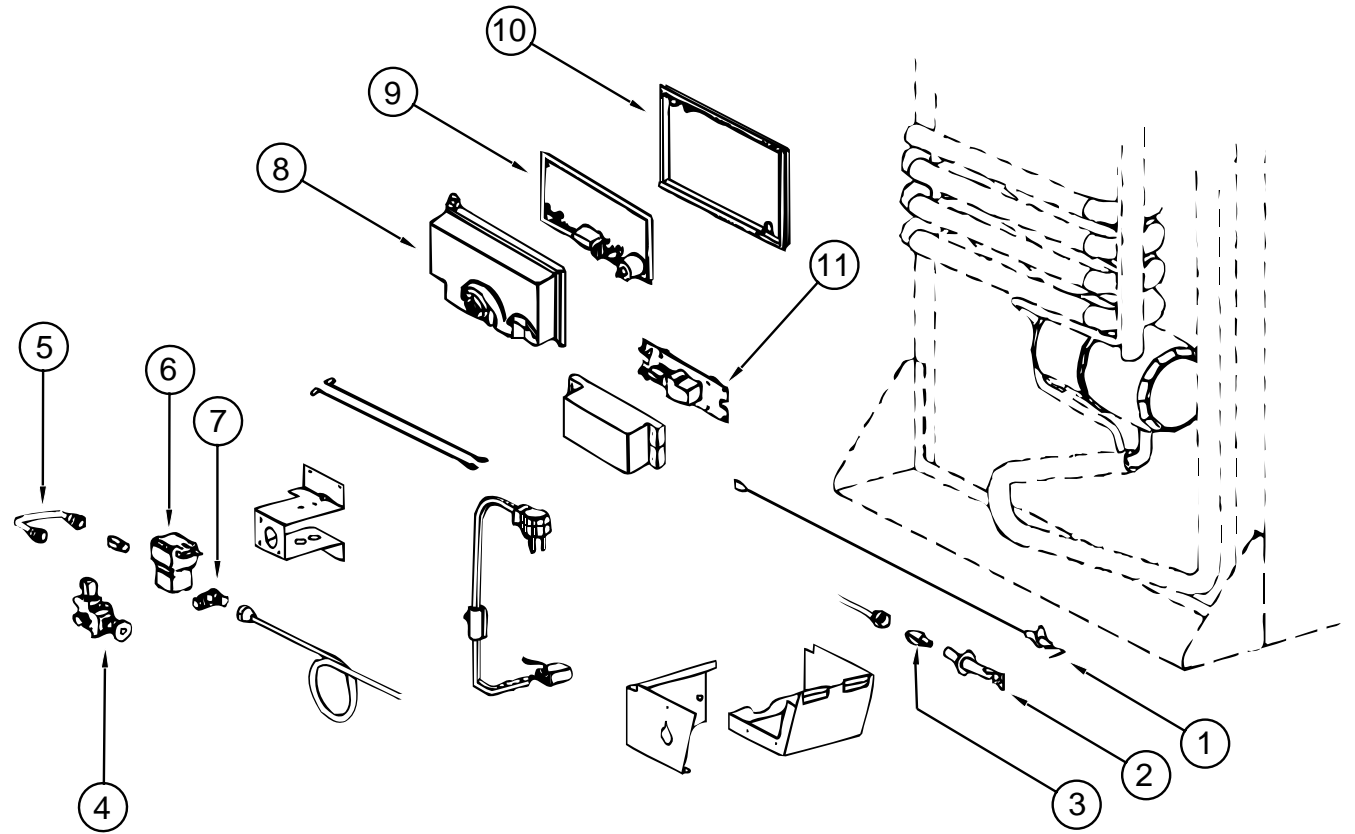
**GALLEYGROUP(CONTINUED)**



**LIGHTFORNORCOLDMODEL9162R**

KEY	PARTNUMBER	U/M	DESCRIPTION	VENDORNO.
	121568-01-01A	EA	REFRIGERATOR-SMALLDOUBLEDOOR-2-WAY	
1	084880-03-705	EA	BRACKET-LIGHT-INTERIOR	61629722
2	084880-03-706	EA	BULB-LAMP	61628922
3	084880-03-707	EA	COVER-LAMP, LENS	61627922
4	120075-01-735	EA	THERMISTERW/LAMP&WIRE/ASM	618548
5	084880-01-760	EA	CLIP(THERMISTER)	61689122

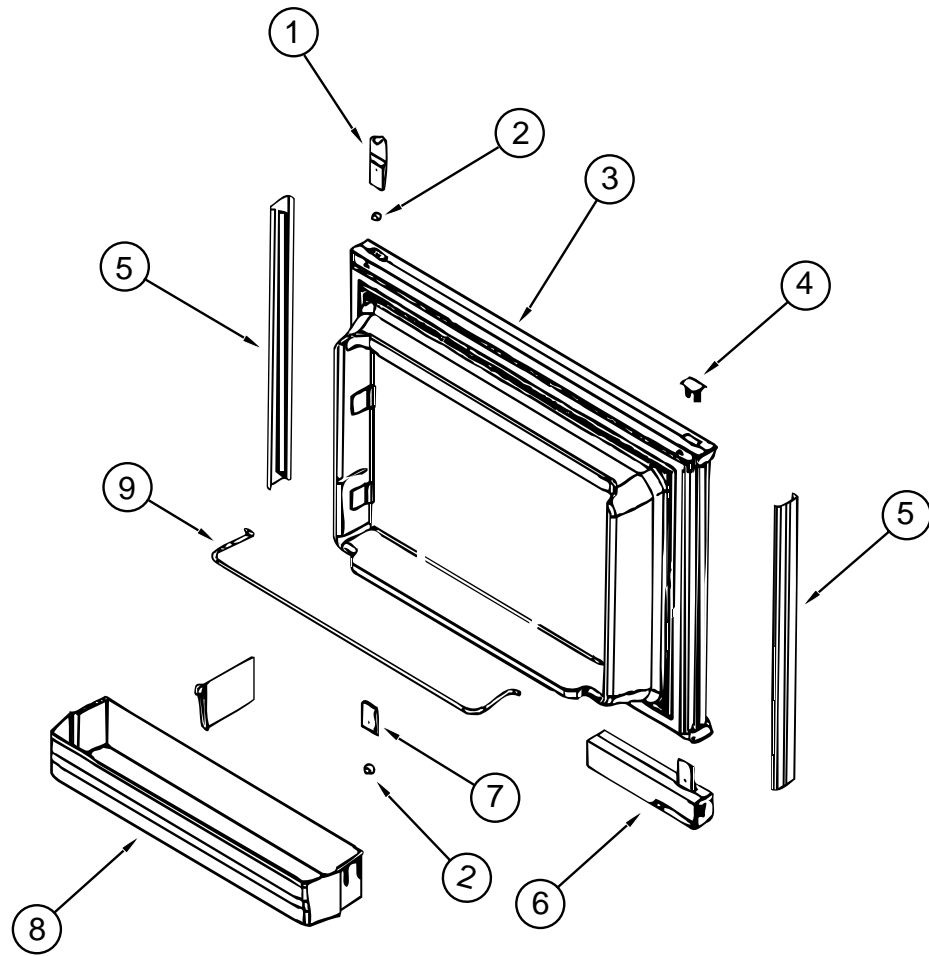
**GALLEYGROUP(CONTINUED)**



**ELECTRICALCOMPONENTSFORNORCOLDMODEL9162R**

KEY	PARTNUMBER	U/M	DESCRIPTION	VENDORNO.
	121568-01-01A	EA	REFRIGERATOR-SMALLDOUBLEDOOR-2-WAY	
1	104137-06-715	EA	ELECTRODE-SPARK/SENSOR,SGL	61692222
2	104137-06-714	EA	BURNERASSEMBLY,5-SLOT	61705222
3	113737-01-702	EA	PLUG1/8" F/PRESSURETAP	61445322
4	104137-06-709	EA	VALVE-SHUTOFF,MANUAL	61694922
5	113737-01-750	EA	TUBE-UNION	61694622
6	084880-01-718	EA	VALVE-GAS,(ASCO)	61551822
7	113737-01-716	EA	TAP-PRESSURE	61594422
8	120075-01-738	EA	COVER-POWERBOARD	618185
9	120075-01-741	EA	BOARD-POWER,2-WAY	618574
10	120075-01-740	EA	COVER-BASE,POWERBOARD	618186
11	121568-01-711	EA	DCMODULEBOARD	618516

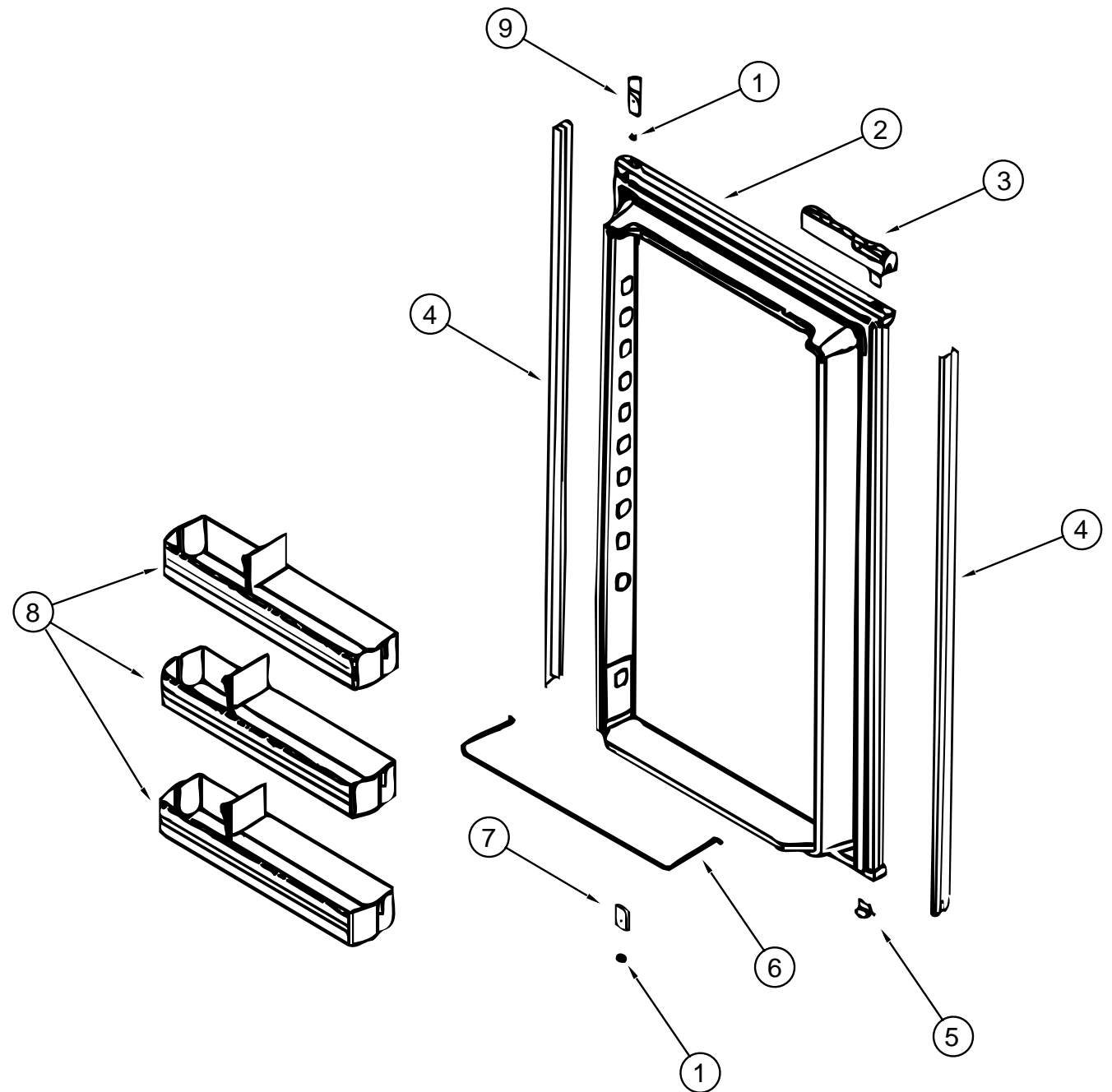
**GALLEYGROUP(CONTINUED)**



**FREEZERDOORFORNORCOLDMODEL9162R**

KEY	PARTNUMBER	U/M	DESCRIPTION	VENDORNO.
	121568-01-01A	EA	REFRIGERATOR-SMALLDOUBLEDOOR-2-WAY	
1	120075-01-701	EA	HINGE-TOPRH/BOTTOMLH	618511
2	120075-01-708	EA	BUSHING-DOORHINGE	618144
3	120075-01-703	EA	DOORASM.,FOAMED,W/GASKET	618205
4	120075-01-702	EA	CAP,(HINGEPLUG)	618160
5	120075-01-700	EA	RETAINER-DOORDECORPANEL	618128
6	121568-01-702	EA	DOORHANDLEASMLWR/LH-TOP/RH	618230
7	120075-01-705	EA	HINGE-TOPLH/BOTTOMRH	618510
8	121568-01-701	EA	BIN-DOORWHITE	618619
9	121568-01-700	EA	RAIL-DOORUPPER	618618

**GALLEYGROUP(CONTINUED)**



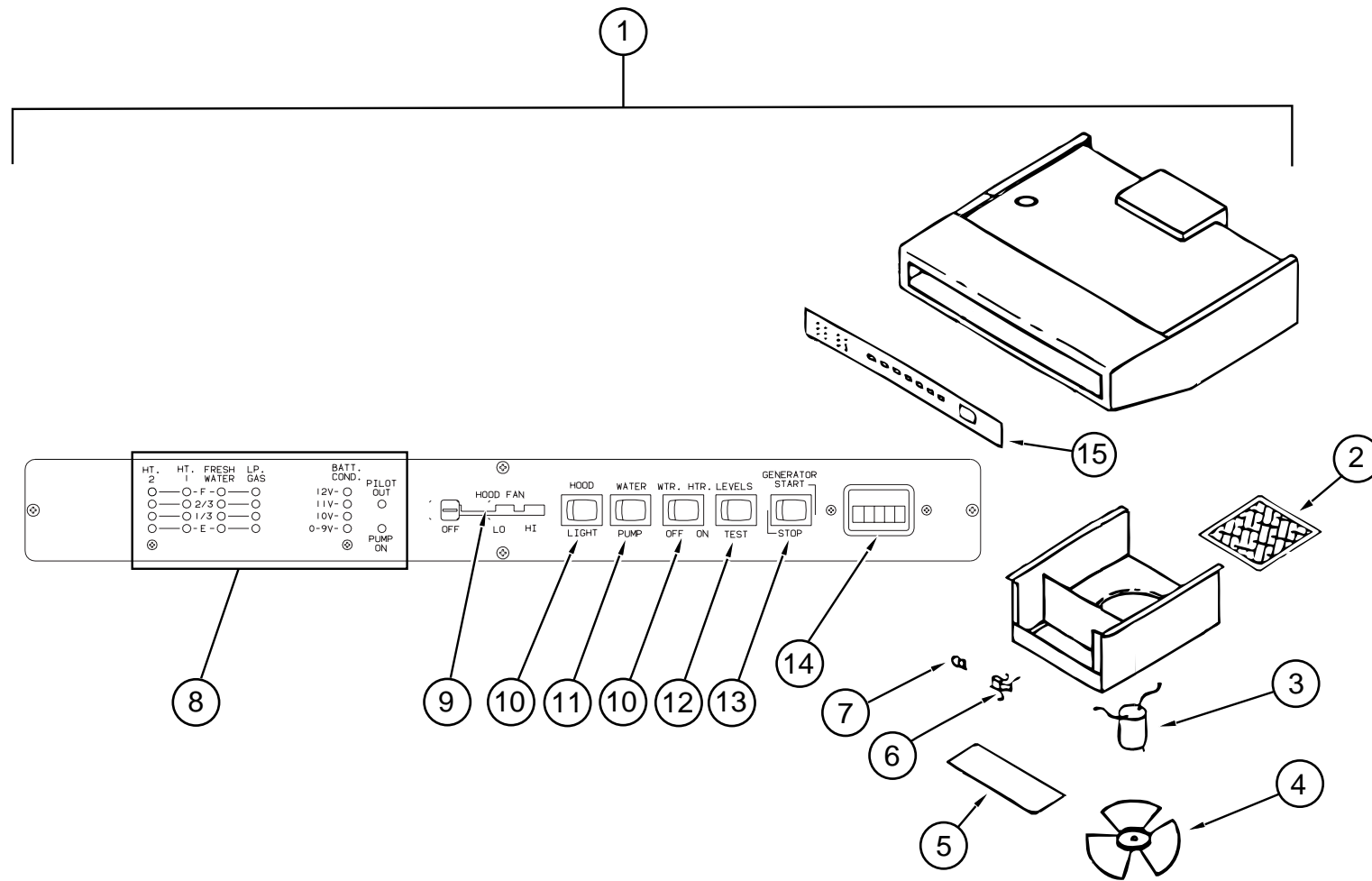
**DOORFORNORCOLDMODEL9162R**

KEY	PARTNUMBER	U/M	DESCRIPTION	VENDORNO.
	121568-01-01A	EA	REFRIGERATOR-SMALLDOUBLEDOOR-2-WAY	
1	120075-01-708	EA	BUSHING-DOORHINGE	618144
2	120076-01-701	EA	DOOR-LOWER-FOAMED,W/GASKET	618210
3	120075-01-711	EA	DOORHANDLE-UPRLH/LOWERRH	618235
4	120076-01-700	EA	RETAINER-LOWERDOORPANEL	618132
5	120075-01-702	EA	CAP,(HINGEPLUG)	618160
6	121568-01-704	EA	RAIL-DOORLOWER	618578
7	120075-01-705	EA	HINGE,PAINTED,TOPLH/BTMRH	618510
8	121568-01-701	EA	BIN-DOORWHITE	618619
9	120075-01-701	EA	HINGE-TOPRH/BTMLH,PAINTED	618511



# GALLEYGROUP(CONTINUED)

## RANGEHOOD-VENTLINE

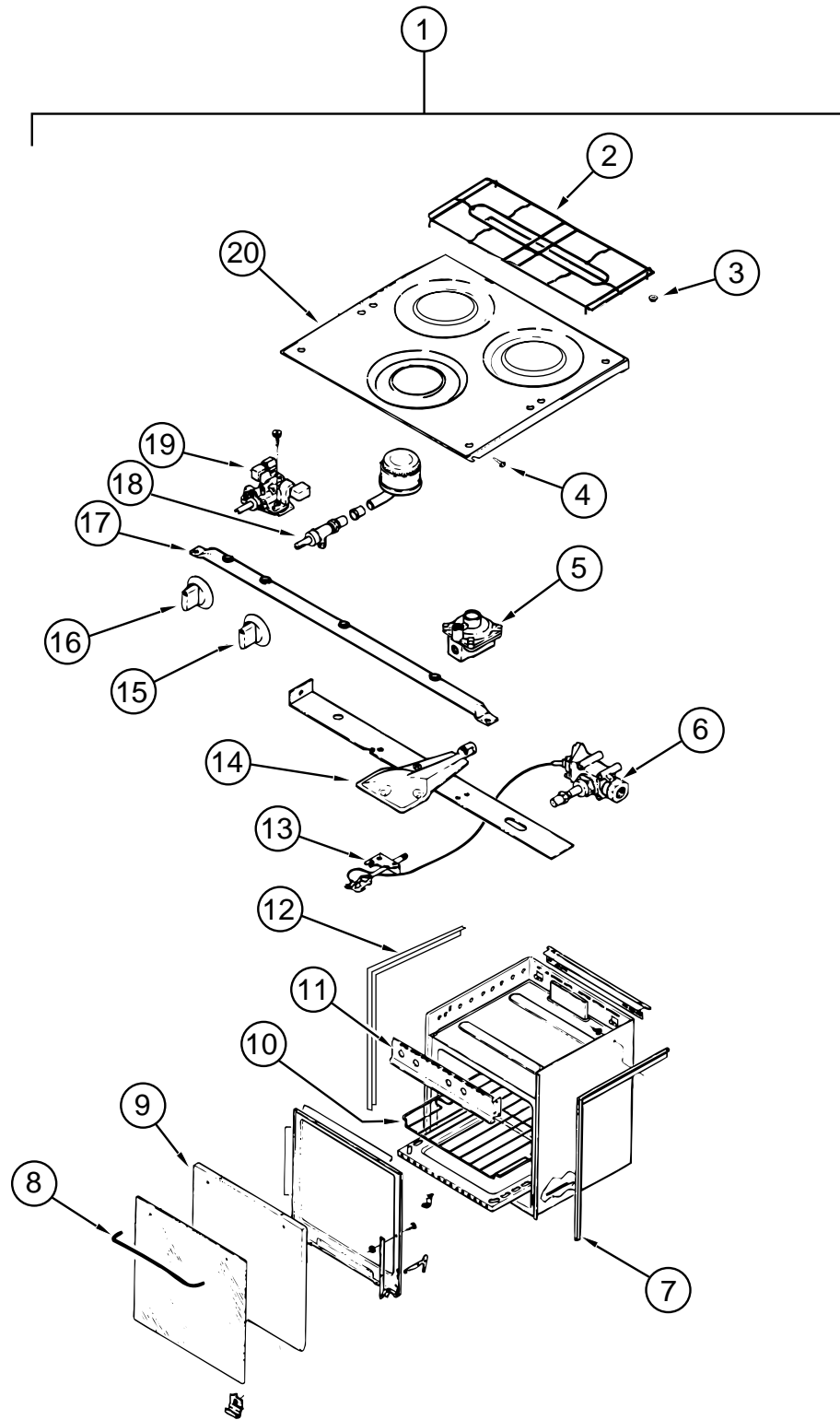


KEY	PARTNUMBER	U/M	DESCRIPTION	VENDORNO.
1	100258-22-03A	EA	HOOD-RANGE,W/OMONITORPANEL-TMS-5012-SBDL(US)	
1	100258-23-03A	EA	HOOD-RANGE22W/MONTPNLTEX-TMS-5012-SBCL(CSA)	
2	096983-01-707	EA	FILTER-MESH	CC246
3	090973-01-700	EA	MOTOR-12VOLT,CSA&UL	CA508-1
4	090973-01-702	EA	BLADE-FAN	VA183-1
5	092696-02-701	EA	LENS-LAMP	CC179-2
6	092696-01-710	EA	HOLDER-LAMP	CB267-2
7	117806-01-000	EA	BULB-12VOLT#912-1.0AMPS	
8	100258-11-700	EA	BOARD-CIRCUIT	L5099-01
9	100258-04-701	EA	BEZEL-SWITCHLEVER	CC116
9	092696-01-701	EA	KNOB-PLASTIC	CC225
10	096983-01-700	EA	SWITCH-ON/OFF	L0108-00
11	096983-01-703	EA	SWITCH-ON/ON	L0115-00
12	096983-01-701	EA	SWITCH-SPST/MOM2TERMINAL	L0111-00
13	096983-01-702	EA	SWITCH-MOM/OFF/MOM/3TERM	L0112-00
14	100258-10-01A	EA	GAUGE-HOURMETERW/SWITCH-SCREWONSTYLE	
15	100258-12-700	EA	PANEL-CONTROLASSEMBLY	LA9076
	092696-01-702	EA	RESISTER-WIRE	L7314
	100258-04-702	EA	SWITCH-LEVER-W/CABLE	CB547-1

**GALLEY GROUP (CONTINUED)**

**GALLEY GROUP (CONTINUED)**

**RANGE - MAGIC CHEF 16RB-3BZ**



KEY	PART NUMBER	U/M	DESCRIPTION	VENDOR NO.
1	112881-01-02A	EA	RANGE - 16" - 3 BURNER BLACK - HIGH OUTPUT BURNER	
2	102020-01-711	EA	GRATE-TOP	7518P012-60
3	102020-01-709	EA	BUMPER-GRATE	8007-P020-60
4	102020-01-724	EA	BUMPER-MAIN TOP	8003P008-60
5	102022-01-708	EA	REGULATOR, 1/4 & 1/2 OUT	7510P041-60
6	112881-01-702	EA	VALVE-MERCURY (SAFETY VALVE)	7501P12160=74001018
7	112881-01-708	EA	TRIM-FLAT (RIGHT) (BLK)	3608W036-70
7	112881-01-720	EA	TRIM-FLAT RH BLACK TEXTURED	FROM: 00-00-00 THRU: 07-14-96 74002812
8	102020-01-701	EA	HANDLE,DOOR	FROM: 07-15-96 THRU: 99-99-99 7701P092-60
9	112881-01-714	EA	PANEL-OVEN DOOR, GLASS	2401F114-70
9	102022-01-704	EA	GLASS-OUTER	FROM: 00-00-00 THRU: 07-14-96 7902P261-60
10	102020-01-700	EA	SHELF-OVEN	FROM: 07-15-96 THRU: 99-99-99 7801-P027-60
11	112881-01-701	EA	PANEL-MANIFOLD	2616F091-70
12	112881-01-707	EA	TRIM-FLAT (LEFT) (BLK)	3608W035-70
12	112881-01-719	EA	TRIM-FLAT LH BLACK TEXTURED	FROM: 00-00-00 THRU: 07-14-96 74002813
13	112881-01-710	EA	OVEN PILOT	FROM: 07-15-96 THRU: 99-99-99 7505P202-60
14	112881-01-711	EA	BURNER-OVEN	3403W025045
15	112881-01-705	EA	KNOB-TOP BURNER	7733P072-60
16	112881-01-704	EA	KNOB-THERMOSTAT	7731P067-60
17	112881-01-709	EA	PIPE-MANIFOLD	7513P097-60
18	102020-01-722	EA	VALVE-TOP BURNER	7502P181-60
18	112881-01-703	EA	VALVE-TOP BURNER HI-OUTPUT	7502P180-60
19	112881-01-722	EA	THERMOSTAT	7515P029-60K
	112881-01-706	EA	THERMOSTAT SER#02C	7515P031-60
	112881-01-715	EA	THERMOSTAT, REF. SER. # 3C	7515P037-60
20	112881-01-712	EA	RANGE TOP-MAIN BLACK	740101486
	112881-01-703	EA	VALVE-TOP BURNER HI-OUTPUT	7502P180-60
	112881-01-721	EA	DEFLECTOR FLUE BLACK TEXTURE	74002809
				FROM: 07-15-96 THRU: 99-99-99
	112881-01-716	EA	KNOB, THERMOSTAT-SER# 3C	7731P107-60
	112881-01-718	EA	KNOB - TOP BURNER HI-OUTPUT	74001794
	105458-01-000	EA	BRACKET - STOVE TIEDOWN - RH	
	105458-02-000	EA	BRACKET - STOVE TIEDOWN - LH	

**MICROWAVE**

KEY	PART NUMBER	U/M	DESCRIPTION
	115303-02-000	EA	OVEN - MICROWAVE 1.3 CU FT
	115401-02-01A	EA	TRIM - MICROWAVE
	094756-02-01A	EA	BRACKET - L - MICROWAVE - 6.1" LONG X 3.9" WIDE - STEEL
	094750-07-000	EA	BRACKET - MICROWAVE - 89 DEGREE

**COFFEE MAKER - BLACK & DECKER**

KEY	PART NUMBER	U/M	DESCRIPTION	VENDOR NO.
	103799-02-01A	EA	COFFEEMAKER WITH CLOCK	
				FROM: 00-00-00 THRU: 04-13-97
	103799-01-701	EA	BRACKETS, WHITE PAIR	164734-06 B & D
				FROM: 00-00-00 THRU: 04-13-97
	126019-01-01A	EA	COFFEEMAKER - OPTIMA - W/BRACKETS	
				FROM: 04-14-97 THRU: 99-99-99

## GENERATORGROUP

### GENERATOR-4WM/LITE

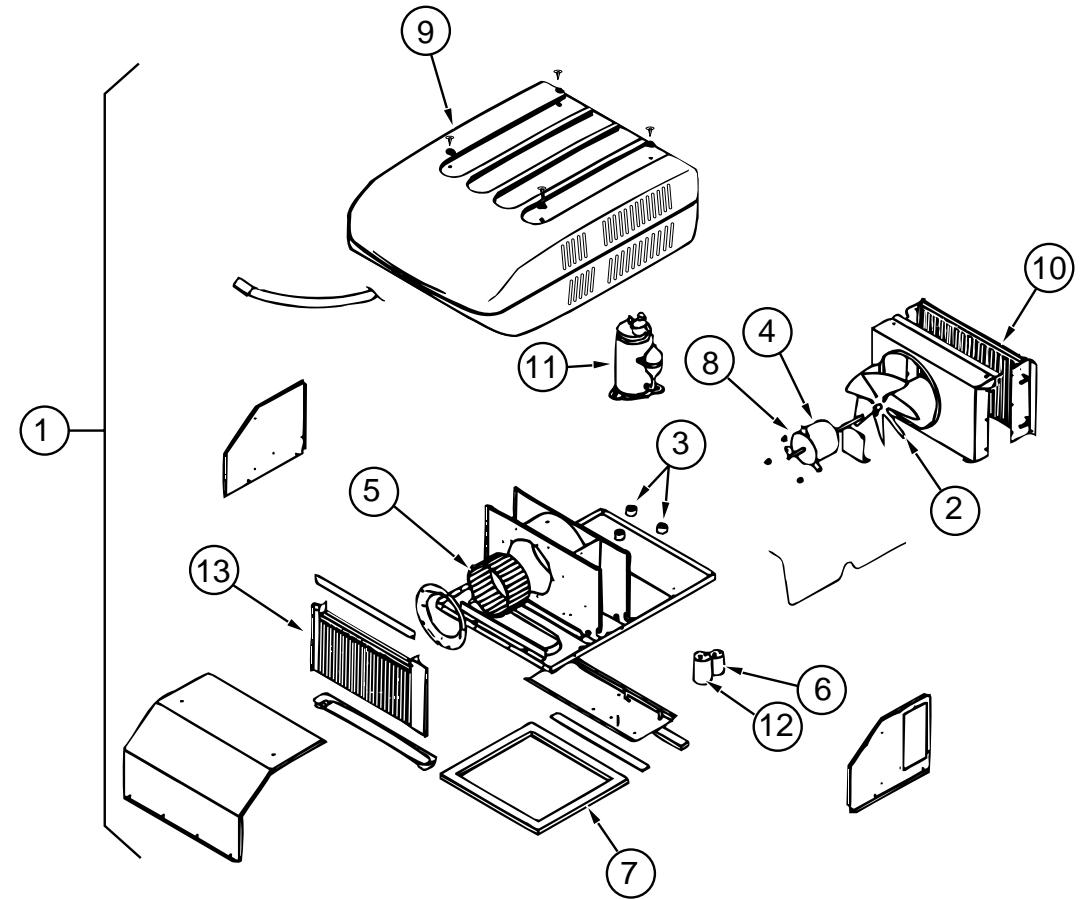
KEY	PARTNUMBER	U/M	DESCRIPTION
	109982-03-000	EA	GENERATOR-4.0MICROLITE
	007067-01-000	SF	INSULATION-FIBERGLASS-1"THICKX4'-INCREMENTS/4SF
	118248-01-02B	EA	BRACKET-GENERATOR-W/ONOTCH-E-COATED
	118248-02-02B	EA	BRACKET-GENERATOR-W/NOTCH-E-COATED
	007125-04-000	EA	CLAMP-MUFFLER-1.12"DIAMETER
	105958-09-000	EA	PIPE-GENERATOREXHAUST1.25"ODX5.9"X22"

### GENERATOR-3.6WM/LITE

KEY	PARTNUMBER	U/M	DESCRIPTION
	109982-04-000	EA	GENERATOR-3.6MICROLITE
	007067-01-000	SF	INSULATION-FIBERGLASS-1"THICKX4'-INCREMENTS/4SF
	118248-01-02B	EA	BRACKET-GENERATOR-W/ONOTCH-E-COATED
	118248-02-02B	EA	BRACKET-GENERATOR-W/NOTCH-E-COATED
	007125-04-000	EA	CLAMP-MUFFLER-1.12"DIAMETER
	105958-09-000	EA	PIPE-GENERATOREXHAUST1.25"ODX5.9"X22"

**NOTE: ADDITIONALGENERATORCOMPONENTSAREFOUNDINTHECHASSISGROUP.**

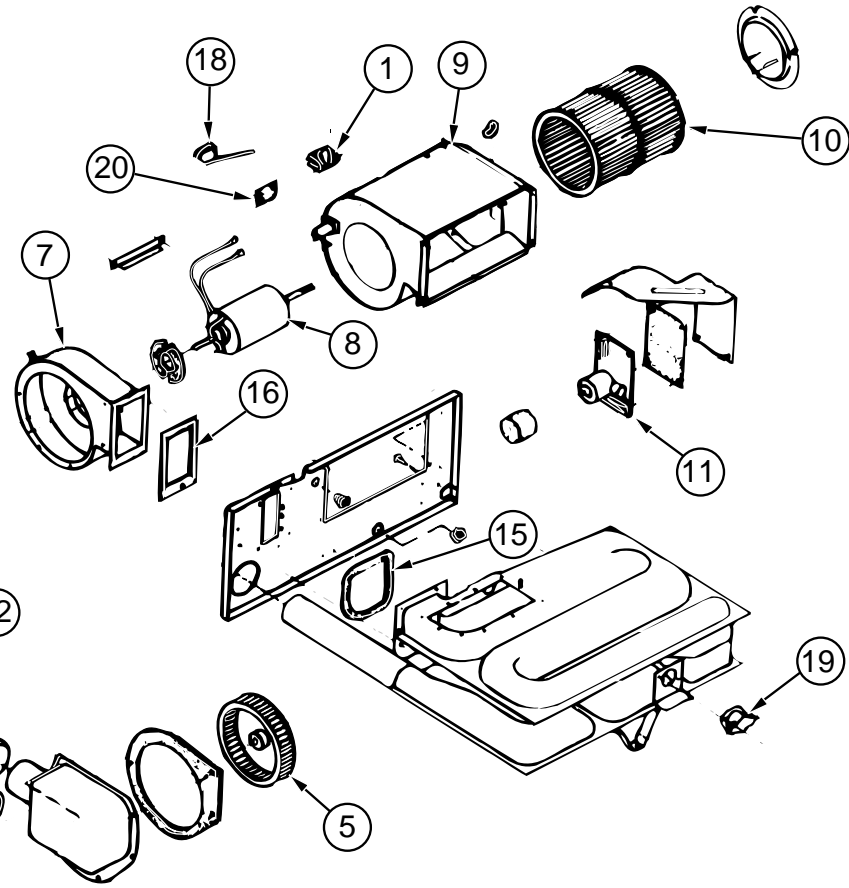
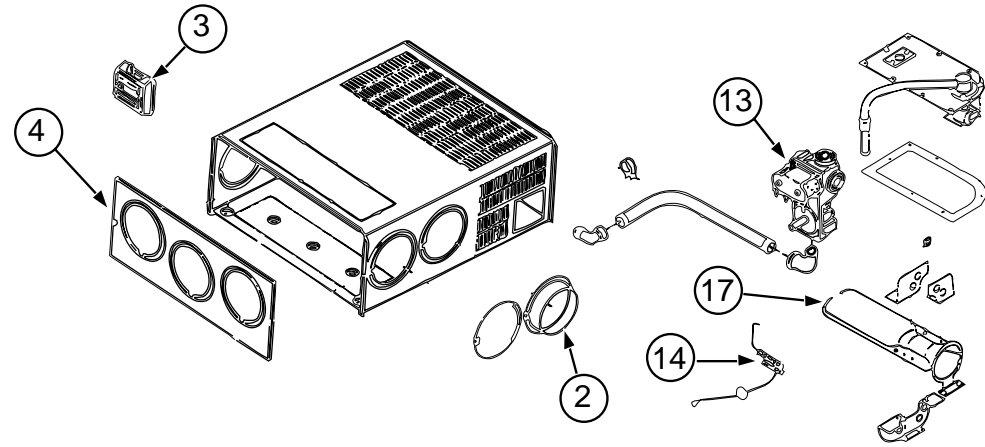
## HEATING&AIRCONDITIONINGGROUP



### ROOFA/C-COLEMAN

KEY	PARTNUMBER	U/M	DESCRIPTION	VENDORNO.
1	115219-01-03A	EA	A/C-ROOF,14,800MACH15B/WT- *COLEMAN7335B896	
2	093763-01-712	EA	BLADE-FAN-CONDENSER	6733-3221
3	105620-01-706	EA	MOUNTINGPKG.,COMP.,3PER	6759-3081
4	108889-01-705	EA	MOTOR(115,60HZ)	1468-3049
5	108889-01-706	EA	IMPELLOR	1472-1041
6	093763-01-704	EA	CAPACITOR-FAN	1499-5461
	108889-01-710	EA	PAD-FILLER,CONDENSERSEAL	6759A3971
7	108889-01-711	EA	GASKETPKG	6792-3301
8	108889-01-715	EA	MOTORMOUNT&SHAFTSEALKIT	6792-3361
9	108889-05-700	EA	SHROUD-BRIGHT/WHT.W/OLOGO	7333-4601
10	115219-01-700	EA	COIL-CONDENSER	1452-1321
11	115219-01-701	EA	COMPRESSOR-PANASONIC	1450-2039
12	115219-01-702	EA	CAPACITOR-RUN,COMPRESSOR	1499-5741
	115219-01-703	EA	RELAY-START	1497-4151
13	115219-01-704	EA	COIL-EVAPORATOR	1452-1331
	115219-01-705	EA	LINE-SUCTION,LOWER	7335-130
	115219-01-706	EA	LINE-SUCTION,UPPER	7335-131
	115219-01-707	EA	LINEASSEMBLY,DISCHARGE	7335A132
	093306-01-701	EA	DECALPACKAGE,LEFT&RIGHT	6798B3591
	093306-01-720	EA	CAPACITOR-START,21-25MFD33	1497-3351
	102289-01-000	EA	SPRING-SCREW-ROOFA/CGASKET	
	084077-03-000	EA	COVER-BLANK,ROOFA/C-5.2"X3.5"-IVORY	
	092633-01-02A	EA	FRAME-PLATE-ROOFA/C-5.7"X3.9"ANYCOLOR	
			FROM: 10-14-96 THRU: 99-99-99	
	117238-01-01A	EA	THERMOSTAT-A/CANDFURNACE	

### HEATING&AIRCONDITIONINGGROUP(CONTINUED)



FURNACE - SUBURBAN-MODELSF-302273

KEY	PARTNUMBER	U/M	DESCRIPTION	VENDORNO.
	098668-20-000	EA	FURNACE-30000BTU, SUBURBANSF-302273	
1	074466-01-702	EA	RELAY, TIMEDELAY	230625
2	075696-02-703	EA	COLLAR-DUCT	050715
3	115764-01-01A	EA	THERMOSTAT-FURNACE	
4	098668-01-700	EA	CABINETFRONT	101242
5	098668-01-706	EA	WHEEL-COMBUSTIONAIR	350128
6	098668-01-707	EA	TUBEASSEMBLY, EXHAUSTW/CAP 260231	
7	098668-01-708	EA	HOUSING-BLOWER, COMBUSTION	390441
8	098668-01-709	EA	MOTORASM., F/SF-25, SF-30	231706
9	098668-01-710	EA	HOUSING-BLOWER, ROOMAIR	390440
10	098668-01-711	EA	WHEEL-BLOWER, ROOMAIR	350129
11	098668-01-712	EA	BOARD-MODULE	520741
12	098668-01-713	EA	TUBEASSEMBLY, INTAKE	051248
13	098668-01-714	EA	VALVE-GAS, SFS.N.921401821	161070

### HEATING&AIRCONDITIONINGGROUP(CONTINUED)

#### FURNACE - SUBURBAN-MODELSF-302273 (CONTINUED)

KEY	PARTNUMBER	U/M	DESCRIPTION	VENDORNO.
14	098668-01-715	EA	ELECTRODEASM., SINGLEPROBE	232166
15	098668-01-716	EA	GASKET-FIREWALL, CHAMBERSIDE	070808
16	098668-01-717	EA	GASKET-FIREWALL, BLOWERSIDE	070809
17	098668-02-700	EA	BURNERASSEMBLY, SF-30&SF35	010745
18	098668-21-700	EA	SWITCH-MICRO, W/OFLAG31/4"	232261
19	098668-21-701	EA	SWITCH-LIMIT	231799
20	101990-01-714	EA	GASKET-MICROSWITCH	230877
	092300-02-701	EA	ORIFICE-MAINBURNER(NT-30BW)	180214
	098668-23-000	EA	DOOR-ACCESS-FURNACE	

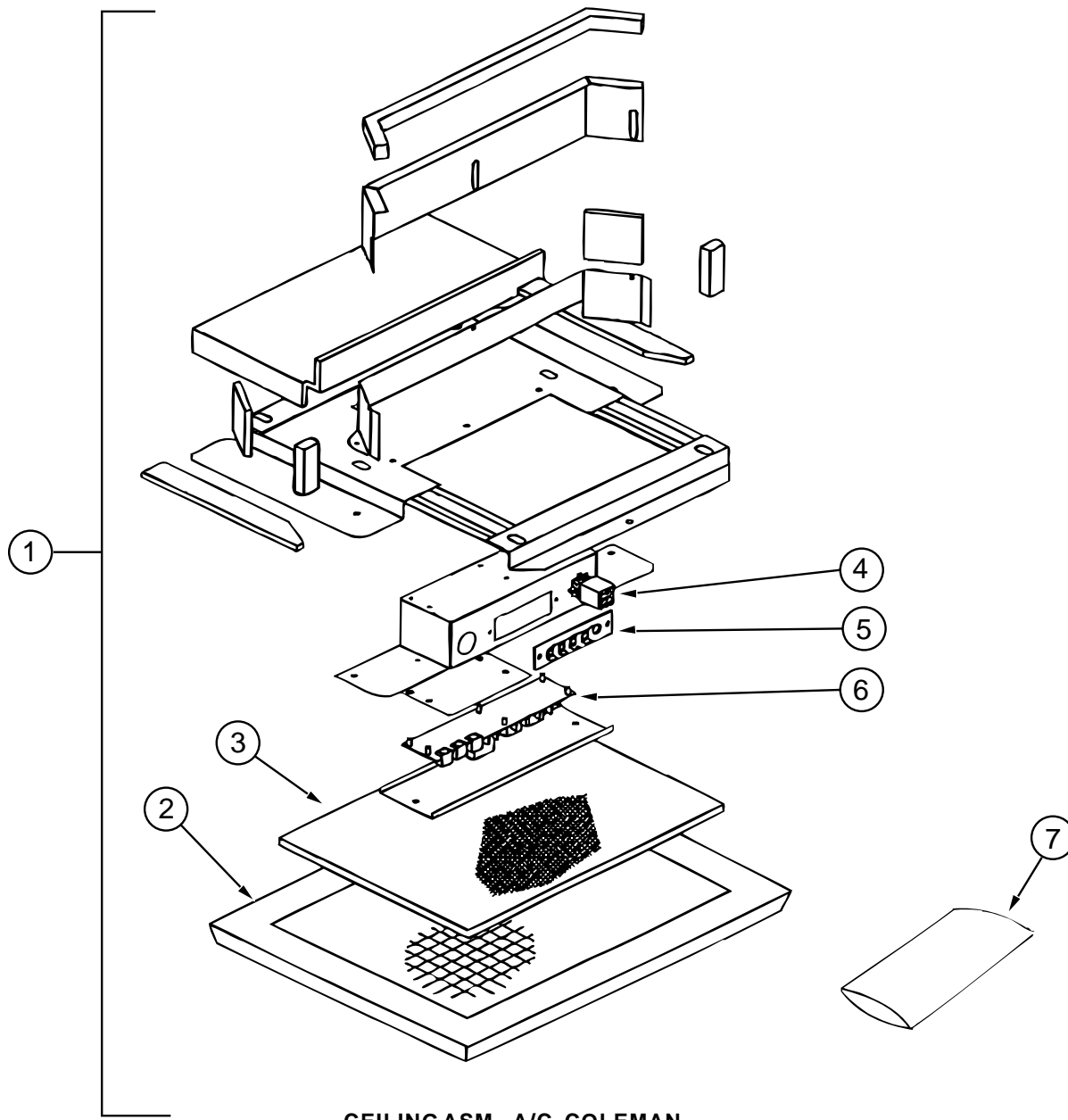
#### HEATINGSYSTEM

KEY	PARTNUMBER	U/M	DESCRIPTION
	093741-01-000	EA	BOX-BOOT-FLOORREGISTER
	069636-02-000	EA	CONNECTOR-DUCT-4" ID
	009198-01-000	FT	DUCT-HEAT-FLEXIBLE-4" IDX25'
	009198-02-000	FT	DUCT-FLEXIBLE-2" IDX25'
	093614-01-02A	EA	GRILLE-RETURNAIR
	093614-02-02A	EA	GRILL-RETURNAIR
	079059-02-000	EA	HOSE-90DEGREE-.61" IDX4" X6"
	007108-01-000	FT	HOSE-HEATER-5/8" ID-HI-TEMP-FORD
	120134-01-02A	EA	REGISTER-4-5" DIAMETERW/DAMPER
	056464-10-000	EA	REGISTER-W/ODAMPER-4" DIAMETER
	094600-05-01A	EA	REGISTER-HEATW/ODAMPER
	009200-01-000	EA	TAPE-FURNACE-1 1/2"
	089367-02-000	EA	TEE-4" X2" X4"
	008042-01-000	FT	TUBING-VINYL-.65" ID
	056464-09-000	EA	VENT-4"W/DAMPNER-BEIGEPLASTIC

#### REARHEATER-EVANS

KEY	PARTNUMBER	U/M	DESCRIPTION	VENDORNO.
	084405-01-000	EA	HEATER-REAR-DUCTED-W/MOTOR	AID-EVANS
	084405-01-700	EA	CORE-HEATER	FT200229
	084405-01-701	EA	FANBLADES	HV029931
	084405-01-702	EA	MOTORASSEMBLY, 12VOLT	R0200180
	081994-06-000	EA	PLATE-SWITCH-AUXILIARYSTART	
	087202-01-000	EA	SWITCH-4POSITIONW/KNOB5TERMINAL	

## HEATING&AIRCONDITIONINGGROUP(CONTINUED)



**CEILING ASM.-A/C-COLEMAN**

KEY	PARTNUMBER	U/M	DESCRIPTION	VENDORNO.
1	108892-01-01A	EA	CEILINGASSEMBLY-A/CDUCTED	
2	108892-01-704	EA	GRILLE(PLASTIC)	6798-3041
3	108892-01-703	EA	FILTER	6798A3761
4	108892-01-700	EA	PLUGASSEMBLY	7330-540
5	108892-01-701	EA	BOARD-TERMINAL	7330-3201
6	108892-01-702	EA	BOARD-P.C.	7330A3211
7	108892-01-705	EA	SMALLPARTSPKG	7330A6101

## INTERIORFINISHGROUP

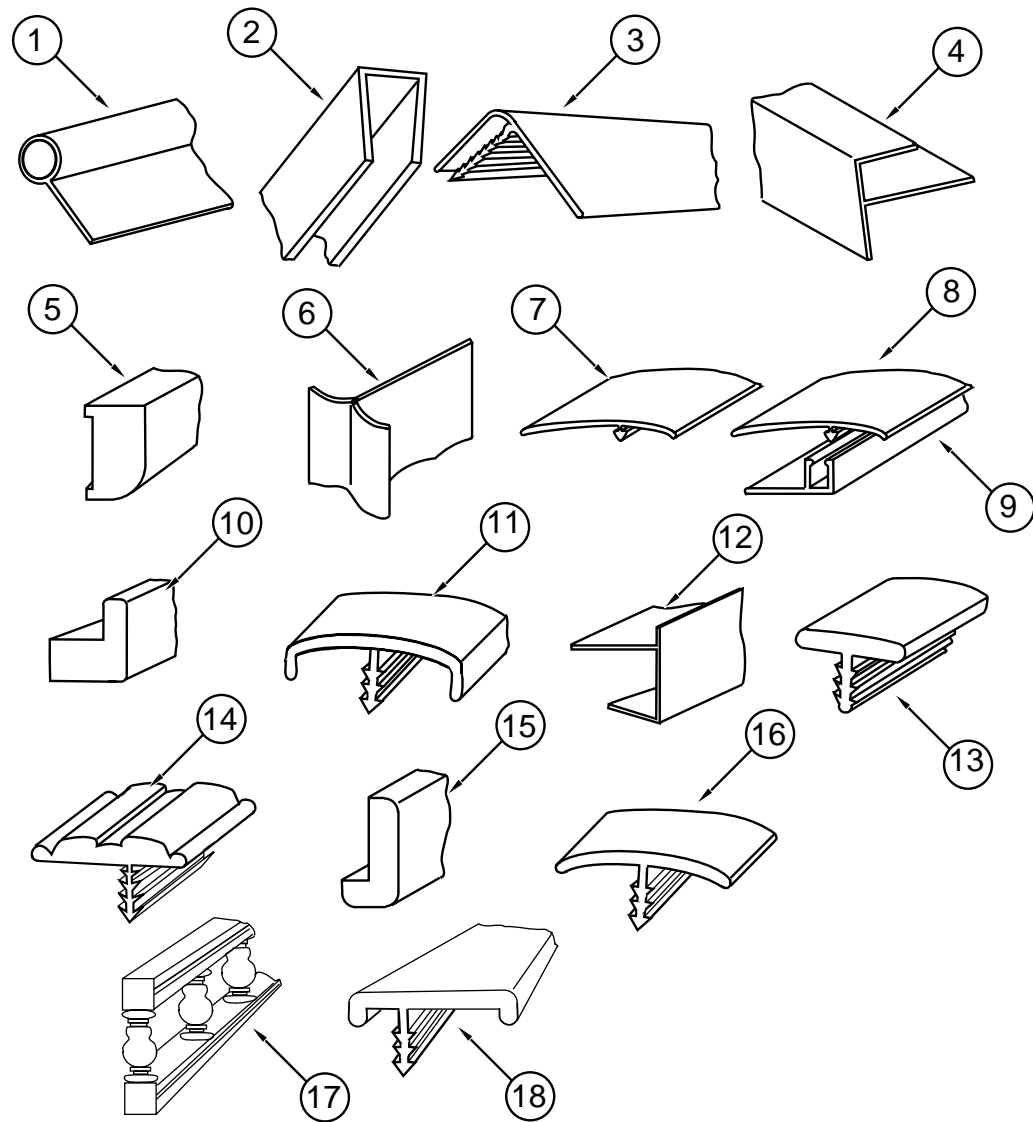
### FIREEXTINGUISHER,CODETECTORS&CLOCK

KEY	PARTNUMBER	U/M	DESCRIPTION	VENDORNO.
	072852-01-000	EA	DETECTOR-SMOKE-W/9VOLT BATTERY-US	
	072852-02-000	EA	DETECTOR-SMOKE-W/9/VOLT BATTERY-CANADIAN	
	094499-01-000	EA	EXTINGUISHER/FIRE-DRYW/MOUNTINGBRACKET	
	094499-02-000	EA	EXTINGUISHER/FIRE-DRY-1A10BC-CANADIAN	
	094499-01-700	EA	BRACKETMTG.W/PLAS.STRAP	294039
	094499-01-701	EA	STRAPONLY(METAL)	320351
	112320-03-000	EA	DETECTOR-COGAS-MODEL9D-I	
	112320-04-000	EA	BATTERY/SENSORMODULE-CO(BLACKMODULE)F/9D-ISYSTEM	FROM: 00-00-00 THRU: 10-20-96
	125136-01-000	EA	DETECTOR-COGAS-MODEL9L-I	FROM: 00-00-00 THRU: 10-20-96
	118081-01-01A	EA	CLOCK-WALL-ROUND8"-BRASS	FROM: 10-21-96 THRU: 99-99-99
	118081-02-01A	EA	CLOCK-WALL-ROUND8"-BRASS	FROM: 00-00-00 THRU: 06-22-97
				FROM: 06-23-97 THRU: 99-99-99

### CARPETING&FLOORMATS

KEY	PARTNUMBER	U/M	DESCRIPTION	VENDORNO.
	093486-01-000	SY	CARPET-COMPARTMENT-72"WIDE-DARKGRAY	
	096060-98-000	SY	CARPET-SILVERASPEN-INCREMENTSOF4SQYD(H30)	
	096060-C4-000	SY	CARPET-NIGHTNAVY-INCREMENTSOF4SQYD(H31)	
	093873-01-01A	EA	TRIM-CARPET-L-ANGLE1.1"X1.3"X12'-GRAYVINYL	
	081075-04-000	EA	MAT-FLOOR-ENTRANCE-ITASCA	
	106884-03-000	EA	MAT-FLOOR-FRONTPASSENGER"-FORD	FROM: 00-00-00 THRU: 02-09-97
	106884-04-000	EA	MAT-FLOOR-FRONTDRIVER"-FORD	FROM: 00-00-00 THRU: 02-09-97
	125780-03-000	EA	MAT-FLOOR-FRONTPASSENGER"-FORD	FROM: 02-10-97 THRU: 99-99-99
	125780-04-000	EA	MAT-FLOOR-FRONTDRIVER"-FORD	FROM: 02-10-97 THRU: 99-99-99

**INTERIORFINISHGROUP(CONTINUED)**



**INTERIORFINISHGROUP(CONTINUED)**

**MOLDINGS&TRIMS**

KEY	PARTNUMBER	U/M	DESCRIPTION
1	009767-12-000	FT	WELTING-SIDEWALL/CEILING/CABINET-OFF/WHT
1	009767-16-000	FT	WELTING-REBERBIRCH
2	009778-20-700	EA	U-CHANNEL-1"X55"-MODERNIVORY
2	009778-24-000	FT	U-CHANNEL-1"-SOLARMAPLE
2	070504-40-000	FT	U-CHANNEL-EXTRUDEDPLASTIC-.81"X84"-SOLARMAPLE
2	070504-41-000	FT	U-CHANNEL-EXTRUDEDPLASTIC-.65"X84"-SOLARMAPLE
3	009809-23-000	EA	MOLDING-CORNER-OUTSIDE-1"X84"-MODERNIVORY
3	009809-29-000	EA	MOLDING-CORNER-OUTSIDE-1"X84"-SOLARMAPLE
4	009812-24-000	EA	MOLDING-PLASTIC-OUTSIDECORNER-.50"-IVORY
4	009812-30-000	EA	MOLDING-PLASTIC-OUTSIDE-.50"X84"SOLARMAPLE
5	111135-D2-001	EA	MOLDING-018X038X2000MVINYL-WRAPPED
6	022992-01-000	FT	MOLDING-REVERSECOVE-T-SHAPED-VINYL-WHITE
6	022992-11-000	FT	MOLDING-REVERSECOVE-T-SHAPEDVINYL-IVORY
7	086229-13-000	EA	BATTEN-1"X96"-IVORY
7	086229-18-000	EA	BATTEN-1"X97.68"-OFFWHITE
7	086229-20-000	EA	BATTEN-1"X96"-BEIGE
8	086229-12-000	EA	BATTEN-1.5"OFFSETX97.01"
9	086229-11-000	EA	RETAINER-OFFSET-97.01"
10	100819-01-06A	EA	MOLDING-VINYLWRAP-DOOR
11	083620-09-000	FT	T-MOLDING-.75"-W/EDGELIPS
11	083620-14-000	FT	T-MOLDING-W/EDGELIP-.75"-SOLARMAPLE
12	103186-01-03A	FT	MOLDING-PLASTIC-SHELF-3/8"U-CHANNELW/3/4"FACE
13	104676-01-01A	FT	T-MOLDING-5/16"-RIGIDGOLD
13	104676-02-05A	FT	T-MOLDING-1/2"X10'
14	109736-01-01A	FT	T-MOLDING-1"-BRASS/BLACK
15	077840-01-H37	EA	MOLDING-WALLCAP-8'
16	105709-01-000	FT	T-MOLDING-1"-MODERNIVORY
16	009815-09-000	FT	MOLDING-T-.75"IVORY
17	075249-01-000	EA	RAILING-OAK-72"UNFINISHED
18	119520-01-01A	FT	MOLDING-T-1"W/EDGELIPS(OFF/WHITE-CREAM)
	120492-01-05A	FT	STRIP-TRIM-SOLARMAPLE
	122186-D2-134	EA	MOLDING-VINYLWRAPPED-.7"X1.6"X84"-SOLARMAPLE
	122186-F2-134	EA	MOLDING-VINYLWRAPPED-.7"X2.6"X84"-SOLARMAPLE

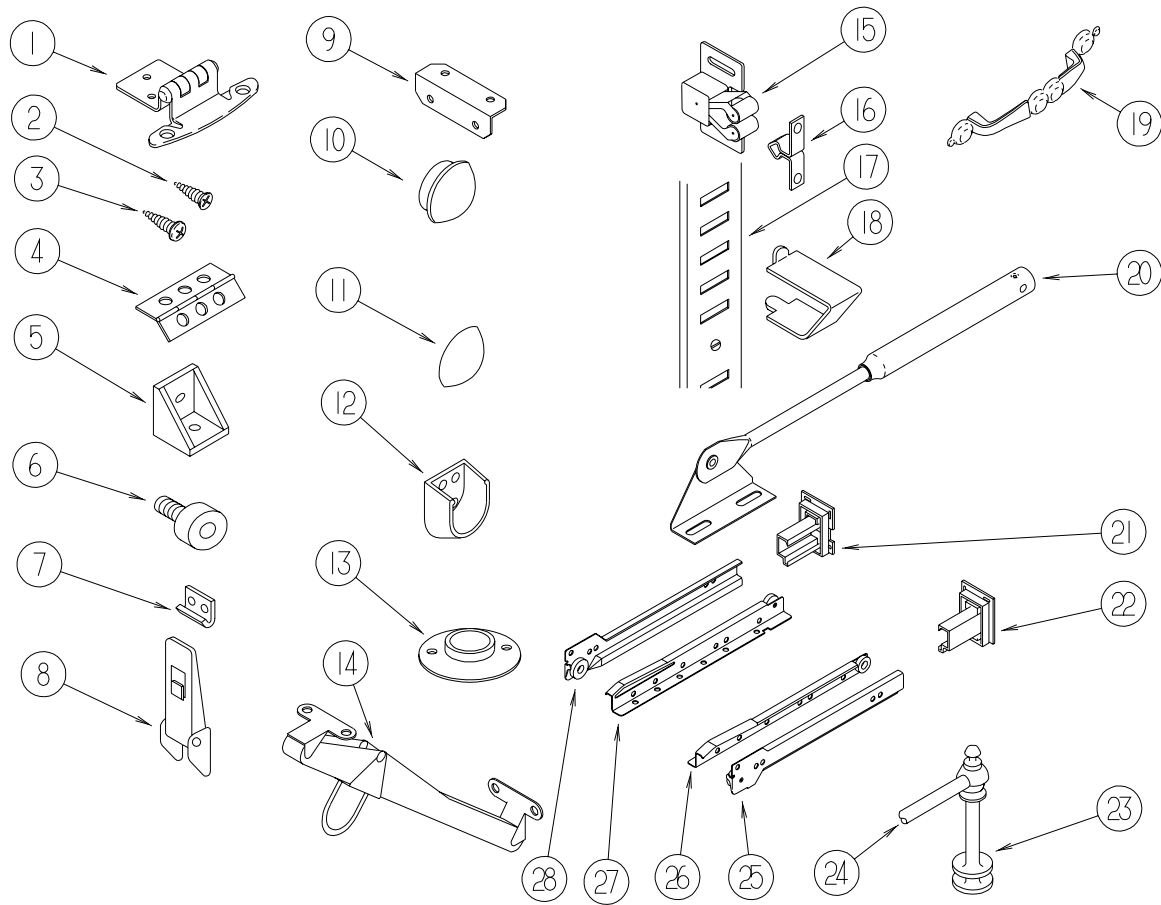
**EDGEBANDMOLDING**

KEY	PARTNUMBER	U/M	DESCRIPTION
	076325-34-000	FT	MOLDING-EDGEBAND-15/16"X.030"-ORCHIDMIST(EXTERIORENTERTAINMENT)
	076325-39-000	FT	MOLDING-EDGEBAND-15/16"X.030"(H30)
	076325-37-000	FT	MOLDING-EDGEBAND-15/16"X.030"(H31)
	076325-40-000	FT	MOLDING-EDGEBAND-.875"X.024"(H30)
	076325-38-000	FT	MOLDING-EDGEBAND-.875"X.024"(H31)
	076325-69-000	FT	MOLDING-EDGEBAND-.93"X.024"-SOLARMAPLE
	076325-70-000	FT	MOLDING-EDGEBAND-15/16"X.038"-SOLARMAPLE

**BATTSTRIPS&TAPE**

KEY	PARTNUMBER	U/M	DESCRIPTION
	069733-84-000	EA	BATTSTRIP-WOODGRAINED/SOLARMAPLE-8'
	088263-E7-000	EA	BATTSTRIP-DECORATIVE-GAZEBOSTRIPE/SAG-8'LONG(MAINWALL)(H30)
	088263-E8-000	EA	BATTSTRIP-DECORATIVE-THUNDERBIRD/BISQUE-8'LONG(MAINWALL)(H31)
	085284-E1-000	FT	BATTTAPE-ADHESIVEBACKED-DECORATIVE-GAZEBO/STRIPE/SAG(H30)
	085284-E2-000	FT	BATTTAPE-ADHESIVEBACKED-DECORATIVE-THUNDERBIRD/BISQUE(H31)
	085284-D8-000	FT	BATTTAPE-ADHESIVEBACKED-WOODGRAINED/SOLARMAPLE

**INTERIORFINISHGROUP(CONTINUED)**



**CABINET&TABLEHARDWARE**

**INTERIORFINISHGROUP(CONTINUED)**

**CABINET&TABLEHARDWARE(CONTINUED)**

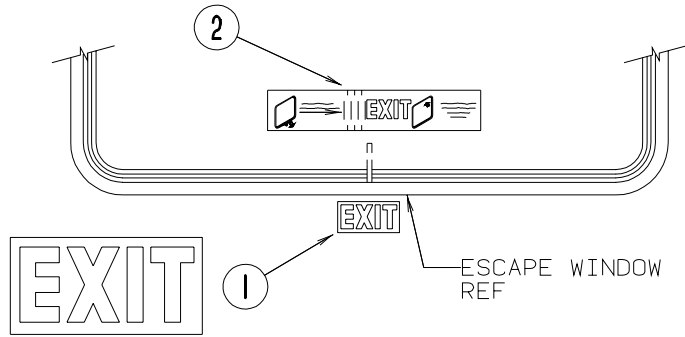
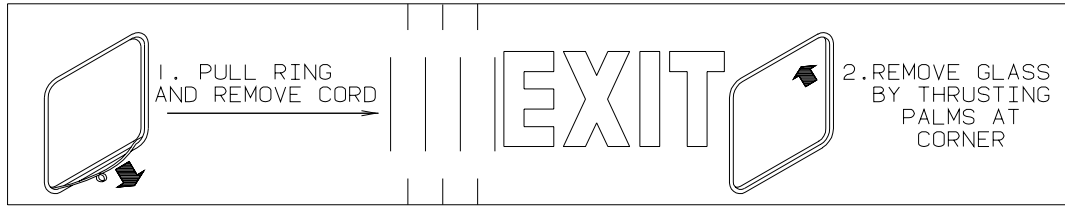
KEY	PARTNUMBER	U/M	DESCRIPTION
25	114031-02-000	EA	SLIDE-12"-RIGHTSIDE/CABINET
25	114031-06-000	EA	SLIDE-14"-RIGHTSIDE/CABINET
25	114031-10-000	EA	SLIDE-16"-RIGHTSIDE/CABINET
25	114031-14-000	EA	SLIDE-18"-RIGHTSIDE/CABINET
25	114031-18-000	EA	SLIDE-20"-RIGHTSIDE/CABINET
25	114031-22-000	EA	SLIDE-22"-RIGHTSIDE/CABINET
26	114031-04-000	EA	SLIDE-12"-RIGHTSIDE/DRAWER
26	114031-08-000	EA	SLIDE-14"-RIGHTSIDE/DRAWER
26	114031-12-000	EA	SLIDE-16"-RIGHTSIDE/DRAWER
26	114031-16-000	EA	SLIDE-18"-RIGHTSIDE/DRAWER
26	114031-20-000	EA	SLIDE-20"-RIGHTSIDE/DRAWER
26	114031-24-000	EA	SLIDE-22"-RIGHTSIDE/DRAWER
27	114031-03-000	EA	SLIDE-12"-LEFTSIDE/DRAWER
27	114031-07-000	EA	SLIDE-14"-LEFTSIDE/DRAWER
27	114031-11-000	EA	SLIDE-16"-LEFTSIDE/DRAWER
27	114031-15-000	EA	SLIDE-18"-LEFTSIDE/DRAWER
27	114031-19-000	EA	SLIDE-20"-LEFTSIDE/DRAWER
27	114031-23-000	EA	SLIDE-22"-LEFTSIDE/DRAWER
28	114031-01-000	EA	SLIDE-12"-LEFTSIDE/CABINET
28	114031-05-000	EA	SLIDE-14"-LEFTSIDE/CABINET
28	114031-09-000	EA	SLIDE-16"-LEFTSIDE/CABINET
28	114031-13-000	EA	SLIDE-18"-LEFTSIDE/CABINET
28	114031-17-000	EA	SLIDE-20"-LEFTSIDE/CABINET
28	114031-21-000	EA	SLIDE-22"-LEFTSIDE/CABINET
	004354-01-000	EA	BUMPER-RUBBER-.5"DIA-BROWN
	076790-01-000	EA	SCREW-6-20X1 1/4PPH-BLACK
	102194-01-000	EA	GUIDE-PLASTIC
	023320-01-000	EA	PAD-FELT3/8"DIAMETER
	041389-35-000	EA	HINGE-PIANO-OW
	042438-01-000	EA	DOWEL-WOOD-CLOTHESROD-1"DIAMETERX4'

**PANELING,LAMINATES&PLASTIC**

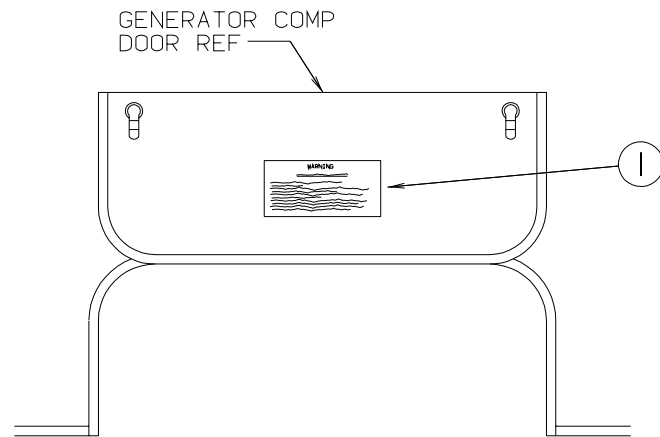
KEY	PARTNUMBER	U/M	DESCRIPTION
	000846-01-000	SF	PLYWOOD-5/16"X48"X96"-CDGRADE
	000846-02-000	SF	PLYWOOD/UNDERLAYMENT-5/16"X48"X96"
	000885-80-000	SF	PARTICLE BOARD-3/8"X48"X96"-1 SIDED
	000885-81-000	SF	PARTICLE BOARD-3/8"X4"X8"-2 SIDED
	000885-82-000	SF	PARTICLE BOARD-1/2"X48"X96"-2- SIDED
	000885-83-000	SF	PARTICLE BOARD-3/4"X48"X96"-2 SIDED
	057882-04-000	SF	TAMBOUR-48"X96" SHEET-UNFINISHED
	074497-35-000	SF	PANELING-SOLARMAPLE-4'X8'
	074497-33-000	SF	PANELING-CEILING-IMPACTPEARL-48"X108"
			FROM: 00-00-00 THRU: 11-19-96
	074497-38-000	SF	PANELING-IMPACTPEARLTEXTURE-48"X108"
			FROM: 11-20-96 THRU: 99-99-99
	074498-67-000	SF	LAMINATE-PLASTIC-ORCHIDMIST-5'X8'(EXTERIORENTERTAINMENT)
	074498-71-000	SF	LAMINATE-PLASTIC-NEUTRALSANTOS-5'X8'-INCOF40SF(H30)
	074498-72-000	SF	LAMINATE-PLASTIC-PEBBLESANTOS-5'X8'-INCOF40SF(H31)
	074498-79-000	SF	LAMINATE-PLASTIC-SOLARMAPLE-5'X8'-INCOF40SF
	080215-11-000	SF	PANELING-2 SIDED-SOLARMAPLE-48"X96"
	088272-G1-000	SF	PANELING-PEBBLEEMBOSSD-ANTIQUEWHITE-4'X7'
	088272-G5-000	SF	PANELING-GAZEBOSTRIPE-4'X7'9(H30)
	088272-G6-000	SF	PANELING-THUNDERBIRDBISQUE-4'X7'9(H31)
	093743-05-01A	SF	PLASTIC-ABSCOIL-BRIGHTWHITE-20"X108"
	098531-04-000	SF	PLYWOOD-MAPLE1/2"
	122185-D2-438	EA	LUMBER-VINYLRAPPED-.7"X1.5"X96"-SOLARMAPLE
	122185-E2-438	EA	LUMBER-VINYLRAPPED-.7"X2"X96"-SOLARMAPLE
	122185-G2-438	EA	LUMBER-VINYLRAPPED-.7"X3"X96"-SOLARMAPLE
	114129-01-02A	SF	LINER-CABINET-.02"X48"X96"
			FROM: 00-00-00 THRU: 04-13-97
	126339-01-000	SF	BOARD-WHEAT-60"X72"
			FROM: 04-14-97 THRU: 99-99-99

KEY	PARTNUMBER	U/M	DESCRIPTION
1	108138-01-000	EA	HINGE-CABINETDOOR-BURNISHEDBRASS
2	000G13-06-10G	EA	SCREW-6-20X5/8PFH-ANTIQUEBRASS
3	000G68-06-10G	EA	SCREW-6-18X5/8POH-ANTIQUEBRASS
4	009059-01-000	EA	HINGE-DOOR-2"X1.4"-BRASS
5	065740-01-000	EA	BRACE-CABINET/CORNER-PLASTIC
6	079921-01-000	EA	ROLLER-NYLON-W/STEELSHAFT-BARBED
7	042541-05-000	EA	STRIKE
8	116975-01-01A	EA	LATCH-W/OSTRIKE
9	016604-01-000	EA	BRACE-CABINET-ANGLE-2.5"-UNPAINTEDMETAL
9	016604-05-000	EA	BRACE-CABINET-ANGLE-2.5"-OFFWHITEMETAL
10	074045-10-000	EA	PLUG-OAK-1/2"DIAMETER
11	057671-01-000	EA	COVER-SCREW-#8-PLASTIC-OFFWHITE
11	057671-15-000	EA	COVER-SCREW-#8-PLASTIC-BRIGHTWHITE
12	009112-01-000	EA	FLANGE-PLASTIC-1"CLOTHESROD-OFFWHITE
13	113236-01-01A	EA	BRACKET-CLOTHES-ROD
14	104181-01-01A	EA	SUPPORT-LEAF5.3"EXTENDSTO7.5"-SAFETYRING-METAL
15	093586-06-000	EA	CATCH-SPRING-ROLLER
16	093586-05-000	EA	STRIKE-SPRINGSTEEL
17	098980-05-000	EA	PILASTER-ADJUSTABLESHELF-15"LONG
18	098979-01-000	EA	CLIP-ADJUSTABLESHELF
19	111093-01-000	EA	PULL-CABINET-BRASS
20	074493-02-000	EA	SUPPORT-PISTONSRING-CABINETDOOR
21	114045-01-000	EA	BACKSOCKET-ADJUSTABLELEFT
22	114045-02-000	EA	BACKSOCKET-ADJUSTABLERIGHT
23	084070-02-000	EA	POST-END-2.4"-BRASS
			FROM: 00-00-00 THRU: 07-14-96
23	084070-03-000	EA	POST-END-2.4"-BRASS
			FROM: 07-15-96 THRU: 99-99-99
24	084071-12-000	EA	ROD-BRASS-4.08"LONG
24	084071-19-000	EA	ROD-BRASS-7.09"LONG

**LABELSGROUP**



KEY	PARTNUMBER	U/M	DESCRIPTION
1	039290-01-000	EA	LABEL-WARNING-EXIT
2	107571-01-000	EA	LABEL-EXIT/ESCAPE-WINDOW



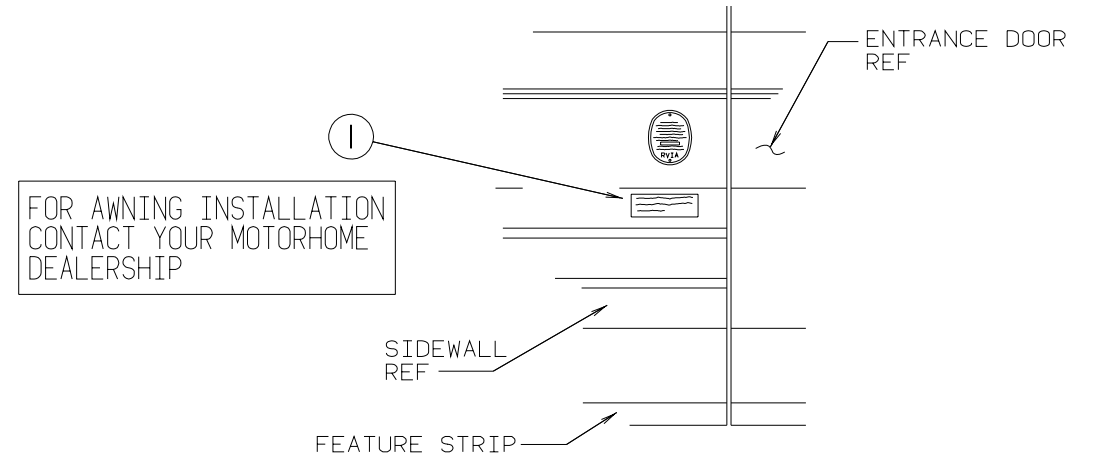
**WARNING**

WHEN ADDING A GENERATOR SET:

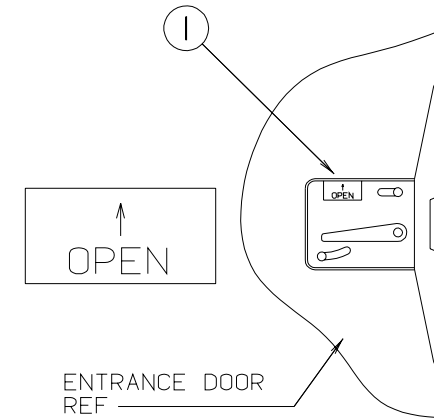
HIGH VOLTAGE-USE EXTREME CAUTION WHEN WORKING ON ELECTRICAL COMPONENTS. HAVE ALL ELECTRICAL INSTALLATION PERFORMED BY A QUALIFIED LICENSED ELECTRICIAN-FOLLOW ALL STATE AND LOCAL CODES. ONLY INSTALL GENERATOR SET APPROVED FOR R.V. APPLICATION. HAVE INSTALLED BY QUALIFIED TECHNICIAN. TO AVOID HEAT BUILD-UP AND TO GUARANTEE AN ADEQUATE AIR SUPPLY TO THE GENERATOR CARBURETOR, FOLLOW INSTALLATION INSTRUCTIONS. GENERATOR ENGINE EXHAUST GASES ARE TOXIC AND MUST NOT TERMINATE UNDER THE VEHICLE-DISCHARGE EXHAUST AWAY FROM VEHICLE.

KEY	PARTNUMBER	U/M	DESCRIPTION
1	077510-01-000	EA	LABEL-GENERATORPREP

**LABELSGROUP(CONTINUED)**



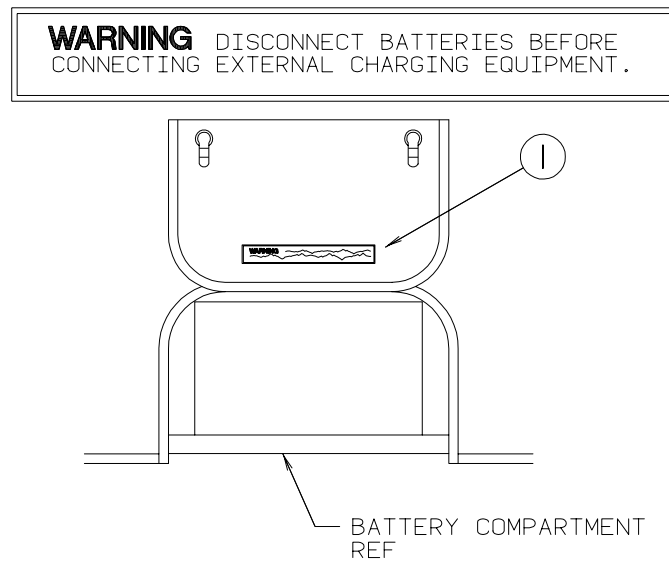
KEY	PARTNUMBER	U/M	DESCRIPTION
1	099509-01-000	EA	LABEL-AWNINGINSTALLATION



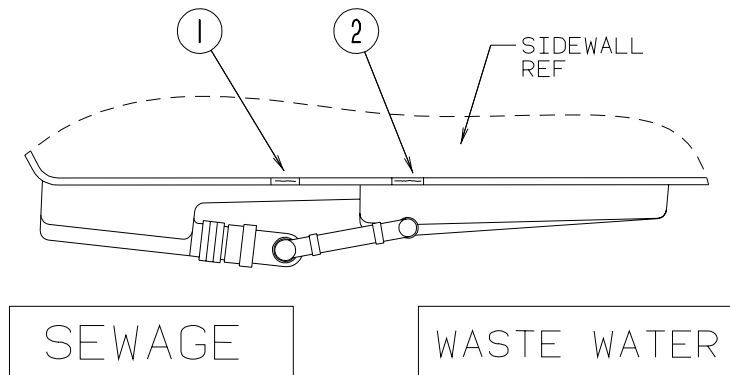
KEY	PARTNUMBER	U/M	DESCRIPTION
1	040944-01-000	EA	LABEL-ENTRANCEDOOR-"OPEN"



**LABELSGROUP(CONTINUED)**

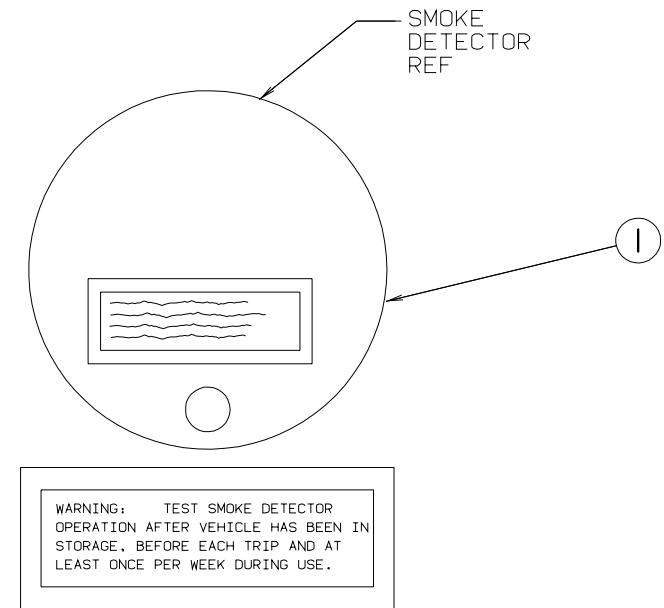


KEY	PARTNUMBER	U/M	DESCRIPTION
1	065748-01-000	EA	LABEL-CAUTION-BATTERYCHARGING



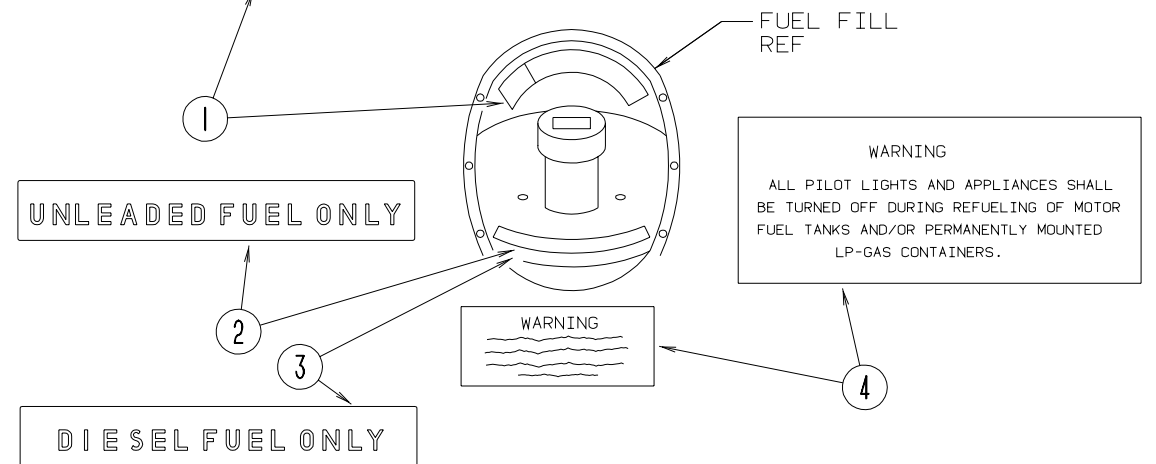
KEY	PARTNUMBER	U/M	DESCRIPTION
1	006187-01-000	EA	LABEL-SEWAGE
2	006188-01-000	EA	LABEL-WASTEWATER

**LABELSGROUP(CONTINUED)**



KEY	PARTNUMBER	U/M	DESCRIPTION
1	077956-01-000	EA	LABEL-WARNING-SMOKEDETECTOR

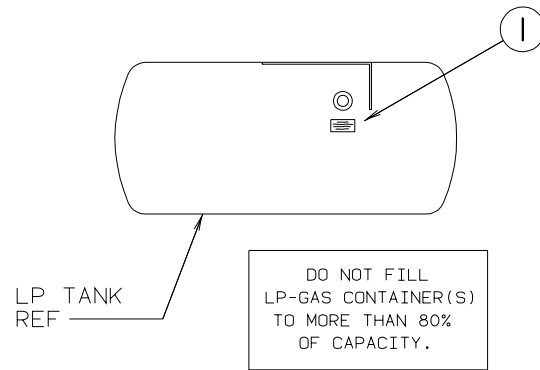
<b>CAUTION</b>	TO HELP AVOID PERSONAL INJURY DURING REMOVAL OF FUEL FILLER CAP, SLOWLY LOOSEN CAP 1/2 TURN TO ALLOW ANY FUEL PRESSURE TO BE RELIEVED BEFORE TURNING CAP FURTHER.
FUEL SPRAY MAY CAUSE PERSONAL INJURY	STOP ADDING FUEL AFTER FIRST SHUTOFF BY AUTOMATIC NOZZLE WHEN TANK IS NEARLY FULL. DO NOT OVERFILL FUEL TANK. SEE OWNERS MANUAL FOR ADDITIONAL INFORMATION.
	PRINTED IN U.S.A. <span style="float: right;">MLC PT NO 15611763</span>



KEY	PARTNUMBER	U/M	DESCRIPTION
1	087207-05-000	EA	LABEL-FUELCAPREMOVAL
2	062043-01-000	EA	LABEL-FUEL-UNLEADED
3	068383-01-000	EA	LABEL-FUEL-DIESEL
4	006040-01-000	EA	TAG-GASREFUELING-WARNING
4	006040-02-000	EA	TAG-GAS-REFUELWARNING-CANADIAN
4	124519-01-02A	EA	LABEL-WARNING/REFUELING
4	124519-02-02A	EA	LABEL-WARNING/REFUELING-CSA

FROM: 00-00-00 THRU: 09-01-96  
FROM: 00-00-00 THRU: 09-01-96  
FROM: 09-02-96 THRU: 99-99-99  
FROM: 09-02-96 THRU: 99-99-99

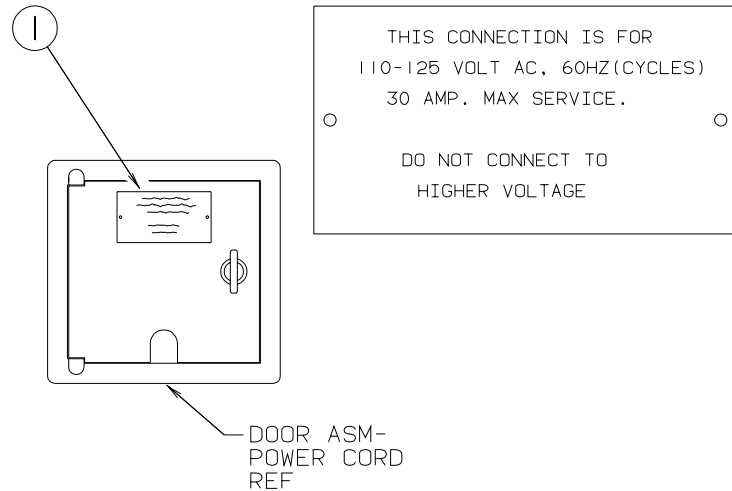
**LABELSGROUP(CONTINUED)**



KEY	PARTNUMBER	U/M	DESCRIPTION
1	054531-01-000	EA	LABEL-LPGASONLY
1	124520-01-02A	EA	LABEL-LPGASONLY

FROM: 00-00-00 THRU: 09-01-96

FROM: 09-02-96 THRU: 99-99-99

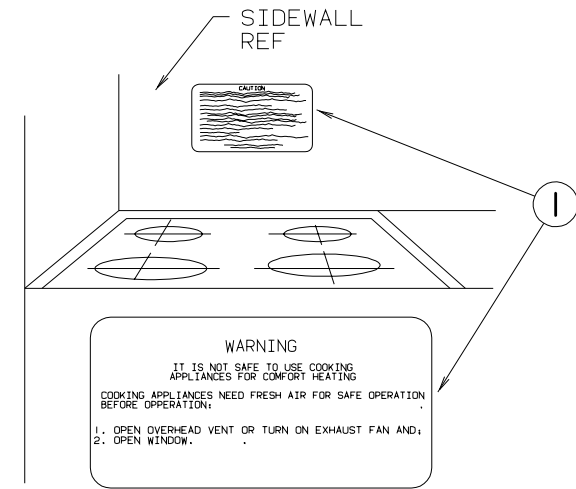


KEY	PARTNUMBER	U/M	DESCRIPTION
1	006062-01-000	EA	TAG-ELECTRIC-110VCONNECTION

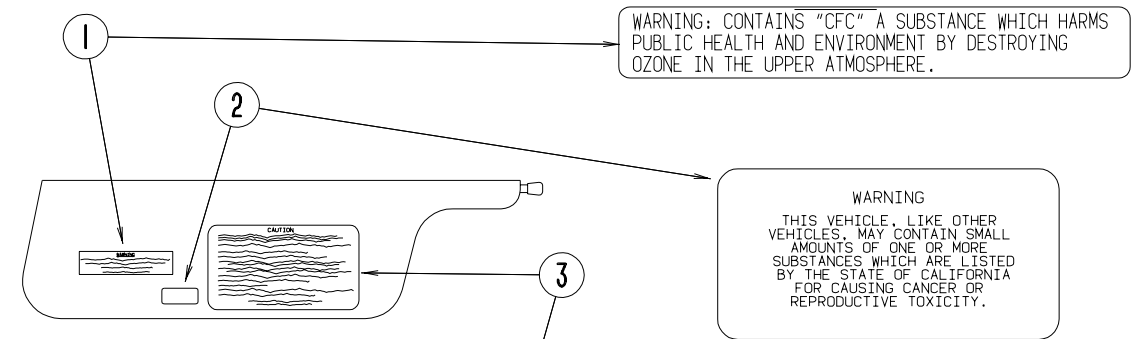
**MISCELLANEOUSLABELS**

KEY	PARTNUMBER	U/M	DESCRIPTION
	104236-01-000	EA	LABEL-GENERATORCIRCUIT
	006064-01-000	EA	LABEL-SEATW/OSEATBELT(US)
	006064-02-000	EA	LABEL-SEATW/OSEATBELT(CSA)
			NOTINTENDEDFORUSEWHILECOACHINMOTION
	091243-01-000	EA	LABEL-A/C COVER "AIRCONDITIONINGCIRCUITETC."
	091243-02-000	EA	LABEL-COVER-"MICROWAVECIRCUIT.ETC."
	093236-08-000	EA	LABEL-CIRCUITBREAKER
	098641-01-000	EA	LABEL-FUEL-UNLEADED-DASH
	073998-01-000	EA	LABEL-LPGODORWARNING
	061417-01-000	EA	LABEL-FUEL,ONFUELFILLDOOR
	111104-01-000	EA	LABEL-HITCH-READMANUAL
	111104-02-000	EA	LABEL-HITCH-READMANUAL
	006062-01-000	EA	LABEL-ELECTRIC-110VOLTCONNECTION
	023769-01-000	EA	LABEL-WARNING-LPG-CANADIAN
	079966-01-000	EA	LABEL-WARNING-STOWED-MOTION
	087236-01-000	EA	LABEL-CABLE-INPUT
	093236-08-000	EA	LABEL-CIRCUITBREAKER

**LABELSGROUP(CONTINUED)**



KEY	PARTNUMBER	U/M	DESCRIPTION
1	050225-01-000	EA	LABEL-WARNING-STOVEVENT-US



**CAUTION**

THIS MOTOR HOME HAS BEEN DESIGNED, MANUFACTURED AND TESTED WITH CONCERN FOR THE PROTECTION OF IT'S OCCUPANTS. WE RECOMMEND YOU PERFORM THE FOLLOWING INSPECTIONS FOR YOUR SAFETY AND THE SAFETY OF YOUR PASSENGERS BEFORE STARTING YOUR VEHICLE.

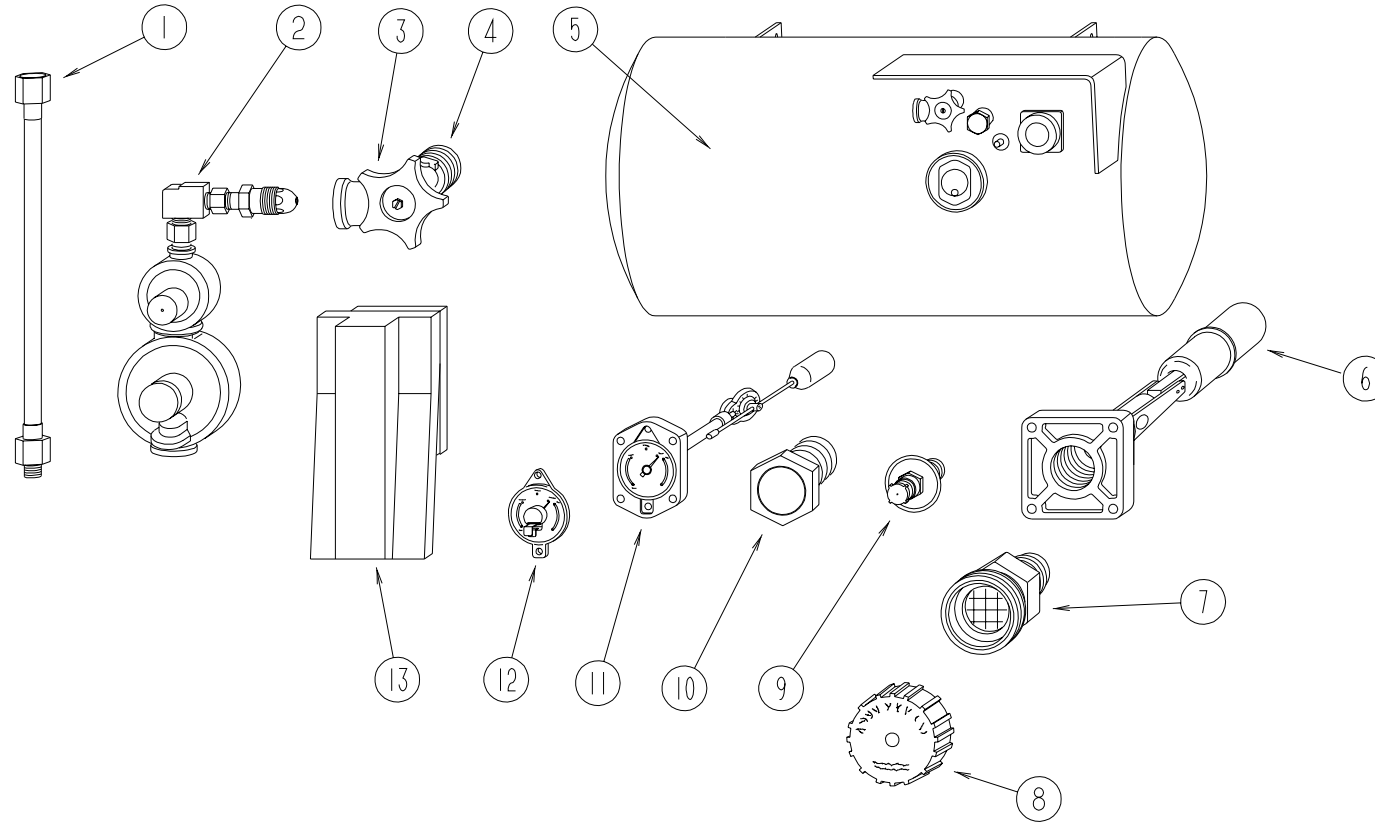
1. LP GAS SYSTEM- TURN OFF AT TANK FOR TRAVELING. TEST FOR LEAKS UPON ARRIVAL AT DESTINATION. BEFORE LIGHTING PILOTS.
2. WHEELS- INSPECT FOR DAMAGE AND CHECK LUG NUTS FOR TIGHTNESS.
3. TIRES- INSPECT FOR WEAR AND DAMAGE AND CHECK FOR RECOMMENDED AIR PRESSURE.
4. LIGHTING- TEST FOR PROPER OPERATION OF ALL INTERIOR AND EXTERIOR LIGHTS INCLUDING DASH LIGHTS, HEADLIGHTS, TAIL LIGHTS, BRAKE LIGHTS, CLEARANCE LIGHTS AND TURN SIGNALS.
5. EXITS- INSPECT RELEASE MECHANISM ON EMERGENCY EXIT WINDOW. TEST BOTH LOCKS ON MAIN ENTRANCE DOOR FOR EASE OF OPERATION AND INSTRUCT PASSENGERS HOW TO USE BOTH MEANS OF EXIT.
6. SEAT BELTS- DIRECT PASSENGERS TO DESIGNATED SEATS AND REQUIRE USE OF SEAT BELTS.
7. APPLIANCES- TURN OFF AND LATCH OR LOCK DOORS WHERE PROVIDED.
8. LOOSE PARCELS- STORE SECURELY.
9. UTILITY SUPPLY LINES- DISCONNECT ALL ELECTRIC, SEWER AND WATER LINES AND SECURE PROPERLY.
10. ENTRANCE DOOR STEP- PLACE IN RETRACTED POSITION FOR TRAVELING.

READ YOUR MOTOR HOME AND CHASSIS OWNER'S MANUAL FOR FURTHER PRECAUTIONS

KEY	PARTNUMBER	U/M	DESCRIPTION
1	111802-01-000	EA	LABEL-CFCWARNING
2	099689-01-000	EA	LABEL-WARNING-CANCER/TOXICITY
3	056259-01-000	EA	LABEL-SAFETYCHECKLIST

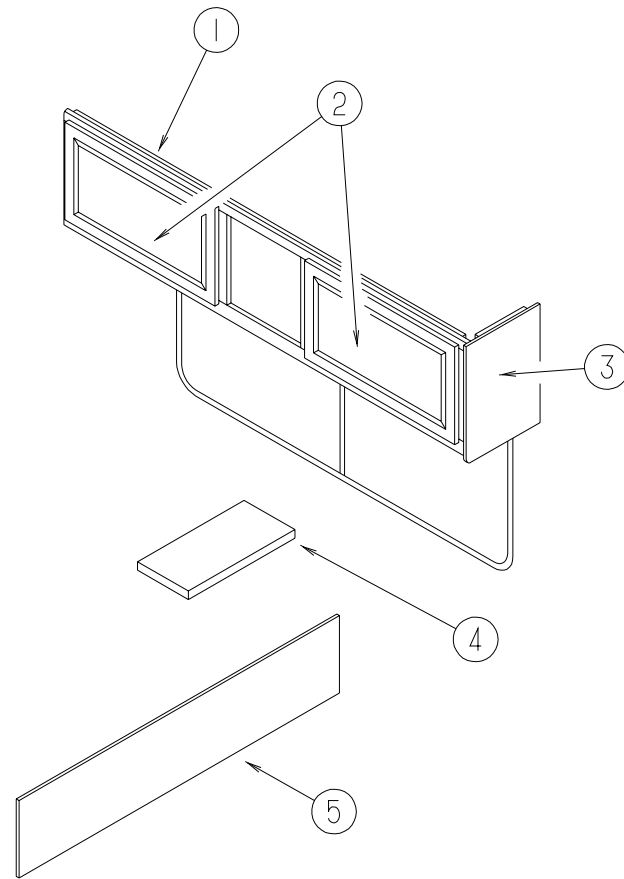
# LPGROUP

## LPSYSTEM



KEY	PARTNUMBER	U/M	DESCRIPTION	VENDOR NO.
1	045703-01-000	EA	HOSE-LP-3/8"IDX24"-3/8"MPTX1/2"SWIVEL-U.S.	
1	045703-02-000	EA	HOSE-LP-3/8"IDX24"-3/8"MPTX1/2"F-SWIVEL-CAN	
	045703-09-000	EA	HOSE-LP-3/8"IDX24"-3/8"FSWIVELX3/8"FSWIVEL	
2	106150-01-000	EA	REGULATOR-TWOSTAGE	
2	106150-02-000	EA	REGULATOR-TWOSTAGEM'BRASS290-00	
3	040421-01-708	EA	HANDWHEEL-SERVICEVALVE	G-1015-A
4	040421-01-712	EA	VALVE,SERV.W/OVAPORRELIEF	29000853
5	097821-01-000	EA	TANK-LP-60LB BRUNNER-14"X30"	
6	040421-01-711	EA	VALVE-80%FILLW/AUTOSTOP	LLL/TL3
7	040421-01-701	EA	VALVE-FILL-SHORT,LP	75478
8	040421-01-702	EA	CAP-FILLVALVE,PLASTIC	G-1014-A
9	040421-01-700	EA	VALVE-LIQUIDLEVEL,20%	G-1013
10	040421-01-713	EA	VALVE-VAPORONLY	29000587
11	040421-01-707	EA	FLOATASM.(SIGHTGAUGE)14"	14C
	040421-01-701	EA	VALVE-FILL-SHORT,LP	75478
12	040440-02-000	EA	TRANSMITTER-DIAL-0-90OHM-2TERMINAL(POWER&GROUND)	
13	105658-01-000	EA	COMPARTMENT-LPREGULATOR	
	010265-01-000	EA	ELBOW-BRASS-90DEGREE-3/8"FX1/2"FPT	
	010323-01-000	EA	ADAPTER-BRASS-3/8"FX1/2"MPT	
	010252-01-000	EA	ELBOW-BRASS-90DEGREE-3/8FX1/2MPT	
	010377-02-000	EA	NUT-BRASS-3/8"FLARE-FORGED	
	065318-02-000	EA	ELBOW-90DEGREE-3/8"MPTTO3/8"FPT	
	103613-01-000	EA	DETECTOR-LPGAS	
			FROM: 00-00-00 THRU: 11-10-96	
	103613-02-000	EA	DETECTOR-LPGAS	
			FROM: 11-11-96 THRU: 99-99-99	

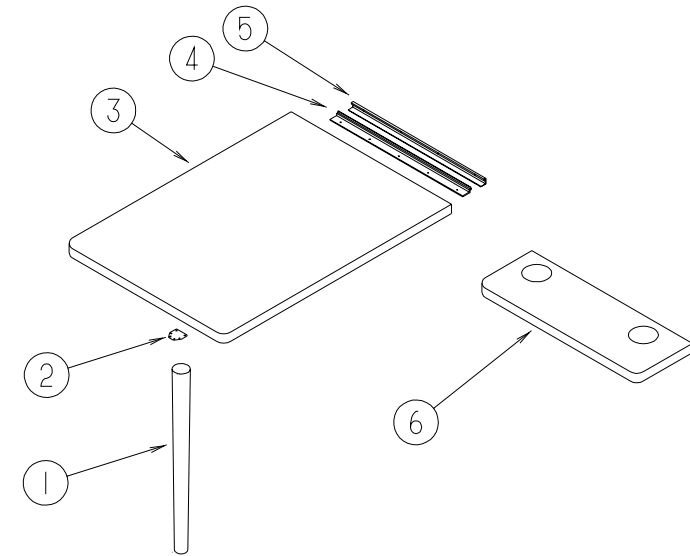
## LOUNGEGROUP



### FRONTFACING COUCH, TABLE & CABINetry

KEY	PARTNUMBER	U/M	DESCRIPTION
1	122926-01-H30	EA	CABINET-DINETTEOVERHEAD, W/ODOORS/HARDWARE
1	122926-01-H31	EA	CABINET-DINETTEOVERHEAD, W/ODOORS/HARDWARE
2	M06803-W9-H30	EA	DOOR-MIRROR/MTRDCRNRS/OGEEEDGE-11.4"X28"-W/OHDW
2	M06803-D5-H30	EA	DOOR-MITEREDCORNER/OGEEEDGE-11.4"X28"-W/OHDW
3	109908-09-H30	EA	ENDCAP-OVERHEADCABINET
4	P14725-01-000	EA	COVER-AIRRETURNW/OCARPET
5	M02634-01-H30	EA	PANEL-COUCHFRONT-FABRICCOVERED
5	M02634-01-H31	EA	PANEL-COUCHFRONT-FABRICCOVERED
	082525-01-000	EA	BRACE-COUCH-FLOORMOUNT-ANGLE3"LONG
	105947-01-000	EA	BRACKET-HOLDDOWN-COUCH-CANADIAN
	083125-07-000	EA	BRACE-COUCH-2.5"
	114693-01-01A	EA	SUPPORT-COUCH-BLACK-RIGHT
	114693-02-01A	EA	SUPPORT-COUCH-BLACK-LEFT
	114726-01-H30	EA	TRAY-BEVERAGE
	114739-01-01A	EA	PAD-NONSKID-PSA-1 EACH=PAIR

## LOUNGEGROUP(CONTINUED)



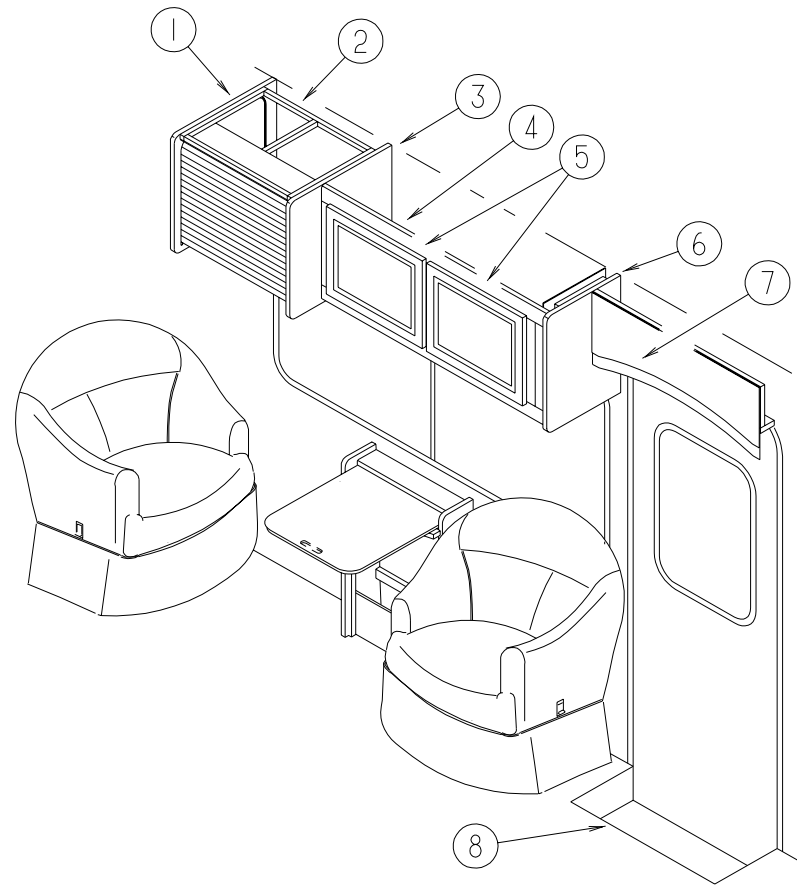
### DRIVERSIDETABLE/FROntFACINGCOUCH

KEY	PARTNUMBER	U/M	DESCRIPTION
1	114724-01-06A	EA	LEG-TABLE/TAPEREDWOOD-SOLARMAPLE
1	114724-01-01A	EA	LEG-TABLE/TAPEREDWOOD
2	114724-02-000	EA	PLATE-TABLELEG
3	081322-14-G07	EA	TABLETOPONLY(H30)
3	081322-14-H31	EA	TABLETOPONLY(H31)
4	102201-04-02A	EA	SUPPORT-HINGECATCH-TABLEMOUNTED
5	118933-01-01A	EA	SUPPORT-HINGELOCK-OFFWHITE
6	114681-01-F09	EA	TABLE-LOUNGE/SMALL-W/OHARDWARE(H30)
6	114681-01-F29	EA	TABLE-LOUNGE/SMALL-W/OHARDWARE(H31)
	069726-02-000	EA	BUMPER-.88"ODX.40"THICK-BLACK
	064781-06-000	EA	HOLDER-CUP-TWOSTEP-OFFWHITE

### DRIVERSIDETABLE/SECTIONALSLEEPERCOUCH

KEY	PARTNUMBER	U/M	DESCRIPTION
	081298-01-H07	EA	TABLETOPONLY(H30)
	081298-01-H31	EA	TABLETOPONLY(H31)
	041194-01-000	EA	BASE-TABLE/FLUSH-FLOORMOUNTED
	009040-02-000	EA	PEDESTALTABLELEG-27.5"X2.25"DIAMETER
	009040-03-000	EA	BASE-TABLE/RAISED-TABLEMOUNTED
	042438-02-000	EA	DOWEL-WOOD-2"X2"

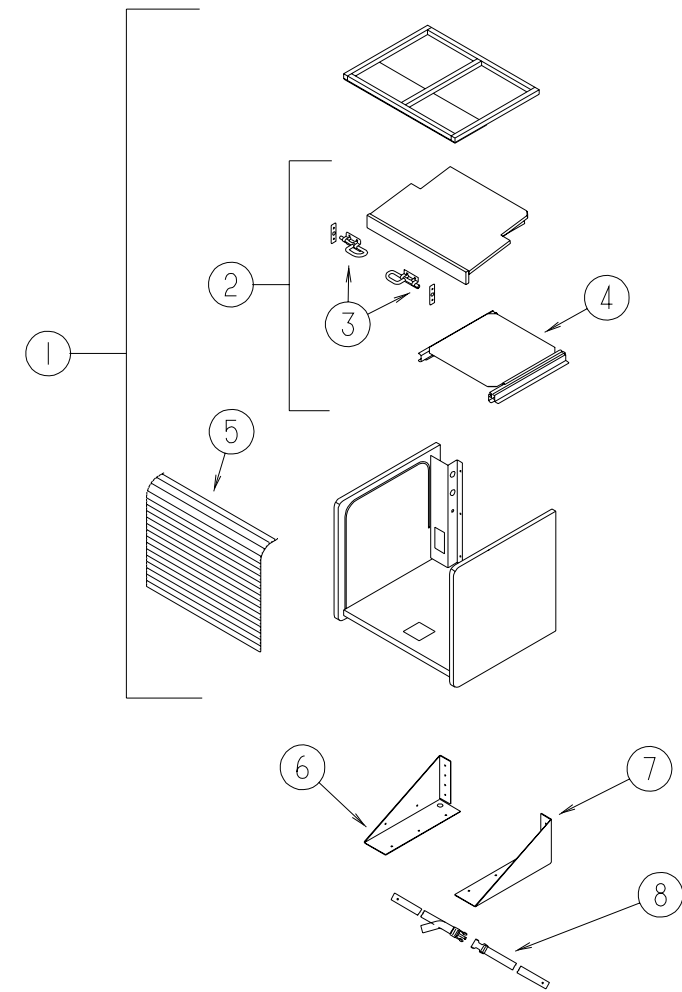
**LOUNGE GROUP (CONTINUED)**



**PASSENGER SIDE OVERHEAD CABINETRY W/ TV CABINET**

KEY	PART NUMBER	U/M	DESCRIPTION
1	121877-14-H30	EA	ENDCAP
2	M08163-01-H30	EA	CABINET-TV/VCP-W/OSHELF/SLIDES/SWIVEL-W/TAMBOURDOOR
2	M08163-02-H30	EA	CABINET-TV/VCP-W/SHELF/SLIDES/SWIVEL/TAMBOURDOOR
3	121877-15-H30	EA	ENDCAP
4	122777-01-H30	EA	CABINET-OVERHEAD FRONT-W/ODOORS/HARDWARE
5	M06803-Y1-H30	EA	DOOR-MITERED CORNER/OGEE EDGE-14.3" X 17.9"-W/OHDW
6	109908-09-H30	EA	ENDCAP-OVERHEAD CABINET
7	112964-01-F08	EA	CABINET-OVERHEAD ENTRANCE
8	P14437-02-000	EA	CABINET-LID ENTRANCE DOOR-W/O CARPET
8	101222-01-02A	EA	BRACKET-CATCH-LID-OFF WHITE

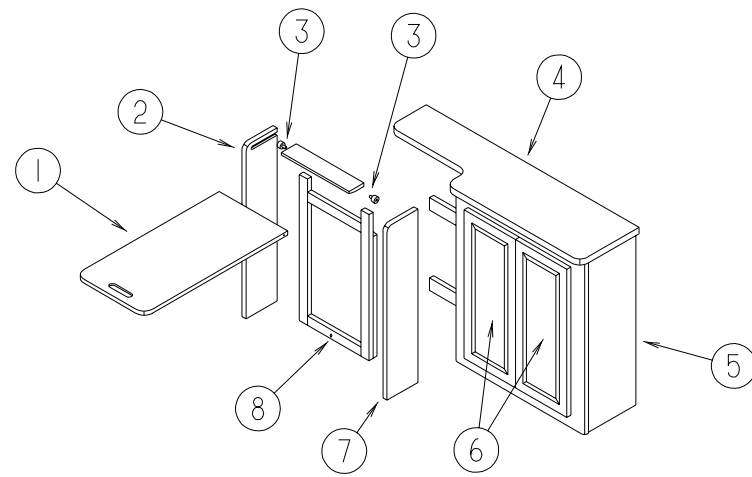
**LOUNGE GROUP (CONTINUED)**



**PASSENGER SIDE TV CABINET**

KEY	PART NUMBER	U/M	DESCRIPTION
1	M08163-01-H30	EA	CABINET-TV/VCP-W/OSHELF/SLIDES/SWIVEL-W/TAMBOURDOOR
1	M08163-02-H30	EA	CABINET-TV/VCP-W/SHELF/SLIDES/SWIVEL/TAMBOURDOOR
2	121877-11-H30	EA	SHELF-W/SLIDE AND SWIVEL
3	103256-01-000	EA	LATCH-SLIDE
4	116773-02-000	EA	SWIVEL/SLIDES-F/TV SHELF
5	121877-20-H04	EA	DOOR-TAMBOUR
6	122298-03-02B	EA	BRACKET-TV/VCR-RIGHT HAND
7	122298-02-02B	EA	BRACKET-TV/VCR-LEFT HAND
8	099717-04-000	EA	STRAP-TIEDOWN W/21.3" FEMALE STRAP & 27.2" MALE STRAP

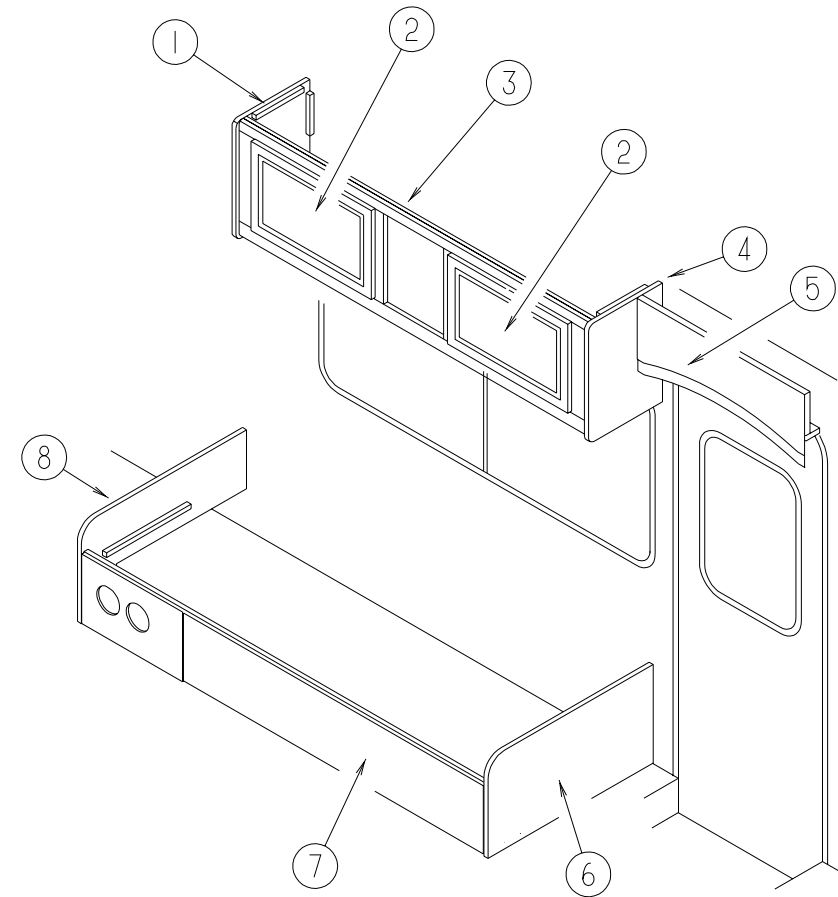
## LOUNGE GROUP (CONTINUED)



### PASSENGER SIDE HUT CABINET

KEY	PART NUMBER	U/M	DESCRIPTION
1	114796-15-H30	EA	TABLE - PULLOUT - HUTCH CABINET
2	114796-13-H30	EA	PANEL - OUTSIDE - FLIP UP TABLE CABINET
3	079921-01-000	EA	ROLLER - NYLON - W/STEEL SHAFT - BARBED
4	114796-11-F09	EA	COUNTERTOP - HUTCH CABINET (H30)
4	114796-11-F29	EA	COUNTERTOP - HUTCH CABINET (H31)
5	114796-01-H30	EA	CABINET - HUTCH - FRONT RH - W/PULLOUT TABLE - W/ODRS/HDW
5	114796-01-H31	EA	CABINET - HUTCH - FRONT RH - W/PULLOUT TABLE - W/ODRS/HDW
6	M06803-20-H30	EA	DOOR - MITERED CORNER/OGEE EDGE - 10.02" X 25.2" - W/O HARDWARE
7	114796-12-H30	EA	PANEL - INSIDE - FLIP UP TABLE CABINET
8	049176-01-000	EA	HEDLOCK II - 3/4 DIAMETER SCREW MOUNT

## LOUNGE GROUP (CONTINUED)



### PASSENGER SIDE LOUNGE CABINETRY W/OTV CABINET

KEY	PART NUMBER	U/M	DESCRIPTION
1	109908-08-H30	EA	ENDCAP - OVERHEAD CABINET
2	M06803-B1-H30	EA	DOOR - MITERED CORNERS/OGEE EDGE - 15.7" X 20.4" - W/O HARDWARE
3	120939-01-H30	EA	CABINET - OVERHEAD FRONT - W/ODOORS/HARDWARE
3	120939-01-H31	EA	CABINET - OVERHEAD FRONT - W/ODOORS/HARDWARE
4	109908-09-H30	EA	ENDCAP - OVERHEAD CABINET
5	112964-01-F08	EA	CABINET - OVERHEAD ENTRANCE
6	M08107-07-H30	EA	PANEL - COUCH/LEFT END - FABRIC COVERED
6	M08107-07-H31	EA	PANEL - COUCH/LEFT END - FABRIC COVERED
7	M08107-05-H30	EA	PANEL - COUCH FACE - FABRIC COVERED
7	M08107-05-H31	EA	PANEL - COUCH FACE - FABRIC COVERED
8	M08107-06-H30	EA	PANEL - COUCH/RIGHT END - FABRIC COVERED
8	M08107-06-H31	EA	PANEL - COUCH/RIGHT END - FABRIC COVERED
	P14437-02-000	EA	CABINET - LID ENTRANCE DOOR - W/O CARPET
	101222-01-02A	EA	BRACKET - CATCH - LID - OFF WHITE
	082525-01-000	EA	BRACE - COUCH - FLOOR MOUNT - ANGLE 3" LONG
	105947-01-000	EA	BRACKET - HOLD DOWN - COUCH - CANADIAN
	083125-07-000	EA	BRACE - ANGLE - COUCH - 2.5" - OFF WHITE

### PASSENGER SIDE PULL OUT TABLE / SWIVEL CHAIRS

KEY	PART NUMBER	U/M	DESCRIPTION
1	096873-15-H30	EA	SHELF - SUPPORT - OVER PULLOUT TABLE TOP
2	096873-11-H30	EA	TABLE - TOP ONLY - PULLOUT
	080736-01-000	EA	PULL - RECESSED - 1.25 X 4" - OAK
3	096873-14-H30	EA	SIDE END - TABLE - LEFT SIDE - 28.7" X 5.7"
	096873-13-H30	EA	SIDE END - TABLE - RIGHT SIDE - 28.7" X 5.7"
4	096873-16-H30	EA	TABLE FRONT - BOTTOM - 18.1" X 6.7"
5	096873-12-H30	EA	SHELF - SUPPORT - UNDER TABLE TOP
6	M96873-01-H30	EA	CABINET - F/PULLOUT TABLE - W/O TABLE TOP

**SEALANTS&FASTENERSGROUP**

**SCREWS**

KEY	PARTNUMBER	U/M	DESCRIPTION
	101618-01-000	EA	SCREW-1/4-20X.75HEX-TAPPING-STALGARDTYPEF
	000G54-04-20B	EA	SCREW-1/4-20X1 1/4PTH-TYPE23-ZINCPLATED
	000G11-05-08B	EA	SCREW-5-20X.50PPH-ZINC
	000G68-06-10G	EA	SCREW-6-18X5/8POH-ANTIQUBRASS
	000G11-06-08B	EA	SCREW-6-20X.50PPH-ZINC
	000G11-06-06B	EA	SCREW-6-20X3/8PPH-ZINC
	000G11-06-10J	EA	SCREW-6-20X5/8PPH-BRASS
	000G12-06-08T	EA	SCREW-6-20X.50POH-BLACK
	000G13-06-08B	EA	SCREW-6-20X.50PFH-ZINC
	000G13-06-16J	EA	SCREW-6-20X1.00PFH-BRASS
	000G13-06-24J	EA	SCREW-6-20X1.50PFH-BRASS
	000G11-07-08B	EA	SCREW-7-19X.50PPH-ZINC
	000G13-07-12B	EA	SCREW-7-19X.75PFH-ZINC
	000G11-08-06B	EA	SCREW-8-18X3/8PPH-ZINC
	000G11-08-08B	EA	SCREW-8-18X.50PPH-ZINC
	000G11-08-12B	EA	SCREW-8-18X.75PPH-ZINC
	000G11-08-12D	EA	SCREW-8-18X.75PPH-BLACK
	000G11-08-12P	EA	SCREW-8-18X.75PPH-DARKBROWN
	0G1208-12-170	EA	SCREW-8-18X.75POH-BRIGHTWHITE
	000G12-08-12S	EA	SCREW-8-18X.75POH-OFFWHITE
	000G11-08-12S	EA	SCREW-8-18X.75PPH-OFFWHITE
	000G11-08-12T	EA	SCREW-8-18X.75PPH-BLACK
	000G11-08-16S	EA	SCREW-8-18X1.00PPH-OFFWHITE
	000G11-08-20B	EA	SCREW-8-18X1.25PPH-ZINC
	000G67-10-120	EA	SCREW-10-12X.75PPH-TAN
	000G11-10-12S	EA	SCREW-10-16X.75PPH-OFFWHITE
	000G32-10-06B	EA	SCREW-10-32X3/8"-PPH-ZINC
	000G67-10-08B	EA	SCREW-10-12X1/2PPH-ZINC
	000G67-10-08R	EA	SCREW-10-12X1/2PPH-BEIGE-TYPEA
	000G67-10-10B	EA	SCREW-10-12X5/8PPH-ZINC-TYPEA
	000G67-10-10D	EA	SCREW-10-12X5/8PPH-BLACK-TYPEA
	000G67-10-10S	EA	SCREW-10-12X5/8-PPH-OFFWHITE
	000G67-10-12B	EA	SCREW-10-12X.75PPH-ZINC
	000G67-10-12P	EA	SCREW-10-12X.75-PPH-DARKBROWN
	000G67-10-12R	EA	SCREW-10-12X.75PPH-BEIGE
	000G67-10-16B	EA	SCREW-10-12X1PPH-ZINC
	000G67-10-20D	EA	SCREW-10-12X1.25PPH-BLACK
	000G67-10-24B	EA	SCREW-10-12X1.50PPH-ZINC
	000G67-10-32B	EA	SCREW-10-12X2PPH-ZINC
	000G67-10-36T	EA	SCREW-10-12X2.25PPH-BLACK-STALGARD
	000G50-04-12B	EA	SCREW-MACHINE-1/4-20X3/4PPH-ZINC
	000G46-08-24T	EA	SCREW-MACHINE-8-32X1.5PFH-BLACK
	000G52-08-18B	EA	SCREW-MACHINE-8-32X1 1/8PTH-ZINC
	075908-01-000	EA	SCREW-MACHINE-10-32X.56PTH-EXTERNALTOOTH-ZINC
	000G42-04-16B	EA	SCREW-SF/DR-1/4"-14X1HWH-ZINC
	000G39-06-08B	EA	SCREW-SF/DR-6-18X.50-ZINC
	000G39-06-10T	EA	SCREW-SF/DR-6-20X5/8PPH-BLACK
	000G39-06-16T	EA	SCREW-SF/DR-6-20X1PPH-BLACK
	000G39-08-06B	EA	SCREW-SF/DR-8-18X3/8PPH-ZINC
	000G39-08-08B	EA	SCREW-SF/DR-8-18X.50PPH-ZINC
	000G39-08-08T	EA	SCREW-SF/DR-8-18X.50PPH-BLACK
	000G39-08-08S	EA	SCREW-SF/DR-8-18X.50PPH-OFFWHITE
	0G3908-08-170	EA	SCREW-SF/DR-8-18X.50PPH-BRIGHTWHITE
	000G39-08-12B	EA	SCREW-SF/DR-8-18X.75PPH-ZINC
	0G5508-12-170	EA	SCREW-SF/DR-8-18X.75PWH
	086256-01-000	EA	SCREW-SF/DR-8X.75HWHLONG-PLBODYPNLMT
	000G39-08-12T	EA	SCREW-SF/DR-8-18X3/4PPH-BLACK
	000G55-08-16S	EA	SCREW-SF/DR-8-18X1.00-PWH-OFFWHITE
	0G5508-16-250	EA	SCREW-SF/DR-8-18X1.00PWH
	000G39-08-16B	EA	SCREW-SF/DR-8-18Z1PPH-ZINC
	000G39-08-16R	EA	SCREW-SF/DR-8-18X1.00PPH-BEIGE
	000G39-08-24B	EA	SCREW-SF/DR-8-18X1.50PPH-ZINC
	0G3908-24-170	EA	SCREW-SF/DR-8-18X1.50PPH-BRIGHTWHITE

**SEALANTS&FASTENERSGROUP(CONTINUED)**

**SCREWS(CONTINUED)**

KEY	PARTNUMBER	U/M	DESCRIPTION
	000G39-10-088	EA	SCREW-SF/DR-10-16XPPH-DRILL-FLEXF'CARBON
	000G39-10-08B	EA	SCREW-SF/DR-10-16X.50PPH-ZINC
	000G39-10-12D	EA	SCREW-SF/DR-10-16X.75PPH-BLACK
	000G39-10-129	EA	SCREW-SF/DR-10-16X.75PPH-FLUOROCARBONSILVER
	000G39-10-12B	EA	SCREW-SF/DR-10-16X.75PPH-ZINC
	000G39-10-12R	EA	SCREW-SF/DR-10-16X.75PPH-BEIGE
	000G39-10-20B	EA	SCREW-SF/DR-10-16X1.25PPH-ZINC
	000G39-10-209	EA	SCREW-SF/DR-10-16X1.25PPH-FLUOROCARBONSILVER
	000G60-10-20B	EA	SCREW-SF/DR-10-16X1.25POH-ZINC
	000G60-10-28T	EA	SCREW-SF/DR-10-16X1.75-BLACK
	000G39-10-32B	EA	SCREW-SF/DR-10-16X2.00-PPH-ZINC
	054434-02-000	EA	SCREW-SF/DR-10-16X2-ZINC
	054434-03-000	EA	SCREW-SF/DR-10-16X2-PWH-ZINC-W/OWINGS
	000G39-12-12E	EA	SCREW-SF/DR-12-14X.75PPH-CHROME
	105126-01-000	EA	SCREW-MACH-8-32X1PPHTAPTIT
	087721-01-000	EA	SCREW-FLATHEAD-TAPPING-1/4"X1 1/4"LONG-ZINC
	057671-01-000	EA	COVER-SCREW-#8-PLASTIC-OFFWHITE
	097974-01-000	EA	SCREW-PARTBD7-9X.75PPH-FHM0543PLAIN
	000G19-10-12F	EA	SCREW-MACHINE-10-32X.75-PPH-STAINLESSSTEEL
	116111-02-01A	EA	SCREW-TAPTITE-1/4-20X3/8PPH-ZINC
	102540-03-000	EA	SEAL-SCREW

**ADHESIVE&FASTENERS**

KEY	PARTNUMBER	U/M	DESCRIPTION
	004006-05-700	EA	ADHESIVE-NAT.STARCH(5GAL) 0802
	004020-01-000	QT	ADHESIVE-ABSCEMENT-QUART
	034552-02-000	EA	SILICONE-TUBE-300ML-W/ONNOZZLE-CLEAR
	039518-01-000	EA	SILICONE-TUBE-300ML-BLACK-W/ONNOZZLE
	063642-01-000	FT	TAPE-ADHESIVE-10MILX1.5"X180"
	069640-01-000	FT	SEALER-RIBBON-1/4"DIAMETERX30'
	069640-02-000	FT	SEALER-TAPE-1/8"THICKX.50"WIDEX60'
	069640-03-000	FT	SEALER-TAPE-1/8"THICKX.75"WIDEX60'
	069640-07-000	FT	SEALER-TAPE-3/32"THICKX2"WIDEX45'
	069640-10-000	FT	SEALER-TAPE-1/32"THICKX1.50"WIDEX90'
	069640-11-000	FT	SEALER-TAPE-3/16"THICKX3/8"WIDEX40'
	069640-15-000	FT	SEALER-TAPE-1/16"THICKX3/8"WIDEX80'
	069640-17-000	FT	SEALER-TAPE-1/32"THICKX1"WIDEX90'
	072889-09-000	EA	SEALANT-URETHANE-BLACK(TUBE)
	072889-12-000	EA	SEALANT-URETHANE(LV)BRIGHTWHITE
	076314-02-000	FT	TAPE-CARPETSEAM-HEAT-BOND-4"WIDE
	076322-01-000	FT	TAPE-DOUBLECOATEDADHESIVEBACKEDFOAM-.25"X216'
	076322-02-000	EA	TAPE-DOUBLECOATED/ADHESIVEBACK-.045"THKX1"WX9'
	076322-03-000	FT	TAPE-DOUBLECOATEDADHESIVEBACKEDFOAM-.5"X108'
	076322-05-000	FT	TAPE-DOUBLECOATED/ADHESIVEBACK-.045"THKX75"WX9'
	076322-07-000	FT	TAPE-DOUBLECOATED/ADHESIVEBACK-.045"THKX.50"WX9'
	087211-01-000	GL	PROMOTER-ADHESIVE
	091255-02-000	FT	SEAL-ADHESIVEBACKEDFOAM-.18"THICKX1.5"WIDE
	102352-01-000	EA	SEALER-PUMPABLE-BLACK
	118085-02-01A	FT	TAPE-FOIL-1"
	120534-01-01A	EA	TAPE-SCOTCH-3M-1/2"FINELINE
	076322-02-000	EA	TAPE-DOUBLECOATED/ADHESIVEBACK-.045"THKX1"WX9'
	076322-03-000	EA	TAPE-DOUBLECOATED/ADHESIVEBACK-.045"THKX.50"WX9'
	900390-01-000	EA	TIP-2 1/2"X1/8"ORIFICE
	900390-03-000	EA	NOZZLE-SILICONETUBE

**SEALANTS&FASTENERSGROUP(CONTINUED)**

**BOLTS,NUTS&WASHERS**

KEY	PARTNUMBER	U/M	DESCRIPTION
	0MC31K-08-020	EA	BOLT-HEX-SERRATEDFLANGE-M8X020
	000C12-05-16B	EA	BOLT-HEX-5/16-18X1-ZINC5
	000C12-06-16B	EA	BOLT-HEX-3/8-16X1LG-ZINC5
	000C12-09-20B	EA	BOLT-HEX-9/16-12X1.25-ZINC5
	000C12-07-20B	EA	BOLT-HEX-7/16-14X1 1/4-ZINC5
	000C12-08-24B	EA	BOLT-HEX-1/2-13X1.50-ZINC5
	000C12-10-24B	EA	BOLT-HEX-5/8-11X1.50-ZINC-5
	000C13-07-48B	EA	BOLT-HEX-7/16-20X3-ZINC5
	000C18-05-40A	EA	BOLT-ELEVATOR-5/16-18X2.50-PL
	000C18-06-56A	EA	BOLT-ELEVATOR-3/8-16X3 1/2-GRADE5
	000C18-06-48B	EA	BOLT-ELEVATOR-3/8-16X3-ZINC-GRADE5
	000C26-04-10B	EA	BOLT-HEX-SERRATEDFLANGE-1/4-20X5/8-ZINC
	000C26-05-12B	EA	BOLT-HEX-SERRATEDFLANGE-5/16-18X3/4-ZINC
	000C26-06-12B	EA	BOLT-HEX-SERRATEDFLANGE-3/8-16X3/4-ZINC
	000C26-06-16B	EA	BOLT-HEX-SERRATEDFLANGE-3/8-16X1-ZINC
	000C26-04-14B	EA	BOLT-HEX-SERRATEDFLANGE-1/4X20X7/8-ZINC
	091274-03-000	EA	BOLT-J-3/8-16X12.0
	000G45-05-16B	EA	BOLT-LAG5/16-9X1-ZINC
	102333-01-06A	EA	BOLT-CARRIAGE-7/16-14STAINLESSSTEELCAP
	051387-06-000	EA	BOLT-CARRIAGEW/OHOLE-5/16-18X9.5-ZINC
	106166-01-000	EA	BOLTCOLLAREDHANGER-8-32X1"
	000D29-06-00B	EA	NUT-HEX-W/NYLONLOCK-3/8-16-ZINC
	000D24-10-00B	EA	NUT-HEX-SF/LOCKING-10-32ZINC
	000D29-09-00B	EA	NUT-HEXSELFLOCKING-9/16-12-ZINC
	000D34-06-00B	EA	NUT-HEX-LOCKING-3/8-16GRADEZINC-PREVAILINGT
	000D39-04-00B	EA	NUT-HEX-SERRATEDFLANGELOCKING1/4-20-ZINC
	000D39-05-00B	EA	NUT-HEX-SERRATEDFLANGELOCKING-5/16-18-ZINC
	000D39-06-00B	EA	NUT-HEX-SERRATEDFLANGELOCKING-3/8-16-ZINC
	000D39-07-00B	EA	NUT-HEX-SERFLGLK-7/15-14ZINC
	000D39-08-00B	EA	NUT-HEX-SERRATEDFLANGELOCKING-1/2-13-ZINC
	000D44-07-00B	EA	NUT-HEX-SERRATEDFLANGELOCKING-7/16-20-ZINC
	044364-02-000	EA	NUT-SPEED-FLAT-ROUND-T'MNC9186-014-1
	040921-01-000	EA	NUT-SPEED-UTYPE-10-24BLACK
	077071-01-000	EA	WASHER-FENDER-3/16"IDX1"OD
	000E11-07-00B	EA	WASHER-LOCKING-7/16MEDSPLIT-ZINC
	000E11-08-00B	EA	WASHER-LOCKING-1/2MEDSPLIT-ZINC
	041322-01-000	EA	WASHER-FLANGE-15/32IDX23/8OD-FORSEATBELTMOUN
	000E13-21-00B	EA	WASHER-FLANGE-W/2NAR-ZINC
	000E13-14-00B	EA	WASHER-FLAT-1/4"WIDE-ZINC
	000E13-17-00B	EA	WASHER-FLAT-3/8"AR-ZINC
	000E13-18-00B	EA	WASHER-FLAT-3/8WIDE-ZINC
	000E13-20-00B	EA	WASHER-FLAT-7/16"WIDE-ZINC
	044533-01-000	EA	WASHER-PLASTIC-13/8OD-FORBUTTONS
	008343-01-000	EA	TIE-WIRE-6"
	081211-05-000	EA	PLUG-PLASTIC-.188DIAMETER-NATURAL
	085774-01-000	FT	FASTENER-DUALHOOK-1"WIDE-ADHESIVEBACK-BLACK
	085774-02-000	FT	FASTENER-DUALLOOP-1"WIDE-ADHESIVEBACK-BLACK
	108046-01-000	EA	CABLETIE-SCREWMOUNT8"-DENNISON08415
	108046-02-000	EA	CABLETIE-SCREWMOUNT15"-DENNISON10035

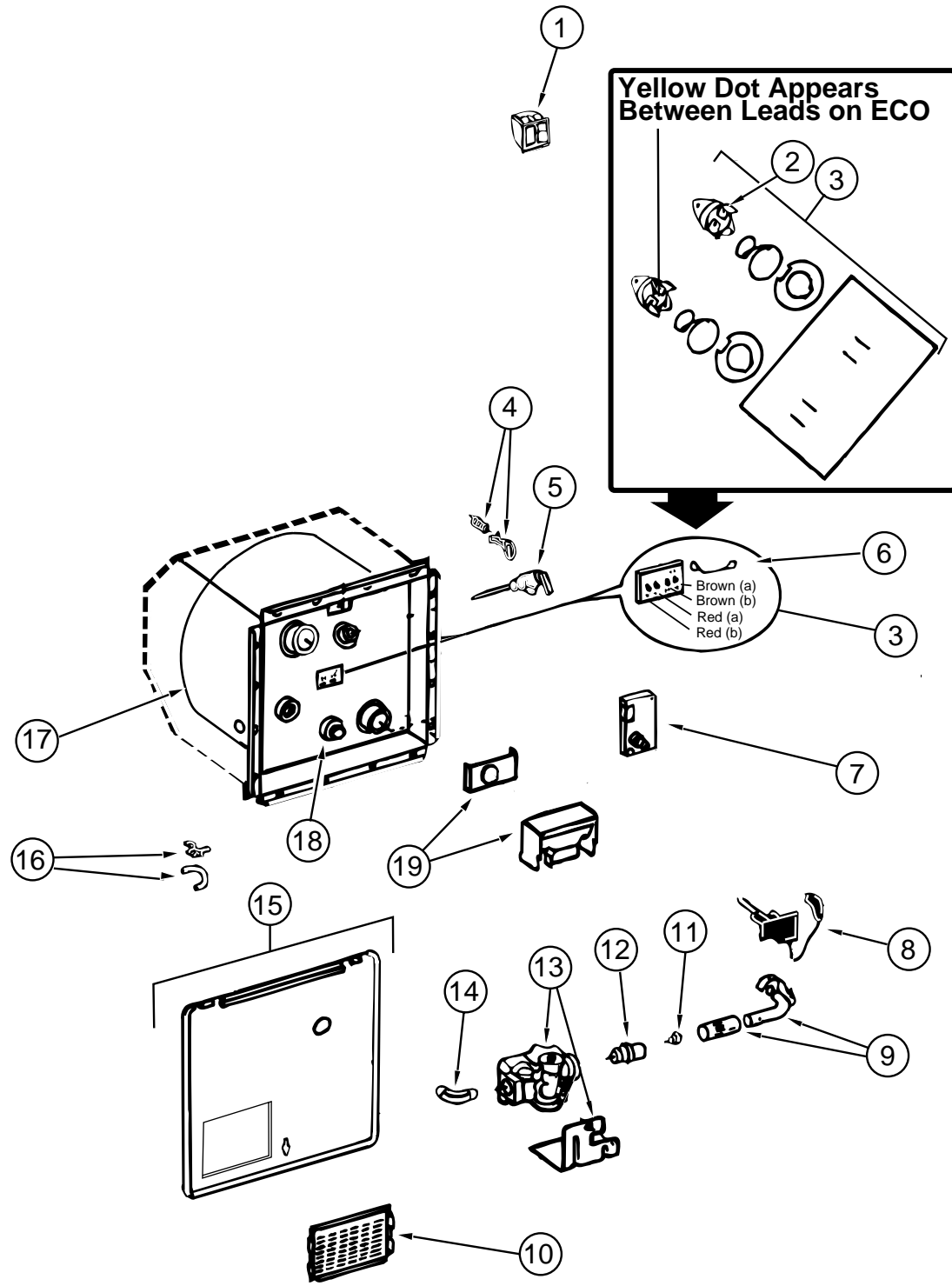
**SEALANTS&FASTENERSGROUP(CONTINUED)**

**CLAMPS,GROMMETS,CLIPS&RIVETS**

KEY	PARTNUMBER	U/M	DESCRIPTION
	000H16-04-06R	EA	RIVET-POP,AL1/8X.313-.375
	007161-01-000	EA	CLAMP-HOSE-SPRINGTYPE-1/2"
	010495-01-000	EA	CLAMP-CABLE-9/16"
	010497-01-000	EA	CLAMP-CLOSED-5/8"ID
	010497-03-000	EA	CLAMP-CLOSED-1"ID-CUSHIONED
	010497-04-000	EA	CLAMP-CLOSED-1.62"ID
	010497-08-000	EA	CLAMP-CLOSED,.125"
	010499-01-000	EA	CLAMP-CLOSED-3/8"ID
	016188-05-000	EA	GROMMET-L/PLINE-3/8"HOLEX1 1/4"LONG-RUBBER
	023942-01-000	EA	GROMMET-RUBBER-2"OD
	056134-01-000	EA	HOLDER-RING-3.6"DIAMETER-METAL
	062401-01-000	EA	CLAMP-HOSE-WORMGEAR.25"-1"
	062401-02-000	EA	CLAMP-HOSE-WORMGEAR1.56"-2.5"
	062401-03-000	EA	CLAMP-HOSE-WORMGEAR-.22"-1"
	062401-04-000	EA	CLAMP-HOSE-WORMGEAR.69"-1.25"
	062401-06-000	EA	CLAMP-HOSE-WORMGEAR.22"-.62"
	062401-11-000	EA	CLAMP-HOSE-WORMGEAR3.56"-4.5"
	069592-02-000	EA	RIVET-T-POP-1/4X.093-.156
	071015-26-000	EA	GROMMET-RUBBER-1.5"IDX2.12"ODW/.06"GROOVE-BLK
	075148-02-000	EA	CLAMP-GROUNDING-BRONZESCREWS
	080734-02-000	EA	CLIP-WIRENYLON
	094362-02-000	EA	CLIP-XMASTREE-FLATHEAD-.5"X.95"
	083609-01-000	EA	CLAMP-WIRE-DUALEQUAL-5/8"DIAMETER
	083610-01-000	EA	CLAMP-WIRE-DUAL-UNEQUALDIAMETERS-.75"&1.25"
	083610-02-000	EA	CLAMP-WIRE-DUALUNEQUALDIAMETER
	091952-02-000	EA	CLIP-GRIPPER-3/4"
	101447-01-000	EA	CLIP-UTYPE
	114208-02-000	EA	GROMMET-EDGELINER-FITS.625



## WATER & SEWAGE GROUP



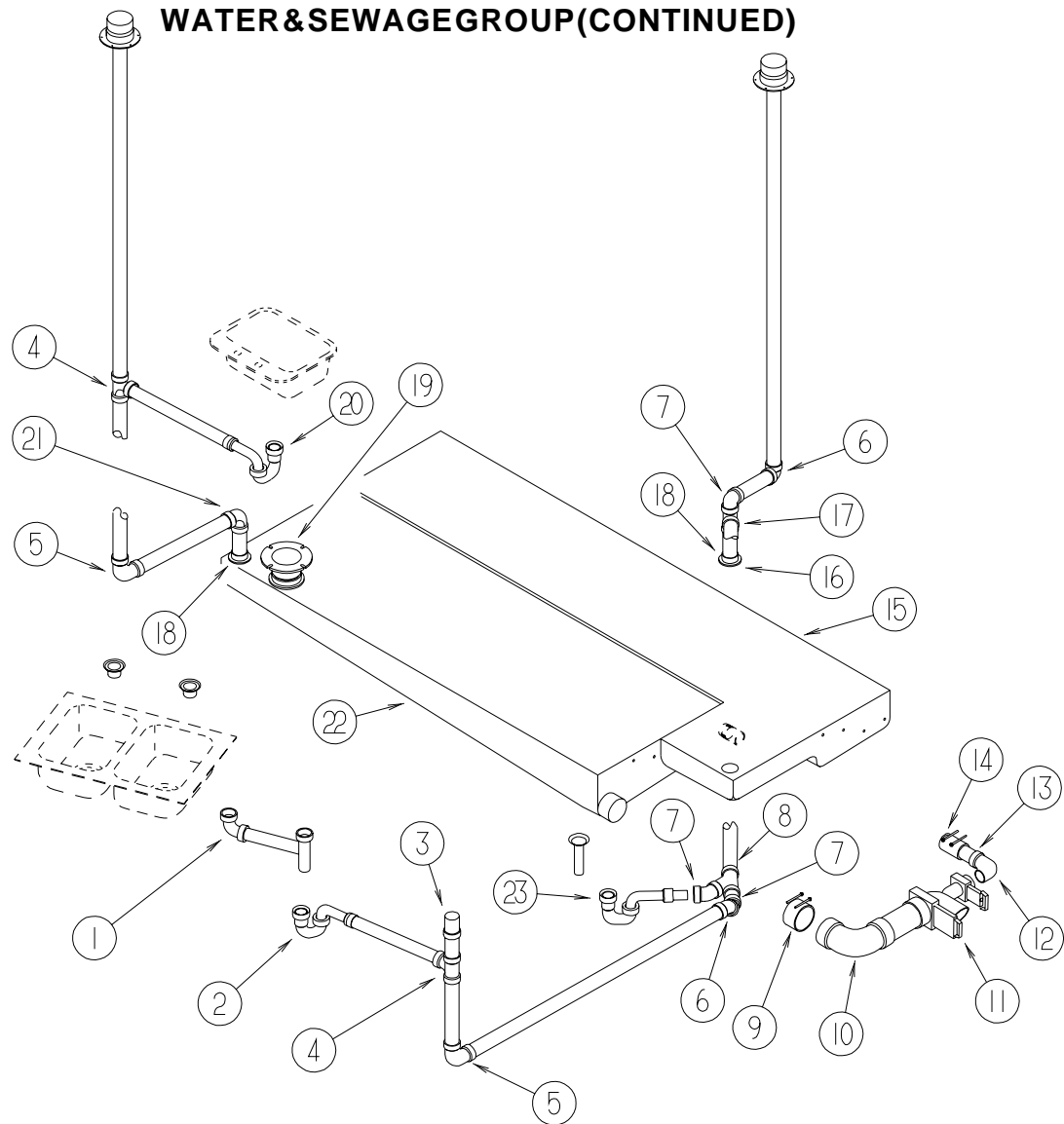
### WATER HEATER W/ELECTRONIC IGNITION AT WOOD (G6A-8E)

KEY	PART NUMBER	U/M	DESCRIPTION	VENDOR NO.
	051391-03-000	EA	WATER HEATER G6A-8E ELECTRONIC IGNITION	
1	097967-01-000	EA	SWITCH-WATER HEATER-REMOTE W/LIGHT	
2	051391-04-701	EA	THERMOSTAT 12VDC-120 PRESET	91470
3	051393-01-721	EA	THERMOSTAT W/ECO, 140 FRT MT	91447
4	051391-01-705	EA	FASTENER-CAM LOCK	92609
5	051391-01-704	EA	VALVE-RELIEF, 1/2" FITTING	91604
6	051393-01-723	EA	SWITCH-THERMAL-CUTOFF 2/PKG	93866
7	051393-01-724	EA	BOARD-CIRCUIT, SPADE TERMINAL	93865
8	051393-01-725	EA	ELECTRODE-SGL SPADE CONNECT.	93868
9	051391-04-703	EA	BURNER-MAIN	91638
10	051391-01-717	EA	GRILLE-WATER HEATER DOOR	92640
11	051391-01-710	EA	ORIFICE-MAIN BURNER	92742
12	051391-03-700	EA	HOLDER-ORIFICE	91563
13	051393-01-726	EA	VALVE-SOLENOID, W/BACKET	93870
14	051391-01-714	EA	ELBOW-45 DEGREE-3/8" FX 3/8" MPT	#91044
15	052009-06-000	EA	DOOR-WATER HEATER-BRIGHT WHITE-18" X 14.6"	
	116424-01-000	EA	PROTECTOR-WATER HEATER LATCH	
16	051391-01-700	EA	HINGE KIT, (PIN & CLIP)	92568 & 92559
17	051391-04-706	EA	TANK-INNER, G6A-4E & 6E FRT. MT	91641
18	051391-01-715	EA	PLUG-DRAIN, 1 EA=2 PER PKG	91857
19	051391-04-707	EA	KIT-EXHAUST, (FLUE & GASKET)	90960
	111129-01-711	EA	BRACKET-CORNER, SET OF FOUR	91928

### WATER HEATER W/MOTOR AID AT WOOD (GH6-8E)

KEY	PART NUMBER	U/M	DESCRIPTION	VENDOR NO.
	051393-01-000	EA	WATER HEATER GH6-8E ELECTRONIC IGNITION W/MOTOR AID	
1	097967-01-000	EA	SWITCH-WATER HEATER-REMOTE W/LIGHT	
2	051391-04-701	EA	THERMOSTAT 12VDC-120 PRESET	91470
3	051393-01-721	EA	THERMOSTAT W/ECO, 140 FRT MT	91447
4	051391-01-705	EA	FASTENER-CAM LOCK	92609
5	051391-01-704	EA	VALVE-RELIEF, 1/2" FITTING	91604
6	051393-01-723	EA	SWITCH-THERMAL-CUTOFF 2/PKG	93866
7	051393-01-724	EA	BOARD-CIRCUIT, SPADE TERMINAL	93865
8	051393-01-725	EA	ELECTRODE-SGL SPADE CONNECT.	93868
9	051391-04-703	EA	BURNER-MAIN	91638
10	051391-01-717	EA	GRILLE-WATER HEATER DOOR	92640
11	051391-01-710	EA	ORIFICE-MAIN BURNER	92742
12	051391-03-700	EA	HOLDER-ORIFICE	91563
13	051393-01-726	EA	VALVE-SOLENOID, W/BACKET	93870
14	051391-01-714	EA	FITTING-ELBOW 45, 3/8 FX 3/8 MPT 1044	
15	052009-06-000	EA	DOOR-WATER HEATER-BRIGHT WHITE-18" X 14.6"	
	116424-01-000	EA	PROTECTOR-WATER HEATER LATCH	
16	051391-01-700	EA	HINGE KIT, (PIN & CLIP)	92568 & 92559
17	051391-04-704	EA	TANK-INNER (FRT-MT)	91642
18	051391-01-715	EA	PLUG-DRAIN, 1 EA=2 PER PKG	91857
19	051391-04-707	EA	KIT-EXHAUST, (FLUE & GASKET)	90960
	111129-01-711	EA	BRACKET-CORNER, SET OF FOUR	91928

**WATER&SEWAGEGROUP(CONTINUED)**



**DRAINAGESYSTEM**

KEY	PARTNUMBER	U/M	DESCRIPTION
1	011091-02-000	EA	WASTE-CONTINUOUS-DOUBLE SINK
1	011091-03-000	EA	WASTE-CONTINUOUS-DOUBLE SINK-CSA
2	109571-01-000	EA	ADAPTER-PTRAP-1 1/2" PX 1 1/4" MPT
2	107538-01-000	EA	PTRAP-PLASTIC-1 1/4"W/EXTENSION ARM
2	011071-01-000	EA	PTRAP-PLASTIC-1 1/2"
3	079968-01-000	EA	VENT-MECHANICAL TRAP ARM-ANTI-SIPHON-2" DIA X 7.3"-PLASTIC
4	010071-01-000	EA	TEE-SANITARY-1 1/2"HUB X HUB X HUB-PLASTIC-BLACK
5	010008-01-000	EA	ELBOW-90 DEGREE-1/4" BEND-1 1/2"HUB X HUB-BLACK PLASTIC
6	010006-01-000	EA	ELBOW-45 DEGREE-1/8 BEND-1 1/2"HUB X HUB-BLACK PLASTIC
7	010051-01-000	EA	ELBOW-45 DEGREE-1 1/2" SPIGOT & HUB-PLASTIC
8	010073-01-000	EA	WYE-45 DEGREE-1 1/2"HUB X HUB X HUB-PLASTIC
9	078406-01-000	EA	COUPLER-RUBBER-W/CLAMPS-3" X 3"
10	031126-01-000	EA	ELBOW-1/4 BEND-3" X 90" XLT-BLACK PLASTIC
11	070916-01-000	EA	VALVE-DUAL DUMP-W/CAP-3" X 1 1/2"
	070916-01-700	EA	VALVE ONLY (WASTE) 3"-T1003BU
	070916-01-701	EA	VALVE ONLY (WASTE) 1 1/2"-T1001BU
11	062415-01-000	EA	CAP-SEWER-3" DIAMETER
	062415-01-700	EA	STRING-SEWER CAP-V#SV7 STRAP
	010201-01-000	EA	HOSE-SEWER-3" ID X 8'
	062416-01-000	EA	ADAPTER-SEWER HOSE TO 3" PIPE
12	033761-01-000	EA	ELBOW-TURN-1/4 BEND X 1.5" HUB X 1.5" SPIGOT-BLK PLASTIC
13	089355-01-000	EA	COUPLER-RUBBER-1 1/2" X 1 1/2"

**WATER&SEWAGEGROUP(CONTINUED)**

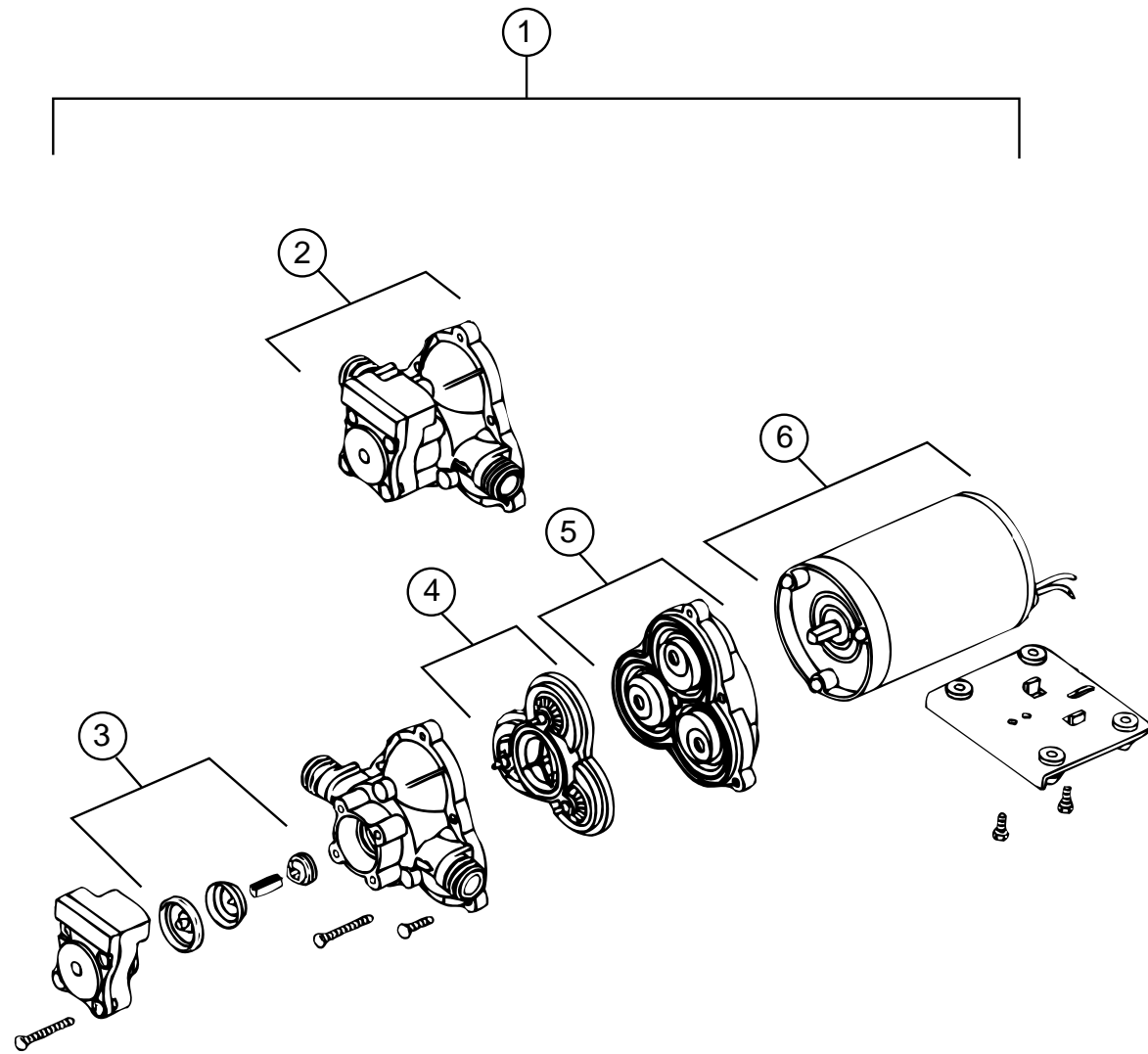
**DRAINAGESYSTEM(CONTINUED)**

KEY	PARTNUMBER	U/M	DESCRIPTION
14	N/A	EA	NIPPLE-PLASTIC-1.5" X 2.62"-TOE
15	117580-01-000	EA	TANK-HOLDING-33 GALLON-W/O FITTINGS
16	061607-01-000	EA	GROMMET-HOLDING TANK-1 1/2" NPS
17	010071-02-000	EA	TEE-PLASTIC-1 1/2"W/BAFFLE-HXHXH
18	010115-01-000	EA	COUPLING-1 1/2"HUB X HUB-PLASTIC
19	061607-02-000	EA	GROMMET-HOLDING TANK-3" NPS
20	109571-01-000	EA	ADAPTER-PTRAP-1 1/2" PX 1 1/4" MPT
20	107538-01-000	EA	PTRAP-PLASTIC-1 1/4"W/EXTENSION ARM
20	011066-03-700	EA	PTRAP-1 1/4"HUB X SLIP JOINT-W/UNION-ABS-CANADIAN
21	034250-01-000	EA	ELBOW-90 DEGREE-LONG TURN-1 1/2"HUB X HUB-ABS
22	117573-01-000	EA	TANK-HOLDING-33 GALLON-W/O FITTINGS
23	069735-01-000	EA	WASHER-STRAINER TAILPIECE-PLASTIC-1.5"
	066729-01-000	EA	STRAINER-TUB/SHOWER-W/PLUG
	010166-01-000	EA	PLUG-THREADED-1 1/4" DIAMETER-PLASTIC-BLACK
	011069-02-000	EA	TAILPIECE-TUB/SHOWER-1 1/2" X 1 1/4" X 4"-BRASS
	041956-01-000	EA	ELBOW-STREET-PLASTIC-1/4 BEND-3" X 90 XLT
	066440-01-000	EA	STRAINER-SHOWER-W/RUBBER WASHER
	116644-01-000	EA	FLANGE-CLOSET 4" X 3"-SEAL AND 345892

**FRESHWATER TANK & WATER SYSTEM**

KEY	PARTNUMBER	U/M	DESCRIPTION
	119109-06-000	EA	TANK-WATER-40 GALLON-W/FITTINGS
	119109-01-000	EA	TANK-WATER-40 GALLON-W/O FITTINGS
	077954-02-000	EA	FILTER-WATER TANK-SCREEN IN TANK
	042989-03-000	EA	FITTING-WATER TANK-SPINWELD-1 1/4" NPT-WHITE PLASTIC
	042989-04-000	EA	FITTING-WATER TANK-SPINWELD-3/8 FPT-WHITE PLASTIC
	042989-05-000	EA	FITTING-WATER TANK-SPINWELD-1/2" FPT-WHITE PLASTIC
	049032-01-000	EA	PATCH-SPINWELD-3/8"-PLASTIC
	039861-01-000	EA	SENDING UNIT-W/SCREW-WASHER-WELL NUT & TERMINAL RING
	079381-01-000	FT	TUBING-SMOOTH FLEXIBLE-1 3/8" ID X 20'
	114430-02-000	EA	ADAPTER-SWIVEL-1/2 PX 1/2 FPT
	114430-03-000	EA	ADAPTER-1/2 PX 1/2 MPT
	114430-06-000	EA	ADAPTER-1/2 PX 3/8 FPT
	123152-01-000	EA	ADAPTER-1/2" FPT X 1/2" BARB SWIVEL
	010224-01-000	EA	ADAPTER-HOSE TO PIPE-3/8 MPT X 3/8 BARB-PLASTIC
	044927-01-000	EA	ADAPTER-HOSE TO PIPE-1 1/4 MPT X 1 1/4 BARB-BLK PLS
	113697-01-000	EA	CAP-3/8 FTG
	101814-01-000	EA	COUPLING-FEMALE-1/2" X 1/2" FPT W/COMP SLEEVE-GRAY
	123150-01-000	EA	ELBOW-1/2" FPT X 1/2" BARB-SWIVEL
	114429-01-000	EA	ELBOW-1/2 PX 1/2 P
	114429-02-000	EA	ELBOW-1/2 PX 1/2 MPT
	114429-03-000	EA	ELBOW-FLAIR-ITSWIVEL 1/2" PX 1/2" FPT
	010230-05-000	EA	FILL-CITY WATER-W/CHECK VALVE
			FROM: 00-00-00 THRU: 09-25-96
	010230-06-000	EA	FILL-CITY WATER-W/CHECK VALVE-MPT
			FROM: 09-26-96 THRU: 99-99-99
	115029-01-000	FT	HOSE-3/8 ID, WATER - LAVANTURE PR86
	046128-01-000	EA	VALVE-DRAIN-PLASTIC-1/2" FPT
	039861-01-000	EA	SENDING UNIT-W/SCREW-WASHER-WELL NUT & TERMINAL RING
	114428-02-000	EA	TEE-SWIVEL-1/2 PX 1/2 PX 1/2 FPT
	114428-03-000	EA	TEE-1/2 PX 1/2 PX 1/2 MPT
	039800-02-000	FT	TUBING-POLYBUTY-5/8" ODX 20'-INCR OF 20'-BLACK
	074462-02-000	FT	TUBING-VINYL-3/8" ID X 20'-CLEAR
	112176-01-000	FT	TUBING-VINYL-REINFORCED-1/2" ID
	114431-02-000	EA	WATER VALVE-2 POSITION-"BYPASS VALVE"
	114431-03-000	EA	WATER VALVE-90 DEGREE ELBOW-"WATER DRAIN VALVE"
	110438-01-000	EA	VALVE-BRASS CHECK
	091208-01-000	EA	WASHER-RUBBER-.06" X .75" X .5"
			FROM: 00-00-00 THRU: 07-16-96

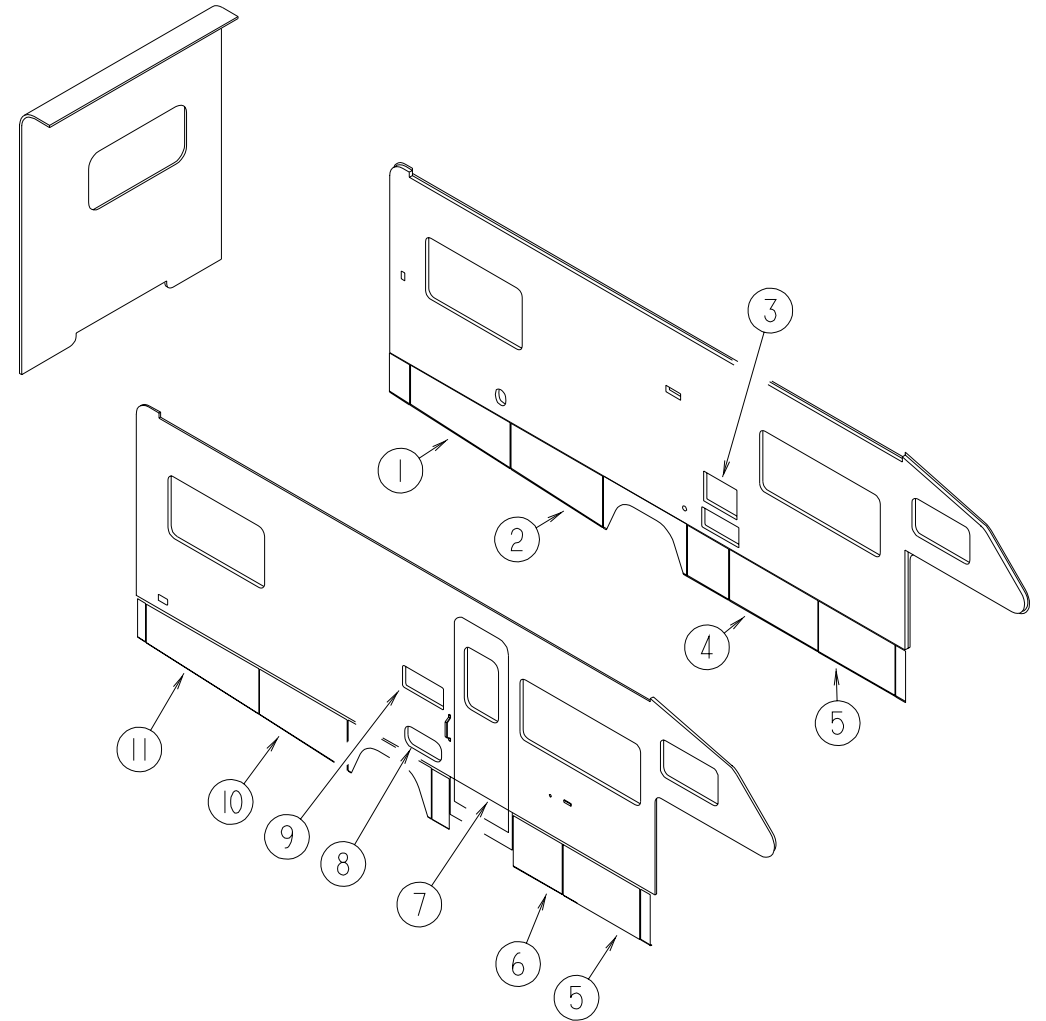
**WATER&SEWAGEGROUP(CONTINUED)**



**WATERPUMP-SHURFLO**

KEY	PARTNUMBER	U/M	DESCRIPTION	VENDORNO.
1	098607-01-000	EA	PUMP-WATER-W/.5"MPFITTING-FLOW2.8GPM-UL	
2	098607-01-706	EA	HOUSINGW/SWITCHONLY	94-231-20
3	098607-01-705	EA	CHECKVALVE-KIT	94-237-00
4	098607-01-703	EA	VALVEKIT	94-232-00
5	098607-01-702	EA	DIAPHRAGM/DRIVEASSEMBLYKIT	94-238-04
6	098607-01-707	EA	MOTORW/BASEPLATE	11-148-04

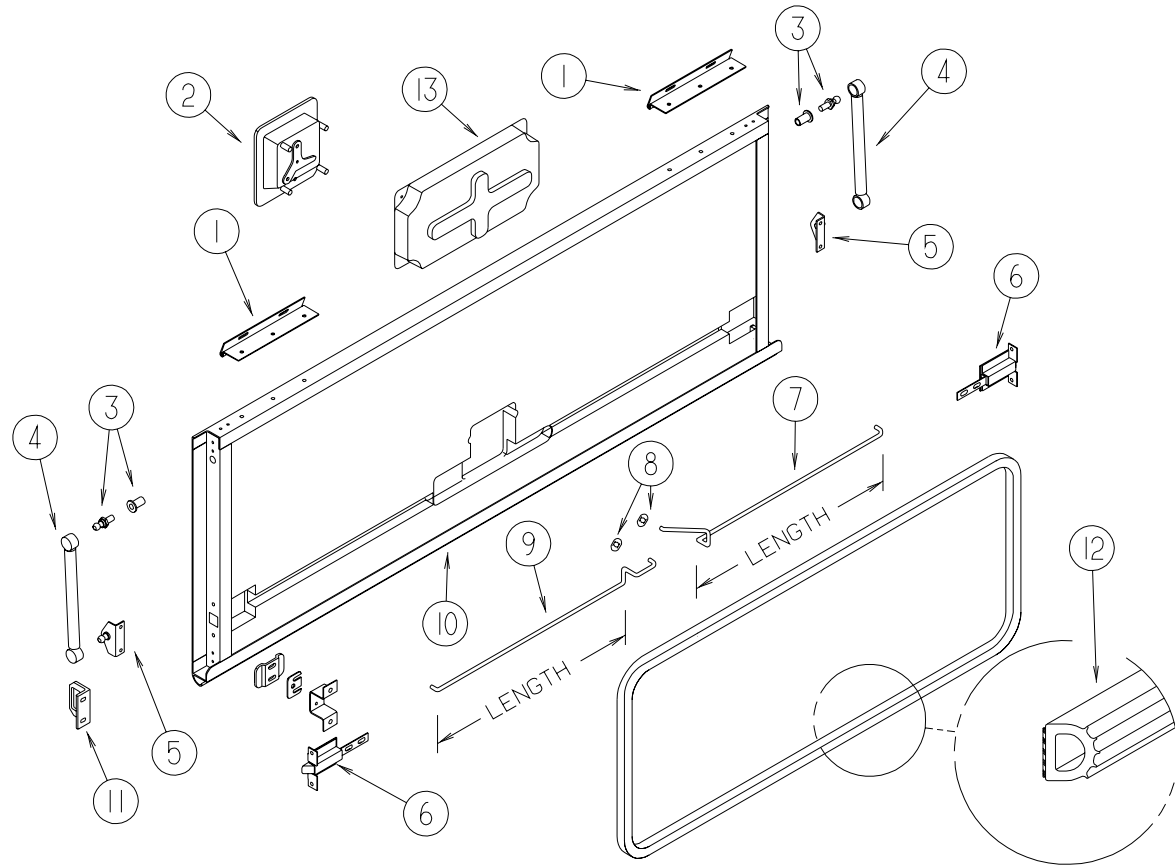
**WINDOW,VENT&EXTERIORDOORGROUP**



**EXTERIORDOORS**

KEY	PARTNUMBER	U/M	DESCRIPTION	VENDORNO.
1	122391-12-H30	EA	DOOR-STORAGE-W/OPADDLELATCH-49.5"	FROM: 00-00-00 THRU: 09-26-96
1	122391-38-H30	EA	DOOR-STORAGE-W/OPADDLELATCH-49.4"	FROM: 09-27-96 THRU: 99-99-99
2	122391-10-H30	EA	DOOR-STORAGE-TAPERED-W/OPADDLELATCH-43.7"	
3	052009-06-000	EA	DOOR-WATERHEATER-W/OLATCHES	
3	116424-01-000	EA	PROTECTOR-LATCH-WATERHEATER	
4	122239-18-H30	EA	DOOR-STORAGE-W/OPADDLELATCH-43.9"	
5	122239-17-H30	EA	DOOR-STORAGE-W/OPADDLELATCH-38"	
6	122239-20-H30	EA	DOOR-STORAGE-W/OPADDLELATCH-24.5"	
6	123478-02-H07	EA	DOOR-COMPARTMENT-W/OLATCH/HINGE	
7	115108-02-H23	EA	DOOR-ENTRY-W/SCREENDOOR-W/OWINDOW(H30)	
7	115108-02-H30	EA	DOOR-ENTRY-W/SCREENDOOR-W/OWINDOW(H31)	
8	111017-01-H23	EA	DOOR-PATIOENTERTAINMENTCENTER-W/OLATCH-17.8"X8.1"	
9	084103-08-000	EA	DOOR-REFRIGERATOR-VENTED-W/OJAMB	
9	084104-08-000	EA	JAMB-REFRIGERATORDOOR	
9	084104-01-700	EA	LOCK-MALE,FASTENER	201-721-010
9	084104-01-701	EA	LOCK-FEMALE,FASTENER	201-802-010
10	122391-09-H30	EA	DOOR-STORAGE-W/OPADDLELATCH-43.7"	
11	122391-11-H30	EA	DOOR-STORAGE-W/OPADDLELATCH-55.8"	
	081240-16-000	EA	DOOR-WATERFILL-LOCKABLEW/OLOCK-4"X45/8"	
	098668-23-000	EA	DOOR-ACCESS-FURNACE-BRIGHTWHITE-SUBURBAN	

**WINDOW, VENT & EXTERIOR DOOR GROUP (CONTINUED)**



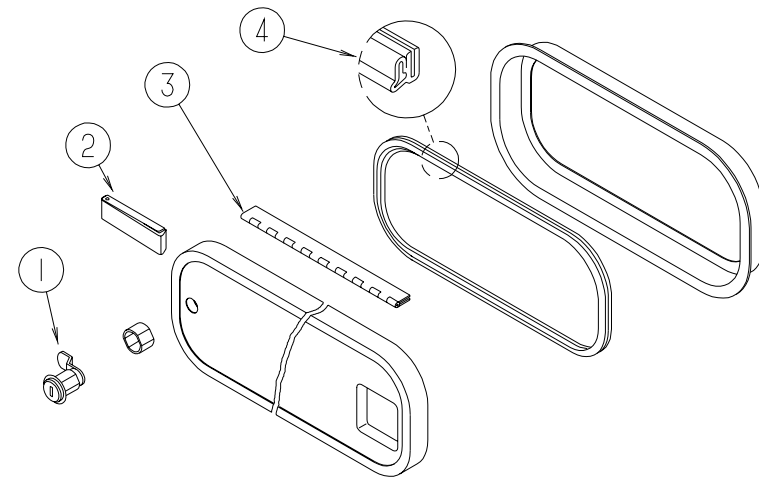
**EXTERIOR DOOR COMPONENTS**

KEY	PARTNUMBER	U/M	DESCRIPTION
1	121755-01-04A	EA	HINGE-6.00 INCH
2	112949-01-04A	EA	LATCH-PADDLE W/LOCK W/O KEY-BLACK
2	112949-02-05A	EA	LATCH-PADDLE NON-LOCKING-BLACK
	112949-03-000	EA	KEY-TRI-MARK#TM500
3	057460-08-000	EA	BALL STUD-10MM BALL-5/16-18
4	107796-18-000	EA	SPRING-GAS-10" LENGTH
5	107796-03-000	EA	BRACKET-GASSPRING-SMALL
5	107796-19-000	EA	BRACKET-GASSPRING
6	121947-01-01A	EA	BOLT-SLIDE-LATCH-STEEL
7	122269-21-000	EA	ROD-LATCH-4.52"
7	122269-18-000	EA	ROD-LATCH-11.28"
7	122269-19-000	EA	ROD-LATCH-14.22"
7	122269-24-000	EA	ROD-LATCH-15.09"
7	122269-25-000	EA	ROD-LATCH-17.04"
7	122269-23-000	EA	ROD-LATCH-20.19"
8	124304-01-000	EA	CLIP-ROUND PUSH ON
9	122268-21-000	EA	ROD-LATCH-4.52"
9	122268-18-000	EA	ROD-LATCH-11.28"
9	122268-19-000	EA	ROD-LATCH-14.22"
9	122268-24-000	EA	ROD-LATCH-15.09"
9	122268-25-000	EA	ROD-LATCH-17.04"
9	122268-23-000	EA	ROD-LATCH-20.19"
10	122613-55-002	EA	EXTRUDED-ROCKER PANEL-192"-SUPERBLUE
11	123783-01-01A	EA	STRIKER-DOOR-MILL
	122278-01-01A	EA	PLATE-STRIKE-BLACK

**WINDOW, VENT & EXTERIOR DOOR GROUP (CONTINUED)**

**EXTERIOR DOOR COMPONENTS (CONTINUED)**

KEY	PARTNUMBER	U/M	DESCRIPTION	
12	107721-04-000	FT	SEAL-ACCESS DOOR	FROM: 00-00-00 THRU: 08-01-96
12	107721-01-000	FT	SEAL-ACCESS DOOR	FROM: 08-02-96 THRU: 99-99-99
13	122277-01-01A	EA	COVER-LATCH-BLACK	FROM: 00-00-00 THRU: 03-22-97
13	122277-02-01A	EA	COVER-LATCH-BLACK	FROM: 03-23-97 THRU: 99-99-99

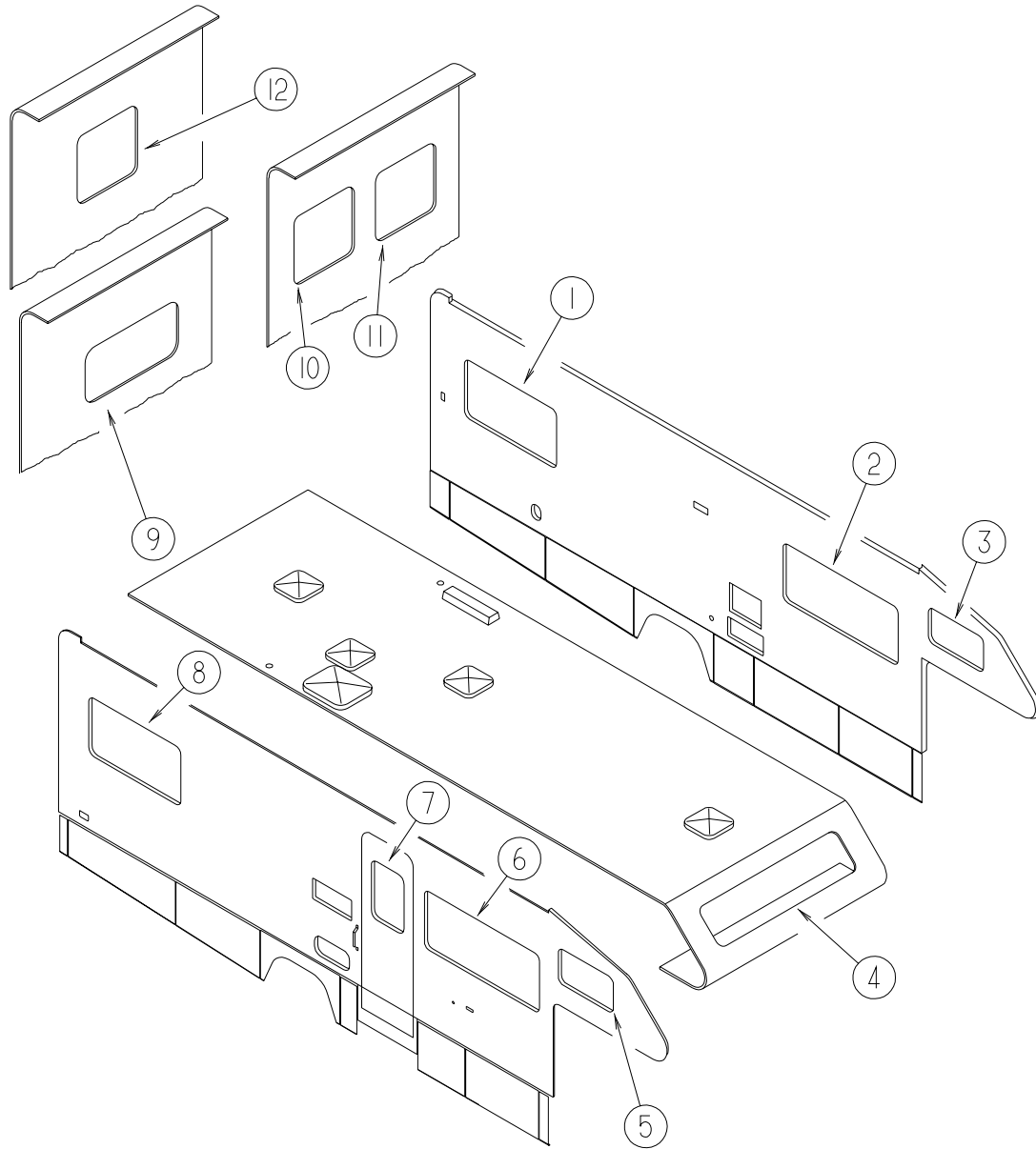


**EXTERIOR DOOR & COMPONENTS**

KEY	PARTNUMBER	U/M	DESCRIPTION
1	110506-02-000	EA	LOCK-KEYED-13.64MM
1	110506-12-000	EA	LOCK-KEYED-1.93"
1	110506-01-000	EA	LOCK-KEYED-17.65MM
	107997-51-001	EA	SPACER-DOOR LOCK-.6" DEEP
	107997-51-002	EA	EXTRUDED-SPACER-16'
2	102768-01-000	EA	HOLDER-COMPARTMENT/ENTRY DOOR-METAL-MILL FINISH
3	081801-02-000	EA	HINGE-DOOR-PIANO-2" X 8"
3	081801-V3-000	EA	HINGE-ALUMINUM-2" X 8'-BRIGHT WHITE
3	009065-01-000	EA	HINGE-ALUMINUM-1 1/2" X 96"-UNPAINTED
3	121755-01-04A	EA	HINGE-6.00 INCH
4	064075-07-000	FT	SEAL-BULB-W/WIRED CHANNEL-.3" X .5" CHANNEL-BLK
	104692-01-000	FT	SEAL-3/4" X 3/4"-ADHESIVE BACK FOAM SEAL
	120863-02-000	EA	BUMPER-RUBBER-1" DIAMETER X 1.50"

# WINDOW, VENT & EXTERIOR DOOR GROUP (CONTINUED)

## WINDOWS



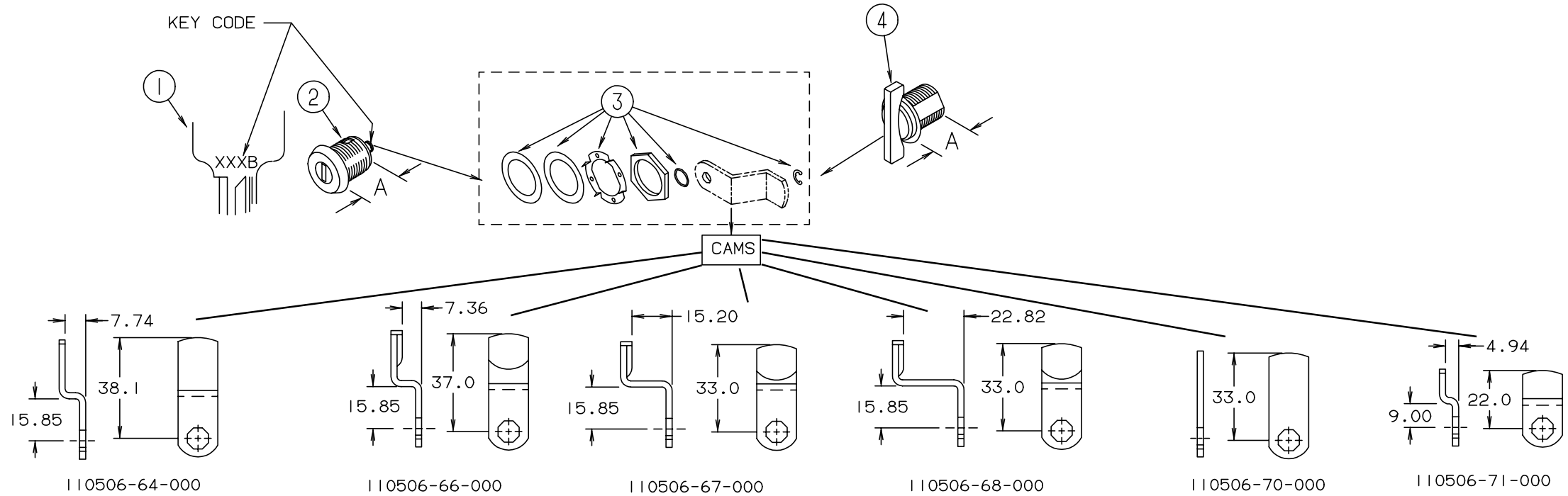
KEY	PARTNUMBER	U/M	DESCRIPTION
1	104691-13-01A	EA	WINDOW-TIPOUT SINGLE-26.3"X47.9"(TWIN&DOUBLE)
1	112795-25-01A	EA	WINDOW-DRIVERSHORIZONTALSLIDER THERMO263/8"X48"(TWIN&DOUBLE)
1	113500-01-01A	EA	WINDOW-DOUBLE TIPOUT 24.5X41.3"(CENTERQUEEN)
1	112795-23-01A	EA	WINDOW-DRIVERSHORIZONTALSLIDER THERMO241/2"X411/2"(CENTERQUEEN)
2	098647-22-01A	EA	WINDOW-DRIVERSHORIZONTALSLIDER 26.1"X59.7"
2	112795-15-01A	EA	WINDOW-DRIVERSHORIZONTALSLIDER THERMO263/8"X60"
3	098647-34-01A	EA	WINDOW-DRIVERSHORIZONTALSLIDER 15.7"X28.5"
3	112795-20-01A	EA	WINDOW-DRIVERHORIZONTALSLIDER THERMO16"X283/4"
4	103313-03-F15	EA	WINDOW-PICTURE/ESCAPE 23.3"X71.3"
4	115630-01-01A	EA	WINDOW-STATIONARY 17.2"X72"
5	098647-33-01A	EA	WINDOW-PASSENGERHORIZONTALSLIDER 15.7"X28.5"
5	112795-19-01A	EA	WINDOW-PASSENGERHORIZONTALSLIDER THERMO16"X283/4"
6	098647-23-01A	EA	WINDOW-PASSENGERHORIZONTALSLIDER 26.1"X59.7"
6	112795-16-01A	EA	WINDOW-PASSENGERHORIZONTALSLIDER THERMO263/8"X60"
7	117053-02-F36	EA	WINDOW-PICTURE-ENTRANCE DOOR-17"X26.4"
7	113733-01-01A	EA	WINDOW-STATIONARY THERMOPANE 26.4"X17"
8	104691-13-01A	EA	WINDOW-TIPOUT SINGLE-26.3"X47.9"(TWIN&DOUBLE)
8	112795-22-01A	EA	WINDOW-PASSENGERHORIZONTALSLIDER THERMO263/8"X48"(TWIN&DOUBLE)
8	113500-01-01A	EA	WINDOW-DOUBLE TIPOUT 24.5X41.3"(CENTERQUEEN)
8	112795-21-01A	EA	WINDOW-PASSENGERHORIZONTALSLIDER THERMO24.5"X41 1/4"(CENTERQUEEN)
9	078528-06-E10	EA	WINDOW-ESCAPE W/O RETAINER/TRIM 48.5"X24.5"(CENTERQUEEN)
9	113502-01-01A	EA	WINDOW-REARESCAPE THERMO-24.8"X48.7"(CENTERQUEEN)
10	116976-02-01A	EA	WINDOW-REARTINTEDESCAPE 26.4"X26.25"(TWIN)
10	113502-04-01A	EA	WINDOW-REARESCAPE THERMO-26.4"X26.25"(TWIN)
11	116976-04-01A	EA	WINDOW-REARTINTEDESCAPE 26.4"X26.25"(TWIN)
11	113733-02-01A	EA	WINDOW-STATIONARY THERMOPANE 26.4"X26.25"(TWIN)
12	116976-02-01A	EA	WINDOW-REARTINTEDESCAPE 26.4"X26.25"(DOUBLE)
12	113502-04-01A	EA	WINDOW-REARESCAPE THERMO-26.4"X26.25"(DOUBLE)

## WINDOW, VENT & EXTERIOR DOOR GROUP (CONTINUED)

### BRIGGS & STRATTON LOCKS & COMPONENTS

**NOTE:**

WHEN ORDERING THE LOCK CASE, THE KEY CODE MUST MATCH THE LAST DIGIT OF THE VEHICLE'S SERIAL NUMBER AND PART NUMBER; WHEN ORDERING THE KEYS, THE THIRD DIGIT OF THE KEY CODE MUST MATCH THE LAST DIGIT OF THE VEHICLE'S SERIAL NUMBER AND PART NUMBER.

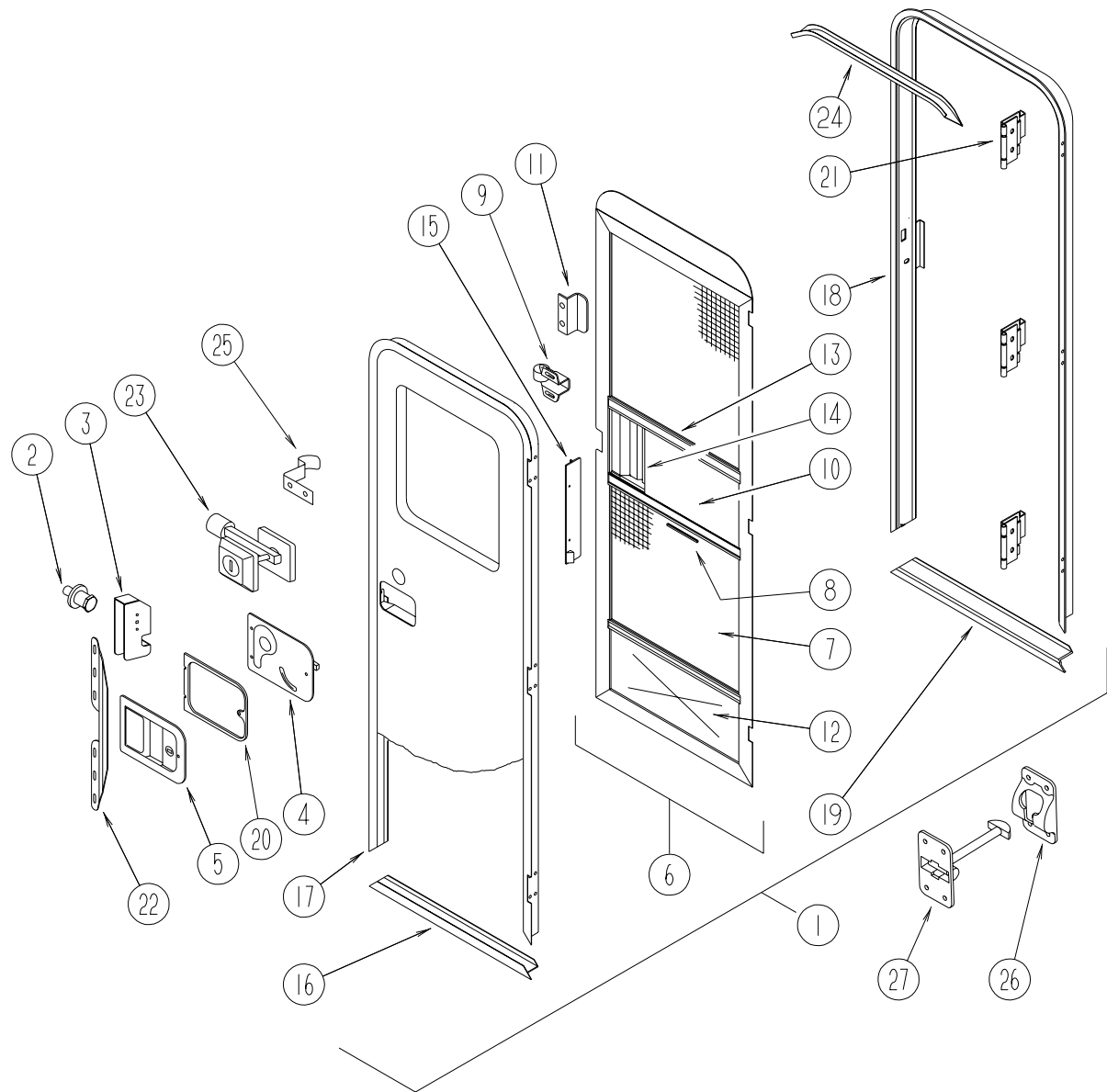


KEY	PART NUMBER	U/M	DESCRIPTION	VENDOR NO.
1	110506-59-000	EA	KEYS-SET OF 2	596720
2	110506-52-000	EA	CASE - LOCK - A= 17 MM	702370
2	110506-53-000	EA	CASE - LOCK - A= 25MM	702380
1	110506-59-001	EA	KEYS-SET OF 2	596721
2	110506-52-001	EA	CASE - LOCK - A= 17 MM	702371
2	110506-53-001	EA	CASE - LOCK - A= 25 MM	702381
1	110506-59-002	EA	KEYS-SET OF 2	596722
2	110506-52-002	EA	CASE - LOCK - A= 17 MM	702372
2	110506-53-002	EA	CASE - LOCK - A= 25 MM	702382
1	110506-59-003	EA	KEYS-SET OF 2	596723
2	110506-52-003	EA	CASE - LOCK - A- 17 MM	702373
2	110506-53-003	EA	CASE - LOCK - A- 25 MM	702383
1	110506-59-004	EA	KEYS-SET OF 2	596724
2	110506-52-004	EA	CASE - LOCK - A- 17 MM	702374
2	110506-53-004	EA	CASE - LOCK - A= 25 MM	702384
1	110506-59-005	EA	KEYS-SET OF 2	596725
2	110506-52-005	EA	CASE - LOCK - A= 17 MM	702375
2	110506-53-005	EA	CASE - LOCK - A= 25 MM	702385
1	110506-59-006	EA	KEYS-SET OF 2	597936
2	110506-52-006	EA	CASE - LOCK - A= 17 MM	702376
2	110506-53-006	EA	CASE - LOCK - A= 25 MM	702386

KEY	PART NUMBER	U/M	DESCRIPTION	VENDOR NO.
1	110506-59-007	EA	KEYS-SET OF 2	597937
2	110506-52-007	EA	CASE - LOCK - A= 17 MM	702377
2	110506-53-007	EA	CASE - LOCK - A= 25 MM	702387
1	110506-59-008	EA	KEYS-SET OF 2	596728
2	110506-52-008	EA	CASE - LOCK - A= 17 MM	702378
2	110506-53-008	EA	CASE - LOCK - A= 25 MM	702388
1	110506-59-009	EA	KEYS-SET OF 2	596729
2	110506-52-009	EA	CASE - LOCK - A= 17 MM	702379
2	110506-53-009	EA	CASE - LOCK - A= 25 MM	702389
3	110506-40-700	EA	HARDWARE PACKAGE-CYLINDER/CASE	
4	110506-50-000	EA	CASE ASM-TWIST LOCK 17 MM	596932
4	110506-51-000	EA	CASE ASM-TWIST LOCK 25 MM	596669
	110506-64-000	EA	CAM-LOCK	322280
	110506-66-000	EA	CAM-LOCK	322282
	110506-67-000	EA	CAM-LOCK	322283
	110506-68-000	EA	CAM - LOCKING	322284
	110506-70-000	EA	CAM-LOCKING	322286
	110506-71-000	EA	CAM-LOCKING	322287
	110506-59-701	EA	KEY BLANK - GOLD	

# WINDOW, VENT & EXTERIOR DOOR GROUP (CONTINUED)

## ENTRANCE DOOR

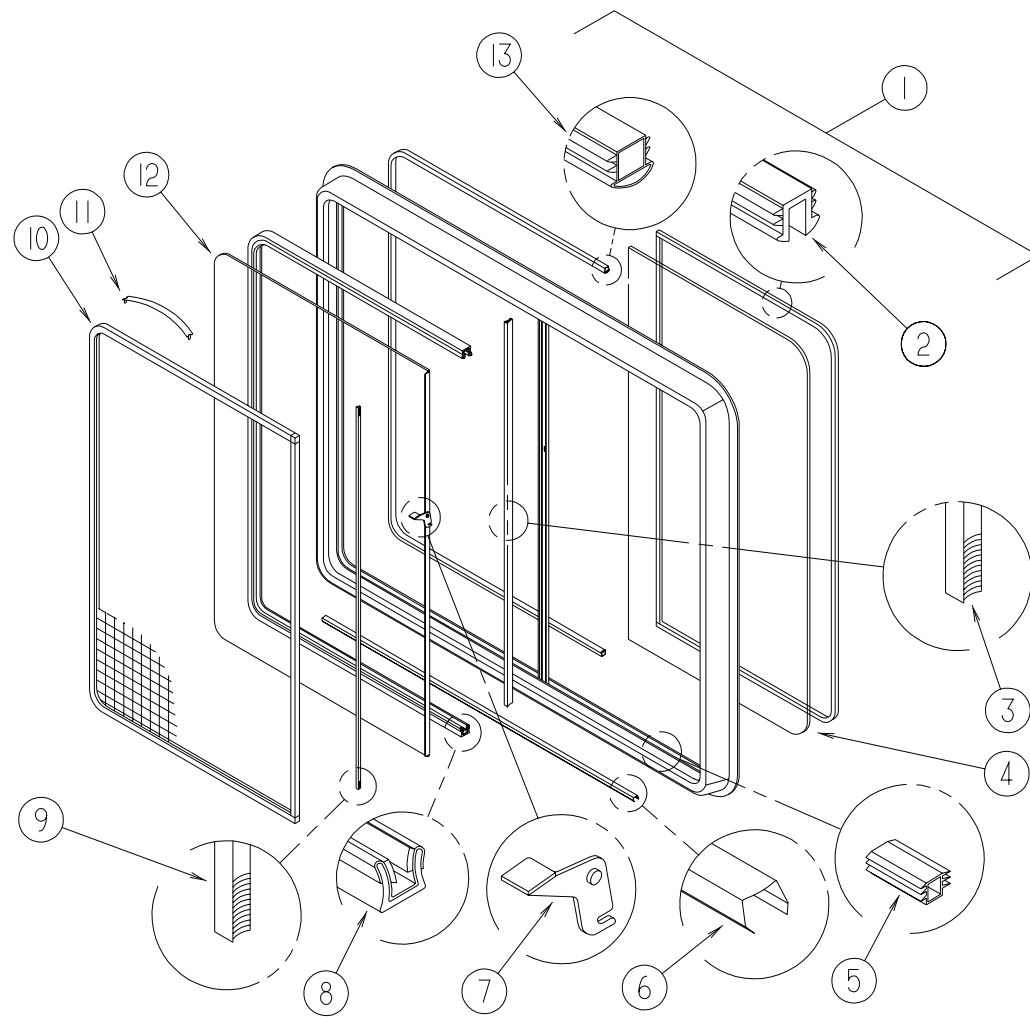


KEY	PARTNUMBER	U/M	DESCRIPTION	VENDOR NO.
1	115108-02-H23	EA	DOOR-ENTRY-W/SCREENDOOR-W/OWINDOW(H30)	
1	115108-02-H31	EA	DOOR-ENTRY-W/SCREENDOOR-W/OWINDOW(H31)	
2	039539-01-000	EA	STRIKE-LOCK-ENTRYDOOR-ROUND/THREADEDWASHER	
3	039540-01-000	EA	LATCHMECHANISM-HOOK-ENTRYDOOR-INTERIOR	
	039715-01-000	EA	NUT-SERT-1/4"DIAMETER-20THREADS	
4	039979-06-000	EA	COVER-LATCHPLATE-RIGHTHAND-BLACKTEXTURED	
	039984-01-000	EA	CAP-ROUND-VINYL-.28"IDX.62"LONG-BLACK	
	041546-05-000	EA	BRACKET-DOORANGLE-5"X1.9"-OFFWHITE-METAL	
5	045017-13-000	EA	LATCH-ENTRYDOOR-BLACKTEXTURED	
	045017-11-701	EA	KEY-BLANK-ROUNDTOP-SILVER-TRI/MARK	
	045017-11-703	EA	CYLINDER-LOCKASM.W/KEYS	81266-09
	072893-04-000	EA	NUTSERT-10-32	
	075671-04-000	FT	SEAL-SPONGE-LAZYTSHAPE-W/ADHESIVESTRIPE-.5"WIDE	
6	121899-01-G04	EA	DOORASM-SCREEN-BRIGHTWHITE	
7	002293-02-000	SF	SCREENING-WINDOW/DOOR-26"	
8	002294-01-000	FT	SPLINE-SCREENING-.005"X.0054"	
9	109403-01-000	EA	CATCH-SINGLEROLLER-SCREENDOOR	
10	001014-01-013	EA	INSERT-CENTER-10.25"X16.31"-UNPAINTED	
11	050712-06-000	EA	HANDLE-SCREENDOOR-ALUMINUM-BRIGHTWHITE	
12	078552-03-000	EA	KICKPANEL-SCREENDOOR-LOWERINSERT-UNPAINTED	
	078595-01-000	EA	PLATE-SCREENDOOR	
13	078777-01-000	EA	CHANNEL-SLIDE-SCREENDOORCENTERSLIDECOVER-17.4"	
14	079086-03-000	EA	SLIDER-SCREENDOOR-BRIGHTWHITE	
15	079087-03-000	EA	STRIKE-SLIDER-W/LIPFORELBOWCATCH-1.5"X8.6"-BRIGHTWHITE	
16	121893-03-01A	EA	FRAME-DOOR-ENTRANCE-BRIGHTWHITE	
	090340-01-000	FT	SEAL-FOAM-CLOSEDCELL-1/4"X1/2"X50'	
17	121894-03-01A	EA	FRAME-DOOR-ENTRANCE-BRIGHTWHITE	
18	121898-05-01A	EA	JAMB-ENTRYDOOR	
19	121893-01-01A	EA	FRAME-DOOR-ENTRANCE-BRIGHTWHITE	
20	096810-01-01A	EA	PLATE-LATCH-ENTRYDOOR-PLASTIC-BLACK	
21	106719-01-01A	EA	HINGE-ENTRYDOOR-MILL	
22	098173-01-04A	EA	STIFFENER-ENTRYDOOR-SUPPORTSLATCH/STRIKE-BRIGHTWHITE	
	118929-01-01A	FT	SEAL-PILE-PUSHON	
23	101145-01-06A	EA	DEADBOLT-ENTRYDOORW/OSECURITYBOLTW/2KEYS-BLACK	
	101145-01-701	EA	CYLINDER-LOCKASM.-W/KEY	81306-03
	101147-01-000	EA	BOLT-SECURITY-4.12"BACKSET	
	102524-01-000	EA	BUMPER-RUBBER-FLAT-BLACK	
24	044582-44-000	EA	CAP-DRIP-DOORJAMB MOUNTED-BRIGHTWHITE	
	115222-05-01A	EA	GARNISH-RADIUS-ENTRYDOOR	
25	100412-01-000	EA	CATCH-SCREENDOOR-THUMBCLIPW/BLACKPLASTICCAP	
26	104099-02-04A	EA	CATCH-DOORHOLDER-RETAINER-PLASTIC-BRIGHTWHITE	
27	104099-01-04A	EA	CATCH-DOORHOLDER-STRIKE-PLASTIC-BRIGHTWHITE	
	009126-03-000	EA	HANDLE-ASSIST-ENTRYDOOR-BLACK-TEXTURED	
	041546-07-000	EA	BRACKET-DOORANGLE	

**WINDOW, VENT & EXTERIOR DOOR GROUP (CONTINUED)**

**WINDOW, VENT & EXTERIOR DOOR GROUP (CONTINUED)**

**DRIVER/PASSENGER SIDE WINDOW-EXCEL**



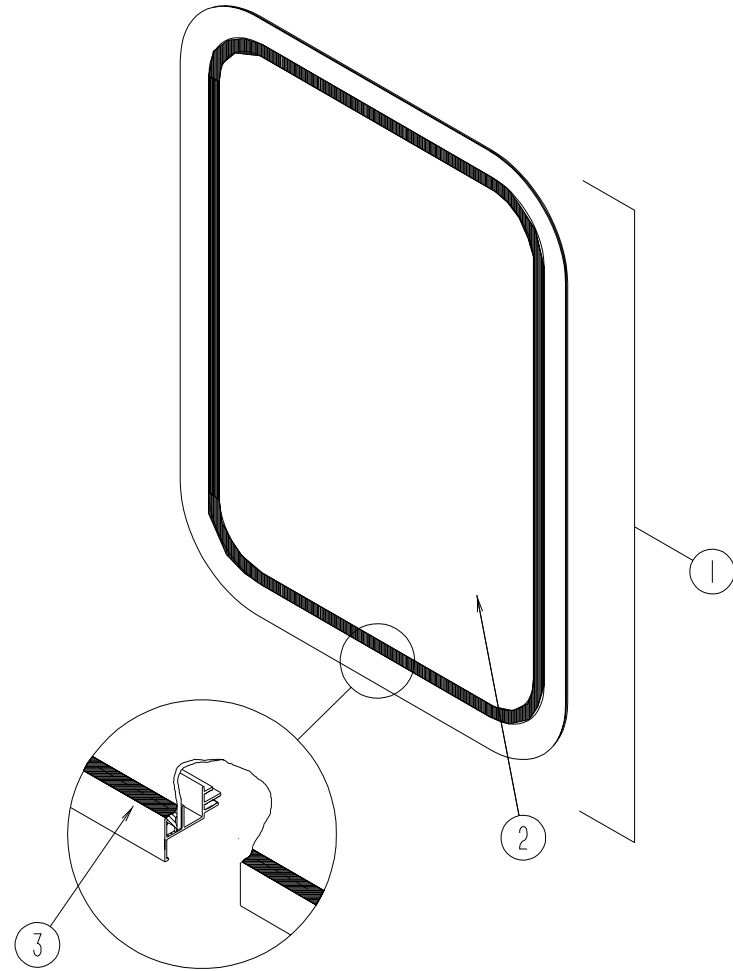
KEY	PARTNUMBER	U/M	DESCRIPTION	VENDOR NO.
1	098647-34-01A	EA	WINDOW-DRIVER HORIZONTAL SLIDER 15.7" X 28.5"	
1	098647-33-01A	EA	WINDOW-PASSENGER HORIZONTAL SLIDER 15.7" X 28.5"	
1	098647-34-700	EA	WINDOW-SLIDER	H425-G2L
1	098647-33-700	EA	WINDOW-SLIDER	H425-G2R
	098647-31-701	EA	RETAINER-TRIM-WHITE	CW2966
2	100322-01-703	FT	STRIP-GLAZING	132-010723
3	098644-01-706	FT	WEATHERSTRIP	171-010668
4	098647-33-702	EA	GLASS-STATIONARY	106-019297
5	098644-01-719	FT	STOP-SLIDER GLASS	132-014203
6	098644-01-710	FT	TRACK-SCREEN SPACER 12' LENGTH	M401-31
7	098644-01-700	EA	LATCH REPAIR KIT	B801-CK
8	098644-01-708	FT	CHANNEL-PIERCED RUN	122-016543
9	098644-01-711	FT	WEATHERSTRIP-SCREEN BLACK	171-016965
10	098647-33-704	EA	SCREEN ASM.-W/SPRING CLIP	410-019134
11	098644-01-713	EA	CLIP-SPRING-METAL	226-016966
12	098647-33-703	EA	GLASS-SLIDING-W/SASH & LATCH	H425-G9
13	098644-01-716	FT	PLUG-FILLER	132-014470
	098644-01-717	FT	SPLINE-SCREEN MFG	32-004716

**DRIVER/PASSENGER SIDE WINDOW-EXCEL**

KEY	PARTNUMBER	U/M	DESCRIPTION	VENDOR NO.
1	098647-22-01A	EA	WINDOW-DRIVER HORIZONTAL SLIDER 26.1" X 59.7"	
1	098647-23-01A	EA	WINDOW-PASSENGER HORIZONTAL SLIDER 26.1" X 59.7"	
1	098647-22-700	EA	WINDOW-SLIDING W/O RETAINER	H287-G2L
1	098647-23-701	EA	WINDOW-SLIDER W/O RETAINER	H287-G2R
	098647-23-702	EA	RETAINER-TRIM	W287-66
2	098644-01-705	FT	GLAZING-STRIP	132-010231
3	098644-01-706	FT	WEATHERSTRIP-GLASS	171-010668
4	098647-23-703	EA	GLASS-STATIONARY	106-017622
5	098644-01-719	EA	STOP-SLIDER GLASS	132-014203
6	098644-01-710	FT	TRACK-SCREEN SPACER 12'	132-017135
7	098644-01-700	EA	LATCH REPAIR KIT (BLACK)	B801-CK
8	098644-01-708	FT	CHANNEL-PIERCED RUN	122-016543
9	098644-01-711	FT	WEATHERSTRIP-SCREEN BLACK	171-016965
10	098647-23-704	EA	SCREEN ASM.-W/SEALS & CLIPS	
11	098644-01-713	EA	CLIP-SPRING-METAL	226-016966
12	098647-23-700	EA	GLASS-SLIDING-W/SASH & LATCH	H287-G9
13	098644-01-716	FT	PLUG-FILLER	132-014470
	098644-01-717	FT	SPLINE-SCREEN	32-004716



**WINDOW, VENT & EXTERIOR DOOR GROUP (CONTINUED)**



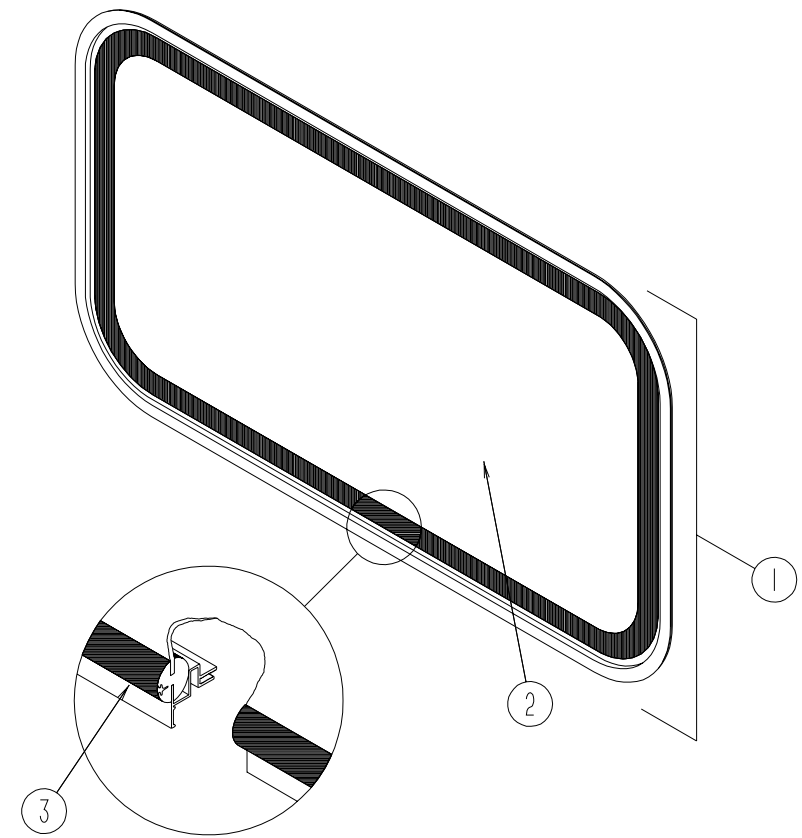
**ENTRY DOOR WINDOW**

KEY	PART NUMBER	U/M	DESCRIPTION
	117054-02-02A	EA	RETAINER-TRIM-BRIGHTWHITE
1	117053-02-F36	EA	WINDOW-PICTURE-ENTRANCEDOOR-17"X26.4"
2	002181-25-000	EA	GLASS-PICTURE25.7"X16.4"
	069640-11-000	FT	SEALER-TAPE-3/16"X3/8"-BLACK
3	087561-01-000	FT	SEAL-GLASS-EXTERIOR-.5"WIDE-VINYLBBLACK

**THERMOPANE ENTRY DOOR WINDOW-EXCEL**

KEY	PART NUMBER	U/M	DESCRIPTION	VENDOR NO.
	113733-01-01A	EA	WINDOW-STATIONARY THERMOPANE 26.4"X17"	
	112795-01-705	FT	VINYL-GLAZING	132-025736
	113733-01-700	EA	WINDOW ASM. W/OTRIM	DH416-G2
	113733-01-701	EA	RETAINER-TRIM	W41666
	113733-01-702	EA	GLASS-STATIONARY	390-019187

**WINDOW, VENT & EXTERIOR DOOR GROUP (CONTINUED)**



**OVERHEAD BUNK FRONT WINDOW**

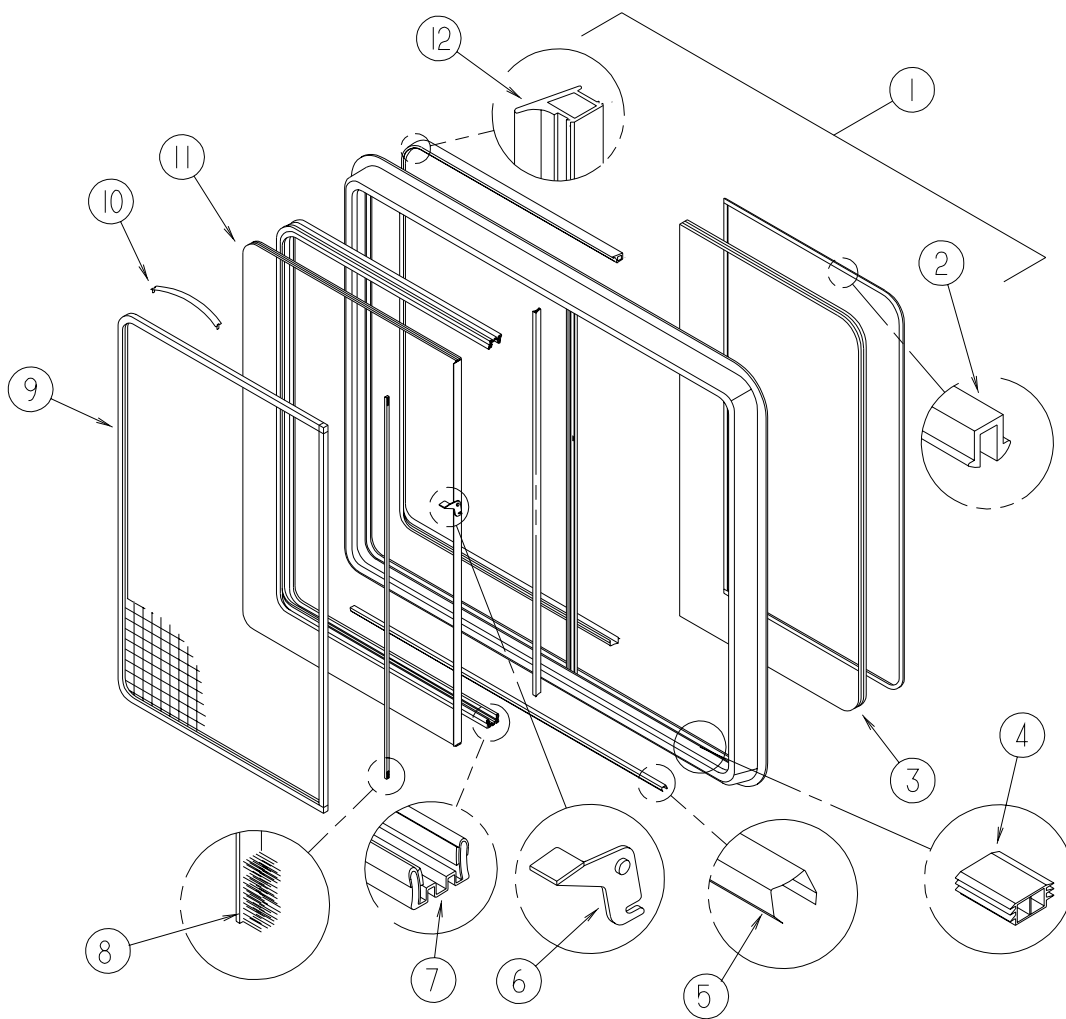
KEY	PART NUMBER	U/M	DESCRIPTION
	117054-01-01A	EA	FRAME-INSIDE-WINDOW
1	103313-03-F15	EA	WINDOW-PICTURE/ESCAPE 23.3"X71.3"
2	002181-29-000	EA	GLASS-PICTURE 71"X16.4"
	069640-11-000	FT	SEALER-TAPE-3/16"X3/8"-BLACK
3	099154-01-000	FT	CHANNEL-GLAZING, STATIONARY GLASS-.62"X.45"-BLACK

**THERMOPANE OVERHEAD BUNK FRONT WINDOW-EXCEL**

KEY	PART NUMBER	U/M	DESCRIPTION	VENDOR NO.
	115630-01-01A	EA	WINDOW-STATIONARY 17.2"X72"	
	098644-01-705	FT	GLAZING-STRIP	132-010231
	115630-01-700	EA	WINDOW W/OTRIM	DH438-G2
	115630-01-701	EA	RETAINER-TRIM	W438-58
	115630-01-702	EA	GLASS-STATIONARY	390-019467

**WINDOW, VENT & EXTERIOR DOOR GROUP (CONTINUED)**

**WINDOW, VENT & EXTERIOR DOOR GROUP (CONTINUED)**



**DRIVER & PASSENGER THERMOPANES SLIDER WINDOW - CENTER QUEEN**

KEY	PARTNUMBER	U/M	DESCRIPTION	VENDOR NO.
1	112795-21-01A	EA	WINDOW-PASSENGER HORIZONTAL SLIDER THERMO 24.5" X 41 1/4"	
1	112795-23-01A	EA	WINDOW-DRIVER HORIZONTAL SLIDER THERMO 24 1/2" X 41 1/2"	
	098647-29-701	EA	RETAINER-TRIM	CW04-66
2	112795-01-705	FT	VINYL-GLAZING	132-019702
3	112795-21-701	EA	GLASS-STATIONARY	390-019132
4	112795-01-701	EA	SLIDE-STOP	132-019092
5	098644-01-710	FT	TRACK-SCREEN SPACER 12'	132-017135
6	112795-01-700	EA	LATCH ASM., BLK., (BOLTON)	DH287-CK
7	112795-01-703	IN	CHANNEL-RUN (INCHES)	122-018736
8	098644-01-711	FT	WEATHERSTRIP-SCREEN BLACK	171-016965
9	098647-29-704	EA	SCREEN ASM-W/SEALS & CLIPS	410-018864
10	098644-01-713	EA	CLIP-SPRING-METAL	226-016966
11	112795-21-702	EA	GLASS-SLIDING W/SASH & LATCH	DC04-G9
12	112795-01-704	FT	PLUG FILLER (DOUBLE GLAZED)	122-018737

**DRIVER & PASSENGER THERMOPANES SLIDER WINDOW - TWIN & DOUBLE**

KEY	PARTNUMBER	U/M	DESCRIPTION	VENDOR NO.
1	112795-22-01A	EA	WINDOW-PASSENGER HORIZONTAL SLIDER THERMO 26 3/8" X 48"	
1	112795-25-01A	EA	WINDOW-DRIVER HORIZONTAL SLIDER THERMO 26 3/8" X 48"	
	112795-22-701	EA	RETAINER-(TRIM)	W30366
2	112795-01-705	FT	VINYL-GLAZING	132-019702
3	112795-22-702	EA	GLASS-STATIONARY	390-019039
4	112795-01-701	EA	SLIDE-STOP	132-019092
5	098644-01-710	EA	TRACK-SCREEN SPACER 12'	132-017135
6	112795-01-700	EA	LATCH ASM., BLK., (BOLTON)	DH287-CK
7	112795-01-703	IN	CHANNEL-RUN (INCHES)	122-018736
8	098644-01-711	EA	WEATHERSTRIP-SCREEN BLACK	171-016965
9	098647-31-704	EA	SCREEN ASM., W/SEAL & CLIPS	410-019128
10	098644-01-713	EA	CLIP-SPRING, BLACK PLASTIC	226-016966
11	112795-19-702	EA	GLASS-SLIDING, W/SASH & LATCH	DC29-G9
12	112795-01-704	FT	PLUG-FILLER (DOUBLE GLAZED)	122-018737

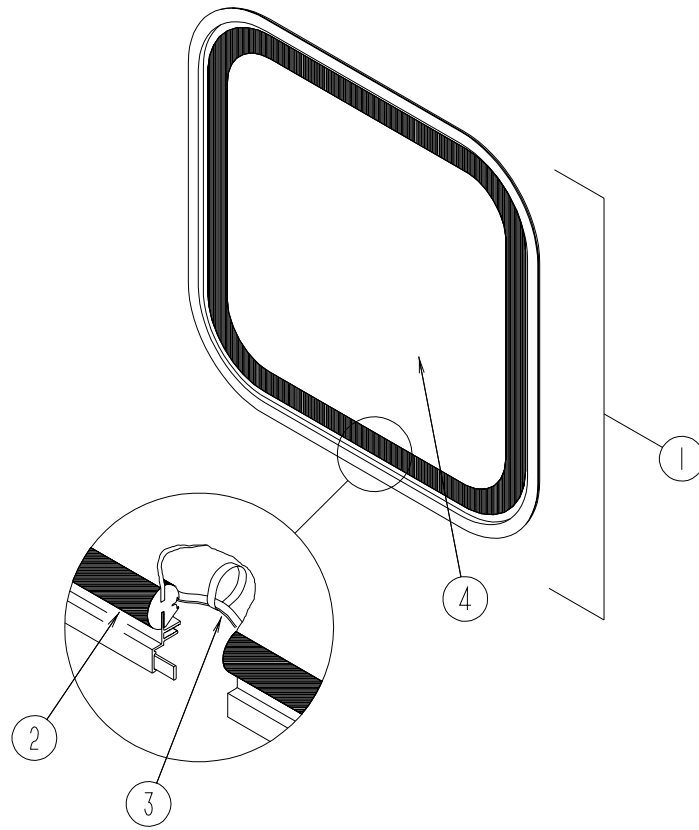
**DRIVER & PASSENGER THERMOPANES SLIDER WINDOW - EXCEL**

KEY	PARTNUMBER	U/M	DESCRIPTION	VENDOR NO.
1	112795-15-01A	EA	WINDOW-DRIVER HORIZONTAL SLIDER-THERMO-26 3/8" X 60"	
1	112795-16-01A	EA	WINDOW-PASSENGER HORIZONTAL SLIDER-THERMO-26 3/8" X 60"	
	098647-23-702	EA	RETAINER-TRIM-WHITE	W28766
2	112795-01-705	FT	VINYL-GLAZING	132-019702
3	112795-15-701	EA	GLASS-STATIONARY	390-019045
4	112795-01-701	EA	SLIDE-STOP	132-019092
5	098644-01-710	EA	TRACK-SCREEN SPACER 12'	132-017135
6	112795-01-700	EA	LATCH ASM.-BLACK	DH287-CK
7	112795-01-703	IN	CHANNEL-RUN	122-018736
8	098644-01-711	EA	WEATHERSTRIP-SCREEN BLACK	171-016965
9	098647-31-704	EA	SCREEN ASM., W/SEAL & CLIPS	410-019128
10	098644-01-713	EA	CLIP-SPRING, BLACK PLASTIC	226-016966
11	112795-19-702	EA	GLASS-SLIDING, W/SASH & LATCH	DC29-G9
12	112795-01-704	FT	PLUG-FILLER (DOUBLE GLAZED)	122-018737

**DRIVER & PASSENGER THERMOPANE OVERHEAD BUNK WINDOWS - EXCEL**

KEY	PARTNUMBER	U/M	DESCRIPTION	VENDOR NO.
1	112795-20-01A	EA	WINDOW-DRIVER HORIZONTAL SLIDER THERMO 16" X 28 3/4"	
1	112795-19-01A	EA	WINDOW-PASSENGER HORIZONTAL SLIDER THERMO 16" X 28 3/4"	
	112795-20-700	EA	WINDOW W/OTRIM	DC29-G2L
	112795-19-700	EA	WINDOW W/OTRIM	DC29-G2R
	098647-31-701	EA	RETAINER-TRIM	CW29-66
2	112795-01-705	FT	VINYL-GLAZING	132-019702
3	112795-19-701	EA	GLASS-STATIONARY	390-019134
4	112795-01-701	EA	SLIDE-STOP	132-019092
5	098644-01-710	FT	TRACK-SCREEN SPACER 12'	132-017135
6	112795-01-700	EA	LATCH ASM., BLK., (BOLTON)	DH287-CK
7	112795-01-703	IN	CHANNEL-RUN (INCHES)	122-018736
8	098644-01-711	FT	WEATHERSTRIP-SCREEN BLACK	171-016965
9	098647-31-704	EA	SCREEN ASM-W/SEALS & CLIPS	410-019128
10	098644-01-713	EA	CLIP-SPRING-METAL	226-016966
11	112795-19-702	EA	GLASS-SLIDING W/SASH & LATCH	DC29-G9
12	112795-01-704	FT	PLUG FILLER (DOUBLE GLAZED)	122-018737

**WINDOW, VENT & EXTERIOR DOOR GROUP (CONTINUED)**



**CENTER QUEEN BED ESCAPE WINDOW**

KEY	PARTNUMBER	U/M	DESCRIPTION
	074816-11-000	EA	FRAME-INSIDE-WINDOW-OFFWHITE
1	078528-06-E10	EA	WINDOW-ESCAPEW/O RETAINER/TRIM 48.5" X 24.5"
2	002282-09-000	EA	WEATHERSTRIP-WINDOW-.125" X 130.5"-BLACK
3	002285-01-000	FT	FILLER-WEATHERSTRIP-RUBBER-BLACK
4	076337-12-000	EA	GLASS-EGRESS-45.5" X 21.5"
	077066-01-702	EA	TAPEASM-ESCAPEWINDOW

**CENTER QUEEN BED THERMOPANE ESCAPE WINDOW-EXCEL**

KEY	PARTNUMBER	U/M	DESCRIPTION	VENDOR NO.
	113502-01-01A	EA	WINDOW-REARESCAPE THERMO-24.8" X 48.7"	
	098644-01-705	FT	GLAZING-STRIP	132-010231
	112898-06-704	EA	HANDLE-LATCH, RED-RH	182-11293
	112898-06-705	EA	HANDLE-LATCH, RED-LH	182-11294
	113502-01-703	EA	GLASS-STATIONARY-RH/LH	390-019083
	113502-01-704	EA	GLASS-EGRESS CENTER-ESCP	DH153-G9

**WINDOW, VENT & EXTERIOR DOOR GROUP (CONTINUED)**

**QUEEN BED TIPOUT WINDOW-EXCEL**

KEY	PARTNUMBER	U/M	DESCRIPTION	VENDOR NO.
	113500-01-01A	EA	WINDOW-DOUBLE TIPOUT 24.5 X 41.3"	
	098644-01-716	FT	PLUG-FILLER	132-014470
	100322-01-701	FT	SEAL-VENT	122-016071
	100322-01-702	EA	WEATHERSTRIP-HORIZONTAL RAIL	132-015976
	100322-01-703	FT	VINYL-GLAZING, BUTYL	132-010723
	100322-01-704	FT	TAPE-BUTYL	154-016083
	100322-01-717	EA	E-RING	245-015975
	100322-01-718	EA	HANDLE-DIAL	410-016081
	112519-01-702	EA	OPERATOR-VENT	410-016123
	113500-01-700	EA	SCREEN ASM-W/SEALS & CLIPS	410-016020
	113500-01-701	EA	WINDOW W/OTRIM	CH04-G2
	113500-01-702	EA	RETAINER-TRIM	CW04-59
	113500-01-703	EA	GLASS-TOP STATIONARY	106-015970
	113500-01-704	EA	GLASS-UPPER VENT ASSEMBLY	CH04-G7
	113500-01-705	EA	GLASS-LOWER VENT ASSEMBLY	CH04-G9
	113500-01-706	EA	OPERATOR & BAR ASSEMBLY	CH04-15
	100322-01-715	EA	SUPPORT-TORQUEBAR, RH	130-015979
	100322-01-714	EA	SUPPORT-TORQUEBAR, LH	130-015978
	117054-01-01A	EA	FRAME-WINDOW, INSIDE WHT	

**TWIN/DOUBLE BED SLIDER WINDOW-EXCEL**

KEY	PARTNUMBER	U/M	DESCRIPTION	VENDOR NO.
	104691-13-01A	EA	WINDOW-TIPOUT SINGLE-26.3" X 47.9"	
	100322-01-701	FT	SEAL-VENT	122-016071
	100322-01-702	EA	WEATHERSTRIP-HORIZONTAL RAIL	132-015976
	100322-01-703	FT	VINYL-GLAZING, BUTYL	132-010723
	100322-01-704	FT	TAPE-BUTYL	154-016083
	100322-01-714	EA	SUPPORT-TORQUEBAR, LH	130-015978
	100322-01-715	EA	SUPPORT-TORQUEBAR, RH	130-015979
	100322-01-718	EA	HANDLE-DIAL	410-016081
	104691-13-700	EA	WINDOW ASM W/OTRIM	CH37-G2
	104691-13-701	EA	RETAINER-TRIM	W303-59
	104691-13-702	EA	GLASS-STATIONARY	106-017670
	104691-13-703	EA	GLASS-VENT ASSEMBLY	CH37-G9
	104691-13-704	EA	OPERATOR & BAR ASSEMBLY	CH36-15
	104691-13-705	EA	SCREEN ASM-W/SEALS & CLIPS	410-017763
	112519-01-702	EA	OPERATOR-VENT	410-016123
	112519-01-706	EA	CLIP-SCREEN	CH21-50
	116976-01-702	FT	FILLER PLUG	132-016065

**WINDOW,VENT&EXTERIORDOORGROUP(CONTINUED)**

**TWINBEDPICTUREWINDOW-EXCEL**

KEY	PARTNUMBER	U/M	DESCRIPTION	VENDORNO.
	116976-04-01A	EA	WINDOW-REARTINTEDPICTURE 26.4"X26.25"	
	113733-02-701	EA	RETAINER-TRIM	W386-60
	116976-03-701	FT	GLAZINGVINYL	132-016071
	116976-04-700	EA	GLASS	106-019678

**TWINBEDTHERMOPANEREARPICTUREWINDOW-EXCEL**

KEY	PARTNUMBER	U/M	DESCRIPTION	VENDORNO.
	113733-02-01A	EA	WINDOW-STATIONARYTHERMOPANE26.4"X26.25"	
	112795-01-705	FT	VINYL-GLAZING	132-025736
	113733-02-700	EA	WINDOWW/OTRIM	DH400-G2
	113733-02-701	EA	RETAINER-TRIM	W386-60
	113733-02-702	EA	GLASS-STATIONARY	390-019461

**TWIN/DOUBLEBEDREARESCAPEWINDOW-EXCEL**

KEY	PARTNUMBER	U/M	DESCRIPTION	VENDORNO.
	116976-02-01A	EA	WINDOW-REARTINTEDESCAPE 26.4"X26.25"	
	100322-01-701	FT	SEAL-VENT	122-016071
	112898-06-704	EA	HANDLE-LATCH,RED-RH	182-11293
	112898-06-705	EA	HANDLE-LATCH,RED-LH	182-11294
	116976-01-701	EA	RETAINER-TRIM	W386-53
	116976-01-702	FT	FILLERPLUG	132-016065
	116976-02-700	EA	GLASS-STATIONARY	106-018785

**TWIN/DOUBLEBEDTHERMOPANEESCAPEWINDOW-EXCEL**

KEY	PARTNUMBER	U/M	DESCRIPTION	VENDORNO.
	113502-04-01A	EA	WINDOW-REARESCAPETHERMO-26.4"X26.25"	
	098644-01-705	FT	GLAZING-STRIP	132-010231
	112898-06-704	EA	HANDLE-LATCH,RED-RH	182-11293
	112898-06-705	EA	HANDLE-LATCH,RED-LH	182-11294
	113502-04-700	EA	WINDOWW/OTRIM	DH449-G2
	113502-04-701	EA	RETAINER-TRIM	W449-58
	113502-04-702	EA	GLASS-STATIONARY	390-019460

**WINDOW,VENT&EXTERIORDOORGROUP(CONTINUED)**

**POWEREDROOFVENTILATOR**

KEY	PARTNUMBER	U/M	DESCRIPTION	VENDORNO.
	123780-01-01A	EA	VENT-EXHAUST-1"ROOF	
	123780-02-01A	EA	VENT-ROOF-1"CEILING	
	009440-01-000	EA	GEAR/ARM-VENTCOVER,LIFT	
	084079-01-703	EA	KNOB-LIFT,W/EXT.&SCREW	1140K-00
	084079-01-704	EA	BLADE-FAN	1070-00
	084079-01-705	EA	MOTOR	1080-00
	084079-01-707	EA	SWITCH-SAFETY	1122.05
	084079-01-709	EA	SWITCH-MAIN,3SPEED	1031-05
	084079-01-711	EA	H-MOLDING,MOTORMOUNT	
	084079-11-700	EA	MOTOR,BRKT.,FANBLADE,KIT	4017K-09
	123780-01-700	EA	COVER-VENTW/HINGE&SLIDE	1020K-81
	123780-01-701	EA	GARNISH-INT3/4-1"BRT/WHT	0040-81

**NONPOWEREDVENT**

KEY	PARTNUMBER	U/M	DESCRIPTION	VENDORNO.
	122882-01-01A	EA	VENT-ROOF-NONPOWERED	
	009440-01-000	EA	GEAR/ARM-LIFT-ROOFVENTCOVER	
	064470-01-700	EA	COVER-VENT-W/OSLIDEBAR	J7291
	064470-01-701	EA	SLIDEBAR-VENTLID	JRP1291B
	122882-01-700	EA	HANDLE-CRANKBLACK	90128
	122882-01-701	EA	SCREEN	JRP-1124-B

**POWEREDVENT**

KEY	PARTNUMBER	U/M	DESCRIPTION	VENDORNO.
	122882-02-01A	EA	VENT-ROOF-W/FAN-POWERED	
	122882-03-01A	EA	VENT-ROOF-W/FAN-CSA	
	009440-01-000	EA	GEAR/ARM-LIFT-ROOFVENTCOVER	
	048648-01-000	EA	MOTOR-ROOFVENT-1/8SHAFT-12VOLT	
	048649-01-000	EA	FAN-ROOFVENT-6BLADES-6"	
	064470-01-700	EA	COVER-VENT-W/OSLIDEBAR	J7291
	064470-01-701	EA	SLIDEBAR-VENTLID	JRP1291B
	110051-03-700	EA	SWITCH-BLACK/PUSHBUTTON	27-0164
	122882-01-700	EA	HANDLE-CRANKBLACK	90128
	122882-01-701	EA	SCREEN	JRP-1124-B
	122882-07-01A	EA	GARNISH-ROOFVENT-2.50"TO4.12"	

**VENTS,SHROUDSANDROOFCOVERS**

KEY	PARTNUMBER	U/M	DESCRIPTION
	084073-07-000	EA	VENT-ROOF-REFRIGERATOR-BRIGHTWHITE
	084073-04-000	EA	BASE-ROOFVENT-REFRIGERATOR
	084616-07-000	EA	SHROUD-VENT-RANGEHOOD-BRIGHTWHITE
	084878-09-000	EA	VENT-HOOD-RANGE/SHORT-OFFWHITE
	083558-03-000	EA	VENT-PLUMBING-PIPEROOF-W/COVER-OFFWHITE