

**1997
IF331WU**

H04

BLUE LAGOON (BLUE)

H05

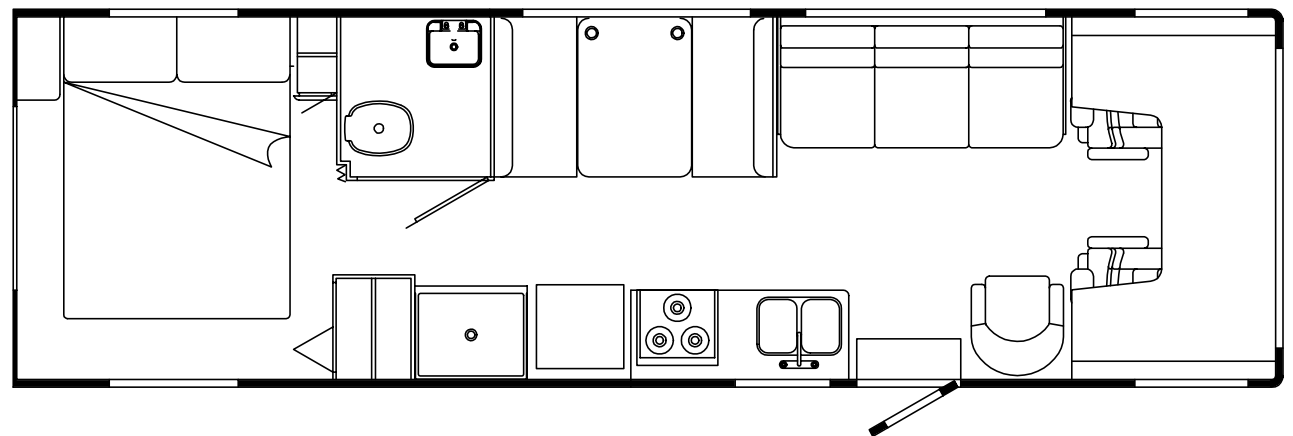
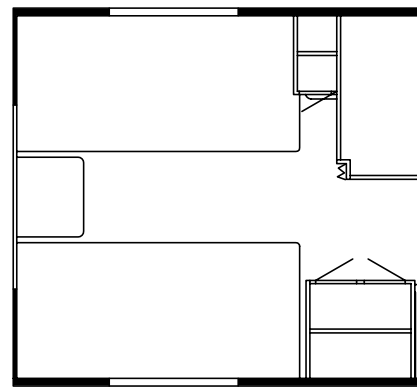
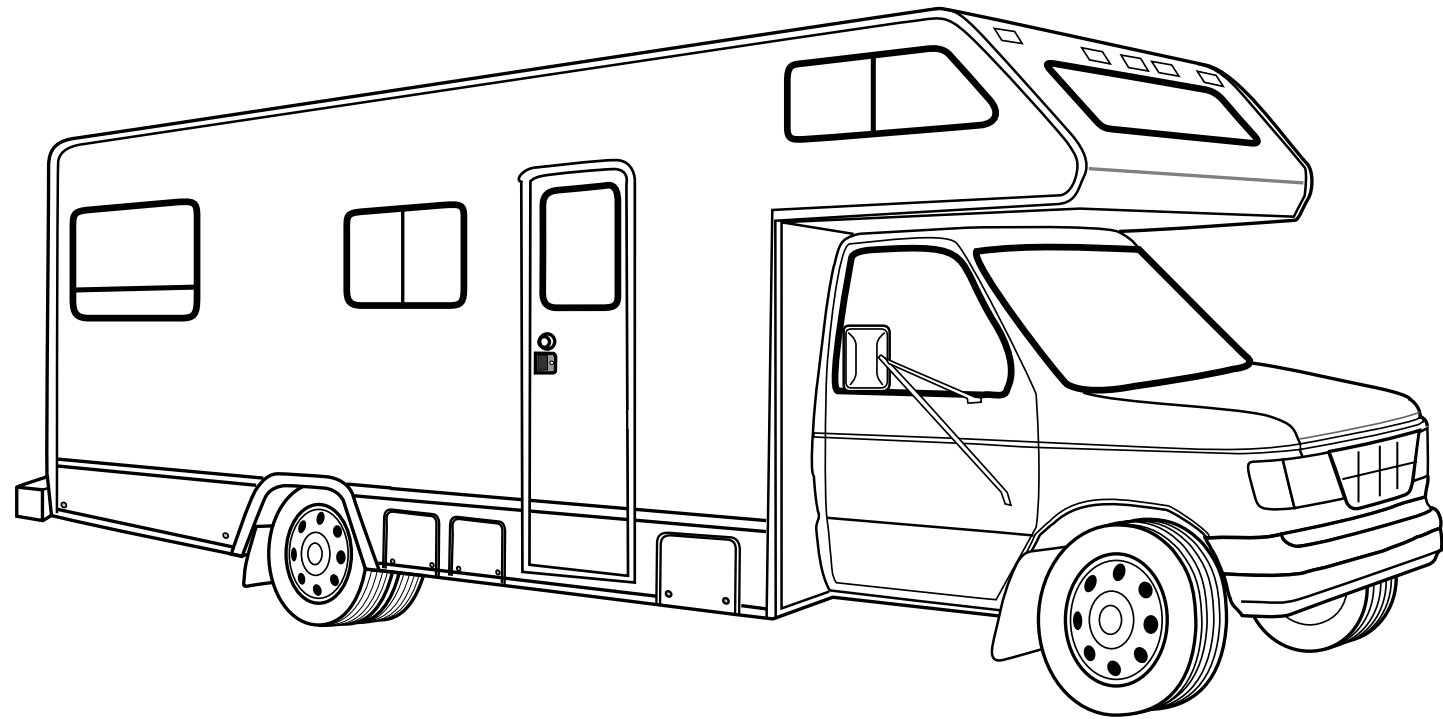
KRYPTONITE (TAUPE)

H24

COPPER CANYON (TERRA COTTA)

H26

COPPER CREEK (TAN)

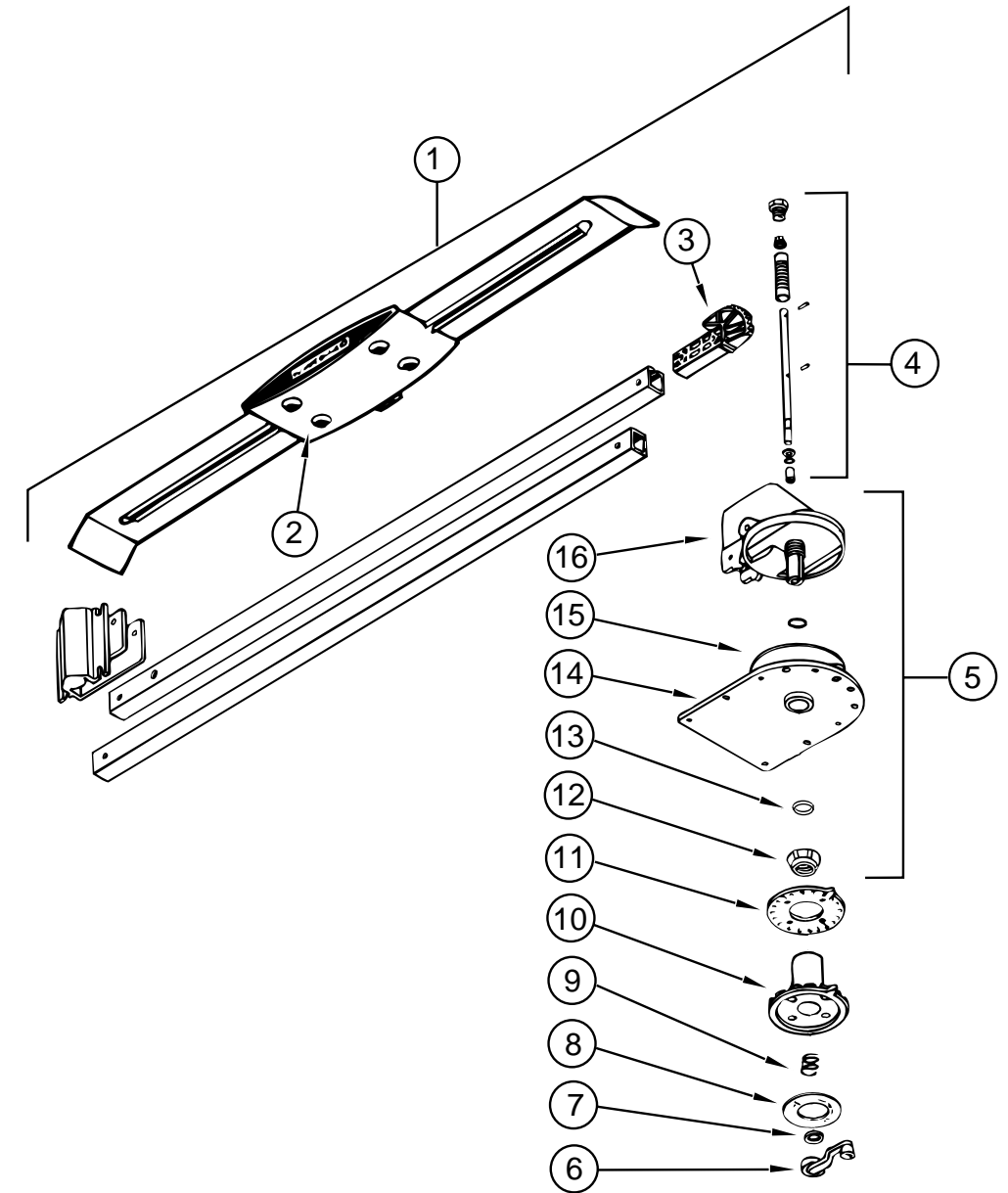


ACCESSORIES GROUP

OPERATORS MANUAL

KEY	PART NUMBER	U/M DESCRIPTION
	054185-F3-000	EA MANUAL-OPERATOR, 1997 MINNIE - 300 SERIES
	092318-01-000	EA BINDER - 3 RING, MOTOR HOME MANUAL
	092319-01-000	EA POCKET PAGE - 3 RING BINDER, PLASTIC
	121390-01-000	DW TOP LEVEL DRAWING - 1997 C BODY

AUDIO VIDEO GROUP



TV ANTENNA - WINEGARD - MODEL RVA W02

KEY	PART NUMBER	U/M DESCRIPTION	VENDOR NO,
1	076319-20-000	EA ANTENNA-TV, ROOF MOUNT - 1" ROOF	
2	076319-01-700	EA HEAD-ANTENNA, AMPLIFIED	RVSA U/V
3	076319-01-701	EA GEAR-ELEVATING, PLASTIC	2200046
4	076319-01-702	EA SHAFT ASSEMBLY-ELEVATING	RVP-400A
5	076319-01-711	EA BASE & LIFT ASSEMBLY	2762802
6	076319-01-706	EA CRANK-ELEVATING, W/SET SCREW	5755100
7	076319-01-705	EA GROMMET-NYLON, 7/8" ID	200658
8	076319-01-708	EA DECAL-CRANK	5413002
9	076319-01-707	EA SPRING-HANDLE	5160800
10	076319-01-709	EA PLATE-DIRECTIONAL, FOR HEAD	3200644
11	076319-01-712	EA PLATE-CEILING	3200608
12	076319-01-715	EA NUT-GEAR HOUSING	2200047
13	076319-01-704	EA BEARING-NYLON, 1.25" OD	3200657
14	076319-01-713	EA PLATE-BASE, STEEL	3100523
15	076319-01-703	EA BEARING-NYLON, 5" OD	3200656
16	076319-01-714	EA HOUSING, ROTATING GEAR	2200049

AUDIO VIDEO GROUP (CONTINUED)

RADIO SPEAKER

KEY	PART NUMBER	U/M DESCRIPTION
	074979-01-000	EA SHIELD-SPEAKER, BACK - MOLDED PLASTIC - 8" X 9" - BEIGE
	111177-01-01A	EA GRILLE-SPEAKER, OVAL 5" X 7" - GRAY - MAGNADYNE SB68
	108137-01-000	EA PLUG-ANTENNA HOLE, WARD PRODUCTS

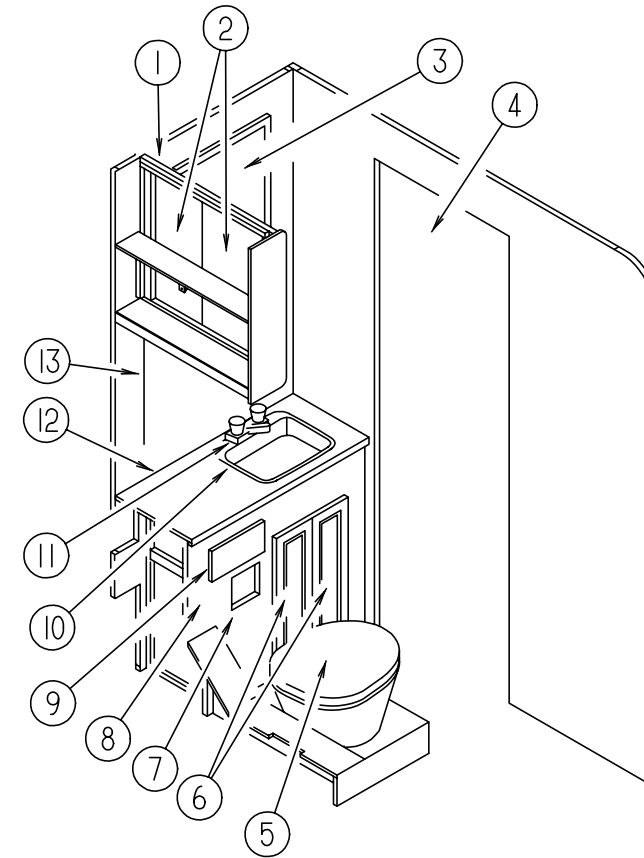
RADIO-PATIO ENTERTAINMENT CENTER

KEY	PART NUMBER	U/M DESCRIPTION
	087683-03-000	EA RADIO-AM/FM STEREO CASSETTE - AUDIOVOX RS-100
	090944-01-000	EA ANTENNA-RADIO, 16" RUBBER
	108847-01-000	EA BRACKET-ANTENNA GROUND
	077069-02-000	EA CABLE-ANTENNA, RADIO - EXTENSION 96" - ARA 6700667
	076319-03-000	FT CABLE-COAXIAL, 75 OHM
	076319-12-000	EA CONNECTOR-COAXIAL, ONE PIECE
	082134-01-000	EA ADAPTER-CABLE TO CABLE, WINEGARD F-81M
	086756-01-000	EA SPLITTER-TV, 2 WAY
	109889-01-000	EA EXTENDER-SHAFT, ANTENNA - 1" - MAGNADYNE RV71EX1
	110469-01-000	EA SPEAKER-OVAL, 4" X 6" - COAXIAL - MAGNADYNE F46XB-12
	110470-01-01A	EA GRILLE-SPEAKER, OVAL 4" X 6" - BLACK - MAGNADYNE G46WI

TV - VCR SYSTEMS

KEY	PART NUMBER	U/M DESCRIPTION	VENDOR NO.
	113684-02-000	EA TV - 19" COLOR UL/CSA 1/8" JACK - AUDIOVOX AVT-1980	
	113684-02-700	EA REMOTE	0892355
	086231-08-000	EA TV-COLOR 13" DC AUDIOVOX - AVT-1475	
	086231-08-700	EA REMOTE-UNIVERSAL	8822325
	119120-02-000	EA VCR - VHS CABLE READY W/REMOTE	
	094487-03-000	EA VIDEO CASSETTE PLAYER W/O REMOTE - AUDIOVOX AVP-6750	
	086757-03-000	EA CONTROL CENTER-SWITCH, VCR/TV - AUDIOVOX AVCC-100	
	086777-02-000	EA WALLPLATE-TV CABLE, W/ANTENNA SWITCH - BROWN	
	086777-06-000	EA PLATE-WALL, ANT 1 OUTPUT BROW - WINEGARD RV-0931	
	076319-09-000	EA WALLPLATE-CABLE RECEPTACLE, TV - SINGLE - BROWN	
	076319-06-000	EA ADAPTER-CABLE ROOF PLATE	
	082136-01-000	EA NUT-HEX JAM 3/8-32, WINEGARD	
	082134-01-000	EA ADAPTER-TV, CABLE TO CABLE - WINEGARD F-81M	
	086756-01-000	EA SPLITTER-TV, 2 WAY	
	076319-03-000	FT CABLE-COAXIAL, 75 OHM	
	076319-12-000	EA CONNECTOR-COAXIAL, ONE PIECE	

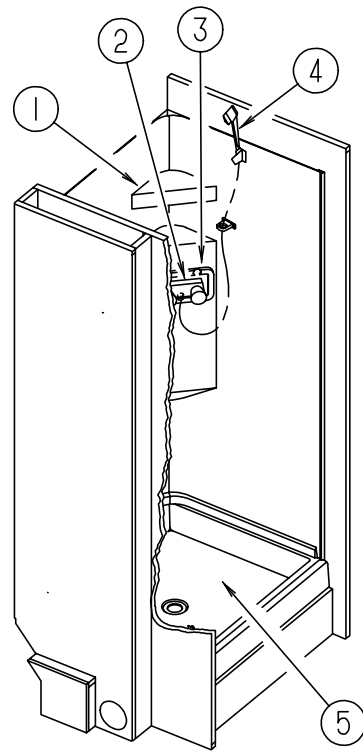
BATH GROUP



BATHROOM CABINETS & FIXTURES

KEY	PART NUMBER	U/M DESCRIPTION
1	124539-01-H04	EA CABINET - MEDICINE - W/O DOORS/HARDWARE
	124539-12-H04	EA SHELF - W/PLASTIC EDGE MOLDING
2	110140-92-G04	EA DOOR - MITERED CORNER/VINYL WRAP - 15.9" X 21.8" - W/O HDW
2	M06803-U9-H04	EA DOOR - MITERED CORNER/OGEE EDGE - 16" X 21.8" - W/O HDW
3	058331-01-000	EA MIRROR - SAFETY GLASS - 19" X 26"
4	121449-32-H04	EA DOOR - BATH
5	063740-01-000	EA TOILET-HIGH, HAND FLUSH, AQUA MAGIC IV
6	110140-96-H04	EA DOOR - MITERED CORNER/VINYL WRAP - 10.6" X 19.9"-W/O HDW
6	M06803-R6-H04	EA DOOR - MITERED CORNER/OGEE EDGE - 10.6" X 19.8" - W/O HDW
7	075452-02-000	EA HOLDER - TOILET TISSUE - BRASS
8	P24247-01-H04	EA CABINET - LAVATORY - W/O DOORS/DRAWERS/HARDWARE (H04)
8	P24247-01-H05	EA CABINET - LAVATORY - W/O DOORS/DRAWERS/HARDWARE (H05)
8	P24247-01-H24	EA CABINET - LAVATORY - W/O DOORS/DRAWERS/HARDWARE (H24/H26)
9	P10163-CL-H04	EA DRAWER - W/O SLIDES/HARDWARE
9	M05971-EV-H04	EA DRAWER - OGEE EDGE - W/O SLIDES/HARDWARE
10	096927-01-01A	EA SINK - LAVATORY - RECTANGULAR - PLASTIC/BONE
	096927-01-700	EA PLUG-SINK M9801
	096927-01-701	EA TAILPIECE-DRAIN-LAVATORY M9802
11	075240-06-000	EA FAUCET - LAVATORY/BONE
	091253-01-000	EA GASKET - FAUCET - LAVATORY/GALLEY
12	124247-13-H04	EA COUNTERTOP - LAVATORY (H04)
12	124247-13-H05	EA COUNTERTOP - LAVATORY (H05)
12	124247-13-H24	EA COUNTERTOP - LAVATORY (H24/H26)
13	109180-04-H04	EA CABINET-PIPE COVER (H04)
13	109180-04-H05	EA CABINET-PIPE COVER (H05)
13	109180-04-H24	EA CABINET-PIPE COVER (H24/H26)
	075454-02-000	EA RING - TOWEL - W/MOUNTING HARDWARE - BRASS

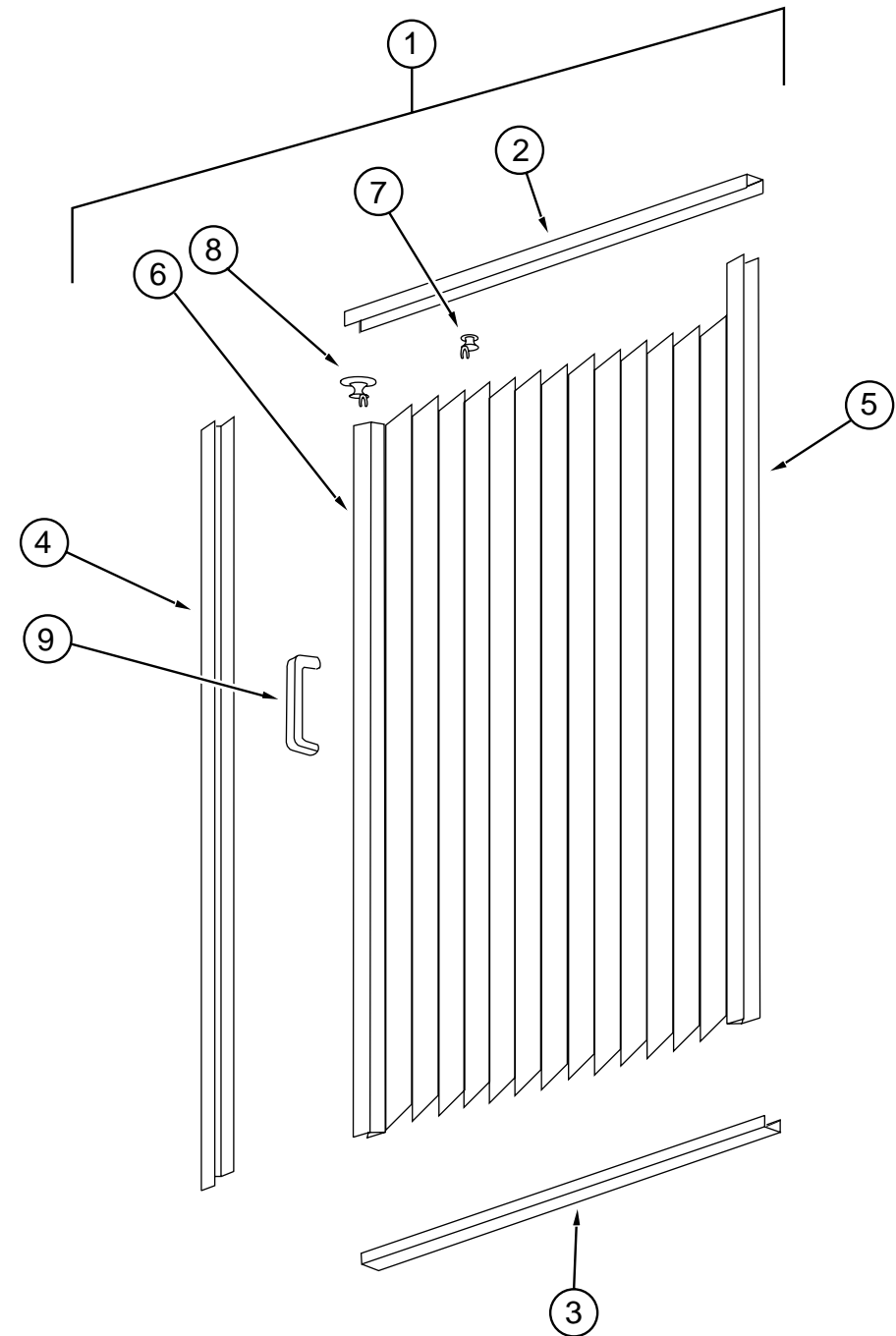
BATH GROUP (CONTINUED)



SHOWER CABINET & FIXTURES

KEY	PART NUMBER	U/M	DESCRIPTION	VENDOR NO.
1	105707-01-01A	EA	CADDY-SHOWER	
2	075241-05-000	EA	FAUCET-SHOWER-BONE W/ 3/4" MPT X 1.4" LONG INLET PIPES	
3	075606-01-000	EA	PANEL - FAUCET BACK - SHOWER - 5" X 9"	
4	103092-02-000	EA	SHOWER HEAD - W/HOSE - CSA	
4	103092-01-000	EA	SHOWER HEAD - W/60" HOSE	
	103092-01-700	EA	BRACKET-F/SHOWER HEAD, CLEAR	2328028
	011048-03-700	EA	BRACKET-F/SHOWER HEAD	2328029-3
5	M02673-05-B13	EA	PAN - SHOWER 29.8 X 22.7" X 5.7"	
	066440-01-000	EA	STRAINER-SHOWER, W/RUBBER WASHER	
	069735-01-000	EA	WASHER-STRAINER TO TAILPIECE PLASTIC, 1.5"	
	011069-02-000	EA	TAILPIECE-TUB/SHOWER, 1 1/2" X 1 1/4" X 4" - BRASS	
	066436-01-000	EA	NUT - SLIP - TAILPIECE 1.5"	
	057671-01-000	EA	COVER-SCREW, #8 - PLASTIC - OFF WHITE	

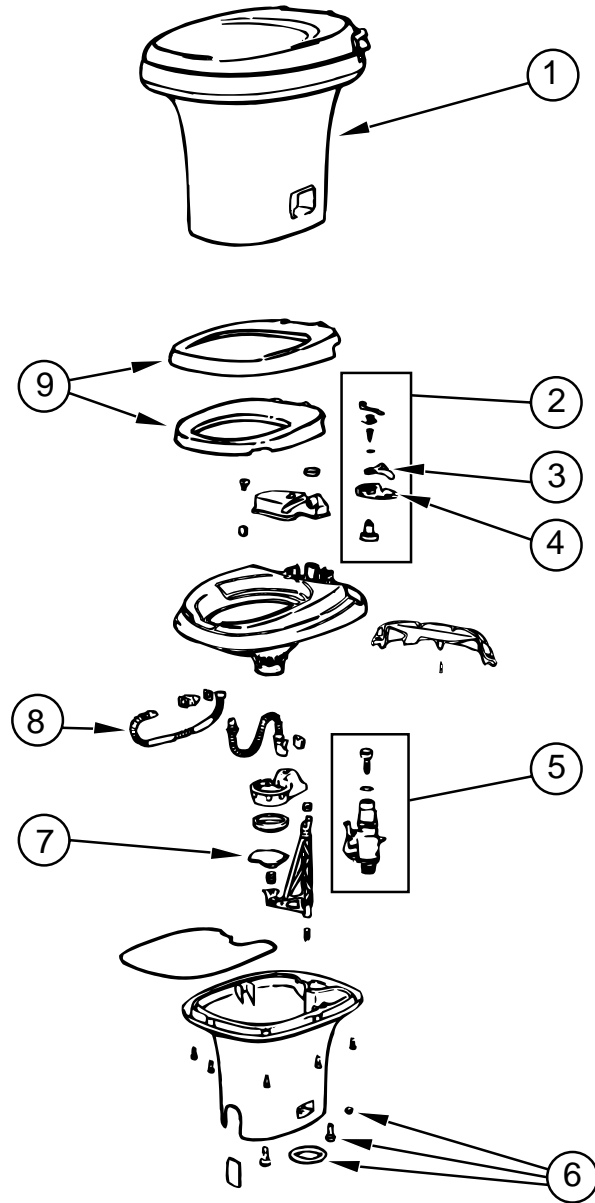
BATH GROUP (CONTINUED)



SHOWER DOOR

KEY	PART NUMBER	U/M	DESCRIPTION
1	117431-01-01A	EA	DOOR - SHOWER - FABRIC PLEATED 29.6" X 63"
2	117431-01-700	EA	TRACK-TOP, ALUM. IVORY INSERT 48"
3	117431-01-701	EA	TRACK-BOTTOM, 40"
4	117431-01-702	EA	RAIL-SIDE, 67"
5	117431-01-703	EA	RAIL-STATIONARY, 67"
6	117431-01-704	EA	RAIL-LEAD, 67"
7	117431-01-705	EA	GLIDE-IVORY, TRAVELER
8	117431-01-706	EA	GLIDE-IVORY LEAD, TRAVELER
9	117431-01-708	EA	HANDLES & SCREWS
	117431-01-707	EA	LATCH
	117431-01-709	EA	STRAP-VINYL
	105394-01-05A	EA	EXTR-DOOR JAMB, WATERFORD OAK

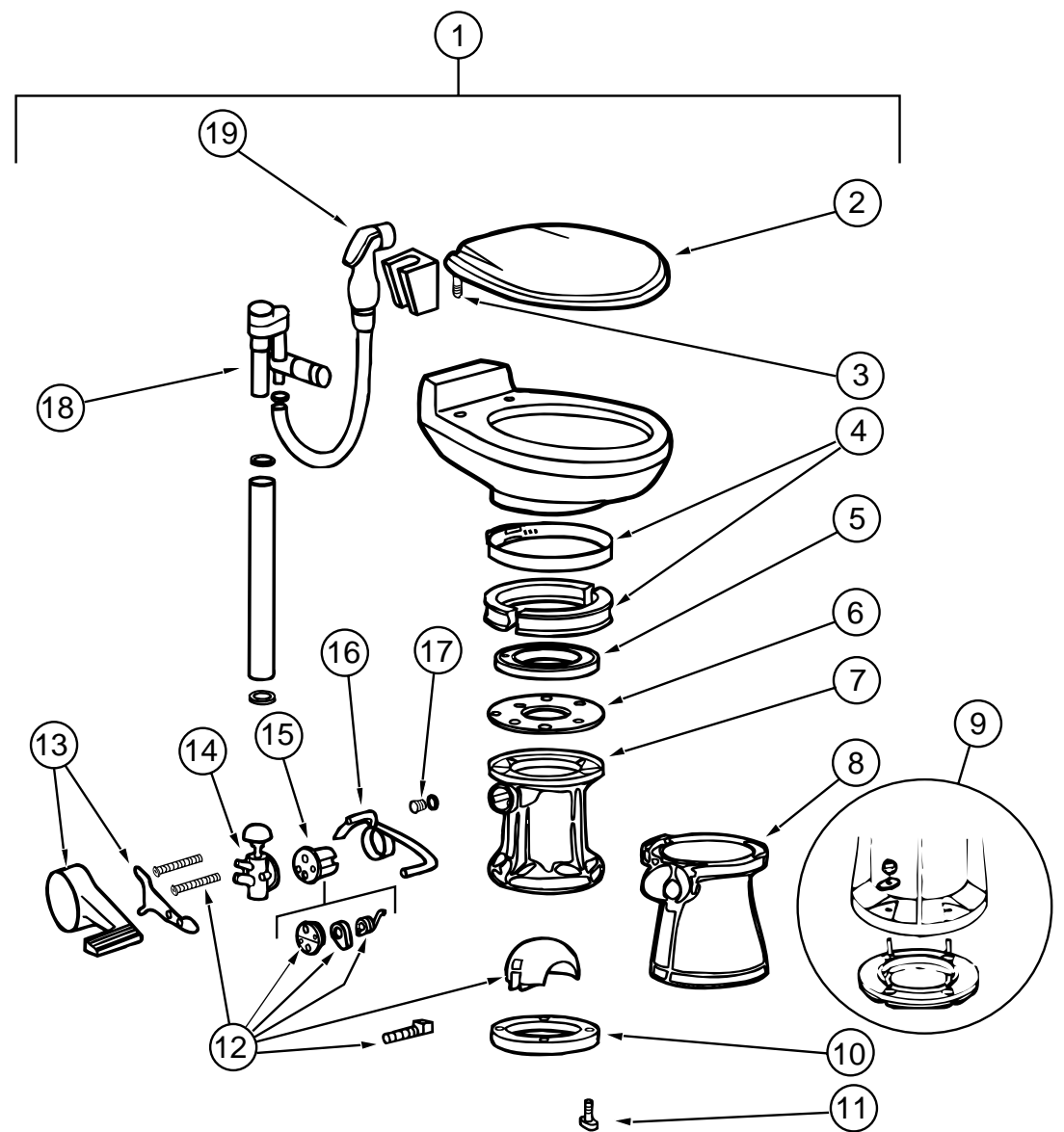
BATH GROUP (CONTINUED)



TOILET & COMPONENTS - THETFORD - MODEL - AQUA MAGIC IV HIGH

KEY	PART NUMBER	U/M	DESCRIPTION	VENDOR NO.
1	063740-01-000	EA	TOILET-HIGH, HAND FLUSH, AQUA MAGIC IV	
2	063740-01-720	EA	LEVER KIT, WAT-FLUSH-BEARING	24629
3	063740-01-700	EA	LEVER-WATER	12514
4	063740-01-701	EA	LEVER-FLUSH	12515
5	063740-01-714	EA	VALVE ASM (VALVE-BALL SEAL)	13168
6	063740-01-706	EA	BOLT PACKAGE-FLOOR FLANGE	12524
7	063740-01-721	EA	BLADE ONLY	1248232
8	063740-01-717	EA	TUBE-FLUSH	12509
9	063740-02-700	EA	SEAT & COVER, PARCHMENT	2464157
	067487-02-702	EA	TANK-RESERVOIR	12507

BATH GROUP (CONTINUED)



TOILET & COMPONENTS - SEALAND - MODEL 591003 - MC CLAIMS ANNIVERSARY OPTION

KEY	PART NUMBER	U/M	DESCRIPTION	VENDOR NO.
1	085330-06-000	EA	TOILET - SHORTY CHINA W/SPRAY - BONE	
2	085330-06-700	EA	SEAT ASSEMBLY, BONE	340591
3	085330-06-702	EA	HINGE HARDWARE (BONE) SET	342131
4	085330-01-703	EA	RING & HALF CLAMPS, BONE	385310048
5	085330-01-704	EA	TEFLON & RUBBER SEAL KIT	385316140
6	085330-01-705	EA	SUPPORT-SEAL, PLASTIC	390346405
7	085330-02-700	EA	BASE ASM	310121
8	085330-02-702	EA	COVER-PEDESTAL, BONE 510	310112
9	085330-01-718	EA	SEAL & BASE W/MOUNTING HDW	3853100-63
10	085330-01-714	EA	SEAL-FLANGE, FLOOR	390343892
11	085330-01-717	EA	STOOL MTG., PKG. BOLT & SEAL	3100-64
12	085330-01-706	EA	BALL (FLAPPER) SHAFT/CARTRIDGE	385318162
13	085330-02-703	EA	COVER-PEDAL, BONE NEW STYLE	310115
14	085330-01-709	EA	VALVE-WATER	385314349
15	085330-01-707	EA	CARTRIDGE SPRING ASSEMBLY	381236096
16	085330-06-703	EA	LEVER-FLUSH	340873
17	085330-01-710	EA	DRAIN-KIT, PLUG-CAP W/SEAL	230384
18	085330-06-701	EA	BREAKER-VACUUM/DIVERTER(900)	230335
19	085330-04-701	EA	HAND SPRAY W/HOOS(500 & 900)	340683

BATH GROUP (CONTINUED)

SKYLIGHT

KEY	PART NUMBER	U/M DESCRIPTION
	122192-01-01A	EA PANEL - SKYLIGHT - OUTER - 16.4" X 27.8"
	122193-01-01A	EA PANEL - SKYLIGHT - INNER

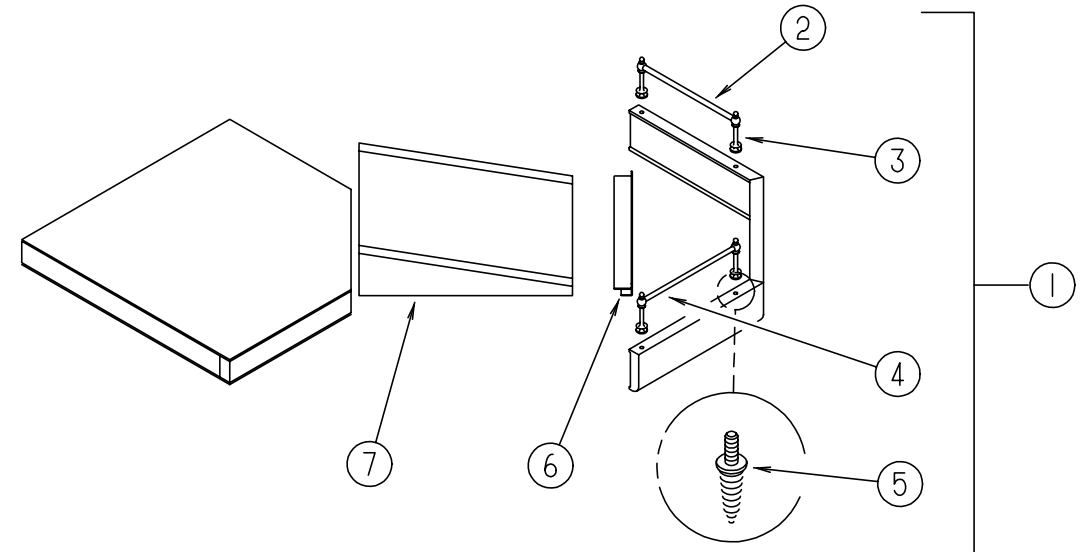
BATH DOOR

KEY	PART NUMBER	U/M DESCRIPTION
	121449-32-H04	EA DOOR - BATH
	094485-03-01A	EA KNOB - DOOR - BRASS
	102920-01-01A	EA HINGE - DOOR - SPRING LOADED/BRASS
	110496-01-01A	EA HINGE - BRASS
	121449-12-G04	EA RACK - TOWEL - BATH DOOR
	100357-01-000	EA ROD - TOWEL - BRASS

BATH/BEDROOM PRIVACY DOOR

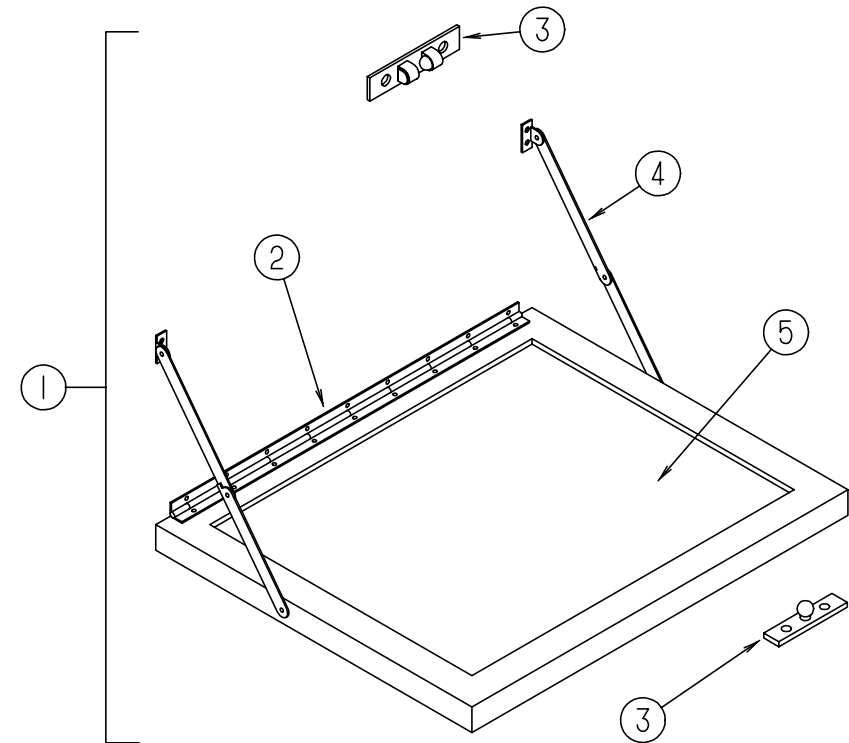
KEY	PART NUMBER	U/M DESCRIPTION
	042488-10-000	EA DOOR - FABRIC FOLDING - 37" X 75" - OFF WHITE
	080224-01-703	EA HANDLE W/LATCH-CATCH, ALMOND NE03505
	080224-01-705	EA LATCH & CATCH ASM., ALMOND DE25010 & DE25020
	094856-14-01A	EA TRACK - FOLDING DOOR - OFF WHITE
	029130-01-000	EA SCREW - SNAP SOCKET - #8 PH X 5/8"
	009702-01-000	EA END STOP - CURTAIN CARRIER - L ROD

BEDROOM GROUP



TV SHELF - QUEEN BED

KEY	PART NUMBER	U/M DESCRIPTION
1	116553-01-G15	EA CABINET - TV SHELF - W/BRASS RODS/POST ENDS
2	084071-12-000	EA ROD-BRASS, 104MM LONG
3	084070-03-000	EA POST-END, BRIGHT BRASS FINISH
4	084071-19-000	EA ROD-BRASS, 198MM LONG
5	106166-01-000	EA BOLT COLLARED HANGER - 8-32 X 1"
6	103186-01-05A	FT MOLDING-PLASTIC, SHELF - WATERFORD OAK
7	116553-15-GB1	EA WEDGE - TV SHELF

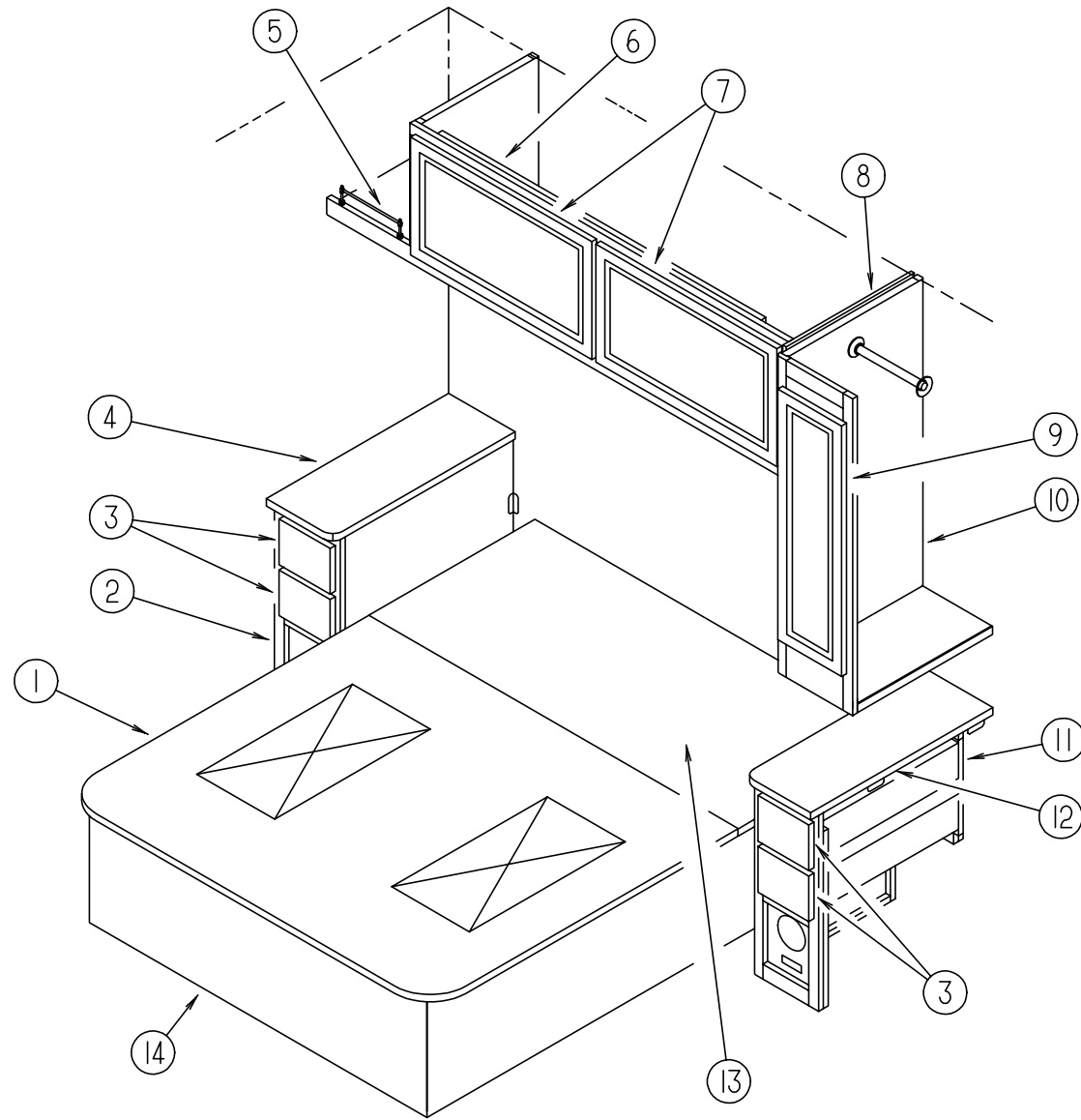


TV SHELF - TWIN BED

KEY	PART NUMBER	U/M DESCRIPTION
1	084357-02-H07	EA TV STAND - FOLD DOWN W/MIRROR
2	084413-01-000	EA HINGE-CONTINUOUS - ALUMINUM 1" X 72" - W/HOLES
3	088451-01-000	EA CATCH-TV SHELF, BRASS
4	084412-01-000	EA SUPPORT HINGE KIT
5	084356-08-000	EA INSERT-TV STAND W/SUPPORT HINGE

BEDROOM GROUP (CONTINUED)

QUEEN BEDROOM CABINETS

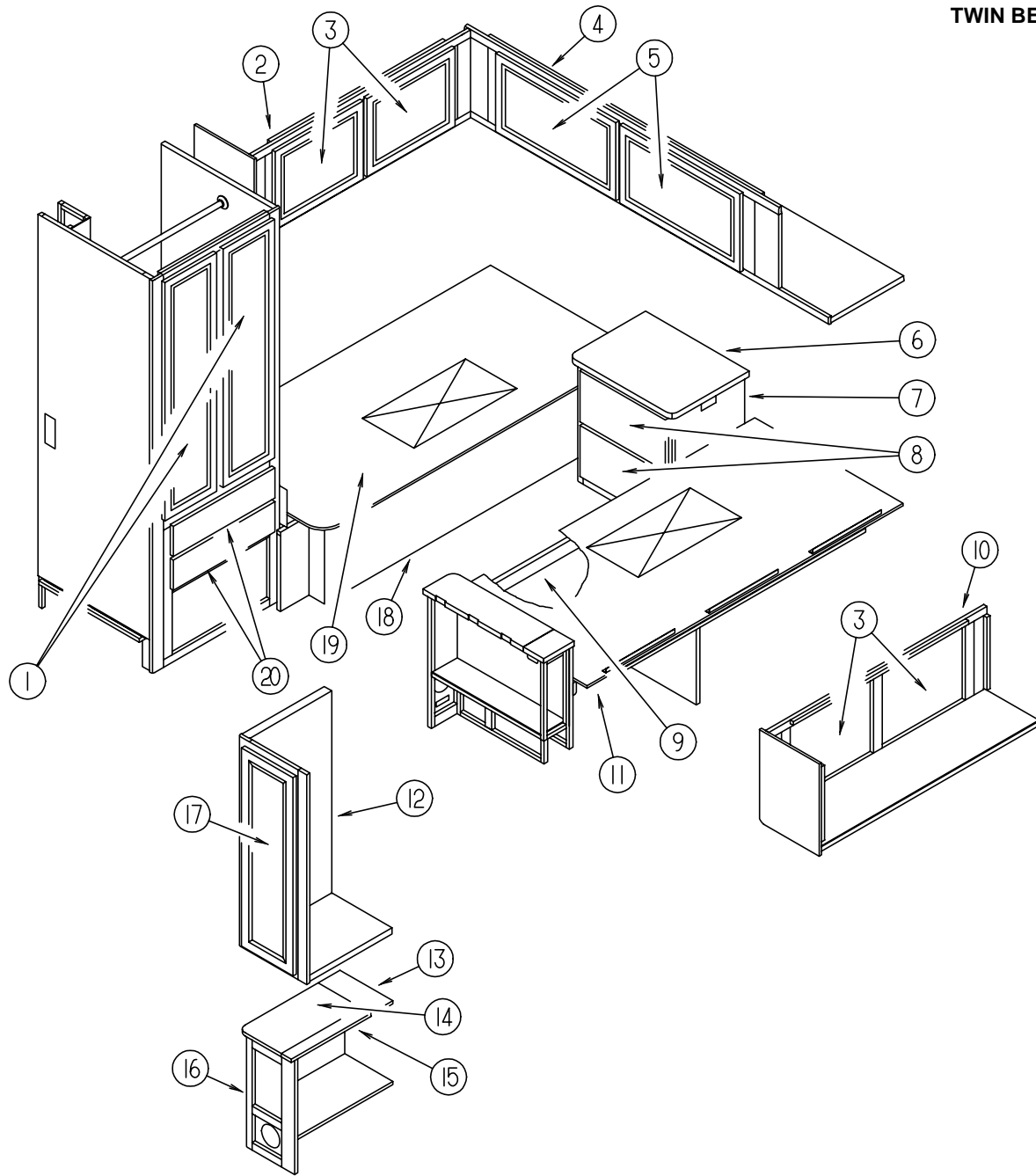


KEY	PART NUMBER	U/M DESCRIPTION
9	110140-61-G04	EA DOOR - MITERED CORNER/VINYL WRAP - 9.8" X 33.4" - W/O HDW
9	M06803-84-H04	EA DOOR - MITERED CORNER/OGEE EDGE - 9.8" X 33.4" - W/O HDW
10	124354-01-H04	EA CABINET - SHIRT CLOSET/LEFT HAND - W/O DOORS/HARDWARE
	097872-04-000	EA DOWEL - WOOD - 1" DIAMETER X 1.38" LONG
11	P24347-01-H04	EA CABINET - NIGHTSTAND/RIGHT HAND - W/O DOORS/HARDWARE (H04)
11	P24347-01-H05	EA CABINET - NIGHTSTAND/RIGHT HAND - W/O DOORS/HARDWARE (H05)
11	P24347-01-H24	EA CABINET - NIGHTSTAND/RIGHT HAND - W/O DOORS/HARDWARE (H24/H26)
12	124347-11-H04	EA COUNTERTOP - NIGHTSTAND (H04)
12	124347-11-H05	EA COUNTERTOP - NIGHTSTAND (H05)
12	124347-11-H24	EA COUNTERTOP - NIGHTSTAND (H24/H26)
13	M08110-04-H04	EA TOP - QUEEN BED - W/O HARDWARE
14	P24367-01-H04	EA CABINET - BASE - QUEEN BED - W/O HARDWARE
	107796-05-000	EA BRACKET-GAS SPRING, FLAT
	107796-06-000	EA SPRING-GAS, 20" LENGTH - 120 LB
	107796-07-000	EA BRACKET-GAS SPRING
	P16841-01-H04	EA DOOR - MIRRORED WARDROBE - BI-FOLD - 11.9" X 47.9"
	P16841-02-H04	EA DOOR - WARDROBE - BI-FOLD

KEY	PART NUMBER	U/M DESCRIPTION
1	M08110-05-000	EA TOP - QUEEN BED - W/O HARDWARE
	091261-01-000	FT BACKING-NON-SKID, 12" X 100'
	041389-25-000	EA HINGE - PIANO - 1.50" X 55"
2	P24345-01-H04	EA CABINET - NIGHTSTAND/LEFT HAND - W/O DOORS/HARDWARE (H04)
2	P24345-01-H05	EA CABINET - NIGHTSTAND/LEFT HAND - W/O DOORS/HARDWARE (H05)
2	P24345-01-H24	EA CABINET - NIGHTSTAND/LEFT HAND - W/O DOORS/HARDWARE (H24/H26)
3	P10163-CD-H04	EA DRAWER - W/O SLIDES/HARDWARE
3	M05971-EP-H04	EA DRAWER - OGEE EDGE - W/O SLIDES/HARDWARE
4	124345-11-H04	EA COUNTERTOP - NIGHTSTAND (H04)
4	124345-11-H05	EA COUNTERTOP - NIGHTSTAND (H05)
4	124345-11-H24	EA COUNTERTOP - NIGHTSTAND (H24/H26)
5	116553-02-G09	EA SHELF - TV W/BRASS RAILING & WEDGE - 17.45" X 16.6"
6	124351-01-H04	EA CABINET - OVERHEAD REAR/LEFT HAND - W/O DOORS/HARDWARE
7	110140-21-H04	EA DOOR - MIRROR/MTRD CRNR/VINYL WRAP - 15.7" X 27.9"-W/O HDW
	108536-04-09A	EA MIRROR - GLASS - BOTANICAL - 12.5" X 24.6"
7	110140-18-G01	EA DOOR - MITERED CORNER/VINYL WRAP - 15.7" X 27.9" - W/O HDW
7	M06803-02-G15	EA DOOR - M06803-02-G15 DESC: DOOR-RAIL,MTRD/OG 0400X0710
8	109908-51-H04	EA END CAP - OVERHEAD

BEDROOM GROUP (CONTINUED)

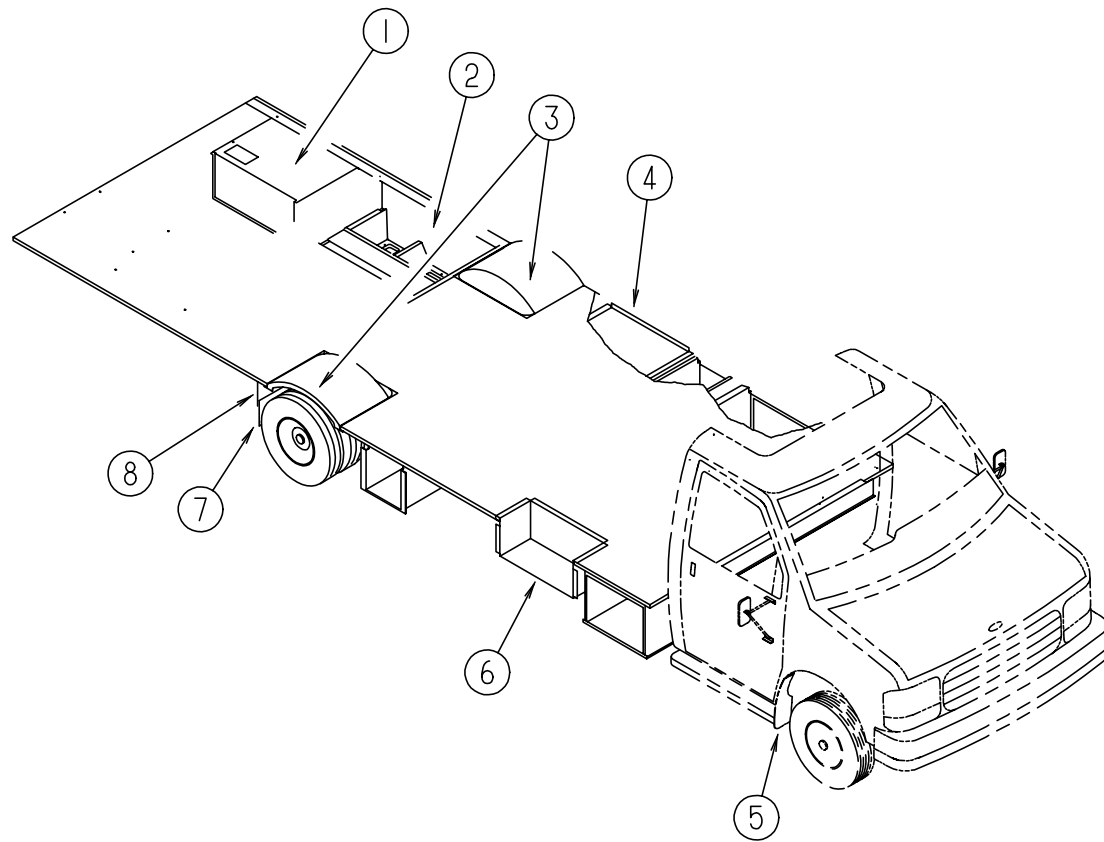
TWIN BEDROOM CABINETS



KEY	PART NUMBER	U/M	DESCRIPTION
7	P21166-01-H04	EA	CABINET - NIGHTSTAND - W/O DOORS/DRAWERS/HARDWARE (H04)
7	P21166-01-H05	EA	CABINET - NIGHTSTAND - W/O DOORS/DRAWERS/HARDWARE (H05)
7	P21166-01-H24	EA	CABINET - NIGHTSTAND - W/O DOORS/DRAWERS/HARDWARE (H24/H26)
8	P10163-CK-H04	EA	DRAWER - W/O SLIDES/HARDWARE
8	M05971-ES-H04	EA	DRAWER - OGEE EDGE - W/O SLIDES/HARDWARE
9	P25691-01-H04	EA	CABINET - BASE - TWIN BED/LEFT HAND-W/O DOORS/DRAWERS/HDW
10	121345-04-H04	EA	CABINET - OVERHEAD/REAR - W/O DOORS/HARDWARE - F/TWIN BED
11	M07551-05-G04	EA	CABT ASM-TWIN BED TOP LH
12	124354-01-H04	EA	CABINET - SHIRT CLOSET/LEFT HAND - W/O DOORS/HARDWARE
	097872-04-000	EA	DOWEL - WOOD - 1" DIAMETER X 1.38" LONG
13	124658-11-H04	EA	COUNTERTOP - NIGHTSTAND/LEFT HAND (H04)
13	124658-11-H05	EA	COUNTERTOP - NIGHTSTAND/LEFT HAND (H05)
13	124658-11-H24	EA	COUNTERTOP - NIGHTSTAND/LEFT HAND (H24/H26)
14	124658-12-H04	EA	COUNTERTOP - NIGHTSTAND/LEFT HAND (H04)
14	124658-12-H05	EA	COUNTERTOP - NIGHTSTAND/LEFT HAND (H05)
14	124658-12-H24	EA	COUNTERTOP - NIGHTSTAND/LEFT HAND (H24/H26)
15	124658-13-H04	EA	COUNTERTOP - NIGHTSTAND (H04)
15	124658-13-H05	EA	COUNTERTOP - NIGHTSTAND (H05)
15	124658-13-H24	EA	COUNTERTOP - NIGHTSTAND (H24/H26)
16	P24658-01-H04	EA	CABINET - NIGHTSTAND LEFT HAND - W/O DRAWERS/HARDWARE (H04)
16	P24658-01-H05	EA	CABINET - NIGHTSTAND LEFT HAND - W/O DRAWERS/HARDWARE (H05)
16	P24658-01-H24	EA	CABINET - NIGHTSTAND LEFT HAND - W/O DRAWERS/HARDWARE (H24/H26)
17	110140-61-G04	EA	DOOR - MITERED CORNER/VINYL WRAP - 9.8" X 33.4" - W/O HDW
17	M06803-84-H04	EA	DOOR - MITERED CORNER/OGEE EDGE - 9.8" X 33.4" - W/O HDW
18	P21138-01-G04	EA	CABINET - BASE - TWIN BED/RIGHT HAND-W/O DOORS/DRAWERS/HDW
	P24613-11-000	EA	SHELF ASM
19	121138-11-G04	EA	TOP-BED
20	P10163-CJ-H04	EA	DRAWER - W/O SLIDES/HARDWARE
20	M05971-ER-H04	EA	DRAWER - OGEE EDGE - W/O SLIDES/HARDWARE
	107796-05-000	EA	BRACKET-GAS SPRING, FLAT
	107796-06-000	EA	SPRING-GAS, 20" LENGTH - 120 LB
	107796-07-000	EA	BRACKET-GAS SPRING

KEY	PART NUMBER	U/M	DESCRIPTION
1	110140-23-G01	EA	DOOR - MIRROR/MTRD CRNR/VINYL WRAP - 11.9" X 48" - W/O HDW
1	M06803-66-H04	EA	DOOR - MITERED CORNER/OGEE EDGE - 12" X 48" - W/O HARDWARE
2	121345-03-H04	EA	CABINET - OVERHEAD/REAR - W/O DOORS/HARDWARE - F/TWIN BED
3	110140-27-G01	EA	DOOR - MITERED CORNER/VINYL WRAP - 15.7" X 20.4" - W/O HDW
3	110140-29-H04	EA	DOOR - MIRROR/MTRD CRNR/VINYL WRAP - 15.7" X 10.4-W/O HDW
	108536-03-09A	EA	MIRROR - GLASS - BOTANICAL - 12.5" X 17.2"
3	M06803-41-H04	EA	DOOR - MITERED CORNER/OGEE EDGE - 15.7" X 20.4" - W/O HDW
4	121210-01-G04	EA	CABINET - OVERHEAD REAR - W/O DOORS/HARDWARE
5	110140-18-G01	EA	DOOR - MITERED CORNER/VINYL WRAP - 15.7" X 27.9" - W/O HDW
5	110140-21-H04	EA	DOOR - MIRROR/MTRD CRNR/VINYL WRAP - 15.7" X 27.9"-W/O HDW
	108536-04-09A	EA	MIRROR - GLASS - BOTANICAL - 12.5" X 24.6"
5	M06803-02-G15	EA	DOOR-RAIL,MTRD/OG 0400X0710
6	121166-11-H04	EA	COUNTERTOP - NIGHTSTAND (H04)
6	121166-11-H05	EA	COUNTERTOP - NIGHTSTAND (H05)
6	121166-11-H24	EA	COUNTERTOP - NIGHTSTAND (H24/H26)

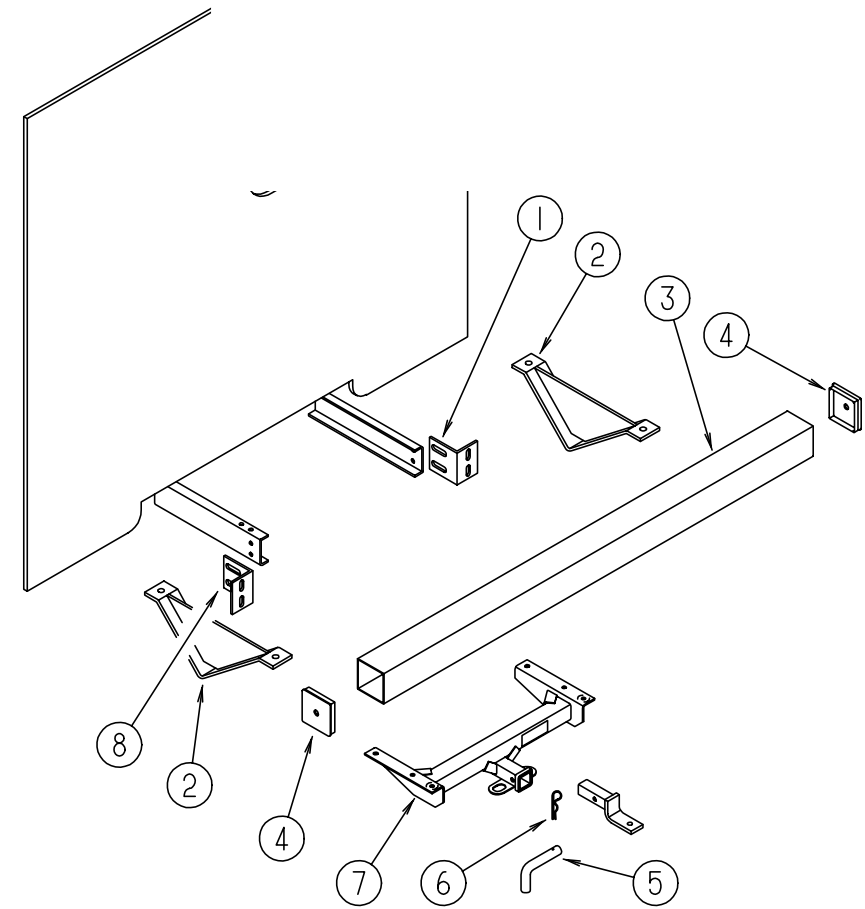
CHASSIS GROUP



MISCELLANEOUS CHASSIS COMPONENTS

KEY	PART NUMBER	U/M	DESCRIPTION
1	114394-01-02B	EA	COMPARTMENT ASM-GEN,E-COAT
	114070-02-02B	EA	SUPPORT ASM-GENERATOR, LH - E-COAT
	114071-02-02B	EA	SUPPORT ASM-GENERATOR, RH - E-COAT
2	106208-01-01A	EA	COMPARTMENT - EXTERIOR SHOWER
3	112435-03-000	EA	WHEELWELL
4	102979-04-000	EA	BOX-POWER CORD
5	072884-27-703	EA	MUD FLAPS-W/HOLES, PAIR 99171
6	077848-02-000	EA	STEP - PULLOUT
	077848-05-000	EA	STEP ASM-PULLOUT
	104452-03-000	EA	SUPPORT-STEP
	077441-06-000	EA	BRACKET-STEP, PULLOUT
	084993-01-000	EA	STRAP - BATTERY
	084993-02-000	EA	STRAP ASM
	065450-05-000	EA	TIEDOWN - BATTERY - 8.4" TUBE
7	045731-06-000	EA	GUARD-ROCK
8	017516-01-000	EA	FLAP - MUD - 14" X 18" - BLACK
	099717-04-000	EA	STRAP - TIE DOWN W/21.3" FEMALE STRAP & 27.2" MALE STRAP
	061420-01-000	EA	PLUG-PLASTIC, 1.75" - BROWN
	056746-01-000	EA	PLUG - CAP - 1" DIAMETER
	056748-01-000	EA	PLUG - CAP - 1.5" DIAMETER
	061420-05-000	EA	PLUG-PLASTIC, 1.8" DIAMETER

CHASSIS GROUP (CONTINUED)



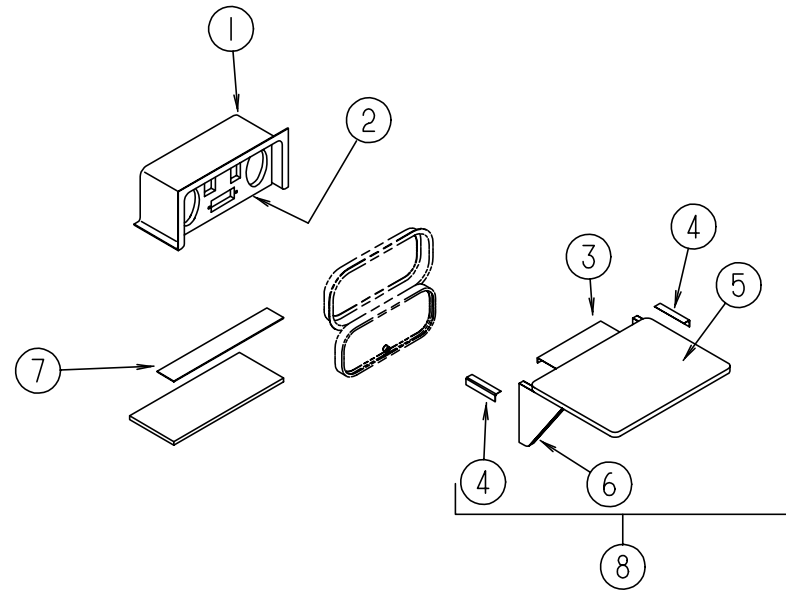
REAR BUMPER & HITCH

KEY	PART NUMBER	U/M	DESCRIPTION
1	104420-01-000	EA	SUPPORT-ANGLE,BUMPER REAR
2	083376-01-000	EA	PLATE-SKID, 13.2" X 6" X 2" - STEEL
3	103422-05-02A	EA	BUMPER-SQUARE,AL BRT/WHT
4	039779-01-000	EA	CAP - BUMPER - RUBBER - 4" X 4" - BLACK
5	034512-01-000	EA	PIN - LOCKING - DRAWBAR
6	034513-01-000	EA	PIN - HITCH - 3/16" WIRE
7	107707-08-000	EA	HITCH RECEIVER - BOLT-ON CLASS II
8	104420-02-000	EA	SUPPORT-ANGLE,BUMPER REAR
	070579-09-000	EA	PLATE - ANCHOR
	097745-02-000	EA	HOUSING - RECEPTACLE - TRAILER - 48' WIRE LENGTH
	113589-02-000	EA	CONNECTOR - SOCKET - TRAILER
	097744-02-000	EA	HOUSING - TRAILER PIN - 48"
	113589-01-000	EA	CONNECTOR - PLUG - TRAILER
	113588-02-01B	EA	BRACKET - CONNECTOR - TRAILER W/O LIP
	113634-01-000	EA	WIRE ASM-TRAILER,ADAPTER

DRIVESHAFT

KEY	PART NUMBER	U/M	DESCRIPTION
	103653-10-000	EA	DRIVESHAFT ASM-BALANCED PAIR - E350 190"WB (158)
	115043-02-000	EA	BUSHING-INCREASE 2.5OD-3.5OD - NEAPCO FORD DIESEL
	074833-01-000	EA	SPACER - BEARING - DRIVESHAFT - 2" X 8" X .5" THICK
	085771-03-000	EA	NUT -HEX - FLARE TORQUE- GRADE G - DRIVE SHAFT
	088498-01-000	EA	UNION - INVERTED FLARE - BRASS - 3/16 - 3/8 - 24THD - BRAKE LINE
	103653-22-000	EA	BOLT-U-JOINT,5/16,STRAP&NUT - DANA 3-70-58,1410
	103653-23-000	EA	BOLT-U-JOINT 5/16-24X.75 - DANA 231142
	103653-24-000	EA	STRAP-U-JOINT 1410 SERIES - DANA 3-70-89

CHASSIS GROUP (CONTINUED)



EXTERIOR ENTERTAINMENT CENTER

KEY	PART NUMBER	U/M DESCRIPTION
1	104897-01-02A	EA BOX - ENTERTAINMENT CENTER
2	104899-01-C05	EA PLATE - RADIO MOUNTING
3	105377-01-01A	EA BRACKET - TABLE HANGER
3	105377-01-04A	EA BRACKET - TABLE HANGAR
		FROM: 00-00-00 THRU: 01-05-97
4	105376-01-02A	EA HINGE - CONTINUOUS - 2" X 5.5"
		FROM: 01-06-97 THRU: 99-99-99
4	105376-01-03A	EA HINGE - CONTINUOUS - 2" X 5.5"
		FROM: 00-00-00 THRU: 01-05-97
		FROM: 01-06-97 THRU: 99-99-99
5	105230-11-E01	EA SHELF - EXTERIOR ENTERTAINMENT CENTER
6	105230-12-F11	EA SUPPORT
7	104898-01-02A	EA PLATE - PLASTIC BOTTOM
8	105230-01-H33	EA SHELF - EXTERIOR TV

WHEEL LINERS - DICOR

KEY	PART NUMBER	U/M DESCRIPTION	VENDOR NO.
	110435-02-000	EA LINER-WHEEL,SET 4 E350 DICOR V160F2	
	110435-01-711	EA DECAL-CENTER CAP, 2" 2" DECAL	
	110435-02-700	EA LINER-WHEEL,FRONT	V160F2-FWC
	110435-02-701	EA LINER-WHEEL,REAR	V160F2-RWC
	110435-02-702	EA STUD EXTENDER	V160SD-STX
	110435-02-703	EA NUT (JAMB)	V160SD-JNT
	110435-02-704	EA COVER-LUG NUT	V160F0-LNC
	110435-02-705	EA TOOL F/JAMB NUT, INSTALL.	V160FO-TOL

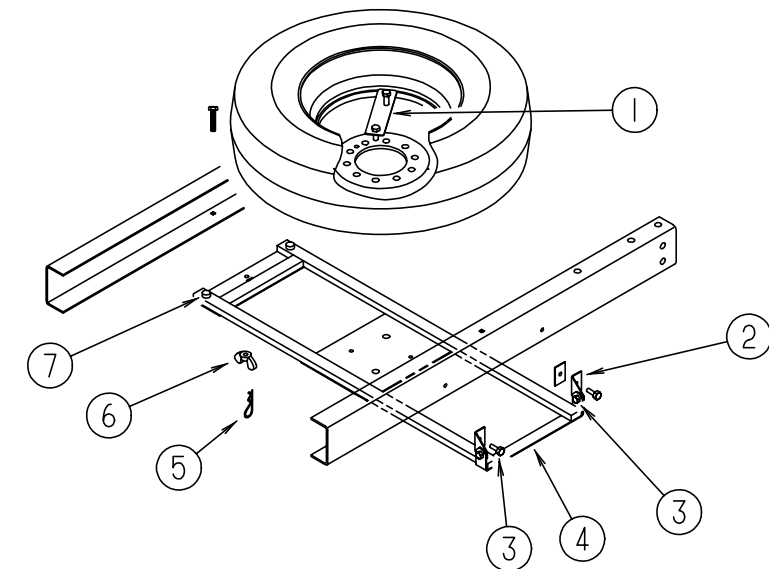
WHEEL COVERS - DICOR

KEY	PART NUMBER	U/M DESCRIPTION	VENDOR NO.
	109443-05-000	EA WHEEL COVER - 4/SET, 16" STAINLESS STEEL	SHFM16
	109443-05-700	EA COVER-WHEEL, 16" SS EA=1	SHFM16-CVR
	098532-01-700	EA COVER-LUG NUT (CHROME)	SHAU-LNC

CHASSIS GROUP (CONTINUED)

TIRE & WHEEL

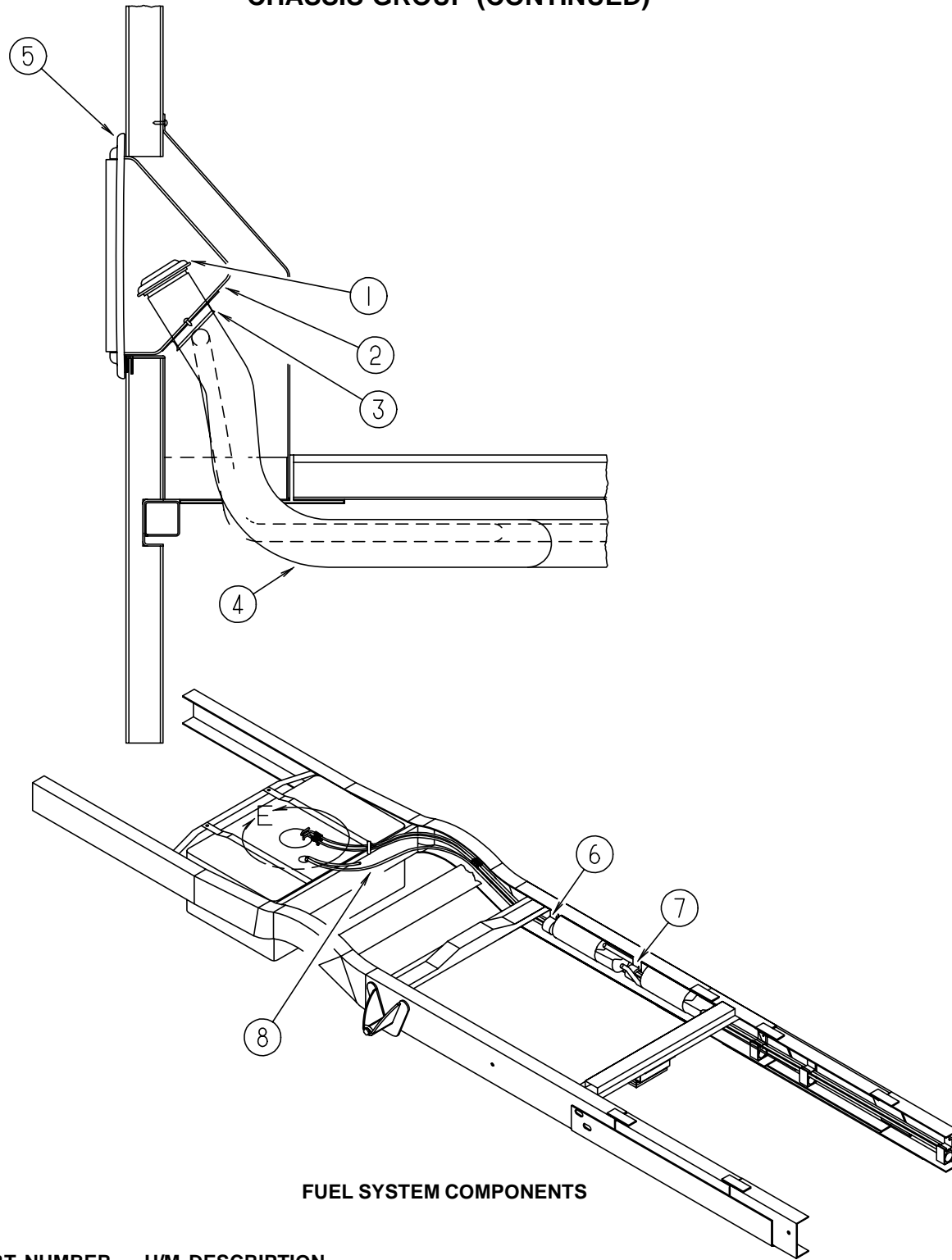
KEY	PART NUMBER	U/M DESCRIPTION
	070917-06-000	EA TIRE-LT225/75R16E,R4S,M/S - FIRESTONE STEELTEX
	083617-03-000	EA WHEEL-STL.16.0X6,92 E350 - ACCURIDE 28618
	095012-05-000	EA EXTENSION - VALVE STEM - LIVE 5"
	095012-06-000	EA STABLIZER - VALVE - EXTENSION - L



SPARE TIRE INSTALLATION

KEY	PART NUMBER	U/M DESCRIPTION
1	116338-02-02B	EA BRACKET-CLAMP, SPARE TIRE,E-C
	000D29-09-00B	EA NUT - HEX SELFLOCKING - 9/16-12 - ZINC
2	116349-01-02B	EA BRACKET-HINGE,SPARE TIRE, E-C
3	000C26-06-12B	EA BOLT-HEX-SERRATED FLANGE, 3/8-16 X 3/4
	000D34-06-00B	EA NUT - HEX -LOCKING - 3/8-16 GRADE C ZINC - PREVAILING TORQUE
	000E13-17-00B	EA WASHER-FLARE, 3/8 AR - ZINC
4	116348-01-02B	EA CRADLE ASM-SPARE TIRE, E-COAT
5	034513-01-000	EA PIN-HITCH, 3/16 WIRE
6	064081-03-000	EA NUT-WING, 3/8-16,W/WELD NUT
7	069726-02-000	EA BUMPER - .88 DIAMETER - 40 - BLACK
	112358-01-000	EA WRENCH - LUG - 7/8" - L-SHAPE

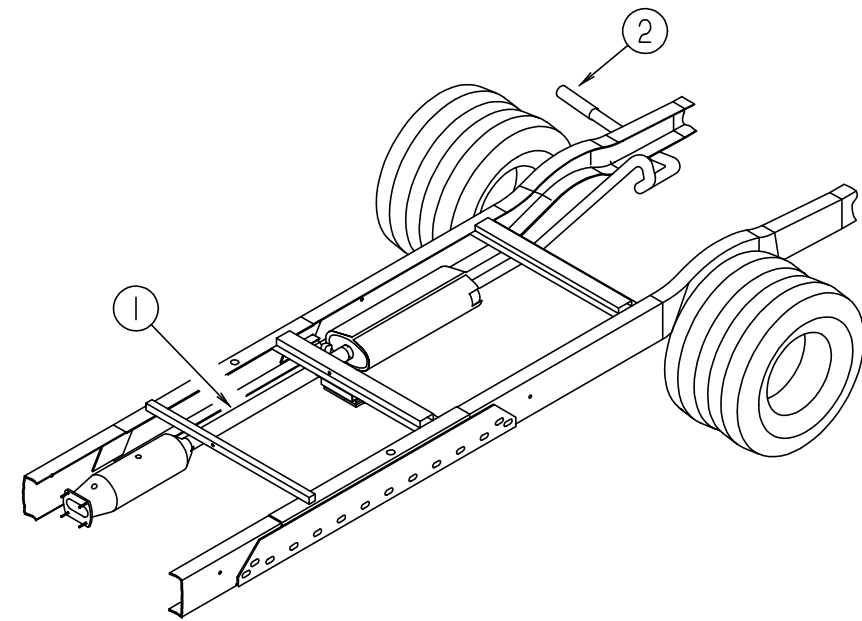
CHASSIS GROUP (CONTINUED)



FUEL SYSTEM COMPONENTS

KEY	PART NUMBER	U/M DESCRIPTION
1	095854-01-04A	EA SHROUD - FUEL FILL - BRIGHT WHITE
2	078040-06-000	EA SHROUD - FUEL FILL - UPPER
3	078200-01-000	EA GASKET - FUEL FILL - 3.5" OD X 2" ID
4	106413-02-000	EA NECK-FILLER, FUEL FILL- DIESEL
4	124993-01-000	EA NECK - FILLER - FUEL FILL
5	077963-01-000	EA GASKET-DOOR, FUEL FILL - 10.1" X 8" - W/PSA
6	010497-04-000	EA CLAMP - CLOSED - 1.62" ID
7	125187-02-000	FT HOSE - FUEL - LOW PERM - 12.7 ID
8	125187-01-000	FT HOSE - FUEL - LOW PERM - 11.1 ID
	007063-01-000	FT HOSE - FUEL 1/4" ID X 1/2" OD
	084884-01-000	EA PLUG - BRASS - 3/8"
	088258-02-000	EA CLIP-RETAINING, FUEL LINE SGL

CHASSIS GROUP (CONTINUED)



EXHAUST SYSTEM COMPONENTS

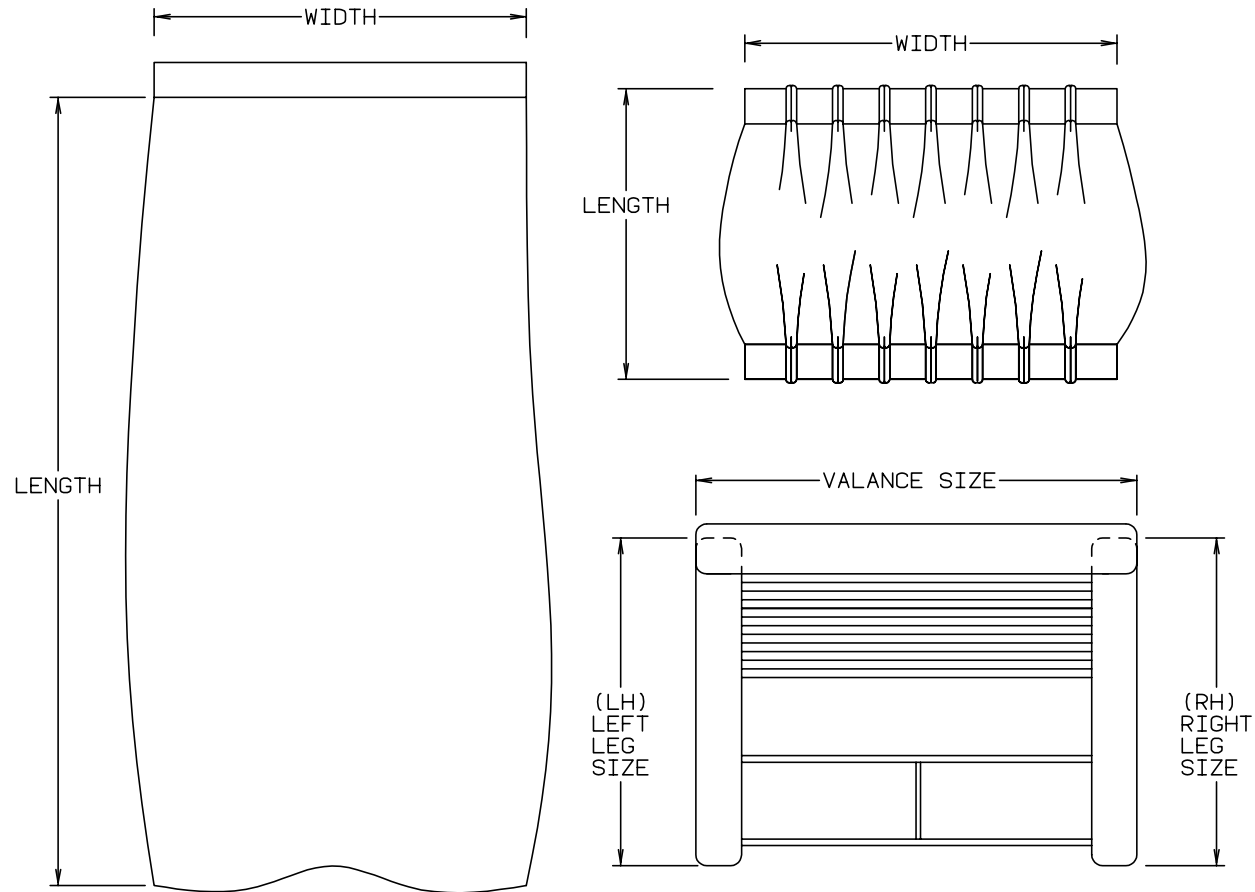
KEY	PART NUMBER	U/M DESCRIPTION
1	111478-03-000	EA PIPE-EXHAUST
	094918-06-000	EA CLAMP-EXHAUST 3.00 HVY DUTY - HECO 24698
1	098762-15-000	EA PIPE-EXHAUST, STRAIGHT, 3.5 IN - DIESEL
	094918-02-000	EA CLAMP-EXHAUST 3.5 INCH - GUILLOTINE STYLE
2	098762-18-000	EA PIPE - EXHAUST - STRAIGHT - 3"
	094918-02-000	EA CLAMP-EXHAUST 3.5 INCH - GUILLOTINE STYLE

CURTAIN & CUSHION GROUP

NOTICE

IN ORDER TO ASSIST OUR PARTS SALES DEPT. IN PROVIDING INTERIOR SOFTWARE ITEMS, PLEASE INCLUDE THE SERIAL NUMBER AND THE COLOR CODE NUMBER FROM THE VEHICLE CERTIFICATION LABEL WHEN ORDERING. THIS LABEL IS LOCATED ON THE LEFT SIDEWALL AT THE END OF THE DASH (A-BODY), OR ON THE DRIVER'S DOOR LATCH PLATE (C-BODY).

AN EXAMPLE OF A COLOR CODE NUMBER IS B07, WHICH DESIGNATES AN OVERALL COLOR SCHEME OF A PARTICULAR UNIT. THE COLOR LISTED AFTER THE ITEM DESCRIPTION ON THE MICROFICHE, INDICATES THE OVERALL UNIT COLOR. ORDER THE ITEM YOU DESIRE ACCORDING TO UNIT COLOR CODE.



NOTE: USE THIS ILLUSTRATION WHEN DETERMINING LENGTH AND WIDTH MEASUREMENTS FOR CURTAINS. YOU WILL NOTE THE WIDTH MEASUREMENT IS TAKEN ON THE TOP OF THE CURTAIN WITH THE CURTAIN FULLY EXTENDED. THE LENGTH MEASUREMENT IS TAKEN FROM TOP TO BOTTOM. LEFT AND RIGHT WINDOW LEGS ARE DETERMINED WHEN FACING THE WINDOW.

CURTAIN & CUSHION GROUP (CONTINUED) FABRICS

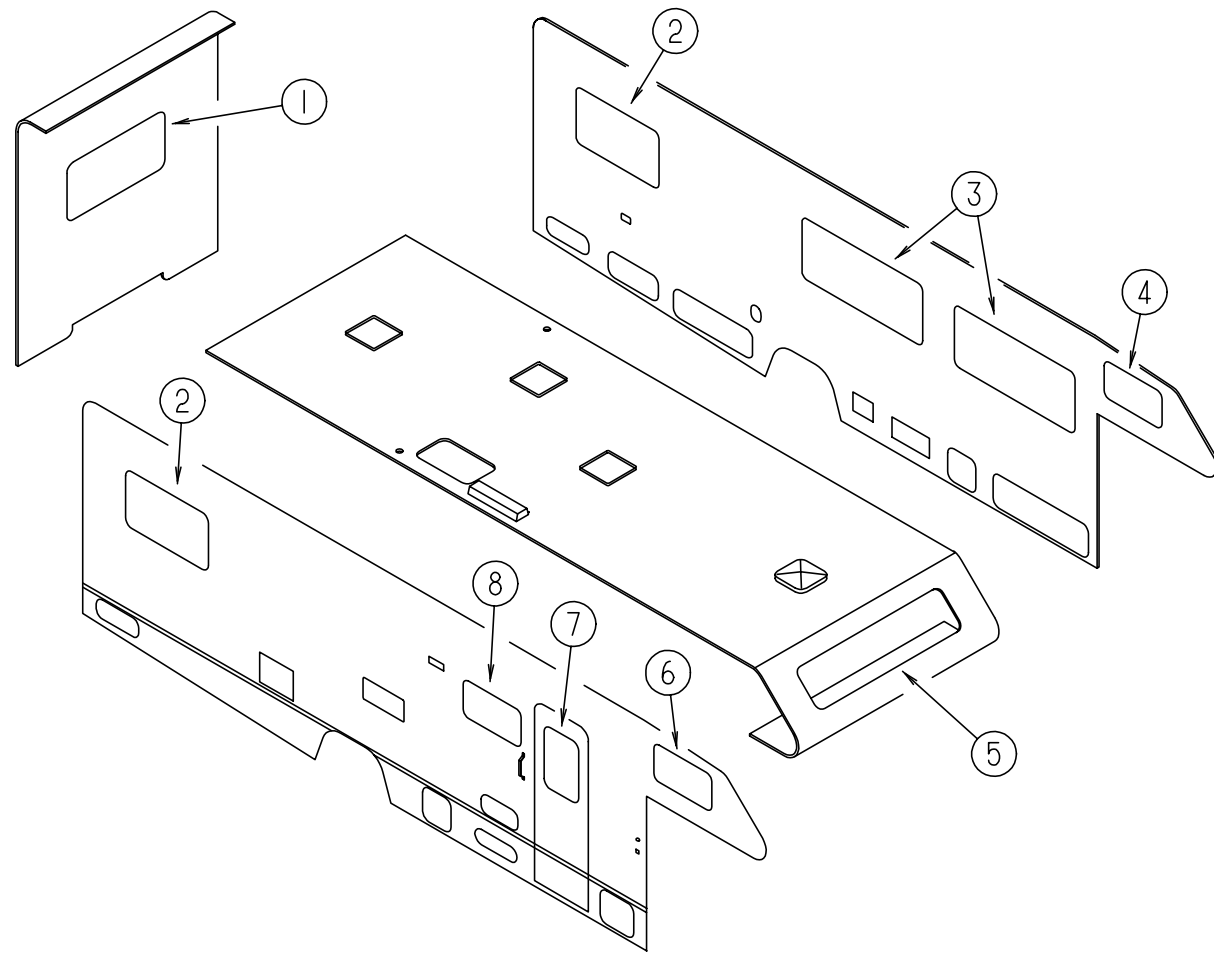
Color Codes	H04	H05	H24	H26
	BLUE LAGOON (BLUE)	KRYPTONITE (TAUPE)	COPPER CANYON (TERRA COTTA)	COPPER CREEK (TAN)
BUCKET SEATS	108446-K9-000	108446-77-000 108446-G2-000	108446-L4-000 108446-F3-000	108446-L4-000 108446-F3-000
DINETTE CUSHIONS	108446-K7-000	108446-K8-000	108446-H0-000	108446-H0-000
DINETTE PADS	108446-K9-000	108446-77-000	108446-L4-000	108446-L4-000
SOFA	108446-K7-000	108446-K8-000	108446-H0-000	108446-H0-000
SWIVEL CHAIR	108446-K9-000	108446-G2-000	108446-F3-000	108446-F3-000
LOUNGE/DINETTE VALANCE	108446-K7-000 108446-K9-000	108446-K8-000 108446-G2-000	108446-H0-000 108446-F3-000	108446-H0-000 108446-F3-000
LOUNGE/DINETTE LEG	108446-K9-000	108446-G2-000	108446-F3-000	108446-F3-000
BEDROOM VALANCE	105745-B3-000	105745-D5-000	105745-A2-000	105745-A2-000
BEDSPREAD	105745-B3-000 105745-61-000	105745-D5-000 105745-62-000	105745-99-000 105745-45-000	105745-99-000 105745-45-000
PILLOW SHAMS	105745-B3-000 105745-61-000	105745-D5-000 105745-62-000	105745-99-000 105745-45-000	105745-99-000 105745-45-000
ENTRANCE DOOR VALANCE	108446-K7-000	108446-K8-000	108446-H0-000	108446-H0-000
BUNK CUSHIONS	108446-K9-000	108446-G2-000	108446-F3-000	108446-F3-000
OVERHEAD BUNK CURTAINS	105745-B3-000	105745-D5-000	105745-99-000	105745-99-000
BUNK PRIVACY	105745-B3-000	105745-D5-000	105745-99-000	105745-99-000
FRONT PRIVACY	105745-B3-000	105745-D5-000	105745-99-000	105745-99-000
BEDROOM PRIVACY	105745-B3-000	105745-D5-000	105745-99-000	105745-99-000
DRAPERY LINING	087272-03-000	087272-03-000	087272-03-000	087272-03-000
TIRE COVER	103907-05-000	103907-05-000	103907-05-000	103907-05-000
TIRE COVER LINER	069627-02-000	069627-02-000	069627-02-000	069627-02-000
HEADLINER	103907-01-06A	103907-01-06A	103907-01-06A	103907-01-06A

NOTE: FABRIC LISTED FIRST IN A BLOCK, IS THE LARGEST QUANTITY OF FABRIC USED

BUTTONS

KEY	PART NUMBER	U/M	DESCRIPTION
	070578-10-H04	EA	BUTTON-SCREW STUD - #30 (H04)
	070578-10-G22	EA	BUTTON-SCREW STUD - #30 (H05)
	070578-10-H24	EA	BUTTON-SCREW STUD - #30 (H24/H26)

CURTAIN & CUSHION GROUP (CONTINUED)



CURTAINS & WINDOW TREATMENT

KEY	PART NUMBER	U/M DESCRIPTION
1	118064-01-GB1	EA VALANCE - VALENCIA - 52" (H04)
1	118064-01-H05	EA VALANCE - VALENCIA - 52" (H05)
1	118064-01-H24	EA VALANCE - VALENCIA - 52" (H24/H26)
1	084755-92-F15	EA SHADE - PULL - 50.25"
1	111910-19-H01	EA BLIND - DAY/NIGHTER - 50" X 28" (H04)
1	111910-19-HA3	EA BLIND-DAY/NIGHTER, 50" X 28" (H05/H24/H26)
2	118064-02-GB1	EA VALANCE - VALENCIA - 44" (H04)
2	118064-02-H05	EA VALANCE - VALENCIA - 29" (H05)
2	118064-02-H24	EA VALANCE - VALENCIA - 29" (H24/H26)
2	084755-93-F15	EA SHADE - PULL - 42.25"
2	111910-46-G22	EA BLIND - DAY/NIGHTER - 43" X 26" (H04)
2	111910-46-HA3	EA BLIND - DAY/NIGHTER - 43" X 26" (H05/H24/H26)
3	118078-01-H04	EA VALANCE - QUEST - 64.5" (H04)
3	118078-01-H05	EA VALANCE - QUEST - 64.5" (H05)
3	118078-01-H24	EA VALANCE - QUEST - 64.5" (H24/H26)
3	084755-96-G01	EA SHADE - PULL - 60.25"
3	111910-22-GB1	EA BLIND - DAY/NIGHTER - 60" X 28.5" (H04)
3	111910-22-HA3	EA BLIND - DAY/NIGHTER - 60" X 28.5" (H05/H24/H26)
3	119333-01-H04	EA LEG - RIGHT - 25" (H04)
3	119333-01-G16	EA LEG - RIGHT - 25" (H05)
3	119333-01-GE1	EA LEG - RIGHT - 25" (H24/H26)
3	119333-02-H04	EA LEG - LEFT - 25" (H04)
3	119333-02-G16	EA LEG - LEFT - 25" (H05)
3	119333-02-GE1	EA LEG - LEFT - 25" (H24/H26)

CURTAIN & CUSHION GROUP (CONTINUED)

CURTAINS & WINDOW TREATMENT (CONTINUED)

KEY	PART NUMBER	U/M DESCRIPTION
4	101034-52-H04	EA CURTAIN - LEFT HAND - 19" X 34" (H04)
4	101034-52-H05	EA CURTAIN - LEFT HAND - 19" X 34" (H05)
4	101034-52-G04	EA CURTAIN - LEFT HAND - 19" X 34" (H24/H26)
5	101034-34-H04	EA CURTAIN - LEFT HAND - 21" X 60" (H04)
5	101034-34-H05	EA CURTAIN - LEFT HAND - 21" X 60" (H05)
5	101034-34-G04	EA CURTAIN - LEFT HAND - 21" X 60" (H24/H26)
5	101034-33-H04	EA CURTAIN - RIGHT HAND - 21" X 60" (H04)
5	101034-33-H05	EA CURTAIN - RIGHT HAND - 21" X 60" (H05)
5	101034-33-G04	EA CURTAIN - RIGHT HAND - 21" X 60" (H24/H26)
6	101034-51-H04	EA CURTAIN - RIGHT HAND - 19" X 34" (H04)
6	101034-51-H05	EA CURTAIN - RIGHT HAND - 19" X 34" (H05)
6	101034-51-G04	EA CURTAIN - RIGHT HAND - 19" X 34" (H24/H26)
7	118078-04-H04	EA VALANCE - QUEST - 29" (H04)
7	118078-04-H05	EA VALANCE - QUEST - 29" (H05)
7	118078-04-H24	EA VALANCE - QUEST - 29" (H24/H26)
7	084755-57-E07	EA SHADE - PULL - 27.25"
8	109041-44-01A	EA BLIND - MINI - 30.5" X 18" (H04)
8	109353-10-01A	EA BLIND - SLAT - 30.5" (H04)
8	109041-44-02A	EA BLIND - MINI - 30.5" X 18" (H05/H24/H26)
8	109353-10-02A	EA BLIND - SLAT - 30.5" (H05/H24/H26)

PRIVACY CURTAINS

KEY	PART NUMBER	U/M DESCRIPTION
	101668-40-H04	EA CURTAIN - LEFT HAND - 35" X 50" (H04)
	101668-40-F16	EA CURTAIN - LEFT HAND - 35" X 50" (H05)
	101668-40-H24	EA CURTAIN - LEFT HAND - 35" X 50" (H24/H26)
	101668-39-H04	EA CURTAIN - RIGHT HAND - 35" X 50" (H04)
	101668-39-F16	EA CURTAIN - RIGHT HAND - 35" X 50" (H05)
	101668-39-H24	EA CURTAIN - RIGHT HAND - 35" X 50" (H24/H26)
	076892-20-H04	EA CURTAIN - 50" X 78" (H04)
	076892-20-F16	EA CURTAIN - 50" X 78" (H05)
	076892-20-H24	EA CURTAIN - 50" X 78" (H24/H26)

CURTAIN TIEBACKS

KEY	PART NUMBER	U/M DESCRIPTION
	073260-23-H04	EA TIEBACK-BUNK PRIVACY CURTAIN, 3" X 18" (H04)
	073260-23-F16	EA TIEBACK-BUNK PRIVACY CURTAIN, 3" X 18" (H05)
	073260-23-H24	EA TIEBACK-BUNK PRIVACY CURTAIN, 3" X 18" (H24/H26)
	057534-01-000	EA TIEBACK/TIEDOWN-BED/CURTAIN/DOOR - 6" - PLASTIC - CLEAR
	057534-06-000	EA TIEBACK/TIEDOWN-VINYL, 6" - BEIGE

CURTAIN & CUSHION GROUP (CONTINUED)

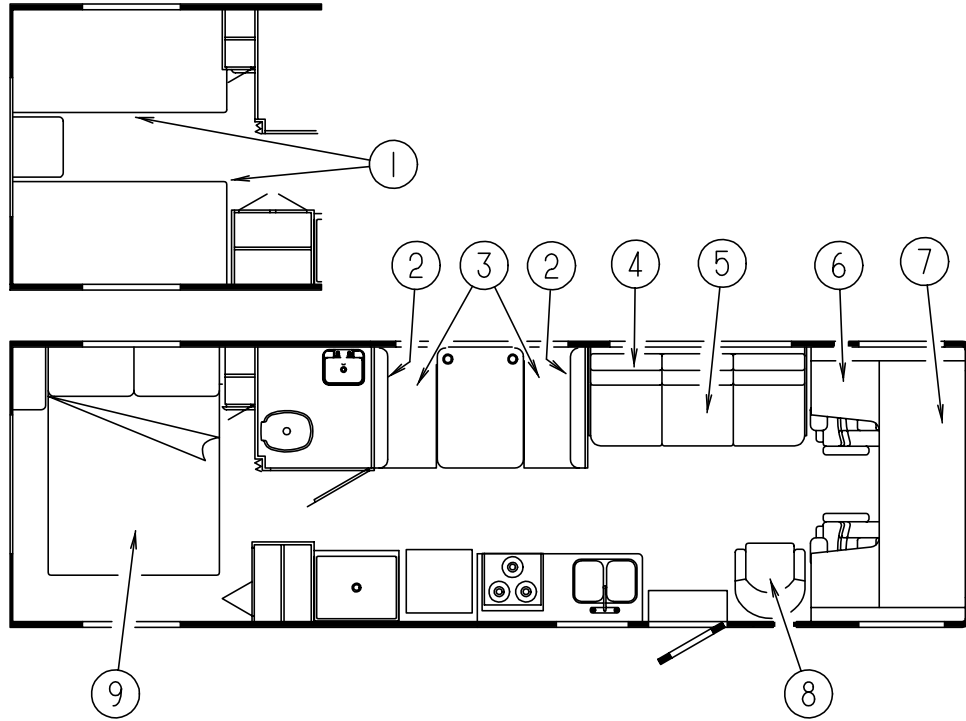
DINETTE CUSHIONS

KEY	PART NUMBER	U/M	DESCRIPTION
2	116134-02-H04	EA	CUSHION - BACK - 13.5" X 42" X 5" (H04)
2	116134-02-H05	EA	CUSHION - BACK - 13.5" X 42" X 5" (H05)
2	116134-02-H24	EA	CUSHION - BACK - 13.5" X 42" X 5" (H24\H26)
	P16134-02-H04	EA	COVER - CUSHION BACK - 13.5" X 42" X 5" (H04)
	P16134-02-H54	EA	COVER - CUSHION BACK - 13.5" X 42" X 5" (H05)
	P16134-02-H24	EA	COVER - CUSHION BACK - 13.5" X 42" X 5" (H24\H26)
	078155-01-000	EA	STRAP-SNAP, BACKREST CUSHION
3	105603-15-H04	EA	CUSHION - SEAT - 23" X 42" X 5" (H04)
3	105603-15-H05	EA	CUSHION - SEAT - 23" X 42" X 5" (H05)
3	105603-15-H24	EA	CUSHION - SEAT - 23" X 42" X 5" (H24\H26)
	P05603-15-H04	EA	COVER - SEAT - 23" X 42" X 5" (H04)
	P05603-15-H05	EA	COVER - SEAT - 23" X 42" X 5" (H05)
	P05603-15-H24	EA	COVER - SEAT - 23" X 42" X 5" (H24\H26)

DRIVERS SIDE COUCH

KEY	PART NUMBER	U/M	DESCRIPTION
4	120549-01-H04	EA	BACK - SOFA/BED - 74" (H04)
4	120549-01-H05	EA	BACK - SOFA/BED - 74" (H05)
4	120549-01-H24	EA	BACK - SOFA/BED - 74" (H24\H26)
	P20549-01-H04	EA	COVER - BACK - SOFA/BED - 74" (H04)
	P20549-01-H05	EA	COVER - BACK - SOFA/BED - 74" (H05)
	P20549-01-H24	EA	COVER - BACK - SOFA/BED - 74" (H24\H26)
	101085-10-000	EA	FRAME - BACK - SOFA/BED 74.5" X 16"
5	100032-43-H04	EA	SEAT - SOFA/BED - 74" (H04)
5	100032-43-H05	EA	SEAT - SOFA/BED - 74" (H05)
5	100032-43-G13	EA	SEAT - SOFA/BED - 74" (H24\H26)
	P00032-43-H04	EA	COVER - SEAT - SOFA/BED JACK KNIFE 74" (H04)
	P00032-43-H05	EA	COVER - SEAT - SOFA/BED JACK KNIFE 74" (H05)
	P00032-43-G13	EA	COVER - SEAT - SOFA/BED JACK KNIFE 74" (H24\H26)
	101085-04-000	EA	FRAME - SEAT - SOFA/BED - 74.75"
	101085-06-000	EA	FRAME - BASE - SOFA/BED - 74.75"
	105947-01-000	EA	BRACKET-HOLD DOWN, COUCH - CANADIAN

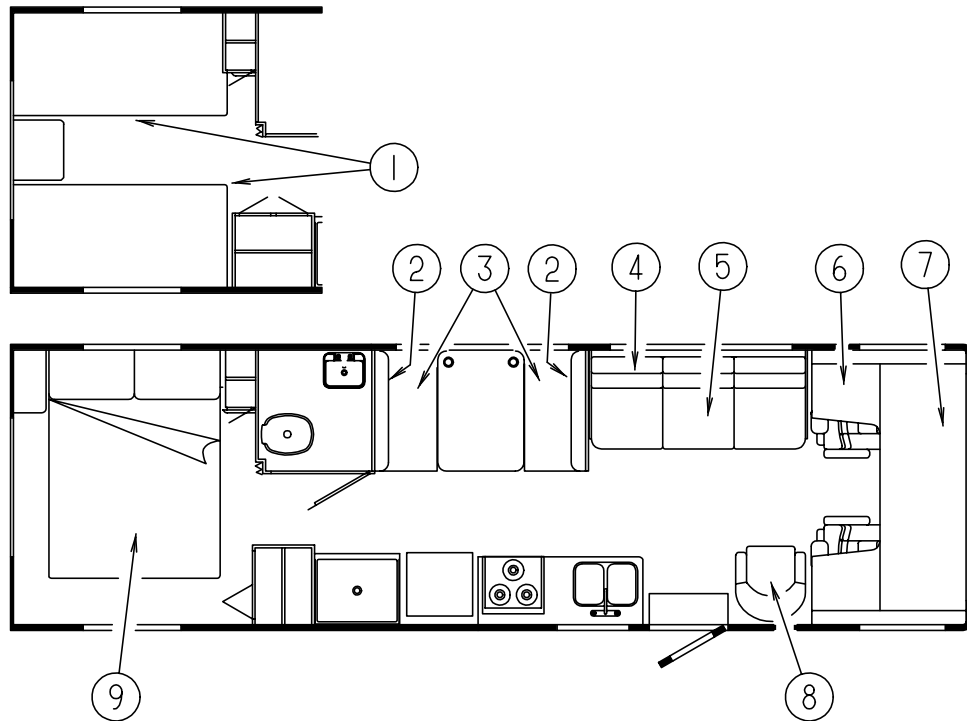
NOTE: COUCH FRONT AND SIDE PANELS ARE FOUND IN LOUNGE GROUP



TWIN BEDSPREAD & MATTRESS

KEY	PART NUMBER	U/M	DESCRIPTION
1	123471-17-H04	EA	BEDSPREAD/THROW - 36" X 75" (H04)
1	123471-17-H05	EA	BEDSPREAD/THROW - 36" X 75" (H05)
1	123471-17-H24	EA	BEDSPREAD/THROW - 36" X 75" (H24\H26)
	104176-08-H04	EA	SHAM - PILLOW (H04)
	104176-08-H05	EA	SHAM - PILLOW (H05)
	104176-08-H24	EA	SHAM - PILLOW (H24\H26)
	101123-29-000	EA	MATTRESS - FOAM - 35" X 74"
	P01123-29-000	EA	COVER - MATTRESS - 35" X 74"

CURTAIN & CUSHION GROUP (CONTINUED)



BUNK CUSHIONS

KEY	PART NUMBER	U/M DESCRIPTION
6	105573-10-H04	EA CUSHION-OVHD, REAR - 27" X 23" X 80" X 5" (H04)
6	105573-10-H05	EA CUSHION-OVHD, REAR - 27" X 23" X 80" X 5" (H05)
6	105573-10-H24	EA CUSHION-OVHD, REAR - 27" X 23" X 80" X 5" (H24\H26)
	P05573-10-H04	EA COVER-OVHD, REAR - 27" X 23" X 80" X 5" (H04)
	P05573-10-H05	EA COVER-OVHD, REAR - 27" X 23" X 80" X 5" (H05)
	P05573-10-H24	EA COVER-OVHD, REAR - 27" X 23" X 80" X 5" (H24\H26)
7	105573-09-H04	EA CUSHION-OVHD, FRONT - 32.5" X 80" X 5" (H04)
7	105573-09-G05	EA CUSHION-OVHD, FRONT - 32.5" X 80" X 5" (H05)
7	105573-09-H24	EA CUSHION-OVHD, FRONT - 32.5" X 80" X 5" (H24\H26)
	P05573-09-H04	EA COVER-OVHD, FRONT - 32.5" X 80" X 5" (H04)
	P05573-09-G05	EA COVER-OVHD, FRONT - 32.5" X 80" X 5" (H05)
	P05573-09-H24	EA COVER-OVHD, FRONT - 32.5" X 80" X 5" (H24\H26)

BUNK CUSHIONS-OVERHEAD ENTERTAINMENT CENTER

KEY	PART NUMBER	U/M DESCRIPTION
	079145-08-000	EA CUSHION-BUNK, 25" X 74" X 3.5"
	M79145-08-000	EA COVER-CUSHION, BUNK - 25" X 74" X 3.5"

CURTAIN & CUSHION GROUP (CONTINUED)

CHAIR - SEIRRA

KEY	PART NUMBER	U/M DESCRIPTION
8	115470-01-H04	EA CHAIR ASM-SEIRRA (H04)
8	115470-01-G05	EA CHAIR ASM-SEIRRA (H05)
8	115470-01-GE1	EA CHAIR ASM-SEIRRA (H24\H26)

QUEEN BEDSPREAD & MATTRESS

KEY	PART NUMBER	U/M DESCRIPTION
9	123471-16-H04	EA BEDSPREAD/THROW - 60" X 80" (H04)
9	123471-16-H05	EA BEDSPREAD/THROW - 60" X 80" (H05)
9	123471-16-H24	EA BEDSPREAD/THROW - 60" X 80" (H24\H26)
	104176-04-H04	EA SHAM - PILLOW (H04)
	104176-04-H05	EA SHAM - PILLOW (H05)
	104176-04-H24	EA SHAM - PILLOW (H24\H26)
	123015-07-000	EA MATTRESS - INNERSPRING - 60" X 79.5"

DECORATOR PILLOWS - MC CLAINS ANNIVERSARY OPTION

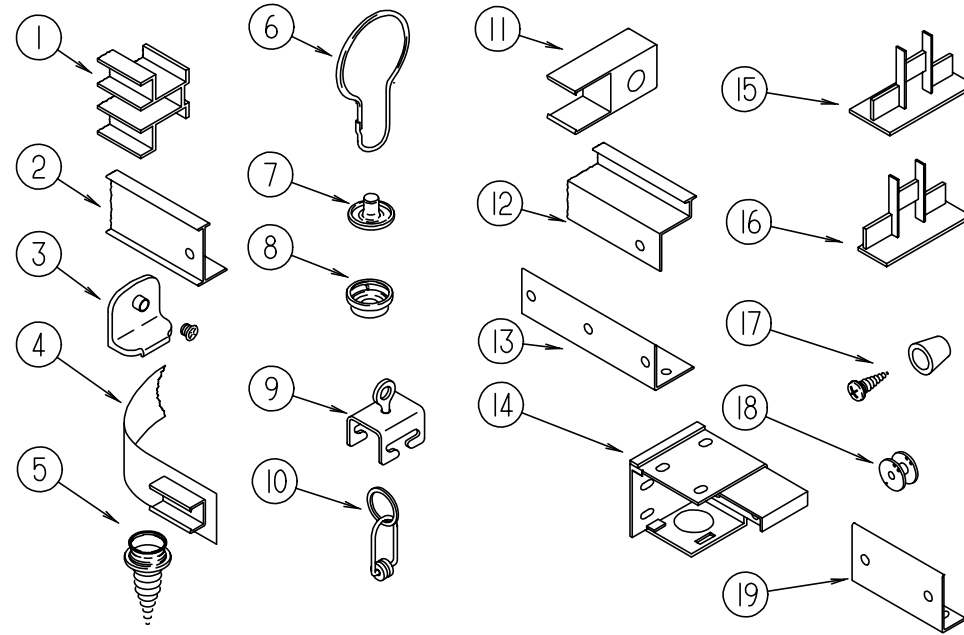
KEY	PART NUMBER	U/M DESCRIPTION
	111862-08-H04	EA PILLOW - 15" X 15" - W/.5" - NON-GATHERED WELT (H04)
	111862-08-H05	EA PILLOW - 15" X 15" - W/.5" - NON-GATHERED WELT (H05)
	111862-08-H24	EA PILLOW - 15" X 15" - W/.5" - NON-GATHERED WELT (H24\H26)
	104504-09-H04	EA PILLOW - 16" ROUND - W/.5" WELT (H04)
	104504-09-H05	EA PILLOW - 16" ROUND - W/.5" WELT (H05)
	104504-09-H24	EA PILLOW - 16" ROUND - W/.5" WELT (H24\H26)

ASSIST HANDLE & SEATBELTS

KEY	PART NUMBER	U/M DESCRIPTION
	053552-02-AA8	EA HANDLE - ASSIST - INTERIOR/ENTRY DOOR - VINYL/OFF WHITE
	069178-02-000	EA BRACKET - MOUNTING ASSIST HANDLE
	000C16-07-16B	EA BOLT-CARRIAGE, ASSIST HANDLE - 7/16" - 14 X 1" ZN
	000D20-07-00B	EA NUT-ACORN, ASSIST HANDLE - 7/16" X 14 ZN
	057759-01-000	EA WASHER BRACKET-SEAT BELT, 4" DIAMETER
	007021-01-000	EA BELT-SEAT, 2" X 90" - BLACK - DINETTE SEATS & COUCH
	056271-01-000	EA BELT-SEAT, 2" X 102" - BLACK - SWIVEL CHAIR

CURTAIN & CUSHION GROUP (CONTINUED)

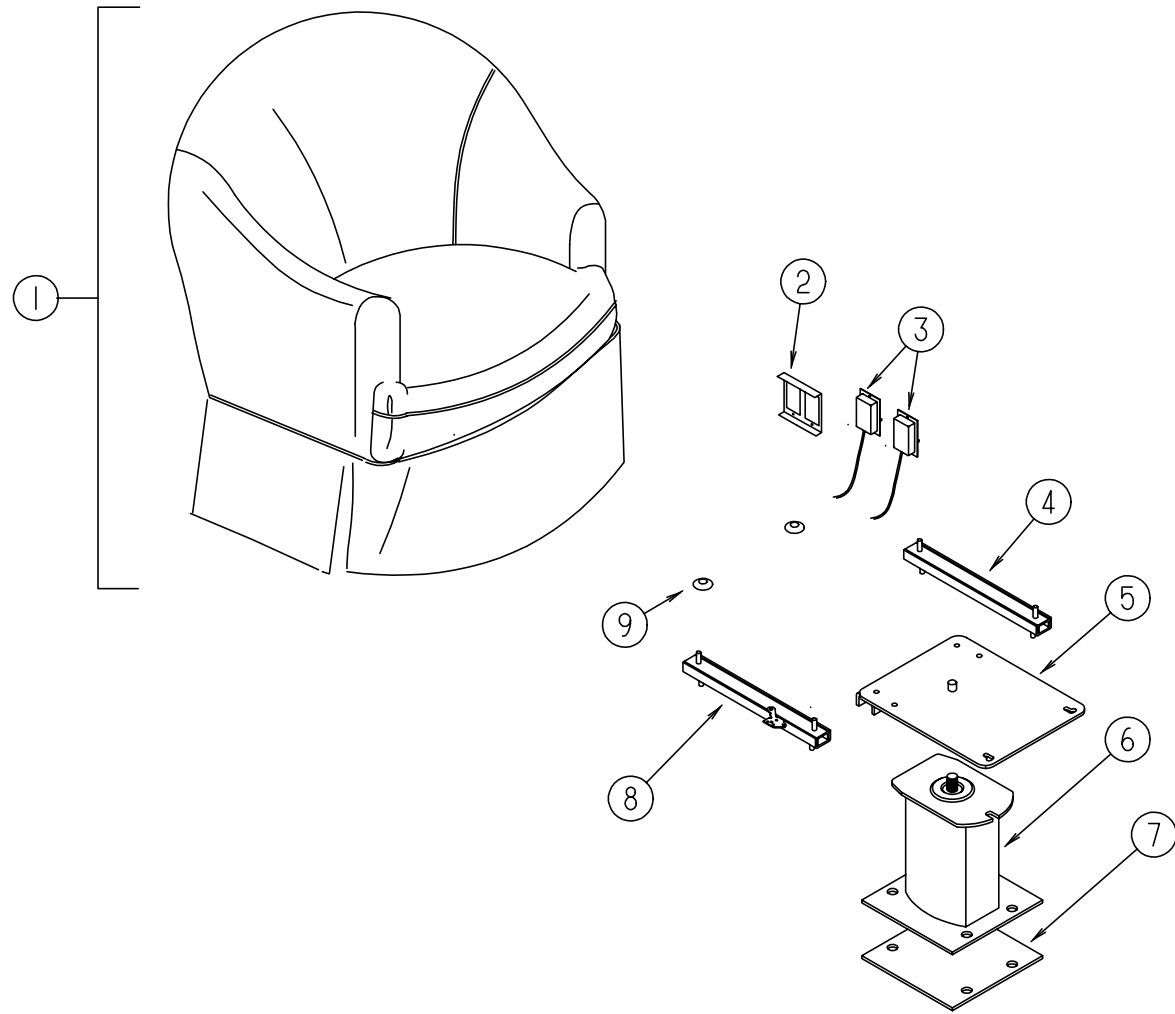
CURTAIN & BLIND HARDWARE



KEY	PART NUMBER	U/M	DESCRIPTION
1	101033-04-000	EA	TRACK - WALL, 36"
1	101033-06-000	EA	TRACK - WALL 79"
2	009700-04-002	EA	TRACK, L-SHAPED - 195.2" - OFF WHITE
3	106544-01-000	EA	PULL - SHADE/BRASS
	106544-01-001	EA	SCREW - SHADE/BRASS
4	101031-01-000	YD	TAPE - GLIDE/CURTAIN - 4.25" SPACING
5	029130-01-000	EA	SCREW - SNAP SOCKET - #8 PH X 5/8"
6	009136-02-000	EA	HANGER-RING, PIN TYPE - CURTAIN - BRASS
7	029155-01-000	EA	CAP - SNAP - 5/32" O.D. OF PIN
8	029156-01-000	EA	SOCKET - SNAP - 9/16" O.D.
9	009702-01-000	EA	END STOP - CURTAIN CARRIER - L ROD
10	009701-01-000	EA	CARRIER-CURTAIN, L ROD
11	101033-02-000	EA	END CAP-TRACK, CLEAR
12	105450-01-01A	EA	TRACK W/BRKTS - CURTAIN LEFT HAND WRAPAROUND - 30.8"
12	105450-06-01A	EA	TRACK-CURTAIN, 88" LONG - ALUMINUM - OFF WHITE
13	105648-01-02A	EA	BRACE-VALANCE, OFF/WHITE
14	109441-03-000	EA	HOLD DOWN - BLIND (CLOUDY)
15	094907-02-000	EA	END CAP - TOP/PLEATED BLIND - PLASTIC - GRAY
16	094907-04-700	EA	END CAP-RH BOTTOM BLIND
17	097564-01-000	EA	HANDLE-T, EZ LIFT SHADE
18	097592-01-000	EA	SPOOL - CORD - ELEVATED BLIND HOLDUP - CLEAR PLASTIC
19	083125-07-000	EA	BRACE - COUCH - 2.5"

KEY	PART NUMBER	U/M	DESCRIPTION
	046867-03-000	EA	GROMMET-HANDY BUTTON NO 3
	048394-02-000	YD	VELCRO TAPE-HOOK, ADHESIVE BACK - .75" WIDE - BEIGE
	075943-10-000	EA	BRACE-VALANCE, 20 IN - OFF/WHITE
	084433-05-000	EA	SHADE-ROLLER, 72.25"
	084434-01-000	EA	BRACKET-MOUNTING, ROLLER SHADE - 1 3/8"
	086276-01-000	EA	TAPE-DOUBLE SIDED, 1/2"
	088792-01-000	YD	VELCRO-HOOK, .75" WIDE - BEIGE
	088792-02-000	YD	VELCRO TAPE-LOOP, ADHESIVE BACKED - .75" WIDE - BEIGE
	088792-06-000	YD	VELCRO - 3/4" NON-ADH., LOOP BUFF
	096843-01-000	EA	SPRING - REWIND/ROLLER SHADE
	076827-02-000	EA	BRACKET-LEG, 2.9" X 1.8" TRIANGLE
	083170-01-000	EA	BRACKET - BLIND - LEFT SIDE WHEN FACING WINDOW
	083170-02-000	EA	BRACKET - BLIND - RIGHT SIDE WHEN FACING WINDOW
	094896-02-000	EA	GROMMET-CORD, PLEATED BLIND - NYLON - GRAY
	097593-06-000	FT	CORD-BLIND, PLEATED - PEWTER (H04)
	097593-02-000	EA	CORD-PLEATED BLIND, DAWN GRAY (H05/H24)
	094907-04-701	EA	END CAP-LH BOTTOM BLIND
	117237-01-000	EA	BRACKET-MOUNTING, 2.5" X .75" - CLEAR ACRYLIC
	097591-01-000	EA	SPRING - EXTENSION/PLEATED BLIND

CURTAIN & CUSHION GROUP (CONTINUED)



SWIVEL CHAIR

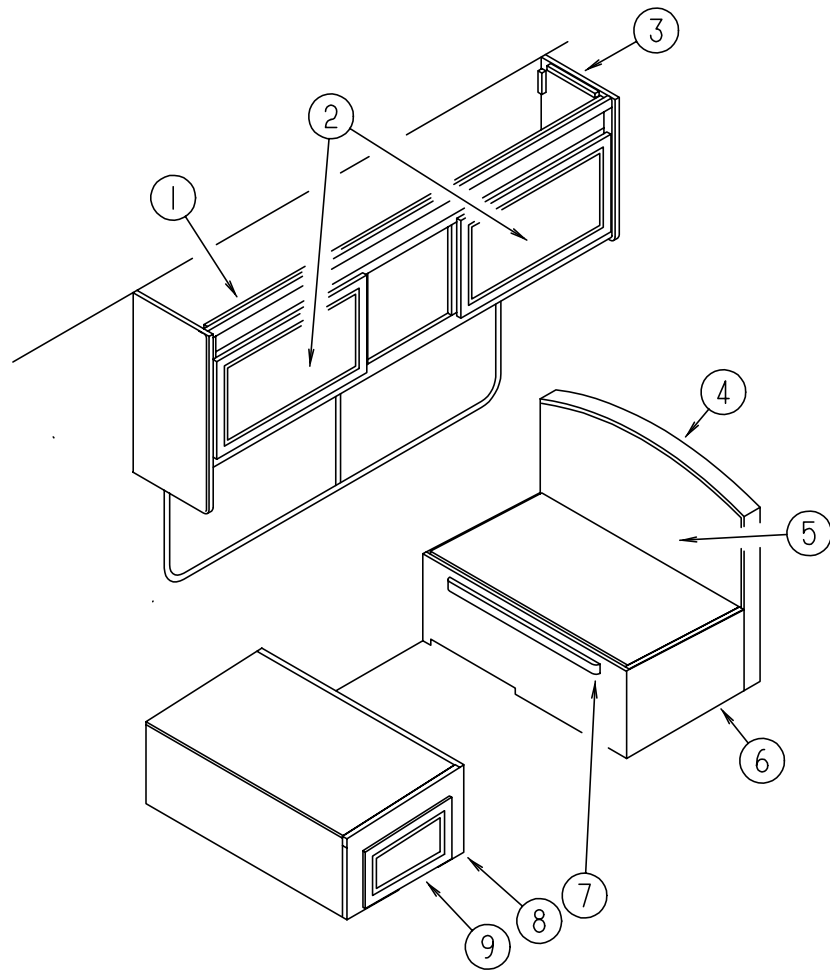
KEY	PART NUMBER	U/M DESCRIPTION
1	115470-01-H04	EA CHAIR ASM-SEIRRA (H04)
1	115470-01-G05	EA CHAIR ASM-SEIRRA (H05)
1	115470-01-GE1	EA CHAIR ASM-SEIRRA (H24/H26)
	P15470-01-H04	EA COVER-CHAIR, SEIRRA (H04)
	P15470-01-G05	EA COVER-CHAIR, SEIRRA (H05)
	P15470-01-GE1	EA COVER-CHAIR, SEIRRA (H24/H26)
2	097683-02-000	EA BRACKET- MOUNT, REMOTE
3	108049-03-000	EA CABLE-W/CONTROL 25.5" SHEATH/28.5" CABLE W/DOG LEG
	108049-02-000	EA CLIP - CABLE/PEDESTAL
	117125-01-02B	EA BRACKET - CABLE MOUNT - ADJUSTER W/LOCK
4	119952-01-000	EA SLIDE - SEAT - NONLOCKING HD
5	107921-08-000	EA TOP PLATE - PEDESTAL- WO SEAT BELT BAR
	107921-06-000	EA BEARING KIT - PEDESTAL
6	107921-01-000	EA BASE-PEDESTAL, W/9.75" EXTENSION - FLEXSTEEL 3060 MSPD
7	108445-02-000	EA SUB-PLATE, PEDESTAL - FLOOR MOUNTED
8	119952-03-000	EA SLIDE - SEAT/ HEAVY DUTY/LOCKING W/2 STUDS
9	007221-01-000	EA SPACER-SEAT ADJUSTER

CURTAIN & CUSHION GROUP (CONTINUED)

DRIVER & PASSENGER BUCKET SEAT - ECONOMIZER III

KEY	PART NUMBER	U/M DESCRIPTION
	110148-10-H04	EA SEAT - BUCKET - W/RIGHT ARMREST (H04)
	110148-10-H05	EA SEAT - BUCKET - W/RIGHT ARMREST (H05)
	110148-10-H24	EA SEAT - BUCKET - W/RIGHT ARMREST (H24/H26)
	122684-09-H04	EA SEAT - BUCKET - W/RIGHT ARMREST - LEATHER-MC CLAIMS ANNIVERSARY OPTION
	110148-11-H04	EA SEAT - BUCKET - W/LEFT ARMREST (H04)
	110148-11-H05	EA SEAT - BUCKET - W/LEFT ARMREST (H05)
	110148-11-H24	EA SEAT - BUCKET - W/LEFT ARMREST (H24/H26)
	122684-10-H04	EA SEAT - BUCKET - W/LEFT ARMREST - LEATHER-MC CLAIMS ANNIVERSARY OPTION
	119509-01-H04	EA HEADREST - BUCKET SEAT (H04)
	119509-01-H05	EA HEADREST - BUCKET SEAT (H05)
	119509-01-H24	EA HEADREST - BUCKET SEAT (H24/H26)
	119509-02-H04	EA HEADREST - BUCKET SEAT - LEATHER-MC CLAIMS ANNIVERSARY OPTION
	P19509-01-H04	EA COVER - HEADREST BUCKET SEAT (H04)
	P19509-01-H05	EA COVER - HEADREST BUCKET SEAT (H05)
	P19509-01-H24	EA COVER - HEADREST BUCKET SEAT (H24/H26)
	P19509-02-H04	EA COVER - HEADREST BUCKET SEAT - LEATHER-MC CLAIMS ANNIVERSARY OPTION
	113977-12-000	EA HEADREST INSERT - W/O LOCK
	113977-13-000	EA HEADREST INSERT, W/LOCK - FLEXSTEEL
	M05962-55-H04	EA COVER - BACK (H04)
	M05962-55-H05	EA COVER - BACK (H05)
	M05962-55-H24	EA COVER - BACK (H24/H26)
	M05962-61-H04	EA COVER - BACK - LEATHER-MC CLAIMS ANNIVERSARY OPTION
	124896-11-000	EA KIT - BACK - LEATHER-MC CLAIMS ANNIVERSARY OPTION
	122780-01-H04	EA ARMREST-RIGHT HAND (H04)
	122780-01-H05	EA ARMREST-RIGHT HAND (H05)
	122780-01-H24	EA ARMREST-RIGHT HAND (H24/H26)
	122780-03-H04	EA ARMREST-RIGHT HAND - LEATHER-MC CLAIMS ANNIVERSARY OPTION
	P22780-01-H04	EA COVER-ARMREST, RIGHT HAND (H04)
	P22780-01-H05	EA COVER-ARMREST, RIGHT HAND (H05)
	P22780-01-H24	EA COVER-ARMREST, RIGHT HAND (H24/H26)
	P22780-03-H04	EA COVER-ARMREST, RIGHT HAND - LEATHER
	115617-03-000	EA BRACKET-ARM, RH - LEGACEY - PLYFOAM,#170068
	122780-02-H04	EA ARMREST-LEFT HAND (H04)
	122780-02-H05	EA ARMREST-LEFT HAND (H05)
	122780-02-H24	EA ARMREST-LEFT HAND (H24/H26)
	122780-04-H04	EA ARMREST-LEFT HAND - LEATHER-MC CLAIMS ANNIVERSARY OPTION
	P22780-02-H04	EA COVER-ARMREST, LEFT HAND (H04)
	P22780-02-H05	EA COVER-ARMREST, LEFT HAND (H05)
	P22780-02-H24	EA COVER-ARMREST, LEFT HAND (H24/H26)
	P22780-04-H04	EA COVER-ARMREST, LEFT HAND - LEATHER-MC CLAIMS ANNIVERSARY OPTION
	M05962-56-H04	EA COVER - SEAT (H04)
	M05962-56-H05	EA COVER - SEAT (H05)
	M05962-56-H24	EA COVER - SEAT (H24/H26)
	M05962-62-H04	EA COVER - SEAT - LEATHER-MC CLAIMS ANNIVERSARY OPTION
	124896-12-000	EA KIT - SEAT - LEATHER
	125229-01-000	EA FRAME-C-BODY, LEFT
	125229-02-000	EA FRAME-C-BODY, RIGHT
	125229-03-000	EA FRAME-C-BODY, REC. KNOB
	125229-05-000	EA FRAME-C-BODY, PAL NUT
	117125-01-02B	EA BRACKET - CABLE MOUNT - ADJUSTER W/LOCK
	119952-06-000	EA SLIDE - SEAT HEAVY DUTY LOCKING - 4 STUDS
	119952-07-000	EA WIRE - LATCH RELEASE/ROTARY
	107921-08-000	EA TOP PLATE - PEDESTAL- WO SEAT BELT BAR
	107921-01-000	EA PEDESTAL/FLOOR MOUNTED - W/9.75" EXTENSION
	107921-06-000	EA BEARING KIT - PEDESTAL
	114889-01-000	EA STOP BAR - UNIVERSAL
	097683-02-000	EA BRACKET-MOUNT, REMOTE - DOUBLE
	108049-03-000	EA CABLE-W/CONTROL 25.5" SHEATH/28.5" CABLE W/DOG LEG
	108049-02-000	EA CLIP - CABLE/PEDESTAL

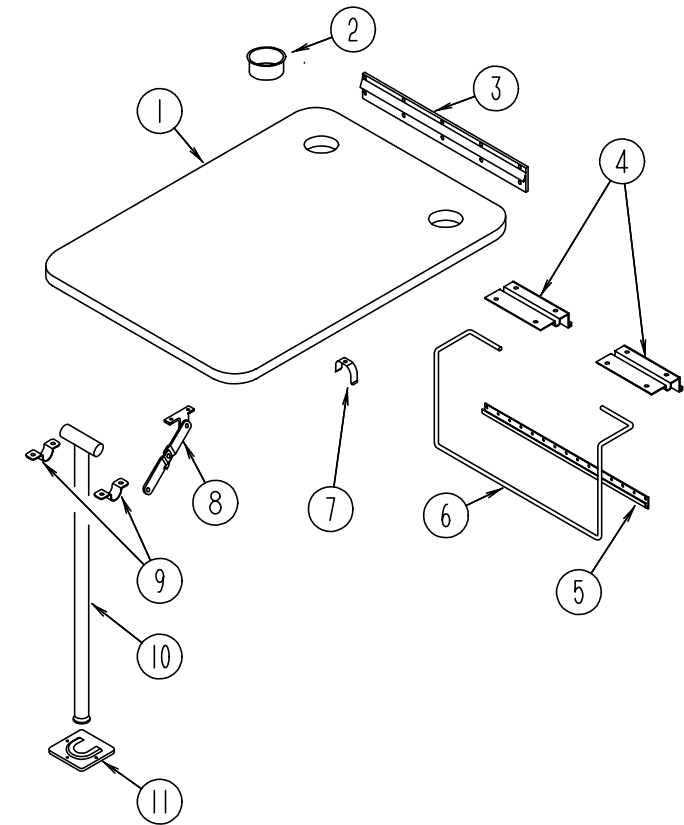
DINETTE GROUP



DINETTE CABINETS, PADS & TABLE

KEY	PART NUMBER	U/M	DESCRIPTION
1	124476-02-H04	EA	CABINET - OVERHEAD DINETTE - W/O DOORS/HARDWARE
2	110140-21-H04	EA	DOOR - MIRROR/MTRD CRNR/VINYL WRAP - 15.7" X 27.9"-W/O HDW
	108536-04-09A	EA	MIRROR - GLASS - BOTANICAL - 12.5" X 24.6"
2	110140-18-G01	EA	DOOR - MITERED CORNER/VINYL WRAP - 15.7" X 27.9" - W/O HDW
2	M06803-82-G15	EA	DOOR - MTRD CORNER/OGEE EDGE - 15.7" X 27.9" W/O HDW
3	109908-22-H04	EA	END CAP - OVERHEAD
4	111338-11-H04	EA	PAD - DINETTE (H04)
4	111338-11-H05	EA	PAD - DINETTE (H05)
4	111338-11-H24	EA	PAD - DINETTE (H24\H26)
5	M08123-15-H04	EA	CABINET - SEATBACK - RIGHT HAND
6	M08122-15-H04	EA	CABINET - SEATBASE - RIGHT HAND - W/O DOORS/DRAWERS/HDW
7	081295-01-G01	EA	SUPPORT - BED/DINETTE - 28"
8	M08122-16-H04	EA	CABINET - SEATBASE - LEFT HAND - W/O DOORS/DRAWERS/HDW
9	110140-88-G04	EA	DOOR - MITERED CORNER/VINYL WRAP - 10.1" X 19.1"-W/O HDW
9	M06803-T5-H13	EA	DOOR - MITERED CORNER/OGEE EDGE - 10.02" X 19.06" W/O HDW

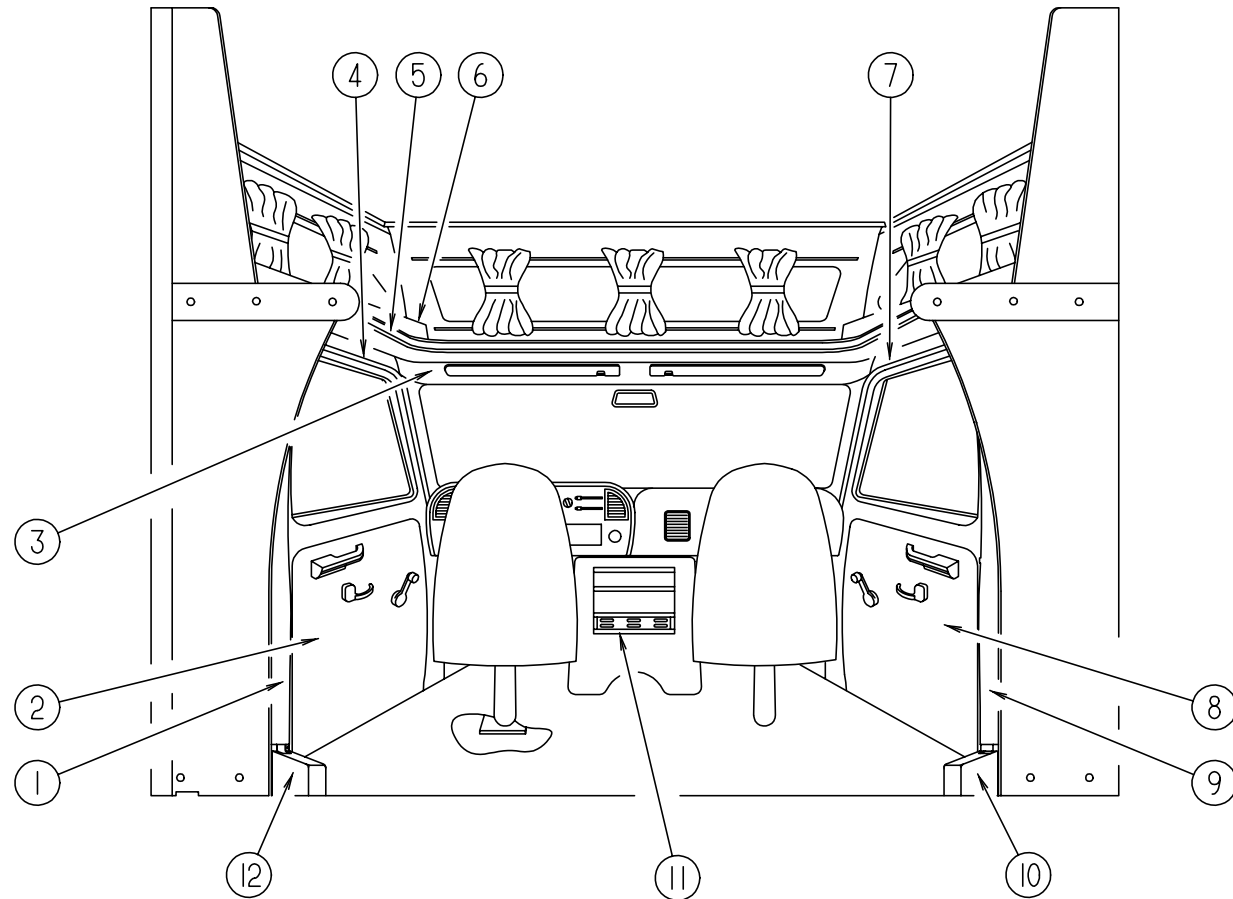
DINETTE GROUP (CONTINUED)



DINETTE TABLE & HARDWARE

KEY	PART NUMBER	U/M	DESCRIPTION
1	081322-15-H19	EA	TABLE ASM-DINETTE (H04)
1	081322-15-H05	EA	TABLE ASM-DINETTE (H05)
1	081322-15-H24	EA	TABLE ASM-DINETTE (H24\H26)
2	064781-06-000	EA	HOLDER-CUP, TWO STAGE - OFF WHITE
3	053200-12-000	EA	BRACKET - TABLE SUPPORT - UPPER WALL MOUNTED 23.50"
4	088410-02-000	EA	BRACKET - LIFT - TABLE MOUNTED
5	024281-14-000	EA	BRACKET - LIFT ROD LOWER WALL MOUNTED - 22.12"
6	024275-12-000	EA	ROD - TABLE LIFT
7	024283-01-000	EA	CLIP-LEG, 1" - 1.125" OD - BLACK
8	024282-01-000	EA	BRACE-TABLE LEG, HINGED
9	064050-05-000	EA	HINGE - TABLE LEG - OFF WHITE
10	024276-23-000	EA	LEG - TABLE - METAL
11	049493-11-700	EA	CATCH-TABLE LEG, E-COAT
	049493-12-000	EA	CATCH - LEG FLOOR MOUNTED - 2.5" X 2.7"

DRIVERS COMPARTMENT GROUP



FORD DRIVERS COMPARTMENT

KEY	PART NUMBER	U/M DESCRIPTION
1	125031-02-G04	EA TRIM - CAB - B-PILLAR FROM: 00-00-00 THRU: 12-16-96
1	125031-02-H04	EA TRIM - CAB - B-PILLAR FROM: 12-17-96 THRU: 99-99-99
2	106432-02-H04	EA PANEL - DOOR - INNER/DRIVER (H04)
2	106432-02-H05	EA PANEL - DOOR - INNER/DRIVER (H05)
2	106432-02-H24	EA PANEL - DOOR - INNER/DRIVER (H24/H26)
3	106448-01-C52	EA HEADLINER - W/VINYL FROM: 00-00-00 THRU: 12-16-96
3	106448-01-H04	EA HEADLINER - W/VINYL FROM: 12-17-96 THRU: 99-99-99
4	106447-02-C03	EA TRIM ASM-CAB DOOR, UPPER, LH FROM: 00-00-00 THRU: 12-16-96
4	106447-02-H04	EA TRIM - CAB DOOR - UPPER - DRIVERS SIDE FROM: 12-17-96 THRU: 99-99-99
5	119520-01-01A	FT T-MOLDING - 1" W/EDGE LIPS (OFF/WHITE-CREAM)
6	109894-01-H04	EA CABINET - HAMPER - FRONT - DRIVER (H04)
6	109894-01-H05	EA CABINET - HAMPER - FRONT - DRIVER (H05)
6	109894-01-H24	EA CABINET - HAMPER - FRONT - DRIVER (H24/H26)
7	106447-01-C03	EA TRIM ASM-CAB DOOR, UPPER, RH FROM: 00-00-00 THRU: 12-16-96
7	106447-01-H04	EA TRIM - CAB DOOR - UPPER - PASSENGER SIDE FROM: 12-17-96 THRU: 99-99-99
8	106432-01-H04	EA PANEL - DOOR - INNER/PASSENGER (H04)
8	106432-01-H05	EA PANEL - DOOR - INNER/PASSENGER (H05)
8	106432-01-H24	EA PANEL - DOOR - INNER/PASSENGER (H24/H26)

DRIVERS COMPARTMENT GROUP

FORD DRIVERS COMPARTMENT 1997 CHASSIS (CONTINUED)

KEY	PART NUMBER	U/M DESCRIPTION
9	125031-01-G04	EA TRIM - CAB - B-PILLAR FROM: 00-00-00 THRU: 12-16-96
9	125031-01-H04	EA TRIM - CAB - B-PILLAR FROM: 12-17-96 THRU: 99-99-99
10	106431-01-01A	EA COVER - SEATBELT RECOIL - PASSENGER SIDE - OFF WHITE (FORD) FROM: 00-00-00 THRU: 12-16-96
10	106431-01-02A	EA COVER - SEATBELT RECOIL - PASSENGER SIDE FROM: 12-17-96 THRU: 99-99-99
11	112185-02-G01	EA TRAY - BEVERAGE - DIESEL
	046886-03-000	EA ASHTRAY - CHROME W/COVER
12	106431-02-01A	EA COVER - RECOIL - SEATBELT - DRIVERS SIDE - OFF WHITE FORD FROM: 00-00-00 THRU: 12-16-96
12	106431-02-02A	EA COVER - SEATBELT RECOIL - PASSENGER FROM: 12-17-96 THRU: 99-99-99

MC CLAIMS ANNIVERSARY OPTION

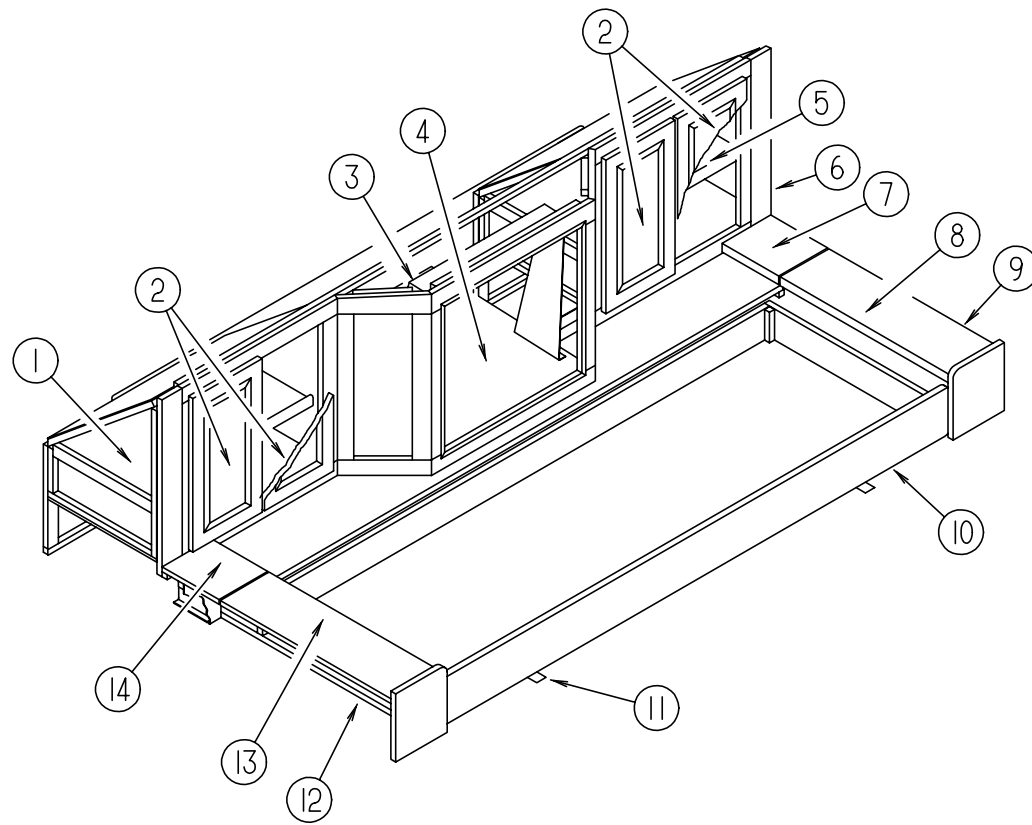
KEY	PART NUMBER	U/M DESCRIPTION
	120269-07-01A	EA PANEL - DRIVERS DOOR MIRROR CONTROL W/SWITCH & PIGTAIL

INSTRUMENT CLUSTERS

KEY	PART NUMBER	U/M DESCRIPTION
	094795-09-000	EA CLUSTER-IP, KM, 95E350 GAS/DSL - FORD F5UZ-10849-B
	100138-01-000	EA MODULE - DAYTIME RUNNING LIGHT
	111414-01-000	EA RECEPTACLE - 12V W/O BIMETAL, INTERTEK
	108357-09-000	EA SWITCH-AUXILIARY, SPDT ON/NONE/MOM - CARLING V5D1000B-0
	108356-07-01A	EA ACTUATOR-SWITCH DIMPLE II, CARLING VVAZCXX-XW
	081994-07-000	EA PLATE-SWITCH, AUXILIARY START
	108357-06-000	EA SWITCH - ROCKER DPDT MON/OFF/MOM 6 TERMINAL

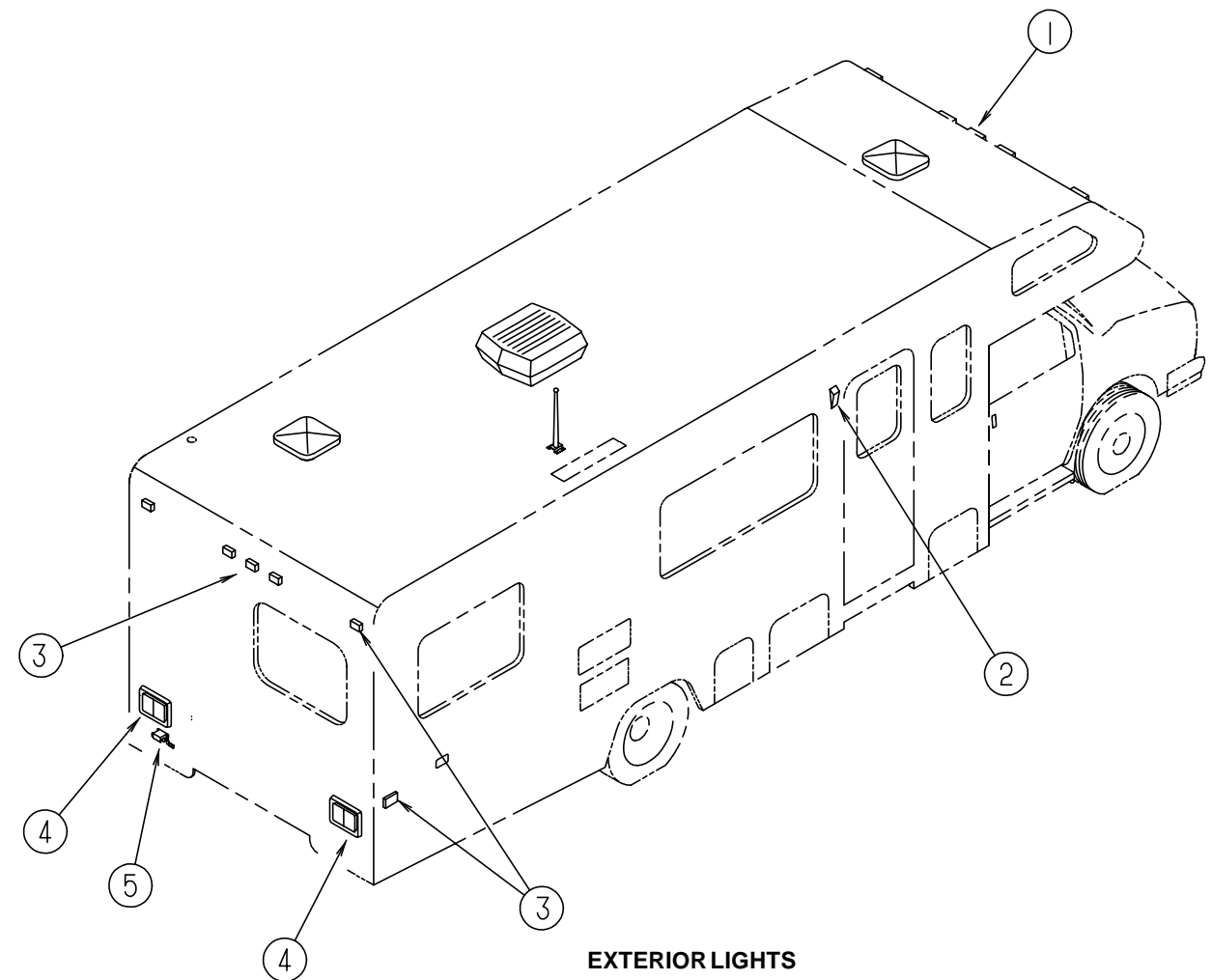
DRIVERS COMPARTMENT GROUP (CONTINUED)

ELECTRICAL GROUP



FRONT ENTERTAINMENT CENTER

KEY	PART NUMBER	U/M	DESCRIPTION
1	110796-02-G01	EA	CABINET - ENTERTAINMENT CENTER/SHELF - W/O DOORS/HDW
2	110140-25-G01	EA	DOOR - MITERED CORNER/VINYL WRAP - 10.6" X 19.9" - W/O HDW
2	M06803-F1-H04	EA	DOOR - MITERED CORNER/OGEE EDGE - 10.6" X 19.8" - W/O HDW
3	110795-11-H04	EA	PANEL (H04)
3	110795-11-H05	EA	PANEL (H05)
3	110795-11-H24	EA	PANEL (H24\H26)
4	111356-01-G01	EA	SHELF - TV
5	110796-01-G01	EA	CABINET - ENTERTAINMENT CENTER/SHELF - W/O DOORS/HDW
6	110795-01-G01	EA	CABINET - ENTERTAINMENT CENTER - W/O DOORS/HARDWARE
7	110797-11-E04	EA	COUNTERTOP - ENTERTAINMENT CENTER (H04)
7	110797-11-F29	EA	COUNTERTOP - ENTERTAINMENT CENTER (H05)
7	110797-11-E01	EA	COUNTERTOP - ENTERTAINMENT CENTER (H24\H26)
8	110797-12-E04	EA	COUNTERTOP - ENTERTAINMENT CENTER (H04)
8	110797-12-F29	EA	COUNTERTOP - ENTERTAINMENT CENTER (H05)
8	110797-12-E01	EA	COUNTERTOP - ENTERTAINMENT CENTER (H24\H26)
9	110797-01-H04	EA	CABINET-ENTERTAINMENT CENTER/STORAGE-W/O DOORS/HARDWARE (H04)
9	110797-01-H05	EA	CABINET-ENTERTAINMENT CENTER/STORAGE-W/O DOORS/HARDWARE (H05)
9	110797-01-G01	EA	CABINET-ENTERTAINMENT CENTER/STORAGE-W/O DOORS/HARDWARE (H24\H26)
10	100847-01-H04	EA	DRAWER - ENTERTAINMENT CENTER - 76.7" X 26.7"-W/O HARDWARE (H04)
10	100847-01-H05	EA	DRAWER - ENTERTAINMENT CENTER - 76.7" X 26.7"-W/O HARDWARE (H05)
10	100847-01-H24	EA	DRAWER - ENTERTAINMENT CENTER - 76.7" X 26.7"-W/O HARDWARE (H24\H26)
11	093673-01-01A	FT	MOLDING-BODY, 1.4" WIDE X 8' LONG - OFF WHITE - PLASTIC
12	110797-02-H04	EA	CABINET-ENTERTAINMENT CENTER/STORAGE-W/O DOORS/HARDWARE (H04)
12	110797-02-H05	EA	CABINET-ENTERTAINMENT CENTER/STORAGE-W/O DOORS/HARDWARE (H05)
12	110797-02-G01	EA	CABINET-ENTERTAINMENT CENTER/STORAGE-W/O DOORS/HARDWARE (H24\H26)
13	110797-23-E04	EA	COUNTERTOP - ENTERTAINMENT CENTER (H04)
13	110797-23-F29	EA	COUNTERTOP - ENTERTAINMENT CENTER (H05)
13	110797-23-E01	EA	COUNTERTOP - ENTERTAINMENT CENTER (H24\H26)
14	110797-21-E04	EA	COUNTERTOP - ENTERTAINMENT CENTER (H04)
14	110797-21-F29	EA	COUNTERTOP - ENTERTAINMENT CENTER (H05)
14	110797-21-E01	EA	COUNTERTOP - ENTERTAINMENT CENTER (H24\H26)
	110790-02-000	EA	BRACKET - TV TIEDOWN
	106699-01-01A	EA	BRACKET - OVERHEAD CABINET/TV

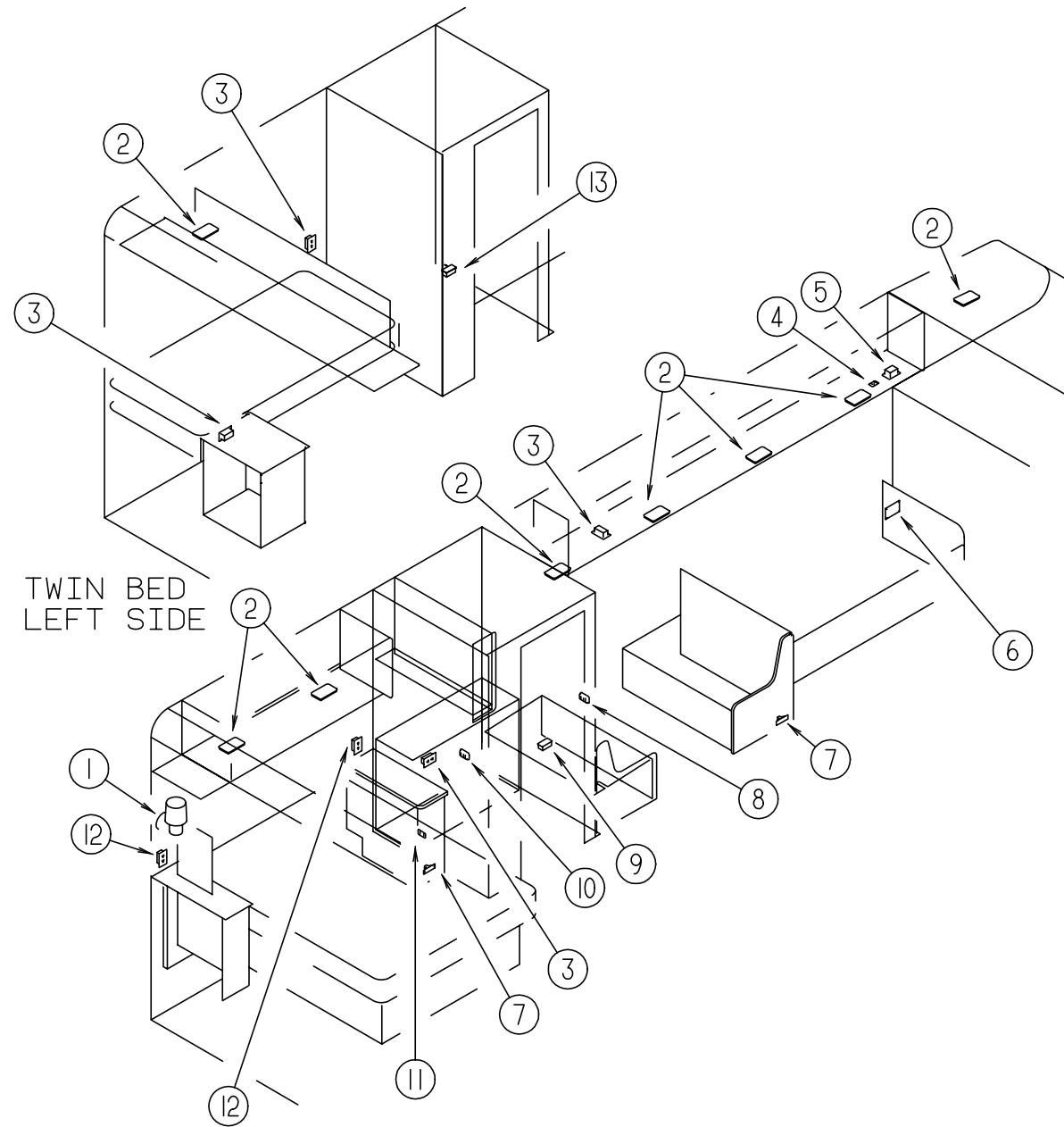


EXTERIOR LIGHTS

KEY	PART NUMBER	U/M	DESCRIPTION
1	111102-02-000	EA	LENS-MARKER LAMP, AMBER - TRIPLEX 118A
	111102-01-000	EA	LAMP-MARKER, BASE - TRIPLEX 117 X AS
	091983-01-000	EA	GASKET-CLEARANCE/SIDEMARKER LIGHT
	036196-01-000	EA	BULB - 12V, #194 - .27AMP - BAYONETTE
	112823-01-000	EA	SPLICE-REDUCER, 16-14T018-22 ETC BA-631X
2	097917-01-06A	EA	LIGHT-PORCH, ENTRY DOOR - BRIGHT WHITE
	008215-01-000	EA	BULB - 12V, #1003 - .94AMP
	097917-01-700	EA	LENS-LIGHT, PORCH
3	111102-03-000	EA	LENS-MARKER LAMP, RED - TRIPLEX 117R
	111102-01-000	EA	LAMP-MARKER, BASE - TRIPLEX 117XAS
	091983-01-000	EA	GASKET-CLEARANCE/SIDEMARKER LIGHT
	036196-01-000	EA	BULB - 12V, #194 - .27AMP - BAYONETTE
	112823-01-000	EA	SPLICE-REDUCER, 16-14T018-22 ETC BA-631X
4	103355-01-05A	EA	POD-TAILLIGHT, BRIGHT WHITE
	081638-01-000	EA	TAILLIGHT-DOUBLE, W/BLACK TRIM - DRIVER & PASSENGER SIDE
	037934-01-000	EA	BULB - 12V, #1156 - 2.1AMP - CLEAR GLASS - BACK UP & TURN SIGNAL BULB
	037935-01-000	EA	BULB - 12V, #1157 OR #2057 - 2.1AMP - CLEAR GLASS - BRAKE LIGHT
	081638-01-700	EA	LENS-TAILLIGHT, RED - BARGMAN 30-84-010
	081638-01-701	EA	LENS-TAILLIGHT, W/BACKUP - BARGMAN 30-84-700
5	066432-02-000	EA	LIGHT-LICENSE PLATE
	066432-03-000	EA	BRACKET-LICENSE PLATE LIGHT

ELECTRICAL GROUP (CONTINUED)

LIGHTS, SWITCHES & RECEPTACLES - DRIVER SIDE - QUEEN & TWIN BED

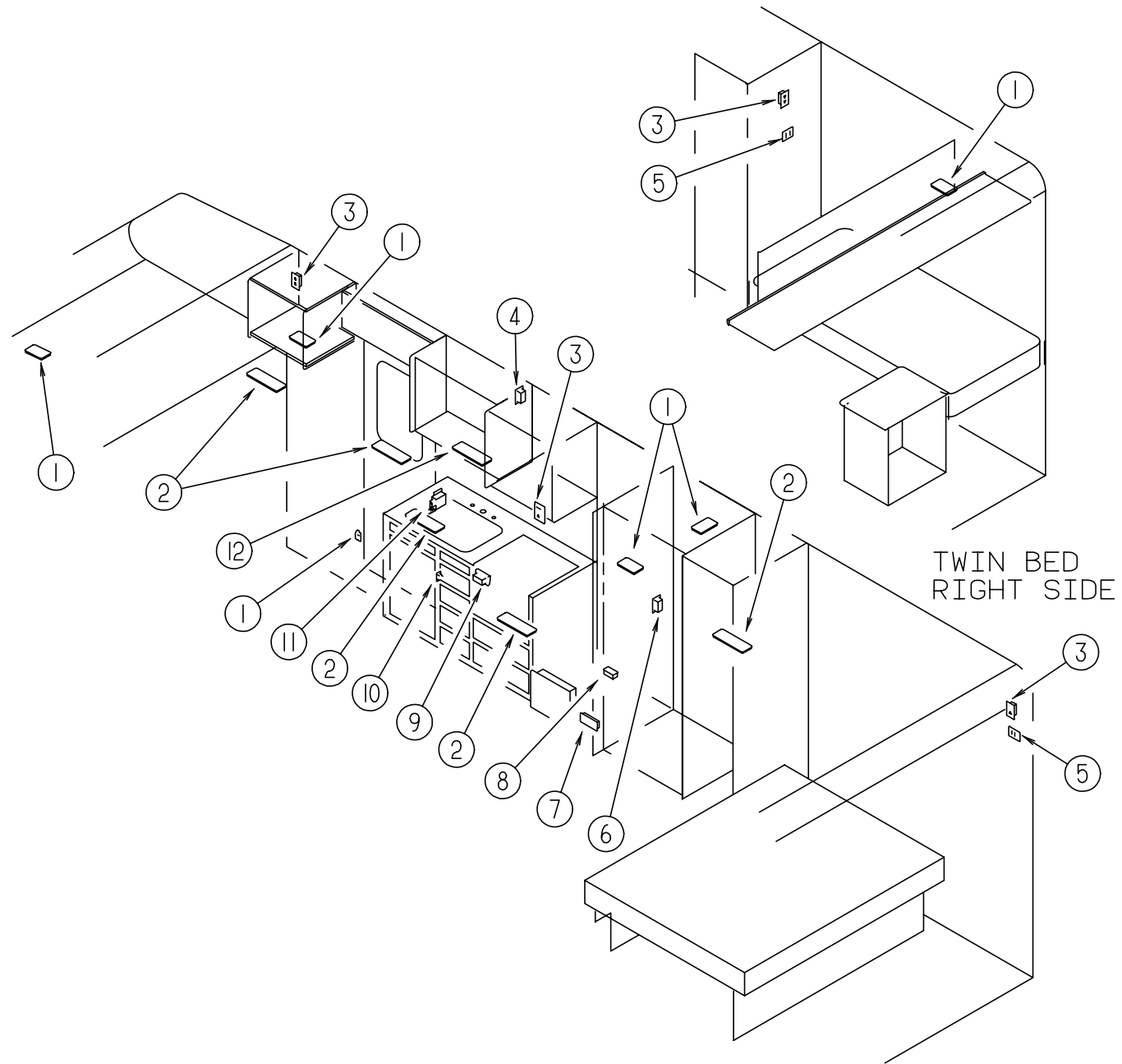


KEY	PART NUMBER	U/M DESCRIPTION
1	119258-05-01A	EA LAMP - WALL
	067479-01-000	EA BULB - 12 VOLT - #1076 - 1.80 AMP
2	098024-05-02A	EA LIGHT - DOME - 1 BULB - SKYLITE WHITE
	008218-01-000	EA BULB - DOME LIGHT - 12 VOLT - NO. 1141
	098024-01-701	EA LENS - OPTI CLEAR - SKYLIGHT 809902
3	058708-01-000	EA RECEPTACLE - ELECTRIC - DOUBLE - BROWN
4	098351-02-01A	EA PLATE - SWITCH - 2 GANG POLISHED BRASS
4	079364-01-000	EA SWITCH - ON/OFF ROCKER - 2 PRONGS - BROWN
4	079364-03-000	EA SWITCH - ON/OFF ROCKER - 3 PRONGS - BROWN
4	098351-01-01A	EA PLATE - SWITCH - 1 GANG POLISHED BRASS - W/O SIDE TV CABINET
4	079364-02-000	EA SWITCH - ON/OFF - ROCKER - W/O SIDE TV CABINET
5	058708-01-000	EA RECEPTACLE - ELECTRIC - DOUBLE - BROWN
5	086777-02-000	EA WALLPLATE - TV CABLE - W/ANTENNA SWITCH
5	086777-06-000	EA WALLPLATE - ANTENNA 1 OUTPUT
6	084077-03-000	EA COVER/BLANK - ROOF A/C 5.2" X 3.5" - IVORY
7	061424-01-000	EA LIGHT - AISLE - 12 VOLT - RECTANGULAR
	008103-01-000	EA BULB - DASH/AISLE LIGHT - #53 - 12 VOLT - .12 AMP

KEY	PART NUMBER	U/M DESCRIPTION
8	098351-02-01A	EA PLATE - SWITCH - 2 GANG POLISHED BRASS
8	079364-01-000	EA SWITCH - ON/OFF ROCKER - 2 PRONGS - BROWN
	095188-01-01A	EA SPACER - SWITCH - 2.3" X 3.4" - PLASTIC - DARK BROWN
9	058707-02-000	EA RECEPTACLE - BLANK - JUNCTION
10	098351-02-01A	EA PLATE - SWITCH - 2 GANG POLISHED BRASS
10	079364-01-000	EA SWITCH - ON/OFF ROCKER - 2 PRONGS - BROWN
10	079364-03-000	EA SWITCH - ON/OFF ROCKER - 3 PRONGS - BROWN
	095188-01-01A	EA SPACER - SWITCH - 2.3" X 3.4" - PLASTIC - DARK BROWN
11	108357-08-000	EA SWITCH - ROCKER DPDT ON/NONE/ON 6 TERMINAL
	108356-02-01A	EA ACTUATOR/COVER - SWITCH - 2 DIMPLES
12	058708-02-000	EA RECEPTACLE - ELECTRIC - DOUBLE - IVORY
13	058708-02-000	EA RECEPTACLE - ELECTRIC - DOUBLE - IVORY - CANADIAN

ELECTRICAL GROUP (CONTINUED)

LIGHTS, SWITCHES & RECEPTACLES - PASSENGER SIDE - QUEEN & TWIN BED



KEY	PART NUMBER	U/M	DESCRIPTION
1	098024-05-02A	EA	LIGHT - DOME - 1 BULB - SKYLITE WHITE
	008218-01-000	EA	BULB - DOME LIGHT - 12 VOLT - NO. 1141
	098024-01-701	EA	LENS - OPTI CLEAR - SKYLIGHT 809902
2	098024-03-02A	EA	LIGHT - DOME - 2 BULB WHITE
	008218-01-000	EA	BULB - DOME LIGHT - 12 VOLT - NO. 1141
	098024-01-700	EA	LENS-LIGHT 807877
3	058708-01-000	EA	RECEPTACLE - ELECTRIC - DOUBLE - BROWN
4	058708-05-000	EA	RECEPTACLE - SINGLE - BROWN
5	076319-09-000	EA	WALLPLATE - CABLE RECEPTACLE - TV - SINGLE - BROWN
6	058707-01-000	EA	RECEPTACLE - ELECTRIC - SINGLE - BROWN
7	024924-02-000	EA	RECEPTACLE - POWER CORD - W/PARTIAL PLATE

KEY	PART NUMBER	U/M	DESCRIPTION
8	058707-02-000	EA	RECEPTACLE - BLANK - JUNCTION
9	112822-01-01A	EA	RECEPTACLE - DUPLEX - IVORY
	112824-01-03A	EA	COVER - EXTERIOR - DUPLEX RECEPTACLE
10	098351-07-01A	EA	PLATE - SWITCH - POLISHED BRASS
10	108357-06-000	EA	SWITCH - ROCKER DPDT MON/OFF/MOM 6 TERMINAL
11	084076-02-000	EA	RECEPTACLE - GFI - 15 AMP - 125 VOLT - BROWN
12	098024-06-02A	EA	LIGHT - DOME - 2 BULB - SKYLITE
	008218-01-000	EA	BULB - DOME LIGHT - 12 VOLT - NO. 1141
	098024-01-701	EA	LENS - OPTI CLEAR - SKYLIGHT 809902

ELECTRICAL GROUP (CONTINUED)
FUSES & CIRCUIT BREAKERS

KEY	PART NUMBER	U/M DESCRIPTION
	008235-01-000	EA FUSE-AUTOMOTIVE, 12V - 15AMP
	062901-02-000	EA FUSE - 5 AMPS - AUTOMOTIVE
	062901-05-000	EA FUSE - 15 AMPS - AUTOMOTIVE
	083209-02-000	EA CIRCUIT BREAKER - 15/15 AMP - 120 VOLT
	083209-03-000	EA CIRCUIT BREAKER - 15/20 AMP - 120 VOLT
	083209-04-000	EA CIRCUIT BREAKER - 30 AMP - 120 VOLT
	083209-06-000	EA CIRCUIT BREAKER - 30/15 AMP - 120 VOLT
	093654-01-000	EA CIRCUIT BREAKER - 6 AMP - 12 VOLT
	093654-03-000	EA CIRCUIT BREAKER - 20AMP - 12 VOLT
	093655-02-000	EA CIRCUIT BREAKER - 30AMP 12V
	100341-01-000	EA FUSE HOLDER - IN LINE TYPE

ELECTRIC BOXES, COVERS & POWER CORDS

KEY	PART NUMBER	U/M DESCRIPTION
	008052-01-000	EA CORD - POWER - 10/3 - 30 AMP - 25' - CANADIAN
	008054-01-000	EA CORD - POWER - 10/3 - 30 AMP - 25'
	008289-01-000	EA BOX - ELECTRIC/STEEL - 12" & 3/4" KNOCKOUTS - 4" X 4"
	008289-02-000	EA BOX - ELECTRICAL - 4" X 4" - 1/2" & 3/4" KNOCKOUTS-CANADIAN
	008294-01-000	EA COVER - ELECTRICAL BOX - BLANK/STEEL - 4" X 4" - GRAY
	008294-02-000	EA COVER - ELECTRICAL BOX - BLANK STEEL - 4" X 4" - CANADIAN
	069238-01-000	EA COVER - ELECTRICAL BOX - W/HOLE - 4" X 4" - GRAY USED WITH 30 AMP RECEPTACLE
	091910-02-000	EA BOX - ELECTRIC - PLASTIC - 2.24" X 3.45"
	093603-01-000	EA BOX-ELECTRIC, 4" X 2 1/8" X 2 1/8" - STEEL
	107165-01-01A	EA BOX - CIRCUIT BREAKER 14.6" X 4" - BLACK PLASTIC

CONDUIT

KEY	PART NUMBER	U/M DESCRIPTION
	041953-01-000	FT CONDUIT - CONVOLUTE SLIT - .5" ID
	041953-01-000	FT CONDUIT - CONVOLUTE SLIT - .5" ID
	041953-01-000	FT CONDUIT - CONVOLUTE SLIT - .5" ID
	041953-03-000	FT CONDUIT - CONVOLUTE SLIT - 1" ID (CLOTHES ROD COVER)
	041953-06-000	FT CONDUIT - CONVOLUTE SLIT - .375" ID
	041953-07-000	FT CONDUIT - CONVOLUTE SLIT - .25" ID
	041953-08-000	FT CONDUIT - CONVOLUTE SLIT - 1.50" ID
	041953-09-000	FT CONDUIT - CONVOLUTE SLIT - .50" ID
	041953-10-000	FT CONDUIT - CONVOLUTE SLIT - .75" ID
	041953-11-000	FT CONDUIT - CONVOLUTE SLIT - 1.06" ID
	041953-12-000	FT CONDUIT - CONVOLUTE NON SLIT - 1.1" ID

POWER CONVERTER & INVERTER

KEY	PART NUMBER	U/M DESCRIPTION
	083208-02-000	EA CONVERTER - POWER - 45A - 120/12V
	099048-03-000	EA INVERTER - 130 WATT
	113132-01-000	EA LOAD CENTER - 120/240 VOLT - 60 AMP

SOLAR PANEL - MC CLAIMS ANNIVERSARY OPTION

KEY	PART NUMBER	U/M DESCRIPTION
	115504-01-000	EA PANEL - SOLAR 10 WATT
	115504-01-700	EA PLUG & CABLE, 10 WATT PANEL 600-016
	115505-01-000	EA LIGHT - MONITOR/SOLAR PANEL - RED LED INDICATOR

ELECTRICAL MISCELLANEOUS

KEY	PART NUMBER	U/M DESCRIPTION
	008188-01-000	EA SOLENOID - 3 POST - BATTERY CHANGE OVER
	063910-01-000	EA HOUSING - RELAY
	086273-01-000	EA RELAY - BATTERY DISCONNECT

ELECTRICAL GROUP (CONTINUED)

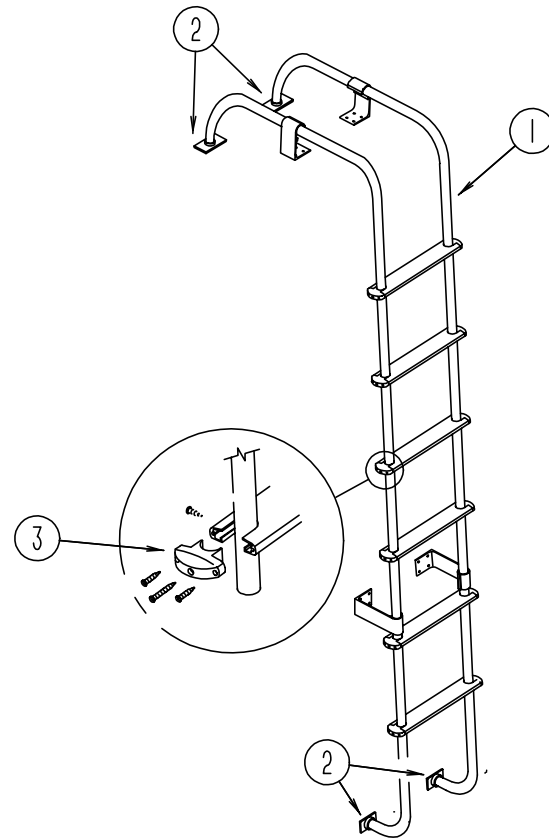
CONNECTORS, HOUSINGS, & TERMINALS

KEY	PART NUMBER	U/M DESCRIPTION
	007956-05-000	EA INSULATOR - SHRINK - .25 ID X 1.50
	008311-01-000	EA CONNECTOR - WIRE NUT - INSULATED - RED
	008312-01-000	EA CONNECTOR - WIRE NUT - INSULATED - BLUE
	008313-01-000	EA CONNECTOR - WIRE NUT - INSULATED - YELLOW
	008314-01-000	EA CONNECTOR - WIRE NUT - INSULATED - GRAY
	008326-01-000	EA TERMINAL - RING 16/14 WIRE - 3/8" STUD
	008328-01-000	EA TERMINAL - RING - 12/10 WIRE - #10 STUD FIT
	008331-01-000	EA TERMINAL - RING - TONGUE - #4 WIRE - 3/8" STUD - COPPER
	008348-01-000	EA TERMINAL - RING - 3/8" STUD 2 GA. WIRE
	008355-01-000	EA CONNECTOR - CABLE CLAMPING - 3/4"
	008356-01-000	EA CONNECTOR - PLASTIC - 3/8" AVG
	022756-02-000	EA COVER-PROTECTIVE, 5.5" ENDS X 8.2"
	022756-03-000	EA COVER-A/C PLASTIC
	035416-04-000	EA TERMINAL - RING - #10 STUD FIT - INSULATED BARREL #16/14
	047443-01-000	EA TERMINAL - .250 RECEPTACLE FIT - INSULATED - 16/14 AWG
	047443-02-000	EA TERMINAL - .250 RECEPTACLE FIT - INSULATED - 12/10 AWG
	058028-01-000	EA CONNECTOR - ELECTRICAL PIGTAIL - NYLON - CLEAR
	077479-01-000	EA BOOT - BATTERY TERMINAL - DOUBLE CABLE
	077479-02-000	EA BOOT - BATTERY TERMINAL - SINGLE CABLE
	080015-02-000	EA RECEPTACLE - FLAG - .185 - 16/14 GAUGE - AMP 3
	080015-03-000	EA RECEPTACLE - FLAG - 14/16 GA
	087949-01-000	EA BUSS BAR - 2 POSITION - .6" X 1.5"
	088473-01-000	EA HOUSING - PIN - 12 CAVITY
	088473-02-000	EA HOUSING - PIN - 15 CAVITY
	088473-03-000	EA HOUSING - PIN - 9 CAVITY
	088473-06-000	EA HOUSING - PIN - 6 CAVITY
	088473-08-000	EA HOUSING - PIN - 4 CAVITY
	088473-09-000	EA HOUSING - PIN - 3 CAVITY
	088473-10-000	EA HOUSING - PIN - 2 CAVITY
	088474-01-000	EA HOUSING - SOCKET - 12 CAVITY
	088474-02-000	EA HOUSING - SOCKET - 12 CAVITY
	088474-03-000	EA HOUSING - SOCKET - 9 CAVITY
	088474-06-000	EA HOUSING - SOCKET - 6 CAVITY
	088474-09-000	EA HOUSING - SOCKET - 3 CAVITY
	088474-10-000	EA HOUSING - SOCKET - 2 CAVITY
	088475-01-000	EA PIN - CONNECTOR - 14 - 20 AWG
	088475-02-000	EA PIN - CONNECTOR - 10-12 AWG
	088476-01-000	EA SOCKET - CONNECTOR - BRASS - PRE-TIN
	088476-02-000	EA SOCKET - CONNECTOR - 12-10 GA - PHOS BRZ - PRE - TIN
	098262-01-000	EA SEAL - CONNECTOR - WEATHER PACK
	098265-02-000	EA PIN - CONNECTOR - WEATHER PACK
	101751-01-000	EA HOUSING - 1 PIN - WEATHER PACK
	101751-02-000	EA HOUSING - 1 PIN - WEATHER PACK
	102777-02-000	EA TERMINAL - RING - 3_ STUD - 10 AWG
	112823-01-000	EA SPLICE - REDUCER - 16-14 TO 18-22
	125323-02-000	EA HOUSING - 8 POSITION - MALE
	125324-01-000	EA TERMINAL - MALE
	125325-01-000	EA SEAL - CAVITY

WIRING ASSEMBLIES

KEY	PART NUMBER	U/M DESCRIPTION
	096449-01-000	EA WIRE ASSEMBLY - WATER TANK TO MONITOR PANEL
	097618-01-000	EA WIRE ASSEMBLY - MONITOR PANEL- W/3 WIRES & ORANGE RESISTOR ORANGE RESISTOR W/3 (ORANGE-GREEN-BLUE) WIRES
	106851-01-000	EA WIRE ASM-DAY RUN LAMP, FUSE
	116894-01-000	EA WIRE ASM-SPEED SENSOR EXTEND, JFB L-322B

EXTERIOR BODY GROUP



LADDER

KEY	PART NUMBER	U/M DESCRIPTION
1	102953-10-F15	EA LADDER ASSEMBLY
2	067165-01-000	EA MOUNTING BRACKET-LADDER, LOWER
3	076980-02-000	EA END CAP-STEP, BLACK
	000G39-06-10T	EA SCREW-SF/DR - 6-20 X 5/8 PPH - BLACK
	000G68-10-36T	EA SCREW - 10-12 X 2.25 POH - BLACK
	038327-01-000	EA TAPE-ANTI SLIP, 2" X 60'

EXTERIOR BODY GROUP (CONTINUED)

EXTERIOR MIRRORS - PLATE MOUNT - VELVAC

KEY	PART NUMBER	U/M DESCRIPTION	VENDOR NO.
	120269-03-02A	EA MIRROR - EXTERIOR - PASSENGER - 102"	
	120269-04-02A	EA MIRROR - EXTERIOR - DRIVER - 102"	
	120269-01-700	EA GLASS KIT W/BEZEL RH/LH	709407-8

EXTERIOR MIRRORS - W/HEAT & REMOTE - MC CLAINS ANNIVERSARY OPTION

KEY	PART NUMBER	U/M DESCRIPTION
	120269-06-01A	EA MIRROR - EXTERIOR - W/HEAT/REMOTE - DRIVER
	120269-05-01A	EA MIRROR - EXTERIOR - W/HEAT/REMOTE - PASSENGER
	120269-08-000	EA HARNESS-ELECT MIRROR VELVAC 748304-8

RUNNING BOARDS

KEY	PART NUMBER	U/M DESCRIPTION	VENDOR NO.
	072884-27-000	EA RUNNING BOARD - 39" - FORD	
	072884-27-700	EA BRACKET SET 12" 92	RB2BRK/M
	072884-27-701	EA RUNNING BOARD-FORD 39", RH & LH	
	072884-27-702	FT TREAD TAPE	RB9202
	072884-27-703	EA MUD FLAP W/HOLES, 1EA=PAIR	99171
	072884-27-704	EA CAP-ENDS, 1EA=PAIR	99148

EXTERIOR BODY GROUP (CONTINUED)

FIBERGLASS, ALUMINUM, STYROFOAM, PLYWOOD & CHANNEL

KEY	PART NUMBER	U/M	DESCRIPTION
	000870-08-000	SF	STYROFOAM - .75" X 4' X 8' - PLANED
	002726-01-001	EA	GARNISH-U-CHANNEL, 1.38" X 19' - SERRATED - MILL ALUMINUM
	002766-01-001	EA	ANGLE-EXTRUDED, 1" X 1.5" X 17'
	068716-01-001	EA	BRACE-90 DEGREE L-ANGLE - 16'
	076054-N9-000	EA	FIBERGLASS SHEET - 96" X 102" BRIGHT WHITE
	076054-P9-000	EA	FIBERGLASS SHEET - 37.4" X 99.25" BRIGHT WHITE
	076054-R1-000	EA	FIBERGLASS SHEET - 24" X 65.9" BRIGHT WHITE
	076054-S2-000	EA	FIBERGLASS SHEET - 106.3" X 320.9" BRIGHT WHITE
	076054-N9-000	EA	FIBERGLASS SHEET - 96" X 102" BRIGHT WHITE
	089297-01-000	SF	PLYWOOD-LUAN, OVERLAY GRADE - 4' X 8'
	100619-01-000	BF	EXPANDED FOAM SHEET - 4' X 8' X 1.34"
	100619-04-000	BF	FOAM - EXPANDED POLYSTYRENE - .5" X 4' X 8'
	100619-05-000	BF	FOAM - EXPANDED POLYSTYRENE - .75" X 4' X 8'
	108535-04-705	EA	FIBERGLASS SHEET - 6" X 34' BRIGHT WHITE
	108535-04-701	EA	FIBERGLASS SHEET - 104" X 396" BRIGHT WHITE

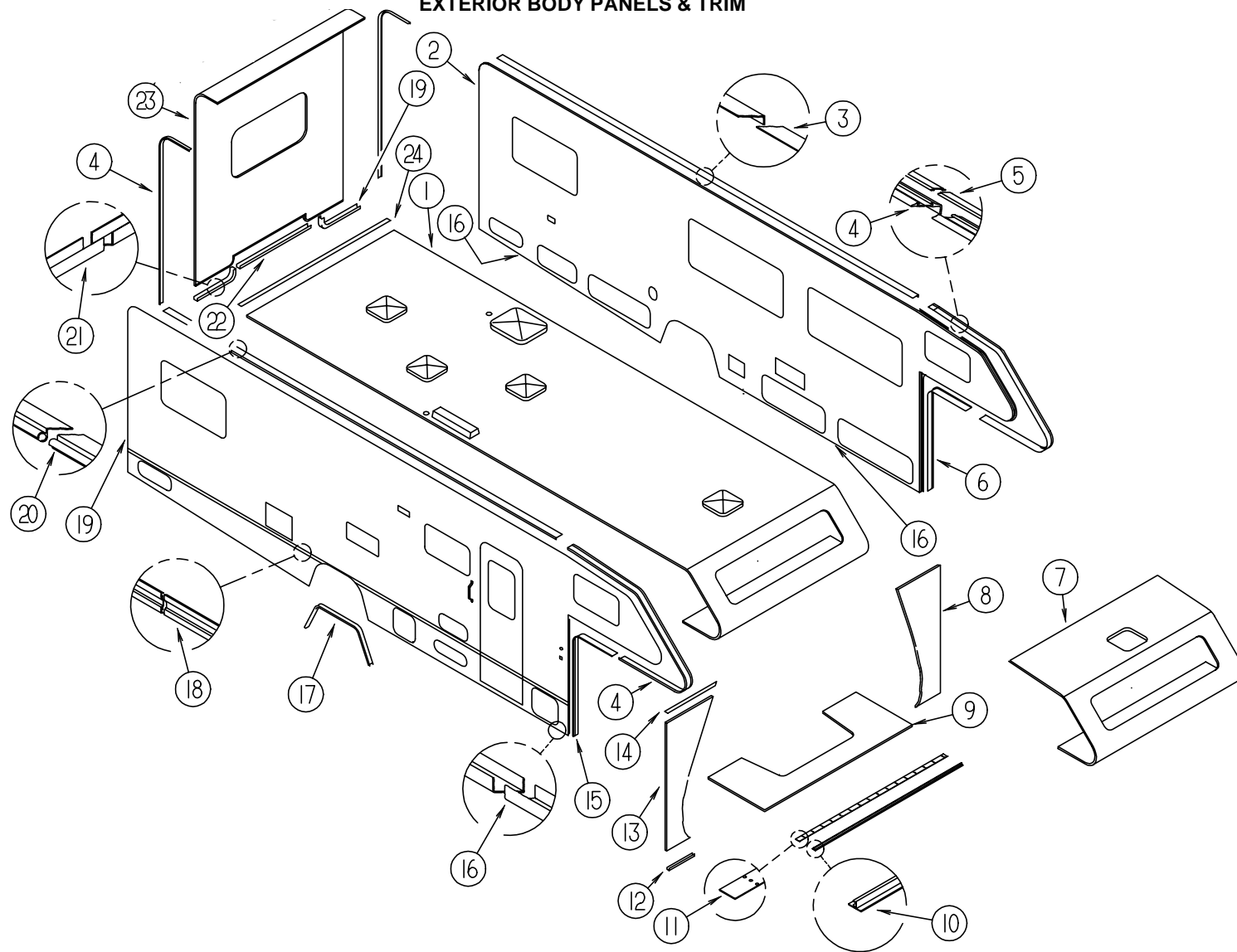
EXTERIOR BODY GROUP (CONTINUED)

AWNING

KEY	PART NUMBER	U/M	DESCRIPTION	VENDOR NO.
	113874-05-02A	EA	AWNING, W/O HDW, 14' (POLAR NAVY TEAL) VINYL	
	111038-01-01A	EA	SPACER-AWNING, LOWER BLACK	
	113874-01-02A	EA	AWNING - HARDWARE KIT - BRIGHT WHITE	
	113874-01-702	EA	KNOB-ADJUSTING, W/HARDWARE	143249
	113874-01-703	EA	ROD-CENTER PULL, W/GRIP	830152.002
	113874-01-706	EA	LOCK-TRAVEL	830587
	113874-01-707	EA	HANDLE-LIFT	830644
	113874-01-709	EA	NAIL-SPIKE, 8"	113006
	113874-01-710	EA	PLUG-STOP KIT	830456
	113874-01-711	EA	ARM - ADJUSTABLE/TALL SATIN	830466.016
	113874-01-712	EA	FOOT-PATIO	730366
	113874-01-714	EA	RAFTER - MAIN RH/LH BRT/WHT	830295.036F
	113874-01-715	EA	RAFTER - SECONDARY BRT/WHT	830463.011F
	113874-01-716	EA	ARM - MAIN SUPPORT BRT/WHT	3104502.277F
	113874-01-717	EA	ARM - ADJUSTABLE BRT/WHT	830466.016/F
	113874-10-01A	EA	SPACER-AWNING, LOWER BRACKET	

EXTERIOR BODY GROUP (CONTINUED)

EXTERIOR BODY PANELS & TRIM

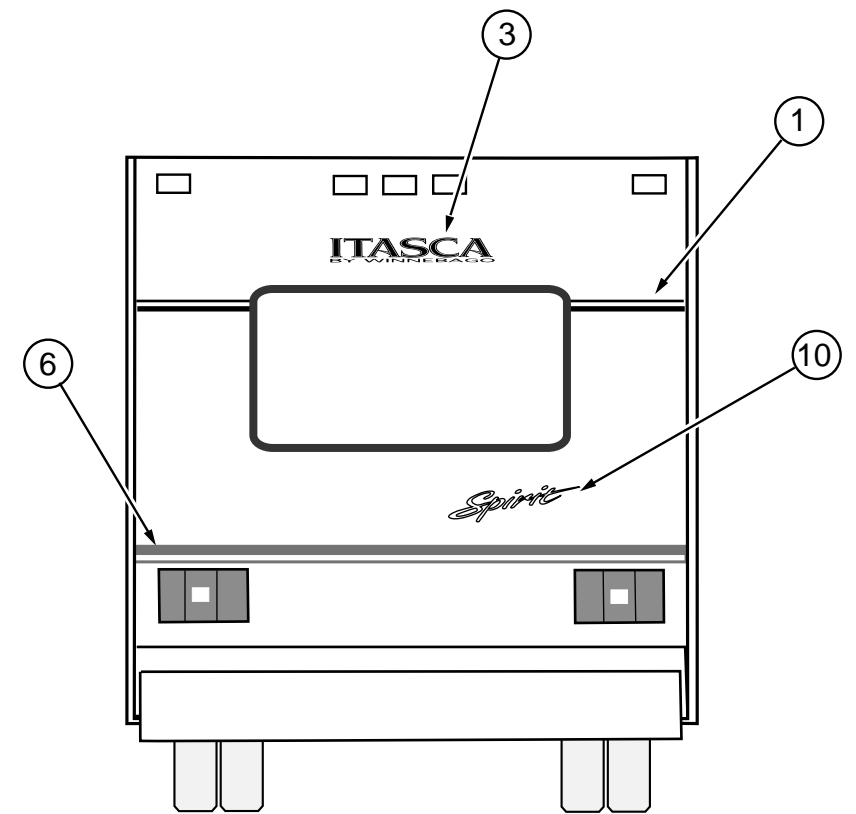
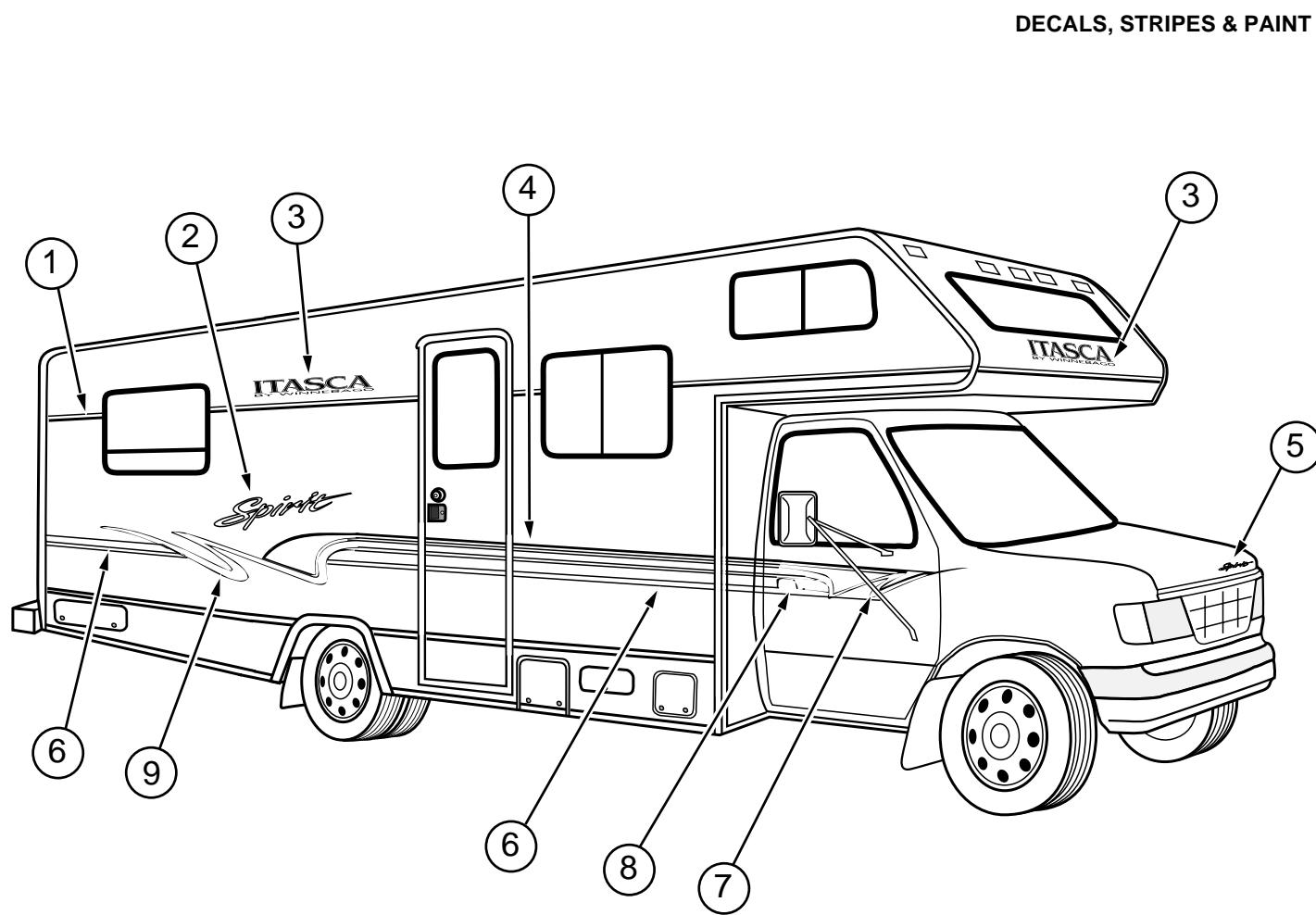


KEY	PART NUMBER	U/M	DESCRIPTION
1	P24365-01-H04	EA	ROOF - W/O LIGHTS/VENTS - W/WIRING
2	P24273-01-H04	EA	SIDEWALL - DRIVER - W/O WINDOWS/TRIM (H04)
2	P24273-01-H05	EA	SIDEWALL - DRIVER - W/O WINDOWS/TRIM (H05)
2	P24273-01-H24	EA	SIDEWALL - DRIVER - W/O WINDOWS/TRIM (H24/H26)
	104437-01-000	EA	TUBE-FORMED,SIDEWALL,REAR
	064675-54-003	EA	STEEL - ANGLE ROOF JOINT - 4' - OFF/WHITE
	064675-54-004	EA	STEEL - ANGLE ROOF JOINT - 1.7' - OFF/WHITE
3	096864-01-02A	EA	TRIM - CONTOUR - ROOF TO SIDEWALL
4	096854-04-02A	EA	TRIM - CONTOUR
5	105312-01-07A	FT	INSERT - FEATURE STRIP VINYL - BRIGHT WHITE
6	104479-06-02A	EA	TRIM - FRONT CONTOUR - BRIGHT WHITE
7	M76177-01-700	EA	CAP-FRONT, OVERHEAD CAB TO FIRST SEAM OF ROOF
8	118334-04-H04	EA	WINGWALL ASM
9	P18335-01-G04	EA	SLEEPERBOARD
10	100086-04-01A	EA	TRIM - SLEEPER BOARD/ROOF - BRIGHT WHITE - 2" X 96.6"
11	100085-05-01A	EA	TRIM - STRAP - SLEEPERBOARD
12	002365-03-006	EA	U CHANNEL - EXTRUDED/POWDER PAINTED 1" X 192"
13	118334-03-H04	EA	WINGWALL ASM
14	022992-14-000	FT	MOLDING-REVERSE COVE,BRT/WHT W&B UV STABLE
15	104479-05-02A	EA	TRIM - FRONT CONTOUR - BRIGHT WHITE
16	098072-55-003	EA	EXTR-CHANNEL,BRTWHT4877MM
17	105100-02-02A	EA	TRIM-WHEELWELL BRT/WHT

KEY	PART NUMBER	U/M	DESCRIPTION
	069362-06-000	EA	TUBE-SUPPORT, FLOOR TO VALANCE PANEL - 17"
18	108688-01-03A	EA	STRIP - FEATURE - W/O INSERT/END CAPS - 15'
	105312-01-07A	FT	INSERT - FEATURE STRIP VINYL - BRIGHT WHITE
	108651-01-01A	EA	END CAP - FEATURE STRIP
19	P24272-01-H04	EA	SIDEWALL - PASSENGER - W/O WINDOWS/TRIM (H04)
19	P24272-01-H05	EA	SIDEWALL - PASSENGER - W/O WINDOWS/TRIM (H05)
19	P24272-01-H24	EA	SIDEWALL - PASSENGER - W/O WINDOWS/TRIM (H24/H26)
20	100483-01-02A	EA	TRIM-CONTOUR, ROOF BRT WHT
	099583-55-004	EA	AWNING RAIL - 133.9" BRIGHT WHITE
	099583-55-003	EA	AWNING RAIL - 120"
21	103334-03-02A	EA	TRIM - BACKWALL/LOWER
22	103335-02-02A	EA	TRIM-BACKWALL,LOWER BRT/WHT
23	P24380-01-H04	EA	BACKWALL - W/O WINDOW/TRIM - QUEEN BED (H04)
23	P24380-01-H05	EA	BACKWALL - W/O WINDOW/TRIM - QUEEN BED (H05)
23	P24380-01-H24	EA	BACKWALL - W/O WINDOW/TRIM - QUEEN BED (H24/H26)
23	P24380-02-H04	EA	BACKWALL - W/O WINDOW/TRIM - TWIN BED (H04)
23	P24380-02-H05	EA	BACKWALL - W/O WINDOW/TRIM - TWIN BED (H05)
23	P24380-02-H24	EA	BACKWALL - W/O WINDOW/TRIM - TWIN BED (H24/H26)
24	078580-02-000	EA	TRIM - ROOF/FRONT CAP

EXTERIOR BODY GROUP (CONTINUED)

DECALS, STRIPES & PAINT



KEY	PART NUMBER	U/M	DESCRIPTION
1	093680-37-01A	FT	FILM-MULTISTRIPE 69.9MM - COOL BLUE/MEDIUM BLUE
2	115130-02-02A	EA	DECAL-LOGO, SPIRIT - SEAMIST TEAL
3	116921-02-05A	EA	DECAL-LOGO, ITASCA, WINNEBAGO INDUSTRIES - SEAMIST TEAL/SEAMIST TEAL/SEAMIST TEAL
4	094443-42-01A	FT	FILM-MULTISTRIPE 127MM - MAJASTIC PURPLE/MAJASTIC PURPLE/SEAMIST TEAL
5	115130-01-02A	EA	DECAL-LOGO, SPIRIT - SEAMIST TEAL
6	093680-38-01A	FT	FILM-MULTISTRIPE 136.5MM - COOL BLUE/MEDIUM BLUE
7	120913-01-01A	EA	DECAL-ZIG ZAG, SMALL, RH - SEAMIST TEAL
7	120913-02-01A	EA	DECAL-ZIG ZAG, SMALL, LH - SEAMIST TEAL
8	120914-01-01A	EA	DECAL-CAB HANDLE, FORD, RH - COOL BLUE/MEDIUM BLUE
8	120914-02-01A	EA	DECAL-CAB HANDLE, FORD, LH - COOL BLUE/MEDIUM BLUE
9	120912-01-01A	EA	DECAL-ZIG ZAG, LARGE, RH - SEAMIST TEAL/MAJASTIC PURPLE/BRIGHT WHITE
9	120912-02-01A	EA	DECAL-ZIG ZAG, LARGE, LH - SEAMIST TEAL/MAJASTIC PURPLE/BRIGHT WHITE
10	115130-01-02A	EA	DECAL-LOGO, SPIRIT - SEAMIST TEAL
	126511-01-01A	EA	DECAL - MCCLAINS RV 34TH ANNIVERSARY - S-MARLIN BLUE
	041561-03-000	EA	PAINT-16OZ SPRAY - OFF WHITE - ACRYLIC ENAMEL

DUPONT PAINT COLOR CODES

BRIGHT WHITE
LIGHTSILVER METALLIC

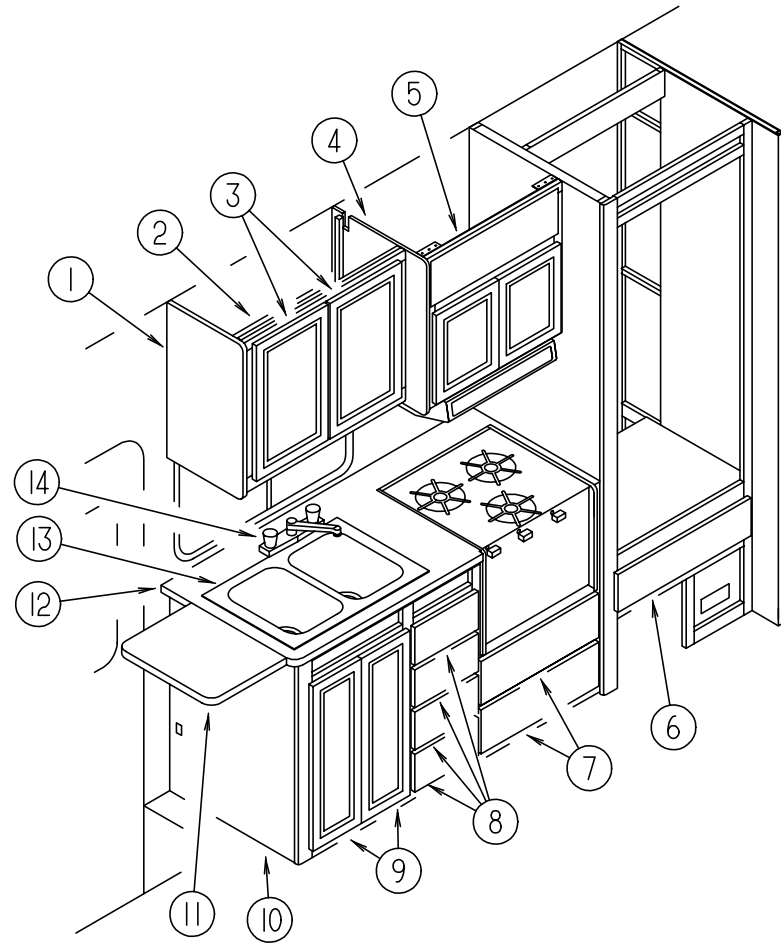
DUPONT B8951U
DUPONT F2573U - MC CLAINS ANNIVERSARY OPTION

DUPONT GRAPHICS COLOR CODES

SEAMIST TEAL
MAJASTIC PURPLE METALLIC
COOL BLUE METALLIC
MEDIUM BLUE METALLIC

FILM #3028	DUPONT G9845
FILM #7112	DUPONT F0740
FILM #7052	DUPONT BM080
FILM #7037	DUPONT F0747

GALLEY GROUP



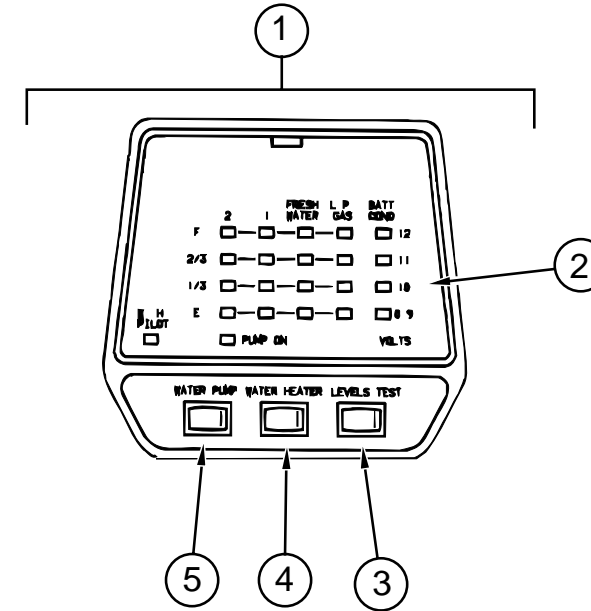
GALLEY CABINETS & FIXTURES

KEY	PART NUMBER	U/M DESCRIPTION
1	109908-53-H04	EA END CAP - OVERHEAD
2	124210-01-H04	EA CABINET - OVERHEAD GALLEY - W/O DOORS/HARDWARE
3	110140-11-G01	EA DOOR - MITERED CORNER/VINYL WRAP - 13.3" X 21.8" - W/O HDW
3	M06803-AF-H04	EA DOOR-RAIL,MTRD/OG 0340X0555
4	109908-52-H04	EA END CAP - OVERHEAD
5	115956-05-H04	EA CABINET - MICROWAVE - W/O DOORS/HARDWARE
6	P10163-CF-H04	EA DRAWER - W/O SLIDES/HARDWARE
6	M05971-J5-H04	EA DRAWER - OGEE EDGE - W/O SLIDES/HARDWARE
	090329-01-000	FT SEAL-T - REFRIGERATOR CABINET
7	P10163-CH-H04	EA DRAWER - W/O SLIDES/HARDWARE
7	M05971-50-H04	EA DRAWER - OGEE EDGE - W/O SLIDES/HARDWARE
8	P10163-CG-H04	EA DRAWER - W/O SLIDES/HARDWARE
8	M05971-EM-H04	EA DRAWER - OGEE EDGE - W/O SLIDES/HARDWARE
9	110140-46-G04	EA DOOR - MITERED CORNER/VINYL WRAP - 9.04" X 26.5" - W/O HDW
9	M06803-09-G15	EA DOOR-RAIL,MTRD/OG 0230X0675
10	P24208-01-H04	EA CABINET - GALLEY - W/O DOORS/DRAWERS/HARDWARE (H04)
10	P24208-01-H05	EA CABINET - GALLEY - W/O DOORS/DRAWERS/HARDWARE (H05)
10	P24208-01-H24	EA CABINET - GALLEY - W/O DOORS/DRAWERS/HARDWARE (H24/H26)
11	080812-04-G31	EA EXTENSION - GALLEY COUNTERTOP (H04)
11	080812-04-G14	EA EXTENSION - GALLEY COUNTERTOP (H05)
11	080812-04-G29	EA EXTENSION - GALLEY COUNTERTOP (H24/H26)
12	124208-11-H04	EA COUNTERTOP - GALLEY (H04)
12	124208-11-H05	EA COUNTERTOP - GALLEY (H05)
12	124208-11-H24	EA COUNTERTOP - GALLEY (H24/H26)
13	104113-01-000	EA SINK - DOUBLE - STAINLESS STEEL
	092303-01-000	EA STRAINER - SINK

GALLEY GROUP (CONTINUED)

GALLEY CABINETS & FIXTURES (CONTINUED)

KEY	PART NUMBER	U/M DESCRIPTION
	103610-01-E04	EA COVER - SINK - 15.1" X 15.8" (H04)
	103610-01-F29	EA COVER - SINK - 15.1" X 15.8" (H05)
	103610-01-G01	EA COVER - SINK - 15.1" X 15.8" (H24/H26)
14	103243-01-000	EA FAUCET-GALLEY,DUAL CONTROL - P5043

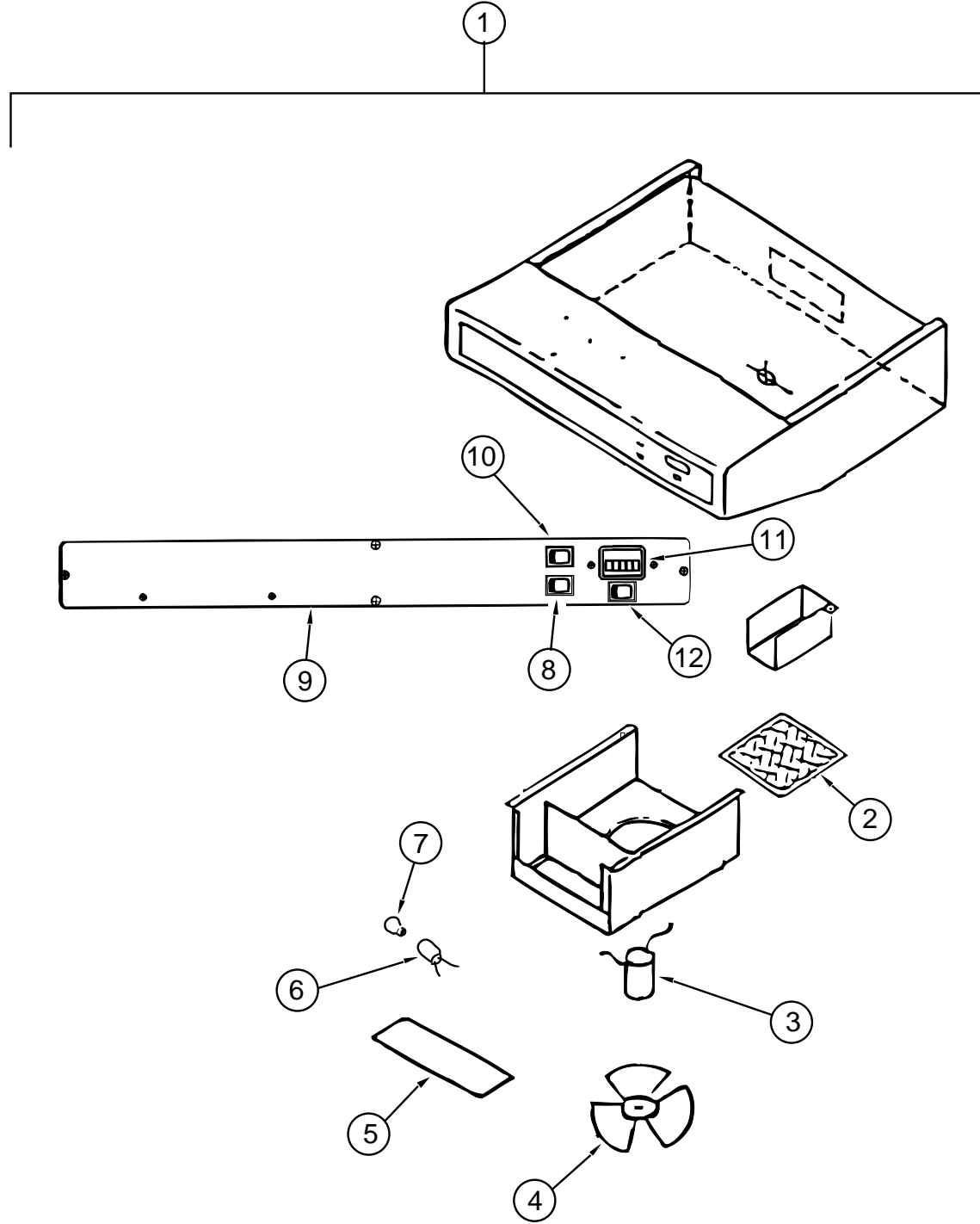


MONITOR PANEL - LVS

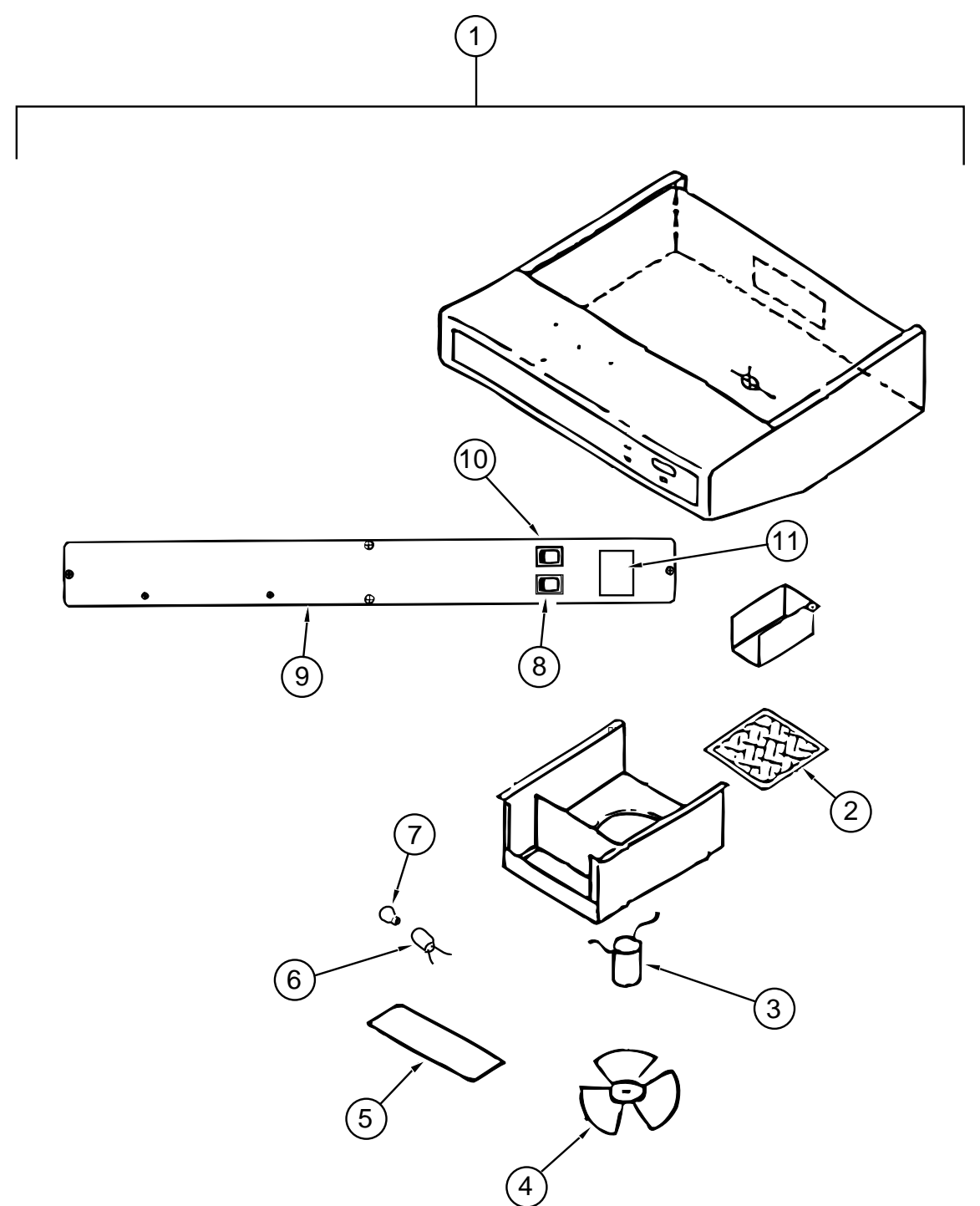
KEY	PART NUMBER	U/M DESCRIPTION	VENDOR NO.
1	102765-04-01A	EA PANEL-MONITOR 2 TANK WATER HEATER - LVS W/PLUG - ALMOND	
2	102765-04-700	EA BOARD-CIRCUIT, 2 HOLDING TANK	L5097-41
3	097617-01-702	EA SWITCH (ALMOND)	107
4	097617-01-701	EA SWITCH-ON/OFF, ALMOND	106
5	102765-01-700	EA SWITCH-ON-ON, ALMOND	110-01

MICROWAVE OVEN

KEY	PART NUMBER	U/M DESCRIPTION	VENDOR NO.
	115303-01-000	EA OVEN-MICROWAVE MCD-DM15K-7B	
	115303-01-700	EA TRIM F/VENT, TOP	2100309
	115401-01-01A	EA TRIM-MICROWAVE, BLACK	
	098916-08-01A	EA BRACE-MICROWAVE CABINET, LEFT - STEEL	
	098916-09-01A	EA BRACE-MICROWAVE CABINET, RIGHT - STEEL	
	094750-07-000	EA BRACKET-MICROWAVE, 89 DEGREE	



RANGE HOOD W/O MONITOR PANEL - U.S. - MODEL TPS-5009-SADLG

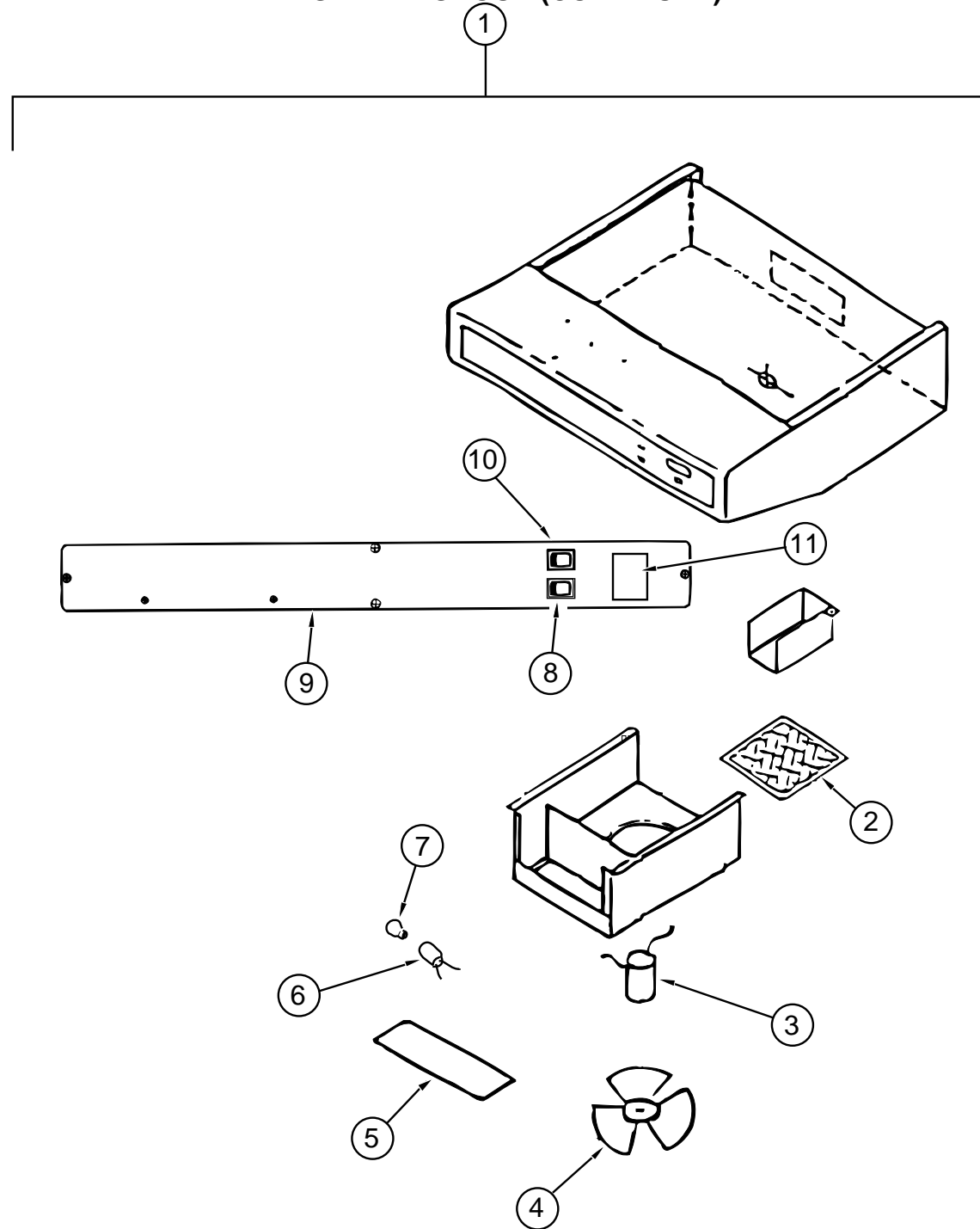


RANGE HOOD W/O MONITOR PANEL - U.S. - MODEL TCS-5008-NADL

KEY	PART NUMBER	U/M	DESCRIPTION
1	100258-18-02A	EA	HOOD-RANGE, W/O MONITOR PANEL -TEXTURED - VENTLINE
2	096983-01-707	EA	FILTER-MESH
3	090973-01-700	EA	MOTOR - LVS
4	090973-01-702	EA	BLADE-FAN, LVS
5	092696-02-701	EA	LENS-LAMP, LVS
6	092696-01-710	EA	HOLDER - LAMP
7	117806-01-000	EA	BULB - 12V NO.912 1.0 AMPS
8	096983-01-702	EA	SWITCH-TWO WAY MOMENTARY, VENTLINE
9	100258-01-700	EA	HOOD-NOSE LABEL,
10	096983-01-700	EA	SWITCH-ON/OFF, VENTLINE
11	100258-10-01A	EA	GAUGE-HOUR METER, W/SWITCH - SCREW ON 150
11	100258-10-701	EA	GAUGE-HOUR METER, CLIP ON
12	096983-01-702	EA	SWITCH-TWO WAY MOMENTARY, VENTLINE - GENERATOR

KEY	PART NUMBER	U/M	DESCRIPTION	VENDOR NO.
1	100258-16-03A	EA	HOOD-RANGE, W/O MONITOR PANEL -TEXTURED - VENTLINE	
2	096983-01-707	EA	FILTER-MESH	CC246
3	090973-01-700	EA	MOTOR - LVS	CA508-1
4	090973-01-702	EA	BLADE-FAN, LVS	VA183-1
5	092696-02-701	EA	LENS-LAMP, LVS	CC179-2
6	092696-01-710	EA	HOLDER - LAMP	CB267-2
7	117806-01-000	EA	BULB - 12V NO.912 1.0 AMPS	
8	096983-01-700	EA	SWITCH-ON/OFF, VENTLINE	108
9	100258-01-700	EA	HOOD-NOSE LABEL	CC428
10	096983-01-702	EA	SWITCH-TWO WAY MOMENTARY, VENTLINE	112
11	100258-10-01A	EA	GAUGE-HOUR METER, W/SWITCH - SCREW ON 150	
11	100258-10-701	EA	GAUGE-HOUR METER, CLIP ON	L0775-00
11	097944-03-700	EA	PLATE-COVER, HOUR METER - VENTLINE	L6052

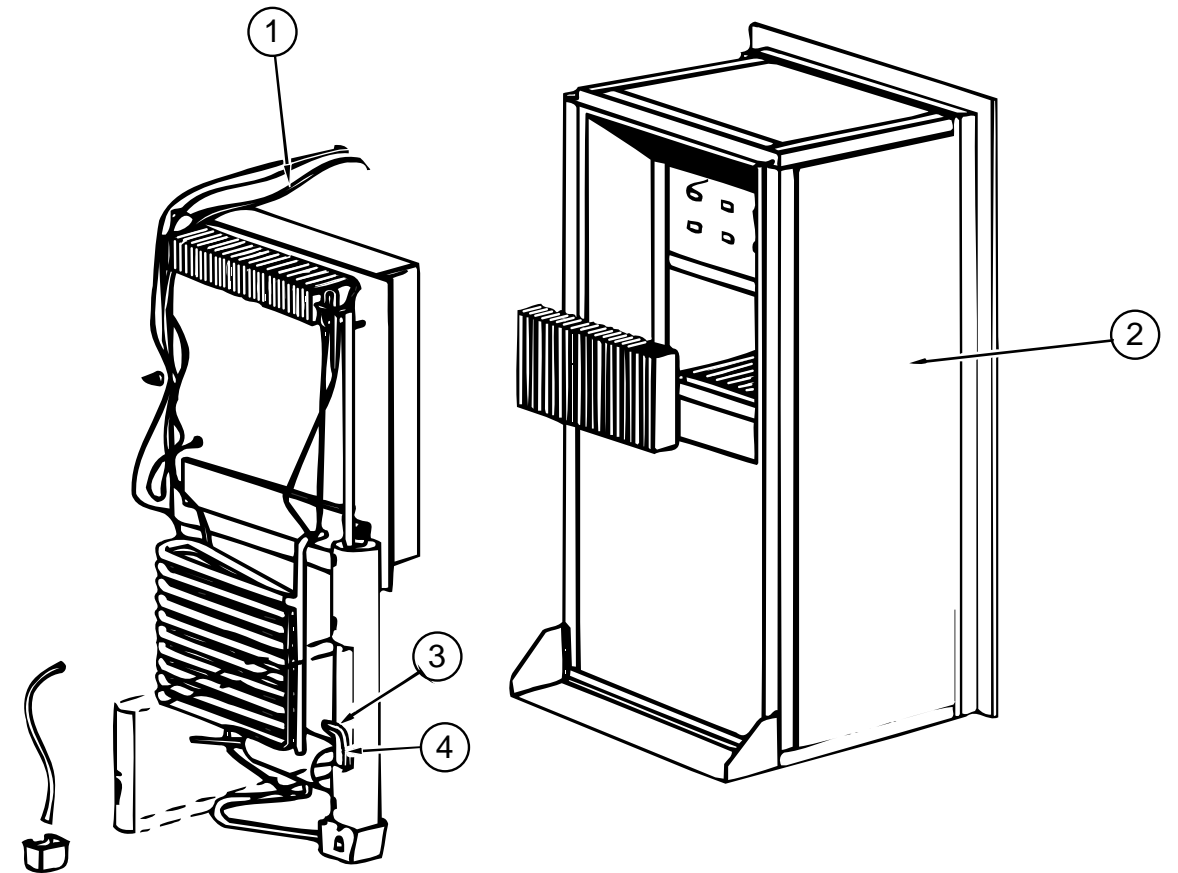
GALLEY GROUP (CONTINUED)



RANGE HOOD W/O MONITOR PANEL - CANADIAN - MODEL TCS-5008-NACL

KEY	PART NUMBER	U/M DESCRIPTION	VENDOR NO.
1	100258-17-03A	EA HOOD-RANGE, W/O MONITOR PANEL - TEXTURED - VENTLINE	
2	096983-01-707	EA FILTER-MESH	CC246
3	090973-01-700	EA MOTOR - LVS	CA508-1
4	090973-01-702	EA BLADE-FAN, LVS	VA183-1
5	092696-02-701	EA LENS-LAMP, LVS	CC179-2
6	092696-01-710	EA HOLDER - LAMP	CB267-2
7	117806-01-000	EA BULB - 12V NO.912 1.0 AMPS	
8	096983-01-700	EA SWITCH-ON/OFF, VENTLINE	108
9	100258-01-700	EA HOOD-NOSE LABEL	CC428
10	096983-01-702	EA SWITCH-TWO WAY MOMENTARY, VENTLINE	112
11	100258-10-01A	EA GAUGE-HOUR METER, W/SWITCH - SCREW ON 150	
11	100258-10-701	EA GAUGE-HOUR METER, CLIP ON	L0775-00
11	097944-03-700	EA PLATE-COVER, HOUR METER - VENTLINE	L6052

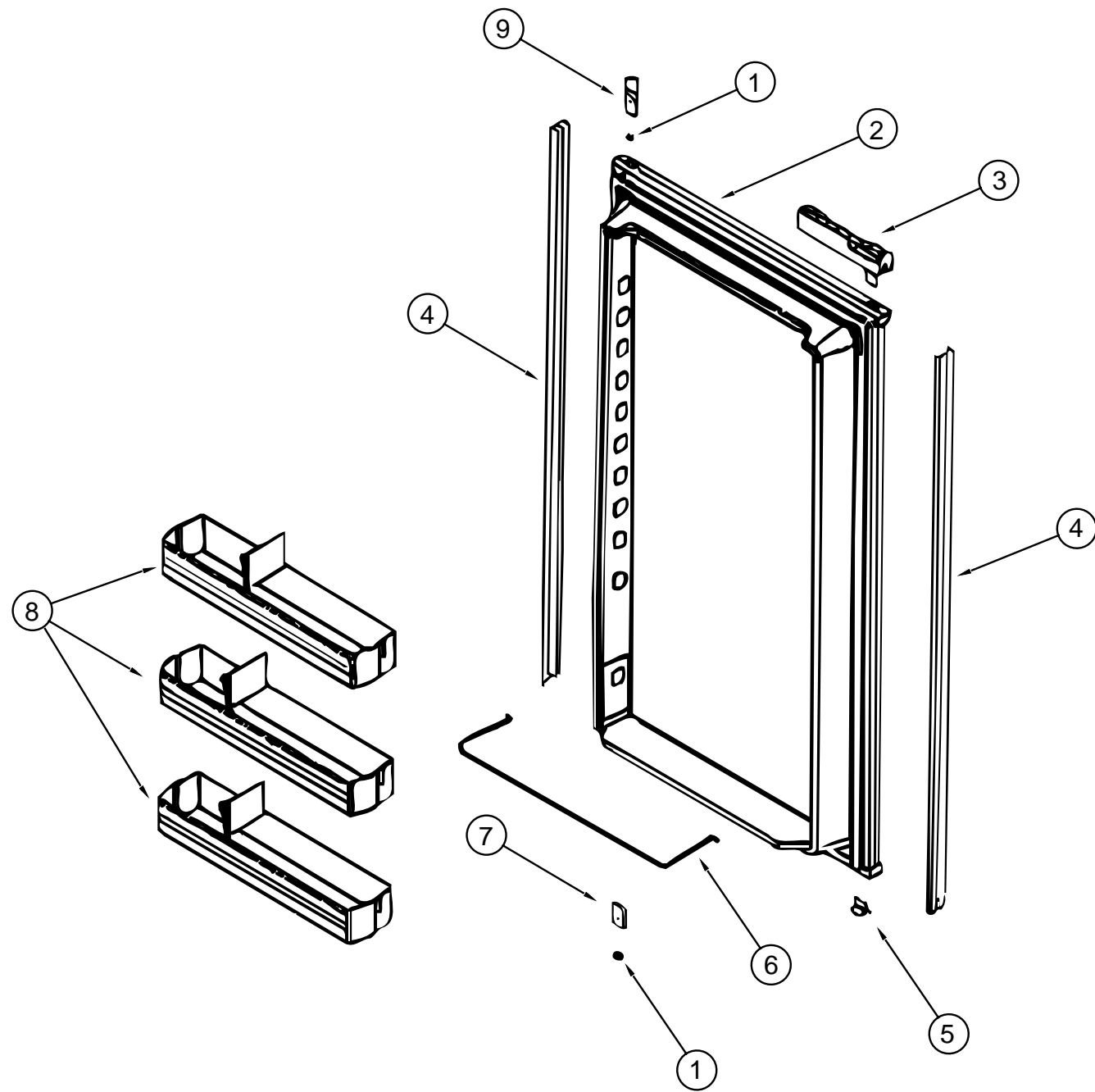
GALLEY GROUP (CONTINUED)



CABINET & COOLING UNIT - NORCOLD REFRIGERATOR SMALL DOUBLE DOOR - MODEL 9162 L

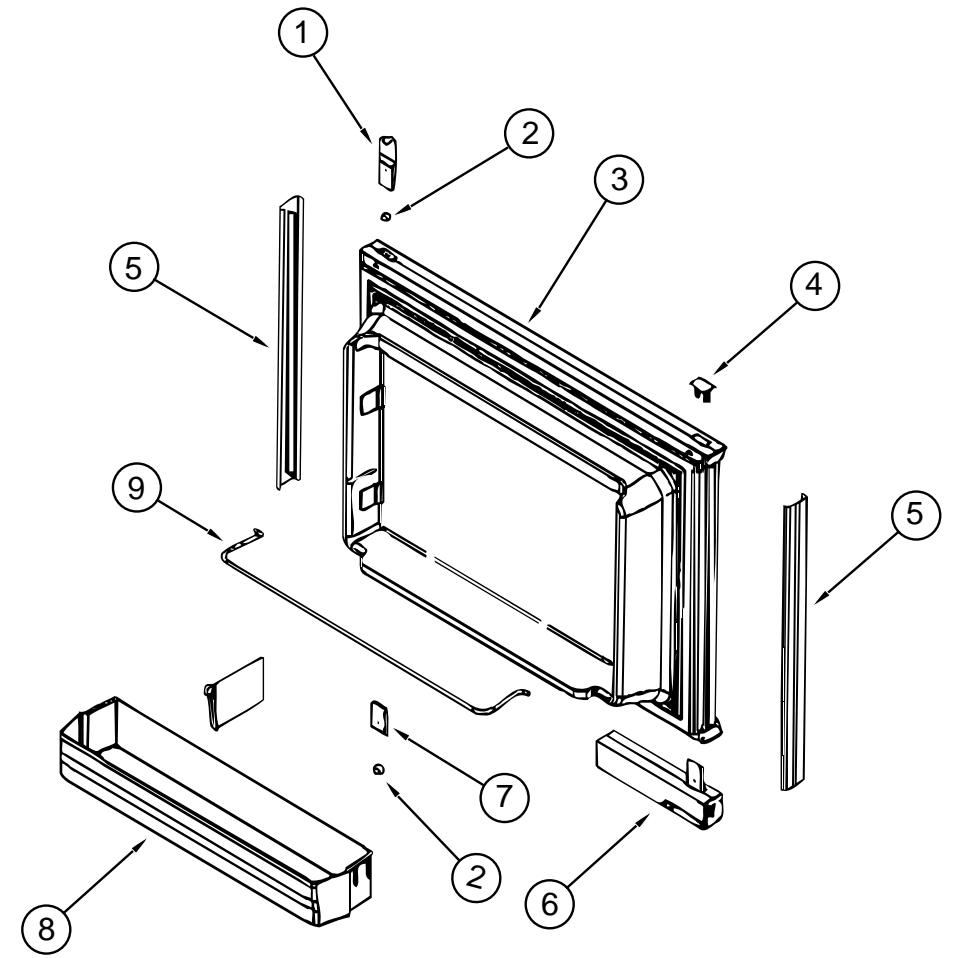
KEY	PART NUMBER	U/M DESCRIPTION	VENDOR NO.
	121568-02-01A	EA REFRIG-SMALL DBL DR BL 2-WAY - NORCOLD 9162 L	
1	120076-01-704	EA COOLING UNIT, SERVICE PACK	618543
2	120076-01-703	EA CABINET-FOAMED	618260
3	088248-01-710	EA HEATER DC (HORIZONTAL)	61562822
4	088248-01-709	EA HEATER-AC (HORIZONTAL)	61562722

GALLEY GROUP (CONTINUED)



DOOR - NORCOLD REFRIGERATOR SMALL DOUBLE DOOR - MODEL 9162 L

GALLEY GROUP (CONTINUED)

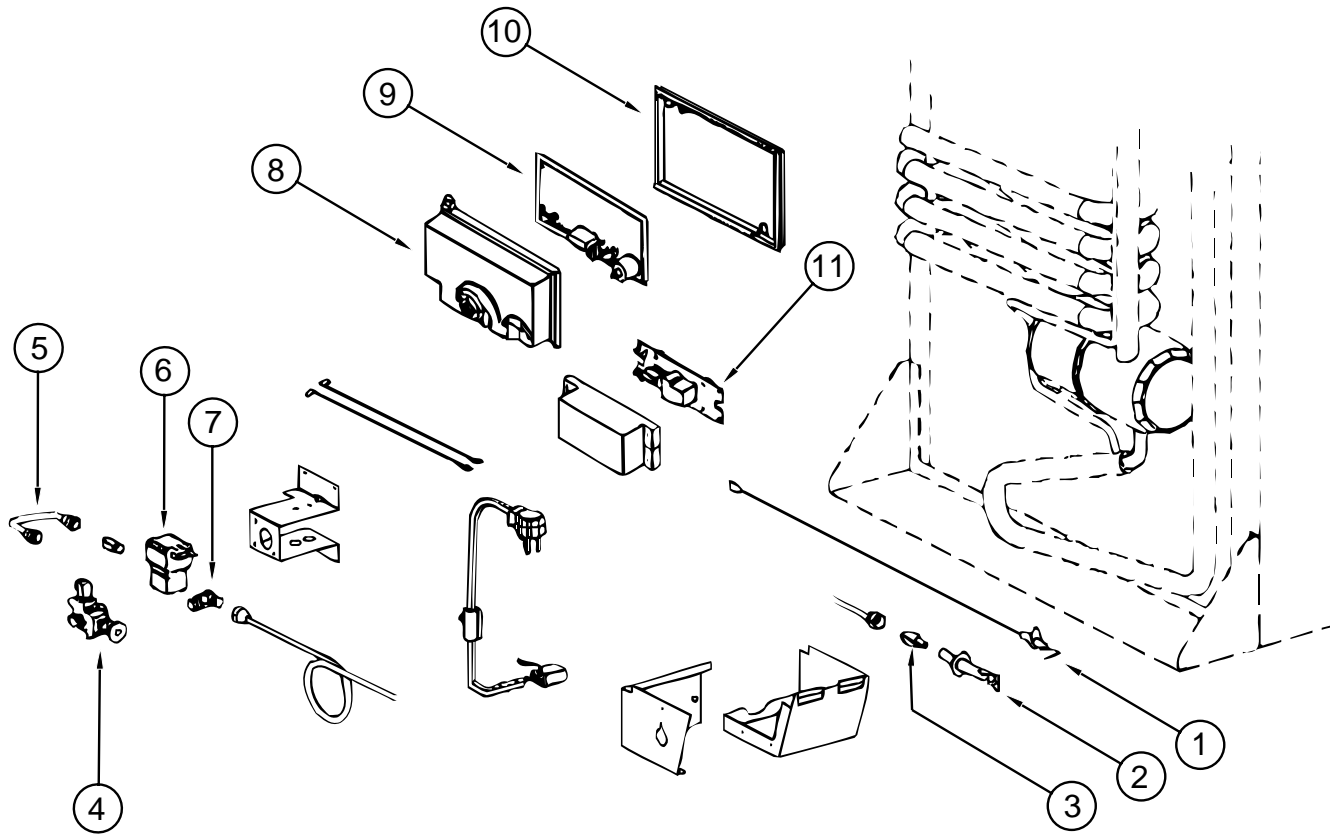


FREEZER DOOR - NORCOLD REFRIGERATOR SMALL DOUBLE DOOR - MODEL 9162 L

KEY	PART NUMBER	U/M	DESCRIPTION	VENDOR NO.
	121568-02-01A	EA	REFRIG-SMALL DBL DR BL 2-WAY - NORCOLD 9162 L	
1	120075-01-708	EA	BUSHING-DOOR HINGE	618144
2	120075-01-710	EA	DOOR-LOWER-FOAMED, W/GASKET	618270
3	120075-01-711	EA	HANDLE ASM,UPPER RH/LOWER LH	618235
4	120076-01-700	EA	RETAINER-LOWER DOOR PANEL	618132
5	120075-01-702	EA	CAP, (HINGE PLUG)	618160
6	121568-01-704	EA	RAIL - DOOR LOWER	618578
7	120075-01-705	EA	HINGE, PAINTED, TOP LH/BTM RH	618510
8	121568-01-701	EA	BIN - DOOR WHITE	618619
9	120075-01-701	EA	HINGE-TOP RH/BTM LH, PAINTED	618511

KEY	PART NUMBER	U/M	DESCRIPTION	VENDOR NO.
	121568-02-01A	EA	REFRIG-SMALL DBL DR BL 2-WAY - NORCOLD 9162 L	
1	120075-01-701	EA	HINGE-TOP RH/BTM LH, PAINTED	618511
2	120075-01-708	EA	BUSHING-DOOR HINGE	618144
3	120075-01-703	EA	DOOR ASM., FOAMED, W/GASKET	618205
4	120075-01-702	EA	CAP, (HINGE PLUG)	618160
5	120075-01-700	EA	RETAINER-DOOR, DECOR PANEL	618128
6	121568-01-702	EA	DOOR HANDLE ASM LWR/LH-TOP/RH	618230
7	120075-01-705	EA	HINGE, PAINTED, TOP LH/BTM RH	618510
8	121568-01-701	EA	BIN - DOOR WHITE	618619
9	121568-01-700	EA	RAIL - DOOR UPPER	618618

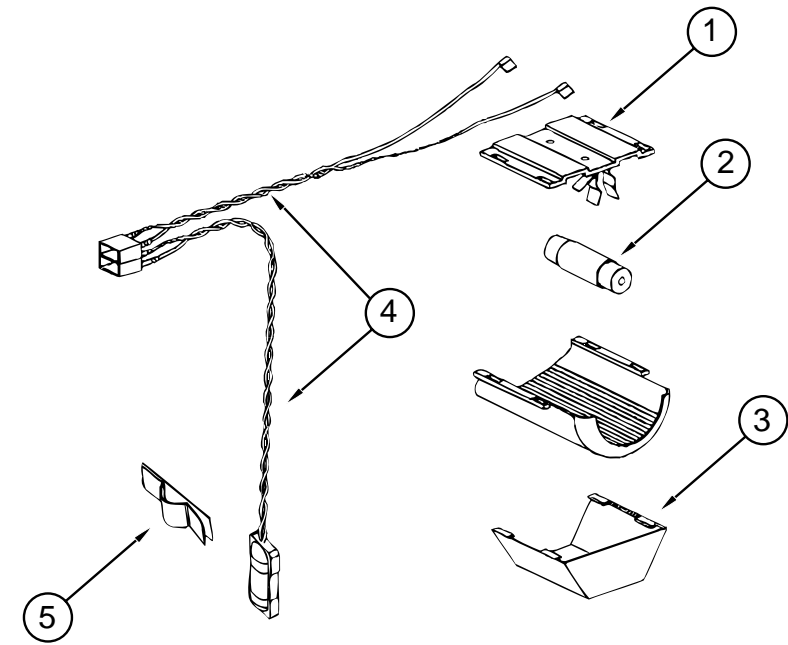
GALLEY GROUP (CONTINUED)



ELECTRICAL COMPONENTS - NORCOLD REFRIGERATOR SMALL DOUBLE DOOR - MODEL 9162 L

KEY	PART NUMBER	U/M DESCRIPTION	VENDOR NO.
	121568-02-01A	EA REFRIG-SMALL DBL DR BL 2-WAY - NORCOLD 9162 L	
1	104137-06-715	EA ELECTRODE-SPARK/SENSOR, SGL	61692222
2	104137-06-714	EA BURNER ASSEMBLY, 5-SLOT	61705222
3	113737-01-702	EA PLUG 1/8" F/PRESSURE TAP	61445322
4	104137-06-709	EA VALVE-SHUT OFF, MANUAL	61694922
5	113737-01-750	EA TUBE-UNION	61694622
6	084880-01-718	EA VALVE-GAS, (ASCO)	61551822
7	113737-01-716	EA TAP-PRESSURE	61594422
8	120075-01-738	EA COVER-POWER BOARD	618185
9	120075-01-739	EA BOARD-POWER, 2-WAY	618198
9	121568-01-710	EA BOARD - POWER - 3 WAY	618575
10	120075-01-740	EA COVER-BASE, POWER BOARD	618186
11	121568-01-711	EA BOARD - MODULE, DC	618561
	113737-01-702	EA PLUG 1/8" F/PRESSURE TAP	61445322

GALLEY GROUP (CONTINUED)

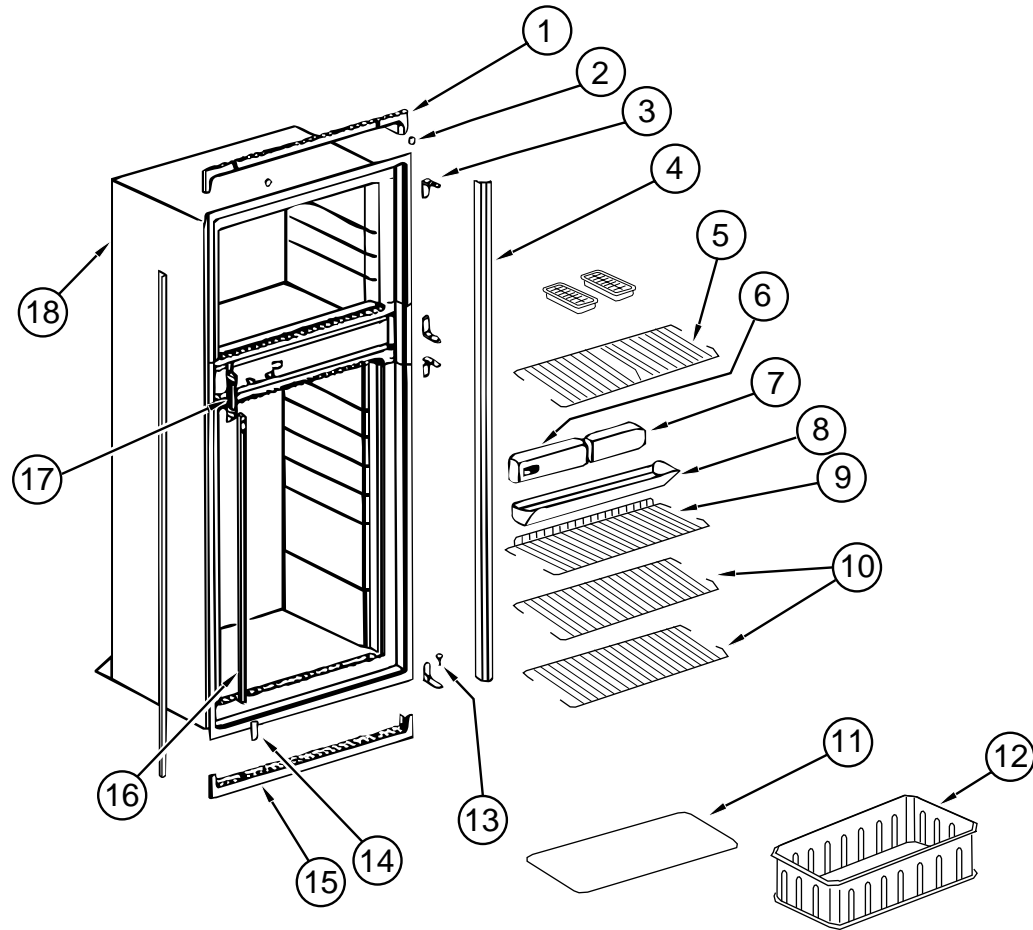


LIGHT - NORCOLD REFRIGERATOR SMALL DOUBLE DOOR - MODEL 9162 L

KEY	PART NUMBER	U/M DESCRIPTION	VENDOR NO.
	121568-02-01A	EA REFRIG-SMALL DBL DR BL 2-WAY - NORCOLD 9162 L	
1	084880-03-705	EA BRACKET-LIGHT-INTERIOR	61629722
2	084880-03-706	EA BULB-LAMP	61628922
3	084880-03-707	EA COVER-LAMP, LENS	61627922
4	120075-01-735	EA WIRE ASM.-LAMP	618548
5	084880-01-760	EA CLIP (THERMISTER)	61689122

GALLEY GROUP (CONTINUED)

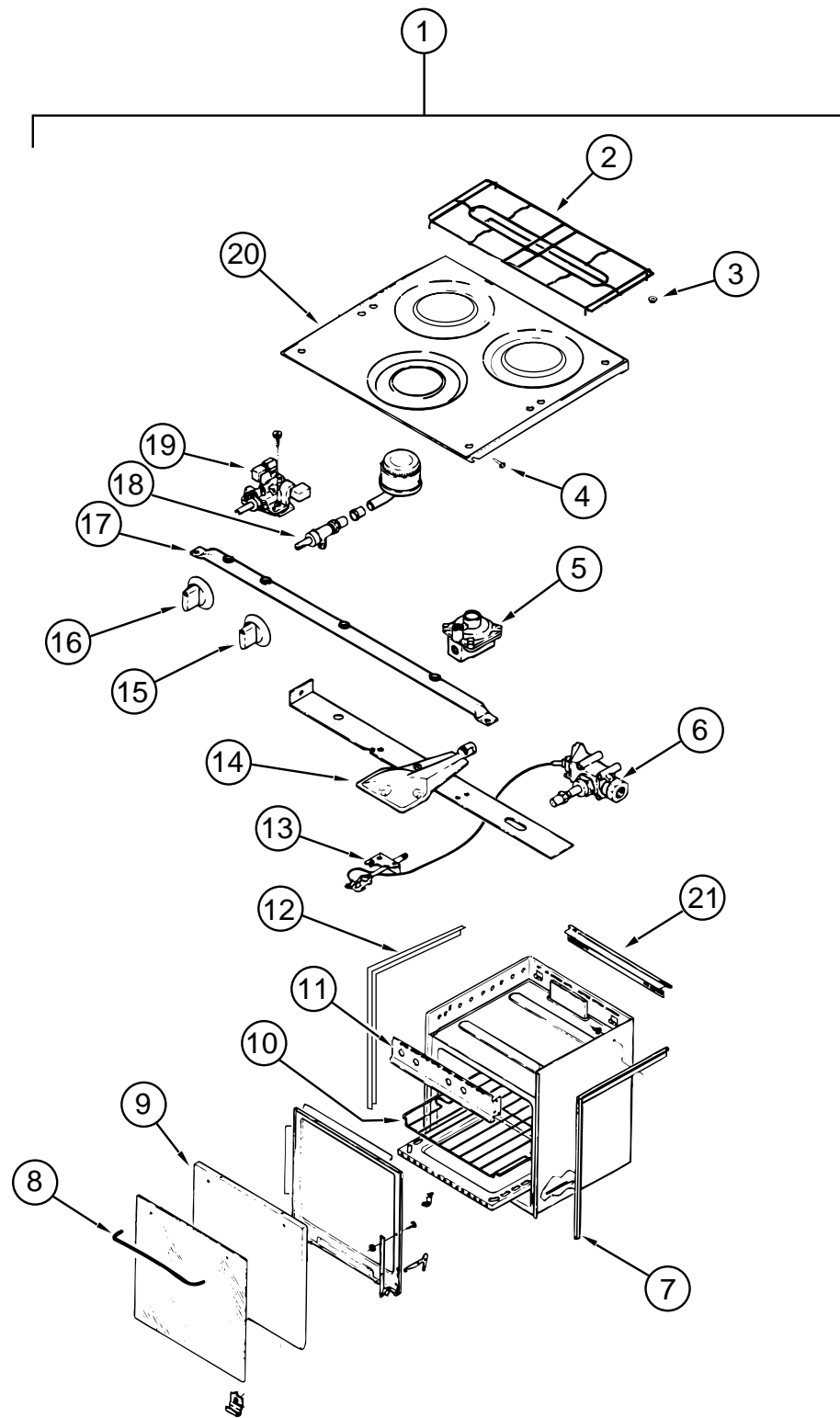
NORCOLD MODEL 9162 L REFRIGERATOR CABINET ASM WITH TRAY, TIEDOWNS & LEVEL



KEY	PART NUMBER	U/M	DESCRIPTION	VENDOR NO.
	121568-02-01A	EA	REFRIG-SMALL DBL DR BL 2-WAY - NORCOLD 9162 L	
1	120075-01-713	EA	TRIM-TOP PIECE	618124
2	120075-01-714	EA	PLUG-HOLE	618170
3	120075-01-715	EA	HINGE-CABINET SIDE-PAINTED	618512
4	120076-01-702	EA	TRIM, SIDE PIECE	618133
5	121568-01-705	EA	SHELF - WIRE FREEZER	618620
6	121568-01-706	EA	CONTROL BOX ASSEMBLY	618588
7	120075-01-708	EA	BUSHING-DOOR HINGE	618144
8	120075-01-718	EA	BOX-FILLER	618112
9	120075-01-720	EA	TRAY-DRIP	618137
	120075-01-721	EA	LOUVER-DRIP TRAY	618176
10	121568-01-707	EA	SHELF - WIRE - SHORT	618624
11	121568-01-708	EA	SHELF - WIRE	618589
12	120075-01-725	EA	COVER-CRISPER	618158
13	121568-01-709	EA	CRISPER	618571
14	120075-01-727	EA	PIN-HINGE	618145
15	120075-01-728	EA	COVER-HINGE HOLE	618171
16	120075-01-729	EA	TRIM-BOTTOM PIECE	618136
17	120075-01-730	EA	RETAINER-SHELF	618181
	120075-01-732	EA	PLATE-STRIKE	618167
18	120076-01-703	EA	CABINET-FOAMED	618260
	120075-01-731	EA	PLUG-FACADE	618184
	093646-01-000	EA	BRACKET - TIEDOWN/REFRIGERATOR - RIGHT HAND	
	093646-02-000	EA	BRACKET - TIEDOWN/REFRIGERATOR - LEFT HAND	
	116751-01-01A	EA	TRAY-REFRIGERATOR BLK	
	054450-01-000	EA	LEVEL-REFRIGERATOR	

GALLEY GROUP (CONTINUED)

RANGE W/OVEN - MAGIC CHEF - MODEL 16RA-3B49



KEY	PART NUMBER	U/M	DESCRIPTION	VENDOR NO.
1	112881-01-03A	EA	RANGE - 16", 3 BURNER - ALMOND - BLACK TEXTURED DOOR	
2	102020-01-711	EA	GRATE-TOP	7518P012-60
3	102020-01-709	EA	BUMPER-GRATE	8007-P020-60
4	102020-01-724	EA	BUMPER-MAIN TOP	8003P008-60
5	102022-01-708	EA	REGULATOR, 1/4 & 1/2 OUT	7510P041-60
6	112881-01-702	EA	VALVE-MERCURY (SAFETY VALVE)	7501P12160=74001018
7	112881-01-720	EA	TRIM-FLAT RH BLACK TEXTURED	74002812
7	112881-01-708	EA	TRIM-FLAT (RIGHT) (BLK)	3608W036-70
8	102020-01-701	EA	HANDLE, DOOR	7701P092-60
9	112881-01-713	EA	DOOR-OVEN-TEXTURED, BLACK	2401F126-70
10	102020-01-700	EA	SHELF-OVEN	7801-P027-60
11	112881-01-701	EA	PANEL-MANIFOLD	2616F091-70
12	112881-01-719	EA	TRIM-FLAT LH BLACK TEXTURED	74002813
12	112881-01-707	EA	TRIM-FLAT (LEFT) (BLK)	3608W035-70
13	112881-01-710	EA	OVEN PILOT	7505P202-60
14	112881-01-711	EA	BURNER-OVEN	3403W025045
15	112881-01-705	EA	KNOB-TOP BURNER	7733P072-60
15	112881-01-718	EA	KNOB, HIGH OUTPUT (FLAME IND)	74001794
16	112881-01-704	EA	KNOB-THERMOSTAT	7731P067-60
16	112881-01-706	EA	THERMOSTAT SER #02C	7515P031-60
16	112881-01-716	EA	KNOB, THERMOSTAT-SER #3C	7731P107-60
17	112881-01-709	EA	PIPE-MANIFOLD	7513P097-60
18	102020-01-722	EA	VALVE-TOP BURNER	7502P181-60
18	112881-01-703	EA	VALVE-TOP BURNER HI-OUTPUT	7502P180-60
19	112881-01-706	EA	THERMOSTAT	12400026
19	112881-01-715	EA	THERMOSTAT, REF. SER. # 3C	7515P037-60
20	112881-01-700	EA	RANGE-TOP, 3 BURNER, ALMOND	2001F110-84
21	112881-01-721	EA	DEFLECTOR FLUE BLACK TEXTURED	
	105458-01-000	EA	TIEDOWN BRACKET - STOVE - RH	
	105458-02-000	EA	TIEDOWN BRACKET - STOVE - LH	

GENERATOR GROUP

3.6 KW ONAN GENERATOR

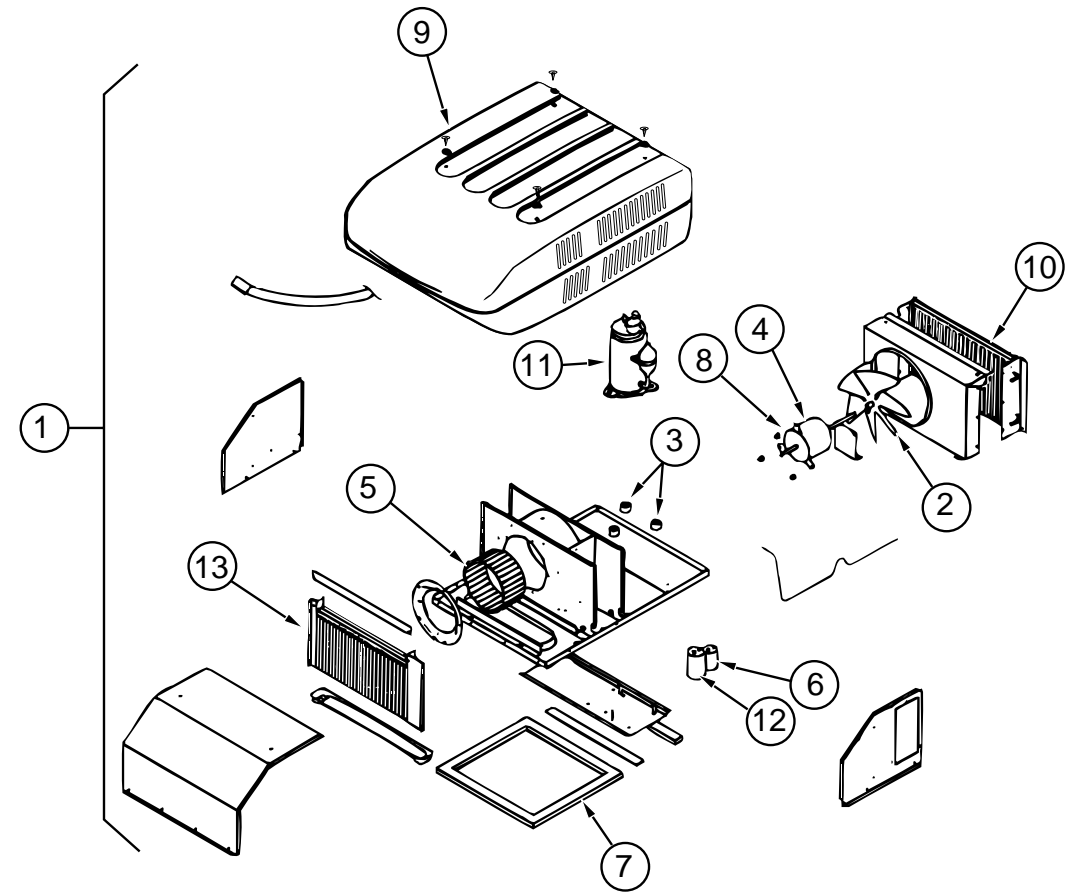
KEY	PART NUMBER	U/M	DESCRIPTION
	109982-04-000	EA	GENERATOR - 3.6 MICROLITE, ONAN KY-FA/26120 B
	105958-10-000	EA	PIPE-EXHAUST, GENERATOR
	007125-03-000	EA	CLAMP-MUFFLER, 1.5" DIAMETER
	007067-01-000	SF	INSULATION-FIBERGLASS, 1" THICK X 4' - INCREMENTS OF 4 SF

4.0 KW ONAN GENERATOR

KEY	PART NUMBER	U/M	DESCRIPTION
	109982-03-000	EA	GENERATOR, 4.0 MICROLITE, ONAN # KY-FA/2600 B
	007067-01-000	SF	INSULATION-FIBERGLASS, 1" THICK X 4' - INCREMENTS OF 4 SF
	007125-03-000	EA	CLAMP-MUFFLER, 1.5" DIA
	105958-10-000	EA	PIPE-EXHAUST, GENERATOR

NOTE: ADDITIONAL GENERATOR COMPONENTS ARE FOUND IN THE CHASSIS GROUP

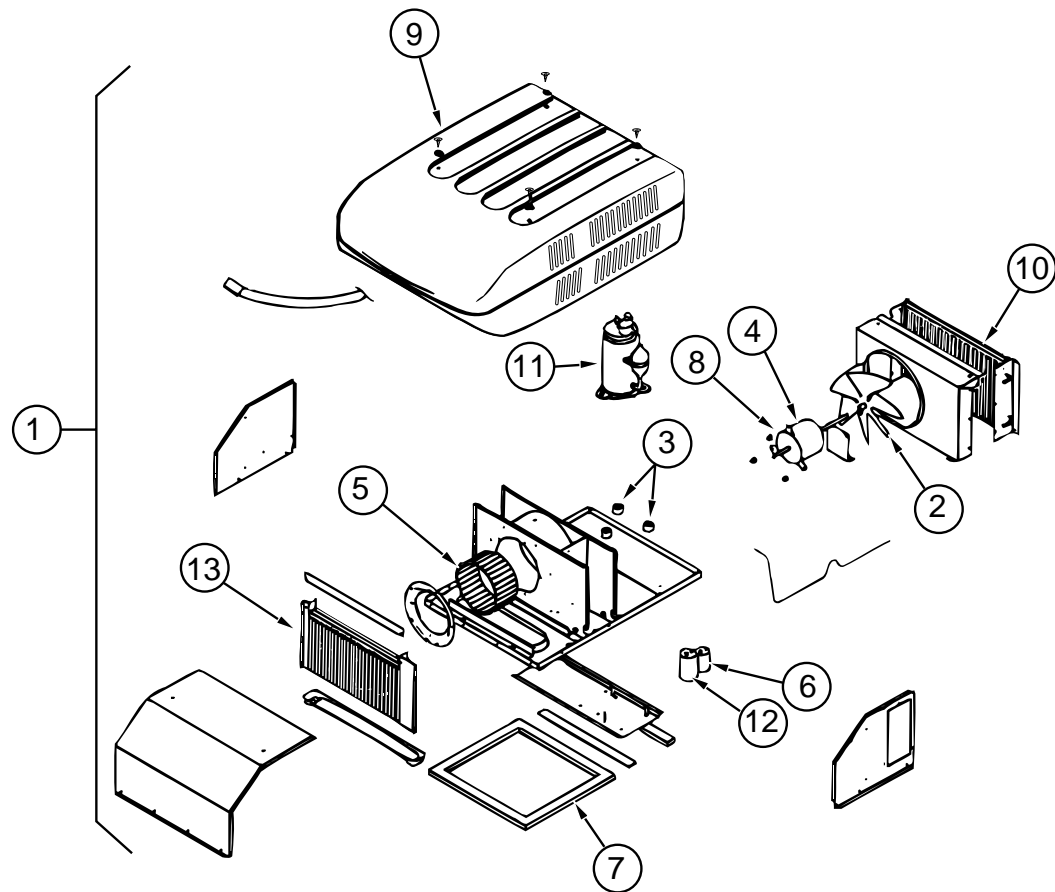
HEATING & AIR CONDITIONING GROUP



ROOF A/C - 13,500 BTU - COLEMAN - MODEL - TSR HO

KEY	PART NUMBER	U/M	DESCRIPTION	VENDOR NO.
1	108889-01-05A	EA	A/C-ROOF, 13,500 TSR HO BRIGHT WHITE - 7333A886	
	102289-01-000	EA	SPRING-SCREW, ROOF A/C GASKET 6757-150	
2	093763-01-712	EA	BLADE-FAN-CONDENSER	6733-3221
3	105620-01-706	EA	MOUNTING PKG., COMP., 3 PER	6759-3081
4	108889-01-705	EA	MOTOR (115, 60HZ)	1468-3049
5	108889-01-706	EA	IMPELLOR	1472-1041
6	093763-01-704	EA	CAPACITOR-FAN	1499-5461
	108889-01-710	EA	PAD-FILLER, CONDENSER SEAL	6759A3971
7	108889-01-711	EA	GASKET PKG	6792-3301
8	108889-01-715	EA	MOTOR MOUNT & SHAFT SEAL KIT	6792-3361
9	108889-05-700	EA	SHROUD-BRIGHT WHITE W/O LOGO	7333-4601
10	108889-01-703	EA	COIL-CONDENSER	1452A1301
11	105620-01-704	EA	COMPRESSOR-TECUMSEH, RH & LH	1450-2009
12	108889-01-707	EA	CAPACITOR-RUN, COMP-25MFD/370	1499-5661
	091225-01-709	EA	RELAY-START	1497-4131
13	108889-01-709	EA	COIL-EVAPORATOR	1452A1311
	091225-01-710	EA	CAPACITOR-START	1497-0881
	108889-01-720	EA	TUBE-CAP	6792-1351
	108889-01-704	EA	OVERLOAD (MRA#98693)	6749-3541
	108889-01-712	EA	LINE-SUCTION, REDUCER 3/8 X 1/2	1215-2161
	108889-01-713	EA	LINE-SUCTION, 3/8 OD X 032 WALL	6792-130
	108889-01-714	EA	LINE ASSEMBLY-DISCHARGE	6792-531
	093306-01-701	EA	DECAL PACKAGE, LEFT & RIGHT	6798B3591

HEATING & AIR CONDITIONING GROUP (CONTINUED)



A/C-13,500 BTU-EUROPE - COLEMAN - MODEL TSR 220

KEY	PART NUMBER	U/M DESCRIPTION	VENDOR NO.
1	108889-02-03A	EA AIR CONDITIONER - 13,500 BTU/220 VOLT	
2	093763-01-712	EA BLADE-FAN-CONDENSER	6733-3221
3	105620-01-706	EA MOUNTING PKG., COMP., 3 PER	6759-3081
4	108889-02-701	EA MOTOR	1468-3059
5	108889-01-706	EA IMPELLOR	1472-1041
6	093763-01-704	EA CAPACITOR-FAN	1499-5461
	108889-01-710	EA PAD-FILLER, CONDENSER SEAL	6759A3971
7	108889-01-711	EA GASKET PKG	6792-3301
8	108889-01-715	EA MOTOR MOUNT & SHAFT SEAL KIT	6792-3361
9	108889-05-700	EA SHROUD-BRIGHT WHITE W/O LOGO	7333-4601
10	108889-01-703	EA COIL-CONDENSER	1452A1301
11	108889-02-700	EA COMPRESSOR-TECUMSEH	1450A2029
12	108889-01-707	EA CAPACITOR-RUN, COMP-25MFD/370	1499-5661
	108889-02-703	EA RELAY-START	1497-4141
13	108889-01-709	EA COIL-EVAPORATOR	1452A1311
	108889-02-702	EA CAPACITOR-START	1497-0891
	105620-01-705	EA PROTECTOR-OVERLOAD, RH & LH	6759-3791
	108889-01-713	EA LINE-SUCTION, 3/8 OD X .032 WALL	6792-130
	108889-01-714	EA LINE ASSEMBLY-DISCHARGE	6792-531
	093306-01-701	EA DECAL PACKAGE, LEFT & RIGHT	6798B3591

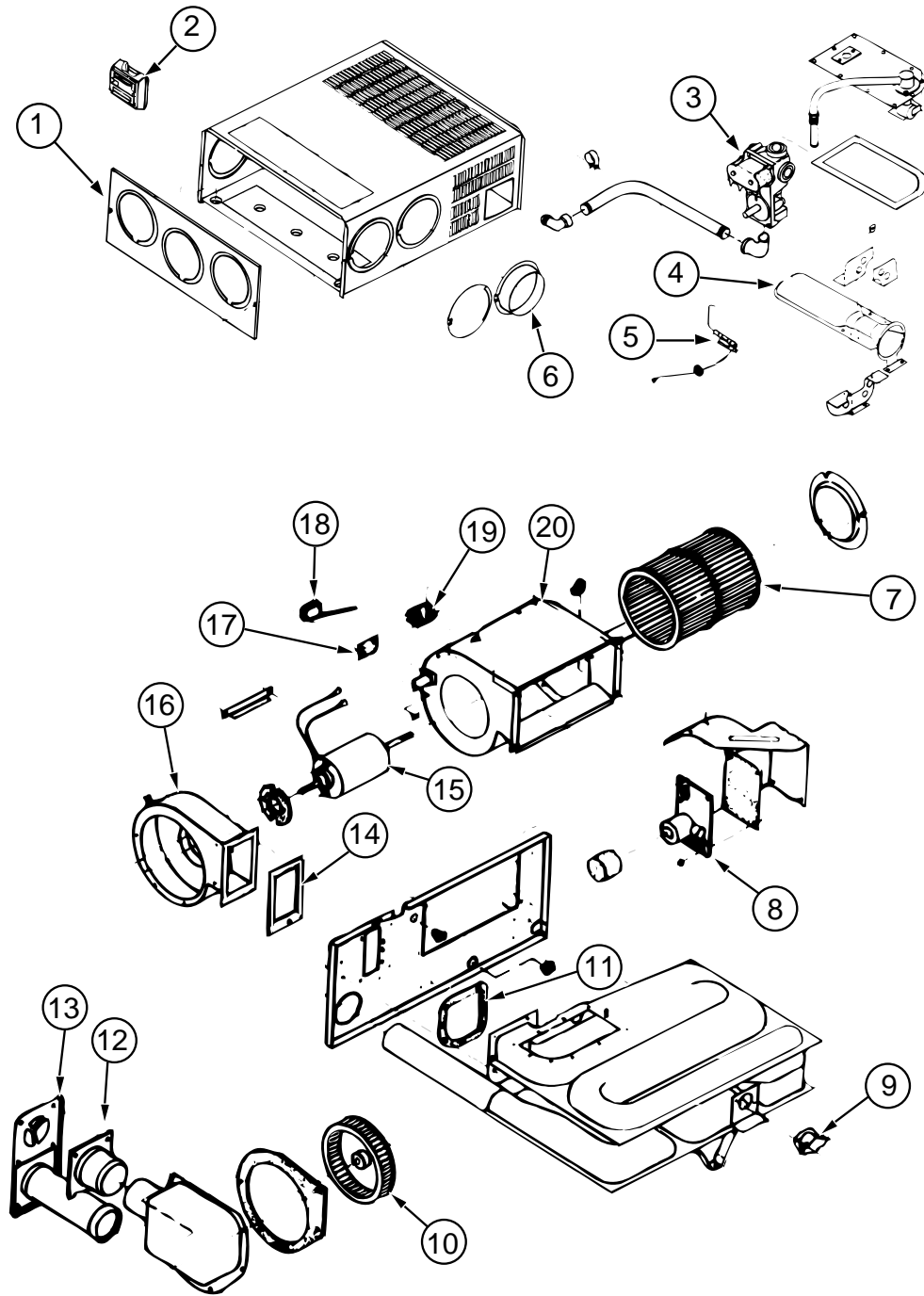
HEATING & AIR CONDITIONING GROUP (CONTINUED)

CEILING A/C - COLEMAN

KEY	PART NUMBER	U/M DESCRIPTION	VENDOR NO.
	108891-01-02A	EA CEILING ASM-A/C COOL TSR HO - COLEMAN 7330-713 WH	
	042204-01-709	EA THERMOSTAT-IN 64 OUT 58	6701-3401
	073742-01-701	EA SELECTOR SWITCH - 5 TERMINAL	6759-3251
	073742-01-702	EA DECAL COOL ONLY	6759C3431
	108891-01-703	EA SHROUD - CEILING WHITE	6769-5051
	091225-01-713	EA KNOB - 2 PER PACKAGE	6701-3351
	091225-01-717	EA DECAL-THERMOSTAT, COOL ONLY	6799A3441
	093766-02-701	EA DECAL-LEFT SIDE	6799-3971
	108891-01-700	EA SINGLE PARTS PACKAGE-KNOBS & NUTS	6792-5991
	108891-01-701	EA RETAINER CLIPS-FILTER, 6 PER	6799-3141
	108891-01-701	EA RETAINER CLIPS-FILTER, 6 PER	6799-3141
	108891-01-702	EA COLLAR-DUCT, W/METAL FLANGE	6792-4541
	076303-01-717	EA FILTER	
	022756-03-000	EA COVER-A/C PLASTIC	
	022756-02-000	EA COVER-PROTECTIVE, 5.5" ENDS X 8.2"	
	084077-03-000	EA COVER-BLANK, ROOF A/C - 5.2" X 3.5" - IVORY	

HEATING & AIR CONDITIONING GROUP (CONTINUED)

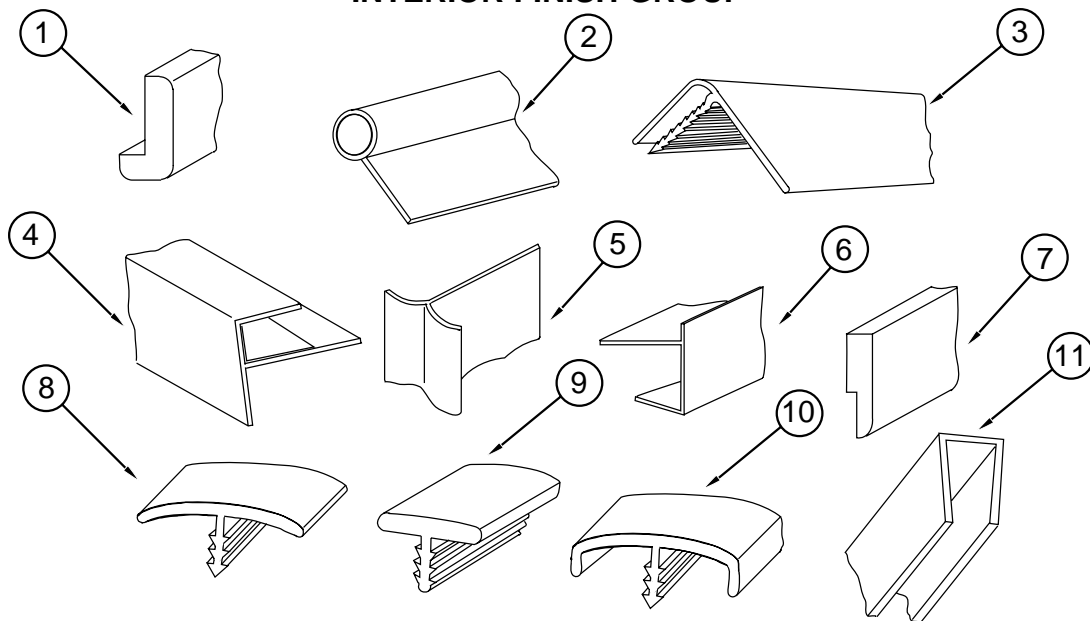
FURNACE - 25,000 BTU - SUBURBAN - MODEL SF-30 2273



KEY	PART NUMBER	U/M	DESCRIPTION	VENDOR NO.
	098668-20-000	EA	FURNACE - 30,000 BTU	
1	098668-01-700	EA	CABINET FRONT	101242
2	115764-01-01A	EA	THERMOSTAT-FURNACE	160902
3	098668-01-714	EA	VALVE-GAS	161070
4	098668-02-700	EA	BURNER ASSEMBLY-COMplete	010745
5	098668-01-715	EA	ELECTRODE ASSEMBLY-SINGLE PROBE	232166
6	075696-02-703	EA	COLLAR-DUCT	050715
7	098668-01-711	EA	WHEEL-ROOM AIR	350123
8	098668-01-712	EA	BOARD-MODULE	231741
9	098668-21-701	EA	SWITCH-LIMIT	231799
10	098668-01-706	EA	WHEEL-COMBUSTION AIR	350122
11	098668-01-716	EA	GASKET-FIREWALL, CHAMBER SIDE	070808
12	098668-01-713	EA	TUBE ASM-INTAKE VENT	051248
13	098668-01-707	EA	VENT CAP & EXHAUST TUBE ASSEMBLY	260193
14	098668-01-717	EA	GASKET FIREWALL-BLOWER SIDE	070809
15	098668-01-709	EA	MOTOR ASSEMBLY	231706
16	098668-01-708	EA	BLOWER ASSEMBLY-COMBUSTION AIR	390441
17	101990-01-714	EA	GASKET-MICROSWITCH	230877
18	098668-21-700	EA	MICROSWITCH-W/O FLAG, 3 1/4"	232261
19	074466-01-702	EA	RELAY-TIME DELAY	230625
20	098668-01-710	EA	BLOWER ASSEMBLY-ROOM AIR	390440
	092300-02-701	EA	ORIFICE-MAIN BURNER	180214
	098668-23-000	EA	DOOR - ACCESS - FURNACE	
	009198-01-000	FT	DUCT-HEAT, FLEXIBLE - 4" ID X 25 FT	
	009200-01-000	EA	TAPE-FURNACE, 1 1/2"	
	069636-02-000	EA	CONNECTOR-DUCT, 4" ID - SUBURBAN 050715	
	089367-01-000	EA	TEE - 4" OD, 7" LONG - METAL	
	056464-10-000	EA	REGISTER-W/O DAMPER, 4" DIAMETER - DURA-BEIGE	
	093614-01-02A	EA	GRILLE-RETURN AIR, DURA BEIGE	

INTERIOR FINISH GROUP

INTERIOR FINISH GROUP (CONTINUED)



MOLDINGS & TRIMS

KEY	PART NUMBER	U/M	DESCRIPTION
1	077840-01-G01	EA	MOLDING - CAP - WALL - 8'
2	009767-12-000	FT	WELTING - SIDEWALL/CEILING/CABINET - OFF/WHT
3	009809-23-000	EA	MOLDING - CORNER - OUTSIDE - 1" X 84" - IVORY PLASTIC
3	009809-28-000	EA	MOLDING - CORNER - OUTSIDE - 1" X 84" - WATERFORD OAK
4	009812-29-000	EA	MOLDING - PLASTIC - OUTSIDE CORNER - .50" - WATERFORD OAK
4	009812-24-000	EA	MOLDING - PLASTIC - OUTSIDE CORNER - .50" - IVORY
5	022992-11-000	FT	MOLDING - REVERSE COVE - T-SHAPED VINYL - IVORY
5	022992-12-000	FT	MOLDING - REVERSE COVE
6	103186-01-05A	FT	MOLDING - PLASTIC - SHELF - 3/8" U-CHANNEL W/3/4" FACE - WATERFORD OAK
7	105004-01-05A	EA	MOLDING - VINYL WRAPPED - 1" X 8' - WATERFORD OAK
8	009815-09-000	FT	MOLDING-T - .75" IVORY
9	104676-01-01A	FT	T-MOLDING - 5/16" - RIGID GOLD
9	104676-02-04A	FT	T-MOLDING - 1/2" X 10' - WATERFORD OAK
10	083620-09-000	FT	T-MOLDING, 3/4 W/EDGE LIPS - MODERN IVORY
10	083620-12-000	FT	MOLDING-T - .75" - W/EDGE LIPS - WATERFORD OAK
10	119520-01-01A	FT	MOLDING-T - 1" W/EDGE LIPS (OFF/WHITE-CREAM)
11	009778-21-000	FT	U - CHANNEL - 1" X 96" - INCREMENTS - PLASTIC
11	070504-36-000	FT	U-CHANNEL - EXTRUDED PLASTIC - .65" X 72" - WATERFORD OAK
11	070504-37-000	FT	U-CHANNEL - EXTRUDED PLASTIC - .81" X 84" - WATERFORD OAK
	117267-D2-438	EA	LUMBER - 018 X 038 X 2438 MM VINYL - WRAPPED WATERFORD
	117267-E2-438	EA	LUMBER - VINYL WRAPPED - .7" X 2" X 8'
	117267-G2-438	EA	LUMBER - VINYL WRAPPED - .7" X 3" X 8'
	117268-D2-134	EA	MOLDING - VINYL WRAPPED - .7" X 1.6" X 7' WATERFORD
	117268-F2-438	EA	MOLDING - VINYL WRAPPED - .7" X 2.6" X 8' - WATERFORD
	100818-01-05A	EA	MOLDING - VINYL WRAPPED - 1.65" X .4" X 7' - WATERFORD OAK
	100819-01-05A	EA	MOLDING - VINYL WRAP - DOOR - WATERFORD OAK
	117268-F2-134	EA	MOLDING - VINYL WRAPPED .7" X 2.6" X 7' - WATERFORD
	079653-28-000	EA	MOLDING-BATT STRIP, KERFED - WATERFORD OAK
	081294-02-000	EA	MOLDING - SHELF - NOTCHED WOOD - 8'
	009767-15-000	FT	WELTING - WATERFORD OAK
	076325-34-000	FT	MOLDING - EDGE BAND - 1 5/16" X .030" - ORCHID MIST
	076325-43-000	FT	MOLDING - EDGE BAND - .876" X .024" - CLOUD (H04)
	076325-38-000	FT	MOLDING - EDGE BAND - .876" X .024" - NEUTRAL (H05)
	076325-44-000	FT	MOLDING - EDGE BAND - .876" X .024" - SAND (H24/H26)
	076325-46-000	FT	MOLDING - EDGE BAND - 1 5/16" X .030" - CLOUD (H04)
	076325-37-000	FT	MOLDING - EDGE BAND - 1 5/16" X .030" - NEUTRAL (H05)
	076325-47-000	FT	MOLDING - EDGE BAND - 1 5/16" X .030" - SAND (H24/H26)
	076325-67-000	FT	MOLDING - EDGE BAND - .93" X .024" WATERFORD OAK
	076325-68-000	FT	MOLDING - EDGE BAND - 1 5/16" X .038 - WATERFORD OAK
	100659-01-G09	EA	MOLDING - TRIM - VINYL FLOOR
	112198-02-000	FT	MOLDING-J
	075249-01-000	EA	RAILING - OAK - 72" UNFINISHED
	093873-01-01A	EA	TRIM - CARPET - L-ANGLE 1.1" X 1.3" X 12' - GRAY VINYL
	085746-04-000	FT	TRIM-J - CARPET 1.2" X .5" ANGLE - 12' LONG - OFF WHITE

KEY	PART NUMBER	U/M	DESCRIPTION
	088263-D8-000	EA	BATT STRIP - DECORATIVE - MICKENSIE/CREAM - 8' LONG (H04)
	088263-D7-000	EA	BATT STRIP - DECORATIVE - WINDY/WILLOW - 8' LONG (H05)
	088263-C7-000	EA	BATT STRIP - DECORATIVE - ETCHINGS/SAGE - 8' LONG (H24/H26)
	088263-D6-000	EA	BATT STRIP - DECORATIVE - IMPACT PEARL - 8' LONG
	069733-83-000	EA	BATT STRIP - WOODGRAINED/WATERFORD OAK - 8' LONG
	085284-D2-000	FT	BATT TAPE - ADHESIVE BACKED - DECORATIVE - MICKENSIE/CREAM (H04)
	085284-D1-000	FT	BATT TAPE - ADHESIVE BACKED - DECORATIVE - WINDY/WILLOW (H05)
	085284-C1-000	FT	BATT TAPE - ADHESIVE BACKED - DECORATIVE - ETCHINGS/SAGE (H24/H26)
	085284-C9-000	FT	BATT TAPE - ADHESIVE BACKED - CEILING - IMPACT PEARL
	085284-D6-000	FT	BATT TAPE - ADHESIVE BACKED - DECORATIVE - EMBOSSED ANTIQUE
	085284-B5-000	FT	BATT TAPE - ADHESIVE BACKED - WOODGRAINED/WATERFORD OAK
	086229-01-000	EA	RETAINER - BATTEN - .75" X 92.24" - IVORY
	086229-13-000	EA	BATTEN - 1" CEILING MODERN IVORY
	086229-20-000	EA	BATTEN - 1" CEILING, BEIGE

PANELING, LAMINATES & PLASTIC

KEY	PART NUMBER	U/M	DESCRIPTION
	074497-33-000	SF	PANELING - CEILING - IMPACT PEARL - 4' X 9'
	074497-28-000	SF	PANELING - WATERFORD OAK - 4' X 8'
	080215-10-000	SF	PANELING - 2 SIDE - WATERFORD - 4' X 8'
	088272-F6-000	SF	PANELING - MCKENSIE CREAM (H04)
	088272-F5-000	SF	PANELING - WINDY/WILLOW (H05)
	088272-E8-000	SF	PANELING - DECORATIVE ETCHINGS/SAGE - 4' X 7' (H24/H26)
	088272-G1-000	SF	PANELING - PEBBLE EMBOSSED - ANTIQUE WHITE - 4' X 7'
	088272-98-000	SF	PANELING - TRAVERTINE - ANTIQUE WHITE - 4' X 7'
	074498-62-000	SF	LAMINATE - PLASTIC - GREY FINESSE - 5' X 8' INC OF 40 SF (H04)
	074498-72-000	SF	LAMINATE - PLASTIC - PEBBLE SANTOS - 5' X 8' INC OF 40SF (H05)
	074498-54-000	SF	LAMINATE - PLASTIC - SAND SPECKTRUM - 5' X 8' INC OF 40 SF (H24/H26)
	074498-67-000	SF	LAMINATE - PLASTIC - ORCHID MIST - 60" X 96"
	074498-77-000	SF	LAMINATE - PLASTIC ART CABIN 5' X 8' INCR OF 40 SQ FT
	000885-76-000	SF	PARTICLE BOARD - 3/8" X 4' X 8' WATERFORD OAK VINYL 1 SIDE
	000885-77-000	SF	PARTICLE BOARD - 3/8" X 4' X 8' WATERFORD OAK VINYL 2 SIDED
	000885-78-000	SF	PARTICLE BOARD - 1/2" X 4' X 8' WATERFORD OAK-VINYL 2 SIDE
	000885-79-000	SF	PARTICLE BOARD - 3/4" X 4' X 8' WATERFORD OAK VINYL 2 SIDED
	057882-04-000	SF	TAMBOUR - 48" X 72" SHEET - UNFINISHED
	000846-01-000	SF	PLYWOOD - 5/16" X 4' X 8'
	000846-02-000	SF	PLYWOOD - UNDR - 5/16" X 4' X 8'
	093743-05-01A	SF	PLASTIC - ABS COIL - BRIGHT WHITE - 20" X 108"

CARPETING & FLOOR MATS

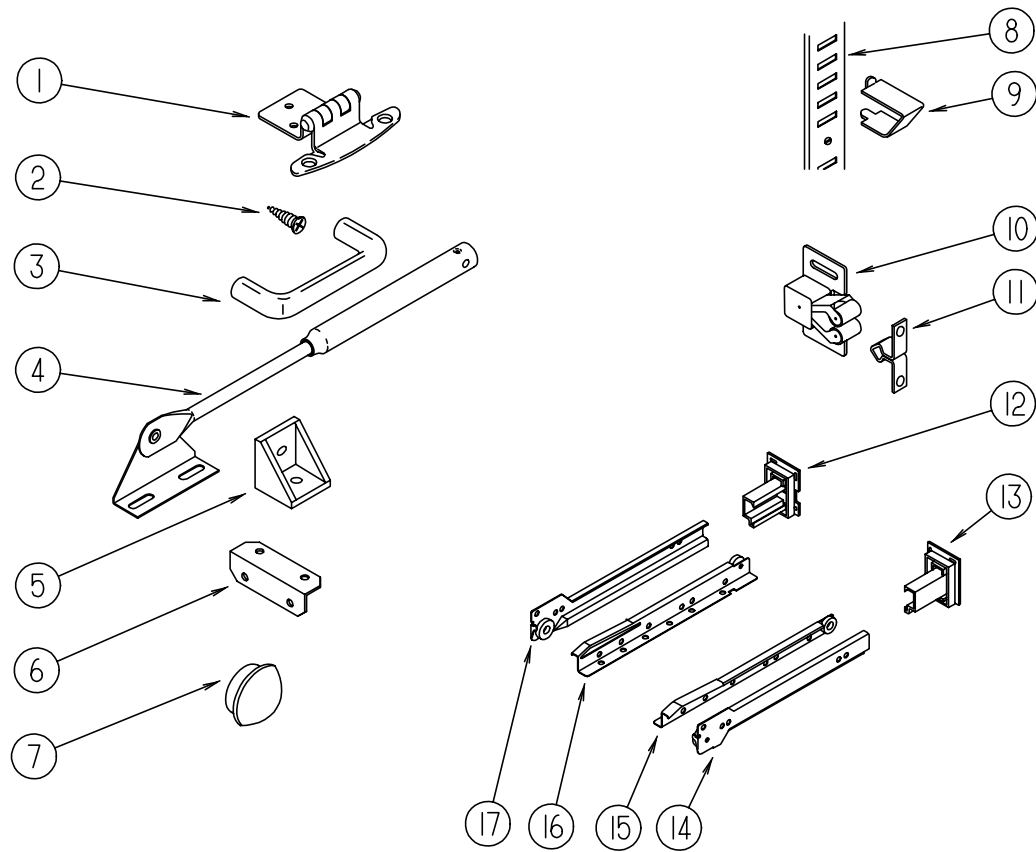
KEY	PART NUMBER	U/M	DESCRIPTION
	096060-A8-000	SY	CARPET - BLUE LAGOON - INCREMENTS OF 4 SQ YD (H04)
	096060-99-000	SY	CARPET - PARCHMENT - INCREMENTS OF 4 SQ YD (H05)
	096060-B2-000	SY	CARPET - JUBLIATION - INCREMENTS OF 4 SQ YD (H24)
	096060-95-000	SY	CARPET - DOESKIN - INCREMENTS OF 4 SQ YD (H26)
	093486-01-000	SY	CARPET - COMPARTMENT - 54" WIDE - DARK GRAY
	106884-01-000	EA	MAT - FLOOR - FRONT PASSENGER "W" - FORD
	106884-02-000	EA	MAT - FLOOR - FRONT DRIVER "W" - FORD
	102569-04-000	EA	MAT - ANTI SLIP

FIRE EXTINGUISHER & DETECTORS

KEY	PART NUMBER	U/M	DESCRIPTION
	072852-02-000	EA	DETECTOR - SMOKE - W/9 VOLT BATTERY - CANADIAN
	072852-01-000	EA	DETECTOR - SMOKE - W/9 VOLT BATTERY - US
	112320-03-000	EA	DETECTOR-CO GAS MODEL 9D-I
	103613-02-000	EA	DETECTOR - LP GAS
	112320-04-000	EA	BATTERY/SENSOR MODULE - CO (BLACK MODULE) F/9D-I SYSTEM
	094499-02-000	EA	EXTINGUISHER-FIRE, DRY - 1A10BC - CANADIAN
	094499-01-000	EA	EXTINGUISHER-FIRE, DRY W/MOUNTING BRACKET - 10 BC
	094499-01-700	EA	BRACKET MTG. W/PLAS. STRAP 294039
	094499-01-701	EA	STRAP ONLY (METAL) 320351

INTERIOR FINISH GROUP (CONTINUED)

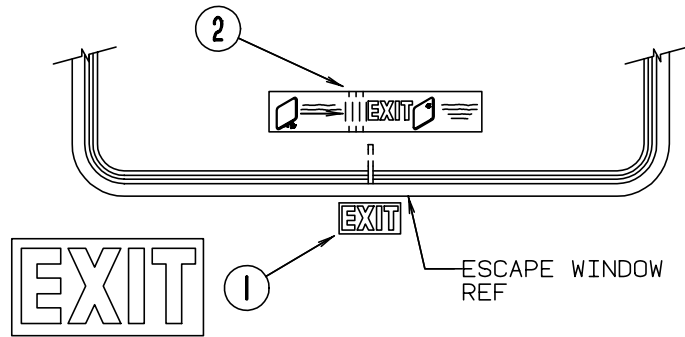
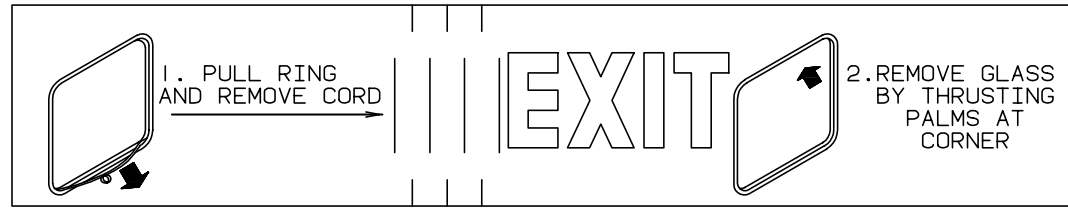
CABINET & TABLE HARDWARE



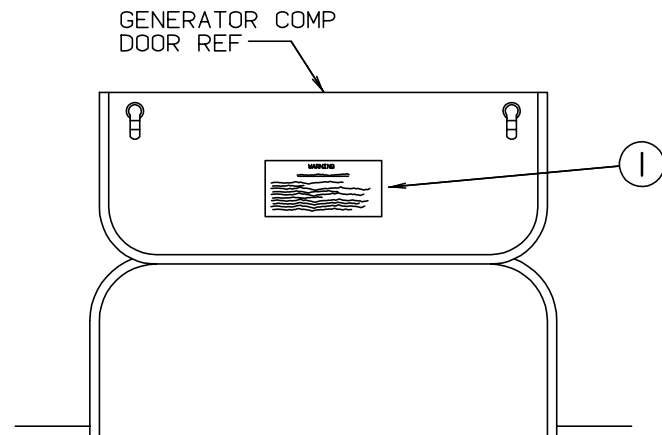
KEY	PART NUMBER	U/M	DESCRIPTION
15	114031-04-000	EA	SLIDE - 12" - RIGHT SIDE/DRAWER
15	114031-08-000	EA	SLIDE - 14" - RIGHT SIDE/DRAWER
15	114031-12-000	EA	SLIDE - 16" - RIGHT SIDE/DRAWER
15	114031-16-000	EA	SLIDE - 18" - RIGHT SIDE/DRAWER
15	114031-20-000	EA	SLIDE - 20" - RIGHT SIDE/DRAWER
16	114031-03-000	EA	SLIDE - 12" - LEFT SIDE/DRAWER
16	114031-07-000	EA	SLIDE - 14" - LEFT SIDE/DRAWER
16	114031-11-000	EA	SLIDE - 16" - LEFT SIDE/DRAWER
16	114031-15-000	EA	SLIDE - 18" - LEFT SIDE/DRAWER
16	114031-19-000	EA	SLIDE - 20" - LEFT SIDE/DRAWER
17	114031-01-000	EA	SLIDE - 12" - LEFT SIDE/CABINET
17	114031-05-000	EA	SLIDE - 14" - LEFT SIDE/CABINET
17	114031-09-000	EA	SLIDE - 16" - LEFT SIDE/CABINET
17	114031-13-000	EA	SLIDE - 18" - LEFT SIDE/CABINET
17	114031-17-000	EA	SLIDE - 20" - LEFT SIDE/CABINET
	004354-01-000	EA	BUMPER-RUBBER, .5" DIA - BROWN
	009112-01-000	EA	FLANGE - 1" CLOTHES ROD - OFF WHITE PLASTIC
	023320-01-000	EA	PAD-FELT, 3/8" DIAMETER - BROWN
	041389-35-000	EA	HINGE-PIANO, O/W, 0787.4
	042438-01-000	EA	DOWEL-WOOD, CLOTHES ROD - 1" DIAMETER X 4'
	042438-02-000	EA	DOWEL - WOOD - 2" X 2"
	076790-01-000	EA	SCREW, 6-20 X 1 1/4 PPH - BLACK
	076790-05-000	EA	SCREW - 6-20 X 1/2 PPH - BLACK - THREADCUTTING, WOOD
	079921-01-000	EA	ROLLER-NYLON, W/STEEL SHAFT - BARBED
	084451-01-000	EA	CATCH - TV SHELF - BRASS
	102194-01-000	EA	GUIDE-PLASTIC
	103256-01-000	EA	LATCH-SLIDE

KEY	PART NUMBER	U/M	DESCRIPTION
1	108138-01-000	EA	HINGE-DOOR, CABINET - BURNISHED BRASS
2	000G13-06-10G	EA	SCREW - 6-20 X 5/8 PFH, ANTIQUE BRASS
3	117800-01-01A	EA	PULL-CABINET, BRASS
4	074493-02-000	EA	SUPPORT-PISTON SPRING, CABINET DOOR
5	065740-01-000	EA	BRACE-CABINET CORNER, PLASTIC
6	016604-01-000	EA	BRACE-CABINET, ANGLE - 2.5" - UNPAINTED
6	016604-05-000	EA	BRACE-CABINET, L ANGLE - 2.5" - OFF WHITE
7	074045-07-000	EA	PLUG-WOOD, 1/2"
8	098980-01-000	EA	PILASTER-ADJUSTABLE SHELF, 18" LONG - WOODGRAIN APPEARANCE
9	098979-01-000	EA	CLIP-ADJUSTABLE SHELF
10	093586-06-000	EA	CATCH-SPRING, ROLLER - FASTEC C411-AC
11	093586-05-000	EA	STRIKE-SPRING STEEL, FASTEC S411-AC
12	114045-01-000	EA	BACKSOCKET - ADJUSTABLE LEFT
13	114045-02-000	EA	BACKSOCKET - ADJUSTABLE RIGHT
14	114031-02-000	EA	SLIDE - 12" - RIGHT SIDE/CABINET
14	114031-06-000	EA	SLIDE - 14" - RIGHT SIDE/CABINET
14	114031-10-000	EA	SLIDE - 16" - RIGHT SIDE/CABINET
14	114031-14-000	EA	SLIDE - 18" - RIGHT SIDE/CABINET
14	114031-18-000	EA	SLIDE - 20" - RIGHT SIDE/CABINET

LABELS GROUP



KEY	PART NUMBER	U/M DESCRIPTION
1	006199-01-000	EA LABEL-EXIT-ESCAPE WINDOW
2	039290-01-000	EA LABEL-WARNING-EXIT



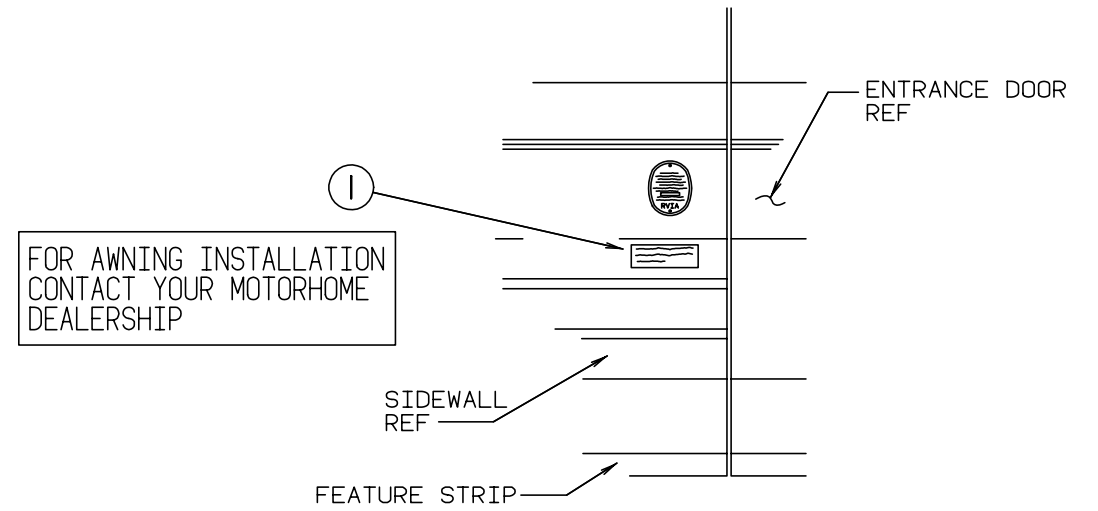
WARNING

WHEN ADDING A GENERATOR SET:

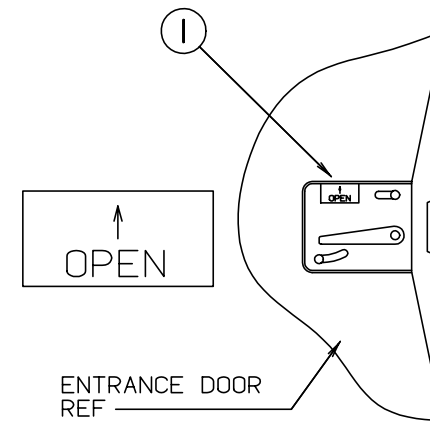
HIGH VOLTAGE-USE EXTREME CAUTION WHEN WORKING ON ELECTRICAL COMPONENTS.
 HAVE ALL ELECTRICAL INSTALLATION PERFORMED BY A QUALIFIED LICENSED ELECTRICIAN-FOLLOW ALL STATE AND LOCAL CODES.
 ONLY INSTALL GENERATOR SET APPROVED FOR R.V. APPLICATION. HAVE INSTALLED BY QUALIFIED TECHNICIAN.
 TO AVOID HEAT BUILD-UP AND TO GUARANTEE AN ADEQUATE AIR SUPPLY TO THE GENERATOR CARBURETOR, FOLLOW INSTALLATION INSTRUCTIONS.
 GENERATOR ENGINE EXHAUST GASES ARE TOXIC AND MUST NOT TERMINATE UNDER THE VEHICLE-DISCHARGE EXHAUST AWAY FROM VEHICLE.

KEY	PART NUMBER	U/M DESCRIPTION
1	077510-01-000	EA LABEL-GENERATOR PREP

LABELS GROUP (CONTINUED)



KEY	PART NUMBER	U/M DESCRIPTION
1	099509-01-000	EA LABEL-AWNING INSTALLATION

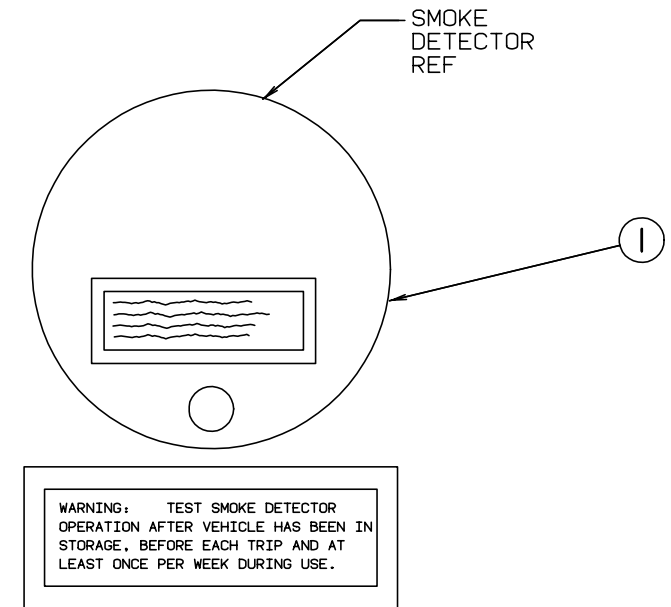


KEY	PART NUMBER	U/M DESCRIPTION
1	040944-01-000	EA LABEL-ENTRANCE DOOR - "OPEN"

LABELS GROUP (CONTINUED)
MISCELLANEOUS LABELS

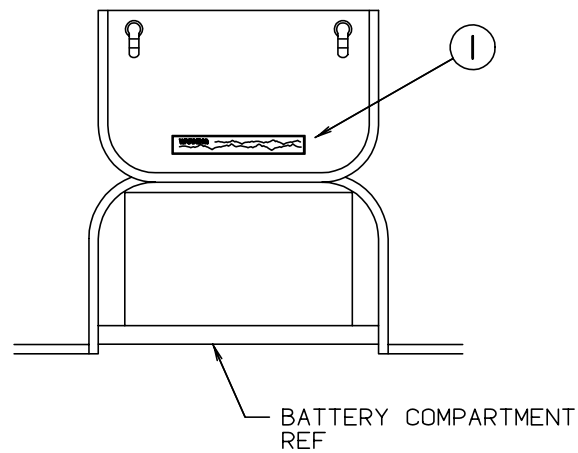
KEY	PART NUMBER	U/M DESCRIPTION
	104236-01-000	EA LABEL-GENERATOR CIRCUIT
	006064-01-000	EA LABEL - SEAT W/O SEATBELT NOT INTENDED FOR USE WHILE COACH IN MOTION
	091224-02-000	EA LABEL-TRAILER LIGHTING
	091243-01-000	EA LABEL-A/C COVER, "AIR CONDITIONING CIRCUIT. ETC."
	091243-02-000	EA LABEL-COVER, "MICROWAVE CIRCUIT. ETC."
	093236-08-000	EA LABEL-CIRCUIT BREAKER
	098641-01-000	EA LABEL-FUEL, UNLEADED - DASH
	073998-01-000	EA LABEL-LPG ODOR WARNING
	087236-01-000	EA LABEL-CABLE, INPUT
	061417-01-000	EA LABEL-FUEL, ON FUEL FILL DOOR
	062043-01-000	EA LABEL-FUEL, UNLEADED
	111104-01-000	EA LABEL-HITCH, READ MANUAL
	111104-02-000	EA LABEL - HITCH - READ MANUAL
	124520-01-01A	EA LABEL - LP GAS ONLY
	006040-01-000	EA TAG-GAS REFUELING WARNING
	124519-01-01A	EA LABEL - WARNING/REFUELING
	124519-02-01A	EA LABEL - WARNING/REFUELING - CSA
	112518-01-000	EA LABEL-HANG TAG, CO DETECTOR
	087207-06-000	EA LABEL-GAS OVERFILL
	111802-01-000	EA LABEL-CFC WARNING

LABELS GROUP (CONTINUED)

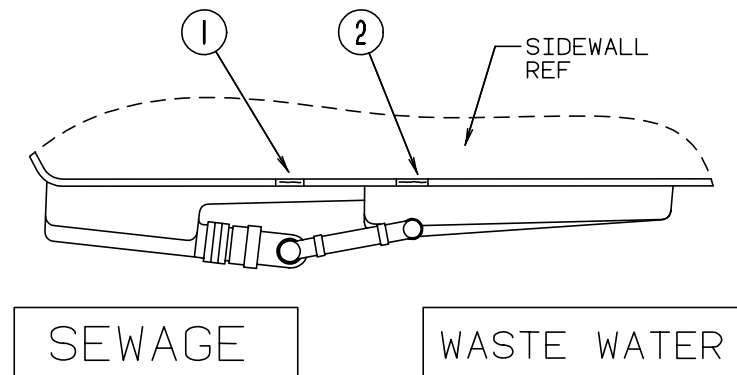


KEY	PART NUMBER	U/M DESCRIPTION
1	077956-01-000	EA LABEL-WARNING-SMOKE DETECTOR

WARNING DISCONNECT BATTERIES BEFORE CONNECTING EXTERNAL CHARGING EQUIPMENT.

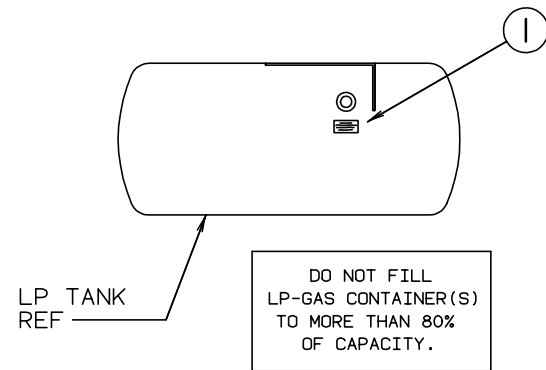


KEY	PART NUMBER	U/M DESCRIPTION
1	065748-01-000	EA LABEL-CAUTION-BATTERY CHARGING



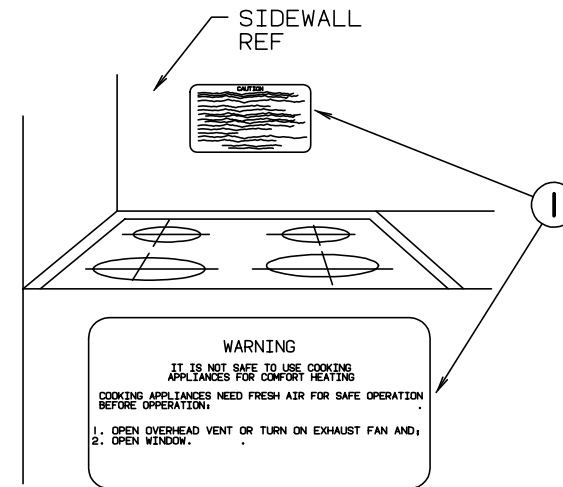
KEY	PART NUMBER	U/M DESCRIPTION
1	006187-01-000	EA LABEL-SEWAGE
2	006188-01-000	EA LABEL-WASTE WATER

LABELS GROUP (CONTINUED)

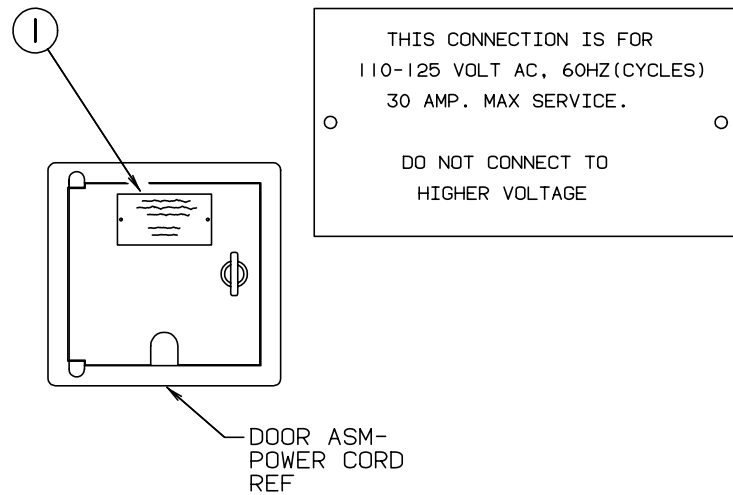


KEY	PART NUMBER	U/M DESCRIPTION
1	079965-01-000	EA LABEL-LPG - 80% CAPACITY

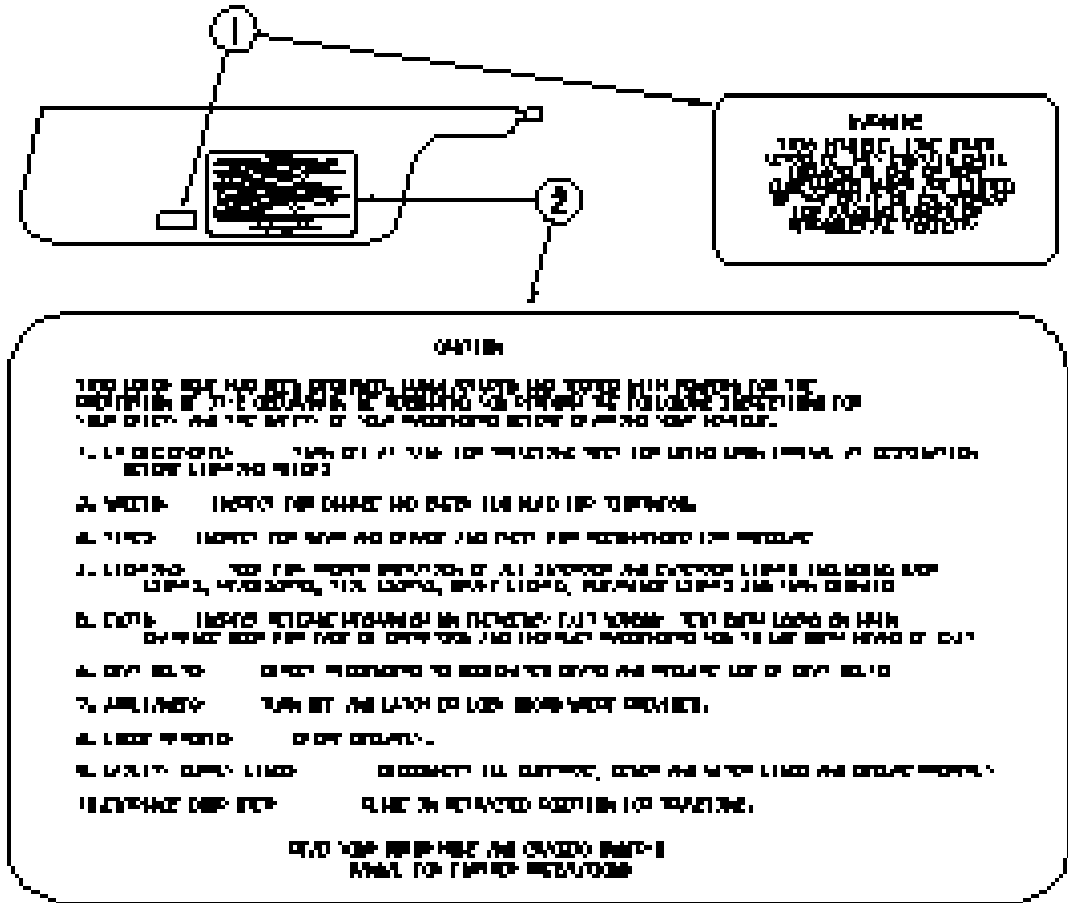
LABELS GROUP (CONTINUED)



KEY	PART NUMBER	U/M DESCRIPTION
1	050225-01-000	EA LABEL-WARNING-STOVE VENT - US

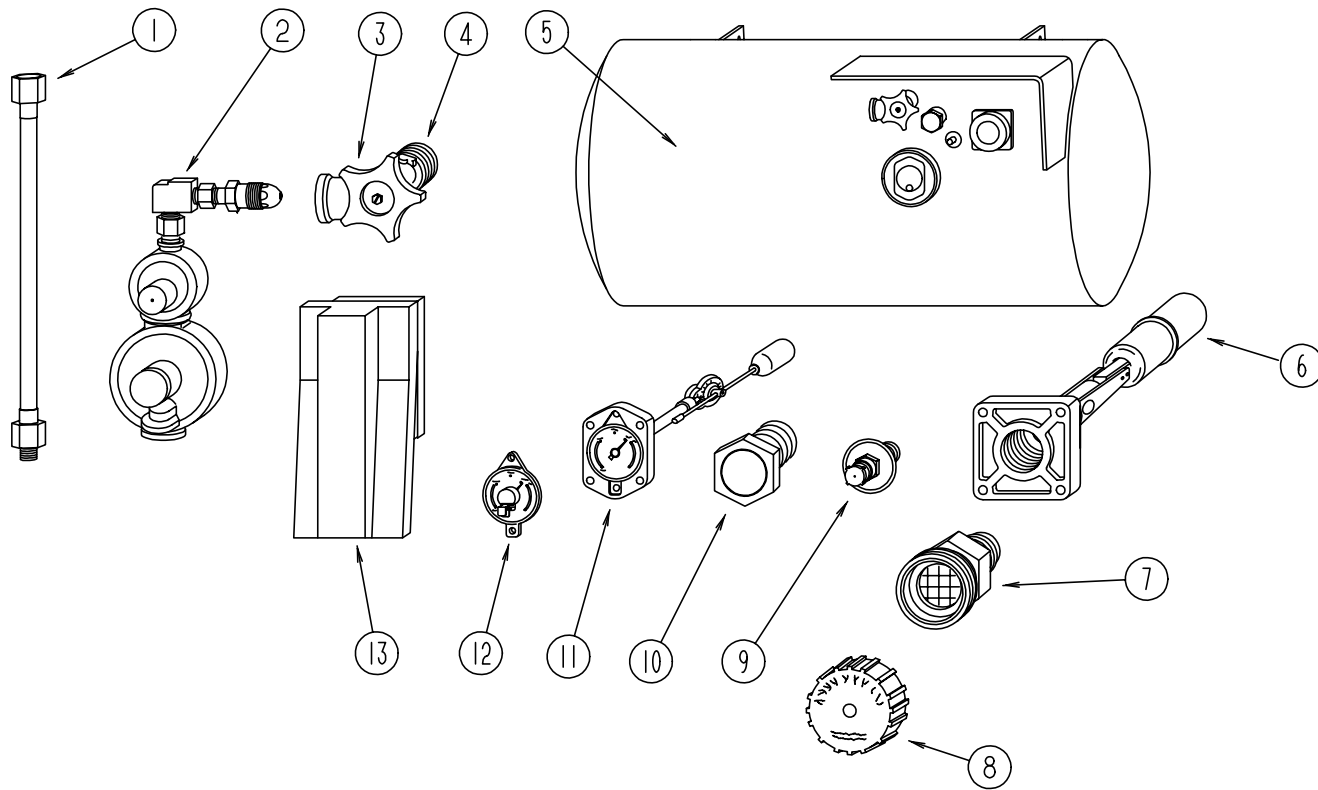


KEY	PART NUMBER	U/M DESCRIPTION
1	006062-01-000	EA TAG-ELECTRIC-110V CONNECTION



KEY	PART NUMBER	U/M DESCRIPTION
1	099689-01-000	EA LABEL-WARNING, CANCER/TOXICITY
2	056259-01-000	EA LABEL-SAFETY CHECK LIST

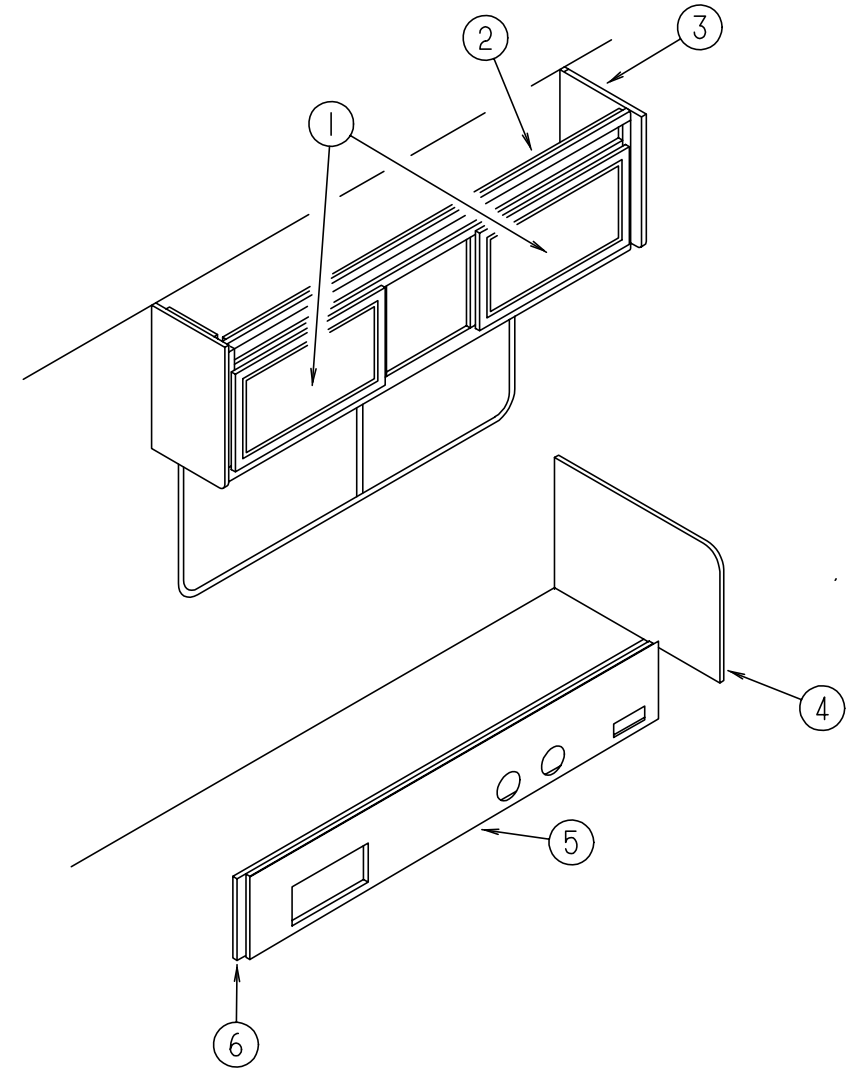
LP GROUP



LP SYSTEM

KEY	PART NUMBER	U/M DESCRIPTION	VENDOR NO.
1	045703-06-000	EA HOSE-LP, 3/8" ID X 28" - 3/8 MPT X 1/2 F SWIVEL - CANADIAN	
1	045703-01-000	EA HOSE-LP, 3/8" ID X 24" - 3/8 MPT X 1/2 F SWIVEL - U.S.	
1	045703-02-000	EA HOSE-LP, 3/8" ID X 24" - 3/8" MPT X 1/2" F SWIVEL - CANADA	
1	045703-09-000	EA HOSE ASM-LP, 3/8 ID X 24 - US & CGA 3/8F SWIVEL X 3/8 F SWIVEL	
2	106150-01-000	EA REGULATOR-TWO STAGE - M'BRASS 290-303	
2	106150-02-000	EA REGULATOR-TWO STAGE - M'BRASS 290-00	
3	040421-01-708	EA HANDWHEEL-SERVICE VALVE	G-1015-A
4	040421-01-712	EA VALVE, SERV. W/O VAPOR RELIEF	29000853
5	080450-01-000	EA TANK-LP, 42 LB - 13" DIAMETER X 24" LONG	
6	040421-01-711	EA VALVE - 80% FILL W/AUTO STOP	LLL/TL3
7	040421-01-701	EA VALVE-FILL-SHORT, LP	75478
8	040421-01-702	EA CAP-FILL VALVE, PLASTIC	G-1014-A
9	040421-01-700	EA VALVE-LIQUID LEVEL, 20%	G-1013
10	040421-01-713	EA VALVE-VAPOR ONLY	29000587
11	074142-01-700	EA FLOAT ASM.-SCREW ON F/13"TANK	13C-SCR
	074142-01-701	EA FLOAT ASM.-(SIGHT GAUGE) BOLT	13C-BLT
12	040421-01-706	EA VISIBLE VOLUME DIAL, W/O MONITOR PANEL	
12	040440-02-000	EA TRANSMITTER-DIAL, 0-90 OHM - 2 TERMINAL (POWER & GROUND)	
13	105658-01-000	EA COMPARTMENT-LP REGULATOR	
	010323-01-000	EA ADAPTER-BRASS, 3/8 F X 1/2 MPT	
	057042-01-000	EA ADAPTER-CROSS 1/2 PIPE	
	010377-02-000	EA NUT-BRASS, 3/8" FLARE - FORGED	
	065318-02-000	EA ELBOW - 90 DEGREE, 3/8" MPT TO 3/8" FPT	
	010265-01-000	EA ELBOW-BRASS, 90 DEGREE - 3/8" F X 1/2" FPT	
	010252-01-000	EA ELBOW-BRASS, 90 DEGREE, 3/8 F X 1/2 MPT	
	071391-02-000	EA NIPPLE-HEX , 1/4" PIPE - 3325 X 4 WEATHERHEAD	
	075148-02-000	EA CLAMP-GROUNDING, BRONZE SCREWS	
	103613-02-000	EA DETECTOR-LP GAS	

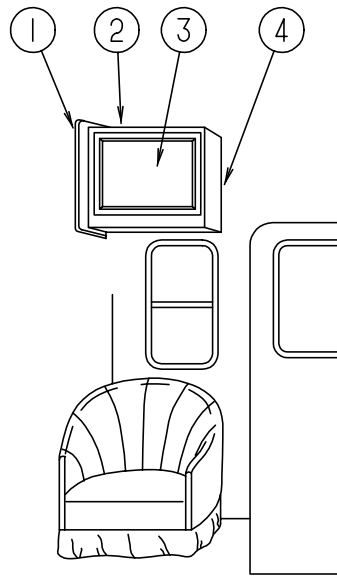
LOUNGE GROUP



DRIVER SIDE COUCH CABINETS

KEY	PART NUMBER	U/M DESCRIPTION
1	110140-18-G01	EA DOOR - MITERED CORNER/VINYL WRAP - 15.7" X 27.9" - W/O HDW
1	110140-21-H04	EA DOOR - MIRROR/MTRD CRNR/VINYL WRAP - 15.7" X 27.9"-W/O HDW
	108536-04-09A	EA MIRROR - GLASS - BOTANICAL - 12.5" X 24.6"
1	M06803-82-G15	EA DOOR - MTRD CORNER/OGEE EDGE - 15.7" X 27.9" W/O HDW
2	124476-01-H04	EA CABINET - OVERHEAD LOUNGE - W/O DOORS/HARDWARE
3	109908-22-H04	EA CAP - OVERHEAD END
4	M08107-20-H04	EA PANEL - COUCH - RIGHT END - FABRIC COVERED (H04)
4	M08107-20-H05	EA PANEL - COUCH - RIGHT END - FABRIC COVERED (H05)
4	M08107-20-H24	EA PANEL - COUCH - RIGHT END - FABRIC COVERED (H24/H26)
5	124540-12-H04	EA DOOR - COUCH CABINET - W/O HARDWARE (H04)
	M08107-19-H04	EA PANEL - COUCH - FABRIC COVERED (H04)
5	124540-12-H05	EA DOOR - COUCH CABINET - W/O HARDWARE (H05)
	M08107-19-H05	EA PANEL - COUCH - FABRIC COVERED (H05)
5	124540-12-H24	EA DOOR - COUCH CABINET - W/O HARDWARE (H24/H26)
	M08107-19-H24	EA PANEL - COUCH - FABRIC COVERED (H24/H26)
6	M08107-21-H04	EA PANEL - COUCH - FRONT KICK PANEL - FABRIC COVERED (H04)
6	M08107-21-H05	EA PANEL - COUCH - FRONT KICK PANEL - FABRIC COVERED (H05)
6	M08107-21-H24	EA PANEL - COUCH - FRONT KICK PANEL - FABRIC COVERED (H24/H26)
	082525-01-000	EA BRACE - COUCH - FLOOR MOUNT - ANGLE 3" LONG
	083125-07-000	EA BRACE-ANGLE, COUCH - OFF WHITE

LOUNGE GROUP (CONTINUED)



CABINET W/TV/VCP - W/O TV/VCR

KEY	PART NUMBER	U/M DESCRIPTION
1	121877-14-H04	EA END CAP - OVERHEAD
2	M08163-01-H04	EA CABINET - W/O TV/VCR OPTION
	122298-02-02B	EA BRACKET - TV/VCR - E-COATED
3	057882-04-700	EA DOOR-TAMBOUR 4'X4'
4	121877-15-H04	EA END CAP - OVERHEAD

CABINET W/TV/VCP - W/TV/VCR

KEY	PART NUMBER	U/M DESCRIPTION
1	121877-14-H04	EA END CAP - OVERHEAD
2	M08163-02-H04	EA CABINET - W/TV/VCP OPTION
	122298-02-02B	EA BRACKET - TV/VCR - E-COATED
	091261-01-000	FT SLIPNOT - ANTISLIP - 1" WIDE (100' ROLL)
	099717-04-000	EA STRAP - TIE DOWN W/21.3" FEMALE STRAP & 27.2" MALE STRAP
	103256-01-000	EA LATCH - SLIDE
	116773-02-000	EA SLIDE - SWIVEL - TV
3	057882-04-700	EA DOOR-TAMBOUR 4'X4'
4	121877-15-H04	EA END CAP - OVERHEAD

CABINET - OVERHEAD

KEY	PART NUMBER	U/M DESCRIPTION
1	104335-23-H04	EA END CAP - OVERHEAD
2	124390-01-H04	EA CABINET - OVERHEAD FRONT/RIGHT HAND - W/O DOORS/HARDWARE
3	110140-98-H04	EA DOOR - MITERED CORNER/VINYL WRAP - 24.9" X 19.6"
3	M06803-M9-G15	EA DOOR-RAIL,MTRD/OG 0400X0500
4	104335-22-H04	EA END CAP - OVERHEAD

LID-ENTRANCE DOOR CABINET

KEY	PART NUMBER	U/M DESCRIPTION
	P14437-03-000	EA CABINET - LID ENTRANCE DOOR - W/O CARPET
	101222-01-02A	EA BRACKET - CATCH - LID - OFF WHITE

SEALANTS & FASTENERS GROUP

ADHESIVES AND SEALERS

KEY	PART NUMBER	U/M DESCRIPTION
	002707-02-000	FT TAPE-SEALER - 5/16" X 1/2" - INCREMENTS OF 50 FT
	004006-05-700	EA ADHESIVE-NAT. STARCH (5 GAL) 0802
	034552-02-000	EA SILICONE - TUBE - 300 ML - W/O NOZZLE - CLEAR
	039518-01-000	EA SILICONE - TUBE, 300 ML - BLACK
	053766-02-000	EA BEDDING COMPOUND-TUBE, WHITE SCHNEE # 5522
	053766-08-000	EA BEDDING COMPOUND-TUBE, GRAY - SCHNEE # 5522
	063642-01-000	FT TAPE-ADHESIVE - 10 MIL. X 1.5" WIDE X 180"
	069640-01-000	FT SEALER-RIBBON - 1/4" DIAMETER - INCREMENTS OF 30'
	069640-02-000	FT SEALER-RIBBON - 1/2" X 1/8" - INCREMENTS OF 60'
	069640-03-000	FT SEALER-RIBBON - 3/4" X 1/8" - INCREMENTS OF 60'
	069640-07-000	FT SEALER-RIBBON - 2" X 3/32" - INCREMENTS OF 45'
	069640-10-000	FT SEALER-RIBBON - 1/32" X 1 1/2" INCREMENTS OF 90'
	069640-11-000	FT SEALER-TAPE - 3/16" X 3/8", BLACK - MANUS
	072889-12-000	EA SEALANT-URETHANE (LV) BRIGHT WHITE - MANUS 75AM
	076322-01-000	FT TAPE - FOAM - DOUBLE COATED ADHESIVE BACKED - .75" X 216'
	076322-02-000	FT TAPE - FOAM, DOUBLE COATED ADHESIVE BACKED - 1" X 108'
	076322-03-000	FT TAPE - FOAM - DOUBLE COATED ADHESIVE BACKED - .5" X 108'
	076322-05-000	FT TAPE - DOUBLE COATED ADHESIVE BACKED FOAM .45" X .75"
	076322-07-000	FT TAPE - FOAM, DBL COATED .045 X .50 - NORT V2000
	087211-01-000	GL PROMOTER-ADHESIVE
	091255-02-000	FT SEAL - ADHESIVE BACKED FOAM - .18" THICK X 1.5" WIDE
	102352-01-000	EA SEALER - PUMPABLE - BLACK - COLORIMETRIC MS101
	106206-01-000	EA SEALER - PUMPABLE - MANUS 30A - BLACK
	108716-03-000	EA SILICONE - BRIGHT WHITE SELF LEVELING - TUBE
	120534-01-01A	EA TAPE-SCOTCH 3M, 1/2" FINE LINE - #471 GREEN
	900390-01-000	EA TIP - 2 1/2" X 1/8" ORIFICE - ELLSWORTH #2180
	900390-03-000	EA NOZZLES-SILICONE TUBE - CSL #D10
	110943-02-000	FT 3/8" FELTSTRIP ADHESIVE

WASHERS

KEY	PART NUMBER	U/M DESCRIPTION
	000E11-07-00B	EA WASHER - LOCKING - 7/16 MED SPLIT - ZINC
	000E11-08-00B	EA WASHER - LOCKING - 1/2 MED SPLIT - ZINC
	000E13-14-00B	EA WASHER - FLAT - 1/4" WIDE - ZINC
	000E13-17-00B	EA WASHER - FLAT - 3/8" AR - ZINC
	000E13-18-00B	EA WASHER - FLAT - 3/8 WIDE - ZINC
	000E13-20-00B	EA WASHER - FLAT - 7/16" WIDE - ZINC
	000E13-21-00B	EA WASHER - FLAT - W/2 NAR - ZINC
	041322-01-000	EA WASHER - FLANGE - 15/32 ID X 2 3/8 OD - FOR SEAT BELT MOUN
	044533-01-000	EA WASHER - PLASTIC - 1 3/8 OD - FOR BUTTONS
	077071-01-000	EA WASHER-FENDER, 3/16" ID X 1" OD

GROMMETS

KEY	PART NUMBER	U/M DESCRIPTION
	016188-03-000	EA GROMMET - L/P LINE - 3/8" HOLE X 2 1/2" LONG - RUBBER
	023942-01-000	EA GROMMET - RUBBER - 2" OD
	114208-02-000	EA GROMMET - EDGE LINER - FITS .625 - HEYCO 2073
	071015-11-000	EA GROMMET - 1.00 ID - FITS .12 MATL - MINOR RUBBER Z-3065
	071015-26-000	EA GROMMET - RUBBER - 1.5" ID X 2.12" OD W/.06" GROOVE - BLACK
	071015-29-000	EA GROMMET - RUBBER - 1/2 ID X 1 1/4 OD W .12 GROOVE - BLK - MC CLAIN

SEALANTS & FASTENERS GROUP (CONTINUED)

NUTS AND RIVETS

KEY	PART NUMBER	U/M	DESCRIPTION
	000D24-10-00B	EA	NUT - HEX - SELF LOCKING - 10-32 ZINC
	000D29-09-00B	EA	NUT - HEX - SELF LOCKING - 9/16-12 - ZINC
	000D34-06-00B	EA	NUT - HEX - LOCKING - 3/8-16 GRADE C ZINC - PREVAILING T
	000D39-04-00B	EA	NUT - HEX - SERRATED FLANGE LOCKING 1/4-20 - ZINC
	000D39-05-00B	EA	NUT - HEX - SERRATED FLANGE LOCKING - 5/16-18 - ZINC
	000D39-06-00B	EA	NUT - HEX - SERRATED FLANGE LOCKING - 3/8-16 - ZINC
	000D39-07-00B	EA	NUT - HEX - SER FLG LK - 7/15 - 14 ZINC
	000D39-08-00B	EA	NUT - HEX - SERRATED FLANGE LOCKING - 1/2-13 - ZINC
	000D44-07-00B	EA	NUT - HEX - SERRATED FLANGE LOCKING - 7/16-20 - ZINC
	000D46-04-00A	EA	NUT - HEX - WELD - 1/4 - 20 - PLAIN
	040921-01-000	EA	NUT - SPEED - U TYPE - 10-24 BLACK
	000H16-04-06R	EA	RIVET-POP, AL 1/8 X .313-.375
	069592-02-000	EA	RIVET-T - POP - 1/4 X .093 - .156

CLAMPS AND TIES

KEY	PART NUMBER	U/M	DESCRIPTION
	007161-01-000	EA	CLAMP - HOSE - SPRING TYPE - 1/2"
	010495-01-000	EA	CLAMP - CABLE - 9/16"
	010497-01-000	EA	CLAMP - CLOSED - 5/8" ID
	010497-03-000	EA	CLAMP - CLOSED - 1" ID - CUSHIONED
	010497-04-000	EA	CLAMP - CLOSED - 1.62" ID
	010497-08-000	EA	CLAMP - CLOSED, .125"
	010499-01-000	EA	CLAMP - CLOSED - 3/8" ID
	056134-01-000	EA	HOLDER - RING - 3.6" DIAMETER - METAL
	056134-02-000	EA	HOLDER - RING, 1.8" DIAMETER - METAL
	062401-01-000	EA	CLAMP - HOSE - WORMGEAR .25" - 1"
	062401-02-000	EA	CLAMP - HOSE - WORMGEAR 1.56" - 2.5"
	062401-03-000	EA	CLAMP - HOSE - WORMGEAR .22" - 1"
	062401-04-000	EA	CLAMP - HOSE - WORMGEAR .69" - 1.25"
	062401-06-000	EA	CLAMP - HOSE - WORMGEAR .22"-.62"
	062401-11-000	EA	CLAMP - HOSE - WORMGEAR 3.56" - 4.5"
	075148-02-000	EA	CLAMP - GROUNDING - BRONZE SCREWS
	080211-05-000	EA	CLIP-XMAS TREE - 36MM - FASNAP 09-280297
	080734-02-000	EA	CLIP-WIRE, NYLON
	083609-01-000	EA	CLAMP - WIRE - DUAL EQUAL - 5/8" DIAMETER
	083610-01-000	EA	CLAMP - WIRE - DUAL - UNEQUAL DIAMETERS - .75" & 1.25"
	091952-01-000	EA	CLIP-GRIPPER - 1"
	091952-02-000	EA	CLIP-GRIPPER - 3/4"
	101447-01-000	EA	CLIP-U TYPE - TINNEMAN HOLDS SHOWER SURROUND TOGETHER
	008343-01-000	EA	TIE - WIRE - 6"
	008343-02-000	EA	TIE - WIRE - 14"
	008343-03-000	EA	TIE - WIRE 7.5 IN BLACK - DENNISON 10003
	085774-01-000	FT	FASTENER - DUAL HOOK - 1" WIDE - ADHESIVE BACK - BLACK
	085774-02-000	FT	FASTENER - DUAL LOOP - 1" WIDE - ADHESIVE BACK - BLACK
	108046-01-000	EA	CABLE TIE - SCREW MOUNT 8" - DENNISON 08415
	108046-02-000	EA	CABLE TIE - SCREW MOUNT 15" - DENNISON 10035

SEALANTS & FASTENERS GROUP (CONTINUED)

SCREWS

KEY	PART NUMBER	U/M	DESCRIPTION
	0G3908-08-170	EA	SCREW - SF/DR - 8-18 X .50 PPH - BRIGHT WHITE
	0G3910-12-170	EA	SCREW - SF/DR, 10-16 X .75 PPH - BRIGHT WHITE
	0G6008-16-170	EA	SCREW - SF/DR, 8-18 X 1.00 POH - BRIGHT WHITE
	0G6710-08-170	EA	SCREW - 10-12 X 1/2 PPH, BRIGHT WHITE - TYPE A
	000C18-06-56A	EA	BOLT - ELEVATOR, 3/8"-16 X 3 1/2" GRADE 5
	000G11-05-08B	EA	SCREW - 5-20 X .50 PPH - ZINC
	000G11-06-10J	EA	SCREW - 6-20 X 5/8 PPH - BRASS
	000G11-06-08B	EA	SCREW - 6-20 X .50 PPH - ZINC
	000G11-06-06B	EA	SCREW - 6-20 X 3/8 PPH - ZINC
	000G11-07-08B	EA	SCREW - 7-19 X .50 PPH - ZINC
	000G11-08-12B	EA	SCREW - 8-18 X .75 PPH - ZINC
	000G11-08-08B	EA	SCREW - 8-18 X .50 PPH - ZINC
	000G11-08-06B	EA	SCREW - 8-18 X 3/8 PPH - ZINC
	000G11-08-16S	EA	SCREW - 8-18 X 1.00 PPH - OFF WHITE
	000G11-08-12T	EA	SCREW - 8-18 X .75 PPH - BLACK
	000G11-08-12S	EA	SCREW - 8-18 X .75 PPH - OFF WHITE
	000G11-08-12P	EA	SCREW - 8-18 X .75 PPH - DARK BROWN
	000G11-08-20B	EA	SCREW - 8-18 X 1.25 PPH - ZINC
	000G11-10-12S	EA	SCREW - 10-16 X .75 PPH - OFF WHITE
	000G12-06-08T	EA	SCREW - 6-20 X .50 POH - BLACK
	000G12-08-12S	EA	SCREW - 8-18 X .75 POH - OFF WHITE
	000G13-05-10B	EA	SCREW - 5-12 X 5/8 PFH ZN
	000G13-06-16J	EA	SCREW - 6-20 X 1.00 PFH - BRASS
	000G13-06-08B	EA	SCREW - 6-20 X .50 PFH - ZINC
	000G13-06-24J	EA	SCREW - 6-20 X 1.50 PFH - BRASS
	000G13-07-12B	EA	SCREW - 7-19 X .75 PFH - ZINC
	000G13-08-10B	EA	SCREW - 8-18 X 5/8 PFH - ZINC
	000G19-10-12F	EA	SCREW - MACHINE - 10-32 X .75 - PPH - STAINLESS STEEL
	000G32-10-06B	EA	SCREW - 10-32 X 3/8" - PPH - ZINC
	000G39-06-16T	EA	SCREW - SF/DR - 6-20 X 1 PPH - BLACK
	000G39-06-10T	EA	SCREW - SF/DR - 6-20 X 5/8 PPH - BLACK
	000G39-06-08B	EA	SCREW - SF/DR - 6-18 X .50 - ZINC
	000G39-08-24B	EA	SCREW - SF/DR - 8-18 X 1.50 PPH - ZINC
	000G39-08-16R	EA	SCREW - SF/DR - 8-18 X 1.00 PPH - BEIGE
	000G39-08-16B	EA	SCREW - SF/DR - 8-18 X 1 PPH - ZINC
	000G39-08-12B	EA	SCREW - SF/DR - 8-18 X .75 PPH - ZINC
	000G39-08-08T	EA	SCREW - SF/DR - 8-18 X .50 PPH - BLACK
	000G39-08-08S	EA	SCREW - SF/DR - 8-18 X .50 PPH - OFF WHITE
	000G39-08-08B	EA	SCREW - SF/DR - 8-18 X .50 PPH - ZINC
	000G39-10-08B	EA	SCREW - SF/DR - 10-16 X .50 PPH - ZINC
	000G39-10-32B	EA	SCREW - SF/DR, 10-16 X 2.00 PPH - ZINC
	000G39-10-20B	EA	SCREW - SF/DR - 10-16 X 1.25 PPH - ZINC
	000G39-10-12R	EA	SCREW - SF/DR - 10-16 X .75 PPH - BEIGE
	000G39-10-12D	EA	SCREW - SF/DR - 10-16 X .75 PPH - BLACK
	000G39-10-12B	EA	SCREW - SF/DR - 10-16 X .75 PPH - ZINC
	000G42-04-16B	EA	SCREW - SF/DR -1/4"-14 X 1 HWH - ZINC
	000G42-04-12B	EA	SCREW - SF/DR - 1/4-14 X 3/4 HWH - ZINC
	000G46-08-24T	EA	SCREW - MACHINE - 8-32 X 1.5 PFH - BLACK
	000G50-04-12B	EA	SCREW - MACHINE - 1/4-20 X 3/4 PPH - ZINC
	000G52-08-18B	EA	SCREW - MACHINE - 8-32 X 1 1/8 PTH - ZINC
	000G54-04-20B	EA	SCREW - 1/4-20 X 1 1/4 PTH - TYPE 23 - ZINC PLATED
	000G55-08-16S	EA	SCREW - SF/DR - 8-18 X 1.00 - PWH - OFF WHITE
	000G55-08-12S	EA	SCREW - SF/DR - 8-18 X .75 PWH - OFF WHITE
	000G56-12-48B	EA	SCREW - WOOD, 12-11 X 3 POH - SPECIAL HARDENED
	000G60-10-20B	EA	SCREW - SF/DR, 10-16 X 1.25 POH - ZN

SEALANTS & FASTENERS GROUP (CONTINUED)

SCREWS (CONTINUED)

KEY	PART NUMBER	U/M	DESCRIPTION
	000G60-10-28T	EA	SCREW - SF/DR, 10-16 X 1.75 - BLACK
	000G67-10-10B	EA	SCREW - 10-12 X 5/8 PPH - ZINC - TYPE A
	000G67-10-08R	EA	SCREW - 10-12 X 1/2 PPH - BEIGE - TYPE A
	000G67-10-08B	EA	SCREW - 10-12 X 1/2 PPH - ZINC
	000G67-10-12P	EA	SCREW - 10-12 X .75 PPH - DARK BROWN
	000G67-10-12B	EA	SCREW - 10-12 X .75 PPH - ZINC
	000G67-10-10S	EA	SCREW - 10-12 X 5/8 PPH - OFF WHITE
	000G67-10-10D	EA	SCREW - 10-12 X 5/8 PPH - BLACK - TYPE A
	000G67-10-36T	EA	SCREW - 10-12 X 2.25 PPH - BLACK - STALGARD
	000G67-10-32B	EA	SCREW - 10-12 X 2 PPH - ZINC
	000G67-10-24B	EA	SCREW - 10-12 X 1.50 PPH - ZINC
	000G67-10-20D	EA	SCREW - 10-12 X 1.25 PPH - BLACK
	000G67-10-16B	EA	SCREW - 10-12 X 1 PPH - ZINC
	000G67-10-120	EA	SCREW - 10-12 X .75 PPH - TAN
	000G67-10-120	EA	SCREW - 10-12 X .75 PPH - TAN
	000G67-10-12R	EA	SCREW - 10-12 X .75 PPH - BEIGE
	000G68-06-10G	EA	SCREW - 6-18 X 5/8 POH - ANTIQUE BRASS
	049465-03-000	EA	SCREW, 10-16 X 1 POH W/WASHER - OFF WHITE
	054434-02-000	EA	SCREW - SF/DR - 10-16 X 2 ZN - TORQ'S #25 HEAD
	057671-01-000	EA	COVER - SCREW - #8 - PLASTIC - OFF WHITE
	087721-01-000	EA	SCREW - FLAT HEAD - TAPPING - 1/4" X 1 1/4" LONG - ZINC
	097974-01-000	EA	SCREW - PART BD 7-9 X .75 PPH - FHM 0543 PLAIN
	101618-01-000	EA	SCREW - 1/4-20 X .75 HEX - TAPPING - STALGARD TYPE F
	105126-01-000	EA	SCREW - CACH - 8-32 X 1 PPH TAPTIT - N W /LITE WAX

SEALANTS & FASTENERS GROUP (CONTINUED)

BOLTS

KEY	PART NUMBER	U/M	DESCRIPTION
	0MC31K-08-020	EA	BOLT - HEX - SERRATED FLANGE - M8 X 020
	000C12-05-16B	EA	BOLT - HEX - 5/16-18 X 1 - ZINC 5
	000C12-06-16B	EA	BOLT - HEX - 3/8-16 X 1 LG - ZINC 5
	000C12-07-20B	EA	BOLT - HEX, 7/16 - 14 X 1 1/4" - ZN5
	000C12-08-24B	EA	BOLT - HEX - 1/2-13 X 1.50 - ZINC 5
	000C12-10-24B	EA	BOLT - HEX - 5/8-11 X 1.50 - ZINC - 5
	000C13-07-48B	EA	BOLT - HEX - 7/16-20 X 3 - ZINC 5
	000C18-05-40A	EA	BOLT - ELEVATOR - 5/16-18 X 2.50 - PL
	000C18-06-48B	EA	BOLT - ELEVATOR - 3/8-16 X 3 - ZINC - GRADE 5
	000C26-04-14B	EA	BOLT - HEX - SERRATED FLANGE - 1/4-20 X 7/8 - ZINC
	000C26-04-10B	EA	BOLT - HEX - SERRATED FLANGE - 1/4-20 X 5/8 - ZINC
	000C26-05-12B	EA	BOLT - HEX - SERRATED FLANGE - 5/16-18 X 3/4 - ZINC
	000C26-05-16B	EA	BOLT - HEX - SERRATED FLANGE - 5/16-18 X 1 - ZINC
	000C26-06-12B	EA	BOLT - HEX - SERRATED FLANGE - 3/8-16 X 3/4 - ZINC
	000G45-05-16B	EA	BOLT - LAG 5/16-9 X 1 - ZINC
	106166-01-000	EA	BOLT COLLARED HANGER - 8-32 X 1"

WATER & SEWAGE GROUP

FRESH WATER TANK

KEY	PART NUMBER	U/M DESCRIPTION
	064214-19-000	EA TANK - WATER - 31 GALLON W/FITTINGS
	064214-01-000	EA TANK-WATER, 31 GALLONS - W/O FITTINGS - 24" X 12.75" X 30"
	042989-03-000	EA FITTING - WATER TANK - SPINWELD - 1 1/4"NPT - PLASTIC
	042989-04-000	EA FITTING-WATER TANK, SPINWELD - 3/8" FPT - PLASTIC - WHITE
	042989-05-000	EA FITTING - WATER TANK - SPINWELD - 1/2"FPT - PLASTIC
	049032-01-000	EA PATCH - SPINWELD - 3/8" - PLASTIC
	077954-02-000	EA FILTER - WATER TANK - W/SCREEN IN TANK
	010224-01-000	EA ADAPTER - HOSE TO PIPE - 3/8" MPT X 3/8" BARB - PLASTIC
	044927-01-000	EA ADAPTER-HOSE TO PIPE, 1 1/4"MPT X 1 1/4"BARB-BLACK PLASTIC

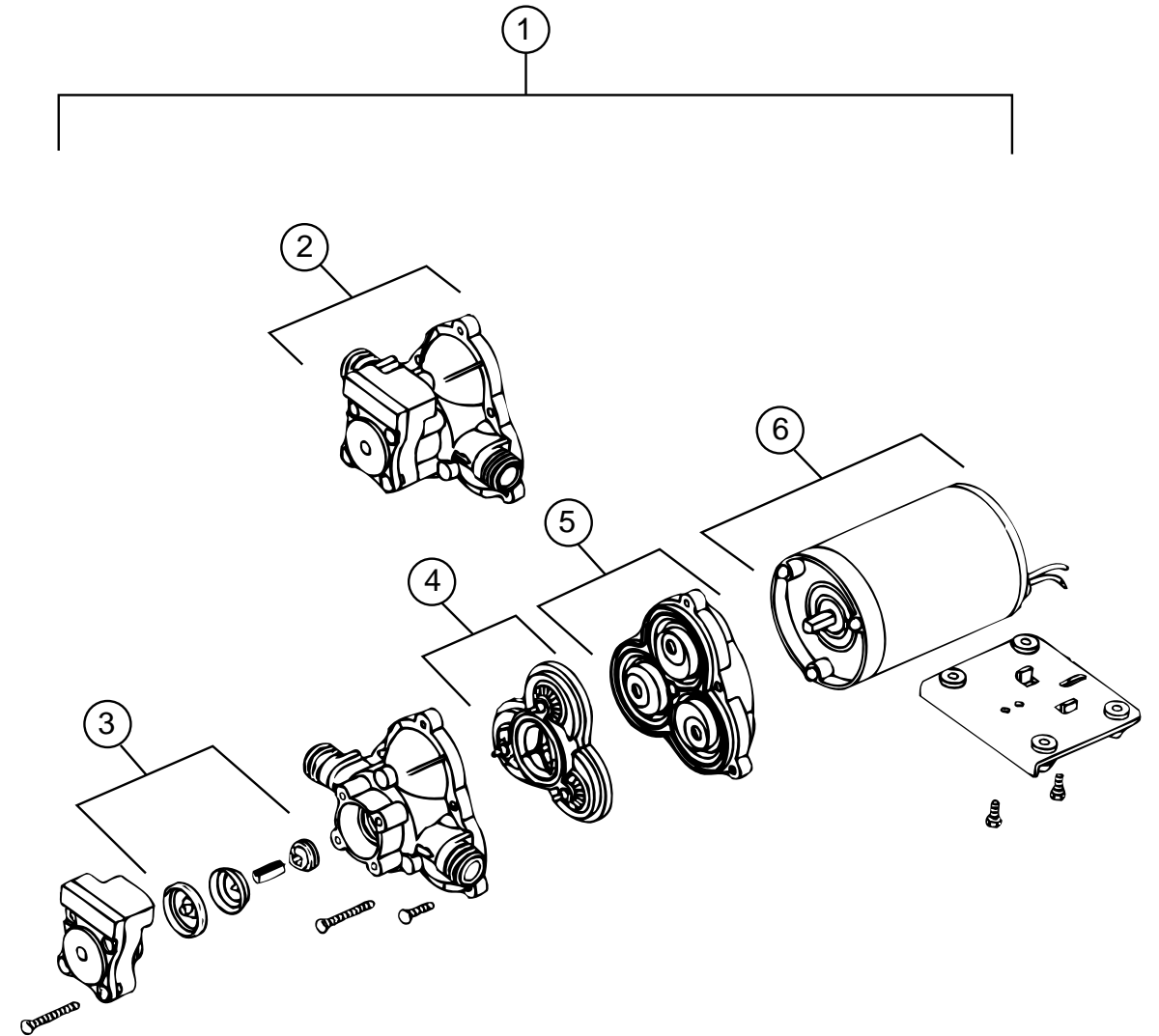
WATER SYSTEM

KEY	PART NUMBER	U/M DESCRIPTION
	046128-01-000	EA VALVE - DRAIN - PLASTIC - 1/2" FPT
	110438-01-000	EA VALVE - CHECK - BRASS
	110438-02-000	EA VALVE - CHECK - BRASS - MPT X MPT FROM: 00-00-00 THRU: 02-16-97 FROM: 02-17-97 THRU: 99-99-99
	046128-01-000	EA VALVE - DRAIN - PLASTIC - 1/2" FPT
	114430-02-000	EA ADAPTER - SWIVEL - 1/2P X 1/2FPT
	114430-03-000	EA ADAPTER - 1/2P X 1/2MPT
	114430-06-000	EA ADAPTER - 1/2P X 3/8FPT
	010224-01-000	EA ADAPTER - HOSE TO PIPE - 3/8" MPT X 3/8" BARB - PLASTIC
	123152-01-000	EA ADAPTER - 1/2 FPT X 1/2 BARB - SWIVEL
	079381-01-000	FT TUBING - SMOOTH FLEXIBLE - 1 3/8" ID X 20'
	039800-02-000	FT TUBING - POLYBUTY - 5/8" OD X 20' - INCR OF 20'
	039800-05-000	FT TUBING - POLYBUTYL - 5/8 OD X 20'
	074462-02-000	FT TUBING - VINYL - 3/8" ID X 20' - CLEAR
	114428-01-000	EA TEE - 1/2P X 1/2P X 1/2P
	114428-02-000	EA TEE - SWIVEL - 1/2P X 1/2P X 1/2FPT
	114429-01-000	EA ELBOW - 1/2P X 1/2P
	114429-02-000	EA ELBOW - 1/2P X 1/2MPT
	114429-03-000	EA ELBOW - FLAIR-IT SWIVEL - 1/2" P X 1/2" FPT
	114429-04-000	EA ELBOW - 1/2 P X 3/8 MPT - MC CLAIMS ANNIVERSARY OPTION
	123150-01-000	EA ELBOW - 1/2" FPT X 1/2" BARB - SWIVEL
	114431-01-000	EA WATER VALVE - 3 POSITION - "DRAIN VALVE"
	114431-02-000	EA WATER VALVE - 2 POSITION - "BYPASS VALVE"
	110915-01-01A	EA FILL-WATER, CITY - CHROME - KEVCO 64713
	113697-01-000	EA CAP - 3/8 FTG
	115029-01-000	FT HOSE-3/8ID, WATER

EXTERIOR SHOWER

KEY	PART NUMBER	U/M DESCRIPTION
	106208-01-01A	EA COMPARTMENT-EXTERIOR SHOWER, OFF WHITE PLASTIC
	103092-02-000	EA SHOWER HEAD-W/HOSE, CANADIAN
	103092-01-000	EA SHOWER HEAD-W/60" HOSE
	093527-02-000	EA BRACKET-SQUEEGEE/SHOWER HEAD
	091952-02-000	EA CLIP-3/4" GRIPPER
	075241-05-000	EA FAUCET-SHOWER, BONE
	114428-01-000	EA TEE - 1/2 P X 1/2 P X 1/2 P - FLAIR-IT 02820
	114429-03-000	EA ELBOW- FLAIR-IT SWIVEL 1/2" P X 1/2" FPT
	057457-01-000	EA ELBOW-UNION, 1/2 P X 1/2 FLARE
	046128-01-000	EA VALVE-DRAIN, PLASTIC - 1/2" FPT
	052959-02-000	EA CONNECTOR, 1/2" F X 1/2" MPT - PLASTIC - GRAY
	114430-02-000	EA ADAPTER-SWIVEL, 1/2 P X 1/2 FPT - FLAIR-IT 02873

WATER & SEWAGE GROUP (CONTINUED)



WATER PUMP - SHURFLO

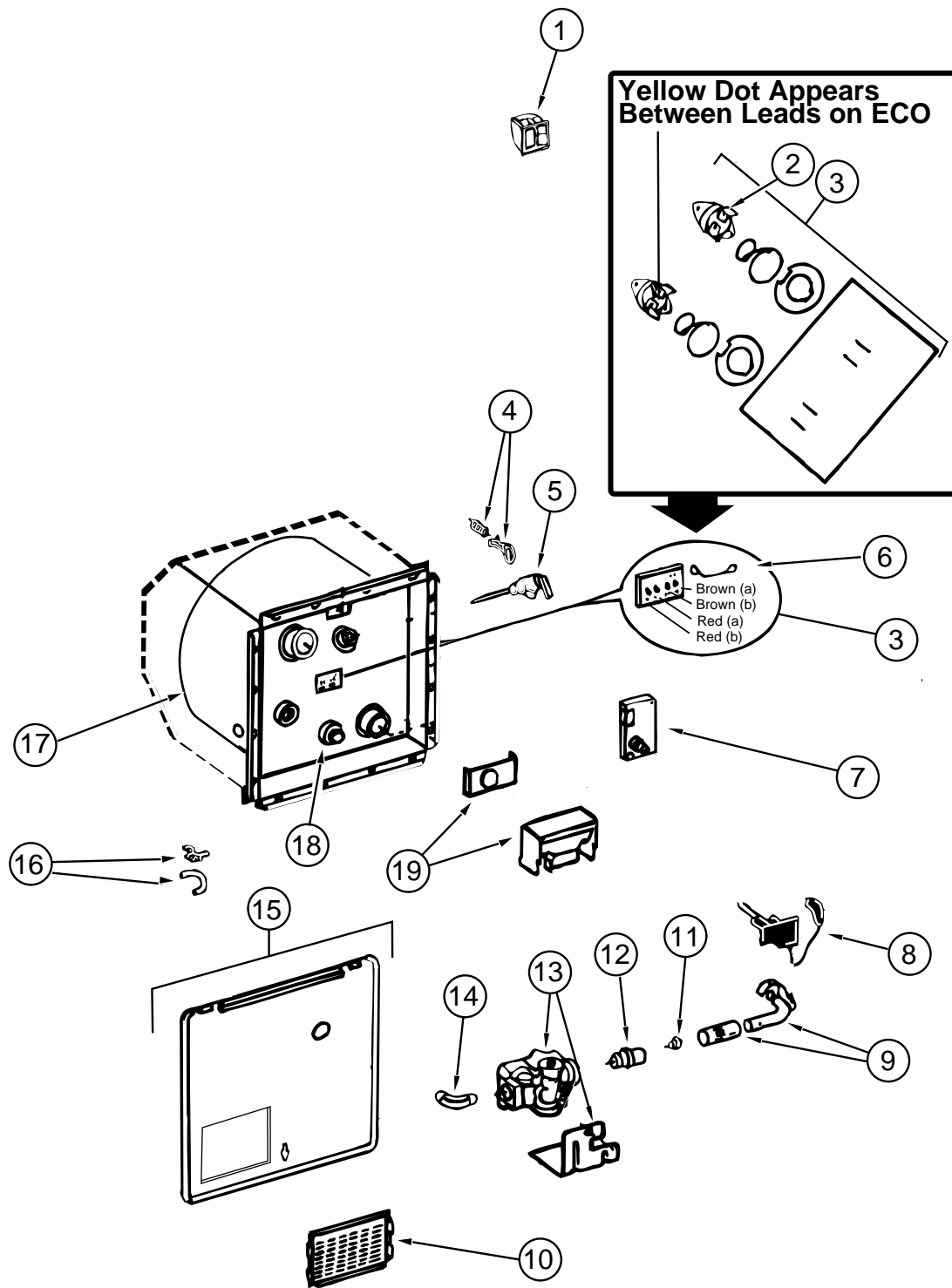
KEY	PART NUMBER	U/M DESCRIPTION	VENDOR NO.
1	098607-01-000	EA PUMP-WATER, W/.5" MPT FITTING - FLOW 2.8 GPM - UL	
2	098607-01-706	EA HOUSING, W/SWITCH ONLY	94-231-20
3	098607-01-705	EA VALVE-CHECK, KIT	94-237-00
4	098607-01-703	EA VALVE KIT	94-232-00
5	098607-01-702	EA DIAPHRAGM/DRIVE ASSEMBLY KIT	94-238-04
6	098607-01-707	EA MOTOR W/BASEPLATE	11-148-04

WATER FILTER -MC CLAIMS ANNIVERSARY OPTION

KEY	PART NUMBER	U/M DESCRIPTION	VENDOR NO.
	701069-01-000	EA WATER PURIFICATION SYSTEM	9252
	701069-03-700	EA CARTRIDGE RELACEMENT	9592-06

WATER & SEWAGE GROUP (CONTINUED)

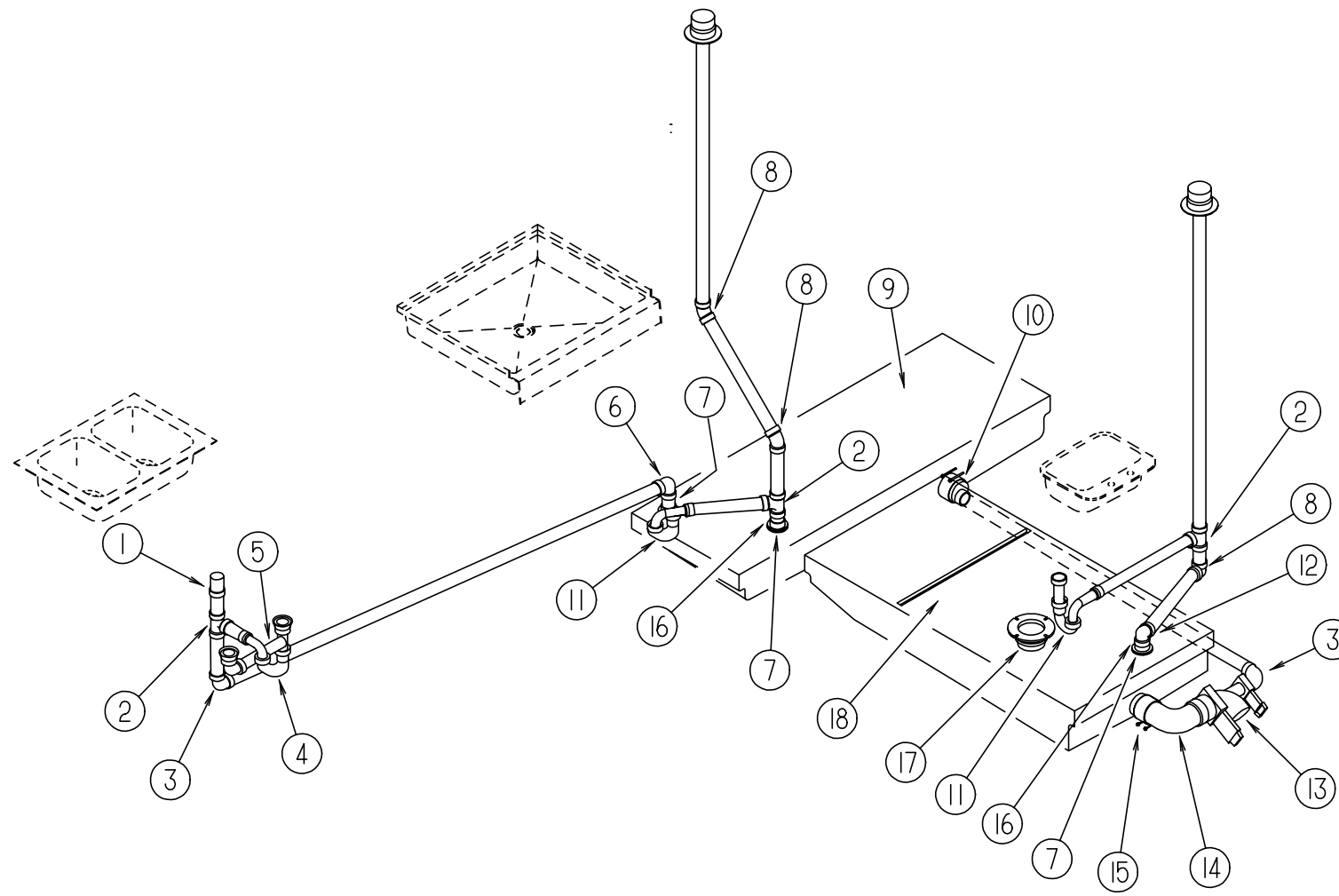
WATER HEATER W/O MOTOR AID - ATWOOD G6A-8E



KEY	PART NUMBER	U/M	DESCRIPTION	VENDOR NO.
	051391-03-000	EA	WATER HEATER-ATWOOD G6A-8E ELECTRIC IGNITION	
1	097967-01-000	EA	SWITCH-WATER HEATER, REMOTE W/LIGHT 91959	
2	051391-04-701	EA	THERMOSTAT 12VDC-120 PRESET	91470
3	051393-01-721	EA	THERMOSTAT W/ECO, 140 FRONT MOUNT	91447
4	051391-01-705	EA	FASTENER-CAMLOCK	92609
5	051391-01-704	EA	VALVE-RELIEF, 1/2" FITTING	91604
6	051393-01-723	EA	SWITCH-THERMAL-CUT OFF 2/PKG	93866
7	051393-01-724	EA	BOARD-CIRCUIT, SPADE TERMINAL	93865
8	051393-01-725	EA	ELECTRODE-SGL SPADE CONNECT.	93868
9	051391-04-703	EA	BURNER-MAIN	91638
10	051391-01-717	EA	GRILLE-WATER HEATER DOOR	92640
	051391-01-716	EA	GRILL ONLY (GOES ON FLUE BOX)	91786
11	051391-01-710	EA	ORIFICE-MAIN BURNER	92742
12	051391-03-700	EA	HOLDER-ORIFICE	91563
13	051393-01-726	EA	VALVE-SOLENOID, W/BRACKET	93870
14	051391-01-714	EA	FITTING-ELBOW, 45 DEGREE - 3/8 F X 3/8 MPT	1044
15	052009-07-000	EA	DOOR-WATER HEATER, 18" X 14.6" - METAL - SABLE	
	116424-01-000	EA	PROTECTOR-WATER HEATER LATCH, ADHESIVE BACKED ROUND VINYL	
16	051391-01-700	EA	HINGE KIT, (PIN & CLIP)	92568 & 92559
17	051391-04-706	EA	TANK-INNER, G6A-4E & 6E FRONT MOUNT	91641
18	051391-01-715	EA	PLUG-DRAIN, 1 EA = 2 PER PKG	91857
19	051391-04-707	EA	KIT-EXHAUST, (FLUE & GASKET)	90960
	111129-01-711	EA	BRACKET-CORNER, SET OF FOUR	91928

WATER & SEWAGE GROUP (CONTINUED)

DRAINAGE SYSTEM

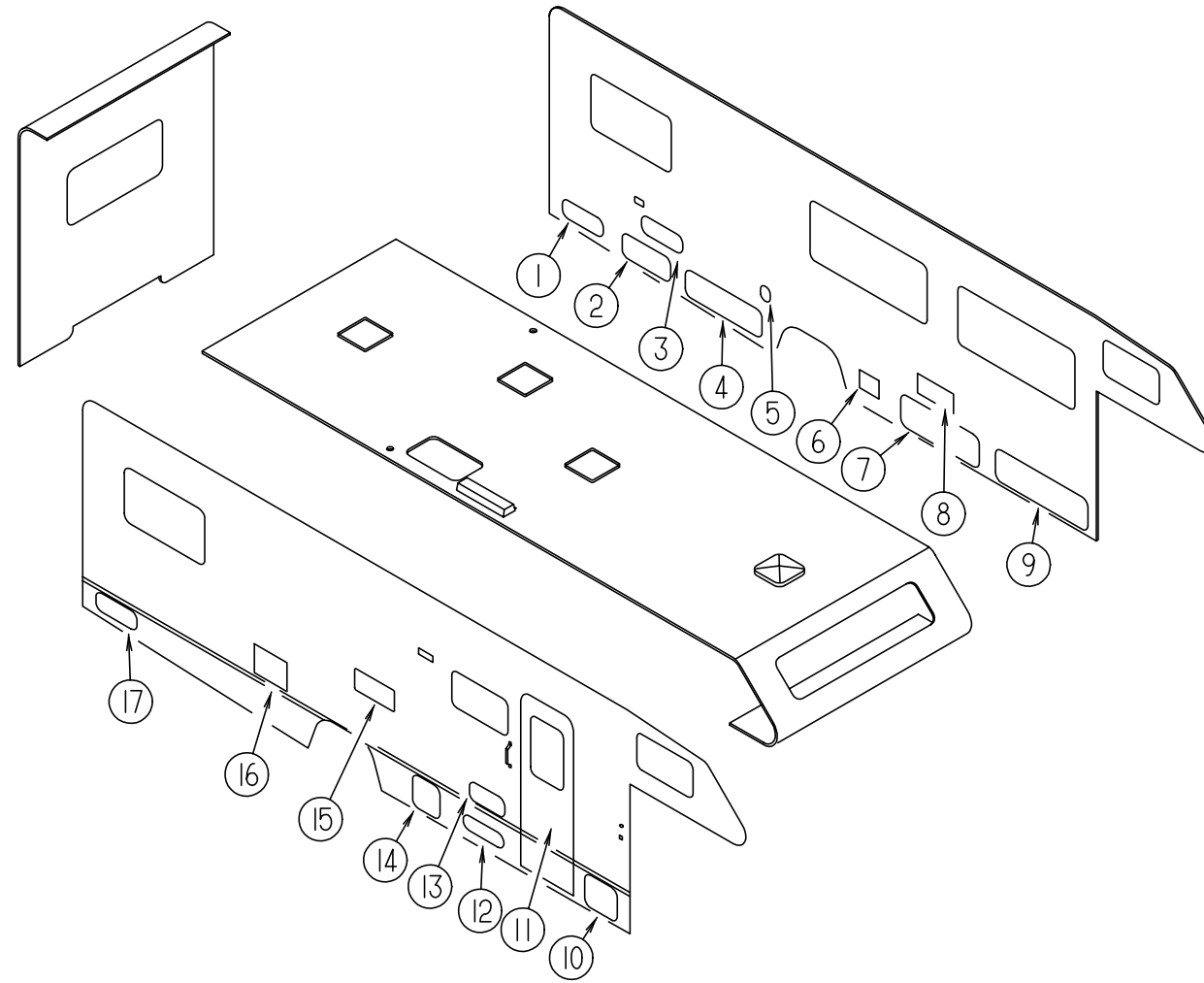


KEY	PART NUMBER	U/M DESCRIPTION
1	079968-01-000	EA VENT - MECHANICAL/TRAP ARM - ANTI-SIPHON-2" X 7.3" PLASTIC
2	010071-01-000	EA TEE-SANITARY, 1 1/2" HUB X HUB X HUB - PLASTIC - BLACK
3	010008-01-000	EA ELBOW - 90 DEG - 1/4 BEND - 1 1/2" HUB X HUB - PLASTIC
4	107538-01-000	EA P-TRAP - PLASTIC - 1 1/4" W/EXTENSION ARM
4	011071-01-000	EA P TRAP - PLASTIC 1 1/2" - CANADIAN
	109571-01-000	EA ADAPTER - P-TRAP - 1 1/2 P X 1 1/4 MPT
5	011091-02-000	EA WASTE - CONTINUOUS - DOUBLE SINK
6	034250-01-000	EA ELBOW - 90 DEG - LONG TURN - 1 1/2" HUB X HUB - ABS
7	061607-01-000	EA GROMMET - HOLDING TANK - 1 1/2" NPS
8	010006-01-000	EA ELBOW - 45 DEG - 1/8 BEND - 1 1/2" HUB X HUB - PLASTIC
9	123803-01-000	EA TANK - HOLDING, 33 GALLON
10	089355-01-000	EA COUPLER - RUBBER 1 1/2" X 1 1/2"
11	107538-01-000	EA P-TRAP - PLASTIC - 1 1/4" W/EXTENSION ARM
11	011066-03-700	EA P TRAP KIT 1 1/2" X 1 1/2" P-TRAP W/1 1/2 TO 1 1/4 REDUCER - CANADIAN
	109571-01-000	EA ADAPTER - P-TRAP - 1 1/2 P X 1 1/4 MPT

KEY	PART NUMBER	U/M DESCRIPTION
12	010051-01-000	EA ELBOW - 45 DEGREE - 1 1/2" SPIGOT & HUB - BLACK PLASTIC
13	070916-01-000	EA VALVE - DUAL DUMP - W/CAP - 3" X 1 1/2"
	070916-01-700	EA VALVE ONLY (WASTE) 3" T1003BU
	070916-01-701	EA VALVE ONLY (WASTE 1 1/2") T1001BU
	062419-05-000	EA BRACKET-VALVE,LOCKING - KEVCO T1003-UC
	062419-06-000	EA HANDLE-T - KEVCO CT1003-6
	010201-01-000	EA HOSE - SEWER - 3" ID X 8'
	062416-01-000	EA ADAPTER - SEWER HOSE TO 3" PIPE
14	041956-01-000	EA ELBOW - STREET - PLASTIC - 1/4 BEND - 3" X 90 XLT
15	078406-01-000	EA COUPLER - RUBBER - W/CLAMPS - 3" X 3"
16	010115-01-000	EA COUPLING - 1 1/2" HUB X HUB - PLASTIC
17	061607-02-000	EA GROMMET - HOLDING TANK - 3" NPS
	063641-01-000	EA FLANGE - CLOSET - 4" X 3"
	116644-01-000	EA FLANGE - CLOSET - 4" X 3" - MC CLAIMS ANNIVERSARY OPTION
18	102762-01-000	EA TANK/HOLDING - 42 GALLON 57.4" X 8.4" X 29" - AUXILIARY

WINDOW, VENT & EXTERIOR DOOR GROUP

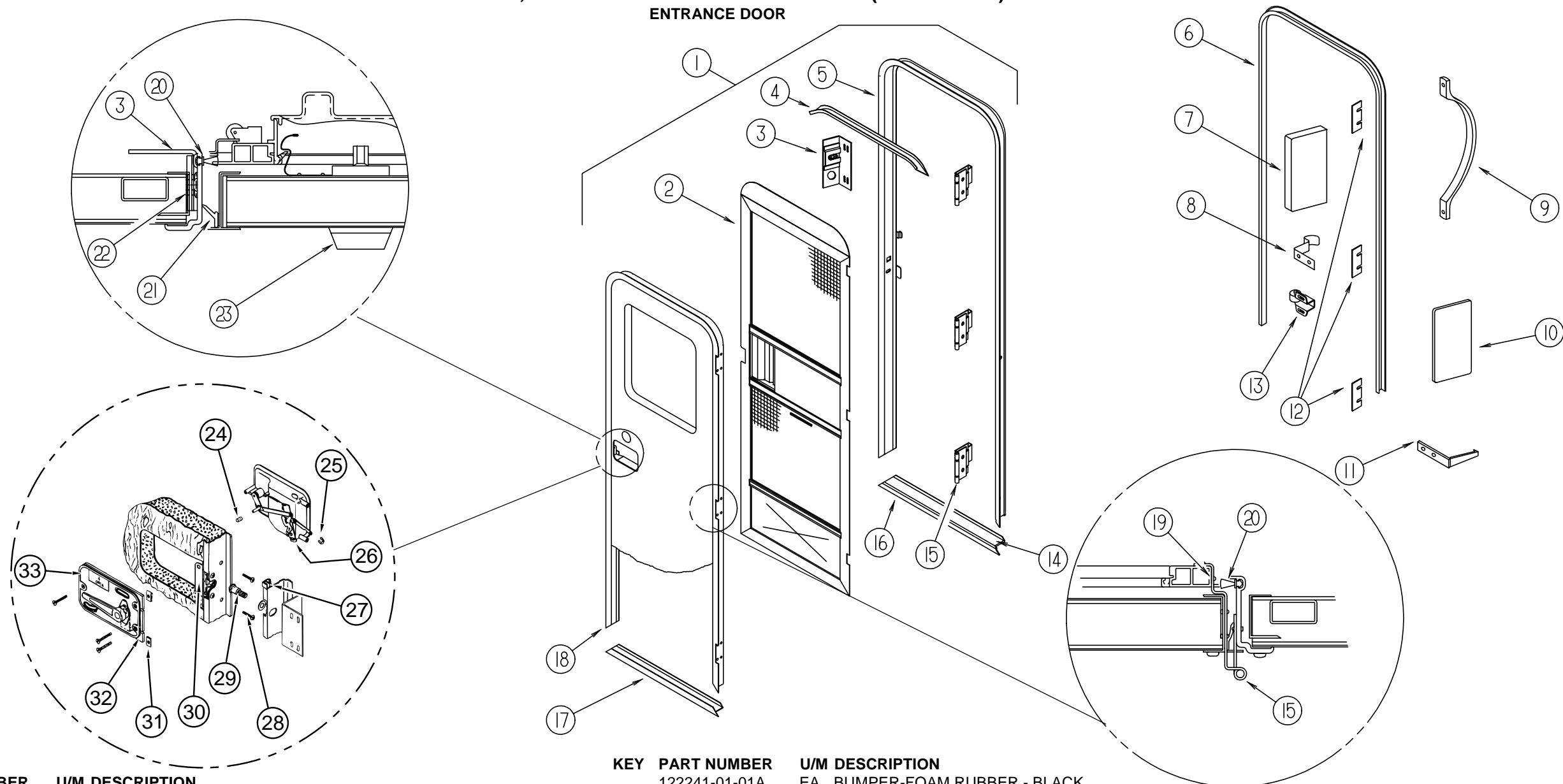
EXTERIOR DOORS



KEY	PART NUMBER	U/M DESCRIPTION
1	104558-08-FB1	EA DOOR ASM-STORAGE
2	104558-56-H04	EA DOOR - STORAGE - W/O PADDLE LATCH
3	111017-02-F24	EA DOOR - STORAGE/EXTERIOR SHOWER
4	104558-57-H04	EA DOOR - STORAGE - W/O PADDLE LATCH
5	081240-16-000	EA DOOR - WATER FILL - LOCKABLE W/O LOCK - 4" X 4 5/8"
6	088794-06-000	EA DOOR - POWER CORD W/HATCH - 11" X 9.2"
7	104558-43-G04	EA DOOR - STORAGE W/O PADDLE LATCH - 29.12" WIDE
	089329-01-000	EA CLIP-SPRING, 3/8" - METAL
	101667-05-000	EA PROP ROD
8	098668-23-000	EA DOOR - ACCESS - FURNACE
9	104558-13-F16	EA DOOR - STORAGE W/O PADDLE LATCH - 47" HIGH
10	104558-19-F16	EA DOOR ASM-STORAGE
11	115108-01-H04	EA DOOR - ENTRY, W/SCREEN DOOR - W/O WINDOW (H04)
11	115108-01-H05	EA DOOR - ENTRY, W/SCREEN DOOR - W/O WINDOW (H05)
11	115108-01-H24	EA DOOR - ENTRY, W/SCREEN DOOR - W/O WINDOW (H24/H26)

KEY	PART NUMBER	U/M DESCRIPTION
12	111009-01-GB1	EA DOOR - COMPARTMENT/LP - 6.5" X 20.8"
13	111017-01-H23	EA DOOR - PATIO ENTERTAINMENT CENTER-W/O LATCH - 17.8" X 8.1"
14	104558-14-F16	EA DOOR - STORAGE - W/O PADDLE LATCH - 13.6"
15	084103-08-000	EA DOOR - REFRIGERATOR - VENTED - W/O JAMB
	084104-08-000	EA JAMB - REFRIGERATOR DOOR
	084104-01-700	EA LOCK-MALE, FASTENER 201-721-010
	084104-01-701	EA LOCK-FEMALE, FASTENER 201-802-010
16	052009-06-000	EA DOOR - WATER HEATER - W/O LATCHES
	116424-01-000	EA PROTECTOR - WATER HEATER LATCH
17	104558-06-H33	EA DOOR ASM-STORAGE

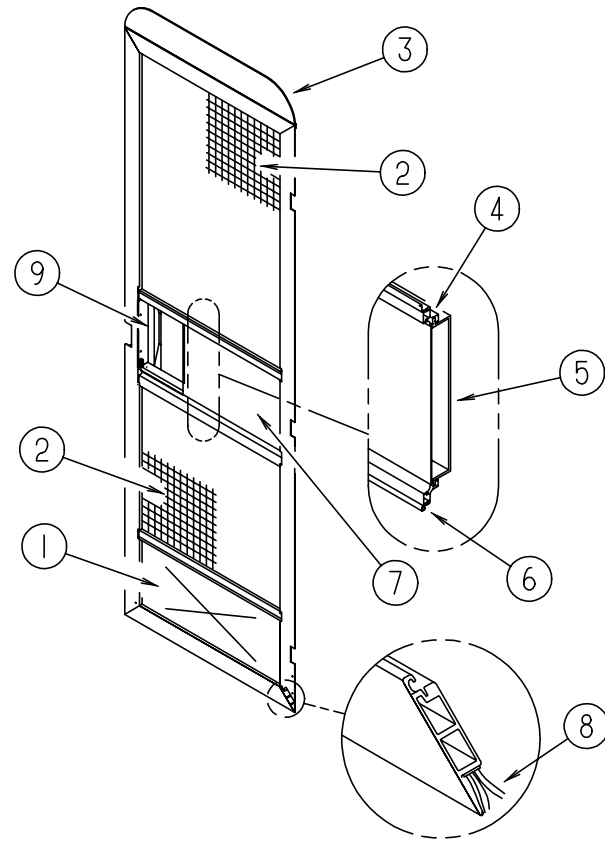
WINDOW, VENT & EXTERIOR DOOR GROUP (CONTINUED)
ENTRANCE DOOR



KEY	PART NUMBER	U/M DESCRIPTION
1	115108-01-H04	EA DOOR - ENTRY, W/SCREEN DOOR - W/O WINDOW (H04)
1	115108-01-H05	EA DOOR - ENTRY, W/SCREEN DOOR - W/O WINDOW (H05)
1	115108-01-H24	EA DOOR - ENTRY, W/SCREEN DOOR - W/O WINDOW (H24/H26)
2	121899-03-GB1	EA DOOR ASM-SCREEN
3	041546-07-000	EA BRACKET - DOOR ANGLE
4	044582-44-000	EA CAP-DRIP-JAMB MTD, BRIGHT WHITE
5	121898-03-01A	EA JAMB - DOOR/ENTRANCE - BRIGHT WHITE
6	115222-04-01A	EA GARNISH - DOOR/ENTRY - RADIUS - OFF WHITE
7	077461-05-000	EA COVER/BRACKET - STRIKE - OFF WHITE
8	100412-01-000	EA CATCH-SCREEN DOOR
9	009126-03-000	EA HANDLE - ASSIST - BLACK TEXTURED
10	076725-02-000	EA COVER-HINGE, ENTRY DOOR - 6" X 3.2"
11	102768-01-000	EA HOLDER-COMPARTMENT/ENTRY DOOR, METAL - MILL FINISH
12	102248-01-000	EA SHIM-DOOR
13	100412-01-000	EA CATCH-SCREEN DOOR
14	038327-01-000	EA TAPE-ANTI SLIP, 2" X 60'
15	106719-01-05A	EA HINGE-ENTRANCE DOOR, BRIGHT WHITE
	106719-01-01A	EA HINGE-ENTRANCE DOOR, MILL
	039715-01-000	EA NUT-SERT, 1/4" DIAMETER - 20 THREADS - ENTRANCE DOOR HINGE
	116111-02-01A	EA SCREW - TAPTITE - 1/4-20 X 3/8 PPH - ZINC
16	051049-01-000	EA JAMB-BOTTOM, ENTRY DOOR - 25.9" - UNPAINTED
17	121893-01-01A	EA FRAME - ENTRY DOOR - BOTTOM - BRIGHT WHITE
18	121894-07-01A	EA FRAME - ENTRY DOOR - BRIGHT WHITE
	098173-01-07A	EA STIFFENER-ENTRY DOOR, BRIGHT WHITE
	098173-01-04A	EA STIFFENER-ENTRY DOOR, SUPPORTS LATCH/STRIKE AREA
	072893-04-000	EA NUTSERT-10-32, ENTRANCE DOOR STIFFENER

KEY	PART NUMBER	U/M DESCRIPTION
	122241-01-01A	EA BUMPER-FOAM RUBBER - BLACK
19	100128-02-000	FT SEAL-FOAM, ADHESIVE BACK - .37" W X .37" THICK
20	118929-01-01A	FT SEAL - PILE - PUSH ON
21	075671-04-000	FT SEAL-SPONGE, LAZY T SHAPE - W/ADHESIVE STRIP - .5" WIDE
22	104692-01-000	FT SEAL - ADHESIVE BACK FOAM SEAL - 3/4" X 3/4"
23	101145-01-06A	EA DEADBOLT - ENTRY DOOR W/O SECURITY BOLT W/2 KEYS - BLACK
	101147-01-000	EA BOLT-SECURITY, 4.12" BACKSET
	095229-01-700	EA KEY-BLANK, DEADBOLT 81205-03
	101145-01-701	EA CYLINDER-LOCK ASM., W/KEY 81306-03
24	039984-01-000	EA CAP - ROUND - VINYL - .28" ID X .62" - BLACK
25	036618-02-000	EA E RING - EXTERNAL - 3/16" SHAFT DIAMETER - LYNOR DOOR LOCK
26	045017-13-000	EA LATCH - ENTRY DOOR - BLACK TEXTURED
	045017-11-701	EA KEY-BLANK, F1 SERIES 81312-02
	045017-11-703	EA CYLINDER-LOCK ASM. W/KEYS 81266-09
	045017-11-703	EA CYLINDER-LOCK ASM. W/KEYS 81266-09
27	064075-07-000	FT SEAL-BULB, W/WIRED U CHANNEL - .3" X .5" CHANNEL - BLACK
28	000G54-04-20B	EA SCREW - 1/4-20 X 11/4 PTH TYP 23
29	039539-01-000	EA STRIKE-LOCK, ENTRY DOOR - ROUND W/THREADED WASHER
30	039540-01-000	EA LATCH MECHANISM - HOOK - ENTRY DOOR - INTERIOR
31	040921-01-000	EA NUT-SPEED-U TYPE 10-24 BLACK
32	096810-01-01A	EA PLATE-LATCH, ENTRY DOOR - PLASTIC - BLACK
33	039979-06-000	EA COVER - LATCH PLATE - RIGHT HAND - BLACK TEXTURED
	086285-05-000	EA SPACER-NYLON, 17.91 OD X 14.3 - MICROPLAS 17W07051
	104099-01-04A	EA CATCH-DOOR HOLDER, STRIKE - BRIGHT WHITE
	104099-02-04A	EA CATCH-DOOR HOLDER, RETAINER - BRIGHT WHITE

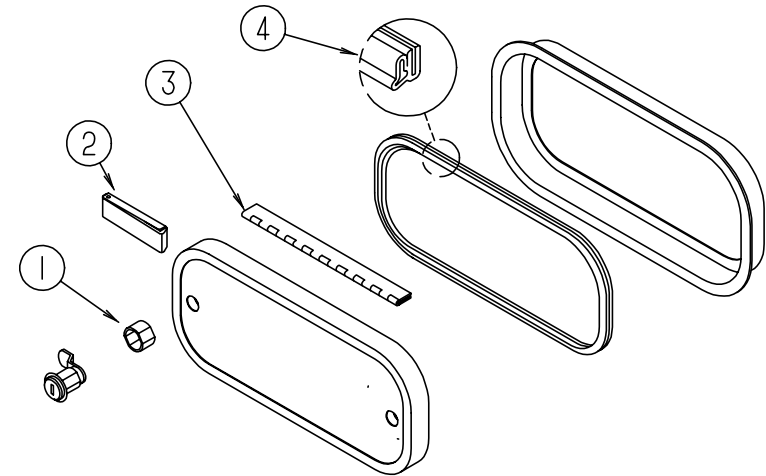
WINDOW, VENT & EXTERIOR DOOR GROUP (CONTINUED)



SCREEN DOOR COMPONENTS

KEY	PART NUMBER	U/M DESCRIPTION
	121899-03-GB1	EA DOOR - SCREEN - W/O HARDWARE
1	078552-03-000	EA KICK PANEL - SCREEN DOOR - LOWER INSERT - UNPAINTED
2	002293-02-000	SF SCREENING - WINDOW/DOOR - 26"
3	078595-01-000	EA TOP PLATE - SCREEN DOOR - CURVED TOP - 4.7" X 25.35"
4	078777-01-000	EA CHANNEL - SLIDE - SCREEN DOOR CENTER SLIDER COVER
5	079086-03-000	EA SLIDER - SCREEN DOOR - BRIGHT WHITE
	079087-03-000	EA STRIKE - SLIDER - SCREEN DOOR - BRIGHT WHITE
6	002294-01-000	FT SPLINE - SCREENING - .005" X .0054"
7	016454-01-000	EA INSERT - CENTER - LEATHER GRAIN ALUMINUM - UNPAINTED
	001014-01-013	EA INSERT - CENTER - 10.25" X 16.31" - UNPAINTED
8	075673-01-000	FT SEAL - PILE - ADHESIVE BACK - GRAY
9	050712-06-000	EA HANDLE - SCREEN DOOR - BRIGHT WHITE

WINDOW, VENT & EXTERIOR DOOR GROUP (CONTINUED)



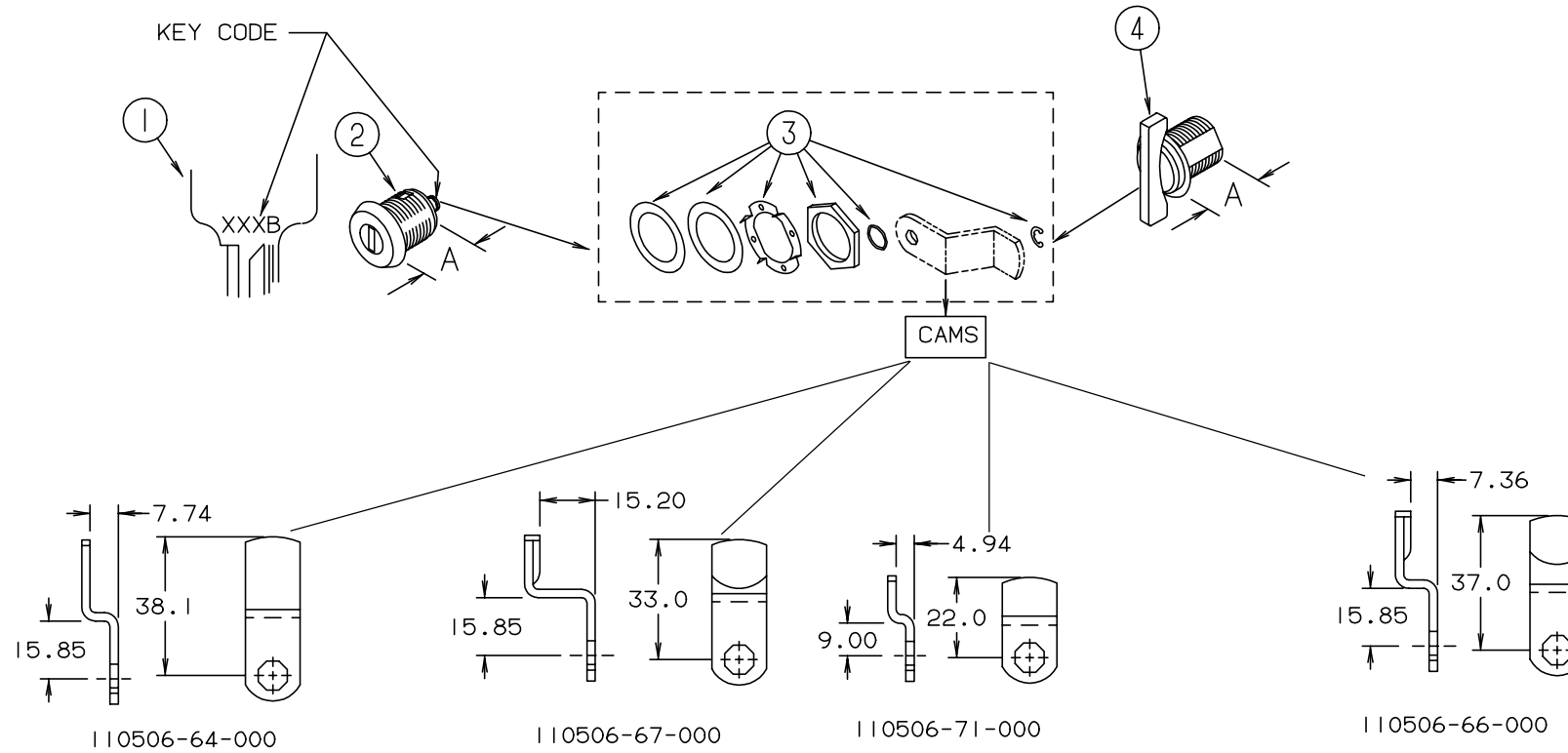
EXTERIOR DOOR COMPONENTS

KEY	PART NUMBER	U/M DESCRIPTION
1	107997-51-001	EA SPACER - DOOR LOCK - .6" DEEP
	107997-51-002	EA EXTRUDED - SPACER - 16'
2	102768-01-000	EA HOLDER - COMPARTMENT/ENTRY DOOR - METAL - MILL FINISH
3	081801-V3-000	EA HINGE - ALUMINUM - 2" X 96" - BRIGHT WHITE
3	034007-B3-000	EA HINGE - CONTINUOUS - 1.5" X 96" - BRIGHT WHITE
	081801-02-000	EA HINGE - DOOR - PIANO - 2" X 96"
	081801-T3-000	EA HINGE - ALUMINUM - 2" X 20.5" - BRIGHT WHITE
	009065-01-000	EA HINGE - ALUMINUM - 1 1/2" X 96" - UNPAINTED
4	064075-07-000	FT SEAL - BULB - W/WIRED U CHANNEL - .3" X .5" CHANNEL - BLK
	106850-01-000	FT SEAL - E-SPONGE RUBBER - .43" X .75"
	104692-01-000	FT SEAL - ADHESIVE BACK FOAM SEAL - 3/4" X 3/4"
	091876-01-000	EA RETAINER - DOOR - 1.9" X .8" - METAL

WINDOW, VENT & EXTERIOR DOOR GROUP (CONTINUED)

BRIGGS & STRATTON LOCKS & COMPONENTS

NOTE:
 WHEN ORDERING THE LOCK CASE, THE KEY CODE MUST MATCH THE LAST DIGIT OF THE VEHICLE'S SERIAL NUMBER AND PART NUMBER; WHEN ORDERING THE KEYS, THE THIRD DIGIT OF THE KEY CODE MUST MATCH THE LAST DIGIT OF THE VEHICLE'S SERIAL NUMBER AND PART NUMBER

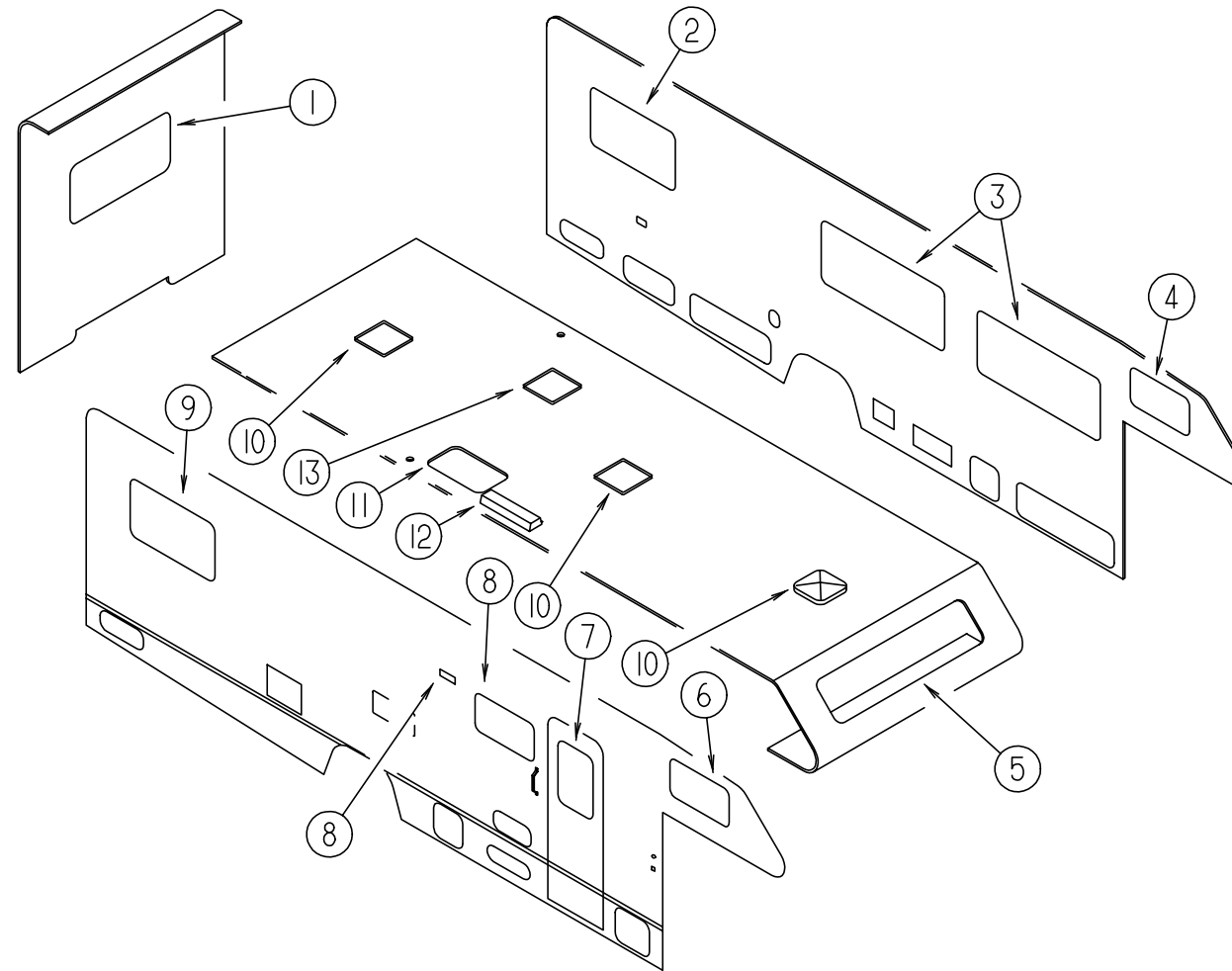


KEY	PART NUMBER	U/M	DESCRIPTION	VENDOR NO.
1	110506-59-000	EA	KEYS-SET OF TWO	596720
2	110506-52-000	EA	CASE-LOCK, A = 17 MM	702370
2	110506-53-000	EA	CASE-LOCK, A = 25 MM	702380
1	110506-59-001	EA	KEYS-SET OF TWO	596721
2	110506-52-001	EA	CASE-LOCK, A = 17 MM	702371
2	110506-53-001	EA	CASE-LOCK, A = 25 MM	702381
1	110506-59-002	EA	KEYS-SET OF TWO	596722
2	110506-52-002	EA	CASE-LOCK, A = 17 MM	702372
2	110506-53-002	EA	CASE-LOCK, A = 25 MM	702382
1	110506-59-003	EA	KEYS-SET OF TWO	596723
2	110506-52-003	EA	CASE-LOCK, A = 17 MM	702373
2	110506-53-003	EA	CASE-LOCK, A = 25 MM	702383
1	110506-59-004	EA	KEYS-SET OF TWO	596724
2	110506-52-004	EA	CASE-LOCK, A = 17 MM	702374
2	110506-53-004	EA	CASE-LOCK, A = 25 MM	702384
1	110506-59-005	EA	KEYS-SET OF TWO	596725
2	110506-52-005	EA	CASE-LOCK, A = 17 MM	702375
2	110506-53-005	EA	CASE-LOCK, A = 25 MM	702385
1	110506-59-006	EA	KEYS-SET OF TWO	596726
2	110506-52-006	EA	CASE-LOCK, A = 17 MM	702376
2	110506-53-006	EA	CASE-LOCK, A = 25 MM	702386

KEY	PART NUMBER	U/M	DESCRIPTION	VENDOR NO.
1	110506-59-007	EA	KEYS-SET OF TWO	596727
2	110506-52-007	EA	CASE-LOCK, A = 17 MM	702377
2	110506-53-007	EA	CASE-LOCK, A = 25 MM	702387
1	110506-59-008	EA	KEYS-SET OF TWO	596728
2	110506-52-008	EA	CASE-LOCK, A = 17 MM	702378
2	110506-53-008	EA	CASE-LOCK, A = 25 MM	702388
1	110506-59-009	EA	KEYS-SET OF TWO	596729
2	110506-52-009	EA	CASE-LOCK - A = 17 MM	702379
2	110506-53-009	EA	CASE-LOCK - A = 25 MM	702389
3	110506-40-700	EA	HARDWARE KIT	
4	110506-50-000	EA	CASE-TWIST LOCK, A = 17 MM	596952
4	110506-51-000	EA	CASE-TWIST LOCK, A = 25 MM	596669
	110506-40-000	EA	CLIP-E LOCK ASSEMBLY	93981
	110506-64-000	EA	CAM-LOCK	322280
	110506-67-000	EA	CAM-LOCK	322283
	110506-71-000	EA	CAM-LOCK	322287
	110506-72-000	EA	CAM-LOCK	322354
	110506-59-701	EA	KEY-BLANK, GOLD	

WINDOW, VENT & EXTERIOR DOOR GROUP (CONTINUED)

WINDOWS & VENTS



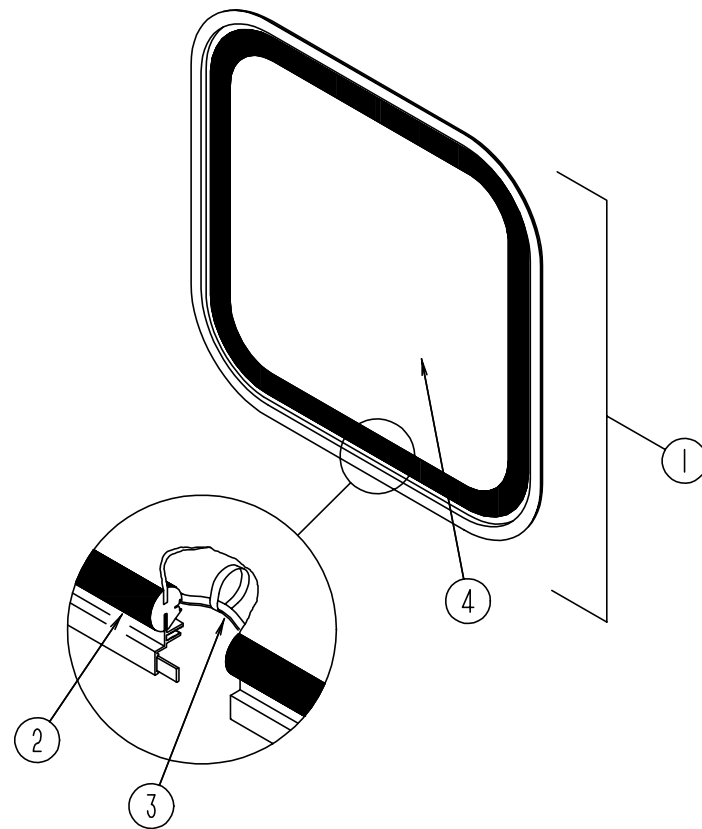
KEY	PART NUMBER	U/M	DESCRIPTION
1	113502-01-01A	EA	WINDOW - REAR ESCAPE THERMO - 24.8" X 48.7"
1	078528-07-F15	EA	WINDOW-ESCAPE W/O INSIDE TRIM - CLEAR - 48.5" X 24.5"
2	112795-23-01A	EA	WINDOW-DRIVERS HORIZONTAL SLIDER THERMO 24 1/2" X 41 1/2"
2	098647-30-01A	EA	WINDOW - DRIVERS HORIZONTAL SLIDER - CLEAR - 24.2" X 41"
3	112795-15-01A	EA	WINDOW-DRIVERS HORIZONTAL SLIDER THERMO 26 3/8" X 60"
3	098647-28-01A	EA	WINDOW - DRIVERS HORIZONTAL SLIDER - CLEAR - 26.1" X 59.7"
4	112795-20-01A	EA	WINDOW-DRIVER HORIZONTAL SLIDER THERMO 16" X 28 3/4"
4	098647-32-01A	EA	WINDOW - DRIVERS HORIZONTAL SLIDER - CLEAR - 15.7" X 28.5"
5	115630-01-01A	EA	WINDOW-STATIONARY 17.2" X 72"
5	103313-03-F15	EA	WINDOW-PICTURE/ESCAPE 23.3" X 71.3"
6	112795-19-01A	EA	WINDOW-HORIZONTAL SLIDER THERMO 16" X 28 3/4"
6	098647-31-01A	EA	WINDOW - PASSENGER HORIZONTAL SLIDER - CLEAR - 15.7" X 28.5"

KEY	PART NUMBER	U/M	DESCRIPTION
7	113733-01-01A	EA	WINDOW-STATIONARY THERMOPANE 26.4" X 17"
7	117053-04-FB1	EA	WINDOW-PICTURE, 17" X 26.4"
8	084878-09-000	EA	VENT-RANGE HOOD - SHORT, LVS - OFF WHITE
9	112795-21-01A	EA	WINDOW-PASSENGER HORIZONTAL SLIDER THERMO, 24.5" X 41 1/4"
9	098647-29-01A	EA	WINDOW - PASSENGER HORIZONTAL SLIDER - CLEAR - 24.2" X 41"
10	122882-01-01A	EA	VENT-ROOF, NONPOWERED - ELIXIR V971201 WHITE
11	122192-01-01A	EA	PANEL - SKYLIGHT, OUTER
12	084073-07-000	EA	COVER-ROOF VENT, REFRIGERATOR - BRIGHT WHITE - NORCOLD
13	122882-02-01A	EA	VENT-ROOF, POWERED
13	122882-03-01A	EA	VENT-ROOF, POWERED CSA

WINDOW, VENT & EXTERIOR DOOR GROUP (CONTINUED)

WINDOW, VENT & EXTERIOR DOOR GROUP (CONTINUED)

BACKWALL ESCAPE WINDOW - QUEEN & TWIN BED - THERMO



KEY	PART NUMBER	U/M DESCRIPTION	VENDOR NO.
	113502-01-01A	EA WINDOW - REAR ESCAPE THERMO - 24.8" X 48.7"	
	098644-01-705	FT GLAZING - STRIP	132-010231
	112898-06-704	EA HANDLE-LATCH, RED-RH	182-11293
	112898-06-705	EA HANDLE-LATCH, RED-LH	182-11294
	113502-01-703	EA GLASS - STATIONARY - RH/LH	390-019083
	113502-01-704	EA GLASS - EGRESS CENTER - ESCAPE	DH153-G9

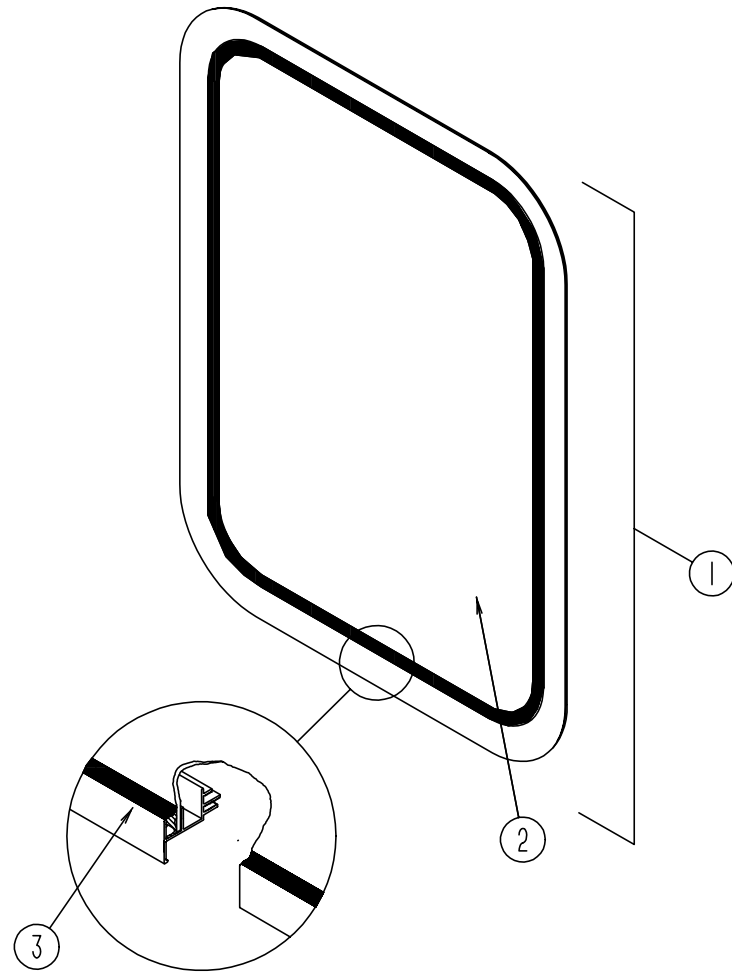
BACKWALL ESCAPE WINDOW - DOUBLE BED -EXCEL

KEY	PART NUMBER	U/M DESCRIPTION	VENDOR NO.
1	116976-01-01A	EA WINDOW-REAR ESCAPE 26.4" X 26.25"	
	116976-01-701	EA RETAINER - TRIM	W386-53
2	100322-01-701	FT SEAL-VENT	122-016071
3	116976-01-702	FT FILLER PLUG	132-016065
4	116976-01-700	EA GLASS	096-018786
	112898-06-704	EA HANDLE-LATCH, RED-RH	182-11293
	112898-06-705	EA HANDLE-LATCH, RED-LH	182-11294

BACKWALL ESCAPE WINDOW - QUEEN & TWIN BED

KEY	PART NUMBER	U/M DESCRIPTION
1	078528-07-F15	EA WINDOW-ESCAPE W/O INSIDE TRIM - CLEAR - 48.5" X 24.5"
	074816-11-000	EA FRAME-ESCAPE WINDOW, INSIDE - OFF WHITE
2	002282-09-000	EA WEATHERSTRIP-WINDOW - .125" X 130.5" BLACK
3	002285-01-000	FT FILLER-WEATHERSTRIP, RUBBER - BLACK
4	076337-13-000	EA GLASS - EGRESS - 45.5" X 21.5"
	077066-01-702	EA TAPE ASM-ESCAPE WINDOW

WINDOW, VENT & EXTERIOR DOOR GROUP (CONTINUED)



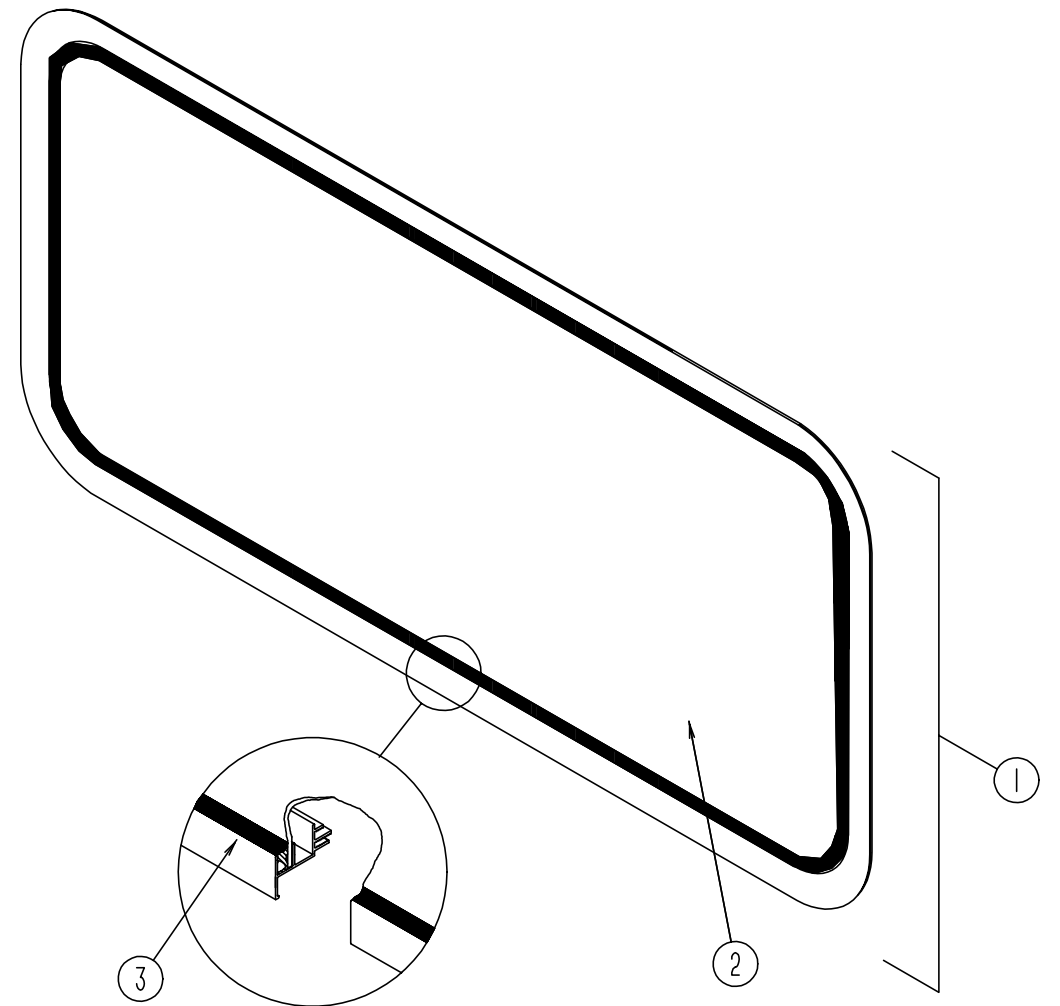
ENTRANCE DOOR WINDOW

KEY	PART NUMBER	U/M	DESCRIPTION
1	117053-04-FB1	EA	WINDOW-PICTURE 17" X 26.4"
2	002181-27-000	EA	GLASS-PICTURE 655 X 417 59R - CLEAR 90%
3	087561-01-000	FT	SEAL-GLASS, EXTERIOR - .5" WIDE - VINYL - BLACK
	117054-02-02A	EA	RETAINER - TRIM, BRIGHT/WHITE

ENTRANCE DOOR WINDOW - THERMO

KEY	PART NUMBER	U/M	DESCRIPTION	VENDOR NO.
	113733-01-01A	EA	WINDOW-STATIONARY THERMOPANE 26.4" X 17"	
	113733-01-702	EA	GLASS - STATIONARY	390-019187
	112795-01-705	FT	VINYL - GLAZING	132-019702
	113733-01-700	EA	WINDOW ASM. W/O TRIM	DH416-G2
	113733-01-701	EA	RETAINER - TRIM	W41666

WINDOW, VENT & EXTERIOR DOOR GROUP (CONTINUED)



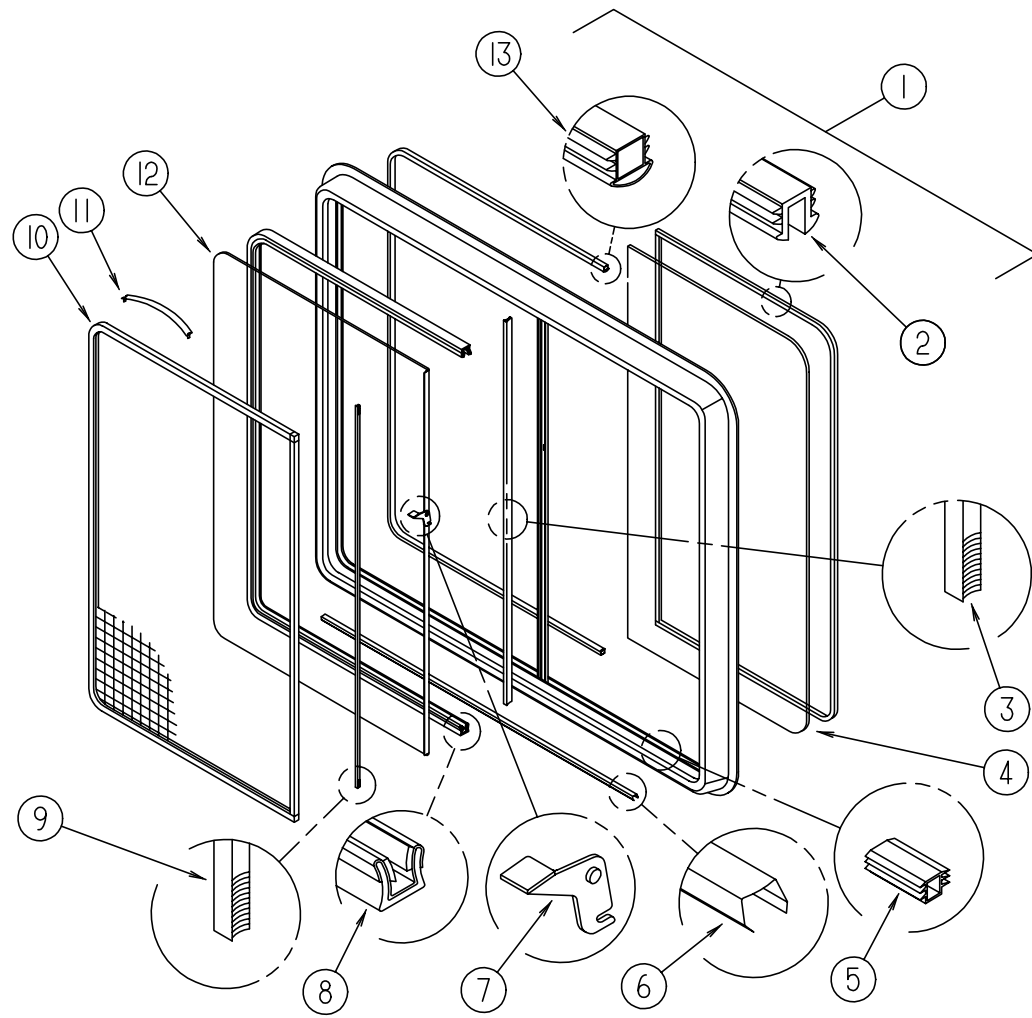
FRONT OVERHEAD BUNK WINDOW

KEY	PART NUMBER	U/M	DESCRIPTION
	117054-01-01A	EA	FRAME-WINDOW, INSIDE WHT
1	103313-03-F15	EA	WINDOW-PICTURE/ESCAPE 23.3" X 71.3"
2	002181-29-000	EA	GLASS - PICTURE 71" X 16.4"
3	099154-01-000	FT	CHANNEL-GLAZING, STATIONARY GLASS - .62" X .45" - BLACK

FRONT OVERHEAD BUNK WINDOW - THERMO

KEY	PART NUMBER	U/M	DESCRIPTION	VENDOR NO.
	115630-01-01A	EA	WINDOW-STATIONARY 17.2" X 72"	
	098644-01-705	FT	GLAZING - STRIP	132-010231
	115630-01-700	EA	WINDOW W/O TRIM	DH438-G2
	115630-01-701	EA	RETAINER - TRIM	W438-58
	115630-01-702	EA	GLASS - STATIONARY	390-019467

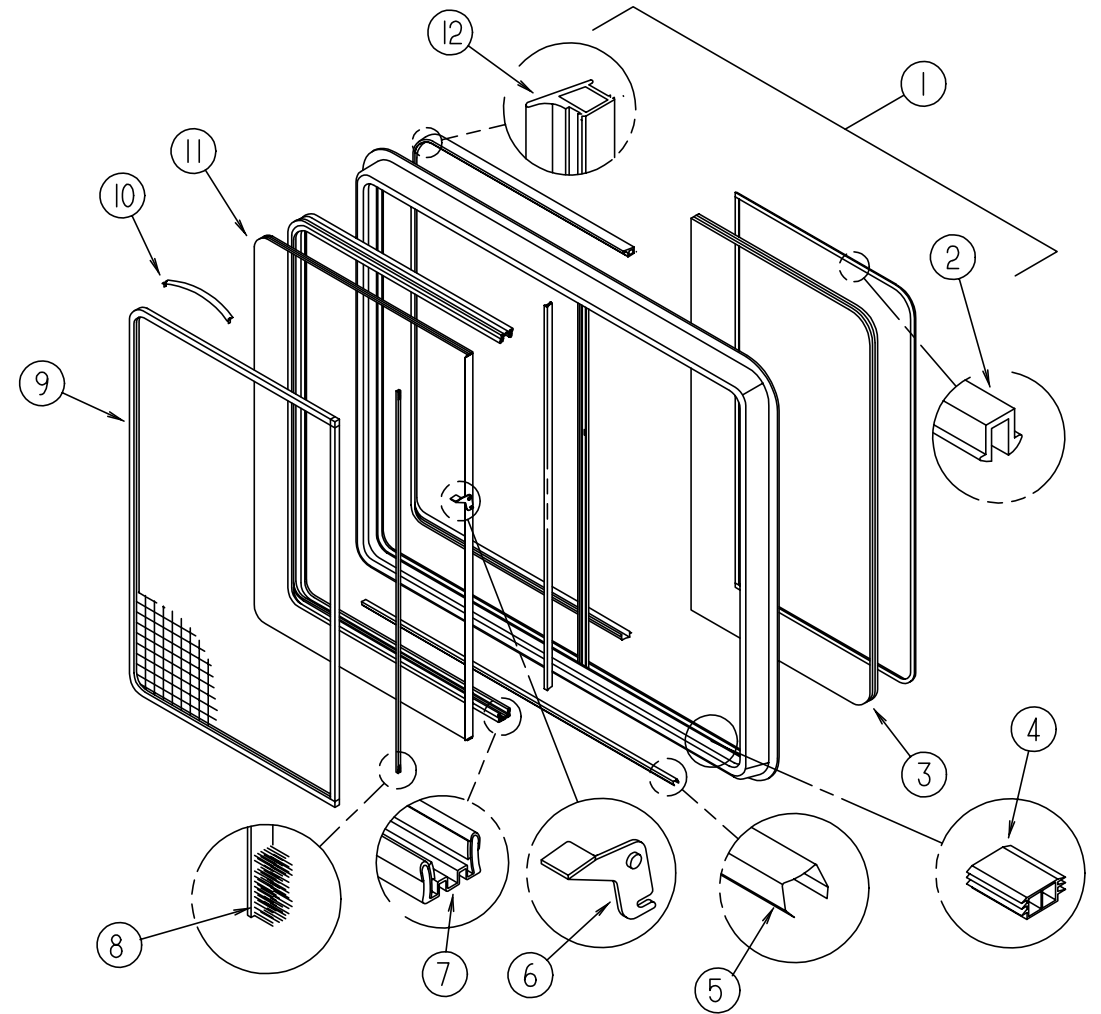
WINDOW, VENT & EXTERIOR DOOR GROUP (CONTINUED)



DRIVER SIDE BEDROOM SLIDER WINDOW - EXCEL

KEY	PART NUMBER	U/M	DESCRIPTION	VENDOR NO.
1	098647-30-01A	EA	WINDOW - DRIVERS HORIZONTAL SLIDER - CLEAR - 24.2" X 41"	
	098647-30-700	EA	WINDOW - SLIDER	H172-C1L
	098647-29-701	EA	RETAINER - TRIM	CW04-66
2	098644-01-705	FT	GLAZING - STRIP	132-010231
3	098644-01-706	FT	WEATHERSTRIP - GLASS	171-010668
4	098647-29-702	EA	GLASS - STATIONARY	096-019295
5	098644-01-719	EA	STOP - SLIDER GLASS	132-014203
6	098644-01-710	FT	TRACK - SCREEN SPACER 12'	132-017135
7	098644-01-700	EA	LATCH - REPAIR KIT (BLACK)	B801-CK
8	098644-01-708	FT	CHANNEL - RUN PIERCED	122-016543
9	098644-01-711	FT	WEATHERSTRIP - SCREEN BLACK	171-016965
10	098647-29-704	EA	SCREEN ASM - W/SEALS & CLIPS	410-018864
	098644-01-717	FT	SPLINE - SCREEN	132-004716
11	098644-01-713	EA	CLIP - SPRING - METAL	226-016966
12	098647-29-703	EA	GLASS-SLIDING W/SASH & LATCH	H172-C8
13	098644-01-716	FT	PLUG - FILLER	132-014470

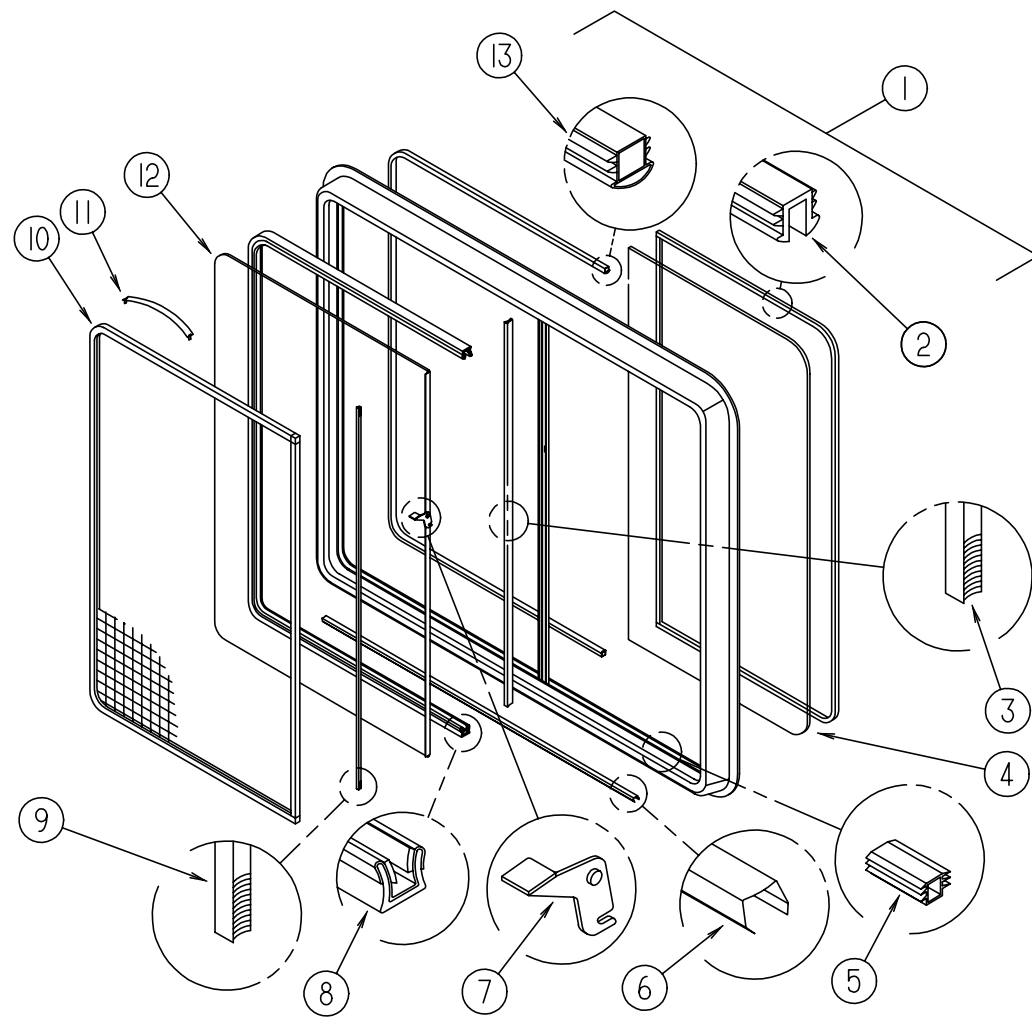
WINDOW, VENT & EXTERIOR DOOR GROUP (CONTINUED)



DRIVER SIDE BEDROOM SLIDER WINDOW - EXCEL - THERMO

KEY	PART NUMBER	U/M	DESCRIPTION	VENDOR NO.
1	112795-23-01A	EA	WINDOW-DRIVERS HORIZONTAL SLIDER THERMO 24 1/2" X 41 1/2"	
	112795-23-700	EA	WINDOW W/O TRIM	DC04-G2L
	098647-29-701	EA	RETAINER - TRIM	CW04-66
2	112795-01-705	FT	VINYL - GLAZING	132-019702
3	112795-21-701	EA	GLASS - STATIONARY	390-019132
4	112795-01-701	EA	SLIDE-STOP	132-019092
5	098644-01-710	FT	TRACK - SCREEN SPACER 12'	132-017135
6	112795-01-700	EA	LATCH ASM., BLK., (BOLT ON)	DH287-CK
7	112795-01-703	IN	CHANNEL-RUN (INCHES)	122-018736
8	098644-01-711	FT	WEATHERSTRIP - SCREEN BLACK	171-016965
9	098647-29-704	EA	SCREEN ASM - W/SEALS & CLIPS	410-018864
10	098644-01-713	EA	CLIP - SPRING - METAL	226-016966
11	112795-21-702	EA	GLASS-SLIDING W/SASH & LATCH	DC04-G9
12	112795-01-704	FT	PLUG FILLER (DOUBLE GLAZED)	122-018737

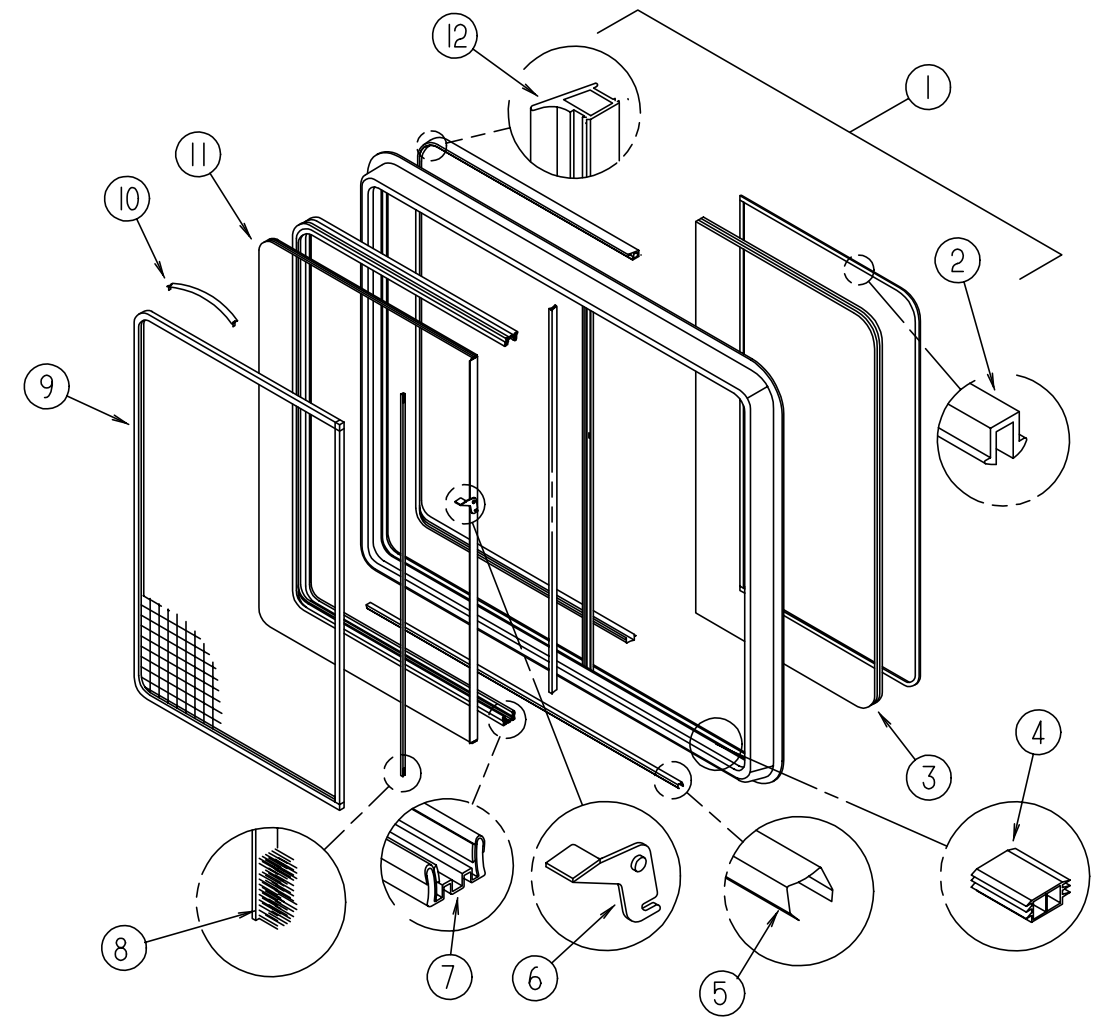
WINDOW, VENT & EXTERIOR DOOR GROUP (CONTINUED)



PASSENGER SIDE BEDROOM SLIDER WINDOW - EXCEL

KEY	PART NUMBER	U/M	DESCRIPTION	VENDOR NO.
1	098647-29-01A	EA	WINDOW - PASSENGER HORIZONTAL SLIDER - CLEAR - 24.2" X 41"	
	098647-29-700	EA	WINDOW - SLIDER	H172-C1R
	098647-29-701	EA	RETAINER - TRIM	CW04-66
2	098644-01-705	FT	GLAZING - STRIP	132-010231
3	098644-01-706	FT	WEATHERSTRIP - GLASS	171-010668
4	098647-29-702	EA	GLASS - STATIONARY	096-019295
5	098644-01-719	EA	STOP - SLIDER GLASS	132-014203
6	098644-01-710	FT	TRACK - SCREEN SPACER 12'	132-017135
7	098644-01-700	EA	LATCH - REPAIR KIT (BLACK)	B801-CK
8	098644-01-708	FT	CHANNEL - RUN PIERCED	122-016543
9	098644-01-711	FT	WEATHERSTRIP - SCREEN BLACK	171-016965
10	098647-29-704	EA	SCREEN ASM - W/SEALS & CLIPS	410-018864
	098644-01-717	FT	SPLINE - SCREEN	132-004716
11	098644-01-713	EA	CLIP - SPRING - METAL	226-016966
12	098647-29-703	EA	GLASS-SLIDING W/SASH & LATCH	H172-C8
13	098644-01-716	FT	PLUG - FILLER	132-014470

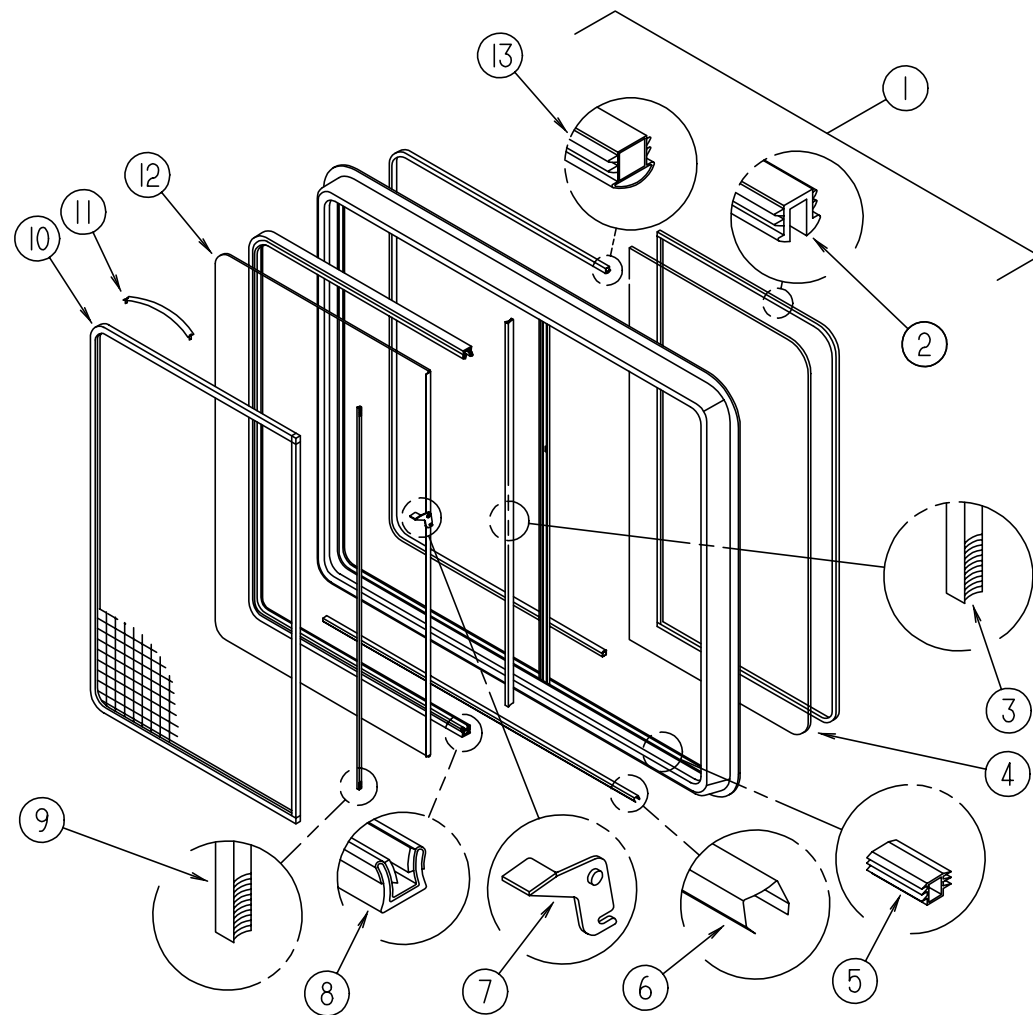
WINDOW, VENT & EXTERIOR DOOR GROUP (CONTINUED)



PASSENGER SIDE BEDROOM SLIDER WINDOW - EXCEL - THERMO

KEY	PART NUMBER	U/M	DESCRIPTION	VENDOR NO.
1	112795-21-01A	EA	WINDOW-PASSENGER HORIZONTAL SLIDER THERMO 24.5" X 41 1/4"	
	098647-29-701	EA	RETAINER - TRIM	CW04-66
	112795-21-700	EA	WINDOW W/O TRIM	DC04-G2R
2	112795-01-705	FT	VINYL - GLAZING	132-019702
3	112795-21-701	EA	GLASS - STATIONARY	390-019132
4	112795-01-701	EA	SLIDE-STOP	132-019092
5	098644-01-710	FT	TRACK - SCREEN SPACER 12'	132-017135
6	112795-01-700	EA	LATCH ASM., BLK., (BOLT ON)	DH287-CK
7	112795-01-703	IN	CHANNEL-RUN (INCHES)	122-018736
8	098644-01-711	FT	WEATHERSTRIP - SCREEN BLACK	171-016965
9	098647-29-704	EA	SCREEN ASM - W/SEALS & CLIPS	410-018864
10	098644-01-713	EA	CLIP - SPRING - METAL	226-016966
11	112795-21-702	EA	GLASS-SLIDING W/SASH & LATCH	DC04-G9
12	112795-01-704	FT	PLUG FILLER (DOUBLE GLAZED)	122-018737

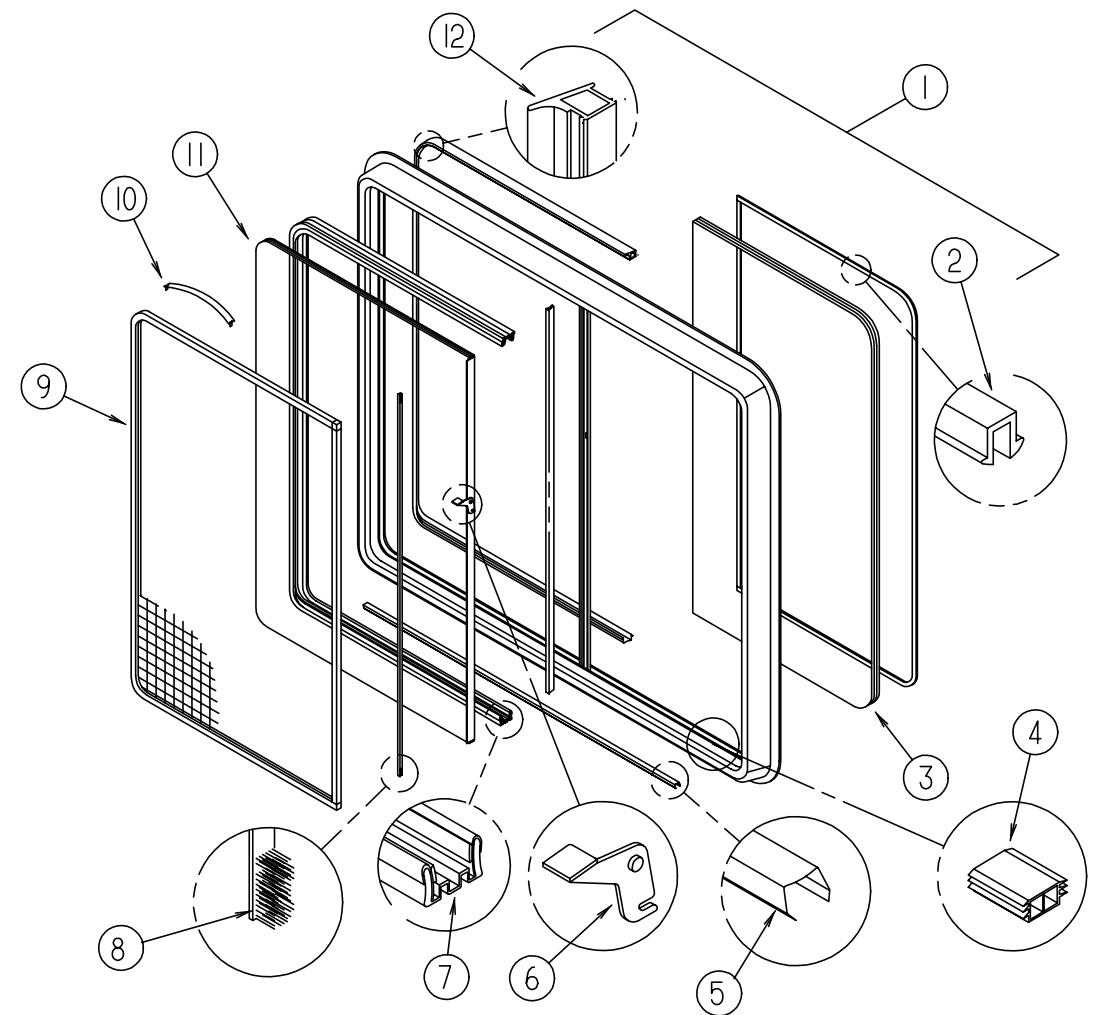
WINDOW, VENT & EXTERIOR DOOR GROUP (CONTINUED)



SLIDER WINDOWS - OVERHEAD BUNK - PASSENGER SIDE - EXCEL

KEY	PART NUMBER	U/M	DESCRIPTION	VENDOR NO.
1	098647-31-01A	EA	WINDOW - PASSENGER HORIZONTAL SLIDER - CLEAR - 15.7"X28.5"	
	098647-31-700	EA	WINDOW-SLIDER	H425-C1R
	098647-31-701	EA	RETAINER - TRIM	CW29-66
2	098644-01-705	FT	GLAZING - STRIP	132-010231
3	098644-01-706	FT	WEATHERSTRIP - GLASS	171-010668
4	098647-31-702	EA	GLASS - STATIONARY	096-019299
5	098644-01-719	EA	STOP - SLIDER GLASS	132-014203
6	098644-01-710	FT	TRACK - SCREEN SPACER 12'	132-017135
7	098644-01-700	EA	LATCH - REPAIR KIT (BLACK)	B801-CK
8	098644-01-708	FT	CHANNEL - RUN PIERCED	122-016543
9	098644-01-711	FT	WEATHERSTRIP - SCREEN BLACK	171-016965
10	098647-31-704	EA	SCREEN ASM - W/SEALS & CLIPS	410-019128
	098644-01-717	FT	SPLINE - SCREEN	132-004716
11	098644-01-713	EA	CLIP - SPRING - METAL	226-016966
12	098647-31-703	EA	GLASS-SLIDING W/SASH & LATCH	H425-C8
13	098644-01-716	FT	PLUG - FILLER	132-014470

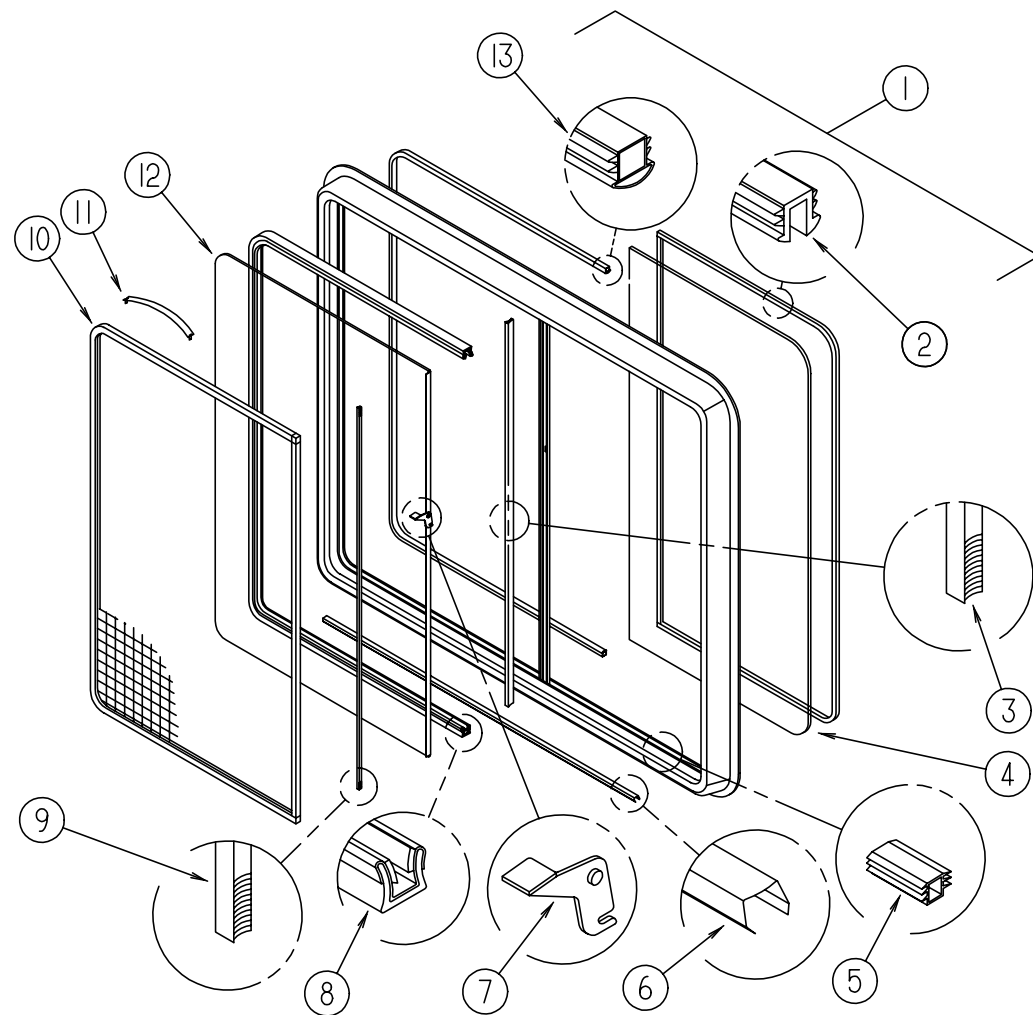
WINDOW, VENT & EXTERIOR DOOR GROUP (CONTINUED)



SLIDER WINDOWS - OVERHEAD BUNK - PASSENGER SIDE - EXCEL - THERMO

KEY	PART NUMBER	U/M	DESCRIPTION	VENDOR NO.
1	112795-19-01A	EA	WINDOW-HORIZONTAL SLIDER THERMO 16" X 28 3/4"	
	112795-19-700	EA	WINDOW W/O TRIM	DC29-G2R
	098647-31-701	EA	RETAINER - TRIM	CW29-66
2	112795-01-705	FT	VINYL - GLAZING	132-019702
3	112795-19-701	EA	GLASS - STATIONARY	390-019134
4	112795-01-701	EA	SLIDE-STOP	132-019092
5	098644-01-710	FT	TRACK - SCREEN SPACER 12'	132-017135
6	112795-01-700	EA	LATCH ASM., BLK., (BOLT ON)	DH287-CK
7	112795-01-703	IN	CHANNEL-RUN (INCHES)	122-018736
8	098644-01-711	FT	WEATHERSTRIP - SCREEN BLACK	171-016965
9	098647-31-704	EA	SCREEN ASM - W/SEALS & CLIPS	410-019128
10	098644-01-713	EA	CLIP - SPRING - METAL	226-016966
11	112795-19-702	EA	GLASS-SLIDING W/SASH & LATCH	DC29-G9
12	112795-01-704	FT	PLUG FILLER (DOUBLE GLAZED)	122-018737

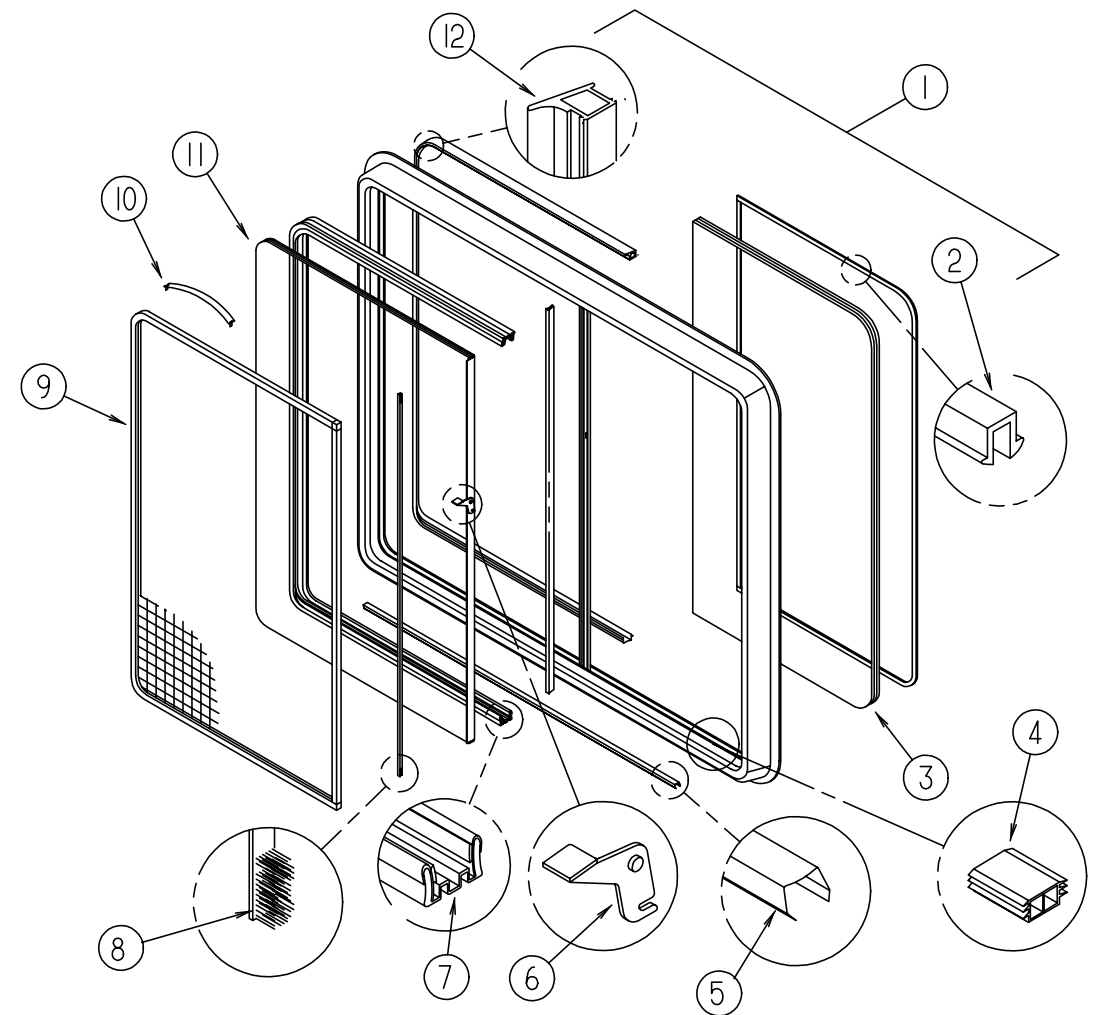
WINDOW, VENT & EXTERIOR DOOR GROUP (CONTINUED)



SLIDER WINDOWS - OVERHEAD BUNK & GALLEY - DRIVER SIDE - EXCEL

KEY	PART NUMBER	U/M	DESCRIPTION	VENDOR NO.
1	098647-32-01A	EA	WINDOW - DRIVERS HORIZONTAL SLIDER - CLEAR - 15.7"X28.5"	
	098647-32-700	EA	WINDOW - SLIDER	H425-C1L
	098647-31-701	EA	RETAINER - TRIM	CW29-66
2	098644-01-705	FT	GLAZING - STRIP	132-010231
3	098644-01-706	FT	WEATHERSTRIP - GLASS	171-010668
4	098647-31-702	EA	GLASS - STATIONARY	096-019299
5	098644-01-719	EA	STOP - SLIDER GLASS	132-014203
6	098644-01-710	FT	TRACK - SCREEN SPACER 12'	132-017135
7	098644-01-700	EA	LATCH - REPAIR KIT (BLACK)	B801-CK
8	098644-01-708	FT	CHANNEL - RUN PIERCED	122-016543
9	098644-01-711	FT	WEATHERSTRIP - SCREEN BLACK	171-016965
10	098647-31-704	EA	SCREEN ASM - W/SEALS & CLIPS	410-019128
	098644-01-717	FT	SPLINE - SCREEN	132-004716
11	098644-01-713	EA	CLIP - SPRING - METAL	226-016966
12	098647-31-703	EA	GLASS-SLIDING W/SASH & LATCH	H425-C8
13	098644-01-716	FT	PLUG - FILLER	132-014470

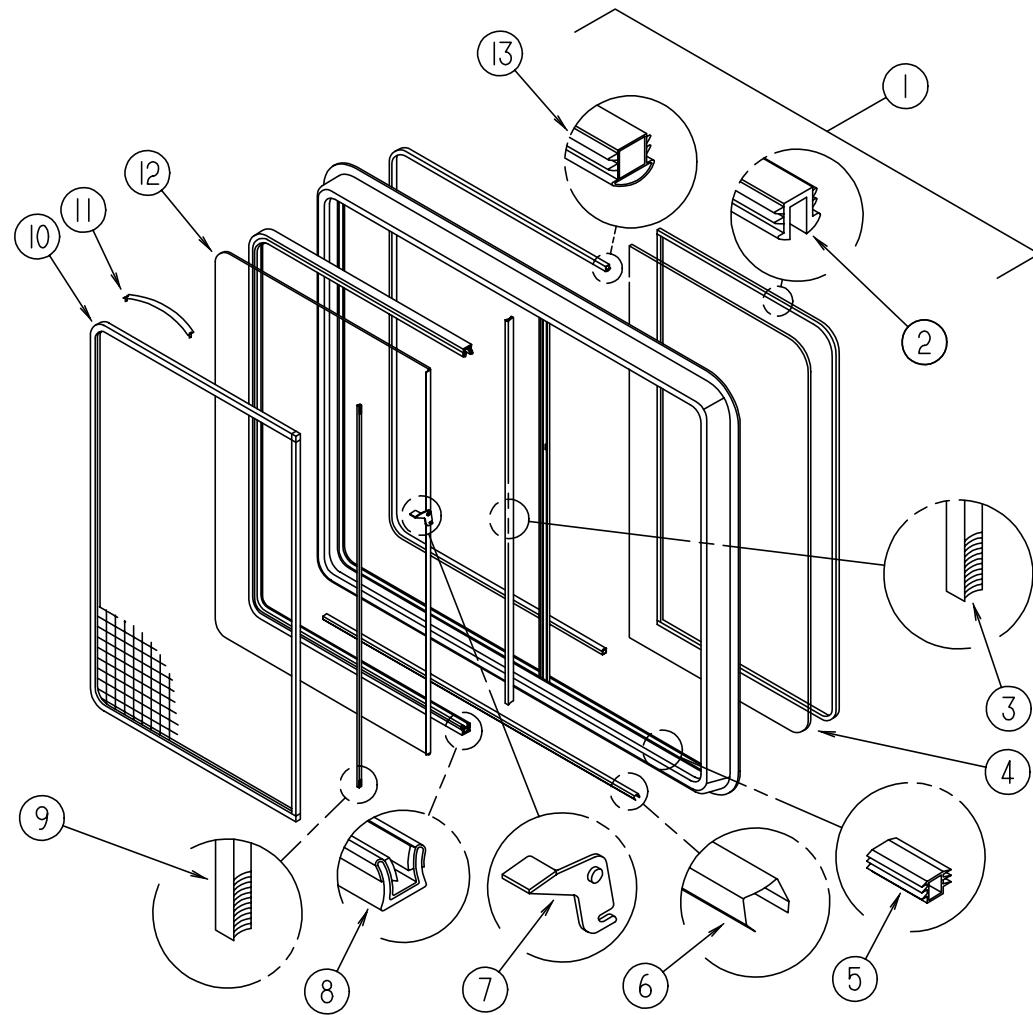
WINDOW, VENT & EXTERIOR DOOR GROUP (CONTINUED)



SLIDER WINDOWS - OVERHEAD BUNK & GALLEY - DRIVER SIDE - EXCEL

KEY	PART NUMBER	U/M	DESCRIPTION	VENDOR NO.
1	112795-20-01A	EA	WINDOW-DRIVER HORIZONTAL SLIDER THERMO 16" X 28 3/4"	
	112795-20-700	EA	WINDOW W/O TRIM	DC29-G2L
	098647-31-701	EA	RETAINER - TRIM	CW29-66
2	112795-01-705	FT	VINYL - GLAZING	132-019702
3	112795-19-701	EA	GLASS - STATIONARY	390-019134
4	112795-01-701	EA	SLIDE-STOP	132-019092
5	098644-01-710	FT	TRACK - SCREEN SPACER 12'	132-017135
6	112795-01-700	EA	LATCH ASM., BLK., (BOLT ON)	DH287-CK
7	112795-01-703	IN	CHANNEL-RUN (INCHES)	122-018736
8	098644-01-711	FT	WEATHERSTRIP - SCREEN BLACK	171-016965
9	098647-31-704	EA	SCREEN ASM - W/SEALS & CLIPS	410-019128
10	098644-01-713	EA	CLIP - SPRING - METAL	226-016966
11	112795-19-702	EA	GLASS-SLIDING W/SASH & LATCH	DC29-G9
12	112795-01-704	FT	PLUG FILLER (DOUBLE GLAZED)	122-018737

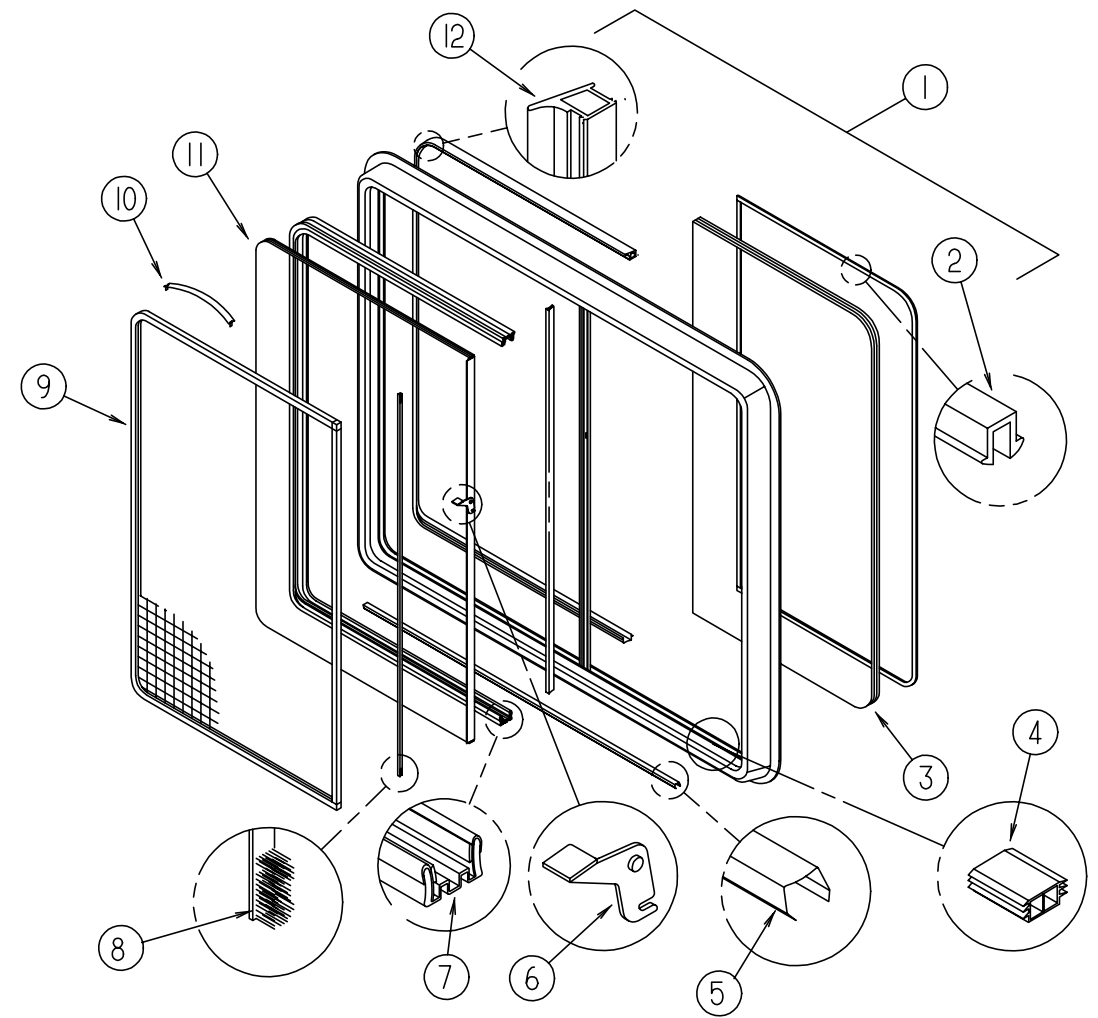
WINDOW, VENT & EXTERIOR DOOR GROUP (CONTINUED)



SINGLE SLIDER WINDOW - DINETTE & LOUNGE - DRIVER SIDE - EXCEL

KEY	PART NUMBER	U/M	DESCRIPTION	VENDOR NO.
1	098647-28-01A	EA	WINDOW - DRIVERS HORIZONTAL SLIDER - CLEAR - 26.1"X59.7"	
	098647-28-700	EA	WINDOW - SLIDER	H287-C1L
	098647-27-701	EA	RETAINER - TRIM	W287-66
2	098644-01-705	FT	GLAZING - STRIP	132-010231
3	098644-01-706	FT	WEATHERSTRIP - GLASS	171-010668
4	098647-27-702	EA	GLASS - STATIONARY	096-017868
5	098644-01-719	EA	STOP - SLIDER GLASS	132-014203
6	098644-01-710	FT	TRACK - SCREEN SPACER 12'	132-017135
7	098644-01-700	EA	LATCH - REPAIR KIT (BLACK)	B801-CK
8	098644-01-708	FT	CHANNEL - RUN PIERCED	122-016543
9	098644-01-711	FT	WEATHERSTRIP - SCREEN BLACK	171-016965
10	098647-23-704	EA	SCREEN ASM - W/SEALS & CLIPS	410-019066
	098644-01-717	FT	SPLINE - SCREEN	132-004716
11	098644-01-713	EA	CLIP - SPRING - METAL	226-016966
12	098647-27-703	EA	GLASS-SLIDING W/SASH & LATCH	H287-C8
13	098644-01-716	FT	PLUG - FILLER	132-014470

WINDOW, VENT & EXTERIOR DOOR GROUP (CONTINUED)



SINGLE SLIDER WINDOW - DINETTE & LOUNGE - DRIVER SIDE - EXCEL - THERMO

KEY	PART NUMBER	U/M	DESCRIPTION	VENDOR NO.
1	112795-15-01A	EA	WINDOW-DRIVERS HORIZONTAL SLIDER THERMO 26 3/8" X 60"	
	112795-15-700	EA	WINDOW W/O TRIM	DH287-G2L
	098647-23-702	EA	RETAINER - TRIM	W287-66
2	112795-01-705	FT	VINYL - GLAZING	132-019702
3	112795-15-701	EA	GLASS - STATIONARY	390-019045
4	112795-01-701	EA	SLIDE-STOP	132-019092
5	098644-01-710	FT	TRACK - SCREEN SPACER 12'	132-017135
6	112795-01-700	EA	LATCH ASM., BLK., (BOLT ON)	DH287-CK
7	112795-01-703	IN	CHANNEL-RUN (INCHES)	122-018736
8	098644-01-711	FT	WEATHERSTRIP - SCREEN BLACK	171-016965
9	098647-23-704	EA	SCREEN ASM - W/SEALS & CLIPS	410-019066
10	098644-01-713	EA	CLIP - SPRING - METAL	226-016966
11	112795-15-702	EA	GLASS-SLIDING W/SASH & LATCH	DH287-G9
12	112795-01-704	FT	PLUG FILLER (DOUBLE GLAZED)	122-018737

WINDOW, VENT & EXTERIOR DOOR GROUP (CONTINUED)

POWERED ROOF VENT - JENSEN - US

KEY	PART NUMBER	U/M DESCRIPTION
	122882-02-01A	EA VENT-ROOF, POWERED
	122882-06-01A	EA VENT-ROOF, GARNISH 25 - 65 - ELIXIR JRP2101 WHITE

POWERED ROOF VENT - JENSEN - CANADIAN

KEY	PART NUMBER	U/M DESCRIPTION
	122882-03-01A	EA VENT-ROOF, POWERED CSA
	122882-06-01A	EA VENT-ROOF, GARNISH 25 - 65 - ELIXIR JRP2101 WHITE

WINDOW, VENT & EXTERIOR DOOR GROUP (CONTINUED)

NONPOWERED ROOF VENT

KEY	PART NUMBER	U/M DESCRIPTION
	122882-01-01A	EA VENT-ROOF, NONPOWERED
	122882-06-01A	EA VENT-ROOF, GARNISH 25 - 65 - ELIXIR JRP2101 WHITE

VENTS, SHROUDS AND ROOF COVERS

KEY	PART NUMBER	U/M DESCRIPTION
	084616-07-000	EA SHROUD-VENT, RANGE HOOD, BRIGHT WHITE
	084878-09-000	EA VENT-RANGE HOOD, SHORT - LVS
	083558-03-000	EA VENT-PLUMBING PIPE ROOF, W/COVER - OFF WHITE
	084073-04-000	EA BASE-ROOF VENT, REFRIGERATOR
	084073-07-000	EA VENT-ROOF, REFRIGERATOR, BRIGHT WHITE - NORCOLD