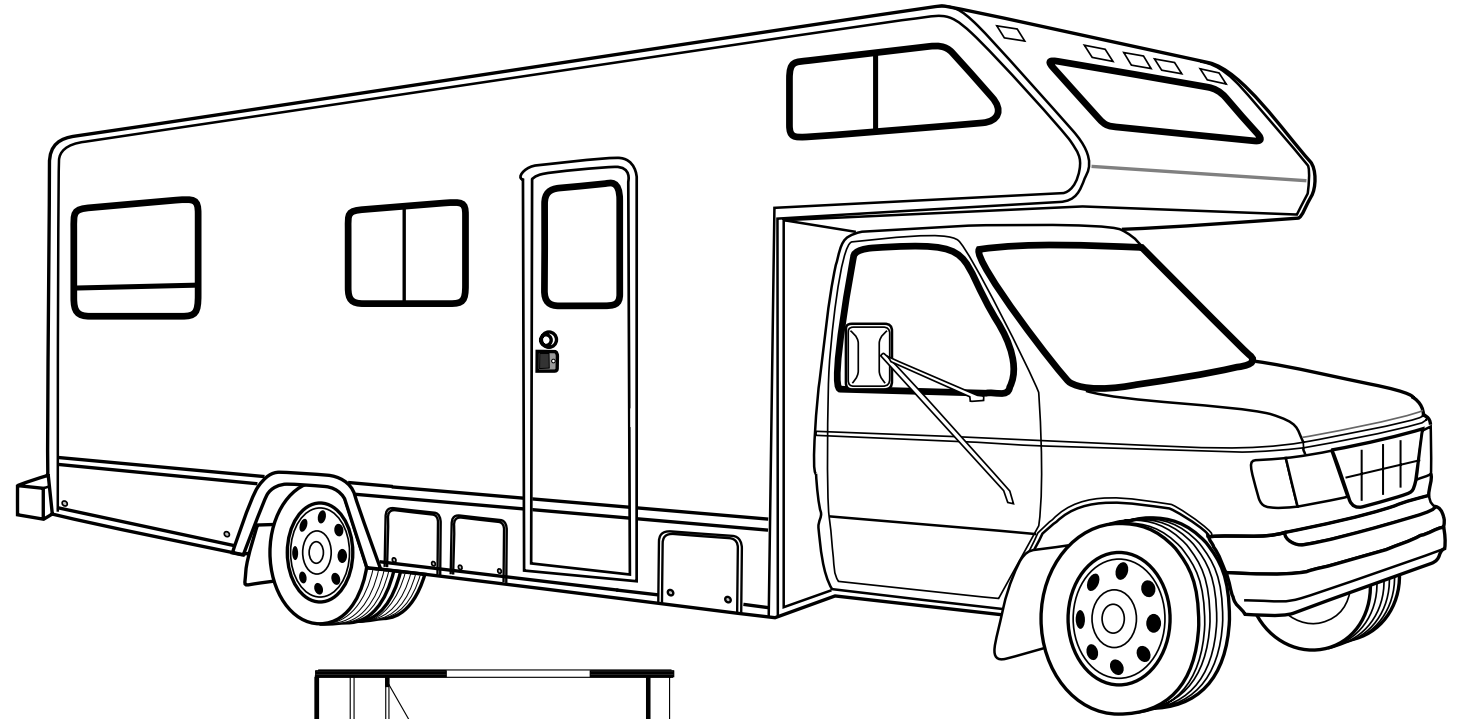


**1997
IF329RQ**



H04

BLUELAGOON(BLUE)

H05

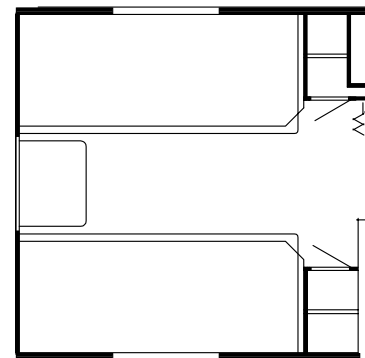
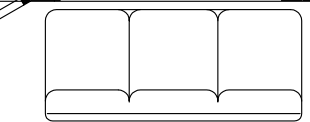
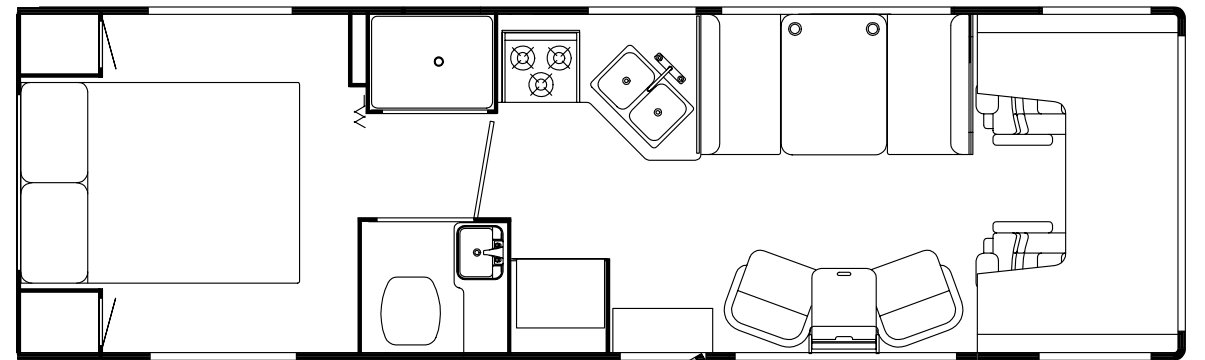
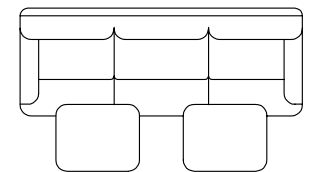
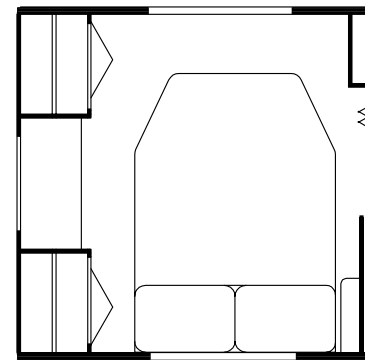
KRYPTONITE(TAUPE)

H24

COPPER CANYON(TERRACOTTA)

H26

COPPER CREEK(TAN)

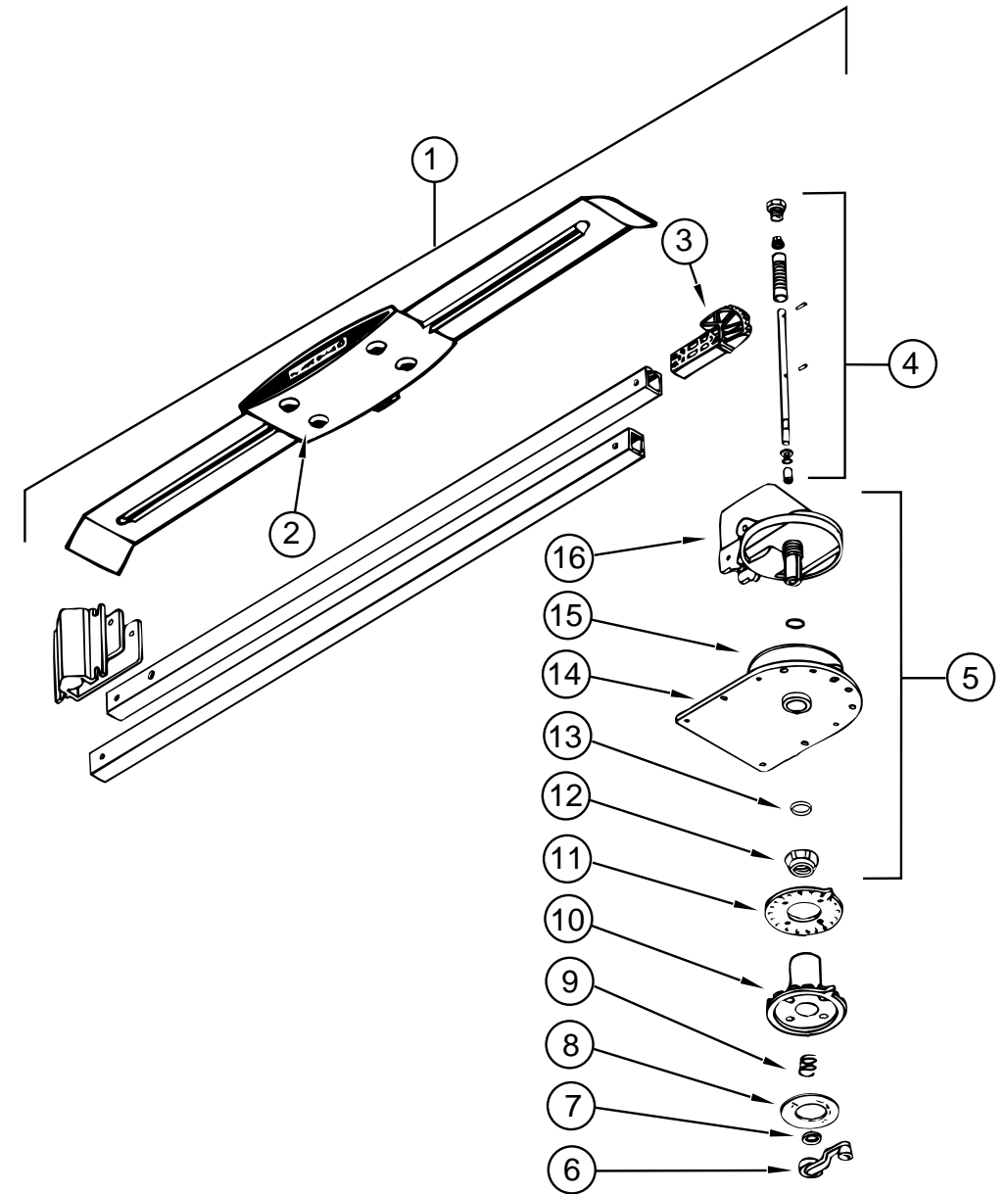


ACCESSORIESGROUP

OPERATORSMANUAL

KEY	PARTNUMBER	U/M DESCRIPTION
	054185-F3-000	EA MANUAL-OPERATOR, 1997MINNIE -300SERIES
	092318-01-000	EA BINDER-3RING, MOTORHOME MANUAL
	092319-01-000	EA POCKETPAGE-3RINGBINDER, PLASTIC
	121390-01-000	DW TOPLEVELDRAWING-1997C BODY

AUDIOVIDEOGROUP



TVANTENNA-WINEGARD-MODELRVAW02

KEY	PARTNUMBER	U/M DESCRIPTION	VENDOR NO,
1	076319-01-000	EA ANTENNA-TV, ROOFMOUNT-44.5"MAST	
1	076319-20-000	EA ANTENNA-TV, ROOFMOUNT-1" ROOF	
2	076319-01-700	EA HEAD-ANTENNA, AMPLIFIED	RVSAU/V
3	076319-01-701	EA GEAR-ELEVATING, PLASTIC	2200046
4	076319-01-702	EA SHAFTASSEMBLY-ELEVATING	RVP-400A
5	076319-01-711	EA BASE&LIFTASSEMBLY	2762802
6	076319-01-706	EA CRANK-ELEVATING, W/SETSCREW	5755100
7	076319-01-705	EA GROMMET-NYLON, 7/8"ID	200658
8	076319-01-708	EA DECAL-CRANK	5413002
9	076319-01-707	EA SPRING-HANDLE	5160800
10	076319-01-709	EA PLATE-DIRECTIONAL, FORHEAD	3200644
11	076319-01-712	EA PLATE-CEILING	3200608
12	076319-01-715	EA NUT-GEARHOUSING	2200047
13	076319-01-704	EA BEARING-NYLON, 1.25"OD	3200657
14	076319-01-713	EA PLATE-BASE, STEEL	3100523
15	076319-01-703	EA BEARING-NYLON, 5"OD	3200656
16	076319-01-714	EA HOUSING, ROTATING GEAR	2200049

AUDIOVIDEOGROUP(CONTINUED)

RADIOSPEAKER

KEY	PARTNUMBER	U/M	DESCRIPTION
	074979-01-000	EA	SHIELD-SPEAKER, BACK-MOLDED PLASTIC-8"X9"-BEIGE
	111177-01-01A	EA	GRILLE-SPEAKER, OVAL 5"X7"-GRAY-MAGNADYNE SB68
	108137-01-000	EA	PLUG-ANTENNAHOLE, WARD PRODUCTS

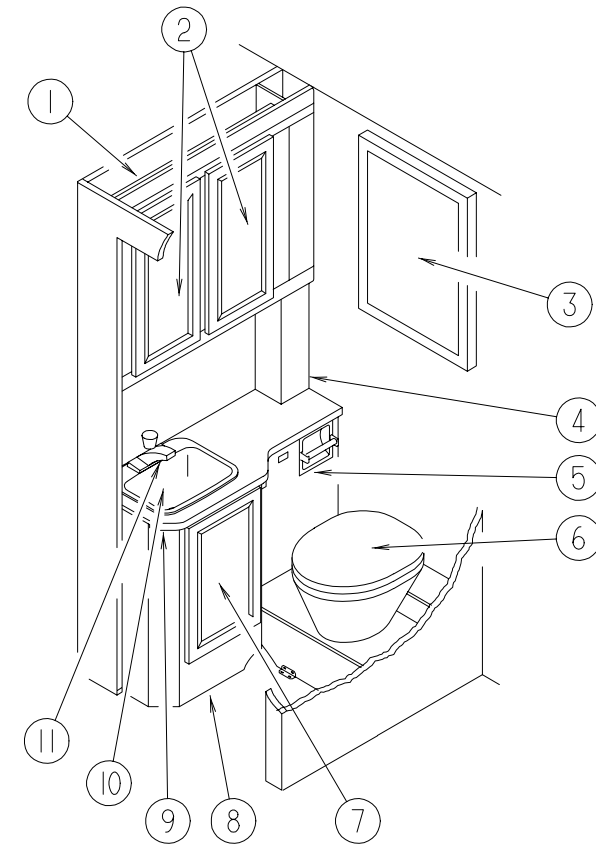
RADIO-PATIOENTERTAINMENTCENTER

KEY	PARTNUMBER	U/M	DESCRIPTION
	087683-03-000	EA	RADIO-AM/FM STEREO CASSETTE - AUDIOVOX RS-100
	090944-01-000	EA	ANTENNA-RADIO, 16" RUBBER
	108847-01-000	EA	BRACKET-ANTENNA GROUND
	077069-02-000	EA	CABLE-ANTENNA, RADIO-EXTENSION 96"-ARA 6700667
	076319-03-000	FT	CABLE-COAXIAL, 75 OHM
	076319-12-000	EA	CONNECTOR-COAXIAL, ONE PIECE
	082134-01-000	EA	ADAPTER-CABLE TO CABLE, WINEGARD F-81M
	086756-01-000	EA	SPLITTER-TV, 2WAY
	109889-01-000	EA	EXTENDER-SHAFT, ANTENNA-1"-MAGNADYNE RV71EX1
	110469-01-000	EA	SPEAKER-OVAL, 4"X6"-COAXIAL-MAGNADYNE F46XB-12
	110470-01-01A	EA	GRILLE-SPEAKER, OVAL 4"X6"-BLACK-MAGNADYNE G46WI

TV-VCR SYSTEMS

KEY	PARTNUMBER	U/M	DESCRIPTION	VENDOR NO.
	113684-02-000	EA	TV-19" COLOR UL/CSA 1/8" JACK-AUDIOVOX AVT-1980	
	113684-02-700	EA	REMOTE	0892355
	086231-08-000	EA	TV-COLOR 13" DCAUDIOVOX-AVT-1475	
	086231-08-700	EA	REMOTE-UNIVERSAL	8822325
	119120-02-000	EA	VCR-VHS CABLE READY W/REMOTE	
	094487-03-000	EA	VIDEO CASSETTE PLAYER W/OREMOTE-AUDIOVOX AVP-6750	
	086757-03-000	EA	CONTROL CENTER-SWITCH, VCR/TV-AUDIOVOX AVCC-100	
	086777-02-000	EA	WALL PLATE-TV CABLE, W/ANTENNA SWITCH-BROWN	
	086777-06-000	EA	PLATE-WALL, ANT 1 OUTPUT BROW-WINEGARD RV-0931	
	076319-09-000	EA	WALL PLATE-CABLE RECEPTACLE, TV-SINGLE-BROWN	
	076319-06-000	EA	ADAPTER-CABLE ROOF PLATE	
	082136-01-000	EA	NUT-HEX JAM 3/8-32, WINEGARD	
	082134-01-000	EA	ADAPTER-TV, CABLE TO CABLE-WINEGARD F-81M	
	086756-01-000	EA	SPLITTER-TV, 2WAY	
	076319-03-000	FT	CABLE-COAXIAL, 75 OHM	
	076319-12-000	EA	CONNECTOR-COAXIAL, ONE PIECE	

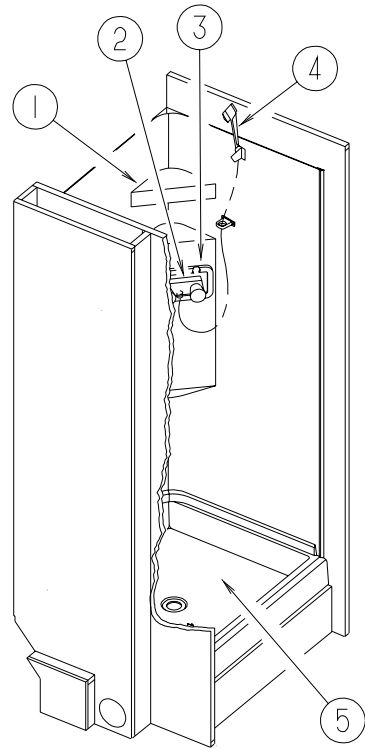
BATHGROUP



BATHROOM CABINETS & FIXTURES

KEY	PARTNUMBER	U/M	DESCRIPTION
1	121623-01-H04	EA	CABINET ASM-MEDICINE
2	110140-31-G01	EA	DOOR-W/MIRROR/MTRDCRNR/VINYL WRAP-11/9"X25.9"-W/OHDW
	058331-90-000	EA	MIRROR-GLASS, SAFETY 222MM X 577MM
3	058331-01-000	EA	MIRROR-GLASS, SAFETY-19"X26"
4	109180-02-H04	EA	CABINET-PIPE COVER(H04)
4	109180-02-H05	EA	CABINET-PIPE COVER(H05)
4	109180-02-G04	EA	CABINET-PIPE COVER(H24/H26)
5	075452-02-000	EA	HOLDER-TOILET TISSUE, BRASS
6	067487-01-000	EA	TOILET-12.37", IVORY-HAND FLUSH-THETFORD 150110
7	110140-33-G01	EA	DOOR-MITERED CORNER/VINYL WRAP-12"X21.8"W/O HARDWARE
8	P09063-01-H04	EA	CABINET-LAVATORY(H04)
8	P09063-01-H05	EA	CABINET-LAVATORY
8	P09063-01-H24	EA	CABINET-LAVATORY(H24/H26)
9	109063-12-G01	EA	COUNTERTOP ASM(H04)
9	109063-12-H05	EA	COUNTERTOP ASM(H05)
9	109063-12-0 1	EA	COUNTERTOP ASM(H24/H26)
10	096927-01-01A	EA	SINK-LAVATORY, RECTANGULAR-PLASTIC-BONE
	096927-01-700	EA	SINK-STOPPER
	096927-01-701	EA	TAILPIECE-SINK
11	075240-06-000	EA	FAUCET-LAVATORY, BONE
	091253-01-000	EA	GASKET-FAUCET, LAVATORY/GALLEY
	075453-02-000	EA	BAR-TOWEL, 18" BRASS

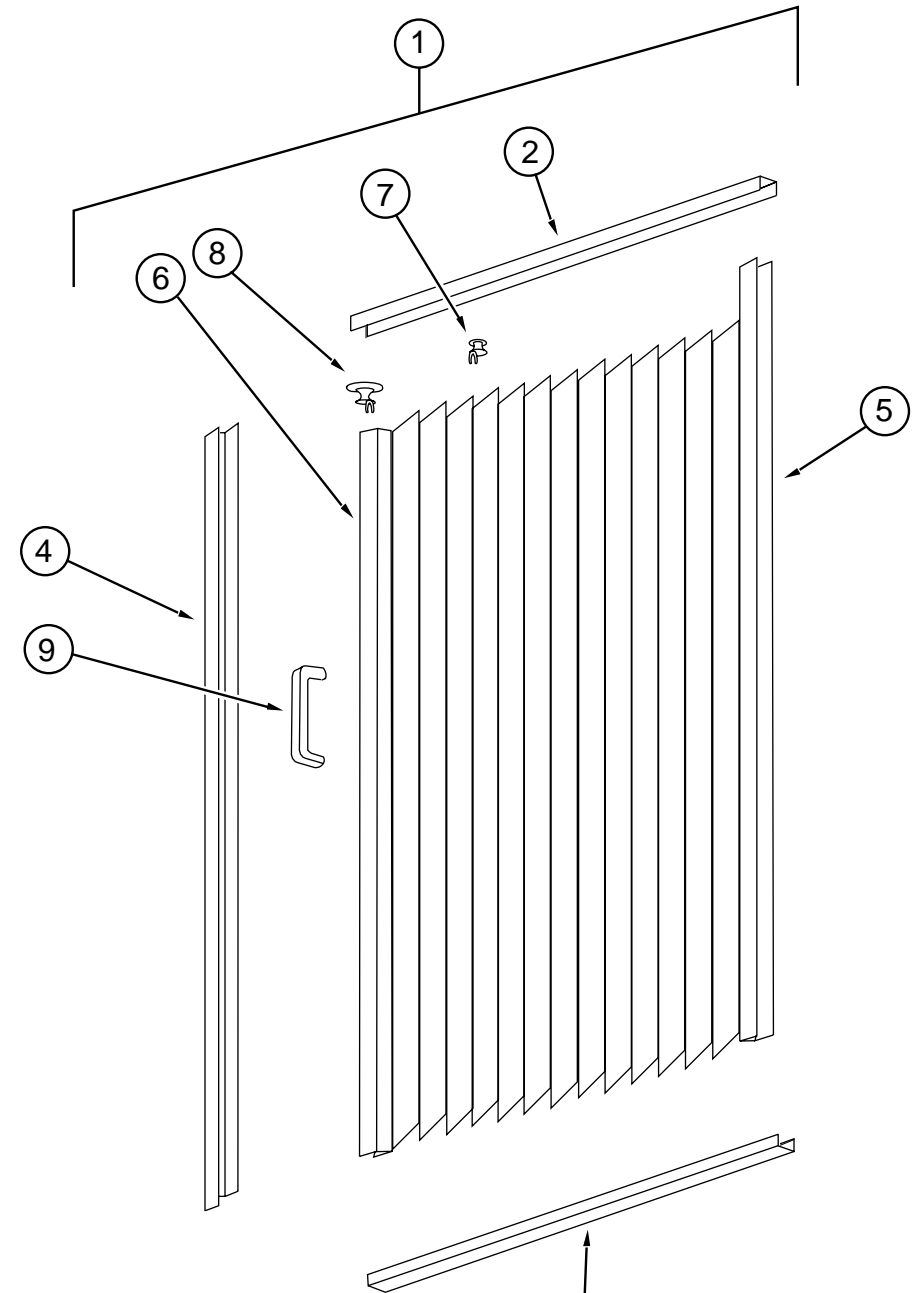
BATHGROUP(CONTINUED)



SHOWER CABINET & FIXTURES

KEY	PARTNUMBER	U/M	DESCRIPTION	VENDOR NO.
1	105707-01-01A	EA	CADDY-SHOWER	
2	075241-05-000	EA	FAUCET-SHOWER, BONE W/3/4" MPT X 1.4" LONG INLET PIPES	
3	075606-01-000	EA	PANEL-FAUCET BACK-SHOWER-5" X 9"	
4	103092-02-000	EA	SHOWERHEAD-W/HOSE-CSA	
4	103092-01-000	EA	SHOWERHEAD-W/60" HOSE	
	103092-01-700	EA	BRACKET-F/SHOWERHEAD, CLEAR	2328028
	011048-03-700	EA	BRACKET-F/SHOWERHEAD	2328029-3
5	M02673-05-B13	EA	PAN-SHOWER, 29.8" X 22.7" X 5.7"	
	066440-01-000	EA	STRAINER-SHOWER, W/RUBBER WASHER	
	069735-01-000	EA	WASHER-STRAINER TAILPIECE PLASTIC, 1.5"	
	011069-02-000	EA	TAILPIECE-TUB/SHOWER, 1 1/2" X 1 1/4" X 4"-BRASS	
	066436-01-000	EA	NUT-SLIP, TAILPIECE-1.5"	
	057671-01-000	EA	COVER-SCREW, #8-PLASTIC-OFFWHITE	

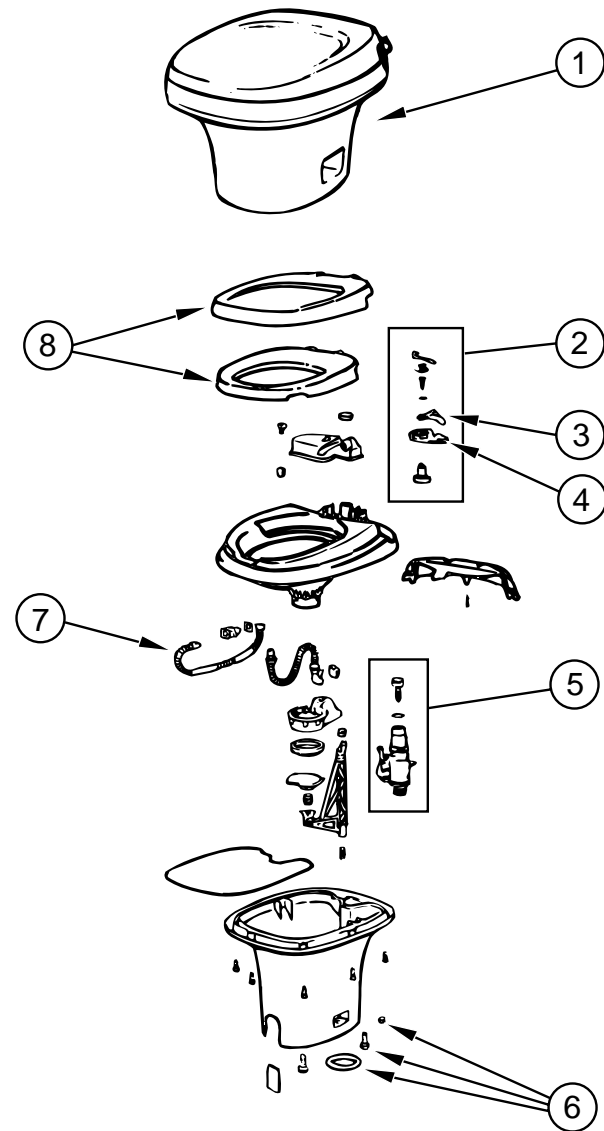
BATHGROUP(CONTINUED)



SHOWER DOOR

KEY	PARTNUMBER	U/M	DESCRIPTION
1	117431-01-01A	EA	DOOR-SHOWER, FABRIC, PLEATED 29.6 X 63.0
2	117431-01-700	EA	TRACK-TOP, ALUMINUM-IVORY INSERT-48"
3	117431-01-701	EA	TRACK-BOTTOM, 40"
4	117431-01-702	EA	RAIL-SIDE, 67"
5	117431-01-703	EA	RAIL-STATIONARY, 67"
6	117431-01-704	EA	RAIL-LEAD, 67"
7	117431-01-705	EA	GLIDE-IVORY, TRAVELER
8	117431-01-706	EA	GLIDE-IVORY LEAD, TRAVELER
9	117431-01-708	EA	HANDLES & SCREWS
	117431-01-707	EA	LATCH
	117431-01-709	EA	STRAP-VINYL SHOWER
	105394-01-05A	EA	EXTR-DOOR JAMB, WATERFORD OAK

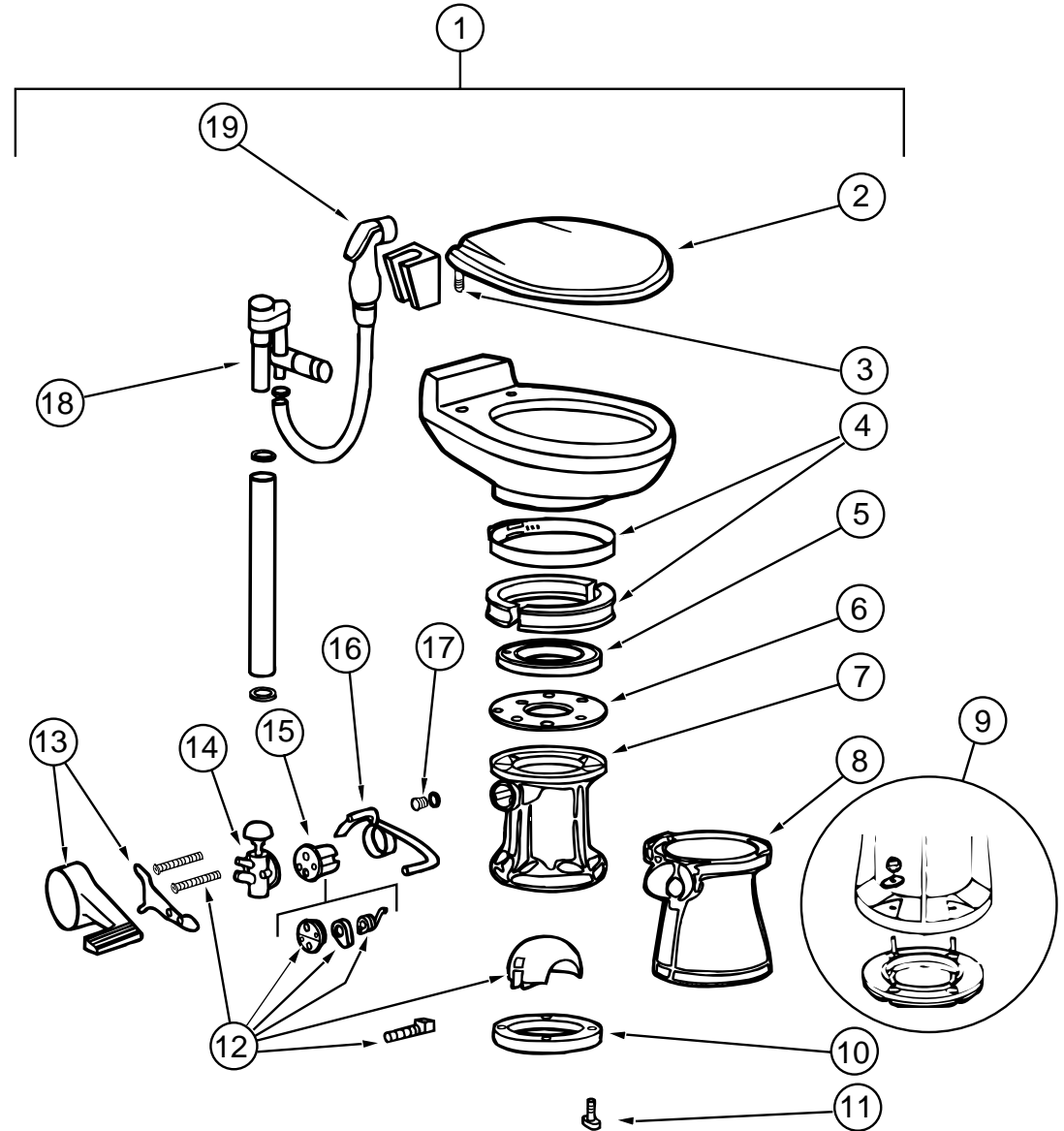
BATHGROUP(CONTINUED)



TOILET&COMPONENTS-THETFORD-MODEL-AQUAMAGICIVLOW

KEY	PARTNUMBER	U/M	DESCRIPTION	VENDORNO.
1	067487-01-000	EA	TOILET-12.37",IVORY-HANDFLUSH 150110	
2	063740-01-700	EA	LEVER-WATER	12514
3	063740-01-701	EA	LEVER-FLUSH	12515
4	063740-01-713	EA	SEAL-BALLVALVETOBOWL	12502
5	063740-01-714	EA	VALVEASSEMBLY-WATER	12492
6	063740-01-706	EA	BOLTPACKAGE-CLOSET	12524
7	063740-01-717	EA	TUBE-FLUSH,TOILET	12509
8	063740-02-700	EA	SEAT&COVER,PARCHMENT	2464157
	067487-02-702	EA	TANK-RESERVOIR	12507

BATHGROUP(CONTINUED)



TOILET&COMPONENTS-SEALAND-MODEL591103-MCCLAINSANNIVERSARYOPTION

KEY	PARTNUMBER	U/M	DESCRIPTION	VENDORNO.
1	085330-07-000	EA	TOILET-SHORTYCHINAW/SPRAY-BONE	
2	085330-06-700	EA	SEATASSEMBLY,BONE	340591
3	085330-06-702	EA	HINGEHARDWARE(BONE)SET	342131
4	085330-01-703	EA	RING&HALFCLAMPS,BONE	385310048
5	085330-01-704	EA	TEFLON&RUBBERSEALKIT	385316140
6	085330-01-705	EA	SUPPORT-SEAL,PLASTIC	390346405
7	085330-04-704	EA	BASEASM-BONE	310124
8	085330-04-705	EA	COVERASSEMBLY-PEDESTAL	310109
9	085330-01-718	EA	SEAL&BASEW/MOUNTINGHDW	3853100-63
10	085330-01-714	EA	SEAL-FLANGE,FLOOR	390343892
11	085330-01-717	EA	STOOLMTG.,PKG.BOLT&SEAL	3100-64
12	085330-01-706	EA	BALL(FLAPPER)SHAFT/CARTRIDGE	385318162
13	085330-04-703	EA	COVERASSEMBLY-PEDAL	310118
14	085330-01-709	EA	VALVE-WATER	385314349
15	085330-01-707	EA	CARTRIDGESPRINGASSEMBLY	381236096
16	085330-04-702	EA	LEVER-FLUSH	340825
17	085330-01-710	EA	DRAIN-KIT,PLUG-CAPW/SEAL	230384
18	085330-06-701	EA	BREAKER-VACUUM/DIVERTER(900)	230335
19	085330-04-701	EA	HANDSPRAYW/HOSE(500&900)	340683

BATHGROUP(CONTINUED)

SKYLIGHT

KEY	PARTNUMBER	U/M DESCRIPTION
	122192-01-01A	EA PANEL-SKYLIGHT, OUTER
	122193-01-01A	EA PANEL-SKYLITE, INNER

BATHDOOR

KEY	PARTNUMBER	U/M DESCRIPTION
	121449-04-H04	EA DOORASM-BATH
	094485-03-01A	EA KNOB-DOOR/BRASS
	102920-01-01A	EA HINGE-DOOR-SPRINGLOADED/BRASS
	110496-01-01A	EA HINGE-BRASS, STOCKER
	121449-12-G04	EA RACKASM
	100357-01-000	EA ROD-TOWEL-BRASSW/ENDBENTF/BACKOFBATHDOOR

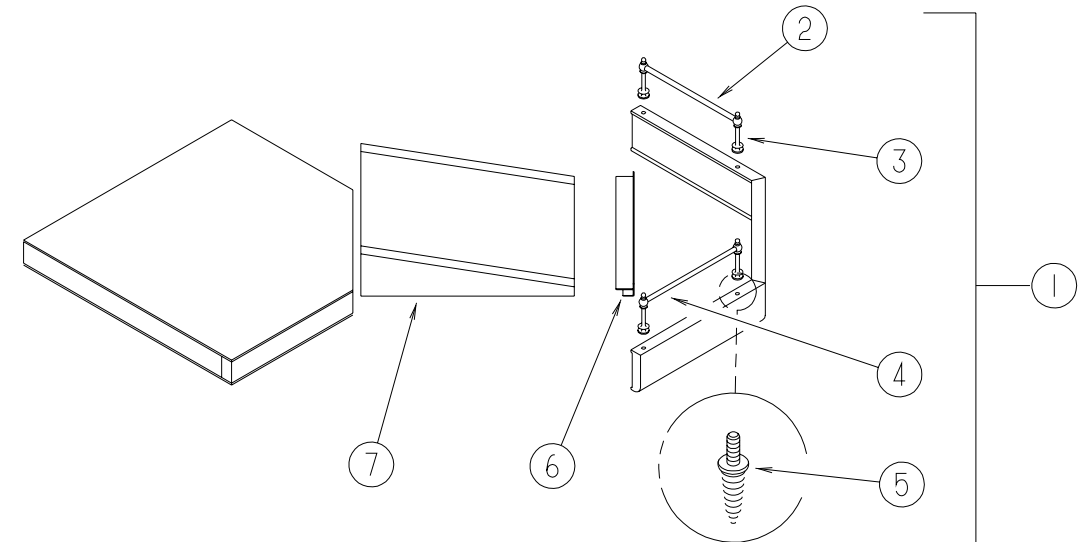
BATH/BEDROOMPRIVACYDOOR

KEY	PARTNUMBER	U/M DESCRIPTION
	042488-10-000	EA DOOR-FABRICFOLDING-37"X75"-OFFWHITE
	080224-01-703	EA HANDLEW/LATCH-CATCH, ALMOND
	080224-01-705	EA LATCH&CATCHASM., ALMOND
	094856-06-02A	EA TRACK-FOLDINGDOOR, 37.6"-OFFWHITE
	029130-01-000	EA SCREW-SNAPSOCKET-#8PHX5/8"
	009702-01-000	EA ENDSTOP-CURTAINCARRIER-LROD

VENDORNO.

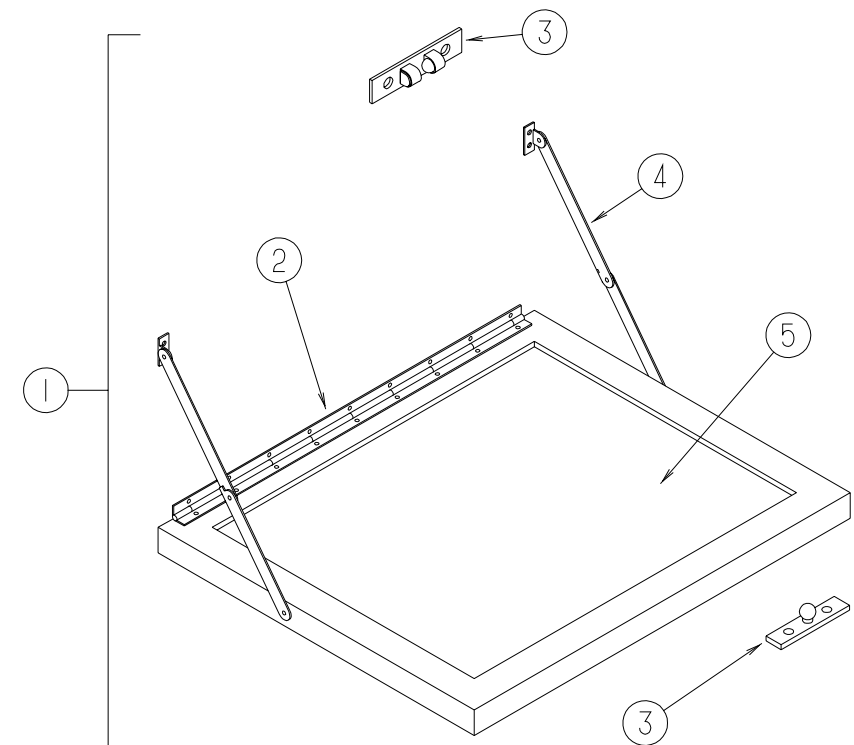
NE03505
DE25010&DE25020

BEDROOMGROUP



TVSHELF-QUEEN&DOUBLEBED

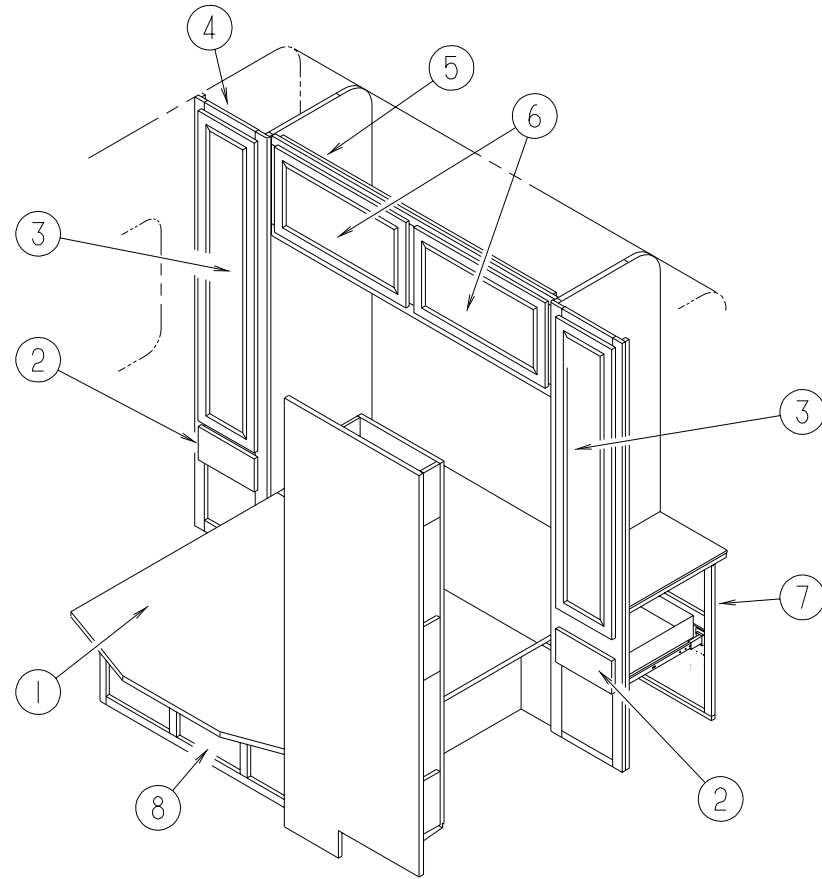
KEY	PARTNUMBER	U/M DESCRIPTION
1	116553-02-G09	EA SHELF-TVW/BRASSRAILING&WEDGE-17.45"X16.6"
2	084071-12-000	EA ROD-BRASS, 104MMLONG
3	084070-03-000	EA POST-END, BRIGHTBRASSFINISH
4	084071-19-000	EA ROD-BRASS, 198MMLONG
5	106166-01-000	EA BOLTCOLLAREDHANGER-8-32X1"
6	103186-01-05A	FT MOLDING-PLASTIC, SHELF-WATERFORDOAK
7	116553-15-G09	EA WEDGE-TV SHELF



TVSHELF-TWINBED

KEY	PARTNUMBER	U/M DESCRIPTION
1	084357-02-G09	EA TVSTAND-FOLDDOWNW/MIRROR
2	084413-01-000	EA HINGE-CONTINUOUS, ALUMINUM-1"X72"-W/HOLES
3	088451-01-000	EA CATCH-TV SHELF, BRASS
4	084412-01-000	EA SUPPORTHINGEKIT
5	084356-08-000	EA INSERT-TVSTANDW/SUPPORTHINGE

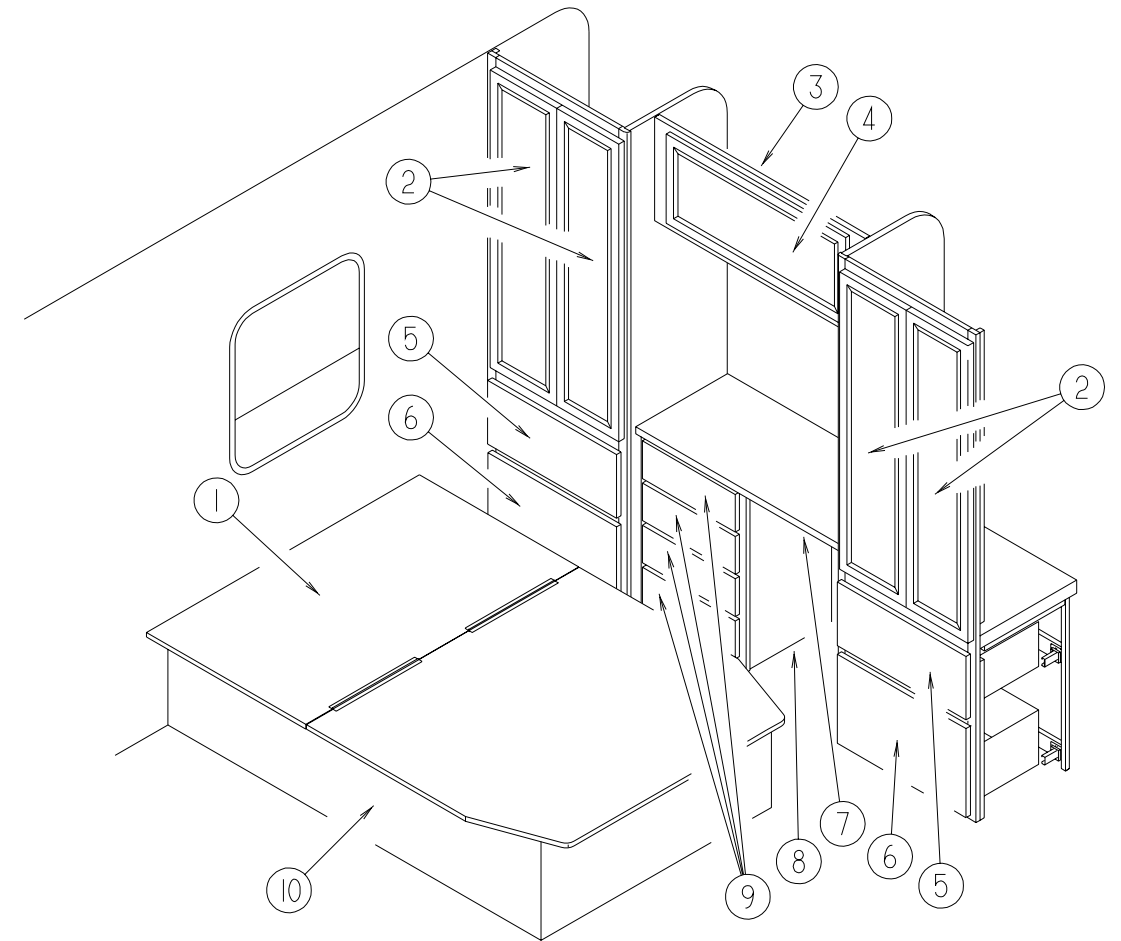
BEDROOMGROUP(CONTINUED)



QUEENBEDROOMCABINETS

KEY	PARTNUMBER	U/M	DESCRIPTION
1	M06959-01-F15	EA	CABINET-QUEENBEDTOP
	091261-01-000	FT	BACKING-NON-SKID,12"X100'
	105376-01-02A	EA	HINGE-CONTINUOUS,2"X140MM-OFFWHITE
2	P10163-H0-G01	EA	DRAWER-W/OSLIDES/HARDWARE
3	110140-23-G01	EA	DOOR-W/MIRROR-MTRDCRNR/VINYLRAP-12"X48"W/OHDW
4	P14262-01-G01	EA	CABINETASM-WARDROBE,REAR,RH
5	121634-01-H04	EA	CABINETASM V H DREAR
6	110140-18-G01	EA	DOOR-MITEREDCORNER/VINYLRAP-15.7"X27.9"-W/OHDW
6	110140-21-H04	EA	DOOR-W/MIRROR-MTRDCRNR/VINYLRAP-15.7"X27.9"-W/OHDW
	108536-04-09A	EA	MIRROR-GLASSBOTANICAL,317X627
7	P14261-01-G01	EA	CABINETASM-WARDROBE,REAR,LH
8	P14435-01-H04	EA	CABINETASM-BED,QUEEN
	107796-05-000	EA	BRACKET-GASSPRING,FLAT
	107796-06-000	EA	SPRING-GAS,20"LENGTH-120LB
	107796-07-000	EA	BRACKET-GASSPRING

BEDROOMGROUP(CONTINUED)

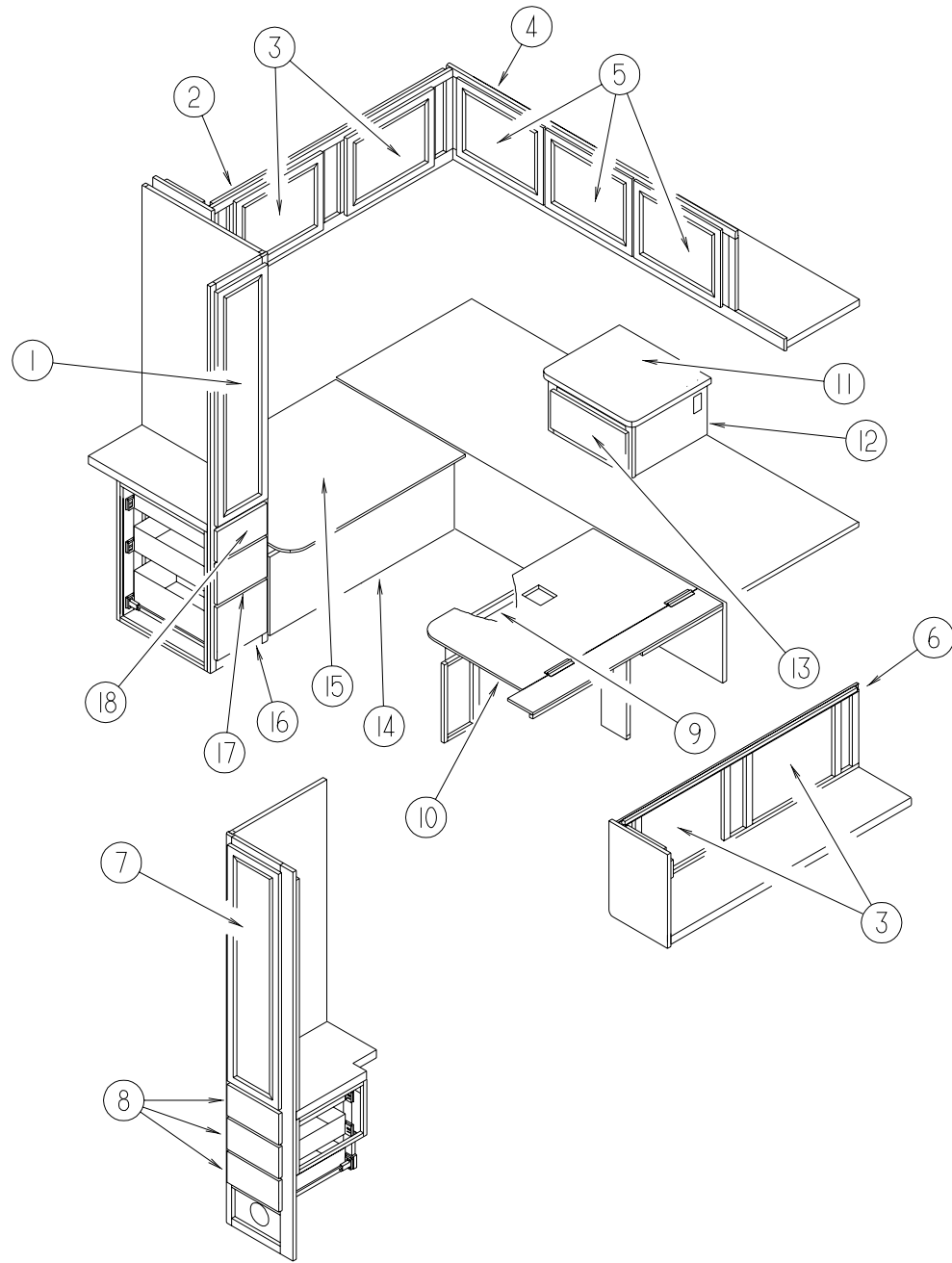


DOUBLEBEDROOMCABINETS

KEY	PARTNUMBER	U/M	DESCRIPTION
1	119644-11-000	EA	TOP-DOUBLEBEDCABINET
	091261-01-000	FT	BACKING-NON-SKID,12"X100'
	041389-17-000	EA	HINGE-CONTINUOUS,16'-OFFWHITE
2	110140-23-G01	EA	DOOR-W/MIRROR-MTRDCRNR/VINYLRAP-12"X48"W/OHDW
3	121692-01-H04	EA	CABINETASM-OVERHEAD,RR,DBL
4	110140-05-G01	EA	DOOR-MITEREDCORNER/VINYLRAP-14.3"X33.4"W/OHDW
4	110140-65-H04	EA	DOOR-W/MIRROR/MTRDCRNR/VINYLRAP-14.3"X33.4"-W/OHDW
	108536-13-09A	EA	MIRROR-GLASSBOTANICAL,282X767
5	P10163-M0-H01	EA	DRAWER-W/OSLIDES/HARDWARE
6	P10163-M1-H01	EA	DRAWER-W/OSLIDES/HARDWARE
7	117262-11-H04	EA	COUNTERTOPASM(H04)
7	117262-11-H05	EA	COUNTERTOPASM(H05)
7	117262-11-G01	EA	COUNTERTOPASM(H24/H26)
8	P17262-01-H04	EA	CABINETASM-VANITY,RR,DBL(H04)
8	P17262-01-H05	EA	CABINETASM-VANITY,RR,DBL(H05)
8	P17262-01-G01	EA	CABINETASM-VANITY,RR,DBL(H24/H26)
9	P10163-M2-H01	EA	DRAWER-W/OSLIDES/HARDWARE
10	P19644-01-G01	EA	CABINET-BEDBASE-DOUBLEBED-W/ODOORS/HARDWARE
	107796-05-000	EA	BRACKET-GASSPRING,FLAT
	107796-06-000	EA	SPRING-GAS,20"LENGTH-120LB
	107796-07-000	EA	BRACKET-GASSPRING

BEDROOMGROUP(CONTINUED)

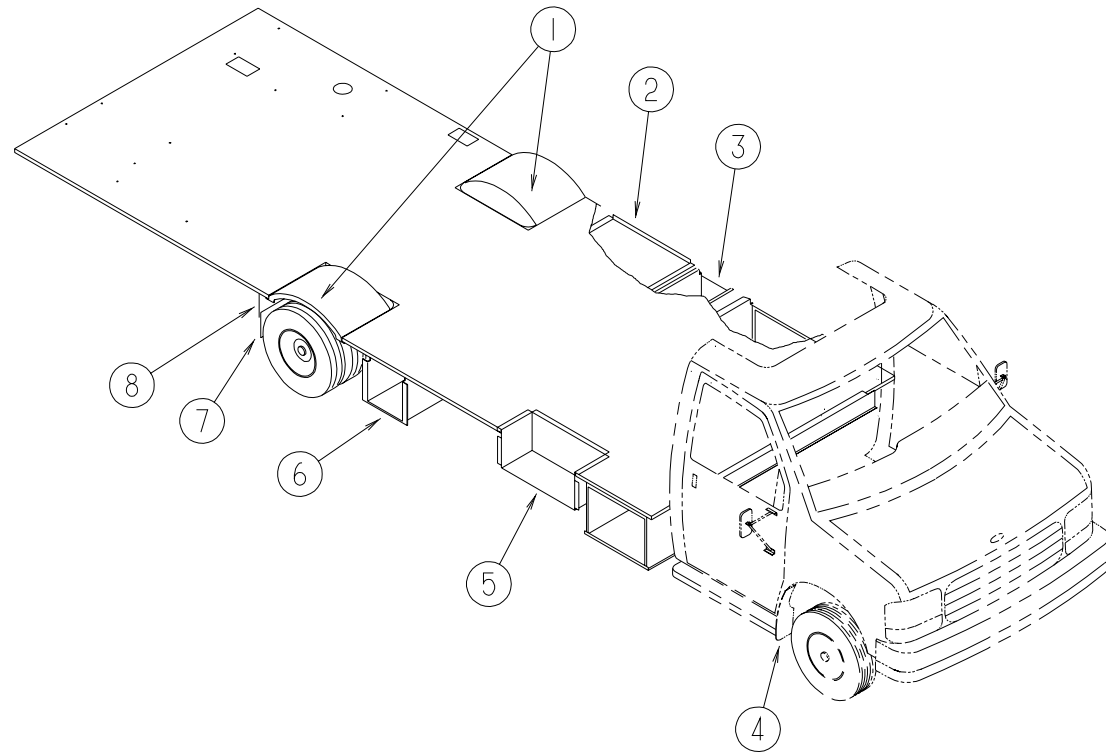
TWINBEDROOMCABINETS



KEY	PARTNUMBER	U/M	DESCRIPTION
8	P10163-P3-H04	EA	DRAWER-W/OSLIDES/HARDWARE
9	P14440-01-G01	EA	CABINETASM-TWINBED,LH
10	M06960-02-F15	EA	CABTASM-TWINBEDTOPLH
11	116329-11-F02	EA	COUNTERTOPASM(H04)
11	116329-11-H05	EA	COUNTERTOP-NIGHTSTAND(H05)
11	116329-11G 0 1	EA	COUNTERTOPASM(H24/H26)
12	P16329-01-H04	EA	CABINETASM-NIGHTSTAND,TWIN(H04)
12	P16329-01-H05	EA	CABINETASM-NIGHTSTAND,TWIN(H05)
12	P16329-01G 0 1	EA	CABINETASM-NIGHTSTAND,TWIN(H24/H26)
13	P10163-H4-H04	EA	DRAWER-W/OSLIDES/HARDWARE
14	P14439-01-G01	EA	CABINETASM-TWINBED,RH
15	M06960-01-000	EA	CABTASM-TWINBEDTOPRH
16	P10163-P0-H04	EA	DRAWER-W/OSLIDES/HARDWARE
17	P10163-P1-H04	EA	DRAWER-W/OSLIDES/HARDWARE
18	P10163-P2-H04	EA	DRAWER-W/OSLIDES/HARDWARE
	107796-05-000	EA	BRACKET-GASSPRING,FLAT
	107796-12-000	EA	SPRING-GAS17"LENGTH,120LB
	107796-07-000	EA	BRACKET-GASSPRING

KEY	PARTNUMBER	U/M	DESCRIPTION
1	110140-22-G04	EA	DOOR-MITEREDCORNER/VINYLRAP-12.1"X48"W/OHDW
2	121675-02-H04	EA	CABINETASM-OVHD,REAR
3	110140-27-G01	EA	DOOR-MITEREDCORNER/VINYLRAP-15.7"X20.4"W/OHDW
4	121696-01-H04	EA	CABINETASM-OVHD,REAR
5	110140-27-G01	EA	DOOR-MITEREDCORNER/VINYLRAP-15.7"X20.4"W/OHDW
5	110140-29-H04	EA	DOOR-MIRROR/MTRDCRNR/VINYLRAP-15.7"X20.4-W/OHDW
	108536-03-09A	EA	MIRROR-GLASSBOTANICAL,12.5"X17.2"
6	121675-01-H04	EA	CABINETASM-OVHD,REAR
7	110140-22-G04	EA	DOOR-MITEREDCORNER/VINYLRAP-12.1"X48"W/OHDW

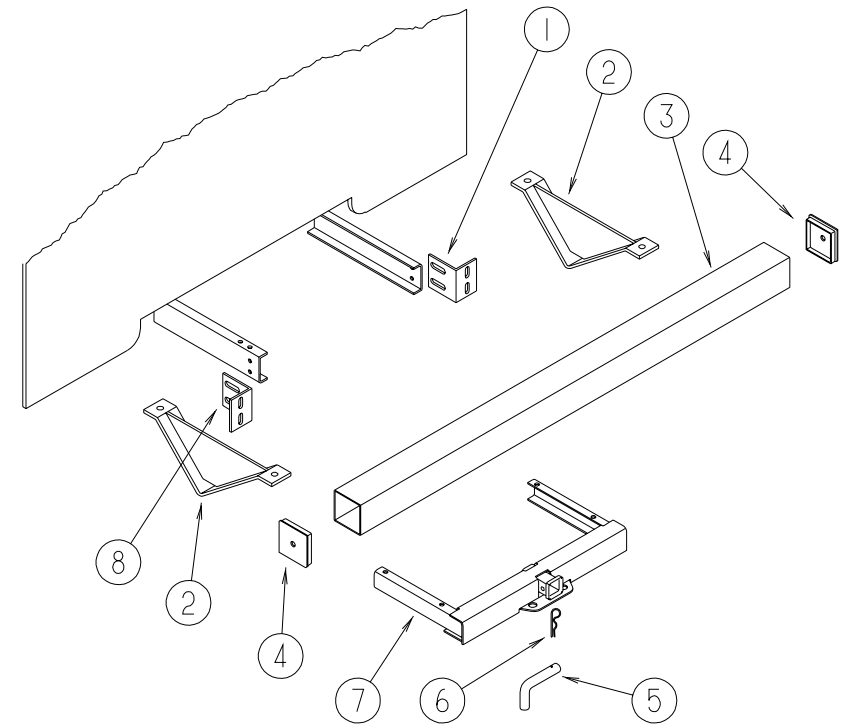
CHASSISGROUP



MISCELLANEOUSCHASSISCOMPONENTS

KEY	PARTNUMBER	U/M	DESCRIPTION
1	112435-03-000	EA	WHEELWELL
2	114394-01-02B	EA	COMPARTMENTASM-GENERATOR,E-COAT
	061420-01-000	EA	PLUG-PLASTIC,1.75"-BROWN
	114070-02-02B	EA	SUPPORTASM-GENERATOR,LH-E-COAT
	114071-02-02B	EA	SUPPORTASM-GENERATOR,RH-E-COAT
3	102979-04-000	EA	BOX-POWERCORD
4	072884-27-703	EA	MUD FLAPS-W/HOLES,PAIR 99171
5	077848-02-000	EA	STEP-PULLOUT
	102569-04-000	EA	MAT-ANTI SLIP SAFETY TRACK 3100
	076241-13-000	EA	SUPPORTASM-STEP
	091176-01-000	EA	SUPPORT-BASE-ENTRANCESTEP
	077441-03-000	EA	BRACKET-STEP,PULLOUT
6	105203-06-000	EA	COMPARTMENT-BATTERY
	084993-01-000	EA	STRAPASSEMBLY-BATTERY,WEBBING&BUCKLE-1100MMX1"WIDE
	084993-02-000	EA	STRAPASSEMBLY-BATTERY,WEBBING&BUCKLE-1400MMX1"WIDE
7	017516-01-000	EA	FLAP-MUD,14"X18"-BLACK
8	045731-06-000	EA	GUARD-ROCK
	106208-01-01A	EA	COMPARTMENT-EXTERIORSHOWER
	099717-04-000	EA	STRAP-TV TIEDOWNW/21.3"FEMALE STRAP&27.2"MALE STRAP
	056746-01-000	EA	PLUG-CAP,1"DIAMETER
	056748-01-000	EA	PLUG-CAP,1.5"DIAMETER-BLACK
	061420-05-000	EA	PLUG-PLASTIC,1.8"DIAMETER
	115361-01-01A	EA	PLUG-PLASTIC,CAPLUGNO.W5

CHASSISGROUP(CONTINUED)



REAR BUMPER & HITCH

KEY	PARTNUMBER	U/M	DESCRIPTION
1	104420-01-000	EA	SUPPORT-ANGLE,BUMPERREAR
2	083376-01-000	EA	PLATE-SKID,13.2"X6"X2"-STEEL
3	103422-02-02A	EA	BUMPER-SQUARE,BRIGHTWHITE
4	039779-01-000	EA	CAP-BUMPER,RUBBER-4"X4"-BLACK
5	034512-01-000	EA	PIN-LOCKING,DRAWBAR
6	034513-01-000	EA	PIN-HITCH,3/16"WIRE
7	107707-08-000	EA	HITCHRECEIVER-BOLT-ONCLASSII
8	104420-02-000	EA	SUPPORT-ANGLE,BUMPERREAR
	097745-02-000	EA	HOUSING-RECEPTACLE,TRAILER-48"WIRELENGTH
	113589-02-000	EA	CONNECTOR-SOCKET,TRAILER-GENERAL433601
	097744-02-000	EA	HOUSING-TRAILERPIN,48"
	113589-01-000	EA	CONNECTOR-PLUG,TRAILER-GENERAL433501
	113588-02-01B	EA	BRACKET-CONNECTOR,TRAILERW/OLIP
	113634-01-000	EA	WIREASM-TRAILER,ADAPTER

DRIVESHAFT

KEY	PARTNUMBER	U/M	DESCRIPTION
	103653-10-000	EA	DRIVESHAFTASM-BALANCEDPAIR-E350190"WB(158)FORDDIESEL
	103653-21-000	EA	DRIVESHAFTASM-BALANCEDPAIR,190"WHEELBASE(158)(GAS)
	074833-01-000	EA	SPACER-BEARING,DRIVESHAFT-2"X8"X.5"THICK-
	085771-03-000	EA	NUT-HEX,FLARETORQUE-GRADGDRIVE SHAFT
	088498-01-000	EA	UNION-INVERTEDFLARE,BRASS-3/16-3/8-24THD
	115043-02-000	EA	BUSHING-INCREASE2.5OD-3.5OD-NEAPCOFORDDIESEL

CHASSISGROUP(CONTINUED)

WHEELINERS-DICOR

KEY	PARTNUMBER	U/M DESCRIPTION	VENDORNO.
	110435-02-000	EA LINER-WHEEL, SETOF 4 V160F2	
	110435-01-711	EA DECAL-CENTER CAP, 2" 2" DECAL	
	110435-02-700	EA LINER-WHEEL, FRONT	V160F2-FWC
	110435-02-701	EA LINER-WHEEL, REAR	V160F2-RWC
	110435-02-702	EA STUDEXTENSION	V160SD-STX
	110435-02-703	EA NUT-JAMB	V160SD-JNT
	110435-02-704	EA LUGNUTCOVER	V160F0-LNC
	110435-02-705	EA TOOL-JAMBNUT, INSTALLATION	V160F0-TOL

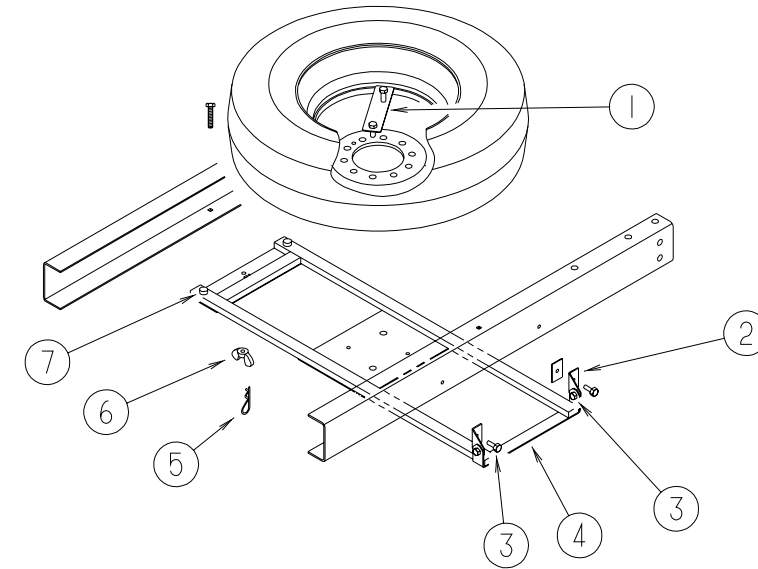
WHEELCOVERS-DICOR

KEY	PARTNUMBER	U/M DESCRIPTION	VENDORNO.
	109443-05-000	EA WHEELCOVER-4/SET, 16" STAINLESSSTEEL SHFM16	
	109443-05-700	EA COVERWHEEL-16"	SHFM16-CVR
	098532-01-700	EA LUGNUTCOVER-CHROME	SP-FM-CLN

TIRE&WHEEL

KEY	PARTNUMBER	U/M DESCRIPTION
	070917-06-000	EA TIRE-LT225/75R16E, R4S, M/S-FIRESTONE STEELTEX
	083617-03-000	EA WHEEL-STEEL, 16.0X6-ACCURIDE 28618
	095012-06-000	EA STABILIZER-VALVEEXTENSION, LDICOR STA-1F2"

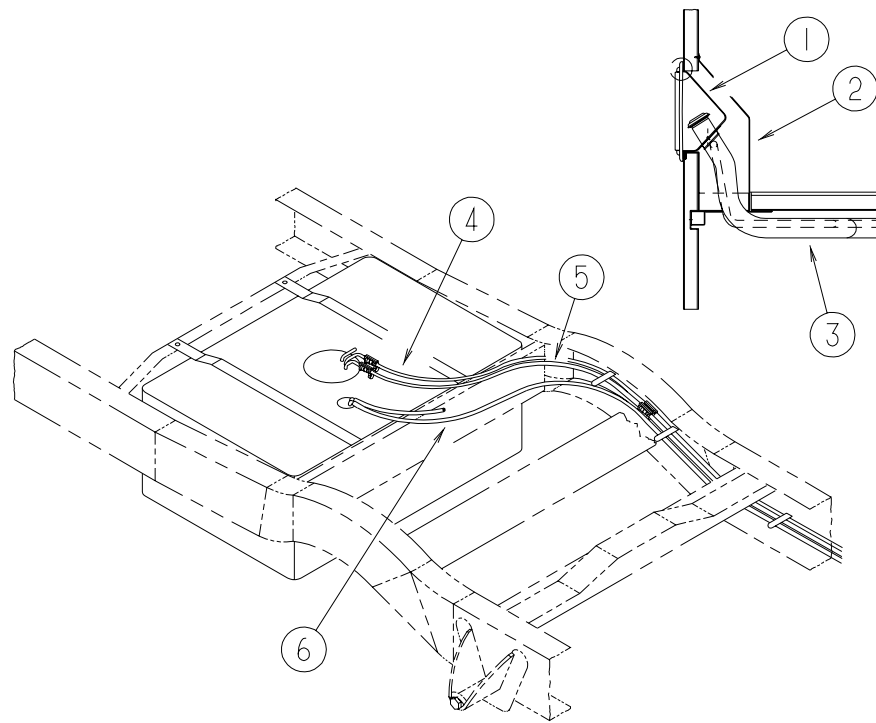
CHASSISGROUP(CONTINUED)



SPARETIREINSTALLATION

KEY	PARTNUMBER	U/M DESCRIPTION
1	116338-02-02B	EA BRACKET-CLAMP, SPARETIRE-E-COAT
	000D29-09-00B	EA NUT-HEX SELFLOCKING-9/16-12-ZINC
2	116349-01-02B	EA BRACKET-HINGE, SPARETIRE-E-COAT
3	000C26-06-12B	EA BOLT-HEX-SERRATED FLANGE, 3/8-16X3/4
	000D34-06-00B	EA NUT-HEX-LOCKING-3/8-16 GRADE C ZINC-PREVAILING TORQUE
	000E13-17-00B	EA WASHER-FLARE, 3/8AR-ZINC
4	116348-01-02B	EA CRADLE ASSEMBLY-SPARETIRE, E-COAT
5	034513-01-000	EA PIN-HITCH, 3/16 WIRE
6	064081-03-000	EA NUT-WING, 3/8-16-W/WELD NUT
7	069726-02-000	EA BUMPER-.88 DIAMETER-40-BLACK
	112358-01-000	EA WRENCH-LUG, 7/8-L-SHAPE FORD F2UA-17035-CA

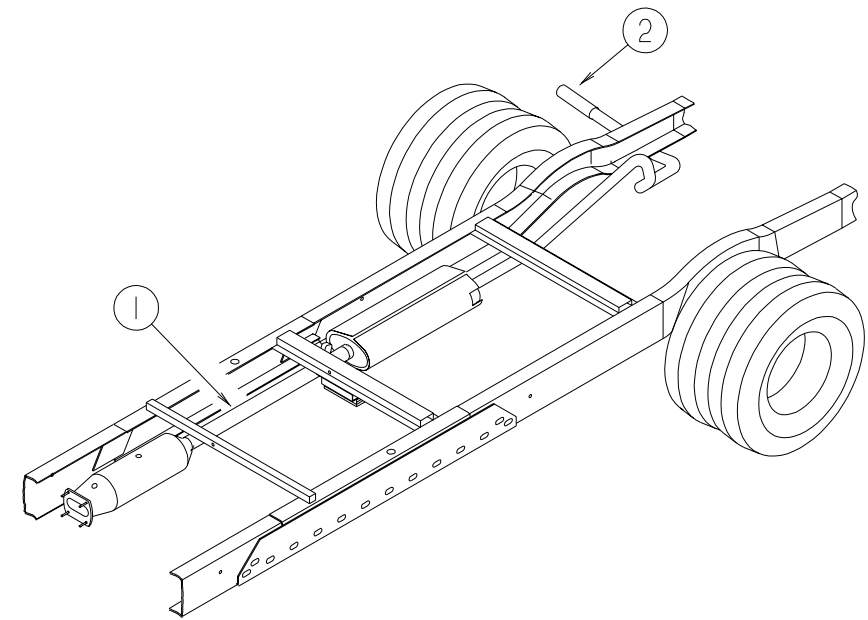
CHASSISGROUP(CONTINUED)



FUELSYSTEMCOMPONENTS

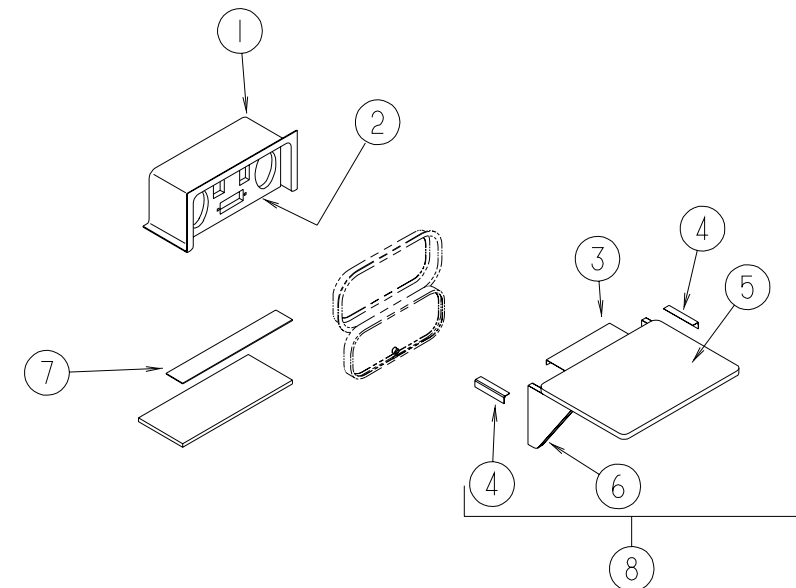
KEY	PARTNUMBER	U/M DESCRIPTION
1	095854-01-04A	EA SHROUD-FUELFILL,BRIGHTWHITE
2	078040-06-000	EA SHROUD-FUELFILL,UPPER
3	108603-02-000	EA NECK-FILLER,FUELFILL-DIESEL
3	108603-01-000	EA NECK-FILLER,FUELFILL-GAS
		FROM: 00-00-00 THRU: 09-22-96
3	124996-01-000	EA NECK-FILLER-FUELFILL-GAS
		FROM: 09-23-96 THRU: 99-99-99
	078200-01-000	EA GASKET-FUELFILL,3.5"ODX2"ID
4	106389-01-000	EA FUELLINEASM-FORD,3/8HP-FORDE350,158-188
5	106388-01-000	EA FUELLINEASM-FORD,5/16HP-FORDE350,158-188
	007063-01-000	FT HOSE-GAS 1/4"ID X 1/2"OD
6	044317-01-000	FT HOSE-FUEL,3/8"ID
	084884-01-000	EA PLUG-BRASS,3/8"
	088258-02-000	EA CLIP-RETAINING,FUELLINESINGLE-MC-90
	010497-04-000	EA CLAMP-CLOSED-1.62"ID

CHASSISGROUP(CONTINUED)



EXHAUSTSYSTEMCOMPONENTS

KEY	PARTNUMBER	U/M DESCRIPTION
1	111478-02-000	EA EXHAUSTPIPE-DOUBLEWALLEDSTAINLESSSTEEL-33.9"LONG-GAS
	094918-06-000	EA CLAMP-EXHAUST,3"-HEAVYDUTY-HECO24698
1	098762-13-000	EA PIPE-EXHAUST,STRAIGHT-3.5"-DIESEL
	094918-02-000	EA CLAMP-EXHAUST,3.5"-GUILLOTINESTYLE
2	098762-19-000	EA PIPE-EXHAUST-STRAIGHT
	091182-04-000	EA SHIELD-HEAT



EXTERIORENTERTAINMENTCENTER

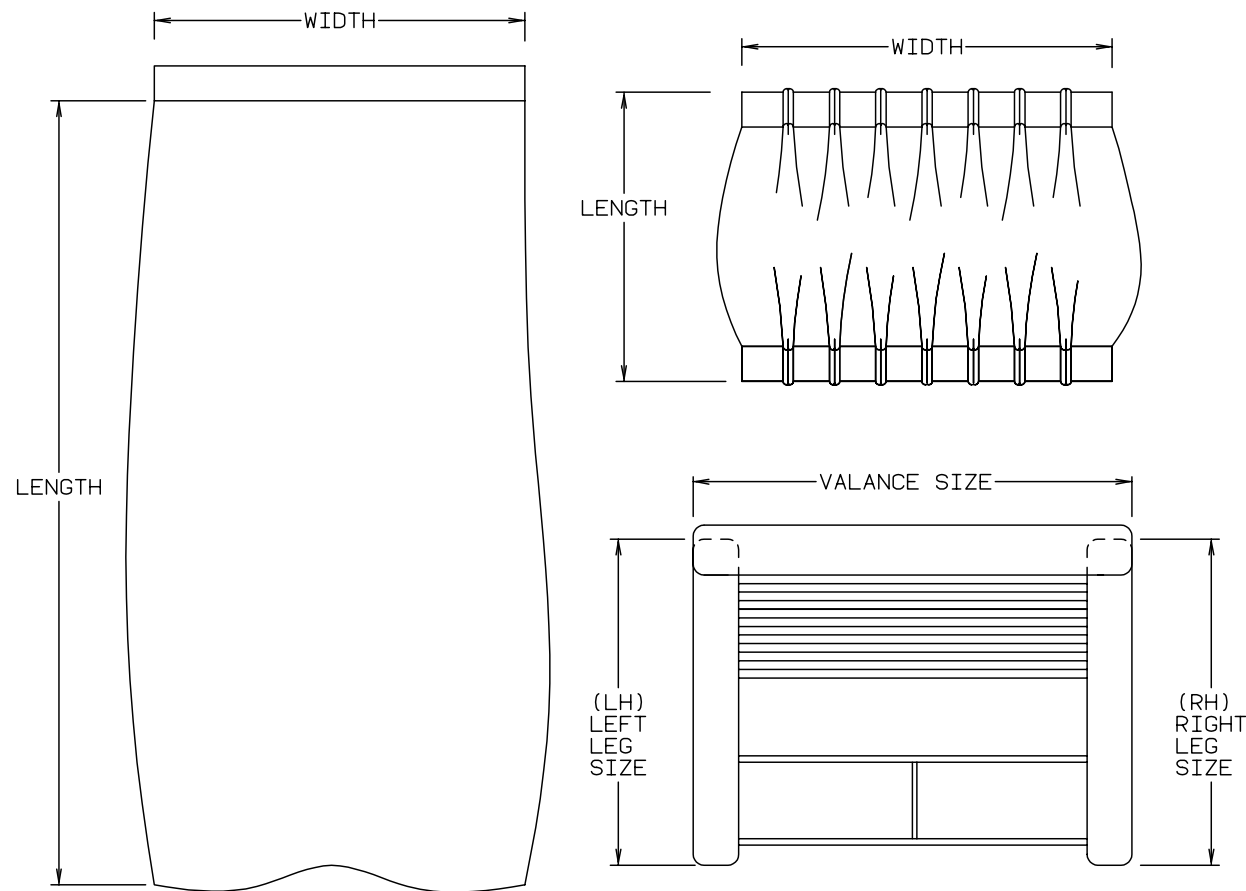
KEY	PARTNUMBER	U/M DESCRIPTION
1	104897-02-02A	EA BOX-ENTERTAINMENTCENTER,BRIGHTWHITE
2	104899-01-C05	EA PLATE-RADIOMOUNTING
3	105377-01-01A	EA BRACKET-TABLEHANGER,OFFWHITE
4	105376-01-02A	EA HINGE-CONTINUOUS,2"X140MM-OFFWHITE
5	105230-11-E01	EA SHELFASM
6	105230-12-F11	EA SUPPORT-SHELF
7	104898-01-02A	EA PLATE-PLASTICBOTTOM,BRIGHTWHITE
8	105230-03-H07	EA SHELF-EXTERIORTV

CURTAIN & CUSHION GROUP

NOTICE

IN ORDER TO ASSIST OUR PARTS SALES DEPT. IN PROVIDING INTERIOR SOFTWARE ITEMS, PLEASE INCLUDE THE SERIAL NUMBER AND THE COLOR CODE NUMBER FROM THE VEHICLE CERTIFICATION LABEL WHEN ORDERING. THIS LABEL IS LOCATED ON THE LEFT SIDEWALL AT THE END OF THE DASH (A-BODY), OR ON THE DRIVER'S DOOR LATCH PLATE (C-BODY).

AN EXAMPLE OF A COLOR CODE NUMBER IS B07, WHICH DESIGNATES AN OVERALL COLOR SCHEME OF A PARTICULAR UNIT. THE COLOR LISTED AFTER THE ITEM DESCRIPTION ON THE MICROFICHE, INDICATES THE OVERALL UNIT COLOR. ORDER THE ITEM YOU DESIRE ACCORDING TO UNIT COLOR CODE.



NOTE: USE THIS ILLUSTRATION WHEN DETERMINING LENGTH AND WIDTH MEASUREMENTS FOR CURTAINS. YOU WILL NOTE THE WIDTH MEASUREMENT IS TAKEN ON THE TOP OF THE CURTAIN WITH THE CURTAIN FULLY EXTENDED. THE LENGTH MEASUREMENT IS TAKEN FROM TOP TO BOTTOM. LEFT AND RIGHT WINDOW LEGS ARE DETERMINED WHEN FACING THE WINDOW.

CURTAIN & CUSHION GROUP (CONTINUED)

FABRICS

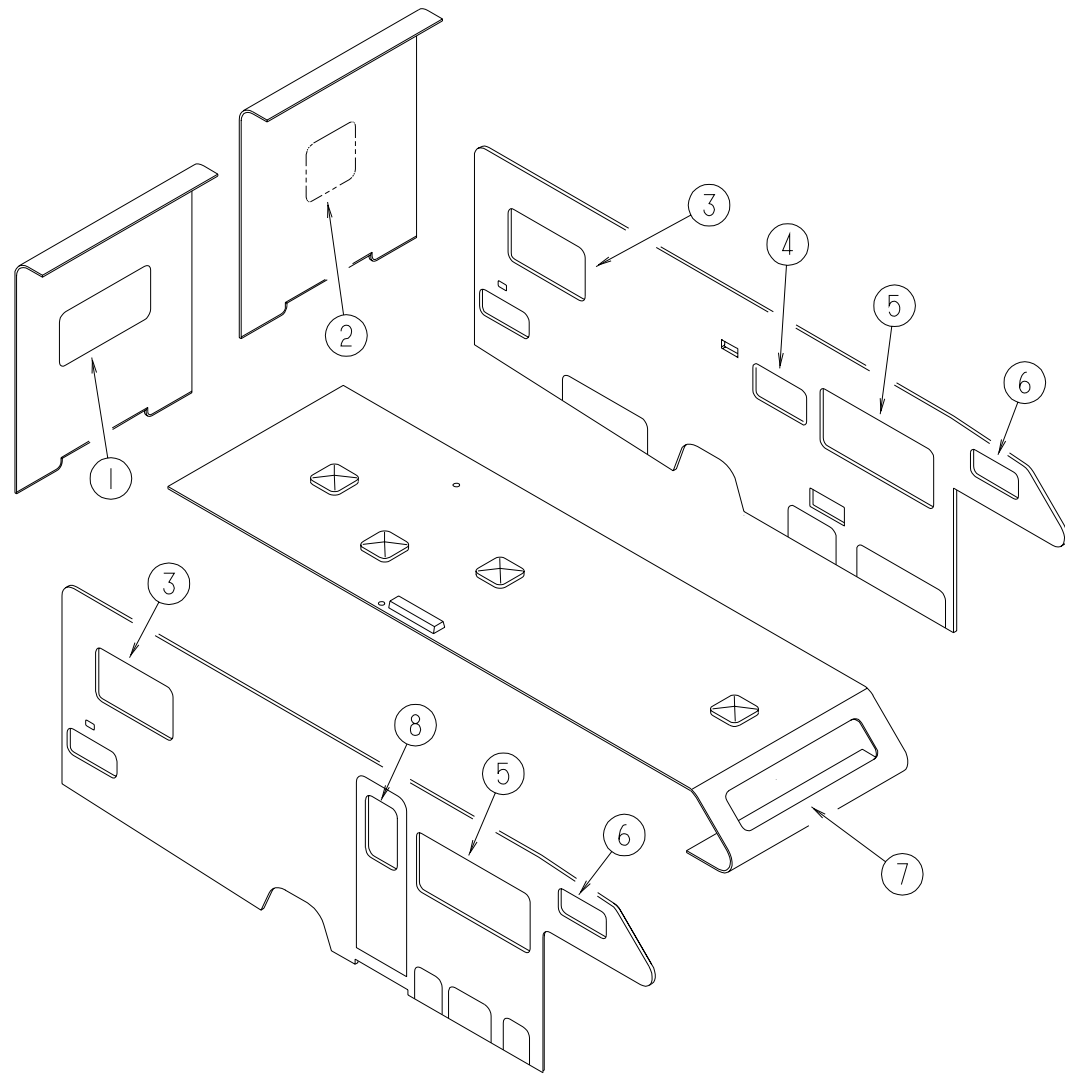
COLOR CODES	H04	H05	H24	H26
	BLUE LAGOON (BLUE)	KRIPTONITE (TAUPE)	COPPER CANYON (TERRA COTTA)	COPPER CREEK (TAN)
BUCKET SEATS	108446-K9-000	108446-77-000 108446-G2-000	108446-L4-000 108446-F3-000	108446-L4-000 108446-F3-000
DINETTE CUSHIONS	108446-K7-000	108446-K8-000	108446-H0-000	108446-H0-000
DINETTE PADS	108446-K9-000	108446-77-000	108446-L4-000	108446-L4-000
SOFA	108446-K7-000	108446-K8-000	108446-H0-000	108446-H0-000
SWIVEL CHAIR	108446-K9-000	108446-G2-000	108446-F3-000	108446-F3-000
LOUNGE/DINETTE VALANCE	108446-K7-000 108446-K9-000	108446-K8-000 108446-G2-000	108446-H0-000 108446-F3-000	108446-H0-000 108446-F3-000
LOUNGE/DINETTE LEG	108446-K9-000	108446-G2-000	108446-F3-000	108446-F3-000
BEDROOM VALANCE	105745-B3-000	105745-D5-000	105745-A2-000	105745-A2-000
BEDSPREAD	105745-B3-000 105745-61-000	105745-D5-000 105745-62-000	105745-99-000 105745-45-000	105745-99-000 105745-45-000
PILLOWS/SHAMS	105745-B3-000	105745-D5-000 105745-62-000	105745-99-000 105745-45-000	105745-99-000 105745-45-000
ENTRANCE DOOR VALANCE	108446-K7-000	108446-K8-000	108446-H0-000	108446-H0-000
BUNK CUSHIONS	108446-K9-000	108446-G2-000	108446-F3-000	108446-F3-000
OVERHEAD BUNK CURTAINS	105745-B3-000	105745-D5-000	105745-99-000	105745-99-000
BUNK PRIVACY	105745-B3-000	105745-D5-000	105745-99-000	105745-99-000
FRONT PRIVACY	105745-B3-000	105745-D5-000	105745-99-000	105745-99-000
BEDROOM PRIVACY	105745-B3-000	105745-D5-000	105745-99-000	105745-99-000
DRAPERY LINING	087272-03-000	087272-03-000	087272-03-000	087272-03-000
TIRE COVER	103907-05-000	103907-05-000	103907-05-000	103907-05-000
TIRE COVER LINER	069627-02-000	069627-02-000	069627-02-000	069627-02-000
HEADLINER	103907-01-06A	103907-01-06A	103907-01-06A	103907-01-06A

NOTE: FABRIC LISTED FIRST, IN A BLOCK, IS THE LARGEST QUANTITY OF FABRIC USED

BUTTONS & WELT

KEY	PART NUMBER	U/M	DESCRIPTION
	070578-10-H04	EA	BUTTON-SCREW STUD - #30 (H04)
	070578-10-G22	EA	BUTTON-SCREW STUD - #30 (H05)
	070578-10-H24	EA	BUTTON-SCREW STUD - #30 (H24/H26)

CURTAIN&CUSHIONGROUP(CONTINUED)



CURTAINS&WINDOWTREATMENT

KEY	PARTNUMBER	U/M DESCRIPTION
1	118064-01-GB1	EA VALANCE-VALENCIA-52"(QUEEN&TWINBED)(H04)
1	118064-01-H05	EA VALANCE-VALENCIA-52"(QUEEN&TWINBED)(H05)
1	118064-01-H24	EA VALANCE-VALENCIA-52"(QUEEN&TWINBED)(H24/H26)
1	084755-92-F15	EA SHADE-PULL,50.25"(QUEEN&TWINBED)
1	111910-19-H01	EA BLIND-DAY/NIGHTER,50X28(QUEEN&TWINBED)(H04)
1	111910-19-G28	EA BLIND-DAY/NIGHTER,50"X28"(QUEEN&TWINBED)(H05/H24/H26)
2	118064-03-GB1	EA VALANCE-VALENCIA-29"(DOUBLEBED)(H04)
2	118064-03-H05	EA VALANCE-VALENCIA-29"(DOUBLEBED)(H05)
2	118064-03-H24	EA VALANCE-VALENCIA-29"(DOUBLEBED)(H24/H26)
2	084755-57-E07	EA SHADE-PULL,27.25-W/OTRIM(DOUBLEBED)
2	111910-20-G22	EA BLIND-DAY/NIGHTER,28"X28"(DOUBLEBED)(H04)
2	111910-20-G08	EA BLIND-DAY/NIGHTER,28"X28"(DOUBLEBED)(H05/H24/H26)
3	118064-02-GB1	EA VALANCE-VALENCIA-44"(QUEEN,DOUBLE&TWINBED)(H04)
3	118064-02-H05	EA VALANCE-VALENCIA-44"(QUEEN,DOUBLE&TWINBED)(H05)
3	118064-02-H24	EA VALANCE-VALENCIA-44"(QUEEN,DOUBLE&TWINBED)(H24/H26)
3	084755-93-F15	EA SHADE-PULL-42.25"(QUEEN,DOUBLE&TWINBED)
3	111910-46-G22	EA BLIND-DAY/NIGHTER-43"X26"(QUEEN,DOUBLE&TWINBED)(H04)
3	111910-46-G01	EA BLIND-DAY/NIGHTER-43"X26"(QUEEN,DOUBLE&TWINBED)(H05/H24/H26)
4	109041-36-01A	EA BLIND-MINI,31"X18"-PURESILVER(H04)
	109353-08-01A	EA BLIND-SLAT,28"-PURESILVER(H04)
4	109041-36-02A	EA BLIND-MINI,31X18BEIGE(H05/H24/H26)
	109353-08-02A	EA BLIND-SLAT,28"-BEIGE(H05/H24/H26)
	109353-04-000	EA CLIP-VALANCESLATMOUNTING,CLEARPLASTIC

CURTAIN&CUSHIONGROUP(CONTINUED)

CURTAINS&WINDOWTREATMENT(CONTINUED)

KEY	PARTNUMBER	U/M DESCRIPTION
5	118078-01-H04	EA VALANCE-64.5",QUEST(6")(H04)
5	118078-01-H05	EA VALANCE-64.5",QUEST(6")(H05)
5	118078-01-H24	EA VALANCE-64.5",QUEST(6")(H24/H26)
5	084755-96-G01	EA SHADE-PULL-60.25"
5	111910-22-G22	EA BLIND-DAY/NIGHTER,60"X28.5"(H04)
5	111910-22-G28	EA BLIND-DAY/NIGHTER,60"X28.5"(H05/H24/H26)
5	119333-01-H04	EA LEG-RH,25",PLAIN,NOHOLE(H04)
5	119333-01-G16	EA LEG-RH,25",PLAIN,NOHOLE(H05)
5	119333-01-GE1	EA LEG-RH,25",PLAIN,NOHOLE(H24/H26)
5	119333-02-H04	EA LEG-LH,25",PLAIN,NOHOLE(H04)
5	119333-02-G16	EA LEG-LH,25",PLAIN,NOHOLE(H05)
5	119333-02-GE1	EA LEG-LH,25",PLAIN,NOHOLE(H24/H26)
6	101034-52-H04	EA CURTAIN-LEFTHAND-19"X34"(H04)
6	101034-52-H05	EA CURTAIN-LEFTHAND-19"X34"(H05)
6	101034-52-G04	EA CURTAIN-LEFTHAND-19"X34"(H24/H26)
6	101034-51-H04	EA CURTAIN-RIGHTHAND-19"X34"(H04)
6	101034-51-H05	EA CURTAIN-RIGHTHAND-19"X34"(H05)
6	101034-51-G04	EA CURTAIN-RIGHTHAND-19"X34"(H24/H26)
7	101034-34-H04	EA CURTAIN-TAPETOP&BOTTOM,W/LINING-LH-21"X60"(H04)
7	101034-34-H05	EA CURTAIN-TAPETOP&BOTTOM,W/LINING-LH-21"X60"(H05)
7	101034-34-G04	EA CURTAIN-TAPETOP&BOTTOM,W/LINING-LH-21"X60"(H24/H26)
7	101034-33-H04	EA CURTAIN-TAPETOP&BOTTOM,W/LINING-RH-21"X60"(H04)
7	101034-33-H05	EA CURTAIN-TAPETOP&BOTTOM,W/LINING-RH-21"X60"(H05)
7	101034-33-G04	EA CURTAIN-TAPETOP&BOTTOM,W/LINING-RH-21"X60"(H24/H26)
8	118078-04-H04	EA VALANCE-29",QUEST(6")(H04)
8	118078-04-H05	EA VALANCE-29",QUEST(6")(H05)
8	118078-04-H24	EA VALANCE-29",QUEST(6")(H24/H26)
8	084755-57-E07	EA SHADE-PULL,W/OTRIM-27.25"

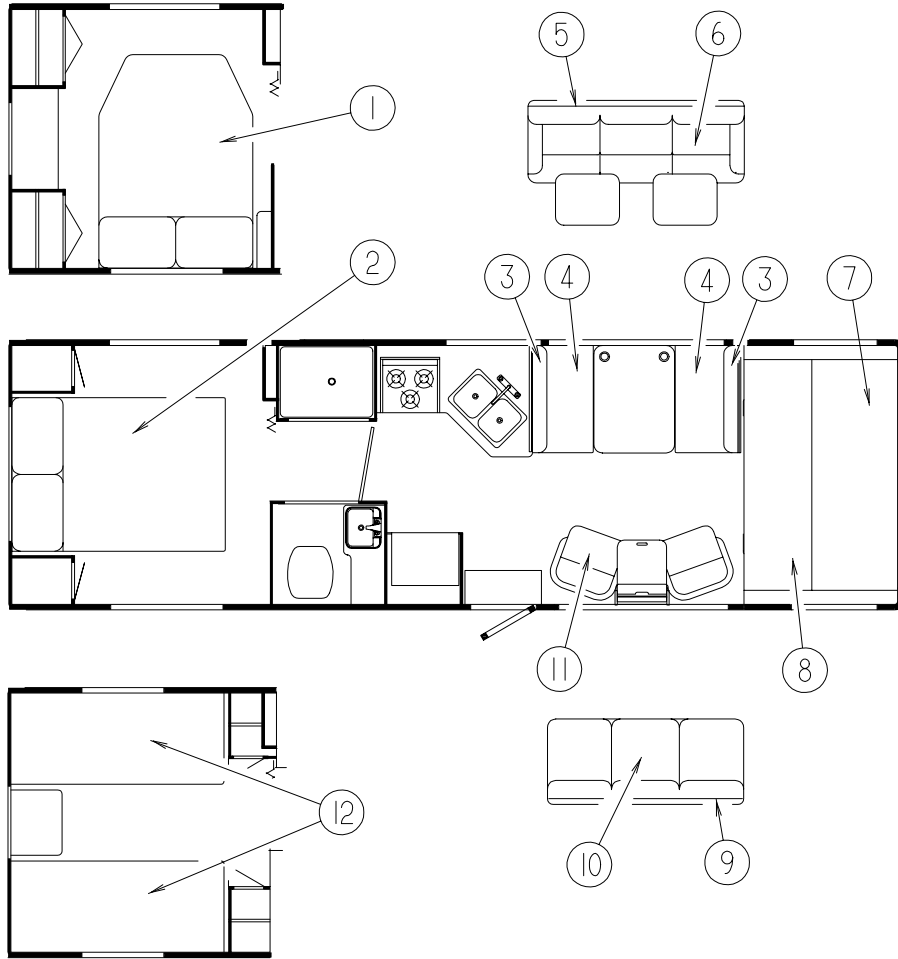
PRIVACYCURTAINS

KEY	PARTNUMBER	U/M DESCRIPTION
	076892-20-H04	EA CURTAINASM-50X78,PLAIN(H04)
	076892-20-F16	EA CURTAINASM-50X78,PLAIN(H05)
	076892-20-H24	EA CURTAINASM-50X78,PLAIN(H24/H26)
	101668-39-H04	EA CURTAIN-BUNKPRIVACY,TAPETOP-W/LINING-35"X50"-RIGHT(H04)
	101668-39-F16	EA CURTAIN-BUNKPRIVACY,TAPETOP-W/LINING-35"X50"-RIGHT(H05)
	101668-39-H24	EA CURTAIN-BUNKPRIVACY,TAPETOP-W/LINING-35"X50"-RIGHT(H24/H26)
	101668-40-H04	EA CURTAIN-BUNKPRIVACY,TAPETOP-W/LINING-35"X50"-LEFT(H04)
	101668-40-F16	EA CURTAIN-BUNKPRIVACY,TAPETOP-W/LINING-35"X50"-LEFT(H05)
	101668-40-H24	EA CURTAIN-BUNKPRIVACY,TAPETOP-W/LINING-35"X50"-LEFT(H24/H26)

CURTAINTIEBACKS

KEY	PARTNUMBER	U/M DESCRIPTION
	073260-23-H04	EA TIEBACK-BUNKPRIVACYCURTAIN,3"X18"(H04)
	073260-23-F16	EA TIEBACK-BUNKPRIVACYCURTAIN,3"X18"(H05)
	073260-23-H24	EA TIEBACK-BUNKPRIVACYCURTAIN,3"X18"(H24/H26)
	057534-01-000	EA TIEBACK/TIEDOWN-BED/CURTAIN/DOOR-6"-PLASTIC-CLEAR
	057534-06-000	EA TIEBACK/TIEDOWN-VINYL,6"-BEIGE

CURTAIN&CUSHIONGROUP(CONTINUED)



DOUBLEBEDSPREAD&MATTRESS

KEY	PARTNUMBER	U/M DESCRIPTION
1	085365-37-H04	EA BEDSPREAD-THROW, W1/2"WELT-54"(H04)
1	085365-37-H05	EA BEDSPREAD-THROW, W1/2"WELT-54"(H05)
1	085365-37-H24	EA BEDSPREAD-THROW, W1/2"WELT-54"(H24\H26)
	104176-02-H04	EA SHAMASM-PILLOWW/1/2"WELT(H04)
	104176-02-H05	EA SHAMASM-PILLOWW/1/2"WELT(H05)
	104176-02-H24	EA SHAMASM-PILLOWW/1/2"WELT(H24\H26)
	101123-22-000	EA MATTRESS-FOAM-54"X75"X5"W/2CUTCORNERS
	P01123-22-000	EA COVER-MATTRESS54"X75"X5"W/2CUTCORNERS

QUEENBEDSPREAD&MATTRESS

KEY	PARTNUMBER	U/M DESCRIPTION
2	085365-36-H04	EA BEDSPREAD-THROW, W/1/2"WELT-60"X75"(H04)
2	085365-36-H05	EA BEDSPREAD-THROW, W/1/2"WELT-60"X75"(H05)
2	085365-36-H24	EA BEDSPREAD-THROW, W/1/2"WELT-60"X75"(H24\H26)
	104176-04-H04	EA SHAMASM-PILLOWW/1"WELT(H04)
	104176-04-H05	EA SHAMASM-PILLOWW/1"WELT(H05)
	104176-04-H24	EA SHAMASM-PILLOWW/1"WELT(H24\H26)
	123015-06-000	EA MATTRESS-INNERSPRING,60X74.5

DINETTECUSHIONS

KEY	PARTNUMBER	U/M DESCRIPTION
3	116134-01-H04	EA CUSHION-TUCKBACKSQUARE, 13X38X5(H04)
3	116134-01-H05	EA CUSHION-TUCKBACKSQUARE, 13X38X5(H05)
3	116134-01-H24	EA CUSHION-TUCKBACKSQUARE, 13X38X5(H24\H26)
	P16134-01-H04	EA COVER-CUSHION, TUCKBACK, 13X38X5(H04)
	P16134-01-H05	EA COVER-CUSHION, TUCKBACK, 13X38X5(H05)
	P16134-01-H24	EA COVER-CUSHION, TUCKBACK, 13X38X5(H24\H26)
	078155-01-000	EA STRAP-SNAP, BACKRESTCUSHION
4	088927-87-H04	EA CUSHION-23X38X5, DINETTESEAT(H04)
4	088927-87-H05	EA CUSHION-23X38X5, DINETTESEAT(H05)
4	088927-87-G13	EA CUSHION-23X38X5, DINETTESEAT(H24\H26)
	M88927-87-H04	EA COVER-23X38X5, DINETTESEAT(H04)
	M88927-87-H05	EA COVER-23X38X5, DINETTESEAT(H05)
	M88927-87-G13	EA COVER-23X38X5, DINETTESEAT(H24\H26)

DRIVERSIDECOUCH

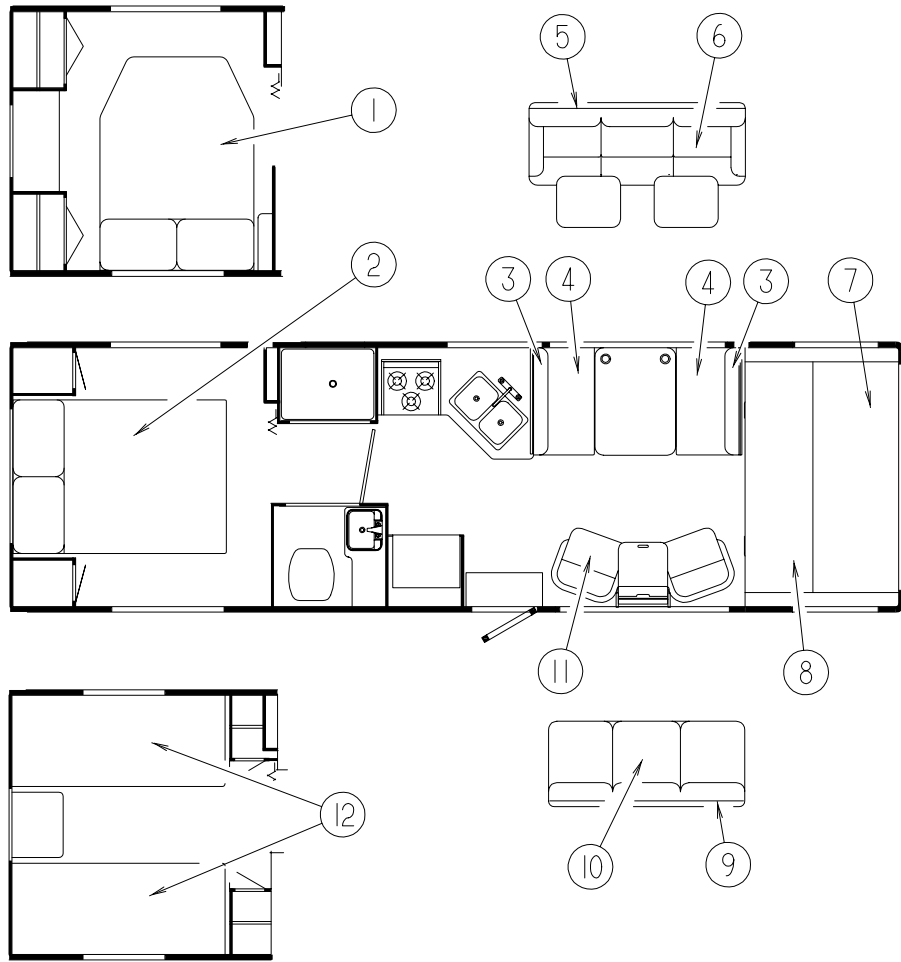
KEY	PARTNUMBER	U/M DESCRIPTION
5	120549-01-H04	EA BACK-SOFA/BED-JACKKNIFE74"(H04)
5	120549-01-H05	EA BACK-SOFA/BED-JACKKNIFE74"(H05)
5	120549-01-H24	EA BACK-SOFA/BED-JACKKNIFE74"(H24\H26)
	P20549-01-H04	EA COVER-BACKSOFA/BED-JACKKNIFE74"(H04)
	P20549-01-H05	EA COVER-BACKSOFA/BED-JACKKNIFE74"(H05)
	P20549-01-H24	EA COVER-BACKSOFA/BED-JACKKNIFE74"(H24\H26)
	101085-10-000	EA FRAME-BACK-SOFA/BED74.5"X16"
6	100032-43-H04	EA SEAT-SOFA/BED-JACKKNIFE74"(H04)
6	100032-43-H05	EA SEAT-SOFA/BED-JACKKNIFE74"(H05)
6	100032-43-G13	EA SEAT-SOFA/BED-JACKKNIFE74"(H24\H26)
	P00032-43-H04	EA COVER-SEAT-SOFA/BEDJACKKNIFE74"(H04)
	P00032-43-H05	EA COVER-SEAT-SOFA/BEDJACKKNIFE74"(H05)
	P00032-43-G13	EA COVER-SEAT-SOFA/BEDJACKKNIFE74"(H24\H26)
	101085-04-000	EA FRAME-SEAT-SOFA/BED-74.75"
	101085-06-000	EA FRAME-BASE-SOFA/BED-74.75"
	105947-01-000	EA BRACKET-HOLDDOWN, COUCH-CANADIAN
	122556-04-01A	EA LOCK-JACK-KNIFESEAT
	113990-09-000	EA LOCK-BRACKET-MALEFLEXSTEEL

NOTE: COUCHFRONTANDSIDE PANELSARE FOUNDIN LOUNGE GROUP

BUNKCUSHIONS

KEY	PARTNUMBER	U/M DESCRIPTION
7	105573-09-H04	EA CUSHION-OVHD, FRONT-32.5"X80"X5"(H04)
7	105573-09-G05	EA CUSHION-OVHD, FRONT-32.5"X80"X5"(H05)
7	105573-09-H24	EA CUSHION-OVHD, FRONT-32.5"X80"X5"(H24\H26)
	P05573-09-H04	EA COVER-OVHD, FRONT-32.5"X80"X5"(H04)
	P05573-09-G05	EA COVER-OVHD, FRONT-32.5"X80"X5"(H05)
	P05573-09-H24	EA COVER-OVHD, FRONT-32.5"X80"X5"(H24\H26)
8	105573-10-H04	EA CUSHION-OVHD, REAR-27"X23"X80"X5"(H04)
8	105573-10-H05	EA CUSHION-OVHD, REAR-27"X23"X80"X5"(H05)
8	105573-10-H24	EA CUSHION-OVHD, REAR-27"X23"X80"X5"(H24\H26)
	P05573-10-H04	EA COVER-OVHD, REAR-27"X23"X80"X5"(H04)
	P05573-10-H05	EA COVER-OVHD, REAR-27"X23"X80"X5"(H05)
	P05573-10-H24	EA COVER-OVHD, REAR-27"X23"X80"X5"(H24\H26)

CURTAIN&CUSHIONGROUP(CONTINUED)



BUNKCUSHIONS-OVERHEADENTERTAINMENTCENTER

KEY	PARTNUMBER	U/M DESCRIPTION
	079145-08-000	EA CUSHION-BUNK,25"X74"X3.5"
	M79145-08-000	EA COVER-CUSHION,BUNK-25"X74"X3.5"

PASSENGER SIDECOUCH

KEY	PARTNUMBER	U/M DESCRIPTION
9	120549-02-H04	EA BACK-SOFA/BED-JACKKNIFE66.5"(H04)
9	120549-02-H05	EA BACK-SOFA/BED-JACKKNIFE66.5"(H05)
9	120549-02-H24	EA BACK-SOFA/BED-JACKKNIFE66.5"(H24\H26)
	P20549-02-H04	EA COVER-BACKSOFA/BED-JACKKNIFE66.5"(H04)
	P20549-02-H05	EA COVER-BACKSOFA/BED-JACKKNIFE66.5"(H05)
	P20549-02-H24	EA COVER-BACKSOFA/BED-JACKKNIFE66.5"(H24\H26)
	101085-09-000	EA FRAME-BACK,JACKKNIFE-66.5X16
10	100032-37-H04	EA SEAT-SOFA/BED-3PILLOW-JACKKNIFE66.5"(H04)
10	100032-37-H05	EA SEAT-SOFA/BED-3PILLOW-JACKKNIFE66.5"(H05)
10	100032-37-G04	EA SEAT-SOFA/BED-3PILLOW-JACKKNIFE66.5"(H24\H26)
	P00032-37-H04	EA COVER-SEAT-SOFA/BEDJACKKNIFE66.5"(H04)
	P00032-37-H05	EA COVER-SEAT-SOFA/BEDJACKKNIFE66.5"(H05)
	P00032-37-G04	EA COVER-SEAT-SOFA/BEDJACKKNIFE66.5"(H24\H26)
	101085-01-000	EA FRAME-SEAT,COUCH-66.5"
	101085-03-000	EA FRAME-BASE,COUCH-66.5"
	122556-04-01A	EA LOCK-JACK-KNIFESEAT
	113990-09-000	EA LOCK-BRACKET-MALEFLEXSTEEL
	105947-01-000	EA BRACKET-HOLDDOWN,COUCH-CANADIAN

NOTE: COUCHFRONTANDSIDE PANELSARE FOUNDIN LOUNGE GROUP

CURTAIN&CUSHIONGROUP(CONTINUED)

CHAIR-SEIRRA

KEY	PARTNUMBER	U/M DESCRIPTION
11	115470-01-H04	EA CHAIRASM-SEIRRA(H04)
11	115470-01-G05	EA CHAIRASM-SEIRRA(H05)
11	115470-01-GE1	EA CHAIRASM-SEIRRA(H24\H26)

TWINBEDSPREAD&MATTRESS

KEY	PARTNUMBER	U/M DESCRIPTION
12	085365-38-H04	EA BEDSPREAD-THROW,W/1/2"WELT-33"(H04)
12	085365-38-H05	EA BEDSPREAD-THROW,W/1/2"WELT-33"(H05)
12	085365-38-H24	EA BEDSPREAD-THROW,W/1/2"WELT-33"(H24\H26)
	104176-04-H04	EA SHAMASM-PILLOWW/1"WELT(H04)
	104176-04-H05	EA SHAMASM-PILLOWW/1"WELT(H05)
	104176-04-H24	EA SHAMASM-PILLOWW/1"WELT(H24\H26)
	123015-01-000	EA MATTRESS-INNERSPRING,32X74.5

DECORATORPILLOWS-MCCLAINSANNIVERSARYOPTION

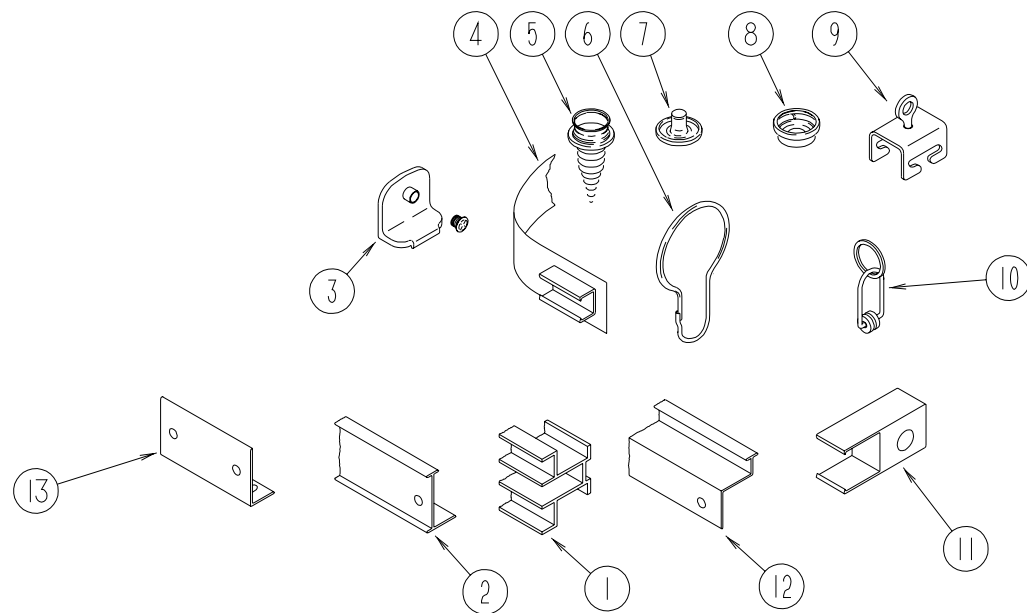
KEY	PARTNUMBER	U/M DESCRIPTION
	111862-08-H04	EA PILLOW-15"X15"-W/.5"-NON-GATHEREDWELT(H04)
	111862-08-H05	EA PILLOW-15"X15"-W/.5"-NON-GATHEREDWELT(H05)
	111862-08-H24	EA PILLOW-15"X15"-W/.5"-NON-GATHEREDWELT(H24\H26)
	104504-09-H04	EA PILLOW-16"ROUND-W/.5"WELT(H04)
	104504-09-H05	EA PILLOW-16"ROUND-W/.5"WELT(H05)
	104504-09-H24	EA PILLOW-16"ROUND-W/.5"WELT(H24\H26)

ASSISTHANDLE&SEATBELTS

KEY	PARTNUMBER	U/M DESCRIPTION
	053552-02-AA8	EA HANDLE-ASSIST-INTERIOR/ENTRYDOOR-VINYL/OFFWHITE
	069178-02-000	EA BRACKET-MOUNTINGASSISTHANDLE
	000C16-07-16B	EA BOLT-CARRIAGE,ASSISTHANDLE-7/16"-14X1"ZN
	000D20-07-00B	EA NUT-ACORN,ASSISTHANDLE-7/16"X14ZN
	057759-01-000	EA WASHERBRACKET-SEATBELT,4"DIAMETER
	007021-01-000	EA BELT-SEAT,2"X90"-BLACK-DINETTE SEATS&COUCH
	056271-01-000	EA BELT-SEAT,2"X102"-BLACK-SWIVELCHAIR

CURTAIN&CUSHIONGROUP(CONTINUED)

CURTAIN&BLINDHARDWARE

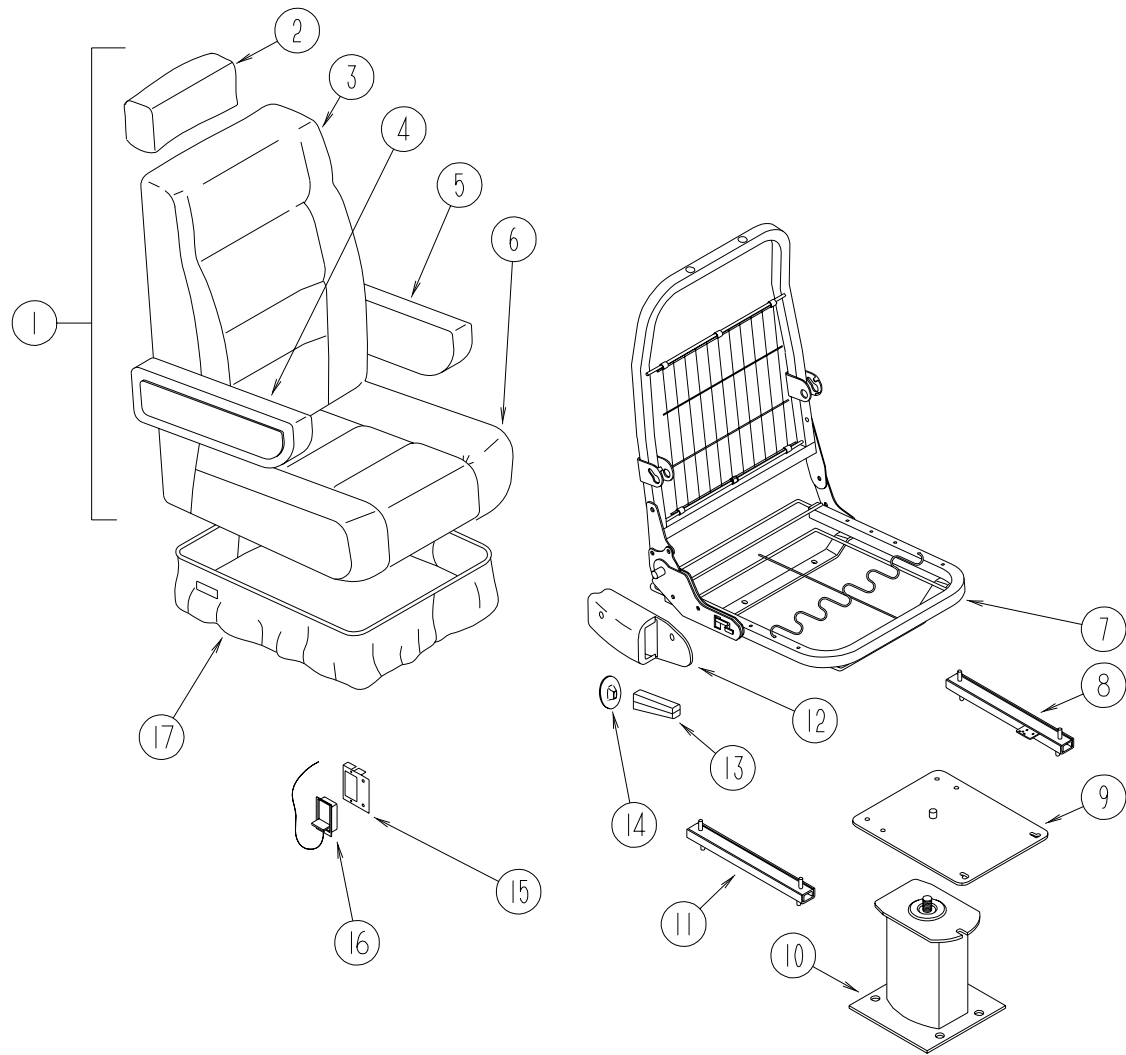


KEY	PARTNUMBER	U/M	DESCRIPTION
	046867-03-000	EA	GROMMET-HANDYBUTTONNO3
	048394-02-000	YD	VELCROTAPE-HOOK,ADHESIVEBACK-.75"WIDE-BEIGE
	075943-10-000	EA	BRACE-VALANCE,20IN-OFF/WHITE
	084433-05-000	EA	SHADE-ROLLER,72.25"
	084434-01-000	EA	BRACKET-MOUNTING,ROLLERSHADE-13/8"
	086276-01-000	EA	TAPE-DOUBLESIDED,1/2"
	088792-01-000	YD	VELCRO-HOOK,.75"WIDE-BEIGE
	088792-02-000	YD	VELCROTAPE-LOOP,ADHESIVEBACKED-.75"WIDE-BEIGE
	088792-06-000	YD	VELCRO-3/4"NON-ADH.,LOOPBUFF
	096843-01-000	EA	SPRING-REWIND/ROLLERSHADE
	076827-02-000	EA	BRACKET-LEG,2.9"X1.8"TRIANGLE
	083170-01-000	EA	BRACKET-BLIND-LEFTSIDEWHENFACINGWINDOW
	083170-02-000	EA	BRACKET-BLIND-RIGHTSIDEWHENFACINGWINDOW
	109441-03-000	EA	HOLDDOWN-BLIND(CLOUDY)
	094896-02-000	EA	GROMMET-CORD,PLEATEDBLIND-NYLON-GRAY
	097593-06-000	FT	CORD-BLIND,PLEATED-PEWTER(H04)
	097593-02-000	EA	CORD-PLEATEDBLIND,DAWNGRAY(H05/H24)
	094907-02-000	EA	ENDCAP-TOP/PLEATEDBLIND-PLASTIC-GRAY
	094907-04-700	EA	ENDCAP-RHBOTTOMBLIND
	094907-04-701	EA	ENDCAP-LHBOTTOMBLIND
	117237-01-000	EA	BRACKET-MOUNTING,2.5"X.75"-CLEARACRYLIC
	097564-01-000	EA	HANDLE-T,EZLIFTSHADE
	097591-01-000	EA	SPRING-EXTENSION/PLEATEDBLIND
	097592-01-000	EA	SPOOL-CORD-ELEVATEDBLINDHOLDUP-CLEARPLASTIC
	105648-01-02A	EA	BRACE-VALANCE,OFF/WHITE

KEY	PARTNUMBER	U/M	DESCRIPTION
1	101033-04-000	EA	TRACK-WALL,36"
1	101033-06-000	EA	TRACK-WALL79"
2	009700-04-002	EA	TRACK,L-SHAPED-195.2"-OFFWHITE
3	106544-01-000	EA	PULL-SHADE/BRASS
	106544-01-001	EA	SCREW-SHADE/BRASS
4	101031-01-000	YD	TAPE-GLIDE/CURTAIN-4.25"SPACING
5	029130-01-000	EA	SCREW-SNAPSOCKET-#8PHX5/8"
6	009136-02-000	EA	HANGER-RING,PINTYPE-CURTAIN-BRASS
7	029155-01-000	EA	CAP-SNAP-5/32"O.D.OFPIN
8	029156-01-000	EA	SOCKET-SNAP-9/16"O.D.
9	009702-01-000	EA	ENDSTOP-CURTAINCARRIER-LROD
10	009701-01-000	EA	CARRIER-CURTAIN,LROD
	009702-01-000	EA	ENDSTOP-CURTAINCARRIER,LROD
11	101033-02-000	EA	ENDCAP-TRACK,CLEAR
12	105450-01-01A	EA	TRACKW/BRKTS-CURTAINLEFTHANDWRAPAROUND-30.8"
12	105450-06-01A	EA	TRACK-CURTAIN,88"LONG-ALUMINUM-OFFWHITE
13	083125-07-000	EA	BRACE-COUCH-2.5"

CURTAIN&CUSHIONGROUP(CONTINUED)

BUCKETSEAT -FROM: 00-00-00 THRU: 10-13-96



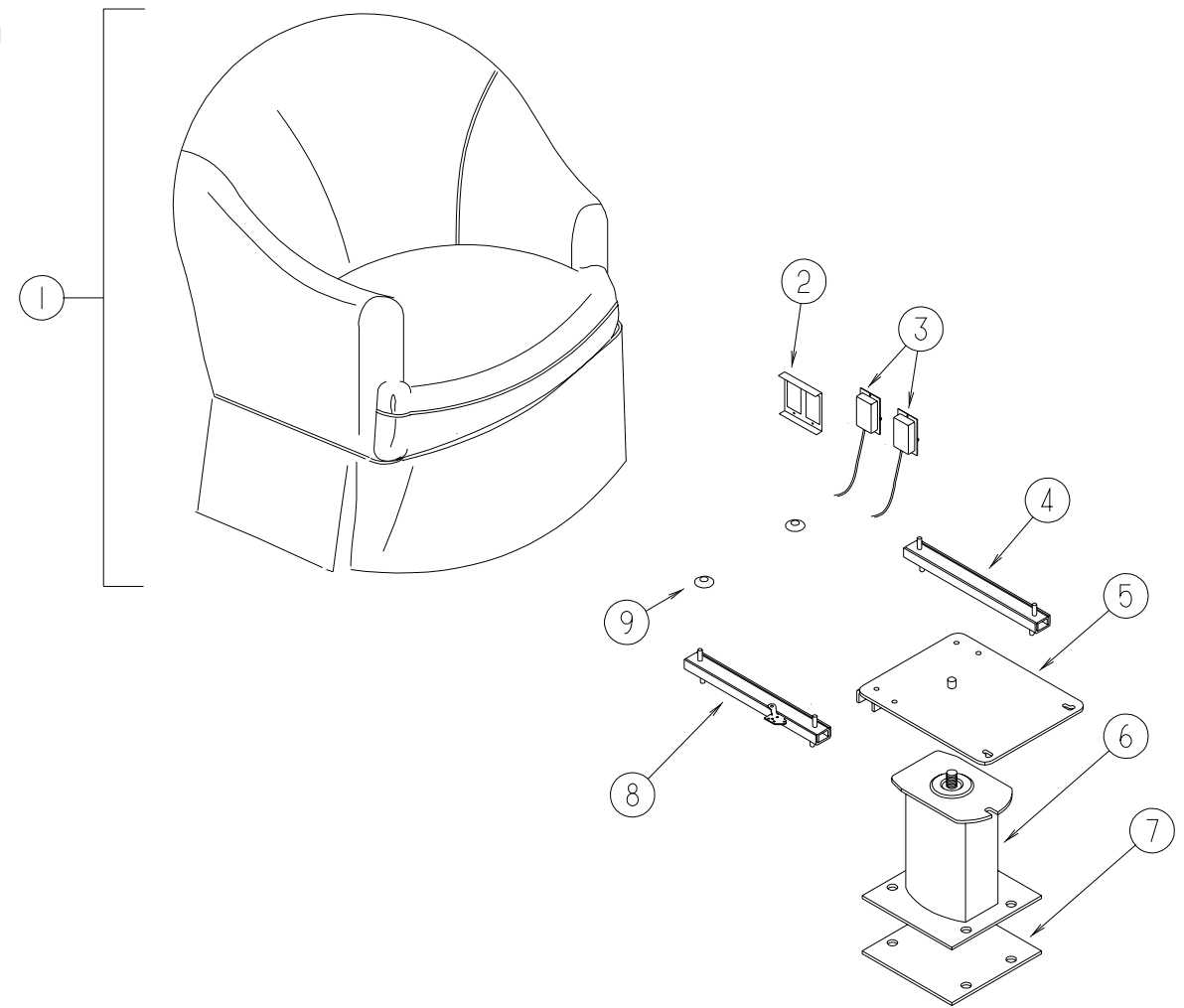
KEY	PARTNUMBER	U/M	DESCRIPTION
1	110148-08-H04	EA	SEAT-BUCKET-HEADREST(H04)
1	110148-08-H05	EA	SEAT-BUCKET-HEADREST(H05)
1	110148-08-H24	EA	SEAT-BUCKET-HEADREST(H24\H26)
2	119509-01-H04	EA	HEADREST-BUCKETSEAT(H04)
2	119509-01-H05	EA	HEADREST-BUCKETSEAT(H05)
2	119509-01-H24	EA	HEADREST-BUCKETSEAT(H24\H26)
	P19509-01-H04	EA	COVER-HEADRESTBUCKETSEAT(H04)
	P19509-01-H05	EA	COVER-HEADRESTBUCKETSEAT(H05)
	P19509-01-H24	EA	COVER-HEADRESTBUCKETSEAT(H24\H26)
	113977-12-000	EA	HEADRESTINSERT-W/OLOCK
	113977-13-000	EA	HEADRESTINSERT,W/LOCK-FLEXSTEEL
3	M05962-33-H04	EA	COVER-BACK,ECONOMIZERII(H04)
3	M05962-33-H05	EA	COVER-BACK,ECONOMIZERII(H05)
3	M05962-33-H24	EA	COVER-BACK,ECONOMIZERII(H24\H26)
4	122780-01-H04	EA	ARMREST-RIGHTHAND(H04)
4	122780-01-H05	EA	ARMREST-RIGHTHAND(H05)
4	122780-01-H24	EA	ARMREST-RIGHTHAND(H24\H26)
	P22780-01-H04	EA	COVER-ARMREST,RIGHTHAND(H04)
	P22780-01-H05	EA	COVER-ARMREST,RIGHTHAND(H05)
	P22780-01-H24	EA	COVER-ARMREST,RIGHTHAND(H24\H26)
	115617-03-000	EA	BRACKET-ARM,RH-LEGACEY-PLYFOAM,#170068
5	122780-02-H04	EA	ARMREST-LEFTHAND(H04)
5	122780-02-H05	EA	ARMREST-LEFTHAND(H05)
5	122780-02-H24	EA	ARMREST-LEFTHAND(H24\H26)
	P22780-02-H04	EA	COVER-ARMREST,LEFTHAND(H04)
	P22780-02-H05	EA	COVER-ARMREST,LEFTHAND(H05)
	P22780-02-H24	EA	COVER-ARMREST,LEFTHAND(H24\H26)
6	M05962-34-H04	EA	COVER-SEAT,ECONOMIZERIII(H04)
6	M05962-34-H05	EA	COVER-SEAT,ECONOMIZERIII(H05)
6	M05962-34-H24	EA	COVER-SEAT,ECONOMIZERIII(H24\H26)
7	122378-02-01B	EA	FRAMEASM-SEAT,BACK,SINGLEMILL
7	122364-02-01B	EA	FRAMEASM-SEAT,SINGLE,MILL
	117125-01-02B	EA	BRACKET-CABLEMOUNT-ADJUSTERW/LOCK
8	119952-06-000	EA	SLIDE-SEATHEAVYDUTYLOCKING-4STUDS
	119952-07-000	EA	WIRE-LATCHRELEASE/ROTARY
9	107921-08-000	EA	TOPPLATE-PEDESTAL-WOSEATBELTBAR
10	107921-09-000	EA	PEDESTALASM-SEATFORD,FLEXSTEEL3067-PDMB
	107921-06-000	EA	BEARINGKIT-PEDESTAL
	114889-01-000	EA	STOPBAR-UNIVERSAL
11	119952-02-000	EA	ADJUSTERASSEMBLY-NONLOCK,4STUDS
12	080730-09-000	EA	SHIELD-RECLINERHANDLE
13	080730-08-000	EA	HANDLE-RECLINER
14	080730-11-000	EA	SHIELD-RUBBERBOOT
15	097683-02-000	EA	BRACKET-MOUNT,REMOTE-DOUBLE
16	108049-03-000	EA	CABLE-W/CONTROL25.5"SHEATH/28.5"CABLEW/DOGLEG
	108049-02-000	EA	CLIP-CABLE/PEDESTAL
17	071126-42-H04	EA	SKIRT-7",W/OPENBACKCORNERS(H04)
17	071126-42-E24	EA	SKIRT-7",W/OPENBACKCORNERS(H05)
17	071126-42-H24	EA	SKIRT-7",W/OPENBACKCORNERS(H24\H26)

CURTAIN&CUSHIONGROUP(CONTINUED)

BUCKETSEAT-FROM: 10-14-96 THRU: 99-99-99

KEY	PARTNUMBER	U/M	DESCRIPTION
	110148-10-H04	EA	SEAT-BUCKET-W/RIGHTARMREST(H04)
	110148-10-H05	EA	SEAT-BUCKET-W/RIGHTARMREST(H05)
	110148-10-H24	EA	SEAT-BUCKET-W/RIGHTARMREST(H24/H26)
	122684-09-H04	EA	SEAT-BUCKET-W/RIGHTARMREST-LEATHER-MCCLAINSANNIVERSARYOPTION
	110148-11-H04	EA	SEAT-BUCKET-W/LEFTARMREST(H04)
	110148-11-H05	EA	SEAT-BUCKET-W/LEFTARMREST(H05)
	110148-11-H24	EA	SEAT-BUCKET-W/LEFTARMREST(H24/H26)
	122684-10-H04	EA	SEAT-BUCKET-W/LEFTARMREST-LEATHER-MCCLAINSANNIVERSARYOPTION
	119509-01-H04	EA	HEADREST-BUCKETSEAT(H04)
	119509-01-H05	EA	HEADREST-BUCKETSEAT(H05)
	119509-01-H24	EA	HEADREST-BUCKETSEAT(H24/H26)
	119509-02-H04	EA	HEADREST-BUCKETSEAT-LEATHER-MCCLAINSANNIVERSARYOPTION
	P19509-01-H04	EA	COVER-HEADRESTBUCKETSEAT(H04)
	P19509-01-H05	EA	COVER-HEADRESTBUCKETSEAT(H05)
	P19509-01-H24	EA	COVER-HEADRESTBUCKETSEAT(H24/H26)
	P19509-02-H04	EA	COVER-HEADRESTBUCKETSEAT-LEATHER-MCCLAINSANNIVERSARYOPTION
	113977-12-000	EA	HEADRESTINSERT-W/OLOCK
	113977-13-000	EA	HEADRESTINSERT,W/LOCK-FLEXSTEEL
	M05962-55-H04	EA	COVER-BACK(H04)
	M05962-55-H05	EA	COVER-BACK(H05)
	M05962-55-H24	EA	COVER-BACK(H24/H26)
	M05962-61-H04	EA	COVER-BACK-LEATHER-MCCLAINSANNIVERSARYOPTION
	124896-11-000	EA	KIT-BACK-LEATHER-MCCLAINSANNIVERSARYOPTION
	122780-01-H04	EA	ARMREST-RIGHTHAND(H04)
	122780-01-H05	EA	ARMREST-RIGHTHAND(H05)
	122780-01-H24	EA	ARMREST-RIGHTHAND(H24/H26)
	122780-03-H04	EA	ARMREST-RIGHTHAND-LEATHER-MCCLAINSANNIVERSARYOPTION
	P22780-01-H04	EA	COVER-ARMREST,RIGHTHAND(H04)
	P22780-01-H05	EA	COVER-ARMREST,RIGHTHAND(H05)
	P22780-01-H24	EA	COVER-ARMREST,RIGHTHAND(H24/H26)
	P22780-03-H04	EA	COVER-ARMREST,RIGHTHAND-LEATHER
	115617-03-000	EA	BRACKET-ARM,RH-LEGACEY-PLYFOAM,#170068
	122780-02-H04	EA	ARMREST-LEFTHAND(H04)
	122780-02-H05	EA	ARMREST-LEFTHAND(H05)
	122780-02-H24	EA	ARMREST-LEFTHAND(H24/H26)
	122780-04-H04	EA	ARMREST-LEFTHAND-LEATHER-MCCLAINSANNIVERSARYOPTION
	P22780-02-H04	EA	COVER-ARMREST,LEFTHAND(H04)
	P22780-02-H05	EA	COVER-ARMREST,LEFTHAND(H05)
	P22780-02-H24	EA	COVER-ARMREST,LEFTHAND(H24/H26)
	P22780-04-H04	EA	COVER-ARMREST,LEFTHAND-LEATHER-MCCLAINSANNIVERSARYOPTION
	M05962-56-H04	EA	COVER-SEAT(H04)
	M05962-56-H05	EA	COVER-SEAT(H05)
	M05962-56-H24	EA	COVER-SEAT(H24/H26)
	M05962-62-H04	EA	COVER-SEAT-LEATHER-MCCLAINSANNIVERSARYOPTION
	124896-12-000	EA	KIT-SEAT-LEATHER
	125229-01-000	EA	FRAME-C-BODY,LEFT
	125229-02-000	EA	FRAME-C-BODY,RIGHT
	125229-03-000	EA	FRAME-C-BODY,REC.KNOB
	125229-05-000	EA	FRAME-C-BODY,PALNUT
	117125-01-02B	EA	BRACKET-CABLEMOUNT-ADJUSTERW/LOCK
	119952-06-000	EA	SLIDE-SEATHEAVYDUTYLOCKING-4STUDS
	119952-07-000	EA	WIRE-LATCHRELEASE/ROTARY
	107921-08-000	EA	TOPPLATE-PEDESTAL-WOSEATBELTBAR
	107921-01-000	EA	PEDESTAL/FLOORMOUNTED-W/9.75"EXTENSION
	107921-06-000	EA	BEARINGKIT-PEDESTAL
	114889-01-000	EA	STOPBAR-UNIVERSAL
	097683-02-000	EA	BRACKET-MOUNT,REMOTE-DOUBLE
	108049-03-000	EA	CABLE-W/CONTROL25.5"SHEATH/28.5"CABLEW/DOGLEG
	108049-02-000	EA	CLIP-CABLE/PEDESTAL

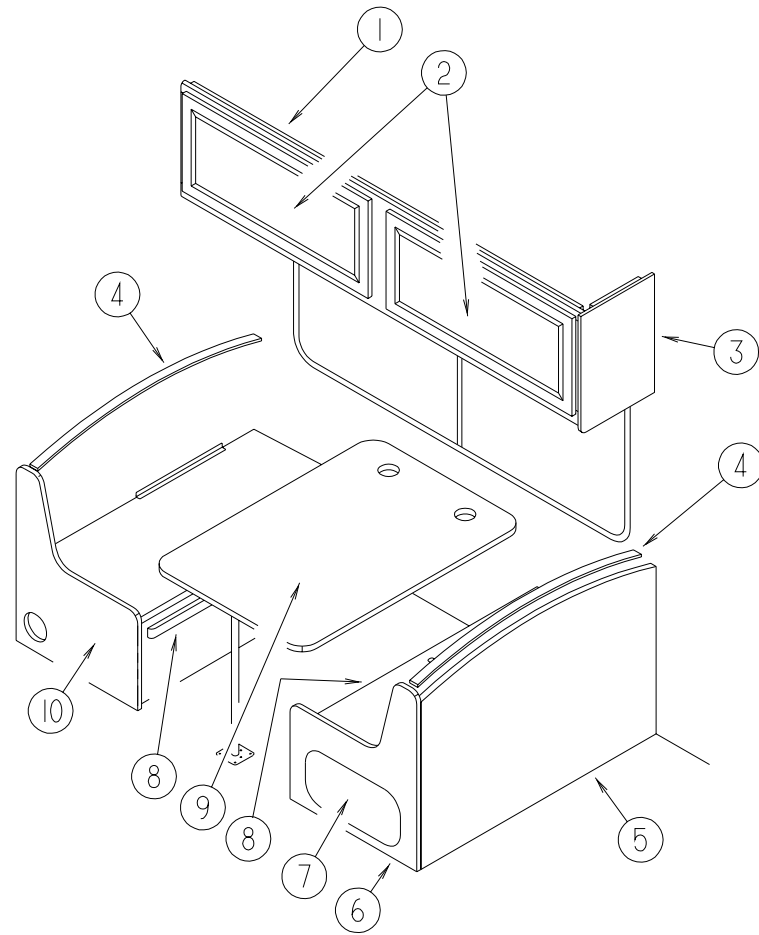
CURTAIN&CUSHIONGROUP(CONTINUED)



SWIVELCHAIR

KEY	PARTNUMBER	U/M	DESCRIPTION
1	115470-01-H04	EA	CHAIRASM-SEIRRA(H04)
1	115470-01-G05	EA	CHAIRASM-SEIRRA(H05)
1	115470-01-GE1	EA	CHAIRASM-SEIRRA(H24/H26)
	P15470-01-H04	EA	COVER-CHAIR,SEIRRA(H04)
	P15470-01-G05	EA	COVER-CHAIR,SEIRRA(H05)
	P15470-01-GE1	EA	COVER-CHAIR,SEIRRA(H24/H26)
2	097683-02-000	EA	BRACKET-MOUNT,REMOTE
3	108049-03-000	EA	CABLE-W/CONTROL25.5"SHEATH/28.5"CABLEW/DOGLEG
	108049-02-000	EA	CLIP-CABLE/PEDESTAL
	117125-01-02B	EA	BRACKET-CABLEMOUNT-ADJUSTERW/LOCK
4	119952-01-000	EA	SLIDE-SEAT-NONLOCKINGHD
5	107921-08-000	EA	TOPPLATE-PEDESTAL-WOSEATBELTBAR
	107921-06-000	EA	BEARINGKIT-PEDESTAL
6	107921-01-000	EA	BASE-PEDESTAL,W/9.75"EXTENSION-FLEXSTEEL3060MSPD
7	108445-02-000	EA	SUB-PLATE,PEDESTAL-FLOORMOUNTED
8	119952-03-000	EA	SLIDE-SEAT/HEAVYDUTY/LOCKINGW/2STUDS
9	007221-01-000	EA	SPACER-SEATADJUSTER

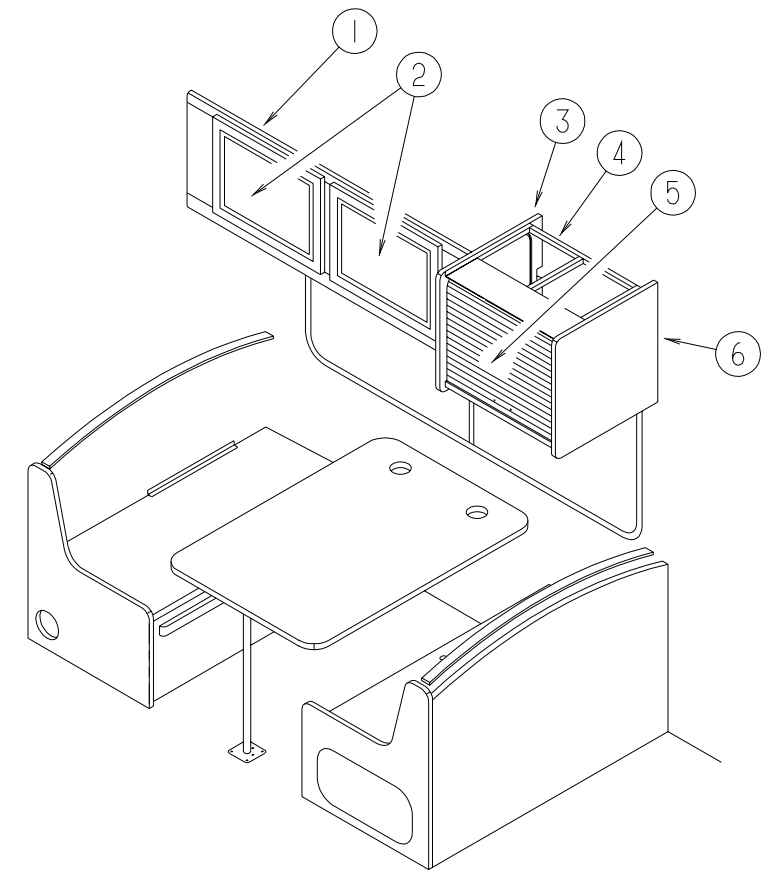
DINETTEGROUP



DINETTE CABINETS, PADS & TABLE

KEY	PARTNUMBER	U/M	DESCRIPTION
1	121459-01-H04	EA	CABINETASM-OVHD,DINETTE
2	110140-18-G01	EA	DOOR-MITEREDCORNER/VINYLRAP-15.7"X27.9"-W/OHDW
2	110140-21-H04	EA	DOOR-W/MIRROR-MTRDCRNR/VINYLRAP-15.7"X27.9"-W/OHDW
	108536-04-09A	EA	MIRROR-GLASSBOTANICAL,317X627
3	109908-09-G04	EA	ENDCAP-CABINET
4	111338-09-H04	EA	PADASM-DINETTE(H04)
4	111338-09-G22	EA	PADASM-DINETTE(H05)
4	111338-09-H04	EA	PADASM-DINETTE(H24\H26)
5	M08123-01-H04	EA	CABINET-SEATBACKRH
6	M08122-01-H04	EA	CABINET-SEATBASERH
7	110140-88-G04	EA	DOOR-MITEREDCORNER/VINYLRAP-10.1"X19.1"-W/OHDW
8	081295-01-G01	EA	SUPPORT-BED/DINETTE-28"
9	081322-01-G31	EA	TABLEASM-DINETTE(H04)
9	081322-01-H05	EA	TABLEASM-DINETTE(H05)
9	081322-01-G09	EA	TABLEASM-DINETTE(H24\H26)
10	M08122-02-H04	EA	CABINET-SEATBASELH

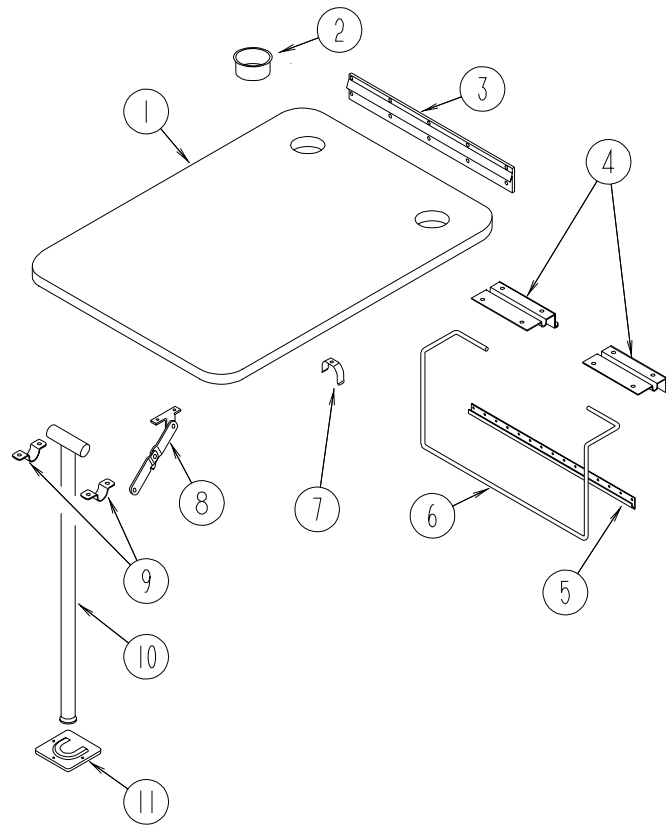
DINETTEGROUP(CONTINUED)



DINETTE CABINET WITH TV CABINET

KEY	PARTNUMBER	U/M	DESCRIPTION
1	121840-01-H04	EA	CABINETASM-OVHD,FRONT
2	110140-27-G01	EA	DOOR-MITEREDCORNER/VINYLRAP-15.7"X20.4"W/OHDW
2	110140-29-H04	EA	DOOR-MIRROR/MTRDCRNR/VINYLRAP-15.7"X20.4"-W/OHDW
	108536-03-09A	EA	MIRROR-GLASSBOTANICAL,12.5"X17.2"
3	121877-13-H04	EA	ENDCAP
4	M08163-04-H04	EA	CABINETASM-TV/VCP-W/TV/VCP
	122298-01-02B	EA	BRACKET-TV/VCR,E-COAT
	122298-02-02B	EA	BRACKET-TV/VCR,E-COAT
4	M08163-03-H04	EA	CABINETASM-TV/VCP-W/OTV/VCP
5	121877-20-H04	EA	DOOR-TAMBOUR
6	121877-15-H04	EA	ENDCAP

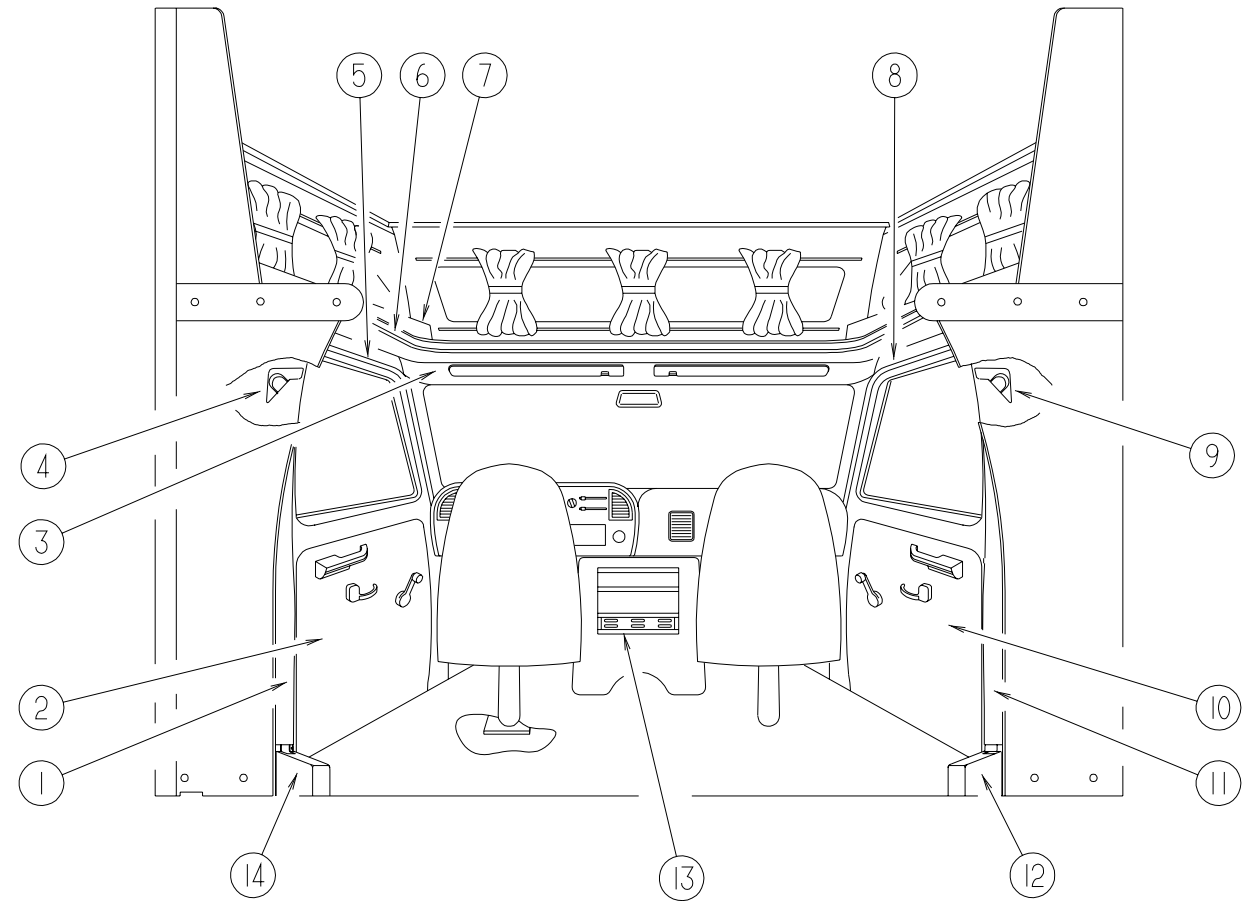
DINETTEGROUP(CONTINUED)



DINETTE TABLE & HARDWARE

KEY	PARTNUMBER	U/M	DESCRIPTION
1	081322-01-G31	EA	TABLE ASM-DINETTE (H04)
1	081322-01-H05	EA	TABLE ASM-DINETTE (H05)
1	081322-01-G09	EA	TABLE ASM-DINETTE (H24/H26)
2	064781-06-000	EA	HOLDER-CUP, TWO STAGE-OFF WHITE
3	053200-12-000	EA	BRACKET-TABLE SUPPORT-UPPER WALL MOUNTED 23.50"
4	088410-02-000	EA	BRACKET-LIFT-TABLE MOUNTED
5	024281-14-000	EA	BRACKET-LIFT ROD LOWER WALL MOUNTED-22.12"
6	024275-12-000	EA	ROD-TABLE LIFT
7	024283-01-000	EA	CLIP-LEG, 1" - 1.125" OD-BLACK
8	024282-01-000	EA	BRACE-TABLE LEG, HINGED
9	064050-05-000	EA	HINGE-TABLE LEG-OFF WHITE
10	024276-23-000	EA	LEG-TABLE-METAL
11	049493-11-700	EA	CATCH-TABLE LEG, E-COAT
	049493-12-000	EA	CATCH-LEG FLOOR MOUNTED-2.5" X 2.7"

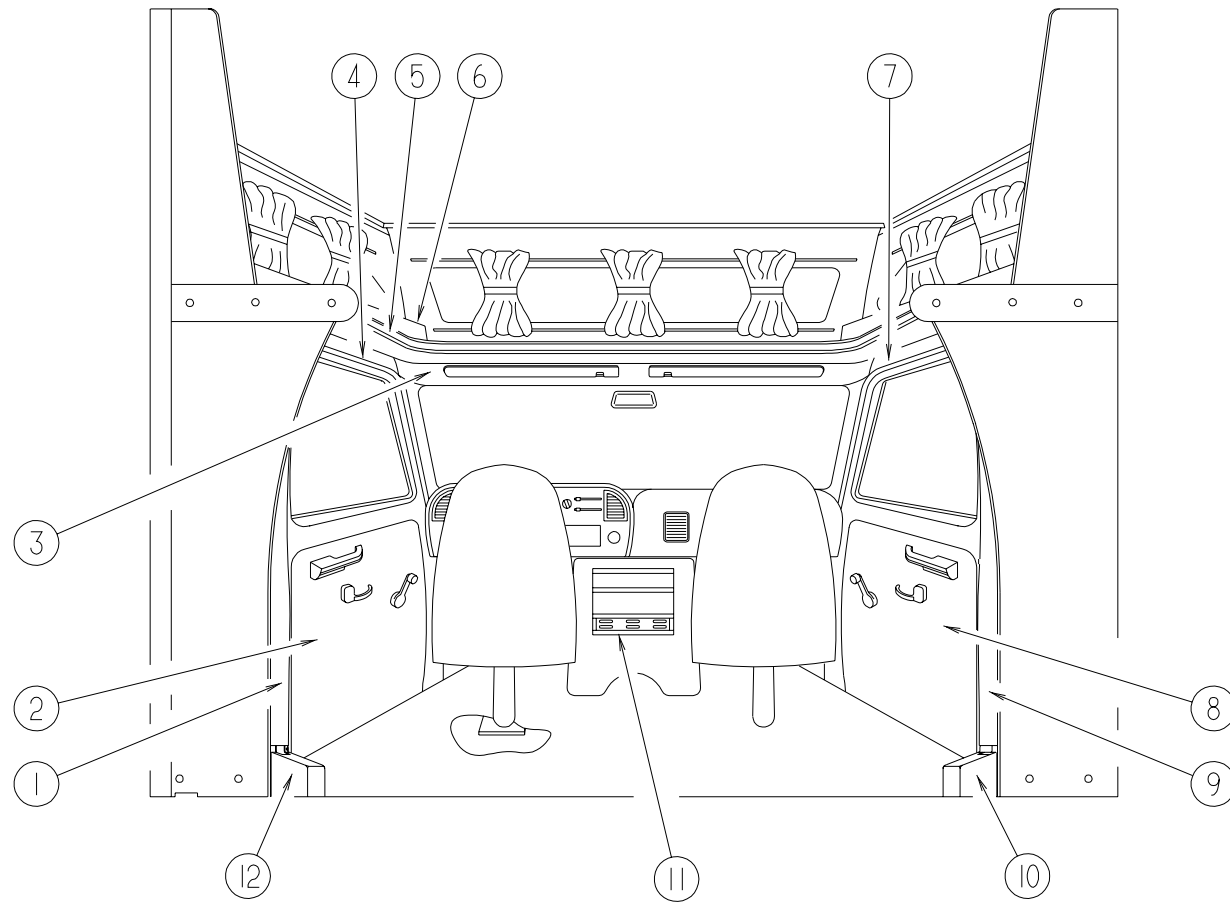
DRIVER COMPARTMENT GROUP



FORD DRIVER COMPARTMENT 1996 CHASSIS

KEY	PARTNUMBER	U/M	DESCRIPTION
1	106446-02-C03	EA	TRIM ASM-CAB, B-PILLAR, LH
2	106432-02-H04	EA	PANEL-DOOR-INNER/DRIVER (H04)
2	106432-02-H05	EA	PANEL-DOOR-INNER/DRIVER (H05)
2	106432-02-H24	EA	PANEL-DOOR-INNER/DRIVER (H24/H26)
3	106448-01-C52	EA	HEADLINER-W/VINYL
4	115038-02-01A	EA	COVER-SEATBELT UPPER LEFT HAND
5	106447-02-C03	EA	TRIM ASM-CAB DOOR, UPPER, LH
6	119520-01-01A	FT	T-MOLDING-1"W/EDGE LIPS (OFF/WHITE-CREAM)
7	109894-01-H04	EA	CABINET-HAMPER-FRONT-DRIVER (H04)
7	109894-01-H05	EA	CABINET-HAMPER-FRONT-DRIVER (H05)
7	109894-01-H24	EA	CABINET-HAMPER-FRONT-DRIVER (H24/H26)
8	106447-01-C03	EA	TRIM ASM-CAB DOOR, UPPER, RH
9	115038-01-01A	EA	COVER-SEATBELT UPPER RIGHT HAND
10	106432-01-H04	EA	PANEL-DOOR-INNER/PASSENGER (H04)
10	106432-01-H05	EA	PANEL-DOOR-INNER/PASSENGER (H05)
10	106432-01-H24	EA	PANEL-DOOR-INNER/PASSENGER (H24/H26)
11	106446-01-C03	EA	TRIM ASM-CAB, B-PILLAR, RH
12	106431-01-01A	EA	COVER-SEATBELT RECOIL-PASSENGER SIDE-OFF WHITE (FORD)
13	112185-02-G01	EA	TRAY-BEVERAGE DIESEL
	046886-03-000	EA	ASH TRAY-CHROME W/COVER
14	106431-02-01A	EA	COVER-RECOIL-SEATBELT-DRIVER SIDE-OFF WHITE FORD

DRIVERSCOMPARTMENTGROUP



FORDDRIVERSCOMPARTMENT1997CHASSIS

KEY	PARTNUMBER	U/M DESCRIPTION
1	125031-02-G04	EA TRIM-CAB-B-PILLAR FROM: 00-00-00 THRU: 12-16-96
1	125031-02-H04	EA TRIM-CAB-B-PILLAR FROM: 12-17-96 THRU: 99-99-99
2	106432-02-H04	EA PANEL-DOOR-INNER/DRIVER (H04)
2	106432-02-H05	EA PANEL-DOOR-INNER/DRIVER (H05)
2	106432-02-H24	EA PANEL-DOOR-INNER/DRIVER (H24/H26)
3	106448-01-C52	EA HEADLINER-W/VINYL FROM: 00-00-00 THRU: 12-16-96
3	106448-01-H04	EA HEADLINER-W/VINYL FROM: 12-17-96 THRU: 99-99-99
4	106447-02-C03	EA TRIMASM-CABDOOR, UPPER, LH FROM: 00-00-00 THRU: 12-16-96
4	106447-02-H04	EA TRIM-CABDOOR-UPPER-DRIVERSSIDE FROM: 12-17-96 THRU: 99-99-99
5	119520-01-01A	FT T-MOLDING-1"W/EDGELIPS(OFF/WHITE-CREAM)
6	109894-01-H04	EA CABINET-HAMPER-FRONT-DRIVER (H04)
6	109894-01-H05	EA CABINET-HAMPER-FRONT-DRIVER (H05)
6	109894-01-H24	EA CABINET-HAMPER-FRONT-DRIVER (H24/H26)
7	106447-01-C03	EA TRIMASM-CABDOOR, UPPER, RH FROM: 00-00-00 THRU: 12-16-96
7	106447-01-H04	EA TRIM-CABDOOR-UPPER-PASSENGERSIDE FROM: 12-17-96 THRU: 99-99-99
8	106432-01-H04	EA PANEL-DOOR-INNER/PASSENGER (H04)
8	106432-01-H05	EA PANEL-DOOR-INNER/PASSENGER (H05)
8	106432-01-H24	EA PANEL-DOOR-INNER/PASSENGER (H24/H26)

DRIVERSCOMPARTMENTGROUP

FORDDRIVERSCOMPARTMENT1997CHASSIS(CONTINUED)

KEY	PARTNUMBER	U/M DESCRIPTION
9	125031-01-G04	EA TRIM-CAB-B-PILLAR FROM: 00-00-00 THRU: 12-16-96
9	125031-01-H04	EA TRIM-CAB-B-PILLAR FROM: 12-17-96 THRU: 99-99-99
10	106431-01-01A	EA COVER-SEATBELTRECOIL-PASSENGERSIDE-OFFWHITE(FORD) FROM: 00-00-00 THRU: 12-16-96
10	106431-01-02A	EA COVER-SEATBELTRECOIL-PASSENGERSIDE FROM: 12-17-96 THRU: 99-99-99
11	112185-02-G01	EA TRAY-BEVERAGE-DIESEL
	046886-03-000	EA ASHTRAY-CHROME/WCOVER
12	106431-02-01A	EA COVER-RECOIL-SEATBELT-DRIVERSSIDE-OFFWHITEFORD FROM: 00-00-00 THRU: 12-16-96
12	106431-02-02A	EA COVER-SEATBELTRECOIL-DRIVERSSIDE FROM: 12-17-96 THRU: 99-99-99

MCCLAINSANNIVERSARYOPTION

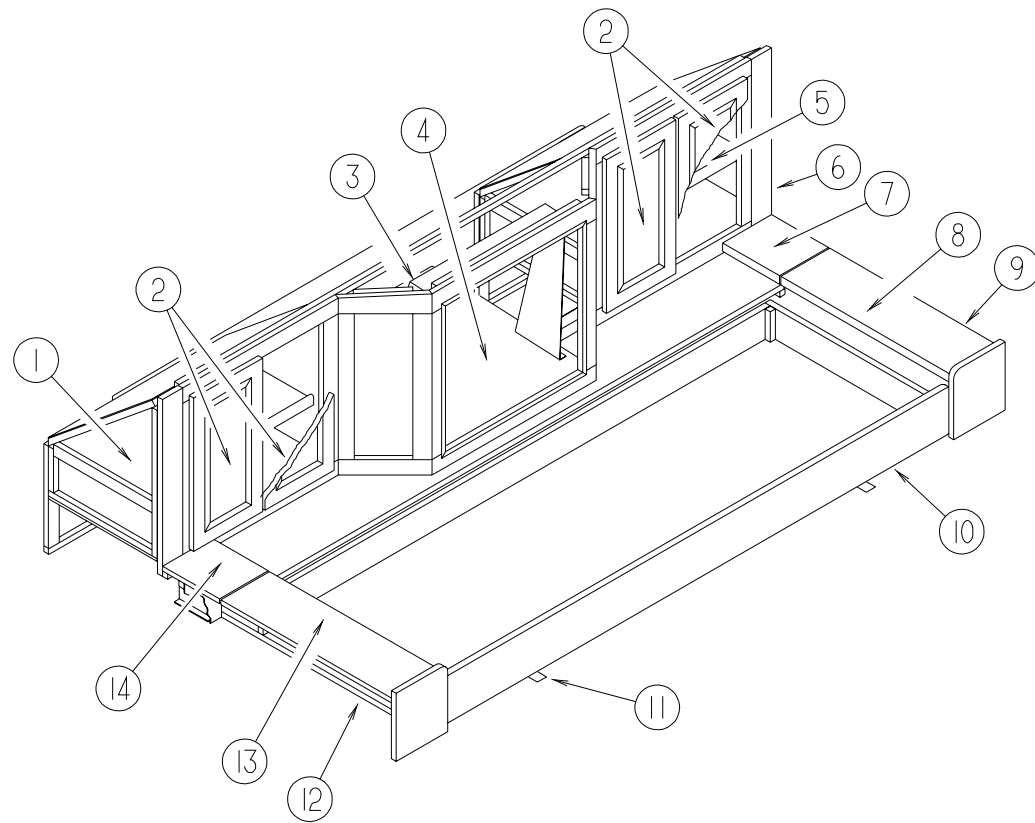
KEY	PARTNUMBER	U/M DESCRIPTION
	120269-07-01A	EA PANEL-DRIVERSDOORMIRRORCONTROLW/SWITCH&PIGTAIL

INSTRUMENTCLUSTERS

KEY	PARTNUMBER	U/M DESCRIPTION
	094795-09-000	EA CLUSTER-IP,KM,95E350GAS/DSL-FORDF5UZ-10849-B
	100138-01-000	EA MODULE-DAYTIMERUNNINGLIGHT
	111414-01-000	EA RECEPTACLE-12VW/OBIMETAL,INTERTEK
	108357-09-000	EA SWITCH-AUXILIARY,SPDTON/NONE/MOM-CARLINGV5D1000B-0
	108356-07-01A	EA ACTUATOR-SWITCHDIMPLEII,CARLINGVVAZCXX-XW
	081994-07-000	EA PLATE-SWITCH,AUXILIARYSTART
	108357-06-000	EA SWITCH-ROCKERDPDTMON/OFF/MOM6TERMINAL

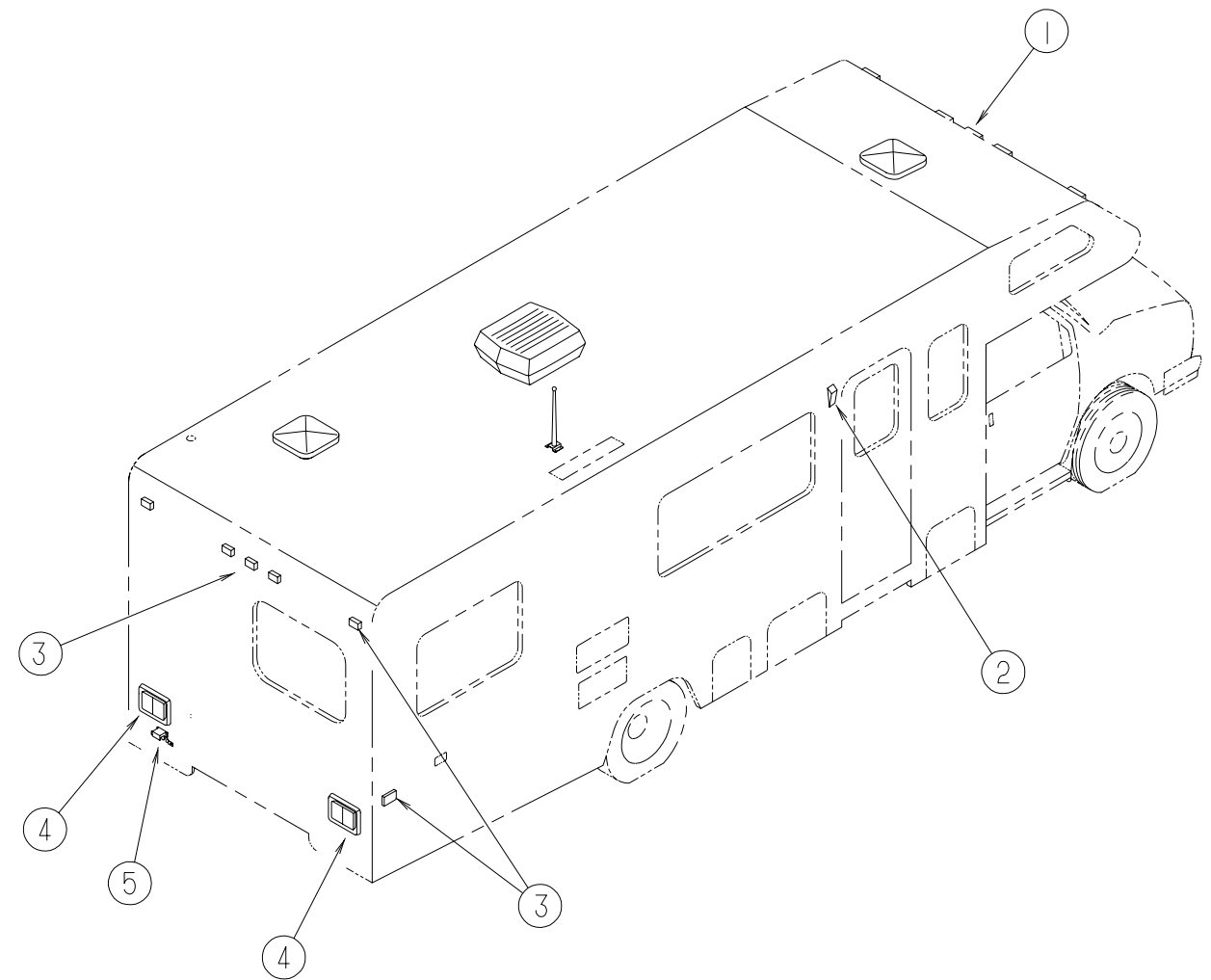
DRIVERSCOMPARTMENTGROUP(CONTINUED)

ELECTRICALGROUP



FRONTENTERTAINMENTCENTER

KEY	PARTNUMBER	U/M	DESCRIPTION
1	110796-02-G01	EA	CABINETASM-ENTERTAINMENTCENTER, SHELF
2	110140-25-G01	EA	DOOR-MITEREDCORNER/VINYLRAP-10.6"X19.9"-W/OHDW
3	110795-11-H04	EA	PANEL(H04)
3	110795-11-H05	EA	PANEL(H05)
3	110795-11-H24	EA	PANEL(H24\H26)
4	111356-01-G01	EA	SHELF-TV
5	110796-01-G01	EA	CABINETASM-ENTERTAINMENTCENTER, SHELF
6	110795-01-G01	EA	CABINETASM-ENTERTAINMENTCENTER, FACE
7	110797-11-E04	EA	COUNTERTOPASM(H04)
7	110797-11-F29	EA	COUNTERTOPASM(H05)
7	110797-11-E01	EA	COUNTERTOPASM(H24\H26)
8	110797-12-E04	EA	COUNTERTOPASM(H04)
8	110797-12-F29	EA	COUNTERTOPASM(H05)
8	110797-12-E01	EA	COUNTERTOPASM(H24\H26)
9	110797-01-H04	EA	CABINETASM-ENTERTAINMENTCENTER, STORAGE(H04)
9	110797-01-H05	EA	CABINETASM-ENTERTAINMENTCENTER, STORAGE(H05)
9	110797-01-G01	EA	CABINETASM-ENTERTAINMENTCENTER, STORAGE(H24\H26)
10	100847-01-H04	EA	DRAWERASM-ENTERTAINMENTCENTER, FRONT(H04)
10	100847-01-H05	EA	DRAWERASM-ENTERTAINMENTCENTER, FRONT(H05)
10	100847-01-H24	EA	DRAWERASM-ENTERTAINMENTCENTER, FRONT(H24\H26)
11	093673-01-01A	FT	MOLDING-BODY, 1.4"WIDEX8'LONG-OFFWHITE-PLASTIC
12	110797-02-H04	EA	CABINETASM-ENTERTAINMENTCENTER, STORAGE(H04)
12	110797-02-H05	EA	CABINETASM-ENTERTAINMENTCENTER, STORAGE(H05)
12	110797-02-G01	EA	CABINETASM-ENTERTAINMENTCENTER, STORAGE(H24\H26)
13	110797-23-E04	EA	COUNTERTOPASM(H04)
13	110797-23-F29	EA	COUNTERTOPASM(H05)
13	110797-23-E01	EA	COUNTERTOPASM(H24\H26)
14	110797-21-E04	EA	COUNTERTOPASM(H04)
14	110797-21-F29	EA	COUNTERTOPASM(H05)
14	110797-21-E01	EA	COUNTERTOPASM(H24\H26)
	110790-02-000	EA	BRACKET-TIEDOWN, TV
	106699-01-01A	EA	BRACKET-OVERHEADCABINET/TV

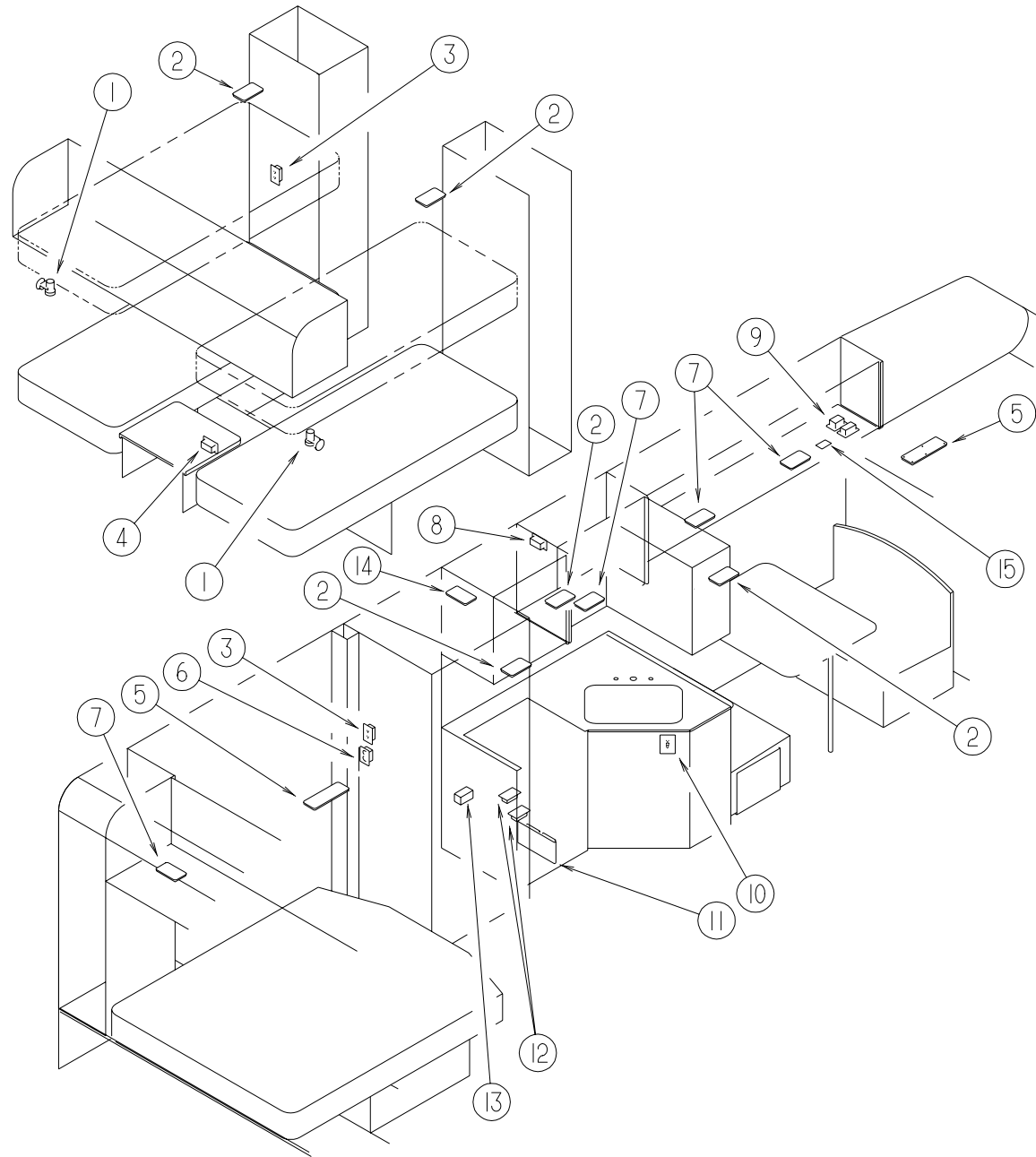


EXTERIORLIGHTS

KEY	PARTNUMBER	U/M	DESCRIPTION
1	111102-02-000	EA	LENS-MARKERLAMP, AMBER-TRIPLEX118A
	111102-01-000	EA	LAMP-MARKER, BASE-TRIPLEX117XAS
	091983-01-000	EA	GASKET-CLEARANCE/SIDEMARKERLIGHT
2	036196-01-000	EA	BULB-12V, #194-.27AMP-BAYONETTE
	112823-01-000	EA	SPLICE-REDUCER, 16-14T018-22 ETCBA-631X
	097917-01-06A	EA	LIGHT-PORCH, ENTRYDOOR-BRIGHTWHITE
	008215-01-000	EA	BULB-12V, #1003-.94AMP
	097917-01-700	EA	LENS-LIGHT, PORCH
3	111102-03-000	EA	LENS-MARKERLAMP, RED-TRIPLEX117R
	111102-01-000	EA	LAMP-MARKER, BASE-TRIPLEX117XAS
	091983-01-000	EA	GASKET-CLEARANCE/SIDEMARKERLIGHT
	036196-01-000	EA	BULB-12V, #194-.27AMP-BAYONETTE
	112823-01-000	EA	SPLICE-REDUCER, 16-14T018-22 ETCBA-631X
4	103355-01-05A	EA	POD-TAILLIGHT, BRIGHTWHITE
	081638-01-000	EA	TAILLIGHT-DOUBLE, W/BLACKTRIM-DRIVER&PASSENGERSIDE
	037934-01-000	EA	BULB-12V, #1156-2.1AMP-CLEARGLASS-BACKUP&TURNSIGNALBULB
	037935-01-000	EA	BULB-12V, #1157OR#2057-2.1AMP-CLEARGLASS-BRAKELIGHT
	081638-01-700	EA	LENS-TAILLIGHT, RED-BARGMAN30-84-010
5	081638-01-701	EA	LENS-TAILLIGHT, W/BACKUP-BARGMAN30-84-700
	066432-02-000	EA	LIGHT-LICENSEPLATE
	066432-03-000	EA	BRACKET-LICENSEPLATELIGHT

ELECTRICALGROUP(CONTINUED)

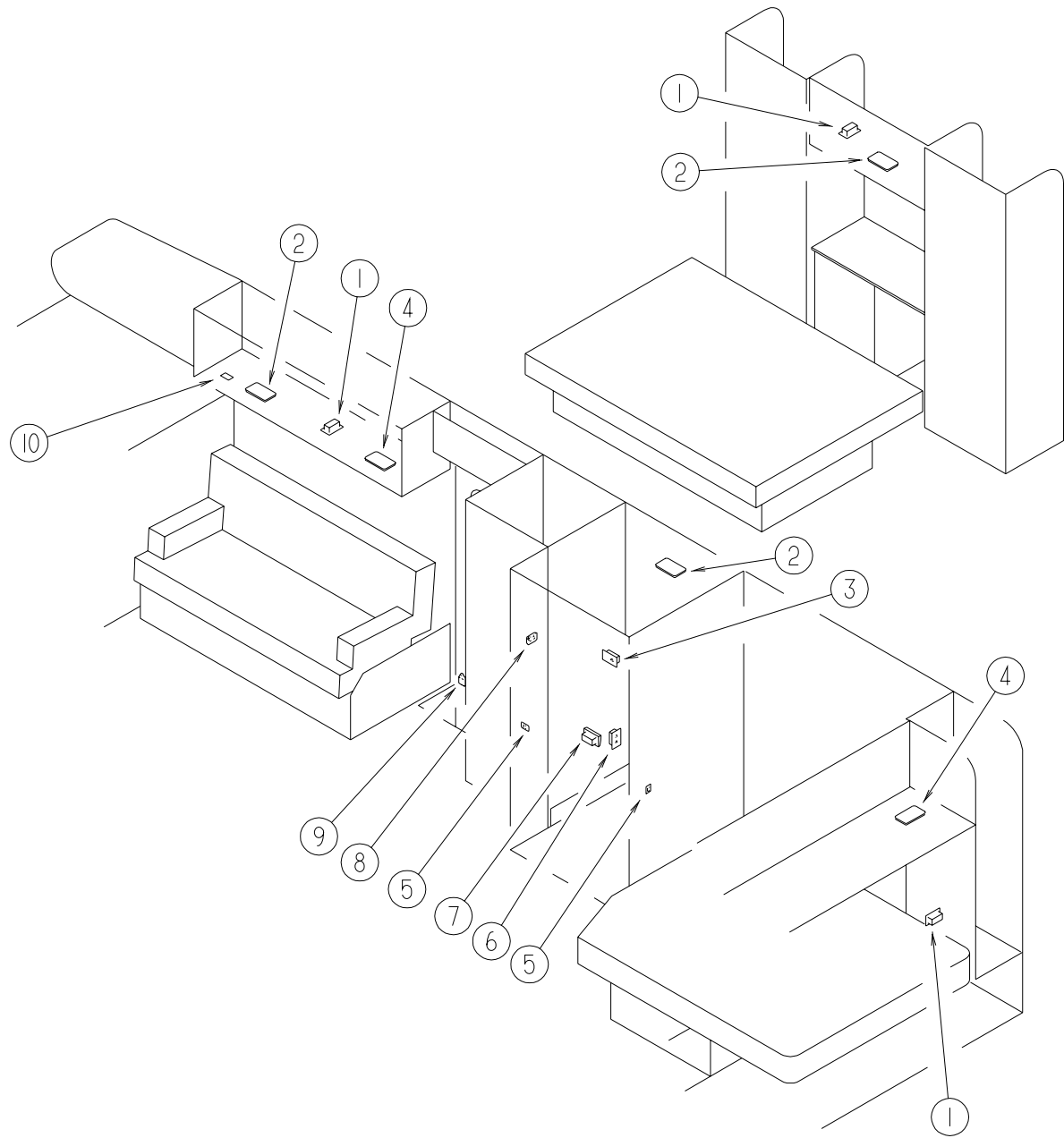
LIGHTS,SWITCHES&RECEPTACLES-DRIVERSIDE-QUEEN&TWINBEDS



KEY	PARTNUMBER	U/M	DESCRIPTION
1	104173-02-01A	EA	LIGHT-DESIGNER,BLACK-#81-903-U.S.
1	104172-01-01A	EA	LIGHT-BULLET,BEIGE-#787SERIES-CANADIAN
	117806-01-000	EA	BULB-12V,NO.912-1.0AMPS
2	098024-01-01A	EA	LIGHT-DOME,1BULB-IVORY-U.S.
	008218-01-000	EA	BULB-DOMELIGHT,12V-NUMBER1141
	098024-01-700	EA	LENS-LIGHT 807877
2	104172-01-01A	EA	LIGHT-BULLET,BEIGE-#787SERIES-CANADIAN
3	058708-01-000	EA	RECEPTACLE-ELECTRIC,DOUBLE-BROWN
4	058708-02-000	EA	RECEPTACLE-ELECTRIC,DOUBLE-IVORY
5	098024-03-01A	EA	LIGHT-DOME,2BULB-IVORY
	008218-01-000	EA	BULB-DOMELIGHT,12V-NUMBER1141
	098024-01-700	EA	LENS-LIGHT 807877
6	086777-02-000	EA	WALLPLATE-TVCABLE,W/ANTENNASWITCH-BROWN
7	098024-05-02A	EA	LIGHT-DOME1BULB,SKYLITEWHITE-US/CSA
	008218-01-000	EA	BULB-DOMELIGHT,12V-NUMBER1141
8	058708-05-000	EA	RECEPTACLE-ELECTRIC,SINGLE-BROWN
9	086777-02-000	EA	WALLPLATE-TVCABLE,W/ANTENNASWITCH-W/OFRONTCONTROLSWITCHING
9	086777-06-000	EA	WALLPLATE-ANTENNA,1OUTPUT-W/FRONTCONTROLSWITCHING
10	084076-02-000	EA	RECEPTACLE-GFI,15A-125V-BROWN
	097734-01-01A	EA	EXTENSION-RECEPTACLE,3.2"X5"X.7"-PLASTIC-IVORY-CANADIAN
11	024924-02-000	EA	RECEPTACLE-POWERCORD,W/PARTIALPLATE
12	058707-02-000	EA	RECEPTACLE-BLANK,JUNCTION-WIRECONWDJ20BR
13	108356-02-01A	EA	SWITCHCOVER-W/2DIMPLES-CARLINGCCAZC00
	108357-08-000	EA	ROCKERSWITCH,DPDTON/NONE/ON-EXTERIORSHOWER
	108356-11-01A	EA	ACTUATOR-SWITCHGROOVESIII,CARLINGVVCZCXX-SW1
	108355-01-000	EA	HOUSING-SWITCH,CARLINGVCH
14	121935-01-01A	EA	LIGHT-DOME,SHOWER
15	098351-01-01A	EA	PLATE-SWITCH,1GANG-POLISHEDBRASS-JENSEN
	079364-01-000	EA	SWITCH-ON/OFFROCKER,2PRONGS-BROWN

ELECTRICALGROUP(CONTINUED)

LIGHTS,SWITCHES&RECEPTACLES-PASSENGERSIDE-QUEEN&DOUBLEBEDS



KEY	PARTNUMBER	U/M	DESCRIPTION
1	058708-02-000	EA	RECEPTACLE-ELECTRIC,DOUBLE-IVORY
2	098024-01-01A	EA	LIGHT-DOME,1BULB-US-IVORY
	008218-01-000	EA	BULB-DOMELIGHT,12V-NUMBER1141
	098024-01-700	EA	LENS-LIGHT 807877
3	058707-01-000	EA	RECEPTACLE-ELECTRIC,SINGLE-BROWN
4	098024-05-02A	EA	LIGHT-DOME1BULB,SKYLITEWHITE-US/CSA
	008218-01-000	EA	BULB-DOMELIGHT,12V-NUMBER1141
5	098351-02-01A	EA	PLATE-SWITCH,2GANG-POLISHEDBRASS-JENSEN
	079364-01-000	EA	SWITCH-ON/OFFROCKER,2PRONGS-BROWN
	079364-03-000	EA	SWITCH-ON/OFFROCKER,3PRONGS-BROWN
	095188-01-01A	EA	SPACER-SWITCH,2.3"X3.4"-PLASTIC-DARKBROWN
6	058708-01-000	EA	RECEPTACLE-ELECTRIC,DOUBLE-BROWN
7	112822-01-01A	EA	RECEPTACLE-DUPLEX,IVORY-WIRECONWDRU15IV
	112824-01-03A	EA	COVER-EXTERIORDUPLEXRECEPTACLE,WHITE-P&S3780-SC-WH
7	098351-07-01A	EA	PLATE-SWITCH-POLISHEDBRASS
	108357-06-000	EA	ROCKERSWITCH,DPDTMOM/OFFMOM-CARLINGVLD1000B-0
8	098351-06-01A	EA	PLATE-SWITCH,2GANG-W/LABEL-POLISHEDBRASS-JENSEN
	079364-01-000	EA	SWITCH-ON/OFFROCKER,2PRONGS-BROWN
	095188-01-01A	EA	SPACER-SWITCH,2.3"X3.4"-PLASTIC-DARKBROWN
8	098351-05-01A	EA	PLATE-SWITCH,3GANG-POLISHEDBRASS-JENSEN-ELECTRICSTEP
	079364-01-000	EA	SWITCH-ON/OFFROCKER,2PRONGS-BROWN
	095188-01-01A	EA	SPACER-SWITCH,2.3"X3.4"-PLASTIC-DARKBROWN
	077942-02-000	EA	SWITCH-DUMMY,BROWN-M'QUARDT203.010.01
9	116995-01-000	EA	SWITCH/MAGNET-ELECTRICSTEP,KWIKEE905306
	086280-01-000	EA	LIGHT-SURFACEMOUNT,12V-JENSEN1236-FRONTCAB
	086280-01-700	EA	BULB-12V-6WARP1089
10	098351-01-01A	EA	PLATE-SWITCH,1GANG-POLISHEDBRASS-JENSEN
	079364-01-000	EA	SWITCH-ON/OFFROCKER,2PRONGS-BROWN

ELECTRICAL GROUP (CONTINUED)**FUSES & CIRCUIT BREAKERS**

KEY	PARTNUMBER	U/M	DESCRIPTION
	008235-01-000	EA	FUSE-AUTOMOTIVE,12V-15AMP
	062901-02-000	EA	FUSE-5AMPS,AUTOMOTIVE
	062901-05-000	EA	FUSE-15AMPS,AUTOMOTIVE
	100341-01-000	EA	FUSEHOLDER-INLINETYPE,WESCO8931-92020
	083209-02-000	EA	CIRCUITBREAKER-15/15AMP120V BWH-15/15
	083209-03-000	EA	CIRCUITBREAKER-15/20AMP120V BW0-15/20
	083209-04-000	EA	CIRCUITBREAKER-30AMP120V BWL-30
	083209-06-000	EA	CIRCUITBREAKER-30/15AMP120V BWD-30/15
	083209-08-000	EA	CIRCUITBREAKER-BLANK-BW
	093654-01-000	EA	CIRCUITBREAKER-6AMP12V USD17406-4E12A2A
	093654-03-000	EA	CIRCUITBREAKER-20A,12V-USD17420-4E12A2A
	093655-02-000	EA	CIRCUITBREAKER-30AMP12VUSD17430-4E03A2A
	094810-01-000	EA	CIRCUITBREAKER-30A,120V-GETHQL2130
	094811-01-000	EA	CIRCUITBREAKER-20/20A,120V-GETHQL2120

ELECTRIC BOXES, COVERS & POWER CORDS

KEY	PARTNUMBER	U/M	DESCRIPTION
	008052-01-000	EA	CORD-POWER-10/3-30AMP-25'-CANADIAN
	008054-01-000	EA	CORD-POWER-10/3-30AMP-25'
	008289-01-000	EA	BOX-ELECTRIC/STEEL-12"X3/4"KNOCKOUTS-4"X4"
	008289-02-000	EA	BOX-ELECTRICAL-4"X4"-1/2"X3/4"KNOCKOUTS-CANADIAN
	008294-02-000	EA	COVER-ELECTRICALBOX-BLANKSTEEL-4"X4"-CANADIAN
	069238-01-000	EA	COVER-ELECTRICALBOX,W/HOLE-4"X4"-GRAY USEDWITH30AMPRECEPTACLE
	091910-02-000	EA	BOX-ELECTRICAL-PLASTIC-2.24"X3.45"
	093603-01-000	EA	BOX-ELECTRIC,4"X2 1/8"X2 1/8"-STEEL
	107165-01-01A	EA	BOX-CIRCUITBREAKERMOUNT,14.6"X4"-BLACKPLASTIC

CONDUIT

KEY	PARTNUMBER	U/M	DESCRIPTION
	041953-01-000	FT	CONDUIT-CONVOLUTE,SLIT,.5"ID
	041953-01-000	FT	CONDUIT-CONVOLUTE,SLIT,.5"ID
	041953-01-000	FT	CONDUIT-CONVOLUTE,SLIT,.5"ID
	041953-03-000	FT	CONDUIT-CONVOLUTE,SLIT,1"ID(CLOTHESRODCOVER)
	041953-05-000	FT	CONDUIT-CONVOLUTE,SOLID,.62"ID
	041953-06-000	FT	CONDUIT-CONVOLUTE,SLIT,.375"ID
	041953-07-000	FT	CONDUIT-CONVOLUTE,SLIT,.25"ID
	041953-08-000	FT	CONDUIT-CONVOLUTE,SLIT,1.50"ID
	041953-09-000	FT	CONDUIT-CONVOLUTE,SLIT,.50"ID
	041953-10-000	FT	CONDUIT-CONVOLUTE,SLIT,.75"ID
	041953-11-000	FT	CONDUIT-CONVOLUTE,SLIT,1.06"ID
	041953-12-000	FT	CONDUIT-CONVOLUTE,NSLIT,1.1"ID

POWER CONVERTER & INVERTER

KEY	PARTNUMBER	U/M	DESCRIPTION
	051912-01-000	EA	TRANSFORMER-DRYCONT1.5KVA-GE9T51B511
	083208-01-000	EA	CONVERTER-POWER,32A-120V/12V-BW6332
	092615-01-700	EA	DOOR-ACCESS-FUSES 91500075
	092615-01-000	EA	CONVERTER-40AMP,W/CHARGER-B-W32400P
	094809-01-000	EA	CENTER-LOAD,240V-125A-TPL412CT
	099048-03-000	EA	INVERTER-130WATT

ELECTRICAL MISCELLANEOUS

KEY	PARTNUMBER	U/M	DESCRIPTION
	008188-01-000	EA	SOLENOID-3POST,BATTERYCHANGEOVER
	063910-01-000	EA	HOUSING-RELAY,BOSCH3334485008
	086273-01-000	EA	RELAY-BATTERYDISCONNECT

ELECTRICAL GROUP (CONTINUED)**CONNECTORS, HOUSINGS, & TERMINALS**

KEY	PARTNUMBER	U/M	DESCRIPTION
	007956-05-000	EA	INSULATOR-SHRINK,.25IDX1.50-BLACK
	008311-01-000	EA	CONNECTOR-WIRENUT,INSULATED-RED
	008313-01-000	EA	CONNECTOR-WIRENUT,INSULATED-YELLOW
	008314-01-000	EA	CONNECTOR-WIRENUT,INSULATED-GRAY
	008326-01-000	EA	TERMINAL-RING16/14WIRE-3/8"STUD
	008328-01-000	EA	TERMINAL-RING-12/10WIRE-#10STUDFIT
	008331-01-000	EA	TERMINAL-RING,TONGUE-#4WIRE-3/8"STUD-COPPER
	008348-01-000	EA	TERMINAL-RING,3/8"STUD-#2WIRE
	008355-01-000	EA	CONNECTOR-CABLECLAMPING,3/4"
	008356-01-000	EA	CONNECTOR-PLASTIC,3/8"AVG
	035416-04-000	EA	TERMINAL-RING#10STUDFIT,INSULATEDBARREL#16/14
	047443-01-000	EA	TERMINAL-.250RECEPTACLEFIT,INSULATED-16/14AWG
	047443-02-000	EA	TERMINAL-.250RECEPTACLEFIT,INSULATED-12/10AWG
	058028-01-000	EA	CONNECTOR-ELECTRICALPIGTAIL,NYLON-CLEAR
	077479-01-000	EA	BOOT-BATTERYTERMINAL,DOUBLECABLE
	077479-02-000	EA	BOOT-BATTERYTERMINAL,SINGLECABLE
	080015-02-000	EA	RECEPTACLE-FLAG,.185-16/14GA-AMP3
	080015-03-000	EA	RECEPTACLE-FLAG,.250-14/16GA
	087949-01-000	EA	BUSSBAR-2POSITION-.6"X1.5"
	088473-03-000	EA	HOUSING-PIN,9CAVITY-AMP1-480706-0
	088473-05-000	EA	HOUSING-PIN,6CAVITY-AMP640585-1
	088473-06-000	EA	HOUSING-PIN,6CAVITY-AMP1-480704-0
	088473-07-000	EA	HOUSING-PIN,5CAVITY-AMP1-480763-0
	088473-08-000	EA	HOUSING-PIN,4CAVITY-AMP1-480702-0
	088473-09-000	EA	HOUSING-PIN,3CAVITY-AMP1-480700-0
	088473-10-000	EA	HOUSING-PIN,2CAVITY-AMP1-480698-0
	088474-03-000	EA	HOUSING-SOCKET,9CAVITY-AMP1-480707-0
	088474-06-000	EA	HOUSING-SOCKET,6CAVITY-AMP1-480705-0
	088474-07-000	EA	HOUSING-SOCKET,5CAVITY-AMP1-480764-0
	088474-08-000	EA	HOUSING-SOCKET,4CAVITY-AMP1-480703-0
	088474-09-000	EA	HOUSING-SOCKET,3CAVITY-AMP1-480701-0
	088474-10-000	EA	HOUSING-SOCKET,2CAVITY-AMP1-480699-0
	088475-01-000	EA	PIN-CONNECTOR,14TO20AWG
	088475-02-000	EA	PIN-CONNECTOR,10TO12AWG
	088476-01-000	EA	SOCKET-CONNECTOR,BRASS-PRE-TIN
	088476-02-000	EA	SOCKET-CONNECTOR,12-10GA-PHOS.BRZ-PRE-TIN
	098262-01-000	EA	SEAL-CONNECTOR,WEATHERPACK-PACKARD12010293
	098265-02-000	EA	PIN-CONNECTOR,WEATHERPACK-PACKARD12089305
	101751-01-000	EA	HOUSING-1PIN,WEATHERPACK
	101751-02-000	EA	HOUSING-1PIN,WEATHERPACK
	102777-02-000	EA	TERMINAL-RING#6STUD,10AWG
	112823-01-000	EA	SPLICE-REDUCER16-14T018-22-ETCBA-631X

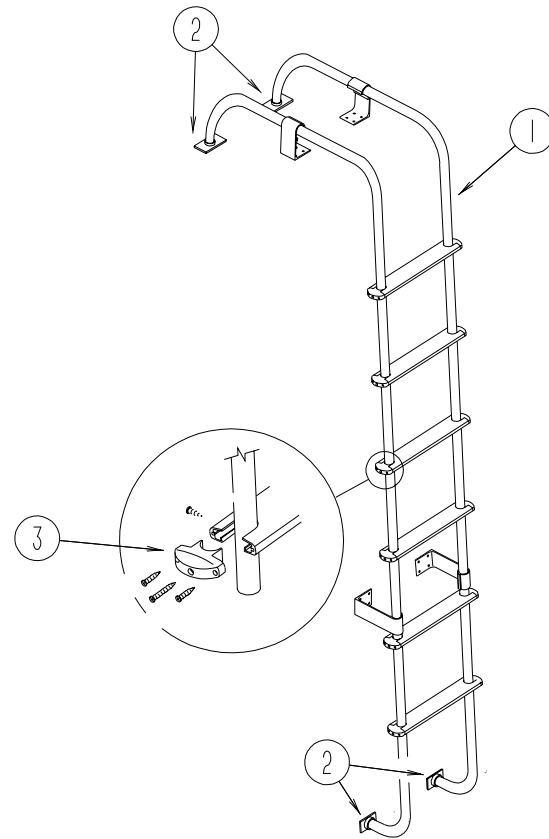
WIRING ASSEMBLIES

KEY	PARTNUMBER	U/M	DESCRIPTION
	096449-01-000	EA	WIREASSEMBLY-WATERTANKTOMONITORPANEL
	097618-01-000	EA	WIREASM-MONITORPANEL,W/3WIRES&ORANGERESISTOR-LVS ORANGERESISTORW/3(ORANGE-GREEN-BLUE)WIRES
	106851-01-000	EA	WIREASM-DAYRUNLAMP,FUSE
	116894-01-000	EA	WIREASM-SPEEDSENSOREXTEND,JFBL-322B

SOLAR PANEL-MCCLAINS ANNIVERSARY OPTION

KEY	PARTNUMBER	U/M	DESCRIPTION
	115504-01-000	EA	PANEL-SOLAR10WATT
	115504-01-700	EA	PLUG&CABLE,10WATTPANEL 600-016
	115505-01-000	EA	LIGHT-MONITOR/SOLARPANEL-REDLEDINDICATOR

EXTERIORBODYGROUP



LADDER

KEY	PARTNUMBER	U/M DESCRIPTION
1	102953-10-F15	EA LADDERASSEMBLY
2	067165-01-000	EA MOUNTINGBRACKET-LADDER,LOWER
3	076980-02-000	EA ENDCAP-STEP, BLACK
	000G39-06-10T	EA SCREW-SF/DR-6-20X5/8PPH-BLACK
	000G68-10-36T	EA SCREW-10-12X2.25POH-BLACK
	038327-01-000	EA TAPE-ANTISLIP,2"X60'

EXTERIORBODYGROUP(CONTINUED)

EXTERIORMIRRORS-PLATEMOUNT-VELVAC

KEY	PARTNUMBER	U/M DESCRIPTION	VENDORNO.
	120269-01-01A	EA MIRRORASM-DOOR,BLACKRH-VELVAC713672-7	
	120269-02-01A	EA MIRRORASM-DOOR,BLACKLH-VELVAC713671-7	
	120269-01-700	EA GLASSKITW/BEZELRH/LH	709407-8

EXTERIORMIRRORS-W/HEAT&REMOTE-MCCLAINSANNIVERSARYOPTION

KEY	PARTNUMBER	U/M DESCRIPTION
	120269-09-01A	EA MIRROR-PASSENGER-96"-W/HEAT/REMOTE
	120269-10-01A	EA MIRROR-DRIVER-96"-W/HEAT/REMOTE
	120269-08-000	EA HARNESS-ELECTMIRROR VELVAC748304-8

RUNNINGBOARDS

KEY	PARTNUMBER	U/M DESCRIPTION	VENDORNO.
	072884-27-000	EA RUNNINGBOARD-FORD39.00 - KEMK1215539	
	072884-27-700	EA BRACKETSET12"	RB2BRK/M
	072884-27-701	EA RUNNINGBOARD-FORD39",RH&LH	
	072884-27-702	FT TREADTAPE	RB9202
	072884-27-703	EA MUDFLAPW/HOLES,1EA=PAIR	99171
	072884-27-704	EA CAP-ENDS,1EA=PAIR	99148

EXTERIORBODYGROUP(CONTINUED)

FIBERGLASS,ALUMINUM,STYROFOAM,PLYWOOD&CHANNEL

KEY	PARTNUMBER	U/M	DESCRIPTION
	000870-08-000	SF	STYROFOAM-.75"X4'X8'-PLANED
	002726-01-001	EA	GARNISH-U-CHANNEL,1.38"X19'-SERRATED-MILLALUMINUM
	002766-01-001	EA	ANGLE-EXTRUDED,1"X1.5"X17'
	068716-01-001	EA	BRACE-90DEGREEL-ANGLE-16'
	076054-N9-000	EA	FIBERGLASSSHEET-96"X102"BRIGHTWHITE
	076054-P9-000	EA	FIBERGLASSSHEET-37.4"X99.25"BRIGHTWHITE
	076054-R1-000	EA	FIBERGLASSSHEET-24"X65.9"BRIGHTWHITE
	076054-S2-000	EA	FIBERGLASSSHEET-106.3"X320.9"BRIGHTWHITE
	076054-N9-000	EA	FIBERGLASSSHEET-96"X102"BRIGHTWHITE
	089297-01-000	SF	PLYWOOD-LUAN,OVERLAYGRADE-4'X8'
	100619-01-000	BF	EXPANDEDFOAMSHEET-4'X8'X1.34"
	100619-04-000	BF	FOAM-EXPANDEDPOLYSTYRENE-.5"X4'X8'
	100619-05-000	BF	FOAM-EXPANDEDPOLYSTYRENE-.75"X4'X8'
	108535-04-705	EA	FIBERGLASSSHEET-6"X34'BRIGHTWHITE
	108535-04-701	EA	FIBERGLASSSHEET-104"X396"BRIGHTWHITE

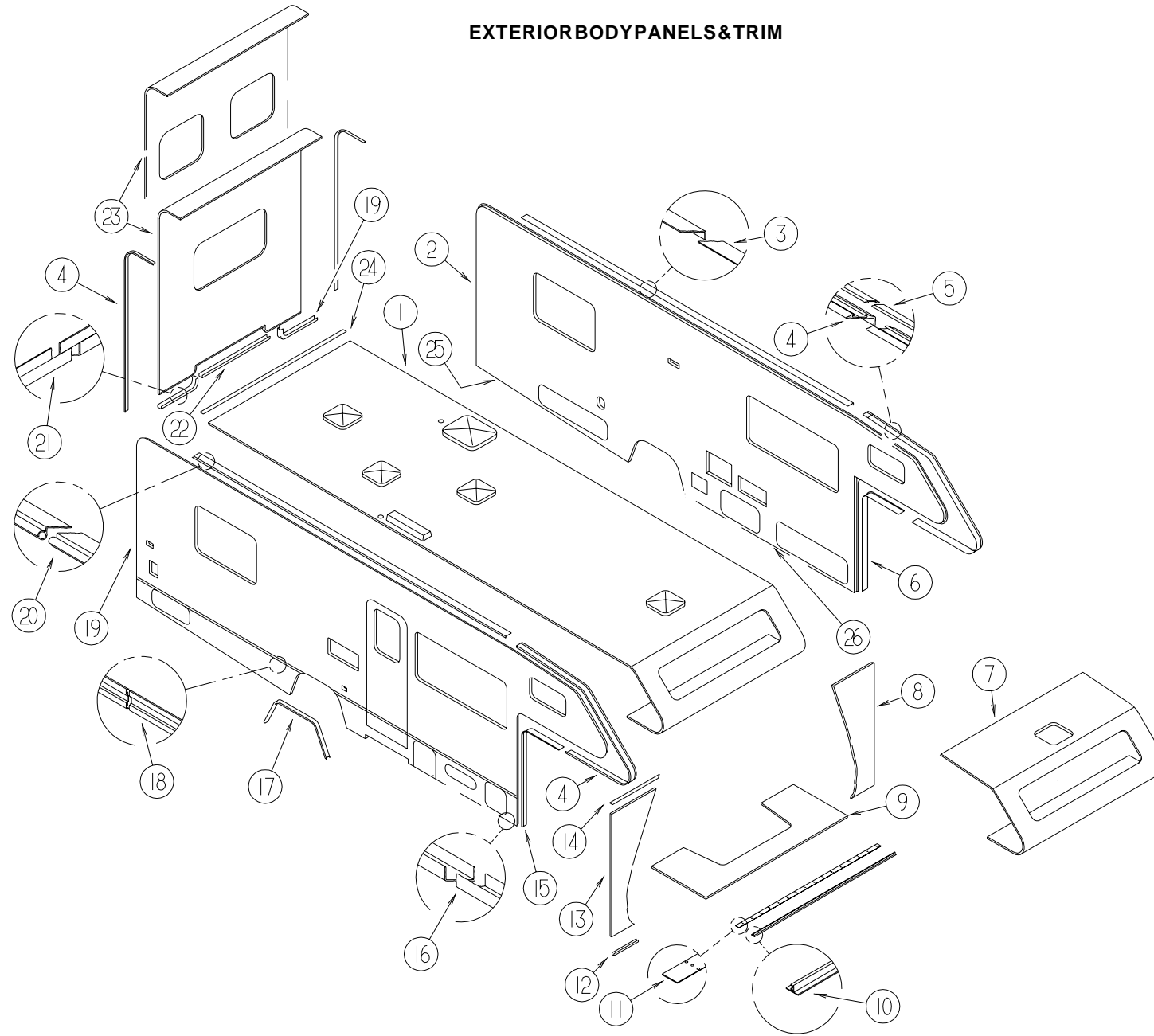
EXTERIORBODYGROUP(CONTINUED)

AWNING-A&E

KEY	PARTNUMBER	U/M	DESCRIPTION	VENDOR NO.
	113874-01-02A	EA	AWNING-HARDWAREKIT,BRIGHTWHITE	
	113874-05-02A	EA	AWNING,W/OHRDW,14'(POLARNAVYTEAL)VINYL	
	111038-01-01A	EA	SPACER-AWNING,LOWER-BLACK	
	113874-10-01A	EA	SPACER-AWNING,LOWER-BRACKET	
	113874-01-702	EA	KNOB-ADJUSTING,W/HARDWARE	143249
	113874-01-703	EA	ROD-CENTERPULL,W/GRIP	830152.002
	113874-01-706	EA	LOCK-TRAVEL	830587
	113874-01-707	EA	HANDLE-LIFT	830644
	113874-01-709	EA	NAIL-SPIKE,8"	113006
	113874-01-710	EA	PLUG-STOPKIT	830456
	113874-01-711	EA	ARM-ADJUSTABLE/TALLSATIN	830466.016
	113874-01-712	EA	FOOT-PATIO	730366
	113874-01-714	EA	RAFTER-MAINRH/LH-BRT/WHT	830295.036F
	113874-01-715	EA	RAFTER-SECONDARY-BRT/WHT	830463.011F
	113874-01-716	EA	ARM-MAINSUPPORT-BRT/WHT	3104502.277F
	113874-01-717	EA	ARM-ADJUSTABLE-BRT/WHT	830466.016/F

EXTERIORBODYGROUP(CONTINUED)

EXTERIORBODYPANELS&TRIM

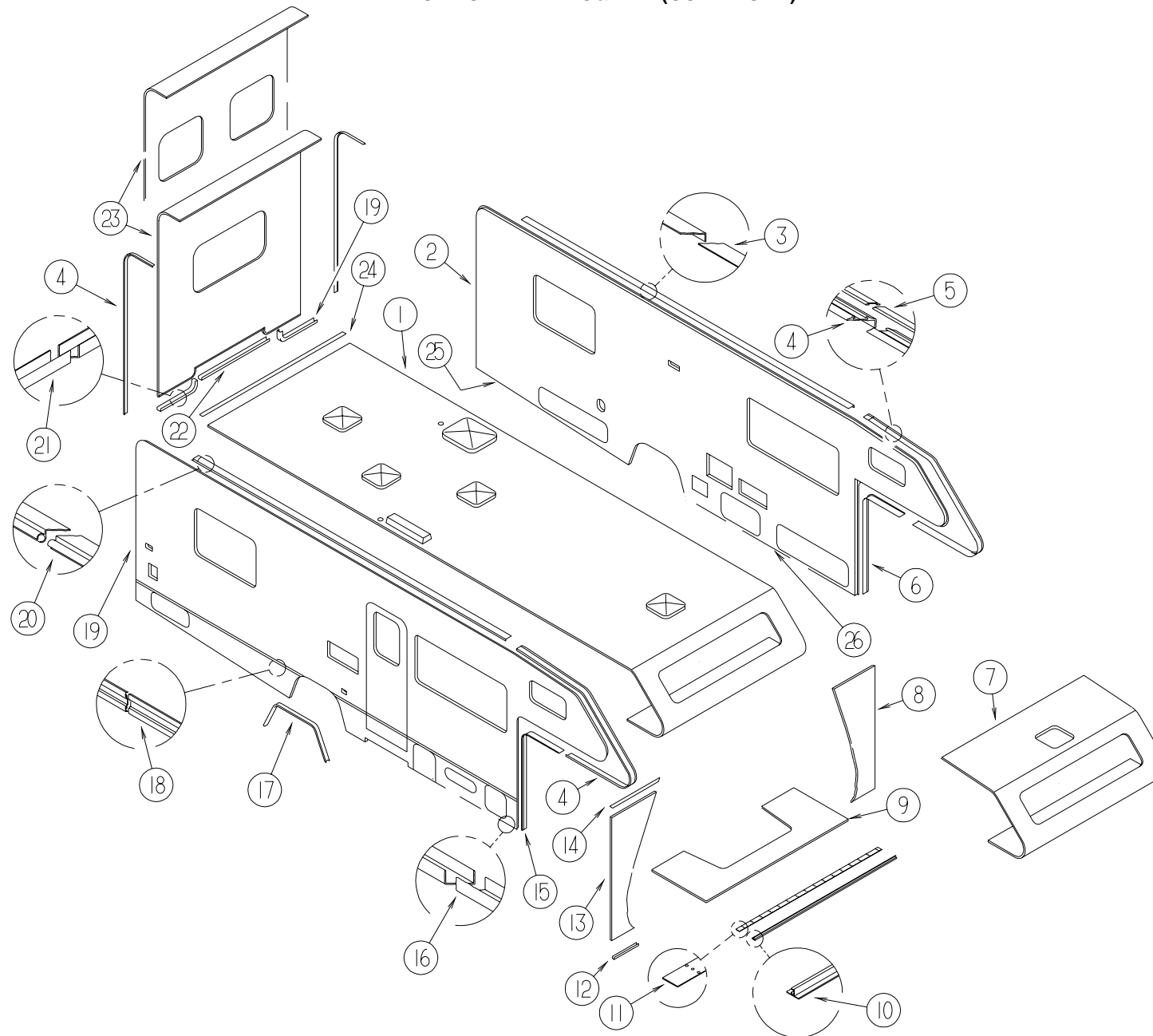


KEY	PARTNUMBER	U/M	DESCRIPTION
1	M08132-01-H04	EA	ROOFASMW/BASES,QUEENBED
1	M08132-03-H04	EA	ROOFASMW/BASES,DBLBED
1	M08132-02-H04	EA	ROOFASMW/BASES,TWINBED
2	M08130-01-H04	EA	SIDEWALLASM-LH,QUEENBED(H04)
2	M08130-01-H05	EA	SIDEWALLASM-LH,QUEENBED(H05)
2	M08130-01-H24	EA	SIDEWALLASM-LH,QUEENBED(H24/H26)
2	M08130-02-H04	EA	SIDEWALLASM-LH,DBLBED(H04)
2	M08130-02-H05	EA	SIDEWALLASM-LH,DBLBED(H05)
2	M08130-02-H24	EA	SIDEWALLASM-LH,DBLBED(H24/H26)
2	M08130-03-H04	EA	SIDEWALLASM-LH,TWINBED(H04)
2	M08130-03-H05	EA	SIDEWALLASM-LH,TWINBED(H05)
2	M08130-03-H24	EA	SIDEWALLASM-LH,TWINBED(H24/H26)
	104437-01-000	EA	TUBE-FORMED,SIDEWALL,REAR
	064675-54-003	EA	STEEL-ANGLE ROOF JOINT-4'-OFF/WHITE
	064675-54-004	EA	STEEL-ANGLE ROOF JOINT-1.7'-OFF/WHITE
3	096864-03-01A	EA	TRIM-CONTOUR,ROOF-BRIGHTWHITE
3	100483-02-02A	EA	TRIM-CONTOUR,ROOF-BRIGHTWHITE-133.9"
4	096854-04-02A	EA	TRIM-CONTOUR
5	105312-01-07A	FT	INSERT-FEATURE STRIP VINYL-BRIGHTWHITE

KEY	PARTNUMBER	U/M	DESCRIPTION
6	104479-06-02A	EA	TRIM-FRONT CONTOUR-BRIGHTWHITE
7	M76177-01-700	EA	CAP-FRONT,OVERHEAD CAB TO FIRST SEAM OF ROOF
8	M07423-06-F15	EA	WINGWALL ASM-LH,BRIGHTWHITE
9	M07422-01-H04	EA	SLEEPERBOARD ASM,BRIGHTWHITE
10	100086-04-01A	EA	TRIM-SLEEPERBOARD/ROOF-BRIGHTWHITE-2"X96.6"
11	100085-03-01A	EA	TRIM-SLEEPERBOARD,FLAT-2.5"X87.5"-OFFWHITE
12	002365-03-006	EA	U CHANNEL-EXTRUDED/POWDER PAINTED 1"X192"
13	M07423-05-F15	EA	WINGWALL ASM-RH,BRIGHTWHITE
14	022992-14-000	FT	MOLDING-REVERSE COVE,BRIGHTWHITE W&BUV STABLE
	002776-01-001	EA	U-CHANNEL-EXTRUDED,1.75"X192"-SERRATED
15	104479-05-02A	EA	TRIM-FRONT CONTOUR
16	105207-86-01A	EA	TRIM-SIDEWALL,LOWER-2719MM,BRIGHTWHITE
	098072-55-004	EA	EXTR-CHANNEL,BRIGHTWHITE 2900MM
17	122168-02-H04	EA	PANEL ASM-WHEEL LIP
	122168-01-01A	EA	PANEL-WHEEL LIP,REAR,BRIGHTWHITE
	122227-01-01A	EA	TRIM-WHEEL WELL,BRIGHTWHITE
18	108688-01-03A	EA	STRIP-FEATURE-W/O INSERT/ENDCAPS-15'
	105312-01-07A	EA	INSERT-TRIM,17'LONG-VINYL-BRIGHTWHITE
	108651-01-01A	EA	ENDCAP-FEATURE STRIP

EXTERIORBODYGROUP(CONTINUED)

EXTERIORBODYPANELS&TRIM(CONTINUED)

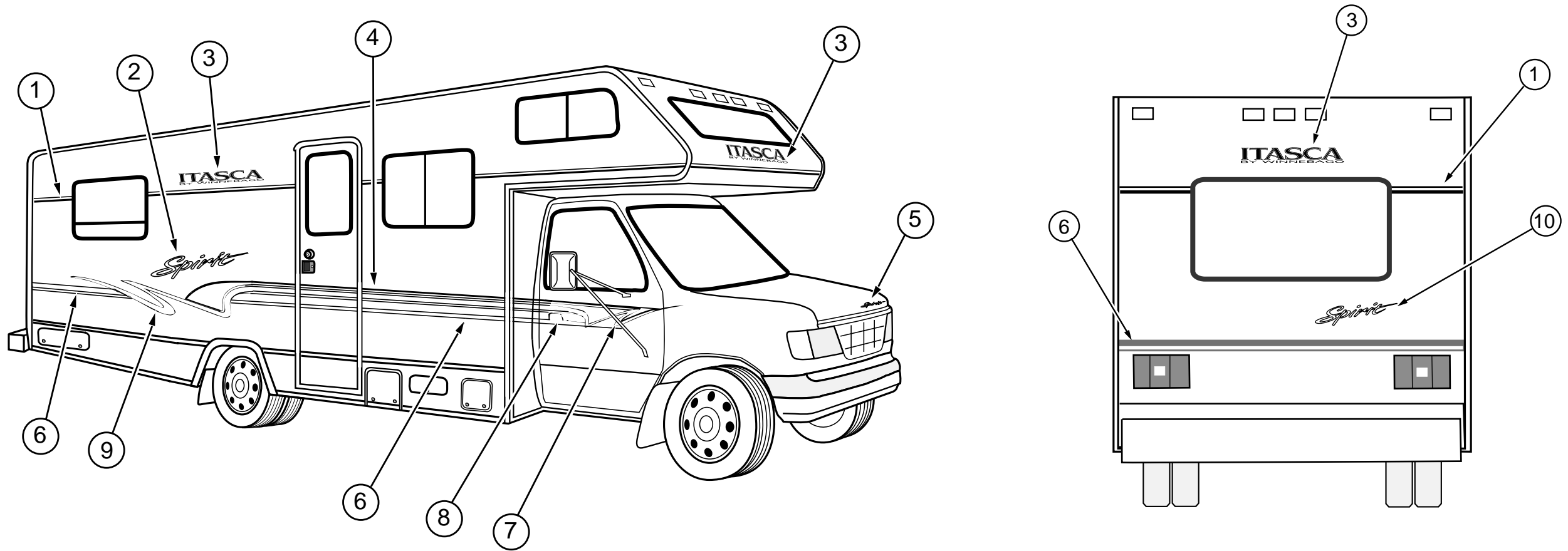


KEY	PARTNUMBER	U/M	DESCRIPTION
19	M08131-01-H04	EA	SIDEWALLASM-RH,QUEENBED(H04)
19	M08131-01-H05	EA	SIDEWALLASM-RH,QUEENBED(H05)
19	M08131-01-H24	EA	SIDEWALLASM-RH,QUEENBED(H24/H26)
19	M08131-02-H04	EA	SIDEWALLASM-RH,DBLBED(H04)
19	M08131-02-H05	EA	SIDEWALLASM-RH,DBLBED(H05)
19	M08131-02-H24	EA	SIDEWALLASM-RH,DBLBED(H24/H26)
19	M08131-03-H04	EA	SIDEWALLASM-RH,TWINBED(H04)
19	M08131-03-H05	EA	SIDEWALLASM-RH,TWINBED(H05)
19	M08131-03-H24	EA	SIDEWALLASM-RH,TWINBED(H24/H26)
20	100483-02-02A	EA	TRIM-CONTOUR,ROOFBRIGHTWHITE-133.9"
20	100483-03-01A	EA	TRIM-CONTOUR,ROOFBRIGHTWHITE-125.8"
	099583-55-004	EA	AWNINGRAIL,3400MM,BRIGHTWHITE
	064675-54-003	EA	STEEL-ANGLEROOFJOINT-4'-OFF/WHITE
21	103334-02-02A	EA	TRIM-BACKWALL,LOWER,BRIGHTWHITE
22	103335-02-02A	EA	TRIM-BACKWALL,LOWER,BRIGHTWHITE

KEY	PARTNUMBER	U/M	DESCRIPTION
23	M08133-01-H04	EA	BACKWALLASM-QUEENBED(H04)
23	M08133-01-H05	EA	BACKWALLASM-QUEENBED(H05)
23	M08133-01-H24	EA	BACKWALLASM-QUEENBED(H24/H26)
23	M08133-02-H04	EA	BACKWALLASM-DBLBED(H04)
23	M08133-02-H05	EA	BACKWALLASM-DBLBED(H05)
23	M08133-02-H24	EA	BACKWALLASM-DBLBED(H24/H26)
23	M08133-03-H04	EA	BACKWALLASM-TWINBED(H04)
23	M08133-03-H05	EA	BACKWALLASM-TWINBED(H05)
23	M08133-03-H24	EA	BACKWALLASM-TWINBED(H24/H26)
24	078580-02-000	EA	TRIM-ROOF/FRONTCAPMILL
25	105207-88-01A	EA	TRIM-SIDEWALL,LOWER-2719MM,BRIGHTWHITE
26	105207-87-01A	EA	TRIM-SIDEWALL,LOWER-2867MM,BRIGHTWHITE

EXTERIOR BODY GROUP (CONTINUED)

DECALS, STRIPES & PAINT



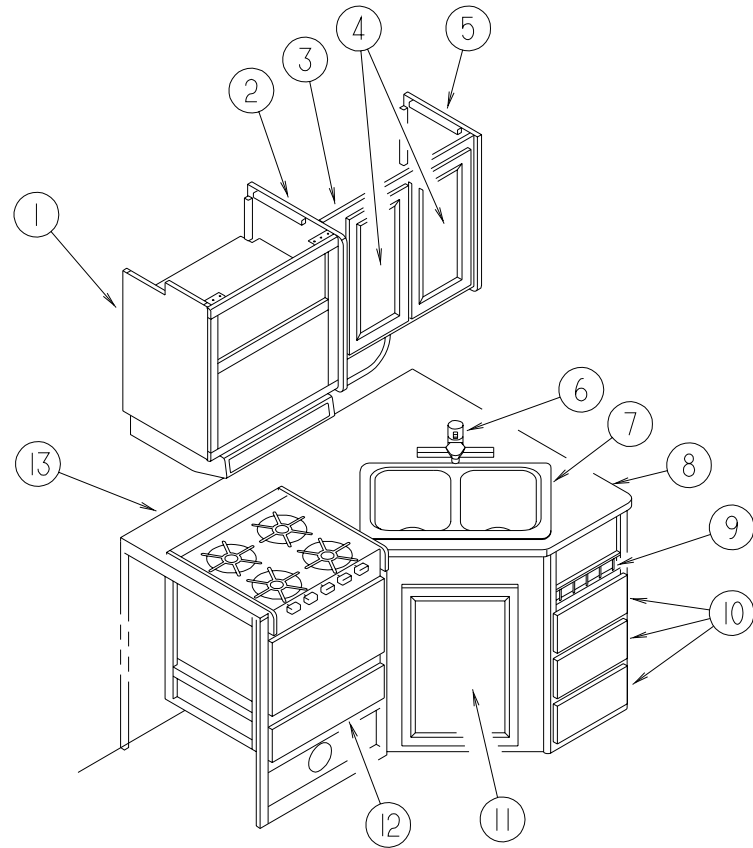
KEY	PARTNUMBER	U/M	DESCRIPTION
1	093680-37-01A	FT	FILM-MULTISTRIPE 69.9MM-COOLBLUE/MEDIUMBLUE
2	115130-02-02A	EA	DECAL-LOGO, SPIRIT-SEAMISTTEAL
3	116921-02-05A	EA	DECAL-LOGO, ITASCA, WINNEBAGO INDUSTRIES-SEAMISTTEAL/SEAMISTTEAL/SEAMISTTEAL
4	094443-42-01A	FT	FILM-MULTISTRIPE 127MM-MAJASTICPURPLE/MAJASTICPURPLE/SEAMISTTEAL
5	115130-01-02A	EA	DECAL-LOGO, SPIRIT-SEAMISTTEAL
6	093680-38-01A	FT	FILM-MULTISTRIPE 136.5MM-COOLBLUE/MEDIUMBLUE
7	120913-01-01A	EA	DECAL-ZIGZAG, SMALL, RH-SEAMISTTEAL
7	120913-02-01A	EA	DECAL-ZIGZAG, SMALL, LH-SEAMISTTEAL
8	120914-01-01A	EA	DECAL-CABHANDLE, FORD, RH-COOLBLUE/MEDIUMBLUE
8	120914-02-01A	EA	DECAL-CABHANDLE, FORD, LH-COOLBLUE/MEDIUMBLUE
9	120912-01-01A	EA	DECAL-ZIGZAG, LARGE, RH-SEAMISTTEAL/MAJASTICPURPLE/BRIGHTWHITE
9	120912-02-01A	EA	DECAL-ZIGZAG, LARGE, LH-SEAMISTTEAL/MAJASTICPURPLE/BRIGHTWHITE
10	115130-01-02A	EA	DECAL-LOGO, SPIRIT-SEAMISTTEAL
	126511-01-01A	EA	DECAL-MCCLAINSRV34THANNIVERSARY-S-MARLINBLUE
	041561-03-000	EA	PAINT-16OZSPRAY-OFFWHITE-ACRYLICENAMEL

DUPONT PAINT COLOR CODES

BRIGHTWHITE
LIGHTSILVERMETALLIC

DUPONTB8951U
DUPONTF2573U-MCCLAINSAANNIVERSARYOPTION

GALLEYGROUP



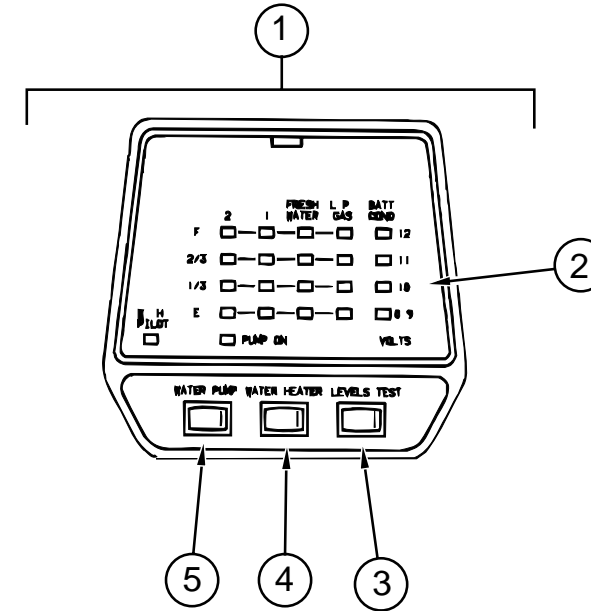
GALLEYCABINETS&FIXTURES

KEY	PARTNUMBER	U/M DESCRIPTION
1	115956-01-G04	EA CABINET-MICROWAVE-W/ODOORS/HARDWARE
2	109908-21-G04	EA ENDCAP-OVERHEADCABINET
3	121396-01-H04	EA CABINETASM-OVHD,GALLEY
	081321-75-H04	EA SHELFASM-CABINET
4	110140-68-GB1	EA DOOR-MITEREDCORNER/VINYLRAP-12"X21.8"-W/OHDW
5	121396-13-H04	EA CAPASM
6	103243-01-000	EA FAUCET-GALLEY,DUALCONTROL-P5043
7	104113-01-000	EA SINK-SST,DOUBLE
	092303-01-000	EA STRAINER-SINK
	110012-02-GB1	EA COVER-SINK-10.8"X14.9"LEFTCORNERCUTOUT(H04)
	110012-02-G05	EA COVER-SINK-10.8"X14.9"LEFTCORNERCUTOUT(H05)
	110012-02-G01	EA COVER-SINK-10.8"X14.9"LEFTCORNERCUTOUT(H24/H26)
8	121388-12-H04	EA COUNTERTOPASM(H04)
8	121388-12-H05	EA COUNTERTOPASM(H05)
8	121388-12-H24	EA COUNTERTOPASM(H24/H26)
9	121388-14-H04	EA SPICERACKASM
	111775-01-04A	EA RAIL-DECORATIVE,WATERFORDOAK
10	P10163-H1-H04	EA DRAWER-W/OSLIDES/HARDWARE
11	110140-15-G01	EA DOOR-MITEREDCORNER/VINYLRAP-15.3"X25.5"-W/OHDW
12	P10163-H2-H04	EA DRAWER-W/OSLIDES/HARDWARE

GALLEYGROUP(CONTINUED)

GALLEYCABINETS&FIXTURES(CONTINUED)

KEY	PARTNUMBER	U/M DESCRIPTION
13	P21388-01-H04	EA CABINETASM-GALLEY(H04)
13	P21388-01-H05	EA CABINETASM-GALLEY(H05)
13	P21388-01-H24	EA CABINETASM-GALLEY(H24/H26)
	121388-11-H04	EA SHELFASM
	110140-16-G01	EA DOOR-MITEREDCORNER/VINYLRAP-14.9"X21.8"-REFRIGERATOR
	090329-01-000	FT SEAL-T,REFRIGERATORCABINET-.6"WIDETOPX2"TAIL



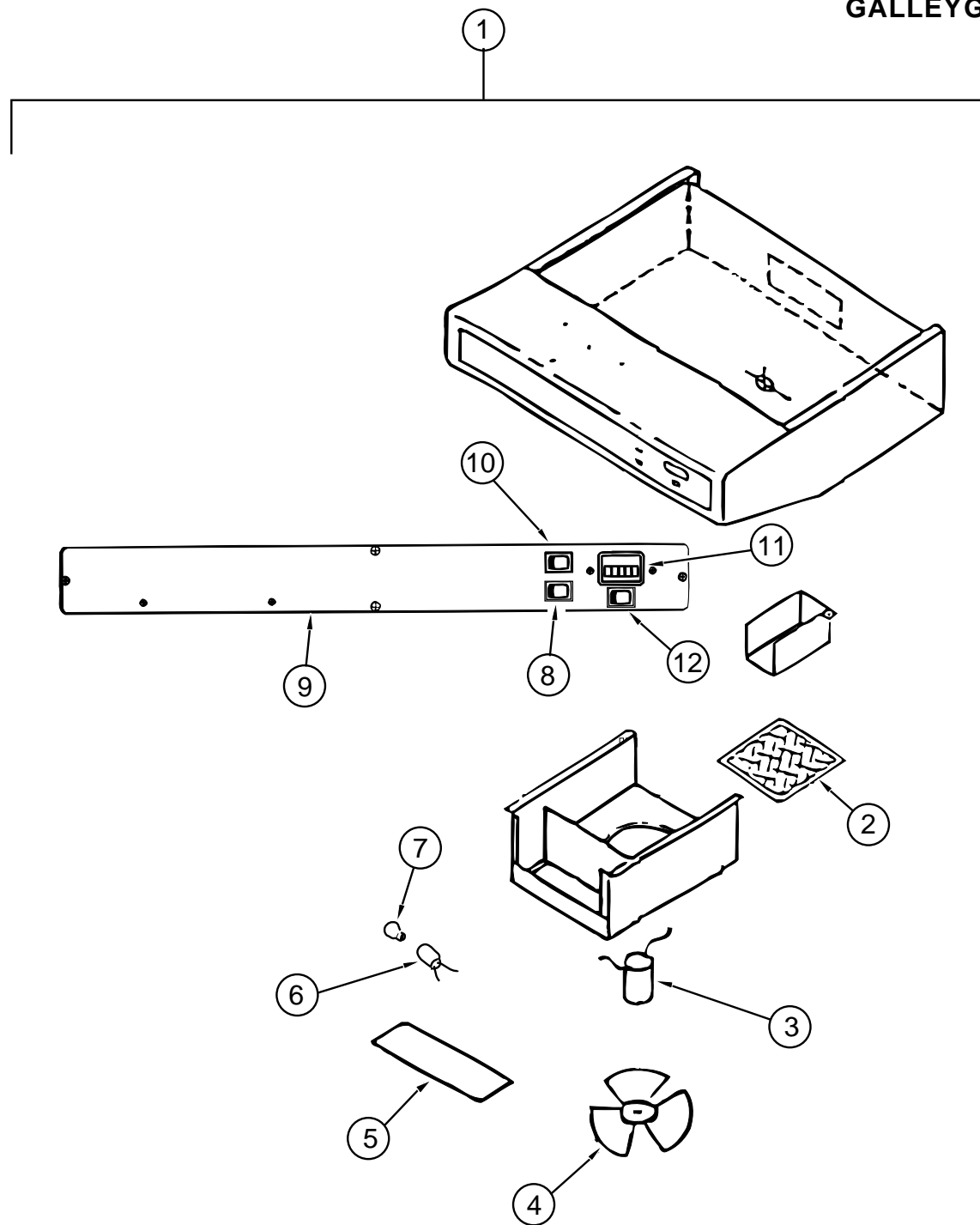
MONITORPANEL-LVS

KEY	PARTNUMBER	U/M DESCRIPTION	VENDORNO.
1	102765-04-01A	EA PANEL-MONITOR2TANKWATERHEATER-LVSW/PLUG-ALMOND	
2	102765-04-700	EA BOARD-CIRCUIT,2HOLDINGTANK	L5097-41
3	097617-01-702	EA SWITCH(ALMOND)	107
4	097617-01-701	EA SWITCH-ON/OFF,ALMOND	106
5	102765-01-700	EA SWITCH-ON-ON,ALMOND	110-01

MICROWAVEOVEN

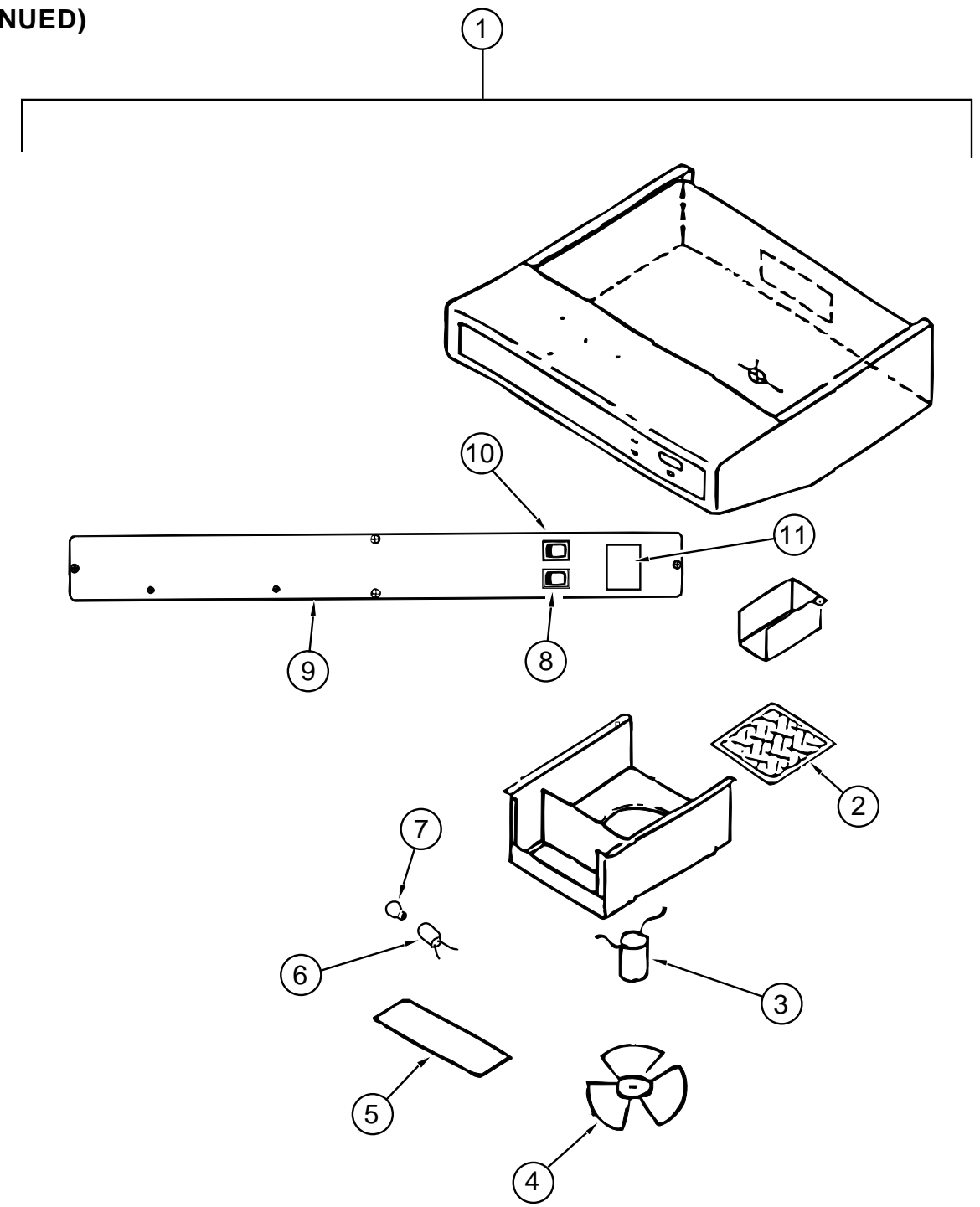
KEY	PARTNUMBER	U/M DESCRIPTION	VENDORNO.
	115303-01-000	EA OVEN-MICROWAVE MCD-DM15K-7B	
	115303-01-700	EA TRIMF/VENT, TOP	2100309
	115401-01-01A	EA TRIM-MICROWAVE, BLACK	
	098916-08-01A	EA BRACE-MICROWAVECABINET, LEFT-STEEL	
	098916-09-01A	EA BRACE-MICROWAVECABINET, RIGHT-STEEL	
	094750-07-000	EA BRACKET-MICROWAVE, 89DEGREE	

GALLEYGROUP(CONTINUED)



RANGEHOODW/OMONITORPANEL-U.S.-MODELTPS-5009-SADLG

KEY	PARTNUMBER	U/M	DESCRIPTION	VENDORNO.
1	100258-18-02A	EA	HOOD-RANGE,W/OMONITORPANEL-TEXTURED-VENTLINE	
2	096983-01-707	EA	FILTER-MESH	CC246
3	090973-01-700	EA	MOTOR-LVS	CA508-1
4	090973-01-702	EA	BLADE-FAN,LVS	VA183-1
5	092696-02-701	EA	LENS-LAMP,LVS	CC179-2
6	092696-01-710	EA	HOLDER-LAMP	CB267-2
7	117806-01-000	EA	BULB-12VNO.9121.0AMPS	
8	096983-01-702	EA	SWITCH-TWOWAYMOMENTARY,VENTLINE	112
9	096983-01-700	EA	SWITCH-ON/OFF,VENTLINE	108
10	100258-01-700	EA	HOOD-NOSELABEL,	CC428
11	100258-10-01A	EA	GAUGE-HOURMETER,W/SWITCH-SCREWON150	
11	100258-10-701	EA	GAUGE-HOURMETER,CLIPON	L0775-00
12	096983-01-702	EA	SWITCH-TWOWAYMOMENTARY,VENTLINE-GENERATOR	112

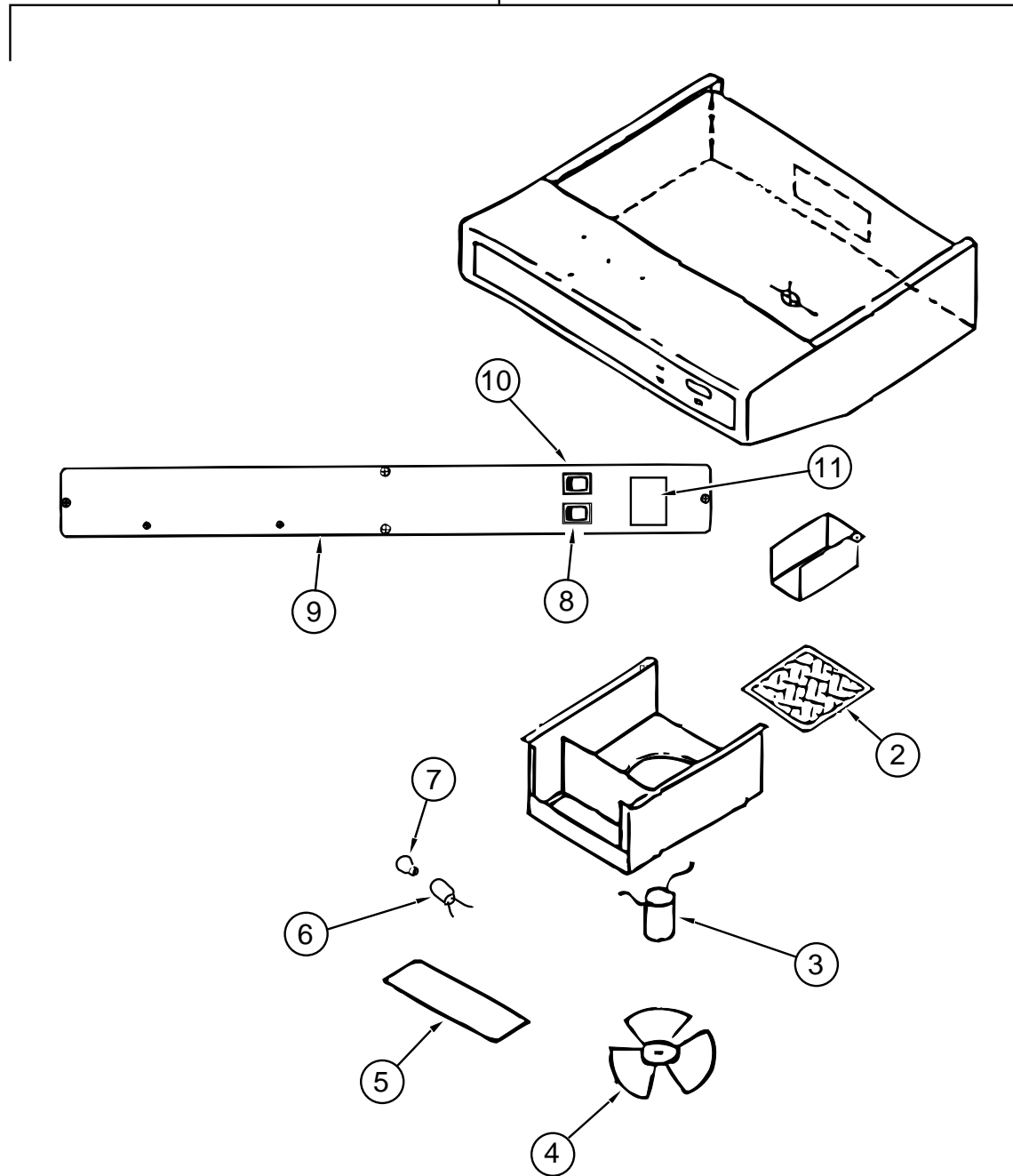


RANGEHOODW/OMONITORPANEL-U.S.-MODEL TCS-5008-NADL

KEY	PARTNUMBER	U/M	DESCRIPTION	VENDORNO.
1	100258-16-03A	EA	HOOD-RANGE,W/OMONITORPANEL-TEXTURED-VENTLINE	
2	096983-01-707	EA	FILTER-MESH	CC246
3	090973-01-700	EA	MOTOR-LVS	CA508-1
4	090973-01-702	EA	BLADE-FAN,LVS	VA183-1
5	092696-02-701	EA	LENS-LAMP,LVS	CC179-2
6	092696-01-710	EA	HOLDER-LAMP	CB267-2
7	117806-01-000	EA	BULB-12VNO.9121.0AMPS	
8	096983-01-700	EA	SWITCH-ON/OFF,VENTLINE	108
9	100258-01-700	EA	HOOD-NOSELABEL	CC428
10	096983-01-702	EA	SWITCH-TWOWAYMOMENTARY,VENTLINE	112
11	100258-10-01A	EA	GAUGE-HOURMETER,W/SWITCH-SCREWON150	
11	100258-10-701	EA	GAUGE-HOURMETER,CLIPON	L0775-00
11	097944-03-700	EA	PLATE-COVER,HOURMETER-VENTLINE	L6052

GALLEYGROUP(CONTINUED)

1



RANGEHOODW/OMONITORPANEL-CANADIAN-MODELTCS-5008-NACL

GALLEYGROUP(CONTINUED)

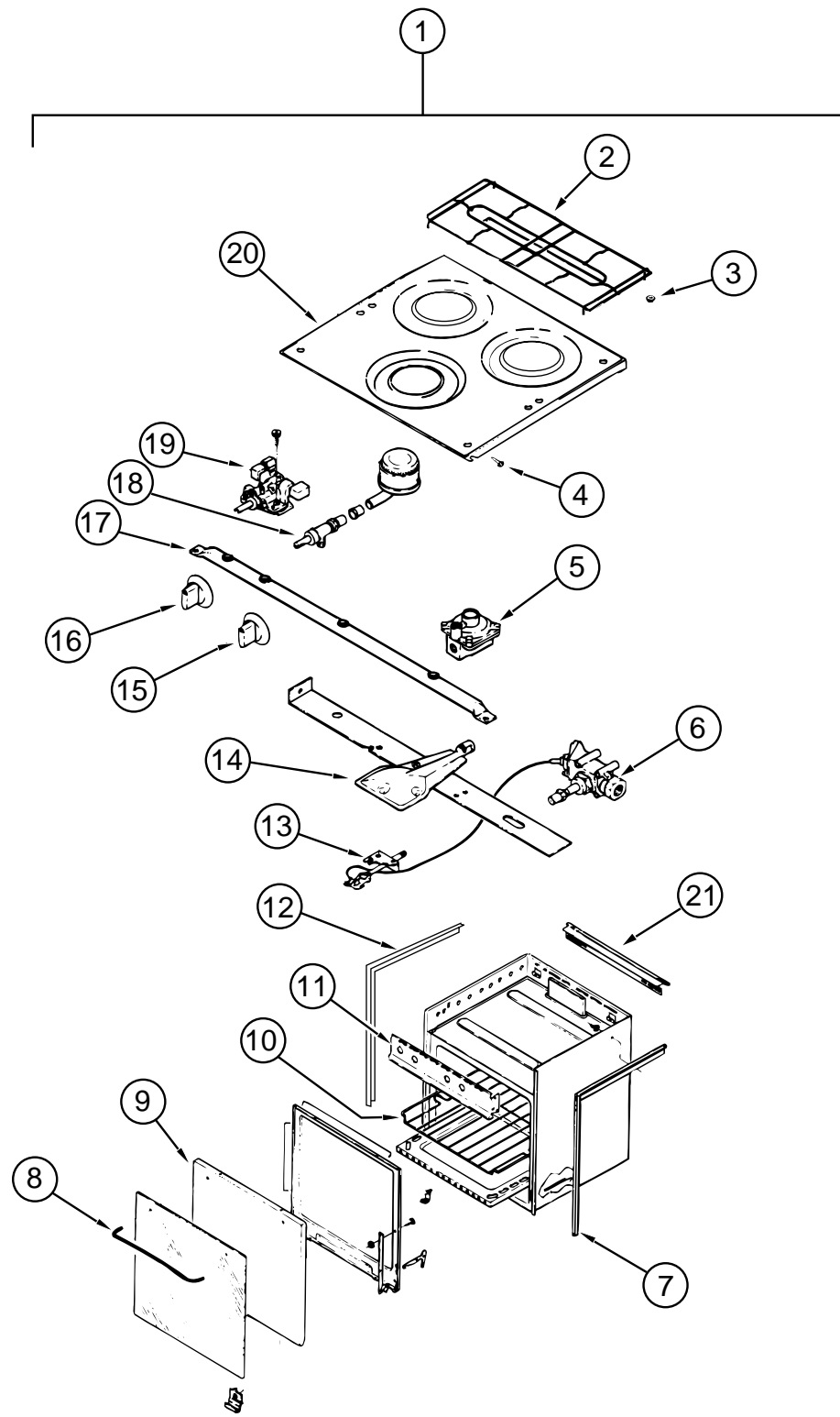
NORCOLDREFRIGERATOR-MODEL982RH

KEY	PARTNUMBER	U/M	DESCRIPTION	VENDORNO.
	120075-01-01A	EA	REFRIG-LARGEDBLDOR2-WAY	
	084880-01-718	EA	VALVE-GAS,(ASCO)	61551822
	084880-01-760	EA	CLIP(THERMISTER)	61689122
	084880-03-705	EA	BRACKET-LIGHT-INTERIOR	61629722
	084880-03-706	EA	BULB-LAMP	61628922
	088248-01-709	EA	HEATER-AC(HORIZONTAL)	61562722
	088248-01-710	EA	HEATERDC(HORIZONTAL)	61562822
	104137-06-709	EA	VALVE-SHUTOFF,MANUAL	61694922
	104137-06-714	EA	BURNERASSEMBLY,5-SLOT	61705222
	104137-06-715	EA	ELECTRODE-SPARK/SENSOR,SGL	61692222
	104137-06-718	EA	SHELF-TRAY,WHITE,W/CUTOUT	617756
	113737-01-702	EA	PLUG1/8"F/PRESSURETAP	61445322
	113737-01-716	EA	TAP-PRESSURE	61594422
	113737-01-750	EA	TUBE-UNION	61694622
	120075-01-701	EA	HINGE-TOPRH/BTMLH-PAINTED	618511
	120075-01-702	EA	CAP,(HINGEPLUG)	618160
	120075-01-703	EA	DOORASM.,FOAMED,W/GASKET	618205
	120075-01-705	EA	HINGE,PAINTED,TOPLH/BTMRH	618510
	120075-01-708	EA	BUSHING-DOORHINGE	618144
	120075-01-710	EA	DOOR-LOWER-FOAMED,W/GASKET	618270
	120075-01-711	EA	HANDLEASM,UPPERRH/LOWERLH	618235
	120075-01-713	EA	TRIM-TOPPIECE	618124
	120075-01-714	EA	PLUG-HOLE	618170
	120075-01-715	EA	HINGE-CABINETSIDE-PAINTED	618512
	120075-01-718	EA	BOX-FILLER	618112
	120075-01-720	EA	TRAY-DRIP	618137
	120075-01-721	EA	LOUVER-DRIPTRAY	618176
	120075-01-725	EA	COVER-CRISPER	618158
	120075-01-727	EA	PIN-HINGE	618145
	120075-01-728	EA	COVER-HINGEHOLE	618171
	120075-01-729	EA	TRIM-BOTTOMPIECE	618136
	120075-01-730	EA	RETAINER-SHELF	618181
	120075-01-731	EA	PLUG-FACADE	618184
	120075-01-732	EA	PLATE-STRIKE	618167
	120075-01-735	EA	WIREASM.-LAMP	618548
	120075-01-738	EA	COVER-POWERBOARD	618185
	120075-01-739	EA	BOARD-POWER,2-WAY	618198
	120075-01-740	EA	COVER-BASE,POWERBOARD	618186
	120076-01-700	EA	RETAINER-LOWERDOORPANEL	618132
	120076-01-702	EA	TRIM,SIDEPIECE	618133
	120076-01-703	EA	CABINET-FOAMED	618260
	120076-01-704	EA	COOLINGUNIT,SERVICEPACK	618543
	121568-01-700	EA	RAIL-DOORUPPER	618618
	121568-01-701	EA	BIN-DOORWHITE	618619
	121568-01-702	EA	DOORHANDLEASMLWR/LH-TOP/RH	618230
	121568-01-703	EA	RETAINER-PANELLOWERDOOR	618129
	121568-01-704	EA	RAIL-DOORLOWER	618578
	121568-01-705	EA	SHELF-WIREFREEZER	618620
	121568-01-706	EA	CONTROLBOXASSEMBLY	618588
	121568-01-707	EA	SHELF-WIRE-SHORT	618624
	121568-01-708	EA	SHELF-WIRE	618589
	121568-01-709	EA	CRISPER	618571
	121568-01-710	EA	BOARD-POWER-3WAY	618575
	121568-01-711	EA	BOARD-MODULE,DC	618561
	093646-01-000	EA	BRACKET-TIEDOWN/REFRIGERATOR-RIGHTHAND	
	093646-02-000	EA	BRACKET-TIEDOWN/REFRIGERATOR-LEFTHAND	
	065225-02-000	EA	PLATE-TIEDOWN,REFRIGERATOR	
	054450-01-000	EA	LEVEL-REFRIGERATOR	
	116751-02-01A	EA	TRAY-REFRIGERATOR,BLACK	

KEY	PARTNUMBER	U/M	DESCRIPTION	VENDORNO.
1	100258-17-03A	EA	HOOD-RANGE,W/OMONITORPANEL-TEXTURED-VENTLINE	
2	096983-01-707	EA	FILTER-MESH	CC246
3	090973-01-700	EA	MOTOR-LVS	CA508-1
4	090973-01-702	EA	BLADE-FAN,LVS	VA183-1
5	092696-02-701	EA	LENS-LAMP,LVS	CC179-2
6	092696-01-710	EA	HOLDER-LAMP	CB267-2
7	117806-01-000	EA	BULB-12VNO.9121.0AMPS	
8	096983-01-700	EA	SWITCH-ON/OFF,VENTLINE	108
9	100258-01-700	EA	HOOD-NOSELABEL	CC428
10	096983-01-702	EA	SWITCH-TWOWAYMOMENTARY,VENTLINE	112
11	100258-10-01A	EA	GAUGE-HOURMETER,W/SWITCH-SCREWON 150	
11	100258-10-701	EA	GAUGE-HOURMETER,CLIPON	L0775-00
11	097944-03-700	EA	PLATE-COVER,HOURMETER-VENTLINE	L6052

GALLEYGROUP(CONTINUED)

RANGEW/OVEN-MAGICCHEF-MODEL16RA-3B49



KEY	PARTNUMBER	U/M	DESCRIPTION	VENDORNO.
1	112881-01-03A	EA	RANGE-16",3BURNER-ALMOND-BLACKTEXTURED	DOOR
2	102020-01-711	EA	GRATE-TOP	7518P012-60
3	102020-01-709	EA	BUMPER-GRATE	8007-P020-60
4	102020-01-724	EA	BUMPER-MAINTOP	8003P008-60
5	102022-01-708	EA	REGULATOR,1/4&1/2OUT	7510P041-60
6	112881-01-702	EA	VALVE-MERCURY(SAFETYVALVE)	7501P12160=74001018
7	112881-01-720	EA	TRIM-FLATRHBLACKTEXTURED	74002812
7	112881-01-708	EA	TRIM-FLAT(RIGHT)(BLK)	3608W036-70
8	102020-01-701	EA	HANDLE,DOOR	7701P092-60
9	112881-01-713	EA	DOOR-OVEN-TEXTURED,BLACK	2401F126-70
10	102020-01-700	EA	SHELF-OVEN	7801-P027-60
11	112881-01-701	EA	PANEL-MANIFOLD	2616F091-70
12	112881-01-719	EA	TRIM-FLATLHBLACKTEXTURED	74002813
12	112881-01-707	EA	TRIM-FLAT(LEFT)(BLK)	3608W035-70
13	112881-01-710	EA	OVENPILOT	7505P202-60
14	112881-01-711	EA	BURNER-OVEN	3403W025045
15	112881-01-705	EA	KNOB-TOPBURNER	7733P072-60
15	112881-01-718	EA	KNOB,HIGHOUTPUT(FLAMEIND)	74001794
16	112881-01-704	EA	KNOB-THERMOSTAT	7731P067-60
16	112881-01-706	EA	THERMOSTATSER#02C	7515P031-60
16	112881-01-716	EA	KNOB,THERMOSTAT-SER#3C	7731P107-60
17	112881-01-709	EA	PIPE-MANIFOLD	7513P097-60
18	102020-01-722	EA	VALVE-TOPBURNER	7502P181-60
18	112881-01-703	EA	VALVE-TOPBURNERHI-OUTPUT	7502P180-60
19	112881-01-706	EA	THERMOSTAT	12400026
19	112881-01-715	EA	THERMOSTAT,REF.SER.#3C	7515P037-60
20	112881-01-700	EA	RANGE-TOP,3BURNER,ALMOND	2001F110-84
21	112881-01-721	EA	DEFECTORFLUEBLACKTEXTURED	
	105458-01-000	EA	TIEDOWNBRACKET-STOVE-RH	
	105458-02-000	EA	TIEDOWNBRACKET-STOVE-LH	

GENERATORGROUP

3.6KWONANGENERATOR-U.S.LP

KEY	PARTNUMBER	U/M	DESCRIPTION
	109982-04-000	EA	GENERATOR-3.6MICROLITE,ONANKY-FA/26120B
	105958-10-000	EA	PIPE-EXHAUST,GENERATOR
	007125-03-000	EA	CLAMP-MUFFLER,1.5"DIA
	007067-01-000	SF	INSULATION-FIBERGLASS,1"THICKX4'-INCREMENTSOF4SF

4.0KWONANGENERATOR-U.S.&EXPORT

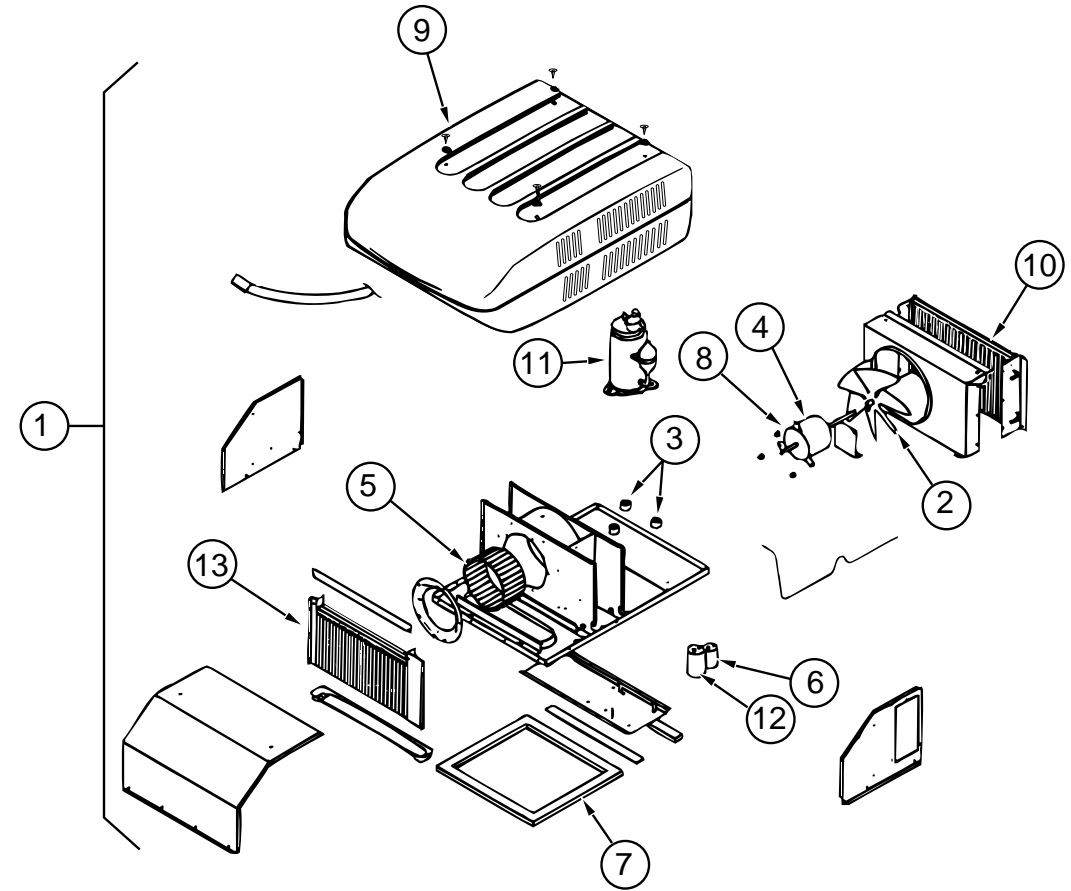
KEY	PARTNUMBER	U/M	DESCRIPTION
	109982-03-000	EA	GENERATOR,4.0MICROLITE,ONAN#KY-FA/2600B
	007067-01-000	SF	INSULATION-FIBERGLASS,1"THICKX4'-INCREMENTSOF4SF
	007125-03-000	EA	CLAMP-MUFFLER,1.5"DIA
	105958-10-000	EA	PIPE-EXHAUST,GENERATOR

3.3KWONANGENERATOR-EXPORTLP

KEY	PARTNUMBER	U/M	DESCRIPTION
	109982-05-000	EA	GENERATOR-3.3MICROLITE,ONANKY-FR/26119B
	007067-01-000	SF	INSULATION-FIBERGLASS,1"THICKX4'-INCREMENTSOF4SF
	007125-03-000	EA	CLAMP-MUFFLER,1.5"DIA
	105958-10-000	EA	PIPE-EXHAUST,GENERATOR

NOTE:ADDITIONALGENERATORCOMPONENTSAREFOUNDINTHECHASSISGROUP

HEATING&AIRCONDITIONINGGROUP



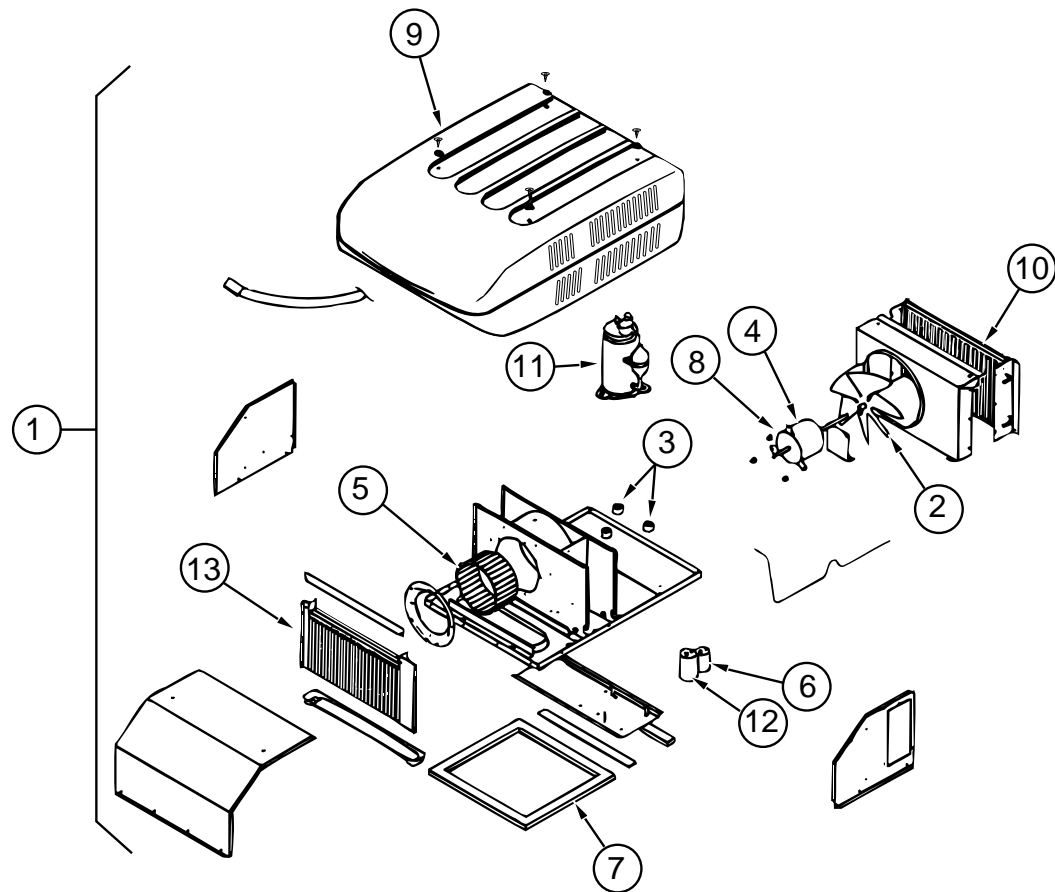
ROOFA/C-13,500BTU-COLEMAN-MODEL-TSRHO

KEY	PARTNUMBER	U/M	DESCRIPTION	VENDORNO.
1	108889-01-05A	EA	A/C-ROOF,13,500TSRHOBRIGHTWHITE-7333A886	
	102289-01-000	EA	SPRING-SCREW,ROOFA/CGASKET	6757-150
2	093763-01-712	EA	BLADE-FAN-CONDENSER	6733-3221
3	105620-01-706	EA	MOUNTINGPKG.,COMP.,3PER	6759-3081
4	108889-01-705	EA	MOTOR(115,60HZ)	1468-3049
5	108889-01-706	EA	IMPELLOR	1472-1041
6	093763-01-704	EA	CAPACITOR-FAN	1499-5461
	108889-01-710	EA	PAD-FILLER,CONDENSERSEAL	6759A3971
7	108889-01-711	EA	GASKETPKG	6792-3301
8	108889-01-715	EA	MOTORMOUNT&SHAFTSEALKIT	6792-3361
9	108889-05-700	EA	SHROUD-BRIGHTWHITEW/OLOGO	7333-4601
10	108889-01-703	EA	COIL-CONDENSER	1452A1301
11	105620-01-704	EA	COMPRESSOR-TECUMSEH,RH&LH	1450-2009
12	108889-01-707	EA	CAPACITOR-RUN,COMP-25MFD/370	1499-5661
	091225-01-709	EA	RELAY-START	1497-4131
13	108889-01-709	EA	COIL-EVAPORATOR	1452A1311
	108889-01-704	EA	OVERLOAD(MRA#98693)	6749-3541
	091225-01-710	EA	CAPACITOR-START	1497-0881
	108889-01-720	EA	TUBE-CAP	6792-1351
	108889-01-712	EA	LINE-SUCTION,REDUCER3/8X1/2	1215-2161
	108889-01-713	EA	LINE-SUCTION,3/8ODX032WALL	6792-130
	108889-01-714	EA	LINEASSEMBLY-DISCHARGE	6792-531
	093306-01-701	EA	DECALPACKAGE,LEFT&RIGHT	6798B3591

HEATING&AIRCONDITIONINGGROUP(CONTINUED)

HEATING&AIRCONDITIONINGGROUP(CONTINUED)

CEILINGA/C-COLEMAN



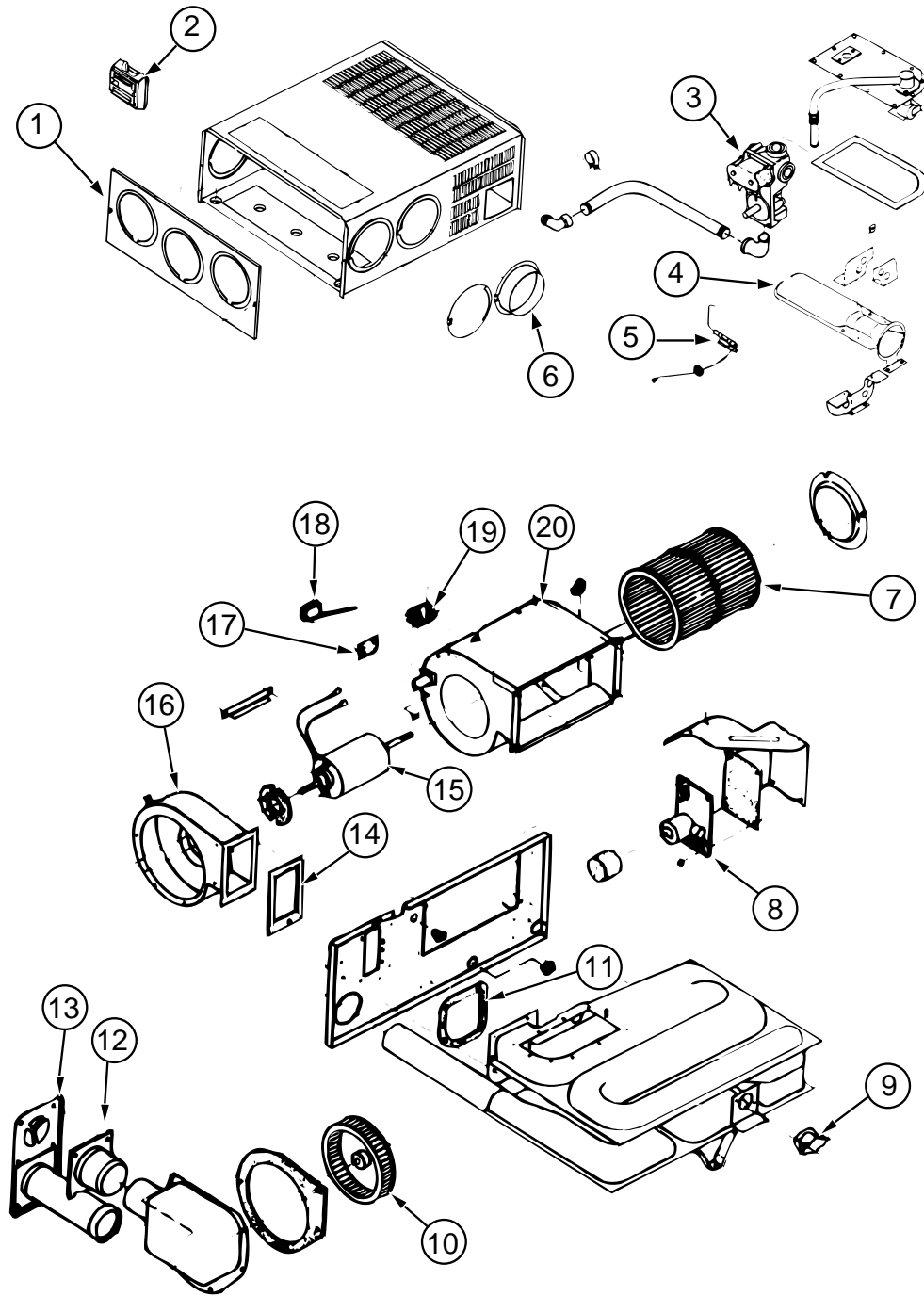
A/C-13,500BTU-EUROPE-COLEMAN-MODELTSR220

KEY	PARTNUMBER	U/M	DESCRIPTION	VENDORNO.
	108891-01-02A	EA	CEILINGASM-A/CCOOLTSRHO-COLEMAN	7330-713WH
	042204-01-709	EA	THERMOSTAT-IN64OUT58	6701-3401
	073742-01-701	EA	SELECTORSWITCH-5TERMINAL	6759-3251
	073742-01-702	EA	DECALCOOLONLY	6759C3431
	108891-01-703	EA	SHROUD-CEILINGWHITE	6769-5051
	091225-01-713	EA	KNOB-2PERPACKAGE	6701-3351
	091225-01-717	EA	DECAL-THERMOSTAT,COOLONLY	6799A3441
	093766-02-701	EA	DECAL-LEFTSIDE	6799-3971
	108891-01-700	EA	SINGLEPARTSPACKAGE-KNOBS&NUTS	6792-5991
	108891-01-701	EA	RETAINERCLIPS-FILTER,6PER	6799-3141
	108891-01-701	EA	RETAINERCLIPS-FILTER,6PER	6799-3141
	108891-01-702	EA	COLLAR-DUCT,W/METALFLANGE	6792-4541
	076303-01-717	EA	FILTER	
	022756-03-000	EA	COVER-A/CPLASTIC	
	022756-02-000	EA	COVER-PROTECTIVE,5.5"ENDSX8.2"	
	084077-03-000	EA	COVER-BLANK,ROOFA/C-5.2"X3.5"-IVORY	

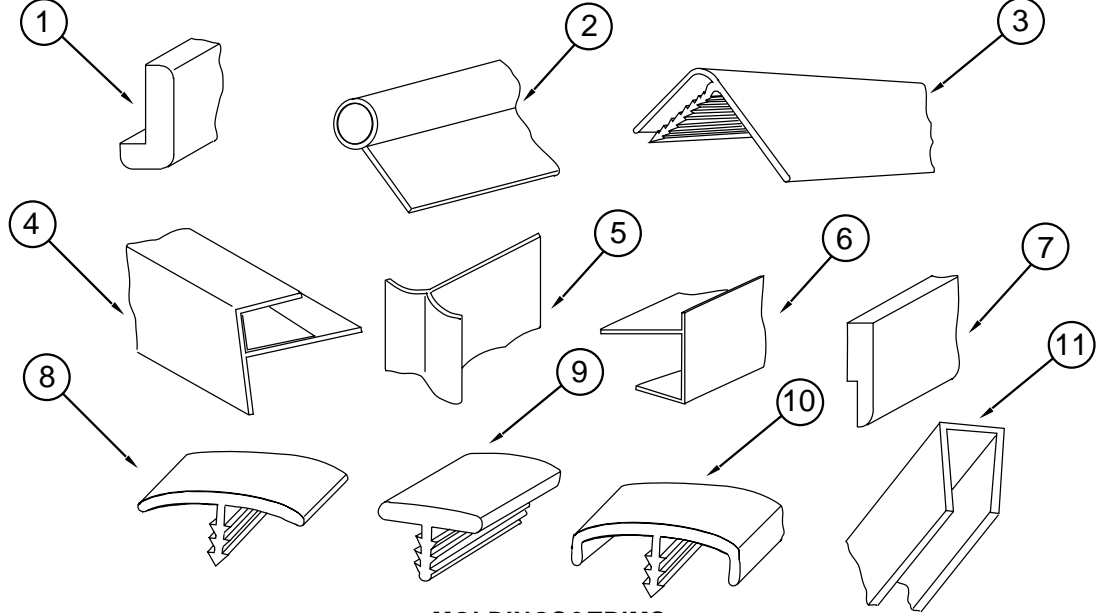
KEY	PARTNUMBER	U/M	DESCRIPTION	VENDORNO.
1	108889-02-03A	EA	AIRCONDITIONER-13,500BTU/220VOLT	
2	093763-01-712	EA	BLADE-FAN-CONDENSER	6733-3221
3	105620-01-706	EA	MOUNTINGPKG.,COMP.,3PER	6759-3081
4	108889-02-701	EA	MOTOR	1468-3059
5	108889-01-706	EA	IMPELLOR	1472-1041
6	093763-01-704	EA	CAPACITOR-FAN	1499-5461
	108889-01-710	EA	PAD-FILLER,CONDENSERSEAL	6759A3971
7	108889-01-711	EA	GASKETPKG	6792-3301
8	108889-01-715	EA	MOTORMOUNT&SHAFTSEALKIT	6792-3361
9	108889-05-700	EA	SHROUD-BRIGHTWHITEW/OLOGO	7333-4601
10	108889-01-703	EA	COIL-CONDENSER	1452A1301
11	108889-02-700	EA	COMPRESSOR-TECUMSEH	1450A2029
12	108889-01-707	EA	CAPACITOR-RUN,COMP-25MFD/370	1499-5661
	108889-02-703	EA	RELAY-START	1497-4141
13	108889-01-709	EA	COIL-EVAPORATOR	1452A1311
	108889-02-702	EA	CAPACITOR-START	1497-0891
	105620-01-705	EA	PROTECTOR-OVERLOAD,RH&LH	6759-3791
	108889-01-713	EA	LINE-SUCTION,3/8ODX032WALL	6792-130
	108889-01-714	EA	LINEASSEMBLY-DISCHARGE	6792-531
	093306-01-701	EA	DECALPACKAGE,LEFT&RIGHT	6798B3591

HEATING & AIR CONDITIONING GROUP (CONTINUED)

FURNACE-25,000 BTU-SUBURBAN-MODEL SF-302273



KEY	PARTNUMBER	U/M	DESCRIPTION	VENDOR NO.
	098668-20-000	EA	FURNACE-30,000BTU	
1	098668-01-700	EA	CABINETFRONT	101242
2	115764-01-01A	EA	THERMOSTAT-FURNACE	160902
3	098668-01-714	EA	VALVE-GAS	161070
4	098668-02-700	EA	BURNERASSEMBLY-COMplete	010745
5	098668-01-715	EA	ELECTRODEASSEMBLY-SINGLEPROBE	232166
6	075696-02-703	EA	COLLAR-DUCT	050715
7	098668-01-711	EA	WHEEL-ROOMAIR	350123
8	098668-01-712	EA	BOARD-MODULE	231741
9	098668-21-701	EA	SWITCH-LIMIT	231799
10	098668-01-706	EA	WHEEL-COMBUSTIONAIR	350122
11	098668-01-716	EA	GASKET-FIREWALL,CHAMBERSIDE	070808
12	098668-01-713	EA	TUBEASM-INTAKEVENT	051248
13	098668-01-707	EA	VENTCAP&EXHAUSTTUBEASSEMBLY	260193
14	098668-01-717	EA	GASKETFIREWALL-BLOWERSIDE	070809
15	098668-01-709	EA	MOTORASSEMBLY	231706
16	098668-01-708	EA	BLOWERASSEMBLY-COMBUSTIONAIR	390441
17	101990-01-714	EA	GASKET-MICROSWITCH	230877
18	098668-21-700	EA	MICROSWITCH-W/OFLAG,31/4"	232261
19	074466-01-702	EA	RELAY-TIMEDELAY	230625
20	098668-01-710	EA	BLOWERASSEMBLY-ROOMAIR	390440
	092300-02-701	EA	ORIFICE-MAINBURNER	180214
	098668-23-000	EA	DOOR-ACCESS-FURNACE	
	009198-01-000	FT	DUCT-HEAT,FLEXIBLE-4"IDX25FT	
	009200-01-000	EA	TAPE-FURNACE,1 1/2"	
	069636-02-000	EA	CONNECTOR-DUCT,4"ID-SUBURBAN050715	
	089367-01-000	EA	TEE-4"OD,7"LONG-METAL	
	056464-10-000	EA	REGISTER-W/ODAMPER,4"DIA-METER-DURA-BEIGE	
	093614-01-02A	EA	GRILLE-RETURNAIR,DURABEIGE	



MOLDINGS&TRIMS

KEY	PARTNUMBER	U/M DESCRIPTION
1	077840-01-G01	EA MOLDING-CAP-WALL-8'
2	009767-12-000	FT MOLDING-SIDEWALLTOCEILING/CABINET-WELTING-OFFWHITE
3	009809-23-000	EA MOLDING-CORNER-OUTSIDE-1"X84"-IVORYPLASTIC
3	009809-28-000	EA MOLDING-PLASTIC-OUTSIDE-1"X84"-WATERFORDOAK
4	009812-29-000	EA MOLDING-PLASTIC-OUTSIDECORNER-.50"-WATERFORDOAK
4	009812-24-000	EA MOLDING-PLASTIC-OUTSIDECORNER-.50"-IVORY
5	022992-11-000	FT MOLDING-REVERSECOVE-T-SHAPEDVINYL-IVORY
5	022992-12-000	FT MOLDING-REVERSECOVE
6	103186-01-05A	FT MOLDING-SHELFEDGE-.78"PLASTIC-WATERFORDOAK
7	105004-01-05A	EA MOLDING-VINYLRAPPED-1"X8'WATERFORDOAK
8	009815-09-000	FT MOLDING-T-.75"IVORY
9	104676-01-01A	FT T-MOLDING-5/16"-RIGIDGOLD
10	104676-02-04A	FT T-MOLDING-1/2"X10' WATERFORD OAK
10	083620-09-000	FT T-MOLDING,3/4W/EDGELIPS-MODERNIVORY
10	083620-12-000	FT MOLDING-T-.75"-W/EDGELIPS-WATERFORDOAK
10	119520-01-01A	FT T-MOLDING-1"W/EDGELIPS(OFF/WHITE-CREAM)
11	009778-21-000	FT U-CHANNEL-1"X96"-INCREMENTS-PLASTIC
11	070504-36-000	FT U-CHANNEL-EXTRUDEDPLASTIC-.65"X72"-WATERFORDOAK
11	070504-37-000	FT U-CHANNEL-EXTRUDEDPLASTIC-.81"X84"-WATERFORDOAK
	117267-D2-438	EA LUMBER-018X038X2438MMVINYL-WRAPPEDWATERFORD
	117267-E2-438	EA LUMBER-VINYLRAPPED-.7"X2"X8'
	117267-G2-438	EA LUMBER-VINYLRAPPED-.7"X3"X8'
	117268-D2-134	EA MOLDING-VINYLRAPPED-.7"X1.6"X7'WATERFORD
	117268-F2-438	EA MOLDING-VINYLRAPPED-.7"X2.6"X8'-WATERFORD
	100818-01-05A	EA MOLDING-VINYLRAPPED-1.65"X.4"X7' WATERFORD OAK
	100819-01-05A	EA MOLDING-VINYLRAP-DOOR-WATERFORDOAK
	117268-F2-134	EA MOLDING-VINYLRAPPED.7"X2.6"X7'-WATERFORD
	079653-28-000	EA MOLDING-BATTSTRIP,KERFED-WATERFORDOAK
	081294-02-000	EA MOLDING-SHELF,NOTCHEDWOOD-8'LONG
	009767-15-000	FT WELTING-WATERFORDOAK
	076325-34-000	FT MOLDING-EDGE BAND-15/16"X.030"-ORCHIDMIST
	076325-43-000	FT MOLDING-EDGE BAND-.876"X.024"-CLOUD(H04)
	076325-38-000	FT MOLDING-EDGE BAND-.876"X.024"-NEUTRAL(H05)
	076325-44-000	FT MOLDING-EDGE BAND-.876"X.024"-SAND(H24/H26)
	076325-46-000	FT MOLDING-EDGE BAND-15/16"X.030"-CLOUD(H04)
	076325-37-000	FT MOLDING-EDGE BAND-15/16"X.030"-NEUTRAL(H05)
	076325-47-000	FT MOLDING-EDGE BAND-15/16"X.030"-SAND(H24/H26)
	076325-67-000	FT MOLDING-EDGE BAND-.93"X.024" WATERFORDOAK
	076325-68-000	FT MOLDING-EDGE BAND-15/16"X.038-WATERORDOAK
	100659-01-G09	EA MOLDING-TRIM,VINYLFLOOR
	112198-02-000	FT MOLDING-#90066J-MOLDING-CRILAPLASTICS
	075249-01-000	EA RAILING-OAK-72"UNFINISHED
	093873-01-01A	EA TRIM-CARPET-L-ANGLE1.1"X1.3"X12'-GRAYVINYL
	085746-04-000	FT TRIM-J-CARPET1.2"X.5"ANGLE-12'LONG-OFFWHITE

BATTSTRIPS

KEY	PARTNUMBER	U/M DESCRIPTION
	088263-D8-000	EA BATTSTRIP-DECORATIVE-MICKENSIE/CREAM-8'LONG(H04)
	088263-D7-000	EA BATTSTRIP-DECORATIVE-WINDY/WILLOW-8'LONG(H05)
	088263-C7-000	EA BATTSTRIP-DECORATIVE-ETCHINGS/SAGE-8'LONG(H24/H26)
	088263-D6-000	EA BATTSTRIP-DECORATIVE-IMPACTPEARL-8'LONG
	069733-83-000	EA BATTSTRIP-WOODGRAINED/WATERFORDOAK-8'LONG
	085284-D2-000	FT BATTTAPE-ADHESIVEBACKED-DECORATIVE-MICKENSIE/CREAM(H04)
	085284-D1-000	FT BATTTAPE-ADHESIVEBACKED-DECORATIVE-WINDY/WILLOW(H05)
	085284-C1-000	FT BATTTAPE-ADHESIVEBACKED-DECORATIVE-ETCHINGS/SAGE(H24/H26)
	085284-C9-000	FT BATTTAPE-ADHESIVEBACKED-CEILING-IMPACTPEARL
	085284-D6-000	FT BATTTAPE-ADHESIVEBACKED-DECORATIVE-EMBOSEDANTIQUE
	085284-B5-000	FT BATTTAPE-ADHESIVEBACKED-WOODGRAINED/WATERFORDOAK
	086229-01-000	EA RETAINER-BATTEN-.75"X92.24"-IVORY
	086229-13-000	EA BATTEN-1"CEILINGMODERNIVORY
	086229-20-000	EA BATTEN-1"CEILING,BEIGE

PANELING,LAMINATES&PLASTIC

KEY	PARTNUMBER	U/M DESCRIPTION
	074497-33-000	SF PANELING-CEILING-IMPACTPEARL-4'X9'
	074497-28-000	SF PANELING-WATERFORDOAK-4'X8'
	080215-10-000	SF PANELING-2SIDE-WATERFORD-4'X8'
	088272-F6-000	SF PANELING-MCKENSIE/CREAM(H04)
	088272-F5-000	SF PANELING-WINDY/WILLOW(H05)
	088272-E8-000	SF PANELING-ETCHINGS/SAGE(H24/H26)
	088272-G1-000	SF PANELING-PEBBLEEMBOSSANTIQUE-4'X7'-INCOF28SQFT
	088272-98-000	SF PANELING-TRAVERTINE-ANT.WHITE-4'X7'
	074498-62-000	SF LAMINATE-PLASTIC-GREYFINESSE-5'X8'INCOF40SF(H04)
	074498-72-000	SF LAMINATE-PLASTIC-PEBBLE SANTOS-5'X8'INCOF40SF(H05)
	074498-54-000	SF LAMINATE-PLASTICSANDSPEKTRUM-5'X8'INCREMENTS40SF(H24/H26)
	074498-67-000	SF LAMINATE-PLASTIC-ORCHIDMIST-60"X96"
	074498-77-000	SF LAMINATE-PLASTICARTCABIN5'X8'INCROF40SQFT
	000885-76-000	SF PARTICLEBOARD-3/8"X4'X8'WATERFORDOAKVINYL1SIDE
	000885-77-000	SF PARTICLEBOARD-3/8"X4'X8'WATERFORDOAKVINYL2SIDED
	000885-78-000	SF PARTICLEBOARD-1/2"X4'X8'WATERFORDOAK-VINYL2SIDE
	000885-79-000	SF PARTICLEBOARD-3/4"X4'X8'WATERFORDOAKVINYL2SIDED
	057882-04-000	SF TAMBOUR-48"X72" SHEET-UNFINISHED
	000846-01-000	SF PLYWOOD-5/16"X4'X8'
	000846-02-000	SF PLYWOOD-UNDR-5/16"X4'X8'
	093743-05-01A	SF PLASTIC-ABSCOILBRIGHTWHITE20"X500"

CARPETING&FLOORMATS

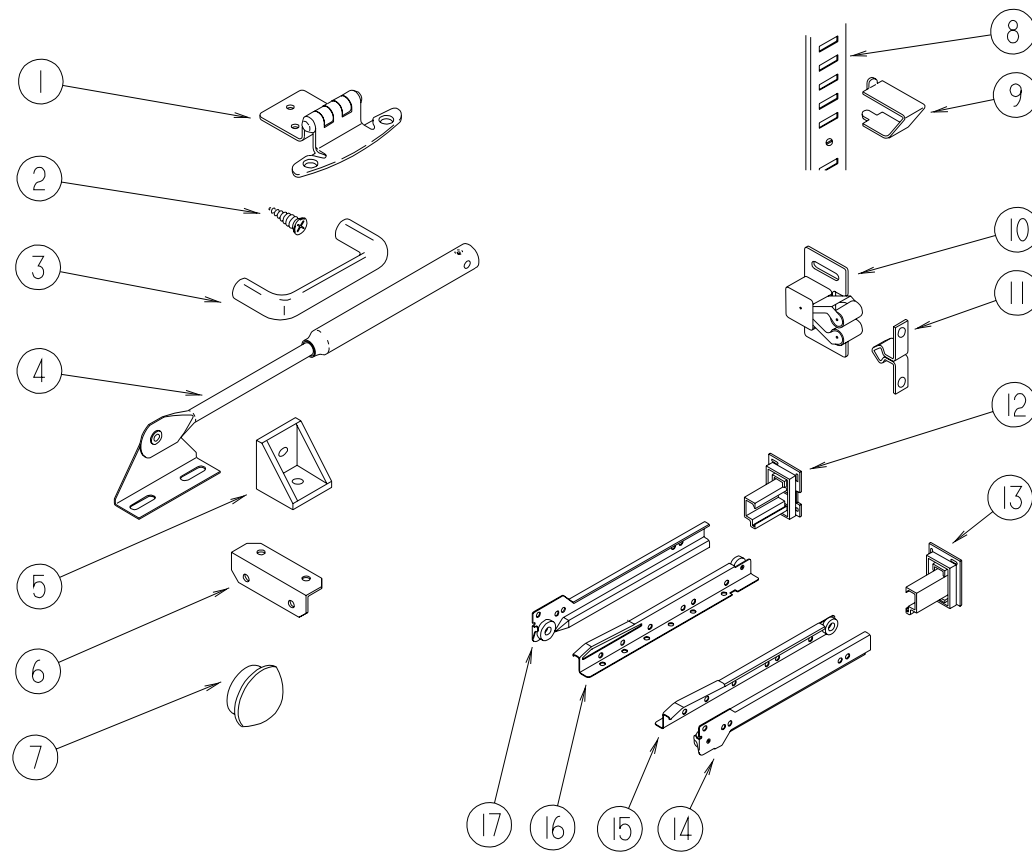
KEY	PARTNUMBER	U/M DESCRIPTION
	096060-A8-000	SY CARPET-BLUELAGOON-INCREMENTSOF4SQYD(H04)
	096060-99-000	SY CARPET-PARCHMENT-INCREMENTSOF4SQYD(H05)
	096060-B2-000	SY CARPET-JUBLIATION-INCREMENTSOF4SQYD(H24)
	096060-95-000	SY CARPET-DOESKIN-INCREMENTSOF4SQYD(H26)
	093486-01-000	SY CARPET-COMPARTMENT,54"WIDE-DARKGRAY
	106884-01-000	EA MAT-FLOOR-FRONTPASSENGER"W"-FORD
	106884-02-000	EA MAT-FLOOR-FRONTDRIVER"W"-FORD
	102569-04-000	EA MAT-ANTISLIP

FIREEXTINGUISHER&DETECTORS

KEY	PARTNUMBER	U/M DESCRIPTION
	072852-02-000	EA DETECTOR-SMOKE,W/9VOLT BATTERY-CANADIAN
	072852-01-000	EA DETECTOR-SMOKE,W/9VOLT BATTERY-US
	112320-03-000	EA DETECTOR-COGASMODEL9D-I
	103613-02-000	EA DETECTOR-LPGAS
	112320-04-000	EA BATTERY/SENSORMODULE-CO(BLACKMODULE)F/9D-ISYSTEM
	094499-02-000	EA EXTINGUISHER-FIRE,DRY-1A10BC-CANADIAN
	094499-01-000	EA EXTINGUISHER-FIRE,DRYW/MOUNTINGBRACKET-10BC
	094499-01-700	EA BRACKETMTG.W/PLAS.STRAP 294039
	094499-01-701	EA STRAPONLY(METAL) 320351

INTERIOR FINISH GROUP (CONTINUED)

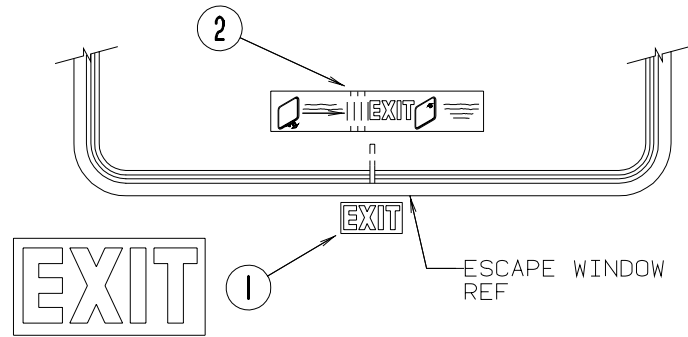
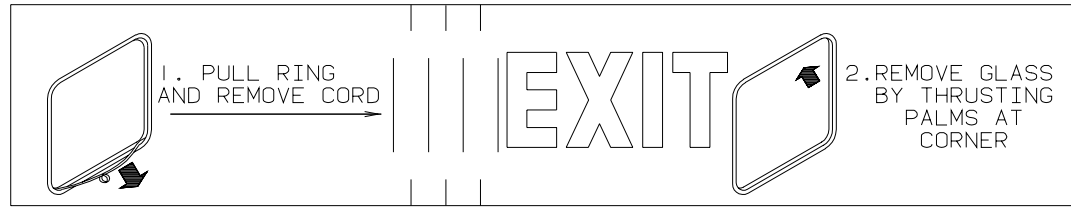
CABINET & TABLE HARDWARE



KEY	PARTNUMBER	U/M	DESCRIPTION
15	114031-04-000	EA	SLIDE-12"-RIGHTSIDE/DRAWER
15	114031-08-000	EA	SLIDE-14"-RIGHTSIDE/DRAWER
15	114031-12-000	EA	SLIDE-16"-RIGHTSIDE/DRAWER
15	114031-16-000	EA	SLIDE-18"-RIGHTSIDE/DRAWER
15	114031-20-000	EA	SLIDE-20"-RIGHTSIDE/DRAWER
16	114031-03-000	EA	SLIDE-12"-LEFTSIDE/DRAWER
16	114031-07-000	EA	SLIDE-14"-LEFTSIDE/DRAWER
16	114031-11-000	EA	SLIDE-16"-LEFTSIDE/DRAWER
16	114031-15-000	EA	SLIDE-18"-LEFTSIDE/DRAWER
16	114031-19-000	EA	SLIDE-20"-LEFTSIDE/DRAWER
17	114031-01-000	EA	SLIDE-12"-LEFTSIDE/CABINET
17	114031-05-000	EA	SLIDE-14"-LEFTSIDE/CABINET
17	114031-09-000	EA	SLIDE-16"-LEFTSIDE/CABINET
17	114031-13-000	EA	SLIDE-18"-LEFTSIDE/CABINET
17	114031-17-000	EA	SLIDE-20"-LEFTSIDE/CABINET
	004354-01-000	EA	BUMPER-RUBBER,.5"DIA-BROWN
	009112-01-000	EA	FLANGE-1"CLOTHESROD-OFFWHITEPLASTIC
	023320-01-000	EA	PAD-FELT,3/8"DIAMETER-BROWN
	041389-35-000	EA	HINGE-PIANO,O/W,0787.4
	042438-01-000	EA	DOWEL-WOOD,CLOTHESROD-1"DIAMETERX4'
	042438-02-000	EA	DOWEL-WOOD-2"X2"
	076790-01-000	EA	SCREW,6-20X1 1/4PPH-BLACK
	076790-05-000	EA	SCREW-6-20X1/2PPH-BLACK-THREADCUTTING,WOOD
	079921-01-000	EA	ROLLER-NYLON,W/STEELSHAFT-BARBED
	084451-01-000	EA	CATCH-TV SHELF-BRASS
	102194-01-000	EA	GUIDE-PLASTIC
	103256-01-000	EA	LATCH-SLIDE

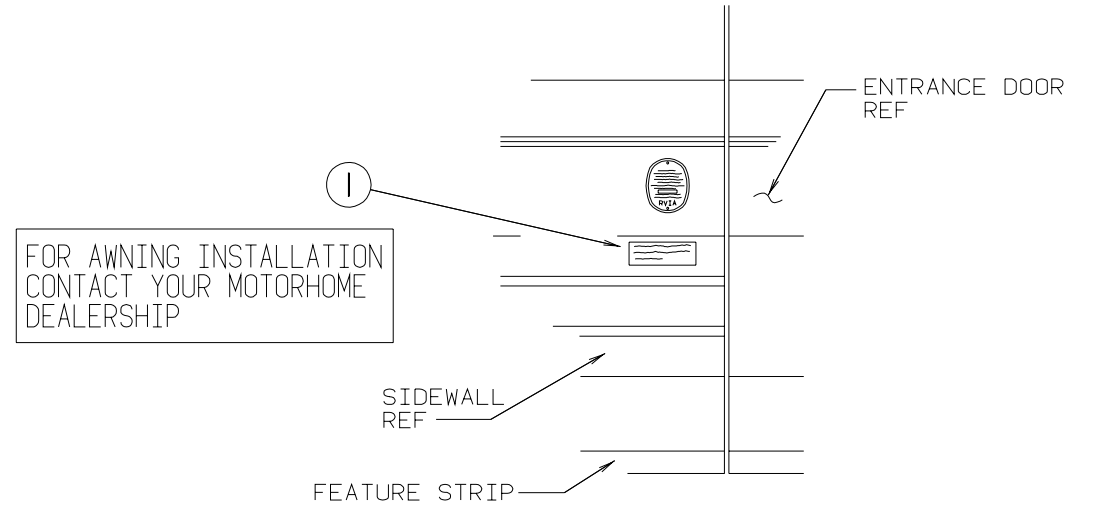
KEY	PARTNUMBER	U/M	DESCRIPTION
1	108138-01-000	EA	HINGE-DOOR,CABINET-BURNISHEDBRASS
2	000G13-06-10G	EA	SCREW-6-20X5/8PFH,ANTIQUEBRASS
3	117800-01-01A	EA	PULL-CABINET,BRASS
4	074493-02-000	EA	SUPPORT-PISTONSPRING,CABINETDOOR
5	065740-01-000	EA	BRACE-CABINETCORNER,PLASTIC
6	016604-01-000	EA	BRACE-CABINET,ANGLE-2.5"-UNPAINTED
6	016604-05-000	EA	BRACE-CABINET, LANGLE-2.5"-OFFWHITE
7	074045-07-000	EA	PLUG-WOOD,1/2"
8	098980-01-000	EA	PILASTER-ADJUSTABLESHELF,18"LONG-WOODGRAINAPPEARANCE
9	098979-01-000	EA	CLIP-ADJUSTABLESHELF
10	093586-06-000	EA	CATCH-SPRING,ROLLER-FASTECC411-AC
11	093586-05-000	EA	STRIKE-SPRINGSTEEL,FASTECS411-AC
12	114045-01-000	EA	BACKSOCKET-ADJUSTABLELEFT
13	114045-02-000	EA	BACKSOCKET-ADJUSTABLERIGHT
14	114031-02-000	EA	SLIDE-12"-RIGHTSIDE/CABINET
14	114031-06-000	EA	SLIDE-14"-RIGHTSIDE/CABINET
14	114031-10-000	EA	SLIDE-16"-RIGHTSIDE/CABINET
14	114031-14-000	EA	SLIDE-18"-RIGHTSIDE/CABINET
14	114031-18-000	EA	SLIDE-20"-RIGHTSIDE/CABINET

LABELSGROUP

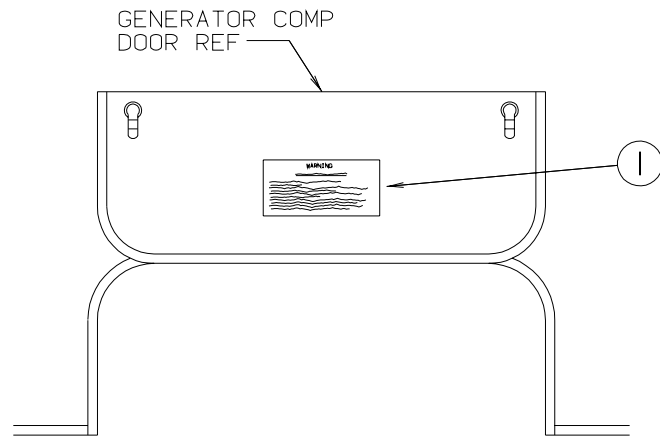


KEY	PARTNUMBER	U/M DESCRIPTION
1	006199-01-000	EA LABEL-EXIT-ESCAPEWINDOW
2	039290-01-000	EA LABEL-WARNING-EXIT

LABELSGROUP(CONTINUED)



KEY	PARTNUMBER	U/M DESCRIPTION
1	099509-01-000	EA LABEL-AWNINGINSTALLATION

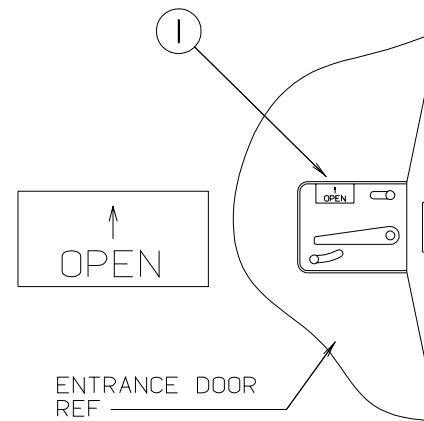


WARNING

WHEN ADDING A GENERATOR SET:

HIGH VOLTAGE-USE EXTREME CAUTION WHEN WORKING ON ELECTRICAL COMPONENTS.
 HAVE ALL ELECTRICAL INSTALLATION PERFORMED BY A QUALIFIED LICENSED ELECTRICIAN-FOLLOW ALL STATE AND LOCAL CODES.
 ONLY INSTALL GENERATOR SET APPROVED FOR R.V. APPLICATION. HAVE INSTALLED BY QUALIFIED TECHNICIAN.
 TO AVOID HEAT BUILD-UP AND TO GUARANTEE AN ADEQUATE AIR SUPPLY TO THE GENERATOR CARBURETOR, FOLLOW INSTALLATION INSTRUCTIONS.
 GENERATOR ENGINE EXHAUST GASES ARE TOXIC AND MUST NOT TERMINATE UNDER THE VEHICLE-DISCHARGE EXHAUST AWAY FROM VEHICLE.

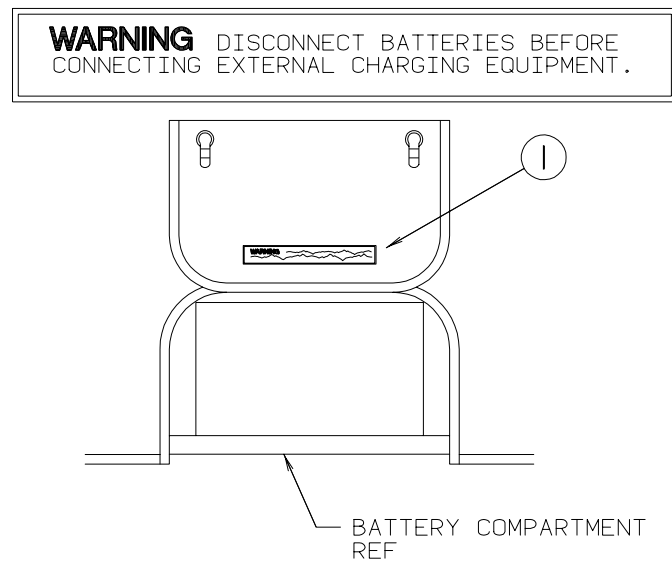
KEY	PARTNUMBER	U/M DESCRIPTION
1	077510-01-000	EA LABEL-GENERATORPREP



KEY	PARTNUMBER	U/M DESCRIPTION
1	040944-01-000	EA LABEL-ENTRANCEDOOR-"OPEN"

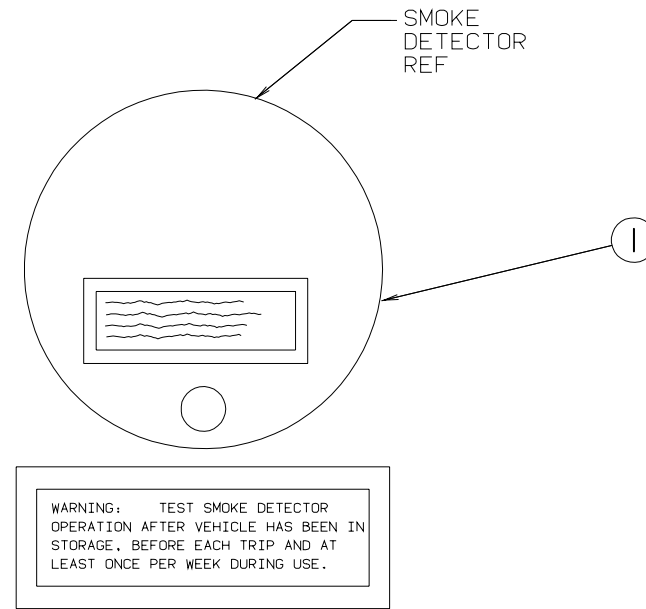
LABELSGROUP(CONTINUED)
MISCELLANEOUSLABELS

KEY	PARTNUMBER	U/M DESCRIPTION
	104236-01-000	EA LABEL-GENERATORCIRCUIT
	006064-01-000	EA LABEL-SEATW/OSEATBELT NOTINTENDEDFORUSEWHILECOACHINMOTION
	091224-02-000	EA LABEL-TRAILERLIGHTING
	091243-01-000	EA LABEL-A/C COVER, "AIRCONDITIONINGCIRCUIT.ETC."
	091243-02-000	EA LABEL-COVER, "MICROWAVECIRCUIT.ETC."
	093236-08-000	EA LABEL-CIRCUITBREAKER
	098641-01-000	EA LABEL-FUEL, UNLEADED-DASH
	073998-01-000	EA LABEL-LPGODORWARNING
	087236-01-000	EA LABEL-CABLE, INPUT
	061417-01-000	EA LABEL-FUEL, ONFUELFILLDOOR
	062043-01-000	EA LABEL-FUEL, UNLEADED
	111104-01-000	EA LABEL-HITCH, READMANUAL
	111104-02-000	EA LABEL-HITCH-READMANUAL
	054531-01-000	EA LABEL-LPGASONLY
		FROM: 00-00-00 THRU: 09-01-96
	124520-01-01A	EA LABEL-LPGASONLY
		FROM: 09-02-96 THRU: 99-99-99
	006040-01-000	EA TAG-GASREFUELINGWARNING
		FROM: 00-00-00 THRU: 09-01-96
	124519-01-01A	EA LABEL-WARNING/REFUELING
		FROM: 09-02-96 THRU: 99-99-99
	006040-02-000	EA TAG-GASREFUELINGWARNING, CANADIAN
		FROM: 00-00-00 THRU: 09-01-96
	124519-02-01A	EA LABEL-WARNING/REFUELING-CSA
		FROM: 09-02-96 THRU: 99-99-99
	112518-01-000	EA LABEL-HANGTAG, CODETECTOR
	087207-06-000	EA LABEL-GASOVERFILL
	111802-01-000	EA LABEL-CFCWARNING

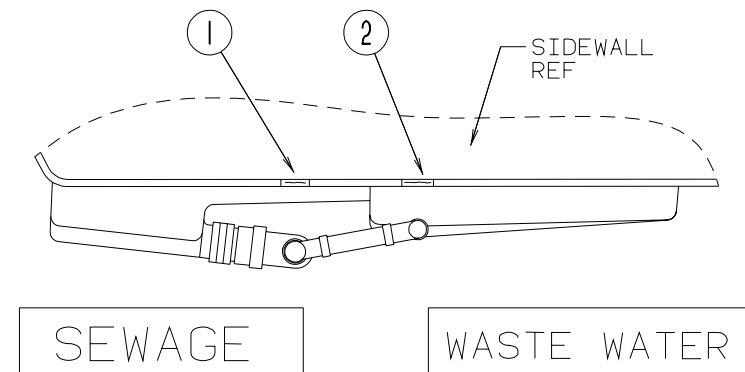


KEY	PARTNUMBER	U/M DESCRIPTION
1	065748-01-000	EA LABEL-CAUTION-BATTERYCHARGING

LABELSGROUP(CONTINUED)

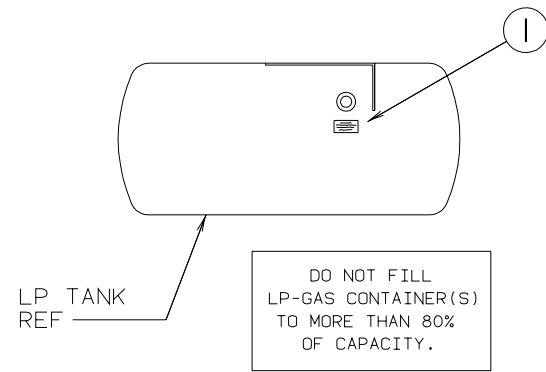


KEY	PARTNUMBER	U/M DESCRIPTION
1	077956-01-000	EA LABEL-WARNING-SMOKEDETECTOR



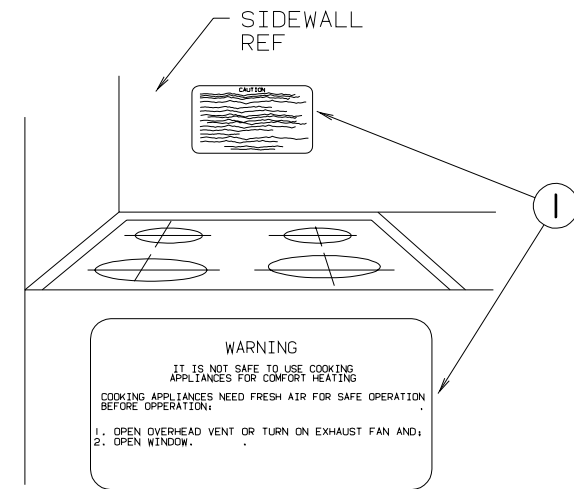
KEY	PARTNUMBER	U/M DESCRIPTION
1	006187-01-000	EA LABEL-SEWAGE
2	006188-01-000	EA LABEL-WASTEWATER

LABELSGROUP(CONTINUED)

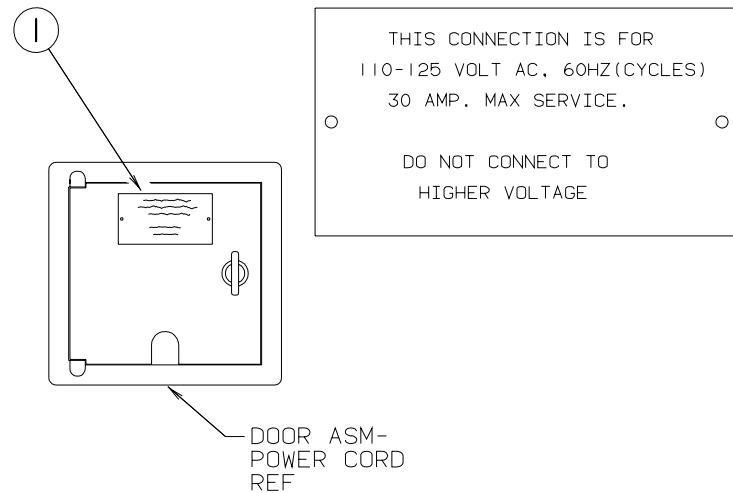


KEY	PARTNUMBER	U/M DESCRIPTION
1	079965-01-000	EA LABEL-LPG-80%CAPACITY

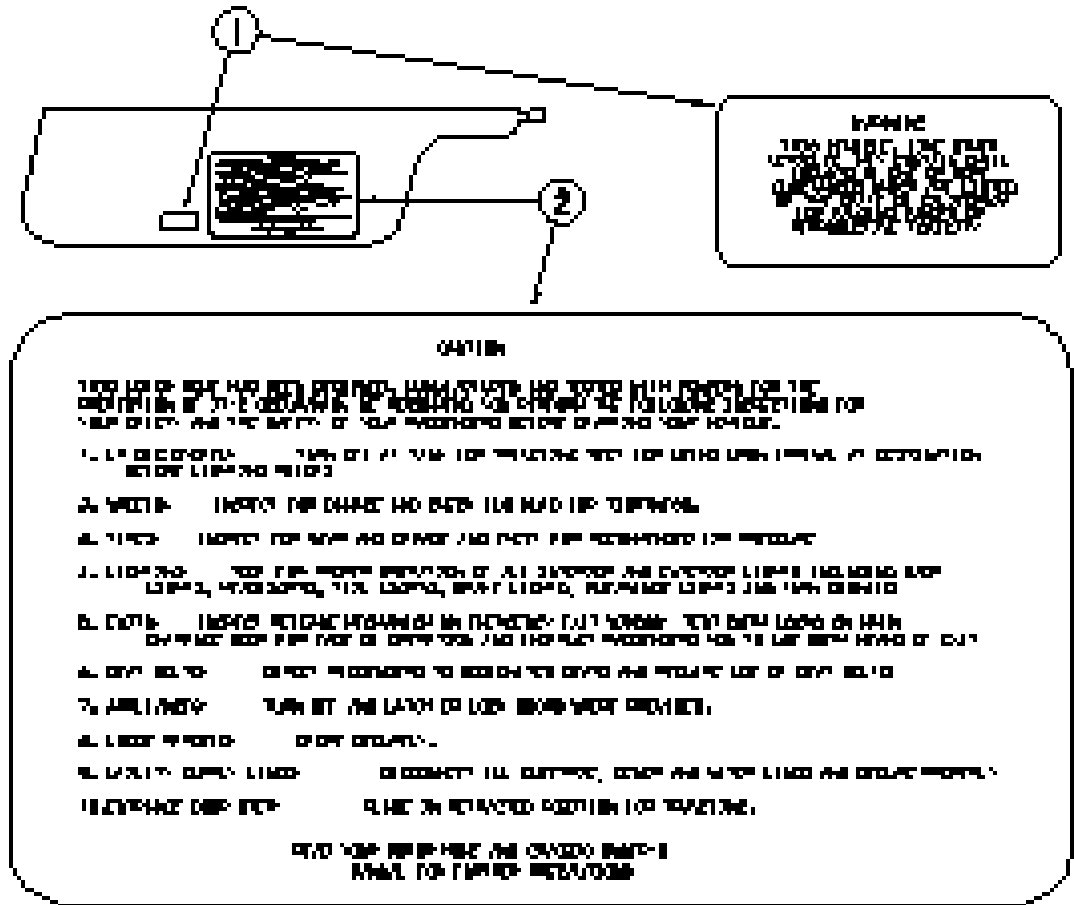
LABELSGROUP(CONTINUED)



KEY	PARTNUMBER	U/M DESCRIPTION
1	050225-01-000	EA LABEL-WARNING-STOVEVENT-US

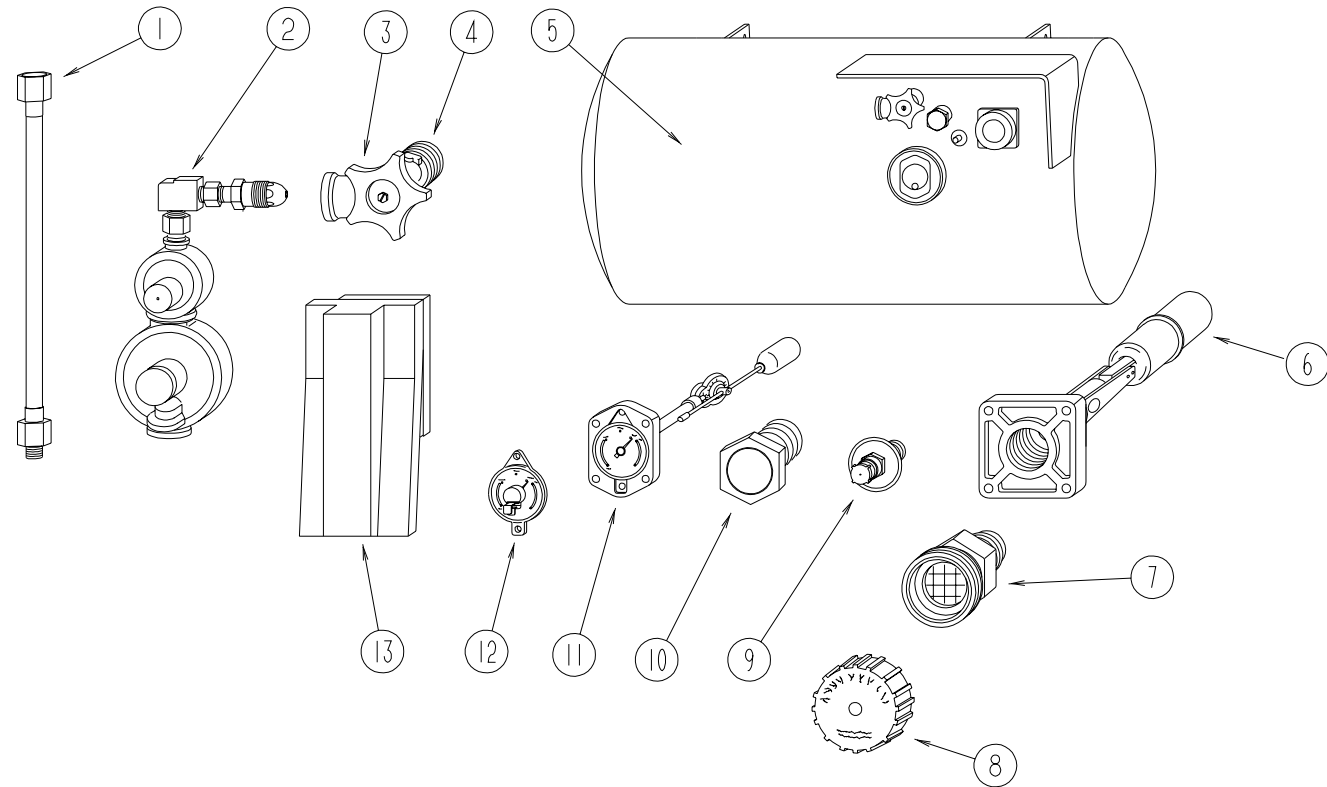


KEY	PARTNUMBER	U/M DESCRIPTION
1	006062-01-000	EA TAG-ELECTRIC-110VCONNECTION



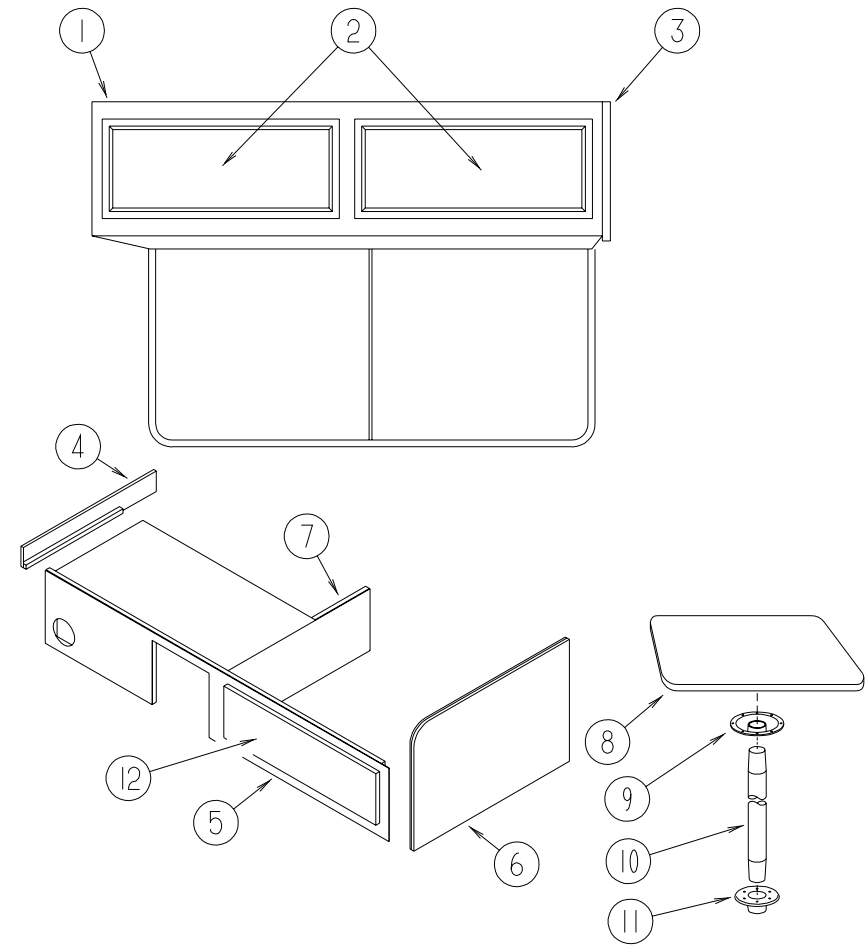
KEY	PARTNUMBER	U/M DESCRIPTION
1	099689-01-000	EA LABEL-WARNING,CANCER/TOXICITY
2	056259-01-000	EA LABEL-SAFETYCHECKLIST

LPGROUP



LPSYSTEM

LOUNGROUP

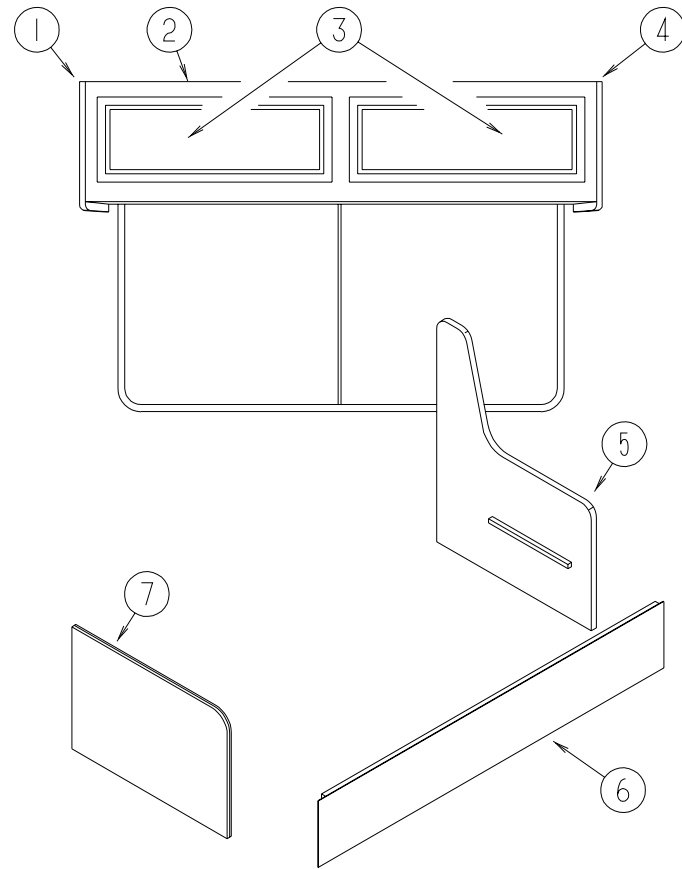


DRIVERSIDECOUCHCABINETS&TABLES

KEY	PARTNUMBER	U/M	DESCRIPTION	VENDORNO.
1	045703-06-000	EA	HOSE-LP, 3/8" ID X 28" - 3/8 MPT X 1/2 F SWIVEL - CANADIAN	
1	045703-01-000	EA	HOSE-LP, 3/8" ID X 24" - 3/8 MPT X 1/2 F SWIVEL - U.S.	
1	045703-02-000	EA	HOSE-LP, 3/8" ID X 24" - 3/8" MPT X 1/2" F SWIVEL - CANADA	
1	045703-09-000	EA	HOSE ASM-LP, 3/8 ID X 24 - US & CGA 3/8 F SWIVEL X 3/8 F SWIVEL	
2	106150-01-000	EA	REGULATOR-TWOSTAGE-M'BRASS290-303	
2	106150-02-000	EA	REGULATOR-TWOSTAGE-M'BRASS290-00	
3	040421-01-708	EA	HANDWHEEL-SERVICEVALVE	G-1015-A
4	040421-01-712	EA	VALVE, SERV. W/O VAPOR RELIEF	29000853
5	080450-01-000	EA	TANK-LP, 42LB - 13" DIAMETER X 24" LONG	
6	040421-01-711	EA	VALVE - 80% FILL W/AUTOSTOP	LLL/TL3
7	040421-01-701	EA	VALVE-FILL-SHORT, LP	75478
8	040421-01-702	EA	CAP-FILL VALVE, PLASTIC	G-1014-A
9	040421-01-700	EA	VALVE-LIQUID LEVEL, 20%	G-1013
10	040421-01-713	EA	VALVE-VAPOR ONLY	29000587
11	074142-01-700	EA	FLOAT ASM. - SCREW ON F/13" TANK	13C-SCR
	074142-01-701	EA	FLOAT ASM. - (SIGHT GAUGE) BOLT	13C-BLT
12	040421-01-706	EA	VISIBLE VOLUME METER, W/O MONITOR PANEL	
12	040440-02-000	EA	TRANSMITTER-DIAL, 0-90 OHM - 2 TERMINAL (POWER & GROUND)	
13	105658-01-000	EA	COMPARTMENT-LP REGULATOR	
	010323-01-000	EA	ADAPTER-BRASS, 3/8 F X 1/2 MPT	
	057042-01-000	EA	ADAPTER-CROSS 1/2 PIPE	
	010377-02-000	EA	NUT-BRASS, 3/8" FLARE - FORGED	
	065318-02-000	EA	ELBOW-90 DEGREE, 3/8" MPT TO 3/8" FPT	
	010265-01-000	EA	ELBOW-BRASS, 90 DEGREE - 3/8" F X 1/2" FPT	
	010252-01-000	EA	ELBOW-BRASS, 90 DEGREE, 3/8 F X 1/2 MPT	
	071391-02-000	EA	NIPPLE-HEX, 1/4" PIPE - 3325 X 4 WEATHERHEAD	
	075148-02-000	EA	CLAMP-GROUNDING, BRONZE SCREWS	
	103613-01-000	EA	DETECTOR-LPGAS	
			FROM: 00-00-00 THRU: 11-10-96	
	103613-02-000	EA	DETECTOR-LPGAS	
			FROM: 11-11-96 THRU: 99-99-99	

KEY	PARTNUMBER	U/M	DESCRIPTION
1	121459-01-H04	EA	CABINET ASM-OVHD, DINETTE
2	110140-18-G01	EA	DOOR-MITERED CORNER/VINYL WRAP - 15.7" X 27.9" - W/O HDW
2	110140-21-H04	EA	DOOR ASM-MITERED, VINYL WRAP
	108536-04-09A	EA	MIRROR-GLASS BOTANICAL, 317 X 627
3	109908-09-G04	EA	ENDCAP-CABINET
4	M08107-11-H04	EA	CABINET-COUCH, W/FABRIC (H04)
4	M08107-11-H05	EA	CABINET-COUCH, W/FABRIC (H05)
4	M08107-11-H24	EA	CABINET-COUCH, W/FABRIC (H24/H26)
5	M08107-08-H04	EA	CABINET-COUCH, W/FABRIC (H04)
5	M08107-08-H05	EA	CABINET-COUCH, W/FABRIC (H05)
5	M08107-08-H24	EA	CABINET-COUCH, W/FABRIC (H24/H26)
6	M08107-09-H04	EA	CABINET-COUCH (H04)
6	M08107-09-H05	EA	CABINET-COUCH (H05)
6	M08107-09-H24	EA	CABINET-COUCH (H24/H26)
7	M08107-12-H04	EA	CABINET-COUCH
	082525-01-000	EA	BRACE-COUCH-FLOORMOUNT-ANGLE 3" LONG
	083125-07-000	EA	BRACE-ANGLE, COUCH-OFFWHITE
	105947-01-000	EA	BRACKET-HOLDDOWN, COUCH CSA UNITS
8	081298-01-E04	EA	TABLE-DINETTE-W/O HARDWARE (H04)
8	081298-01-F32	EA	TABLE-DINETTE-W/O HARDWARE (H05)
8	081298-01-G01	EA	TABLE-DINETTE-W/O HARDWARE (H24/H26)
9	009040-03-000	EA	BASE-TABLE/RAISED-TABLE MOUNTED
10	009040-02-000	EA	PEDESTAL TABLE LEG - 27.5" X 2.25" DIAMETER
11	041194-01-000	EA	BASE-TABLE/FLUSH-FLOORMOUNTED
	062046-01-000	EA	CLIP-LEG, PEDESTAL - 1.7" X 2.2" - DIAMETER FROM 2" TO 2.5"
	042438-02-000	EA	DOWEL-WOOD, 2" X 2"
12	121314-14-H04	EA	DOOR-COUCH KICK PANEL - FABRIC COVERED (H04)
12	121314-14-H05	EA	DOOR-COUCH KICK PANEL - FABRIC COVERED (H05)
12	121314-14-H24	EA	DOOR-COUCH KICK PANEL - FABRIC COVERED (H24/H26)

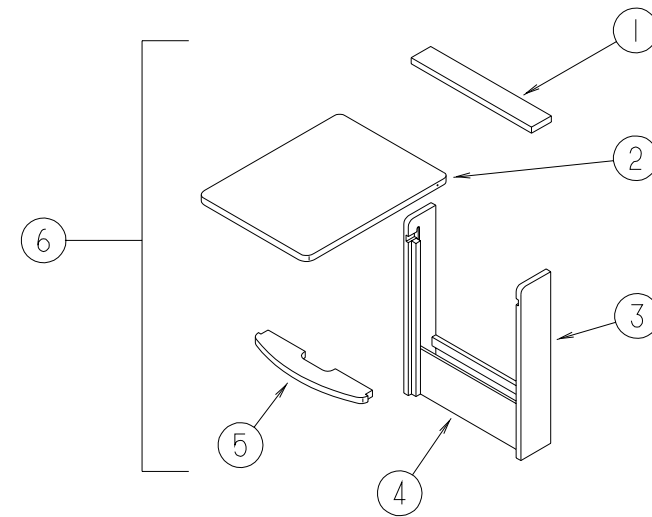
LOUNGE GROUP (CONTINUED)



PASSENGER SIDE COUCH CABINETS

KEY	PARTNUMBER	U/M	DESCRIPTION
1	109908-16-G01	EA	ENDCAP-CABINET
2	121397-01-H04	EA	CABINET ASM-OVHD, FRONTRH
3	110140-18-G01	EA	DOOR-MITERED CORNER/VINYL WRAP-15.7"X27.9"-W/OHDW
4	109908-09-G04	EA	ENDCAP-CABINET
5	M08107-07-H04	EA	CABINET-COUCH,W/FABRIC(H04)
5	M08107-07-H05	EA	CABINET-COUCH,W/FABRIC(H05)
5	M08107-07-H24	EA	CABINET-COUCH,W/FABRIC(H24H26)
6	M08107-05-H04	EA	CABINET-COUCH,W/FABRIC(H04)
6	M08107-05-H05	EA	CABINET-COUCH,W/FABRIC(H05)
6	M08107-05-H24	EA	CABINET-COUCH,W/FABRIC(H24H26)
7	M08107-06-H04	EA	CABINET-COUCH,W/FABRIC(H04)
7	M08107-06-H05	EA	CABINET-COUCH,W/FABRIC(H05)
7	M08107-06-H24	EA	CABINET-COUCH,W/FABRIC(H24H26)
	082525-01-000	EA	BRACE-COUCH-FLOOR MOUNT-ANGLE 3" LONG
	083125-07-000	EA	BRACE-ANGLE, COUCH-OFFWHITE
	105947-01-000	EA	BRACKET-HOLD DOWN, COUCH CSA UNITS

LOUNGE GROUP (CONTINUED)



PULLOUT TABLE

KEY	PARTNUMBER	U/M	DESCRIPTION
1	096873-15-G01	EA	SHELF-SUPPORT OVER PULLOUT TABLE
2	096873-11-G01	EA	PANEL-PULLOUT TABLE
3	096873-13-G01	EA	SIDE END-TABLE 28.7" X 5.7" - RIGHT SIDE
	096873-14-G01	EA	SIDE END-TABLE 28.7" X 5.7" - LEFT
4	096873-16-G01	EA	PANEL-TABLE FRONT BOTTOM-18.1" X 6.7"
5	096873-12-G01	EA	SHELF-SUPPORT UNDER TABLE TOP
6	M96873-01-G01	EA	CABINET-TABLE-W/O PULLOUT TOP
	080736-01-000	EA	PULL-RECESSED-1.25 X 4"-OAK

SEALANTS&FASTENERSGROUP

ADHESIVESANDSEALERS

KEY	PARTNUMBER	U/M	DESCRIPTION
	002707-02-000	FT	TAPE-SEALER-5/16"X1/2"-INCREMENTSOF50FT
	004006-05-700	EA	ADHESIVE-NAT.STARCH(5GAL) 0802
	034552-02-000	EA	SILICONE-TUBE-300ML-W/ONOZZLE-CLEAR
	039518-01-000	EA	SILICONE-TUBE,300ML-BLACK
	053766-02-000	EA	BEDDINGCOMPOUND-TUBE,WHITESCHNEE#5522
	053766-08-000	EA	BEDDINGCOMPOUND-TUBE,GRAY-SCHNEE#5522
	063642-01-000	FT	TAPE-ADHESIVE-10MIL.X1.5"WIDEX180"
	069640-01-000	FT	SEALER-RIBBON-1/4"DIAMETER-INCREMENTSOF30'
	069640-02-000	FT	SEALER-RIBBON-1/2"X1/8"-INCREMENTSOF60'
	069640-03-000	FT	SEALER-RIBBON-3/4"X1/8"-INCREMENTSOF60'
	069640-07-000	FT	SEALER-RIBBON-2"X3/32"-INCREMENTSOF45'
	069640-10-000	FT	SEALER-RIBBON-1/32"X1 1/2"INCREMENTSOF90'
	069640-11-000	FT	SEALER-TAPE-3/16"X3/8",BLACK-MANUS
	072889-12-000	EA	SEALANT-URETHANE(LV)BRIGHTWHITE-MANUS75AM
	076322-01-000	FT	TAPE-FOAM-DOUBLECOATEDADHESIVEBACKED-.75"X216'
	076322-02-000	FT	TAPE-FOAM,DOUBLECOATEDADHESIVEBACKED-1"X108'
	076322-03-000	FT	TAPE-FOAM-DOUBLECOATEDADHESIVEBACKED-.5"X108'
	076322-05-000	FT	TAPE-DOUBLECOATEDADHESIVEBACKEDFOAM.45"X.75"
	076322-07-000	FT	TAPE-FOAM,DBLCOATED.045X.50-NORTV2000
	087211-01-000	GL	PROMOTER-ADHESIVE
	091255-02-000	FT	SEAL-ADHESIVEBACKEDFOAM-.18"THICKX1.5"WIDE
	102352-01-000	EA	SEALER-PUMPABLE-BLACK-COLORIMETRICMS101
	106206-01-000	EA	SEALER-PUMPABLE-MANUS30A-BLACK
	108716-01-000	EA	SILICONE-TUBEOFFWHITESELFLEVELING
			FROM: 00-00-00 THRU: 07-21-96
	108716-03-000	EA	SILICONE-BRIGHTWHITESELFLEVELING-TUBE
			FROM: 07-22-96 THRU: 99-99-99
	120534-01-01A	EA	TAPE-SCOTCH3M,1/2"FINELINE-#471GREEN
	900390-01-000	EA	TIP-2 1/2"X1/8"ORIFICE-ELLSWORTH#2180
	900390-03-000	EA	NOZZLES-SILICONETUBE-CSL#D10
	110943-02-000	FT	3/8"FELTSTRIPADHESIVE

WASHERS

KEY	PARTNUMBER	U/M	DESCRIPTION
	000E11-07-00B	EA	WASHER-LOCKING-7/16MEDSPLIT-ZINC
	000E11-08-00B	EA	WASHER-LOCKING-1/2MEDSPLIT-ZINC
	000E13-14-00B	EA	WASHER-FLAT-1/4"WIDE-ZINC
	000E13-17-00B	EA	WASHER-FLAT-3/8"AR-ZINC
	000E13-18-00B	EA	WASHER-FLAT-3/8WIDE-ZINC
	000E13-20-00B	EA	WASHER-FLAT-7/16"WIDE-ZINC
	000E13-21-00B	EA	WASHER-FLAT-W/2NAR-ZINC
	041322-01-000	EA	WASHER-FLANGE-15/32IDX23/8OD-FORSEATBELTMOUN
	044533-01-000	EA	WASHER-PLASTIC-13/8OD-FORBUTTONS
	077071-01-000	EA	WASHER-FENDER,3/16"IDX1"OD

GROMMETS

KEY	PARTNUMBER	U/M	DESCRIPTION
	016188-03-000	EA	GROMMET-L/PLINE-3/8"HOLEX2 1/2"LONG-RUBBER
	023942-01-000	EA	GROMMET-RUBBER-2"OD
	114208-02-000	EA	GROMMET-EDGELINER-FITS.625-HEYCO2073
	071015-11-000	EA	GROMMET-1.00ID-FITS.12MATL-MINORRUBBERZ-3065
	071015-26-000	EA	GROMMET-RUBBER-1.5"IDX2.12"ODW/.06"GROOVE-BLACK
	071015-29-000	EA	GROMMET-RUBBER-1/2IDX1 1/4ODW.12GROOVE-BLK-MCCLAINS

SEALANTS&FASTENERSGROUP(CONTINUED)

NUTSANDRIVETS

KEY	PARTNUMBER	U/M	DESCRIPTION
	000D24-10-00B	EA	NUT-HEX-SELFLOCKING-10-32ZINC
	000D29-09-00B	EA	NUT-HEX-SELFLOCKING-9/16-12-ZINC
	000D34-06-00B	EA	NUT-HEX-LOCKING-3/8-16GRADEZINC-PREVAILINGT
	000D39-04-00B	EA	NUT-HEX-SERRATEDFLANGELOCKING1/4-20-ZINC
	000D39-05-00B	EA	NUT-HEX-SERRATEDFLANGELOCKING-5/16-18-ZINC
	000D39-06-00B	EA	NUT-HEX-SERRATEDFLANGELOCKING-3/8-16-ZINC
	000D39-07-00B	EA	NUT-HEX-SERFLGLK-7/15-14ZINC
	000D39-08-00B	EA	NUT-HEX-SERRATEDFLANGELOCKING-1/2-13-ZINC
	000D44-07-00B	EA	NUT-HEX-SERRATEDFLANGELOCKING-7/16-20-ZINC
	000D46-04-00A	EA	NUT-HEX-WELD-1/4-20-PLAIN
	040921-01-000	EA	NUT-SPEED-UTYPE-10-24BLACK
	000H16-04-06R	EA	RIVET-POP,AL1/8X.313-.375
	069592-02-000	EA	RIVET-T-POP-1/4X.093-.156

CLAMPSANDTIES

KEY	PARTNUMBER	U/M	DESCRIPTION
	007161-01-000	EA	CLAMP-HOSE-SPRINGTYPE-1/2"
	010495-01-000	EA	CLAMP-CABLE-9/16"
	010497-01-000	EA	CLAMP-CLOSED-5/8"ID
	010497-03-000	EA	CLAMP-CLOSED-1"ID-CUSHIONED
	010497-04-000	EA	CLAMP-CLOSED-1.62"ID
	010497-08-000	EA	CLAMP-CLOSED,.125"
	010499-01-000	EA	CLAMP-CLOSED-3/8"ID
	056134-01-000	EA	HOLDER-RING-3.6"DIAMETER-METAL
	056134-02-000	EA	HOLDER-RING,1.8"DIAMETER-METAL
	062401-01-000	EA	CLAMP-HOSE-WORMGEAR.25"-1"
	062401-02-000	EA	CLAMP-HOSE-WORMGEAR1.56"-2.5"
	062401-03-000	EA	CLAMP-HOSE-WORMGEAR.22"-1"
	062401-04-000	EA	CLAMP-HOSE-WORMGEAR.69"-1.25"
	062401-06-000	EA	CLAMP-HOSE-WORMGEAR.22"-.62"
	062401-11-000	EA	CLAMP-HOSE-WORMGEAR3.56"-4.5"
	075148-02-000	EA	CLAMP-GROUNDING-BRONZESCREWS
	080211-05-000	EA	CLIP-XMASTREE-36MM-FASNAP09-280297
	080734-02-000	EA	CLIP-WIRE,NYLON
	083609-01-000	EA	CLAMP-WIRE-DUALEQUAL-5/8"DIAMETER
	083610-01-000	EA	CLAMP-WIRE-DUAL-UNEQUALDIAMETERS-.75"&1.25"
	091952-01-000	EA	CLIP-GRIPPER-1"
	091952-02-000	EA	CLIP-GRIPPER-3/4"
	101447-01-000	EA	CLIP-UTYPE-TINNERMAN
			HOLDSSHOWERSURROUNDTOGETHER
	008343-01-000	EA	TIE-WIRE-6"
	008343-02-000	EA	TIE-WIRE-14"
	008343-03-000	EA	TIE-WIRE7.5INBLACK-DENNISON10003
	085774-01-000	FT	FASTENER-DUALHOOK-1"WIDE-ADHESIVEBACK-BLACK
	085774-02-000	FT	FASTENER-DUALLOOP-1"WIDE-ADHESIVEBACK-BLACK
	108046-01-000	EA	CABLETIE-SCREWMOUNT8"-DENNISON08415
	108046-02-000	EA	CABLETIE-SCREWMOUNT15"-DENNISON10035

SEALANTS&FASTENERSGROUP(CONTINUED)

SCREWS

KEY	PARTNUMBER	U/M	DESCRIPTION
	0G3908-08-170	EA	SCREW-SF/DR-8-18X.50PPH-BRIGHTWHITE
	0G3910-12-170	EA	SCREW-SF/DR,10-16X.75PPH-BRIGHTWHITE
	0G6008-16-170	EA	SCREW-SF/DR,8-18X1.00POH-BRIGHTWHITE
	0G6710-08-170	EA	SCREW-10-12X1/2PPH,BRIGHTWHITE-TYPEA
	000C18-06-56A	EA	BOLT-ELEVATOR,3/8"-16X31/2"GRADE5
	000G11-05-08B	EA	SCREW-5-20X.50PPH-ZINC
	000G11-06-10J	EA	SCREW-6-20X5/8PPH-BRASS
	000G11-06-08B	EA	SCREW-6-20X.50PPH-ZINC
	000G11-06-06B	EA	SCREW-6-20X3/8PPH-ZINC
	000G11-07-08B	EA	SCREW-7-19X.50PPH-ZINC
	000G11-08-12B	EA	SCREW-8-18X.75PPH-ZINC
	000G11-08-08B	EA	SCREW-8-18X.50PPH-ZINC
	000G11-08-06B	EA	SCREW-8-18X3/8PPH-ZINC
	000G11-08-16S	EA	SCREW-8-18X1.00PPH-OFFWHITE
	000G11-08-12T	EA	SCREW-8-18X.75PPH-BLACK
	000G11-08-12S	EA	SCREW-8-18X.75PPH-OFFWHITE
	000G11-08-12P	EA	SCREW-8-18X.75PPH-DARKBROWN
	000G11-08-20B	EA	SCREW-8-18X1.25PPH-ZINC
	000G11-10-12S	EA	SCREW-10-16X.75PPH-OFFWHITE
	000G12-06-08T	EA	SCREW-6-20X.50POH-BLACK
	000G12-08-12S	EA	SCREW-8-18X.75POH-OFFWHITE
	000G13-05-10B	EA	SCREW-5-12X5/8PFHZN
	000G13-06-16J	EA	SCREW-6-20X1.00PFH-BRASS
	000G13-06-08B	EA	SCREW-6-20X.50PFH-ZINC
	000G13-06-24J	EA	SCREW-6-20X1.50PFH-BRASS
	000G13-07-12B	EA	SCREW-7-19X.75PFH-ZINC
	000G13-08-10B	EA	SCREW-8-18X5/8PFH-ZINC
	000G19-10-12F	EA	SCREW-MACHINE-10-32X.75-PPH-STAINLESSSTEEL
	000G32-10-06B	EA	SCREW-10-32X3/8"-PPH-ZINC
	000G39-06-16T	EA	SCREW-SF/DR-6-20X1PPH-BLACK
	000G39-06-10T	EA	SCREW-SF/DR-6-20X5/8PPH-BLACK
	000G39-06-08B	EA	SCREW-SF/DR-6-18X.50-ZINC
	000G39-08-24B	EA	SCREW-SF/DR-8-18X1.50PPH-ZINC
	000G39-08-16R	EA	SCREW-SF/DR-8-18X1.00PPH-BEIGE
	000G39-08-16B	EA	SCREW-SF/DR-8-18X1PPH-ZINC
	000G39-08-12B	EA	SCREW-SF/DR-8-18X.75PPH-ZINC
	000G39-08-08T	EA	SCREW-SF/DR-8-18X.50PPH-BLACK
	000G39-08-08S	EA	SCREW-SF/DR-8-18X.50PPH-OFFWHITE
	000G39-08-08B	EA	SCREW-SF/DR-8-18X.50PPH-ZINC
	000G39-10-08B	EA	SCREW-SF/DR-10-16X.50PPH-ZINC
	000G39-10-32B	EA	SCREW-SF/DR,10-16X2.00PPH-ZINC
	000G39-10-20B	EA	SCREW-SF/DR-10-16X1.25PPH-ZINC
	000G39-10-12R	EA	SCREW-SF/DR-10-16X.75PPH-BEIGE
	000G39-10-12D	EA	SCREW-SF/DR-10-16X.75PPH-BLACK
	000G39-10-12B	EA	SCREW-SF/DR-10-16X.75PPH-ZINC
	000G42-04-16B	EA	SCREW-SF/DR-1/4"-14X1HWH-ZINC
	000G42-04-12B	EA	SCREW-SF/DR-1/4-14X3/4HWH-ZINC
	000G46-08-24T	EA	SCREW-MACHINE-8-32X1.5PFH-BLACK
	000G50-04-12B	EA	SCREW-MACHINE-1/4-20X3/4PPH-ZINC
	000G52-08-18B	EA	SCREW-MACHINE-8-32X11/8PTH-ZINC
	000G54-04-20B	EA	SCREW-1/4-20X11/4PTH-TYPE23-ZINCPLATED
	000G55-08-16S	EA	SCREW-SF/DR-8-18X1.00-PWH-OFFWHITE
	000G55-08-12S	EA	SCREW-SF/DR-8-18X.75PWH-OFFWHITE
	000G56-12-48B	EA	SCREW-WOOD,12-11X3POH-SPECIALHARDENED
	000G60-10-20B	EA	SCREW-SF/DR,10-16X1.25POH-ZN

SEALANTS&FASTENERSGROUP(CONTINUED)

SCREWS(CONTINUED)

KEY	PARTNUMBER	U/M	DESCRIPTION
	000G60-10-28T	EA	SCREW-SF/DR,10-16X1.75-BLACK
	000G67-10-10B	EA	SCREW-10-12X5/8PPH-ZINC-TYPEA
	000G67-10-08R	EA	SCREW-10-12X1/2PPH-BEIGE-TYPEA
	000G67-10-08B	EA	SCREW-10-12X1/2PPH-ZINC
	000G67-10-12P	EA	SCREW-10-12X.75PPH-DARKBROWN
	000G67-10-12B	EA	SCREW-10-12X.75PPH-ZINC
	000G67-10-10S	EA	SCREW-10-12X5/8PPH-OFFWHITE
	000G67-10-10D	EA	SCREW-10-12X5/8PPH-BLACK-TYPEA
	000G67-10-36T	EA	SCREW-10-12X2.25PPH-BLACK-STALGARD
	000G67-10-32B	EA	SCREW-10-12X2PPH-ZINC
	000G67-10-24B	EA	SCREW-10-12X1.50PPH-ZINC
	000G67-10-20D	EA	SCREW-10-12X1.25PPH-BLACK
	000G67-10-16B	EA	SCREW-10-12X1PPH-ZINC
	000G67-10-120	EA	SCREW-10-12X.75PPH-TAN
	000G67-10-120	EA	SCREW-10-12X.75PPH-TAN
	000G67-10-12R	EA	SCREW-10-12X.75PPH-BEIGE
	000G68-06-10G	EA	SCREW-6-18X5/8POH-ANTIQUEBRASS
	049465-03-000	EA	SCREW,10-16X1POHW/WASHER-OFFWHITE
	054434-02-000	EA	SCREW-SF/DR-10-16X2ZN-TORQ'S#25HEAD
	057671-01-000	EA	COVER-SCREW-#8-PLASTIC-OFFWHITE
	087721-01-000	EA	SCREW-FLATHEAD-TAPPING-1/4"X11/4"LONG-ZINC
	097974-01-000	EA	SCREW-PARTBD7-9X.75PPH-FHM0543PLAIN
	101618-01-000	EA	SCREW-1/4-20X.75HEX-TAPPING-STALGARDTYPEF
	105126-01-000	EA	SCREW-CACH-8-32X1PPHTAPTIT-NW/LITEWAX

BOLTS

KEY	PARTNUMBER	U/M	DESCRIPTION
	0MC31K-08-020	EA	BOLT-HEX-SERRATEDFLANGE-M8X020
	000C12-05-16B	EA	BOLT-HEX-5/16-18X1-ZINC5
	000C12-06-16B	EA	BOLT-HEX-3/8-16X1LG-ZINC5
	000C12-07-20B	EA	BOLT-HEX,7/16-14X11/4"-ZN5
	000C12-08-24B	EA	BOLT-HEX-1/2-13X1.50-ZINC5
	000C12-10-24B	EA	BOLT-HEX-5/8-11X1.50-ZINC-5
	000C13-07-48B	EA	BOLT-HEX-7/16-20X3-ZINC5
	000C18-05-40A	EA	BOLT-ELEVATOR-5/16-18X2.50-PL
	000C18-06-48B	EA	BOLT-ELEVATOR-3/8-16X3-ZINC-GRADE5
	000C26-04-14B	EA	BOLT-HEX-SERRATEDFLANGE-1/4-20X7/8-ZINC
	000C26-04-10B	EA	BOLT-HEX-SERRATEDFLANGE-1/4-20X5/8-ZINC
	000C26-05-12B	EA	BOLT-HEX-SERRATEDFLANGE-5/16-18X3/4-ZINC
	000C26-05-16B	EA	BOLT-HEX-SERRATEDFLANGE-5/16-18X1-ZINC
	000C26-06-12B	EA	BOLT-HEX-SERRATEDFLANGE-3/8-16X3/4-ZINC
	000G45-05-16B	EA	BOLT-LAG5/16-9X1-ZINC
	106166-01-000	EA	BOLTCOLLAREDHANGER-8-32X1"

WATER & SEWAGE GROUP

FRESHWATER TANK

KEY	PARTNUMBER	U/M	DESCRIPTION
	064214-13-000	EA	TANK ASM-WATER, 31 GAL-QUEENBED
	064214-10-000	EA	TANK ASM-WATER, 31 GALTWIN&DOUBLEBED
	064214-01-000	EA	TANK-WATER, 31 GALLON-W/O FITTINGS-24"X12.75"X30"
	077954-02-000	EA	FILTER-WATERTANK, SCREEN INTANK
	039861-01-000	EA	SENDING UNIT-W/SCREW, WASHER, WELLNUT & TERMINAL RING
	010224-01-000	EA	ADAPTER-HOSE TO PIPE, 3/8" MPT X 3/8" BARB-BLACK PLASTIC
	044927-01-000	EA	ADAPTER-HOSE TO PIPE, 1 1/4" MPT X 1 1/4" BARB-BLACK PLASTIC
	042989-03-000	EA	FITTING-WATERTANK, SPINWELD-1 1/4" NPT-PLASTIC-WHITE
	042989-04-000	EA	FITTING-WATERTANK, SPINWELD-3/8" FPT-PLASTIC-WHITE
	042989-05-000	EA	FITTING-WATERTANK SPINWELD-1/2" FPT-PLASTIC-WHITE
	049032-01-000	EA	PATCH-SPINWELD, 3/8"-PLASTIC

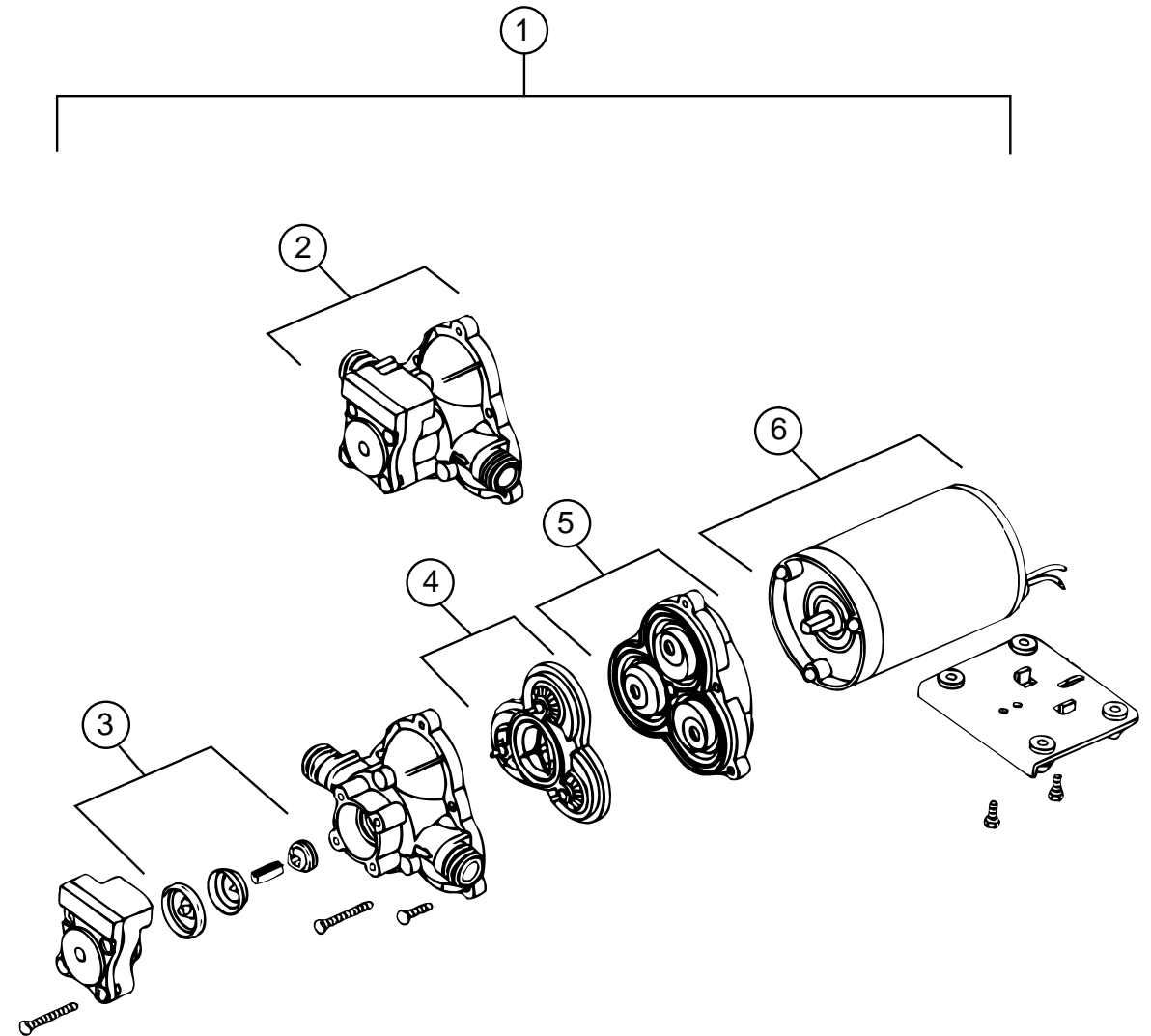
WATER SYSTEM

KEY	PARTNUMBER	U/M	DESCRIPTION
	074462-02-000	FT	TUBING-VINYL, 3/8" ID X 20'-CLEAR
	079381-01-000	FT	TUBING-SMOOTH FLEXIBLE, 1 3/8" ID X 20'
	039800-02-000	FT	TUBING-POLYBUTYL, 5/8" OD-INCREMENTS OF 20'-BLACK
	123150-01-000	EA	ELBOW-1/2" FPT X 1/2" BARBSWIVEL
	123152-01-000	EA	ADAPTER-1/2" FPT X 1/2" BARBSWIVEL
	091208-01-000	EA	WASHER-RUBBER, .06" X .75" X .5"
	114430-02-000	EA	ADAPTER-SWIVEL, 1/2" P X 1/2" FPT-FLAIR-IT02873
	110915-01-01A	EA	FILL-WATER, CITY-CHROME-KEVCO64713
	114428-01-000	EA	TEE-1/2" P X 1/2" P X 1/2" P-FLAIR-IT02820
	114428-03-000	EA	TEE-1/2" P X 1/2" P X 1/2" MPT
	114429-01-000	EA	ELBOW-1/2" P X 1/2" P-FLAIR-IT02800
	114429-02-000	EA	ELBOW-1/2" P X 1/2" MPT-FLAIR-IT02803
	114429-03-000	EA	ELBOW-FLAIR-IT SWIVEL 1/2" P X 1/2" FPT
	114429-04-000	EA	ELBOW-1/2" P X 3/8" MPT-MCCLAINS ANNIVERSARY OPTION
	114430-02-000	EA	ADAPTER-SWIVEL-1/2" P X 1/2" FPT
	114430-03-000	EA	ADAPTER-1/2" P X 1/2" MPT-FLAIR-IT02842
	114430-06-000	EA	ADAPTER-1/2" P X 3/8" FPT-FLAIR-IT02851
	114431-01-000	EA	WATER VALVE-3 POSITION-"DRAIN VALVE"
	113697-01-000	EA	CAP-3/8" FTG-FLAIR-IT02859
	114431-02-000	EA	WATER VALVE-2 POSITION-"BYPASS VALVE"
	110438-01-000	EA	VALVE-BRASS CHECK
	112176-01-000	FT	TUBING-VINYL, REINFORCED-1/2" ID
	117089-01-000	FT	HOSE-1/2" ID, GARDEN-KEVCO49154

EXTERIOR SHOWER

KEY	PARTNUMBER	U/M	DESCRIPTION
	106208-01-01A	EA	COMPARTMENT-EXTERIOR SHOWER, OFF WHITE PLASTIC
	103092-02-000	EA	SHOWERHEAD-W/HOSE, CANADIAN
	103092-01-000	EA	SHOWERHEAD-W/60" HOSE
	093527-02-000	EA	BRACKET-SQUEEGEE/SHOWERHEAD
	091952-02-000	EA	CLIP-3/4" GRIPPER
	075241-05-000	EA	FAUCET-SHOWER, BONE
	114428-01-000	EA	TEE-1/2" P X 1/2" P X 1/2" P-FLAIR-IT02820
	114429-03-000	EA	ELBOW-FLAIR-IT SWIVEL 1/2" P X 1/2" FPT
	057457-01-000	EA	ELBOW-UNION, 1/2" P X 1/2" FLARE
	046128-01-000	EA	VALVE-DRAIN, PLASTIC-1/2" FPT
	052959-02-000	EA	CONNECTOR, 1/2" F X 1/2" MPT-PLASTIC-GRAY
	114430-02-000	EA	ADAPTER-SWIVEL, 1/2" P X 1/2" FPT-FLAIR-IT02873

WATER & SEWAGE GROUP (CONTINUED)



WATER PUMP-SHURFLO

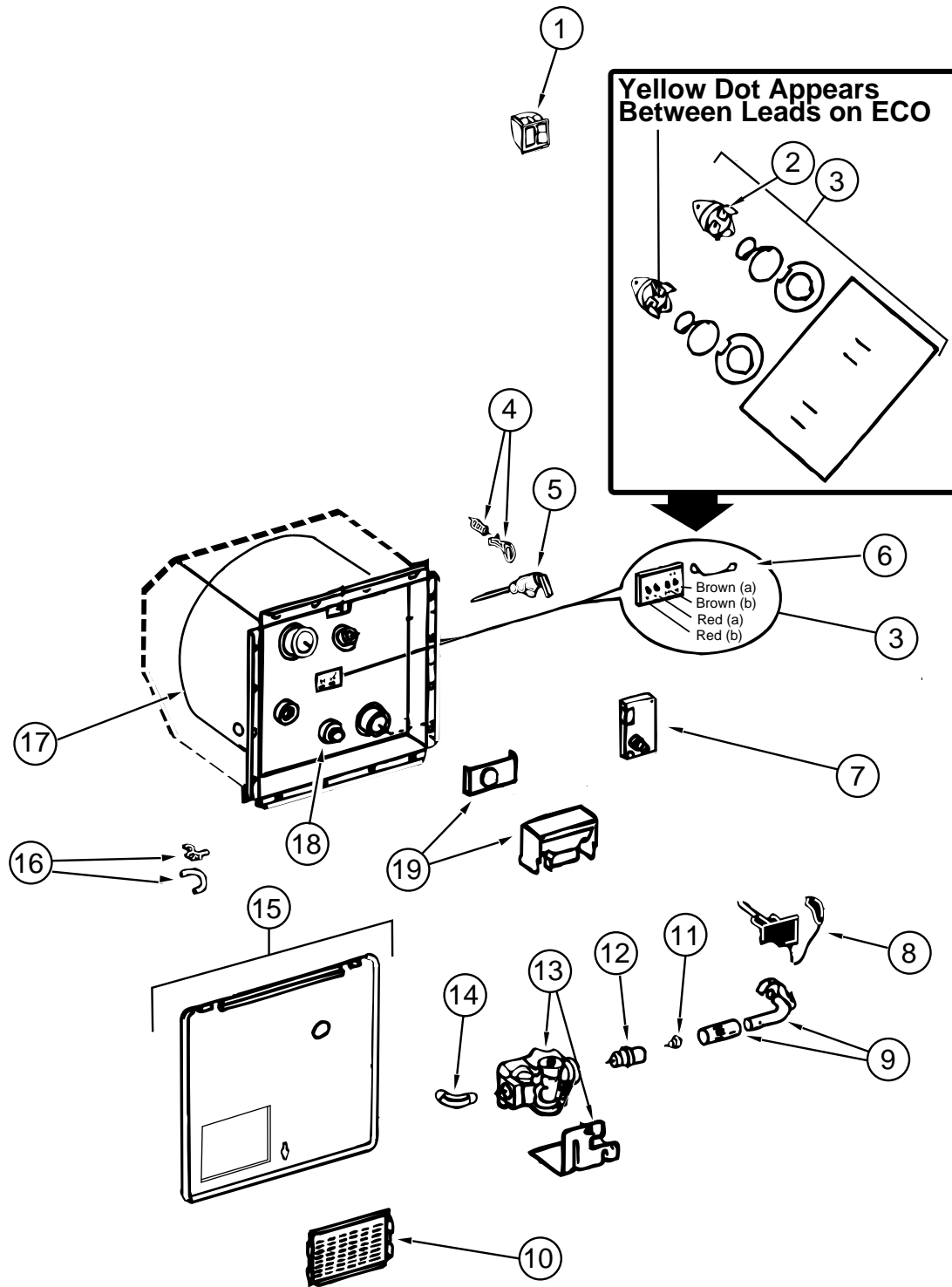
KEY	PARTNUMBER	U/M	DESCRIPTION	VENDOR NO.
1	098607-01-000	EA	PUMP-WATER, W/.5" MPT FITTING-FLOW 2.8 GPM-UL	
2	098607-01-706	EA	HOUSING, W/SWITCH ONLY	94-231-20
3	098607-01-705	EA	VALVE-CHECK, KIT	94-237-00
4	098607-01-703	EA	VALVE KIT	94-232-00
5	098607-01-702	EA	DIAPHRAGM/DRIVE ASSEMBLY KIT	94-238-04
6	098607-01-707	EA	MOTOR W/BASE PLATE	11-148-04

WATER FILTER-MCCLAINS ANNIVERSARY OPTION

KEY	PARTNUMBER	U/M	DESCRIPTION	VENDOR NO.
	701069-01-000	EA	WATER PURIFICATION SYSTEM	9252
	701069-03-700	EA	CARTRIDGE REPLACEMENT	9592-06

WATER & SEWAGE GROUP (CONTINUED)

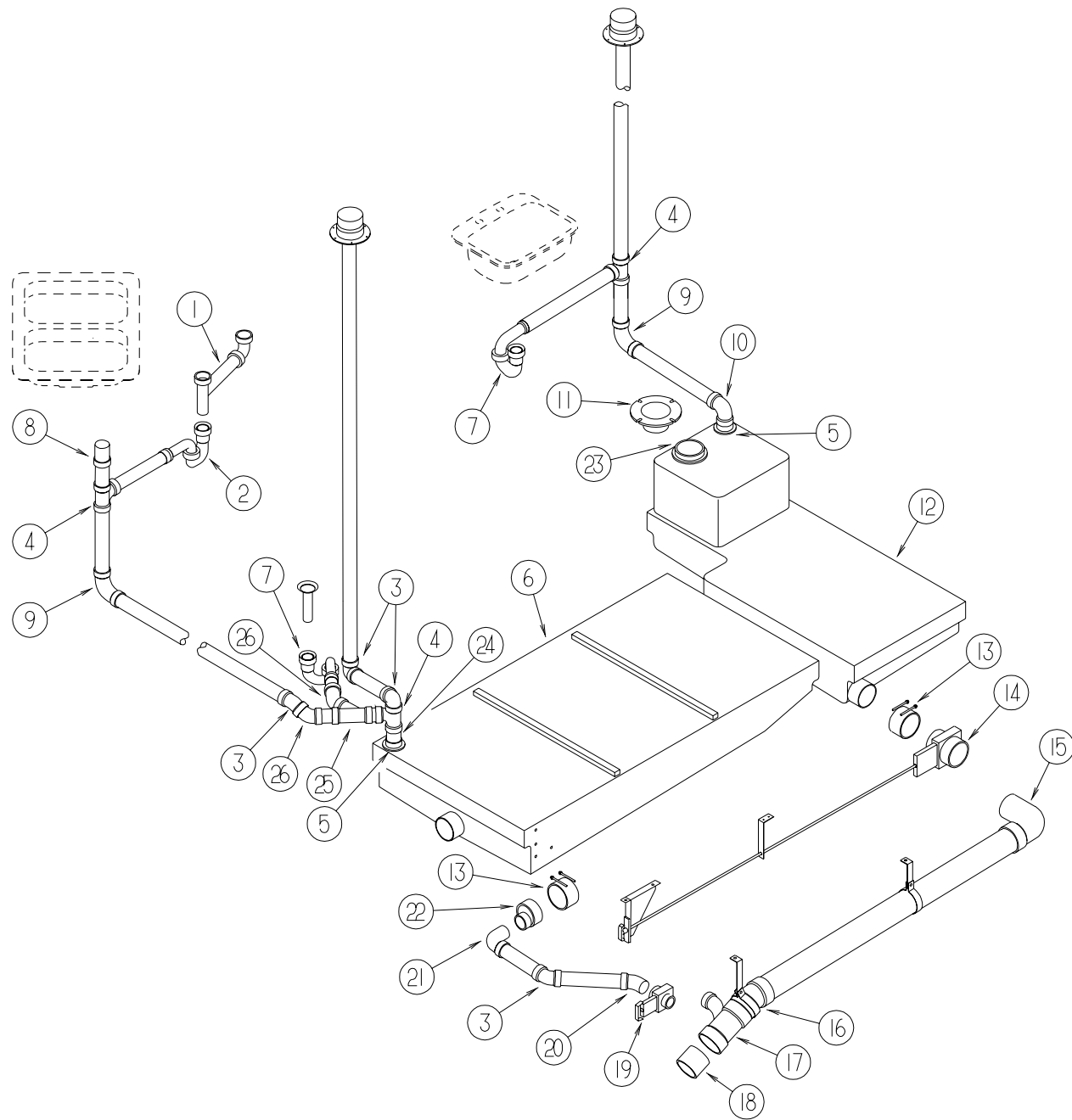
WATER HEATER W/O MOTOR AID - AT WOOD G6A-8E



KEY	PARTNUMBER	U/M	DESCRIPTION	VENDOR NO.
	051391-03-000	EA	WATERHEATER-ATWOODG6A-8EELECTRICIGNITION	
1	097967-01-000	EA	SWITCH-WATERHEATER, REMOTE W/LIGHT 91959	
2	051391-04-701	EA	THERMOSTAT 12VDC-120 PRESET	91470
3	051393-01-721	EA	THERMOSTAT W/ECO, 140 FRONT MOUNT	91447
4	051391-01-705	EA	FASTENER-CAM LOCK	92609
5	051391-01-704	EA	VALVE-RELIEF, 1/2" FITTING	91604
6	051393-01-723	EA	SWITCH-THERMAL-CUTOFF 2/PKG	93866
7	051393-01-724	EA	BOARD-CIRCUIT, SPADE TERMINAL	93865
8	051393-01-725	EA	ELECTRODE-SGL SPADE CONNECT.	93868
9	051391-04-703	EA	BURNER-MAIN	91638
10	051391-01-717	EA	GRILLE-WATERHEATER DOOR	92640
	051391-01-716	EA	GRILL ONLY (GOES ON FLUE BOX)	91786
11	051391-01-710	EA	ORIFICE-MAIN BURNER	92742
12	051391-03-700	EA	HOLDER-ORIFICE	91563
13	051393-01-726	EA	VALVE-SOLENOID, W/BACKET	93870
14	051391-01-714	EA	FITTING-ELBOW, 45 DEGREE-3/8 F X 3/8 MPT	1044
15	052009-07-000	EA	DOOR-WATERHEATER, 18" X 14.6" - METAL - SABLE	
	116424-01-000	EA	PROTECTOR-WATERHEATER LATCH, ADHESIVE BACKED ROUND VINYL	
16	051391-01-700	EA	HINGE KIT, (PIN & CLIP)	92568 & 92559
17	051391-04-706	EA	TANK-INNER, G6A-4E & 6E FRONT MOUNT	91641
18	051391-01-715	EA	PLUG-DRAIN, 1 EA=2 PER PKG	91857
19	051391-04-707	EA	KIT-EXHAUST, (FLUE & GASKET)	90960
	111129-01-711	EA	BRACKET-CORNER, SET OF FOUR	91928

WATER & SEWAGE GROUP (CONTINUED)

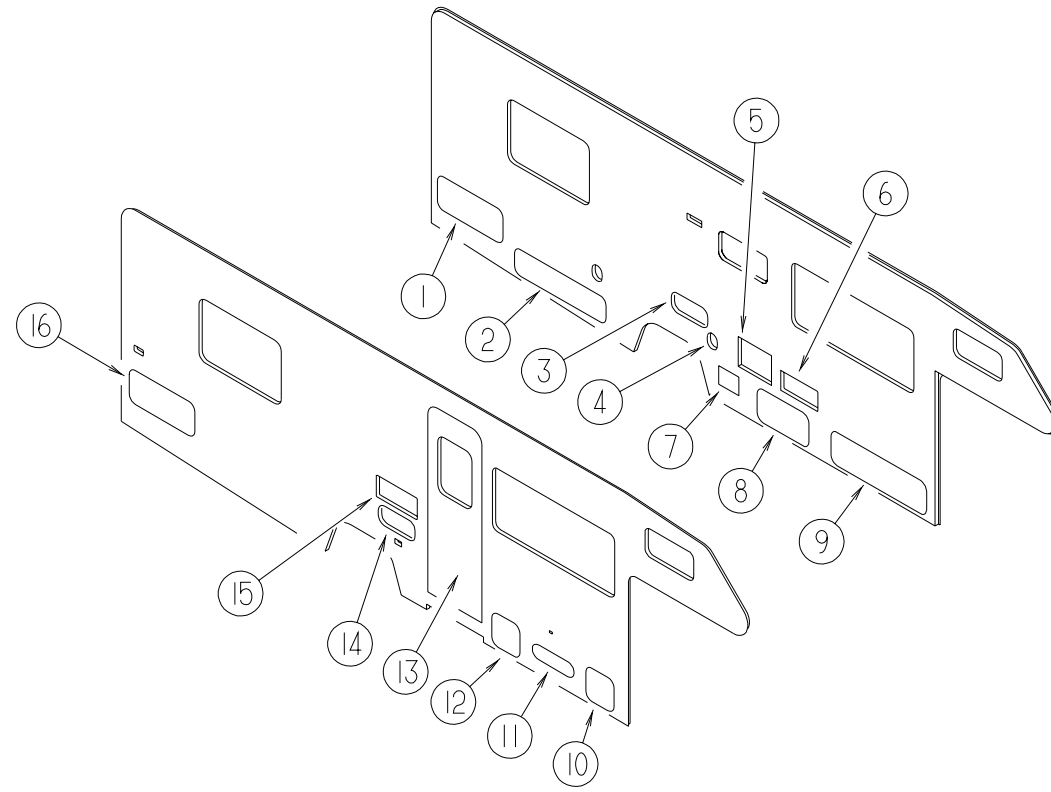
DRAINAGE SYSTEM



KEY	PARTNUMBER	U/M	DESCRIPTION
1	011091-02-000	EA	PIPE-DRAIN, DOUBLE SINK-BAFFLE TEE-1 1/2" ONE PIPE W/TEE TO DRAIN BOTH SIDES OF SINK
2	107538-01-000	EA	P-TRAP-PLASTIC-1 1/4" W/EXTENSION ARM
	109571-01-000	EA	ADAPTER-PTRAP, 1.5" PX 1 1/4" MPT
2	011071-01-000	EA	PTRAP-PLAS 1 1/2"-NIBCO 5892 1 1/2
	109571-01-000	EA	ADAPTER-PTRAP, 1.5" PX 1 1/4" MPT
3	010006-01-000	EA	ELBOW-45 DEGREE, 1/8 BEND-1 1/2" HUB X HUB-BLACK PLASTIC
4	010071-01-000	EA	TEE-SANITARY, 1 1/2" HUB X HUB X HUB-PLASTIC-BLACK
5	061607-01-000	EA	GROMMET-HOLDING TANK, 1 1/2" NPS
6	102762-01-000	EA	TANK-HOLDING, 42 GALLON-57.4" X 8.4" X 29"-AUXILIARY
7	107538-01-000	EA	PTRAP-PLASTIC, 1 1/4" W/EXTENSION ARM-U.S.
7	011066-03-700	EA	PTRAP, 1 1/4" HUB X SLIP JOINT-W/UNION-ABS-CANADIAN
	109571-01-000	EA	ADAPTER-PTRAP, 1.5" PX 1 1/4" MPT
8	079968-01-000	EA	VENT-MECHANICAL TRAP ARM-ANTI-SIPHON 2" DIA X 7.3" PLASTIC
9	010008-01-000	EA	ELBOW-90 DEGREE, 1/4 BEND-1 1/2" HUB X HUB-BLACK PLASTIC
10	034250-01-000	EA	ELBOW, 90 DEGREE, LONG TURN-1 1/2" HUB X HUB ABS
11	063641-01-000	EA	FLANGE-CLOSET, 4" X 3"
11	116644-01-000	EA	FLANGE-CLOSET-4" X 3"-MCCLAINS ANNIVERSARY OPTION
12	108593-01-000	EA	TANK-HOLDING, 27 GALLON
13	078406-01-000	EA	COUPLER-RUBBER, W/CLAMPS-3" X 3"
14	062418-01-000	EA	VALVE-DUMP, W/HANDLE-3"-PLASTIC-BLACK
	062419-04-000	EA	HANDLE-EXTENSION, W/TAPPED END-KEVCO 1046UP
	062419-05-000	EA	BRACKET-VALVE, LOCKING-KEVCOT 1003-UC
	062419-06-000	EA	HANDLE-T KEVCOCT 1003-6
15	041956-01-000	EA	ELBOW-STREET, PLASTIC-1/4 BEND-3" X 90 XLT
16	010023-01-000	EA	ELBOW-PLAS, STREET 1/16 BEND 3 X 22.5'-NIBCO 5808-3
17	031365-01-000	EA	TEE-PLAS, 3 X 3 X 1 1/2 EXT LARGE TURN-NICO 5812-LR-3-3-2
18	109450-01-000	EA	ADAPTER-PLASHOSE, SEWER-KEVCO 40738
	010201-01-000	EA	HOSE-SEWER, 3" ID X 8'
	062416-01-000	EA	ADAPTER-SEWER HOSE TO 3" PIPE
	062415-01-000	EA	CAP-SEWER, 3" DIAMETER
	062415-01-700	EA	STRING-SEWER CAP V#SV7 STRAP
19	062421-01-000	EA	VALVE-DUMP, W/HANDLE-1 1/2"-PLASTIC-BLACK
	070916-01-000	EA	VALVE-DUAL DUMP, W/CAP-3" X 1 1/2"-PLASTIC-BLACK
	070916-01-700	EA	VALVE ONLY-3"
	070916-01-701	EA	VALVE ONLY-1.5"
20	010051-01-000	EA	ELBOW, 45 DEGREE, 1 1/2" SPIGOT & HUB, PLASTIC-BLACK
21	033761-01-000	EA	ELBOW-TURN, 1/4 BEND X 1.5" HUB X 1.5" SPIGOT-BLK PLASTIC
22	062422-01-000	EA	ADAPTER-OFFSET REDUCER, 3" X 1 1/2"-PLASTIC-BLACK
23	061607-02-000	EA	GROMMET-HOLDING TANK, 3" NPS
24	010115-01-000	EA	COUPLING-1 1/2" HUB X HUB, PLASTIC
25	010073-01-000	EA	WYE-45 DEGREE, 1 1/2" HUB X HUB X HUB-PLASTIC-BLACK
26	010051-01-000	EA	ELBOW, 45 DEGREE, 1 1/2" SPIGOT & HUB, PLASTIC-BLACK

WINDOW, VENT & EXTERIOR DOOR GROUP

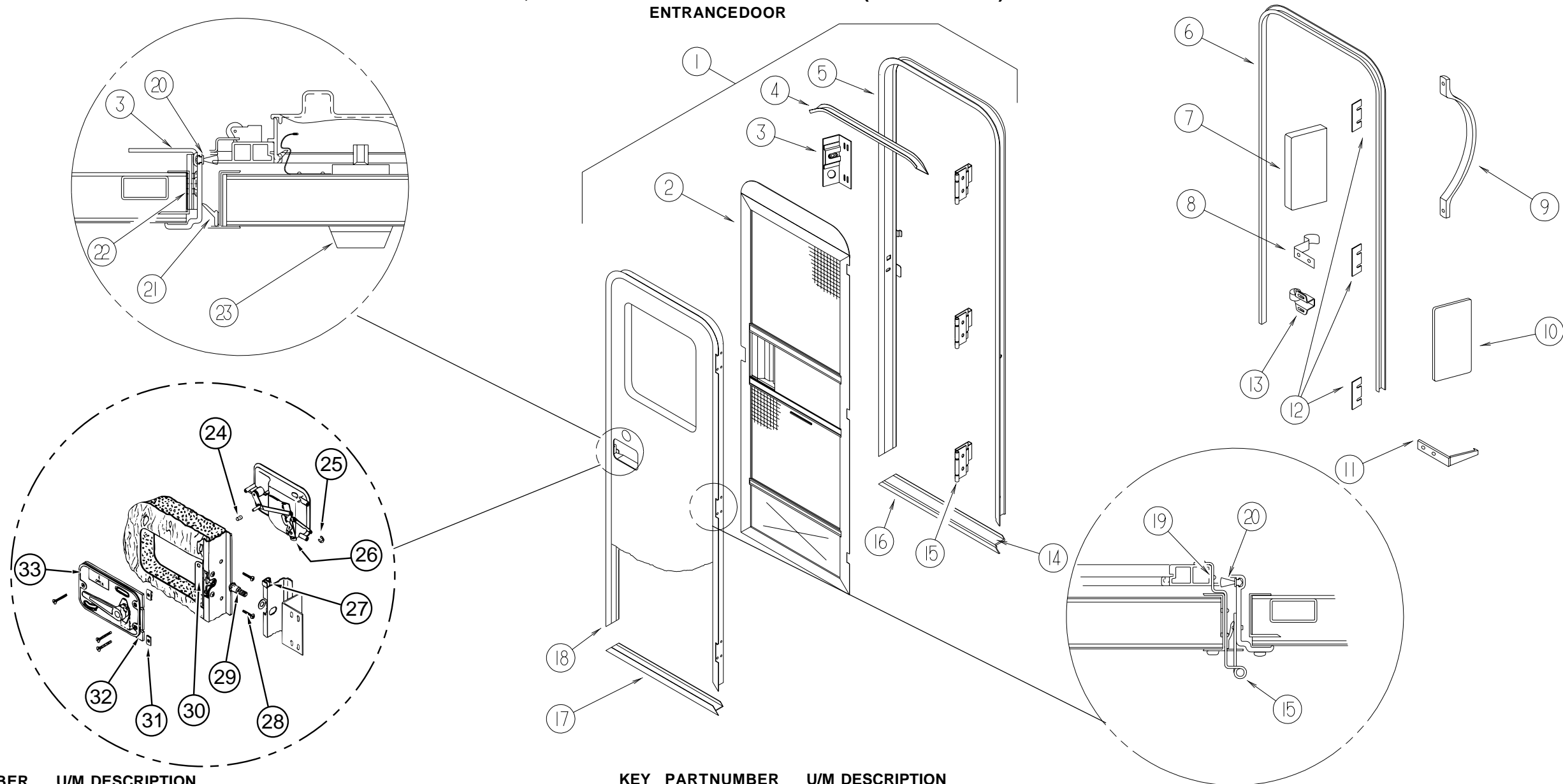
EXTERIOR DOORS



KEY	PARTNUMBER	U/M	DESCRIPTION
1	104558-18-F16	EA	DOORASM-STORAGE
2	104558-16-F16	EA	DOORASM-STORAGE
3	111017-02-F24	EA	DOORASM-STORAGE
4	081240-16-000	EA	DOOR - WATER FILL - LOCKABLE W/O LOCK - 4" X 4 5/8"
5	052009-06-000	EA	DOOR - WATER HEATER - W/OLATCHES
	116424-01-000	EA	PROTECTOR-WATERHEATER LATCH, ADHESIVE BACKED ROUND VINYL
6	098668-23-000	EA	DOOR - ACCESS - FURNACE
7	088794-06-000	EA	DOOR - POWER CORD W/HATCH - 11" X 9.2"
8	104558-34-F16	EA	DOOR - STORAGE, BRIGHT WHITE
9	104558-13-F16	EA	DOOR - STORAGE W/OPADDLE LATCH - 47" HIGH
10	104558-14-F16	EA	DOORASM-STORAGE
11	111009-01-GB1	EA	DOOR - LP - 6.5" X 20.8"
12	104558-14-F16	EA	DOORASM-STORAGE

KEY	PARTNUMBER	U/M	DESCRIPTION
13	115108-01-H04	EA	DOOR-ENTRY, W/SCREEN-W/OWINDOW(H04)
13	115108-01-H05	EA	DOOR-ENTRY, W/SCREEN-W/OWINDOW(H05)
13	115108-01-H24	EA	DOOR-ENTRY, W/SCREEN-W/OWINDOW(H24/H26)
14	111017-01-F24	EA	DOOR - PATIO/ENTERTAINMENT CENTER W/OLATCH - 17.8" X 8.1"
15	084103-08-000	EA	DOOR - REFRIGERATOR - VENTED - W/O JAMB
	084104-08-000	EA	JAMB - REFRIGERATOR DOOR
	084104-01-700	EA	LOCK - MALE FASTENER, REFRIGERATOR DOOR
	084104-01-701	EA	LOCK - FEMALE FASTENER, REFRIGERATOR DOOR
16	104558-18-F16	EA	DOORASM-STORAGE

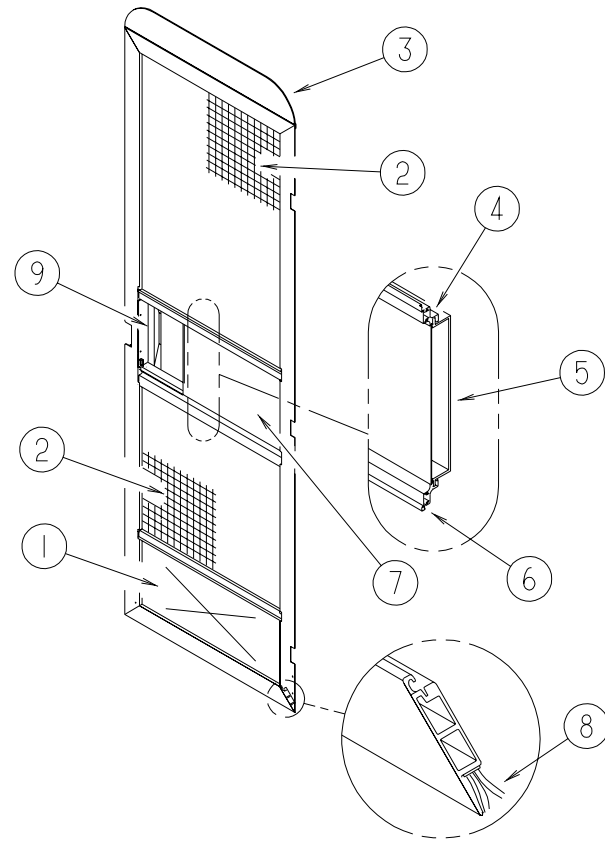
WINDOW, VENT & EXTERIOR DOOR GROUP (CONTINUED)
ENTRANCEDOOR



KEY	PARTNUMBER	U/M	DESCRIPTION
1	115108-01-H04	EA	DOOR-ENTRY, W/SCREENDOOR-W/OWINDOW(H04)
1	115108-01-H05	EA	DOOR-ENTRY, W/SCREENDOOR-W/OWINDOW(H05)
1	115108-01-H24	EA	DOOR-ENTRY, W/SCREENDOOR-W/OWINDOW(H24/H26)
2	121899-03-GB1	EA	DOORASM-SCREEN
3	041546-07-000	EA	BRACKETASM-DOORANGLE, OFFWHITE
4	044582-44-000	EA	CAP-DRIP-JAMBMTD, BRIGHTWHITE
5	121898-03-01A	EA	JAMBASM-DOOR, ENTRANCE-BRIGHTWHITE
6	115222-04-01A	EA	GARNISH-RADIUS, ENTRANCEDOOR-OFFWHITE
7	077461-05-000	EA	COVER-BRACKET, STRIKE-OFFWHITE
8	100412-01-000	EA	CATCH-SCREENDOOR
9	009126-03-000	EA	HANDLE-ASSIST, BLACKTEXTURED
10	076725-02-000	EA	COVER-HINGE, ENTRYDOOR-6"X3.2"
11	102768-01-000	EA	HOLDER-COMPARTMENT/ENTRYDOOR, METAL-MILLFINISH
12	102248-01-000	EA	SHIM-DOOR
13	100412-01-000	EA	CATCH-SCREENDOOR
14	038327-01-000	EA	TAPE-ANTISLIP, 2"X60'
15	106719-01-05A	EA	HINGE-ENTRANCEDOOR, BRIGHTWHITE
	106719-01-01A	EA	HINGE-ENTRANCEDOOR, MILL
	039715-01-000	EA	NUT-SERT, 1/4" DIAMETER-20 THREADS-ENTRANCEDOORHINGE
	116111-02-01A	EA	SCREW-TAPTITE-1/4-20X3/8PPH-ZINC
16	051049-01-000	EA	JAMB-BOTTOM, ENTRYDOOR-25.9"-UNPAINTED
17	121893-01-01A	EA	FRAME-DOOR, ENTRANCE-BRIGHTWHITE
18	121894-07-01A	EA	FRAME-DOOR, ENTRANCE-BRIGHTWHITE
	098173-01-07A	EA	STIFFENER-ENTRYDOOR, BRIGHTWHITE
	098173-01-04A	EA	STIFFENER-ENTRYDOOR, SUPPORTSLATCH/STRIKEAREA
	072893-04-000	EA	NUTSERT-10-32, ENTRANCEDOORSTIFFENER

KEY	PARTNUMBER	U/M	DESCRIPTION
	122241-01-01A	EA	BUMPER-FOAMRUBBER-BLACK
19	100128-02-000	FT	SEAL-FOAM, ADHESIVEBACK-.37"WX.37"THICK
20	118929-01-01A	FT	SEAL-PILE, PUSH-ON-AMESBURY5250148
21	075671-04-000	FT	SEAL-SPONGE, LAZYTSHAPE-W/ADHESIVESTRIP-.5"WIDE
22	104692-01-000	FT	SEAL-3/4"X3/4", ADHESIVEBACKFOAMSEAL
23	101145-01-06A	EA	DEADBOLTASM-BLACKTEXTURED
	101147-01-000	EA	BOLT-SECURITY, 4.12"BACKSET
	095229-01-700	EA	KEY-BLANK, DEADBOLT 81205-03
	101145-01-701	EA	CYLINDER-LOCKASM., W/KEY 81306-03
24	039984-01-000	EA	CAP-ROUND-VINYL-.28"IDX.62"-BLACK
25	036618-02-000	EA	ERING-EXTERNAL, LYNOR DOOR LOCK-3/16"SHAFTDIAMETER
26	045017-13-000	EA	LATCH-ENTRANCEDOOR, BLACKTEXTURED
	045017-11-701	EA	KEY-BLANK, F1SERIES 81312-02
	045017-11-703	EA	CYLINDER-LOCKASM.W/KEYS 81266-09
	045017-11-703	EA	CYLINDER-LOCKASM.W/KEYS 81266-09
27	064075-07-000	FT	SEAL-BULB, W/WIREDUCHANNEL-.3"X.5"CHANNEL-BLACK
28	000G54-04-20B	EA	SCREW-1/4-20X11/4PTH TYP23
29	039539-01-000	EA	STRIKE-LOCK, ENTRYDOOR-ROUNDW/THREADEDWASHER
30	039540-01-000	EA	LATCHMECHANISM-HOOK, ENTRYDOOR-INTERIOR
31	040921-01-000	EA	NUT-SPEED-UTYPE10-24BLACK
32	096810-01-01A	EA	PLATE-LATCH, ENTRYDOOR-PLASTIC-BLACK
33	039979-06-000	EA	COVER-RHLATCHPLATE-BLACKTEXTURED
	086285-05-000	EA	SPACER-NYLON, 17.91ODX14.3-MICROPLAS17W07051
	104099-01-04A	EA	CATCH-DOORHOLDER, STRIKE-BRIGHTWHITE
	104099-02-04A	EA	CATCH-DOORHOLDER, RETAINER-BRIGHTWHITE

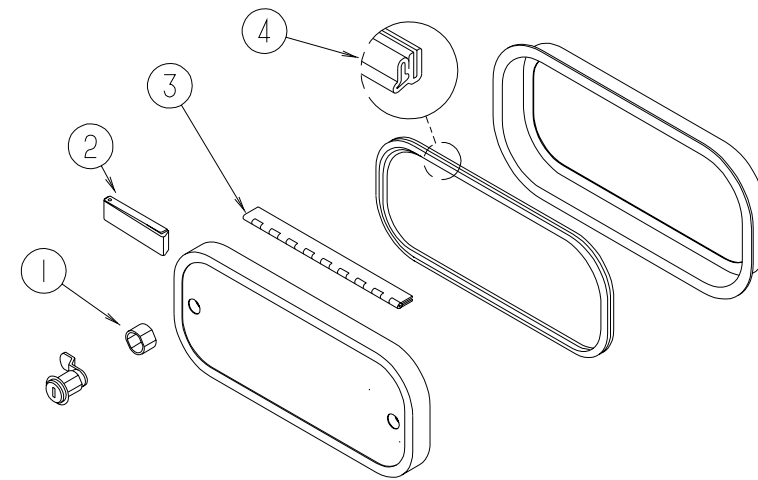
WINDOW, VENT & EXTERIOR DOOR GROUP (CONTINUED)



SCREEN DOOR COMPONENTS

KEY	PARTNUMBER	U/M	DESCRIPTION
	121899-03-GB1	EA	DOOR ASM-SCREEN
1	078552-03-000	EA	KICK PANEL-SCREEN DOOR, LOWER INSERT-UNPAINTED
2	002293-02-000	SF	SCREENING-WINDOW/DOOR, 26"-CHARCOAL
3	078595-01-000	EA	TOP PLATE-SCREEN DOOR, CURVED TOP-4.7" X 25.35"
4	078777-01-000	EA	CHANNEL-SLIDE, SCREEN DOOR CENTER SLIDER COVER
5	079086-03-000	EA	SLIDER-SCREEN DOOR, BRIGHT WHITE
	079087-03-000	EA	STRIKE-SLIDER, SCREEN DOOR, BRIGHT WHITE
6	002294-01-000	FT	SPLINE-SCREENING, .135" X .138"-BLACK
7	016454-01-000	EA	INSERT-CENTER, LEATHER GRAIN ALUMINUM-UNPAINTED
	001014-01-013	EA	INSERT-CENTER, 10.25" X 16.31"-UNPAINTED
8	075673-01-000	FT	SEAL-PILE, ADHESIVE BACK-GRAY
9	050712-06-000	EA	HANDLE-SCREEN DOOR-BRIGHT WHITE

WINDOW, VENT & EXTERIOR DOOR GROUP (CONTINUED)



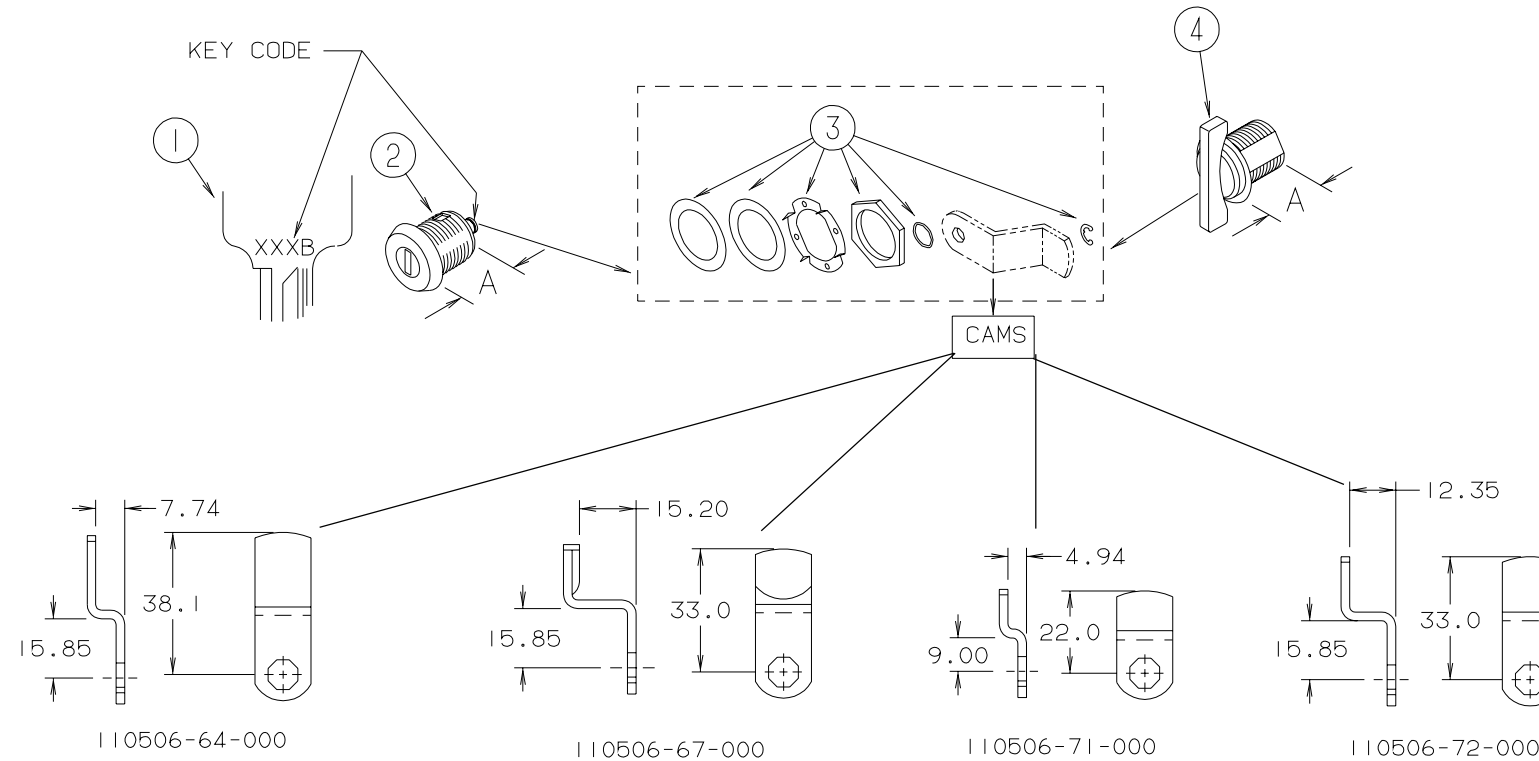
EXTERIOR DOOR COMPONENTS

KEY	PARTNUMBER	U/M	DESCRIPTION
1	107997-51-001	EA	SPACER-DOOR LOCK, .6" DEEP
	107997-51-002	EA	EXTR-SPACER, 4877MM
2	102768-01-000	EA	HOLDER-COMPARTMENT/ENTRY DOOR, METAL-MILL FINISH
3	081801-V3-000	EA	HINGE-ALUMINUM, 2" X 8' BRIGHT WHITE
3	034007-B3-000	EA	HINGE-CONTINUOUS, ALUMINUM, 1.5 X 96" BRIGHT WHITE
	081801-02-000	EA	HINGE-DOOR-PIANO-2" X 96"
	081801-T3-000	EA	HINGE-ALUMINUM, 2 X 0522MM, BRIGHT WHITE
	009065-01-000	EA	HINGE-ALUMINUM, 1 1/2" X 96"-UNPAINTED
4	064075-07-000	FT	SEAL-BULB, W/WIRED CHANNEL-.3" X .5" CHANNEL-BLACK
	106850-01-000	FT	SEAL-E, 11 X 19-SPONGERUBBER
	104692-01-000	FT	SEAL-3/4" X 3/4", ADHESIVE BACK FOAM SEAL
	091876-01-000	EA	RETAINER-DOOR, 1.9" X .8"-METAL

WINDOW, VENT & EXTERIOR DOOR GROUP (CONTINUED)

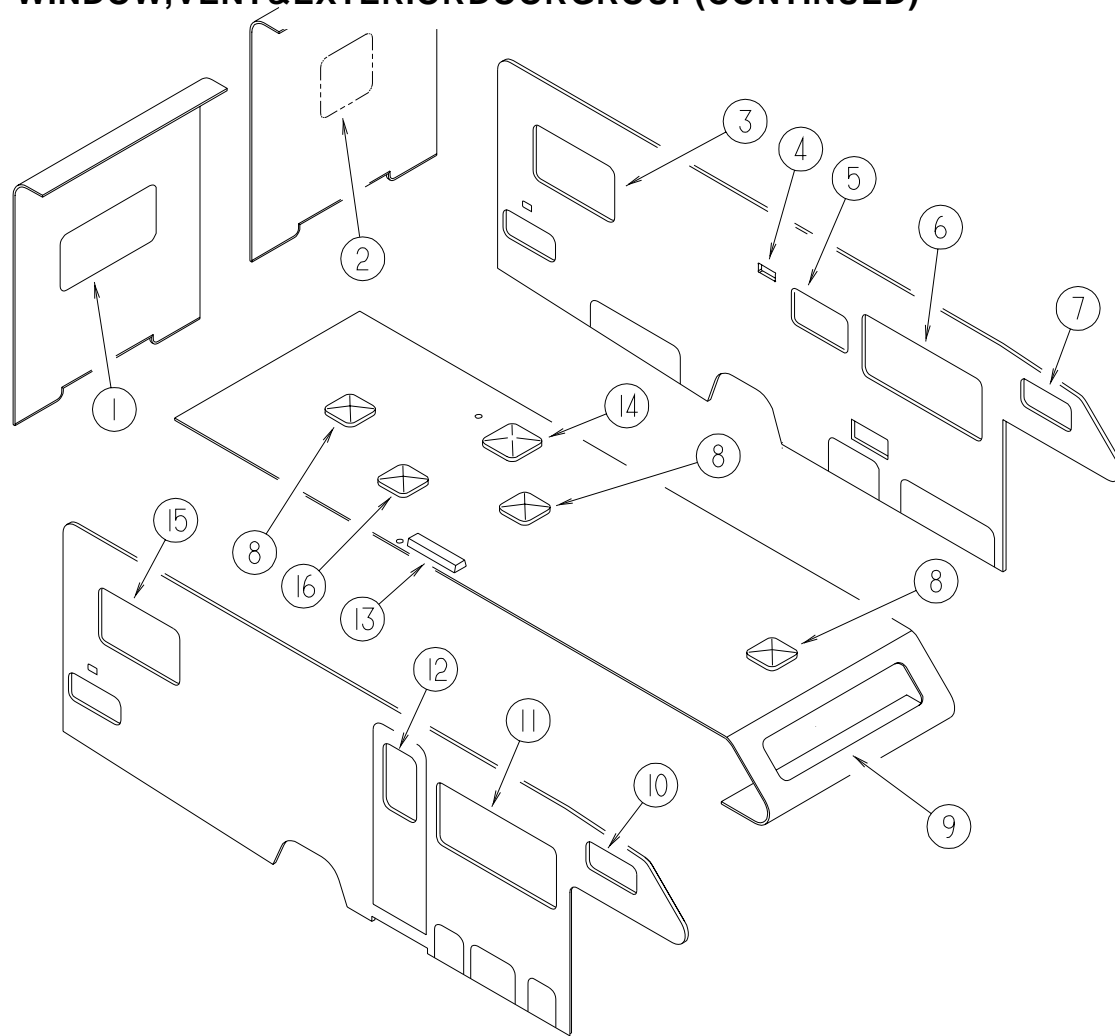
NOTE:
 WHEN ORDERING THE LOCK CASE, THE KEY CODE MUST MATCH THE LAST DIGIT OF THE VEHICLE'S SERIAL NUMBER AND PART NUMBER; WHEN ORDERING THE KEYS, THE THIRD DIGIT OF THE KEY CODE MUST MATCH THE LAST DIGIT OF THE VEHICLE'S SERIAL NUMBER AND PART NUMBER

BRIGGS & STRATTON LOCKS & COMPONENTS



KEY	PARTNUMBER	U/M	DESCRIPTION	VENDOR NO.	KEY	PARTNUMBER	U/M	DESCRIPTION	VENDOR NO.
1	110506-59-000	EA	KEYS-SETOFTWO	596720	1	110506-59-007	EA	KEYS-SETOFTWO	596727
2	110506-52-000	EA	CASE-LOCK, A=17MM	702370	2	110506-52-007	EA	CASE-LOCK, A=17MM	702377
2	110506-53-000	EA	CASE-LOCK, A=25MM	702380	2	110506-53-007	EA	CASE-LOCK, A=25MM	702387
1	110506-59-001	EA	KEYS-SETOFTWO	596721	1	110506-59-008	EA	KEYS-SETOFTWO	596728
2	110506-52-001	EA	CASE-LOCK, A=17MM	702371	2	110506-52-008	EA	CASE-LOCK, A=17MM	702378
2	110506-53-001	EA	CASE-LOCK, A=25MM	702381	2	110506-53-008	EA	CASE-LOCK, A=25MM	702388
1	110506-59-002	EA	KEYS-SETOFTWO	596722	1	110506-59-009	EA	KEYS-SETOFTWO	596729
2	110506-52-002	EA	CASE-LOCK, A=17MM	702372	2	110506-52-009	EA	CASE-LOCK, A=17MM	702379
2	110506-53-002	EA	CASE-LOCK, A=25MM	702382	2	110506-53-009	EA	CASE-LOCK, A=25MM	702389
1	110506-59-003	EA	KEYS-SETOFTWO	596723	3	110506-40-700	EA	HARDWAREKIT	
2	110506-52-003	EA	CASE-LOCK, A=17MM	702373	4	110506-50-000	EA	CASE-TWISTLOCK, A=17MM	596952
2	110506-53-003	EA	CASE-LOCK, A=25MM	702383	4	110506-51-000	EA	CASE-TWISTLOCK, A=25MM	596669
1	110506-59-004	EA	KEYS-SETOFTWO	596724		110506-40-000	EA	CLIP-ELOCKASSEMBLY	93981
2	110506-52-004	EA	CASE-LOCK, A=17MM	702374		110506-64-000	EA	CAM-LOCK	322280
2	110506-53-004	EA	CASE-LOCK, A=25MM	702384		110506-67-000	EA	CAM-LOCK	322283
1	110506-59-005	EA	KEYS-SETOFTWO	596725		110506-71-000	EA	CAM-LOCK	322287
2	110506-52-005	EA	CASE-LOCK, A=17MM	702375		110506-72-000	EA	CAM-LOCK	322354
2	110506-53-005	EA	CASE-LOCK, A=25MM	702385		110506-59-701	EA	KEY-BLANK, GOLD	
1	110506-59-006	EA	KEYS-SETOFTWO	596726					
2	110506-52-006	EA	CASE-LOCK, A=17MM	702376					
2	110506-53-006	EA	CASE-LOCK, A=25MM	702386					

WINDOW, VENT & EXTERIOR DOOR GROUP (CONTINUED)



WINDOWS & VENTS

KEY	PARTNUMBER	U/M DESCRIPTION
1	113502-01-01A	EA WINDOW-REARESCAPE THERMO-24.8"X48.7"
1	078528-07-F15	EA WINDOW-ESCAPE W/O INSIDE TRIM-CLEAR-48.5"X24.5"
2	113502-04-01A	EA WINDOW-REARESCAPE THERMO-26.4"X26.25"
2	116976-01-01A	EA WINDOW-REARESCAPE, 26.4"X26.25"
3	112795-23-01A	EA WINDOW-DRIVERS HORIZONTAL SLIDER THERMO 24 1/2"X41 1/2"
3	098647-30-01A	EA WINDOW-DRIVERS HORIZONTAL SLIDER-CLEAR-24.2"X41"
4	084878-09-000	EA VENT-RANGEHOOD-SHORT, LVS-OFFWHITE
5	112795-20-01A	EA WINDOW-DRIVER HORIZONTAL SLIDER THERMO 16"X28 3/4"
5	098647-32-01A	EA WINDOW-DRIVERS HORIZONTAL SLIDER-CLEAR-15.7"X28.5"
6	112795-15-01A	EA WINDOW-DRIVERS HORIZONTAL SLIDER THERMO 26 3/8"X60"
6	098647-28-01A	EA WINDOW-DRIVERS HORIZONTAL SLIDER-CLEAR-26.1"X59.7"
7	112795-20-01A	EA WINDOW-DRIVER HORIZONTAL SLIDER THERMO 16"X28 3/4"
7	098647-32-01A	EA WINDOW-DRIVERS HORIZONTAL SLIDER-CLEAR-15.7"X28.5"
8	122882-01-01A	EA VENT-ROOF, NONPOWERED-ELIXIR V971201 WHITE
9	115630-01-01A	EA WINDOW-STATIONARY 17.2"X72"
9	103313-03-F15	EA WINDOW-PICTURE/ESCAPE 23.3"X71.3"
10	112795-19-01A	EA WINDOW-HORIZONTAL SLIDER THERMO 16"X28 3/4"
10	098647-31-01A	EA WINDOW-PASSENGER HORIZONTAL SLIDER-CLEAR-15.7"X28.5"
11	112795-16-01A	EA WINDOW-PASSENGER HORIZONTAL SLIDER THERMO 26 3/8"X60"
11	098647-27-01A	EA WINDOW-PASSENGER HORIZONTAL SLIDER-CLEAR-26.1"X59.7"
12	113733-01-01A	EA WINDOW-STATIONARY THERMO PANE 26.4"X17"
12	117053-04-FB1	EA WINDOW-PICTURE, 17"X26.4"
13	084073-07-000	EA COVER-ROOF VENT, REFRIGERATOR-BRIGHTWHITE-NORCOLD
14	122192-01-01A	EA PANEL-SKYLIGHT, OUTER
15	112795-21-01A	EA WINDOW-PASSENGER HORIZONTAL SLIDER THERMO, 24.5"X41 1/4"
15	098647-29-01A	EA WINDOW-PASSENGER HORIZONTAL SLIDER-CLEAR-24.2"X41"
16	122882-02-01A	EA VENT-ROOF, POWERED
16	122882-03-01A	EA VENT-ROOF, POWERED CSA

WINDOW, VENT & EXTERIOR DOOR GROUP (CONTINUED)

POWERED ROOF VENT-JENSEN-US

KEY	PARTNUMBER	U/M DESCRIPTION
	122882-02-01A	EA VENT-ROOF, POWERED
	122882-06-01A	EA VENT-ROOF, GARNISH 25-65-ELIXIR JRP2101 WHITE

POWERED ROOF VENT-JENSEN-CANADIAN

KEY	PARTNUMBER	U/M DESCRIPTION
	122882-03-01A	EA VENT-ROOF, POWERED CSA
	122882-06-01A	EA VENT-ROOF, GARNISH 25-65-ELIXIR JRP2101 WHITE

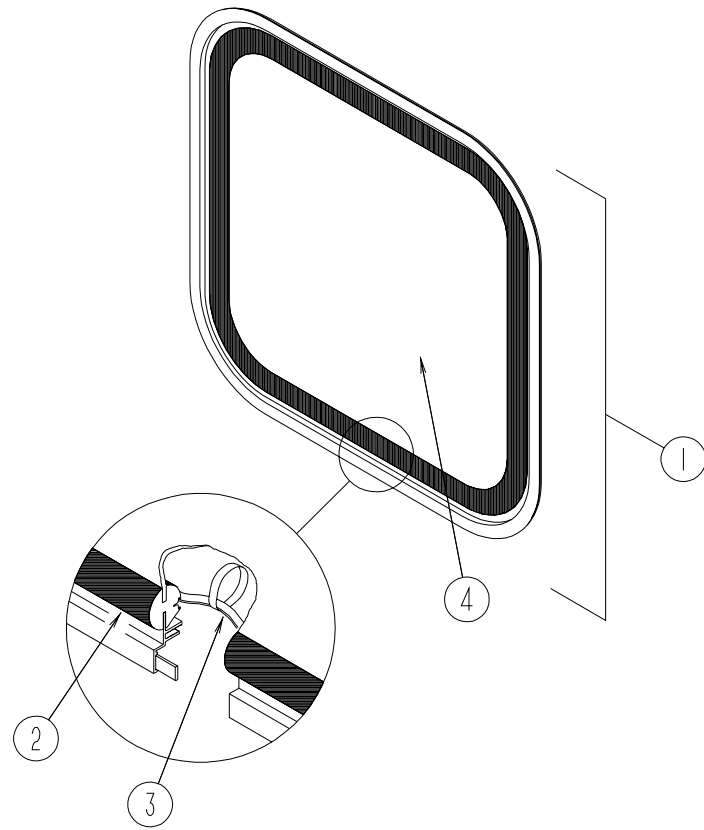
NONPOWERED ROOF VENT

KEY	PARTNUMBER	U/M DESCRIPTION
	122882-01-01A	EA VENT-ROOF, NONPOWERED
	122882-06-01A	EA VENT-ROOF, GARNISH 25-65-ELIXIR JRP2101 WHITE

VENTS, SHROUDS AND ROOF COVERS

KEY	PARTNUMBER	U/M DESCRIPTION
	084616-07-000	EA SHROUD-VENT, RANGEHOOD, BRIGHTWHITE
	084878-09-000	EA VENT-RANGEHOOD, SHORT-LVS
	083558-03-000	EA VENT-PLUMBING PIPE ROOF, W/COVER-OFFWHITE
	084073-04-000	EA BASE-ROOF VENT, REFRIGERATOR
	084073-07-000	EA VENT-ROOF, REFRIGERATOR, BRIGHTWHITE-NORCOLD

WINDOW, VENT & EXTERIOR DOOR GROUP (CONTINUED)



BACKWALLESCAPEWINDOW-DOUBLEBED-EXCEL

KEY	PARTNUMBER	U/M DESCRIPTION	VENDORNO.
1	116976-01-01A	EA WINDOW-REARESCAPE 26.4"X26.25"	
	116976-01-701	EA RETAINER-TRIM	W386-53
2	100322-01-701	FT SEAL-VENT	122-016071
3	116976-01-702	FT FILLERPLUG	132-016065
4	116976-01-700	EA GLASS	096-018786
	112898-06-704	EA HANDLE-LATCH,RED-RH	182-11293
	112898-06-705	EA HANDLE-LATCH,RED-LH	182-11294

BACKWALLESCAPEWINDOW-QUEEN&TWINBED

KEY	PARTNUMBER	U/M DESCRIPTION
1	078528-07-F15	EA WINDOW-ESCAPEW/OINSIDETRIM-CLEAR-48.5"X24.5"
	074816-11-000	EA FRAME-ESCAPEWINDOW,INSIDE-OFFWHITE
2	002282-09-000	EA WEATHERSTRIP-WINDOW-.125"X130.5"BLACK
3	002285-01-000	FT FILLER-WEATHERSTRIP,RUBBER-BLACK
4	076337-13-000	EA GLASS-EGRESS-45.5"X21.5"
	077066-01-702	EA TAPEASM-ESCAPEWINDOW

WINDOW, VENT & EXTERIOR DOOR GROUP (CONTINUED)

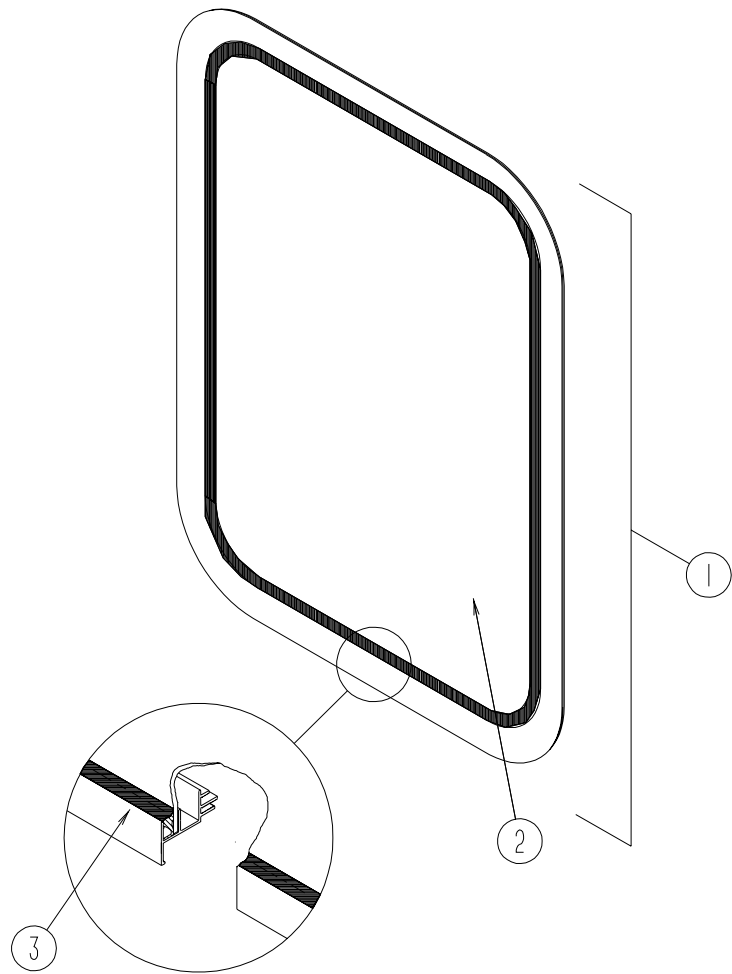
BACKWALLESCAPEWINDOW-DOUBLEBED-EXCEL-THERMO

KEY	PARTNUMBER	U/M DESCRIPTION	VENDORNO.
	113502-04-01A	EA WINDOW-REARESCAPE DH449-G2W58	
	113502-04-700	EA WINDOW-W/OTRIM	DH449-G2
	113502-04-701	EA RETAINER-TRIM	W44958
	113502-04-702	EA GLASS-STATIONARY	390-019460
	112795-01-705	FT VINYL-GLAZING	132-019702
	112898-06-704	EA HANDLE-LATCH,RED-RH	182-11293
	112898-06-705	EA HANDLE-LATCH,RED-LH	182-11294

BACKWALLESCAPEWINDOW-QUEEN&TWINBED-THERMO

KEY	PARTNUMBER	U/M DESCRIPTION	VENDORNO.
	113502-01-01A	EA WINDOW-REARESCAPE THERMO-24.8"X48.7"	
	098644-01-705	FT GLAZING-STRIP	132-010231
	112898-06-704	EA HANDLE-LATCH,RED-RH	182-11293
	112898-06-705	EA HANDLE-LATCH,RED-LH	182-11294
	113502-01-703	EA GLASS-STATIONARY-RH/LH	390-019083
	113502-01-704	EA GLASS-EGRESS CENTER-ESCAPE	DH153-G9

WINDOW, VENT & EXTERIOR DOOR GROUP (CONTINUED)



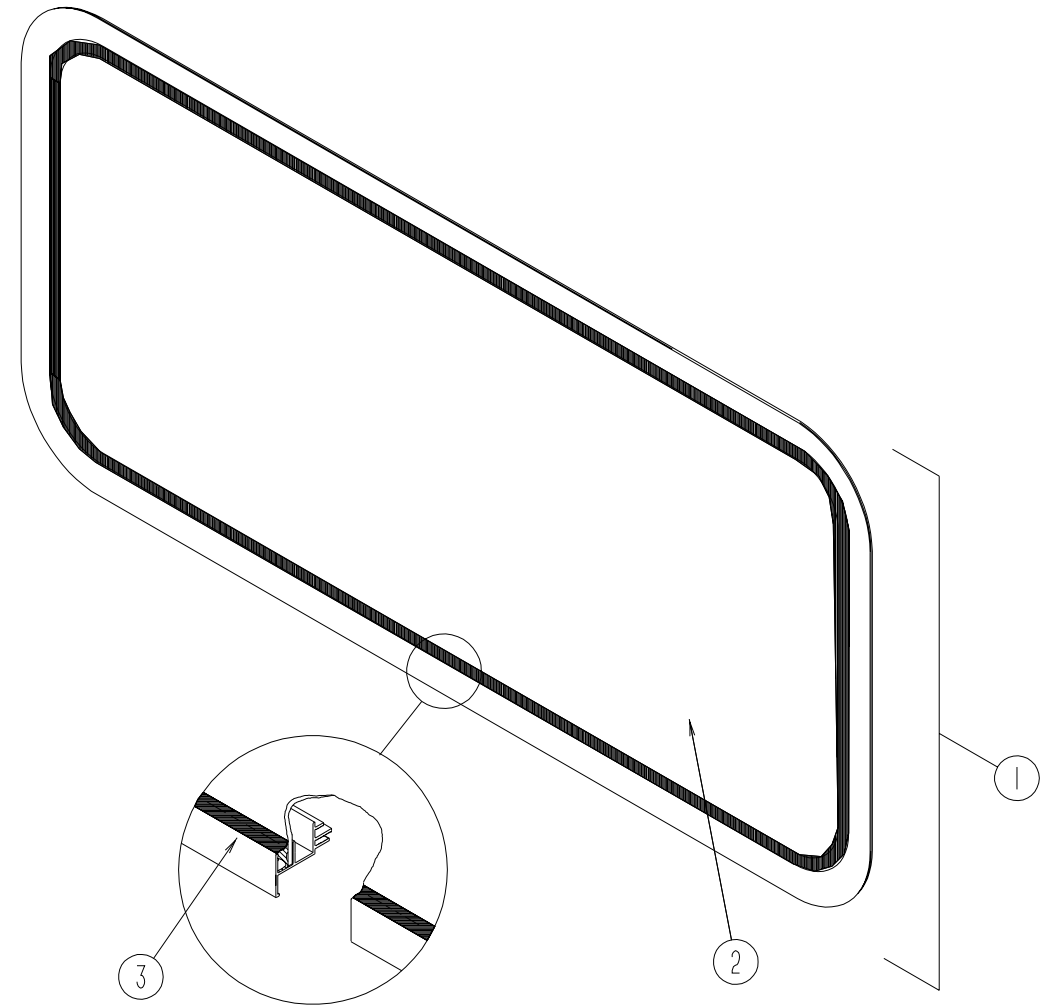
ENTRANCEDOORWINDOW

KEY	PARTNUMBER	U/M	DESCRIPTION
1	117053-04-FB1	EA	WINDOW-PICTURE 17"X26.4"
2	002181-27-000	EA	GLASS-PICTURE 655X41759R - CLEAR 90%
3	087561-01-000	FT	SEAL-GLASS, EXTERIOR-.5"WIDE-VINYL-BLACK
	117054-02-02A	EA	RETAINER-TRIM, BRIGHT/WHITE

ENTRANCEDOORWINDOW-THERMO

KEY	PARTNUMBER	U/M	DESCRIPTION	VENDOR NO.
	113733-01-01A	EA	WINDOW-STATIONARY THERMOPANE 26.4"X17"	
	113733-01-702	EA	GLASS-STATIONARY	390-019187
	112795-01-705	FT	VINYL-GLAZING	132-019702
	113733-01-700	EA	WINDOW ASM. W/OTRIM	DH416-G2
	113733-01-701	EA	RETAINER-TRIM	W41666

WINDOW, VENT & EXTERIOR DOOR GROUP (CONTINUED)



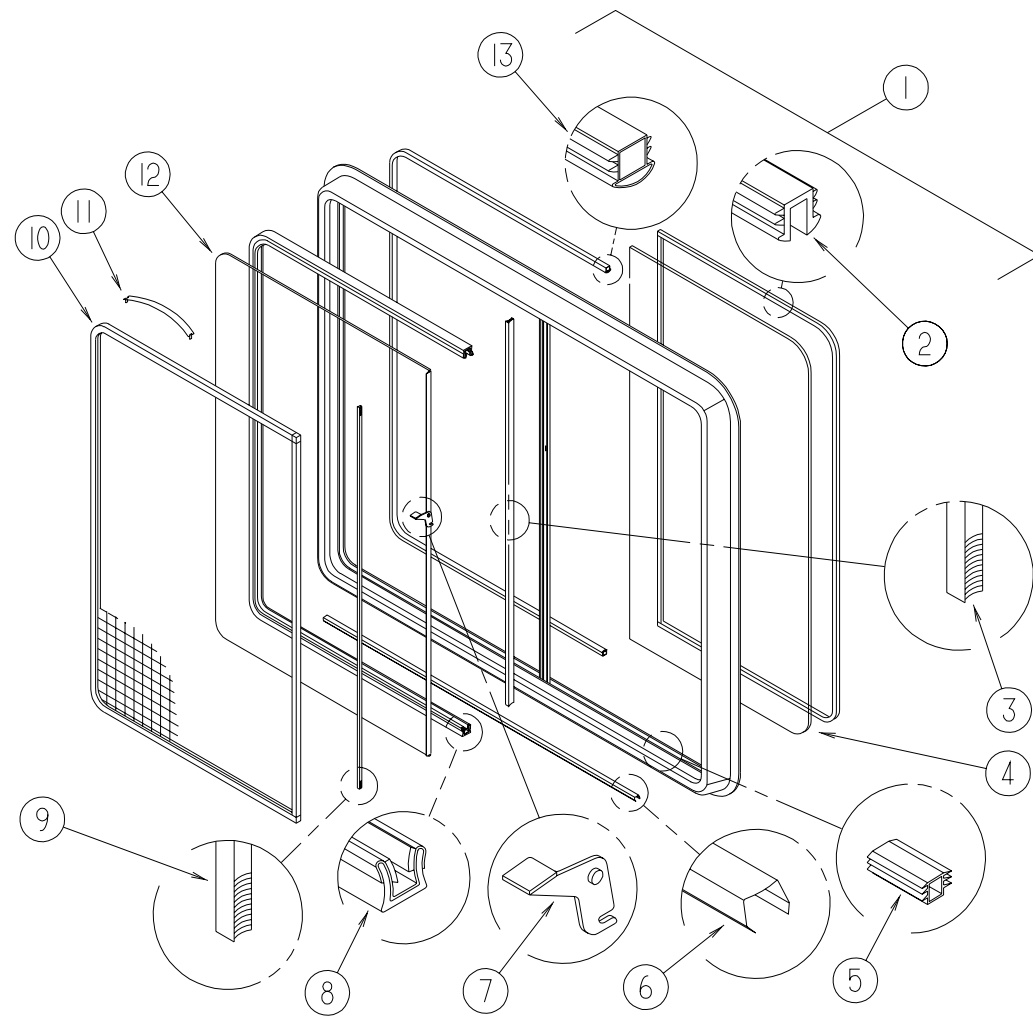
FRONT OVERHEAD BUNK WINDOW

KEY	PARTNUMBER	U/M	DESCRIPTION
	117054-01-01A	EA	FRAME-WINDOW, INSIDE WHT
1	103313-03-F15	EA	WINDOW-PICTURE/ESCAPE 23.3"X71.3"
2	002181-29-000	EA	GLASS-PICTURE 71"X16.4"
3	099154-01-000	FT	CHANNEL-GLAZING, STATIONARY GLASS-.62"X.45"-BLACK

FRONT OVERHEAD BUNK WINDOW-THERMO

KEY	PARTNUMBER	U/M	DESCRIPTION	VENDOR NO.
	115630-01-01A	EA	WINDOW-STATIONARY 17.2"X72"	
	098644-01-705	FT	GLAZING-STRIP	132-010231
	115630-01-700	EA	WINDOW W/OTRIM	DH438-G2
	115630-01-701	EA	RETAINER-TRIM	W438-58
	115630-01-702	EA	GLASS-STATIONARY	390-019467

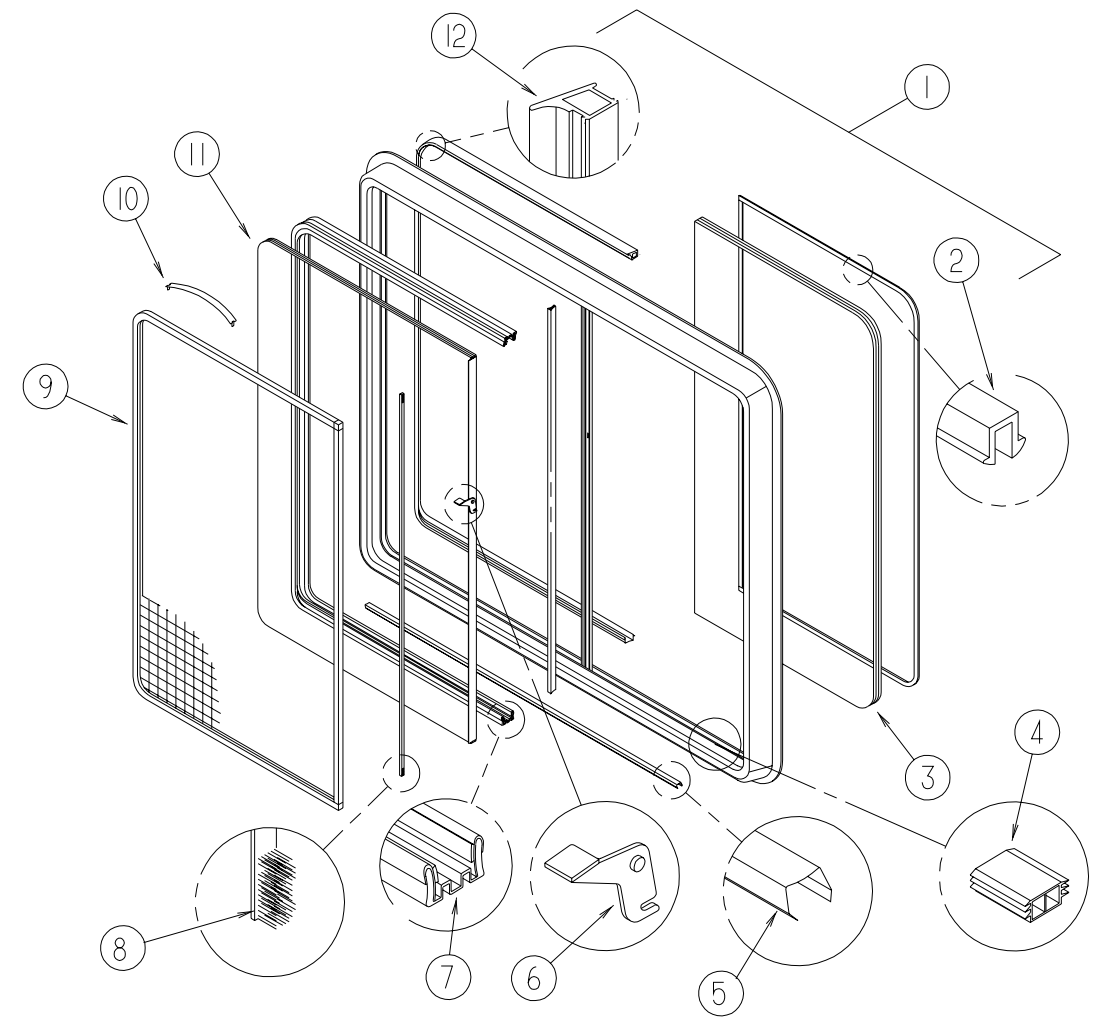
WINDOW, VENT & EXTERIOR DOOR GROUP (CONTINUED)



DRIVERSIDE BEDROOM SLIDER WINDOW-EXCEL

KEY	PART NUMBER	U/M	DESCRIPTION	VEND. NO.
1	098647-30-01A	EA	WINDOW-DRIVERSHORIZONTALSLIDER-CLEAR-24.2"X41"	
	098647-30-700	EA	WINDOW-SLIDER	H172-C1L
	098647-29-701	EA	RETAINER-TRIM	CW04-66
2	098644-01-705	FT	GLAZING-STRIP	132-010231
3	098644-01-706	FT	WEATHERSTRIP-GLASS	171-010668
4	098647-29-702	EA	GLASS-STATIONARY	096-019295
5	098644-01-719	EA	STOP-SLIDERGLASS	132-014203
6	098644-01-710	FT	TRACK-SCREENSPACER12'	132-017135
7	098644-01-700	EA	LATCH-REPAIRKIT(BLACK)	B801-CK
8	098644-01-708	FT	CHANNEL-RUNPIERCED	122-016543
9	098644-01-711	FT	WEATHERSTRIP-SCREENBLACK	171-016965
10	098647-29-704	EA	SCREENASM-W/SEALS&CLIPS	410-018864
	098644-01-717	FT	SPLINE-SCREEN	132-004716
11	098644-01-713	EA	CLIP-SPRING-METAL	226-016966
12	098647-29-703	EA	GLASS-SLIDINGW/SASH&LATCH	H172-C8
13	098644-01-716	FT	PLUG-FILLER	132-014470

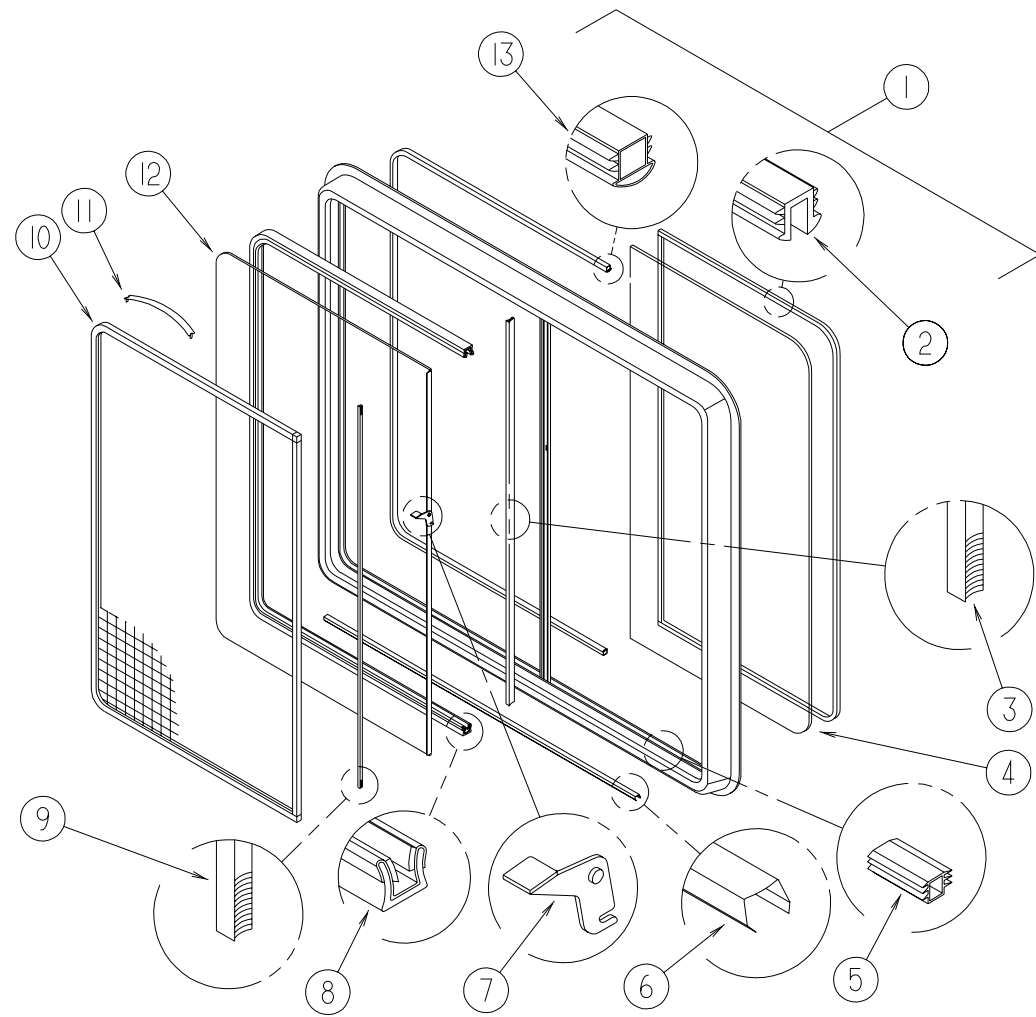
WINDOW, VENT & EXTERIOR DOOR GROUP (CONTINUED)



DRIVERSIDE BEDROOM SLIDER WINDOW-EXCEL-THERMO

KEY	PART NUMBER	U/M	DESCRIPTION	VEND. NO.
1	112795-23-01A	EA	WINDOW-DRIVERSHORIZONTALSLIDERTHERMO24 1/2"X41 1/2"	
	112795-23-700	EA	WINDOWW/OTRIM	DC04-G2L
	098647-29-701	EA	RETAINER-TRIM	CW04-66
2	112795-01-705	FT	VINYL-GLAZING	132-019702
3	112795-21-701	EA	GLASS-STATIONARY	390-019132
4	112795-01-701	EA	SLIDE-STOP	132-019092
5	098644-01-710	FT	TRACK-SCREENSPACER12'	132-017135
6	112795-01-700	EA	LATCHASM.,BLK.,(BOLTON)	DH287-CK
7	112795-01-703	IN	CHANNEL-RUN(INCHES)	122-018736
8	098644-01-711	FT	WEATHERSTRIP-SCREENBLACK	171-016965
9	098647-29-704	EA	SCREENASM-W/SEALS&CLIPS	410-018864
10	098644-01-713	EA	CLIP-SPRING-METAL	226-016966
11	112795-21-702	EA	GLASS-SLIDINGW/SASH&LATCH	DC04-G9
12	112795-01-704	FT	PLUGFILLER(DOUBLEGLAZED)	122-018737

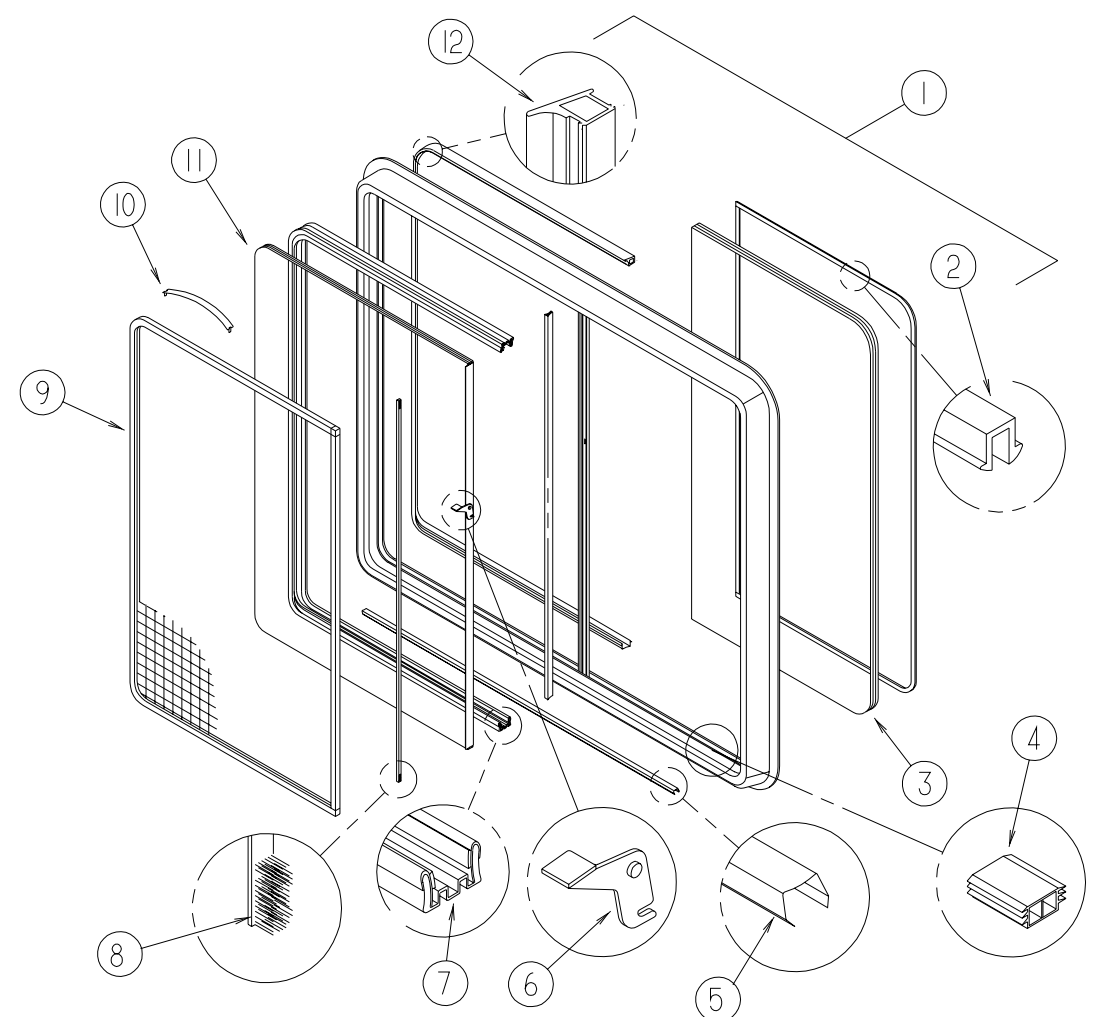
WINDOW, VENT & EXTERIOR DOOR GROUP (CONTINUED)



PASSENGERSIDE BEDROOM SLIDER WINDOW-EXCEL

KEY	PARTNUMBER	U/M	DESCRIPTION	VENDOR NO.
1	098647-29-01A	EA	WINDOW-PASSENGER HORIZONTAL SLIDER-CLEAR-24.2" X 41"	
	098647-29-700	EA	WINDOW-SLIDER	H172-C1R
	098647-29-701	EA	RETAINER-TRIM	CW04-66
2	098644-01-705	FT	GLAZING-STRIP	132-010231
3	098644-01-706	FT	WEATHERSTRIP-GLASS	171-010668
4	098647-29-702	EA	GLASS-STATIONARY	096-019295
5	098644-01-719	EA	STOP-SLIDER GLASS	132-014203
6	098644-01-710	FT	TRACK-SCREEN SPACER 12'	132-017135
7	098644-01-700	EA	LATCH-REPAIR KIT (BLACK)	B801-CK
8	098644-01-708	FT	CHANNEL-RUN PIERCED	122-016543
9	098644-01-711	FT	WEATHERSTRIP-SCREEN BLACK	171-016965
10	098647-29-704	EA	SCREEN ASM-W/SEALS & CLIPS	410-018864
	098644-01-717	FT	SPLINE-SCREEN	132-004716
11	098644-01-713	EA	CLIP-SPRING-METAL	226-016966
12	098647-29-703	EA	GLASS-SLIDING W/SASH & LATCH	H172-C8
13	098644-01-716	FT	PLUG-FILLER	132-014470

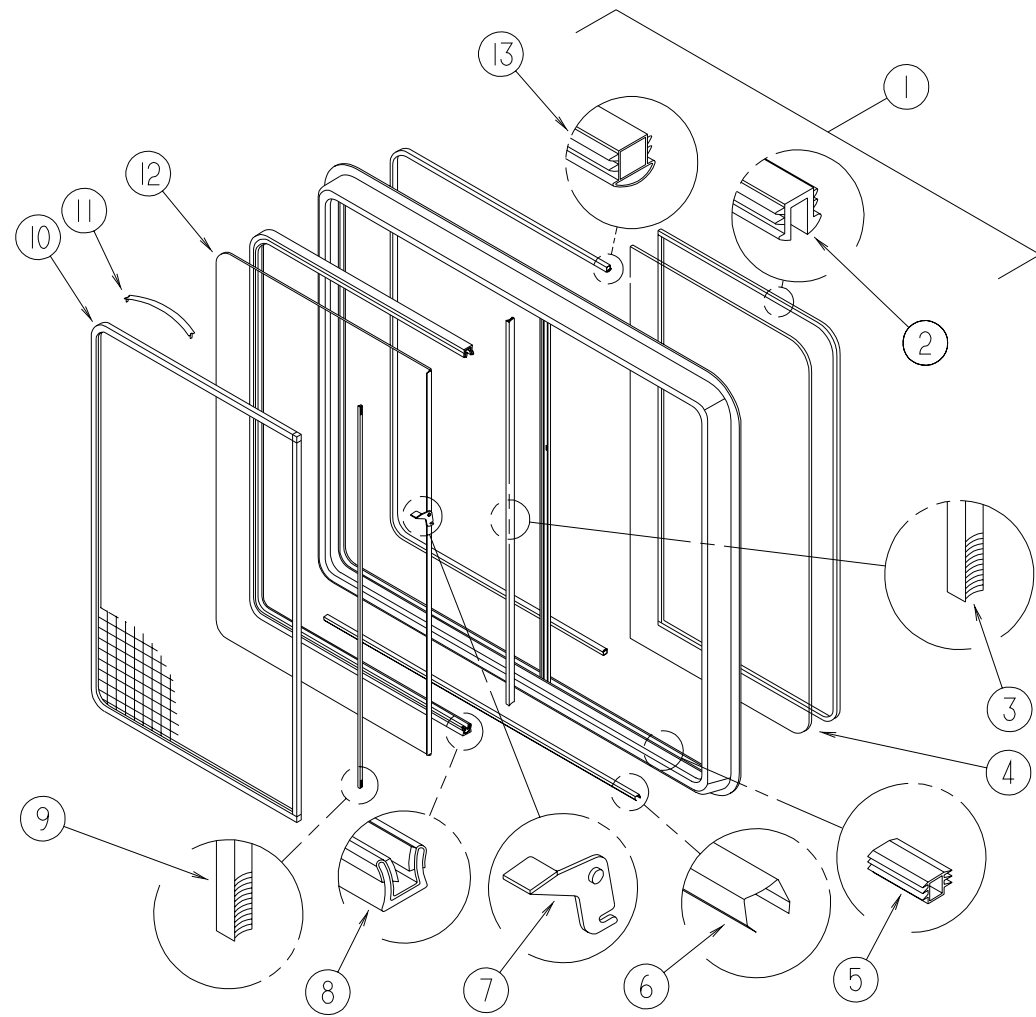
WINDOW, VENT & EXTERIOR DOOR GROUP (CONTINUED)



PASSENGERSIDE BEDROOM SLIDER WINDOW-EXCEL-THERMO

KEY	PARTNUMBER	U/M	DESCRIPTION	VENDOR NO.
1	112795-21-01A	EA	WINDOW-PASSENGER HORIZONTAL SLIDER THERMO 24.5" X 41 1/4"	
	098647-29-701	EA	RETAINER-TRIM	CW04-66
	112795-21-700	EA	WINDOW W/OTRIM	DC04-G2R
2	112795-01-705	FT	VINYL-GLAZING	132-019702
3	112795-21-701	EA	GLASS-STATIONARY	390-019132
4	112795-01-701	EA	SLIDE-STOP	132-019092
5	098644-01-710	FT	TRACK-SCREEN SPACER 12'	132-017135
6	112795-01-700	EA	LATCH ASM., BLK., (BOLTON)	DH287-CK
7	112795-01-703	IN	CHANNEL-RUN (INCHES)	122-018736
8	098644-01-711	FT	WEATHERSTRIP-SCREEN BLACK	171-016965
9	098647-29-704	EA	SCREEN ASM-W/SEALS & CLIPS	410-018864
10	098644-01-713	EA	CLIP-SPRING-METAL	226-016966
11	112795-21-702	EA	GLASS-SLIDING W/SASH & LATCH	DC04-G9
12	112795-01-704	FT	PLUG FILLER (DOUBLE GLAZED)	122-018737

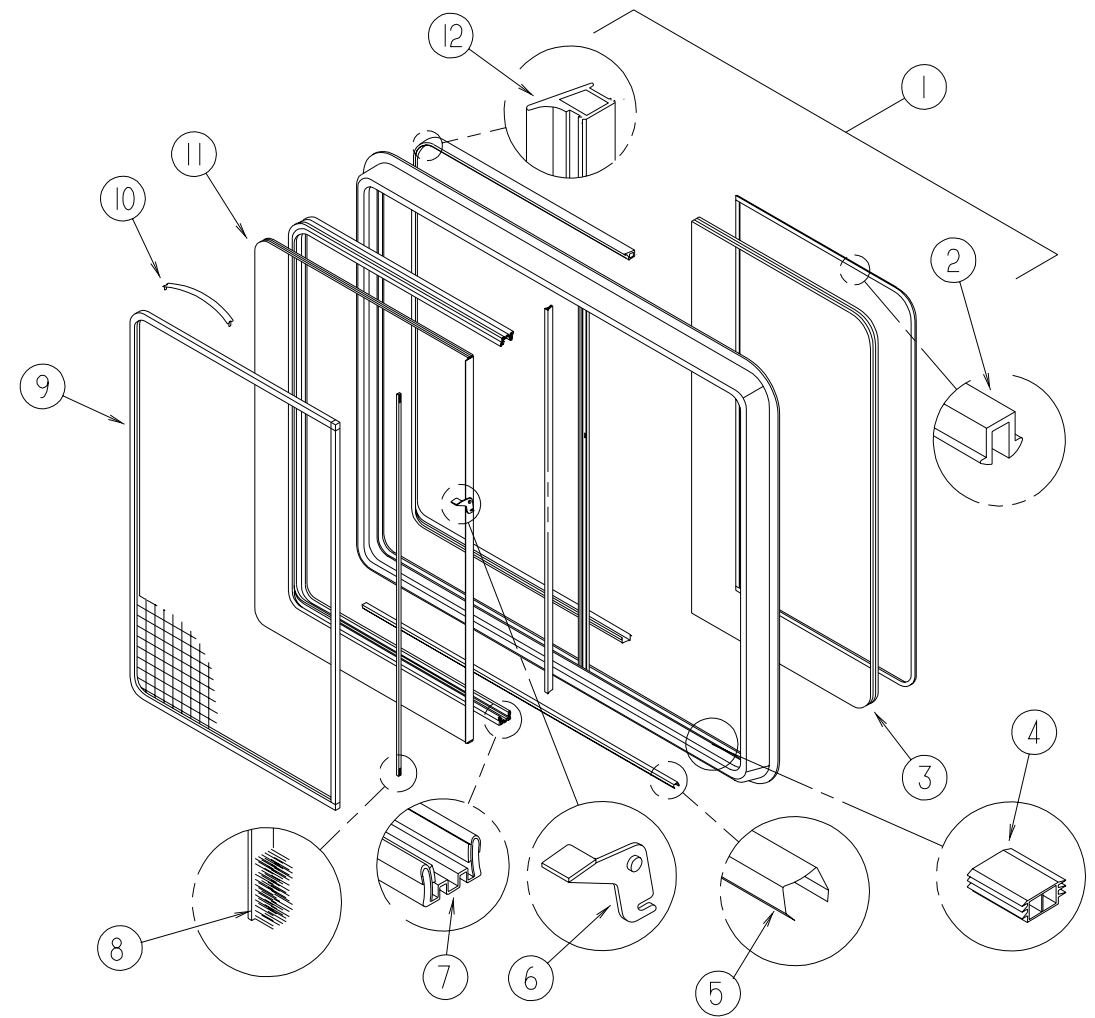
WINDOW, VENT & EXTERIOR DOOR GROUP (CONTINUED)



SINGLE SLIDER WINDOW-LOUNGE-PASSENGER SIDE-EXCEL

KEY	PART NUMBER	U/M	DESCRIPTION	VENDOR NO.
1	098647-27-01A	EA	WINDOW-PASSENGER HORIZONTAL SLIDER-CLEAR-26.1"X59.7"	H287-C1R
	098647-27-700	EA	WINDOW-SLIDER	W287-66
	098647-27-701	EA	RETAINER-TRIM	132-010231
2	098644-01-705	FT	GLAZING-STRIP	171-010668
3	098644-01-706	FT	WEATHERSTRIP-GLASS	096-017868
4	098647-27-702	EA	GLASS-STATIONARY	132-014203
5	098644-01-719	EA	STOP-SLIDER GLASS	132-017135
6	098644-01-710	FT	TRACK-SCREEN SPACER 12'	B801-CK
7	098644-01-700	EA	LATCH-REPAIR KIT (BLACK)	122-016543
8	098644-01-708	FT	CHANNEL-RUN PIERCED	171-016965
9	098644-01-711	FT	WEATHERSTRIP-SCREEN BLACK	410-019066
10	098647-23-704	EA	SCREEN ASM-W/SEALS & CLIPS	132-004716
	098644-01-717	FT	SPLINE-SCREEN	226-016966
11	098644-01-713	EA	CLIP-SPRING-METAL	H287-C8
12	098647-27-703	EA	GLASS-SLIDING W/SASH & LATCH	132-014470
13	098644-01-716	FT	PLUG-FILLER	

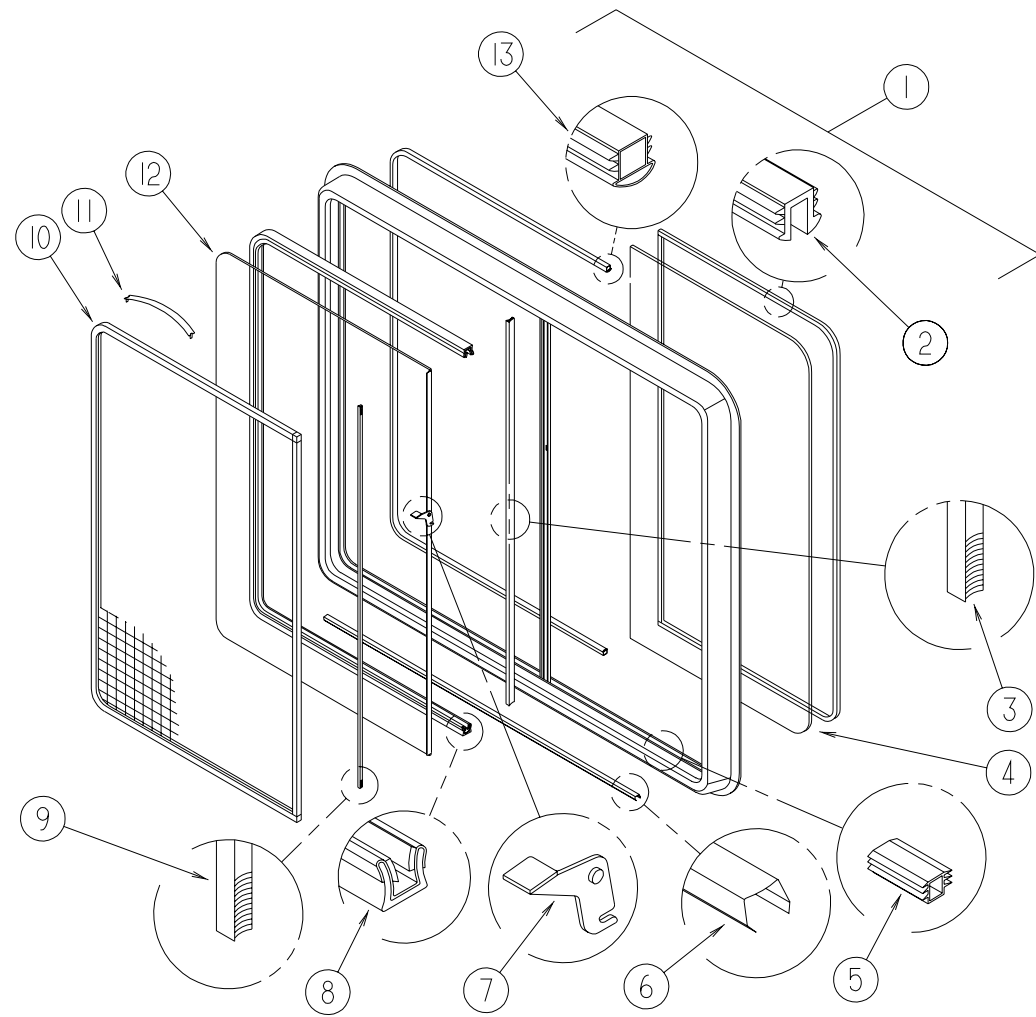
WINDOW, VENT & EXTERIOR DOOR GROUP (CONTINUED)



SINGLE SLIDER WINDOW-LOUNGE-PASSENGER SIDE-EXCEL-THERMO

KEY	PART NUMBER	U/M	DESCRIPTION	VENDOR NO.
1	112795-16-01A	EA	WINDOW-PASSENGER HORIZONTAL SLIDER THERMO 26 3/8" X 60"	DH287-G2R
	112795-16-700	EA	WINDOW W/OTRIM	W287-66
	098647-23-702	EA	RETAINER-TRIM	132-019702
2	112795-01-705	FT	VINYL-GLAZING	390-019045
3	112795-15-701	EA	GLASS-STATIONARY	132-019092
4	112795-01-701	EA	SLIDE-STOP	132-017135
5	098644-01-710	FT	TRACK-SCREEN SPACER 12'	B801-CK
6	112795-01-700	EA	LATCH ASM., BLK., (BOLTON)	122-018736
7	112795-01-703	IN	CHANNEL-RUN (INCHES)	171-016965
8	098644-01-711	FT	WEATHERSTRIP-SCREEN BLACK	410-019066
9	098647-23-704	EA	SCREEN ASM-W/SEALS & CLIPS	226-016966
10	098644-01-713	EA	CLIP-SPRING-METAL	DH287-G9
11	112795-15-702	EA	GLASS-SLIDING W/SASH & LATCH	122-018737
12	112795-01-704	FT	PLUG FILLER (DOUBLE GLAZED)	

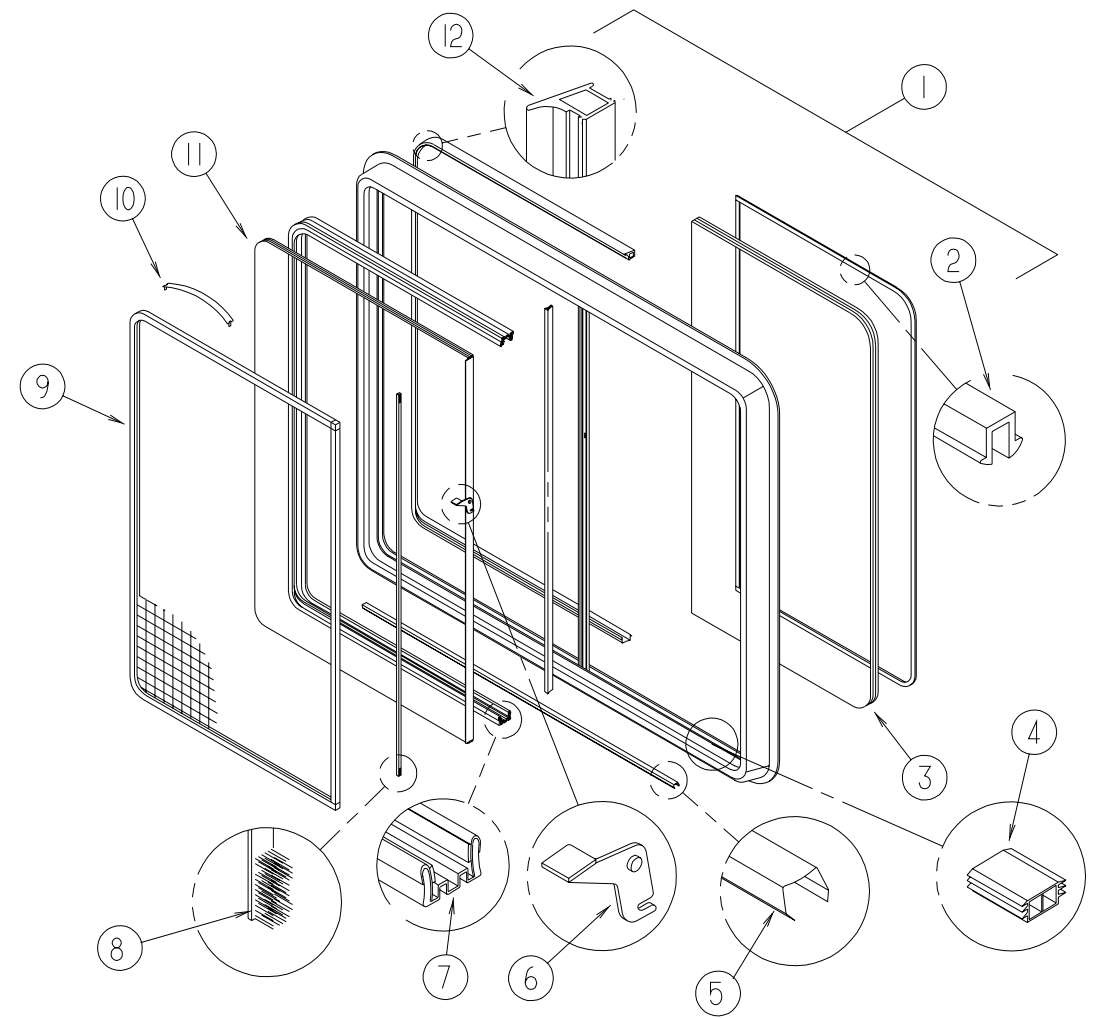
WINDOW, VENT & EXTERIOR DOOR GROUP (CONTINUED)



SLIDER WINDOWS-OVERHEAD BUNK-PASSENGER SIDE-EXCEL

KEY	PART NUMBER	U/M	DESCRIPTION	VENDOR NO.
1	098647-31-01A	EA	WINDOW-PASSENGER HORIZONTAL SLIDER-CLEAR-15.7"X28.5"	
	098647-31-700	EA	WINDOW-SLIDER	H425-C1R
	098647-31-701	EA	RETAINER-TRIM	CW29-66
2	098644-01-705	FT	GLAZING-STRIP	132-010231
3	098644-01-706	FT	WEATHERSTRIP-GLASS	171-010668
4	098647-31-702	EA	GLASS-STATIONARY	096-019299
5	098644-01-719	EA	STOP-SLIDER GLASS	132-014203
6	098644-01-710	FT	TRACK-SCREEN SPACER 12'	132-017135
7	098644-01-700	EA	LATCH-REPAIR KIT (BLACK)	B801-CK
8	098644-01-708	FT	CHANNEL-RUN PIERCED	122-016543
9	098644-01-711	FT	WEATHERSTRIP-SCREEN BLACK	171-016965
10	098647-31-704	EA	SCREEN ASM-W/SEALS & CLIPS	410-019128
	098644-01-717	FT	SPLINE-SCREEN	132-004716
11	098644-01-713	EA	CLIP-SPRING-METAL	226-016966
12	098647-31-703	EA	GLASS-SLIDING W/SASH & LATCH	H425-C8
13	098644-01-716	FT	PLUG-FILLER	132-014470

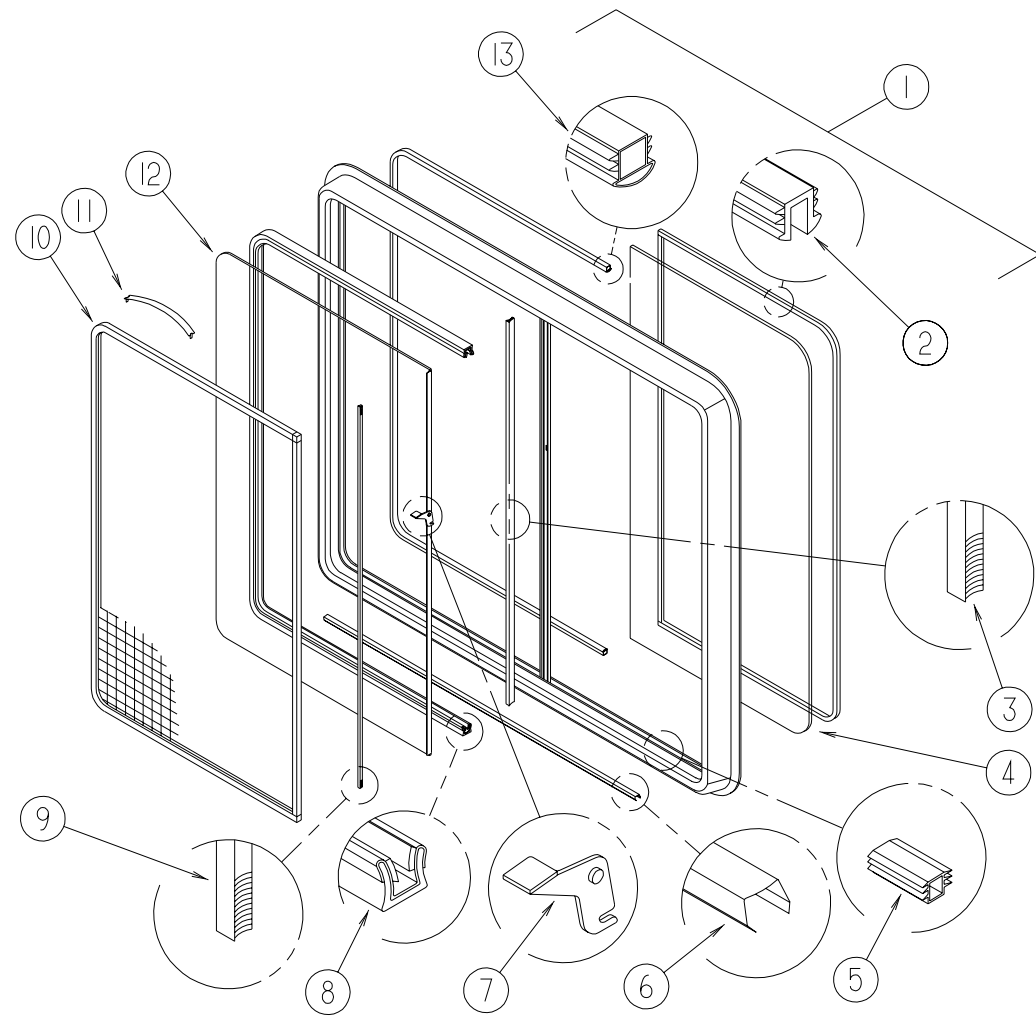
WINDOW, VENT & EXTERIOR DOOR GROUP (CONTINUED)



SLIDER WINDOWS-OVERHEAD BUNK-PASSENGER SIDE-EXCEL-THERMO

KEY	PART NUMBER	U/M	DESCRIPTION	VENDOR NO.
1	112795-19-01A	EA	WINDOW-HORIZONTAL SLIDER THERMO 16" X 28 3/4"	
	112795-19-700	EA	WINDOW W/OTRIM	DC29-G2R
	098647-31-701	EA	RETAINER-TRIM	CW29-66
2	112795-01-705	FT	VINYL-GLAZING	132-019702
3	112795-19-701	EA	GLASS-STATIONARY	390-019134
4	112795-01-701	EA	SLIDE-STOP	132-019092
5	098644-01-710	FT	TRACK-SCREEN SPACER 12'	132-017135
6	112795-01-700	EA	LATCH ASM., BLK., (BOLTON)	DH287-CK
7	112795-01-703	IN	CHANNEL-RUN (INCHES)	122-018736
8	098644-01-711	FT	WEATHERSTRIP-SCREEN BLACK	171-016965
9	098647-31-704	EA	SCREEN ASM-W/SEALS & CLIPS	410-019128
10	098644-01-713	EA	CLIP-SPRING-METAL	226-016966
11	112795-19-702	EA	GLASS-SLIDING W/SASH & LATCH	DC29-G9
12	112795-01-704	FT	PLUG FILLER (DOUBLE GLAZED)	122-018737

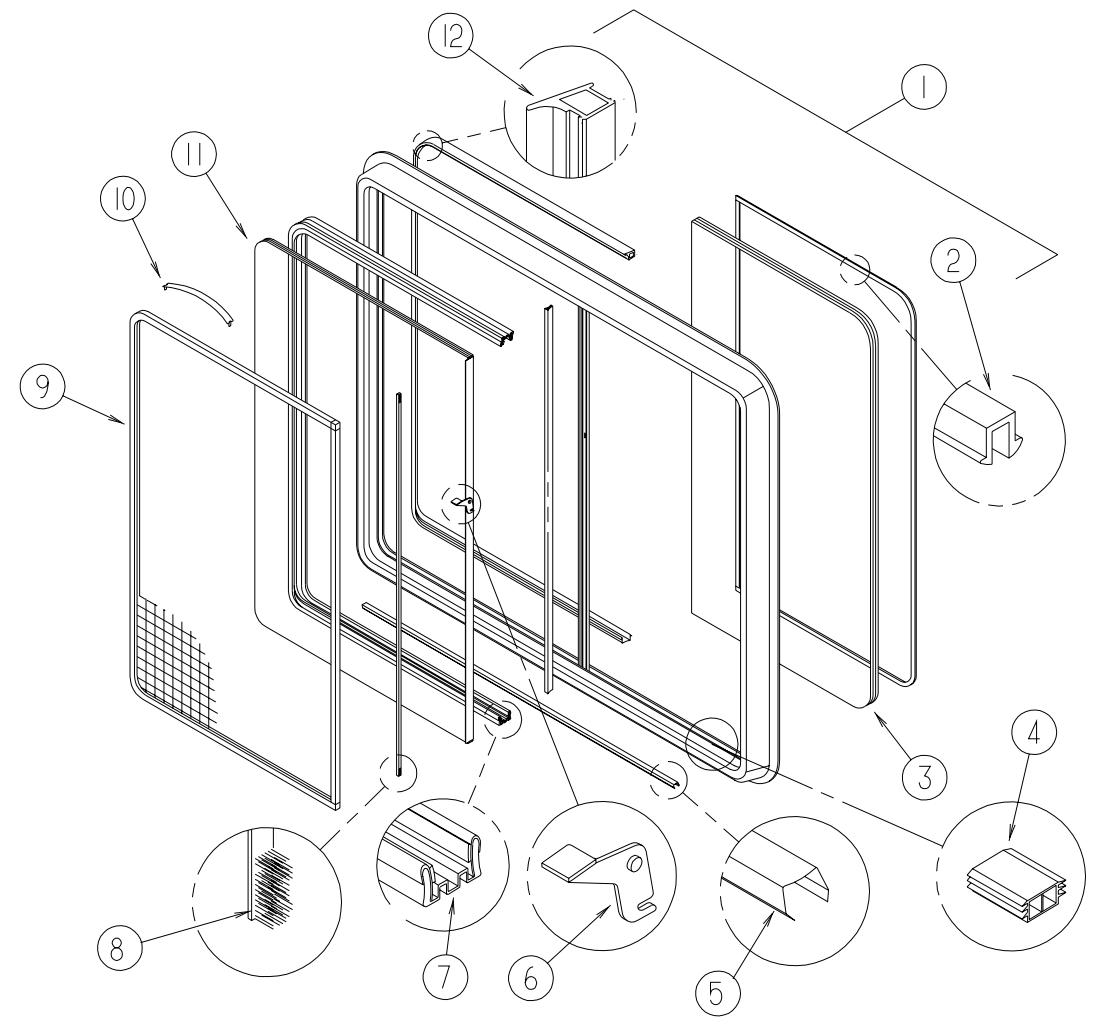
WINDOW, VENT & EXTERIOR DOOR GROUP (CONTINUED)



SLIDER WINDOWS-OVERHEAD BUNK & GALLEY-DRIVER SIDE-EXCEL

KEY	PARTNUMBER	U/M	DESCRIPTION	VENDOR NO.
1	098647-32-01A	EA	WINDOW-DRIVERS HORIZONTAL SLIDER-CLEAR-15.7"X28.5"	
	098647-32-700	EA	WINDOW-SLIDER	H425-C1L
	098647-31-701	EA	RETAINER-TRIM	CW29-66
2	098644-01-705	FT	GLAZING-STRIP	132-010231
3	098644-01-706	FT	WEATHERSTRIP-GLASS	171-010668
4	098647-31-702	EA	GLASS-STATIONARY	096-019299
5	098644-01-719	EA	STOP-SLIDER GLASS	132-014203
6	098644-01-710	FT	TRACK-SCREEN SPACER 12'	132-017135
7	098644-01-700	EA	LATCH-REPAIR KIT (BLACK)	B801-CK
8	098644-01-708	FT	CHANNEL-RUN PIERCED	122-016543
9	098644-01-711	FT	WEATHERSTRIP-SCREEN BLACK	171-016965
10	098647-31-704	EA	SCREEN ASM-W/SEALS & CLIPS	410-019128
	098644-01-717	FT	SPLINE-SCREEN	132-004716
11	098644-01-713	EA	CLIP-SPRING-METAL	226-016966
12	098647-31-703	EA	GLASS-SLIDING W/SASH & LATCH	H425-C8
13	098644-01-716	FT	PLUG-FILLER	132-014470

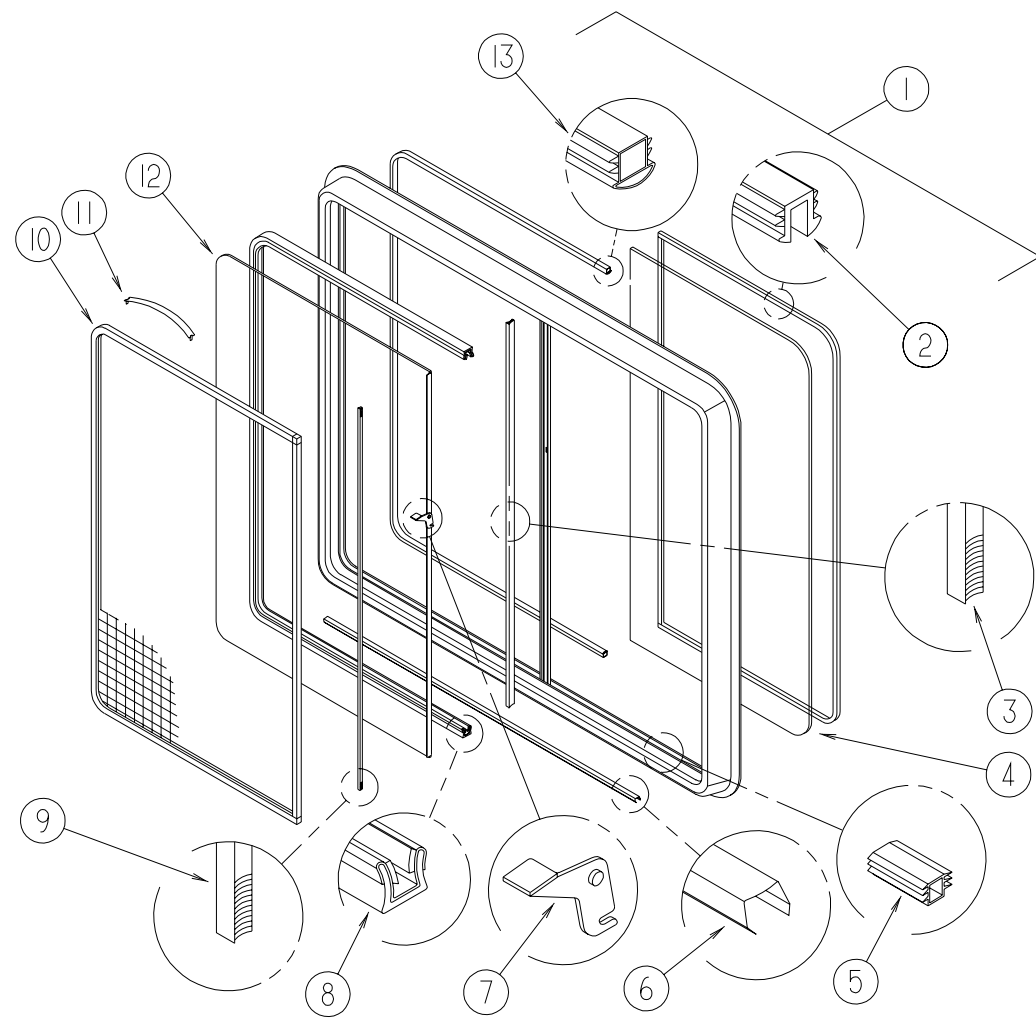
WINDOW, VENT & EXTERIOR DOOR GROUP (CONTINUED)



SLIDER WINDOWS-OVERHEAD BUNK & GALLEY-DRIVER SIDE-EXCEL

KEY	PARTNUMBER	U/M	DESCRIPTION	VENDOR NO.
1	112795-20-01A	EA	WINDOW-DRIVER HORIZONTAL SLIDER THERMO 16" X 28 3/4"	
	112795-20-700	EA	WINDOW W/OTRIM	DC29-G2L
	098647-31-701	EA	RETAINER-TRIM	CW29-66
2	112795-01-705	FT	VINYL-GLAZING	132-019702
3	112795-19-701	EA	GLASS-STATIONARY	390-019134
4	112795-01-701	EA	SLIDE-STOP	132-019092
5	098644-01-710	FT	TRACK-SCREEN SPACER 12'	132-017135
6	112795-01-700	EA	LATCH ASM., BLK., (BOLTON)	DH287-CK
7	112795-01-703	IN	CHANNEL-RUN (INCHES)	122-018736
8	098644-01-711	FT	WEATHERSTRIP-SCREEN BLACK	171-016965
9	098647-31-704	EA	SCREEN ASM-W/SEALS & CLIPS	410-019128
10	098644-01-713	EA	CLIP-SPRING-METAL	226-016966
11	112795-19-702	EA	GLASS-SLIDING W/SASH & LATCH	DC29-G9
12	112795-01-704	FT	PLUG FILLER (DOUBLE GLAZED)	122-018737

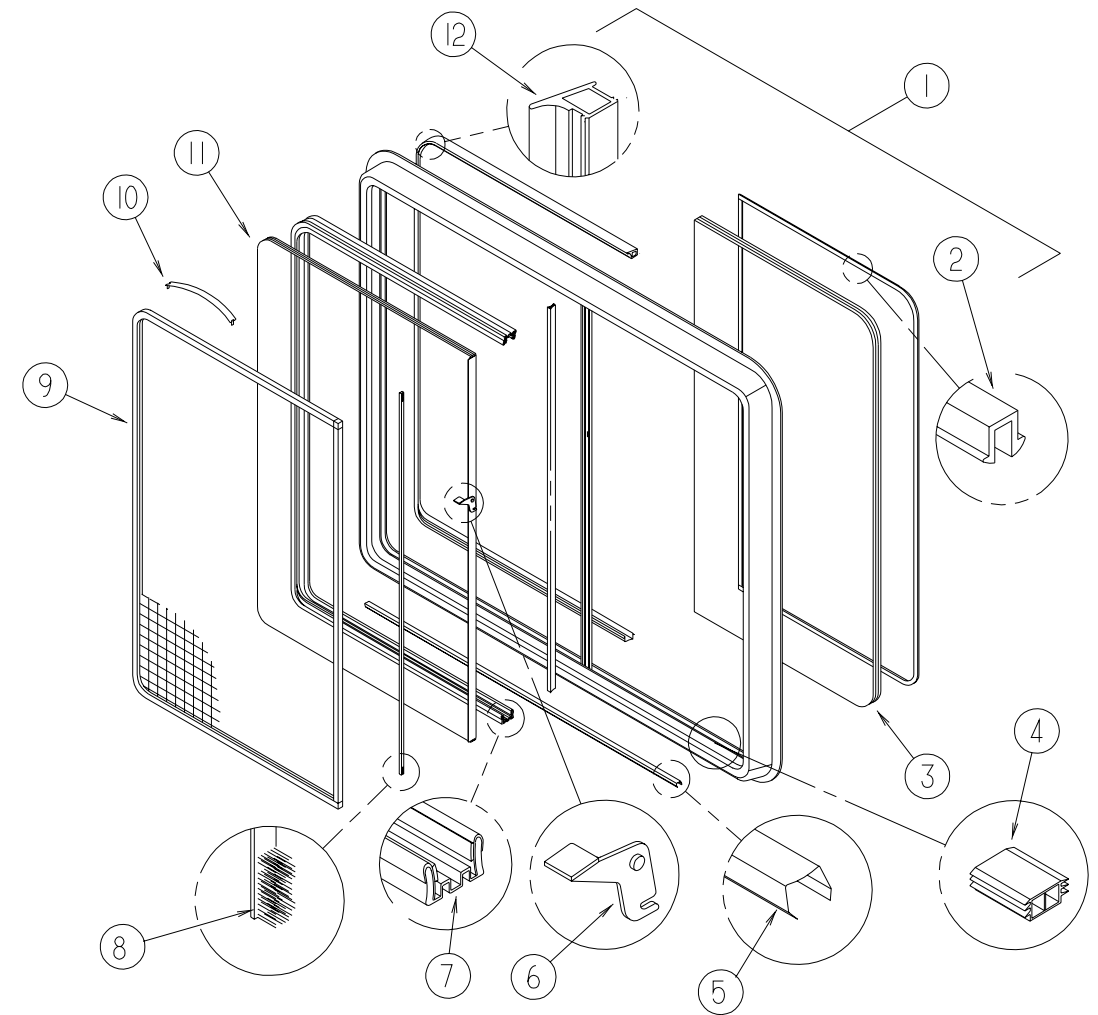
WINDOW, VENT & EXTERIOR DOOR GROUP (CONTINUED)



SINGLE SLIDER WINDOW-DINETTE-DRIVERSIDE-EXCEL

KEY	PARTNUMBER	U/M	DESCRIPTION	VENDORNO.
1	098647-28-01A	EA	WINDOW-DRIVERSHORIZONTALSLIDER-CLEAR-26.1"X59.7"	
	098647-28-700	EA	WINDOW-SLIDER	H287-C1L
	098647-27-701	EA	RETAINER-TRIM	W287-66
2	098644-01-705	FT	GLAZING-STRIP	132-010231
3	098644-01-706	FT	WEATHERSTRIP-GLASS	171-010668
4	098647-27-702	EA	GLASS-STATIONARY	096-017868
5	098644-01-719	EA	STOP-SLIDERGLASS	132-014203
6	098644-01-710	FT	TRACK-SCREENSPACER 12'	132-017135
7	098644-01-700	EA	LATCH-REPAIRKIT (BLACK)	B801-CK
8	098644-01-708	FT	CHANNEL-RUNPIERCED	122-016543
9	098644-01-711	FT	WEATHERSTRIP-SCREENBLACK	171-016965
10	098647-23-704	EA	SCREENASM-W/SEALS&CLIPS	410-019066
	098644-01-717	FT	SPLINE-SCREEN	132-004716
11	098644-01-713	EA	CLIP-SPRING-METAL	226-016966
12	098647-27-703	EA	GLASS-SLIDINGW/SASH&LATCH	H287-C8
13	098644-01-716	FT	PLUG-FILLER	132-014470

WINDOW, VENT & EXTERIOR DOOR GROUP (CONTINUED)



SINGLE SLIDER WINDOW-DINETTE-DRIVERSIDE-EXCEL-THERMO

KEY	PARTNUMBER	U/M	DESCRIPTION	VENDORNO.
1	112795-15-01A	EA	WINDOW-DRIVERSHORIZONTALSLIDERTHERMO263/8"X60"	
	112795-15-700	EA	WINDOWW/OTRIM	DH287-G2L
	098647-23-702	EA	RETAINER-TRIM	W287-66
2	112795-01-705	FT	VINYL-GLAZING	132-019702
3	112795-15-701	EA	GLASS-STATIONARY	390-019045
4	112795-01-701	EA	SLIDE-STOP	132-019092
5	098644-01-710	FT	TRACK-SCREENSPACER 12'	132-017135
6	112795-01-700	EA	LATCHASM.,BLK.,(BOLTON)	DH287-CK
7	112795-01-703	IN	CHANNEL-RUN(INCHES)	122-018736
8	098644-01-711	FT	WEATHERSTRIP-SCREENBLACK	171-016965
9	098647-23-704	EA	SCREENASM-W/SEALS&CLIPS	410-019066
10	098644-01-713	EA	CLIP-SPRING-METAL	226-016966
11	112795-15-702	EA	GLASS-SLIDINGW/SASH&LATCH	DH287-G9
12	112795-01-704	FT	PLUGFILLER(DOUBLEGLAZED)	122-018737