

**1997  
IF324RC**

**H04**

**BLUE LAGOON(BLUE)**

**H05**

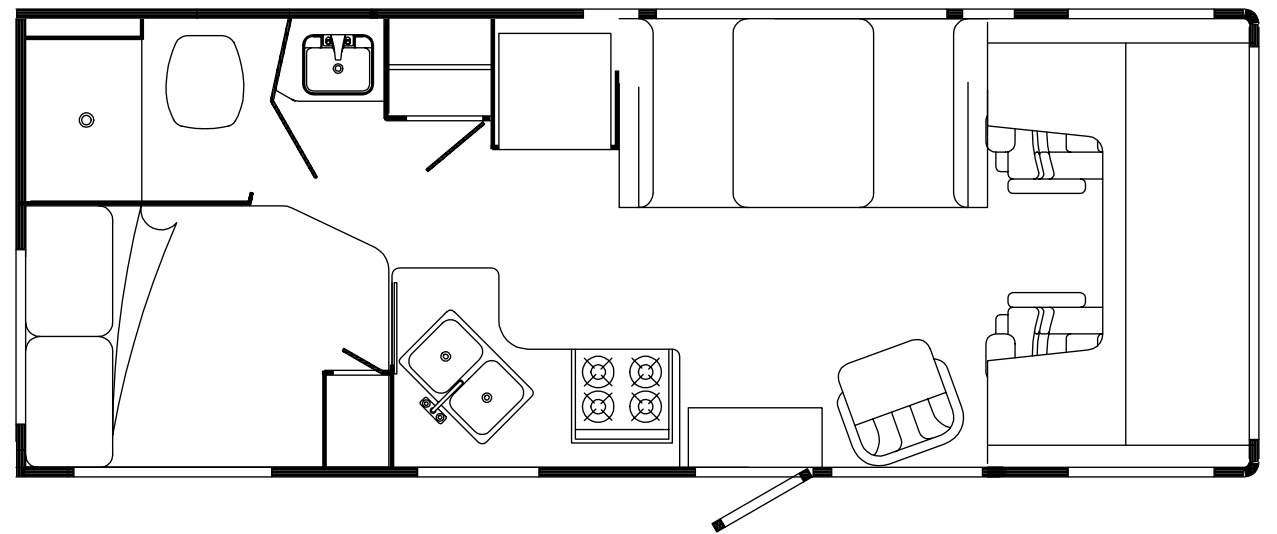
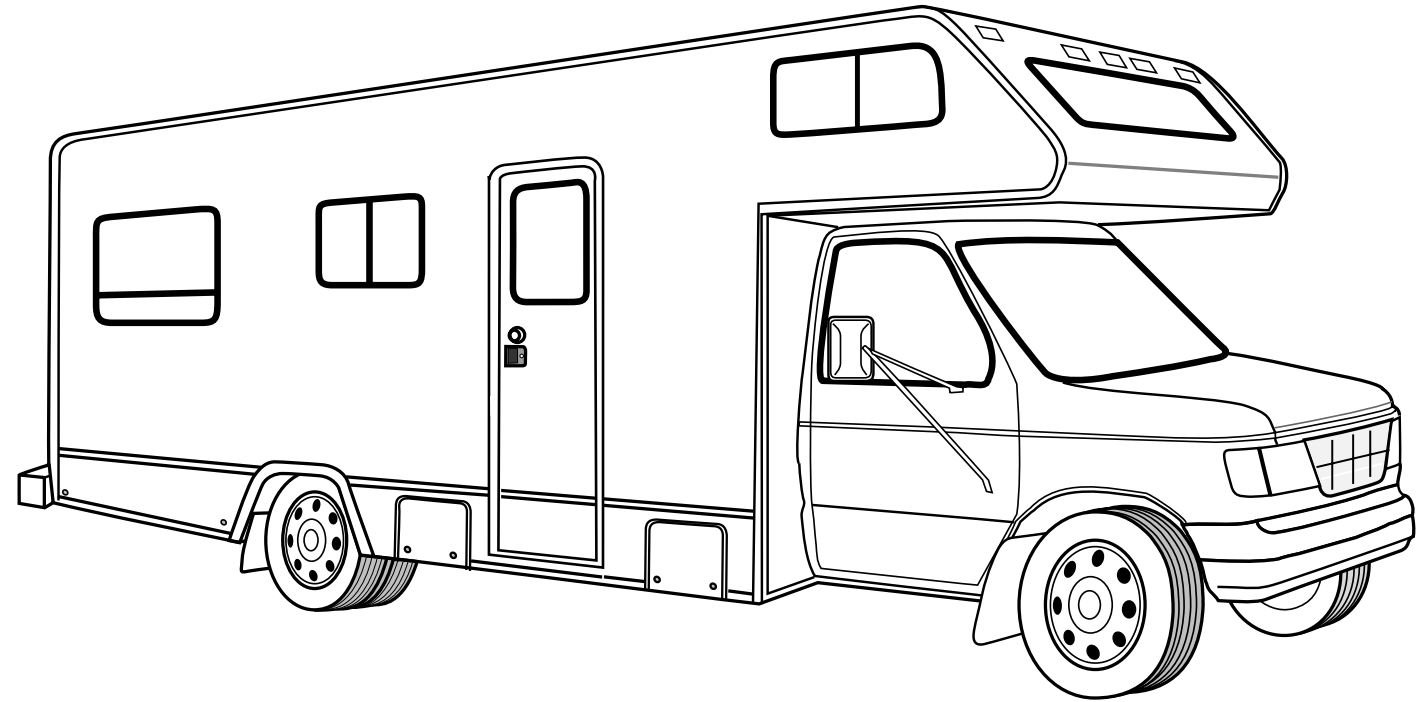
**KRYPTONITE(TAUPE)**

**H24**

**COPPER CANYON (TERRACOTTA)**

**H26**

**COPPER CREEK(TAN)**

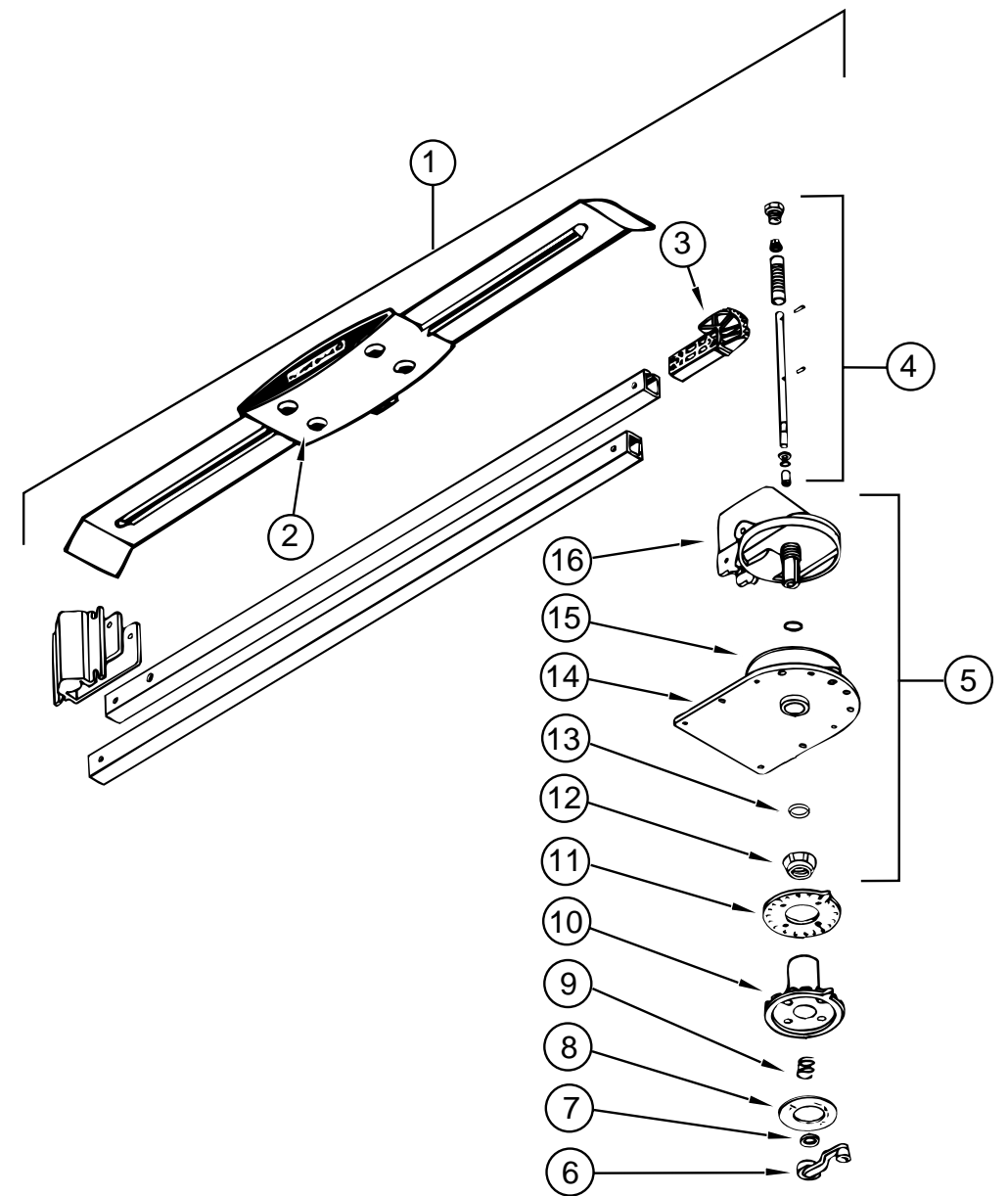


**ACCESSORIESGROUP**

**OPERATORSMANUAL**

KEY	PARTNUMBER	UM	DESCRIPTION
	054185-F3-000	EA	MANUAL-OPERATOR97MINNIE300
	092318-01-000	EA	BINDER-3RING-MOTORHOMEMANUAL
	092319-01-000	EA	POCKETPAGE-3RINGBINDER-PLASTIC-(50PERPKG)
	121390-01-000	DW	TOPLLEVEL-C,1997

**AUDIOVIDEOGROUP**



**TVANTENNA-WINEGARD-MODELRVAW02**

KEY	PARTNUMBER	U/M	DESCRIPTION	VENDORNO,
1	076319-20-000	EA	ANTENNA-TV-ROOFMOUNT-1"ROOF	
2	076319-01-700	EA	HEAD-ANTENNA,AMPLIFIED	RVSAU/V
3	076319-01-701	EA	GEAR-ELEVATING,PLASTIC	2200046
4	076319-01-702	EA	SHAFTASSEMBLY-ELEVATING	RVP-400A
5	076319-01-711	EA	BASE&LIFTASSEMBLY	2762802
6	076319-01-706	EA	CRANK-ELEVATING,W/SETSCREW	5755100
7	076319-01-705	EA	GROMMET-NYLON,7/8"ID	200658
8	076319-01-708	EA	DECAL-CRANK	5413002
9	076319-01-707	EA	SPRING-HANDLE	5160800
10	076319-01-709	EA	PLATE-DIRECTIONAL,FORHEAD	3200644
11	076319-01-712	EA	PLATE-CEILING	3200608
12	076319-01-715	EA	NUT-GEARHOUSING	2200047
13	076319-01-704	EA	BEARING-NYLON,1.25"OD	3200657
14	076319-01-713	EA	PLATE-BASE,STEEL	3100523
15	076319-01-703	EA	BEARING-NYLON,5"OD	3200656
16	076319-01-714	EA	HOUSING,ROTATINGGEAR	2200049

## AUDIOVIDEOGROUP(CONTINUED)

### RADIOSPEAKER

KEY	PARTNUMBER	U/M	DESCRIPTION
	074979-01-000	EA	SHIELD-SPEAKER-BACK-MOLDEDPLASTIC-8"X9"
	111177-01-01A	EA	GRILLE-SPEAKER-6.6"X8.9"-HOUSING5"X7" SPEAKER
	108137-01-000	EA	PLUG-ANTENNA

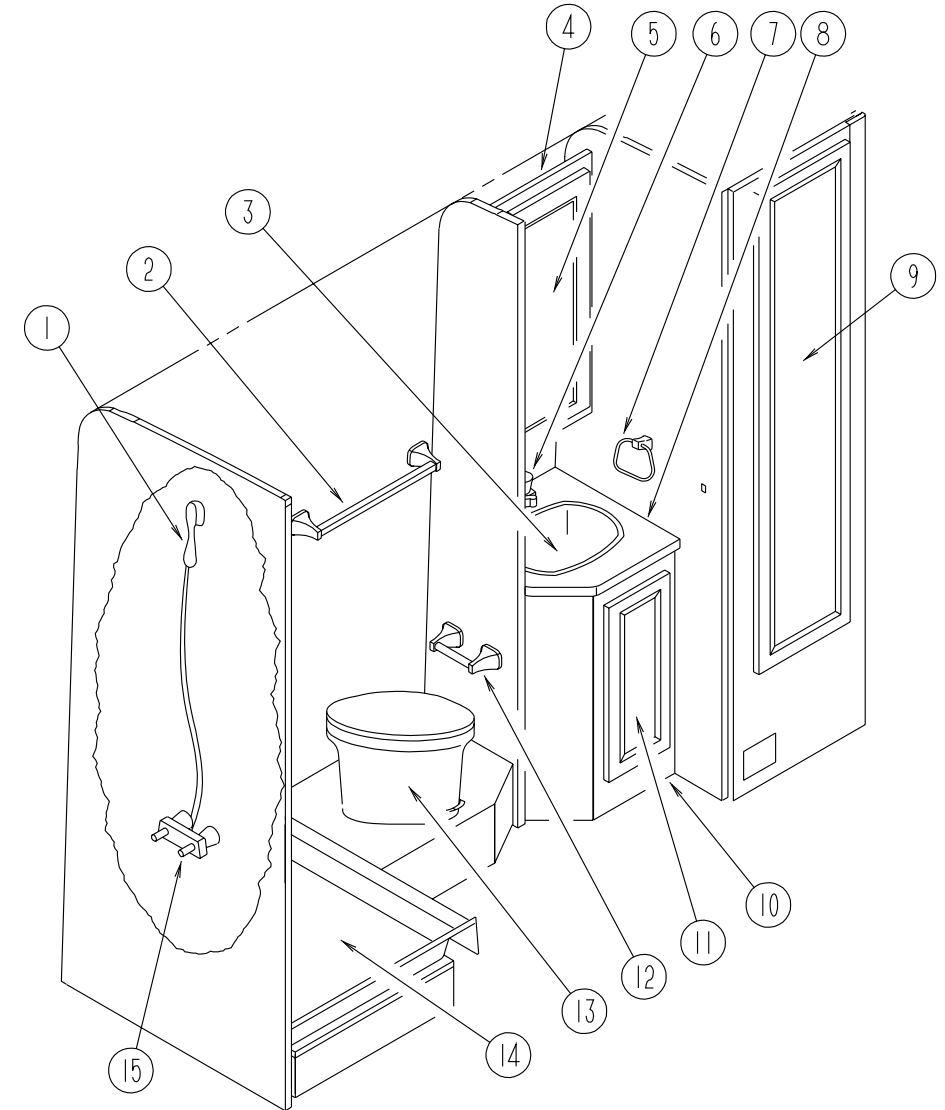
### RADIO-PATIOENTERTAINMENTCENTER

KEY	PARTNUMBER	U/M	DESCRIPTION
	087683-03-000	EA	RADIO-AM/FMSTEREOCASSETTE
	090944-01-000	EA	ANTENNA-RADIO-16" RUBBER
	108847-01-000	EA	BRACKET-ANTENNAGROUND
	077069-02-000	EA	CABLE-ANTENNA/EXTENSION-RADIO-96"
	076319-03-000	FT	CABLE-COAXIAL-75OHM
	076319-12-000	EA	CONNECTOR-COAXIAL-ONEPIECE
	082134-01-000	EA	ADAPTER-TV-CABLETOCABLE
	086756-01-000	EA	SPLITTER-TV-2WAY
	109889-01-000	EA	EXTENDER-SHAFT-ANTENNA 1"
	110469-01-000	EA	SPEAKER-4"X6" OVAL-COAXIAL
	110470-01-01A	EA	GRILLE-4"X6" OVAL-BLACK
	108137-01-000	EA	PLUG-ANTENNA

### TV-VCRSYSTEMS

KEY	PARTNUMBER	U/M	DESCRIPTION	VENDORNO.
	113684-02-000	EA	TV-19"COLORW/1/8" JACK-UL/CSA-AUDIOVOX	
	119120-02-700	EA	REMOTE	0994569
	086231-08-000	EA	TV-13"COLOR-DC-AUDIOVOX	
	086231-08-700	EA	REMOTE-UNIVERSAL	8822325
	119120-02-000	EA	VCR/VHS-CABLEREADYW/REMOTE	
			FROM: 00-00-00 THRU: 02-16-97	
	119120-02-700	EA	REMOTE	0994569
	119120-03-000	EA	VCR-VHS-CABLEREADY-REMOTE	
			FROM: 02-17-97 THRU: 99-99-99	
	119120-03-700	EA	REMOTE	0994571
	094487-03-000	EA	VIDEOCASSETTEPLAYERW/OREMOTE-AUDIOVOX	
	086757-03-000	EA	CONTROLCENTER-SWITCH-VCR/TV	
	086777-02-000	EA	WALLPLATE-TVCABLE-W/ANTENNASWITCH	
	076319-09-000	EA	WALLPLATE-CABLERECEPTACLE-TV-SINGLE-BROWN	
	086777-06-000	EA	WALLPLATE-ANTENNA1OUTPUT	
	076319-06-000	EA	ADAPTER-CABLEROOFPLATE	
	082134-01-000	EA	ADAPTER-TV-CABLETOCABLE	
	082136-01-000	EA	NUT-HEX JAM-3/8-32	
	086756-01-000	EA	SPLITTER-TV-2WAY	
	076319-03-000	FT	CABLE-COAXIAL-75OHM	
	076319-12-000	EA	CONNECTOR-COAXIAL-ONEPIECE	

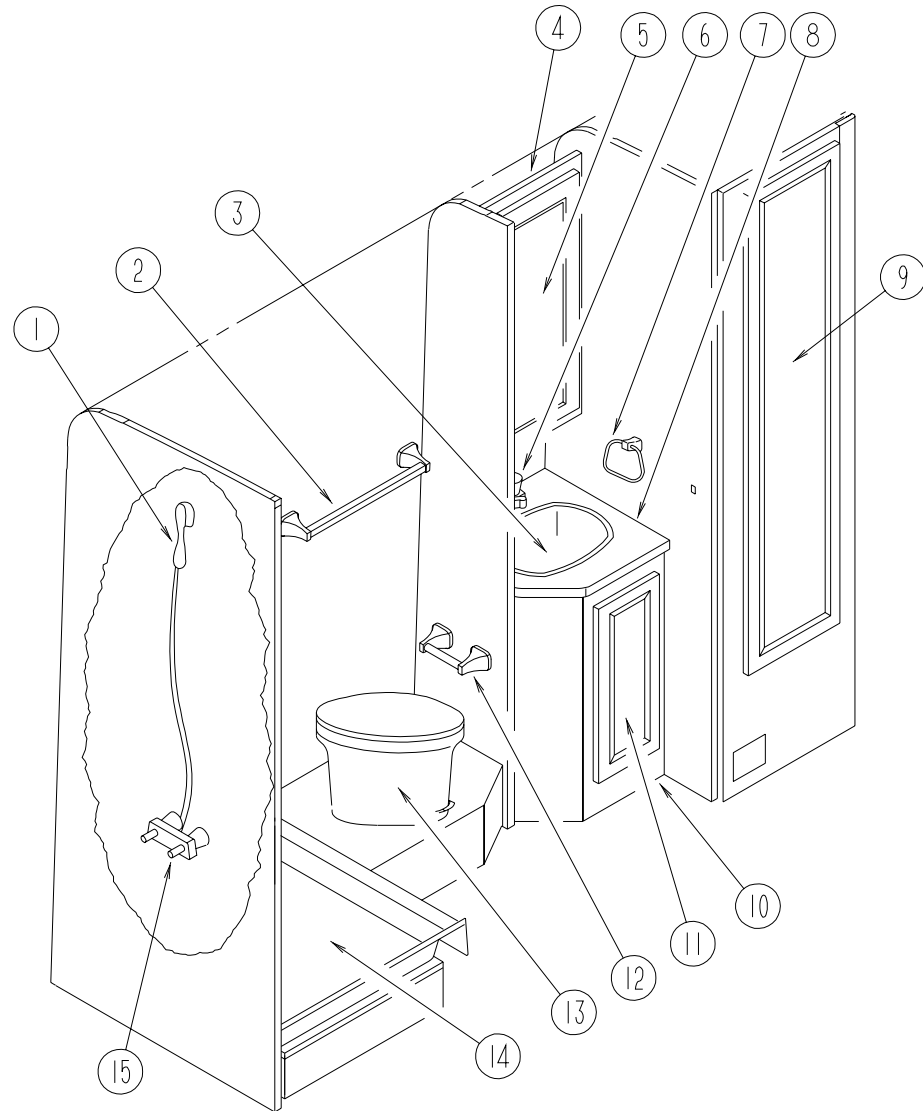
## BATHGROUP



### BATHROOMCABINETS&FIXTURES

KEY	PARTNUMBER	U/M	DESCRIPTION	VENDORNO.
1	103092-02-000	EA	SHOWERHEAD-W/HOSE-CSA	
1	103092-01-700	EA	BRACKET-F/SHOWERHEAD,CLEAR	2328028
	011048-03-700	EA	BRACKET-F/SHOWERHEAD	2328029-3
2	075453-02-000	EA	BAR-TOWEL-18" BRASS	
3	096927-01-01A	EA	SINK-LAVATORY-RECTANGULAR-PLASTIC/BONE	
	096927-01-700	EA	PLUG-SINK	M9801
	096927-01-701	EA	TAILPIECE-DRAIN-LAVATORY	M9802
4	116863-01-H04	EA	CABINET-MEDICINE-W/ODOORS/HARDWARE-WATERFORDOAK	
5	115237-04-G01	EA	DOOR-MIRROR-BATH-W/OHARDWARE-WATERFORDOAK	
	093606-03-000	EA	MIRROR-BEVELED-15.1"X28.3"	
6	075240-06-000	EA	FAUCET-LAVATORY/BONE	
	091253-01-000	EA	GASKET-FAUCET-LAVATORY/GALLEY	
7	075454-02-000	EA	RING-TOWEL-W/MOUNTINGHARDWARE-BRASS	
8	123296-13-H04	EA	COUNTERTOP-LAVATORY(H04)	
8	123296-13-H05	EA	COUNTERTOP-LAVATORY(H05)	
8	123296-13-H24	EA	COUNTERTOP-LAVATORY(H24/H26)	
9	110140-30-G01	EA	DOOR-MIRROR/VINYLWRAP-15.5"X45.4"-W/OHDW-WATERFORDOAK	
10	P23296-01-H04	EA	CABINET-LAVATORY-W/ODOORS/DRAWERS/HARDWARE(H04)	
10	P23296-01-H05	EA	CABINET-LAVATORY-W/ODOORS/DRAWERS/HARDWARE(H05)	
10	P23296-01-H24	EA	CABINET-LAVATORY-W/ODOORS/DRAWERS/HARDWARE(H24/H26)	
11	110140-09-G01	EA	DOOR-VINYLWRAP-13.3"X21.8"-W/OHDW-WATERFORDOAK	

**BATHGROUP(CONTINUED)**



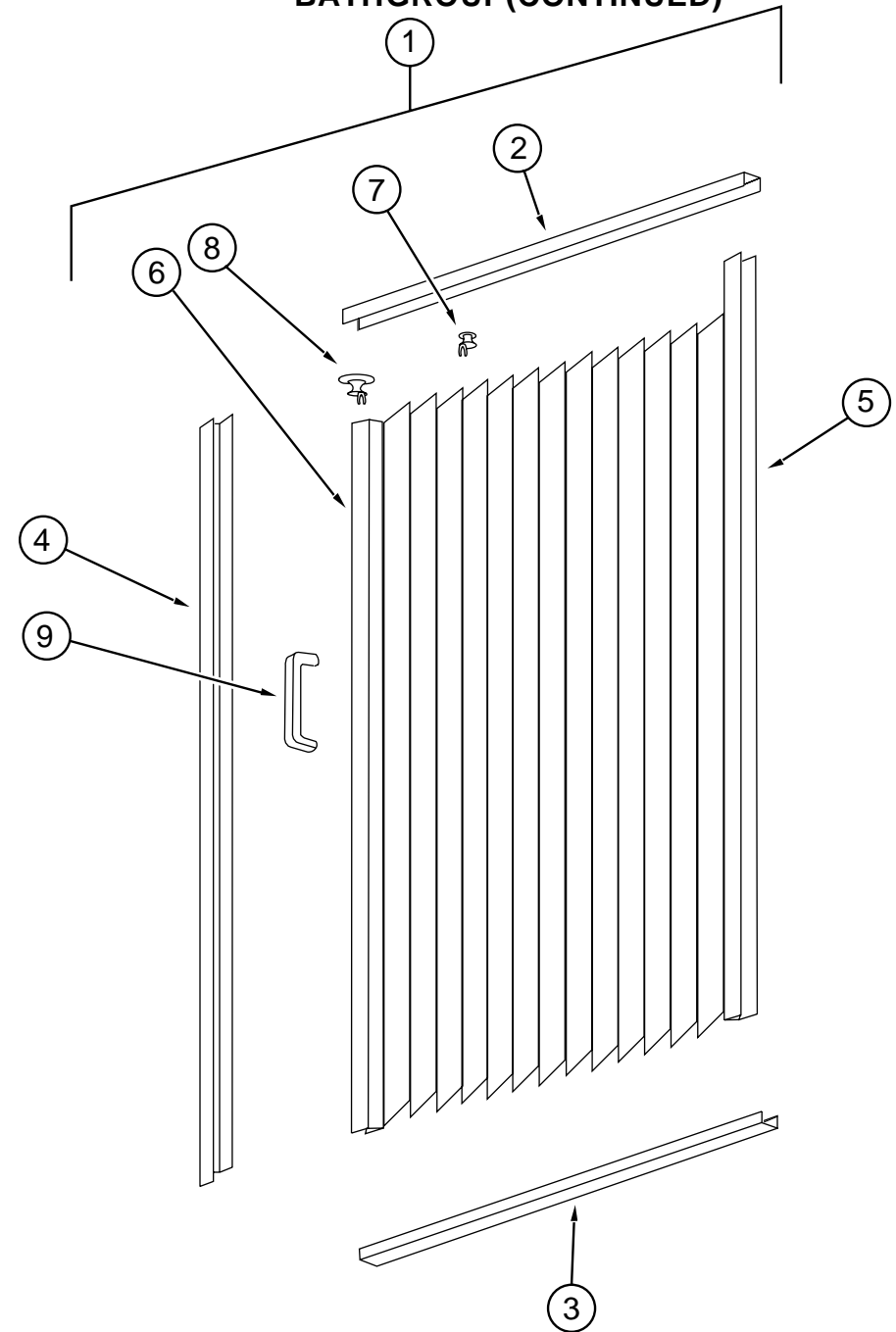
**BATHROOMCABINETS&FIXTURES(CONTINUED)**

KEY	PARTNUMBER	U/M	DESCRIPTION
12	075452-02-000	EA	HOLDER-TOILETTISSUE-BRASS
13	067487-01-000	EA	TOILET-12.37"-IVORY-HANDFLUSH
13	085330-07-000	EA	TOILET-CHINA-SHORTYW/SPRAY-BONEMCCLAINSANNIVERSARYOPTION
14	M02673-05-B13	EA	PAN-SHOWER29.8X22.7"X5.7"
	066436-01-000	EA	NUT-SLIP-TAILPIECE1.5"
	066440-01-000	EA	STRAINER-SHOWERDRAIN-W/RUBBERWASHER
	069735-01-000	EA	WASHER-STRAINERTOTALPIECE-PLASTIC-1.5"
15	075241-05-000	EA	FAUCET/SHOWER-BONE 3/4"MPTX1.4"LONGINLETPIPES
	075606-01-000	EA	PANEL-FAUCETBACK-SHOWER-5"X9"
	057671-01-000	EA	COVER-SCREW-#8-PLASTIC-OFFWHITE

**BATHPRIVACYDOOR-WATERFORDOAK**

KEY	PARTNUMBER	U/M	DESCRIPTION
	121449-21-H04	EA	DOOR-BATHW/OHARDWARE
	094485-03-01A	EA	KNOB-DOOR-BRASS
	102920-01-01A	EA	HINGE-DOOR-SPRINGLOADED/BRASS
	110496-01-01A	EA	HINGE-BRASS
	121449-12-G04	EA	RACK-TOWEL-BATHDOOR
	100357-01-000	EA	ROD-TOWEL-BRASS

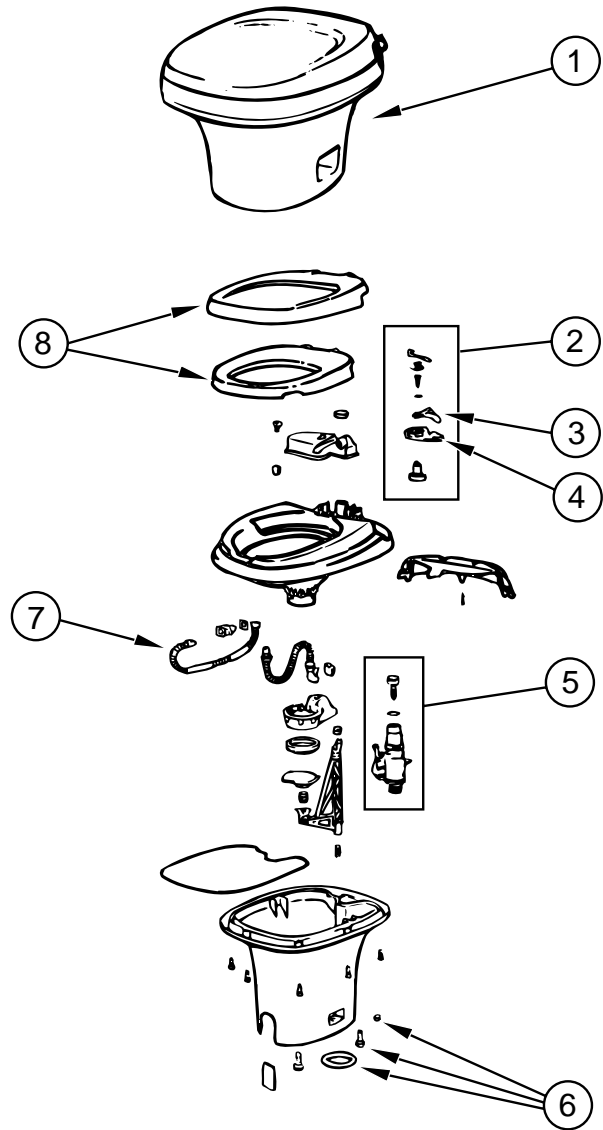
**BATHGROUP(CONTINUED)**



**SHOWERDOOR**

KEY	PARTNUMBER	U/M	DESCRIPTION
1	117431-01-01A	EA	DOOR-SHOWER-FABRICPLEATED-29.6"X63.0"
2	117431-01-700	EA	TRACK-TOP,ALUMINUM-IVORYINSERT-48"
3	117431-01-701	EA	TRACK-BOTTOM,40"
4	117431-01-702	EA	RAIL-SIDE,67"
5	117431-01-703	EA	RAIL-STATIONARY,67"
6	117431-01-704	EA	RAIL-LEAD,67"
7	117431-01-705	EA	GLIDE-IVORY,TRAVELER
8	117431-01-706	EA	GLIDE-IVORYLEAD,TRAVELER
9	117431-01-708	EA	HANDLES&SCREWS
	117431-01-707	EA	LATCH
	117431-01-709	EA	STRAP-VINYLSHOWER
	105394-01-05A	EA	EXTRUDEDPLASTIC-DOORJAMB-WATERFORDOAK-7'

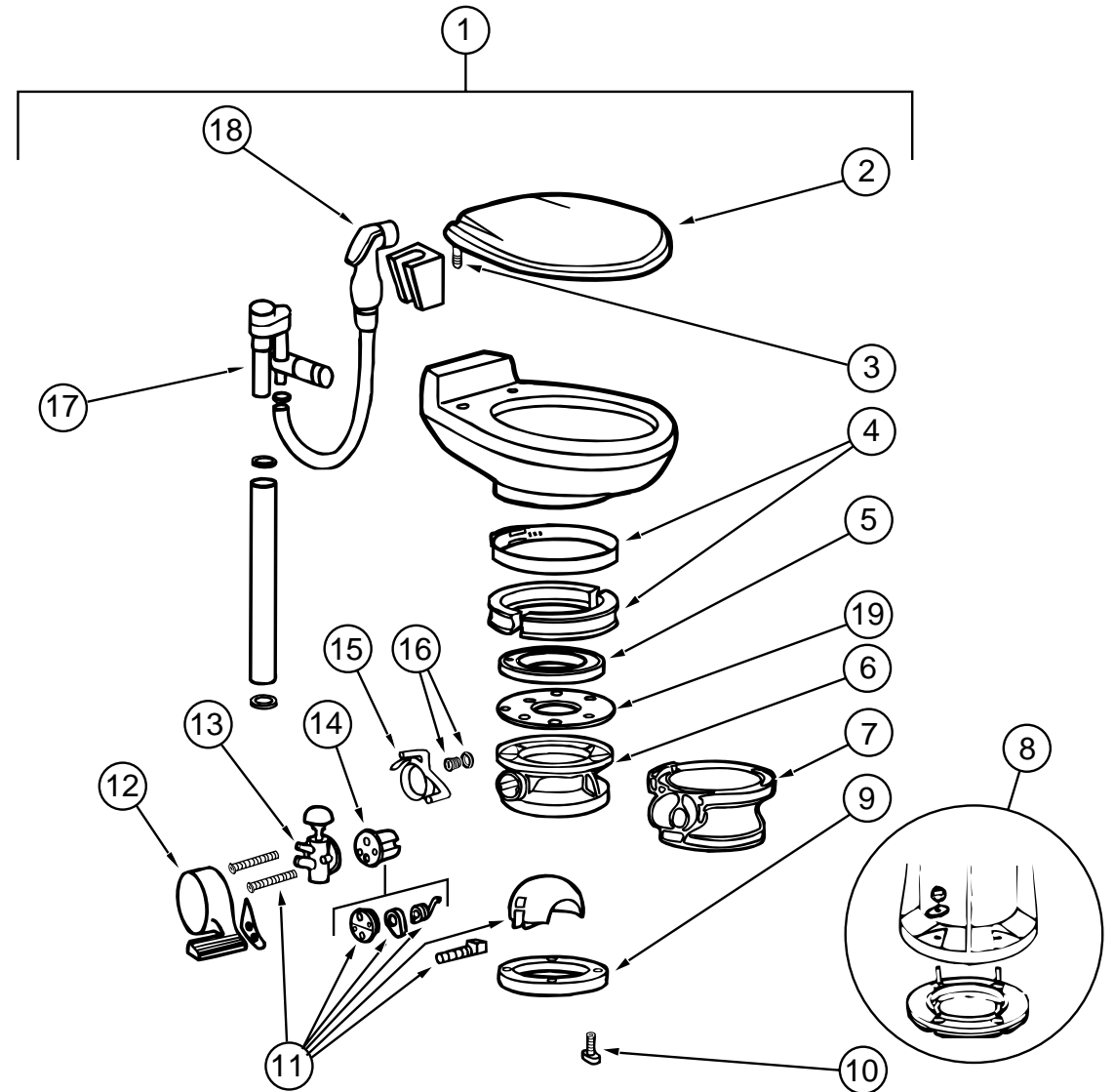
**BATHGROUP(CONTINUED)**



**TOILET&COMPONENTS-THETFORD-MODEL-AQUAMAGICIVLOW**

KEY	PARTNUMBER	U/M	DESCRIPTION	VENDORNO.
1	067487-01-000	EA	TOILET-12.37"-IVORY-HANDFLUSH	
2	063740-01-700	EA	LEVER-WATER	12514
3	063740-01-701	EA	LEVER-FLUSH	12515
4	063740-01-713	EA	SEAL-BALLVALVETO BOWL	12502
5	063740-01-714	EA	VALVEASSEMBLY-WATER	12492
6	063740-01-706	EA	BOLTPACKAGE-CLOSET	12524
7	063740-01-717	EA	TUBE-FLUSH,TOILET	12509
8	063740-02-700	EA	SEAT&COVER,PARCHMENT	2464157

**BATHGROUP(CONTINUED)**

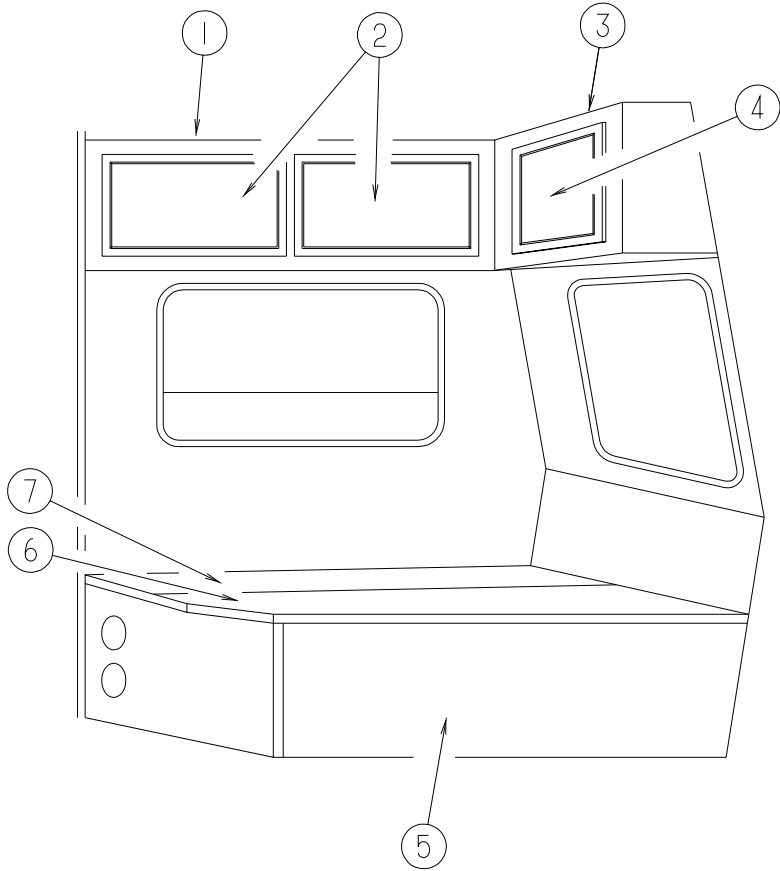


**TOILET&COMPONENTS-SEALAND-MODEL591103-MCCLAINSANNIVERSARYOPTION**

KEY	PARTNUMBER	U/M	DESCRIPTION	VENDORNO.
1	085330-07-000	EA	TOILET-SHORTYCHINAW/SPRAY-BONE	
2	085330-06-700	EA	SEATASSEMBLY,BONE	340591
3	085330-06-702	EA	HINGEHARDWARE(BONE)SET	342131
4	085330-01-703	EA	RING&HALFCLAMPS,BONE	385310048
5	085330-01-705	EA	SUPPORT-SEAL,PLASTIC	390346405
6	085330-04-704	EA	BASEASM	310124
7	085330-04-705	EA	COVER-PEDESTAL,BONE510	310109
8	085330-01-718	EA	SEAL&BASEW/MOUNTINGHWD	3853100-63
9	085330-01-714	EA	SEAL-FLANGE,FLOOR	390343892
10	085330-01-717	EA	STOOLMTG.,PKG.BOLT&SEAL	3100-64
11	085330-01-706	EA	BALL(FLAPPER)SHAFT/CARTRIDGE	385318162
12	085330-04-703	EA	COVERASSEMBLY-PEDAL	310118
13	085330-01-709	EA	VALVE-WATER	385314349
14	085330-01-707	EA	CARTRIDGESPRINGASSEMBLY	381236096
15	085330-04-702	EA	LEVER-FLUSH	340825
16	085330-01-710	EA	DRAIN-KIT,PLUG-CAPW/SEAL	230384
17	085330-06-701	EA	BREAKER-VACUUM/DIVERTER(900)	230335
18	085330-04-701	EA	HANDSPRAYW/HOSE(500&900)	340683
19	085330-01-704	EA	TEFLON&RUBBERSEALKIT	385316140

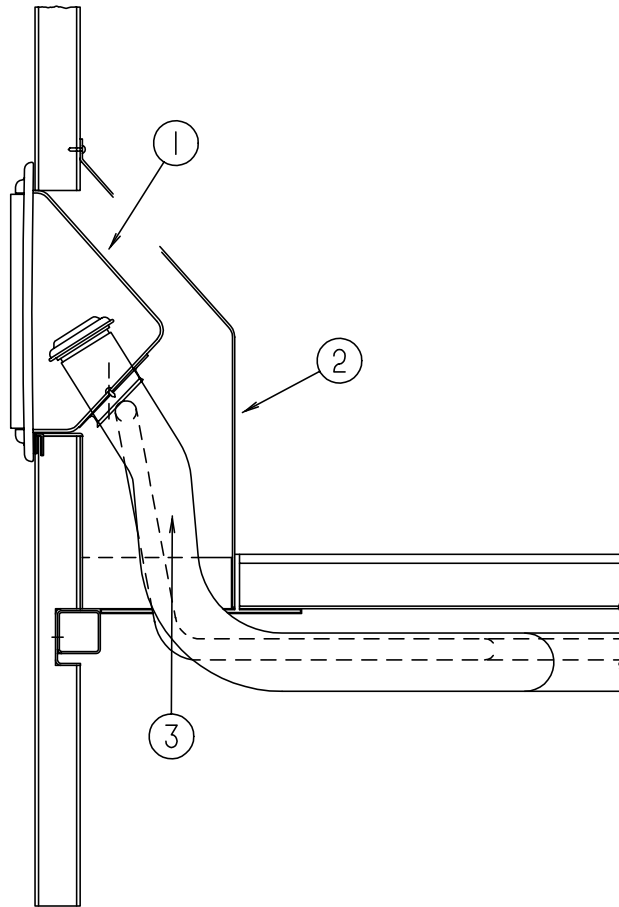
**BEDROOMGROUP**

**BEDROOMCABINETS**



KEY	PARTNUMBER	U/M	DESCRIPTION
1	122609-01-H04	EA	CABINET-OVERHEAD/REAR-W/ODOORS/HARDWARE-WATERFORDOAK
2	110140-18-G01	EA	DOOR-VINYLRAP-15.7"X27.9"-W/OHDW-WATERFORDOAK
3	122974-01-H04	EA	CABINET-REAROVERHEAD-W/ODOORS/HARDWARE-WATERFORDOAK
4	110140-18-G01	EA	DOOR-VINYLRAP-15.7"X27.9"-W/OHDW-WATERFORDOAK
4	110140-21-H04	EA	DOOR-MIRROR/VINYLRAP-15.7"X27.9"-W/OHDW-WATERFORDOAK
5	P23018-01-H04	EA	BASE-DOUBLEBED-W/ODOORS/DRAWERS/HARDWARE-WATERFORDOAK
5	P23018-02-H04	EA	BASE-DOUBLEBED-RAISEDBEDEXCHANGE-WATERFORDOAK
6	M07448-04-H04	EA	TOP-DOUBLEBED-W/OHARDWARE-WATERFORDOAK
7	M07448-03-000	EA	TOP-DOUBLEBED-W/OHARDWARE-WATERFORDOAK
	126259-01-000	EA	STUD-BALL
	057460-02-000	EA	STUDBALL-GASSPRING-.39"-5/16"-18-RAISEDBEDEXCHANGE
	107796-10-000	EA	BRACKET-GASSPRING-90DEGREESMALL
	108998-04-000	EA	SPRING/GAS12"COMPRESSED/20"EXTENDED-60LB.
	089076-08-000	EA	H-CHANNEL-SUPPORT/BED

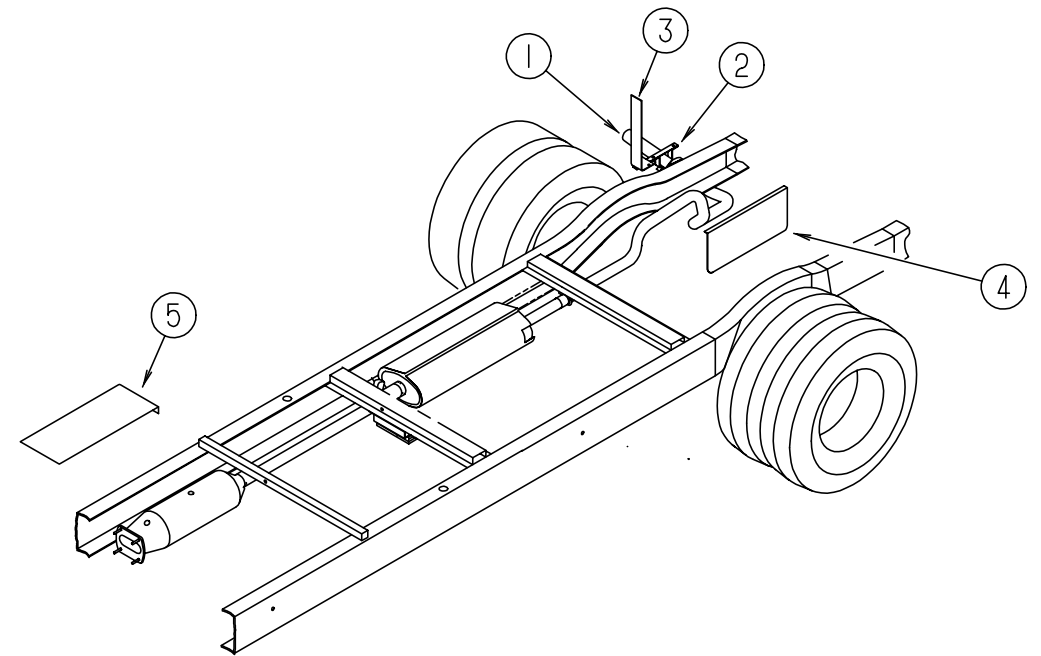
## CHASSIS GROUP



### FUEL SYSTEM COMPONENTS

KEY	PART NUMBER	U/M DESCRIPTION
1	095854-01-04A	EA SHROUD - FUEL FILL - BRIGHT WHITE
2	078040-05-000	EA SHROUD - FUEL FILL - UPPER
3	116043-01-000	EA NECK - FUEL FILL - UNLEADED - FORD
		FROM: 00-00-00 THRU: 12-01-96
3	124995-01-000	EA NECK - FUEL FILL - UNLEADED - FORD
		FROM: 12-02-96 THRU: 99-99-99
3	116043-02-000	EA NECK-FILLER, FUEL FILL - DIESEL - FORD
3	124326-01-000	EA NECK - FILLER - FUEL FILL - UNLEADED - CHEVY
3	124326-02-000	EA NECK - FILLER - FUEL FILL - DIESEL - CHEVY
	007063-01-000	FT HOSE - FUEL 1/4" ID X 1/2" OD
	084884-01-000	EA PLUG - BRASS - 3/8"

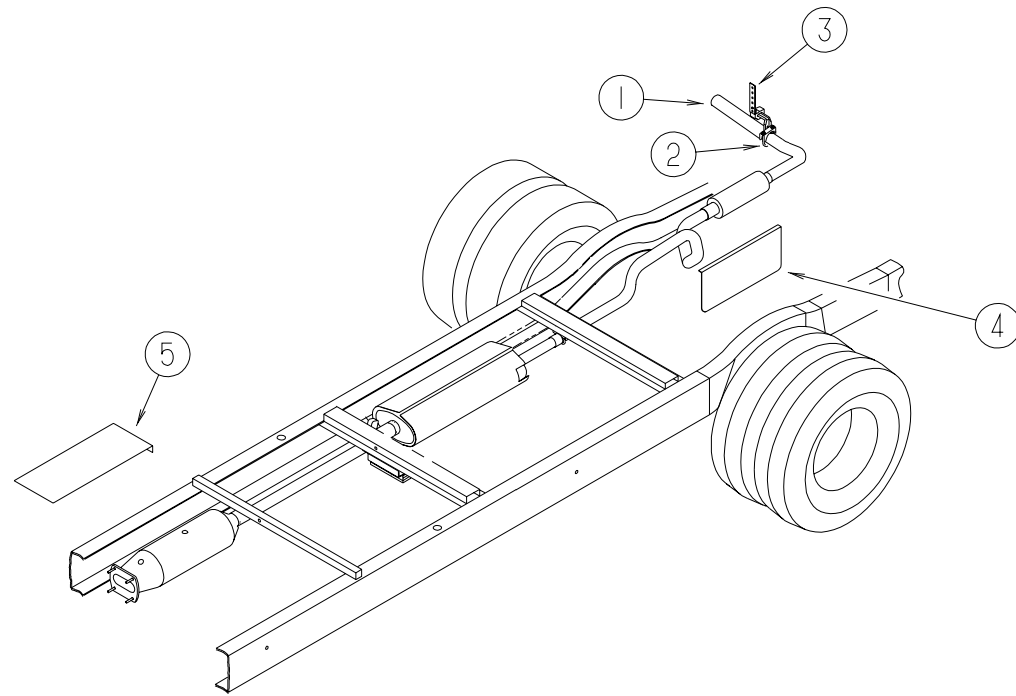
## CHASSIS GROUP (CONTINUED)



### EXHAUST SYSTEM - FORD - GAS - U.S.

KEY	PART NUMBER	U/M DESCRIPTION
1	098762-18-000	EA PIPE - EXHAUST - STRAIGHT
2	007125-08-000	EA CLAMP-MUFFLER, 3" DIA
3	007131 01 000	EA HANGER-TAILPIPE, 6 SLOTS
3	007125-07-000	EA CLAMP - MUFFLER - 2.5" DIAMETER
4	111848-01-02B	EA SHIELD - HEAT - EXHAUST
5	091182-01-000	EA HEAT SHIELD

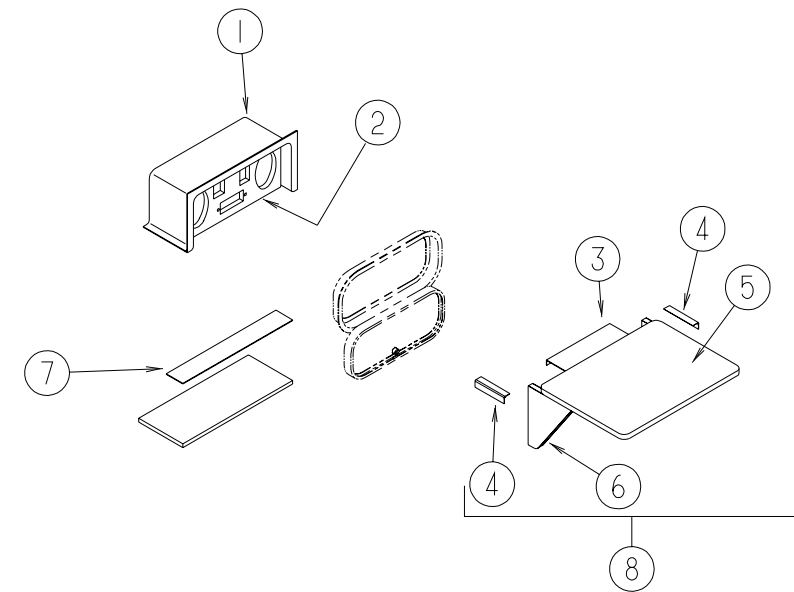
**CHASSISGROUP(CONTINUED)**



**EXHAUSTSYSTEM-CHEVY-GAS**

KEY	PARTNUMBER	U/M DESCRIPTION
1	124570-01-000	EA PIPE-EXHAUST-TAIL
2	007125-07-000	EA CLAMP-MUFFLER-2.5"DIAMETER
3	00713101000	EA HANGER-TAILPIPE,6SLOTS
4	007125-07-000	EA CLAMP-MUFFLER-2.5"DIAMETER
4	111848-01-02B	EA SHIELD-HEAT-EXHAUST
5	091182-01-000	EA HEATSHIELD

**CHASSISGROUP(CONTINUED)**



**EXTERIORENTERTAINMENTCENTER**

KEY	PARTNUMBER	U/M DESCRIPTION	
1	104897-01-02A	EA BOX-ENTERTAINMENTCENTER	
2	104899-01-C05	EA PLATE-RADIOMOUNTING	
3	105377-01-01A	EA BRACKET-TABLEHANGER	FROM: 00-00-00 THRU: 01-05-97
3	105377-01-04A	EA BRACKET-TABLEHANGAR	FROM: 01-06-97 THRU: 99-99-99
4	105376-01-02A	EA HINGE-CONTINUOUS-2"X5.5"	FROM: 00-00-00 THRU: 01-05-97
4	105376-01-03A	EA HINGE-CONTINUOUS-2"X5.5"	FROM: 01-06-97 THRU: 99-99-99
5	105230-11-E01	EA SHELF-EXTERIORENTERTAINMENTCENTER	
6	105230-12-F11	EA SUPPORT-EXTERIORSHELF	
7	104898-01-02A	EA PLATE-PLASTICBOTTOM	
8	105230-01-H33	EA SHELF-EXTERIORTV	

**REAR AIRBAGS-FORD-FROM: 00-00-00 THRU: 06-20-97**

KEY	PARTNUMBER	U/M DESCRIPTION	VENDORNO.
	106067-03-000	EA AIRSPRING-4"DIAMETERTWIN	
	106067-03-700	EA AIRBAGREPL.KIT(2BAGS)	RK-FH3
	109236-01-000	EA PLATE-VALVE-AIRSPRING	
	010497-01-000	EA CLAMP-CLOSED-5/8"ID	
	083609-01-000	EA CLAMP-WIRE-DUAL-EQUALDIAMETERS-5/8"	

**REAR AIRBAGS-FORD-FROM: 06-21-97 THRU: 99-99-99**

KEY	PARTNUMBER	U/M DESCRIPTION	VENDORNO.
	100293-02-000	EA AIRSPRING-4"DIAMETER	
	100293-02-700	EA BAG-AIR,W/CABLE	RK-E3
	100332-01-000	EA PLATE-VALVE-AIRSPRING	
	010497-01-000	EA CLAMP-CLOSED-5/8"ID	
	083609-01-000	EA CLAMP-WIRE-DUAL-EQUALDIAMETERS-5/8"	



## CHASSISGROUP(CONTINUED)

### WHELLINERS-DICOR-FORD

KEY	PARTNUMBER	U/M DESCRIPTION	VENDORNO.
	110435-02-000	EA LINER/WHEEL-SETOF4-E350	
	110435-01-711	EA DECAL-CENTERCAP,2"DECAL	
	110435-02-700	EA LINER-WHEEL,FRONT	V160F2-FWC
	110435-02-701	EA LINER-WHEEL,REAR	V160F2-RWC
	110435-02-702	EA STUDEXTENDER	V160SD-STX
	110435-02-703	EA NUT(JAMB)	V160SD-JNT
	110435-02-704	EA COVER-LUGNUT	V160F0-LNC
	110435-02-705	EA TOOLF/JAMBNUT,INSTALL.	V160FO-TOL

### WHELLINERS-KAPER-CHEVY

KEY	PARTNUMBER	U/M DESCRIPTION	VENDORNO.
	091209-05-000	EA LINER-WHEEL-SETOF4-16"-STAINLESSSTEEL	
	091209-03-702	EA COVER-AXLE,FRONT,8LUG	64UE
	091209-03-703	EA COVER-AXLE,REAR,8LUG	65UE
	091209-03-704	EA RING-SNAP	00
	091209-05-700	EA LINER-WHEEL,FRONT	57-88KAPER
	091209-05-701	EA LINER-WHEEL,REAR	58-88
	077030-02-000	EA EXTENSION-VALVESTEM-1.25"	

### WHEELCOVERS-DICOR

KEY	PARTNUMBER	U/M DESCRIPTION	VENDORNO.
	109443-05-000	EA WHEELCOVER-4/SET-16"STAINLESSSTEEL	
	098532-01-700	EA COVER-LUGNUT(CHROME)	SHAU-LNC
	109443-05-700	EA COVER-WHEEL,16"SSEA=1	SHFM16-CVR

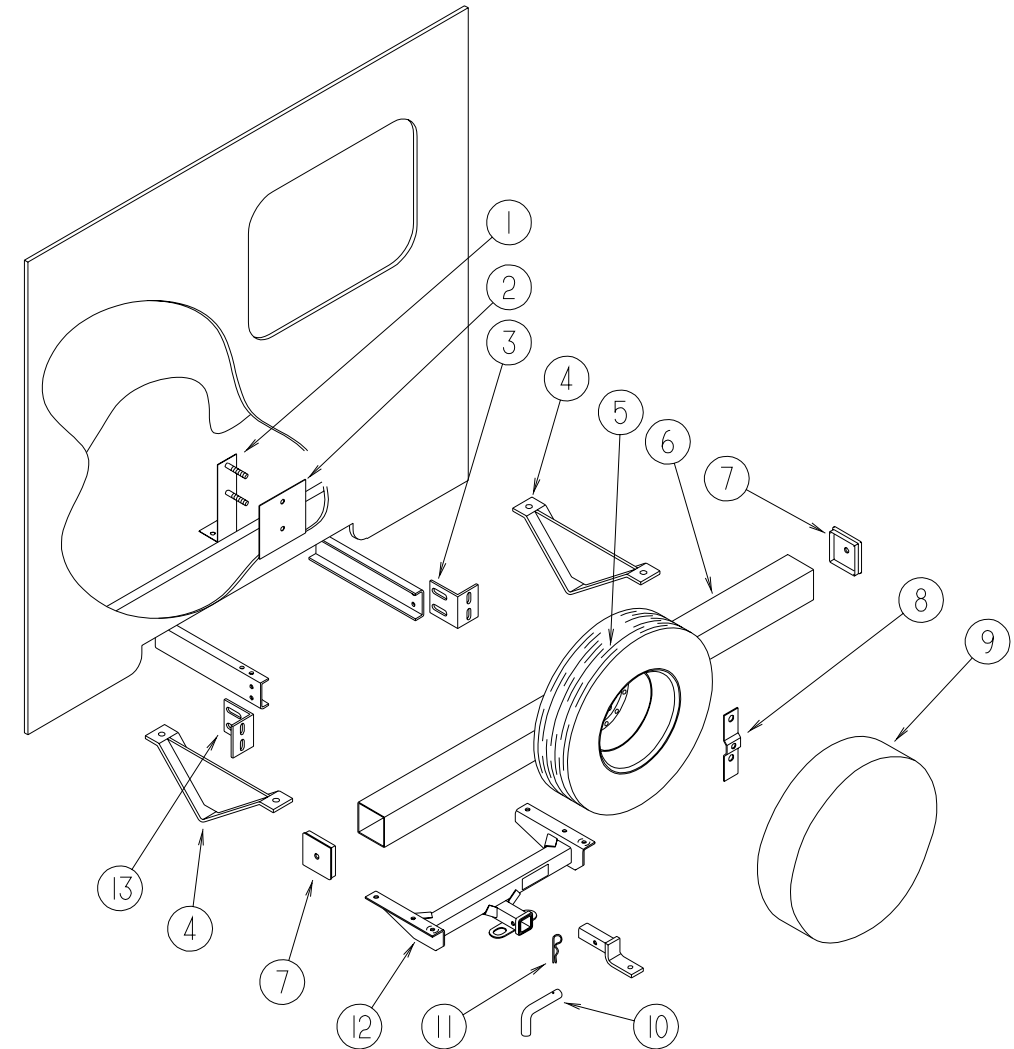
### TIRE&WHEEL

KEY	PARTNUMBER	U/M DESCRIPTION	VENDORNO.
	106715-01-000	EA TIRE-LT225/75R16-LRD550AS-GM	
	070917-05-000	EA TIRE-LT225/75R16D-R4SM/S-FORD	
	083617-03-000	EA WHEEL-STEEL-16.0X6	
	051377-03-000	EA VALVESTEM	
	112358-01-000	EA WRENCH-LUG-7/8"-L-SHAPE-FORD	
	080208-01-000	EA LUGWRENCH-1.06X1.00-GM	
	080208-06-000	EA WRENCH-LUG-DEEP1"X1.06"-GM	
	080208-02-000	EA BAR-LEVERAGE-LUGWRENCH-GM	

FROM: 00-00-00 THRU: 09-26-96

FROM: 09-27-96 THRU: 99-99-99

## CHASSISGROUP(CONTINUED)

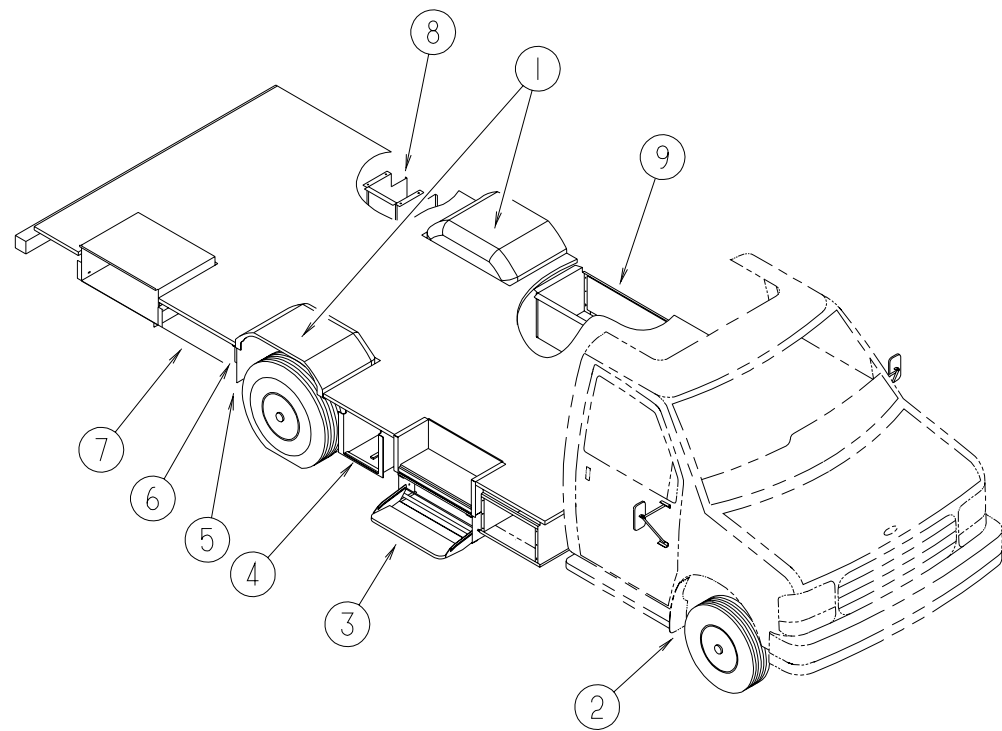


### REARBUMPER,HITCH&SPARETIRECARRIER

KEY	PARTNUMBER	U/M DESCRIPTION
1	105209-04-C52	EA BRACKET-SPARETIRE-CHEVY
1	105209-06-C52	EA BRACKET-SPARETIRE-FORD
2	105208-01-000	EA PLATE-SPARETIRE
3	104420-01-000	EA SUPPORT/ANGLE-REARBUMPER
4	083376-01-000	EA PLATE/SKID-13.2"X6"X2"STEEL
5	106715-01-000	EA TIRE-LT225/75R16-LRD550AS-CHEVY
5	070917-05-000	EA TIRE-LT225/75R16D-R4SM/S-FORD
6	103422-02-02A	EA BUMPER-SQUARE,ALUMINUM-BRIGHTWHITE
7	039779-01-000	EA CAP-BUMPER-RUBBER-4"X4"-BLACK
8	105531-02-000	EA RETAINER-SPARETIRE
9	073322-07-F15	EA COVER-TIRE-31"
	073322-50-000	EA COVER-UNIVERSALLINER
10	034512-01-000	EA PIN-LOCKING-DRAWBAR
11	034513-01-000	EA PIN-HITCH-3/16"WIRE
12	107707-08-000	EA HITCHRECEIVER-BOLT-ONCLASSII
	070579-09-000	EA PLATE-ANCHOR
13	104420-02-000	EA SUPPORT/ANGLE-REARBUMPER
	097744-02-000	EA HOUSING-TRAILERPIN-48"
	097745-02-000	EA HOUSING-RECEPTACLE-TRAILER-48"WIRELENGTH
	113589-01-000	EA CONNECTOR-PLUG-TRAILER
	113589-02-000	EA CONNECTOR-SOCKET-TRAILER
	113588-02-01B	EA BRACKET-CONNECTOR-TRAILERW/OLIP
	113634-01-000	EA WIREASSEMBLY-TRAILERADAPTER

## CHASSISGROUP(CONTINUED)

### MISCELLANEOUSCHASSISCOMPONENTS



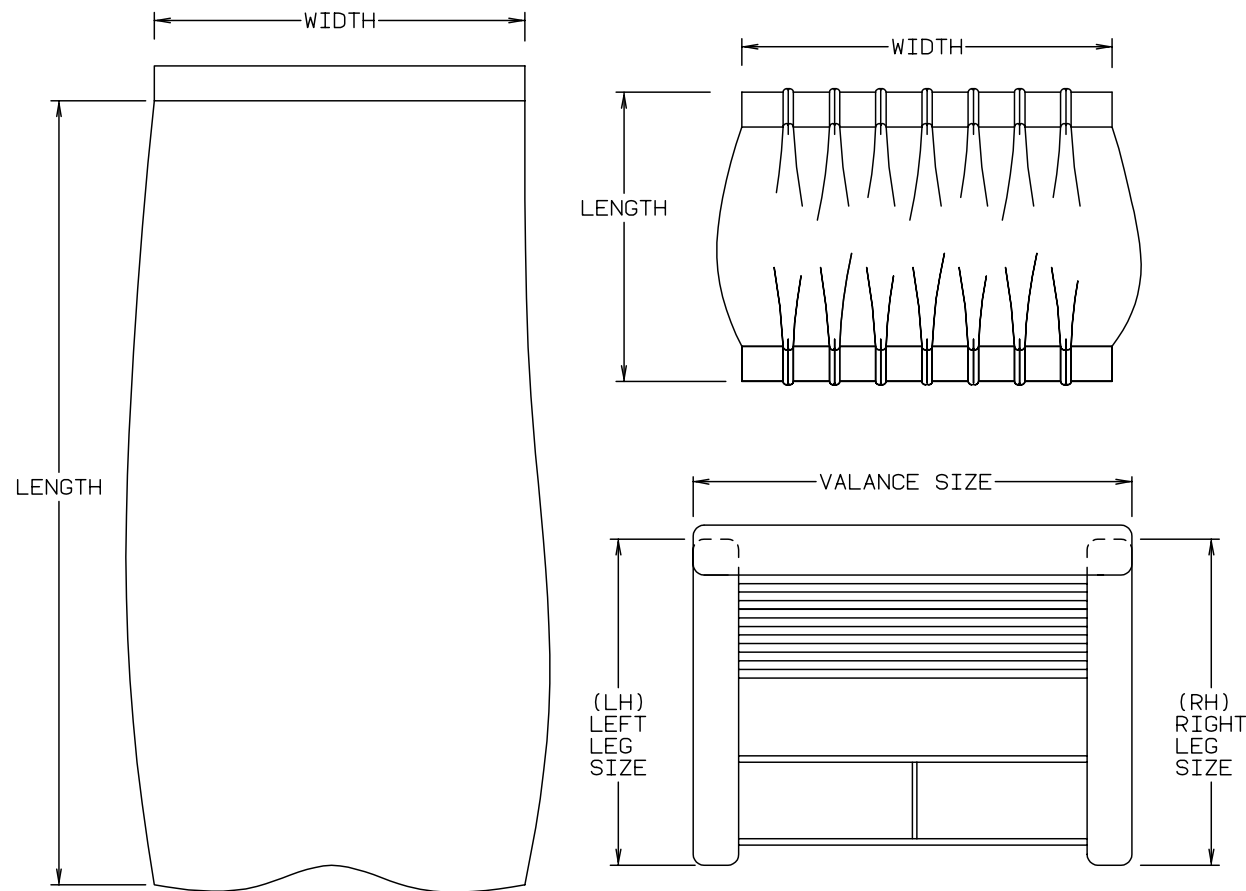
KEY	PARTNUMBER	U/M	DESCRIPTION
1	096322-01-000	EA	WHEELWELL-REAR-DRIVER/PASSENGER-PLASTIC
2	072884-27-703	EA	MUDFLAPW/HOLES,1EA=PAIR-99171-FORD
2	072884-28-701	EA	FRONTFLAP-PAIR-99153-CHEVY
3	077848-02-000	EA	STEP-PULLOUT
	102569-04-000	EA	MAT-ANTISLIP
	076241-14-000	EA	SUPPORT-STEP
	091176-01-000	EA	SUPPORT-BASE-ENTRANCESTEP
	P00796-03-000	EA	LINER-STEP-W/ANTI-SLIPTAPE
4	105203-04-000	EA	COMPARTMENT-BATTERY
	084993-01-000	EA	STRAP-BATTERY
	084993-02-000	EA	STRAP-BATTERY
5	017516-01-000	EA	MUDFLAP - 14" X 18" - BLACK
6	045731-05-000	EA	GUARD-ROCK
7	085967-01-000	EA	COMPARTMENT-SEWERHOSE 6"X6.6"X17.8" - PLASTIC
8	101868-08-000	EA	COMPARTMENT-POWERCORD
	101667-03-000	EA	PROP-ROD
9	114070-02-02B	EA	SUPPORT-GENERATOR-LEFT
9	114071-02-02B	EA	SUPPORT-GENERATOR-RIGHT
	056748-01-000	EA	PLUG-CAP-1.5"DIAMETER
			FROM: 00-00-00 THRU: 06-01-97
	061420-10-000	EA	PLUG/PLASTIC-1.50"DIAMETER-BLACK
			FROM: 06-02-97 THRU: 99-99-99
	115361-01-01A	EA	PLUG-PLASTIC
	061420-01-000	EA	PLUG/PLASTIC-1.75"-BROWN
	061420-05-000	EA	PLUG/PLASTIC-1.8"DIAMETER
	099717-04-000	EA	STRAP-TIEDOWNW/21.3"FEMALESTRAP&27.2"MALESTRAP

## CURTAIN & CUSHION GROUP

### NOTICE

IN ORDER TO ASSIST OUR PARTS SALES DEPT. IN PROVIDING INTERIOR SOFTWARE ITEMS, PLEASE INCLUDE THE SERIAL NUMBER AND THE COLOR CODE NUMBER FROM THE VEHICLE CERTIFICATION LABEL WHEN ORDERING. THIS LABEL IS LOCATED ON THE LEFT SIDEWALL AT THE END OF THE DASH (A-BODY), OR ON THE DRIVER'S DOOR LATCH PLATE (C-BODY).

AN EXAMPLE OF A COLOR CODE NUMBER IS B07, WHICH DESIGNATES AN OVERALL COLOR SCHEME OF A PARTICULAR UNIT. THE COLOR LISTED AFTER THE ITEM DESCRIPTION ON THE MICROFICHE, INDICATES THE OVERALL UNIT COLOR. ORDER THE ITEM YOU DESIRE ACCORDING TO UNIT COLOR CODE.



NOTE: USE THIS ILLUSTRATION WHEN DETERMINING LENGTH AND WIDTH MEASUREMENTS FOR CURTAINS. YOU WILL NOTE THE WIDTH MEASUREMENT IS TAKEN ON THE TOP OF THE CURTAIN WITH THE CURTAIN FULLY EXTENDED. THE LENGTH MEASUREMENT IS TAKEN FROM TOP TO BOTTOM. LEFT AND RIGHT WINDOW LEGS ARE DETERMINED WHEN FACING THE WINDOW.

## CURTAIN & CUSHION GROUP (CONTINUED)

### FABRICS

COLOR CODES	H04	H05	H24	H26
	BLUE LAGOON (BLUE)	KRIPTONITE (TAUPE)	COPPER CANYON (TERRA COTTA)	COPPER CREEK (TAN)
BUCKET SEATS	108446-K9-000	108446-77-000 108446-G2-000	108446-L4-000 108446-F3-000	108446-L4-000 108446-F3-000
DINETTE CUSHIONS	108446-K7-000	108446-K8-000	108446-H0-000	108446-H0-000
DINETTE PADS	108446-K9-000	108446-77-000	108446-L4-000	108446-L4-000
SOFA	108446-K7-000	108446-K8-000	108446-H0-000	108446-H0-000
SWIVEL CHAIR	108446-K9-000	108446-G2-000	108446-F3-000	108446-F3-000
LOUNGE/DINETTE VALANCE	108446-K7-000 108446-K9-000	108446-K8-000 108446-G2-000	108446-H0-000 108446-F3-000	108446-H0-000 108446-F3-000
LOUNGE/DINETTE LEG	108446-K9-000	108446-G2-000	108446-F3-000	108446-F3-000
BEDROOM VALANCE	105745-B3-000	105745-D5-000	105745-A2-000	105745-A2-000
BEDSPREAD	105745-B3-000 105745-61-000	105745-D5-000 105745-62-000	105745-99-000 105745-45-000	105745-99-000 105745-45-000
PILLOWS/SHAMS	105745-B3-000	105745-D5-000 105745-62-000	105745-99-000 105745-45-000	105745-99-000 105745-45-000
ENTRANCE DOOR VALANCE	108446-K7-000	108446-K8-000	108446-H0-000	108446-H0-000
BUNK CUSHIONS	108446-K9-000	108446-G2-000	108446-F3-000	108446-F3-000
OVERHEAD BUNK CURTAINS	105745-B3-000	105745-D5-000	105745-99-000	105745-99-000
BUNK PRIVACY	105745-B3-000	105745-D5-000	105745-99-000	105745-99-000
FRONT PRIVACY	105745-B3-000	105745-D5-000	105745-99-000	105745-99-000
BEDROOM PRIVACY	105745-B3-000	105745-D5-000	105745-99-000	105745-99-000
DRAPERY LINING	087272-03-000	087272-03-000	087272-03-000	087272-03-000
TIRE COVER	103907-05-000	103907-05-000	103907-05-000	103907-05-000
TIRE COVER LINER	069627-02-000	069627-02-000	069627-02-000	069627-02-000
HEADLINER	103907-01-06A	103907-01-06A	103907-01-06A	103907-01-06A

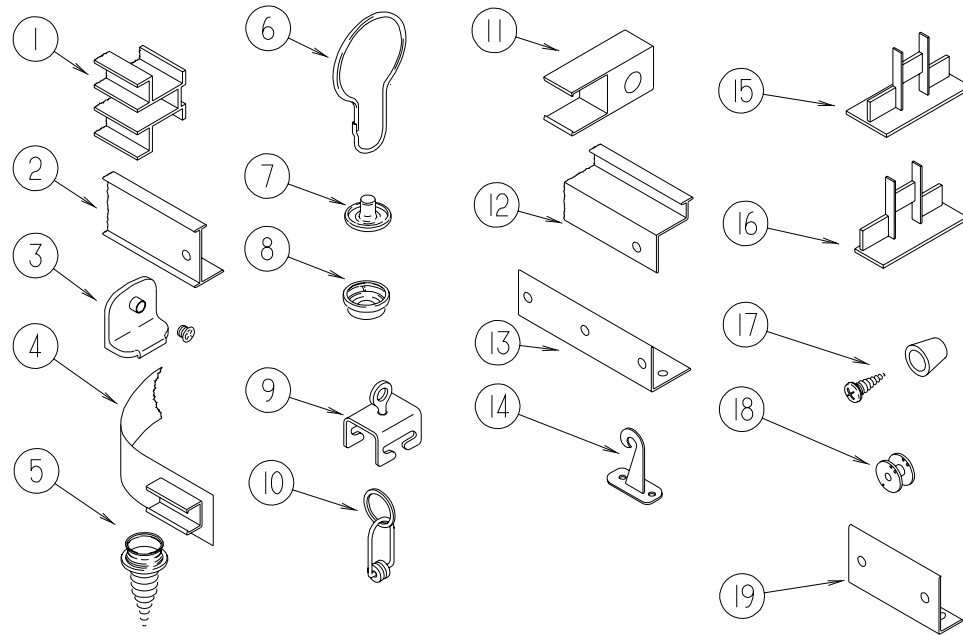
NOTE: FABRIC LISTED FIRST, IN A BLOCK, IS THE LARGEST QUANTITY OF FABRIC USED

### BUTTONS & WELT

KEY	PART NUMBER	U/M	DESCRIPTION
	070578-10-H04	EA	BUTTON-SCREW STUD - #30 (H04)
	070578-10-G22	EA	BUTTON-SCREW STUD - #30 (H05)
	070578-10-H24	EA	BUTTON-SCREW STUD - #30 (H24/H26)

# CURTAIN&CUSHIONGROUP(CONTINUED)

## CURTAIN&BLINDHARDWARE

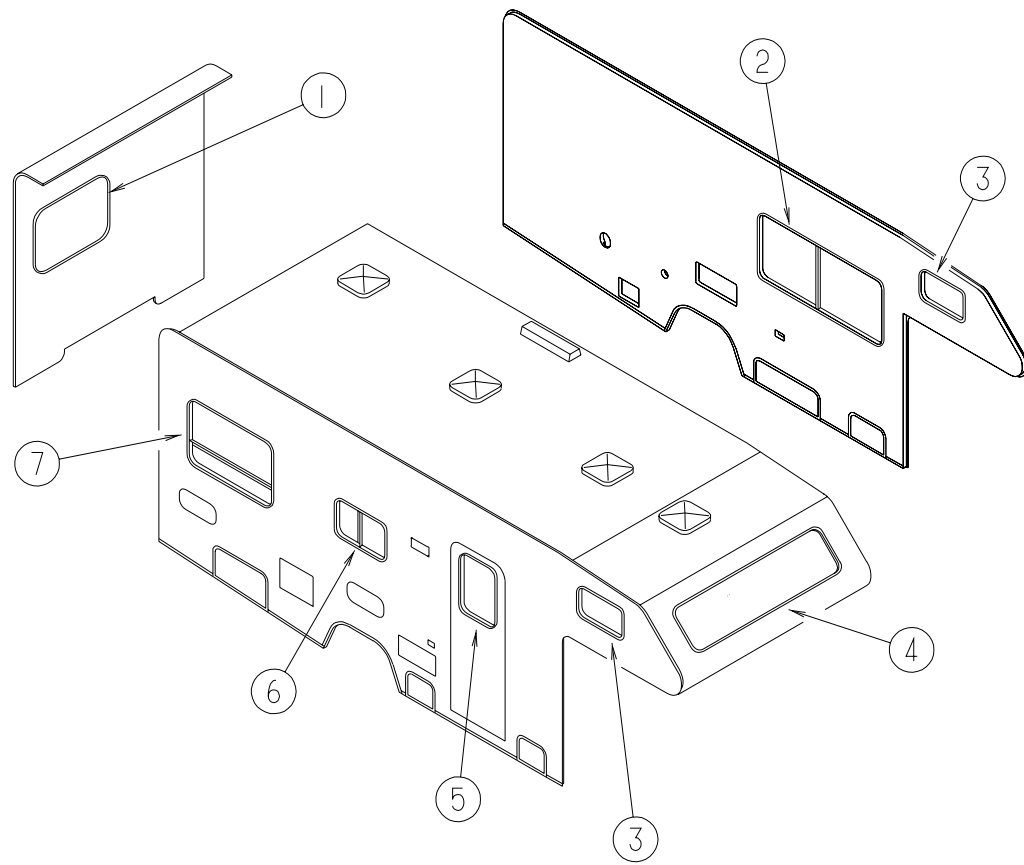


KEY	PARTNUMBER	U/M	DESCRIPTION
	046867-03-000	EA	GROMMET-HANDYBUTTONNO3
	048394-02-000	YD	VELCROTAPE-HOOK-ADHESIVEBACK-.75"WIDE-BEIGE
	075943-10-000	EA	BRACE-VALANCE-20"
	084433-05-000	EA	SHADE-ROLLER-72.25"
	084434-01-000	EA	BRACKET-MOUNTING-ROLLERSHADE-13/8"
	086276-01-000	EA	TAPE-DOUBLESIDED-1/2"
	088792-01-000	YD	VELCROTAPE-HOOK-5/8"-NON-ADHESIVEBACKED
	088792-02-000	YD	VELCROTAPE-LOOP-.75"-ADHESIVEBACKED-BEIGE
	088792-06-000	YD	VELCROTAPE-LOOP-.75"-NON-ADHESIVEBACKED-BUFF
	096843-01-000	EA	SPRING-REWIND/ROLLERSHADE
	076827-02-000	EA	BRACKET-LEG-2.9"X1.8"-TRIANGLE
	083170-01-000	EA	BRACKET-BLIND-LEFTSIDEWHENFACINGWINDOW
	083170-02-000	EA	BRACKET-BLIND-RIGHTSIDEWHENFACINGWINDOW
	094896-02-000	EA	GROMMET-CORD/PLEATEDBLIND-NYLON-GRAY
	097593-06-000	FT	CORD-BLIND-PLEATED-PEWTER(H04)
	097593-02-000	EA	CORD-BLIND-PLEATED-DAWNGRAY(H05/H24/H26)
	094907-04-701	EA	ENDCAP-LHBOTTOMBLIND
	083125-07-000	EA	BRACE-COUCH-2.5"
	097591-01-000	EA	SPRING-EXTENSION/PLEATEDBLIND

KEY	PARTNUMBER	U/M	DESCRIPTION
1	101033-04-000	EA	TRACK-WALL,36"
1	101033-06-000	EA	TRACK-WALL79"
2	009700-04-002	EA	TRACK-L-SHAPED-195.5"-OFFWHITE
3	106544-01-000	EA	PULL-SHADE/BRASS
	106544-01-001	EA	SCREW-SHADE/BRASS
4	101031-01-000	YD	TAPE-GLIDE/CURTAIN-4.25"SPACING
5	029130-01-000	EA	SCREW-SNAPSOCKET-#8PHX5/8"
6	009136-02-000	EA	HANGER-RING-PINTYPE-CURTAIN-BRASS
7	029155-01-000	EA	CAP-SNAP-5/32"O.D.OFPIN
8	029156-01-000	EA	SOCKET-SNAP-9/16"O.D.
9	009702-01-000	EA	ENDSTOP-CURTAINCARRIER-LROD
10	009701-01-000	EA	CARRIER-CURTAIN-LROD
11	101033-02-000	EA	ENDCAP-TRACK/CLEAR
12	105450-01-01A	EA	TRACKW/BRKTS-CURTAINLEFTHANDWRAPAROUND-30.8"
12	105450-06-01A	EA	TRACK-CURTAIN-88"LONG
13	105648-01-02A	EA	BRACE-VALANCE-OFF/WHITE-14"
14	109441-03-000	EA	HOLDDOWN-BLIND(CLOUDY)
15	094907-02-000	EA	ENDCAP-TOP/PLEATEDBLIND-PLASTIC-GRAY
16	094907-04-700	EA	ENDCAP-RHBOTTOMBLIND
17	097564-01-000	EA	HANDLE-T-EZLIFTSHADE
18	097592-01-000	EA	SPOOL-CORD-ELEVATEDBLINDHOLDUP-CLEARPLASTIC
19	083125-07-000	EA	BRACE-COUCH-2.5"

# CURTAIN&CUSHIONGROUP(CONTINUED)

## CURTAINS&WINDOWTREATMENT



KEY	PARTNUMBER	U/M	DESCRIPTION
1	118064-01-GB1	EA	VALANCE-VALENCIA-52"(H04)
1	118064-01-H05	EA	VALANCE-VALENCIA-52"(H05)
1	118064-01-H24	EA	VALANCE-VALENCIA-52"(H24/H26)
1	084755-92-F15	EA	SHADE-PULL-50.25"
1	111910-19-H01	EA	BLIND-DAY/NIGHTER-50"X28"(H04)
1	111910-19-H11	EA	BLIND-DAY/NIGHTER-50"X28"(H05/H24/H26)
			FROM: 00-00-00 THRU: 10-27-96
1	111910-19-HA3	EA	BLIND-DAY/NIGHTER-50"X28"(H05/H24/H26)
			FROM: 10-28-96 THRU: 99-99-99

KEY	PARTNUMBER	U/M	DESCRIPTION
2	118078-01-H04	EA	VALANCE-QUEST-64.5"(H04)
2	118078-01-H05	EA	VALANCE-QUEST-64.5"(H05)
2	118078-01-H24	EA	VALANCE-QUEST-64.5"(H24/H26)
2	084755-96-G01	EA	SHADE-PULL-60.25"
2	111910-22-GB1	EA	BLIND-DAY/NIGHTER-60"X28.5"(H04)
2	111910-22-H11	EA	BLIND-DAY/NIGHTER-50"X28"(H05/H24/H26)
			FROM: 00-00-00 THRU: 10-27-96
2	111910-22-HA3	EA	BLIND-DAY/NIGHTER-50"X28"(H05/H24/H26)
			FROM: 10-28-96 THRU: 99-99-99
2	119333-01-H04	EA	LEG-RIGHT-25"(H04)
2	119333-01-G16	EA	LEG-RIGHT-25"(H05)
2	119333-01-GE1	EA	LEG-RIGHT-25"(H24/H26)
2	119333-02-H04	EA	LEG-LEFT-25"(H04)
2	119333-02-G16	EA	LEG-LEFT-25"(H05)
2	119333-02-GE1	EA	LEG-LEFT-25"(H24/H26)
3	101034-51-H04	EA	CURTAIN-RIGHTHAND-19"X34"(H04)
3	101034-51-H05	EA	CURTAIN-RIGHTHAND-19"X34"(H05)
3	101034-51-G04	EA	CURTAIN-RIGHTHAND-19"X34"(H24/H26)
3	101034-52-H04	EA	CURTAIN-LEFTHAND-19"X34"(H04)
3	101034-52-H05	EA	CURTAIN-LEFTHAND-19"X34"(H05)
3	101034-52-G04	EA	CURTAIN-LEFTHAND-19"X34"(H24/H26)
4	101034-33-H04	EA	CURTAIN-RIGHTHAND-21"X60"(H04)
4	101034-33-H05	EA	CURTAIN-RIGHTHAND-21"X60"(H05)
4	101034-33-G04	EA	CURTAIN-RIGHTHAND-21"X60"(H24/H26)
4	101034-34-H04	EA	CURTAIN-LEFTHAND-21"X60"(H04)
4	101034-34-H05	EA	CURTAIN-LEFTHAND-21"X60"(H05)
4	101034-34-G04	EA	CURTAIN-LEFTHAND-21"X60"(H24/H26)
5	118078-04-H04	EA	VALANCE-QUEST-29"(H04)
5	118078-04-H05	EA	VALANCE-QUEST-29"(H05)
5	118078-04-H24	EA	VALANCE-QUEST-29"(H24/H26)
5	084755-57-E07	EA	SHADE-PULL-27.25"
6	109041-44-01A	EA	BLIND-MINI-30.5"X18"(H04)
6	109041-44-02A	EA	BLIND-MINI-30.5"X18"(H05/H24/H26)
	109353-04-000	EA	CLIP-VALANCE SLAT MOUNTING-CLEAR PLASTIC
7	118064-01-GB1	EA	VALANCE-VALENCIA-52"(H04)
7	118064-01-H05	EA	VALANCE-VALENCIA-52"(H05)
7	118064-01-H24	EA	VALANCE-VALENCIA-52"(H24/H26)
7	084755-92-F15	EA	SHADE-PULL-50.25"
7	111910-19-H01	EA	BLIND-DAY/NIGHTER-50"X28"(H04)
7	111910-19-H11	EA	BLIND-DAY/NIGHTER-50"X28"(H05/H24/H26)
			FROM: 00-00-00 THRU: 10-27-96
7	111910-19-HA3	EA	BLIND-DAY/NIGHTER-50"X28"(H05/H24/H26)
			FROM: 10-28-96 THRU: 99-99-99

**CURTAIN&CUSHIONGROUP(CONTINUED)**

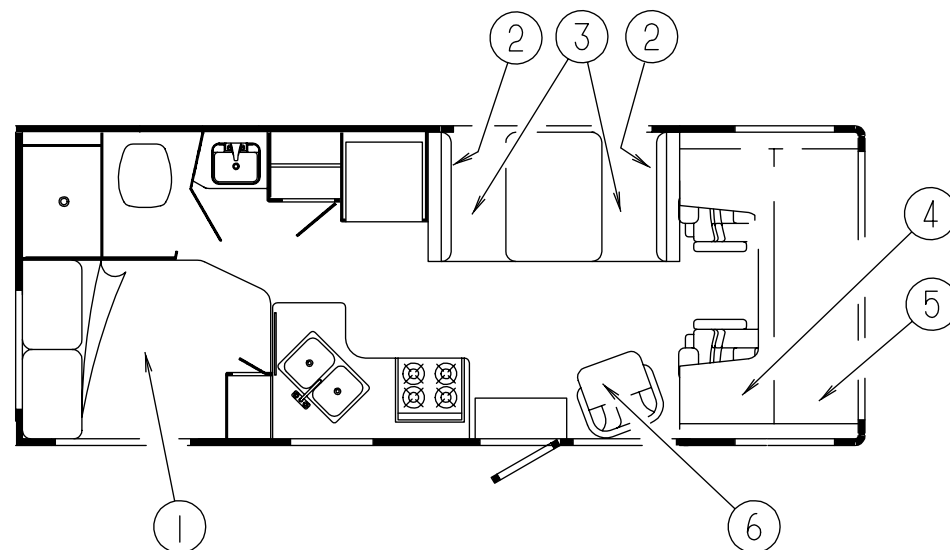
**PRIVACYCURTAINS**

KEY	PARTNUMBER	U/M DESCRIPTION
	101668-39-H04	EA CURTAIN-RIGHTHAND-35"X50"(H04)
	101668-39-F16	EA CURTAIN-RIGHTHAND-35"X50"(H05)
	101668-39-H24	EA CURTAIN-RIGHTHAND-35"X50"(H24/H26)
	101668-40-H04	EA CURTAIN-LEFTHAND-35"X50"(H04)
	101668-40-F16	EA CURTAIN-LEFTHAND-35"X50"(H05)
	101668-40-H24	EA CURTAIN-LEFTHAND-35"X50"(H24/H26)
	101668-53-H04	EA CURTAIN-70"X60"(H04)
	101668-53-H05	EA CURTAIN-70"X60"(H05)
	101668-53-H24	EA CURTAIN-70"X60"(H24/H26)
	076892-20-H04	EA CURTAIN-50"X78"(H04)
	076892-20-F16	EA CURTAIN-50"X78"(H05)
	076892-20-H24	EA CURTAIN-50"X78"(H24/H26)

**CURTAINTIEBACKS**

KEY	PARTNUMBER	U/M DESCRIPTION
	073260-23-H04	EA TIEBACK-CURTAIN-3"X18"(H04)
	073260-23-F16	EA TIEBACK-CURTAIN-3"X18"(H05)
	073260-23-H24	EA TIEBACK-CURTAIN-3"X18"(H24/H26)
	073260-63-GB1	EA TIEBACK-4"X15"(H04)
	073260-63-H05	EA TIEBACK-4"X15"(H05)
	073260-63-H24	EA TIEBACK-4"X15"(H24/H26)
	057534-01-000	EA TIEBACK/TIEDOWN-BED/CURTAIN/DOOR,6"-PLASTIC-CLEAR

**CURTAIN&CUSHIONGROUP(CONTINUED)**



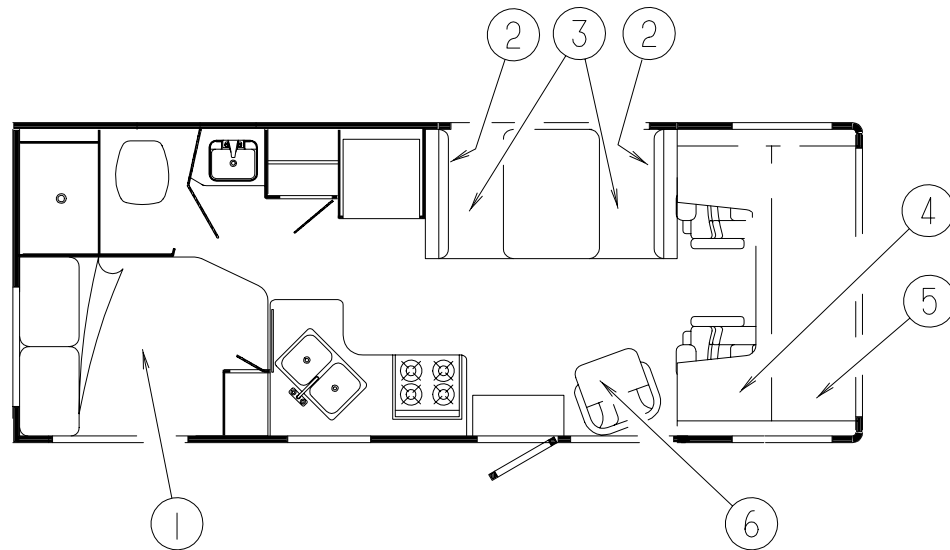
**DOUBLEBEDSPREAD,PILLOW&MATTRESS**

KEY	PARTNUMBER	U/M DESCRIPTION
1	123471-10-H04	EA BEDSPREAD/THROW-54"X75"(H04)
1	123471-10-H05	EA BEDSPREAD/THROW-54"X75"(H05)
1	123471-10-H24	EA BEDSPREAD/THROW-54"X75"(H24/H26)
	104176-02-H04	EA SHAM-PILLOW(H04)
	104176-02-H05	EA SHAM-PILLOW(H05)
	104176-02-H24	EA SHAM-PILLOW(H24/H26)
	101123-16-000	EA MATTRESS-FOAM-W/CUTCORNER-54"X74"X5"
	P01123-16-000	EA COVER-MATTRESS-W/CUTCORNER-54"X74"X5"

**DECORATORPILLOWS-MCCLAINSANNIVERSARYOPTION**

KEY	PARTNUMBER	U/M DESCRIPTION
	111862-08-H04	EA PILLOW-15"X15"-W/.5"-NON-GATHEREDWELT(H04)
	111862-08-H05	EA PILLOW-15"X15"-W/.5"-NON-GATHEREDWELT(H05)
	111862-08-H24	EA PILLOW-15"X15"-W/.5"-NON-GATHEREDWELT(H24/H26)
	104504-09-H04	EA PILLOW-16"ROUND-W/.5"WELT(H04)
	104504-09-H05	EA PILLOW-16"ROUND-W/.5"WELT(H05)
	104504-09-H24	EA PILLOW-16"ROUND-W/.5"WELT(H24/H26)

**CURTAIN&CUSHIONGROUP(CONTINUED)**



**DINETTECUSHIONS**

KEY	PARTNUMBER	U/M DESCRIPTION
2	116134-01-H04	EA CUSHION-BACKREST-13"X38"X5"(H04)
2	116134-01-H05	EA CUSHION-BACKREST-13"X38"X5"(H05)
2	116134-01-H24	EA CUSHION-BACKREST-13"X38"X5"(H24/H26)
	P16134-01-H04	EA COVER-BACKCUSHION-13"X38"X5"(H04)
	P16134-01-H05	EA COVER-BACKCUSHION-13"X38"X5"(H05)
	P16134-01-H24	EA COVER-BACKCUSHION-13"X38"X5"(H24/H26)
	078155-01-000	EA STRAP-SNAP-BACKCUSHION
3	088927-87-H04	EA CUSHION-SEAT-23"X38"X5"(H04)
3	088927-87-H05	EA CUSHION-SEAT-23"X38"X5"(H05)
3	088927-87-G13	EA CUSHION-SEAT-23"X38"X5"(H24/H26)
	M88927-87-H04	EA COVER-SEATCUSHION-23"X38"X5"(H04)
	M88927-87-H05	EA COVER-SEATCUSHION-23"X38"X5"(H05)
	M88927-87-G13	EA COVER-SEATCUSHION-23"X38"X5"(H24/H26)

**CURTAIN&CUSHIONGROUP(CONTINUED)**

**BUNKCUSHIONS**

KEY	PARTNUMBER	U/M DESCRIPTION
4	105573-10-H04	EA CUSHION-OVERHEAD/REAR-27"X23"X80"X5"(H04)
4	105573-10-H05	EA CUSHION-OVERHEAD/REAR-27"X23"X80"X5"(H05)
4	105573-10-H24	EA CUSHION-OVERHEAD/REAR-27"X23"X80"X5"(H24/H26)
	P05573-10-H04	EA COVER-OVERHEAD/REARCUSHION-27"X23"X80"X5"(H04)
	P05573-10-H05	EA COVER-OVERHEAD/REARCUSHION-27"X23"X80"X5"(H05)
	P05573-10-H24	EA COVER-OVERHEAD/REARCUSHION-27"X23"X80"X5"(H24/H26)
5	105573-09-H04	EA CUSHION-OVERHEAD/FRONT-32.5"X80"X5"(H04)
5	105573-09-G05	EA CUSHION-OVERHEAD/FRONT-32.5"X80"X5"(H05)
5	105573-09-H24	EA CUSHION-OVERHEAD/FRONT-32.5"X80"X5"(H24/H26)
	P05573-09-H04	EA COVER-OVERHEAD/FRONTCUSHION-32.5"X80"X5"(H04)
	P05573-09-G05	EA COVER-OVERHEAD/FRONTCUSHION-32.5"X80"X5"(H05)
	P05573-09-H24	EA COVER-OVERHEAD/FRONTCUSHION-32.5"X80"X5"(H24/H26)

**BUNKCUSHIONS-OVERHEADENTERTAINMENTCENTER**

KEY	PARTNUMBER	U/M DESCRIPTION
	079145-08-000	EA CUSHION-BUNK-25"X74"X3.5"
	M79145-08-000	EA COVER-CUSHIONBUNK-25"X74"X3.5"

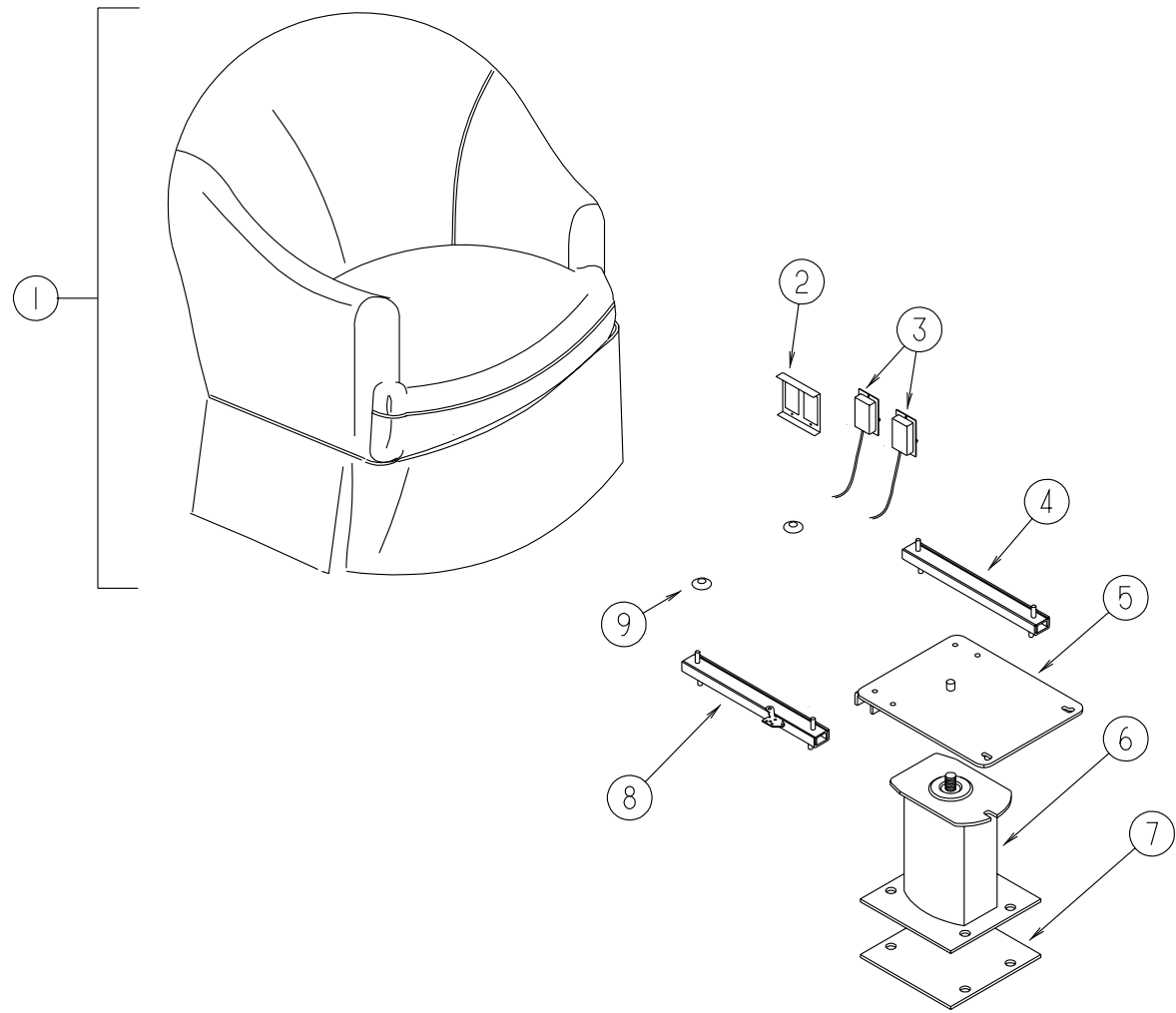
**SWIVELCHAIR**

KEY	PARTNUMBER	U/M DESCRIPTION
6	115470-01-H04	EA CHAIR-SWIVEL(H04)
6	115470-01-G05	EA CHAIR-SWIVEL(H05)
6	115470-01-GE1	EA CHAIR-SWIVEL(H24/H26)

**ASSISTHANDLE&SEATBELTS**

KEY	PARTNUMBER	U/M DESCRIPTION
	053552-02-AA8	EA HANDLE-ASSIST-INTERIOR/ENTRYDOOR-VINYL/OFFWHITE
	069178-02-000	EA BRACKET-MOUNTINGASSISTHANDLE
	000C16-07-16B	EA BOLT-CARRIAGE-ASSISTHANDLE-7/16"-14X1"
	000D20-07-00B	EA NUT-ACORN-ASSISTHANDLE-7/16"-14
	057759-01-000	EA WASHERBRACKET-SEATBELT,4"DIAMETER
	007021-01-000	EA SEATBELT-2"X90"-BLACK-DINETTESEATS&COUCH
	056271-01-000	EA BELT-SEAT-2"X102"-BLACK-SWIVELCHAIR

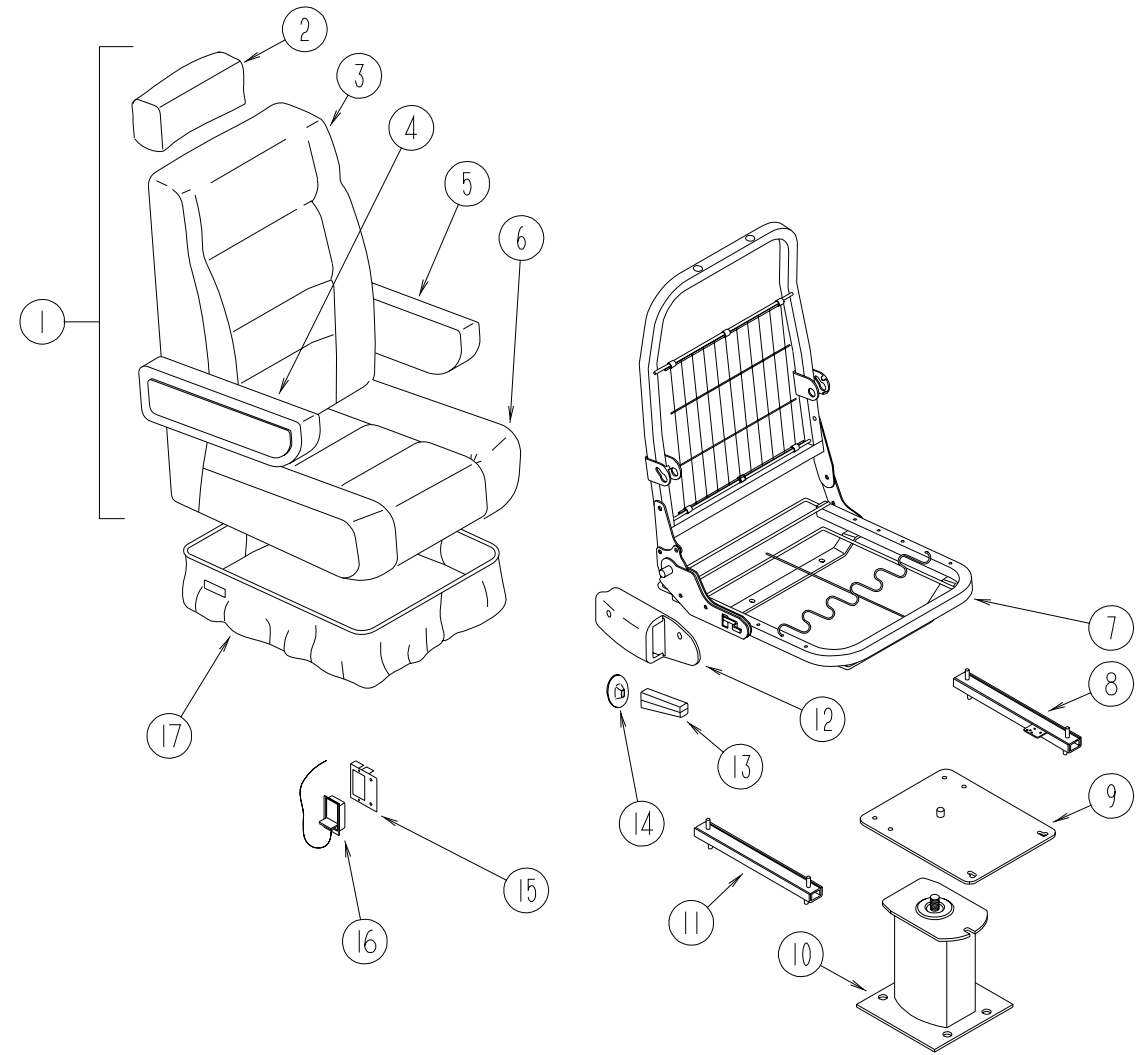
**CURTAIN&CUSHIONGROUP(CONTINUED)**



**SWIVELCHAIR**

KEY	PARTNUMBER	U/M DESCRIPTION
1	115470-01-H04	EA CHAIR-SWIVEL(H04)
1	115470-01-G05	EA CHAIR-SWIVEL(H05)
1	115470-01-GE1	EA CHAIR-SWIVEL(H24/H26)
	P15470-01-H04	EA COVER-CHAIR(H04)
	P15470-01-G05	EA COVER-CHAIR(H05)
	P15470-01-GE1	EA COVER-CHAIR(H24/H26)
	P07977-01-H04	EA COVER-SKIRT(H04)
	P07977-01-G05	EA COVER-SKIRT(H05)
	P07977-01-GE1	EA COVER-SKIRT(H24/H26)
2	097683-02-000	EA BRACKET-MOUNT,REMOTE
3	108049-03-000	EA CABLE-W/CONTROL25.5"SHEATH/28.5"CABLEW/DOGLEG
	108049-02-000	EA CLIP-CABLE/PEDESTAL
	117125-01-02B	EA BRACKET-CABLEMOUNT-ADJUSTERW/LOCK
4	119952-01-000	EA SLIDE-SEAT-NONLOCKINGHD
5	107921-08-000	EA TOPPLATE-PEDESTAL-WOSEATBELTBAR
	107921-06-000	EA BEARINGKIT-PEDESTAL
6	107921-01-000	EA BASE-PEDESTAL,W/9.75"EXTENSION-FLEXSTEEL3060MSPD
7	108445-02-000	EA SUB-PLATE,PEDESTAL-FLOORMOUNTED
8	119952-03-000	EA SLIDE-SEAT/HEAVYDUTY/LOCKINGW/2STUDS
9	007221-01-000	EA SPACER-SEATADJUSTER

**CURTAIN&CUSHIONGROUP(CONTINUED)**

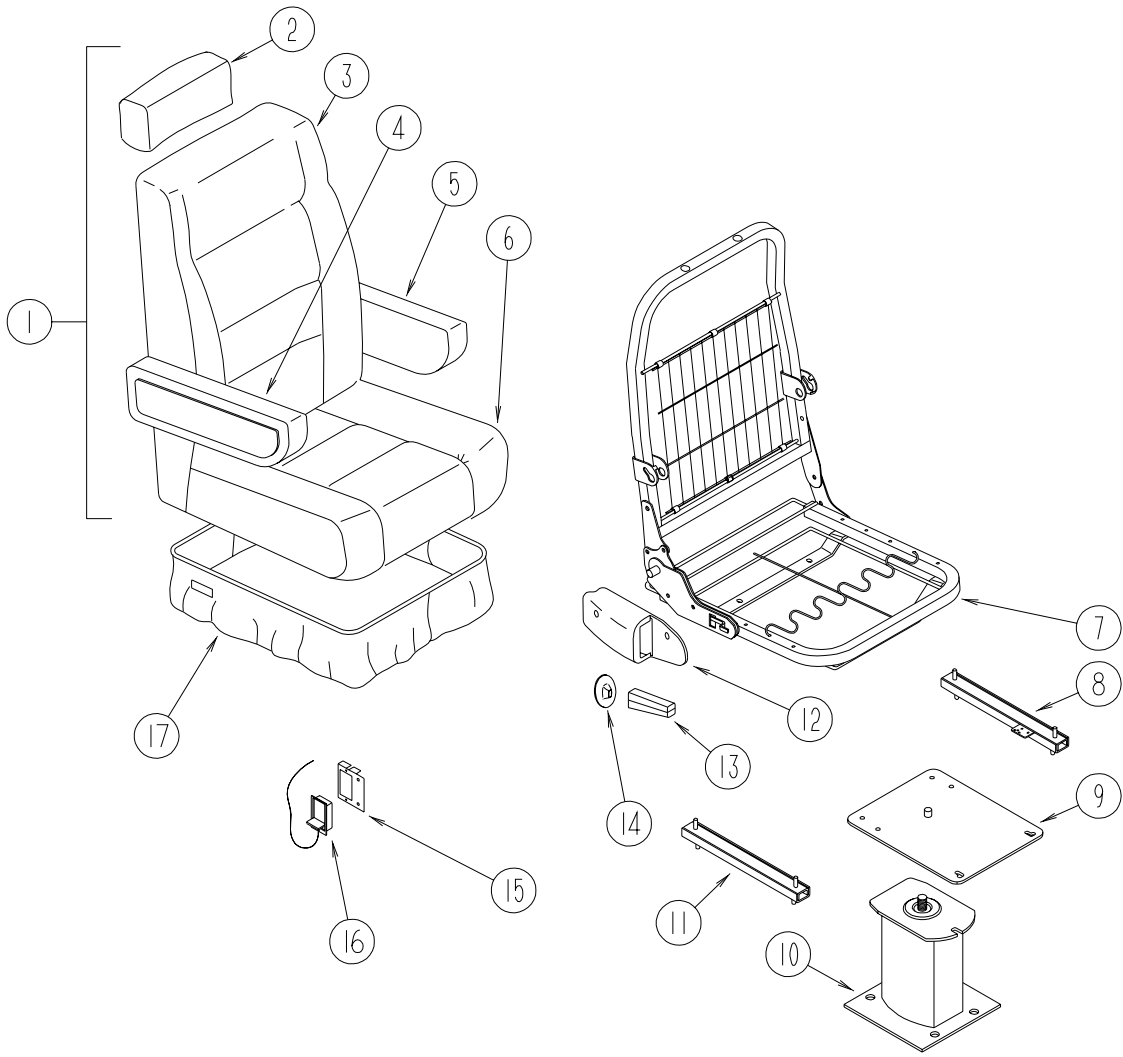


**BUCKETSEAT-FROM: 00-00-00 THRU: 10-20-96-FORD**

KEY	PARTNUMBER	U/M DESCRIPTION
1	110148-08-H04	EA SEAT-BUCKET-HEADREST(H04)
1	110148-08-H05	EA SEAT-BUCKET-HEADREST(H05)
1	110148-08-H24	EA SEAT-BUCKET-HEADREST(H24/H26)
2	119509-01-H04	EA HEADREST-BUCKETSEAT(H04)
2	119509-01-H05	EA HEADREST-BUCKETSEAT(H05)
2	119509-01-H24	EA HEADREST-BUCKETSEAT(H24/H26)
	P19509-01-H04	EA COVER-HEADRESTBUCKETSEAT(H04)
	P19509-01-H05	EA COVER-HEADRESTBUCKETSEAT(H05)
	P19509-01-H24	EA COVER-HEADRESTBUCKETSEAT(H24/H26)
	113977-12-000	EA HEADRESTINSERT-W/OLOCK
	113977-13-000	EA HEADRESTINSERT,W/LOCK-FLEXSTEEL
3	M05962-33-H04	EA COVER-BACK(H04)
3	M05962-33-H05	EA COVER-BACK(H05)
3	M05962-33-H24	EA COVER-BACK(H24/H26)
4	122780-01-H04	EA ARMREST-RIGHTHAND(H04)
4	122780-01-H05	EA ARMREST-RIGHTHAND(H05)
4	122780-01-H24	EA ARMREST-RIGHTHAND(H24/H26)
	P22780-01-H04	EA COVER-ARMREST-RIGHTHAND(H04)
	P22780-01-H05	EA COVER-ARMREST-RIGHTHAND(H05)
	P22780-01-H24	EA COVER-ARMREST-RIGHTHAND(H24/H26)
	115617-03-000	EA ARMREST-W/OCOVER-RIGHTHAND
5	122780-02-H04	EA ARMREST-LEFTHAND(H04)
5	122780-02-H05	EA ARMREST-LEFTHAND(H05)
5	122780-02-H24	EA ARMREST-LEFTHAND(H24/H26)



**CURTAIN&CUSHIONGROUP(CONTINUED)**



**BUCKETSEAT-FROM: 00-00-00 THRU: 10-20-96-FORD(CONTINUED)**

KEY	PARTNUMBER	U/M DESCRIPTION
	P22780-02-H04	EA COVER-ARMREST-LEFTHAND(H04)
	P22780-02-H05	EA COVER-ARMREST-LEFTHAND(H05)
	P22780-02-H24	EA COVER-ARMREST-LEFTHAND(H24/H26)
	115617-04-000	EA ARMREST-W/OCOVER-LEFTHAND
6	M05962-34-H04	EA COVER-SEAT(H04)
6	M05962-34-H05	EA COVER-SEAT(H05)
6	M05962-34-H24	EA COVER-SEAT(H24/H26)
7	122695-02-01B	EA FRAME-SEAT/BACK
	117125-01-02B	EA BRACKET-CABLEMOUNT-ADJUSTERW/LOCK
8	119952-06-000	EA SLIDE-SEATHEAVYDUTYLOCKING-4STUDS
	119952-07-000	EA WIRE-LATCHRELEASE/ROTARY
9	107921-08-000	EA TOPPLATE-PEDESTAL-WOSEATBELTBAR
10	107921-09-000	EA PEDESTAL-SEAT-FORD
	107921-06-000	EA BEARINGKIT-PEDESTAL
	114889-01-000	EA STOPBAR-UNIVERSAL
11	119952-02-000	EA ADJUSTERASSEMBLY-NONLOCK,4STUDS
12	080730-09-000	EA SHIELD-RECLINERHANDLE
13	080730-08-000	EA HANDLE-RECLINER

**CURTAIN&CUSHIONGROUP(CONTINUED)**

**BUCKETSEAT-FROM: 00-00-00 THRU: 10-20-96-FORD(CONTINUED)**

KEY	PARTNUMBER	U/M DESCRIPTION
14	080730-11-000	EA SHIELD-RUBBERBOOT
15	097683-02-000	EA BRACKET-MOUNT,REMOTE-DOUBLE
16	108049-03-000	EA CABLE-W/CONTROL25.5"SHEATH/28.5"CABLEW/DOGLEG
	108049-02-000	EA CLIP-CABLE/PEDESTAL
17	071126-42-H04	EA SKIRT-7"-W/OPENBACKCORNERS(H04)
17	071126-42-E24	EA SKIRT-7"-W/OPENBACKCORNERS(H05)
17	071126-42-H24	EA SKIRT-7"-W/OPENBACKCORNERS(H24/H26)

**BUCKETSEAT-FROM: 10-21-96 THRU: 99-99-99-FORD**

KEY	PARTNUMBER	U/M DESCRIPTION
	110148-10-H04	EA SEAT-BUCKET-W/RIGHTARMREST(H04)
	110148-10-H05	EA SEAT-BUCKET-W/RIGHTARMREST(H05)
	110148-10-H24	EA SEAT-BUCKET-W/RIGHTARMREST(H24/H26)
	110148-11-H04	EA SEAT-BUCKET-W/LEFTARMREST(H04)
	110148-11-H05	EA SEAT-BUCKET-W/LEFTARMREST(H05)
	110148-11-H24	EA SEAT-BUCKET-W/LEFTARMREST(H24/H26)
	119509-01-H04	EA HEADREST-BUCKETSEAT(H04)
	119509-01-H05	EA HEADREST-BUCKETSEAT(H05)
	119509-01-H24	EA HEADREST-BUCKETSEAT(H24/H26)
	P19509-01-H04	EA COVER-HEADRESTBUCKETSEAT(H04)
	P19509-01-H05	EA COVER-HEADRESTBUCKETSEAT(H05)
	P19509-01-H24	EA COVER-HEADRESTBUCKETSEAT(H24/H26)
	113977-12-000	EA HEADRESTINSERT-W/LOCK
	113977-13-000	EA INSERT/HEADREST-W/LOCK
	M05962-55-H04	EA COVER-BACK(H04)
	M05962-55-H05	EA COVER-BACK(H05)
	M05962-55-H24	EA COVER-BACK(H24/H26)
	122780-01-H04	EA ARMREST-RIGHTHAND(H04)
	122780-01-H05	EA ARMREST-RIGHTHAND(H05)
	122780-01-H24	EA ARMREST-RIGHTHAND(H24/H26)
	P22780-01-H04	EA COVER-ARMREST-RIGHTHAND(H04)
	P22780-01-H05	EA COVER-ARMREST-RIGHTHAND(H05)
	P22780-01-H24	EA COVER-ARMREST-RIGHTHAND(H24/H26)
	115617-03-000	EA ARMREST-W/OCOVER-RIGHTHAND
	122780-02-H04	EA ARMREST-LEFTHAND(H04)
	122780-02-H05	EA ARMREST-LEFTHAND(H05)
	122780-02-H24	EA ARMREST-LEFTHAND(H24/H26)
	P22780-02-H04	EA COVER-ARMREST-LEFTHAND(H04)
	P22780-02-H05	EA COVER-ARMREST-LEFTHAND(H05)
	P22780-02-H24	EA COVER-ARMREST-LEFTHAND(H24/H26)
	115617-04-000	EA ARMREST-W/OCOVER-LEFTHAND
	M05962-56-H04	EA COVER-SEAT(H04)
	M05962-56-H05	EA COVER-SEAT(H05)
	M05962-56-H24	EA COVER-SEAT(H24/H26)
	125229-01-000	EA FRAME-SEAT-LEFT
	125229-02-000	EA FRAME-SEAT-RIGHT
	125229-03-000	EA KNOB-RECLINING
	125229-05-000	EA PALNUT
	117125-01-02B	EA BRACKET-CABLEMOUNT-ADJUSTERW/LOCK
	119952-06-000	EA SLIDE-SEATHEAVYDUTYLOCKING-4STUDS
	119952-07-000	EA WIRE-LATCHRELEASE/ROTARY
	107921-08-000	EA TOPPLATE-PEDESTAL-WOSEATBELTBAR
	107921-01-000	EA PEDESTAL/FLOORMOUNTED-W/9.75"EXTENSION
	107921-06-000	EA BEARINGKIT-PEDESTAL
	114889-01-000	EA STOPBAR-UNIVERSAL
	097683-02-000	EA BRACKET-MOUNT,REMOTE-DOUBLE
	108049-03-000	EA CABLE-W/CONTROL25.5"SHEATH/28.5"CABLEW/DOGLEG

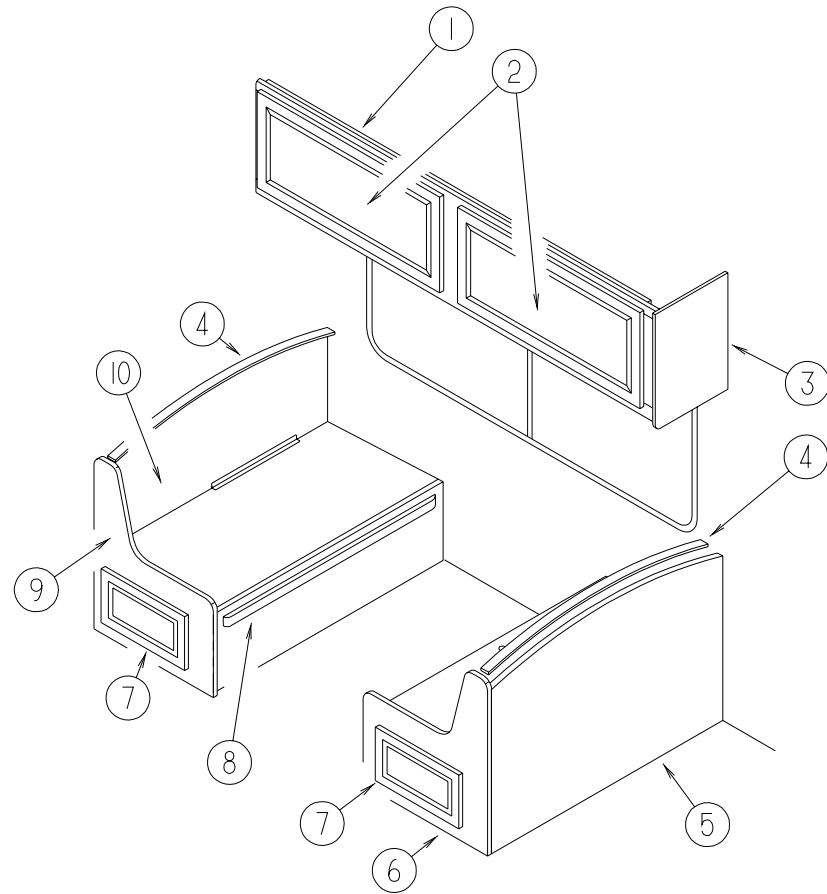
**CURTAIN&CUSHIONGROUP(CONTINUED)****BUCKETSEAT-CHEVY**

KEY	PARTNUMBER	U/M	DESCRIPTION
	110148-14-H04	EA	SEAT-BUCKET-W/RIGHTARMREST(H04)
	110148-14-H05	EA	SEAT-BUCKET-W/RIGHTARMREST(H05)
	110148-14-H24	EA	SEAT-BUCKET-W/RIGHTARMREST(H24/H26)
	110148-15-H04	EA	SEAT-BUCKET-W/LEFTARMREST(H04)
	110148-15-H05	EA	SEAT-BUCKET-W/LEFTARMREST(H05)
	110148-15-H24	EA	SEAT-BUCKET-W/LEFTARMREST(H24/H26)
	119509-01-H04	EA	HEADREST-BUCKETSEAT(H04)
	119509-01-H05	EA	HEADREST-BUCKETSEAT(H05)
	119509-01-H24	EA	HEADREST-BUCKETSEAT(H24/H26)
	P19509-01-H04	EA	COVER-HEADREST(H04)
	P19509-01-H05	EA	COVER-HEADREST(H05)
	P19509-01-H24	EA	COVER-HEADREST(H24/H26)
	113977-12-000	EA	HEADRESTINSERT-W/OLOCK
	113977-13-000	EA	INSERT/HEADREST-W/LOCK
	M05962-55-H04	EA	COVER-BACK(H04)
	M05962-55-H05	EA	COVER-BACK(H05)
	M05962-55-H24	EA	COVER-BACK(H24/H26)
	122780-01-H04	EA	ARMREST-RIGHTHAND(H04)
	122780-01-H05	EA	ARMREST-RIGHTHAND(H05)
	122780-01-H24	EA	ARMREST-RIGHTHAND(H24/H26)
	P22780-01-H04	EA	COVER-ARMREST-RIGHTHAND(H04)
	P22780-01-H05	EA	COVER-ARMREST-RIGHTHAND(H05)
	P22780-01-H24	EA	COVER-ARMREST-RIGHTHAND(H24/H26)
	115617-03-000	EA	ARMREST-W/OCOVER-RIGHTHAND
	122780-02-H04	EA	ARMREST-LEFTHAND(H04)
	122780-02-H05	EA	ARMREST-LEFTHAND(H05)
	122780-02-H24	EA	ARMREST-LEFTHAND(H24/H26)
	P22780-02-H04	EA	COVER-ARMREST-LEFTHAND(H04)
	P22780-02-H05	EA	COVER-ARMREST-LEFTHAND(H05)
	P22780-02-H24	EA	COVER-ARMREST-LEFTHAND(H24/H26)
	115617-04-000	EA	ARMREST-W/OCOVER-LEFTHAND
	M05962-56-H04	EA	COVER-SEAT(H04)
	M05962-56-H05	EA	COVER-SEAT(H05)
	M05962-56-H24	EA	COVER-SEAT(H24/H26)
	125229-01-000	EA	FRAME-SEAT-LEFT
	125229-02-000	EA	FRAME-SEAT-RIGHT
	125229-03-000	EA	KNOB-RECLINING
	125229-05-000	EA	PALNUT
	117125-01-02B	EA	BRACKET-CABLEMOUNT-ADJUSTERW/LOCK
	119952-06-000	EA	SLIDE-SEATHEAVYDUTYLOCKING-4STUDS
	119952-07-000	EA	WIRE-LATCHRELEASE/ROTARY
	107921-08-000	EA	TOPPLATE-PEDESTAL-WOSEATBELTBAR
	107921-01-000	EA	PEDESTAL/FLOORMOUNTED-W/9.75"EXTENSION
	107921-06-000	EA	BEARINGKIT-PEDESTAL
	114889-01-000	EA	STOPBAR-UNIVERSAL
	097683-02-000	EA	BRACKET-REMOTE/SIDEMOUNT-DOUBLE
	108049-03-000	EA	CABLE/CONTROL25.5"SHEATH/28.5"CABLEW/DOGLEG

**CURTAIN&CUSHIONGROUP(CONTINUED)****BUCKETSEAT-MCCLAINSANNIVERSARYOPTION**

KEY	PARTNUMBER	U/M	DESCRIPTION
	122684-09-H04	EA	SEAT-BUCKET-W/RIGHTARMREST-LEATHER
	122684-10-H04	EA	SEAT-BUCKET-W/LEFTARMREST-LEATHER
	119509-02-H04	EA	HEADREST-BUCKETSEAT-LEATHER
	P19509-02-H04	EA	COVER-HEADRESTBUCKETSEAT-LEATHER
	113977-12-000	EA	HEADRESTINSERT-W/OLOCK
	113977-13-000	EA	INSERT/HEADREST-W/LOCK
	M05962-61-H04	EA	COVER-BACK-LEATHER
	124896-11-000	EA	KIT-BACK-LEATHER
	122780-03-H04	EA	ARMREST-RIGHTHAND-LEATHER
	115617-03-000	EA	ARMREST-W/OCOVER-RIGHTHAND
	122780-04-H04	EA	ARMREST-LEFTHAND-LEATHER
	P22780-04-H04	EA	COVER-ARMREST,LEFTHAND-LEATHER
	115617-04-000	EA	ARMREST-W/OCOVER-LEFTHAND
	M05962-62-H04	EA	COVER-SEAT-LEATHER
	124896-12-000	EA	KIT-SEAT-LEATHER
	125229-01-000	EA	FRAME-SEAT-LEFT
	125229-02-000	EA	FRAME-SEAT-RIGHT
	125229-03-000	EA	KNOB-RECLINING
	125229-05-000	EA	PALNUT
	117125-01-02B	EA	BRACKET-CABLEMOUNT-ADJUSTERW/LOCK
	119952-06-000	EA	SLIDE-SEATHEAVYDUTYLOCKING-4STUDS
	119952-07-000	EA	WIRE-LATCHRELEASE/ROTARY
	107921-08-000	EA	TOPPLATE-PEDESTAL-WOSEATBELTBAR
	107921-01-000	EA	PEDESTAL/FLOORMOUNTED-W/9.75"EXTENSION
	107921-06-000	EA	BEARINGKIT-PEDESTAL
	114889-01-000	EA	STOPBAR-UNIVERSAL
	097683-02-000	EA	BRACKET-MOUNT,REMOTE-DOUBLE
	108049-03-000	EA	CABLE-W/CONTROL25.5"SHEATH/28.5"CABLEW/DOGLEG

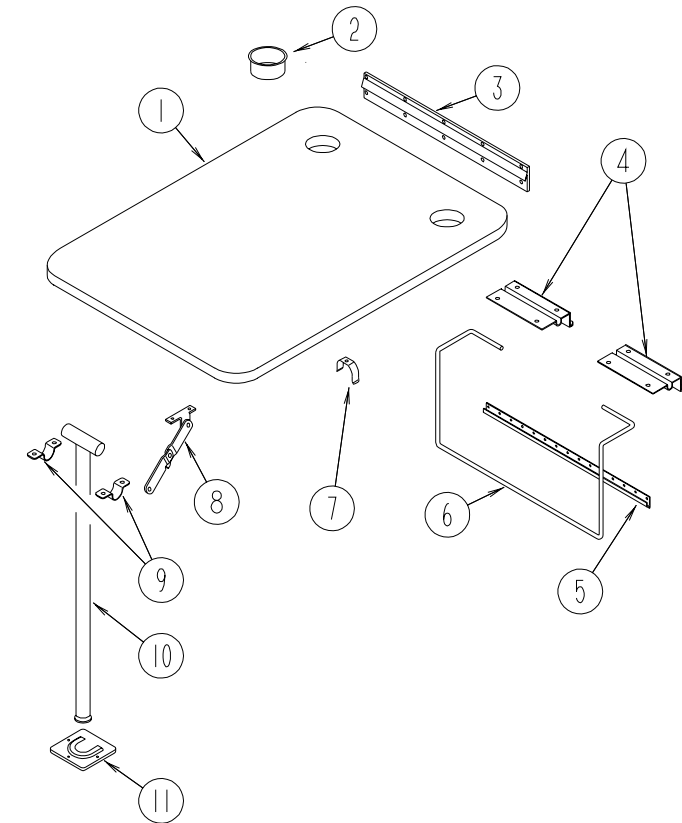
## DINETTEGROUP



### DINETTE CABINETS & PADS

KEY	PARTNUMBER	U/M	DESCRIPTION
1	122610-01-H04	EA	CABINET-OVERHEAD/DINETTE -W/ODOORS/HARDWARE-WATERFORDOAK
2	110140-18-G01	EA	DOOR -VINYLWRAP -15.7"X27.9"-W/OHDW-WATERFORDOAK
2	110140-21-H04	EA	DOOR -MIRROR/VINYLWRAP -15.7"X27.9"-W/OHDW-WATERFORDOAK
3	109908-22-H04	EA	ENDCAP-OVERHEADCABINET-WATERFORDOAK
4	111338-09-H04	EA	PAD-SEATBACK(H04)
4	111338-09-G22	EA	PAD-SEATBACK(H05)
4	111338-09-H24	EA	PAD-SEATBACK(H24/H26)
5	M08123-01-H04	EA	CABINET-SEATBACK-RIGHTHAND-WATERFORDOAK
6	M08122-01-H04	EA	CABINET-SEATBASE-RH-W/ODOORS/DRAWERS/HDW-WATERFORDOAK
7	110140-88-G04	EA	DOOR -VINYLWRAP -10.1"X19.1"-W/OHDW-WATERFORDOAK
8	081295-04-G04	EA	SUPPORT-BED/DINETTE-28"LONG-WATERFORDOAK
9	M08122-11-H04	EA	CABINET-SEATBASE-LH-W/ODOORS/DRAWERS/HDW-WATERFORDOAK
10	M08123-08-H04	EA	CABINET-SEATBACK-LEFTHAND-W/OHARDWARE-WATERFORDOAK

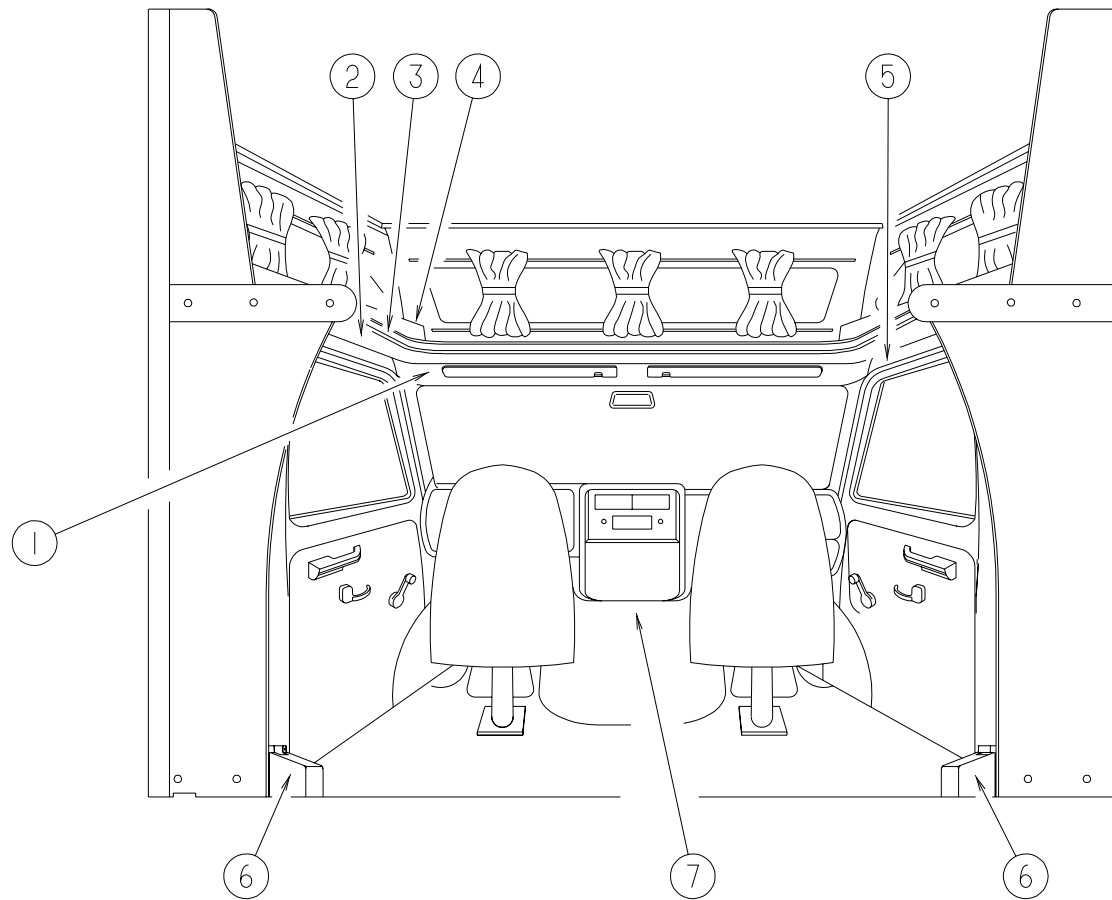
## DINETTEGROUP(CONTINUED)



### DINETTE TABLE & HARDWARE

KEY	PARTNUMBER	U/M	DESCRIPTION
1	081322-01-G31	EA	TABLE-DINETTE -W/OCUPHOLDERS/HARDWARE(H04)
1	081322-01-H05	EA	TABLE-DINETTE -W/OCUPHOLDERS/HARDWARE(H05)
1	081322-01-G09	EA	TABLE-DINETTE -W/OCUPHOLDERS/HARDWARE(H24/H26)
2	064781-06-000	EA	HOLDER-CUP-TWOSTEP-OFFWHITE
3	053200-12-000	EA	BRACKET-TABLESUPPORT-UPPERWALLMOUNTED23.50"
4	088410-02-000	EA	BRACKET-LIFT-TABLEMOUNTED
5	024281-14-000	EA	BRACKET-LIFTRD/LOWERWALLMOUNTED-22.12"
6	024275-12-000	EA	ROD-TABLELIFT
7	024283-01-000	EA	CLIP-LEG-1"-1.125"OD-BLACK
8	024282-01-000	EA	BRACE-TABLELEG-HINGED
9	064050-05-000	EA	HINGE-TABLELEG-OFFWHITE
10	024276-23-000	EA	LEG-TABLE-METAL
11	049493-11-700	EA	CATCH-TABLELEG,E-COAT
	049493-12-000	EA	CATCH-LEG/FLOORMOUNTED-2.5"X2.7"

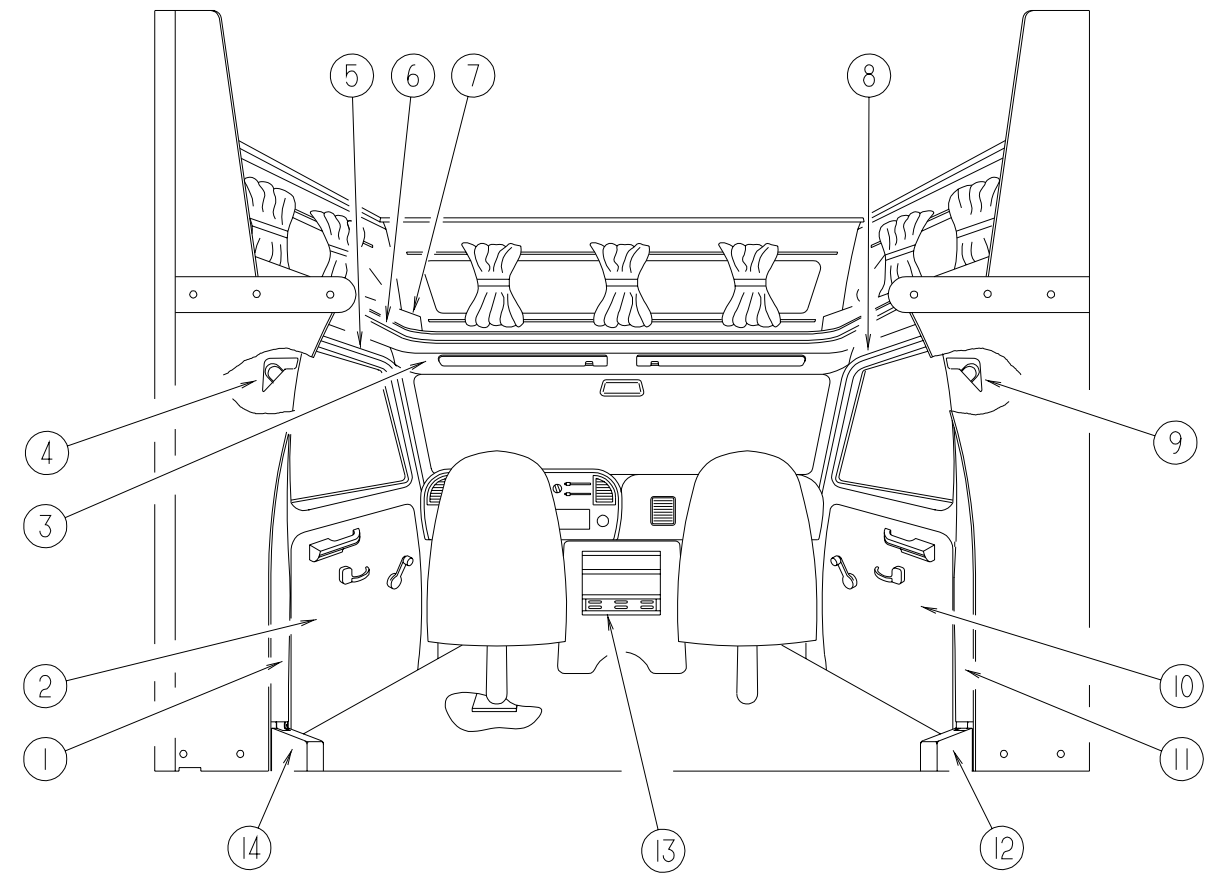
## DRIVERSCOMPARTMENTGROUP



CHEVYDRIVERSCOMPARTMENT

KEY	PARTNUMBER	U/M DESCRIPTION
1	124818-01-H04	EA HEADLINER-W/VINYL
2	124819-01-H04	EA TRIMASM-CABDOOR, UPPERLH
3	119520-01-01A	FT T-MOLDING-1"W/EDGELIPS(OFF/WHITE-CREAM)
4	109894-01-H04	EA CABINET-HAMPER-FRONT-DRIVER(H04)
4	109894-01-H05	EA CABINET-HAMPER-FRONT-DRIVER(H05)
4	109894-01-H24	EA CABINET-HAMPER-FRONT-DRIVER(H24/H26)
5	124817-01-H04	EA TRIM-CABDOOR-UPPER-DRIVERSSIDE
6	076302-03-000	EA SEATBELT-DRIVER/PASSENGER
	087932-03-000	EA BRACKET-SHOULDERHARNESS
	087932-04-000	EA BRACKET-SHOULDERHARNESS
7	100516-01-G01	EA TRAY-BEVERAGE-W/OCUPHOLDERS-WATERFORDOAK
	M04194-01-G01	EA TRAY-BEVERAGE-UNSTAINED

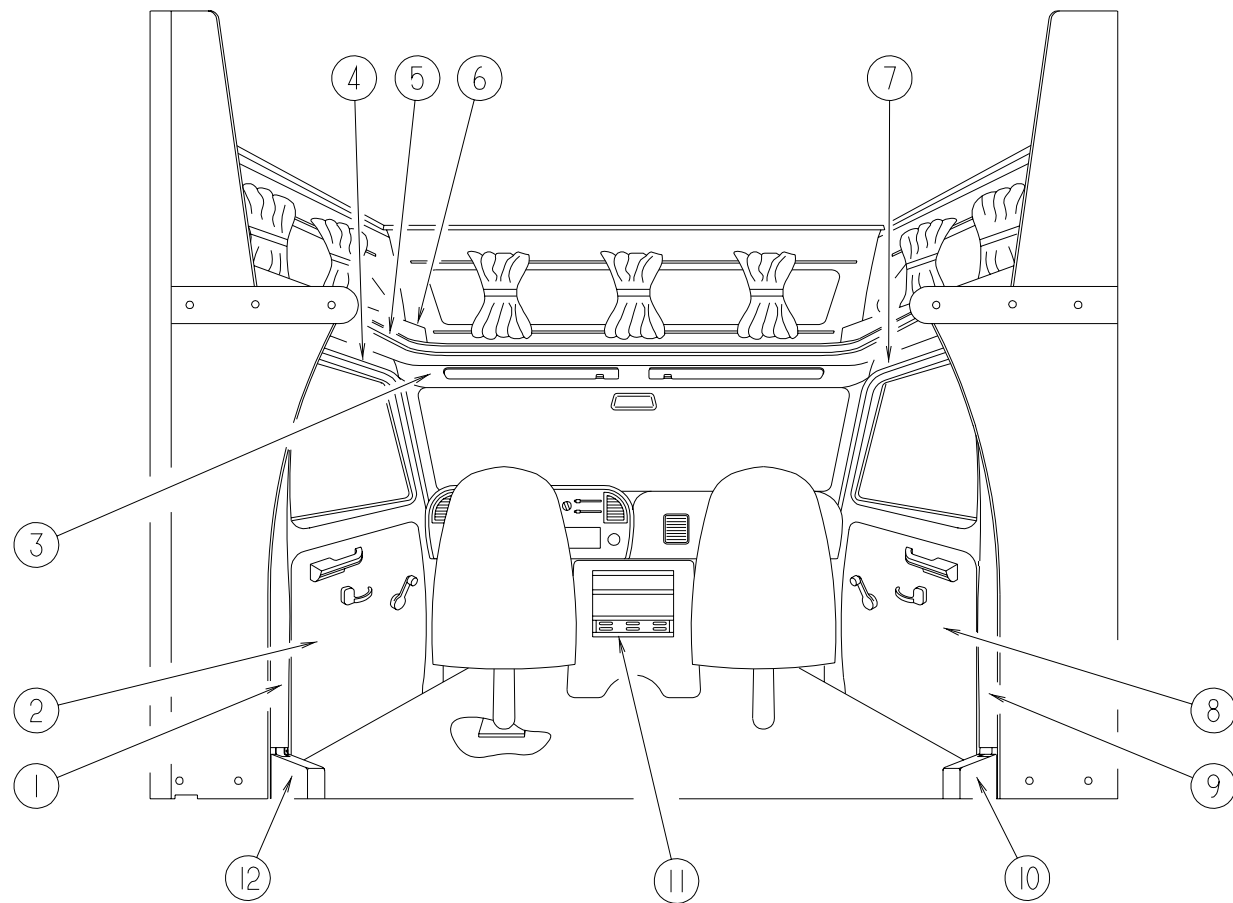
## DRIVERSCOMPARTMENTGROUP(CONTINUED)



FORDDRIVERSCOMPARTMENT1996CHASSIS

KEY	PARTNUMBER	U/M DESCRIPTION
1	106446-02-C03	EA TRIM-CABB-PILLAR-DRIVERSSIDE
2	106432-02-H04	EA PANEL-DOOR-INNER/DRIVER(H04)
2	106432-02-H05	EA PANEL-DOOR-INNER/DRIVER(H05)
2	106432-02-H24	EA PANEL-DOOR-INNER/DRIVER(H24/H26)
3	106448-01-C52	EA HEADLINER-W/VINYL
4	115038-02-01A	EA COVER-SEATBELTUPPERLEFTHAND
5	106447-02-C03	EA TRIM-CABDOOR-UPPER-DRIVERSSIDE
6	119520-01-01A	FT T-MOLDING-1"W/EDGELIPS(OFF/WHITE-CREAM)
7	109894-01-H04	EA CABINET-HAMPER-FRONT-DRIVER(H04)
7	109894-01-H05	EA CABINET-HAMPER-FRONT-DRIVER(H05)
7	109894-01-H24	EA CABINET-HAMPER-FRONT-DRIVER(H24/H26)
8	106447-01-C03	EA TRIM-CABDOOR-UPPER-PASSENGERSIDE
9	115038-01-01A	EA COVER-SEATBELTUPPERRIGHTHAND
10	106432-01-H04	EA PANEL-DOOR-INNER/PASSENGER(H04)
10	106432-01-H05	EA PANEL-DOOR-INNER/PASSENGER(H05)
10	106432-01-H24	EA PANEL-DOOR-INNER/PASSENGER(H24/H26)
11	106446-01-C03	EA TRIM-CABB-PILLAR-PASSENGERSIDE
12	106431-01-01A	EA COVER-SEATBELTRECOIL-PASSENGERSIDE-OFFWHITE(FORD)
13	112185-02-G01	EA TRAY-BEVERAGE-WATERFORDOAK
13	125291-01-01A	EA TRAY-BEVERAGE-F/DELUXEMOTORCOVER
	046886-03-000	EA ASHTRAY-CHROME/COVER
14	106431-02-01A	EA COVER-RECOIL-SEATBELT-DRIVERSIDE-OFFWHITE(FORD)

**DRIVERSCOMPARTMENTGROUP(CONTINUED)**



**FORDDRIVERSCOMPARTMENT1997CHASSIS**

KEY	PARTNUMBER	U/M DESCRIPTION
1	125031-02-G04	EA TRIM-CAB-B-PILLAR FROM: 00-00-00 THRU: 12-15-96
1	125031-02-H04	EA TRIM-CAB-B-PILLAR FROM: 12-16-96 THRU: 99-99-99
2	106432-02-H04	EA PANEL-DOOR-INNER/DRIVER (H04)
2	106432-02-H05	EA PANEL-DOOR-INNER/DRIVER (H05)
2	106432-02-H24	EA PANEL-DOOR-INNER/DRIVER (H24/H26)
3	106448-01-C52	EA HEADLINER-W/VINYL FROM: 00-00-00 THRU: 12-15-96
3	106448-01-H04	EA HEADLINER-W/VINYL FROM: 12-16-96 THRU: 99-99-99
4	106447-02-C52	EA TRIM-CABDOOR-UPPER-DRIVERSSIDE FROM: 00-00-00 THRU: 12-15-96
4	106447-02-H04	EA TRIM-CABDOOR-UPPER-DRIVERSSIDE FROM: 12-16-96 THRU: 04-06-97
4	106447-03-H04	EA TRIM-CABDOOR-UPPER-DRIVERSSIDE FROM: 04-07-97 THRU: 99-99-99
5	119520-01-01A	FT T-MOLDING-1"W/EDGELIPS(OFF/WHITE-CREAM)
6	109894-01-H04	EA CABINET-HAMPER-FRONT-DRIVER (H04)
6	109894-01-H05	EA CABINET-HAMPER-FRONT-DRIVER (H05)
6	109894-01-H24	EA CABINET-HAMPER-FRONT-DRIVER (H24/H26)

**DRIVERSCOMPARTMENTGROUP(CONTINUED)**

**FORDDRIVERSCOMPARTMENT1997CHASSIS(CONTINUED)**

KEY	PARTNUMBER	U/M DESCRIPTION
7	106447-01-C52	EA TRIM-CABDOOR-UPPER-PASSENGERSIDE FROM: 00-00-00 THRU: 12-15-96
7	106447-01-H04	EA TRIM-CABDOOR-UPPER-PASSENGERSIDE FROM: 12-16-96 THRU: 04-06-97
7	106447-03-H04	EA TRIM-CABDOOR-UPPER-PASSENGERSIDE FROM: 04-07-97 THRU: 99-99-99
8	106432-01-H04	EA PANEL-DOOR-INNER/PASSENGER (H04)
8	106432-01-H05	EA PANEL-DOOR-INNER/PASSENGER (H05)
8	106432-01-H24	EA PANEL-DOOR-INNER/PASSENGER (H24/H26)
9	125031-01-G04	EA TRIM-CAB-B-PILLAR FROM: 00-00-00 THRU: 12-15-96
9	125031-01-H04	EA TRIM-CAB-B-PILLAR FROM: 12-16-96 THRU: 99-99-99
10	106431-01-01A	EA COVER-SEATBELTRECOIL-PASSENGERSIDE-OFFWHITE/FORD FROM: 00-00-00 THRU: 12-15-96
10	106431-01-02A	EA COVER-SEATBELTRECOIL-PASSENGERSIDE-VWGREY FROM: 12-16-96 THRU: 99-99-99
11	N/A	EA TRAY-BEVERAGE-DIESEL-CHASSISUPPLIED
12	106431-02-01A	EA COVER-SEATBELTRECOIL-DRIVERSSIDE-OFFWHITE/FORD FROM: 00-00-00 THRU: 12-15-96
12	106431-02-02A	EA COVER-SEATBELTRECOIL-DRIVERSIDE-VWGRAY FROM: 12-16-96 THRU: 99-99-99

**MCCLAINSANNIVERSARYOPTION**

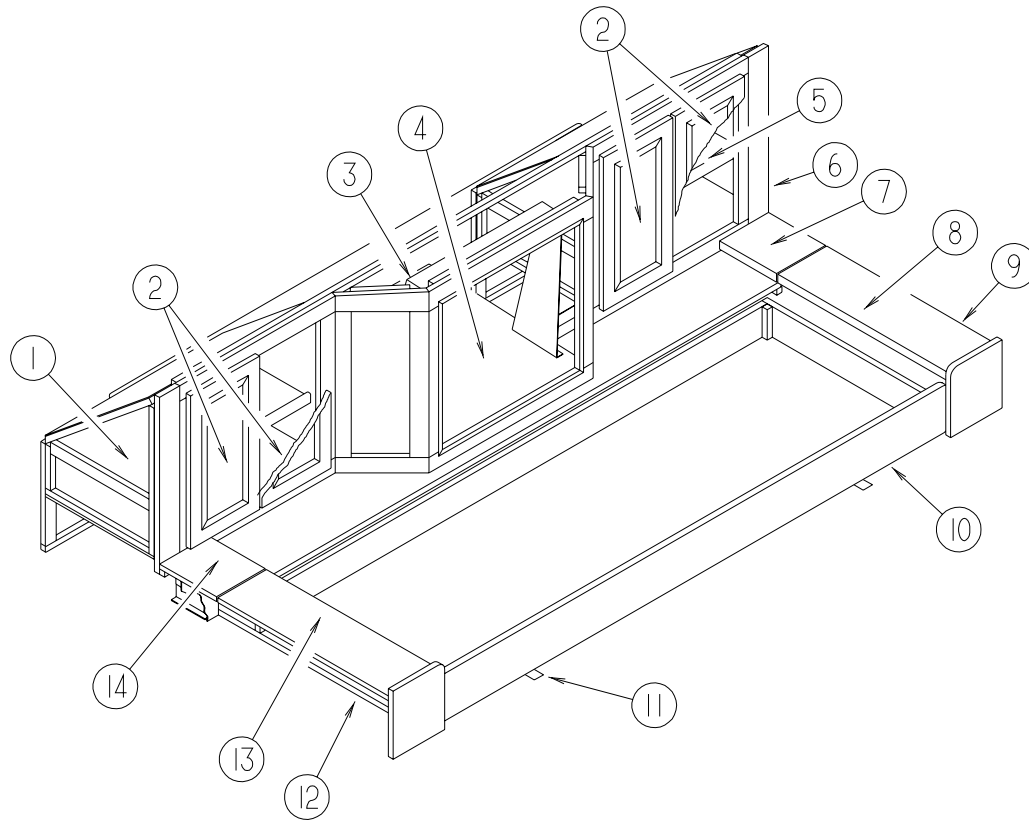
KEY	PARTNUMBER	U/M DESCRIPTION
	120269-07-01A	EA PANEL-DRIVERSDOORMIRRORCONTROLW/SWITCH&PIGTAIL

**INSTRUMENTCLUSTERS**

KEY	PARTNUMBER	U/M DESCRIPTION
	094795-09-000	EA CLUSTER-INSTRUMENTPANEL-KM-GAS/DIESEL-FORD
	108357-09-000	EA SWITCH-ROCKERSPDTON/NONE/MOM3TERMINAL
	108357-06-000	EA SWITCH-ROCKERPDTMON/OFF/MOM6TERMINAL
	100138-01-000	EA MODULE-DAYTIME/RUNNINGLIGHT
	111414-01-000	EA RECEPTACLE-12V-W/OBIMETAL
	108356-07-01A	EA COVER/ACTUATORSWITCH-2ROWSDIMPLES-AUXSTART-BLACK
	081994-06-000	EA PLATE-SWITCH-AUXILIARYSTART

# DRIVERSCOMPARTMENTGROUP(CONTINUED)

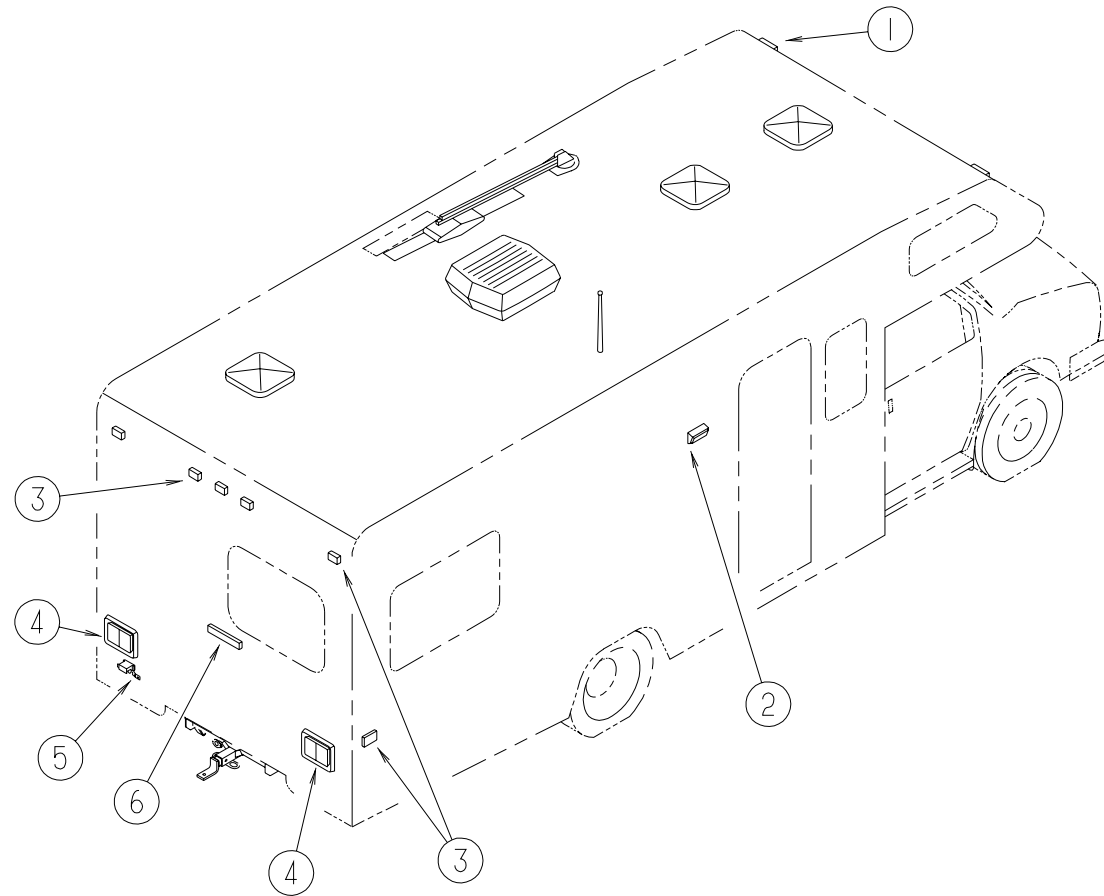
## FRONTENTERTAINMENTCENTER



KEY	PARTNUMBER	U/M	DESCRIPTION
10	100847-01-H04	EA	DRAWER-ENTERTAINMENTCENTER-76.7"X26.7"-W/OHARDWARE(H04)
10	100847-01-H05	EA	DRAWER-ENTERTAINMENTCENTER-76.7"X26.7"-W/OHARDWARE(H05)
10	100847-01-H24	EA	DRAWER-ENTERTAINMENTCENTER-76.7"X26.7"-W/OHARDWARE(H24/H26)
11	093673-01-01A	FT	TRIM/MOLDING-1.4"WIDEX8'LONG
12	110797-02-H04	EA	CABINET-ENTERTAINMENTCENTER/STORAGE-W/ODOORS/HARDWARE(H04)
12	110797-02-H05	EA	CABINET-ENTERTAINMENTCENTER/STORAGE-W/ODOORS/HARDWARE(H05)
12	110797-02-G01	EA	CABINET-ENTERTAINMENTCENTER/STORAGE-W/ODOORS/HARDWARE(H24/H26)
13	110797-23-E04	EA	COUNTERTOP-ENTERTAINMENTCENTER(H04)
13	110797-23-F29	EA	COUNTERTOP-ENTERTAINMENTCENTER(H05)
13	110797-23-E01	EA	COUNTERTOP-ENTERTAINMENTCENTER(H24/H26)
14	110797-21-E04	EA	COUNTERTOP-ENTERTAINMENTCENTER(H04)
14	110797-21-F29	EA	COUNTERTOP-ENTERTAINMENTCENTER(H05)
14	110797-21-E01	EA	COUNTERTOP-ENTERTAINMENTCENTER(H24/H26)

KEY	PARTNUMBER	U/M	DESCRIPTION
1	110796-02-G01	EA	CABINET-ENTERTAINMENTCENTER/SHELF-W/ODOORS/HDW-WATERFORDOAK
2	110140-25-G01	EA	DOOR-VINYLRAP-10.6"X19.9"-W/OHDW-WATERFORDOAK
3	110790-02-000	EA	BRACKET-TV TIEDOWN
	106699-01-01A	EA	BRACKET-OVERHEADCABINET/TV
4	111356-01-G01	EA	SHELF-TV-WATERFORDOAK
5	110796-01-G01	EA	CABINET-ENTERTAINMENTCENTER/SHELF-W/ODOORS/HDW-WATERFORDOAK
6	110795-01-G01	EA	CABINET-ENTERTAINMENTCENTER-W/ODOORS/HARDWARE-WATERFORDOAK
7	110797-11-E04	EA	COUNTERTOP-ENTERTAINMENTCENTER(H04)
7	110797-11-F29	EA	COUNTERTOP-ENTERTAINMENTCENTER(H05)
7	110797-11-E01	EA	COUNTERTOP-ENTERTAINMENTCENTER(H24/H26)
8	110797-12-E04	EA	COUNTERTOP-ENTERTAINMENTCENTER(H04)
8	110797-12-F29	EA	COUNTERTOP-ENTERTAINMENTCENTER(H05)
8	110797-12-E01	EA	COUNTERTOP-ENTERTAINMENTCENTER(H24/H26)
9	110797-01-H04	EA	CABINET-ENTERTAINMENTCENTER/STORAGE-W/ODOORS/HARDWARE(H04)
9	110797-01-H05	EA	CABINET-ENTERTAINMENTCENTER/STORAGE-W/ODOORS/HARDWARE(H05)
9	110797-01-G01	EA	CABINET-ENTERTAINMENTCENTER/STORAGE-W/ODOORS/HARDWARE(H24/H26)

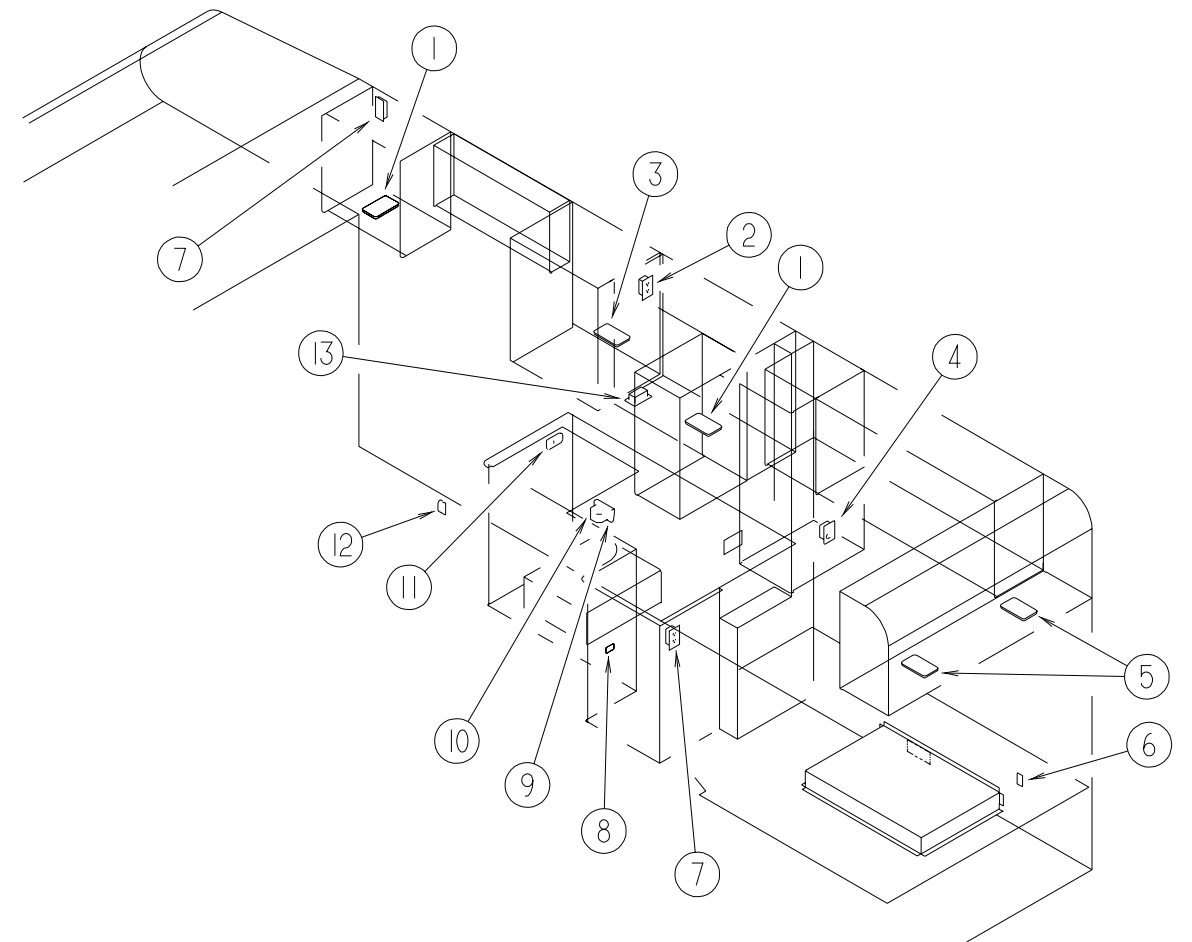
## ELECTRICALGROUP



### EXTERIORLIGHTS

KEY	PARTNUMBER	U/M	DESCRIPTION
1	111102-02-000	EA	LENS-AMBER-LAMPMARKER
	111102-01-000	EA	BASE-LAMPMARKER
3	091983-01-000	EA	GASKET-CLEARANCE/SIDEMARKERLIGHT
	036196-01-000	EA	BULB-12VOLT-#194-.27AMP-BAYONETTE
	112823-01-000	EA	SPLICE-REDUCER-16-14TO18-22
	097917-01-06A	EA	LIGHT-PORCH-BRIGHTWHITE
2	008215-01-000	EA	BULB-12VOLT-#1003-.94AMP
	097917-01-700	EA	LENS-LIGHT-PORCH
3	111102-03-000	EA	LENS-RED-LAMPMARKER
	111102-01-000	EA	BASE-LAMPMARKER
	091983-01-000	EA	GASKET-CLEARANCE/SIDEMARKERLIGHT
	036196-01-000	EA	BULB-12VOLT-#194-.27AMP-BAYONETTE
	112823-01-000	EA	SPLICE-REDUCER-16-14TO18-22
4	103355-01-05A	EA	POD-TAILLIGHT
	081638-01-000	EA	TAILLIGHT/DOUBLEW/BLACKTRIM-DRIVER/PASSENGERSIDE
	037934-01-000	EA	BULB-12V-#1156-2.1AMP CLEARGLASS
	037935-01-000	EA	BULB-12V-#1157OR#2057-2.1AMP-CLEARGLASS
	081638-01-700	EA	LENS-TAILLIGHT-RED
	081638-01-701	EA	LENS-TAILLIGHT-W/BACKUP
5	066432-02-000	EA	LIGHT-LICENSE-BLACK
	066432-03-000	EA	BRACKET-LICENSEPLATE
6	121950-01-000	EA	LIGHT-BRAKE-CENTERMOUNT

## ELECTRICALGROUP(CONTINUED)

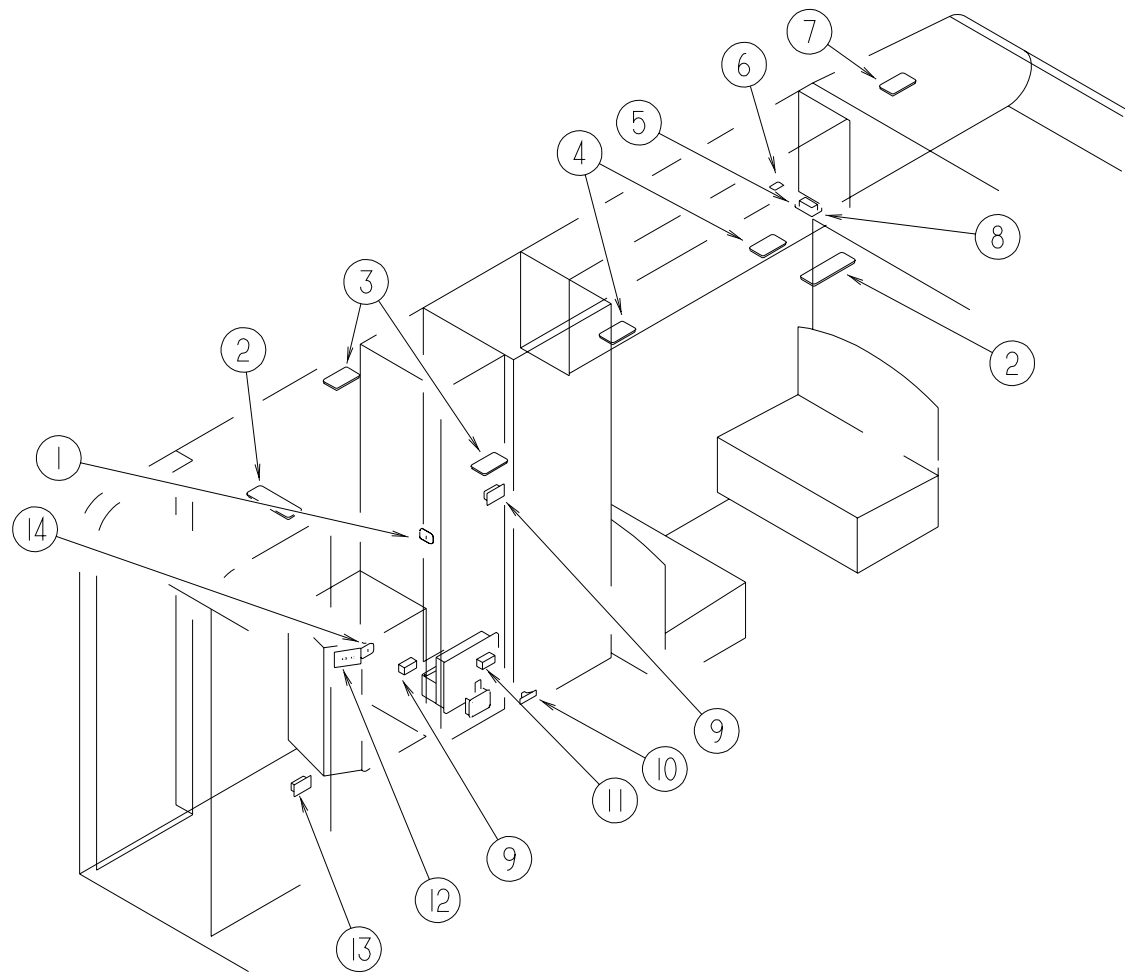


### LIGHTS,SWITCHES&RECEPTACLES-PASSENGERSIDE

KEY	PARTNUMBER	U/M	DESCRIPTION
1	098024-05-02A	EA	LIGHT-DOME-1BULB-SKYLITEWHITE
	008218-01-000	EA	BULB-DOMELIGHT-12VOLT-NO.1141
3	098024-01-701	EA	LENS-OPTICLEAR-SKYLIGHT 809902
	058708-05-000	EA	RECEPTACLE-SINGLE-BROWN
2	098024-01-03A	EA	LIGHT-DOME-1BULB-WHITE
	008218-01-000	EA	BULB-DOMELIGHT-12VOLT-NO.1141
	098024-01-700	EA	LENS-LIGHT 807877
4		EA	NOTUSED
5		EA	NOTUSED
6	108357-08-000	EA	SWITCH-ROCKERDPDTON/NONE/ON6TERMINAL
	108356-02-01A	EA	COVER/ACTUATORSWITCH-2DIMPLES
	081994-02-000	EA	PLATE-SWITCH-EXTERIORSHOWER
7	058708-01-000	EA	RECEPTACLE-ELECTRIC-DOUBLE-BROWN
8		EA	NOTUSED
9	098351-07-01A	EA	PLATE-SWITCH-GENERATOR-POLISHEDBRASS
	108357-06-000	EA	SWITCH-ROCKERSPDT-MON/OFF/MOM-6TERMINAL
	108356-11-01A	EA	ACTUATOR/COVER-SWITCH-3GROOVES
9	112822-01-01A	EA	RECEPTACLE-DUPLEX-IVORY
	112824-01-03A	EA	COVER-RECEPTACLE-EXTERIORDUPLEX
10	058708-02-000	EA	RECEPTACLE-ELECTRIC-DOUBLE-IVORY
11	098351-06-01A	EA	PLATE-SWITCH-2GANGPOLISHEDBRASS
	079364-01-000	EA	SWITCH-ON/OFFROCKER-2PRONGS-BROWN
12		EA	NOTUSED
13	058708-01-000	EA	RECEPTACLE-ELECTRIC-DOUBLE-BROWN

## ELECTRICAL GROUP (CONTINUED)

### LIGHTS, SWITCHES & RECEPTACLES - DRIVERSIDE



KEY	PARTNUMBER	U/M	DESCRIPTION
1	098351-02-01A	EA	PLATE-SWITCH-2GANGPOLISHEDBRASS
	079364-01-000	EA	SWITCH-ON/OFFROCKER-2PRONGS-BROWN
	079364-03-000	EA	SWITCH-ON/OFFROCKER-3PRONGS-BROWN
2	095188-01-01A	EA	SPACER-SWITCH-2.3"X3.4"-PLASTIC-DARKBROWN
	098024-03-02A	EA	LIGHT-DOME-2BULBWHITE
	008218-01-000	EA	BULB-DOMELIGHT-12VOLT-NO.1141
3	098024-01-700	EA	LENS-LIGHT 807877
	098024-01-03A	EA	LIGHT-DOME-1BULB-WHITE
	008218-01-000	EA	BULB-DOMELIGHT-12VOLT-NO.1141
4	098024-01-700	EA	LENS-LIGHT 807877
	098024-05-02A	EA	LIGHT-DOME-1BULB-SKYLITEWHITE
	008218-01-000	EA	BULB-DOMELIGHT-12VOLT-NO.1141
5	098024-01-701	EA	LENS-OPTICLEAR-SKYLIGHT 809902
	086777-02-000	EA	WALLPLATE-TVCABLE,W/ANTENNASWITCH-BROWN
	086777-06-000	EA	WALLPLATE-ANTENNA1OUTPUT
6	079364-03-000	EA	SWITCH-ON/OFFROCKER-3PRONGS-BROWN-W/OTVCABINET
	098351-01-01A	EA	PLATE-SWITCH-1GANGPOLISHEDBRASS
	079364-03-000	EA	SWITCH-ON/OFFROCKER-3PRONGS-BROWN-W/TV CABINET
6	079364-01-000	EA	SWITCH-ON/OFFROCKER-2PRONGS-BROWN
	098351-02-01A	EA	PLATE-SWITCH-2GANGPOLISHEDBRASS
	098024-05-02A	EA	LIGHT-DOME-1BULB-SKYLITEWHITE
7	008218-01-000	EA	BULB-DOMELIGHT-12VOLT-NO.1141
	098024-01-701	EA	LENS-OPTICLEAR-SKYLIGHT 809902
	058708-01-000	EA	RECEPTACLE-ELECTRIC-DOUBLE-BROWN
8	058707-01-000	EA	RECEPTACLE-ELECTRIC-SINGLE-BROWN
	061424-01-000	EA	LIGHT-AISLE-12VOLT-RECTANGULAR
10	008103-01-000	EA	BULB-DASH/AISLELIGHT-#53-12VOLT-.12AMP
		EA	NOTUSED
11		EA	NOTUSED
12	084076-02-000	EA	RECEPTACLE-GFI-15AMP-125VOLT-BROWN
13	024924-02-000	EA	RECEPTACLE-POWERCORD-W/PARTIALPLATE
14	098351-01-01A	EA	PLATE-SWITCH,1GANG-POLISHEDBRASS-JENSEN
	079364-01-000	EA	SWITCH-ON/OFFROCKER,2PRONGS-BROWN
	095188-01-01A	EA	SPACER-SWITCH-2.3"X3.4"-PLASTIC-DARKBROWN



**ELECTRICALGROUP(CONTINUED)****FUSES&CIRCUITBREAKERS**

KEY	PARTNUMBER	U/M	DESCRIPTION
	100341-01-000	EA	FUSEHOLDER-INLINETYPE
	108669-01-000	EA	HOUSING-AUTOFUSEHOLDER
	008235-01-000	EA	FUSE-15AMP/12VOLT-AUTOMOTIVE
	062901-02-000	EA	FUSE-5AMPS-AUTOMOTIVE
	062901-05-000	EA	FUSE-15AMPS-AUTOMOTIVE
	062901-06-000	EA	FUSE-20AMPS-AUTOMOTIVE
	083209-01-000	EA	CIRCUITBREAKER-15AMP-120VOLT-CANADIAN
	083209-02-000	EA	CIRCUITBREAKER-15/15AMP-120VOLT
	083209-03-000	EA	CIRCUITBREAKER-15/20AMP-120VOLT
	083209-06-000	EA	CIRCUITBREAKER-30/15AMP-120VOLT
	083209-08-000	EA	CIRCUITBREAKER-BLANK
	093654-01-000	EA	CIRCUITBREAKER-6AMP-12VOLT
	093654-03-000	EA	CIRCUITBREAKER-20AMP-12VOLT
	093655-01-000	EA	CIRCUITBREAKER-25AMP-12VOLT
	093655-02-000	EA	CIRCUITBREAKER-30AMP-12VOLT
	112591-01-000	EA	CIRCUITBREAKER-16AMP-240VOLT
	112592-01-000	EA	CIRCUITBREAKER-25AMP-240VOLT-GFI

**ELECTRICBOXES,COVERS&POWERCORDS**

KEY	PARTNUMBER	U/M	DESCRIPTION
	008052-01-000	EA	CORD-POWER-10/3-30AMP-25'-CANADIAN
	008054-01-000	EA	CORD-POWER-10/3-30AMP-25'
	008289-01-000	EA	BOX-ELECTRIC/STEEL-1/2"&3/4"KNOCKOUTS-4"X4"
	008289-02-000	EA	BOX-ELECTRIC/STEEL-1/2"&3/4"KNOCKOUTS4"X4"-CANADIAN
	008294-01-000	EA	COVER-ELECTRICALBOX-BLANK/STEEL-4"X4"-GRAY
	008294-02-000	EA	COVER-ELECTRICALBOX-BLANKSTEEL-4"X4"-CANADIAN
	069238-01-000	EA	COVER-ELECTRICALBOX-W/HOLE-4"X4"-GRAY USEDWITH30AMPRECEPTACLE
	091910-01-000	EA	BOX-ELECTRIC-3.75"X3.5"X1.75"-PLASTIC
	091910-02-000	EA	BOX-ELECTRIC-PLASTIC-2.24"X3.45"
	093603-01-000	EA	BOX/ELECTRIC-4"X2 1/8X2 1/8"
	107165-01-01A	EA	BOX/CIRCUITBREAKER14.6"X4"-PLASTIC
	107165-01-01A	EA	BOX/CIRCUITBREAKER14.6"X4"-PLASTIC
	093257-02-000	EA	BOX-ELECTRIC-CIRCUITBREAKER

**ELECTRICALGROUP(CONTINUED)****CONDUIT**

KEY	PARTNUMBER	U/M	DESCRIPTION
	041953-01-000	FT	CONDUIT-CONVOLUTESLIT-.5"ID
	041953-03-000	FT	CONDUIT-CONVOLUTESLIT-1"ID(CLOTHESRODCOVER)
	041953-06-000	FT	CONDUIT-CONVOLUTESLIT-.375"ID
	041953-07-000	FT	CONDUIT-CONVOLUTESLIT-.25"ID
	041953-08-000	FT	CONDUIT-CONVOLUTESLIT-1.50"ID
	041953-09-000	FT	CONDUIT-CONVOLUTESLIT-.50"ID
	041953-10-000	FT	CONDUIT-CONVOLUTESLIT-.75"ID

**WIRINGASSEMBLIES**

KEY	PARTNUMBER	U/M	DESCRIPTION
	090986-01-000	EA	WIREASSEMBLY-ELECTRICSTEP
	096449-01-000	EA	WIREASSEMBLY-WATERTANKTOMONITORPANEL
	097618-01-000	EA	WIREASSEMBLY-MONITORPANEL-W/3WIRES&ORANGERESISTOR
	103328-06-000	EA	WIREASSEMBLY-PUMP-EXTERIORSHOWER
	106851-01-000	EA	WIREASSEMBLY-RUNNINGLIGHTS-FUSE
	105306-02-000	EA	WIREASM-MONITORPANELADAPT

**POWERCONVERTER&INVERTER**

KEY	PARTNUMBER	U/M	DESCRIPTION
	083208-01-000	EA	CONVERTER-POWER,32A-120V/12V-BW6332
	099048-03-000	EA	INVERTER-130WATT
	099048-08-000	EA	CONTROLCENTER-45A100V/12V BWJ6345CNI
	113493-01-000	EA	LOADCENTER-12MDL-FLUSHMOUNT
	114511-01-000	EA	CONVERTOR-40AMP-W/CHARGER

**SOLARPANEL**

KEY	PARTNUMBER	U/M	DESCRIPTION
	115504-01-000	EA	PANEL-SOLAR10WATT
	115505-01-000	EA	LIGHT-MONITOR/SOLARPANEL-REDLEDINDICATOR
	115504-01-700	EA	PLUG&CABLE,10WATTPANEL 600-016

**ELECTRICALGROUP(CONTINUED)****CONNECTORS,HOUSINGS,TERMINALS&ELECTRICALMISCELLANEOUS**

KEY	PARTNUMBER	U/M	DESCRIPTION
	007956-05-000	EA	INSULATOR-SHRINK-.25IDX1.50
	008311-01-000	EA	CONNECTOR-WIRENUT-INSULATED-RED
	008312-01-000	EA	CONNECTOR-WIRENUT-INSULATED-BLUE
	008313-01-000	EA	CONNECTOR-WIRENUT-INSULATED-YELLOW
	008314-01-000	EA	CONNECTOR-WIRENUT-INSULATED-GRAY
	008326-01-000	EA	TERMINAL-RING16/14WIRE-3/8"STUD
	008328-01-000	EA	TERMINAL-RING-12/10WIRE-#10STUDFIT
	008331-01-000	EA	TERMINAL-RING-TONGUE-#4WIRE-3/8"STUD-COPPER
	008348-01-000	EA	TERMINAL-RING-3/8"STUD2GA.WIRE
	008355-01-000	EA	CONNECTOR-CABLECLAMPING-3/4"
	008356-01-000	EA	CONNECTOR-PLASTIC-3/8"AVG
	035416-04-000	EA	TERMINAL-RING-#10STUDFIT-INSULATEDBARREL#16/14
	047443-01-000	EA	TERMINAL-.250RECEPTACLEFIT-INSULATED-16/14AWG
	047443-02-000	EA	TERMINAL-.250RECEPTACLEFIT-INSULATED-12/10AWG
	058028-01-000	EA	CONNECTOR-ELECTRICALPIGTAIL-NYLON-CLEAR
	077479-01-000	EA	BOOT-BATTERYTERMINAL-DOUBLECABLE
	077479-02-000	EA	BOOT-BATTERYTERMINAL-SINGLECABLE
	080015-02-000	EA	RECEPTACLE-FLAG-.185-16/14GAUGE-AMP3
	080015-03-000	EA	RECEPTACLE-FLAG-.250-14/16GAUGE-AMP3
	087225-01-000	FT	SLEEVING-1/2"-TYPEH
	087949-01-000	EA	BUSSBAR-2POSITION-.6"X1.5"
	088473-03-000	EA	HOUSING-PIN-9CAVITY
	088473-05-000	EA	HOUSING-PIN-6CAVITY
	088473-06-000	EA	HOUSING-PIN-6CAVITY
	088473-07-000	EA	HOUSING-PIN-5CAVITY
	088473-08-000	EA	HOUSING-PIN-4CAVITY
	088473-09-000	EA	HOUSING-PIN-3CAVITY
	088473-10-000	EA	HOUSING-PIN-2CAVITY
	088474-02-000	EA	HOUSING-SOCKET-12CAVITY
	088474-06-000	EA	HOUSING-SOCKET-6CAVITY
	088474-07-000	EA	HOUSING-SOCKET-5CAVITY
	088474-08-000	EA	HOUSING-SOCKET-4CAVITY
	088474-09-000	EA	HOUSING-SOCKET-3CAVITY
	088474-10-000	EA	HOUSING-SOCKET-2CAVITY
	088475-01-000	EA	PIN-CONNECTOR-14-20AWG
	088475-02-000	EA	PIN-CONNECTOR-10-12AWG
	088476-01-000	EA	SOCKET-CONNECTOR-BRASS-PRE-TIN
	088476-02-000	EA	SOCKET-CONNECTOR-12-10GA-PRE-TIN
	098261-02-000	EA	SOCKET-CONNECTOR-WHEATHERPACK
	098262-01-000	EA	SEAL-CONNECTOR-WEATHERPACK
	098265-02-000	EA	PIN-CONNECTOR-WEATHERPACK

**ELECTRICALGROUP(CONTINUED)****CONNECTORS,HOUSINGS,TERMINALS&ELECTRICALMISCELLANEOUS(CONTINUED)**

KEY	PARTNUMBER	U/M	DESCRIPTION
	101751-01-000	EA	HOUSING-1PIN-WEATHERPACK
	101751-02-000	EA	HOUSING-1PIN-WEATHERPACK
	102777-02-000	EA	TERMINAL-RING-#6STUD-10AWG
	106655-01-000	EA	TERMINAL-FUSEBLOCK-14-16AWG
	106655-02-000	EA	TERMINAL-FUSEBLOCK-10-12AWG
	119223-01-000	EA	HOUSING-6POSITION-MALE,WEATHERPAK-PACKARD12020786
	125323-02-000	EA	HOUSING-8POSITION-MALE
	125324-01-000	EA	TERMINAL-MALE
	125325-01-000	EA	SEAL-CAVITY
	008188-01-000	EA	SOLENOID-3POST-BATTERYCHANGEOVER
	063910-01-000	EA	HOUSING-RELAY
	086233-01-000	EA	STUD-ISOLATED-3/8"X7/8"LONG
	086273-01-000	EA	RELAY-BATTERYDISCONNECT

## EXTERIORBODYGROUP

FIBERGLASS,ALUMINUM,STYROFOAM,PLYWOOD&CHANNEL

KEY	PARTNUMBER	U/M	DESCRIPTION
	000870-08-000	SF	STYROFOAM-.75"X4'X8'-PLANED
	083574-06-000	SF	STYROFOAM-.75X48"X108"-INCREMENTSOF14SF
	002726-01-001	EA	GARNISH-U-CHANNEL-1.38"X19'-SERRATED
	098072-55-003	EA	U-CHANNEL-OFFSET-1.65"WIDEX192"
	098072-55-004	EA	EXTRUSION-CHANNEL-BRIGHTWHITE-11.4"
	002365-03-006	EA	UCHANNEL-EXTRUDED/POWDERPAINTED1"X192"
	002766-01-001	EA	ANGLE-EXTRUDED-1"X1.5"X17'
	068716-01-001	EA	BRACE-90DEGREEL-ANGLE-16'
	076054-N9-000	EA	FIBERGLASSSHEET-96"X102"BRIGHTWHITE
	076054-P9-000	EA	FIBERGLASSSHEET-37.4"X99.25"BRIGHTWHITE
	076054-R1-000	EA	FIBERGLASSSHEET-24"X65.9"BRIGHTWHITE
	076054-R2-000	EA	FIBERGLASSSHEET-19.4"X65.9"BRIGHTWHITE
	076054-S2-000	EA	FIBERGLASSSHEET-106.3"X320.9"BRIGHTWHITE
	076054-Z6-000	EA	FIBERGLASSSHEET-25"X66"-BRIGHTWHITE
			FROM: 05-08-97 THRU: 99-99-99
	089297-01-000	SF	PLYWOOD-LUAN-OVERLAYGRADE-4'X8'
	100619-01-000	BF	EXPANDEDFOAMSHEET-4'X8'X1.34"
	100619-04-000	BF	FOAM-EXPANDEDPOLYSTYRENE-.5"X4'X8'
	100619-05-000	BF	FOAM-EXPANDEDPOLYSTYRENE-.75"X4'X8'
	108535-04-705	EA	FIBERGLASSSHEET-6"X34'BRIGHTWHITE
	108535-04-701	EA	FIBERGLASSSHEET-104"X396"BRIGHTWHITE

## EXTERIORMIRRORS-FORD

KEY	PARTNUMBER	U/M	DESCRIPTION
	120269-01-01A	EA	MIRROR-EXTERIOR-PASSENGER
	120269-02-01A	EA	MIRROR-EXTERIOR-DRIVER
	120269-01-700	EA	GLASSKITW/BEZELRH/LH 709407-8

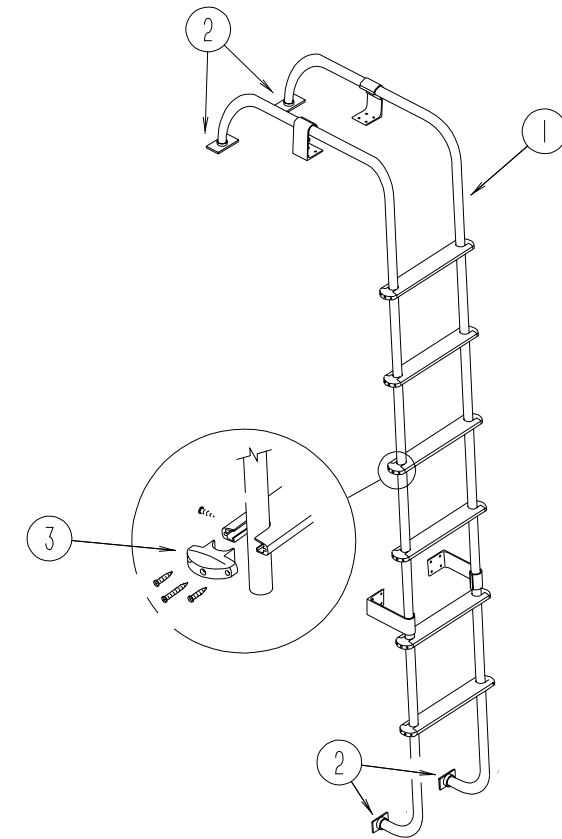
## EXTERIORMIRRORS-CHEVY

KEY	PARTNUMBER	U/M	DESCRIPTION
	106860-05-01A	EA	MIRROR-REGULARHEAD/LOWMOUNT-BRIGHTWHITE

## EXTERIORMIRRORS-W/HEAT&REMOTE-MCCLAINSANNIVERSARYOPTION

KEY	PARTNUMBER	U/M	DESCRIPTION
	120269-09-01A	EA	MIRROR-PASSENGER-96"-W/HEAT/REMOTE
	120269-10-01A	EA	MIRROR-DRIVER-96"-W/HEAT/REMOTE
	120269-08-000	EA	HARNESS-ELECTRICMIRROR VELVAC748304-8
	120269-05-701	EA	GLASSONLYREPLACEMENTRH/LH 709411-8

## EXTERIORBODYGROUP(CONTINUED)



## LADDER

KEY	PARTNUMBER	U/M	DESCRIPTION
1	102953-10-F15	EA	LADDER
2	067165-01-000	EA	BRACKET-MOUNTING-LOWERLADDER
3	076980-02-000	EA	ENDCAP-STEP-BLACK
	000G39-06-10T	EA	SCREW-SF/DR,6-20X5/8PPH-BLACK
	000G68-10-36T	EA	SCREW-10-12X2.25POH-BLACK
	038327-01-000	EA	TAPE-ANTI-SLIP-2"X60'

**EXTERIORBODYGROUP(CONTINUED)**

**RUNNINGBOARDS - FORD**

KEY	PARTNUMBER	U/M DESCRIPTION	VENDORNO.
	072884-27-000	EA RUNNINGBOARDSET-39"-FORD-ALUMINUM	
	072884-27-700	EA BRACKETSET12"92	RB2BRK/M
	072884-27-701	EA RUNNINGBOARD-39"-RIGHTORLEFT-FORD	
	072884-27-702	FT TREADTAPE	RB9202
	072884-27-703	EA MUDFLAPW/HOLES,1EA=PAIR	99171
	072884-27-704	EA CAP-ENDS,1EA=PAIR	99148

**RUNNINGBOARDSEXCHANGE-FORD**

KEY	PARTNUMBER	U/M DESCRIPTION	VENDORNO.
	106461-06-01A	EA RUNNINGBOARD-FIBERGLASS-PASSENGER-FORD-BRTWHITE	
	106461-07-01A	EA RUNNINGBOARD-FIBERGLASS-DRIVER-FORD-BRTWHITE	
	106461-04-000	EA TRIM-RUNNINGBOARD FORD - QUALITYSET/2	
	106461-05-000	EA NONSKIDSTRIP-RUNNINGBOARD	
	106461-03-000	EA HARDWAREKIT-RUNNINGBOARD	

**RUNNINGBOARDS - CHEVY**

KEY	PARTNUMBER	U/M DESCRIPTION	VENDORNO.
	072884-28-000	EA RUNNINGBOARD-ALUMINUM-CHEVYCHASSIS	
	072884-27-704	EA ENDCAPS-PAIR	99148
	072884-28-700	EA RUNNINGBOARDSONLY-RH&LH	15543
	072884-28-701	EA FRONTFLAP-PAIR	99153
	072884-28-702	EA BRACKETSET-COMPLETE	206771

**RUNNINGBOARDSEXCHANGE-CHEVY**

KEY	PARTNUMBER	U/M DESCRIPTION	VENDORNO.
	125727-01-01A	EA RUNNINGBOARD-FIBERGLASS-PASSENGER-CHEVY-BRTWHITE	
	125727-02-01A	EA RUNNINGBOARD-FIBERGLASS-DRIVER-CHEVY-BRIGHTWHITE	
	125727-03-000	EA HARDWAREKIT-RUNNINGBOARD	
	125727-04-000	EA TRIMKIT-RUNNINGBOARD-CHEVY	

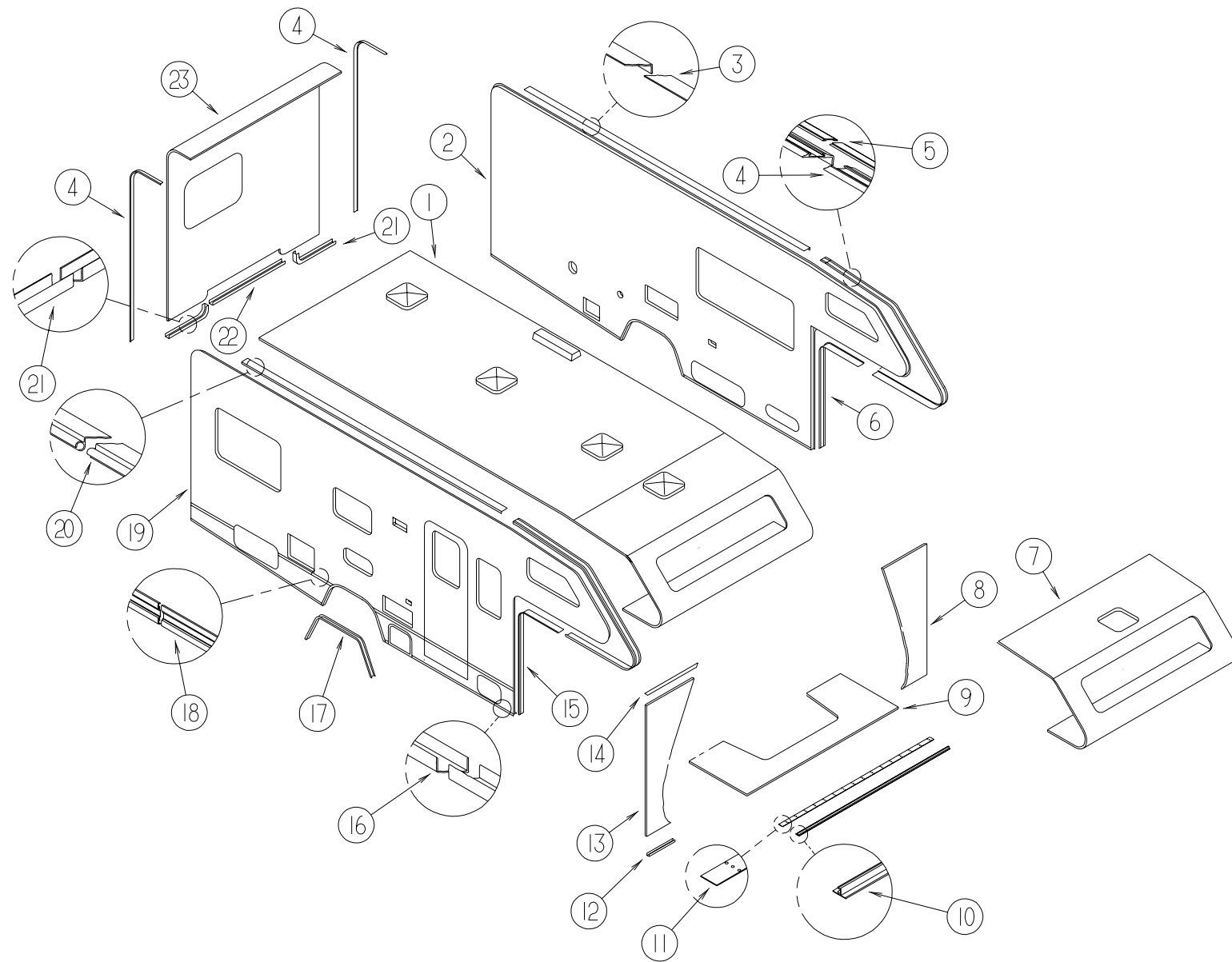
**EXTERIORBODYGROUP(CONTINUED)**

**AWNING**

KEY	PARTNUMBER	U/M DESCRIPTION	VENDORNO.
	113874-03-02A	EA AWNING-W/OHARDWARE-11.5(POLARNAVYTEAL)VINYL	
	111038-01-01A	EA SPACER-AWNING-LOWER	
	113874-01-02A	EA AWNING-HARDWAREKIT-BRIGHTWHITE	
	113874-01-702	EA KNOB-ADJUSTING,W/HARDWARE	143249
	113874-01-703	EA ROD-CENTERPULL,W/GRIP	830152.002
	113874-01-706	EA LOCK-TRAVEL	830587
	113874-01-707	EA HANDLE-LIFT	830644
	113874-01-709	EA NAIL-SPIKE,8"	113006
	113874-01-710	EA PLUG-STOPKIT	830456
	113874-01-711	EA ARM-ADJUSTABLE/TALLSATIN	830466.016
	113874-01-712	EA FOOT-PATIO	730366
	113874-01-714	EA RAFTER-MAINRH/LHBRIGHTWHITE	830295.036F
	113874-01-715	EA RAFTER-SECONDARYBRIGHTWHITE	830463.011F
	113874-01-716	EA ARM-MAINSUPPORTBRIGHTWHITE	3104502.293/F
	113874-01-717	EA ARM-ADJUSTABLEBRIGHTWHITE	830467.517/F
	113874-10-01A	EA SPACER-AWNING-LOWERBRACKET	

# EXTERIORBODYGROUP(CONTINUED)

## EXTERIORBODYPANELS

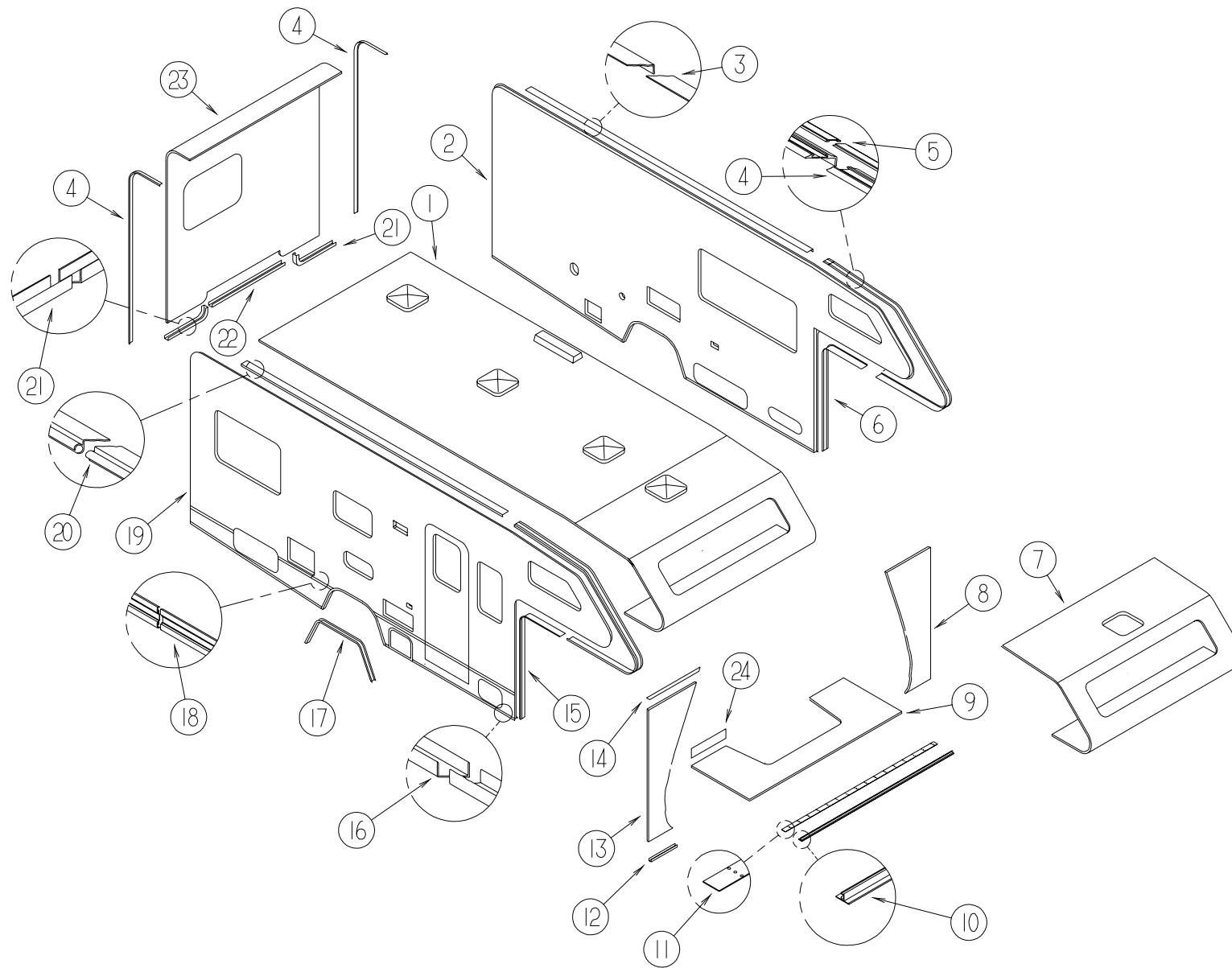


KEY	PARTNUMBER	U/M	DESCRIPTION
1	M07431-05-H04	EA	ROOF-W/OLIGHTS/VENTS-W/WIRING
2	M08184-01-H04	EA	SIDEWALL-DRIVER-W/OWINDOWS/TRIM(H04)
2	M08184-01-H05	EA	SIDEWALL-DRIVER-W/OWINDOWS/TRIM(H05)
2	M08184-01-H24	EA	SIDEWALL-DRIVER-W/OWINDOWS/TRIM(H24/H26)
	064675-54-004	EA	STEEL-ANGLEROOFFJOINT-1.7'-OFF/WHITE
3	096864-01-02A	EA	TRIM-CONTOUR-ROOFTOSIDEWALL
	099583-55-003	EA	RAIL-AWNING-120"
4	096854-04-02A	EA	TRIM-CONTOUR
5	105312-01-07A	FT	INSERT-FEATURESTRIPVINYL-BRIGHTWHITE
6	104479-06-02A	EA	TRIM-FRONTCONTOUR-BRIGHTWHITE
7	M76177-01-700	EA	CAP-FRONT,OVERHEADCABTOFIRSTSEAMOFROOF-OFFWHITE
8	109659-02-H04	EA	WINGWALL-DRIVER-FORD
			FROM: 00-00-00 THRU: 03-31-97
8	125065-02-H04	EA	WINGWALL-DRIVER-FORD
			FROM: 04-01-97 THRU: 99-99-99

KEY	PARTNUMBER	U/M	DESCRIPTION
8	125065-02-H04	EA	WINGWALL-DRIVER-CHEVY
9	M07422-01-H04	EA	SLEEPERBOARD-BRIGHTWHITE-FORD
			FROM: 00-00-00 THRU: 03-31-97
9	P25064-01-H04	EA	SLEEPERBOARD-BRIGHTWHITE-FORD
			FROM: 04-01-97 THRU: 99-99-99
9	P25064-01-H04	EA	SLEEPERBOARD-BRIGHTWHITE-CHEVY
	089334-02-000	FT	VINYL-EXTRUSION-BRIGHTWHITE
10	100086-04-01A	EA	TRIM-SLEEPERBOARD/ROOF-2"X96.6"
11	100085-03-01A	EA	TRIM-SLEEPERBOARD-FLAT-2.5"X87.5"
12	002365-03-006	EA	UCHANNEL-EXTRUDED/POWDERPAINTED1"X192"
13	109659-01-H04	EA	WINGWALL-PASSENGER-FORD
			FROM: 00-00-00 THRU: 03-31-97
13	125065-01-H04	EA	WINGWALL-PASSENGER-FORD
			FROM: 04-01-97 THRU: 99-99-99

## EXTERIORBODYGROUP(CONTINUED)

### EXTERIORBODYPANELS(CONTINUED)

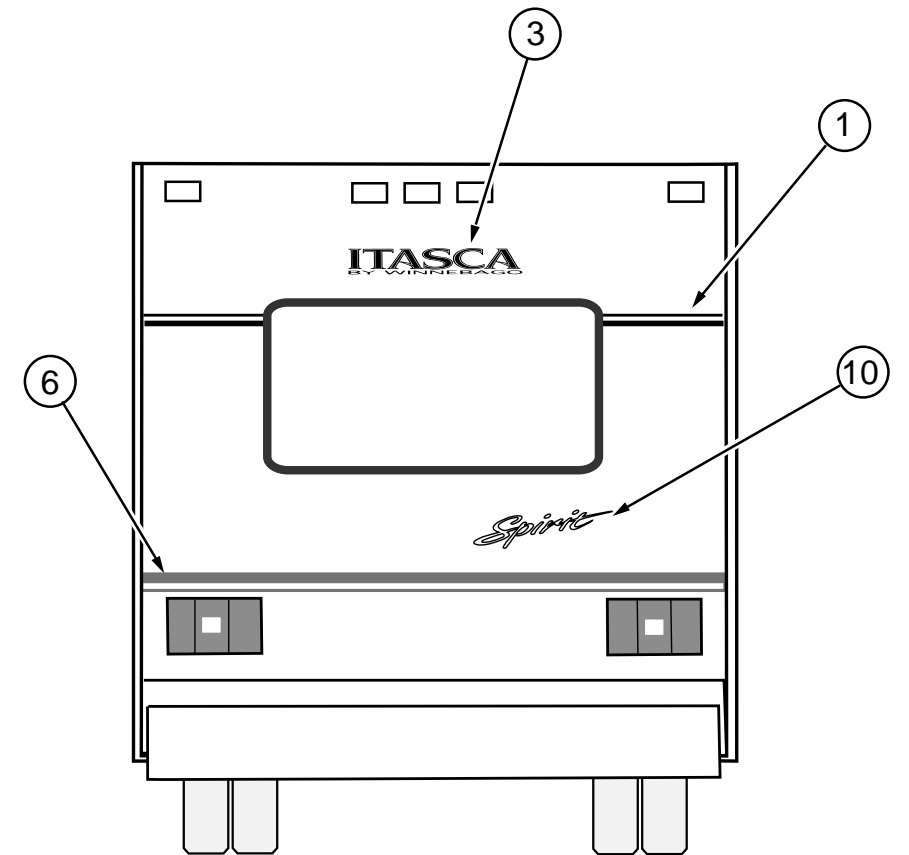
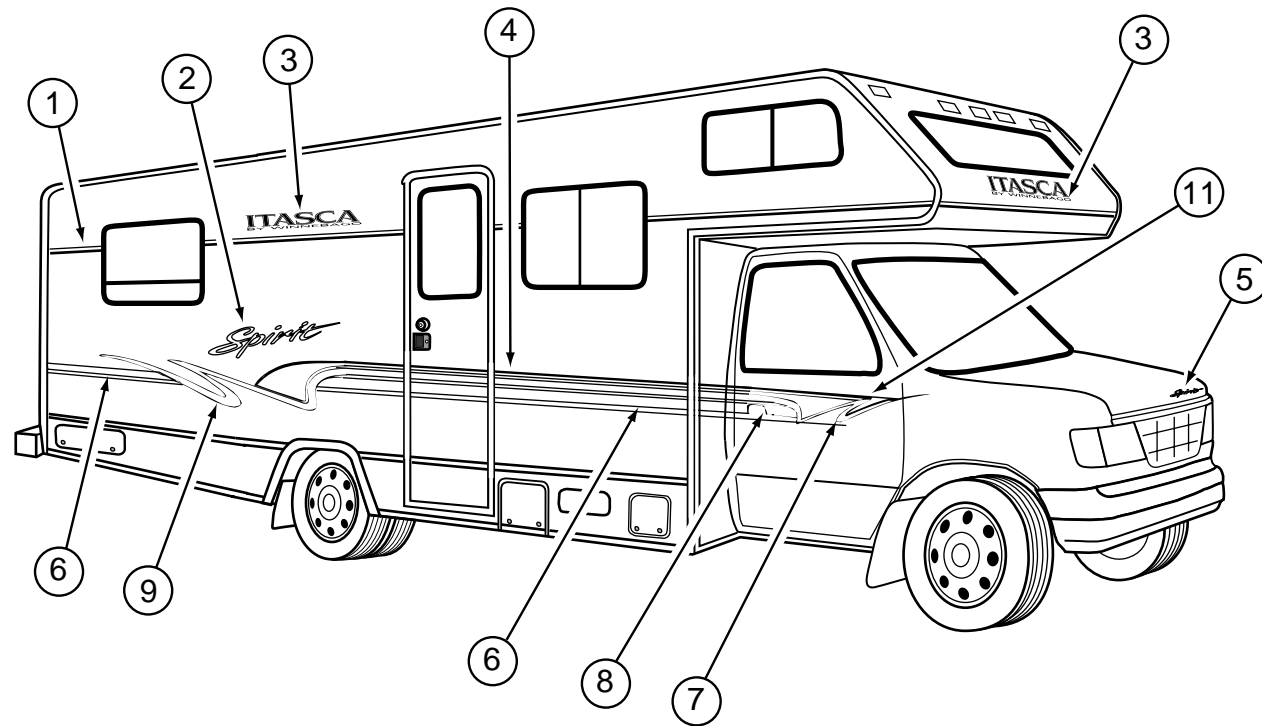


KEY	PARTNUMBER	U/M	DESCRIPTION
13	125065-01-H04	EA	WINGWALL-PASSENGER-CHEVY
14	022992-14-000	FT	MOLDING-REVERSECOVE
15	104479-05-02A	EA	TRIM-FRONTCONTOUR-BRIGHTWHITE
16	098072-55-003	EA	U-CHANNEL-OFFSET-1.65"WIDEX192"
17	105100-02-02A	EA	TRIM-WHEELWELL
18	108688-01-03A	EA	STRIP-FEATURE-W/OINSERT/ENDCAPS-15'
	105312-01-07A	FT	INSERT-FEATURESTRIPVINYL-BRIGHTWHITE
	108651-01-01A	EA	ENDCAP-FEATURESTRIP
19	P22995-01-H04	EA	SIDEWALL-PASSENGER-W/OWINDOWS/TRIM(H04)
19	P22995-01-H04	EA	SIDEWALL-PASSENGER-W/OWINDOWS/TRIM(H05)
19	P22995-01-H24	EA	SIDEWALL-PASSENGER-W/OWINDOWS/TRIM(H24/H26)

KEY	PARTNUMBER	U/M	DESCRIPTION
20	099583-55-003	EA	RAIL-AWNING-120"
21	103334-02-02A	EA	TRIM-BACKWALL/LOWER
22	103335-02-02A	EA	TRIM-BACKWALL/LOWER
23	P22994-01-H04	EA	BACKWALL-W/OWINDOW/TRIM(H04)
23	P22994-01-H05	EA	BACKWALL-W/OWINDOW/TRIM(H05)
23	P22994-01-H24	EA	BACKWALL-W/OWINDOW/TRIM(H24/H26)

# EXTERIORBODYGROUP(CONTINUED)

## DECALS,STRIPES&PAINT



KEY	PARTNUMBER	U/M	DESCRIPTION
1	093680-37-01A	FT	FILM-MULTISTRIPE-2.74"
2	115130-02-02A	EA	DECAL-LOGO-SPIRIT
3	116921-02-05A	EA	DECAL-LOGO-ITASCA-WINNEBAGOINDUSTRIES
4	094443-42-01A	FT	FILM-MULTISTRIPE-5"
5	115130-01-02A	EA	DECAL-LOGO-SPIRIT
6	093680-38-01A	FT	FILM-MULTISTRIPE-5.4"
7	120913-01-01A	EA	DECAL-ZIG-ZAG-SMALL-RIGHTHAND
7	120913-02-01A	EA	DECAL-ZIGZAG-SMALL-LEFTHAND
8	120914-01-01A	EA	DECAL-CABHANDLE-FORD-RIGHTHAND
8	126300-01-01A	EA	DECAL-CABHANDLE-PASSENGER-CHEVY
8	120914-02-01A	EA	DECAL-CABHANDLE-FORD-LEFTHAND
8	126300-02-01A	EA	DECAL-CABHANDLE-DRIVER-CHEVY
9	120912-01-01A	EA	DECAL-ZIGZAG-LARGE/RIGHTHAND
9	120912-02-01A	EA	DECAL-ZIGZAG-LARGE-LEFTHAND
10	115130-01-02A	EA	DECAL-LOGO-SPIRIT
11	126299-01-01A	EA	DECAL-CABDOORSTRIPE-PASSENGER-CHEVY
11	126299-02-01A	EA	DECAL-CABDOORSTRIPE-DRIVER-CHEVY
	126511-01-01A	EA	DECAL-MCCLAINSRV34THANNIVERSARY
	041561-03-000	EA	PAINT-16OZSPRAY-OFFWHITE-ACRYLICENAMEL

### DUPONTPAINTCOLORCODES

BRIGHTWHITE

DUPONTB8951U

### DUPONTGRAPHICSCOLORCODES

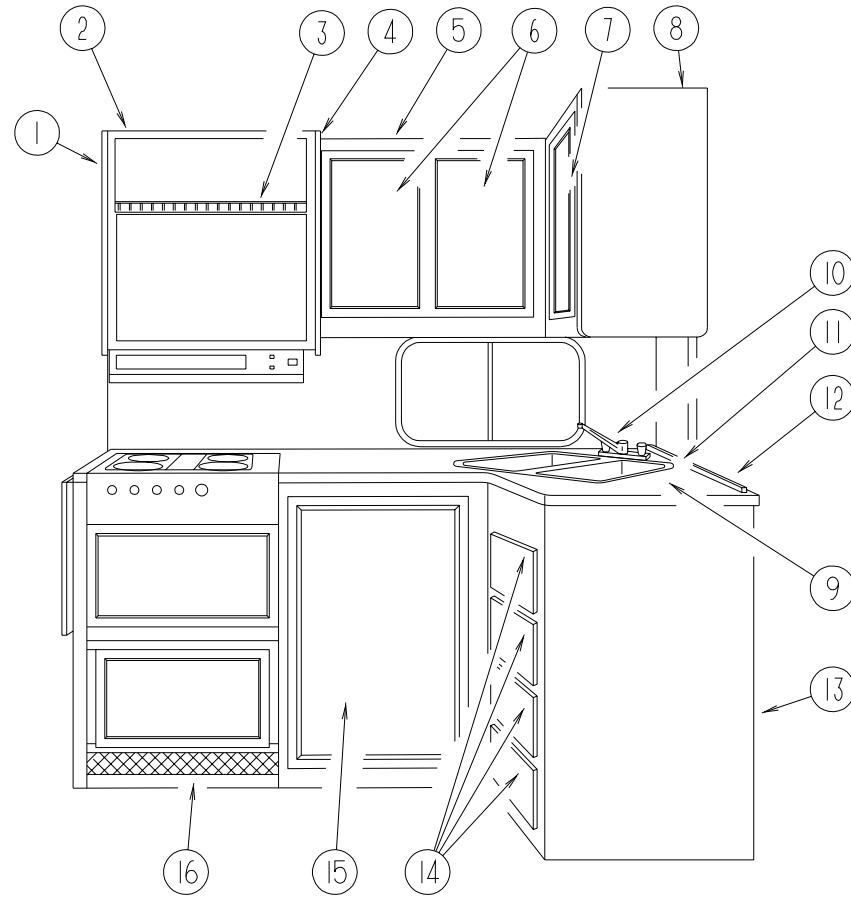
SEAMISTTEAL  
 MAJASTICPURPLEMETALLIC  
 COOLBLUEMETALLIC  
 MEDIUMBLUEMETALLIC

FILM#3028  
 FILM#7112  
 FILM#7052  
 FILM#7037

DUPONTG9845  
 DUPONTF0740  
 DUPONTBM080  
 DUPONTF0747

# GALLEYGROUP

## GALLEYCABINETS&FIXTURES



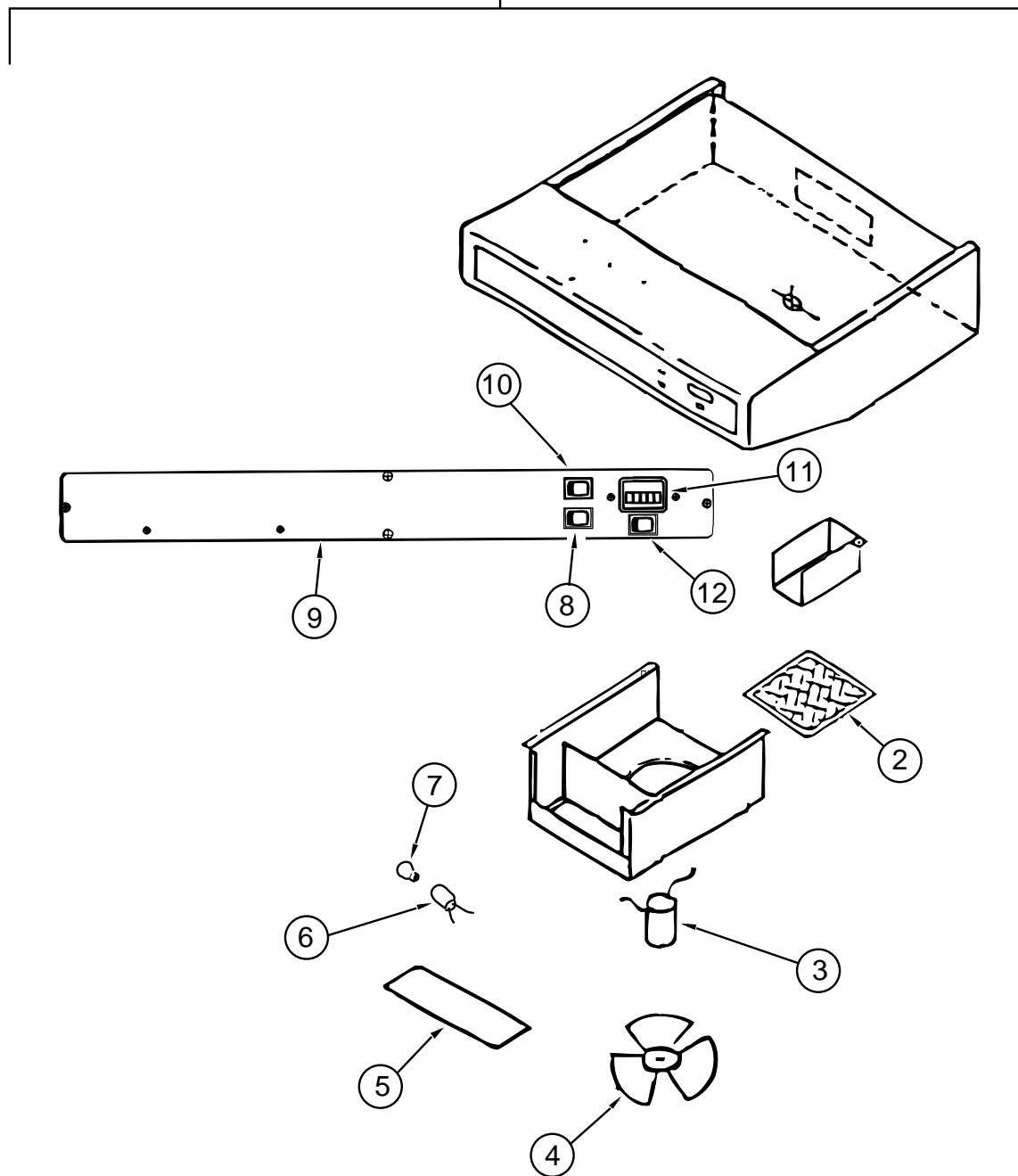
KEY	PARTNUMBER	U/M	DESCRIPTION
11	104113-01-000	EA	SINK-DOUBLE-STAINLESSSTEEL
	092303-01-000	EA	STRAINER-SINK
	103610-01-E04	EA	COVER-SINK-15.1"X15.8"(H04)
			FROM: 00-00-00 THRU: 02-12-97
	103610-03-H04	EA	COVER-SINK(H04)
			FROM: 02-13-97 THRU: 99-99-99
	103610-01-F29	EA	COVER-SINK-15.1"X15.8"(H05)
			FROM: 00-00-00 THRU: 02-12-97
	103610-03-H05	EA	COVER-SINK(H05)
			FROM: 02-13-97 THRU: 99-99-99
	103610-01-G01	EA	COVER-SINK-15.1"X15.8"(H24/H26)
			FROM: 00-00-00 THRU: 02-12-97
	103610-03-H24	EA	COVER-SINK(H24/H26)
			FROM: 02-13-97 THRU: 99-99-99
12	098335-11-H04	EA	RAIL-GALLEY-12"(H04)
12	098335-11-H05	EA	RAIL-GALLEY-12"(H05)
12	098335-11-H24	EA	RAIL-GALLEY-12"(H24/H26)
13	P22683-01-H04	EA	CABINET-GALLEY-W/ODOORS/DRAWERS/HARDWARE(H04)
13	P22683-01-H05	EA	CABINET-GALLEY-W/ODOORS/DRAWERS/HARDWARE(H05)
13	P22683-01-H24	EA	CABINET-GALLEY-W/ODOORS/DRAWERS/HARDWARE(H24/H26)
14	P10163-K9-H04	EA	DRAWER-RADIUSEDGE-W/OSLIDES/HARDWARE-WATERFORDOAK
15	110140-45-G01	EA	DOOR-VINYLRAP-15.7"X27.9"-W/OHDW-WATERFORDOAK
16	072369-51-000	EA	MESH-EXPANDED-ALUMINUM-5.7"X20.6"
	110140-01-G01	EA	DOOR-VINYLRAP-10.02"X25.2"-W/OHDW-REFRIGCABINET-WATERFORDOAK
	090329-01-000	FT	SEAL/T-REFRIGERATORCABINET

KEY	PARTNUMBER	U/M	DESCRIPTION
1	109908-24-G01	EA	ENDCAP-OVERHEAD-WATERFORDOAK
2	M08196-01-H04	EA	CABINET-OVERHEADMICROWAVE-W/ODOORS/HARDWARE-WATERFORDOAK
3	075249-01-000	EA	RAILING-OAK-72"-UNFINISHED-WATERFORDOAK
4	109908-19-G01	EA	ENDCAP-OVERHEAD-WATERFORDOAK
5	122976-01-H04	EA	CABINET-GALLEYOVERHEAD-W/ODOORS/HARDWARE-WATERFORDOAK
6	110140-44-G01	EA	DOOR-MITEREDCORNER/VINYLRAP-10.02"X26.1"-W/OHDW
7	110140-19-G01	EA	DOOR-MITEREDCORNER/VINYLRAP-15.3"X25.5"-W/OHDW
8	124165-01-H04	EA	CABINET-OVERHEADGALLEYCTR-W/ODOORS/HARDWARE-WATERFORDOAK
9	122683-13-H04	EA	COUNTERTOP-GALLEY(H04)
9	122683-13-H05	EA	COUNTERTOP-GALLEY(H05)
9	122683-13-H24	EA	COUNTERTOP-GALLEY(H24/H26)
10	103243-01-000	EA	FAUCET/GALLEY-DUALCONTROL



**GALLEYGROUP(CONTINUED)**

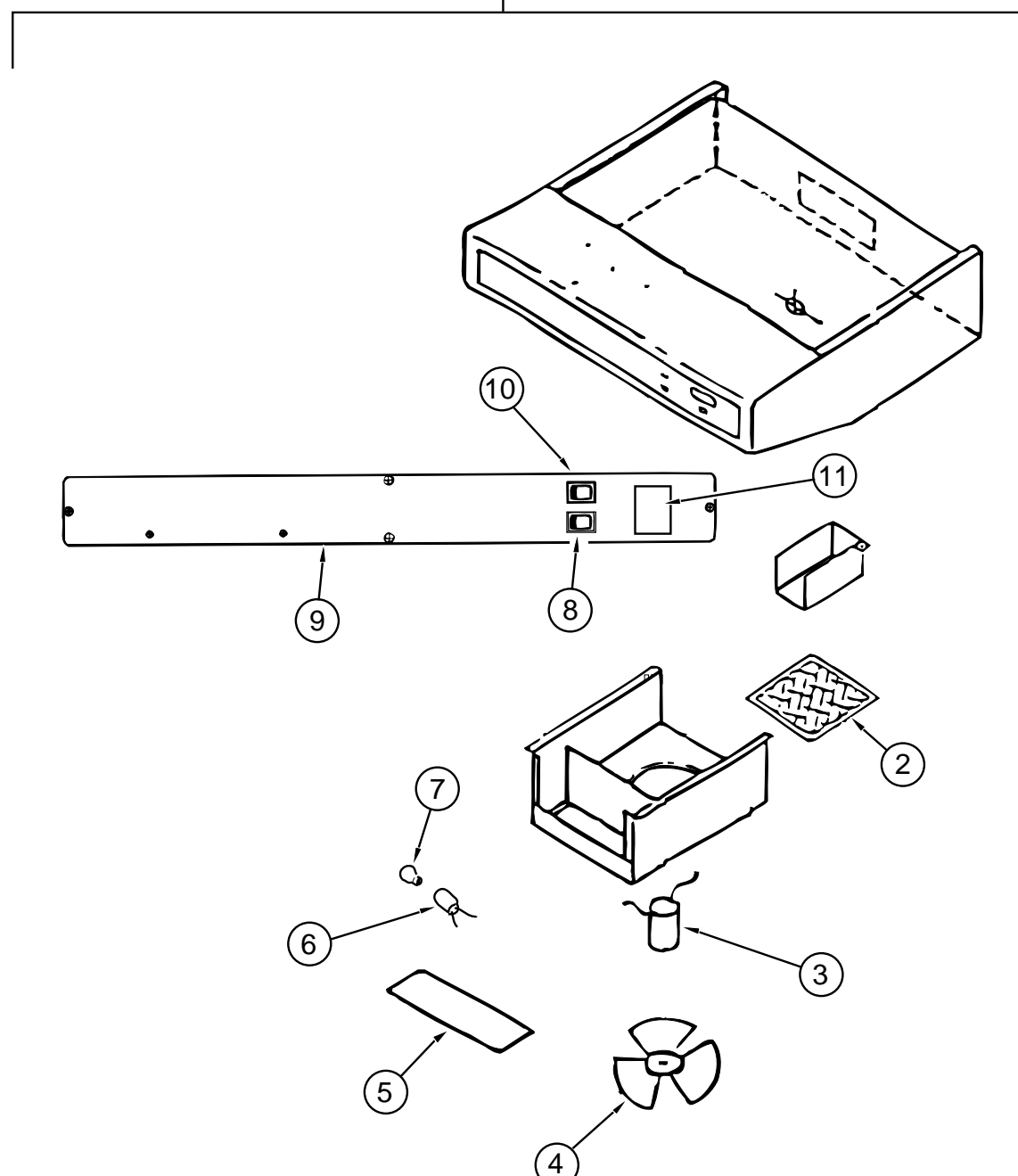
1



**RANGEHOODW/OMONITORPANEL-U.S.-MODELTPS-5009-SADLG**

**GALLEYGROUP(CONTINUED)**

1



**RANGEHOODW/OMONITORPANEL-U.S.-MODEL TCS-5008-NADL**

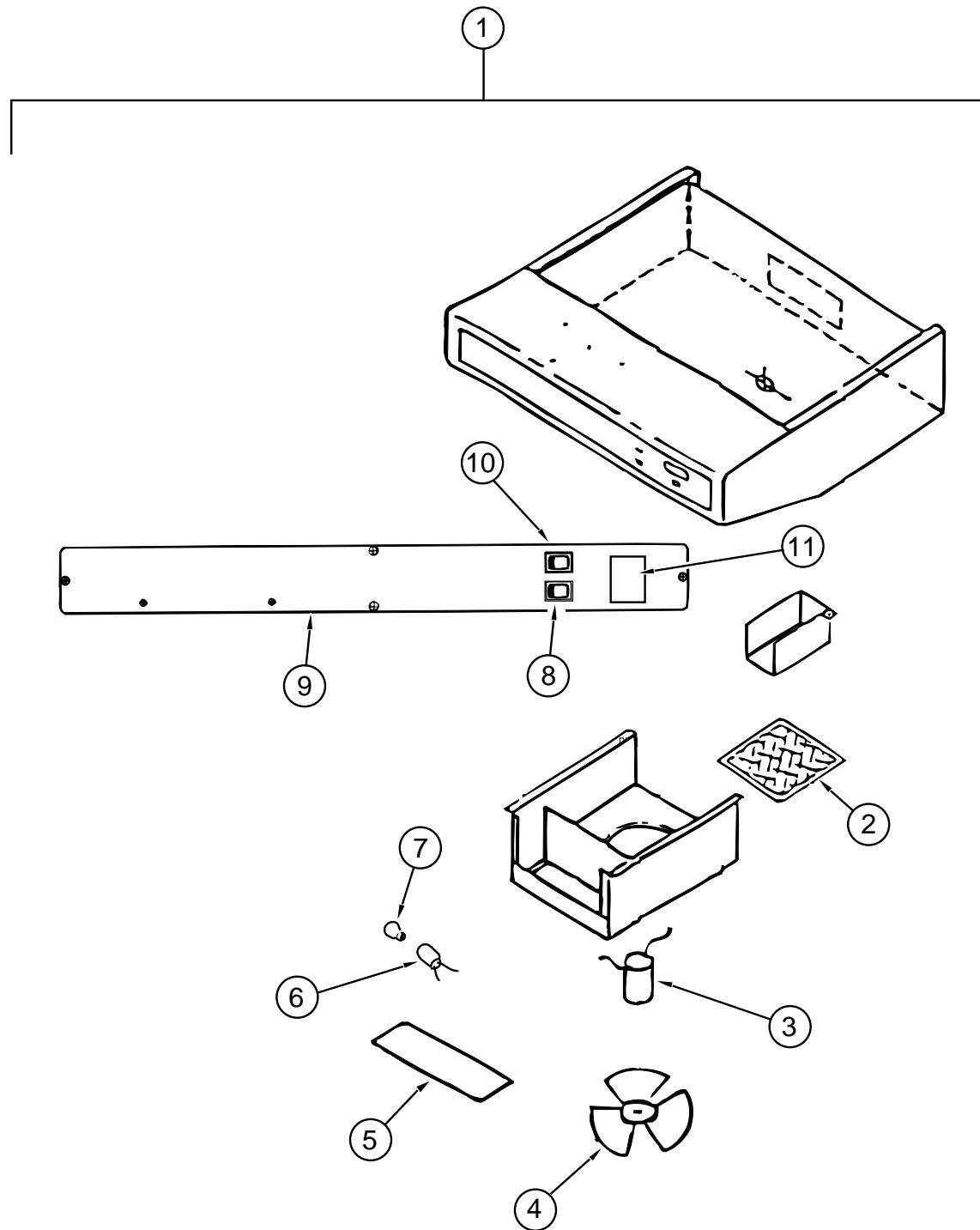
KEY	PARTNUMBER	U/M	DESCRIPTION
1	100258-18-02A	EA	HOOD-RANGE-W/OMONITORPANEL
2	096983-01-707	EA	FILTER-MESH
3	090973-01-700	EA	MOTOR-LVS
4	090973-01-702	EA	BLADE-FAN,LVS
5	092696-02-701	EA	LENS-LAMP,LVS
6	092696-01-710	EA	HOLDER-LAMP
7	117806-01-000	EA	BULB-12VNO.9121.0AMPS
8	096983-01-702	EA	SWITCH-TWOWAYMOMENTARY,VENTLINE
9	100258-01-700	EA	HOOD-NOSELABEL,
10	096983-01-700	EA	SWITCH-ON/OFF,VENTLINE
11	100258-10-01A	EA	GAUGE-HOURMETER,W/SWITCH-SCREWON150
11	100258-10-701	EA	GAUGE-HOURMETER,CLIPON
12	096983-01-702	EA	SWITCH-TWOWAYMOMENTARY,VENTLINE-GENERATOR

VENDORNO.
CC246
CA508-1
VA183-1
CC179-2
CB267-2
112
CC428
108
L0775-00
112

KEY	PARTNUMBER	U/M	DESCRIPTION	VENDORNO.
1	100258-16-03A	EA	HOOD-RANGE-W/OMONITORPANEL	CC246
2	096983-01-707	EA	FILTER-MESH	CC246
3	090973-01-700	EA	MOTOR-LVS	CA508-1
4	090973-01-702	EA	BLADE-FAN,LVS	VA183-1
5	092696-02-701	EA	LENS-LAMP,LVS	CC179-2
6	092696-01-710	EA	HOLDER-LAMP	CB267-2
7	117806-01-000	EA	BULB-12VNO.9121.0AMPS	
8	096983-01-700	EA	SWITCH-ON/OFF,VENTLINE	108
9	100258-01-700	EA	HOOD-NOSELABEL	CC428
10	096983-01-702	EA	SWITCH-TWOWAYMOMENTARY,VENTLINE	112
11	100258-10-01A	EA	GAUGE-HOURMETER,W/SWITCH-SCREWON150	
11	100258-10-701	EA	GAUGE-HOURMETER,CLIPON	L0775-00
11	097944-03-700	EA	PLATE-COVER,HOURMETER-VENTLINE	L6052

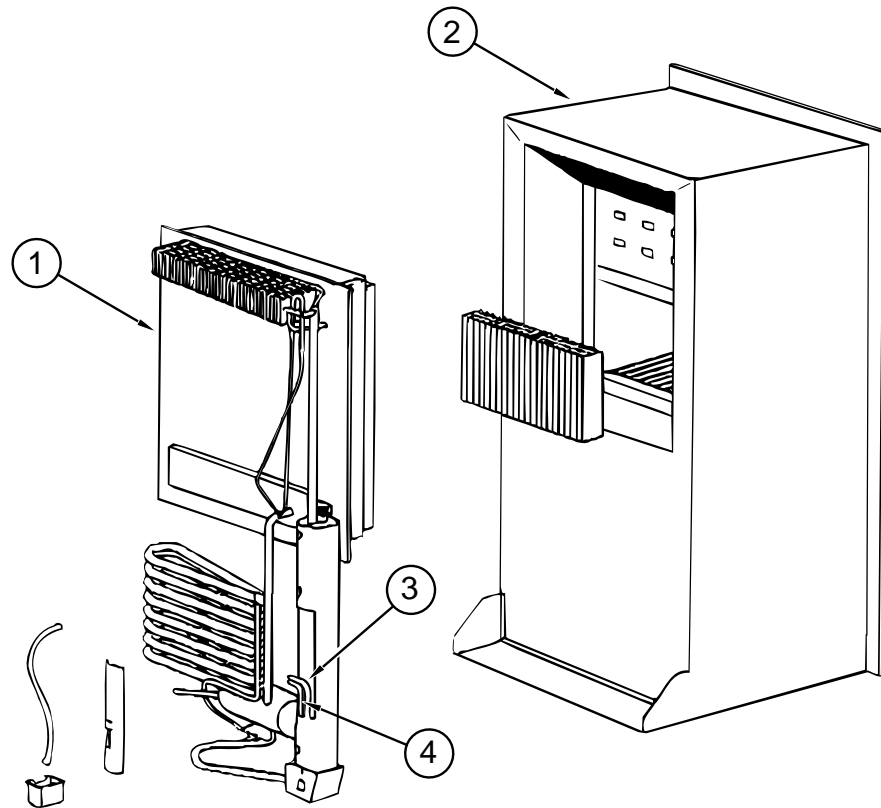
# GALLEYGROUP(CONTINUED)

RANGEHOODW/OMONITORPANEL-CANADIAN-MODELTCS-5008-NACL



KEY	PARTNUMBER	U/M	DESCRIPTION	VENDORNO.
1	100258-17-03A	EA	HOOD-RANGE-W/OMONITORPANEL	
2	096983-01-707	EA	FILTER-MESH	CC246
3	090973-01-700	EA	MOTOR-LVS	CA508-1
4	090973-01-702	EA	BLADE-FAN,LVS	VA183-1
5	092696-02-701	EA	LENS-LAMP,LVS	CC179-2
6	092696-01-710	EA	HOLDER-LAMP	CB267-2
7	117806-01-000	EA	BULB-12VNO.9121.0AMPS	
8	096983-01-700	EA	SWITCH-ON/OFF,VENTLINE	108
9	100258-01-700	EA	HOOD-NOSELABEL	CC428
10	096983-01-702	EA	SWITCH-TWOWAYMOMENTARY,VENTLINE	112
11	100258-10-01A	EA	GAUGE-HOURMETER,W/SWITCH-SCREWON150	L0775-00
11	100258-10-701	EA	GAUGE-HOURMETER,CLIPON	L6052
11	097944-03-700	EA	PLATE-COVER,HOURMETER-VENTLINE	

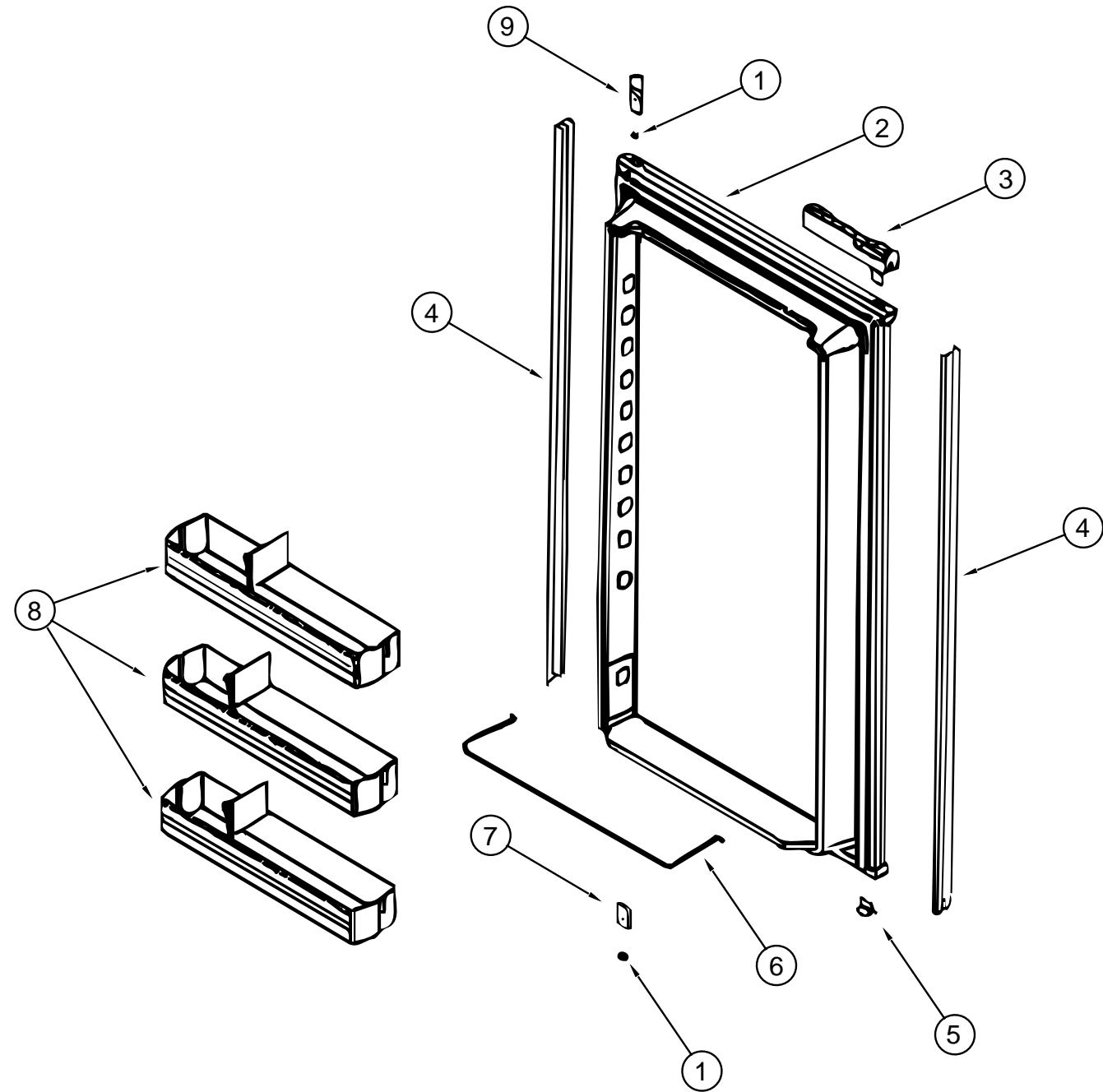
**GALLEYGROUP(CONTINUED)**



**NORCOLDREFRIGERATORSMALLDOUBLEDOOR-MODEL9162L**

KEY	PARTNUMBER	U/M DESCRIPTION	VENDORNO.
	121568-02-01A	EA REFRIGERATOR-SMALLDOUBLEDOOR-LEFTHAND-2-WAY	
1	120076-01-704	EA COOLINGUNIT,SERVICEPACK	618543
2	120076-01-703	EA CABINET-FOAMED	618260
3	088248-01-710	EA HEATERDC(HORIZONTAL)	61562822
4	088248-01-709	EA HEATER-AC(HORIZONTAL)	61562722

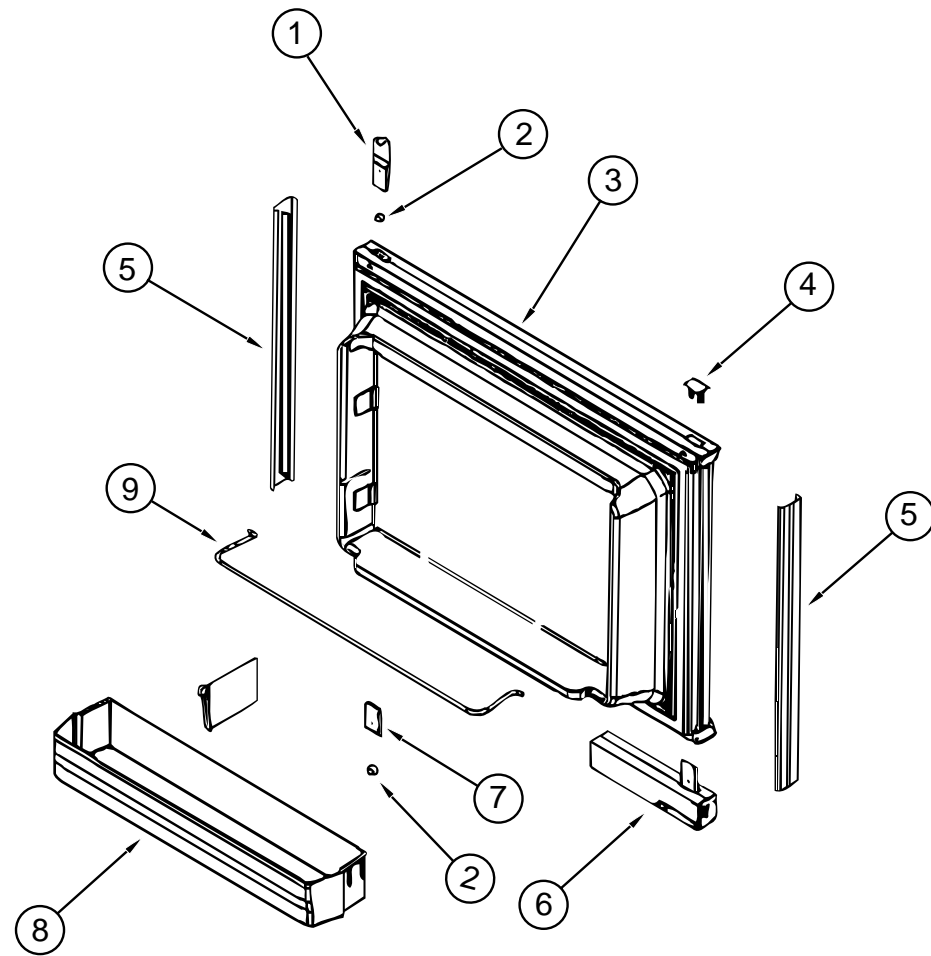
**GALLEYGROUP(CONTINUED)**



**NORCOLDREFRIGERATORSMALLDOUBLEDOOR-MODEL9162L**

KEY	PARTNUMBER	U/M DESCRIPTION	VENDORNO.
	121568-02-01A	EA REFRIGERATOR-SMALLDOUBLEDOOR-LEFTHAND-2-WAY	
1	120075-01-708	EA BUSHING-DOORHINGE	618144
2	120075-01-701	EA DOOR-LOWER-FOAMED,W/GASKET	618511
3	120075-01-711	EA HANDLEASM,UPPERRH/LOWERLH	618235
4	120076-01-700	EA RETAINER-LOWERDOORPANEL	618132
5	120075-01-702	EA CAP,(HINGEPLUG)	618160
6	121568-01-704	EA RAIL-DOORLOWER	618578
7	120075-01-705	EA HINGE,PAINTED,TOPLH/BTMRH	618510
8	121568-01-701	EA BIN-DOORWHITE	618619
9	120075-01-701	EA HINGE-TOPRH/BTMLH,PAINTED	618511

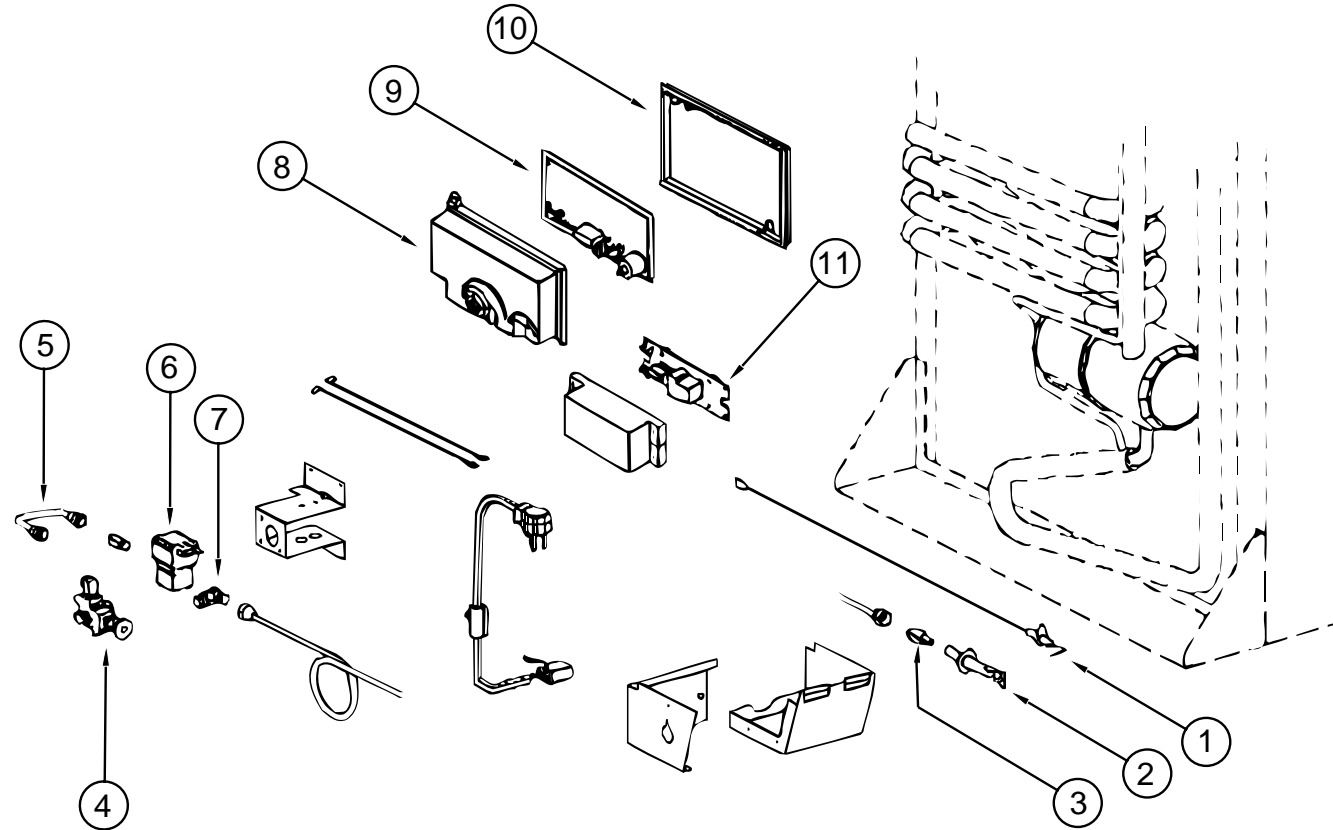
**GALLEYGROUP(CONTINUED)**



**NORCOLDREFRIGERATORSMALDOUBLEDOOR-MODEL9162L**

KEY	PARTNUMBER	U/M DESCRIPTION	VENDORNO.
	121568-02-01A	EA REFRIGERATOR-SMALLDOUBLEDOOR-LEFTHAND-2-WAY	
1	120075-01-701	EA HINGE-TOPRH/BTMLH,PAINTED	618511
2	120075-01-708	EA BUSHING-DOORHINGE	618144
3	120075-01-703	EA DOORASM.,FOAMED,W/GASKET	618205
4	120075-01-702	EA CAP,(HINGEPLUG)	618160
5	120075-01-700	EA RETAINER-DOOR,DECORPANEL	618128
6	121568-01-704	EA DOORHANDLEASMLWR/LH-TOP/RH	618230
7	120075-01-705	EA HINGE,PAINTED,TOPLH/BTMRH	618510
8	121568-01-701	EA BIN-DOORWHITE	618619
9	121568-01-700	EA RAIL-DOORUPPER	618618

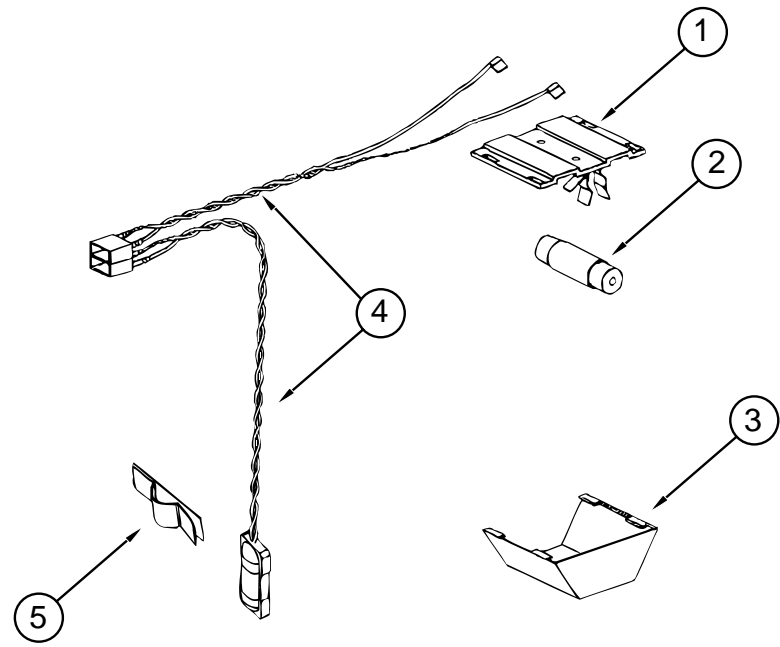
**GALLEYGROUP(CONTINUED)**



**NORCOLDREFRIGERATORSMALDOUBLEDOOR-MODEL9162L**

KEY	PARTNUMBER	U/M DESCRIPTION	VENDORNO.
	121568-02-01A	EA REFRIGERATOR-SMALLDOUBLEDOOR-LEFTHAND-2-WAY	
1	104137-06-715	EA ELECTRODE-SPARK/SENSOR-SINGLE	61692222
2	104137-06-714	EA BURNERASSEMBLY-5-SLOT	61705222
3	113737-01-737	EA ORIFICE-JEWEL-.0155	618248
4	104137-06-709	EA VALVE-SHUTOFF-MANUAL	61694922
5	113737-01-750	EA TUBE-UNION	61694622
6	084880-01-718	EA VALVE-GAS-(ASCO)	61551822
7	113737-01-716	EA TAP-PRESSURE	61594422
	113737-01-702	EA PLUG1/8"F/PRESSURETAP	61445322
8	120075-01-738	EA COVER-POWERBOARD	618185
9	120075-01-741	EA BOARD-POWER-2-WAY	618574
10	120075-01-740	EA COVER-BASE-POWERBOARD	618186
11	121568-01-711	EA BOARD-MODULE-DC	618561

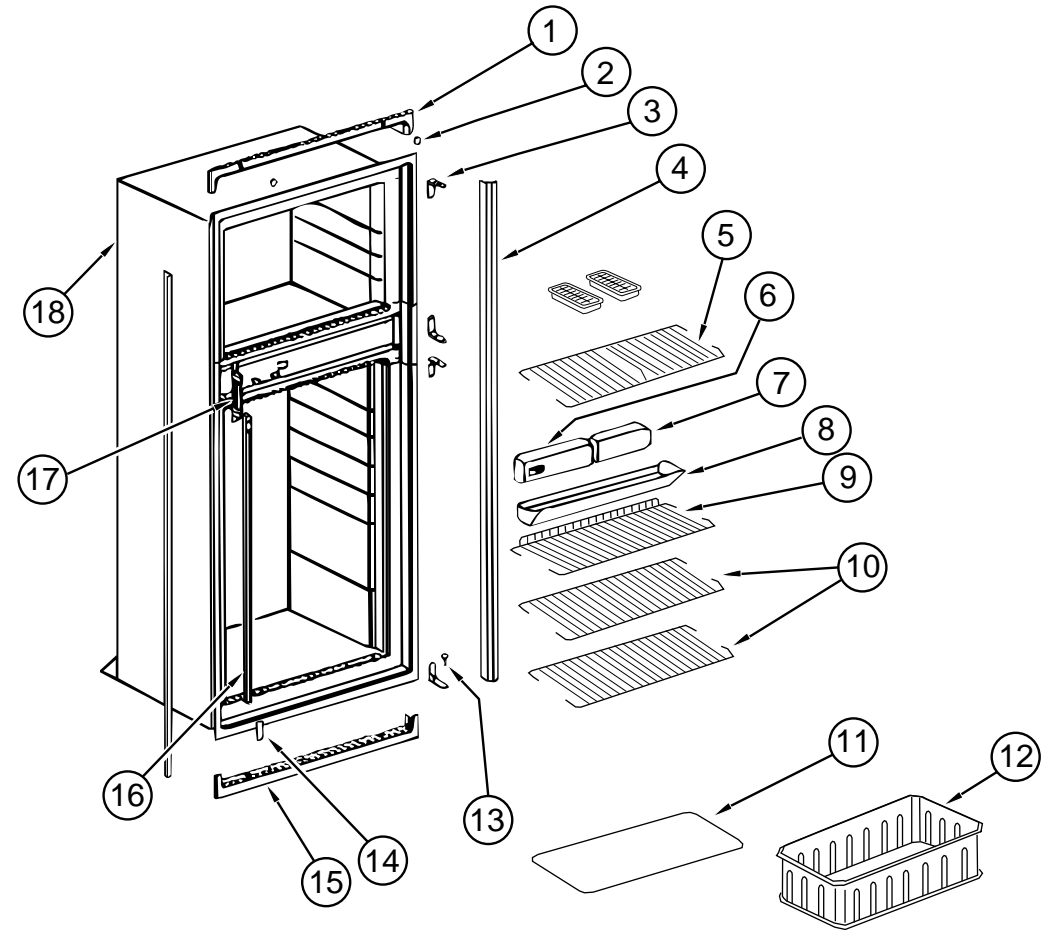
**GALLEYGROUP(CONTINUED)**



**NORCOLDREFRIGERATORSMALLDOUBLEDOOR-MODEL9162L**

KEY	PARTNUMBER	U/M	DESCRIPTION	VENDORNO.
	121568-02-01A	EA	REFRIGERATOR-SMALLDOUBLEDOOR-LEFTHAND-2-WAY	
1	084880-03-705	EA	BRACKET-LIGHT-INTERIOR	61629722
2	084880-03-706	EA	BULB-LAMP	61628922
3	084880-03-707	EA	COVER-LAMP,LENS	61627922
4	120075-01-735	EA	WIREASM.-LAMP	618548
5	084880-01-760	EA	CLIP(THERMISTER)	61689122

**GALLEYGROUP(CONTINUED)**

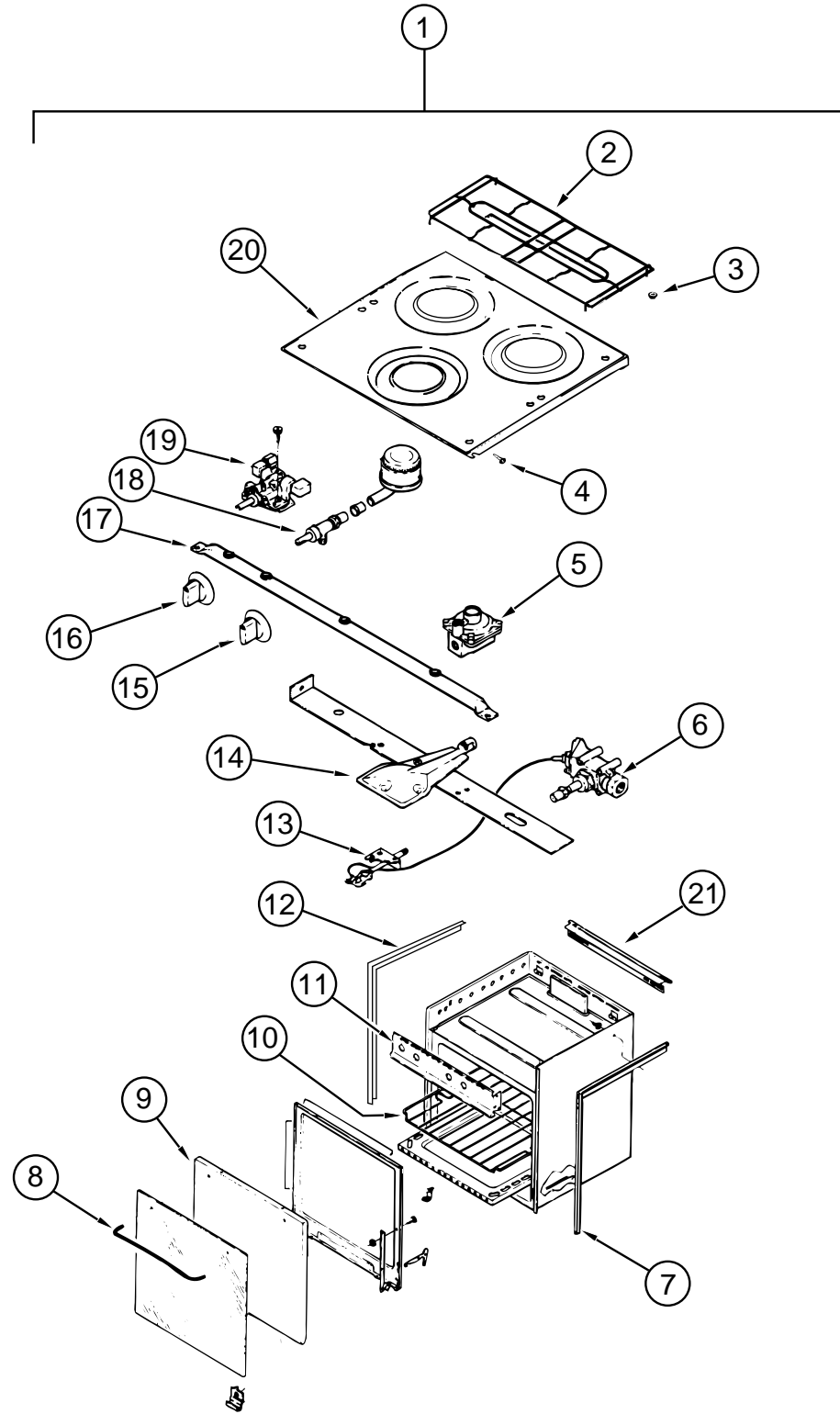


**NORCOLDMODEL9162LREFRIGERATORCABINETASMWITHTRAY,TIEDOWNS&LEVEL**

KEY	PARTNUMBER	U/M	DESCRIPTION	VENDORNO.
	121568-02-01A	EA	REFRIGERATOR-SMALLDOUBLEDOOR-LEFTHAND-2-WAY	
1	120075-01-713	EA	TRIM-TOPPIECE	618124
2	120075-01-714	EA	PLUG-HOLE	618170
3	120075-01-715	EA	HINGE-CABINETSIDE-PAINTED	618512
4	120076-01-702	EA	TRIM,SIDEPIECE	618133
5	121568-01-705	EA	SHELF-WIREFREEZER	618620
6	121568-01-706	EA	CONTROLBOXASSEMBLY	618588
	120075-01-708	EA	BUSHING-DOORHINGE	618144
7	120075-01-718	EA	BOX-FILLER	618112
8	120075-01-720	EA	TRAY-DRIP	618137
	120075-01-721	EA	LOUVER-DRIPTRAY	618176
9	121568-01-707	EA	SHELF-WIRE-SHORT	618624
10	121568-01-708	EA	SHELF-WIRE	618589
11	120075-01-725	EA	COVER-CRISPER	618158
12	121568-01-709	EA	CRISPER	618571
13	120075-01-727	EA	PIN-HINGE	618145
14	120075-01-728	EA	COVER-HINGEHOLE	618171
15	120075-01-729	EA	TRIM-BOTTOMPIECE	618136
16	120075-01-730	EA	RETAINER-SHELF	618181
17	120075-01-732	EA	PLATE-STRIKE	618167
18	120076-01-703	EA	CABINET-FOAMED	618260
	120075-01-731	EA	PLUG-FACADE	618184
	093646-01-000	EA	BRACKET-TIEDOWN/REFRIGERATOR-RIGHTHAND	
	093646-02-000	EA	BRACKET-TIEDOWN/REFRIGERATOR-LEFTHAND	
	116751-01-01A	EA	TRAY-REFRIGERATORBLK	
	054450-01-000	EA	LEVEL-REFRIGERATOR	

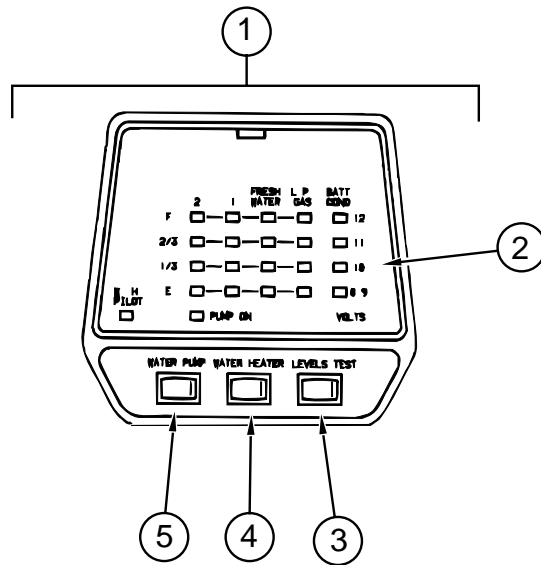
# GALLEYGROUP(CONTINUED)

RANGEW/OVEN-MAGICCHEF-MODEL16RA-3B49



KEY	PARTNUMBER	U/M	DESCRIPTION	VENDORN.
1	112881-01-03A	EA	RANGE-16"3BURNER-ALMONDTOP/BLACKTEXTURED	DOOR
2	102020-01-711	EA	GRATE-TOP	7518P012-60
3	102020-01-709	EA	BUMPER-GRATE	8007-P020-60
4	102020-01-724	EA	BUMPER-MAINTOP	8003P008-60
5	102022-01-708	EA	REGULATOR, 1/4 & 1/2 OUT	7510P041-60
6	112881-01-702	EA	VALVE-MERCURY(SAFETYVALVE)	7501P12160=74001018
7	112881-01-720	EA	TRIM-FLATRHBLACKTEXTURED	74002812
8	102020-01-701	EA	HANDLE, DOOR	7701P092-60
9	112881-01-713	EA	DOOR-OVEN-TEXTURED, BLACK	2401F126-70
10	102020-01-700	EA	SHELF-OVEN	7801-P027-60
11	112881-01-701	EA	PANEL-MANIFOLD	2616F091-70
12	112881-01-719	EA	TRIM-FLATLHBLACKTEXTURED	74002813
13	112881-01-710	EA	OVENPILOT	7505P202-60
14	112881-01-711	EA	BURNER-OVEN	3403W025045
15	112881-01-705	EA	KNOB-TOPBURNER	7733P072-60
15	112881-01-718	EA	KNOB, HIGH OUTPUT (FLAME IND)	74001794
16	112881-01-704	EA	KNOB-THERMOSTAT	7731P067-60
16	112881-01-716	EA	KNOB, THERMOSTAT-SER#3C	7731P107-60
17	112881-01-709	EA	PIPE-MANIFOLD	7513P097-60
18	102020-01-722	EA	VALVE-TOPBURNER	7502P181-60
18	112881-01-703	EA	VALVE-TOPBURNERHI-OUTPUT	7502P180-60
19	112881-01-706	EA	THERMOSTAT-REF. SER#02C	7515P031-60
19	112881-01-722	EA	THERMOSTAT	7515P029-60
19	112881-01-715	EA	THERMOSTAT-REF. SER.#3C	7515P037-60
20	112881-01-700	EA	RANGE-TOP3-BURNER, ALMOND	2001F110-84
21	112881-01-721	EA	DEFLECTOR FLUE BLACKTEXTURE	74002809
	105458-03-000	EA	BRACKET-TIEDOWN/STOVE-RIGHTHAND	
	105458-04-000	EA	BRACKET-TIEDOWN/STOVE-LEFTHAND	

## GALLEYGROUP(CONTINUED)



**MONITOR PANEL-LVS**

KEY	PARTNUMBER	U/M DESCRIPTION	VENDORNO.
1	102765-04-01A	EA PANEL-MONITOR2TANKWATERHEATER-LVSW/PLUG-ALMOND	
2	102765-04-700	EA BOARD-CIRCUIT,2HOLDINGTANK	L5097-41
3	097617-01-702	EA SWITCH(ALMOND)	107
4	097617-01-701	EA SWITCH-ON/OFF,ALMOND	106
5	102765-01-700	EA SWITCH-ON-ON,ALMOND	110-01

## MICROWAVEOVEN

KEY	PARTNUMBER	U/M DESCRIPTION	VENDORNO.
	115303-01-000	EA MICROWAVEOVEN-14 1/8"HX21 7/8"WX13 1/4"-D.8CUFT./700WATT	
	115303-01-700	EA TRIMF/VENT, TOP	2100309
	115401-01-01A	EA TRIM-MICROWAVE	
	098916-12-01A	EA BRACE-MICROWAVECABINET	
	098916-13-01A	EA BRACE-MICROWAVECABINET	
	094750-07-000	EA BRACKET-MICROWAVE-89DEGREE	

## GENERATORGROUP

### 3.6KWONANGENERATOR-LP

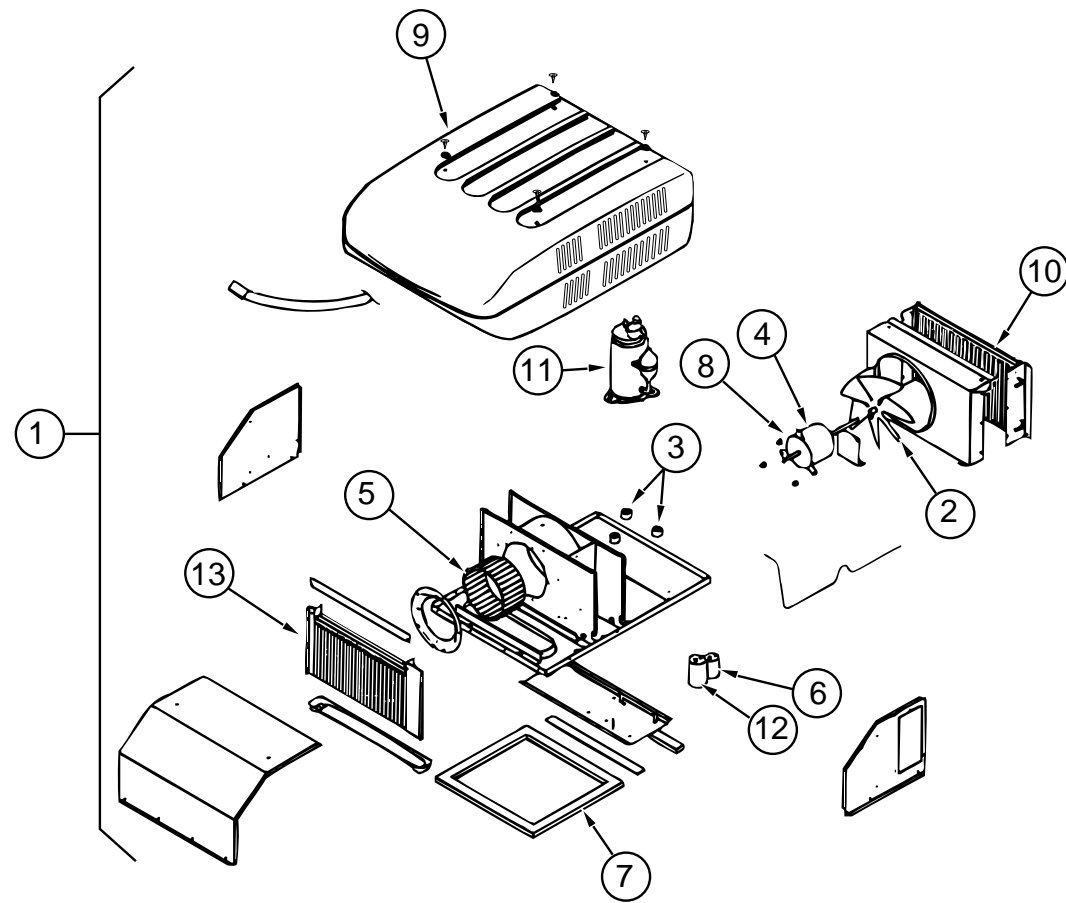
KEY	PARTNUMBER	U/M DESCRIPTION
	109982-04-000	EA GENERATOR-3.6MICROLITE-ONANKY-FA/26120B
	007067-01-000	SF INSULATION-FIBERGLASS-1"THICKX4'-INCREMENTS/4SF
	007125-04-000	EA CLAMP-MUFFLER-1.12"DIA METER
	105958-09-000	EA PIPE-GENERATOREXHAUST1.25"ODX5.9"X22"

### 4.0KWONANGENERATOR

KEY	PARTNUMBER	U/M DESCRIPTION
	109982-03-000	EA GENERATOR-4.0MICROLITE-ONAN#KY-FA/2600B
	007067-01-000	SF INSULATION-FIBERGLASS-1"THICKX4'-INCREMENTS/4SF
	007125-04-000	EA CLAMP-MUFFLER-1.12"DIA METER
	105958-08-000	EA PIPE/EXHAUST-GENERATOR

**NOTE:ADDITIONALGENERATORCOMPONENTSAREFOUNDINTHECHASSISGROUP**

## HEATING&AIRCONDITIONINGGROUP



ROOFAIRCONDITIONER-COLEMAN-MODELTSRHO

KEY	PARTNUMBER	U/M DESCRIPTION	VENDORNO.
1	108889-01-05A	EA A/C-ROOF-13,500TSR	
	102289-01-000	EA SPRING-SCREW,ROOFA/CGASKET	6757-150
2	093763-01-712	EA BLADE-FAN-CONDENSER	6733-3221
3	105620-01-706	EA MOUNTINGPKG.,COMP.,3PER	6759-3081
4	108889-01-705	EA MOTOR(115,60HZ)	1468-3049
5	108889-01-706	EA IMPELLOR	1472-1041
6	093763-01-704	EA CAPACITOR-FAN	1499-5461
	108889-01-710	EA PAD-FILLER,CONDENSERSEAL	6759A3971
7	108889-01-711	EA GASKETPKG	6792-3301
8	108889-01-715	EA MOTORMOUNT&SHAFTSEALKIT	6792-3361
9	108889-05-700	EA SHROUD-BRIGHTWHITEW/OLOGO	7333-4601
10	108889-01-703	EA COIL-CONDENSER	1452A1301
11	108889-01-722	EA COMPRESSOR-TSR3MODELS"C&D"ONLY	1450-2099
12	108889-01-707	EA CAPACITOR-RUN,COMP-25MFD/370	1499-5661
	091225-01-709	EA RELAY-START	1497-4131
13	108889-01-709	EA COIL-EVAPORATOR	1452A1311
	091225-01-710	EA CAPACITOR-START	1497-0881
	108889-01-720	EA TUBE-CAP	6792-1351
	108889-01-704	EA OVERLOAD(MRA#98693)	6749-3541
	108889-01-712	EA LINE-SUCTION,REDUCER3/8X1/2	1215-2161
	108889-01-713	EA LINE-SUCTION,3/8ODX032WALL	6792-130
	108889-01-714	EA LINEASSEMBLY-DISCHARGE	6792-531
	093306-01-701	EA DECALPACKAGE,LEFT&RIGHT	6798B3591

## HEATING&AIRCONDITIONINGGROUP(CONTINUED)

A/C-13,500BTU-EXPORT-COLEMAN-MODELTSR220

KEY	PARTNUMBER	U/M DESCRIPTION	VENDORNO.
1	108889-02-03A	EA AIRCONDITIONER-13,500BTU/220VOLT	
2	093763-01-712	EA BLADE-FAN-CONDENSER	6733-3221
3	105620-01-706	EA MOUNTINGPKG.,COMP.,3PER	6759-3081
4	108889-02-701	EA MOTOR	1468-3059
5	108889-01-706	EA IMPELLOR	1472-1041
6	093763-01-704	EA CAPACITOR-FAN	1499-5461
	108889-01-710	EA PAD-FILLER,CONDENSERSEAL	6759A3971
7	108889-01-711	EA GASKETPKG	6792-3301
8	108889-01-715	EA MOTORMOUNT&SHAFTSEALKIT	6792-3361
9	108889-05-700	EA SHROUD-BRIGHTWHITEW/OLOGO	7333-4601
10	108889-01-703	EA COIL-CONDENSER	1452A1301
11	108889-02-700	EA COMPRESSOR-TECUMSEH	1450A2029
12	108889-01-707	EA CAPACITOR-RUN,COMP-25MFD/370	1499-5661
	108889-02-703	EA RELAY-START	1497-4141
13	108889-01-709	EA COIL-EVAPORATOR	1452A1311
	108889-02-702	EA CAPACITOR-START	1497-0891
	105620-01-705	EA PROTECTOR-OVERLOAD,RH&LH	6759-3791
	108889-01-713	EA LINE-SUCTION,3/8ODX032WALL	6792-130
	108889-01-714	EA LINEASSEMBLY-DISCHARGE	6792-531
	093306-01-701	EA DECALPACKAGE,LEFT&RIGHT	6798B3591

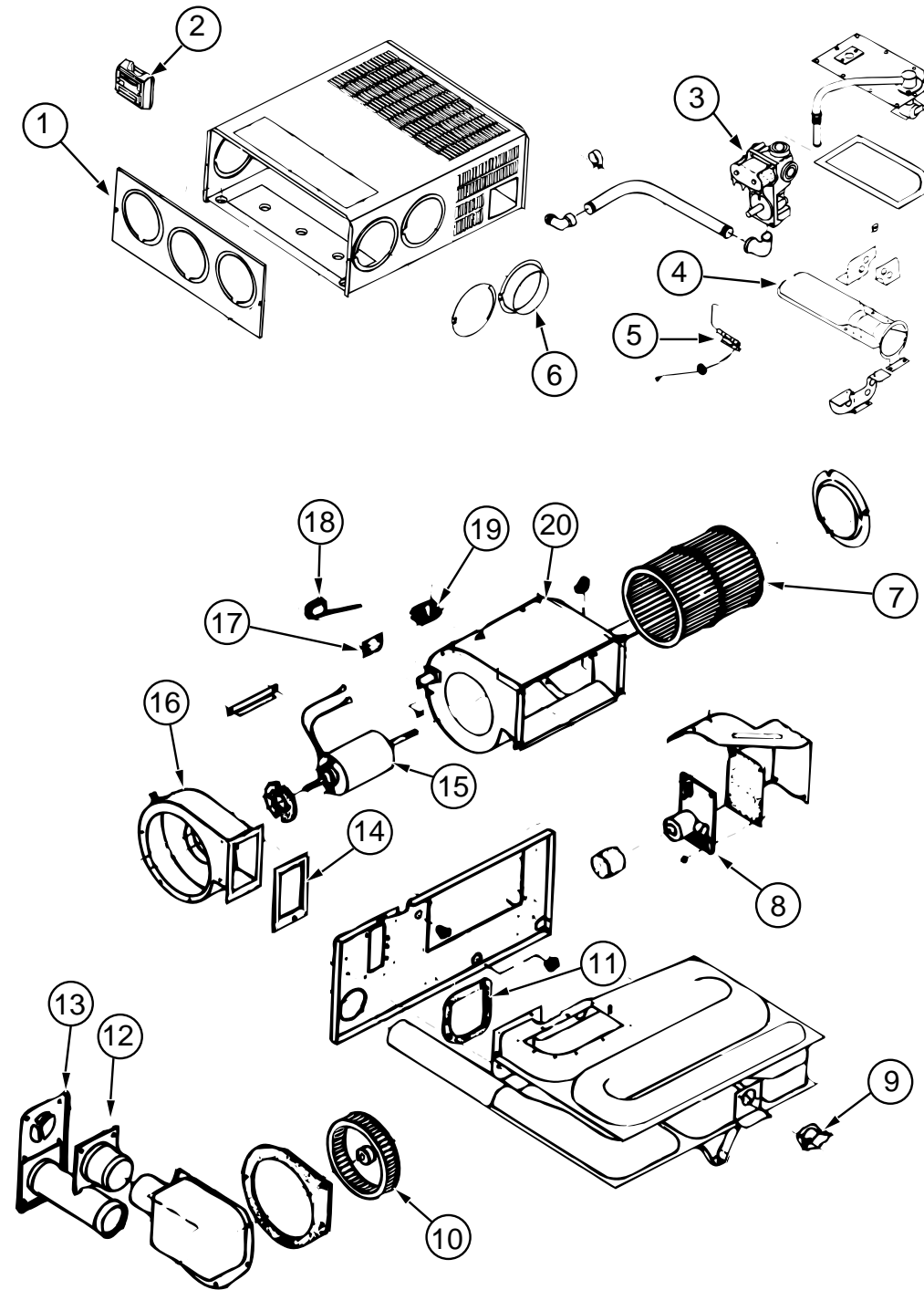
## CEILINGA/C-COLEMAN-U.S.&EXPORT

KEY	PARTNUMBER	U/M DESCRIPTION	VENDORNO.
	108891-01-02A	EA CEILINGASM-A/CCOOLTSRHO-COLEMAN7330-713WH	
	042204-01-709	EA THERMOSTAT-IN64OUT58	6701-3401
	073742-01-701	EA SELECTORSWITCH-5TERMINAL	6759-3251
	073742-01-702	EA DECALCOOLONLY	6759C3431
	108891-01-703	EA SHROUD-CEILINGWHITE	6769-5051
	091225-01-713	EA KNOB-2PERPACKAGE	6701-3351
	091225-01-717	EA DECAL-THERMOSTAT,COOLONLY	6799A3441
	093766-02-701	EA DECAL-LEFTSIDE	6799-3971
	108891-01-700	EA SINGLEPARTSPACKAGE-KNOBS&NUTS	6792-5991
	108891-01-701	EA RETAINERCLIPS-FILTER,6PER	6799-3141
	108891-01-702	EA COLLAR-DUCT,W/METALFLANGE	6792-4541
	076303-01-717	EA FILTER	
	022756-03-000	EA COVER-A/CPLASTIC	
	022756-02-000	EA COVER-PROTECTIVE,5.5"ENDSX8.2"	
	084077-03-000	EA COVER-BLANK,ROOFA/C-5.2"X3.5"-IVORY	



# HEATING & AIR CONDITIONING GROUP (CONTINUED)

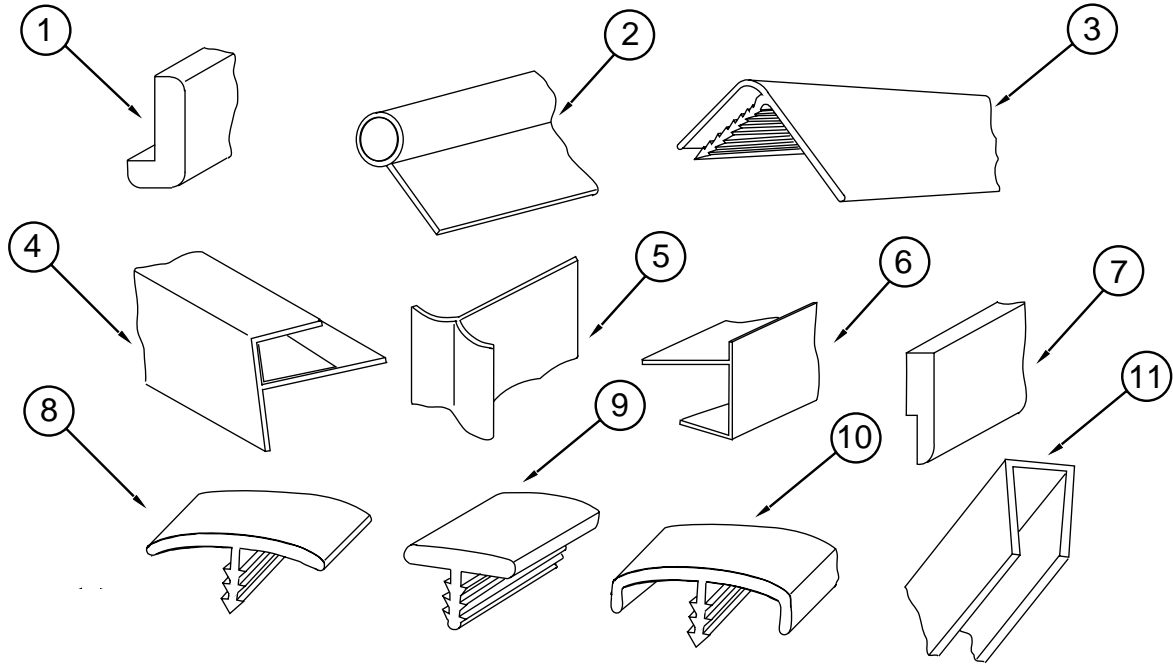
## FURNACE-25,000 BTU-SUBURBAN-MODEL SF-25



KEY	PARTNUMBER	U/M	DESCRIPTION	VENDOR NO.
	098668-19-000	EA	FURNACE-25000BTU	
1	098668-01-700	EA	CABINETFRONT	101242
2	115764-01-01A	EA	THERMOSTAT-FURNACE,SUBURBAN160902	
3	098668-01-714	EA	VALVE-GAS,SFS.N.921401821	161070
4	098668-01-703	EA	BURNERASSEMBLY	010762
5	098668-01-715	EA	ELECTRODEASM.,SINGLEPROBE	232166
6	075696-02-703	EA	COLLAR-DUCT	050715
7	098668-01-711	EA	WHEEL-BLOWER,ROOMAIR	350129
8	098668-01-712	EA	BOARD-MODULE	520741
9	098668-21-701	EA	SWITCH-LIMIT	231799
10	098668-01-706	EA	WHEEL-COMBUSTIONAIR	350128
11	098668-01-716	EA	GASKET-FIREWALL,CHAMBERSIDE	070808
12	098668-01-713	EA	TUBEASSEMBLY,INTAKE	051248
13	098668-01-707	EA	TUBEASSEMBLY,EXHAUSTW/CAP	260231
14	098668-01-717	EA	GASKET-FIREWALL,BLOWERSIDE	070809
15	098668-01-709	EA	MOTORASM.,F/SF-25,SF-30	231706
16	098668-01-708	EA	HOUSING-BLOWER,COMBUSTION	390441
17	101990-01-714	EA	GASKET-MICROSWITCH	230877
18	098668-21-700	EA	SWITCH-MICRO,W/OFLAG31/4"	232261
19	074466-01-702	EA	RELAY,TIMEDELAY	230625
20	098668-01-710	EA	HOUSING-BLOWER,ROOMAIR	390440
	090039-01-703	EA	ORIFICE-MAINBURNER	180193
	098668-23-000	EA	DOOR-ACCESS-FURNACE	
	009198-01-000	FT	DUCT-HEAT,FLEXIBLE-4"IDX25FT	
	009200-01-000	EA	TAPE-FURNACE,11/2"	
	069636-02-000	EA	CONNECTOR-DUCT,4"ID-SUBURBAN050715	
	089367-01-000	EA	TEE-4"OD,7"LONG-METAL	
	056464-10-000	EA	REGISTER-W/ODAMPER,4"DIAMETER-DURA-BEIGE	
	093614-01-02A	EA	GRILLE-RETURNAIR,DURABEIGE	

# INTERIORFINISHGROUP

## MOLDINGS&TRIMS



KEY	PARTNUMBER	U/M	DESCRIPTION
	117267-D2-438	EA	LUMBER-.7"X1.49"X96"VINYLWRAPPED-WATERFORDOAK
	117267-E2-438	EA	LUMBER-.7"X2"X96"-VINYLWRAPPED-WATERFORDOAK
	117267-G2-438	EA	LUMBER-.7"X3"X96"-VINYLWRAPPED-WATERFORDOAK
	117268-D2-134	EA	MOLDING-VINYLWRAPPED-.7"X1.6"X7'-WATERFORDOAK
	117268-F2-134	EA	MOLDING-VINYLWRAPPED-.7"X2.6"X8'-WATERFORDOAK
	117268-F2-438	EA	MOLDING-VINYLWRAPPED-.7"X2.6"X8'-WATERFORD
	100818-01-05A	EA	MOLDING-VINYLWRAPPED-1.65"X.4"X7'-WATERFORDOAK
	100819-01-05A	EA	MOLDING-VINYLWRAPPED-DOOR-WATERFORDOAK
	079653-28-000	EA	MOLDING-BATTSTRIP-WATERFORDOAK
	081294-02-000	EA	MOLDING-SHELF,NOTCHEDWOOD-8'LONG
	009767-15-000	FT	WELTING-WATERFORDOAK
	120492-01-04A	FT	STRIP-TRIM-WATERFORDOAK
	076325-34-000	FT	MOLDING-EDGE BAND-15/16"X.030"-ORCHIDMIST
	076325-43-000	FT	MOLDING-EDGE BAND-.876"X.024"-CLOUD(H04)
	076325-38-000	FT	MOLDING-EDGE BAND-.876"X.024"-NEUTRAL(H05)
	076325-44-000	FT	MOLDING-EDGE BAND-.876"X.024"-SAND(H24/H26)
	076325-46-000	FT	MOLDING-EDGE BAND-15/16"X.030"-CLOUD(H04)
	076325-37-000	FT	MOLDING-EDGE BAND-15/16"X.030"-NEUTRAL(H05)
	076325-47-000	FT	MOLDING-EDGE BAND-15/16"X.030"-SAND(H24/H26)
	076325-67-000	FT	MOLDING-EDGE BAND-.93"X.024"-WATERFORDOAK
	076325-68-000	FT	MOLDING-EDGE BAND-15/16"X.038"-WATERFORDOAK
	100659-01-G09	EA	MOLDING-TRIM-VINYLFLOOR
	112198-02-000	FT	MOLDING-#90066J-MOLDING-CRILAPLASTICS
	075249-01-000	EA	RAILING-OAK-72"UNFINISHED-WATERORDOAK
	093873-01-01A	EA	TRIM-CARPET-L-ANGLE 1.1"X1.3"X12'-GRAYVINYL
	085746-04-000	FT	TRIM-J-CARPET 1.2"X.5"ANGLE-12'LONG-OFFWHITE

KEY	PARTNUMBER	U/M	DESCRIPTION
1	077840-01-G01	EA	MOLDING-CAP-WALL-8'
1	077840-01-E41	EA	MOLDING-CAP-WALL-8'-EXPORT
2	009767-12-000	FT	MOLDING-SIDEWALLTOCEILING/CABINET-WELTING-OFFWHITE
3	009809-23-000	EA	MOLDING-CORNER-OUTSIDE-1"X84"-IVORYPLASTIC
3	009809-28-000	EA	MOLDING-PLASTIC-OUTSIDE-1"X84"-WATERFORDOAK
4	009812-29-000	EA	MOLDING-PLASTIC-OUTSIDE CORNER-.50"-WATERFORDOAK
4	009812-24-000	EA	MOLDING-PLASTIC-OUTSIDE CORNER-.50"-IVORY
5	022992-11-000	FT	MOLDING-REVERSE COVE-T-SHAPED VINYL-IVORY
5	022992-12-000	FT	MOLDING-REVERSE COVE
6	103186-01-05A	FT	MOLDING-SHELF EDGE-.78" PLASTIC-WATERFORDOAK
7	105004-01-05A	EA	MOLDING-VINYLWRAPPED-1"X8'WATERFORDOAK
8	009815-09-000	FT	MOLDING-T-.75"IVORY
9	104676-01-01A	FT	T-MOLDING-5/16"-RIGIDGOLD
9	104676-02-04A	FT	T-MOLDING-1/2"X10'-WATERFORDOAK
10	083620-09-000	FT	MOLDING-T-ENDCAP EDGE-W/EDGELIPS-.75"-MODERNIVORY
10	083620-12-000	FT	MOLDING-T-.75"-W/EDGELIPS-WATERFORDOAK
10	119520-01-01A	FT	MOLDING-T-1"-W/EDGELIPS(OFF/WHITE-CREAM)
11	009778-21-000	FT	U-CHANNEL-1"X96"-INCREMENTS-PLASTIC-WATERFORDOAK
11	070504-36-000	FT	U-CHANNEL-EXTRUDED PLASTIC-.65"X72"-WATERFORDOAK
11	070504-37-000	FT	U-CHANNEL-EXTRUDED PLASTIC-.81"X84"-WATERFORDOAK

**INTERIORFINISHGROUP(CONTINUED)**

**CARPETING&FLOORMATS**

KEY	PARTNUMBER	U/M	DESCRIPTION
	096060-A8-000	SY	CARPET-BLUELAGOON-INCREMENTSOF4SQYD(H04)
	096060-99-000	SY	CARPET-PARCHMENT-INCREMENTSOF4SQYD(H05)
	096060-B2-000	SY	CARPET-JUBLIATION-INCREMENTSOF4SQYD(H24)
	096060-95-000	SY	CARPET-DOESKIN-INCREMENTSOF4SQYD(H26)
	093486-01-000	SY	CARPET-COMPARTMENT-72"WIDE-DARKGRAY
	106884-01-000	EA	MAT-FLOOR-FRONTPASSENGER"W"-FORD FROM: 00-00-00 THRU: 02-02-97
	125780-01-000	EA	MAT-FLOOR-FRONTPASSENGER"W"-FORD FROM: 02-03-97 THRU: 99-99-99
	106884-02-000	EA	MAT-FLOOR-FRONTDRIVER"W"-FORD FROM: 00-00-00 THRU: 02-02-97
	125780-02-000	EA	MAT-FLOOR-FRONTDRIVER"W"-FORD FROM: 02-03-97 THRU: 99-99-99
	102569-04-000	EA	MAT-ANTISLIP

**BATTSTRIPS**

KEY	PARTNUMBER	U/M	DESCRIPTION
	088263-D8-000	EA	BATTSTRIP-DECORATIVE-MICKENSIE/CREAM-8'LONG(H04)
	088263-D7-000	EA	BATTSTRIP-DECORATIVE-WINDY/WILLOW-8'LONG(H05)
	088263-C7-000	EA	BATTSTRIP-DECORATIVE-ETCHINGS/SAGE-8'LONG(H24/H26)
	088263-D6-000	EA	BATTSTRIP-DECORATIVE-IMPACTPEARL-8'LONG FROM: 00-00-00 THRU: 11-19-96
	088263-F7-000	EA	BATTSTRIP-DECORATIVE-IMPACTPEARL-8'LONG FROM: 11-20-96 THRU: 99-99-99
	069733-83-000	EA	BATTSTRIP-WOODGRAINED/WATERFORDOAK-8'LONG
	085284-D2-000	FT	BATTTAPE-ADHESIVEBACKED-DECORATIVE-MICKENSIE/CREAM(H04)
	085284-D1-000	FT	BATTTAPE-ADHESIVEBACKED-DECORATIVE-WINDY/WILLOW(H05)
	085284-C1-000	FT	BATTTAPE-ADHESIVEBACKED-DECORATIVE-ETCHINGS/SAGE(H24/H26)
	085284-C9-000	FT	BATTTAPE-ADHESIVEBACKED-CEILING-IMPACTPEARL FROM: 00-00-00 THRU: 11-19-96
	085284-F3-000	FT	BATTTAPE-ADHESIVEBACKED-CEILING-IMPACTPEARL FROM: 11-20-96 THRU: 99-99-99
	085284-D6-000	FT	BATTTAPE-ADHESIVEBACKED-DECORATIVE-EMBOSEDANTIQUE
	085284-B5-000	FT	BATTTAPE-ADHESIVEBACKED-WOODGRAINED/WATERFORDOAK
	086229-01-000	EA	RETAINER-BATTEN-.75"X92.24"-IVORY
	086229-13-000	EA	BATTEN-1"X96"-IVORY
	086229-20-000	EA	BATTEN-1"X96"-BEIGE
	086229-11-000	EA	RETAINER-OFFSET-97.01" FROM: 05-05-97 THRU: 99-99-99
	086229-12-000	EA	BATTEN-1.5"OFFSETX97.01" FROM: 05-05-97 THRU: 99-99-99

**INTERIORFINISHGROUP(CONTINUED)**

**PANELING,LAMINATES&PLASTIC**

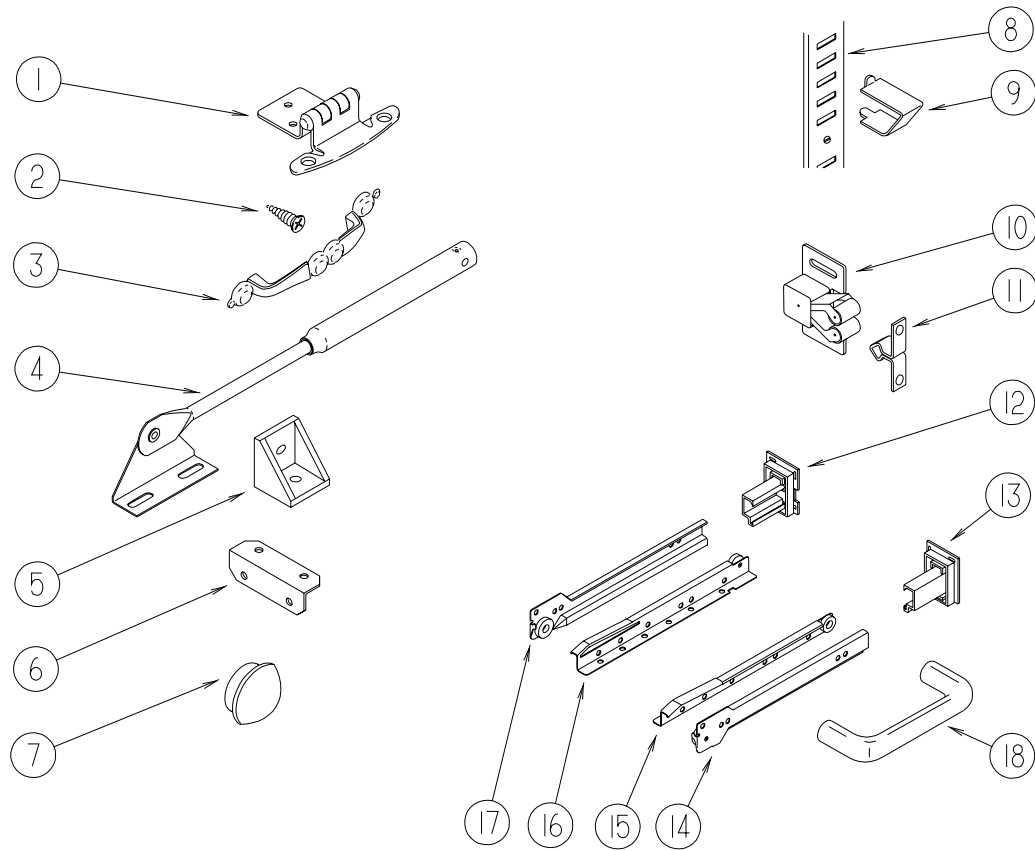
KEY	PARTNUMBER	U/M	DESCRIPTION
	074497-34-000	SF	PANELING-CEILING-IMPACTPEARL-4'X9' FROM: 00-00-00 THRU: 11-19-96
	074497-37-000	SF	PANELING-CEILING-IMPACTPEARL-4'X9' FROM: 11-20-96 THRU: 99-99-99
	074497-28-000	SF	PANELING-WATERFORDOAK-4'X8'
	080215-10-000	SF	PANELING-2SIDE-WATERFORDOAK-4'X8'
	088272-F6-000	SF	PANELING-MCKENSIE/CREAM(H04)
	088272-F5-000	SF	PANELING-WINDY/WILLOW(H05)
	088272-E8-000	SF	PANELING-ETCHINGS/SAGE(H24/H26)
	088272-G1-000	SF	PANELING-PEBBLEEMBOSSANTIQUE-4'X7'-INCOF28SQFT
	088272-98-000	SF	PANELING-TRAVERTINE-ANT.WHITE-4'X7'
	074498-62-000	SF	LAMINATE-PLASTIC-GREYFINESSE-5'X8'INCOF40SF(H04)
	074498-72-000	SF	LAMINATE-PLASTIC-PEBBLESANTOS-5'X8'INCOF40SF(H05)
	074498-54-000	SF	LAMINATE-PLASTIC-SANDSPEKTRUM-5'X8'INCREMENTS40SF(H24/H26)
	074498-67-000	SF	LAMINATE-PLASTIC-ORCHIDMIST-60"X96"
	074498-77-000	SF	LAMINATE-PLASTICARTCABIN5'X8'INCOF40SQFT
	000885-76-000	SF	PARTICLEBOARD-3/8"X4'X8'WATERFORDOAKVINYL1SIDE
	000885-77-000	SF	PARTICLEBOARD-3/8"X4'X8'WATERFORDOAKVINYL2SIDED
	000885-78-000	SF	PARTICLEBOARD-1/2"X4'X8'WATERFORDOAK-VINYL2SIDE
	000885-79-000	SF	PARTICLEBOARD-3/4"X4'X8'WATERFORDOAKVINYL2SIDED
	057882-04-000	SF	TAMBOUR-48"X72"SHEET-UNFINISHED
	098531-03-000	SF	PLYWOOD-WATERFORDOAK1/2"
	000846-02-000	SF	PLYWOOD-5/16"X4'X8'
	000846-02-000	SF	PLYWOOD/UNDERLAYMENT-5/16"X48"X96"
	093743-05-01A	SF	PLASTIC-ABSCOIL-BRIGHTWHITE-20"X108"
	126339-01-000	SF	BOARD-WHEAT-60"X72"

**FIREEXTINGUISHER&DETECTORS**

KEY	PARTNUMBER	U/M	DESCRIPTION
	072852-02-000	EA	DETECTOR-SMOKE-W/9/VOLTBATTERY-CANADIAN
	094499-02-000	EA	EXTINGUISHER/FIRE-DRY-1A10BC-CANADIAN
	094499-01-700	EA	BRACKETMTG.W/PLAS.STRAP 294039
	072852-01-000	EA	DETECTOR-SMOKE-W/9VOLTBATTERY-US
	094499-01-000	EA	EXTINGUISHER-FIRE-DRYW/MOUNTINGBRACKET-10B:C
	094499-01-700	EA	BRACKETMTG.W/PLAS.STRAP 294039
	094499-01-701	EA	STRAPONLY(METAL) 320351
	112320-03-000	EA	DETECTOR-COGASMODEL9D-I FROM: 00-00-00 THRU: 10-20-96
	112320-04-000	EA	BATTERY/SENSORMODULE-CO(BLACKMODULE)F/9D-ISYSTEM FROM: 00-00-00 THRU: 10-20-96
	125136-01-000	EA	DETECTOR-CO-GAS-MODEL9L-I FROM: 10-21-96 THRU: 99-99-99

# INTERIORFINISHGROUP(CONTINUED)

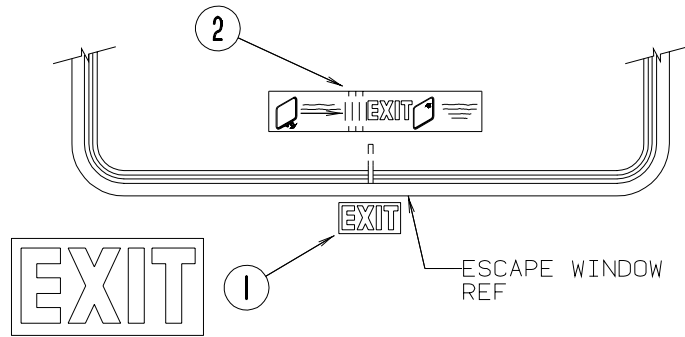
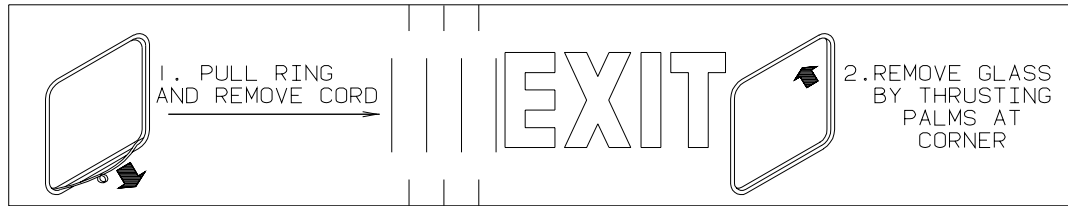
## CABINET&TABLEHARDWARE



KEY	PARTNUMBER	U/M	DESCRIPTION
15	114031-04-000	EA	SLIDE-12"-RIGHTSIDE/DRAWER
15	114031-08-000	EA	SLIDE-14"-RIGHTSIDE/DRAWER
15	114031-12-000	EA	SLIDE-16"-RIGHTSIDE/DRAWER
15	114031-16-000	EA	SLIDE-18"-RIGHTSIDE/DRAWER
15	114031-20-000	EA	SLIDE-20"-RIGHTSIDE/DRAWER
16	114031-03-000	EA	SLIDE-12"-LEFTSIDE/DRAWER
16	114031-07-000	EA	SLIDE-14"-LEFTSIDE/DRAWER
16	114031-11-000	EA	SLIDE-16"-LEFTSIDE/DRAWER
16	114031-15-000	EA	SLIDE-18"-LEFTSIDE/DRAWER
16	114031-19-000	EA	SLIDE-20"-LEFTSIDE/DRAWER
17	114031-01-000	EA	SLIDE-12"-LEFTSIDE/CABINET
17	114031-05-000	EA	SLIDE-14"-LEFTSIDE/CABINET
17	114031-09-000	EA	SLIDE-16"-LEFTSIDE/CABINET
17	114031-13-000	EA	SLIDE-18"-LEFTSIDE/CABINET
17	114031-17-000	EA	SLIDE-20"-LEFTSIDE/CABINET
18	111093-01-000	EA	PULL-CABINET-BRASS
	004354-01-000	EA	BUMPER-RUBBER-.5"DIA-BROWN
	009112-01-000	EA	FLANGE-1"CLOTHESROD-OFFWHITEPLASTIC
	023320-01-000	EA	PAD-FELT3/8"DIAMETER
	041389-35-000	EA	HINGE-PIANO-OFFWHITE-31"
	042438-01-000	EA	DOWEL-WOOD-CLOTHESROD-1"DIAMETERX4'
	042438-02-000	EA	DOWEL-WOOD-2"X2"
	076790-01-000	EA	SCREW-6-20X1 1/4PPH-BLACK
	076790-05-000	EA	SCREW-6-20X1/2PPH-BLACK-THREADCUTTING,WOOD
	079921-01-000	EA	ROLLER-NYLON-W/STEELSHAFT-BARBED
	084451-01-000	EA	CATCH-TVSHelf-BRASS
	102194-01-000	EA	GUIDE-PLASTIC
	103256-01-000	EA	LATCH-SLIDE

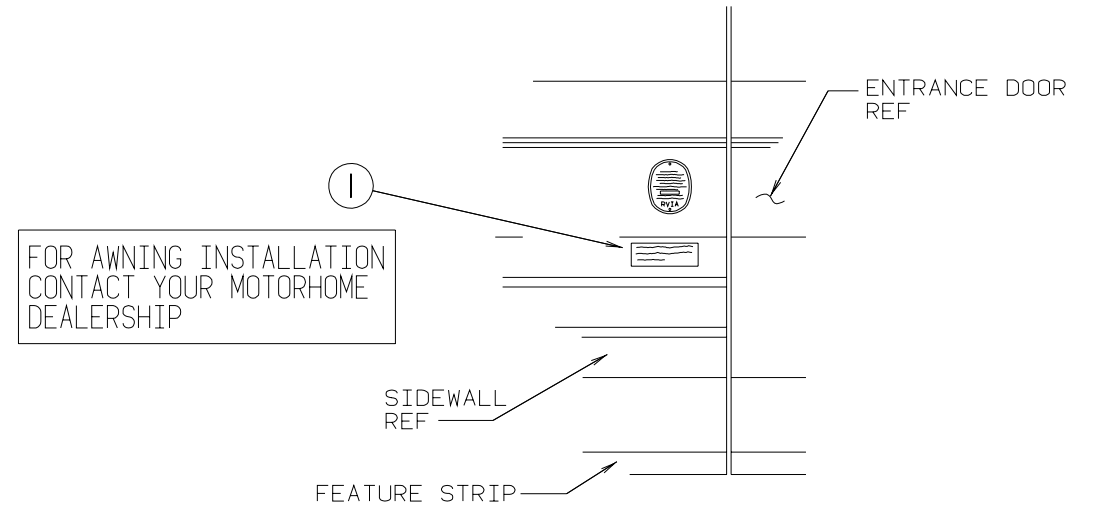
KEY	PARTNUMBER	U/M	DESCRIPTION
1	108138-01-000	EA	HINGE-DOOR,CABINET-BURNISHEDBRASS
2	000G13-06-10G	EA	SCREW-6-20X5/8PFH-ANTIQUEBRASS
	117800-01-01A	EA	PULL-CABINET-BRASS
4	074493-02-000	EA	SUPPORT-PISTONSPRING,CABINETDOOR
5	065740-01-000	EA	BRACE-CABINET/CORNER-PLASTIC
6	016604-01-000	EA	BRACE-CABINET-ANGLE-2.5"-UNPAINTEDMETAL
6	016604-05-000	EA	BRACE-CABINET-ANGLE-2.5"-OFFWHITEMETAL
7	074045-07-000	EA	PLUG-WOOD,1/2"
8	098980-01-000	EA	PILASTER-ADJUSTABLESHELF,18"LONG-WOODGRAINAPPEARANCE
9	098979-01-000	EA	CLIP-ADJUSTABLESHELF
10	093586-06-000	EA	CATCH-SPRING-ROLLER
11	093586-05-000	EA	STRIKE-SPRINGSTEEL
12	114045-01-000	EA	BACKSOCKET-ADJUSTABLELEFT
13	114045-02-000	EA	BACKSOCKET-ADJUSTABLERIGHT
14	114031-02-000	EA	SLIDE-12"-RIGHTSIDE/CABINET
14	114031-06-000	EA	SLIDE-14"-RIGHTSIDE/CABINET
14	114031-10-000	EA	SLIDE-16"-RIGHTSIDE/CABINET
14	114031-14-000	EA	SLIDE-18"-RIGHTSIDE/CABINET
14	114031-18-000	EA	SLIDE-20"-RIGHTSIDE/CABINET

**LABELSGROUP**

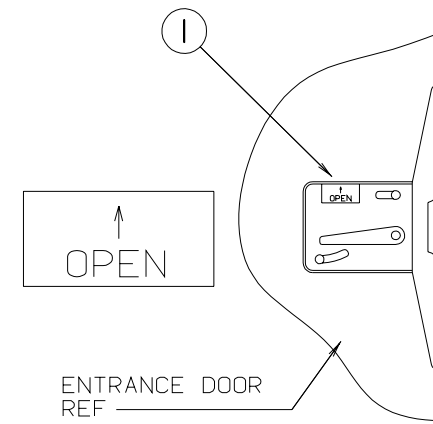


KEY	PARTNUMBER	U/M DESCRIPTION
1	039290-01-000	EA LABEL-WARNING-EXIT
2	107571-01-000	EA LABEL-EXIT/ESCAPEWINDOW

**LABELSGROUP(CONTINUED)**



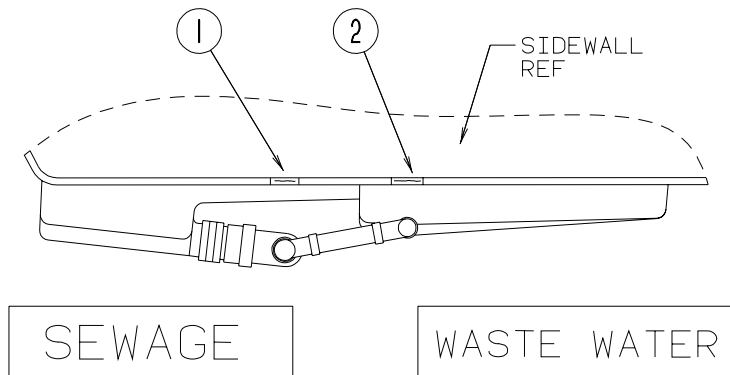
KEY	PARTNUMBER	U/M DESCRIPTION
1	099509-01-000	EA LABEL-AWNINGINSTALLATION



KEY	PARTNUMBER	U/M DESCRIPTION
1	040944-01-000	EA LABEL-ENTRANCEDOOR-"OPEN"

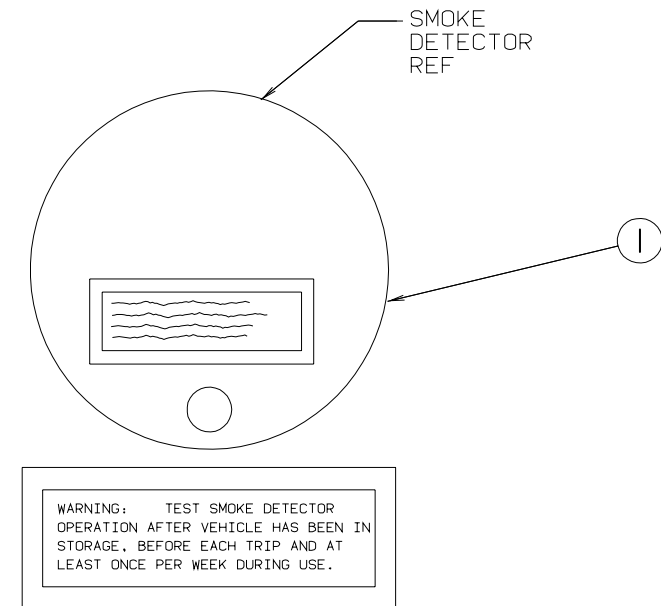
**LABELSGROUP(CONTINUED)**  
**MISCELLANEOUSLABELS**

KEY	PARTNUMBER	U/M DESCRIPTION
	006040-01-000	EA TAG-GASREFUELWARNING FROM: 00-00-00 THRU: 09-01-96
	006040-02-000	EA TAG-GASREFUELWARNING-CSA FROM: 00-00-00 THRU: 09-01-96
	006064-01-000	EA LABEL-SEATW/OSEATBELT NOTINTENDEDFORUSEWHILECOACHINMOTION
	023769-01-000	EA LABEL-WARNING-LPG-CANADIAN
	054531-01-000	EA LABEL-LPGASONLY FROM: 00-00-00 THRU: 09-01-96
	124520-01-01A	EA LABEL-LPGASONLY FROM: 09-02-96 THRU: 99-99-99
	056259-01-000	EA LABEL-SAFETYCHECKLIST
	061417-01-000	EA LABEL-FUEL-ONFUELFILLDOOR
	062043-01-000	EA LABEL-FUEL-UNLEADED
	073998-01-000	EA LABEL-LPGODORWARNING
	079966-01-000	EA LABEL-WARNING-STOWED-MOTION
	087236-01-000	EA LABEL-CABLE-INPUT
	091243-01-000	EA LABEL-A/C COVER "AIR CONDITIONING CIRCUIT ETC."
	093236-08-000	EA LABEL-CIRCUITBREAKER
	111104-01-000	EA LABEL-HITCH-READMANUAL-WHITE
	111104-02-000	EA LABEL-HITCH-READMANUAL-BLACK
	124519-01-01A	EA LABEL-WARNING/REFUELING FROM: 06-02-96 THRU: 99-99-99
	124519-02-01A	EA LABEL-WARNING/REFUELING-CSA FROM: 09-02-96 THRU: 99-99-99
	126611-01-000	EA LABEL-AIRBAG-VISOR
	126612-01-000	EA LABEL-HANGTAG-AIRBAG-DASH

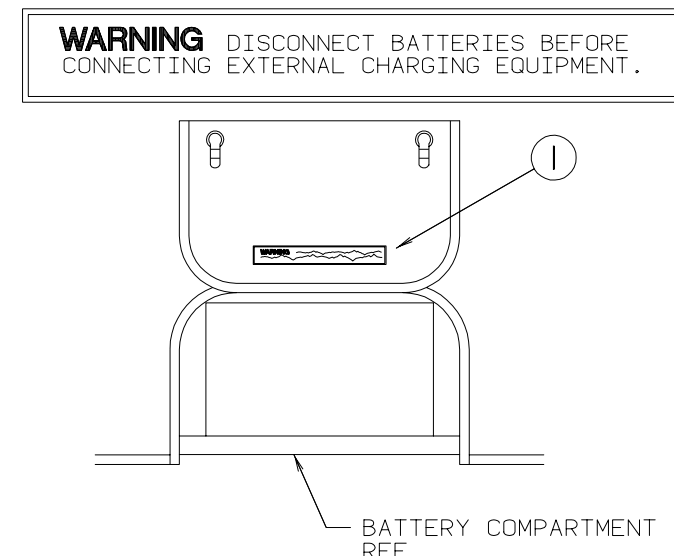


KEY	PARTNUMBER	U/M DESCRIPTION
1	006187-01-000	EA LABEL-SEWAGE
2	006188-01-000	EA LABEL-WASTEWATER

**LABELSGROUP(CONTINUED)**

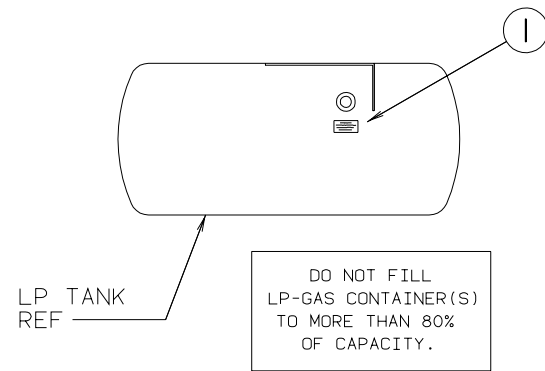


KEY	PARTNUMBER	U/M DESCRIPTION
1	077956-01-000	EA LABEL-WARNING-SMOKEDETECTOR

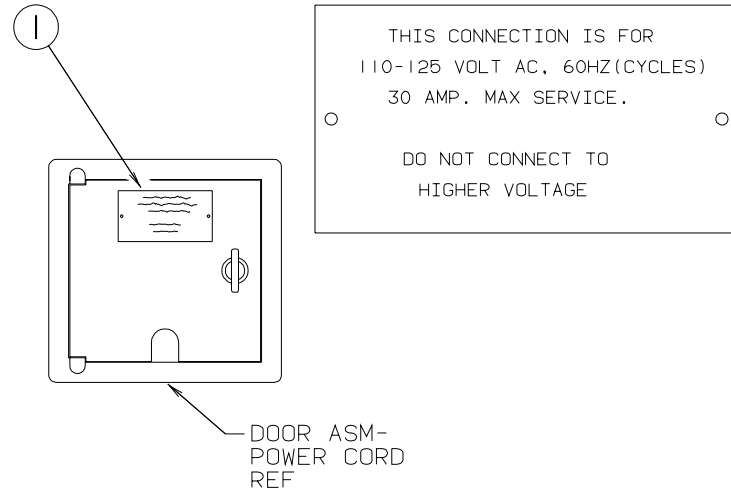


KEY	PARTNUMBER	U/M DESCRIPTION
1	065748-01-000	EA LABEL-CAUTION-BATTERYCHARGING

**LABELSGROUP(CONTINUED)**

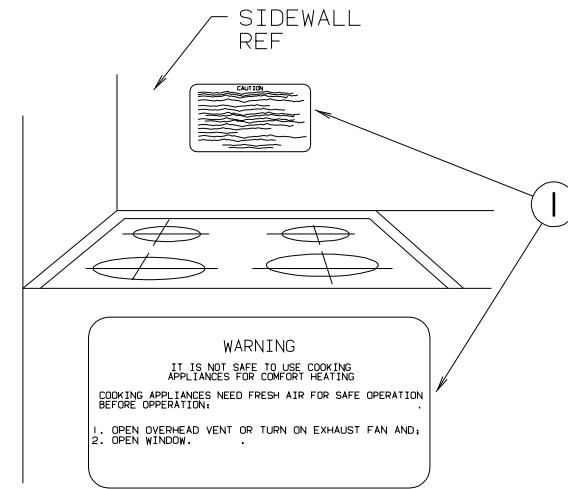


KEY	PARTNUMBER	U/M DESCRIPTION
1	079965-01-000	EA LABEL-LPG-80%CAPACITY

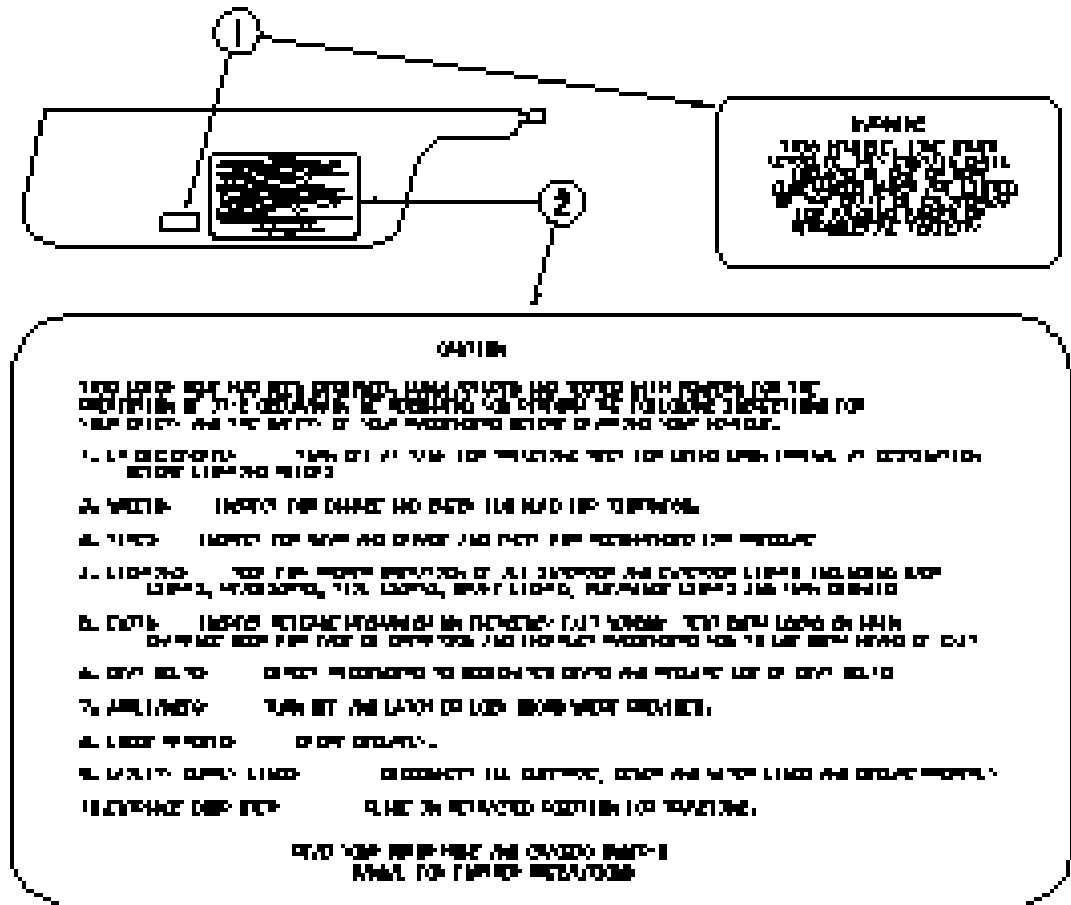


KEY	PARTNUMBER	U/M DESCRIPTION
1	006062-01-000	EA LABEL-ELECTRIC-110VOLTCONNECTION

**LABELSGROUP(CONTINUED)**



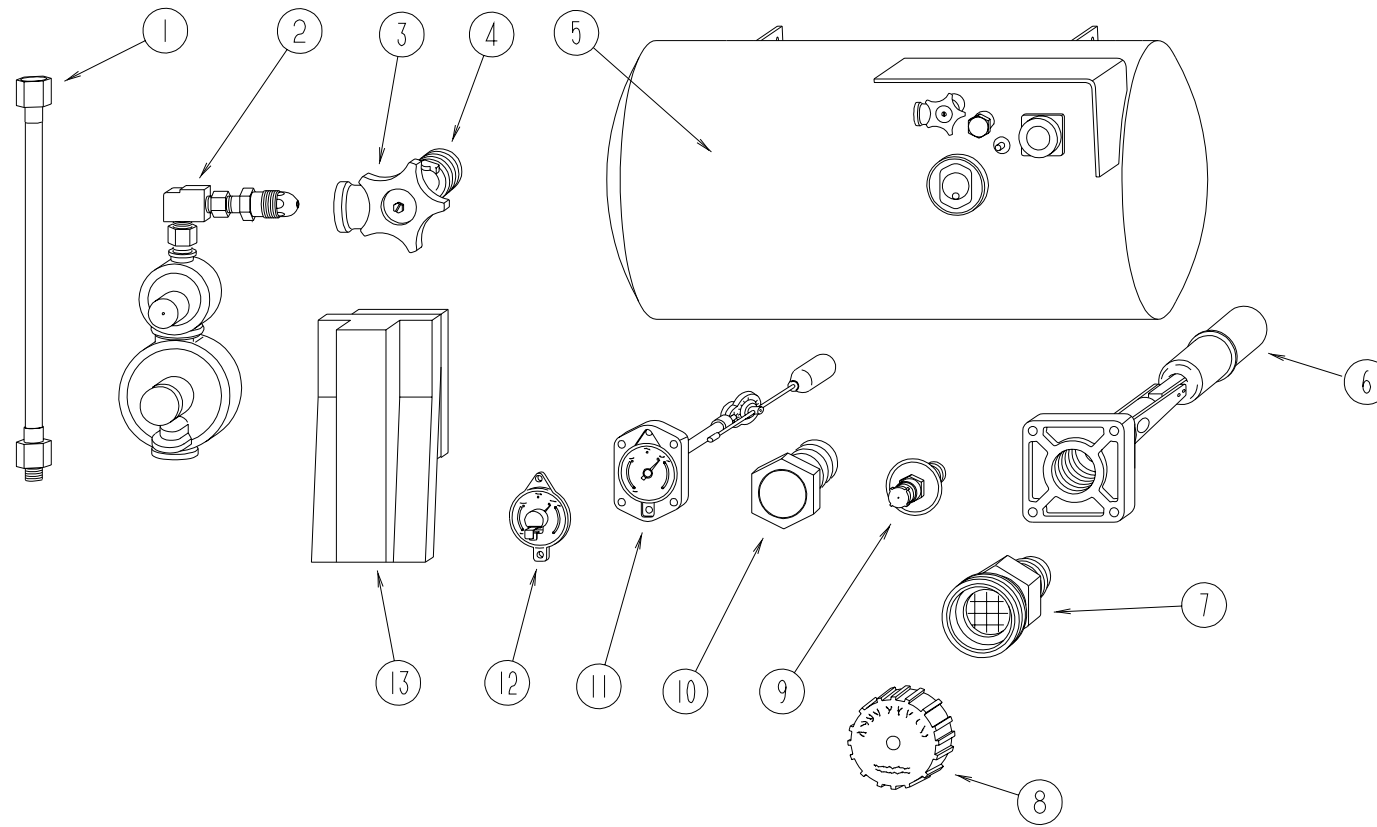
KEY	PARTNUMBER	U/M DESCRIPTION
1	050225-01-000	EA LABEL-WARNING-STOVEVENT-US



KEY	PARTNUMBER	U/M DESCRIPTION
1	111802-01-000	EA LABEL-CFCWARNING
2	099689-01-000	EA LABEL-WARNING-CANCER/TOXICITY

# LPGROUP

## LPTANK&COMPONENTS

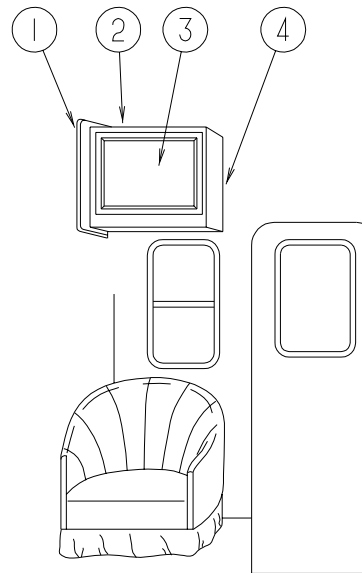


KEY	PARTNUMBER	U/M	DESCRIPTION	VENDORNO.
1	045703-02-000	EA	HOSE-LP-3/8"ID X 24" - 3/8" MPT X 1/2" F - SWIVEL - CAN	
1	045703-01-000	EA	HOSE-LP-3/8"ID X 24" - 3/8" MPT X 1/2" SWIVEL - U.S.	
1	045703-09-000	EA	HOSE-LP-3/8ID X 24-3/8F SWIVEL X 3/8F SWIVEL	
2	106150-02-000	EA	REGULATOR-TWOSTAGE	
3	040421-01-708	EA	HANDWHEEL-SERVICEVALVE	G-1015-A
4	040421-01-712	EA	VALVE,SERV.W/OVAPORRELIEF	29000853
5	080450-01-000	EA	TANK-LP-42LB-13"DIAMETER X 24" LONG	
6	040421-01-711	EA	VALVE-80%FILLW/AUTOSTOP	LLL/TL3
7	040421-01-701	EA	VALVE-FILL-SHORT,LP	75478
8	040421-01-702	EA	CAP-FILLVALVE,PLASTIC	G-1014-A
9	040421-01-700	EA	VALVE-LIQUIDLEVEL,20%	G-1013
10	040421-01-713	EA	VALVE-VAPORONLY	29000587
11	074142-01-700	EA	FLOATASM.SCREWONF/13" TANK	13C-SCR
	074142-01-701	EA	FLOATASM.(SIGHTGAUGE)BOLT	13C-BLT
12	040440-02-000	EA	TRANSMITTER-DIAL-0-90OHM-2TERMINAL (POWER&GROUND)	
12	040421-01-706	EA	DIAL-LP TANK VOLUME-VISIBLEFACE-USEW/MONITORPANEL	
13	105658-01-000	EA	COMPARTMENT-LPREGULATOR	

KEY	PARTNUMBER	U/M	DESCRIPTION
	010252-01-000	EA	ELBOW-BRASS-90DEGREE-3/8FX1/2MPT
	010265-01-000	EA	ELBOW-BRASS-90DEGREE-3/8"FX1/2" FPT
	065318-02-000	EA	ELBOW-90DEGREE-3/8" MPT TO 3/8" FPT
	010323-01-000	EA	ADAPTER-BRASS-3/8"FX1/2" MPT
	057042-01-000	EA	ADAPTER-CROSS1/2" PIPE
	010377-02-000	EA	NUT-BRASS-3/8" FLARE-FORGED
	010380-02-000	EA	NUT-BRASS-1/2" FLARE-FORGED
	103613-02-000	EA	DETECTOR-LPGAS



## LOUNGE GROUP



## LOUNGE GROUP (CONTINUED)

### CABINET-OVERHEAD

KEY	PARTNUMBER	U/M	DESCRIPTION
1	104335-23-H04	EA	ENDCAP-OVERHEAD-WATERFORDOAK
2	124390-01-H04	EA	CABINET-OVERHEAD-W/ODOORS/HARDWARE-WATERFORDOAK
3	110140-98-H04	EA	DOOR-MITEREDCORNER/VINYLWRAP-15.7"X19.7"-WATERFORDOAK
4	104335-22-H04	EA	ENDCAP-OVERHEAD-WATERFORDOAK

### LID-ENTRANCEDOORCABINET

KEY	PARTNUMBER	U/M	DESCRIPTION
	P14437-03-000	EA	CABINET-LIDENTRANCEDOOR-W/OCARPET
	101222-01-02A	EA	BRACKET-CATCH-LID-OFFWHITE

### CABINET-W/OTV/VCROPTION

KEY	PARTNUMBER	U/M	DESCRIPTION
1	121877-14-H04	EA	ENDCAP-OVERHEAD-WATERFORDOAK
2	M08163-01-H04	EA	CABINET-W/OTV/VCROPTION-W/ODOORS/HARDWARE-WATERFORDOAK
	122469-01-02B	EA	BRACKET-ZEE,E-COAT
	122298-02-02B	EA	BRACKET-TV/VCR-LEFTHAND
	122298-03-02B	EA	BRACKET-TV/VCR-RIGHTHAND
3	057882-04-000	EA	TAMBOUR-48"X96"SHEET-UNFINISHED
4	121877-15-H04	EA	ENDCAP-OVERHEAD-WATERFORDOAK

### CABINET-W/TV/VCROPTION

KEY	PARTNUMBER	U/M	DESCRIPTION
1	121877-13-H04	EA	ENDCAP-OVERHEAD-WATERFORDOAK
2	M08163-02-H04	EA	CABINET-W/TV/VCROPTION-WATERFORDOAK
	122469-02-02B	EA	BRACKET-ZEE,E-COAT
	122298-02-02B	EA	BRACKET-TV/VCR-LEFTHAND
	122298-03-02B	EA	BRACKET-TV/VCR-RIGHTHAND
	091261-01-000	FT	SLIPNOT-ANTISLIP-1"WIDE(100'ROLL)
	099717-04-000	EA	STRAP-TIEDOWNW/21.3"FEMALESTRAP&27.2"MALESTRAP
	121877-11-H04	EA	SHELF-W/SLIDEANDSWIVEL
	103256-01-000	EA	LATCH-SLIDE
	116773-02-000	EA	SLIDE-SWIVEL-TV
3	057882-04-700	EA	DOOR-TAMBOUR4'X4'PCWINONA
4	121877-15-H04	EA	ENDCAP-OVERHEAD-WATERFORDOAK

**SEALANTS&FASTENERSGROUP  
ADHESIVESANDSEALERS**

KEY	PARTNUMBER	U/M	DESCRIPTION
	002707-02-000	FT	TAPE-SEALER-5/16"X1/2"-INCREMENTSOF50FT
	004006-05-700	EA	ADHESIVE-NAT.STARCH(5GAL) 0802
	004020-01-000	QT	ADHESIVE-ABSCEMENT-QUART
	034552-02-000	EA	SILICONE-TUBE-300ML-W/ONNOZZLE-CLEAR
	034552-06-000	EA	SILICONE-TUBE-300ML-W/ONNOZZLE-OFFWHITE
	034552-15-000	EA	SILICONE-TUBE-300ML-W/ONNOZZLE-BRIGHTWHITE
	039518-01-000	EA	SILICONE-TUBE-300ML-BLACK-W/ONNOZZLE
	053766-02-000	EA	BEDDINGCOMPOUND-TUBE-WHITE
	053766-06-000	EA	BEDDINGCOMPOUND-TUBE-CLEAR
	053766-08-000	EA	BEDDINGCOMPOUND-TUBE/GRAY
	063642-01-000	FT	TAPE-ADHESIVE-10MILX1.5"X180"
	069640-01-000	FT	SEALER-RIBBON-1/4"DIAMETER-INCREMENTSOF30'
	069640-02-000	FT	SEALER-RIBBON-1/2"X1/8"-INCREMENTSOF60'
	069640-03-000	FT	SEALER-RIBBON-3/4"X1/8"-INCREMENTSOF60'
	069640-10-000	FT	SEALER-TAPE-1/32"THICKX1.50"WIDEX90'
	069640-17-000	FT	SEALER-TAPE-1/32"THICKX1"WIDEX90'
	069640-18-000	FT	SEALER-TAPE-1/2"THICKX1/8"X60'
	069640-11-000	FT	SEALER-RIBBON-3/16"X3/8"-BLACK
	072889-09-000	EA	SEALANT-URETHANE-BLACK(TUBE)
	072889-10-000	EA	SEALANT-URETHANE(HV)-BRIGHTWHITE
	072889-12-000	EA	SEALANT-URETHANE(LV)BRIGHTWHITE
	076322-01-000	FT	TAPE-DOUBLECOATED/FOAMED-ADHESIVEBACKED-.25"X216'
	076322-05-000	FT	TAPE-DOUBLECOATED/FOAMED-ADHESIVEBACKED-.45"X.75"
	123816-01-000	FT	TAPE-DOUBLESIDED-1"
	123816-03-000	FT	TAPE-DOUBLESIDED-1/2"
	110943-02-000	FT	FELTSTRIP-3/8"-ADHESIVEBACKED
	091255-02-000	FT	SEAL-ADHESIVEBACKED/FOAM-.18"THICKX1.5"WIDE
	102352-01-000	EA	SEALER-PUMPABLE-BLACK-COLORIMETRICMS101
	102352-02-000	EA	SEALER-PUMPABLE-CLEAR
	106206-01-000	EA	SEALER-PUMPABLE-MANUS30A-BLACK
	108716-01-000	EA	SILICONE-TUBE-OFFWHITE/SELFLEVELING
	108716-03-000	EA	SILICONE-BRIGHTWHITESELFLEVELING-TUBE
	120534-01-01A	EA	TAPE-SCOTCH-3M-1/2"FINELINE
	900390-01-000	EA	TIP-2 1/2"X1/8"ORIFICE
	900390-03-000	EA	NOZZLE-SILICONETUBE

**WASHERS**

KEY	PARTNUMBER	U/M	DESCRIPTION
	000E11-07-00B	EA	WASHER-LOCKING-7/16MEDSPLIT-ZINC
	000E11-08-00B	EA	WASHER-LOCKING-1/2MEDSPLIT-ZINC
	000E13-17-00B	EA	WASHER-FLAT-3/8"AR-ZINC
	000E13-18-00B	EA	WASHER-FLAT-3/8WIDE-ZINC
	000E13-20-00B	EA	WASHER-FLAT-7/16"WIDE-ZINC
	000E13-21-00B	EA	WASHER-FLAT-W/2NAR-ZINC
	044533-01-000	EA	WASHER-PLASTIC-13/8"OD-FORBUTTONS
	077071-01-000	EA	WASHER-FENDER-3/16"IDX1"OD

**GROMMETS**

KEY	PARTNUMBER	U/M	DESCRIPTION
	016188-03-000	EA	GROMMET-L/PLINE-3/8"HOLEX2 1/2"LONG-RUBBER
	016188-05-000	EA	GROMMET-L/PLINE-3/8"HOLEX1 1/4"LONG-RUBBER
	023942-01-000	EA	GROMMET-RUBBER-2"OD
	071015-11-000	EA	GROMMET-1.00ID-FITS.12MATL-MINORRUBBERZ-3065
	071015-26-000	EA	GROMMET-RUBBER-1.5"IDX2.12"ODW/.06"GROOVE-BLAC
	071015-29-000	EA	GROMMET-RUBBER-1/2IDX1 1/4ODW.12GROOVE-BLK
	114208-02-000	EA	GROMMET-EDGELINER-FITS.625
	071015-29-000	EA	GROMMET-RUBBER-1/2IDX1 1/4ODW.12GROOVE-BLK-MCCLAIN'S

**SEALANTS&FASTENERSGROUP(CONTINUED)  
NUTSANDRIVETS**

KEY	PARTNUMBER	U/M	DESCRIPTION
	000D24-10-00B	EA	NUT-HEX-SELFLOCKING-10-32ZINC
	000D29-09-00B	EA	NUT-HEX-SELFLOCKING-9/16-12-ZINC
	000D34-06-00B	EA	NUT-HEX-LOCKING-3/8-16GRADEC-ZINC-PREVAILINGT
	000D39-04-00B	EA	NUT-HEX-SERRATEDFLANGE-LOCKING-1/4-20-ZINC
	000D39-05-00B	EA	NUT-HEX-SERRATEDFLANGE-LOCKING-5/16-18-ZINC
	000D39-06-00B	EA	NUT-HEX-SERRATEDFLANGE-LOCKING-3/8-18-ZINC
	000D39-07-00B	EA	NUT-HEX-SERRATEDFLANGE-LOCKING-7/16-14-ZINC
	000D39-08-00B	EA	NUT-HEX-SERRATEDFLANGELOCKING-1/2-13-ZINC
	000D44-07-00B	EA	NUT-HEX-SERRATEDFLANGELOCKING-7/16-20-ZINC
	000D46-04-00A	EA	NUT-HEX-WELD-1/4-20-PLAIN
	000D58-06-00A	EA	NUT-HEX-WELD3/8-16-PLAIN
	000D60-05-00A	EA	NUT-HEX-WELD/LOCK5/16-18UNCUT
	040921-01-000	EA	NUT-SPEED-U TYPE-10-24BLACK
	104369-01-000	EA	NUT-HEX-HEAVY-5/8-11UNC
	000H16-04-06R	EA	RIVET-POPALUMINUM-1/8"X.313-.375
	069592-02-000	EA	RIVET-T-POP-1/4X.093-.156

**CLAMPSANDTIES**

KEY	PARTNUMBER	U/M	DESCRIPTION
	007161-01-000	EA	CLAMP-HOSE-SPRINGTYPE-1/2"
	010495-01-000	EA	CLAMP-CABLE-9/16"
	010495-02-000	EA	CLAMP-CABLE-3/8
	010497-01-000	EA	CLAMP-CLOSED-5/8"ID
	010497-03-000	EA	CLAMP-CLOSED-1"ID-CUSHIONED
	010497-07-000	EA	CLAMP-CLOSED-3/8ID
	010497-08-000	EA	CLAMP-CLOSED-.125"
	010499-01-000	EA	CLAMP-CLOSED-3/8"ID
	056134-02-000	EA	HOLDER-RING-1.8"DIAMETER-METAL
	062401-01-000	EA	CLAMP-HOSE-WORMGEAR-.25"-1"
	062401-02-000	EA	CLAMP-HOSE-WORMGEAR-1.56"-2.5"
	062401-03-000	EA	CLAMP-HOSE-WORMGEAR-.22"-1"
	062401-04-000	EA	CLAMP-HOSE-WORMGEAR-.69"-1.25"
	062401-06-000	EA	CLAMP-HOSE-WORMGEAR-.22-.62ID
	062401-11-000	EA	CLAMP-HOSE-WORMGEAR-3 1/2-4 1/2
	075148-02-000	EA	CLAMP-GROUNDING-BRONZESCREWS
	080211-05-000	EA	CLIP-XMASTREE1.42"
	080734-02-000	EA	CLIP-WIRENYLON
	083609-01-000	EA	CLAMP-WIRE-DUAL-EQUALDIAMETERS-5/8"
	083610-01-000	EA	CLAMP-WIRE-DUAL-UNEQUALDIAMETERS-3/4" & 1 1/4"
	091952-02-000	EA	CLIP-GRIPPER-3/4"
	008343-01-000	EA	TIE-WIRE-6"
	008343-02-000	EA	TIE-WIRE-14"
	085774-01-000	FT	FASTENER-DUALHOOK-1"WIDE-ADHESIVEBACK-BLACK
	085774-02-000	FT	FASTENER-DUALLOOP-1"WIDE-ADHESIVEBACK-BLACK
	108046-02-000	EA	CABLETIE-SCREWMOUNT15"-DENNISON10035

**BOLTS**

KEY	PARTNUMBER	U/M	DESCRIPTION
	102333-01-06A	EA	BOLT-CARRIAGE-7/16-14STAINLESSSTEELCAP
	0MC31K-08-020	EA	BOLT-HEX-SERRATEDFLANGE-M8X020
	000C12-05-16B	EA	BOLT-HEX-5/16-18X1-ZINC5
	000C12-06-16B	EA	BOLT-HEX-3/8-16X1LG-ZINC5
	000C12-07-20B	EA	BOLT-HEX-7/16-14X1 1/4-ZINC5
	000C12-08-24B	EA	BOLT-HEX-1/2-13X1.50-ZINC5
	000C13-07-48B	EA	BOLT-HEX-7/16-20X3-ZINC5
	000C18-05-40A	EA	BOLT-ELEVATOR-5/16-18X2.50-PL
	000C18-06-48B	EA	BOLT-ELEVATOR-3/8-16X3-ZINC-GRADE5
	000C26-04-10B	EA	BOLT-HEX-SERRATEDFLANGE-1/4-20X5/8-ZINC
	000C26-05-12B	EA	BOLT-HEX-SERRATEDFLANGE-5/16-18X3/4-ZINC
	000C26-05-16B	EA	BOLT-HEX-SERRATEDFLANGE-5/16-18X3/4-ZINC
	000C26-06-16B	EA	BOLT-HEX-SERRATEDFLANGE-3/8-16X1-ZINC
	000C26-06-12B	EA	BOLT-HEX-SERRATEDFLANGE-3/8-16X3/4-ZINC

**SEALANTS&FASTENERSGROUP(CONTINUED)**

**SCREWS**

KEY	PARTNUMBER	U/M DESCRIPTION
	102540-03-000	EA SEAL-SCREW-EPDM,80DUR,GRUMEN
	0G1108-12-170	EA SCREW-8-18X.75PPH-BRIGHTWHITE
	0G3908-08-170	EA SCREW-SF/DR-8-18X.50PPH-BRIGHTWHITE
	0G3908-16-170	EA SCREW-SF/DR,8,18X1.00PPH -BRIGHTWHITE
	0G3908-24-170	EA SCREW-SF/DR-8-18X1.50PPH-BRIGHTWHITE
	0G3910-12-170	EA SCREW-SF/DR-10-16X.75PPH
	0G5508-16-250	EA SCREW-SF/DR-8-18X1.00PWH
	0G6008-16-170	EA SCREW-SF/DR-8-18X1.00POH
	0G6710-08-170	EA SCREW-10-12X1/2PPH-BRIGHTWHITE
	000G11-05-08B	EA SCREW-5-20X.50PPH-ZINC
	000G11-06-08B	EA SCREW-6-20X.50PPH-ZINC
	000G11-06-06B	EA SCREW-6-20X3/8PPH-ZINC
	000G11-06-10J	EA SCREW-6-20X5/8PPH-BRASS
	000G11-06-10B	EA SCREW-6-20X5/8PPH-ZINC
	000G11-07-08B	EA SCREW-7-19X.50PPH-ZINC
	000G11-08-08B	EA SCREW-8-18X.50PPH-ZINC
	000G11-08-20B	EA SCREW-8-18X1.25PPH-ZINC
	000G11-08-16S	EA SCREW-8-18X1.00PPH-OFFWHITE
	000G11-08-12T	EA SCREW-8-18X.75PPH-BLACK
	000G11-08-12P	EA SCREW-8-18X.75PPH-DARKBROWN
	000G11-08-12P	EA SCREW-8-18X.75PPH-DARKBROWN
	000G11-08-12D	EA SCREW-8-18X.75PPH-BLACK
	000G11-08-12B	EA SCREW-8-18X.75PPH-ZINC
	000G11-10-12D	EA SCREW-10-16X.75PPH-BLACK
	000G11-10-12S	EA SCREW-10-16X.75PPH-OFFWHITE
	000G11-10-24P	EA SCREW,10-16X11/2PPH-DARKBROWN
	000G11-10-16B	EA SCREW-10-16X1PPH-ZINC
	000G12-06-08T	EA SCREW-6-20X.50POH-BLACK
	000G12-08-12S	EA SCREW-8-18X.75POH-OFFWHITE
	000G13-06-08G	EA SCREW-6-20X.50PFH-ANTIQUEBRASS
	000G13-06-08B	EA SCREW-6-20X.50PFH-ZINC
	000G13-07-10H	EA SCREW-7-19X5/8PFH-BLACK
	000G13-07-12B	EA SCREW-7-19X.75PFH-ZINC
	000G19-10-12F	EA SCREW-MACHINE-10-32X.75-PPH-STAINLESSSTEEL
	000G32-10-06B	EA SCREW-10-32X3/8PPH-ZINC
	000G39-06-10T	EA SCREW-SF/DR-6-20X5/8PPH-BLACK
	000G39-06-10T	EA SCREW-SF/DR-6-20X5/8PPH-BLACK
	000G39-08-24S	EA SCREW-SF/DR-8-18X1.50-OFFWHITE
	000G39-08-24B	EA SCREW-SF/DR-8-18X11/2PPH-ZINC
	000G39-08-16R	EA SCREW-SF/DR-8-18X1PPH-BEIGE
	000G39-08-16B	EA SCREW-SF/DR-8-18X1PPH-ZINC
	000G39-08-12T	EA SCREW-SF/DR-8-18X.75PPH-BLACK
	000G39-08-12B	EA SCREW-SF/DR-8-18X.75PPH-ZINC
	000G39-08-08S	EA SCREW-SF/DR-8-18X.50PPH-OFFWHITE
	000G39-08-08B	EA SCREW-SF/DR-8-18X.50PPH-ZINC
	000G39-10-12D	EA SCREW-SF/DR-10-16X.75PPH-BLACK
	000G39-10-12B	EA SCREW-SF/DR-10-16X.75PPH-ZINC
	000G39-10-088	EA SCREW-SF/DR-10-16X.50PPH-FLEXFLUOROCARBON
	000G39-10-08B	EA SCREW-SF/DR-10-16X.50PPH-ZINC
	000G39-10-209	EA SCREW-SF/DR-10-16X11/4PPH-FLUOROCARBONSILVER
	000G39-10-20B	EA SCREW-SF/DR-10-16X11/4PPH-ZINC
	000G39-10-129	EA SCREW-SF/DR-10-16X.75PPH-FLUOROCARBONSILVER
	000G42-04-12B	EA SCREW-SF/DR-1/4-14X.75HWH-ZINC
	000G42-04-16B	EA SCREW-SF/DR-1/4-14X1HWH-ZINC
	000G46-08-24T	EA SCREW-MACHINE-8-32X1.5PFH-BLACK
	000G50-04-12B	EA SCREW-MACHINE-1/4-20X.75PPH-ZINC
	000G52-08-18B	EA SCREW-MACHINE-8-32X11/8PTH-ZINC
	000G54-04-20B	EA SCREW-1/4-20X11/4PTH-TYPE23-ZINCPLATED
	000G55-08-16S	EA SCREW-SF/DR-8-18X1.00-PWH-OFFWHITE
	000G55-08-12S	EA SCREW-SF/DR-8-18X.75PWH-OFFWHITE
	000G56-12-48B	EA SCREW-WOOD-12-11X3POH-SPECIALHARDENED
	000G60-10-28T	EA SCREW-SF/DR-10-16X1.75-BLACK
	000G60-10-20B	EA SCREW-SF/DR-10-16X1.25POH-ZINC

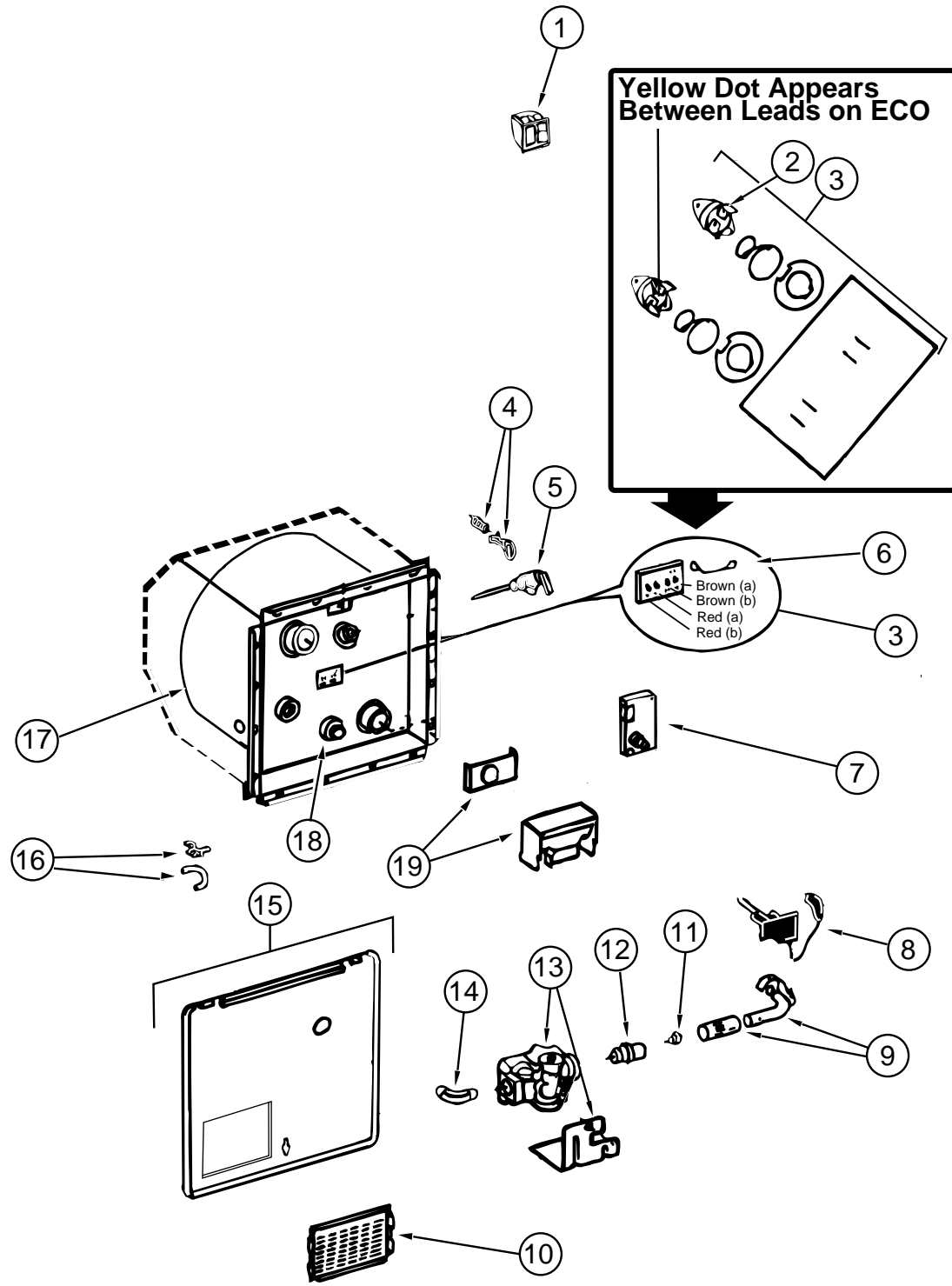
**SEALANTS&FASTENERSGROUP(CONTINUED)**

**SCREWS(CONTINUED)**

KEY	PARTNUMBER	U/M DESCRIPTION
	000G67-10-08B	EA SCREW-10-12X.50PPH-ZINC
	000G67-10-36T	EA SCREW-10-12X2.25PPH-BLACK-STALGARD
	000G67-10-32B	EA SCREW-10-12X2PPH-ZINC
	000G67-10-24B	EA SCREW-10-12X1.25PPH-ZINC
	000G67-10-16B	EA SCREW-10-12X1PPH-ZINC
	000G67-10-120	EA SCREW-10-12X.75PPH-TAN
	000G67-10-120	EA SCREW-10-12X.75PPH-TAN
	000G67-10-12R	EA SCREW-10-12X.75PPH-BEIGE
	000G67-10-12P	EA SCREW-10-12X.75-PPH-DARKBROWN
	000G67-10-12B	EA SCREW-10-12X.75PPH-ZINC
	000G67-10-10S	EA SCREW-10-12X5/8-PPH-OFFWHITE
	000G67-10-10D	EA SCREW-10-12X5/8PPH-BLACK-TYPEA
	000G67-10-10B	EA SCREW-10-12X5/8PPH-ZINC-TYPEA
	000G67-10-08R	EA SCREW-10-12X1/2PPH-BEIGE-TYPEA
	000G68-06-10G	EA SCREW-6-18X5/8POH-ANTIQUEBRASS
	049465-03-000	EA SCREW-10-16X1POHW/WASHER-OFFWHITE
	049465-04-000	EA SCREW-10-16X1PTHW/WASHER-BEIGE
	054434-02-000	EA SCREW-SF/DR-10-16X2-ZINC
	057671-01-000	EA COVER-SCREW-#8-PLASTIC-OFFWHITE
	075908-01-000	EA SCREW-MACHINE-10-32X.56PTH-EXTERNALTOOTH-ZINC
	083554-01-000	EA SCREW-DRYWALL-8X1.25
	083554-04-000	EA SCREW-DRYWALL-8X2.50
	087721-01-000	EA SCREW-FLATHEAD-TAPPING-1/4"X11/4"LONG-ZINC
	101618-01-000	EA SCREW-1/4-20X3/4HEX-TAPPING-STALGARDTYPEF
	105126-01-000	EA SCREW-CACH-8-32X1PPHTAPTIT
	115430-01-01B	EA SCREW-18X1/2POHW/WASHER-ZINC

# WATER & SEWAGE GROUP

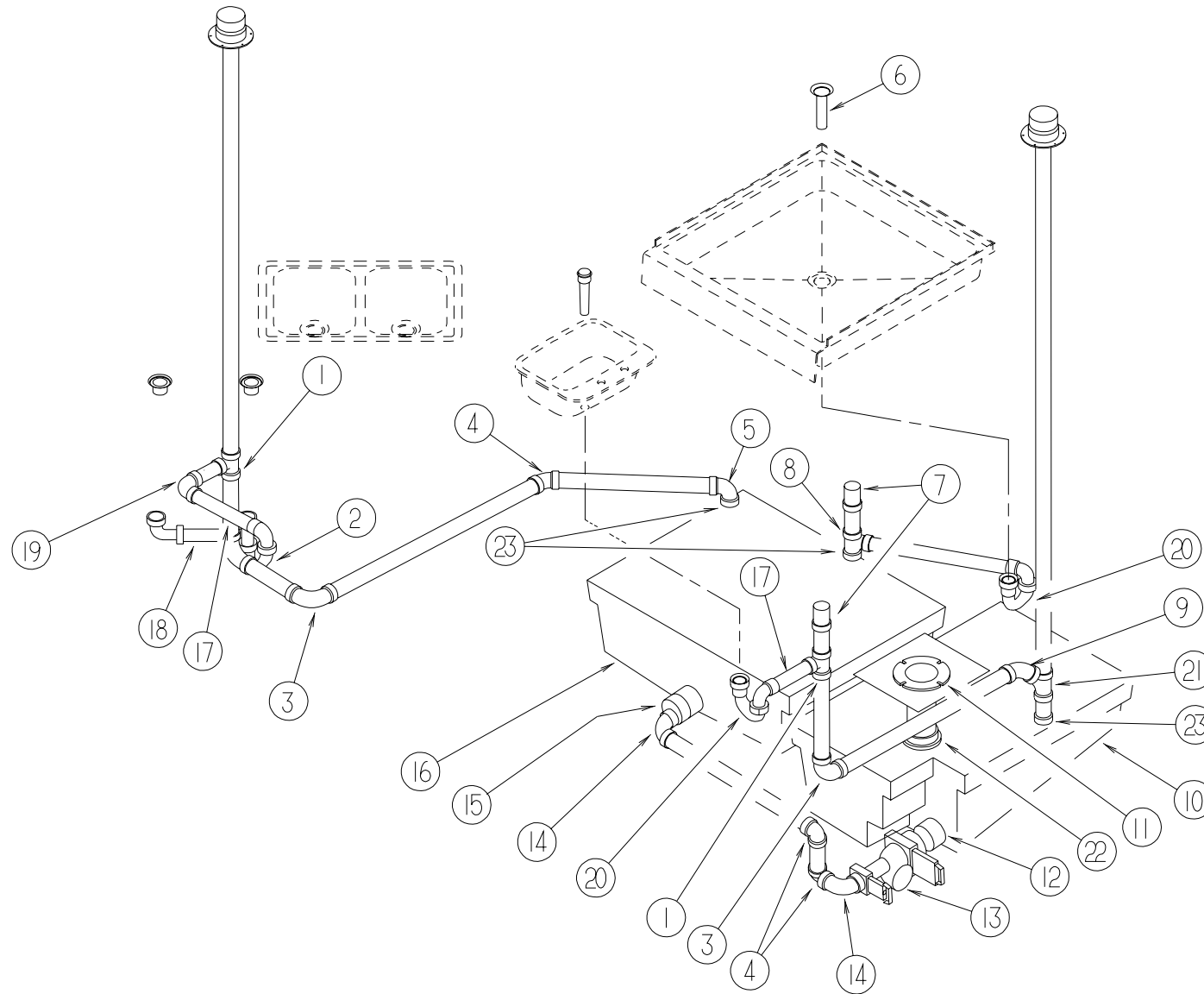
## WATERHEATER W/O MOTOR AID - AT WOOD G6A-8E



KEY	PARTNUMBER	U/M	DESCRIPTION	VENDOR NO.
	051391-03-000	EA	WATERHEATER G6A-8E ELECTRONIC IGNITION	
1	097967-01-000	EA	SWITCH-WATERHEATER, REMOTE W/LIGHT 91959	
2	051391-04-701	EA	THERMOSTAT 12VDC-120 PRESET	91470
3	051393-01-721	EA	THERMOSTAT W/ECO, 140 FRONT MOUNT	91447
4	051391-01-705	EA	FASTENER-CAM LOCK	92609
5	051391-01-704	EA	VALVE-RELIEF, 1/2" FITTING	91604
6	051393-01-723	EA	SWITCH-THERMAL-CUTOFF 2/PKG	93866
7	051393-01-724	EA	BOARD-CIRCUIT, SPADE TERMINAL	93865
8	051393-01-725	EA	ELECTRODE-SGL SPADE CONNECT.	93868
9	051391-04-703	EA	BURNER-MAIN	91638
10	051391-01-717	EA	GRILLE-WATERHEATER DOOR	92640
	051391-01-716	EA	GRILL ONLY (GOES ON FLUE BOX)	91786
11	051391-01-710	EA	ORIFICE-MAIN BURNER	92742
12	051391-03-700	EA	HOLDER-ORIFICE	91563
13	051393-01-726	EA	VALVE-SOLENOID, W/BRAKET	93870
14	051391-01-714	EA	FITTING-ELBOW, 45 DEGREE-3/8 FX 3/8 MPT	1044
15	052009-06-000	EA	DOOR-WATERHEATER-BRIGHT WHITE-18" X 14.6"	
	116424-01-000	EA	PROTECTOR-LATCH-WATERHEATER	
16	051391-01-700	EA	HINGE KIT, (PIN & CLIP)	92568 & 92559
17	051391-04-706	EA	TANK-INNER, G6A-4E & 6E FRONT MOUNT	91641
18	051391-01-715	EA	PLUG-DRAIN, 1 EA=2 PER PKG	91857
19	051391-04-707	EA	KIT-EXHAUST, (FLUE & GASKET)	90960
	111129-01-711	EA	BRACKET-CORNER, SET OF FOUR	91928

# WATER & SEWAGE GROUP (CONTINUED)

## DRAINAGE SYSTEM



KEY	PARTNUMBER	U/M	DESCRIPTION
1	010071-01-000	EA	TEE - SANITARY - 1 1/2 HUB X HUB X HUB - PLASTIC
2	107538-01-000	EA	P-TRAP - PLASTIC - 1 1/4" W/ EXTENSION ARM
2	011071-01-000	EA	PTRAP - PLASTIC 1 1/2" (CANADIAN)
3	010008-01-000	EA	ELBOW - 90 DEG - 1/4 BEND - 1 1/2" HUB X HUB - PLASTIC
4	010006-01-000	EA	ELBOW - 45 DEG - 1/8 BEND - 1 1/2" HUB X HUB - PLASTIC
5	034250-01-000	EA	ELBOW - 90 DEG - LONG TURN - 1 1/2" HUB X HUB - ABS
6	011069-02-000	EA	TAILPIECE - TUB/SHOWER - 1 1/2" X 1 1/4" X 4" - BRASS
	066440-01-000	EA	STRAINER - SHOWER - W/ RUBBER WASHER
	069735-01-000	EA	WASHER - STRAINER TO TAILPIECE - PLASTIC - 1.5"
7	079968-01-000	EA	VENT - MECHANICAL/TRAP ARM - ANTI-SIPHON - 2" X 7.3" PLASTIC
8	010115-01-000	EA	COUPLING - 1 1/2" HUB X HUB - PLASTIC
8	010071-01-000	EA	TEE - SANITARY - 1 1/2 HUB X HUB X HUB - PLASTIC
9	010051-01-000	EA	ELBOW - 45 DEGREE - 1 1/2" SPIGOT & HUB - BLACK PLASTIC
10	074870-01-000	EA	TANK - HOLDING, W/ OGROMMETS - 30 GAL - 36.5" X 13.3" X 23"
11	061607-02-000	EA	GROMMET - HOLDING TANK - 3" NPS
12	078406-01-000	EA	COUPLER - RUBBER - W/ CLAMPS - 3" X 3"
13	070916-01-000	EA	VALVE - DUAL DUMP - W/ CAP - 3" X 1 1/2"
	070916-01-700	EA	VALVE ONLY (WASTE) 3" T1003BU
	070916-01-701	EA	VALVE ONLY (WASTE 1 1/2") T1001BU
	010201-01-000	EA	HOSE - SEWER - 3" ID X 8'
	062416-01-000	EA	ADAPTER - SEWER HOSE TO 3" PIPE

KEY	PARTNUMBER	U/M	DESCRIPTION
14	033761-01-000	EA	ELBOW - TURN - 1/4 BEND X 1 1/2" HUB X 1 1/2" SPIGOT
15	062422-01-000	EA	ADAPTER - OFFSET REDUCER - 3" X 1 1/2" - PLASTIC
16	074861-01-000	EA	TANK - HOLDING - W/ OGROMMETS - 35 GALLON - 35" X 11" X 27"
17	109571-01-000	EA	ADAPTER - PTRAP - 1 1/2" P X 1 1/4" MPT
18	011091-02-000	EA	WASTE - CONTINUOUS - DOUBLE SINK
19	010008-01-000	EA	ELBOW - 90 DEG - 1/4 BEND - 1 1/2" HUB X HUB - PLASTIC
20	107538-01-000	EA	P-TRAP - PLASTIC - 1 1/4" W/ EXTENSION ARM
20	011066-03-700	EA	PTRAPKIT 1 1/2" X 1 1/2" P-TRAP W/ 1 1/2" TO 1 1/4" REDUCER (CANADIAN)
21	010071-01-000	EA	TEE - SANITARY - 1 1/2 HUB X HUB X HUB - PLASTIC
	010115-01-000	EA	COUPLING - 1 1/2" HUB X HUB - PLASTIC
22	063641-01-000	EA	FLANGE - CLOSET - 4" X 3"
			FROM: 00-00-00 THRU: 02-24-97
22	116644-01-000	EA	FLANGE - CLOSET - 4" X 3"
			FROM: 02-25-97 THRU: 99-99-99
22	116644-01-000	EA	FLANGE - CLOSET - 4" X 3" - MCCLAINS ANNIVERSARY OPTION
23	061607-01-000	EA	GROMMET - HOLDING TANK - 1 1/2" NPS

**WATER&SEWAGEGROUP(CONTINUED)**

**FRESHWATERTANK**

KEY	PARTNUMBER	U/M	DESCRIPTION
	122778-02-000	EA	TANK-WATER-40GALLON-W/FITTINGS
	122778-01-000	EA	TANK-WATER-40GALLON-W/OFITTINGS
	042989-03-000	EA	FITTING-WATERTANK-SPINWELD-1 1/4"NPT-PLASTIC
	042989-04-000	EA	FITTING-WATERTANK-SPINWELD-3/8"FPT-WHITEPLASTIC
	042989-05-000	EA	FITTING-WATERTANK-SPINWELD-1/2"FPT-PLASTIC
	049032-01-000	EA	PATCH-SPINWELD-3/8"-PLASTIC
	039861-01-000	EA	SENDINGUNIT-W/SCREW-WASHER-WELLNUT/TERMINALRING
	077954-02-000	EA	FILTER-WATERTANK-W/SCREENINTANK

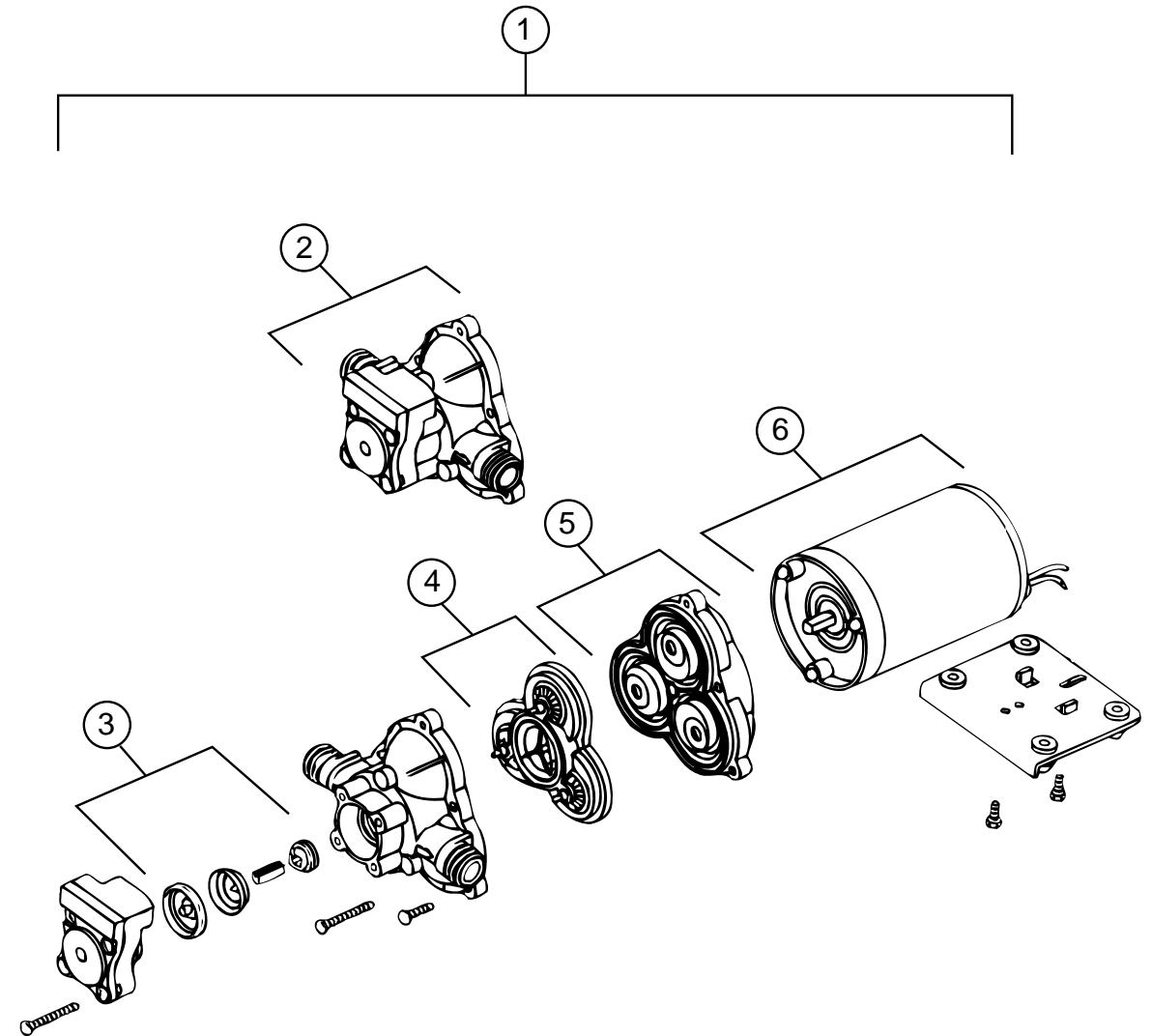
**WATERSYSTEM**

KEY	PARTNUMBER	U/M	DESCRIPTION
	120069-01-000	EA	PLUG-3"-POLYETHYLENEMPT
	039800-02-000	FT	TUBING-POLYBUTYL-5/8"ODX20'-INCOF20'
	039800-05-000	FT	TUBING-POLYBUTYL-5/8ODX20'
	074462-02-000	FT	TUBING-VINYL-3/8"IDX20'-CLEAR
	112176-01-000	FT	TUBING-VINYL-REINFORCED-1/2"ID
	079381-01-000	FT	TUBING-SMOOTHFLEXIBLE-1 3/8"IDX20'
	110438-02-000	EA	VALVE-CHECK-BRASS-MPTXMPT
	110915-01-01A	EA	FILL-CITYWATER-CHROME
	113697-01-000	EA	CAP-3/8FTG
	114428-01-000	EA	TEE-1/2PX1/2PX1/2P
	114428-02-000	EA	TEE-SWIVEL-1/2"PX1/2"PX1/2"FPT
	114428-03-000	EA	TEE-1/2PX1/2PX1/2MPT
	114429-01-000	EA	ELBOW-1/2PX1/2P
	114429-02-000	EA	ELBOW-1/2PX1/2MPT
	114429-03-000	EA	ELBOW-FLAIR-ITSWIVEL-1/2"PX1/2"FPT
	123150-01-000	EA	ELBOW-1/2"FPTX1/2"BARB-SWIVEL
	123152-01-000	EA	ADAPTER-1/2FPTX1/2BARB-SWIVEL
	114430-02-000	EA	ADAPTER-SWIVEL-1/2PX1/2FPT
	114430-03-000	EA	ADAPTER-1/2PX1/2MPT
	114430-06-000	EA	ADAPTER-1/2PX3/8FPT
	010224-01-000	EA	ADAPTER-HOSE TO PIPE-3/8"MPTX3/8"BARB-PLASTIC
	044927-01-000	EA	ADAPTER-HOSE TO PIPE-1 1/4"MPTX1 1/4"BARB-BLKPLS
	114431-01-000	EA	WATERVALVE-3POSITION-"DRAINVALVE"
	114431-02-000	EA	WATERVALVE-2POSITION-"BYPASSVALVE"
	114431-03-000	EA	WATERVALVE-90DEGREEELBOW-"DRAINVALVE"
	115029-01-000	FT	HOSE-WATER-3/8ID
	117089-01-000	FT	HOSE-1/2"ID-GARDEN
	114429-04-000	EA	ELBOW-1/2PX3/8MPT-MCCLAINSANNIVERSARYOPTION

**EXTERIORSHOWER**

KEY	PARTNUMBER	U/M	DESCRIPTION
	075241-05-000	EA	FAUCET-SHOWER,BONE
	103092-02-000	EA	SHOWERHEAD-W/HOSE,CANADIAN
	103092-01-000	EA	SHOWERHEAD-W/60"HOSE
	103092-01-700	EA	BRACKET-F/SHOWERHEAD,CLEAR 2328028
	091952-02-000	EA	CLIP-GRIPPER,3/4"-SQUEEGEE/SHOWERHEAD-GIBSONTOOL225-HL
	114428-01-000	EA	TEE-1/2PX1/2PX1/2P FLAIR-IT02820
	114429-03-000	EA	ELBOW-SWIVEL,1/2PX1/2FPT FLAIR-IT02816

**WATER&SEWAGEGROUP(CONTINUED)**



**WATERPUMP-SHURFLO**

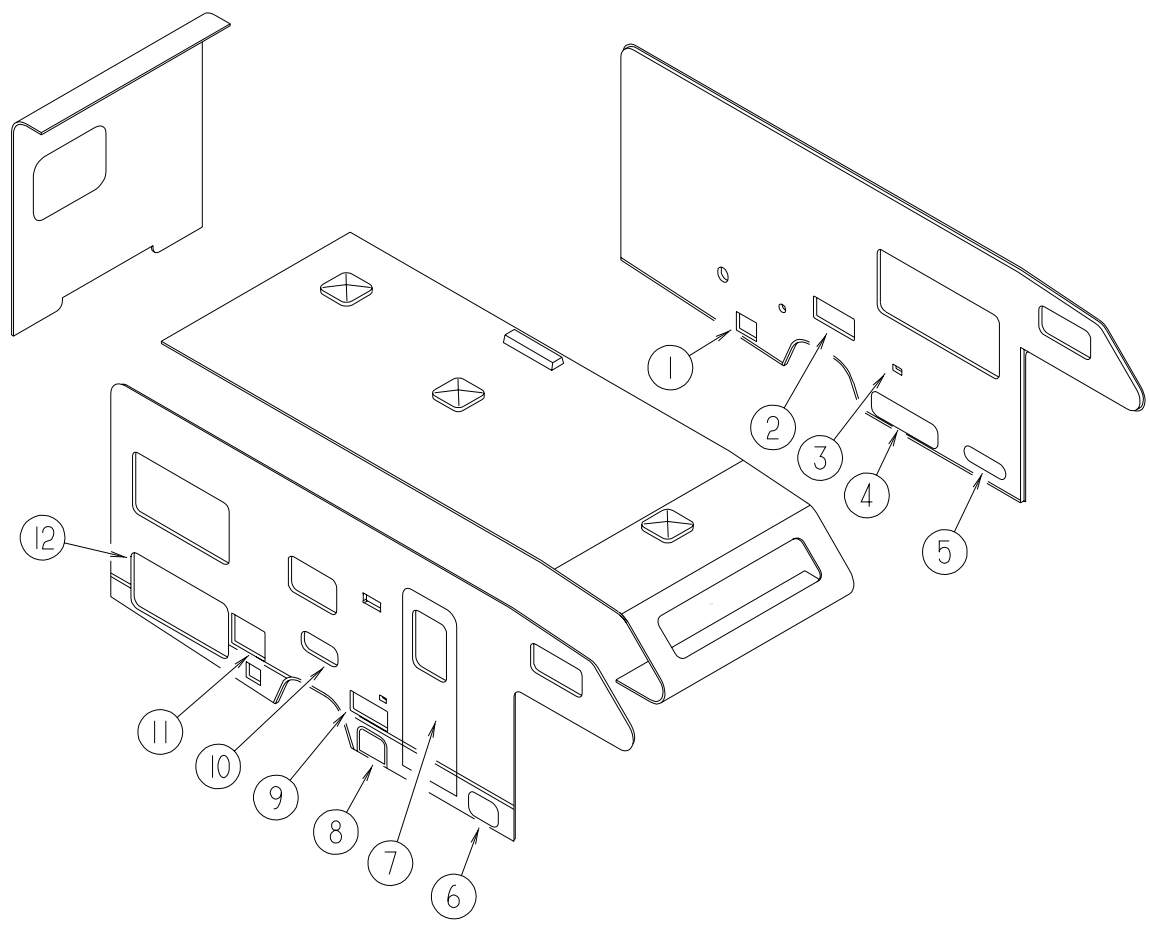
KEY	PARTNUMBER	U/M	DESCRIPTION	VENDOR NO.
1	098607-01-000	EA	PUMP-WATER-W/.5"MPTFITTING-FLOW2.8GPM	
2	098607-01-706	EA	HOUSING,W/SWITCHONLY	94-231-20
3	098607-01-705	EA	CHECK-VALVE,KIT	94-237-00
4	098607-01-703	EA	VALVEKIT	94-232-00
5	098607-01-702	EA	DIAPHRAGM/DRIVEASSEMBLYKIT	94-238-04
6	098607-01-707	EA	MOTOR/BASEPLATE	94-235-03

**WATERFILTER-MCCLAINSANNIVERSARYOPTION**

KEY	PARTNUMBER	U/M	DESCRIPTION	VENDOR NO.
	701069-01-000	EA	WATERPURIFICATIONSYSTEM9252	
	701069-03-700	EA	CARTRIDGE RELACEMENT	9592-06

# WINDOW, VENT & EXTERIOR DOOR GROUP

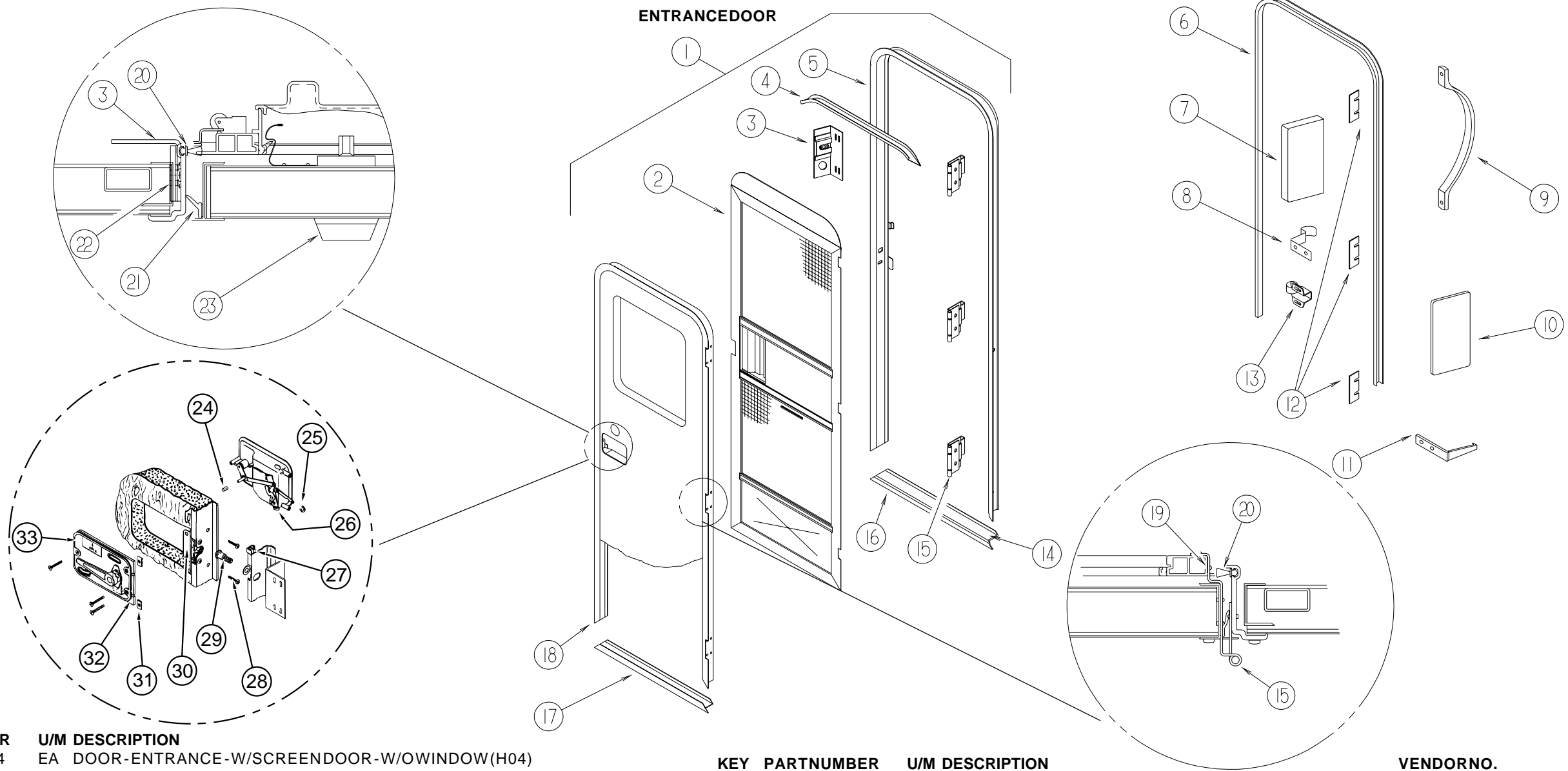
## EXTERIOR DOORS



KEY	PARTNUMBER	U/M	DESCRIPTION
1	088794-06-000	EA	DOOR-POWERCORDW/HATCH-BRIGHTWHITE-9.2"X11"
2	084103-08-000	EA	DOOR-REFRIGERATOR-VENTED-W/OJAMB
	084104-01-700	EA	LOCK-MALE,FASTENER 201-721-010
	084104-01-701	EA	LOCK-FEMALE,FASTENER 201-802-010
	084104-08-000	EA	JAMB-REFRIGERATORDOOR
3	081240-16-000	EA	DOOR-WATERFILL-LOCKABLEW/OLOCK-4"X45/8"
4	104558-06-H33	EA	DOOR-STORAGE-W/OPADDLELATCH-27.4"
4	104558-06-H10	EA	DOOR-STORAGE-W/OPADDLELATCH-27.4" MCCLAINSANNIVERSARYOPTION
	106850-01-000	FT	SEAL-E-SPONGERUBBER-.43"X.75"
5	111009-01-F24	EA	DOOR-LP-6.5"X20.8"
5	111009-01-H10	EA	DOOR-LP-6.5"X20.8"-MCCLAINSANNIVERSARYOPTION
	034007-D9-000	EA	HINGE-CONTINOUSALUMINUM1.5"X8"
	009065-01-000	EA	HINGE-ALUMINUM-1 1/2"X96"-UNPAINTED
6	104558-21-F16	EA	DOOR-STORAGE-W/OPADDLELATCH-14.3"
6	104558-21-H10	EA	DOOR-STORAGE-W/OPADDLELATCH-14.3" MCCLAINSANNIVERSARYOPTION

KEY	PARTNUMBER	U/M	DESCRIPTION
7	115108-01-H04	EA	DOOR-ENTRANCE-W/SCREENDOOR-W/OWINDOW(H04)
7	115108-01-H05	EA	DOOR-ENTRANCE-W/SCREENDOOR-W/OWINDOW(H05)
7	115108-01-H24	EA	DOOR-ENTRANCE-W/SCREENDOOR-W/OWINDOW(H24/H26)
8	111014-15-F15	EA	DOOR-STORAGE-LOWERFRONT-W/OPADDLELATCH-14.5"
8	111014-15-H10	EA	DOOR-STORAGELOWERFRONTW/OPADDLELATCH-14.5"WIDE MCCLAINSANNIVERSARYOPTION
	081801-V3-000	EA	HINGE-ALUMINUM-2"X96"
	101667-03-000	EA	PROP-ROD
	076767-04-000	EA	CABLE-SUPPORT-5.9"STAINLESSSTEEL
	089329-02-000	EA	CLIP-SPRING
9	098668-23-000	EA	DOOR-ACCESS-FURNACE
10	111017-01-F24	EA	DOOR-STORAGE-8.1"X17.8"
11	052009-06-000	EA	DOOR-WATERHEATER-BRIGHTWHITE-18"X14.6"
	116424-01-000	EA	PROTECTOR-LATCH-WATERHEATER
12	104558-55-H04	EA	DOOR-STORAGE-W/OPADDLELATCH-47.5"
12	115772-03-H04	EA	DOOR-STORAGE-W/OPADDLELATCH-RAISED BEDEXCHANGE
	115359-01-000	FT	SEAL-DSECTION-10X12SPONGERUBBER
	108998-04-000	EA	SPRING-GAS12"COMPRESSED/20"EXTENDED-60LB.
	107796-10-000	EA	BRACKET-GASSPRING-90DEGREE SMALL
	120620-02-01A	EA	CLIP-RETAINER-BLACK
	121126-01-01A	EA	PULL-LOCK

# WINDOW, VENT & EXTERIOR DOOR GROUP (CONTINUED)

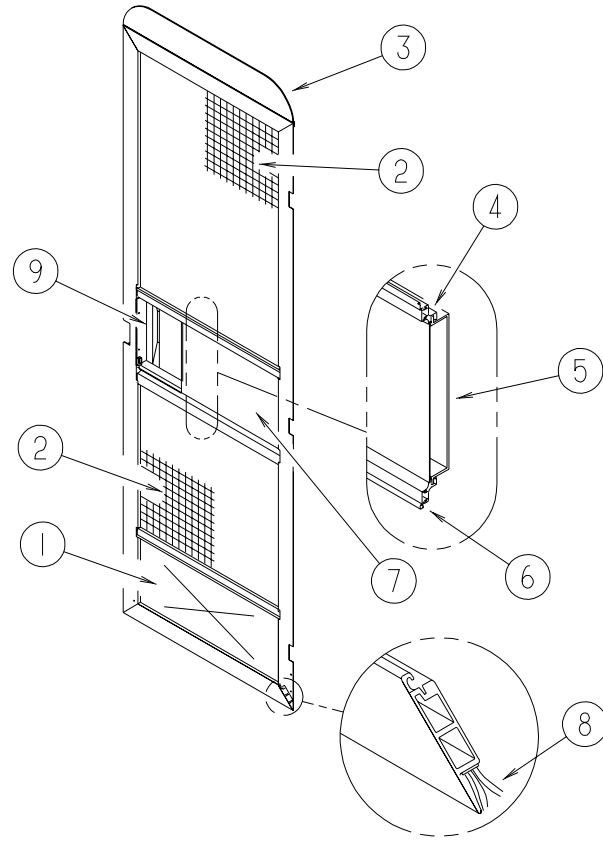


KEY	PARTNUMBER	U/M	DESCRIPTION
1	115108-01-H04	EA	DOOR-ENTRANCE-W/SCREENDOOR-W/OWINDOW(H04)
1	115108-01-H05	EA	DOOR-ENTRANCE-W/SCREENDOOR-W/OWINDOW(H05)
1	115108-01-H24	EA	DOOR-ENTRANCE-W/SCREENDOOR-W/OWINDOW(H24/H26)
2	121899-03-GB1	EA	DOOR-SCREEN-W/OHARDWARE
3	041546-07-000	EA	BRACKET-DOORANGLE
4	044582-44-000	EA	CAP-DRIP-JAMB-BRIGHTWHITE
5	121898-03-01A	EA	JAMB-DOOR/ENTRANCE
6	115222-04-02A	EA	GARNISH-ENTRYDOOR-RADIUS
7	077461-03-000	EA	COVER-STRIKE-ENTRYDOOR-6.5"X2.5"-WHITEPLASTIC
8	100412-01-000	EA	CATCH-SCREENDOOR
9	009126-03-000	EA	HANDLE-ASSIST-BLACKTEXTURED
10	076725-02-000	EA	COVER-ACCESS
11	102768-01-000	EA	HOLDER-COMPARTMENT/ENTRYDOOR-METAL-MILLFINISH
12	102248-01-000	EA	SHIM-DOOR
13	079087-03-000	EA	STRIKE-SLIDER-SCREENDOOR-BRIGHTWHITE
14	038327-01-000	EA	TAPE-ANTISLIP-2"X60'
14	075673-05-000	FT	SEAL-PILE-ADHESIVEBACK-BLACK
15	106719-01-05A	EA	HINGE-ENTRANCEDOOR
	106719-01-01A	EA	HINGE-ENTRANCEDOOR-MILL
	039715-01-000	EA	NUT-SERT-1/4"DIAMETER-20THREADS
	116111-02-01A	EA	SCREW-TAPTITE-1/4-20X3/8PPH-ZINC
16	051049-01-000	EA	JAMB-BOTTOM-ENTRYDOOR-25.9"-UNPAINTED
17	121893-01-01A	EA	FRAME-ENTRYDOOR-BOTTOM
18	121894-07-01A	EA	FRAME-ENTRYDOOR
	098173-01-07A	EA	STIFFENER-ENTRYDOOR-SUPPORTSLATCH/STRIKEAREA
	098173-01-04A	EA	STIFFENER-ENTRYDOOR-SUPPORTSLATCH/STRIKEAREA

KEY	PARTNUMBER	U/M	DESCRIPTION	VENDOR NO.
	122241-01-01A	EA	BUMPER-FOAMRUBBER-BLACK	
19	100128-02-000	FT	SEAL-FOAM-ADHESIVEBACK-.37"WIDEX.37"THICK	
20	118929-01-01A	FT	SEAL-PILE-PUSHON	
21	075671-04-000	FT	SEAL-SPONGE-LAZYT-W/ADHESIVESTRIP-.5"WIDE	
22	104692-01-000	FT	SEAL-FOAM/ADHESIVEBACK-.75"THICKX.75"WIDEX25'	
23	101145-01-06A	EA	DEADBOLT-ENTRYDOORW/SECURITYBOLTW/2KEYS-BLACK	
	101147-01-000	EA	BOLT-SECURITY-4.12"	
	095229-01-700	EA	KEY-BLANK,DEADBOLT	81205-03
	101145-01-701	EA	CYLINDER-LOCKASM.,W/KEY	81306-03
24	039984-01-000	EA	CAP-ROUND-VINYL-.28"IDX.62"-BLACK	
25	036618-02-000	EA	ERING-EXTERNAL-3/16"SHAFTDIAMETER-LYNORDOORLOCK	
26	045017-13-000	EA	LATCH-ENTRYDOOR-BLACKTEXTURED	
	045017-11-701	EA	KEY-BLANK,F1SERIES	81312-02
	045017-11-702	EA	KEY-MASTER,F5SERIES	81313-02
	045017-11-703	EA	CYLINDER-LOCKASM.W/KEYS	81266-09
27	064075-07-000	FT	SEAL-BULB-W/WIREDUCHANNEL-.3"X.5"CHANNEL-BLK	
28	000G54-04-20B	EA	SCREW-1/4-20X1.25PTH-TYPE23-ZINCPLATED	
29	039539-01-000	EA	STRIKE-LOCK-ENTRYDOOR-ROUNDW/THREADEDWASHER	
30	039540-01-000	EA	LATCHMECHANISM-HOOK-ENTRYDOOR-INTERIOR	
31	040921-01-000	EA	NUT-SPEED-UTYPE-10-24BLACK	
32	096810-01-01A	EA	PLATE-LATCH-ENTRYDOOR	
33	039979-06-000	EA	COVER-LATCHPLATE-RIGHTHAND-BLACKTEXTURED	
	086285-05-000	EA	SPACER-NYLON-.7"X.56"	
	104099-01-04A	EA	CATCH-DOORHOLDER-STRIKE	
	104099-02-04A	EA	CATCH-DOORHOLDER-RETAINER	



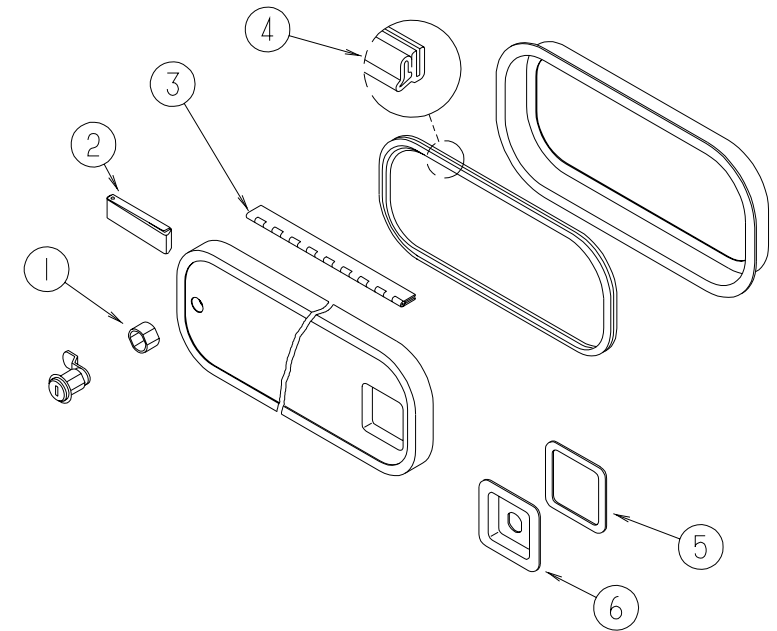
WINDOW, VENT & EXTERIOR DOOR GROUP (CONTINUED)



SCREEN DOOR COMPONENTS

KEY	PARTNUMBER	U/M	DESCRIPTION
	121899-03-GB1	EA	DOOR-SCREEN-W/O HARDWARE
1	078552-03-000	EA	KICK PANEL-SCREEN DOOR-LOWER INSERT-UNPAINTED
2	002293-02-000	SF	SCREENING-WINDOW/DOOR-26"
3	078595-01-000	EA	TOP PLATE-SCREEN DOOR-CURVED TOP-4.7" X 25.35"
4	078777-01-000	EA	CHANNEL-SLIDE-SCREEN DOOR CENTER SLIDER COVER
5	079086-03-000	EA	SLIDER-SCREEN DOOR-BRIGHT WHITE
	079087-03-000	EA	STRIKE-SLIDER-SCREEN DOOR-BRIGHT WHITE
6	002294-01-000	FT	SPLINE-SCREENING-.005" X .0054"
7	016454-01-000	EA	INSERT-CENTER-LEATHER GRAIN ALUMINUM-UNPAINTED
	001014-01-013	EA	INSERT-CENTER-10.25" X 16.31"-UNPAINTED
8	075673-01-000	FT	SEAL-PILE-ADHESIVE BACK-GRAY
9	050712-06-000	EA	HANDLE-SCREEN DOOR-BRIGHT WHITE
	120863-05-000	EA	BUMPER-RUBBER

WINDOW, VENT & EXTERIOR DOOR GROUP (CONTINUED)

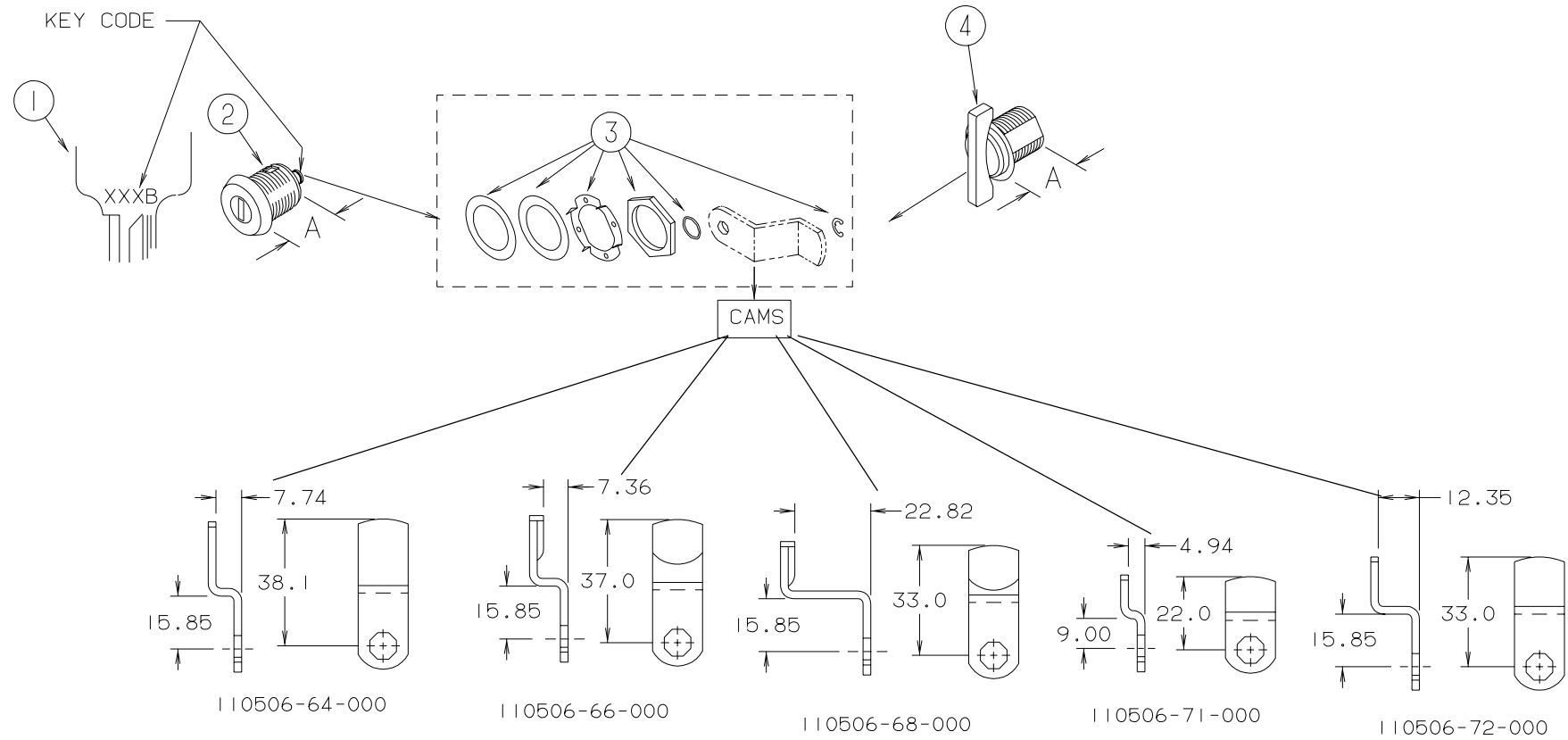


EXTERIOR COMPARTMENT DOOR COMPONENTS

KEY	PARTNUMBER	U/M	DESCRIPTION
1	107997-51-001	EA	SPACER-DOOR LOCK-.6" DEEP
	107997-51-002	EA	EXTRUDED-SPACER-16'
2	102768-01-000	EA	HOLDER-COMPARTMENT/ENTRY DOOR-METAL-MILL FINISH
3	081801-02-000	EA	HINGE-DOOR-PIANO-2" X 96"
4	064075-07-000	FT	SEAL-BULB-W/WIRED CHANNEL-.3" X .5" CHANNEL-BLK
5	098338-01-000	EA	GASKET-LOCK POCKET
6	097111-01-04A	EA	POCKET-LOCK-VALANCE
	091876-01-000	EA	RETAINER-DOOR-1.9" X .8"-METAL
	104692-01-000	FT	SEAL-FOAM/ADHESIVE BACK-.75" THICK X .75" WIDE X 25'
	098408-01-000	FT	SEAL-SPONGE RUBBER-CLOSED CELL
	081801-02-000	EA	HINGE-DOOR-PIANO-2" X 8'
	034007-B3-000	EA	HINGE-CONTINUOUS-1.5" X 96"

**WINDOW, VENT & EXTERIOR DOOR GROUP (CONTINUED)**  
**BRIGGS & STRATTON LOCKS & COMPONENTS**

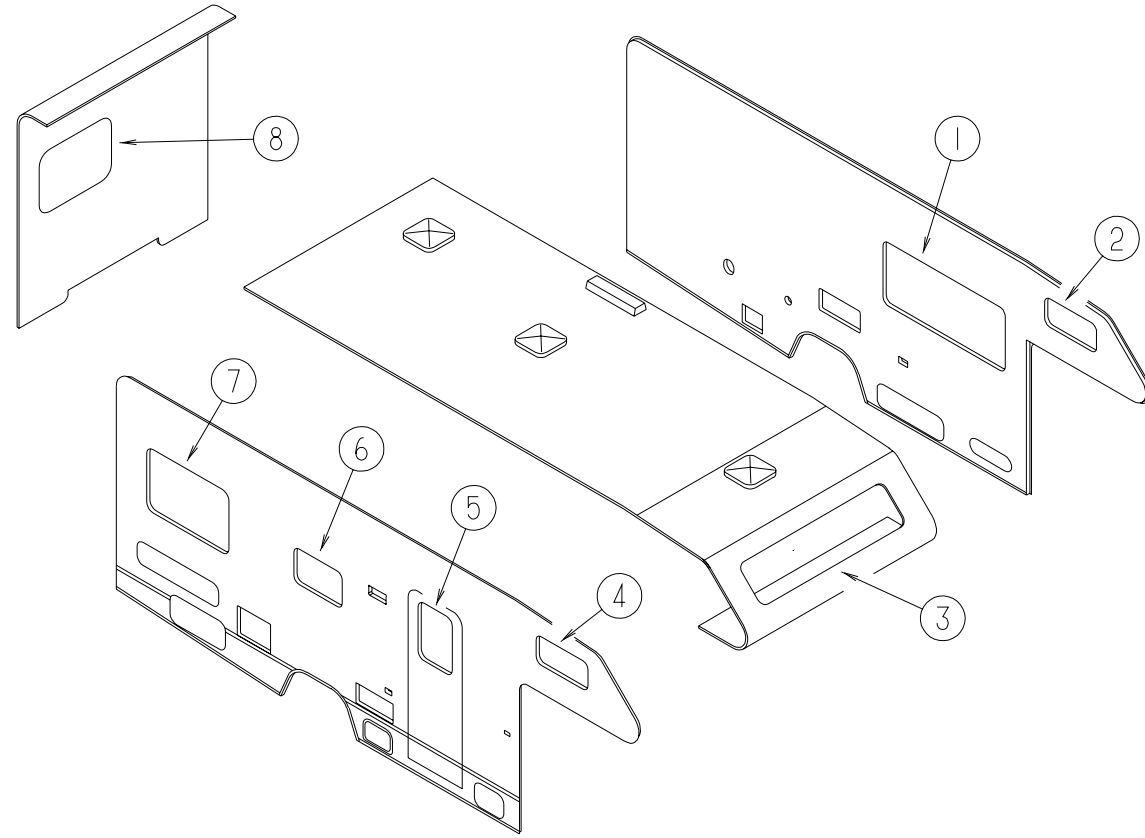
NOTE:  
 WHEN ORDERING THE LOCK CASE, THE KEY CODE MUST MATCH THE LAST DIGIT OF THE VEHICLE'S SERIAL NUMBER AND PART NUMBER; WHEN ORDERING THE KEYS, THE THIRD DIGIT OF THE KEY CODE MUST MATCH THE LAST DIGIT OF THE VEHICLE'S SERIAL NUMBER AND PART NUMBER



KEY	PARTNUMBER	U/M	DESCRIPTION	VENDOR NO.
1	110506-59-000	EA	KEYS-SETOFTWO	596720
2	110506-52-000	EA	CASE-LOCK, A=17MM	702370
2	110506-53-000	EA	CASE-LOCK, A=25MM	702380
1	110506-59-001	EA	KEYS-SETOFTWO	596721
2	110506-52-001	EA	CASE-LOCK, A=17MM	702371
2	110506-53-001	EA	CASE-LOCK, A=25MM	702381
1	110506-59-002	EA	KEYS-SETOFTWO	596722
2	110506-52-002	EA	CASE-LOCK, A=17MM	702372
2	110506-53-002	EA	CASE-LOCK, A=25MM	702382
1	110506-59-003	EA	KEYS-SETOFTWO	596723
2	110506-52-003	EA	CASE-LOCK, A=17MM	702373
2	110506-53-003	EA	CASE-LOCK, A=25MM	702383
1	110506-59-004	EA	KEYS-SETOFTWO	596724
2	110506-52-004	EA	CASE-LOCK, A=17MM	702374
2	110506-53-004	EA	CASE-LOCK, A=25MM	702384
1	110506-59-005	EA	KEYS-SETOFTWO	596725
2	110506-52-005	EA	CASE-LOCK, A=17MM	702375
2	110506-53-005	EA	CASE-LOCK, A=25MM	702385
1	110506-59-006	EA	KEYS-SETOFTWO	596726
2	110506-52-006	EA	CASE-LOCK, A=17MM	702376
2	110506-53-006	EA	CASE-LOCK, A=25MM	702386

KEY	PARTNUMBER	U/M	DESCRIPTION	VENDOR NO.
1	110506-59-007	EA	KEYS-SETOFTWO	596727
2	110506-52-007	EA	CASE-LOCK, A=17MM	702377
2	110506-53-007	EA	CASE-LOCK, A=25MM	702387
1	110506-59-008	EA	KEYS-SETOFTWO	596728
2	110506-52-008	EA	CASE-LOCK, A=17MM	702378
2	110506-53-008	EA	CASE-LOCK, A=25MM	702388
1	110506-59-009	EA	KEYS-SETOFTWO	596729
2	110506-52-009	EA	CASE-LOCK - A=17MM	702379
2	110506-53-009	EA	CASE-LOCK - A=25MM	702389
3	110506-40-700	EA	HARDWAREKIT	
4	110506-50-000	EA	CASE-TWISTLOCK, A=17MM	596952
4	110506-51-000	EA	CASE-TWISTLOCK, A=25MM	596669
	110506-40-000	EA	CLIP-ELOCKASSEMBLY	93981
	110506-64-000	EA	CAM-LATCHING-DOGLEGGED 1.8" LONG	
	110506-66-000	EA	CAM-LATCHING-DOGLEGGED 1.5" LONG	
	110506-68-000	EA	CAM-LATCHING-DOGLEGGED 1.3" LONG	
	110506-71-000	EA	CAM-LATCHING-DOGLEGGED .86" LONG	
	110506-72-000	EA	CAM-LATCHING-DOGLEGGED 1.3" LONG	
	110506-59-701	EA	KEY-BLANK, GOLD	

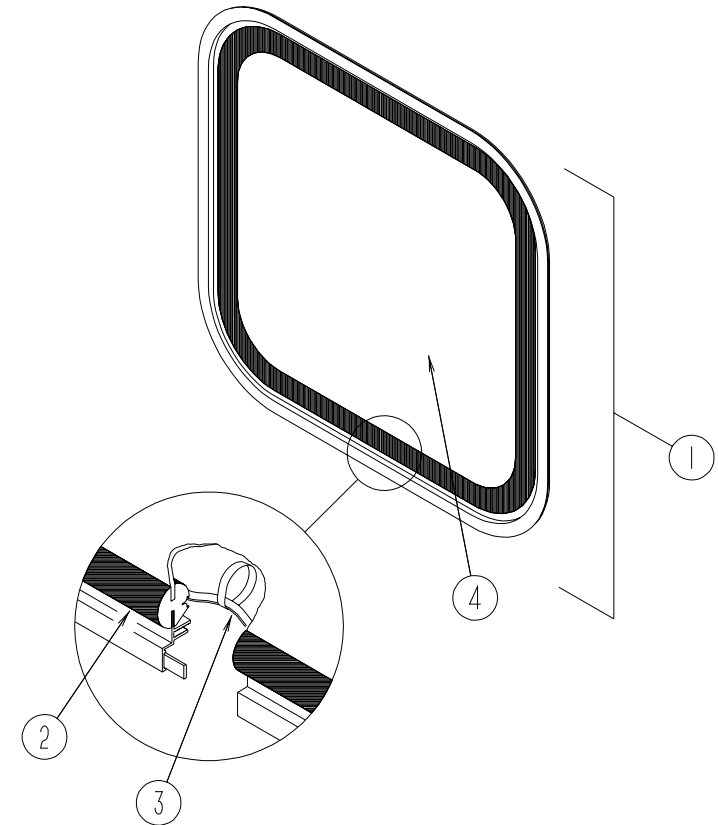
**WINDOW, VENT & EXTERIOR DOOR GROUP (CONTINUED)**



**WINDOWS**

KEY	PARTNUMBER	U/M	DESCRIPTION
1	098647-28-01A	EA	WINDOW-DRIVERSHORIZONTALSLIDER-CLEAR-26.1"X59.7"
1	112795-15-01A	EA	WINDOW-DRIVER-HORIZONTALSLIDER-THERMO-263/8"X60"
2	098647-32-01A	EA	WINDOW-DRIVERSHORIZONTALSLIDER-CLEAR-15.7"X28.5"
2	112795-20-01A	EA	WINDOW-DRIVER/HORIZONTALSLIDER-THERMO-16.7"X28.5"
3	103313-03-F15	EA	WINDOW-PICTURE-23.3"X71.3"
3	115630-01-01A	EA	WINDOW-STATIONARY/THERMOPANE-17.2"X72"
4	098647-31-01A	EA	WINDOW-PASSENGERHORIZONTALSLIDER-CLEAR-15.7"X28.5"
4	112795-19-01A	EA	WINDOW-PASSENGER/HORIZONTALSLIDER-THERMO16.7"X28.5"
5	117053-04-FB1	EA	WINDOW-PICTURE-17"X26.4"
5	113733-01-01A	EA	WINDOW-STATIONARY-THERMOPANE-17"X26.4"
6	098647-31-01A	EA	WINDOW-PASSENGERHORIZONTALSLIDER-CLEAR-15.7"X28.5"
6	112795-19-01A	EA	WINDOW-PASSENGER/HORIZONTALSLIDER-THERMO16.7"X28.5"
7	098647-38-01A	EA	WINDOW-PASSENGERHORIZONTALSLIDER-CLEAR-30.5"X57.5"
7	112795-22-01A	EA	WINDOW-PASSENGERHORIZONTALSLIDER/THERMO-263/8"X48"
8	078528-07-F15	EA	WINDOW-ESCAPEW/OINSIDETRIM-CLEAR-24.5"X48.5"
8	113502-01-01A	EA	WINDOW-REAR/ESCAPE-THERMO-24.8"X48.7"

**WINDOW, VENT & EXTERIOR DOOR GROUP (CONTINUED)**



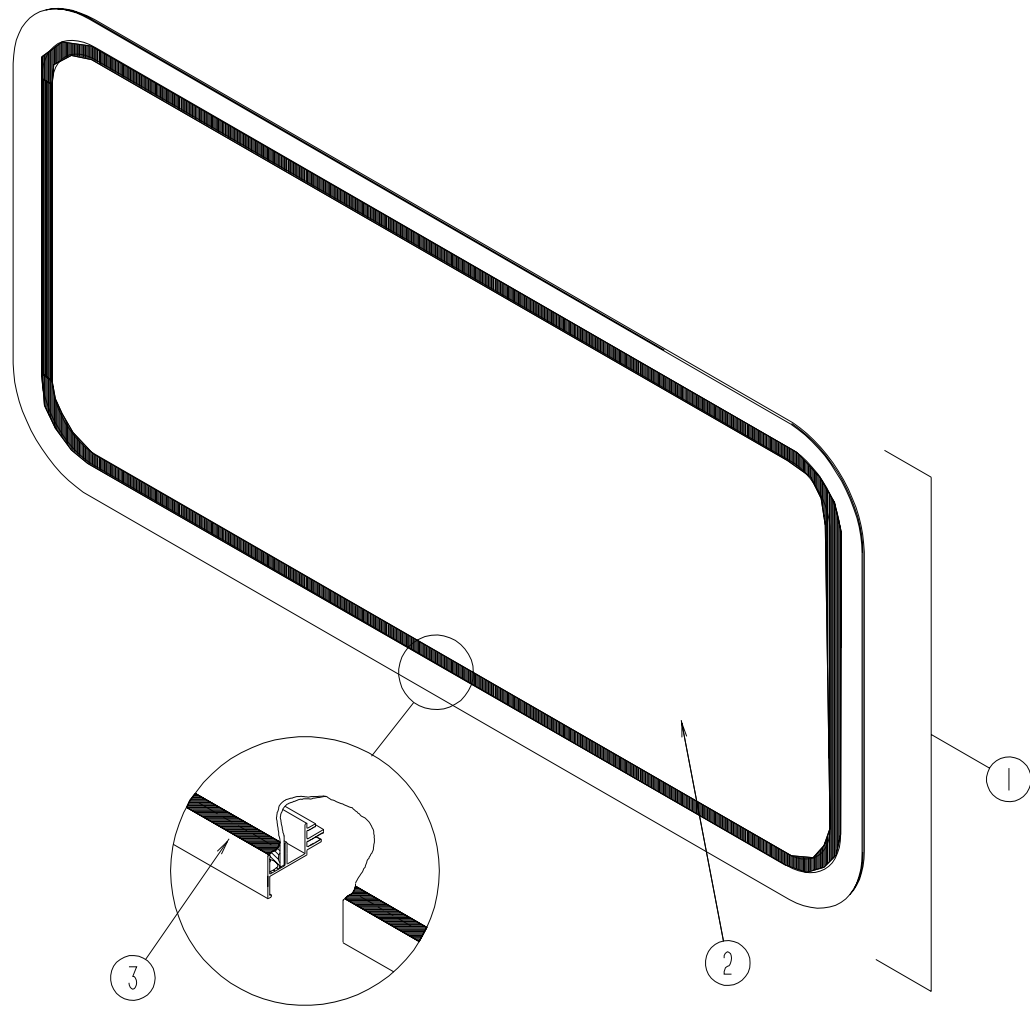
**BACKWALLESCAPEWINDOW-EXCEL**

KEY	PARTNUMBER	U/M	DESCRIPTION
1	078528-07-F15	EA	WINDOW-ESCAPEW/OINSIDETRIM-CLEAR-24.5"X48.5"
	074816-11-000	EA	RETAINER-TRIMO/W
2	002282-09-000	EA	WEATHERSTRIP-WINDOW-.125"X130.5"-BLACK
3	002285-01-000	FT	FILLER-WEATHERSTRIP-RUBBER-BLACK
4	076337-13-000	EA	GLASS-EGRESS-45.5"X21.5"
	077066-01-702	EA	TAPEASM-ESCAPEWINDOW

**BACKWALLESCAPEWINDOW-THERMO**

KEY	PARTNUMBER	U/M	DESCRIPTION	VENDOR NO.
	113502-01-01A	EA	WINDOW-REARESCAPETHERMO-24.8"X48.7"	
	098644-01-705	FT	GLAZING-STRIP	132-010231
	112898-06-704	EA	HANDLE-LATCH,RED-RH	182-11293
	112898-06-705	EA	HANDLE-LATCH,RED-LH	182-11294
	113502-01-703	EA	GLASS-STATIONARY-RH/LH	390-019083
	113502-01-704	EA	GLASS-EGRESSCENTER-ESCAPE	DH153-G9

**WINDOW, VENT & EXTERIOR DOOR GROUP (CONTINUED)**



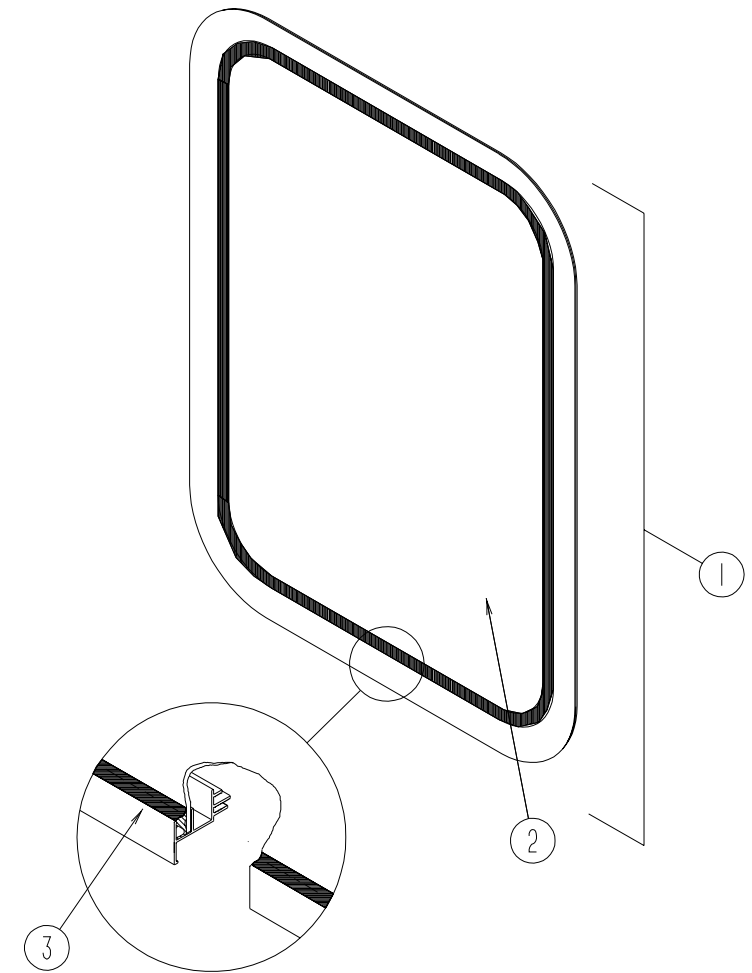
**FRONT OVERHEAD BUNK WINDOW**

KEY	PART NUMBER	U/M	DESCRIPTION
	117054-01-01A	EA	RETAINER-TRIM
1	103313-03-F15	EA	WINDOW-PICTURE-23.3"X71.3"
2	002181-29-000	EA	GLASS-PICTURE-16.4"X71"
3	099154-01-000	FT	CHANNEL-GLAZING-STATIONARY GLASS-.62"X.45"-BLK

**FRONT OVERHEAD BUNK WINDOW-THERMO**

KEY	PART NUMBER	U/M	DESCRIPTION	VENDOR NO.
	115630-01-01A	EA	WINDOW-STATIONARY/THERMOPANE-17.2"X72"	
	098644-01-705	FT	GLAZING-STRIP	132-010231
	115630-01-701	EA	RETAINER-TRIM	W438-58
	115630-01-702	EA	GLASS-STATIONARY-THERMO	390-019467

**WINDOW, VENT & EXTERIOR DOOR GROUP (CONTINUED)**



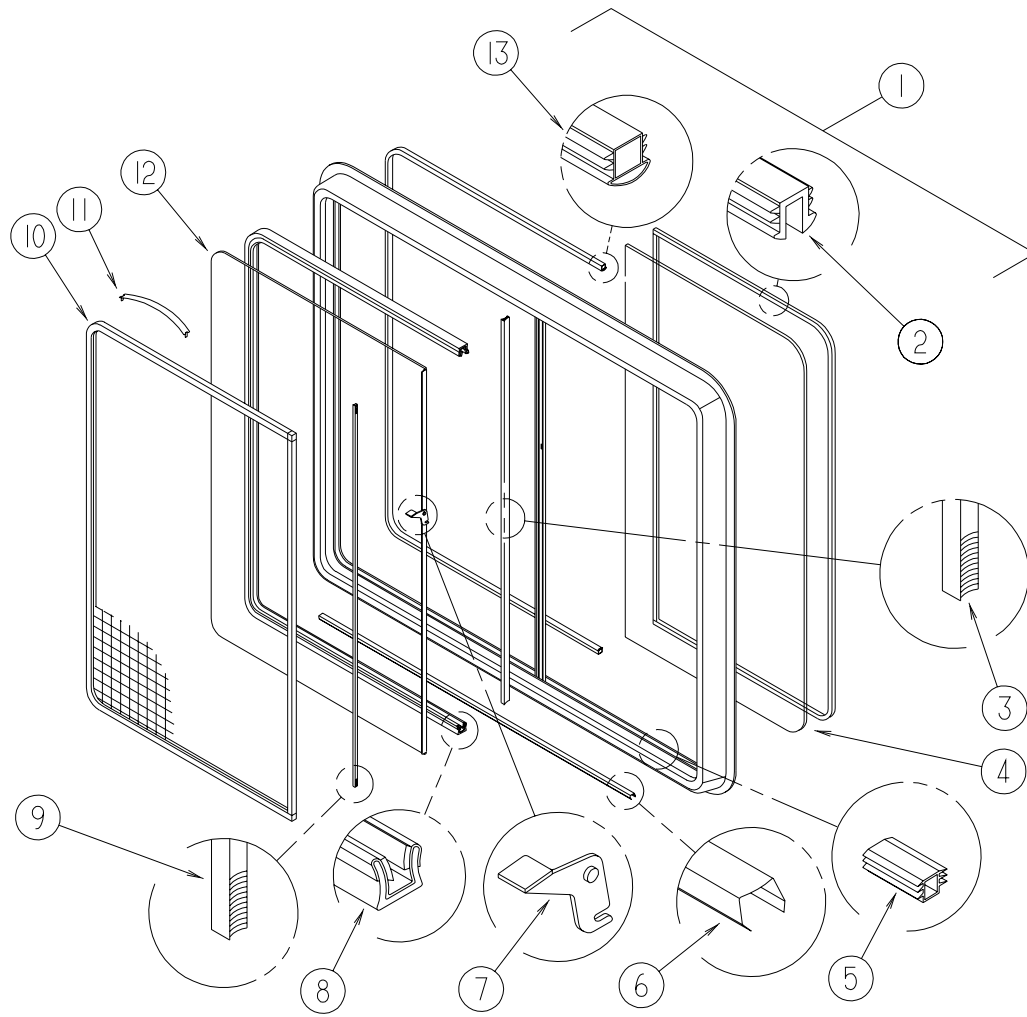
**ENTRANCE DOOR WINDOW**

KEY	PART NUMBER	U/M	DESCRIPTION
	117054-02-02A	EA	RETAINER-TRIM-BRIGHT WHITE
1	117053-04-FB1	EA	WINDOW-PICTURE-17"X26.4"
2	002181-27-000	EA	GLASS-PICTURE-25.7"X16.4"
3	087561-01-000	FT	SEAL-GLASS-EXTERIOR-.5"WIDE-VINYL BLACK

**ENTRANCE DOOR WINDOW-THERMO**

KEY	PART NUMBER	U/M	DESCRIPTION	VENDOR NO.
	113733-01-01A	EA	WINDOW-STATIONARY-THERMOPANE-17"X26.4"	
	112795-01-705	FT	VINYL-GLAZING	132-025736
	113733-01-701	EA	RETAINER-TRIM	W41666
	113733-01-702	EA	GLASS-STATIONARY	390-019187

**WINDOW, VENT & EXTERIOR DOOR GROUP (CONTINUED)**



**WINDOW, VENT & EXTERIOR DOOR GROUP (CONTINUED)**

**SLIDER WINDOWS-OVERHEAD BUNK & GALLEY-PASSENGER SIDE-EXCEL**

KEY	PARTNUMBER	U/M	DESCRIPTION	VENDORNO.
1	098647-31-01A	EA	WINDOW-PASSENGER HORIZONTAL SLIDER-CLEAR-15.7"X28.5"	
	098647-31-701	EA	RETAINER-TRIM	CW29-66
2	098644-01-705	FT	GLAZING-STRIP	132-010231
3	098644-01-706	FT	WEATHERSTRIP-GLASS	171-010668
4	098647-31-702	EA	GLASS-STATIONARY	096-019299
5	098644-01-719	EA	STOP-SLIDER GLASS	132-014203
6	098644-01-710	FT	TRACK-SCREEN SPACER 12'	132-017135
7	098644-01-700	EA	LATCH-REPAIR KIT (BLACK)	B801-CK
8	098644-01-708	FT	CHANNEL-RUN PIERCED	122-016543
9	098644-01-711	FT	WEATHERSTRIP-SCREEN BLACK	171-016965
10	098647-31-704	EA	SCREEN ASM-W/SEALS & CLIPS	410-019128
	098644-01-717	FT	SPLINE-SCREEN	132-004716
11	098644-01-713	EA	CLIP-SPRING-METAL	226-016966
12	098647-31-703	EA	GLASS-SLIDING W/SASH & LATCH	H425-C8
13	098644-01-716	FT	PLUG-FILLER	132-014470

**SINGLE SLIDER WINDOW-BEDROOM-EXCEL**

KEY	PARTNUMBER	U/M	DESCRIPTION	VENDORNO.
1	098647-38-01A	EA	WINDOW-PASSENGER HORIZONTAL SLIDER-CLEAR-30.5"X57.5"	
	098647-38-701	EA	RETAINER-TRIM	W303-66
2	098644-01-705	FT	GLAZING-STRIP	132-010231
3	098644-01-706	FT	WEATHERSTRIP-GLASS	171-010668
4	098647-38-702	EA	GLASS-STATIONARY	096-017854
5	098644-01-719	EA	STOP-SLIDER GLASS	132-014203
6	098644-01-710	FT	TRACK-SCREEN SPACER 12'	132-017135
7	098644-01-700	EA	LATCH-REPAIR KIT (BLACK)	B801-CK
8	098644-01-708	FT	CHANNEL-RUN PIERCED	122-016543
9	098644-01-711	FT	WEATHERSTRIP-SCREEN BLACK	171-016965
10	098647-38-704	EA	SCREEN ASM-W/SEALS & CLIPS	410-019063
	098644-01-717	FT	SPLINE-SCREEN	132-004716
11	098644-01-713	EA	CLIP-SPRING-METAL	226-016966
12	098647-38-703	EA	GLASS-SLIDING W/SASH & LATCH	H320-C8
13	098644-01-716	FT	PLUG-FILLER	132-014470

**SLIDER WINDOWS-OVERHEAD BUNK-DRIVER SIDE-EXCEL**

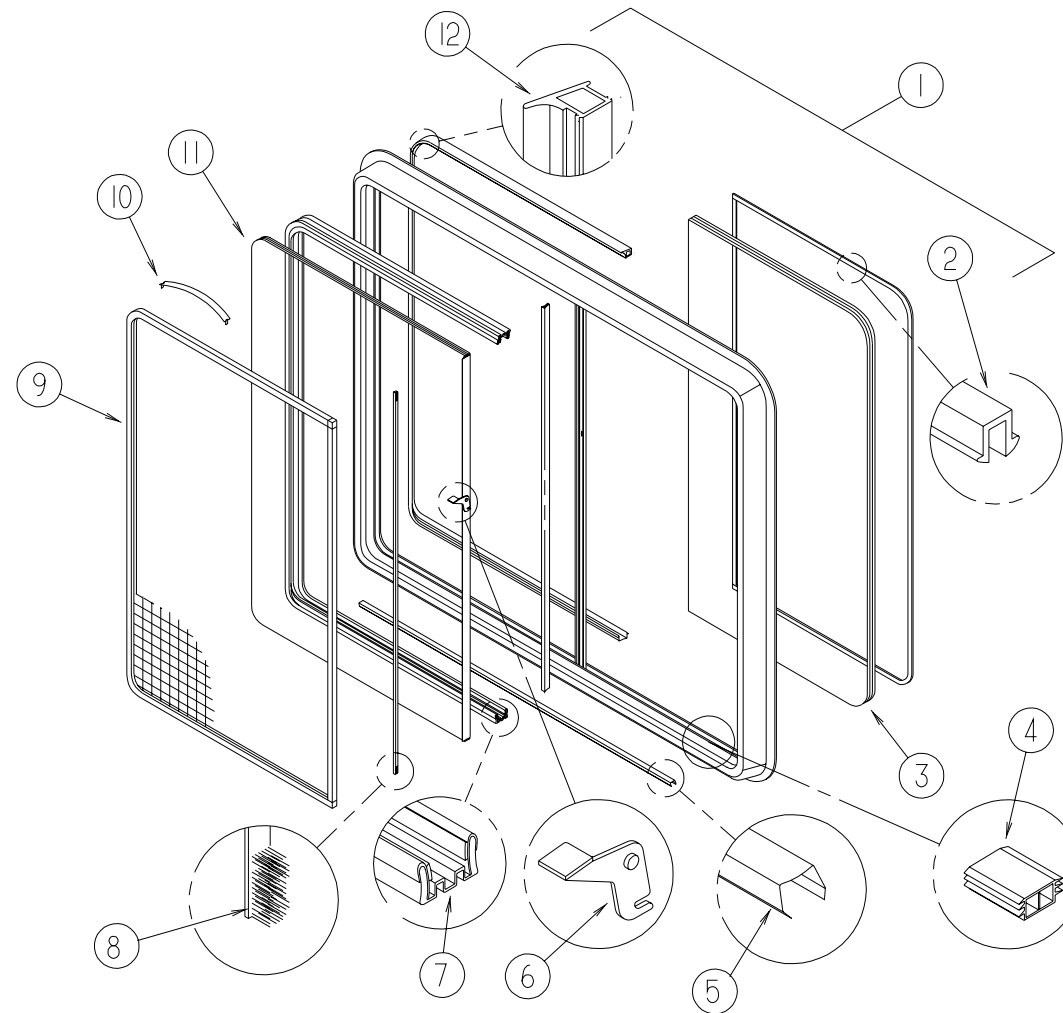
KEY	PARTNUMBER	U/M	DESCRIPTION	VENDORNO.
1	098647-32-01A	EA	WINDOW-DRIVER HORIZONTAL SLIDER-CLEAR-15.7"X28.5"	
	098647-31-701	EA	RETAINER-TRIM	CW29-66
2	098644-01-705	FT	GLAZING-STRIP	132-010231
3	098644-01-706	FT	WEATHERSTRIP-GLASS	171-010668
4	098647-31-702	EA	GLASS-STATIONARY	096-019299
5	098644-01-719	EA	STOP-SLIDER GLASS	132-014203
6	098644-01-710	FT	TRACK-SCREEN SPACER 12'	132-017135
7	098644-01-700	EA	LATCH-REPAIR KIT (BLACK)	B801-CK
8	098644-01-708	FT	CHANNEL-RUN PIERCED	122-016543
9	098644-01-711	FT	WEATHERSTRIP-SCREEN BLACK	171-016965
10	098647-31-704	EA	SCREEN ASM-W/SEALS & CLIPS	410-019128
	098644-01-717	FT	SPLINE-SCREEN	132-004716
11	098644-01-713	EA	CLIP-SPRING-METAL	226-016966
12	098647-31-703	EA	GLASS-SLIDING W/SASH & LATCH	H425-C8
13	098644-01-716	FT	PLUG-FILLER	132-014470

**SINGLE SLIDER WINDOW-DINETTE-EXCEL**

KEY	PARTNUMBER	U/M	DESCRIPTION	VENDORNO.
1	098647-28-01A	EA	WINDOW-DRIVER HORIZONTAL SLIDER-CLEAR-26.1"X59.7"	
	098647-27-701	EA	RETAINER-TRIM	W287-66
2	098644-01-705	FT	GLAZING-STRIP	132-010231
3	098644-01-706	FT	WEATHERSTRIP-GLASS	171-010668
4	098647-27-702	EA	GLASS-STATIONARY	096-017868
5	098644-01-719	EA	STOP-SLIDER GLASS	132-014203
6	098644-01-710	FT	TRACK-SCREEN SPACER 12'	132-017135
7	098644-01-700	EA	LATCH-REPAIR KIT (BLACK)	B801-CK
8	098644-01-708	FT	CHANNEL-RUN PIERCED	122-016543
9	098644-01-711	FT	WEATHERSTRIP-SCREEN BLACK	171-016965
10	098647-23-704	EA	SCREEN ASM-W/SEALS & CLIPS	410-019066
	098644-01-717	FT	SPLINE-SCREEN	132-004716
11	098644-01-713	EA	CLIP-SPRING-METAL	226-016966
12	098647-27-703	EA	GLASS-SLIDING W/SASH & LATCH	H287-C8
13	098644-01-716	FT	PLUG-FILLER	132-014470

**WINDOW, VENT & EXTERIOR DOOR GROUP (CONTINUED)**

**WINDOW, VENT & EXTERIOR DOOR GROUP (CONTINUED)**



**SLIDER WINDOWS-OVERHEAD BUNK & GALLEY-PASSENGER SIDE-EXCEL-THERMO**

KEY	PARTNUMBER	U/M	DESCRIPTION	VENDORNO.
1	112795-19-01A	EA	WINDOW-PASSENGER/HORIZONTAL SLIDER-THERMO 16.7" X 28.5"	
	098647-31-701	EA	RETAINER-TRIM	CW29-66
2	112795-01-705	FT	VINYL-GLAZING	132-025736
3	112795-19-701	EA	GLASS-STATIONARY	390-019134
4	112795-01-701	EA	SLIDE-STOP	132-019092
5	098644-01-710	FT	TRACK-SCREENSPACER 12'	132-017135
6	112795-01-700	EA	LATCHASM., BLK., (BOLTON)	DH287-CK
7	112795-01-703	IN	CHANNEL-RUN (INCHES)	122-018736
8	098644-01-711	FT	WEATHERSTRIP-SCREENBLACK	171-016965
9	098647-31-704	EA	SCREENASM-W/SEALS&CLIPS	410-019128
10	098644-01-713	EA	CLIP-SPRING-METAL	226-016966
11	112795-19-702	EA	GLASS-SLIDINGW/SASH&LATCH	DC29-G9
12	112795-01-704	FT	PLUGFILLER (DOUBLEGLAZED)	122-018737

**SINGLE SLIDER WINDOW-BEDROOM-EXCEL-THERMO**

KEY	PARTNUMBER	U/M	DESCRIPTION	VENDORNO.
1	112795-22-01A	EA	WINDOW-PASSENGER HORIZONTAL SLIDER/THERMO-26 3/8" X 48"	
	112795-22-701	EA	RETAINER-TRIM	W303-66
2	112795-01-705	FT	VINYL-GLAZING	132-025736
3	112795-22-702	EA	GLASS-STATIONARY	390-019039
4	112795-01-701	EA	SLIDE-STOP	132-019092
5	098644-01-710	FT	TRACK-SCREENSPACER 12'	132-017135
6	112795-01-700	EA	LATCHASM., BLK., (BOLTON)	DH287-CK
7	112795-01-703	IN	CHANNEL-RUN (INCHES)	122-018736
8	098644-01-711	FT	WEATHERSTRIP-SCREENBLACK	171-016965
9	098647-38-704	EA	SCREENASM-W/SEALS&CLIPS	410-019063
10	098644-01-713	EA	CLIP-SPRING-METAL	226-016966
11	112795-22-703	EA	GLASS-SLIDINGW/SASH&LATCH	DC48-G9
12	112795-01-704	FT	PLUGFILLER (DOUBLEGLAZED)	122-018737

**SINGLE SLIDER WINDOW-DINETTE-EXCEL-THERMO**

KEY	PARTNUMBER	U/M	DESCRIPTION	VENDORNO.
1	112795-15-01A	EA	WINDOW-DRIVER-HORIZONTAL SLIDER-THERMO-26 3/8" X 60"	
	098647-23-702	EA	RETAINER-TRIM	W287-66
2	112795-01-705	FT	VINYL-GLAZING	132-025736
3	112795-15-701	EA	GLASS-STATIONARY	390-019045
4	112795-01-701	EA	SLIDE-STOP	132-019092
5	098644-01-710	FT	TRACK-SCREENSPACER 12'	132-017135
6	112795-01-700	EA	LATCHASM., BLK., (BOLTON)	DH287-CK
7	112795-01-703	IN	CHANNEL-RUN (INCHES)	122-018736
8	098644-01-711	FT	WEATHERSTRIP-SCREENBLACK	171-016965
9	098647-23-704	EA	SCREENASM-W/SEALS&CLIPS	410-019066
10	098644-01-713	EA	CLIP-SPRING-METAL	226-016966
11	112795-15-702	EA	GLASS-SLIDINGW/SASH&LATCH	DH287-G9
12	112795-01-704	FT	PLUGFILLER (DOUBLEGLAZED)	122-018737

**SLIDER WINDOWS-OVERHEAD BUNK-DRIVER SIDE-EXCEL-THERMO**

KEY	PARTNUMBER	U/M	DESCRIPTION	VENDORNO.
1	112795-20-01A	EA	WINDOW-DRIVER/HORIZONTAL SLIDER-THERMO 16.7" X 28.5"	
	098647-31-701	EA	RETAINER-TRIM	CW29-66
2	112795-01-705	FT	VINYL-GLAZING	132-025736
3	112795-19-701	EA	GLASS-STATIONARY	390-019134
4	112795-01-701	EA	SLIDE-STOP	132-019092
5	098644-01-710	FT	TRACK-SCREENSPACER 12'	132-017135
6	112795-01-700	EA	LATCHASM., BLK., (BOLTON)	DH287-CK
7	112795-01-703	IN	CHANNEL-RUN (INCHES)	122-018736
8	098644-01-711	FT	WEATHERSTRIP-SCREENBLACK	171-016965
9	098647-31-704	EA	SCREENASM-W/SEALS&CLIPS	410-019128
10	098644-01-713	EA	CLIP-SPRING-METAL	226-016966
11	112795-19-702	EA	GLASS-SLIDINGW/SASH&LATCH	DC29-G9
12	112795-01-704	FT	PLUGFILLER (DOUBLEGLAZED)	122-018737

**WINDOW, VENT & EXTERIOR DOOR GROUP (CONTINUED)**

**POWERED ROOF VENT**

KEY	PART NUMBER	U/M DESCRIPTION	VENDOR NO.
	122882-02-01A	EA VENT-ROOF-W/FAN-POWERED	
	009440-01-000	EA GEAR/ARM-LIFT-ROOFVENTCOVER	
	048648-01-000	EA MOTOR-ROOFVENT-1/8SHAFT-12VOLT	
	048649-01-000	EA FAN-ROOFVENT-6BLADES-6"	
	064470-01-700	EA COVER-VENT-W/OSLIDEBAR	J7291
	064470-01-701	EA SLIDEBAR-VENTLID	JRP1291B
	110051-03-700	EA SWITCH-BLACK/PUSHBUTTON	27-0164
	122882-01-700	EA HANDLE-CRANKBLACK	90128
	122882-01-701	EA SCREEN	JRP-1124-B

**POWERED ROOF VENT-CANADIAN**

KEY	PART NUMBER	U/M DESCRIPTION	VENDOR NO.
	122882-03-01A	EA VENT-ROOF-W/FAN-CSA	
	009440-01-000	EA GEAR/ARM-LIFT-ROOFVENTCOVER	
	048648-01-000	EA MOTOR-ROOFVENT-1/8SHAFT-12VOLT	
	048649-01-000	EA FAN-ROOFVENT-6BLADES-6"	
	064470-01-700	EA COVER-VENT-W/OSLIDEBAR	J7291
	064470-01-701	EA SLIDEBAR-VENTLID	JRP1291B
	110051-03-700	EA SWITCH-BLACK/PUSHBUTTON	27-0164
	122882-01-700	EA HANDLE-CRANK-BLACK	90128
	122882-01-701	EA SCREEN	JRP-1124-B

**WINDOW, VENT & EXTERIOR DOOR GROUP (CONTINUED)**

**NONPOWERED ROOF VENT**

KEY	PART NUMBER	U/M DESCRIPTION	VENDOR NO.
	122882-01-01A	EA VENT-ROOF-NONPOWERED	
	009440-01-000	EA GEAR/ARM-LIFT-ROOFVENTCOVER	
	064470-01-700	EA COVER-VENT-W/OSLIDEBAR	J7291
	064470-01-701	EA SLIDEBAR-VENTLID	JRP1291B
	122882-01-700	EA HANDLE-CRANK-BLACK	90128
	122882-01-701	EA SCREEN	JRP-1124-B

**ROOF EXHAUST VENT**

KEY	PART NUMBER	U/M DESCRIPTION	VENDOR NO.
	123780-01-01A	EA VENT-EXHAUST-1"ROOF	
	009440-01-000	EA GEAR/ARM-LIFT-ROOFVENTCOVER	
	084079-01-703	EA KNOB-LIFT,W/EXT.&SCREW	1140K-00
	084079-01-704	EA BLADE-FAN	1070-00
	084079-01-705	EA MOTOR	1080-00
	084079-01-707	EA SWITCH-SAFETY	1122.05
	084079-01-709	EA SWITCH-MAIN-3SPEED	1031-05
	084079-01-711	EA H-MOLDING,MOTORMOUNT	
	084079-11-700	EA MOTOR,BRKT.,FANBLADE,KIT	4017K-09
	123780-01-700	EA COVER-VENTW/HINGE&SLIDE	1020K-81
	123780-01-701	EA GARNISH-INT3/4-1"BRIGHTWHITE	0040-81

**VENTS, SHROUDS AND ROOF COVERS**

KEY	PART NUMBER	U/M DESCRIPTION
	084616-07-000	EA VENT-SHROUD-RANGEHOOD-BRIGHTWHITE
	084878-09-000	EA VENT-HOOD-RANGE/SHORT-OFFWHITE
	083558-03-000	EA VENT-PLUMBING-PIPEROOF-W/COVER-OFFWHITE
	084073-04-000	EA BASE-ROOFVENT-REFRIGERATOR
	084073-07-000	EA VENT-ROOF-REFRIGERATOR-BRIGHTWHITE