

# 1997 WKG34WK

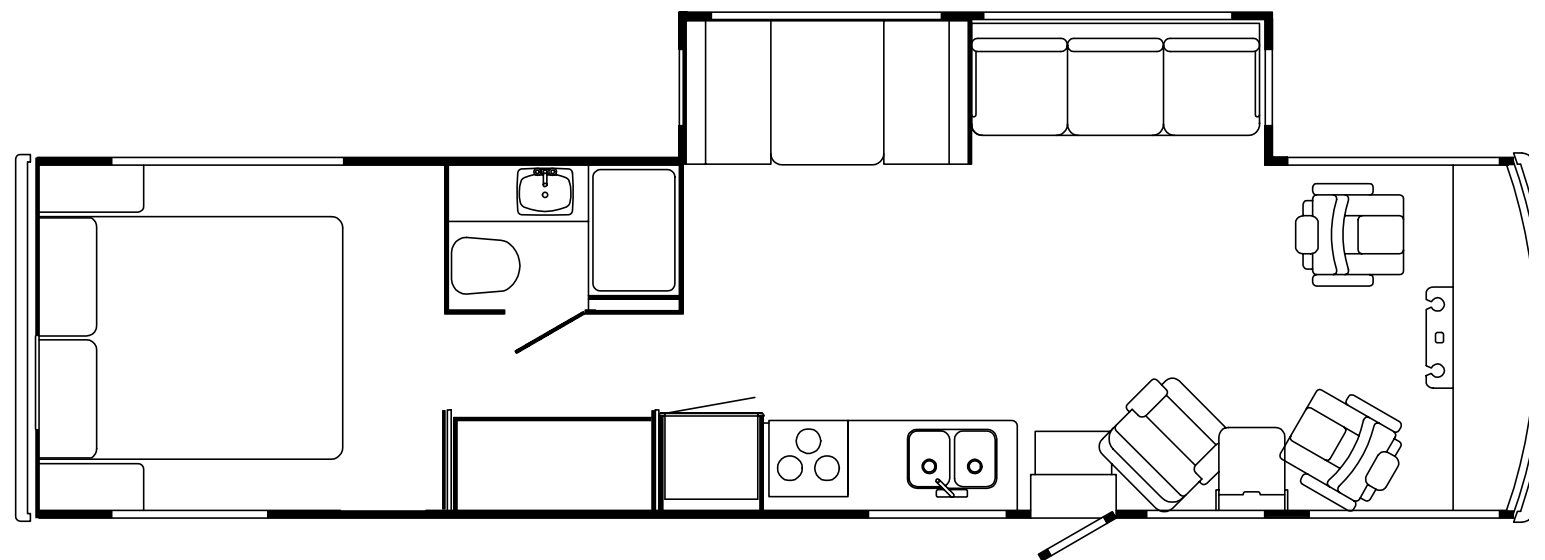
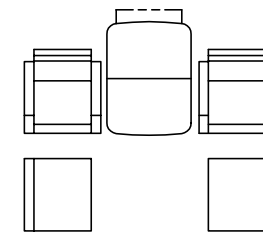
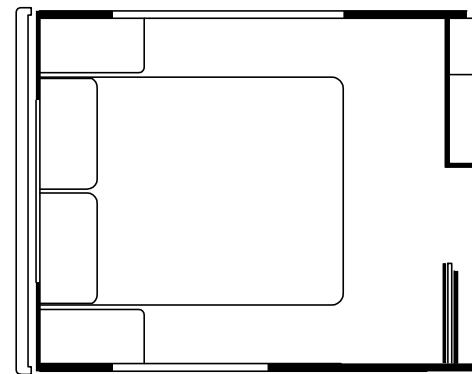
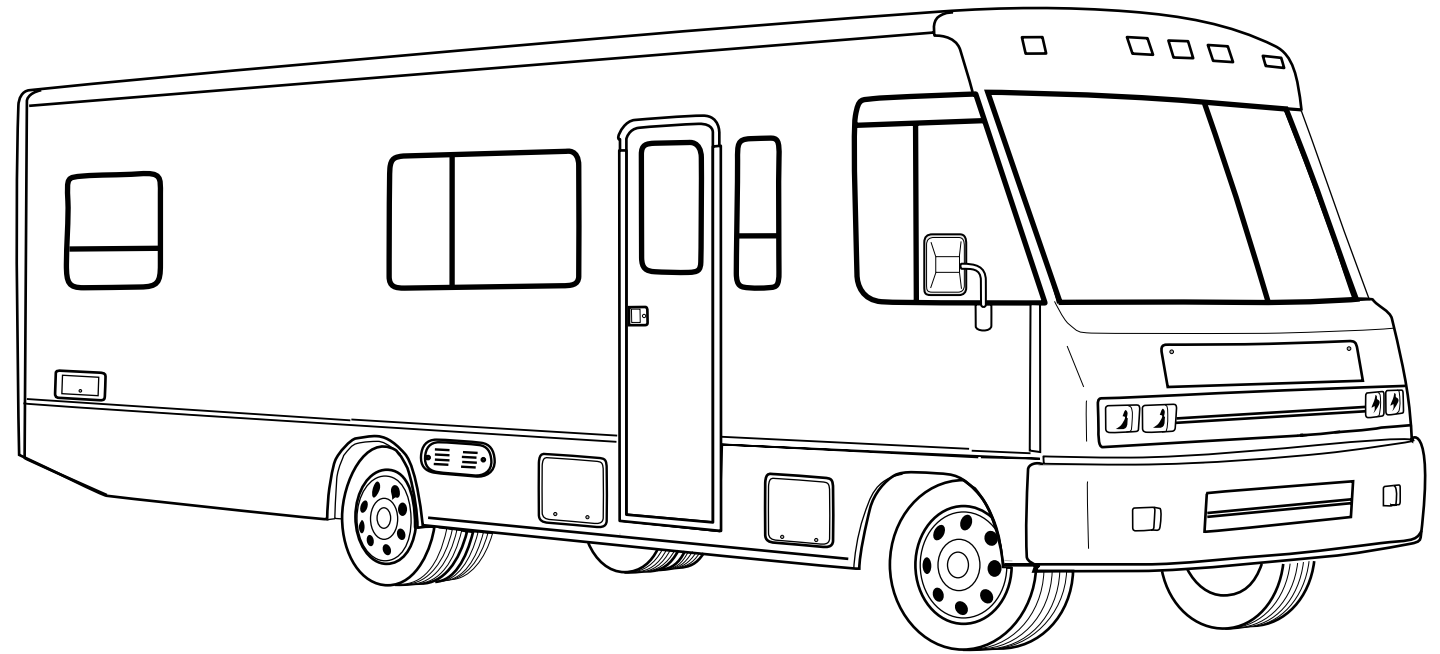
**H17 BOTANICAL (GREEN)  
(OAK)**

**H18 NORTH SHORE (TAUPE)  
(OAK)**

**H19 ZEPHYR (BLUE)  
(OAK)**

**H40 OAK LEAF (TAUPE)  
(WHITE GRANITE)**

**H41 EASTON (SAGE)  
(WHITE GRANITE)**



## ACCESSORIES GROUP

### OPERATOR MANUAL

KEY	PART NUMBER	U/M DESCRIPTION
	054185-F9-000	EA MANUAL - OPERATOR 97 ADVENTURER
	092318-01-000	EA BINDER - 3 RING - MOTOR HOME MANUAL
	092319-01-000	EA POCKET PAGE - 3 RING BINDER - PLASTIC - (50 PER PKG)
	122567-01-000	EA TOP LEVEL - G,1997

## AUDIO VIDEO GROUP

### RADIO SYSTEMS & ANTENNA

KEY	PART NUMBER	U/M DESCRIPTION
	087683-03-000	EA RADIO - AM/FM STEREO CASSETTE
	110267-04-000	EA RADIO - AM/FM STEREO - CD COMPATIBLE - AUDIOVOX
	127516-01-000	EA RADIO - AM/FM STEREO - CD PLAYER
	110469-01-000	EA SPEAKER - 4" X 6" OVAL - COAXIAL
	110470-01-01A	EA GRILLE - 4" X 6" OVAL - BLACK
	089340-02-000	EA GRILLE - SPEAKER - 6.5" SQUARE
	089340-03-000	EA SPACER - GRILLE - 6.5" SQUARE - TAN - MAGNADYNE G514
	094097-01-000	EA SPEAKER - RADIO/TV - W/O GRILLE - 5.25" DIA
	090944-01-000	EA ANTENNA - RADIO - 16" RUBBER
	108847-01-000	EA BRACKET - ANTENNA GROUND
	109889-04-000	EA EXTENDER - SHAFT -ANTENNA 3" - MAGNADYNE RV71EX3
	123256-01-000	EA ANTENNA - CB - W/O CABLE
	123256-02-000	EA CABLE - CB - COAX
	077069-02-000	EA CABLE - ANTENNA/EXTENSION - RADIO - 96"
	115916-01-01B	EA BRACKET - ANTENNA MOUNT

### REAR MONITOR SYSTEM

KEY	PART NUMBER	U/M DESCRIPTION
	093040-10-000	EA MONITOR - 7" REAR VIEW - W/BRACKET - SONY
	093040-09-000	EA CAMERA - REAR VIEW - W/BRACKET - SONY
	096717-03-000	EA WIRE - REAR MONITOR - AFTER MARKET INSTALLATION
	093041-01-000	EA CABLE - MONITOR/ CAMERA INTERNAL USE - 65.6'
	093041-02-000	EA CABLE - MONITOR/CAMERA - EXTERNAL USE - 59.1'

### PATIO ENTERTAINMENT CENTER

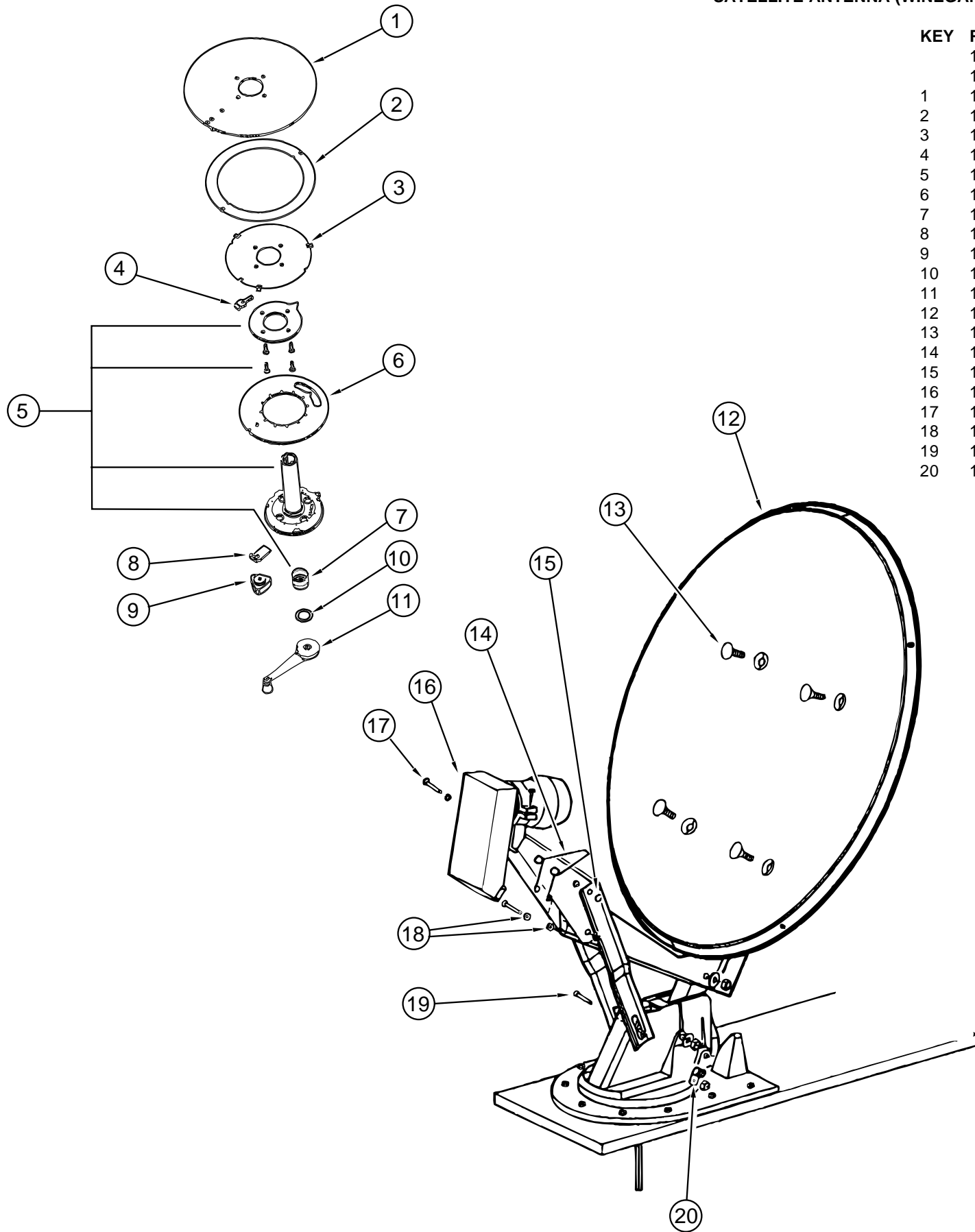
KEY	PART NUMBER	U/M DESCRIPTION
	077069-02-000	EA CABLE - ANTENNA/EXTENSION - RADIO - 96"
	087683-03-000	EA RADIO - AM/FM STEREO CASSETTE
	090944-01-000	EA ANTENNA - RADIO - 16" RUBBER
	108847-01-000	EA BRACKET - ANTENNA GROUND
	109889-04-000	EA EXTENDER - ANTENNA SHAFT - 3"
	110469-01-000	EA SPEAKER - 4" X 6" OVAL - COAXIAL
	110470-01-01A	EA GRILLE - 4" X 6" OVAL - BLACK

### TV - VCR SYSTEMS

KEY	PART NUMBER	U/M DESCRIPTION
	113684-02-000	EA TV - 19" COLOR W/1/8" JACK - UL/CSA - AUDIOVOX
	113684-01-700	EA REMOTE - 0892345
	122863-01-000	EA TV - 13" COLOR W/SPEAKER - UL/CSA - AUDIOVOX
	122863-01-700	EA REMOTE - 0892345
	119120-02-000	EA VCR-VHS - CABLE READY - REMOTE - AUDIOVOX FROM: 00-00-00 THRU: 02-16-97
	119120-02-700	EA REMOTE (AUDIOVOX AVR-1170)
	119120-03-000	EA VCR-VHS - CABLE READY - REMOTE - AUDIOVOX FROM: 02-17-97 THRU: 99-99-99
	119120-03-700	EA REMOTE - 0994571
	086757-03-000	EA CONTROL CENTER - SWITCH - VCR/TV
	086777-01-000	EA WALLPLATE - TV CABLE - W/ANTENNA SWITCH - IVORY
	086777-05-000	EA WALLPLATE - TV CABLE - ANTENNA/1 OUTPUT - IVORY
	093214-01-02A	EA GRILLE - SPEAKER - 4" BROWN
	098819-01-000	EA SPEAKER - 4" - 2 WATT - 8 OHM
	082134-01-000	EA ADAPTER - TV - CABLE TO CABLE
	086756-01-000	EA SPLITTER - TV - 2 WAY
	114870-02-000	EA PLUG - .14" AUDIO W/LEADS
	082136-01-000	EA NUT - HEX JAM - 3/8 - 32

# AUDIO VIDEO GROUP (CONTINUED)

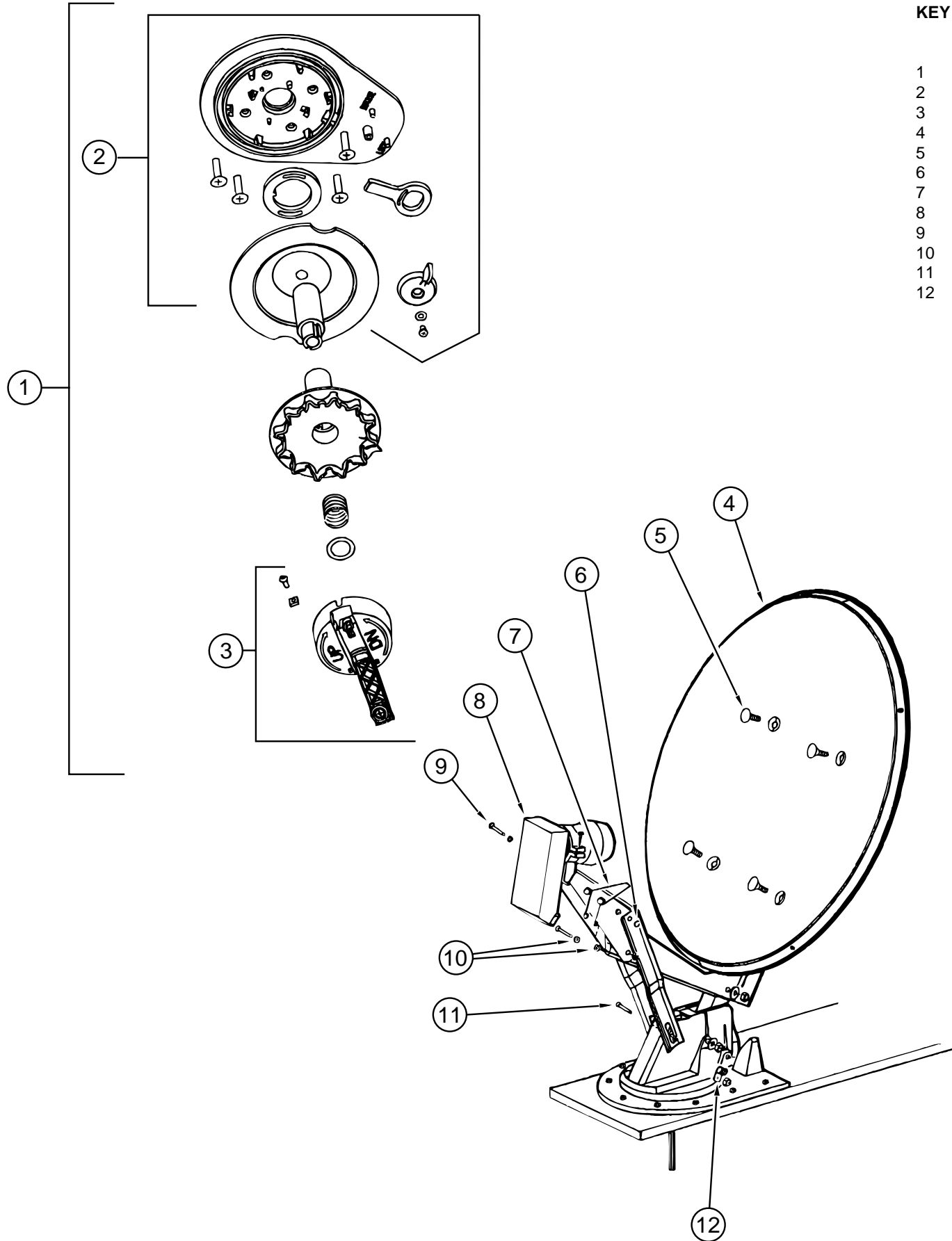
## SATELLITE ANTENNA (WINEGARD) (OLD STYLE)



KEY	PART NUMBER	U/M	DESCRIPTION	VENDOR NO.
	120233-02-000	EA	RECEIVER - SATELLITE ONLY	
	120233-01-000	EA	ANTENNA - SATELLITE W/O RECEIVER (DISH & HARDWARE KIT) MANUAL	
1	120233-01-700	EA	PLATE - FIXED	3750821
2	120233-01-701	EA	DIAL - DIRECTIONAL	2745056
3	120233-01-702	EA	PIVOT - DIAL - DIRECTIONAL	2745058
4	120233-01-703	EA	STOP - ROTATION	3711281
5	120233-01-704	EA	PLATE - CEILING W/DIR. HANDLE	RP-6300
6	120233-01-705	EA	PLATE - ROTATE	3750820
7	120233-01-706	EA	SPRING	RP-6822
8	120233-01-707	EA	CLAMP - ROTATE	3711280
9	120233-01-708	EA	KNOB - CLAMP	2200061
10	120233-01-709	EA	WASHER - NYLON	RP-2658
11	120233-01-710	EA	HANDLE - CRANK	RP-6795
12	120233-01-711	EA	REFLECTOR - 46CM	2745304
13	120233-01-712	EA	BOLT - FLAT HEAD	2160253
14	120233-01-713	EA	SPRING	2160820
15	120233-01-714	EA	CLIP - E	5160818
16	120233-01-715	EA	LOW NOISE BLOCK FILTER (LNBF)	2780177
17	120233-01-716	EA	PIN	2160814
18	120233-01-717	EA	BEARING - NYLON	2200726
19	120233-01-718	EA	PIN	5160817
20	120233-01-719	EA	CLAMP - CABLE	2200060

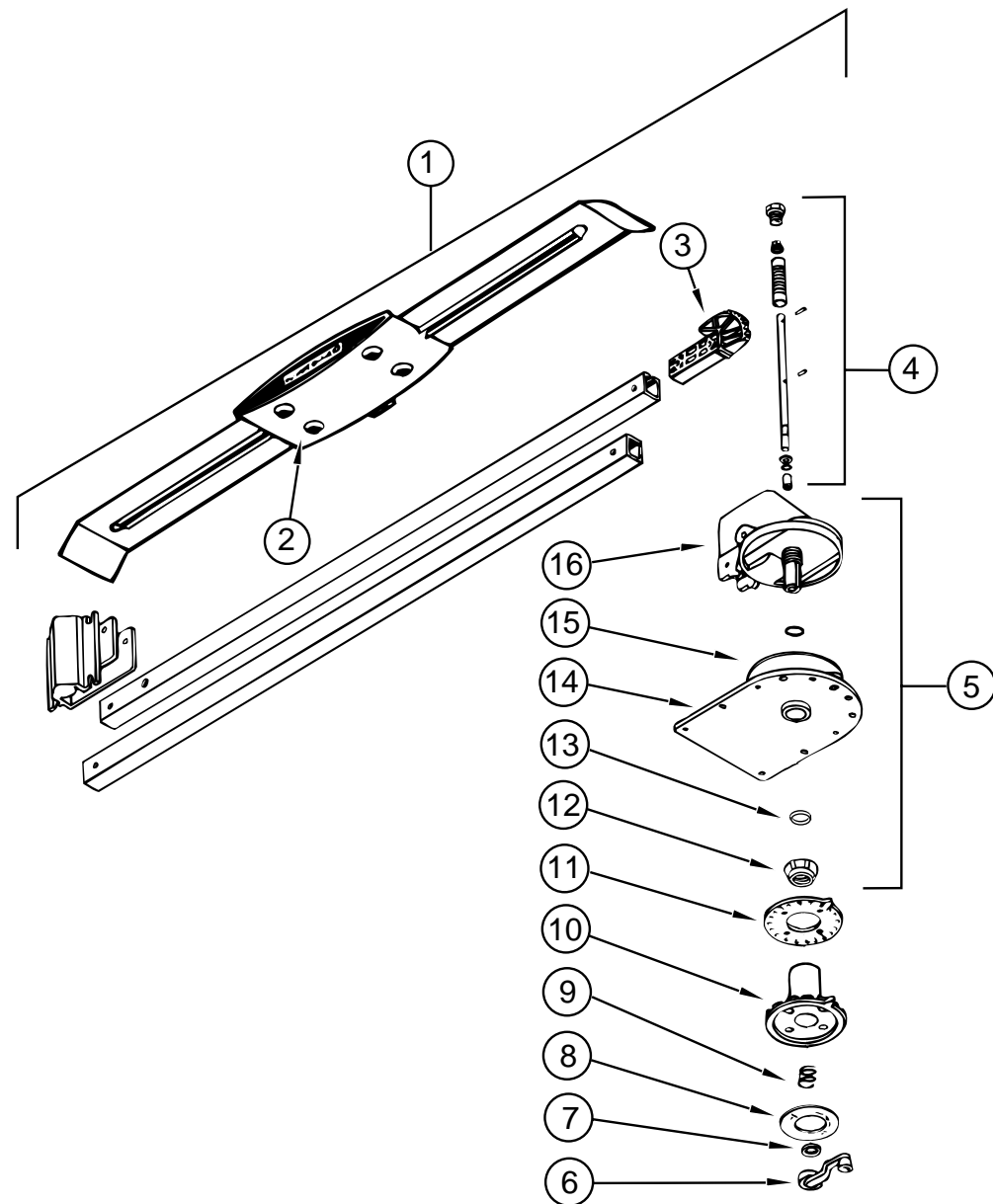
# AUDIO VIDEO GROUP (CONTINUED)

## SATELLITE ANTENNA (WINEGARD) (NEW STYLE)



KEY	PART NUMBER	U/M	DESCRIPTION	VENDOR NO.
	120233-02-000	EA	RECEIVER - SATELLITE ONLY	
	120233-01-000	EA	ANTENNA - SATELLITE W/O RECEIVER (DISH & HARDWARE KIT) MANUAL	
1	120233-01-720	EA	CEILING PLATE ASM (RETRO FIT)	RP-4100
2	120233-01-722	EA	PLATE ASSEMBLY (CEILING)	2762826
3	120233-01-721	EA	CRANK HANDLE ASSEMBLY	2762825
4	120233-01-711	EA	REFLECTOR - 46 CM	2745304
5	120233-01-712	EA	BOLT - FLAT HEAD	2160253
6	120233-01-714	EA	CLIP - E	5160818
7	120233-01-713	EA	SPRING	2160820
8	120233-01-715	EA	LOW NOISE BLOCK FILTER (LNBF)	2780177
9	120233-01-716	EA	PIN	2160814
10	120233-01-717	EA	BEARING - NYLON	2200726
11	120233-01-718	EA	PIN	5160817
12	120233-01-719	EA	CLAMP - CABLE	2200060

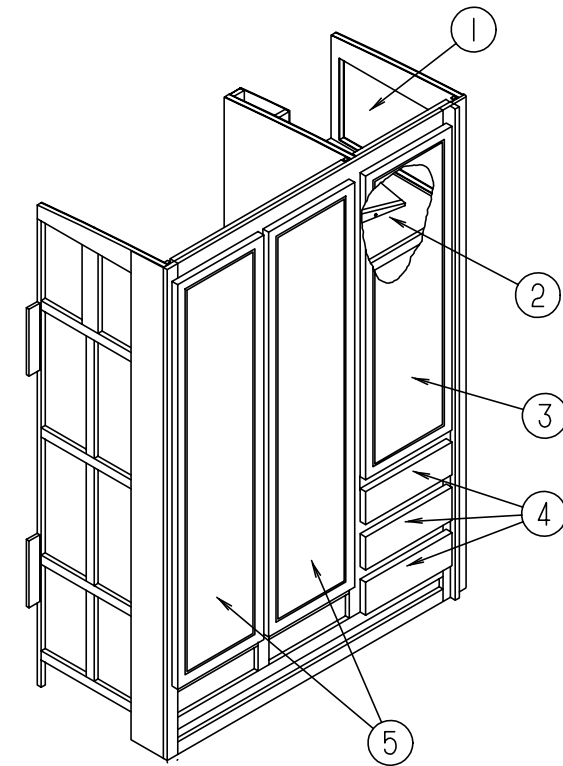
## AUDIO VIDEO GROUP (CONTINUED)



TV ANTENNA (WINEGARD)

KEY	PART NUMBER	U/M DESCRIPTION	VENDOR NO.
1	076319-21-000	EA ANTENNA - TV ROOF MOUNT - 3" ROOF	
2	076319-01-700	EA HEAD - ANTENNA - AMPLIFIED	RVSA U/V
3	076319-01-701	EA GEAR - ELEVATING - PLASTIC	2200046
4	076319-01-702	EA SHAFT ASM - ELEVATING	RVP-400A
5	076319-01-711	EA BASE & LIFT ASM	2762802
6	076319-01-706	EA CRANK - ELEVATING - W/ SET SCREW - UNIVERSAL	2750897
7	076319-01-705	EA BEARING - NYLON - 7/8"ID	3200658
8	076319-01-708	EA CRANK COVER DECAL	5413002
9	076319-01-707	EA SPRING - HANDLE	5160822
10	076319-01-709	EA PLATE - DIRECTIONAL - FOR HEAD	3200621
11	076319-01-712	EA CEILING PLATE - WINEGARD	3200608
12	076319-01-715	EA NUT (GEAR HOUSING)	2200047
13	076319-01-704	EA BEARING - NYLON - 1.5"OD	3200657
14	076319-01-713	EA BASE PLATE	3100523
15	076319-01-703	EA BEARING - NYLON - 5"OD	3200656
16	076319-01-714	EA HOUSING - ROTATING GEAR	2200049

## BATH GROUP

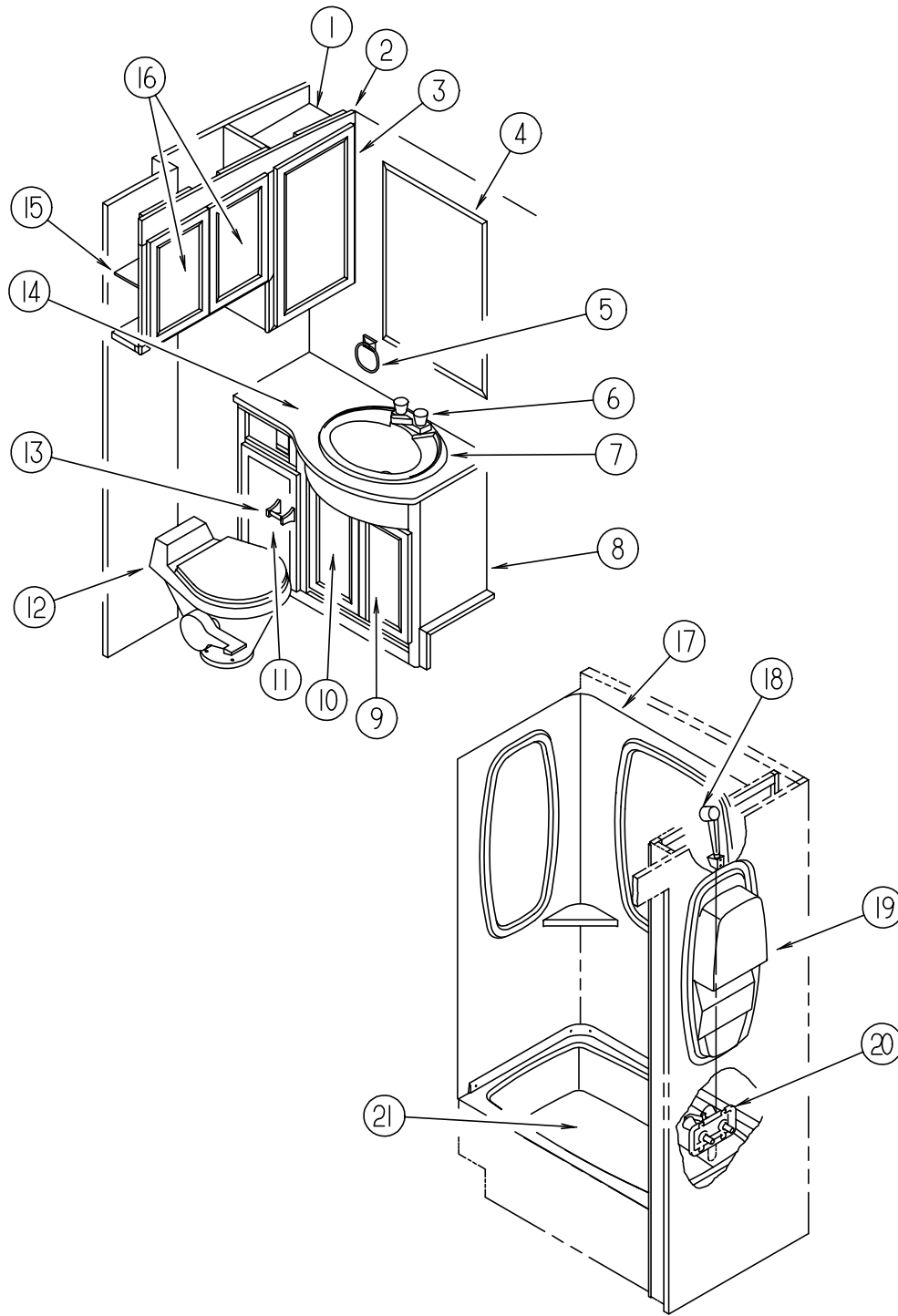


WARDROBE CABINET

KEY	PART NUMBER	U/M DESCRIPTION
1	M06803-93-H17	EA DOOR - MITERED CORNER/OGEE EDGE - 14.4" X 21.8" - W/O HDW (OAK)
1	122715-07-01A	EA DOOR - MOLDED VINYL - 14.3" X 21.8" - W/O HDW (WHITE)
2	122643-12-H17	EA WEDGE/SHELF - F/TV (OAK)
2	122643-12-H40	EA WEDGE/SHELF - F/TV (WHITE)
3	M06803-C6-H17	EA DOOR - MIRROR/MTRD CRNR/OGEE EDGE - 16.7" X 48" - W/O HDW (OAK)
3	122715-17-01A	EA DOOR - MOLDED VINYL - 16.7" X 48" - W/O HDW (WHITE)
4	M05971-L3-H17	EA DRAWER - OGEE EDGE - 14.4"W X 17.7"D - W/O SLIDES/HARDWARE (OAK)
4	P10163-CX-H40	EA DRAWER - SQUARE EDGE - 14.4"W X 17.7"D - W/O SLIDES/HDW (WHITE)
5	M06803-11-H17	EA DOOR - MIRROR/MTRD CRNR/OGEE EDGE - 16.1" X 65.3" - W/O HDW (OAK)
5	122715-15-01A	EA DOOR - MOLDED VINYL - 16.1" X 65.3" - W/O HDW (WHITE)
	042438-01-000	EA DOWEL - WOOD - CLOTHES ROD - 1" DIAMETER X 4'
	009112-01-000	EA FLANGE - 1" CLOTHES ROD - OFF WHITE PLASTIC

## BATH GROUP (CONTINUED)

### BATH CABINETS, PRIVACY DOOR & SHOWER COMPONENTS

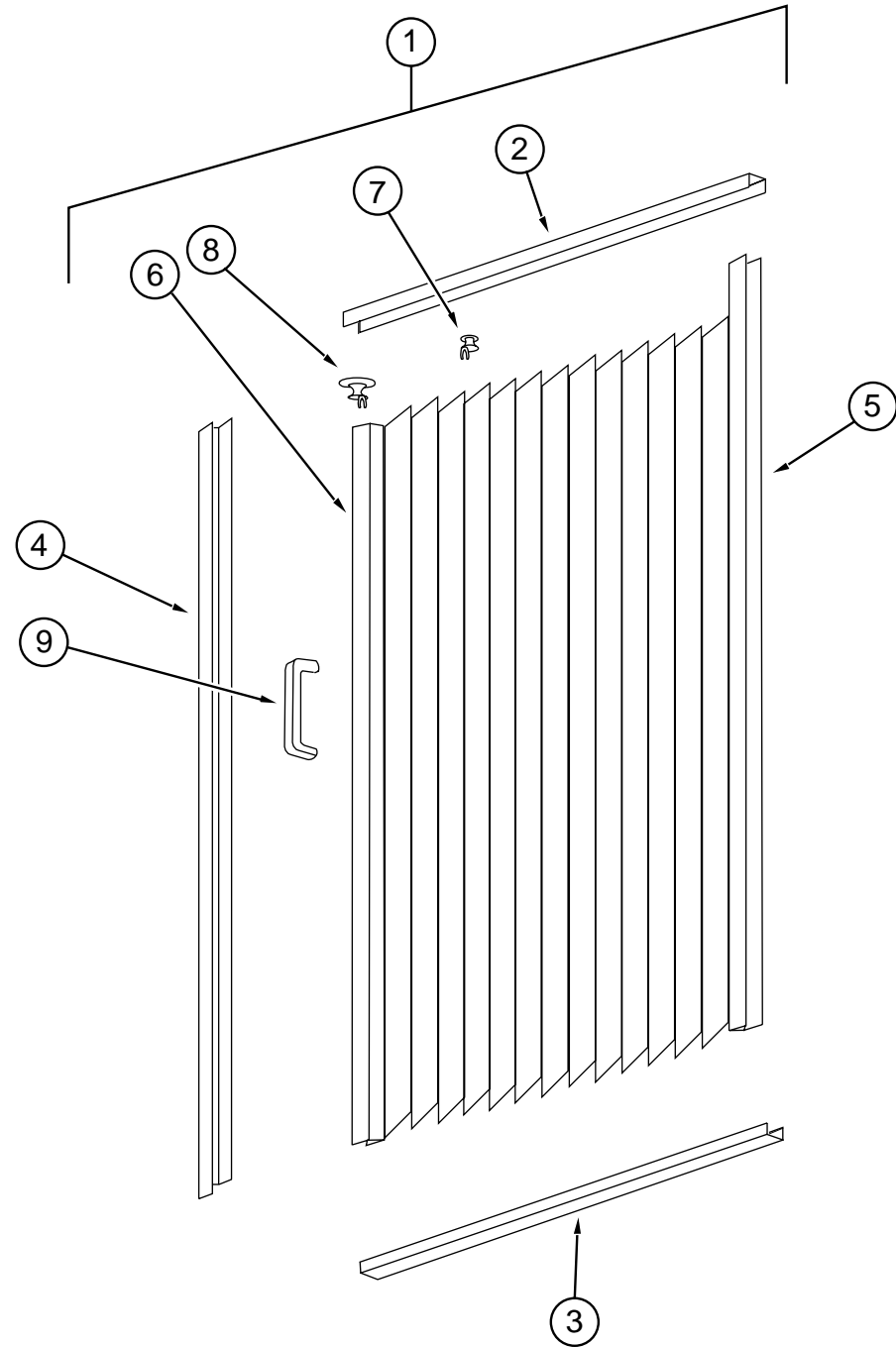


KEY	PART NUMBER	U/M	DESCRIPTION
5	075454-02-000	EA	RING - TOWEL - W/MOUNTING HARDWARE - BRASS
6	075240-06-000	EA	FAUCET - LAVATORY/BONE
	091253-01-000	EA	GASKET - FAUCET - LAVATORY/GALLEY
7	105921-01-01A	EA	SINK - LAVATORY - LARGE/OVAL - 17" X 20" PLASTIC/OFF WHITE
	106116-01-01A	EA	STRAINER - SINK - W/STOPPER/TAIPIECE/GASKET & NUT - PLASTIC
	105218-01-01A	EA	SPACER - FAUCET/LAVATORY SINK - 2" X 5.9" - ABS PLASTIC
8	125087-01-H17	EA	CABINET - LAVATORY - W/O DOORS/DRAWER/HARDWARE (H17, H18)
8	125087-01-H19	EA	CABINET - LAVATORY - W/O DOORS/DRAWER/HARDWARE (H19)
8	125087-01-H40	EA	CABINET - LAVATORY - W/O DOORS/DRAWER/HARDWARE (H40, H41)
	125087-11-H17	EA	SHELF - W/EDGE MOLDING (UPPER) (OAK)
	125087-11-H40	EA	SHELF - W/EDGE MOLDING (UPPER) (WHITE)
	125087-12-H17	EA	SHELF - W/EDGE MOLDING (LOWER) (OAK)
	125087-12-H40	EA	SHELF - W/EDGE MOLDING (LOWER) (WHITE)
9	M06803-H1-H17	EA	DOOR - MITERED CORNER/OGEE EDGE - 11" X 21.8" - W/O HDW (OAK)
9	122715-25-01A	EA	DOOR - MOLDED VINYL - 11" X 21.8" - W/O HDW (WHITE)
10	M06803-H2-H17	EA	DOOR - MITERED CORNER/OGEE EDGE - 11" X 21.8" - W/O HDW (OAK)
10	122715-25-01A	EA	DOOR - MOLDED VINYL - 11" X 21.8" - W/O HDW (WHITE)
11	125162-01-H17	EA	DRAWER - HAMPER - W/O HARDWARE (OAK)
11	125162-03-H40	EA	DRAWER - HAMPER - W/O HARDWARE (WHITE)
12	085330-06-000	EA	TOILET - STANDARD CHINA W/SPRAYER - BONE
13	075452-02-000	EA	HOLDER - TOILET TISSUE - BRASS
14	125087-13-H17	EA	COUNTERTOP - LAVATORY (H17, H18)
14	125087-13-H19	EA	COUNTERTOP - LAVATORY (H19)
14	125087-13-H40	EA	COUNTERTOP - LAVATORY (H40, H41)
15	116188-12-G35	EA	SHELF - W/PLASTIC EDGE TRIM (OAK)
15	116188-12-H40	EA	SHELF - W/PLASTIC EDGE TRIM (WHITE)
16	M06803-G0-H17	EA	DOOR - MITERED CORNER/OGEE EDGE - 12" X 18.7" - W/O HDW (OAK)
16	122715-32-01A	EA	DOOR - MOLDED VINYL - 12" X 18.7" - W/O HDW (WHITE)
17	115612-01-01A	EA	SURROUND - SHOWER - OFF WHITE
	115793-01-01A	EA	ANGLE - PLASTIC
18	103092-01-000	EA	SHOWER HEAD - W/60" HOSE - WHITE
18	103092-02-000	EA	SHOWER HEAD - W/60" HOSE - CSA
	103092-01-700	EA	BRACKET-F/SHOWER HEAD, CLEAR
	011048-03-700	EA	BRACKET - F/SHOWER HEAD
19	104462-02-01A	EA	CADDY - SHOWER - OFF WHITE
20	075242-04-000	EA	FAUCET - TUB/SHOWER - BONE
	075606-01-000	EA	PANEL - FAUCET BACK - SHOWER - 5" X 9" - PLASTIC
	075606-01-000	EA	PANEL - PLASTIC - FAUCET BACK - 5" X 9"
21	M02630-27-F11	EA	SHOWER PAN
	066729-01-000	EA	STRAINER - TUB/SHOWER - W/PLUG
	066436-01-000	EA	NUT-SLIP - TAILPIECE - 1.5"

2328028  
2328029-I

KEY	PART NUMBER	U/M	DESCRIPTION
1	116188-17-G35	EA	SHELF - W/PLASTIC EDGE TRIM (OAK)
1	116188-17-H40	EA	SHELF - W/PLASTIC EDGE TRIM (WHITE)
2	P16188-01-G15	EA	CABINET - MEDICINE - W/O DOORS/HARDWARE (OAK)
2	P16188-01-H40	EA	CABINET - MEDICINE - W/O DOORS/HARDWARE (WHITE)
3	M06803-82-H17	EA	DOOR - MITERED CORNER/OGEE EDGE - 15.7" X 28" - W/O HDW (OAK)
3	122715-08-01A	EA	DOOR - MOLDED VINYL - 15.7" X 27.9" - W/O HARDWARE (WHITE)
4	058331-62-000	EA	MIRROR - SAFETY GLASS - 21.1" X 38.9"

**BATH GROUP (CONTINUED)**



**SHOWER DOOR**

KEY	PART NUMBER	U/M DESCRIPTION
1	117431-03-01A	EA DOOR - SHOWER PLEATED FABRIC
2	117431-01-700	EA TRACK - TOP - ALUM. IVORY INSERT - 48"
3	117431-01-701	EA TRACK - BOTTOM - 40 "
4	117431-01-702	EA RAIL - SIDE - 67"
5	117431-01-703	EA RAIL - STATIONARY - 67"
6	117431-01-704	EA RAIL - LEAD - 67"
7	117431-01-705	EA GLIDE - IVORY - TRAVELER
8	117431-01-706	EA GLIDE - IVORY LEAD - TRAVELER
9	117431-01-708	EA HANDLES & SCREWS
	117431-01-707	EA LATCH
	117431-02-700	EA STRAP - VINYL SHOWER

**BATH GROUP (CONTINUED)**

**BATH DOOR**

KEY	PART NUMBER	U/M DESCRIPTION
	121449-09-H17	EA DOOR - BATH (OAK)
	121449-09-H40	EA DOOR - BATH (WHITE)
	094485-03-01A	EA KNOB - BRASS
	121449-12-G04	EA RACK - TOWEL - BATH DOOR (OAK)
	121449-12-H23	EA RACK - TOWEL - BATH DOOR (WHITE)
	102089-13-G09	EA RAIL END - RIGHT HAND/TOWEL RACK - 26" - WATERFORD OAK
	102089-13-H40	EA RAIL END - RIGHT HAND/TOWEL RACK - 26" (WHITE)
	102089-14-G09	EA RAIL END - LEFT HAND/TOWEL RACK - 26" - WATERFORD OAK
	102089-14-H40	EA RAIL END - LEFT HAND/TOWEL RACK - 26" (WHITE)
	100357-01-000	EA ROD - F/TOWEL BAR - BRASS

**BATH/GALLEY SLIDING DOOR**

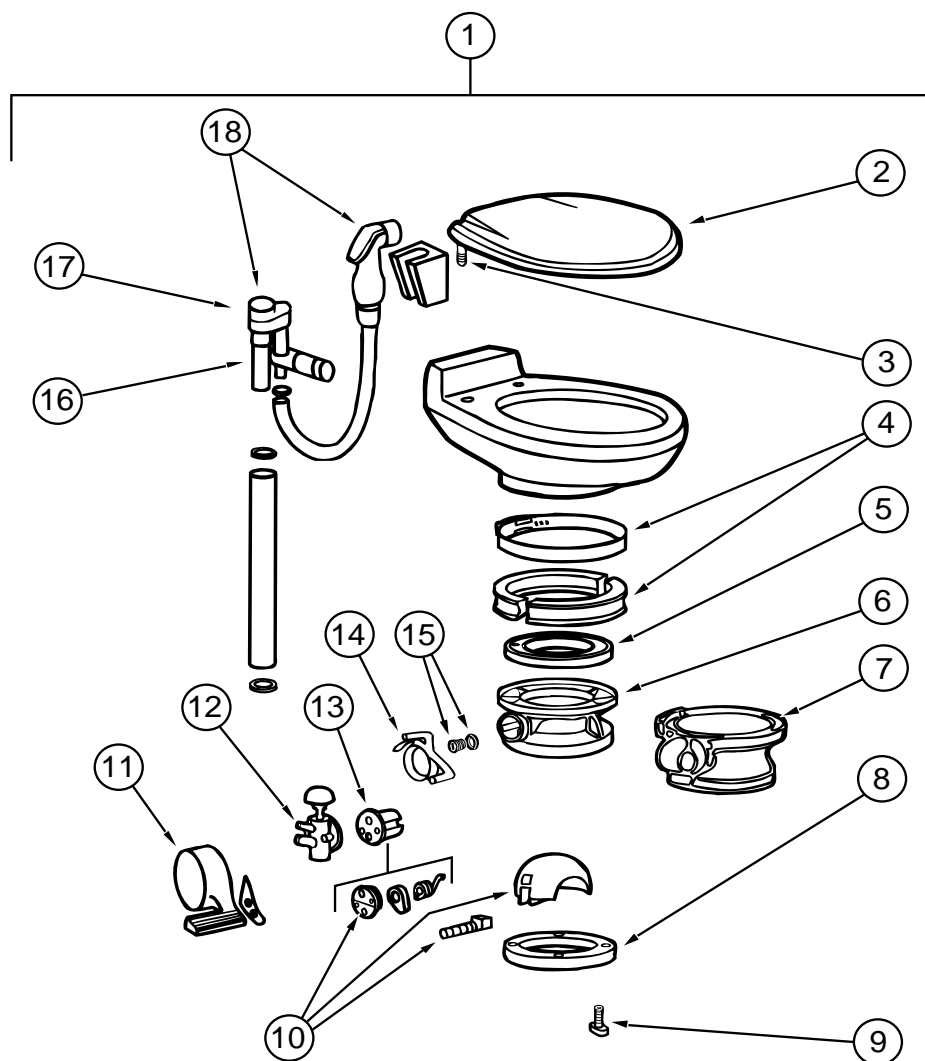
KEY	PART NUMBER	U/M DESCRIPTION
	104013-03-G15	EA DOOR - SLIDING - W/O HARDWARE (OAK)
	104013-03-H40	EA DOOR - SLIDING - W/O HARDWARE (WHITE)
	103908-07-G15	EA HEADER - DOOR - BATH/GALLEY (OAK)
	103908-07-H40	EA HEADER - DOOR - BATH/GALLEY (WHITE)
	103868-09-01A	EA TRACK - SLIDING DOOR - 64.3" - OFF WHITE
	103874-01-000	EA HANGER - SLIDING DOOR
	064467-01-000	EA GUIDE - POCKET - SLIDING DOOR - WALL MOUNTED
	098410-01-01A	EA PULL - FINGER - BRASS

**BATH/BEDROOM PRIVACY DOOR**

KEY	PART NUMBER	U/M DESCRIPTION
	M03866-04-G35	EA DOOR - BI-FOLD - W/O HARDWARE (OAK)
	M03866-04-H23	EA DOOR - BI-FOLD - W/O HARDWARE (WHITE)
	084451-01-000	EA CATCH (BIFOLD DOOR) BRASS
	117978-01-01A	EA KNOB - DOOR - BRIGHT BRASS
	092652-01-000	EA GUIDE WHEEL - DOOR TOP MOUNT
	102920-01-01A	EA HINGE - SPRING LOADED/BRASS
	103908-10-H17	EA HEADER - DOOR (OAK)
	103908-10-H40	EA HEADER - DOOR (WHITE)

## BATH GROUP (CONTINUED)

### TOILET (SEALAND MODEL 911 W/ SPRAYER)

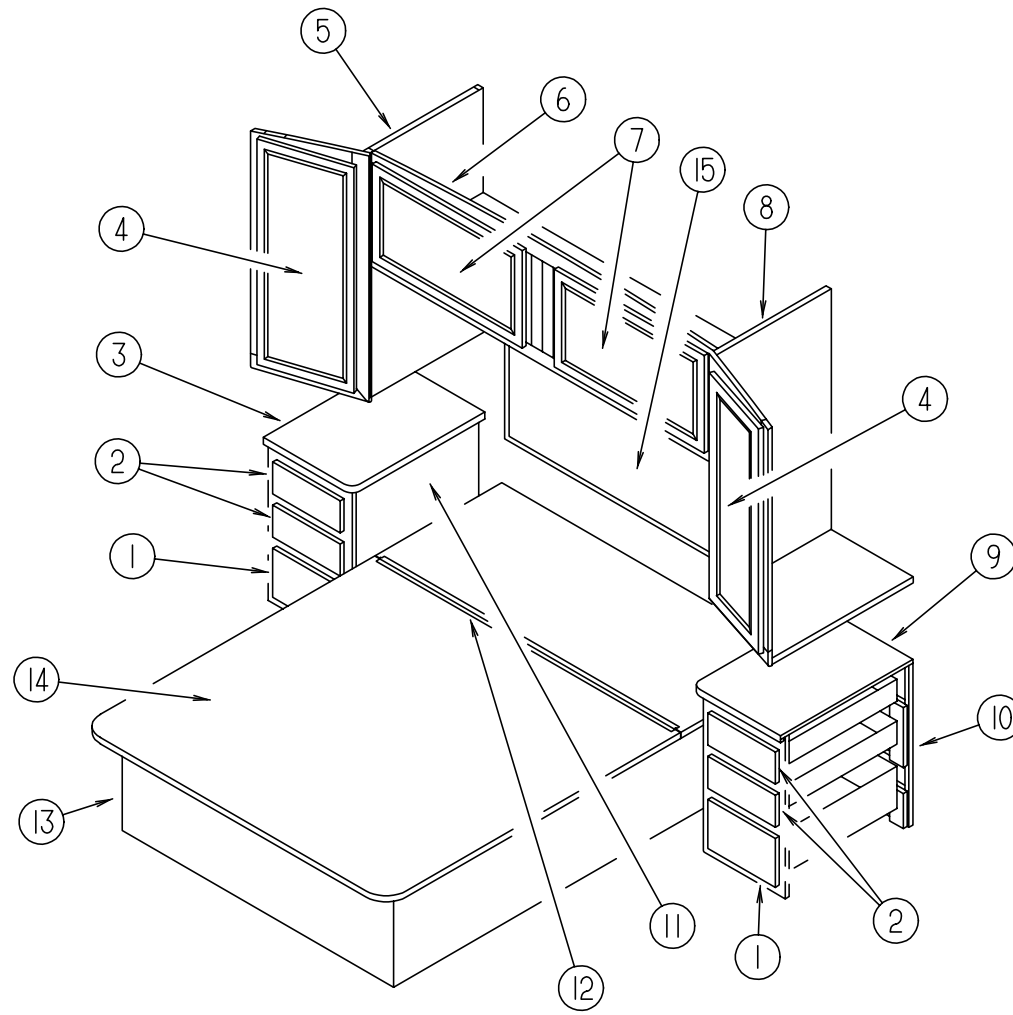


KEY	PART NUMBER	U/M	DESCRIPTION	VENDOR NO.
1	085330-07-000	EA	TOILET - CHINA - SHORTY (BONE) - 591103	
2	085330-06-700	EA	SEAT ASSEMBLY (BONE)	340591
3	085330-06-702	EA	HINGE HARDWARE (BONE) SET	342131
4	085330-01-703	EA	RING & HALF CLAMPS ASM (BONE)	385310048
5	085330-01-704	EA	TEFLON & RUBBER SEALS	385316140
6	085330-04-704	EA	BASE ASM (BONE)	310124
7	085330-04-705	EA	PEDESTAL COVER KIT - (BONE)	510 - 310109
8	085330-01-714	EA	SEAL - FLANGE - FLOOR	390343892
9	085330-01-717	EA	BOLT MOUNTING PACKAGE	385310064
	085330-01-718	EA	SEAL & BOLT MOUNTING PACKAGE	385310063
10	085330-01-706	EA	BALL - SHAFT & CARTRIDGE	385318162
11	085330-04-703	EA	PEDAL COVER KIT (BONE)	310118
12	085330-01-709	EA	VALVE - WATER	385314349
13	085330-01-707	EA	CARTRIDGE - SPRING	381236096
14	085330-04-702	EA	FLUSH LEVER	340825
15	085330-01-710	EA	PLUG - DRAIN - & CAP - W/ SEAL	385316142
16	085330-06-701	EA	VALVE W/ DIVERTER (VACUUM BREAKER)	230335
17	085330-06-704	EA	VACUUM BREAKER KIT	316906
18	085330-04-706	EA	BREAKER - VACUUM - W/ HAND SPRAY	385319055



# BEDROOM GROUP

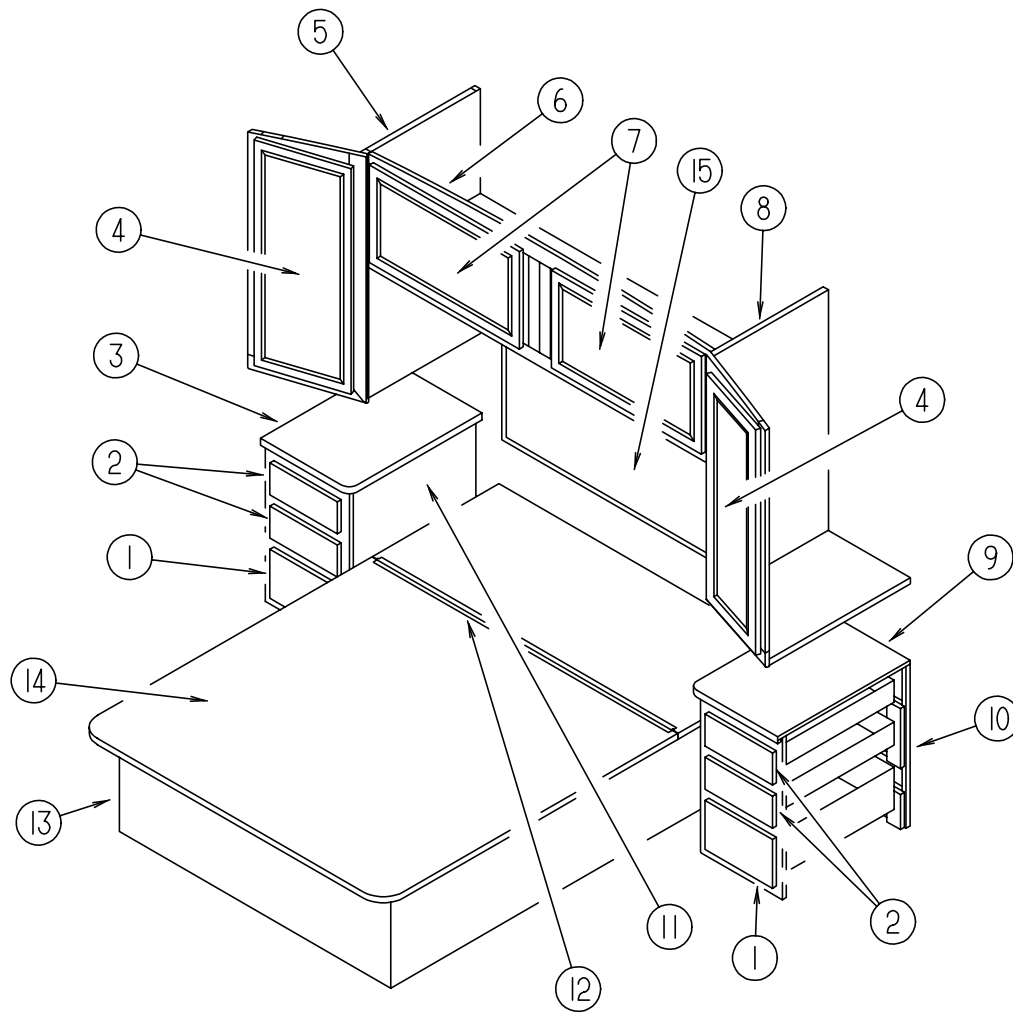
## QUEEN BEDROOM



KEY	PART NUMBER	U/M DESCRIPTION
1	M05971-W3-H17	EA DRAWER - OGEE EDGE - 11.5"W X 21.6"D - W/O SLIDES/HARDWARE (OAK)
1	P10163-CW-H40	EA DRAWER - SQUARE EDGE - 11.5"W X 21.6"D - W/O SLIDES/HARDWARE (WHITE)
2	M05971-L5-H17	EA DRAWER - OGEE EDGE - 11.5"W X 21.6"D - W/O SLIDES/HARDWARE (OAK)
2	P10163-CV-H40	EA DRAWER - SQUARE EDGE - 11.5"W X 21.6"D - W/O SLIDES/HARDWARE (WHITE)
3	116193-11-F12	EA COUNTERTOP - NIGHTSTAND (H17, H18)
3	116193-11-G45	EA COUNTERTOP - NIGHTSTAND (H19)
3	116193-11-H40	EA COUNTERTOP - NIGHTSTAND (H40, H41)
4	M06803-G1-H17	EA DOOR - MIRROR/MTRD CRNR/OGEE EDGE - 14.4"X 36.4" - W/O HARDWARE (OAK)
4	122715-34-01A	EA DOOR - MOLDED VINYL - 14.3" X 36.4" - W/O HARDWARE (WHITE)
5	116142-01-G35	EA CABINET - SHIRT CLOSET/RIGHT HAND - W/O DOOR/HARDWARE (OAK)
5	116142-01-H40	EA CABINET - SHIRT CLOSET/RIGHT HAND - W/O DOOR/HARDWARE (WHITE)
6	106523-01-G09	EA CABINET - OVERHEAD/REAR - W/O DOORS/HARDWARE (OAK)
6	106523-01-H23	EA CABINET - OVERHEAD/REAR - W/O DOORS/HARDWARE (WHITE)
7	M06803-82-H17	EA DOOR - MITERED CORNER/OGEE EDGE - 15.7" X 28" - W/O HARDWARE (OAK)
7	122715-08-01A	EA DOOR - MOLDED VINYL - 15.7" X 27.9" - W/O HARDWARE (WHITE)
8	116142-02-G35	EA CABINET - SHIRT CLOSET/LEFT HAND - W/O DOOR/HARDWARE (OAK)
8	116142-02-H40	EA CABINET - SHIRT CLOSET/LEFT HAND - W/O DOOR/HARDWARE (WHITE)
9	116193-01-G15	EA CABINET - NIGHTSTAND/RIGHT HAND - W/O DRAWERS/HARDWARE (H17, H18)
9	116193-01-G45	EA CABINET - NIGHTSTAND/RIGHT HAND - W/O DRAWERS/HARDWARE (H19)
9	116193-01-H40	EA CABINET - NIGHTSTAND/RIGHT HAND - W/O DRAWERS/HARDWARE (H40, H41)
10	116193-12-F12	EA COUNTERTOP - NIGHTSTAND (H17, H18)
10	116193-12-G45	EA COUNTERTOP - NIGHTSTAND (H19)
10	116193-12-H40	EA COUNTERTOP - NIGHTSTAND (H40, H41)
11	116193-02-G15	EA CABINET - NIGHTSTAND/LEFT HAND - W/O DRAWERS/HDW (H17, H18)
11	116193-02-G45	EA CABINET - NIGHTSTAND/LEFT HAND - W/O DRAWERS/HDW (H19)
11	116193-02-H40	EA CABINET - NIGHTSTAND LEFT HAND - W/O DRAWERS/HDW (H40, H41)
12	041389-25-000	EA HINGE - PIANO - 1.50" X 55"
13	P16341-01-G15	EA CABINET - BASE/QUEEN BED (OAK)
13	P16341-01-H40	EA CABINET - BASE/QUEEN BED (WHITE)
14	M07465-02-F11	EA TOP - QUEEN BED - W/O HARDWARE
15	058331-93-000	EA MIRROR - SAFETY GLASS - 27.6" X 63"
	109645-02-000	EA BRACKET - FLOOR SUPPORT
	057460-02-000	EA STUD BALL - GAS SPRING - .39" - 5/16"-18
	057460-04-000	EA SPRING - GAS - BALL STUD STYLE END
	089025-01-000	EA SUPPORT-SPRING- TO BED - ANGLE 1.5" X 11.8" LONG - STEEL
	097872-04-000	EA DOWEL - WOOD - 1" DIAMETER X 1.38" LONG
	107796-05-000	EA BRACKET - GAS SPRING - FLAT
	091952-01-000	EA CLIP - GRIPPER - 1"

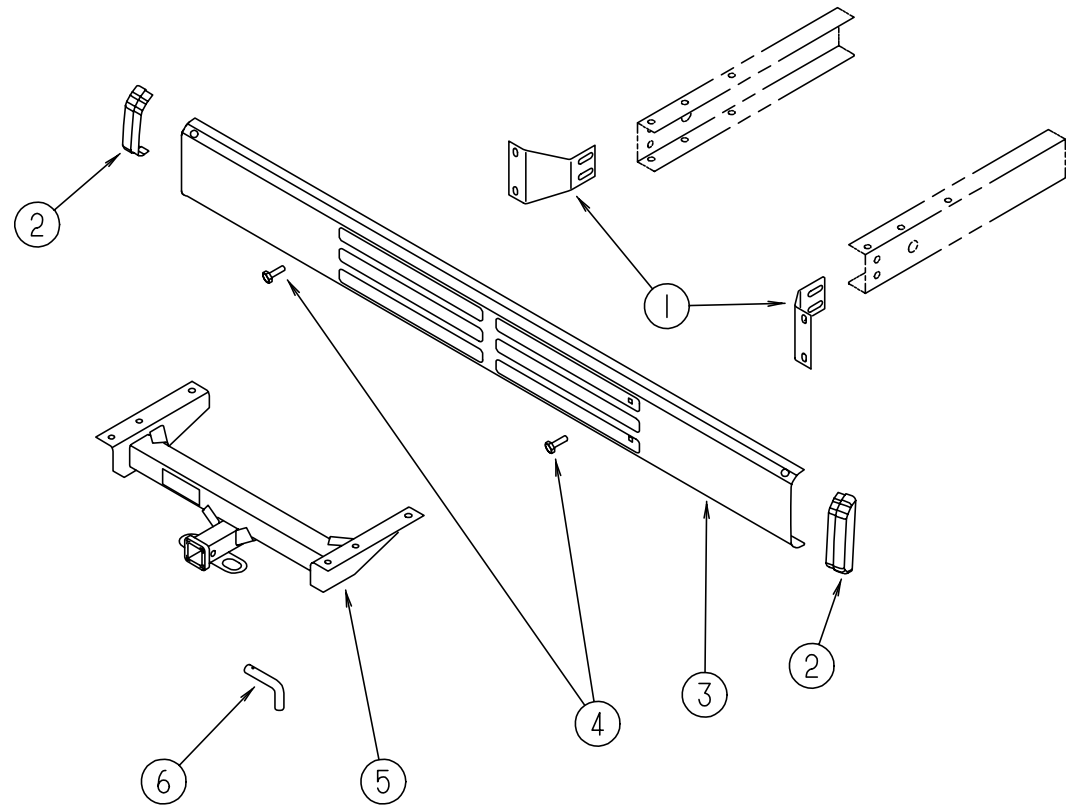
## BEDROOM GROUP (CONTINUED)

### KING BEDROOM

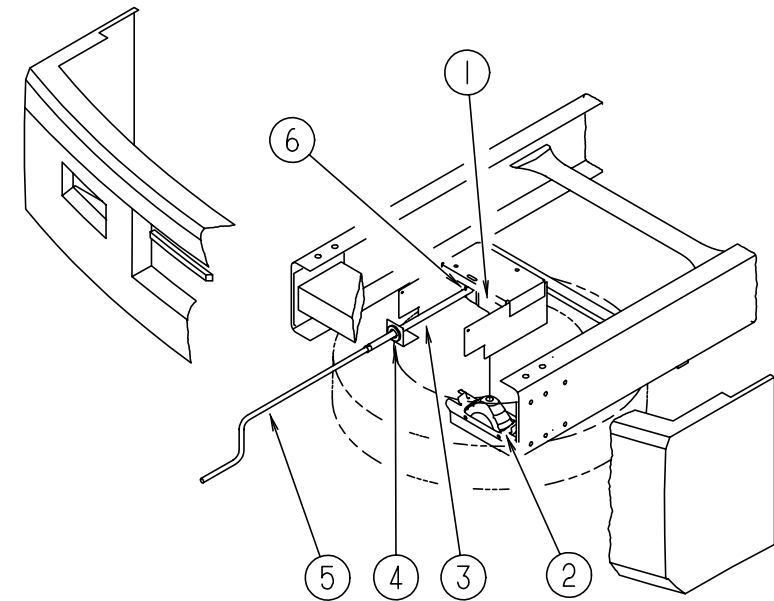


KEY	PART NUMBER	U/M	DESCRIPTION
1	M05971-W8-H17	EA	DRAWER - OGEE EDGE - 6.3"W X 21.6"D - W/O SLIDES/HARDWARE (OAK)
1	P10163-CT-H40	EA	DRAWER - SQUARE EDGE - 6.3"W X 21.6"D - W/O SLIDES/HARDWARE (WHITE)
2	M05971-W9-H17	EA	DRAWER - OGEE EDGE - 6.3"W X 21.6"D - W/O SLIDES/HARDWARE (OAK)
2	P10163-CN-H40	EA	DRAWER - SQUARE EDGE - 6.3"W X 21.6"D - W/O SLIDES/HARDWARE (WHITE)
3	117173-11-F12	EA	COUNTERTOP - NIGHTSTAND (H17, H18)
3	117173-11-G45	EA	COUNTERTOP - NIGHTSTAND (H19)
3	117173-11-H40	EA	COUNTERTOP - NIGHTSTAND (H40, H41)
4	M06803-37-H17	EA	DOOR - MIRROR/MTRD CRNR/OGEE EDGE - 10.8" X 36.4"- W/O HARDWARE (OAK)
4	122715-16-01A	EA	DOOR - MOLDED VINYL - 10.8" X 36.4" - W/O HARDWARE (WHITE)
5	117175-01-G15	EA	CABINET - SHIRT CLOSET/RIGHT HAND - W/O DOOR/HARDWARE (OAK)
5	117175-01-H40	EA	CABINET - SHIRT CLOSET/RIGHT HAND - W/O DOOR/HARDWARE (WHITE)
6	117240-01-G15	EA	CABINET - OVERHEAD/REAR - W/O DOORS/HARDWARE (OAK)
6	117240-01-H40	EA	CABINET - OVERHEAD REAR - W/O DOORS/HARDWARE (WHITE)
7	M06803-L7-H17	EA	DOOR - MITERED CORNER/OGEE EDGE - 14.4" X 33.4" - W/O HARDWARE (OAK)
7	122715-35-01A	EA	DOOR - MOLDED VINYL - 14.4" X 33.4" - W/O HARDWARE (WHITE)
8	117175-02-G15	EA	CABINET - SHIRT CLOSET/LEFT HAND - W/O DOOR/HARDWARE (OAK)
8	117175-02-H40	EA	CABINET - SHIRT CLOSET LEFT HAND - W/O DOOR/HARDWARE (WHITE)
9	117173-12-F12	EA	COUNTERTOP - NIGHTSTAND (H17, H18)
9	117173-12-G45	EA	COUNTERTOP - NIGHTSTAND (H19)
9	117173-12-H40	EA	COUNTERTOP - NIGHTSTAND (H40, H41)
10	117173-02-G15	EA	CABINET - NIGHTSTAND/LEFT HAND - W/O DRAWERS/HARDWARE (H17, H18)
10	117173-02-G45	EA	CABINET - NIGHTSTAND/LEFT HAND - W/O DRAWERS/HARDWARE (H19)
10	117173-02-H40	EA	CABINET - NIGHTSTAND LEFT HAND - W/O DRAWERS/HARDWARE (H40, H41)
11	117173-01-G15	EA	CABINET - NIGHTSTAND/RIGHT HAND - W/O DRAWERS/HARDWARE (H17, H18)
11	117173-01-G45	EA	CABINET - NIGHTSTAND/RIGHT HAND - W/O DRAWERS/HARDWARE (H19)
11	117173-01-H40	EA	CABINET - NIGHTSTAND/RIGHT HAND - W/O DRAWERS/HARDWARE (H40, H41)
12	041389-25-000	EA	HINGE - PIANO - 1.50" X 55"
13	P18583-01-G15	EA	CABINET ASM - BED - KING W/O TOP (OAK)
13	P18583-01-H40	EA	BASE - KING BED (WHITE)
14	M07513-02-F11	EA	TOP ASM - BED - KING
15	058331-D6-000	EA	MIRROR - SAFETY GLASS - 27.5" X 72.5"
	109645-02-000	EA	BRACKET - FLOOR SUPPORT
	057460-02-000	EA	STUD BALL - GAS SPRING - .39" - 5/16"-18
	057460-04-000	EA	SPRING - GAS - BALL STUD STYLE END
	089025-01-000	EA	SUPPORT-SPRING- TO BED - ANGLE 1.5" X 11.8" LONG - STEEL
	097872-04-000	EA	DOWEL - WOOD - 1" DIAMETER X 1.38" LONG
	107796-05-000	EA	BRACKET - GAS SPRING - FLAT
	091952-01-000	EA	CLIP - GRIPPER - 1"

## CHASSIS GROUP



## CHASSIS GROUP (CONTINUED)



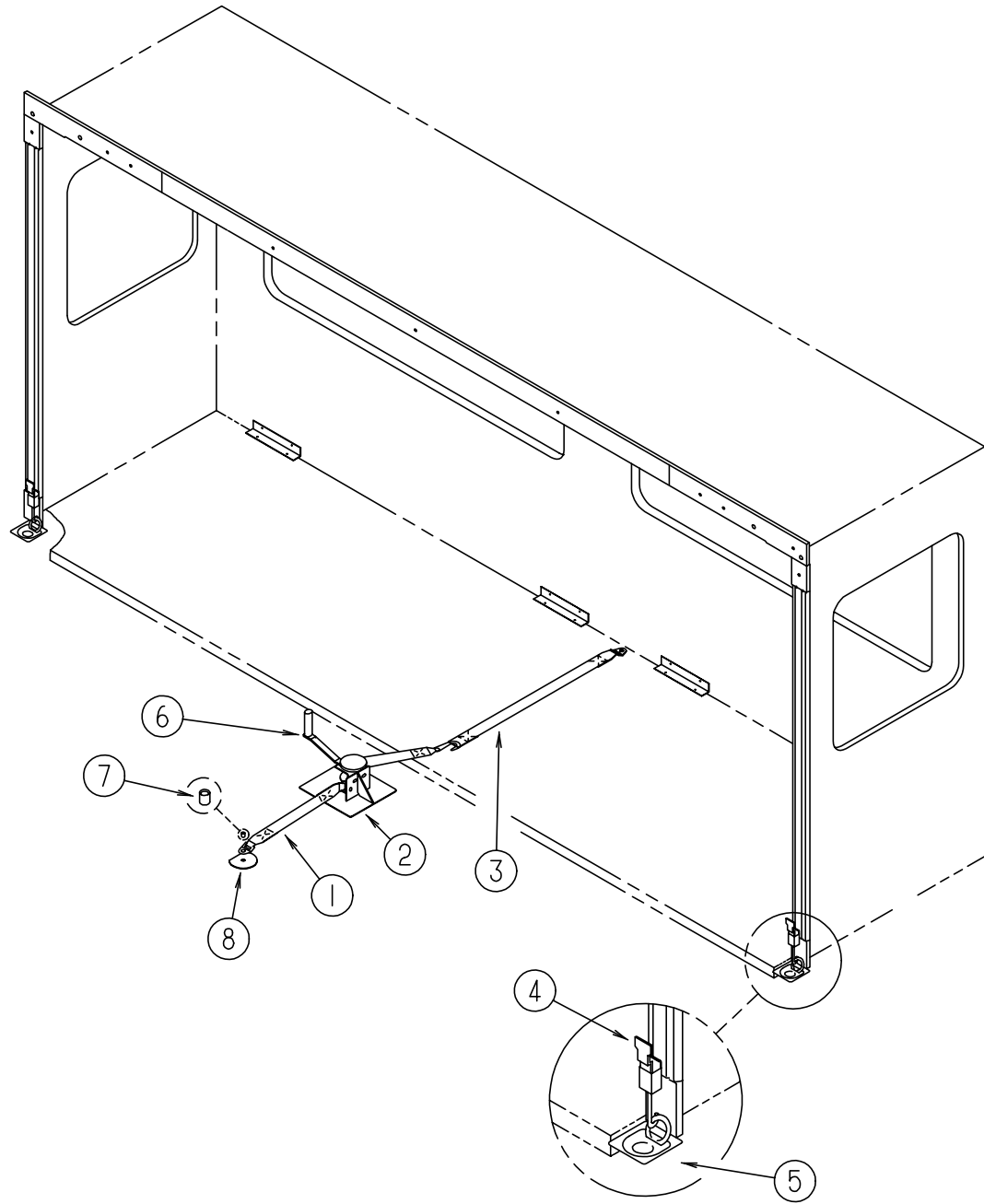
### REAR BUMPER & COMPONENTS

KEY	PART NUMBER	U/M	DESCRIPTION
1	116357-01-02B	EA	ANGLE - SUPPORT - REAR BUMPER
2	103228-01-05A	EA	END CAP - REAR BUMPER - DRIVER/PASSENGER SIDE
3	103099-06-03A	EA	BUMPER - REAR - BRIGHT WHITE
4	102333-01-05A	EA	BOLT - 7/16"
5	107707-04-000	EA	HITCH RECEIVER - BOLT-ON CLASS II
6	034512-01-000	EA	PIN - LOCKING - DRAWBAR
	113589-01-000	EA	CONNECTOR - PLUG - TRAILER
	113589-02-000	EA	CONNECTOR - SOCKET - TRAILER
	113588-02-01B	EA	BRACKET - CONNECTOR - TRAILER W/O LIP
	110277-02-000	EA	STRAP

### SPARE TIRE & HOIST

KEY	PART NUMBER	U/M	DESCRIPTION
1	120877-01-000	EA	HOIST - SPARE TIRE - #400 LB
2	120752-02-02B	EA	SUPPORT - SPARE TIRE - E-COAT
			FROM: 00-00-00 THRU: 01-12-97
2	120752-01-02B	EA	SUPPORT - SPARE TIRE
			FROM: 01-13-97 THRU: 99-99-99
3	093375-10-000	EA	EXTENSION - TIRE HOIST
			FROM: 00-00-00 THRU: 02-09-97
3	093375-17-000	EA	EXTENSION - TIRE HOIST
			FROM: 02-10-97 THRU: 99-99-99
4	071015-11-000	EA	GROMMET - 1.00 ID - FITS .12 MATERIAL
5	093376-04-000	EA	HANDLE - CRANK - TIRE HOIST
6	113007-01-000	EA	PIN - SPRING - .375 X 3"
	051377-01-000	EA	VALVE STEM
	091673-01-000	EA	TIRE - 225.70 R19.5 LRF - XZA
	064963-01-000	EA	WHEEL - STEEL - 19.5" X 6" - GM 14005758
	080208-04-000	EA	WRENCH - LUG - 30MM (1 3/16")
	080208-05-000	EA	BAR - LEVERAGE - LUG WRENCH 3/4D

**CHASSIS GROUP (CONTINUED)**



**SLIDEOUT HARDWARE**

KEY	PART NUMBER	U/M DESCRIPTION
1	116101-01-F31	EA STRAP - WINCH
2	116082-01-02B	EA BRACKET - WINCH
3	116101-02-F31	EA STRAP - WINCH
4	116737-01-01A	EA LATCH - DRAW - ADJUSTABLE - ZINC
5	116736-01-01A	EA TIEDOWN - DROP/D - ZINC
6	115767-02-000	EA WINCH - SLIDEOUT
7	116743-01-01A	EA CAP - LUG COVER - THREAD PROTECTOR - BLACK
8	057759-01-000	EA WASHER BRACKET - SEAT BELT - 4" DIAMETER
8	064081-03-000	EA NUT - WING 3/8-16 - W/WELD NUT
	077298-55-003	EA EXTRUSION - TUBE - .275"

**CHASSIS GROUP (CONTINUED)**

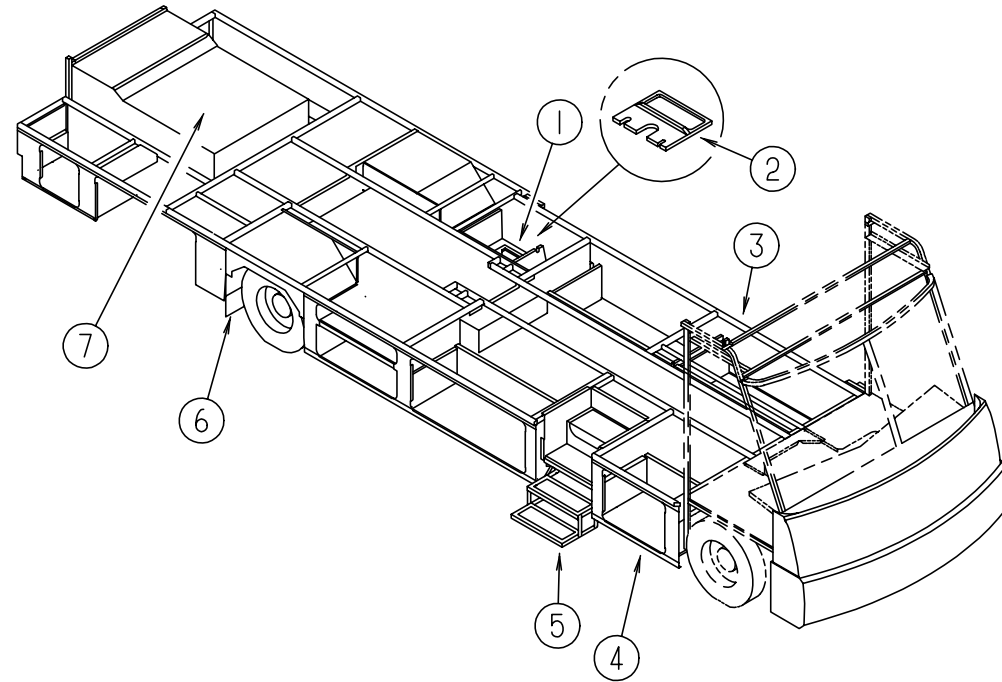
**HYDRAULIC SLIDEOUT SYSTEM**

KEY	PART NUMBER	U/M DESCRIPTION	VENDOR NO.
	115767-01-000	EA SLIDEOUT - HYDRAULIC	
			FROM: 00-00-00 THRU: 04-02-97
	115767-01-701	EA CYLINDER-HYD. SLIDE OUT (RAM	RAP90007
	115767-01-702	EA HOSE-HYD., 17" F/SLIDE OUT	RAP90003
	115767-01-703	EA HOSE-HYD., 90" F/SLIDE OUT	RAP90001
	115767-01-704	EA HOSE-HYD., 146" F/SLIDE OUT	RAP90004
	115767-01-705	EA HOSE-HYD, 60" F/SLIDE OUT	RAP4073
	115767-01-706	EA VALVE-SENSOR, F/SLIDE OUT	RAP90012
	115767-01-707	EA GUIDE-OUTER HOSE	RAP90008
	115767-01-708	EA GUIDE-INNER HOSE	RAP90009
	115767-05-000	EA SLIDEOUT - HYDRAULIC	
			FROM: 04-03-97 THRU: 99-99-99
	121665-02-000	EA SHIM - 1/16 THICK - SLIDE OUT ROOM	
	121665-03-000	EA SHIM - 1/8 THICK	
	115105-05-01B	EA BRACKET - SLIDEOUT	
	115105-06-02B	EA BRACKET - SLIDEOUT	

**HWH HYDRAULIC LEVELING SYSTEM**

KEY	PART NUMBER	U/M DESCRIPTION	VENDOR NO.
	100532-16-000	EA LEVELING SYS - HYD,SLIDE OUT - HWH AP2188(OSHKOSH)	
	100532-01-714	EA SCREW KIT (LEVELING JACKS)	R1280
	100532-03-710	EA SENSING UNIT 21' MTA	RAP6798
	100532-03-715	EA CAP-BREATHER W/DIPSTICK	RAP7876
	100532-03-723	EA O-RING/SEAL KIT	RAP9171
	100532-08-702	EA VALVE,BI-AXIS	RAP9589
	100532-08-703	EA PANEL ASM.-200 BI-AXIS SYS.	RAP9755
	100532-08-705	EA KNOB-3/4" BLACK, SET OF FOUR	RAP1379
	100532-08-706	EA KNOB-1 3/16" BLACK	RAP9734
	100532-08-707	EA BEZEL W/GASKET, F/SYSTEM 200	RAP9592
	100532-09-704	EA VALVE-PRESSURE SOLENOID	RAP0642
	100532-09-710	EA SOLENOID-INTERMITTENT DUTY	RAP0533
	100532-12-701	EA PUMP&MOTOR W/TANK 1.7	RAP0588
	100532-12-706	EA SWITCH - WARNING/MAGNETIC	RAP1008
	100532-12-707	EA SPRING KIT	R3847
	100532-16-700	EA JACK ASM. 6K, STATIONARY	RAP0468
	100532-16-701	EA MANIFOLD ASM. F/SLIDE OUT	RAP1716
	100532-16-702	EA JACK ASM., 12K	RAP0453
	100532-16-703	EA CYLINDER ASSEMBLY, 12K	RAP0040
	100534-16-000	EA BRACKETS-REAR,LEVELING JACKS - HWH AP10858	
	100536-25-000	EA HOSE KIT - LEVELING JACKS	
	100536-09-701	EA HOSE-HYDRAULIC-60"	RAP4073
	100536-10-700	EA HOSE-HYDRAULIC-84"	RAP1412
	100536-25-700	EA HOSE-HYDRAULIC-306"	RAP4904
	100536-25-701	EA HOSE-HYDRAULIC-312"	RAP5216
	100536-27-000	EA HOSE KIT-SLIDEOUT - HWH AP2072	
	100536-09-700	EA HOSE-HYDRAULIC-324"	AP2464
	100536-27-700	EA HOSE-HYDRAULIC-332"	RAP8985
	107890-01-000	EA ELBOW - STEEL - 90 D - 1/4 X 37 D - FLARE	
	117183-01-02B	EA COVER - SENSOR - LEVELING	
	116735-02-01B	EA BRACKET - CONTROL VALVE - SLIDEOUT	

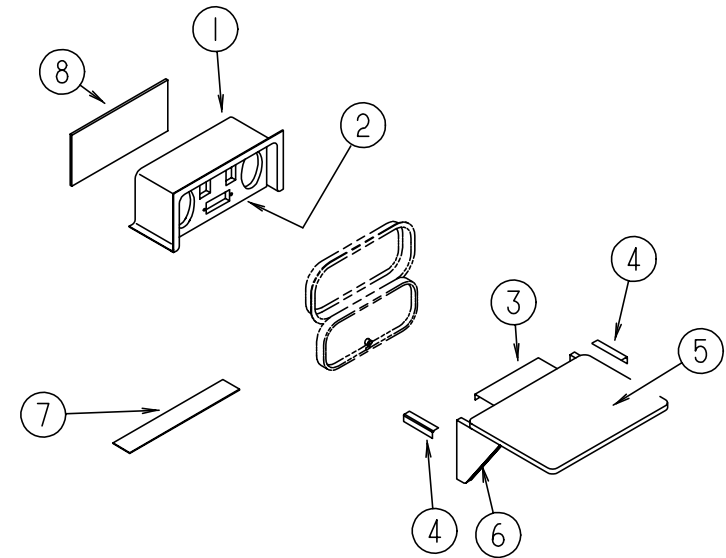
## CHASSIS GROUP (CONTINUED)



### COMPARTMENTS & TRAYS

KEY	PART NUMBER	U/M	DESCRIPTION
1	M07452-10-H17	EA	COMPARTMENT - STORAGE 14.4" X 44.1"
2	M06991-05-G38	EA	HATCH - W/FOAM
	121175-01-01A	EA	LATCH - SWELL - BLACK
	105718-03-000	EA	SUPPORT
3	118413-32-02B	EA	COMPARTMENT - LUGGAGE
4	120867-01-02B	EA	MOUNT - LP TANK
5	094707-01-01A	EA	STEP ASSEMBLY W/O SWITCH
	104452-03-000	EA	SUPPORT - STEP
6	020167-08-000	EA	DIRT GUARD - STEEL - 13.6" LONG
	017516-05-000	EA	MUD FLAP
7	072877-03-000	EA	INSULATION - SOUND BARRIER - 1" X 36" X 57"
	065450-05-000	EA	TIEDOWN - BATTERY - 8.4" TUBE
	056748-01-000	EA	PLUG - CAP - 1.5" DIAMETER
			FROM: 00-00-00 THRU: 06-01-97
061420-10-000	EA	PLUG/PLASTIC - 1.50" DIAMETER - BLACK	FROM: 06-02-97 THRU: 99-99-99
119845-01-01A	EA	PLUG - PLASTIC - BLACK	
065450-05-000	EA	TIEDOWN - BATTERY - 8.4" TUBE	

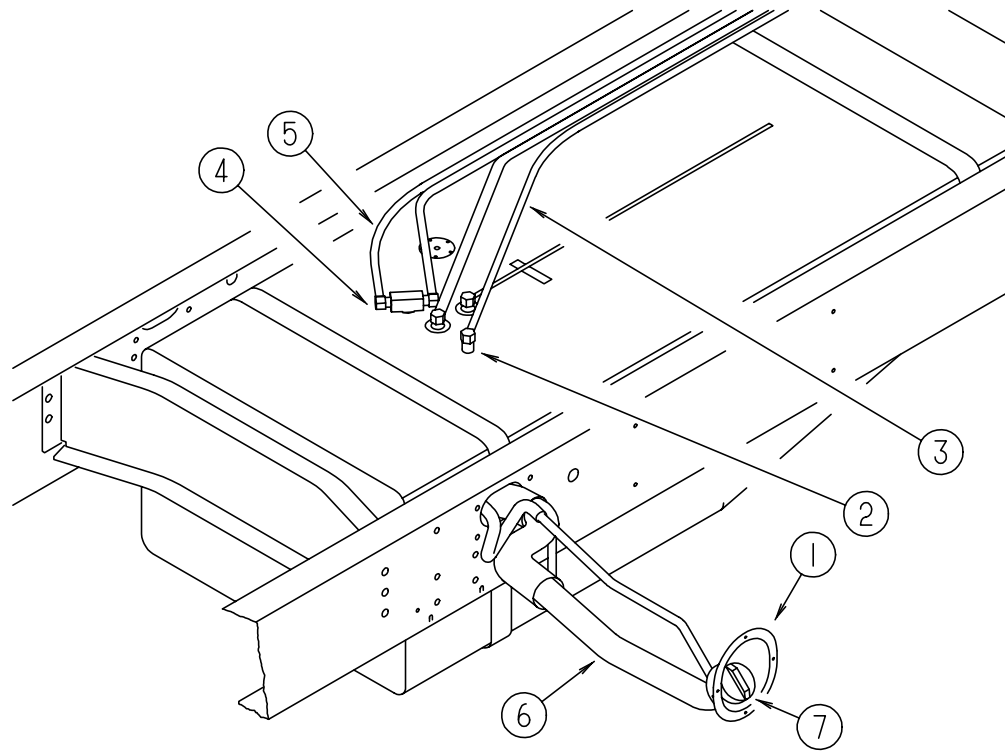
## CHASSIS GROUP (CONTINUED)



### COMPARTMENT (ENTERTAINMENT CENTER)

KEY	PART NUMBER	U/M	DESCRIPTION
1	124696-01-01A	EA	BOX - ENTERTAINMENT CENTER
2	104899-01-C05	EA	PLATE - RADIO MOUNTING
3	105377-01-04A	EA	BRACKET - TABLE HANGER - BRIGHT WHITE
4	105376-01-03A	EA	HINGE - CONTINUOUS - 2" X 5.5" - BRIGHT WHITE
5	105230-11-G15	EA	SHELF - EXTERIOR ENTERTAINMENT CENTER - W/O HARDWARE
6	105230-12-G15	EA	SUPPORT - EXTERIOR SHELF
7	104898-01-02A	EA	PLATE - PLASTIC BOTTOM - BRIGHT WHITE
8	104898-02-02A	EA	PLATE - PLASTIC BACK - BRIGHT WHITE

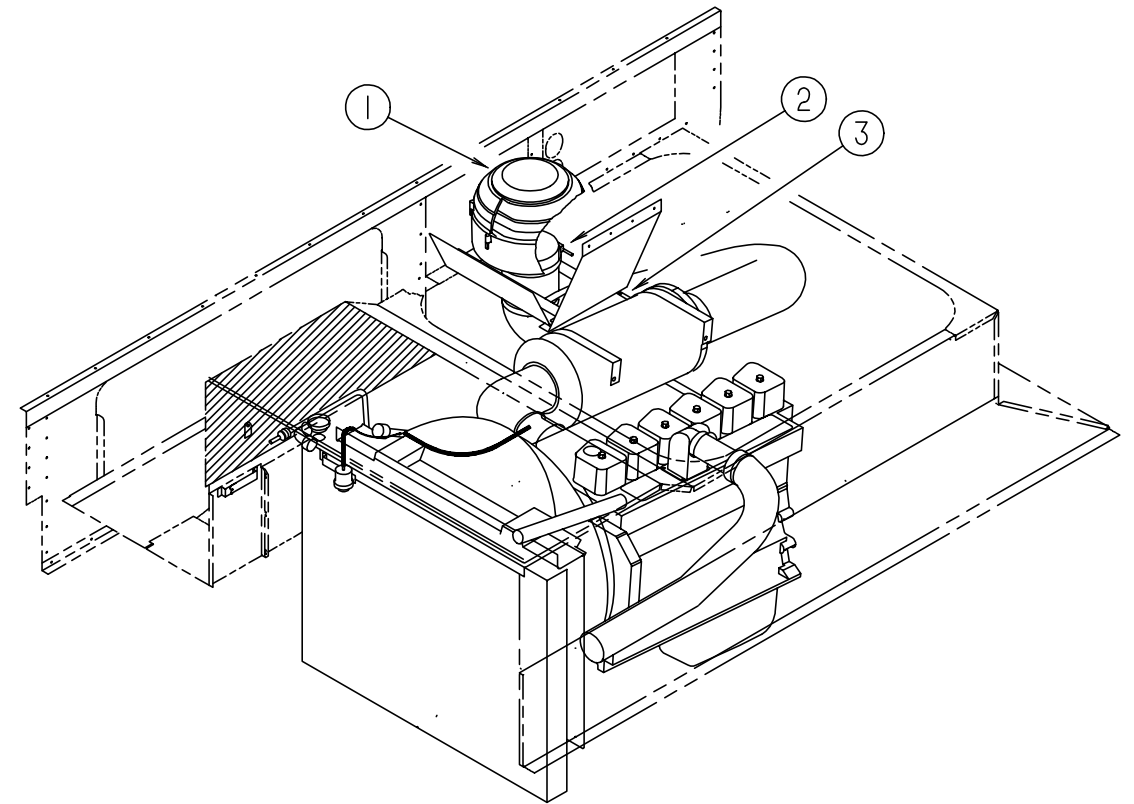
### CHASSIS GROUP (CONTINUED)



**FUEL SYSTEM**

KEY	PART NUMBER	U/M	DESCRIPTION
1	102951-01-01A	EA	SHROUD - FUEL FILL - UNFINISHED
2	114253-01-000	EA	ELBOW - 1/4 SINGLE BARB X 1/8 MPT
2	068382-06-000	EA	BUSHING - BRASS - 3/8 MPT X 1/8 FPT
3	007063-01-000	FT	HOSE - FUEL - 1/4"ID X 1/2"OD
4	114253-02-000	EA	ELBOW - 5/16 SINGLE BARB X 1/4 MPT
5	024138-01-000	FT	HOSE - FUEL - 5/16" ID
6	117336-01-000	EA	NECK ASSEMBLY - FUEL FILL
7	073220-03-000	EA	CAP - FUEL FILL - NON LOCK - DIESEL
	114254-02-000	EA	ADAPTER - 5/16 SINGLE BARB X 1/8 MPT
	114254-01-000	EA	ADAPTER - 1/4 BARB X 1/8 MPT
	084884-01-000	EA	PLUG - BRASS - 3/8"

### CHASSIS GROUP (CONTINUED)



**PRECLEANER & AIR FILTER**

KEY	PART NUMBER	U/M	DESCRIPTION
1	124856-01-000	EA	PRE-CLEANER - ENGINE AIR INTAKE
2	125083-01-01A	EA	CLAMP - T BOLT
3	099856-09-000	EA	STRAP - TIEDOWN

## CHASSIS GROUP (CONTINUED)

### WHEEL LINERS - 19.5" (FROM 00-00-00 THRU 01-12-97)

KEY	PART NUMBER	U/M DESCRIPTION	VENDOR NO.
	110435-01-000	EA LINER - WHEEL - SET 4,19.5/2885	
	110435-05-711	EA COVER - LUG NUT	V22506-LNC
	110435-01-701	EA LINER - WHEEL - FRONT - 1 EA=1	V1950S-FWC
	110435-01-702	EA LINER - WHEEL - REAR	V1950S-RWC
	110435-01-703	EA STUD EXTENDER 1 1/8" LT REAR	V22506-SLR S
	110435-01-704	EA STUD EXTENDER 1 1/8" RT REAR	V22506-SLR S
	110435-01-705	EA TOOL - INSTALLATION	V195JO-TOL0S
	110435-01-706	EA NUT - JAMB1 1/2X1 1/16 - RT REAR	V195JO-RRJ
	110435-01-707	EA NUT - JAMB1 1/2X1 1/16 - LT REAR	V195JO-LRJ
	110435-01-708	EA NUT - JAMB1 1/2X3/4 - RT FRONT	V195JO-RFJ
	110435-01-709	EA NUT - JAMB1 1/2X3/4 - LH FRONT	V195JO-LFJ
	110435-01-710	EA CAP - CENTER - 4" DIAMETER	V19505-POC
	110435-01-711	EA DECAL - CENTER CAP - 2"	2" DECAL

### WHEEL LINERS - 19.5" (FROM 01-13-97 THRU 04-28-97)

KEY	PART NUMBER	U/M DESCRIPTION	VENDOR NO.
	091209-13-000	EA WHEEL LINER SET - 19.5" (SET = 4)- W/SS OR PLASTIC COVERS	
	091209-08-704	EA LINER - WHEEL - FRT. (PLASTIC NUT)	207
	091209-08-705	EA LINER - WHEEL - RR. (PLASTIC NUT)	208
	091209-13-700	EA NUT - JAMB-A22 - 20M - FRT & REAR	A22
	091209-13-701	EA COVER - LUG NUT(PLASTIC - JAMB)	301
	091209-13-702	EA CAP - CENTER - PLASTIC	A24
	091209-13-703	EA CAP - LUG NUT FAKE - PLASTIC	A25
	091209-16-000	EA NUT - JAM/THREADED - 22MM F/FRONT ONLY	
	091209-13-705	EA LINER - WHEEL - FRT. (SS NUT CVR)	209
	091209-13-706	EA LINER - WHEEL - RR. (SS NUT CVR)	210
	091209-13-707	EA COVER - LUG NUT - STAINLESS JAMB	302
	091209-13-708	EA CAP - CENTER - STAINLESS	A26

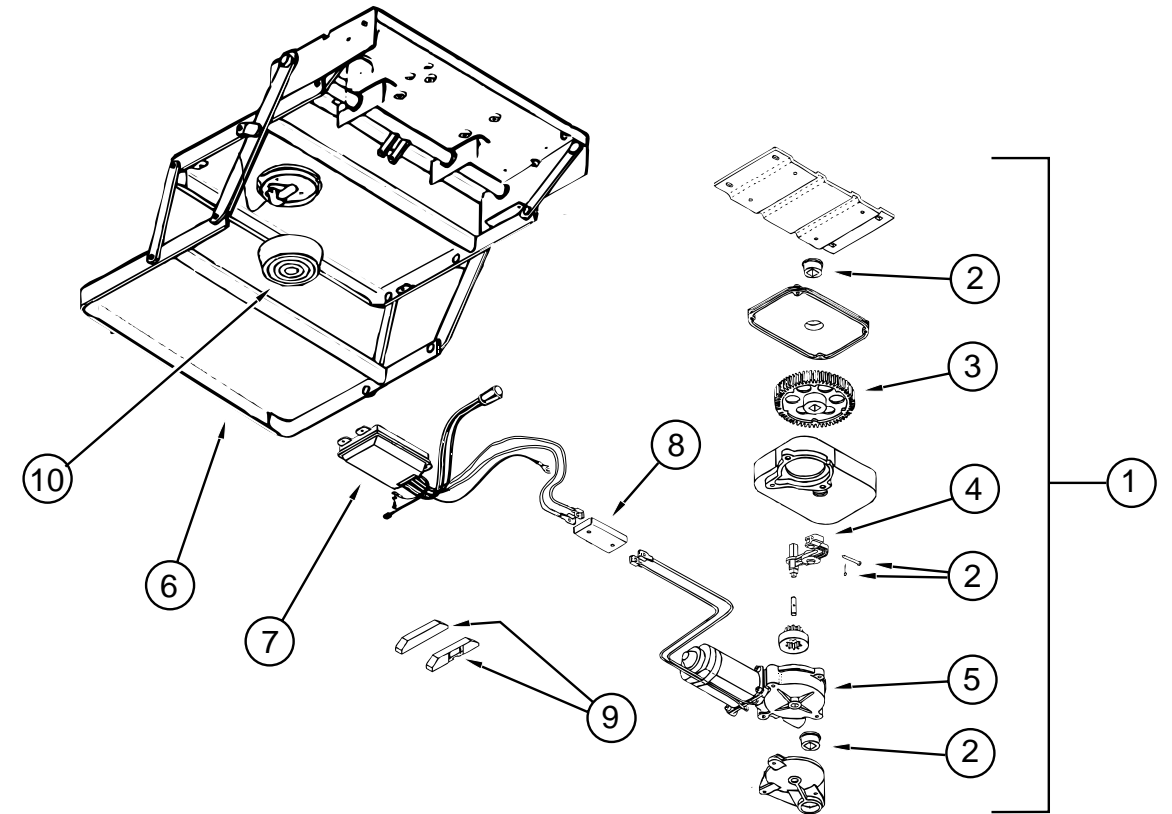
### WHEEL LINERS - 19.5" (FROM 04-29-97 THRU 99-99-99)

KEY	PART NUMBER	U/M DESCRIPTION	VENDOR NO.
	110435-12-000	EA LINER - WHEEL - SET/4 - 19.5"	
	110435-05-700	EA CAP - CENTER - POP - OUT	V22510-POC
	110435-05-711	EA COVER - LUG NUT	V22506-LNC
	110435-05-712	EA TOOL INSTALLATION	V22506-TOL
	110435-12-700	EA WHEEL LINER - FRONT WHEEL	V19580-FWC
	110435-12-701	EA WHEEL LINER - REAR WHEEL	V19580-RWC
	110435-12-702	EA JAM NUT - 20MM	V19580-JNT

### EXHAUST SYSTEM PARTS

KEY	PART NUMBER	U/M DESCRIPTION
	053322-22-000	EA SHIELD - HEAT - EXHAUST

## CHASSIS GROUP (CONTINUED)



### STEP ASSEMBLY (3200 SERIES)

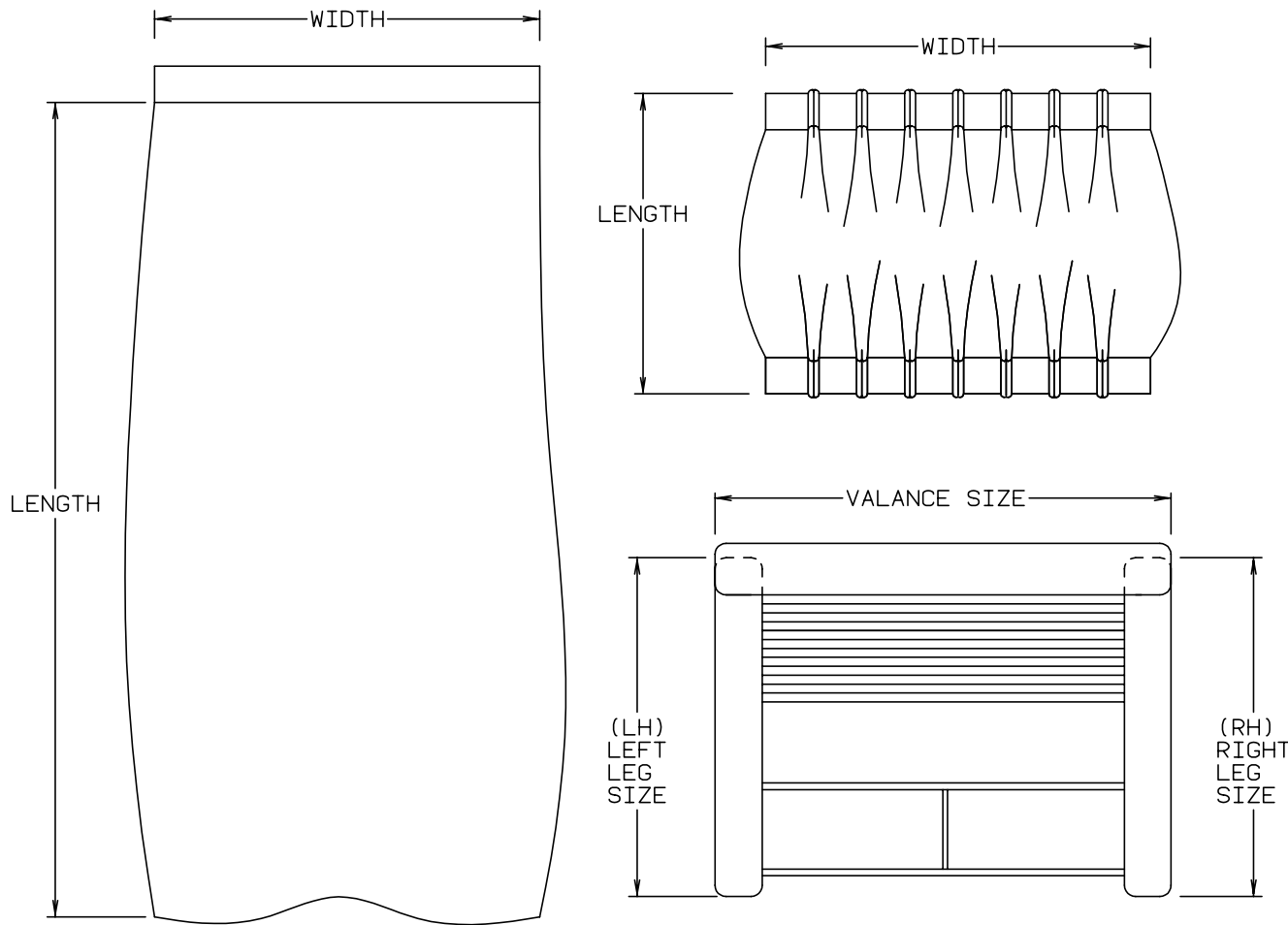
KEY	PART NUMBER	U/M DESCRIPTION	VENDOR NO.
1	094707-01-01A	EA STEP - DOUBLE - ELECTRIC - KWIKEE	
2	094707-02-703	EA BEARINGS & PINS	909530
3	094707-02-702	EA GEAR KIT - W/ BEARINGS & PIN-CASE	909525
4	094707-02-701	EA LINKAGE ASSEMBLY - W/BEARINGS & PINS	909534
5	094707-02-700	EA MOTOR ASSEMBLY - W/BEARINGS & PINS	909520
6	094707-01-702	EA FRAME W/DOUBLE STEP	908032
7	094707-02-705	EA CONTROL UNIT - WHITE	909513
8	094707-02-704	EA CONNECTOR - MOTOR ASSEMBLY - W/ PLATES	909537
	094707-02-707	EA TREAD - NON SKID - BLACK - 6"X21"	909333
	094707-02-708	EA TREAD - NON SKID - YELLOW	909331
9	116995-01-000	EA SWITCH/MAGNET - ELECTRIC	
10	088746-01-705	EA LIGHT - UNDER STEP	9004
	088733-01-700	EA BULB	9004
	104452-03-000	EA SUPPORT - STEP	

**CURTAIN & CUSHION GROUP**

**NOTICE**

IN ORDER TO ASSIST OUR PARTS SALES DEPT. IN PROVIDING INTERIOR SOFTGOODS ITEMS, PLEASE INCLUDE THE SERIAL NUMBER AND THE COLOR CODE NUMBER FROM THE VEHICLE CERTIFICATION LABEL WHEN ORDERING. THIS LABEL IS LOCATED ON THE LEFT SIDEWALL AT THE END OF THE DASH (A-BODY), OR ON THE DRIVER'S DOOR LATCH PLATE (C-BODY).

AN EXAMPLE OF A COLOR CODE NUMBER IS B07, WHICH DESIGNATES AN OVERALL COLOR SCHEME OF A PARTICULAR UNIT. THE COLOR LISTED AFTER THE ITEM DESCRIPTION ON THE MICROFICHE, INDICATES THE OVERALL UNIT COLOR. ORDER THE ITEM YOU DESIRE ACCORDING TO UNIT COLOR CODE.



NOTE: USE THIS ILLUSTRATION WHEN DETERMINING LENGTH AND WIDTH MEASUREMENTS FOR CURTAINS. YOU WILL NOTE THE WIDTH MEASUREMENT IS TAKEN ON THE TOP OF THE CURTAIN WITH THE CURTAIN FULLY EXTENDED. THE LENGTH MEASUREMENT IS TAKEN FROM TOP TO BOTTOM. LEFT AND RIGHT WINDOW LEGS ARE DETERMINED WHEN FACING THE WINDOW.

**CURTAIN & CUSHION GROUP (CONTINUED)**

ADVENTURER FABRICS					
COLOR CODES	H17	H18	H19	H40	H41
MARKETING COLORS	BOTANICAL (GREEN)	NORTH SHORE (TAUPE)	ZEPHYR (BLUE)	OAKLEAF (TAUPE)	EASTON (SAGE)
<b>MAIN PLAIN</b>	108446-F8-000	108446-N0-000	108446-M3-000	108446-P0-000	108446-P1-000
<b>ACCENT</b>	108446-G0-000	108446-J4-000	108446-M4-000	108446-R2-000	108446-P2-000
<b>PATTERN ACCENT</b>	108446-G1-000	108446-J3-000	108446-M4-000	108446-R2-000	108446-P2-000
<b>BUCKET SEAT</b>	108446-G0-000	108446-J4-000	108446-M4-000	108446-R2-000	108446-P2-000
<b>DINETTE</b>	108446-F8-000	108446-N0-000	108446-M3-000	108446-P0-000	108446-P1-000
<b>DINETTE PAD</b>	108446-G0-000	108446-J4-000	108446-M4-000	108446-R2-000	108446-P2-000
<b>DINETTE SWIVEL CHAIR</b>	108446-G1-000	108446-J3-000	108446-M4-000	108446-R2-000	108446-P2-000
<b>SOFA</b>	108446-F8-000	108446-N0-000	108446-M3-000	108446-P0-000	108446-P1-000
<b>RECLINER CHAIR</b>	108446-G1-000	108446-J3-000	108446-M4-000	108446-R2-000	108446-P2-000
<b>LOUNGE WINDOW VALANCE</b>	108446-F8-000	108446-N0-000	108446-M3-000	108446-P0-000	108446-P1-000
<b>LOUNGE WINDOW LEGS</b>	108446-G1-000	108446-J3-000	108446-M4-000	108446-R2-000	108446-P2-000
<b>BEDSPREAD MAIN</b>	105745-B0-000	105745-C5-000	105745-D9-000	105745-F0-000	105745-C6-000
<b>BEDSPREAD ACCENT</b>	105745-B2-000	105745-C6-000	105745-64-000	105745-E7-000	105745-F1-000
<b>BEDSPREAD TRIM</b>	084415-70-000	084415-72-000	084415-82-000	084415-83-000	084415-83-000
<b>BEDROOM WINDOW VALANCE</b>	105745-B0-000	105745-C5-000	105745-D9-000	105745-F0-000	105745-C6-000
<b>BEDROOM WINDOW LEGS</b>	105745-B2-000	105745-C6-000	105745-64-000	105745-E7-000	105745-F1-000
<b>LOUNGE PILLOW TRIM BRAID</b>	108446-B2-000 084415-70-000	108446-C6-000 084415-72-000	108446-64-000 084415-82-000	108446-E7-000 084415-83-000	108446-F1-000 084415-84-000
<b>MAP POCKETS</b>	108446-G1-000	108446-J3-000	108446-M4-000	108446-R2-000	108446-P2-000
<b>FRONT WRAP AROUND</b>	072333-85-000	072333-85-000	072333-85-000	072333-85-000	072333-85-000
<b>CEILING</b>	113979-01-01A	113979-01-01A	113979-01-01A	113979-01-01A	113979-01-01A

NOTE: THE FABRIC LISTED FIRST, IN A BLOCK, IS THE LARGEST QUANTITY OF FABRIC USED

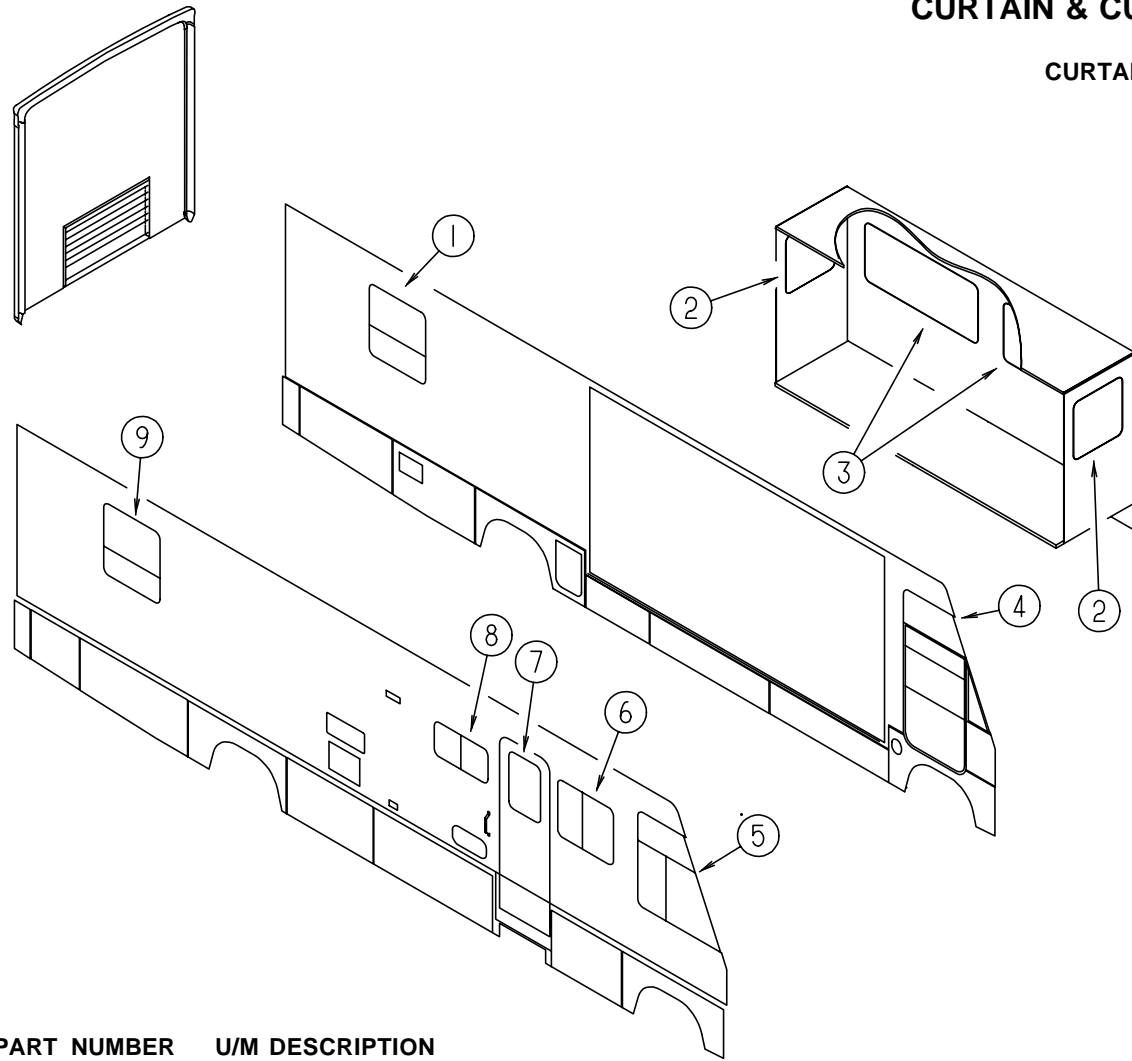
**ASSIST HANDLE , BUTTONS & SEAT BELTS**

KEY	PART NUMBER	U/M	DESCRIPTION
	070578-02-G35	EA	BUTTON - #30 - VINYL
	053552-02-AA8	EA	HANDLE - ASSIST - INTERIOR/ ENTRY DOOR - VINYL/ OFF WHITE
	057759-01-000	EA	WASHER BRACKET - SEAT BELT - 4" DIAMETER
	007021-01-000	EA	BELT - SEAT - 2" X 90" - BLACK
	069178-02-000	EA	BRACKET - MOUNTING ASSIST HANDLE
	000C16-07-16B	EA	BOLT - CARRIAGE - ASSIST HANDLE - 7/16" - 14 X 1"
	000D20-07-00B	EA	NUT - ACORN - ASSIST HANDLE - 7/16 - 14
	057534-03-000	EA	TIEBACK - PLASTIC - 7.50" - CLEAR



# CURTAIN & CUSHION GROUP (CONTINUED)

## CURTAINS & WINDOW TREATMENT

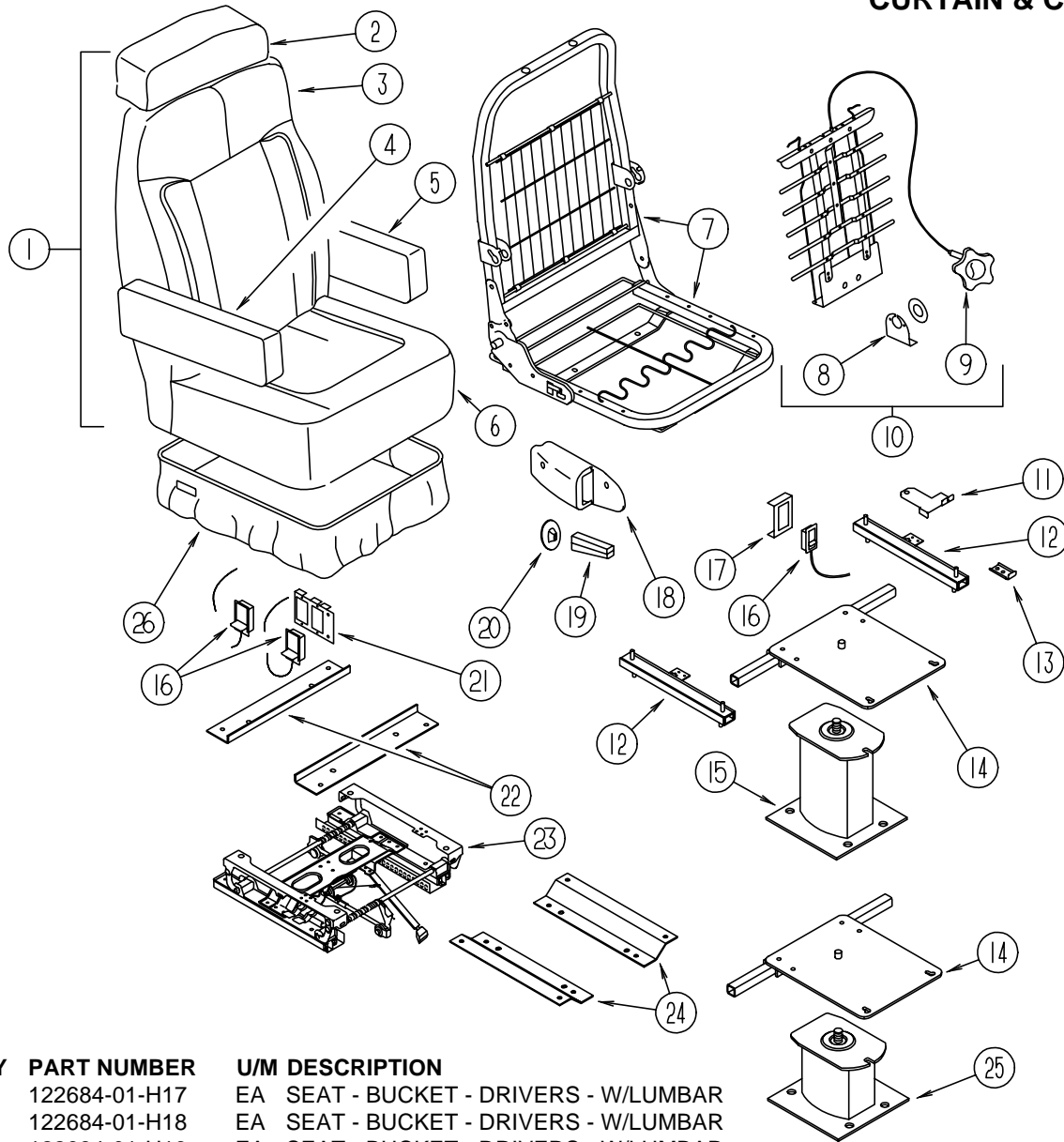


KEY	PART NUMBER	U/M DESCRIPTION
1	119262-58-H17	EA VALANCE - MONACO - 34" (H17)
1	119138-29-H18	EA VALANCE - BELLINI - 34" (H18)
1	119138-29-H19	EA VALANCE - BELLINI - 34" (H19)
1	119262-58-H40	EA VALANCE - MONACO - 34" (H40)
1	119138-29-H41	EA VALANCE - BELLINI - 34" (H41)
1	109802-50-H17	EA BLIND - PLEATED - 29" X 37"
1	123910-01-H17	EA LEG - RIGHT - 34"
1	123910-01-H18	EA LEG - RIGHT - 34"
1	123910-01-H19	EA LEG - RIGHT - 34"
1	123910-01-H40	EA LEG - RIGHT - 34"
1	123910-01-H41	EA LEG - RIGHT - 34"
1	123910-02-H17	EA LEG - LEFT - 34"
1	123910-02-H18	EA LEG - LEFT - 34"
1	123910-02-H19	EA LEG - LEFT - 34"
1	123910-02-H40	EA LEG - LEFT - 34"
1	123910-02-H41	EA LEG - LEFT - 34"
2	121410-06-G15	EA VALANCE - MODERATE - 29" (H17)
2	121410-03-GV7	EA VALANCE - MODERATE - 29" (H18)
2	121410-03-H19	EA VALANCE - MODERATE - 29" (H19)
2	121410-06-H23	EA VALANCE - MODERATE - 29" (H40)
2	121410-03-H25	EA VALANCE - MODERATE - 29" (H41)
2	109802-49-G35	EA BLIND - PLEATED - 26" X 27"
2	119333-01-G15	EA LEG - RIGHT - 25" (H17)
2	119333-01-G37	EA LEG - RIGHT - 25" (H18)
2	119333-01-H19	EA LEG - RIGHT - 25" (H19)
2	119333-01-H23	EA LEG - RIGHT - 25" (H40)
2	119333-01-H25	EA LEG - RIGHT - 25" (H41)
2	119333-02-G15	EA LEG - LEFT - 25" (H17)
2	119333-02-G37	EA LEG - LEFT - 25" (H18)
2	119333-02-H19	EA LEG - LEFT - 25" (H19)
2	119333-02-H23	EA LEG - LEFT - 25" (H40)
2	119333-02-H25	EA LEG - LEFT - 25" (H41)

KEY	PART NUMBER	U/M DESCRIPTION
3	121410-04-G15	EA VALANCE - MODERATE - 62.5" (H17)
3	121410-01-GV7	EA VALANCE - MODERATE - 62.5" (H18)
3	121410-01-H19	EA VALANCE - MODERATE - 62.5" (H19)
3	121410-04-H23	EA VALANCE - MODERATE - 62.5" (H40)
3	121410-01-H25	EA VALANCE - MODERATE - 62.5" (H41)
3	109802-48-G35	EA BLIND - PLEATED - 59" X 26.5"
3	119333-01-G15	EA LEG - RIGHT - 25" (H17)
3	119333-01-G37	EA LEG - RIGHT - 25" (H18)
3	119333-01-H19	EA LEG - RIGHT - 25" (H19)
3	119333-01-H23	EA LEG - RIGHT - 25" (H40)
3	119333-01-H25	EA LEG - RIGHT - 25" (H41)
3	119333-02-G15	EA LEG - LEFT - 25" (H17)
3	119333-02-G37	EA LEG - LEFT - 25" (H18)
3	119333-02-H19	EA LEG - LEFT - 25" (H19)
3	119333-02-H23	EA LEG - LEFT - 25" (H40)
3	119333-02-H25	EA LEG - LEFT - 25" (H41)
4	101668-46-E91	EA CURTAIN - LEFT HAND - 48" X 95"
	073260-42-C18	EA TIEBACK - 6" X 18"
	124298-01-H17	EA VALANCE - SHADE
	084755-98-000	EA SHADE - PULL - 23.8" X 60" - SUNSCREEN CHARCOAL
5	101668-45-E91	EA CURTAIN - RIGHT HAND - 48" X 95"
	073260-42-C18	EA TIEBACK - 6" X 18"
	124298-01-H17	EA VALANCE - SHADE
	084755-98-000	EA SHADE - PULL - 23.8" X 60" - SUNSCREEN CHARCOAL
6	121410-05-H17	EA VALANCE - MODERATE - 34.5" (H17)
6	121410-02-GV7	EA VALANCE - MODERATE - 34.5" (H18)
6	121410-02-H19	EA VALANCE - MODERATE - 34.5" (H19)
6	121410-05-H40	EA VALANCE - MODERATE - 34.5" (H40)
6	121410-02-H25	EA VALANCE - MODERATE - 34.5" (H41)
6	109802-11-G15	EA BLIND - PLEATED - 29" X 28.5"
6	119333-01-G15	EA LEG - RIGHT - 25" (H17)
6	119333-01-G37	EA LEG - RIGHT - 25" (H18)
6	119333-01-H19	EA LEG - RIGHT - 25" (H19)
6	119333-01-H23	EA LEG - RIGHT - 25" (H40)
6	119333-01-H25	EA LEG - RIGHT - 25" (H41)
6	119333-02-G15	EA LEG - LEFT - 25" (H17)
6	119333-02-G37	EA LEG - LEFT - 25" (H18)
6	119333-02-H19	EA LEG - LEFT - 25" (H19)
6	119333-02-H23	EA LEG - LEFT - 25" (H40)
6	119333-02-H25	EA LEG - LEFT - 25" (H41)
7	119262-37-G15	EA VALANCE - MONACO - 33" (H17)
7	119262-70-H18	EA VALANCE - FLAT MONACO - 33" (H18)
7	119262-70-H19	EA VALANCE - MONACO - 33" (H19)
7	119262-37-H40	EA VALANCE - MONACO - 33" (H40)
7	119262-70-H41	EA VALANCE - MONACO - 33" (H41)
	084755-57-E07	EA SHADE - PULL - 27.25"
8	109041-44-01A	EA BLIND - MINI - 30.5" X 18" (H17, H18, H40, H41)
8	109041-44-02A	EA BLIND - MINI - 30.5" X 18" DROP (H19)
	109353-04-000	EA CLIP - VALANCE SLAT MOUNTING - CLEAR PLASTIC
9	119262-53-H17	EA VALANCE - MONACO - 34" (H17)
9	119138-28-H18	EA VALANCE - BELLINI - 34" (H18)
9	119138-28-H19	EA VALANCE - BELLINI - 34" (H19)
9	119262-53-H23	EA VALANCE - MONACO - 34" (H40)
9	119138-28-H41	EA VALANCE - BELLINI - 34" (H41)
9	109802-50-H17	EA BLIND - PLEATED - 29" X 37"
9	119333-21-H17	EA LEG - RIGHT - 34" (H17)
9	119333-21-H18	EA LEG - RIGHT - 34" (H18)
9	119333-21-H19	EA LEG - RIGHT - 34" (H19)
9	119333-21-H23	EA LEG - RIGHT - 34" (H40)
9	119333-21-H25	EA LEG - RIGHT - 34" (H41)
9	119333-22-H17	EA LEG - LEFT - 34" (H17)
9	119333-22-H18	EA LEG - LEFT - 34" (H18)
9	119333-22-H19	EA LEG - LEFT - 34" (H19)
9	119333-22-H23	EA LEG - LEFT - 34" (H40)
9	119333-22-H25	EA LEG - LEFT - 34" (H41)

## CURTAIN & CUSHION GROUP (CONTINUED)

### DRIVER BUCKET SEAT

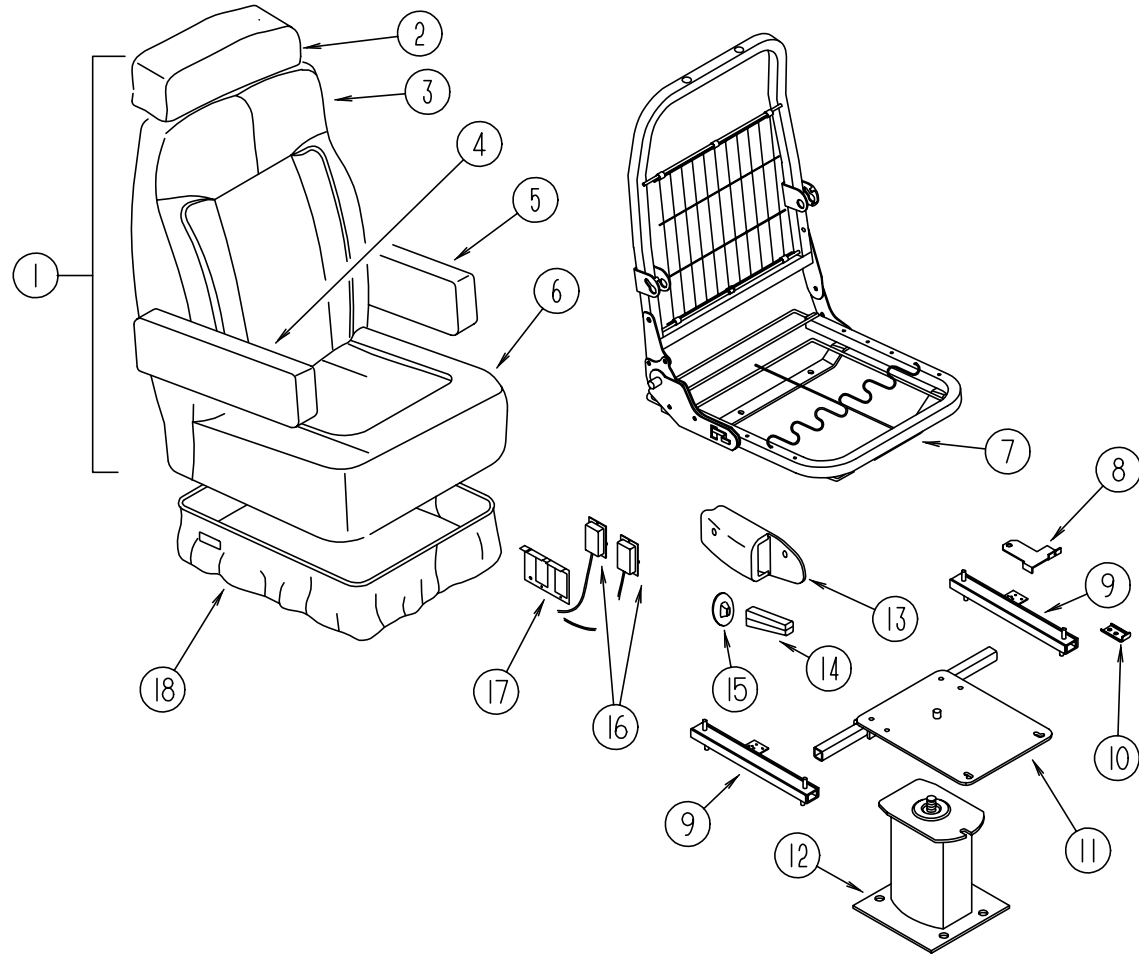


KEY	PART NUMBER	U/M DESCRIPTION
1	122684-01-H17	EA SEAT - BUCKET - DRIVERS - W/LUMBAR
1	122684-01-H18	EA SEAT - BUCKET - DRIVERS - W/LUMBAR
1	122684-01-H19	EA SEAT - BUCKET - DRIVERS - W/LUMBAR
1	122738-01-H40	EA SEAT - BUCKET - DRIVER - W/LUMBAR/HEADREST/ARMRESTS
1	122738-01-H41	EA SEAT - BUCKET - DRIVER - W/LUMBAR/HEADREST/ARMRESTS
2	119509-01-G07	EA HEADREST - BUCKET SEAT (H17)
2	119509-01-H18	EA HEADREST - BUCKET SEAT (H18)
2	119509-01-H19	EA HEADREST - BUCKET SEAT (H19)
2	119509-01-H23	EA HEADREST - BUCKET SEAT (H40)
2	119509-01-H25	EA HEADREST - BUCKET SEAT (H41)
2	P19509-01-G07	EA COVER - HEADREST (H17)
2	P19509-01-H18	EA COVER - HEADREST (H18)
2	P19509-01-H19	EA COVER - HEADREST (H19)
2	P19509-01-H23	EA COVER - HEADREST (H40)
2	P19509-01-H25	EA COVER - HEADREST (H41)
	113977-12-000	EA HEADREST INSERT - W/O LOCK
	113977-13-000	EA HEADREST INSERT - W/LOCK
	114791-03-000	EA FRAME - HEADREST
3	M05962-39-H17	EA COVER - BACK (H17)
3	M05962-39-H18	EA COVER - BACK (H18)
3	M05962-39-H19	EA COVER - BACK (H19)
3	M05962-37-H23	EA COVER - BACK (H40)
3	M05962-37-H25	EA COVER - BACK (H41)
4	122780-01-H17	EA ARMREST - RIGHT HAND (H17)
4	122780-01-H18	EA ARMREST - RIGHT HAND (H18)
4	122780-01-H19	EA ARMREST - RIGHT HAND (H19)
4	122780-01-H23	EA ARMREST - RIGHT HAND (H40)
4	122780-01-H41	EA ARMREST - RIGHT HAND (H41)

KEY	PART NUMBER	U/M DESCRIPTION	VENDOR NO.
4	P22780-01-H17	EA COVER - ARMREST - RIGHT HAND (H17)	
4	P22780-01-H18	EA COVER - ARMREST - RIGHT HAND (H18)	
4	P22780-01-H19	EA COVER - ARMREST - RIGHT HAND (H19)	
4	P22780-01-H23	EA COVER - ARMREST - RIGHT HAND (H40)	
4	P22780-01-H41	EA COVER - ARMREST - RIGHT HAND (H41)	
4	115617-03-000	EA ARMREST - W/O COVER - RIGHT HAND	
5	122780-02-H17	EA ARMREST - LEFT HAND (H17)	
5	122780-02-H18	EA ARMREST - LEFT HAND (H18)	
5	122780-02-H19	EA ARMREST - LEFT HAND (H19)	
5	122780-02-H54	EA ARMREST - LEFT HAND (H40)	
5	122780-02-H25	EA ARMREST - LEFT HAND (H41)	
5	P22780-02-H17	EA COVER - ARMREST - LEFT HAND (H17)	
5	P22780-02-H18	EA COVER - ARMREST - LEFT HAND (H18)	
5	P22780-02-H19	EA COVER - ARMREST - LEFT HAND (H19)	
5	P22780-02-H54	EA COVER - ARMREST - LEFT HAND (H40)	
5	P22780-02-H25	EA COVER - ARMREST - LEFT HAND (H41)	
5	115617-04-000	EA ARMREST - W/O COVER - LEFT HAND	
6	M05962-40-H17	EA COVER - SEAT (H17)	
6	M05962-40-H18	EA COVER - SEAT (H18)	
6	M05962-40-H19	EA COVER - SEAT (H19)	
6	M05962-38-H23	EA COVER - SEAT (H40)	
6	M05962-38-H25	EA COVER - SEAT (H41)	
7	122695-01-01B	EA FRAME - SEAT/ BACK	
8	122611-01-702	EA LUMBAR - BRACKET	157C-90
9	122611-01-701	EA LUMBAR - KNOB	218
10	122611-01-000	EA LUMBAR	
			FROM: 00-00-00 THRU: 05-21-97
10	122611-02-000	EA LUMBAR - W/LEVER	
			FROM: 05-22-97 THRU: 99-99-99
11	117125-01-02B	EA BRACKET - CABLE MOUNT - ADJUSTER W/LOCK	
12	119952-06-000	EA SLIDE/SEAT - HEAVY DUTY LOCKING - 4 STUDS	
	119952-07-000	EA WIRE - LATCH RELEASE/ROTARY	
13	114889-01-000	EA STOP BAR - UNIVERSAL	
14	107921-05-000	EA PLATE - TOP - W/SEAT BELT BAR	
	107921-06-000	EA BEARING KIT - PEDESTAL	
15	107921-01-000	EA PEDESTAL/FLOOR MOUNTED - W/9.75" EXTENSION	
16	108049-03-000	EA CABLE - W/SWITCHES - 25.5" SHEATH/28.5" CABLE W/DOG LEG	
			FROM: 00-00-00 THRU: 06-25-97
16	108049-04-000	EA CABLE - W/SWITCHES - W/26" MINI LEVER ACTION	
			FROM: 06-26-97 THRU: 99-99-99
17	097683-03-000	EA BRACKET - REMOTE/SIDE MOUNT - SINGLE	
18	080730-09-000	EA SHIELD - RECLINER HANDLE	
19	080730-08-000	EA HANDLE - RECLINER	
20	080730-11-000	EA SHIELD - RUBBER BOOT	
21	097683-02-000	EA BRACKET - REMOTE/SIDE MOUNT - DOUBLE	
			FROM: 00-00-00 THRU: 05-31-97
21	127159-02-02B	EA BRACKET - SEAT RELEASE - REMOTE	
			FROM: 06-01-97 THRU: 99-99-99
22	116215-02-000	EA BRACKET - UPPER MOUNT - 6-WAY MANUAL SEAT	
	007221-01-000	EA SPACER - SEAT/ADJUSTER	
23	116215-01-000	EA ADJUSTER/SLIDE - DRIVERS SEAT - 6-WAY MANUAL	
24	116215-03-000	EA BRACKET - LOWER MOUNT - 6-WAY MANUAL SEAT	
25	107921-07-000	EA PEDESTAL BASE - POWER	
26	071126-58-H17	EA SKIRT - SINGLE 10.5" - W/SEAT BELT SLOT	
26	071126-58-H18	EA SKIRT - SINGLE 10.5" - W/SEAT BELT SLOT	
26	071126-58-H19	EA SKIRT - SINGLE 10.5" - W/SEAT BELT SLOT	
26	071126-59-H40	EA SKIRT - SINGLE 10.5" - W/SEAT BELT SLOT	
26	071126-59-H41	EA SKIRT - SINGLE 10.5" - W/SEAT BELT SLOT	
26	071126-60-H17	EA SKIRT - SINGLE 10.5" 6-WAY MANUAL (H17)	
26	071126-60-H18	EA SKIRT - SINGLE 10.5" 6-WAY MANUAL (H18)	
26	071126-60-H19	EA SKIRT - SINGLE 10.5" 6-WAY MANUAL (H19)	
26	071126-61-H40	EA SKIRT - SINGLE 10.5" 6-WAY MANUAL (H40)	
26	071126-61-H25	EA SKIRT - SINGLE 10.5" 6-WAY MANUAL (H41)	

## CURTAIN & CUSHION GROUP (CONTINUED)

### PASSENGER BUCKET SEAT

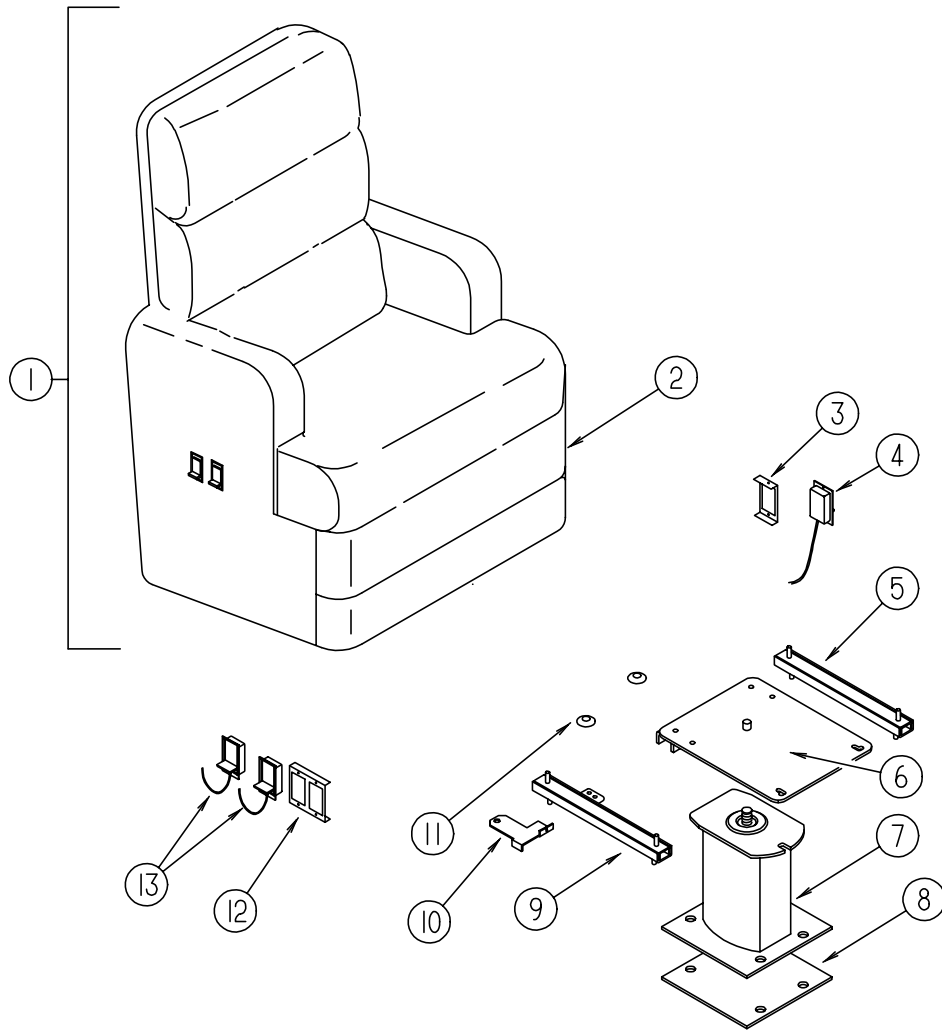


KEY	PART NUMBER	U/M DESCRIPTION
1	122684-02-H17	EA SEAT - BUCKET - PASSENGER
1	122684-02-H18	EA SEAT - BUCKET - PASSENGER
1	122684-02-H19	EA SEAT - BUCKET - PASSENGER
1	122738-02-H40	EA SEAT - BUCKET - PASSENGER/WIDE - W/HEADREST/ARMRESTS
1	122738-02-H41	EA SEAT - BUCKET - PASSENGER/WIDE - W/HEADREST/ARMRESTS
2	119509-01-G07	EA HEADREST - BUCKET SEAT (H17)
2	119509-01-H18	EA HEADREST - BUCKET SEAT (H18)
2	119509-01-H19	EA HEADREST - BUCKET SEAT (H19)
2	119509-01-H23	EA HEADREST - BUCKET SEAT (H40)
2	119509-01-H25	EA HEADREST - BUCKET SEAT (H41)
2	P19509-01-G07	EA COVER - HEADREST (H17)
2	P19509-01-H18	EA COVER - HEADREST (H18)
2	P19509-01-H19	EA COVER - HEADREST (H19)
2	P19509-01-H23	EA COVER - HEADREST (H40)
2	P19509-01-H25	EA COVER - HEADREST (H41)
	113977-12-000	EA HEADREST INSERT - W/O LOCK
	113977-13-000	EA HEADREST INSERT - W/LOCK
	114791-03-000	EA FRAME - HEADREST

KEY	PART NUMBER	U/M DESCRIPTION
3	M05962-39-H17	EA COVER - BACK (H17)
3	M05962-39-H18	EA COVER - BACK (H18)
3	M05962-39-H19	EA COVER - BACK (H19)
3	M05962-37-H23	EA COVER - BACK (H40)
3	M05962-37-H25	EA COVER - BACK (H41)
4	122780-01-H17	EA ARMREST - RIGHT HAND (H17)
4	122780-01-H18	EA ARMREST - RIGHT HAND (H18)
4	122780-01-H19	EA ARMREST - RIGHT HAND (H19)
4	122780-01-H23	EA ARMREST - RIGHT HAND (H40)
4	122780-01-H41	EA ARMREST - RIGHT HAND (H41)
4	P22780-01-H17	EA COVER - ARMREST - RIGHT HAND (H17)
4	P22780-01-H18	EA COVER - ARMREST - RIGHT HAND (H18)
4	P22780-01-H19	EA COVER - ARMREST - RIGHT HAND (H19)
4	P22780-01-H23	EA COVER - ARMREST - RIGHT HAND (H40)
4	P22780-01-H41	EA COVER - ARMREST - RIGHT HAND (H41)
4	115617-03-000	EA ARMREST - W/O COVER - RIGHT HAND
5	122780-02-H17	EA ARMREST - LEFT HAND (H17)
5	122780-02-H18	EA ARMREST - LEFT HAND (H18)
5	122780-02-H19	EA ARMREST - LEFT HAND (H19)
5	122780-02-H54	EA ARMREST - LEFT HAND (H40)
5	122780-02-H25	EA ARMREST - LEFT HAND (H41)
5	P22780-02-H17	EA COVER - ARMREST - LEFT HAND (H17)
5	P22780-02-H18	EA COVER - ARMREST - LEFT HAND (H18)
5	P22780-02-H19	EA COVER - ARMREST - LEFT HAND (H19)
5	P22780-02-H54	EA COVER - ARMREST - LEFT HAND (H40)
5	P22780-02-H25	EA COVER - ARMREST - LEFT HAND (H41)
5	115617-04-000	EA ARMREST - W/O COVER - LEFT HAND
6	M05962-40-H17	EA COVER - SEAT (H17)
6	M05962-40-H18	EA COVER - SEAT (H18)
6	M05962-40-H19	EA COVER - SEAT (H19)
6	M05962-38-H23	EA COVER - SEAT (H40)
6	M05962-38-H25	EA COVER - SEAT (H41)
7	122695-01-01B	EA FRAME - SEAT/BACK
8	117125-01-02B	EA BRACKET - CABLE MOUNT - ADJUSTER W/LOCK
9	119952-06-000	EA SLIDE/SEAT - HEAVY DUTY LOCKING - 4 STUDS
	119952-07-000	EA WIRE - LATCH RELEASE/ROTARY
10	114889-01-000	EA STOP BAR - UNIVERSAL
11	107921-05-000	EA PLATE - TOP - W/SEAT BELT BAR
	107921-06-000	EA BEARING KIT - PEDESTAL
12	107921-01-000	EA PEDESTAL/FLOOR MOUNTED - W/9.75" EXTENSION
13	080730-09-000	EA SHIELD - RECLINER HANDLE
14	080730-08-000	EA HANDLE - RECLINER
15	080730-11-000	EA SHIELD - RUBBER BOOT
16	108049-03-000	EA CABLE - W/SWITCHES - 25.5" SHEATH/28.5" CABLE W/DOG LEG
		FROM: 00-00-00 THRU: 06-25-97
16	108049-04-000	EA CABLE - W/SWITCHES - W/26" MINI LEVER ACTION
		FROM: 06-26-97 THRU: 99-99-99
	108049-02-000	EA CLIP - CABLE/PEDESTAL
17	097683-02-000	EA BRACKET - REMOTE/SIDE MOUNT - DOUBLE
		FROM: 00-00-00 THRU: 05-31-97
17	127159-02-02B	EA BRACKET - SEAT RELEASE - REMOTE
		FROM: 06-01-97 THRU: 99-99-99
18	071126-58-H17	EA SKIRT - SINGLE 10.5" - W/SEAT BELT SLOT
18	071126-58-H18	EA SKIRT - SINGLE 10.5" - W/SEAT BELT SLOT
18	071126-58-H19	EA SKIRT - SINGLE 10.5" - W/SEAT BELT SLOT
18	071126-59-H40	EA SKIRT - SINGLE 10.5" - W/SEAT BELT SLOT
18	071126-59-H41	EA SKIRT - SINGLE 10.5" - W/SEAT BELT SLOT

## CURTAIN & CUSHION GROUP (CONTINUED)

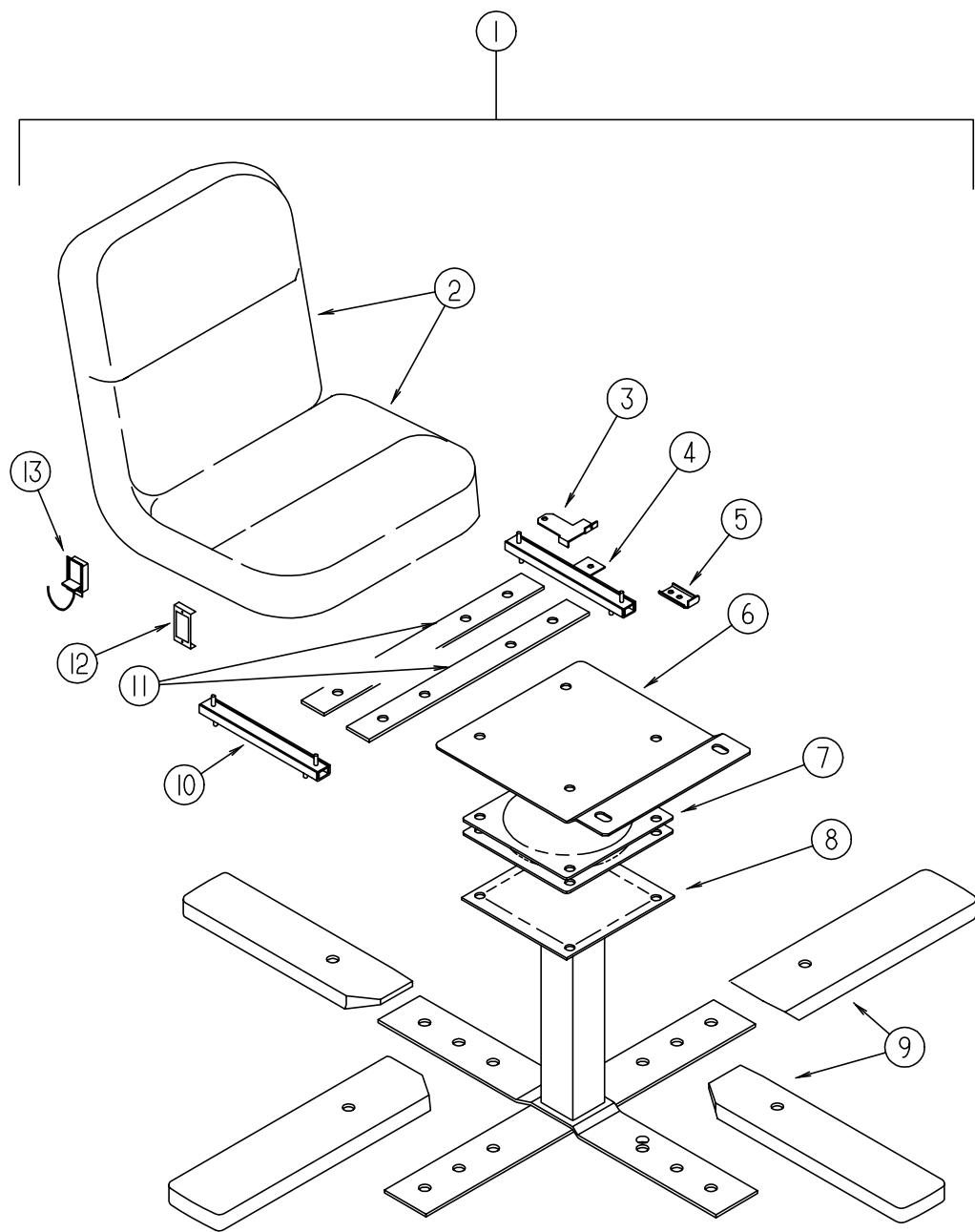
### SWIVEL CHAIR (RECLINER)



KEY	PART NUMBER	U/M	DESCRIPTION
1	124067-01-H17	EA	CHAIR - RECLINER
1	124067-01-H18	EA	CHAIR - RECLINER
1	124067-01-H19	EA	CHAIR - RECLINER
1	123383-03-H40	EA	CHAIR - RECLINER
1	123383-03-H41	EA	CHAIR - RECLINER
1	P24067-01-H17	EA	COVER - CHAIR - RECLINER (H17)
1	P24067-01-H18	EA	COVER - CHAIR - RECLINER (H18)
1	P24067-01-H19	EA	COVER - CHAIR - RECLINER (H19)
1	P23383-02-H23	EA	COVER - CHAIR - RECLINER (H40)
1	P23383-02-H25	EA	COVER - CHAIR - RECLINER (H41)
2	118539-01-H17	EA	SKIRT - RECLINER CHAIR (H17)
2	118539-01-H18	EA	SKIRT - RECLINER CHAIR (H18)
2	118539-01-H19	EA	SKIRT - RECLINER CHAIR (H19)
	P18539-01-H17	EA	COVER - SKIRT - SWIVEL CHAIR (H17)
	P18539-01-H18	EA	COVER - SKIRT - SWIVEL CHAIR (H18)
	P18539-01-H19	EA	COVER - SKIRT - SWIVEL CHAIR (H19)
	P18302-27-G15	EA	COVER - ARMREST - UNIVERSAL (H17)
	P18302-27-H18	EA	COVER - ARMREST - UNIVERSAL (H18)
	P18302-27-H19	EA	COVER - ARMREST - UNIVERSAL (H19)
	P18302-27-H23	EA	COVER - ARMREST - UNIVERSAL (H40)
	P18302-27-H25	EA	COVER - ARMREST - UNIVERSAL (H41)
3	097683-03-000	EA	BRACKET - REMOTE/SIDE MOUNT - SINGLE
4	089368-05-000	EA	CABLE - W/SWITCH 25.5" SHEATH-29 3/4" CABLE W/DOG LEG
	108049-02-000	EA	CLIP - CABLE/PEDESTAL
5	119952-02-000	EA	SLIDE/SEAT - HEAVY DUTY NONLOCKING
6	107921-08-000	EA	TOP PLATE - PEDESTAL - W/O SEAT BELT BAR
7	107921-01-000	EA	PEDESTAL/FLOOR MOUNTED - W/9.75" EXTENSION
8	108445-02-000	EA	SUB PLATE - FLOOR MOUNTED PEDESTAL
	107921-06-000	EA	BEARING KIT - PEDESTAL
9	119952-04-000	EA	SLIDE/SEAT - HEAVY DUTY LOCKING - 4 STUDS
10	117125-01-02B	EA	BRACKET - CABLE MOUNT - ADJUSTER W/LOCK
11	007221-01-000	EA	SPACER - SEAT/ADJUSTER
12	097683-02-000	EA	BRACKET - REMOTE/SIDE MOUNT - DOUBLE
			FROM: 00-00-00 THRU: 05-31-97
12	127159-02-02B	EA	BRACKET - SEAT RELEASE - REMOTE
			FROM: 06-01-97 THRU: 99-99-99
13	108049-03-000	EA	CABLE - W/SWITCHES - 25.5" SHEATH/28.5" CABLE W/DOG LEG
			FROM: 00-00-00 THRU: 06-25-97
13	108049-04-000	EA	CABLE - W/SWITCHES - W/26" MINI LEVER ACTION
			FROM: 06-26-97 THRU: 99-99-99
	108049-02-000	EA	CLIP - CABLE/PEDESTAL
	057759-01-000	EA	WASHER BRACKET - SEAT BELT - 4" DIAMETER
	007021-01-000	EA	SEAT BELT - 2" X 90" - BLACK

# CURTAIN & CUSHION GROUP (CONTINUED)

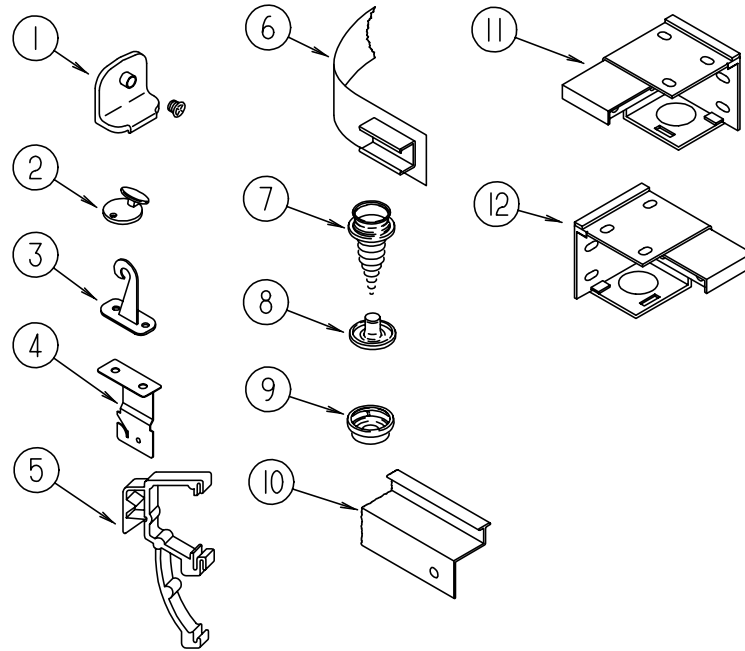
## DINETTE SWIVEL CHAIR ASM (210 KC)



KEY	PART NUMBER	U/M	DESCRIPTION
1	122739-01-H17	EA	CHAIR - SWIVEL (H17)
1	122739-01-H07	EA	CHAIR - SWIVEL (H18)
1	122739-01-H19	EA	CHAIR - SWIVEL (H19)
1	122739-01-H23	EA	CHAIR - SWIVEL (H40)
1	122739-01-H25	EA	CHAIR - SWIVEL (H41)
2	P22739-01-H17	EA	COVER - BACK/SEAT - SWIVEL CHAIR (H17)
2	P22739-01-H07	EA	COVER - BACK/SEAT - SWIVEL CHAIR (H18)
2	P22739-01-H07	EA	COVER - BACK/SEAT - SWIVEL CHAIR (H19)
2	P22739-01-H23	EA	COVER - BACK/SEAT - SWIVEL CHAIR (H40)
2	P22739-01-H23	EA	COVER - BACK/SEAT - SWIVEL CHAIR (H41)
3	117125-01-02B	EA	BRACKET - CABLE MOUNT - ADJUSTER W/LOCK
4	119952-04-000	EA	SLIDE/SEAT - HEAVY DUTY LOCKING - 4 STUDS
5	114889-01-000	EA	STOP BAR - UNIVERSAL
6	119705-11-02B	EA	PLATE - SEAT
7	119105-01-000	EA	PLATE - SWIVEL - RETURN-0-MATIC
8	119705-02-03B	EA	PEDESTAL
9	116080-02-G35	EA	COVER - CHAIR LEG (OAK)
9	116080-02-H23	EA	COVER - CHAIR LEG (WHITE)
10	119952-02-000	EA	SLIDE/SEAT - HEAVY DUTY NONLOCKING
11	120109-01-02B	EA	ADAPTER BRACKET - DINETTE SWIVEL CHAIR
12	097683-03-000	EA	BRACKET - REMOTE SIDE MOUNT - SINGLE
13	108049-03-000	EA	CABLE - W/SWITCHES - 25.5" SHEATH/28.5" CABLE W/DOG LEG
			FROM: 00-00-00 THRU: 06-25-97
13	108049-04-000	EA	CABLE - W/SWITCHES - W/26" MINI LEVER ACTION
			FROM: 06-26-97 THRU: 99-99-99
	108049-02-000	EA	CLIP - PEDESTAL CABLE

# CURTAIN & CUSHION GROUP (CONTINUED)

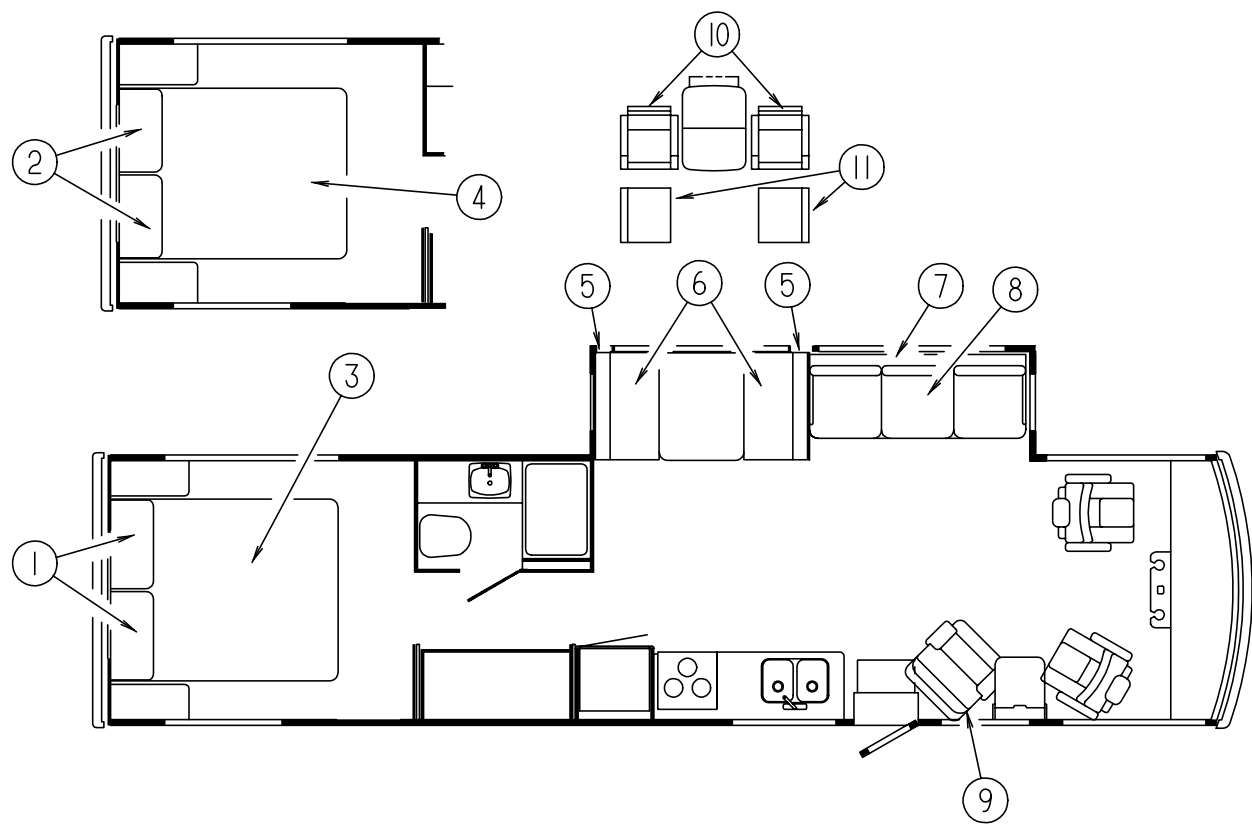
## CURTAIN & BLIND HARDWARE



KEY	PART NUMBER	U/M	DESCRIPTION
1	106544-01-000	EA	PULL - SHADE/BRASS
	106544-01-001	EA	SCREW - SHADE/BRASS
2	102555-01-000	EA	CLEAT - BLIND CORD - CLEAR PLASTIC
3	109441-03-000	EA	HOLD DOWN - BLIND (CLOUDY)
4	084434-01-000	EA	BRACKET - MOUNTING - ROLLER SHADE - 1 3/8"
	096843-01-000	EA	SPRING - REWIND/ROLLER SHADE
5	109353-04-000	EA	CLIP - VALANCE SLAT MOUNTING - CLEAR PLASTIC
6	101031-01-000	YD	TAPE - GLIDE/CURTAIN - 4.25" SPACING
7	029130-01-000	EA	SCREW - SNAP SOCKET - #8 PH X 5/8"
8	029155-01-000	EA	CAP - SNAP - 5/32" OUTSIDE DIAMETER OF PIN
9	029156-01-000	EA	SOCKET - SNAP - 9/16" O.D
10	114641-12-H17	EA	TRACK - CURTAIN - WRAPAROUND W/SPACERS - LEFT HAND
10	114641-13-H17	EA	TRACK - CURTAIN - WRAPAROUND W/SPACERS - RIGHT HAND
11	083170-02-000	EA	BRACKET - BLIND - RIGHT SIDE WHEN FACING WINDOW
12	083170-01-000	EA	BRACKET - BLIND - LEFT SIDE WHEN FACING WINDOW
	046867-03-000	EA	GROMMET - HANDY BUTTON #3
	048394-02-000	YD	VELCRO TAPE - HOOK - ADHESIVE BACK - .75" WIDE - BEIGE
	086276-01-000	EA	TAPE - DOUBLE SIDED - 1/2"
	088792-02-000	YD	VELCRO TAPE - LOOP - .75" - ADHESIVE BACKED - BEIGE
	094896-02-000	EA	GROMMET - CORD/PLEATED BLIND - NYLON - GRAY
	094907-02-000	EA	END CAP - TOP/PLEATED BLIND - PLASTIC - GRAY
	094907-04-000	EA	HARDWARE - END CAP BOTTOM - PULL TYPE (RH & LH)
	097565-01-000	EA	BRACKET - MOUNTING/PLEATED BLIND
	097591-01-000	EA	SPRING - EXTENSION/PLEATED BLIND
	097592-01-000	EA	SPOOL - CORD - ELEVATED BLIND HOLDUP - CLEAR PLASTIC
			FROM: 00-00-00 THRU: 11-23-97
	097592-02-000	EA	BRACKET - HOLDDOWN ADJUSTER
			FROM: 11-24-97 THRU: 99-99-99
	097593-02-000	FT	CORD - BLIND/PLEATED - GRAY

**CURTAIN & CUSHION GROUP (CONTINUED)**

**KING & QUEEN BEDS**



KEY	PART NUMBER	U/M	DESCRIPTION
	112516-03-G15	EA	HEADBOARD - IMPERIAL - KING (H17)
	112516-03-H18	EA	HEADBOARD - IMPERIAL - KING (H18)
	112516-03-H19	EA	HEADBOARD - IMPERIAL - KING (H19)
	112516-03-H40	EA	HEADBOARD - IMPERIAL - KING (H40)
	112516-03-H41	EA	HEADBOARD - IMPERIAL - KING (H41)
	112516-01-G15	EA	HEADBOARD - IMPERIAL - QUEEN (H17)
	112516-01-H18	EA	HEADBOARD - IMPERIAL - QUEEN (H18)
	112516-01-H19	EA	HEADBOARD - IMPERIAL - QUEEN (H19)
	112516-01-H40	EA	HEADBOARD - IMPERIAL - QUEEN (H40)
	112516-01-H41	EA	HEADBOARD - IMPERIAL - QUEEN (H41)
1	119249-02-000	EA	PILLOW - 22" X 37" - KING (H17, H40)
1	111637-03-H18	EA	PILLOW - 22" X 22" - KING (H18)
1	111637-03-H19	EA	PILLOW - 22" X 22" - KING (H19)
1	111637-03-H25	EA	PILLOW - 22" X 22" - KING (H41)
2	119249-01-000	EA	PILLOW - 20" X 33" - QUEEN (H17, H40)
2	106727-04-H18	EA	PILLOW - THROW - TOOTSIE ROLL - QUEEN (H18)
2	106727-04-H19	EA	PILLOW - THROW - TOOTSIE ROLL - QUEEN (H19)
2	106727-04-H25	EA	PILLOW - THROW - TOOTSIE ROLL - QUEEN (H41)
3	119141-03-G15	EA	BEDSPREAD/THROW - 72" X 80" (H17)
3	109588-18-H18	EA	BEDSPREAD/THROW - 72" X 80" (H18)
3	109588-18-H19	EA	BEDSPREAD/THROW - 72" X 80" (H19)
3	119141-03-H40	EA	BEDSPREAD/THROW - 72" X 80" (H40)
3	109588-18-H41	EA	BEDSPREAD/THROW - 72" X 80" (H41)
3	123015-09-000	EA	MATTRESS - INNERSPRING - 72" X 79.5" (KING)
4	119141-01-G15	EA	BEDSPREAD/THROW - 60" X 80" (H17)
4	109588-20-H18	EA	BEDSPREAD/THROW - 60" X 80" (H18)
4	109588-20-H19	EA	BEDSPREAD/THROW - 60" X 80" (H19)
4	119141-01-H23	EA	BEDSPREAD/THROW - 60" X 80" (H40)
4	109588-20-H25	EA	BEDSPREAD/THROW - 60" X 80" (H41)
4	123015-07-000	EA	MATTRESS - INNERSPRING - 60" X 79.5" (QUEEN)

**BEDROOM PILLOWS**

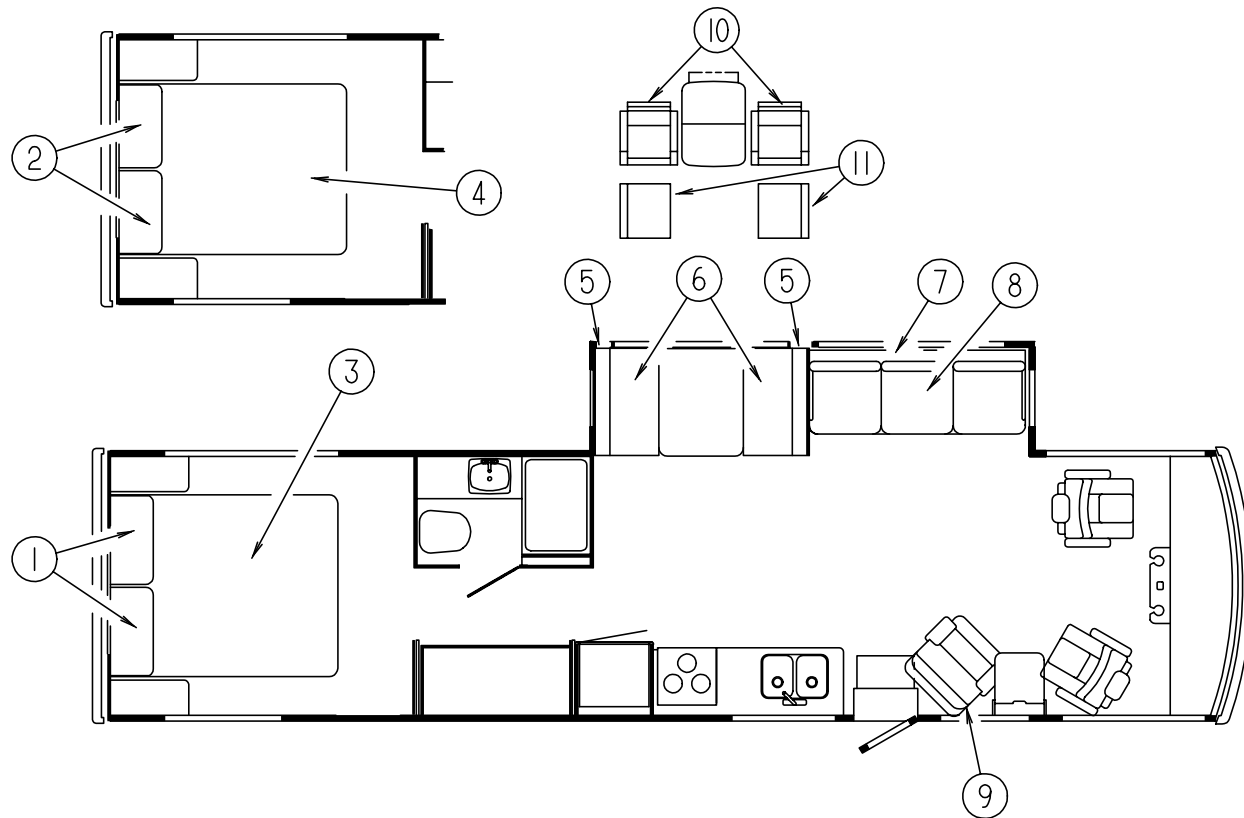
KEY	PART NUMBER	U/M	DESCRIPTION
	111637-08-G15	EA	PILLOW - 16" X 16" (H17)
	111637-08-H18	EA	PILLOW - 16" X 16" (H18)
	111637-08-H19	EA	PILLOW - 16" X 16" (H19)
	111637-08-H40	EA	PILLOW - 16" X 16" (H40)
	111637-08-H41	EA	PILLOW - 16" X 16" (H41)

**DINETTE CUSHIONS**

KEY	PART NUMBER	U/M	DESCRIPTION
5	111897-05-H17	EA	CUSHION - 13.5" X 42" X 5"
5	111897-05-H18	EA	CUSHION - 13.5" X 42" X 5"
5	111897-05-H19	EA	CUSHION - 13.5" X 42" X 5"
5	111880-05-H40	EA	CUSHION - 13.5" X 42" X 5"
5	111880-05-H41	EA	CUSHION - 13.5" X 42" X 5"
5	P11897-05-H17	EA	COVER - CUSHION - 13.5" X 42" X 5"
5	P11897-05-H18	EA	COVER - CUSHION - 13.5" X 42" X 5"
5	P11897-05-H19	EA	COVER - CUSHION - 13.5" X 42" X 5"
5	P11880-05-H40	EA	COVER - CUSHION - 13.5" X 42" X 5"
5	P11880-05-H41	EA	COVER - CUSHION - 13.5" X 42" X 5"
6	105603-15-G15	EA	CUSHION - SEAT - 23" X 42" X 5" (H17)
6	105603-15-GV7	EA	CUSHION - SEAT - 23" X 42" X 5" (H18)
6	105603-15-H19	EA	CUSHION - SEAT - 23" X 42" X 5" (H19)
6	105603-15-H23	EA	CUSHION - SEAT - 23" X 42" X 5" (H40)
6	105603-15-H25	EA	CUSHION - SEAT - 23" X 42" X 5" (H41)
6	P05603-15-G15	EA	COVER - SEAT - 23" X 42" X 5" (H17)
6	P05603-15-GV7	EA	COVER - SEAT - 23" X 42" X 5" (H18)
6	P05603-15-H19	EA	COVER - SEAT - 23" X 42" X 5" (H19)
6	P05603-15-H23	EA	COVER - SEAT - 23" X 42" X 5" (H40)
6	P05603-15-H25	EA	COVER - SEAT - 23" X 42" X 5" (H41)
	078155-01-000	EA	STRAP - SNAP - BACKREST CUSHION

## CURTAIN & CUSHION GROUP (CONTINUED)

### SOFA BED



KEY	PART NUMBER	U/M	DESCRIPTION
7	111319-01-G15	EA	BACK - 74" SOFA/BED JACK KNIFE EDGE W/FRAME (H17)
7	112104-01-H18	EA	BACK - SOFA/BED - 74" - W/FRAME (H18)
7	112104-01-H19	EA	BACK - SOFA/BED - 74" - W/FRAME (H19)
7	123380-03-H40	EA	BACK - SOFA/BED - 74" - W/FRAME (H40)
7	123380-03-H41	EA	BACK - SOFA/BED - 74" - W/FRAME (H41)
7	P11319-01-G15	EA	COVER - BACK - SOFA/BED - 74" (H17)
7	P12104-01-H18	EA	COVER - BACK - SOFA/BED - 74" (H18)
7	P12104-01-H19	EA	COVER - BACK - SOFA/BED - 74" (H19)
7	P23380-03-H40	EA	COVER - BACK - SOFA/BED - 74" (H40)
7	P23380-03-H41	EA	COVER - BACK - SOFA/BED - 74" (H41)
8	100032-43-G15	EA	SEAT - SOFA/BED W/FRAME - 74" - W/O ARMS (H17)
8	100032-43-H18	EA	SEAT - SOFA/BED W/FRAME - 74" - W/O ARMS (H18)
8	100032-43-H19	EA	SEAT - SOFA/BED W/FRAME - 74" - W/O ARMS (H19)
8	123380-04-H40	EA	SEAT - SOFA/BED - 74" (H40)
8	123380-04-H41	EA	SEAT - SOFA/BED - 74" (H41)
8	P00032-43-G15	EA	COVER - SEAT - SOFA/BED - 74" - W/O ARMS (H17)
8	P00032-43-H18	EA	COVER - SEAT - SOFA/BED - 74" - W/O ARMS (H18)
8	P00032-43-H19	EA	COVER - SEAT - SOFA/BED - 74" - W/O ARMS (H19)
8	P23380-04-H40	EA	COVER - SEAT - SOFA/BED 74" (H40)
8	P23380-04-H41	EA	COVER - SEAT - SOFA/BED 74" (H41)
	101085-04-000	EA	FRAME - SEAT - SOFA/BED - 74.75"
	101085-06-000	EA	FRAME - BASE - SOFA/BED - 74.75"
	101085-10-000	EA	FRAME - BACK - SOFA/BED - 74.5"
	111637-03-G15	EA	PILLOW - 22" X 22" (H17)
	111637-03-H18	EA	PILLOW - 22" X 22" (H18)
	111637-03-H19	EA	PILLOW - 22" X 22" (H19)
	111637-03-H23	EA	PILLOW - 22" X 22" (H40)
	111637-03-H41	EA	PILLOW - 22" X 22" (H41)

**NOTE:** COUCH FRONT AND SIDE PANELS ARE FOUND IN THE LOUNGE GROUP

### SWIVEL CHAIR (RECLINER)

KEY	PART NUMBER	U/M	DESCRIPTION
9	124067-01-H17	EA	CHAIR - RECLINER
9	124067-01-H18	EA	CHAIR - RECLINER
9	124067-01-H19	EA	CHAIR - RECLINER
9	123383-03-H40	EA	CHAIR - RECLINER
9	123383-03-H41	EA	CHAIR - RECLINER

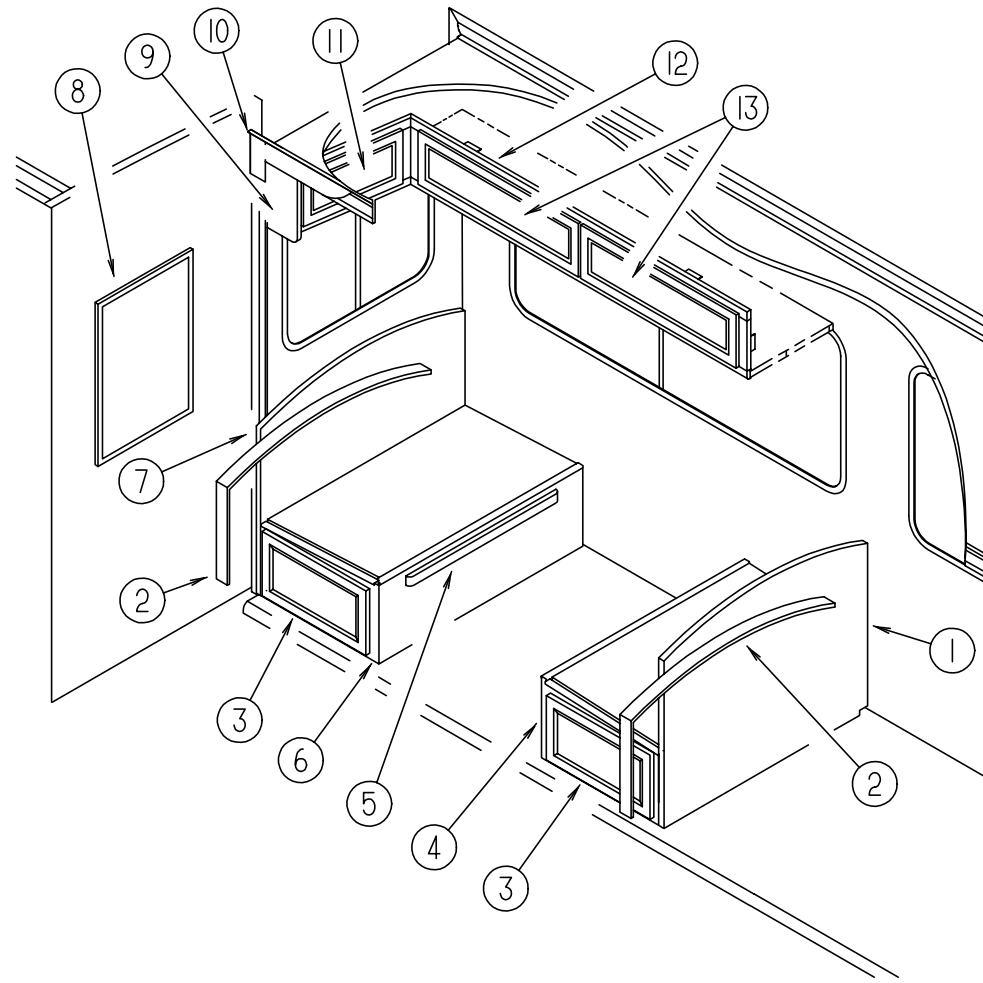
### DINETTE CHAIR OPTION

KEY	PART NUMBER	U/M	DESCRIPTION
10	122739-01-H17	EA	CHAIR - SWIVEL (H17)
10	122739-01-H07	EA	CHAIR - SWIVEL (H18)
10	122739-01-H19	EA	CHAIR - SWIVEL (H19)
10	122739-01-H23	EA	CHAIR - SWIVEL (H40)
10	122739-01-H25	EA	CHAIR - SWIVEL (H41)
11	101604-01-03A	EA	CHAIR - FOLDING/DINETTE - WATERFORD OAK - W/O FABRIC
11	101604-01-05A	EA	CHAIR - FOLDING/DINETTE - W/O FABRIC - WHITE GRANITE



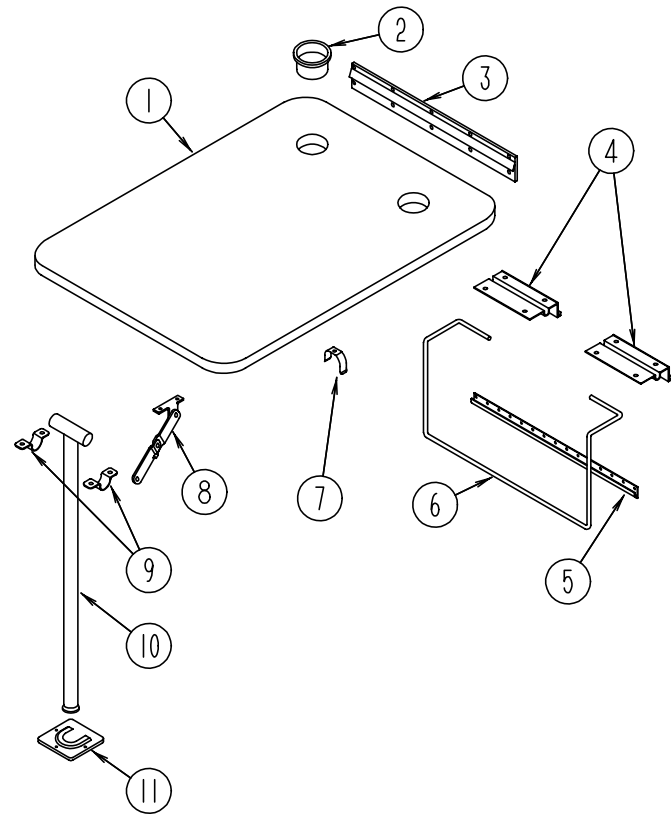
# DINETTE GROUP

## DINETTE WITH OVERHEAD CABINERY OPTION



KEY	PART NUMBER	U/M DESCRIPTION
1	M07514-01-H17	EA CABINET - SEATBACK/RIGHT HAND - W/O HARDWARE (OAK)
1	M07514-01-H23	EA CABINET - SEATBACK/RIGHT HAND - W/O HARDWARE (WHITE)
2	104787-08-H17	EA PAD - DINETTE (H17)
2	104787-08-H18	EA PAD - DINETTE (H18)
2	104787-08-H19	EA PAD - DINETTE (H19)
2	104787-08-H54	EA PAD - DINETTE (H40)
2	104787-08-H41	EA PAD - DINETTE (H41)
3	M05971-35-H17	EA DRAWER - OGEE EDGE - 17"W X 21.6"D - W/O SLIDES/HARDWARE (OAK)
3	P10163-CS-H40	EA DRAWER - SQUARE EDGE - 17"W X 21.6"D - W/O SLIDES/HDW (WHITE)
4	M07515-01-G15	EA CABINET - SEATBASE/RIGHT HAND - W/O DRAWER/HARDWARE (OAK)
4	M07515-01-H40	EA CABINET - SEATBASE/RIGHT HAND - W/O DRAWER/HARDWARE (WHITE)
5	081295-01-G01	EA SUPPORT - BED/DINETTE - 28" LONG (OAK)
5	081295-01-H40	EA SUPPORT - BED/DINETTE - 28" LONG (WHITE)
6	M07515-08-G35	EA CABINET - SEATBASE/LEFT HAND - W/O DRAWER/HARDWARE (OAK)
6	M07515-08-H40	EA CABINET - SEATBASE/LEFT HAND - W/O DRAWER/HARDWARE (WHITE)
7	M07514-08-G35	EA CABINET - SEATBACK/LEFT HAND - W/O HARDWARE (OAK)
7	M07514-08-H23	EA CABINET - SEATBACK/LEFT HAND - W/O HARDWARE (WHITE)
8	058331-08-000	EA MIRROR - SAFETY GLASS - 24" X 30"
9	120978-13-G35	EA END CAP - OVERHEAD CABINET (OAK)
9	120978-13-H23	EA END CAP - OVERHEAD CABINET (WHITE)
10	115811-13-G15	EA OVERLAY - 7.5" X 22 3/8" (H17)
10	115811-13-GV7	EA OVERLAY - 7.5" X 22 3/8" (H18)
10	115811-13-H19	EA OVERLAY - 7.5" X 22 3/8" (H19)
11	120035-05-G15	EA DOOR - FABRIC WRAPPED - 8.6" X 16.4" - W/O HARDWARE (H17)
11	120035-05-H18	EA DOOR - FABRIC WRAPPED - 8.6" X 16.4" - W/O HARDWARE (H18)
11	120035-05-H19	EA DOOR - FABRIC WRAPPED - 8.6" X 16.4" - W/O HARDWARE (H19)
11	120035-05-H23	EA DOOR - FABRIC WRAPPED - 8.6" X 16.4" - W/O HARDWARE (H40)
11	120035-05-H25	EA DOOR - FABRIC WRAPPED - 8.6" X 16.4" - W/O HARDWARE (H41)
12	120978-01-G35	EA CABINET - OVERHEAD DINETTE W/END CAP - W/O DOORS/HARDWARE (OAK)
12	120978-01-H23	EA CABINET - OVERHEAD/DINETTE W/END CAP - W/O DOORS/HARDWARE (WHITE)
13	120035-04-G15	EA DOOR - FABRIC WRAPPED - 8.6" X 29.9" - W/O HARDWARE (H17)
13	120035-04-H18	EA DOOR - FABRIC WRAPPED - 8.6" X 29.9" - W/O HARDWARE (H18)
13	120035-04-H19	EA DOOR - FABRIC WRAPPED - 8.6" X 29.9" - W/O HARDWARE (H19)
13	120035-04-H23	EA DOOR - FABRIC WRAPPED - 8.6" X 29.9" - W/O HARDWARE (H40)
13	120035-04-H25	EA DOOR - FABRIC WRAPPED - 8.6" X 29.9" - W/O HARDWARE (H41)

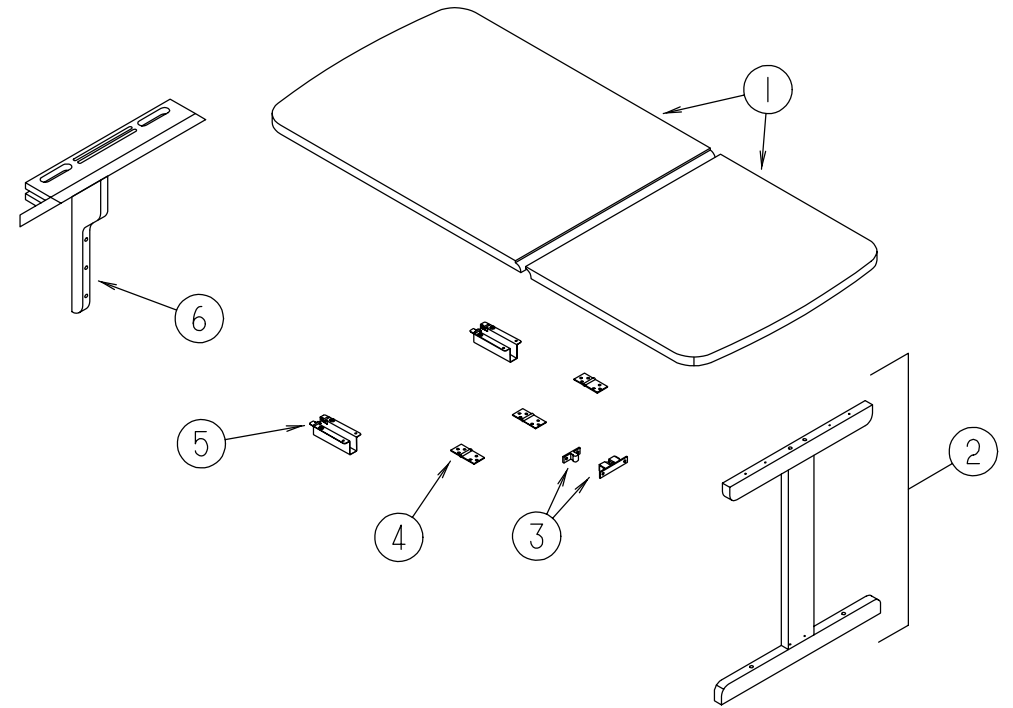
## DINETTE GROUP (CONTINUED)



**DINETTE TABLE ASM.**

KEY	PART NUMBER	U/M	DESCRIPTION
1	081322-12-F09	EA	TABLE TOP ONLY (H17, H18)
1	081322-12-F02	EA	TABLE TOP ONLY (H19)
1	081322-12-H23	EA	TABLE TOP ONLY (H40, H41)
2	064781-06-000	EA	HOLDER - CUP - TWO STEP - OFF WHITE
3	053200-12-000	EA	BRACKET - TABLE SUPPORT - UPPER WALL MOUNTED - 23.50"
4	088410-02-000	EA	BRACKET - LIFT - TABLE MOUNTED
5	024281-14-000	EA	BRACKET - LIFT ROD/LOWER WALL MOUNTED - 22.12"
6	024275-12-000	EA	ROD - TABLE LIFT
7	024283-01-000	EA	CLIP - LEG - 1" - 1.125" OD - BLACK
8	024282-01-000	EA	BRACE - TABLE LEG - HINGED
9	064050-05-000	EA	HINGE - TABLE LEG - OFF WHITE
10	024276-23-000	EA	LEG - TABLE - METAL - OFF WHITE
11	049493-12-000	EA	CATCH - TABLE LEG/FLOOR MOUNTED - OFF WHITE
11	049493-11-700	EA	CATCH - TABLE LEG - E-COAT

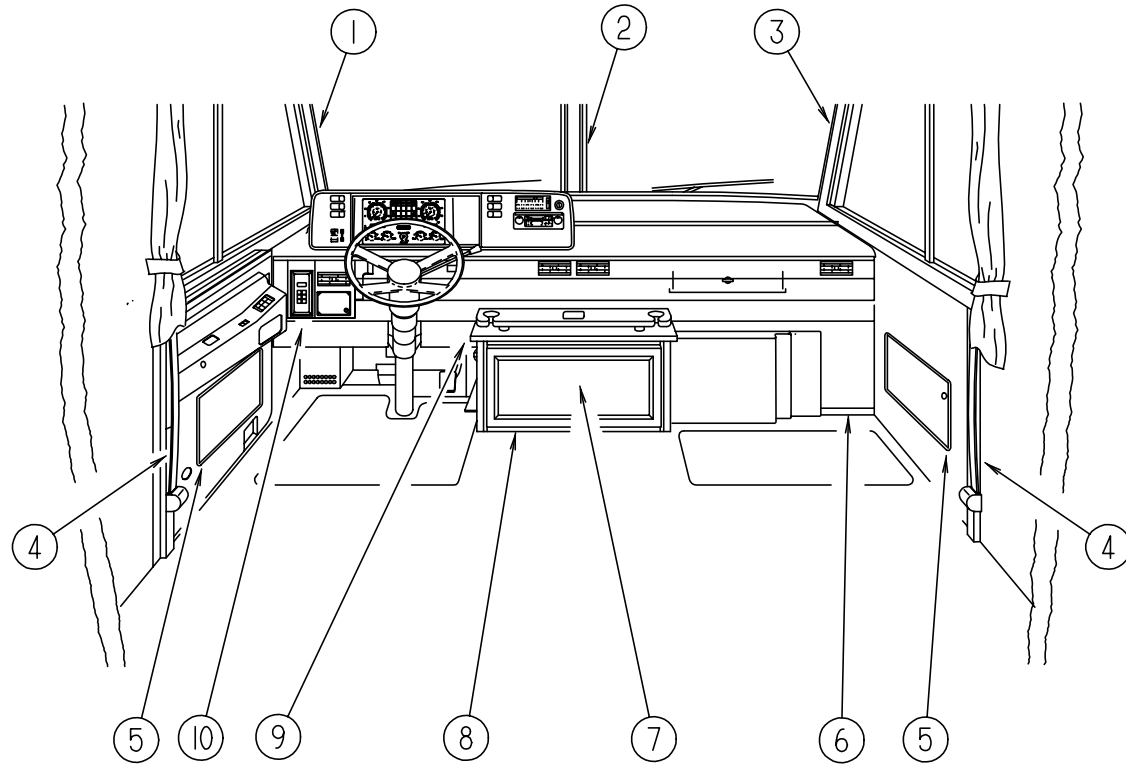
## DINETTE GROUP (CONTINUED)



**DINETTE TABLE ASM. W/ DROP LEAF**

KEY	PART NUMBER	U/M	DESCRIPTION
1	120898-11-H17	EA	TABLE TOP - DROP LEAF (OAK)
1	120898-11-H40	EA	TABLE TOP - DROP LEAF (WHITE)
2	120898-24-H17	EA	LEG - W/O HARDWARE (OAK)
2	120898-24-H23	EA	LEG - W/O HARDWARE (WHITE)
	120898-17-H27	EA	LEG-UPPER (OAK)
	120898-17-H23	EA	LEG-UPPER (WHITE)
3	084451-01-000	EA	CATCH - BRASS
4	120972-01-01A	EA	HINGE - TABLE/DROP LEAF
5	120973-01-000	EA	SUPPORT - TABLE/DROP LEAF - PAIR
6	120898-25-H19	EA	MOUNT - WALL - DROP LEAF TABLE (OAK)
6	120898-25-H23	EA	MOUNT - WALL - DROP LEAF TABLE (WHITE)

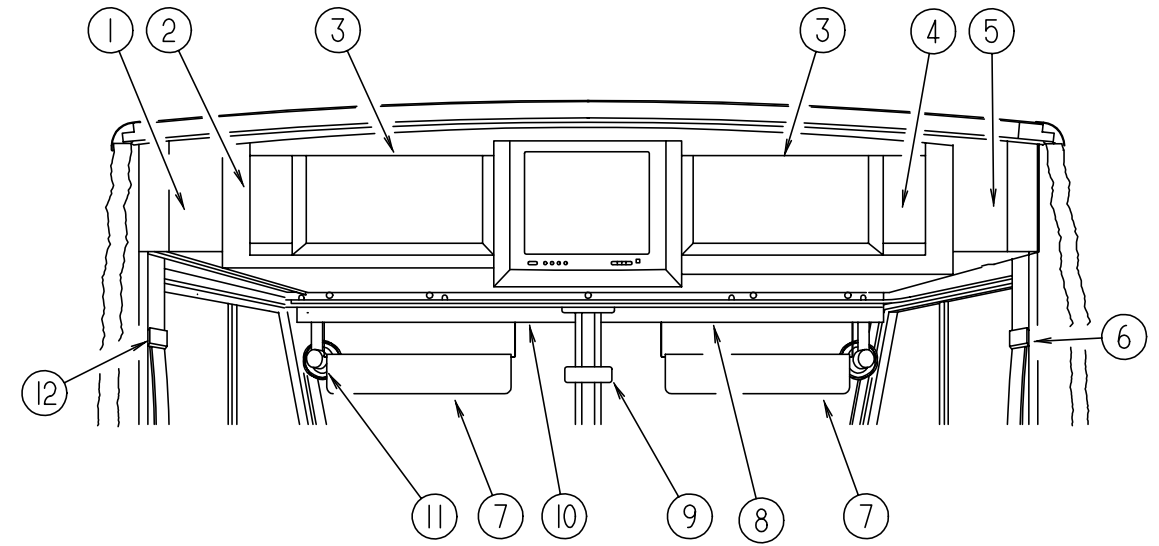
## DRIVERS COMPARTMENT GROUP



### LOWER DRIVER COMPARTMENT

KEY	PART NUMBER	U/M	DESCRIPTION
1	103931-04-03A	EA	COVER - INTERIOR - A-PILLAR - DRIVER SIDE
2	079765-11-000	EA	TRIM - WINDSHIELD - CENTER
3	103931-03-03A	EA	COVER - INTERIOR - A-PILLAR - PASSENGER SIDE
	024700-44-000	EA	COVER - ROLL BAR - DRIVER/ PASSENGER LOWER -53" - W/O DRIVER DOOR
	024700-46-000	EA	COVER - ROLL BAR - DRIVER/ PASSENGER UPPER - 21.20"
	024700-47-000	EA	COVER - ROLL BAR - 18.9" - W/ DRIVER DOOR - OFF WHITE
	024700-48-000	EA	COVER - ROLL BAR - 25" - W/ DRIVER DOOR - OFF WHITE
4	091990-04-01A	EA	SEAT BELT - SHOULDER HARNESS - DRIVERS/ PASSENGER - BLACK
	091990-01-701	EA	EXTENDER 9" FOR A8408 3 PT
	109146-01-000	EA	BOLT - SHOULDER/ SEAT BELT
5	086120-10-G15	EA	PAD - MAP POCKET - 12" X 16" (H17)
5	086120-10-G37	EA	PAD - MAP POCKET - 12" X 16" (H18)
5	086120-10-H19	EA	PAD - MAP POCKET - 12" X 16" (H19)
5	086120-10-H23	EA	PAD - MAP POCKET - 12" X 16" (H40)
5	086120-10-H25	EA	PAD - MAP POCKET - 12" X 16" (H41)
6	095757-05-G15	EA	COVER - HEATER (H17)
6	095757-05-G17	EA	COVER - HEATER (H18)
6	095757-05-H19	EA	COVER - HEATER (H19)
6	095757-05-H40	EA	COVER - HEATER (H40)
6	095757-05-G35	EA	COVER - HEATER (H41)
7	M06881-01-H40	EA	DRAWER - F/BEVERAGE TRAY (WHITE)
7	M06881-01-H17	EA	DRAWER - F/BEVERAGE TRAY (OAK)
8	M06880-01-H40	EA	CABINET - F/BEVERAGE TRAY (WHITE)
8	M06880-01-H17	EA	CABINET - W/BEVERAGE TRAY (OAK)
9	111759-13-H40	EA	TOP - BEVERAGE TRAY COMPARTMENT (WHITE)
9	111759-13-G15	EA	TOP - BEVERAGE TRAY COMPARTMENT (OAK)
9	111759-14-H40	EA	TRAY (WHITE)
9	111759-14-G15	EA	TRAY (OAK)
10	112236-02-G15	EA	BEZEL - F/SLIDEOUT ROOM CONTROL
	108357-06-000	EA	SWITCH - ROCKER - DPDT MOM/ OFF/ MOM
	108356-02-01A	EA	ACTUATOR - SWITCH COVER - DIMPLE II

## DRIVERS COMPARTMENT GROUP (CONTINUED)

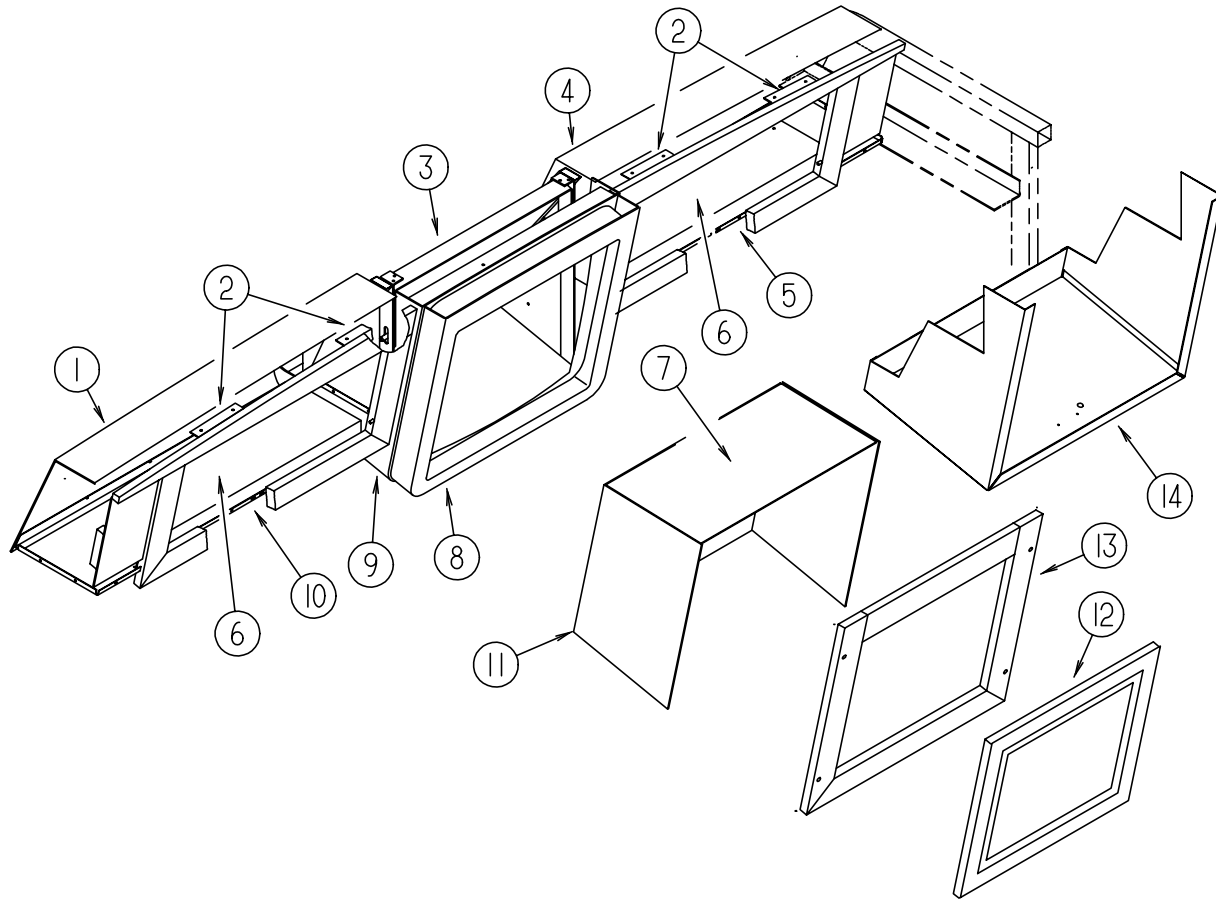


### UPPER DRIVER COMPARTMENT

KEY	PART NUMBER	U/M	DESCRIPTION
1	104289-04-G09	EA	PANEL - VINYL COVERED/OVERHEAD TV CABINET - LEFT SIDE
	P09561-05-G15	EA	PANEL - VINYL COVERED/CABINET BOTTOM - DRIVER
2	114612-04-H40	EA	FACE - OVERHEAD/TV - LEFT HAND - 15.7" X 36.4" (WHITE)
2	114612-04-H17	EA	FACE - OVERHEAD/TV - LEFT HAND - 15.7" X 36.4" (OAK)
3	100708-13-000	EA	DOOR - CABINET - GLASS
	100710-01-01A	EA	LOCK ASSEMBLY - TWIST TYPE - BRASS
	100711-01-01A	EA	HINGE - GLASS DOOR
	100707-01-000	EA	SPACER - GLASS DOOR - .8" DIAMETER - .3" HOLE - PLASTIC
	101272-01-000	EA	CATCH - GLASS DOOR
	101766-01-000	EA	PIN - SUPPORT - GLASS DOOR
	108486-01-01A	EA	BRACKET - PROP ROD/OVERHEAD - BLACK
	108487-02-01A	EA	SUPPORT - PROP ROD/OVERHEAD - BLACK
4	114612-03-H40	EA	FACE - OVERHEAD/TV - RIGHT HAND - 14.7" X 36.4" (WHITE)
4	114612-03-H17	EA	FACE - OVERHEAD/TV - RIGHT HAND - 14.7" X 36.4" (OAK)
5	104289-03-G09	EA	PANEL - VINYL COVERED/OVERHEAD TV CABINET - RIGHT SIDE
	P09561-03-G15	EA	PANEL - VINYL COVERED/CABINET BOTTOM - PASSENGER
6	103961-01-01A	EA	SEAT BELT BRACKET COVER - OFF WHITE
7	123298-02-02A	EA	SUNVISOR - 10.5" X 28.5"
8	078579-17-000	EA	TRIM - WINDSHIELD - UPPER/INNER/PASSENGER
9	040714-01-000	EA	MIRROR - REAR VIEW/ ARM MOUNT & SET SCREW - GM # 911722
	067490-01-000	EA	BUTTON - MIRROR/ REAR VIEW
10	078579-18-000	EA	TRIM - WINDSHIELD - UPPER INNER/DRIVER SIDE
11	122856-01-01A	EA	FAN - DEFROSTER - 2 SPEED - CHROME
12	103961-02-01A	EA	SEAT BELT BRACKET COVER - OFF WHITE

## DRIVERS COMPARTMENT GROUP (CONTINUED)

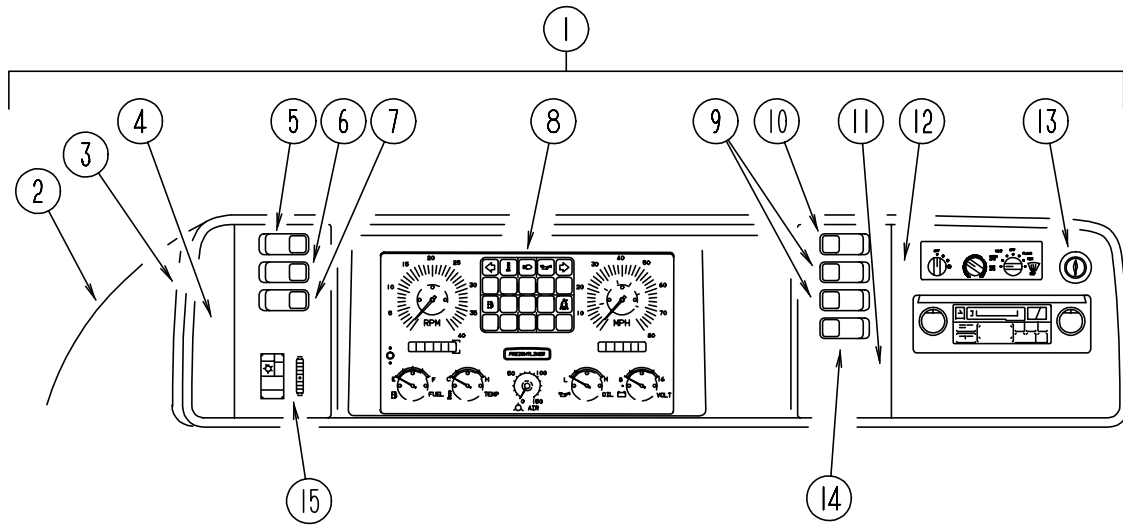
### FRONT OVERHEAD COMPONENTS



KEY	PART NUMBER	U/M DESCRIPTION
1	114661-11-G15	EA PANEL - LINER - DRIVER OVERHEAD - W/O TV
1	114661-17-G15	EA PANEL - LINER - DRIVER OVERHEAD - W/ TV
1	114661-23-G15	EA PANEL - LINER - DRIVER OVERHEAD - W/ SATELLITE DISH
2	106699-01-01A	EA BRACKET - OVERHEAD CABINET - W/ TV - OFF WHITE
3	114706-02-02B	EA SUPPORT - SHELF - TV - E-COAT
4	114661-22-G15	EA PANEL - LINER - PASSENGER OVERHEAD - W/O TV
4	114661-18-G15	EA PANEL - LINER - PASSENGER OVERHEAD - W/ TV
4	114661-19-G15	EA PANEL - LINER - PASSENGER OVERHEAD - W/ TV & VCR
4	114661-20-G15	EA PANEL - LINER - PASSENGER OVERHEAD - W/ TV - VCR/ INVERTER
4	114661-21-G15	EA PANEL - LINER - PASSENGER OVERHEAD - W/ TV & INVERTER
5	P03077-06-G15	EA SHELF - BASE - PASSENGER SIDE OVERHEAD CABINET - W/O TV
5	P03077-10-G15	EA SHELF - BASE - PASSENGER SIDE OVERHEAD CABINET - W/ TV
6	100676-02-000	EA SHELF - OVERHEAD CABINET - VCR/ INVERTER
7	115638-01-G15	EA PANEL - LINER - TOP - W/O TV
8	122881-01-01A	EA FACE PANEL - OVERHEAD TV/FRONT
9	118022-04-H17	EA INSERT - PLASTIC/OVERHEAD TV CABINET
	118836-02-GV0	EA PANEL - VINYL COVERED, BACK - SATELLITE DISH PACKAGE W/O RECEIVER
	120106-11-02B	EA SHELF - TV, E-COAT STEEL
10	P03077-05-G15	EA SHELF - BASE - OVERHEAD CABINET - DRIVER SIDE - W/O TV
10	P03077-09-G15	EA SHELF - BASE - OVERHEAD CABINET - DRIVER SIDE - W/ TV
11	115639-01-G15	EA PANEL - HEADLINER - SIDE
12	122715-66-01A	EA DOOR - MOLDED VINYL - 16.7" X 18" - W/O HARDWARE (WHITE)
12	M06803-C1-H17	EA DOOR - MITERED CORNER/ OGEE EDGE - 16.7" X 18.1" - W/O HDW (OAK)
13	116791-01-H40	EA FACE FRAME - TV CABINET - 20.6" X 22.2" - W/O TV (WHITE)
13	116791-01-H33	EA FACE FRAME - TV CABINET - 20.6" X 22.2" - W/O TV (OAK)
14	P18192-01-G15	EA CABINET - STEEL/VINYL COVERD - W/O TV
	078811-09-G15	EA PANEL - TRIM/LOWER HEADER

## DRIVERS COMPARTMENT GROUP (CONTINUED)

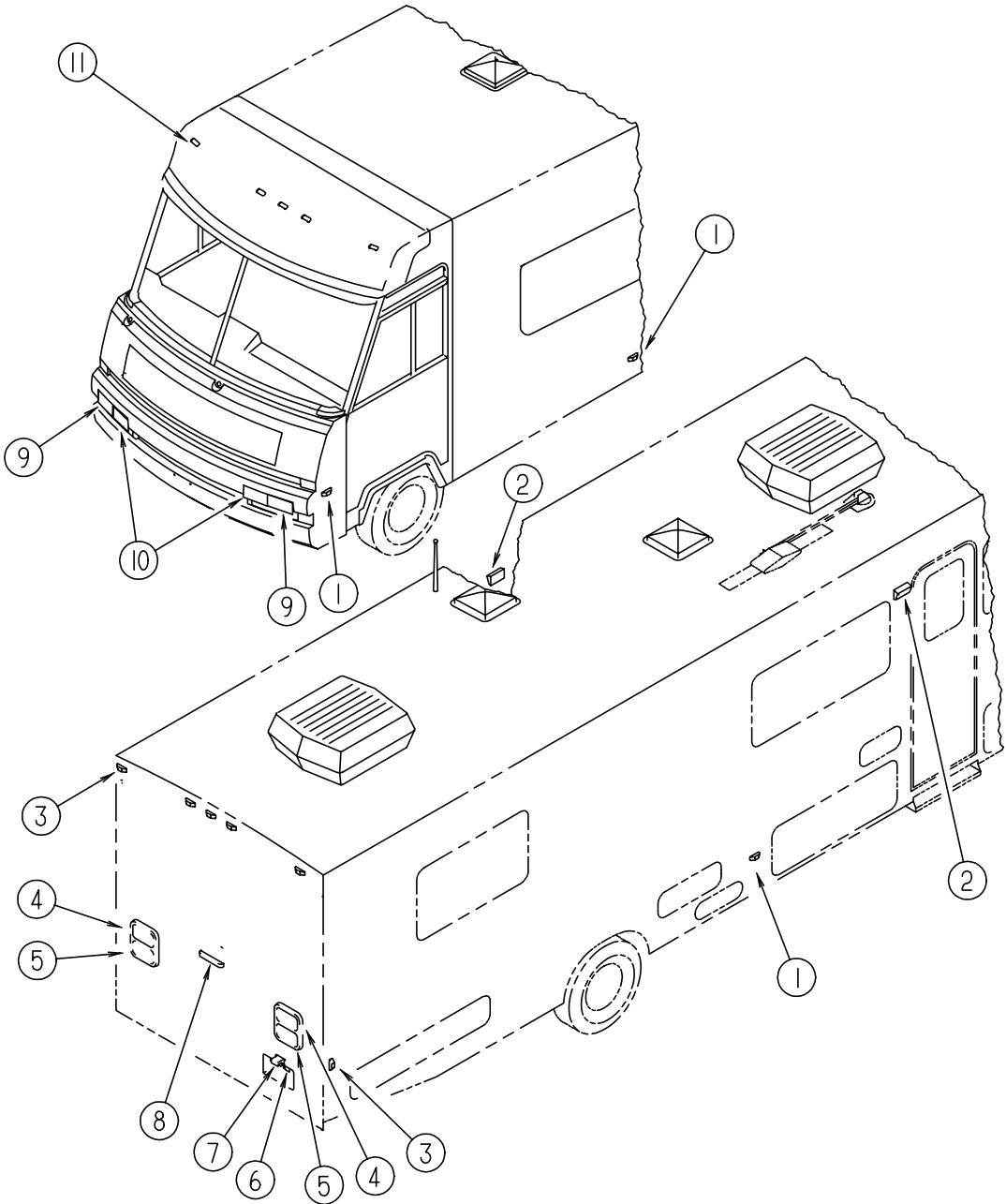
### DASH, GAUGES & SWITCHES (FREIGHTLINER)



KEY	PART NUMBER	U/M	DESCRIPTION
1	M05946-31-H17	EA	DASH POD - FREIGHTLINER - W/O CLUSTER
2	111499-01-03A	EA	POD - INSTRUMENT PANEL - WILLOW
3	103662-03-01A	EA	BEZEL - INSTRUMENT PANEL - FREIGHTLINER
4	104056-01-05A	EA	APPLIQUE - BEZEL - DRIVER DRESS UP
5	108357-05-000	EA	SWITCH - ROCKER - SPDT ON/NONE/ON - RADIO POWER W/O CD
5	108357-08-000	EA	SWITCH - ROCKER - DPDT ON/NONE/ON 6 TERMINAL - RADIO POWER W/CD
5	108356-02-01A	EA	COVER/ACTUATOR SWITCH - 2 ROWS DIMPLES - CONTURA II - BLACK
6	108357-09-000	EA	SWITCH - ROCKER - SPDT ON/ NONE/ MOM 3 TERM. CARLING - V5D1000B-0
6	108356-02-01A	EA	COVER/ACTUATOR SWITCH - 2 ROWS DIMPLES - CONTURA II - BLACK
7	108357-06-000	EA	SWITCH - ROCKER - DPDT MOM/ OFF/ MOM 6 TERM. CARLING - VLD1000B-0
7	108356-02-01A	EA	COVER/ACTUATOR SWITCH - 2 ROWS DIMPLES - CONTURA II - BLACK
8	121868-05-000	EA	CLUSTER - INSTRUMENT W/DUAL AIR GAUGE - METRIC - CUMMINS B FROM: 00-00-00 THRU: 01-19-97
8	121868-13-000	EA	CLUSTER - INSTRUMENT - METRIC FROM: 01-20-97 THRU: 99-99-99
9	108357-03-000	EA	SWITCH - ROCKER - SPDT ON/ OFF/ ON 3 TERM. CARLING - V6D1000B-0
9	108356-02-01A	EA	COVER/ACTUATOR SWITCH - 2 ROWS DIMPLES - CONTURA II - BLACK
10	108357-10-000	EA	SWITCH - RKR SPDT MOM/ ON LIGHTED - 5 TERM (3 SWITCH/ 2 LIGHT)
10	108356-04-01A	EA	COVER/ACTUATOR SWITCH - 2 ROWS DIMPLES W/LENS - CONTURAI - BLK
	096241-03-000	EA	SWITCH - BLANK
	077942-01-000	EA	SWITCH - DUMMY - BLACK
11	104056-08-01A	EA	APPLIQUE - BEZEL - PASSENGER - 6 SWITCH
11	104056-21-01A	EA	APPLIQUE - BEZEL - PASSENGER DRESS UP
12	104056-06-05A	EA	APPLIQUE - BEZEL - PASSENGER DRESS UP
13	089294-01-000	EA	LIGHTER - CIGARETTE - W/O WIRES
14	108357-01-000	EA	SWITCH - ROCKER SPST - ON/OFF - 2 TERMINAL
14	108356-02-01A	EA	COVER/ACTUATOR SWITCH - 2 ROWS DIMPLES - CONTURA II - BLACK
15	104056-23-01A	EA	APPLIQUE - BEZEL - SWEEP - LEFT
	P14614-08-H17	EA	DASH FRAME - W/O VINYL
	106569-07-01A	EA	VINYL - MADRID WILLOW - 1/4" X 17" X 100"
	103603-01-000	EA	BULB - 12 VOLT - #74 - .12A WEDGE - GE 22-25 USED IN DASH
	077031-01-000	EA	FILM - BLACK - 1" X 1.75"
	077031-03-000	EA	FILM - WHITE .75" X 1"
	114620-06-01A	EA	TRIM - DASH - LOWER
	114620-06-02A	EA	TRIM - DASH - LOWER
	104354-08-02A	EA	APPLIQUE - LOWER DASH - GM
	100138-01-000	EA	MODULE - DAYTIME RUNNING LIGHT
	077539-01-000	EA	BRACKET - MOUNTING/DASH PANEL - L/SHAPED - 2.5"X1"X1.5"
	112236-02-G15	EA	BEZEL - F/SLIDEOUT ROOM CONTROL
	112236-03-H13	EA	BEZEL
	104056-33-02A	EA	APPLIQUE - BEZEL - LOWER/LEFT HAND - SLIDEOUT
	104056-34-02A	EA	APPLIQUE - BEZEL - LOWER/DRIVER - EXHAUST BRAKE OPTION

# ELECTRICAL GROUP

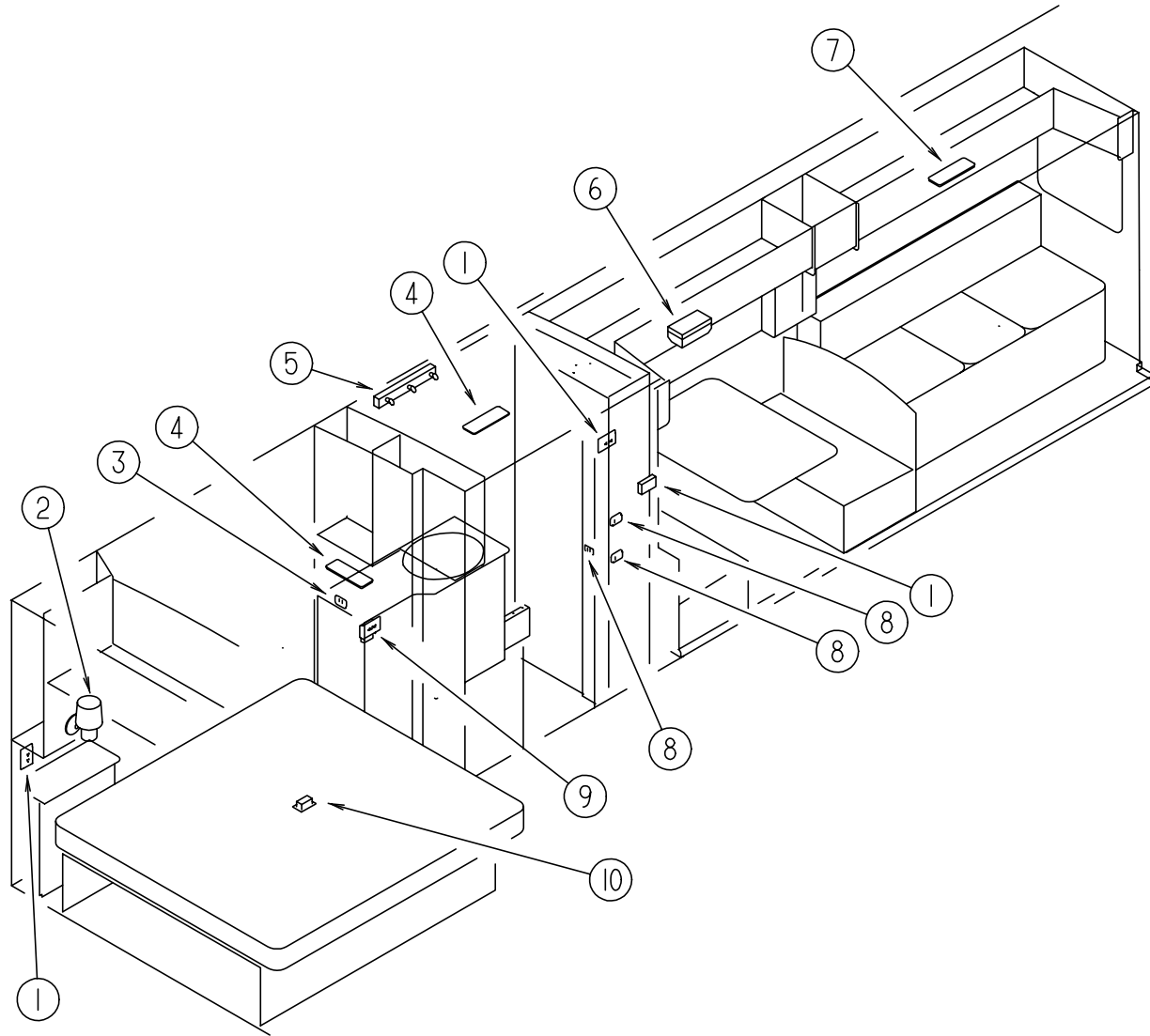
## EXTERIOR LIGHTS



KEY	PART NUMBER	U/M	DESCRIPTION
1	111102-02-000	EA	LENS - MARKER LAMP - AMBER
1	111102-01-000	EA	LAMP - MARKER - BASE
1	036196-01-000	EA	BULB - 12 VOLT - #194 - .27 AMP - BAYONETTE
2	097917-01-06A	EA	LIGHT - PORCH - BRIGHT WHITE
2	008215-01-000	EA	BULB - 12 VOLT - #1003 - .94 AMP
2	097917-01-700	EA	LENS - LIGHT - CLEAR
2	008089-02-000	EA	LIGHT - PORCH - RECESSED - CANADIAN
2	008089-01-700	EA	LENS - LIGHT - RECESSED - PORCH - CANADIAN
2	008214-01-000	EA	BULB - 12 VOLT NO 67 - 0.59 AMP - CANADIAN
3	111102-03-000	EA	LENS - MARKER LAMP - RED
3	111102-01-000	EA	LAMP - MARKER - BASE
3	036196-01-000	EA	BULB - 12 VOLT - #194 - .27 AMP - BAYONETTE
4	115632-01-02A	EA	LIGHT - STOP/ TURN/ TAIL RED
5	115632-03-02A	EA	LIGHT - STOP/ TAIL/ BACKUP
6	066432-03-000	EA	BRACKET - LICENSE PLATE
7	066432-02-000	EA	LIGHT - LICENSE - BLACK
8	121950-01-000	EA	LIGHT - BRAKE - CENTER MOUNT
9	070907-04-000	EA	HEADLAMP - HIGH/ LOW HALOGEN
9	049359-01-000	EA	SPRING - RETAINER - HEADLAMP
9	110750-01-000	EA	SCREW - HEADLAMP ADJUSTING
	124215-01-000	EA	FOG LIGHT - RECTANGULAR/ CLEAR LENS
10	089292-01-000	EA	LIGHT - TURN - DRIVER/ PASSENGER - W/AMBER LENS
10	037935-01-000	EA	BULB - 12V - #1157 OR #2057 - 2.1 AMP - CLEAR GLASS
11	102520-01-000	EA	LIGHT - CLEARANCE - W/O SOCKET CONNECTINS - AMBER
11	036196-01-000	EA	BULB - 12 VOLT - #194 - .27 AMP - BAYONETTE
11	102541-01-000	EA	GASKET - CLEARANCE LIGHT
11	067789-02-000	EA	SOCKET - LAMP

## ELECTRICAL GROUP (CONTINUED)

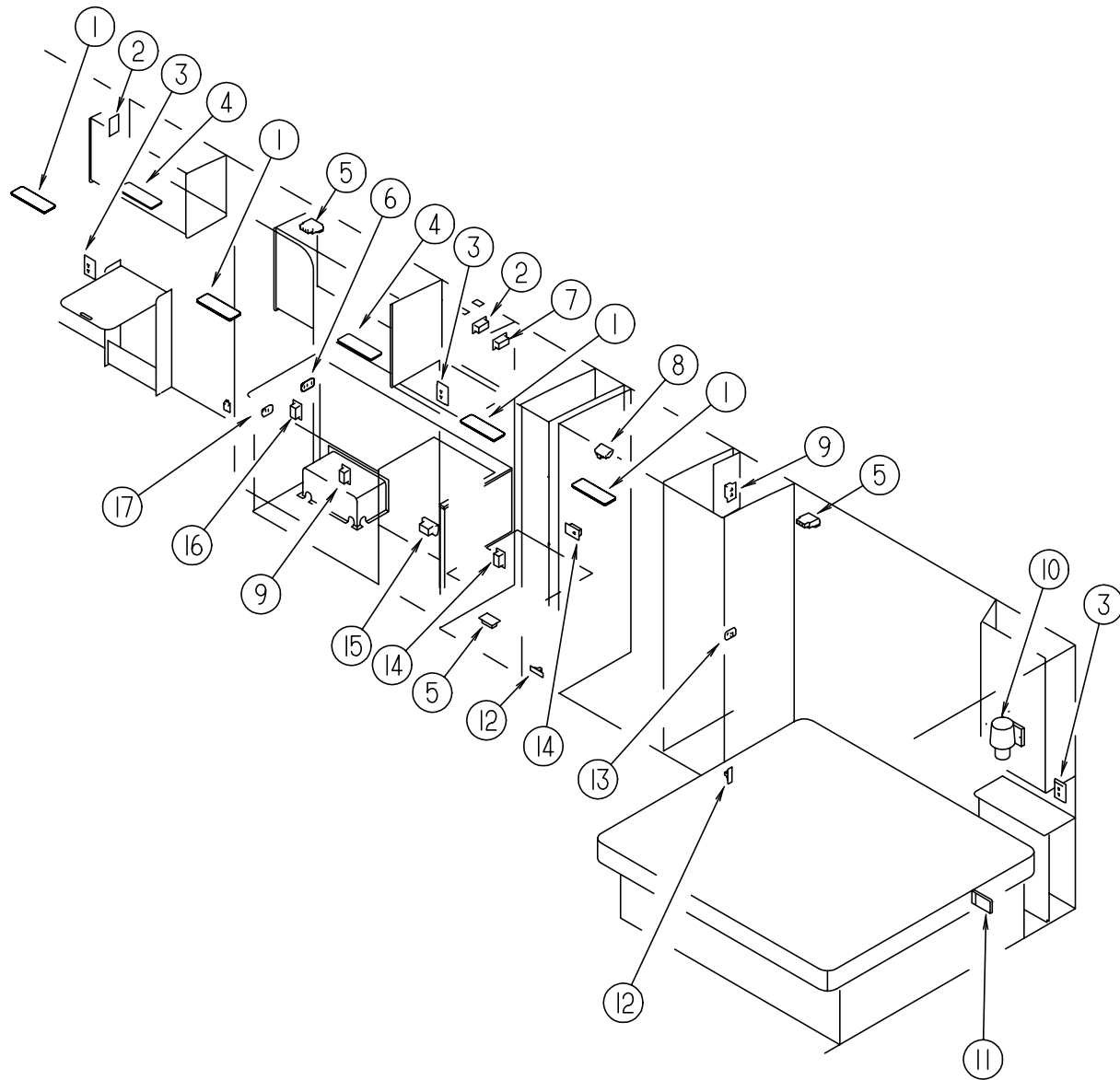
### LIGHTS, RECEPTACLES, & SWITCHES (DRIVER SIDE)



KEY	PART NUMBER	U/M DESCRIPTION	VENDOR NO.
1	058708-01-000	EA RECEPTACLE - ELECTRIC - DOUBLE - BROWN	
1	058708-02-000	EA RECEPTACLE - ELECTRIC - DOUBLE - IVORY	
1	102568-01-H37	EA SPACER - RECEPTACLE - SIDEWALL (MAPLE)	
1	102568-01-GB1	EA SPACER - RECEPTACLE - SIDEWALL (OAK)	
2	065202-24-000	EA LAMP - WALL/BRASS - W/O SHADE	
2	119257-01-01A	EA SHADE - LAMP - POTPOUM	
2	067479-01-000	EA BULB - 12 VOLT - #1076 - 1.80 AMP	
3	079364-01-000	EA SWITCH - ON/ OFF ROCKER - 2 PRONGS - BROWN - VANITY LAMP	
3	079364-03-000	EA SWITCH - ON/OFF ROCKER - 3 PRONGS - BROWN - PUMP	
3	098351-02-01A	EA PLATE - SWITCH - 2 GANG POLISHED BRASS	
3	095188-02-01A	EA SPACER - SWITCH - 2.3" X 4.1' - PLASTIC - DARK BROWN	
4	098024-03-02A	EA LIGHT - DOME - 2 BULB WHITE	
4	008218-01-000	EA BULB - DOME LIGHT - 12 VOLT - NO. 1141	
4	098024-01-700	EA LENS-LIGHT	807877
5	110235-02-01A	EA LIGHT - MAKE UP - 4 BULB PANLESS	
5	081633-01-700	EA BULB - LIGHT - MAKE-UP	RP1041
6	093575-06-01A	EA LIGHT - CEILING - FLUTED GUSTAFSON 514F	
7	098024-06-02A	EA LIGHT - DOME - 2 BULB - SKYLITE	
7	008218-01-000	EA BULB - DOME LIGHT - 12 VOLT - NO. 1141	
7	098024-01-701	EA LENS - OPTI CLEAR - SKYLIGHT	809902
8	079364-01-000	EA SWITCH - ON/ OFF ROCKER - 2 PRONGS - BROWN - VANITY LAMP	
8	079364-03-000	EA SWITCH - ON/OFF ROCKER - 3 PRONGS - BROWN - PUMP	
8	098351-02-01A	EA PLATE - SWITCH - 2 GANG POLISHED BRASS	
8	095188-02-01A	EA SPACER - SWITCH - 2.3" X 4.1' - PLASTIC - DARK BROWN	
9	084076-02-000	EA RECEPTACLE - GFI - 15 AMP - 125 VOLT - BROWN	
10	058707-02-000	EA RECEPTACLE - BLANK - JUNCTION	
	086280-01-000	EA LIGHT - SURFACE MOUNT - 12 VOLT	
	086280-01-700	EA BULB - 12V	ARP1089
	087694-01-000	EA LIGHT - WARDROBE/CLOSET - W/SWITCH	
	087694-01-700	EA BULB	GE561

## ELECTRICAL GROUP (CONTINUED)

### LIGHTS, RECEPTACLES, & SWITCHES (PASSENGER SIDE)



KEY	PART NUMBER	U/M	DESCRIPTION	VENDOR NO.
1	098024-03-02A	EA	LIGHT - DOME - 2 BULB WHITE	
1	008218-01-000	EA	BULB - DOME LIGHT - 12 VOLT - NO. 1141	
1	098024-01-700	EA	LENS-LIGHT	807877
2	058707-02-000	EA	RECEPTACLE - BLANK - JUNCTION	
3	058708-02-000	EA	RECEPTACLE - ELECTRIC - DOUBLE - IVORY	
3	102568-01-H37	EA	SPACER - RECEPTACLE - SIDEWALL (MAPLE)	
3	102568-01-GB1	EA	SPACER - RECEPTACLE - SIDEWALL (OAK)	
4	098024-06-02A	EA	LIGHT - DOME - 2 BULB - SKYLITE	
4	008218-01-000	EA	BULB - DOME LIGHT - 12 VOLT - NO. 1141	
4	098024-01-701	EA	LENS - OPTI CLEAR - SKYLIGHT	809902
5	091927-01-000	EA	COVER - RECEPTACLE - DOUBLE - IVORY - W/O ROOF A/C OPTION	
6	098351-05-01A	EA	PLATE - SWITCH - 3 GANG POLISHED BRASS	
6	079364-01-000	EA	SWITCH - ON/ OFF ROCKER - 2 PRONGS - BROWN - STEP/CEILING/PORCH	
7	058708-05-000	EA	RECEPTACLE - SINGLE - BROWN - MICROWAVE	
8	087694-01-000	EA	LIGHT - WARDROBE/CLOSET - W/SWITCH	
	087694-01-700	EA	BULB	GE561
9	058708-01-000	EA	RECEPTACLE - ELECTRIC - DOUBLE - BROWN	
10	065202-24-000	EA	LAMP - WALL/BRASS - W/O SHADE	
10	119257-01-01A	EA	SHADE - LAMP - POTPOUM	
10	067479-01-000	EA	BULB - 12 VOLT - #1076 - 1.80 AMP	
11	098024-01-03A	EA	LIGHT - DOME - 1 BULB - WHITE (COMPARTMENTS)	
11	008218-01-000	EA	BULB - DOME LIGHT - 12VOLT - NO. 1141	
11	098024-01-700	EA	LENS-LIGHT	807877
12	061424-01-000	EA	LIGHT - AISLE - 12 VOLT - RECTANGULAR	
12	008103-01-000	EA	BULB - DASH/AISLE LIGHT - #53 - 12 VOLT - .12 AMP	
13	079364-01-000	EA	SWITCH - ON/ OFF - ROCKER - 2 PRONGS - BROWN	
13	079364-03-000	EA	SWITCH - ON/OFF ROCKER - 3 PRONGS - BROWN	
13	098351-02-01A	EA	PLATE - SWITCH - 2 GANG POLISHED BRASS	
13	095188-01-01A	EA	SPACER - SWITCH - 2.3" X 3.4" - PLASTIC - DARK BROWN	
14	058707-01-000	EA	RECEPTACLE-ELECTRIC, SINGLE - BROWN - CONVERTER/REFRIGERATOR	
15	112822-01-01A	EA	RECEPTACLE - DUPLEX - IVORY	
15	112824-01-03A	EA	COVER - RECEPTACLE - EXTERIOR DUPLEX	
16	084076-02-000	EA	RECEPTACLE - GFI - 15 AMP - 125 VOLT - BROWN	
17	098351-01-01A	EA	PLATE - SWITCH - 1 GANG POLISHED BRASS	
17	079364-03-000	EA	SWITCH - ON/OFF ROCKER - 3 PRONGS - BROWN	
	086280-01-000	EA	LIGHT - SURFACE MOUNT - 12 VOLT	
	086280-01-700	EA	BULB - 12V	ARP1089



## ELECTRICAL GROUP (CONTINUED)

### CONVERTER & LOAD CENTER

KEY	PART NUMBER	U/M DESCRIPTION
	083208-02-000	EA CONVERTER - POWER - 45A - 120/12V
	099048-03-000	EA INVERTER - 130 WATT
	106071-01-000	EA SWITCH - AUTOMATIC TRANSFER - 30 AMP - MAGNETEK
	106071-02-000	EA SWITCH - AUTOMATIC TRANSFER - 50 AMP - MAGNETEK
	106071-03-000	EA SWITCH - AUTOMATIC TRANSFER - 50 AMP - TODD
	108915-02-000	EA LOAD CENTER - 120/240 VOLT - 100 AMP
	109677-01-000	EA LOAD CENTER - 120 VOLT - 40 AMP
	113132-01-000	EA LOAD CENTER - 120/240 VOLT - 60 AMP
	123058-02-000	EA CONVERTER - 45 AMP - ELECTRONIC - 4 1/8"H X 7"W X 12 3/8"L

### ELECTRICAL SWITCHES

KEY	PART NUMBER	U/M DESCRIPTION
	073626-04-000	EA COVER - ELECTRIC - 10.4' X 7.8"
	077942-01-000	EA SWITCH - DUMMY - BLACK
	079364-01-000	EA SWITCH - ON/OFF ROCKER - 2 TERMINAL - BROWN
	079364-03-000	EA SWITCH - ON/OFF ROCKER - 3 TERMINAL - BROWN
	079364-04-000	EA SWITCH - ON/OFF ROCKER - 2 TERMINAL - BLACK
	093132-01-000	EA SWITCH - ROCKER - 5 TERMINAL - W/ARROWS F/POWER WINDOWS
	095188-01-01A	EA SPACER - SWITCH - 2.3" X 3.4" - PLASTIC - DARK BROWN
	095188-02-01A	EA SPACER - SWITCH - 2.3" X 4.1" - PLASTIC - DARK BROWN
	098351-01-01A	EA PLATE - SWITCH - 1 GANG POLISHED BRASS
	098351-02-01A	EA PLATE - SWITCH - 2 GANG POLISHED BRASS
	098351-05-01A	EA PLATE - SWITCH - 3 GANG POLISHED BRASS
	103473-14-01A	EA PLATE - SWITCH - WINDOW - LEFT HAND
	108355-01-000	EA HOUSING - SWITCH
	108356-01-01A	EA COVER/ACTUATOR SWITCH - 3 GROOVES - CONTURA III - BLACK
	108356-01-02A	EA COVER/ACTUATOR SWITCH - 3 GROOVES - CONTURA III - TAN
	108356-02-01A	EA COVER/ACTUATOR SWITCH - 2 ROWS DIMPLES- CONTURA II - BLACK

### RECEPTACLES

KEY	PART NUMBER	U/M DESCRIPTION
	058707-01-000	EA RECEPTACLE - ELECTRIC - SINGLE - BROWN
	058707-02-000	EA RECEPTACLE - BLANK JUNCTION BOX
	058708-01-000	EA RECEPTACLE - ELECTRIC - DOUBLE - BROWN
	058708-02-000	EA RECEPTACLE - ELECTRIC - DOUBLE - IVORY
	058708-05-000	EA RECEPTACLE - SINGLE - BROWN
	084076-02-000	EA RECEPTACLE - GFI - 15 AMP - 125 VOLT - BROWN
	091927-01-000	EA COVER - RECEPTACLE - DOUBLE - IVORY
	102568-01-GB1	EA SPACER - RECEPTACLE - BETWEEN SIDEWALL & PLATE - WOOD
	112822-01-01A	EA RECEPTACLE - DUPLEX - IVORY
	112824-01-03A	EA COVER - RECEPTACLE - EXTERIOR DUPLEX
	115930-02-000	EA INLET - 50 AMP - 240 VOLT - EXTERIOR

## ELECTRICAL GROUP (CONTINUED)

### ELECTRICAL BOXES & CORDS

KEY	PART NUMBER	U/M DESCRIPTION
	008052-01-000	EA CORD - POWER - 10/3 - 30 AMP - 25' - CANADIAN
	008054-01-000	EA CORD - POWER - 10/3 - 30 AMP - 25'
	008289-01-000	EA BOX - ELECTRIC/STEEL - 1/2" & 3/4" KNOCKOUTS - 4" X 4"
	008289-02-000	EA BOX - ELECTRIC/STEEL - 1/2" & 3/4" KNOCKOUTS - 4" X 4"-CAN
	008294-01-000	EA COVER - ELECTRICAL BOX - BLANK/STEEL - 4" X 4" - GRAY
	008294-02-000	EA COVER - ELECTRICAL BOX - BLANK STEEL - 4" X 4" - CANADIAN
	074890-01-000	EA BOX - EXTENSION/STEEL - OPEN SIDES - 4" X 4" X 1 1/2"
	074897-01-000	EA COVER - ELECTRICAL BOX W/HOLES - 4" X 4"
	091910-01-000	EA BOX - ELECTRIC - 3.8" X 3.5" X 1.8" - PLASTIC
	091910-02-000	EA BOX - ELECTRIC - 2.2" X 3.5" X 1.7" - PLASTIC
	108934-01-000	EA CORD - POWER - 50 AMP - 4 WIRE - 36'
	111509-01-000	EA BOX - ELECTRICAL - E-COATED
	111510-01-000	EA DOOR/ACCESS PANEL - ELECTRICAL BOX
	113096-01-000	EA CORD - POWER - 50 AMP - 4 WIRE - 36' - CSA
	121470-01-000	EA CORD/EXTENSION - 6 FOOT - 16-2 WIRE

### WIRE ASSEMBLIES

KEY	PART NUMBER	U/M DESCRIPTION
	073328-B4-000	EA CABLE ASSEMBLY - BATTERY - W/TERMINALS
	090986-01-000	EA WIRE ASSEMBLY - ELECTRIC STEP
	096449-02-000	EA WIRE ASSEMBLY - WATER TANK TO MONITOR PANEL
	097618-01-000	EA WIRE ASSEMBLY - MONITOR PANEL- W/3 WIRES & ORANGE RESISTOR
	102636-02-000	EA WIRE ASSEMBLY - CLEARANCE LAMPS
	103330-02-000	EA WIRE ASSEMBLY - OVERHEAD SPEAKERS
	108304-01-000	EA WIRE ASSEMBLY - INSTRUMENT PANEL - AUXILIARY FANS
	110256-01-000	EA WIRE ASSEMBLY - INSTRUMENT PANEL - GENERATOR
	113639-01-000	FT CABLE - 3/0 AWG STRANDED - RED
	124096-01-000	EA WIRE - INSTRUMENT PANEL - FOG LAMPS

### CIRCUIT BREAKERS & FUSES

KEY	PART NUMBER	U/M DESCRIPTION
	062037-01-000	EA HOUSING - AUTO FUSE - NATURAL
	062037-02-000	EA HOUSING - AUTO FUSE - GREEN
	062037-03-000	EA HOUSING - AUTO FUSE - BLACK
	062037-04-000	EA HOUSING - AUTO FUSE - BLUE
	062037-06-000	EA HOUSING - AUTO FUSE - BROWN
	062037-07-000	EA HOUSING - AUTO FUSE - RED
	062901-02-000	EA FUSE - 05 AMPS - AUTOMOTIVE
	062901-05-000	EA FUSE - 15 AMPS - AUTOMOTIVE
	062901-06-000	EA FUSE - 20 AMPS - AUTOMOTIVE
	062901-07-000	EA FUSE - 25 AMPS - AUTOMOTIVE
	083209-01-000	EA CIRCUIT BREAKER - 15 AMP - 120 VOLT - CANADIAN
	083209-02-000	EA CIRCUIT BREAKER - 15/15 AMP - 120 VOLT
	083209-03-000	EA CIRCUIT BREAKER - 15/20 AMP - 120 VOLT
	083209-04-000	EA CIRCUIT BREAKER - 30 AMP - 120 VOLT
	083209-06-000	EA CIRCUIT BREAKER - 30/15 AMP - 120 VOLT
	093654-01-000	EA CIRCUIT BREAKER - 6 AMP - 12 VOLT
	093654-02-000	EA CIRCUIT BREAKER - 15 AMP - 12 VOLT
	093655-03-000	EA CIRCUIT BREAKER - 40 AMP - 12 VOLT
	093674-01-000	EA PLATE - CIRCUIT BREAKER - HOUSE - 8.4" X 4.1" - STEEL
	106656-01-000	EA FUSE BLOCK - 4 CAVITY - AUTO FUSE
	108669-01-000	EA HOUSING - AUTO FUSE HOLDER
	108916-01-000	EA CIRCUIT BREAKER - 50 AMP - 12 VOLT - 2 POLE
	122811-01-000	EA CIRCUIT BREAKER - 20/50/50/20

## ELECTRICAL GROUP (CONTINUED)

### ELECTRICAL CONNECTORS & CONDUIT

KEY	PART NUMBER	U/M	DESCRIPTION
	007954-01-000	EA	RECEPTACLE - HOUSING - 6 POSITION
	007956-05-000	EA	INSULATOR - SHRINK - .25 ID X 1.50
	008311-01-000	EA	CONNECTOR - WIRE NUT - INSULATED - RED
	008312-01-000	EA	CONNECTOR - WIRE NUT - INSULATED - BLUE
	008313-01-000	EA	CONNECTOR - WIRE NUT - INSULATED - YELLOW
	008314-01-000	EA	CONNECTOR - WIRE NUT - INSULATED - GRAY
	008326-01-000	EA	TERMINAL - RING - 16/14 WIRE - 3/8" STUD
	008328-01-000	EA	TERMINAL - RING - 12/10 WIRE - #10 STUD FIT
	008331-01-000	EA	TERMINAL - RING - TONGUE - #4 WIRE - 3/8" STUD - COPPER
	008348-01-000	EA	TERMINAL - RING - 3/8" STUD 2 GA. WIRE
	008355-01-000	EA	CONNECTOR - CABLE CLAMPING - 3/4"
	008356-01-000	EA	CONNECTOR - PLASTIC - 3/8" AVG
	008356-02-000	EA	CONNECTOR - PLASTIC - 21/32
	008394-01-000	FT	CONDUIT - FLEXIBLE - 1/2"
	035416-04-000	EA	TERMINAL - RING - #10 STUD FIT - INSULATED BARREL #16/14
	041480-01-000	EA	CONNECTOR - STRAIGHT - 1/2' FLEX CONDUIT
	041953-01-000	FT	CONDUIT - CONVOLUTE SLIT - .5" ID
	041953-01-000	FT	CONDUIT - CONVOLUTE SLIT - .5" ID
	041953-03-000	FT	CONDUIT - CONVOLUTE SLIT - 1" ID (CLOTHES ROD COVER)
	041953-05-000	FT	CONDUIT - CONVOLUTE SOLID - .62" ID
	041953-06-000	FT	CONDUIT - CONVOLUTE SLIT - .375" ID
	041953-07-000	FT	CONDUIT - CONVOLUTE SLIT - .25" ID
	041953-08-000	FT	CONDUIT - CONVOLUTE SLIT - 1.50" ID
	041953-09-000	FT	CONDUIT - CONVOLUTE SLIT - .50" ID
	041953-10-000	FT	CONDUIT - CONVOLUTE SLIT - .75" ID
	041953-11-000	FT	CONDUIT - CONVOLUTE SLIT - 1.06" ID
	041953-12-000	FT	CONDUIT - CONVOLUTE NON SLIT - 1.1" ID
	047443-01-000	EA	TERMINAL - .250 RECEPTACLE FIT - INSULATED - 16/14 AWG
	058028-01-000	EA	CONNECTOR - ELECTRICAL PIGTAIL - NYLON - CLEAR
	062036-01-000	EA	TERMINAL - PACK - CON - 12/10 AWG
	062036-02-000	EA	TERMINAL - PACK - CON - 16/14 AWG
	077479-01-000	EA	BOOT - BATTERY TERMINAL - DOUBLE CABLE
	077479-02-000	EA	BOOT - BATTERY TERMINAL - SINGLE CABLE
	080015-02-000	EA	RECEPTACLE - FLAG - .185 - 16/14 GAUGE
	082741-01-000	EA	CONNECTOR BODY - 2 CONNECTOR MALE
	087949-01-000	EA	BUSS BAR - 2 POSITION - .6" X 1.5"
	087949-02-000	EA	BUSS BAR - 3 POSITION - .6" X 2.4"
	088267-01-000	EA	TERMINAL - FEMALE - 1/4
	088473-01-000	EA	HOUSING - PIN - 12 CAVITY
	088473-02-000	EA	HOUSING - PIN - 15 CAVITY
	088473-03-000	EA	HOUSING - PIN - 9 CAVITY
	088473-05-000	EA	HOUSING - PIN - 6 CAVITY
	088473-06-000	EA	HOUSING - PIN - 6 CAVITY
	088473-08-000	EA	HOUSING - PIN - 4 CAVITY
	088473-09-000	EA	HOUSING - PIN - 3 CAVITY
	088473-10-000	EA	HOUSING - PIN - 2 CAVITY
	088474-01-000	EA	HOUSING - SOCKET - 12 CAVITY
	088474-02-000	EA	HOUSING - SOCKET - 15 CAVITY
	088474-03-000	EA	HOUSING - SOCKET - 9 CAVITY
	088474-06-000	EA	HOUSING - SOCKET - 6 CAVITY
	088474-07-000	EA	HOUSING - SOCKET - 5 CAVITY
	088474-08-000	EA	HOUSING - SOCKET - 4 CAVITY
	088474-09-000	EA	HOUSING - ELECTRICAL - 3 TERMINAL
	088474-10-000	EA	HOUSING - SOCKET - 2 CAVITY
	088475-01-000	EA	PIN - CONNECTOR - 14 - 20 AWG
	088475-02-000	EA	PIN - CONNECTOR - 10-12 AWG
	088476-01-000	EA	TERMINAL - ELECTRICAL
	088476-02-000	EA	SOCKET - CONNECTOR - 12-10 GA - PRE-TIN

## ELECTRICAL GROUP (CONTINUED)

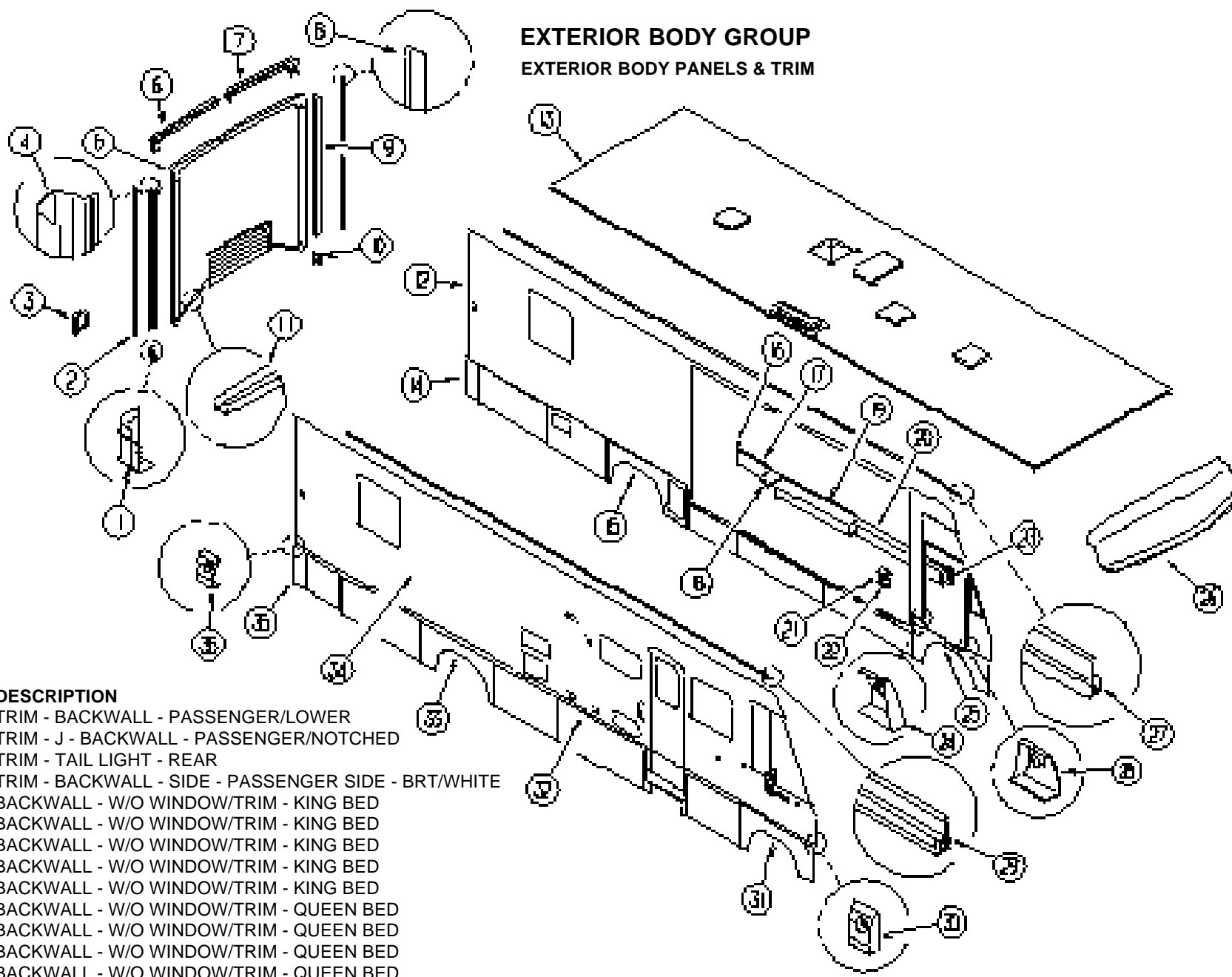
### ELECTRICAL CONNECTORS & CONDUIT (CONTINUED)

KEY	PART NUMBER	U/M	DESCRIPTION
	092786-03-000	EA	BUSS BAR - 6.9" LONG
	098260-01-000	EA	TERMINAL - MALE - 56 SERIES
	098261-02-000	EA	SOCKET - CONNECTOR - WEATHERPACK
	098262-01-000	EA	SEAL - CONNECTOR - WEATHERPACK
	098264-01-000	EA	HOUSING - 2 PIN - WEATHERPACK
	101571-01-000	EA	HOUSING - 2 POSITION - MALE
	103608-01-000	EA	SOCKET - WEDGE BASE W/LEADS
	103987-02-000	EA	SEAL - SOLENOID ACCESS
	104016-01-000	EA	WIRE ASSEMBLY - AUXILIARY FANS
	104100-01-000	EA	HOUSING - 1 POSITION - 75 AMPS
	104100-03-000	EA	TERMINAL - 75 AMP
	106006-01-000	EA	HOUSING - 1 POSITION - FEMALE
	106007-01-000	EA	TERMINAL - FEMALE - 14-16 AWG
	106655-01-000	EA	TERMINAL - FUSE BLOCK - 14-16 AWG
	106655-02-000	EA	TERMINAL - FUSE BLOCK - 10-12 AWG
	110178-01-000	EA	HOUSING - WIPER MOTOR
	112823-01-000	EA	SPLICE - REDUCER - 16-14 TO 18-22
	113468-01-000	EA	HOUSING - 2 POSITION - FEMALE USED ON WIPER/WASHER WIRE ASM
	115556-01-000	EA	HOUSING - 3 POSITION - FEMALE
	115931-02-000	EA	COVER - CONNECTOR
	115932-02-000	EA	CONNECTOR - FEMALE - 50 AMP - 240 VOLT
	125323-01-000	EA	HOUSING - 10 POSITION - MALE
	125323-02-000	EA	HOUSING - 8 POSITION - MALE
	125323-04-000	EA	LOCK - SECONDARY 10 POSITION
	125324-01-000	EA	TERMINAL - MALE - METRI-PACK - 150
	125325-01-000	EA	SEAL - CAVITY

### ELECTRICAL MISCELLANEOUS

KEY	PART NUMBER	U/M	DESCRIPTION	VENDOR NO.
	007093-01-000	EA	SIGNAL FLASHER	
	008188-01-000	EA	SOLENOID - 3 POST - BATTERY CHANGE OVER	
	063910-01-000	EA	HOUSING - RELAY	
	063912-02-000	EA	RELAY - CANISTER - SPDT	
	083172-02-000	EA	PANEL-DI-ELECTRIC 110 28X36 - COATED BOTH SIDES	
	086233-01-000	EA	STUD - ISOLATED - 3/8" X 7/8" LONG	
	086273-01-000	EA	RELAY - BATTERY DISCONNECT	
	115504-01-700	EA	PLUG & CABLE, 10 WATT PANEL	600-016
	115504-01-000	EA	PANEL - SOLAR 10 WATT	
	115505-01-000	EA	LIGHT - MONITOR/SOLAR PANEL - RED LED INDICATOR	

**EXTERIOR BODY GROUP**  
**EXTERIOR BODY PANELS & TRIM**

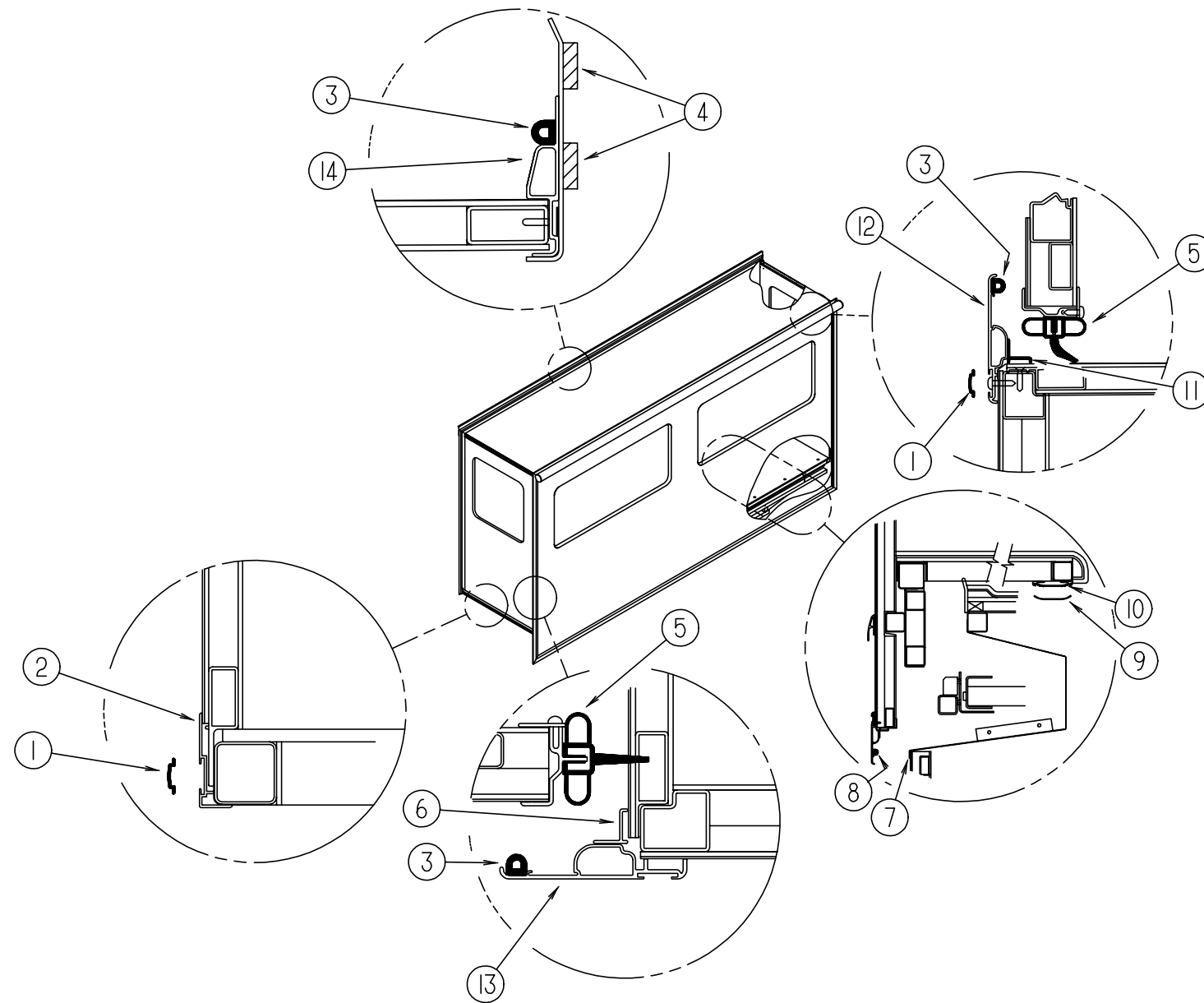


KEY	PART NUMBER	U/M	DESCRIPTION
1	119212-03-01A	EA	TRIM - BACKWALL - PASSENGER/LOWER
2	120548-01-02A	EA	TRIM - J - BACKWALL - PASSENGER/NOTCHED
3	117379-01-03A	EA	TRIM - TAIL LIGHT - REAR
4	114874-03-12B	EA	TRIM - BACKWALL - SIDE - PASSENGER SIDE - BRT/WHITE
5	M08018-04-H17	EA	BACKWALL - W/O WINDOW/TRIM - KING BED
5	M08018-04-H18	EA	BACKWALL - W/O WINDOW/TRIM - KING BED
5	M08018-04-H19	EA	BACKWALL - W/O WINDOW/TRIM - KING BED
5	M08018-04-H40	EA	BACKWALL - W/O WINDOW/TRIM - KING BED
5	M08018-04-H41	EA	BACKWALL - W/O WINDOW/TRIM - KING BED
5	M08018-03-H17	EA	BACKWALL - W/O WINDOW/TRIM - QUEEN BED
5	M08018-03-H18	EA	BACKWALL - W/O WINDOW/TRIM - QUEEN BED
5	M08018-03-H19	EA	BACKWALL - W/O WINDOW/TRIM - QUEEN BED
5	M08018-03-H40	EA	BACKWALL - W/O WINDOW/TRIM - QUEEN BED
5	M08018-03-H41	EA	BACKWALL - W/O WINDOW/TRIM - QUEEN BED
6	114872-02-02A	EA	TRIM - BACKWALL - TOP - PASSENGER SIDE - BRT/WHITE
7	114873-02-02A	EA	TRIM - BACKWALL - TOP - DRIVER SIDE - BRT/WHITE
8	120548-02-02A	EA	TRIM - J - BACKWALL - DRIVER/NOTCHED
9	114874-04-12B	EA	TRIM - BACKWALL - SIDE - DRIVER SIDE - BRT WHITE
10	119212-04-01A	EA	TRIM - BACKWALL - LOWER/DRIVER
11	105930-06-02A	EA	TRIM - BACKWALL - LOWER BRT/WHT
12	M08658-01-H17	EA	SIDEWALL - DRIVER - W/O WINDOWS/TRIM/WAINSCOTING (H17)
12	M08658-01-H18	EA	SIDEWALL - DRIVER - W/O WINDOWS/TRIM/WAINSCOTING (H18)
12	M08658-01-H19	EA	SIDEWALL - DRIVER - W/O WINDOWS/TRIM/WAINSCOTING (H19, H41)
12	M08658-01-H40	EA	SIDEWALL - DRIVER - W/O WINDOWS/TRIM/WAINSCOTING (H40)
13	P25032-01-H17	EA	ROOF - W/O LIGHTS/VENTS - W/WIRING
14	122732-18-H18	EA	PANEL - REAR VALANCE - W/O HARDWARE
15	125185-01-H17	EA	PANEL - WHEEL LIP - REAR/DRIVER
15	125305-02-01A	EA	TRIM - WHEELWELL - REAR
16	116096-01-02B	EA	PANEL - CLOSEOUT/SLIDEOUT
17	116098-01-02B	EA	PANEL - CLOSEOUT/SLIDEOUT
18	124126-01-02B	EA	PANEL - CLOSEOUT
19	116099-02-02B	EA	PANEL - CLOSEOUT/SLIDEOUT
20	116097-01-02B	EA	PANEL - CLOSEOUT/SLIDEOUT
21	116491-02-02B	EA	PANEL - SEAL/SLIDEOUT/LEFT HAND
22	116491-01-02B	EA	PANEL - SEAL/SLIDEOUT/RIGHT HAND

KEY	PART NUMBER	U/M	DESCRIPTION
23	116095-01-02B	EA	PANEL - CLOSEOUT/SLIDEOUT
24	124178-02-01A	EA	CAP - TRIM/ DRIVER DOOR (REAR)
25	125184-01-H17	EA	PANEL - WHEEL LIP - FRONT/DRIVER
25	125305-03-01A	EA	TRIM - WHEELWELL - FRONT
26	115001-01-02A	EA	CAP - ROOF
27	120091-02-02A	EA	TRIM - ROOF
28	124178-01-01A	EA	CAP - TRIM/ DRIVER DOOR (FRONT)
29	120092-01-02A	EA	RAIL - AWNING - BRIGHT WHITE
30	124132-01-01A	EA	CAP - TRIM/SIDEWALL - RIGHT HAND - BRIGHT WHITE
31	125186-01-H18	EA	WHEEL LIP - FRONT PASSENGER
32	124176-01-01A	EA	TRIM - SIDEWALL - BRIGHT WHITE - 16'
32	105312-01-03A	FT	INSERT - VINYL FEATURE STRIP - GRAY METALLIC
33	125183-01-H18	EA	PANEL - WHEEL LIP - REAR/PASSENGER
	125305-02-01A	EA	TRIM - WHEELWELL - REAR
34	M08657-01-H17	EA	SIDEWALL - PASSENGER - W/O WINDOWS/TRIM/WAINSCOTING (H17)
34	M08657-01-H18	EA	SIDEWALL - PASSENGER - W/O WINDOWS/TRIM/WAINSCOTING (H18)
34	M08657-01-H19	EA	SIDEWALL - PASSENGER - W/O WINDOWS/TRIM/WAINSCOTING (H19, H41)
34	M08657-01-H40	EA	SIDEWALL - PASSENGER - W/O WINDOWS/TRIM/WAINSCOTING (H40)
35	122732-17-H17	EA	PANEL - REAR VALANCE - W/O HARDWARE
36	124132-02-01A	EA	CAP - TRIM/SIDEWALL - LEFT HAND - BRIGHT WHITE

## EXTERIOR BODY GROUP (CONTINUED)

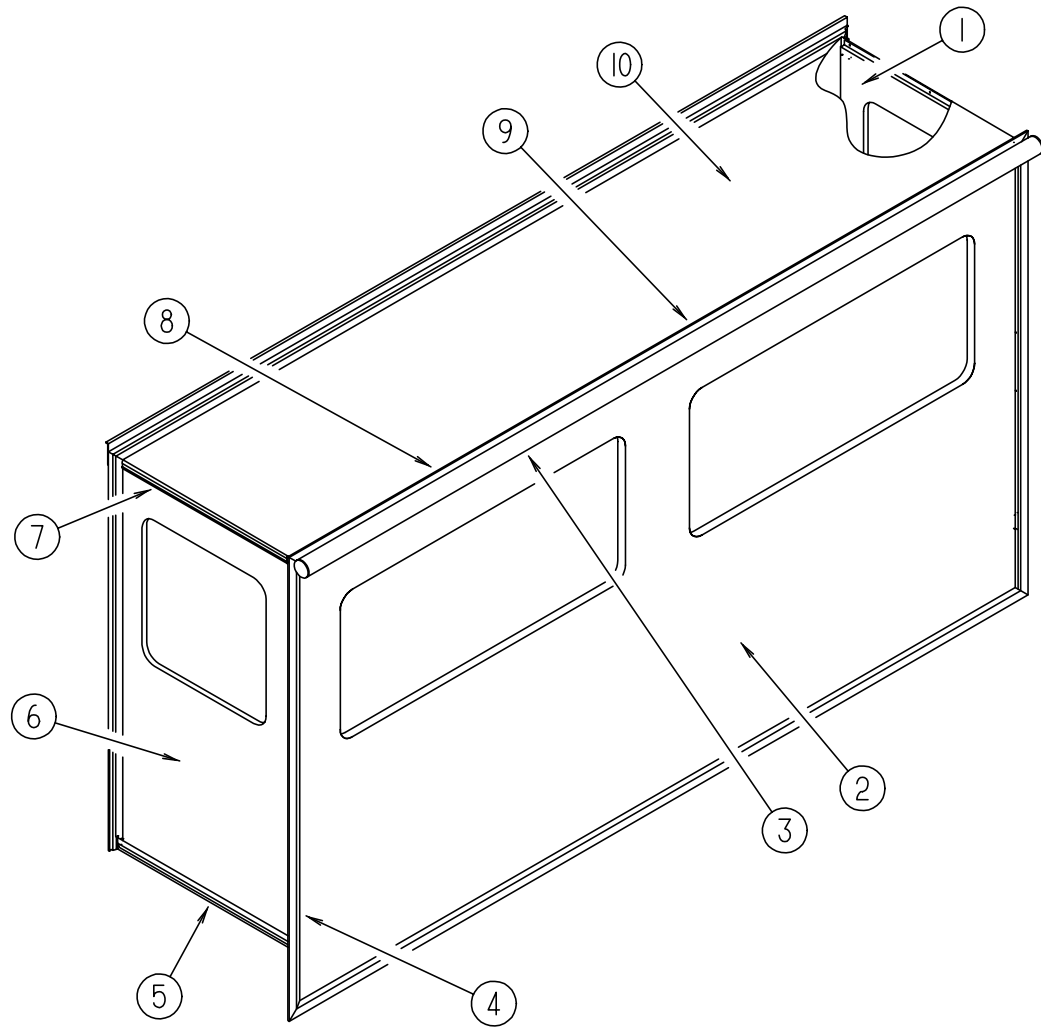
### EXTERIOR SLIDEOUT HARDWARE



KEY	PART NUMBER	U/M DESCRIPTION
1	105312-01-07A	FT INSERT - FEATURE STRIP/VINYL - BRIGHT WHITE
2	108688-01-03A	EA STRIP - FEATURE - 15'
3	099418-01-000	FT D - SECTION SEAL W/ADHESIVE BACK - .44" X .44" - BLK RUBBER
4	100128-02-000	FT SEAL - FOAM - ADHESIVE BACK - .37" WIDE X .37" THICK
5	115076-01-000	FT SEAL - SLIDEOUT
6	116933-01-02A	EA TRIM/SEAL
7	115075-02-000	FT SEAL - WIPE - .25" X 3.15"
	089275-02-000	FT STRIP - 3/4" X 84" BLACK POLYETHELENE
8	121283-01-000	FT SEAL - P SHAPED - EPDM FOAM
9	115661-01-000	FT POLYETHYLENE - HIGH DENSITY - 1/16" X 3'
10	115325-01-02A	EA RAIL - FLOOR - SLIDEOUT ROOM
11	116933-02-02A	EA TRIM/SEAL - BRIGHT WHITE
12	116934-01-02A	EA TRIM - SEAL - W/MITERED ENDS B/W
13	116934-02-02A	EA TRIM - SEAL - W/MITERED ENDS B/W
14	117004-03-03A	EA TRIM - SEAL - INNER (TOP)
	117004-01-03A	EA TRIM - SEAL - INNER (FORWARD)
	117004-02-03A	EA TRIM - SEAL - INNER (REARWARD)

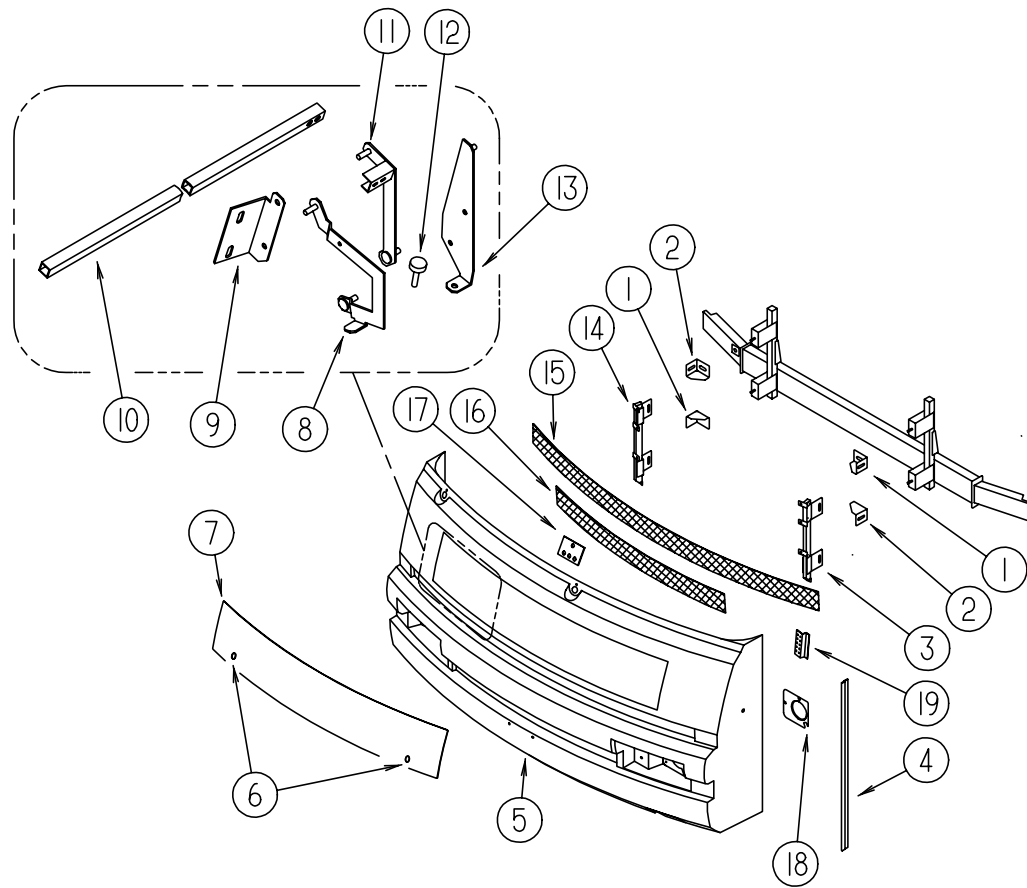
## EXTERIOR BODY GROUP (CONTINUED)

### EXTERIOR SLIDEOUT PANELS & TRIMS



KEY	PART NUMBER	U/M	DESCRIPTION
1	115263-04-H17	EA	PANEL - SLIDEOUT/REAR (H17)
1	115263-04-G37	EA	PANEL - SLIDEOUT/REAR (H18)
1	115263-04-H25	EA	PANEL - SLIDEOUT/REAR (H19, H41)
1	115263-04-H23	EA	PANEL - SLIDEOUT/REAR (H40)
2	115264-01-H17	EA	PANEL - SLIDEOUT/OUTER (H17)
2	115264-01-H18	EA	PANEL - SLIDEOUT/OUTER (H18)
2	115264-01-H19	EA	PANEL - SLIDEOUT/OUTER (H19, H41)
2	115264-01-H23	EA	PANEL - SLIDEOUT/OUTER (H40)
3	122977-06-01A	EA	AWNING - SLIDEOUT - W/COVER - 160.24"
4	116934-02-02A	EA	TRIM - SEAL - W/MITERED ENDS - BRIGHT WHITE
	105312-01-07A	EA	INSERT - FEATURE STRIP/VINYL - BRIGHT WHITE
	116933-01-02A	EA	TRIM/SEAL
5	105312-01-07A	EA	INSERT - FEATURE STRIP/VINYL - BRIGHT WHITE
6	115265-04-H17	EA	PANEL - SLIDEOUT/FRONT (H17)
6	115265-04-G37	EA	PANEL - SLIDEOUT/FRONT (H18)
6	115265-04-H25	EA	PANEL - SLIDEOUT/FRONT (H19, H41)
6	115265-04-H23	EA	PANEL - SLIDEOUT/FRONT (H40)
7	108688-01-03A	EA	STRIP - FEATURE - 15'
	105312-01-07A	EA	INSERT - FEATURE STRIP/VINYL - BRIGHT WHITE
8	117058-01-01A	EA	TAPE - LOOP - 3/4" WIDE - ADHESIVE BACKED
9	116934-01-02A	EA	TRIM - SEAL - W/MITERED ENDS - BRIGHT WHITE
	105312-01-07A	EA	INSERT - FEATURE STRIP/VINYL - BRIGHT WHITE
	116933-01-02A	EA	TRIM/SEAL
10	115266-02-H23	EA	ROOF - SLIDEOUT - W/O VENTS/LIGHTS - W/WIRING

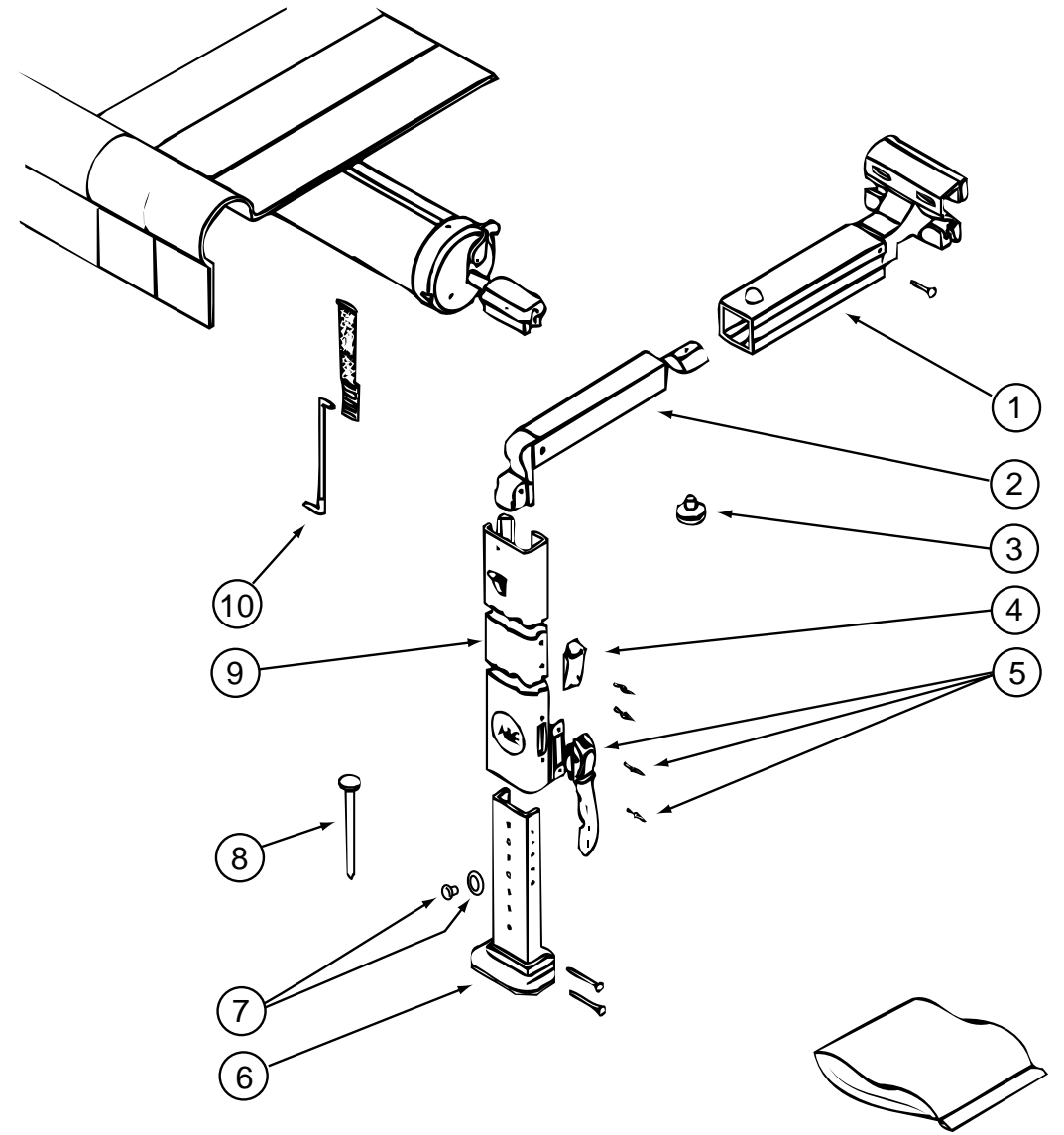
**EXTERIOR BODY GROUP (CONTINUED)**



**FRONT END ASM**

KEY	PART NUMBER	U/M	DESCRIPTION
1	117611-04-02B	EA	BRACKET - BUMPER - LEFT HAND UPPER/RIGHT HAND LOWER
2	117611-03-02B	EA	BRACKET - BUMPER - RIGHT HAND UPPER/LEFT HAND LOWER
	116617-02-02B	EA	SPACER - BUMPER
3	118997-02-G35	EA	SUPPORT - GRILLE - DRIVER FRONT
4	123680-04-01A	EA	TRIM - FIBERGLASS PANEL - BRIGHT WHITE - DRIVER OR PASSENGER SIDE
5	118999-04-G35	EA	PANEL - LOWER FRONT
6	102330-02-000	EA	HOOD LOCK - SINGLE HOLE - VISE ACTION
	102328-01-000	EA	BARREL KEY - HOOD LOCK
7	115976-03-G35	EA	PANEL - HOOD
8	109930-11-000	EA	LINK - HINGE - HOOD - LOWER PASSENGER SIDE
	109930-12-000	EA	LINK - HINGE - HOOD - LOWER DRIVER SIDE
9	109927-03-000	EA	ANGLE - LINK - HOOD - RIGHT HAND
	109927-04-000	EA	ANGLE - LINK - HOOD - LEFT HAND
10	105096-10-000	EA	TUBE - HOOD HINGE TIMING W/ WELDNUTS
	106748-04-000	EA	LATCH - HOOD - FRONT END
	106748-06-000	EA	LATCH - HOOD - FRONT END
			FROM: 00-00-00 THRU: 04-06-97
			FROM: 04-07-97 THRU: 99-99-99
11	109929-05-000	EA	LINK - UPPER HOOD HINGE - PASSENGER SIDE
	109929-06-000	EA	LINK - UPPER HOOD HINGE - DRIVER SIDE
12	058786-01-000	EA	BOLT - ADJUSTING HOOD - W/ BLACK PAD - .31" - 18X2
13	109926-15-000	EA	BRACKET - HOOD HINGE LINK - PASSENGER SIDE
	109926-16-000	EA	BRACKET - HOOD HINGE LINK - DRIVERS SIDE
14	118997-01-G35	EA	SUPPORT - GRILLE - PASSENGER FRONT
15	115924-05-02A	EA	WIRE MESH - F/GRILLE - FLAT BLACK
16	115924-11-02A	EA	WIRE MESH - F/GRILLE - FLAT BLACK
	115924-11-01A	EA	GRILLE - WOVEN WIRE
17	119445-01-02B	EA	PLATE - W/ HOLES
18	115951-02-02B	EA	PLATE - HEADLAMP - DUAL/ LEFT HAND
	115951-01-02B	EA	PLATE - HEADLAMP - DUAL/ RIGHT HAND
19	113495-02-02B	EA	SUPPORT - HINGE
	070579-06-000	EA	PLATE - ANCHOR - W/ 7/16 WELD NUT - 1.5" X 3.3"
	070579-07-000	EA	PLATE - ANCHOR W/O NUT
	077001-01-000	EA	ANGLE - MOUNTING ROOF PANEL V ANGLE - 3" X 2.4" X 1.5"

**EXTERIOR BODY GROUP (CONTINUED)**

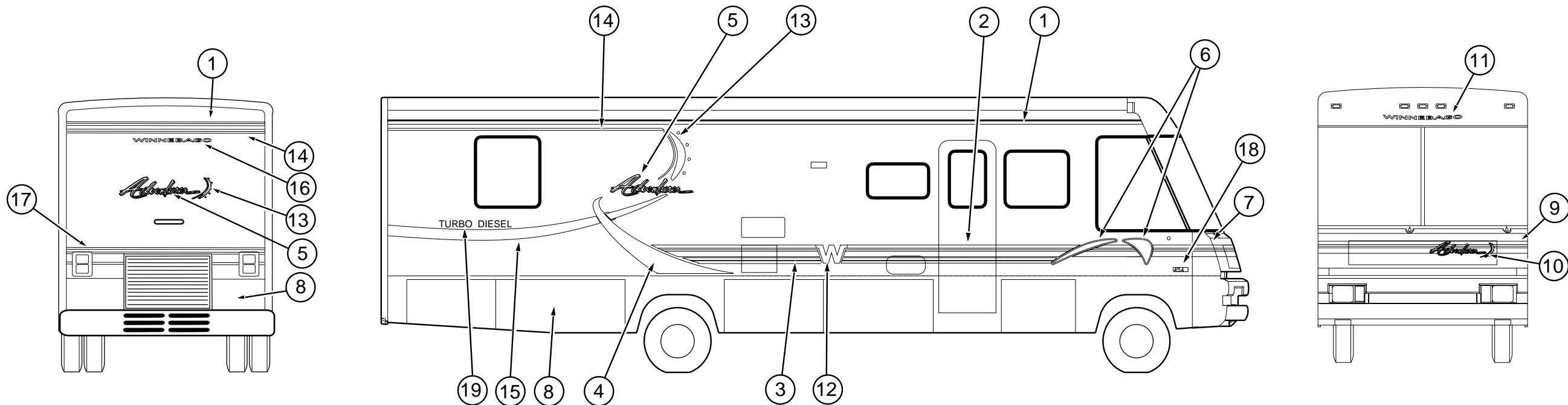


**EXTERIOR AWNING**

KEY	PART NUMBER	U/M	DESCRIPTION	VENDOR NO.
	113874-08-03A	EA	AWNING - 19' (ALOE GREEN) VINYL - W/O HARDWARE	
	113874-08-04A	EA	AWNING - 19' (POLAR BLUE) VINYL - W/O HARDWARE	
	111037-01-01A	EA	SPACER - AWNING - UPPER - BLACK	
	119496-01-02A	EA	SPACER/ZEE - AWNING	
	113874-01-02A	EA	HARDWARE KIT - AWNING - W/O STANDOFF BRACKET - BRIGHT WHT	
1	113874-01-714	EA	RAFTER - MAIN RH/LH BRT/WHT	830295.536F
2	113874-01-715	EA	RAFTER - SECONDARY BRT/WHT	830463.511F
3	113874-01-702	EA	KNOB - ADJUSTING	3105421.014
4	113874-01-706	EA	LOCK - TRAVEL	830587.001
5	113874-01-707	EA	HANDLE - LIFT W/RIVETS	830644
6	113874-01-712	EA	FOOT - PATIO	730366-001
7	113874-01-710	EA	PLUG - STOP KIT	830456
8	113874-01-709	EA	NAIL - SPIKE, 8"	113006
9	113874-01-716	EA	ARM - MAIN SUPPORT BRT/WHT	3104502.293/F
10	113874-01-703	EA	ROD - CENTER PULL W/ACCESSORY	830152.102

## EXTERIOR BODY GROUP (CONTINUED)

### DECALS, FILM STRIPES & PAINT



**SUPER BLUE EXTERIOR**

**UMBRA BROWN EXTERIOR**

KEY	PART NUMBER	U/M DESCRIPTION
1	105781-54-02A	FT FILM - MULTISTRIPE 2.13"
2	094443-46-02A	FT FILM - MULTISTRIPE - 5.5"
3	115335-07-02A	FT FILM - MULTISTRIPE/ OVERLAY 2.50"
4	121996-01-02A	EA DECAL - SLASH - RIGHT HAND
4	121996-02-02A	EA DECAL - SLASH - LEFT HAND
5	122001-01-02A	EA DECAL - LOGO - ADVENTURER
6	121997-01-01A	EA DECAL - SLASH - FRONT/ RIGHT HAND
6	121997-02-01A	EA DECAL - SLASH - FRONT/ LEFT HAND
7	121998-01-02A	EA DECAL - CORNER - RIGHT HAND
7	121998-02-02A	EA DECAL - CORNER - LEFT HAND
8	NPN	PAINT - SUPER BLUE
9	121999-01-02A	EA DECAL - HOOD - LTGRN/ VILET/ DKBLU
10	122000-01-02A	EA DECAL - LOGO - ADVENTURER W/ ARC
11	121510-02-02A	EA DECAL - LOGO - WINNEBAGO SWEEP
12	120700-03-02A	EA DECAL - LOGO - W
13	121994-01-02A	EA DECAL - ARC - RIGHT HAND
13	121994-02-02A	EA DECAL - ARC - LEFT HAND
14	093681-36-03A	FT FILM - 1"
15	121995-01-02A	EA DECAL - SLASH - REAR/ RIGHT HAND
15	121995-02-02A	EA DECAL - SLASH - REAR/ LEFT HAND
16	120702-03-03A	EA DECAL - LOGO - WINNEBAGO/ SMALL
17	093681-52-02A	FT FILM - 5.25
18	122312-01-01A	EA DECAL - VORTEC 7400
19	111318-03-07A	EA DECAL - TURBO DIESEL
	041561-03-000	EA PAINT - 16 OZ SPRAY - OFF WHITE
	099399-12-700	EA PAINT - 16 OZ SPRAY - ENAM/ BUFF
	099399-12-701	EA PAINT - .6 OZ BOTTLE - BUFF - W/ BRUSH

**DUPONT PAINT COLOR CODES**

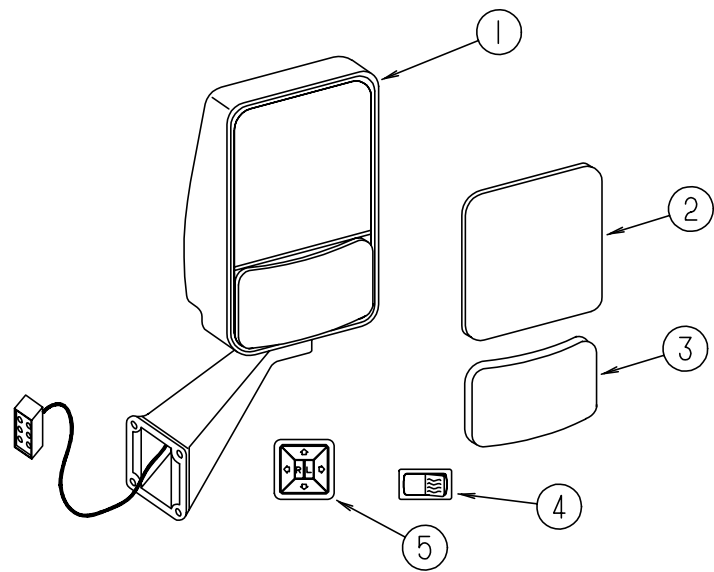
OFF WHITE		DUPONT L8723
SUPER BLUE		DUPONT F1915U
BRIGHT WHITE		DUPONT B8951U
LIGHT GREEN	(FILM)	DUPONT GM185
VIOLET	(FILM)	DUPONT F2984
SMOKE	(FILM)	DUPONT MM328
DARK BLUE	(FILM)	DUPONT BM226

KEY	PART NUMBER	U/M DESCRIPTION
1	105781-54-01A	FT FILM - MULTISTRIPE 2.13"
2	094443-46-01A	FT FILM - MULTISTRIPE 5.50"
3	115335-07-01A	FT FILM - MULTISTRIPE/ OVERLAY 2.50"
4	121996-01-01A	EA DECAL - SLASH - RIGHT HAND
4	121996-02-01A	EA DECAL - SLASH - LEFT HAND
5	122001-01-01A	EA DECAL - LOGO - ADVENTUER
6	121997-01-01A	EA DECAL - SLASH - FRONT/ RIGHT HAND
6	121997-02-01A	EA DECAL - SLASH - FRONT/ LEFT HAND
7	121998-01-01A	EA DECAL - CORNER - RIGHT HAND
7	121998-02-01A	EA DECAL - CORNER - LEFT HAND
8	NPN	PAINT - UMBRA/ BROWN
9	121999-01-01A	EA DECAL - HOOD - WINNEBAGO SWEEP
10	122000-01-01A	EA DECAL - LOGO - ADVENTURER W/ ARC
11	121510-02-01A	EA DECAL - LOGO - WINNEBAGO SWEEP
12	120700-03-01A	EA DECAL - LOGO - W
13	121994-01-01A	EA DECAL - ARC - RIGHT HAND
13	121994-02-01A	EA DECAL - ARC - LEFT HAND
14	093681-36-03A	FT FILM - 1"
15	121995-01-01A	EA DECAL - SLASH - REAR/ RIGHT HAND
15	121995-02-01A	EA DECAL - SLASH - REAR/ LEFT HAND
16	120702-03-02A	EA DECAL - LOGO - WINNEBAGO/ SMALL
17	093681-52-01A	FT FILM - 5.25
18	122312-01-01A	EA DECAL - VORTEC 7400
19	111318-03-07A	EA DECAL - TURBO DIESEL
	041561-03-000	EA PAINT - 16 OZ SPRAY - OFF WHITE
	099399-12-700	EA PAINT - 16OZ SPRAY - ENAM/ BUFF
	099399-12-701	EA PAINT - .6 OZ BOTTLE - BUFF - W/ BRUSH

**DUPONT PAINT COLOR CODES**

OFF WHITE		DUPONT L8723
UMBRA/ BROWN		DUPONT F2529U
BRIGHT WHITE		DUPONT B8951U
LIGHT BRIAR BROWN	(FILM)	DUPONT MM073
PINE GREEN	(FILM)	DUPONT GM256
IVY GREEN	(FILM)	DUPONT YM537
DARK BLUE	(FILM)	DUPONT BM226

**EXTERIOR BODY GROUP (CONTINUED)**



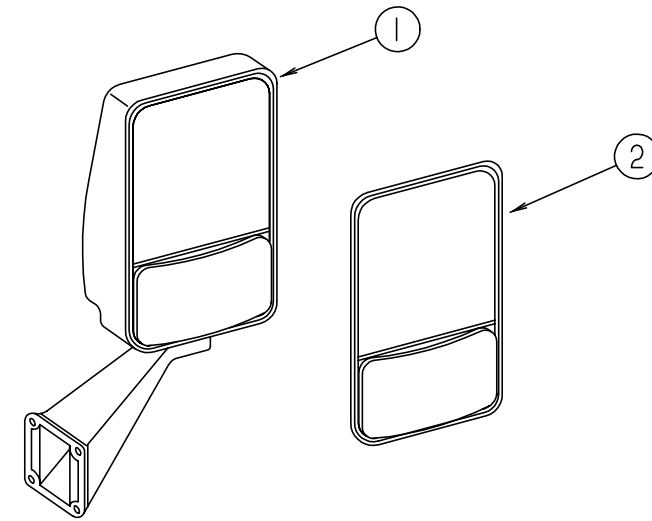
**EXTERIOR MIRROR OPTION (REMOTE & HEAT)**

KEY	PART NUMBER	U/M DESCRIPTION
1	106015-12-01A	EA MIRROR - EXTERIOR REMOTE/HEAT - PASSENGER
1	106015-13-01A	EA MIRROR - EXTERIOR REMOTE/HEAT - DRIVER
2	106015-12-700	EA MIRROR - FLAT - W/W/O HEAT/CLIP
3	106015-12-701	EA MIRROR - CONVEX - W/W/O HEAT
4	087695-02-000	EA SWITCH - HEATER - EXTERIOR MIRROR
5	088246-01-000	EA SWITCH - REMOTE - EXTERIOR - SQUARE PUSH
	087695-03-000	EA CONNECTOR - ASSEMBLY

**VENDOR NO.**

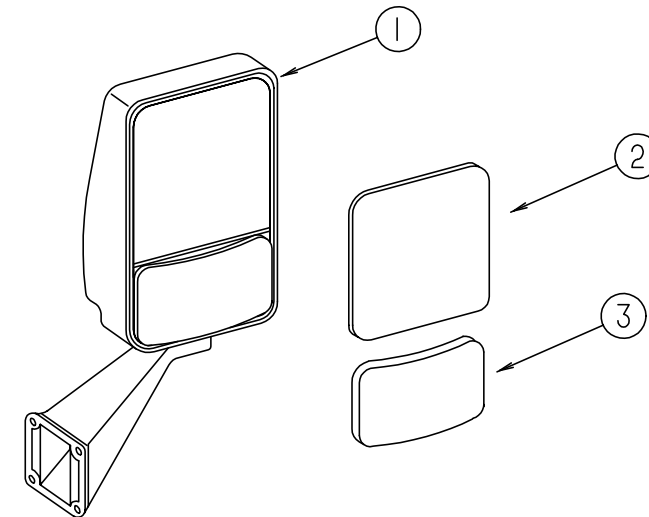
709448  
709449

**EXTERIOR BODY GROUP (CONTINUED)**



**EXTERIOR MIRROR (FROM: 00-00-00 THRU: 03-02-97)**

KEY	PART NUMBER	U/M DESCRIPTION
1	106015-09-01A	EA MIRROR - EXTERIOR ADJUSTABLE GLASS - PASSENGER
1	106015-10-01A	EA MIRROR - EXTERIOR ADJUSTABLE GLASS - DRIVER
2	106015-01-703	EA MIRROR KIT (BEZEL W/MIRRORS) PASSENGER SIDE
2	106015-02-702	EA MIRROR KIT (BEZEL W/MIRRORS) DRIVER SIDE



**EXTERIOR MIRROR (FROM: 03-03-97 THRU: 99-99-99)**

KEY	PART NUMBER	U/M DESCRIPTION	VENDOR NO.
1	106015-14-01A	EA MIRROR - EXTERIOR ADJUSTABLE GLASS - PASSENGER	
1	106015-15-01A	EA MIRROR - EXTERIOR ADJUSTABLE GLASS - DRIVER	
2	106015-12-700	EA MIRROR - FLAT - W/W/O HEAT/CLIP	709448
3	106015-12-701	EA MIRROR - CONVEX - W/W/O HEAT	709449



## EXTERIOR BODY GROUP (CONTINUED)

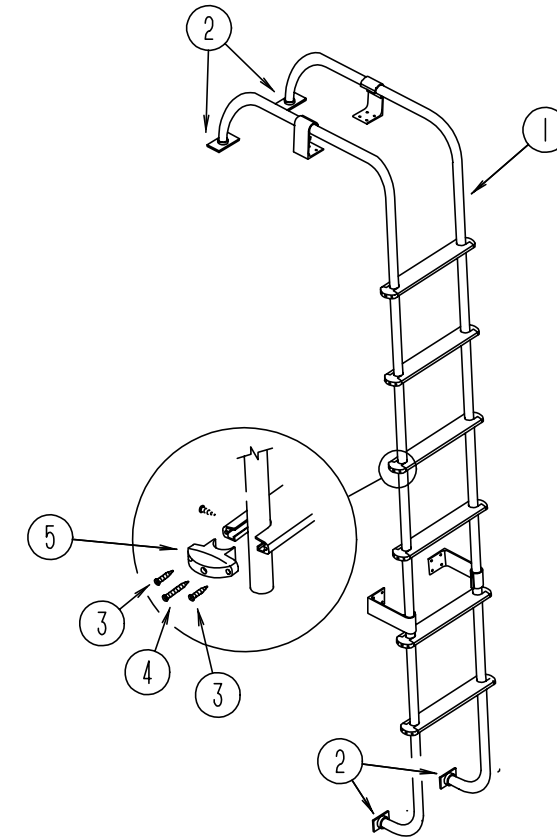
### STYROFOAM & FIBERGLASS SHEETING

KEY	PART NUMBER	U/M	DESCRIPTION
	000870-08-000	SF	STYROFOAM - .75" X 48" X 96" PLANED EXPANDED BEAD BOARD
	002726-01-001	EA	GARNISH - U-CHANNEL - 1.38" X 19' - SERRATED
	033381-17-001	FT	STEEL - TUBE - 16 GAUGE 1.5" X 1.5" X 16'
	068716-01-001	EA	BRACE - 90 DEGREE L-ANGLE - 16'
	076054-R9-000	EA	FIBERGLASS SHEET - 38.1" X 70.6" - BRIGHT WHITE
	076054-U8-000	EA	FIBERGLASS SHEET - 100" X 105" - BRIGHT WHITE
	076054-V7-000	EA	FIBERGLASS SHEET - 79" X 385" - BRIGHT WHITE
	089297-01-000	SF	PLYWOOD - LUAN - OVERLAY GRADE - 48" X 96"
	100619-01-000	BF	FOAM - EXPANDED POLYSTYRENE - 1.34" X 48" X 96"
	100619-02-000	BF	FOAM - EXPANDED POLYSTYRENE - 1.5" X 48" X 96"
	100619-04-000	BF	FOAM - EXPANDED POLYSTYRENE - .5" X 48" X 96"
	100619-05-000	BF	FOAM - EXPANDED POLYSTYRENE - .75" X 48" X 96"
	100619-10-000	BF	FOAM - EXPANDED POLYSTYRENE - 1.5" X 48" X 96"
	100619-11-000	BF	FOAM - EXPANDED POLYSTYRENE - 2" X 48" X 96"
	100619-13-000	BF	FOAM - EXPANDED POLYSTYRENE - .34" X 34.65" X 96"
	100619-16-000	BF	FOAM - EXPANDED POLYSTYRENE - .75" X 48" X 96"
	108535-05-702	EA	FRP FLAT 108" X 396" BRT WHT
	116942-03-01A	EA	ALUMINUM - .7" X 40" X 158"
	117754-01-05A	EA	FIBERGLASS SHEET - 12.6" X 96" - BUFF
	117754-01-01A	EA	FIBERGLASS SHEET - 12.6" X 96" - ANY COLOR
	117754-01-03A	EA	FIBERGLASS SHEET - 12.6" X 96" - SABLE
	117754-02-01A	EA	FIBERGLASS SHEET - 12.6" X 86" - ANY COLOR
	120107-01-000	EA	FOAM - COVE - ROOF - 2.8" X 96" LONG
	120107-02-000	EA	FOAM - PLUG - ROOF TUBE - 2.2" X 2.9" X 1.8" LONG
	120107-03-000	EA	FOAM - PLUG - SIDEWALL TUBE - 1.2" X 2.1" X 1.8" LONG
	125838-01-002	EA	ACRYLIC SHEET - .125 X 1.8" X 2"

### EXTERIOR BODY HARDWARE

KEY	PART NUMBER	U/M	DESCRIPTION
	002726-01-001	EA	GARNISH - U-CHANNEL - 1.38" X 19' - SERRATED - MILL ALUMINUM
	055278-51-259	FT	TUBING-STEEL, .75" X 1.5" X 12.5'
	033381-17-001	FT	STEEL - TUBE 16GA 1.5" X 1.5" X 16' - HOT FORMED ASTM A50
	044487-01-001	EA	ALUMINUM SKIN - .019" X 8' X 30' - MILL FINISH - ROOF
	058267-01-000	FT	CHANNEL - STEEL - W/ HOLES - SIDEWALL STIFFENER - 2" X 20'
	068716-01-001	EA	BRACE - 90 DEGREE L-ANGLE - 192" - EXTRUDED ALUMINUM
	119568-01-01A	EA	STANDOFF - VALANCE PNL - BLACK
	002755-04-001	EA	ANGLE - EXTRUDED - 1.1" X 1.1" X 14'
	089275-02-000	FT	STRIP - 3/4" X 84" BLACK POLYETHELENE
	002365-01-001	EA	U-CHANNEL - 1" X 18" - SERRATED - MILL FINISH ALUMINUM
	114248-03-01A	EA	ANGLE - PLASTIC - 92.2"
	107865-18-000	EA	ROD - SUPPORT - VALANCE PANEL - 11.4"
	107865-02-000	EA	ROD - SUPPORT - VALANCE PANEL - 13.2"
	107865-12-000	EA	ROD - SUPPORT - VALANCE PANEL - 16.2"

## EXTERIOR BODY GROUP (CONTINUED)

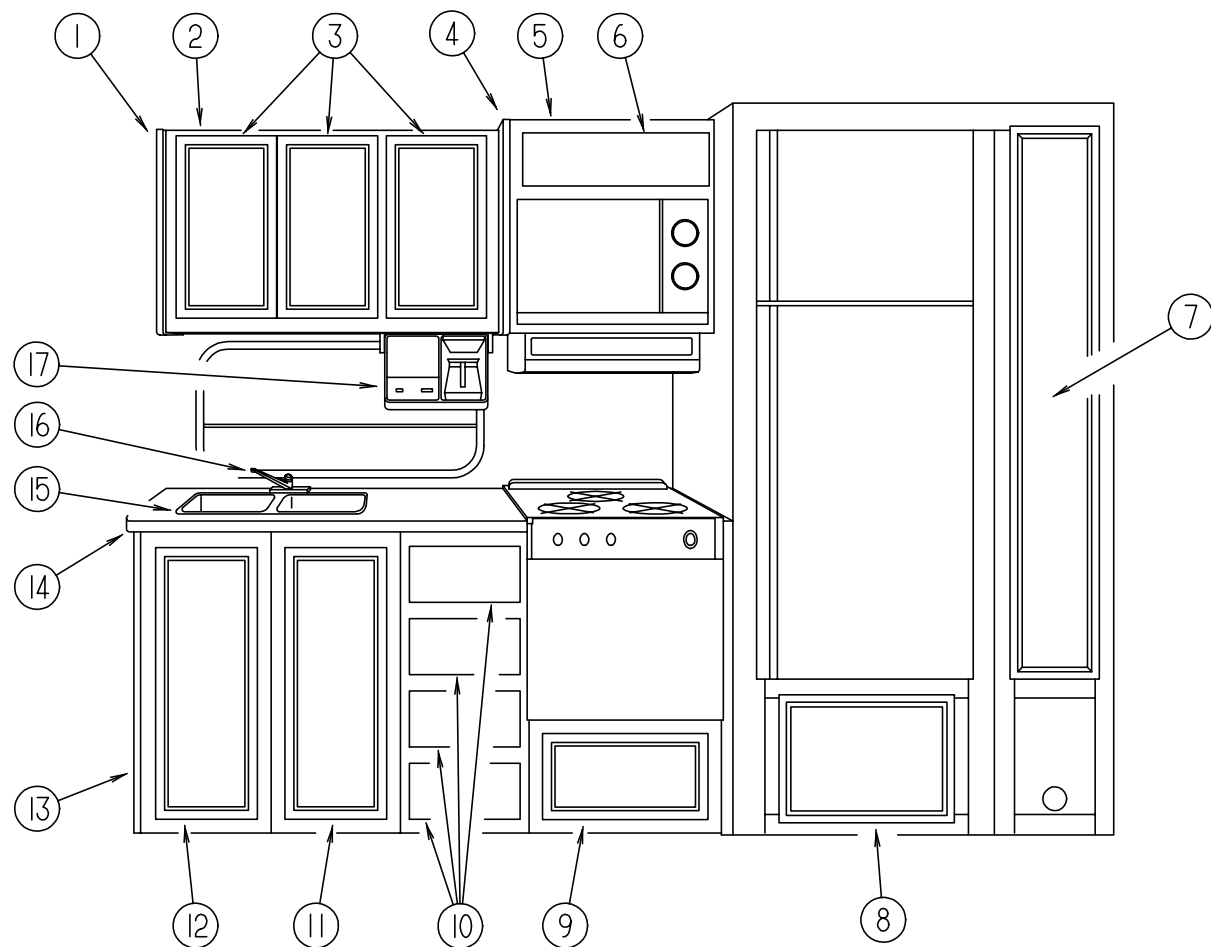


LADDER

KEY	PART NUMBER	U/M	DESCRIPTION
1	102953-11-F31	EA	LADDER
2	067165-01-000	EA	MOUNTING BRACKET - LADDER - LOWER
3	000G39-06-10T	EA	SCREW-SF/ DR - 6 - 20 X 5/8 PPH - BLACK
4	000G68-10-36T	EA	SCREW - 10 - 12 X 2.25 POH BLACK
5	076980-02-000	EA	END CAP - STEP - BLACK
	038327-01-000	FT	TAPE - ANTI SLIP - 2" X 60FT

# GALLEY GROUP

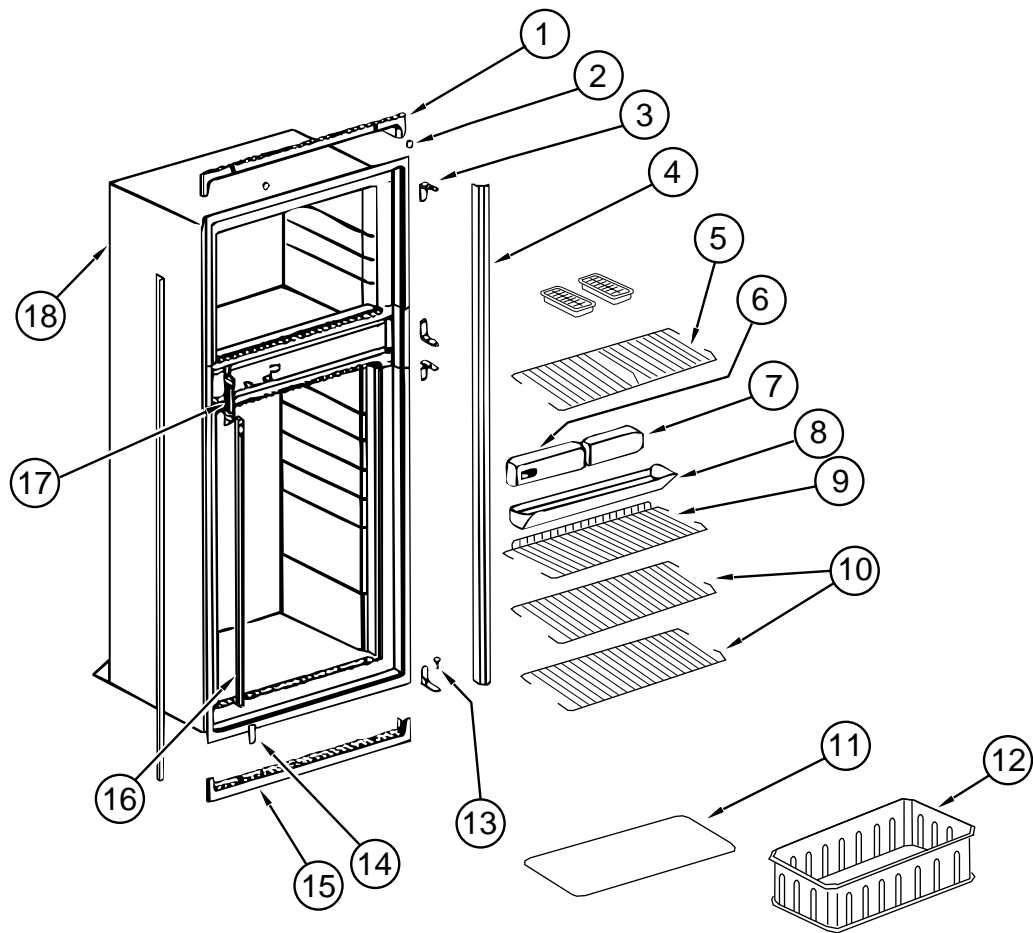
## GALLEY CABINETRY & FIXTURES



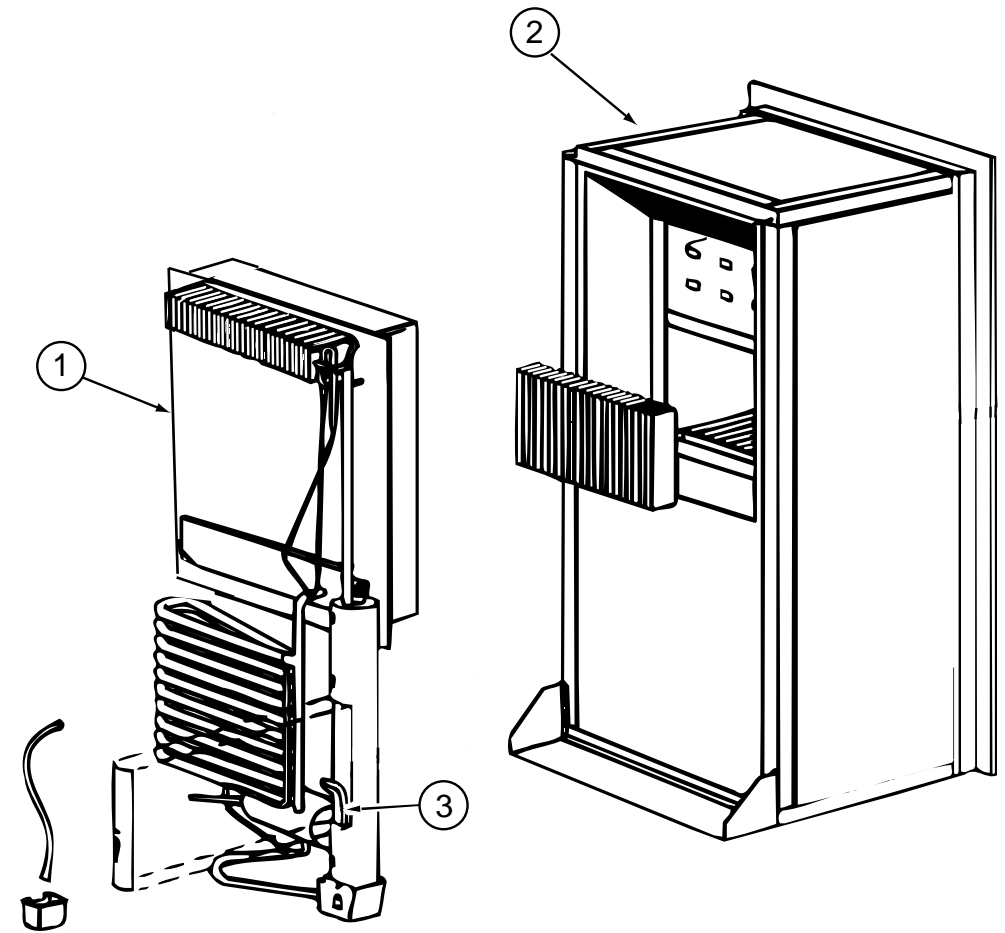
KEY	PART NUMBER	U/M DESCRIPTION
1	081319-20-H40	EA END CAP - OVERHEAD CABINET (WHITE)
1	081319-20-G15	EA END CAP - OVERHEAD CABINET (OAK)
2	P22393-01-H40	EA CABINET - OVERHEAD - GALLEY - W/O DOORS/HARDWARE (WHITE)
2	P22393-01-H17	EA CABINET - OVERHEAD - GALLEY - W/O DOORS/HARDWARE (OAK)
	122393-11-H40	EA SHELF - W/PLASTIC EDGE MOLDING (WHITE)
	122393-11-H17	EA SHELF - W/PLASTIC EDGE MOLDING (OAK)
	122393-12-H40	EA SHELF - W/PLASTIC EDGE MOLDING (WHITE)
	122393-12-H17	EA SHELF - W/PLASTIC EDGE MOLDING (OAK)
3	122715-04-01A	EA DOOR - MOLDED VINYL - 12" X 21.8" - W/O HDW (WHITE)
3	M06803-29-H17	EA DOOR - MITERED CORNER/OGEE EDGE - 12" X 21.8" - W/O HDW (OAK)
4	081320-14-H40	EA END CAP - OVERHEAD CABINET (WHITE)
4	081320-14-G09	EA END CAP - OVERHEAD CABINET (OAK)
5	121328-07-H40	EA CABINET - OVERHEAD/MICROWAVE - W/O DOOR/HARDWARE (WHITE)
5	121328-07-H17	EA CABINET - OVERHEAD/MICROWAVE - W/O DOOR/HARDWARE (OAK)
6	122715-43-01A	EA DOOR - MOLDED VINYL - 5.1" X 22.4" - W/O HDW (WHITE)
6	M05992-J9-H17	EA DOOR - STRAIGHT CORNER/OGEE EDGE - 5.1" X 22.4" - W/O HDW (OAK)

KEY	PART NUMBER	U/M DESCRIPTION	VENDOR NO.
7	122715-24-01A	EA DOOR - MOLDED VINYL - 8.5" X 60.7" - W/O HDW (WHITE)	
7	M06803-Y9-H17	EA DOOR - MITERED CORNER/OGEE EDGE - 8.5" X 60.7" - W/O HDW (OAK)	
	122325-01-H40	EA CABINET - PANTRY - SLIDING/RIGHT HAND - W/O SLIDES/HDW (WHITE)	
	122325-01-H17	EA CABINET - PANTRY - SLIDING/RIGHT HAND - W/O SLIDES/HDW (OAK)	
	122360-02-000	EA SLIDE - PANTRY - W/O LOCK - RIGHT/LEFT HAND	
	122360-03-000	EA SLIDE - PANTRY - W/LOCK - RIGHT HAND	
	123673-01-01A	EA KNOB - PANTRY SLIDE	
	122325-11-H40	EA SHELF - W/PLASTIC EDGE MOLDING (WHITE)	
	122325-11-H17	EA SHELF - W/PLASTIC EDGE TRIM (OAK)	
	118200-01-01A	SF MESH - PLASTIC - 1/2 INCH	
	090329-01-000	FT SEAL/T - REFRIGERATOR CABINET	
8	122715-26-01A	EA DOOR - MOLDED VINYL - 13.8" X 23.2" - W/O HDW (WHITE)	
8	M06803-V0-H17	EA DOOR - MITERED CORNER/OGEE EDGE - 13.9" X 23" - W/O HDW (OAK)	
9	P10163-CP-H40	EA DRAWER - SQUARE EDGE - 19.2"W X 11.8"D - W/O SLIDES/HDW (WHITE)	
9	M05971-V1-H17	EA DRAWER - OGEE EDGE - 19.2"W X 11.8"D - W/O SLIDES/HARDWARE (OAK)	
10	P10163-CR-H40	EA DRAWER - SQUARE EDGE - 9.9"W X 17.7"D - W/O SLIDES/HDW (WHITE)	
10	M05971-11-H17	EA DRAWER - OGEE EDGE - 9.9"W X 17.7"D - W/O SLIDES/HARDWARE (OAK)	
11	122715-31-01A	EA DOOR - MOLDED VINYL - 13.6" X 27.1" - W/O HDW (WHITE)	
11	M06803-N7-H17	EA DOOR - MITERED CORNER/OGEE EDGE - 13.6" X 27.1" - W/O HDW (OAK)	
12	122715-31-01A	EA DOOR - MOLDED VINYL - 13.6" X 27.1" - W/O HDW (WHITE)	
12	M06803-N8-H17	EA DOOR - MITERED CORNER/OGEE EDGE - 13.6" X 27.1" - W/O HDW (OAK)	
13	122621-02-H40	EA CABINET - GALLEY - W/O DOORS/DRAWERS/HARDWARE (H40, H41)	
13	122621-02-H17	EA CABINET - GALLEY - W/O DOORS/DRAWERS/HARDWARE (H17, H18)	
13	122621-02-H19	EA CABINET - GALLEY - W/O DOORS/DRAWERS/HARDWARE (H19)	
	122621-12-H40	EA SHELF - W/PLASTIC EDGE MOLDING (WHITE)	
	122621-12-H17	EA SHELF - W/PLASTIC EDGE TRIM - GALLEY (OAK)	
14	122621-11-H40	EA COUNTERTOP - GALLEY (H40, H41)	
14	122621-11-H17	EA COUNTERTOP - GALLEY (H17, H18)	
14	122621-11-H19	EA COUNTERTOP - GALLEY (H19)	
	108464-03-F40	EA COVER - SINK - 15" X 11" - LAMINATED BOTH SIDES (H17, H18)	
	108464-03-E38	EA COVER - SINK - 15" X 11" - LAMINATED ON BOTH SIDES (H19)	
	108464-03-H40	EA COVER - SINK - 15" X 11" (H40, H41)	
	108464-04-F40	EA COVER - SINK - 15" X 15" (H17, H18)	
	108464-04-E38	EA COVER - SINK - 15" X 15" (H19)	
	108464-04-E31	EA COVER - SINK - 15" X 15" - LARGE (H40, H41)	
15	110654-01-000	EA SINK - STAINLESS STEEL - DOUBLE - LARGE/SMALL BASIN	
	092303-01-000	EA STRAINER - SINK	
16	064952-01-000	EA FAUCET - GALLEY - SINGLE CONTROL - 8"	
	103635-01-000	EA FAUCET - SINGLE CONTROL (WATER PURIFIER)	
	103635-01-700	EA FITTING KIT, FAUCET REPAIR	3071-70
	103635-01-701	EA TUBING - PLASTIC	3019-20
	103635-01-702	EA FAUCET REPAIR KIT	3026-46
	116610-01-000	EA BUMPER - RUBBER W/STUD	
17	103799-02-01A	EA COFFEE MAKER WITH CLOCK - WHITE - BLACK & DECKER SDC2B	
		FROM: 00-00-00 THRU: 04-13-97	
	103799-01-700	EA CARAFE-GLASS POT - BLACK & DECKER	679420
		FROM: 00-00-00 THRU: 04-13-97	
	103799-01-701	EA BRACKETS-WHITE, PAIR - BLACK & DECKER	164734-06
		FROM: 00-00-00 THRU: 04-13-97	
17	126019-01-01A	EA COFFEE MAKER - OPTIMA - W/BRACKETS	
		FROM: 04-14-97 THRU: 99-99-99	
	126019-01-700	EA GLASS CARAFE	172547-00
		FROM: 04-14-97 THRU: 99-99-99	
	126019-01-701	EA RESERVOIR - WATER	172554
		FROM: 04-14-97 THRU: 99-99-99	
	126019-01-702	EA BASKET - FILTER	172553-00
		FROM: 04-14-97 THRU: 99-99-99	
	126019-01-703	EA HARDWARE - MOUNTING	172174-00
		FROM: 04-14-97 THRU: 99-99-99	

**GALLEY GROUP (CONTINUED)**



**GALLEY GROUP (CONTINUED)**



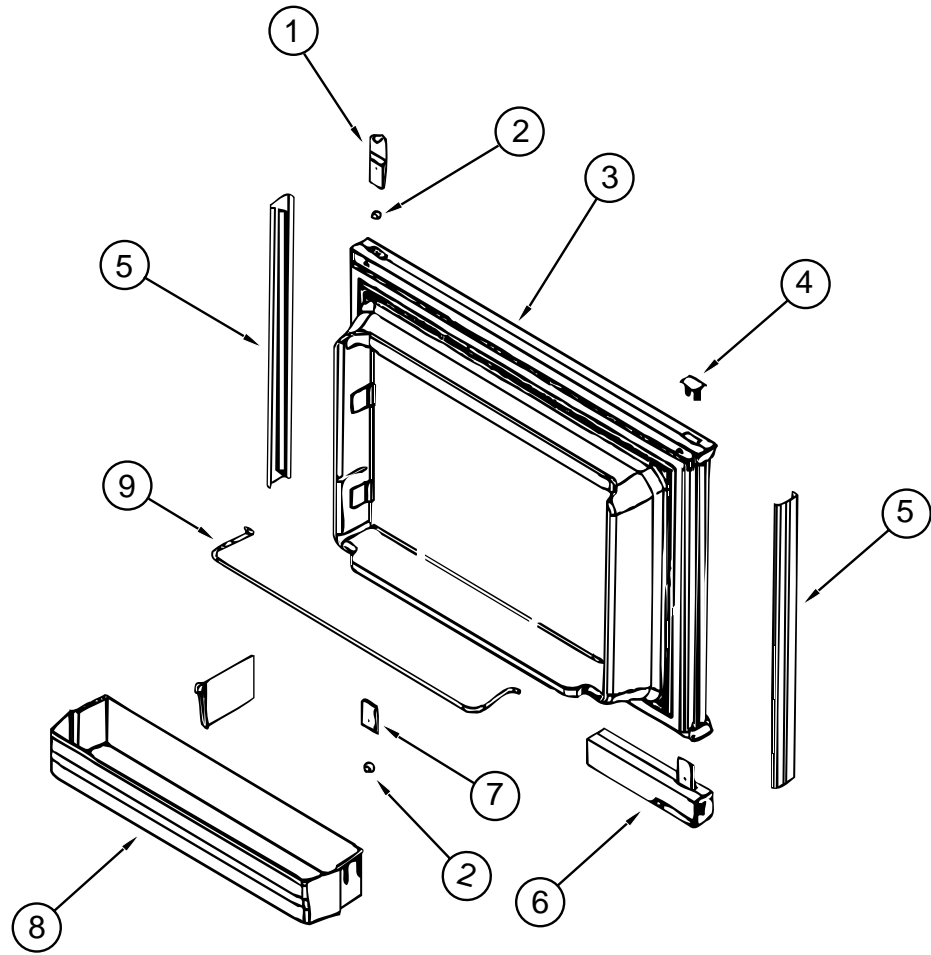
**NORCOLD MODEL 9182 REFRIGERATOR CABINET ASM WITH TRAY, TIEDOWNS & LEVEL**

**NORCOLD MODEL 9182 REFRIGERATOR COOLING UNIT, CABINET, & HEATERS**

KEY	PART NUMBER	U/M	DESCRIPTION	VENDOR NO.
	121569-01-01A	EA	REFRIGERATOR - LARGE DOUBLE DOOR - RIGHT HAND - 2-WAY	
1	120075-01-713	EA	TRIM-TOP PIECE	618124
2	120075-01-714	EA	PLUG-HOLE	618170
3	120075-01-715	EA	HINGE-CABINET SIDE, PAINTED	618512
	120075-01-708	EA	BUSHING-DOOR HINGE	618144
4	120075-01-716	EA	TRIM, SIDE PIECE	618134
5	121568-01-705	EA	SHELF-WIRE, FREEZER	618620
6	121568-01-706	EA	CONTROL BOX ASSEMBLY	618588
7	120075-01-718	EA	BOX-FILLER	618112
8	120075-01-720	EA	TRAY-DRIP	618137
	120075-01-721	EA	LOUVER-DRIP TRAY	618176
9	N/A	EA	SHELF-WIRE, SHORT	618624
10	121568-01-708	EA	SHELF-WIRE	618589
11	120075-01-725	EA	COVER-CRISPER	618158
12	121568-01-709	EA	CRISPER	618571
13	120075-01-727	EA	PIN-HINGE	618145
14	120075-01-728	EA	COVER-HINGE HOLE	618171
15	120075-01-729	EA	TRIM-BOTTOM PIECE	618136
16	120075-01-730	EA	RETAINER-SHELF	618181
17	120075-01-732	EA	PLATE-STRIKE	618167
18	120075-01-703	EA	CABINET-FOAMED	618265
	120075-01-731	EA	PLUG-FACADE	618184
	054450-01-000	EA	LEVEL - REFRIGERATOR	
	090195-08-000	EA	BAFFLE - REFRIGERATOR - LOWER	
	093369-03-000	EA	STRAP - REFRIGERATOR	
	093646-01-000	EA	BRACKET - TIEDOWN/REFRIGERATOR - RIGHT HAND	
	093646-02-000	EA	BRACKET - TIEDOWN/REFRIGERATOR - LEFT HAND	
	065225-02-000	EA	PLATE - TIEDOWN - REFRIGERATOR	
	116751-05-01A	EA	TRAY - REFRIGERATOR - BLACK	

KEY	PART NUMBER	U/M	DESCRIPTION	VENDOR NO.
	121569-01-01A	EA	REFRIGERATOR - LARGE DOUBLE DOOR - RIGHT HAND - 2-WAY	
1	120075-01-736	EA	COOLING UNIT, SERVICE PACK	618542
2	120075-01-733	EA	CABINET-FOAMED	618265
3	088248-01-709	EA	HEATER-AC (HORIZONTAL)	61562722

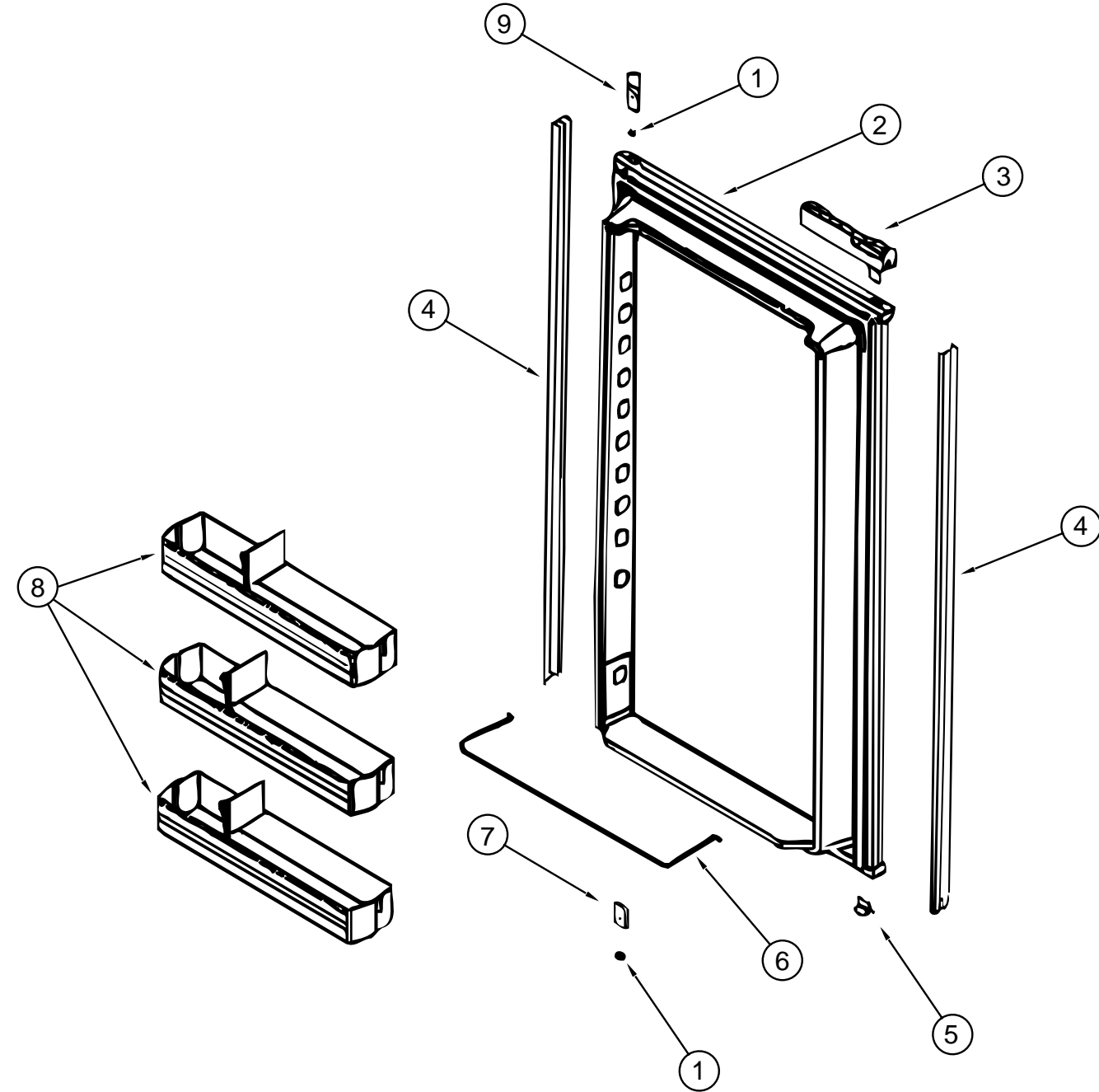
**GALLEY GROUP (CONTINUED)**



**NORCOLD MODEL 9182 RH REFRIGERATOR UPPER DOOR**

KEY	PART NUMBER	U/M DESCRIPTION	VENDOR NO.
	121569-01-01A	EA REFRIGERATOR - LARGE DOUBLE DOOR - RIGHT HAND - 2-WAY	
1	120075-01-701	EA HINGE-TOP RH/BOTTOM LH, PAINTED	618511
2	120075-01-708	EA BUSHING-DOOR HINGE	618144
3	120075-01-703	EA DOOR ASSEMBLY-FOAMED, W/GASKET	618205
4	120075-01-702	EA CAP-HINGE PLUG	618160
5	120075-01-700	EA RETAINER-DOOR, DECOR PANEL	618128
6	121568-01-702	EA DOOR HANDLE - UPR RH/LWR LH	618230
7	120075-01-705	EA HINGE-PAINTED, TOP LH/BOTTOM RH	618510
8	121568-01-701	EA BIN-DOOR, WHITE	618619
9	121568-01-700	EA RAIL-DOOR, UPPER	618618

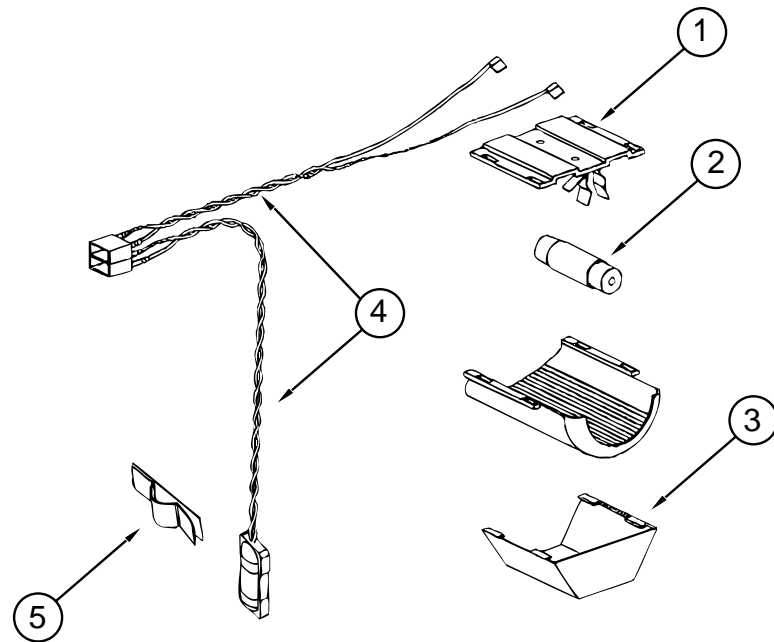
**GALLEY GROUP (CONTINUED)**



**NORCOLD MODEL 9182 RH REFRIGERATOR LOWER DOOR**

KEY	PART NUMBER	U/M DESCRIPTION	VENDOR NO.
	121569-01-01A	EA REFRIGERATOR - LARGE DOUBLE DOOR - RIGHT HAND - 2-WAY	
1	120075-01-708	EA BUSHING-DOOR HINGE	618144
2	120075-01-710	EA DOOR-LOWER-FOAMED, W/GASKET	618270
3	120075-01-711	EA DOOR HANDLE - UPR LH/LWR RH	618235
4	121568-01-703	EA RETAINER - PANEL LOWER DOOR	618129
5	120075-01-702	EA CAP-HINGE PLUG	618160
6	121568-01-704	EA RAIL-DOOR, LOWER	618578
7	120075-01-705	EA HINGE-PAINTED, TOP LH/BOTTOM RH	618510
8	121568-01-701	EA BIN-DOOR, WHITE	618619
9	120075-01-701	EA HINGE-TOP RH/BOTTOM LH, PAINTED	618511

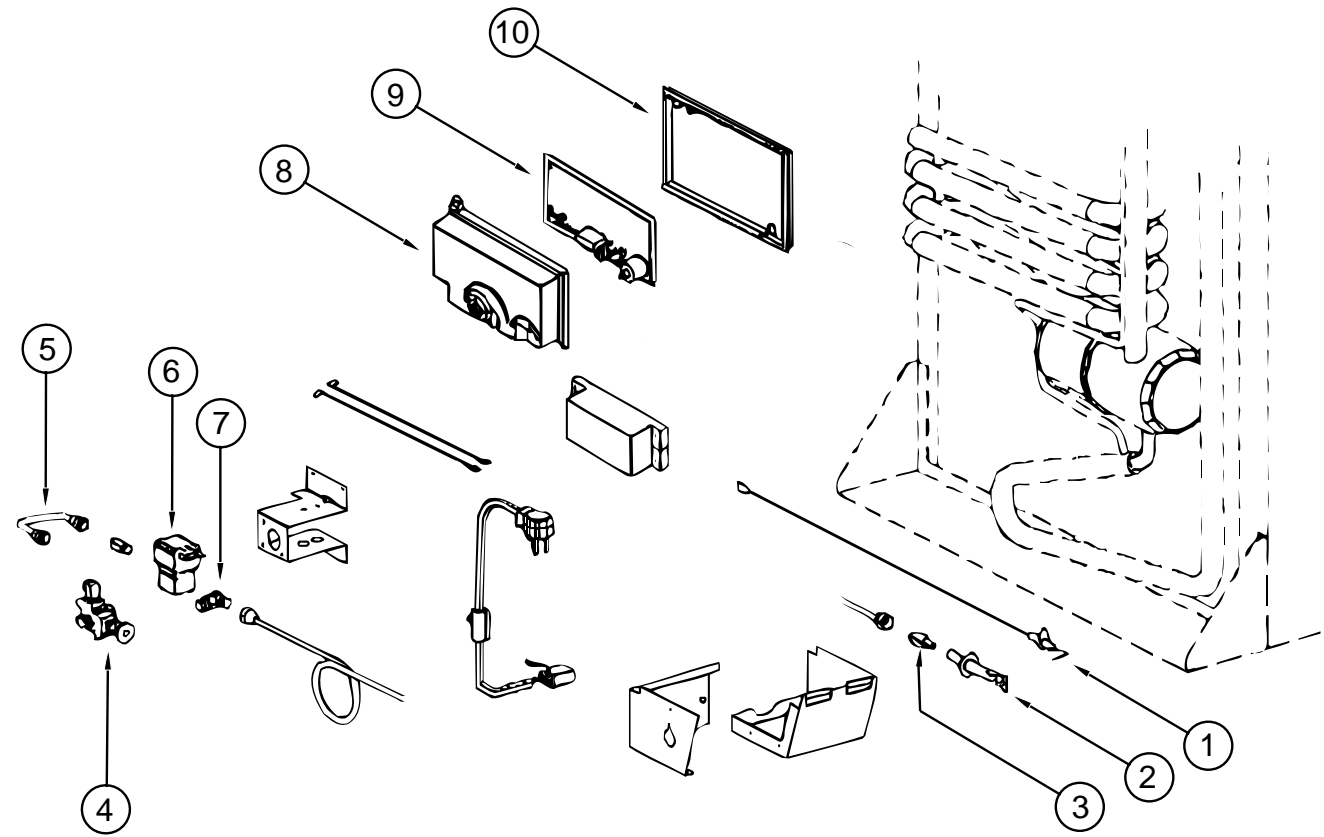
**GALLEY GROUP (CONTINUED)**



**NORCOLD MODEL 9182 RH REFRIGERATOR LAMP ASM**

KEY	PART NUMBER	U/M	DESCRIPTION	VENDOR NO.
	121569-01-01A	EA	REFRIGERATOR - LARGE DOUBLE DOOR - RIGHT HAND - 2-WAY	
1	084880-03-705	EA	BRACKET-LIGHT, INTERIOR	61629722
2	084880-03-706	EA	BULB-LAMP	61628922
3	084880-03-707	EA	COVER-LAMP, LENS	61627922
4	120075-01-735	EA	WIRE ASSEMBLY-LAMP	618548
5	084880-01-760	EA	CLIP-THERMISTER	61689122

**GALLEY GROUP (CONTINUED)**

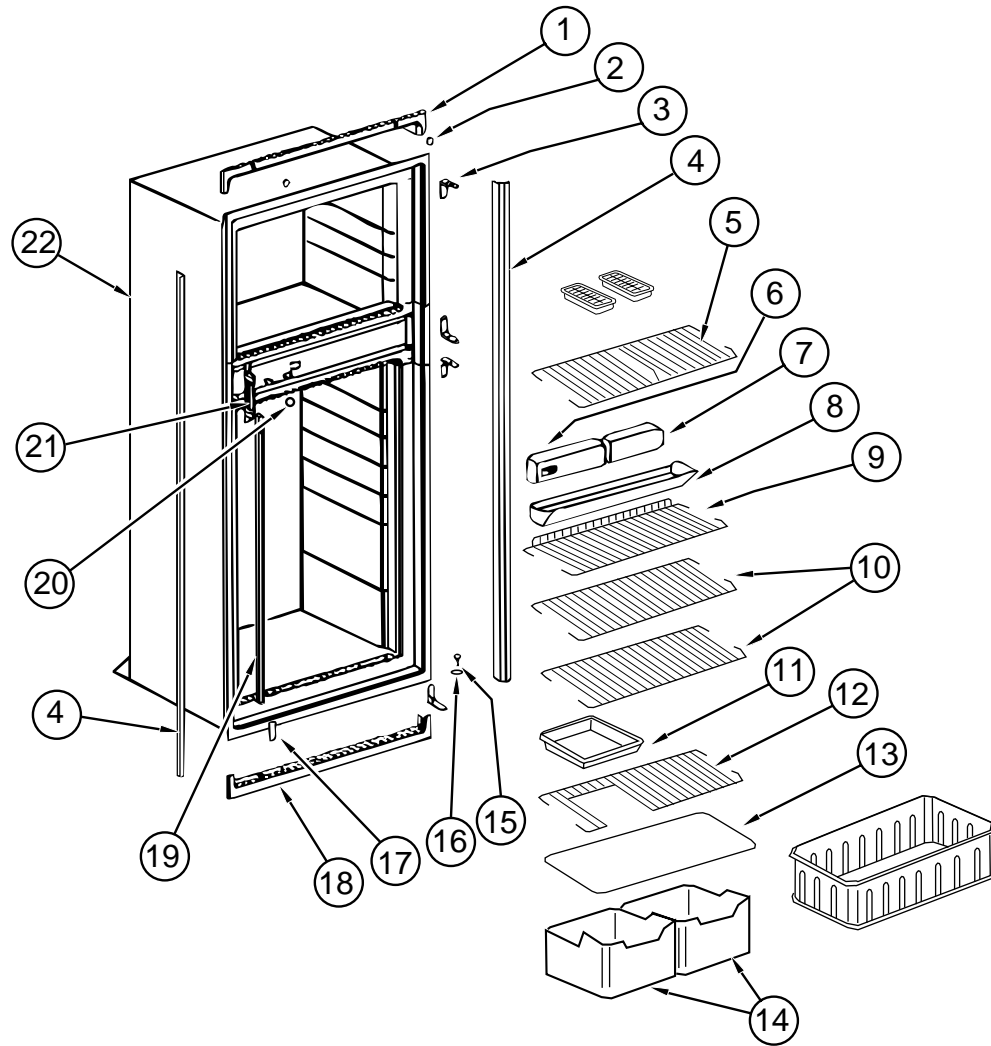


**NORCOLD MODEL 9182 RH REFRIGERATOR BURNER & POWER BOARDS**

KEY	PART NUMBER	U/M	DESCRIPTION	VENDOR NO.
	121569-01-01A	EA	REFRIGERATOR - LARGE DOUBLE DOOR - RIGHT HAND - 2-WAY	
1	104137-06-715	EA	ELECTRODE-SPARK/SENSOR, SGL	61692222
2	104137-06-714	EA	BURNER ASSEMBLY, 5 SLOT	61705222
3	120075-01-737	EA	ORIFICE - JEWEL - .0155	618284
4	104137-06-709	EA	VALVE-SHUT OFF, MANUAL	61694922
5	113737-01-750	EA	TUBE-UNION	61694622
6	084880-01-718	EA	VALVE-GAS, ASCO	61551822
7	113737-01-716	EA	TAP-PRESSURE	61594422
	113737-01-702	EA	PLUG - 1/8" F/PRESSURE TAP	61445322
8	120075-01-738	EA	COVER-POWER BOARD	618185
9	120075-01-741	EA	BOARD-POWER, 2-WAY	618574
10	120075-01-740	EA	COVER-BASE, POWER BOARD	618186

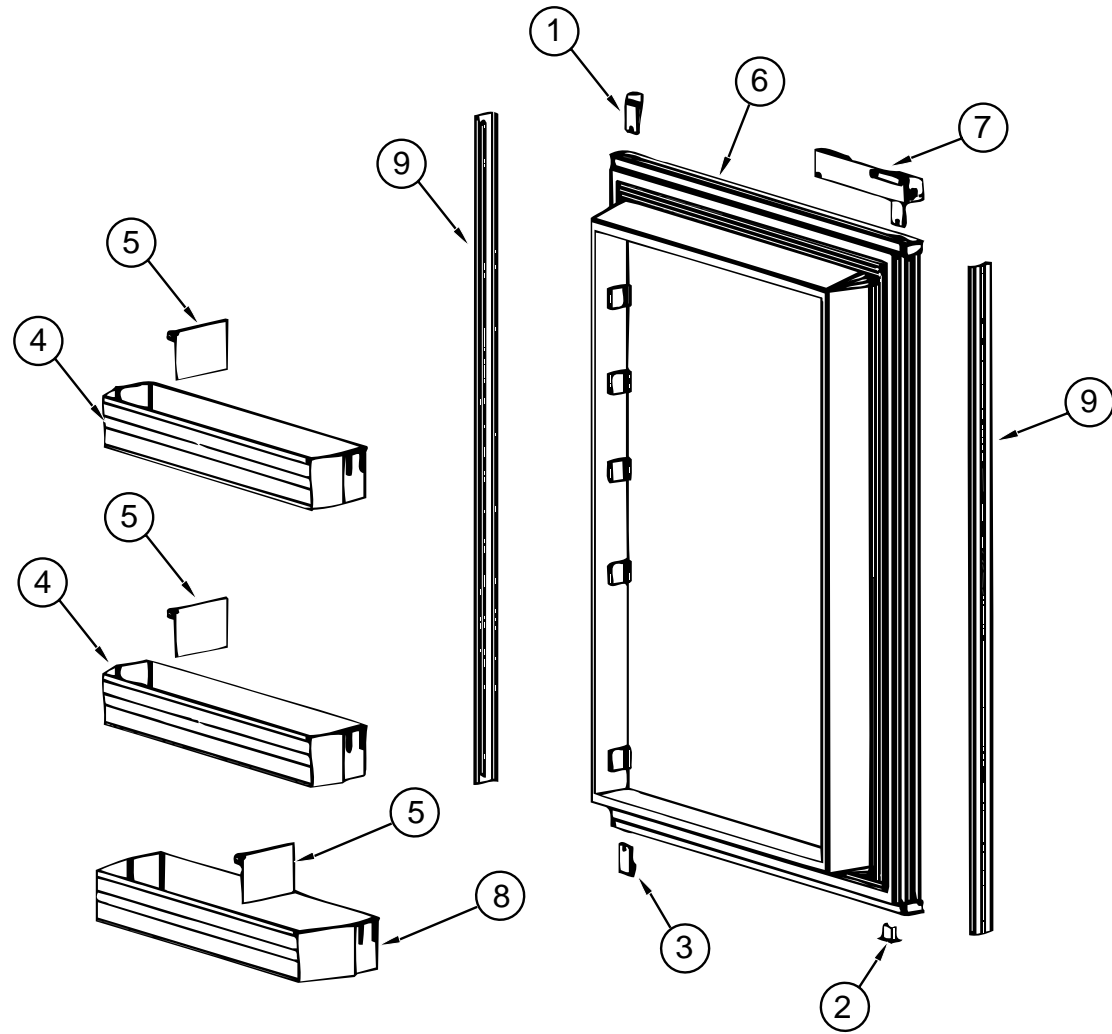
## GALLEY GROUP (CONTINUED)

### NORCOLD MODEL 982 REFRIGERATOR CABINET ASM WITH TRAY, TIEDOWNS, & LEVEL



KEY	PART NUMBER	U/M	DESCRIPTION	VENDOR NO.
	120075-03-01A	EA	REFRIGERATOR - LARGE DOUBLE DOOR/RIGHT HAND - 2-WAY W/ICE MAKER	
1	120075-01-713	EA	TRIM - TOP PIECE	618124
2	120075-01-714	EA	PLUG - HOLE	618170
3	120075-01-715	EA	HINGE - CABINET SIDE - PAINTED	618512
4	120076-01-716	EA	TRIM - SIDE PIECE	618134
5	120075-01-717	EA	SHELF - FREEZER - WIRE	618172
6	120075-01-719	EA	OPTICAL CONTROL BOX ASSEMBLY	618245
7	120075-01-718	EA	BOX - FILLER	618112
8	120075-01-720	EA	TRAY - DRIP	618137
	120075-01-721	EA	LOUVER - DRIP TRAY	618176
9	120075-01-722	EA	SHELF - WIRE - SHORT	618239
10	120075-01-723	EA	SHELF - WIRE	618114
11	104137-06-718	EA	SHELF - TRAY - WHITE - W/CUTOUT	617756
12	120075-01-724	EA	SHELF - WIRE - W/CUTOUT	618177
13	120075-01-725	EA	COVER - CRISPER	618158
14	120075-03-704	EA	BIN - ICE CUBE	618154
15	120075-01-727	EA	PIN - HINGE	618145
16	120075-01-708	EA	BUSHING - DOOR HINGE	618144
17	120075-01-728	EA	COVER - HINGE HOLE	618171
18	120075-01-729	EA	TRIM - BOTTOM PIECE	618136
19	120075-01-730	EA	RETAINER - SHELF	618181
20	120075-01-731	EA	PLUG - FACADE	618184
21	120075-01-732	EA	PLATE - STRIKE	618167
22	120075-01-733	EA	CABINET - FOAMED	618265
	090195-08-000	EA	BAFFLE - REFRIGERATOR - LOWER	
	093369-03-000	EA	STRAP - REFRIGERATOR	
	093646-01-000	EA	BRACKET - TIEDOWN/REFRIGERATOR - RIGHT HAND	
	093646-02-000	EA	BRACKET - TIEDOWN/REFRIGERATOR - LEFT HAND	
	116751-05-01A	EA	TRAY - REFRIGERATOR - BLACK	
	054450-01-000	EA	LEVEL - REFRIGERATOR	
	065225-02-000	EA	PLATE - TIEDOWN - REFRIGERATOR	

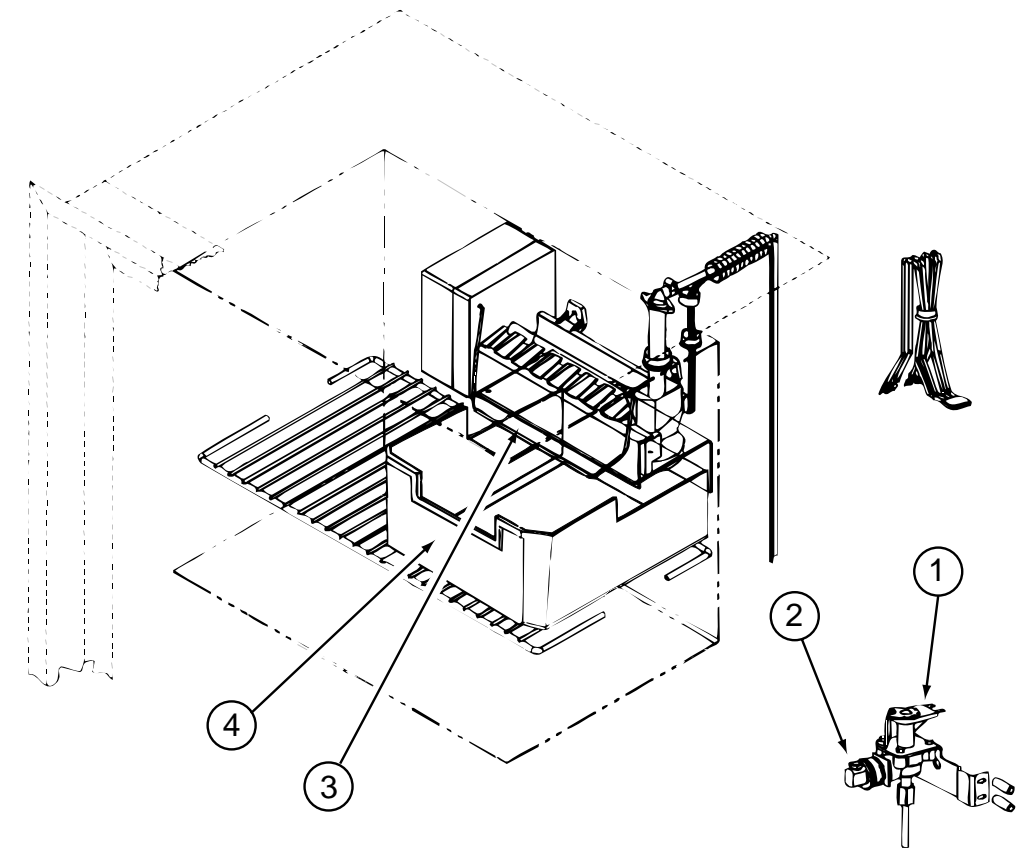
**GALLEY GROUP (CONTINUED)**



**NORCOLD MODEL 982 REFRIGERATOR LOWER DOOR**

KEY	PART NUMBER	U/M	DESCRIPTION	VENDOR NO.
	120075-03-01A	EA	REFRIGERATOR - LARGE DOUBLE DOOR/RIGHT HAND - 2-WAY W/ICE MAKER	
1	120075-01-701	EA	HINGE - TOP RH/BTM LH - PAINTED	618511
2	120075-01-702	EA	CAP (HINGE PLUG)	618160
3	120075-01-705	EA	HINGE - PAINTED - TOP LH/BTM RT	618510
4	120075-01-706	EA	BIN - DOOR	618635
5	120075-01-707	EA	DIVIDER - BIN - DOOR	618637
6	120075-01-710	EA	DOOR-LOWER-FOAMED, W/GASKET	618270
7	120075-01-704	EA	DOOR HANDLE - UPR RH/LWR LH	618230
8	120075-01-712	EA	BIN - DOOR/BOTTOM - LARGE	618634
9	121568-01-703	EA	RETAINER - PANEL LOWER DOOR	618129

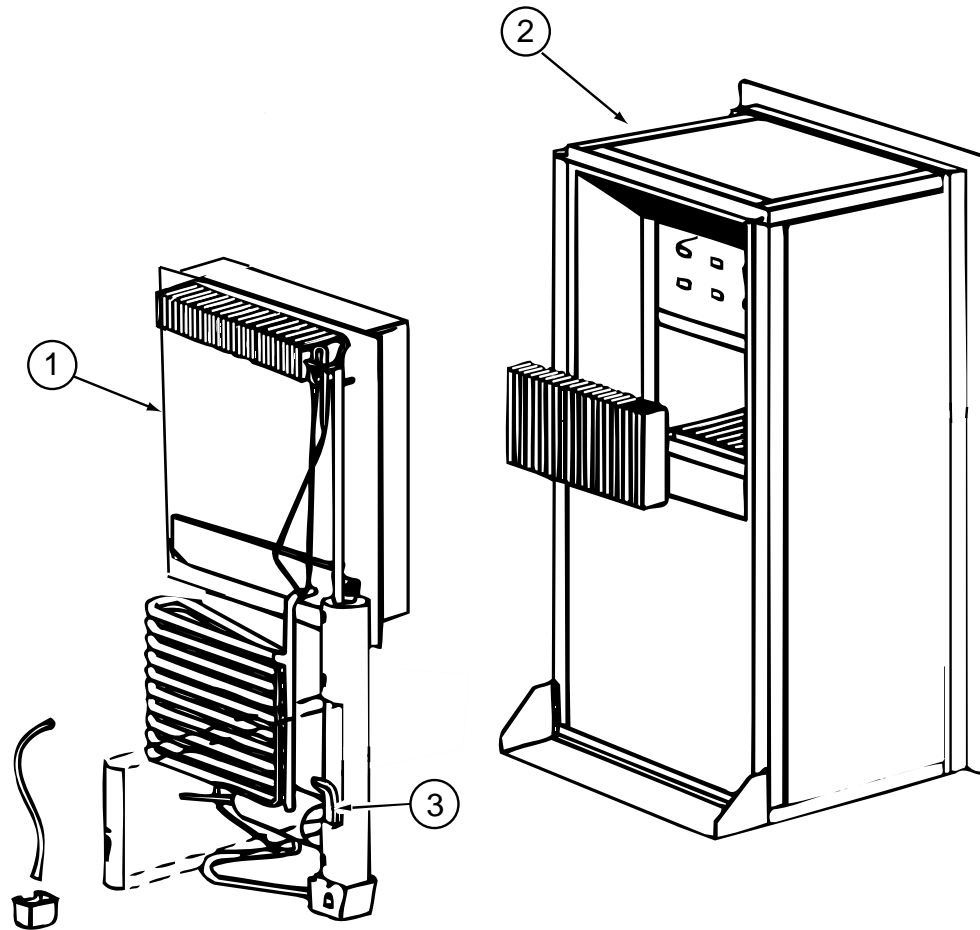
**GALLEY GROUP (CONTINUED)**



**NORCOLD MODEL 982 REFRIGERATOR ICEMAKER COMPONENTS**

KEY	PART NUMBER	U/M	DESCRIPTION	VENDOR NO.
	120075-03-01A	EA	REFRIGERATOR - LARGE DOUBLE DOOR/RIGHT HAND - 2-WAY W/ICE MAKER	
1	120075-03-701	EA	VALVE ASM. - WATER - W/BACKET	618253
2	120075-03-702	EA	NUT/COMPRESSION - FITTING	61678722
3	120075-03-703	EA	ARM - SHUT OFF	61656922
4	120075-03-704	EA	BIN - ICE CUBE	618154

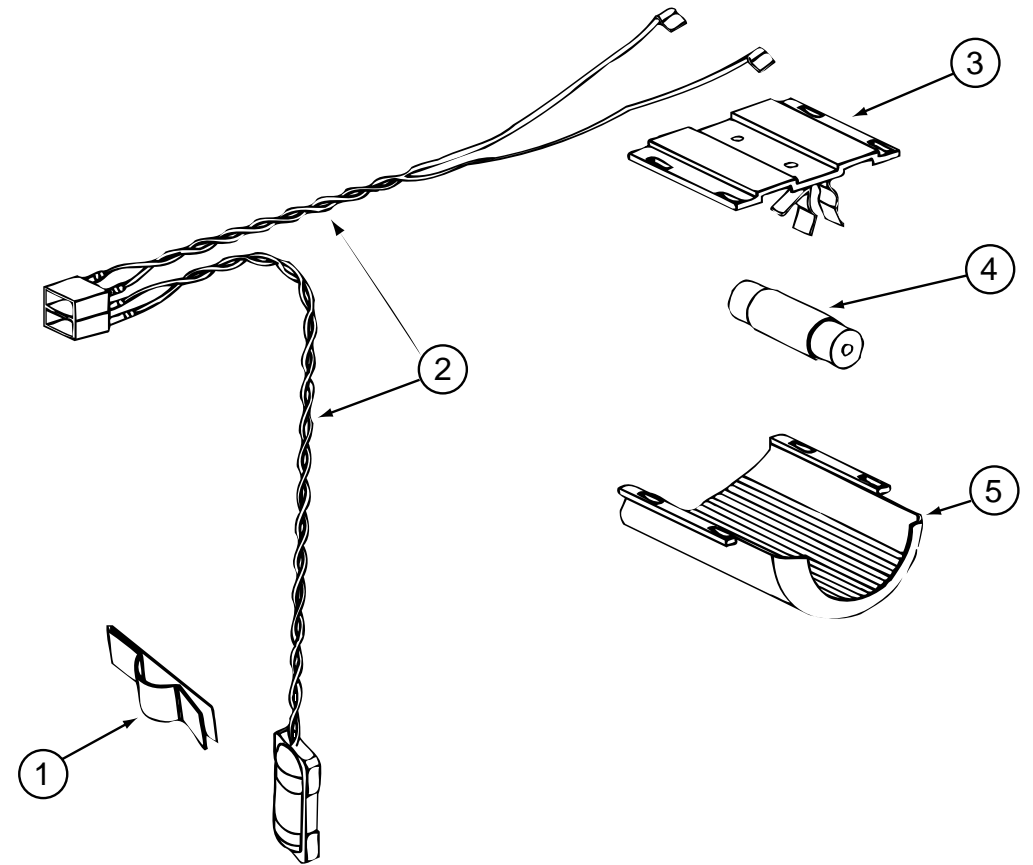
**GALLEY GROUP (CONTINUED)**



**NORCOLD MODEL 982 REFRIGERATOR COOLING UNIT, CABINET, & HEATERS**

KEY	PART NUMBER	U/M	DESCRIPTION	VENDOR NO.
	120075-03-01A	EA	REFRIGERATOR - LARGE DOUBLE DOOR/RIGHT HAND - 2-WAY W/ICE MAKER	
1	120075-01-736	EA	COOLING UNIT - SERVICE PACK	618542
2	120075-01-733	EA	CABINET - FOAMED	618265
3	088248-01-709	EA	HEATER - AC (HORIZONTAL)	61562722

**GALLEY GROUP (CONTINUED)**

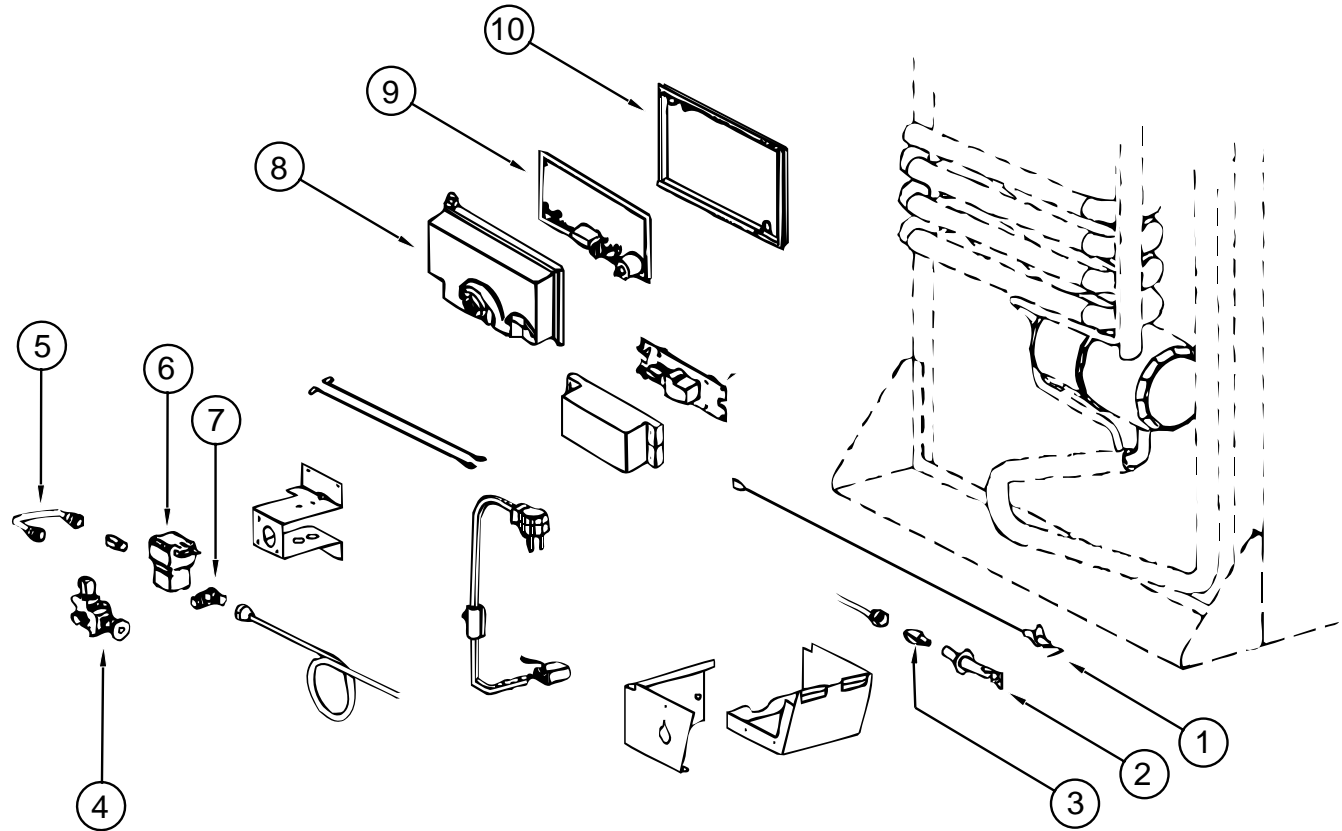


**NORCOLD MODEL 982 REFRIGERATOR LAMP ASM**

KEY	PART NUMBER	U/M	DESCRIPTION	VENDOR NO.
	120075-03-01A	EA	REFRIGERATOR - LARGE DOUBLE DOOR/RIGHT HAND - 2-WAY W/ICE MAKER	
1	084880-01-760	EA	CLIP (THERMISTER)	61689122
2	120075-01-735	EA	WIRE ASM. - LAMP	618548
3	084880-03-705	EA	BRACKET - LIGHT-INTERIOR	61629722
4	084880-03-706	EA	BULB - LAMP	61628922
5	120075-01-734	EA	COVER-LENS	618190



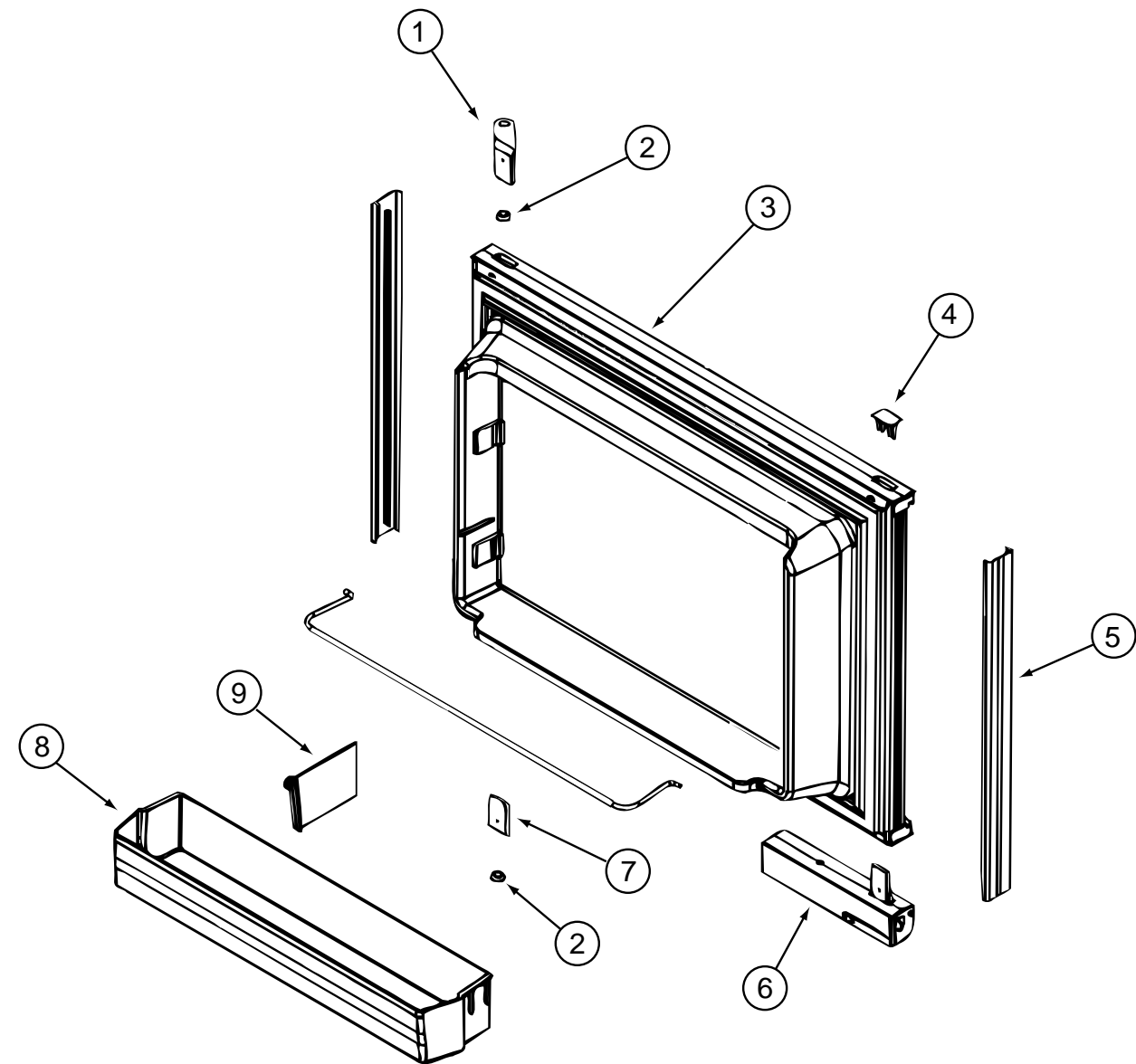
**GALLEY GROUP (CONTINUED)**



**NORCOLD MODEL 982 REFRIGERATOR BURNER & POWER BOARDS**

KEY	PART NUMBER	U/M	DESCRIPTION	VENDOR NO.
	120075-03-01A	EA	REFRIGERATOR - LARGE DOUBLE DOOR/RIGHT HAND - 2-WAY W/ICE MAKER	
1	104137-06-715	EA	ELECTRODE - SPARK/SENSOR - SGL	61692222
2	104137-06-714	EA	BURNER ASSEMBLY - 5-SLOT	61705222
3	120075-01-737	EA	ORIFICE - JEWEL - .0155	618284
4	104137-06-709	EA	VALVE - SHUT OFF - MANUAL	61694922
5	113737-01-750	EA	TUBE - UNION	61694622
6	084880-01-718	EA	VALVE - GAS - (ASCO)	61551822
7	113737-01-716	EA	TAP - PRESSURE	61594422
	113737-01-702	EA	PLUG 1/8" F/PRESSURE TAP	61445322
8	120075-01-738	EA	COVER - POWER BOARD	618185
9	120075-01-739	EA	BOARD - POWER - 2-WAY	618574
10	120075-01-740	EA	COVER - BASE - POWER BOARD	618186

**GALLEY GROUP (CONTINUED)**

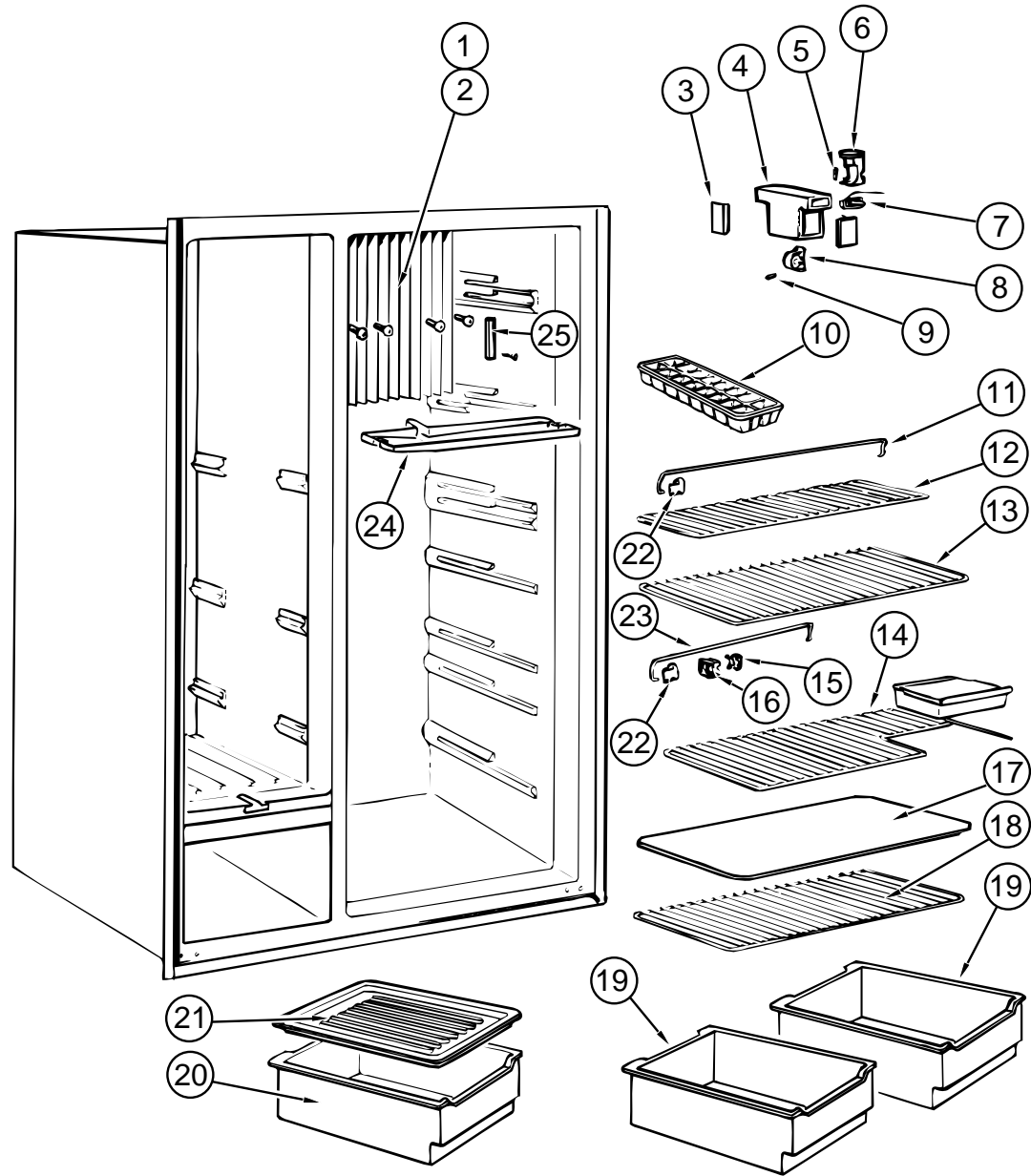


**NORCOLD MODEL 982 REFRIGERATOR UPPER DOOR**

KEY	PART NUMBER	U/M	DESCRIPTION	VENDOR NO.
	120075-03-01A	EA	REFRIGERATOR - LARGE DOUBLE DOOR/RIGHT HAND - 2-WAY W/ICE MAKER	
1	120075-01-701	EA	HINGE - TOP RH/BTM LH - PAINTED	618511
2	120075-01-708	EA	BUSHING - DOOR HINGE	618144
3	120075-01-703	EA	DOOR ASM. - FOAMED - W/GASKET	618205
4	120075-01-702	EA	CAP - (HINGE PLUG)	618160
5	120075-01-700	EA	RETAINER - DOOR - DECOR PANEL	618128
6	120075-01-704	EA	DOOR HANDLE - UPR RH/LWR LH	618230
7	120075-01-705	EA	HINGE - TOP LH/BTM RH - PAINTED	618510
8	120075-01-706	EA	BIN-DOOR	618635
9	120075-01-707	EA	DIVIDER-DOOR BIN	618637

## GALLEY GROUP (CONTINUED)

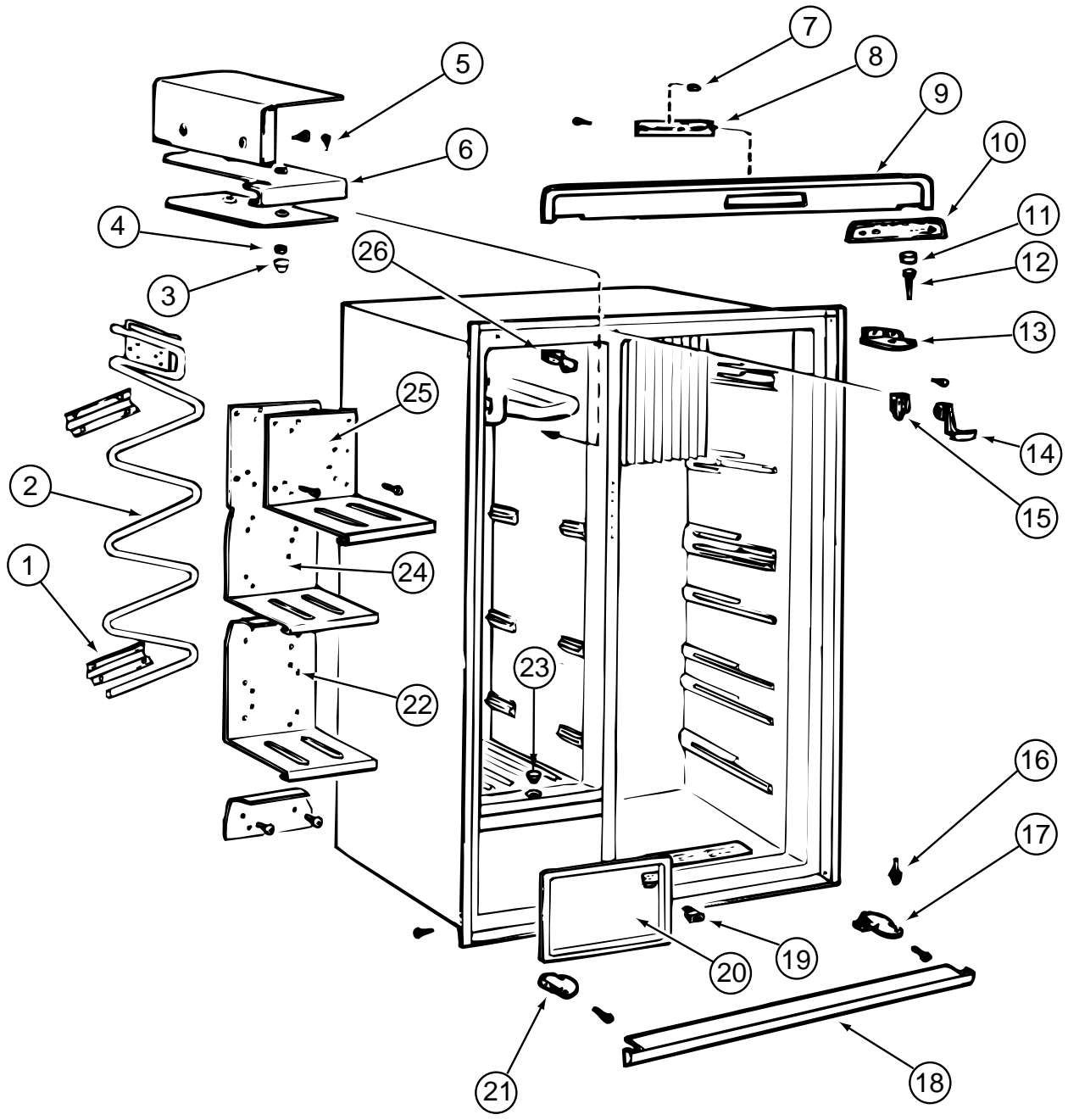
### REFRIGERATOR CABINET ASM. & COMPONENTS (DOMETIC RM 7732IM)



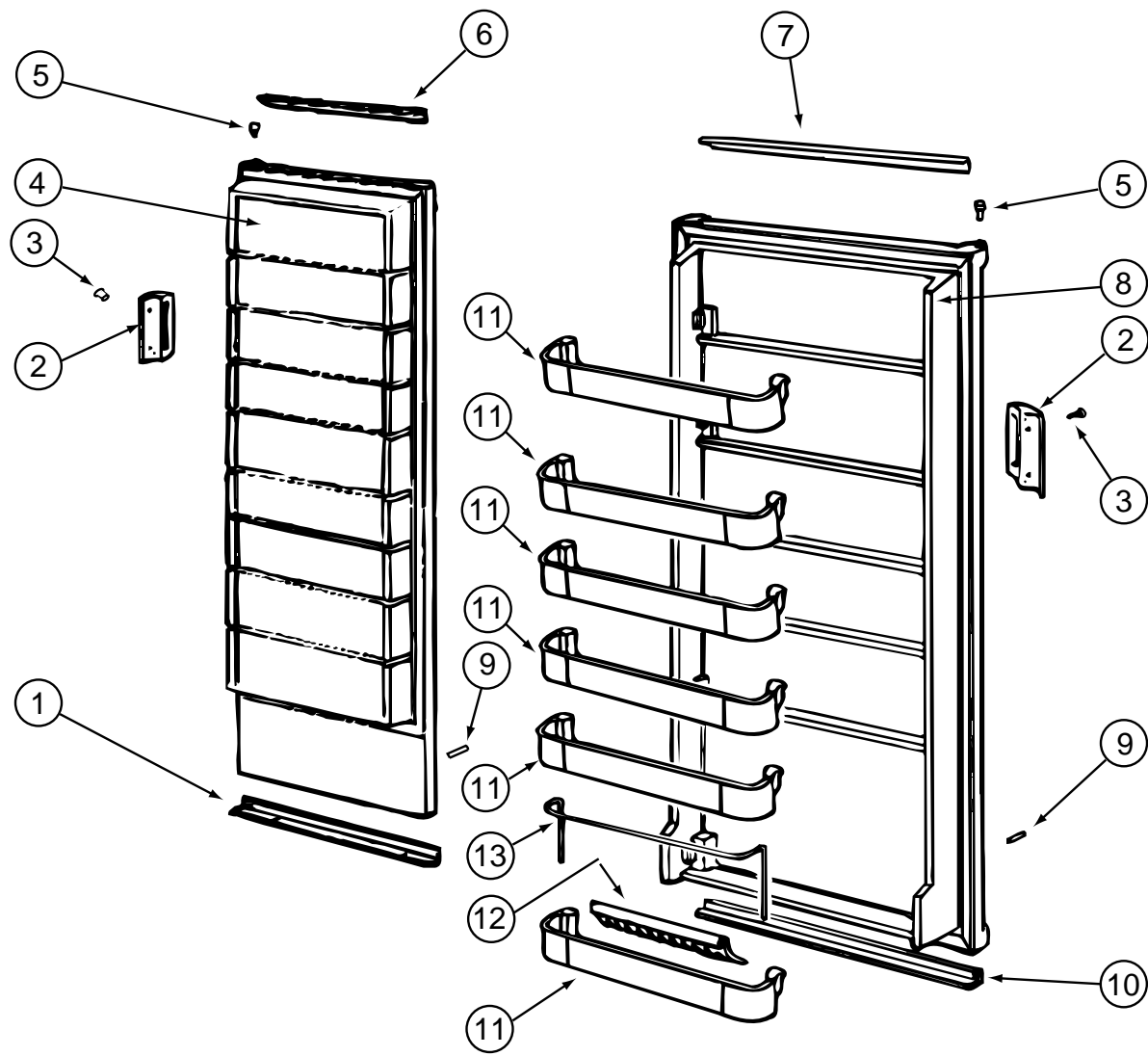
KEY	PART NUMBER	U/M DESCRIPTION	VENDOR NO.
	118367-01-01A	EA REFRIGERATOR - SIDE BY SIDE DOOR - 2 WAY	
1	118367-01-739	EA FLANGE - COOLING COIL - LEFT	293 16 61-02/5
2	118367-01-740	EA FLANGE - COOLING COIL - RIGHT	293 16 61-03/3
3	118367-01-757	EA CAP - END LAMP PROTECTION	200 40 43-00/2
4	118367-01-753	EA COVER - SWITCH & LIGHT	200 40 44-09/1
5	118367-01-759	EA LAMP - 10W - 12VOLT	200 72 90-00/6
6	118367-01-758	EA LIGHTING	293 07 44-01/2
7	118367-01-754	EA SWITCH - DOOR	294 08 25 00/9
8	118367-01-756	EA SUPPORT - THERMOSTAT	200 40 42-00/4
9	118367-01-763	EA PIN - LOCKING	200 12 81-01/9
10	118367-01-746	EA TRAY - ICE	293 04 00-00/3
11	118367-01-760	EA RACK - UPPER	200 73 37-15/3
12	118367-01-743	EA SHELF #3 - REFRIGERATOR	293 15 42-02/7
13	118367-01-742	EA SHELF #2 - REFRIGERATOR	293 15 41-04/5
14	118367-01-745	EA SHELF #5 - REFRIGERATOR	293 15 41-06/0
15	118367-01-748	EA LOCK - FLAP - OUTER	200 73 93-02/4
16	118367-01-747	EA LOCK - FLAP - INNER	200 73 92-02/6
17	118367-01-741	EA SHELF - UPPER - REFRIGERATOR	293 15 41-05/2
18	118367-01-744	EA SHELF #4 - REFRIGERATOR	293 11 17-06/9
19	118367-01-749	EA BOX - VEGETABLE	293 14 71-02/9
20	118367-01-750	EA BOX - VEGETABLE	293 14 71-03/7
21	118367-01-751	EA LID - VEGETABLE	293 26 93-01/9
22	118367-01-762	EA RETAINER - RACKS	293 06 93-04/5
23	118367-01-761	EA RACK - LOWER	200 73 37-16/1
24	118367-01-752	EA PAN - DRIP	293 61 63-01/3
25	118367-01-755	EA RETAINER - PROBE	293 19 76-01/9
	118367-01-784	EA BUCKET - ICE	3108702.998
	118367-01-785	EA CONNECTION - WATER - COMPLETE	2930916024
	118367-01-787	EA SHELF - ICE BUCKET WIRE	293 19 85010
	118367-01-788	EA BLOCK - TERMINAL	2931963017
	118367-01-789	EA ICEMAKER	3108703.517
	118367-01-790	EA VALVE - WATER	2931972026
	054450-01-000	EA LEVEL - REFRIGERATOR	
	065225-01-000	EA PLATE - TIEDOWN - REFRIGERATOR	
	114431-05-000	EA VALVE - NEEDLE - COMP 1/8 MPT X 1/4 - FLAIR-IT 64858	
	118871-02-01A	EA TRAY - REFRIGERATOR - SIDE/SIDE - BLACK	

## GALLEY GROUP (CONTINUED)

### DOMETIC MODEL RM 7732IM SIDE BY SIDE REFRIGERATOR SHELVES & COMPONENTS

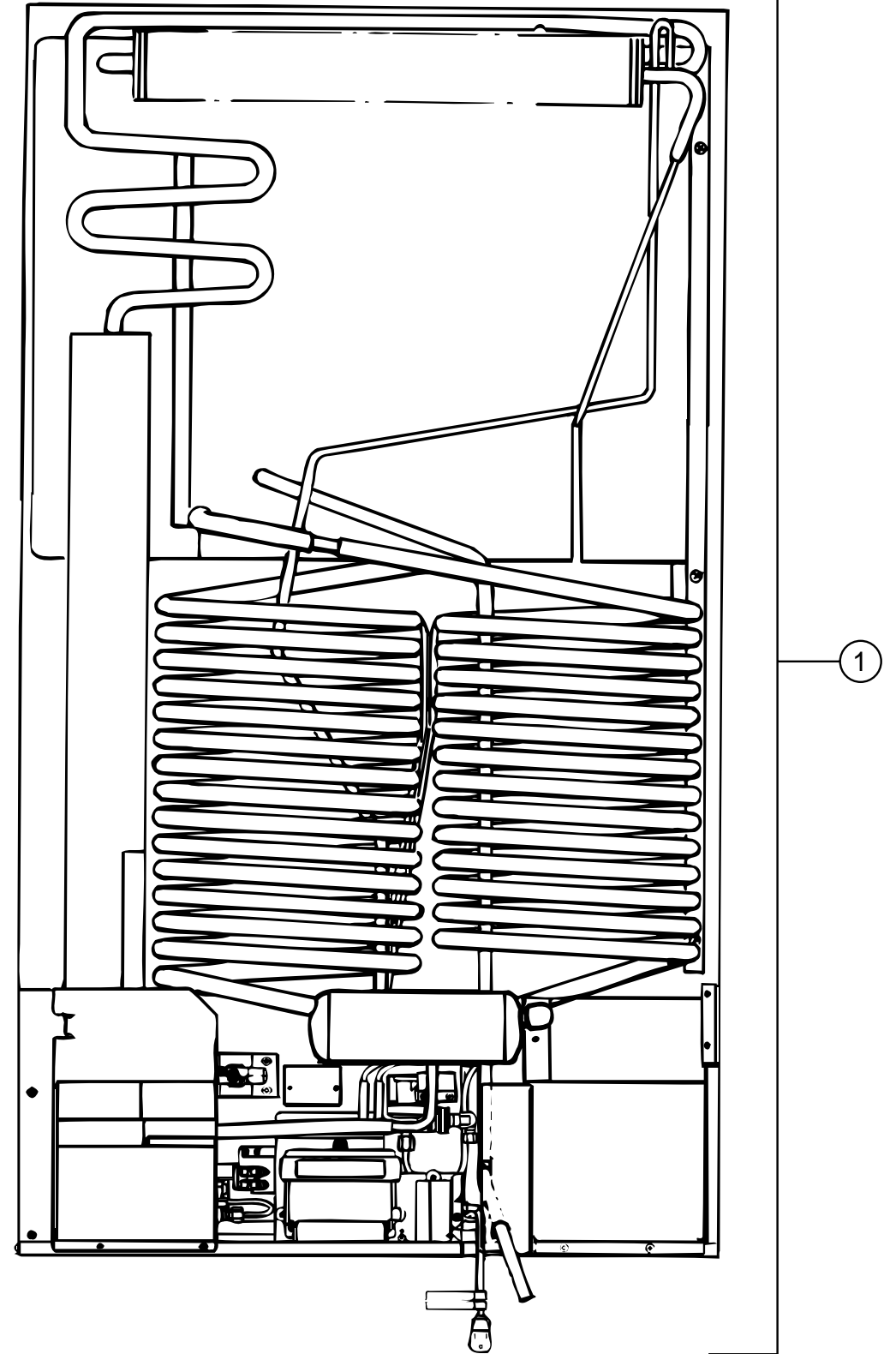


KEY	PART NUMBER	U/M DESCRIPTION	VENDOR NO.
	118367-01-01A	EA REFRIGERATOR - SIDE BY SIDE DOOR - 2 WAY	
1	118367-01-738	EA BRACKET - SHELF - FREEZER	293 14 84-01/4
2	118367-01-734	EA COIL - FREEZER	293 14 74-01/5
3	118367-01-729	EA PLUG - UPPER	293 04 87-00/0
4	118367-01-718	EA NUT - M5 - BRASS - FINISHED	731 43 14-13/4
5	118367-01-717	EA SCREW - M6S - 5 X 20 - FINISHED	725 23 30-13/4
6	118367-01-733	EA SHELF - UPPER - FREEZER	293 14 77-02/6
7	118367-01-721	EA BUTTON	95 50 24-13/8
8	118367-01-719	EA BOARD - CIRCUIT - AES ASM.	293 26 97-05/1
9	118367-01-722	EA DECORATION - FRONT	293 26 63-01/2
10	118367-01-720	EA DECORATION	95 50 24-53/4
11	118367-01-713	EA PLUG	293 27 36-01/6
12	118367-01-714	EA PIN - HINGE - UPPER	293 26 47-01/5
13	118367-01-716	EA HINGE - UPPER - RIGHT - REFRIGERATOR	293 26 46-02/5
14	118367-01-723	EA BOW - LOCKING	293 27 45-01/7
15	118367-01-724	EA RETAINER	293 27 46-01/5
16	118367-01-727	EA PIN - HINGE - LOWER	293 26 49-02/9
17	118367-01-726	EA HINGE - LOWER - RIGHT - REFRIGERATOR	293 26 45-02/7
18	118367-01-730	EA STRIP - FRONT	293 26 64-01/0
19	118367-01-732	EA SWITCH - DOOR	293 26 80-01/6
20	118367-01-731	EA FLAP	293 26 55-01/8
21	118367-01-725	EA HINGE - LOWER - LEFT - FREEZER	293 26 45-01/9
22	118367-01-737	EA SHELF - #4 - FREEZER	293 14 82-02/6
23	118367-01-728	EA LID - LOWER	293 17 15-01/1
24	118367-01-736	EA SHELF - #3 - FREEZER	293 19 82-02/5
25	118367-01-735	EA SHELF - #2 - FREEZER	293 19 83-02/3
26	118367-01-715	EA HINGE - UPPER - LEFT - FREEZER	293 26 46-01/7



DOMETIC MODEL RM 7732IM SIDE BY SIDE REFRIGERATOR DOORS

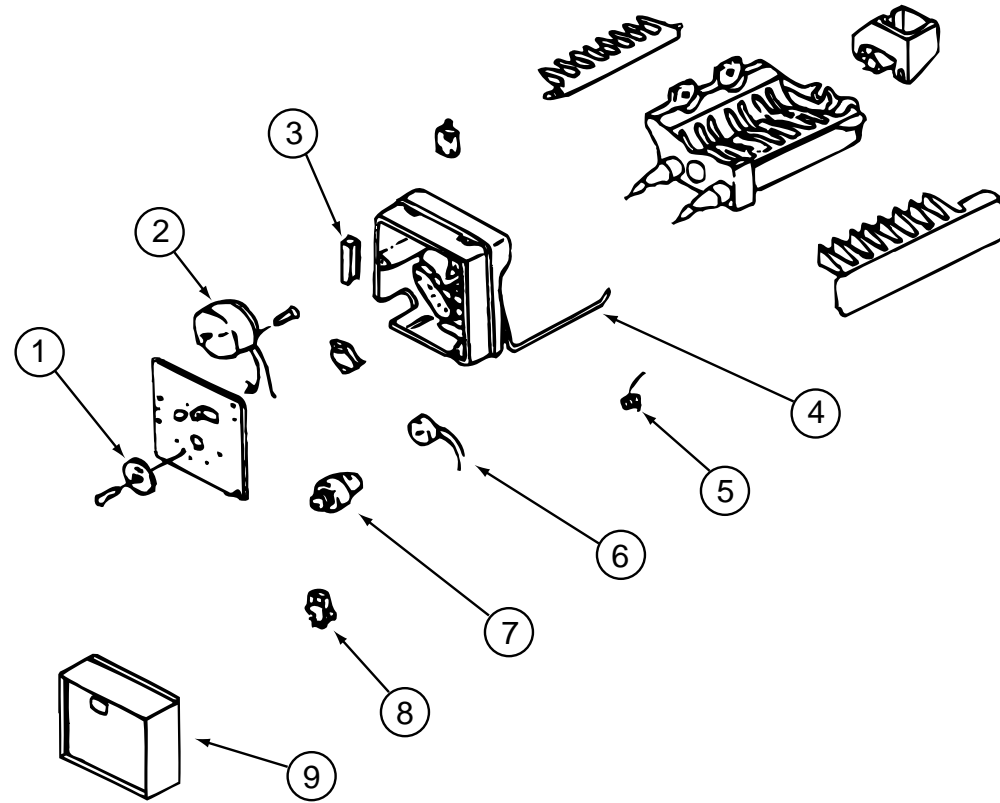
KEY	PART NUMBER	U/M DESCRIPTION	VENDOR NO.
1	118367-01-01A	EA REFRIGERATOR - SIDE BY SIDE DOOR - 2 WAY	
2	118367-01-709	EA DECORATION - DOOR - FREEZER - LOWER	293 26 42-02/4
3	118367-01-704	EA HANDLE - FREEZER/REFRIGERATOR	293 27 29-01/1
4	118367-01-705	EA SCREW - HANDLE - FREEZER/REFRIGERATOR	724 13 23-61/2
5	118367-01-701	EA DOOR - FREEZER	293 25 89-11/8
6	118367-01-702	EA BUSHING - HINGE - FREEZER/REFRIGERATOR	293 11 71-01/7
7	118367-01-708	EA DECORATION - DOOR - FREEZER - UPPER	293 26 42-12/3
8	118367-01-706	EA DECORATION - DOOR - REFRIGERATOR UPPER	293 26 42-08/1
9	118367-01-700	EA DOOR - REFRIGERATOR	293 25 90-11/6
10	118367-01-703	EA STOP - LOWER - FREEZER/REFRIGERATOR	293 25 88-01/1
11	118367-01-707	EA DECORATION - DOOR - REFRIGERATOR LOWER	293 26 42-03/2
12	118367-01-711	EA SHELF - DOOR - REFRIGERATOR	293 25 83-02/0
13	118367-01-710	EA HOLDER - BOTTLE - DOOR - REFRIGERATOR	293 26 58-01/2
	118367-01-712	EA RACK - DOOR - REFRIGERATOR	293 25 85-04/1



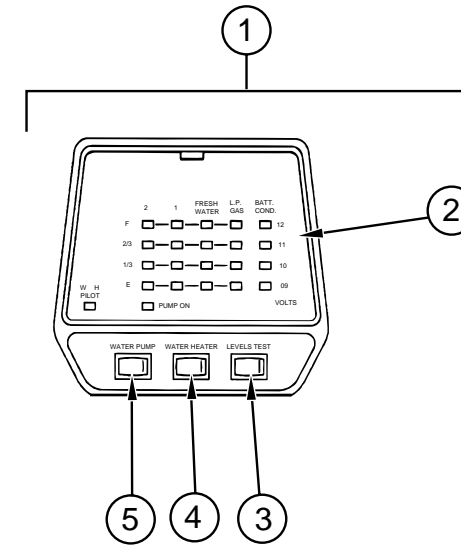
DOMETIC MODEL RM 7732IM SIDE BY SIDE REFRIGERATOR COOLING COIL

KEY	PART NUMBER	U/M DESCRIPTION	VENDOR NO.
	118367-01-01A	EA REFRIGERATOR - SIDE BY SIDE DOOR - 2 WAY	
1	118367-01-783	EA COIL - COOLING	293 49 45-09/4

**GALLEY GROUP (CONTINUED)**



**GALLEY GROUP (CONTINUED)**



**MONITOR PANEL (2 WATER TANKS & WATER HEATER)**

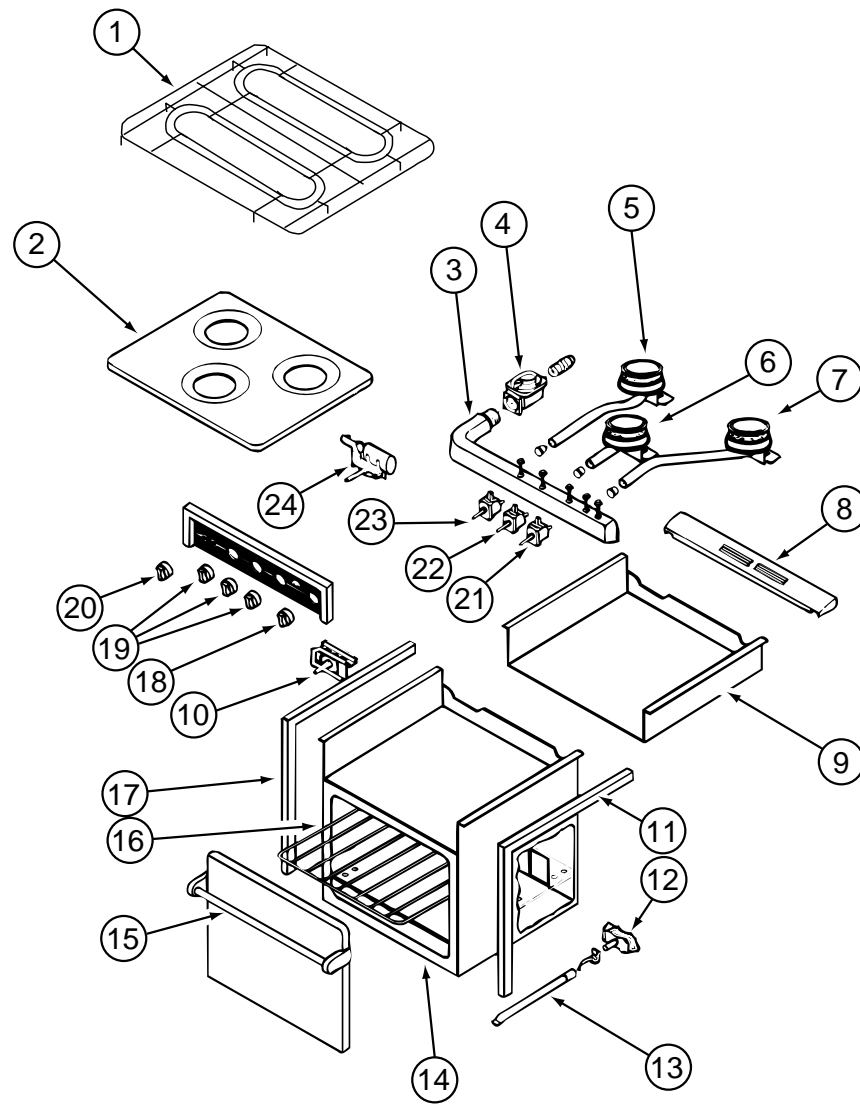
KEY	PART NUMBER	U/M	DESCRIPTION	VENDOR NO.
1	102765-04-01A	EA	PANEL - MONITOR - 2 HOLDING TANKS - ADJUSTABLE	
2	102765-04-700	EA	CIRCUIT BOARD - 2 HOLDING TANKS	5076-11
3	097617-01-702	EA	SWITCH (ALMOND)	107
4	097617-01-701	EA	SWITCH - ON/OFF - ALMOND	106
5	102765-01-700	EA	SWITCH - ON-ON - ALMOND	110-01

**DOMETIC MODEL RM 7732IM SIDE BY SIDE REFRIGERATOR ICEMAKER COMPONENTS**

KEY	PART NUMBER	U/M	DESCRIPTION	VENDOR NO.
	118367-01-01A	EA	REFRIGERATOR - SIDE BY SIDE DOOR - 2 WAY	
1	118367-01-795	EA	GEAR	3108703.491
2	118367-01-793	EA	MOTOR	3108703.475
3	118367-01-799	EA	PLUG - 4 PRONG FEMALE	3108702.907
4	118367-01-797	EA	ARM - SHUT OFF	3108702.881
5	118367-01-798	EA	SPRING - SHUT OFF ARM	3108702.899
6	118367-01-792	EA	THERMOSTAT - MOLDING	3108703.467
7	118367-01-794	EA	CAM	3108703.483
8	118367-01-791	EA	SWITCH (3 REQ)	8108703.459
9	118367-01-796	EA	COVER - CYCLE FRONT	2930874025

# GALLEY GROUP (CONTINUED)

## ATWOOD RANGE W/ OVEN, R-2138BGP



KEY	PART NUMBER	U/M DESCRIPTION	VENDOR NO.
	121758-02-01A	EA RANGE - W/OVEN - 3 BURNER - 21" - BLACK	
1	121758-02-700	EA GRATE - SINGLE	56261
	121758-02-701	EA CLIP - GRATE	56117
2	107246-01-700	EA TOP - MAIN - BLACK - 3-BURNER	53083
3	121758-01-709	EA MANIFOLD 3 BURNER	51272
	121758-01-713	EA COVER - MANIFOLD	56107
4	106689-01-704	EA REGULATOR - EXTREME PRESSURE	51062
5	121758-01-707	EA BURNER LEFT REAR PIEZO	56066
6	121758-01-708	EA BURNER CENTER (HIGH OUTPUT)	56068
7	121758-01-706	EA BURNER RIGHT REAR PIEZO	56067
8	107323-01-705	EA TRIM - VENT	53525
9	121758-01-711	EA BURNER BOX	51684
10	121758-02-702	EA THERMOSTAT - (OVEN)	56119
11	107323-01-703	EA TRIM - RIGHT	53024
12	121758-02-705	EA PILOT ASM. - ONLY (OVEN)	56121
13	121758-02-706	EA BURNER - OVEN	56123
14	107323-01-706	EA TRIM - LOWER - BLACK	53526
15	107323-01-714	EA HANDLE ASM. DESIGNER STYLE	51112
	107323-01-713	EA GLASS - BLACK - INSERT OVEN DOOR	53426
16	107246-01-704	EA RACK - OVEN	51069
17	107323-01-702	EA TRIM - LEFT	53023
18	121758-02-707	EA KNOB KIT - MODEL R38	51127
		KIT CONTAINS:OVEN KNOB, PIEZO IGNITER KNOB, 3 BURNER KNOBS	
19	121758-02-707	EA KNOB KIT - MODEL R38	51127
		KIT CONTAINS:OVEN KNOB, PIEZO IGNITER KNOB, 3 BURNER KNOBS	
20	121758-02-707	EA KNOB KIT - MODEL R38	51127
		KIT CONTAINS:OVEN KNOB, PIEZO IGNITER KNOB, 3 BURNER KNOBS	
21	121758-01-710	EA VALVE - BURNER	56086
22	121758-01-705	EA VALVE HIGH OUTPUT	56087
23	121758-01-710	EA VALVE - BURNER	56086
24	121758-01-701	EA IGNITOR PIEZO (ROTARY)	56096
	121758-02-704	EA VALVE - SAFETY	56120
	105458-03-000	EA BRACKET - STOVE TIEDOWN - RIGHT HAND	
	105458-04-000	EA BRACKET - STOVE TIEDOWN - LEFT HAND	

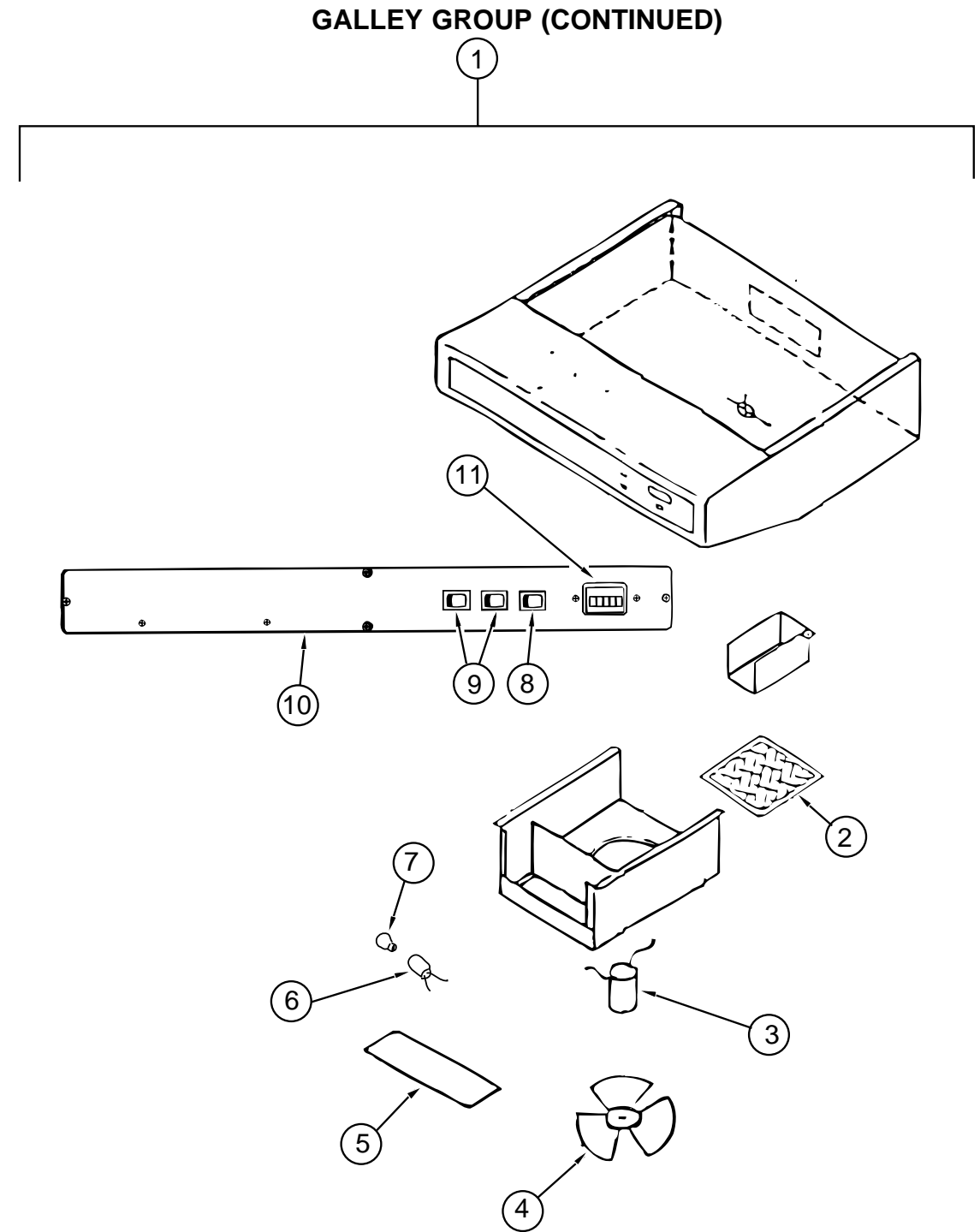
### RANGE COVER

KEY	PART NUMBER	U/M DESCRIPTION	VENDOR NO.
	107314-01-01A	EA COVER - RANGE - SLOTTED/BIFOLD - 21"	
	106693-01-702	EA BUMPER-RUBBER,1/2 " F/G'S	53018

**GALLEY GROUP (CONTINUED)**

**MICROWAVE OVEN**

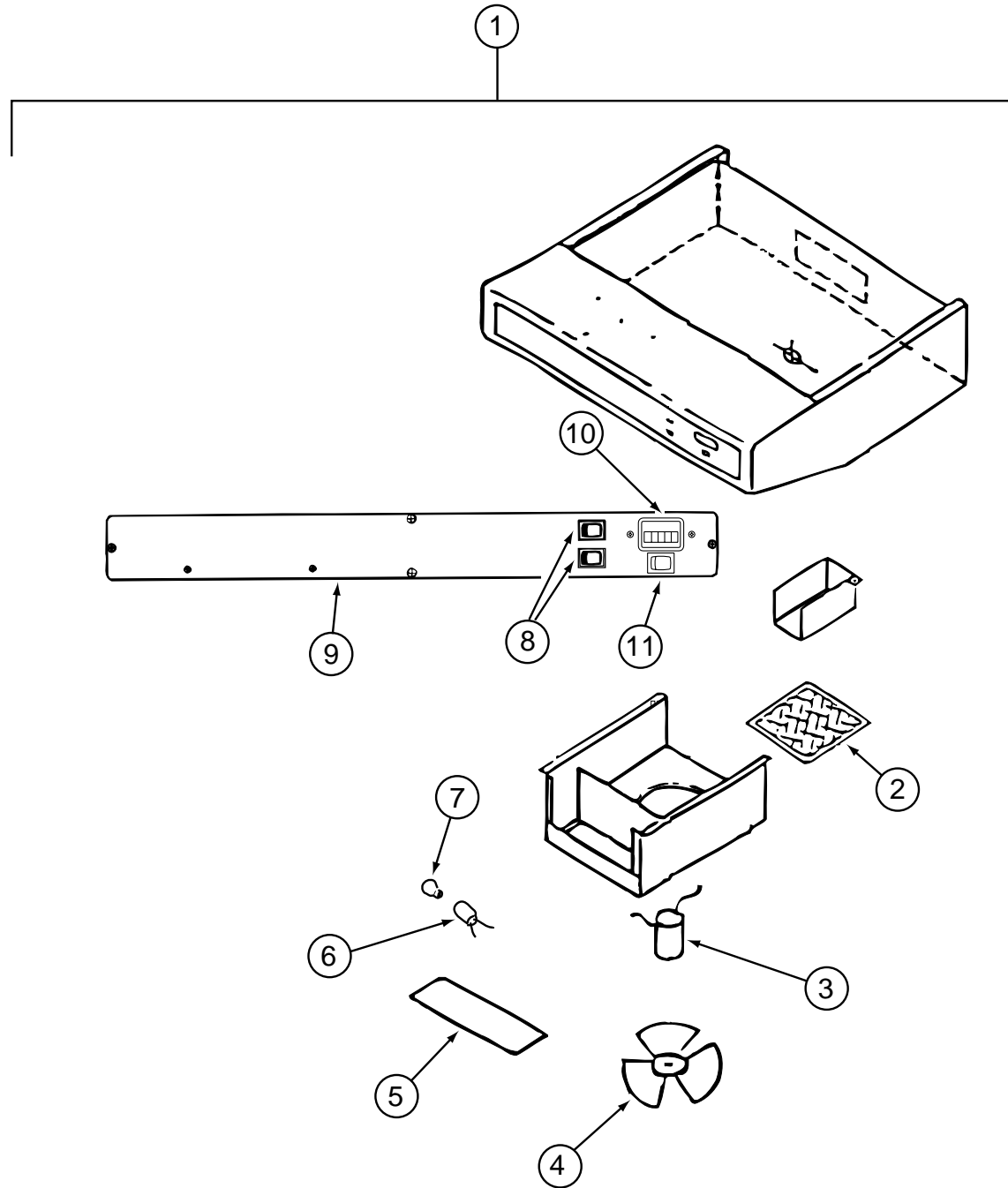
KEY	PART NUMBER	U/M	DESCRIPTION
	115303-02-000	EA	OVEN - MICROWAVE - 1.3 CU FT
	115401-02-01A	EA	TRIM - MICROWAVE
	094756-03-D18	EA	BRACKET - ANGLE - W/HOLES
	098916-16-02B	EA	BRACE - MICROWAVE - LEFT HAND
	098916-17-02B	EA	BRACE - MICROWAVE - RIGHT HAND
	094750-07-000	EA	BRACKET - MICROWAVE - 89 DEGREE



**RANGE HOOD , W/HOUR METER, TPS-5009-SBDLG (USA)**

KEY	PART NUMBER	U/M	DESCRIPTION	VENDOR NO.
1	100258-18-03A	EA	HOOD - RANGE 22W W/O MONITOR PANEL	
2	096983-01-707	EA	FILTER - GREASE - 8" X 8" - LVS	CC246
3	090973-01-700	EA	MOTOR - LVS	CA508-1
4	090973-01-702	EA	BLADE - FAN - LVS	VA183-1
5	092696-02-701	EA	LENS - LAMP	CC179-2
6	092696-01-710	EA	SOCKET - LIGHT	CB267-2
7	117806-01-000	EA	BULB - 12 VOLT #912 - 1.0 AMPS	
8	096983-01-702	EA	SWITCH - MOM / OFF / MOM / 3 TERM	L0112-00
9	096983-01-700	EA	SWITCH - ON/OFF	L0108-00
10	100258-01-700	EA	HOOD NOSE LABEL	CC428
11	100258-10-01A	EA	GAUGE - HOUR METER W/ SWITCH - SCREW ON - 150	
11	100258-10-701	EA	GAUGE - HOUR METER - CLIP ON	L0775-00

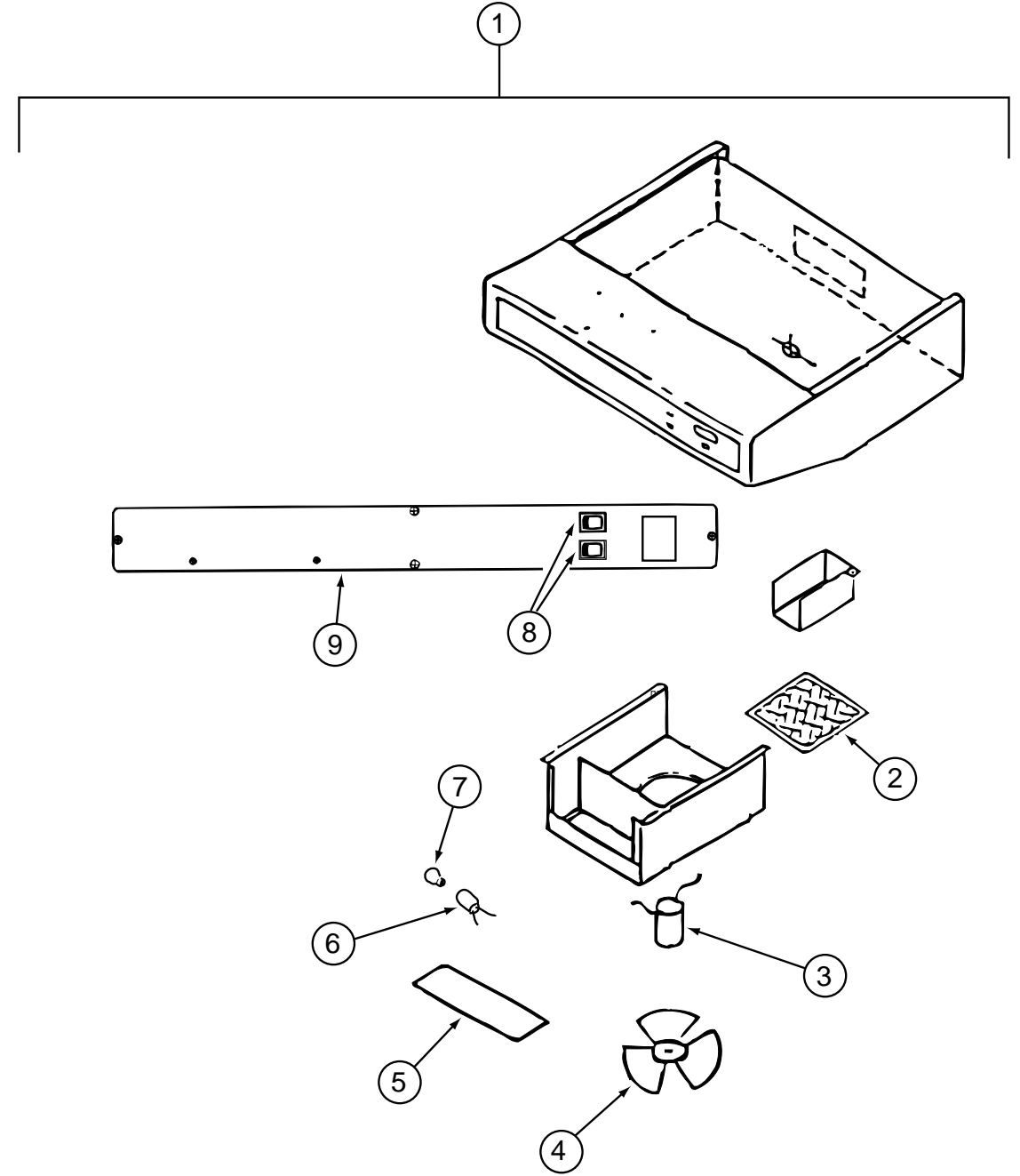
**GALLEY GROUP (CONTINUED)**



**RANGE HOOD , W/O HOUR METER, TCS 5008-NBCLG (CANADIAN)**

KEY	PART NUMBER	U/M DESCRIPTION	VENDOR NO.
1	100258-17-04A	EA HOOD - RANGE - W/O MONITOR PANEL	
2	096983-01-707	EA FILTER-MESH	CC246
3	090973-01-700	EA MOTOR-12 VOLT, CSA & UL	CA508-1
4	090973-01-702	EA BLADE-FAN	VA183-1
5	092696-02-701	EA LENS-LAMP	CC179-2
6	092696-01-710	EA HOLDER-LAMP	CB267-2
7	092696-01-709	EA LAMP #912	VA415
8	096983-01-700	EA SWITCH-ON/OFF	L0108-00
9	100258-01-700	EA LABEL-HOOD NOSE	CC428
10	100258-10-01A	EA GAUGE-HOUR METER W/SWITCH - SCREW ON (OPTION) - 150	
10	100258-10-701	EA GAUGE-HOUR METER, CLIP ON (OPTION)	L0775-00
11	096983-01-702	EA SWITCH - MOM/OFF/MOM/3 TERM	L0112-00

**GALLEY GROUP (CONTINUED)**



**RANGE HOOD , W/O HOUR METER, TCS-5008-NBDLG (USA)**

KEY	PART NUMBER	U/M DESCRIPTION	VENDOR NO.
1	100258-16-04A	EA HOOD - RANGE - W/O MONITOR PANEL	
2	096983-01-707	EA FILTER - GREASE - 8" X 8" - LVS	CC246
3	090973-01-700	EA MOTOR - LVS	CA508-1
4	090973-01-702	EA BLADE - FAN - LVS	VA183-1
5	092696-02-701	EA LENS - LAMP	CC179
6	092696-01-710	EA SOCKET - LIGHT	CB267-2
7	092696-01-709	EA BULB - 912	VA415
8	096983-01-700	EA SWITCH - ON/OFF	L0108-00
9	100258-01-700	EA HOOD NOSE LABEL	CC428



## GALLEY GROUP (CONTINUED)

### RANGE HOOD, W/HOUR METER, TPS-5056-SBDLG (USA)

KEY	PART NUMBER	U/M DESCRIPTION	VENDOR NO.
	100258-36-01A	EA HOOD - RANGE 22 W/O MONITOR PANEL	
	090973-01-700	EA MOTOR-12 VOLT, CSA & UL	CA508-1
	090973-01-702	EA BLADE-FAN	VA183-1
	092696-01-702	EA RESISTER-WIRE	L7314
	092696-01-709	EA BULB - 912	VA415
	092696-01-710	EA HOLDER-LAMP	CB267-2
	092696-02-701	EA LENS-LAMP	CC179-2
	096983-01-700	EA SWITCH - ON/OFF	L0108-00
	096983-01-702	EA SWITCH - MOM/OFF/MOM/3 TERM	L0112-00
	096983-01-707	EA FILTER-MESH	CC246
	100258-10-701	EA GAUGE-HOUR METER, CLIP ON	L0775-00
	100258-36-700	EA CHASSIS	CC530

### RANGE HOOD, W/HOUR METER, TPS-5056-SBCLG (CANADIAN)

KEY	PART NUMBER	U/M DESCRIPTION	VENDOR NO.
	100258-37-01A	EA HOOD - RANGE - 22 W/O MONITOR PANEL	
	090973-01-700	EA MOTOR-12 VOLT, CSA & UL	CA508-1
	090973-01-702	EA BLADE-FAN	VA183-1
	092696-01-702	EA RESISTER-WIRE	L7314
	092696-01-709	EA BULB - 912	VA415
	092696-01-710	EA HOLDER-LAMP	CB267-2
	092696-02-701	EA LENS-LAMP	CC179-2
	096983-01-700	EA SWITCH - ON/OFF	L0108-00
	096983-01-702	EA SWITCH - MOM/OFF/MOM/3 TERM	L0112-00
	096983-01-707	EA FILTER-MESH	CC246
	100258-10-701	EA GAUGE-HOUR METER, CLIP ON	L0775-00
	100258-36-700	EA CHASSIS	CC530

## GENERATOR GROUP

### ONAN GENERATOR, 6.5 KW MARQUIS - US

KEY	PART NUMBER	U/M DESCRIPTION
	007125-03-000	EA CLAMP - MUFFLER - 1.5" DIAMETER
	007131-01-000	EA HANGER - TAILPIPE - 6 SLOTS
	105559-04-000	EA GENERATOR - 6.5 KW - LP FUEL - 30/30
	106235-01-000	EA ADAPTOR - GENERATOR EXHAUST
	116381-06-000	EA PIPE - EXHAUST - GENERATOR
	065820-09-000	EA HOSE - HIGH PRESSURE - 28"
	114253-04-000	EA ELBOW - 5/16 SINGLE BARB X 1/8 MPT
	116457-01-000	EA TEE - BRASS - BRANCE 1/4 NPT

### ONAN GENERATOR, 6.5 KW MARQUIS - CSA

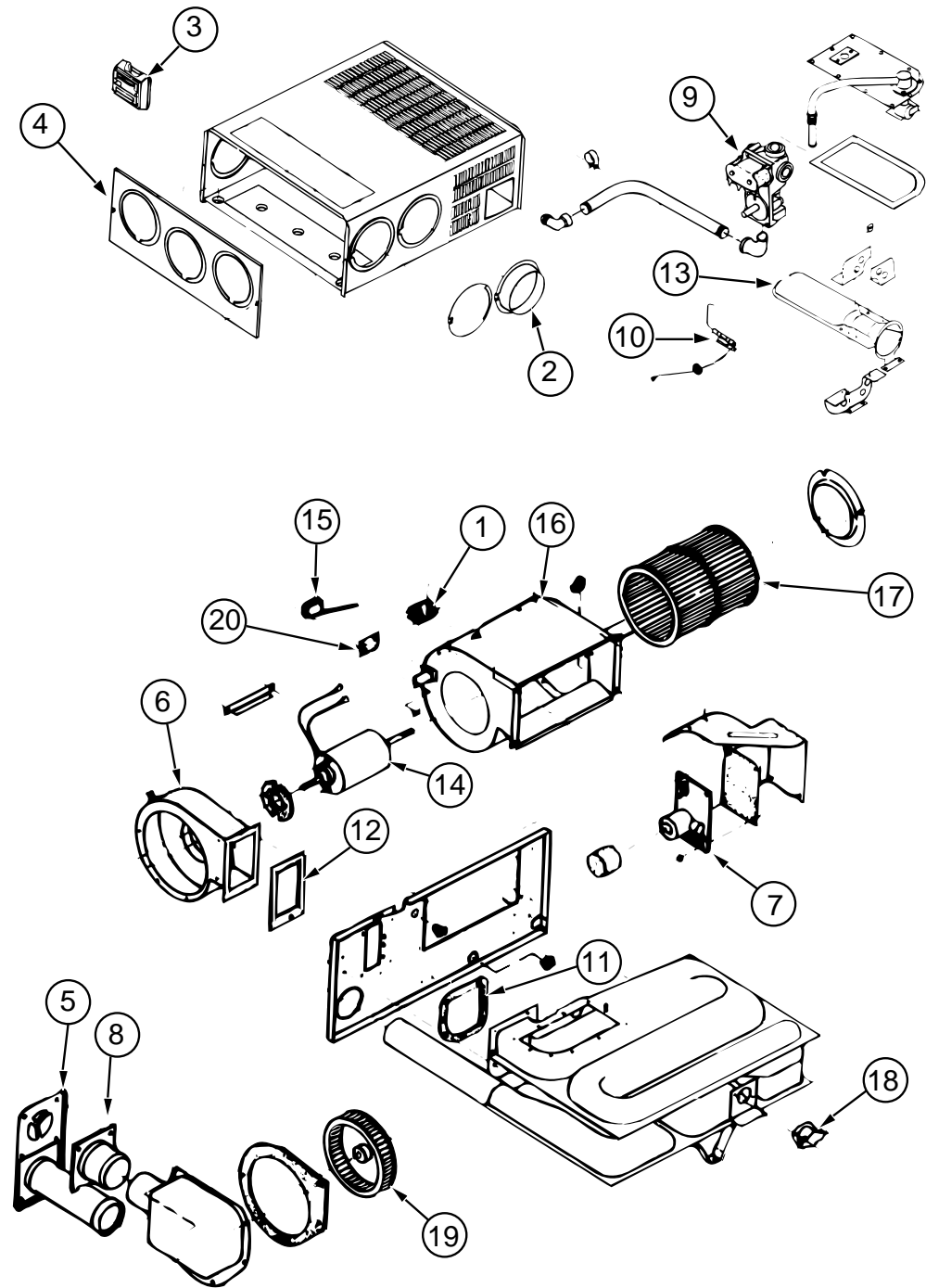
KEY	PART NUMBER	U/M DESCRIPTION
	007125-03-000	EA CLAMP - MUFFLER - 1.5" DIAMETER
	105559-04-000	EA GENERATOR - 6.5 KW - LP FUEL - 30/30
	106234-01-000	EA PIPE - EXHAUST - GENERATOR
	106235-01-000	EA ADAPTOR - GENERATOR EXHAUST
	065820-09-000	EA HOSE - HIGH PRESSURE - 28"
	114253-04-000	EA ELBOW - 5/16 SINGLE BARB X 1/8 MPT
	116457-01-000	EA TEE - BRASS - BRANCE 1/4 NPT

### ONAN GENERATOR, 7.5 KW DIESEL

KEY	PART NUMBER	U/M DESCRIPTION
	007125-03-000	EA CLAMP - MUFFLER - 1.5" DIAMETER
	007131-01-000	EA HANGER - TAILPIPE - 6 SLOTS
	106235-01-000	EA ADAPTOR - GENERATOR EXHAUST
	116381-05-000	EA PIPE - EXHAUST - GENERATOR
	122425-01-000	EA GENERATOR - DIESEL - 7.5
	065820-09-000	EA HOSE - HIGH PRESSURE - 28"
	114253-04-000	EA ELBOW - 5/16 SINGLE BARB X 1/8 MPT
	116457-01-000	EA TEE - BRASS - BRANCE 1/4 NPT

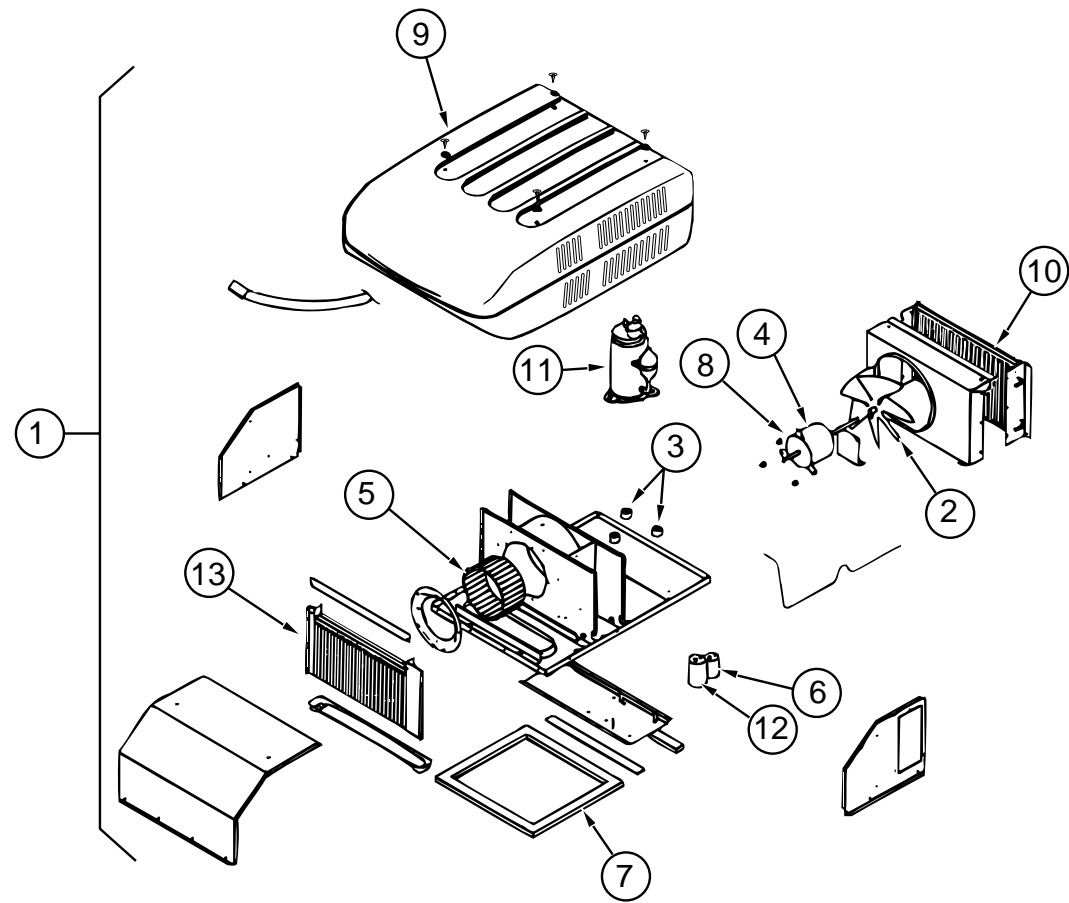
# HEATING & AIR CONDITIONING GROUP

## FURNACE (SUBURBAN SF-42 227)



KEY	PART NUMBER	U/M	DESCRIPTION	VENDOR NO.
	098668-22-000	EA	FURNACE - 40,000 BTU	
1	074466-01-702	EA	RELAY, TIME DELAY	230625
2	075696-02-703	EA	COLLAR-DUCT	050715
3	115764-01-01A	EA	THERMOSTAT - FURNACE	
4	098668-01-700	EA	CABINET FRONT	101242
5	098668-01-707	EA	TUBE ASSEMBLY, EXHAUST W/CAP	260231
6	098668-01-708	EA	HOUSING-BLOWER, COMBUSTION	390441
7	098668-01-712	EA	BOARD-MODULE	520741
8	098668-01-713	EA	TUBE ASSEMBLY, INTAKE	051248
9	098668-01-714	EA	VALVE-GAS,SF S.N. 921401821	161070
10	098668-01-715	EA	ELECTRODE ASM., SINGLE PROBE	232166
11	098668-01-716	EA	GASKET-FIREWALL,CHAMBER SIDE	070808
12	098668-01-717	EA	GASKET-FIREWALL, BLOWER SIDE	070809
13	098668-11-701	EA	BURNER ASSEMBLY, SF-42F	010799
14	098668-11-702	EA	MOTOR ASSEMBLY, SF-42F	232212
15	098668-11-703	EA	SWITCH - SAIL - SF-42F	232216
16	098668-11-704	EA	BLOWER ASM., ROOM AIR SF-42F	390698
17	098668-01-711	EA	WHEEL-BLOWER, ROOM AIR	350129
18	098668-11-706	EA	SWITCH - LIMIT - SF42/SF42F	232217
19	098668-22-702	EA	WHEEL-COMBUSTION AIR	350183
20	101990-01-714	EA	GASKET-MICROSWITCH	230877
	098668-11-700	EA	ORIFICE-MAIN BURNER, SF-42F	180216
	098668-22-703	EA	GASKET	070811
	098668-14-000	EA	GASKET - FIBERGLASS - .5" X 18" X 18"	
	092776-01-000	EA	ADAPTER - DUCT - 2"	
	093614-03-02A	EA	GRILLE - RETURN AIR	
	094600-05-01A	EA	REGISTER - HEAT - W/O DAMPER - 11.3" - BEIGE	
	094600-06-01A	EA	REGISTER - HEAT - W/DAMPER	

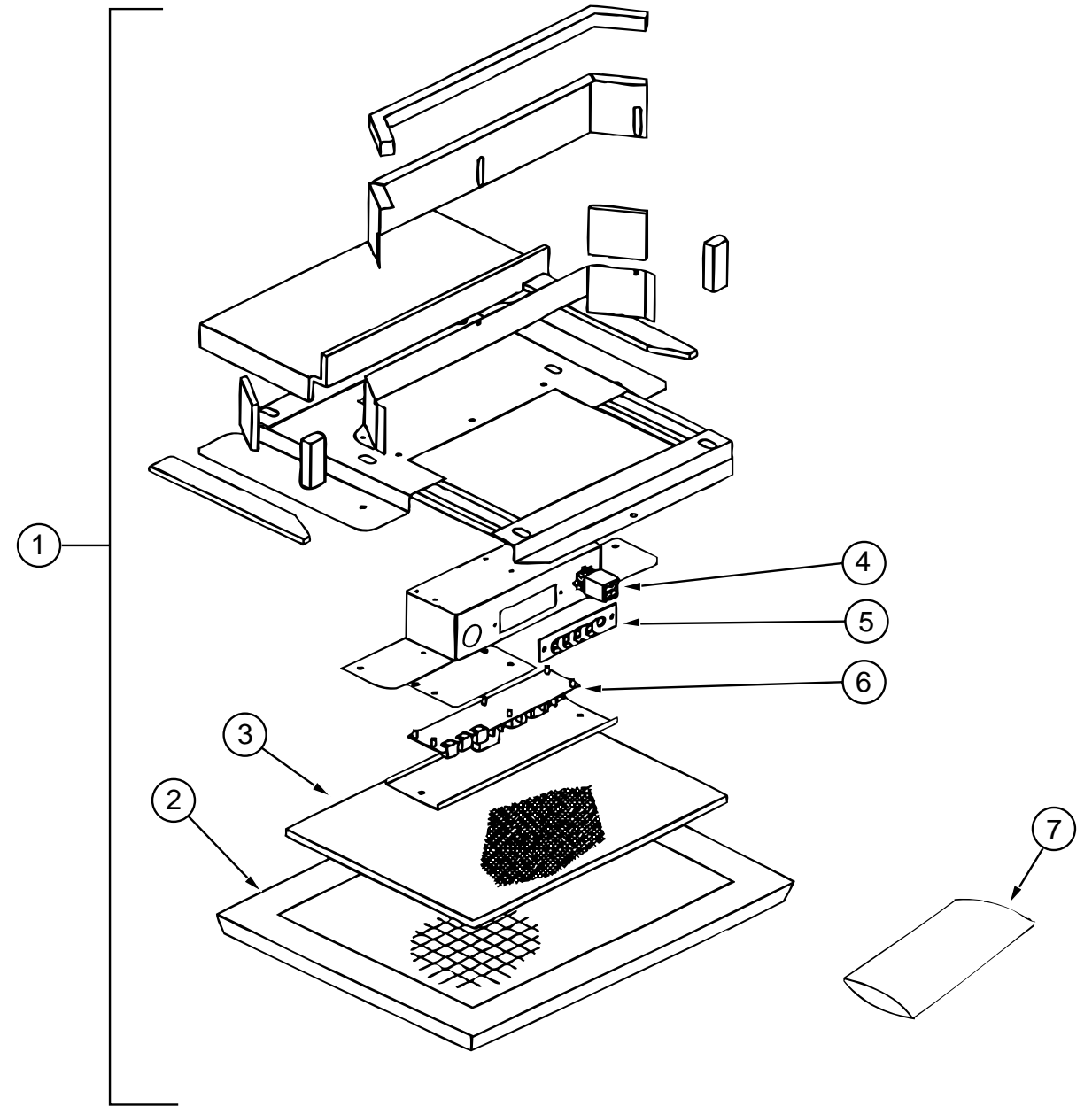
HEATING & AIR CONDITIONING GROUP (CONTINUED)



COLEMAN ROOF AIR 13,500 BTU (EXPORT)

KEY	PART NUMBER	U/M DESCRIPTION	VENDOR NO.
1	108889-02-03A	EA AIR CONDITIONER - 13,500 BTU/220 VOLT - BRIGHT WHITE - EXP	
2	093763-01-712	EA BLADE-FAN-CONDENSER	6733-3221
3	105620-01-705	EA PROTECTOR-OVERLOAD, RH & LH	6759-3791
4	108889-02-701	EA MOTOR	1468-3059
5	108889-01-706	EA IMPELLOR	1472-1041
6	093763-01-704	EA CAPACITOR-FAN	1499-5461
7	108889-01-711	EA GASKET PKG	6792A3301
8	108889-01-715	EA MOTOR MOUNT & SHAFT SEAL KIT	6792A3361
9	108889-05-700	EA SHROUD-BRIGHT/WHT. W/O LOGO	7333-4601
10	108889-01-703	EA COIL-CONDENSER	1452A1301
11	108889-02-700	EA COMPRESSOR-TECUMSEH	1450A2029
12	108889-01-707	EA CAPACITOR-RUN,COMP-25MFD/370	1499-5661
13	108889-01-709	EA COIL-EVAPORATOR	1452A1311
	105620-01-706	EA MOUNTING PKG.,COMP., 3 PER	6759-3081
	108889-01-710	EA PAD-FILLER, CONDENSER SEAL	6759B3971
	108889-01-713	EA LINE-SUCTION, 3/8ODX032 WALL	6792-130
	108889-01-714	EA LINE ASSEMBLY-DISCHARGE	6792-531
	093306-01-701	EA DECAL PACKAGE, LEFT & RIGHT	6798B3591
	108889-02-702	EA CAPACITOR-START	1497-0891
	108889-02-703	EA RELAY-START	1497-4141
	117238-02-01A	EA THERMOSTAT - A/C ONLY	
	120134-01-02A	EA REGISTER - 4" TO 5" IN DIAMETER W/DAMPER	
	102289-01-000	EA SPRING - SCREW - ROOF A/C GASKET	
	088238-01-000	EA COVER-SWITCH - A/C SELECTOR - FRONT TO REAR A/C	
	073937-03-000	EA SWITCH - ROTARY- AC - SELECTOR - 3 DECK	
	088238-02-000	EA COVER - SWITCH - A/C SELECTOR - FRONT TO REAR A/C	
	092633-02-02A	EA COVER - BLANK - ROOF A/C - 5.1" X 5.1"	

HEATING & AIR CONDITIONING GROUP (CONTINUED)

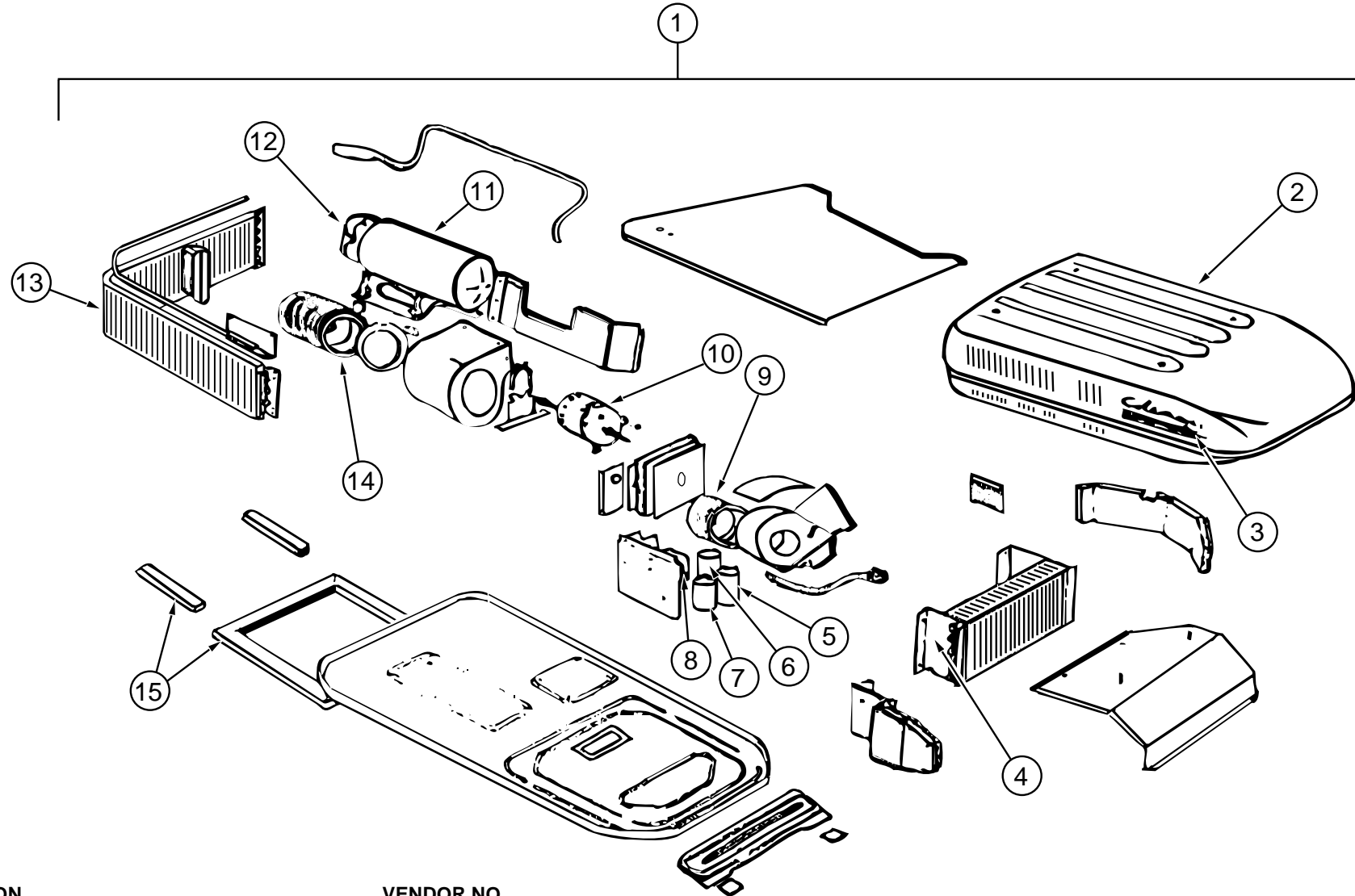


CEILING ASM-A/C DUCTED

KEY	PART NUMBER	U/M DESCRIPTION	VENDOR NO.
1	108892-01-01A	EA CEILING ASSEMBLY - A/C DUCTED	
2	108892-01-704	EA GRILLE (PLASTIC)	6798-3041
3	108892-01-703	EA FILTER	6798A3761
4	108892-01-700	EA PLUG ASSEMBLY	7330-540
5	108892-01-701	EA BOARD - TERMINAL	7330-3201
6	108892-01-702	EA BOARD - P.C.	7330A3211
7	108892-01-705	EA SMALL PARTS PKG	7330A6101

# HEATING & AIR CONDITIONING GROUP (CONTINUED)

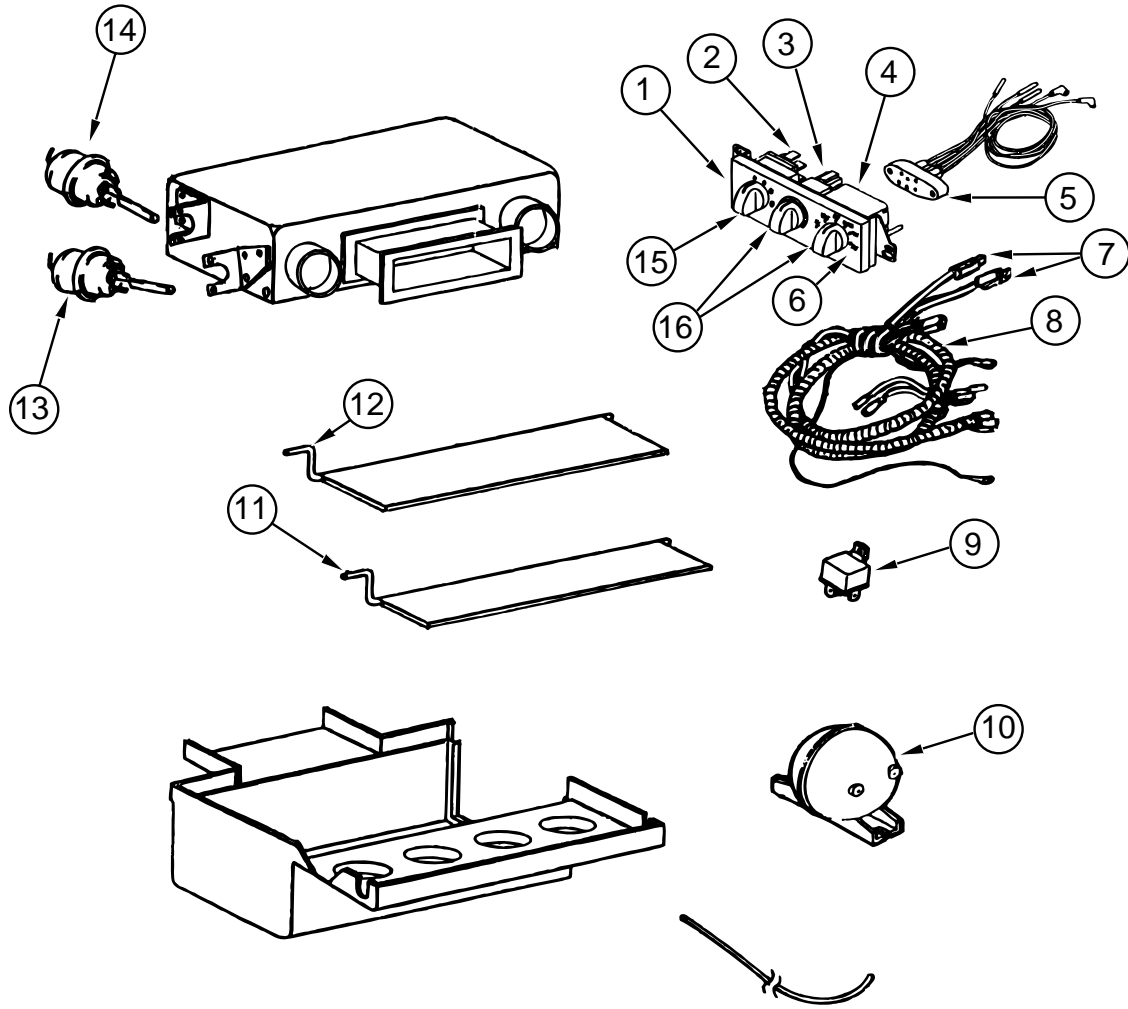
COLEMAN ROOF AIR 13,500 BTU (US, CSA)



KEY	PART NUMBER	U/M DESCRIPTION	VENDOR NO.
1	091225-08-000	EA A/C - ROOF - 13,500 - SUPER MAC - BRIGHT/WHITE	
2	091225-08-700	EA SHROUD(ARCTIC WHITE)LESSLOGO	0799-4761
3	093306-01-701	EA DECAL PACKAGE - LEFT & RIGHT	6798B3591
4	093306-01-701	EA COIL - EVAPORATOR	1452-1381
5	105620-01-718	EA CAPACITOR - FAN - 12.5 MFD/370V	1499-5631
6	091225-07-703	EA CAPACITOR - COMPRESSOR - RUN	1499-5681
7	091225-01-710	EA CAPACITOR - START	1497-0881
8	091225-01-709	EA RELAY - START	1497-4131
9	091225-01-708	EA WHEEL - BLOWER - EVAPORATOR	6799-3391
10	091225-01-707	EA MOTOR (115V, 2.8 AMPS,1650RPM)	6799-3119
11	091225-07-701	EA COMPRESSOR - TECUMSEH	6798A3609
12	091225-07-702	EA OVERLOAD	6746-3991
13	091225-01-704	EA COIL - CONDENSER	1452A1271
14	091225-01-705	EA WHEEL - BLOWER - CONDENSER	6799-3381
15	037648-01-714	EA GASKET PACKAGE	6759-3281
	110403-01-H37	EA SPACER - RETURN AIR - OAK	
	117238-01-01A	EA THERMOSTAT - A/C - FURNACE	
	117238-02-01A	EA THERMOSTAT - A/C ONLY	
	073937-03-000	EA SWITCH - ROTARY- AC - SELECTOR - 3 DECK	
	120134-01-02A	EA REGISTER - 4" TO 5" IN DIAMETER W/DAMPER	
	102289-01-000	EA SPRING - SCREW - ROOF A/C GASKET	
	088238-01-000	EA COVER - SWITCH - A/C SELECTOR - FRONT TO REAR A/C	
	088238-02-000	EA COVER - SWITCH - A/C SELECTOR - FRONT TO REAR A/C	
	073937-03-000	EA SWITCH - ROTARY- AC - SELECTOR - 3 DECK	
	092633-02-02A	EA COVER - BLANK - ROOF A/C - 5.1" X 5.1"	

# HEATING & AIR CONDITIONING GROUP (CONTINUED)

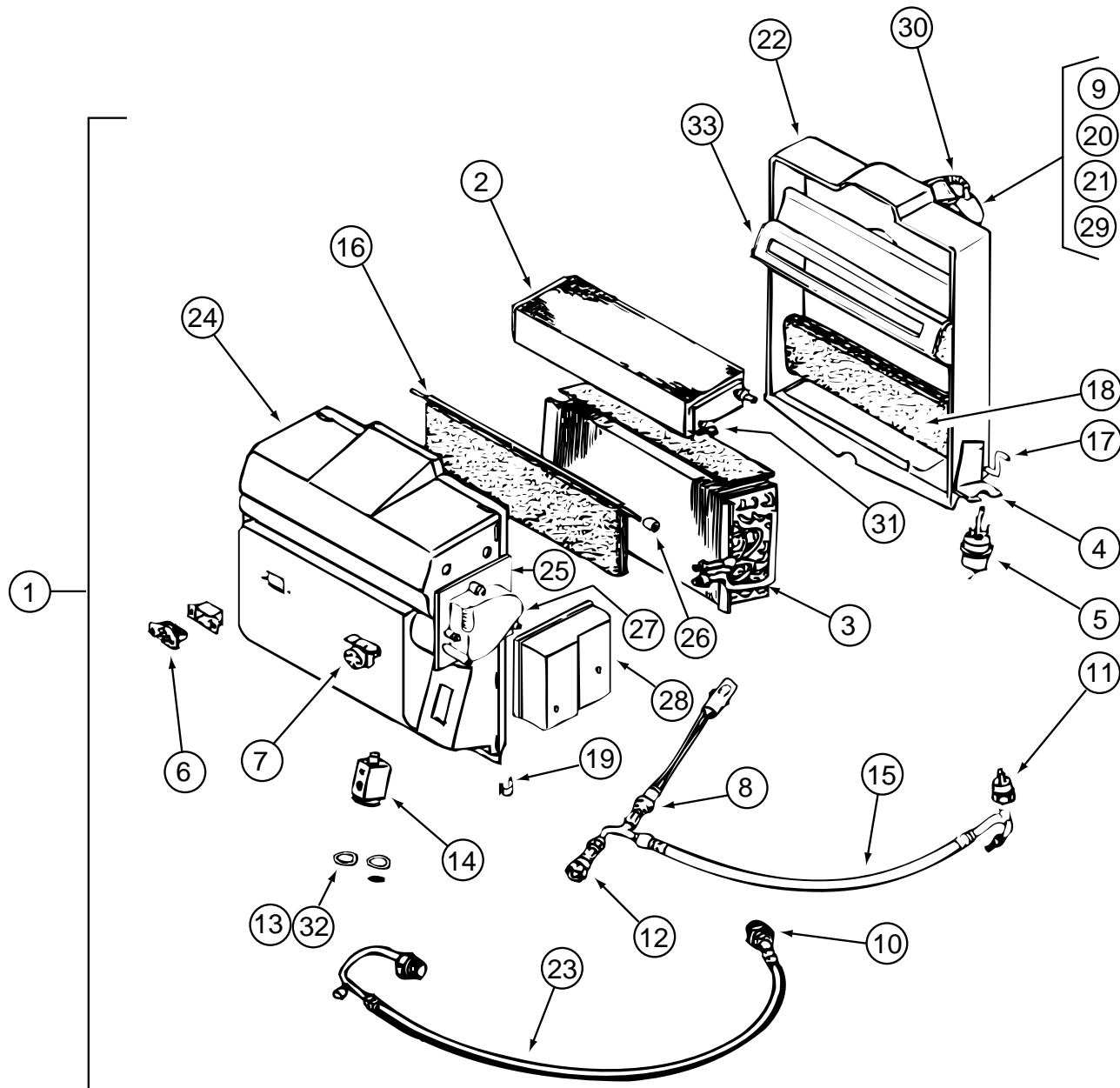
## SCS CONTROL/ PLENUM



KEY	PART NUMBER	U/M DESCRIPTION	VENDOR NO.
	103930-33-000	EA CONTROL/PLENUM - ROTARY CONTROL HEAD	
1	103930-33-702	EA CONTROL PANEL	083-0169
2	103930-33-707	EA SWITCH - BLOWER	032-00066
3	103930-33-708	EA SWITCH - POTENTIOMETER	032-0184
4	103930-33-709	EA SWITCH - VACUUM	032-0183
5	103930-33-703	EA VACUUM HARNESS	036-0466
6	103930-33-710	EA DECAL F/CONTROL HEAD	058-0102
7	103930-33-705	EA LIGHT BULBS	035-0030
8	103930-33-711	EA WIRE HARNESS - MAIN	036-0496
9	103930-02-707	EA RELAY-BOSCH W/RESISTER	031-0001
10	103930-02-710	EA CANISTER-VACUUM	054-0002
11	103930-33-700	EA ROD - DOOR DEFROSTER/AC	073-0028
12	103930-33-706	EA ROD - DOOR AC/DEFROST	073-0060
13	103930-02-708	EA MOTOR-VACUUM SERVO, A/C	030-0025
14	103930-33-701	EA MOTOR - VACUUM - 3 STAGE	030-0105
15	103930-33-712	EA KNOB - BLOWER	062-00539
16	103930-33-713	EA KNOB	062-00540

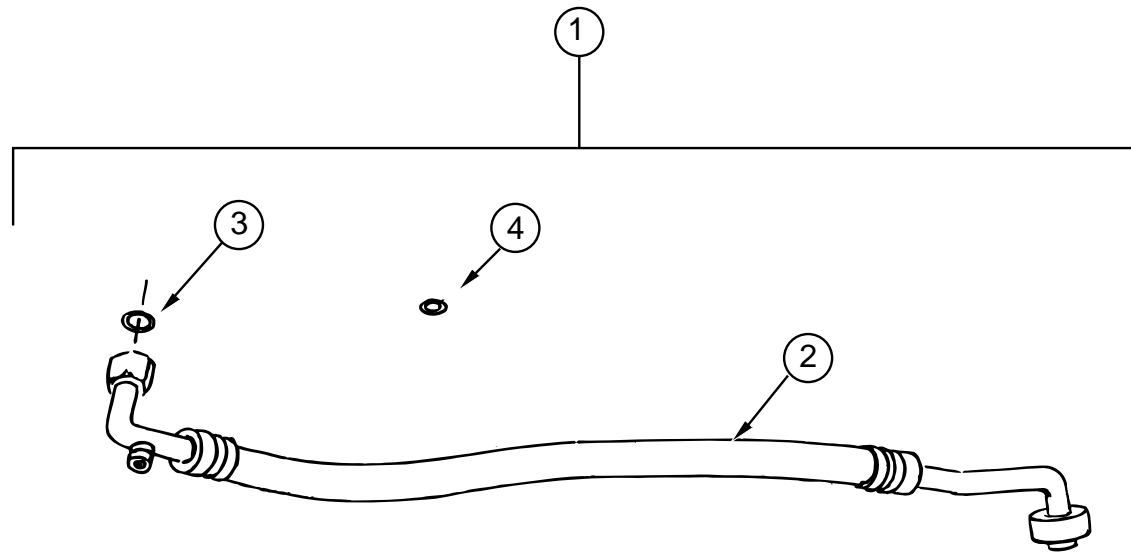
# HEATING & AIR CONDITIONING GROUP (CONTINUED)

## SCS EVAPORATOR/ HEATER



KEY	PART NUMBER	U/M	DESCRIPTION	VENDOR NO.
1	103930-32-000	EA	EVAPORATOR/HEATER- FRTLINER/SPARTAN-SERVO MOTOR CONTROLLED	
2	103930-01-703	EA	CORE-HEATER	042-0010
3	103930-01-704	EA	COIL-EVAPORATOR	041-0017
4	103930-01-708	EA	BRACKET-VACUUM MOTOR	070-0113
5	103930-02-708	EA	MOTOR-VACUUM SERVO, A/C	030-0025
6	103930-01-710	EA	RESISTOR-FUSED, A/C	035-0006
7	103930-01-711	EA	THERMOSTAT	033-0003
8	103930-01-716	EA	SWITCH - PRESSURE - FAN	032-0036
9	103930-01-717	EA	WHEEL-BLOWER, CLOCKWISE	062-0010
10	103930-06-700	EA	FITTING-QUICK CONNECT, #8	050-0082
11	103930-12-708	EA	SWITCH-BINARY-HI/LOW CUTOUT	032-0048
12	103930-12-709	EA	FITTING-QUICK CONNECT	050-0120
13	103930-17-702	EA	O'RING #10	045-0127
14	103930-20-700	EA	VALVE-EXPANSION-BLOCK, 2 TON	034-0032
15	103930-20-701	EA	HOSE ASM #6 EVAPORATOR/DRIER	085-0138
16	103930-20-703	EA	DOOR-BLEND AIR	071-0212
17	103930-20-704	EA	ROD-DOOR-RECIRCULATING	073-0018
18	103930-20-705	EA	PANEL-DOOR, RECIRCULATING	071-0213
19	103930-20-706	EA	CLIP-RETAINER - CASE ATTACH	022-0057
20	103930-20-707	EA	HOUSING-BLOWER	062-0145
21	103930-20-708	EA	CLIP-MOTOR SHAFT	022-0001
22	103930-20-711	EA	CASE-BACK, SUB-ASSEMBLY	062-0147
23	103930-22-700	EA	HOSE ASM #10 EVAPORATOR/COMP	085-0141
24	103930-30-700	EA	CASE - FRONT	062-0542
25	103930-30-701	EA	PLATE - MOTOR MOUNT	062-0544
26	103930-30-702	EA	BUSHING - BLEND AIR DOOR	062-0168
27	103930-30-703	EA	MOTOR - SERVO	030-0104
28	103930-30-704	EA	COVER - SERVO	062-0545
29	103930-30-706	EA	MOTOR-BLOWER PM147 W/ADAPTER	030-0109
30	110279-01-703	EA	HOSE-VENT F/BLOWER MOTOR	051-0034
31	110279-01-712	EA	FITTING-HEATER	050-0076
32	113245-01-707	EA	O'RING #8	045-0126
33	103930-30-707	EA	DIVIDER ASM.	086-0061

**HEATING & AIR CONDITIONING GROUP (CONTINUED)**



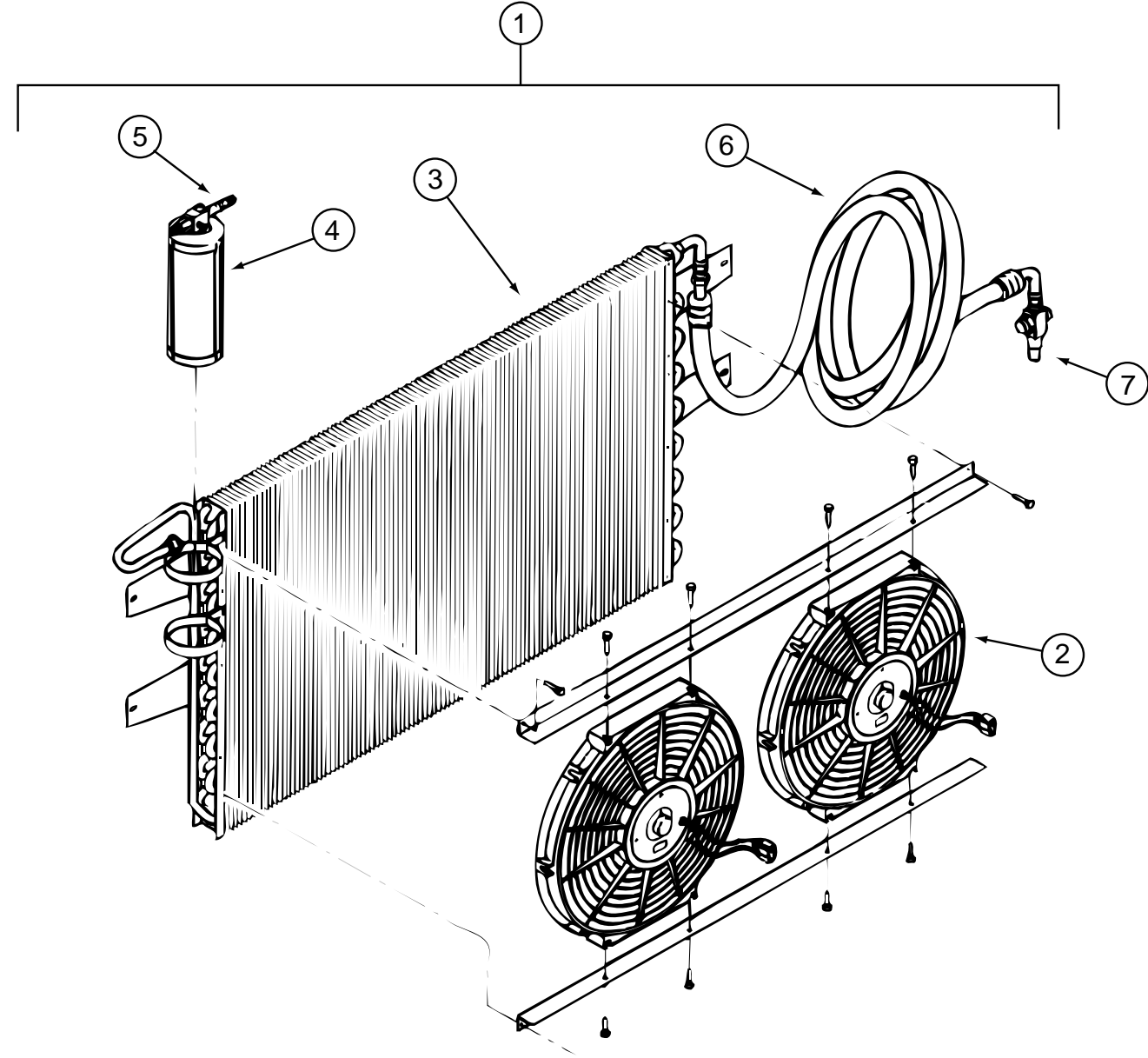
**HOSE KIT**

KEY	PART NUMBER	U/M DESCRIPTION	VENDOR NO.
1	103930-15-000	EA HOSE KIT #12 355" R134A	
2	103930-15-700	EA HOSE ASM #12 OSHGOSH	085-0099
3	103930-15-702	EA O'RING #18	045-0152
3	103930-17-702	EA O'RING #10	045-0127
4	113245-01-710	EA GASKET, #12	045-0128
	103930-07-704	EA FITTING-QUICK CONNECT, #8	050-0081
	103930-13-702	EA VALVE-SERVICE, W/O COMP.	050-0152

**AUTOMOTIVE HEATER REAR HEATER MISCELLANEOUS PARTS**

KEY	PART NUMBER	U/M DESCRIPTION
	007076-01-000	EA HOSE - FLEXIBLE PVC - 2" ID - INCREMENTS OF 50'
	007108-01-000	FT HOSE - HEATER - 5/8" ID - HI-TEMP - FORD
	007281-01-000	EA HOSE - FLEXIBLE PVC - 2.5" ID X 50'
	024990-05-000	EA OUTLET - DEFROSTER - 4" DIAMETER W/SWIVEL DEFLECTORS
	056402-05-000	EA BRACKET - HEATER VENT - ROUND W/BEND - BLACK
	077075-01-000	EA GASKET - INSTRUMENT PANEL/DEFROSTER PLENUM - .6" X 10.2"
	077075-03-000	EA GASKET - INSTRUMENT PANEL/DEFROSTER PLENUM - 1.3" X 10.2"
	103016-01-000	EA PLENUM - TRANSITION
	103017-01-000	EA PLENUM - DEFROSTER
	103558-01-06A	EA VENT - DEFROSTER - 2" X 14.4" X 1.4" - QUICK SILVER
	103796-01-01A	EA LOUVER - A/C
	103930-37-000	EA MANUAL - OWNERS - HEATER/A/C
	114802-01-000	EA PUMP - VACUUM - 12V 16"HG
	103930-23-000	EA VALVE - WATER - 2 PORT
	077539-01-000	EA BRACKET - MOUNTING/DASH PANEL - L/SHAPED - 2.5"X1"X1.5"
	056464-10-000	EA REGISTER - 4" DIAMETER - PLASTIC - W/O DAMPER - BEIGE

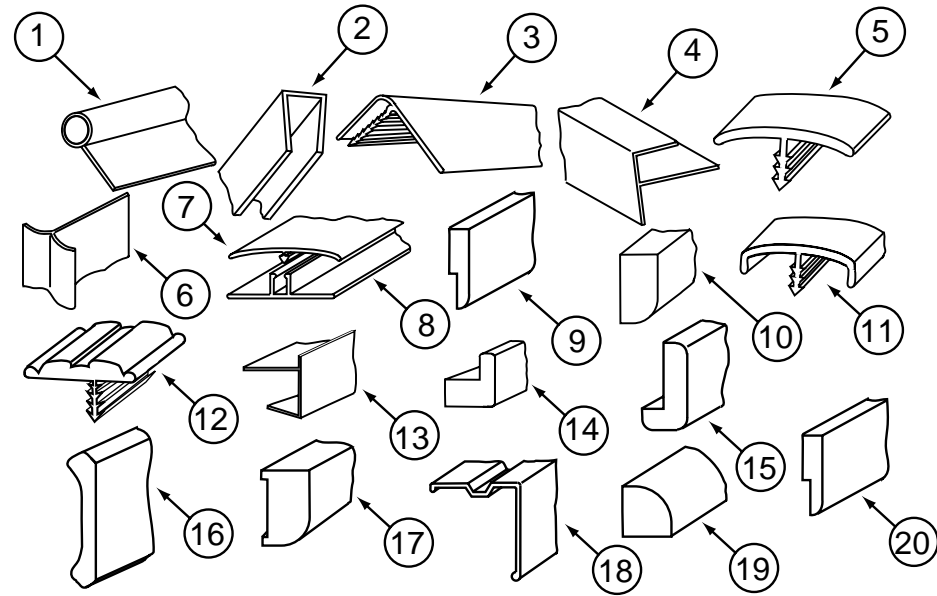
**HEATING & AIR CONDITIONING GROUP (CONTINUED)**



**SCS CONDENSER ASM**

KEY	PART NUMBER	U/M DESCRIPTION	VENDOR NO.
1	072342-10-000	EA CONDENSER ASM-W/FAN PUSH R13	
2	072342-08-703	EA FAN BLADE/MOTOR & SHROUD 11"	062-0097
3	072342-10-700	EA COIL-CONDENSER	040-0028
4	072342-10-701	EA RECEIVER DRIER	054-0015
5	072342-10-702	EA FITTING-QUICK CONNECT#4 MALE	050-0148
6	072342-10-703	EA HOSE #8 - CONDENSER/COMP	051-0096
7	072342-10-704	EA VALVE-SERVICE #8X8	050-0134
	072342-10-705	EA HOSE ASSEMBLY W/FITTINGS	085-0119

**INTERIOR FINISH GROUP**



**INTERIOR TRIM & MOLDINGS**

KEY	PART NUMBER	U/M DESCRIPTION
1	009767-12-000	FT WELTING - SIDEWALL/CEILING/CABINET - OFF/WHT
1	009767-15-000	FT WELTING - WATERFORD OAK (H17,H18,H19)
2	070504-37-000	FT U - CHANNEL - EXTRUDED PLASTIC - .81" X 84" - WATERFORD OAK (H17,H18,H19)
2	070504-36-000	FT U - CHANNEL - EXTRUDED PLASTIC - .65" X 72" - WATERFORD OAK (H17,H18,H19)
2	070504-43-000	FT U - CHANNEL - EXTRUDED PLASTIC - .81" X 84" - BEIGE (H40,H41)
2	070504-45-000	FT U - CHANNEL - EXTRUDED PLASTIC - .65" X 72" - WHITE GRANITE (H40,H41)
2	009778-21-000	FT U-CHANNEL - 1" - WATERFORD OAK
2	009778-27-000	FT U-CHANNEL - 1" - WASHED OAK
2	009778-25-000	FT U-CHANNEL - 1" - BEIGE ILLUSION
2	009778-20-700	EA U-CHANNEL - 1"X55" - MODERN IVORY
3	009809-23-000	EA MOLDING - CORNER - OUTSIDE - 1" X 84" - IVORY PLASTIC
3	009809-28-000	EA MOLDING - CORNER - OUTSIDE - 1" X 84" - WATERFORD OAK (H17,H18,H19)
3	009809-30-000	EA MOLDING - PLASTIC - OUTSIDE - 1" X 84" - BEIGE ILLUSION (H40,H41)
4	009812-29-000	EA MOLDING - PLASTIC - OUTSIDE CORNER - .50" - WATERFORD OAK (H17,H18,H19)
4	009812-31-000	EA MOLDING - PLASTIC - CORNER - O/S 1/2" - BEIGE ILLUSIONS (H40,H41)
5	105709-01-000	FT T-MOLDING - 1" - MODERN IVORY
6	022992-11-000	FT MOLDING - REVERSE COVE - T-SHAPED VINYL - IVORY
7	086229-13-000	EA BATTEN - 1" X 96" - IVORY
7	086229-19-000	EA BATTEN - 1" X 98.43" - OFF WHITE
7	086229-20-000	EA BATTEN - 1" X 96" - BEIGE
8	086229-01-000	EA RETAINER - BATTEN - .75" X 92.24" - IVORY
9	100659-01-G09	EA MOLDING - TRIM - VINYL FLOOR
10	100818-01-05A	EA MOLDING - VINYL WRAPPED - 1.65" X .4" X 7' - WATERFORD OAK
10	100818-01-07A	EA MOLDING - VINYL WRAPPED - 1.65" X .4" X 7' - WHITE GRANITE
11	083620-12-000	FT T-MOLDING - .75" W/EDGE LIPS - WATERFORD OAK
11	083620-15-000	FT T-MOLDING - W/EDGE LIP - .75" - BEIGE ILLUSION
12	104676-01-01A	FT T-MOLDING - 5/16" - RIGID GOLD
13	103186-01-05A	FT MOLDING - PLASTIC - SHELF - 3/8" U-CHANNEL W/3/4" FACE
13	103186-01-07A	FT MOLDING - PLASTIC/3/8" U-CHANNEL W/3/4" FACE - BEIGE ILLUS
13	103186-02-05A	FT MOLDING - PLASTIC/1" U-CHANNEL W/1 3/8" FACE-WATERFORD OAK
13	103186-02-07A	FT MOLDING - PLASTIC/1" U-CHANNEL W/1 3/8" FACE-BEIGE ILLUS
14	100819-01-05A	EA MOLDING - VINYL WRAPPED - DOOR - WATERFORD OAK
14	100819-01-07A	EA MOLDING - VINYL WRAPPED - DOOR - WHITE GRANITE
15	077840-01-G01	EA MOLDING - CAP - WALL - 96" - WATERFORD OAK
15	077840-01-H23	EA MOLDING - CAP - WALL 2438 - WHITE MAPLE

**INTERIOR FINISH GROUP (CONTINUED)**

**INTERIOR TRIM & MOLDINGS (CONTINUED)**

KEY	PART NUMBER	U/M DESCRIPTION
16	113794-01-01A	FT MOLDING - CROWN - ASH (OAK)
16	113794-01-03A	FT MOLDING - CROWN - WHITE GRANITE
17	117268-F2-134	EA MOLDING - VINYL WRAPPED - .7" X 2.6" X 84" - WATERFORD OAK
17	117268-D2-134	EA MOLDING - VINYL WRAPPED - .7" X 1.6" X 84" - WATERFORD OAK
17	117268-B2-438	EA MOLDING - VINYL WRAPPED - .7" X 1" X 96" - WATERFORD OAK
17	117268-D2-438	EA MOLDING - VINYL WRAPPED - .7" X 1.5" X 96" - WATERFORD OAK
17	117268-12-134	EA MOLDING - VINYL WRAPPED - .5" X 3.3" X 84" - WATERFORD OAK
17	122668-D2-438	EA MOLDING - VINYL WRAPPED - .7" X 1.6" X 96" - WHITE GRANITE
17	122668-D2-134	EA MOLDING - VINYL WRAPPED - .7" X 1.6" X 84" - WHITE GRANITE
17	122668-F2-134	EA MOLDING - VINYL WRAPPED - .7" X 2.6" X 84" - WHITE GRANITE
17	122668-F2-438	EA MOLDING - VINYL WRAPPED - .7" X 2.5" X 96" - WHITE GRANITE
17	122668-B2-438	EA MOLDING - VINYL WRAPPED - .7" X 1" X 96" - WHITE GRANITE
18	093873-01-01A	EA TRIM - CARPET - L-ANGLE 1.1" X 1.3" X 12' - GRAY VINYL
19	109410-01-G15	EA MOLDING - TRIM - 8' - WATERFORD OAK
19	109410-01-H40	EA MOLDING - TRIM - 8' - WHITE GRANITE
20	105004-01-05A	EA MOLDING - VINYL WRAPPED - 1" X 96" - WATERFORD OAK
20	105004-01-07A	EA MOLDING - VINYL WRAPPED - 1" X 96" - WHITE GRANITE
	117267-D2-438	EA LUMBER - VINYL WRAPPED - .7" X 1 1/2" X 96"- WATERFORD OAK
	117267-J2-438	EA LUMBER - VINYL WRAPPED - .7" X 5.5" X 96"- WATERFORD OAK
	117267-E2-438	EA LUMBER - VINYL WRAPPED - .7" X 2" X 96" WATERFORD OAK
	117267-R2-438	EA LUMBER - VINYL WRAPPED - .7" X 3" X 96" WATERFORD OAK
	116951-01-G35	EA MOLDING - WOOD - 3" X 70.5" - WATERFORD OAK
	116951-01-H23	EA MOLDING - WOOD - 3" X 70.5" - WHITE GRANITE

**EDGE BAND MOLDING**

KEY	PART NUMBER	U/M DESCRIPTION
	076325-53-000	FT MOLDING - EDGE BAND - 1 5/16" - NEUTRAL
	076325-68-000	FT MOLDING - EDGE BAND - 1 5/16" X .038" - WATERFORD OAK
	076325-39-000	FT MOLDING - EDGE BAND - 1 5/16" X .030" (H17,H18)
	076325-46-000	FT MOLDING - EDGE BAND - 1 5/16" X .030" - CLOUD (H19)
	076325-67-000	FT MOLDING - EDGE BAND - .93" X .024" - WATERFORD OAK
	076325-40-000	FT MOLDING - EDGE BAND - .875" X .024" (H17,H18)
	076325-43-000	FT MOLDING - EDGE BAND .876" X .024" - CLOUD (H19)
	076325-54-000	FT MOLDING - EDGE BAND - NEUTRAL - .875" WIDE - WHITE GRANITE

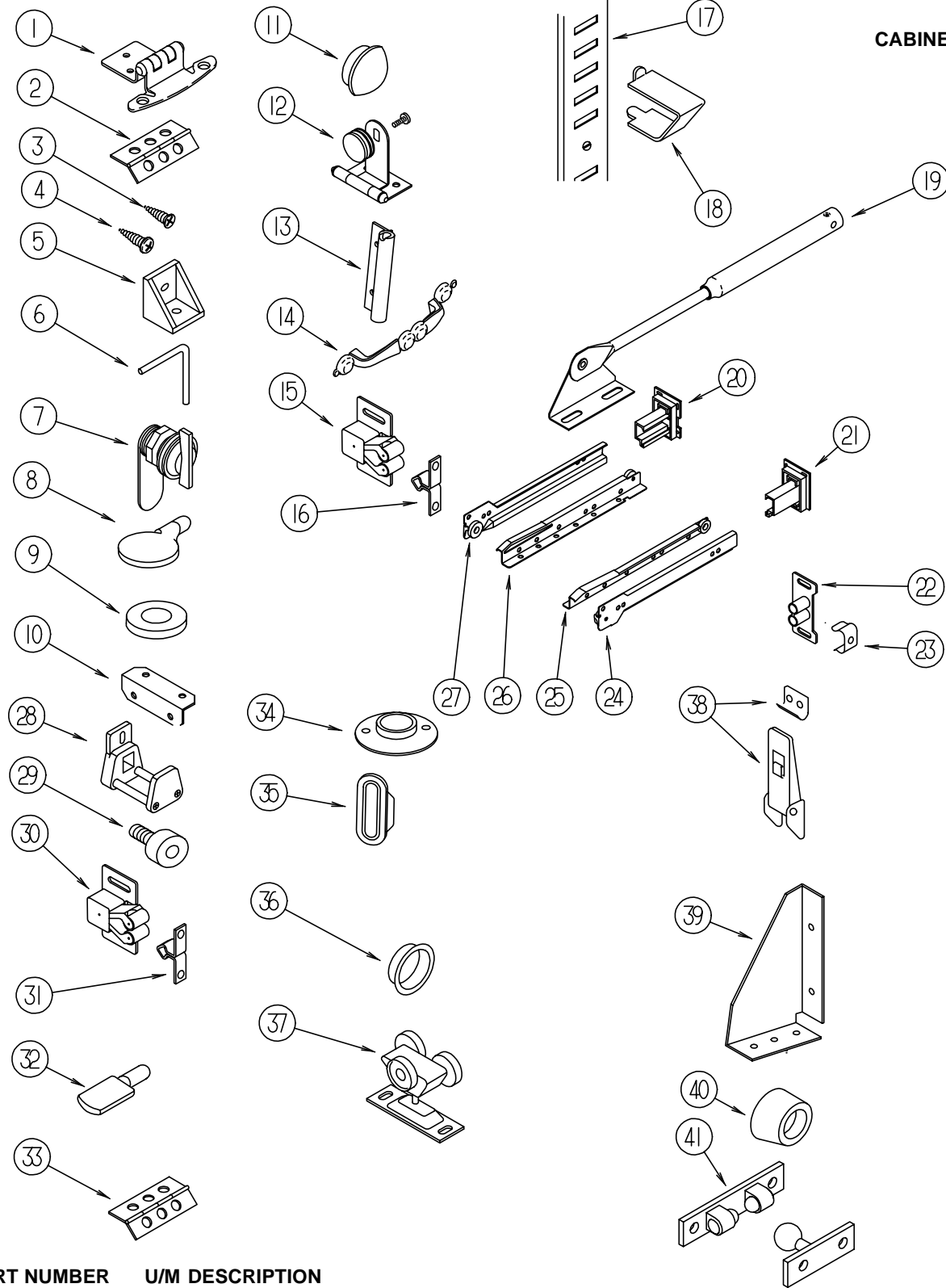
**BATT STRIP AND TAPE**

KEY	PART NUMBER	U/M DESCRIPTION
	069733-83-000	EA BATT STRIP - WOODGRAINED/WATERFORD OAK - 8'
	085284-B5-000	FT BATT TAPE - ADHESIVE BACKED - WOODGRAINED/WATERFORD OAK
	079653-28-000	EA BATT STRIP - KERFED - WOODGRAINED/WATERFORD OAK - 8'
	069733-85-000	EA BATT STRIP - WOODGRAINED/WHITE GRANITE - 8'
	085284-E6-000	FT BATT TAPE - ADHESIVE BACKED - DECORATIVE/WHITE GRANITE
	088263-C8-000	EA BATT STRIP - DECORATIVE - PAINTED DESERT - 96"(H17)
	085284-C2-000	FT BATT TAPE - ADHESIVE BACKED - DECORATIVE/PAINTED DESERT (H17)
	088263-D2-000	EA BATT STRIP - DECORATIVE - WASH/VANILLA - 8' LONG (H18)
	085284-C5-000	FT BATT TAPE - ADHESIVE BACKED-DECORATIVE-FRENCH WASH/VANILLA (H18)
	088263-E4-000	EA BATT STRIP - DECORATIVE - LAJOLLA/SEAMIST - 8' LONG (H19,H41)
	085284-D7-000	FT BATT TAPE - ADHESIVE BACKED - DECORATIVE -LA JOLLA/SEAMIST (H19,H41)
	088263-E7-000	EA BATT STRIP - DECORATIVE - GAZEBO STRIPE/SAG - 8' LONG (H40)
	085284-E1-000	FT BATT TAPE - ADHESIVE BACKED - DECORATIVE-GAZEBO/STRIPE/SAG (H40)
	079653-13-000	EA BATT STRIP - TRAVERTINE WHITE



## INTERIOR FINISH GROUP (CONTINUED)

### CABINET HARDWARE



KEY	PART NUMBER	U/M DESCRIPTION
1	108138-01-000	EA HINGE - DOOR - CABINET - BURNISHED BRASS
2	009059-02-000	EA HINGE - DOOR - 2" X 2.7" - BRASS
3	000G13-06-08G	EA SCREW - 6-20 X .50 PFH - ANTIQUE BRASS
4	000G68-06-10G	EA SCREW - 6-18 X 5/8" - PHILLIP OVAL HEAD - ANTIQUE BRASS
5	065740-01-000	EA BRACE - CABINET CORNER - PLASTIC
6	108487-02-01A	EA PROP ROD - OVERHEAD GLASS DOOR SUPPORT - BLACK
	039984-01-000	EA CAP - VINYL - BLACK (PROP ROD)
7	100710-01-01A	EA LOCK - GLASS DOOR - TWIST TYPE - BRASS
	101272-01-000	EA CATCH - DOOR - GLASS
8	101766-01-000	EA PIN - SUPPORT - GLASS DOOR
9	100707-01-000	EA SPACER - DOOR - GLASS - PLASTIC

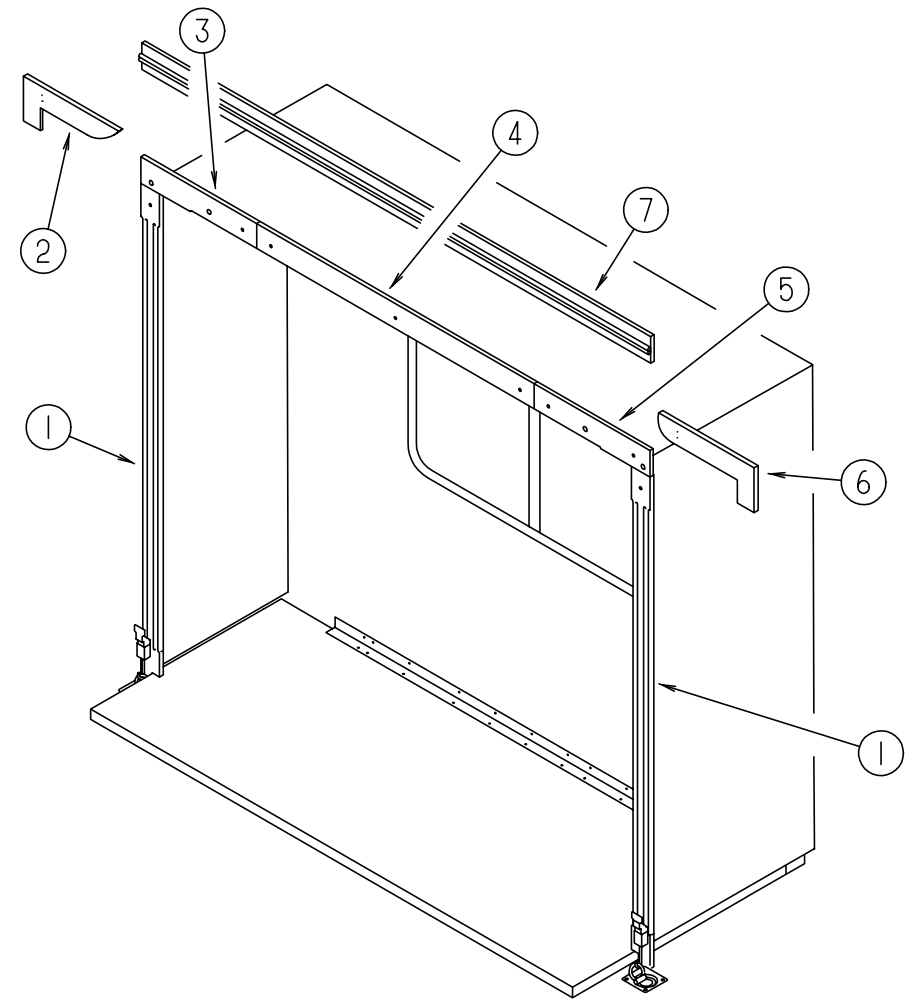
KEY	PART NUMBER	U/M DESCRIPTION
10	016604-05-000	EA BRACE - CABINET - ANGLE - 2.5" - METAL - OFF WHITE
10	016604-01-000	EA BRACE - CABINET - ANGLE - 2.5" - UNPAINTED METAL
11	042356-01-000	EA PLUG - MAHOGANY - 3/8" DIAMETER - WOOD
11	074045-01-000	EA PLUG - OAK - 1/2" DIAMETER (OAK)
11	074045-11-000	EA PLUG - OAK - 3/8" DIAMETER (WHITE GRANITE)
12	100711-01-01A	EA HINGE - DOOR - GLASS
13	108486-01-01A	EA BRACKET - PROP ROD - OVHD - BLACK
14	121890-01-01A	EA PULL - CABINET - BRASS (OAK)
14	121891-01-01A	EA PULL - CABINET - BRASS (WHITE GRANITE)
15	093586-06-000	EA CATCH - SPRING - ROLLER
16	093586-05-000	EA STRIKE - SPRING STEEL
17	098980-01-000	EA PILASTER - ADJUSTABLE SHELF - 18" LONG
17	098980-02-000	EA PILASTER - ADJUSTABLE SHELF - 12" LONG
17	098980-03-000	EA PILASTER - ADJUSTABLE SHELF - WOOD GRAIN
18	098979-01-000	EA CLIP - ADJUSTABLE SHELF
19	074493-02-000	EA SUPPORT - PISTON SPRING - CABINET DOOR
20	114045-01-000	EA BACKSOCKET - ADJUSTABLE - LEFT
21	114045-02-000	EA BACKSOCKET - ADJUSTABLE - RIGHT
22	009021-01-000	EA CATCH - GRILLE - NYLON
23	009021-02-000	EA STRIKE - SPRING STEEL
24	114031-02-000	EA SLIDE - 12" - RIGHT SIDE/ CABINET
24	114031-14-000	EA SLIDE - 18" - RIGHT SIDE/ CABINET
24	114031-18-000	EA SLIDE - 20" - RIGHT SIDE/ CABINET
24	114031-22-000	EA SLIDE - 22" - RIGHT SIDE/ CABINET
25	114031-04-000	EA SLIDE - 12" - RIGHT SIDE/ DRAWER
25	114031-16-000	EA SLIDE - 18" - RIGHT SIDE/ DRAWER
25	114031-20-000	EA SLIDE - 20" - RIGHT SIDE/ DRAWER
25	114031-24-000	EA SLIDE - 22" - RIGHT SIDE/ DRAWER
26	114031-03-000	EA SLIDE - 12" - LEFT SIDE/ DRAWER
26	114031-15-000	EA SLIDE - 18" - LEFT SIDE/ DRAWER
26	114031-19-000	EA SLIDE - 20" - LEFT SIDE/ DRAWER
26	114031-23-000	EA SLIDE - 22" - LEFT SIDE/ DRAWER
27	114031-01-000	EA SLIDE - 12" - LEFT SIDE/ CABINET
27	114031-13-000	EA SLIDE - 18" - LEFT SIDE/ CABINET
27	114031-17-000	EA SLIDE - 20" - LEFT SIDE/ CABINET
27	114031-21-000	EA SLIDE - 22" - LEFT SIDE/ CABINET
28	064467-01-000	EA GUIDE - POCKET - SLIDING DOOR - WALL MOUNTED
29	079921-01-000	EA ROLLER - NYLON - W/STEEL SHAFT - BARBED
30	093586-03-000	EA CATCH - SPRING, ROLLER
31	093586-04-000	EA STRIKE - SPRING STEEL
32	092907-01-000	EA SUPPORT - SHELF - PIN - 1/4" - CLEAR PLASTIC
33	041389-25-000	EA HINGE - PIANO - 1.50" X 55"
34	009112-01-000	EA FLANGE - PLASTIC - 1" CLOTHES ROD - OFF WHITE
35	098410-01-01A	EA PULL - FINGER - OVAL - BRASS
36	072871-01-000	EA PULL - FLUSH - CHROME
37	103874-01-000	EA HANGER - SLIDING DOOR
38	116975-01-01A	EA LATCH - W/O STRIKE - BLACK - NEW STYLE
38	116975-02-01A	EA KEEPER/STRIKE - BLACK - NEW STYLE
39	116978-01-03B	EA GUSSET - SLIDEOUT ROOM - OFF/WHITE
40	004354-01-000	EA BUMPER - RUBBER - .5" DIA - BROWN
41	084451-02-000	EA CATCH - BRASS
	042438-01-000	EA DOWEL - WOOD - CLOTHES ROD - 1" DIAMETER X 4'
	042438-06-000	EA DOWEL - WOOD - 1.5" X 26" - OAK
	114130-02-000	EA BALLS - SPACER - DOOR

## INTERIOR FINISH GROUP (CONTINUED)

### PANELING & PLASTIC LAMINATE

KEY	PART NUMBER	U/M	DESCRIPTION
	000846-01-000	SF	PLYWOOD - 5/16" X 48" X 96"
	000846-02-000	SF	PLYWOOD - UNDR - 5/16" X 48" X 96"
	000885-76-000	SF	PARTICLE BOARD-3/8" X 48" X 96"-WATERFORD OAK/VINYL 1 SIDE
	000885-77-000	SF	PARTICLE BOARD-3/8" X 48" X 96"-WATERFORD OAK/VINYL 2 SIDE
	000885-79-000	SF	PARTICLE BOARD-3/4" X 48" X 96"-WATERFORD OAK/VINYL 2 SIDE
	000885-84-000	SF	PARTICLE BOARD - 3/8" X 48" X 96" - WHITE GRANITE/1 SIDED
	000885-85-000	SF	PARTICLE BOARD - 3/8" X 48" X 96" - WHITE GRANITE/2 SIDED
	000885-87-000	SF	PARTICLE BOARD - 3/4" X 48" X 96" - WHITE GRANIT/2 SIDED
	074497-28-000	SF	PANELING - WATERFORD OAK - 48" X 96"
	074497-36-000	SF	PANELING - WHITE GRANITE - 48" X 96"
	074498-71-000	SF	LAMINATE - PLASTIC - NEUTRAL SANTOS - 5' X 8' INC OF 40 SF (H17,H18)
	074498-62-000	SF	LAMINATE - PLASTIC - GREY FINESSE - 5' X 8' INC OF 40 SF (H19)
	074498-77-000	SF	LAMINATE - PLASTIC - ART CABIN - 5' X 8' INC OF 40 SQ FT (H17,H18,H19)
	074498-61-000	SF	LAMINATE - PLASTIC NEUTRAL MATRIX - 5' X 8' INCR OF 40 SF(H40,H41)
	074498-61-000	SF	LAMINATE - PLASTIC NEUTRAL MATRIX - 5' X 8' INCR OF 40 SF(EXT. ENTRTNT)
	080215-10-000	SF	PANELING - 2 SIDE - WATERFORD - 48" X 84"
	080215-12-000	SF	PANELING - 2 SIDE - WHITE GRANITE - 48" X 84"
	088272-E9-000	SF	PANELING - DECORATIVE - PAINTED DESERT - 4' X 7' (H17)
	088272-F3-000	SF	PANELING - FRENCH WASH - VANILLA (H18)
	088272-G2-000	SF	PANELING - LA JOLLA/SEAMIST - 4' X 8' (H19,H41)
	088272-G5-000	SF	PANELING - GAZEBO STRIPE - 4' X 7' (H40)
	088272-G1-000	SF	PANELING - PEBBLE EMBOSSED - ANTIQUE WHITE - 4' X 7'(WET BATH)
	126339-01-000	EA	BOARD - WHEAT - 60" X 72
	095688-01-000	SF	VENEER - .14" X 4" X 8' UNFINISHED

## INTERIOR FINISH GROUP (CONTINUED)



### SLIDEOUT INTERIOR TRIMS

KEY	PART NUMBER	U/M	DESCRIPTION
1	116951-01-G35	EA	MOLDING - WOOD - 3" X 70.5" (OAK)
1	116951-01-H23	EA	MOLDING - WOOD - 3" X 70.5" (WHITE)
2	115811-16-H17	EA	OVERLAY - 7.5" X 22 3/8"
2	115811-16-H18	EA	OVERLAY - 7.5" X 22 3/8"
2	115811-16-H19	EA	OVERLAY - 7.5" X 22 3/8"
3	116968-01-G35	EA	TRIM - END/RIGHT HAND - WOOD - 3.8" X 19.1" (OAK)
4	116967-01-G35	EA	TRIM - CENTER - WOOD - 3.8" X 120" (OAK)
5	116968-02-G35	EA	TRIM - END/LEFT HAND - WOOD - 3.8" X 19.1" (OAK)
6	115811-15-H17	EA	OVERLAY - 7.5" X 22 3/8"
6	115811-15-H18	EA	OVERLAY - 7.5" X 22 3/8"
6	115811-15-H19	EA	OVERLAY - 7.5" X 22 3/8"
7	123904-02-H40	EA	TRIM - SLIDEOUT - TOP
7	123904-02-H41	EA	TRIM - SLIDEOUT - TOP

## INTERIOR FINISH GROUP (CONTINUED)

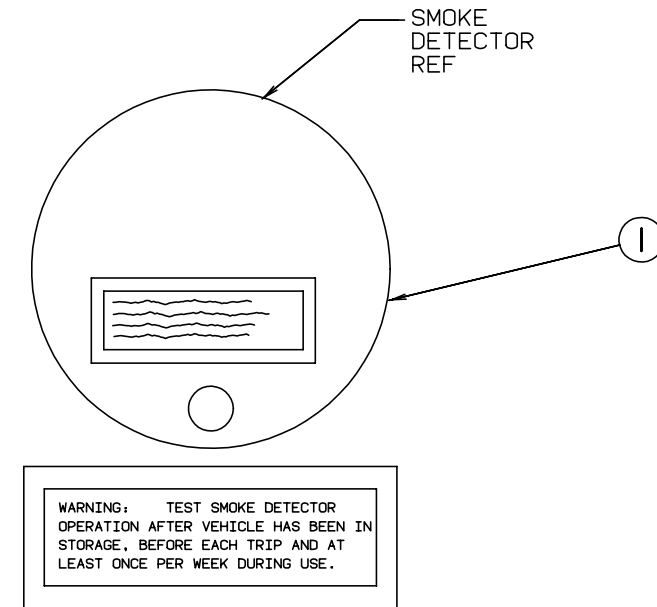
### CARPET & FLOOR COVERING

KEY	PART NUMBER	U/M	DESCRIPTION
	114129-01-02A	SF	LINER - CABINET - .02" X 48" X 96"
	093486-01-000	SY	CARPET - COMPARTMENT - 54" WIDE - DARK GRAY
	096060-98-000	SY	CARPET - SILVER ASPEN - INCREMENTS OF 4 SQ YD (H17)
	096060-95-000	SY	CARPET - DOESKIN (H18)
	096060-C2-000	SY	CARPET - BISCANYN - INCREMENTS OF 4 SQ. YARDS (H19)
	096060-C8-000	SY	CARPET - MOLLUSK - INCREMENTS OF 4 SQ YD (H40)
	096060-B3-000	SY	CARPET - CASTILE - INCREMENTS OF 4 SQ YD (H41)
	105924-01-F06	EA	MAT - FLOOR - 18" X 27" (H17)
	105924-01-G36	EA	MAT - FLOOR - 18" X 27" (H18)
	105924-01-H19	EA	MAT - FLOOR - 18" X 27" (H19)
	105924-01-H40	EA	MAT - FLOOR - 18" X 27" (H40)
	105924-01-G35	EA	MAT - FLOOR - 18" X 27" (H41)
	122755-01-01A	EA	TILE - RUBBER/ENTRANCE DOOR - 18.5" X 27.2"
	122755-03-01A	EA	TILE - RUBBER/ENTRANCE DOOR - 17.7" X 26.4"

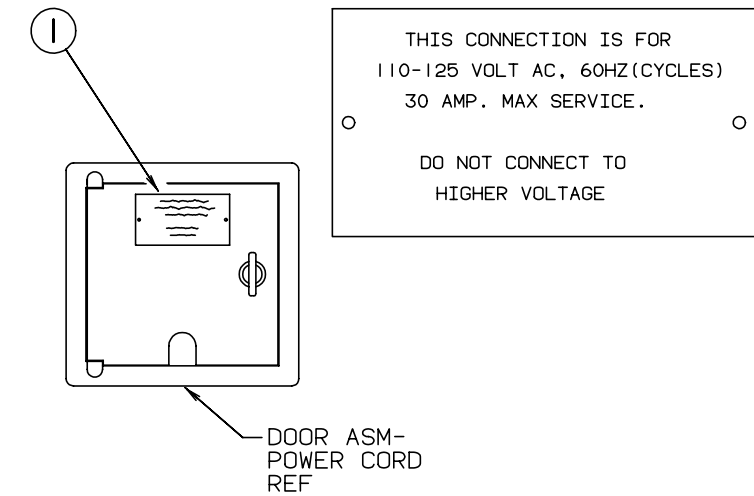
### FIRE EXTINGUISHER, DETECTORS, PICTURES & WALL CLOCK

KEY	PART NUMBER	U/M	DESCRIPTION	VENDOR NO.
	094499-01-000	EA	EXTINGUISHER/FIRE - DRY W/MOUNTING BRACKET - 10 B:C	
	094499-02-000	EA	EXTINGUISHER/FIRE - DRY - 1A10BC - CANADIAN	
	094499-01-700	EA	BRACKET MTG. W/PLAS. STRAP	294039
	094499-01-701	EA	STRAP ONLY (METAL)	320351
	072852-01-000	EA	DETECTOR - SMOKE - W/9 VOLT BATTERY - US	
	072852-02-000	EA	DETECTOR - SMOKE - W/9 VOLT BATTERY - CANADIAN	
	125136-01-000	EA	DETECTOR - CO - GAS - MODEL 9L-I	
	118081-02-01A	EA	CLOCK - WALL - ROUND 8" - BRASS	

## LABELS GROUP

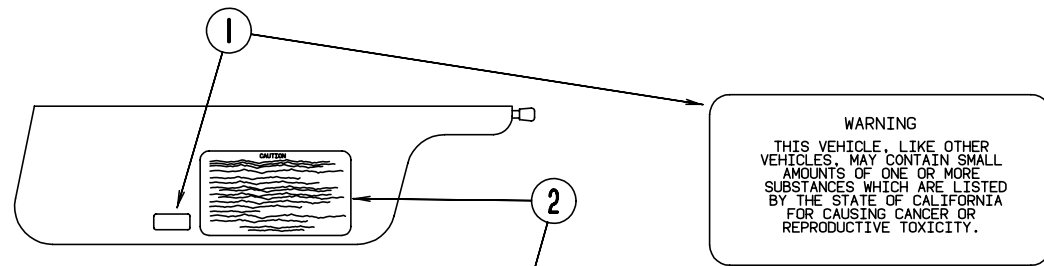


KEY	PART NUMBER	U/M	DESCRIPTION
1	077956-01-000	EA	LABEL - WARNING - SMOKE DETECTOR



KEY	PART NUMBER	U/M	DESCRIPTION
1	006062-01-000	EA	TAG - ELECTRIC - 110V CONNECTION

**LABELS GROUP (CONTINUED)**



**WARNING**  
 THIS VEHICLE, LIKE OTHER VEHICLES, MAY CONTAIN SMALL AMOUNTS OF ONE OR MORE SUBSTANCES WHICH ARE LISTED BY THE STATE OF CALIFORNIA FOR CAUSING CANCER OR REPRODUCTIVE TOXICITY.

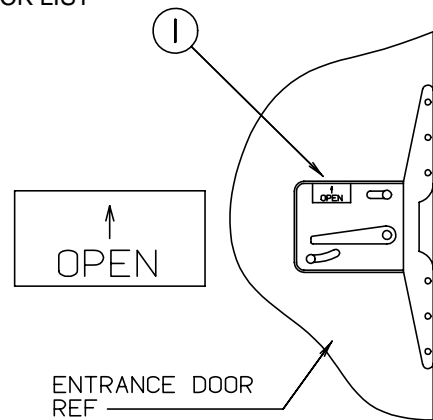
**CAUTION**

THIS MOTOR HOME HAS BEEN DESIGNED, MANUFACTURED AND TESTED WITH CONCERN FOR THE PROTECTION OF IT'S OCCUPANTS. WE RECOMMEND YOU PERFORM THE FOLLOWING INSPECTIONS FOR YOUR SAFETY AND THE SAFETY OF YOUR PASSENGERS BEFORE STARTING YOUR VEHICLE.

1. LP GAS SYSTEM- TURN OFF AT TANK FOR TRAVELING. TEST FOR LEAKS UPON ARRIVAL AT DESTINATION. BEFORE LIGHTING PILOTS.
2. WHEELS- INSPECT FOR DAMAGE AND CHECK LUG NUTS FOR TIGHTNESS.
3. TIRES- INSPECT FOR WEAR AND DAMAGE AND CHECK FOR RECOMMENDED AIR PRESSURE.
4. LIGHTING- TEST FOR PROPER OPERATION OF ALL INTERIOR AND EXTERIOR LIGHTS INCLUDING DASH LIGHTS, HEADLIGHTS, TAIL LIGHTS, BRAKE LIGHTS, CLEARANCE LIGHTS AND TURN SIGNALS.
5. EXITS- INSPECT RELEASE MECHANISM ON EMERGENCY EXIT WINDOW, TEST BOTH LOCKS ON MAIN ENTRANCE DOOR FOR EASE OF OPERATION AND INSTRUCT PASSENGERS HOW TO USE BOTH MEANS OF EXIT.
6. SEAT BELTS- DIRECT PASSENGERS TO DESIGNATED SEATS AND REQUIRE USE OF SEAT BELTS.
7. APPLIANCES- TURN OFF AND LATCH OR LOCK DOORS WHERE PROVIDED.
8. LOOSE PARCELS- STORE SECURELY.
9. UTILITY SUPPLY LINES- DISCONNECT ALL ELECTRIC, SEWER AND WATER LINES AND SECURE PROPERLY.
10. ENTRANCE DOOR STEP- PLACE IN RETRACTED POSITION FOR TRAVELING.

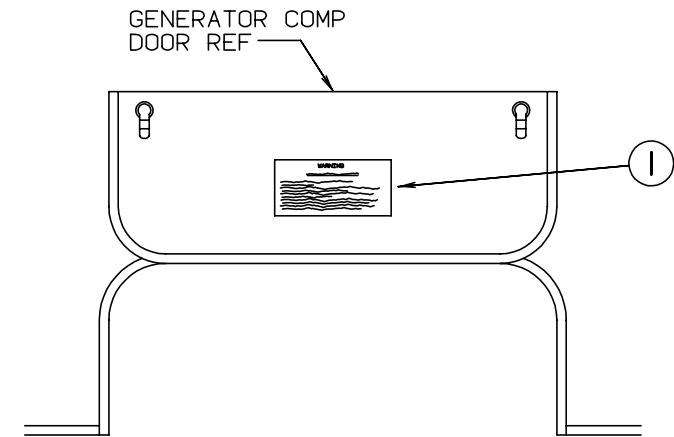
READ YOUR MOTOR HOME AND CHASSIS OWNER'S MANUAL FOR FURTHER PRECAUTIONS

KEY	PART NUMBER	U/M DESCRIPTION
1	099689-01-000	EA LABEL - WARNING - CANCER/TOXICITY
2	056259-01-000	EA LABEL - SAFETY CHECK LIST



KEY	PART NUMBER	U/M DESCRIPTION
1	040944-01-000	EA LABEL - ENTRANCE DOOR - "OPEN"

**LABELS GROUP (CONTINUED)**



**WARNING**

**WHEN ADDING A GENERATOR SET:**

HIGH VOLTAGE-USE EXTREME CAUTION WHEN WORKING ON ELECTRICAL COMPONENTS. HAVE ALL ELECTRICAL INSTALLATION PERFORMED BY A QUALIFIED LICENSED ELECTRICIAN-FOLLOW ALL STATE AND LOCAL CODES. ONLY INSTALL GENERATOR SET APPROVED FOR R.V. APPLICATION. HAVE INSTALLED BY QUALIFIED TECHNICIAN. TO AVOID HEAT BUILD-UP AND TO GUARANTEE AN ADEQUATE AIR SUPPLY TO THE GENERATOR CARBURETOR, FOLLOW INSTALLATION INSTRUCTIONS. GENERATOR ENGINE EXHAUST GASES ARE TOXIC AND MUST NOT TERMINATE UNDER THE VEHICLE-DISCHARGE EXHAUST AWAY FROM VEHICLE.

KEY	PART NUMBER	U/M DESCRIPTION
1	077510-01-000	EA LABEL - GENERATOR PREP

**CAUTION**

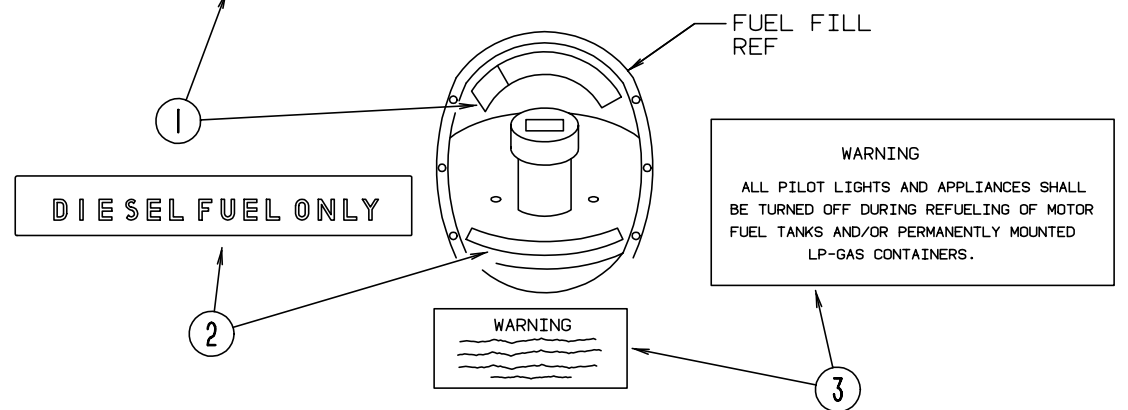
**FUEL SPRAY MAY CAUSE PERSONAL INJURY**

TO HELP AVOID PERSONAL INJURY DURING REMOVAL OF FUEL FILLER CAP, SLOWLY LOOSEN CAP 1/2 TURN TO ALLOW ANY FUEL PRESSURE TO BE RELIEVED BEFORE TURNING CAP FURTHER.

STOP ADDING FUEL AFTER FIRST SHUTOFF BY AUTOMATIC NOZZLE WHEN TANK IS NEARLY FULL. DO NOT OVERFILL FUEL TANK.

SEE OWNERS MANUAL FOR ADDITIONAL INFORMATION.

PRINTED IN U.S.A. MLC PT NO 15611763



KEY	PART NUMBER	U/M DESCRIPTION
1	087207-05-000	EA LABEL - FUEL CAP REMOVAL
2	068383-01-000	EA LABEL "DIESEL FUEL ONLY"
3	006040-01-000	EA TAG - REFUELING WARNING
3	006040-02-000	EA TAG - REFUELING WARNING (CANADIAN)

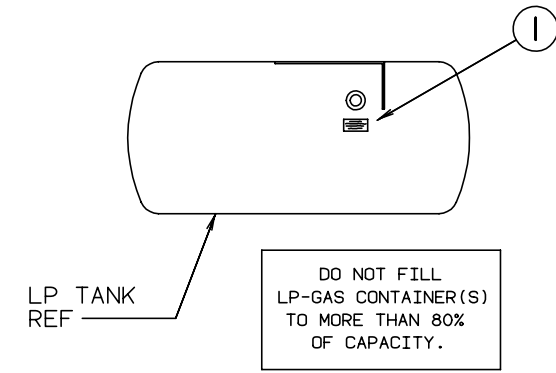
**LABELS GROUP (CONTINUED)**

A/C CIRCUIT 1	MAIN	MAIN	A/C CIRCUIT 2	GFI CIRCUIT 1	REFRIG/CONV	GFI CIRCUIT 2	MICROWAVE	APPLIANCE 1	APPLIANCE 2	GENERAL REEDS	WASHER DRYER
---------------	------	------	---------------	---------------	-------------	---------------	-----------	-------------	-------------	---------------	--------------

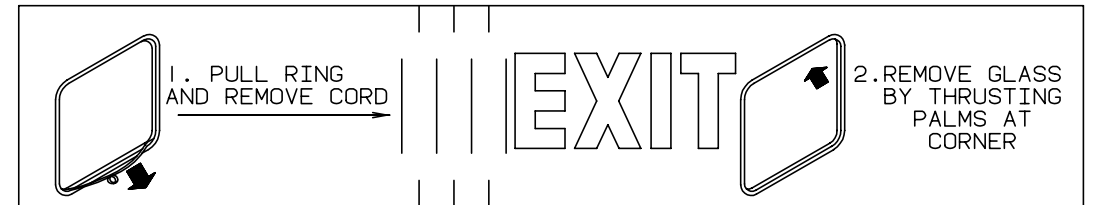
1

**KEY PART NUMBER U/M DESCRIPTION**  
 1 079965-01-000 EA LABEL - LPG - 80% CAPACITY

**LABELS GROUP (CONTINUED)**



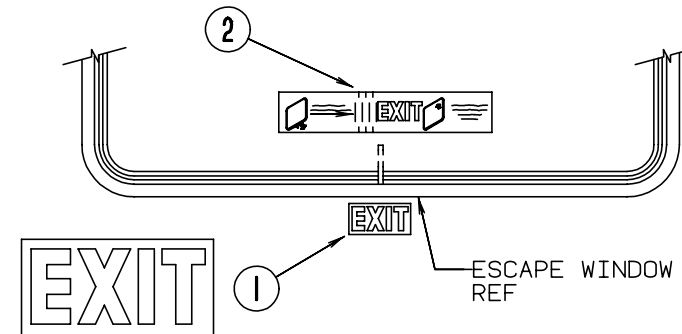
**KEY PART NUMBER U/M DESCRIPTION**  
 1 095721-18-000 EA LABEL-CONTROL CENTER, 50 AMP - CSA



1

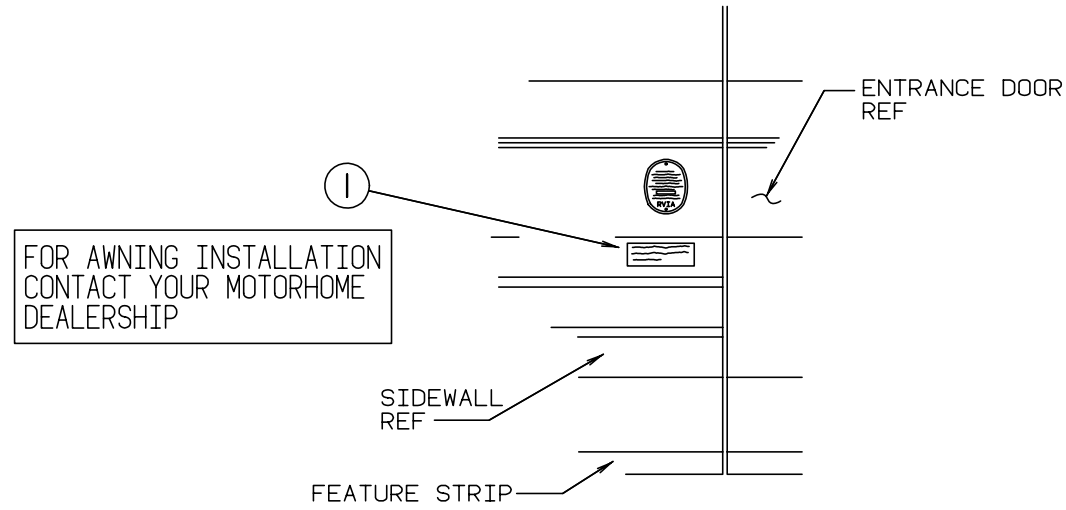
A/C CIRCUIT 1	MAIN	MAIN	A/C CIRCUIT 2	GFI CIRCUIT 1	REFRIG/CONV	GFI CIRCUIT 2	MICROWAVE	GENERAL REEDS	WASHER DRYER	DISH WASHER OR ICE MAKER	GENERAL REEDS
---------------	------	------	---------------	---------------	-------------	---------------	-----------	---------------	--------------	--------------------------	---------------

**KEY PART NUMBER U/M DESCRIPTION**  
 1 095721-17-000 EA LABEL-CONTROL CENTER, 50 AMP - US

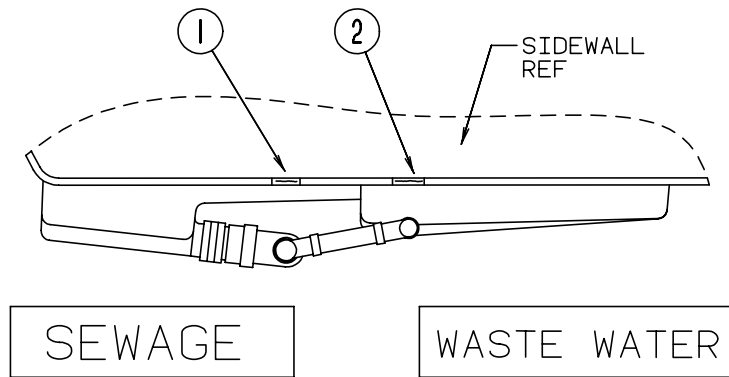


**KEY PART NUMBER U/M DESCRIPTION**  
 1 107571-01-000 EA LABEL - EXIT/ESCAPE WINDOW  
 2 039290-01-000 EA LABEL - EXIT WARNING

**LABELS GROUP (CONTINUED)**

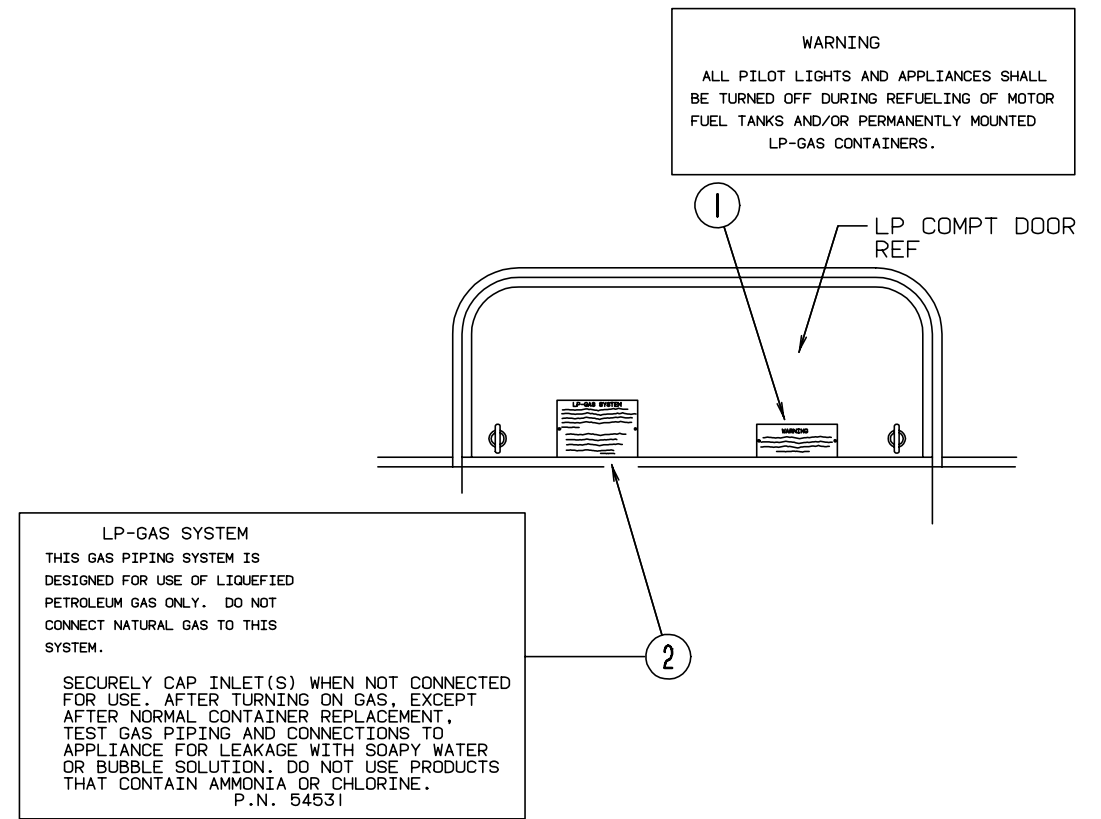


KEY	PART NUMBER	U/M DESCRIPTION
1	099509-01-000	EA LABEL - AWNING INSTALLATION

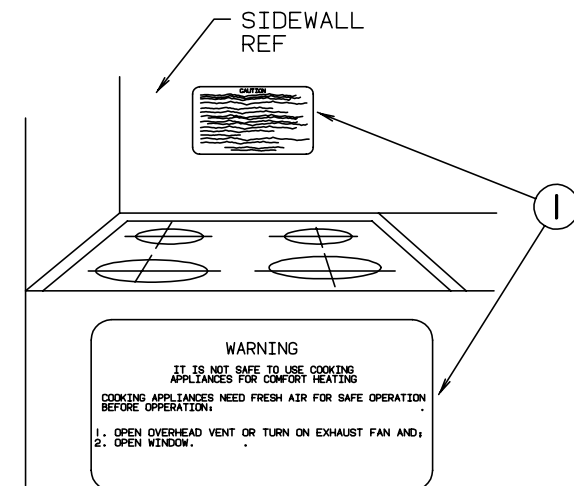


KEY	PART NUMBER	U/M DESCRIPTION
1	006187-01-000	EA LABEL - SEWAGE
2	006188-01-000	EA LABEL - WASTE WATER

**LABELS GROUP (CONTINUED)**

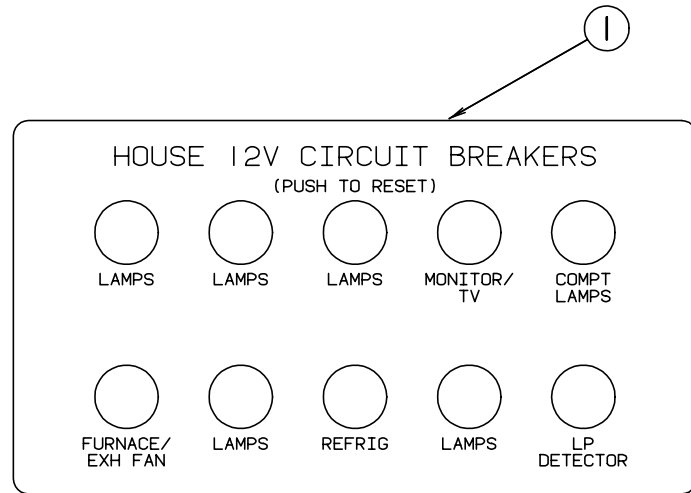


KEY	PART NUMBER	U/M DESCRIPTION
1	006040-01-000	EA TAG - GAS REFUELING WARNING
1	006040-02-000	EA TAG - GAS REFUELING WARNING (CANADIAN)
2	054531-01-000	EA LABEL - LP GAS ONLY
2	023769-01-000	EA LABEL - WARNING-LPG (CANADIAN)



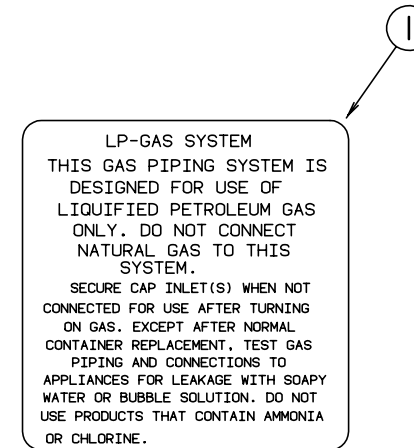
KEY	PART NUMBER	U/M DESCRIPTION
1	050225-01-000	EA LABEL - WARNING - STOVE VENT - US
1	050222-01-000	EA LABEL - WARNING - STOVE VENT - CSA

**LABELS GROUP (CONTINUED)**



**KEY PART NUMBER U/M DESCRIPTION**  
 1 092547-06-000 EA LABEL-CIRCUIT BREAKER

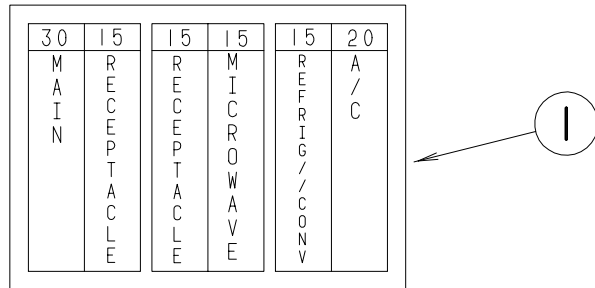
**LABELS GROUP (CONTINUED)**



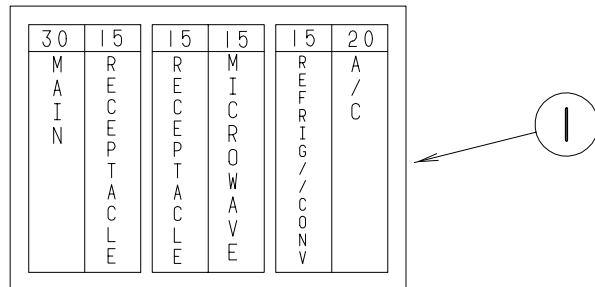
**KEY PART NUMBER U/M DESCRIPTION**  
 1 124520-01-02A EA LABEL - LP GAS ONLY

**MISCELLANEOUS LABELS**

**KEY PART NUMBER U/M DESCRIPTION**  
 094675-01-000 EA LABEL - EXTERIOR LIGHT - SERVICE  
 073998-01-000 EA LABEL - LPG ODOR WARNING  
 079966-01-000 EA LABEL - WARNING - STOWED - MOTION  
 087236-01-000 EA LABEL - CABLE, INPUT  
 091243-01-000 EA LABEL - A/C COVER - "AIR CONDITIONING CIRCUIT. ETC."  
 098379-04-000 EA LABEL - ELECTRICAL BOX SIDE  
 104678-01-000 EA LABEL - CB PREP  
 111104-01-000 EA LABEL - HITCH - READ MANUAL  
 111537-07-000 EA LABEL - FUSES  
 111802-01-000 EA LABEL - CFC WARNING  
 124519-01-02A EA LABEL - WARNING/REFUELING - US  
 124519-02-02A EA LABEL - WARNING/REFUELING - CSA  
 126024-01-01A EA LABEL - TIRE HANGER REMOVAL  
 113402-01-000 EA LABEL - CAUTION - WATER HEATER EXHAUST  
 116549-01-000 EA LABEL - WARNING - SLIDEOUT

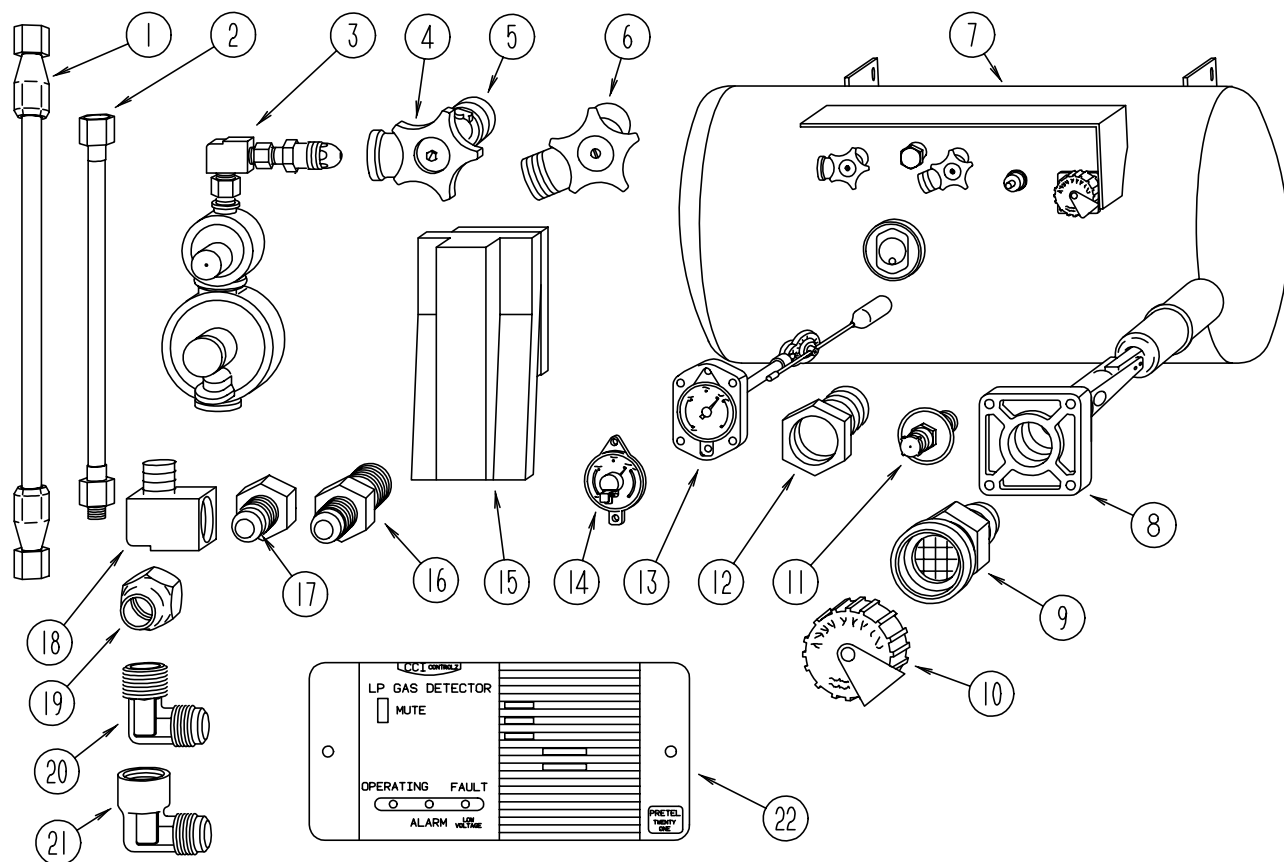


**KEY PART NUMBER U/M DESCRIPTION**  
 1 095721-10-000 EA LABEL-CONTROL CENTER (30A) CSA



**KEY PART NUMBER U/M DESCRIPTION**  
 1 095721-14-000 EA LABEL-CONTROL CENTER (30A)

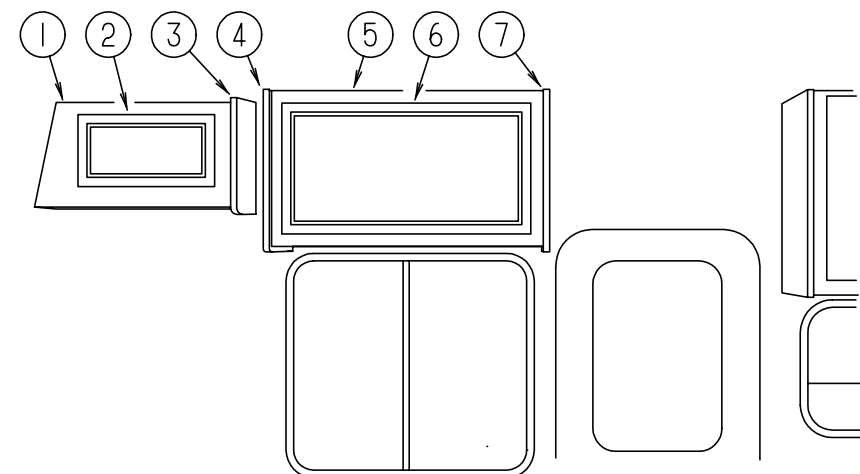
## LP GROUP



### LP TANK & COMPONENTS

KEY	PART NUMBER	U/M	DESCRIPTION	VENDOR NO.
1	045703-05-000	EA	HOSE - LP - 3/8" ID X 28" - 3/8" MPT X 1/2" F SWIVEL - US	
1	045703-06-000	EA	HOSE - LP - 3/8" ID X 28" - 3/8" MPT X 1/2" F SWIVEL - CANADA	
2	045703-01-000	EA	HOSE - LP - 3/8" ID X 24" - 3/8" MPT X 1/2" F SWIVEL - U.S.	
2	045703-02-000	EA	HOSE - LP - 3/8" ID X 24" - 3/8" MPT X 1/2" F SWIVEL - CANADA	
3	106150-01-000	EA	REGULATOR - TWO STAGE	
4	040421-01-708	EA	HANDWHEEL - SERVICE VALVE	G-1015-A
5	040421-01-712	EA	VALVE - SERV. W/O VAPOR RELIEF	29000853
6	040421-01-710	EA	VALVE - SERVICE - LIQUID (GENERATOR)	910145
7	088253-05-000	EA	TANK - LP - 130 LB - LIQUID DRAW	
7	088253-06-000	EA	TANK - LP - 130 LB (DIESEL GEN. OPTION)	
8	040421-01-711	EA	VALVE - 80% FILL W/AUTO STOP	LLL/TL3
9	040421-01-701	EA	VALVE - FILL - SHORT, LP	7547B
10	040421-01-702	EA	CAP - FILL VALVE - PLASTIC	G-1014-A
11	040421-01-700	EA	VALVE - LIQUID LEVEL - 20%	G-1013
12	040421-01-713	EA	VALVE - RELIEF 1" W/SPRING 7"	29000587
13	088253-01-700	EA	GAUGE - FLOAT ASSEMBLY - L.P.	16C
14	040440-02-000	EA	TRANSMITTER - DIAL - 0-90 OHM -2 TERMINAL (POWER & GROUND)	
15	105658-01-000	EA	COMPARTMENT - LP REGULATOR	
16	010323-01-000	EA	ADAPTER - BRASS - 3/8" F X 1/2" MPT	
16	010329-01-000	EA	ADAPTER - BRASS - 1/2" F X 1/2" MPT	
16	010326-01-000	EA	ADAPTER - FLARE - W/CONE GASKET - 3/8" FEMALE X 1/2" MALE	
17	024250-01-000	EA	ADAPTER - BRASS - 3/8" F X 1/2" FPT	
18	065318-02-000	EA	ELBOW - 90 DEGREE - 3/8" MPT TO 3/8" FPT	
19	010377-02-000	EA	NUT - BRASS - 3/8" FLARE - FORGED	
19	010380-02-000	EA	NUT - BRASS - 1/2" FLARE - FORGED	
20	010252-01-000	EA	ELBOW - BRASS - 90 DEGREE - 3/8" F X 1/2" MPT	
21	010265-01-000	EA	ELBOW - BRASS - 90 DEGREE - 3/8" F X 1/2" FPT	
22	103613-03-000	EA	DETECTOR - LP GAS - W/O SHUT-OFF VALVE	
	106871-01-000	EA	BUSHING - 1/2 X 1/4 - BLACK	
	106846-01-000	EA	VALVE - RELIEF (400 - 500 PSI)	

## LOUNGE GROUP



### PASSENGER SIDE FRONT OVERHEAD CABINETS

KEY	PART NUMBER	U/M	DESCRIPTION
1	M06838-01-H47	EA	CABINET - OVERHEAD/FRONT RIGHT HAND - W/O DOORS/HARDWARE (OAK)
1	M06838-01-H40	EA	CABINET - OVERHEAD/FRONT RIGHT HAND - W/O DOORS/HARDWARE (WHITE)
	P09561-03-G15	EA	PANEL - VINYL COVERED/CABINET BOTTOM - PASSENGER
2	M06803-04-H17	EA	DOOR - MITERED CORNER/OGEE EDGE - 10" X 19.1" - W/O HDW (OAK)
2	122715-03-01A	EA	DOOR - MOLDED VINYL - 10" X 19.1" - W/O HARDWARE (WHITE)
3	103128-08-G09	EA	END CAP - OVERHEAD CABINET - RIGHT HAND (OAK)
3	103128-08-H23	EA	END CAP - OVERHEAD CABINET - RIGHT HAND (WHITE)
4	103128-38-G15	EA	END CAP - OVERHEAD CABINET - LEFT HAND (OAK)
4	103128-38-H23	EA	END CAP - OVERHEAD CABINET - LEFT HAND (WHITE)
5	M06838-08-H17	EA	CABINET - OVERHEAD/FRONT - W/O DOORS/HARDWARE (OAK)
5	M06838-08-H40	EA	CABINET - OVERHEAD FRONT - W/O DOORS/HARDWARE (WHITE)
6	M06803-30-H17	EA	DOOR - MITERED CORNER/OGEE EDGE - 15.5" X 29.5" - W/O HDW (OAK)
6	122715-05-01A	EA	DOOR - MOLDED VINYL - 15.5" X 29.5" - W/O HDW (WHITE)
7	103128-10-G15	EA	END CAP - OVERHEAD CABINET - RIGHT HAND (OAK)
7	103128-10-H23	EA	END CAP - OVERHEAD CABINET - RIGHT HAND (WHITE)
	120975-11-G35	EA	SHELF - W/PLASTIC EDGE TRIM (OAK)
	104312-11-H40	EA	SHELF - W/PLASTIC EDGE MOLDING (WHITE)

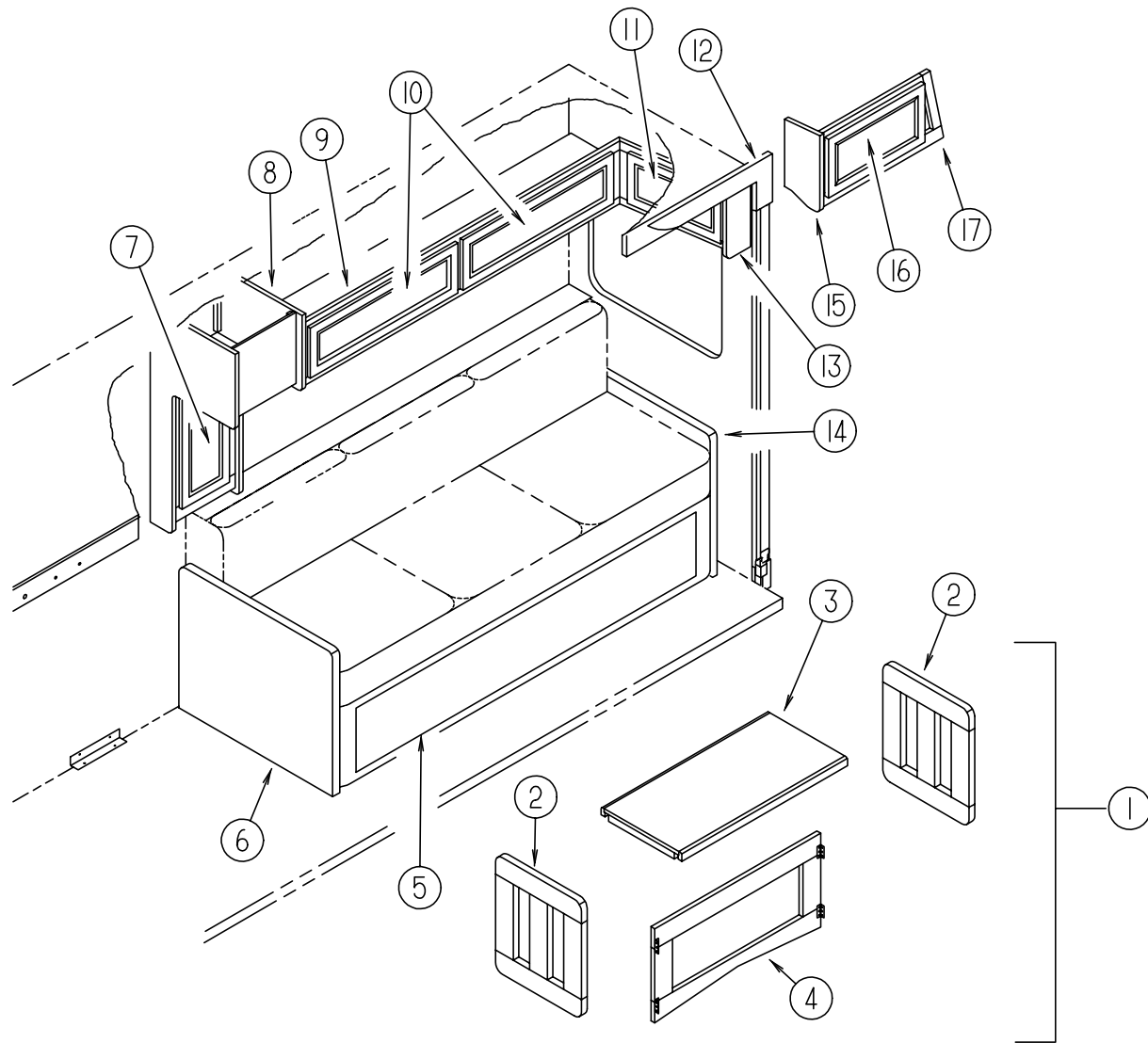
### ENTRANCE DOOR STEP

KEY	PART NUMBER	U/M	DESCRIPTION
	120234-04-H47	EA	LID - ENTRY STEP (OAK)
	120234-04-H40	EA	LID - ENTRY STEP (WHITE)
	122755-03-01A	EA	TILE - RUBBER/ENTRANCE DOOR - 17.7" X 26.4"
	101222-01-04A	EA	BRACKET - CATCH - LID
	116975-01-01A	EA	LATCH - W/O STRIKE - BLACK - NEW STYLE
	116975-02-01A	EA	KEEPER/STRIKE - BLACK - NEW STYLE



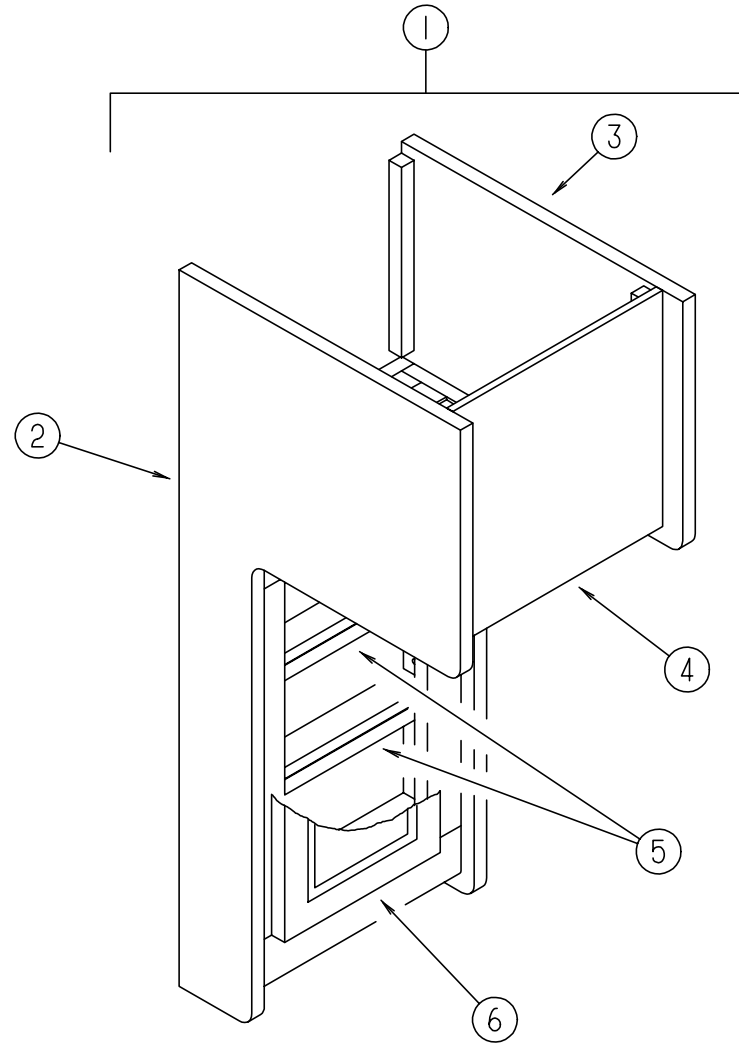
## LOUNGE GROUP (CONTINUED)

### DRIVER SIDE FRONT OVERHEAD CABINET WITH SLIDE OUT OVERHEAD CABINET OPTION



KEY	PART NUMBER	U/M	DESCRIPTION
1	116957-01-G15	EA	TABLE - FOLDING - W/O HARDWARE (OAK)
1	116957-01-H23	EA	TABLE - FOLDING - W/O HARDWARE (WHITE)
2	116957-15-F31	EA	LEG ASSEMBLY - FOR NEW STYLE TABLE (OAK)
2	116957-15-H23	EA	LEG - FOR NEW STYLE TABLE (WHITE)
3	116957-12-G15	EA	TABLE TOP - FOLDING (OAK)
3	116957-12-H23	EA	TABLE TOP - FOLDING (WHITE)
4	116957-11-F31	EA	BRACE ASSEMBLY - FOR NEW STYLE TABLE (OAK)
4	116957-11-H23	EA	BRACE - FOLDING TABLE - SOFA/BED (WHITE)
	099856-01-000	EA	TIEDOWN - STRAP/TV - W/BUCKLE - 53.1" X 1" - WEBBING - BLK
5	120992-02-G15	EA	PANEL - COUCH/FRONT - FABRIC COVERED (H17)
5	120992-02-H18	EA	PANEL - COUCH/FRONT - FABRIC COVERED (H18)
5	120992-02-H19	EA	PANEL - COUCH/FRONT - FABRIC COVERED (H19)
5	120992-02-H23	EA	PANEL - COUCH FRONT - FABRIC COVERED (H40)
5	120992-02-H25	EA	PANEL - COUCH FRONT - FABRIC COVERED (H41)
6	121222-01-G15	EA	PANEL/WALL - RIGHT END - SOFA/BED - FABRIC COVERED (H17)
6	121222-01-H18	EA	PANEL/WALL - RIGHT END - SOFA/BED - FABRIC COVERED (H18)
6	121222-01-H19	EA	PANEL/WALL - RIGHT END - SOFA/BED - FABRIC COVERED (H19)
6	121222-01-H23	EA	PANEL/WALL - RIGHT END - SOFA/BED - FABRIC COVERED (H40)
6	121222-01-H25	EA	PANEL/WALL - RIGHT END - SOFA/BED - FABRIC COVERED (H41)
7	M06803-F8-H17	EA	DOOR - MITERED CORNER/OGEE EDGE - 10" X 19.1" - W/O HDW (OAK)
7	122715-03-01A	EA	DOOR - MOLDED VINYL - 10" X 19" - W/O HARDWARE (WHITE)
8	120975-01-G35	EA	CABINET - OVERHEAD SPEAKER - W/O DOORS/HARDWARE (OAK)
8	120975-01-H23	EA	CABINET - OVERHEAD SPEAKER - W/O DOORS/HARDWARE (WHITE)
9	120979-01-G35	EA	CABINET - OVERHEAD/FRONT W/END CAP-W/O DR/HDWR - SLIDEOUT (OAK)
9	120979-01-H23	EA	CABINET - OVERHEAD/FRONT W/END CAP-W/O DR/HDWR - SLIDEOUT (WHITE)
10	120035-04-G15	EA	DOOR - FABRIC WRAPPED - 8.6" X 29.9" - W/O HARDWARE (H17)
10	120035-04-H18	EA	DOOR - FABRIC WRAPPED - 8.6" X 29.9" - W/O HARDWARE (H18)
10	120035-04-H19	EA	DOOR - FABRIC WRAPPED - 8.6" X 29.9" - W/O HARDWARE (H19)
10	120035-04-H23	EA	DOOR - FABRIC WRAPPED - 8.6" X 29.9" - W/O HARDWARE (H40)
10	120035-04-H25	EA	DOOR - FABRIC WRAPPED - 8.6" X 29.9" - W/O HARDWARE (H41)
11	120035-05-G15	EA	DOOR - FABRIC WRAPPED - 8.6" X 16.4" - W/O HARDWARE (H17)
11	120035-05-H18	EA	DOOR - FABRIC WRAPPED - 8.6" X 16.4" - W/O HARDWARE (H18)
11	120035-05-H19	EA	DOOR - FABRIC WRAPPED - 8.6" X 16.4" - W/O HARDWARE (H19)
11	120035-05-H23	EA	DOOR - FABRIC WRAPPED - 8.6" X 16.4" - W/O HARDWARE (H40)
11	120035-05-H25	EA	DOOR - FABRIC WRAPPED - 8.6" X 16.4" - W/O HARDWARE (H41)
12	115811-15-H17	EA	OVERLAY - 7.5" X 22 3/8"
12	115811-15-H18	EA	OVERLAY - 7.5" X 22 3/8"
12	115811-15-H19	EA	OVERLAY - 7.5" X 22 3/8"
13	120979-13-G35	EA	CAP ASM (OAK)
13	120979-13-H23	EA	CAP ASM (WHITE)
14	121222-02-G15	EA	PANEL/WALL - LEFT END - SOFA/BED - FABRIC COVERED (H17)
14	121222-02-H18	EA	PANEL/WALL - LEFT END - SOFA/BED - FABRIC COVERED (H18)
14	121222-02-H19	EA	PANEL/WALL - LEFT END - SOFA/BED - FABRIC COVERED (H19)
14	121222-02-H23	EA	PANEL/WALL - LEFT END - SOFA/BED - FABRIC COVERED (H40)
14	121222-02-H25	EA	PANEL/WALL - LEFT END - SOFA/BED - FABRIC COVERED (H41)
15	103128-09-G09	EA	END CAP - OVERHEAD CABINET - LEFT HAND (OAK)
15	103128-09-H23	EA	END CAP - OVERHEAD CABINET - LEFT HAND (WHITE)
16	M06803-04-H17	EA	DOOR - MITERED CORNER/OGEE EDGE - 10" X 19.1" - W/O HDW (OAK)
16	122715-11-01A	EA	DOOR - MOLDED VINYL - 9.8" X 14.5" - W/O HDW (WHITE)
17	M06838-31-H17	EA	CABINET - OVERHEAD/FRONT/LEFT HAND - W/O DOORS/HARDWARE
17	M06838-31-H18	EA	CABINET - OVERHEAD/FRONT/LEFT HAND - W/O DOORS/HARDWARE
17	M06838-31-H19	EA	CABINET - OVERHEAD/FRONT/LEFT HAND - W/O DOORS/HARDWARE
17	M06838-31-H40	EA	CABINET - OVERHEAD/FRONT/LEFT HAND - W/O DOORS/HARDWARE
17	M06838-31-H41	EA	CABINET - OVERHEAD/FRONT/LEFT HAND - W/O DOORS/HARDWARE

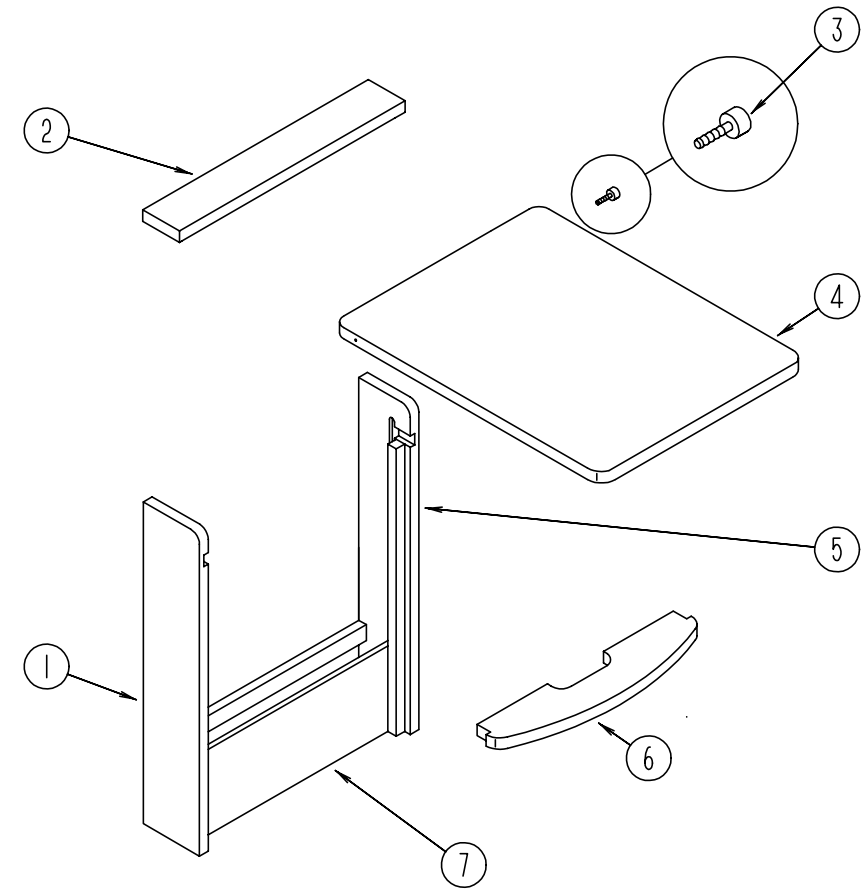
## LOUNGE GROUP (CONTINUED)



**SPEAKER CABINET**

KEY	PART NUMBER	U/M	DESCRIPTION
1	120975-01-G35	EA	CABINET - OVERHEAD SPEAKER - W/O DOOR/HARDWARE (OAK)
1	120975-01-H23	EA	CABINET - OVERHEAD SPEAKER - W/O DOOR/HARDWARE (WHITE)
2	120975-13-G35	EA	END CAP - OVERHEAD/LEFT HAND (OAK)
2	120975-13-H23	EA	END CAP - OVERHEAD/LEFT HAND (WHITE)
3	120975-14-G35	EA	END CAP - OVERHEAD/RIGHT HAND (OAK)
3	120975-14-H23	EA	END CAP - OVERHEAD/RIGHT HAND - F/SLIDEOUT (WHITE)
4	M08088-01-H17	EA	PANEL - FACE - FABRIC COVERED (H17)
4	M08088-01-H18	EA	PANEL - FACE - FABRIC COVERED (H18)
4	M08088-01-H19	EA	PANEL - FACE - FABRIC COVERED (H19)
4	M08088-01-H23	EA	PANEL - FACE - FABRIC COVERED (H40)
4	M08088-01-H25	EA	PANEL - FACE - FABRIC COVERED (H41)
5	120975-11-G35	EA	SHELF - W/PLASTIC EDGE TRIM (OAK)
5	120975-11-H23	EA	SHELF - W/PLASTIC EDGE TRIM (WHITE)
6	M06803-F8-H17	EA	DOOR - MITERED CORNER/OGEE EDGE - 10" X 19.1" - W/O HDW (OAK)
6	122715-03-01A	EA	DOOR - MOLDED VINYL - 10" X 19.1" - W/O HARDWARE (WHITE)

## LOUNGE GROUP (CONTINUED)



**PULLOUT TABLE**

KEY	PART NUMBER	U/M	DESCRIPTION
	P19559-01-G35	EA	CABINET - TABLE - W/O PULLOUT TOP (OAK)
	P19559-01-H23	EA	CABINET - TABLE - W/O PULLOUT TOP (WHITE)
1	119559-12-G35	EA	END - TABLE - LEFT SIDE - 28.7" X 5.7" (OAK)
1	119559-12-H23	EA	END - TABLE - LEFT SIDE - 28.7" X 5.7" (WHITE)
2	119559-13-G35	EA	SHELF - TOP F/PULLOUT TABLE (OAK)
2	119559-13-H23	EA	SHELF - TOP F/PULLOUT TABLE (WHITE)
3	079921-01-000	EA	ROLLER - NYLON - W/STEEL SHAFT - BARBED
4	119559-17-G35	EA	TABLE TOP - PULLOUT (OAK)
4	119559-17-H23	EA	TABLE TOP - PULLOUT (WHITE)
5	119559-11-G35	EA	END - TABLE - RIGHT SIDE - 28.7" X 5.7" (OAK)
5	119559-11-H23	EA	END - TABLE - RIGHT SIDE - 28.7" X 5.7" (WHITE)
6	119559-14-G35	EA	SHELF - SUPPORT F/PULLOUT TABLE (OAK)
6	119559-14-H23	EA	SHELF - SUPPORT F/PULLOUT TABLE (WHITE)
7	119559-15-G35	EA	PANEL - BOTTOM F/TABLE CABINET - 18.1" X 6.7" (OAK)
7	119559-15-H23	EA	PANEL - BOTTOM F/TABLE CABINET - 18.1" X 6.7" (WHITE)
	080736-01-000	EA	PULL - RECESSED - 1.25 X 4" - OAK

## SEALANTS & FASTENERS GROUP

### SCREWS

KEY	PART NUMBER	U/M	DESCRIPTION
	0G3908-08-170	EA	SCREW - SF/ DR - 8-18 X 1/2PPH - BRIGHT WHITE
	000G11-05-08B	EA	SCREW - 5-20 X 1/2 PPH ZINC
	000G11-06-10J	EA	SCREW - 6-20 X 5/8 PPH - BRASS
	000G11-06-08B	EA	SCREW - 6-20 X 1/2 PPH ZINC
	000G11-06-06B	EA	SCREW - 6-20 X 3/8 PPH ZINC
	000G11-07-08B	EA	SCREW - 7-19 X 1/2 PPH - ZINC
	000G11-08-08T	EA	SCREW - 8-18 X 1/2 PPH
	000G11-08-08B	EA	SCREW - 8-18 X 1/2 PPH - ZINC
	000G11-08-06B	EA	SCREW - 8-18 X 3/8 PPH ZINC
	000G11-08-20B	EA	SCREW - 8-18 X 11/4 PPH ZINC
	000G11-08-16S	EA	SCREW - 8-18 X 1.00 PPH - OFF WHITE
	000G11-08-12T	EA	SCREW - 8-18 X 3/4 PPH - BLACK
	000G11-08-12P	EA	SCREW - 8-18 X .75 PPH - DARK BROWN
	000G11-08-12D	EA	SCREW - 8-18 X 3/4 PPH - BLACK
	000G11-08-12B	EA	SCREW - 8-18 X 3/4 PPH ZINC
	000G11-10-40B	EA	SCREW - 10-16 X 2 1/2 PPH CAD - 34927-01-000
	000G11-10-16B	EA	SCREW - 10-16 X 1 - PPH ZINC
	000G11-10-12S	EA	SCREW - 10-16 X .75 PPH OFF WHT
	000G11-10-12D	EA	SCREW - 10-16 X 3/4 PPH - BLACK
	000G12-06-08T	EA	SCREW - 6-20 X .50 POH - BLACK
	000G13-06-16J	EA	SCREW - 6-20 X 1.00 PFH - BRASS
	000G13-06-08B	EA	SCREW - 6-20 X 1/2 PFH ZINC
	000G13-06-24J	EA	SCREW - 6-20 X 1.50 PFH BRASS
	000G13-07-12B	EA	SCREW - 7-19 X 3/4 PFH ZINC
	000G13-08-16B	EA	SCREW - 8-18 X 1 PFH - ZINC
	000G18-08-22B	EA	SCREW - MACH - 8-32 X 1 3/8 PPH ZINC
	000G19-10-20B	EA	SCREW - MACHINE - 10-32 X 1 1/14 PPH ZINC
	000G19-10-08B	EA	SCREW - MACHINE - 10-32 X 1/2 PPH ZINC
	000G19-10-12F	EA	SCREW - MACHINE - 10-32 X .75 - PPH - STAINLESS STEEL
	000G32-10-06B	EA	SCREW - SF/ DR - 6-20 X 5/8 PPH - BLACK
	000G39-06-08B	EA	SCREW - DR - 6-18 X 1/2 ZINC
	000G39-08-08S	EA	SCREW - SF/ DR - 8-18 X 1/2 PPH - OFF WHITE
	000G39-08-08B	EA	SCREW - SF/ DR - 8-18 X 1/2 PPH ZINC
	000G39-08-06B	EA	SCREW - SF/ DR - 8-18 X 3/8 PPH ZINC
	000G39-08-24B	EA	SCREW - SF/ DR - 8-18 X 1 1/2 PPH ZINC
	000G39-08-16T	EA	SCREW - SF/ DR - 8-18 X 1 PPH - BLACK
	000G39-08-16B	EA	SCREW - SF/ DR - 8-18 X 1 PPH ZINC
	000G39-08-12T	EA	SCREW - SF/ DR - 8-18 X 3/4 PPH - BLACK
	000G39-08-12B	EA	SCREW - SF/ DR - 8-18 X 3/4 PPH ZINC
	000G39-08-16R	EA	SCREW - SF/ DR - 8-18 X 1 PPH - BEIGE
	000G39-08-08T	EA	SCREW - SF/ DR - 8-18 X .50 PPH - BLACK
	000G39-10-08B	EA	SCREW - SF/ DR 10-16 X .50 P&H - ZINC
	000G39-10-088	EA	SCREW - SF/ DR 10-16 X .50 P&H - FLEX FLUOROCARBON
	000G39-10-209	EA	SCREW - SF/ DR - 10-16 X 1.25 PPH - FLATUOROCARBON SILVER
	000G39-10-20B	EA	SCREW - SF/ DR - 10-16 X 1 1/4 PPH ZINC
	000G39-10-32B	EA	SCREW - SF/ DR - 10-16 X 2 PPH ZINC
	000G39-10-10B	EA	SCREW - SF/ DR - 10-16 X .625 - ZINC
	000G39-10-129	EA	SCREW - SF/ DR - 10-16 X 3/4 PPH - FLATUOROCARBON SILVER
	000G39-10-12D	EA	SCREW - SF/ DR - 10-16 X 3/4 PPH - BLACK
	000G39-10-12B	EA	SCREW - SF/ DR - 10-16 X .75 PPH ZINC
	000G42-04-12B	EA	SCREW - SF/ DR 1/4-14 X 3/4 HWH ZINC
	000G46-08-24T	EA	SCREW - MACHINE - 8-32 - 1.50 IN PFH - BLACK
	000G50-04-12B	EA	SCREW - MACHINE - 1/4-20 X 3/4 PPH ZINC
	000G50-04-08B	EA	SCREW - MACHINE - 1/4-20 X 1/2 PTH - 2N
	000G52-08-18B	EA	SCREW - MACH-8-32 X 11/8 PTH ZINC
	000G54-04-20B	EA	SCREW - 1/4-20 X 1 1/4 PTH - TYPE 23 - ZINC PLATED
	000G55-08-12S	EA	SCREW - SF/DR - 8-18 X .75 PWH - OFF WHITE
	000G55-08-125	EA	SCREW - SF/DR - 8-18 X .75 PWH - WILLOW
	000G55-08-16S	EA	SCREW - SF/DR - 8-18 X 1 PWH - OFF WHITE

## SEALANTS & FASTENERS GROUP (CONTINUED)

### SCREWS (CONTINUED)

KEY	PART NUMBER	U/M	DESCRIPTION
	000G57-05-16J	EA	SCREW - 5-20 X 1 PFH - BRASS
	000G60-10-28T	EA	SCREW - SF/ DR - 10-16 X 1.75 - BLACK
	000G67-10-08B	EA	SCREW - 10-12 X 1/2 PPH ZINC
	000G67-10-48B	EA	SCREW - 10-12 X 3 PPH ZINC
	000G67-10-36T	EA	SCREW - 10-12 X 2.25PPHBLACK - STALGARD
	000G67-10-20D	EA	SCREW - 10-12 X 1 1/4 PPH - BLACK
	000G67-10-120	EA	SCREW - 10-12 X .75" PPH - TAN
	000G67-10-12B	EA	SCREW - 10-12 X 3/4" PPH - ZINC
	000G67-10-24B	EA	SCREW - 10-12 X 1.25" PPH - ZINC
	000G67-10-16B	EA	SCREW - 10-12 X 1" PPH - ZINC
	000G67-10-12P	EA	SCREW - 10-12 X .75" PPH - DARK BROWN
	000G67-10-10P	EA	SCREW - 10-12 X .62 PPH - DARK BROWN
	000G67-10-10D	EA	SCREW - 10-12 X 5/8 PPH - BLACK - TYPE A
	000G67-10-10B	EA	SCREW - 10-12 X 5/8 PPH ZINC - TYPE A
	000G68-06-10G	EA	SCREW - 6-18 X 5/8 POH - ANTIQUE BRASS
	000G68-06-12S	EA	SCREW - 6-18 X .75 POH
	054434-03-000	EA	SCREW - SF/DR - 10-16 X 2 - PWH ZINC - W/O WINGS
	083554-04-000	EA	SCREW - DRYWALL - 8 X 2.50
	049465-01-000	EA	SCREW - 10-16 W/ WASHER PTH - DARK BROWN
	049465-03-000	EA	SCREW - 10-16 X 1 POH W/ WASHER - OFF WHITE
	075908-01-000	EA	SCREW - MACHINE - 10-32 X .56 PTH - ZINC EXTERNAL TOOTH
	086256-01-000	EA	SCREW - SF/DR - 8 X 3/4 HWH LONG
	097974-01-000	EA	SCREW - PART BD 7-9 X .75 PPH - FHM 0543 PLAIN
	057671-01-000	EA	COVER - SCREW - #8 - PLASTIC - OFF WHITE
	057671-12-000	EA	COVER - SCREW - QUICK SILVER - #8

### CLAMPS, CLIPS, & GROMMETS

KEY	PART NUMBER	U/M	DESCRIPTION
	000F10-04-16B	EA	PIN - COTTER - 1/8 X 1 ZN
	000H14-04-04A	EA	RIVET - MANDREL BLIND - 1/8 X .400
	000H14-06-14R	EA	RIVET - MANDREL BLIND - 3/16
	000H15-06-02R	EA	RIVET - POP - STEEL - 3/16 X .063-.125
	000H16-06-10R	EA	RIVET - POP-AL 3/16 X .501-.625
	010495-01-000	EA	CLAMP - CABLE - 9/16"
	010497-01-000	EA	CLAMP - CLOSED - 5/8" ID
	010497-03-000	EA	CLAMP - CLOSED - 1" ID - CUSHIONED
	010499-01-000	EA	CLAMP - CLOSED - 3/8" ID
	062401-01-000	EA	CLAMP - HOSE - WORMGEAR .25" - 1"
	062401-02-000	EA	CLAMP - HOSE - WORMGEAR 1.56" - 2.5"
	062401-03-000	EA	CLAMP - HOSE - WORMGEAR - .22"- 1"
	062401-04-000	EA	CLAMP - HOSE - WORMGEAR .69"- 1.25"
	062401-05-000	EA	CLAMP - HOSE - WORMGEAR 2" TO 3" ID
	062401-06-000	EA	CLAMP - HOSE - WORMGEAR .22"-.62"
	062401-11-000	EA	CLAMP - HOSE - WORMGEAR 3.56"- 4.5"
	083609-01-000	EA	CLAMP - WIRE - DUAL EQUAL - 5/8" DIAMETER
	083610-01-000	EA	CLAMP - WIRE - DUAL - UNEQUAL DIAMETERS - .75" & 1.25"
	083610-02-000	EA	CLAMP - WIRE - DUAL UNEQUAL DIA
	008380-01-000	EA	GROMMET - RUBBER - 5/8" HOLE X 1 1/2" DIAMETER - BLACK
	016188-05-000	EA	GROMMET - L/P LINE - 3/8" HOLE X 1 1/4" LONG - RUBBER
	023942-01-000	EA	GROMMET - RUBBER - 2" OD
	071015-11-000	EA	GROMMET - 1.00 ID - FITS .12 MATL - MINOR RUBBER Z-3065
	071015-29-000	EA	GROMMET - RUBBER - .25" ID X 1.25" OD W/.12" GROOVE - BLACK
	071015-30-000	EA	GROMMET - RUBBER - .31" ID X .81" OD W/.12" GROOVE - BLACK
	088756-01-000	EA	GROMMET - WEB - 1 1/8" ID
	077955-01-000	EA	CLIP - J - VINYL COATED - 3/8"
	091952-01-000	EA	CLIP - GRIPPER - 1"
	091952-02-000	EA	CLIP - GRIPPER - 3/4"
	094362-02-000	EA	CLIP - CHRISTMAS TREE - FLAT HEAD - .5" X .95"

**SEALANTS & FASTENERS GROUP (CONTINUED)**

**BOLTS & NUTS**

KEY	PART NUMBER	U/M DESCRIPTION
	000C12-05-16B	EA BOLT - HEX - 5/16-18 X 1 - ZINC 5
	000C12-05-12B	EA BOLT - HEX - 5/16-18 X 3/4 ZINC 5
	000C12-06-16B	EA BOLT - HEX - 3/8-16 X 1LG - ZINC 5
	000C12-08-16B	EA BOLT - HEX - 1/2-13 X 1- GD5 - ZINC
	000C12-08-24B	EA BOLT - HEX - 1/2-13 X 1 1/2 - ZINC 5
	000C12-10-24B	EA BOLT - HEX - 5/8-11 X 1 1/2 ZINC - 5
	000C13-07-48B	EA BOLT - HEX - 7/16 - 20 X 3 - ZINC 5
	000C26-04-10B	EA BOLT - HEX - SERRATED FLANGE - 1/4-20 X 5/8 ZINC
	000C26-04-18B	EA BOLT - HEX - SERRATED FLANGE 1/4-20 X 11/8 - ZINC
	000C26-05-16B	EA BOLT - HEX - SERRATED FLANGE 5/16-18 X 1 - ZINC
	000C26-05-12B	EA BOLT - HEX - SERRATED FLANGE 5/16-18 X 3/4 - ZINC
	000C26-05-20B	EA BOLT - HEX - SERRATED FLANGE 5/16 - 18 X 1 1/4 ZINC
	000C26-06-12B	EA BOLT - HEX - SERRATED FLANGE 3/8-16 X 3/4 - ZINC
	000C26-06-28B	EA BOLT - HEX - SERRATED FLANGE 3/8-16 X 1 3/4 - ZINC
	000C26-06-16B	EA BOLT - HEX - SERRATED FLANGE 3/8-16 X 1 - ZINC
	102333-01-05A	EA BOLT - CARR - 7/16-14 SST CAP
	051387-05-000	EA BOLT - CARRIAGE - W/O HOLE - 5/16-18 X 9.5 ZINC
	051387-06-000	EA BOLT - CARRIAGE - W/O HOLE - 5/16-18 X 9.5 ZINC
	000G45-04-24B	EA BOLT - LAG 1/4-9 X 1 1/2 ZINC
	091274-03-000	EA BOLT - J 3/8-16 X 12
	000D24-10-00B	EA NUT - HEX - SF/ LK - 10-32 - ZINC
	000D29-05-00B	EA NUT - 5/16 - 18 UNC - SF/ LOCKING - NYLON WASHER INSERT
	000D34-06-00B	EA NUT - HEX - LK - 3/8 - 16 GRADE C ZINC - PREVAILING TORQUE
	000D39-04-00B	EA NUT - HEX - SERRATED FLANGE LK 1/4 - 20 ZINC
	000D39-05-00B	EA NUT - HEX - SERRATED FLANGE LK - 5/16 - 18 ZINC
	000D39-06-00B	EA NUT - HEX - SERRATED FLANGE LK - 3/8-16 ZINC
	000D39-08-00B	EA NUT - HEX - SERRATED FLANGE LK - 1/2-13 ZINC
	000D39-07-00B	EA NUT - HEX - SERRATED FLANGE LK - 7/16-14 ZINC
	000D44-07-00B	EA NUT - HEX - SERRATED FLANGE LK - 7/16-20 ZINC
	000D46-04-00A	EA NUT - HEX - WELD - 1/4-20 - PLAIN - SHORT PILOT
	000D73-07-00C	EA NUT - HEX FLANGE - 7/16 - 14 - GRADE G
	000E11-08-00B	EA WASHER - LOCKING 1/2 MED SPLIT - ZINC
	000E13-14-00B	EA WASHER - FLAT - 1/4" WIDE ZINC
	000E13-18-00B	EA WASHER - FLAT - 3/8 WIDE ZINC
	000E13-20-00B	EA WASHER - FLAT - 7/16" WIDE - ZINC
	000E13-22-00B	EA WASHER - FLAT - 1/2 WIDE ZINC
	000E13-26-00B	EA WASHER - FLAT - 5/8 WIDE - ZINC
	110794-01-000	EA WASHER - FLAT - 1 ID X 1 3/4 OD
	058716-02-000	EA WASHER - FLAT NYLON - .406 X .750 X .060
	040921-01-000	EA NUT - SPEED - U TYPE - 10-24 BLACK
	040921-04-000	EA NUT - SPEED - U TYPE - NO. 8 - .59" LENGTH X .44" WIDTH
	040921-09-000	EA NUT - SPEED - U TYPE - NO 8 - T'MN C9812-8A
	044364-02-000	EA NUT - SPEED - FLAT - ROUND
	063253-07-000	EA NUT - J - #8A .120- .130 PNL THK
	083163-06-000	EA PUSHNUT - FLAT TYPE 3/8 STUD - FORD ONLY TO RETAIN THE AIR BAFFLATE ON THE OIL DIPSTICK TUBE
	087234-01-000	EA NUT - JACK - 1/4 X 20THD - MOLLY - ARDEN 8-L - JN BRASS MOUNTS LICENSE PLATES
	088787-12-000	EA STUD - WELD - 1/4-20 X 1.0LG MN
	108067-03-000	EA STUD - WELD - 1/4 - 20 X 1/2 CD

**SEALANTS & FASTENERS GROUP (CONTINUED)**

**ADHESIVE AND TAPE SEALERS**

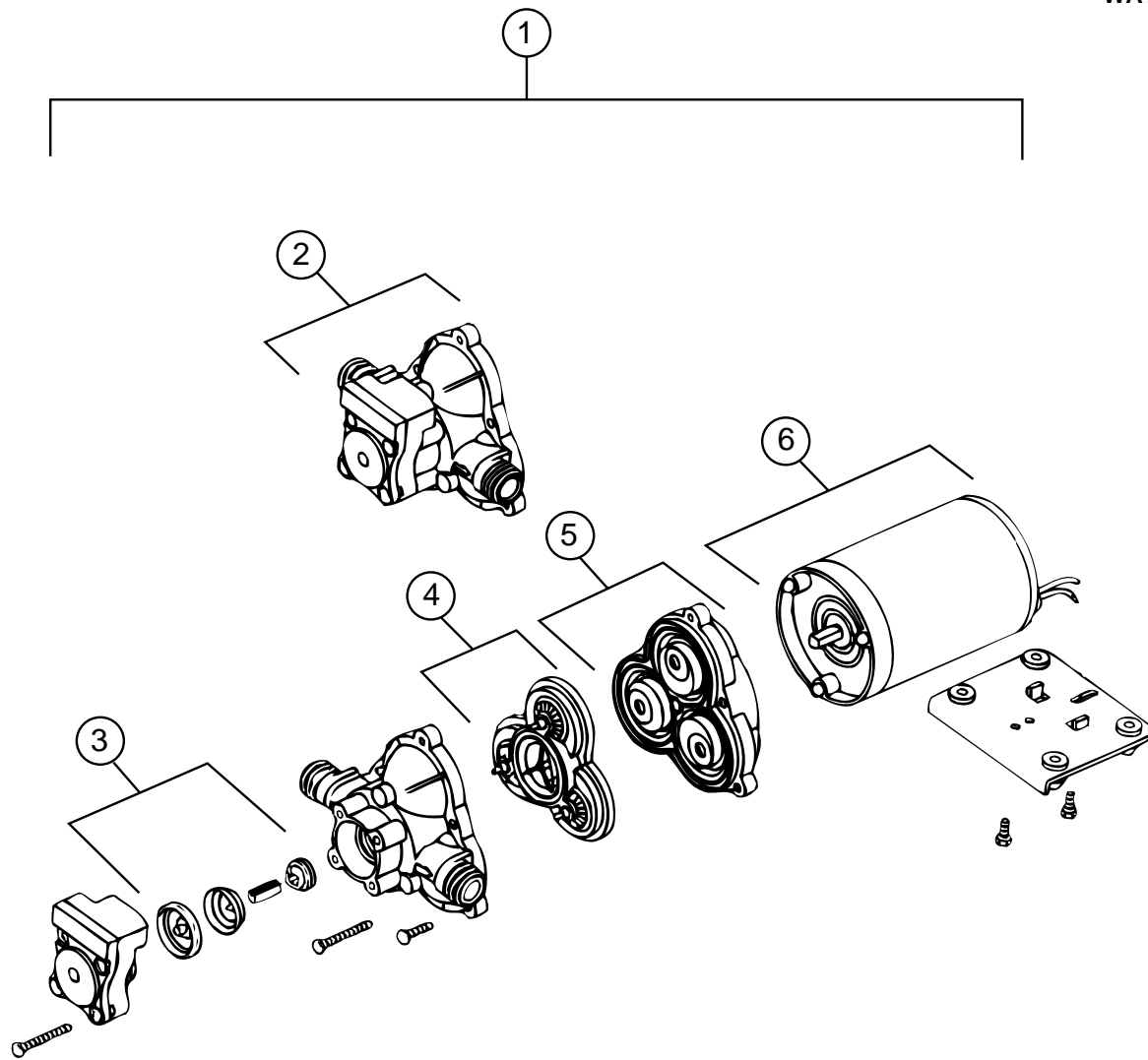
KEY	PART NUMBER	U/M DESCRIPTION
	004006-05-700	EA ADHESIVE-NAT. STARCH (5GAL)
	004020-01-000	QT ADHESIVE - ABS CEMENT - QUART
	034552-02-000	EA SILICONE - TUBE - 300 ML - CLEAR - W/O NOZZLE ALSO ORDER P.N.#900390-03-000 NOZZLE SEPARATELY
	034552-06-000	EA SILICONE - TUBE - 300 ML - OFF WHITE - W/O NOZZLE ALSO ORDER P.N.#900390-03-000 NOZZLE SEPARATELY
	034552-15-000	EA SILICONE - TUBE 300 ML BRIGHT WHITE - W/O NOZZLE ALSO ORDER #900390-03-000 NOZZLE
	039518-01-000	EA SILICONE - TUBE - 300 ML - BLACK - W/O NOZZLE ALSO ORDER #900390-03-000 NOZZLE
	108716-03-000	EA SILICONE - TUBE - BRIGHT WHITE/SELF LEVELING
	053766-02-000	EA BEDDING COMPOUND-TUBE - WHITE
	053766-06-000	EA BEDDING COMPOUND-TUBE - CLEAR
	067788-01-000	EA ADHESIVE - SPRAY - 3M 74 - 19.5 OZ AEROSOL CAN
	069640-01-000	FT SEALER - RIBBON - 1/4" DIAMETER - INCREMENTS OF 30'
	069640-02-000	FT SEALER - RIBBON - 1/2" X 1/8"- INCREMENTS OF 60'
	069640-03-000	FT SEALER - RIBBON - 3/4" X 1/8" - INCREMENTS OF 60'
	069640-07-000	FT SEALER - RIBBON - 2" X 3/32" - INCREMENTS OF 45'
	069640-09-000	FT SEALER - RIBBON - 1/32" X 2 1/2" - INCREMENTS OF 80'
	069640-15-000	FT SEALER - RIBBON 1/16" X 3/8" GRY - MANUS
	072889-01-000	EA SEALANT - URETHANE - BLACK - 1/10 - ESSEX 552.2
	072889-09-000	EA SEALANT - URETHANE(TUBE) BLACK - MANUS 75AM
	072889-10-000	EA SEALANT - URETHANE (HV) BRIGHT WHITE
	072889-12-000	EA SEALANT - URETHANE (LV) BRIGHT WHITE
	107828-01-000	EA SEALANT - SB - 190 EVERSEAL
	063642-01-000	FT TAPE - ADHESIVE - 10 MIL X 1.5" X 180"
	088479-01-000	EA TAPE - ALUMINUM - 3"
	076322-01-000	FT TAPE - FOAM - DOUBLE COATED ADHESIVE BACKED - .75" X 216"
	076322-05-000	FT TAPE - FOAM - DOUBLE COATED - .045" X .75" X 108"
	076322-07-000	FT TAPE - FOAM - DOUBLE COATED .045 X .50 - NORT V2000
	120534-01-01A	EA TAPE - SCOTCH - 3M - 1/2" FINE LINE
	123816-01-000	FT TAPE - DOUBLE SIDED - 1"
	123816-02-000	FT TAPE - DOUBLE SIDED - 1/2"
	123816-04-000	FT TAPE - DOUBLE SIDED - 6"
	087211-01-000	GL PROMOTER - ADHESIVE
	091255-02-000	FT SEAL - ADHESIVE BACKED FOAM - .18" THICK X 1.5" WIDE
	102352-01-000	EA SEALER - PUMPABLE - BLACK - COLORIMETRIC MS101
	106206-01-000	EA SEALER - PUMPABLE - MANUS 30ABLACK
	110274-01-000	FT TAPE - FOAM - DBL COATED .045 X 1.0 - NORTON V-2800
	900390-01-000	EA TIP - 2 1/2" X 1/8" ORIFICE - ELLSWORTH #TS216
	900390-03-000	EA NOZZLES-SILICONE TUBE - CSL# D10

**MISCELLANEOUS FASTENERS**

KEY	PART NUMBER	U/M DESCRIPTION
	008343-01-000	EA TIE - WIRE - 6"
	008343-02-000	EA TIE - WIRE - 14"
	008343-03-000	EA TIE - WIRE - 7 1/5" - BLACK
	029094-04-000	YD VELCRO TAPE - LOOP - 1" WIDE - BLACK
	029096-03-000	YD VELCRO TAPE - HOOK - 1" WIDE - BLACK
	085774-01-000	FT FASTENER - DUAL HOOK - 1" WIDE - ADHESIVE BACK - BLACK
	085774-02-000	FT FASTENER - DUAL LOOP - 1" WIDE - ADHESIVE BACK - BLACK
	086285-01-000	EA SPACER - NYLON - .5" OD X .257" ID
	108046-02-000	EA CABLE TIE-SCREW MOUNT 15" - DENNISON 10035
	081211-04-000	EA PLUG - PLASYIC - .46" DIA. - BLACK
	081211-05-000	EA PLUG - PLASTIC - .188 DIA. - NATURAL
	110943-02-000	FT FELTSTRIP - 3/8" - ADHESIVE BACKED - WHITE

# WATER & SEWAGE GROUP

## WATER PUMP (SHURFLO)



KEY	PART NUMBER	U/M	DESCRIPTION	VENDOR NO.
1	098607-01-000	EA	PUMP - WATER - W/.5" MPT FITTING - FLOW 2.8 GPM	
2	098607-01-706	EA	HOUSING - W/SWITCH ONLY	94-231-20
3	098607-01-705	EA	VALVE - CHECK - KIT	94-237-00
4	098607-01-703	EA	VALVE KIT	94-232-00
5	098607-01-702	EA	DIAPHRAGM/DRIVE ASSEMBLY KIT	94-238-04
6	098607-01-707	EA	MOTOR W/BASEPLATE	11-148-04

**WATER & SEWAGE GROUP (CONTINUED)****FRESH WATER TANK**

KEY	PART NUMBER	U/M DESCRIPTION
	123243-01-000	EA TANK - ACCUMULATOR - 24 OZ
	120291-02-000	EA TANK - WATER - 90 GALLON - W/FITTINGS
	120291-01-000	EA TANK - WATER - 90 GALLON - W/O FITTINGS
	042989-03-000	EA FITTING - WATER TANK - SPINWELD - 1 1/4"NPT - WHITE PLASTIC
	042989-05-000	EA FITTING - WATER TANK - SPINWELD - 1/2"FPT - WHITE PLASTIC
	049032-01-000	EA PATCH - SPINWELD - 3/8" - PLASTIC
	039861-01-000	EA SENDING UNIT - W/SCREW - WASHER - WELL NUT & TERMINAL RING
	091208-01-000	EA WASHER - RUBBER - .06" X .75" X .5"
	077954-02-000	EA FILTER - WATER TANK - SCREEN IN TANK

**WATER SYSTEM COMPONENTS (FLAIR-IT)**

KEY	PART NUMBER	U/M DESCRIPTION
	114427-01-000	EA CAP - 1/2P
	114427-02-000	EA PLUG - 1/2P
	114427-03-000	EA NUT - 1/2"Q
	114428-01-000	EA TEE - 1/2P X 1/2P X 1/2P
	114428-02-000	EA TEE - SWIVEL -1/2P X 1/2P X 1/2FPT
	114428-03-000	EA TEE - 1/2P X 1/2P X 1/2 MPT
	114428-04-000	EA TEE - 1/2P X 1/2P X 1/8FPT
	114429-01-000	EA ELBOW - 1/2P X 1/2P
	114429-02-000	EA ELBOW - 1/2P X 1/2MPT
	114429-03-000	EA ELBOW - SWIVEL -1/2PX1/2FPT
	114429-04-000	EA ELBOW - 1/2P X 3/8MPT
	114429-05-000	EA ELBOW - 1/2P X 3/4MPT
	114429-06-000	EA ELBOW - SWIVEL -1/2P X 3/4FPT
	114429-07-000	EA ELBOW - 1/2P X 1/2FPT DROPEAR
	114430-01-000	EA ADAPTER - 1/2P X 1/2P
	114430-02-000	EA ADAPTER - SWIVEL -1/2P X 1/2FPT
	114430-03-000	EA ADAPTER - 1/2P X 1/2MPT
	114430-04-000	EA ADAPTER - 1/2P X 3/8MPT
	114430-05-000	EA ADAPTER - 1/2P X 1/8FPT
	114430-06-000	EA ADAPTER - 1/2P X 3/8FPT
	114430-07-000	EA ADAPTER - 1/2P X 3/8P
	114430-08-000	EA ADAPTER - 1/2P X 3/4MPT
	114431-01-000	EA VALVE - LINE DRAIN 1/2P
	114431-02-000	EA VALVE - 1/2P - BYPASS
	114431-03-000	EA VALVE - 1/2P X 1/2P
	114431-04-000	EA VALVE - STOP -1/2P X 1/2P
	114431-05-000	EA VALVE - NEEDLE - COMP 1/8 MPT X 1/4
	114431-06-000	EA VALVE - 3/8P X 3/8P
	114431-07-000	EA VALVE - 3/8P THREE - WAY
	114431-08-000	EA STRAIGHT STOP VALVE 3/8P X 3/8P

**WATER & SEWAGE GROUP (CONTINUED)****WATER SYSTEM COMPONENTS**

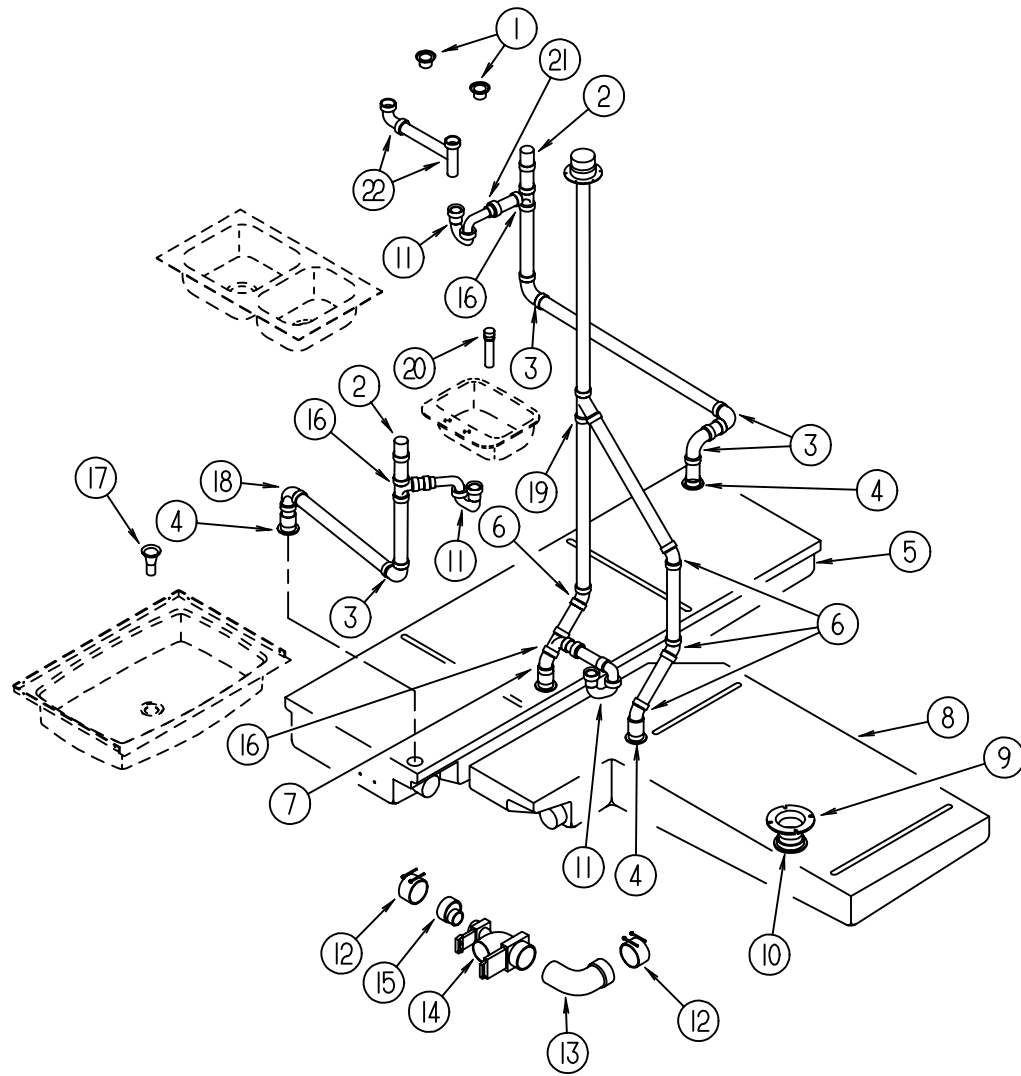
KEY	PART NUMBER	U/M DESCRIPTION	VENDOR NO.
	701069-01-000	EA WATER PURIFICATION SYSTEM	
	701069-03-700	EA CARTRIDGE RELACEMENT	9592-06
	010224-01-000	EA ADAPTER - HOSE TO PIPE - 3/8" MPT X 3/8" BARB - PLASTIC	
	111888-01-000	EA FERRULE - PLASTIC - .250 ID X .375 OD	
	111888-02-000	EA INSERT - BRASS - 1/4 COMP	
	118423-01-000	EA FITTING - BRASS-TEE - 1/4C X 1/4C X 1/4C	
	010230-06-000	EA FILL - CITY WATER - W/CHECK VALVE - MPT	
	039800-02-000	FT TUBING - POLYBUTYL - 5/8" OD X 20' - INC OF 20' - BLUE	
	039800-04-000	FT TUBING - POLYBUTYL - 1/4" OD X 20'	
	039800-05-000	FT TUBING - POLYBUTYL - 5/8" OD X 20' - RED STRIPE	
	074462-02-000	FT TUBING - VINYL - 3/8" ID X 20' - CLEAR	
	079381-01-000	FT TUBING - SMOOTH FLEXIBLE - 1 3/8" ID X 20'	
	010219-01-000	EA ELBOW - 1 1/4" MPT X 1 1/4" BARB - WATER FILL - PLASTIC	
	039808-03-000	EA ELBOW - 1/2" MPT X 1/2" MPT - PLASTIC	

**EXTERIOR SHOWER COMPONENTS**

KEY	PART NUMBER	U/M DESCRIPTION	VENDOR NO.
	103092-01-000	EA SHOWER HEAD - W/ 60" HOSE (US)	
	103092-01-702	EA SEALS - SPRAY HEAD	24466
	103092-02-000	EA SHOWER HEAD - W/ HOSE (CSA)	
	104044-01-000	EA BRACKET - SUPPORT - FAUCET	
	103092-01-701	EA BRACKET (FOR SHOWER HEAD) BONE	
	079563-04-01A	EA FAUCET - SHOWER W/ 1/2" MPT X 1.25" LONG INLET PIPE	

# WATER & SEWAGE GROUP (CONTINUED)

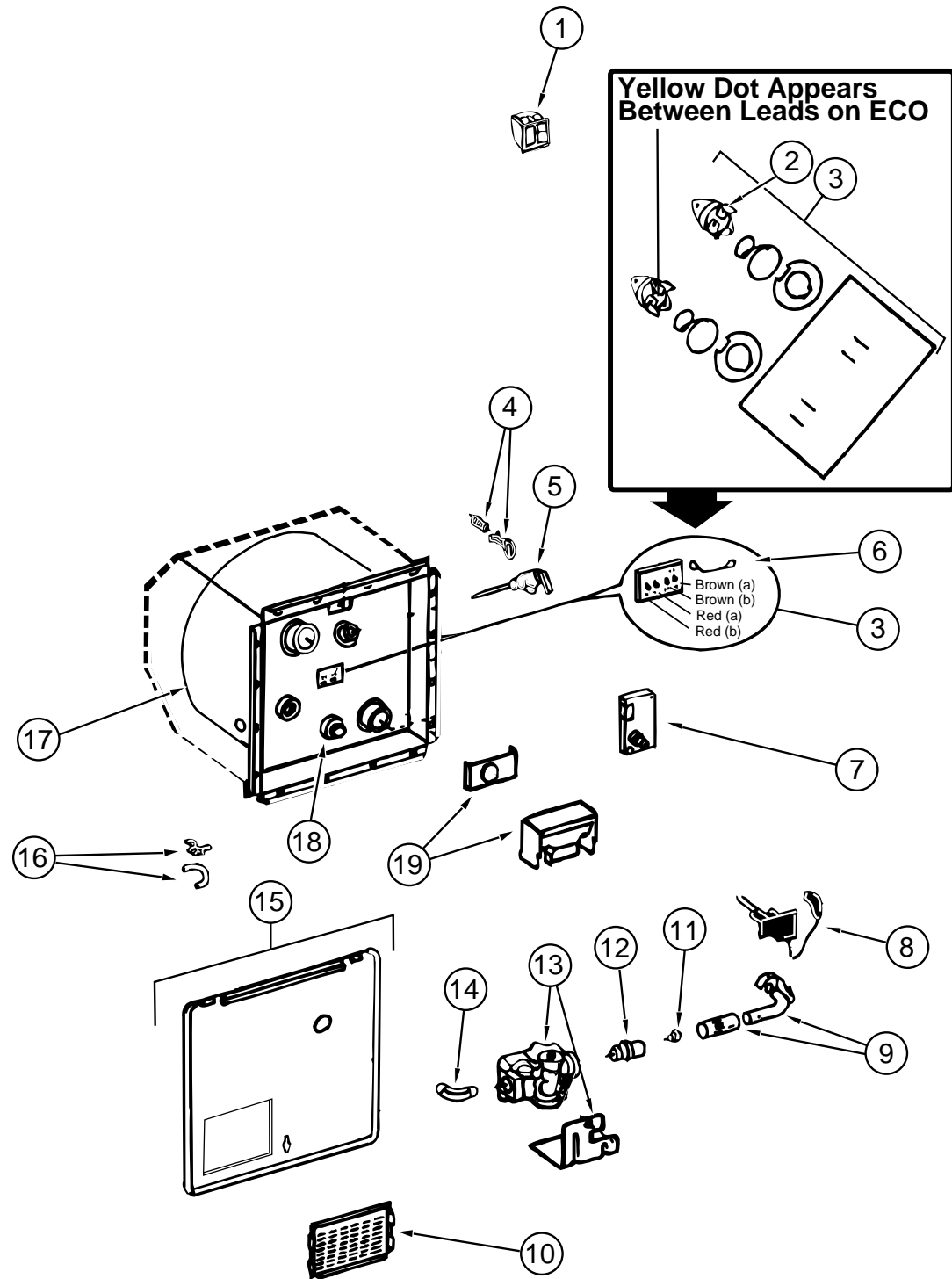
## DRAINAGE SYSTEM



KEY	PART NUMBER	U/M	DESCRIPTION	VENDOR NO.
1	092303-01-000	EA	STRAINER - SINK	
2	079968-01-000	EA	VENT - MECHANICAL/TRAP ARM - ANTI-SIPHON - 2" X 7.3" PLASTIC	
3	010008-01-000	EA	ELBOW - 90 DEGREE - 1 1/2" HUB X HUB - PLASTIC	
4	061607-01-000	EA	GROMMET - HOLDING TANK - 1 1/2" NPS	
	010115-01-000	EA	COUPLING - 1 1/2" HUB X HUB - PLASTIC	
5	104352-01-000	EA	TANK - HOLDING - 50 GALLON (GRAY) - RECTANGULAR	
6	010006-01-000	EA	ELBOW - 45 DEGREE - 1 1/2" HUB X HUB - PLASTIC	
7	010051-01-000	EA	ELBOW - 45 DEGREE - 1 1/2" SPIGOT & HUB - PLASTIC	
8	112789-01-000	EA	TANK - HOLDING - 46 GALLON - W/O FITTINGS (SEWAGE)	
9	116644-01-000	EA	FLANGE - CLOSET - 4" X 3"	
10	061607-02-000	EA	GROMMET - HOLDING TANK - 3" NPS	
11	107538-01-000	EA	P TRAP - PLASTIC - 1 1/4" W/EXTENSION ARM (US)	
11	011071-01-000	EA	P TRAP - PLASTIC - 1 1/2" (CSA) (GALLEY)	
11	011066-01-000	EA	P TRAP - 1 1/2 - PLASTIC (CSA) (BATH)	
12	078406-01-000	EA	COUPLER - RUBBER - W/CLAMPS - 3" X 3"	
13	041956-01-000	EA	ELBOW - STREET - 1/4" BARB X 90 DEGREE X 3 XLT	
14	070916-01-000	EA	VALVE - DUAL DUMP - W/CAP - 3" X 1 1/2"	
	070916-01-700	EA	VALVE ONLY (WASTE) 3"	T1003BU
	070916-01-701	EA	VALVE ONLY (WASTE) 1 1/2"	T1001BU
	062415-01-000	EA	CAP - SEWER - 3" DIAMETER	
15	062422-01-000	EA	ADAPTER - OFFSET REDUCER - 3" X 1 1/2" - PLASTIC	
16	010071-01-000	EA	TEE - SANITARY - 1 1/2" HUB X HUB X HUB - PLASTIC	
17	011069-03-000	EA	TAILPIECE - TUB/SHOWER - 1 1/2" X 1 3/4" - PLASTIC (US)	
17	011069-02-000	EA	TAILPIECE - TUB/SHOWER - 1 1/2" X 1 1/4" X 4" - BRASS (CSA)	
	066440-01-000	EA	STRAINER - SHOWER DRAIN - W/RUBBER WASHER	
	066436-01-000	EA	NUT - SLIP - TAILPIECE 1.5"	
	069735-01-000	EA	WASHER - STRAINER TO TAILPIECE - PLASTIC - 1.5"	
18	034250-01-000	EA	ELBOW - 90 DEGREE - LONG TURN - 1 1/2" HUB X HUB - ABS	
19	010073-01-000	EA	WYE - 45 DEGREE - 1 1/2" HUB X HUB X HUB - PLASTIC	
20	096927-01-701	EA	TAILPIECE - DRAIN - LAVATORY	M9802
21	109571-01-000	EA	ADAPTER - P TRAP - 1 1/2" P X 1 1/4" MPT	
22	011091-02-000	EA	WASTE - CONTINUOUS - DOUBLE SINK (US)	
22	011091-03-000	EA	WASTE - CONTINUOUS - DOUBLE SINK - CSA	
	010201-01-000	EA	HOSE - SEWER - 3" ID X 8'	
	062416-01-000	EA	ADAPTER - SEWER HOSE TO 3" PIPE	

# WATER & SEWAGE GROUP (CONTINUED)

## WATER HEATER W/O MOTOR AID - ATWOOD G6A-8E

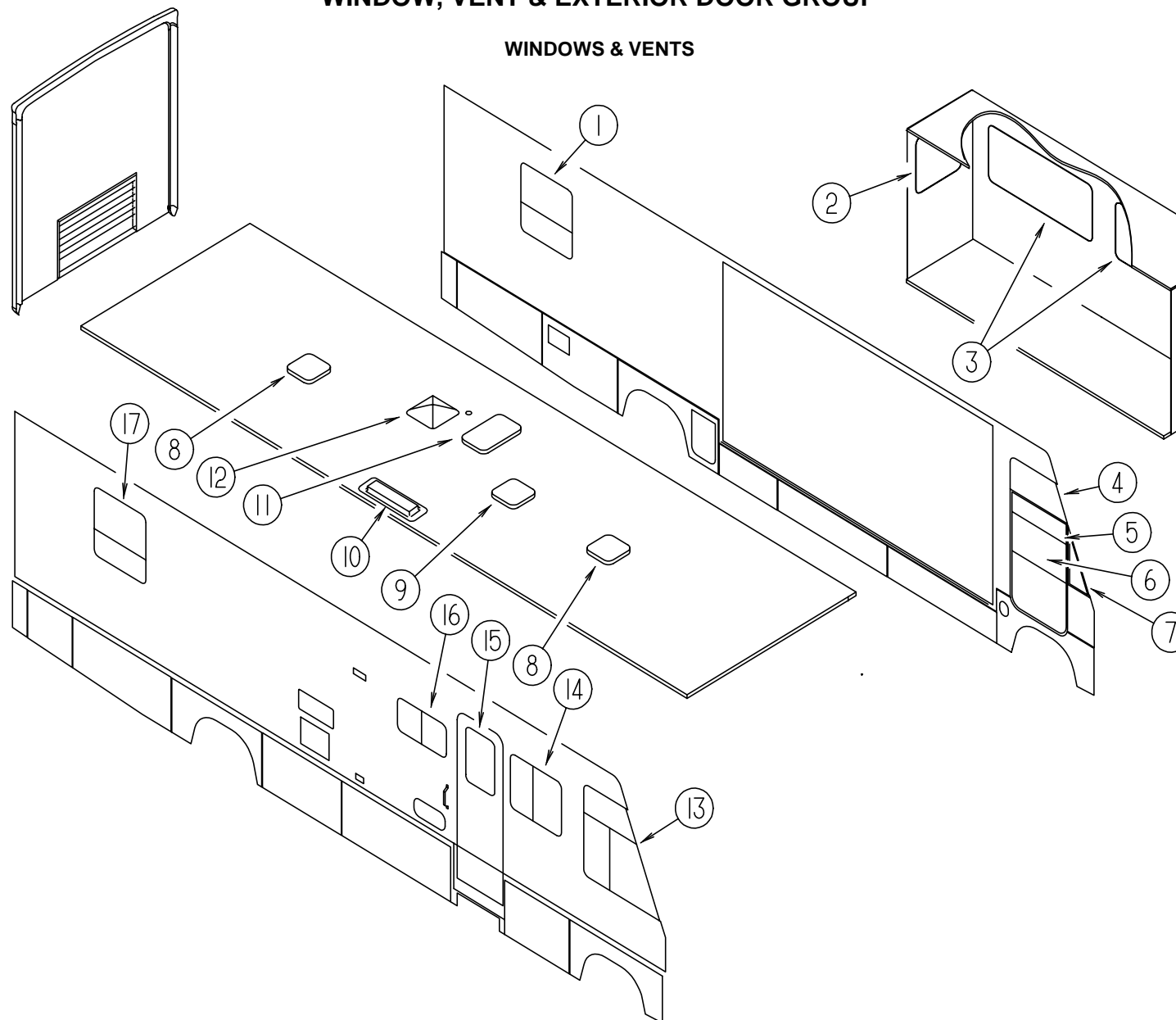


KEY	PART NUMBER	U/M	DESCRIPTION	VENDOR NO.
	051391-03-000	EA	WATER HEATER G6A-8E ELECTRONIC IGNITION	
1	097967-01-000	EA	SWITCH - WATER HEATER - REMOTE W/LIGHT	
2	051391-04-701	EA	THERMOSTAT - 12V DC-120 PRESET	91470
3	051393-01-721	EA	THERMOSTAT - W/ECO - 140 FRONT MOUNT	91447
4	051391-01-705	EA	FASTENER - CAMLOCK	92609
5	051391-01-704	EA	VALVE - RELIEF - 1/2" FITTING	91604
6	051393-01-723	EA	SWITCH - THERMAL CUTOFF 2/PK	93866
7	051393-01-724	EA	BOARD - CIRCUIT - SPADE TERMINAL	93865
8	051393-01-725	EA	ELECTRODE - SINGLE SPADE CONNECTOR	93868
9	051391-04-703	EA	BURNER - MAIN	91638
10	051391-01-717	EA	GRILLE - WATER HEATER DOOR	92640
	051391-01-716	EA	GRILLE ONLY (GOES ON FLUE BOX)	91786
11	051391-01-710	EA	ORIFICE - MAIN BURNER	92742
12	051391-03-700	EA	HOLDER - ORIFICE	91563
13	051393-01-726	EA	VALVE - SOLENOID - W/BRACKET	93870
14	051391-01-714	EA	FITTING - ELBOW - 45 DEGREE - 3/8 F X 3/8 MPT	1044
15	052009-07-000	EA	DOOR - WATER HEATER, 18" X 14.6" - METAL - SABLE	
	116424-01-000	EA	PROTECTOR - WATER HEATER LATCH - ADHESIVE BACKED ROUND VINYL	
16	051391-01-700	EA	HINGE KIT - (PIN & CLIP)	92568 & 92559
17	051391-04-706	EA	TANK - INNER - G6A-4E & 6E - FRONT MOUNT	91641
18	051391-01-715	EA	PLUG - DRAIN - 1 EA = 2 PER PKG	91857
19	051391-04-707	EA	KIT - EXHAUST - (FLUE & GASKET)	90960
	111129-01-711	EA	BRACKET - CORNER - SET OF FOUR	91928



# WINDOW, VENT & EXTERIOR DOOR GROUP

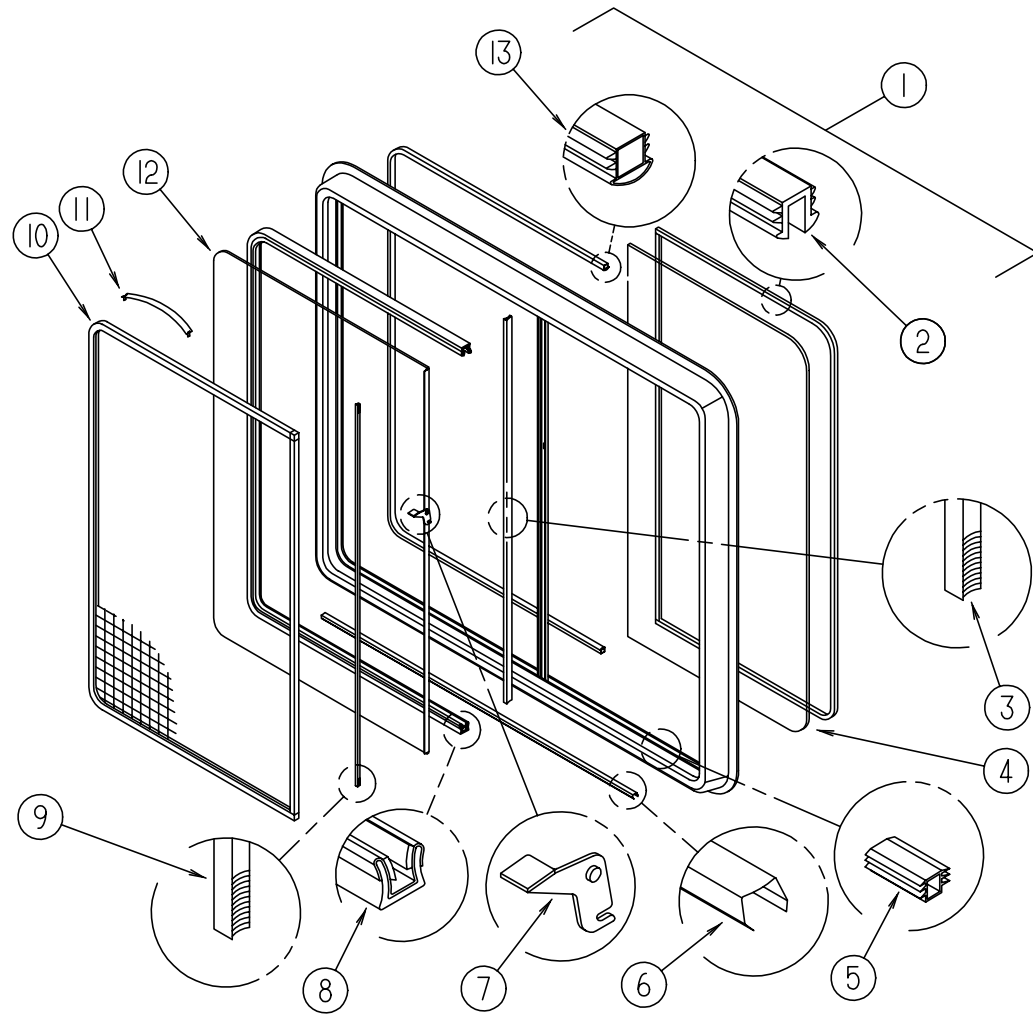
## WINDOWS & VENTS



KEY	PART NUMBER	U/M	DESCRIPTION	VENDOR NO.
1	112463-05-01A	EA	WINDOW - TIPOUT/ESCAPE W/RETAINER TRIM - 33.3" X 30.2"	
1	112898-18-01A	EA	WINDOW - VERTICAL SLIDER - THERMO - ESCAPE - 33.2" X 30.2"	
2	098647-45-01A	EA	WINDOW - PASS HORIZ SLIDER W/TRIM - TINTED - 23.6" X 24.5"	
3	098647-47-01A	EA	WINDOW - DR HORIZ SLIDER W/TRIM - TINTED - 23.6" X 57.5"	
3	112795-54-01A	EA	WINDOW - DRIVER/HORIZONTAL SLIDER - THERMO - 23.9" X 57.8"	
4	106467-03-01A	EA	WINDOW - DRIVER VISTA (ABOVE DR DOOR) 26.5"T X 35.5"B X 15.8"H	
4	116000-02-01A	EA	WINDOW - DRIVER VISTA - THERMO - 25.7"T X 32.2"B X 14.8"H	
5	106469-02-702	EA	GLASS - STATIONARY HORIZONTAL	106-041104
6	106469-01-704	EA	GLASS ASM. - ROLL-UP - W/BRKT	V103-65L
7	106468-02-01A	EA	WINDOW - DRIVER WING TRIANGULAR	
7	115999-02-01A	EA	WINDOW - DRIVER WING - TRIANGULAR/THERMO - 11.1"B X 25.5"H	
8	122882-01-01A	EA	VENT - ROOF - NONPOWERED - W/O INSIDE GARNISH	
9	123780-03-01A	EA	VENTILATOR - ROOF/3"-4" - UL/CSA-W/O THERMOSTAT/POWER LIFT	
9	123780-04-01A	EA	VENTILATOR - ROOF F/3"-4" - CSA -W/O THERMOSTAT/POWER LIFT	
9	122882-01-01A	EA	VENT - ROOF - NONPOWERED - W/O INSIDE GARNISH	
10	084073-07-000	EA	VENT - ROOF/REFRIGERATOR - BRIGHT WHITE - NORCOLD	
10	084073-04-000	EA	BASE - ROOF VENT/REFRIGERATOR - BLACK - NORCOLD	
10	118369-01-02A	EA	CAP - REFRIGERATOR ROOF VENT - SIDE/SIDE - BRIGHT WHITE	
10	118369-02-02A	EA	BASE - REFRIGERATOR ROOF VENT - SIDE/SIDE - BRIGHT WHITE	

KEY	PART NUMBER	U/M	DESCRIPTION
11	122191-01-01A	EA	PANEL - SKYLIGHT - INNER W/LIGHT CUT-OUT - 20.7" X 35.4" FROM: 00-00-00 THRU: 02-05-97
11	122191-01-02A	EA	PANEL - SKYLIGHT - INNER W/LIGHT CUTOUT - 20.7" X 35.4" FROM: 02-06-97 THRU: 99-99-99
11	114496-01-01A	EA	PANEL - SKYLIGHT - OUTER
12	122882-02-01A	EA	VENT - ROOF - W/FAN - W/O INSIDE GARNISH - UL
12	122882-03-01A	EA	VENT - ROOF - W/FAN - W/O INSIDE GARNISH - CSA
13	103658-08-01A	EA	WINDOW - PASSENGER - CAB - (3 GLASS) - 25.3"T X 45.4"B X 45.2"H
13	113501-02-01A	EA	WINDOW - PASS CAB/THERMO (3 GLASS) - 24.4"T X 44.1"B X 44.3"H
14	098647-25-01A	EA	WINDOW - PASS HORIZ SLIDER W/TRIM - TINTED - 26.1" X 29.6"
14	112795-18-01A	EA	WINDOW - PASSENGER HORIZ SLIDER - THERMO - 26.4" X 30"
15	117053-02-F36	EA	WINDOW - PICTURE - 60% TINTING - 17" X 26.4"
15	113733-01-01A	EA	WINDOW - STATIONARY - THERMOPANE - 17" X 26.4"
16	098647-33-01A	EA	WINDOW - PASS HORIZ SLIDER W/TRIM - TINTED - 15.7" X 28.5"
16	112795-19-01A	EA	WINDOW - PASSENGER HORIZ SLIDER - THERMO - 16" X 28.7"
17	112463-03-01A	EA	WINDOW - TIPOUT W/RETAINER TRIM - 33.3" X 30.2"
17	112898-16-01A	EA	WINDOW - VERTICAL SLIDER - THERMO - 33.2" X 30.2"

## WINDOW, VENT & EXTERIOR DOOR GROUP (CONTINUED)



### SINGLE SLIDER WINDOW (EXCEL) (PASSENGER SIDE GALLEY)

KEY	PART NUMBER	U/M	DESCRIPTION	VENDOR NO.
1	098647-33-01A	EA	WINDOW - PASS HORIZ SLIDER W/TRIM - TINTED - 15.7" X 28.5"	
	098647-31-701	EA	RETAINER - TRIM	CW29-66
2	098644-01-705	FT	GLAZING STRIP	132-010231
3	098644-01-706	FT	WEATHERSTRIP - GLASS	171-010668
4	098647-33-702	EA	GLASS - STATIONARY	106-019297
5	098644-01-719	EA	STOP - SLIDER GLASS	132-014203
6	098644-01-710	FT	TRACK - SCREEN SPACER - 12'	132-017135
7	098644-01-700	EA	LATCH - REPAIR KIT (BLACK)	B801-CK
8	098644-01-708	FT	CHANNEL - PIERCED RUN	122-016543
9	098644-01-711	FT	WEATHERSTRIP - SCREEN - BLACK	171-016965
10	098647-33-704	EA	SCREEN ASM. - W/SEALS & CLIPS	410-019134
11	098644-01-713	EA	CLIP - SCREEN - METAL	226-016966
11	125582-01-701	EA	CLIP - SCREEN - PLASTIC	130005153
12	098647-33-703	EA	GLASS - SLIDING - W/ SASH & LATCH	H425-G9
13	098644-01-716	FT	PLUG - FILLER	132-014470
	098644-01-717	FT	SPLINE - SCREEN	132-004716

### SINGLE SLIDER WINDOW (EXCEL) (SLIDEOUT FRONT & REAR)

KEY	PART NUMBER	U/M	DESCRIPTION	VENDOR NO.
1	098647-45-01A	EA	WINDOW - PASS HORIZ SLIDER W/TRIM - TINTED - 23.6" X 24.5"	
	098647-45-704	EA	RETAINER - TRIM	W467-66
2	098644-01-705	FT	GLAZING STRIP	132-010231
3	098644-01-706	FT	WEATHERSTRIP - GLASS	171-010668
4	098647-45-700	EA	GLASS - STATIONARY	106-025050
5	098644-01-719	EA	STOP - SLIDER GLASS	132-014203
6	098644-01-710	FT	TRACK - SCREEN SPACER - 12'	132-017135
7	098644-01-700	EA	LATCH - REPAIR KIT (BLACK)	B801-CK
8	098644-01-708	FT	CHANNEL - PIERCED RUN	122-016543
9	098644-01-711	FT	WEATHERSTRIP - SCREEN - BLACK	171-016965
10	098647-45-703	EA	SCREEN ASM. - W/SEALS & CLIPS	410-025050
11	098644-01-713	EA	CLIP - SCREEN - METAL	226-016966
12	098647-45-701	EA	GLASS - SLIDING - W/ SASH & LATCH	H467-G9
13	098644-01-716	FT	PLUG - FILLER	132-014470
	098644-01-717	FT	SPLINE - SCREEN	132-004716

### SINGLE SLIDER WINDOW (EXCEL) (SLIDEOUT SIDE)

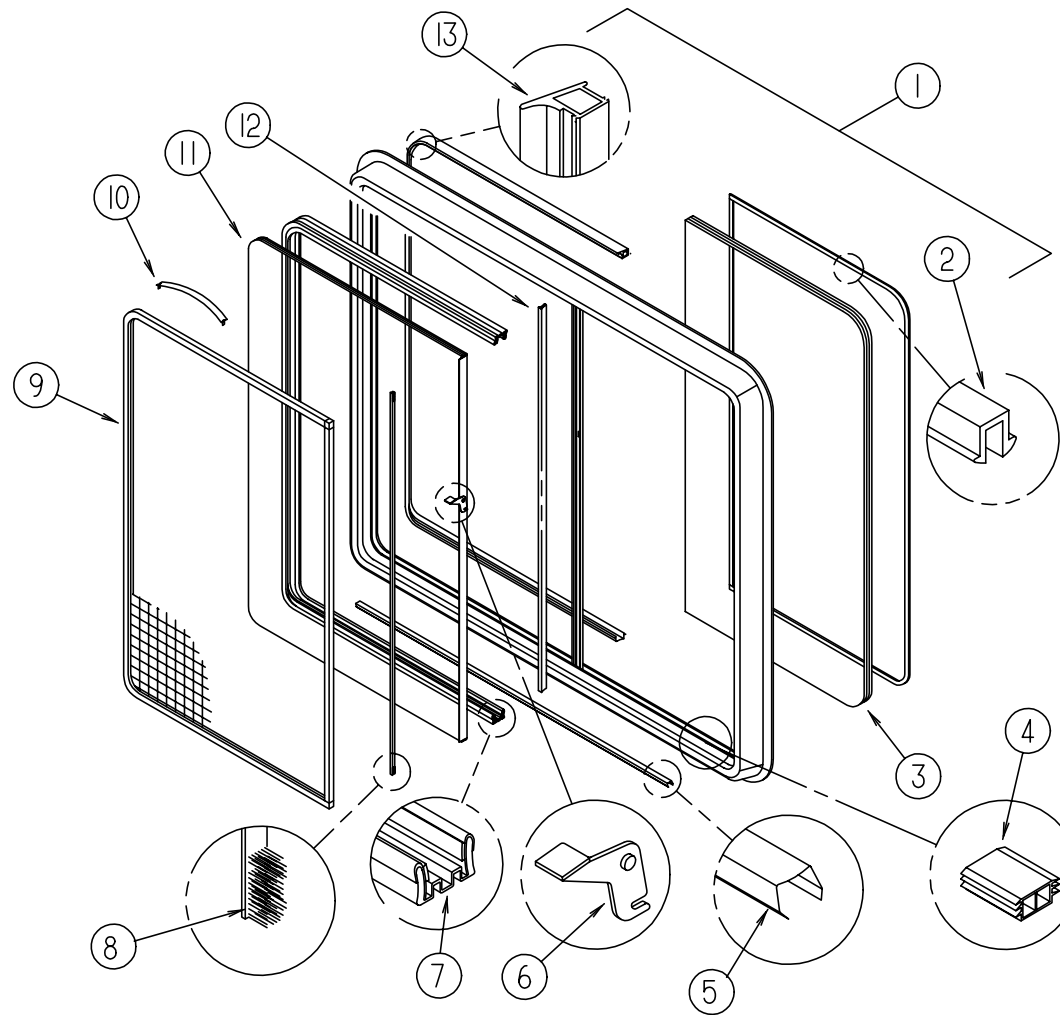
KEY	PART NUMBER	U/M	DESCRIPTION	VENDOR NO.
1	098647-47-01A	EA	WINDOW - DR HORIZ SLIDER W/TRIM - TINTED - 23.6" X 57.5"	
	098647-47-703	EA	RETAINER - TRIM	W493-66
2	098644-01-705	FT	GLAZING STRIP	132-010231
3	098644-01-706	FT	WEATHERSTRIP - GLASS	171-010668
4	098647-47-700	EA	GLASS - STATIONARY	106-025224
5	098644-01-719	EA	STOP - SLIDER GLASS	132-014203
6	098644-01-710	FT	TRACK - SCREEN SPACER - 12'	132-017135
7	098644-01-700	EA	LATCH - REPAIR KIT (BLACK)	B801-CK
8	098644-01-708	FT	CHANNEL - PIERCED RUN	122-016543
9	098644-01-711	FT	WEATHERSTRIP - SCREEN - BLACK	171-016965
10	098647-47-702	EA	SCREEN ASM. - W/SEALS & CLIPS	410-025226
11	098644-01-713	EA	CLIP - SCREEN - METAL	226-016966
12	098647-47-701	EA	GLASS - SLIDING - W/ SASH & LATCH	H493-G9
13	098644-01-716	FT	PLUG - FILLER	132-014470
	098644-01-717	FT	SPLINE - SCREEN	132-004716

### SINGLE SLIDER WINDOW (EXCEL) (PASSENGER SIDE LOUNGE)

KEY	PART NUMBER	U/M	DESCRIPTION	VENDOR NO.
1	098647-25-01A	EA	WINDOW - PASS HORIZ SLIDER W/TRIM - TINTED - 26.1" X 29.6"	
	098647-25-701	EA	RETAINER - TRIM	W28666
2	098644-01-705	FT	GLAZING STRIP	132-010231
3	098644-01-706	FT	WEATHERSTRIP - GLASS	171-010668
4	098647-25-702	EA	GLASS - STATIONARY	106-017657
5	098644-01-719	EA	STOP - SLIDER GLASS	132-014203
6	098644-01-710	FT	TRACK - SCREEN SPACER - 12'	132-017135
7	098644-01-700	EA	LATCH - REPAIR KIT (BLACK)	B801-CK
8	098644-01-708	FT	CHANNEL - PIERCED RUN	122-016543
9	098644-01-711	FT	WEATHERSTRIP - SCREEN - BLACK	171-016965
10	098647-25-704	EA	SCREEN ASM. - W/SEALS & CLIPS	410-019065
11	098644-01-713	EA	CLIP - SCREEN - METAL	226-016966
11	125582-01-701	EA	CLIP - SCREEN - PLASTIC	130005153
12	098647-25-703	EA	GLASS - SLIDING - W/ SASH & LATCH	H286-G9
13	098644-01-716	FT	PLUG - FILLER	132-014470
	098644-01-717	FT	SPLINE - SCREEN	132-004716

## WINDOW, VENT & EXTERIOR DOOR GROUP (CONTINUED)

### PASSENGER SIDE LOUNGE WINDOW (THERMO INSULATED)



KEY	PART NUMBER	U/M	DESCRIPTION	VENDOR NO.
1	112795-18-01A	EA	WINDOW - PASSENGER HORIZ SLIDER - THERMO - 26.4" X 30"	
	098647-25-701	EA	RETAINER - TRIM	W286-66
2	112795-01-705	FT	VINYL - GLAZING	132-025736
3	112795-18-700	EA	GLASS - STATIONARY	390-019043
4	112795-01-701	EA	SLIDE-STOP	132-019092
5	098644-01-710	FT	TRACK - SCREEN SPACER 12'	132-017135
6	112795-01-700	EA	LATCH ASM., BLK.,(BOLT ON)	DH287-CK
7	112795-01-703	IN	CHANNEL-RUN (INCHES)	122-018736
8	098644-01-711	FT	WEATHERSTRIP - SCREEN BLACK	171-016965
9	098647-25-704	EA	SCREEN ASM - W/SEALS & CLIPS	410-019065
	098644-01-717	FT	SPLINE - SCREEN	132-004716
10	125582-01-701	EA	CLIP - SCREEN - PLASTIC	130005153
10	098644-01-713	EA	CLIP - SCREEN - METAL	226-016966
11	112795-18-701	EA	GLASS-SLIDING W/SASH & LATCH	DH286-G9
12	098644-01-706	FT	WEATHERSTRIP - GLASS	171-010668
13	112795-01-704	FT	PLUG FILLER (DOUBLE GLAZED)	122-018737

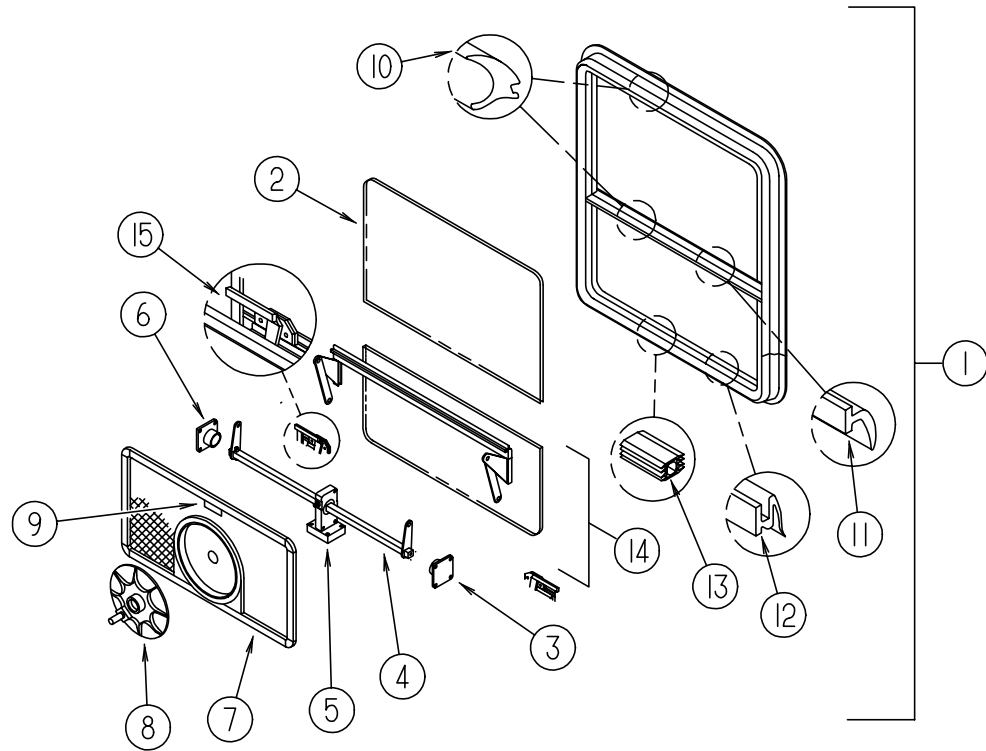
### PASSENGER SIDE GALLEY WINDOW (THERMO INSULATED)

KEY	PART NUMBER	U/M	DESCRIPTION	VENDOR NO.
1	112795-19-01A	EA	WINDOW - PASSENGER HORIZ SLIDER - THERMO - 16" X 28.7"	
	098647-31-701	EA	RETAINER - TRIM	CW29-66
2	112795-01-705	FT	VINYL - GLAZING	132-025736
3	112795-19-701	EA	GLASS - STATIONARY	390-019134
4	112795-01-701	EA	SLIDE - STOP	132-019092
5	098644-01-710	FT	TRACK - SCREEN SPACER 12'	132-017135
6	112795-01-700	EA	LATCH ASM. - BLK. (BOLT ON)	DH287-CK
7	112795-01-703	IN	CHANNEL - RUN (INCHES)	122-018736
8	098644-01-711	FT	WEATHERSTRIP - SCREEN BLACK	171-016965
9	098647-31-704	EA	SCREEN ASM - W/ SEALS & CLIPS	410-019128
	098644-01-717	FT	SPLINE - SCREEN	132-004716
10	098644-01-713	EA	CLIP - SPRING - METAL	226-016966
10	125582-01-701	EA	CLIP - SCREEN - PLASTIC	130005153
11	112795-19-702	EA	GLASS - SLIDING W/ SASH & LATCH	DC29-G9
12	098644-01-706	FT	WEATHERSTRIP - GLASS	171-010668
13	112795-01-704	FT	PLUG FILLER (DOUBLE GLAZED)	122-018737

### SLIDEOUT SIDE WINDOW (THERMO INSULATED)

KEY	PART NUMBER	U/M	DESCRIPTION	VENDOR NO.
1	112795-54-01A	EA	WINDOW - DRIVER/HORIZONTAL SLIDER - THERMO - 23.9" X 57.8"	
	098647-47-703	EA	RETAINER - TRIM	W493-66
2	112795-01-705	FT	VINYL - GLAZING	132-025736
3	112795-54-701	EA	GLASS - STATIONARY	390-025248
4	112795-01-701	EA	SLIDE - STOP	132-019092
5	098644-01-710	FT	TRACK - SCREEN SPACER 12'	132-017135
6	112795-01-700	EA	LATCH ASM. - BLK. (BOLT ON)	DH287-CK
7	112795-01-703	IN	CHANNEL - RUN (INCHES)	122-018736
8	098644-01-711	FT	WEATHERSTRIP - SCREEN BLACK	171-016965
9	098647-47-702	EA	SCREEN ASM - W/ SEALS & CLIPS	410-025226
	098644-01-717	FT	SPLINE - SCREEN	132-004716
10	098644-01-713	EA	CLIP - SPRING - METAL	226-016966
10	125582-01-701	EA	CLIP - SCREEN - PLASTIC	130005153
11	112795-54-700	EA	GLASS - SLIDING W/ SASH & LATCH	DH493-G9
12	098644-01-706	FT	WEATHERSTRIP - GLASS	171-010668
13	112795-01-704	FT	PLUG FILLER (DOUBLE GLAZED)	122-018737

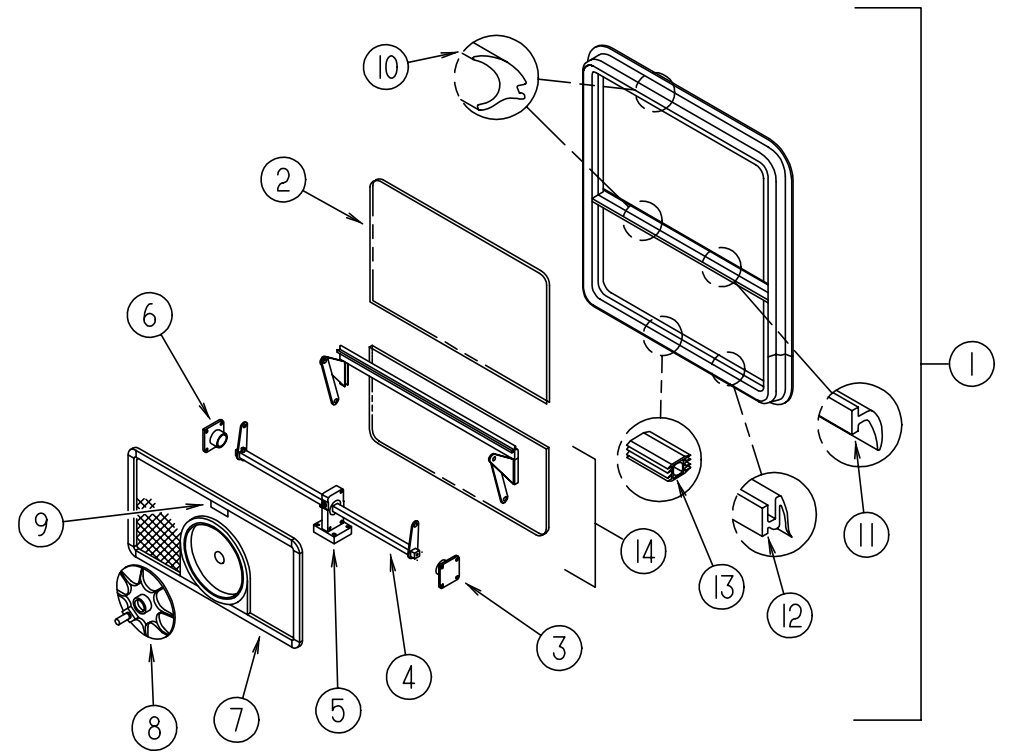
**WINDOW, VENT & EXTERIOR DOOR GROUP (CONTINUED)**



**DRIVER SIDE BEDROOM ESCAPE WINDOW (EXCEL)**

KEY	PART NUMBER	U/M	DESCRIPTION	VENDOR NO.
1	112463-05-01A	EA	WINDOW - TIPOUT/ESCAPE W/RETAINER TRIM - 33.3" X 30.2"	
	113500-06-705	EA	RETAINER - TRIM	CW101-59
2	112463-05-700	EA	GLASS - STATIONARY	106-025378
	100322-01-704	FT	TAPE-BUTYL	154-016083
3	100322-01-714	EA	SUPPORT - TORQUE BAR - LH	130-015978
4	112463-05-702	EA	OPERATOR & BAR ASSEMBLY	CH65-18
5	100322-01-716	EA	SUPPORT - TORQUE BAR - CTR RAIL	130-015980
6	100322-01-715	EA	SUPPORT - TORQUE BAR - RH	130-015979
7	112463-05-701	EA	SCREEN ASM - W/SEALS & CLIPS	410-018441
8	100322-01-718	EA	HANDLE - DIAL	410-016081
9	112519-01-706	EA	CLIP - SCREEN	CH21-50
10	100322-01-703	FT	VINYL - GLAZING - BUTYL	132-010723
11	100322-01-702	EA	WEATHERSTRIP - HORIZONTAL RAIL	132-015976
12	100322-01-701	FT	SEAL - VENT	122-016071
13	098644-01-716	FT	PLUG - FILLER	132-014470
14	112463-05-703	EA	VENT - ASSEMBLY TIPOUT	106-018414
15	112898-06-704	EA	HANDLE - LATCH - RED - RH	182-11293
	112898-06-705	EA	HANDLE - LATCH - RED - LH	182-11294
	100322-01-717	EA	E - RING	245-015975

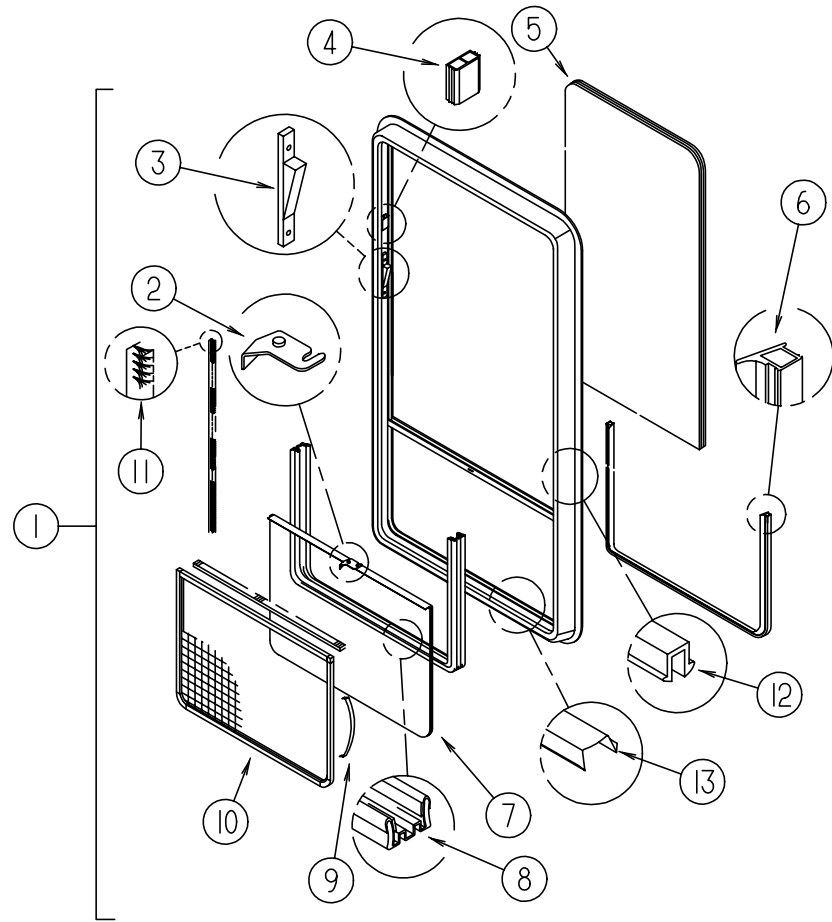
**WINDOW, VENT & EXTERIOR DOOR GROUP (CONTINUED)**



**PASSENGER SIDE BEDROOM WINDOW (EXCEL)**

KEY	PART NUMBER	U/M	DESCRIPTION	VENDOR NO.
1	112463-03-01A	EA	WINDOW - TIPOUT W/RETAINER TRIM - 33.3" X 30.2"	
	113500-05-705	EA	RETAINER - TRIM	CW100-59
2	112463-03-701	EA	GLASS - STATIONARY	106-025377
	100322-01-704	FT	TAPE - BUTYL	154-016083
3	100322-01-714	EA	SUPPORT - TORQUE BAR - LH	130-015978
4	112463-03-702	EA	OPERATOR & BAR ASSEMBLY	CH10-18
5	100322-01-716	EA	SUPPORT - TORQUE BAR - CTR RAIL	130-015980
6	100322-01-715	EA	SUPPORT - TORQUE BAR - RH	130-015979
7	112463-03-703	EA	SCREEN ASM - W/SEALS & CLIPS	410-018439
8	100322-01-718	EA	HANDLE - DIAL	410-016081
9	112519-01-706	EA	CLIP - SCREEN	CH21-50
10	100322-01-703	FT	VINYL - GLAZING - BUTYL	132-010723
11	100322-01-702	EA	WEATHERSTRIP - HORIZONTAL RAIL	132-015976
12	100322-01-701	FT	SEAL - VENT	122-016071
13	098644-01-716	FT	PLUG - FILLER	132-014470
14	112463-03-700	EA	VENT ASSEMBLY	CH100-G9
	100322-01-717	EA	E - RING	245-015975

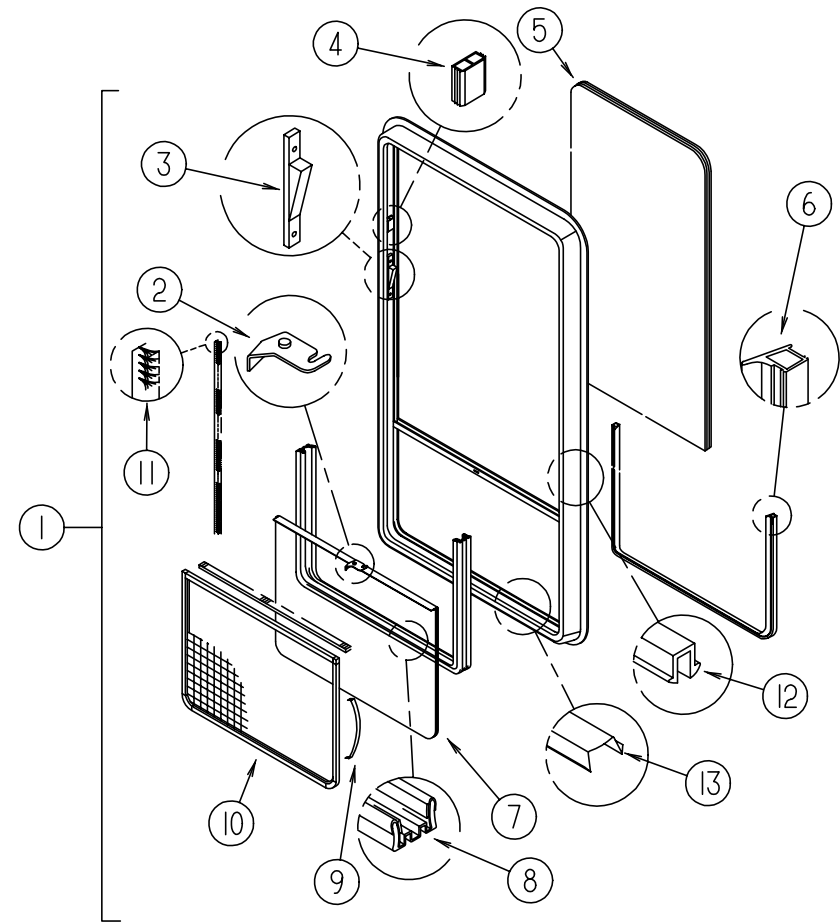
**WINDOW, VENT & EXTERIOR DOOR GROUP (CONTINUED)**



**DRIVER SIDE BEDROOM ESCAPE WINDOW - VERTICAL SLIDER - THERMOPANE**

KEY	PART NUMBER	U/M	DESCRIPTION	VENDOR NO.
1	112898-18-01A	EA	WINDOW - VERTICAL SLIDER - THERMO - ESCAPE - 33.2" X 30.2"	
2	112795-01-700	EA	LATCH ASM. - BLK. - (BOLT ON)	DH287-CK
3	112898-04-703	EA	SASH LATCH KIT - RAISED	DH343-CK
4	112795-01-701	EA	SLIDE-STOP	132-019092
5	112898-18-701	EA	GLASS - STATIONARY	390-025500
6	112795-01-704	FT	PLUG FILLER (DOUBLE GLAZED)	122-018737
7	112898-18-700	EA	GLASS - SLIDING W/SASH & LATCH	DH511-G9
8	112795-01-703	IN	CHANNEL - RUN (INCHES)	122-018736
9	098644-01-713	EA	CLIP - SPRING - METAL	226-016966
9	125582-01-701	EA	CLIP - SCREEN - PLASTIC	130005153
10	112898-06-706	EA	SCREEN ASM - W/SEALS & CLIPS	410-019189
	098644-01-717	FT	SPLINE - SCREEN	132-004716
11	098644-01-711	FT	WEATHERSTRIP - SCREEN BLACK	171-016965
12	112795-01-705	FT	VINYL - GLAZING	132-019702
	112898-18-702	EA	RETAINER - TRIM	W511-64
13	098644-01-710	FT	TRACK - SCREEN SPACER - 12'	132-017135
	112898-06-704	EA	HANDLE - LATCH - RED - RH	182-11293
	112898-06-705	EA	HANDLE - LATCH - RED - LH	182-11294

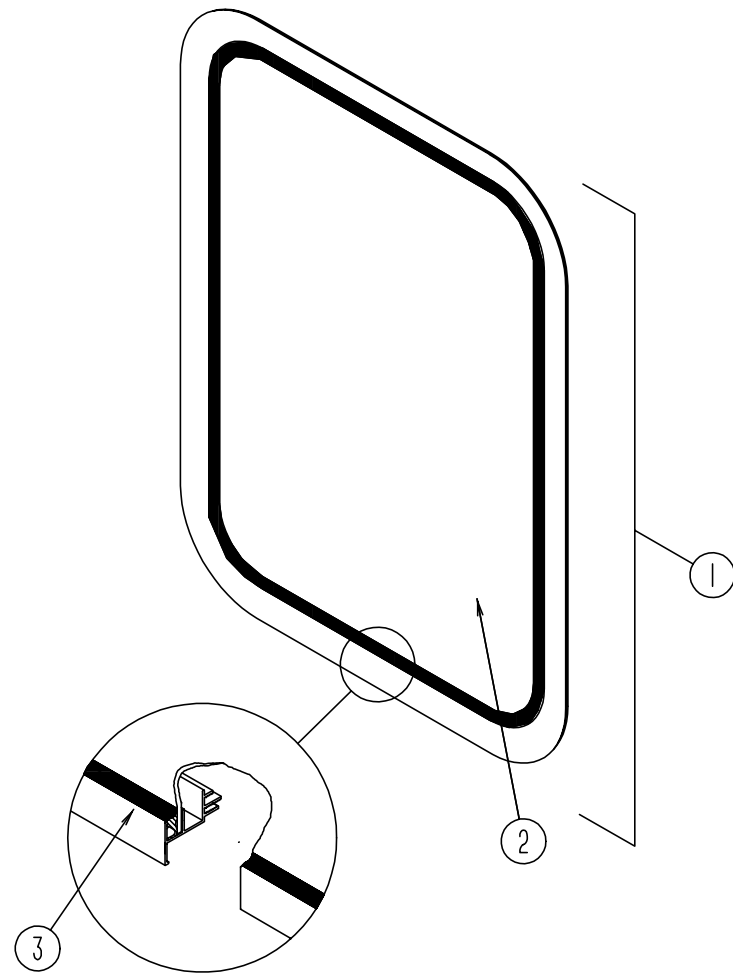
**WINDOW, VENT & EXTERIOR DOOR GROUP (CONTINUED)**



**PASSENGER SIDE BEDROOM WINDOW - VERTICAL SLIDER - THERMOPANE**

KEY	PART NUMBER	U/M	DESCRIPTION	VENDOR NO.
1	112898-16-01A	EA	WINDOW - VERTICAL SLIDER - THERMO - 33.2" X 30.2"	
2	112795-01-700	EA	LATCH ASM. - BLK. - (BOLT ON)	DH287-CK
3	112898-04-703	EA	SASH LATCH KIT - RAISED	DH343-CK
4	112795-01-701	EA	SLIDE - STOP	132-019092
5	112898-16-701	EA	GLASS - STATIONARY	390-025433
6	112795-01-704	FT	PLUG FILLER (DOUBLE GLAZED)	122-018737
7	112898-16-700	EA	GLASS - SLIDING W/SASH & LATCH	DH510-G9
8	112795-01-703	IN	CHANNEL - RUN (INCHES)	122-018736
9	098644-01-713	EA	CLIP - SPRING - METAL	226-016966
9	125582-01-701	EA	CLIP - SCREEN - PLASTIC	130005153
10	112898-05-704	EA	SCREEN ASM - W/SEALS & CLIPS	410-018862
	098644-01-717	FT	SPLINE - SCREEN	132-004716
11	098644-01-711	FT	WEATHERSTRIP - SCREEN BLACK	171-016965
12	112795-01-705	FT	VINYL - GLAZING	132-019702
	112898-16-702	EA	RETAINER - TRIM	CW100-66
13	098644-01-710	FT	TRACK - SCREEN SPACER - 12'	132-017135

**WINDOW, VENT & EXTERIOR DOOR GROUP (CONTINUED)**



**ENTRY DOOR WINDOW**

KEY	PART NUMBER	U/M DESCRIPTION
1	117053-02-F36	EA WINDOW - PICTURE - ENTRANCE DOOR - 17" X 26.4"
	117054-02-02A	EA RETAINER - TRIM - BRIGHT WHITE
2	002181-25-000	EA GLASS - PICTURE - 25.7" X 16.4"
3	087561-01-000	FT SEAL - GLASS - EXTERIOR - .5" WIDE - VINYL - BLACK

**ENTRY DOOR WINDOW (THERMO INSULATED)**

KEY	PART NUMBER	U/M DESCRIPTION	VENDOR NO.
1	113733-01-01A	EA WINDOW - STATIONARY - THERMOPANE - 17" X 26.4"	
	113733-01-701	EA RETAINER - TRIM	W41666
2	113733-01-702	EA GLASS - STATIONARY	390-019187
	112795-01-705	FT VINYL - GLAZING	132-025736

**WINDOW, VENT & EXTERIOR DOOR GROUP (CONTINUED)**

**VISTA WINDOW (DRIVER SIDE)**

KEY	PART NUMBER	U/M DESCRIPTION	VENDOR NO.
	106467-03-01A	EA WINDOW - DRIVER VISTA (ABOVE DR DOOR) 26.5"T X 35.5"B X 15.8"H	
	106467-03-700	EA GLASS - STATIONARY	106-018752
	106467-03-701	EA WINDOW	H388-G2L
	106467-03-702	EA RETAINER - TRIM - BLACK	H38827L
	100322-01-703	FT STRIP - GLAZING - BUTYL	132-010723

**VISTA WINDOW, THERMO (DRIVER SIDE)**

KEY	PART NUMBER	U/M DESCRIPTION	VENDOR NO.
	116000-02-01A	EA WINDOW - DRIVER VISTA - THERMO - 14.8" X 25.7" X 32.2"	
	116000-01-704	FT VINYL - GLAZING	132-018161
	116000-02-700	EA RETAINER - TRIM RAIL TOP/REAR	H388-41L
	116000-02-701	EA RETAINER - TRIM RAIL FRONT	H388-42L
	116000-02-702	EA RETAINER - TRIM RAIL BOTTOM	H382-43L
	116000-03-701	EA GLASS - STATIONARY	390-019551

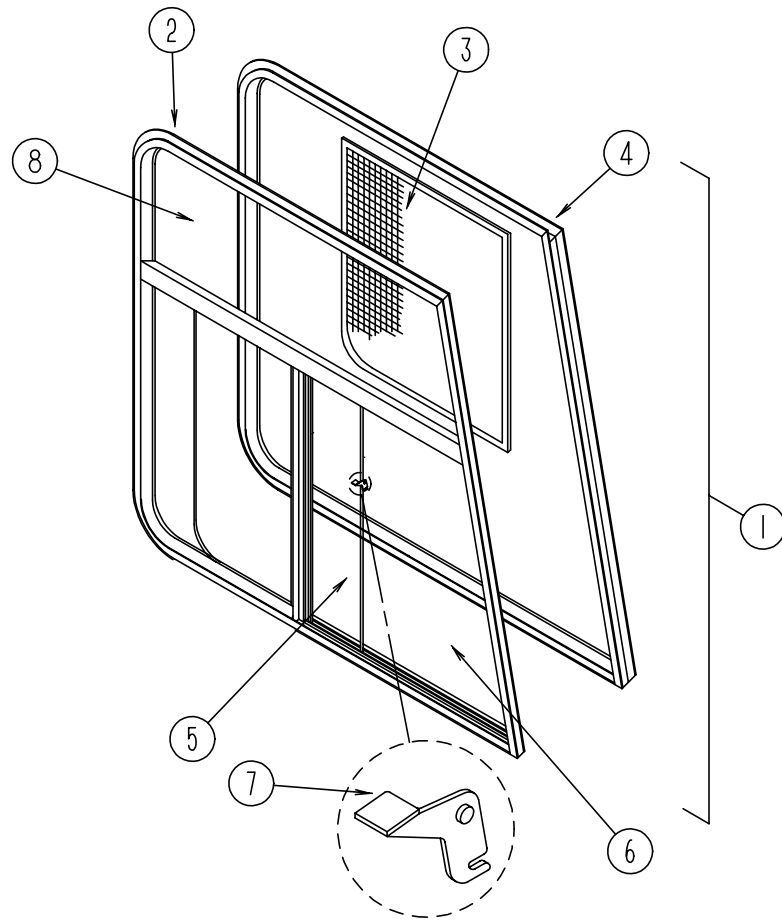
**FRONT SLANT WINDOW (DRIVER SIDE)**

KEY	PART NUMBER	U/M DESCRIPTION	VENDOR NO.
	106468-02-01A	EA WINDOW - DRIVERS WING TRIANGULAR	
	100322-01-703	FT VINYL - GLAZING, BUTYL	132-010723
	106468-02-701	EA RETAINER - TRIM	H383-27L
	106468-02-702	EA GLASS - STATIONARY	106-018740

**FRONT SLANT WINDOW, THERMO (DRIVER SIDE)**

KEY	PART NUMBER	U/M DESCRIPTION	VENDOR NO.
	115999-02-01A	EA WINDOW - DRIVER WING/THERMO/TRIANGULAR	
	115999-01-701	EA RETAINER - TRIM	H358-27L
	115999-02-700	EA RETAINER - TRIM RAIL REAR	H383-41L
	115999-03-701	EA GLASS - STATIONARY	390-019550
	116000-01-704	FT VINYL - GLAZING	132-018161

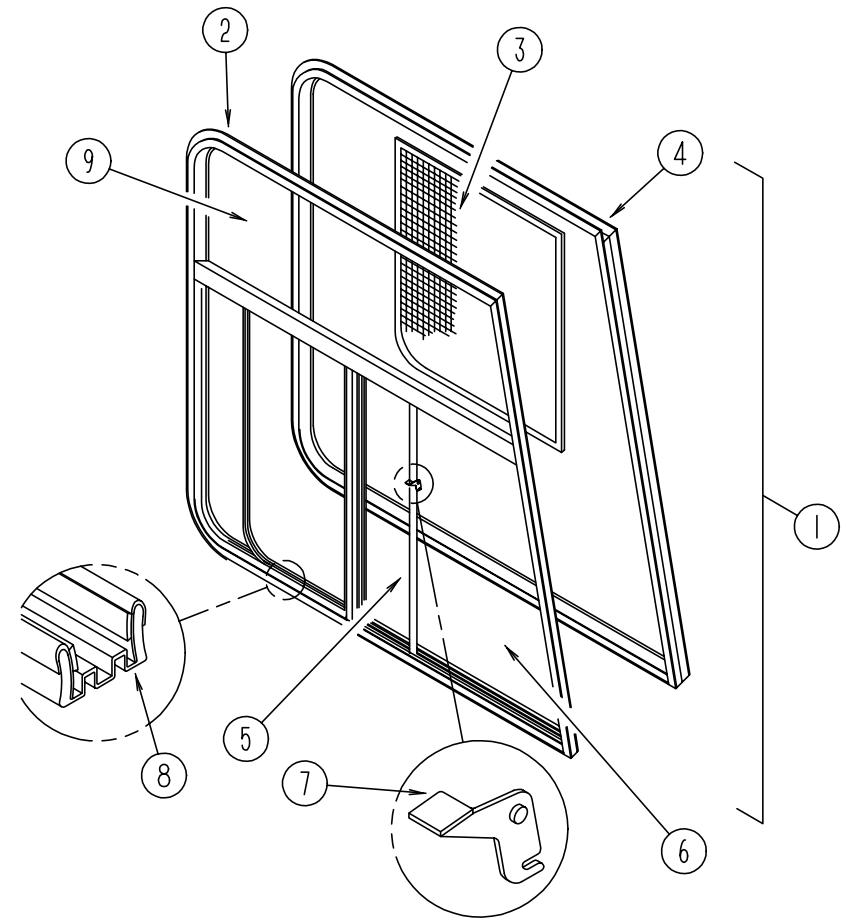
**WINDOW, VENT & EXTERIOR DOOR GROUP (CONTINUED)**



**FRONT CAB PASSENGER WINDOW (EXCEL)**

KEY	PART NUMBER	U/M	DESCRIPTION	VENDOR NO.
1	103658-08-01A	EA	WINDOW - PASSENGER CAB 3 GLASS 25.3" T X 45.4" B X 45.2" H	
2	103658-08-700	EA	WINDOW ASM. - W/O TRIM	H374-A2R
3	103658-02-700	EA	SCREEN ASM - W/ SEALS & CLIPS	H322-03R
4	103658-08-701	EA	RETAINER - TRIM	H374-66 & 76R
5	103658-02-701	EA	GLASS - SLIDING - W/ SASH & LATCH RH	322-A9R
6	103658-01-702	EA	GLASS - STATIONARY - BOTTOM	106-017700
7	098644-01-700	EA	LATCH - REPAIR KIT (BLACK)	B801-CK
8	103658-07-701	EA	GLASS - STATIONARY TOP	106-018481
	098644-01-706	FT	WEATHERSTRIP - GLASS	171-010668
	098644-01-708	FT	CHANNEL - RUN PIERCED	122-016543
	098644-01-710	FT	TRACK - SCREEN SPACER 12'	132-017135
	098644-01-711	FT	WEATHERSTRIP - SCREEN BLACK	171-016965
	098644-01-713	EA	CLIP - SPRING - METAL	226-016966
	098644-01-716	FT	PLUG - FILLER	132-014470
	098644-01-717	FT	SPLINE - SCREEN	132-004716

**WINDOW, VENT & EXTERIOR DOOR GROUP (CONTINUED)**



**FRONT CAB PASSENGER THERMOPANE WINDOW (EXCEL)**

KEY	PART NUMBER	U/M	DESCRIPTION	VENDOR NO.
1	113501-02-01A	EA	WINDOW - PASS CAB THERMO (3 WINDOW) 44.3" X 24.4" X 44.1"	
2	113501-02-700	EA	WINDOW W/O TRIM	DH374-A2R
3	103658-02-700	EA	SCREEN ASM - W/ SEALS & CLIPS	H322-03R
	098644-01-717	FT	SPLINE - SCREEN	132-004716
	098644-01-713	EA	CLIP - SPRING - METAL	226-016966
4	103658-10-701	EA	RETAINER - TRIM	H373-66 & 76R
5	113501-02-702	EA	GLASS-SLIDING W/ SASH & LATCH	DH374-A9R
6	113501-02-701	EA	GLASS - STATIONARY - LOWER	390-019138R
7	112795-01-700	EA	LATCH ASM. - BLACK (BOLT ON)	DH287-CK
8	112795-01-703	IN	CHANNEL - RUN (INCHES)	122-018736
9	113501-01-701	EA	GLASS - STATIONARY - UPPER 390-019137	
	098644-01-711	FT	WEATHERSTRIP - SCREEN BLACK	171-016965
	112795-01-701	EA	SLIDE - STOP	132-019092
	112795-01-704	FT	PLUG FILLER (DOUBLE GLAZED)	122-018737
	112795-01-705	FT	VINYL - GLAZING	132-019702
	112898-04-703	EA	SASH LATCH KIT - RAISED	DH343-CK

**WINDOW, VENT & EXTERIOR DOOR GROUP (CONTINUED)**

**NON POWERED ROOF VENT**

KEY	PART NUMBER	U/M DESCRIPTION	VENDOR NO.
	122882-01-01A	EA VENT - ROOF - NONPOWERED ELIXIR V971201 WHT	
	009440-01-000	EA GEAR - ARM - ROOF VENT - 705221K38	
	064470-01-700	EA COVER - VENT - W/O (SLIDE BAR)	J7291
	064470-01-701	EA SLIDE BAR (VENT-LID)	JRP1291B
	122882-01-700	EA HANDLE - CRANK BLACK	90128
	122882-01-701	EA SCREEN	JRP-1124-B

**POWERED ROOF VENT**

KEY	PART NUMBER	U/M DESCRIPTION	VENDOR NO.
	122882-02-01A	EA VENT - ROOF - W/ FAN - UL ELIXIR V971202 WHT	
	009440-01-000	EA GEAR/ ARM - LIFT - ROOF VENT COVER - 705221K38	
	048648-01-000	EA MOTOR - ROOF VENT - 1/8 SHAFT - 12VOLT	
	048649-01-000	EA FAN - ROOF VENT - 6 BLADES - 6"	
	064470-01-700	EA COVER - VENT - W/O (SLIDE BAR)	J7291
	064470-01-701	EA SLIDE BAR (VENT-LID)	JRP1291B
	110051-03-700	EA SWITCH - BLACK/ PUSH BUTTON	27-0164
	122882-01-700	EA HANDLE - CRANK BLACK	90128
	122882-01-701	EA SCREEN	JRP-1124-B

**POWERED ROOF VENT (CANADIAN)**

KEY	PART NUMBER	U/M DESCRIPTION	VENDOR NO.
	122882-03-01A	EA VENT - ROOF - POWERED CSA	
	009440-01-000	EA GEAR - ARM - ROOF VENT	
	048648-01-000	EA MOTOR - 12V NONVENTED 1/8 SFT	
	048649-01-000	EA FAN - PLAS - 6 IN 6 BLADED	
	064470-01-700	EA COVER - VENT - W/O (SLIDE BAR)	J7291
	064470-01-701	EA SLIDE BAR - (VENT-LID)	JRP1291B
	110051-03-700	EA SWITCH - BLACK/ PUSH BUTTON	27-0164
	122882-01-700	EA HANDLE - CRANK BLACK	90128
	122882-01-701	EA SCREEN	JRP-1124-B

**WINDOW, VENT & EXTERIOR DOOR GROUP (CONTINUED)**

**POWERED ROOF VENT**

KEY	PART NUMBER	U/M DESCRIPTION	VENDOR NO.
	123780-03-01A	EA VENTILATOR - ROOF/3"-4" - W/O THERMOSTAT/POWER LIFT	
	009440-01-000	EA GEAR/ ARM - LIFT - ROOF VENT COVER	
	084079-01-703	EA KNOB - LIFT - W/ EXT. & SCREW	1140K-00
	084079-01-704	EA BLADE - FAN	1070-00
	084079-01-705	EA MOTOR	1080-00
	084079-01-707	EA SWITCH - SAFETY	1122.05
	084079-01-709	EA SWITCH - MAIN - 3 SPEED	1031-05
	084079-01-711	EA H-MOLDING - MOTOR MOUNT	
	084079-11-700	EA MOTOR - BRKT. - FAN BLADE - KIT	4017K-09
	123780-01-700	EA COVER - VENT W/HINGE & SLIDE	1020K-81
	123780-03-700	EA GARNISH - INT. 3"-4" BRT/WHT	1040-81

**ROOF VENTS**

KEY	PART NUMBER	U/M DESCRIPTION
	083558-03-000	EA VENT - PLUMBING - PIPE ROOF - W/COVER - OFF WHITE
	084073-07-000	EA VENT - ROOF - REFRIGERATOR - BRIGHT WHITE
	084073-04-000	EA BASE - ROOF VENT - REFRIGERATOR
	118369-01-02A	EA CAP - REFRIGERATOR ROOF VENT
	118369-02-02A	EA VENT - ROOF BASE - REFRIGERATOR

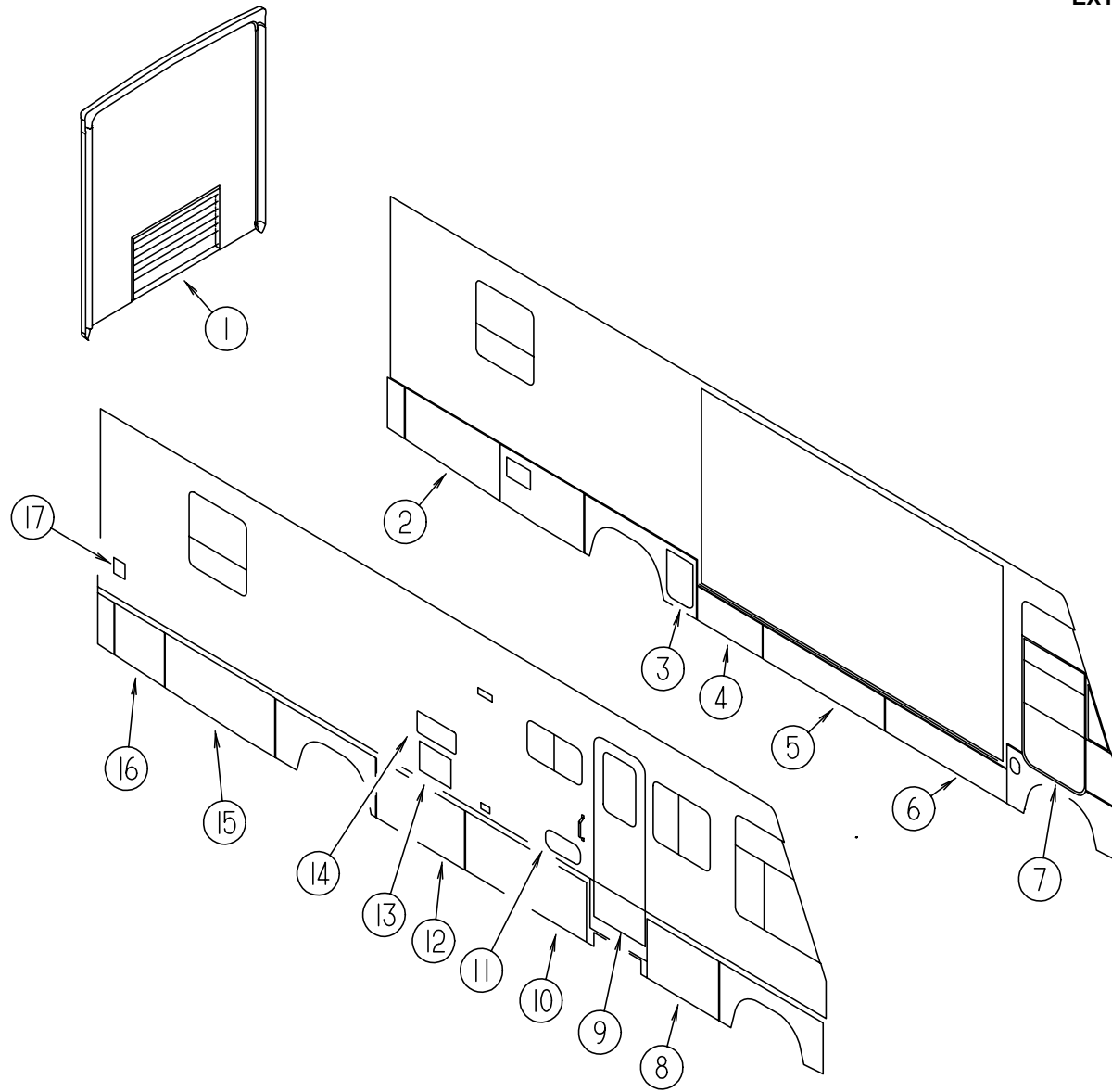
**SIDEWALL VENTS**

KEY	PART NUMBER	U/M DESCRIPTION
	084616-07-000	EA VENT - SHROUD - RANGE HOOD - BRIGHT WHITE
	084878-09-000	EA VENT - HOOD - RANGE/SHORT - OFF WHITE



# WINDOW, VENT & EXTERIOR DOOR GROUP (CONTINUED)

## EXTERIOR DOORS

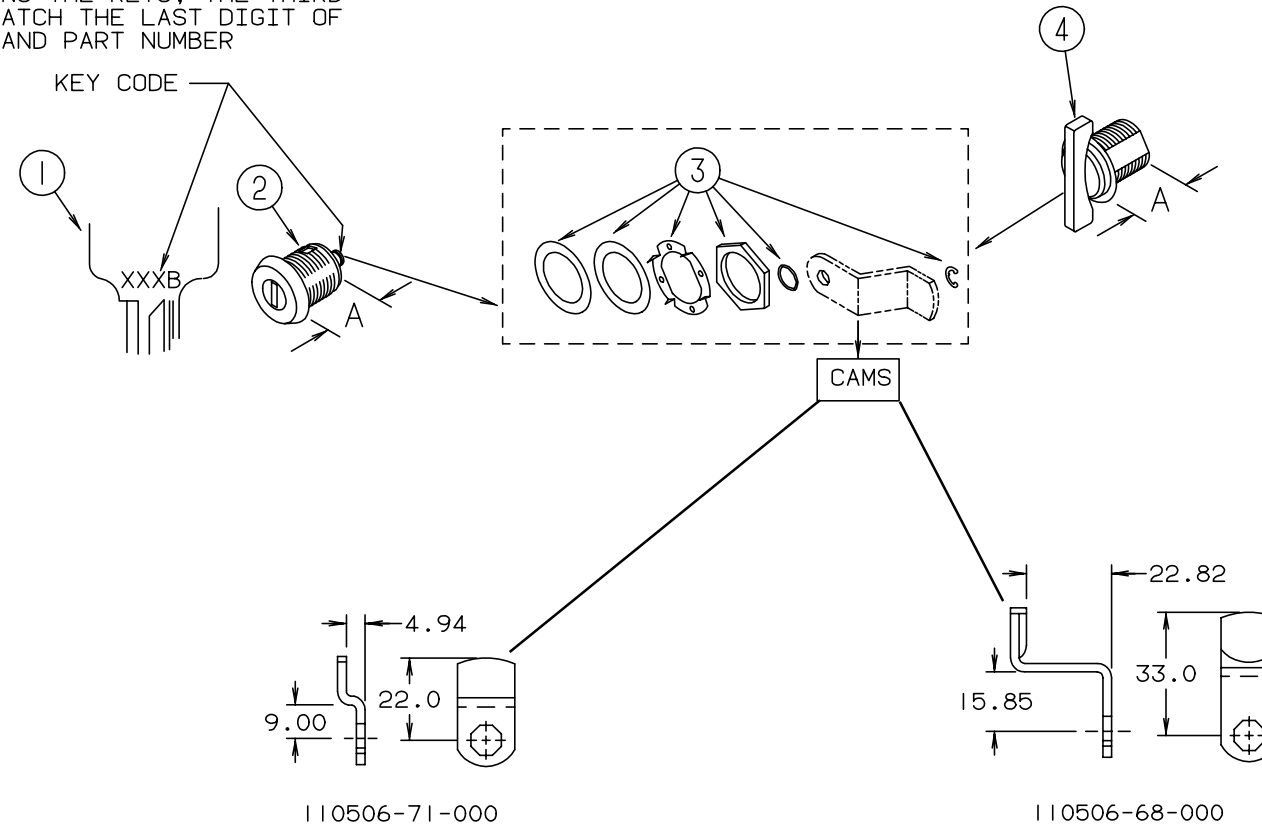


KEY	PART NUMBER	U/M	DESCRIPTION
1	105546-01-G35	EA	DOOR - ENGINE ACCESS (H17,H18,H19)
1	105546-01-H49	EA	DOOR - ENGINE ACCESS (H40,H41)
2	122391-41-H17	EA	VALANCE/DOOR - DRIVER W/O PADDLE LATCH 24.8" X 49.5" X 22.4"
3	123973-02-H17	EA	DOOR - DRAINAGE
4	122239-52-H17	EA	VALANCE/DOOR - W/O PADDLE LATCH - 34.1"
5	122239-51-H17	EA	VALANCE/DOOR - W/O PADDLE LATCH - 63.9"
6	122239-55-H17	EA	VALANCE/DOOR - W/O PADDLE LATCH - 63.9"
7	106469-09-01A	EA	DOOR - DRIVER - POWER WINDOW - BLACK
8	122239-48-H17	EA	VALANCE/DOOR - W/O PADDLE LATCH - 37.7"
9	115108-02-H17	EA	DOOR - ENTRY - W/ SCREEN DOOR - W/O WINDOW (H17)
9	115108-02-H18	EA	DOOR - ENTRY - W/ SCREEN DOOR - W/O WINDOW (H18)
9	115108-02-H19	EA	DOOR - ENTRY - W/ SCREEN DOOR - W/O WINDOW (H19, H41)
9	115108-02-H23	EA	DOOR - ENTRY - W/ SCREEN DOOR - W/O WINDOW (H40)
10	122239-49-H18	EA	VALANCE/DOOR - W/O PADDLE LATCH - 63.6"
11	111017-01-H23	EA	DOOR - STORAGE - W/O LOCK - 8.1" X 17.8" (H17,H40,H41)
11	111017-01-H18	EA	DOOR - STORAGE - W/O LOCK - 8.1" X 17.8" (H18,H19)
12	122239-50-H18	EA	VALANCE/DOOR - W/O PADDLE LATCH - 46.3"
13	052009-06-000	EA	DOOR - WATER HEATER - BRIGHT WHITE - 18" X 14.6"
14	084103-08-000	EA	DOOR - REFRIGERATOR - VENTED - W/O JAMB
14	084104-08-000	EA	JAMB - REFRIGERATOR DOOR
14	125481-01-02A	EA	DOOR - REFRIGERATOR - VENTED (SIDE BY SIDE DOMETIC)
15	122391-39-H17	EA	VALANCE/DOOR - PASS W/O PADDLE LATCH 25.7" X 57.6" X 23.8"
16	122391-40-H17	EA	VALANCE/DOOR - PASS W/O PADDLE LATCH 23.7" X 26.1" X 22.4"
17	081240-16-000	EA	DOOR - WATER FILL - LOCKABLE W/O LOCK - 4" X 4 5/8" - BRIGHT WHITE

# WINDOW, VENT & EXTERIOR DOOR GROUP (CONTINUED)

## BRIGGS & STRATTON LOCKS & COMPONENTS

NOTE:  
 WHEN ORDERING THE LOCK CASE, THE KEY CODE MUST MATCH THE LAST DIGIT OF THE VEHICLE'S SERIAL NUMBER AND PART NUMBER; WHEN ORDERING THE KEYS, THE THIRD DIGIT OF THE KEY CODE MUST MATCH THE LAST DIGIT OF THE VEHICLE'S SERIAL NUMBER AND PART NUMBER

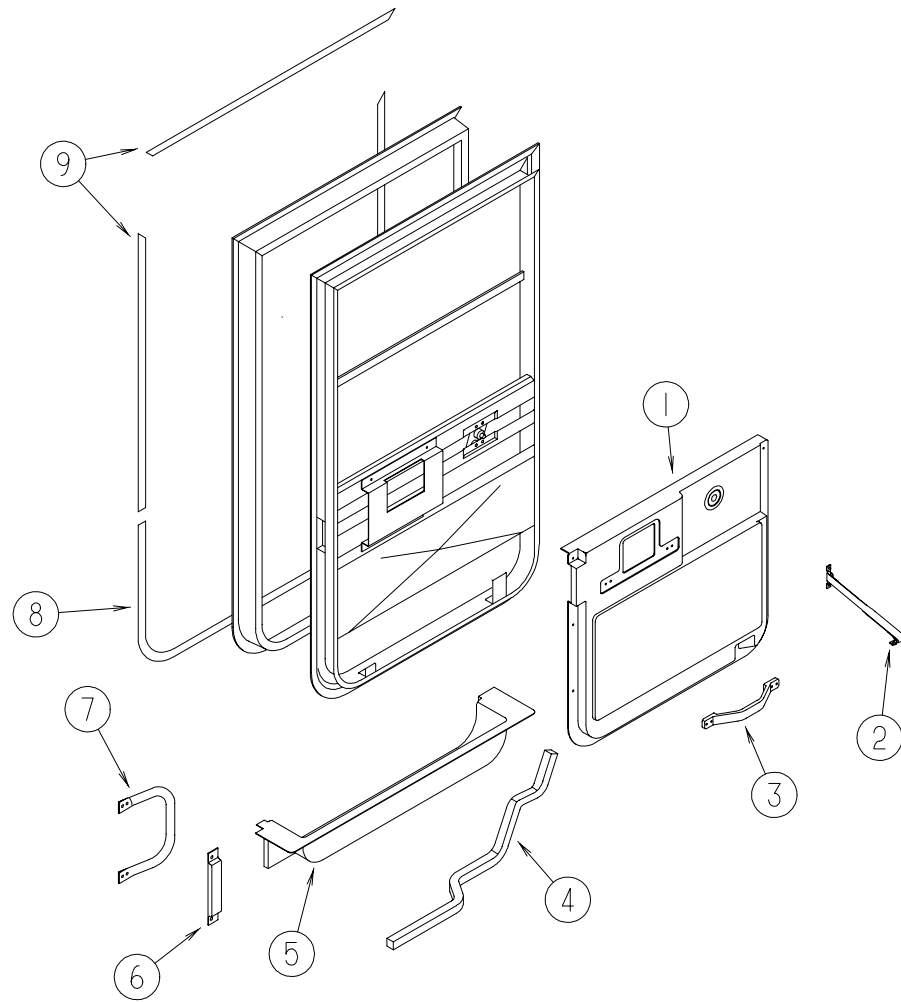


KEY	PART NUMBER	U/M	DESCRIPTION	VENDOR NO.
1	110506-59-000	EA	KEYS - SET OF TWO	596720
2	110506-52-000	EA	CASE - LOCK - A= 17 MM	702370
2	110506-53-000	EA	CASE - LOCK - A= 25 MM	702380
1	110506-59-001	EA	KEYS - SET OF TWO	596721
2	110506-52-001	EA	CASE - LOCK - A= 17 MM	702371
2	110506-53-001	EA	CASE - LOCK - A= 25 MM	702381
1	110506-59-002	EA	KEYS - SET OF TWO	596722
2	110506-52-002	EA	CASE - LOCK - A= 17 MM	702372
2	110506-53-002	EA	CASE - LOCK - A= 25 MM	702382
1	110506-59-003	EA	KEYS - SET OF TWO	596723
2	110506-52-003	EA	CASE - LOCK - A= 17 MM	702373
2	110506-53-003	EA	CASE - LOCK - A= 25 MM	702383
1	110506-59-004	EA	KEYS - SET OF TWO	596724
2	110506-52-004	EA	CASE - LOCK - A= 17 MM	702374
2	110506-53-004	EA	CASE - LOCK - A= 25 MM	702384
1	110506-59-005	EA	KEYS - SET OF TWO	596725
2	110506-52-005	EA	CASE - LOCK - A= 17 MM	702375
2	110506-53-005	EA	CASE - LOCK - A= 25 MM	702385

KEY	PART NUMBER	U/M	DESCRIPTION	VENDOR NO.
1	110506-59-006	EA	KEYS - SET OF TWO	596726
2	110506-52-006	EA	CASE - LOCK - A= 17 MM	702376
2	110506-53-006	EA	CASE - LOCK - A= 25 MM	702386
1	110506-59-007	EA	KEYS - SET OF TWO	596727
2	110506-52-007	EA	CASE - LOCK - A= 17 MM	702377
2	110506-53-007	EA	CASE - LOCK - A= 25 MM	702387
1	110506-59-008	EA	KEYS - SET OF TWO	596728
2	110506-52-008	EA	CASE - LOCK - A= 17 MM	702378
2	110506-53-008	EA	CASE - LOCK - A= 25 MM	702388
1	110506-59-009	EA	KEYS - SET OF TWO	596729
2	110506-52-009	EA	CASE - LOCK - A= 17 MM	702379
2	110506-53-009	EA	CASE - LOCK - A= 25 MM	702389
3	110506-40-700	EA	HARDWARE KIT	
4	110506-50-000	EA	CASE - TWIST LOCK - A= 17 MM	596952
4	110506-51-000	EA	CASE - TWIST LOCK - A= 25 MM	596669
	110506-40-000	EA	CLIP-E - LOCK ASM.	93981
	110506-64-000	EA	CAM - LOCK	322280
	110506-68-000	EA	CAM - LOCK	322284
	110506-71-000	EA	CAM - LOCK	322287
	110506-59-701	EA	KEY BLANK - GOLD	

# WINDOW, VENT & EXTERIOR DOOR GROUP (CONTINUED)

## DRIVER DOOR INTERIOR COMPONENTS

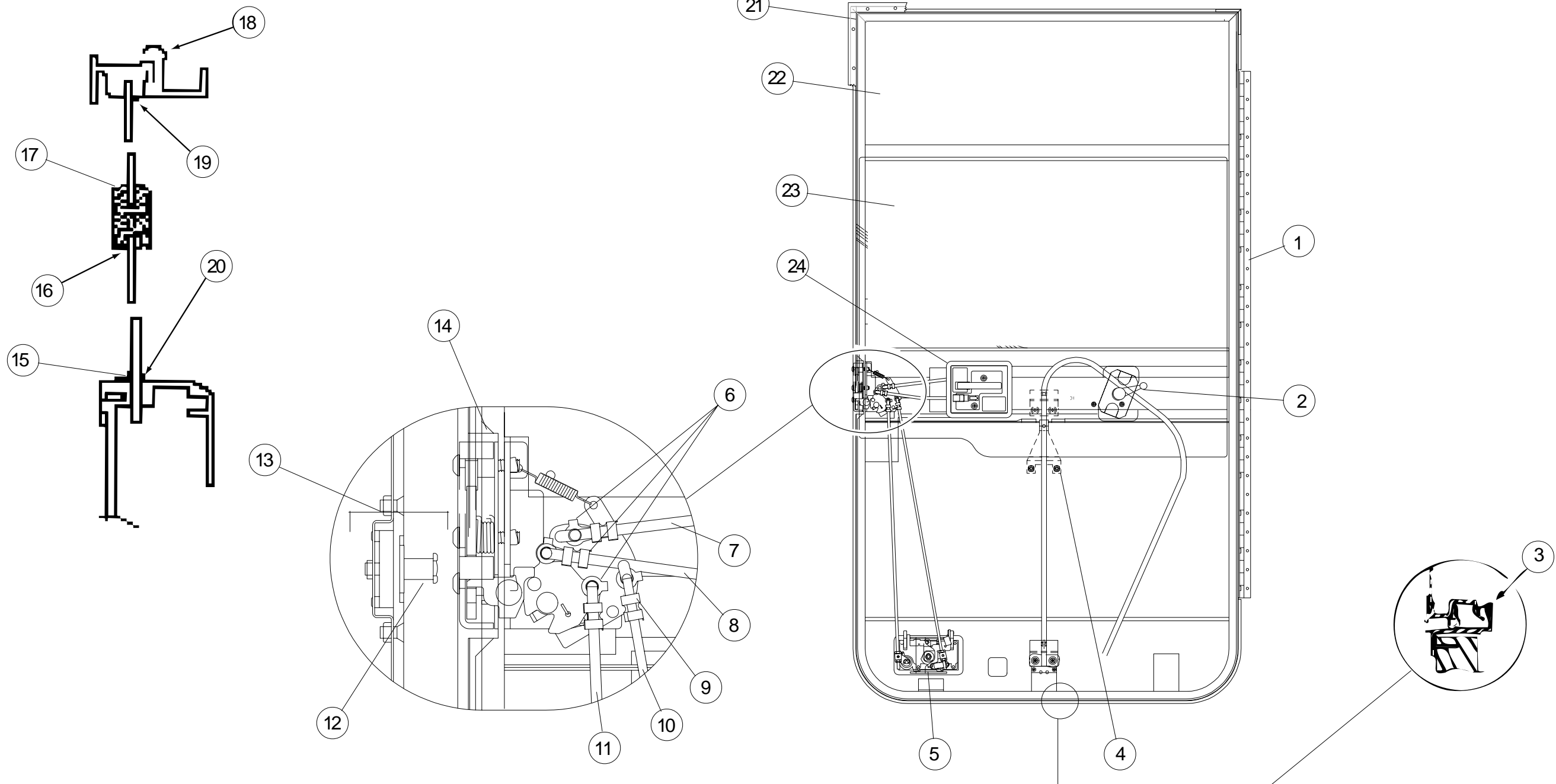


KEY	PART NUMBER	U/M	DESCRIPTION
1	114973-01-02A	EA	PANEL - DRIVER DOOR - INNER - WILLOW - PLASTIC
2	109378-01-000	EA	STRAP - CHECK - DRIVER DOOR - 12.8"
3	110604-01-01A	EA	HANDLE - ASSIST - DRIVERS DOOR
4	063977-12-000	EA	STEP - DRIVER DOOR - LEFT - PAINTED
4	063977-11-000	EA	STEP - DRIVER DOOR - LEFT - UNPAINTED
5	107818-01-01A	EA	TRIM - STEP - DRIVERS DOOR - PLASTIC - WILLOW
	106746-01-000	EA	PANEL - STEEL - STEPWELL
	106747-01-000	EA	PANEL - STEEL - STEPWELL - END RH
	106747-02-000	EA	PANEL - STEEL - STEPWELL - END LH
	102569-02-000	EA	MAT - ANTI SLIP - LOWER

KEY	PART NUMBER	U/M	DESCRIPTION
6	108654-01-01A	EA	COVER - STRIKE - DRIVERS DOOR - BLACK
7	108832-01-02A	EA	HANDLE - ASSIST - DRIVERS DOOR - METAL - OFF WHITE
	108833-01-01A	EA	COVER - HANDLE - ASSIST - OFF WHITE
8	109235-01-05A	FT	COVER - SCREW - BRIGHT WHITE - DAWN
9	109235-01-01A	FT	COVER - SCREW - MATTE BLACK - DAWN
	108129-02-02A	EA	GARNISH - DRIVERS DOOR - FRONT - BLACK
	108107-01-02A	EA	GARNISH - DRIVERS DOOR - TOP - BLACK
	108108-04-02A	EA	GARNISH - DRIVERS DOOR - REAR UPPER - BLACK
	108897-02-01A	EA	GARNISH - DRIVERS DOOR - REAR LOWER - BLACK
	P01713-01-000	EA	SWITCH - PUSH BUTTON - IN DOOR JAMB - METAL CHROME
	076725-06-000	EA	COVER - ACCESS - DOOR JAMB PUSH BUTTON - BLACK

# WINDOW, VENT & EXTERIOR DOOR GROUP (CONTINUED)

## DRIVER DOOR (EXCEL)

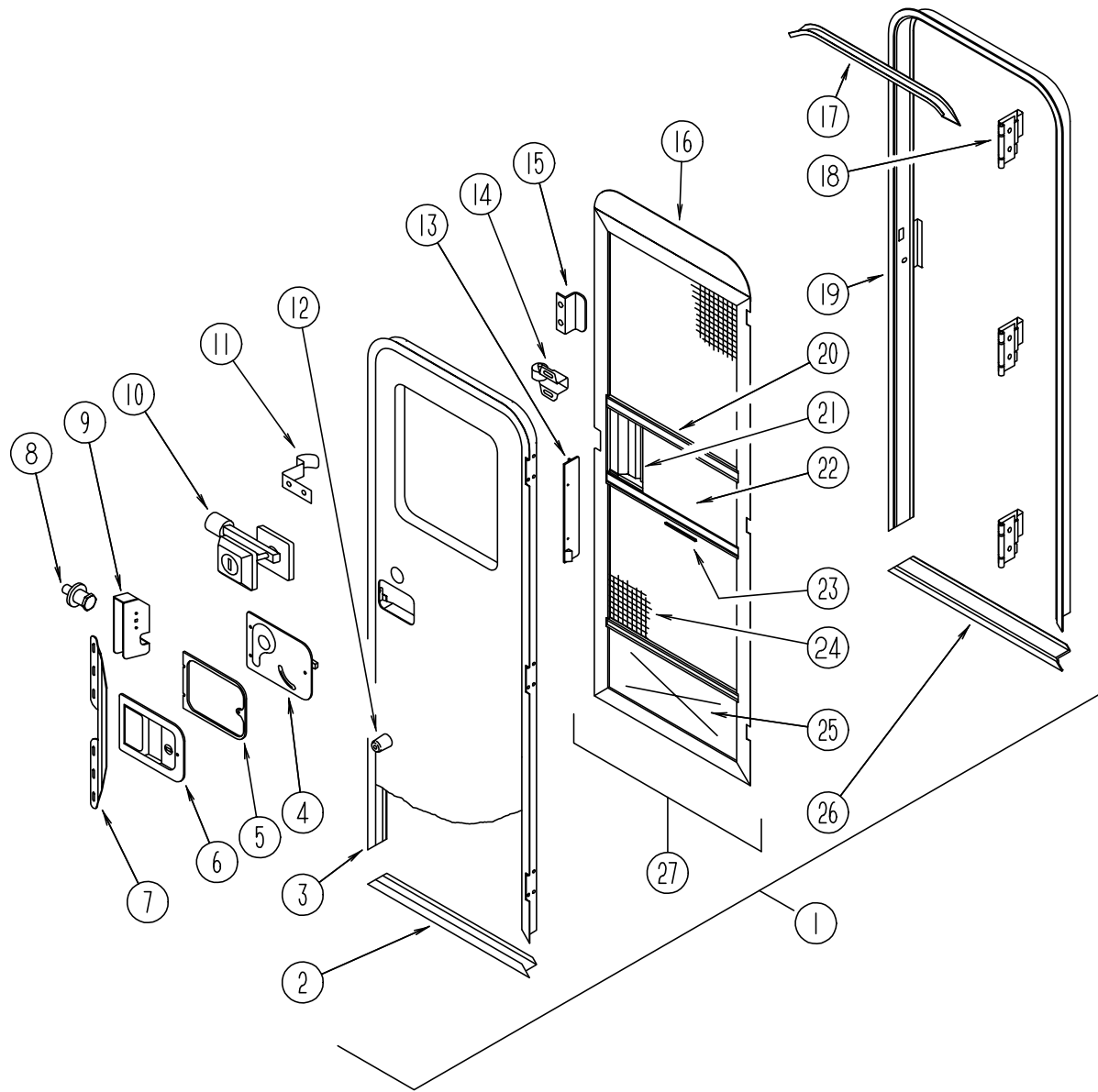


KEY	PART NUMBER	U/M	DESCRIPTION	VENDOR NO.
	106469-07-01A	EA	DOOR ASM. - DRIVERS - BLACK - V130-01L	
1	106469-05-702	EA	HINGE - 42"	211-041194
2	106469-02-704	EA	WINDOW HANDLE	V068-16
3	106469-01-723	EA	SEAL - BULB ASM. (JAMB)	171-040985
4	106469-02-701	EA	REGULATOR - MANUAL	V108-90L
5	106469-04-700	EA	PADDLE ASSEMBLY-W/COLLAR	248-041237
5	106469-04-715	EA	LATCH COMPLETE W/TUMBLER & KEYS	V123-15
6	106469-04-714	EA	ROD CLIP R.H.	248-041153
7	106469-04-705	EA	LATCH ROD - HORIZONTAL	203-041139
8	106469-04-711	EA	LOCK ROD - HORIZONTAL	203-041137
9	106469-04-713	EA	ROD CLIP L.H.	248-041154
10	106469-05-703	EA	ROD - LOCK/VERTICAL ADJUST.	203-041239
11	106469-05-705	EA	ROD - LATCH/VERTICAL ADJUST.	203-041279
12	106469-04-703	EA	BOLT - STRIKER (W/ WASHER)	248-041152
13	106469-04-704	EA	NUT ASSEMBLY - CAGED - W/STRIKER	248-041151

KEY	PART NUMBER	U/M	DESCRIPTION	VENDOR NO.
14	106469-05-706	EA	LATCH - ROTARY - W/LINKAGE	248-041150
15	106469-02-703	EA	BELT WEATHERSTRIP (EXT) WDO	V047-57
16	106469-01-705	FT	CHANNEL - RUN - SLIDING	122-010850
17	106469-08-700	EA	MULLION RAIL	V103-84
18	106469-01-702	EA	DOOR SEAL	122-040984
19	125581-02-705	EA	HORIZONTAL GLAZING - VINYL	V108-87
20	106469-01-709	FT	WEATHERSTRIP - FUZZY	171-040630
21	106469-07-700	EA	MOUNTING FRAME ASSEMBLY	V130-30L
22	106469-02-702	EA	GLASS - STATIONARY	106-041104
23	106469-01-704	EA	GLASS - ROLL-UP W/BACKET	V103-65L
24	106469-04-712	EA	HANDLE/DOOR - INNER W/HARDWARE	248-041402
24	106469-04-716	EA	LEVER - LOCKING - BLACK	80978-00
	106469-04-701	EA	TUMBLER & KEYS (TRI-MARK)	248-041179
	106469-04-702	EA	KEYS (BLANK)	248-041180
	125582-01-708	EA	WEEPHOLE COVER - RIGHT HAND	130-026598
	125582-01-709	EA	WEEPHOLE COVER - LEFT HAND	130-026599

# WINDOW, VENT & EXTERIOR DOOR GROUP (CONTINUED)

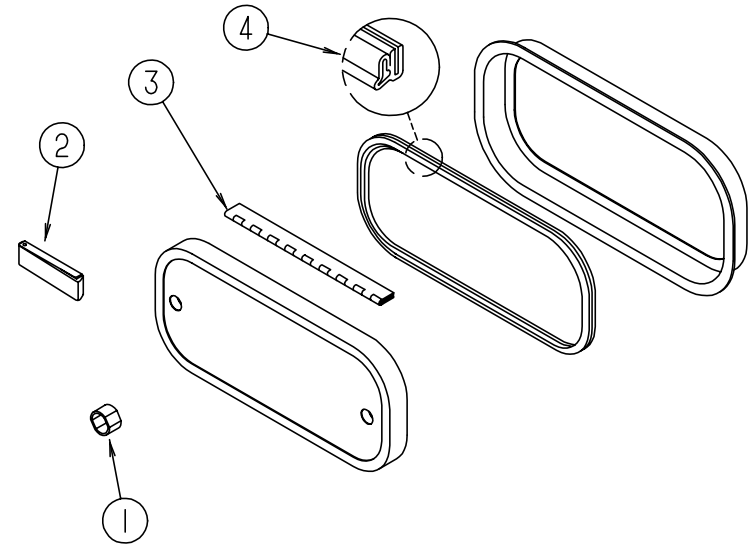
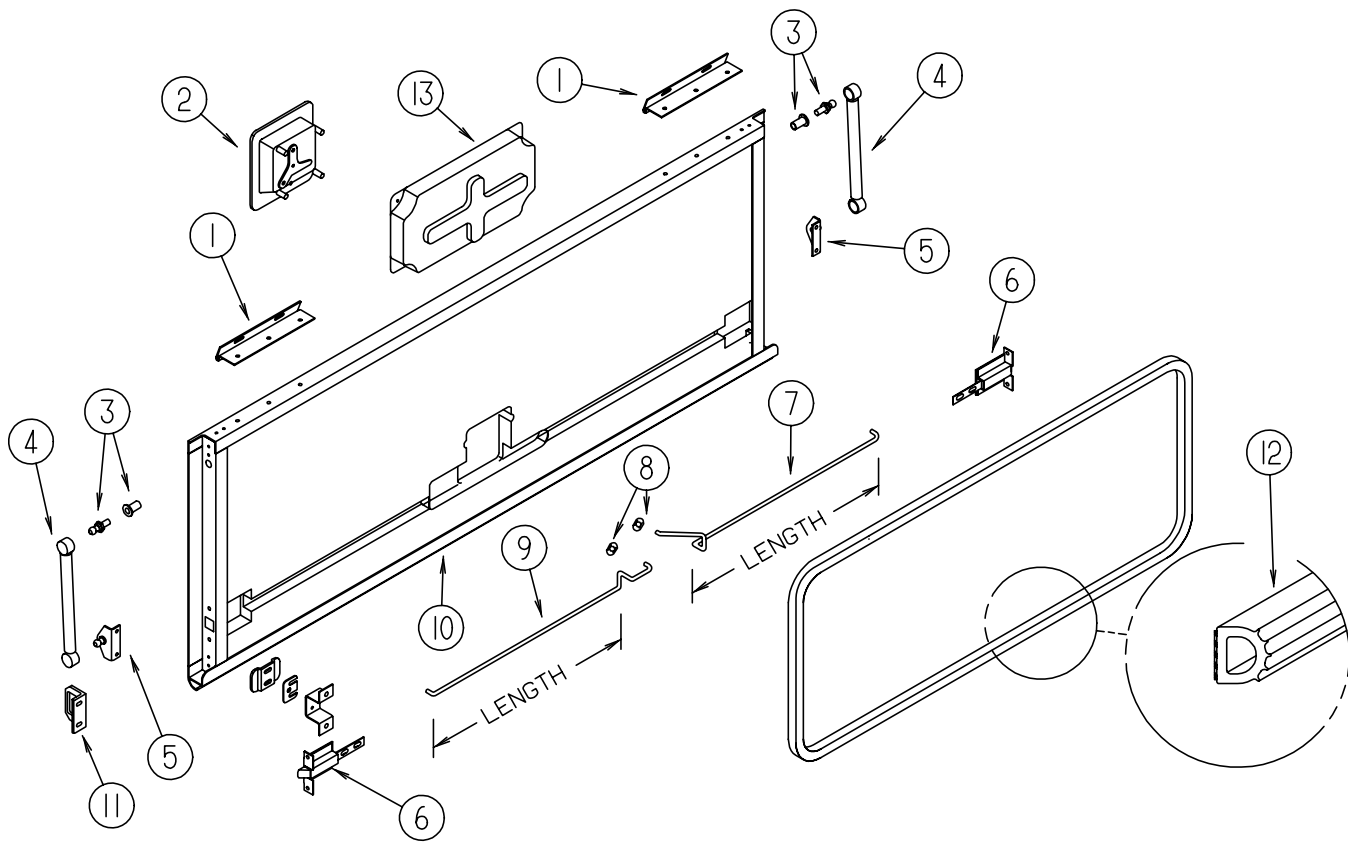
## ENTRY DOOR W/O WINDOW



KEY	PART NUMBER	U/M	DESCRIPTION
1	115108-02-H17	EA	DOOR - ENTRY - W/ SCREEN DOOR - W/O WINDOW (H17)
1	115108-02-H18	EA	DOOR - ENTRY - W/ SCREEN DOOR - W/O WINDOW (H18)
1	115108-02-H19	EA	DOOR - ENTRY - W/ SCREEN DOOR - W/O WINDOW (H19, H41)
1	115108-02-H23	EA	DOOR - ENTRY - W/ SCREEN DOOR - W/O WINDOW (H40)
2	121893-01-01A	EA	FRAME - ENTRY DOOR/BOTTOM - BRIGHT WHITE
3	121894-03-01A	EA	FRAME - ENTRY DOOR
4	039979-06-000	EA	COVER - LATCH PLATE - RIGHT HAND - BLACK TEXTURED
5	096810-01-01A	EA	PLATE - LATCH - ENTRY DOOR - BLACK PLASTIC
6	045017-13-000	EA	LATCH - ENTRY DOOR - BLACK TEXTURED
7	098173-01-07A	EA	STIFFENER - ENTRY DOOR - SUPPORTS LATCH/STRIKE - BRIGHT WHITE
7	098173-01-04A	EA	STIFFENER - ENTRY DOOR - SUPPORTS LATCH/STRIKE - UNPAINTED
8	039539-01-000	EA	STRIKE - LOCK - ENTRY DOOR - ROUND W/ THREADED WASHER
9	039540-01-000	EA	LATCH MECHANISM - HOOK - ENTRY DOOR - INTERIOR
	039715-01-000	EA	NUT-SERT - 1/4" DIAMETER - 20 THREADS (ENTRANCE DOOR HINGE )
	041546-07-000	EA	BRACKET - DOOR ANGLE - OFF WHITE
	036618-02-000	EA	E-RING - EXTERNAL - 3/16" SHAFT DIAMETER - LYNOR DOOR LOCK
	045017-11-701	EA	KEY - BLANK (F1 SERIES) "K-104" - DOOR LOCK
	045017-11-703	EA	CYLINDER - LOCK ASM. W/ KEYS
	072893-04-000	EA	NUTSERT - 10-32 (ENTRANCE DOOR STIFFENER)
	075671-04-000	FT	SEAL - SPONGE - LAZY T SHAPE - W/ ADHESIVE STRIP - .5" WIDE
	086285-05-000	EA	SPACER - NYLON - .7" X .56"
10	101145-01-06A	EA	DEADBOLT - ENTRY DOOR W/O SECURITY BOLT W/2 KEYS - BLACK
	095229-01-700	EA	KEY - BLANK - DEADBOLT
	101145-01-701	EA	CYLINDER - LOCK ASM. - W/ KEY
	101147-01-000	EA	BOLT - SECURITY - 4.12" BACKSET
11	100412-01-000	EA	CATCH - SCREEN DOOR - THUMB CLIP
12	117046-01-000	EA	BUMPER - RUBBER - ROUND END
13	079087-03-000	EA	STRIKE - SLIDER - SCREEN DOOR - BRIGHT WHITE
14	109403-01-000	EA	CATCH - SINGLE ROLLER - SCREEN DOOR
15	050712-06-000	EA	HANDLE - SCREEN DOOR - BRIGHT WHITE
16	078595-01-000	EA	TOP PLATE - SCREEN DOOR - CURVED TOP - 4.7" X 25.35"
17	044582-44-000	EA	CAP - DRIP - JAMB - BRIGHT WHITE
18	106719-01-05A	EA	HINGE - ENTRANCE DOOR - BRIGHT WHITE
18	106719-01-01A	EA	HINGE - ENTRANCE DOOR - MILL
	116111-02-01A	EA	SCREW - TAPTITE - 1/4-20 X 3/8 PPH - ZINC
	118929-01-01A	FT	SEAL - PILE - PUSH ON
19	121898-01-01A	EA	JAMB - ENTRY DOOR
20	078777-01-000	EA	CHANNEL - SLIDE - SCREEN DOOR CENTER SLIDER COVER
21	079086-03-000	EA	SLIDER - SCREEN DOOR - BRIGHT WHITE
22	016454-01-000	EA	INSERT - CENTER - LEATHER GRAIN ALUMINUM - UNPAINTED
	001014-01-013	EA	INSERT - CENTER - 10.25" X 16.31" - UNPAINTED
23	002294-01-000	FT	SPLINE - SCREENING - .135" X .138"
24	002293-02-000	SF	SCREENING - WINDOW/DOOR - 26" - CHARCOAL
	075673-01-000	FT	SEAL - PILE - ADHESIVE BACK - GRAY
25	078552-03-000	EA	KICK PANEL - SCREEN DOOR - LOWER INSERT - UNPAINTED
	078595-01-000	EA	TOP PLATE - SCREEN DOOR - CURVED TOP - 4.7" X 25.35"
26	051049-01-000	EA	JAMB - BOTTOM - ENTRY DOOR - 25.9" - UNPAINTED
27	121899-01-G04	EA	DOOR - SCREEN - W/O HARDWARE
	122241-01-01A	EA	BUMPER - FOAM RUBBER W/ADH BACK - .5" X .5" X .25" - BLACK
	102248-01-000	EA	SHIM - DOOR

**WINDOW, VENT & EXTERIOR DOOR GROUP (CONTINUED)**

**WINDOW, VENT & EXTERIOR DOOR GROUP (CONTINUED)**



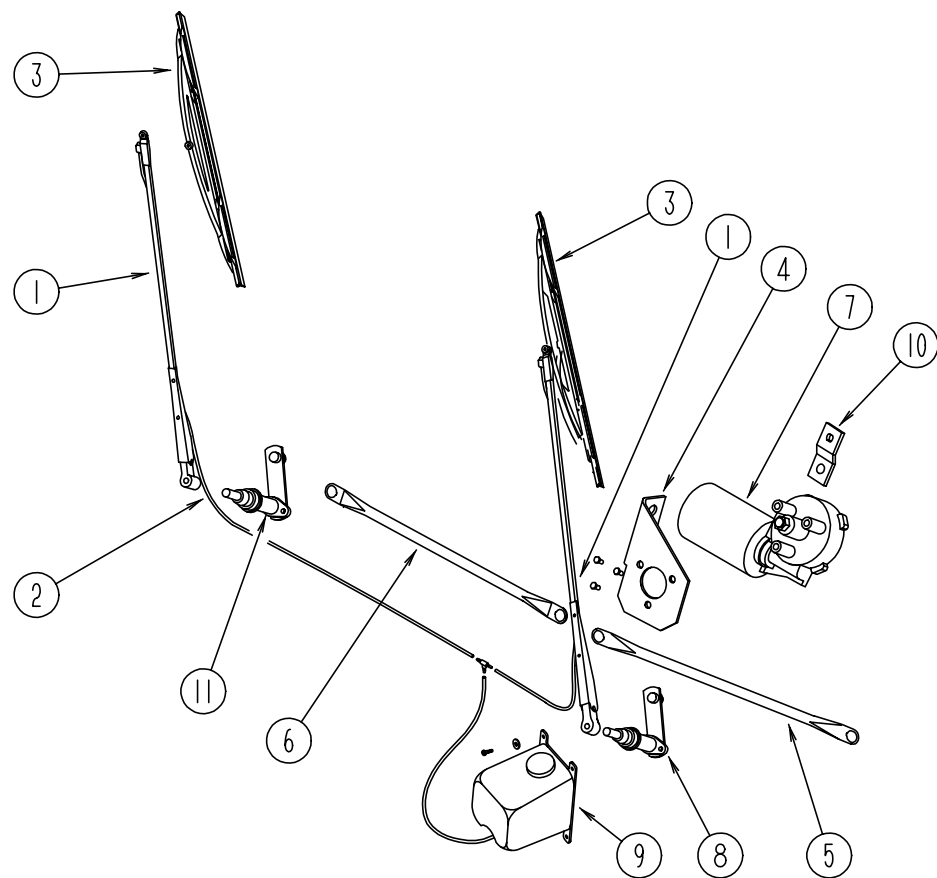
**EXTERIOR DOORS**

**EXTERIOR DOORS**

KEY	PART NUMBER	U/M	DESCRIPTION
1	121755-01-04A	EA	HINGE - 6.00 INCH
2	112949-01-04A	EA	LATCH - PADDLE W/ LOCK W/O KEY - BLACK
	112949-03-000	EA	KEY - TRI-MARK #TM500
3	057460-08-000	EA	BALL STUD - 10MM BALL - 5/16-18
4	107796-20-000	EA	SPRING - GAS - 10" LENGTH
5	107796-19-000	EA	BRACKET - GAS SPRING
6	121947-01-01A	EA	BOLT - SLIDE - LATCH - STEEL
7	122269-02-000	EA	ROD - LATCH - 27.08"
7	122269-03-000	EA	ROD - LATCH - 12.11"
7	122269-04-000	EA	ROD - LATCH - 15.42"
7	122269-05-000	EA	ROD - LATCH - 11.09"
7	122269-06-000	EA	ROD - LATCH - 24.07"
7	122269-17-000	EA	ROD - LATCH - 11.57"
8	124304-01-000	EA	CLIP - ROUND PUSH ON
9	122268-02-000	EA	ROD - LATCH - 27.08"
9	122268-03-000	EA	ROD - LATCH - 12.11"
9	122268-04-000	EA	ROD - LATCH - 15.42"
9	122268-05-000	EA	ROD - LATCH - 11.09"
9	122268-06-000	EA	ROD - LATCH - 24.07"
9	122268-17-000	EA	ROD - LATCH - 11.57"
10	122613-55-003	EA	EXTRUDED - ROCKER PANEL - 192" - UMBRA
10	122613-55-002	EA	EXTRUDED - ROCKER PANEL - 192" - SUPER BLUE
11	123783-01-01A	EA	STRIKER - DOOR - MILL
12	107721-04-000	FT	SEAL-D - ACCESS DOOR
13	122277-01-01A	EA	COVER - LATCH - BLACK

KEY	PART NUMBER	U/M	DESCRIPTION
1	107997-51-001	EA	SPACER - DOOR LOCK - .6" DEEP
	107997-51-002	EA	EXTRUDED SPACER - 16'
2	102768-01-000	EA	HOLDER - COMPARTMENT/ ENTRY DOOR - METAL - MILL FINISH
3	081801-V3-000	EA	HINGE - ALUMINUM - 2" X 8' - BRIGHT WHITE
4	064075-07-000	FT	SEAL - BULB - W/ WIRED U CHANNEL - .3" X .5" CHANNEL - BLK
	079775-D3-000	EA	JAMB - DOOR - STORAGE

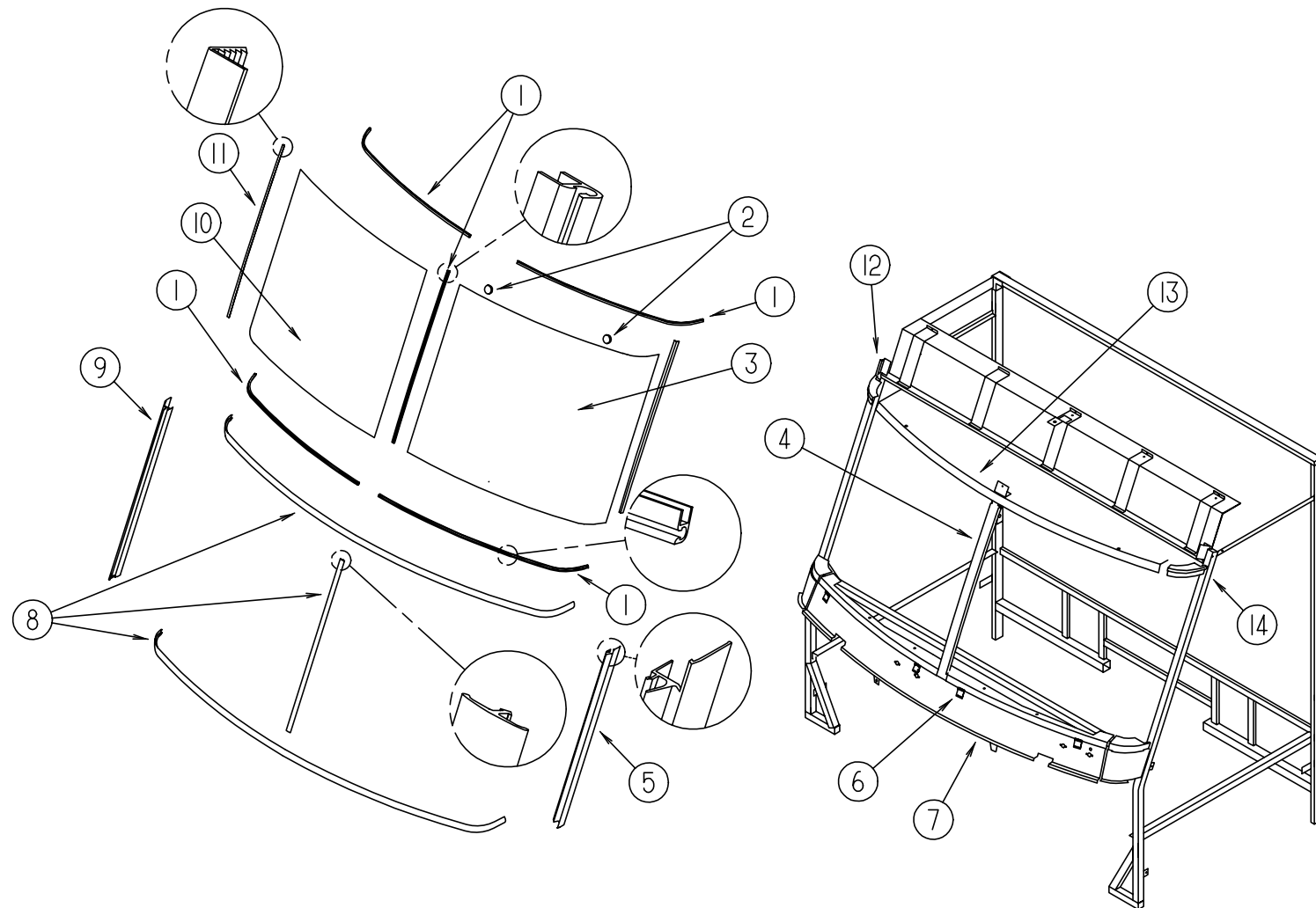
## WINDSHIELD & WIPER GROUP



### WINDSHIELD WIPER ASM

KEY	PART NUMBER	U/M	DESCRIPTION	VENDOR NO.
1	103671-01-000	EA	ARM - WIPER - 24"	
2	096931-01-700	FT	HOSE - WIPER	XTU-66-0001
3	095964-01-000	EA	BLADE - WIPER - WINDSHIELD - 24"	
4	104549-01-000	EA	BRACKET - WIPER	
5	117008-01-000	EA	LINK ASSEMBLY - WIPER CONNECTING - DRIVER SIDE	
6	117008-02-000	EA	LINK ASSEMBLY - WIPER CONNECTING - PASSENGER SIDE	
7	104346-05-000	EA	WIPER MOTOR W/ INTERNAL BREAKER - DYNAMIC PARK (FORD)	
	117322-01-000	EA	SCREW - 1/4-28 UNF -2A - TORX	
8	096505-06-000	EA	SHAFT/PIVOT - WINDSHIELD WIPER - DRIVER SIDE	
9	117766-02-000	EA	RESERVOIR/ PUMP - WINDSHIELD WASHER	
	096931-01-701	EA	NOZZLE - HARDWARE KIT	
	110605-01-000	EA	TEE - PLAS - BARBED 1/8 X 1/8 X 3/16 - BAYLOCK 3799721	
	045794-01-000	FT	HOSE - WASHER - WINDSHIELD - 5/32" ID - BLACK	
	117765-03-000	EA	CONNECTOR - 5/32 - WINDSHIELD WASHER	
10	104347-01-000	EA	ARM - DRIVE - WIPER MOTOR - 1.54" -W/ TAPERED DRIVE HOLE	
	067188-01-000	EA	STUD - CRANK - WIPER - WINDSHIELD	
11	096505-05-000	EA	SHAFT & PIVOT ASM	
	110742-01-000	EA	GASKET - NEOPRENE WIPER ADAPTER SHAFT - 1 3/4"OD X 1" ID	
	096505-02-700	EA	DRIVER - KNURLED (HD) BRL .687	NT721017
	096505-02-701	EA	NUT - HEX (HD) W/.687 BARREL	NT721021
	096505-02-702	EA	CAP - RUBBER (HD) BARREL .687	CP721084
	096505-02-703	EA	CAP - NUT(ACORN) HD W/.687 BRL	51065-40-NT27WC

## WINDSHIELD & WIPER GROUP (CONTINUED)



### WINDSHIELD MOLDINGS & GLASS

KEY	PART NUMBER	U/M	DESCRIPTION
1	110268-01-000	EA	WINDSHIELD CARRIER - 50.4"
2	081914-01-000	EA	BUMPER - RUBBER - ROUND - .43" DIAMETER - BLACK
3	114432-02-000	EA	GLASS - WINDSHIELD - DRIVER - 52.75" W X 47.5" T
4	075710-01-000	EA	FRAME - WINDSHIELD - CENTER DIVIDER - INNER
5	103107-04-01A	EA	TRIM - WINDSHIELD - DRIVER SIDE
6	104449-01-000	EA	SUPPORT - WINDSHIELD
7	077847-05-000	EA	SUPPORT - WINDSHIELD - CENTER
	077847-03-000	EA	SUPPORT - WINDSHIELD - PASSENGER SIDE END
	077847-04-000	EA	SUPPORT - WINDSHIELD - DRIVER SIDE END
8	120533-01-000	FT	MOLDING - REVEAL - WINDSHIELD
9	103107-03-01A	EA	TRIM - WINDSHIELD - PASSENGER SIDE - BLACK
10	114432-01-000	EA	GLASS - WINDSHIELD - PASSENGER - 52.75"W X 47.5" T
11	098788-06-000	EA	CHANNEL - 49" PVC
12	077922-03-000	EA	HEADER - WINDSHIELD END - RIGHT HAND
	114583-01-01B	EA	HEADER - WINDSHIELD - FILLER - UPPER
13	077922-06-000	EA	HEADER - WINDSHIELD - CENTER
14	077922-04-000	EA	HEADER - WINDSHIELD END - LEFT HAND
	114583-02-01B	EA	HEADER - WINDSHIELD - FILLER - UPPER
	002328-02-000	EA	BLOCK - WINDSHIELD - .062" X .5" X .98"