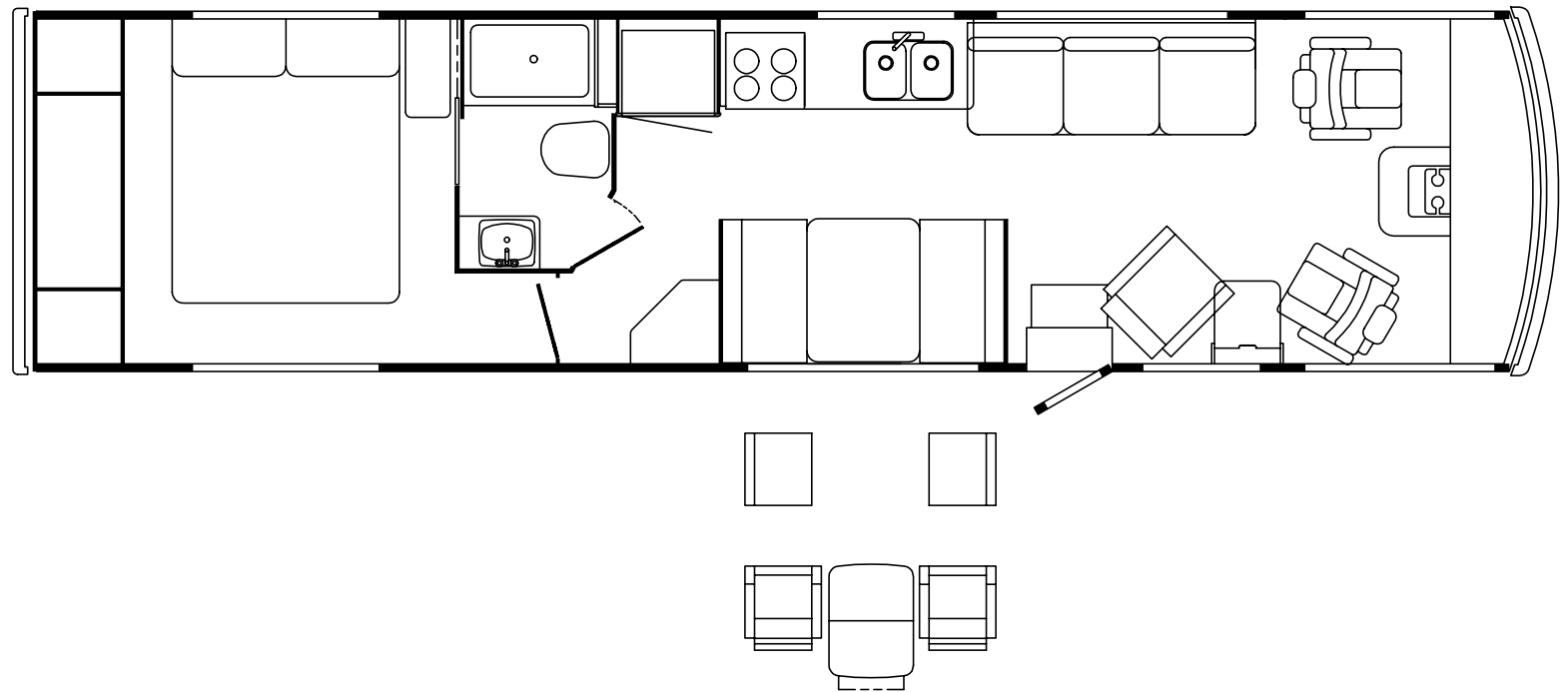
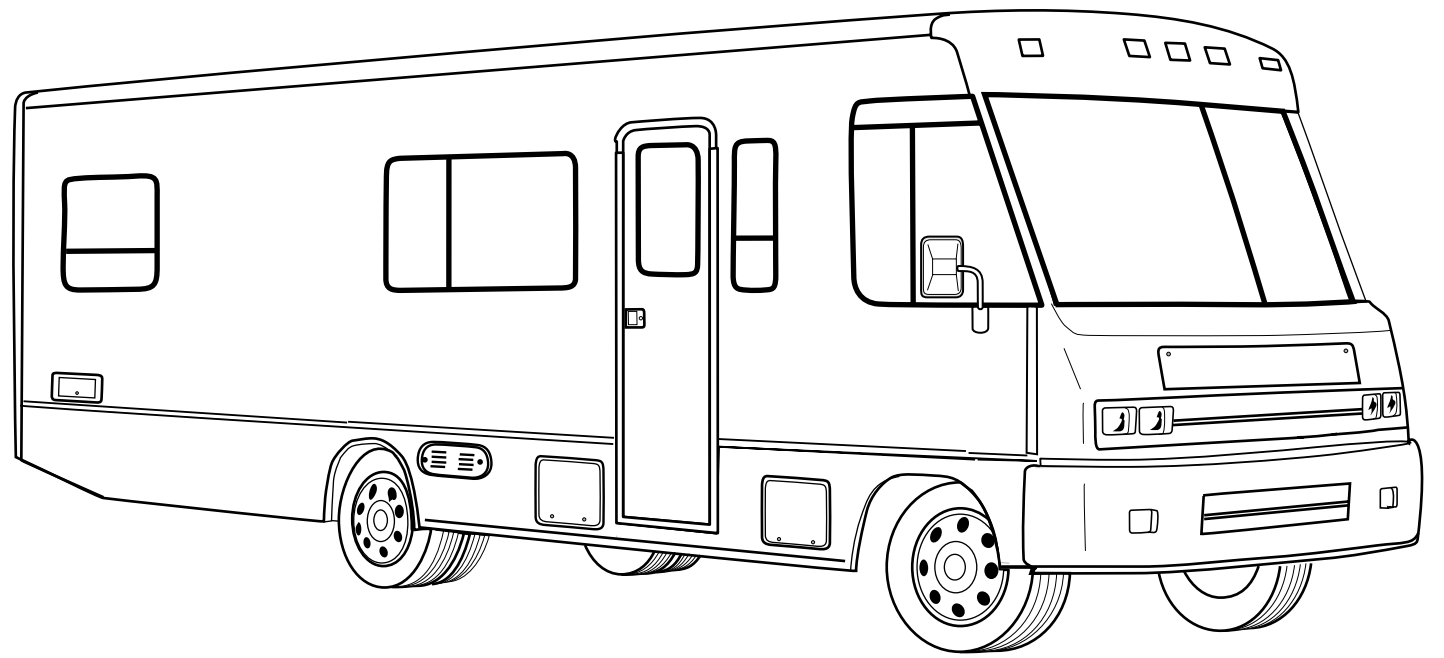


**1996
WCG34WA**

- G15
BOTANICAL (GREEN)**
- G16
THISTLE (TAN)**
- G17
COPPER CANYON**



ACCESSORIES GROUP

OPERATOR MANUAL

KEY	PART NUMBER	U/M DESCRIPTION
	054185-E1-000	EA MANUAL - OPERATOR 96 ADVENTURER G-SERIES
	092318-01-000	EA BINDER - 3 RING - MOTOR HOME MANUAL
	092319-01-000	EA POCKET PAGE - 3 RING BINDER - PLASTIC
	118752-01-000	EA TOP LEVEL DRAWING NUMBER

AUDIO VIDEO GROUP

RADIO SYSTEMS & ANTENNA

KEY	PART NUMBER	U/M DESCRIPTION
	087683-03-000	EA RADIO - AM/ FM STEREO CASSETTE AUDIOVOX RS-100
	110267-03-000	EA RADIO - AM/ FM STEREO CD COMPAT AUDIOVOX IM-400
	116148-02-000	EA RADIO - AM/ FM STEREO - CD PLAYER CLARION RDB515F FROM: 00-00-00 THRU: 03-14-96
	116148-03-000	EA RADIO - AM/ FM STEREO - CD PLAYER CLARION RDB325D FROM: 03-15-96 THRU: 99-99-99
	077069-02-000	EA CABLE - ANTENNA - RADIO - EXTENSION 96" - ARA 6700667
	110469-01-000	EA SPEAKER - OVAL - 4" X 6" - BLACK
	110470-01-01A	EA GRILLE - SPEAKER - OVAL - 4" X 6" - BLACK
	081059-02-000	EA WIRE ASM - 9-PIN - RADIO - AUDIOVOX 112B-1761
	105248-01-000	EA ANTENNA - CB - ADVANCE 8604
	090944-01-000	EA ANTENNA - RADIO - 16" RUBBER
	108847-01-000	EA BRACKET - ANTENNA GROUND
	115916-01-01B	EA BRACKET - ANTENNA MOUNT
	109889-04-000	EA EXTENDER - SHAFT - ANTENNA 3"
	074979-08-000	EA SHIELD - SPEAKER - BACK - MOLDED PLASTIC - LIGHT OAK
	074979-12-000	EA SHIELD - SPEAKER - BACK - MOLDED PLASTIC - OFF WHITE
	089340-02-000	EA GRILLE - SPEAKER - 6.5" SQUARE
	089340-03-000	EA SPACER - GRILLE - 6.5" SQUARE - TAN - MAGNADYNE G514
	094097-01-000	EA SPEAKER - RADIO - W/O GRILLE - 5.25" DIA - AUDIOVOX 110C3030

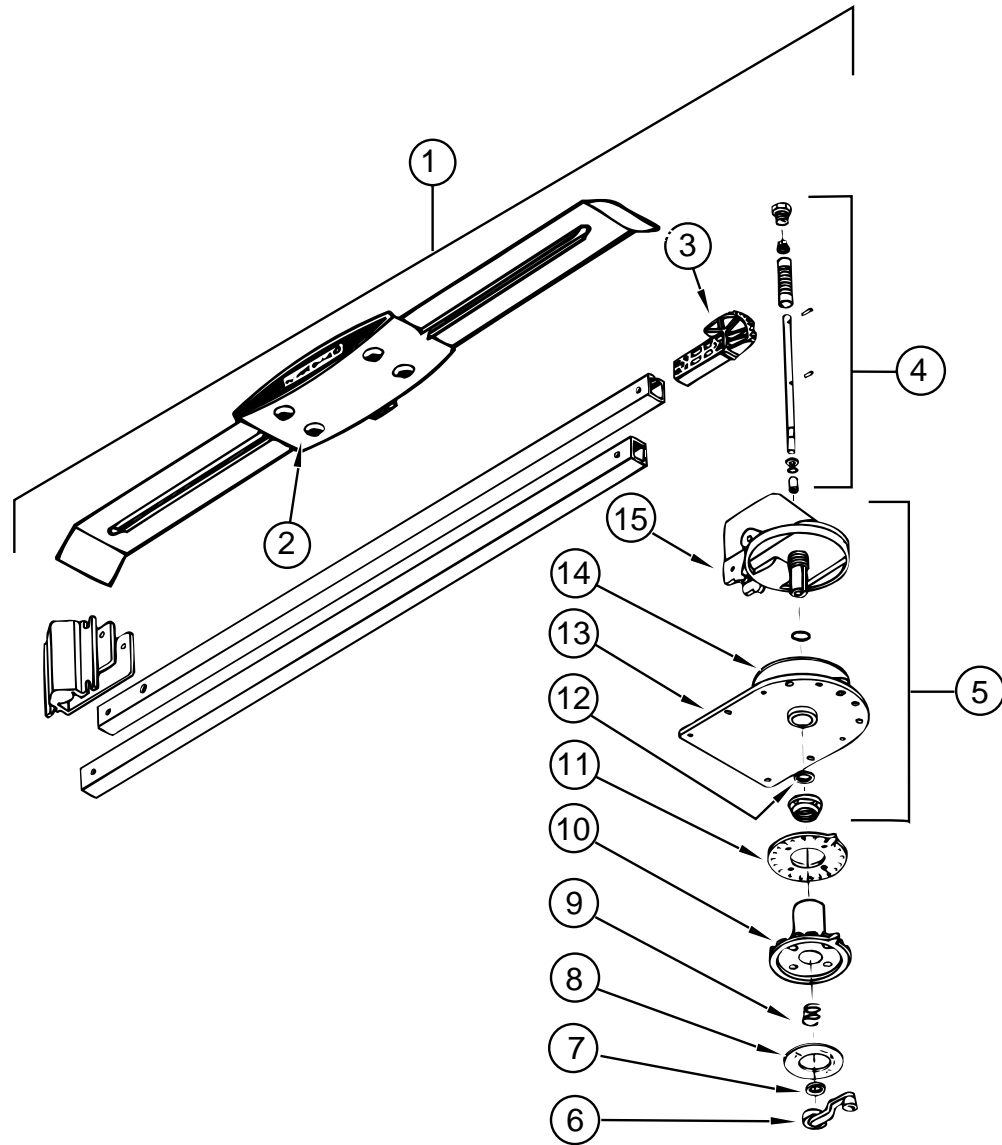
PATIO ENTERTAINMENT CENTER

KEY	PART NUMBER	U/M DESCRIPTION
	110469-01-000	EA SPEAKER - OVAL - 4" X 6" - BLACK
	110470-01-01A	EA GRILLE - SPEAKER - OVAL - 4" X 6" - BLACK
	077069-02-000	EA CABLE - ANTENNA - RADIO - EXTENSION 96" - ARA 6700667
	087683-03-000	EA RADIO - AM/ FM STEREO W/ CASSETTE - AUDIOVOX
	090944-01-000	EA ANTENNA - RADIO - 16" RUBBER
	108847-01-000	EA BRACKET - ANTENNA GROUND
	109889-04-000	EA ANTENNA - 3" SHAFT EXTENDER - MAGNADYNE RV71EX3

TV - VCR SYSTEMS

KEY	PART NUMBER	U/M DESCRIPTION	VENDOR NO.
	082134-01-000	EA ADAPTER - TV - CABLE TO CABLE - WINEGARD F-81M	
	086756-01-000	EA SPLITTER - TV - 2 WAY	
	076319-03-000	FT CABLE - COAXIAL - 75 OHM	
	076319-12-000	EA CONNECTOR - COAXIAL - ONE PIECE	
	086757-03-000	EA CONTROL CENTER - SWITCH - VCR/TV - MAGNADYNE VCS-6	
	119120-01-000	EA VCR-VHS, CABLE READY - REMOTE - AUDIOVOX AVR-1075 FROM: 00-00-00 THRU: 12-10-95	
	119120-02-000	EA VCR-VHS, CABLE READY - REMOTE - AUDIOVOX AVR-1170 FROM: 12-11-95 THRU: 99-99-99	
	119120-01-700	EA REMOTE F/ MODEL AVR-1075	8874570
	119120-02-700	EA REMOTE F/ MODEL AVR-1170	0994569
	113684-01-000	EA TV - 19" COLOR UL AND CSA - AUDIOVOX AVT-1975	
	113684-01-700	EA REMOTE	8822345
	092310-02-000	EA TV - COLOR - 9"- AC/DC - W/REMOTE - MAGNAVOX RD0945 (REAR TV)	
	092310-02-700	EA REMOTE - F/TV MAGNAVOX RD0945	0822334
	098819-01-000	EA SPEAKER - 2 WATT - 8 OHM - 4"	
	114870-02-000	EA PLUG ASM - 3.5 MM AUDIO W/ LEADS - OW DONALD 35-P8	
	093214-01-02A	EA GRILLE - SPEAKER, 4" BROWN	
	099717-01-000	EA STRAP - TV TIE DOWN W/24" FEMALE STRAP & 14.2" MALE STRAP	
	099717-02-000	EA STRAP - TV TIE DOWN W/29.9" FEMALE STRAP & 14.2" MALE STRAP	
	109889-04-000	EA EXTENDER - SHAFT - ANTENNA 3" MAGNADYNE RV71EX3	
	082136-01-000	EA JAM NUT - HEX 3/8-32 - WINEGARD	
	076319-09-000	EA WALLPLATE - CABLE RECEPTACLE - TV - SINGLE - BROWN	
	086777-01-000	EA WALLPLATE - TV CABLE - W/ ANTENNA SWITCH - IVORY	
	086777-05-000	EA WALLPLATE - ANT 1 OUTPUT IVORY	
	086757-03-000	EA CONTROL CENTER - SWITCH - VCR/TV - MAGNADYNE VCS-6	

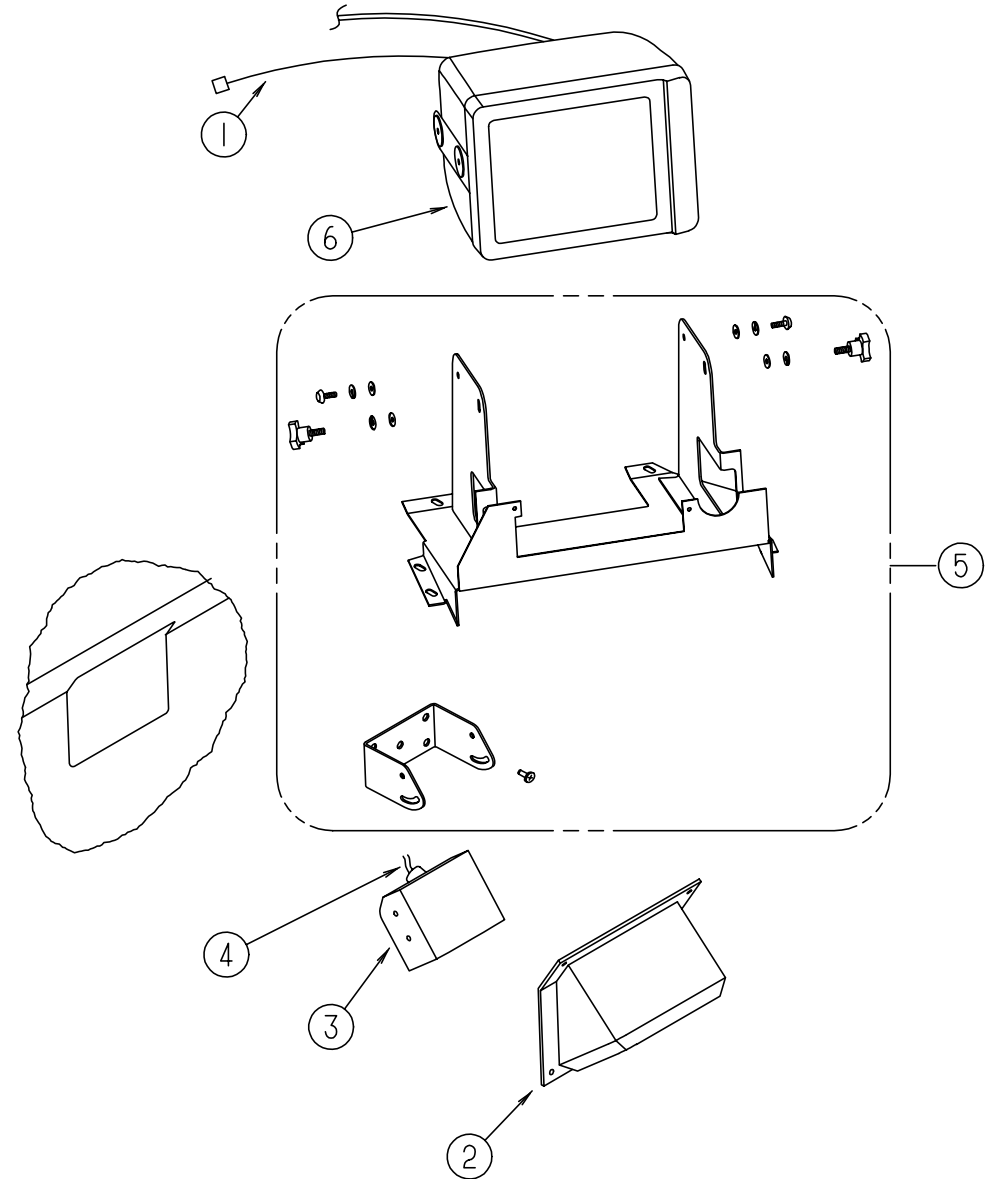
AUDIO VIDEO GROUP (CONTINUED)



TV ANTENNA (WINEGARD)

KEY	PART NUMBER	U/M DESCRIPTION	VENDOR NO.
1	076319-18-000	EA ANTENNA - TV - ROOF MOUNT	
2	076319-01-700	EA HEAD - ANTENNA - AMPLIFIED	RVSA U/V
3	076319-01-701	EA GEAR - ELEVATING - PLASTIC	2200046
4	076319-01-702	EA SHAFT ASM - ELEVATING	RVP-400A
5	076319-01-711	EA BASE & LIFT ASM	2762802
6	076319-01-706	EA CRANK - ELEVATING - W/ SET SCREW	5755100
7	076319-01-705	EA BEARING - NYLON - 7/8"ID	3200658
8	076319-01-708	EA CRANK COVER DECAL	5413002
9	076319-01-707	EA SPRING - HANDLE	5160822
10	076319-01-709	EA PLATE - DIRECTIONAL - FOR HEAD	3200644
11	076319-01-712	EA CEILING PLATE - WINEGARD	3200608
12	076319-01-704	EA BEARING - NYLON - 1.5"OD	3200657
13	076319-01-713	EA BASE PLATE	3100523
14	076319-01-703	EA BEARING - NYLON - 5"OD	3200656
15	076319-01-714	EA HOUSING - ROTATING GEAR	2200049

AUDIO VIDEO GROUP (CONTINUED)

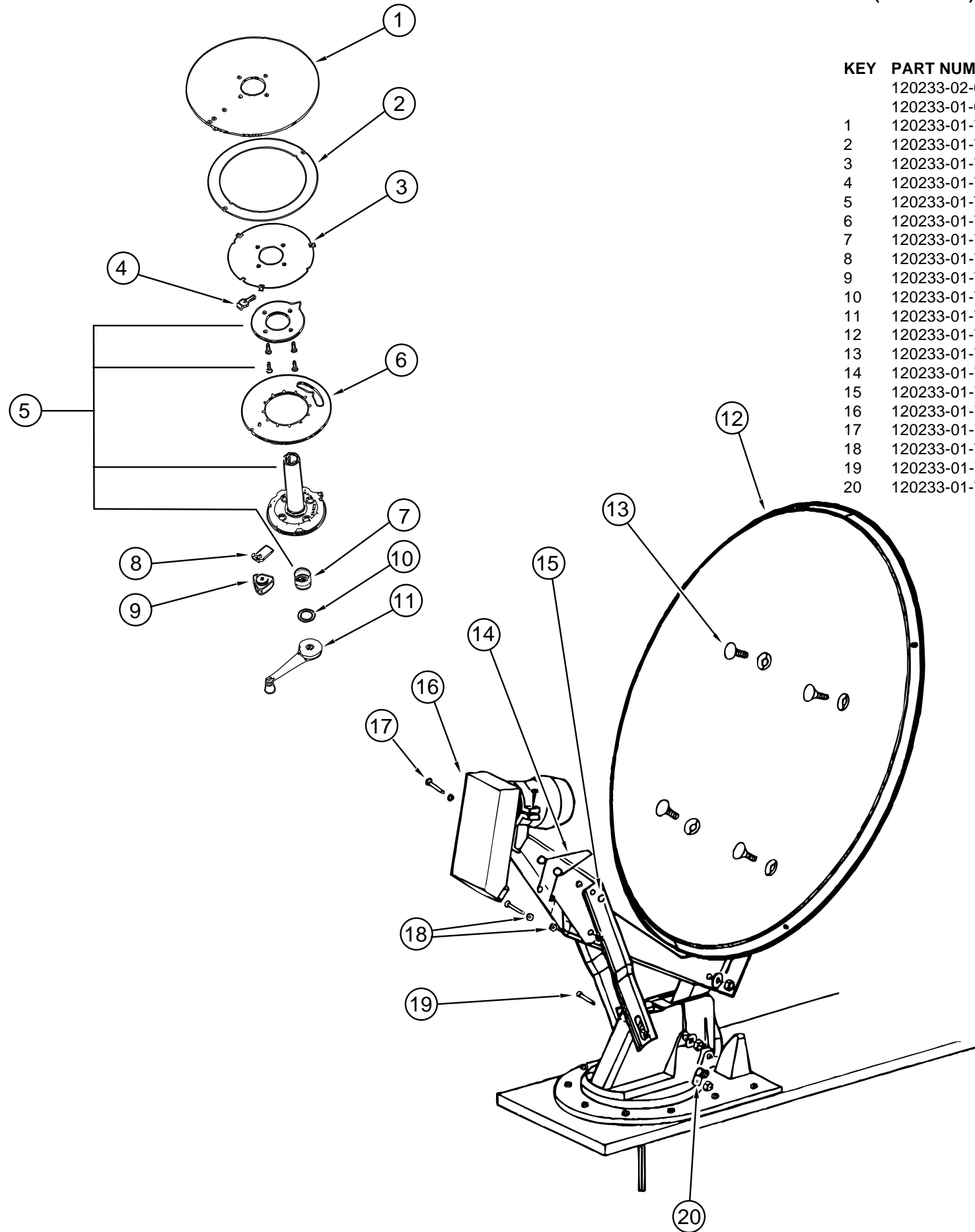


REAR MONITOR SYSTEM - SONY

KEY	PART NUMBER	U/M DESCRIPTION	VENDOR NO.
	093040-08-000	EA MONITOR SYSTEM-REAR VIEW 7" W/AUDIO JACK	
1	096717-03-000	EA WIRE ASM-REAR MONITOR, UPPER FOR PREWIRED AFTER MARKET INSTL.	
	093040-06-000	EA WIRE ASM-MONITOR FOR NON PREWIRED AFTER MARKET INSTL.	
		SONY SM-HRN7	
2	107852-01-01A	EA CAMERA SHROUD-OUTER SHELL, BUFF	
	108529-01-01A	EA SHROUD-CAMERA, INNER, BLACK	
3	093040-04-700	EA CAMERA, W/BACKET & WIRING	SSC-530AM
4	093041-01-000	EA CABLE-MONITOR/CAMERA, INTERNAL USE - 65.6'	
	093041-02-000	EA CABLE-MONITOR/CAMERA, EXTERNAL USE	
5	N/A	PARTS ARE INCLUDED W/TELEVISION SYSTEM - SONY	
6	093040-05-700	EA MONITOR-7" W/POWER HARNESS	SSM721AMR
	108885-02-000	EA WIRE-REAR MONITOR POWER (W/3 PIN HOUSING F/FUSE BLOCK)	

AUDIO VIDEO GROUP (CONTINUED)

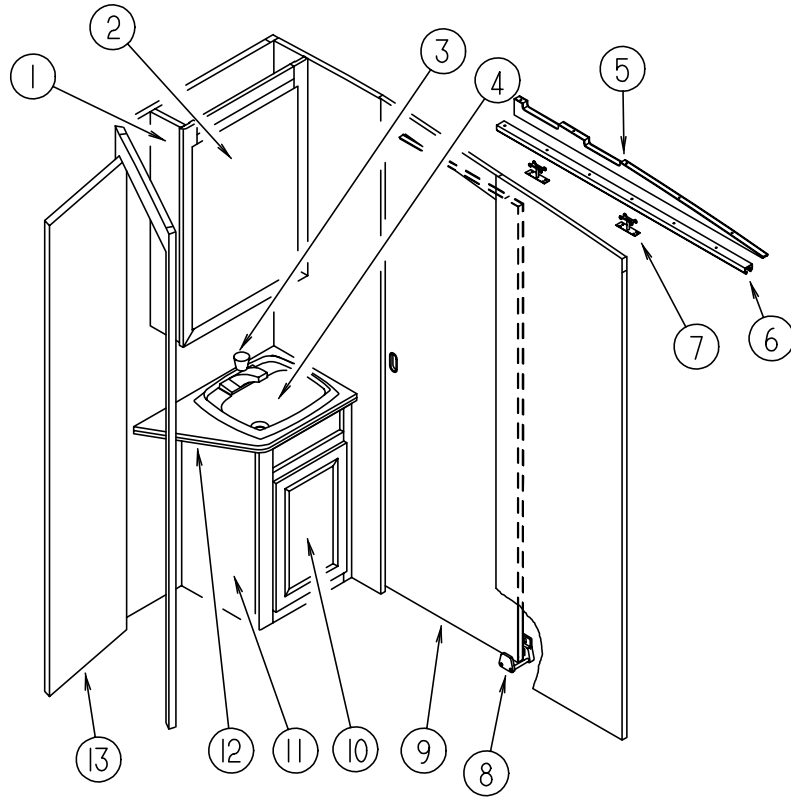
SATELLITE ANTENNA (WINEGARD)



KEY	PART NUMBER	U/M	DESCRIPTION	VENDOR NO.
	120233-02-000	EA	ANTENNA - RECEIVER ONLY - RD-1046	
	120233-01-000	EA	ANTENNA - SATELLITE W/O RECEIVER (DISH & HDW KIT) MANUAL	
1	120233-01-700	EA	PLATE - FIXED	3750821
2	120233-01-701	EA	DIAL - DIRECTIONAL	2745056
3	120233-01-702	EA	PIVOT - DIAL - DIRECTIONAL	2745058
4	120233-01-703	EA	STOP - ROTATION	3711281
5	120233-01-704	EA	PLATE - CEILING W/DIR. HANDLE	RP-6300
6	120233-01-705	EA	PLATE - ROTATE	3750820
7	120233-01-706	EA	SPRING	RP-6822
8	120233-01-707	EA	CLAMP - ROTATE	3711280
9	120233-01-708	EA	KNOB - CLAMP	160822
10	120233-01-709	EA	WASHER - NYLON	RP-2658
11	120233-01-710	EA	HANDLE - CRANK	RP-6795
12	120233-01-711	EA	REFLECTOR - 46CM	2745304
13	120233-01-712	EA	BOLT - FLAT HEAD	2160253
14	120233-01-713	EA	SPRING	2160820
15	120233-01-714	EA	CLIP - E	5160818
16	120233-01-715	EA	RCA LNB	278015
17	120233-01-716	EA	PIN	2160814
18	120233-01-717	EA	BEARING - NYLON	2200728
19	120233-01-718	EA	PIN	5160817
20	120233-01-719	EA	CLAMP - CABLE	2200060

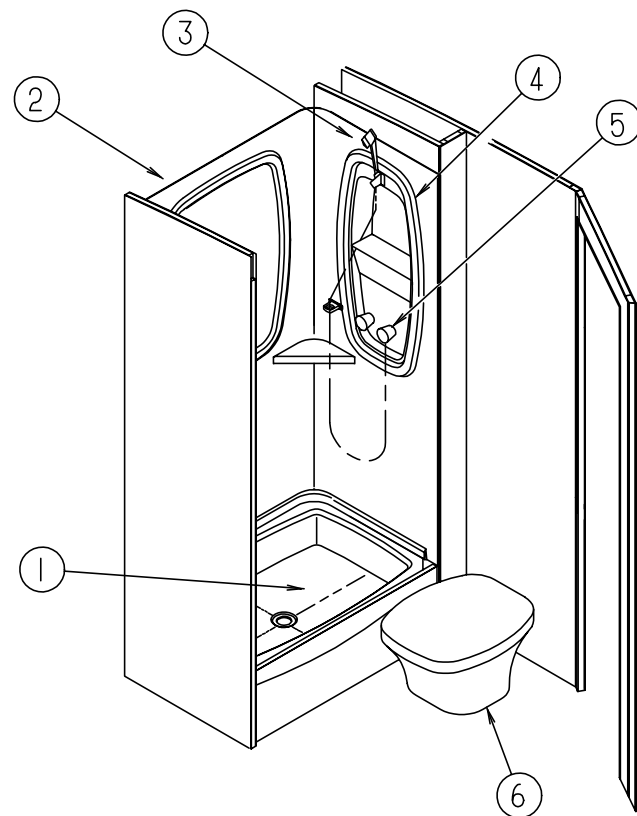
BATH GROUP

BATH CABINETS & PRIVACY DOOR



KEY	PART NUMBER	U/M	DESCRIPTION
1	P04650-01-G15	EA	CABINET ASM - MEDICINE
2	115237-01-G01	EA	DOOR ASM - MIRROR - MEDICINE CABINET
	075454-02-000	EA	RING - TOWEL - W/ MOUNTING HARDWARE - BRASS
3	075240-06-000	EA	FAUCET - LAVATORY - BONE
	091253-01-000	EA	GASKET - FAUCET
4	096927-01-01A	EA	SINK - LAVATORY - RECTANGULAR - PLASTIC - BONE
	096927-01-700	EA	SINK STOPPER
	096927-01-701	EA	TAILPIECE - SINK
5	103908-06-G15	EA	HEADER - DOOR
6	103868-08-01A	EA	TRACK - DOOR, 1174 O/W
7	103874-01-000	EA	HANGER - SLIDING DOOR
8	064467-01-000	EA	GUIDE - POCKET - SLIDING DOOR - WALL MOUNTED
9	104013-07-G15	EA	DOOR ASM - SLIDING (REAR BATH)
9	104013-07-G16	EA	DOOR ASM - SLIDING (REAR BATH)
9	104013-07-G17	EA	DOOR ASM - SLIDING (REAR BATH)
10	M06803-78-G15	EA	DOOR ASM - W/O HARDWARE - LAVATORY 0365 X 0555
11	P04634-01-G15	EA	CABINET ASM - LAVATORY (G15,G16)
11	P04634-01-G17	EA	CABINET ASM - LAVATORY (G17)
12	104634-11-F12	EA	COUNTERTOP ASM (G15,G16)
12	104634-11-E10	EA	COUNTERTOP ASM (G17)
13	100494-02-G15	EA	DOOR ASM - BATH (FRONT BATH)
	108138-01-000	EA	HINGE-BURNISHED BRASS
	009151-01-000	EA	GUARD - WARP - CABINET/ PRIVACY DOOR - 48"
	058335-02-000	EA	LATCH - BATH DOOR (FRONT BATH) BROWN PLASTIC
	100357-01-000	EA	ROD - TOWEL - BRASS W/ENDS BENT FOR BACK OF BATH DOOR
	102089-11-G15	EA	MOUNT-TOWEL ROD RIGHT SIDE - 53.5" LONG - WOOD
	102089-12-G15	EA	MOUNT-TOWEL ROD LEFT SIDE - 53.5" LONG - WOOD
	075452-02-000	EA	HOLDER - TOILET TISSUE - BRASS
	104014-03-G15	EA	DOOR ASM - BATH (SIDE AISLE)
	080728-01-000	EA	HANDLE - RECESSED - PLASTIC - BROWN
	009059-02-000	EA	HINGE - 2 IN-BRASS
	102920-01-01A	EA	HINGE - DOOR - SPRING LOADED - BRASS

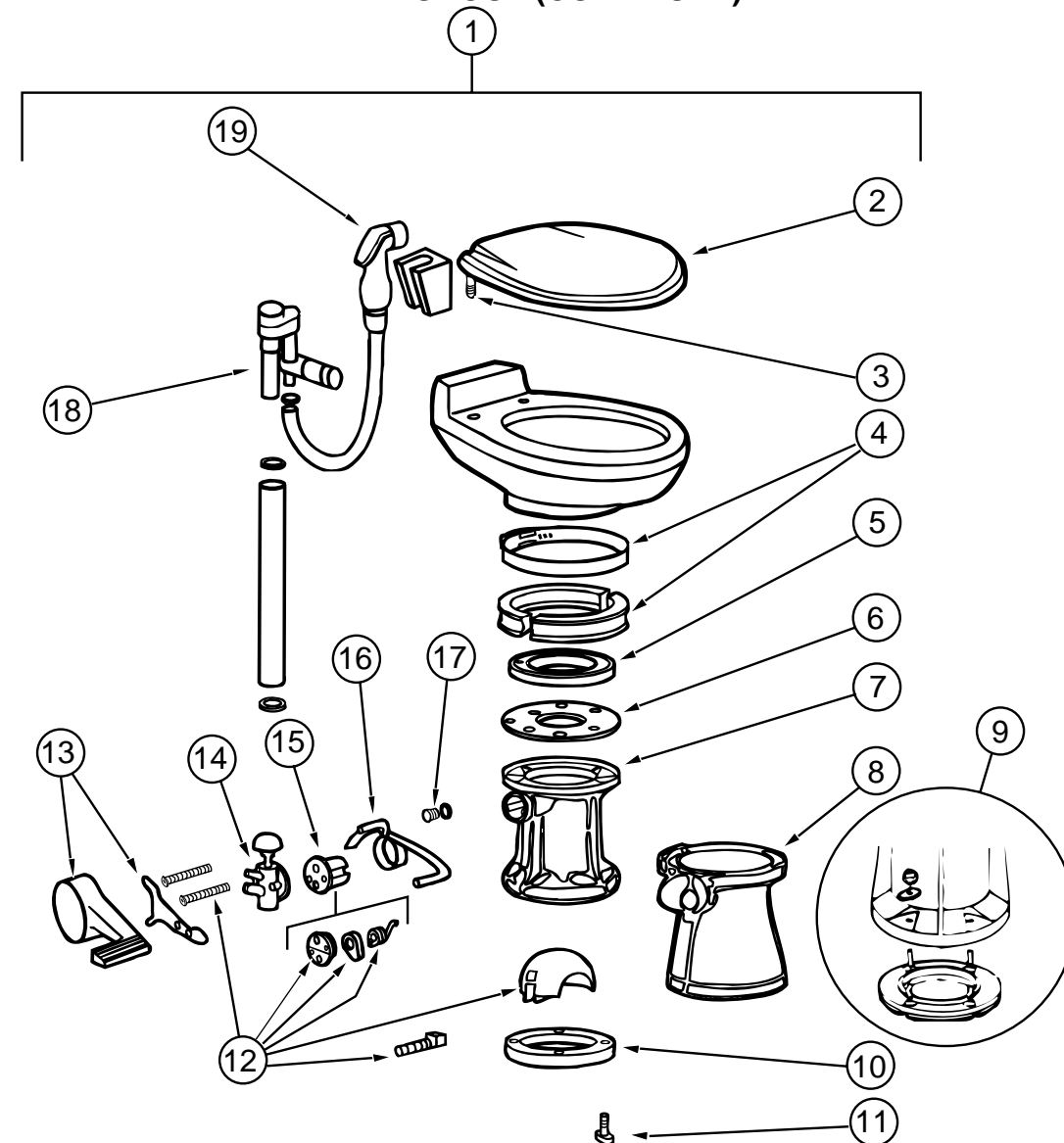
BATH GROUP (CONTINUED)



SHOWER COMPONENTS

KEY	PART NUMBER	U/M	DESCRIPTION	VENDOR NO.
1	M02630-22-C07	EA	SHOWER PAN ASM	
	066440-01-000	EA	STRAINER - SHOWER - W/ RUBBER WASHER	
	069735-01-000	EA	WASHER - STRAINER TO TAILPIECE PLASTIC - 1.5"	
2	104464-01-01A	EA	SURROUND - SHOWER - OFF WHITE	
3	103092-01-000	EA	SHOWER HEAD - W/60" HOSE	
	103092-02-000	EA	SHOWER HEAD - W/ HOSE - CSA	
	103092-01-700	EA	BRACKET ONLY - CLEAR - F/ SHOWER HEAD	2328028
	103092-01-702	EA	SEALS - SPRAY HEAD	24466
	011048-03-700	EA	BRACKET ONLY (BONE) F/ SHOWER HEAD	2328029-3
	057671-01-000	EA	COVER - SCREW - #8 - PLASTIC - OFF WHITE	
4	104462-01-01A	EA	CADDY - SHOWER - OFF WHITE	
5	075241-05-000	EA	FAUCET - SHOWER - BONE	
	113714-02-01A	EA	RETAINER - SHELF - SHOWER OFF WHITE	
6	085330-06-000	EA	TOILET - CHINA -STD W/ SPRAYER SEALAND 591003 - BONE	

BATH GROUP (CONTINUED)

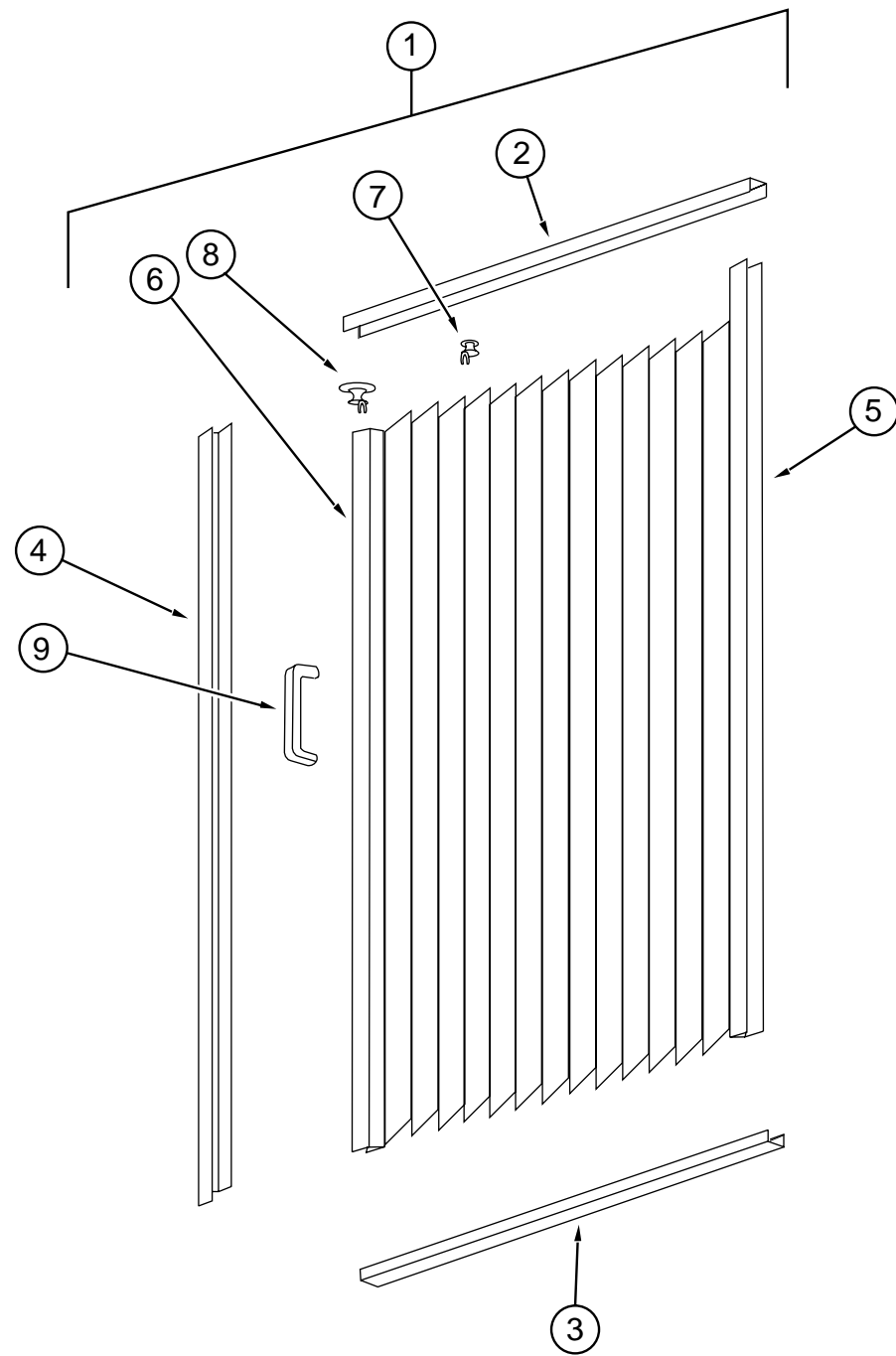


TOILET (SEALAND MODEL 910 W/ SPRAYER)

KEY	PART NUMBER	U/M	DESCRIPTION	VENDOR NO.
1	085330-06-000	EA	TOILET - CHINA - STANDARD (BONE) - 591003	
2	085330-06-700	EA	SEAT ASSEMBLY (BONE)	340591
3	085330-06-702	EA	HINGE HARDWARE (BONE) SET	342131
4	085330-01-703	EA	RING & HALF CLAMPS ASM (BONE)	385310048
5	085330-01-704	EA	TEFLON & RUBBER SEAL KIT	385316140
6	085330-01-705	EA	SUPPORT - SEAL - PLASTIC	390346405
7	085330-02-700	EA	BASE ASM	310121
8	085330-02-702	EA	COVER - PEDESTAL - BONE 510	310112
9	085330-01-718	EA	SEAL & BASE W/ MOUNTING HARDWARE	3853100-63
10	085330-01-714	EA	SEAL - FLANGE - FLOOR	390343892
11	085330-01-717	EA	STOOL MOUNTING PACKAGE - BOLT & SEAL	3100-64
12	085330-01-706	EA	BALL - SHAFT & CARTRIDGE	385318162
13	085330-02-703	EA	COVER - PEDAL - BONE NEW STYLE	310115
14	085330-01-709	EA	VALVE - WATER	385314349
15	085330-01-707	EA	CARTRIDGE - SPRING ASM.	381236096
16	085330-06-703	EA	LEVER - FLUSH	340873
17	085330-01-710	EA	DRAIN - KIT - PLUG - CAP W/ SEAL	230384
18	085330-06-701	EA	BREAKER - VACUUM/ DIVERTER (900)	230335
19	085330-04-701	EA	HAND SPRAY - W/ HOSE (500 & 900)	340683

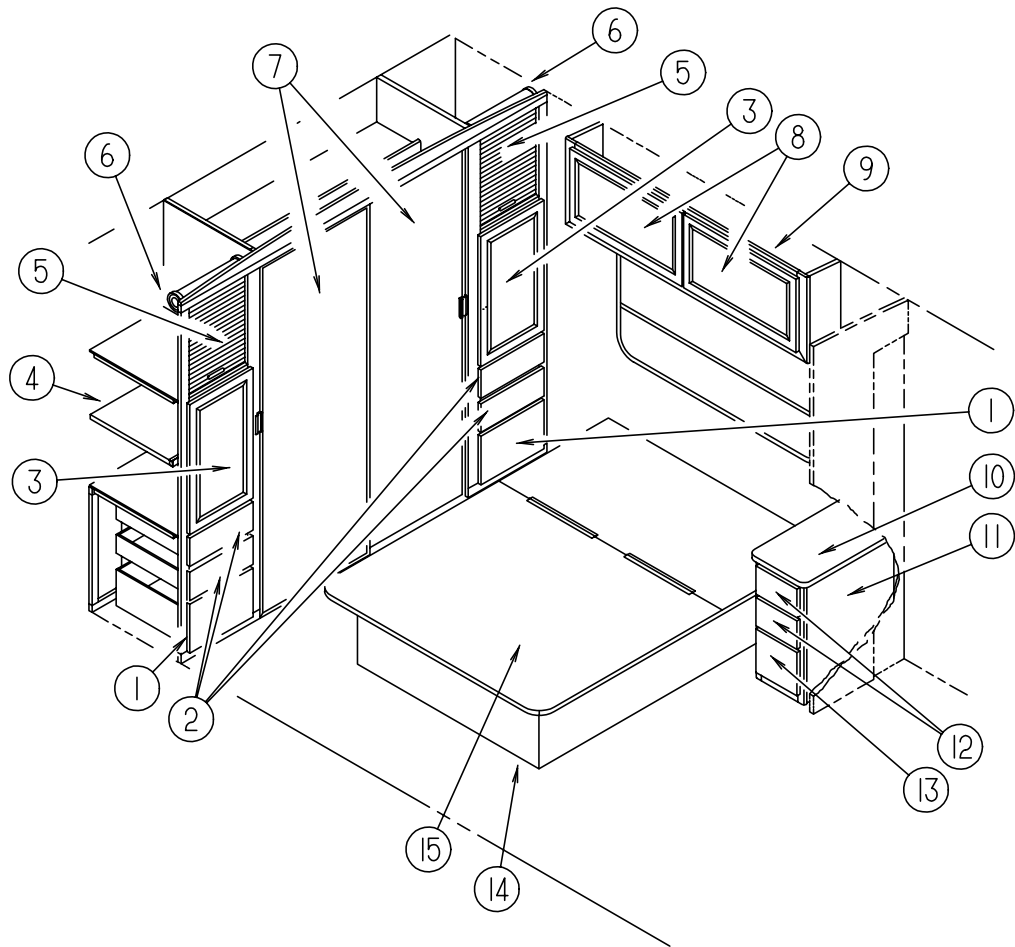
BATH GROUP (CONTINUED)

SHOWER DOOR



KEY	PART NUMBER	U/M DESCRIPTION
1	117431-02-01A	EA DOOR-SHOWER, FABRIC - PLEATED
2	117431-01-700	EA TRACK-TOP, ALUM. IVORY INSERT - 39 3/8"
3	117431-01-701	EA TRACK-BOTTOM, 39 3/8"
4	117431-01-702	EA RAIL-SIDE, 63"
5	117431-01-703	EA RAIL-STATIONARY, 63"
6	117431-01-704	EA RAIL-LEAD, 63"
7	117431-01-705	EA GLIDE-IVORY, TRAVELER
8	117431-01-706	EA GLIDE-IVORY LEAD, TRAVELER
9	117431-01-708	EA HANDLES & SCREWS
	117431-01-707	EA LATCH
	117431-01-709	EA STRAP-VINYL SHOWER

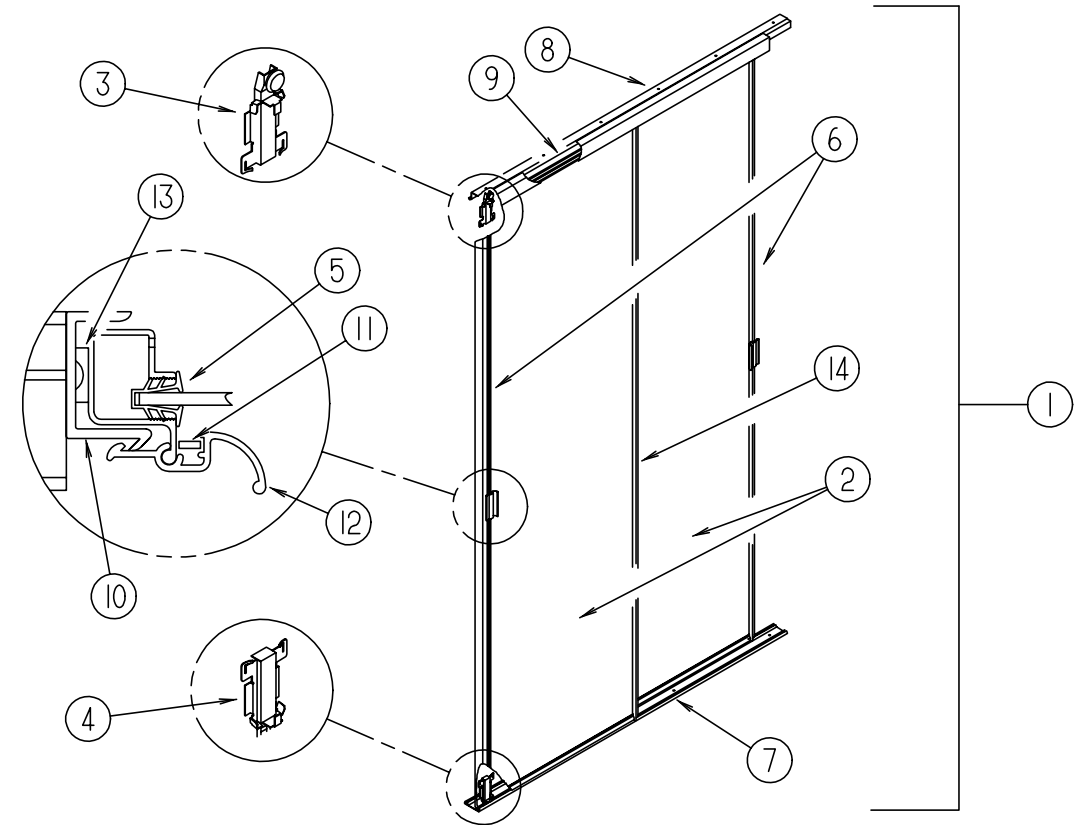
BEDROOM GROUP



BEDROOM CABINETRY

KEY	PART NUMBER	U/M	DESCRIPTION
1	M05971-98-G15	EA	DRAWER ASM.
2	M05971-A0-G15	EA	DRAWER ASM.
3	M06803-79-G15	EA	DOOR ASM - W/O HARDWARE - 400 X 710
4	115650-18-F11	EA	SHELF ASM - SAME SHELF ON DRIVERS SIDE
5	115650-20-G15	EA	DOOR TAMBOUR
	057882-04-000	SF	TAMBOUR - FOR DOORS
	097191-01-G15	EA	HANDLE - DOOR - TAMBOUR
6	097141-02-700	EA	TRACK - SPIRAL - TAMBOUR DOOR KIT (1 LEFT & 1 RIGHT)
7	114149-06-F11	EA	DOOR COMPLETE - WARDROBE - MIRRORED
8	M06803-13-G15	EA	DOOR ASM - W/O HARDWARE - 400 X 710
8	M06803-82-G15	EA	DOOR ASM - W/O HARDWARE - 400 X 710 (DECORATIVE DOOR)
9	115784-01-G15	EA	CABINET ASM - OVERHEAD - REAR - LH
10	104639-11-F12	EA	COUNTERTOP ASM (G15,G16)
10	104639-11-E10	EA	COUNTERTOP ASM (G17)
11	104639-01-G15	EA	CABINET ASM. - NIGHTSTAND (G15,G16)
11	104639-01-G17	EA	CABINET ASM. - NIGHTSTAND (G17)
12	M05971-97-G15	EA	DRAWER ASM. - SLIDE - UPPER
13	M05971-72-G15	EA	DRAWER ASM. - SLIDE - LOWER
14	P15694-01-G15	EA	CABINET ASM - BED - QUEEN
	091261-01-000	FT	BACKING - NON-SKID - 12" X 100' - QUEEN BED
15	M05905-08-F11	EA	TOP ASM. - BED - QUEEN
	107796-06-000	EA	GAS SPRING - 12" COMPRESSED/ 20" EXTENDED - 120 LB.
	107796-07-000	EA	BRACKET - GAS SPRING
	089025-01-000	EA	SUPPORT - SPRING-TO BED - ANGLE 1.5" X 11.8" LONG - STEEL

BEDROOM GROUP (CONTINUED)

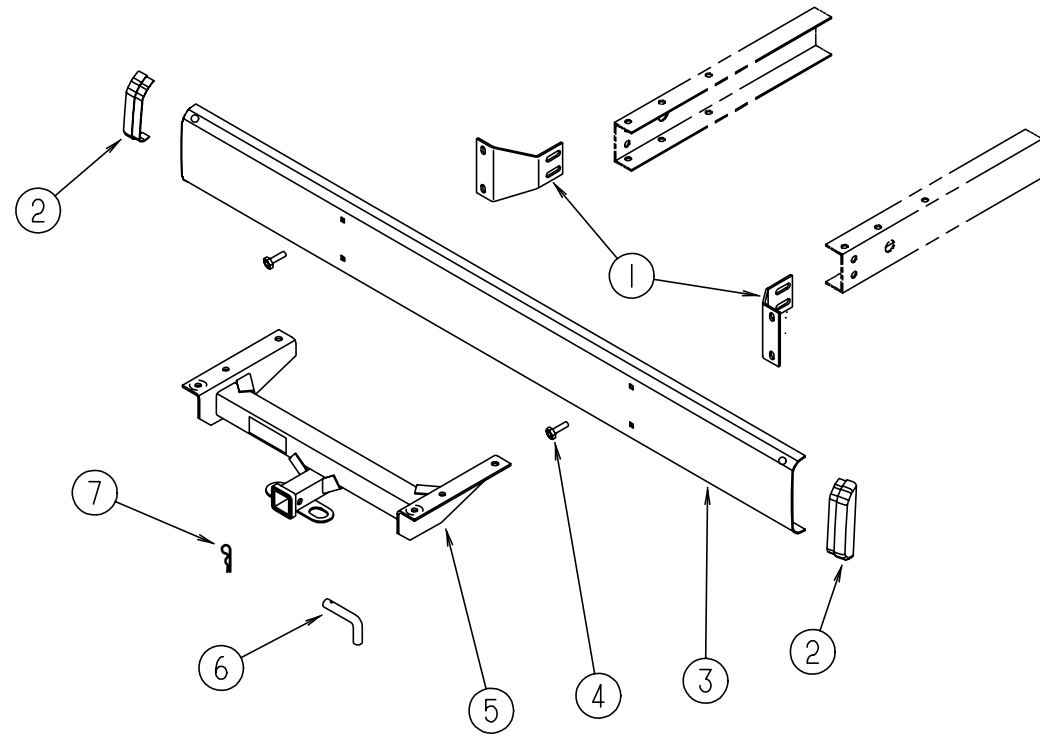


MIRRORED SLIDING DOOR

KEY	PART NUMBER	U/M	DESCRIPTION
1	114149-06-F11	EA	DOOR COMPLETE - WARDROBE, MIRRORED
2	058331-D2-000	EA	MIRROR - GLASS, SAFETY
3	107390-01-000	EA	CORNER HANGER (SINGLE ROLLER ASM. W/BRACKET) (1=PAIR)
4	107391-01-000	EA	GUIDE - BOTTOM, BY-PASS, STANLEY 4053 (PAIR)
5	111575-01-01A	FT	CHANNEL - GLAZING, SWING DOOR - STANLEY 4130
6	114104-06-01A	EA	STILE - SLIDING DOOR, LATCH SIDE - RH OR LH - TERRATONE
7	114105-08-01A	EA	TRACK - DOOR, SLIDING - LOWER - TERRATONE
8	114106-08-01A	EA	TRACK - DOOR, SLIDING - UPPER - TERRATONE
9	114107-07-01A	EA	RAIL - DOOR, SLIDING - TERRATONE
10	115538-03-01A	EA	JAMB - DOOR, WARDROBE - MIRRORED - WEST & BARKER BLACK
11	115541-01-000	EA	SPRING - DOOR, SLIDING
12	115553-01-01A	EA	LATCH - MIRRORED WARDROBE DOOR - TERRATONE
13	090340-01-000	FT	SEAL - FOAM, CLOSED CELL - 1/4" X 1/2" X 50"
14	114104-02-01A	EA	STILE - DOOR, SLIDING - TERRATONE

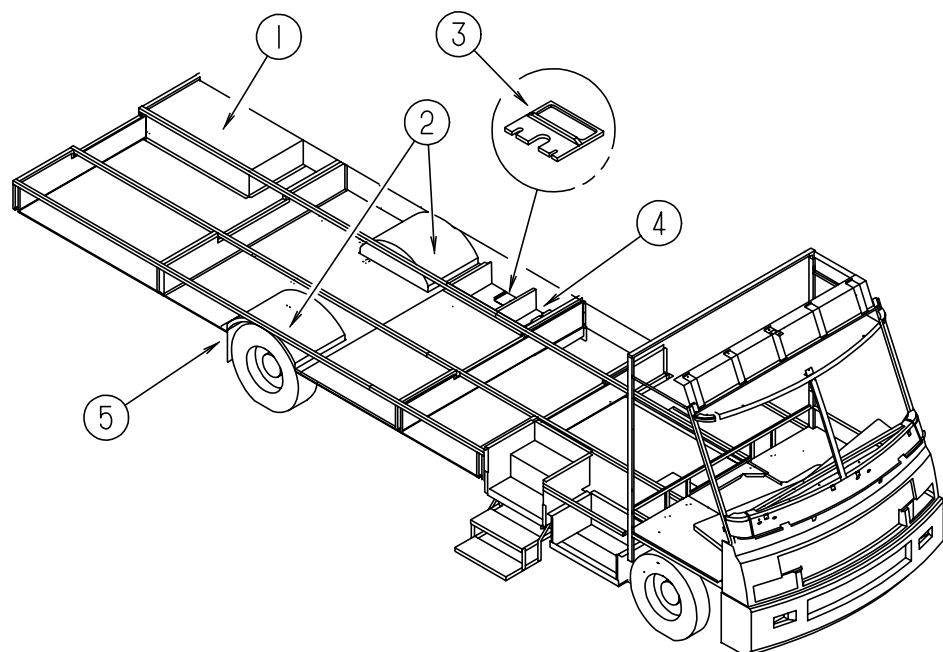
CHASSIS GROUP (CONTINUED)

REAR BUMPER



KEY	PART NUMBER	U/M	DESCRIPTION
1	104418-07-000	EA	ANGLE - SUPPORT - BUMPER REAR
2	103228-01-05A	EA	END CAP - BUMPER REAR - BLACK
3	103099-04-01A	EA	REAR BUMPER - BUFF
4	102333-01-02A	EA	BOLT - 7/16"
5	107707-01-000	EA	HITCH ASM - CLASS II
6	034512-01-000	EA	PIN
7	034513-01-000	EA	PIN - 3/16" WIRE
	113589-01-000	EA	CONNECTOR - PLUG - TRAILER
	113589-02-000	EA	CONNECTOR - SOCKET - TRAILER
	113588-02-01B	EA	BRACKET-CONNECTOR, TRAILER - MILL
	111742-01-000	EA	PLATE-SKID, STEEL
	070579-09-000	EA	PLATE ASM ANCHOR

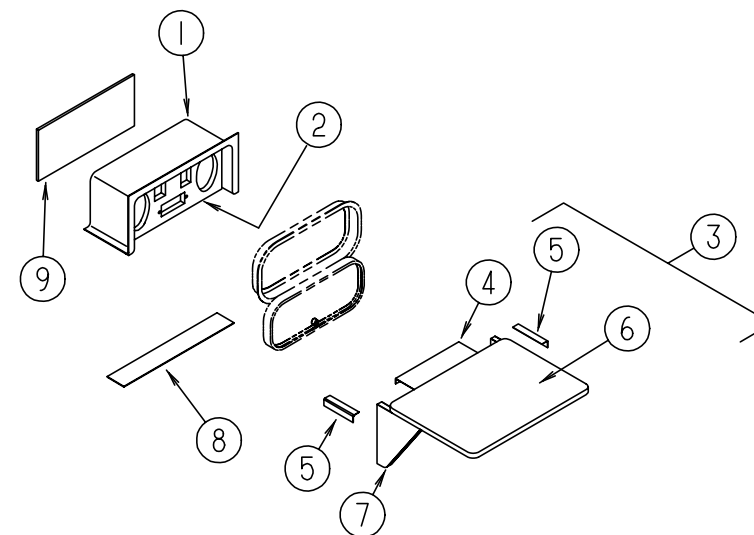
CHASSIS GROUP (CONTINUED)



COMPARTMENTS & TRAYS

KEY	PART NUMBER	U/M	DESCRIPTION
1	094657-02-000	EA	TRAY - GENERATOR - 22.5" X 30.4" X 6.9" W/ANGLE & NUTS
2	055374-03-000	EA	REAR WHEELWELL - PLASTIC
3	M06991-05-G38	EA	HATCH ASM - W/ FOAM
	114677-01-01A	EA	RETAINER-HATCH, COMPARTMENT MILL
			FROM: 00-00-00 THRU: 01-25-96
	121175-01-01A	EA	LATCH-SWELL, BLACK
			FROM: 01-26-96 THRU: 99-99-99
4	M07452-04-G38	EA	COMPARTMENT-STORAGE, 14.4" X 48.9"
5	020167-05-000	EA	GUARD - DIRT
			FROM: 00-00-00 THRU: 09-24-95
5	020167-04-000	EA	GUARD - DIRT
			FROM: 09-25-95 THRU: 99-99-99
5	017516-01-000	EA	FLAP - MUD - 14" X 18" - BLACK
	093287-07-01A	EA	NET - CARGO - 254 MM X 865 MM
	093287-09-01A	EA	NET - CARGO - 254 MM X 1510 MM
	093287-11-01A	EA	NET - CARGO - 254 MM X 1646 MM
	065450-05-000	EA	TIEDOWN - BATTERY - 8.4" TUBE

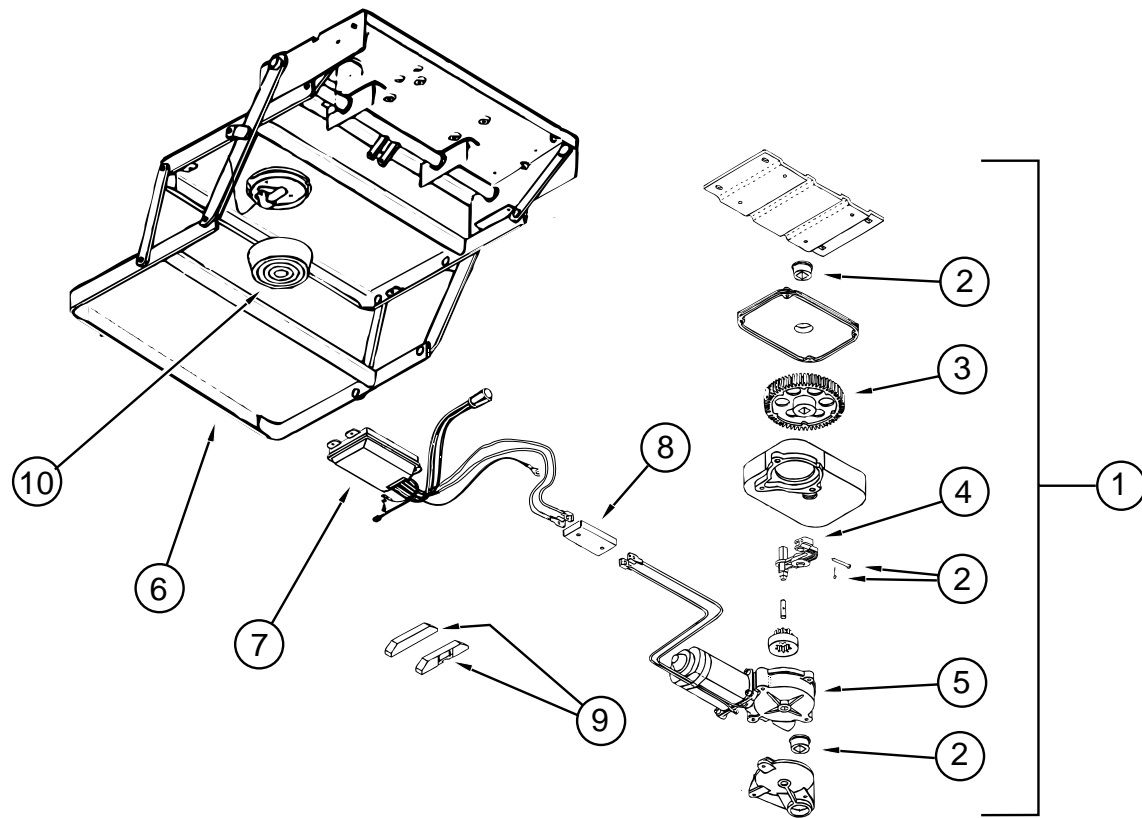
CHASSIS GROUP (CONTINUED)



COMPARTMENT - ENTERTAINMENT CENTER

KEY	PART NUMBER	U/M	DESCRIPTION
1	104897-01-01A	EA	BOX - ENTERTAINMENT CENTER - OFF WHITE
2	104899-01-C05	EA	PLATE - RADIO MOUNTING
3	105230-01-G15	EA	SHELF ASM. - EXTERIOR
4	105377-01-01A	EA	BRACKET - TABLE HANGER - OFF WHITE
5	105376-01-02A	EA	HINGE - CONTINUOUS - 2" X 140 MM - OFF WHITE
6	105230-11-G15	EA	SHELF ASM.
7	105230-12-G15	EA	SUPPORT ASM.
8	104898-01-01A	EA	PLATE - PLASTIC BOTTOM - OFF WHITE
9	104898-02-01A	EA	PLATE - PLASTIC BACK - OFF WHITE

CHASSIS GROUP (CONTINUED)



STEP ASSEMBLY KWIKEE (3200 SERIES)

KEY	PART NUMBER	U/M DESCRIPTION	VENDOR NO.
1	094707-01-01A	EA STEP-ENTRY DOOR, ELECTRIC - DOUBLE - 3218	
2	094707-02-703	EA BEARING & PINS	909530
3	094707-02-702	EA GEAR KIT, W/BEARINGS, PIN-CASE	909525
4	094707-02-701	EA LINKAGE ASSEMBLY W/BEARINGS - PINS	909534
5	094707-02-700	EA MOTOR ASM., W/BEARINGS & PINS	909520
6	094707-01-702	EA FRAME W/DOUBLE STEP	908032
7	094707-02-705	EA CONTROL UNIT, WHITE	909513
8	094707-02-704	EA CONNECTOR-MOTOR ASM.W/PLATES	909537
	094707-02-707	EA TREAD-NON SKID, BLACK 6" X 21"	909333
9	116995-01-000	EA SWITCH/MAGNET-STEP, ELECTRIC - 905306	
10	088746-01-705	EA LIGHT - UNDER STEP	9004
	088733-01-700	EA BULB	9004

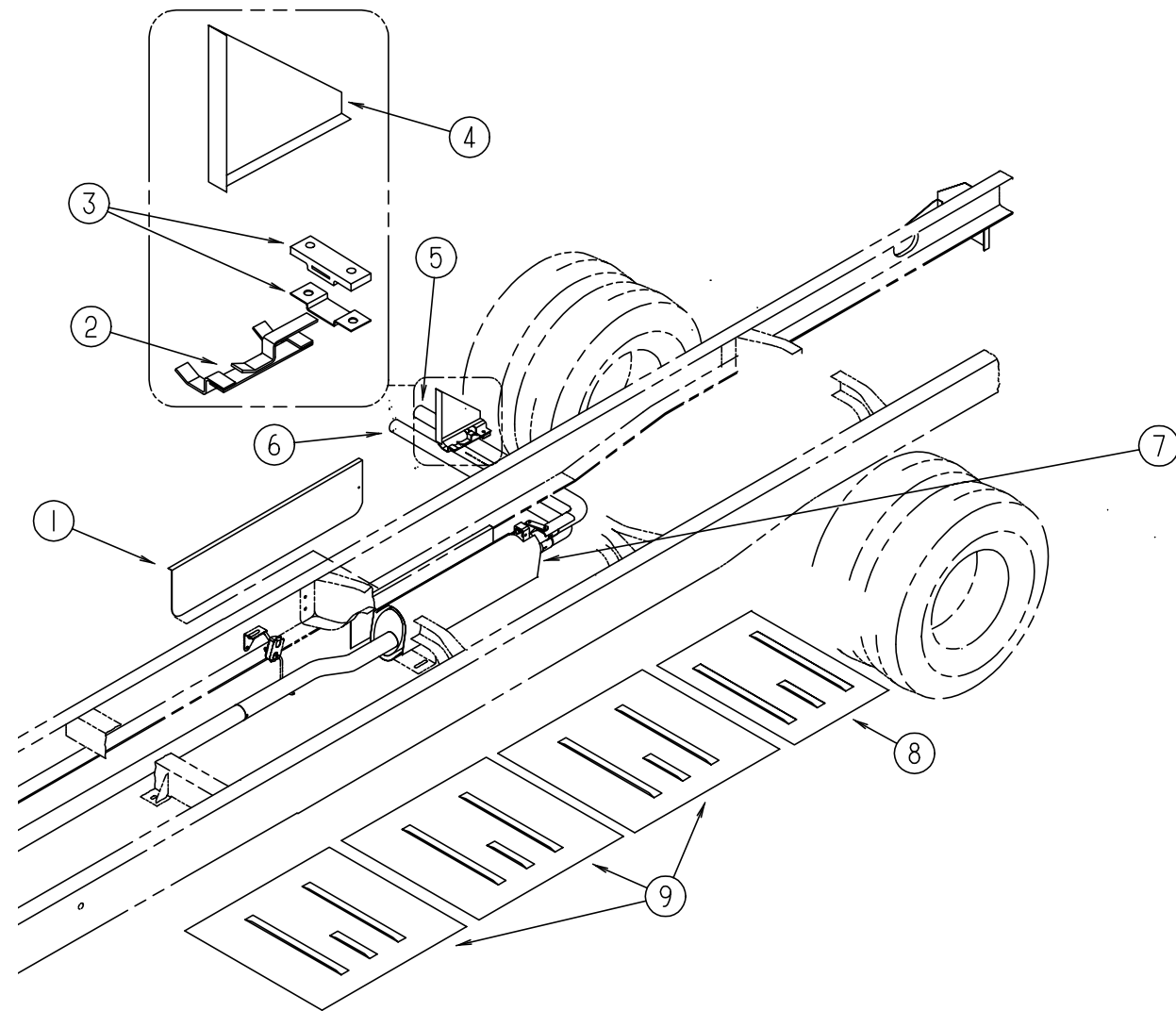
BRAKE LINE

KEY	PART NUMBER	U/M DESCRIPTION
	088498-01-000	EA UNION - INVERTED FLARE - BRASS - 3/16 - 3/8 - 24 THREAD - BRAKE LINE
	088497-02-000	EA NUT - INVERTED FLARE - 1/4"
	085771-03-000	EA NUT - HEX - FL. PREV. TORQUE - GRADE G DRIVE SHAFT FROM: 00-00-00 THRU: 01-15-96

SHOCK ABSORBER (CHEVY)

KEY	PART NUMBER	U/M DESCRIPTION
	104993-01-000	EA SHOCK ABSORBER-GAS, P30 FRONT-BILSTEIN B46-1173 (SINGLE-1) FROM: 00-00-00 THRU: 01-07-96
	104993-02-000	EA SHOCK ABSORBER-GAS, P30 FRONT-BILSTEIN B46-2137 (SINGLE-1) FROM: 01-08-96 THRU: 99-99-99

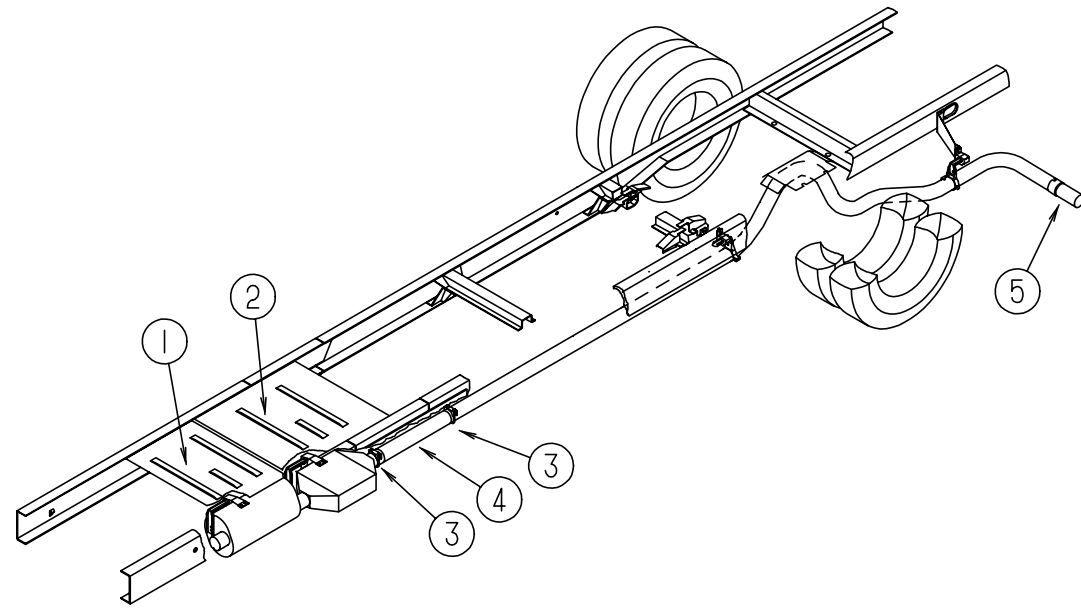
CHASSIS GROUP (CONTINUED)



EXHAUST SYSTEM (FORD)

KEY	PART NUMBER	U/M DESCRIPTION
1	075307-03-000	EA SHIELD - HEAT - LP
2	096055-05-000	EA SUPPORT - EXHAUST PIPE
3	095190-01-000	EA HANGER ASM - EXHAUST
4	102117-06-000	EA HANGER ASM -TAILPIPE
5	112166-01-000	EA TAIL PIPE - EXHAUST
6	112165-01-000	EA TAIL PIPE - EXHAUST
	007125-07-000	EA CLAMP - MUFFLER - 2.50" DIAMETER
7	007125-05-000	EA CLAMP - MUFFLER - 2" DIAMETER
8	101544-06-000	EA SHIELD - EXHAUST
9	101544-01-000	EA SHIELD - EXHAUST

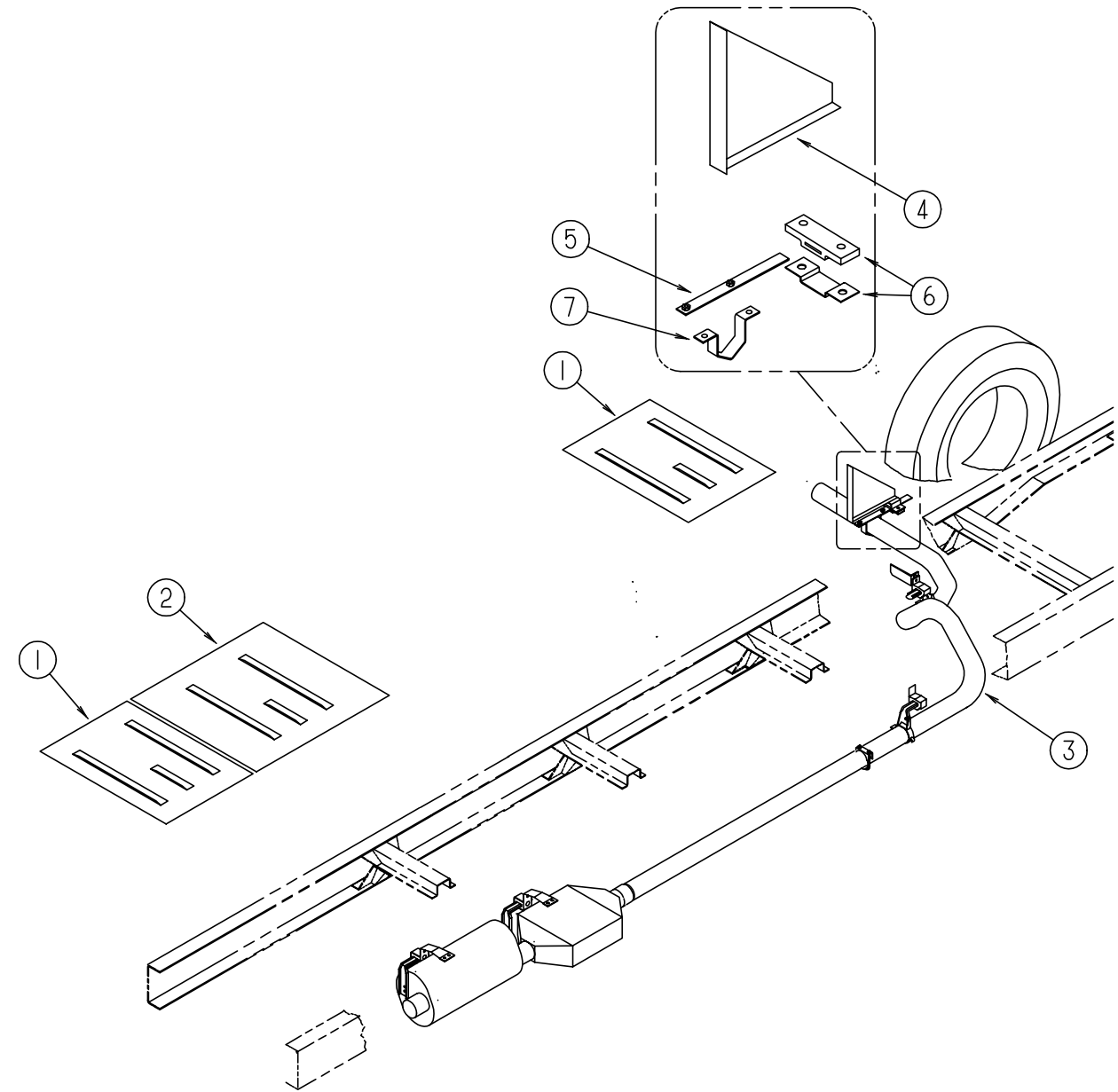
CHASSIS GROUP (CONTINUED)



EXHAUST SYSTEM (CHEVY)

KEY	PART NUMBER	U/M	DESCRIPTION
1	101544-01-000	EA	SHIELD - HEAT - EXHAUST - 19.7" X 28.9" - STEEL
2	101544-02-000	EA	SHIELD - HEAT - EXHAUST - 30" X 28.9" - STEEL
3	094918-01-000	EA	CLAMP - EXHAUST - 3"
4	098762-06-000	EA	PIPE - EXHAUST - STRAIGHT - 3.0" X 22"
5	098762-11-000	EA	PIPE - EXHAUST - STRAIGHT - 3.0"

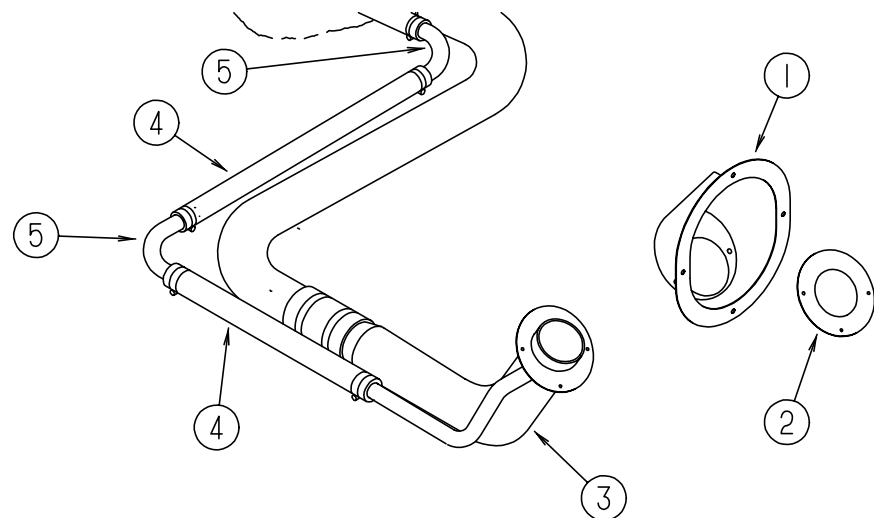
CHASSIS GROUP (CONTINUED)



EXHAUST SYSTEM (CHEVY W/ LEVELING JACKS)

KEY	PART NUMBER	U/M	DESCRIPTION
1	101544-01-000	EA	SHIELD - HEAT - EXHAUST - 19.7" X 28.9" - STEEL
2	101544-02-000	EA	SHIELD - HEAT - EXHAUST - 30" X 28.9" - STEEL
3	107754-02-000	EA	PIPE - EXHAUST - TAIL - STAINLESS STEEL
4	102117-02-000	EA	HANGER - TAILPIPE - STEEL
5	095523-11-000	EA	BRACKET - EXHAUST - UPPER W/ WELDNUTS - STEEL
6	095190-01-000	EA	HANGER - EXHAUST - 4" X 1.4"
7	095223-03-000	EA	BRACKET - EXHAUST - LOWER - STEEL

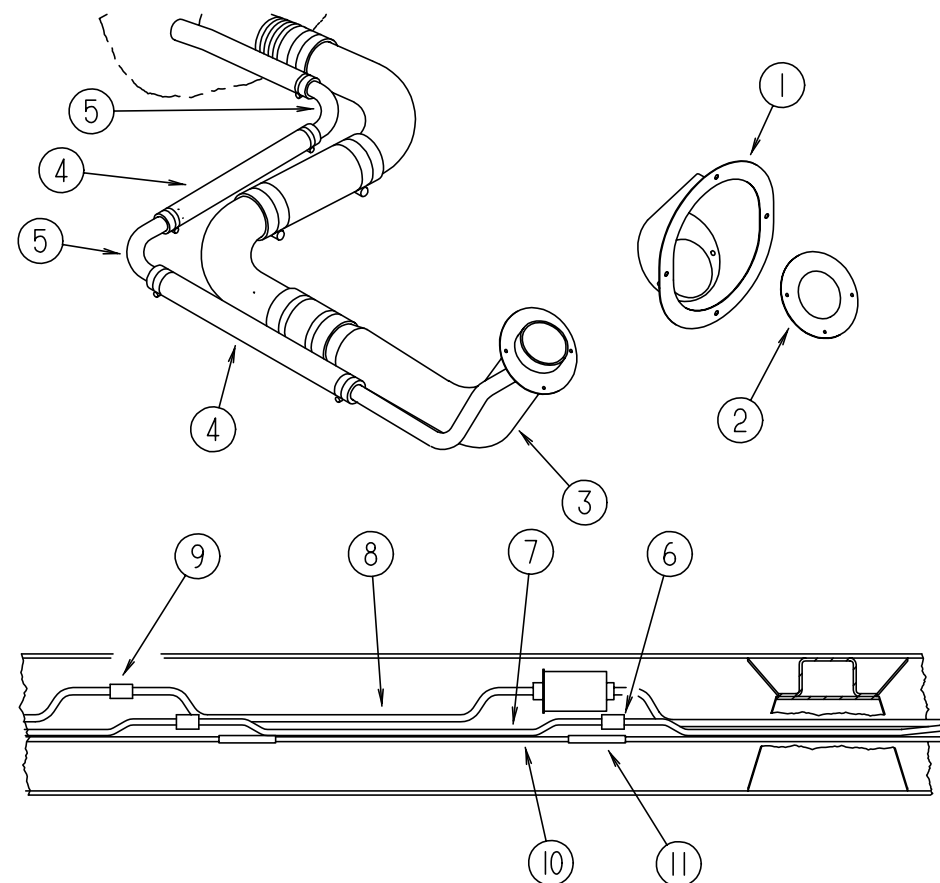
CHASSIS GROUP (CONTINUED)



FUEL SYSTEM (FORD)

KEY	PART NUMBER	U/M	DESCRIPTION
1	095854-01-05A	EA	SHROUD - FUEL FILL
2	078200-01-000	EA	GASKET - FUEL FILL - 3.5"OD X 2"ID
3	087256-07-000	EA	NECK ASM - FUEL FILL
4	066732-01-000	FT	HOSE - FUEL FILL - .62" ID
5	098806-01-000	EA	PIPE - FILL VENT - 90 DEGREE BEND - .625" OD - STEEL
	007063-01-000	FT	HOSE - GAS 1/4"ID X 1/2"OD
	084884-01-000	EA	PLUG - BRASS - 3/8"
	007111-02-000	EA	HOSE - FUEL FILL - 2" ID - IN 3FT LENGTHS

CHASSIS GROUP (CONTINUED)



FUEL SYSTEM (CHEVY)

KEY	PART NUMBER	U/M	DESCRIPTION
1	095854-01-05A	EA	SHROUD - FUEL FILL
2	078200-01-000	EA	GASKET - FUEL FILL - 3.5"OD X 2"ID
3	087256-06-000	EA	NECK ASM. - FUEL FILL
4	066732-01-000	FT	HOSE - FUEL FILL - .62" ID
5	098806-01-000	EA	PIPE - FILL VENT - 90 DEGREE BEND - .625" OD - STEEL
6	098779-01-000	EA	COUPLER - FUEL LINE M14 X 1.5-6H - GM 15550219
			FROM: 00-00-00 THRU: 01-15-96
7	098758-02-000	EA	FUEL LINE ASM - RETURN - 5/16 - 508 LONG
			FROM: 00-00-00 THRU: 01-15-96
8	098759-02-000	EA	FUEL LINE ASM - SUPPLY - 3/8 - 508 LONG
			FROM: 00-00-00 THRU: 01-15-96
9	098779-02-000	EA	COUPLER - FUEL LINE M16 X 1.5-6H
			FROM: 00-00-00 THRU: 01-15-96
10	074800-18-000	EA	TUBE - EXTENSION - MAIN FUEL - 208 TO 228 LONG
			FROM: 00-00-00 THRU: 01-15-96
11	007063-01-000	FT	HOSE - GAS 1/4"ID X 1/2"OD
	098807-01-000	EA	PIPE - FUEL FILL - 90 DEGREE BEND - 6.6" - 1 3/4" OD - STEEL
	075466-01-000	EA	UNION - INVERTED FLARE TUBE - 1/4"
	084884-01-000	EA	PLUG - BRASS - 3/8"

CHASSIS GROUP (CONTINUED)

WHEEL LINERS - FORD

KEY	PART NUMBER	U/M DESCRIPTION	VENDOR NO.
	091209-14-000	EA WHEEL LINER SET - F/F53 CHASSIS - 16" WHEEL (SET = 4) FROM: 00-00-00 THRU: 03-17-96	
	110435-08-000	EA LINER - WHEEL SET (SET=4) 16" FROM: 03-18-96 THRU: 99-99-99	
	091209-01-704	EA COVER-LUG NUT W/O FLANGE LUG NUT COVER - NO SHOULDER OR FLANGE AT BASE	36 KAPER
	091209-08-700	EA LINER-WHEEL, FRONT, W/AXLE COVER HAS 8 PRESS-IN NUT COVERS WHICH ARE N/A, AND 2 SNAP-ON NUT COVERS #09120901704	157 KAPER
	091209-08-706	EA NUT-FLAT .500, 9/16 STUD	165
	091209-14-700	EA LINER-WHEEL, (REAR)	159

WHEEL COVERS - FORD

KEY	PART NUMBER	U/M DESCRIPTION	VENDOR NO.
	098532-01-000	EA COVER-WHEEL, FORD - 16" - SET OF 4 - DICOR SH-SD-16	
	098532-01-700	EA COVER-LUG NUT (CHROME)	SH-AU-LNC
	098532-01-701	EA COVER-WHEEL (FRT & REAR)	SH-SD-16

WHEEL LINERS - CHEVY

KEY	PART NUMBER	U/M DESCRIPTION	VENDOR NO.
	091209-01-000	EA LINER - WHEEL - 19.5" - SST - SET OF 4 - 1954-ION	
	091209-01-700	EA LINER - WHEEL - 19.5" FRONT - 10 LUG	37N
	091209-01-701	EA LINER - WHEEL - 19.5" REAR - 10 LUG	38N
	091209-01-702	EA COVER - AXLE - 19.5" FRONT - 10 LUG	34N
	091209-01-703	EA COVER - AXLE - 19.5" REAR - 10 LUG	35N
	091209-01-704	EA COVER - LUG NUT	36

WHEEL COVERS - CHEVY

KEY	PART NUMBER	U/M DESCRIPTION	VENDOR NO.
	109443-01-000	EA COVER - WHEEL - 4/ SET 19.5 W/ HARDWARE	
	109443-01-700	EA COVER - WHEEL - 19.5 - FRONT & REAR	SHAG95
	109443-01-701	EA SET - BRACKET - 1 FRONT WHEEL	SHAG95-FBS
	109443-01-702	EA SET - BRACKET - 1 REAR WHEEL	SHAG95-RBS
	109443-01-703	EA CAP - CENTER - HUB	SP-AUCAP
	109443-01-704	EA CLIP-RETAINER	V160GM-PNT

CHASSIS GROUP (CONTINUED)

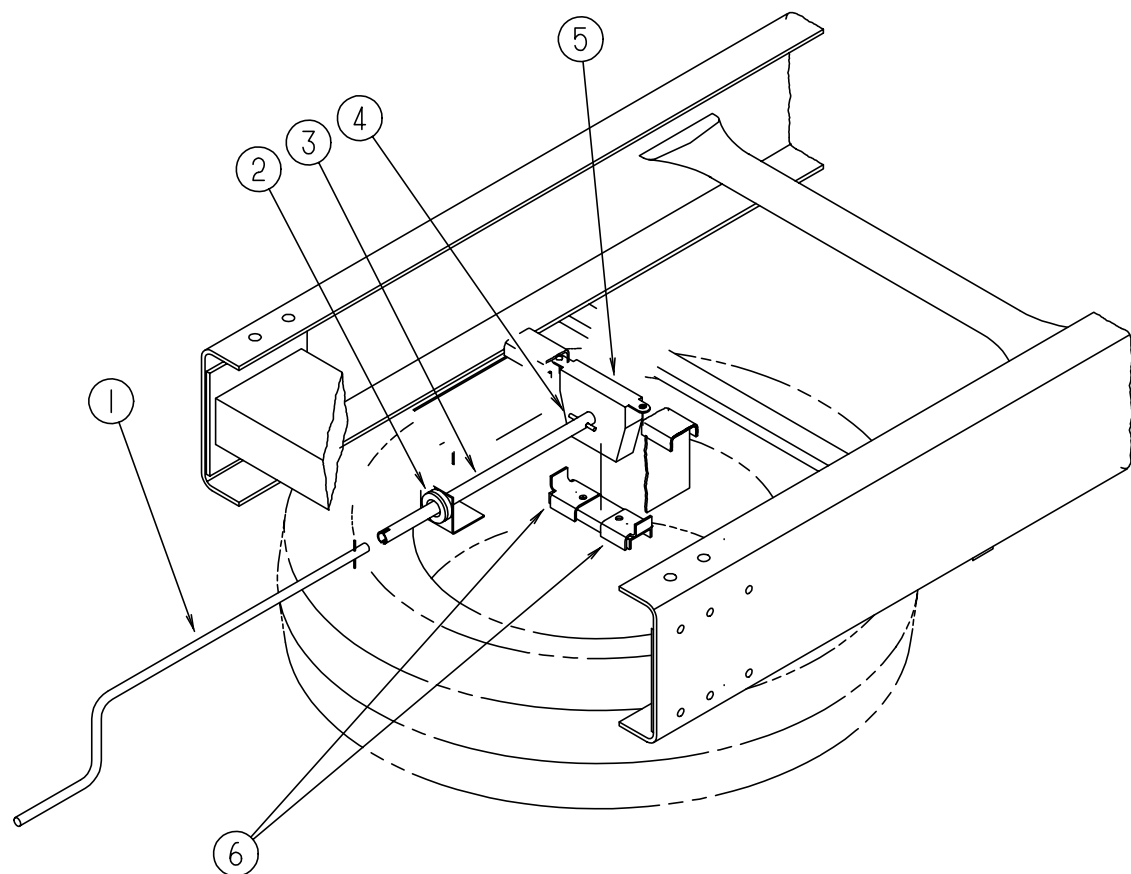
HYDRAULIC LEVELING SYSTEM (CHEVY,FORD)

KEY	PART NUMBER	U/M DESCRIPTION	VENDOR NO.
	100532-08-000	EA LEVELING SYSTEM - HYDRAULIC - JOYSTICK	
	100532-01-704	EA SWITCH - MERCURY F/ 6K & 9K JACK	RAP1010
	100532-01-705	EA SPRING KIT - 9K JACK	R1171
	100532-02-700	EA 6K TALL JACK ASM	RAP7164
	100532-02-701	EA SPRING KIT - 6K JACK	R6824
	100532-02-704	EA ACTIVATOR CABLE - 6K JACK	RAP7194
	100532-02-705	EA PUMP/ RESERVOIR ASM - MONARCH	RAP8178
	100532-03-710	EA SENSING UNIT 21' MTA	RAP6798
	100532-03-715	EA CAP - BREATHER	RAP7876
	100532-08-700	EA POWER UNIT ASM.	RAP0595
	100532-08-701	EA BI-AXIS CONTROL - 200 SYSTEM	RAP0612
	100532-08-702	EA VALVE - BI-AXIS	RAP9589
	100532-08-703	EA PANEL ASM. - 200 BI - AXIS SYSTEM	RAP9755
	100532-08-704	EA JACK ASM. - 9K TALL 200 SYSTEM	RAP7002
	100532-08-705	EA KNOB - 3/4" BLACK - SET OF FOUR	RAP1379
	100532-08-706	EA KNOB - 1 3/16" BLACK	RAP9734
	100532-08-707	EA BEZEL W/ GASKET - F/ SYSTEM 200	RAP9592
	100532-09-707	EA ACTUATOR ASM. - 9K - REAR JACKS	RAP0547
	100532-09-709	EA ACTUATOR ASM. - 6K - FRONT JACKS	RAP0448
	100532-09-710	EA SOLENOID - 4 POST (INTERMITENT)	RAP0533
	100533-05-000	EA BRACKETS - FRONT LEVELING JACKS (GM)	
	100533-06-000	EA BRACKETS - FRONT LEVELING JACKS (FORD)	
	100534-12-000	EA BRACKETS - REAR LEVELING JACKS (GM)	
	100534-06-000	EA BRACKETS - REAR LEVELING JACKS (FORD)	
	100536-10-000	EA HOSE KIT - AP0012	
	100536-09-700	EA HOSE - HYDRAULIC - 324"	RAP2464
	100536-09-701	EA HOSE - HYDRAULIC - 60"	RAP4073
	100536-09-702	EA HOSE - HYDRAULIC - 354"	RAP4311
	100536-10-700	EA HOSE - HYDRAULIC - 84"	RAP1412
	100536-10-701	EA HOSE - HYDRAULIC - 116"	RAP5384
	107890-01-000	EA ELBOW - STEEL 90D 1/4 X 37D FLARE PARKER 4-C6X-S	
	112236-01-E10	EA BEZEL - MONITOR - UNDER DASH - LEFT SIDE	

DRIVESHAFT

KEY	PART NUMBER	U/M DESCRIPTION
	074833-01-000	EA SPACER - BEARING - DRIVESHAFT - 2" X 8" X .5" THICK FROM: 00-00-00 THRU: 01-15-96
	074833-04-000	EA SPACER - BEARING - DRIVESHAFT - 8" X 2" - STEEL FROM: 00-00-00 THRU: 01-15-96
	075302-09-000	EA DRIVESHAFT ASM. - YOKE/ YOKE - 50" FROM: 00-00-00 THRU: 01-15-96
	075302-25-000	EA DRIVESHAFT ASM. - BAL.PR-20/21 FROM: 00-00-00 THRU: 01-15-96
	075302-20-000	EA DRIVESHAFT ASM. - YOKE/ BRG/ SPLINE FROM: 00-00-00 THRU: 01-15-96
	075302-21-000	EA DRIVESHAFT ASM. - SLIP - YOKE/ YOKE FROM: 00-00-00 THRU: 01-15-96
	107212-01-000	EA CROSSMEMBER ASM. - BREARING SUPPORT CHEVY 228 3 SHAFT FROM: 00-00-00 THRU: 01-15-96

CHASSIS GROUP (CONTINUED)



SPARE TIRE HOIST

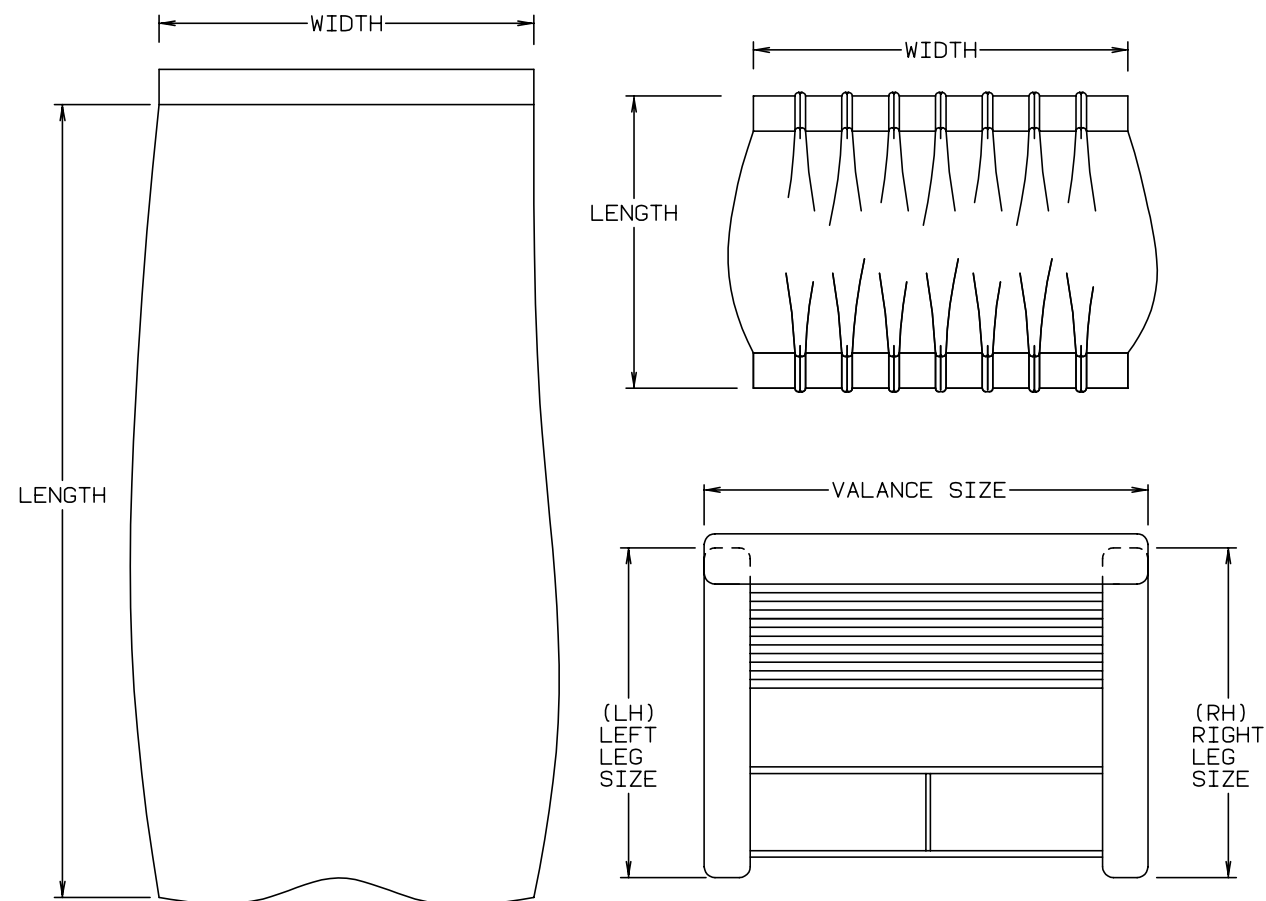
KEY	PART NUMBER	U/M	DESCRIPTION	
1	093376-02-000	EA	HANDLE-CRANK, TIRE HOIST	
1	093376-04-000	EA	HANDLE-CRANK, TIRE HOIST	FROM: 00-00-00 THRU: 04-16-96
2	071015-11-000	EA	GROMMET - 1.00 ID	
3	093375-06-000	EA	EXTENSION-TIRE HOIST	FROM: 04-17-96 THRU: 99-99-99
3	093375-11-000	EA	EXTENSION-TIRE HOIST	FROM: 00-00-00 THRU: 04-14-96
	093362-06-000	EA	CHANNEL-TIRE HOIST	FROM: 04-15-96 THRU: 99-99-99
4	114376-01-000	EA	PIN-DRIVE, .156 X .750 - TYPE E - TIRE HOIST	
5	093267-02-000	EA	HOIST-SPARE TIRE	
5	120877-01-000	EA	HOIST-SPARE TIRE, 400 LB	FROM: 00-00-00 THRU: 04-14-96
6	105499-01-000	EA	BRACKET-TIRE HOIST	FROM: 04-15-96 THRU: 99-99-99
	077030-02-000	EA	EXTENSION-VALVE STEM, 1.25"	
	083425-05-000	EA	TIRE-MICHELIN, LT235/85R16 LRE - XPS RIB - FORD	
	095853-02-000	EA	WHEEL-STEEL, 16 X 6K - F2TA-1015-NA - FORD - ACCURIDE 28513-7	
	051377-05-000	EA	VALVE STEM ASM - EATON VS-938 F53-92	
	007324-03-000	EA	TIRE-MICHELIN, 8R 19.8 LRF - CHEVY	
	064963-01-000	EA	WHEEL-STEEL, 19.5" X 6" - GM 14005758	
	051377-01-000	EA	STEM-VALVE, TR 500	
	080208-01-000	EA	LUG WRENCH, 1.06 X 1.00	
	080208-02-000	EA	BAR-LEVERAGE, LUG WRENCH	

CURTAIN & CUSHION GROUP

NOTICE

IN ORDER TO ASSIST OUR PARTS SALES DEPT. IN PROVIDING INTERIOR SOFTGOODS ITEMS, PLEASE INCLUDE THE SERIAL NUMBER AND THE COLOR CODE NUMBER FROM THE VEHICLE CERTIFICATION LABEL WHEN ORDERING. THIS LABEL IS LOCATED ON THE LEFT SIDEWALL AT THE END OF THE DASH (A-BODY), OR ON THE DRIVER'S DOOR LATCH PLATE (C-BODY).

AN EXAMPLE OF A COLOR CODE NUMBER IS B07, WHICH DESIGNATES AN OVERALL COLOR SCHEME OF A PARTICULAR UNIT. THE COLOR LISTED AFTER THE ITEM DESCRIPTION ON THE MICROFICHE, INDICATES THE OVERALL UNIT COLOR. ORDER THE ITEM YOU DESIRE ACCORDING TO UNIT COLOR CODE.



NOTE: USE THIS ILLUSTRATION WHEN DETERMINING LENGTH AND WIDTH MEASUREMENTS FOR CURTAINS. YOU WILL NOTE THE WIDTH MEASUREMENT IS TAKEN ON THE TOP OF THE CURTAIN WITH THE CURTAIN FULLY EXTENDED. THE LENGTH MEASUREMENT IS TAKEN FROM TOP TO BOTTOM. LEFT AND RIGHT WINDOW LEGS ARE DETERMINED WHEN FACING THE WINDOW.

CURTAIN & CUSHION GROUP (CONTINUED)

ADVENTURER FABRIC				
COLOR CODES		G15	G16	G17
		BOTANICAL (GREEN)	THISTLE (TAN)	COPPER CANYON
CEILING MATERIAL	FROM: 00-00-00 THRU: 01-31-96	113979-04-01A	113979-04-01A	113979-04-01A
CEILING MATERIAL	FROM: 02-01-96 THRU: 99-99-99	113979-06-01A	113979-06-01A	113979-06-01A
OFF WHITE VINYL		103907-01-01A	103907-01-01A	103907-01-01A
BEIGE VINYL		079680-07-000	079680-07-000	079680-07-000
MADRID WILLOW VINYL		103907-01-03A	103907-01-03A	103907-01-03A
DRAPERY FABRIC		072333-85-000	072333-85-000	072333-85-000
BUCKET SEATS		108446-G0-000	108446-77-000	104233-59-000
DINETTE		108446-F8-000	108446-F9-000	108446-H0-000
DINETTE CHAIR		108446-G1-000	108446-G2-000	108446-H2-000
DINETTE PAD		108446-G0-000	108446-77-000	104233-59-000
SOFA		108446-F8-000	108446-F9-000	108446-H0-000
SOFA PILLOWS		108446-G1-000 084415-70-000	108446-G2-000 084415-69-000	108446-H2-000 084415-77-000
SWIVEL CHAIR		108446-G1-000	108446-G2-000	108446-H2-000
LOUNGE WINDOWS		108446-F8-000 108446-G1-000	108446-F9-000 108446-G2-000	108446-H0-000 108446-H2-000
BEDROOM WINDOW		105745-B2-000 105745-B0-000	105745-62-000 105745-B1-000	105745-B7-000 105745-A2-000
BEDSPREAD		105745-B2-000 105745-B0-000	105745-62-000 105745-B1-000	105745-B7-000 105745-A2-000
PILLOW SHAMS			105745-62-000 105745-B1-000	105745-B7-000 105745-A2-000
BEDROOM PILLOWS		105745-B2-000	105745-62-000	105745-B7-000
HEADBOARD		105745-B0-000 105745-B2-000	105745-B1-000 105745-62-000	105745-A2-000 105745-B7-000
FRONT WRAP AROUND		072333-85-000	072333-85-000	072333-85-000
PLEATED BLINDS		094911-30-000	094911-30-000	094911-30-000
MAP POCKETS		108446-G0-000	108446-77-000	104233-59-000

NOTE: FABRIC LISTED FIRST, IN A BLOCK, IS THE LARGEST QUANTITY OF FABRIC USED

CURTAIN & CUSHION GROUP (CONTINUED)

TRIMS & BUTTONS

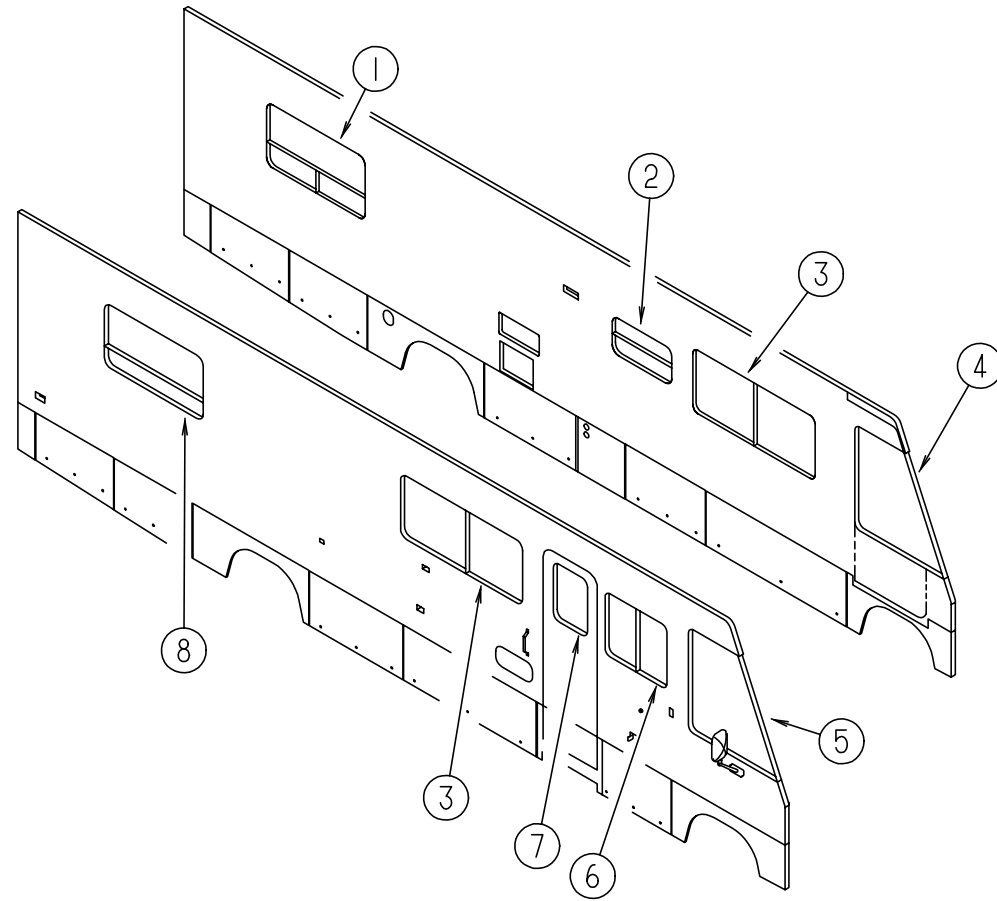
KEY	PART NUMBER	U/M DESCRIPTION
	084415-70-000	YD TRIM-BRAID, 60261-V118 - CORD (G15)
	084415-69-000	YD TRIM-BRAID, 62027-P57 - FRINGE (G16)
	084415-77-000	YD TRIM-BRAID, 61814-N10 - CORD (G17)
	050263-01-000	YD WELT-CORD, 5/32 DIA.
	070578-02-E38	EA BUTTON - SCREW - STUD - #30 - VINYL

ASSIST HANDLE & SEAT BELTS

KEY	PART NUMBER	U/M DESCRIPTION
	007021-01-000	EA BELT - SEAT - 2" X 90" - BLACK
	056271-01-000	EA BELT - SEAT - 2" X 102" - BLACK
	069178-02-000	EA BRACKET - MOUNTING - ASSIST HANDLE - L ANGLE - W/HOLES
	000C16-07-16B	EA BOLT - CARRIAGE - ASSIST HANDLE - 7/16-14 X 1" - ZINC
	000D20-07-00B	EA NUT - ACORN - ASSIST HANDLE - 7/16" X 14 - ZINC
	057759-01-000	EA WASHER BRACKET-SEAT BELT, 4" DIAMETER
	053552-02-AA8	EA HANDLE - ASSIST - INTERIOR - ENTRY DOOR - VINYL - OFF WHITE

CURTAIN & CUSHION GROUP (CONTINUED)

CURTAINS & WINDOW TREATMENT

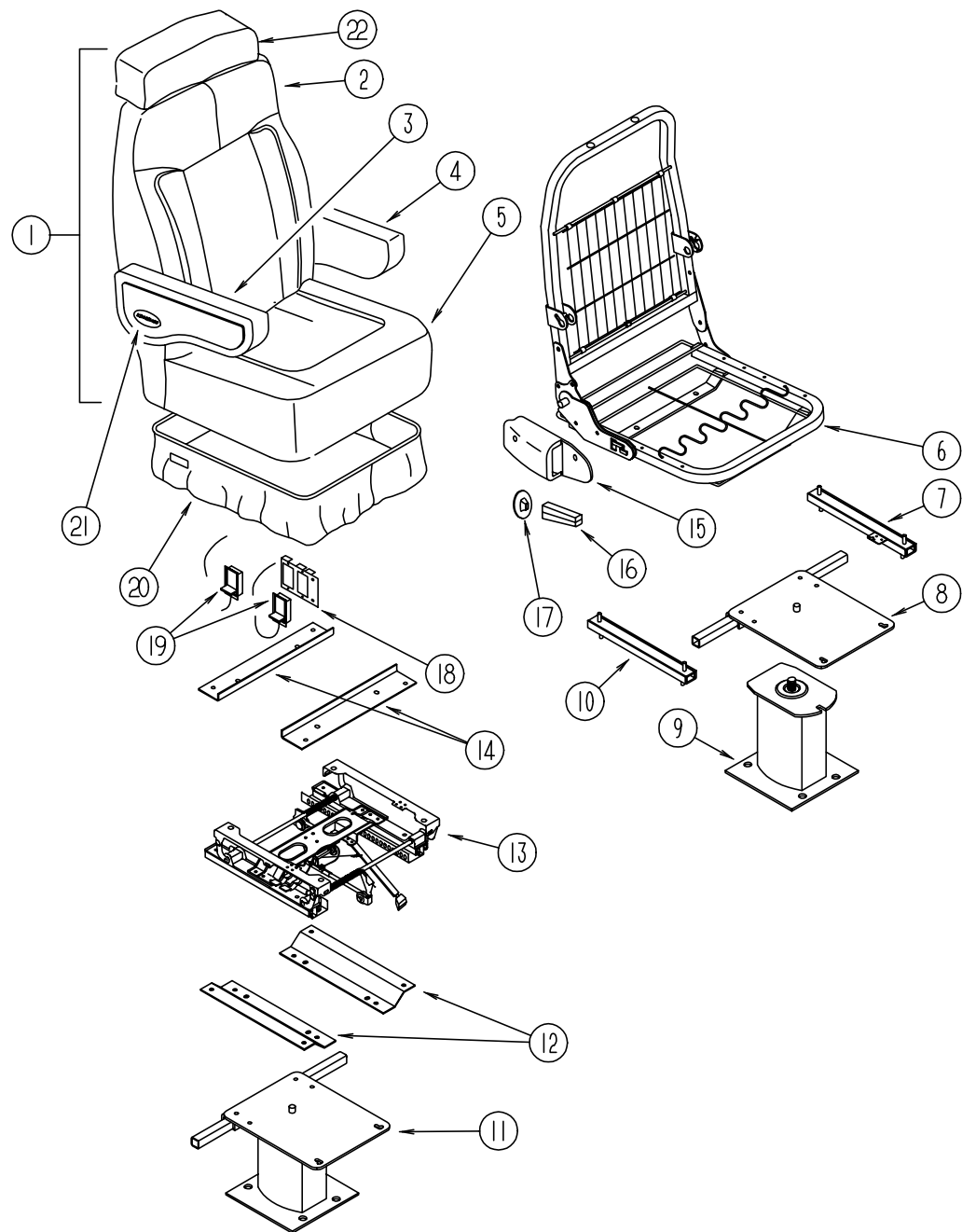


KEY	PART NUMBER	U/M	DESCRIPTION
1	119262-29-G15	EA	VALANCE ASM. - 52.5" MONACO - W/BRAID
1	119299-09-G16	EA	VALANCE ASM. - 53" WHITNEY
1	119299-09-G17	EA	VALANCE ASM. - 53" WHITNEY
1	119333-57-G15	EA	LEG - RH, 28" - PLAIN - 3.5" DEEP
1	119333-35-G16	EA	LEG - RH, 28" - PLAIN - 3.5" DEEP - W/O HOLE
1	119333-35-G17	EA	LEG - RH, 28" - PLAIN - 3.5" DEEP - W/O HOLE
1	119333-58-G15	EA	LEG - LH, 28" - PLAIN - 3.5" DEEP
1	119333-36-G16	EA	LEG - LH, 28" - PLAIN - 3.5" DEEP - W/O HOLE
1	119333-36-G17	EA	LEG - LH, 28" - PLAIN - 3.5" DEEP - W/O HOLE
1	109802-36-G15	EA	BLIND ASM-PLEATED, 49" X 29"
1	109802-36-F12	EA	BLIND ASM-PLEATED, 49" X 29" (G16,G17)

KEY	PART NUMBER	U/M	DESCRIPTION
2	109041-20-02A	EA	MINI BLIND - 31" X 18" DROP (G15,G17) FROM: 00-00-00 THRU: 03-24-96
2	109041-44-02A	EA	MINI BLIND - 30.5" X 18" DROP (G15,G17) FROM: 03-25-96 THRU: 99-99-99
2	109041-20-01A	EA	MINI BLIND - 31" X 18" DROP (G16) FROM: 00-00-00 THRU: 03-24-96
2	109041-44-01A	EA	MINI BLIND - 30.5" X 18" DROP (G16) FROM: 03-25-96 THRU: 99-99-99
2	109353-07-02A	EA	BLIND-SLAT, 31" (G15,G17) FROM: 00-00-00 THRU: 03-24-96
2	109353-10-02A	EA	BLIND-SLAT, 30.5" (G15,G17) FROM: 03-25-96 THRU: 99-99-99
2	109353-07-01A	EA	BLIND-SLAT, 31" (G16) FROM: 00-00-00 THRU: 03-24-96
2	109353-10-01A	EA	BLIND-SLAT, 30.5" (G16) FROM: 03-25-96 THRU: 99-99-99
3	119262-01-G15	EA	VALANCE ASM. - 64.5" MONACO W/BRAID
3	119263-01-G16	EA	VALANCE ASM. - 64.5" STARBUCK
3	119263-01-G17	EA	VALANCE ASM. - 64.5" STARBUCK
3	119333-01-G15	EA	LEG - RH, 25" - PLAIN - W/O HOLE (G15)
3	119333-01-G16	EA	LEG - RH, 25" - PLAIN - W/O HOLE (G16)
3	119333-01-G13	EA	LEG - RH, 25" - PLAIN - W/O HOLE (G17)
3	119333-02-G15	EA	LEG - LH, 25" - PLAIN - W/O HOLE (G15)
3	119333-02-G16	EA	LEG - LH, 25" - PLAIN - W/O HOLE (G16)
3	119333-02-G13	EA	LEG - LH, 25" - PLAIN - W/O HOLE (G17)
3	109802-10-G15	EA	BLIND - PLEATED - 60" X 28.5" (G15)
3	109802-10-G09	EA	BLIND - PLEATED - 60" X 28.5" (G16,G17)
4	101668-46-E91	EA	CURTAIN ASM. - 48" X 95" - DRIVER SIDE - TAPE TOP
4	073260-42-C18	EA	TIEBACK ASM. - 6" X 18"
5	101668-45-E91	EA	CURTAIN ASM. - 48" X 95" - PASSENGER SIDE - TAPE TOP
5	073260-42-C18	EA	TIEBACK ASM. - 6" X 18"
6	119262-02-G15	EA	VALANCE ASM. - 34.5" MONACO W/BRAID
6	119263-02-G16	EA	VALANCE ASM. - 34.5" STARBUCK
6	119263-02-G17	EA	VALANCE ASM. - 34.5" STARBUCK
6	119333-01-G15	EA	LEG - RH, 25" - PLAIN - W/O HOLE (G15)
6	119333-01-G16	EA	LEG - RH, 25" - PLAIN - W/O HOLE (G16)
6	119333-01-G13	EA	LEG - RH, 25" - PLAIN - W/O HOLE (G17)
6	119333-02-G15	EA	LEG - LH, 25" - PLAIN - W/O HOLE (G15)
6	119333-02-G16	EA	LEG - LH, 25" - PLAIN - W/O HOLE (G16)
6	119333-02-G13	EA	LEG - LH, 25" - PLAIN - W/O HOLE (G17)
6	109802-11-G15	EA	BLIND - PLEATED - 29" X 28.5" (G15)
6	109802-11-E33	EA	BLIND - PLEATED - 29" X 28.5" (G16,G17)
7	084755-57-E07	EA	PULL SHADE - 27.25"
7	119262-05-G15	EA	VALANCE ASM. - 30.25" MONACO W/BRAID
7	119263-03-G16	EA	VALANCE ASM. - 30.25" STARBUCK
7	119263-03-G17	EA	VALANCE ASM. - 30.25" STARBUCK
8	119262-03-G15	EA	VALANCE ASM. - 52.5" MONACO - W/BRAID
8	119299-01-G16	EA	VALANCE ASM. - 53" WHITNEY
8	119299-01-G17	EA	VALANCE ASM. - 53" WHITNEY
8	119333-59-G15	EA	LEG - RH, 28" - PLAIN - 2.5" DEEP
8	119333-61-G16	EA	LEG - RH, 28" - PLAIN - 2.5" DEEP - W/O HOLE
8	119333-61-G17	EA	LEG - RH, 28" - PLAIN - 2.5" DEEP - W/O HOLE
8	119333-60-G15	EA	LEG - LH, 28" - PLAIN - 2.5" DEEP
8	119333-62-G16	EA	LEG - LH, 28" - PLAIN - 2.5" DEEP - W/O HOLE
8	119333-62-G17	EA	LEG - LH, 28" - PLAIN - 2.5" DEEP - W/O HOLE
8	109802-36-G15	EA	BLIND ASM-PLEATED, 49" X 29" (G15)
8	109802-36-F12	EA	BLIND ASM-PLEATED, 49" X 29" (G16,G17)

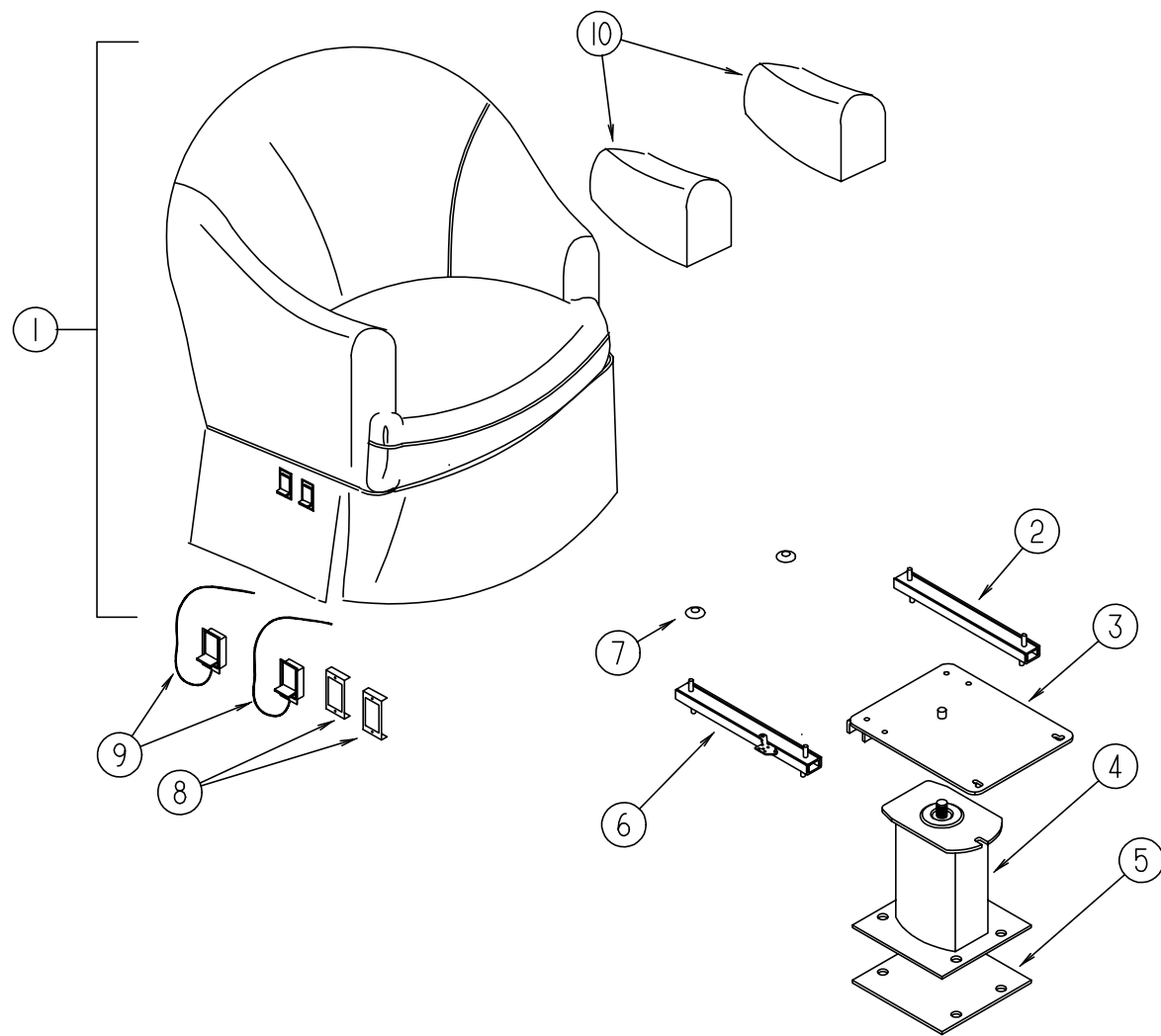
CURTAIN & CUSHION GROUP (CONTINUED)

BUCKET SEAT



KEY	PART NUMBER	U/M DESCRIPTION
1	115390-05-G15	EA SEAT-NEWPORT, MANUAL RECLINER W/HEADREST
1	115390-05-G16	EA SEAT-NEWPORT, MANUAL RECLINER W/HEADREST
1	115390-05-G17	EA SEAT-NEWPORT, MANUAL RECLINER W/HEADREST
2	M05962-13-G15	EA COVER - BACK - NEWPORT
2	M05962-13-G16	EA COVER - BACK - NEWPORT
2	M05962-13-G17	EA COVER - BACK - NEWPORT
3	114929-01-G15	EA ARMREST ASM - RIATTA, RH
3	114929-01-G16	EA ARMREST ASM - RIATTA, RH
3	114929-01-G17	EA ARMREST ASM - RIATTA, RH
3	P14929-01-G15	EA COVER - ARMREST - RIATTA, RH
3	P14929-01-G16	EA COVER - ARMREST - RIATTA, RH
3	P14929-01-G17	EA COVER - ARMREST - RIATTA, RH
4	114929-02-G15	EA ARMREST ASM - RIATTA, LH
4	114929-02-G16	EA ARMREST ASM - RIATTA, LH
4	114929-02-G17	EA ARMREST ASM - RIATTA, LH
4	P14929-02-G15	EA COVER - ARMREST - RIATTA, LH
4	P14929-02-G16	EA COVER - ARMREST - RIATTA, LH
4	P14929-02-G17	EA COVER - ARMREST - RIATTA, LH
5	M05962-14-G15	EA COVER - SEAT - NEWPORT
5	M05962-14-G16	EA COVER - SEAT - NEWPORT
5	M05962-14-G17	EA COVER - SEAT - NEWPORT
6	M80906-12-000	EA FRAME - SEAT - BACK & SPRING
7	119952-04-000	EA SLIDE-SEAT, HD - LOCKING 4 STUDS - ATWOOD 83785
	069246-09-000	EA SPRING - ADJUSTER - FOR REMOTE - LIGHT BLUE
	117125 01 02B	EA BRACKET - CABLE HOLDER - STEEL
	069246-05-701	EA CLIP - CABLE - FOR REMOTE
8	107921-05-000	EA TOP PLATE - PEDESTAL - W/ SEATBELT BAR
9	107921-01-000	EA PEDESTAL - FLOOR MOUNTED - W/ 9.75" EXTENSION
	107921-06-000	EA BEARING KIT - PEDESTAL
10	119952-02-000	EA SLIDE-SEAT, HD - NONLOCKING 4 STUDS - ATWOOD 83731
11	107921-14-000	EA PEDESTAL ASM-SEAT 5.75 IN - MANUAL SEAT OPTION - FLEXSTEEL XP1774
12	116215-03-000	EA PLATE-LOWER, MANUAL - 6-WAY - MANUAL SEAT OPTION - ATWOOD 83835
13	116215-01-000	EA SEAT-MANUAL, 6-WAY - DRIVER - MANUAL SEAT OPTION - ATWOOD 83805
14	116215-02-000	EA PLATE-UPPER, MANUAL - 6-WAY - MANUAL SEAT OPTION - ATWOOD 85118
15	080730-09-000	EA SHIELD - RECLINER HANDLE
	080730-10-000	EA SCREW - RECLINER HANDLE SHIELD
16	080730-08-000	EA HANDLE - RECLINER - BLACK
17	080730-11-000	EA SHIELD - RUBBER BOOT
18	108049-03-000	EA CABLE - REMOTE, 26" W/Z END-SWITCH LEVER
	108049-02-000	EA CLIP - CABLE
19	097683-03-000	EA BRACKET - REMOTE - SIDE MOUNT - SINGLE
20	071126-43-G15	EA SKIRT - SINGLE - 10.5" - W/OPEN BACK (G15)
20	071126-43-E33	EA SKIRT - SINGLE - 10.5" - W/OPEN BACK (G16)
20	071126-43-F86	EA SKIRT - SINGLE - 10.5" - W/OPEN BACK (G17)
20	071126-54-G15	EA SKIRT - SINGLE - 10.5" - W/OPEN BACK - 6 WAY MANUAL CONTROL (G15)
20	071126-54-F12	EA SKIRT - SINGLE - 10.5" - W/OPEN BACK - 6 WAY MANUAL CONTROL (G16)
20	071126-54-F04	EA SKIRT - SINGLE - 10.5" - W/OPEN BACK - 6 WAY MANUAL CONTROL (G17)
21	111169-01-000	EA BACK PLATE - EMBLEM
21	111169-02-000	EA EMBLEM - "WINNEBAGO"
22	119698-01-G15	EA HEADREST - STRATON II
22	119698-01-G16	EA HEADREST - STRATON II
22	119698-01-G17	EA HEADREST - STRATON II
22	P19698-01-G15	EA COVER-HEADREST, STRATON II
22	P19698-01-G16	EA COVER-HEADREST, STRATON II
22	P19698-01-G17	EA COVER-HEADREST, STRATON II

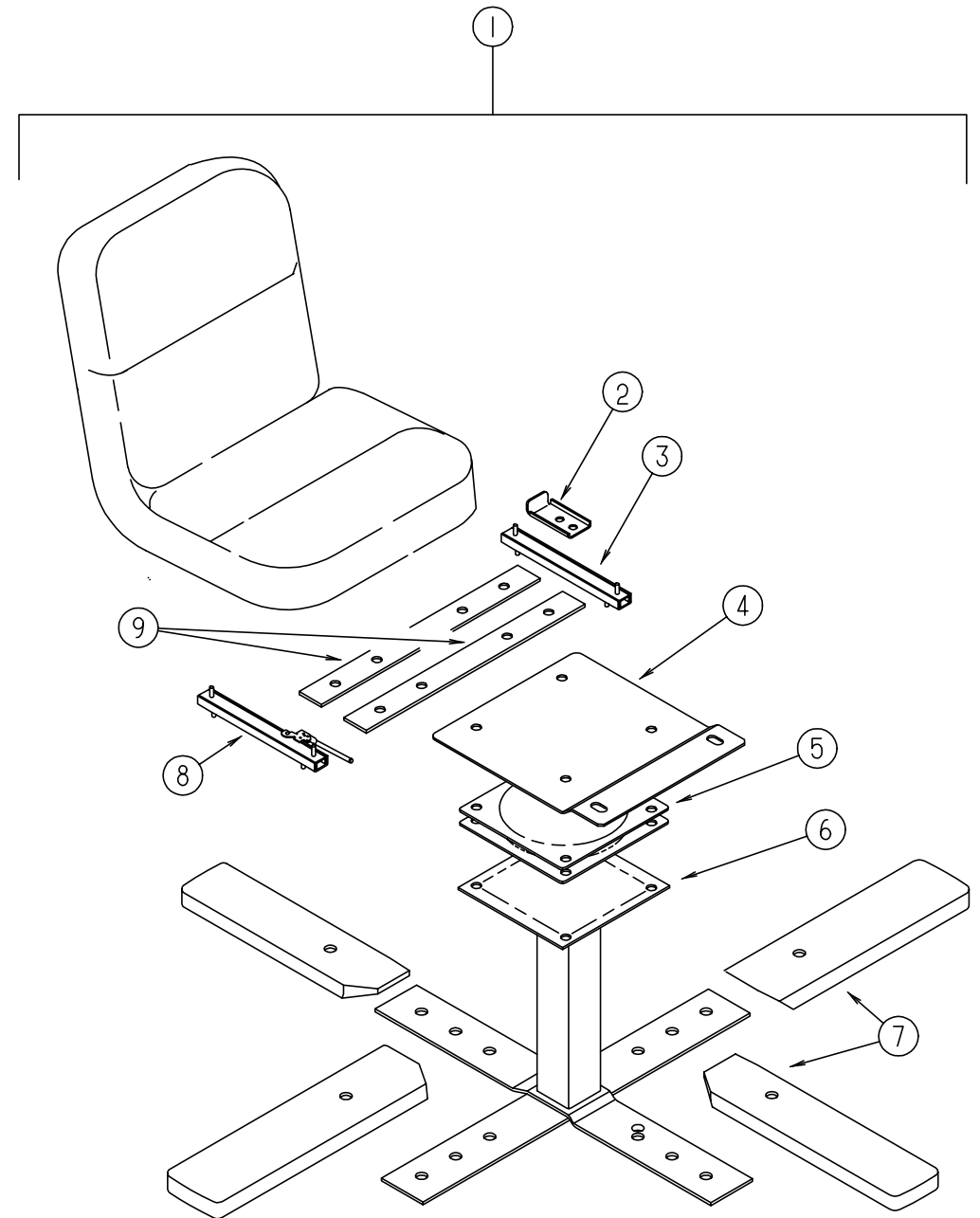
CURTAIN & CUSHION GROUP (CONTINUED)



SWIVEL CHAIR (RECLINER)

KEY	PART NUMBER	U/M	DESCRIPTION
1	118302-01-G15	EA	CHAIR ASM - 400 (G15)
1	118302-01-G16	EA	CHAIR ASM - 400 (G16)
1	118302-01-G13	EA	CHAIR ASM - 400 (G17)
	P18302-01-G15	EA	COVER-CHAIR, 400 (G15)
	P18302-01-G16	EA	COVER-CHAIR, 400 (G16)
	P18302-01-G13	EA	COVER-CHAIR, 400 (G17)
	118306-01-G15	EA	SKIRT ASM - 400-03 (G15)
	118306-01-G16	EA	SKIRT ASM - 400-03 (G16)
	118306-01-G13	EA	SKIRT ASM - 400-03 (G17)
2	119952-01-000	EA	SLIDE-SEAT, HD - NONLOCKING 2 STUD - ATWOOD 83711
3	107921-08-000	EA	TOP PLATE-W/O SEAT BELT BAR
	107921-06-000	EA	BEARING KIT - PEDESTAL
4	107921-02-000	EA	FLOOR MOUNTED PEDESTAL - W/ 6.50" EXTENSION
5	108445-02-000	EA	SUB PLATE - FLOOR MOUNTED PEDESTAL
6	119952-03-000	EA	SLIDE-SEAT, HD - LOCKING 2 STUDS - ATWOOD 83775
7	007221-01-000	EA	SPACER - SEAT ADJUSTER
8	097683-03-000	EA	BRACKET - REMOTE - SIDE MOUNT
	117125-01-02B	EA	BRACKET-CABLE HOLDER, E-COAT
9	108049-03-000	EA	CABLE-REMOTE, 26" W/Z END-SWITCH LEVER
10	P18302-27-G15	EA	COVER-ARM, RH - 400 CHAIR (G15)
10	P18302-27-G16	EA	COVER-ARM, RH - 400 CHAIR (G16)
10	P18302-27-G13	EA	COVER-ARM, RH - 400 CHAIR (G17)
10	P18302-28-G15	EA	COVER-ARM, LH - 400 CHAIR (G15)
10	P18302-28-G16	EA	COVER-ARM, LH - 400 CHAIR (G16)
10	P18302-28-G13	EA	COVER-ARM, LH - 400 CHAIR (G17)

CURTAIN & CUSHION GROUP (CONTINUED)



DINETTE CHAIRS

KEY	PART NUMBER	U/M	DESCRIPTION
1	119108-01-G15	EA	CHAIR ASM - 200 KC
1	119108-01-G16	EA	CHAIR ASM - 200 KC
1	119108-01-G17	EA	CHAIR ASM - 200 KC
2	114889-01-000	EA	STOP BAR - UNIVERSAL
3	119952-02-000	EA	SLIDE - SEAT, HD - NONLOCKING, 4 STUD
4	119705-03-02B	EA	PLATE - SEAT, E-COAT
5	119105-01-000	EA	PLATE - SWIVEL, RETURN-O-MATIC - 5.75"
6	119705-02-03B	EA	PEDESTAL ASM - O/W
7	116080-02-G35	EA	COVER - CHAIR LEG
8	119952-05-000	EA	SLIDE-SEAT, HD - LOCKING 4 STUDS
9	120109-01-02B	EA	ADAPTER BRACKET-CHAIR ASM 200 KC
	074045-07-000	EA	PLUG-OAK, 1/2" DIA.
	106477-01-000	EA	SCREW - 12 PER CHAIR

CURTAIN & CUSHION GROUP (CONTINUED)

QUEEN BED

KEY	PART NUMBER	U/M DESCRIPTION
1	101123-06-000	EA MATTRESS - QUEEN - FOAM 60" X 80"
1	P01123-06-000	EA COVER - MATTRESS , 60" X 80" FOAM
1	119141-01-G15	EA BEDSPREAD - THROW, W/REVERSE SHAM - 60" X 80"
1	109588-20-G16	EA BEDSPREAD - 60" X 80", FITTED - GUSSET CORNERS
1	109588-20-G17	EA BEDSPREAD - 60" X 80", FITTED - GUSSET CORNERS
2	119249-01-000	EA PILLOW-CASE ASM, 20" X 33" - QUEEN (G15)
2	106727-04-G16	EA PILLOW-TOOTSIE, W/.5" WELT, QUEEN (G16)
2	106727-04-G17	EA PILLOW-TOOTSIE, W/.5" WELT, QUEEN (G17)
	111637-08-G15	EA PILLOW ASM - 16" X 16" - KNIFE EDGE W/BRAID
	111637-09-G16	EA PILLOW ASM - 16" X 16" - KNIFE EDGE W/BRAID
	111637-09-G17	EA PILLOW ASM - 16" X 16" - KNIFE EDGE W/BRAID

COUCH BED

KEY	PART NUMBER	U/M DESCRIPTION
3	111319-01-G15	EA BED ASM-JACK KNIFE BACK, KNIFE EDGE - 74" (G15)
3	112104-01-G16	EA BED ASM - 74" CHANNEL JACK KNIFE BACK (G16)
3	112104-01-G13	EA BED ASM - 74" CHANNEL JACK KNIFE BACK (G17)
3	P11319-01-G15	EA COVER-BED, JACK KNIFE EDGE BACK - 74" (G15)
3	P12104-01-G16	EA COVER-BED, CHANNEL JACK KNIFE BACK - 74" (G16)
3	P12104-01-G13	EA COVER-BED, CHANNEL JACK KNIFE BACK - 74" (G17)
	101085-10-000	EA FRAME - BACK - 74.75"
4	100032-43-G15	EA BED-JACK KNIFE, SEAT - 74" TUCK - W/O ARMS (G15)
4	100032-43-G16	EA BED-JACK KNIFE, SEAT - 74" TUCK - W/O ARMS (G16)
4	100032-43-G13	EA BED-JACK KNIFE, SEAT - 74" TUCK - W/O ARMS (G17)
4	P00032-43-G15	EA COVER-JACK KNIFE, SEAT - 74" TUCK - W/O ARMS (G15)
4	P00032-43-G16	EA COVER-JACK KNIFE, SEAT - 74" TUCK - W/O ARMS (G16)
4	P00032-43-G13	EA COVER-JACK KNIFE, SEAT - 74" TUCK - W/O ARMS (G17)
	101085-04-000	EA FRAME - SEAT - 74.75"
	101085-06-000	EA FRAME - BASE - 74.75"
	111637-03-G15	EA PILLOW ASM - 22" X 22" KNIFE EDGE W/BRAID (G15)
	111637-03-G16	EA PILLOW ASM - 22" X 22" KNIFE EDGE W/BRAID (G16)
	111637-03-G13	EA PILLOW ASM - 22" X 22" KNIFE EDGE W/BRAID (G17)

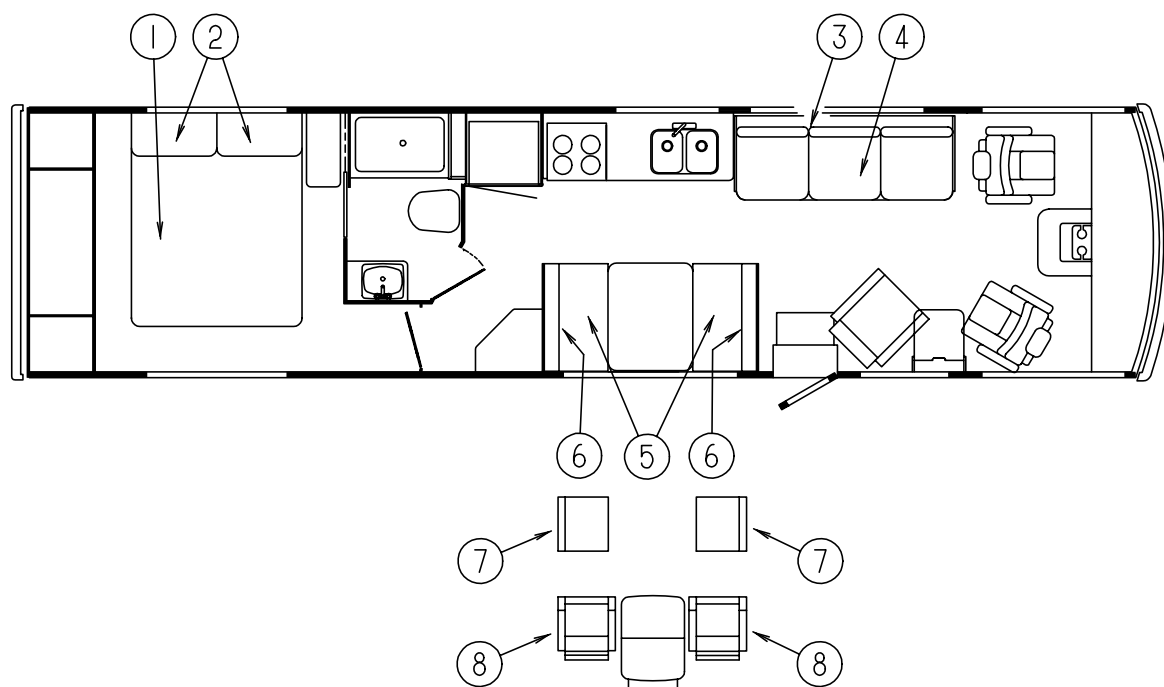
NOTE: COUCH FRONT & SIDE PANELS ARE FOUND IN LOUNGE GROUP

DINETTE CUSHIONS

KEY	PART NUMBER	U/M DESCRIPTION
5	105603-15-G15	EA CUSHION - 23" X 42" X 5" - SEAT (G15)
5	105603-15-G16	EA CUSHION - 23" X 42" X 5" - SEAT (G16)
5	105603-15-G04	EA CUSHION - 23" X 42" X 5" - SEAT (G17)
5	P05603-15-G15	EA COVER - 23" X 42" X 5" - SEAT (G15)
5	P05603-15-G16	EA COVER - 23" X 42" X 5" - SEAT (G16)
5	P05603-15-G04	EA COVER - 23" X 42" X 5" - SEAT (G17)
	078155-01-000	EA STRAP-SNAP, BACKREST CUSHION
6	111897-05-G15	EA CUSHION - 13.5" X 42" X 5", CLUB BACK (G15)
6	111897-05-G16	EA CUSHION - 13.5" X 42" X 5", CLUB BACK (G16)
6	111897-05-G04	EA CUSHION - 13.5" X 42" X 5", CLUB BACK (G17)
6	P11897-05-G15	EA COVER - 13.5" X 42" X 5", CLUB BACK (G15)
6	P11897-05-G16	EA COVER - 13.5" X 42" X 5", CLUB BACK (G16)
6	P11897-05-G04	EA COVER - 13.5" X 42" X 5", CLUB BACK (G17)

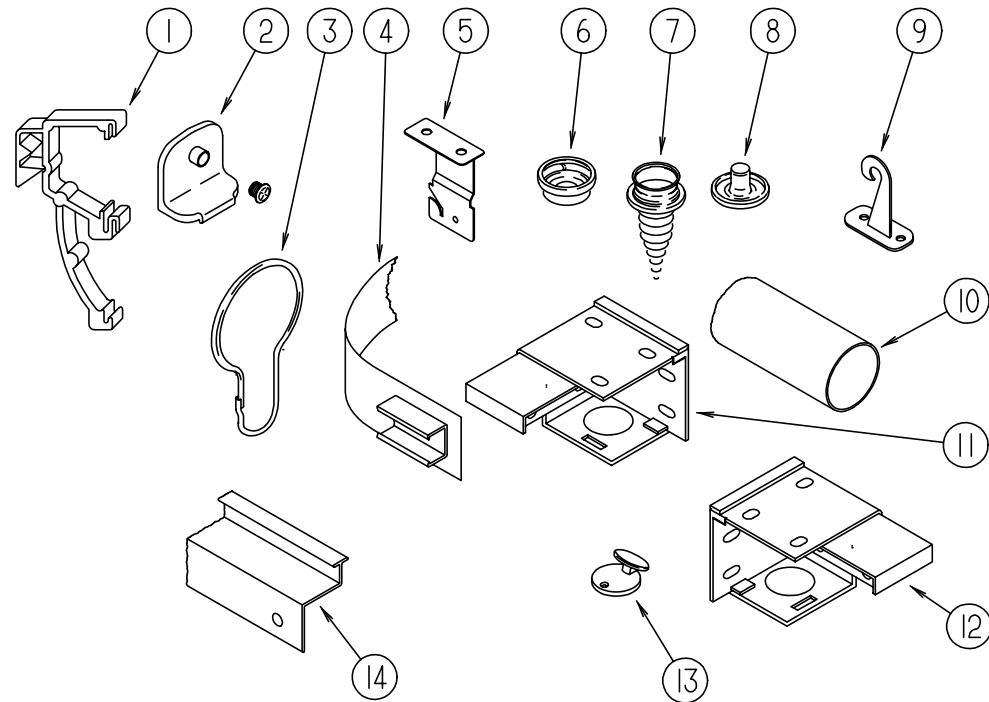
DINETTE OPTION

KEY	PART NUMBER	U/M DESCRIPTION
7	101604-01-03A	EA CHAIR - FOLDING - DINETTE - WATERFORD OAK
8	119108-01-G15	EA CHAIR ASM - 200 KC
8	119108-01-G16	EA CHAIR ASM - 200 KC
8	119108-01-G17	EA CHAIR ASM - 200 KC



CURTAIN & CUSHION GROUP (CONTINUED)

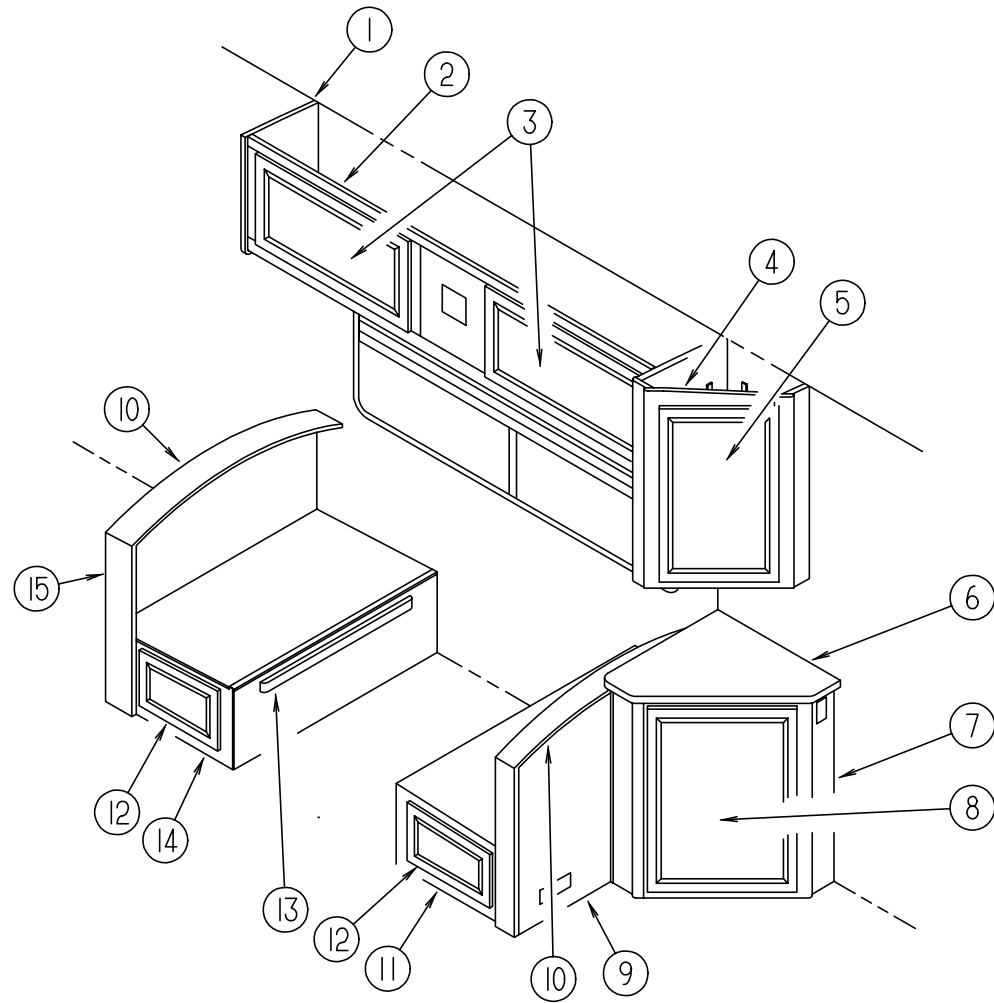
CURTAIN & BLIND HARDWARE



KEY	PART NUMBER	U/M	DESCRIPTION
1	109353-04-000	EA	CLIP - VALANCE SLAT MOUNTING - CLEAR PLASTIC - PAR
2	106544-01-000	EA	SHADE PULL - BRASS
	106544-01-001	EA	SCREW - SHADE PULL - BRASS
3	009136-02-000	EA	HANGER - RING - PIN TYPE - CURTAIN - BRASS
4	101031-01-000	YD	TAPE - GLIDE - CURTAIN - 4.25" SPACING
5	084434-01-000	EA	BRACKET - MOUNTING - ROLLER SHADE - 1 3/8"
	096843-01-000	EA	SPRING - REWIND - ROLLER SHADE
6	029156-01-000	EA	SOCKET - SNAP - 9/16" O.D
7	029130-01-000	EA	SCREW - SNAP SOCKET - 8 PH X 5/8"
8	029155-01-000	EA	CAP - SNAP - 5/32" O.D. OF PIN
	046867-01-000	EA	GROMMET-BRASS - 7/16" ID X 1" OD
			FROM: 00-00-00 THRU: 10-01-95
	046867-03-000	EA	GROMMET-HANDY BUTTON NO 3
			FROM: 10-02-95 THRU: 99-99-99
9	109441-03-000	EA	HOLD DOWN - BLIND, HOOK
10	102075-06-01A	EA	SHOWER ROD
	009136-02-000	EA	BRASS SHOWER RINGS
	009112-01-000	EA	FLANGE - SHOWER ROD
11	083170-02-000	EA	BRACKET - BLIND - LEFT SIDE
12	083170-01-000	EA	BRACKET - BLIND - RIGHT SIDE
13	102555-01-000	EA	CLEAT - CORD - BLIND - CLEAR
			FROM: 00-00-00 THRU: 04-10-96
13	102555-03-000	EA	CLEAT - CORD - BLIND - MILKY WHITE
			FROM: 04-11-96 THRU: 99-99-99
14	114641-07-G15	EA	TRACK - WRAPAROUND CURTAIN - WILLOW (PASSENGER SIDE)
14	114641-08-G15	EA	TRACK - WRAPAROUND CURTAIN - WILLOW (DRIVER SIDE)
	083125-07-000	EA	BRACE - COUCH, O/W
	048394-02-000	YD	VELCRO TAPE - HOOK - ADHESIVE BACK - .75" WIDE - BEIGE
	088792-02-000	YD	VELCRO TAPE - LOOP - ADHESIVE BACKED - .75" WIDE - BEIGE
	068716-01-001	EA	BRACKET - 90 DEGREE L-ANGLE - 192" - EXTRUDED ALUMINUM
	075943-01-000	EA	BRACE - WINDOW VALANCE - 1" X 1.5" X 20" - ALUMINUM - BEIGE
	094896-02-000	EA	GROMMET - CORD - PLEATED BLIND - NYLON - GRAY
	094907-02-000	EA	END CAP - TOP - PLEATED BLIND - PLASTIC - GRAY
	094907-04-700	EA	END CAP - RH BOTTOM BLIND
	094907-04-701	EA	END CAP - LH BOTTOM BLIND
	097564-01-000	EA	T-HANDLE - EZ LIFT SHADE
	097565-01-000	EA	BRACKET - MOUNTING - PLEATED BLIND
	097591-01-000	EA	SPRING - EXTENSION - PLEATED BLIND
	097592-01-000	EA	SPOOL - CORD - ELEVATED BLIND HOLDUP - CLEAR PLASTIC
	089916-01-000	EA	MOUNT - WINDOW LEG - 23.75" LONG - ALUMINUM - BLACK
	056003-01-000	EA	BRACKET - DRAPERY RETAINING - FRONT - METAL
	056003-02-000	EA	BRACKET - DRAPERY RETAINING - REAR - METAL
	086276-01-000	EA	TAPE - DOUBLE SIDED - 1/2"
	009702-01-000	EA	END STOP-CURTAIN CARRIER, L ROD
	094896-02-000	EA	GROMMET-CORD, PLEATED BLIND - NYLON - GRAY
	097593-02-000	FT	CORD - BLIND - PLEATED - GRAY
	103986-01-000	FT	TRIM - VALANCE - U-CHANNEL - .75" WIDE - BRASS

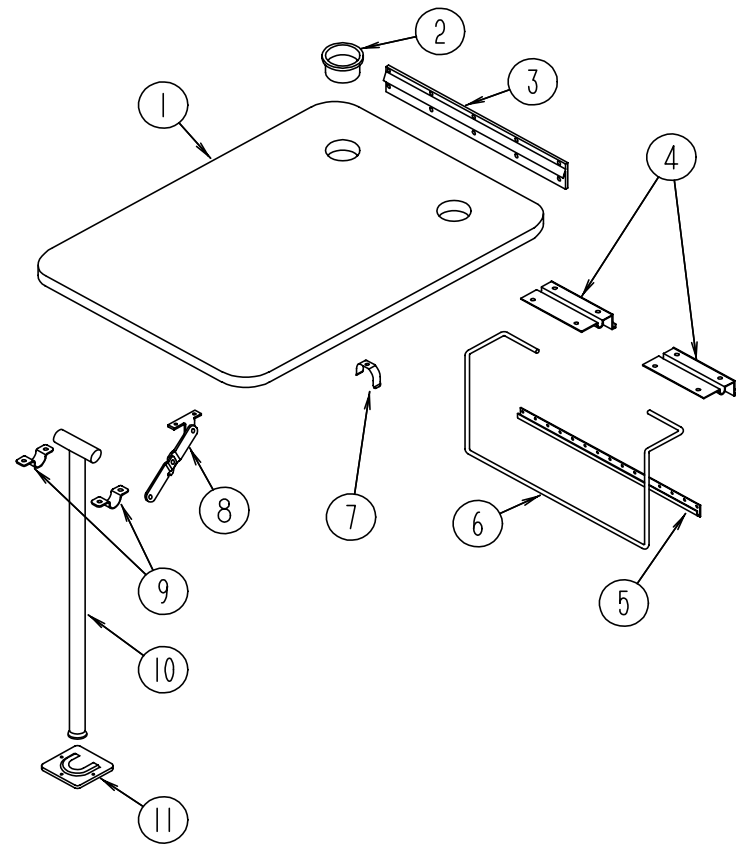
DINETTE GROUP

DINETTE & OVERHEAD CABINERY



KEY	PART NUMBER	U/M	DESCRIPTION
1	103128-02-G09	EA	CAP ASM - END - DINETTE OVERHEAD
2	117902-02-G15	EA	CABINET ASM. - DINETTE OVERHEAD - W/O DOORS OR HARDWARE
2	117902-02-G16	EA	CABINET ASM. - DINETTE OVERHEAD - W/O DOORS OR HARDWARE
2	117902-02-G17	EA	CABINET ASM. - DINETTE OVERHEAD - W/O DOORS OR HARDWARE
2	117579-03-G15	EA	CABINET ASM. - DINETTE OVERHEAD - W/O DOORS OR HARDWARE (USED WITH COFFEEMAKER)
2	117579-03-G16	EA	CABINET ASM. - DINETTE OVERHEAD - W/O DOORS OR HARDWARE (USED WITH COFFEEMAKER)
2	117579-03-G17	EA	CABINET ASM. - DINETTE OVERHEAD - W/O DOORS OR HARDWARE (USED WITH COFFEEMAKER)
3	M06803-82-G15	EA	DOOR ASM - DINETTE OVERHEAD - W/O HARDWARE 0400 X 0710
4	P15833-01-G15	EA	CABINET ASM - HUTCH - UPPER (G15,G16)
4	P15833-01-G17	EA	CABINET ASM - HUTCH - UPPER (G17)
5	M06803-13-G15	EA	DOOR ASM - UPPER HUTCH - W/O HARDWARE 0400 X 0710
6	104635-11-F12	EA	COUNTERTOP ASM - HUTCH (G15,G16)
6	104635-11-E10	EA	COUNTERTOP ASM - HUTCH (G17)
7	104635-01-G15	EA	CABINET ASM - HUTCH - LOWER (G15,G16)
7	104635-01-G17	EA	CABINET ASM - HUTCH - LOWER (G17)
	104635-12-G15	EA	SHELF ASM - HUTCH - LOWER
8	M06803-77-G15	EA	DOOR ASM - LOWER HUTCH - W/O HARDWARE 0500 X 0750
9	M07514-05-G15	EA	CABINET-SEATBACK RIGHT
10	111338-06-G15	EA	PAD ASM. - DINETTE (G15)
10	111338-06-F09	EA	PAD ASM. - DINETTE (G16)
10	111338-06-F21	EA	PAD ASM. - DINETTE (G17)
11	M07515-05-G15	EA	CABINET - SEATBASE RIGHT
12	M05971-81-G15	EA	DRAWER ASM. - W/O HARDWARE
13	081295-01-G01	EA	SUPPORT - BED - DINETTE - 712 LONG
14	M07515-04-G15	EA	CABINET - SEATBASE LEFT
15	M07514-04-G15	EA	CABINET - SEATBACK LEFT

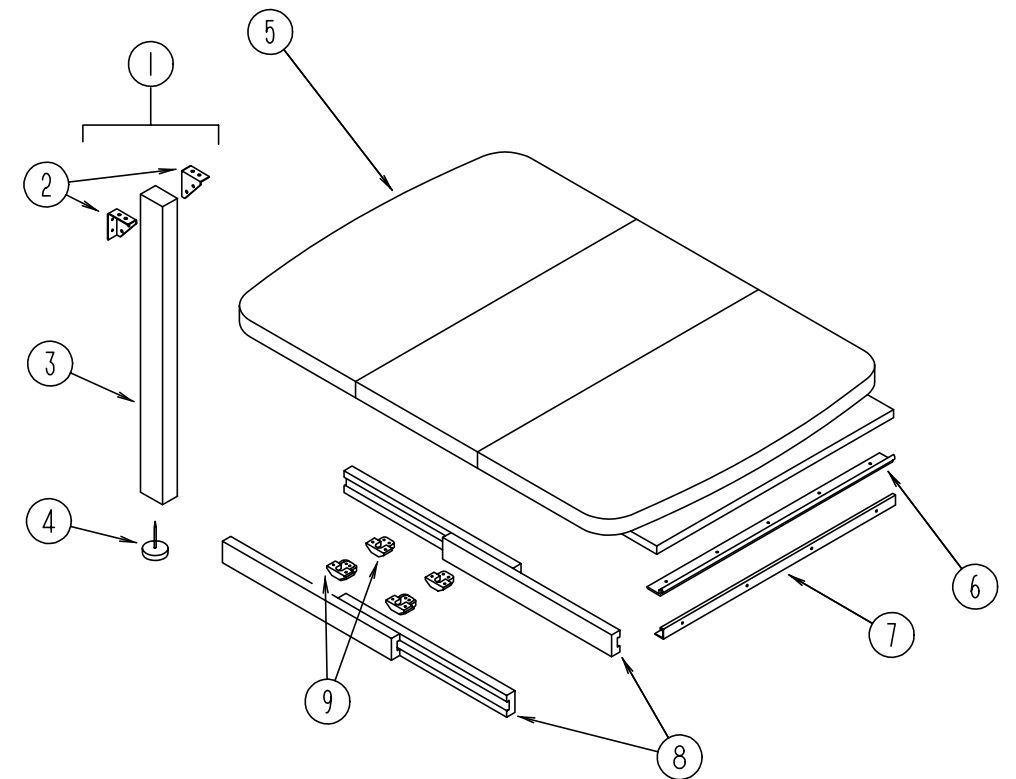
DINETTE GROUP (CONTINUED)



DINETTE TABLE ASM.

KEY	PART NUMBER	U/M	DESCRIPTION
1	081322-12-F09	EA	DINETTE TABLE (G15,G16)
1	081322-12-E01	EA	DINETTE TABLE (G17)
2	064781-06-000	EA	CUP HOLDER - 2 STEP
3	053200-12-000	EA	BRACKET - TABLE SUPPORT - UPPER WALL MOUNTED - 23.5" - OFF WHITE
4	088410-02-000	EA	BRACKET - TABLE MOUNTED - OFF WHITE
5	024281-14-000	EA	BRACKET - LIFT ROD - LOWER WALL MOUNTED - 22.12" - OFF WHITE
6	024275-12-000	EA	ROD - TABLE LIFT - 8" X 23.5" - OFF WHITE
7	024283-01-000	EA	CLIP - LEG - 1" - 1.125" OD - BLACK
8	024282-01-000	EA	BRACE - TABLE LEG - HINGED
9	064050-05-000	EA	CLAMP - SADDLE - LEG HINGE - OFF WHITE
10	024276-23-000	EA	TABLE LEG - METAL - OFF WHITE
11	049493-12-000	EA	LEG CATCH - FLOOR MOUNTED - 2.5" X 2.7" - METAL - E-COAT

DINETTE GROUP (CONTINUED)

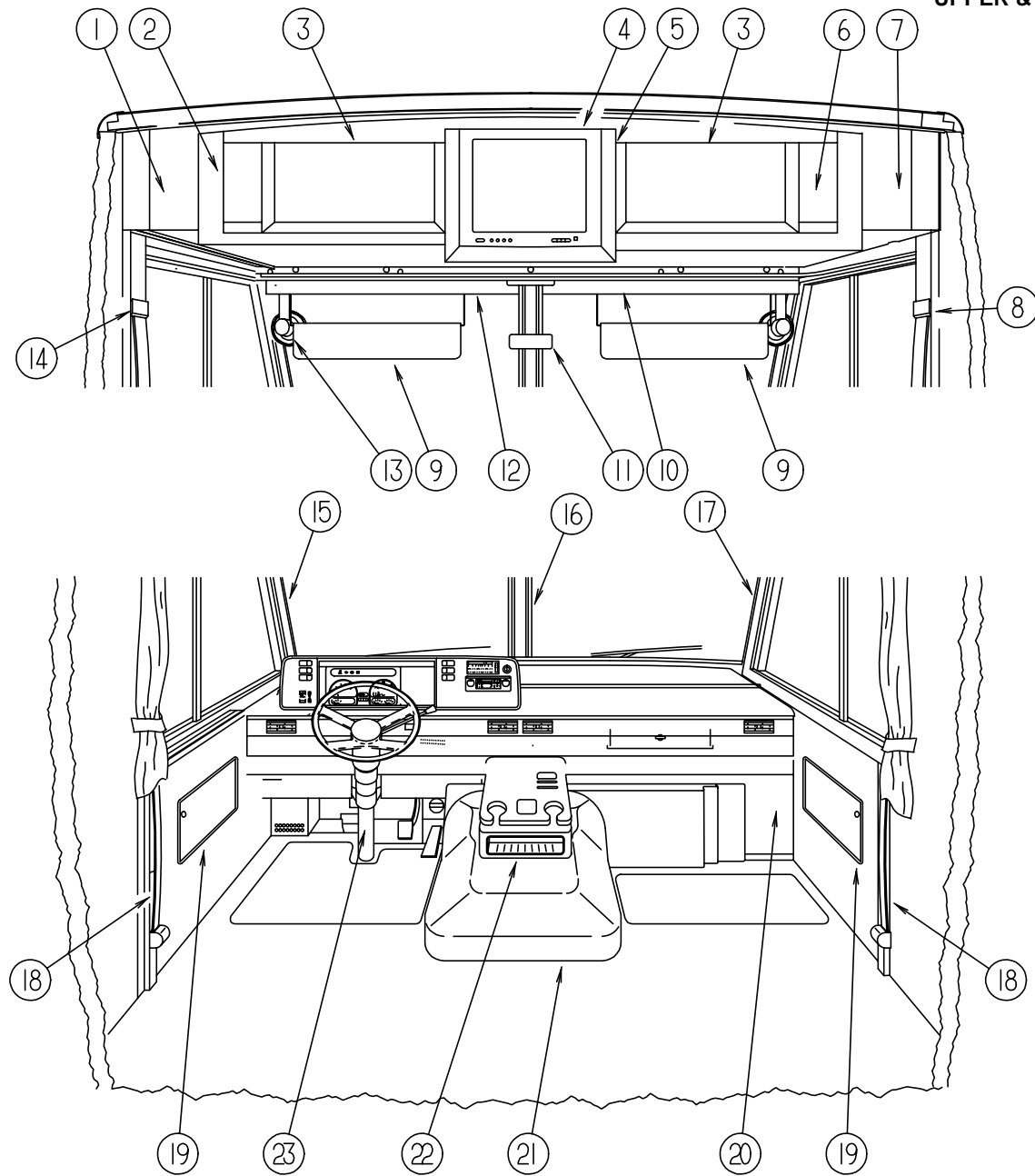


DINETTE TABLE ASM. W/DROP LEAF

KEY	PART NUMBER	U/M	DESCRIPTION
1	092708-09-G15	EA	LEG ASM - TABLE
			FROM: 00-00-00 THRU: 01-28-96
1	092708-12-G35	EA	LEG ASM - TABLE
			FROM: 01-29-96 THRU: 99-99-99
2	102810-01-04A	EA	BRACE - TABLE LEG - BLACK
3	092707-07-05A	EA	LEG MOLDING - OAK - WATERFORD OAK
4	102194-01-000	EA	GUIDE - PLASTIC
5	P02056-05-G15	EA	TABLE ASM. - W/ DROP LEAF
			FROM: 00-00-00 THRU: 01-28-96
5	P21955-01-G35	EA	TABLE ASM. - W/ DROP LEAF
			FROM: 01-29-96 THRU: 99-99-99
6	102201-02-01A	EA	SUPPORT - HINGE CATCH
7	102200-02-02A	EA	SUPPORT - HINGE LOCK - OFF WHITE
8	110749-01-000	EA	SLIDE - TABLE - 19 3/4" LONG
9	009050-02-000	EA	LEVELER - TABLE TOP - MALE END W/ SCREWS - PLASTIC
9	009050-03-000	EA	LEVELER - TABLE TOP - FEMALE END W/ SCREWS - PLASTIC
	119108-01-G15	EA	CHAIR ASM - 200 KC
	119108-01-G16	EA	CHAIR ASM - 200 KC
	119108-01-G17	EA	CHAIR ASM - 200 KC

DRIVERS COMPARTMENT GROUP

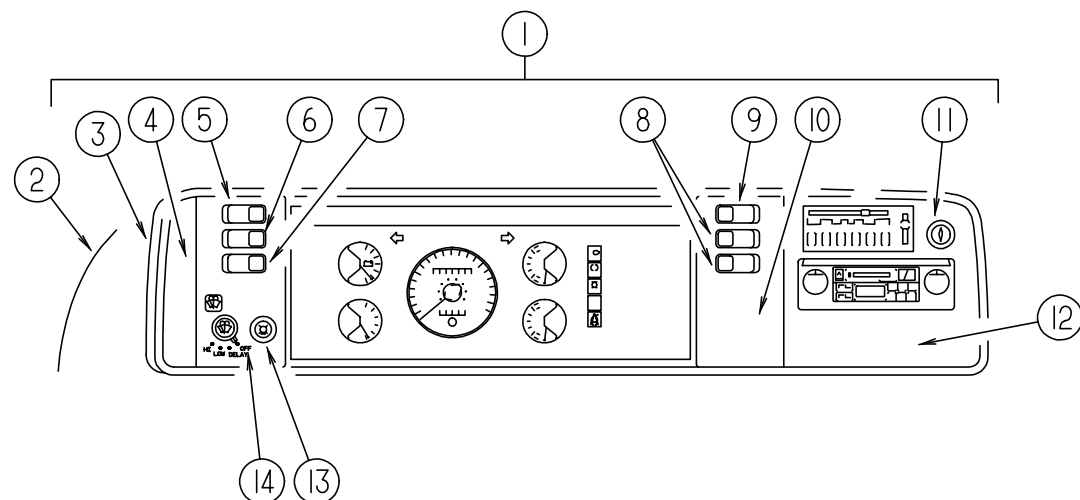
UPPER & LOWER DRIVER COMPARTMENT



KEY	PART NUMBER	U/M DESCRIPTION
4	M06803-C1-G15	EA DOOR - CABINET - W/O TV - 425 X 460 MM
5	116791-01-F31	EA FRAME ASSEMBLY - CABINET - W/ TV
	P18192-01-G15	EA COVER ASSEMBLY - TV - WITH VINYL
	115639-01-G15	EA PANEL ASSEMBLY - LINER-W/O TV - DRIVER
6	114612-03-G15	EA FACE ASSEMBLY - CABINET - PASSENGER SIDE OVERHEAD - 15.7" X 36.4"
	106699-01-01A	EA BRACKET - OVERHEAD CABINET - OFF WHITE
	P03077-06-G15	EA SHELF - BASE - CABINET - PASSENGER OVERHEAD
	100676-02-000	EA STAND - VCR
	114661-03-E10	EA PANEL ASSEMBLY - LINER - PASSENGER OVERHEAD - W/ TV
	114661-17-G15	EA PANEL ASSEMBLY - LINER - PASSENGER OVERHEAD - W/ TV & VCR
	114661-09-F11	EA PANEL ASSEMBLY - LINER - PASSENGER OVERHEAD - W/ TV - VCR/ INVERTER
	114661-10-E10	EA PANEL ASSEMBLY - LINER - PASSENGER OVERHEAD - W/ TV & INVERTER
7	104289-03-D12	EA PANEL - SIDE - PASSENGER OVERHEAD - VINYL
8	103961-01-01A	EA COVER-BRACKET - SEATBELT - OFF WHITE
9	082286-19-F11	EA SUNVISOR ASSEMBLY
	007211-01-000	EA HINGE - SUNVISOR - 25.5" X 1.5" - METAL
	074012-01-000	EA CLIP - SUNVISOR - SQUARE - PINCH ON
	116093-01-02A	EA BRACKET - SUNVISOR - W/ ROD - RH - BLACK
	116093-02-02A	EA BRACKET - SUNVISOR - W/ ROD - LH - BLACK
10	078579-17-000	EA TRIM - WINDSHIELD - UPPER INNER - RH - WILLOW
11	040714-01-000	EA MIRROR - REAR VIEW - W/ARM MOUNT & SET SCREW
	067490-01-000	EA BUTTON - MIRROR - REAR VIEW - STANK S927H
12	078579-18-000	EA TRIM - WINDSHIELD - UPPER INNER - LH - WILLOW
13	036420-02-000	EA FAN - DEFROSTER - 2 SPEED - 6" DIAMETER
14	103961-01-01A	EA COVER - BRACKET - SEATBELT - W/O DRIVER DOOR - OFF WHITE
14	103961-02-01A	EA COVER - BRACKET - SEATBELT - W/ DRIVER DOOR - OFF WHITE
	R77030-53-447	EA WASHER - FLAT
15	103931-04-03A	EA COVER - INTERIOR - A-PILLAR - DRIVER SIDE - WILLOW
16	079765-11-000	EA TRIM - WINDSHIELD - CENTER - WILLOW
17	103931-03-03A	EA COVER - INTERIOR - A-PILLAR - PASSENGER SIDE - WILLOW
	024700-46-000	EA COVER - ROLL BAR - DRIVER & PASSENGER SIDE UPPER - OFF WHITE - 21.2"
	024700-44-000	EA COVER - ROLL BAR - DRIVER & PASSENGER SIDE LOWER - 53" (W/O DR. DOOR)
	024700-47-000	EA COVER - ROLL BAR - DRIVER SIDE LOWER - 18.9" (W/ DRIVER DOOR)
	024700-48-000	EA COVER - ROLL BAR - DRIVER SIDE CENTER - 25" (W/ DRIVER DOOR)
18	091990-04-01A	EA SEAT BELT - 3 POINT - BLACK - INTERTEK A8408
	109146-01-000	EA BOLT - SHOULDER - SEAT BELT
19	086120-10-G15	EA PAD - MAP POCKET - 12" X 16"
19	086120-10-G16	EA PAD - MAP POCKET - 12" X 16"
19	086120-10-G17	EA PAD - MAP POCKET - 12" X 16"
20	095757-05-G15	EA COVER - HEATER
20	095757-05-G16	EA COVER - HEATER
20	095757-05-G17	EA COVER - HEATER
21	115840-01-01A	EA COVER - MOTOR
	115850-01-02B	EA RETAINER ASM - MOTOR COVER LATCH
	116581-01-000	EA LATCH - MOTOR COVER
	115860-01-01A	EA TRIM - MOTOR COVER MILL
	115852-01-02B	EA STRIKE ASM. - MOTOR COVER
	116833-01-02B	EA WRENCH - HEX - MOTOR COVER
22	111618-01-GB1	EA TRAY - BEVERAGE
22	111618-13-GB1	EA LID ASM. - TRAY - BEVERAGE
	046886-03-000	EA ASHTRAY - CHROME - W/ COVER
23	103498-06-000	EA BOOT - COLUMN - UNIVERSAL
	112634-01-01A	EA TRIM - STEERING COLUMN - RH BLACK
	112634-02-01A	EA TRIM - STEERING COLUMN - LH BLACK
	111521-03-01A	EA COVER - STEERING COLUMN - BLACK

KEY	PART NUMBER	U/M DESCRIPTION
1	104289-04-G15	EA PANEL - SIDE - DRIVER - OVERHEAD - VINYL
2	114612-04-G15	EA FACE ASSEMBLY - OVERHEAD CABINET - DRIVER SIDE - W/TV
	106699-01-01A	EA BRACKET - OVERHEAD CABINET - OFF WHITE
	P03077-05-G15	EA SHELF - BASE - OVERHEAD CABINET - DRIVER
	114661-11-G15	EA PANEL ASSEMBLY - LINER - DRIVER OVERHEAD
	078811-09-F11	EA PANEL - TRIM - HEADER - LOWER - BETWEEN OVERHEAD AND W/S TRIM
3	100708-13-000	EA DOOR - CABINET - GLASS - 246 X 658 MM
	100710-01-01A	EA LOCK ASSEMBLY - TWIST TYPE - BRASS
	100711-01-01A	EA HINGE - GLASS DOOR
	100707-01-000	EA SPACER - GLASS DOOR - .8" DIAMETER - .3" HOLE - PLASTIC
	101272-01-000	EA CATCH - GLASS DOOR
	101766-01-000	EA PIN - SUPPORT - GLASS DOOR
	108487-02-01A	EA SUPPORT - PROP ROD - PASSENGER OVERHEAD - BLACK
	108486-01-01A	EA BRACKET - PROP ROD - PASSENGER OVERHEAD - BLACK

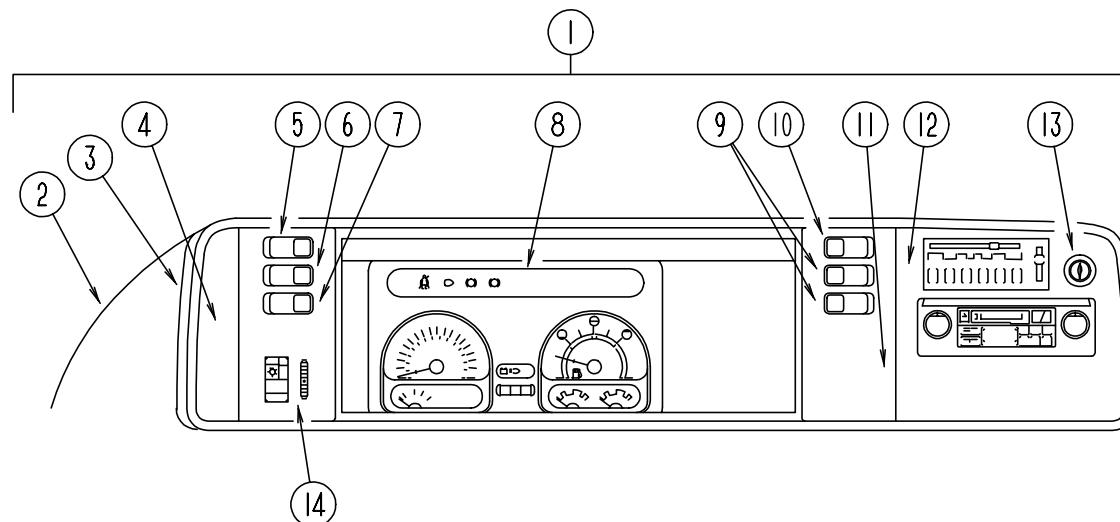
DRIVERS COMPARTMENT GROUP(CONTINUED)



DASH, GAUGES & SWITCHES (FORD)

KEY	PART NUMBER	U/M	DESCRIPTION
1	M05946-30-G15	EA	DASH POD ASM.-FORD, W/O INSTRUMENT CLUSTER
2	111499-01-03A	EA	POD - INSTRUMENT PANEL - WILLOW
3	103662-04-01A	EA	BEZEL - INSTRUMENT PANEL
4	104056-01-02A	EA	APPLIQUE - BEZEL - LEFT - DRESS UP
5	108357-05-000	EA	SWITCH - ROCKER - SPDT ON/ NONE/ ON
5	108356-02-01A	EA	SWITCH COVER - W/ DIMPLES - CARLING VVAZC00 BLA
6	108357-09-000	EA	SWITCH - ROCKER - SPDT ON/ NONE/ MOM
6	108356-02-01A	EA	SWITCH COVER - W/ DIMPLES - CARLING VVAZC00 BLA
7	108357-06-000	EA	SWITCH - ROCKER - DPDT MOM/ OFF/ MOM
7	108356-02-01A	EA	SWITCH COVER - W/ DIMPLES - CARLING VVAZC00 BLA
8	108357-03-000	EA	SWITCH - ROCKER - SPDT ON/ OFF/ ON
8	108356-02-01A	EA	SWITCH COVER - W/ DIMPLES - CARLING VVAZC00 BLA
9	108357-10-000	EA	SWITCH - ROCKER - SPDT MOM/ OFF/ MOM
9	108356-04-01A	EA	SWITCH COVER - W/ DIMPLES & LENS - CARLING VVAGC00
	096241-03-000	EA	SWITCH - BLANK
10	104056-21-01A	EA	APPLIQUE - BEZEL - SWITCH RIGHT
11	089294-01-000	EA	LIGHTER ASM. - CIGARETTE
12	104056-06-02A	EA	APPLIQUE - BEZEL - RIGHT DRESS UP
13	096675-01-000	EA	KNOB - HEADLAMP SWITCH - W/SHAFT
	096674-01-000	EA	NUT - HEADLAMP SWITCH - BLACK
14	104056-24-01A	EA	APPLIQUE - BEZEL - SWITCH LEFT
	106569-07-01A	EA	VINYL - LAMINATE MADRID WILLOW - 1/4" X 17" X 100"
	100138-01-000	EA	MODULE - DAYTIME RUNNING LIGHT (CSA)
	077031-01-000	EA	FILM - BLACK - 1" X 1.75"
	077031-03-000	EA	FILM - WHITE .75" X 1"
	104354-08-01A	EA	APPLIQUE - LOWER DASH - FORD
	112235-01-01A	EA	BEZEL - MONITOR - LEVELING JACK - WILLOW
	111528-03-02A	EA	TRIM - DASH - LOWER - RIGHT HAND - WILLOW
	117306-02-F11	EA	TRIM ASM - DASH - LOWER,FORD
	P14614-02-F11	EA	DASH ASM - FORD - W/O VINYL
	108067-03-000	EA	STUD - WELD - 1/4-20 X 1/2 CD

DRIVERS COMPARTMENT GROUP(CONTINUED)

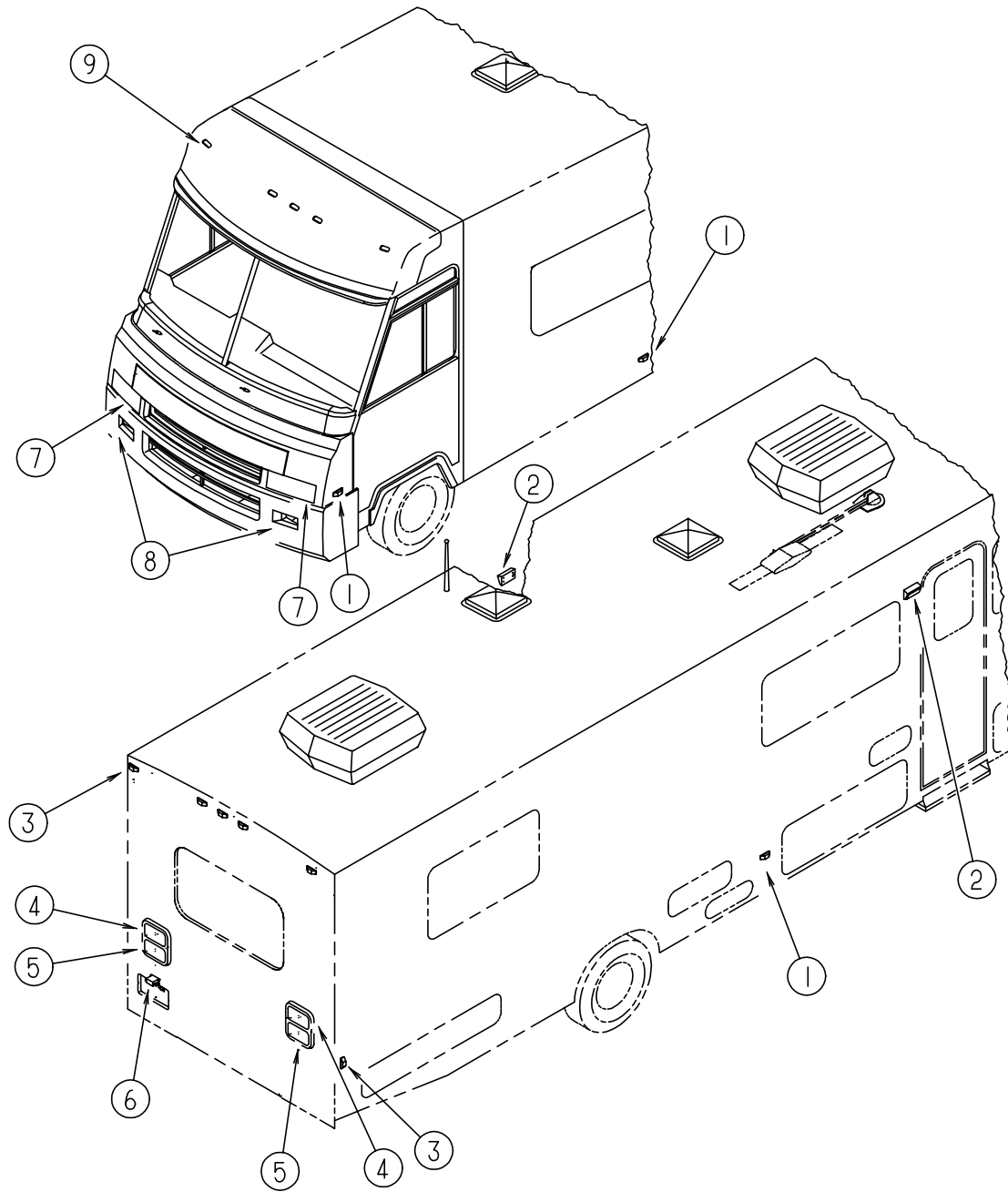


DASH, GAUGES & SWITCHES (CHEVY)

KEY	PART NUMBER	U/M	DESCRIPTION
1	M05946-29-G15	EA	DASH POD ASM.-CHEVY, W/O INSTRUMENT CLUSTER
2	111499-01-03A	EA	POD - INSTRUMENT PANEL - WILLOW
3	103662-01-01A	EA	BEZEL - INSTRUMENT PANEL
4	104056-01-02A	EA	APPLIQUE - BEZEL - LEFT - DRESS UP
5	108357-05-000	EA	SWITCH - ROCKER - SPDT ON/ NONE/ ON
5	108356-02-01A	EA	SWITCH COVER - W/ DIMPLES - CARLING VVAZC00 BLA
6	108357-09-000	EA	SWITCH - ROCKER - SPDT ON/ NONE/ MOM
6	108356-02-01A	EA	SWITCH COVER - W/ DIMPLES - CARLING VVAZC00 BLA
7	108357-06-000	EA	SWITCH - ROCKER - DPDT MOM/ OFF/ MOM
7	108356-02-01A	EA	SWITCH COVER - W/ DIMPLES - CARLING VVAZC00 BLA
8	094796-07-000	EA	CLUSTER - INSTRUMENT PANEL - KILOMETER (CSA)
9	108357-03-000	EA	SWITCH - ROCKER - SPDT ON/ OFF/ ON
9	108356-02-01A	EA	SWITCH COVER - W/ DIMPLES - CARLING VVAZC00 BLA
10	108357-10-000	EA	SWITCH - ROCKER - SPDT MOM/ OFF/ MOM
10	108356-04-01A	EA	SWITCH COVER - W/ DIMPLES & LENS - CARLING VVAGC00
	096241-03-000	EA	SWITCH - BLANK
11	104056-21-01A	EA	APPLIQUE - BEZEL - SWITCH RIGHT
12	104056-06-02A	EA	APPLIQUE - BEZEL - RIGHT DRESS UP
13	089294-01-000	EA	LIGHTER ASM. - CIGARETTE
14	104056-22-01A	EA	APPLIQUE - BEZEL - SWITCH LEFT
	P14614-01-F11	EA	DASH ASM - LOWER - W/O VINYL
	106569-07-01A	EA	VINYL - LAMINATE MADRID WILLOW - 1/4" X 17" X 100"
	077031-01-000	EA	FILM - BLACK - 1" X 1.75"
	077031-03-000	EA	FILM - WHITE .75" X 1"
	105615-01-000	FT	FILM - PROTECTIVE - CLEAR
	114620-01-01A	EA	TRIM - DASH - LOWER - WILLOW
	104354-08-01A	EA	APPLIQUE - LOWER DASH
	100138-01-000	EA	MODULE - DAYTIME RUNNING LIGHT (CSA)
	077539-01-000	EA	BRACKET - MOUNTING - DASH PANEL - L/ SHAPED
	112235-01-01A	EA	BEZEL - MONITOR - LEVELING JACK - WILLOW

ELECTRICAL GROUP

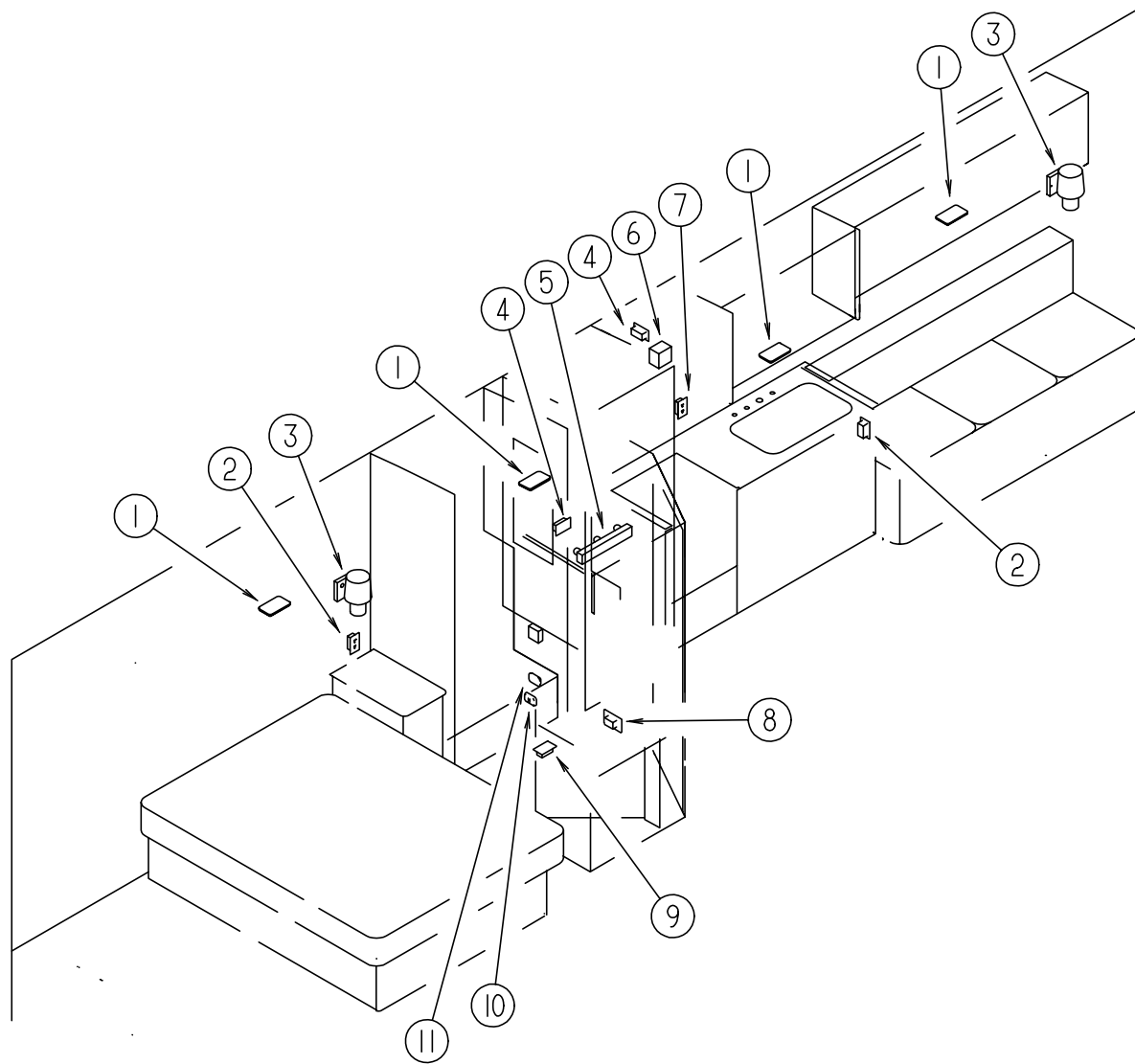
EXTERIOR LIGHTS



KEY	PART NUMBER	U/M	DESCRIPTION
1	111102-01-000	EA	LAMP - MARKER - BASE - TRIPLEX 117XAS
1	036196-01-000	EA	BULB - 12V - #194 - .27 AMP - BAYONETTE
1	111102-02-000	EA	LENS - MARKER LAMP - AMBER - TRIPLEX 118A
1	112823-01-000	EA	SPLICE - REDUCER
2	097917-01-04A	EA	LIGHT - PORCH - ENTRY DOOR - BUFF - US
2	008215-01-000	EA	BULB - 12V - #1003 - .94 AMP
2	097917-01-700	EA	LENS - LIGHT - PORCH
2	008089-02-000	EA	LIGHT- PORCH, RECESSED - CANADIAN
2	008215-01-000	EA	BULB - 12V - #1003 - .94 AMP
2	008089-01-700	EA	LENS - LIGHT - PORCH - CANADIAN
3	111102-01-000	EA	LAMP - MARKER - BASE - TRIPLEX 117XAS
3	036196-01-000	EA	BULB - 12V - #194 - .27 AMP - BAYONETTE
3	111102-03-000	EA	LENS - MARKER LAMP - RED - TRIPLEX 117R
3	112823-01-000	EA	SPLICE - REDUCER
4	115632-01-02A	EA	LIGHT - STOP/TURN/TAIL RED - BARGMAN 3092106
4	115632-03-02A	EA	LIGHT - STOP/TAIL/BACKUP - BARGMAN 3092107
	117379-01-01A	EA	TRIM - TAIL LIGHT - REAR - BUFF
5	115632-03-02A	EA	LIGHT - STOP/TAIL/BACK UP - BARGMAN 3092107
6	066432-02-000	EA	LIGHT - LICENSE
	066432-03-000	EA	BRACKET - LICENSE PLATE - BARGMAN 30-60-030
7	070907-04-000	EA	HEADLAMP ASM-HIGH/LOW HALOGEN - BLACK - KD 923-23-276
	049359-01-000	EA	SPRING - RETAINER - HEADLAMP - GM 496096
	110750-01-000	EA	SCREW - HEADLAMP ADJUSTING
8	089292-01-000	EA	LIGHT - TURN - W/AMBER LENS
	037935-01-000	EA	BULB - 12V - #1157 - 2.1AMP
9	102520-01-000	EA	LIGHT - CLEARANCE - W/O SOCKET CONNECTIONS - AMBER
	102540-01-000	EA	SEAL - SCREW - ROUND - RUBBER
	088474-09-000	EA	HOUSING - SOCKET - 3 CAVITY - AMP 1-480701-0
	088476-01-000	EA	SOCKET - CONNECTOR - BRASS - PRE-TIN
	102541-01-000	EA	GASKET - CLEARANCE LIGHT
	067789-02-000	EA	SOCKET - LAMP

ELECTRICAL GROUP (CONTINUED)

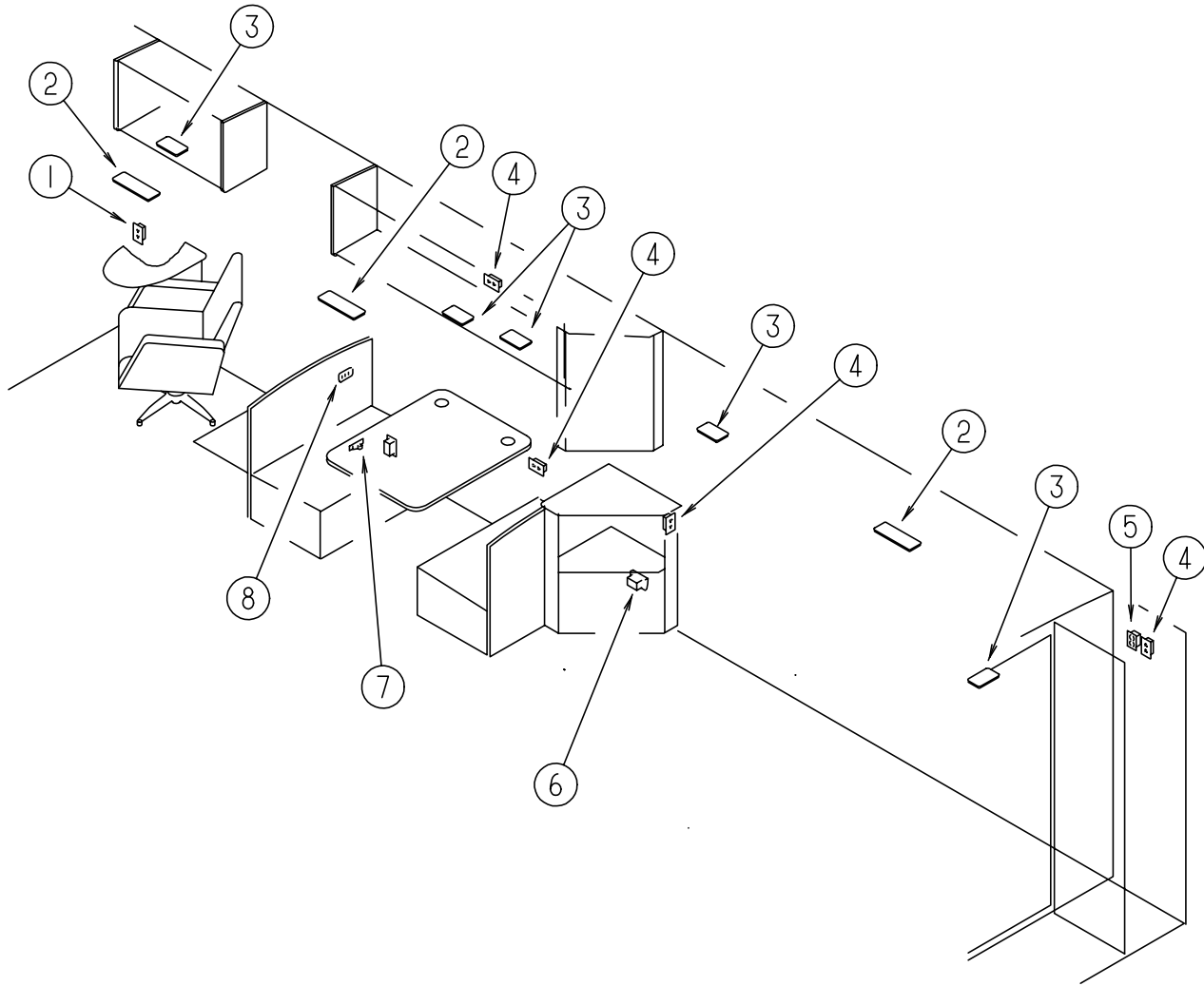
LIGHTS, SWITCHES & RECEPTACLES DRIVERS SIDE



KEY	PART NUMBER	U/M	DESCRIPTION	VENDOR NO.
1	098024-01-01A	EA	LIGHT-DOME, 1 BULB - US - IVORY	
1	008218-01-000	EA	BULB-DOME LIGHT, 12V - NUMBER 1141	
1	098024-01-700	EA	LENS-LIGHT	807877
2	058708-01-000	EA	RECEPTACLE-ELECTRIC, DOUBLE - BROWN	
2	102568-01-GB1	EA	SPACER-RECEPTACLE, SIDEWALL	
3	065202-24-000	EA	LAMP-WALL, BRASS UL/CSA - GUSTAFSON OV-531	
3	065201-12-000	EA	SHADE-LAMP, FABRIC - WHITE SWIRL	
3	067479-01-000	EA	BULB - 12V, NUMBER 1076	
4	058707-01-000	EA	RECEPTACLE - ELECTRIC, SINGLE - BROWN	
5	110235-01-01A	EA	LIGHT-MAKE UP, 3 BULB PANLESS - PD PD200-621 BRASS	
5	081633-01-700	EA	BULB-LIGHT, MAKE-UP	RP1041
6	073937-03-000	EA	SWITCH-ROTARY SELECTOR, 3 DECK - A/C - CA20-USA892	
7	058708-02-000	EA	RECEPTACLE-ELECTRIC, DOUBLE - IVORY	
7	091927-01-000	EA	COVER-RECEPTACLE, DOUBLE - IVORY	
8	084076-02-000	EA	RECEPTACLE-GFI, 15A - 125V - BROWN	
9	058707-02-000	EA	RECEPTACLE-BLANK, JUNCTION - WIRECON WDJ20BR	
10	079364-01-000	EA	SWITCH-ON/OFF ROCKER, 2 PRONGS - BROWN - VANITY	
10	079364-03-000	EA	SWITCH-ON/OFF ROCKER, 3 PRONGS - BROWN - PUMP	
10	098351-02-01A	EA	PLATE-SWITCH, 2 GANG - POLISHED BRASS - JENSEN	
10	095188-01-01A	EA	SPACER-SWITCH, 2.3" X 3.4" - PLASTIC - DARK BROWN	
11	079364-01-000	EA	SWITCH-ON/OFF ROCKER, 2 PRONGS - BROWN - BEDROOM	
11	098351-02-01A	EA	PLATE-SWITCH, 2 GANG - POLISHED BRASS - JENSEN	
11	095188-01-01A	EA	SPACER-SWITCH, 2.3" X 3.4" - PLASTIC - DARK BROWN	

ELECTRICAL GROUP (CONTINUED)

LIGHTS, SWITCHES & RECEPTACLES PASSENGER SIDE



KEY	PART NUMBER	U/M	DESCRIPTION	VENDOR NO.
1	058708-01-000	EA	RECEPTACLE-ELECTRIC, DOUBLE - BROWN	
1	102568-01-GB1	EA	SPACER-RECEPTACLE, SIDEWALL	
2	098024-03-01A	EA	LIGHT-DOME, 2 BULB - IVORY	
2	008218-01-000	EA	BULB-DOME LIGHT, 12V - NUMBER 1141	807877
2	098024-01-700	EA	LENS-LIGHT	
3	098024-01-01A	EA	LIGHT-DOME, 1 BULB - US - IVORY	
3	008218-01-000	EA	BULB-DOME LIGHT, 12V - NUMBER 1141	807877
3	098024-01-700	EA	LENS-LIGHT	
4	058708-01-000	EA	RECEPTACLE-ELECTRIC, DOUBLE - BROWN	
5	076319-09-000	EA	WALLPLATE - CABLE RECEPTACLE - TV - SINGLE - BROWN	
6	112822-01-01A	EA	RECEPTACLE-DUPLEX, IVORY - WIRECON WDRU15IV	
6	112824-01-02A	EA	COVER-EXTERIOR DUPLEX RECEPTACLE, O/W - P&S 3780-SC-CW	
7	061424-01-000	EA	LIGHT-AISLE, 12V - RECTANGULAR	
7	008103-01-000	EA	BULB-DASH/AISLE LIGHT, #53 - 12V - .12 AMP	
8	079364-01-000	EA	SWITCH-ON/OFF ROCKER, 2 PRONGS - BROWN	
8	098351-05-01A	EA	PLATE-SWITCH, 3 GANG - POLISH BRASS - W/LABEL - JENSEN	

ELECTRICAL GROUP (CONTINUED)**TERMINALS**

KEY	PART NUMBER	U/M	DESCRIPTION
	008326-01-000	EA	TERMINAL - RING - 16/14 WIRE - 3/8" STUD
	008328-01-000	EA	TERMINAL - RING - 12/10 WIRE - #10 STUD FIT
	008331-01-000	EA	TERMINAL - RING - TONGUE - #4 WIRE - 3/8" STUD - COPPER
	008348-01-000	EA	TERMINAL - RING - 3/8" STUD - #2 WIRE
	035416-04-000	EA	TERMINAL - RING #10 STUD FITTING - INSULATED BARREL #16/14
	047443-01-000	EA	TERMINAL - .250 RECEPTACLE FITTING - INSULATED - 16/14 AWG
	062036-01-000	EA	TERMINAL - PACK - CONNECTOR - 12/10 AWG - PARKARD 12033817
	062036-02-000	EA	TERMINAL - PACK - CONNECTOR - 16/14 AWG - PARKARD 08917021
	088267-01-000	EA	TERMINAL - FEMALE, 1/4 - PACKARD 2962573
	104100-03-000	EA	TERMINAL - 75 AMP AMP 53880-4 LOOSE
	106655-01-000	EA	TERMINAL - FUSE BLOCK - 14-16AWG - PARKARD 12020321
	106655-02-000	EA	TERMINAL - FUSE BLOCK - 10-12AWG - PARKARD 12020400
	106007-01-000	EA	TERMINAL - FEMALE, 14-16AWG - PARKARD 12015861-L
	113135-01-000	EA	TERMINAL - FEMALE - METRI-PACK - 280 - 14-16 - PARKARD 12066214
	113306-01-000	EA	TERMINAL - FEMALE - METRI-PACK - 480 - 14-16 - PARKARD 12048451
	113307-01-000	EA	TERMINAL - FEMALE - METRI-PACK - 150 - 16-20 - PARKARD 12048074

ELECTRICAL CONNECTORS & CONDUIT

KEY	PART NUMBER	U/M	DESCRIPTION
	041953-01-000	FT	CONDUIT - CONVOLUTE - SLIT - .5"ID
	041953-03-000	FT	CONDUIT - CONVOLUTE - SLIT - 1" ID (CLOTHES ROD COVER)
	041953-04-000	FT	CONDUIT - CONVOLUTE - SLIT - .50"ID
	041953-05-000	FT	CONDUIT - CONVOLUTE - SOLID - .62" ID
	041953-06-000	FT	CONDUIT - CONVOLUTE - SLIT .375"ID
	041953-07-000	FT	CONDUIT - CONVOLUTE - SLIT - .25" ID
	041953-08-000	FT	CONDUIT - CONVOLUTE - SLIT - 1.50"ID
	041953-09-000	FT	CONDUIT - CONVOLUTE - SLIT .50"ID
	041953-10-000	FT	CONDUIT - CONVOLUTE - SLIT - .75" ID
	041953-11-000	FT	CONDUIT - CONVOLUTE - SLIT - 1.06" ID
	041953-12-000	FT	CONDUIT - CONVOLUTE - NON SLIT 1.1" ID
	008311-01-000	EA	CONNECTOR - WIRE NUT - INSULATED - RED
	008312-01-000	EA	CONNECTOR - WIRE NUT - INSULATED - BLUE
	008314-01-000	EA	CONNECTOR - WIRE NUT - INSULATED - GRAY
	008355-01-000	EA	CONNECTOR - CABLE CLAMPING - 3/4"
	008356-01-000	EA	CONNECTOR - PLASTIC - 3/8" AVG
	008398-01-000	EA	CONNECTOR - 1/2" X 90 DEGREE, FLEX CONDUIT - UL & CSA
	082741-01-000	EA	CONNECTOR - BODY - 2 CONNECTOR - MALE
	058028-01-000	EA	CONNECTOR - ELECTRICAL PIGTAIL - NYLON - CLEAR
	041480-01-000	EA	CONNECTOR - STRAIGHT - 1/2" FLEX CONDUIT
	087695-03-000	EA	CONNECTOR - ASSEMBLY - EURAMTEC RT10484802
	088475-01-000	EA	PIN - CONNECTOR - 14 TO 20 AWG
	088476-01-000	EA	SOCKET - CONNECTOR - BRASS - PRE - TIN
	088476-02-000	EA	SOCKET - CONNECTOR - 12-10 GA - PHOS. BRZ - PRE - TIN
	098261-02-000	EA	SOCKET - CONNECTOR, WEATHERPACK - PACKARD 12124580
	098262-01-000	EA	SEAL - CONNECTOR, WEATHERPACK - PACKARD 12010293

CONVERTER & LOAD CENTER

KEY	PART NUMBER	U/M	DESCRIPTION
	113132-01-000	EA	LOAD CENTER - 120/ 240V - 60A - WESCO 2460SGNM
	083208-02-000	EA	CONVERTER - POWER - 45A - 120V/12V - BW 6345
	099048-02-000	EA	INVERTER - 100 WATT - W/EXTRA SURGE CAPACITY

ELECTRICAL GROUP (CONTINUED)**ELECTRICAL HOUSINGS**

KEY	PART NUMBER	U/M	DESCRIPTION
	088473-01-000	EA	HOUSING-PIN, 12 CAVITY - AMP 1-480708-0
	088473-02-000	EA	HOUSING-PIN, 15 CAVITY - AMP 1-480710-0
	088473-03-000	EA	HOUSING-PIN, 9 CAVITY - AMP 1-480706-0
	088473-05-000	EA	HOUSING-PIN, 6 CAVITY - AMP 640585-1
	088473-06-000	EA	HOUSING-PIN, 6 CAVITY - AMP 1-480704-0
	088473-08-000	EA	HOUSING-PIN, 4 CAVITY - AMP 1-480702-0
	088473-09-000	EA	HOUSING-PIN, 3 CAVITY - AMP 1-480700-0
	088473-10-000	EA	HOUSING-PIN, 2 CAVITY - AMP 1-480698-0
	088474-01-000	EA	HOUSING-SOCKET, 12 CAVITY - AMP 1-480709-0
	088474-02-000	EA	HOUSING-SOCKET, 12 CAVITY - AMP 1-480711-0
	088474-03-000	EA	HOUSING-SOCKET, 9 CAVITY - AMP 1-480707-0
	088474-06-000	EA	HOUSING-SOCKET, 6 CAVITY - AMP 1-480705-0
	088474-07-000	EA	HOUSING-SOCKET, 5 CAVITY - AMP 1-480764-0
	088474-08-000	EA	HOUSING-SOCKET, 4 CAVITY - AMP 1-480703-0
	088474-09-000	EA	HOUSING-SOCKET, 3 CAVITY - AMP 1-480701-0
	088474-10-000	EA	HOUSING-SOCKET, 2 CAVITY - AMP 1-480699-0
	098264-01-000	EA	HOUSING - 2 PIN, WEATHER PACK - MALE - PACKARD 12015792
	104100-01-000	EA	HOUSING - 1 POSITION, 75 AMP - AMP 53884-1
	106006-01-000	EA	HOUSING - 1 POSITION, FEMALE - PACKARD 12015952
	113131-01-000	EA	HOUSING - 3 PIN, METRI-PACK - FEMALE - PACKARD12020397
	113468-01-000	EA	HOUSING - 2 POSITION, FEMALE - 56-SERIES - PACKARD 02965981 USED ON WIPER/WASHER WIRE ASM
	115556-01-000	EA	HOUSING - 3 POSITION, FEMALE 59-SERIES - PACKARD 02965810
	115556-02-000	EA	HOUSING - 2 POSITION, FEMALE 59-SERIES - PACKARD 02965809
	119248-02-000	EA	HOUSING - 7 POSTION, FEMALE - PACKARD 12059472

CIRCUIT BREAKERS & FUSES

KEY	PART NUMBER	U/M	DESCRIPTION
	097611-01-000	EA	CIRCUIT BREAKER - 6AMP - ATC - BLACK
	093655-03-000	EA	CIRCUIT BREAKER - 40 AMP USD 17440-4E03A2A
	083209-02-000	EA	CIRCUIT BREAKER - 15/15 AMP - 120V - BW H - 15/15
	083209-03-000	EA	CIRCUIT BREAKER - 15/20 AMP - 120V - BW - 0-15/20
	083209-04-000	EA	CIRCUIT BREAKER - 30A - 120V - BW L - 30
	083209-06-000	EA	CIRCUIT BREAKER - 30/15 AMP - 120V - BW D - 30/15
	083209-07-000	EA	CIRCUIT BREAKER - 20/20A - 120V - BW K - 20/20
	083209-08-000	EA	CIRCUIT BREAKER - BLANK - BW
	112591-01-000	EA	CIRCUIT BREAKER - 16A, 240V
	062901-02-000	EA	FUSE - 5 AMP - AUTOMOTIVE
	062901-05-000	EA	FUSE - 15 AMPS - AUTOMOTIVE
	062901-06-000	EA	FUSE - 20 AMPS - AUTOMOTIVE
	062901-07-000	EA	FUSE - AUTOMOTIVE - 25 AMPS
	062901-08-000	EA	FUSE - 30 AMPS - AUTOMOTIVE
	106656-01-000	EA	FUSE BLOCK - 4 CAVITY AUTOFUSE
	008235-01-000	EA	FUSE-AUTOMOTIVE, 12V - 15AMP
	100341-01-000	EA	FUSE HOLDER-IN LINE TYPE, WESCO 8931-92020
	108669-01-000	EA	HOUSING - AUTO FUSE HOLDER
	062037-01-000	EA	HOUSING - AUTO FUSE - NATURAL
	062037-02-000	EA	HOUSING - AUTO FUSE - GREEN
	062037-03-000	EA	HOUSING - AUTO FUSE - BLACK
	062037-04-000	EA	HOUSING - AUTO FUSE - BLUE
	062037-06-000	EA	HOUSING - AUTO FUSE - BROWN
	062037-07-000	EA	HOUSING - AUTO FUSE - RED

ELECTRICAL GROUP (CONTINUED)

ELECTRICAL WIRING & BOXES

KEY	PART NUMBER	U/M	DESCRIPTION
	008052-01-000	EA	CORD-POWER, 10/3 - 30 AMP - 25' - CANADIAN
	008054-01-000	EA	CORD-POWER, 10/3 - 30 AMP - 25'
	121470-01-000	EA	CORD-EXTENSION, 6'
	008289-01-000	EA	BOX-ELECTRIC, STEEL - 1/2" AND 3/4" KNOCKOUTS - 4" X 4"
	008289-02-000	EA	BOX-ELECTRICAL, 4" X 4" - 1/2" & 3/4" KNOCKOUTS - CANADIAN
	008294-01-000	EA	COVER-ELECTRICAL BOX, BLANK/STEEL - 4" X 4" - GRAY
	069238-01-000	EA	COVER-ELECTRICAL BOX, W/HOLE - 4" X 4" - GRAY USED WITH 30 AMP RECEPTACLE
	074890-01-000	EA	BOX-EXTENSION, STEEL - OPEN SIDES - 4" X 4" X 1 1/2"
	074897-01-000	EA	COVER-ELECTRIC BOX, 1 LARGE & 2 SMALL HOLES - 4" X 4"
	091910-01-000	EA	BOX-ELECTRIC, 3.75" X 3.5" X 1.75" - PLASTIC
	091910-02-000	EA	BOX-ELECTRICAL, PLASTIC - 57 X 88MM
	111509-01-000	EA	BOX ASM-ELECTRICAL, FRONT
	111510-01-000	EA	DOOR-ELECTRICAL BOX, FRONT
	073328-B4-000	EA	CABLE ASSEMBLY-BATTERY, W/TERMINALS
	090986-01-000	EA	WIRE ASM-ELECTRIC STEP, KWIKEE 9009
	096449-01-000	EA	WIRE ASSEMBLY-WATER TANK TO MONITOR PANEL
	097618-01-000	EA	WIRE ASM-MONITOR PANEL, W/3 WIRES & ORANGE RESISTOR- LVS ORANGE RESISTOR W/3 (ORANGE-GREEN-BLUE) WIRES
	100159-01-000	EA	WIRE ASM-DAYTIME RUNNING LIGHTS, W/FUSE
	102636-02-000	EA	WIRE ASM-CLEARANCE LAMPS
	103342-02-000	EA	WIRE ASM-CLEARANCE, UPPER
	103342-03-000	EA	WIRE ASM-CLEARANCE. UPPER RH
	113134-03-000	EA	WIRE ASM-WIPER/WASHER
	108303-01-000	EA	WIRE ASM-REAR AUTO HEATER
	108304-01-000	EA	WIRE ASM-IP, AUX FANS
	110256-01-000	EA	WIRE ASM-IP, GENERATOR
	111915-01-000	EA	WIRE ASM-DAY RUN LAMPS, FUSE
	111915-03-000	EA	WIRE ASM-DAY RUN LAMPS, FUSE
	119456-01-000	EA	WIRE ASM-IP, MAIN (FORD)
	119459-01-000	EA	WIRE ASM-IP, MAIN (CHEVY)
	104016-01-000	EA	WIRE ASM-AUX FANS

DASH SWITCHES

KEY	PART NUMBER	U/M	DESCRIPTION
	077942-01-000	EA	SWITCH-DUMMY, BLACK
	079364-04-000	EA	SWITCH-ON/OFF, ROCKER - BLACK
	087695-02-000	EA	SWITCH-MIRROR HEATER - DAV 4720-12
	096241-03-000	EA	SWITCH-BLANK
	108355-01-000	EA	HOUSING-SWITCH - CARLING VCH
	108356-01-01A	EA	SWITCH COVER W/ 3 GROOVES - CARLING VVCZC00
	108356-02-01A	EA	SWITCH COVER W/ 2 DIMPLES - CARLING CCAZC00
	108356-04-01A	EA	SWITCH COVER W/DIMPLES-LIGHTED-CARLING VVAGC00
	108357-05-000	EA	ROCKER SWITCH, SPDT ON/NONE/ON - CARLING V4D1000B-0
	108357-08-000	EA	ROCKER SWITCH, DPDT ON/NONE/ON - CARLING VDD1S00C-0
	108357-10-000	EA	ROCKER SWITCH, SPDT MOM/OFF/MOM - CARLING V8D1160B-0 LIGHTED

ELECTRICAL GROUP (CONTINUED)

ELECTRICAL COMPONENTS

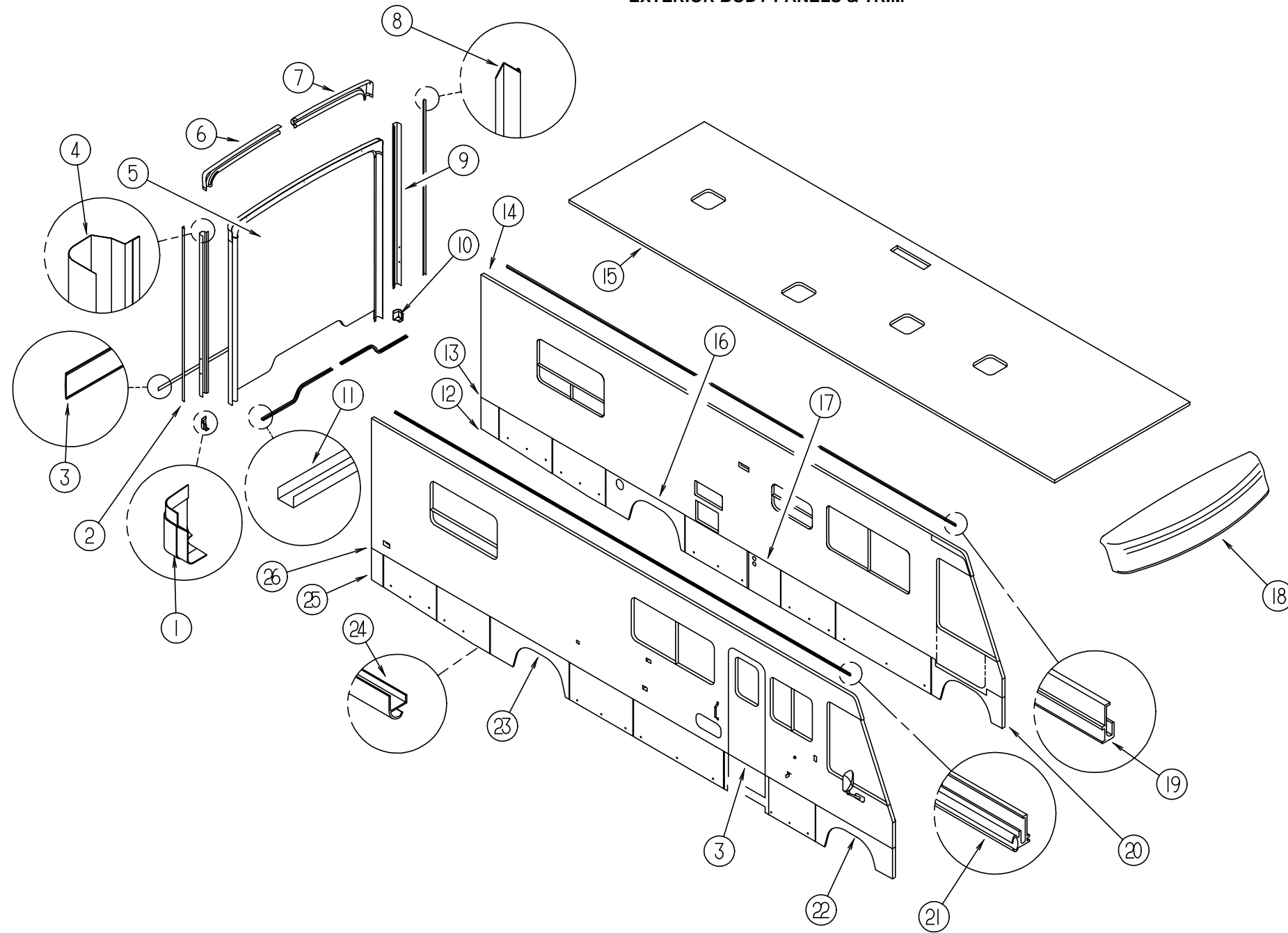
KEY	PART NUMBER	U/M	DESCRIPTION	VENDOR NO.
	007956-05-000	EA	INSULATOR-SHRINK .25ID X 1.50 - BLACK	
	077479-01-000	EA	BOOT-BATTERY TERMINAL, DOUBLE CABLE	
	077479-02-000	EA	BOOT-BATTERY TERMINAL, SINGLE CABLE	
	087225-01-000	FT	SLEEVING - 1/2", TYPE H - VARFLEX	
	087225-02-000	FT	SLEEVING - 5/8", TYPE H - VARFLEX VARGLAS	
	087949-01-000	EA	BUSS BAR - 2 POSITION, .6" X 1.5" - ALUMINUM	
	087949-02-000	EA	BUSS BAR - 3 POSITION, .6" X 2.4" - ALUMINUM	
	103608-01-000	EA	SOCKET-WEDGE BASE W/LEADS - JKL 2944-6 OR EQUIV	
	103987-02-000	EA	SEAL-SOLENOID ACCESS	
	112823-01-000	EA	SPLICE-REDUCER 16-14 TO 18-22 - ETC BA-631X	
	007093-01-000	EA	FLASHER-SIGNAL, STAT	
	008188-01-000	EA	SOLENOID - 3 POST, BATTERY CHANGE OVER	
	063910-01-000	EA	HOUSING-RELAY - BOSCH 3 334 485 008	
	063912-02-000	EA	RELAY-CANISTER, SPDT - BOSCH 0332204101	
	086233-01-000	EA	STUD-ISOLATED, 3/8" X 7/8" LONG	
	086273-01-000	EA	RELAY-BATTERY DISCONNECT	
	115504-01-700	EA	PLUG & CABLE, 10 WATT PANEL	600-016

SOLAR PANEL

KEY	PART NUMBER	U/M	DESCRIPTION	VENDOR NO.
	115505-01-000	EA	MONITOR-SOLAR CHARGER, NAGY IL-1W	
	115504-01-000	EA	PANEL-SOLAR, 10 WATT - NAGY TJN-2SW	
	115504-01-700	EA	PLUG & CABLE, 10 WATT PANEL	600-016

EXTERIOR BODY GROUP

EXTERIOR BODY PANELS & TRIM

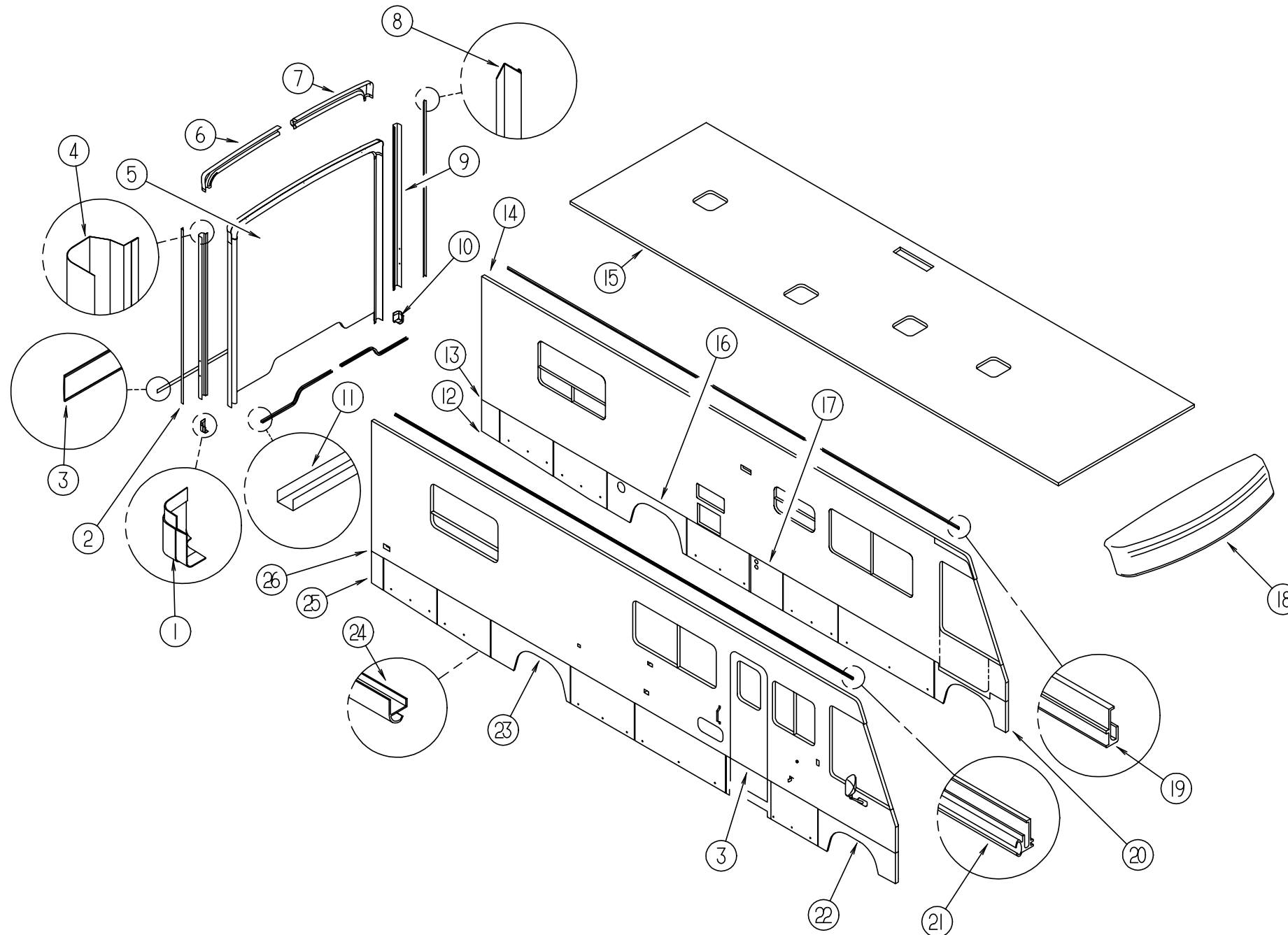


KEY	PART NUMBER	U/M DESCRIPTION
1	119212-01-01A	EA TRIM - BACKWALL, LOWER - RH - BLK
2	120548-01-01A	EA TRIM - J, RH - BACKWALL - W/NOTCH - BUFF
3	108688-01-06A	EA FEATURE STRIP - VW GRAY - 4623MM
	105312-01-06A	FT INSERT - FEATURE STRIP - PEARL FAWN
	108651-02-02A	EA END CAP - FEATURE STRIP
4	114874-03-07B	EA TRIM - BACKWALL - BUFF (PASSENGER SIDE)
5	M08003-01-G15	EA BACKWALL ASM (CHEVY)
5	M08003-01-G16	EA BACKWALL ASM (CHEVY)
5	M08003-01-G17	EA BACKWALL ASM (CHEVY)
5	M08003-02-G15	EA BACKWALL ASM (FORD)
5	M08003-02-G16	EA BACKWALL ASM (FORD)
5	M08003-02-G17	EA BACKWALL ASM (FORD)
6	114872-02-01A	EA TRIM - BACKWALL - TOP - BUFF (PASSENGER SIDE)

KEY	PART NUMBER	U/M DESCRIPTION
7	114873-02-01A	EA TRIM - BACKWALL - TOP - BUFF (DRIVER SIDE)
8	120548-02-01A	EA TRIM - J, LH - BACKWALL - W/NOTCH - BUFF
9	114874-04-07B	EA TRIM - BACKWALL - BUFF (DRIVER SIDE)
10	119212-02-01A	EA TRIM - BACKWALL, LOWER - LH - BLK
11	050406-22-000	EA TRIM - BACKWALL - LOWER LEFT OR RIGHT SIDE - BUFF
12	118657-02-G15	EA PANEL ASM-VALANCE REAR, LH
13	118785-03-01A	EA TRIM-SIDEWALL, HINGE - 4876 MM - VW GRAY
14	M08001-02-G15	EA SIDEWALL ASM (DRIVER SIDE) (W/ DRIVER DOOR)
14	M08001-02-G16	EA SIDEWALL ASM (DRIVER SIDE) (W/ DRIVER DOOR)
14	M08001-02-G17	EA SIDEWALL ASM (DRIVER SIDE) (W/ DRIVER DOOR)
14	M08001-01-G15	EA SIDEWALL ASM (DRIVER SIDE) (W/O DRIVER DOOR)
14	M08001-01-G16	EA SIDEWALL ASM (DRIVER SIDE) (W/O DRIVER DOOR)
14	M08001-01-G17	EA SIDEWALL ASM (DRIVER SIDE) (W/O DRIVER DOOR)

EXTERIOR BODY GROUP

EXTERIOR BODY PANELS & TRIM



KEY	PART NUMBER	U/M	DESCRIPTION
15	P18118-01-G15	EA	ROOF ASM
16	118609-02-G15	EA	WHEEL LIP ASM-REAR, LH
17	118658-01-G15	EA	PANEL ASM-VALANCE, FURNACE
18	115001-01-01A	EA	CAP ROOF - BUFF
19	103801-02-04A	EA	TRIM - ROOF
19	120091-01-01A	EA	TRIM - ROOF, BUFF
20	118528-02-G15	EA	WHEEL LIP ASM-FRONT, LH

FROM: 00-00-00 THRU: 10-08-95

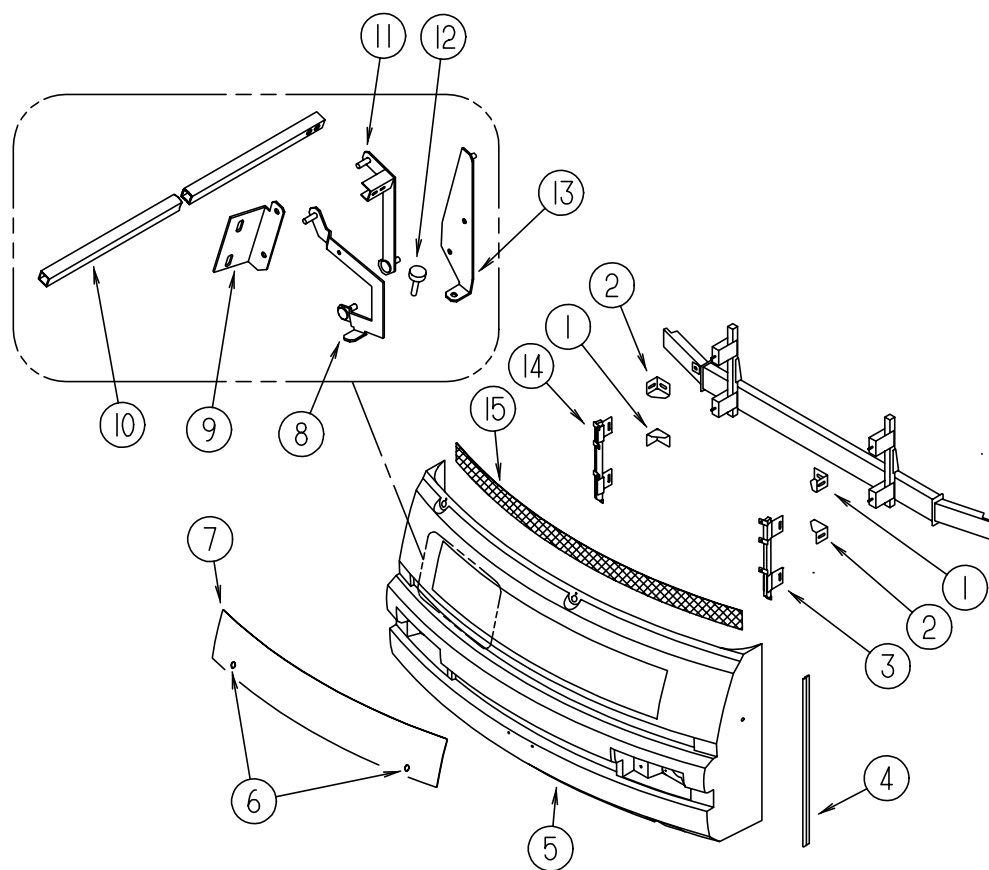
FROM: 10-09-95 THRU: 99-99-99

KEY	PART NUMBER	U/M	DESCRIPTION
21	103802-02-04A	EA	RAIL - AWNING
21	120092-01-01A	EA	RAIL - AWNING, BUFF
22	118528-01-G15	EA	WHEEL LIP ASM-FRONT, RH
23	118609-01-G15	EA	WHEEL LIP ASM-REAR, RH
24	118442-55-002	EA	ROCKER PANEL - EXTRUDED 192" - ANY COLOR
25	118657-01-G15	EA	PANEL ASM-VALANCE REAR, RH
26	P18157-01-G15	EA	SIDEWALL ASM (PASSENGER SIDE)
26	P18157-01-G16	EA	SIDEWALL ASM (PASSENGER SIDE)
26	P18157-01-G17	EA	SIDEWALL ASM (PASSENGER SIDE)

FROM: 00-00-00 THRU: 10-08-95

FROM: 10-09-95 THRU: 99-99-99

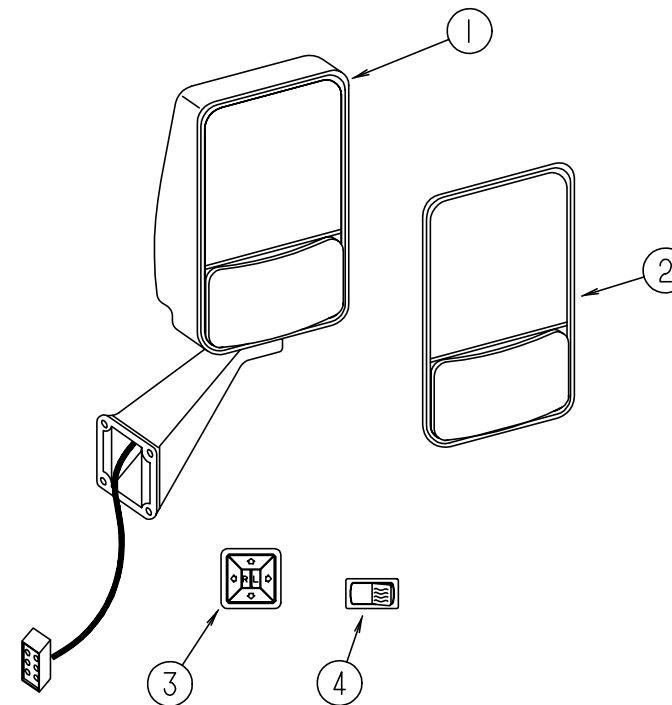
EXTERIOR BODY GROUP (CONTINUED)



FRONT END ASSEMBLY

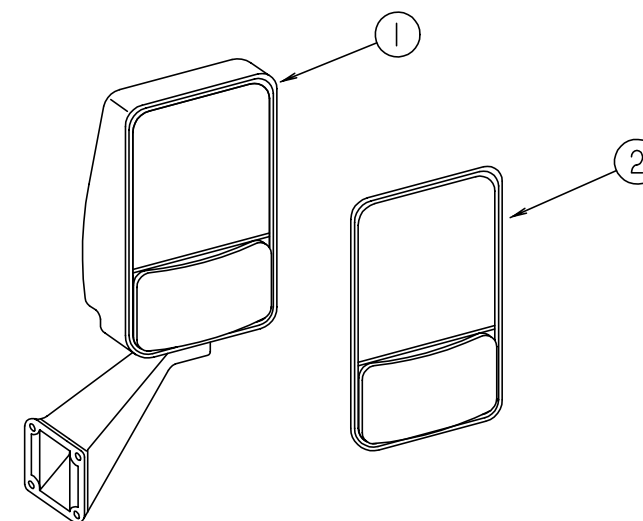
KEY	PART NUMBER	U/M DESCRIPTION
1	117611-04-02B	EA BRACKET - BUMPER
2	117611-03-02B	EA BRACKET - BUMPER
3	118997-02-G35	EA SUPPORT ASM - FRONT PANEL - LH
4	089922-36-000	EA TRIM - FIBERGLASS - PANEL - BUFF
5	118999-03-G15	EA PANEL ASM - FRONT - LOWER
6	102330-02-000	EA HOOD LOCK - SINGLE HOLE - VISE ACTION
	102328-01-000	EA BARREL KEY - HOOD LOCK
7	115976-03-G15	EA PANEL ASM - HOOD - BUFF
8	109930-11-000	EA LINK - HINGE - HOOD - LOWER - RH
	109930-12-000	EA LINK - HINGE - HOOD - LOWER - LH
9	109927-03-000	EA ANGLE - LINK - HOOD - RH
	109927-04-000	EA ANGLE - LINK - HOOD - LH
10	105096-10-000	EA TUBE ASM - TIMING - HOOD HINGE
11	109929-05-000	EA LINK ASM - HINGE - HOOD - UPPER - RH
	109929-06-000	EA LINK ASM - HINGE - HOOD - UPPER - LH
12	058786-01-000	EA BOLT - ADJUSTING - HOOD - W/BLACK PAD - .31" #18 X 2"
13	109926-15-000	EA BRACKET - LINK - HINGE - HOOD - RH
	109926-16-000	EA BRACKET - LINK - HINGE - HOOD - LH
14	118997-01-G35	EA SUPPORT ASM - FRONT PANEL - RH
15	115924-05-01A	EA GRILLE - WOVEN WIRE
	070579-06-000	EA PLATE - ANCHOR - W/ 7/16 WELD NUT - 1.5" X 3.3"
	077001-01-000	EA ANGLE - MOUNTING - ROOF PANEL - V ANGLE - 3" X 2.4" X 1.5"
	106746-01-000	EA PANEL - STEPWELL
	106747-01-000	EA PANEL - STEPWELL - END RH
	106747-02-000	EA PANEL - STEPWELL - END LH
	106765-01-000	EA SUPPORT - BOLT - HOOD ADJUSTING

EXTERIOR BODY GROUP (CONTINUED)



EXTERIOR MIRROR OPTION (REMOTE & HEAT)

KEY	PART NUMBER	U/M DESCRIPTION
1	106015-05-01A	EA MIRROR ASM - EXTERIOR REMOTE & HEAT - PASSENGER SIDE
1	106015-06-01A	EA MIRROR ASM - EXTERIOR REMOTE & HEAT - DRIVER SIDE
2	086261-02-701	EA MIRROR KIT-BEZEL, CONVEX GLASS - HEATED FLAT GLASS - DRIVER SIDE
2	086261-01-704	EA MIRROR KIT-BEZEL, CONVEX GLASS - HEATED FLAT GLASS - PASSENGER SIDE
3	088246-01-000	EA SWITCH - REMOTE - EXTERIOR MIRROR - SQUARE PUSH
4	087695-01-000	EA SWITCH - HEATER - EXTERIOR MIRROR

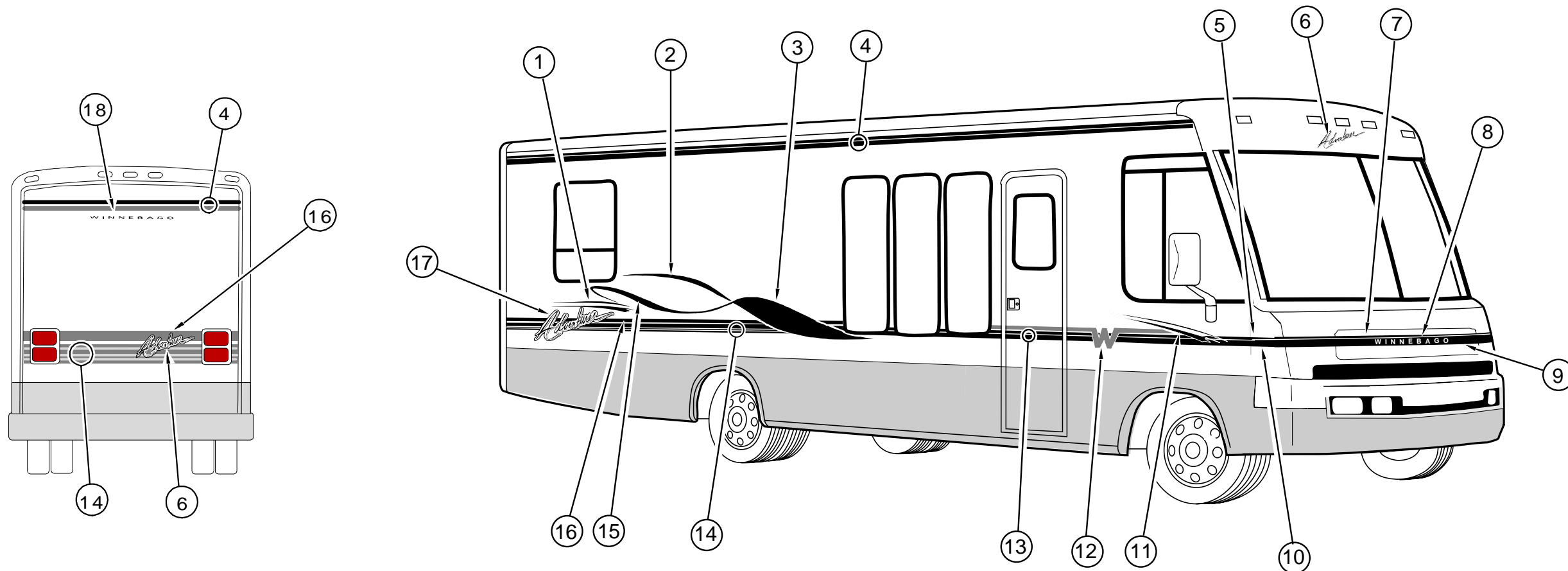


EXTERIOR MIRROR

KEY	PART NUMBER	U/M DESCRIPTION
1	106015-09-01A	EA MIRROR ASM - PASSENGER SIDE
1	106015-10-01A	EA MIRROR ASM - DRIVER SIDE
2	106015-01-703	EA MIRROR KIT (BEZEL W/MIRRORS) PASSENGER SIDE
2	106015-02-702	EA MIRROR KIT (BEZEL W/MIRRORS) DRIVER SIDE

EXTERIOR BODY GROUP (CONTINUED)

DECALS, FILM STRIPES & PAINT



KEY	PART NUMBER	U/M	DESCRIPTION
1	117488-01-01A	EA	DECAL-RIBBON, #4 - RH - AMETHYST/LAGO BLUE
1	117488-02-01A	EA	DECAL-RIBBON, #4 - LH - AMETHYST/LAGO BLUE
2	117484-01-01A	EA	DECAL-RIBBON, #2 - RH - MED BLUE/BLACK
2	117484-02-01A	EA	DECAL-RIBBON, #2 - LH - MED BLUE/BLACK
3	117483-01-01A	EA	DECAL-RIBBON, #1 - RH - MED BLUE/AMETHYST/BLK
3	117483-02-01A	EA	DECAL-RIBBON, #1 - LH - MED BLUE/AMETHYST/BLK
4	094423-07-01A	FT	FILM-OVERLAY, MULTISTRIP 63.5MM - LAGO/AMETHYST/GOLDEN
5	117489-01-01A	EA	DECAL-CORNER, UPPER - RH - LAGO/GOLDEN/AMETHYST
5	117489-02-01A	EA	DECAL-CORNER, UPPER - LH - LAGO/GOLDEN/AMETHYST
6	117482-02-01A	EA	DECAL-ADVENTURER, SMALL - BUFF/GOLDEN/AMETHYST/SLATE
7	117491-01-01A	EA	DECAL-HOOD, UPPER - LAGO/GOLDEN/AMETHYST
8	110889-03-02A	EA	DECAL-LOGO, WINNEBAGO - BUFF
9	117492-01-01A	EA	DECAL-HOOD, LOWER - MED BLUE/GOLDEN
10	117490-01-01A	EA	DECAL-CORNER, LOWER - RH - MED BLUE/GOLDEN
10	117490-02-01A	EA	DECAL-CORNER, LOWER - LH - MED BLUE/GOLDEN
11	117481-01-01A	EA	DECAL-SLASH, RH - AMETHYST/LAGO BLUE
11	117481-02-01A	EA	DECAL-SLASH, LH - AMETHYST/LAGO BLUE
12	117480-01-01A	EA	DECAL-LOGO, W - GOLDEN
13	115335-05-01A	FT	FILM-OVERLAY, MULTISTRIP 31.8MM - MED BLUE/GOLDEN
14	117479-01-01A	FT	FILM-OVERLAY, MULTISTRIP 158.8MM - LAGO/GOLDEN/AMETHYST/AMETHYST
15	117486-01-01A	EA	DECAL-RIBBON, #3 - RH - AMETHYST/BLACK
15	117486-02-01A	EA	DECAL-RIBBON, #3 - LH - AMETHYST/BLACK
16	093681-40-06A	FT	FILM - 50.8MM X 150FT - GOLDEN
17	117482-01-01A	EA	DECAL-ADVENTURER, LARGE - BUFF/GOLDEN/AMETHYST/SLATE
18	110206-02-04A	EA	DECAL-WINNEBAGO - LAGO BLUE
	004308-01-000	EA	PAINT-SPRAY, BLACK
	099399-12-700	EA	PAINT-16OZ SPRAY - ENAMEL/BUFF

DUPONT PAINT COLOR CODES

BUFF G9692
 GRAPHITE METALLIC F0901

EXTERIOR BODY GROUP (CONTINUED)

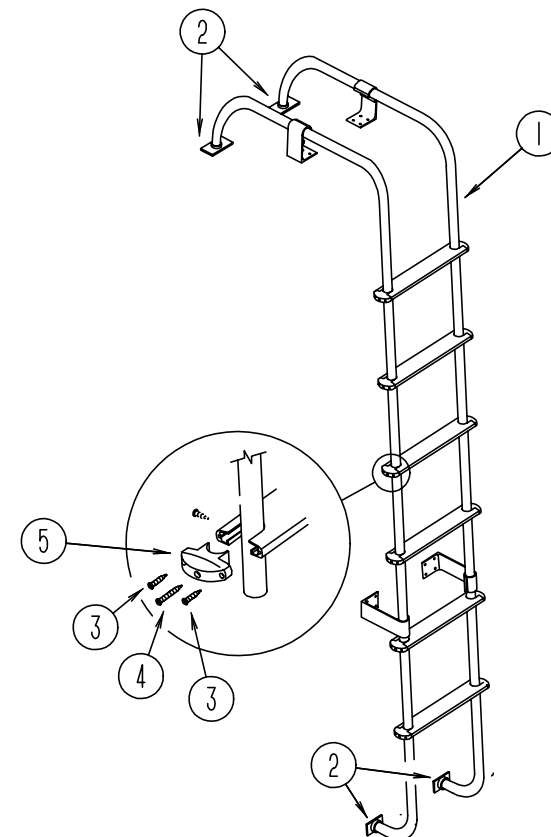
STYROFOAM & FIBERGLASS SHEETING

KEY	PART NUMBER	U/M	DESCRIPTION
	000870-08-000	SF	STYROFOAM - .75" X 48" X 96" - PLANED
	083574-03-000	SF	STYROFOAM - 3/4" X 48" X 96"
	083574-05-000	SF	STYROFOAM - 2.0" X 48" X 96"
	065747-01-000	SF	INSULATION - MICROFOAM - .5" X 72" X 112' ROLL
	076054-T5-000	EA	FIBERGLASS-SHEET, 2572 X 2647 - BUFF
	076054-V1-000	EA	FIBERGLASS SHEET 2008 X 8575 - BUFF
	117754-01-01A	EA	FIBERGLASS-SHEET, 328 X 2448MM - ANY COLOR
	117754-01-05A	EA	FIBERGLASS-SHEET, 328 X 2448MM - BUFF
	117754-01-02A	EA	FIBERGLASS-SHEET, 328 X 2442MM - BRIGHT WHITE
	077517-59-000	EA	FIBERGLASS SHEET - 48" X 96" - BUFF PAINTING IS REQUIRED WHEN USED ON OLDER COACHES
	100619-01-000	BF	FOAM - EXPANDED POLYSTYRENE - 48" X 96" X 1.34"
	100619-04-000	BF	FOAM - EXPANDED POLYSTYRENE - EPS 48" X 96" X .5
	100619-02-000	BF	FOAM - EXPANDED POLYSTYRENE - 48" X 96" X 1.5"
	100619-05-000	BF	FOAM - EXPANDED POLYSTYRENE - 48" X 96" X .75"
	100619-11-000	BF	FOAM - EXPANDED POLYSTYRENE - 48" X 96" X 2"
	100619-13-000	BF	FOAM - EXPANDED POLYSTYRENE - 48" X 96" X .34"
	108535-03-700	EA	FIBERGLASS-FLAT 110" X 396" - BUFF - FOR ROOF SKIN
	108535-05-700	EA	FIBERGLASS-FLAT 110" X 396" - BUFF
	120107-01-000	EA	FOAM-COVE, ROOF - WISCONSIN EPS
	120107-02-000	EA	FOAM-PLUG, ROOF TUBE - WISCONSIN EPS - 45 MM X 74.3 MM
	120107-03-000	EA	FOAM-PLUG, ROOF TUBE - WISCONSIN EPS - 45MM X 54.5 MM
	058804-01-000	EA	AL - .032 X 36.00 X 064.00 1/4 HEX - PERFORATED .79 OPEN
	119389-01-01A	EA	TUBE-W/HOLE MILL - EXTR 119391

EXTERIOR BODY HARDWARE

KEY	PART NUMBER	U/M	DESCRIPTION
	002726-01-001	EA	GARNISH - U-CHANNEL - 1.38" X 19' - SERRATED - MILL ALUMINUM
	002754-01-001	EA	ANGLE - EXTRUDED - .75" X .75" X 18' - MILL ALUMINUM
	044487-01-002	EA	ALUMINUM - .019 X 96.00 X 432"
	055278-51-259	EA	TUBING - STEEL - 12.5'
	058267-01-000	FT	CHANNEL - STEEL - W/ HOLES - SIDEWALL STIFFENER - 2" X 20'
	068716-01-001	EA	BRACE - 90 DEGREE L-ANGLE - 192" - EXTRUDED ALUMINUM
	089297-01-000	SF	PLYWOOD - LUAN - OVERLAY GRADE - 4' X 8'
	089297-02-000	SF	PLYWOOD - LUAN GRADE CC LFE 2.7 MM X 48 X 108

EXTERIOR BODY GROUP (CONTINUED)

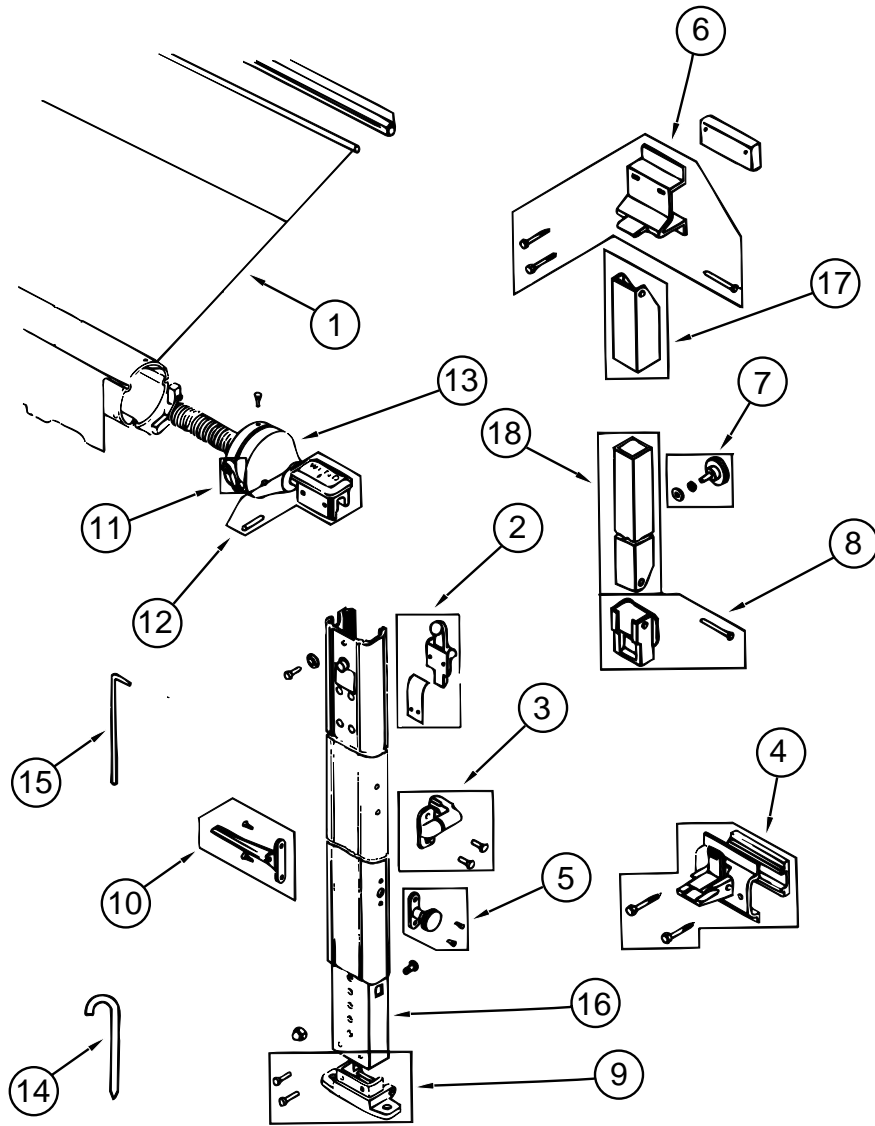


LADDER

KEY	PART NUMBER	U/M	DESCRIPTION
1	102953-11-F31	EA	LADDER ASM
2	067165-01-000	EA	MOUNTING BRACKET - LADDER - LOWER
3	000G39-06-10T	EA	SCREW-SF/ DR - 6 - 20 X 5/8 PPH - BLACK
4	000G68-10-36T	EA	SCREW - 10 - 12 X 2.25 POH BLACK
5	076980-02-000	EA	END CAP - STEP - BLACK
	038327-01-000	EA	TAPE - ANTI SLIP - 2" X 60FT

EXTERIOR BODY GROUP (CONTINUED)

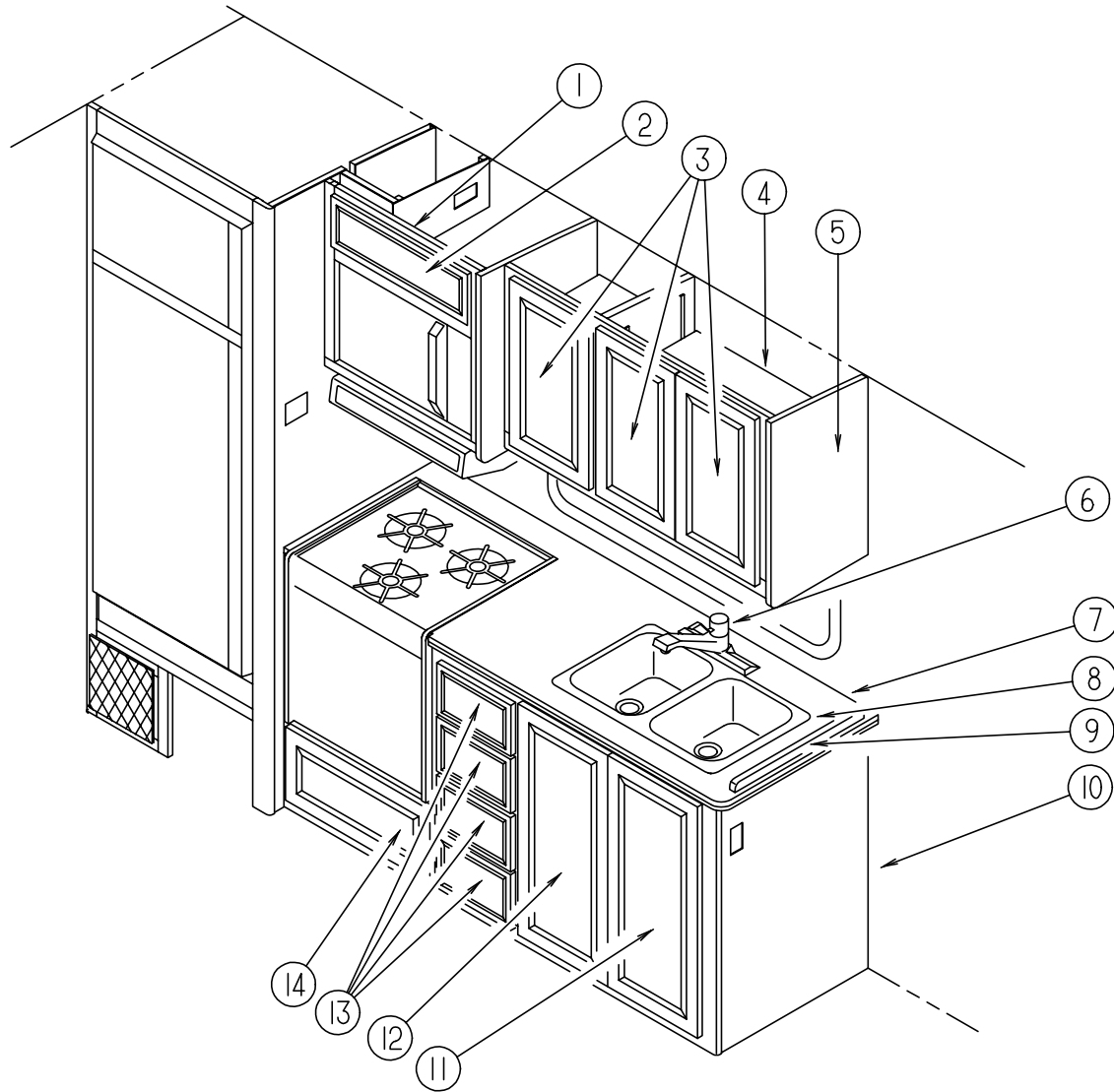
EXTERIOR AWNING (FAULKNER)



KEY	PART NUMBER	U/M	DESCRIPTION	VENDOR NO.
	110634-02-01A	EA	AWNING - HARDWARE KIT - BUFF	
1	110634-07-18A	EA	AWNING - ROLLER ASM - 19'	
2	110634-01-700	EA	RAFTER LOCKING MECHANICAL KIT	7605-0001
3	110634-01-701	EA	SAFETY & LATCH KIT	7509-0001
4	110634-01-702	EA	BOTTOM BRACKET KIT	7512-0001
	111038-01-01A	EA	SPACER - AWNING - LOWER - BLACK	
5	110634-01-703	EA	HEIGHT LOCK HANDLE KIT	7510-0001
6	110634-01-704	EA	UPPER BRACKET KIT W/BOLTS	7505-0001
	111037-01-01A	EA	SPACER - AWNING - UPPER - BLACK	
7	110634-01-705	EA	ULTRA RAFTER KNOB KIT	7522-0001
8	110634-01-706	EA	RAFTER SLIDE KIT	
9	110634-01-707	EA	GROUND BRACKET KIT	7511-0001
10	110634-01-708	EA	LIFT HANDLES W/ RIVETS	7000-0001
11	110634-01-709	EA	RATCHET HANDLE KIT	7507-0001
12	110634-01-710	EA	ARM CAP KIT	7503-0001
13	110634-01-711	EA	FRONT SPRING ASM	6598-0001
	110634-01-712	EA	REAR SPRING ASM	6599-0001
	110634-01-713	EA	REAR END CAP KIT	7504-0001
14	110634-01-714	EA	STAKE (4 PER BAG)	5208-0001
15	110634-01-715	EA	PULL DOWN WAND	7604-0001
16	110634-01-721	EA	ARM - INNER - FRONT - BUFF	5686-0001
16	110634-01-722	EA	ARM - INNER - REAR - BUFF	5687-0001
17	110634-01-723	EA	RAFTER - OUTER - BUFF	5688A0001
18	110634-01-724	EA	RAFTER - INNER - BUFF	5689A0001
	110634-12-02A	EA	SHIM-FILLER, LOWER BRACKET	

GALLEY GROUP

GALLEY CABINETS & FIXTURES

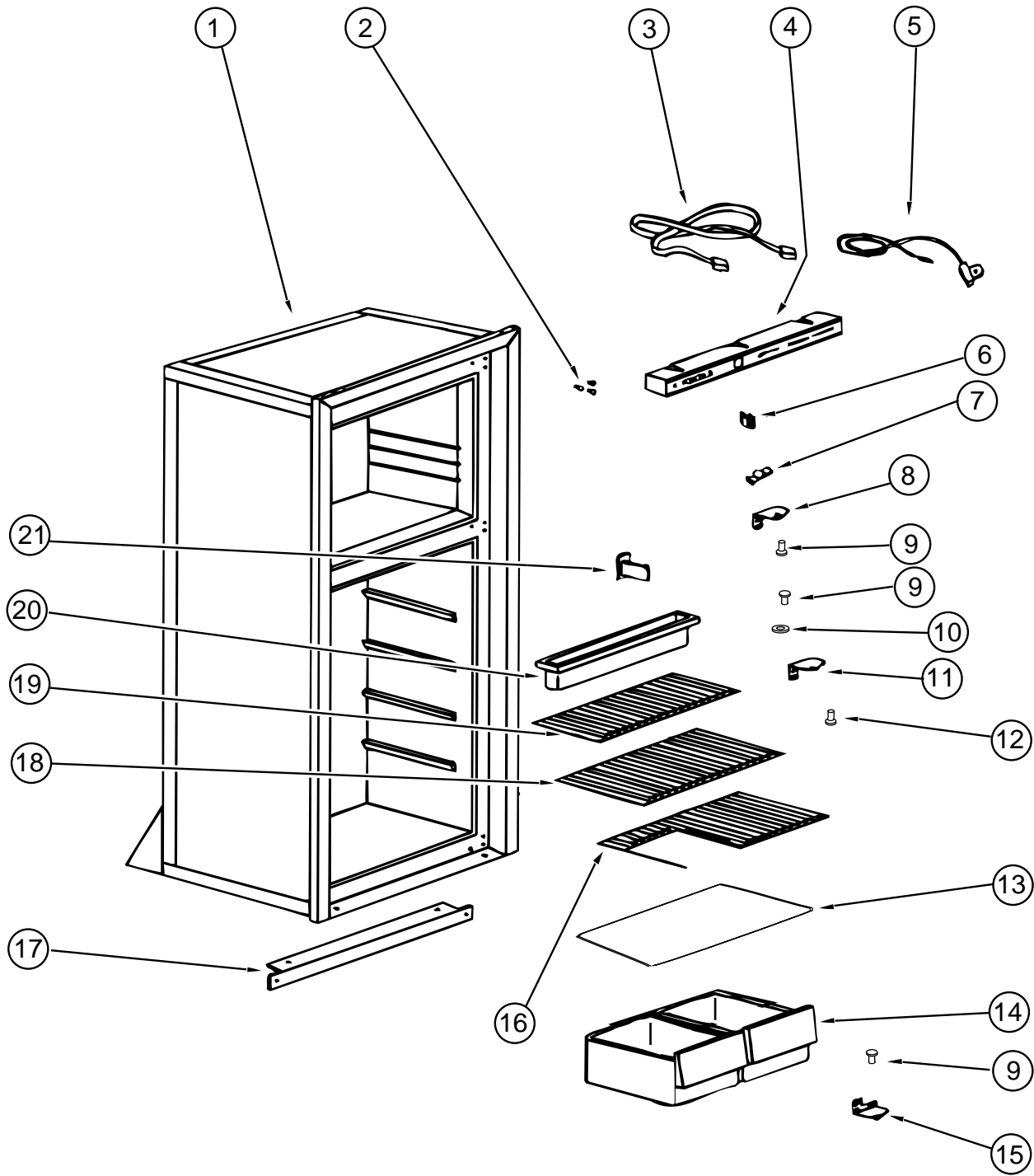


KEY	PART NUMBER	U/M	DESCRIPTION
1	114390-01-G15	EA	CABINET ASM - MICROWAVE OVERHEAD
	116592-01-G09	EA	CABINET ASM - A/C SWITCH
2	M05992-11-G15	EA	DOOR ASM - CABINET W/OGEE EDGE 7.1" X 21.9"
3	M06803-29-G15	EA	DOOR ASM - W/O HARDWARE - 305 X 555
3	M06803-29-G16	EA	DOOR ASM - W/O HARDWARE - 305 X 555
3	M06803-29-G17	EA	DOOR ASM - W/O HARDWARE - 305 X 555
4	P18158-02-G15	EA	CABINET ASM - OVERHEAD - GALLEY
5	081319-17-G35	EA	END CAP ASM. - OVERHEAD - GALLEY
6	103243-01-000	EA	FAUCET-GALLEY - DUAL CONTROL
6	091253-01-000	EA	GASKET-FAUCET,LAVATORY
7	117999-11-G15	EA	COUNTERTOP ASM. (G15,G16)
7	117999-11-G17	EA	COUNTERTOP ASM. (G17)
	108464-04-F40	EA	COVER - SINK, 15" X 15" (G15,G16)
	108464-04-E08	EA	COVER - SINK, 15" X 15" (G17)
8	110654-01-000	EA	SINK - STAINLESS STEEL LARGE/ SMALL BASIN - DOUBLE
	092303-01-000	EA	STRAINER - SINK
9	098335-02-F12	EA	RAIL - GALLEY (G15, G16)
			FROM: 00-00-00 THRU: 03-07-96
9	098335-02-E08	EA	RAIL - GALLEY (G17)
			FROM: 00-00-00 THRU: 03-07-96
9	098335-07-F40	EA	RAIL - GALLEY (G15, G16)
			FROM: 03-08-96 THRU: 99-99-99
9	098335-07-G42	EA	RAIL - GALLEY (G17)
			FROM: 03-08-96 THRU: 99-99-99
10	M07598-01-G15	EA	GALLEY CABINET ASM. - W/ COUNTERTOP (G15, G16)
10	M07598-01-G17	EA	GALLEY CABINET ASM. - W/ COUNTERTOP (G17)
11	M06803-N7-G15	EA	DOOR ASM - W/O HARDWARE 0345 X 0690
12	M06803-N8-G15	EA	DOOR ASM - W/O HARDWARE 0345 X 0690
13	M05971-11-G15	EA	DRAWER ASM. - W/O HARDWARE
14	M05971-P8-G15	EA	DRAWER ASM. - W/O HARDWARE

GALLEY GROUP (CONTINUED)

REFRIGERATOR (NORCOLD 6182)

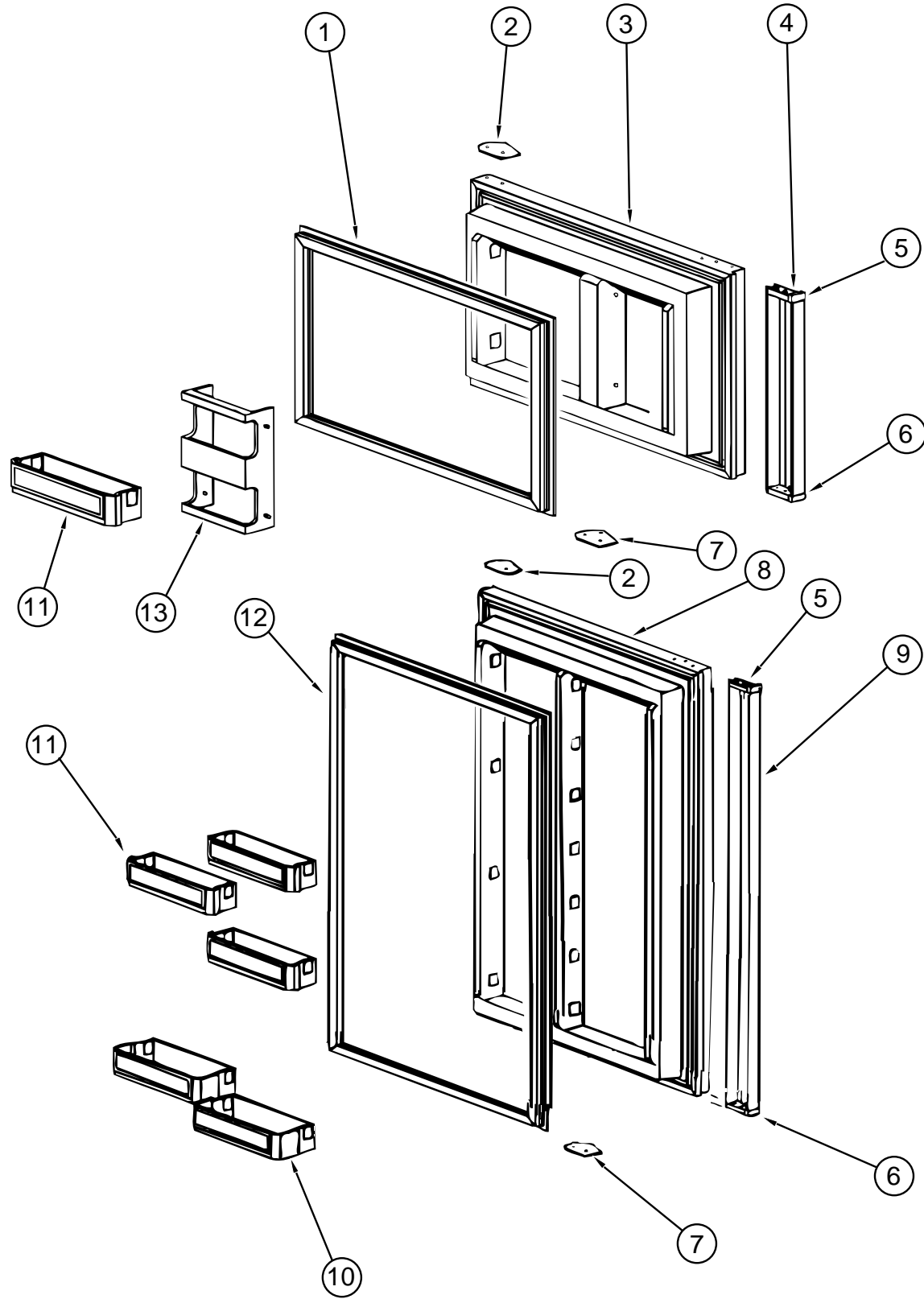
CABINET ASM. & COMPONENTS



KEY	PART NUMBER	U/M	DESCRIPTION	VENDOR NO.
	104137-07-01A	EA	REFRIGERATOR - LARGE DBL DOOR 2-WAY	
1	104137-06-708	EA	FOAMED CAB ASM (BLACK W/ WHITE)	61725138
2	094039-01-722	EA	HOLE PLUG (BLACK) HINGE HOLES	61582030
3	084880-01-746	EA	CABLE	61571522
4	104137-06-700	EA	EYEBROW SHELL (2-WAY)	61726622
5	084880-01-753	EA	THERMISTER 78"	61693822
6	075217-01-738	EA	SWITCH - HUMIDITY	61525922
7	084880-01-760	EA	CLIP (THERMISTER)	61689122
8	094039-01-723	EA	HINGE BRACKET - TOP RH - BOTTOM - LH - BLACK	61580838
9	094039-01-725	EA	HINGE PIN (BLACK)(MALE)	61578130
	084880-03-702	EA	HINGE PIN TOP/BTM FEMALE	61580630
10	084880-01-749	EA	HINGE BUSHING	615807
11	094039-01-728	EA	HINGE BRACKET - CENTER - BLACK	61566530
12	094039-01-730	EA	HINGE PIN SHAFT (BLACK) CENTER HINGE	61566730
13	084880-01-722	EA	CRISPER COVER	615641
14	104137-06-707	EA	CRISPER (WHITE)	61571325
15	094039-01-724	EA	HINGE BRACKET - TOP LH - BOTTOM - RH - BLACK	61580938
16	094039-01-739	EA	SHELF (CUTOUT)	61646722
17	094039-01-732	EA	FRONT COVER (BLACK) BOTTOM TRIM	61622130
18	094039-01-733	EA	WIRE SHELF (MIDDLE)	61563822
19	104137-06-706	EA	WIRE SHELF (SHORT)	61718222
20	094039-01-735	EA	INSIDE DRIP TRAY (WHITE)	61572830
21	084880-01-732	EA	LATCH	61578522
	094039-01-736	EA	SWITCH - LIGHT - BLACK	61581022
	104137-06-727	EA	SHELF - FREEZER - WHITE	618057

GALLEY GROUP (CONTINUED)

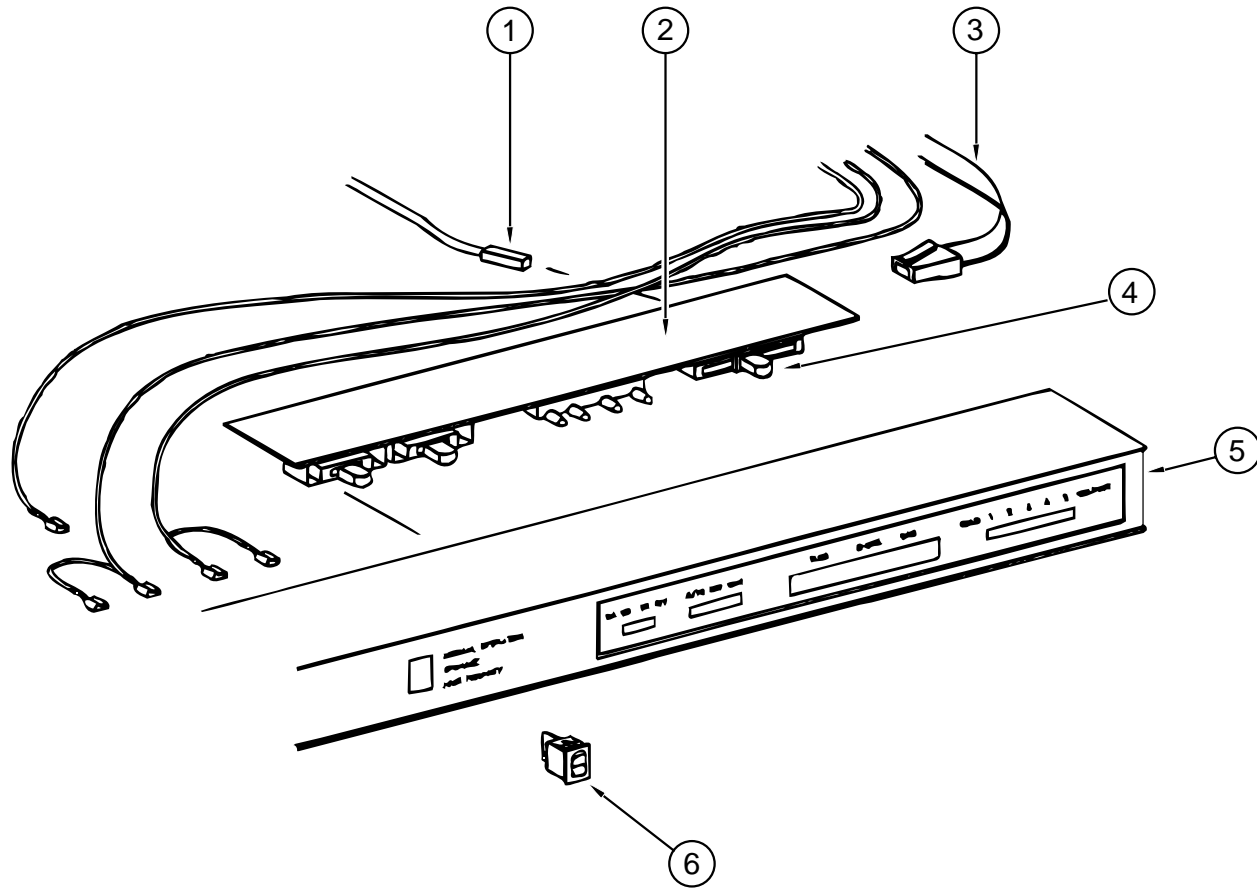
REFRIGERATOR (NORCOLD 6182)



DOORS (NORCOLD 6182)

KEY	PART NUMBER	U/M DESCRIPTION	VENDOR NO.
1	094039-01-702	EA GASKET (GRAY) UPPER	61567830
2	094039-01-710	EA PLATE - HINGE - BLACK	61631330
3	094039-01-706	EA UPPER DOOR LINER (WHITE) BLACK	61581838-B
4	094039-01-708	EA DOOR HANDLE ASM - UPPER - BLACK	61650038
	084880-01-720	EA SPRING (FOR DOOR HANDLE)	61558822
5	084880-01-761	EA END CAP (SPRING CATCH) BLACK	61593730
6	084880-01-740	EA END CAP (STOP CATCH)	61593830
7	094039-01-704	EA PLATE - HINGE - BLACK	61631430
8	094039-01-715	EA LOWER DOOR LINER (BLACK/WHITE)	61581738-B
9	094039-01-717	EA DOOR HANDLE ASM - LOWER (BLACK)	61649938
	084880-01-720	EA SPRING (FOR DOOR HANDLE)	61558822
10	104137-06-704	EA BIN - MILK - WHITE	61579425
11	104137-06-703	EA BIN - DOOR SHELF (WHITE)	61564025
12	094039-01-713	EA DOOR GASKET (LOWER) GRAY	61568030
13	104137-06-702	EA RACK - JUICE (WHITE)	61580525

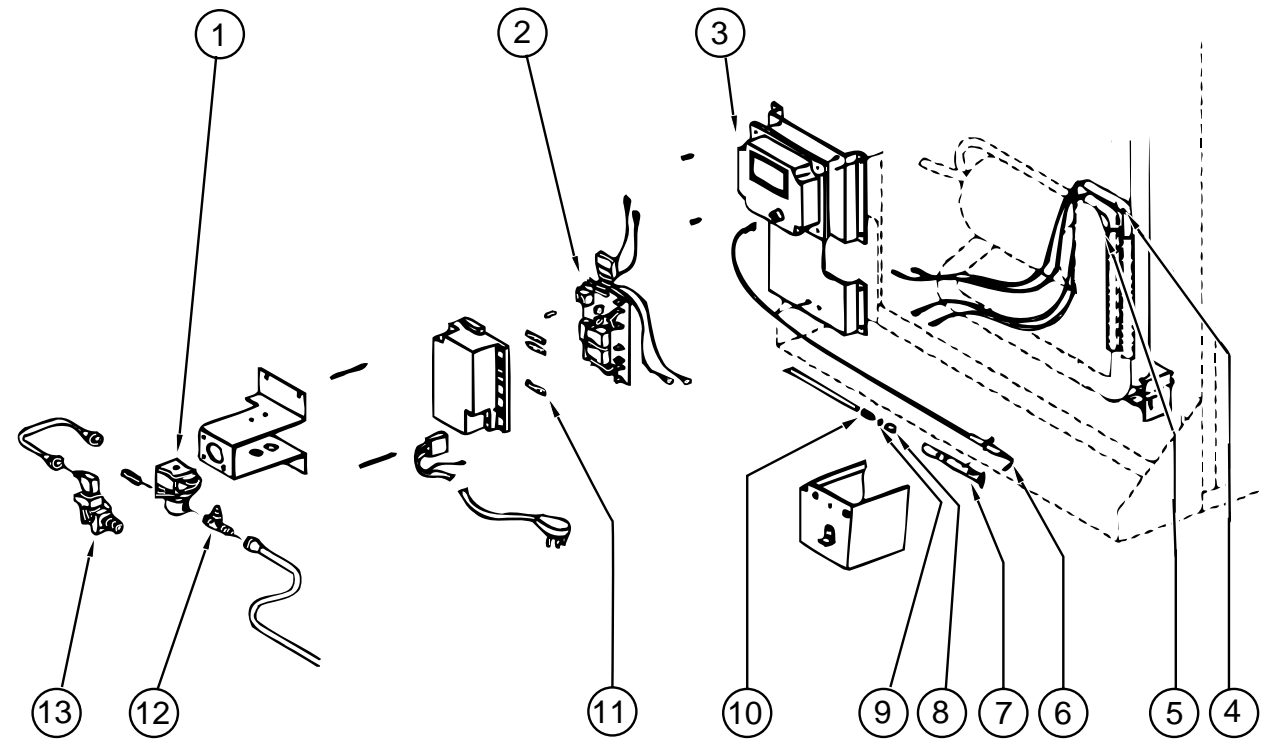
GALLEY GROUP (CONTINUED)



REFRIGERATOR EYEBROW ASM. (NORCOLD 6182)

KEY	PART NUMBER	U/M	DESCRIPTION	VENDOR NO.
1	084880-01-753	EA	THERMISTER 78"	61693822
2	094039-04-700	EA	PRINTED CIRCUIT BOARD - 2 WAY	1647322
3	084880-01-746	EA	CABLE	61571522
4	102621-01-703	EA	BUTTON - THERMOSTAT - ADJUSTABLE	61587422
5	104137-06-700	EA	EYEBROW SHELL (2-WAY)	61726622
6	075217-01-738	EA	SWITCH - HUMIDITY	61525922

GALLEY GROUP (CONTINUED)

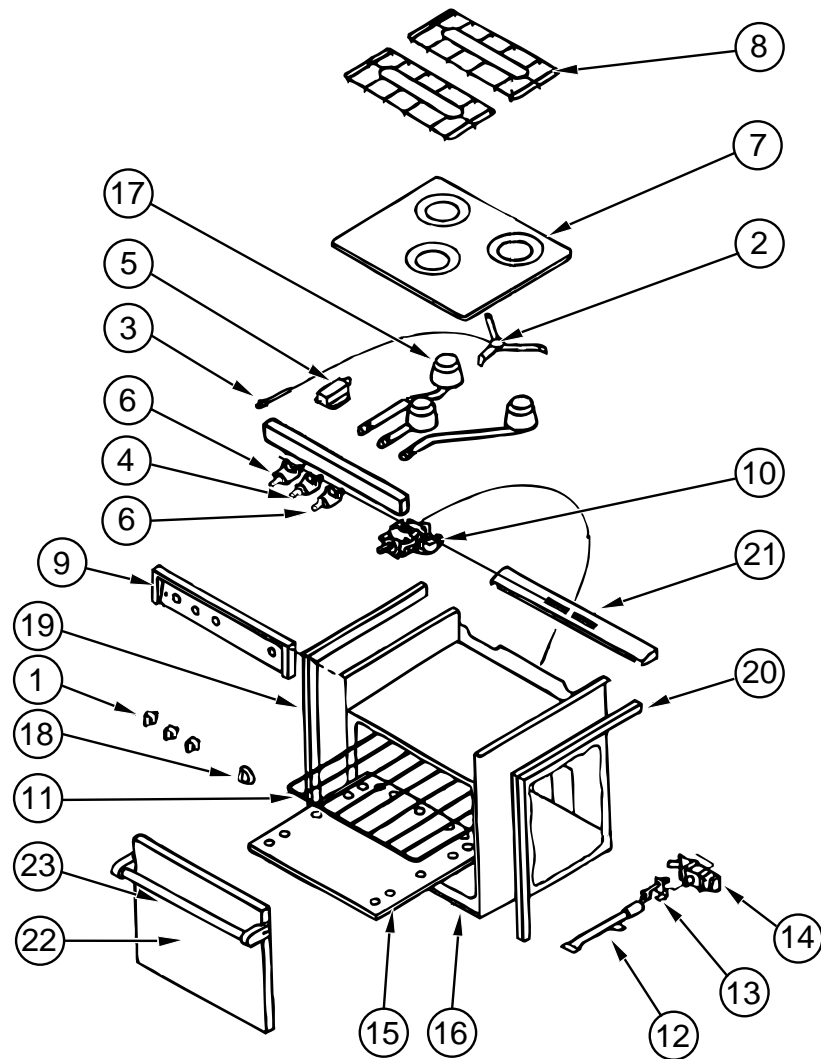


REFRIGERATOR CONTROL ASM. (NORCOLD 6182)

KEY	PART NUMBER	U/M	DESCRIPTION	VENDOR NO.
1	084880-01-718	EA	VALVE - GAS	61551822
2	094039-04-702	EA	POWER SUPPLY (2 WAY)	61647422
3	104137-02-700	EA	CHANNEL - CONTROL MODULE	61717037
4	088248-01-710	EA	HEATER - DC (HORIZONTAL) 3 WAY	615628
5	088248-01-709	EA	HEATER - AC (HORIZONTAL)	615627
6	104137-06-715	EA	ELECTRODE - SPARK / SENSOR (SINGLE)	61692222
7	104137-06-714	EA	BURNER ASSEMBLY (5-SLOT)	61705222
8	084880-01-705	EA	ORIFICE	614522
9	104137-06-713	EA	ORIFICE GASKET	61475122
10	104137-06-712	EA	FITTING - GAS TUBE CONNECTION	61692722
11	104137-06-711	EA	FUSE 5 AMP	61611622
12	104137-06-710	EA	PRESSURE TAP	61594422
13	104137-06-709	EA	VALVE SHUT - OFF - MANUAL ASM	61694922
	084880-03-701	EA	COOLING UNIT (HORIZ BURNER)	61687337

GALLEY GROUP (CONTINUED)

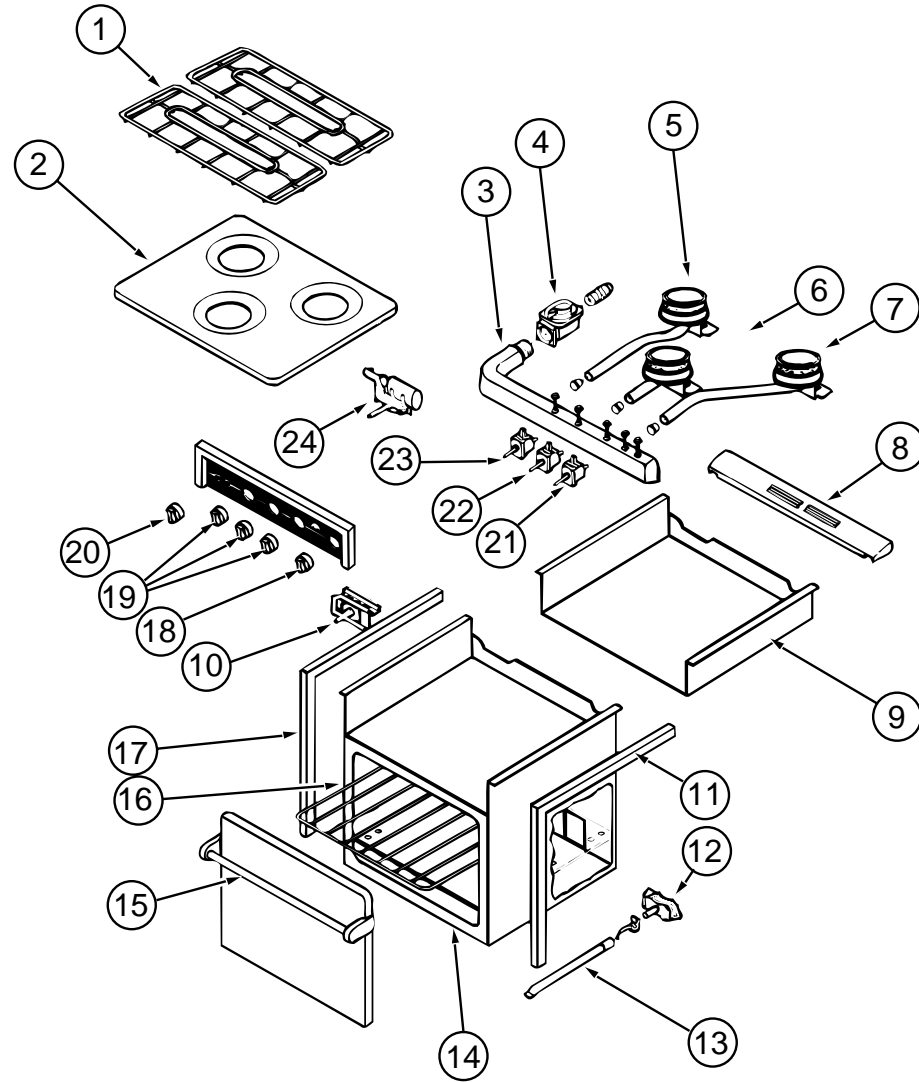
ATWOOD RANGE, 3 BURNER (BLACK R-2136BG)



KEY	PART NUMBER	U/M	DESCRIPTION	VENDOR NO.
	107246-01-01A	EA	RANGE - W/ OVEN - 21" 3 - BURNER BLACK	
			FROM: 00-00-00 THRU: 02-28-96	
	107314-01-01A	EA	RANGE COVER - BIFOLD 21" BLACK	
	105458-03-000	EA	BRACKET - TIEDOWN - STOVE - RIGHT	
	105458-04-000	EA	BRACKET - TIEDOWN - STOVE - LEFT	
1	101593-01-703	EA	KNOB - BURNER	53000
2	106689-01-701	EA	SPARK - IGNITOR ASM - HIGH OUTPUT	53078
3	106689-01-702	EA	PIEZO PUSH BUTTON	52279
4	106689-01-703	EA	VALVE - BURNER - ROBERT SHAW 9000 BTU	53047
5	106689-01-704	EA	REGULATOR W/EXTREME PRESSURE	52154
6	107323-01-719	EA	VALVE - BURNER - HARPER WYMAN 5200 BTU	51138
6	106689-01-705	EA	VALVE - BURNER - ROBERT SHAW 5200 BTU	52123
7	107246-01-700	EA	TOP - MAIN - BLACK	53083
8	107246-01-701	EA	GRATE - BURNER	53050
9	107246-01-702	EA	COVER - MANIFOLD	53072
10	107246-01-703	EA	THERMOSTAT ROBERT SHAW	52122
11	107246-01-704	EA	RACK - OVEN	51069
12	107246-01-705	EA	BURNER - OVEN	52018
13	107246-01-706	EA	PILOT ASSEMBLY - OVEN	52242
14	107246-01-707	EA	VALVE - SAFETY	51177
15	107246-01-708	EA	SHELF - OVEN - LOWER	51657
16	107246-01-709	EA	TRIM - LOWER - BLACK	53526D
17	107246-01-710	EA	BURNER - HIGH OUTPUT	53069
18	107246-01-711	EA	KNOB - THERMOSTAT	53001
19	107323-01-702	EA	TRIM LEFT	53023
20	107323-01-703	EA	TRIM RIGHT	53024
21	107323-01-705	EA	TRIM VENT	53525
	107323-01-710	EA	GRATE CLIP	53301
	107323-01-711	EA	RUBBER GRATE CUSHION	53008
22	107246-01-717	EA	DOOR - OVEN ASM - BLACK GLASS LARGE	51835
22	107323-01-713	EA	BLACKGLASS INSERT - W/ HOLE	53426
23	107323-01-714	EA	HANDLE ASM. - DESIGNER STYLE	51112
	107323-01-709	EA	HANDLE END CAP - W/O HOLE	53424

GALLEY GROUP (CONTINUED)

RANGE W/OVEN - R2137BGP

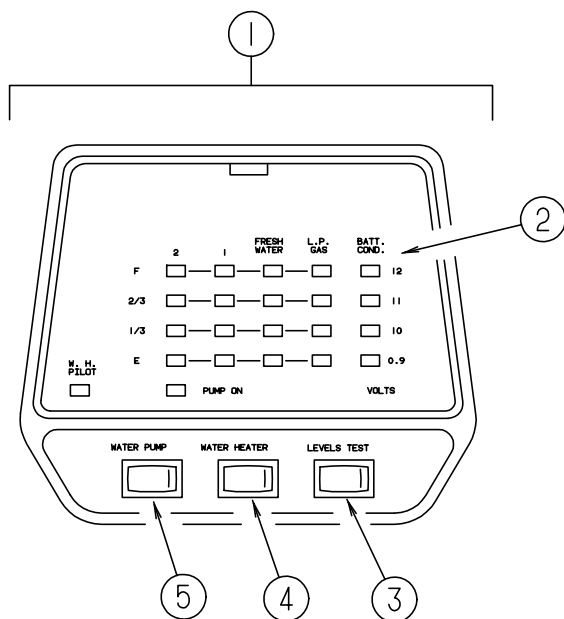


KEY	PART NUMBER	U/M	DESCRIPTION	VENDOR NO.
	121758-01-01A	EA	RANGE - W/ OVEN - BLACK - R-2137BGP	
			FROM: 02-29-96 THRU: 99-99-99	
1	107246-01-701	EA	GRATE - BURNER	53050
	107323-01-711	EA	CUSHION - GRATE - RUBBER	53008
	107323-01-716	EA	CLIP - GRATE - GREEN	50005
2	121758-01-714	EA	RANGE - TOP - ALMOND	53082
3	121758-01-709	EA	MANIFOLD 3 BURNER	51272
	121758-01-713	EA	COVER - MANIFOLD	56107
4	106689-01-704	EA	REGULATOR - EXTREME PRESSURE	51062
5	121758-01-707	EA	BURNER LEFT REAR PIEZO	56066
6	121758-01-708	EA	BURNER CENTER (HIGH OUTPUT)	56068
7	121758-01-706	EA	BURNER RIGHT REAR PIEZO	56067
8	107323-01-705	EA	TRIM - VENT	53525
9	121758-01-711	EA	BURNER BOX	51684
10	107246-01-703	EA	THERMOSTAT - ROBERT SHAW	52122
11	107323-01-703	EA	TRIM-RIGHT	53024
12	107246-01-706	EA	PILOT ASM. - ONLY (OVEN)	51065
13	107246-01-705	EA	BURNER - OVEN	52018
14	107246-01-709	EA	TRIM - LOWER - BLACK	53526D
15	107323-01-714	EA	HANDLE ASM. DESIGNER STYLE	51112
	107323-01-713	EA	GLASS - BLACK - INSERT OVEN DOOR	53426
16	107246-01-704	EA	RACK - OVEN	51069
	107246-01-708	EA	SHELF - OVEN - LOWER	51657
17	107323-01-702	EA	TRIM - LEFT	53023
18	121758-01-703	EA	KNOB THERMOSTAT	56094
19	121758-01-712	EA	KNOB - BURNER (3)	56093
20	121758-01-700	EA	KNOB (TURN STYLE) PIEZO IGNITOR	56095
21	121758-01-710	EA	VALVE - BURNER	56086
22	121758-01-705	EA	VALVE HIGH OUTPUT	56087
23	121758-01-710	EA	VALVE - BURNER	56086
24	121758-01-701	EA	IGNITOR PIEZO (ROTARY)	56096
	121758-01-702	EA	ELECTRODE WIRE (PIEZO IGNITOR)	56097
	107246-01-707	EA	VALVE - SAFETY W/ PILOT COMP	51063

GALLEY GROUP (CONTINUED)

MICROWAVE OVEN

KEY	PART NUMBER	U/M DESCRIPTION	VENDOR NO.
	115303-01-000	EA OVEN - MICROWAVE	
	115303-01-700	EA TRIM F/VENT, TOP	2100309
	115303-01-701	EA PANEL - DOOR, OUTER	2060393
	115303-01-702	EA TOUCH PANEL OVERLAY	206-0435
	115303-01-703	EA DOOR PANEL OVERLAY	220-137
	098916-14-01A	EA BRACE - MICROWAVE CABINET - LEFT	
	098916-15-01A	EA BRACE - MICROWAVE CABINET - RIGHT	
	115401-01-01A	EA TRIM - MICROWAVE - BLACK	
	094756-02-01A	EA BRACKET - MICROWAVE - 6.1" LONG X 3.9" WIDE - STEEL - TAN	
	094756-01-02A	EA BRACKET - ANGLE - W/ HOLES - MILL	



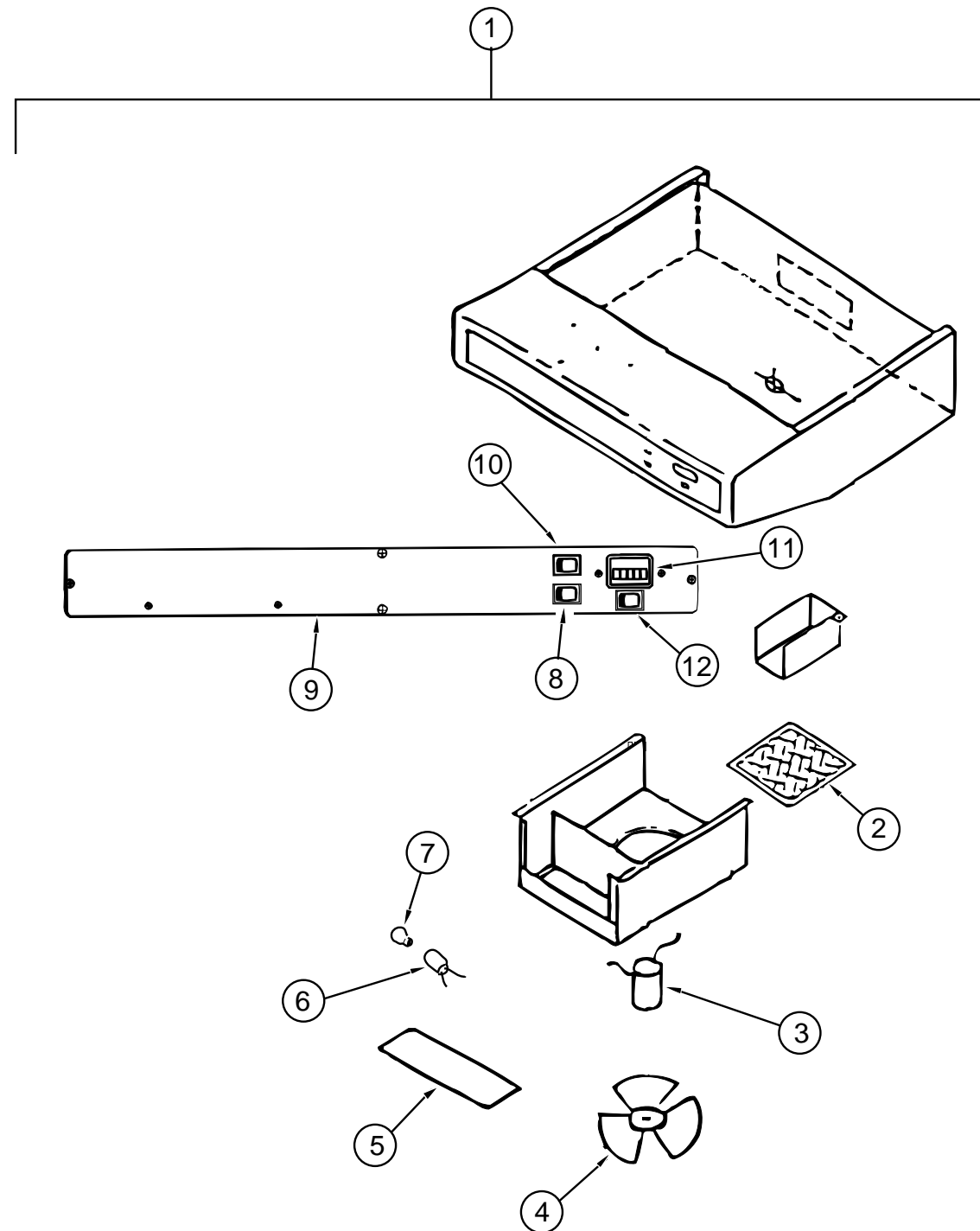
MONITOR PANEL (2 WATER TANKS & WATER HEATER)

KEY	PART NUMBER	U/M DESCRIPTION	VENDOR NO.
1	102765-04-01A	EA PANEL - MONITOR - W/ PLUG - 2 TANKS & WATER HEATER - LVS	
2	102765-04-700	EA CIRCUIT BOARD - 2 HOLDING TANKS	5076-11
3	097617-01-702	EA SWITCH (ALMOND)	107
4	097617-01-701	EA SWITCH - ON/OFF - ALMOND	106
5	102765-01-700	EA SWITCH - ON-ON - ALMOND	110-01

COFFEEMAKER (BLACK & DECKER)

KEY	PART NUMBER	U/M DESCRIPTION	VENDOR NO.
	103799-01-02A	EA COFFEEMAKER - GRAY - W/GLASS POT	
	103799-02-01A	EA COFFEEMAKER - W/CLOCK, WHITE	
	103799-01-700	EA POT - CARAFE, GLASS	67940
	103799-01-701	EA BRACKETS, WHITE PAIR	164734-06 B & D

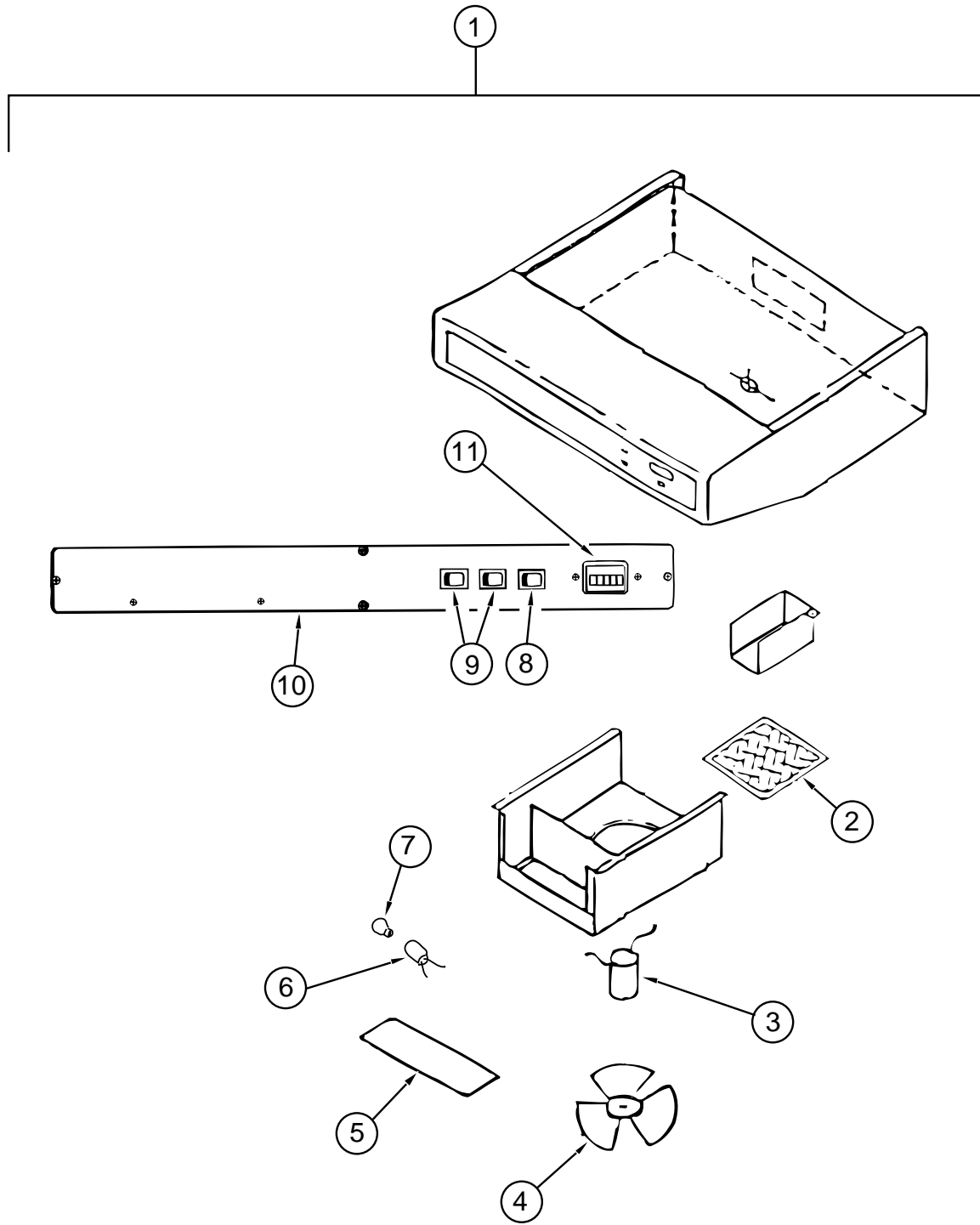
GALLEY GROUP (CONTINUED)



RANGE HOOD , W/O HOUR METER, TCS 5008-NBCLG (CANADIAN)

KEY	PART NUMBER	U/M DESCRIPTION	VENDOR NO.
1	100258-17-04A	EA HOOD - RANGE - W/O MONITOR PANEL	
2	096983-01-707	EA FILTER - GREASE - 8" X 8" - LVS	CC246
3	090973-01-700	EA MOTOR - LVS	CA508-1
4	090973-01-702	EA BLADE - FAN - LVS	VA183-1
5	092696-02-701	EA LENS - LAMP	CC179-2
6	092696-01-710	EA SOCKET - LIGHT	CB267-2
7	092696-01-709	EA BULB - 912	VA415
8	096983-01-700	EA SWITCH - ON/OFF	108
9	100258-01-700	EA HOOD NOSE LABEL	CC428
10	096983-01-700	EA SWITCH - ON/OFF	108
11	100258-10-01A	EA GAUGE - HOUR METER - SCREW ON (OPTION) - 150	
11	100258-10-701	EA GAUGE - HOUR METER - CLIP ON (OPTION)	72367
12	096983-01-702	EA SWITCH - TWO WAY MOMENTARY (OPTION)	112

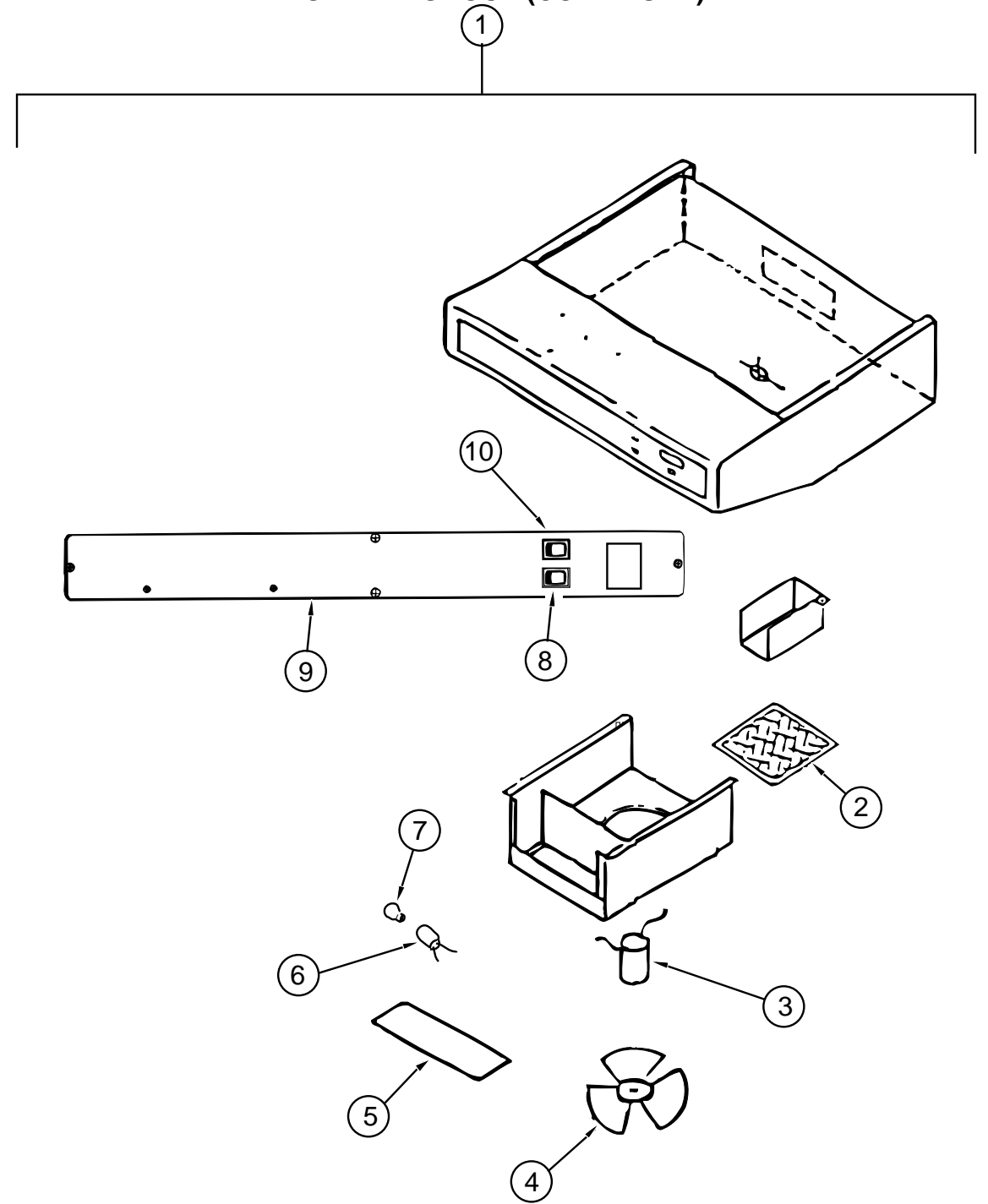
GALLEY GROUP (CONTINUED)



RANGE HOOD , W/HOUR METER, TPS-5009-SBDLG (USA)

KEY	PART NUMBER	U/M	DESCRIPTION	VENDOR NO.
1	100258-18-03A	EA	HOOD - RANGE 22W W/O MONITOR PANEL	
2	096983-01-707	EA	FILTER - GREASE - 8" X 8" - LVS	CC246
3	090973-01-700	EA	MOTOR - LVS	CA508-1
4	090973-01-702	EA	BLADE - FAN - LVS	VA183-1
5	092696-02-701	EA	LENS - LAMP	CC179
6	092696-01-710	EA	SOCKET - LIGHT	CB267-2
7	092696-01-709	EA	BULB - 912	VA415
8	096983-01-702	EA	SWITCH - TWO WAY MOMENTARY	112
9	096983-01-700	EA	SWITCH - ON/OFF	108
10	100258-01-700	EA	HOOD NOSE LABEL	CC428
11	100258-10-01A	EA	GAUGE - HOUR METER W/ SWITCH - SCREW ON - 150	
11	100258-10-701	EA	GAUGE - HOUR METER - CLIP ON	72367

GALLEY GROUP (CONTINUED)



RANGE HOOD , W/O HOUR METER, TCS-5008-NBDLG (USA)

KEY	PART NUMBER	U/M	DESCRIPTION	VENDOR NO.
1	100258-16-04A	EA	HOOD - RANGE - W/O MONITOR PANEL	
2	096983-01-707	EA	FILTER - GREASE - 8" X 8" - LVS	CC246
3	090973-01-700	EA	MOTOR - LVS	CA508-1
4	090973-01-702	EA	BLADE - FAN - LVS	VA183-1
5	092696-02-701	EA	LENS - LAMP	CC179
6	092696-01-710	EA	SOCKET - LIGHT	CB267-2
7	092696-01-709	EA	BULB - 912	VA415
8	096983-01-700	EA	SWITCH - ON/OFF	108
9	100258-01-700	EA	HOOD NOSE LABEL	CC428
10	096983-01-702	EA	SWITCH - TWO WAY MOMENTARY	112

GENERATOR GROUP

ONAN GENERATOR, 5.0 KW EMERALD PLUS (US, CSA)

KEY	PART NUMBER	U/M DESCRIPTION
	109303-01-000	EA GENERATOR - 5.0 KW EMERALD PLUS
	007125-03-000	EA CLAMP - MUFFLER - 1.5" DIA
	007125-04-000	EA CLAMP - MUFFLER - 1.1" DIA
	081364-03-000	EA MUFFLER
	079654-05-000	EA PIPE - EXHAUST - ANGLED - W/ FLANGE - 2" ID - ONAN# 154-2539
	106602-01-000	EA PIPE - EXHAUST - GENERATOR
	094059-01-000	EA SPACER
	068382-06-000	EA BUSHING - BRASS - 3/8 MPT X 1/8 FPT
	106607-01-000	EA ANGLE-SUPPORT, EXHAUST

ONAN GENERATOR, 4.0 KW EMERALD PLUS (BGE-FN/29236G) (EXPORT)

KEY	PART NUMBER	U/M DESCRIPTION
	100974-04-000	EA GENERATOR - 4.0 KW EMERALD PLUS
	105958-03-000	EA PIPE - EXHAUST - GENERATOR
	007125-03-000	EA CLAMP - MUFFLER - 1.5" DIA
	007125-04-000	EA CLAMP - MUFFLER - 1.1" DIA
	079654-05-000	EA PIPE - EXHAUST - ANGLED - W/FLANGE - 2" ID - ONAN# 154-2539
	082272-01-000	EA MUFFLER
	094059-01-000	EA SPACER

ONAN GENERATOR, 6.5 KW EMERALD PLUS (NHE-FA/26100G) (US, CSA)

KEY	PART NUMBER	U/M DESCRIPTION
	100975-01-000	EA GENERATOR - 6.5 KW EMERALD PLUS
	106602-01-000	EA PIPE - EXHAUST - GENERATOR
	007125-03-000	EA CLAMP - MUFFLER - 1.5" DIA
	007125-04-000	EA CLAMP - MUFFLER - 1.1" DIA
	079654-05-000	EA PIPE - EXHAUST - ANGLED - W/FLANGE - 2" ID - ONAN# 154-2539
	081364-03-000	EA MUFFLER
	094059-01-000	EA SPACER

ONAN GENERATOR, 5.0 KW EMERALD PLUS (EXPORT)

KEY	PART NUMBER	U/M DESCRIPTION
	100975-03-000	EA GENERATOR - 5.0 KW EMERALD PLUS
	007125-03-000	EA CLAMP - MUFFLER - 1.5" DIA
	007125-04-000	EA CLAMP - MUFFLER - 1.1" DIA
	081364-03-000	EA MUFFLER
	079654-05-000	EA PIPE - EXHAUST - ANGLED - W/ FLANGE - 2" ID - ONAN# 154-2539
	106602-01-000	EA PIPE - EXHAUST - GENERATOR
	094059-01-000	EA SPACER
	007131-01-000	EA HANGER-TAILPIPE
	106607-01-000	EA ANGLE-SUPPORT, EXHAUST

NOTE: ADDITIONAL GENERATOR COMPONENTS ARE FOUND IN THE CHASSIS GROUP

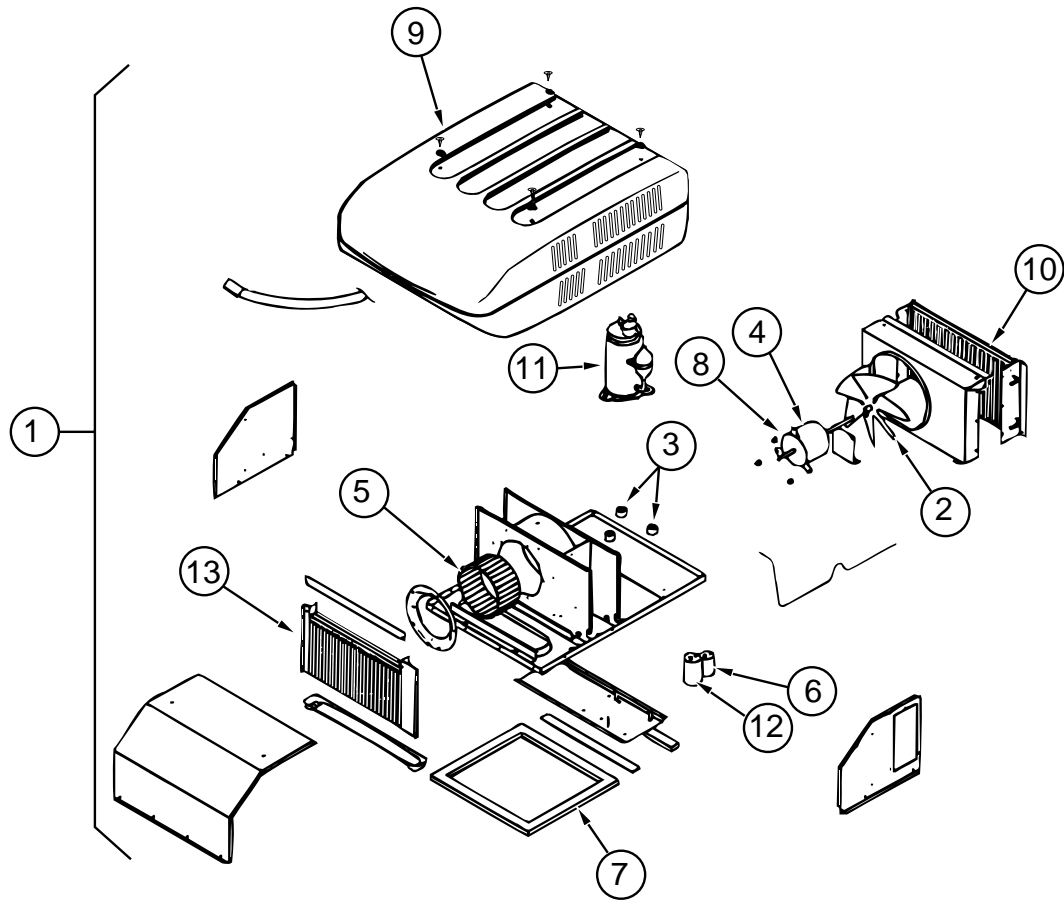
HEATING & AIR CONDITIONING GROUP

REAR HEATER W/ MOTOR AID (EVANS)

KEY	PART NUMBER	U/M DESCRIPTION	VENDOR NO.
	084405-01-000	EA HEATER ASM - REAR - DUCTED - W/ MOTOR AID	
	084405-01-700	EA HEATER CORE	FT200229
	084405-01-701	EA FAN BLADES	HV029931
	084405-01-702	EA MOTOR ASM - 12 V	200146
	061673-01-000	EA BRACKET - MOTOR AID TUBES - 4" X 1.5" - STEEL	
	088753-01-000	FT TUBE - ALUMINIZED STEEL - 5/8" - 18 GAUGE	
	007076-01-000	EA HOSE - FLEXIBLE PVC - 2" ID X 50'	
	007108-01-000	FT HOSE - HEATER, 5/8" ID - HI-TEMP	
	079059-01-000	EA HOSE - 90 DEGREE - 5/8"ID X 4" X 36"	
	079059-02-000	EA HOSE - 90 DEGREE - .61"ID X 4" X 6"	
	079059-03-000	EA HOSE - 90 DEGREE - .61"ID X 4" X 18"	
	089353-01-000	EA UNION - 5/8 - TUBE TO TUBE	

HEATING & AIR CONDITIONING GROUP (CONTINUED)

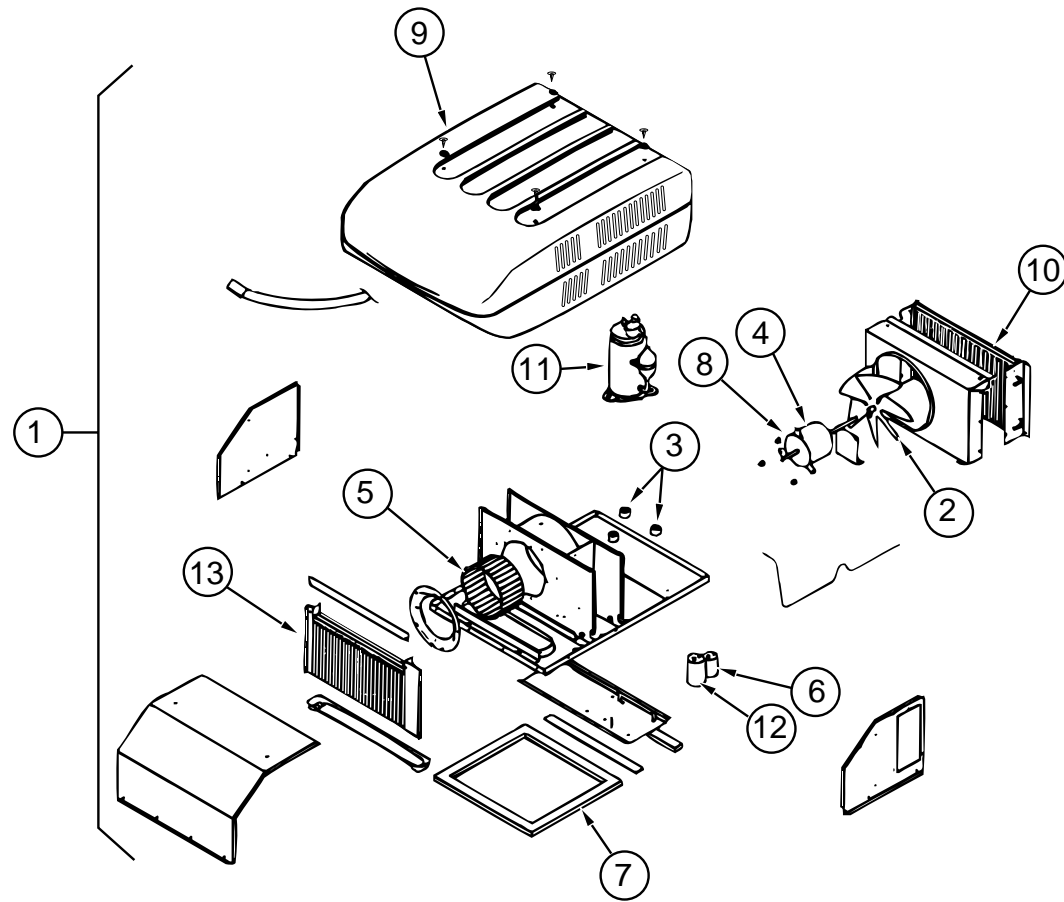
ROOF AIR 13,500 BTU (US, CSA)



KEY	PART NUMBER	U/M DESCRIPTION	VENDOR NO.
1	108889-01-03A	EA A/C - ROOF - 13,500 TSR HO BUFF - 7333A888	
2	093763-01-712	EA FAN BLADE - CONDENSER	6733-3221
3	105620-01-706	EA FOOT PKG - COMPRESSOR - 3 PER PACKAGE	6759-3081
4	108889-01-705	EA MOTOR (115 - 60HZ)	1468-3049
5	108889-01-706	EA IMPELLOR	1472-1041
6	093763-01-704	EA CAPACITOR - FAN	1499-3461
7	108889-01-711	EA GASKET PACKAGE	6792-3301
8	108889-01-715	EA MOTOR MOUNT & SHAFT SEAL KIT	6792-3361
9	108889-01-702	EA SHROUD (BUFF/ BUFF) LESS LOGO	6759-6411
10	108889-01-703	EA CONDENSER COIL	1452A1301
11	105620-01-704	EA COMPRESSOR - RH & LH	1450-2009
	108889-01-704	EA OVERLOAD (MRA#98693)	6749-3541
12	108889-01-707	EA RUN CAPACITOR (COMP-25MFD/ 370)	1499-5661
13	108889-01-709	EA EVAPORATOR COIL	1452A1311
	091225-01-709	EA START RELAY	1497-4131
	091225-01-710	EA START CAPACITOR	1497-0881
	093306-01-701	EA DECAL PKG - LEFT & RIGHT	6798B3591
	108889-01-710	EA FILLER PAD - COND AIR SEAL	6759A3971
	108889-01-712	EA SUCTION LINE REDUCER (3/8 X 1/2)	1215-2161
	108889-01-713	EA SUCTION LINE (3/8 OD X .032 WALL)	6792-130
	108889-01-714	EA DISCHARGE LINE ASM.	6792-531
	108892-01-01A	EA CEILING ASM - A/C DUCTED - 7330-730 IV	
	108892-01-700	EA PLUG ASSEMBLY	7330-540
	108892-01-701	EA TERMINAL BOARD	7330-3201
	108892-01-702	EA PRINTED CIRCUIT BOARD	7330-3211
	108892-01-703	EA FILTER	6798A3761
	108892-01-704	EA GRILLE (PLASTIC)	6798-3041
	108892-01-705	EA SMALL PARTS PKG	7330A6101
	108892-01-706	EA COIL - SENSOR	7330-6111
	110403-01-F31	EA SPACER ASM - RETURN AIR -OAK	
	117238-01-01A	EA THERMOSTAT - A/C AND FURNACE - 7330-3371	
	117238-02-01A	EA THERMOSTAT - A/C ONLY - 7330-3381	
	088238-01-000	EA COVER - SWITCH - A/C SELECTOR - FRONT TO REAR A/C	
	073937-03-000	EA SWITCH - ROTARY SELECTOR - 3 DECK - A/C - CA20-USA892	
	088238-02-000	EA COVER - SWITCH - A/C SELECTOR FOR FRONT OR REAR	

HEATING & AIR CONDITIONING GROUP (CONTINUED)

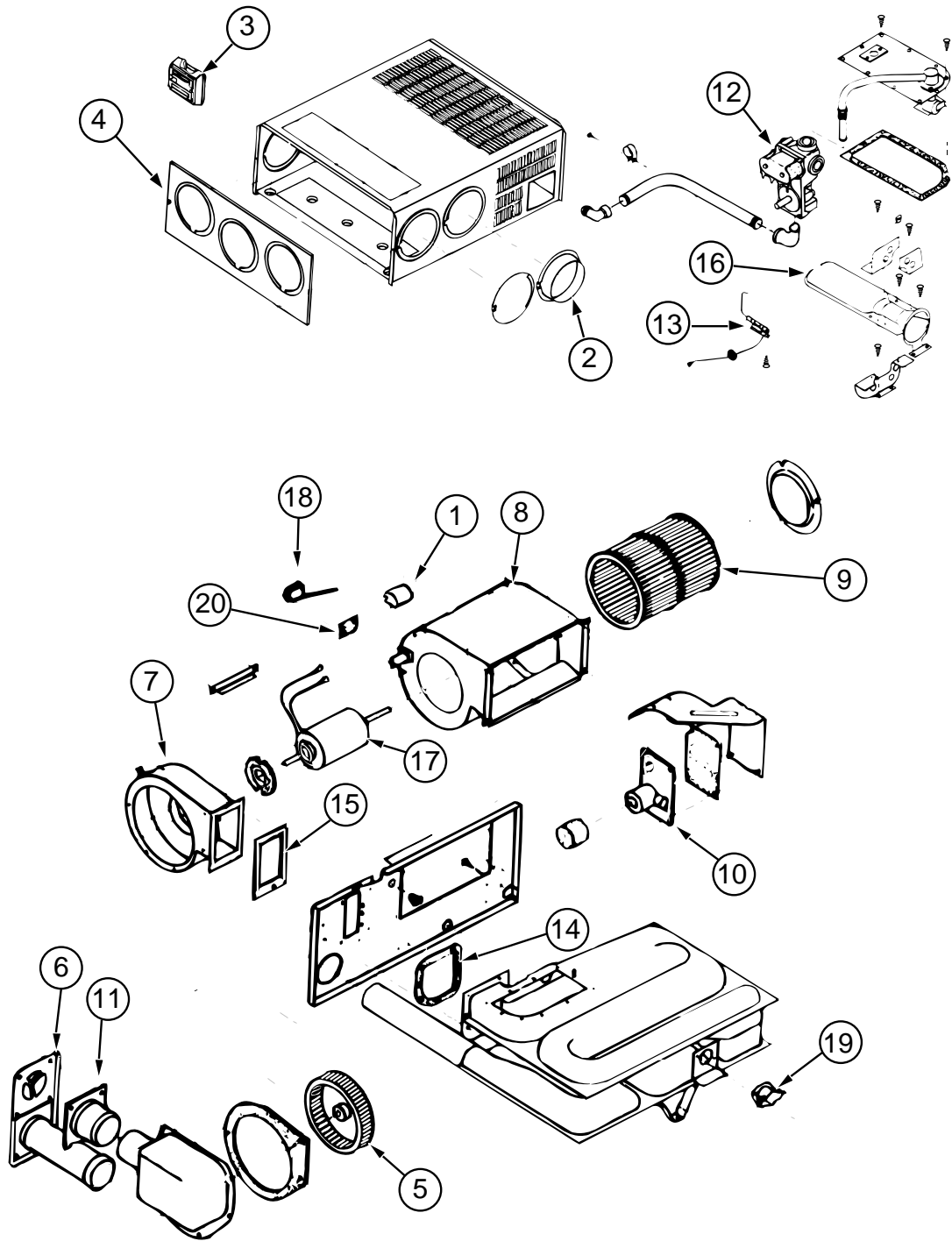
13,500 BTU ROOF A/C & CEILING ASSEMBLY - EUROPEAN



KEY	PART NUMBER	U/M DESCRIPTION	VENDOR NO.
1	108889-02-01A	EA A/C-ROOF, 13,500 TSR 220 IVORY - 7373-597	
2	093763-01-712	EA FAN BLADE-CONDENSER	6733-3221
3	105620-01-706	EA FOOT PACKAGE-COMPRESSOR, 3 PER PACKAGE	6759-3081
4	108889-02-701	EA MOTOR - 115V, 60HZ	1468-3059
5	108889-01-706	EA IMPELLOR	1472-1041
6	108889-01-708	EA CAPACITOR-FAN, (7.5MFD.370U)	1499-5461
	108889-01-710	EA FILLER PAD-COND AIR SEAL	6759A3971
7	108889-01-711	EA GASKET PACKAGE	6792-3301
8	108889-01-715	EA MOTOR MOUNT & SHAFT SEAL KIT	6792-3361
9	063903-01-700	EA SHROUD	6759-4601
10	108889-01-703	EA COIL - CONDENSER	1452-1301
11	108889-02-700	EA COMPRESSOR, TECUMSEH	1452-2029
12	108889-01-707	EA CAPACITOR-RUN, COMPRESSOR-25MFD/370	1499-5661
	108889-02-703	EA RELAY-START	1497-4141
13	108889-01-709	EA COIL - EVAPORATOR	1452-1311
	108889-01-714	EA DISCHARGE LINE ASM.	6792-531
	108889-01-712	EA REDUCER-SUCTION LINE, (3/8" X 1/2")	1215-2161
	108889-01-713	EA SUCTION LINE, (3/8" OD X .032" WALL)	6792-130
	108889-02-702	EA CAPACITOR-START	1497-0891
	093306-01-701	EA DECAL PACKAGE-LEFT & RIGHT	6798B3591
	105620-01-705	EA OVERLOAD	6759-3791
	102289-01-000	EA SPRING-SCREW, ROOF A/C GASKET - 6757-150	
	108892-01-01A	EA CEILING ASM-A/C DUCTED - 7330-730 IV	
	108892-01-700	EA PLUG ASSEMBLY	7330-540
	108892-01-701	EA BOARD-TERMINAL	7330-3201
	108892-01-702	EA BOARD-PRINTED CIRCUIT	7330A3211
	108892-01-703	EA FILTER	6798A3761
	108892-01-704	EA GRILLE (PLASTIC)	6798-3041
	108892-01-705	EA SMALL PARTS PKG	7330A6101

HEATING & AIR CONDITIONING GROUP (CONTINUED)

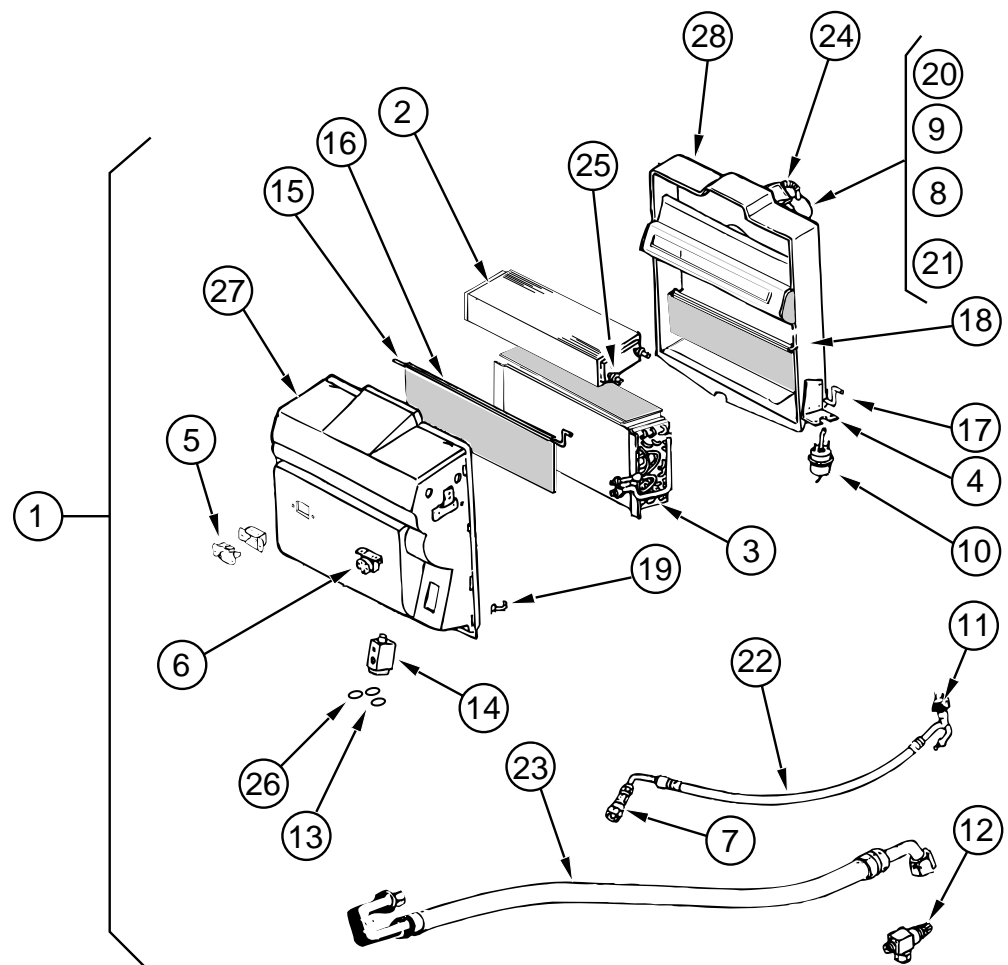
FURNACE



KEY	PART NUMBER	U/M	DESCRIPTION	VENDOR NO.
	098668-22-000	EA	FURNACE - 40,000 BTU - SF-30 2273	
	098668-14-000	EA	GASKET-FIBERGLASS, .5" X 18" X 18" - 070976	
	098668-11-700	EA	ORIFICE-MAIN BURNER	180216
1	074466-01-702	EA	RELAY, TIME DELAY 205 & L & 45000	230625
2	075696-02-703	EA	DUCT COLLAR	050715
3	115764-01-01A	EA	THERMOSTAT-WALL, FURNACE - 0160902	
4	098668-01-700	EA	CABINET FRONT	101242
5	098668-22-702	EA	WHEEL-AIR	350183
6	098668-01-707	EA	VENT CAP & EXHAUST TUBE ASM	260193
7	098668-01-708	EA	BLOWER ASM. (COMBUSTION AIR)	390441
8	098668-11-704	EA	BLOWER ASM (ROOM AIR)	390698
9	098668-01-711	EA	WHEEL-ROOM AIR	350129
10	098668-01-712	EA	BOARD-MODULE	520741
11	098668-01-713	EA	INTAKE VENT TUBE ASM	051044
12	098668-01-714	EA	GAS VALVE (WHITE ROGERS)	161070
13	098668-01-715	EA	ELECTRODE ASM. (SGL PROBE)	232166
14	098668-01-716	EA	GASKET FIREWALL (CHAMBER SIDE)	070808
15	098668-01-717	EA	GASKET FIREWALL (BLOWER SIDE)	070809
16	098668-11-701	EA	BURNER ASM	010799
17	098668-11-702	EA	MOTOR ASM	232212
18	098668-11-703	EA	SWITCH-SAIL, SF-42F	232216
19	098668-11-706	EA	LIMIT SWITCH	232217
20	101990-01-714	EA	MICROSWITCH GASKET	230877
	024990-05-000	EA	OUTLET-DEFROSTER, W/SWIVEL - 2" DIAMETER - BLACK	
	009198-01-000	FT	DUCT-HEAT- FLEXIBLE - 4" ID X 25 FT	
	094600-05-01A	EA	REGISTER-HEAT, W/O DAMPER	
	093614-02-02A	EA	GRILLE-RETURN AIR- FURNACE - 15.6" X 7.6" - BEIGE	
	009200-01-000	EA	TAPE-FURNACE, 1 1/2"	
	056464-09-000	EA	REGISTER-HEAT/A/C, ROUND W/DAMPER - 4" - PLASTIC - BEIGE	
	056464-10-000	EA	REGISTER-HEAT/A/C, ROUND W/O DAMPER - 4" - PLASTIC - BEIGE	
	069636-02-000	EA	CONNECTOR-DUCT, 4" ID - 050715	
	092777-01-000	EA	ADAPTER-DUCT, 4"	
	023146-01-000	EA	CLAMP-SCREW TYPE - 4"	
	093741-01-000	EA	BOX-BOOT, FLOOR REGISTER	
	093614-03-02A	EA	GRILLE-RETURN AIR	

HEATING & AIR CONDITIONING GROUP (CONTINUED)

SCS AUTOMOTIVE AIR CONDITIONING (FORD)



KEY	PART NUMBER	U/M DESCRIPTION	VENDOR NO.
1	103930-21-000	EA EVAPORATOR/ HEATER ASSEMBLY - 090-00084	
2	103930-01-703	EA COIL - HEATER	042-0010
3	103930-01-704	EA COIL EVAPORATOR	041-0017
4	103930-01-708	EA BRACKET - VACUUM MOTOR	070-0113
5	103930-01-710	EA RESISTOR - FUSED	035-0006
6	103930-01-711	EA THERMOSTAT	033-0003
7	103930-01-713	EA FITTING - QUICK CONNECT - #4	050-0003
8	103930-01-717	EA WHEEL - CLOCKWISE	062-0010
9	103930-01-720	EA MOTOR	030-0004
10	103930-02-708	EA MOTOR - VACUUM SERVO - A/C	030-0002
11	103930-12-708	EA SWITCH - BINARY - R-134A	032-0048
12	103930-13-702	EA SERVICE VALVE W/O C.P.	050-152
13	103930-17-702	EA GASKET OR SAE 015 #10 33-781	045-0127
14	103930-20-700	EA VALVE EXPANSION BLOCK (2 TON)	034-0032
15	103930-20-702	EA ROD F/BLEND AIR DOOR	073-0039
16	103930-20-703	EA DOOR - BLEND AIR	071-0212
17	103930-20-704	EA ROD - DOOR - RECIRCULATING	073-0018
18	103930-20-705	EA DOOR PANEL - RECIRCULATING	071-0213
19	103930-20-706	EA CLIP - RETAINER	022-0057
20	103930-20-707	EA BLOWER HOUSING	062-0145
21	103930-20-708	EA CLIP F/ MOTOR SHAFT	022-0001
22	103930-21-700	EA HOSE ASM. - #6	085-0139
23	103930-21-701	EA HOSE ASM. - #10	085-0140
24	110279-01-703	EA HOSE - VENT - MOTOR BLOWER	70510034
25	110279-01-712	EA HEATER FITTING	
26	113245-01-707	EA GASKET	045-0126
27	103930-20-710	EA CASE-FRONT, SUB-ASSEMBLY	062-0146
28	103930-20-711	EA CASE-BACK, SUB-ASSEMBLY	062-0147
	007281-01-000	EA HOSE - FLEXIBLE PVC - 2.5"ID X 50' - ATCOFLEX - A-182-355	
	072341-06-700	EA SWITCH - 4 SPEED - FAN	ARA 0883502
	094831-01-709	EA CLAMPS - ROD - 3/16" - MOTIVAIR	ZGG14431
	103930-02-701	EA VALVE - CONTROL HEAD	034-0015
	103930-02-702	EA DECAL - CONTROL SETTING	058-0008
	103930-02-703	EA HARNESS - WIRE CONTROL	036-0048
	103930-02-704	EA HARNESS - VACUUM CONTROL	036-0049
	103930-02-705	EA CABLE - CONTROL - BOWDEN	074-0011
	103930-02-706	EA CLIP - CABLE - CONTROL	022-0017
	103930-02-707	EA RELAY	031-0001
	103930-02-710	EA CANISTER - VACUUM	054-0002
	103930-02-711	EA VALVE - WATER	034-00114
	103930-02-712	EA CONTROL PANEL - A/C & HEAT - BLACK FACING	
	103930-04-000	EA CONTROL/ PLENUM SET - 093-00037	
	103930-05-000	EA MANUAL - OWNERS - HEATER - A/C - 057-0049	
	103930-17-000	EA HOSE KIT - #10 GM - SANDEN COMP - 093-00076	
	103930-17-700	EA FITTING - PAD COMP. SUCTION SAN	050-0131
	103930-17-701	EA FITTING - #10.90 W/FERRULE/1342CP	050-0132
	103930-17-703	EA GASKET - SEAL,SANDEN COMP33-76	045-0142
	103930-17-704	EA HOSE ASSY - #10	085-0113
	024990-05-000	EA 4" DIAMETER OUTLET - W/ SWIVEL DEFLECTORS	
	103016-01-000	EA PLENUM - TRANSITION	
	103017-01-000	EA PLENUM - DEFROSTER	
	103558-01-07A	EA VENT - DEFROSTER - ABS WILLOW	
	103796-01-01A	EA LOUVER ASM - A/C CARY PROD BLACK	
	056402-05-000	EA BRACKET - HEATER VENT - ROUND - W/ BEND - BLACK	
	077075-01-000	EA GASKET - INSTRUMENT PANEL TO DEFROSTER PLENUM - .6" X 11.3"	
	077075-03-000	EA GASKET - INSTRUMENT TO DEFROSTER PLENUM - SPL	

HEATING & AIR CONDITIONING GROUP (CONTINUED)

SCS AUTOMOTIVE AIR CONDITIONING (CHEVY)

KEY	PART NUMBER	U/M DESCRIPTION	VENDOR NO.
	103930-25-000	EA EVAPORATOR/ HEATER ASSEMBLY - 090-00296	
	103930-01-710	EA RESISTOR - FUSED	035-0006
	103930-20-702	EA ROD F/BLEND AIR DOOR	073-0039
	103930-20-703	EA DOOR - BLEND AIR	071-0212
	103930-01-703	EA COIL - HEATER	042-0010
	110279-01-712	EA HEATER FITTING	
	110279-01-703	EA HOSE - VENT - MOTOR BLOWER	70510034
	103930-01-717	EA WHEEL - CLOCKWISE	062-0010
	103930-01-720	EA MOTOR	030-0004
	103930-20-707	EA BLOWER HOUSING	062-0145
	103930-20-708	EA CLIP F/ MOTOR SHAFT	022-0001
	103930-20-705	EA DOOR PANEL - RECIRCULATING	071-0213
	103930-20-704	EA ROD - DOOR - RECIRCULATING	073-0018
	103930-01-708	EA BRACKET - VACUUM MOTOR	070-0113
	103930-02-708	EA MOTOR - VACUUM SERVO - A/C	030-0002
	103930-01-704	EA COIL EVAPORATOR	041-0017
	103930-25-700	EA HOSE ASM. - #6 EVAPORATOR TO DRIER	085-0350
	103930-12-709	EA FITTING - QUICK CONNECT	050-0120
	103930-20-706	EA CLIP - RETAINER	022-0057
	103930-20-700	EA VALVE EXPANSION BLOCK (2 TON)	034-0032
	103930-17-702	EA GASKET OR SAE 015 #10 33-781	045-0127
	113245-01-707	EA GASKET	045-0126
	103930-20-709	EA SERVICE VALVE W/O C.P.	050-0159
	103930-01-711	EA THERMOSTAT	033-0003
	103930-20-710	EA CASE-FRONT, SUB-ASSEMBLY	062-0146
	103930-20-711	EA CASE-BACK, SUB-ASSEMBLY	062-0147
	103930-02-714	EA CLAMP - CLUTCH, BARREL	022-0006
	110279-02-702	EA GASKET	045-0125
	094831-01-706	EA RESISTER - 4 SPEED	035-0005

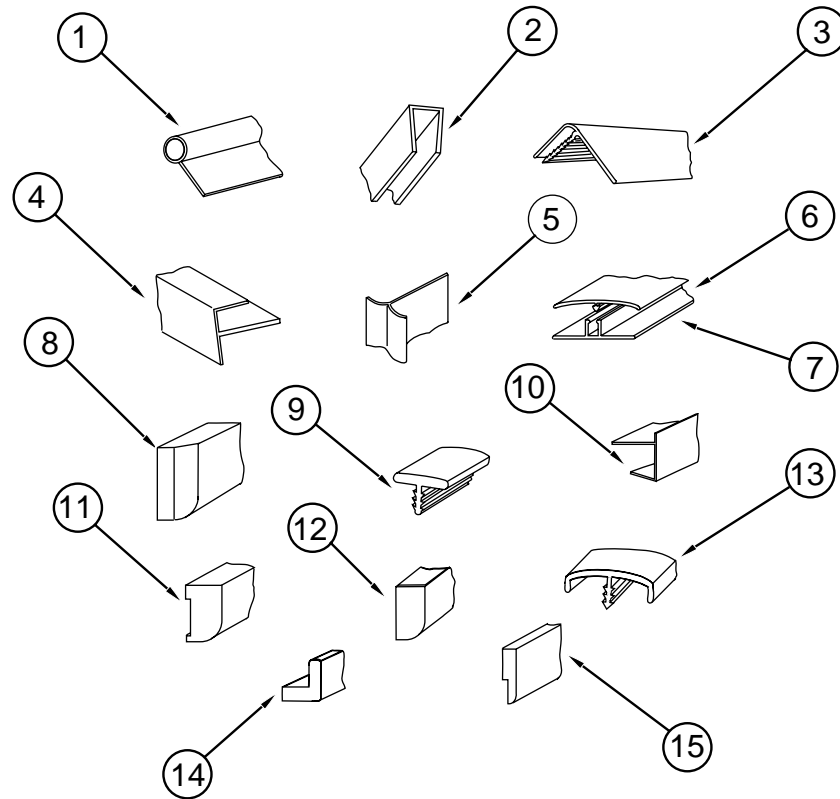
HEATING & AIR CONDITIONING GROUP (CONTINUED)

SCS AUTOMOTIVE AIR CONDITIONING (CHEVY) (CONTINUED)

KEY	PART NUMBER	U/M DESCRIPTION	VENDOR NO.
	007281-01-000	EA HOSE - FLEXIBLE PVC - 2.5"ID X 50' - ATCOFLEX - A-182-355	
	072341-06-700	EA SWITCH - 4 SPEED - FAN	ARA 0883502
	094831-01-709	EA CLAMPS - ROD - 3/16" - MOTIVAIR	ZGG14431
	103930-02-701	EA VALVE - CONTROL HEAD	034-0015
	103930-02-702	EA DECAL - FAN SWITCH	058-0008
	103930-02-703	EA HARNESS - WIRE CONTROL	036-0048
	103930-02-704	EA HARNESS - VACUUM CONTROL	036-0049
	103930-02-705	EA CABLE - CONTROL - BOWDEN	074-0011
	103930-02-706	EA CLIP - CABLE - CONTROL	022-0017
	103930-02-707	EA RELAY	031-0001
	103930-02-710	EA CANISTER - VACUUM	054-0002
	103930-02-711	EA VALVE - WATER	034-00114
	103930-02-712	EA CONTROL PANEL - A/C & HEAT - BLACK FACING	
	103930-04-000	EA CONTROL/ PLENUM SET - 093-00037	
	103930-05-000	EA MANUAL - OWNERS - HEATER - A/C - 057-0049	
	024990-05-000	EA 4" DIAMETER OUTLET - W/ SWIVEL DEFLECTORS	
	103016-01-000	EA PLENUM - TRANSITION	
	103017-01-000	EA PLENUM - DEFROSTER	
	103558-01-07A	EA VENT - DEFROSTER - ABS WILLOW	
	103796-01-01A	EA LOUVER ASM - A/C CARY PROD BLACK	
	056402-05-000	EA BRACKET - HEATER VENT - ROUND - W/ BEND - BLACK	
	077075-01-000	EA GASKET - INSTRUMENT PANEL TO DEFROSTER PLENUM - .6" X 11.3"	
	077075-03-000	EA GASKET - INSTRUMENT TO DEFROSTER PLENUM - SPL	

INTERIOR FINISH GROUP

INTERIOR TRIM & MOLDINGS

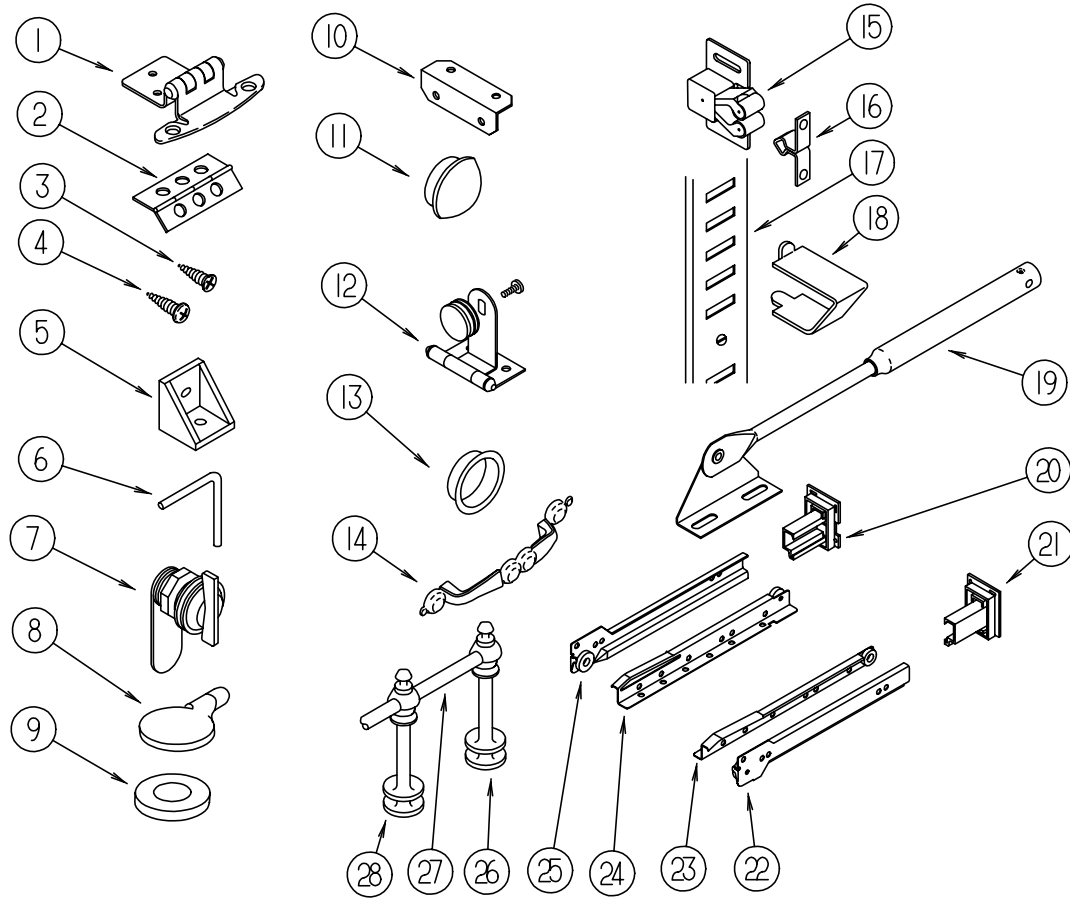


KEY	PART NUMBER	U/M	DESCRIPTION
1	009767-12-000	FT	MOLDING-SIDEWALL TO CEILING/CABINET - WELTING - OFF WHITE
1	009767-15-000	FT	WELTING-WATERFORD OAK
2	009778-12-000	FT	U CHANNEL-PLASTIC, 1" WIDE X 8' INCREMENTS - WOODGRAIN
2	009778-21-000	FT	U-CHANNEL - 1" - WATERFORD OAK
2	070504-23-000	FT	EXTRUSION-U CHANNEL, 22.56" - COUNTRY FOREST
2	070504-37-000	FT	EXTRUSION-U-CHANNEL, 20.70" - WATERFORD OAK
3	009809-23-000	EA	MOLDING-CORNER, OUTSIDE - 1" - PLASTIC - IVORY
3	009809-28-000	EA	MOLDING-PLASTIC, CORNER - 1" - WATERFORD OAK
4	009812-29-000	EA	MOLDING-PLASTIC, CORNER - O/S 1/2" - WATERFORD OAK
5	022992-11-000	FT	MOLDING-REVERSE COVE, T-SHAPED - VINYL - IVORY
6	086229-13-000	EA	BATTEN - 1" CEILING MOD IVORY
6	086229-19-000	EA	BATTEN - 1" CEILING, OFF WHITE - W&B RN323-W-129 FROM: 00-00-00 THRU: 01-31-96
6	086229-18-000	EA	BATTEN - 1" CEILING, OFF WHITE - W&B RN323-W-129 FROM: 02-01-96 THRU: 99-99-99
7	086229-14-000	EA	RETAINER - 3/4" - W&B RN 391 FROM: 00-00-00 THRU: 01-31-96
7	086229-16-000	EA	RETAINER - 3/4" - RN 391-X FROM: 02-01-96 THRU: 99-99-99

KEY	PART NUMBER	U/M	DESCRIPTION
8	100659-01-G09	EA	MOLDING-TRIM, VINYL FLOOR
9	105709-01-000	FT	T-MOLDING - 1", MODERN IVORY
10	103186-02-05A	FT	MOLDING-PLASTIC, SHELF - WATERFORD OAK
10	103186-01-01A	FT	MOLDING-EDGE, SHELF - .78" WIDE - PLASTIC - RAMBLING OAK
10	103186-02-01A	FT	MOLDING-EDGE, SHELF - 1.3" WIDE - PLASTIC - RAMBLING OAK
11	100041-01-000	EA	MOLDING-VINYL WRAPPED, .7" X 1.57" X 84.02" - RAMBLING OAK
12	100818-01-05A	EA	MOLDING-VINYL WRAPPED, TRIM - WATERFORD OAK
13	083620-07-000	FT	MOLDING-T, END CAP EDGE - W/EDGE LIPS - .75" - THOR PECAN
13	104676-01-01A	FT	T-MOLDING, 5/16 RIGID - GOLD
14	100819-01-05A	EA	MOLDING-VINYL WRAP, DOOR - WATERFORD OAK
15	105004-01-02A	EA	MOLDING-VINYL WRAP - RAMBLING OAK
	076325-39-000	FT	MOLDING-EDGEBAND, 1527 - 1-5/16 X .030 X 600'
	076325-53-000	FT	MOLDING-EDGEBAND, 1049 NEUTRA - 1 5/16 X .030 X 600'
	076325-67-000	FT	MOLDING-EDGEBAND, WATERFORD - .93 X .024 X 600'
	076325-68-000	FT	MOLDING-EDGEBAND, WATERFORD - 1 5/16 X .038 X 600'
	100040-01-000	EA	LUMBER-VINYL WRAPPED, .71" X 1.5" X 8' - RAMBLING OAK
	100040-06-000	EA	LUMBER-VINYL WRAPPED - RAMBLING OAK
	117268-D2-134	EA	MOLDING - 018 X 040 X 2134 MM - VINYL - WRAPPED WATERFORD
	117268-F2-134	EA	MOLDING - 018 X 065 X 2134 MM - WRAPPED WATERFORD

INTERIOR FINISH GROUP (CONTINUED)

CABINET HARDWARE



KEY	PART NUMBER	U/M DESCRIPTION
1	108138-01-000	EA HINGE-DOOR, CABINET - BURNISHED BRASS
2	009059-01-000	EA HINGE-DOOR, 2" X 1.4" - BRASS
2	009059-02-000	EA HINGE-DOOR, 2" X 2.7" - BRASS
3	000G13-06-10G	EA SCREW - PHILLIPS - FLAT HEAD - 6-20 X 5/8" - ANTIQUE BRASS
4	000G68-06-10G	EA SCREW - PHILLIPS - OVAL HEAD - 6-18 X 5/8" - ANTIQUE BRASS
5	065740-01-000	EA BRACE-CABINET CORNER, PLASTIC
6	108487-02-01A	EA SUPPORT-PROP ROD, OVHD - BLACK
	108486-01-01A	EA BRACKET-PROP ROD, OVHD - BLACK
7	100710-01-01A	EA LOCK-GLASS DOOR, TWIST TYPE - BRASS
	101272-01-000	EA CATCH-DOOR, GLASS
8	101766-01-000	EA PIN-SUPPORT, GLASS DOOR
9	100707-01-000	EA SPACER-DOOR, GLASS - .8" DIA - .3" HOLE - PLASTIC
10	016604-01-000	EA BRACE-CABINET, ANGLE - 2.5" - METAL - UNPAINTED
10	016604-05-000	EA BRACE-CABINET, L ANGLE - 2.5" - METAL - OFF WHITE
11	042356-01-000	EA PLUG-BUTTON, MAHOGANY - 3/8" DIAMETER - WOOD
12	100711-01-01A	EA HINGE-DOOR, GLASS
13	098410-01-01A	EA PULL-FINGER, OVAL - BRASS
14	117800-01-01A	EA PULL-CABINET, BRASS
15	093586-06-000	EA CATCH-SPRING, ROLLER - FASTEC C411-AC
16	093586-05-000	EA STRIKE-SPRING STEEL, FASTEC S411-AC

KEY	PART NUMBER	U/M DESCRIPTION
17	098980-01-000	EA PILASTER-ADJUSTABLE SHELF, 18" LONG WOODGRAIN APPEARANCE
17	098980-02-000	EA PILASTER-ADJUSTABLE SHELF, 12" LONG WOODGRAIN APPEARANCE
17	098980-03-000	EA PILASTER-ADJUSTABLE SHELF, 9" LONG WOODGRAIN APPEARANCE
17	098980-06-000	EA PILASTER-ADJUSTABLE SHELF, 24" LONG
18	098979-01-000	EA CLIP-ADJUSTABLE SHELF
19	074493-02-000	EA SUPPORT-PISTON SPRING, CABINET DOOR
20	114045-01-000	EA BACKSOCKET-ADJUSTABLE, LEFT - HOUCK 751-1 N/A ORDER SLIDE KIT ACCORDING TO LENGTH-SEE NUMERICAL LISTING OF #114031-??-700 IN THE \$ FICHE F/DESIRED LENGTH
21	114045-02-000	EA BACKSOCKET-ADJUSTABLE, RIGHT - HOUCK 751-2 N/A ORDER SLIDE KIT ACCORDING TO LENGTH-SEE NUMERICAL LISTING OF #114031-??-700 IN THE \$ FICHE F/DESIRED LENGTH
22	114031-02-000	EA SLIDE-DRAWER, 12" RIGHT CABT N/A ORDER #114031-01-700 SLIDE DRAWER KIT
22	114031-14-000	EA SLIDE-DRAWER, 18" RIGHT CABINET-HOUCK 7200-RV-2 N/A ORDER #114031-13-700 SLIDE DRAWER KIT
22	114031-18-000	EA SLIDE-DRAWER, 20" RIGHT CABT N/A ORDER #114031-17-700 SLIDE DRAWER KIT
22	114031-22-000	EA SLIDE-DRAWER, 22" RIGHT CABT N/A ORDER #114031-21-700 SLIDE DRAWER KIT
23	114031-04-000	EA SLIDE-DRAWER, 12" - RIGHT DRAWER - HOUCK 7200-RV-4 N/A ORDER #114031-01-700 SLIDE DRAWER KIT
23	114031-16-000	EA SLIDE-DRAWER, 18" RIGHT DRAWER -HOUCK 7200-RV-4 N/A ORDER #114031-13-700 SLIDE DRAWER KIT
23	114031-24-000	EA SLIDE-DRAWER, 22" RIGHT DRAWER N/A ORDER #114031-21-700 SLIDE DRAWER KIT
24	114031-03-000	EA SLIDE-DRAWER, 12" - LEFT DRAWER - HOUCK 7200-RV-3 N/A ORDER #114031-01-700 SLIDE DRAWER KIT
24	114031-15-000	EA SLIDE-DRAWER, 18" LEFT DRAWER - HOUCK 7200-RV-3 N/A ORDER #114031-13-700 SLIDE DRAWER KIT
24	114031-23-000	EA SLIDE-DRAWER, 22" LEFT DRAWER N/A ORDER #114031-21-700 SLIDE DRAWER KIT
25	114031-01-000	EA SLIDE-DRAWER, 12" LEFT CABT N/A ORDER KIT #114031-01-700 SLIDE DRAWER KIT
25	114031-13-000	EA SLIDE-DRAWER, 18" LEFT CABINET -HOUCK 7200-RV-1 N/A ORDER #114031-13-700 SLIDE DRAWER KIT
25	114031-17-000	EA SLIDE-DRAWER, 20" LEFT CABT N/A ORDER #114031-17-700 SLIDE DRAWER KIT
25	114031-21-000	EA SLIDE-DRAWER, 22" LEFT CABT N/A ORDER #114031-21-700 SLIDE DRAWER KIT
26	084070-02-000	EA POST - END - 2.4" - BRASS
27	084071-04-000	EA ROD - 11.9" - BRASS
27	084071-15-000	EA ROD - 8.27" - BRASS
28	084070-01-000	EA POST - CENTER - 2.4" - BRASS
	004354-01-000	EA BUMPER-RUBBER, .5" DIA - BROWN
	009112-01-000	EA FLANGE-ROD, 1" - CLOTHES ROD - PLASTIC - OFF WHITE
	041389-25-000	EA HINGE-PIANO, 1.50 X 1397.0 MILL
	042438-01-000	EA DOWEL-WOOD, CLOTHES ROD - 1" DIAMETER X 4'
	042438-06-000	EA DOWEL-WOOD, 1.5" X 26" - OAK
	064467-01-000	EA GUIDE-POCKET, SLIDING DOOR - WALL MOUNTED
	076790-01-000	EA SCREW, 6-20 X 1 1/4 PPH - BLACK
	079921-01-000	EA ROLLER-NYLON, W/STEEL SHAFT - BARBED
	084451-01-000	EA CATCH-TV SHELF, BRASS
	102194-01-000	EA GUIDE-PLASTIC
	103874-01-000	EA HANGER-SLIDING DOOR
	110643-01-000	EA ANGLE-FORMED W/HOLES
	116975-01-01A	EA LATCH ASM-UNDERCENTER, BLACK STRIKE #042541-05-000

INTERIOR FINISH GROUP (CONTINUED)

BATT STRIPS

KEY	PART NUMBER	U/M	DESCRIPTION
	088263-C8-000	EA	BATT STRIP - MAIN WALL - PAINTED DESERT (G15)
	088263-B3-000	EA	BATT STRIP - MAIN WALL - ALLURE-MEADOW (G16)
	088263-C7-000	EA	BATT STRIP - MAIN WALL - ETCHINGS-SAGE (G17)
	069733-83-000	EA	BATT STRIP - WOODGRAIN - 8' - WATERFORD OAK
	088263-78-000	EA	BATT STRIP - SHOWER - 8' - OFF WHITE
	085284-C2-000	FT	STRIP - TAPE - MAIN WALL - PAINTED DESERT (G15)
	085284-A4-000	FT	STRIP - TAPE - MAIN WALL - ALLURE-MEADOW (G16)
	085284-C1-000	FT	STRIP - TAPE - MAIN WALL - ETCHINGS-SAGE (G17)
	085284-B5-000	FT	STRIP - TAPE - WATERFORD OAK
	085284-76-000	FT	STRIP - TAPE - WET BATH - ANTIQUE WHITE
	086229-04-000	EA	BATTEN - 1" WIDE - IVORY
	086229-15-000	EA	BATTEN - CEILING - 1" - MODERN IVORY
	086229-16-000	EA	RETAINER - BATTEN - 3/4"

PANELING & PLASTIC LAMINATE

KEY	PART NUMBER	U/M	DESCRIPTION
	088272-E9-000	SF	PANELING - MAIN WALL - PAINTED DESERT (G15)
	088272-D6-000	SF	PANELING - MAIN WALL - ALLURE-MEADOW (G16)
	088272-E8-000	SF	PANELING - MAIN WALL - ETCHINGS-SAGE (G17)
	088272-98-000	SF	PANELING - SHOWER - OFF WHITE - 4' X 7'
	074497-28-000	SF	PANELING - WOODGRAIN - 4' X 8'
	080215-10-000	SF	PANELING - 2 SIDE WATERFORD, 48" X 96"
	000885-76-000	SF	PARTICLE BOARD - 3/8" X 48" X 96" WATERFORD - OAK VINYL 1 SIDED
	000885-77-000	SF	PARTICLE BOARD - 3/8, WATERFORD OAK-VINYL 2 SIDED
	000885-79-000	SF	PARTICLE BOARD - 3/4" X 48" X 96" WATERFORD OAK-VINYL 2 SIDED
	074498-71-000	SF	LAMINATE-PLASTIC, NEUTRAL SANTOS (G15,G16)
	074498-54-000	SF	LAMINATE-PLASTIC, SAND SPECKTRUM (G17)
	074498-61-000	SF	LAMINATE-PLASTIC, NEUTRA MATR (EXTERIOR ENTERTAINMENT)
	074498-77-000	SF	LAMINATE-PLASTIC, ART CABIN (PULL OUT TABLE)
	095688-01-000	SF	VENEER - FLAT LUANA - 48" X 96"
	117267-E2-438	EA	LUMBER - 018 X 50.8 X 2438MM VINYL
	117267-G2-438	EA	LUMBER - 018 X 076 X 2438 MM VINYL

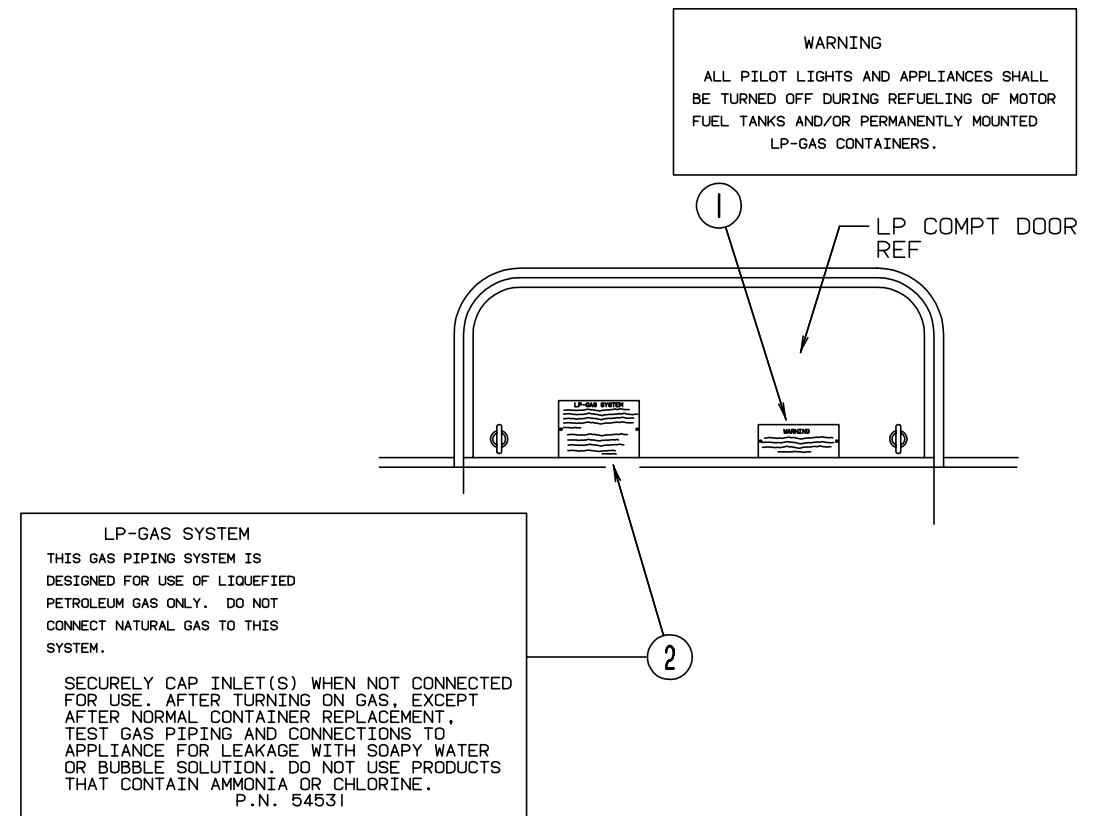
CARPET, PADS & FLOOR MATS

KEY	PART NUMBER	U/M	DESCRIPTION
	096060-98-000	SY	CARPET - 12' ROLL - SILVER ASPEN (G15)
	096060-99-000	SY	CARPET - 12' ROLL - PARCHMENT (G16)
	096060-95-000	SY	CARPET - 12' ROLL - DOESKIN (G17)
	093486-01-000	SY	CARPET - COMPARTMENT - 54" WIDE - DARK GRAY
	075233-01-000	SY	PAD - CARPET - 3/8" X 6' ROLL
	047034-06-000	SF	PLASTIC - CARPET - 2' WIDE - CLEAR POLY
	119950-01-01A	EA	COVER-PLASTIC
	042720-12-000	SF	VINYL FLOOR - ARMSTRONG/MODULATIONS
	105924-01-F06	EA	MAT - FLOOR - DRIVERS COMPARTMENT - 18" X 27" (G15)
	105924-01-F12	EA	MAT - FLOOR - DRIVERS COMPARTMENT - 18" X 27" (G16)
	105924-01-G36	EA	MAT - FLOOR - DRIVERS COMPARTMENT - 18" X 27" (G17)

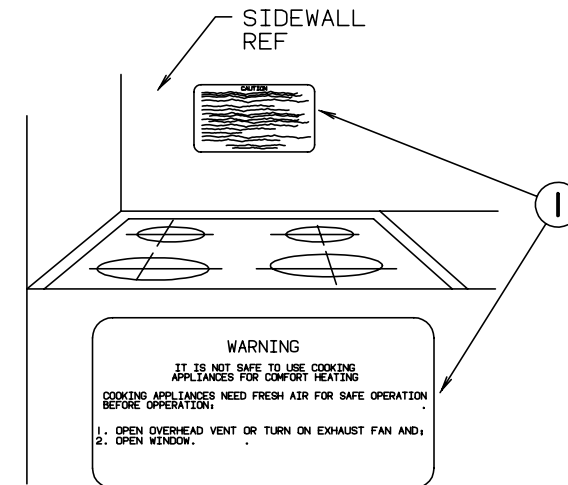
FIRE EXTINGUISHER, DETECTORS & WALL CLOCK

KEY	PART NUMBER	U/M	DESCRIPTION
	094499-01-000	EA	EXTINGUISHER - FIRE - DRY W/ MOUNTING BRACKET - 10 BC - US
	094499-02-000	EA	EXTINGUISHER - FIRE - DRY - 1A10BC - CANADIAN
	094499-01-700	EA	BRACKET - MOUNTING - W/ PLASTIC STRAP - FIRE EXTINGUISHER
	094499-01-701	EA	STRAP ONLY (METAL)
	072852-01-000	EA	DETECTOR - SMOKE - W/ 9 VOLT BATTERY - US
	072852-02-000	EA	DETECTOR - SMOKE - W/ 9 VOLT BATTERY - CANADIAN
	112320-02-000	EA	BATTERY/ SENSOR - CO GAS - COSTAR 940001000
	112320-03-000	EA	DETECTOR-CO GAS MODEL 9D-I - COSTAR 946000001
	112320-04-000	EA	DETECTOR-CO SENSOR ASM. - COSTAR 946001001
	118081-01-01A	EA	CLOCK - WALL - ROUND 8" BRASS - LINDEN 9987

LABELS GROUP

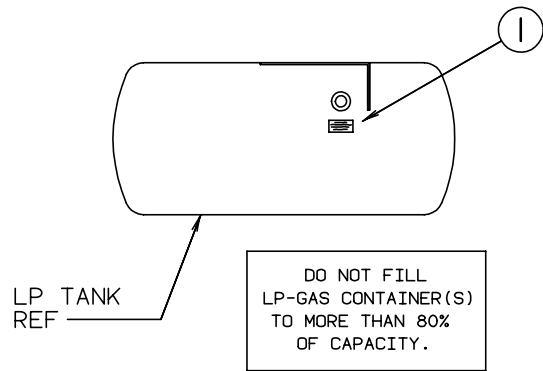


KEY	PART NUMBER	U/M	DESCRIPTION
1	006040-01-000	EA	TAG - GAS REFUELING WARNING
1	006040-02-000	EA	TAG - GAS REFUELING WARNING (CANADIAN)
2	054531-01-000	EA	LABEL - LP GAS ONLY
2	023769-01-000	EA	LABEL - WARNING-LPG (CANADIAN)

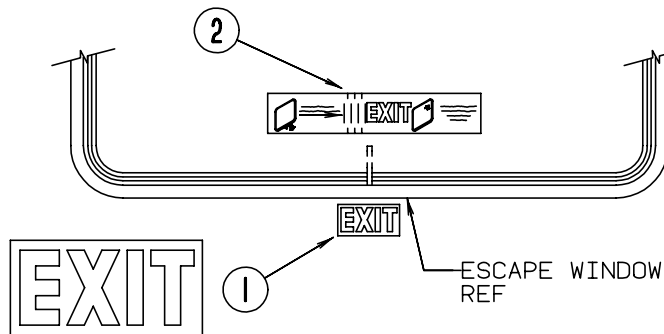
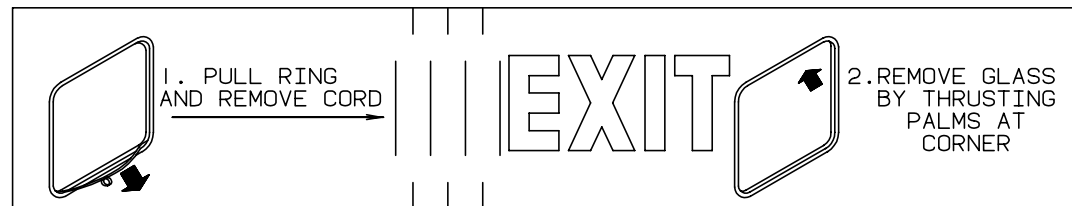


KEY	PART NUMBER	U/M	DESCRIPTION
1	050225-01-000	EA	LABEL - WARNING - STOVE VENT - US
1	050222-01-000	EA	LABEL - WARNING - STOVE VENT - CSA

LABELS GROUP (CONTINUED)



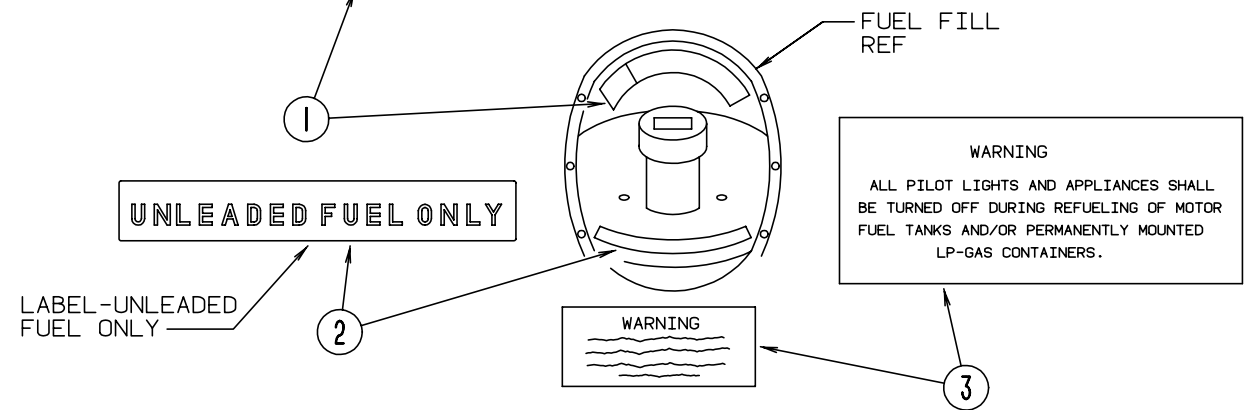
KEY	PART NUMBER	U/M DESCRIPTION
1	079965-01-000	EA LABEL - LPG - 80% CAPACITY



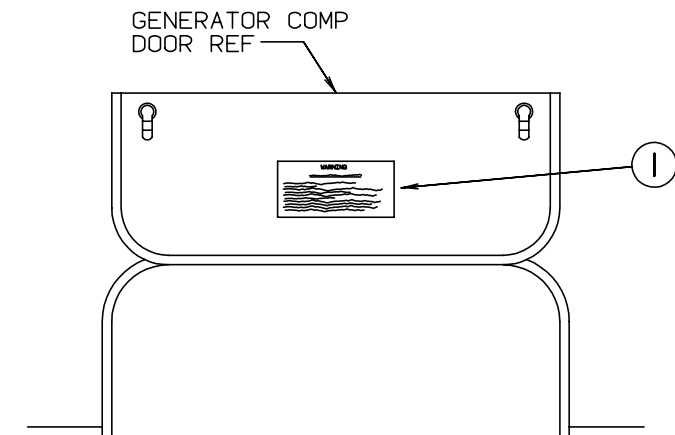
KEY	PART NUMBER	U/M DESCRIPTION
1	107571-01-000	EA LABEL - EXIT/ESCAPE WINDOW
2	039290-01-000	EA LABEL - EXIT WARNING

LABELS GROUP (CONTINUED)

CAUTION	TO HELP AVOID PERSONAL INJURY DURING REMOVAL OF FUEL FILLER CAP, SLOWLY LOOSEN CAP 1/2 TURN TO ALLOW ANY FUEL PRESSURE TO BE RELIEVED BEFORE TURNING CAP FURTHER.
FUEL SPRAY MAY CAUSE PERSONAL INJURY	STOP ADDING FUEL AFTER FIRST SHUTOFF BY AUTOMATIC NOZZLE WHEN TANK IS NEARLY FULL. DO NOT OVERFILL FUEL TANK. SEE OWNERS MANUAL FOR ADDITIONAL INFORMATION. PRINTED IN U.S.A. MLC PT NO 15611763



KEY	PART NUMBER	U/M DESCRIPTION
1	087207-05-000	EA LABEL - FUEL CAP REMOVAL
2	062043-01-000	EA LABEL - FUEL - UNLEADED
3	006040-01-000	EA TAG - GAS REFUELING WARNING
3	006040-02-000	EA TAG - GAS REFUELING WARNING (CANADIAN)



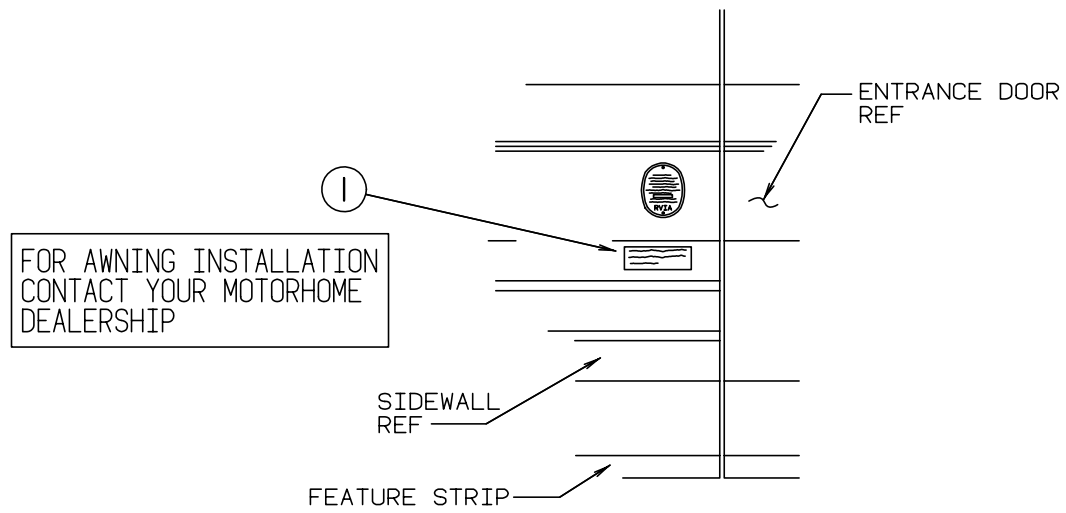
WARNING

WHEN ADDING A GENERATOR SET:

HIGH VOLTAGE-USE EXTREME CAUTION WHEN WORKING ON ELECTRICAL COMPONENTS.
HAVE ALL ELECTRICAL INSTALLATION PERFORMED BY A QUALIFIED LICENSED ELECTRICIAN-FOLLOW ALL STATE AND LOCAL CODES.
ONLY INSTALL GENERATOR SET APPROVED FOR R.V. APPLICATION. HAVE INSTALLED BY QUALIFIED TECHNICIAN.
TO AVOID HEAT BUILD-UP AND TO GUARANTEE AN ADEQUATE AIR SUPPLY TO THE GENERATOR CARBURETOR, FOLLOW INSTALLATION INSTRUCTIONS.
GENERATOR ENGINE EXHAUST GASES ARE TOXIC AND MUST NOT TERMINATE UNDER THE VEHICLE-DISCHARGE EXHAUST AWAY FROM VEHICLE.

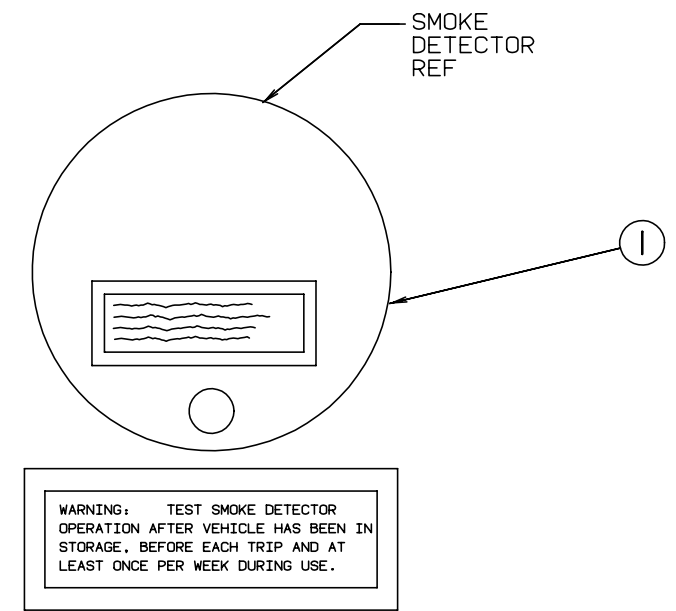
KEY	PART NUMBER	U/M DESCRIPTION
1	077510-01-000	EA LABEL - GENERATOR PREP

LABELS GROUP (CONTINUED)

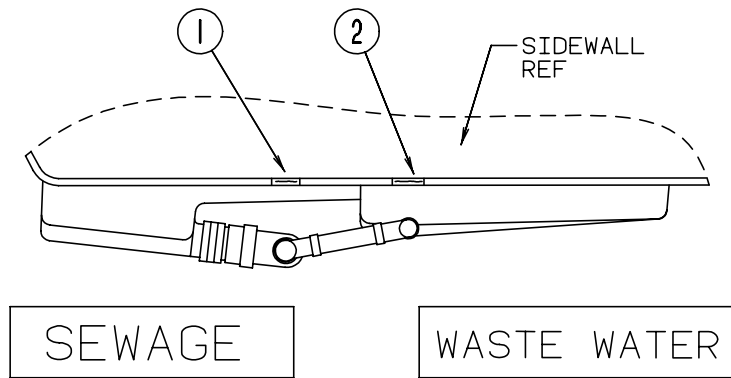


KEY	PART NUMBER	U/M DESCRIPTION
1	099509-01-000	EA LABEL - AWNING INSTALLATION

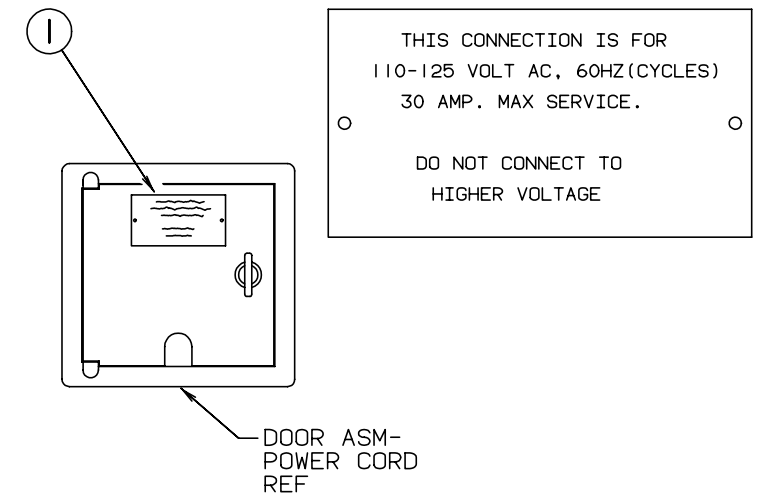
LABELS GROUP (CONTINUED)



KEY	PART NUMBER	U/M DESCRIPTION
1	077956-01-000	EA LABEL - WARNING - SMOKE DETECTOR

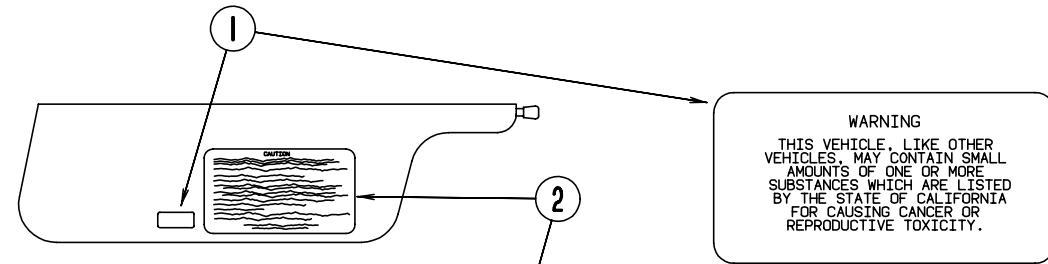


KEY	PART NUMBER	U/M DESCRIPTION
1	006187-01-000	EA LABEL - SEWAGE
2	006188-01-000	EA LABEL - WASTE WATER



KEY	PART NUMBER	U/M DESCRIPTION
1	006062-01-000	EA TAG - ELECTRIC - 110V CONNECTION

LABELS GROUP (CONTINUED)



WARNING
 THIS VEHICLE, LIKE OTHER VEHICLES, MAY CONTAIN SMALL AMOUNTS OF ONE OR MORE SUBSTANCES WHICH ARE LISTED BY THE STATE OF CALIFORNIA FOR CAUSING CANCER OR REPRODUCTIVE TOXICITY.

CAUTION

THIS MOTOR HOME HAS BEEN DESIGNED, MANUFACTURED AND TESTED WITH CONCERN FOR THE PROTECTION OF IT'S OCCUPANTS. WE RECOMMEND YOU PERFORM THE FOLLOWING INSPECTIONS FOR YOUR SAFETY AND THE SAFETY OF YOUR PASSENGERS BEFORE STARTING YOUR VEHICLE.

1. LP GAS SYSTEM- TURN OFF AT TANK FOR TRAVELING. TEST FOR LEAKS UPON ARRIVAL AT DESTINATION. BEFORE LIGHTING PILOTS.
2. WHEELS- INSPECT FOR DAMAGE AND CHECK LUG NUTS FOR TIGHTNESS.
3. TIRES- INSPECT FOR WEAR AND DAMAGE AND CHECK FOR RECOMMENDED AIR PRESSURE.
4. LIGHTING- TEST FOR PROPER OPERATION OF ALL INTERIOR AND EXTERIOR LIGHTS INCLUDING DASH LIGHTS, HEADLIGHTS, TAIL LIGHTS, BRAKE LIGHTS, CLEARANCE LIGHTS AND TURN SIGNALS.
5. EXITS- INSPECT RELEASE MECHANISM ON EMERGENCY EXIT WINDOW, TEST BOTH LOCKS ON MAIN ENTRANCE DOOR FOR EASE OF OPERATION AND INSTRUCT PASSENGERS HOW TO USE BOTH MEANS OF EXIT.
6. SEAT BELTS- DIRECT PASSENGERS TO DESIGNATED SEATS AND REQUIRE USE OF SEAT BELTS.
7. APPLIANCES- TURN OFF AND LATCH OR LOCK DOORS WHERE PROVIDED.
8. LOOSE PARCELS- STORE SECURELY.
9. UTILITY SUPPLY LINES- DISCONNECT ALL ELECTRIC, SEWER AND WATER LINES AND SECURE PROPERLY.
10. ENTRANCE DOOR STEP- PLACE IN RETRACTED POSITION FOR TRAVELING.

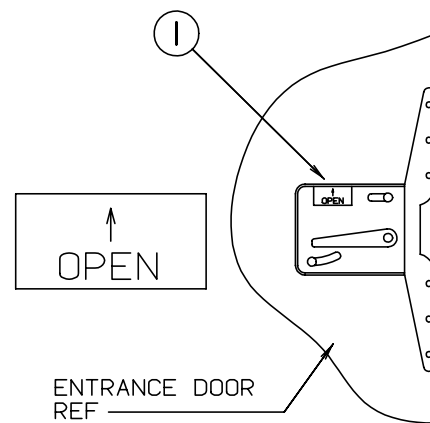
READ YOUR MOTOR HOME AND CHASSIS OWNER'S MANUAL FOR FURTHER PRECAUTIONS

LABELS GROUP (CONTINUED)

MISCELLANEOUS LABELS

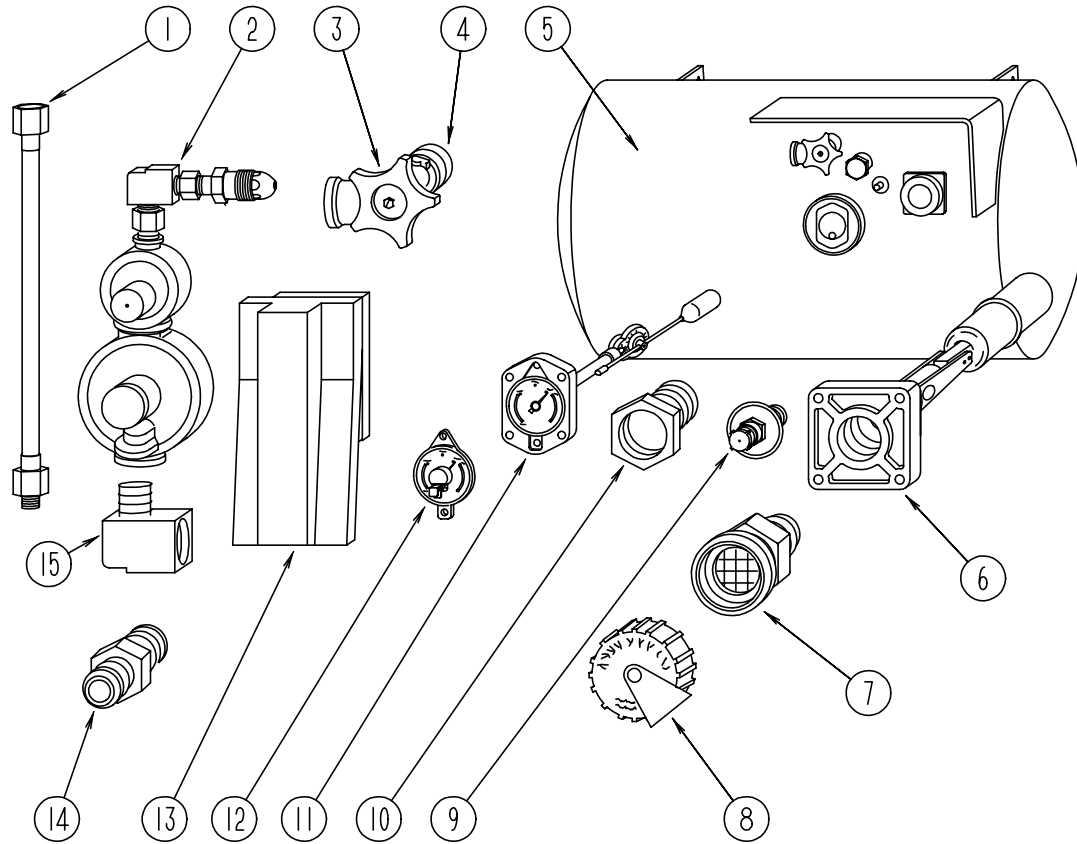
KEY	PART NUMBER	U/M DESCRIPTION
	050222-01-000	EA LABEL - STOVE VENT - CANADIAN
	094675-01-000	EA LABEL - EXTERIOR LIGHT - SERVICE
	073998-01-000	EA LABEL - LPG ODOR WARNING
	079966-01-000	EA LABEL - WARNING - STOWED - MOTION
	091224-02-000	EA LABEL - TRAILER LIGHTING
	091243-01-000	EA LABEL - A/C COVER - "AIR CONDITIONING CIRCUIT. ETC."
	098379-04-000	EA LABEL - ELECTRICAL BOX SIDE
	098641-01-000	EA LABEL - FUEL - UNLEADED - DASH
	104678-01-000	EA LABEL - CB PREP
	111104-01-000	EA LABEL - HITCH - READ MANUAL
	111537-01-000	EA LABEL - FUSES
	111537-05-000	EA LABEL - SLIDEOUT CONTROLS
	111802-01-000	EA LABEL- CFC WARNING

KEY	PART NUMBER	U/M DESCRIPTION
1	099689-01-000	EA LABEL - WARNING - CANCER/TOXICITY
2	056259-01-000	EA LABEL - SAFETY CHECK LIST



KEY	PART NUMBER	U/M DESCRIPTION
1	040944-01-000	EA LABEL - ENTRANCE DOOR - "OPEN"

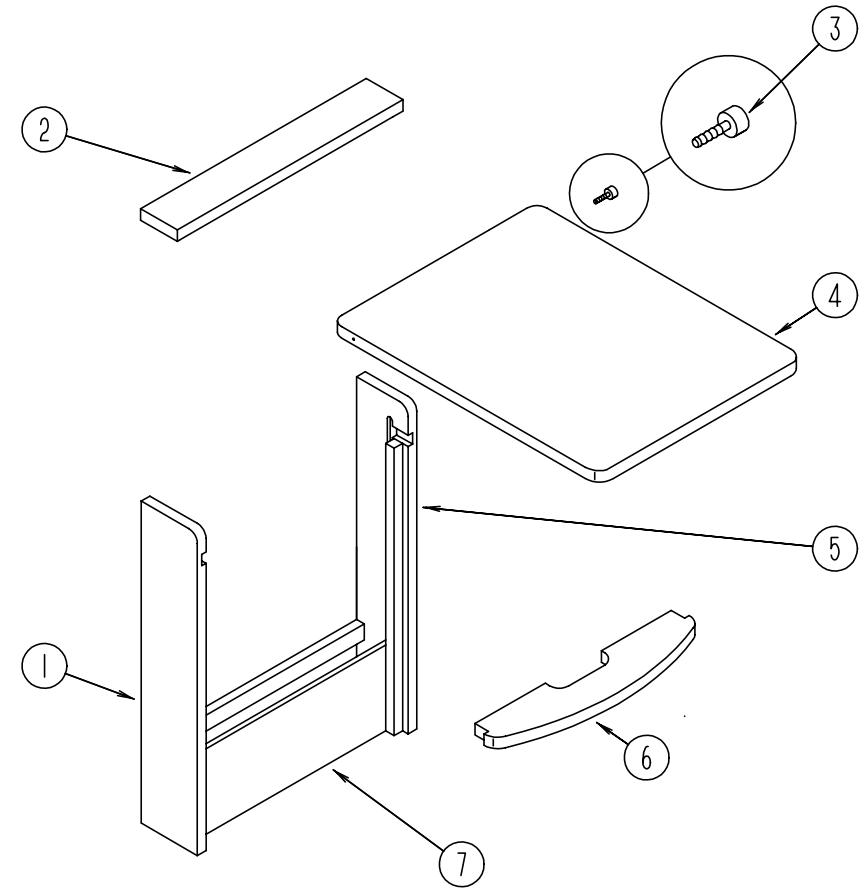
LP GROUP



LP TANK & COMPONENTS

KEY	PART NUMBER	U/M	DESCRIPTION	VENDOR NO.
1	045703-01-000	EA	HOSE - LP - 3/8" ID X 24" - 3/8" MPT X 1/2" F SWIVEL - US	
1	045703-02-000	EA	HOSE - LP - 3/8" ID X 24" - 3/8" MPT X 1/2" F SWIVEL - CANADA	
2	106150-01-000	EA	REGULATOR - TWO STAGE	
3	040421-01-708	EA	HANDWHEEL - SERVICE VALVE	G-1015-A
4	040421-01-712	EA	VALVE - SERVICE W/HANDWHEEL	
5	088253-03-000	EA	TANK - LP - 100 LB - 16"D X 36" - SPL	
6	040421-01-711	EA	VALVE - 80% W/FLOAT - PLATE - BOLTS & GASKET - BRUNNER	
7	040421-01-701	EA	VALVE - FILL-SHORT LP	75478
8	040421-01-702	EA	CAP - LP FILLER VALVE - PLASTIC - YELLOW - BRUNNER	G-1014-A
9	040421-01-700	EA	GAUGE - LIQUID LEVEL - 20% LP - BRUNNER	G-1013
10	040421-01-713	EA	PRESSURE RELIEF VALVE	
11	088253-01-700	EA	L.P. FLOAT GAUGE - 4 MACHINE SCREW STYLE	
12	040440-02-000	EA	TRANSMITTER - DIAL - 90 OHM	
13	105658-01-000	EA	COMPARTMENT - LP REGULATOR	
14	010323-01-000	EA	ADAPTER - BRASS - 3/8" F X 1/2" MPT	
15	065318-02-000	EA	ELBOW - 90 DEGREE - 3/8" MPT TO 3/8" FPT	
	010329-01-000	EA	ADAPTER - BRASS - 1/2" F X 1/2" MPT	
	103613-01-000	EA	DETECTOR - LP GAS	
	010252-01-000	EA	ELBOW - BRASS, 90 DEGREE - 3/8" F X 1/2" MPT	
	010265-01-000	EA	ELBOW - BRASS, 90 DEGREE - 3/8" F X 1/2" FPT	
	010377-02-000	EA	NUT - BRASS, 3/8" FLARE - FORGED	
	010326-01-000	EA	ADAPTER - FLARE, W/CONE GASKET - 3/8" F X 1/2" M	

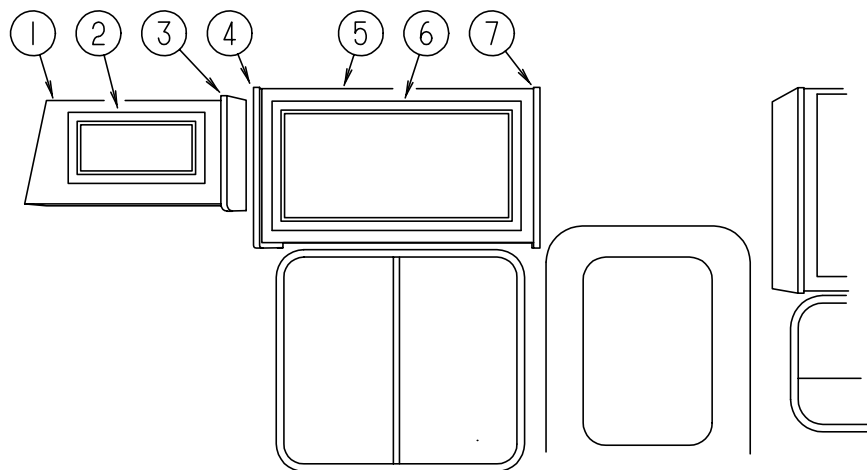
LOUNGE GROUP



PULLOUT TABLE

KEY	PART NUMBER	U/M	DESCRIPTION
	P19559-01-G35	EA	CABINET ASM. - TABLE - W/O PULLOUT TOP
1	119559-12-G35	EA	SIDE END - TABLE - 28.7" X 5.7" - LEFT SIDE
2	119559-13-G35	EA	SHELF - SUPPORT - OVER PULL OUT TABLE TOP
3	079921-01-000	EA	NYLON ROLLER W/SHAFT
4	119559-17-G35	EA	PULLOUT TOP
5	119559-11-G35	EA	SIDE END - TABLE - 28.7" X 5.7" - RIGHT SIDE
6	119559-14-G35	EA	SHELF - SUPPORT - UNDER PULL OUT TABLE TOP
7	119559-15-G35	EA	PANEL - TABLE - FRONT BOTTOM - 18.1" X 6.7"
	080736-01-000	EA	PULL - RECESSED - 1.25" X 4" - OAK

LOUNGE GROUP (CONTINUED)



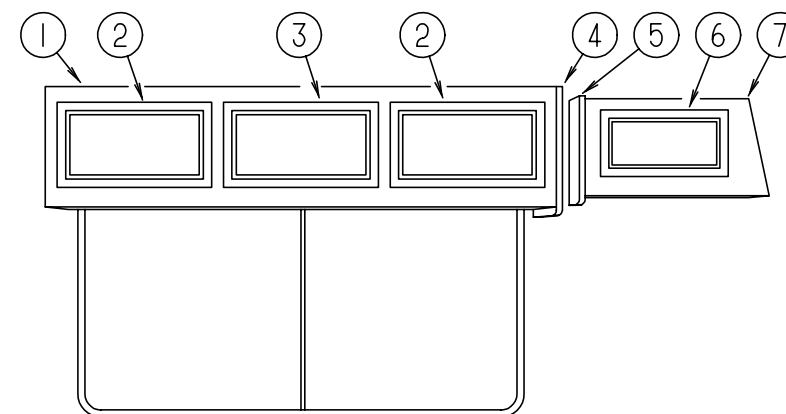
FRONT OVERHEAD CABINET (PASSENGER SIDE)

KEY	PART NUMBER	U/M	DESCRIPTION
1	M06838-01-G15	EA	CABINET ASM. - FRONT OVERHEAD - PASSENGER SIDE
1	M06838-01-G16	EA	CABINET ASM. - FRONT OVERHEAD - PASSENGER SIDE
1	M06838-01-G17	EA	CABINET ASM. - FRONT OVERHEAD - PASSENGER SIDE
2	M06803-04-G15	EA	DOOR ASM - RAIL - W/O HARDWARE - 255 X 485
3	103128-08-G15	EA	END CAP ASM. (FRONT OVERHEAD)
4	103128-07-G15	EA	END CAP ASM. - LEFT HAND
5	M06838-08-G15	EA	CABINET ASM. - OVERHEAD
6	M06803-30-E10	EA	DOOR ASM - W/O HARDWARE - 395 X 750
7	103128-10-G15	EA	END CAP ASM. - RIGHT HAND

ENTRANCE STEP LID COMPONENTS

KEY	PART NUMBER	U/M	DESCRIPTION
	101222-01-02A	EA	BRACKET-CATCH,LID, O/WHT
	107941-02-03B	EA	SUPPORT-LID,ENT STEP,O/WHT
	107941-02-01B	EA	SUPPORT-LID,ENT STEP,MILL
	P14437-01-000	EA	CABT ASM-LID,W/O CARPT

LOUNGE GROUP (CONTINUED)

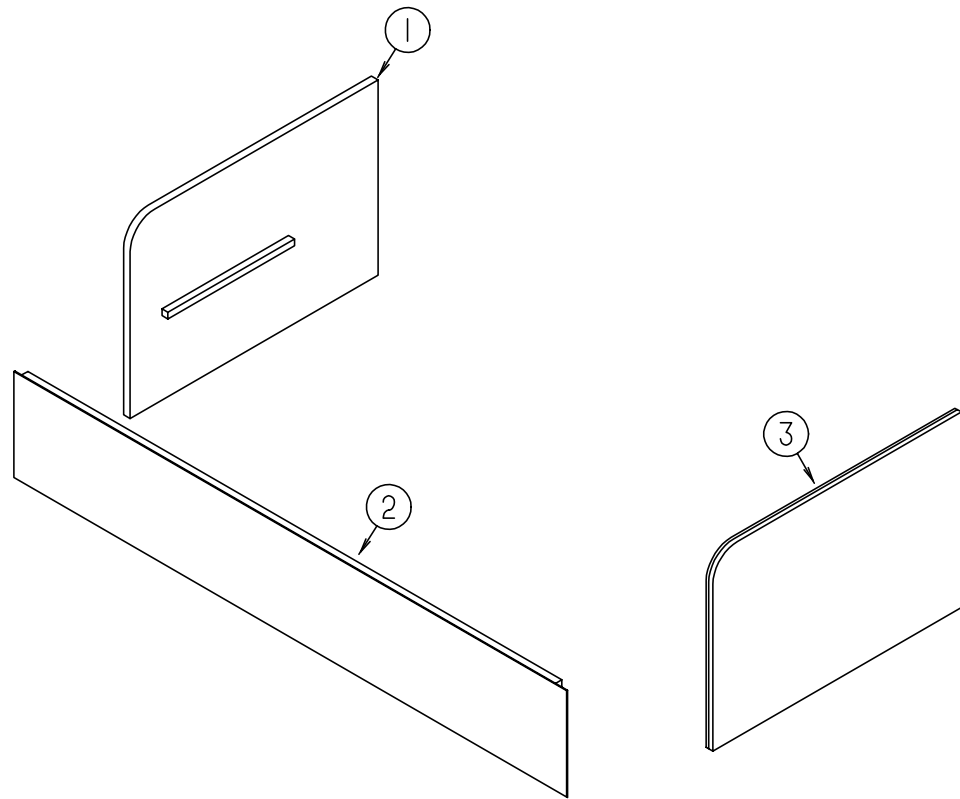


FRONT OVERHEAD CABINET (DRIVER SIDE)

KEY	PART NUMBER	U/M	DESCRIPTION
1	M06838-07-G15	EA	CABINET ASM.
2	M06803-03-G15	EA	DOOR ASM. - RAIL - W/O HARDWARE - W/ MIRROR - 400 X 520 MM
3	M06803-13-G15	EA	DOOR ASM. - RAIL - W/O HARDWARE - W/ MIRROR - 400 X 710 MM
4	103128-01-G15	EA	END CAP ASM. - RIGHT HAND
5	103128-09-G15	EA	END CAP ASM. (FRONT OVERHEAD)
6	M06803-04-G15	EA	DOOR ASM - W/O HARDWARE - 255 X 485 MM
7	M06838-02-G15	EA	CABINET ASM. - FRONT OVERHEAD - DRIVER SIDE
7	M06838-02-G16	EA	CABINET ASM. - FRONT OVERHEAD - DRIVER SIDE
7	M06838-02-G17	EA	CABINET ASM. - FRONT OVERHEAD - DRIVER SIDE

LOUNGE GROUP (CONTINUED)

COUCH CABINET



KEY	PART NUMBER	U/M	DESCRIPTION
1	M04187-36-G15	EA	CABINET - COUCH - RIGHT HAND - W/ FABRIC
1	M04187-36-G16	EA	CABINET - COUCH - RIGHT HAND - W/ FABRIC
1	M04187-36-G17	EA	CABINET - COUCH - RIGHT HAND - W/ FABRIC
2	M04187-37-G15	EA	CABINET - COUCH - FRONT - W/ FABRIC
2	M04187-37-G16	EA	CABINET - COUCH - FRONT - W/ FABRIC
2	M04187-37-G17	EA	CABINET - COUCH - FRONT - W/ FABRIC
3	M04187-34-G15	EA	CABINET - COUCH - LEFT HAND - W/ FABRIC
3	M04187-34-G16	EA	CABINET - COUCH - LEFT HAND - W/ FABRIC
3	M04187-34-G17	EA	CABINET - COUCH - LEFT HAND - W/ FABRIC
	083125-07-000	EA	BRACE - ANGLE - COUCH - OFF WHITE

SEALANTS & FASTENERS GROUP

SEALANTS & ADHESIVE

KEY	PART NUMBER	U/M	DESCRIPTION
	034552-02-000	EA	SILICONE-TUBE, 300 ML - CLEAR - W/O NOZZLE ALSO ORDER P.N.#900390-03-000 NOZZLE SEPARATELY
	034552-12-000	EA	SILICONE-TUBE, 300 ML - BUFF - W/O NOZZLE ALSO ORDER P.N.#900390-03-000 NOZZLE SEPARATELY
	120074-01-01A	EA	SILICONE TUBE - OFF WHITE W/O NOZZLE ALSO ORDER NOZZLE #900390-03-000
	900390-01-000	EA	TIP - 2 1/2" X 1/8" ORIFICE, ELLSWORTH#TS216
	900390-03-000	EA	NOZZLES-SILICONE TUBE, CSL# D10
	053766-02-000	EA	BEDDING COMPOUND-TUBE, WHITE SCHNEE# 5522
	053766-06-000	EA	BEDDING COMPOUND-TUBE, CLEAR
	067788-01-000	EA	ADHESIVE-SPRAY, 3M 74 - 19.5 OZ AEROSOL CAN
	069640-01-000	FT	SEALER-RIBBON, 1/4" DIAMETER - INCREMENTS OF 30'
	069640-02-000	FT	SEALER-RIBBON, 1/2" X 1/8"- INCREMENTS OF 60'
	069640-03-000	FT	SEALER-RIBBON, 3/4" X 1/8" - INCREMENTS OF 60'
	069640-07-000	FT	SEALER-RIBBON, 2" X 3/32" - INCREMENTS OF 45'
	069640-09-000	FT	SEALER-RIBBON, 1/32" X 2 1/2" - INCREMENTS OF 80'
	072889-01-000	EA	SEALANT-URETHANE, BLACK - 1/10 - ESSEX 552.2
	072889-09-000	EA	SEALANT-URETHANE(TUBE) BLACK - MANUS 75AM
	076322-01-000	FT	TAPE-FOAM, DOUBLE COATED ADHESIVE BACKED - .75" X 216'
	076322-02-000	FT	TAPE-FOAM, DOUBLE COATED ADHESIVE BACKED - 1" X 108'
	076322-05-000	FT	TAPE-FOAM, DOUBLE COATED - .045" X .75" X 108'
	076322-07-000	FT	TAPE-FOAM, DOUBLE COATED - .045 X .50 - NORT V2000
	087211-01-000	GL	PROMOTER-ADHESIVE
	088479-01-000	EA	TAPE-ALUM 3" 3M
	091255-02-000	FT	SEAL-ADHESIVE BACKED FOAM, .18" THICK X 1.5" WIDE
	094401-01-000	EA	SEALER-BODY SEAM SEALER, 3M FLEXICLEAR
	102352-01-000	EA	SEALER-PUMPABLE, BLACK - COLORIMETRIC MS101
	106206-01-000	EA	SEALER-PUMPABLE - MANUS 30ABLACK
	108716-02-000	EA	SILICONE (TUBE) BUFF LEVEL - CSL 510
	110274-01-000	FT	TAPE-FOAM, DBL COATED .045 X 1.0 - NORTON V-2800
	112901-02-000	EA	ADHESIVE-PLEXUS MA 330 50ML - P33500
	118085-02-01A	FT	TAPE-FOIL, 1" X 150 FT
	063642-01-000	FT	TAPE-ADHESIVE, 10 MIL. X 1.5" WIDE X 180"
	120534-01-01A	EA	TAPE-SCOTCH 3M 1/2" FINE LINE - #471 GREEN

BOLTS, NUTS & WASHERS

KEY	PART NUMBER	U/M	DESCRIPTION
	000C12-05-16B	EA	BOLT-HEX, 5/16-18 X 1 - ZINC 5
	000C12-05-12B	EA	BOLT-HEX, 5/16-18 X 3/4 ZN 5
	000C12-06-16B	EA	BOLT-HEX, 3/8-16 X 1LG, ZN 5
	000C12-08-24B	EA	BOLT-HEX, 1/2-13 X 1 1/2 - ZN 5
	000C12-10-24B	EA	BOLT-HEX, 5/8-11 X 1 1/2 ZN 5
	000C13-07-48B	EA	BOLT-HEX, 7/16 - 20 X 3 - ZN 5
	000C13-07-40B	EA	BOLT-HEX, 7/16 - 20 X 2 1/2 - ZN 5
	000C26-04-18B	EA	BOLT-HEX, SER FLG 1/4-20 X 1 1/8 - ZN
	000C26-04-10B	EA	BOLT-HEX, SER FLG 1/4-20 X 5/8 ZINC
	000C26-05-12B	EA	BOLT-HEX, SER FLG 5/16-18 X 3/4 - ZN
	000C26-05-20B	EA	BOLT-HEX, SER FLG 5/16 - 18 X 1 1/4 ZINC
	000C26-05-16B	EA	BOLT-HEX, SER FLG 5/16-18 X 1 - ZINC
	000C26-06-12B	EA	BOLT-HEX, SER FLG 3/8-16 X 3/4 - ZN
	000D24-10-00B	EA	NUT-HEX, SF/LK - 10-32 ZN
	000D29-05-00B	EA	NUT - 5/16 - 18 UNC, SF/LOCKING - NYLON WASHER INSERT
	000D34-06-00B	EA	NUT-HEX, LK - 3/8 - 16 GRADE C ZN - PREVAILING TORQUE
	000D39-04-00B	EA	NUT-HEX, SER FLG LK 1/4 - 20 ZN
	000D39-05-00B	EA	NUT-HEX, SER FLG LK - 5/16 - 18 ZN
	000D39-06-00B	EA	NUT-HEX, SER FLG LK - 3/8 - 16 ZN
	000D39-08-00B	EA	NUT-HEX, SER FLG LK - 1/2 - 13 ZN
	000D44-07-00B	EA	NUT-HEX, SER FLG LK - 7/16 - 20 ZN

SEALANTS & FASTENERS GROUP (CONTINUED)

BOLTS, NUTS & WASHERS (CONTINUED)

KEY	PART NUMBER	U/M	DESCRIPTION
	000D46-04-00A	EA	NUT-HEX, WELD, 1/4-20 - PLAIN - SHORT PILOT
	000E11-08-00B	EA	WASHER-LK - 1/2 MED SPLIT ZN
	000E13-14-00B	EA	WASHER-FL, 1/4" WIDE ZN
	000E13-18-00B	EA	WASHER-FL, 3/8 WIDE ZN
	000E13-20-00B	EA	WASHER-FL, 7/16" WIDE - ZN
	000E13-21-00B	EA	WASHER-FL - W/2 NAR ZN
	000E13-22-00B	EA	WASHER-FL, 1/2 WIDE ZN
	000G45-04-24B	EA	BOLT-LAG, 1/4 - 9 X 1 1/2 ZN
	040921-04-000	EA	NUT-SPEED, U TYPE - NO. 8 - .59" LENGTH X .44" WIDTH
	040921-09-000	EA	NUT-SPEED-U TYPE NO 8 - T'MN C9812-8A
	044364-02-000	EA	NUT-SPEED, FLAT - ROUND
	051387-05-000	EA	BOLT-CARR, 5/16 - 18 X 8.5 - ZN - W/O HOLE
	051387-06-000	EA	BOLT-CARRIAGE, W/O HOLE - 5/16-18 X 9.5 ZN
	058716-02-000	EA	WASHER-FLAT NYLON - .406 X .750 X .060
	063253-07-000	EA	NUT-J, #8A .120- .130 PNL THK
	083163-06-000	EA	PUSHNUT-FLAT TYPE 3/8 STUD - FORD ONLY TO RETAIN THE AIR BAFFLE ON THE OIL DIPSTICK TUBE
	087234-01-000	EA	NUT-JACK, 1/4 X 20THD, MOLLY - ARDEN 8-L - JN BRASS MOUNTS LICENSE PLATES
	088787-12-000	EA	STUD-WELD, 1/4-20 X 1.0 LG MN - ARDEN MN-1420-S-100
	102333-01-02A	EA	BOLT-CARRIAGE, 7/16 - 14 SST CAP O/WHT BUMPER BOLT
	108067-03-000	EA	STUD-WELD, 1/4-20 X 1/2 CD - IMAGE
	110794-01-000	EA	WASHER-FL- 1ID X 1 3/4OD - C-TECH 36T1043187

CLAMPS, CLIPS & GROMMETS

KEY	PART NUMBER	U/M	DESCRIPTION
	000H16-06-10R	EA	RIVET-POP-AL 3/16 X .501 - .625
	008380-01-000	EA	GROMMET-RUBBER, 5/8" HOLE X 1 1/2" DIAMETER - BLACK
	010495-01-000	EA	CLAMP-CABLE, 9/16"
	010497-01-000	EA	CLAMP-CLOSED, 5/8" ID
	010497-03-000	EA	CLAMP-CLOSED, 1" ID - CUSHIONED
	010497-04-000	EA	CLAMP-CLOSED, 1.62 ID - ADEL, 945-2717
	010499-01-000	EA	CLAMP-CLOSED, 3/8" ID
	016188-05-000	EA	GROMMET-L/P LINE, 3/8" HOLE X 1 1/4" LONG - RUBBER
	023942-01-000	EA	GROMMET-RUBBER, 2" OD
	062401-01-000	EA	CLAMP-HOSE, WORMGEAR .25" - 1"
	062401-02-000	EA	CLAMP-HOSE, WORMGEAR, 1.56" - 2.5"
	062401-03-000	EA	CLAMP-HOSE, WORMGEAR - .22" - 1"
			FROM: 00-00-00 THRU: 01-15-96
	062401-04-000	EA	CLAMP-HOSE, WORMGEAR .69"- 1.25"
	062401-05-000	EA	CLAMP-HOSE, WORMGEAR - 2" X 3"
	062401-06-000	EA	CLAMP-HOSE, WORMGEAR .22"- .62"
	062401-11-000	EA	CLAMP-HOSE, WORMGEAR 3.56"- 4.5"
	071015-11-000	EA	GROMMET - 1.00 ID, FITS .12 MATL - MINOR RUBBER Z-3065
	071015-29-000	EA	GROMMET-RUBBER, .25" ID X 1.25" OD W/.12" GROOVE - BLACK
	071015-30-000	EA	GROMMET-RUBBER, .31" ID X .81" OD W/.12" GROOVE - BLACK
	075148-02-000	EA	CLAMP-GROUNDING, BRONZE SCREWS
	077955-01-000	EA	CLIP-J, VINYL COATED, 3/8"
	081211-05-000	EA	PLUG-PLASTIC, .188 DIA - NATURAL
	083609-01-000	EA	CLAMP-WIRE, DUAL EQUAL - 5/8" DIAMETER
	083610-01-000	EA	CLAMP-WIRE, DUAL - UNEQUAL DIAMETERS - .75" & 1.25"
	083610-02-000	EA	CLAMP-WIRE, DUAL UNEQUAL DIA
	091952-01-000	EA	CLIP-GRIPPER, 1"
	091952-02-000	EA	CLIP-GRIPPER, 3/4"
	094362-02-000	EA	CLIP-CHRISTMAS TREE, FLAT HEAD - .5" X .95"

SEALANTS & FASTENERS GROUP (CONTINUED)

SCREWS

KEY	PART NUMBER	U/M DESCRIPTION
	0G3908-08-170	EA SCREW, SF/DR - 8-18 X .50 PPH - BRIGHT WHITE
	000G11-05-08B	EA SCREW, 5-20 X 1/2 PPH ZN
	000G11-06-08B	EA SCREW, 6-20 X 1/2 PPH ZINC
	000G11-06-06B	EA SCREW, 6-20 X 3/8 PPH ZN
	000G11-06-10J	EA SCREW, 6-20 X 5/8 PPH - BRASS
	000G11-07-08B	EA SCREW, 7-19 X 1/2 PPH - ZN
	000G11-08-08B	EA SCREW, 8-18 X 1/2 PPH - ZN
	000G11-08-06B	EA SCREW, 8-18 X 3/8 PPH ZN
	000G11-08-20B	EA SCREW, 8-18 X 1 1/4 PPH ZN
	000G11-08-16S	EA SCREW, 8-18 X 1.00 PPH - OFF WHITE
	000G11-08-12T	EA SCREW, 8-18 X 3/4 PPH - BLACK
	000G11-08-12S	EA SCREW, 8-18 X 3/4 PPH - OFF WHITE MAY NEED TO PAINT THIS SCREW - USED AS A REPLACEMENT FOR VARIOUS COLORED SCREWS
	000G11-08-12P	EA SCREW, 8-18 X .75 PPH - DARK BROWN
	000G11-08-12D	EA SCREW, 8-18 X 3/4 PPH - BLACK
	000G11-08-12B	EA SCREW, 8-18 X 3/4 PPH ZN
	000G11-08-10B	EA SCREW, 8-18 X 5/8 PPH ZN
	000G11-08-08T	EA SCREW, 8-18 X 1/2 PPH
	000G11-10-40B	EA SCREW, 10-16 X 2 1/2 PPH CAD
	000G11-10-12D	EA SCREW, 10-16 X 3/4 PPH - BLACK
	000G12-06-08T	EA SCREW, 6-20 X .50 POH - BLACK
	000G13-05-16S	EA SCREW, 5-20 X 1 PFH OFF WHITE
	000G13-06-08G	EA SCREW, 6-20 X 1/2 PFH - ANTIQUE BRASS
	000G13-06-08B	EA SCREW, 6-20 X 1/2 PFH ZN
	000G13-06-24J	EA SCREW, 6-20 X 1.50 PFH BRASS
	000G13-06-16J	EA SCREW, 6-20 X 1.00 PFH - BRASS
	000G13-07-12B	EA SCREW, 7-19 X 3/4 PFH ZN
	000G13-08-10B	EA SCREW, 8-18 X 5/8 PFH ZN
	000G18-08-22B	EA SCREW-MACHINE, 8-32 X 1 3/8 PPH ZN
	000G19-10-20B	EA SCREW-MACHINE, 10-32 X 1 1/14 PPH ZINK
	000G19-10-08B	EA SCREW-MACHINE, 10-32 X 1/2 PPH ZN
	000G32-10-06B	EA SCREW, 10-32 X 3/8" - PPH - ZINC
	000G39-06-16T	EA SCREW-SF/DR, 6-20 X 1 PPH - BLACK
	000G39-06-10T	EA SCREW-SF/DR, 6-20 X 5/8 PPH - BLACK
	000G39-06-08B	EA SCREW-DR, 6-18 X 1/2 ZN
	000G39-06-10T	EA SCREW-SF/DR, 6-20 X 5/8 PPH - BLACK
	000G39-08-24B	EA SCREW-SF/DR, 8-18 X 1 1/2 PPH ZN
	000G39-08-16T	EA SCREW-SF/DR, 8-18 X 1 PPH - BLACK
	000G39-08-16R	EA SCREW-SF/DR, 8-18 X 1.00 PPH BEIGE
	000G39-08-16B	EA SCREW-SF/DR, 8-18 X 1 PPH ZN
	000G39-08-12T	EA SCREW-SF/DR, 8-18 X 3/4 PPH - BLACK
	000G39-08-06B	EA SCREW-SF/DR, 8-18 X 3/8 PPH ZN
	000G39-08-12B	EA SCREW-SF/DR, 8-18 X 3/4 PPH ZN
	000G39-08-08T	EA SCREW-SF/DR, 8-18 X .50 PPH - BLACK
	000G39-08-08S	EA SCREW-SF/DR, 8-18 X 1/2 PPH - OFF WHITE
	000G39-08-08B	EA SCREW-SF/DR, 8-18 X 1/2 PPH ZN
	000G39-10-12B	EA SCREW-SF/DR, 10-16 X .75 PPH ZN
	000G39-10-10B	EA SCREW-SF/DR, 10-16 X .625 - ZN
	000G39-10-08B	EA SCREW-SF/DR, 10-16 X .50 P&H - ZINC
	000G39-10-209	EA SCREW-SF/DR, 10-16 X 1.25 PPH - FLUOROCARBON SILVER
	000G39-10-20B	EA SCREW-SF/DR, 10-16 X 1 1/4 PPH ZN
	000G39-10-129	EA SCREW-SF/DR, 10-16 X 3/4 PPH - FLUOROCARBON SILVER
	000G39-10-12D	EA SCREW-SF/DR, 10-16 X 3/4 PPH - BLACK
	000G42-04-12B	EA SCREW-SF/DR, 1/4-14 X 3/4 HWH ZN
	000G46-08-24T	EA SCREW-MACHINE, 8-32-1.50 IN PFH - BLACK
	000G50-04-08B	EA SCREW-MACH, 1/4-20 X 1/2 PTH - 2N
	000G50-04-12B	EA SCREW-MACH, 1/4-20 X 3/4 PPH ZN
	000G52-08-18B	EA SCREW-MACH, 8-32 X 1 1/8 PTH ZN
	000G54-04-20B	EA SCREW, 1/4-20 X 1 1/4 PTH - TYPE 23 - ZINC PLATED
	000G55-08-12S	EA SCREW-SF/DR, 8-18 X .75 PWH - OFF WHITE
	000G55-08-12S	EA SCREW-SF/DR, 8-18 X .75 PWH - WILLOW
	000G57-05-16J	EA SCREW, 5-20 X 1 PFH - BRASS

SEALANTS & FASTENERS GROUP (CONTINUED)

SCREWS (CONTINUED)

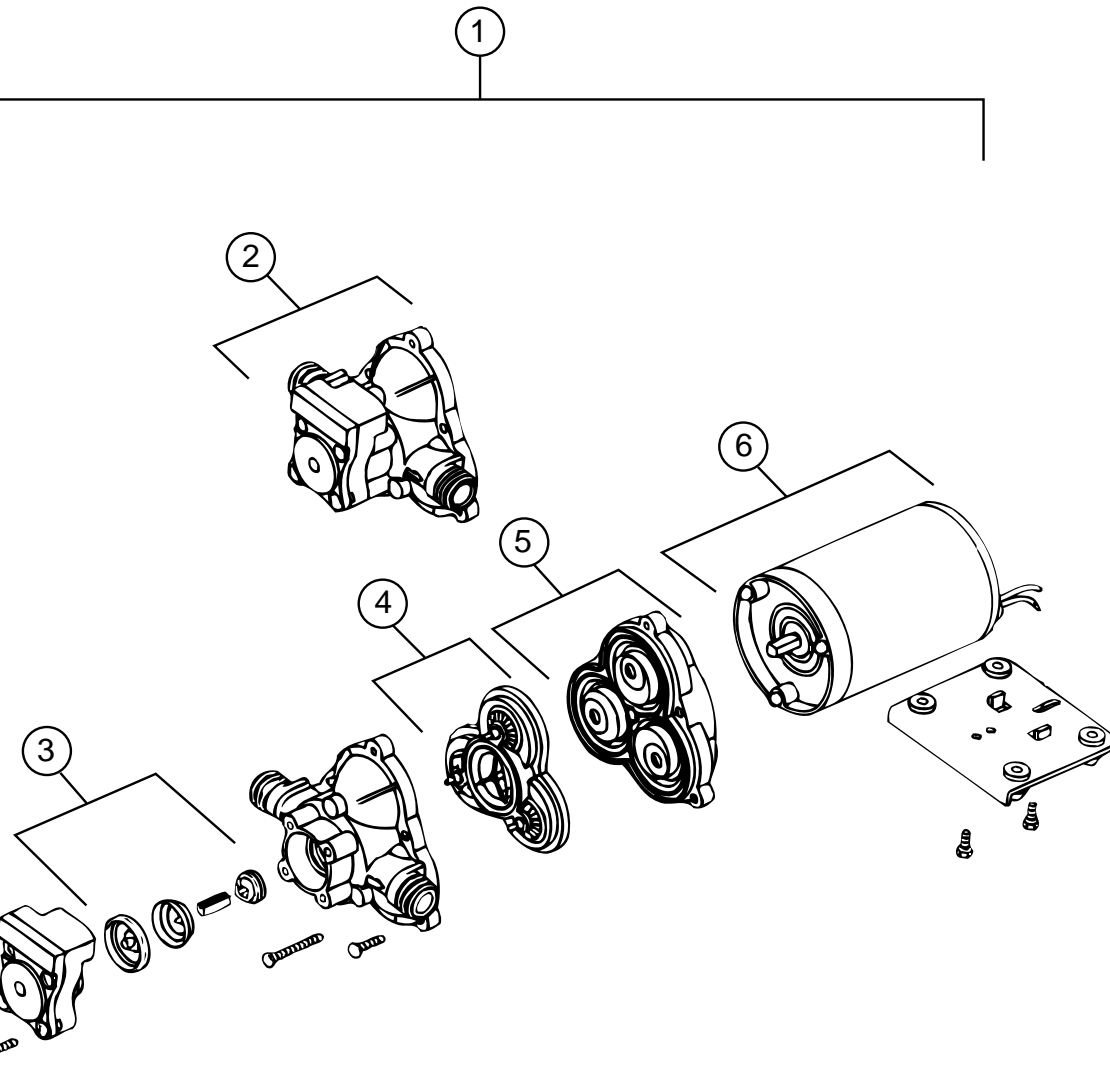
KEY	PART NUMBER	U/M DESCRIPTION
	000G60-10-28T	EA SCREW-SF/DR, 10-16 X 1.75 - BLACK
	000G67-08-32B	EA SCREW, 8-15 X 2 PPH ZN
	000G67-10-10B	EA SCREW, 10-12 X 5/8 PPH ZN - TYPE A
	000G67-10-08R	EA SCREW, 10-12 X 1/2 PPH - BEIGE - TYPE A
	000G67-10-08B	EA SCREW, 10-12 X 1/2 PPH ZN
	000G67-10-120	EA SCREW, 10-12 X .75" PPH - TAN
	000G67-10-12B	EA SCREW, 10-12 X 3/4" PPH - ZN
	000G67-10-10P	EA SCREW, 10-12 X .62 PPH - DARK BROWN
	000G67-10-10D	EA SCREW, 10-12 X 5/8 PPH - BLACK - TYPE A
	000G67-10-48B	EA SCREW, 10-12 X 3 PPH ZN
	000G67-10-36T	EA SCREW, 10-12 X 2.25 PPH BLACK - STALGARD
	000G68-06-10G	EA SCREW, 6-18 X 5/8 POH - ANTIQUE BRASS
	049465-01-000	EA SCREW, 10-16 W/WASHER PTH - DARK BROWN
	049465-03-000	EA SCREW, 10-16 X 1 POH W/WASHER - OFF WHITE
	057671-01-000	EA COVER-SCREW, #8 - PLASTIC - OFF WHITE
	075908-01-000	EA SCREW-MACHINE, 10-32 X .56 PTH - ZINC EXTERNAL TOOTH
	086256-01-000	EA SCREW ASM-SF/DR 8 X .75 HWH LG - PL BODY PNL MT
	097974-01-000	EA SCREW-PART BD 7-9 X .75 PPH - FHM 0543 PLAIN
	101618-01-000	EA SCREW - 1/4-20 X 3/4 HEX/TAPPING - STALGARD TYPE F
	106477-01-000	EA SCREW - 14-10 X 3.00 PFH - STEEL BRASS PLATED
	110460-04-01A	EA SCREW-MACH - 10-24 X 3.25IN PFH - ALMOND
	116111-02-01A	EA SCREW-TAPTITE - 1/4-20 X 3/8 PPH - ZINC
	117322-01-000	EA SCREW - 1/4-28 UNF-2A, TORX - U.T. 6270020 SC25WJ

TAPES AND TIES

KEY	PART NUMBER	U/M DESCRIPTION
	008343-01-000	EA TIE-WIRE, 6"
	008343-02-000	EA TIE-WIRE, 14"
	008343-03-000	EA TIE-WIRE, 7.5" BLACK - DENNISON 10003
	029094-04-000	YD VELCRO TAPE-LOOP, 1" WIDE - BLACK
	029096-03-000	YD VELCRO TAPE-HOOK, 1" WIDE - BLACK
	085774-01-000	FT FASTENER-DUAL HOOK, 1" WIDE - ADHESIVE BACK - BLACK
	085774-02-000	FT FASTENER-DUAL LOOP, 1" WIDE - ADHESIVE BACK - BLACK
	086285-01-000	EA SPACER-NYLON, .5" OD X .257" ID
	108046-02-000	EA CABLE TIE-SCREW MOUNT 15" - DENNISON 10035

WATER & SEWAGE GROUP

WATER & SEWAGE GROUP (CONTINUED)



WATER PUMP (SHURFLO)

KEY	PART NUMBER	U/M DESCRIPTION	VENDOR NO.
1	098607-01-000	EA PUMP - WATER - W/.5"MPT FITTING - FLOW 2.8 GPM - UL	
2	098607-01-706	EA UPPER HOUSING/ SWITCH KIT	94-231-20
3	098607-01-705	EA CHECK VALVE - KIT	94-237-00
4	098607-01-703	EA VALVE ASM	94-232-00
5	098607-01-702	EA DRIVE/ DIAPHRAGM - KIT	94-238-04
6	098607-01-707	EA MOTOR/ BASEPLATE REPLACEMENT	94-235-03

FRESH WATER TANK

KEY	PART NUMBER	U/M DESCRIPTION
	117217-01-000	EA TANK ASM - WATER - 30 GAL - W/O FITTINGS
	117217-02-000	EA TANK ASM - WATER - 30 GAL - W/ FITTINGS
	116881-01-000	EA TANK ASM - WATER - 48 GAL (W/ NOTCHED CORNER) - W/O FITTINGS
	116881-04-000	EA TANK ASM - WATER - 48 GAL (W/ NOTCHED CORNER) - W/ FITTINGS
	042989-05-000	EA FITTING - SPINWELD - PLASTIC 1/2FPT
	042989-03-000	EA FITTING - SPINWELD - PLASTIC - 1 1/4" FPT
	049032-01-000	EA PATCH - SPINWELD - 3/8" - PLASTIC
	039861-01-000	EA SENDING UNIT W/SCREW - WASHER
	091208-01-000	EA WASHER - RUBBER - .06" X .75" X .5"
	077954-02-000	EA FILTER - WATER TANK - SCREEN IN TANK

EXTERIOR SHOWER COMPONENTS

KEY	PART NUMBER	U/M DESCRIPTION	VENDOR NO.
	103092-01-000	EA SHOWER HEAD - W/60" HOSE (US)	
	103092-02-000	EA SHOWER HEAD - W/HOSE (CSA)	
	104044-01-000	EA BRACKET - SUPPORT - FAUCET	
	103092-01-700	EA BRACKET (FOR SHOWER HEAD) CLEAR	2328028
	103092-01-701	EA BRACKET (FOR SHOWER HEAD) BONE	2328029
	103092-01-702	EA SEALS - SPRAY HEAD	24466
	075241-05-000	EA FAUCET - SHOWER - BONE	

WATER SYSTEM COMPONENTS

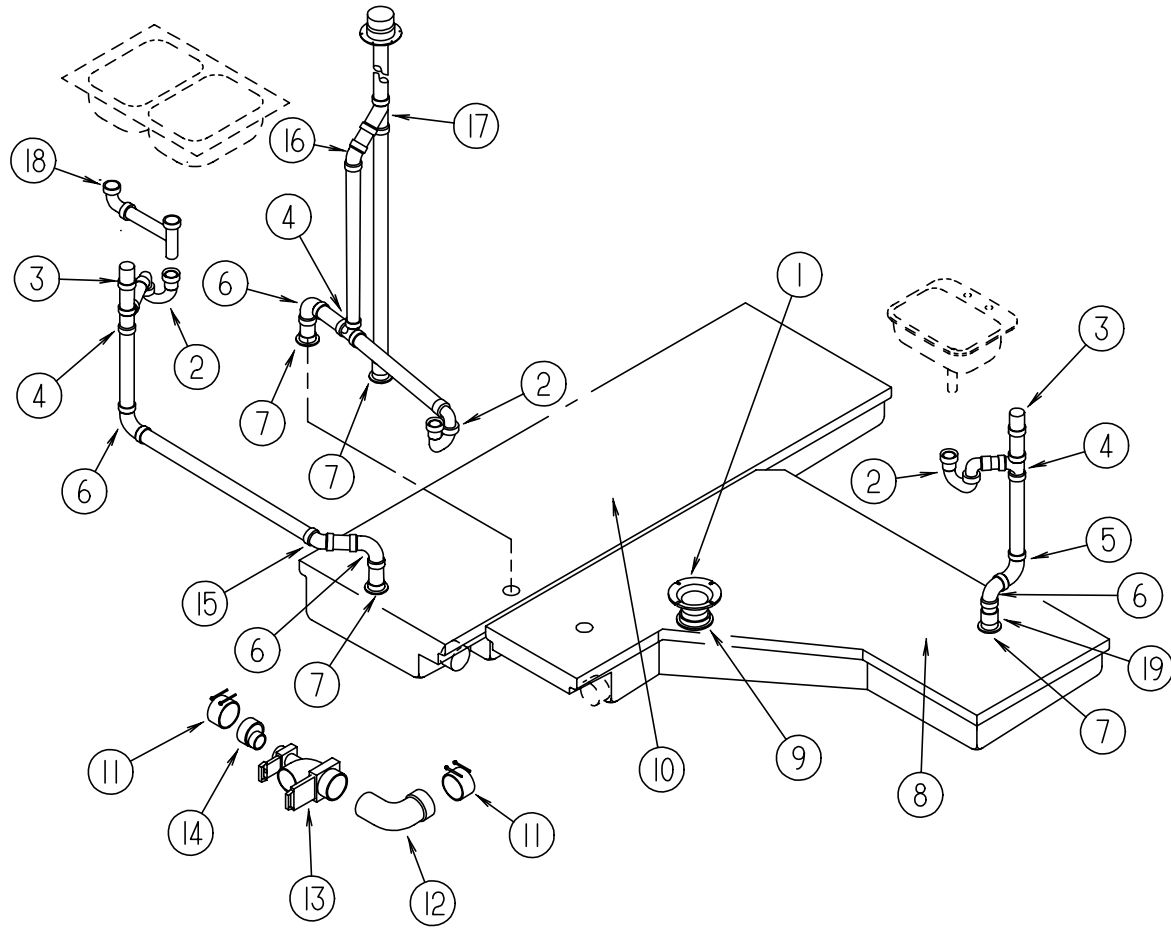
KEY	PART NUMBER	U/M DESCRIPTION
	701069-01-000	EA WATER PURIFICATION SYSTEM
	701069-03-700	EA CARTRIDGE - WATER FILTER - AC - EVERPURE 9601-11
	039800-04-000	FT TUBING - POLYBUTYL - 1/4" OD X 20FT
	039800-02-000	FT TUBING - POLYBUTYL - 5/8" OD X 20FT
	079381-01-000	FT TUBING-SMOOTH FLEXIBLE, 1 3/8" ID X 20'
	010219-01-000	EA ELBOW - 1 1/4" MPT X 1 1/4" BARB - WATER FILL - PLASTIC
	039798-01-000	EA TEE - 1/2" MPT X 1/2" MPT X 1/2" MPT - PLASTIC
	101814-01-000	EA COUPLING - FEMALE - 1/2" X 1/2" FPT
	M06993-02-000	EA INSULATION - WATER TANK
	010230-05-000	EA CITY WATER FILL, W/CHECK VALVE
	103798-01-000	EA CONNECTOR - 1/4"OD X 3/8"MPT
	110438-01-000	EA VALVE - CHECK - BRASS
	111888-02-000	EA INSERT-BRASS, 1/4 COMP

WATER SYSTEM COMPONENTS (FLAIR-IT)

KEY	PART NUMBER	U/M DESCRIPTION
	114427-01-000	EA CAP - 1/2P - 02860
	114427-02-000	EA PLUG - 1/2P - 02863
	114428-01-000	EA TEE - 1/2P X 1/2P X 1/2P - 02820
	114428-02-000	EA TEE - SWIVEL - 1/2P X 1/2P X 1/2FPT - 02821
	114428-03-000	EA TEE - 1/2P X 1/2P X 1/2MPT - 02822
	114429-01-000	EA ELBOW - 1/2P X 1/2P - 02800
	114429-02-000	EA ELBOW - 1/2P X 1/2MPT - 02803
	114429-03-000	EA ELBOW - SWIVEL - 1/2P X 1/2FPT - 02816
	114429-04-000	EA ELBOW - 1/2P X 3/8MPT - 02810
	114429-05-000	EA ELBOW - 1/2P X 3/4MPT - 02812
	114429-06-000	EA ELBOW - SWIVEL - 1/2P X 3/4FPT - 02811
	114430-01-000	EA ADAPTER - 1/2P X 1/2P - 02840
	114430-02-000	EA ADAPTER - SWIVEL - 1/2P X 1/2FPT - 02873
	114430-03-000	EA ADAPTER - 1/2P X 1/2MPT - 02842
	114431-01-000	EA VALVE - LINE DRAIN 1/2P - 02914
	114431-02-000	EA VALVE - 1/2P - BYPASS - 02910
	114431-03-000	EA VALVE - 1/2P X 1/2P - 02884
	114431-04-000	EA VALVE - STOP - 1/2P X 1/2P - 02880

WATER & SEWAGE GROUP (CONTINUED)

DRAINAGE SYSTEM



KEY	PART NUMBER	U/M	DESCRIPTION
1	116644-01-000	EA	FLANGE - CLOSET - 4" X 3"
2	107537-01-000	EA	P-TRAP ADAPTER - 1 1/4" SLIP
2	107538-01-000	EA	P-TRAP - PLASTIC - 1 1/4" W/ EXTENSION ARM
	061607-01-000	EA	GROMMET - HOLDING TANK - 1 1/2" NPS
3	079968-01-000	EA	VENT - MECHANICAL TRAP ARM - ANTI-SIPHON - 2" DIA. X 7.3" - PLASTIC
4	010071-01-000	EA	TEE - SANITARY - 1 1/2" HUB X HUB X HUB
5	010009-01-000	EA	ELBOW - 90 ° - 1/4 BEND - 1 1/2" - PLASTIC
6	010008-01-000	EA	ELBOW - 90 ° - 1/4 BEND - 1 1/2" HUB X HUB - BLACK PLASTIC
7	061607-01-000	EA	GROMMET - HOLDING TANK - 1 1/2" NPS
8	104350-01-000	EA	TANK - HOLDING - 69 GAL (BLACK)
9	061607-02-000	EA	GROMMET - HOLDING TANK - 3" NPS
10	104352-01-000	EA	TANK - HOLDING - 50 GAL (GRAY)
11	078406-01-000	EA	COUPLER - RUBBER - W/ CLAMPS - 3" X 3"
12	041956-01-000	EA	ELBOW - STREET - 1/4" BEND - 3" X 90° XLT
13	070916-01-000	EA	VALVE - DUAL DUMP - W/ CAP - 3" X 1 1/2" - PLASTIC - BLACK
	070916-01-700	EA	VALVE ONLY - 3"
	070916-01-701	EA	VALVE ONLY - 1 1/2"
14	062422-01-000	EA	ADAPTER - OFFSET REDUCER - 3" X 1 1/2" - PLASTIC - BLACK
	010201-01-000	EA	HOSE - SEWER - 3" ID X 8 FEET
	062416-01-000	EA	ADAPTER - SEWER HOSE TO 3" PIPE
15	010006-01-000	EA	ELBOW - 45° - 1/8 BEND - 1 1/2" HUB X HUB - BLACK PLASTIC
16	010051-01-000	EA	ELBOW - 45° BEND - 1 1/2" SPIGOT AND HUB - PLASTIC - BLACK
17	010073-01-000	EA	WYE - 45 DEGREE - 1 1/2" HUB X HUB X HUB - PLASTIC - BLACK
18	011091-03-000	EA	PIPE - DRAIN - W/SEALS - DOUBLE SINK - EXTENDS 9" TO 16"
18	011091-02-000	EA	PIPE - DRAIN - DOUBLE SINK - BAFFLE TEE - 1 1/2"
19	010115-01-000	EA	COUPLING - 1 1/2" HUB X HUB - PLASTIC

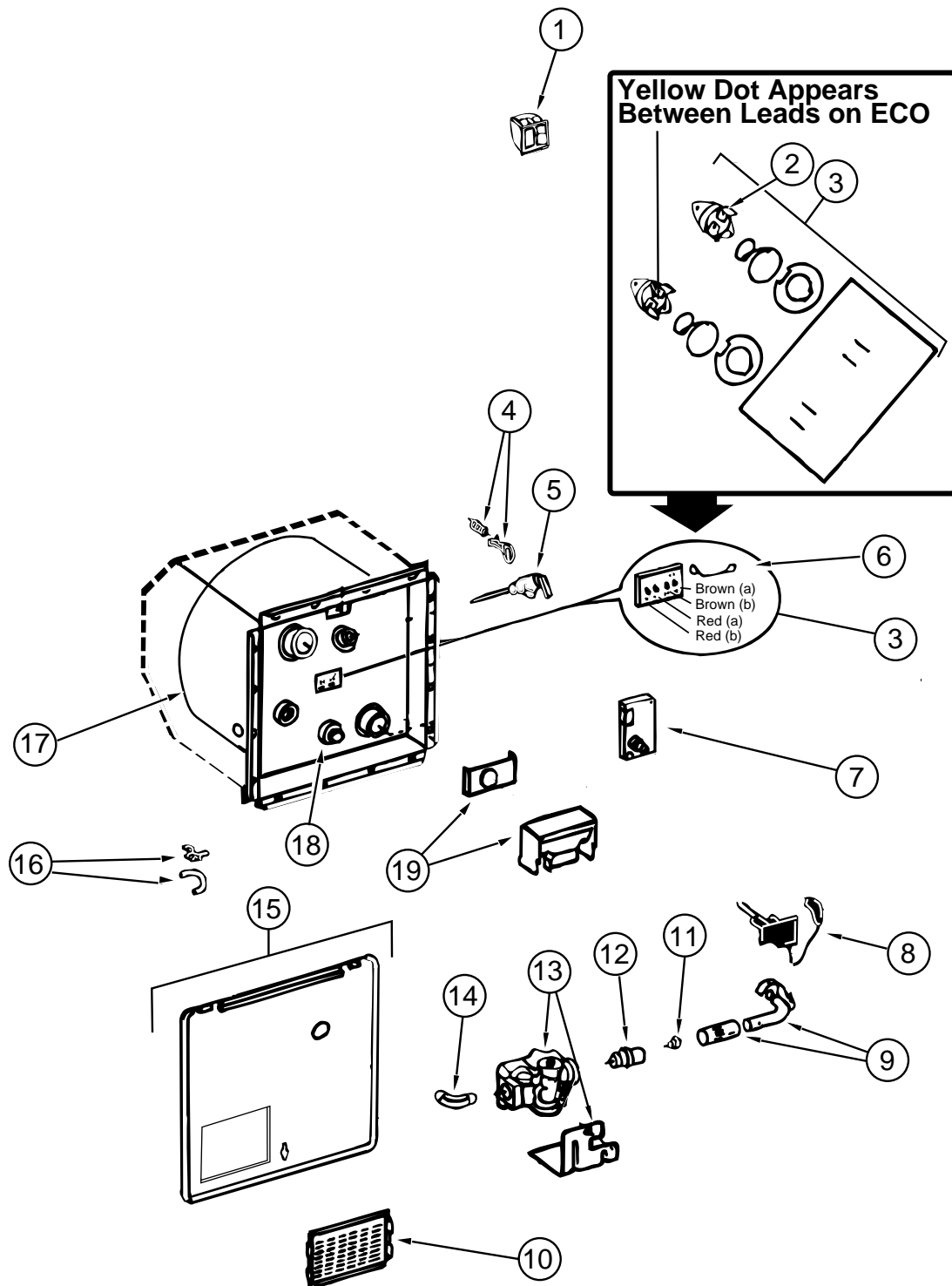
WATER & SEWAGE GROUP (CONTINUED)

WATER HEATER W/MOTOR AID - PILOTLESS IGNITION

KEY	PART NUMBER	U/M	DESCRIPTION	VENDOR NO.
	051393-01-000	EA	WATER HEATER - W/ MOTOR AID - PILOTLESS IGNITION	
1	051393-01-701	EA	SWITCH PACKAGE	91959
2	051391-04-701	EA	THERMOSTAT 12 VDC-120 PRESET	91470
3	051393-01-721	EA	ECO & THERMOSTAT ASM - FRONT MOUNT - 140°	91447
4	051391-01-705	EA	FASTENER - CAMLOC	92609
5	051391-01-704	EA	VALVE - RELIEF - 1/2" FITTING	91604
6	051393-01-723	EA	SWITCH - ENERGY CUT-OFF	93866
7	051393-01-724	EA	CIRCUIT BOARD - W/ SPADE TERMINAL	93867
8	051393-01-725	EA	ELECTRODE - SINGLE SPADE CONNECTION	93868
9	051391-04-703	EA	BURNER - MAIN	91638
10	051391-01-717	EA	GRILLE	92640
11	051391-01-710	EA	ORIFICE - MAIN BURNER	92742
12	051391-03-700	EA	ORIFICE HOLDER	91563
13	051393-01-726	EA	SOLENOID VALVE & BRACKET	93870
14	051391-01-714	EA	ELBOW - 45 DEGREE - 3/8" F X 3/8" MPT	91044
15	052009-04-000	EA	DOOR - WATER HEATER - BUFF	
16	051391-01-700	EA	HINGE KIT - W/CLIP	92568 & 92559
17	051393-03-701	EA	TANK - INNER	91642
18	051391-01-715	EA	DRAIN PLUG	91857
19	051391-01-706	EA	FLUE & GASKET	92787
	116424-01-000	EA	PROTECTOR - ROUND VINYL - WATER HEATER LATCH	

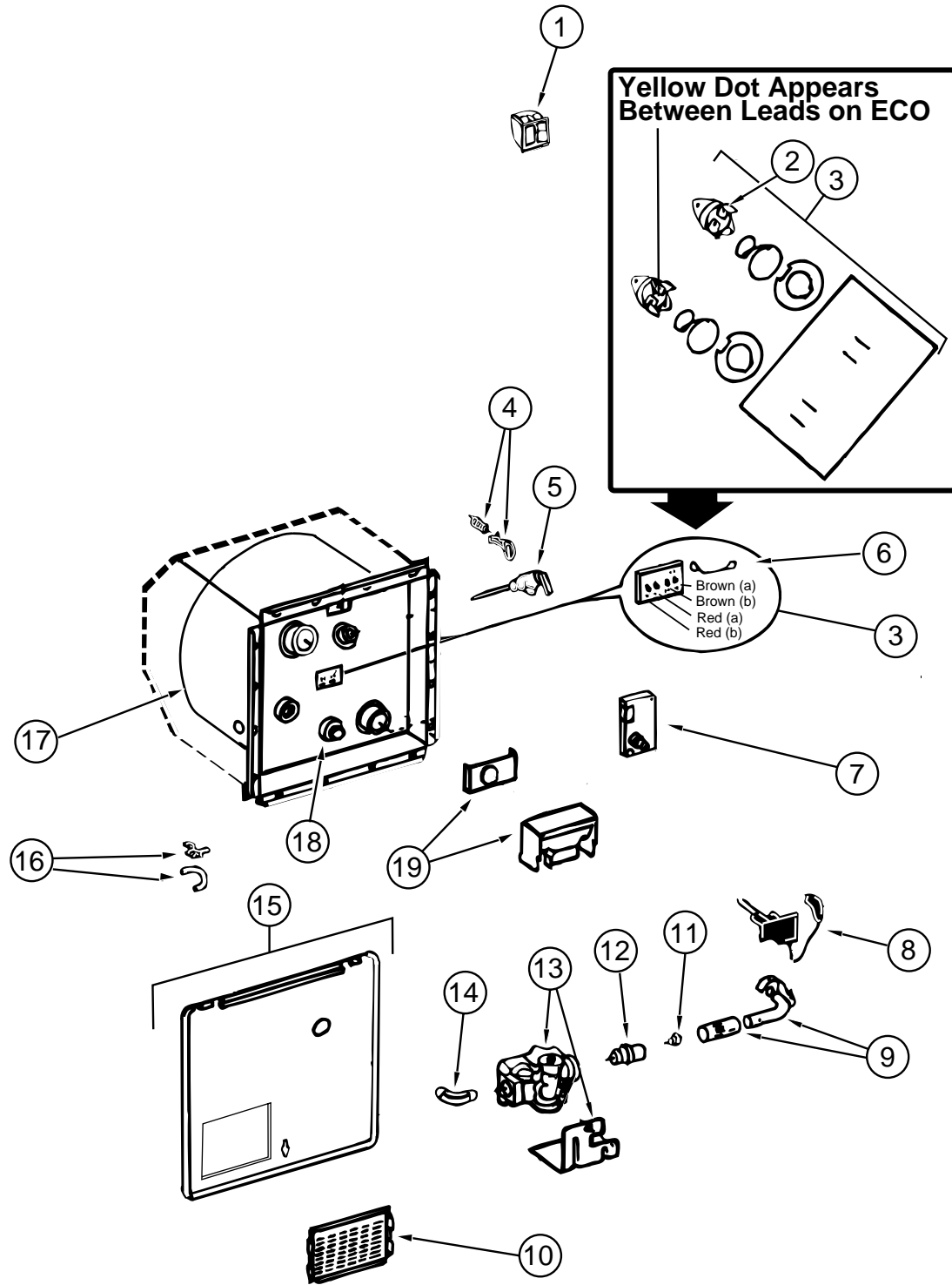
WATER HEATER W/MOTOR AID ATWOOD (GH6-8E)

KEY	PART NUMBER	U/M	DESCRIPTION	VENDOR NO.
	051393-01-A00	EA	WATER HEATER - W/ MOTOR AID - PILOTLESS IGNITION	
1	051393-01-701	EA	SWITCH PACKAGE	91959
2	051391-04-701	EA	THERMOSTAT 12 VDC-120 PRESET	91470
3	051393-01-721	EA	ECO & THERMOSTAT ASM - FRONT MOUNT - 140°	91447
4	051391-01-705	EA	FASTENER - CAMLOC	92609
5	051391-01-704	EA	VALVE - RELIEF - 1/2" FITTING	91604
6	051393-01-723	EA	SWITCH - ENERGY CUT-OFF	93866
7	051393-01-724	EA	CIRCUIT BOARD - W/ SPADE TERMINAL	93867
8	051393-01-725	EA	ELECTRODE - SINGLE SPADE CONNECTION	93868
9	051391-04-703	EA	BURNER - MAIN	91638
10	051391-01-717	EA	GRILLE	92640
11	051391-01-710	EA	ORIFICE - MAIN BURNER	92742
12	051391-03-700	EA	ORIFICE HOLDER	91563
13	051393-01-726	EA	SOLENOID VALVE & BRACKET	93870
14	051391-01-714	EA	ELBOW - 45 DEGREE - 3/8" F X 3/8" MPT	91044
15	052009-04-000	EA	DOOR - WATER HEATER - BUFF	
16	051391-01-700	EA	HINGE KIT - W/CLIP	92568 & 92559
17	051391-04-704	EA	TANK - INNER	91642
18	051391-01-715	EA	DRAIN PLUG	91857
19	051391-04-707	EA	FLUE & GASKET	90960
	111129-01-711	EA	BRACKET-CORNER, SET OF FOUR	91928
	116424-01-000	EA	PROTECTOR - ROUND VINYL - WATER HEATER LATCH	



WATER & SEWAGE GROUP (CONTINUED)

WATER HEATER W/MOTOR AID - ELECTRIC IGNITION



WATER HEATER W/ELECTRIC IGNITION ATWOOD (G6A-7E)

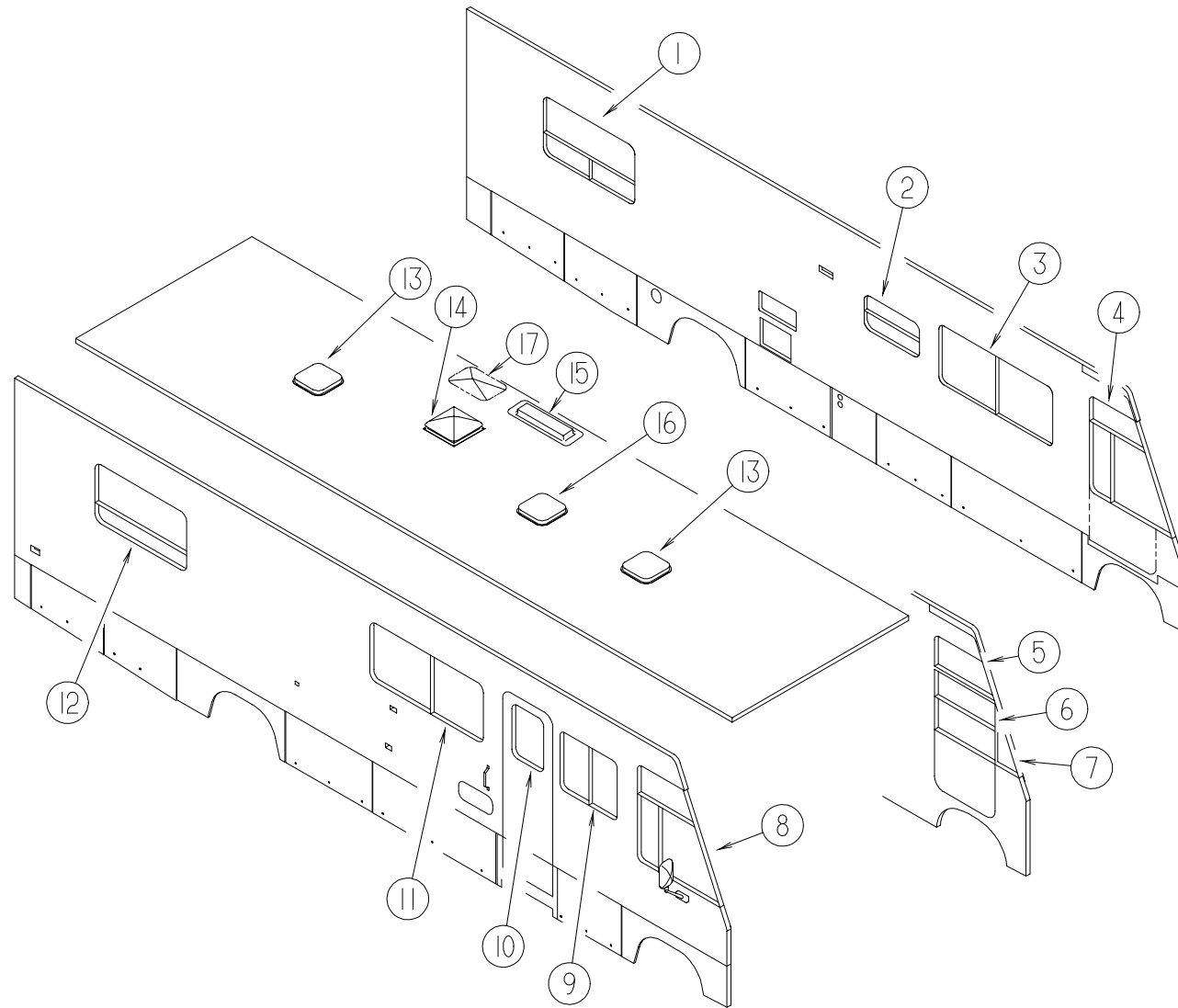
KEY	PART NUMBER	U/M DESCRIPTION	VENDOR NO.
	051391-03-000	EA WATER HEATER - W/ ELECTRIC IGNITION	
1	051393-01-701	EA SWITCH PACKAGE	91959
2	051391-04-701	EA THERMOSTAT 12 VDC-120 PRESET	91470
3	051393-01-721	EA ECO & THERMOSTAT ASM - FRONT MOUNT - 140°	91447
4	051391-01-705	EA FASTENER - CAMLOC	92609
5	051391-01-704	EA VALVE - RELIEF - 1/2" FITTING	91604
6	051393-01-723	EA SWITCH - ENERGY CUT-OFF	93866
7	051393-01-724	EA CIRCUIT BOARD - W/ SPADE TERMINAL	93867
8	051393-01-725	EA ELECTRODE - SINGLE SPADE CONNECTION	93868
9	051391-04-703	EA BURNER - MAIN	91638
10	051391-01-717	EA GRILLE	92640
11	051391-01-710	EA ORIFICE - MAIN BURNER	92742
12	051391-03-700	EA ORIFICE HOLDER	91563
13	051393-01-726	EA SOLENOID VALVE & BRACKET	93870
14	051391-01-714	EA ELBOW - 45 DEGREE - 3/8" F X 3/8" MPT	91044
15	052009-04-000	EA DOOR - WATER HEATER - BUFF	
16	051391-01-700	EA HINGE KIT - W/CLIP	92568 & 92559
17	051391-04-706	EA TANK - INNER	91641
18	051391-01-715	EA DRAIN PLUG	91857
19	051391-01-706	EA FLUE & GASKET	92787
	116424-01-000	EA PROTECTOR - ROUND VINYL - WATER HEATER LATCH	

WATER HEATER W/ELECTRIC IGNITION ATWOOD (G6A-8E)

KEY	PART NUMBER	U/M DESCRIPTION	VENDOR NO.
	051391-03-A00	EA WATER HEATER - W/ ELECTRIC IGNITION	
1	051393-01-701	EA SWITCH PACKAGE	91959
2	051391-04-701	EA THERMOSTAT 12 VDC-120 PRESET	91470
3	051393-01-721	EA ECO & THERMOSTAT ASM - FRONT MOUNT - 140°	91447
4	051391-01-705	EA FASTENER - CAMLOC	92609
5	051391-01-704	EA VALVE - RELIEF - 1/2" FITTING	91604
6	051393-01-723	EA SWITCH - ENERGY CUT-OFF	93866
7	051393-01-724	EA CIRCUIT BOARD - W/ SPADE TERMINAL	93867
8	051393-01-725	EA ELECTRODE - SINGLE SPADE CONNECTION	93868
9	051391-04-703	EA BURNER - MAIN	91638
10	051391-01-717	EA GRILLE	92640
11	051391-01-710	EA ORIFICE - MAIN BURNER	92742
12	051391-03-700	EA ORIFICE HOLDER	91563
13	051393-01-726	EA SOLENOID VALVE & BRACKET	93870
14	051391-01-714	EA ELBOW - 45 DEGREE - 3/8" F X 3/8" MPT	91044
15	052009-04-000	EA DOOR - WATER HEATER - BUFF	
16	051391-01-700	EA HINGE KIT - W/CLIP	92568 & 92559
17	051391-04-706	EA TANK - INNER	91641
18	051391-01-715	EA DRAIN PLUG	91857
19	051391-04-707	EA FLUE & GASKET	90960
	111129-01-711	EA BRACKET-CORNER, SET OF FOUR	91928
	116424-01-000	EA PROTECTOR - ROUND VINYL - WATER HEATER LATCH	

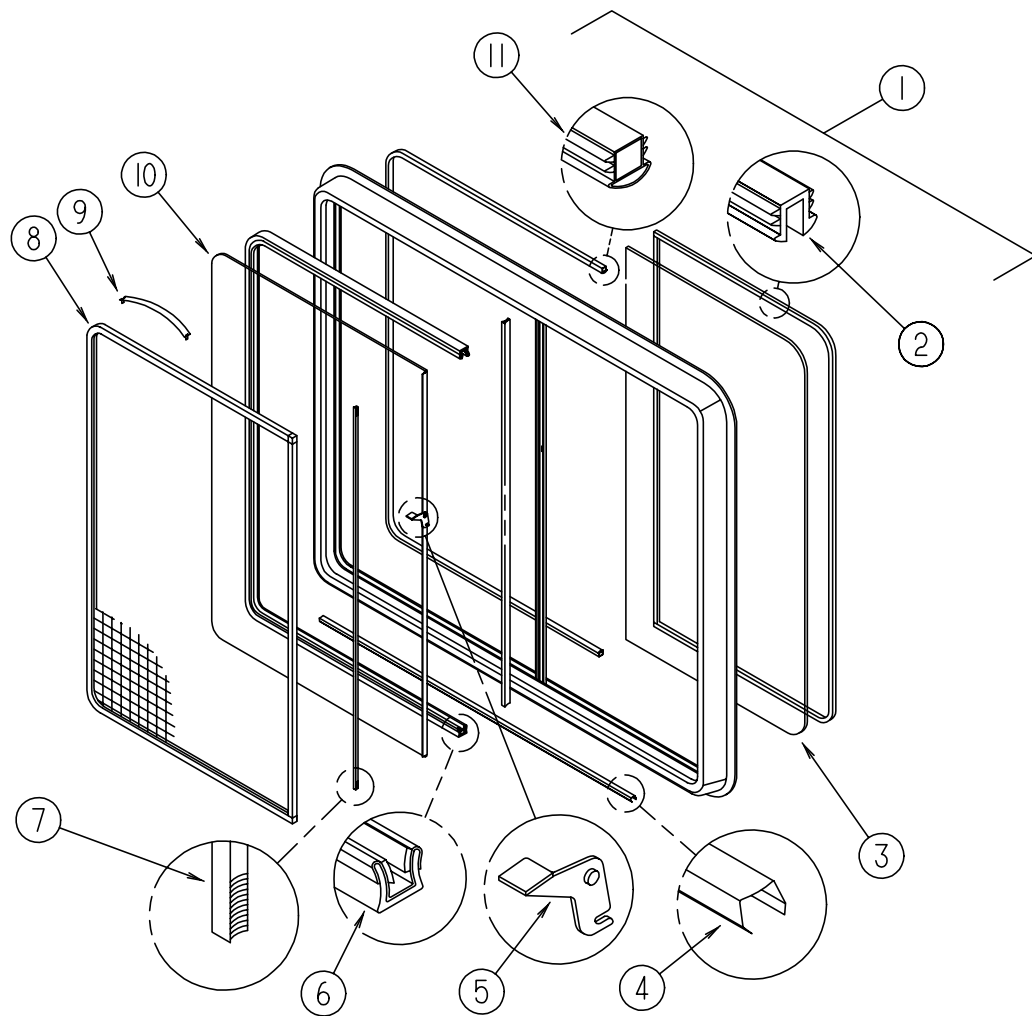
WINDOW, VENT & EXTERIOR DOOR GROUP

WINDOWS & VENTS



KEY	PART NUMBER	U/M DESCRIPTION
1	104691-14-01A	EA WINDOW - TIPOUT (ESCAPE), BLK/OW - CH88-G2W59
1	112795-24-01A	EA WINDOW - SLIDER, HORIZONTAL - THERMOPANE - (OPTION)
2	098647-34-01A	EA WINDOW - SLIDER, HORIZONTAL - H425-G2W66L
2	112795-20-01A	EA WINDOW - SLIDER, HORIZONTAL - THERMOPANE - (OPTION)
3	098647-22-01A	EA WINDOW - DRIVER HORIZONTAL SLIDER, 26 3/8" X 60" - H287-G2W66L
3	112795-15-01A	EA WINDOW - DRIVER HORIZONTAL SLIDER, THERMOPANE - (OPTION)
4	103658-07-01A	EA WINDOW - CAB - DRIVER SIDE - H374-A2B66L
4	113501-01-01A	EA WINDOW - CAB - THERMOPANE - DH374-A2B66L (OPTION)
5	116000-02-01A	EA WINDOW - DRIVER STATIONARY - THERMOPANE - (OPTION)
5	106467-03-01A	EA WINDOW - DRIVER STATIONARY, 14 13/16" X 25 11/16" X 32 1/4" - H388-G2B27L
6	106469-01-704	EA WINDOW - DRIVER DOOR - ROLL-UP GLASS - W/ BRACKET
7	115999-02-01A	EA WINDOW - FRONT SLANT - THERMOPANE - DRIVER SIDE - (OPTION)
7	106468-02-01A	EA WINDOW - FRONT SLANT- DRIVER SIDE - H383-A2B27L
8	103658-08-01A	EA WINDOW - PASS. SLANT, 44 1/4" X 24 7/16" X 44 1/8" - H374-A2B66R
8	113501-02-01A	EA WINDOW - PASS. SLANT, THERMOPANE - (OPTION)
9	098647-25-01A	EA WINDOW - SLIDER, HORIZONTAL - BLK/OW - H286-G2W66R
9	112795-18-01A	EA WINDOW - SLIDER, HORIZONTAL - THERMOPANE - DH286-G2W66R (OPTION)
10	117053-02-F36	EA WINDOW - PICTURE ENTRANCE DOOR
10	113733-01-01A	EA WINDOW - STATIONARY, THERMOPANE - (OPTION)
11	098647-23-01A	EA WINDOW - PASS. HORIZONTAL SLIDER - 26 3/8" X 60" - H287-G2W66R
11	112795-16-01A	EA WINDOW - PASS. HORIZONTAL SLIDER - THERMOPANE - (OPTION)
12	104691-13-01A	EA WINDOW - TIPOUT BLK/OW - CH37-G2W59
12	112795-22-01A	EA WINDOW - SLIDER, HORIZONTAL - THERMOPANE - DC48-G2W66R (OPTION)
13	110051-02-01A	EA VENT - ROOF - NON POWERED
14	110051-04-01A	EA VENT - ROOF - POWERED (US)
14	110051-06-01A	EA VENT - ROOF - POWERED (CSA)
15	084073-04-000	EA BASE-ROOF VENT, REFRIGERATOR - BLACK - NORCOLD
15	084073-05-000	EA COVER-ROOF VENT, REFRIGERATOR - BUFF - NORCOLD
16	084079-14-000	EA VENT - EXHAUST - POWERED - OFF WHITE (US)
16	084079-15-000	EA VENT - EXHAUST - POWERED - OFF WHITE (CSA)
17	080910-01-000	EA SKYLIGHT - EXTERIOR - 16.75" X 23.75"
17	077902-03-000	EA COVER-SKYLIGHT (INTERIOR) 15.6 X 22.5

WINDOW, VENT & EXTERIOR DOOR GROUP (CONTINUED)



SINGLE SLIDER WINDOW (EXCEL) (PASSENGER SIDE DINETTE)

KEY	PART NUMBER	U/M	DESCRIPTION	VENDOR NO.
	098647-23-01A	EA	WINDOW ASM. - PASS. HORIZONTAL SLIDER - 26 3/8" X 60" - H287-G2W66R	
1	098647-23-701	EA	WINDOW ASM - SLIDER - W/O RETAINER TRIM	H287-G2R
	098647-23-702	EA	RETAINER TRIM (OFF WHITE)	W28766
2	098644-01-705	FT	GLAZING STRIP	132-010231
3	098647-23-703	EA	GLASS - STATIONARY	106-017622
4	098644-01-710	FT	TRACK - SCREEN SPACER - 12' LENGTH	132-017135
5	098644-01-700	EA	LATCH - REPAIR KIT - BLACK	B801-CK
6	098644-01-708	FT	CHANNEL - PIERCED RUN	122-016543
7	098644-01-711	FT	WEATHERSTRIP - SCREEN - BLACK	171-016965
8	098647-23-704	EA	SCREEN ASM. - W/ SPRINGS & WEATHERSTRIP	410-019066
9	098644-01-713	EA	CLIP - SPRING - BLACK PLASTIC	226-016966
10	098647-23-700	EA	GLASS - SLIDING - W/ SASH & LATCH	H287-G9
11	098644-01-706	FT	WEATHERSTRIP	171-010668
	098644-01-716	FT	PLUG - FILLER	132-014470
	098644-01-717	FT	SPLINE - SCREEN	132-004716
	098644-01-719	EA	STOP - SLIDER GLASS	132-014203

SINGLE SLIDER WINDOW (EXCEL) (PASSENGER SIDE LOUNGE)

KEY	PART NUMBER	U/M	DESCRIPTION	VENDOR NO.
1	098647-25-01A	EA	WINDOW ASM. - SLIDER, HORIZONTAL - BLK/OW - H286-G2W66R	
	098647-25-701	EA	RETAINER TRIM (WHITE)	W28666
2	098644-01-705	FT	GLAZING STRIP	132-010231
3	098647-25-702	EA	GLASS - STATIONARY	106-017657
4	098644-01-710	FT	TRACK - SCREEN SPACER - 12' LENGTH	132-017135
5	098644-01-700	EA	LATCH - REPAIR KIT - BLACK	B801-CK
6	098644-01-708	FT	CHANNEL - PIERCED RUN	122-016543
7	098644-01-711	FT	WEATHERSTRIP - SCREEN - BLACK	171-016965
8	098647-25-704	EA	SCREEN ASM. - W/ SPRINGS & WEATHERSTRIP	410-019065
9	098644-01-713	EA	CLIP - SPRING - BLACK PLASTIC	226-016966
10	098647-25-703	EA	GLASS - SLIDING	H286-G9
11	098644-01-706	FT	WEATHERSTRIP	171-010668
	098644-01-716	FT	PLUG - FILLER	132-014470
	098644-01-717	FT	SPLINE - SCREEN	132-004716

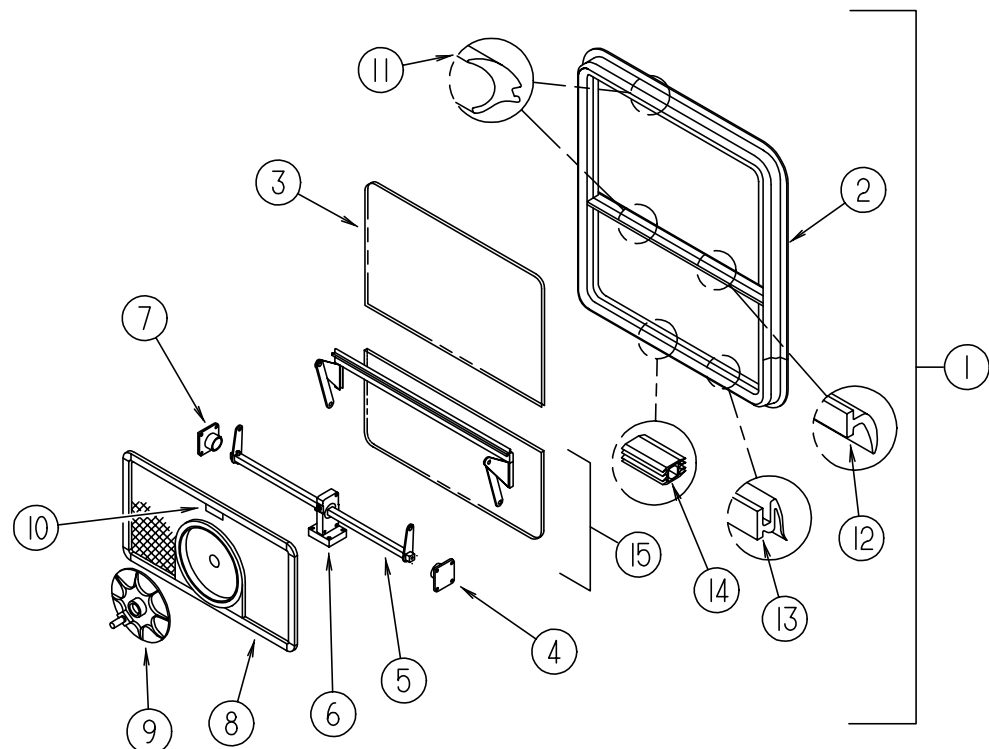
SINGLE SLIDER WINDOW (EXCEL) (DRIVER SIDE GALLEY)

KEY	PART NUMBER	U/M	DESCRIPTION	VENDOR NO.
	098647-34-01A	EA	WINDOW ASM. - SLIDER, HORIZONTAL - H425-G2W66L	
1	098647-34-700	EA	WINDOW ASM - SLIDER - W/O RETAINER TRIM	H425-G2L
	098647-33-701	EA	RETAINER TRIM (WHITE)	CW2966
2	098644-01-705	FT	GLAZING STRIP	132-010231
3	098647-33-702	EA	GLASS - STATIONARY	106-019297
4	098644-01-710	FT	TRACK - SCREEN SPACER - 12' LENGTH	132-017135
5	098644-01-700	EA	LATCH - REPAIR KIT - BLACK	B801-CK
6	098644-01-708	FT	CHANNEL - PIERCED RUN	122-016543
7	098644-01-711	FT	WEATHERSTRIP - SCREEN - BLACK	171-016965
8	098647-33-704	EA	SCREEN ASM. - W/ SPRINGS & WEATHERSTRIP	410-019134
9	098644-01-713	EA	CLIP - SPRING - BLACK PLASTIC	226-016966
10	098647-33-703	EA	GLASS - SLIDING - W/ SASH & LATCH	H425-G9
11	098644-01-706	FT	WEATHERSTRIP	171-010668
	098644-01-716	FT	PLUG - FILLER	132-014470
	098644-01-717	FT	SPLINE - SCREEN	132-004716
	098644-01-719	EA	STOP - SLIDER GLASS	132-014203

SINGLE SLIDER WINDOW (EXCEL) (DRIVER SIDE LOUNGE)

KEY	PART NUMBER	U/M	DESCRIPTION	VENDOR NO.
	098647-22-01A	EA	WINDOW ASM-DRIVER HORIZONTAL SLIDER, 26 3/8" X 60" - H287-G2W66L	
1	098647-22-700	EA	WINDOW ASM - SLIDER - W/O RETAINER TRIM	H287-G2L
	098647-23-702	EA	RETAINER TRIM (OFF WHITE)	W28766
2	098644-01-705	FT	GLAZING STRIP	132-010231
3	098647-23-703	EA	GLASS - STATIONARY	106-017622
4	098644-01-710	FT	TRACK - SCREEN SPACER - 12' LENGTH	132-017135
5	098644-01-700	EA	LATCH - REPAIR KIT - BLACK	B801-CK
6	098644-01-708	FT	CHANNEL - PIERCED RUN	122-016543
7	098644-01-711	FT	WEATHERSTRIP - SCREEN - BLACK	171-016965
8	098647-23-704	EA	SCREEN ASM. - W/ SPRINGS & WEATHERSTRIP	410-019066
9	098644-01-713	EA	CLIP - SPRING - BLACK PLASTIC	226-016966
10	098647-23-700	EA	GLASS - SLIDING - W/ SASH & LATCH	H287-G9
11	098644-01-706	FT	WEATHERSTRIP	171-010668
	098644-01-716	FT	PLUG - FILLER	132-014470
	098644-01-717	FT	SPLINE - SCREEN	132-004716
	098644-01-719	EA	STOP - SLIDER GLASS	132-014203

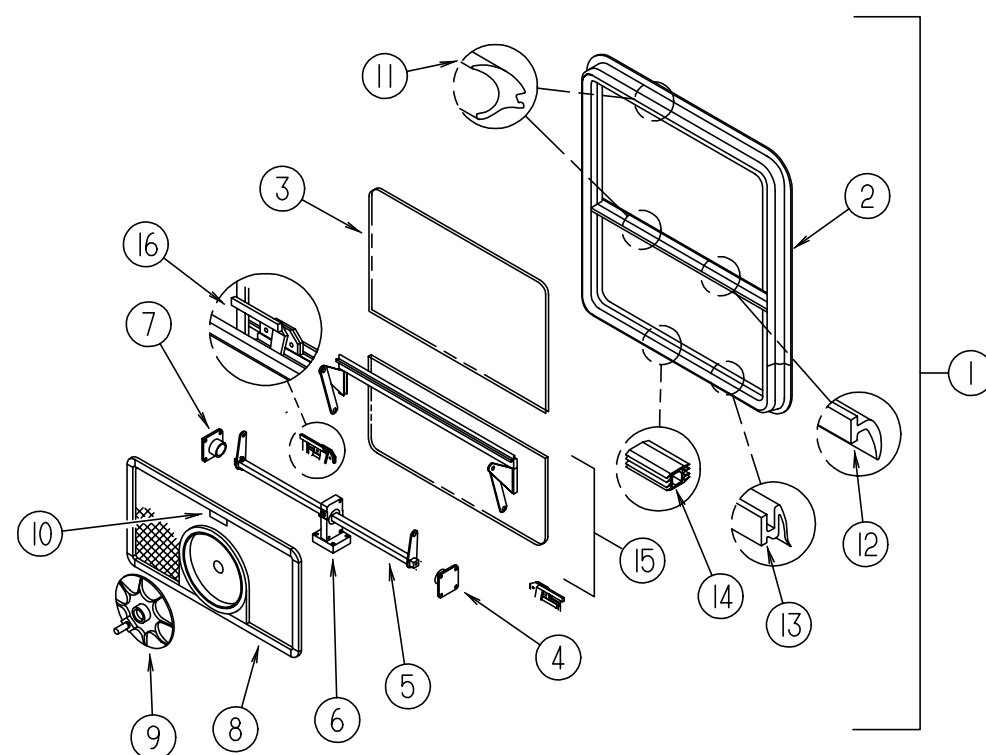
WINDOW, VENT & EXTERIOR DOOR GROUP (CONTINUED)



BEDROOM WINDOW (PASSENGER SIDE)

KEY	PART NUMBER	U/M	DESCRIPTION	VENDOR NO.
1	104691-13-01A	EA	WINDOW ASM. - TIPOUT BLK/OW - EXCEL CH37-G2W59	
2	104691-13-700	EA	WINDOW W/O TRIM	CH37-G2
	104691-13-701	EA	RETAINER - TRIM	W30359
3	104691-13-702	EA	GLASS - STATIONARY	106-017670
	100322-01-704	FT	TAPE - BUTYL	154-016083
4	100322-01-714	EA	SUPPORT - TORQUE BAR, LH	130-015978
5	104691-13-704	EA	OPERATOR & BAR ASM.	CH36-15
6	112519-01-702	EA	OPERATOR - VENT	410-016123
7	100322-01-715	EA	SUPPORT - TORQUE BAR, RH	130-015979
8	104691-13-705	EA	SCREEN ASSEMBLY	410-017763
	098644-01-711	EA	WEATHERSTRIP - SCREEN, BLACK	171-016965
9	100322-01-718	EA	HANDLE - DIAL	410-016081
10	112519-01-706	EA	CLIP - SCREEN	CH21-50
11	100322-01-703	FT	VINYL - GLAZING, BUTYL	132-010723
12	100322-01-702	EA	WEATHERSTRIP - HORIZONTAL RAIL	132-015976
13	100322-01-701	FT	SEAL - VENT	122-016071
14	116976-01-702	FT	PLUG - FILLER	132-016065
15	104691-13-703	EA	VENT ASSEMBLY	CH37-G9

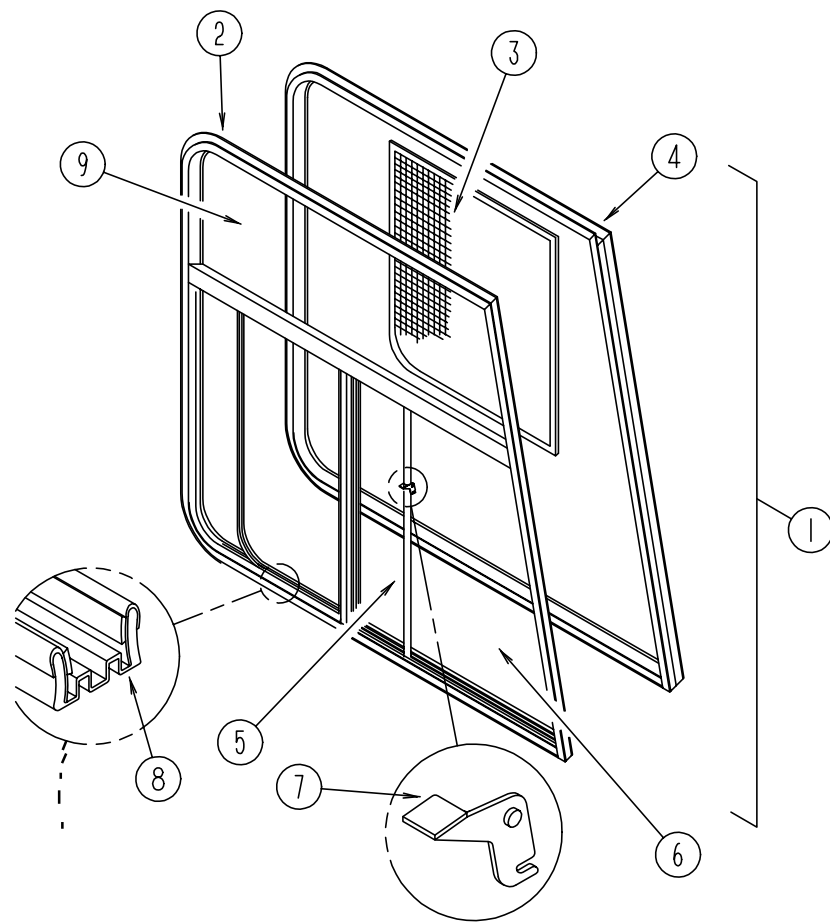
WINDOW, VENT & EXTERIOR DOOR GROUP (CONTINUED)



BEDROOM WINDOW (ESCAPE) (DRIVER SIDE)

KEY	PART NUMBER	U/M	DESCRIPTION	VENDOR NO.
1	104691-14-01A	EA	WINDOW ASM. - TIPOUT ESCAPE - EXCEL CH88-G2W59	
2	104691-14-700	EA	WINDOW W/O TRIM	CH88-G2
	104691-14-701	EA	RETAINER - TRIM	CW8859
3	104691-14-702	EA	GLASS - STATIONARY	106-019117
	100322-01-704	FT	TAPE - BUTYL	154-016083
4	100322-01-714	EA	SUPPORT - TORQUE BAR, LH	130-015978
5	104691-14-704	EA	OPERATOR & BAR ASM.	CH88-15
6	112519-01-702	EA	OPERATOR - VENT	410-016123
7	100322-01-715	EA	SUPPORT - TORQUE BAR, RH	130-015979
8	104691-14-705	EA	SCREEN ASSEMBLY	410-019120
	098644-01-711	EA	WEATHERSTRIP - SCREEN, BLACK	171-016965
9	100322-01-718	EA	HANDLE - DIAL	410-016081
10	112519-01-706	EA	CLIP - SCREEN	CH21-50
11	100322-01-703	FT	VINYL - GLAZING, BUTYL	132-010723
12	100322-01-702	EA	WEATHERSTRIP - HORIZONTAL RAIL	132-015976
13	100322-01-701	FT	SEAL - VENT	122-016071
14	116976-01-702	FT	PLUG - FILLER	132-016065
15	104691-14-703	EA	VENT ASSEMBLY	CH88-G9
16	112898-06-705	EA	HANDLE-LATCH, RED - LH	182-11294
	112898-06-704	EA	HANDLE-LATCH, RED - RH	182-11293

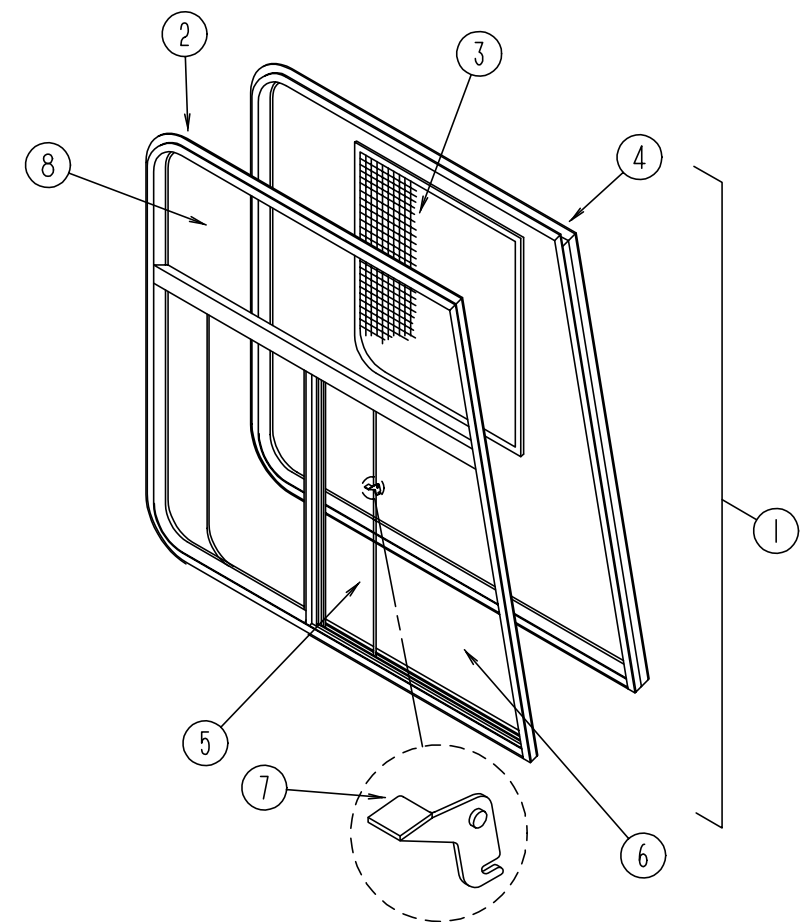
WINDOW, VENT & EXTERIOR DOOR GROUP (CONTINUED)



FRONT CAB THERMOPANE WINDOWS (EXCEL)

KEY	PART NUMBER	U/M	DESCRIPTION	VENDOR NO.
1	113501-01-01A	EA	WINDOW ASM-CAB,THERMOPANE - LH - EXCEL DH374-A2B66L	
1	113501-02-01A	EA	WINDOW ASM-PASS. SLANT, THERMOPANE - 44 1/4" X 24 7/16" X 44 1/8" EXCEL DH374-A2B66R	
2	113501-01-700	EA	WINDOW W/O TRIM, LH	DH374-A2L
2	113501-02-700	EA	WINDOW W/O TRIM, RH	DH374-A2R
3	103658-01-700	EA	SCREEN ASM.-WINDOW, LH	H322-03L
3	103658-02-700	EA	SCREEN ASSEMBLY, RH	H322-03R
4	103658-09-702	EA	RETAINER-TRIM, LH	H37366L & 76L
4	103658-10-701	EA	RETAINER-TRIM, RH	H37366R & 76R
5	113501-01-703	EA	GLASS-SLIDE ASSEMBLY, LH	DH374-A9L
5	113501-02-702	EA	GLASS-SLIDE ASSEMBLY, RH	DH374-A9R
6	113501-01-702	EA	GLASS-STATIONARY-LOWER, LH	390-019139L
6	113501-02-701	EA	GLASS-STATIONARY-LOWER, RH	390-019138R
7	112795-01-700	EA	LATCH ASM- BLACK	DH287-CK
8	112795-01-703	IN	CHANNEL-RUN	122-018736
9	113501-01-701	EA	GLASS-STATIONARY-UPPER	390-019137

WINDOW, VENT & EXTERIOR DOOR GROUP (CONTINUED)



FRONT CAB WINDOWS (EXCEL)

KEY	PART NUMBER	U/M	DESCRIPTION	VENDOR NO.
1	103658-07-01A	EA	WINDOW ASM. - CAB - W/ INSIDE FRAME - DRIVER SIDE	
1	103658-08-01A	EA	WINDOW ASM. - PASS. SLANT, 44 1/4" X 24 7/16" X 44 1/8"	
2	103658-08-700	EA	WINDOW ASM. - SLIDER - W/O INSIDE FRAME - PASSENGER SIDE	H374-A2R
2	103658-07-704	EA	WINDOW ASM. - SLIDER - W/O INSIDE FRAME - DRIVER SIDE	H374-A2L
3	103658-01-700	EA	SCREEN ASM. - WINDOW - DRIVER SIDE	H322-03L
3	103658-02-700	EA	SCREEN ASM. - WINDOW - PASSENGER SIDE	H322-03R
	098644-01-717	FT	SCREEN SPLINE	132-004716
	098644-01-713	EA	SCREEN CLIPS (METAL)(BLACK)	226-016966
	098644-01-710	FT	TRACK - SPACER - FOR SCREEN 12'	132-017135
	098644-01-711	FT	WEATHERSTRIP - SCREEN - BLACK	171-016965
4	103658-08-701	EA	INSIDE FRAME - PASSENGER SIDE	H374-66 & 76R
4	103658-07-700	EA	INSIDE FRAME - DRIVER SIDE	H374-66 & 76R
5	103658-01-703	EA	GLASS - SLIDING - W/SASH & LATCH - DRIVER SIDE	H322-A9L
5	103658-02-701	EA	GLASS - SLIDING - W/SASH & LATCH - PASSENGER SIDE	H322-A9R
6	103658-01-702	EA	GLASS - STATIONARY - BOTTOM - DRIVER OR PASSENGER SIDE	106-017700
7	098644-01-700	EA	LATCH - REPAIR KIT	B801-CK
8	103658-07-701	EA	GLASS - STATIONARY - TOP - DRIVER OR PASSENGER SIDE	106-018481
	098644-01-708	FT	CHANNEL - PIERCED RUN	122-016543
	098644-01-706	FT	WEATHERSTRIP - GLASS	171-010668
	098644-01-716	FT	PLUG - FILLER	132-014470

WINDOW, VENT & EXTERIOR DOOR GROUP (CONTINUED)

SINGLE SLIDER THERMOPANE WINDOW (EXCEL) (DRIVER SIDE LOUNGE)

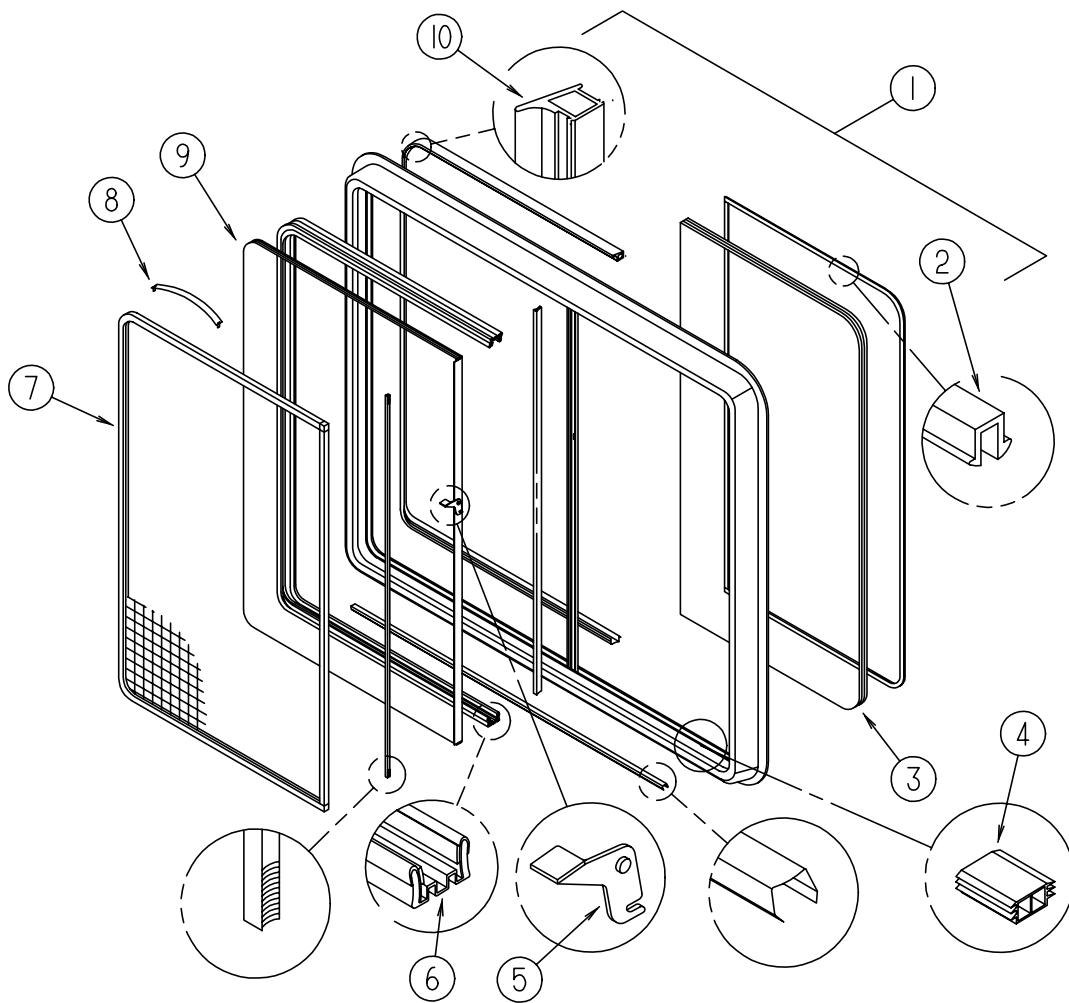
KEY	PART NUMBER	U/M	DESCRIPTION	VENDOR NO.
1	112795-15-01A	EA	WINDOW ASM-DR. HORIZONTAL SLIDER, THERMOPANE - 26 3/8" X 60" EXCEL DH287-G2W66L	
	112795-15-700	EA	WINDOW W/O TRIM	DH287-G2L
	098647-23-702	EA	RETAINER-TRIM, WHITE	W28766
2	112795-01-705	FT	VINYL-GLAZING	132-019702
3	112795-15-701	EA	GLASS-STATIONARY	390-019045
4	112795-01-701	EA	SLIDE-STOP	132-019092
5	112795-01-700	EA	LATCH ASM., BLACK	DH287-CK
6	112795-01-703	IN	CHANNEL-RUN	122-018736
7	098647-23-704	EA	SCREEN ASM., W/SPRING CLIP	410-019066
8	098644-01-713	EA	CLIP-SPRING, BLACK PLASTIC	226-016966
9	112795-15-702	EA	GLASS-SLIDING, W/SASH & LATCH	DH287-G9
10	112795-01-704	FT	PLUG-FILLER	122-018737
	098644-01-711	FT	WEATHERSTRIP-SCREEN, BLACK	171-016965

SINGLE SLIDER THERMOPANE WINDOW (EXCEL) (PASSENGER SIDE DINETTE)

KEY	PART NUMBER	U/M	DESCRIPTION	VENDOR NO.
1	112795-16-01A	EA	WINDOW ASM. - PASS. HORIZONTAL SLIDER - THERMOPANE - 26 3/8" X 60" EXCEL DH287-G2W66R	
	112795-16-700	EA	WINDOW W/O TRIM	DH287-G2R
	098647-23-702	EA	RETAINER-TRIM, WHITE	W28766
2	112795-01-705	FT	VINYL-GLAZING	132-019702
3	112795-15-701	EA	GLASS-STATIONARY	390-019045
4	112795-01-701	EA	SLIDE-STOP	132-019092
5	112795-01-700	EA	LATCH ASM., BLACK	DH287-CK
6	112795-01-703	IN	CHANNEL-RUN	122-018736
7	098647-23-704	EA	SCREEN ASM., W/SPRING CLIP	410-019066
8	098644-01-713	EA	CLIP-SPRING, BLACK PLASTIC	226-016966
9	112795-15-702	EA	GLASS-SLIDING, W/SASH & LATCH	DH287-G2R
10	112795-01-704	FT	PLUG-FILLER	122-018737
	098644-01-711	FT	WEATHERSTRIP-SCREEN, BLACK	171-016965

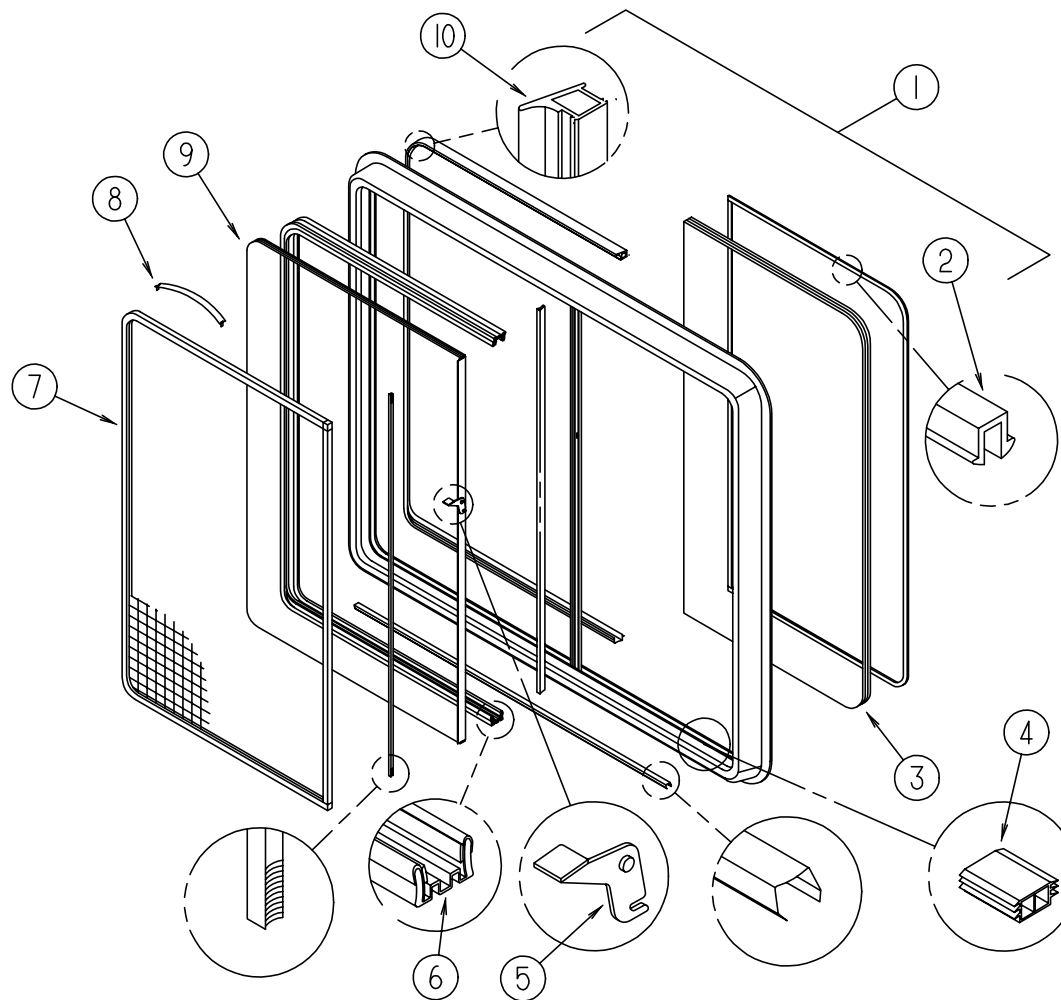
SINGLE SLIDER THERMOPANE WINDOW (EXCEL) (PASSENGER SIDE LOUNGE)

KEY	PART NUMBER	U/M	DESCRIPTION	VENDOR NO.
1	112795-18-01A	EA	WINDOW ASM. - SLIDER, HORIZONTAL - THERMOPANE - DH286-G2W66R	
	112795-18-702	EA	WINDOW W/O TRIM	DH286-G2R
	098647-25-701	EA	RETAINER-TRIM, WHITE	W28666
2	112795-01-705	FT	VINYL-GLAZING	132-019702
3	112795-18-700	EA	GLASS-STATIONARY	390-019043
4	112795-01-701	EA	SLIDE-STOP	132-019092
5	112795-01-700	EA	LATCH ASM., BLACK	DH287-CK
6	112795-01-703	IN	CHANNEL-RUN	122-018736
7	098647-25-704	EA	SCREEN ASM., W/SPRING CLIP	410-019065
8	098644-01-713	EA	CLIP-SPRING, BLACK PLASTIC	226-016966
9	112795-18-701	EA	GLASS-SLIDING, W/SASH & LATCH	DH286-G9
10	112795-01-704	FT	PLUG-FILLER	122-018737
	098644-01-711	FT	WEATHERSTRIP-SCREEN, BLACK	171-016965



WINDOW, VENT & EXTERIOR DOOR GROUP (CONTINUED)

SINGLE SLIDER THERMOPANE WINDOW (EXCEL) (DRIVER SIDE LOUNGE)



KEY	PART NUMBER	U/M	DESCRIPTION	VENDOR NO.
1	112795-20-01A	EA	WINDOW ASM. - SLIDER, HORIZONTAL - THERMOPANE - DC29-G2W66L	
	112795-20-700	EA	WINDOW W/O TRIM	DC29-G2L
	098647-31-701	EA	RETAINER-TRIM, WHITE	CW2966
2	112795-01-705	FT	VINYL-GLAZING	132-019702
3	112795-19-701	EA	GLASS-STATIONARY	390-019134
4	112795-01-701	EA	SLIDE-STOP	132-019092
5	112795-01-700	EA	LATCH ASM., BLACK	DH287-CK
6	112795-01-703	IN	CHANNEL-RUN	122-018736
7	098647-31-704	EA	SCREEN ASM., W/SPRING CLIP	410-019128
8	098644-01-713	EA	CLIP-SPRING, BLACK PLASTIC	226-016966
9	112795-19-702	EA	GLASS-SLIDING, W/SASH & LATCH	DC29-G9
10	112795-01-704	FT	PLUG-FILLER	122-018737
	098644-01-711	FT	WEATHERSTRIP-SCREEN, BLACK	171-016965

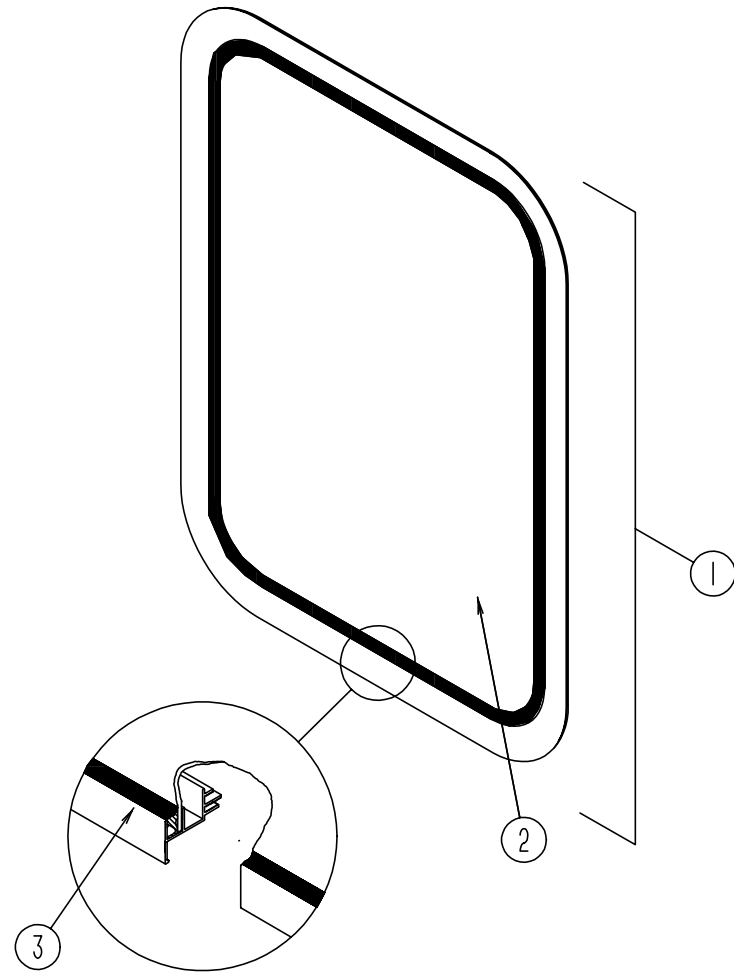
SINGLE SLIDER THERMOPANE WINDOW (EXCEL) (PASSENGER SIDE BEDROOM)

KEY	PART NUMBER	U/M	DESCRIPTION	VENDOR NO.
1	112795-22-01A	EA	WINDOW ASM. - SLIDER, HORIZONTAL - THERMOPANE - DC48-G2W66R	
	112795-22-700	EA	WINDOW W/O TRIM	DC48-G2R
	112795-22-701	EA	RETAINER-TRIM, WHITE	W30366
2	112795-01-705	FT	VINYL-GLAZING	132-019702
3	112795-22-702	EA	GLASS-STATIONARY	390-019039
4	112795-01-701	EA	SLIDE-STOP	132-019092
5	112795-01-700	EA	LATCH ASM., BLACK	DH287-CK
6	112795-01-703	IN	CHANNEL-RUN	122-018736
7	098647-38-704	EA	SCREEN ASM., W/SPRING CLIP	410-019063
8	098644-01-713	EA	CLIP-SPRING, BLACK PLASTIC	226-016966
9	112795-22-703	EA	GLASS-SLIDING, W/SASH & LATCH	DC48-G9
10	112795-01-704	FT	PLUG-FILLER	122-018737
	098644-01-711	FT	WEATHERSTRIP-SCREEN, BLACK	171-016965

SINGLE SLIDER THERMOPANE WINDOW (EXCEL) (DRIVER SIDE BEDROOM)

KEY	PART NUMBER	U/M	DESCRIPTION	VENDOR NO.
1	112795-24-01A	EA	WINDOW ASM. - SLIDER, HORIZONTAL - THERMOPANE - DH414-G2W64L	
	112795-24-700	EA	WINDOW W/O TRIM	DH414-G2L
	112795-24-701	EA	RETAINER-TRIM, WHITE	W41464
2	112795-01-705	FT	VINYL-GLAZING	132-019702
3	112795-24-702	EA	GLASS-STATIONARY	390-019142
4	112795-01-701	EA	SLIDE-STOP	132-019092
5	112795-01-700	EA	LATCH ASM., BLACK	DH287-CK
6	112795-01-703	IN	CHANNEL-RUN	122-018736
7	112795-24-704	EA	SCREEN ASM., W/SPRING CLIP	410-019129
8	098644-01-713	EA	CLIP-SPRING, BLACK PLASTIC	226-016966
9	112795-24-703	EA	GLASS-SLIDING, W/SASH & LATCH	DH414-G9
10	112795-01-704	FT	PLUG-FILLER	122-018737
	098644-01-711	FT	WEATHERSTRIP-SCREEN, BLACK	171-016965

WINDOW, VENT & EXTERIOR DOOR GROUP (CONTINUED)



ENTRY DOOR WINDOW

KEY	PART NUMBER	U/M	DESCRIPTION
1	117053-02-F36	EA	WINDOW ASM. - ENTRANCE DOOR - W/O RETAINER TRIM
	117054-02-02A	EA	RETAINER TRIM - BRIGHT WHITE
2	002181-25-000	EA	GLASS - PICTURE 655 X 417 MM
3	087561-01-000	FT	SEAL - GLASS - EXTERIOR - .5" WIDE - VINYL - BLACK

ENTRY DOOR WINDOW (EXCEL THERMOPANE)

KEY	PART NUMBER	U/M	DESCRIPTION	VENDOR NO.
	113733-01-01A	EA	WINDOW ASM - STATIONARY, THERMOPANE - 26 3/8" X 17" - DH416-G2W66	
1	113733-01-700	EA	WINDOW ASM. - ENTRANCE DOOR - THERMOPANE - W/O RETAINER TRIM	D4416-G2
	113733-01-701	EA	RETAINER TRIM - OFF WHITE	W41666
2	113733-01-702	EA	GLASS - PICTURE - THERMOPANE	390-019187
	112795-01-705	FT	VINYL - GLAZING	132-019702

WINDOW, VENT & EXTERIOR DOOR GROUP (CONTINUED)

EXCEL VISTA WINDOW

KEY	PART NUMBER	U/M	DESCRIPTION	VENDOR NO.
	106467-03-01A	EA	WINDOW ASM-DRIVER STATIONARY, 14 13/16" X 25 11/16" X 32 1/4" EXCEL H388-G2B27L	
	106467-03-700	EA	GLASS-STATIONARY	106-018752
	106467-03-701	EA	WINDOW	H388-G2L
	106467-03-702	EA	RETAINER-TRIM, BLACK	H38827L

EXCEL THERMOPANE VISTA WINDOW

KEY	PART NUMBER	U/M	DESCRIPTION
	116000-02-01A	EA	WINDOW ASM-DRIVER STATIONARY 14 13/16" X 25 11/16" X 32 1/4", THERMOPANE - EXCEL DH388G2B27L

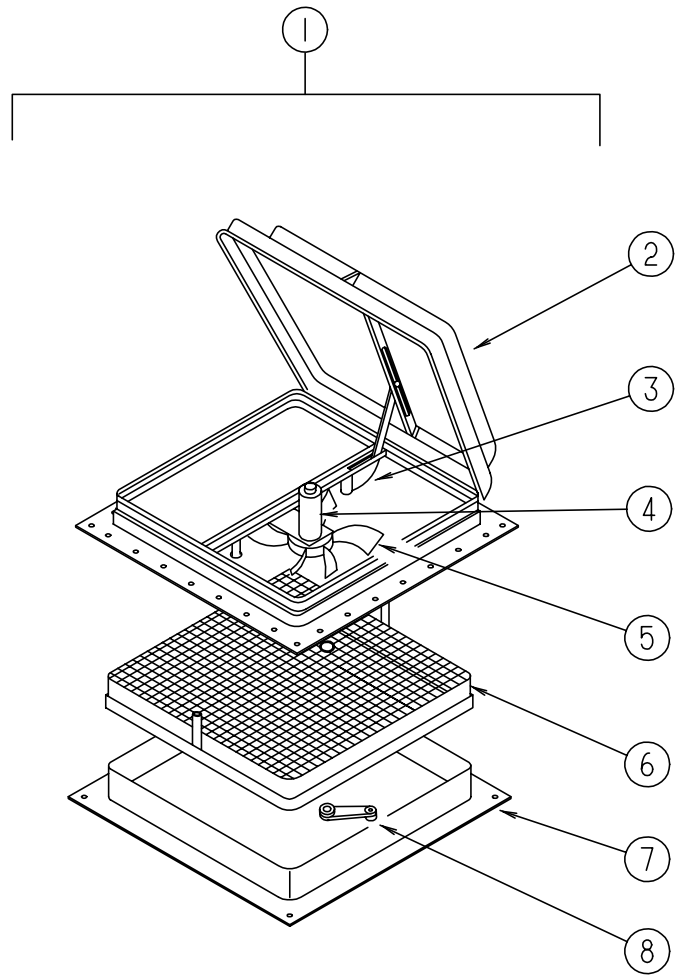
EXCEL SLANT WINDOW

KEY	PART NUMBER	U/M	DESCRIPTION	VENDOR NO.
	106468-02-01A	EA	WINDOW ASM-FRONT SLANT, LH - EXCEL H383-A2B27L	
	098644-01-705	FT	STRIP-GLAZING	132-010231
	106468-02-701	EA	RETAINER-TRIM, BLACK	H383-27L
	106468-02-702	EA	GLASS-STATIONARY	106-018740

EXCEL THERMOPANE SLANT WINDOW

KEY	PART NUMBER	U/M	DESCRIPTION
	115999-02-01A	EA	WINDOW ASM-FRONT SLANT, LH - THERMOPANE - EXCEL DH383A2B27L

WINDOW, VENT & EXTERIOR DOOR GROUP (CONTINUED)



POWERED ROOF VENT (US)

KEY	PART NUMBER	U/M DESCRIPTION	VENDOR NO.
1	110051-04-01A	EA VENT ASM. - ROOF - POWERED - 7797	
2	064470-01-700	EA COVER - ROOF VENT (W/O SLIDE BAR)	J7291
	064470-01-701	EA SLIDE BAR (VENT-LID)	JRP1291B
3	110051-01-702	EA GEAR - LIFT-ARM ASM.	RP-1000B
4	048648-01-000	EA MOTOR - 12V NONVENTED 1/8 SHAFT - 42-472-01	
5	048649-01-000	EA FAN - PLASTIC - 6 IN - 6 BLADED - RP-10002B	
6	110051-01-704	EA SCREEN & FRAME	29-688-03
7	110051-02-700	EA GARNISH - INTERIOR - 4"	
8	110051-01-703	EA CRANK HANDLE	RP-1031-B

POWERED ROOF VENT (CANADIAN)

KEY	PART NUMBER	U/M DESCRIPTION	VENDOR NO.
1	110051-06-01A	EA VENT ASM. - ROOF - POWERED - C7797	
2	064470-01-700	EA COVER - ROOF VENT (W/O SLIDE BAR)	J7291
	064470-01-701	EA SLIDE BAR (VENT-LID)	JRP1291B
3	110051-01-702	EA GEAR - LIFT-ARM ASM.	RP-1000B
4	048648-01-000	EA MOTOR - 12V NONVENTED 1/8 SHAFT - 42-472-01	
5	048649-01-000	EA FAN - PLASTIC - 6 IN - 6 BLADED - RP-10002B	
6	110051-01-704	EA SCREEN & FRAME	29-688-03
7	110051-02-700	EA GARNISH - INTERIOR - 4"	
8	110051-01-703	EA CRANK HANDLE	RP-1031-B

WINDOW, VENT & EXTERIOR DOOR GROUP (CONTINUED)

NON POWERED ROOF VENT

KEY	PART NUMBER	U/M DESCRIPTION	VENDOR NO.
	110051-02-01A	EA ROOF VENT - W/ SCREEN - 7727	
	064470-01-700	EA COVER - ROOF VENT (W/O SLIDE BAR)	J7291
	064470-01-701	EA SLIDE BAR (VENT-LID)	JRP1291B
	110051-01-702	EA GEAR - LIFT-ARM ASM.	RP-1000B
	110051-01-703	EA CRANK HANDLE	RP-1031-B
	110051-01-704	EA SCREEN & FRAME	29-688-03
	110051-02-700	EA GARNISH - INTERIOR - 4"	

POWERED ROOF VENT (FANTASTIC) (US)

KEY	PART NUMBER	U/M DESCRIPTION	VENDOR NO.
	084079-14-000	EA VENT - EXHAUST - POWERED - OFF WHITE	
	084079-01-700	EA VENT COVER	1020-19
	084079-01-701	EA SCREEN ASM. - WHITE	1030-80
	084079-01-702	EA ARM LIFT ASSEMBLY - MANUAL	101105
	084079-01-703	EA CRANK - EXTERIOR	1060-09
	084079-01-707	EA SWITCH - SAFETY	1120-00
	084079-01-709	EA SWITCH - ON & OFF - MAIN POWER	1100-00
	084079-07-700	EA GARNISH - INTERIOR 4" OFF/WHT	2040-80
	084079-11-700	EA MOTOR, BRACKET & FAN BLADE	4017K-09
	084079-11-702	EA BASE - MAIN W/ DOME SWITCH	1010K-81

POWERED ROOF VENT (FANTASTIC) (CSA)

KEY	PART NUMBER	U/M DESCRIPTION	VENDOR NO.
	084079-15-000	EA VENT - EXHAUST - POWERED - OFF WHITE	
	084079-01-700	EA VENT COVER	1020-19
	084079-01-702	EA ARM LIFT ASSEMBLY - MANUAL	101105
	084079-01-703	EA CRANK - EXTERIOR	1060-09
	084079-01-707	EA SWITCH - SAFETY	1120-00
	084079-01-709	EA SWITCH - ON & OFF - MAIN POWER	1100-00
	084079-07-700	EA GARNISH - INTERIOR 4" OFF/WHT	2040-80
	084079-11-700	EA MOTOR, BRACKET & FAN BLADE	4017K-09
	084079-11-702	EA BASE - MAIN W/ DOME SWITCH	1010K-81
	084079-15-700	EA SCREEN ASM. - INT. W/ SWITCHES	1030S-80

ROOF VENTS

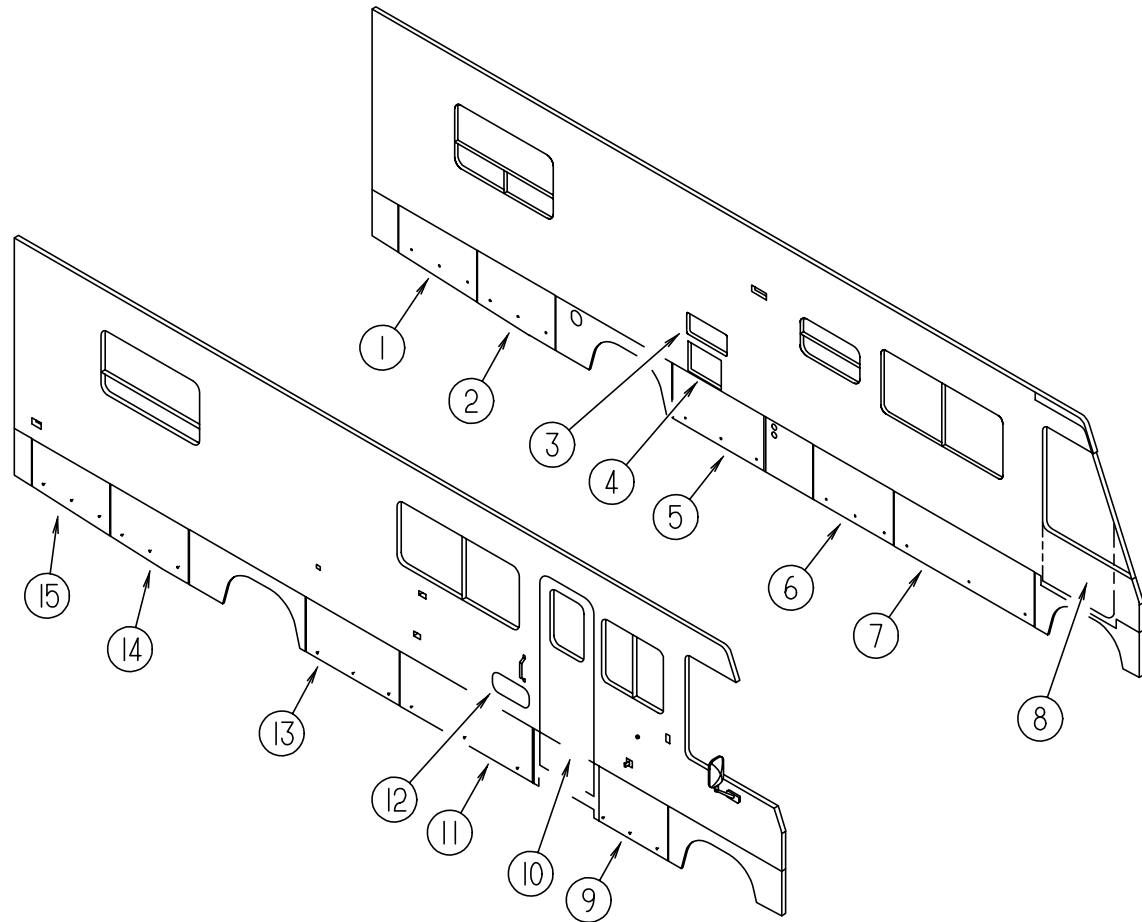
KEY	PART NUMBER	U/M DESCRIPTION
	083558-04-000	EA VENT COVER - PLUMBING PIPE - ROOF - BUFF
	084073-04-000	EA BASE - ROOF VENT, REFRIGERATOR - BLACK - NORCOLD (DOUBLE DOOR)
	084073-05-000	EA COVER - ROOF VENT, REFRIGERATOR - BUFF - NORCOLD (DOUBLE DOOR)

SIDEWALL VENTS

KEY	PART NUMBER	U/M DESCRIPTION
	084616-06-000	EA SHROUD - RANGE HOOD VENT - BUFF
	084878-09-000	EA VENT - RANGE HOOD - SHORT - LVS

WINDOW, VENT & EXTERIOR DOOR GROUP (CONTINUED)

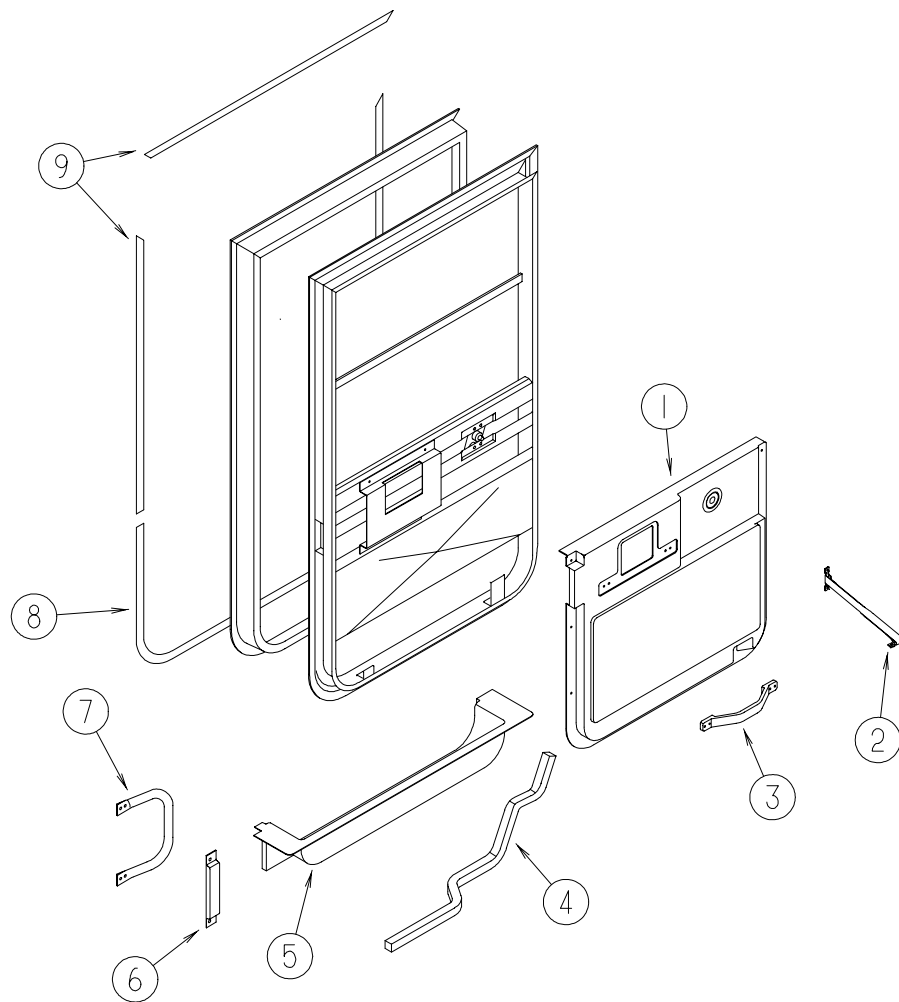
EXTERIOR DOORS



KEY	PART NUMBER	U/M	DESCRIPTION	
1	118789-04-G15	EA	DOOR ASM - STORAGE	
2	118789-02-G15	EA	DOOR ASM - STORAGE	
3	084103-06-000	EA	DOOR - REFRIGERATOR - VENTED - JAMB - BUFF	
3	084104-06-000	EA	JAMB - REFRIGERATOR - BUFF	
4	052009-04-000	EA	DOOR - WATER HEATER - BUFF	
5	118791-24-G15	EA	DOOR ASM-STORAGE	FROM: 00-00-00 THRU: 11-19-95
5	121294-24-G15	EA	DOOR ASM-STORAGE	FROM: 11-20-95 THRU: 99-99-99
6	118791-02-G15	EA	DOOR ASM-STORAGE	FROM: 00-00-00 THRU: 11-19-95
6	121294-02-G15	EA	DOOR ASM-STORAGE	FROM: 11-20-95 THRU: 99-99-99
7	118791-01-G15	EA	DOOR ASM-STORAGE	FROM: 00-00-00 THRU: 11-19-95
7	121294-01-G15	EA	DOOR ASM-STORAGE	FROM: 11-20-95 THRU: 99-99-99
8	106469-07-01A	EA	DOOR ASM - DRIVERS, BLACK - EXCEL V130-01L	
9	118791-04-G15	EA	DOOR ASM-STORAGE	FROM: 00-00-00 THRU: 11-19-95
9	121294-04-G15	EA	DOOR ASM-STORAGE	FROM: 11-20-95 THRU: 99-99-99
10	115108-02-G15	EA	DOOR - ENTRANCE - W/ SCREEN - W/O WINDOW	
10	115108-02-G16	EA	DOOR - ENTRANCE - W/ SCREEN - W/O WINDOW	
10	115108-02-G17	EA	DOOR - ENTRANCE - W/ SCREEN - W/O WINDOW	
11	118791-05-G15	EA	DOOR ASM-STORAGE	FROM: 00-00-00 THRU: 11-19-95
11	121294-05-G15	EA	DOOR ASM-STORAGE	FROM: 11-20-95 THRU: 99-99-99
12	111017-01-E10	EA	DOOR ASM - ACCESS - EXTERIOR RADIO	
13	118791-03-G15	EA	DOOR ASM-STORAGE	FROM: 00-00-00 THRU: 11-19-95
13	121294-03-G15	EA	DOOR ASM-STORAGE	FROM: 11-20-95 THRU: 99-99-99
14	118789-01-G15	EA	DOOR ASM - STORAGE	
15	118789-03-G15	EA	DOOR ASM - STORAGE	

WINDOW, VENT & EXTERIOR DOOR GROUP (CONTINUED)

DRIVER DOOR INTERIOR COMPONENTS

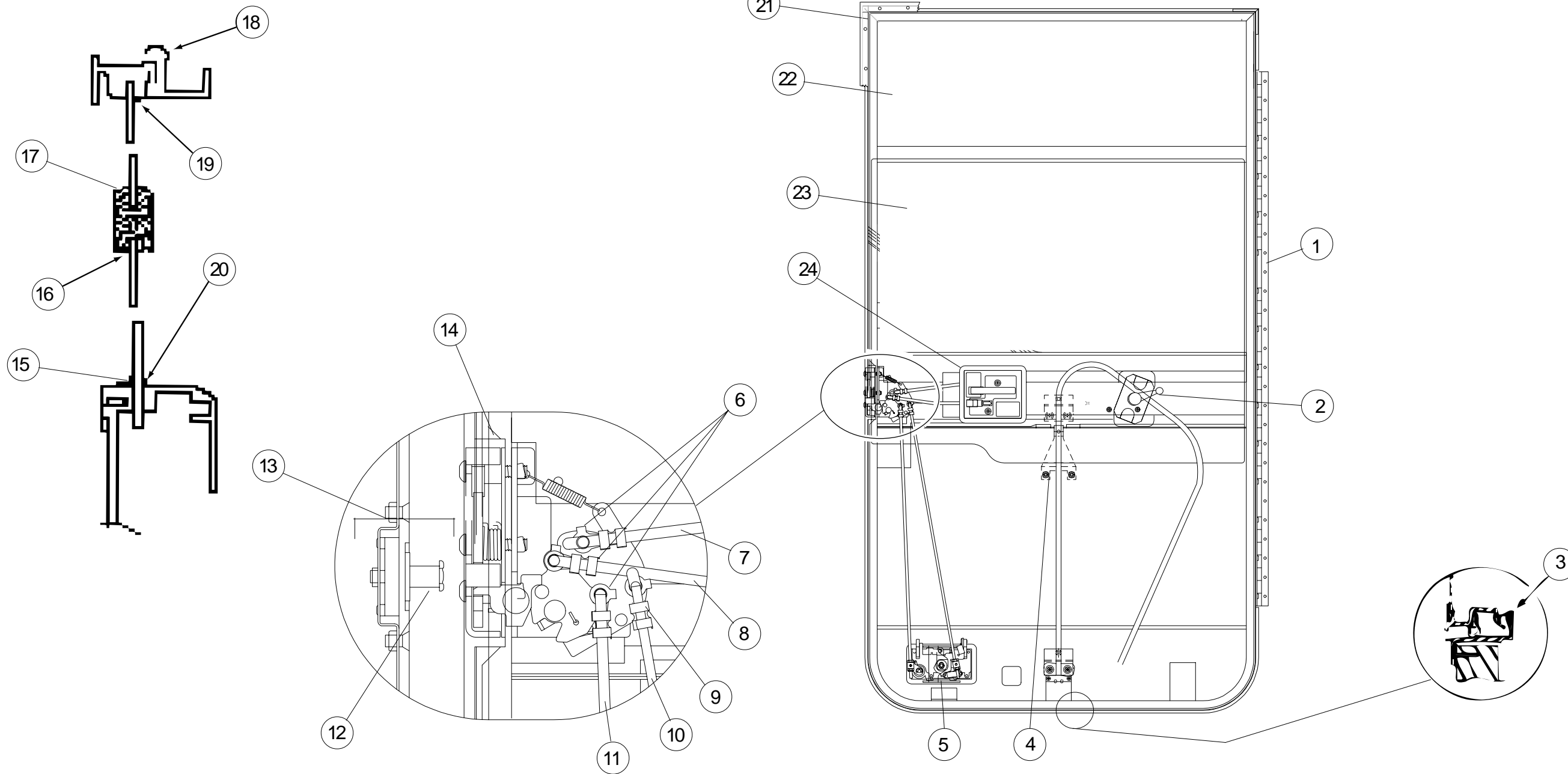


KEY	PART NUMBER	U/M DESCRIPTION
1	114973-01-02A	EA PANEL - DRIVER DOOR - INNER - WILLOW - PLASTIC
2	109378-01-000	EA STRAP - CHECK - DRIVER DOOR - 12.8"
3	110604-01-01A	EA HANDLE - ASSIST - DRIVERS DOOR
4	063977-12-000	EA STEP - DRIVER DOOR - LEFT - PAINTED
4	063977-11-000	EA STEP - DRIVER DOOR - LEFT - UNPAINTED
5	107818-01-01A	EA TRIM - STEP - DRIVERS DOOR - PLASTIC - WILLOW
	106746-01-000	EA PANEL - STEEL - STEPWELL
	106747-01-000	EA PANEL - STEEL - STEPWELL - END RH
	106747-02-000	EA PANEL - STEEL - STEPWELL - END LH
	102569-02-000	EA MAT - ANTI SLIP - LOWER

KEY	PART NUMBER	U/M DESCRIPTION
6	108654-01-01A	EA COVER - STRIKE - DRIVERS DOOR - BLACK
7	108832-01-02A	EA HANDLE - ASSIST - DRIVERS DOOR - METAL - OFF WHITE
	108833-01-01A	EA COVER - HANDLE - ASSIST - OFF WHITE
8	109235-01-05A	FT COVER - SCREW - BRIGHT WHITE - DAWN
9	109235-01-01A	FT COVER - SCREW - MATTE BLACK - DAWN
	108129-02-02A	EA GARNISH - DRIVERS DOOR - FRONT - BLACK
	108107-01-02A	EA GARNISH - DRIVERS DOOR - TOP - BLACK
	108108-04-02A	EA GARNISH - DRIVERS DOOR - REAR UPPER - BLACK
	108897-02-01A	EA GARNISH - DRIVERS DOOR - REAR LOWER - BLACK
	P01713-01-000	EA SWITCH - PUSH BUTTON - IN DOOR JAMB - METAL CHROME
	076725-06-000	EA COVER - ACCESS - DOOR JAMB PUSH BUTTON - BLACK

WINDOW, VENT & EXTERIOR DOOR GROUP (CONTINUED)

DRIVER DOOR (EXCEL)



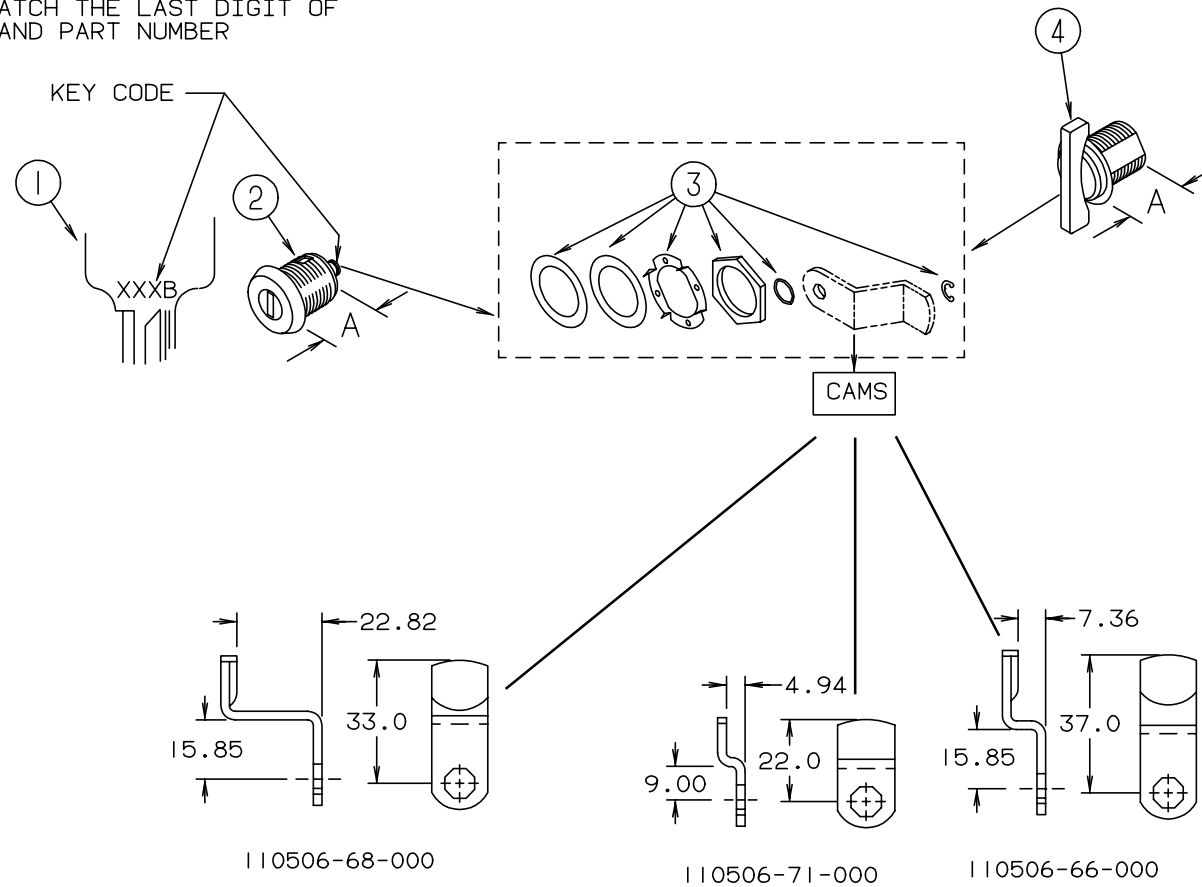
KEY	PART NUMBER	U/M	DESCRIPTION	VENDOR NO.
	106469-07-01A	EA	DOOR ASM. - DRIVERS - BLACK - V130-01L	
1	106469-05-702	EA	HINGE - 42"	211-041194
2	106469-02-704	EA	WINDOW HANDLE	V068-16
3	106469-01-723	EA	SEAL - BULB ASM. (JAMB)	171-040985
4	106469-02-701	EA	REGULATOR - MANUAL	V108-90L
5	106469-04-700	EA	PADDLE ASSEMBLY-W/COLLAR	248-041237
5	106469-04-715	EA	LATCH COMPLETE W/TUMBLER & KEYS	V123-15
6	106469-04-714	EA	ROD CLIP R.H.	248-041153
7	106469-04-705	EA	LATCH ROD - HORIZONTAL	203-041139
8	106469-04-711	EA	LOCK ROD - HORIZONTAL	203-041137
9	106469-04-713	EA	ROD CLIP L.H.	248-041154
10	106469-05-703	EA	ROD - LOCK/VERTICAL ADJUST.	203-041239
11	106469-05-705	EA	ROD - LATCH/VERTICAL ADJUST.	203-041279
12	106469-04-703	EA	BOLT - STRIKER (W/ WASHER)	248-041152
13	106469-04-704	EA	NUT ASSEMBLY - CAGED - W/STRIKER	248-041151

KEY	PART NUMBER	U/M	DESCRIPTION	VENDOR NO.
14	106469-05-706	EA	LATCH - ROTARY - W/LINKAGE	248-041150
15	106469-02-703	EA	BELT WEATHERSTRIP (EXT) WDO	V047-57
16	106469-01-705	FT	CHANNEL - RUN - SLIDING	122-010850
17	106469-08-700	EA	MULLION RAIL	V103-84
18	106469-01-702	EA	DOOR SEAL	122-040984
19	125581-02-705	EA	HORIZONTAL GLAZING - VINYL	V108-87
20	106469-01-709	FT	WEATHERSTRIP - FUZZY	171-040630
21	106469-07-700	EA	MOUNTING FRAME ASSEMBLY	V130-30L
22	106469-02-702	EA	GLASS - STATIONARY	106-041104
23	106469-01-704	EA	GLASS - ROLL-UP W/BACKET	V103-65L
24	106469-04-712	EA	HANDLE/DOOR - INNER W/HARDWARE	248-041402
24	106469-04-716	EA	LEVER - LOCKING - BLACK	80978-00
	106469-04-701	EA	TUMBLER & KEYS (TRI-MARK)	248-041179
	106469-04-702	EA	KEYS (BLANK)	248-041180
	125582-01-708	EA	WEEPHOLE COVER - RIGHT HAND	130-026598
	125582-01-709	EA	WEEPHOLE COVER - LEFT HAND	130-026599

WINDOW, VENT & EXTERIOR DOOR GROUP (CONTINUED)

BRIGGS & STRATTON LOCKS & COMPONENTS

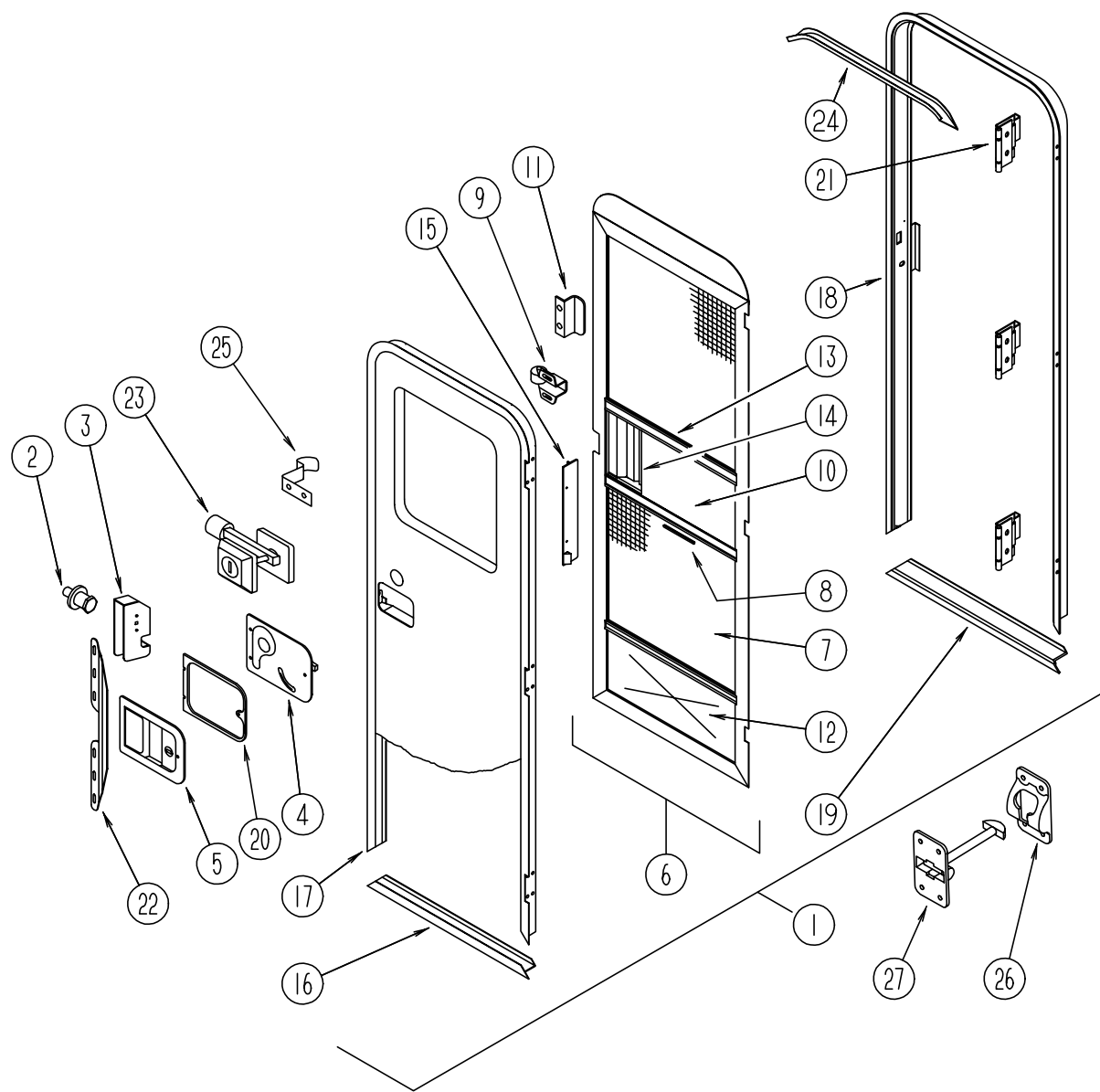
NOTE:
 WHEN ORDERING THE LOCK CASE, THE KEY CODE MUST MATCH THE LAST DIGIT OF THE VEHICLE'S SERIAL NUMBER AND PART NUMBER; WHEN ORDERING THE KEYS, THE THIRD DIGIT OF THE KEY CODE MUST MATCH THE LAST DIGIT OF THE VEHICLE'S SERIAL NUMBER AND PART NUMBER



KEY	PART NUMBER	U/M	DESCRIPTION	VENDOR NO.	KEY	PART NUMBER	U/M	DESCRIPTION	VENDOR NO.
1	110506-59-000	EA	KEYS - SET OF TWO	596720	1	110506-59-006	EA	KEYS - SET OF TWO	596726
2	110506-52-000	EA	CASE - LOCK - A= 17 MM	702370	2	110506-52-006	EA	CASE - LOCK - A= 17 MM	702376
2	110506-53-000	EA	CASE - LOCK - A= 25 MM	702380	2	110506-53-006	EA	CASE - LOCK - A= 25 MM	702386
2	110506-54-000	EA	CASE - LOCK - A= 32 MM	703170	2	110506-54-006	EA	CASE - LOCK - A= 32 MM	703176
1	110506-59-001	EA	KEYS - SET OF TWO	596721	1	110506-59-007	EA	KEYS - SET OF TWO	596727
2	110506-52-001	EA	CASE - LOCK - A= 17 MM	702371	2	110506-52-007	EA	CASE - LOCK - A= 17 MM	702377
2	110506-53-001	EA	CASE - LOCK - A= 25 MM	702381	2	110506-53-007	EA	CASE - LOCK - A= 25 MM	702387
2	110506-54-001	EA	CASE - LOCK - A= 32 MM	703171	2	110506-54-007	EA	CASE - LOCK - A= 32 MM	703177
1	110506-59-002	EA	KEYS - SET OF TWO	596722	1	110506-59-008	EA	KEYS - SET OF TWO	596728
2	110506-52-002	EA	CASE - LOCK - A= 17 MM	702372	2	110506-52-008	EA	CASE - LOCK - A= 17 MM	702378
2	110506-53-002	EA	CASE - LOCK - A= 25 MM	702382	2	110506-53-008	EA	CASE - LOCK - A= 25 MM	702388
2	110506-54-002	EA	CASE - LOCK - A= 32 MM	703172	2	110506-54-008	EA	CASE - LOCK - A= 32 MM	703178
1	110506-59-003	EA	KEYS - SET OF TWO	596723	1	110506-59-009	EA	KEYS - SET OF TWO	596729
2	110506-52-003	EA	CASE - LOCK - A= 17 MM	702373	2	110506-52-009	EA	CASE - LOCK - A= 17 MM	702379
2	110506-53-003	EA	CASE - LOCK - A= 25 MM	702383	2	110506-53-009	EA	CASE - LOCK - A= 25 MM	702389
2	110506-54-003	EA	CASE - LOCK - A= 32 MM	703173	2	110506-54-009	EA	CASE - LOCK - A= 32 MM	703179
1	110506-59-004	EA	KEYS - SET OF TWO	596724	3	110506-40-700	EA	HARDWARE KIT	
2	110506-52-004	EA	CASE - LOCK - A= 17 MM	702374	4	110506-50-000	EA	CASE - TWIST LOCK - A= 17 MM	596952
2	110506-53-004	EA	CASE - LOCK - A= 25 MM	702384	4	110506-51-000	EA	CASE - TWIST LOCK - A= 25 MM	596669
2	110506-54-004	EA	CASE - LOCK - A= 32 MM	703174	4	110506-55-000	EA	CASE - TWIST LOCK - A= 32 MM	597312AA1
1	110506-59-005	EA	KEYS - SET OF TWO	596725		110506-40-000	EA	CLIP-E - LOCK ASM.	93981
2	110506-52-005	EA	CASE - LOCK - A= 17 MM	702375		110506-59-701	EA	KEY BLANK - GOLD	
2	110506-53-005	EA	CASE - LOCK - A= 25 MM	702385					
2	110506-54-005	EA	CASE - LOCK - A= 32 MM	703175					

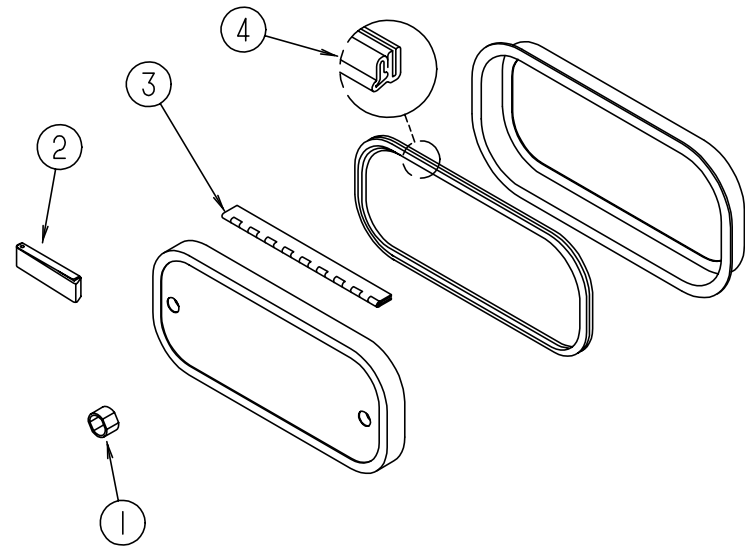
WINDOW - VENT & EXTERIOR DOOR GROUP (CONTINUED)

ENTRY DOOR W/O WINDOW



KEY	PART NUMBER	U/M DESCRIPTION
1	115108-02-G15	EA DOOR - ENTRANCE - W/ SCREEN - W/O WINDOW
1	115108-02-G16	EA DOOR - ENTRANCE - W/ SCREEN - W/O WINDOW
1	115108-02-G17	EA DOOR - ENTRANCE - W/ SCREEN - W/O WINDOW
2	039539-01-000	EA STRIKE - LOCK - ENTRY DOOR - ROUND W/THREADED WASHER
	077461-03-000	EA COVER - STRIKE - ENTRY DOOR - 6.5" X 2.5" - PLASTIC - OFF WHITE
3	039540-01-000	EA LATCH MECHANISM - HOOK - ENTRY DOOR - INTERIOR
	039715-01-000	EA NUT - SERT - 1/4" DIAMETER - 20 THREADS
4	039979-06-000	EA COVER ASM - LATCH PLATE, RH - BLACK - T/M 11883-01
	039984-01-000	EA CAP - ROUND - VINYL - .28" ID X .62" LONG - BLACK
	041546-05-000	EA BRACKET - DOOR ANGLE - 5" X 1.9" - METAL - OFF WHITE
		FROM: 00-00-00 THRU: 10-22-95
	041546-07-000	EA BRACKET - DOOR ANGLE - METAL - OFF WHITE
		FROM: 10-23-95 THRU: 99-99-99
5	045017-13-000	EA LATCH - ENTRY DOOR - BLACK - T/M 11896-01
	045017-11-701	EA KEY - BLANK - ROUND TOP - SILVER - TRI/ MARK
	058806-03-000	EA PLUG - TAPERED - PLASTIC - 1.06" DIAMETER - RED
	063729-04-000	EA RIVNUT - 10-32 UNF - .010-.080
	072893-01-000	EA NUT-SERT - M5 X 0 8
	075671-04-000	FT SEAL - SPONGE - LAZY T SHAPE - W/ADHESIVE STRIPE - .5" WIDE
6	079012-05-B10	EA DOOR - SCREEN - ENTRANCE DOOR
7	002293-02-000	SF SCREENING - WINDOW/DOOR - 26" - CHARCOAL
8	002294-01-000	FT SPLINE - SCREENING - .135" X .138" - BLACK
9	100412-01-000	EA CATCH - SCREEN DOOR
10	016454-01-000	EA INSERT - CENTER - LEATHER GRAIN ALUMINUM - UNPAINTED
	001014-01-013	EA SHEET - ALUMINUM - LEATHER GRAIN - 10.25" X 16.31" - UNPAINTED
11	050712-04-000	EA HANDLE - SCREEN DOOR - ALUMINUM - OFF WHITE
12	078552-03-000	EA KICK PANEL - SCREEN DOOR - LOWER INSERT - UNPAINTED
	078595-01-000	EA TOP PLATE - SCREEN DOOR - CURVED TOP - 4.7" X 25.35"
13	078777-01-000	EA CHANNEL - SLIDE - SCREEN DOOR CENTER SLIDER COVER
14	079086-02-000	EA SLIDER - SCREEN DOOR - OFF WHITE
15	079087-02-000	EA STRIKE - SLIDER - W/ LIP FOR ELBOW CATCH - 1.5" X 8.6" - OFF WHITE
16	089748-09-000	EA FRAME - BOTTOM - ENTRY DOOR - 24.8" LONG - BUFF
	090340-02-000	FT SEAL - FOAM - CLOSED CELL - 3/8" X 1/2" X 50'
17	095276-03-05A	EA FRAME - ENTRANCE DOOR - BUFF
18	095277-04-05A	EA JAMB - ENTRANCE DOOR - BUFF
19	051049-01-000	EA JAMB - BOTTOM - ENTRY DOOR - 25.9" - UNPAINTED
20	096810-01-01A	EA PLATE - LATCH - ENTRY DOOR - PLASTIC - BLACK
21	106719-01-01A	EA HINGE - ENTRANCE DOOR - MILL
22	098173-01-04A	EA STIFFENER - ENTRY DOOR - SUPPORTS LATCH/STRIKE AREA - UNPAINTED
	118929-01-01A	FT SEAL - PILE, PUSH-ON - AMESBURY XC-964
23	101145-01-04A	EA DEADBOLT - ENTRY DOOR - BUFF/BLACK
	095229-01-700	EA KEY - BLANK, DEADBOLT - 81205-03
	101145-01-701	EA CYLINDER - LOCK ASM, W/KEY - 81306-03
	101147-01-000	EA BOLT - SECURITY - 4.12" BACKSET
	102524-01-000	EA BUMPER - RUBBER - FLAT - BLACK
	040944-01-000	EA LABEL - ENTRANCE DOOR - "OPEN"
24	044582-33-000	EA CAP - DRIP - DOOR JAMB MOUNTED -
	115222-02-01A	EA GARNISH - RADIUS - ENTRANCE DOOR - OFF WHITE
25	100412-01-000	EA CATCH - SCREEN DOOR - THUMB CLIP
26	104099-02-01A	EA CATCH - DOOR HOLDER - RETAINER - OFF WHITE
27	104099-01-01A	EA CATCH - DOOR HOLDER - STRIKE - OFF WHITE
	009126-03-000	EA HANDLE - ASSIST - BLACK TEXTURED - T/M 10087-01
	093673-01-01A	FT TRIM - ENTRANCE DOOR - 1.4" WIDE X 8' LONG - OFF WHITE PLASTIC
	102248-01-000	EA SHIM - DOOR

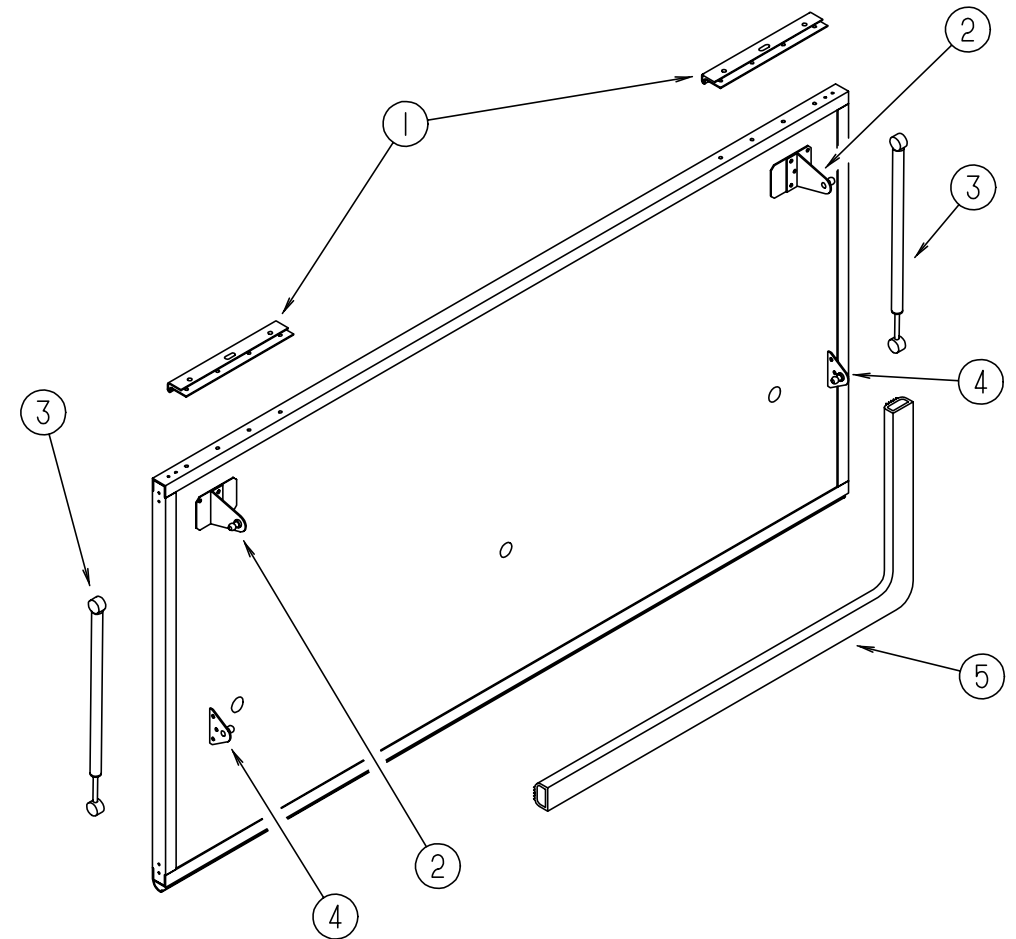
WINDOW, VENT & EXTERIOR DOOR GROUP (CONTINUED)



EXTERIOR DOOR HARDWARE

KEY	PART NUMBER	U/M	DESCRIPTION
1	107997-51-001	EA	SPACER - .86" X .6" - ALUMINUM
2	102768-01-000	EA	HOLDER - COMPARTMENT/ ENTRY DOOR - METAL - MILL FINISH
3	081801-08-000	EA	HINGE - PIANO - 2" X 96" - BUFF
4	064075-07-000	FT	SEAL - BULB - W/ WIRED U CHANNEL - .3" X .5" CHANNEL - BLACK

WINDOW, VENT & EXTERIOR DOOR GROUP (CONTINUED)

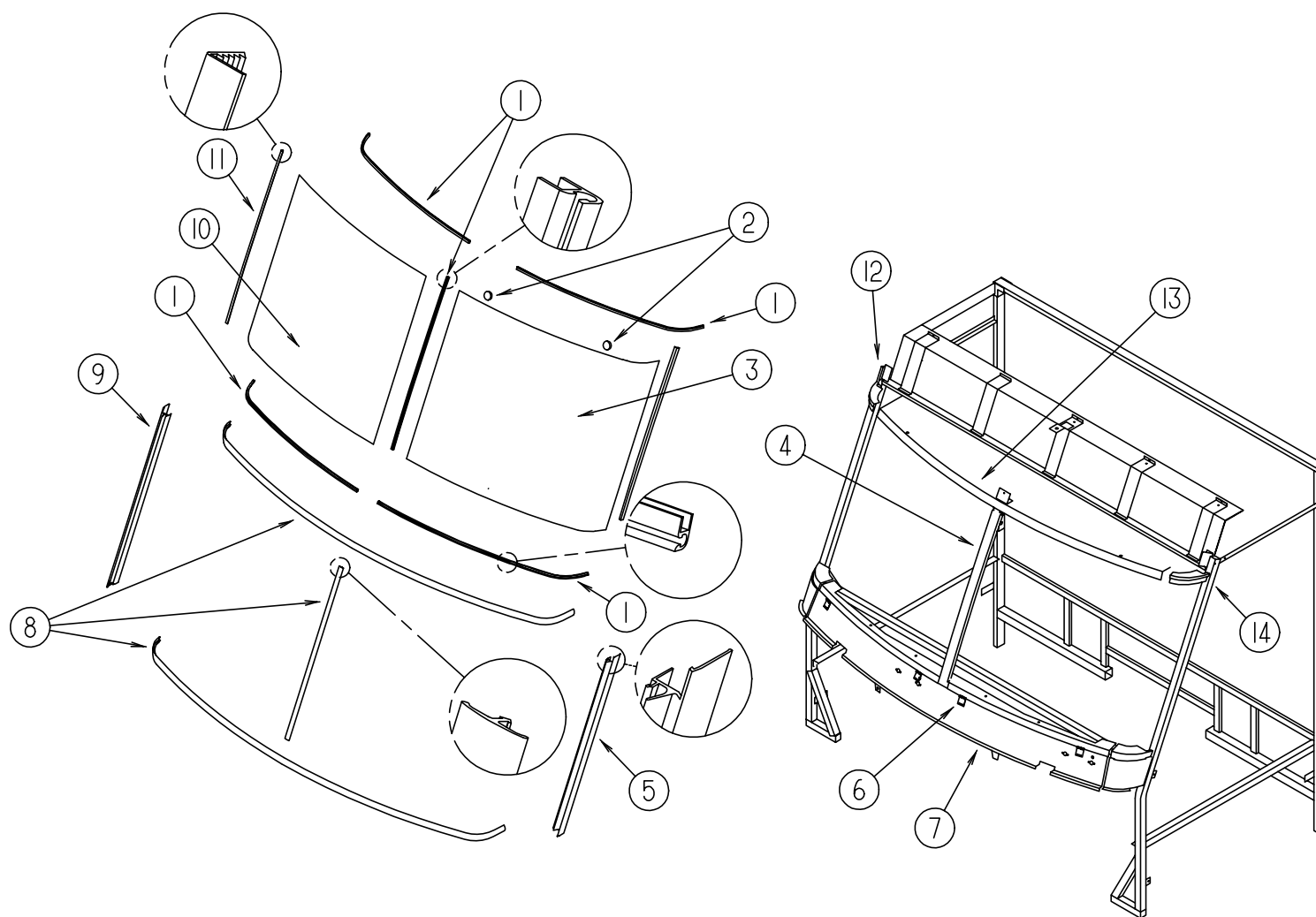


EXTERIOR DOOR HARDWARE

KEY	PART NUMBER	U/M	DESCRIPTION
1	120774-01-02B	EA	HINGE - 8.00 INCH - E-COAT
2	108998-02-000	EA	BRACKET - L W/BALL STUD
3	107796-04-000	EA	GAS SPRING - 12" COMPRESSED/ 20" EXTENDED - 20 LB
4	107796-05-000	EA	BRACKET - GAS SPRING - FLAT
5	107721-01-000	FT	SEAL - ACCESS DOOR

WINDSHIELD & WIPER GROUP

WINDSHIELD MOLDINGS & GLASS

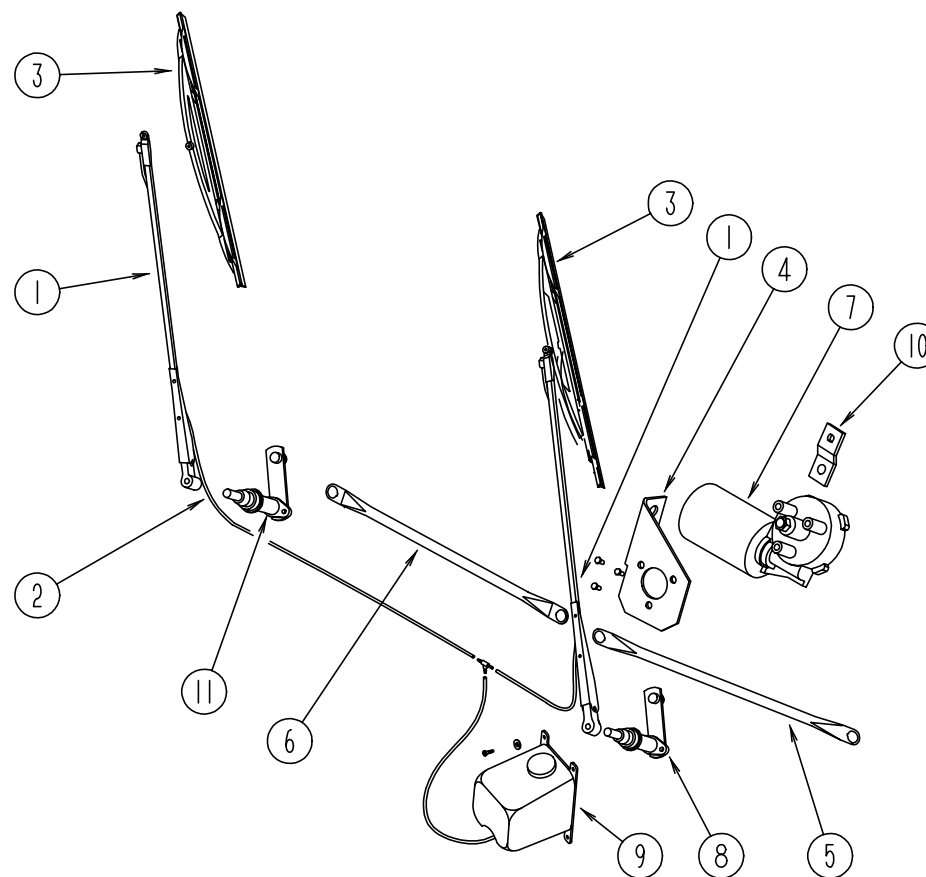


KEY	PART NUMBER	U/M	DESCRIPTION
1	110268-01-000	EA	CARRIER - REVEAL - 1280 MM
2	081914-01-000	EA	BUMPER - RUBBER - ROUND - .43" DIAMETER - BLACK
3	114432-02-000	EA	GLASS - WINDSHIELD - DRIVER SIDE
4	075710-01-000	EA	FRAME - WINDSHIELD - CENTER DIVIDER - INNER
5	103107-04-01A	EA	TRIM - WINDSHIELD - DRIVER SIDE - BLACK
6	104449-01-000	EA	BRACKET - WINDSHIELD SUPPORT
7	077847-05-000	EA	SUPPORT - WINDSHIELD - LOWER - W/O BRACKETS
	077847-03-000	EA	SUPPORT - WINDSHIELD - END - PASSENGER SIDE
	077847-04-000	EA	SUPPORT - WINDSHIELD - END - DRIVER SIDE
8	102936-01-000	FT	MOLDING - REVEAL - WINDSHIELD

KEY	PART NUMBER	U/M	DESCRIPTION
9	103107-03-01A	EA	TRIM - WINDSHIELD - PASSENGER SIDE - BLACK
10	114432-01-000	EA	GLASS - WINDSHIELD - PASSENGER SIDE
11	098788-06-000	EA	CHANNEL - REVEAL - 49" WINDSHIELD
12	077922-03-000	EA	HEADER WINDSHIELD END - PASSENGER SIDE
	114583-01-01B	EA	HEADER - WINDSHIELD - FILLER - UPPER - MILL
13	077922-06-000	EA	HEADER WINDSHIELD - CENTER
14	077922-04-000	EA	HEADER WINDSHIELD END - DRIVER SIDE
	114583-02-01B	EA	HEADER - WINDSHIELD - FILLER - UPPER - MILL
	002328-02-000	EA	BLOCK - WINDSHIELD - .062" X .5" X .98"

WINDSHIELD & WIPER GROUP (CONTINUED)

WINDSHIELD WIPER ASM



KEY	PART NUMBER	U/M	DESCRIPTION
1	103671-01-000	EA	ARM - WIPER - 24"
2	096931-01-700	FT	HOSE
3	095964-01-000	EA	BLADE - WIPER - WINDSHIELD - 24"
4	104549-01-000	EA	BRACKET ASM - WIPER MOTOR
5	117008-01-000	EA	LINK ASM - CONNECTING - 21.85" - DRIVER SIDE
6	117008-02-000	EA	LINK ASM - CONNECTING - 21.85" - PASSENGER SIDE
7	104346-05-000	EA	WIPER MOTOR (FORD)
7	104346-02-000	EA	WIPER MOTOR (CHEVY)
			FROM: 00-00-00 THRU: 11-10-95
7	104346-04-000	EA	WIPER MOTOR (CHEVY)
			FROM: 11-11-95 THRU: 99-99-99
	110178-01-000	EA	HOUSING - WIPER MOTOR
8	096505-06-000	EA	PIVOT & SHAFT ASM - WIPER - DRIVER SIDE

KEY	PART NUMBER	U/M	DESCRIPTION
9	056000-04-000	EA	WINDSHIELD WASHER - BOTTLE & PUMP
	056000-01-700	FT	VACUUM HOSE 7/64 - 5/32
	096931-01-701	EA	NOZZLE & HARDWARE KIT, INCLUDES NOZZLE, NUT, SHORT THREAD SCREW, LONG THREAD SCREW, AND PLASTIC CAP
9	117766-02-000	EA	WASHER ASM - WINDSHIELD WIPER - MCCORD 600328
	110605-01-000	EA	TEE - PLAS - BARBED 1/8 X 1/8 X 3/16 BAYLOCK 3799721
	117765-03-000	EA	CONNECTOR - 5/32 W/SWSH - ITT H-BAYLOCK 116756
10	104347-01-000	EA	ARM - DRIVE - WIPER MOTOR - 1.54"
11	096505-05-000	EA	PIVOT & SHAFT ASM - WIPER - PASSENGER SIDE
	110742-01-000	EA	WIPER GASKET
	067188-01-000	EA	STUD - WIPER CRANK
	096505-02-703	EA	CAP - NUT (ACORN) HD W/.687 BARREL
	045794-01-000	FT	HOSE-WASHER, WINDSHIELD - 5/32" ID - BLACK
	061603-01-000	EA	GROMMET-SNAP, 3/16" ID - 3/8" HOLE - PLASTIC - BLACK