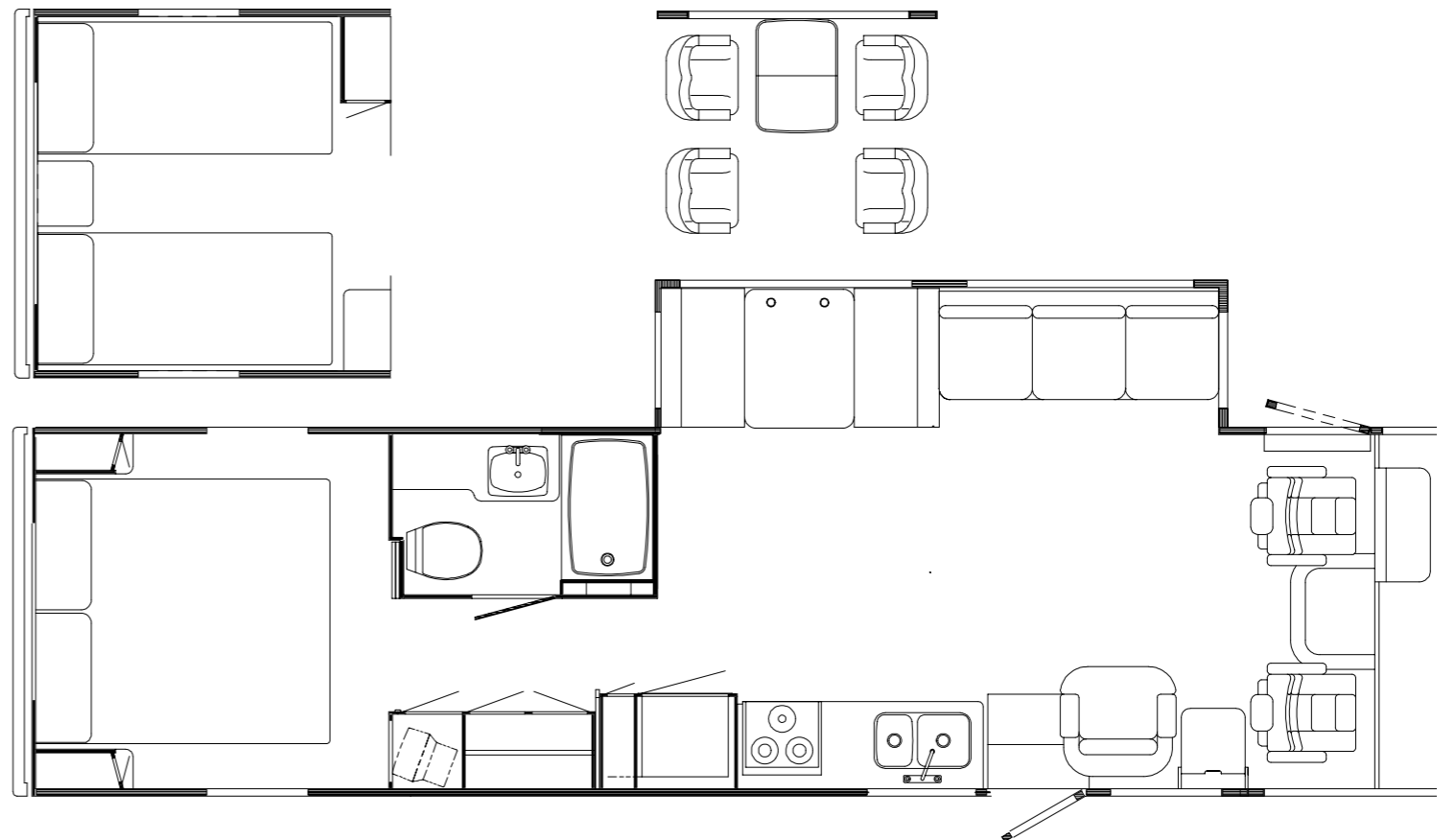
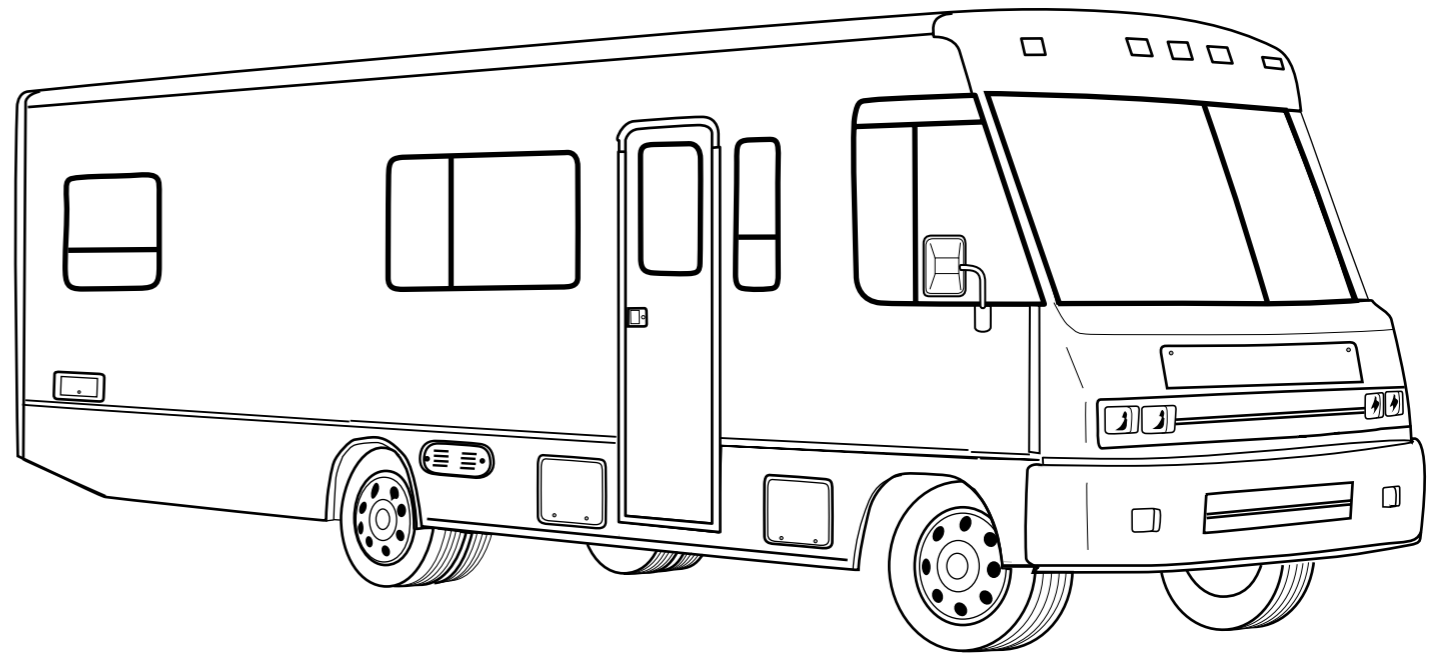


1996
WCG34RQ

G15
BOTANICAL (GREEN)

G16
THISTLE (TAN)

G17
COPPER CANYON



**ACCESSORIES GROUP
OPERATOR MANUAL**

KEY	PART NUMBER	U/M DESCRIPTION
	054185-E1-000	EA MANUAL - OPERATOR 96 ADVENTURER - G-SERIES
	092318-01-000	EA BINDER - 3 RING - MOTOR HOME MANUAL
	092319-01-000	EA POCKET PAGE - 3 RING BINDER - PLASTIC
	118752-01-000	EA TOP LEVEL DRAWING NUMBER

**AUDIO VIDEO GROUP
RADIO SYSTEMS & ANTENNA**

KEY	PART NUMBER	U/M DESCRIPTION
	087683-03-000	EA RADIO - AM/ FM STEREO CASSETTE - AUDIOVOX RS-100
	110267-03-000	EA RADIO - AM/ FM STEREO CD COMPAT - AUDIOVOX IM-400
	116148-02-000	EA RADIO - AM/ FM STEREO - CD PLAYER - CLARION RDB515F FROM: 00-00-00 THRU: 03-14-96
	116148-03-000	EA RADIO - AM/ FM STEREO - CD PLAYER - CLARION RDB325D FROM: 03-15-96 THRU: 99-99-99
	077069-02-000	EA CABLE - ANTENNA - RADIO - EXTENSION 96" - ARA 6700667
	110469-01-000	EA SPEAKER - OVAL - 4" X 6" - BLACK
	110470-01-01A	EA GRILLE - SPEAKER - OVAL - 4" X 6" - BLACK
	081059-02-000	EA WIRE ASM - 9-PIN - RADIO - AUDIOVOX 112B-1761
	105248-01-000	EA ANTENNA - CB - ADVANCE 8604
	090944-01-000	EA ANTENNA - RADIO - 16" RUBBER
	108847-01-000	EA BRACKET - ANTENNA GROUND
	115916-01-01B	EA BRACKET - ANTENNA MOUNT
	109889-04-000	EA EXTENDER - SHAFT - ANTENNA 3"
	074979-08-000	EA SHIELD - SPEAKER - BACK - MOLDED PLASTIC - LIGHT OAK
	074979-12-000	EA SHIELD - SPEAKER - BACK - MOLDED PLASTIC - OFF WHITE
	089340-02-000	EA GRILLE - SPEAKER - 6.5" SQUARE
	089340-03-000	EA SPACER - GRILLE - 6.5" SQUARE - TAN - MAGNADYNE G514
	094097-01-000	EA SPEAKER - RADIO - W/O GRILLE - 5.25" DIA - AUDIOVOX 110C3030

PATIO ENTERTAINMENT CENTER

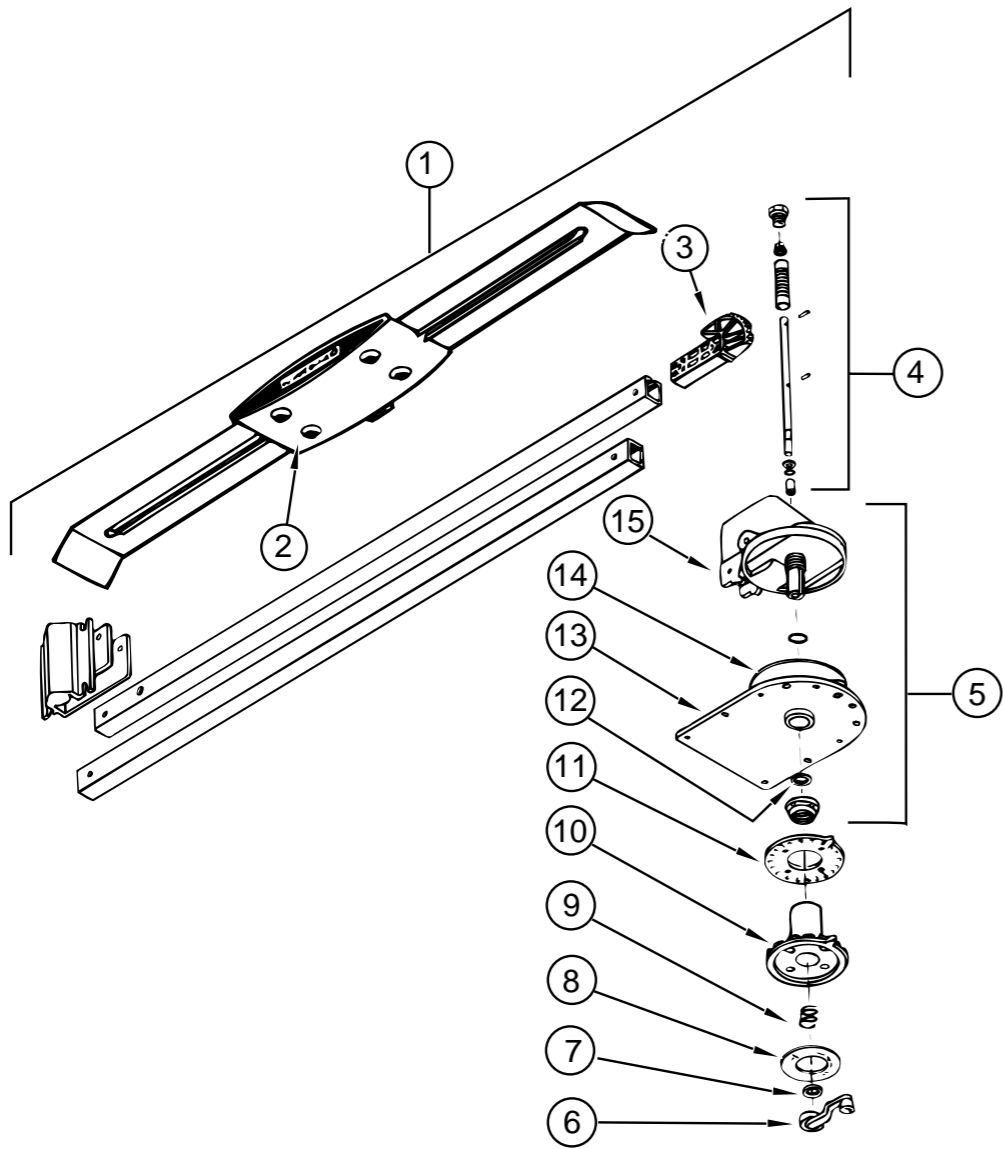
KEY	PART NUMBER	U/M DESCRIPTION
	110469-01-000	EA SPEAKER - OVAL - 4" X 6" - BLACK
	110470-01-01A	EA GRILLE - SPEAKER - OVAL - 4" X 6" - BLACK
	077069-02-000	EA CABLE - ANTENNA - RADIO - EXTENSION 96" - ARA 6700667
	087683-03-000	EA RADIO - AM/ FM STEREO W/ CASSETTE - AUDIOVOX
	090944-01-000	EA ANTENNA - RADIO - 16" RUBBER
	108847-01-000	EA BRACKET - ANTENNA GROUND
	109889-04-000	EA ANTENNA - 3" SHAFT EXTENDER - MAGNADYNE RV71EX3

TV - VCR SYSTEMS

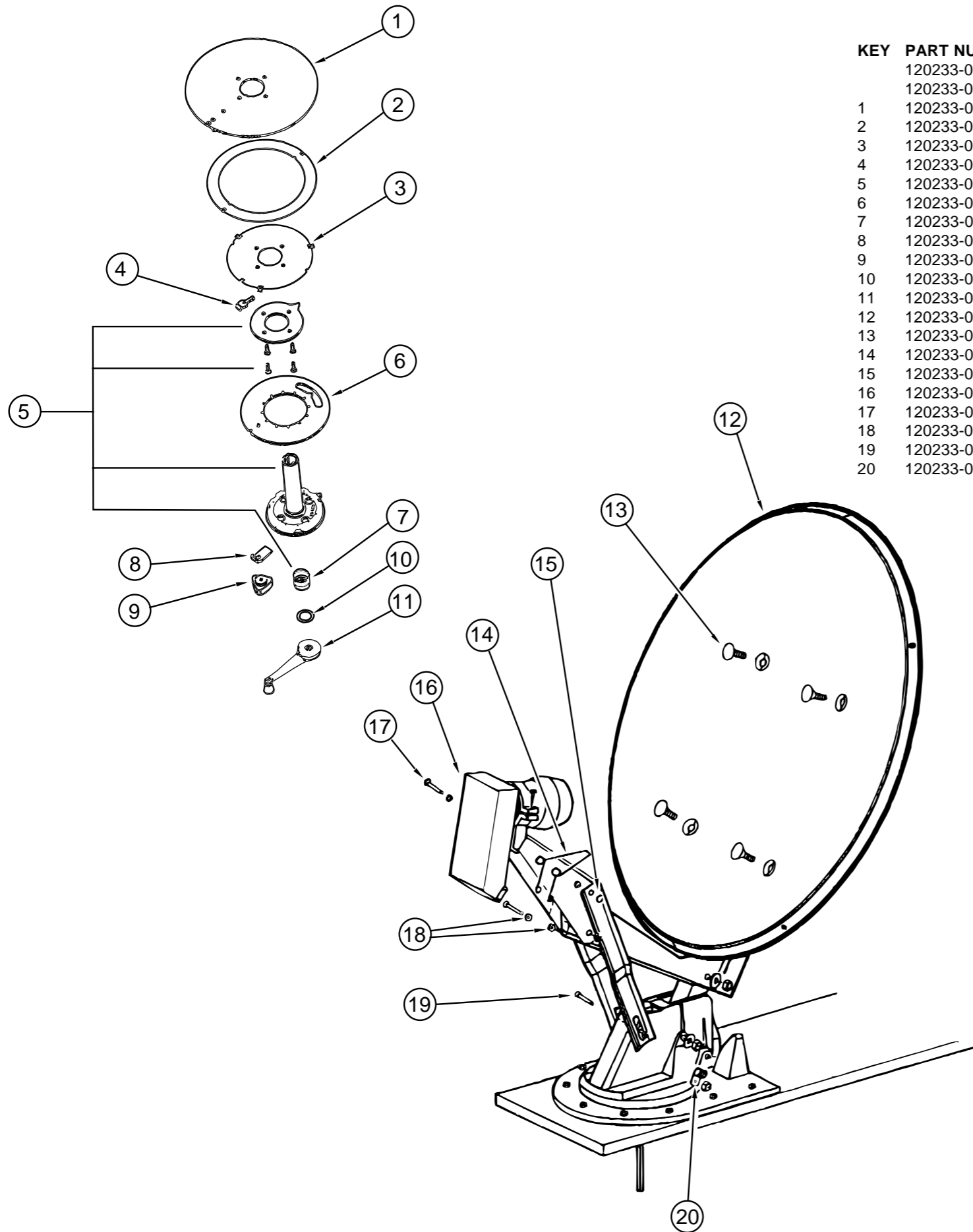
KEY	PART NUMBER	U/M DESCRIPTION	VENDOR NO.
	082134-01-000	EA ADAPTER - TV - CABLE TO CABLE - WINEGARD F-81M	
	086756-01-000	EA SPLITTER - TV - 2 WAY	
	076319-03-000	FT CABLE - COAXIAL - 75 OHM	
	076319-12-000	EA CONNECTOR - COAXIAL - ONE PIECE	
	086757-03-000	EA CONTROL CENTER - SWITCH - VCR/TV - MAGNADYNE VCS-6	
	119120-01-000	EA VCR-VHS, CABLE READY - REMOTE - AUDIOVOX AVR-1075 FROM: 00-00-00 THRU: 12-10-95	
	119120-02-000	EA VCR-VHS, CABLE READY - REMOTE - AUDIOVOX AVR-1170 FROM: 12-11-95 THRU: 99-99-99	
	119120-01-700	EA REMOTE F/ MODEL	AVR-1075
	113684-01-000	EA TV - 19" COLOR UL AND CSA - AUDIOVOX AVT-1975	
	113684-01-700	EA REMOTE	8822345
	092310-02-000	EA TV - COLOR - 9"- AC/DC - W/REMOTE - MAGNAVOX RD0945 (REAR TV)	
	092310-02-700	EA REMOTE - F/TV MAGNAVOX RD0945	0822334
	098819-01-000	EA SPEAKER - 2 WATT - 8 OHM - 4"	
	114870-02-000	EA PLUG ASM - 3.5 MM AUDIO W/ LEADS - OW DONALD 35-P8	
	093214-01-02A	EA GRILL - SPEAKER, 4" BROWN	
	099717-01-000	EA STRAP - TV TIE DOWN W/24" FEMALE STRAP & 14.2" MALE STRAP	
	099717-02-000	EA STRAP - TV TIE DOWN W/29.9" FEMALE STRAP & 14.2" MALE STRAP	
	109889-04-000	EA EXTENDER - SHAFT - ANTENNA 3" MAGNADYNE RV71EX3	
	082136-01-000	EA JAM NUT - HEX 3/8-32 - WINEGARD	
	076319-09-000	EA WALLPLATE - CABLE RECEPTACLE - TV - SINGLE - BROWN	
	086777-01-000	EA WALLPLATE - TV CABLE - W/ ANTENNA SWITCH - IVORY	
	086777-05-000	EA WALLPLATE - ANT 1 OUTPUT IVORY	
	086757-03-000	EA CONTROL CENTER - SWITCH - VCR/TV - MAGNADYNE VCS-6	

AUDIO VIDEO GROUP (CONTINUED)
TV ANTENNA (WINEGARD)

KEY	PART NUMBER	U/M DESCRIPTION	VENDOR NO.
1	076319-18-000	EA ANTENNA - TV - ROOF MOUNT	
2	076319-01-700	EA HEAD - ANTENNA - AMPLIFIED	RVSA U/V
3	076319-01-701	EA GEAR - ELEVATING - PLASTIC	2200046
4	076319-01-702	EA SHAFT ASM - ELEVATING	RVP-400A
5	076319-01-711	EA BASE & LIFT ASM	2762802
6	076319-01-706	EA CRANK - ELEVATING - W/ SET SCREW	5755100
7	076319-01-705	EA BEARING - NYLON - 7/8"ID	3200658
8	076319-01-708	EA CRANK COVER DECAL	5413002
9	076319-01-707	EA SPRING - HANDLE	5160822
10	076319-01-709	EA PLATE - DIRECTIONAL - FOR HEAD	3200644
11	076319-01-712	EA CEILING PLATE - WINEGARD	3200608
12	076319-01-704	EA BEARING - NYLON - 1.5"OD	3200657
13	076319-01-713	EA BASE PLATE	3100523
14	076319-01-703	EA BEARING - NYLON - 5"OD	3200656
15	076319-01-714	EA HOUSING - ROTATING GEAR	2200049

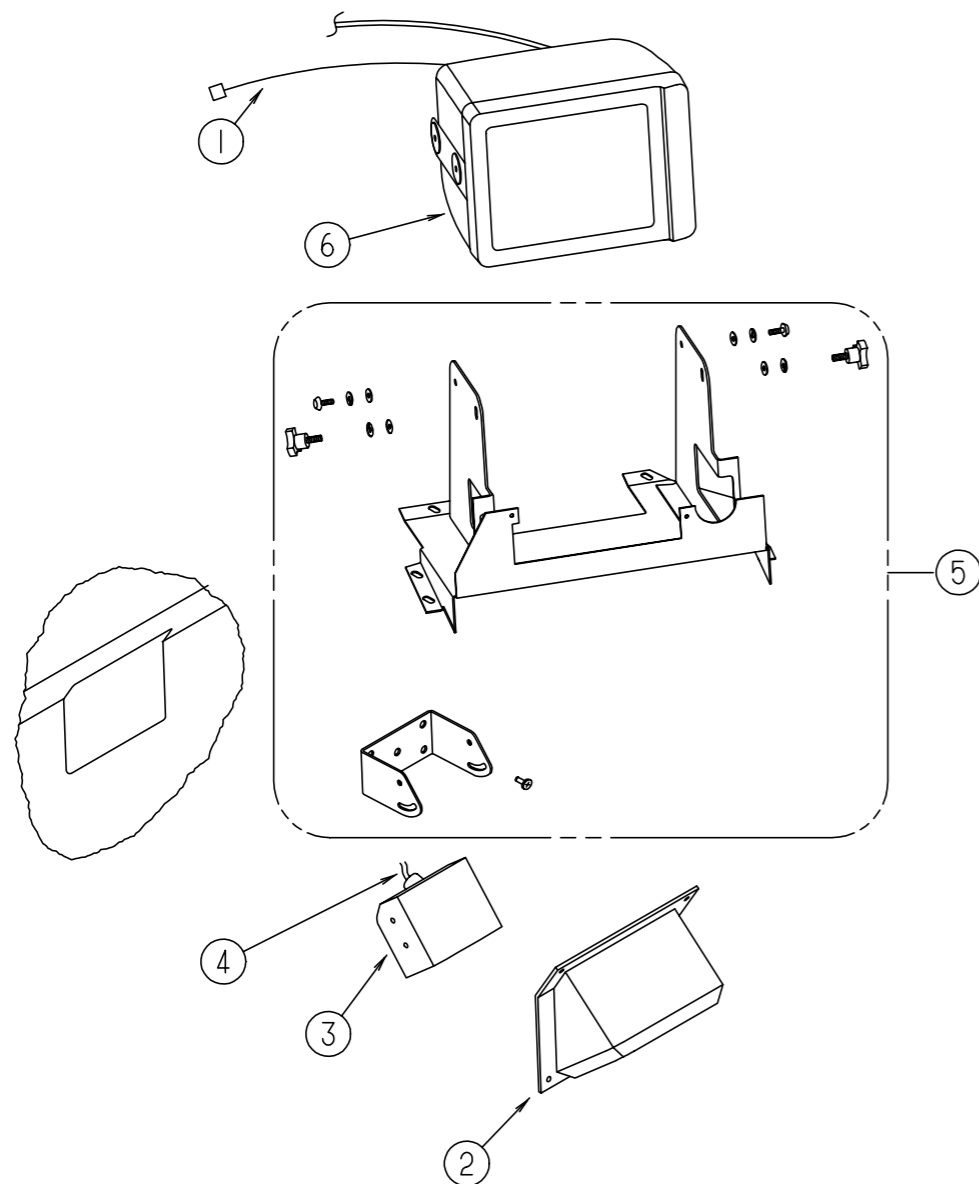


AUDIO VIDEO GROUP (CONTINUED)
SATELLITE ANTENNA (WINEGARD)



KEY	PART NUMBER	U/M	DESCRIPTION	VENDOR NO.
	120233-02-000	EA	ANTENNA - SATELLITE W/ RECEIVER - RD-1046	
	120233-01-000	EA	ANTENNA - SATELLITE DSS - RD-4600	
1	120233-01-700	EA	PLATE - FIXED	3750821
2	120233-01-701	EA	DIAL - DIRECTIONAL	2745056
3	120233-01-702	EA	PIVOT - DIAL - DIRECTIONAL	2745058
4	120233-01-703	EA	STOP - ROTATION	3711281
5	120233-01-704	EA	PLATE - CEILING W/DIR. HANDLE	RP-6300
6	120233-01-705	EA	PLATE - ROTATE	3750820
7	120233-01-706	EA	SPRING	RP-6822
8	120233-01-707	EA	CLAMP - ROTATE	3711280
9	120233-01-708	EA	KNOB - CLAMP	160822
10	120233-01-709	EA	WASHER - NYLON	RP-2658
11	120233-01-710	EA	HANDLE - CRANK	RP-6795
12	120233-01-711	EA	REFLECTOR - 46CM	2745304
13	120233-01-712	EA	BOLT - FLAT HEAD	2160253
14	120233-01-713	EA	SPRING	2160820
15	120233-01-714	EA	CLIP - E	5160818
16	120233-01-715	EA	RCA LNB	278015
17	120233-01-716	EA	PIN	2160814
18	120233-01-717	EA	BEARING - NYLON	2200728
19	120233-01-718	EA	PIN	5160817
20	120233-01-719	EA	CLAMP - CABLE	2200060

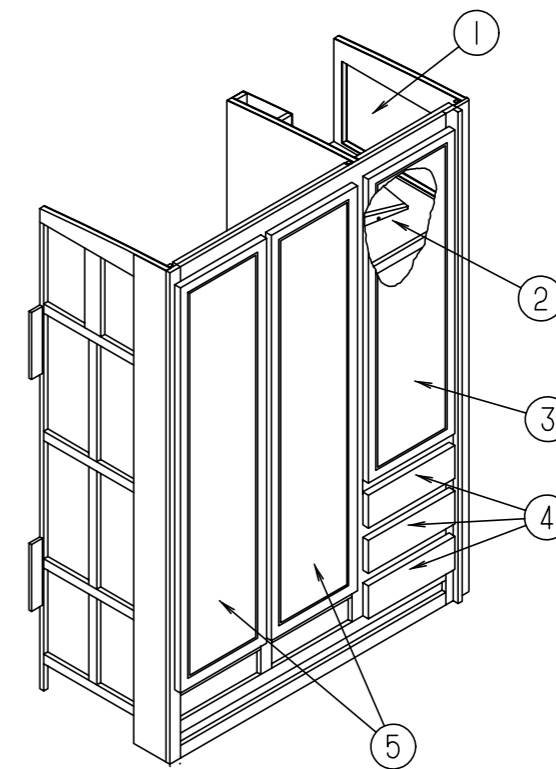
AUDIO VIDEO GROUP (CONTINUED)



REAR MONITOR SYSTEM - SONY

KEY	PART NUMBER	U/M DESCRIPTION	VENDOR NO.
	093040-08-000	EA MONITOR SYSTEM-REAR VIEW 7" W/AUDIO JACK	
1	096717-03-000	EA WIRE ASM-REAR MONITOR, UPPER FOR PREWIRED AFTER MARKET INSTL.	
	093040-06-000	EA WIRE ASM-MONITOR FOR NON PREWIRED AFTER MARKET INSTL.	
		SONY SM-HRN7	
2	107852-01-01A	EA CAMERA SHROUD-OUTER SHELL, BUFF	
	108529-01-01A	EA SHROUD-CAMERA, INNER, BLACK	
3	093040-04-700	EA CAMERA, W/BACKET & WIRING	SSC-530AM
4	093041-01-000	EA CABLE-MONITOR/CAMERA, INTERNAL USE - 65.6'	
	093041-02-000	EA CABLE-MONITOR/CAMERA, EXTERNAL USE	
5	N/A	PARTS ARE INCLUDED W/TELEVISION SYSTEM - SONY	
6	093040-05-700	EA MONITOR-7" W/POWER HARNESS	SSM721AMR
	108885-02-000	EA WIRE-REAR MONITOR POWER (W/3 PIN HOUSING F/FUSE BLOCK)	

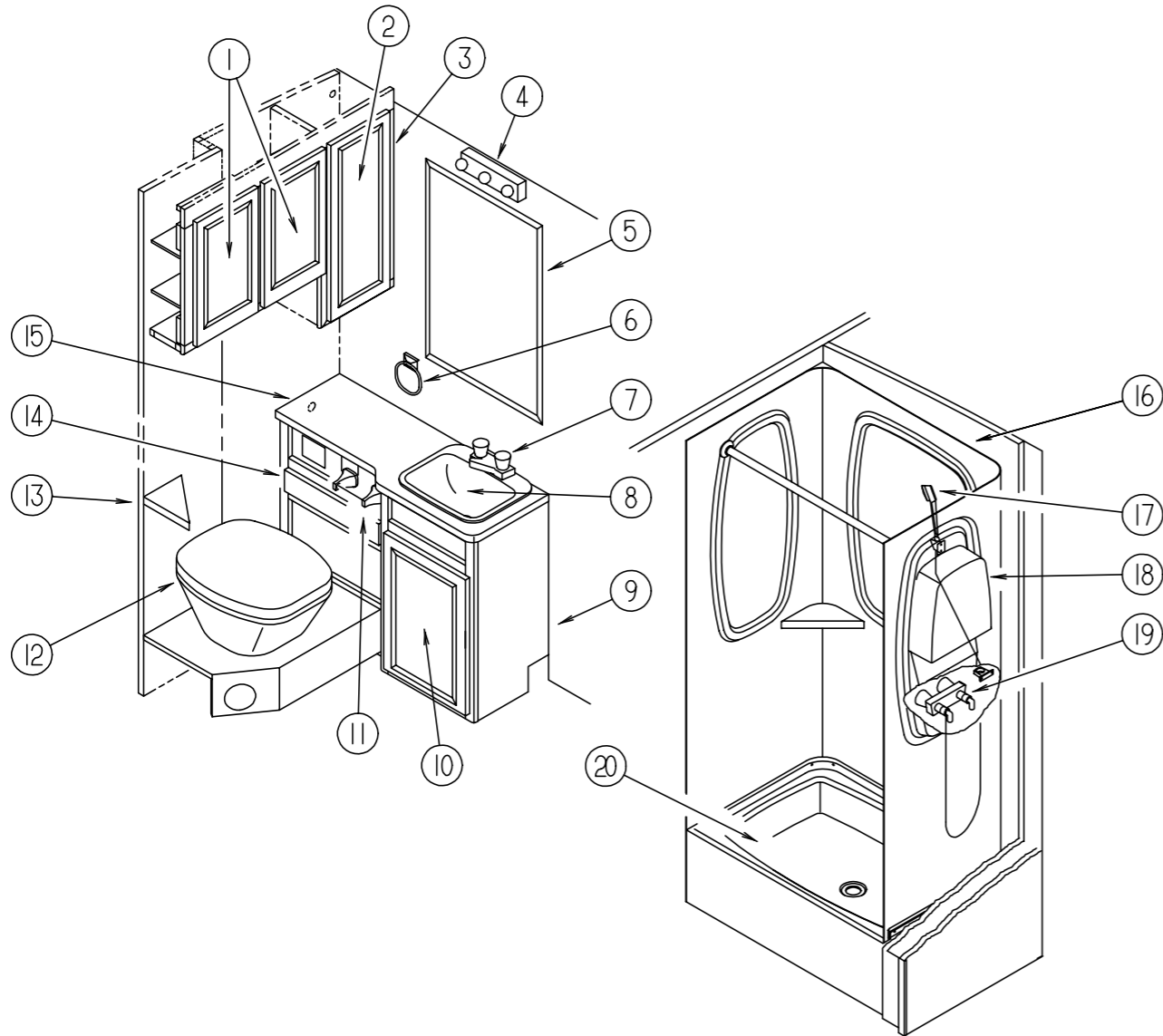
BATH GROUP



WARDROBE CABINET

KEY	PART NUMBER	U/M DESCRIPTION
1	M06803-93-G15	EA DOOR ASM. - RAIL - W/O HARDWARE - 0365 X 0555 MM
2	116172-12-G15	EA TV WEDGE SHELF
3	M06803-C6-G15	EA DOOR ASM. - RAIL - W/O HARDWARE - 0425 X 1220 MM
4	M05971-L3-G15	EA DRAWER ASM.
5	M06803-11-G15	EA DOOR ASM. - RAIL - W/O HARDWARE - 0410 X 1660 MM
	042438-01-000	EA DOWEL - CLOTHES ROD - 1" DIAMETER - WOOD
	009112-01-000	EA FLANGE - 1" CLOTHES ROD - PLASTIC - OFF WHITE

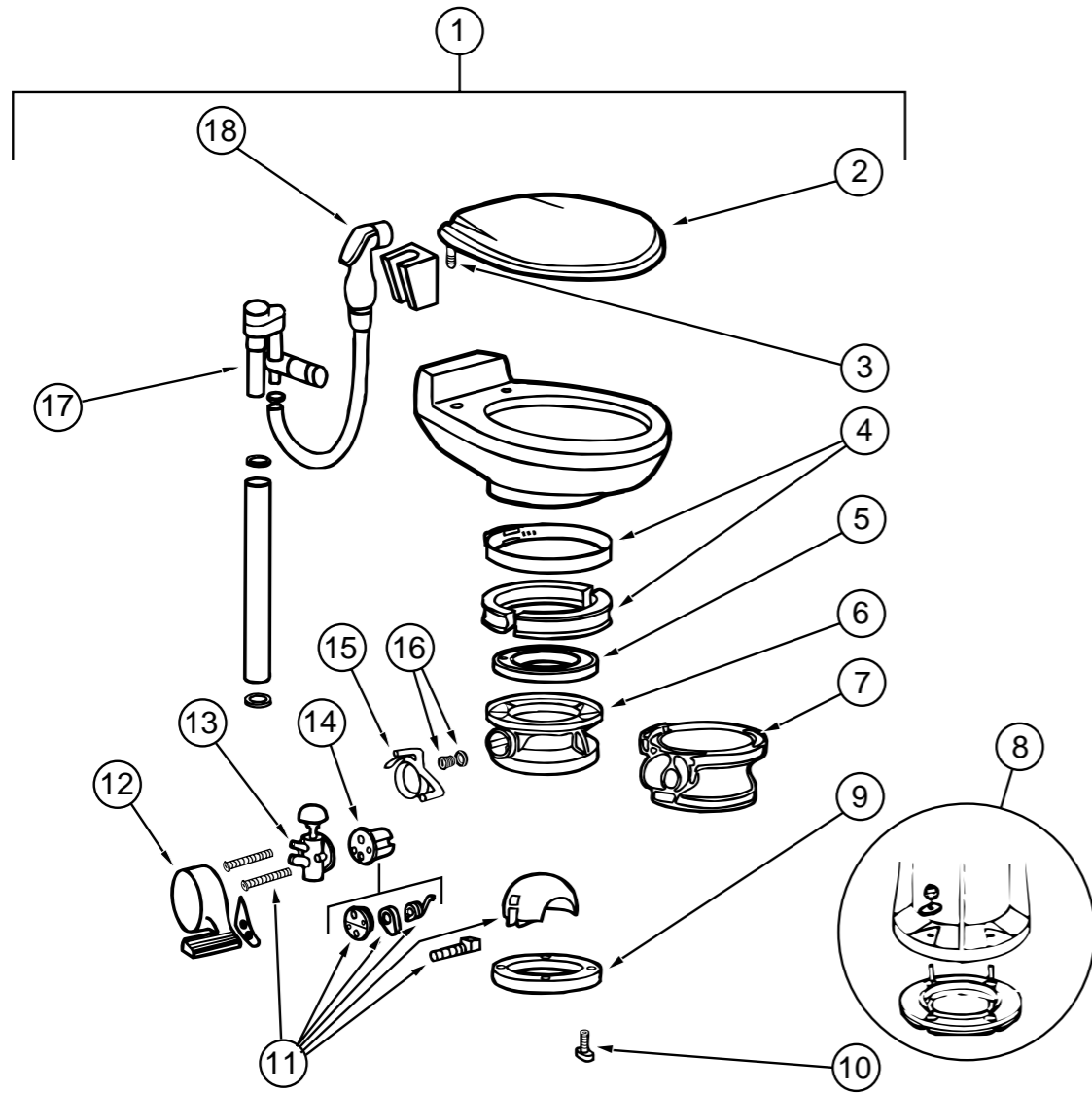
BATH GROUP (CONTINUED)
BATH CABINETS, PRIVACY DOOR & SHOWER COMPONENTS



KEY	PART NUMBER	U/M DESCRIPTION
10	M06803-R7-G15	EA DOOR ASM - W/O HARDWARE - 0380 X 0555 MM
	115824-12-G15	EA SHELF ASM (G15)
	115824-12-G35	EA SHELF ASM (G16,G17)
11	075452-02-000	EA HOLDER - TOILET TISSUE - BRASS
12	085330-07-000	EA TOILET - CHINA - SHORTY W/ SPRAY (SEALAND)
13	106017-01-G35	EA SHELF ASM. - BATH (G15, G16)
13	106017-01-E10	EA SHELF ASM. - BATH (G17)
14	M05971-L2-G15	EA DRAWER ASM. - W/O HARDWARE
15	120328-11-G35	EA COUNTERTOP ASM.
	M03866-04-G35	EA DOOR ASM. (1 BIFOLD ONLY) W/O HARDWARE
	093170-06-02A	EA HEADER - BIFOLD DOOR (TRACK) OFF WHITE
	117978-01-01A	EA KNOB - DOOR - BRIGHT BRASS
	092652-01-000	EA GUIDE WHEEL (BIFOLD DOOR) TOP MOUNT
	084451-01-000	EA CATCH (BIFOLD DOOR) BRASS
	102920-01-01A	EA HINGE - DOOR - SPRING LOADED - BRASS
	M87868-13-G15	EA DOOR ASM. - BATH
	094485-03-01A	EA KNOB - DOOR - BRASS
	100357-01-000	EA ROD -TOWEL - BRASS W/ENDS BENT FOR BACK OF BATH DOOR
	102089-13-G09	EA MOUNT - ROD - RIGHT SIDE - FOR TOWEL RODS - 53.5" LONG - WOOD
	102089-14-G09	EA MOUNT - ROD - LEFT SIDE - FOR TOWEL RODS - 53.5" LONG - WOOD
	104013-03-G15	EA DOOR ASM - SLIDING (BATH / GALLEY)
	103874-01-000	EA ROLLER HANGER - SLIDING DOOR
	103868-03-01A	EA TRACK - DOOR - 1250 OFF WHITE
	103908-03-G35	EA HEADER - SLIDING DOOR
	057534-01-000	EA TIEBACK - CLEAR PLASTIC (BATH / GALLEY DOOR)
	117431-02-01A	EA DOOR - SHOWER - FABRIC/PLEATED
16	104464-01-01A	EA SURROUND - SHOWER - OFF WHITE
17	103092-01-000	EA SHOWER HEAD - W/60" HOSE (US)
17	103092-02-000	EA SHOWER HEAD - W/HOSE (CSA)
	103092-01-701	EA BRACKET (FOR SHOWER HEAD) BONE
18	104462-01-01A	EA CADDY - SHOWER - OFF WHITE
19	075241-05-000	EA FAUCET - SHOWER - BONE
	075606-01-000	EA PANEL - FAUCET BACK - SHOWER - 5" X 9" - PLASTIC
20	M02630-22-C07	EA SHOWER PAN ASM
	066440-01-000	EA STRAINER W/ RUBBER WASHER
	011069-04-000	EA TAILPIECE - 1 1/2 X 1 1/4 X 8 - BRASS (SHOWER PAN)
	091208-01-000	EA WASHER - RUBBER - .06" X .75" X .5"
	057671-01-000	EA COVER - SCREW - #8 - PLASTIC - OFF WHITE

KEY	PART NUMBER	U/M DESCRIPTION
1	M06803-35-G15	EA DOOR - RAIL - W/O HARDWARE - 0285 X 0500 MM
	115967-11-G15	EA SHELF ASM (G15)
	115967-11-G35	EA SHELF ASM (G16,G17)
2	M06803-36-G15	EA DOOR - RAIL - W/O HARDWARE - 0275 X 0710 MM
	115967-12-G15	EA SHELF ASM (G15)
	115967-12-G35	EA SHELF ASM (G16,G17)
3	115967-01-G35	EA CABINET ASM - MEDICINE
4	110235-01-01A	EA LIGHT - 3 BULB
5	058331-51-000	EA MIRROR
6	075454-02-000	EA RING - TOWEL - W/ MOUNTING HARDWARE - BRASS
7	075240-06-000	EA FAUCET - LAVATORY - BONE
8	096927-01-01A	EA SINK - LAVATORY - RECTANGULAR - PLASTIC - BONE
	096927-01-700	EA SINK STOPPER
	096927-01-701	EA TAILPIECE - SINK
	105218-01-01A	EA SPACER - FAUCET - LAVATORY SINK - 2" X 5.9" - PLASTIC - OFF WHITE
9	P20328-01-G15	EA CABINET ASM-LAVATORY (G15,G17)
9	P20328-01-G16	EA CABINET ASM-LAVATORY (G16)

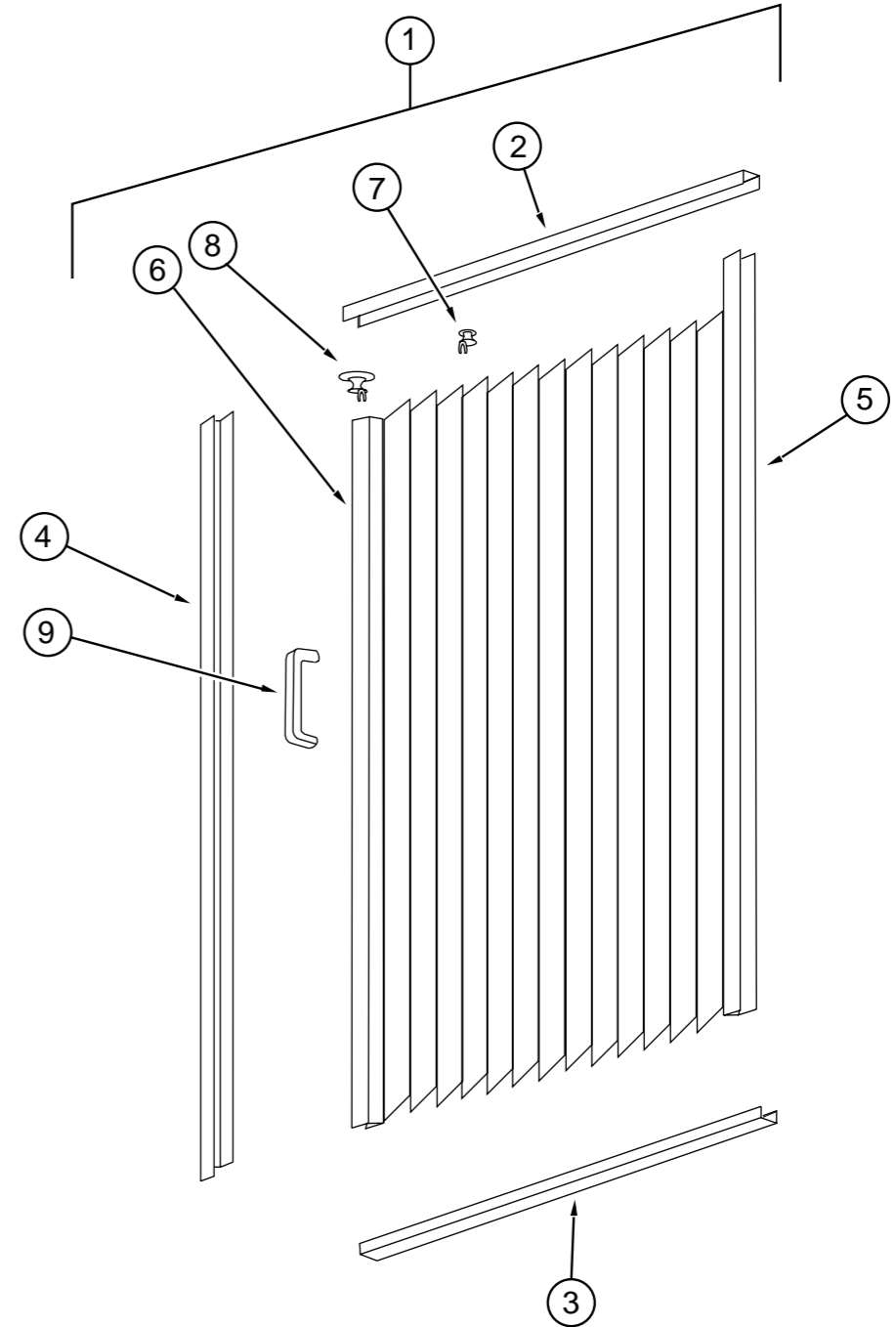
BATH GROUP (CONTINUED)



TOILET (SEALAND MODEL 911 W/ SPRAYER)

KEY	PART NUMBER	U/M DESCRIPTION	VENDOR NO.
1	085330-07-000	EA TOILET - CHINA - SHORTY (BONE) - 591103	
2	085330-06-700	EA SEAT ASSEMBLY (BONE)	340591
3	085330-06-702	EA HINGE HARDWARE (BONE) SET	342131
4	085330-01-703	EA RING & HALF CLAMPS ASM (BONE)	385310048
5	085330-01-704	EA TEFLON & RUBBER SEALS	385316140
6	085330-04-704	EA BASE ASM (BONE)	310124
7	085330-04-705	EA PEDESTAL COVER KIT - (BONE)	310109
8	085330-01-718	EA SEAL & BOLT MOUNTING PACKAGE	385310063
9	085330-01-714	EA SEAL - FLANGE - FLOOR	390343892
10	085330-01-717	EA BOLT MOUNTING PACKAGE	385310064
11	085330-01-706	EA BALL - SHAFT & CARTRIDGE	385318162
12	085330-04-703	EA PEDAL COVER KIT (BONE)	310118
13	085330-01-709	EA VALVE - WATER	385314349
14	085330-01-707	EA CARTRIDGE - SPRING	381236096
15	085330-04-702	EA FLUSH LEVER	340825
16	085330-01-710	EA PLUG - DRAIN - & CAP - W/ SEAL	230384
17	085330-06-701	EA BREAKER - VACUUM/DIVERTER (900)	230335
18	085330-04-701	EA HAND SPRAY - W/HOSE (500 & 900)	340683

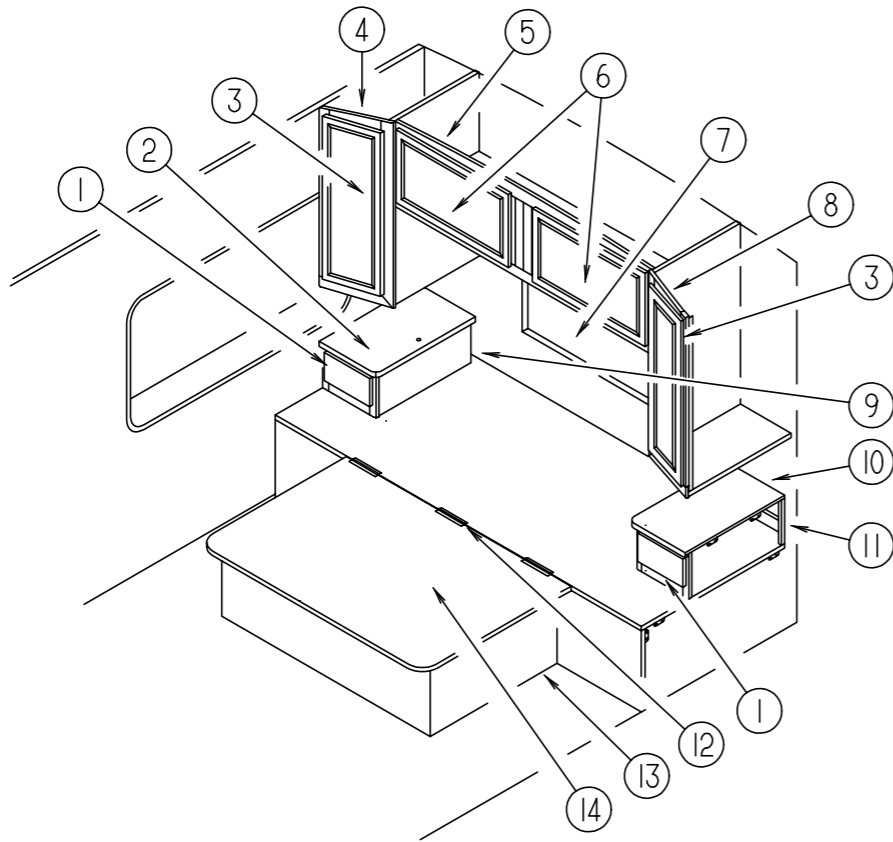
BATH GROUP (CONTINUED)



SHOWER DOOR

KEY	PART NUMBER	U/M DESCRIPTION
1	117431-02-01A	EA DOOR - SHOWER - FABRIC - PLEATED
2	117431-01-700	EA TRACK - TOP - ALUM. IVORY INSERT - 48"
3	117431-01-701	EA TRACK - BOTTOM - 48"
4	117431-01-702	EA RAIL - SIDE - 67"
5	117431-01-703	EA RAIL - STATIONARY - 67"
6	117431-01-704	EA RAIL - LEAD - 67"
7	117431-01-705	EA GLIDE - IVORY - TRAVELER
8	117431-01-706	EA GLIDE - IVORY LEAD - TRAVELER
9	117431-01-708	EA HANDLES W/ SCREWS
	117431-01-707	EA CATCH - BATH DOOR
	117431-02-700	EA STRAP - VINYL SHOWER

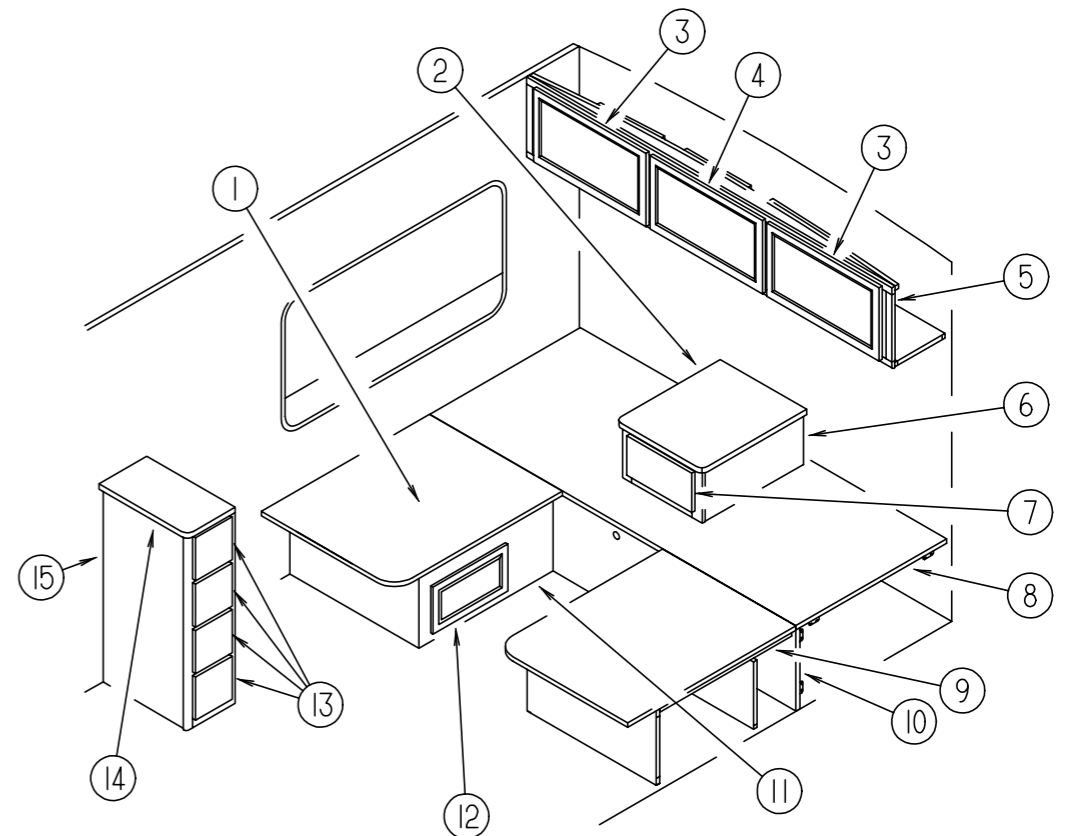
BEDROOM GROUP



QUEEN BEDROOM

KEY	PART NUMBER	U/M DESCRIPTION
1	M05971-J8-G09	EA DRAWER ASM - CABINET - W/O HARDWARE
2	114482-11-G10	EA COUNTERTOP ASM. (G15,G16)
2	114482-11-F04	EA COUNTERTOP ASM. (G17)
3	M06803-37-G15	EA DOOR ASM. - RAIL - W/O HARDWARE - 0275 X 0925 MM
3	058331-A7-000	EA MIRROR - CABINET DOOR
4	110625-01-G15	EA CABINET ASM. - SHIRT CLOSET (PASSENGER SIDE)
5	M06838-30-G15	EA CABINET ASM. - OVERHEAD - REAR
6	M06803-82-G15	EA DOOR ASM - W/O HARDWARE - 0400 X 0710 MM
7	058331-93-000	EA MIRROR - GLASS - SAFETY - 700 X 1600 MM
8	110625-02-G15	EA CABINET ASM. - SHIRT CLOSET (DRIVER SIDE)
9	P14482-01-G10	EA CABINET ASM. - W/ COUNTERTOP - NIGHTSTAND (G15,G16)
9	P14482-01-G09	EA CABINET ASM. - W/ COUNTERTOP - NIGHTSTAND (G17)
10	114482-12-G10	EA COUNTERTOP ASM. (G15,G16)
10	114482-12-F04	EA COUNTERTOP ASM. (G17)
11	P14482-02-G10	EA CABINET ASM. - W/ COUNTERTOP - NIGHTSTAND (G15,G16)
11	P14482-02-G09	EA CABINET ASM. - W/ COUNTERTOP - NIGHTSTAND (G17)
12	041389-11-000	EA PIANO HINGE - BEIGE - 55"
13	P19515-02-G35	EA CABINET ASM. - QUEEN BED - W/O TOP
14	M05706-13-G35	EA QUEEN BED TOP
	112516-01-G15	EA HEADBOARD - IMPERIAL, QUEEN
	112516-01-G16	EA HEADBOARD - IMPERIAL, QUEEN
	112516-01-G17	EA HEADBOARD - IMPERIAL, QUEEN
	120346-01-G15	EA CABINET ASM - HAMPER W/ RAD DOOR
	057460-02-000	EA STUD - BALL - GAS SPRING - 10MM - 5/16" - 18
	107796-06-000	EA SPRING - GAS
	107796-07-000	EA BRACKET - SUPPORT - GAS SPRING TO BED - ANGLE (UPPER)
	107796-05-000	EA BRACKET - FLAT - GAS SPRING TO BED (LOWER)
	091952-01-000	EA CLIP-GRIPPER - 1"
	097872 04 000	EA DOWEL - WOOD - 1" DIA X 1.38" LONG
	110535-02-01A	EA ROD - PROP - BED MILL
	110536-01-000	EA BRACKET - PROP ROD

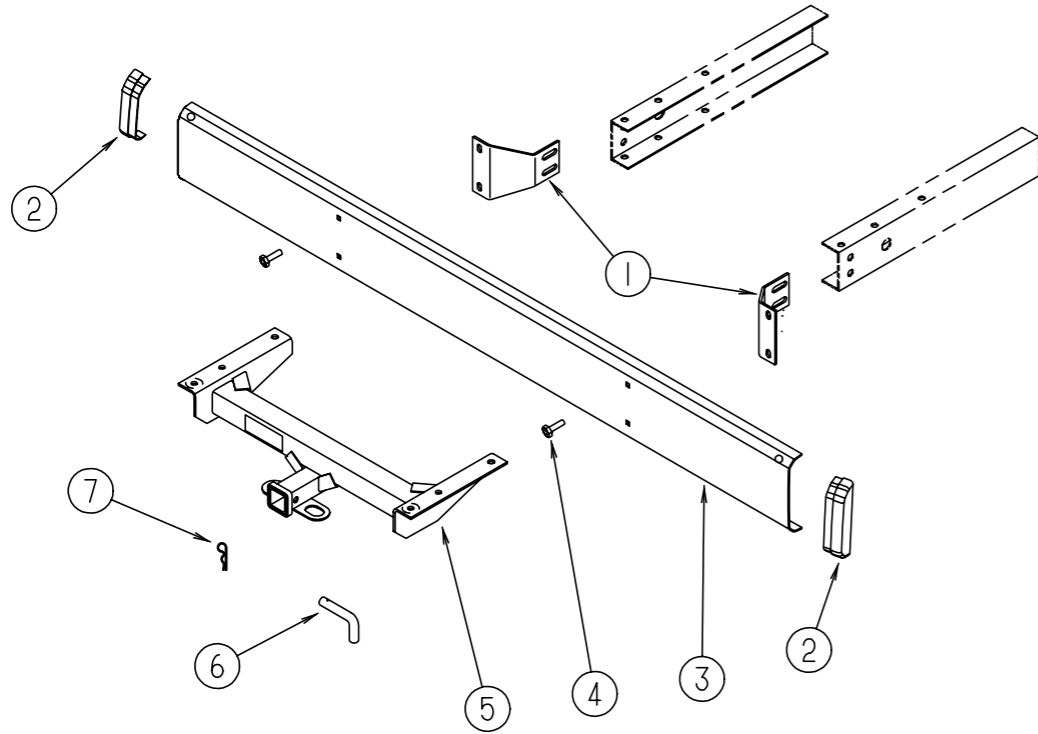
BEDROOM GROUP (CONTINUED)



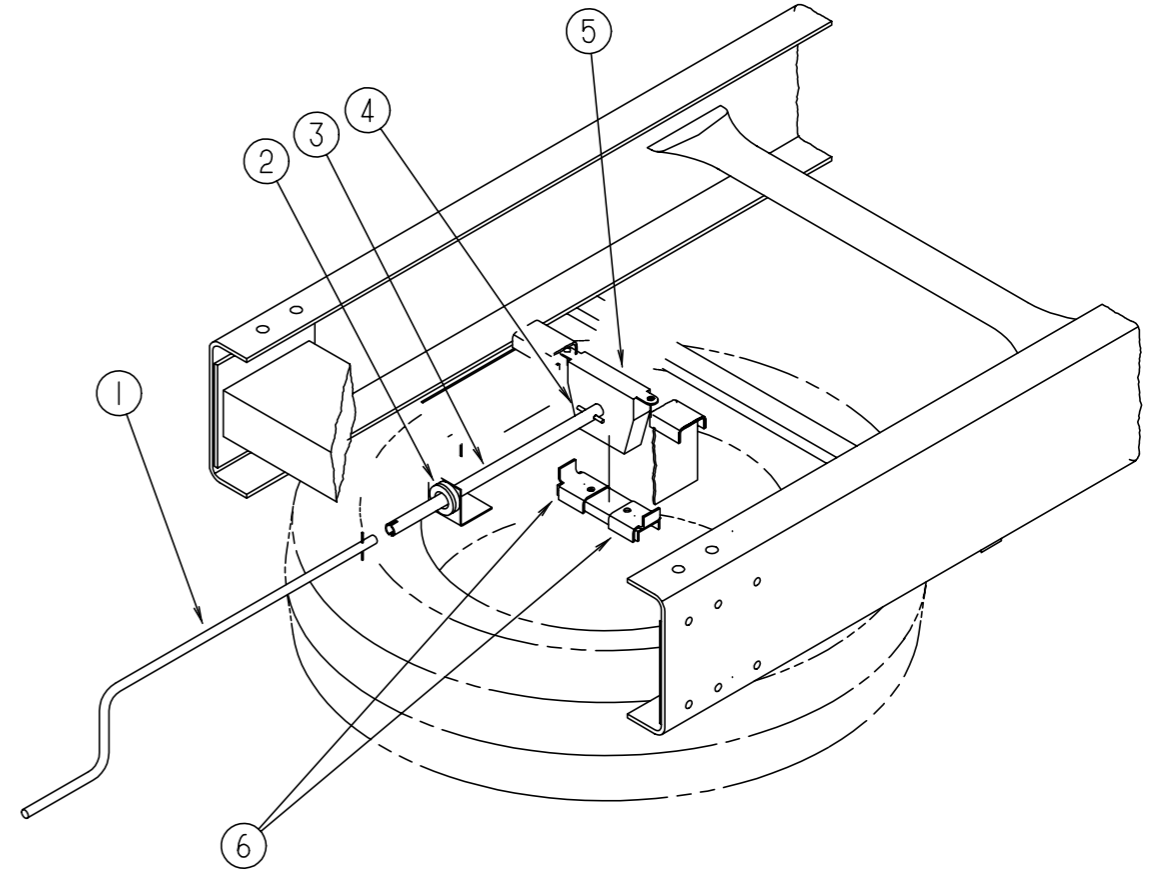
TWIN BEDROOM

KEY	PART NUMBER	U/M DESCRIPTION
1	M05193-04-000	EA CABINET ASM. - TWIN BED - RH - TOP
2	120077-11-G35	EA COUNTERTOP ASM. (G15,G16)
2	120077-11-G17	EA COUNTERTOP ASM. (G17)
3	M06803-82-G15	EA DOOR - RAIL, MTRD/OG - 0400 X 0710 (DECORATIVE DOOR EXCHANGE)
3	M06803-13-G15	EA DOOR - RAIL, MTRD/OG - 0400 X 0710
4	M06803-B1-G15	EA DOOR - RAIL, MTRD/OG - 0400 X 0520 (DECORATIVE DOOR EXCHANGE)
4	M06803-03-G15	EA DOOR - RAIL, MTRD/OG - 0400 X 0520
5	104405-01-G35	EA CABINET ASM. - OVERHEAD, REAR (DECORATIVE DOOR EXCHANGE)
5	M06838-04-G15	EA CABINET ASM. - OVERHEAD, REAR
6	120077-01-G35	EA CABINET ASM. - NIGHTSTAND (G15,G16)
6	120077-01-G17	EA CABINET ASM. - NIGHTSTAND (G17)
7	M05971-R4-G09	EA DRAWER COMPLETE - SLIDE OGEE
8	M05706-11-000	EA TOP - COMPARTMENT
9	M05194-04-000	EA CABINET ASM. - TWIN BED, LH - TOP
10	M05197-07-G35	EA CABINET ASM. - TWIN BED, LH - BASE
10	M05197-08-G35	EA CABINET ASM. - TWIN BED, LH - BASE W/MOTORAID
11	M05197-06-G35	EA CABINET ASM. - TWIN BED, RH - BASE
12	M06803-68-G15	EA DOOR - RAIL, MTRD/OG - 0305 X 0555
13	M05971-71-G15	EA DRAWER COMPLETE - SLIDE OGEE
14	107563-11-G35	EA COUNTERTOP ASM. (G15,G16)
14	107563-11-G17	EA COUNTERTOP ASM. (G17)
15	107563-03-G35	EA CABINET ASM. - CHEST, RH (G15,G16)
15	107563-03-G17	EA CABINET ASM. - CHEST, RH (G17)

CHASSIS GROUP



CHASSIS GROUP (CONTINUED)



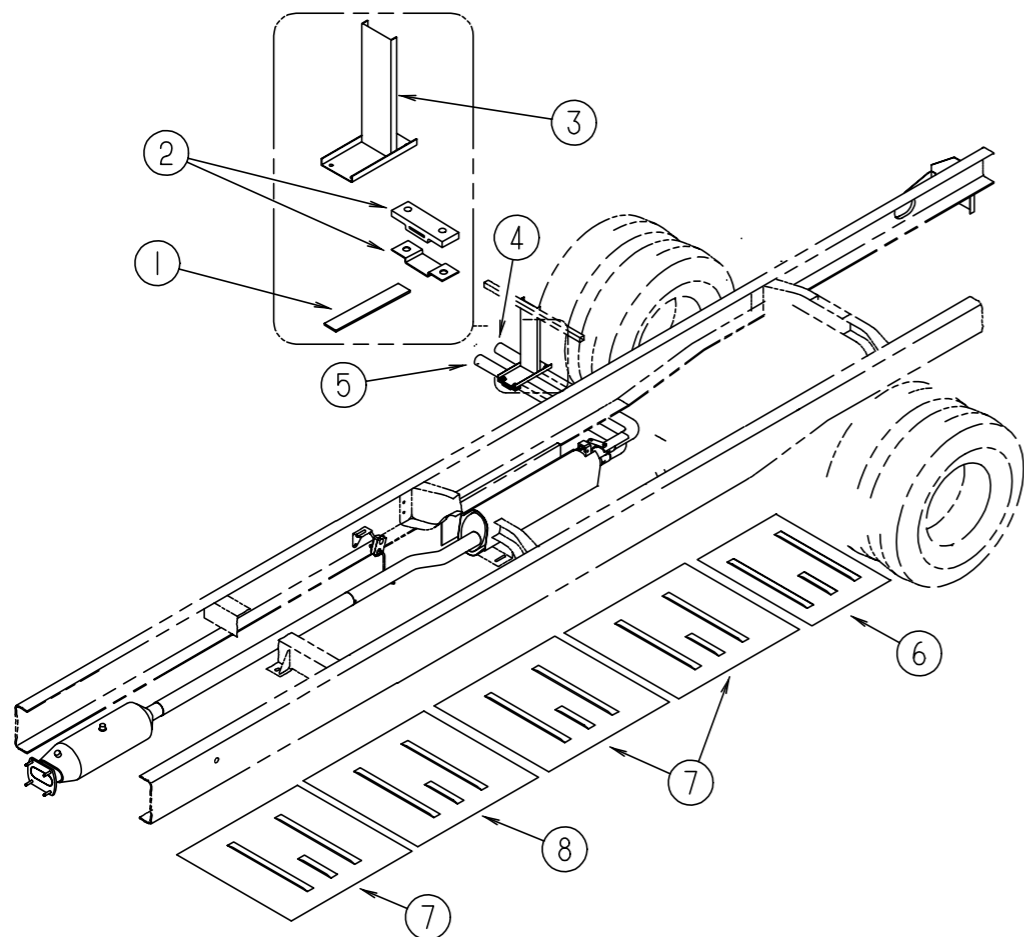
REAR BUMPER

KEY	PART NUMBER	U/M DESCRIPTION
1	104418-07-000	EA ANGLE - SUPPORT - BUMPER REAR
2	103228-01-05A	EA END CAP - BUMPER REAR - BLACK
3	103099-01-05A	EA REAR BUMPER - BUFF
4	102333-01-02A	EA BOLT - 7/16"
5	107707-01-000	EA HITCH ASM - CLASS II
6	034512-01-000	EA PIN
7	034513-01-000	EA PIN - 3/16" WIRE
	113589-01-000	EA CONNECTOR - PLUG - TRAILER
	113589-02-000	EA CONNECTOR - SOCKET - TRAILER
	113588-02-01B	EA BRACKET-CONNECTOR, TRAILER - MILL
	111742-01-000	EA PLATE-SKID, STEEL
	070579-09-000	EA PLATE ASM. ANCHOR

SPARE TIRE & HOIST

KEY	PART NUMBER	U/M DESCRIPTION
1	093376-02-000	EA HANDLE-CRANK, TIRE HOIST
		FROM: 00-00-00 THRU: 04-16-96
1	093376-04-000	EA HANDLE-CRANK, TIRE HOIST
		FROM: 04-17-96 THRU: 99-99-99
2	071015-11-000	EA GROMMET - 1.00 ID
3	093375-06-000	EA EXTENSION-TIRE HOIST
		FROM: 00-00-00 THRU: 04-14-96
3	093375-10-000	EA EXTENSION-TIRE HOIST
		FROM: 04-15-96 THRU: 99-99-99
	093362-06-000	EA CHANNEL-TIRE HOIST
4	114376-01-000	EA PIN-DRIVE, .156 X .750 - TYPE E - TIRE HOIST
4	114376-02-000	EA PIN-DRIVE, .156 X 1.000 - TYPE E - TIRE HOIST
5	093267-01-000	EA HOIST-SPARE TIRE
		FROM: 00-00-00 THRU: 04-14-96
5	120877-01-000	EA HOIST-SPARE TIRE, 400 LB
		FROM: 04-15-96 THRU: 99-99-99
6	105499-01-000	EA BRACKET-TIRE HOIST
	077030-02-000	EA EXTENSION-VALVE STEM, 1.25"
	083425-05-000	EA TIRE-MICHELIN, LT235/85R16 LRE - XPS RIB - FORD
	095853-02-000	EA WHEEL-STEEL, 16 X 6K - F2TA-1015-NA - FORD - ACCURIDE 28513-7
	051377-05-000	EA VALVE STEM ASM - EATON VS-938 F53-92
	007324-03-000	EA TIRE-MICHELIN, 8R 19.8 LRF - CHEVY
	064963-01-000	EA WHEEL-STEEL, 19.5" X 6" - GM 14005758
	051377-01-000	EA STEM-VALVE, TR 500
	080208-01-000	EA LUG WRENCH, 1.06 X 1.00
	080208-02-000	EA BAR-LEVERAGE, LUG WRENCH

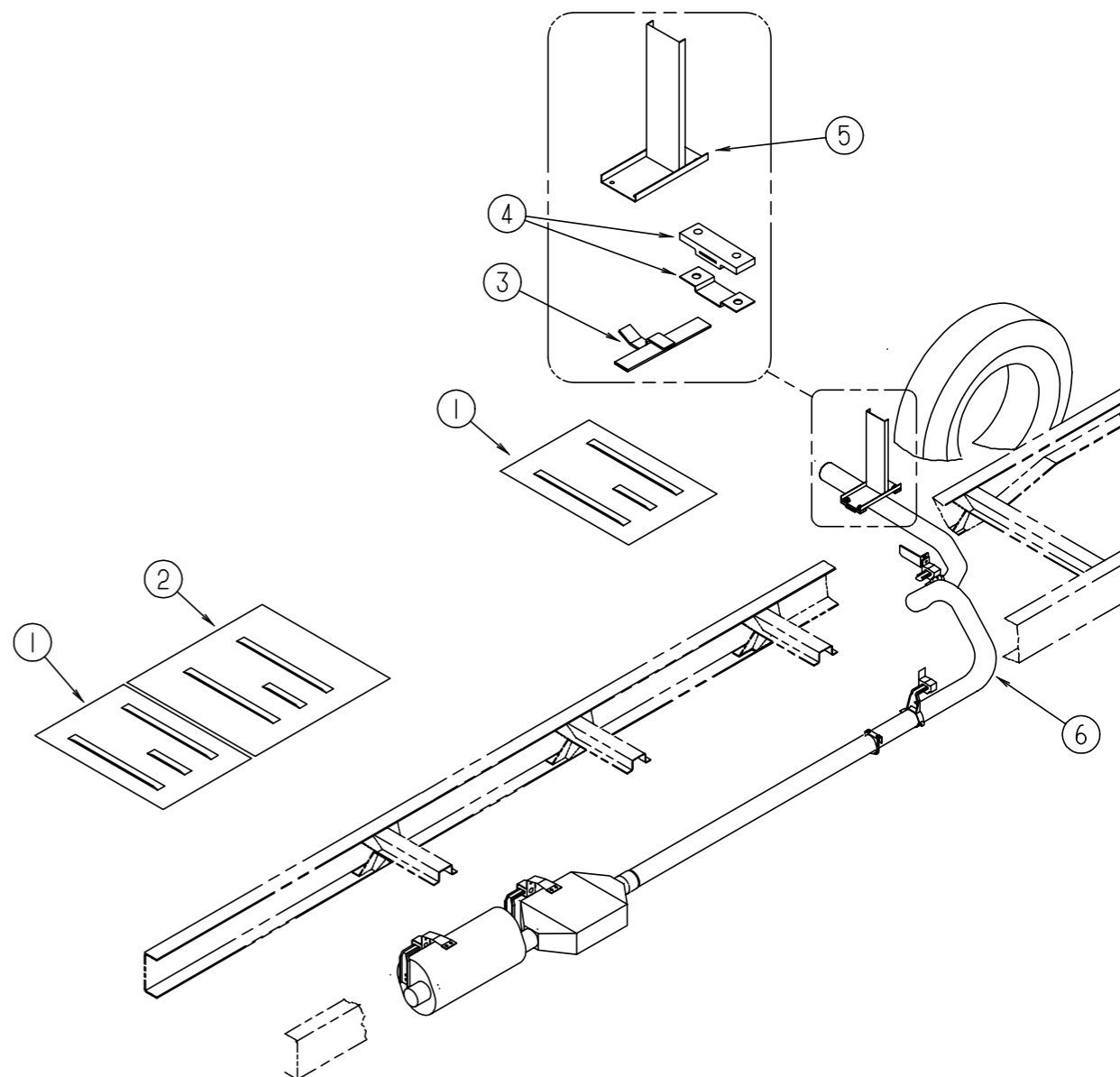
CHASSIS GROUP (CONTINUED)



EXHAUST SYSTEM (FORD)

KEY	PART NUMBER	U/M DESCRIPTION
1	096055-04-000	EA SUPPORT ASM. - EXHAUST PIPE FROM: 00-00-00 THRU: 11-09-95
1	096055-06-000	EA SUPPORT ASM. - EXHAUST PIPE FROM: 11-10-95 THRU: 99-99-99
2	095190-01-000	EA HANGER - EXHAUST, 4" X 1.4"
3	118000-01-02B	EA HANGER ASM. - TAILPIPE, E-COAT
4	122243-01-000	EA PIPE - EXHAUST, TAIL - FORD - REAR
5	122242-01-000	EA PIPE - EXHAUST, TAIL - FORD - FRONT
6	101544-01-000	EA SHIELD - HEAT, EXHAUST - 19.7" X 28.9" - STEEL
7	101544-06-000	EA SHIELD - HEAT, EXHAUST - STEEL
8	101544-02-000	EA SHIELD - HEAT, EXHAUST - 30" X 28.9" - STEEL

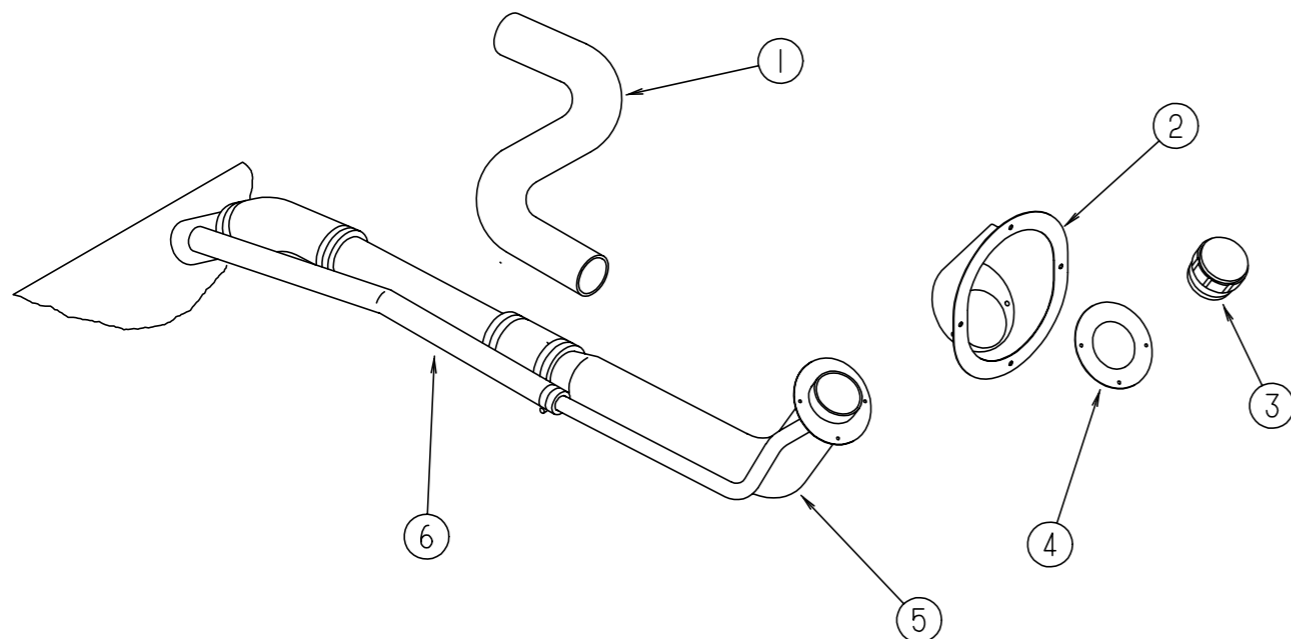
CHASSIS GROUP (CONTINUED)



EXHAUST SYSTEM (CHEVY)

KEY	PART NUMBER	U/M DESCRIPTION
1	101544-01-000	EA SHIELD - HEAT - EXHAUST - 19.7" X 28.9" - STEEL
2	101544-02-000	EA SHIELD - HEAT - EXHAUST - 30" X 28.9" - STEEL
3	118000-01-02B	EA HANGER ASM. - TAILPIPE, E-COAT
4	095190-01-000	EA HANGER - EXHAUST, 4" X 1.4"
5	118000-01-02B	EA HANGER ASM. - TAILPIPE, E-COAT
6	107754-01-000	EA PIPE - EXHAUST - TAIL - STAINLESS STEEL

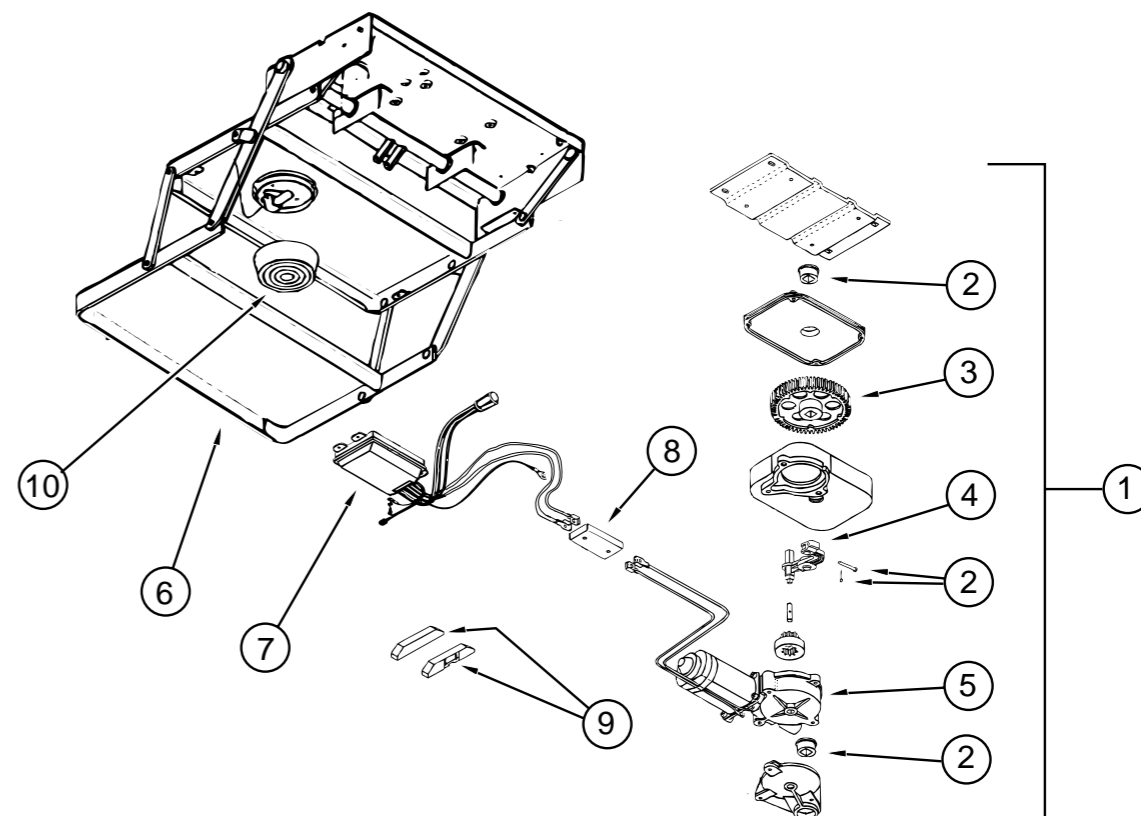
CHASSIS GROUP (CONTINUED)



FUEL SYSTEM

KEY	PART NUMBER	U/M DESCRIPTION
1	100140-01-000	EA TUBE - FUEL INLET (SLIDEOUT UNIT ONLY)
2	095854-01-05A	EA SHROUD - FUEL FILL - PLASTIC - BUFF
3	073220-03-000	EA CAP - FUEL FILL - NON LOCKING
4	078200-01-000	EA GASKET - FUEL FILL - 3.5"OD X 2"ID
5	087256-07-000	EA NECK ASM - FUEL FILL
6	066732-01-000	FT HOSE - FUEL FILL - .62" ID
	007063-01-000	FT HOSE - GAS 1/4"ID X 1/2"OD
		FROM: 00-00-00 THRU: 01-15-96
	084884-01-000	EA PLUG - BRASS - 3/8
	007111-02-000	EA HOSE - FUEL FILL - 2.00 ID (3 FT LENGTHS)
	074800-18-000	EA TUBE - EXTENSION, MAIN FUEL
		FROM: 00-00-00 THRU: 01-15-96
098758-02-000	EA	FUEL LINE ASM. - RETURN, 5/16" - 508 LONG
		FROM: 00-00-00 THRU: 01-15-96
098759-02-000	EA	FUEL LINE ASM. - SUPPLY, 3/8" - 508 LONG
		FROM: 00-00-00 THRU: 01-15-96

CHASSIS GROUP (CONTINUED)



STEP ASSEMBLY (3200 SERIES)

KEY	PART NUMBER	U/M DESCRIPTION	VENDOR NO.
1	094707-01-01A	EA STEP-ENTRY DOOR, ELECTRIC - DOUBLE - 3218	
2	094707-02-703	EA BEARING & PINS	909530
3	094707-02-702	EA GEAR KIT, W/BEARINGS, PIN-CASE	909525
4	094707-02-701	EA LINKAGE ASSEMBLY W/BEARINGS - PINS	909534
5	094707-02-700	EA MOTOR ASM., W/BEARINGS & PINS	909520
6	094707-01-702	EA FRAME W/DOUBLE STEP	908032
7	094707-02-705	EA CONTROL UNIT, WHITE	909513
8	094707-02-704	EA CONNECTOR-MOTOR ASM.W/PLATES	909537
	094707-02-707	EA TREAD-NON SKID, BLACK 6" X 21"	909333
9	116995-01-000	EA SWITCH/MAGNET-STEP, ELECTRIC - 905306	
10	088746-01-705	EA LIGHT - UNDER STEP	9004
	088733-01-700	EA BULB	9004

CHASSIS GROUP (CONTINUED)

WHEEL LINERS, KAPER (FORD)

KEY	PART NUMBER	U/M DESCRIPTION	VENDOR NO.
	091209-14-000	EA WHEEL LINER SET - F/F53 CHASSIS - 16" WHEEL (SET = 4)	
	091209-01-704	EA COVER-LUG NUT W/O FLANGE LUG NUT COVER - NO SHOULDER OR FLANGE AT BASE	36 KAPER
	091209-08-700	EA LINER-WHEEL, FRONT, W/AXLE COVER HAS 8 PRESS-IN NUT COVERS WHICH ARE N/A, AND 2 SNAP-ON NUT COVERS #09120901704	157 KAPER
	091209-08-706	EA NUT-FLAT .500, 9/16 STUD	165
	091209-14-700	EA LINER-WHEEL, (REAR)	159

WHEEL COVERS, DICOR (FORD)

KEY	PART NUMBER	U/M DESCRIPTION	VENDOR NO.
	098532-01-000	EA COVER-WHEEL, FORD - 16" - SET OF 4 - DICOR SH-SD-16	
	098532-01-700	EA COVER-LUG NUT (CHROME)	SH-AU-LNC
	098532-01-701	EA COVER-WHEEL (FRT & REAR)	SH-SD-16

WHEEL LINERS, KAPER (CHEVY)

KEY	PART NUMBER	U/M DESCRIPTION	VENDOR NO.
	091209-01-000	EA LINER - WHEEL - 19.5" - SST - SET OF 4 - 1954-ION	
	091209-01-700	EA LINER - WHEEL - 19.5" FRONT - 10 LUG	37N
	091209-01-701	EA LINER - WHEEL - 19.5" REAR - 10 LUG	38N
	091209-01-702	EA COVER - AXLE - 19.5" FRONT - 10 LUG	34N
	091209-01-703	EA COVER - AXLE - 19.5" REAR - 10 LUG	35N
	091209-01-704	EA COVER - LUG NUT	36

WHEEL COVERS, DICOR (CHEVY)

KEY	PART NUMBER	U/M DESCRIPTION	VENDOR NO.
	109443-01-000	EA COVER - WHEEL - 4/ SET 19.5 W/ HARDWARE	
	109443-01-700	EA COVER - WHEEL - 19.5 - FRONT & REAR	SHAG95
	109443-01-701	EA SET - BRACKET - 1 FRONT WHEEL	SHAG95-FBS
	109443-01-702	EA SET - BRACKET - 1 REAR WHEEL	SHAG95-RBS
	109443-01-703	EA CAP - CENTER - HUB	SP-AUCAP
	109443-01-704	EA CLIP-RETAINER	V160GM-PNT

CHASSIS GROUP (CONTINUED)

HYDRAULIC LEVELING SYSTEM (FORD)

KEY	PART NUMBER	U/M DESCRIPTION	VENDOR NO.
	100532-15-000	EA LEVELING SYSTEM - HYDRAULIC - SLIDE OUT - HWH AP2068	
	100532-03-710	EA SENSING UNIT - 21' MTA	RAP6798
	100532-03-715	EA CAP - BREATHER W/DIPSTICK	RAP7876
	100532-03-723	EA MANIFOLD - HARDWARE MOUTING KIT	RAP9171
	100532-08-703	EA PANEL ASM. - 200 BI-AXIS SYS.	RAP9755
	100532-08-705	EA KNOB - 3/4" BLACK - SET OF FOUR	RAP1379
	100532-08-706	EA KNOB - 1 3/16" BLACK	RAP9734
	100532-08-707	EA BEZEL W/ GASKET - F/ SYSTEM 200	RAP9592
	100532-09-704	EA VALVE - PRESSURE SOLENOID	RAP0642
	100532-09-710	EA SOLENOID - INTERMITENT DUTY	RAP0533
	115767-01-700	EA MOTOR F/ PUMP	RAP0640
	100532-12-701	EA PUMP & MOTOR W/ TANK 1.7	RAP0588
	100532-12-706	EA SWITCH - WARNING MAGNETIC	RAP1008
	100532-12-707	EA SPRING KIT	R3847
	100532-16-700	EA JACK ASM. - 6K - STATIONARY	RAP0468
	100532-16-701	EA MANIFOLD ASM. F/ SLIDE OUT	RAP1716
	100532-18-700	EA JACK ASM. - 9K W/SWITCH - 2 WIRE	RAP1954
	100532-16-703	EA CYLINDER ASSEMBLY - 12K	RAP0040
	100536-28-000	EA HOSE KIT - LEVELING JACKS - HWH AP10164 CONTAINS:#RAP4073-60", #RAP4391-372", #RAP4904-306", #RAP5216-312", AND #RAP5384-116" HOSES	
	100536-09-701	EA HOSE - HYDRAULIC - 60"	RAP4073
	100536-10-701	EA HOSE - HYDRAULIC - 116"	RAP5384
	100536-25-700	EA HOSE - HYDRAULIC - 306"	RAP4904
	100536-25-701	EA HOSE - HYDRAULIC - 312"	RAP5216
	100536-29-000	EA HOSE KIT - SLIDEOUT - HWH AP10169 CONTAINS:#RAP4063-288" & #RAP4729-280" HOSES	
	100536-14-700	EA HOSE - HYDRAULIC - 288"	RAP4063
	100536-28-700	EA HOSE - HYDRAULIC - 332"	RAP4391
	100536-29-700	EA HOSE - HYDRAULIC - 280"	RAP4729
	107938-04-000	EA BRACKET ASM - PUMP	
	114748-04-02B	EA BRACKET ASM - JACKS - REAR - E-COAT FROM: 00-00-00 THRU: 04-07-96	
	121651-01-02B	EA BRACKET ASM - JACKS - REAR - E-COAT FROM: 04-08-96 THRU: 99-99-99	
	121652-01-01B	EA GUSSET - JACK BRACKET, MILL	
	121652-02-01B	EA GUSSET - BRACKET, MILL	
	112235-02-04A	EA BEZEL, MONITOR - SLIDEOUT - WILLOW	
	116735-02-01B	EA BRACKET - CONTROL VALVE	

CHASSIS GROUP (CONTINUED)

HYDRAULIC LEVELING SYSTEM (CHEVY)

KEY	PART NUMBER	U/M DESCRIPTION	VENDOR NO.
	100532-14-000	EA LEVELING SYSTEM - HYDRAULIC - SLIDE OUT - HWH AP2067	
	100532-03-710	EA SENSING UNIT - 21' MTA	RAP6798
	100532-03-715	EA CAP - BREATHER W/DIPSTICK	RAP7876
	100532-03-723	EA MANIFOLD - HARDWARE MOUTING KIT	RAP9171
	100532-08-703	EA PANEL ASM. - 200 BI-AXIS SYS.	RAP9755
	100532-08-705	EA KNOB - 3/4" BLACK - SET OF FOUR	RAP1379
	100532-08-707	EA BEZEL W/ GASKET - F/ SYSTEM 200	RAP9592
	100532-09-704	EA VALVE - PRESSURE SOLENOID	RAP0642
	100532-09-710	EA SOLENOID - INTERMITENT DUTY	RAP0533
	115767-01-700	EA MOTOR F/ PUMP	RAP0640
	100532-12-701	EA PUMP & MOTOR W/ TANK 1.7	RAP0588
	100532-12-706	EA SWITCH - WARNING MAGNETIC	RAP1008
	100532-12-707	EA SPRING KIT	R3847
	100532-16-701	EA MANIFOLD ASM. F/ SLIDE OUT	RAP1716
	100532-18-700	EA JACK ASM. - 9K W/SWITCH - 2 WIRE	RAP1954
	100532-18-701	EA JACK ASM - 6K, W/SWITCH LH	RAP2025
	100532-18-702	EA JACK ASM - 6K, W/SWITCH RH	RAP2026
	100536-28-000	EA HOSE KIT - LEVELING JACKS - HWH AP10164 CONTAINS:#RAP4073-60", #RAP4391-372", # RAP4904-306", #RAP5216-312", AND #RAP5384-116" HOSES	
	100536-09-701	EA HOSE - HYDRAULIC - 60"	RAP4073
	100536-10-701	EA HOSE - HYDRAULIC - 116"	RAP5384
	100536-25-700	EA HOSE - HYDRAULIC - 306"	RAP4904
	100536-25-701	EA HOSE - HYDRAULIC - 312"	RAP5216
	100536-29-000	EA HOSE KIT - SLIDEOUT - HWH AP10169 CONTAINS:#RAP4063-288" & #RAP4729-280" HOSES	
	100536-14-700	EA HOSE - HYDRAULIC - 288"	RAP4063
	100536-28-700	EA HOSE - HYDRAULIC - 332"	RAP4391
	100536-29-700	EA HOSE - HYDRAULIC - 280"	RAP4729
	107938-04-000	EA BRACKET ASM - PUMP	
	100534-12-000	EA BRACKETS - REAR, LEVELING JACKS - HWH AP0921 FROM: 00-00-00 THRU: 04-11-96	
	100534-15-000	EA BRACKETS - REAR, LEVELING JACKS - HWH AP10716 FROM: 00-00-00 THRU: 04-11-96	
	121651-01-02B	EA BRACKET ASM - JACKS - REAR - E-COAT FROM: 04-12-96 THRU: 99-99-99	
	121177-01-02B	EA BRACKET - LEVELING JACK - E-COAT FROM: 04-12-96 THRU: 99-99-99	
	121177-02-02B	EA BRACKET - LEVELING JACK - E-COAT FROM: 04-12-96 THRU: 99-99-99	
	121652-01-01B	EA GUSSET - JACK BRACKET, MILL	
	121652-02-01B	EA GUSSET - BRACKET, MILL	
	112235-02-04A	EA BEZEL, MONITOR - SLIDEOUT - WILLOW	
	116735-02-01B	EA BRACKET - CONTROL VALVE	

CHASSIS GROUP (CONTINUED)

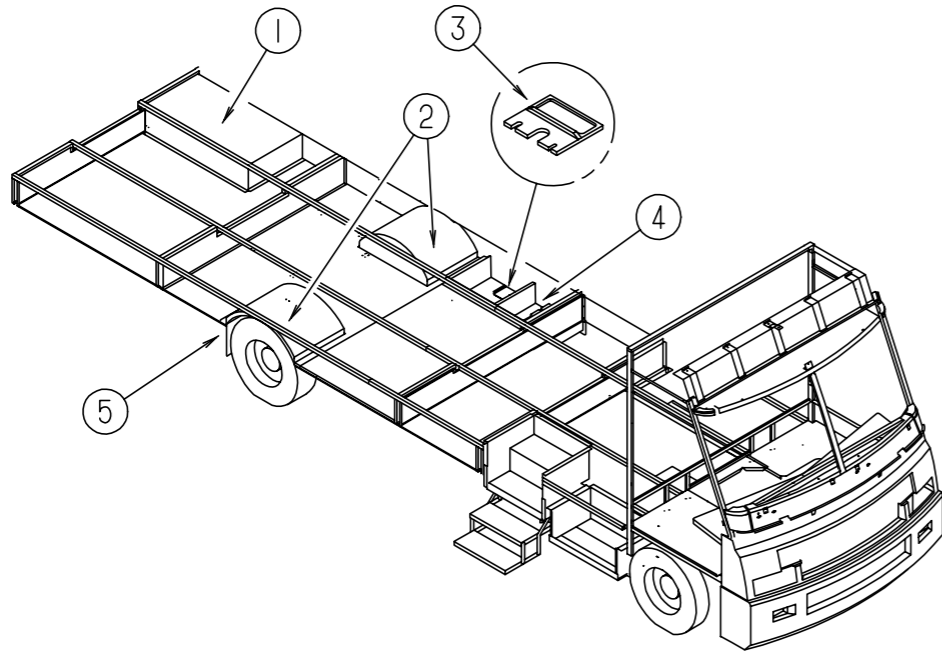
HYDRAULIC SLIDEOUT SYSTEM

KEY	PART NUMBER	U/M DESCRIPTION	VENDOR NO.
	115767-01-000	EA SLIDEOUT - HYDRAULIC	
	115767-01-700	EA MOTOR F/ PUMP	RAP0640
	115767-01-701	EA CYLINDER - HYDRAULIC F/ SLIDE OUT	RAP90007
	115767-01-702	EA HOSE - HYDRAULIC - 17" F/ SLIDE OUT	RAP90003
	115767-01-703	EA HOSE - HYDRAULIC - 90" F/ SLIDE OUT	RAP90001
	115767-01-704	EA HOSE - HYDRAULIC - 146" F/ SLIDE OUT	RAP90004
	115767-01-705	EA HOSE - HYDRAULIC - 60" F/ SLIDE OUT	RAP4073

DRIVESHAFT

KEY	PART NUMBER	U/M DESCRIPTION
	074833-01-000	EA SPACER - BEARING - DRIVESHAFT - 2" X 8" X .5" THICK FROM: 00-00-00 THRU: 01-15-96
	074833-04-000	EA SPACER - BEARING - DRIVESHAFT - 8" X 2" - STEEL FROM: 00-00-00 THRU: 01-15-96
	075302-09-000	EA DRIVESHAFT ASM. - YOKE/ YOKE - 50" FROM: 00-00-00 THRU: 01-15-96
	075302-25-000	EA DRIVESHAFT ASM. - BAL.PR-20/21 FROM: 00-00-00 THRU: 01-15-96
	075302-20-000	EA DRIVESHAFT ASM. - YOKE/ BRG/ SPLINE FROM: 00-00-00 THRU: 01-15-96
	075302-21-000	EA DRIVESHAFT ASM. - SLIP - YOKE/ YOKE FROM: 00-00-00 THRU: 01-15-96
	107212-01-000	EA CROSSMEMBER ASM. - BREARING SUPPORT CHEVY 228 3 SHAFT FROM: 00-00-00 THRU: 01-15-96

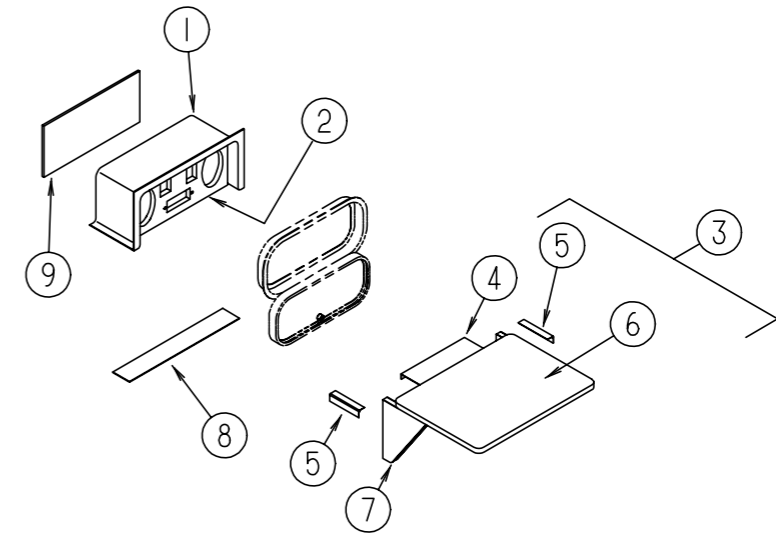
CHASSIS GROUP (CONTINUED)



COMPARTMENTS & TRAYS

KEY	PART NUMBER	U/M	DESCRIPTION
1	094657-02-000	EA	TRAY - GENERATOR - 22.5" X 30.4" X 6.9" W/ANGLE & NUTS
2	055374-03-000	EA	REAR WHEELWELL - PLASTIC
3	M06991-03-F36	EA	HATCH ASM - W/ FOAM
	114677-01-01A	EA	RETAINER-HATCH, COMPARTMENT MILL
			FROM: 00-00-00 THRU: 01-25-96
	121175-01-01A	EA	LATCH-SWELL, BLACK
			FROM: 01-26-96 THRU: 99-99-99
4	M07452-02-F36	EA	COMPARTMENT-STORAGE, 11" X 48.9"
5	020167-05-000	EA	GUARD - DIRT
5	017516-01-000	EA	FLAP - MUD - 14" X 18" - BLACK
	093287-07-01A	EA	NET - CARGO - 254 MM X 865 MM
	093287-09-01A	EA	NET - CARGO - 254 MM X 1510 MM
	093287-11-01A	EA	NET - CARGO - 254 MM X 1646 MM
	065450-05-000	EA	TIEDOWN - BATTERY - 8.4" TUBE

CHASSIS GROUP (CONTINUED)



COMPARTMENT (ENTERTAINMENT CENTER)

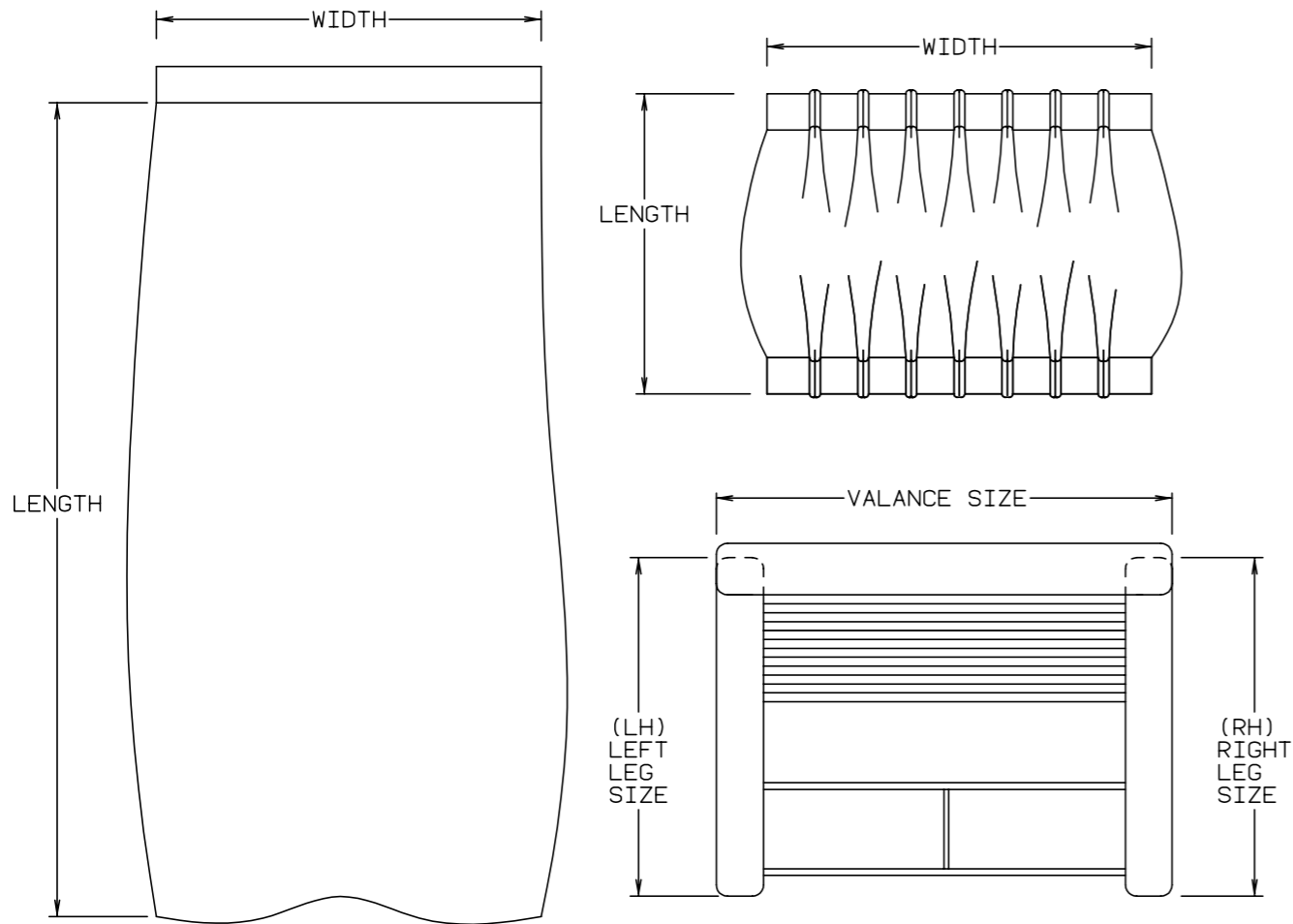
KEY	PART NUMBER	U/M	DESCRIPTION
1	104897-03-01A	EA	BOX - ENTERTAINMENT CENTER - OFF WHITE
2	104899-01-C05	EA	PLATE - RADIO MOUNTING
3	105230-01-E01	EA	SHELF ASM. - EXTERIOR
4	105377-01-01A	EA	BRACKET - TABLE HANGER - OFF WHITE
5	105376-01-02A	EA	HINGE - CONTINUOUS - 2" X 140 MM - OFF WHITE
6	105230-11-E01	EA	SHELF ASM.
7	105230-12-E01	EA	SUPPORT ASM.
8	104898-01-01A	EA	PLATE - PLASTIC BOTTOM - OFF WHITE
9	104898-02-01A	EA	PLATE - PLASTIC BACK - OFF WHITE

CURTAIN & CUSHION GROUP

NOTICE

IN ORDER TO ASSIST OUR PARTS SALES DEPT. IN PROVIDING INTERIOR SOFTGOODS ITEMS, PLEASE INCLUDE THE SERIAL NUMBER AND THE COLOR CODE NUMBER FROM THE VEHICLE CERTIFICATION LABEL WHEN ORDERING. THIS LABEL IS LOCATED ON THE LEFT SIDEWALL AT THE END OF THE DASH (A-BODY), OR ON THE DRIVER'S DOOR LATCH PLATE (C-BODY).

AN EXAMPLE OF A COLOR CODE NUMBER IS B07, WHICH DESIGNATES AN OVERALL COLOR SCHEME OF A PARTICULAR UNIT. THE COLOR LISTED AFTER THE ITEM DESCRIPTION ON THE MICROFICHE, INDICATES THE OVERALL UNIT COLOR. ORDER THE ITEM YOU DESIRE ACCORDING TO UNIT COLOR CODE.



NOTE: USE THIS ILLUSTRATION WHEN DETERMINING LENGTH AND WIDTH MEASUREMENTS FOR CURTAINS. YOU WILL NOTE THE WIDTH MEASUREMENT IS TAKEN ON THE TOP OF THE CURTAIN WITH THE CURTAIN FULLY EXTENDED. THE LENGTH MEASUREMENT IS TAKEN FROM TOP TO BOTTOM. LEFT AND RIGHT WINDOW LEGS ARE DETERMINED WHEN FACING THE WINDOW.

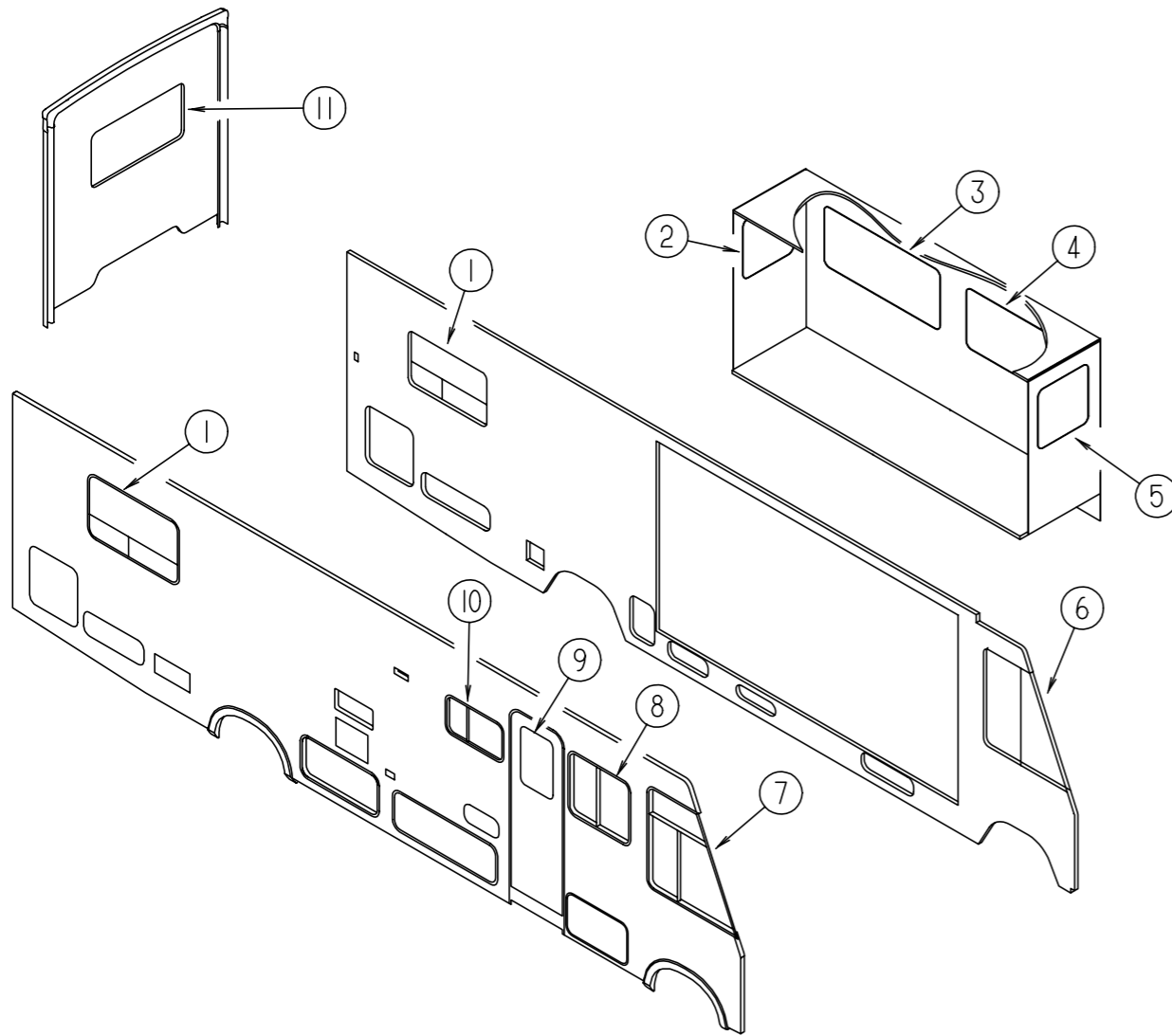
CURTAIN & CUSHION GROUP (CONTINUED)

ADVENTURER FABRIC				
COLOR CODES		G15	G16	G17
		BOTANICAL (GREEN)	THISTLE (TAN)	COPPER CANYON
CEILING MATERIAL	FROM: 00-00-00 THRU: 01-31-96	113979-04-01A	113979-04-01A	113979-04-01A
CEILING MATERIAL	FROM: 02-01-96 THRU: 99-99-99	113979-06-01A	113979-06-01A	113979-06-01A
OFF WHITE VINYL		103907-01-01A	103907-01-01A	103907-01-01A
BEIGE VINYL		079680-07-000	079680-07-000	079680-07-000
MADRID WILLOW VINYL		103907-01-03A	103907-01-03A	103907-01-03A
DRAPERY FABRIC		072333-85-000	072333-85-000	072333-85-000
BUCKET SEATS		108446-G0-000	108446-77-000	104233-59-000
DINETTE		108446-F8-000	108446-F9-000	108446-H0-000
DINETTE CHAIR		108446-G1-000	108446-G2-000	108446-H2-000
DINETTE PAD		108446-G0-000	108446-77-000	104233-59-000
SOFA		108446-F8-000	108446-F9-000	108446-H0-000
SOFA PILLOWS		108446-G1-000 084415-70-000	108446-G2-000 084415-69-000	108446-H2-000 084415-77-000
SWIVEL CHAIR		108446-G1-000	108446-G2-000	108446-H2-000
LOUNGE WINDOWS		108446-F8-000 108446-G1-000	108446-F9-000 108446-G2-000	108446-H0-000 108446-H2-000
BEDROOM WINDOW		105745-B2-000 105745-B0-000	105745-62-000 105745-B1-000	105745-B7-000 105745-A2-000
BEDSPREAD		105745-B2-000 105745-B0-000	105745-62-000 105745-B1-000	105745-B7-000 105745-A2-000
PILLOW SHAMS			105745-62-000 105745-B1-000	105745-B7-000 105745-A2-000
BEDROOM PILLOWS		105745-B2-000	105745-62-000	105745-B7-000
HEADBOARD		105745-B0-000 105745-B2-000	105745-B1-000 105745-62-000	105745-A2-000 105745-B7-000
FRONT WRAP AROUND		072333-85-000	072333-85-000	072333-85-000
PLEATED BLINDS		094911-30-000	094911-30-000	094911-30-000
MAP POCKETS		108446-G0-000	108446-77-000	104233-59-000

NOTE: FABRIC LISTED FIRST, IN A BLOCK, IS THE LARGEST QUANTITY OF FABRIC USED

CURTAIN & CUSHION GROUP (CONTINUED)

CURTAINS & WINDOW TREATMENT

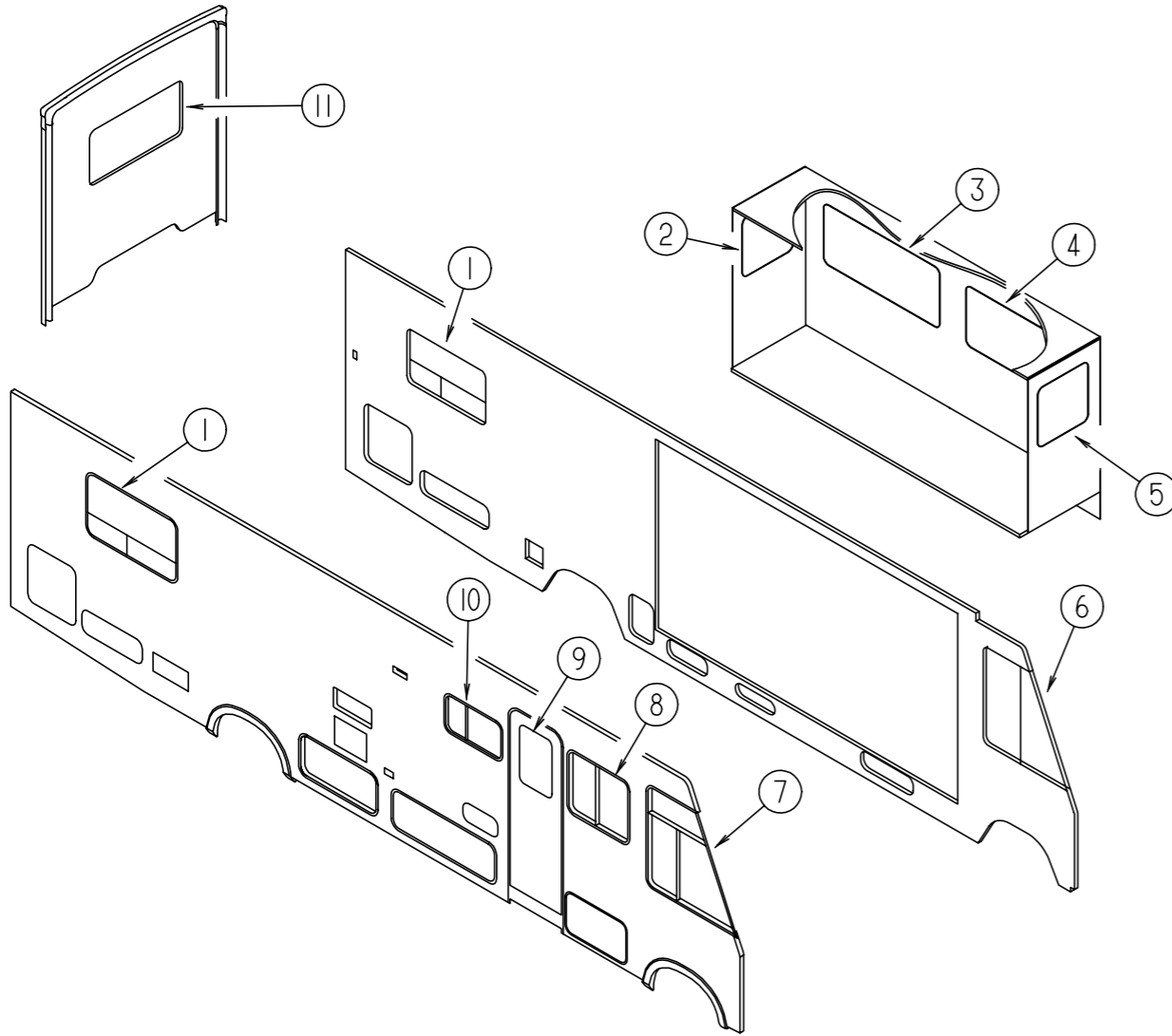


KEY	PART NUMBER	U/M DESCRIPTION
1	119262-13-G15	EA VALANCE ASM. - 45" - MONACO W/BRAID
1	119299-03-G16	EA VALANCE ASM. - 45" - WHITNEY
1	119299-03-G17	EA VALANCE ASM. - 45" - WHITNEY
1	119333-03-G15	EA LEG - RIGHT - 25" - PLAIN - W/O HOLE
1	119333-07-G16	EA LEG - RIGHT - 25" - GATHERED - W/O HOLE
1	119333-07-G17	EA LEG - RIGHT - 25" - GATHERED - W/O HOLE
1	119333-04-G15	EA LEG - LEFT - 25" - PLAIN - W/O HOLE
1	119333-08-G16	EA LEG - LEFT - 25" - GATHERED - W/O HOLE
1	119333-08-G17	EA LEG - LEFT - 25" - GATHERED - W/O HOLE
1	109802-44-G09	EA BLIND ASM - PLEATED, 41" X 28.5"

KEY	PART NUMBER	U/M DESCRIPTION
2	119262-28-G15	EA VALANCE ASM. - 30.5" - MONACO W/BRAID (W/O OVERHEAD CABINETS)
2	119263-14-G16	EA VALANCE ASM. - 30.5" - STARBUCK (W/O OVERHEAD CABINETS)
2	119263-14-G17	EA VALANCE ASM. - 30.5" - STARBUCK (W/O OVERHEAD CABINETS)
2	121410-06-G15	EA VALANCE ASM. - MODERATE, 29" (W/OVERHEAD CABINETS)
2	121410-03-G16	EA VALANCE ASM. - MODERATE, 29" (W/OVERHEAD CABINETS)
2	121410-06-G17	EA VALANCE ASM. - MODERATE, 29" (W/OVERHEAD CABINETS)
2	119333-52-G15	EA LEG - LEFT - 28" - PLAIN - W/O HOLE (W/O OVERHEAD CABINETS)
2	119333-52-G16	EA LEG - LEFT - 28" - PLAIN - W/O HOLE (W/O OVERHEAD CABINETS)
2	119333-52-G17	EA LEG - LEFT - 28" - PLAIN - W/O HOLE (W/O OVERHEAD CABINETS)
2	119333-02-G15	EA LEG - LEFT - 25" - PLAIN - W/O HOLE (W/OVERHEAD CABINETS) (G15)
2	119333-02-G16	EA LEG - LEFT - 25" - PLAIN - W/O HOLE (W/OVERHEAD CABINETS) (G16)
2	119333-02-G13	EA LEG - LEFT - 25" - PLAIN - W/O HOLE (W/OVERHEAD CABINETS) (G17)
2	119333-01-G15	EA LEG - RIGHT - 25" - PLAIN - W/O HOLE (W/OVERHEAD CABINETS) (G15)
2	119333-01-G16	EA LEG - RIGHT - 25" - PLAIN - W/O HOLE (W/OVERHEAD CABINETS) (G16)
2	119333-01-G13	EA LEG - RIGHT - 25" - PLAIN - W/O HOLE (W/OVERHEAD CABINETS) (G17)
2	109802-40-F32	EA BLIND ASM - PLEATED, 28" X 30" (W/O OVERHEAD CABINETS)
2	109802-49-G35	EA BLIND ASM - PLEATED, 26" X 27" (W/OVERHEAD CABINETS)
3	119262-26-G15	EA VALANCE ASM. - 64.5" - MONACO W/BRAID (W/O OVERHEAD CABINETS)
3	119263-12-G16	EA VALANCE ASM. - 64.5" - STARBUCK (W/O OVERHEAD CABINETS)
3	119263-12-G17	EA VALANCE ASM. - 64.5" - STARBUCK (W/O OVERHEAD CABINETS)
3	121410-04-G15	EA VALANCE ASM. - MODERATE, 62" (W/OVERHEAD CABINETS)
3	121410-01-G16	EA VALANCE ASM. - MODERATE, 62" (W/OVERHEAD CABINETS)
3	121410-04-G17	EA VALANCE ASM. - MODERATE, 62" (W/OVERHEAD CABINETS)
3	119333-51-G15	EA LEG - RIGHT - 28" - PLAIN - W/O HOLE (W/O OVERHEAD CABINETS)
3	119333-51-G16	EA LEG - RIGHT - 28" - PLAIN - W/O HOLE (W/O OVERHEAD CABINETS)
3	119333-51-G17	EA LEG - RIGHT - 28" - PLAIN - W/O HOLE (W/O OVERHEAD CABINETS)
3	120451-04-G15	EA LEG - LEFT - CORNER - 11.5 X 28" (W/O OVERHEAD CABINETS)
3	120451-04-G16	EA LEG - LEFT - CORNER - 11.5 X 28" (W/O OVERHEAD CABINETS)
3	120451-04-G17	EA LEG - LEFT - CORNER - 11.5 X 28" (W/O OVERHEAD CABINETS)
3	119333-02-G15	EA LEG - LEFT - 25" - PLAIN - W/O HOLE (W/OVERHEAD CABINETS) (G15)
3	119333-02-G16	EA LEG - LEFT - 25" - PLAIN - W/O HOLE (W/OVERHEAD CABINETS) (G16)
3	119333-02-G13	EA LEG - LEFT - 25" - PLAIN - W/O HOLE (W/OVERHEAD CABINETS) (G17)
3	119333-01-G15	EA LEG - RIGHT - 25" - PLAIN - W/O HOLE (W/OVERHEAD CABINETS) (G15)
3	119333-01-G16	EA LEG - RIGHT - 25" - PLAIN - W/O HOLE (W/OVERHEAD CABINETS) (G16)
3	119333-01-G13	EA LEG - RIGHT - 25" - PLAIN - W/O HOLE (W/OVERHEAD CABINETS) (G17)
3	109802-38-F32	EA BLIND ASM. - PLEATED - 60" X 30" (W/O OVERHEAD CABINETS)
3	109802-48-G35	EA BLIND - PLEATED - 59" X 26.5" (W/OVERHEAD CABINETS)
4	119262-25-G15	EA VALANCE ASM. - 64.5" - MONACO W/BRAID (W/O OVERHEAD CABINETS)
4	119263-11-G16	EA VALANCE ASM. - 64.5" - STARBUCK (W/O OVERHEAD CABINETS)
4	119263-11-G17	EA VALANCE ASM. - 64.5" - STARBUCK (W/O OVERHEAD CABINETS)
4	121410-04-G15	EA VALANCE ASM. - MODERATE, 62" (W/OVERHEAD CABINETS)
4	121410-01-G16	EA VALANCE ASM. - MODERATE, 62" (W/OVERHEAD CABINETS)
4	121410-04-G17	EA VALANCE ASM. - MODERATE, 62" (W/OVERHEAD CABINETS)
4	119333-52-G15	EA LEG - LEFT - 28" - PLAIN - W/O HOLE (W/O OVERHEAD CABINETS)
4	119333-52-G16	EA LEG - LEFT - 28" - PLAIN - W/O HOLE (W/O OVERHEAD CABINETS)
4	119333-52-G17	EA LEG - LEFT - 28" - PLAIN - W/O HOLE (W/O OVERHEAD CABINETS)
4	120451-03-G15	EA LEG - RIGHT - CORNER - 11.5 X 28" (W/O OVERHEAD CABINETS)
4	120451-03-G16	EA LEG - RIGHT - CORNER - 11.5 X 28" (W/O OVERHEAD CABINETS)
4	120451-03-G17	EA LEG - RIGHT - CORNER - 11.5 X 28" (W/O OVERHEAD CABINETS)
4	119333-02-G15	EA LEG - LEFT - 25" - PLAIN - W/O HOLE (W/OVERHEAD CABINETS) (G15)
4	119333-02-G16	EA LEG - LEFT - 25" - PLAIN - W/O HOLE (W/OVERHEAD CABINETS) (G16)
4	119333-02-G13	EA LEG - LEFT - 25" - PLAIN - W/O HOLE (W/OVERHEAD CABINETS) (G17)
4	119333-01-G15	EA LEG - RIGHT - 25" - PLAIN - W/O HOLE (W/OVERHEAD CABINETS) (G15)
4	119333-01-G16	EA LEG - RIGHT - 25" - PLAIN - W/O HOLE (W/OVERHEAD CABINETS) (G16)
4	119333-01-G13	EA LEG - RIGHT - 25" - PLAIN - W/O HOLE (W/OVERHEAD CABINETS) (G17)
4	109802-38-F32	EA BLIND ASM. - PLEATED - 60" X 30" (W/O OVERHEAD CABINETS)
4	109802-48-G35	EA BLIND - PLEATED - 59" X 26.5" (W/OVERHEAD CABINETS)

CURTAIN & CUSHION GROUP (CONTINUED)

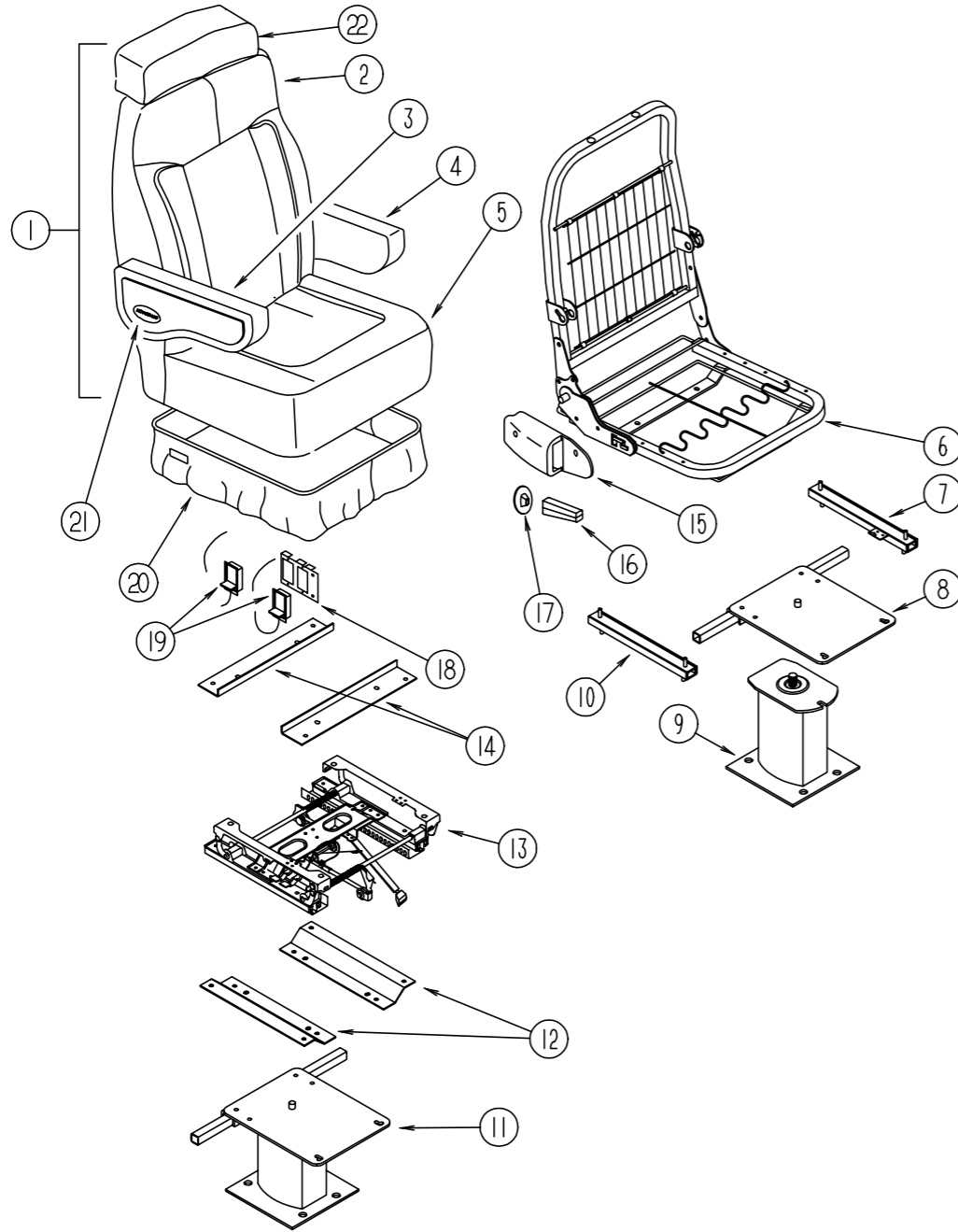
CURTAINS & WINDOW TREATMENT (CONTINUED)



KEY	PART NUMBER	U/M DESCRIPTION
5	119262-27-G15	EA VALANCE ASM. - 30.5" - MONACO W/BRAID (W/O OVERHEAD CABINETS)
5	119263-13-G16	EA VALANCE ASM. - 30.5" - STARBUCK (W/O OVERHEAD CABINETS)
5	119263-13-G17	EA VALANCE ASM. - 30.5" - STARBUCK (W/O OVERHEAD CABINETS)
5	121410-06-G15	EA VALANCE ASM. - MODERATE, 29" (W/OVERHEAD CABINETS)
5	121410-03-G16	EA VALANCE ASM. - MODERATE, 29" (W/OVERHEAD CABINETS)
5	121410-06-G17	EA VALANCE ASM. - MODERATE, 29" (W/OVERHEAD CABINETS)
5	119333-51-G15	EA LEG - RIGHT - 28" - PLAIN - W/O HOLE (W/O OVERHEAD CABINETS)
5	119333-51-G16	EA LEG - RIGHT - 28" - PLAIN - W/O HOLE (W/O OVERHEAD CABINETS)
5	119333-51-G17	EA LEG - RIGHT - 28" - PLAIN - W/O HOLE (W/O OVERHEAD CABINETS)
5	119333-02-G15	EA LEG - LEFT - 25" - PLAIN - W/O HOLE (W/OVERHEAD CABINETS) (G15)
5	119333-02-G16	EA LEG - LEFT - 25" - PLAIN - W/O HOLE (W/OVERHEAD CABINETS) (G16)
5	119333-02-G13	EA LEG - LEFT - 25" - PLAIN - W/O HOLE (W/OVERHEAD CABINETS) (G17)
5	119333-01-G15	EA LEG - RIGHT - 25" - PLAIN - W/O HOLE (W/OVERHEAD CABINETS) (G15)
5	119333-01-G16	EA LEG - RIGHT - 25" - PLAIN - W/O HOLE (W/OVERHEAD CABINETS) (G16)
5	119333-01-G13	EA LEG - RIGHT - 25" - PLAIN - W/O HOLE (W/OVERHEAD CABINETS) (G17)
5	109802-40-F32	EA BLIND ASM - PLEATED, 28" X 30" (W/O OVERHEAD CABINETS)
5	109802-49-G35	EA BLIND ASM - PLEATED, 26" X 27" (W/OVERHEAD CABINETS)
6	101668-46-E91	EA CURTAIN ASM. - 48" X 95" - DRIVER SIDE - TAPE TOP
6	073260-42-C18	EA TIEBACK ASM. - 6" X 18"
7	101668-45-E91	EA CURTAIN ASM. - 48" X 95" - PASSENGER SIDE - TAPE TOP
7	073260-42-C18	EA TIEBACK ASM. - 6" X 18"
8	119262-02-G15	EA VALANCE ASM. - 34.5" - MONACO W/BRAID (W/O SLIDEOUT OVERHEAD CABINETS)
8	119263-02-G16	EA VALANCE ASM. - 34.5" - STARBUCK - (W/O SLIDEOUT OVERHEAD CABINETS)
8	119263-02-G17	EA VALANCE ASM. - 34.5" - STARBUCK - (W/O SLIDEOUT OVERHEAD CABINETS)
8	121410-05-G15	EA VALANCE ASM. - MODERATE - 34.5" (W/SLIDEOUT OVERHEAD CABINETS)
8	121410-02-G16	EA VALANCE ASM. - MODERATE - 34.5" (W/SLIDEOUT OVERHEAD CABINETS)
8	121410-05-G17	EA VALANCE ASM. - MODERATE - 34.5" (W/SLIDEOUT OVERHEAD CABINETS)
8	119333-02-G15	EA LEG - LEFT - 25" - PLAIN - W/O HOLE (G15)
8	119333-02-G16	EA LEG - LEFT - 25" - PLAIN - W/O HOLE (G16)
8	119333-02-G13	EA LEG - LEFT - 25" - PLAIN - W/O HOLE (G17)
8	119333-01-G15	EA LEG - RIGHT - 25" - PLAIN - W/O HOLE (G15)
8	119333-01-G16	EA LEG - RIGHT - 25" - PLAIN - W/O HOLE (G16)
8	119333-01-G13	EA LEG - RIGHT - 25" - PLAIN - W/O HOLE (G17)
8	109802-11-G15	EA BLIND ASM. - PLEATED - 29" X 28.5" (G15)
8	109802-11-E33	EA BLIND ASM. - PLEATED - 29" X 28.5" (G16,G17)
9	119262-36-G15	EA VALANCE - FLAT, 31" - MONACO W/BRAID
9	119262-17-G16	EA VALANCE - FLAT, 31" - STARBUCK
9	119262-17-G17	EA VALANCE - FLAT, 31" - STARBUCK
9	084755-57-E07	EA PULL SHADE - 27.25"
10	109041-20-02A	EA MINI BLIND - 31" X 18" - BEIGE
		FROM: 00-00-00 THRU: 03-24-96
10	109041-44-02A	EA MINI BLIND - 30.5" X 18"
		FROM: 03-25-96 THRU: 99-99-99
10	109353-07-02A	EA BLIND SLAT - 31" - BEIGE
		FROM: 00-00-00 THRU: 03-24-96
10	109353-10-02A	EA BLIND SLAT - 30.5"
		FROM: 03-25-96 THRU: 99-99-99
11	119262-03-G15	EA VALANCE ASM. - 52.5" - MONACO W/BRAID
11	119299-01-G16	EA VALANCE ASM. - 53" - WHITNEY
11	119299-01-G17	EA VALANCE ASM. - 53" - WHITNEY
11	119333-03-G15	EA LEG - RIGHT - 25" - PLAIN - W/O HOLE
11	119333-07-G16	EA LEG - RIGHT - 25" - GATHERED - W/O HOLE
11	119333-07-G17	EA LEG - RIGHT - 25" - GATHERED - W/O HOLE
11	119333-04-G15	EA LEG - LEFT - 25" - PLAIN - W/O HOLE
11	119333-08-G16	EA LEG - LEFT - 25" - GATHERED - W/O HOLE
11	119333-08-G17	EA LEG - LEFT - 25" - GATHERED - W/O HOLE
11	109802-36-G15	EA BLIND ASM - PLEATED, 49" X 29" (G15)
11	109802-36-F12	EA BLIND ASM - PLEATED, 49" X 29" (G16,G17)

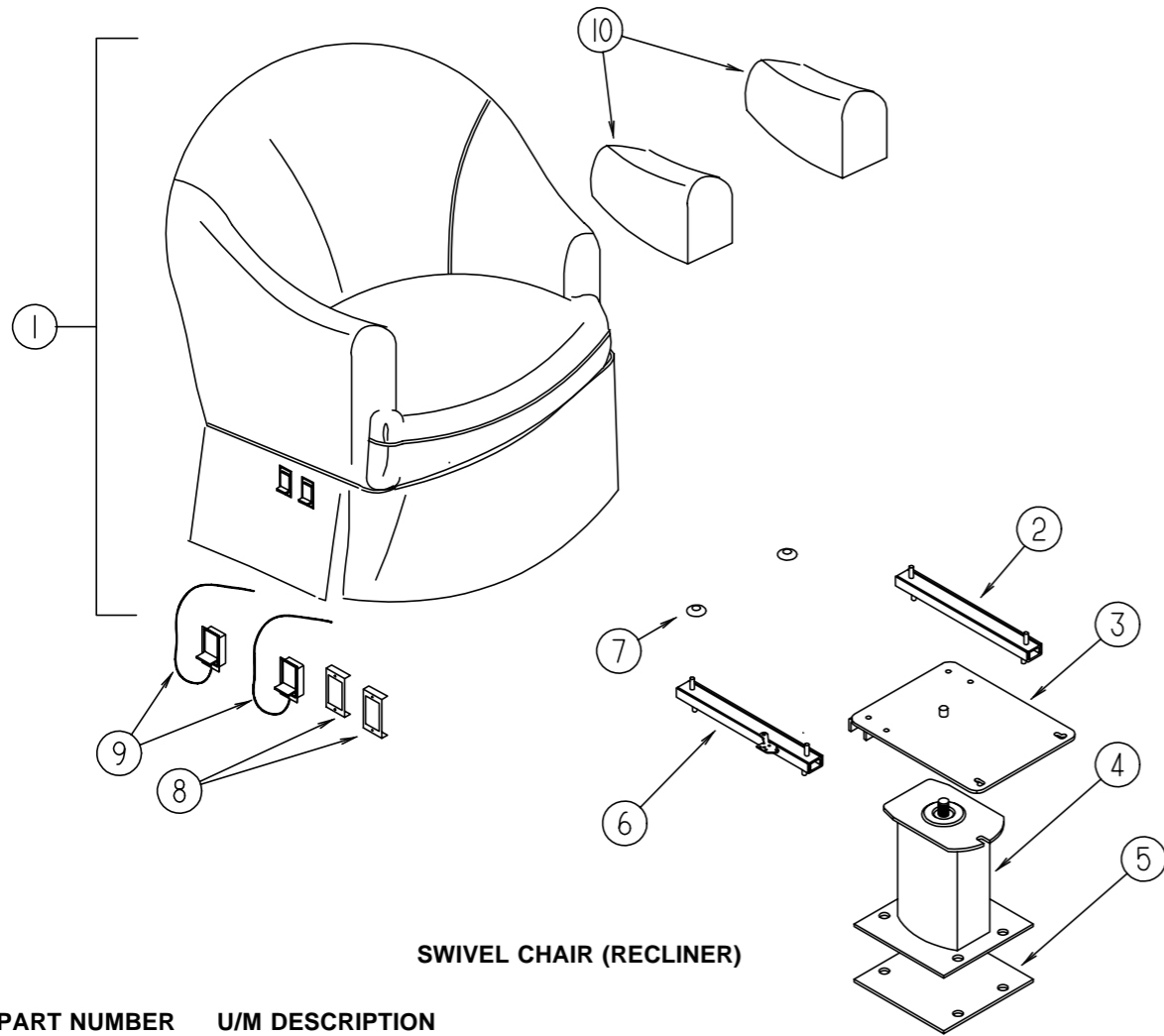
CURTAIN & CUSHION GROUP (CONTINUED)

BUCKET SEAT



KEY	PART NUMBER	U/M	DESCRIPTION
1	115390-05-G15	EA	SEAT-NEWPORT, MANUAL RECLINER W/HEADREST
1	115390-05-G16	EA	SEAT-NEWPORT, MANUAL RECLINER W/HEADREST
1	115390-05-G17	EA	SEAT-NEWPORT, MANUAL RECLINER W/HEADREST
2	M05962-13-G15	EA	COVER - BACK - NEWPORT
2	M05962-13-G16	EA	COVER - BACK - NEWPORT
2	M05962-13-G17	EA	COVER - BACK - NEWPORT
3	114929-01-G15	EA	ARMREST ASM - RIATTA, RH
3	114929-01-G16	EA	ARMREST ASM - RIATTA, RH
3	114929-01-G17	EA	ARMREST ASM - RIATTA, RH
3	P14929-01-G15	EA	COVER - ARMREST - RIATTA, RH
3	P14929-01-G16	EA	COVER - ARMREST - RIATTA, RH
3	P14929-01-G17	EA	COVER - ARMREST - RIATTA, RH
4	114929-02-G15	EA	ARMREST ASM - RIATTA, LH
4	114929-02-G16	EA	ARMREST ASM - RIATTA, LH
4	114929-02-G17	EA	ARMREST ASM - RIATTA, LH
4	P14929-02-G15	EA	COVER - ARMREST - RIATTA, LH
4	P14929-02-G16	EA	COVER - ARMREST - RIATTA, LH
4	P14929-02-G17	EA	COVER - ARMREST - RIATTA, LH
5	M05962-14-G15	EA	COVER - SEAT - NEWPORT
5	M05962-14-G16	EA	COVER - SEAT - NEWPORT
5	M05962-14-G17	EA	COVER - SEAT - NEWPORT
6	M80906-12-000	EA	FRAME - SEAT - BACK & SPRING
7	119952-04-000	EA	SLIDE-SEAT, HD - LOCKING 4 STUDS - ATWOOD 83785
	069246-09-000	EA	SPRING - ADJUSTER - FOR REMOTE - LIGHT BLUE
	117125 01 02B	EA	BRACKET - CABLE HOLDER - STEEL
	069246-05-701	EA	CLIP - CABLE - FOR REMOTE
8	107921-05-000	EA	TOP PLATE - PEDESTAL - W/ SEATBELT BAR
9	107921-01-000	EA	PEDESTAL - FLOOR MOUNTED - W/ 9.75" EXTENSION
	107921-06-000	EA	BEARING KIT - PEDESTAL
10	119952-02-000	EA	SLIDE-SEAT, HD - NONLOCKING 4 STUDS - ATWOOD 83731
11	107921-14-000	EA	PEDESTAL ASM-SEAT 5.75 IN - MANUAL SEAT OPTION - FLEXSTEEL XP1774
12	116215-03-000	EA	PLATE-LOWER, MANUAL - 6-WAY - MANUAL SEAT OPTION - ATWOOD 83835
13	116215-01-000	EA	SEAT-MANUAL, 6-WAY - DRIVER - MANUAL SEAT OPTION - ATWOOD 83805
14	116215-02-000	EA	PLATE-UPPER, MANUAL - 6-WAY - MANUAL SEAT OPTION - ATWOOD 85118
15	080730-09-000	EA	SHIELD - RECLINER HANDLE
	080730-10-000	EA	SCREW - RECLINER HANDLE SHIELD
16	080730-08-000	EA	HANDLE - RECLINER - BLACK
17	080730-11-000	EA	SHIELD - RUBBER BOOT
18	108049-03-000	EA	CABLE - REMOTE, 26" W/Z END-SWITCH LEVER
	108049-02-000	EA	CLIP - CABLE
19	097683-03-000	EA	BRACKET - REMOTE - SIDE MOUNT - SINGLE
20	071126-43-G15	EA	SKIRT - SINGLE - 10.5" - W/OPEN BACK (G15)
20	071126-43-E33	EA	SKIRT - SINGLE - 10.5" - W/OPEN BACK (G16)
20	071126-43-F86	EA	SKIRT - SINGLE - 10.5" - W/OPEN BACK (G17)
20	071126-54-G15	EA	SKIRT - SINGLE - 10.5" - W/OPEN BACK - 6 WAY MANUAL CONTROL (G15)
20	071126-54-F12	EA	SKIRT - SINGLE - 10.5" - W/OPEN BACK - 6 WAY MANUAL CONTROL (G16)
20	071126-54-F04	EA	SKIRT - SINGLE - 10.5" - W/OPEN BACK - 6 WAY MANUAL CONTROL (G17)
21	111169-01-000	EA	BACK PLATE - EMBLEM
21	111169-02-000	EA	EMBLEM - "WINNEBAGO"
22	119698-01-G15	EA	HEADREST - STRATON II
22	119698-01-G16	EA	HEADREST - STRATON II
22	119698-01-G17	EA	HEADREST - STRATON II
22	P19698-01-G15	EA	COVER-HEADREST, STRATON II
22	P19698-01-G16	EA	COVER-HEADREST, STRATON II
22	P19698-01-G17	EA	COVER-HEADREST, STRATON II

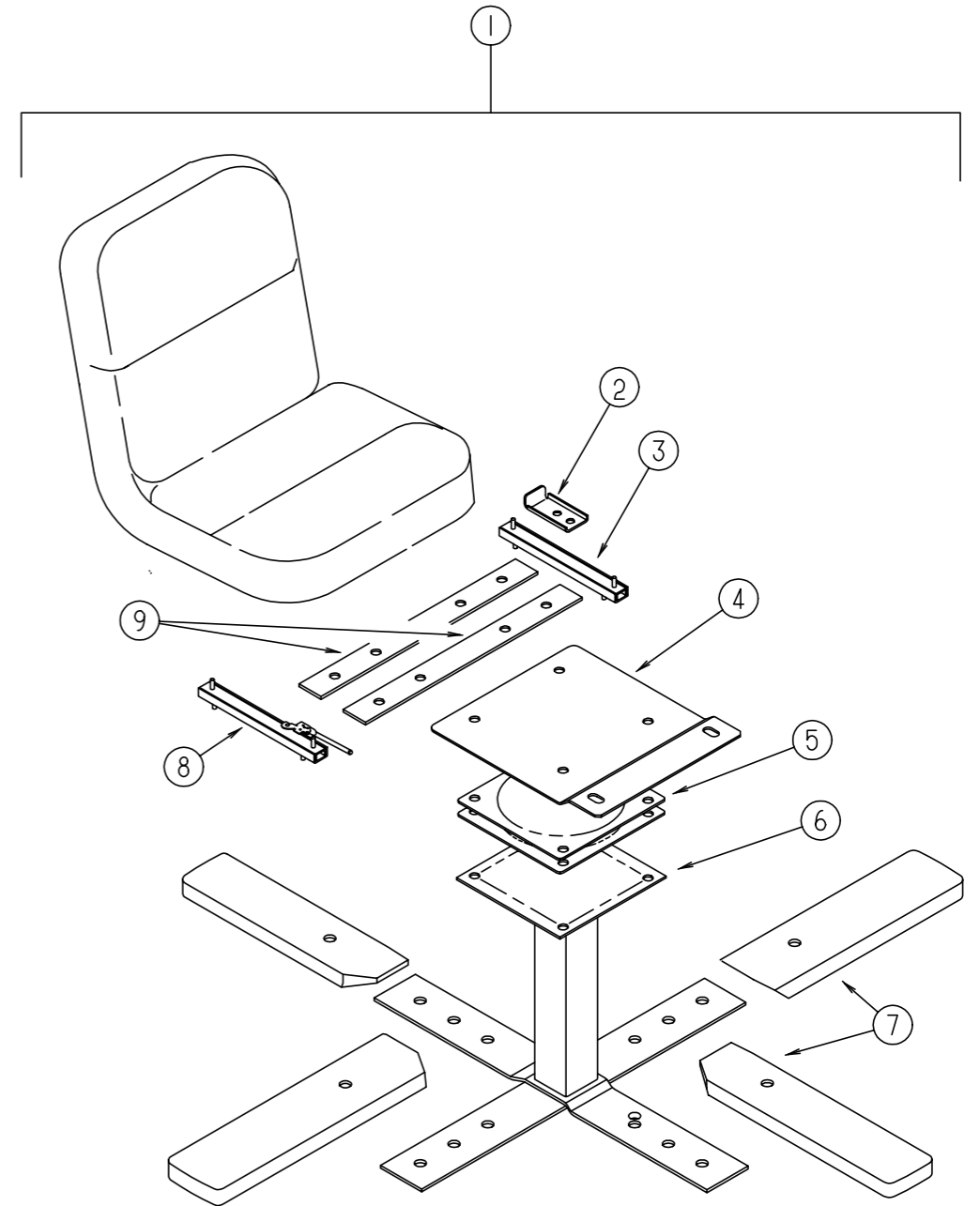
CURTAIN & CUSHION GROUP (CONTINUED)



SWIVEL CHAIR (RECLINER)

KEY	PART NUMBER	U/M DESCRIPTION
1	118302-01-G15	EA CHAIR ASM - 400 (G15)
1	118302-01-G16	EA CHAIR ASM - 400 (G16)
1	118302-01-G13	EA CHAIR ASM - 400 (G17)
	P18302-01-G15	EA COVER-CHAIR, 400 (G15)
	P18302-01-G16	EA COVER-CHAIR, 400 (G16)
	P18302-01-G13	EA COVER-CHAIR, 400 (G17)
	118306-01-G15	EA SKIRT ASM - 400-03 (G15)
	118306-01-G16	EA SKIRT ASM - 400-03 (G16)
	118306-01-G13	EA SKIRT ASM - 400-03 (G17)
2	119952-01-000	EA SLIDE-SEAT, HD - NONLOCKING 2 STUD - ATWOOD 83711
3	107921-08-000	EA TOP PLATE-W/O SEAT BELT BAR
	107921-06-000	EA BEARING KIT - PEDESTAL
4	107921-02-000	EA FLOOR MOUNTED PEDESTAL - W/ 6.50" EXTENSION
5	108445-02-000	EA SUB PLATE - FLOOR MOUNTED PEDESTAL
6	119952-03-000	EA SLIDE-SEAT, HD - LOCKING 2 STUDS - ATWOOD 83775
7	007221-01-000	EA SPACER - SEAT ADJUSTER
8	097683-03-000	EA BRACKET - REMOTE - SIDE MOUNT
	117125-01-02B	EA BRACKET-CABLE HOLDER, E-COAT
9	108049-03-000	EA CABLE-REMOTE, 26" W/Z END-SWITCH LEVER
10	P18302-27-G15	EA COVER-ARM, RH - 400 CHAIR (G15)
10	P18302-27-G16	EA COVER-ARM, RH - 400 CHAIR (G16)
10	P18302-27-G13	EA COVER-ARM, RH - 400 CHAIR (G17)
10	P18302-28-G15	EA COVER-ARM, LH - 400 CHAIR (G15)
10	P18302-28-G16	EA COVER-ARM, LH - 400 CHAIR (G16)
10	P18302-28-G13	EA COVER-ARM, LH - 400 CHAIR (G17)

CURTAIN & CUSHION GROUP (CONTINUED)

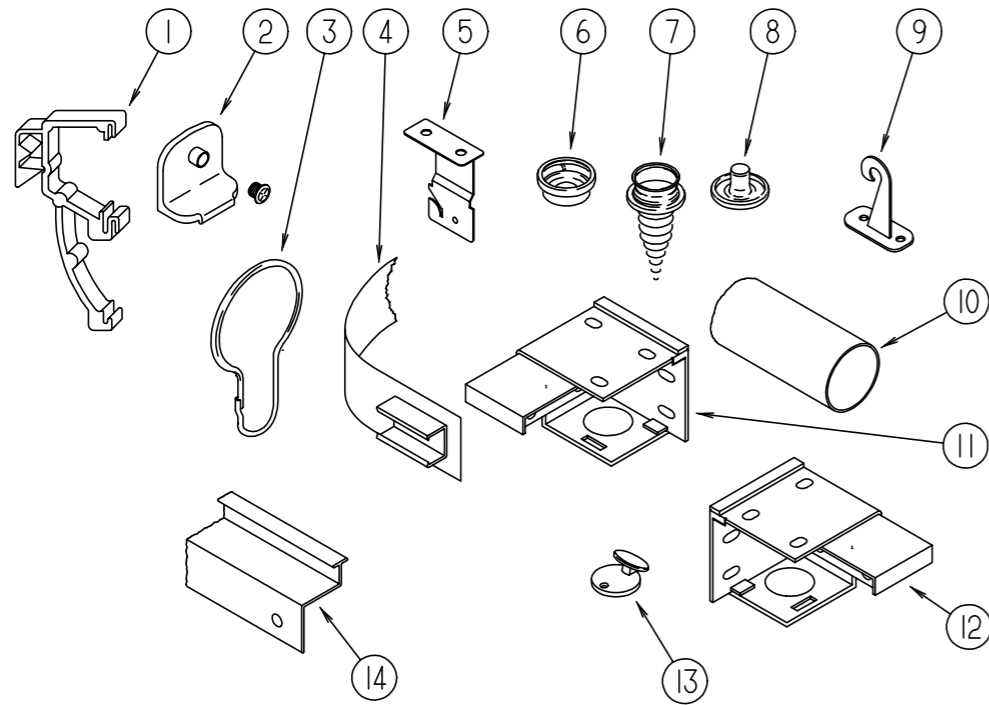


DINETTE CHAIRS

KEY	PART NUMBER	U/M DESCRIPTION
1	119108-01-G15	EA CHAIR ASM - 200 KC
1	119108-01-G16	EA CHAIR ASM - 200 KC
1	119108-01-G17	EA CHAIR ASM - 200 KC
2	114889-01-000	EA STOP BAR - UNIVERSAL
3	119952-02-000	EA SLIDE - SEAT, HD - NONLOCKING, 4 STUD
4	119705-03-02B	EA PLATE - SEAT, E-COAT
5	119105-01-000	EA PLATE - SWIVEL, RETURN-O-MATIC - 5.75"
6	119705-02-03B	EA PEDESTAL ASM - O/W
7	116080-02-G35	EA COVER - CHAIR LEG
8	119952-05-000	EA SLIDE-SEAT, HD - LOCKING 4 STUDS
9	120109-01-02B	EA ADAPTER BRACKET-CHAIR ASM 200 KC
	074045-07-000	EA PLUG-OAK, 1/2" DIA.
	106477-01-000	EA SCREW - 12 PER CHAIR

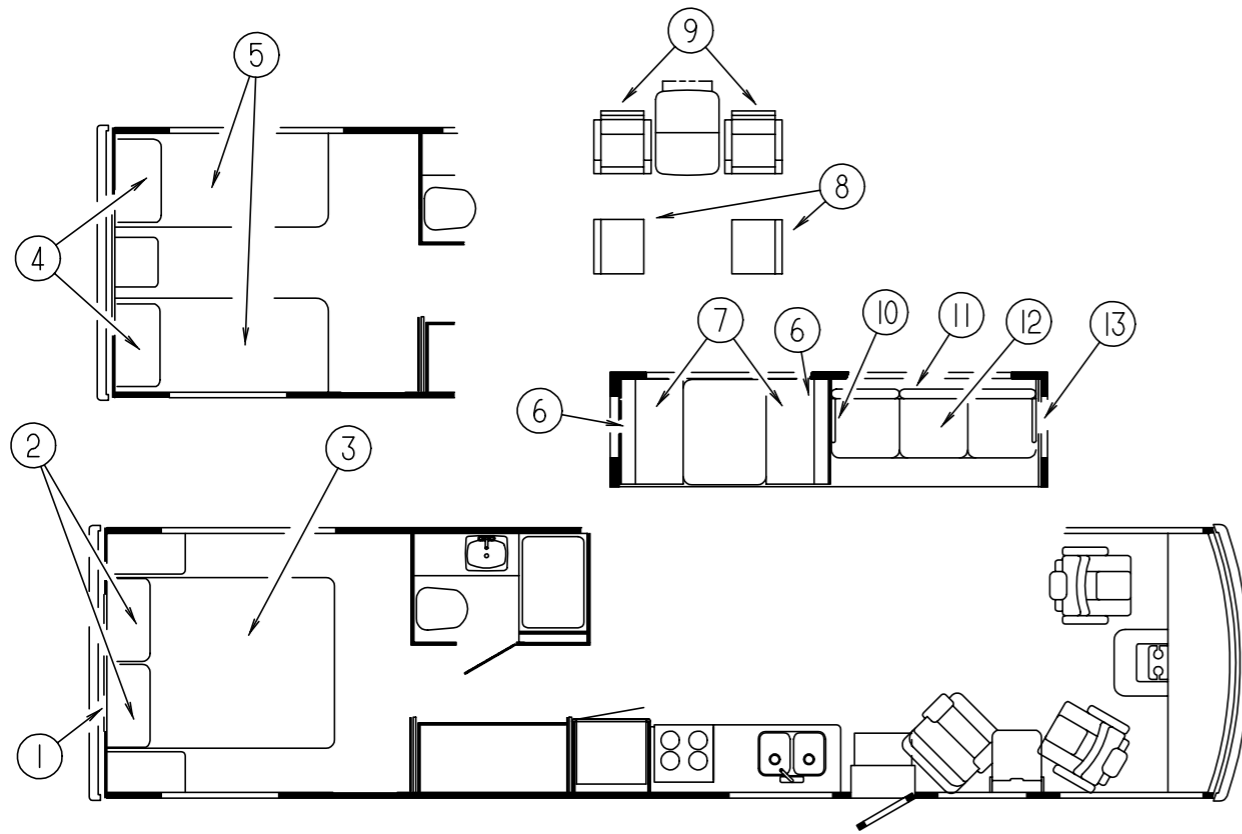
CURTAIN & CUSHION GROUP (CONTINUED)

CURTAIN & BLIND HARDWARE



KEY	PART NUMBER	U/M	DESCRIPTION
1	109353-04-000	EA	CLIP - VALANCE SLAT MOUNTING - CLEAR PLASTIC - PAR
2	106544-01-000	EA	SHADE PULL - BRASS
	106544-01-001	EA	SCREW - SHADE PULL - BRASS
3	009136-02-000	EA	HANGER - RING - PIN TYPE - CURTAIN - BRASS
4	101031-01-000	YD	TAPE - GLIDE - CURTAIN - 4.25" SPACING
5	084434-01-000	EA	BRACKET - MOUNTING - ROLLER SHADE - 1 3/8"
	096843-01-000	EA	SPRING - REWIND - ROLLER SHADE
6	029156-01-000	EA	SOCKET - SNAP - 9/16" O.D
7	029130-01-000	EA	SCREW - SNAP SOCKET - 8 PH X 5/8"
8	029155-01-000	EA	CAP - SNAP - 5/32" O.D. OF PIN
	046867-01-000	EA	GROMMET-BRASS - 7/16" ID X 1" OD
			FROM: 00-00-00 THRU: 10-01-95
	046867-03-000	EA	GROMMET-HANDY BUTTON NO 3
			FROM: 10-02-95 THRU: 99-99-99
9	109441-03-000	EA	HOLD DOWN - BLIND, HOOK
10	102075-06-01A	EA	SHOWER ROD
	009136-02-000	EA	BRASS SHOWER RINGS
	009112-01-000	EA	FLANGE - SHOWER ROD
11	083170-02-000	EA	BRACKET - BLIND - LEFT SIDE
12	083170-01-000	EA	BRACKET - BLIND - RIGHT SIDE
13	102555-01-000	EA	CLEAT - CORD - BLIND - CLEAR
			FROM: 00-00-00 THRU: 04-10-96
13	102555-03-000	EA	CLEAT - CORD - BLIND - MILKY WHITE
			FROM: 04-11-96 THRU: 99-99-99
14	114641-07-G15	EA	TRACK - WRAPAROUND CURTAIN - WILLOW (PASSENGER SIDE)
14	114641-08-G15	EA	TRACK - WRAPAROUND CURTAIN - WILLOW (DRIVER SIDE)
	048394-02-000	YD	VELCRO TAPE - HOOK - ADHESIVE BACK - .75" WIDE - BEIGE
	088792-02-000	YD	VELCRO TAPE - LOOP - ADHESIVE BACKED - .75" WIDE - BEIGE
	068716-01-001	EA	BRACKET - 90 DEGREE L-ANGLE - 192" - EXTRUDED ALUMINUM
	075943-01-000	EA	BRACE - WINDOW VALANCE - 1" X 1.5" X 20" - ALUMINUM - BEIGE
	094896-02-000	EA	GROMMET - CORD - PLEATED BLIND - NYLON - GRAY
	094907-02-000	EA	END CAP - TOP - PLEATED BLIND - PLASTIC - GRAY
	094907-04-000	EA	END CAP - BOTTOM - PULL TYPE SPECIALITY WINDOW
	097564-01-000	EA	T-HANDLE - EZ LIFT SHADE
	097565-01-000	EA	BRACKET - MOUNTING - PLEATED BLIND
	097591-01-000	EA	SPRING - EXTENSION - PLEATED BLIND
	097592-01-000	EA	SPOOL - CORD - ELEVATED BLIND HOLDUP - CLEAR PLASTIC
	089916-01-000	EA	MOUNT - WINDOW LEG - 23.75" LONG - ALUMINUM - BLACK
	056003-01-000	EA	BRACKET - DRAPERY RETAINING - FRONT - METAL
	056003-02-000	EA	BRACKET - DRAPERY RETAINING - REAR - METAL
	086276-01-000	EA	TAPE - DOUBLE SIDED - 1/2"
	009702-01-000	EA	END STOP-CURTAIN CARRIER, L ROD
	097593-02-000	FT	CORD - BLIND - PLEATED - GRAY
	103986-01-000	FT	TRIM - VALANCE - U-CHANNEL - .75" WIDE - BRASS

CURTAIN & CUSHION GROUP (CONTINUED)



QUEEN BED

KEY	PART NUMBER	U/M DESCRIPTION
1	112516-01-G15	EA HEADBOARD - IMPERIAL, QUEEN
1	112516-01-G16	EA HEADBOARD - IMPERIAL, QUEEN
1	112516-01-G17	EA HEADBOARD - IMPERIAL, QUEEN
2	119249-01-000	EA PILLOW - CASE - 20 X 33 - QUEEN
3	101123-06-000	EA MATTRESS - FOAM - 60" X 60"
3	P01123-06-000	EA COVER - MATTRESS, FOAM - 60" X 80"
3	119141-01-G15	EA BEDSPREAD - THROW W/ REVERSE SHAM - 60" X 80"
3	109588-20-G16	EA BEDSPREAD - 60" X 80" - FITTED - GUSSET CORNERS
3	109588-20-G17	EA BEDSPREAD - 60" X 80" - FITTED - GUSSET CORNERS
	111637-08-G15	EA PILLOW ASM - 16" X 16" - KNIFE EDGE W/BRAID
	111637-09-G16	EA PILLOW ASM - 16" X 16" - KNIFE EDGE W/BRAID
	111637-09-G17	EA PILLOW ASM - 16" X 16" - KNIFE EDGE W/BRAID

TWIN BEDS

KEY	PART NUMBER	U/M DESCRIPTION
4	119249-02-000	EA PILLOW-CASE ASM, 22" X 37" (G15)
4	106727-03-G16	EA PILLOW-TOOTSIE, W/.5" WELT (G16)
4	106727-03-G17	EA PILLOW-TOOTSIE, W/.5" WELT (G17)
5	101123-07-000	EA MATTRESS - FOAM - 32" X 79"
5	P01123-07-000	EA COVER - MATTRESS
5	119141-04-G15	EA BEDSPREAD-THROW - W/ REVERSE SHAM - 32" X 80"
5	109588-29-G16	EA BEDSPREAD - 33" X 80" - FITTED GUSSET CORNER
5	109588-29-G17	EA BEDSPREAD - 33" X 80" - FITTED GUSSET CORNER
	111637-08-G15	EA PILLOW ASM - 16" X 16" - KNIFE EDGE W/BRAID
	111637-09-G16	EA PILLOW ASM - 16" X 16" - KNIFE EDGE W/BRAID
	111637-09-G17	EA PILLOW ASM - 16" X 16" - KNIFE EDGE W/BRAID

DINETTE CUSHIONS

KEY	PART NUMBER	U/M DESCRIPTION
6	111897-05-G15	EA CUSHION - 13.5" X 42" X 5", CLUB BACK (G15)
6	111897-05-G16	EA CUSHION - 13.5" X 42" X 5", CLUB BACK (G16)
6	111897-05-G04	EA CUSHION - 13.5" X 42" X 5", CLUB BACK (G17)
6	P11897-05-G15	EA COVER - 13.5" X 42" X 5", CLUB BACK (G15)
6	P11897-05-G16	EA COVER - 13.5" X 42" X 5", CLUB BACK (G16)
6	P11897-05-G04	EA COVER - 13.5" X 42" X 5", CLUB BACK (G17)
	078155-01-000	EA STRAP-SNAP, BACKREST CUSHION
7	105603-15-G15	EA CUSHION - 23" X 42" X 5" - SEAT (G15)
7	105603-15-G16	EA CUSHION - 23" X 42" X 5" - SEAT (G16)
7	105603-15-G04	EA CUSHION - 23" X 42" X 5" - SEAT (G17)
7	P05603-15-G15	EA COVER - 23" X 42" X 5" - SEAT (G15)
7	P05603-15-G16	EA COVER - 23" X 42" X 5" - SEAT (G16)
7	P05603-15-G04	EA COVER - 23" X 42" X 5" - SEAT (G17)

DINETTE OPTION

KEY	PART NUMBER	U/M DESCRIPTION
8	101604-01-03A	EA CHAIR - FOLDING - DINETTE - WATERFORD OAK
9	119108-01-G15	EA CHAIR ASM - 200 KC
9	119108-01-G16	EA CHAIR ASM - 200 KC
9	119108-01-G17	EA CHAIR ASM - 200 KC

TRIMS & BUTTONS

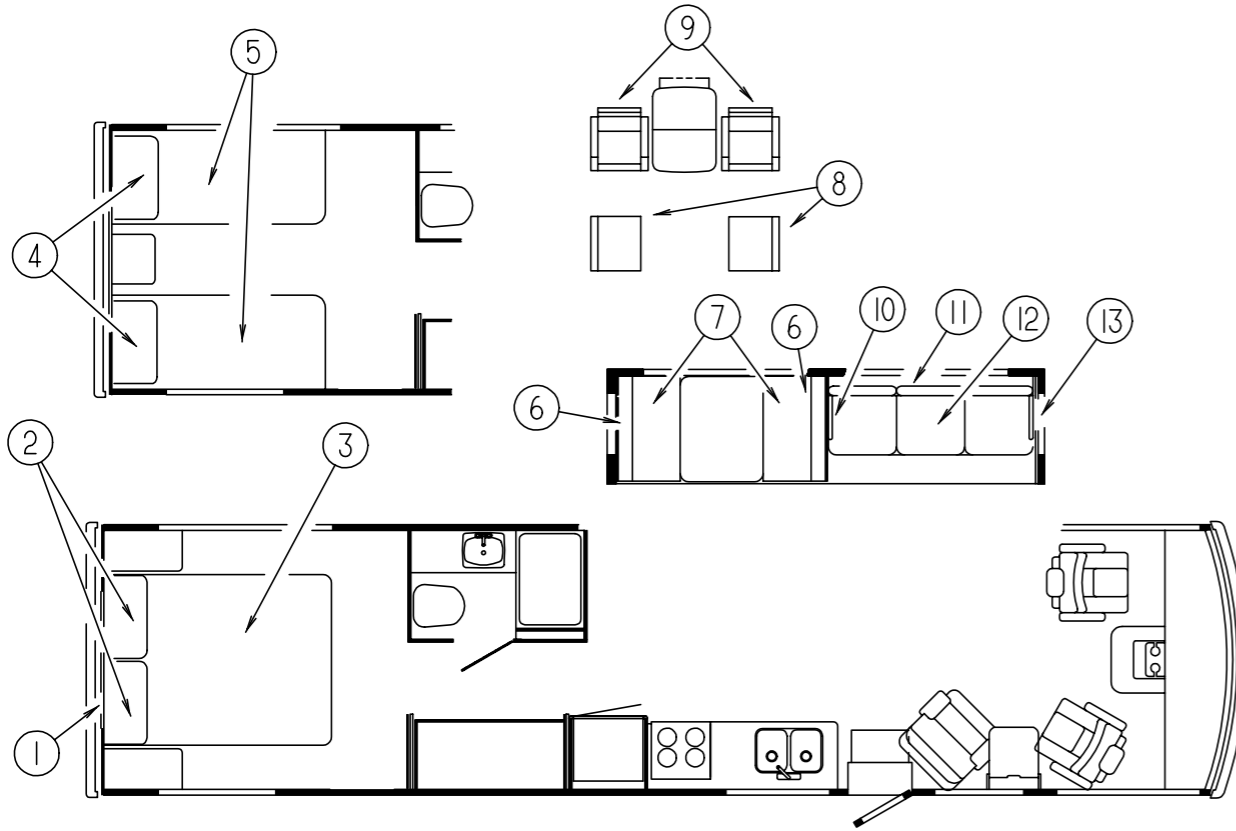
KEY	PART NUMBER	U/M DESCRIPTION
	084415-70-000	YD TRIM-BRAID, 60261-V118 - CORD (G15)
	084415-69-000	YD TRIM-BRAID, 62027-P57 - FRINGE (G16)
	084415-77-000	YD TRIM-BRAID, 61814-N10 - CORD (G17)
	050263-01-000	YD WELT-CORD, 5/32 DIA.
	070578-02-E38	EA BUTTON - SCREW - STUD - #30 - VINYL

ASSIST HANDLE & SEAT BELTS

KEY	PART NUMBER	U/M DESCRIPTION
	007021-01-000	EA BELT - SEAT - 2" X 90" - BLACK
	056271-01-000	EA BELT - SEAT - 2" X 102" - BLACK
	069178-02-000	EA BRACKET - MOUNTING - ASSIST HANDLE - L ANGLE - W/HOLES
	000C16-07-16B	EA BOLT - CARRIAGE - ASSIST HANDLE - 7/16-14 X 1" - ZINC
	000D20-07-00B	EA NUT - ACORN - ASSIST HANDLE - 7/16" X 14 - ZINC
	057759-01-000	EA WASHER BRACKET-SEAT BELT, 4" DIAMETER
	053552-02-AA8	EA HANDLE - ASSIST - INTERIOR - ENTRY DOOR - VINYL - OFF WHITE

CURTAIN & CUSHION GROUP (CONTINUED)

COUCH BED

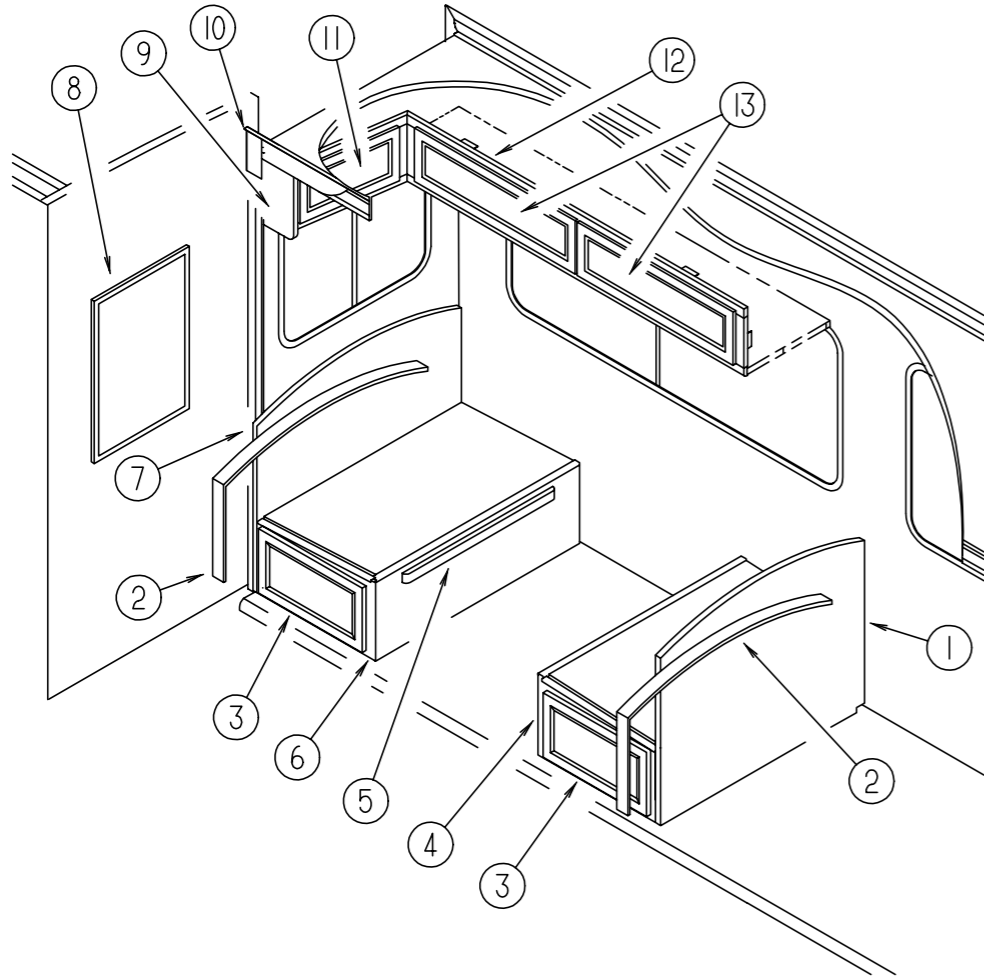


KEY	PART NUMBER	U/M DESCRIPTION
10	120991-01-G15	EA ARM - RIGHT - SOFA/BED JACKKNIFE BACK (G15) FROM: 00-00-00 THRU: 10-15-95
10	121222-01-G15	EA ARM - RIGHT - SOFA/BED JACKKNIFE BACK (G15) FROM: 10-16-95 THRU: 99-99-99
10	120991-01-G16	EA ARM - RIGHT - SOFA/BED JACKKNIFE BACK (G16) FROM: 00-00-00 THRU: 10-15-95
10	121222-01-G16	EA ARM - RIGHT - SOFA/BED JACKKNIFE BACK (G16) FROM: 10-16-95 THRU: 99-99-99
10	120991-01-G17	EA ARM - RIGHT - SOFA/BED JACKKNIFE BACK (G17) FROM: 00-00-00 THRU: 10-15-95
10	121222-01-G17	EA ARM - RIGHT - SOFA/BED JACKKNIFE BACK (G17) FROM: 10-16-95 THRU: 99-99-99
11	111319-03-G07	EA BED ASM - JACK KNIFE BACK, KNIFE EDGE - 66.5" (G15) FROM: 00-00-00 THRU: 10-15-95
11	111319-01-G15	EA BED ASM - JACK KNIFE BACK, KNIFE EDGE - 74" (G15) FROM: 10-16-95 THRU: 99-99-99
11	112104-02-G08	EA BED ASM - 66.5" CHANNEL JACK KNIFE BACK (G16) FROM: 00-00-00 THRU: 10-15-95
11	112104-01-G16	EA BED ASM - 74" CHANNEL JACK KNIFE BACK (G16) FROM: 10-16-95 THRU: 99-99-99
11	112104-02-G13	EA BED ASM - 66.5" CHANNEL JACK KNIFE BACK (G17) FROM: 00-00-00 THRU: 10-15-95
11	112104-01-G13	EA BED ASM - 74" CHANNEL JACK KNIFE BACK (G17) FROM: 10-16-95 THRU: 99-99-99
11	P11319-03-G07	EA COVER - BED, JACK KNIFE EDGE BACK - 66.5" (G15) FROM: 00-00-00 THRU: 10-15-95
11	P11319-01-G15	EA COVER - BED, JACK KNIFE EDGE BACK - 74" (G15) FROM: 10-16-95 THRU: 99-99-99
11	P12104-02-G08	EA COVER - BED, CHANNEL JACK KNIFE BACK - 66.5" (G16) FROM: 00-00-00 THRU: 10-15-95
11	P12104-01-G16	EA COVER - BED, CHANNEL JACK KNIFE BACK - 74" (G16) FROM: 10-16-95 THRU: 99-99-99
11	P12104-02-G13	EA COVER - BED, CHANNEL JACK KNIFE BACK - 66.5" (G17) FROM: 00-00-00 THRU: 10-15-95

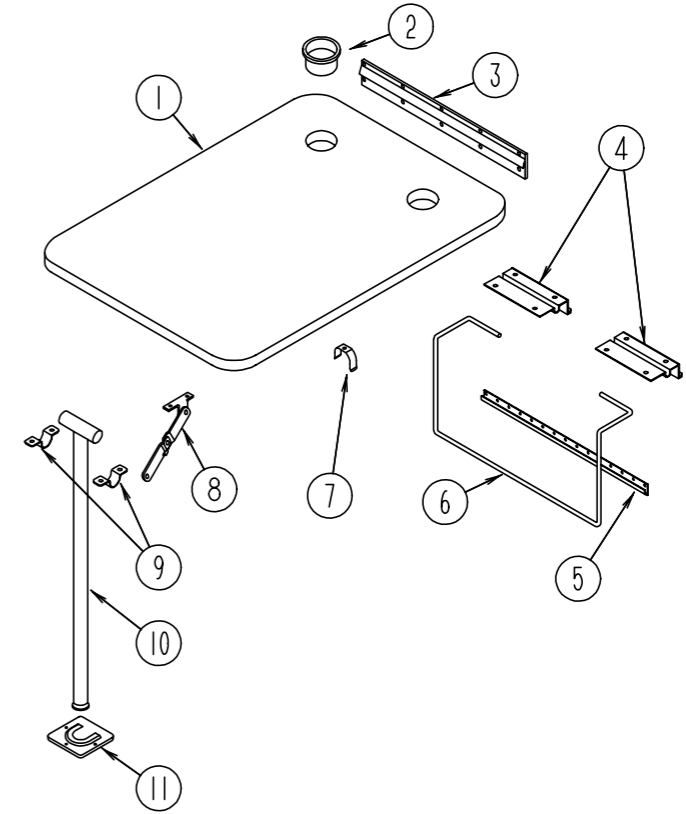
KEY	PART NUMBER	U/M DESCRIPTION
11	P12104-01-G13	EA COVER - BED, CHANNEL JACK KNIFE BACK - 74" (G17) FROM: 10-16-95 THRU: 99-99-99
	101085-09-000	EA FRAME - BACK - 66.5" FROM: 00-00-00 THRU: 10-15-95
	101085-10-000	EA FRAME - BACK - 74.75" FROM: 10-16-95 THRU: 99-99-99
12	100032-37-G07	EA BED - 3 PILLOW, SEAT - 66.5" - JACK KNIFE (G15) FROM: 00-00-00 THRU: 10-15-95
12	100032-43-G15	EA BED - JACK KNIFE, SEAT - 74" TUCK - W/O ARMS (G15) FROM: 10-16-95 THRU: 99-99-99
12	100032-37-G08	EA BED - 3 PILLOW, SEAT - 66.5" - JACK KNIFE (G16) FROM: 00-00-00 THRU: 10-15-95
12	100032-43-G16	EA BED - JACK KNIFE, SEAT - 74" TUCK - W/O ARMS (G16) FROM: 10-16-95 THRU: 99-99-99
12	100032-37-G04	EA BED - 3 PILLOW, SEAT - 66.5" - JACK KNIFE (G17) FROM: 00-00-00 THRU: 10-15-95
12	100032-43-G13	EA BED - JACK KNIFE, SEAT - 74" TUCK - W/O ARMS (G17) FROM: 10-16-95 THRU: 99-99-99
12	P00032-37-G07	EA COVER - JACK KNIFE, SEAT - 66.5" TUCK - W/O ARMS (G15) FROM: 00-00-00 THRU: 10-15-95
12	P00032-43-G15	EA COVER - JACK KNIFE, SEAT - 74" TUCK - W/O ARMS (G15) FROM: 10-16-95 THRU: 99-99-99
12	P00032-37-G08	EA COVER - JACK KNIFE, SEAT - 66.5" TUCK - W/O ARMS (G16) FROM: 00-00-00 THRU: 10-15-95
12	P00032-43-G16	EA COVER - JACK KNIFE, SEAT - 74" TUCK - W/O ARMS (G16) FROM: 10-16-95 THRU: 99-99-99
12	P00032-37-G04	EA COVER - JACK KNIFE, SEAT - 66.5" TUCK - W/O ARMS (G17) FROM: 00-00-00 THRU: 10-15-95
12	P00032-43-G13	EA COVER - JACK KNIFE, SEAT - 74" TUCK - W/O ARMS (G17) FROM: 10-16-95 THRU: 99-99-99
101085-01-000	EA FRAME - SEAT - 66.5" FROM: 00-00-00 THRU: 10-15-95	
101085-04-000	EA FRAME - SEAT - 74.75" FROM: 10-16-95 THRU: 99-99-99	
101085-06-000	EA FRAME - BASE - 66.5" FROM: 00-00-00 THRU: 10-15-95	
101085-06-000	EA FRAME - BASE - 74.75" FROM: 10-16-95 THRU: 99-99-99	
13	120991-02-G15	EA ARM - LEFT - SOFA/BED JACKKNIFE BACK (G15) FROM: 00-00-00 THRU: 10-15-95
13	121222-02-G15	EA ARM - LEFT - SOFA/BED JACKKNIFE BACK (G15) FROM: 10-16-95 THRU: 99-99-99
13	120991-02-G16	EA ARM - LEFT - SOFA/BED JACKKNIFE BACK (G16) FROM: 00-00-00 THRU: 10-15-95
13	121222-02-G16	EA ARM - LEFT - SOFA/BED JACKKNIFE BACK (G16) FROM: 10-16-95 THRU: 99-99-99
13	120991-02-G17	EA ARM - LEFT - SOFA/BED JACKKNIFE BACK (G17) FROM: 00-00-00 THRU: 10-15-95
13	121222-02-G17	EA ARM - LEFT - SOFA/BED JACKKNIFE BACK (G17) FROM: 10-16-95 THRU: 99-99-99
	111637-03-G15	EA PILLOW ASM - 22" X 22" KNIFE EDGE W/BRAID (G15)
	111637-03-G16	EA PILLOW ASM - 22" X 22" KNIFE EDGE W/BRAID (G16)
	111637-03-G13	EA PILLOW ASM - 22" X 22" KNIFE EDGE W/BRAID (G17)

NOTE: COUCH FRONT & SIDE PANELS ARE FOUND IN LOUNGE GROUP

DINETTE GROUP



DINETTE GROUP (CONTINUED)



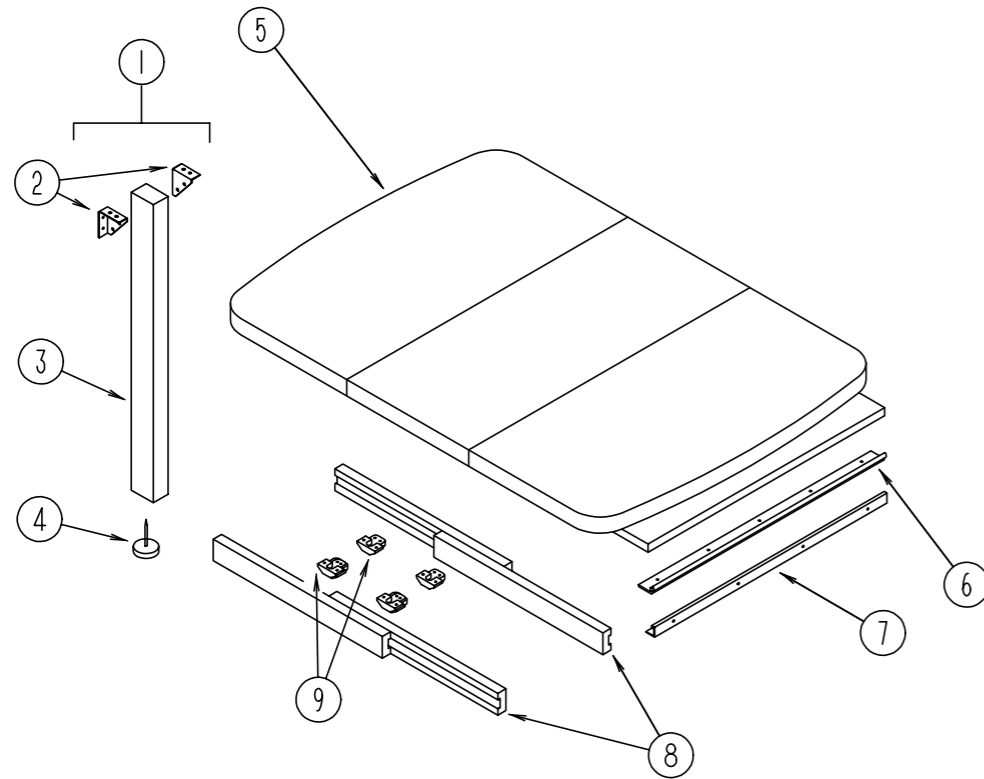
DINETTE CABINETRY (SLIDEOUT)

KEY	PART NUMBER	U/M DESCRIPTION
1	M07514-01-G15	EA CABINET - SEATBACK - RIGHT HAND
2	104787-08-G15	EA PAD ASM. - DINETTE
2	104787-08-G16	EA PAD ASM. - DINETTE
2	104787-08-G17	EA PAD ASM. - DINETTE
3	M05971-35-G15	EA DRAWER ASM. - W/O HARDWARE
4	M07515-01-G15	EA CABINET - SEATBASE - RIGHT HAND
5	081295-01-G01	EA BED SUPPORT - DINETTE
6	M07515-08-G35	EA CABINET - SEATBASE - LEFT HAND
7	M07514-08-G35	EA CABINET - SEATBACK - LEFT
8	058331-08-000	EA MIRROR GLASS, SAFETY - 24" X 30"
9	120978-13-G35	EA CAP ASM
10	115811-13-G15	EA OVERLAY - 7.5 X 22 3/8 - NOVEAU
10	115811-13-G16	EA OVERLAY - 7.5 X 22 3/8 - NOVEAU
10	115811-13-G17	EA OVERLAY - 7.5 X 22 3/8 - NOVEAU
11	120035-05-G15	EA DOOR ASM - FABRIC WRAPPED
11	120035-05-G16	EA DOOR ASM - FABRIC WRAPPED
11	120035-05-G17	EA DOOR ASM - FABRIC WRAPPED
12	120978-01-G35	EA CABINET ASM - OVERHEAD - DINETTE
13	120035-04-G15	EA DOOR ASM - FABRIC WRAPPED
13	120035-04-G16	EA DOOR ASM - FABRIC WRAPPED
13	120035-04-G17	EA DOOR ASM - FABRIC WRAPPED

DINETTE TABLE ASM.

KEY	PART NUMBER	U/M DESCRIPTION
1	081322-12-F09	EA DINETTE TABLE (G15,G16)
1	081322-12-E01	EA DINETTE TABLE (G17)
2	064781-06-000	EA CUP HOLDER - 2 STEP
3	053200-12-000	EA BRACKET - TABLE SUPPORT - UPPER WALL MOUNTED - 23.5" - OFF WHITE
4	088410-02-000	EA BRACKET - TABLE MOUNTED - OFF WHITE
5	024281-14-000	EA BRACKET - LIFT ROD - LOWER WALL MOUNTED - 22.12" - OFF WHITE
6	024275-12-000	EA ROD - TABLE LIFT - 8" X 23.5" - OFF WHITE
7	024283-01-000	EA CLIP - LEG - 1" - 1.125" OD - BLACK
8	024282-01-000	EA BRACE - TABLE LEG - HINGED
9	064050-05-000	EA CLAMP - SADDLE - LEG HINGE - OFF WHITE
10	024276-23-000	EA TABLE LEG - METAL - OFF WHITE
11	049493-12-000	EA LEG CATCH - FLOOR MOUNTED - 2.5" X 2.7" - METAL - E-COAT

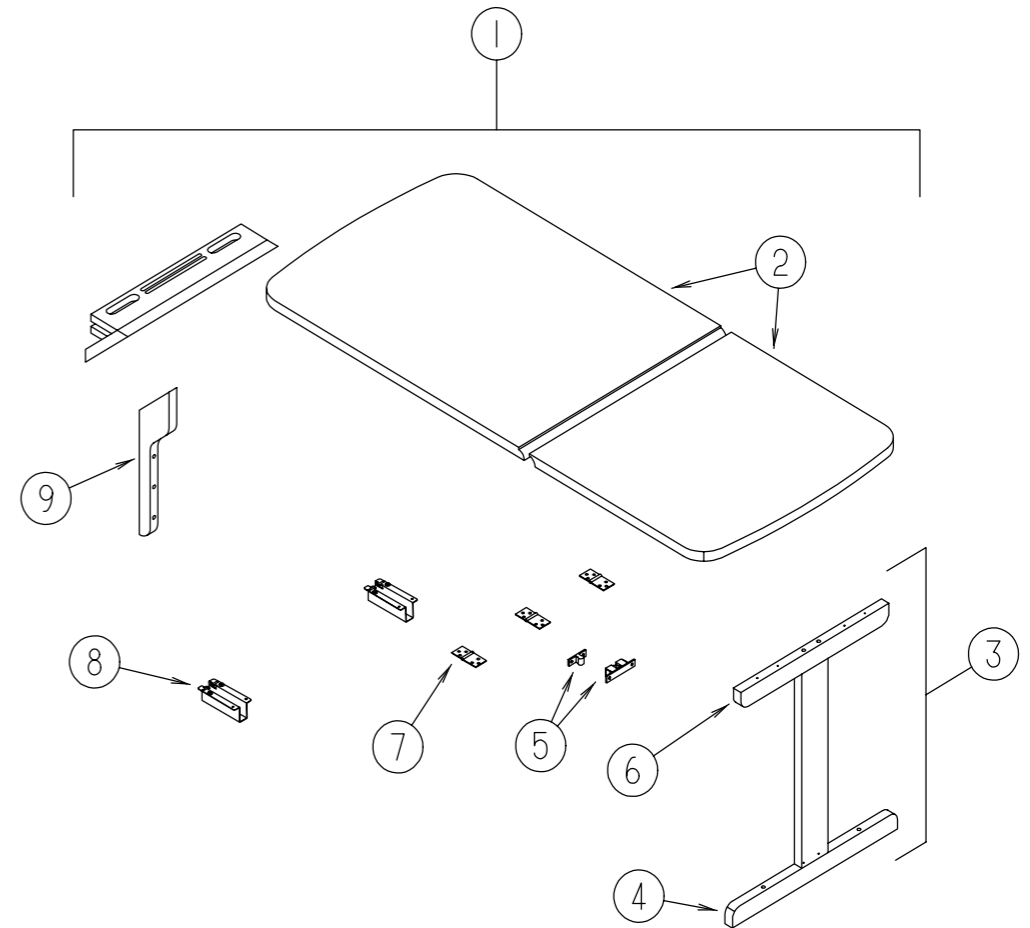
DINETTE GROUP (CONTINUED)



DINETTE TABLE ASM. W/DROP LEAF (FROM: 00-00-00 THRU: 11-06-95)

KEY	PART NUMBER	U/M	DESCRIPTION
1	092708-10-D35	EA	LEG ASM - TABLE
2	102810-01-04A	EA	BRACE - TABLE LEG - BLACK
3	092707-07-05A	EA	LEG MOLDING - OAK - WATERFORD OAK
4	102194-01-000	EA	GUIDE - PLASTIC
5	P02056-06-G35	EA	TABLE ASM. - W/ DROP LEAF
6	102201-02-01A	EA	SUPPORT - HINGE CATCH
7	102200-02-02A	EA	SUPPORT - HINGE LOCK - OFF WHITE
8	110749-01-000	EA	SLIDE - TABLE - 19 3/4" LONG
9	009050-02-000	EA	LEVELER - TABLE TOP - MALE END W/ SCREWS - PLASTIC
9	009050-03-000	EA	LEVELER - TABLE TOP - FEMALE END W/ SCREWS - PLASTIC
	119108-01-G15	EA	CHAIR ASM - 200 KC
	119108-01-G16	EA	CHAIR ASM - 200 KC
	119108-01-G17	EA	CHAIR ASM - 200 KC

DINETTE GROUP (CONTINUED)

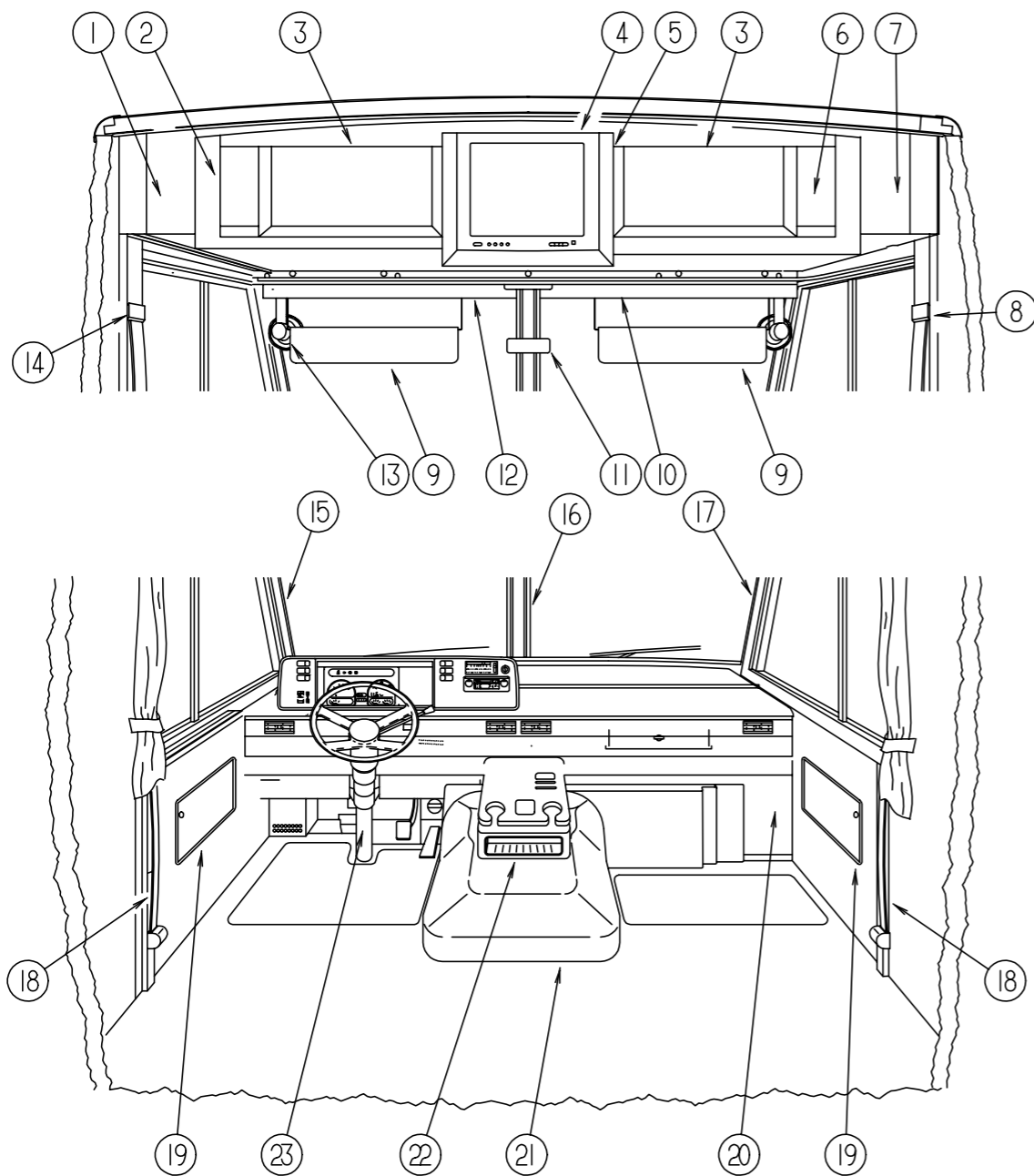


DINETTE TABLE ASM. FOLDOUT (FROM: 11-07-95 THRU: 99-99-99)

KEY	PART NUMBER	U/M	DESCRIPTION
1	120898-01-G35	EA	TABLE ASM. - FOLDOUT (G15,G16)
1	120898-01-G17	EA	TABLE ASM. - FOLDOUT (G17)
2	120898-11-G35	EA	COUNTERTOP ASM (G15,G16)
2	120898-11-G17	EA	COUNTERTOP ASM (G17)
3	M08092-01-G35	EA	LEG ASM - TABLE
4	120898-16-G35	EA	LEG - BOTTOM
5	084451-01-000	EA	CATCH - TV SHELF, BRASS
6	120898-17-G35	EA	LEG - UPPER
7	120972-01-01A	EA	HINGE - TABLE, DROP LEAF
8	120973-01-000	EA	SUPPORT - TABLE, DROP LEAF - PAIR
9	M08091-01-G35	EA	SUPPORT ASM - TABLE

DRIVERS COMPARTMENT GROUP

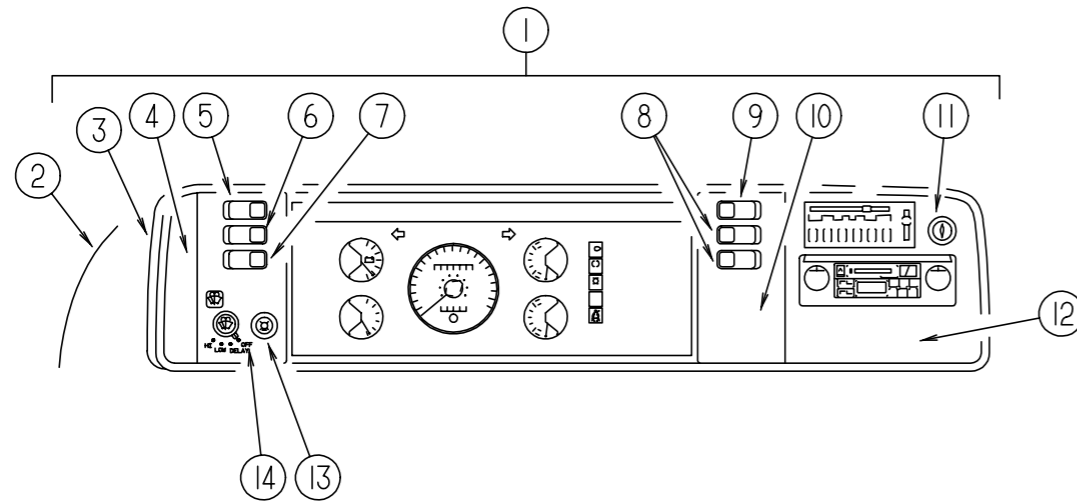
UPPER & LOWER DRIVER COMPARTMENT



KEY	PART NUMBER	U/M DESCRIPTION
4	M06803-C1-G15	EA DOOR - CABINET - W/O TV - 425 X 460 MM
5	116791-01-F31	EA FRAME ASSEMBLY - CABINET - W/ TV
	P18192-01-G15	EA COVER ASSEMBLY - TV - WITH VINYL
	115639-01-G15	EA PANEL ASSEMBLY - LINER-W/O TV - DRIVER
6	114612-03-G15	EA FACE ASSEMBLY - CABINET - PASSENGER SIDE OVERHEAD
	106699-01-01A	EA BRACKET - OVERHEAD CABINET - OFF WHITE
	P03077-06-G15	EA SHELF - BASE - CABINET - PASSENGER OVERHEAD
	100676-02-000	EA STAND - VCR
	114661-03-E10	EA PANEL ASSEMBLY - LINER - PASSENGER OVERHEAD - W/ TV
	114661-17-G15	EA PANEL ASSEMBLY - LINER - PASSENGER OVERHEAD - W/ TV & VCR
	114661-09-F11	EA PANEL ASSEMBLY - LINER - PASSENGER OVERHEAD - W/ TV - VCR/ INVERTER
	114661-10-E10	EA PANEL ASSEMBLY - LINER - PASSENGER OVERHEAD - W/ TV & INVERTER
7	104289-03-D12	EA PANEL - SIDE - PASSENGER OVERHEAD - VINYL
8	103961-01-01A	EA COVER-BRACKET - SEATBELT - OFF WHITE
9	082286-19-F11	EA SUNVISOR ASSEMBLY
	007211-01-000	EA HINGE - SUNVISOR - 25.5" X 1.5" - METAL
	074012-01-000	EA CLIP - SUNVISOR - SQUARE - PINCH ON
	116093-01-02A	EA BRACKET - SUNVISOR - W/ ROD - RH - BLACK
	116093-02-02A	EA BRACKET - SUNVISOR - W/ ROD - LH - BLACK
10	078579-17-000	EA TRIM - WINDSHIELD - UPPER INNER - RH - WILLOW
11	040714-01-000	EA MIRROR - REAR VIEW - W/ARM MOUNT & SET SCREW
	067490-01-000	EA BUTTON - MIRROR - REAR VIEW - STANK S927H
12	078579-18-000	EA TRIM - WINDSHIELD - UPPER INNER - LH - WILLOW
13	036420-02-000	EA FAN - DEFROSTER - 2 SPEED - 6" DIAMETER
14	103961-01-01A	EA COVER - BRACKET - SEATBELT - W/O DRIVER DOOR - OFF WHITE
14	103961-02-01A	EA COVER - BRACKET - SEATBELT - W/ DRIVER DOOR - OFF WHITE
	R77030-53-447	EA WASHER - FLAT
15	103931-04-03A	EA COVER - INTERIOR - A-PILLAR - DRIVER SIDE - WILLOW
16	079765-11-000	EA TRIM - WINDSHIELD - CENTER - WILLOW
17	103931-03-03A	EA COVER - INTERIOR - A-PILLAR - PASSENGER SIDE - WILLOW
	024700-46-000	EA COVER - ROLL BAR - DRIVER & PASSENGER SIDE UPPER - OFF WHITE - 21.2"
	024700-44-000	EA COVER - ROLL BAR - DRIVER & PASSENGER SIDE LOWER - 53" (W/O DR DOOR)
	024700-47-000	EA COVER - ROLL BAR - DRIVER SIDE LOWER - 18.9" (W/ DRIVER DOOR)
	024700-48-000	EA COVER - ROLL BAR - DRIVER SIDE CENTER - 25" (W/ DRIVER DOOR)
18	091990-04-01A	EA SEAT BELT - 3 POINT - BLACK - INTERTEK A8408
	109146-01-000	EA BOLT - SHOULDER - SEAT BELT
19	086120-10-G15	EA PAD - MAP POCKET - 12" X 16"
19	086120-10-G16	EA PAD - MAP POCKET - 12" X 16"
19	086120-10-G17	EA PAD - MAP POCKET - 12" X 16"
20	095757-05-G15	EA COVER - HEATER
20	095757-05-G16	EA COVER - HEATER
20	095757-05-G17	EA COVER - HEATER
21	115840-01-01A	EA COVER - MOTOR
	115850-01-02B	EA RETAINER ASM - MOTOR COVER LATCH
	116581-01-000	EA LATCH - MOTOR COVER
	115860-01-01A	EA TRIM - MOTOR COVER MILL
	115852-01-02B	EA STRIKE ASM. - MOTOR COVER
	116833-01-02B	EA WRENCH - HEX - MOTOR COVER
22	111618-01-GB1	EA TRAY - BEVERAGE
22	111618-13-GB1	EA LID ASM. - TRAY - BEVERAGE
	046886-03-000	EA ASHTRAY - CHROME - W/ COVER
23	103498-06-000	EA BOOT - COLUMN - UNIVERSAL
	112634-01-01A	EA TRIM - STEERING COLUMN - RH BLACK
	112634-02-01A	EA TRIM - STEERING COLUMN - LH BLACK
	111521-03-01A	EA COVER - STEERING COLUMN - BLACK

KEY	PART NUMBER	U/M DESCRIPTION
1	104289-04-D12	EA PANEL - SIDE - DRIVER - OVERHEAD - VINYL
2	114612-04-G15	EA FACE ASSEMBLY - OVERHEAD CABINET - DRIVER SIDE - W/TV
	106699-01-01A	EA BRACKET - OVERHEAD CABINET - OFF WHITE
	P03077-05-G15	EA SHELF - BASE - OVERHEAD CABINET - DRIVER
	114661-11-G15	EA PANEL ASSEMBLY - LINER - DRIVER OVERHEAD
	078811-08-G09	EA PANEL - TRIM - HEADER - LOWER - BETWEEN OVERHEAD AND W/S TRIM
3	100708-13-000	EA DOOR - CABINET - GLASS - 246 X 658 MM
	100710-01-01A	EA LOCK ASSEMBLY - TWIST TYPE - BRASS
	100711-01-01A	EA HINGE - GLASS DOOR
	100707-01-000	EA SPACER - GLASS DOOR - .8" DIAMETER - .3" HOLE - PLASTIC
	101272-01-000	EA CATCH - GLASS DOOR
	101766-01-000	EA PIN - SUPPORT - GLASS DOOR
	108487-02-01A	EA SUPPORT - PROP ROD - PASSENGER OVERHEAD - BLACK
	108486-01-01A	EA BRACKET - PROP ROD - PASSENGER OVERHEAD - BLACK

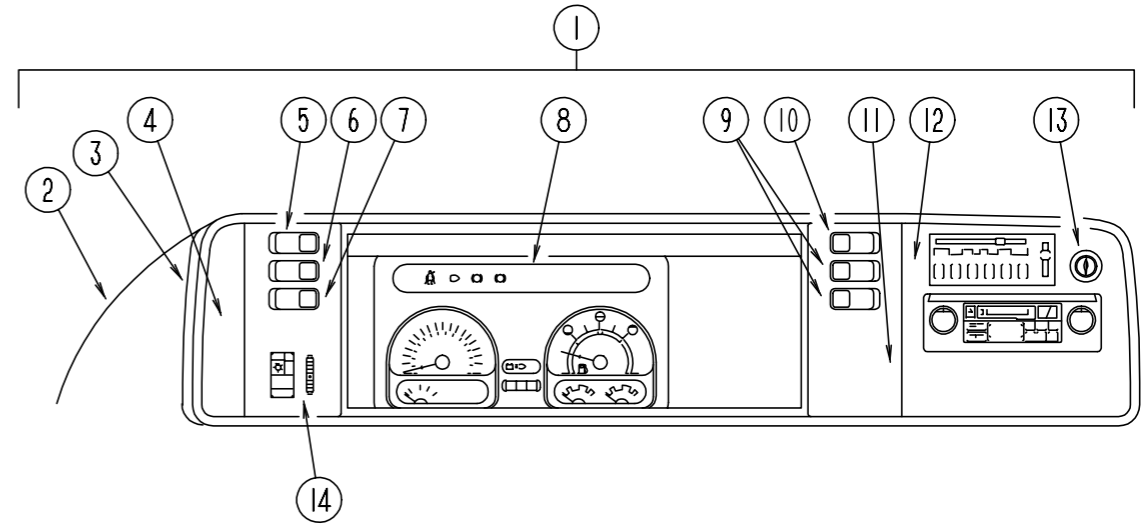
DRIVERS COMPARTMENT GROUP (CONTINUED)



DASH, GAUGES & SWITCHES (FORD)

KEY	PART NUMBER	U/M DESCRIPTION
1	M05946-30-G15	EA DASH POD ASM.
2	111499-01-03A	EA POD - INSTRUMENT PANEL - WILLOW
3	103662-04-01A	EA BEZEL - INSTRUMENT PANEL
4	104056-01-02A	EA APPLIQUE - BEZEL - LEFT - DRESS UP
5	108357-05-000	EA SWITCH - ROCKER - SPDT ON/ NONE/ ON
5	108356-02-01A	EA SWITCH COVER - W/ DIMPLES - CARLING VVAZC00 BLA
6	108357-09-000	EA SWITCH - ROCKER - SPDT ON/ NONE/ MOM
6	108356-02-01A	EA SWITCH COVER - W/ DIMPLES - CARLING VVAZC00 BLA
7	108357-06-000	EA SWITCH - ROCKER - DPDT MOM/ OFF/ MOM
7	108356-02-01A	EA SWITCH COVER - W/ DIMPLES - CARLING VVAZC00 BLA
8	108357-03-000	EA SWITCH - ROCKER - SPDT ON/ OFF/ ON
8	108356-02-01A	EA SWITCH COVER - W/ DIMPLES - CARLING VVAZC00 BLA
9	108357-10-000	EA SWITCH - ROCKER - SPDT MOM/ OFF/ MOM
9	108356-04-01A	EA SWITCH COVER - W/ DIMPLES & LENS - CARLING VVAGC00
	096241-03-000	EA SWITCH - BLANK
10	104056-21-01A	EA APPLIQUE - BEZEL - SWITCH RIGHT
11	089294-01-000	EA LIGHTER ASM. - CIGARETTE
12	104056-06-02A	EA APPLIQUE - BEZEL - RIGHT DRESS UP
13	096675-01-000	EA KNOB - HEADLAMP SWITCH - W/SHAFT
	096674-01-000	EA NUT - HEADLAMP SWITCH - BLACK
14	104056-24-01A	EA APPLIQUE - BEZEL - SWITCH LEFT
	106569-07-01A	EA VINYL - LAMINATE MADRID WILLOW - 1/4" X 17" X 100"
	100138-01-000	EA MODULE - DAYTIME RUNNING LIGHT (CSA)
	077031-01-000	EA FILM - BLACK - 1" X 1.75"
	077031-03-000	EA FILM - WHITE .75" X 1"
	104354-08-01A	EA APPLIQUE - LOWER DASH - FORD
	112235-01-01A	EA BEZEL - MONITOR - LEVELING JACK - WILLOW
	111528-03-02A	EA TRIM - DASH - LOWER - RIGHT HAND - WILLOW
	117306-02-F11	EA TRIM ASM - DASH - LOWER, FORD
	P14614-02-F11	EA DASH ASM - FORD - W/O VINYL
	108067-03-000	EA STUD - WELD - 1/4-20 X 1/2 CD

DRIVERS COMPARTMENT GROUP (CONTINUED)

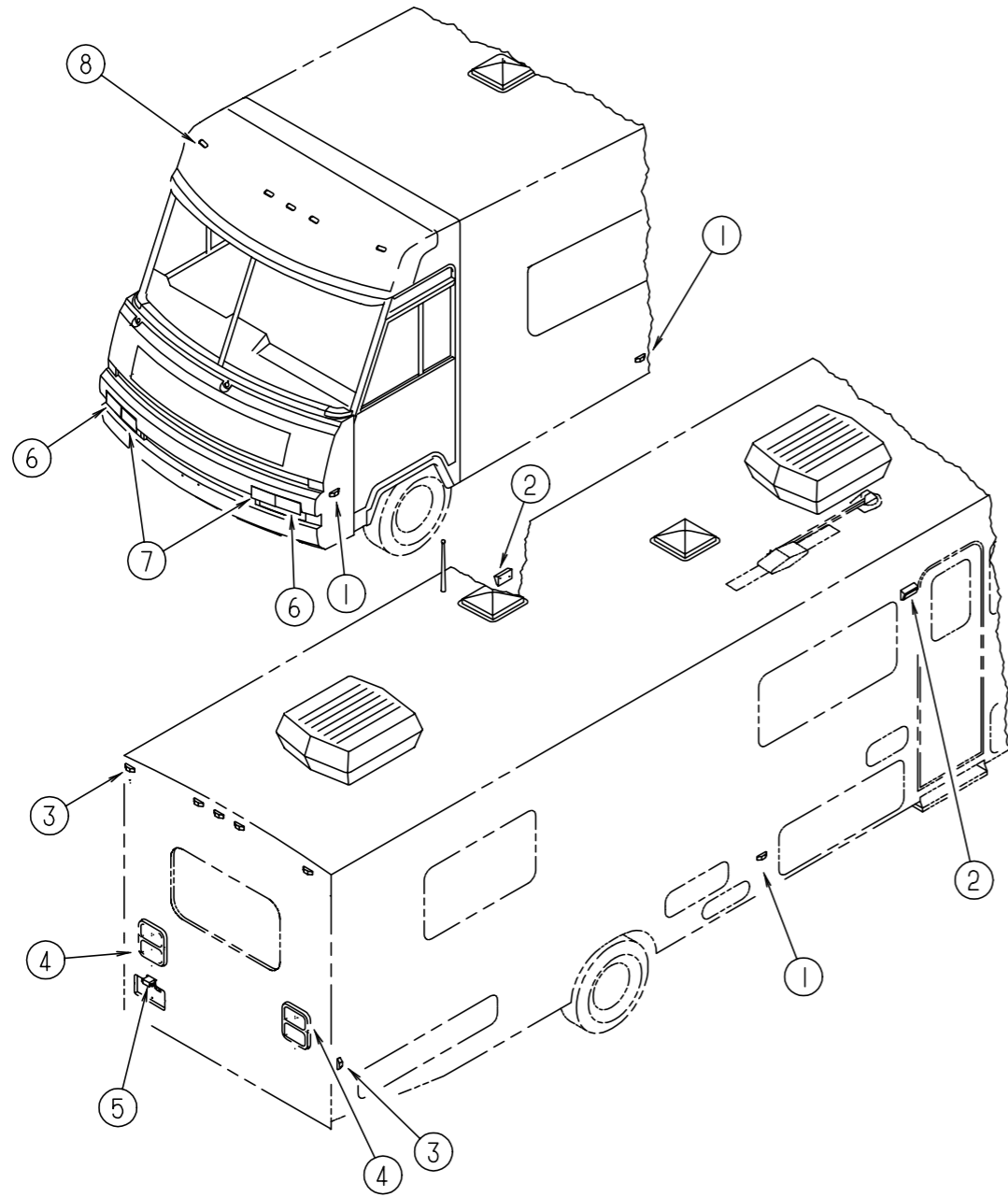


DASH, GAUGES & SWITCHES (CHEVY)

KEY	PART NUMBER	U/M DESCRIPTION
1	M05946-29-G15	EA DASH POD ASM.
2	111499-01-03A	EA POD - INSTRUMENT PANEL - WILLOW
3	103662-01-01A	EA BEZEL - INSTRUMENT PANEL
4	104056-01-02A	EA APPLIQUE - BEZEL - LEFT - DRESS UP
5	108357-05-000	EA SWITCH - ROCKER - SPDT ON/ NONE/ ON
5	108356-02-01A	EA SWITCH COVER - W/ DIMPLES - CARLING VVAZC00 BLA
6	108357-09-000	EA SWITCH - ROCKER - SPDT ON/ NONE/ MOM
6	108356-02-01A	EA SWITCH COVER - W/ DIMPLES - CARLING VVAZC00 BLA
7	108357-06-000	EA SWITCH - ROCKER - DPDT MOM/ OFF/ MOM
7	108356-02-01A	EA SWITCH COVER - W/ DIMPLES - CARLING VVAZC00 BLA
8	094796-07-000	EA CLUSTER - INSTRUMENT PANEL - KILOMETER (CSA)
9	108357-03-000	EA SWITCH - ROCKER - SPDT ON/ OFF/ ON
9	108356-02-01A	EA SWITCH COVER - W/ DIMPLES - CARLING VVAZC00 BLA
10	108357-10-000	EA SWITCH - ROCKER - SPDT MOM/ OFF/ MOM
10	108356-04-01A	EA SWITCH COVER - W/ DIMPLES & LENS - CARLING VVAGC00
	096241-03-000	EA SWITCH - BLANK
11	104056-21-01A	EA APPLIQUE - BEZEL - SWITCH RIGHT
12	104056-06-02A	EA APPLIQUE - BEZEL - RIGHT DRESS UP
13	089294-01-000	EA LIGHTER ASM. - CIGARETTE
14	104056-22-01A	EA APPLIQUE - BEZEL - SWITCH LEFT
	P14614-01-F11	EA DASH ASM - LOWER - W/O VINYL
	106569-07-01A	EA VINYL - LAMINATE MADRID WILLOW - 1/4" X 17" X 100"
	077031-01-000	EA FILM - BLACK - 1" X 1.75"
	077031-03-000	EA FILM - WHITE .75" X 1"
	105615-01-000	FT FILM - PROTECTIVE - CLEAR
	114620-01-01A	EA TRIM - DASH - LOWER - WILLOW
	104354-08-01A	EA APPLIQUE - LOWER DASH
	100138-01-000	EA MODULE - DAYTIME RUNNING LIGHT (CSA)
	077539-01-000	EA BRACKET - MOUNTING - DASH PANEL - L/ SHAPED
	112235-01-01A	EA BEZEL - MONITOR - LEVELING JACK - WILLOW

ELECTRICAL GROUP

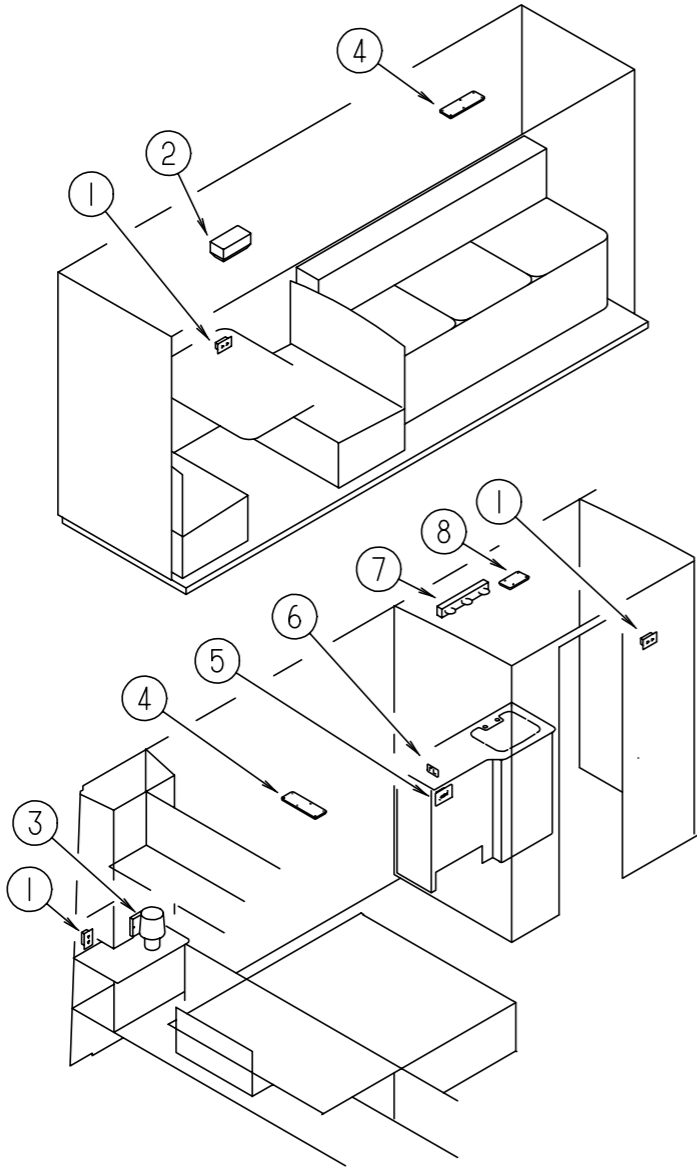
EXTERIOR LIGHTS



KEY	PART NUMBER	U/M DESCRIPTION
1	111102-01-000	EA LAMP - MARKER - BASE - TRIPLEX 117XAS
1	036196-01-000	EA BULB - 12V - #194 - .27 AMP - BAYONETTE
1	111102-02-000	EA LENS - MARKER LAMP - AMBER - TRIPLEX 118A
1	112823-01-000	EA SPLICE - REDUCER
2	097917-01-04A	EA LIGHT - PORCH - ENTRY DOOR - BUFF - US
2	008215-01-000	EA BULB - 12V - #1003 - .94 AMP
2	097917-01-700	EA LENS - LIGHT - PORCH
2	008089-02-000	EA LIGHT- PORCH, RECESSED - CANADIAN
2	008215-01-000	EA BULB - 12V - #1003 - .94 AMP
2	008089-01-700	EA LENS - LIGHT - PORCH - CANADIAN
3	111102-01-000	EA LAMP - MARKER - BASE - TRIPLEX 117XAS
3	036196-01-000	EA BULB - 12V - #194 - .27 AMP - BAYONETTE
3	111102-03-000	EA LENS - MARKER LAMP - RED - TRIPLEX 117R
3	112823-01-000	EA SPLICE - REDUCER
4	081638-01-000	EA TAIL LIGHT - DOUBLE - W/ BLACK TRIM - DRIVER & PASSENGER SIDE
4	103355-01-01A	EA POD - TAILLIGHT, O/W
4	081638-01-700	EA LENS - TAIL LIGHT - RED
4	081638-01-701	EA LENS - TAIL LIGHT - W/BACKUP
4	037934-01-000	EA BULB #1156 (BACK UP & TURN SIGNAL)
4	037935-01-000	EA BULB #2057 OR #1157 (BRAKE LIGHT)
5	066432-02-000	EA LIGHT ASM. - LICENSE PLATE
5	066432-03-000	EA BRACKET - LICENSE PLATE
6	070907-04-000	EA HEADLAMP ASM - DRIVER & PASSENGER SIDE - HIGH/ LOW BEAM
6	110750-01-000	EA SCREW ASM - HEADLAMP ADJUSTING - T'MAN B62258-1428
7	089292-01-000	EA LIGHT - PARK/ TURN - DRIVER & PASSENGER SIDE - W/ AMBER LENS
	049359-01-000	EA SPRING - RETAINER - HEADLAMP - GM
	073308-01-000	EA SCREW - ADJUSTING - HEADLAMP
8	102520-01-000	EA CLEARANCE LIGHT ASM. - W/O SOCKET CONNECTIONS - AMBER
8	036196-01-000	EA BULB
8	102541-01-000	EA GASKET - CLEARANCE LIGHT
8	102540-01-000	EA SEAL - SCREW - ROUND - RUBBER
8	067789-02-000	EA SOCKET - LAMP - PACKARD 8919426
8	088474-09-000	EA HOUSING - SOCKET - 3 CAVITY - AMP 1-480701-0
8	088476-01-000	EA SOCKET - CONNECTOR - BRASS - PRE-TIN

ELECTRICAL GROUP (CONTINUED)

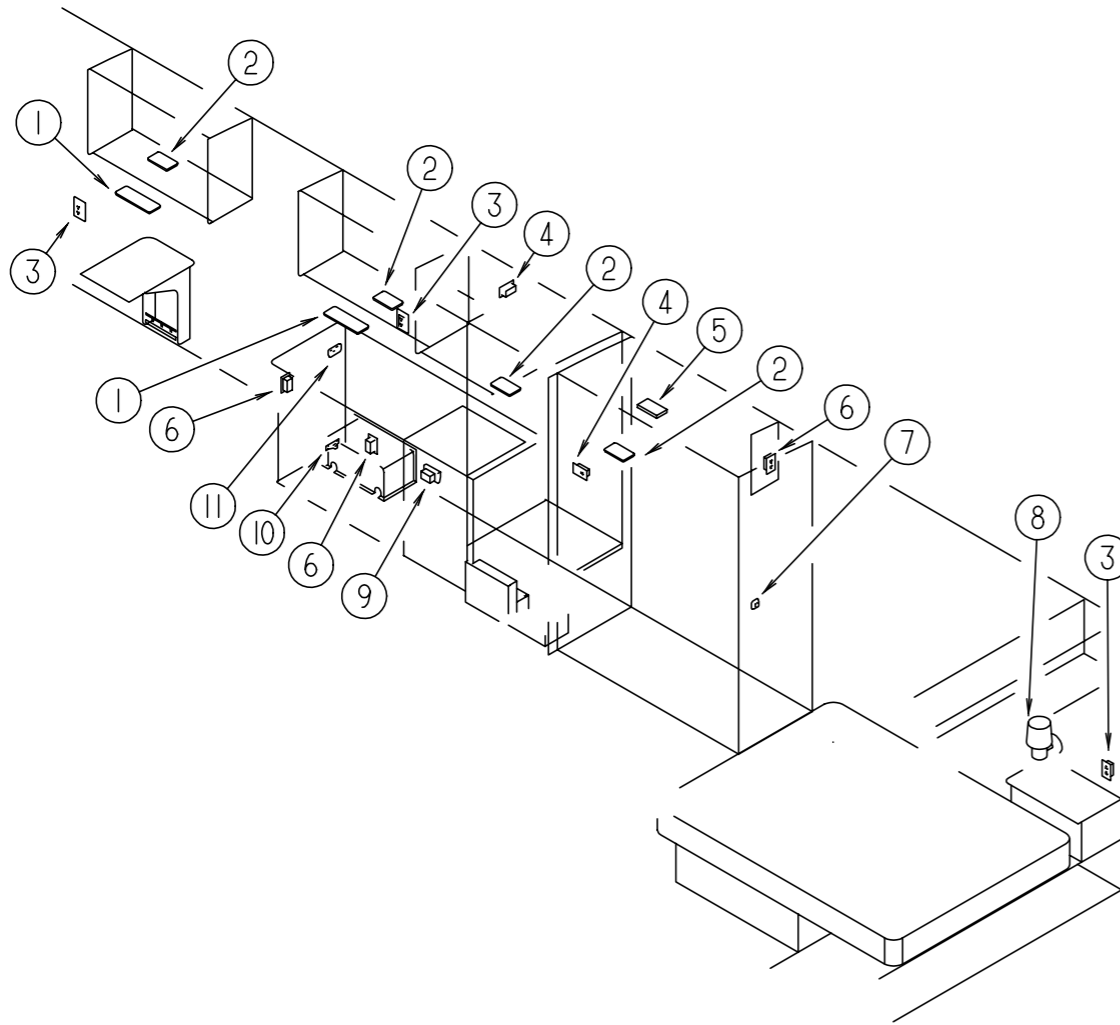
LIGHTS, RECEPTACLES, & SWITCHES (DRIVER SIDE)



KEY	PART NUMBER	U/M	DESCRIPTION
1	058708-02-000	EA	RECEPTACLE - ELECTRIC - DOUBLE - IVORY
1	091927-01-000	EA	COVER - RECEPTACLE - DOUBLE - IVORY
1	102568-01-GB1	EA	SPACER - RECEPTACLE - WOOD - SIDEWALL
2	093575-06-01A	EA	LIGHT - CEILING W/ FLUTED GLASS
3	065202-24-000	EA	LAMP-WALL, BRASS UL/CSA - GUSTAFSON OV-531
3	065201-12-000	EA	SHADE-LAMP, FABRIC - WHITE SWIRL
3	067479-01-000	EA	BULB - 12V, NUMBER 1076
4	098024-03-01A	EA	DOMELIGHT - 2 BULB - IVORY
4	008218-01-000	EA	BULB - DOMELIGHT
4	098024-01-700	EA	LENS - DOMELIGHT
5	084076-02-000	EA	RECEPTACLE - GFI - 15A - 125V - BROWN
6	079364-01-000	EA	SWITCH - ON/ OFF - ROCKER - 2 PRONGS - BROWN
6	079364-03-000	EA	SWITCH - ON/ OFF - ROCKER - 3 PRONGS - BROWN
6	098351-02-01A	EA	PLATE - SWITCH - 2 GANG - POLISHED BRASS
7	110235-01-01A	EA	LIGHT - MAKE UP - 3 BULB - PANLESS
7	081633-01-700	EA	BULB - MAKE-UP
8	098024-01-01A	EA	DOMELIGHT - 1 BULB - US - IVORY
8	008218-01-000	EA	BULB - DOMELIGHT
8	098024-01-700	EA	LENS - DOMELIGHT
	024924-02-000	EA	RECEPTACLE - POWER CORD - W/ PARTIAL PLATE

ELECTRICAL GROUP (CONTINUED)

LIGHTS, RECEPTACLES, & SWITCHES (PASSENGER SIDE)



KEY	PART NUMBER	U/M	DESCRIPTION
1	098024-03-01A	EA	DOMELIGHT - 2 BULB - IVORY
1	008218-01-000	EA	BULB - DOME LIGHT
1	098024-01-700	EA	LENS - DOME LIGHT
2	098024-01-01A	EA	DOMELIGHT - 1 BULB - US - IVORY
2	008218-01-000	EA	BULB - DOME LIGHT
2	098024-01-700	EA	LENS - DOME LIGHT
3	058708-02-000	EA	RECEPTACLE - ELECTRIC - DOUBLE - IVORY
3	091927-01-000	EA	COVER - RECEPTACLE - DOUBLE - IVORY
3	102568-01-GB1	EA	SPACER - RECEPTACLE - WOOD - SIDEWALL
4	058707-01-000	EA	RECEPTACLE - ELECTRIC - SINGLE - BROWN
5	087694-01-000	EA	LIGHT - WARDROBE/CLOSET - W/SWITCH
5	087694-01-700	EA	BULB - GE561 - WARDROBE/ CLOSET
6	058708-01-000	EA	RECEPTACLE - ELECTRIC - DOUBLE - BROWN
7	079364-01-000	EA	SWITCH - ON/ OFF - ROCKER - 2 PRONGS - BROWN
7	098351-01-01A	EA	PLATE - SWITCH - 1 GANG - POLISHED BRASS
8	065202-24-000	EA	LAMP-WALL, BRASS UL/CSA - GUSTAFSON OV-531
8	065201-12-000	EA	SHADE-LAMP, FABRIC - WHITE SWIRL
8	067479-01-000	EA	BULB - 12V, NUMBER 1076
9	112822-01-01A	EA	RECEPTACLE - DUPLEX - IVORY
10	061424-01-000	EA	LIGHT - AISLE - 12V - RECTANGULAR
10	008103-01-000	EA	BULB - AISLE
11	079364-01-000	EA	SWITCH - ON/ OFF - ROCKER - 2 PRONGS - BROWN
11	098351-05-01A	EA	PLATE - SWITCH - 3 GANG - POLISH BRASS - JENSEN
	007954-01-000	EA	RECEPTACLE - HSG - 6 POSITION
	080015-02-000	EA	RECEPTACLE - FLAG - .185 - 16/14 GA - AMP 3
	058707-02-000	EA	RECEPTACLE - BLANK - JUNCTION WIRECON
	112824-01-03A	EA	COVER - EXTERIOR DUPLEX RECEPTACLE - WHITE

ELECTRICAL GROUP (CONTINUED)**TERMINALS**

KEY	PART NUMBER	U/M DESCRIPTION
	008326-01-000	EA TERMINAL - RING - 16/14 WIRE - 3/8" STUD
	008328-01-000	EA TERMINAL - RING - 12/10 WIRE - #10 STUD FIT
	008331-01-000	EA TERMINAL - RING - TONGUE - #4 WIRE - 3/8" STUD - COPPER
	008348-01-000	EA TERMINAL - RING - 3/8" STUD - #2 WIRE
	035416-04-000	EA TERMINAL - RING #10 STUD FITTING - INSULATED BARREL #16/14
	047443-01-000	EA TERMINAL - .250 RECEPTACLE FITTING - INSULATED - 16/14 AWG
	062036-01-000	EA TERMINAL - PACK - CONNECTOR - 12/10 AWG - PARKARD 12033817
	062036-02-000	EA TERMINAL - PACK - CONNECTOR - 16/14 AWG - PARKARD 08917021
	088267-01-000	EA TERMINAL - FEMALE, 1/4 - PACKARD 2962573
	104100-03-000	EA TERMINAL - 75 AMP AMP 53880-4 LOOSE
	106655-01-000	EA TERMINAL - FUSE BLOCK - 14-16AWG - PARKARD 12020321
	106655-02-000	EA TERMINAL - FUSE BLOCK - 10-12AWG - PARKARD 12020400
	106007-01-000	EA TERMINAL - FEMALE, 14-16AWG - PARKARD 12015861-L
	113135-01-000	EA TERMINAL - FEMALE - METRI-PACK - 280 - 14-16 - PARKARD 12048451
	113306-01-000	EA TERMINAL - FEMALE - METRI-PACK - 480 - 14-16 - PARKARD 12048451
	113307-01-000	EA TERMINAL - FEMALE - METRI-PACK - 150 - 16-20 - PARKARD 12048074

ELECTRICAL CONNECTORS & CONDUIT

KEY	PART NUMBER	U/M DESCRIPTION
	041953-01-000	FT CONDUIT - CONVOLUTE - SLIT - .5"ID
	041953-03-000	FT CONDUIT - CONVOLUTE - SLIT - 1" ID (CLOTHES ROD COVER)
	041953-04-000	FT CONDUIT - CONVOLUTE - SLIT - .50"ID
	041953-05-000	FT CONDUIT - CONVOLUTE - SOLID - .62" ID
	041953-06-000	FT CONDUIT - CONVOLUTE - SLIT .375"ID
	041953-07-000	FT CONDUIT - CONVOLUTE - SLIT - .25" ID
	041953-08-000	FT CONDUIT - CONVOLUTE - SLIT - 1.50"ID
	041953-09-000	FT CONDUIT - CONVOLUTE - SLIT .50"ID
	041953-10-000	FT CONDUIT - CONVOLUTE - SLIT - .75" ID
	041953-11-000	FT CONDUIT - CONVOLUTE - SLIT - 1.06" ID
	041953-12-000	FT CONDUIT - CONVOLUTE - NON SLIT 1.1" ID
	008311-01-000	EA CONNECTOR - WIRE NUT - INSULATED - RED
	008312-01-000	EA CONNECTOR - WIRE NUT - INSULATED - BLUE
	008314-01-000	EA CONNECTOR - WIRE NUT - INSULATED - GRAY
	008355-01-000	EA CONNECTOR - CABLE CLAMPING - 3/4"
	008356-01-000	EA CONNECTOR - PLASTIC - 3/8" AVG
	008398-01-000	EA CONNECTOR - 1/2" X 90 DEGREE, FLEX CONDUIT - UL & CSA
	082741-01-000	EA CONNECTOR - BODY - 2 CONNECTOR - MALE
	058028-01-000	EA CONNECTOR - ELECTRICAL PIGTAIL - NYLON - CLEAR
	041480-01-000	EA CONNECTOR - STRAIGHT - 1/2" FLEX CONDUIT
	087695-03-000	EA CONNECTOR - ASSEMBLY - EURAMTEC RT10484802
	088475-01-000	EA PIN - CONNECTOR - 14 TO 20 AWG
	088476-01-000	EA SOCKET - CONNECTOR - BRASS - PRE - TIN
	088476-02-000	EA SOCKET - CONNECTOR - 12-10 GA - PHOS. BRZ - PRE - TIN
	098261-02-000	EA SOCKET - CONNECTOR, WEATHERPACK - PACKARD 12124580
	098262-01-000	EA SEAL - CONNECTOR, WEATHERPACK - PACKARD 12010293

CONVERTER & LOAD CENTER

KEY	PART NUMBER	U/M DESCRIPTION
	113132-01-000	EA LOAD CENTER - 120/ 240V - 60A - WESCO 2460SGNM
	083208-02-000	EA CONVERTER - POWER - 45A - 120V/12V - BW 6345
	099048-02-000	EA INVERTER - 100 WATT - W/EXTRA SURGE CAPACITY

ELECTRICAL GROUP (CONTINUED)**ELECTRICAL HOUSINGS**

KEY	PART NUMBER	U/M DESCRIPTION
	088473-01-000	EA HOUSING-PIN, 12 CAVITY - AMP 1-480708-0
	088473-02-000	EA HOUSING-PIN, 15 CAVITY - AMP 1-480710-0
	088473-03-000	EA HOUSING-PIN, 9 CAVITY - AMP 1-480706-0
	088473-05-000	EA HOUSING-PIN, 6 CAVITY - AMP 640585-1
	088473-06-000	EA HOUSING-PIN, 6 CAVITY - AMP 1-480704-0
	088473-08-000	EA HOUSING-PIN, 4 CAVITY - AMP 1-480702-0
	088473-09-000	EA HOUSING-PIN, 3 CAVITY - AMP 1-480700-0
	088473-10-000	EA HOUSING-PIN, 2 CAVITY - AMP 1-480698-0
	088474-01-000	EA HOUSING-SOCKET, 12 CAVITY - AMP 1-480709-0
	088474-02-000	EA HOUSING-SOCKET, 12 CAVITY - AMP 1-480711-0
	088474-03-000	EA HOUSING-SOCKET, 9 CAVITY - AMP 1-480707-0
	088474-06-000	EA HOUSING-SOCKET, 6 CAVITY - AMP 1-480705-0
	088474-07-000	EA HOUSING-SOCKET, 5 CAVITY - AMP 1-480764-0
	088474-08-000	EA HOUSING-SOCKET, 4 CAVITY - AMP 1-480703-0
	088474-09-000	EA HOUSING-SOCKET, 3 CAVITY - AMP 1-480701-0
	088474-10-000	EA HOUSING-SOCKET, 2 CAVITY - AMP 1-480699-0
	098264-01-000	EA HOUSING - 2 PIN, WEATHER PACK - MALE - PACKARD 12015792
	104100-01-000	EA HOUSING - 1 POSITION, 75 AMP - AMP 53884-1
	106006-01-000	EA HOUSING - 1 POSITION, FEMALE - PACKARD 12015952
	113131-01-000	EA HOUSING - 3 PIN, METRI-PACK - FEMALE - PACKARD12020397
	113468-01-000	EA HOUSING - 2 POSITION, FEMALE - 56-SERIES - PACKARD 02965981 USED ON WIPER/WASHER WIRE ASM
	115556-01-000	EA HOUSING - 3 POSITION, FEMALE 59-SERIES - PACKARD 02965810
	115556-02-000	EA HOUSING - 2 POSITION, FEMALE 59-SERIES - PACKARD 02965809
	119248-02-000	EA HOUSING - 7 POSTION, FEMALE - PACKARD 12059472

CIRCUIT BREAKERS & FUSES

KEY	PART NUMBER	U/M DESCRIPTION
	097611-01-000	EA CIRCUIT BREAKER - 6AMP - ATC - BLACK
	093655-03-000	EA CIRCUIT BREAKER - 40 AMP USD 17440-4E03A2A
	083209-02-000	EA CIRCUIT BREAKER - 15/20AMP - 120V - BW H - 15/15
	083209-03-000	EA CIRCUIT BREAKER - 15/20AMP - 120V - BW - 0-15/20
	083209-04-000	EA CIRCUIT BREAKER - 30A - 120V - BW L - 30
	083209-06-000	EA CIRCUIT BREAKER - 30/15 AMP - 120V - BW D - 30/15
	083209-07-000	EA CIRCUIT BREAKER - 20/20A - 120V - BW K - 20/20
	083209-08-000	EA CIRCUIT BREAKER - BLANK - BW
	112591-01-000	EA CIRCUIT BREAKER - 16A, 240V
	062901-02-000	EA FUSE - 5 AMP - AUTOMOTIVE
	062901-05-000	EA FUSE - 15 AMPS - AUTOMOTIVE
	062901-06-000	EA FUSE - 20 AMPS - AUTOMOTIVE
	062901-07-000	EA FUSE - AUTOMOTIVE - 25 AMPS
	062901-08-000	EA FUSE - 30 AMPS - AUTOMOTIVE
	106656-01-000	EA FUSE BLOCK - 4 CAVITY AUTOFUSE
	008235-01-000	EA FUSE-AUTOMOTIVE, 12V - 15AMP
	100341-01-000	EA FUSE HOLDER-IN LINE TYPE, WESCO 8931-92020
	108669-01-000	EA HOUSING - AUTO FUSE HOLDER
	062037-01-000	EA HOUSING - AUTO FUSE - NATURAL
	062037-02-000	EA HOUSING - AUTO FUSE - GREEN
	062037-03-000	EA HOUSING - AUTO FUSE - BLACK
	062037-04-000	EA HOUSING - AUTO FUSE - BLUE
	062037-06-000	EA HOUSING - AUTO FUSE - BROWN
	062037-07-000	EA HOUSING - AUTO FUSE - RED

ELECTRICAL GROUP (CONTINUED)

ELECTRICAL WIRING & BOXES

KEY	PART NUMBER	U/M DESCRIPTION
	008052-01-000	EA CORD-POWER, 10/3 - 30 AMP - 25' - CANADIAN
	008054-01-000	EA CORD-POWER, 10/3 - 30 AMP - 25'
	121470-01-000	EA CORD-EXTENSTION, 6'
	008289-01-000	EA BOX-ELECTRIC, STEEL - 1/2" AND 3/4" KNOCKOUTS - 4" X 4"
	008289-02-000	EA BOX-ELECTRICAL, 4" X 4" - 1/2" & 3/4" KNOCKOUTS - CANADIAN
	008294-01-000	EA COVER-ELECTRICAL BOX, BLANK/STEEL - 4" X 4" - GRAY
	069238-01-000	EA COVER-ELECTRICAL BOX, W/HOLE - 4" X 4" - GRAY USED WITH 30 AMP RECEPTACLE
	074890-01-000	EA BOX-EXTENSION, STEEL - OPEN SIDES - 4" X 4" X 1 1/2"
	074897-01-000	EA COVER-ELECTRIC BOX, 1 LARGE & 2 SMALL HOLES - 4" X 4"
	091910-01-000	EA BOX-ELECTRIC, 3.75" X 3.5" X 1.75" - PLASTIC
	091910-02-000	EA BOX-ELECTRICAL, PLASTIC - 57 X 88MM
	111509-01-000	EA BOX ASM-ELECTRICAL, FRONT
	111510-01-000	EA DOOR-ELECTRICAL BOX, FRONT
	073328-B4-000	EA CABLE ASSEMBLY-BATTERY, W/TERMINALS
	090986-01-000	EA WIRE ASM-ELECTRIC STEP, KWIKEE 9009
	096449-01-000	EA WIRE ASSEMBLY-WATER TANK TO MONITOR PANEL
	097618-01-000	EA WIRE ASM-MONITOR PANEL, W/3 WIRES & ORANGE RESISTOR- LVS ORANGE RESISTOR W/3 (ORANGE-GREEN-BLUE) WIRES
	100159-01-000	EA WIRE ASM-DAYTIME RUNNING LIGHTS, W/FUSE
	102636-02-000	EA WIRE ASM-CLEARANCE LAMPS
	103342-02-000	EA WIRE ASM-CLEARANCE, UPPER
	103342-03-000	EA WIRE ASM-CLEARANCE. UPPER RH
	113134-03-000	EA WIRE ASM-WIPER/WASHER
	108303-01-000	EA WIRE ASM-REAR AUTO HEATER
	108304-01-000	EA WIRE ASM-IP, AUX FANS
	110256-01-000	EA WIRE ASM-IP, GENERATOR
	111915-01-000	EA WIRE ASM-DAY RUN LAMPS, FUSE
	111915-03-000	EA WIRE ASM-DAY RUN LAMPS, FUSE
	119456-01-000	EA WIRE ASM-IP, MAIN (FORD)
	119459-01-000	EA WIRE ASM-IP, MAIN (CHEVY)
	104016-01-000	EA WIRE ASM-AUX FANS

DASH SWITCHES

KEY	PART NUMBER	U/M DESCRIPTION
	077942-01-000	EA SWITCH-DUMMY, BLACK
	079364-04-000	EA SWITCH-ON/OFF, ROCKER - BLACK
	087695-02-000	EA SWITCH-MIRROR HEATER - DAV 4720-12
	096241-03-000	EA SWITCH-BLANK
	108355-01-000	EA HOUSING-SWITCH - CARLING VCH
	108356-01-01A	EA SWITCH COVER W/ 3 GROOVES - CARLIN VVCZC00
	108356-02-01A	EA SWITCH COVER W/ 2 DIMPLES - CARLING CCAZC00
	108356-04-01A	EA SWITCH COVER W/DIMPLES-LIGHTED-CARLING VVAGC00
	108357-05-000	EA ROCKER SWITCH, SPDT ON/NONE/ON - CARLING V4D1000B-0
	108357-08-000	EA ROCKER SWITCH, DPDT ON/NONE/ON - CARLING VDD1S00C-0
	108357-10-000	EA ROCKER SWITCH, SPDT MOM/OFF/MOM - CARLING V8D1160B-0 - LIGHTED

ELECTRICAL GROUP (CONTINUED)

ELECTRICAL COMPONENTS

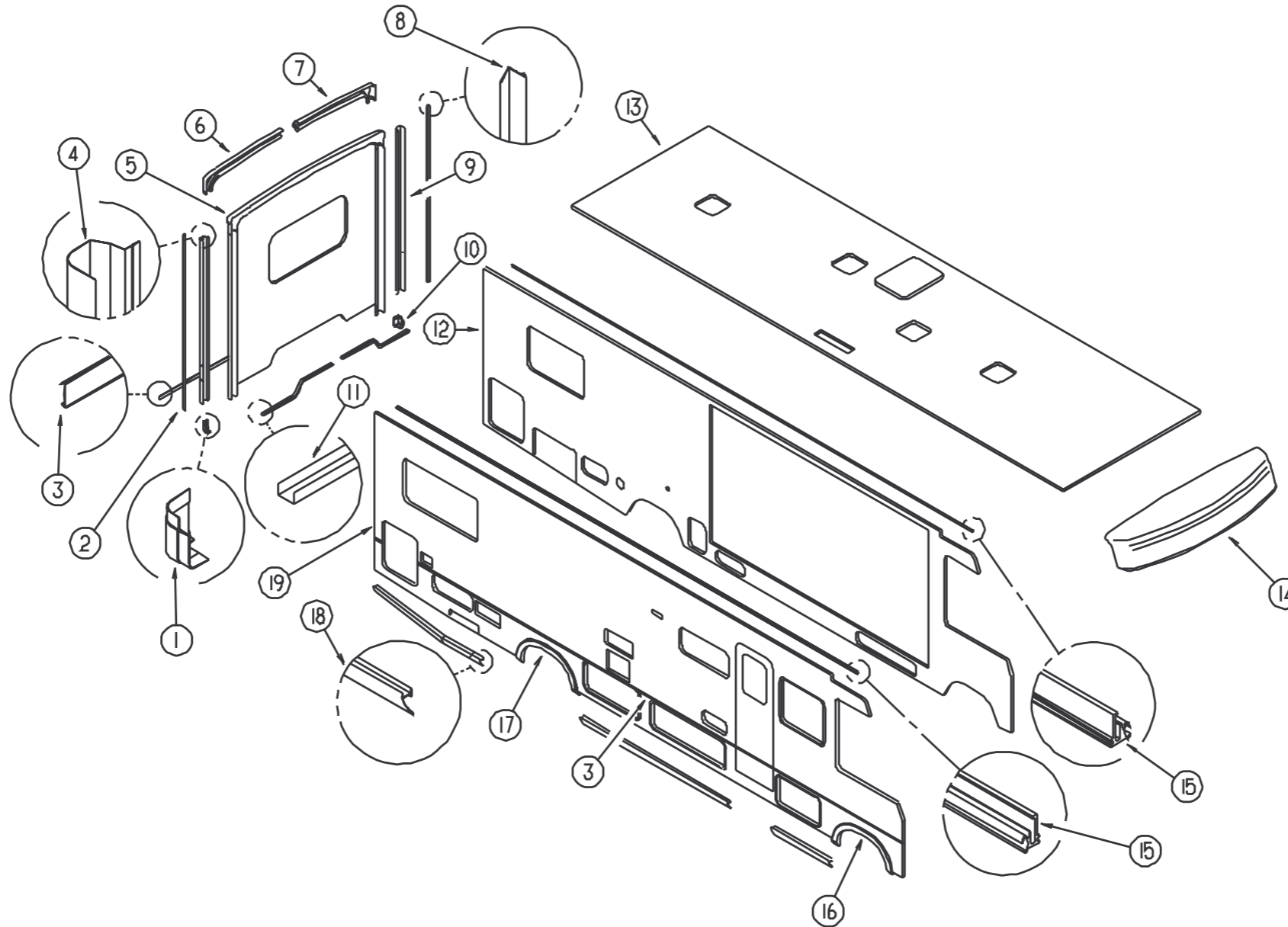
KEY	PART NUMBER	U/M DESCRIPTION	VENDOR NO.
	007956-05-000	EA INSULATOR-SHRINK .25ID X 1.50 - BLACK	
	077479-01-000	EA BOOT-BATTERY TERMINAL, DOUBLE CABLE	
	077479-02-000	EA BOOT-BATTERY TERMINAL, SINGLE CABLE	
	087225-01-000	FT SLEEVING - 1/2", TYPE H - VARFLEX	
	087225-02-000	FT SLEEVING - 5/8", TYPE H - VARFLEX VARGLAS	
	087949-01-000	EA BUSS BAR - 2 POSITION, .6" X 1.5" - ALUMINUM	
	087949-02-000	EA BUSS BAR - 3 POSITION, .6" X 2.4" - ALUMINUM	
	103608-01-000	EA SOCKET-WEDGE BASE W/LEADS - JKL 2944-6 OR EQUIV	
	103987-02-000	EA SEAL-SOLENOID ACCESS	
	112823-01-000	EA SPLICE-REDUCER 16-14 TO 18-22 - ETC BA-631X	
	007093-01-000	EA FLASHER-SIGNAL, STAT	
	008188-01-000	EA SOLENOID - 3 POST, BATTERY CHANGE OVER	
	063910-01-000	EA HOUSING-RELAY - BOSCH 3 334 485 008	
	063912-02-000	EA RELAY-CANISTER, SPDT - BOSCH 0332204101	
	086233-01-000	EA STUD-ISOLATED, 3/8" X 7/8" LONG	
	086273-01-000	EA RELAY-BATTERY DISCONNECT	
	115504-01-700	EA PLUG & CABLE, 10 WATT PANEL	600-016

SOLAR PANEL

KEY	PART NUMBER	U/M DESCRIPTION	VENDOR NO.
	115505-01-000	EA MONITOR-SOLAR CHARGER, NAGY IL-1W	
	115504-01-000	EA PANEL-SOLAR, 10 WATT - NAGY TJN-2SW	
	115504-01-700	EA PLUG & CABLE, 10 WATT PANEL	600-016

EXTERIOR BODY GROUP

EXTERIOR BODY PANELS & TRIM

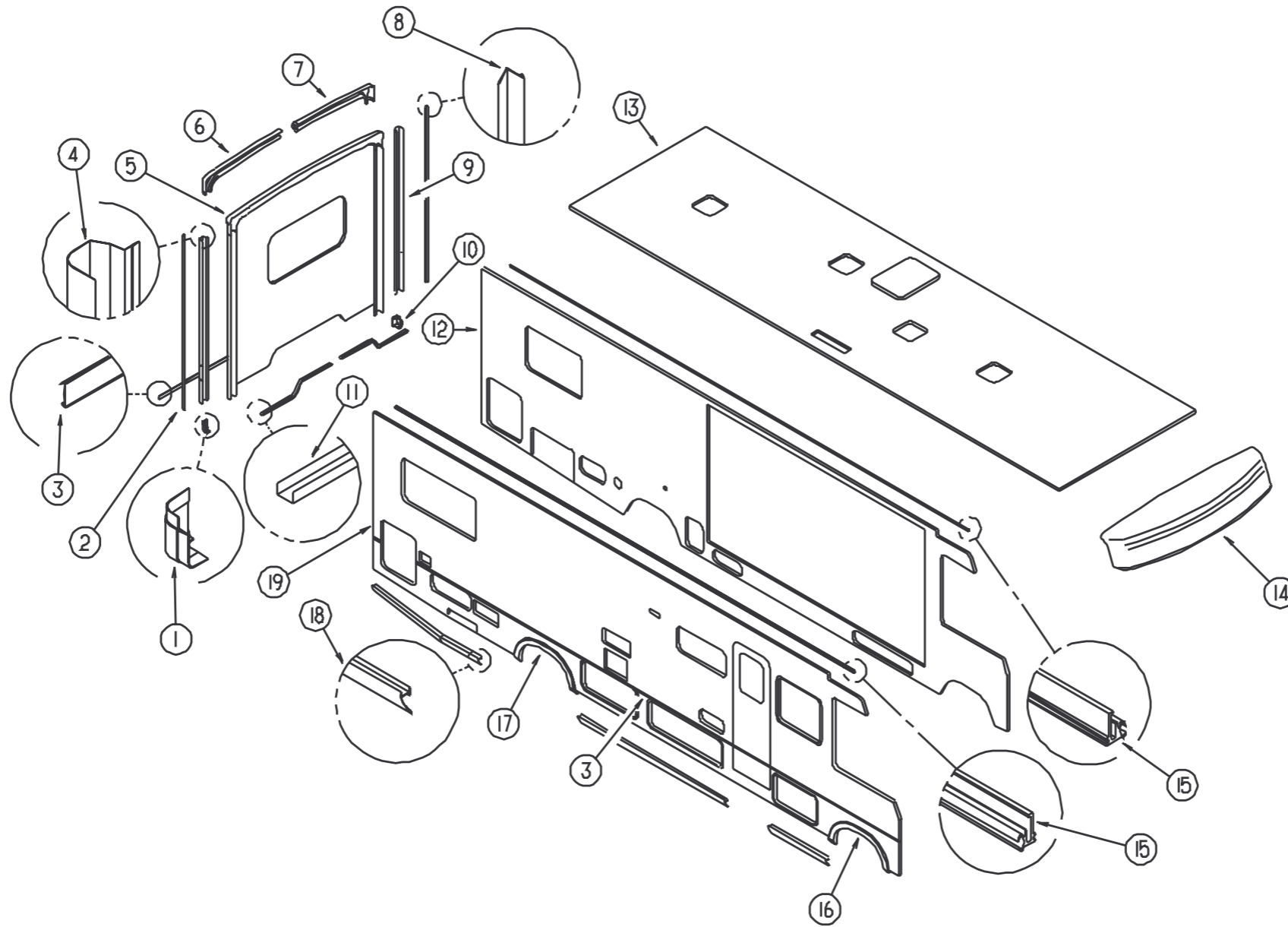


KEY	PART NUMBER	U/M DESCRIPTION
1	115848-01-01A	EA END CAP - LOWER BACKWALL TRIM - PASSENGER - BLACK
2	104033-05-01A	EA J-TRIM - BACKWALL - PASSENGER - 95.3" - OFF WHITE
3	108688-01-04A	EA STRIP - FEATURE W/O INSERT/END CAPS - 15'
	105312-01-06A	FT INSERT - FEATURE STRIP
	108651-01-01A	EA END CAP - FEATURE STRIP - MILL
	108651-01-02A	EA END CAP - FEATURE STRIP - TITANIUM
4	114874-01-07B	EA TRIM - BACKWALL - BUFF (PASSENGER SIDE)
5	M07570-05-G15	EA BACKWALL ASM - TWIN BED
5	M07570-05-G16	EA BACKWALL ASM - TWIN BED
5	M07570-05-G17	EA BACKWALL ASM - TWIN BED
5	M07570-04-G15	EA BACKWALL ASM - QUEEN BED
5	M07570-04-G16	EA BACKWALL ASM - QUEEN BED
5	M07570-04-G17	EA BACKWALL ASM - QUEEN BED
6	114872-01-01A	EA TRIM - BACKWALL - TOP - O/W (PASSENGER SIDE)
7	114873-01-03A	EA TRIM - BACKWALL - TOP - BUFF (DRIVER SIDE)
8	104033-06-04A	EA TRIM - J (DRIVER SIDE)

KEY	PART NUMBER	U/M DESCRIPTION
9	114874-02-07B	EA TRIM - BACKWALL - BUFF (DRIVER SIDE)
10	115848-02-01A	EA TRIM CAP - BACKWALL - LOWER
11	050406-18-000	EA TRIM - BACKWALL, LOWER - BUFF
		FROM: 00-00-00 THRU: 01-04-96
11	050406-26-000	EA TRIM - BACKWALL, LOWER - BUFF
		FROM: 01-05-96 THRU: 99-99-99
12	M07430-10-G15	EA SIDEWALL ASM - W/ SLIDEOUT (DRIVER SIDE) (W/ DRIVER DOOR) (QUEEN BED)
12	M07430-10-G16	EA SIDEWALL ASM - W/ SLIDEOUT (DRIVER SIDE) (W/ DRIVER DOOR) (QUEEN BED)
12	M07430-10-G17	EA SIDEWALL ASM - W/ SLIDEOUT (DRIVER SIDE) (W/ DRIVER DOOR) (QUEEN BED)
12	M07430-09-G15	EA SIDEWALL ASM - W/ SLIDEOUT (DRIVER SIDE) (W/O DRIVER DOOR) (QUEEN BED)
12	M07430-08-G15	EA SIDEWALL ASM - W/ SLIDEOUT (DRIVER SIDE) (W/ DRIVER DOOR) (TWIN BED)
12	M07430-08-G16	EA SIDEWALL ASM - W/ SLIDEOUT (DRIVER SIDE) (W/ DRIVER DOOR) (TWIN BED)
12	M07430-08-G17	EA SIDEWALL ASM - W/ SLIDEOUT (DRIVER SIDE) (W/ DRIVER DOOR) (TWIN BED)
12	M07430-06-G15	EA SIDEWALL ASM - W/ SLIDEOUT (DRIVER SIDE) (W/O DRIVER DOOR) (TWIN BED)
12	M07430-06-G16	EA SIDEWALL ASM - W/ SLIDEOUT (DRIVER SIDE) (W/O DRIVER DOOR) (TWIN BED)
12	M07430-06-G17	EA 11SIDEWALL ASM - W/ SLIDEOUT (DRIVER SIDE) (W/O DRIVER DOOR) (TWIN BED)

EXTERIOR BODY GROUP (CONTINUED)

EXTERIOR BODY PANELS & TRIM (CONTINUED)

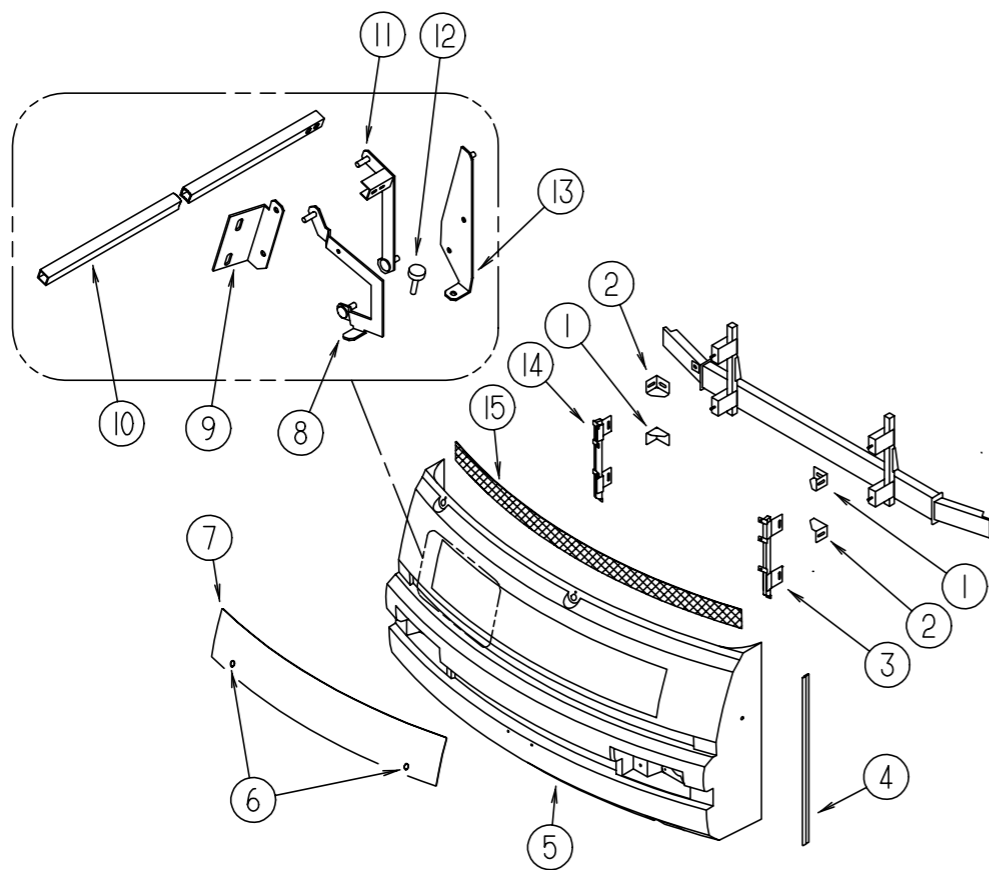


KEY	PART NUMBER	U/M DESCRIPTION
13	P18926-01-G15	EA ROOF ASM.
		FROM: 00-00-00 THRU: 02-27-96
13	P22682-01-G15	EA ROOF ASM.
		FROM: 02-28-96 THRU: 99-99-99
14	115042-01-03A	EA PANEL - ROOF CAP, W/O LIGHTS/TRIM
15	120092-01-01A	EA RAIL - AWNING - BUFF
16	119366-01-01A	EA TRIM - WHEELWELL PLASTIC - FRONT - (PASSENGER SIDE)
	119367-03-01A	EA TRIM - WHEELWELL PLASTIC - FRONT - (DRIVER SIDE)
16	105808-01-01A	EA TRIM - WHEELWELL - U CHANNEL - MILL (DRIVER OR PASSENGER SIDE)
17	104070-01-05A	EA TRIM - REAR WHEELWELL - ANY COLOR (DRIVER OR PASSENGER SIDE)
17	105808-02-01A	EA TRIM - WHEELWELL - U CHANNEL - MILL (DRIVER OR PASSENGER SIDE)

KEY	PART NUMBER	U/M DESCRIPTION
18	109140-55-009	EA ROCKER PANEL 192"
19	M07428-05-G15	EA SIDEWALL ASM (PASSENGER SIDE) (QUEEN BED)
19	M07428-05-G16	EA SIDEWALL ASM (PASSENGER SIDE) (QUEEN BED)
19	M07428-05-G17	EA SIDEWALL ASM (PASSENGER SIDE) (QUEEN BED)
19	M07428-04-G15	EA SIDEWALL ASM (PASSENGER SIDE) (TWIN BED)
19	M07428-04-G16	EA SIDEWALL ASM (PASSENGER SIDE) (TWIN BED)
19	M07428-04-G17	EA SIDEWALL ASM (PASSENGER SIDE) (TWIN BED)
20	115848-01-01A	EA TRIM CAP - BACKWALL - LOWER

EXTERIOR BODY GROUP (CONTINUED)

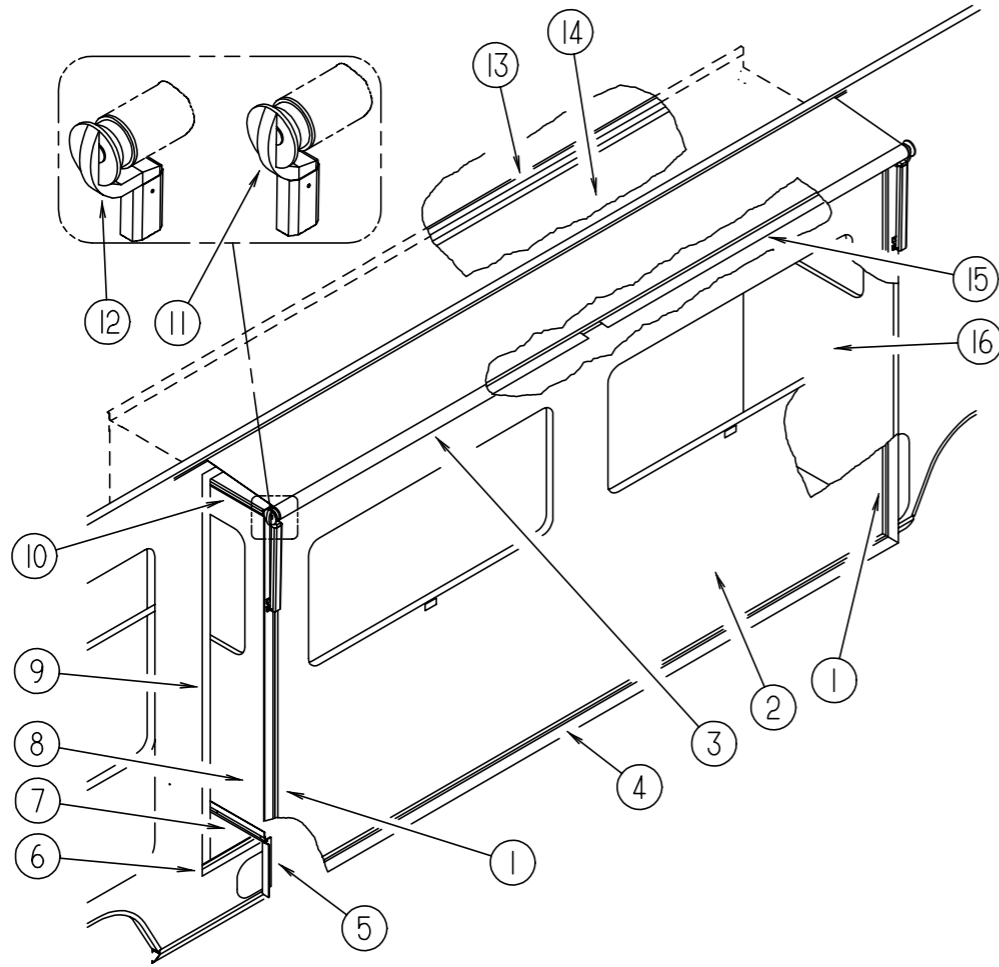
FRONT END ASM



KEY	PART NUMBER	U/M	DESCRIPTION
1	117611-04-02B	EA	BRACKET - BUMPER
2	117611-03-02B	EA	BRACKET - BUMPER
3	118997-02-G35	EA	SUPPORT ASM - FRONT PANEL - LH
4	089922-36-000	EA	TRIM - FIBERGLASS - PANEL - BUFF
5	118999-01-G15	EA	PANEL ASM - FRONT - LOWER
6	102330-02-000	EA	HOOD LOCK - SINGLE HOLE - VISE ACTION
	102328-01-000	EA	BARREL KEY - HOOD LOCK
7	115976-03-G15	EA	PANEL ASM - HOOD - BUFF
8	109930-11-000	EA	LINK - HINGE - HOOD - LOWER - RH
	109930-12-000	EA	LINK - HINGE - HOOD - LOWER - LH
9	109927-03-000	EA	ANGLE - LINK - HOOD - RH
	109927-04-000	EA	ANGLE - LINK - HOOD - LH
10	105096-10-000	EA	TUBE ASM - TIMING - HOOD HINGE
11	109929-05-000	EA	LINK ASM - HINGE - HOOD - UPPER - RH
	109929-06-000	EA	LINK ASM - HINGE - HOOD - UPPER - LH
12	058786-01-000	EA	BOLT - ADJUSTING - HOOD - W/BLACK PAD - .31" #18 X 2"
13	109926-15-000	EA	BRACKET - LINK - HINGE - HOOD - RH
	109926-16-000	EA	BRACKET - LINK - HINGE - HOOD - LH
14	118997-01-G35	EA	SUPPORT ASM - FRONT PANEL - RH
15	115924-05-01A	EA	GRILLE - WOVEN WIRE
	070579-06-000	EA	PLATE - ANCHOR - W/ 7/16 WELD NUT - 1.5" X 3.3"
	077001-01-000	EA	ANGLE - MOUNTING - ROOF PANEL - V ANGLE - 3" X 2.4" X 1.5"
	106746-01-000	EA	PANEL - STEPWELL
	106747-01-000	EA	PANEL - STEPWELL - END RH
	106747-02-000	EA	PANEL - STEPWELL - END LH
	106765-01-000	EA	SUPPORT - BOLT - HOOD ADJUSTING

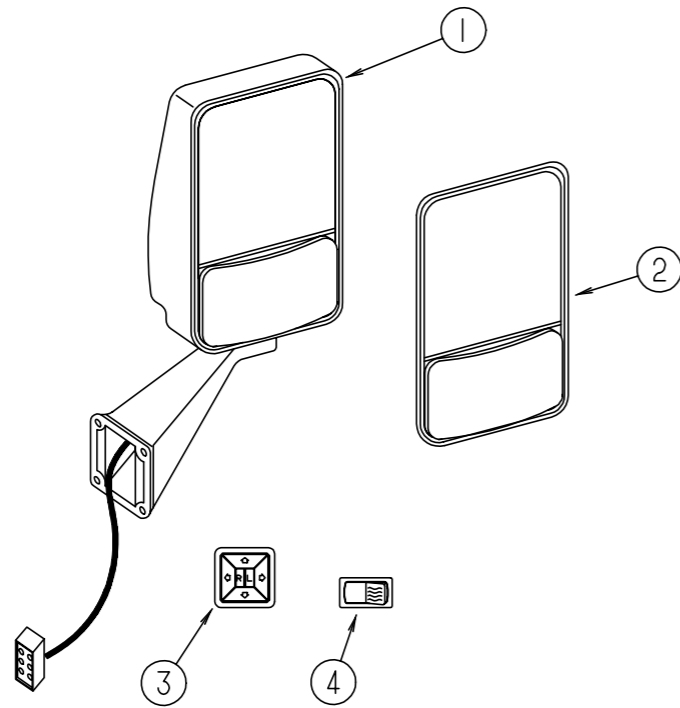
EXTERIOR BODY GROUP (CONTINUED)

EXTERIOR SLIDEOUT HARDWARE



KEY	PART NUMBER	U/M DESCRIPTION	VENDOR NO.
1	105312-01-06A	FT VINYL INSERT - PEARL FAWN	
1	116933-02-04A	EA TRIM - SEAL - BUFF	
2	115264-01-G15	EA PANEL ASM - SLIDEOUT - OUTER	
2	115264-01-G16	EA PANEL ASM - SLIDEOUT - OUTER	
2	115264-01-G17	EA PANEL ASM - SLIDEOUT - OUTER	
3	115868-01-04A	EA AWNING ASM - SLIDEOUT	
	115868-01-700	EA STRAP - PULL	022406-008
	115868-01-712	EA CATCH - PULL STRAP - CAMEO	649110 WHITE
	115868-01-705	EA BRACKET ASM. - BOTTOM RH & LH	R00221
	115868-01-706	EA LOCK ASSEMBLY - ARM	R00023
	115868-01-707	EA LOCK - SLIDE - ARM	R00029
	115868-01-708	EA BRACKET - LOCK - ARM	R00223
	115868-02-01A	EA AWNING - WAND, ZINC	
4	105312-01-06A	FT VINYL INSERT - PEARL FAWN	
5	116821-02-04A	EA ANGLE - SLIDEOUT - WALL - FRONT - BUFF	
	116821-01-04A	EA ANGLE - SLIDEOUT - WALL - REAR - BUFF	
6	115075-01-000	FT SEAL - WIPE - .25" X 2.75" (FLOOR SEAL)	
7	115822-02-02A	EA FEATURE STRIP - BUFF	
8	115265-01-G15	EA PANEL ASM - SLIDEOUT - FRONT	
8	115265-01-G16	EA PANEL ASM - SLIDEOUT - FRONT	
8	115265-01-G17	EA PANEL ASM - SLIDEOUT - FRONT	
9	115076-01-000	FT SEAL - WALL	
10	108688-01-04A	EA FEATURE STRIP - BUFF	
11	115868-01-715	EA SPRING - RIGHT - 6' TO 17' (SHORT OFFSET)	R00141WHITE
11	115868-01-717	EA SPRING - LEFT - 6' TO 17' (SHORT OFFSET)	R00142 WHITE
12	115868-01-721	EA SPRING - RIGHT - 6' TO 17' (LONG OFFSET)	R00289 WHITE
12	115868-01-719	EA SPRING - LEFT - 6' TO 17' (LONG OFFSET)	R00288 WHITE
13	099418-01-000	FT SEAL - D-SECTION - PSA	
14	115266-01-G15	EA ROOF ASM - SLIDEOUT	
15	119514-02-01A	EA ANGLE - W/ HOLES - BRIGHT WHITE	
16	115263-01-G15	EA PANEL ASM - SLIDEOUT - REAR	
16	115263-01-G16	EA PANEL ASM - SLIDEOUT - REAR	
16	115263-01-G17	EA PANEL ASM - SLIDEOUT - REAR	

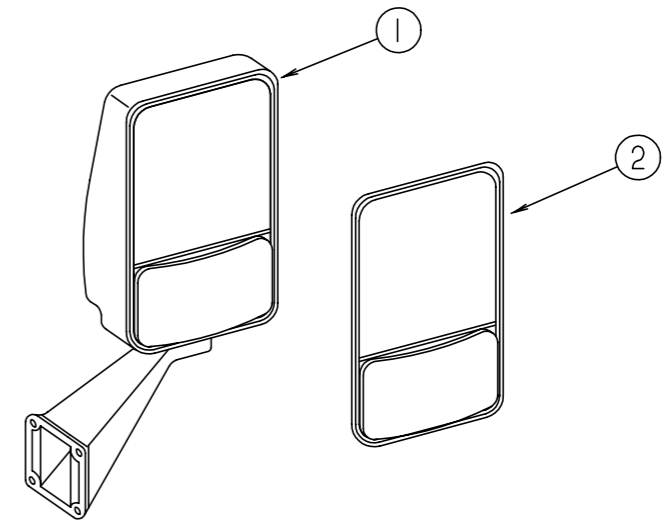
EXTERIOR BODY GROUP (CONTINUED)



EXTERIOR MIRROR OPTION (REMOTE & HEAT)

KEY	PART NUMBER	U/M DESCRIPTION
1	106015-05-01A	EA MIRROR ASM - EXTERIOR REMOTE & HEAT - PASSENGER SIDE
1	106015-06-01A	EA MIRROR ASM - EXTERIOR REMOTE & HEAT - DRIVER SIDE
2	086261-02-701	EA MIRROR KIT - BEZEL - CONVEX GLASS - HEATED FLAT GLASS - DRIVER SIDE
2	086261-01-704	EA MIRROR KIT - BEZEL - CONVEX GLASS - HEATED FLAT GLASS - PASSENGER SIDE
3	088246-01-000	EA SWITCH - REMOTE - EXTERIOR MIRROR - SQUARE PUSH
4	087695-01-000	EA SWITCH - HEATER - EXTERIOR MIRROR

EXTERIOR BODY GROUP (CONTINUED)

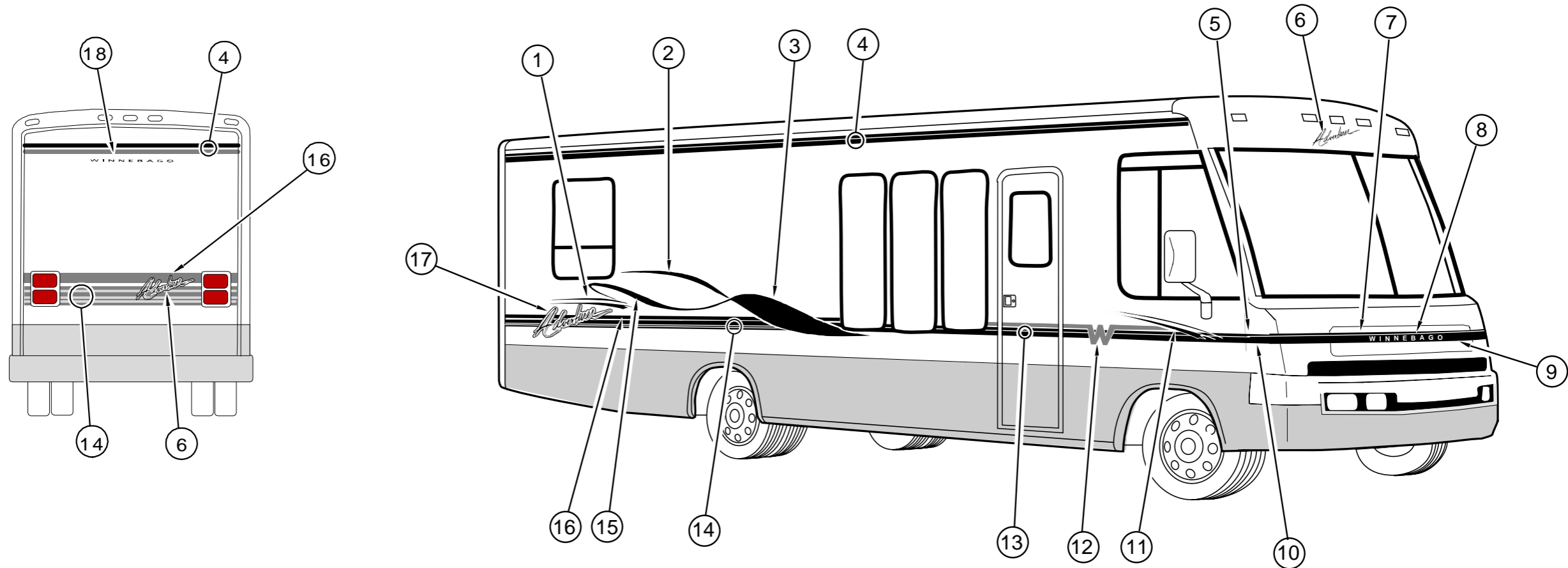


EXTERIOR MIRROR

KEY	PART NUMBER	U/M DESCRIPTION
1	106015-09-01A	EA MIRROR ASM - PASSENGER SIDE
1	106015-10-01A	EA MIRROR ASM - DRIVER SIDE
2	106015-01-703	EA MIRROR KIT (BEZEL W/MIRRORS) PASSENGER SIDE
2	106015-02-702	EA MIRROR KIT (BEZEL W/MIRRORS) DRIVER SIDE

EXTERIOR BODY GROUP (CONTINUED)

DECALS, FILM STRIPES & PAINT



DUPONT PAINT COLOR CODES

KEY	PART NUMBER	U/M	DESCRIPTION
1	117488-01-01A	EA	DECAL-RIBBON, #4 - RH - AMETHYST/LAGO BLUE
1	117488-02-01A	EA	DECAL-RIBBON, #4 - LH - AMETHYST/LAGO BLUE
2	117484-01-01A	EA	DECAL-RIBBON, #2 - RH - MED BLUE/BLACK
2	117484-02-01A	EA	DECAL-RIBBON, #2 - LH - MED BLUE/BLACK
3	117483-01-01A	EA	DECAL-RIBBON, #1 - RH - MED BLUE/AMETHYST/BLK
3	117483-02-01A	EA	DECAL-RIBBON, #1 - LH - MED BLUE/AMETHYST/BLK
4	094423-07-01A	FT	FILM-OVERLAY, MULTISTRIP 63.5MM - LAGO/AMETHYST/GOLDEN
5	117489-01-01A	EA	DECAL-CORNER, UPPER - RH - LAGO/GOLDEN/AMETHYST
5	117489-02-01A	EA	DECAL-CORNER, UPPER - LH - LAGO/GOLDEN/AMETHYST
6	117482-02-01A	EA	DECAL-ADVENTURER, SMALL - BUFF/GOLDEN/AMETHYST/SLATE
7	117491-01-01A	EA	DECAL-HOOD, UPPER - LAGO/GOLDEN/AMETHYST
8	110889-03-02A	EA	DECAL-LOGO, WINNEBAGO - BUFF
9	117492-01-01A	EA	DECAL-HOOD, LOWER - MED BLUE/GOLDEN
10	117490-01-01A	EA	DECAL-CORNER, LOWER - RH - MED BLUE/GOLDEN
10	117490-02-01A	EA	DECAL-CORNER, LOWER - LH - MED BLUE/GOLDEN
11	117481-01-01A	EA	DECAL-SLASH, RH - AMETHYST/LAGO BLUE
11	117481-02-01A	EA	DECAL-SLASH, LH - AMETHYST/LAGO BLUE
12	117480-01-01A	EA	DECAL-LOGO, W - GOLDEN
13	115335-05-01A	FT	FILM-OVERLAY, MULTISTRIP 31.8MM - MED BLUE/GOLDEN
14	117479-01-01A	FT	FILM-OVERLAY, MULTISTRIP 158.8MM - LAGO/GOLDEN/AMETHYST/AMETHYST
15	117486-01-01A	EA	DECAL-RIBBON, #3 - RH - AMETHYST/BLACK
15	117486-02-01A	EA	DECAL-RIBBON, #3 - LH - AMETHYST/BLACK
16	093681-40-06A	FT	FILM - 50.8MM X 150FT - GOLDEN
17	117482-01-01A	EA	DECAL-ADVENTURER, LARGE - BUFF/GOLDEN/AMETHYST/SLATE
18	110206-02-04A	EA	DECAL-WINNEBAGO - LAGO BLUE
	122228-01-01A	EA	DECAL-MCCLAIN'S RV - GOLDEN LIGHT
	004308-01-000	EA	PAINT-SPRAY, BLACK
	099399-12-700	EA	PAINT-16OZ SPRAY - ENAMEL/BUFF

BUFF	G9692
GRAPHITE METALLIC	F0901

EXTERIOR BODY GROUP (CONTINUED)

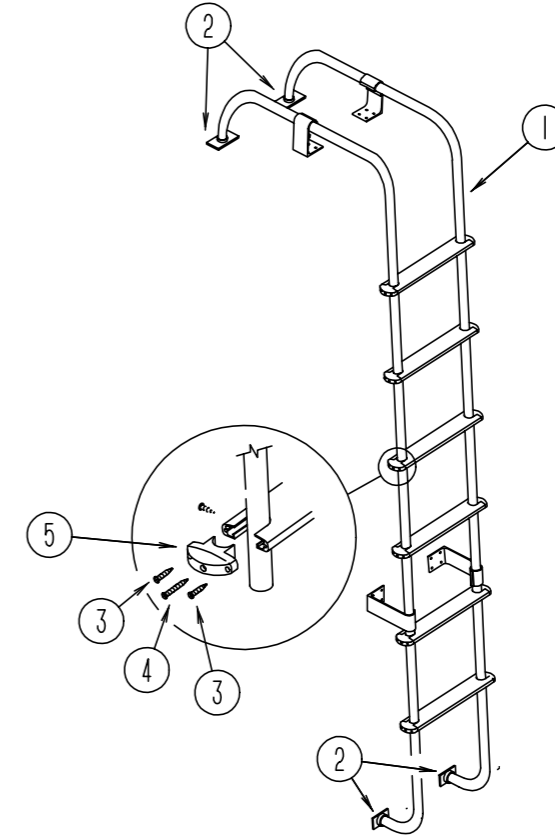
STYROFOAM & FIBERGLASS SHEETING

KEY	PART NUMBER	U/M DESCRIPTION
	000870-08-000	SF STYROFOAM - .75" X 48" X 96" - PLANED
	083574-03-000	SF STYROFOAM - 3/4" X 48" X 96"
	083574-05-000	SF STYROFOAM - 2.0" X 48" X 96"
	065747-01-000	SF INSULATION - MICROFOAM - .5" X 72" X 112' ROLL
	076054-T5-000	EA FIBERGLASS-SHEET, 2572 X 2647 - BUFF
	108535-03-700	EA FIBERGLASS REINFORCED PLASTIC - 110" X 396" - ROFF SKIN - BUFF
	076054-V1-000	EA FIBERGLASS SHEET 2008 X 8575 - BUFF
	117754-01-01A	EA FIBERGLASS-SHEET, 328 X 2448MM - ANY COLOR
	117754-01-05A	EA FIBERGLASS-SHEET, 328 X 2448MM - BUFF
	077517-59-000	EA FIBERGLASS SHEET - 48" X 96" - BUFF PAINTING IS REQUIRED WHEN USED ON OLDER COACHES
	100619-01-000	BF FOAM - EXPANDED POLYSTYRENE - 48" X 96" X 1.34"
	100619-04-000	BF FOAM - EXPANDED POLYSTYRENE - EPS 48" X 96" X .5
	100619-02-000	BF FOAM - EXPANDED POLYSTYRENE - 48" X 96" X 1.5"
	100619-05-000	BF FOAM - EXPANDED POLYSTYRENE - 48" X 96" X .75"
	100619-11-000	BF FOAM - EXPANDED POLYSTYRENE - 48" X 96" X 2"
	100619-13-000	BF FOAM - EXPANDED POLYSTYRENE - 48" X 96" X .34"
	108535-03-700	EA FIBERGLASS-FLAT 110" X 396" - BUFF - FOR ROOF SKIN
	108535-05-700	EA FIBERGLASS-FLAT 110" X 396" - BUFF
	120107-01-000	EA FOAM-COVE, ROOF - WISCONSIN EPS
	120107-02-000	EA FOAM-PLUG, ROOF TUBE - WISCONSIN EPS - 45 MM X 74.3 MM
	120107-03-000	EA FOAM-PLUG, ROOF TUBE - WISCONSIN EPS - 45MM X 54.5 MM
	058804-01-000	EA AL - .032 X 36.00 X 064.00 1/4 HEX - PERFORATED .79 OPEN
	119389-01-01A	EA TUBE-W/HOLE MILL - EXTR 119391

EXTERIOR BODY HARDWARE

KEY	PART NUMBER	U/M DESCRIPTION
	002726-01-001	EA GARNISH - U-CHANNEL - 1.38" X 19' - SERRATED - MILL ALUMINUM
	002754-01-001	EA ANGLE - EXTRUDED - .75" X .75" X 18' - MILL ALUMINUM
	033381-17-001	FT STEEL - TUBE 16GA 1.5 X 1.5 X 288.00 HOT FORMED ASTM A50
	044487-01-002	EA ALUMINUM - .019 X 96.00 X 432"
	055278-51-259	EA TUBING - STEEL - 12.5'
	058267-01-000	FT CHANNEL - STEEL - W/ HOLES - SIDEWALL STIFFENER - 2" X 20'
	068716-01-001	EA BRACE - 90 DEGREE L-ANGLE - 192" - EXTRUDED ALUMINUM
	089297-01-000	SF PLYWOOD - LUAN - OVERLAY GRADE - 4' X 8'
	089297-02-000	SF PLYWOOD - LUAN GRADE CC LFE 2.7 MM X 48 X 108

EXTERIOR BODY GROUP (CONTINUED)

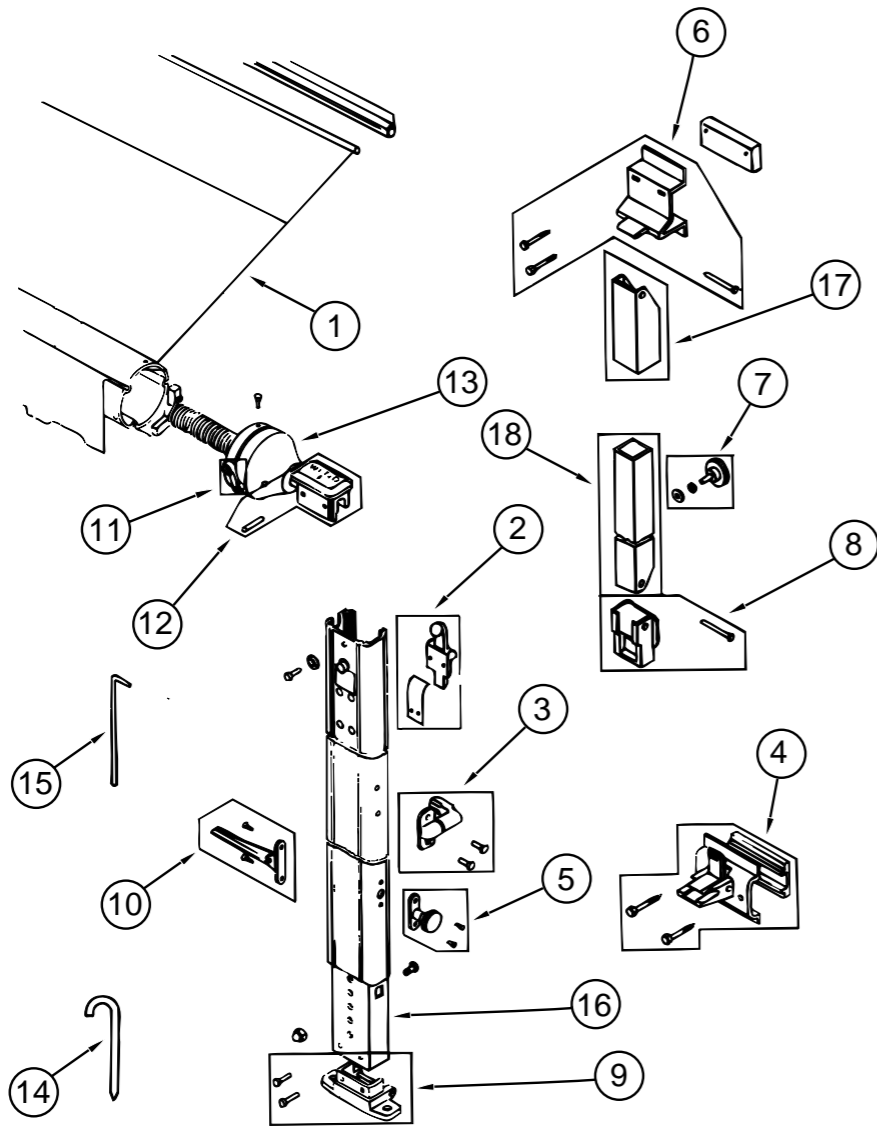


LADDER

KEY	PART NUMBER	U/M DESCRIPTION
1	102953-11-F31	EA LADDER ASM
2	067165-01-000	EA MOUNTING BRACKET - LADDER - LOWER
3	000G39-06-10T	EA SCREW-SF/ DR - 6 - 20 X 5/8 PPH - BLACK
4	000G68-10-36T	EA SCREW - 10 - 12 X 2.25 POH BLACK
5	076980-02-000	EA END CAP - STEP - BLACK
	038327-01-000	FT TAPE - ANTI SLIP - 2" X 60FT

EXTERIOR BODY GROUP (CONTINUED)

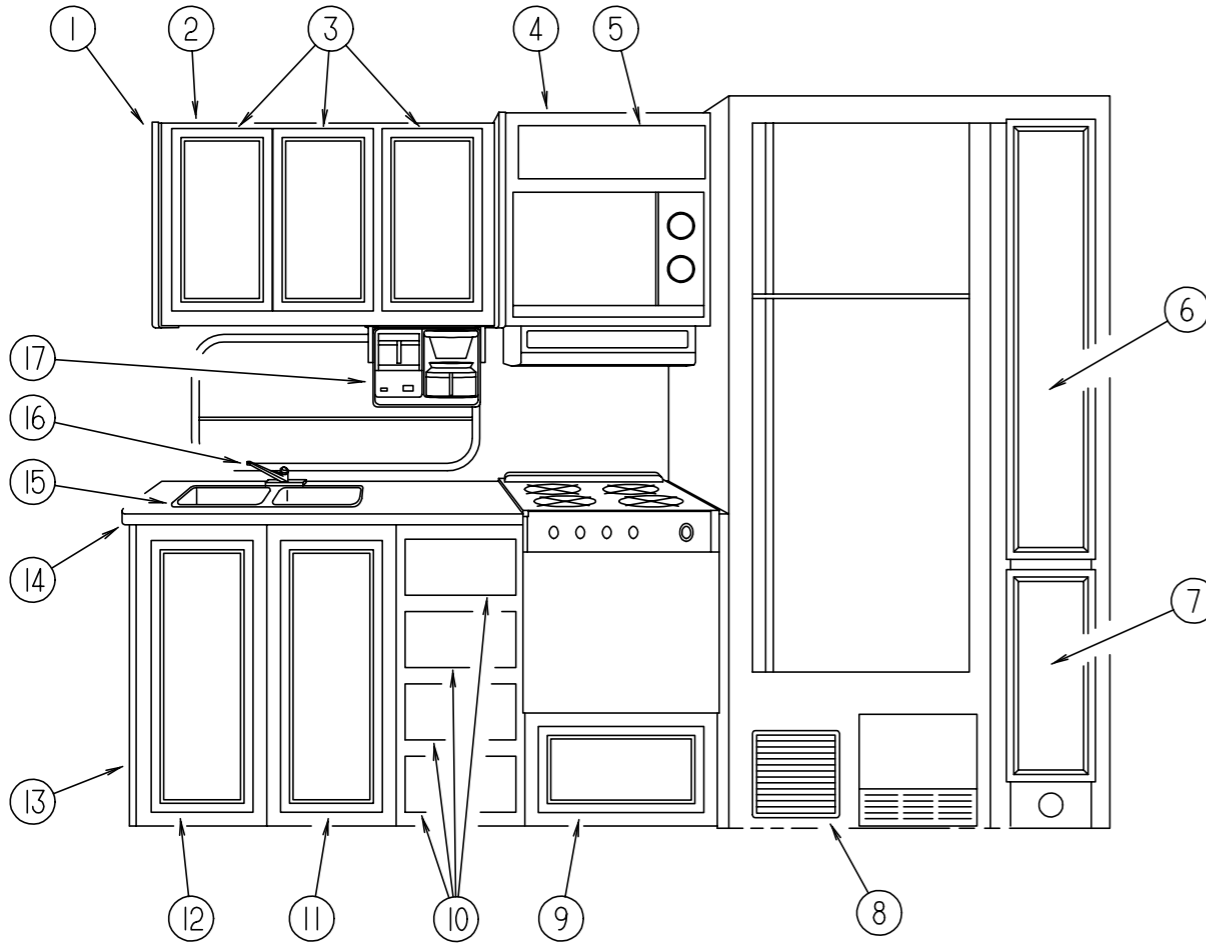
EXTERIOR AWNING (FAULKNER)



KEY	PART NUMBER	U/M DESCRIPTION	VENDOR NO.
	110634-02-01A	EA AWNING - HARDWARE KIT - BUFF	
1	110634-07-18A	EA AWNING - ROLLER ASM - 19'	
2	110634-01-700	EA RAFTER LOCKING MECHANICAL KIT	7605-0001
3	110634-01-701	EA SAFETY & LATCH KIT	7509-0001
4	110634-01-702	EA BOTTOM BRACKET KIT	7512-0001
	111038-01-01A	EA SPACER - AWNING - LOWER - BLACK	
5	110634-01-703	EA HEIGHT LOCK HANDLE KIT	7510-0001
6	110634-01-704	EA UPPER BRACKET KIT W/BOLTS	7505-0001
	111037-01-01A	EA SPACER - AWNING - UPPER - BLACK	
7	110634-01-705	EA ULTRA RAFTER KNOB KIT	7522-0001
8	110634-01-706	EA RAFTER SLIDE KIT	
9	110634-01-707	EA GROUND BRACKET KIT	7511-0001
10	110634-01-708	EA LIFT HANDLES W/ RIVETS	7000-0001
11	110634-01-709	EA RATCHET HANDLE KIT	7507-0001
12	110634-01-710	EA ARM CAP KIT	7503-0001
13	110634-01-711	EA FRONT SPRING ASM	6598-0001
	110634-01-712	EA REAR SPRING ASM	6599-0001
	110634-01-713	EA REAR END CAP KIT	7504-0001
14	110634-01-714	EA STAKE (4 PER BAG)	5208-0001
15	110634-01-715	EA PULL DOWN WAND	7604-0001
16	110634-01-721	EA ARM - INNER - FRONT - BUFF	5686-0001
16	110634-01-722	EA ARM - INNER - REAR - BUFF	5687-0001
17	110634-01-723	EA RAFTER - OUTER - BUFF	5688A0001
18	110634-01-724	EA RAFTER - INNER - BUFF	5689A0001
	110634-12-02A	EA SHIM-FILLER, LOWER BRACKET	

GALLEY GROUP

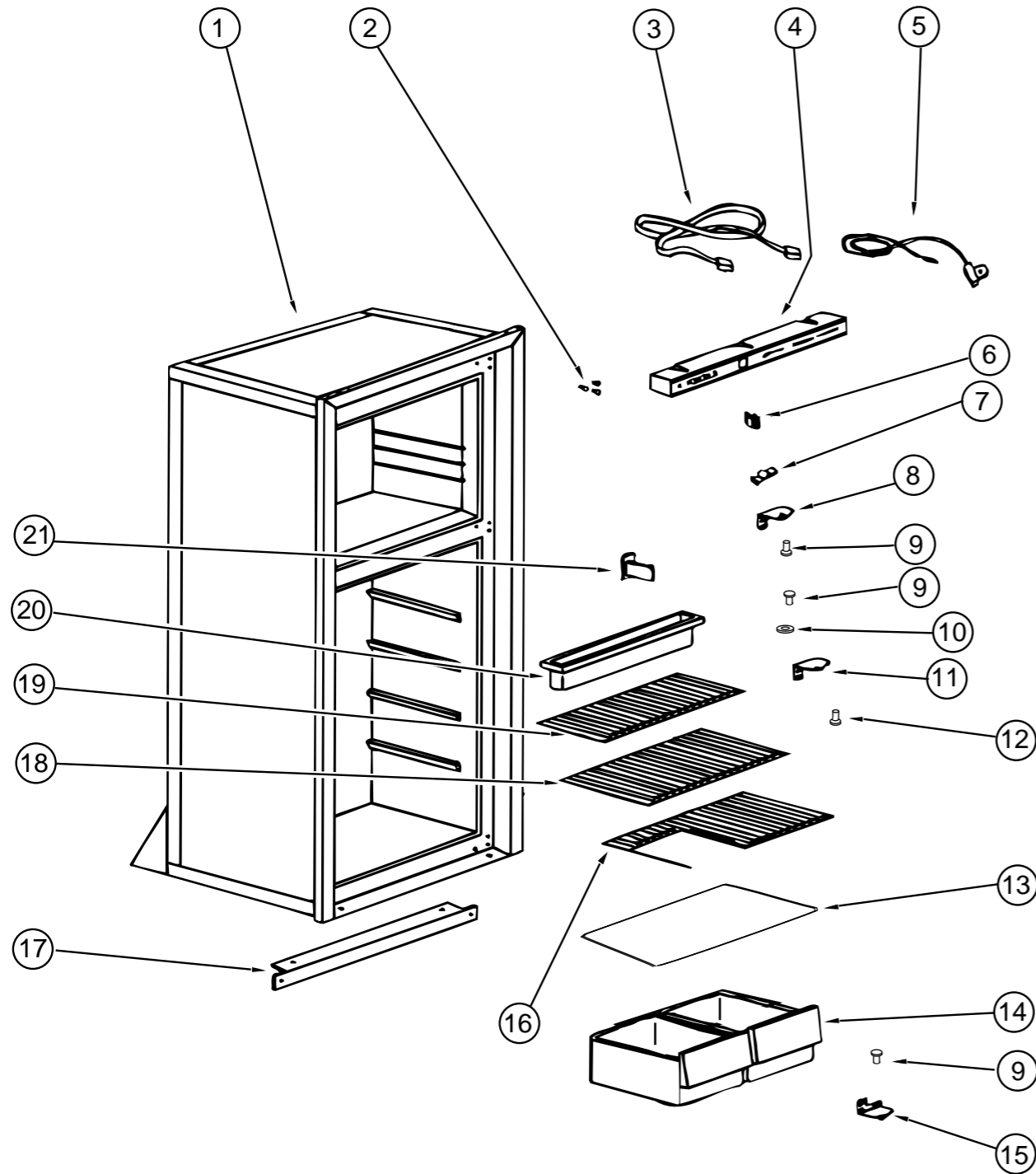
GALLEY CABINETS & FIXTURES



KEY	PART NUMBER	U/M	DESCRIPTION
1	081319-17-G35	EA	END CAP ASM. - OVERHEAD
2	P04372-01-G35	EA	CABINET ASM - GALLEY - OVERHEAD
	104372-11-G35	EA	SHELF ASM - GALLEY - OVERHEAD - 312 X 634 MM
	104372-12-G35	EA	SHELF ASM - GALLEY - OVERHEAD - 312 X 336 MM
3	M06803-29-G15	EA	DOOR ASM - W/O HARDWARE - 555 X 305 MM
4	114390-02-G15	EA	CABINET ASM - MICROWAVE OVERHEAD
	116592-02-G15	EA	CABINET ASM - A/C SWITCH
5	M05992-11-G15	EA	DOOR ASM - CABINET W/OGEE EDGE 7.1" X 21.9"
6	M06803-C9-G15	EA	DOOR ASM - W/O HARDWARE - 215 X 1220 MM
	118665-17-G15	EA	SHELF ASM
			FROM: 00-00-00 THRU: 03-17-96
	122705-17-G35	EA	SHELF ASM
			FROM: 03-18-96 THRU: 99-99-99
7	M06803-K1-G15	EA	DOOR ASM - RAIL - W/O HARDWARE - 215 X 485 MM
8	093614-02-02A	EA	GRILL - RETURN AIR - DURA - 252 X 252 MM - BEIGE
	118664-13-G35	EA	TOE KICK ASM
9	M05971-T2-G15	EA	DRAWER ASM. - W/O HARDWARE
10	M05971-11-G15	EA	DRAWER ASM. - W/O HARDWARE
11	M06803-N7-G15	EA	DOOR ASM - W/O HARDWARE - 345 X 690 MM
12	M06803-N8-G15	EA	DOOR ASM - W/O HARDWARE - 345 X 690 MM
13	118664-01-G15	EA	GALLEY CABINET ASM. (G15, G16)
13	118664-01-G17	EA	GALLEY CABINET ASM. (G17)
14	118664-12-G35	EA	COUNTERTOP ASM. (G15, G16)
14	118664-12-G17	EA	COUNTERTOP ASM. (G17)
	108464-05-G15	EA	COVER ASM - SINK 180 X 380 MM (G15, G16)
	108464-05-G17	EA	COVER ASM - SINK 180 X 380 MM (G17)
	108464-04-F40	EA	COVER ASM - SINK 380 X 380 MM (G15, G16)
	108464-04-E08	EA	COVER ASM - SINK 380 X 380 MM (G17)
15	110654-01-000	EA	SINK - STAINLES STEEL - DOUBLE - LARGE/ SMALL BASIN
	092303-01-000	EA	STRAINER - SINK
16	103243-01-000	EA	FAUCET - GALLEY - DUAL CONTROL
	103635-01-000	EA	FAUCET - SINGLE CONTROL - EVERPURE
17	103799-01-02A	EA	COFFEE MAKER - GRAY
	090329-01-000	FT	T-SEAL - REFRIGERATOR CABINET - .6" WIDE TOP X 2" TAIL
	054450-01-000	EA	LEVEL - REFRIGERATOR
	093646-01-000	EA	BRACKET ASM - TIEDOWN - REFRIGERATOR
	093646-02-000	EA	BRACKET ASM - TIEDOWN - REFRIGERATOR
	065225-01-000	EA	PLATE - TIEDOWN - REFRIG
	065225-02-000	EA	PLATE - TIEDOWN - REFRIG

GALLEY GROUP (CONTINUED)

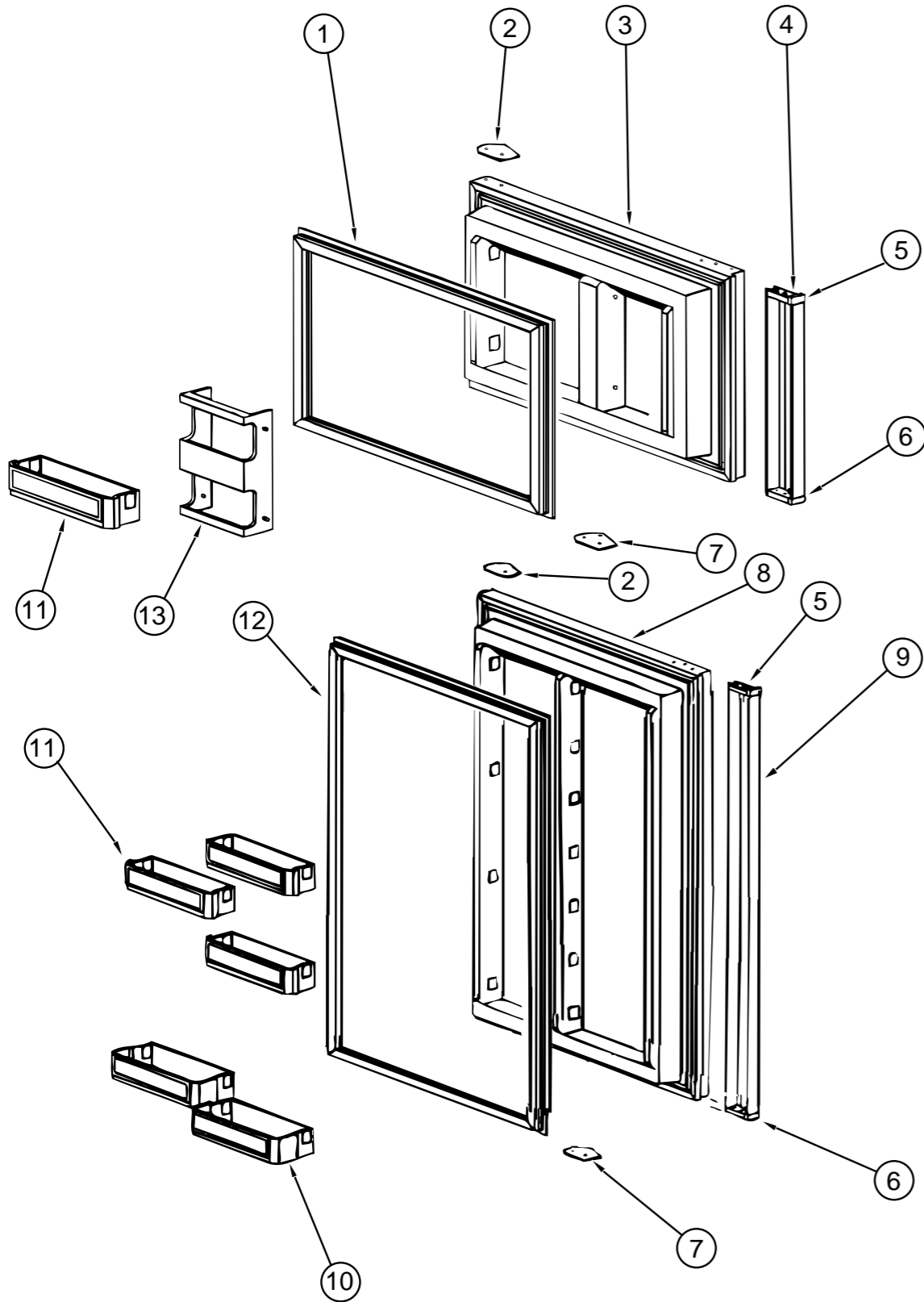
REFRIGERATOR CABINET ASM. & COMPONENTS (NORCOLD 6182)



KEY	PART NUMBER	U/M DESCRIPTION	VENDOR NO.
	104137-06-01A	EA REFRIGERATOR - LARGE DBL DOOR 2-WAY	
1	104137-06-708	EA FOAMED CAB ASM (BLACK W/ WHITE)	61725138
2	094039-01-722	EA HOLE PLUG (BLACK) HINGE HOLES	61582030
3	084880-01-746	EA CABLE	61571522
4	104137-06-700	EA EYEBROW SHELL (2-WAY)	61726622
5	084880-01-753	EA THERMISTER 78"	61693822
6	075217-01-738	EA SWITCH - HUMIDITY	61525922
7	084880-01-760	EA CLIP (THERMISTER)	61689122
8	094039-01-723	EA HINGE BRACKET - TOP RH - BOTTOM - LH - BLACK	61580838
9	094039-01-725	EA HINGE PIN (BLACK)(MALE)	61578130
	084880-03-702	EA HINGE PIN TOP/BTM FEMALE	61580630
10	084880-01-749	EA HINGE BUSHING	615807
11	094039-01-728	EA HINGE BRACKET - CENTER - BLACK	61566530
12	094039-01-730	EA HINGE PIN SHAFT (BLACK) CENTER HINGE	61566730
13	084880-01-722	EA CRISPER COVER	615641
14	104137-06-707	EA CRISPER (WHITE)	61571325
15	094039-01-724	EA HINGE BRACKET - TOP LH - BOTTOM - RH - BLACK	61580938
16	094039-01-739	EA SHELF (CUTOUT)	61646722
17	094039-01-732	EA FRONT COVER (BLACK) BOTTOM TRIM	61622130
18	094039-01-733	EA WIRE SHELF (MIDDLE)	61563822
19	104137-06-706	EA WIRE SHELF (SHORT)	61718222
20	094039-01-735	EA INSIDE DRIP TRAY (WHITE)	61572830
21	084880-01-732	EA LATCH	61578522
	094039-01-736	EA SWITCH - LIGHT - BLACK	61581022
	104137-06-727	EA SHELF - FREEZER - WHITE	618057

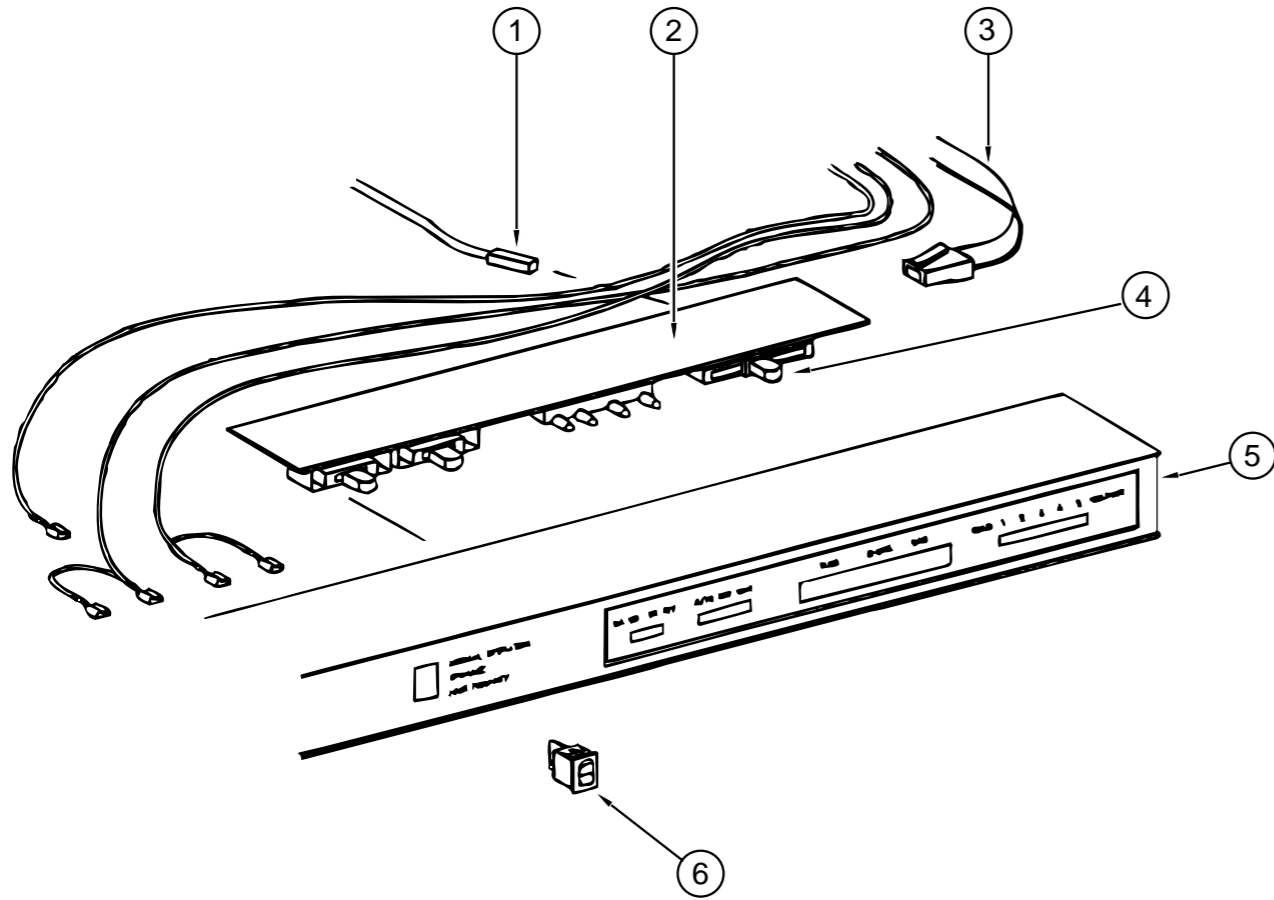
GALLEY GROUP (CONTINUED)

REFRIGERATOR DOORS (NORCOLD 6182)



KEY	PART NUMBER	U/M DESCRIPTION	VENDOR NO.
1	094039-01-702	EA GASKET (GRAY) UPPER	61567830
2	094039-01-710	EA PLATE - HINGE - BLACK	61631330
3	094039-01-706	EA UPPER DOOR LINER (WHITE) BLACK	61581838-B
4	094039-01-708	EA DOOR HANDLE ASM - UPPER - BLACK	61650038
	084880-01-720	EA SPRING (FOR DOOR HANDLE)	61558822
5	084880-01-761	EA END CAP (SPRING CATCH) BLACK	61593730
6	084880-01-740	EA END CAP (STOP CATCH)	61593830
7	094039-01-704	EA PLATE - HINGE - BLACK	61631430
8	094039-01-715	EA LOWER DOOR LINER (BLACK/WHITE)	61581738-B
9	094039-01-717	EA DOOR HANDLE ASM - LOWER (BLACK)	61649938
	084880-01-720	EA SPRING (FOR DOOR HANDLE)	61558822
10	104137-06-704	EA BIN - MILK - WHITE	61579425
11	104137-06-703	EA BIN - DOOR SHELF (WHITE)	61564025
12	094039-01-713	EA DOOR GASKET (LOWER) GRAY	61568030
13	104137-06-702	EA RACK - JUICE (WHITE)	61580525

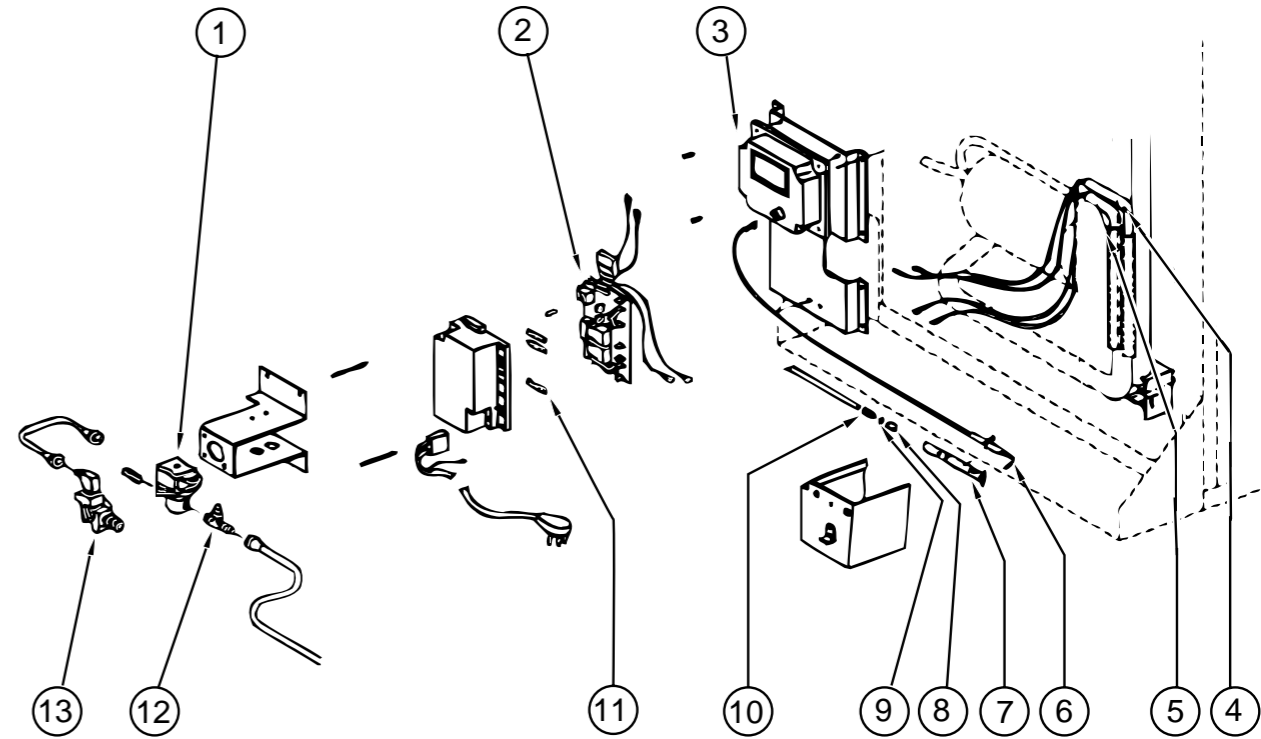
GALLEY GROUP (CONTINUED)



REFRIGERATOR EYEBROW ASM. (NORCOLD 6182)

KEY	PART NUMBER	U/M DESCRIPTION	VENDOR NO.
1	084880-01-753	EA THERMISTER 78"	61693822
2	094039-04-700	EA PRINTED CIRCUIT BOARD - 2 WAY	1647322
3	084880-01-746	EA CABLE	61571522
4	102621-01-703	EA BUTTON - THERMOSTAT - ADJUSTABLE	61587422
5	104137-06-700	EA EYEBROW SHELL (2-WAY)	61726622
6	075217-01-738	EA SWITCH - HUMIDITY	61525922

GALLEY GROUP (CONTINUED)

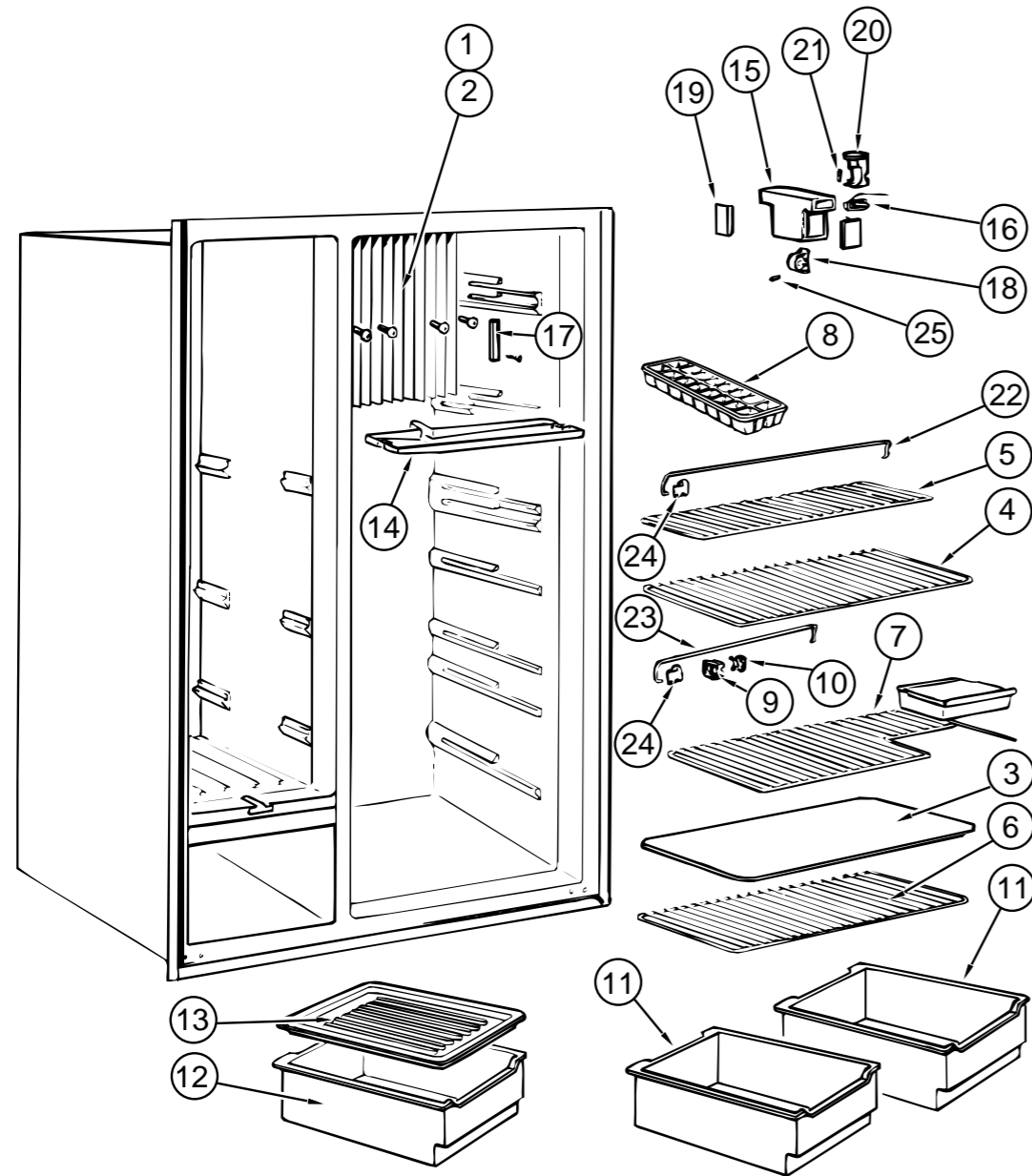


REFRIGERATOR CONTROL ASM. (NORCOLD 6182)

KEY	PART NUMBER	U/M DESCRIPTION	VENDOR NO.
1	084880-01-718	EA VALVE - GAS	61551822
2	094039-04-702	EA POWER SUPPLY (2 WAY)	61647422
3	104137-02-700	EA CHANNEL - CONTROL MODULE	61717037
4	088248-01-710	EA HEATER - DC (HORIZONTAL) 3 WAY	615628
5	088248-01-709	EA HEATER - AC (HORIZONTAL)	615627
6	104137-06-715	EA ELECTRODE - SPARK / SENSOR (SINGLE)	61692222
7	104137-06-714	EA BURNER ASSEMBLY (5-SLOT)	61705222
8	084880-01-705	EA ORIFICE	614522
9	104137-06-713	EA ORIFICE GASKET	61475122
10	104137-06-712	EA FITTING - GAS TUBE CONNECTION	61692722
11	104137-06-711	EA FUSE 5 AMP	61611622
12	104137-06-710	EA PRESSURE TAP	61594422
13	104137-06-709	EA VALVE SHUT - OFF - MANUAL ASM	61694922
	084880-03-701	EA COOLING UNIT (HORIZ BURNER)	61687337

GALLEY GROUP (CONTINUED)

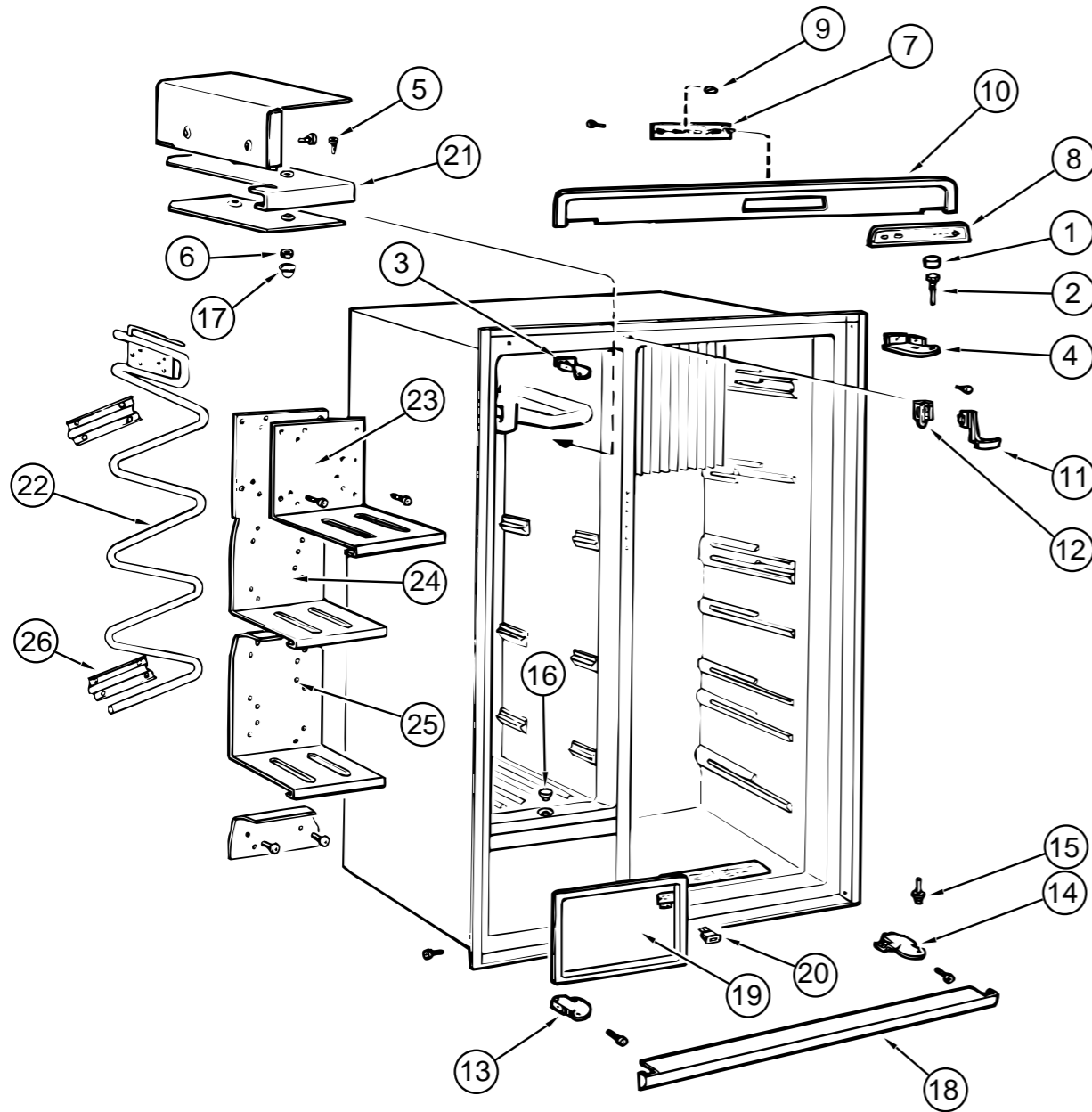
REFRIGERATOR CABINET ASM. & COMPONENTS (DOMETIC RM 7732IM)



KEY	PART NUMBER	U/M DESCRIPTION	VENDOR NO.
	118367-01-01A	EA REFRIGERATOR - SIDE BY SIDE DOOR - 2 WAY	
	065225-01-000	EA PLATE - TIEDOWN - REFRIGERATOR	
	065225-03-000	EA PLATE - TIEDOWN - REFRIGERATOR	
	103251-05-01A	EA INSERT - DOOR - ACRYLIC BLACK - 16.81 X 55.06	
	103251-06-01A	EA INSERT - DOOR - ACRYLIC BLACK - 10.44 X 55.06	
1	118367-01-739	EA FLANGE - COOLING COIL - LEFT	293 16 61-02/5
2	118367-01-740	EA FLANGE - COOLING COIL - RIGHT	293 16 61-03/3
3	118367-01-741	EA SHELF - UPPER - (REFRIGERATOR)	293 15 41-05/2
4	118367-01-742	EA SHELF - (REFRIGERATOR)	293 15 41-04/5
5	118367-01-743	EA SHELF - (REFRIGERATOR)	293 15 42-02/7
6	118367-01-744	EA SHELF - (REFRIGERATOR)	293 11 17-06/9
7	118367-01-745	EA SHELF - (REFRIGERATOR)	293 15 41-06/0
8	118367-01-746	EA TRAY - ICE	293 04 00-00/3
9	118367-01-747	EA LOCK - FLAP - INNER	200 73 92-02/6
10	118367-01-748	EA LOCK - FLAP - OUTER	200 73 93-02/4
11	118367-01-749	EA BOX - VEGETABLE	293 14 71-03/7
12	118367-01-750	EA BOX - VEGETABLE - UPPER	293 14 71-03/7
13	118367-01-751	EA LID - VEGETABLE	293 26 93-01/9
14	118367-01-752	EA PAN - DRIP	293 61 63-01/3
15	118367-01-753	EA COVER - SWITCH & LIGHT	200 40 44-09/1
16	118367-01-754	EA SWITCH - DOOR	294 08 25 00/9
17	118367-01-755	EA RETAINER - PROBE	293 19 76-01/9
18	118367-01-756	EA SUPPORT - THERMOSTAT	200 40 42-00/4
19	118367-01-757	EA CAP - END LAMP PROTECTION	200 40 43-00/2
20	118367-01-758	EA LIGHTING	293 07 44-01/2
21	118367-01-759	EA LAMP - 10W - 12VOLT	200 72 90-00/6
22	118367-01-760	EA RACK - UPPER	200 73 37-15/3
23	118367-01-761	EA RACK - LOWER	200 73 37-16/1
24	118367-01-762	EA RETAINER - RACKS	293 06 93-04/5
25	118367-01-763	EA PIN - LOCKING	200 12 81-01/9
	118367-01-784	EA BUCKET - ICE	293 08 80-02
	118367-01-785	EA CONNECTION - WATER - COMPLETE	293 09 16-02
	118367-01-786	EA STRIP - DOOR DECORATION	293 1163-11
	118367-01-787	EA SHELF - ICE BUCKET	293 19 23-01
	118367-01-788	EA BLOCK - TERMINAL	293 19 63-01
	118367-01-789	EA ICEMAKER	293 19 71-02
	118367-01-790	EA VALVE - WATER	293 19 72-02

GALLEY GROUP (CONTINUED)

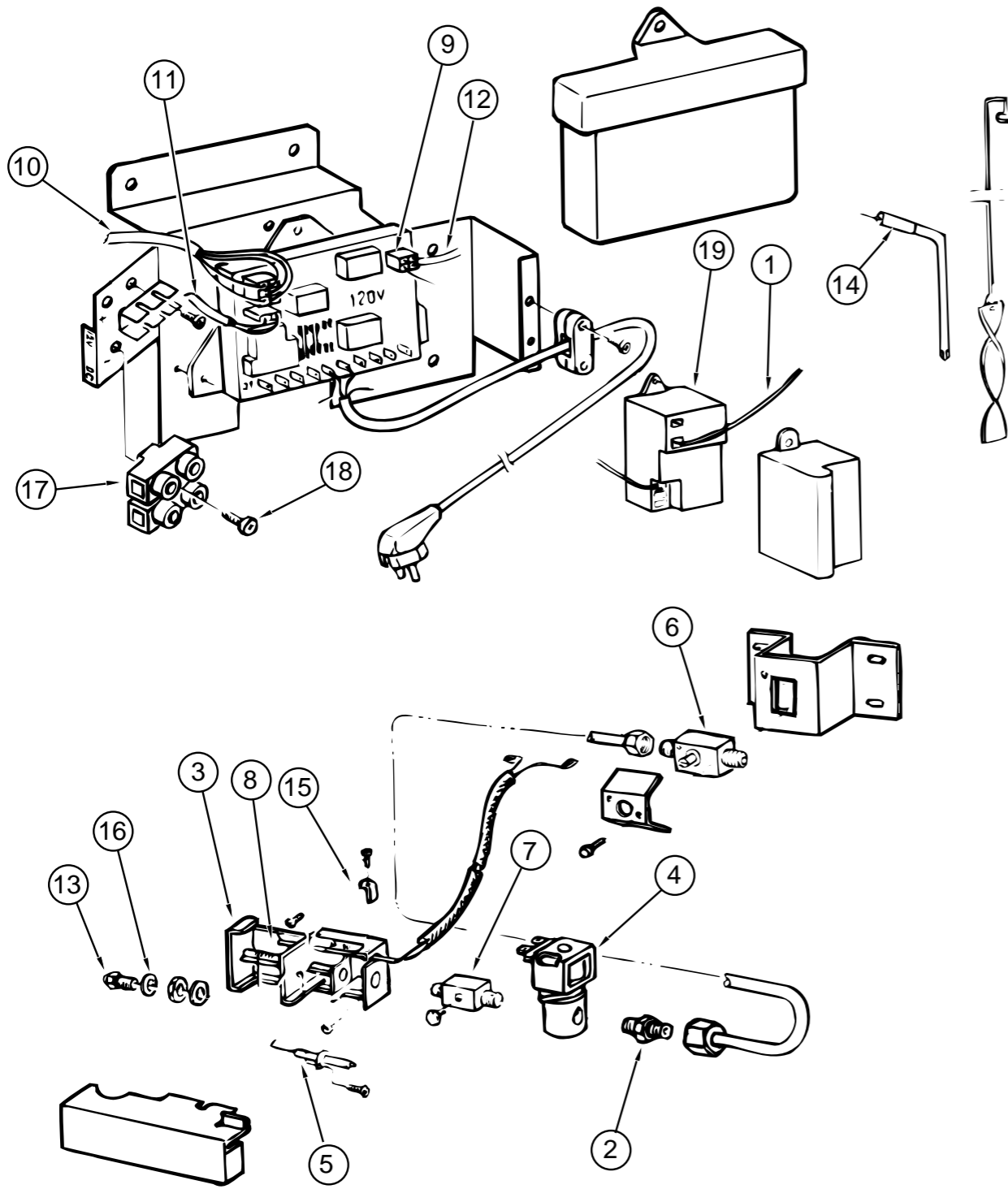
REFRIGERATOR FREEZER SHELVES & COMPONENTS (DOMETIC RM 7732IM)



KEY	PART NUMBER	U/M DESCRIPTION	VENDOR NO.
1	118367-01-713	EA PLUG	293 27 36-01/6
2	118367-01-714	EA PIN - HINGE - UPPER	293 26 47-01/5
3	118367-01-715	EA HINGE - UPPER - LEFT (FREEZER)	293 26 46-01/7
4	118367-01-716	EA HINGE - UPPER - RIGHT (REFRIGERATOR)	293 26 46-02/5
5	118367-01-717	EA SCREW - M6S - 5X20 - FN	725 23 30-13/4
6	118367-01-718	EA NUT - M5 - BRASS - FN	731 43 14-13/4
7	118367-01-719	EA BOARD - CIRCUIT - AES ASM.	293 26 97-05/1
8	118367-01-720	EA DECORATION	95 50 24-53/4
9	118367-01-721	EA BUTTON	95 50 24-13/8
10	118367-01-722	EA DECORATION - FRONT	293 26 63-01/2
11	118367-01-723	EA BOW - LOCKING	293 27 45-01/7
12	118367-01-724	EA RETAINER	293 27 46-01/5
13	118367-01-725	EA HINGE - LOWER - LEFT (FREEZER)	293 26 45-01/9
14	118367-01-726	EA HINGE - LOWER - RIGHT (REFRIGERATOR)	293 26 45-02/7
15	118367-01-727	EA PIN - HINGE - LOWER	293 26 49-02/9
16	118367-01-728	EA LID - LOWER	293 17 15-01/1
17	118367-01-729	EA LID - UPPER	293 04 87-00/0
18	118367-01-730	EA STRIP - FRONT	293 26 64-01/0
19	118367-01-731	EA FLAP	293 26 55-01/8
20	118367-01-732	EA SWITCH - DOOR	293 26 80-01/6
21	118367-01-733	EA SHELF - UPPER - FREEZER	293 14 77-02/6
22	118367-01-734	EA COIL - FREEZER	293 14 74-01/5
23	118367-01-735	EA SHELF - #2 - FREEZER	293 19 83-02/3
24	118367-01-736	EA SHELF - #3 - FREEZER	293 19 82-02/5
25	118367-01-737	EA SHELF - #4 - FREEZER	293 14 82-02/6
26	118367-01-738	EA BRACKET - SHELF - FREEZER	293 14 84-01/4

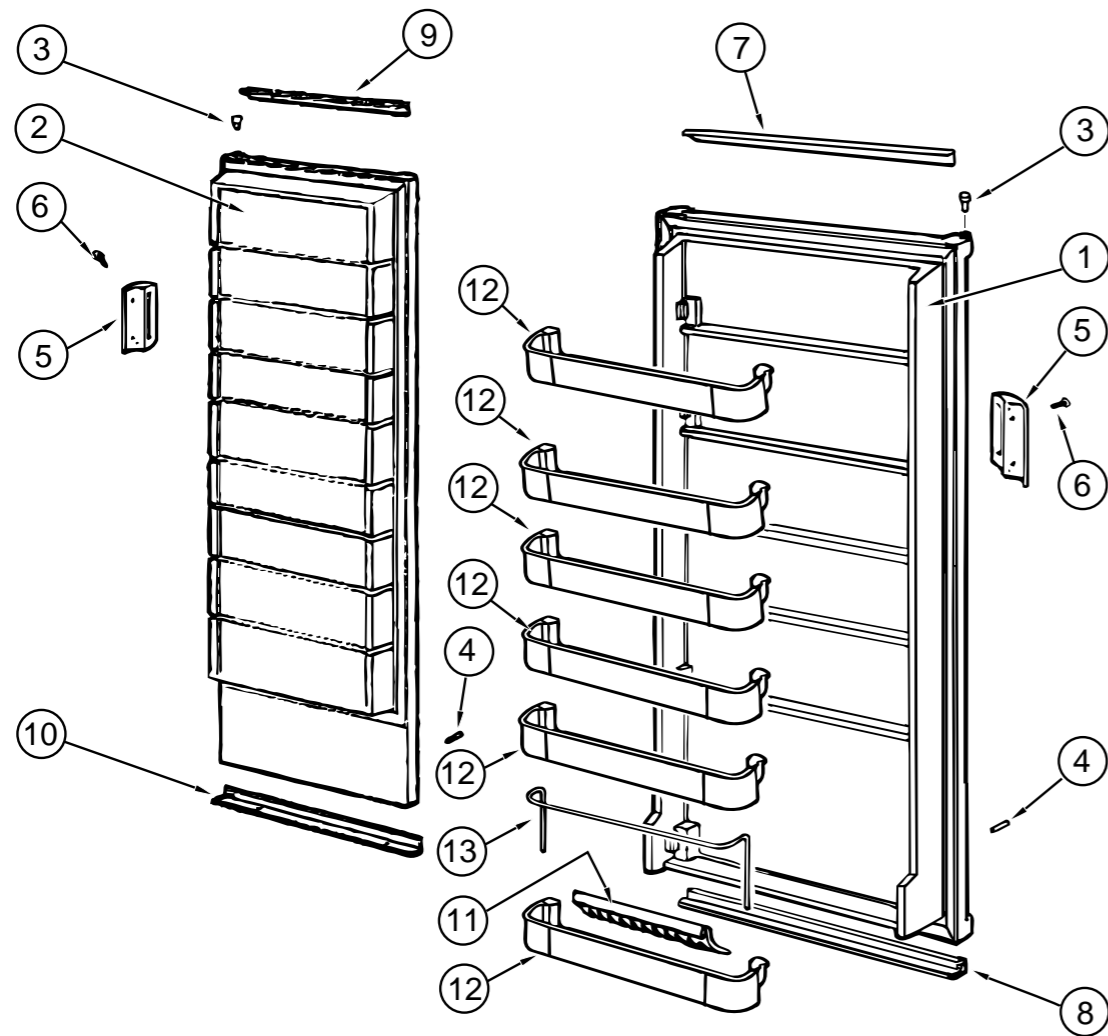
GALLEY GROUP (CONTINUED)

REFRIGERATOR ELECTRICAL COMPONENTS (DOMETIC RM 7732IM)



KEY	PART NUMBER	U/M	DESCRIPTION	VENDOR NO.
1	118367-01-764	EA	CONDUCTOR - ELECTRODE	200 76 68-04/5
2	118367-01-765	EA	NIPPLE	293 20 63-01/5
3	118367-01-766	EA	HOUSING - BURNER	293 21 61-01/7
4	118367-01-767	EA	VALVE - SOLENOID	294 3298-03/0
5	118367-01-768	EA	ELECTRODE	293 14 95-01/0
6	118367-01-769	EA	GAS SHUTOFF	293 26 16-01/0
7	118367-01-770	EA	NIPPLE	293 18 24-01/1
8	118367-01-771	EA	THERMOSTAT	293 18 26-01/6
9	118367-01-772	EA	BOARD - CIRCUIT - COMPLETE	293 18 42-03/9
10	118367-01-773	EA	CONDUCTOR - CIRCUIT BOARD	293 18 62-02/9
11	118367-01-774	EA	CONDUCTOR - THERMISTOR	293 18 63-02/7
12	118367-01-775	EA	CONDUCTOR - GAS VALVE	295 44 37-02/2
13	118367-01-776	EA	ORFICE - JET - NR76	200 74 19-33/2
14	118367-01-777	EA	HEATER - 210WATT - 120VOLT	17 37 58-03/8
15	118367-01-778	EA	RETAINER	293 06 60-01/0
16	118367-01-779	EA	WASHER	200 74 57-00/1
17	118367-01-780	EA	BLOCK - TERMINAL	293 04 63-01/9
18	118367-01-781	EA	SCREW - RXS - B6X25 - STAINLESS	729 52 87-40/8
19	118367-01-782	EA	IGNITION - SPARK	293 11 32-01/9

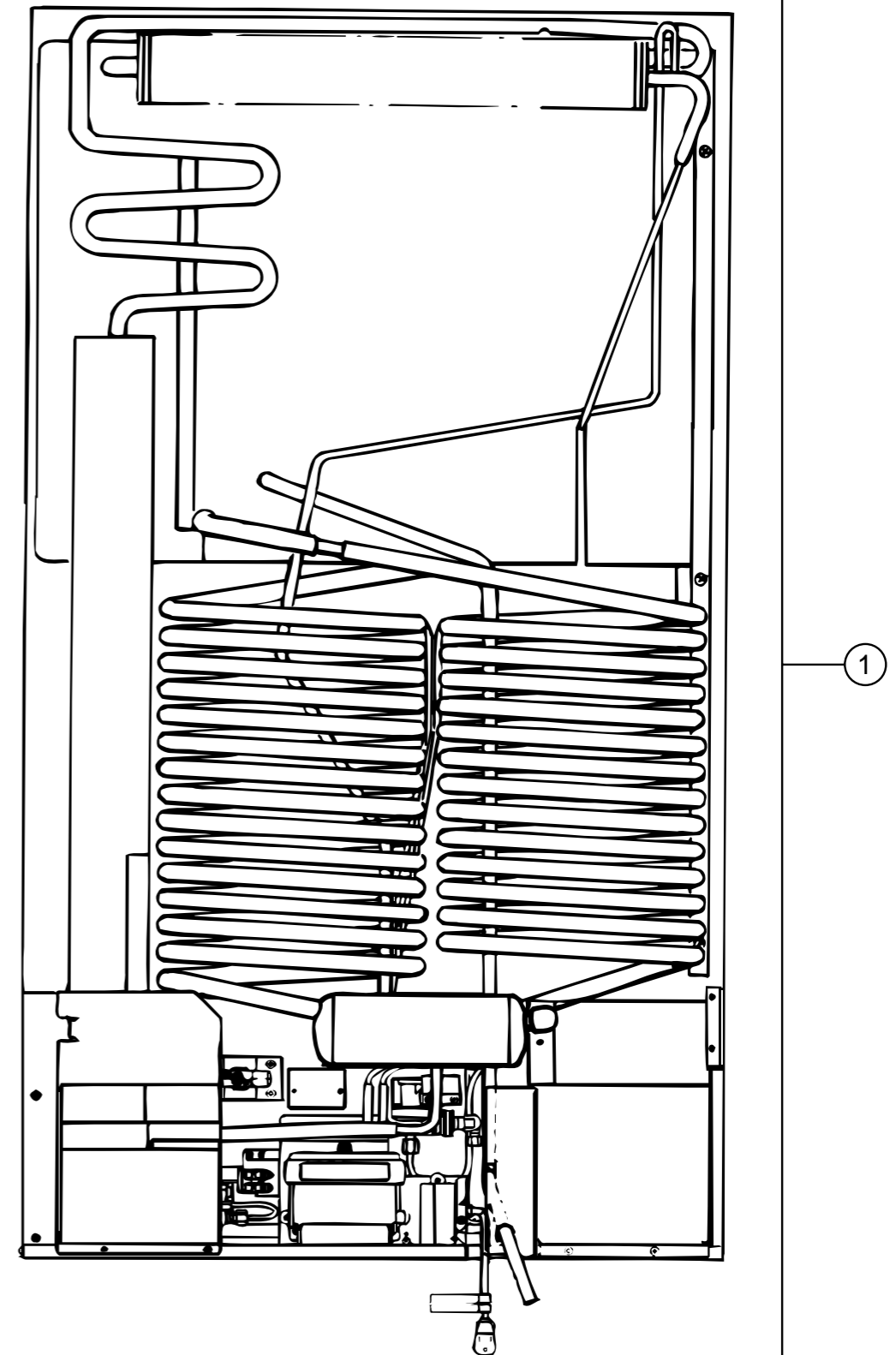
GALLEY GROUP (CONTINUED)



REFRIGERATOR DOORS (DOMETIC RM 7732IM)

KEY	PART NUMBER	U/M DESCRIPTION	VENDOR NO.
1	118367-01-700	EA DOOR - REFRIGERATOR	293 25 90-11/6
2	118367-01-701	EA DOOR - FREEZER	293 25 89-11/8
3	118367-01-702	EA BUSHING - HINGE - FREEZER - REFRIGERATOR	293 11 71-01/7
4	118367-01-703	EA STOP - LOWER - FREEZER - REFRIGERATOR	293 25 88-01/1
5	118367-01-704	EA HANDLE - FREEZER - REFRIGERATOR	293 27 29-01/1
6	118367-01-705	EA SCREW - HANDLE - FREEZER - REFRIGERATOR	724 13 23-61/2
7	118367-01-706	EA DECORATION - DOOR - REFRIGERATOR - UPPER	293 26 42-08/1
8	118367-01-707	EA DECORATION - DOOR - REFRIGERATOR - LOWER	293 26 42-03/2
9	118367-01-708	EA DECORATION - DOOR FREEZER - UPPER	293 26 42-12/3
10	118367-01-709	EA DECORATION - DOOR - FREEZER - LOWER	293 26 42-02/4
11	118367-01-710	EA HOLDER - BOTTLE - DOOR - REFRIGERATOR	293 26 58-01/2
12	118367-01-711	EA SHELF - DOOR - REFRIGERATOR	293 25 83-02/0
13	118367-01-712	EA RACK - DOOR - REFRIGERATOR	293 25 85-04/1

GALLEY GROUP (CONTINUED)

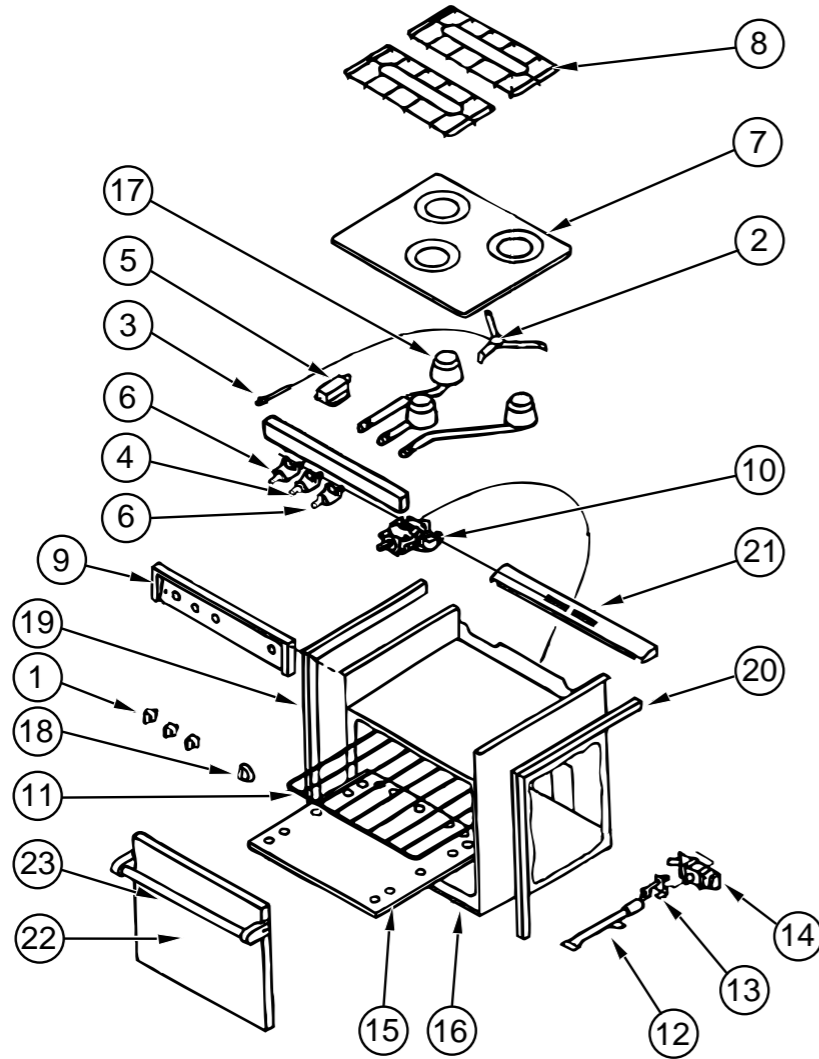


REFRIGERATOR COOLING COIL (DOMETIC RM 7732IM)

KEY	PART NUMBER	U/M DESCRIPTION	VENDOR NO.
1	118367-01-783	EA COIL - COOLING	293 49 45-09/4

GALLEY GROUP (CONTINUED)

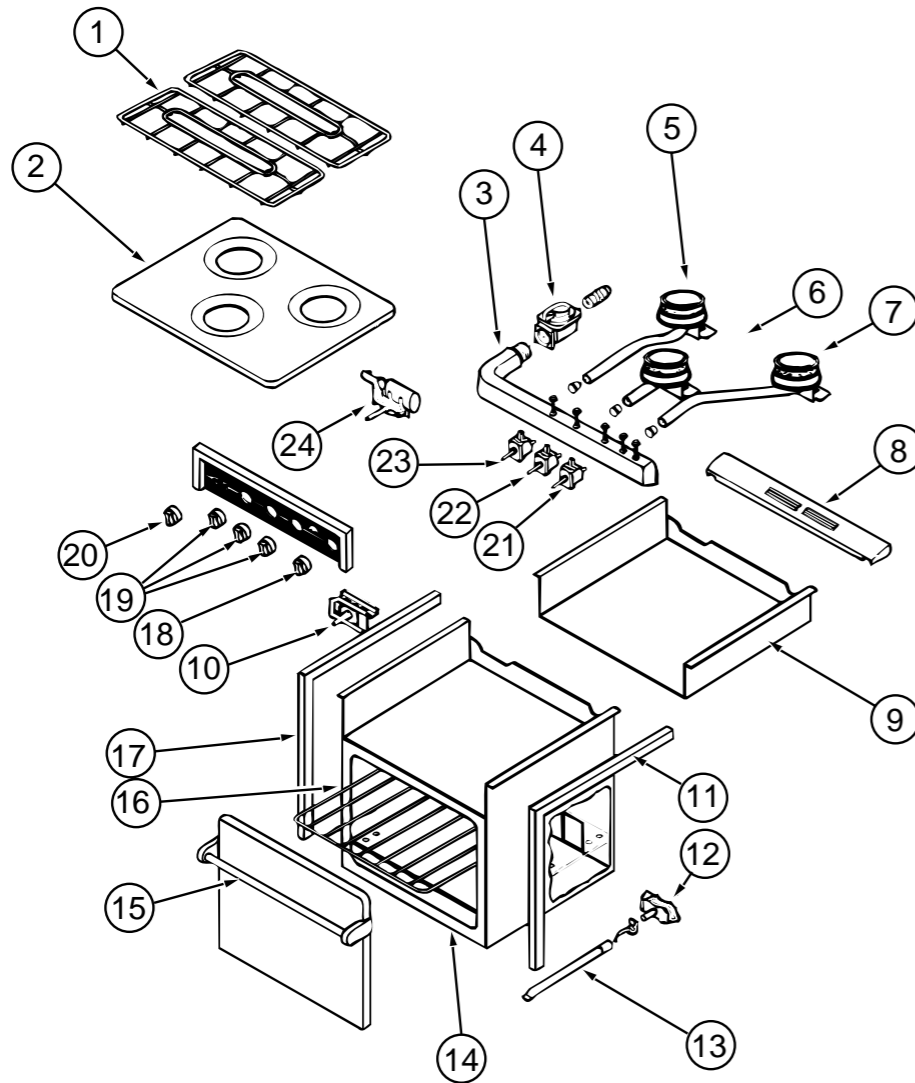
ATWOOD RANGE W/OVEN - R2136BG



KEY	PART NUMBER	U/M DESCRIPTION	VENDOR NO.
	107246-01-01A	EA RANGE-W/OVEN, BLACK - R-2136BG	
			FROM: 00-00-00 THRU: 02-28-96
1	101593-01-703	EA BURNER KNOB	53000
2	106689-01-701	EA SPARK-IGNITOR ASM, HIGH OUTPUT	53078
3	106689-01-702	EA PIEZO PUSH BUTTON	52279
4	106689-01-703	EA VALVE-BURNER,ROBERT SHAW 9000 BTU	53047
5	106689-01-704	EA REGULATOR W/EXTREME PRESSURE	52154
6	107323-01-719	EA VALVE-BURNER, HARPER WYMAN 5200 BTU	51138
6	106689-01-705	EA VALVE-BURNER, ROBERT SHAW 5200 BTU	52123
7	107246-01-700	EA RANGE TOP (BLACK)	53083
8	107246-01-701	EA GRATE	53050
9	107246-01-702	EA MANIFOLD COVER	53072
10	107246-01-703	EA THERMOSTAT	52122
11	107246-01-704	EA RACK-OVEN	51069
12	107246-01-705	EA BURNER-OVEN	52018
13	107246-01-706	EA PILOT ASSEMBLY-OVEN	52242
14	107246-01-707	EA VALVE-SAFETY	51177
15	107246-01-708	EA SHELF-OVEN, BOTTOM	51657
16	107246-01-709	EA TRIM-BOTTOM, BLACK	53526D
17	107246-01-710	EA BURNER (HIGH OUTPUT)	53069
18	107246-01-711	EA KNOB, THERMOSTAT	53001
19	107323-01-702	EA TRIM-LEFT	53023
20	107323-01-703	EA TRIM-RIGHT	53024
21	107323-01-705	EA TRIM VENT	53525
	107323-01-710	EA GRATE CLIP	53301
	107323-01-711	EA RUBBER GRATE CUSHION	53008
22	107246-01-717	EA DOOR-OVEN ASM, BLACK GLASS LARGE	51835
22	107323-01-713	EA BLACK GLASS INSERT-W/HOLE	53426
23	107323-01-714	EA HANDLE FOR W/HOLE GLASS	51112
	107314-01-01A	EA COVER-RANGE, SLOTTED BIFOLD	
	106693-01-702	EA BUMPER-RUBBER, 1/2"	
	105458-03-000	EA TIEDOWN BRACKET, STOVE - RH	
	105458-04-000	EA TIEDOWN BRACKET, STOVE - LH	

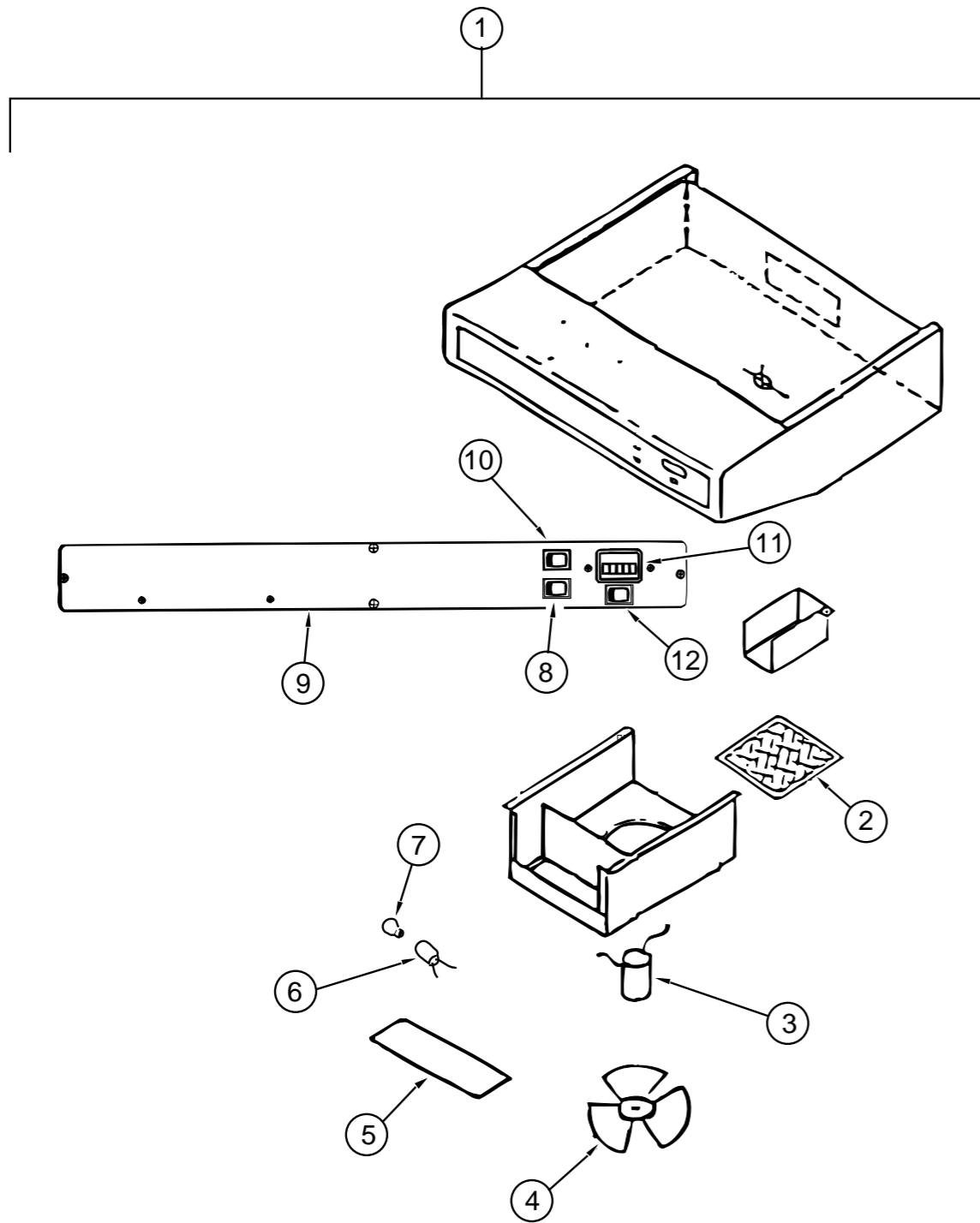
GALLEY GROUP (CONTINUED)

ATWOOD RANGE W/OVEN - R2137BGP



KEY	PART NUMBER	U/M	DESCRIPTION	VENDOR NO.
	121758-01-01A	EA	RANGE-W/OVEN, 21" - 3 BURNER - BLACK - R-2137BGP	
			FROM: 02-29-96 THRU: 99-99-99	
1	107246-01-701	EA	GRATE-BURNER	53050
	107323-01-711	EA	CUSHION-GRATE, RUBBER	53008
	107323-01-716	EA	CLIP-GRATE, GREEN	50005
2	121758-01-714	EA	RANGE-TOP, ALMOND	53082
3	121758-01-709	EA	MANIFOLD 3 BURNER	51272
	121758-01-713	EA	COVER-MANIFOLD	56107
4	106689-01-704	EA	REGULATOR-EXTREME PRESSURE	51062
5	121758-01-707	EA	BURNER LEFT REAR PZO	56066
6	121758-01-708	EA	BURNER CENTER (HIGH OUTPUT)	56068
7	121758-01-706	EA	BURNER RIGHT REAR PZO	56067
8	107323-01-705	EA	TRIM-VENT	53525
9	121758-01-711	EA	BURNER BOX	51684
10	107246-01-703	EA	THERMOSTAT, ROBERT SHAW	52122
11	107323-01-703	EA	TRIM-RIGHT	53024
12	107246-01-706	EA	PILOT ASM., ONLY (OVEN)	51065
13	107246-01-705	EA	BURNER-OVEN	52018
14	107246-01-709	EA	TRIM-LOWER, BLACK	53526D
15	107323-01-714	EA	HANDLE ASM. DESIGNER STYLE	51112
	107323-01-713	EA	GLASS-BLACK, INSERT OVEN DOOR	53426
16	107246-01-704	EA	RACK-OVEN	51069
	107246-01-708	EA	SHELF-OVEN, LOWER	51657
17	107323-01-702	EA	TRIM-LEFT	53023
18	121758-01-703	EA	KNOB THERMOSTAT	56094
19	121758-01-712	EA	KNOB, BURNER (3)	56093
20	121758-01-700	EA	KNOB (TURN STYLE) PIEZO IGN	56095
21	121758-01-710	EA	VALVE, BURNER	56086
22	121758-01-705	EA	VALVE HIGH OUTPUT	56087
23	121758-01-710	EA	VALVE, BURNER	56086
24	121758-01-701	EA	IGNITOR PIEZO (ROTARY)	56096
	121758-01-702	EA	ELECTRODE WIRE (PIEZO IGNITOR)	56097
	107246-01-707	EA	VALVE-SAFETY W/PILOT COMP	51063

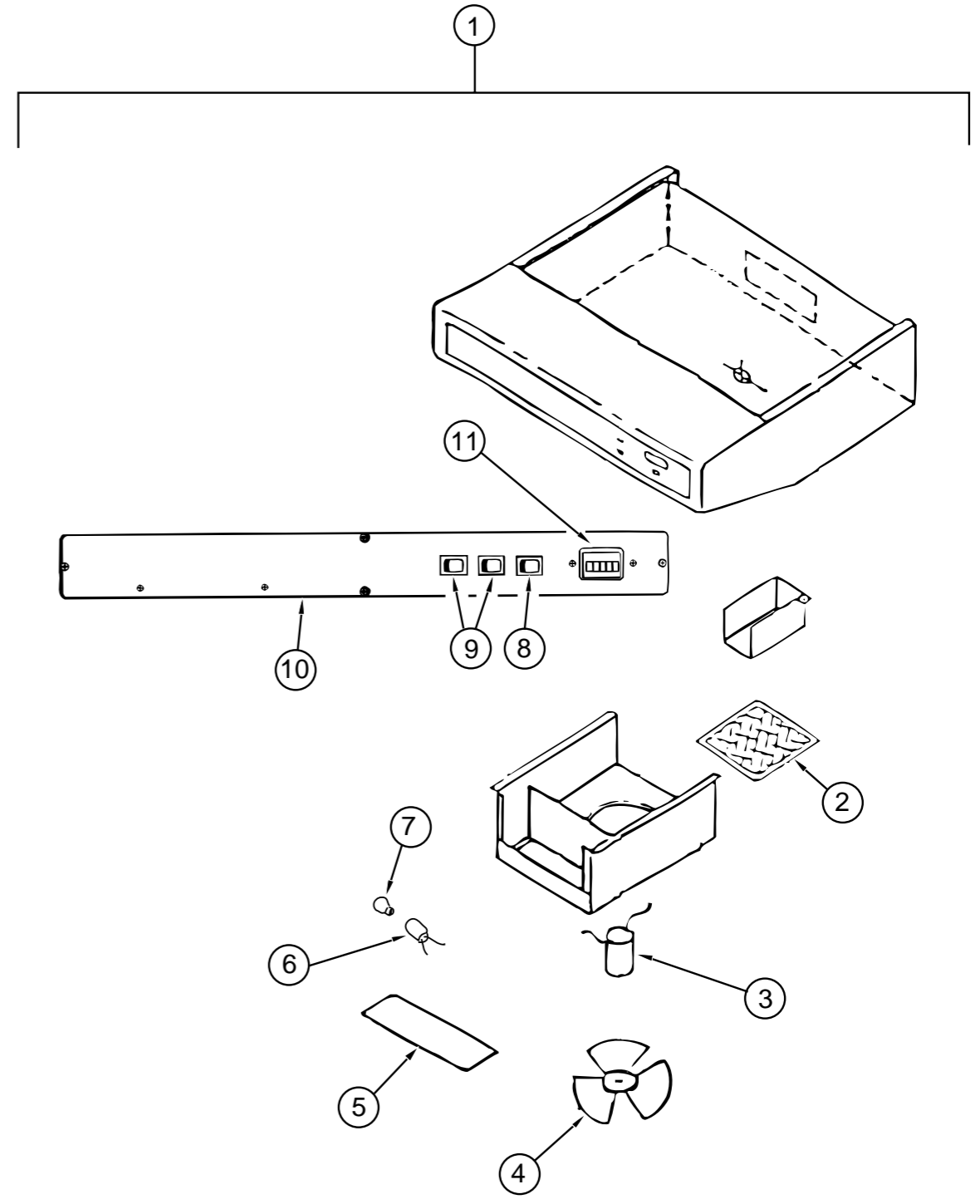
GALLEY GROUP (CONTINUED)



RANGE HOOD W/O HOUR METER (CANADIAN)

KEY	PART NUMBER	U/M DESCRIPTION	VENDOR NO.
1	100258-17-04A	EA HOOD-RANGE, W/O MONITOR PANEL - TCS-500-NBCLG	
2	096983-01-707	EA FILTER-MESH	CC246
3	090973-01-700	EA MOTOR-12 VOLT, CSA & UL	CA508-1
4	090973-01-702	EA BLADE-FAN	VA183-1
5	092696-02-701	EA LENS-LAMP	CC179-2
6	092696-01-710	EA HOLDER-LAMP	CB267-2
7	092696-01-709	EA LAMP #912	VA415
8	096983-01-700	EA SWITCH-ON/OFF	108
9	100258-01-700	EA LABEL-HOOD NOSE	CC428
10	096983-01-702	EA SWITCH-MOM/MOM	112
11	100258-10-01A	EA GAUGE-HOUR METER W/SWITCH - SCREW ON (OPTION) - 150	
11	100258-10-701	EA GAUGE-HOUR METER, CLIP ON (OPTION)	L0775-00
12	096983-01-702	EA SWITCH-MOM/MOM (OPTION)	112

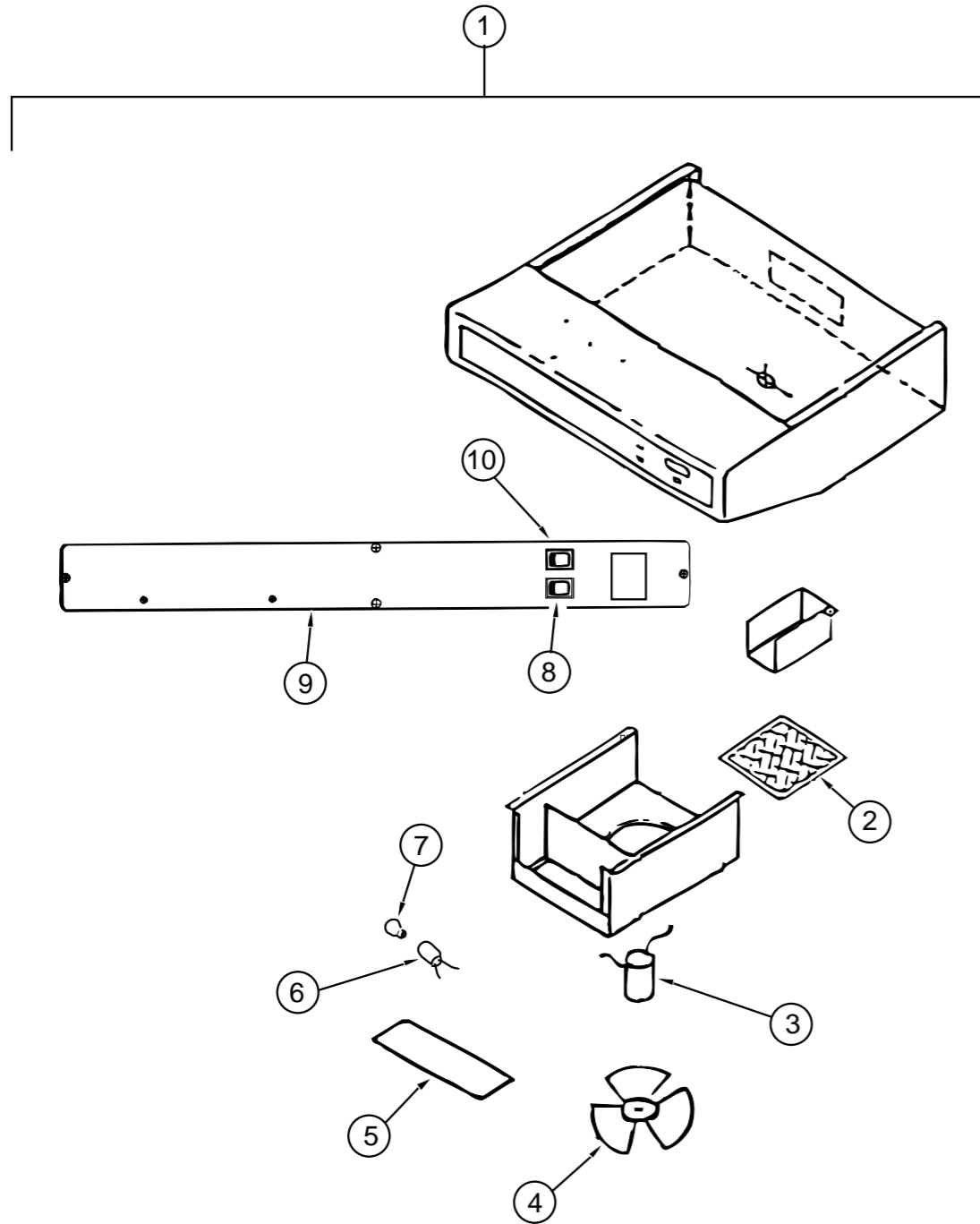
GALLEY GROUP (CONTINUED)



RANGE HOOD W/HOUR METER (US)

KEY	PART NUMBER	U/M DESCRIPTION	VENDOR NO.
1	100258-18-03A	EA HOOD-RANGE, W/O MONITOR PANEL - TP55009-SBO-LG	
2	096983-01-707	EA FILTER-MESH	CC246
3	090973-01-700	EA MOTOR-12 VOLT, CSA & UL	CA508-1
4	090973-01-702	EA BLADE-FAN	VA183-1
5	092696-02-701	EA LENS-LAMP	CC179-2
6	092696-01-710	EA HOLDER-LAMP	CB267-2
7	092696-01-709	EA LAMP #912	VA415
8	096983-01-702	EA SWITCH-MOM/MOM	112
9	096983-01-700	EA SWITCH-ON/OFF	108
10	100258-01-700	EA LABEL-HOOD NOSE	CC428
11	100258-10-01A	EA GAUGE-HOUR METER W/SWITCH - SCREW ON STYLE - 150	
11	100258-10-701	EA GAUGE-HOUR METER, CLIP ON	L0775-00

GALLEY GROUP (CONTINUED)



RANGE HOOD W/O HOUR METER (US)

KEY	PART NUMBER	U/M DESCRIPTION	VENDOR NO.
1	100258-16-04A	EA HOOD-RANGE, W/O MONITOR PANEL - TCS-5008-NBDLG	
2	096983-01-707	EA FILTER-MESH	CC246
3	090973-01-700	EA MOTOR-12 VOLT, CSA & UL	CA508-1
4	090973-01-702	EA BLADE-FAN	VA183-1
5	092696-02-701	EA LENS-LAMP	CC179-2
6	092696-01-710	EA HOLDER-LAMP	CB267-2
7	092696-01-709	EA LAMP #912	VA415
8	096983-01-700	EA SWITCH-ON/OFF	108
9	100258-01-700	EA LABEL-HOOD NOSE	CC428
10	096983-01-702	EA SWITCH-MOM/MOM	112

GALLEY GROUP (CONTINUED)

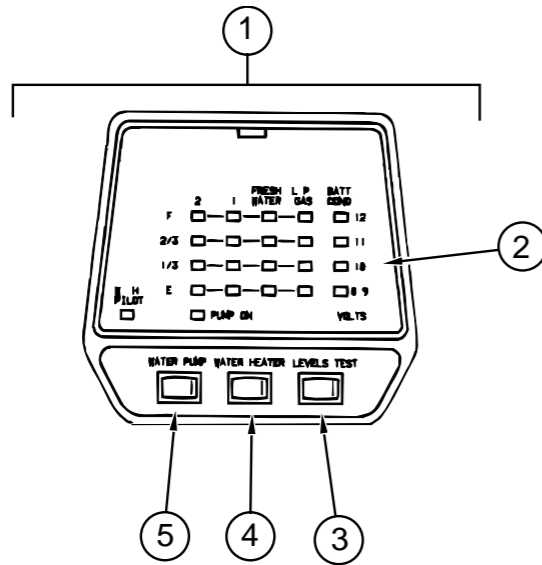
MICROWAVE OVEN

KEY	PART NUMBER	U/M DESCRIPTION
	115303-01-000	EA OVEN-MICROWAVE - MCD-DM15K-7B
	115303-01-700	EA TRIM F/VENT TOP
	115401-01-01A	EA TRIM-MICROWAVE,BLACK
	094750-07-000	EA BRACKET-MICROWAVE, 89 DEGREE - STEEL
	094756-02-01A	EA BRACKET-L, MICROWAVE - 6.1" LONG X 3.9" WIDE - STEEL - TAN
	098916-14-01A	EA BRACE-MICROWAVE
	098916-15-01A	EA BRACE-MICROWAVE

COFFEE MAKER

KEY	PART NUMBER	U/M DESCRIPTION	VENDOR NO.
	103799-01-02A	EA COFFEE MAKER - GRAY - BLACK & DECKER - W/GLASS POT	
	103799-01-700	EA POT-CARAFE, GLASS	679420
	103799-01-701	EA BRACKETS, WHITE PAIR	167734-06

GALLEY GROUP (CONTINUED)



LVS MONITOR PANEL

KEY	PART NUMBER	U/M DESCRIPTION	VENDOR NO.
1	102765-04-01A	EA PANEL-MONITOR, W/PLUG - FOR 2 TANKS & WATER HEATER - LVS	
2	102765-04-700	EA BOARD-CIRCUIT, 2 HOLDING TANK	5076-11
3	097617-01-702	EA SWITCH (ALMOND)	107
4	097617-01-701	EA SWITCH-ON/OFF, ALMOND	106
5	102765-01-700	EA SWITCH-ON-ON, ALMOND	110-01

GENERATOR GROUP

ONAN GENERATOR, 5.0 KW EMERALD PLUS (US, CSA)

KEY	PART NUMBER	U/M DESCRIPTION
	109303-01-000	EA GENERATOR - 5.0 KW EMERALD PLUS
	007125-03-000	EA CLAMP - MUFFLER - 1.5" DIA
	007125-04-000	EA CLAMP - MUFFLER - 1.1" DIA
	081364-03-000	EA MUFFLER
	079654-05-000	EA PIPE - EXHAUST - ANGLED - W/ FLANGE - 2" ID - ONAN# 154-2539
	106602-01-000	EA PIPE - EXHAUST - GENERATOR
	094059-01-000	EA SPACER
	068382-06-000	EA BUSHING - BRASS - 3/8 MPT X 1/8 FPT
	106607-01-000	EA ANGLE-SUPPORT, EXHAUST
	094657-02-000	EA TRAY ASM-GENERATOR

ONAN GENERATOR, 4.0 KW EMERALD PLUS (BGE-FN/29236G) (EXPORT)

KEY	PART NUMBER	U/M DESCRIPTION
	100974-04-000	EA GENERATOR - 4.0 KW EMERALD PLUS
	105958-03-000	EA PIPE - EXHAUST - GENERATOR
	007125-03-000	EA CLAMP - MUFFLER - 1.5" DIA
	007125-04-000	EA CLAMP - MUFFLER - 1.1" DIA
	079654-05-000	EA PIPE - EXHAUST - ANGLED - W/FLANGE - 2" ID - ONAN# 154-2539
	082272-01-000	EA MUFFLER
	094059-01-000	EA SPACER
	094657-02-000	EA TRAY ASM-GENERATOR

ONAN GENERATOR, 6.5 KW EMERALD PLUS (NHE-FA/26100G) (US, CSA)

KEY	PART NUMBER	U/M DESCRIPTION
	100975-01-000	EA GENERATOR - 6.5 KW EMERALD PLUS
	106602-01-000	EA PIPE - EXHAUST - GENERATOR
	007125-03-000	EA CLAMP - MUFFLER - 1.5" DIA
	007125-04-000	EA CLAMP - MUFFLER - 1.1" DIA
	079654-05-000	EA PIPE - EXHAUST - ANGLED - W/FLANGE - 2" ID - ONAN# 154-2539
	081364-03-000	EA MUFFLER
	094059-01-000	EA SPACER

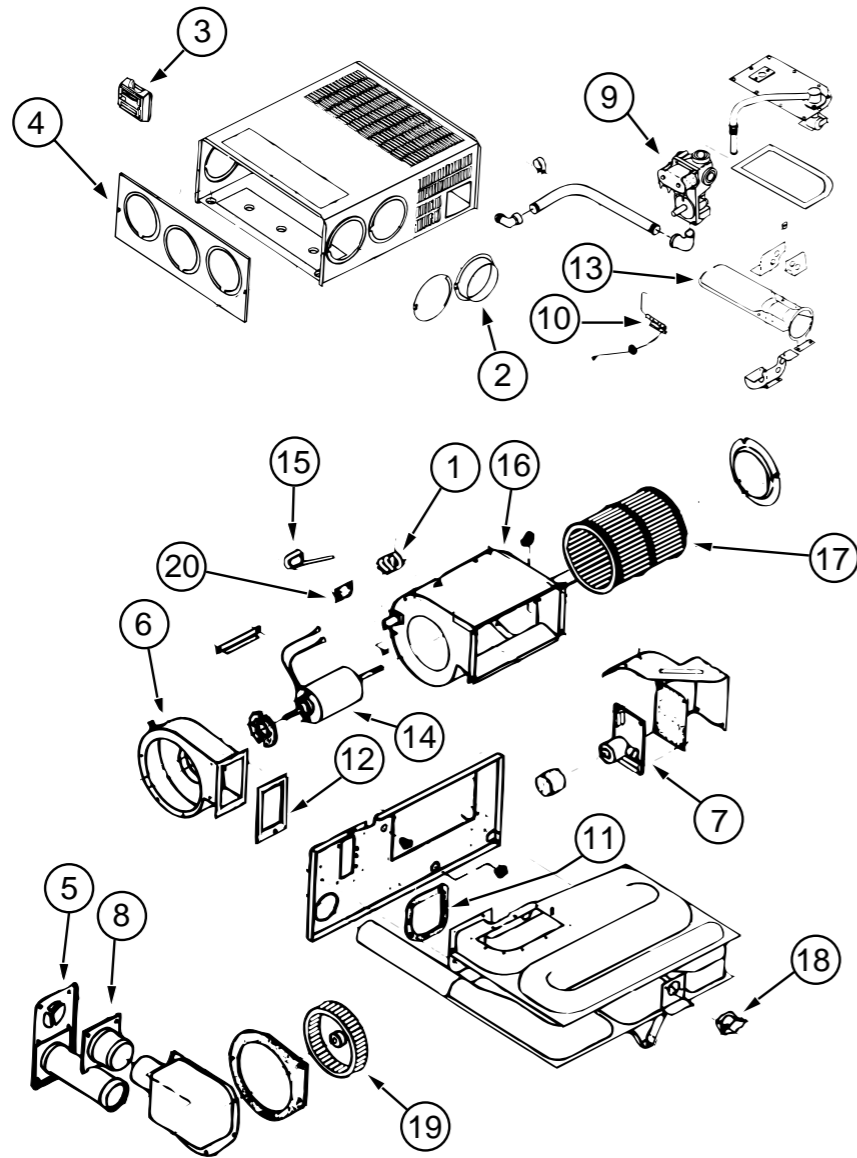
ONAN GENERATOR, 5.0 KW EMERALD PLUS (EXPORT)

KEY	PART NUMBER	U/M DESCRIPTION
	100975-03-000	EA GENERATOR - 5.0 KW EMERALD PLUS
	007125-03-000	EA CLAMP - MUFFLER - 1.5" DIA
	007125-04-000	EA CLAMP - MUFFLER - 1.1" DIA
	081364-03-000	EA MUFFLER
	079654-05-000	EA PIPE - EXHAUST - ANGLED - W/ FLANGE - 2" ID - ONAN# 154-2539
	106602-01-000	EA PIPE - EXHAUST - GENERATOR
	094059-01-000	EA SPACER
	094657-02-000	EA TRAY ASM-GENERATOR
	007131-01-000	EA HANGER-TAILPIPE
	106607-01-000	EA ANGLE-SUPPORT, EXHAUST

NOTE: ADDITIONAL GENERATOR COMPONENTS ARE FOUND IN THE CHASSIS GROUP

HEATING & AIR CONDITIONING GROUP

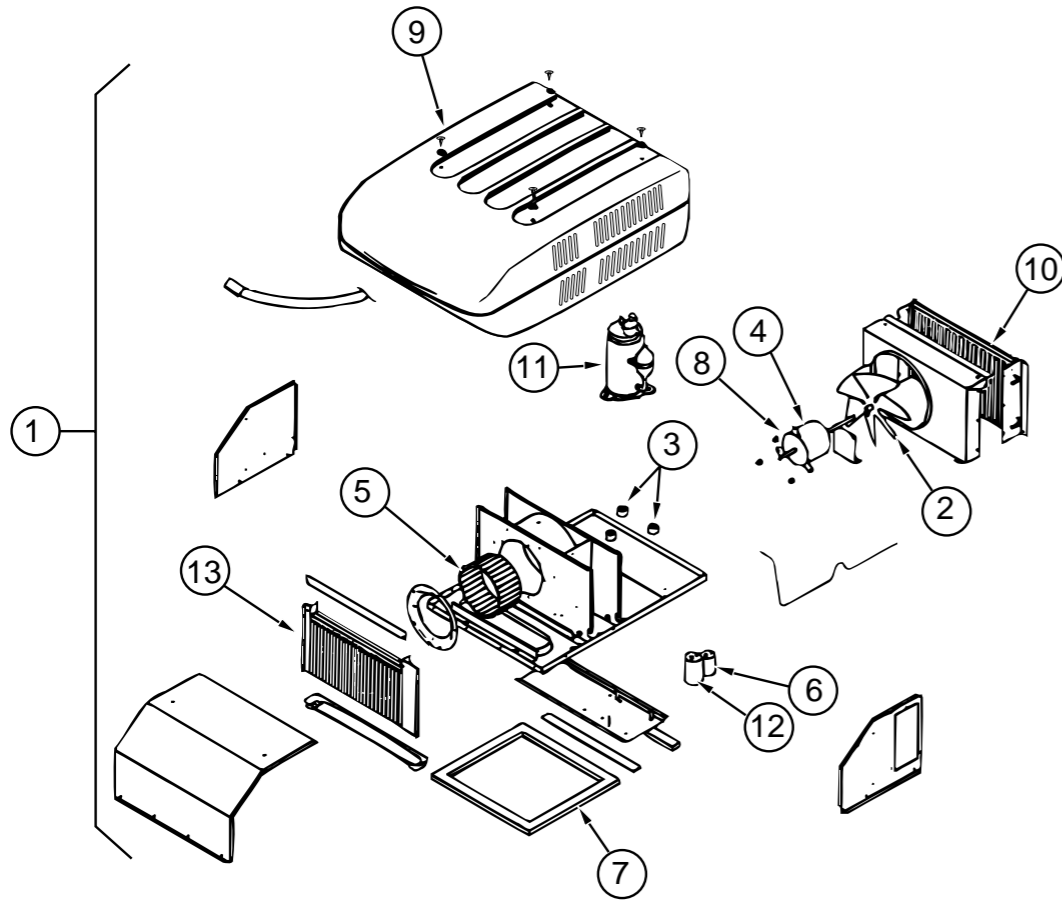
FURNACE (SUBURBAN SF-42 2275)



KEY	PART NUMBER	U/M DESCRIPTION	VENDOR NO.
	098668-22-000	EA FURNACE - 40,000 BTU	
1	074466-01-702	EA RELAY - TIME DELAY	230625
2	075696-02-703	EA DUCT COLLAR	050715
3	115764-01-01A	EA THERMOSTAT - WALL - FURNACE - 160902	
4	098668-01-700	EA CABINET FRONT	101242
5	098668-01-707	EA VENT CAP & EXHAUST TUBE ASM	260231
6	098668-01-708	EA BLOWER ASM (COMBUSTION AIR)	390441
7	098668-01-712	EA BOARD - MODULE	231741
8	098668-01-713	EA INTAKE VENT TUBE ASM	051248
9	098668-01-714	EA GAS VALVE (WHITE ROGERS)	161070
10	098668-01-715	EA ELECTRODE ASM. (SINGLE PROBE)	232166
11	098668-01-716	EA GASKET FIREWALL (CHAMBER SIDE)	070808
12	098668-01-717	EA GASKET FIREWALL(BLOWER SIDE)	070809
13	098668-11-701	EA BURNER ASM COMP (SF-42F)	010799
14	098668-11-702	EA MOTOR ASM COMP (SF-42F)	232212
15	098668-11-703	EA SWITCH - SAIL ASM (SF-42F)	232216
16	098668-11-704	EA BLOWER ASM ROOM AIR (SF-42F)	390698
17	098668-01-711	EA WHEEL - ROOM AIR	350129
18	098668-11-706	EA LIMIT SWITCH (SF-42F)	232217
19	098668-22-702	EA WHEEL COMBUSTION AIR	350183
20	101990-01-714	EA MICROSWITCH GASKET	230877
	098668-11-700	EA ORIFICE - MAIN BURNER SF-42F	180216
	009198-01-000	FT DUCT - HEAT - FLEXIBLE - 4" ID X 25 FT	
	009200-01-000	EA TAPE - FURNACE - 1 1/2"	
	098668-14-000	EA GASKET - FIBERGLASS - .5" X 18" X 18" - 070976	
	098668-23-000	EA DOOR - ACCESS - FURNACE - BRIGHT WHITE	
	092777-01-000	EA ADAPTER - DUCT - 4"	
	093741-01-000	EA BOX - BOOT - FLOOR REGISTER	
	093614-02-02A	EA GRILL - RETURN AIR - DURA - 252 X 252 MM - BEIGE	
	093614-03-02A	EA GRILL - RETURN AIR - DURA - 252 X 404 MM - BEIGE	
	094600-05-01A	EA HEAT REGISTER - W/O DAMPER	
	094600-06-01A	EA HEAT REGISTER - W/ DAMPER	

HEATING & AIR CONDITIONING GROUP (CONTINUED)

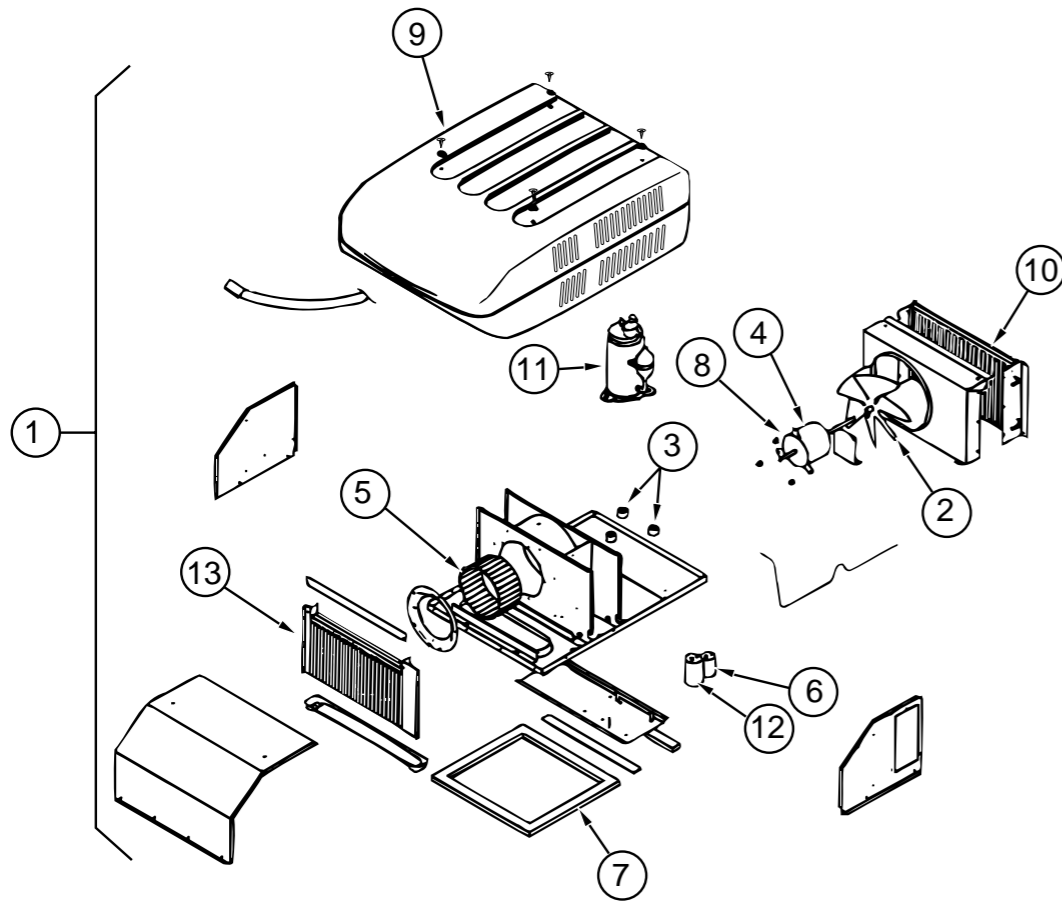
COLEMAN ROOF AIR 13,500 BTU (EXPORT)



KEY	PART NUMBER	U/M DESCRIPTION	VENDOR NO.
1	108889-02-01A	EA A/C - ROOF - 13,500 TSR HO IVORY - 7373A897	
2	093763-01-712	EA FAN BLADE - CONDENSER	6733-3221
3	105620-01-706	EA FOOT PKG - COMPRESSOR - 3 PER PACKAGE	6759-3081
4	108889-02-701	EA MOTOR	1468-3059
5	108889-01-706	EA IMPELLOR	1472-1041
6	093763-01-704	EA CAPACITOR - FAN	1499-3461
7	108889-01-711	EA GASKET PACKAGE	6792-3301
8	108889-01-715	EA MOTOR MOUNT & SHAFT SEAL KIT	6792-3361
9	063903-01-700	EA SHROUD	6759-4601
10	108889-01-703	EA CONDENSER COIL	1452A1301
11	108889-02-700	EA COMPRESSOR - TECUMSEH	1450A2029
	108889-01-704	EA OVERLOAD (MRA#98693)	6749-3541
12	108889-01-707	EA RUN CAPACITOR (COMP-25MFD/ 370)	1499-5661
13	108889-01-709	EA EVAPORATOR COIL	1452A1311
	108889-02-703	EA START RELAY	1497-4141
	093306-01-701	EA DECAL PKG - LEFT & RIGHT	6798B3591
	108889-01-710	EA FILLER PAD - COND AIR SEAL	6759A3971
	108889-01-713	EA SUCTION LINE (3/8 OD X .032 WALL)	6792-130
	108889-01-714	EA DISCHARGE LINE ASM.	6792-531
	108891-01-01A	EA CEILING ASM - A/C DUCTED - 7330-714 IV	
	108892-01-700	EA PLUG ASSEMBLY	7330-540
	108892-01-701	EA TERMINAL BOARD	7330-3201
	108892-01-702	EA PRINTED CIRCUIT BOARD	7330-3211
	108892-01-703	EA FILTER	6798A3761
	108892-01-704	EA GRILLE (PLASTIC)	6798-3041
	108892-01-705	EA SMALL PARTS PKG	7330A6101
	102289-01-000	EA SPRING - SCREW - ROOF A/C GASKET - 6757-150	
	110403-01-G09	EA SPACER ASM - RETURN AIR - OAK	
	117238-02-01A	EA THERMOSTAT - A/C ONLY - 7330-3381	
	117238-02-01A	EA THERMOSTAT - A/C ONLY - 7330-3381	
	088238-01-000	EA COVER - SWITCH - A/C SELECTOR - FRONT TO REAR A/C	
	073937-03-000	EA SWITCH - ROTARY SELECTOR - 3 DECK - A/C - CA20-USA892	
	088238-02-000	EA COVER - SWITCH - A/C SELECTOR FOR FRONT OR REAR	
	056464-06-000	EA REGISTER - HEAT/A/C - ROUND W/O DAMPER - 4" - PLASTIC - OFF WHITE	
			FROM: 00-00-00 THRU: 02-25-96
	120134-01-01A	EA REGISTER - 4-5IN DIA W/ DAMPER - OFF WHITE	
			FROM: 02-26-96 THRU: 99-99-99

HEATING & AIR CONDITIONING GROUP (CONTINUED)

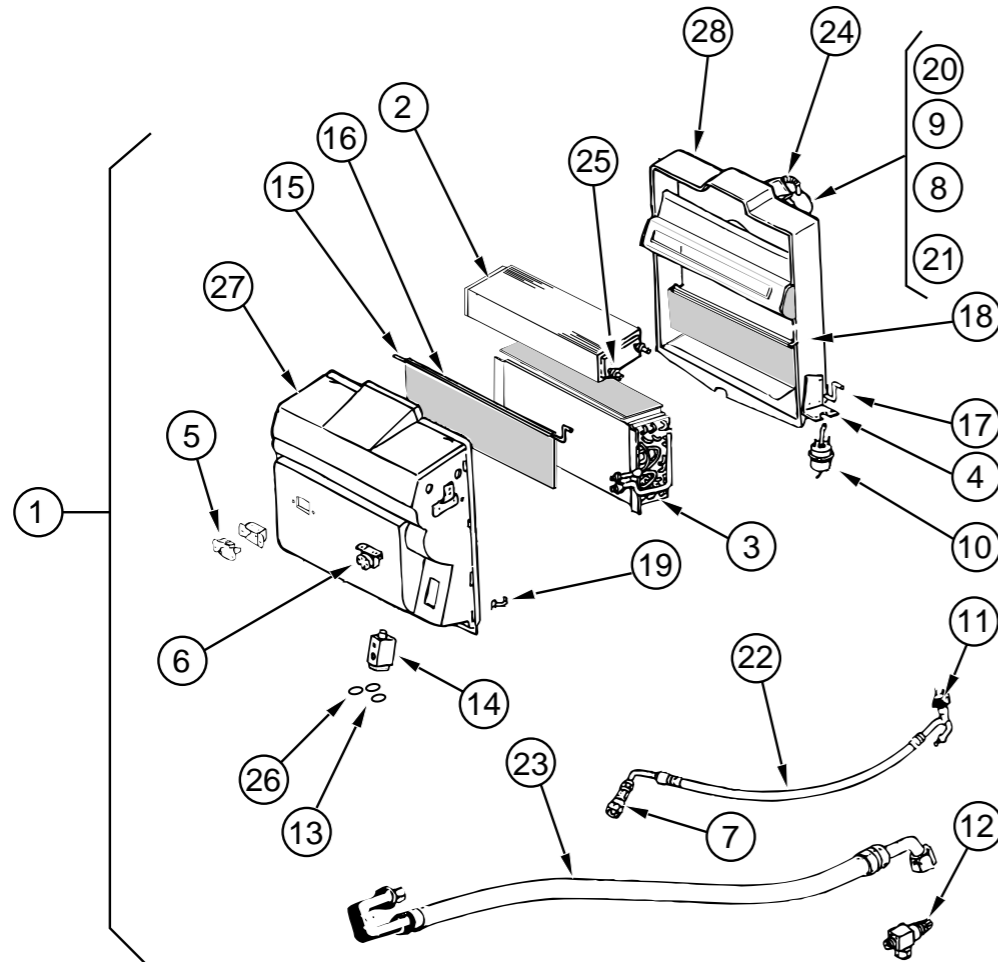
COLEMAN ROOF AIR 13,500 BTU (US, CSA)



KEY	PART NUMBER	U/M DESCRIPTION	VENDOR NO.
1	108889-01-03A	EA A/C - ROOF - 13,500 TSR HO BUFF - 7333A888	
2	093763-01-712	EA FAN BLADE - CONDENSER	6733-3221
3	105620-01-706	EA FOOT PKG - COMPRESSOR - 3 PER PACKAGE	6759-3081
4	108889-01-705	EA MOTOR (115 - 60HZ)	1468-3049
5	108889-01-706	EA IMPELLOR	1472-1041
6	093763-01-704	EA CAPACITOR - FAN	1499-3461
7	108889-01-711	EA GASKET PACKAGE	6792-3301
8	108889-01-715	EA MOTOR MOUNT & SHAFT SEAL KIT	6792-3361
9	108889-01-702	EA SHROUD (BUFF/ BUFF) LESS LOGO	6759-6411
10	108889-01-703	EA CONDENSER COIL	1452A1301
11	105620-01-704	EA COMPRESSOR - RH & LH	1450-2009
	108889-01-704	EA OVERLOAD (MRA#98693)	6749-3541
12	108889-01-707	EA RUN CAPACITOR (COMP-25MFD/ 370)	1499-5661
13	108889-01-709	EA EVAPORATOR COIL	1452A1311
	091225-01-709	EA START RELAY	1497-4131
	091225-01-710	EA START CAPACITOR	1497-0881
	093306-01-701	EA DECAL PKG - LEFT & RIGHT	6798B3591
	108889-01-710	EA FILLER PAD - COND AIR SEAL	6759A3971
	108889-01-712	EA SUCTION LINE REDUCER (3/8 X 1/2)	1215-2161
	108889-01-713	EA SUCTION LINE (3/8 OD X .032 WALL)	6792-130
	108889-01-714	EA DISCHARGE LINE ASM.	6792-531
	108892-01-01A	EA CEILING ASM - A/C DUCTED - 7330-730 IV	
	108892-01-700	EA PLUG ASSEMBLY	7330-540
	108892-01-701	EA TERMINAL BOARD	7330-3201
	108892-01-702	EA PRINTED CIRCUIT BOARD	7330-3211
	108892-01-703	EA FILTER	6798A3761
	108892-01-704	EA GRILLE (PLASTIC)	6798-3041
	108892-01-705	EA SMALL PARTS PKG	7330A6101
	108892-01-706	EA COIL - SENSOR	7330-6111
	110403-01-F31	EA SPACER ASM - RETURN AIR -OAK	
	117238-01-01A	EA THERMOSTAT - A/C AND FURNACE - 7330-3371	
	117238-02-01A	EA THERMOSTAT - A/C ONLY - 7330-3381	
	088238-01-000	EA COVER - SWITCH - A/C SELECTOR - FRONT TO REAR A/C	
	073937-03-000	EA SWITCH - ROTARY SELECTOR - 3 DECK - A/C - CA20-USA892	
	088238-02-000	EA COVER - SWITCH - A/C SELECTOR FOR FRONT OR REAR	

HEATING & AIR CONDITIONING GROUP (CONTINUED)

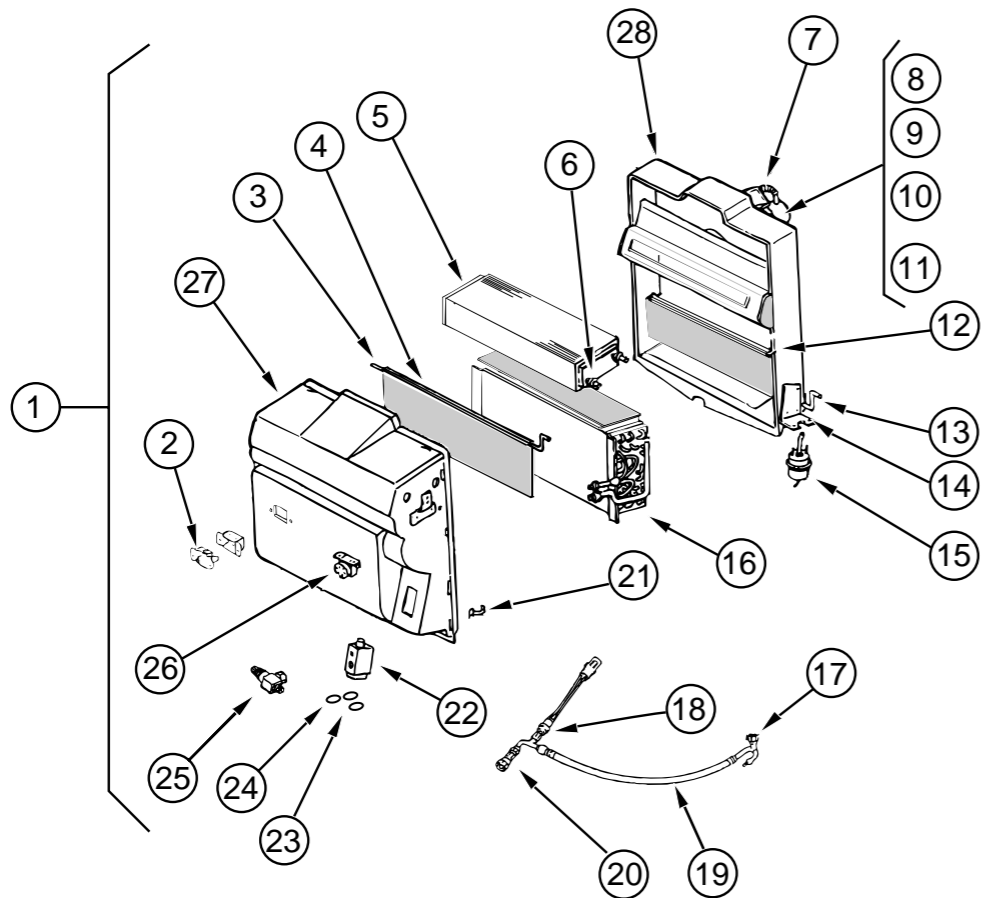
SCS AUTOMOTIVE AIR CONDITIONING (FORD)



KEY	PART NUMBER	U/M DESCRIPTION	VENDOR NO.
1	103930-21-000	EA EVAPORATOR/ HEATER ASSEMBLY - 090-00084	
2	103930-01-703	EA COIL - HEATER	042-0010
3	103930-01-704	EA COIL EVAPORATOR	041-0017
4	103930-01-708	EA BRACKET - VACUUM MOTOR	070-0113
5	103930-01-710	EA RESISTOR - FUSED	035-0006
6	103930-01-711	EA THERMOSTAT	033-0003
7	103930-01-713	EA FITTING - QUICK CONNECT - #4	050-003
8	103930-01-717	EA WHEEL - CLOCKWISE	062-0010
9	103930-01-720	EA MOTOR	030-0004
10	103930-02-708	EA MOTOR - VACUUM SERVO - A/C	030-0002
11	103930-12-708	EA SWITCH - BINARY - R-134A	032-0048
12	103930-13-702	EA SERVICE VALVE W/O C.P.	050-152
13	103930-17-702	EA GASKET OR SAE 015 #10 33-781	045-0127
14	103930-20-700	EA VALVE EXPANSION BLOCK (2 TON)	034-0032
15	103930-20-702	EA ROD F/BLEND AIR DOOR	073-0039
16	103930-20-703	EA DOOR - BLEND AIR	071-0212
17	103930-20-704	EA ROD - DOOR - RECIRCULATING	073-0018
18	103930-20-705	EA DOOR PANEL - RECIRCULATING	071-0213
19	103930-20-706	EA CLIP - RETAINER	022-0057
20	103930-20-707	EA BLOWER HOUSING	062-0145
21	103930-20-708	EA CLIP F/ MOTOR SHAFT	022-0001
22	103930-21-700	EA HOSE ASM. - #6	085-0139
23	103930-21-701	EA HOSE ASM. - #10	085-0140
24	110279-01-703	EA HOSE - VENT - MOTOR BLOWER	70510034
25	110279-01-712	EA HEATER FITTING	
26	113245-01-707	EA GASKET	045-0126
27	103930-20-710	EA CASE-FRONT, SUB-ASSEMBLY	062-0146
28	103930-20-711	EA CASE-BACK, SUB-ASSEMBLY	062-0147
	007281-01-000	EA HOSE - FLEXIBLE PVC - 2.5"ID X 50' - ATCOFLEX - A-182-355	
	072341-06-700	EA SWITCH - 4 SPEED - FAN	ARA 0883502
	094831-01-709	EA CLAMPS - ROD - 3/16" - MOTIVAIR	ZGG14431
	103930-02-701	EA VALVE - CONTROL HEAD	034-0015
	103930-02-702	EA DECAL - CONTROL SETTING	058-0008
	103930-02-703	EA HARNESS - WIRE CONTROL	036-0048
	103930-02-704	EA HARNESS - VACUUM CONTROL	036-0049
	103930-02-705	EA CABLE - CONTROL - BOWDEN	074-0011
	103930-02-706	EA CLIP - CABLE - CONTROL	022-0017
	103930-02-707	EA RELAY	031-0001
	103930-02-710	EA CANISTER - VACUUM	054-0002
	103930-02-711	EA VALVE - WATER	034-00114
	103930-02-712	EA CONTROL PANEL - A/C & HEAT - BLACK FACING	
	103930-04-000	EA CONTROL/ PLENUM SET - 093-00037	
	103930-05-000	EA MANUAL - OWNERS - HEATER - A/C - 057-0049	
	103930-17-000	EA HOSE KIT - #10 GM - SANDEN COMP - 093-00076	
	103930-17-700	EA FITTING - PAD COMP. SUCTION SAN	050-0131
	103930-17-701	EA FITTING - #10.90 W/FERRULE/1342CP	050-0132
	103930-17-703	EA GASKET - SEAL,SANDEW COMP33-76	045-0142
	103930-17-704	EA HOSE ASSY - #10	085-0113
	024990-05-000	EA 4" DIAMETER OUTLET - W/ SWIVEL DEFLECTORS	
	103016-01-000	EA PLENUM - TRANSITION	
	103017-01-000	EA PLENUM - DEFROSTER	
	103558-01-07A	EA VENT - DEFROSTER - ABS WILLOW	
	103796-01-01A	EA LOUVER ASM - A/C CARY PROD BLACK	
	056402-05-000	EA BRACKET - HEATER VENT - ROUND - W/ BEND - BLACK	
	077075-01-000	EA GASKET - INSTRUMENT PANEL TO DEFROSTER PLENUM - .6" X 11.3"	
	077075-03-000	EA GASKET - INSTRUMENT TO DEFROSTER PLENUM - SPL	

HEATING & AIR CONDITIONING GROUP (CONTINUED)

SCS AUTOMOTIVE AIR CONDITIONING (CHEVY)



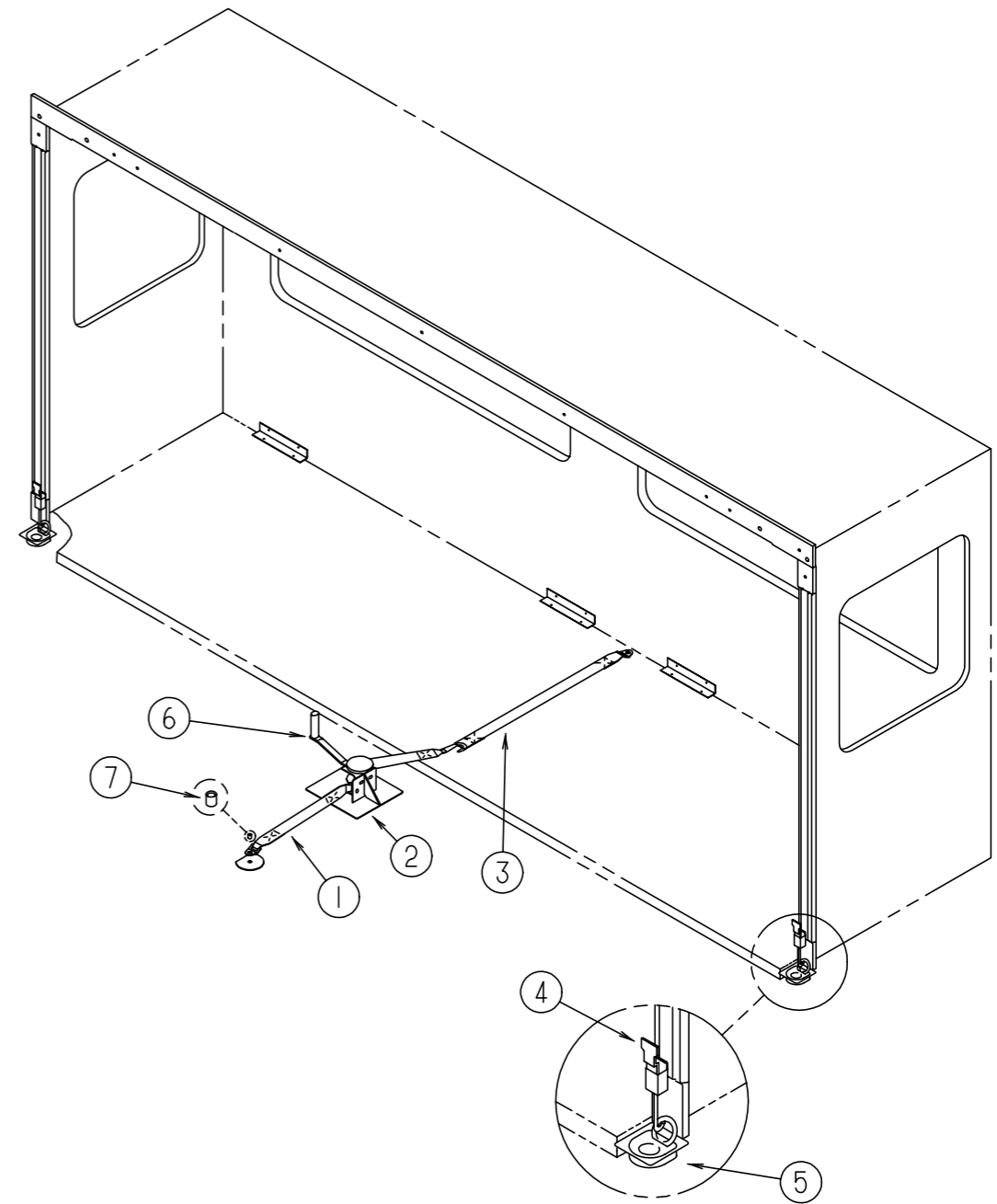
KEY	PART NUMBER	U/M DESCRIPTION	VENDOR NO.
1	103930-25-000	EA EVAPORATOR/ HEATER ASSEMBLY - 090-00296	
2	103930-01-710	EA RESISTOR - FUSED	035-0006
3	103930-20-702	EA ROD F/BLEND AIR DOOR	073-0039
4	103930-20-703	EA DOOR - BLEND AIR	071-0212
5	103930-01-703	EA COIL - HEATER	042-0010
6	110279-01-712	EA HEATER FITTING	
7	110279-01-703	EA HOSE - VENT - MOTOR BLOWER	70510034
8	103930-01-717	EA WHEEL - CLOCKWISE	062-0010
9	103930-01-720	EA MOTOR	030-0004
10	103930-20-707	EA BLOWER HOUSING	062-0145
11	103930-20-708	EA CLIP F/ MOTOR SHAFT	022-0001
12	103930-20-705	EA DOOR PANEL - RECIRCULATING	071-0213
13	103930-20-704	EA ROD - DOOR - RECIRCULATING	073-0018
14	103930-01-708	EA BRACKET - VACUUM MOTOR	070-0113
15	103930-02-708	EA MOTOR - VACUUM SERVO - A/C	030-0002
16	103930-01-704	EA COIL EVAPORATOR	041-0017
17	103930-12-708	EA SWITCH - BINARY - R-134A	032-0048
18	103930-01-716	EA SWITCH - PRESSURE - FAN	032-0036
19	103930-20-701	EA HOSE ASM. - #6 GM	085-0138
20	103930-12-709	EA FITTING - QUICK CONNECT	050-0120
21	103930-20-706	EA CLIP - RETAINER	022-0057
22	103930-20-700	EA VALVE EXPANSION BLOCK (2 TON)	034-0032
23	103930-17-702	EA GASKET OR SAE 015 #10 33-781	045-0127
24	113245-01-707	EA GASKET	045-0126
25	103930-20-709	EA SERVICE VALVE W/O C.P.	050-0159
26	103930-01-711	EA THERMOSTAT	033-0003
27	103930-20-710	EA CASE-FRONT, SUB-ASSEMBLY	062-0146
28	103930-20-711	EA CASE-BACK, SUB-ASSEMBLY	062-0147
	007281-01-000	EA HOSE - FLEXIBLE PVC - 2.5"ID X 50' - ATCOFLEX - A-182-355	
	072341-06-700	EA SWITCH - 4 SPEED - FAN	ARA 0883502
	094831-01-709	EA CLAMPS - ROD - 3/16" - MOTIVAIR	ZGG14431
	103930-02-701	EA VALVE - CONTROL HEAD	034-0015
	103930-02-702	EA DECAL - FAN SWITCH	058-0008
	103930-02-703	EA HARNESS - WIRE CONTROL	036-0048
	103930-02-704	EA HARNESS - VACUUM CONTROL	036-0049
	103930-02-705	EA CABLE - CONTROL - BOWDEN	074-0011
	103930-02-706	EA CLIP - CABLE - CONTROL	022-0017
	103930-02-707	EA RELAY	031-0001
	103930-02-710	EA CANISTER - VACUUM	054-0002
	103930-02-711	EA VALVE - WATER	034-00114
	103930-02-712	EA CONTROL PANEL - A/C & HEAT - BLACK FACING	
	103930-04-000	EA CONTROL/ PLENUM SET - 093-00037	
	103930-05-000	EA MANUAL - OWNERS - HEATER - A/C - 057-0049	
	024990-05-000	EA 4" DIAMETER OUTLET - W/ SWIVEL DEFLECTORS	
	103016-01-000	EA PLENUM - TRANSITION	
	103017-01-000	EA PLENUM - DEFROSTER	
	103558-01-07A	EA VENT - DEFROSTER - ABS WILLOW	
	103796-01-01A	EA LOUVER ASM - A/C CARY PROD BLACK	
	056402-05-000	EA BRACKET - HEATER VENT - ROUND - W/ BEND - BLACK	
	077075-01-000	EA GASKET - INSTRUMENT PANEL TO DEFROSTER PLENUM - .6" X 11.3"	
	077075-03-000	EA GASKET - INSTRUMENT TO DEFROSTER PLENUM - SPL	

HEATING & AIR CONDITIONING GROUP (CONTINUED)

REAR HEATER W/ MOTOR AID (EVANS)

KEY	PART NUMBER	U/M DESCRIPTION	VENDOR NO.
	084405-01-000	EA HEATER ASM - REAR - DUCTED - W/ MOTOR AID	
	084405-01-700	EA HEATER CORE	FT200229
	084405-01-701	EA FAN BLADES	HV029931
	084405-01-702	EA MOTOR ASM - 12 V	200146
	061673-01-000	EA BRACKET - MOTOR AID TUBES - 4" X 1.5" - STEEL	
	088753-01-000	FT TUBE - ALUMINIZED STEEL - 5/8" - 18 GAUGE	
	007076-01-000	EA HOSE - FLEXIBLE PVC - 2" ID X 50'	
	007108-01-000	FT HOSE - HEATER, 5/8" ID - HI-TEMP	
	079059-01-000	EA HOSE - 90 DEGREE - 5/8"ID X 4" X 36"	
	079059-02-000	EA HOSE - 90 DEGREE - .61"ID X 4" X 6"	
	079059-03-000	EA HOSE - 90 DEGREE - .61"ID X 4" X 18"	
	089353-01-000	EA UNION - 5/8 - TUBE TO TUBE	

INTERIOR FINISH GROUP

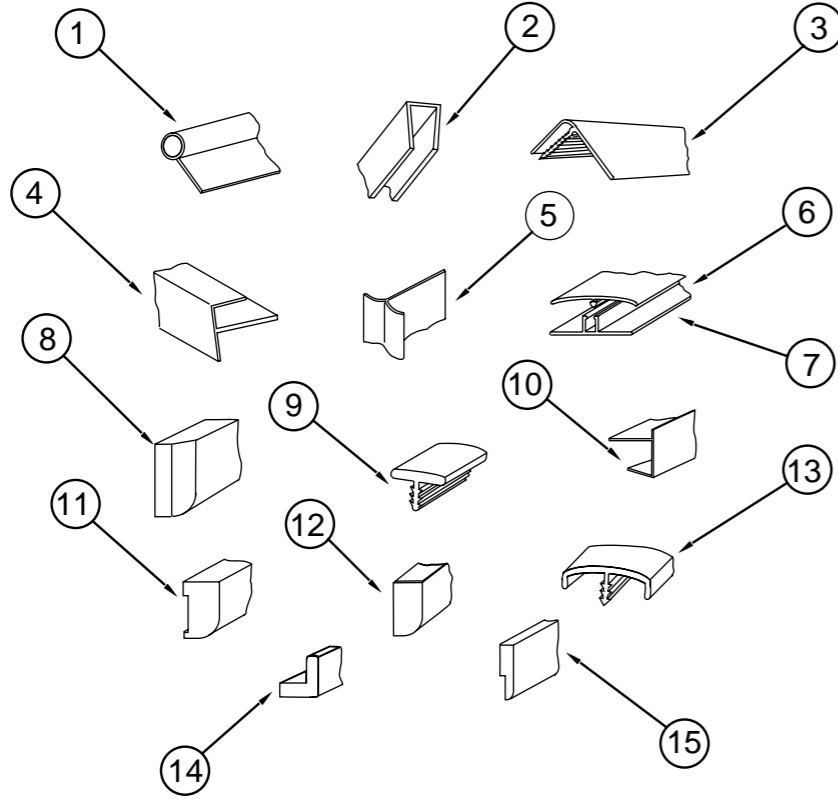


SLIDE OUT HARDWARE

KEY	PART NUMBER	U/M DESCRIPTION
1	116101-01-F31	EA STRAP ASM. - WINCH
2	116082-01-02B	EA BRACKET ASM - WINCH - E-COAT
3	116101-02-F31	EA STRAP ASM. - WINCH
4	116737-01-01A	EA LATCH - DRAW - ADJUSTABLE
5	116736-01-04B	EA D-TIEDOWN - BLACK
6	115767-02-000	EA WINCH ASM.
7	116743-01-01A	EA CAPPLUG - COVER - THREAD - BLANK

INTERIOR FINISH GROUP (CONTINUED)

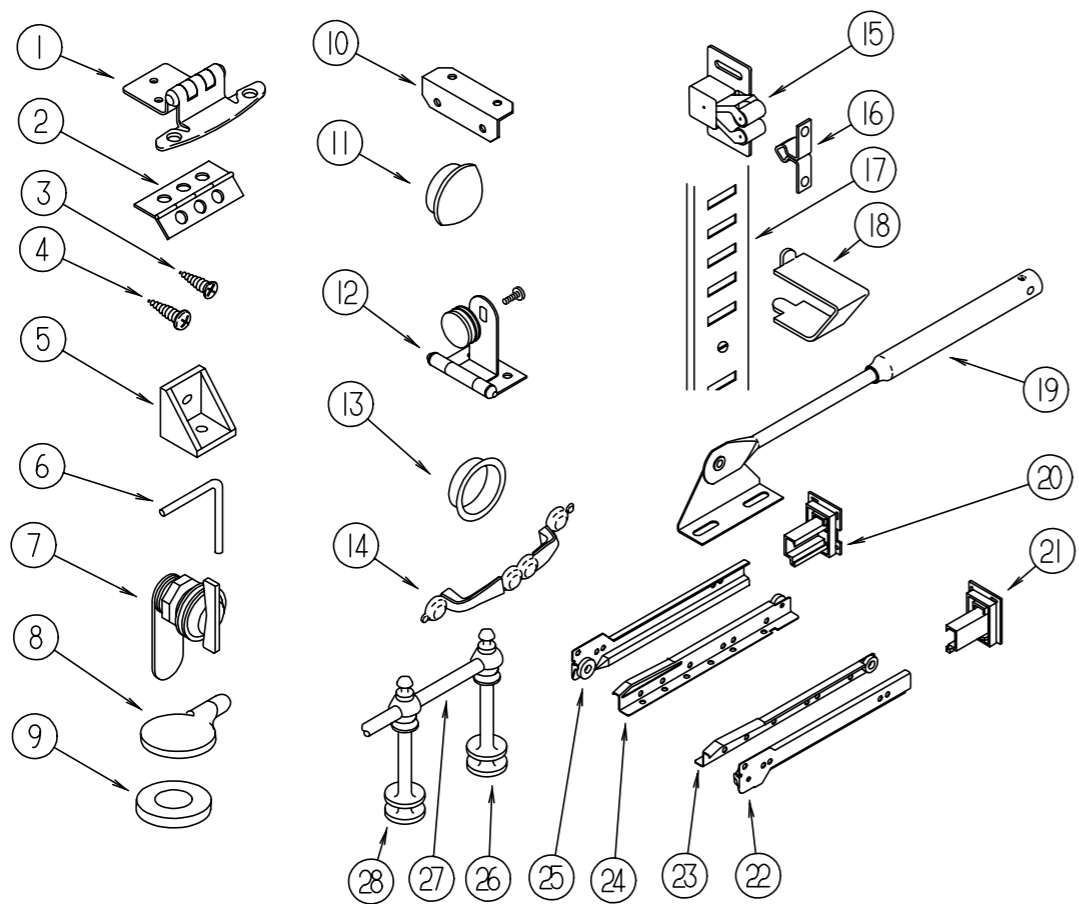
INTERIOR TRIM & MOLDINGS



KEY	PART NUMBER	U/M DESCRIPTION
1	009767-12-000	FT MOLDING-SIDEWALL TO CEILING/CABINET - WELTING - OFF WHITE
1	009767-15-000	FT WELTING-WATERFORD OAK
2	009778-12-000	FT U CHANNEL-PLASTIC, 1" WIDE X 8' INCREMENTS - WOODGRAIN
2	009778-21-000	FT U-CHANNEL - 1" - WATERFORD OAK
2	070504-23-000	FT EXTRUSION-U CHANNEL, 22.56" - COUNTRY FOREST
2	070504-37-000	FT EXTRUSION-U-CHANNEL, 20.70" - WATERFORD OAK
3	009809-23-000	EA MOLDING-CORNER, OUTSIDE - 1" - PLASTIC - IVORY
3	009809-28-000	EA MOLDING-PLASTIC, CORNER - 1" - WATERFORD OAK
4	009812-29-000	EA MOLDING-PLASTIC, CORNER - O/S 1/2" - WATERFORD OAK
5	022992-11-000	FT MOLDING-REVERSE COVE, T-SHAPED - VINYL - IVORY
6	086229-13-000	EA BATTEN - 1" CEILING MOD IVORY
6	086229-19-000	EA BATTEN - 1" CEILING, OFF WHITE - W&B RN323-W-129 FROM: 00-00-00 THRU: 01-31-96
6	086229-18-000	EA BATTEN - 1" CEILING, OFF WHITE - W&B RN323-W-129 FROM: 02-01-96 THRU: 99-99-99
7	086229-14-000	EA RETAINER - 3/4" - W&B RN 391 FROM: 00-00-00 THRU: 01-31-96
7	086229-16-000	EA RETAINER - 3/4" - RN 391-X FROM: 02-01-96 THRU: 99-99-99
8	100659-01-E01	EA MOLDING-TRIM, VINYL FLOOR
9	105709-01-000	FT T-MOLDING - 1", MODERN IVORY
10	103186-01-05A	FT MOLDING-PLASTIC, SHELF - WATERFORD OAK
10	103186-01-01A	FT MOLDING-EDGE, SHELF - .78" WIDE - PLASTIC - RAMBLING OAK
10	103186-02-01A	FT MOLDING-EDGE, SHELF - 1.3" WIDE - PLASTIC - RAMBLING OAK
11	100041-01-000	EA MOLDING-VINYL WRAPPED, .7" X 1.57" X 84.02" - RAMBLING OAK
12	100818-01-05A	EA MOLDING-VINYL WRAP, TRIM - WATERFORD OAK
13	083620-07-000	FT MOLDING-T, END CAP EDGE - W/EDGE LIPS - .75" - THOR PECAN
13	104676-01-01A	FT T-MOLDING, 5/16 RIGID - GOLD
14	100819-01-05A	EA MOLDING-VINYL WRAP, DOOR - WATERFORD OAK
15	105004-01-02A	EA MOLDING-VINYL WRAP - RAMBLING OAK
	076325-39-000	FT MOLDING-EDGE BAND, 1527 - 1-5/16 X .030 X 600'
	076325-53-000	FT MOLDING-EDGE BAND, 1049 NEUTRA - 1 5/16 X .030 X 600'
	076325-67-000	FT MOLDING-EDGE BAND, WATERFORD - .93 X .024 X 600'
	076325-68-000	FT MOLDING-EDGE BAND, WATERFORD - 1 5/16 X .038 X 600'
	100040-01-000	EA LUMBER-VINYL WRAPPED, .71" X 1.5" X 8' - RAMBLING OAK
	100040-06-000	EA LUMBER-VINYL WRAPPED - RAMBLING OAK
	117268-D2-134	EA MOLDING - 018 X 040 X 2134 MM - VINYL - WRAPPED WATERFORD
	117268-F2-134	EA MOLDING - 018 X 065 X 2134 MM - WRAPPED WATERFORD
	117268-F2-438	EA MOLDING - 018 X 065 X 2438 MM - WRAPPED WATERFORD

INTERIOR FINISH GROUP (CONTINUED)

CABINET HARDWARE



KEY	PART NUMBER	U/M DESCRIPTION
1	108138-01-000	EA HINGE-DOOR, CABINET - BURNISHED BRASS
2	009059-01-000	EA HINGE-DOOR, 2" X 1.4" - BRASS
2	009059-02-000	EA HINGE-DOOR, 2" X 2.7" - BRASS
3	000G13-06-10G	EA SCREW - PHILLIPS - FLAT HEAD - 6-20 X 5/8" - ANTIQUE BRASS
4	000G68-06-10G	EA SCREW - PHILLIPS - OVAL HEAD - 6-18 X 5/8" - ANTIQUE BRASS
5	065740-01-000	EA BRACE-CABINET CORNER, PLASTIC
6	108487-02-01A	EA SUPPORT-PROP ROD, OVHD - BLACK
	108486-01-01A	EA BRACKET-PROP ROD, OVHD - BLACK
7	100710-01-01A	EA LOCK-GLASS DOOR, TWIST TYPE - BRASS
	101272-01-000	EA CATCH-DOOR, GLASS
8	101766-01-000	EA PIN-SUPPORT, GLASS DOOR
9	100707-01-000	EA SPACER-DOOR, GLASS - .8" DIA - .3" HOLE - PLASTIC
10	016604-01-000	EA BRACE-CABINET, ANGLE - 2.5" - METAL - UNPAINTED
10	016604-05-000	EA BRACE-CABINET, L ANGLE - 2.5" - METAL - OFF WHITE
11	042356-01-000	EA PLUG-BUTTON, MAHOGANY - 3/8" DIAMETER - WOOD
12	100711-01-01A	EA HINGE-DOOR, GLASS
13	098410-01-01A	EA PULL-FINGER, OVAL - BRASS
14	117800-01-01A	EA PULL-CABINET, BRASS
15	093586-06-000	EA CATCH-SPRING, ROLLER - FASTEC C411-AC
16	093586-05-000	EA STRIKE-SPRING STEEL, FASTEC S411-AC

KEY	PART NUMBER	U/M DESCRIPTION
17	098980-01-000	EA PILASTER-ADJUSTABLE SHELF, 18" LONG WOODGRAIN APPEARANCE
17	098980-02-000	EA PILASTER-ADJUSTABLE SHELF, 12" LONG WOODGRAIN APPEARANCE
17	098980-03-000	EA PILASTER-ADJUSTABLE SHELF WOODGRAIN APPEARANCE
17	098980-06-000	EA PILASTER-ADJUSTABLE SHELF, 24" LONG
18	098979-01-000	EA CLIP-ADJUSTABLE SHELF
19	074493-02-000	EA SUPPORT-PISTON SPRING, CABINET DOOR
20	114045-01-000	EA BACKSOCKET-ADJUSTABLE, LEFT - HOUCK 751-1 N/A ORDER SLIDE KIT ACCORDING TO LENGTH-SEE NUMERICAL LISTING OF #114031-??-700 IN THE \$ FICHE F/DESIRED LENGTH
21	114045-02-000	EA BACKSOCKET-ADJUSTABLE, RIGHT - HOUCK 751-2 N/A ORDER SLIDE KIT ACCORDING TO LENGTH-SEE NUMERICAL LISTING OF #114031-??-700 IN THE \$ FICHE F/DESIRED LENGTH
22	114031-02-000	EA SLIDE-DRAWER, 12" RIGHT CABT N/A ORDER #114031-01-700 SLIDE DRAWER KIT
22	114031-14-000	EA SLIDE-DRAWER, 18" RIGHT CABINET-HOUCK 7200-RV-2 N/A ORDER #114031-13-700 SLIDE DRAWER KIT
22	114031-18-000	EA SLIDE-DRAWER, 20" RIGHT CABT N/A ORDER #114031-17-700 SLIDE DRAWER KIT
22	114031-22-000	EA SLIDE-DRAWER, 22" RIGHT CABT N/A ORDER #114031-21-700 SLIDE DRAWER KIT
23	114031-04-000	EA SLIDE-DRAWER, 12" - RIGHT DRAWER - HOUCK 7200-RV-4 N/A ORDER #114031-01-700 SLIDE DRAWER KIT
23	114031-16-000	EA SLIDE-DRAWER, 18" RIGHT DRAWER -HOUCK 7200-RV-4 N/A ORDER #114031-13-700 SLIDE DRAWER KIT
23	114031-24-000	EA SLIDE-DRAWER, 22" RIGHT DRAWER N/A ORDER #114031-21-700 SLIDE DRAWER KIT
24	114031-03-000	EA SLIDE-DRAWER, 12" - LEFT DRAWER - HOUCK 7200-RV-3 N/A ORDER #114031-01-700 SLIDE DRAWER KIT
24	114031-15-000	EA SLIDE-DRAWER, 18" LEFT DRAWER - HOUCK 7200-RV-3 N/A ORDER #114031-13-700 SLIDE DRAWER KIT
24	114031-23-000	EA SLIDE-DRAWER, 22" LEFT DRAWER N/A ORDER #114031-21-700 SLIDE DRAWER KIT
25	114031-01-000	EA SLIDE-DRAWER, 12" LEFT CABT N/A ORDER KIT #114031-01-700 SLIDE DRAWER KIT
25	114031-13-000	EA SLIDE-DRAWER, 18" LEFT CABINET -HOUCK 7200-RV-1 N/A ORDER #114031-13-700 SLIDE DRAWER KIT
25	114031-17-000	EA SLIDE-DRAWER, 20" LEFT CABT N/A ORDER #114031-17-700 SLIDE DRAWER KIT
25	114031-21-000	EA SLIDE-DRAWER, 22" LEFT CABT N/A ORDER #114031-21-700 SLIDE DRAWER KIT
26	084070-02-000	EA POST - END - 2.4" - BRASS
27	084071-04-000	EA ROD - 11.9" - BRASS
27	084071-15-000	EA ROD - 8.27" - BRASS
28	084070-01-000	EA POST - CENTER - 2.4" - BRASS
	004354-01-000	EA BUMPER-RUBBER, .5" DIA - BROWN
	009112-01-000	EA FLANGE-ROD, 1" - CLOTHES ROD - PLASTIC - OFF WHITE
	041389-25-000	EA HINGE-PIANO, 1.50 X 1397.0 MILL
	042438-01-000	EA DOWEL-WOOD, CLOTHES ROD - 1" DIAMETER X 4'
	042438-06-000	EA DOWEL-WOOD, 1.5" X 26" - OAK
	064467-01-000	EA GUIDE-POCKET, SLIDING DOOR - WALL MOUNTED
	076790-01-000	EA SCREW, 6-20 X 1 1/4 PPH - BLACK
	079921-01-000	EA ROLLER-NYLON, W/STEEL SHAFT - BARBED
	084451-01-000	EA CATCH-TV SHELF, BRASS
	102194-01-000	EA GUIDE-PLASTIC
	103874-01-000	EA HANGER-SLIDING DOOR
	110643-01-000	EA ANGLE-FORMED W/HOLES
	116975-01-01A	EA LATCH ASM-UNDERCENTER, BLACK STRIKE #042541-05-000

INTERIOR FINISH GROUP (CONTINUED)

CARPET, PADS & FLOOR MATS

KEY	PART NUMBER	U/M DESCRIPTION
	096060-98-000	SY CARPET - 12' ROLL - SILVER ASPEN (G15)
	096060-99-000	SY CARPET - 12' ROLL - PARCHMENT (G16)
	096060-95-000	SY CARPET - 12' ROLL - DOESKIN (G17)
	093486-01-000	SY CARPET - COMPARTMENT - 54" WIDE - DARK GRAY
	075233-01-000	SY PAD - CARPET - 3/8" X 6' ROLL
	047034-06-000	SF PLASTIC - CARPET - 2' WIDE - CLEAR POLY
	119950-01-01A	EA COVER-PLASTIC
	042720-12-000	SF VINYL FLOOR - ARMSTRONG/MODULATIONS
	105924-01-F06	EA MAT - FLOOR - DRIVERS COMPARTMENT - 18" X 27" (G15)
	105924-01-F12	EA MAT - FLOOR - DRIVERS COMPARTMENT - 18" X 27" (G16)
	105924-01-G36	EA MAT - FLOOR - DRIVERS COMPARTMENT - 18" X 27" (G17)

FIRE EXTINGUISHER, DETECTORS & WALL CLOCK

KEY	PART NUMBER	U/M DESCRIPTION
	094499-01-000	EA EXTINGUISHER - FIRE - DRY W/ MOUNTING BRACKET - 10 BC - US
	094499-02-000	EA EXTINGUISHER - FIRE - DRY - 1A10BC - CANADIAN
	094499-01-700	EA BRACKET - MOUNTING - W/ PLASTIC STRAP - FIRE EXTINGUISHER
	094499-01-701	EA STRAP ONLY (METAL)
	072852-01-000	EA DETECTOR - SMOKE - W/ 9 VOLT BATTERY - US
	072852-02-000	EA DETECTOR - SMOKE - W/ 9 VOLT BATTERY - CANADIAN
	112320-01-000	EA DETECTOR - CO GAS - MODEL 9B-I - COSTAR 940000000
	112320-02-000	EA BATTERY/ SENSOR - CO GAS - COSTAR 940001000
	112320-03-000	EA DETECTOR-CO GAS MODEL 9D-I - COSTAR 946000001
	112320-04-000	EA DETECTOR-CO SENSOR ASM. - COSTAR 946001001
	118081-01-01A	EA CLOCK - WALL - ROUND 8" BRASS - LINDEN 9987

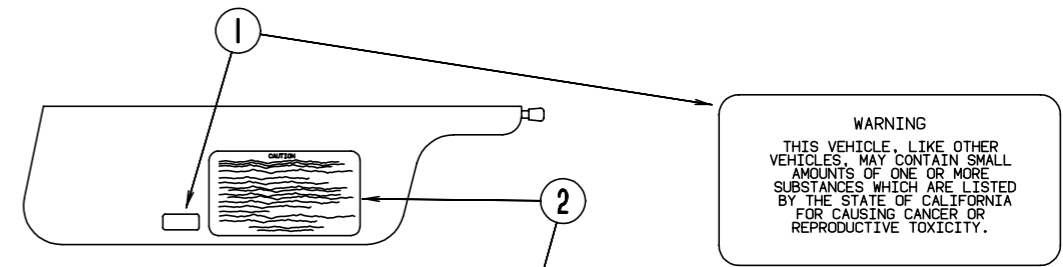
BATT STRIPS

KEY	PART NUMBER	U/M DESCRIPTION
	088263-C8-000	EA BATT STRIP - MAIN WALL - PAINTED DESERT (G15)
	088263-B3-000	EA BATT STRIP - MAIN WALL - ALLURE-MEADOW (G16)
	088263-C7-000	EA BATT STRIP - MAIN WALL - ETCHINGS-SAGE (G17)
	069733-83-000	EA BATT STRIP - WOODGRAIN - 8' - WATERFORD OAK
	088263-78-000	EA BATT STRIP - SHOWER - 8' - OFF WHITE
	085284-C2-000	FT STRIP - TAPE - MAIN WALL - PAINTED DESERT (G15)
	085284-A4-000	FT STRIP - TAPE - MAIN WALL - ALLURE-MEADOW (G16)
	085284-C1-000	FT STRIP - TAPE - MAIN WALL - ETCHINGS-SAGE (G17)
	085284-B5-000	FT STRIP - TAPE - WATERFORD OAK
	085284-76-000	FT STRIP - TAPE - WET BATH - ANTIQUE WHITE
	086229-04-000	EA BATTEN - 1" WIDE - IVORY
	086229-15-000	EA BATTEN - CEILING - 1" - MODERN IVORY
	086229-16-000	EA RETAINER - BATTEN - 3/4"

PANELING & PLASTIC LAMINATE

KEY	PART NUMBER	U/M DESCRIPTION
	088272-E9-000	SF PANELING - MAIN WALL - PAINTED DESERT (G15)
	088272-D6-000	SF PANELING - MAIN WALL - ALLURE-MEADOW (G16)
	088272-E8-000	SF PANELING - MAIN WALL - ETCHINGS-SAGE (G17)
	088272-98-000	SF PANELING - SHOWER - OFF WHITE - 4' X 7'
	074497-28-000	SF PANELING - WOODGRAIN - 4' X 8'
	080215-10-000	SF PANELING - 2 SIDE WATERFORD, 48" X 96"
	000885-76-000	SF PARTICLE BOARD - 3/8" X 48" X 96" WATERFORD - OAK VINYL 1 SIDED
	000885-77-000	SF PARTICLE BOARD - 3/8, WATERFORD OAK-VINYL 2 SIDED
	000885-79-000	SF PARTICLE BOARD - 3/4" X 48" X 96" WATERFORD OAK-VINYL 2 SIDED
	074498-71-000	SF LAMINATE-PLASTIC, NEUTRAL SANTOS (G15,G16)
	074498-54-000	SF LAMINATE-PLASTIC, SAND SPECKTRUM (G17)
	074498-61-000	SF LAMINATE-PLASTIC, NEUTRA MATR (EXTERIOR ENTERTAINMENT)
	074498-77-000	SF LAMINATE-PLASTIC, ART CABIN (PULL OUT TABLE)
	095688-01-000	SF VENEER - FLAT LUANA - 48" X 96"
	117267-E2-438	EA LUMBER - 018 X 50.8 X 2438MM VINYL
	117267-G2-438	EA LUMBER - 018 X 076 X 2438 MM VINYL

LABELS GROUP



WARNING
THIS VEHICLE, LIKE OTHER VEHICLES, MAY CONTAIN SMALL AMOUNTS OF ONE OR MORE SUBSTANCES WHICH ARE LISTED BY THE STATE OF CALIFORNIA FOR CAUSING CANCER OR REPRODUCTIVE TOXICITY.

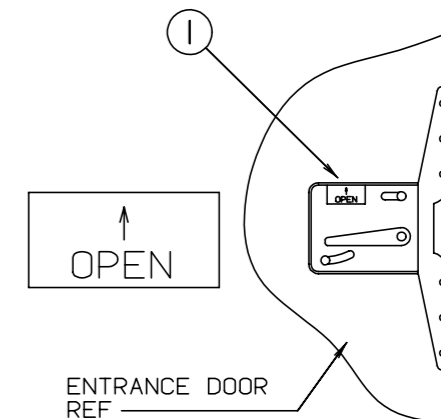
CAUTION

THIS MOTOR HOME HAS BEEN DESIGNED, MANUFACTURED AND TESTED WITH CONCERN FOR THE PROTECTION OF IT'S OCCUPANTS. WE RECOMMEND YOU PERFORM THE FOLLOWING INSPECTIONS FOR YOUR SAFETY AND THE SAFETY OF YOUR PASSENGERS BEFORE STARTING YOUR VEHICLE.

1. LP GAS SYSTEM- TURN OFF AT TANK FOR TRAVELING. TEST FOR LEAKS UPON ARRIVAL AT DESTINATION. BEFORE LIGHTING PILOTS.
2. WHEELS- INSPECT FOR DAMAGE AND CHECK LUG NUTS FOR TIGHTNESS.
3. TIRES- INSPECT FOR WEAR AND DAMAGE AND CHECK FOR RECOMMENDED AIR PRESSURE.
4. LIGHTING- TEST FOR PROPER OPERATION OF ALL INTERIOR AND EXTERIOR LIGHTS INCLUDING DASH LIGHTS, HEADLIGHTS, TAIL LIGHTS, BRAKE LIGHTS, CLEARANCE LIGHTS AND TURN SIGNALS.
5. EXITS- INSPECT RELEASE MECHANISM ON EMERGENCY EXIT WINDOW, TEST BOTH LOCKS ON MAIN ENTRANCE DOOR FOR EASE OF OPERATION AND INSTRUCT PASSENGERS HOW TO USE BOTH MEANS OF EXIT.
6. SEAT BELTS- DIRECT PASSENGERS TO DESIGNATED SEATS AND REQUIRE USE OF SEAT BELTS.
7. APPLIANCES- TURN OFF AND LATCH OR LOCK DOORS WHERE PROVIDED.
8. LOOSE PARCELS- STORE SECURELY.
9. UTILITY SUPPLY LINES- DISCONNECT ALL ELECTRIC, SEWER AND WATER LINES AND SECURE PROPERLY.
10. ENTRANCE DOOR STEP- PLACE IN RETRACTED POSITION FOR TRAVELING.

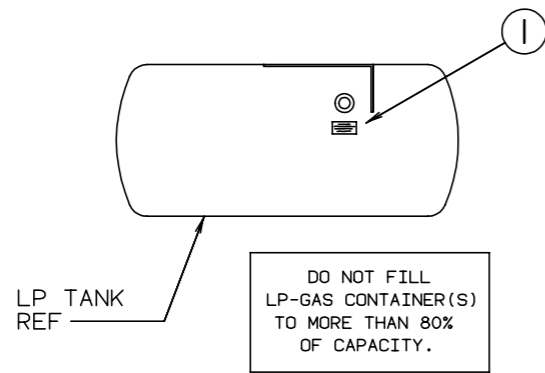
READ YOUR MOTOR HOME AND CHASSIS OWNER'S MANUAL FOR FURTHER PRECAUTIONS

KEY	PART NUMBER	U/M DESCRIPTION
1	099689-01-000	EA LABEL - WARNING - CANCER/TOXICITY
2	056259-01-000	EA LABEL - SAFETY CHECK LIST

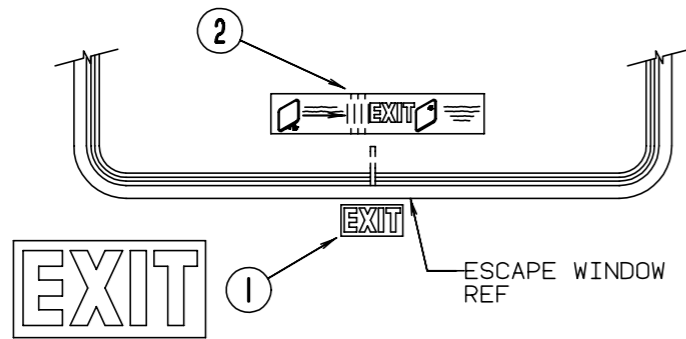


KEY	PART NUMBER	U/M DESCRIPTION
1	040944-01-000	EA LABEL - ENTRANCE DOOR - "OPEN"

LABELS GROUP (CONTINUED)



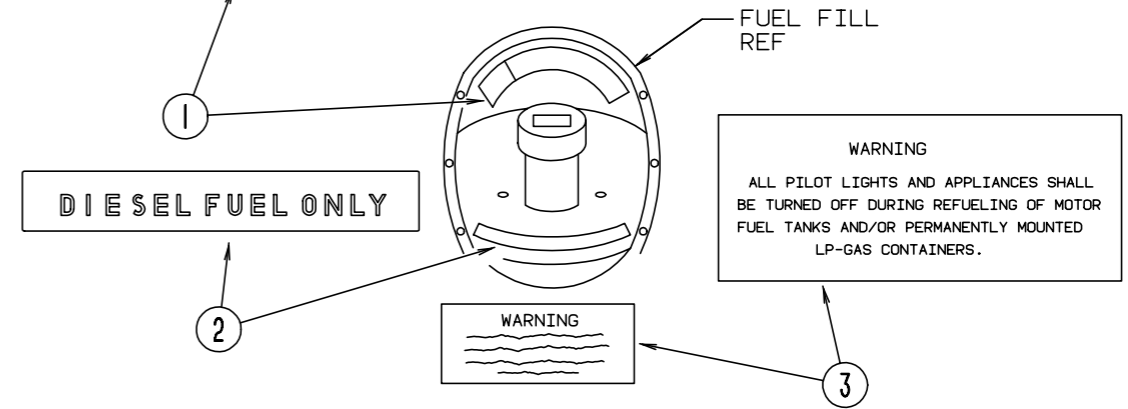
KEY	PART NUMBER	U/M DESCRIPTION
1	079965-01-000	EA LABEL - LPG - 80% CAPACITY



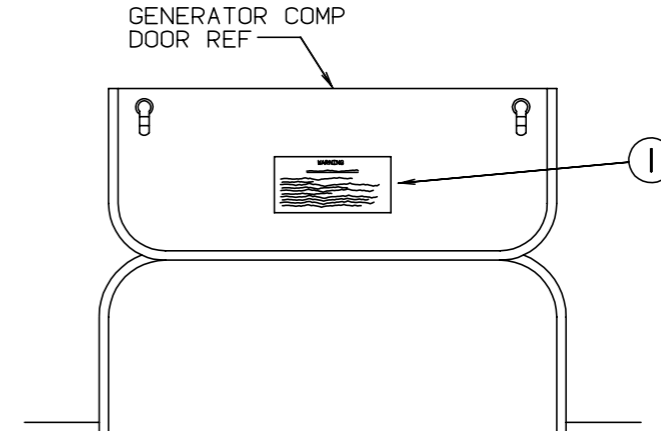
KEY	PART NUMBER	U/M DESCRIPTION
1	107571-01-000	EA LABEL - EXIT/ESCAPE WINDOW
2	039290-01-000	EA LABEL - EXIT WARNING

LABELS GROUP (CONTINUED)

CAUTION	TO HELP AVOID PERSONAL INJURY DURING REMOVAL OF FUEL FILLER CAP, SLOWLY LOOSEN CAP 1/2 TURN TO ALLOW ANY FUEL PRESSURE TO BE RELIEVED BEFORE TURNING CAP FURTHER.
FUEL SPRAY MAY CAUSE PERSONAL INJURY	STOP ADDING FUEL AFTER FIRST SHUTOFF BY AUTOMATIC NOZZLE WHEN TANK IS NEARLY FULL. DO NOT OVERFILL FUEL TANK. SEE OWNERS MANUAL FOR ADDITIONAL INFORMATION. PRINTED IN U.S.A. MLC PT NO 15611763



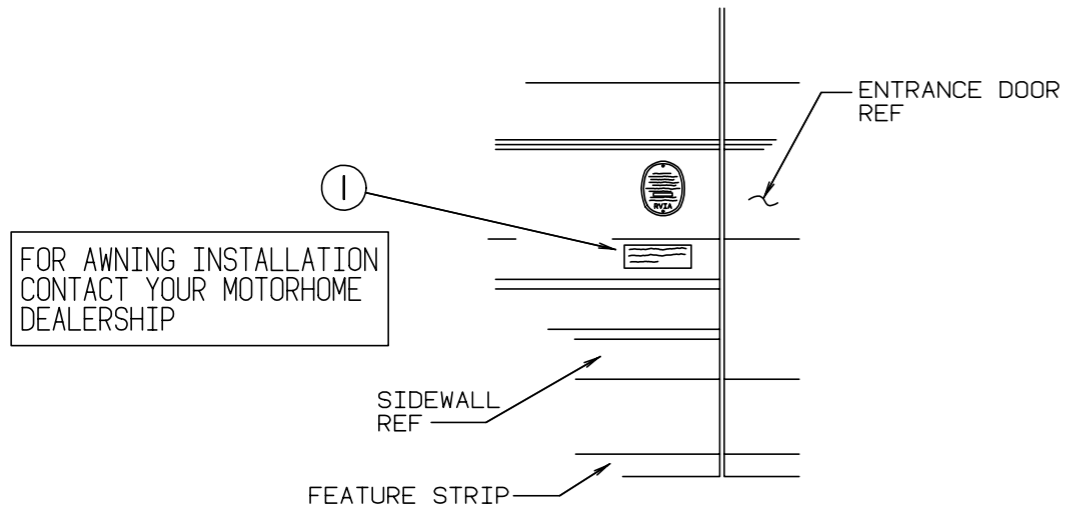
KEY	PART NUMBER	U/M DESCRIPTION
1	087207-05-000	EA LABEL - FUEL CAP REMOVAL
2	068383-01-000	EA LABEL "DIESEL FUEL ONLY"
3	006040-01-000	EA TAG - REFUELING WARNING
3	006040-02-000	EA TAG - REFUELING WARNING (CANADIAN)



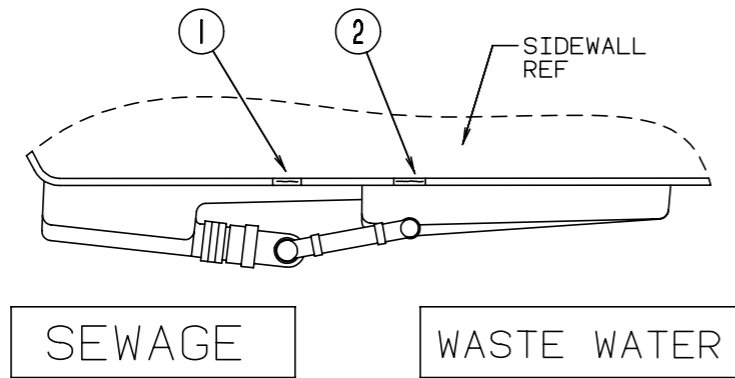
WARNING
<u>WHEN ADDING A GENERATOR SET:</u>
HIGH VOLTAGE-USE EXTREME CAUTION WHEN WORKING ON ELECTRICAL COMPONENTS. HAVE ALL ELECTRICAL INSTALLATION PERFORMED BY A QUALIFIED LICENSED ELECTRICIAN-FOLLOW ALL STATE AND LOCAL CODES. ONLY INSTALL GENERATOR SET APPROVED FOR R.V. APPLICATION. HAVE INSTALLED BY QUALIFIED TECHNICIAN. TO AVOID HEAT BUILD-UP AND TO GUARANTEE AN ADEQUATE AIR SUPPLY TO THE GENERATOR CARBURETOR, FOLLOW INSTALLATION INSTRUCTIONS. GENERATOR ENGINE EXHAUST GASES ARE TOXIC AND MUST NOT TERMINATE UNDER THE VEHICLE-DISCHARGE EXHAUST AWAY FROM VEHICLE.

KEY	PART NUMBER	U/M DESCRIPTION
1	077510-01-000	EA LABEL - GENERATOR PREP

LABELS GROUP (CONTINUED)

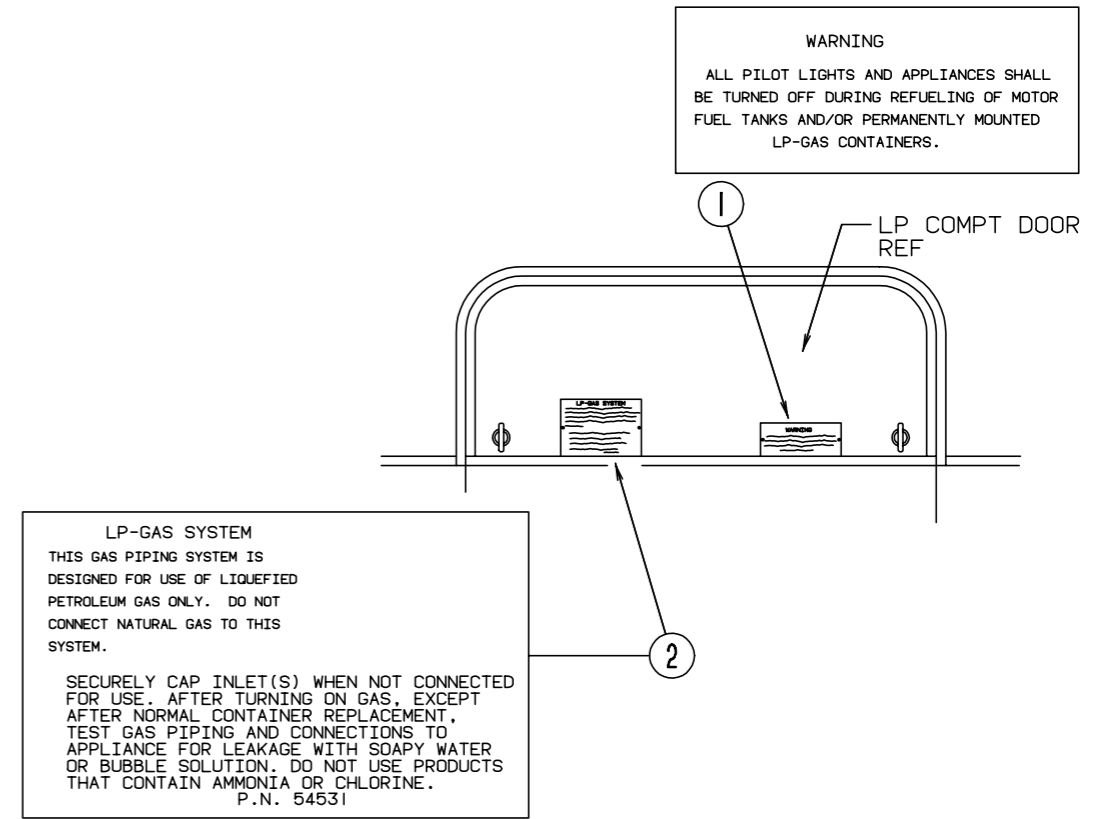


KEY	PART NUMBER	U/M DESCRIPTION
1	099509-01-000	EA LABEL - AWNING INSTALLATION

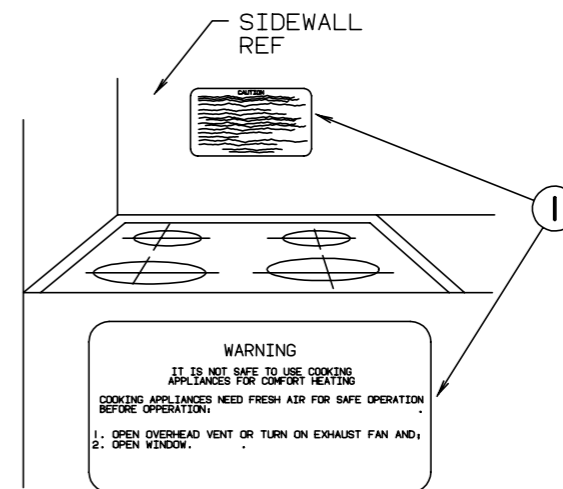


KEY	PART NUMBER	U/M DESCRIPTION
1	006187-01-000	EA LABEL - SEWAGE
2	006188-01-000	EA LABEL - WASTE WATER

LABELS GROUP (CONTINUED)

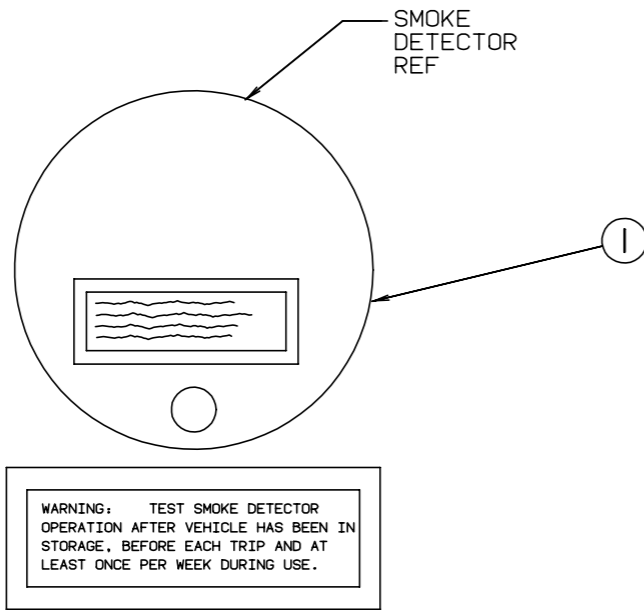


KEY	PART NUMBER	U/M DESCRIPTION
1	006040-01-000	EA TAG - GAS REFUELING WARNING
1	006040-02-000	EA TAG - GAS REFUELING WARNING (CANADIAN)
2	054531-01-000	EA LABEL - LP GAS ONLY
2	023769-01-000	EA LABEL - WARNING-LPG (CANADIAN)

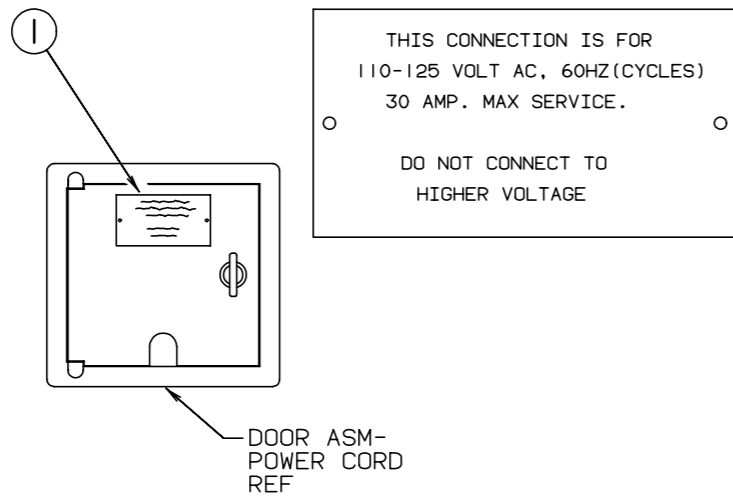


KEY	PART NUMBER	U/M DESCRIPTION
1	050225-01-000	EA LABEL - WARNING - STOVE VENT - US
1	050222-01-000	EA LABEL - WARNING - STOVE VENT - CSA

LABELS GROUP (CONTINUED)



KEY	PART NUMBER	U/M DESCRIPTION
1	077956-01-000	EA LABEL - WARNING - SMOKE DETECTOR

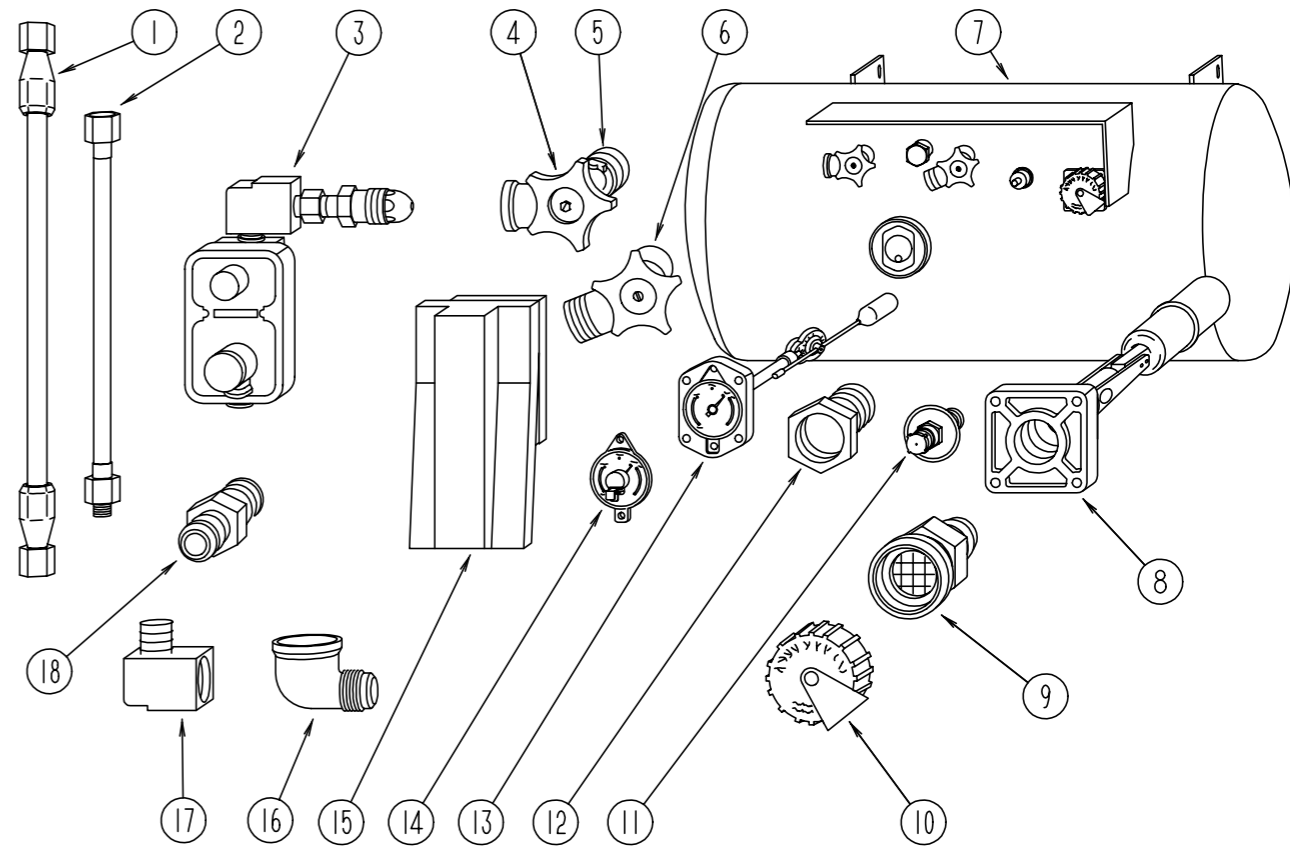


KEY	PART NUMBER	U/M DESCRIPTION
1	006062-01-000	EA TAG - ELECTRIC - 110V CONNECTION

MISCELLANEOUS LABELS

KEY	PART NUMBER	U/M DESCRIPTION
	094675-01-000	EA LABEL - EXTERIOR LIGHT - SERVICE
	073998-01-000	EA LABEL - LPG ODOR WARNING
	079966-01-000	EA LABEL - WARNING - STOWED - MOTION
	091243-01-000	EA LABEL - A/C COVER - "AIR CONDITIONING CIRCUIT. ETC."
	098379-04-000	EA LABEL - ELECTRICAL BOX SIDE
	104678-01-000	EA LABEL - CB PREP
	111104-01-000	EA LABEL - HITCH - READ MANUAL
	111537-07-000	EA LABEL - FUSES
	111537-05-000	EA LABEL - SLIDEOUT CONTROLS
	111802-01-000	EA LABEL - CFC WARNING

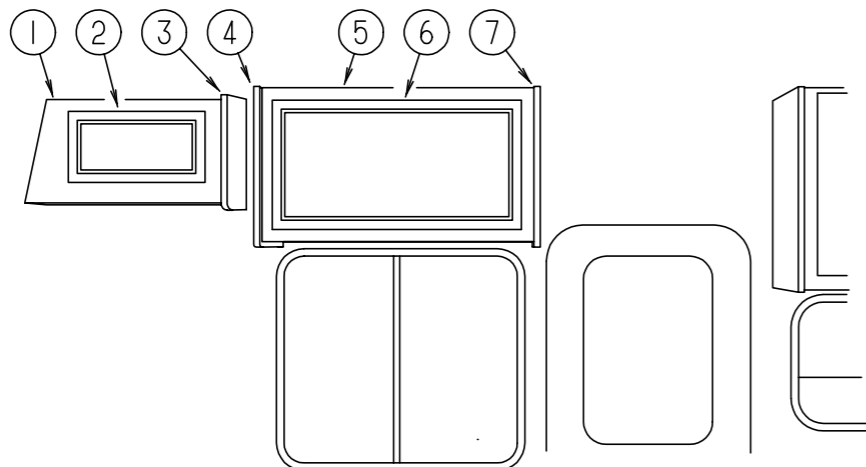
LP GROUP



LP TANK & COMPONENTS

KEY	PART NUMBER	U/M DESCRIPTION	VENDOR NO.
1	045703-05-000	EA HOSE - LP - 3/8" ID X 28" - 3/8" MPT X 1/2" F SWIVEL - US	
1	045703-06-000	EA HOSE - LP - 3/8" ID X 28" - 3/8" MPT X 1/2" F SWIVEL - CANADA	
2	045703-01-000	EA HOSE - LP - 3/8" ID X 24" - 3/8" MPT X 1/2" F SWIVEL	
3	106150-01-000	EA REGULATOR - TWO STAGE	
4	040421-01-708	EA HANDWHEEL - VAPOR RELIEF VALVE - BRUNNER	G-1015-A
5	040421-01-712	EA VALVE - SERVICE W/HANDWHEEL	
6	040421-01-710	EA VALVE - LIQUID SERVICE - SHUT OFF	
7	088253-03-000	EA TANK - LP - 100 LB - 16" DEEP X 36" SPL	
8	040421-01-711	EA VALVE - 80% W/FLOAT - PLATE - BOLTS & GASKET - BRUNNER	
9	040421-01-701	EA VALVE - SHORT LP FILLER W/YELLOW CAP - BRUNNER	75478
10	040421-01-702	EA CAP - LP FILLER VALVE - PLASTIC - YELLOW - BRUNNER	G-1014-A
11	040421-01-700	EA GAUGE - LIQUID LEVEL - 20% LP - BRUNNER	G-1013
12	040421-01-713	EA PRESSURE RELIEF VALVE	
13	088253-01-700	EA L.P. FLOAT GAUGE - 4 MACHINE SCREW STYLE	
14	040440-02-000	EA TRANSMITTER - DIAL - 90 OHM	
15	105658-01-000	EA COMPARTMENT - LP REGULATOR	
16	010265-01-000	EA ELBOW - BRASS - 90 DEGREE - 3/8" F X 1/2" FPT	
17	065318-02-000	EA ELBOW - BRASS - 90 DEGREE - 3/8" MPT TO 3/8" FPT	
18	010323-01-000	EA ADAPTER - BRASS - 3/8" F X 1/2" MPT	
18	010329-01-000	EA ADAPTER - BRASS - 1/2" F X 1/2" MPT	
	010377-02-000	EA NUT - BRASS - 3/8" FEMALE - FORGED	
	010380-02-000	EA NUT - BRASS - 1/2" FEMALE - FORGED	
	106846-01-000	EA VALVE - RELIEF	
	106871-01-000	EA BUSHING - 1/2 X 1/4 BLK	
	103613-01-000	EA DETECTOR - LP GAS	

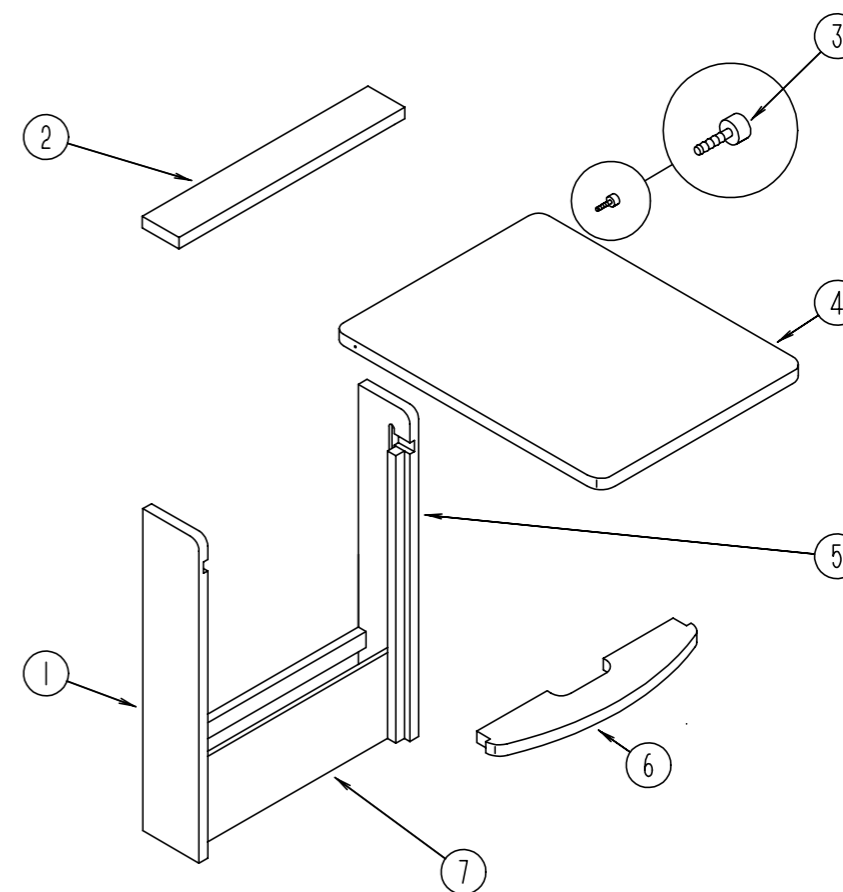
LOUNGE GROUP



FRONT OVERHEAD CABINET (PASSENGER SIDE)

KEY	PART NUMBER	U/M DESCRIPTION
1	M06838-01-G15	EA CABINET ASM. - FRONT OVERHEAD - PASSENGER SIDE
1	M06838-01-G16	EA CABINET ASM. - FRONT OVERHEAD - PASSENGER SIDE
1	M06838-01-G17	EA CABINET ASM. - FRONT OVERHEAD - PASSENGER SIDE
2	M06803-04-G15	EA DOOR ASM - RAIL - W/O HARDWARE - 255 X 485
3	103128-08-G15	EA END CAP ASM. (FRONT OVERHEAD)
4	103128-07-G15	EA END CAP ASM. - LEFT HAND
5	M06838-08-G15	EA CABINET ASM. - OVERHEAD
6	M06803-30-G15	EA DOOR ASM - W/O HARDWARE - 395 X 750
7	103128-10-G15	EA END CAP ASM. - RIGHT HAND
	104414-12-G15	EA SHELF ASM.

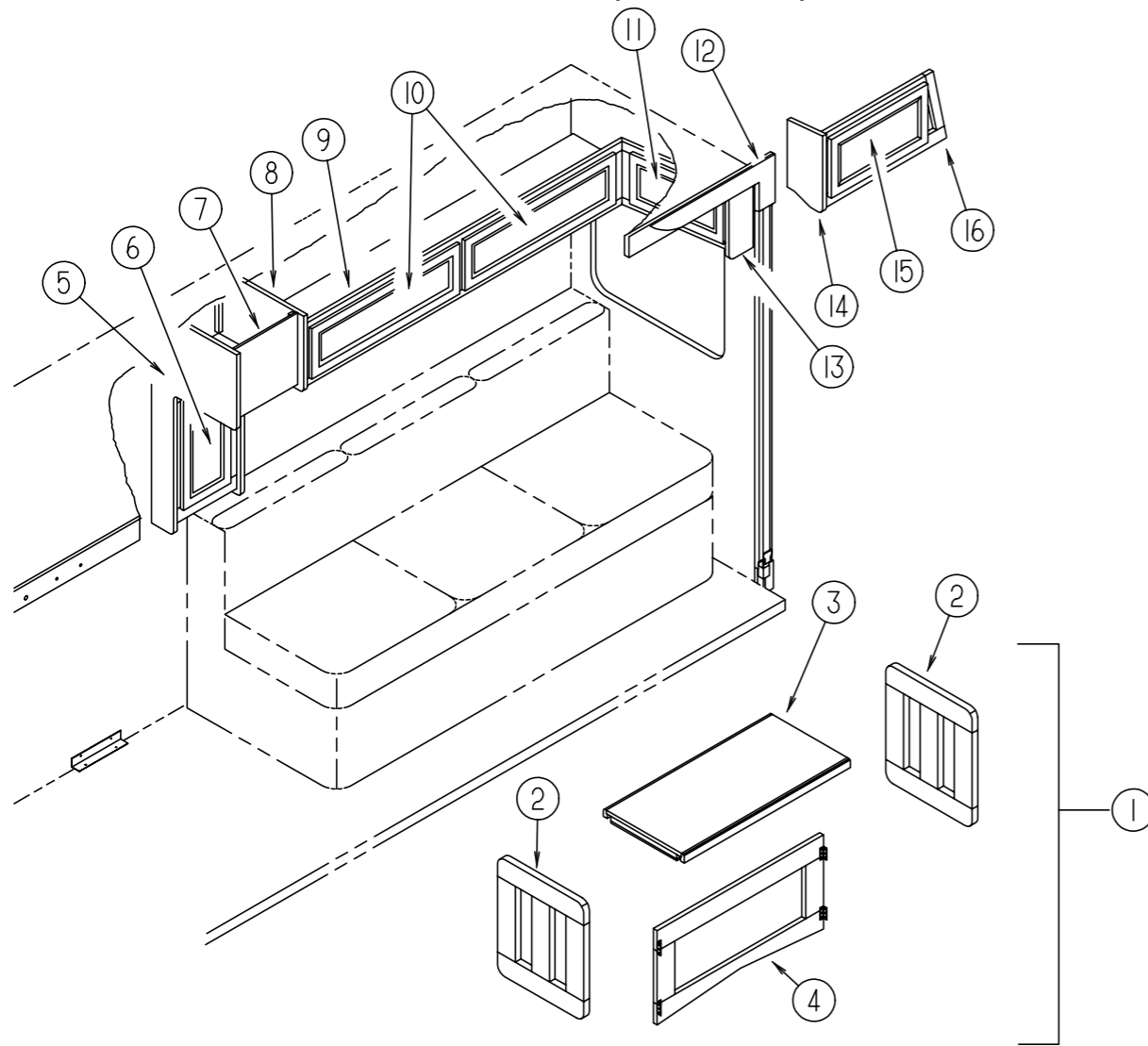
LOUNGE GROUP (CONTINUED)



PULLOUT TABLE

KEY	PART NUMBER	U/M DESCRIPTION
	P19559-01-G35	EA CABINET ASM. - TABLE - W/O PULLOUT TOP
1	119559-12-G35	EA SIDE END - TABLE - 28.7" X 5.7" - LEFT SIDE
2	119559-13-G35	EA SHELF - SUPPORT - OVER PULL OUT TABLE TOP
3	079921-01-000	EA NYLON ROLLER W/SHAFT
4	119559-17-G35	EA PULLOUT TOP
5	119559-11-G35	EA SIDE END - TABLE - 28.7" X 5.7" - RIGHT SIDE
6	119559-14-G35	EA SHELF - SUPPORT - UNDER PULL OUT TABLE TOP
7	119559-15-G35	EA PANEL - TABLE - FRONT BOTTOM - 18.1" X 6.7"
	080736-01-000	EA PULL - RECESSED - 1.25" X 4" - OAK

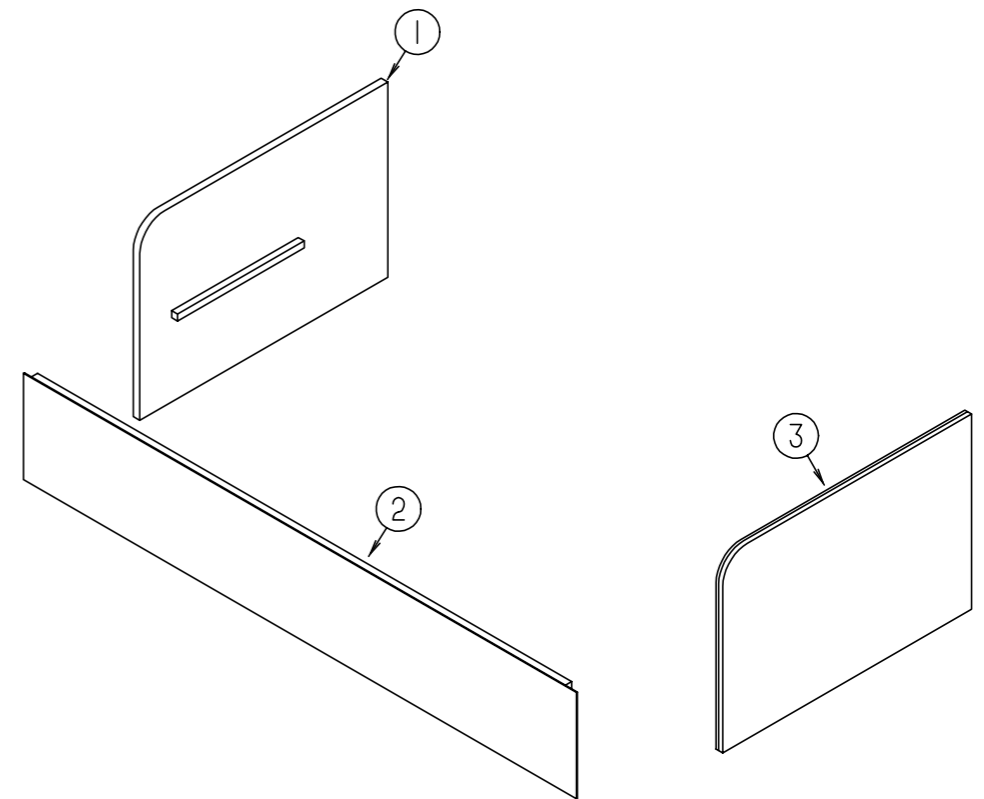
LOUNGE GROUP (CONTINUED)



OVERHEAD CABINETS & COFFEE TABLE

KEY	PART NUMBER	U/M	DESCRIPTION
1	116957-01-G15	EA	TABLE - FOLDING ASM
2	116957-15-F31	EA	TABLE - LEG ASM
3	116957-12-G15	EA	TABLE - TOP ASM
4	116957-11-F31	EA	TABLE - BRACE ASM
5	120975-13-G35	EA	END CAP ASM.
6	M06803-F8-G15	EA	DOOR - RAIL 0255 X 0485 MM
7	120975-14-G35	EA	END CAP ASM.
8	120975-01-G35	EA	CABINET ASM - OVERHEAD - SPEAKER
9	120979-01-G35	EA	CABINET ASM - OVERHEAD - LOUNGE
10	120035-04-G15	EA	DOOR ASM - FABRIC WRAPPED
10	120035-04-G16	EA	DOOR ASM - FABRIC WRAPPED
10	120035-04-G17	EA	DOOR ASM - FABRIC WRAPPED
11	120035-05-G15	EA	DOOR ASM - FABRIC WRAPPED
11	120035-05-G16	EA	DOOR ASM - FABRIC WRAPPED
11	120035-05-G17	EA	DOOR ASM - FABRIC WRAPPED
12	115811-12-G15	EA	OVERLAY - 7.5 X 22 3/8 - NOVEAU
12	115811-12-G16	EA	OVERLAY - 7.5 X 22 3/8 - NOVEAU
12	115811-12-G17	EA	OVERLAY - 7.5 X 22 3/8 - NOVEAU
13	120979-13-G35	EA	CAP ASM
14	103128-09-G15	EA	END CAP ASM. (FRONT OVERHEAD)
15	M05993-99-G15	EA	DOOR ASM - W/O HARDWARE
16	M06839-23-G15	EA	CABINET ASM. - FRONT OVERHEAD - DRIVER SIDE
16	M06839-23-G16	EA	CABINET ASM. - FRONT OVERHEAD - DRIVER SIDE
16	M06839-23-G17	EA	CABINET ASM. - FRONT OVERHEAD - DRIVER SIDE

LOUNGE GROUP (CONTINUED)



COUCH CABINET

KEY	PART NUMBER	U/M	DESCRIPTION
1	M04187-36-G15	EA	CABINET - COUCH - RIGHT HAND - W/ FABRIC
1	M04187-36-G16	EA	CABINET - COUCH - RIGHT HAND - W/ FABRIC
1	M04187-36-G17	EA	CABINET - COUCH - RIGHT HAND - W/ FABRIC
2	M04187-37-G15	EA	CABINET - COUCH - FRONT - W/ FABRIC
2	M04187-37-G16	EA	CABINET - COUCH - FRONT - W/ FABRIC
2	M04187-37-G17	EA	CABINET - COUCH - FRONT - W/ FABRIC
3	M04187-34-G15	EA	CABINET - COUCH - LEFT HAND - W/ FABRIC
3	M04187-34-G16	EA	CABINET - COUCH - LEFT HAND - W/ FABRIC
3	M04187-34-G17	EA	CABINET - COUCH - LEFT HAND - W/ FABRIC
	083125-07-000	EA	BRACE - ANGLE - COUCH - OFF WHITE

SEALANTS & FASTENERS GROUP

ADHESIVE AND TAPE SEALERS

KEY	PART NUMBER	U/M DESCRIPTION
	002707-02-000	FT TAPE - SEALER - 5/16" X 1/2" - INCREMENTS OF 50 FT
	034552-02-000	EA SILICONE - TUBE - 300 ML - CLEAR - W/O NOZZLE ALSO ORDER P.N.#900390-03-000 NOZZLE SEPARATELY
	034552-06-000	EA SILICONE - TUBE - 300 ML - OFF WHITE - W/O NOZZLE ALSO ORDER P.N.#900390-03-000 NOZZLE SEPARATELY
	034552-12-000	EA SILICONE - 300 ML TUBE - BUFF - W/O NOZZLE ALSO ORDER P.N.#900390-03-000 NOZZLE SEPARATELY
	039518-01-000	EA SILICONE - 300 ML TUBE - BLACK - W/O NOZZLE ALSO ORDER P.N.#900390-03-000 NOZZLE SEPARATELY
	053766-06-000	EA BEDDING COMPOUND-TUBE - CLEAR
	062917-03-000	EA ADHESIVE - LOCTITE 242 - LOCTITE 242 - SIDE 41
	067788-01-000	EA ADHESIVE - SPRAY - 3M 74 - 19.5 OZ AEROSOL CAN
	069640-01-000	FT SEALER - RIBBON - 1/4" DIAMETER - INCREMENTS OF 30'
	069640-02-000	FT SEALER - RIBBON - 1/2" X 1/8" - INCREMENTS OF 60'
	069640-03-000	FT SEALER - RIBBON - 3/4" X 1/8" - INCREMENTS OF 60'
	069640-07-000	FT SEALER - RIBBON - 2" X 3/32" - INCREMENTS OF 45'
	069640-09-000	FT SEALER - RIBBON - 1/32" X 2 1/2" - INCREMENTS OF 80'
	069640-14-000	FT SEALER - TAPE - 1/16" X 1" X 100' - MANUS - GRAY
	069640-11-000	FT SEALER - TAPE, 3/16" X 3/8" - BLACK - MANUS
	069640-15-000	FT SEALER - RIBBON 1/16" X 3/8" GRAY - MANUS
	072889-01-000	EA SEALANT - URETHANE - BLACK - 1/10 - ESSEX 552.2
	072889-09-000	EA SEALANT - URETHANE(TUBE) BLACK - MANUS 75AM
	076322-01-000	FT TAPE - FOAM - DOUBLE COATED ADHESIVE BACKED - .75" X 216'
	076322-05-000	FT TAPE - FOAM - DOUBLE COATED - .045" X .75" X 108'
	076322-07-000	FT TAPE - FOAM - DOUBLE COATED .045 X .50 - NORT V2000
	076322-02-000	FT TAPE - FOAM, DOUBLE COATED ADHESIVE BACKED - 1" X 108'
	063642-01-000	FT TAPE - ADHESIVE, 10 MIL. X 1.5" WIDEX 180"
	088479-01-000	EA TAPE - ALUM., 3" - 3M
	120534-01-01A	EA TAPE - SCOTCH 3M, 1/2" FINE LINE - #471 GREEN
	087211-01-000	GL PROMOTER - ADHESIVE
	091255-02-000	FT SEAL - ADHESIVE BACKED FOAM - .18" THICK X 1.5" WIDE
	094401-01-000	EA SEALER - BODY SEAM SEALER - 3M FLATEXICLEAR
	102352-01-000	EA SEALER - PUMPABLE - BLACK - COLORIMETRIC MS101
	106206-01-000	EA SEALER - PUMPABLE - MANUS 30ABLACK
	110274-01-000	FT TAPE - FOAM - DBL COATED .045 X 1.0 - NORTON V-2800
	120074-01-01A	EA SILICONE TUBE - OFF WHITE W/O NOZZLE ALSO ORDER NOZZLE #900390-03-000
	900390-01-000	EA TIP - 2 1/2" X 1/8" ORIFICE - ELLSWORTH #TS216
	900390-03-000	EA NOZZLES-SILICONE TUBE - CSL# D10

MISCELLANEOUS FASTENERS

KEY	PART NUMBER	U/M DESCRIPTION
	008343-01-000	EA TIE - WIRE - 6"
	008343-02-000	EA TIE - WIRE - 14"
	029094-04-000	YD VELCRO TAPE - LOOP - 1" WIDE - BLACK
	029096-03-000	YD VELCRO TAPE - HOOK - 1" WIDE - BLACK
	085774-01-000	FT FASTENER - DUAL HOOK - 1" WIDE - ADHESIVE BACK - BLACK
	085774-02-000	FT FASTENER - DUAL LOOP - 1" WIDE - ADHESIVE BACK - BLACK
	086285-01-000	EA SPACER - NYLON - .5" OD X .257" ID
	108046-02-000	EA CABLE TIE-SCREW MOUNT 15" - DENNISON 10035

SEALANTS & FASTENERS GROUP (CONTINUED)

BOLTS & NUTS

KEY	PART NUMBER	U/M DESCRIPTION
	000C12-05-16B	EA BOLT - HEX - 5/16-18 X 1 - ZINK 5
	000C12-05-12B	EA BOLT - HEX - 5/16-18 X 3/4 ZINK 5
	000C12-06-20B	EA BOLT - HEX - 3/8-16 X 1 1/4 ZINK 5
	000C12-06-16B	EA BOLT - HEX - 3/8-16 X 1LG - ZINK 5
	000C12-06-44B	EA BOLT - HEX - 3/8-16 X 2 3/4 ZINK 5
	000C12-07-20B	EA BOLT - HEX - 7/16 - 14 X 1 1/4" - ZINK5
	000C12-08-28B	EA BOLT - HEX - 1/2-13 X 1-3/4 ZINK 5
	000C12-08-24B	EA BOLT - HEX - 1/2-13 X 1 1/2 - ZINK 5
	000C12-10-24B	EA BOLT - HEX - 5/8-11 X 1 1/2 ZINK - 5
	000C13-07-48B	EA BOLT - HEX - 7/16 - 20 X 3 - ZINK 5
	000C26-04-10B	EA BOLT - HEX - SERRATED FLANGE - 1/4-20 X 5/8 ZINK
	000C26-04-18B	EA BOLT - HEX - SERRATED FLANGE 1/4-20 X 11/8 - ZINK
	000C26-04-14B	EA BOLT - HEX - SERRATED FLANGE - 1/4 X 20 X 7/8 ZINK
	000C26-05-16B	EA BOLT - HEX - SERRATED FLANGE 5/16-18 X 1 - ZINK
	000C26-05-12B	EA BOLT - HEX - SERRATED FLANGE 5/16-18 X 3/4 - ZINK
	000C26-05-20B	EA BOLT - HEX - SERRATED FLANGE 5/16 - 18 X 1 1/4 ZINK
	000C26-06-12B	EA BOLT - HEX - SERRATED FLANGE 3/8-16 X 3/4 - ZINK
	102333-01-05A	EA BOLT - CARR - 7/16-14 SST CAP
	106956-03-000	EA BOLT - HEX TAP 1/2-13NC X 3 GR5 - FULL THREAD ZINK
	051387-06-000	EA BOLT - CARRIAGE - W/O HOLE - 5/16-18 X 9.5 ZINK
	000D24-10-00B	EA NUT - HEX - SF/ LK - 10-32 - ZINK
	000D29-05-00B	EA NUT - 5/16 - 18 UNC - SF/ LOCKING - NYLON WASHER INSERT
	000D29-06-00B	EA NUT - HEX W/ NYLON LOK 3/8-16 ZINK
	000D34-06-00B	EA NUT - HEX - LK - 3/8 - 16 GRADE C ZINK - PREVAILING TORQUE
	000D39-04-00B	EA NUT - HEX - SERRATED FLANGE LK 1/4 - 20 ZINK
	000D39-05-00B	EA NUT - HEX - SERRATED FLANGE LK - 5/16 - 18 ZINK
	000D39-06-00B	EA NUT - HEX - SERRATED FLANGE LK - 3/8-16 ZINK
	000D39-08-00B	EA NUT - HEX - SERRATED FLANGE LK - 1/2-13 ZINK
	000D46-04-00A	EA NUT - HEX - WELD - 1/4-20 - PLAIN - SHORT PILOT
	000D73-08-00C	EA NUT - HEX FLATG - 1/2-13 CAD PREV - GRADE G
	000E11-05-00B	EA WASHER - LK-5/16 MED SPLIT ZINK - 05110-01-000
	000E11-07-00B	EA WASHER - LK-7/16 MED SPLIT ZINK
	000E13-14-00B	EA WASHER - FLAT - 1/4" WIDE ZINK
	000E13-17-00B	EA WASHER - FLAT - 3/8" AR ZINK
	000E13-18-00B	EA WASHER - FLAT-3/8 WIDE ZINK
	000E13-20-00B	EA WASHER - FLAT - 7/16" WIDE - ZINK
	000E13-21-00B	EA WASHER - FLAT - W/2 NAR ZINK
	000E13-22-00B	EA WASHER - FLAT-1/2 WIDE ZINK - 05117-01-000
	110794-01-000	EA WASHER - FLAT-11D X 13/4OD
	000E14-10-00B	EA WASHER - LK - NO 10 EXT TOOTH - ZINK
	058716-02-000	EA WASHER - FLAT NYLON - .406 X .750 X .060
	040921-03-000	EA NUT - SPEED - U TYPE - NO 10
	040921-04-000	EA NUT - SPEED - U TYPE - NO. 8 - .59" LENGTH X .44" WIDTH
	040921-09-000	EA NUT - SPEED - U TYPE - NO 8 - T'MN C9812-8A
	044364-02-000	EA NUT - SPEED - FLAT - ROUND
	063253-07-000	EA NUT - J - #8A .120- .130 PNL THK
	083163-06-000	EA PUSHNUT - FLAT TYPE 3/8 STUD - FORD ONLY TO RETAIN THE AIR BAFFLATE ON THE OIL DIPSTICK TUBE
	087234-01-000	EA NUT - JACK - 1/4 X 20THD - MOLLY - ARDEN 8-L - JN BRASS MOUNTS LICENSE PLATES
	088787-12-000	EA STUD - WELD - 1/4-20 X 1.0LG MN

SEALANTS & FASTENERS GROUP (CONTINUED)

SCREWS

KEY	PART NUMBER	U/M DESCRIPTION
	0B1210-32-180	EA SET SCREW - 5/8-11 X 2.00 - BLACK CUP POINT
	0G3908-08-170	EA SCREW - SF/ DR - 8-18 X 1/2PPH - BRIGHT WHITE
	0G5508-16-190	EA SCREW - SF/ DR - 8-18 X 1.00 PWH - QUICK SILVER
	000G11-05-08B	EA SCREW - 5-20 X 1/2 PPH ZINK
	000G11-06-10J	EA SCREW - 6-20 X 5/8 PPH - BRASS
	000G11-06-10B	EA SCREW - 6-20 X 5/8 PPH ZINK
	000G11-06-08B	EA SCREW - 6-20 X 1/2 PPH ZINK
	000G11-06-06B	EA SCREW - 6-20 X 3/8 PPH ZINK
	000G11-07-08B	EA SCREW - 7-19 X 1/2 PPH - ZINK
	000G11-08-08T	EA SCREW - 8-18 X 1/2 PPH
	000G11-08-08B	EA SCREW - 8-18 X 1/2 PPH - ZINK
	000G11-08-06B	EA SCREW - 8-18 X 3/8 PPH ZINK
	000G11-08-20B	EA SCREW - 8-18 X 11/4 PPH ZINK
	000G11-08-16S	EA SCREW - 8-18 X 1.00 PPH - OFF WHITE
	000G11-08-12T	EA SCREW - 8-18 X 3/4 PPH - BLACK
	000G11-08-12S	EA SCREW - 8-18 X 3/4 PPH - OFF WHITE
	000G11-08-12S	EA SCREW - 8-18 X 3/4 PPH - OFF WHITE
	000G11-08-12P	EA SCREW - 8-18 X .75 PPH - DARK BROWN
	000G11-08-12D	EA SCREW - 8-18 X 3/4 PPH - BLACK
	000G11-08-12B	EA SCREW - 8-18 X 3/4 PPH ZINK
	000G11-10-40B	EA SCREW - 10-16 X 2 1/2 PPH CAD - 34927-01-000
	000G11-10-16B	EA SCREW - 10-16 X 1 - PPH ZINK
	000G11-10-12S	EA SCREW - 10-16 X .75 PPH OFF WHT
	000G11-10-12D	EA SCREW - 10-16 X 3/4 PPH - BLACK
	000G11-10-10X	EA SCREW - 10-16 X 5/8 PPH GRAY
	000G12-06-14A	EA SCREW - 6-20 X .87 POH PLAIN
	000G12-06-08T	EA SCREW - 6-20 X .50 POH - BLACK
	000G12-08-16S	EA SCREW - 8-18 X 1.00 POH - OFF WHITE
	000G13-05-16S	EA SCREW - 5-20 X 1 PFH OFF WHITE
	000G13-06-16J	EA SCREW - 6-20 X 1.00 PFH - BRASS
	000G13-06-08B	EA SCREW - 6-20 X 1/2 PFH ZINK
	000G13-06-24J	EA SCREW - 6-20 X 1.50 PFH BRASS
	000G13-07-12B	EA SCREW - 7-19 X 3/4 PFH ZINK
	000G13-08-16B	EA SCREW - 8-18 X 1 PFH - ZINK
	000G13-08-10B	EA SCREW - 8-18 X 5/8 PFH ZINK - 90 CW922FV
	000G18-08-22B	EA SCREW - MACH - 8-32 X 1 3/8 PPH ZINK
	000G19-10-20B	EA SCREW - MACHINE - 10-32 X 1 1/14 PPH ZINK
	000G19-10-08B	EA SCREW - MACHINE - 10-32 X 1/2 PPH ZINK
	000G32-10-06B	EA SCREW - 10-32 X 3/8" - PPH - ZINK
	000G39-06-10T	EA SCREW - SF/ DR - 6-20 X 5/8 PPH - BLACK
	000G39-06-08B	EA SCREW - DR - 6-18 X 1/2 ZINK
	000G39-08-08S	EA SCREW - SF/ DR - 8-18 X 1/2 PPH - OFF WHITE
	000G39-08-08B	EA SCREW - SF/ DR - 8-18 X 1/2 PPH ZINK
	000G39-08-32B	EA SCREW - SF/ DR - 8-18 X 2 PPH - ZINK
	000G39-08-24B	EA SCREW - SF/ DR - 8-18 X 1 1/2 PPH ZINK
	000G39-08-16T	EA SCREW - SF/ DR - 8-18 X 1 PPH - BLACK
	000G39-08-16S	EA SCREW - SF/ DR - 8-18 X 1.00 PPH - OFF WHITE
	000G39-08-16B	EA SCREW - SF/ DR - 8-18 X 1 PPH ZINK
	000G39-08-12T	EA SCREW - SF/ DR - 8-18 X 3/4 PPH - BLACK
	000G39-08-12B	EA SCREW - SF/ DR - 8-18 X 3/4 PPH ZINK
	000G39-10-08B	EA SCREW - SF/ DR 10-16 X .50 P&H - ZINK
	000G39-10-209	EA SCREW - SF/ DR - 10-16 X 1.25 PPH - FLATUOROCARBON SILVER
	000G39-10-20B	EA SCREW - SF/ DR - 10-16 X 1 1/4 PPH ZINK
	000G39-10-129	EA SCREW - SF/ DR - 10-16 X 3/4 PPH - FLATUOROCARBON SILVER
	000G39-10-12R	EA SCREW - SF/ DR - 10-16 X 3/4 PPH - BEIGE
	000G39-10-12D	EA SCREW - SF/ DR - 10-16 X 3/4 PPH - BLACK
	000G39-10-12B	EA SCREW - SF/ DR - 10-16 X .75 PPH ZINK
	000G39-12-12E	EA SCREW - SF/ DR - 12 - 14 X 3/4 PPH - CHROME
	000G42-04-12B	EA SCREW - SF/ DR 1/4-14 X 3/4 HWH ZINK
	000G46-08-24T	EA SCREW - MACHINE - 8-32 - 1.50 IN PFH - BLACK
	000G50-04-12B	EA SCREW - MACHINE - 1/4-20 X 3/4 PPH ZINK
	000G50-04-08B	EA SCREW - MACHINE - 1/4-20 X 1/2 PTH - 2N
	000G51-08-08B	EA SCREW - 8-18 X 1/2 PTH ZINK

SEALANTS & FASTENERS GROUP (CONTINUED)

SCREWS (CONTINUED)

KEY	PART NUMBER	U/M DESCRIPTION
	000G52-08-18B	EA SCREW - MACH-8-32 X 11/8 PTH ZINK
	000G54-04-20B	EA SCREW - 1/4-20 X 1 1/4 PTH - TYPE 23 - ZINC PLATED
	000G55-08-127	EA SCREW - SF/DR - 8-18 X .75 PWH - FAWN
	000G55-08-12S	EA SCREW - SF/DR - 8-18 X .75 PWH - OFF WHITE
	000G57-05-16J	EA SCREW - 5-20 X 1 PFH - BRASS
	000G60-10-28T	EA SCREW - SF/ DR - 10-16 X 1.75 - BLACK
	000G67-08-32B	EA SCREW - 8-15 X 2 PPH ZINK
	000G67-10-08B	EA SCREW - 10-12 X 1/2 PPH ZINK
	000G67-10-48B	EA SCREW - 10-12 X 3 PPH ZINK
	000G67-10-36T	EA SCREW - 10-12 X 2.25 PPH BLACK - STALGARD
	000G67-10-20D	EA SCREW - 10-12 X 1 1/4 PPH - BLACK
	000G67-10-120	EA SCREW - 10-12 X .75" PPH - TAN
	000G67-10-120	EA SCREW - 10-12 X .75" PPH - TAN
	000G67-10-12B	EA SCREW - 10-12 X 3/4" PPH - ZINK
	000G67-10-10P	EA SCREW - 10-12 X .62 PPH - DARK BROWN
	000G67-10-10D	EA SCREW - 10-12 X 5/8 PPH - BLACK - TYPE A
	000G67-10-10B	EA SCREW - 10-12 X 5/8 PPH ZINK - TYPE A
	000G67-10-08R	EA SCREW - 10-12 X 1/2 PPH - BEIGE - TYPE A
	000G68-06-10G	EA SCREW - 6-18 X 5/8 POH - ANTIQUE BRASS
	049465-01-000	EA SCREW - 10-16 W/ WASHER PTH - DARK BROWN
	049465-03-000	EA SCREW - 10-16 X 1 POH W/ WASHER - OFF WHITE
	049465-17-000	EA SCREW - 10-16 X 1 POH W/ WASHER - BRIGHT WHITE
	075908-01-000	EA SCREW - MACHINE - 10-32 X .56 PTH - ZINC EXTERNAL TOOTH
	086256-01-000	EA SCREW ASM - SF/DR 8 X .75HWH LG - PL BODY PNL MT
	097974-01-000	EA SCREW - PART BD 7-9 X .75 PPH - FHM 0543 PLAIN
	106477-01-000	EA SCREW - 14-10 X 3.00 PFH - STEEL BRASS PLATED
	116111-02-01A	EA SCREW - TAPTITE - 1/4-20 X 3/8 PPH - ZINK
	117322-01-000	EA SCREW - 1/4-28UNF-2A - TORX - U.T. 6270020 SC25WJ

CLAMPS, CLIPS, & GROMMETS

KEY	PART NUMBER	U/M DESCRIPTION
	000F10-06-32B	EA PIN - COTTER - 3/16 X 2.00 ZN
	000H16-04-06R	EA RIVET - POP - AL 1/8 X .313-.375
	000H16-06-10R	EA RIVET - POP-AL 3/16 X .501-.625
	010495-01-000	EA CLAMP - CABLE - 9/16"
	010497-01-000	EA CLAMP - CLOSED - 5/8" ID
	010497-03-000	EA CLAMP - CLOSED - 1" ID - CUSHIONED
	010497-04-000	EA CLAMP - CLOSED - 1.62 ID - ADEL - 945-2717
	010497-05-000	EA CLAMP - CLOSED - 1/2" ID
	010499-01-000	EA CLAMP - CLOSED - 3/8" ID
	062401-01-000	EA CLAMP - HOSE - WORMGEAR .25" - 1"
	062401-03-000	EA CLAMP - HOSE - WORMGEAR - .22"- 1"
	062401-04-000	EA CLAMP - HOSE - WORMGEAR .69"- 1.25"
	062401-06-000	EA CLAMP - HOSE - WORMGEAR .22"-.62"
	062401-11-000	EA CLAMP - HOSE - WORMGEAR 3.56"- 4.5"
	075148-02-000	EA CLAMP - GROUNDING - BRONZE SCREWS
	083609-01-000	EA CLAMP - WIRE - DUAL EQUAL - 5/8" DIAMETER
	083610-01-000	EA CLAMP - WIRE - DUAL - UNEQUAL DIAMETERS - .75" & 1.25"
	083610-02-000	EA CLAMP - WIRE - DUAL UNEQUAL DIA
	008380-01-000	EA GROMMET - RUBBER - 5/8" HOLE X 1 1/2" DIAMETER - BLACK
	016188-03-000	EA GROMMET - L/P LINE - 3/8" HOLE X 2 1/2" LONG - RUBBER
	016188-05-000	EA GROMMET - L/P LINE - 3/8" HOLE X 1 1/4" LONG - RUBBER
	023942-01-000	EA GROMMET - RUBBER - 2" OD
	071015-11-000	EA GROMMET - 1.00 ID - FITS .12 MATL - MINOR RUBBER Z-3065
	071015-29-000	EA GROMMET - RUBBER - .25" ID X 1.25" OD W/.12" GROOVE - BLACK
	071015-30-000	EA GROMMET - RUBBER - .31" ID X .81" OD W/.12" GROOVE - BLACK
	114208-02-000	EA GROMMET - EDGE LINER - FITS .625 - HEYCO 2073
	077955-01-000	EA CLIP - J - VINYL COATED - 3/8"
	091952-01-000	EA CLIP - GRIPPER - 1"
	094362-02-000	EA CLIP - CHRISTMAS TREE - FLAT HEAD - .5" X .95"

WATER & SEWAGE GROUP

WATER & SEWAGE GROUP (CONTINUED)

FRESH WATER TANK

KEY	PART NUMBER	U/M DESCRIPTION
	118454-02-000	EA TANK ASM - WATER - 52 GAL - W/ FITTINGS
	118454-01-000	EA TANK ASM - WATER - 52 GAL - W/O FITTINGS
	118645-02-000	EA TANK ASM - WATER - 18 GAL - W/ FITTINGS
	118645-01-000	EA TANK ASM - WATER - 18 GAL - W/O FITTINGS
	044927-01-000	EA ADAPTER - HOSE TO PIPE - 1 1/4"MPT X 1 1/4"BARB - BLACK PLASTIC
	079381-01-000	FT TUBING - SMOOTH FLEXIBLE - 1 1/4" ID X 20'
	042989-05-000	EA FITTING - SPINWELD - PLASTIC 1/2FPT
	042989-03-000	EA FITTING - SPINWELD - PLASTIC - 11/4" FPT
	049032-01-000	EA PATCH - SPINWELD - 3/8" - PLASTIC
	039861-01-000	EA SENDING UNIT W/SCREW - WASHER
	091208-01-000	EA WASHER - RUBBER - .06" X .75" X .5"
	077954-02-000	EA FILTER - WATER TANK - SCREEN IN TANK

WATER SYSTEM COMPONENTS (FLAIR-IT)

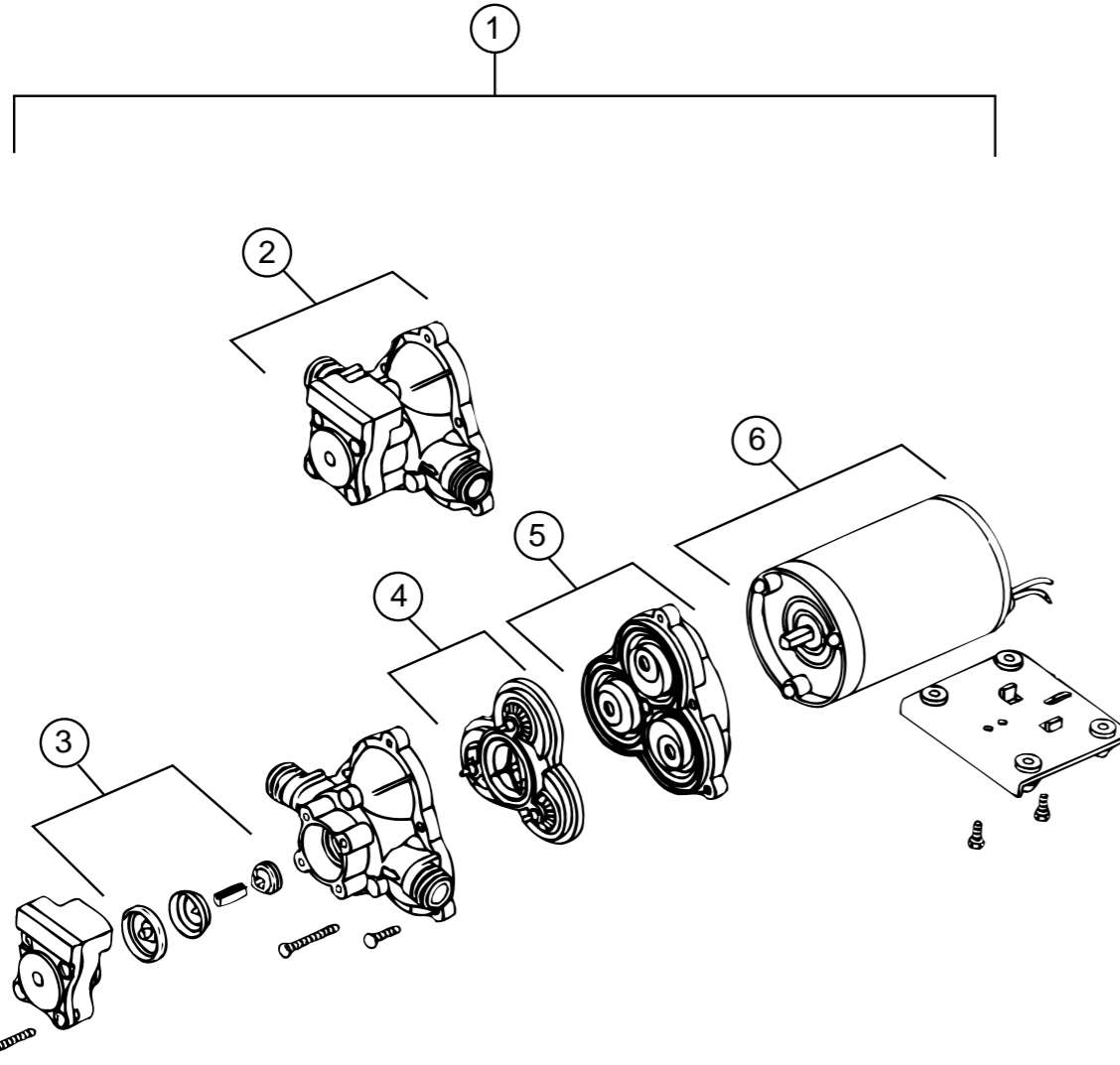
KEY	PART NUMBER	U/M DESCRIPTION
	114427-01-000	EA CAP - 1/2P - 02860
	114427-02-000	EA PLUG - 1/2P - 02863
	114428-01-000	EA TEE - 1/2P X 1/2P X 1/2P - 02820
	114428-02-000	EA TEE - SWIVEL - 1/2P X 1/2P X 1/2FPT - 02821
	114428-03-000	EA TEE - 1/2P X 1/2P X 1/2MPT - 02822
	114429-01-000	EA ELBOW - 1/2P X 1/2P - 02800
	114429-02-000	EA ELBOW - 1/2P X 1/2MPT - 02803
	114429-03-000	EA ELBOW - SWIVEL - 1/2P X 1/2FPT - 02816
	114429-04-000	EA ELBOW - 1/2P X 3/8MPT - 02810
	114429-05-000	EA ELBOW - 1/2P X 3/4MPT - 02812
	114429-06-000	EA ELBOW - SWIVEL - 1/2P X 3/4FPT - 02811
	114430-01-000	EA ADAPTER - 1/2P X 1/2P - 02840
	114430-02-000	EA ADAPTER - SWIVEL - 1/2P X 1/2FPT - 02873
	114430-03-000	EA ADAPTER - 1/2P X 1/2MPT - 02842
	114431-01-000	EA VALVE - LINE DRAIN 1/2P - 02914
	114431-02-000	EA VALVE - 1/2P - BYPASS - 02910
	114431-03-000	EA VALVE - 1/2P X 1/2P - 02884
	114431-04-000	EA VALVE - STOP - 1/2P X 1/2P - 02880

WATER SYSTEM COMPONENTS

KEY	PART NUMBER	U/M DESCRIPTION
	701069-01-000	EA WATER PURIFICATION SYSTEM
	701069-03-700	EA CARTRIDGE - WATER FILTER - AC -EVERPURE 9601-11
	079381-01-000	FT TUBING - SMOOTH FLEXIBLE - 1 3/8" ID X 20'
	039800-02-000	FT TUBING - POLYBUTYL - 5/8" OD X 20FT
	010219-01-000	EA ELBOW - 1 1/4" MPT X 1 1/4" BARB - WATER FILL - PLASTIC
	039798-01-000	EA TEE - 1/2" MPT X 1/2" MPT X 1/2" MPT - PLASTIC
	101814-01-000	EA COUPLING - FEMALE - 1/2" X 1/2" FPT
	010230-05-000	EA CITY WATER FILL W/CHECK VALVE

EXTERIOR SHOWER COMPONENTS

KEY	PART NUMBER	U/M DESCRIPTION
	103092-01-000	EA SHOWER HEAD - W/ 60" HOSE (US)
	103092-02-000	EA SHOWER HEAD - W/ HOSE (CSA)
	104044-01-000	EA BRACKET - SUPPORT - FAUCET
	103092-01-700	EA BRACKET (FOR SHOWER HEAD) CLEAR
	103092-01-701	EA BRACKET (FOR SHOWER HEAD) BONE
	075241-05-000	EA FAUCET - SHOWER - BONE

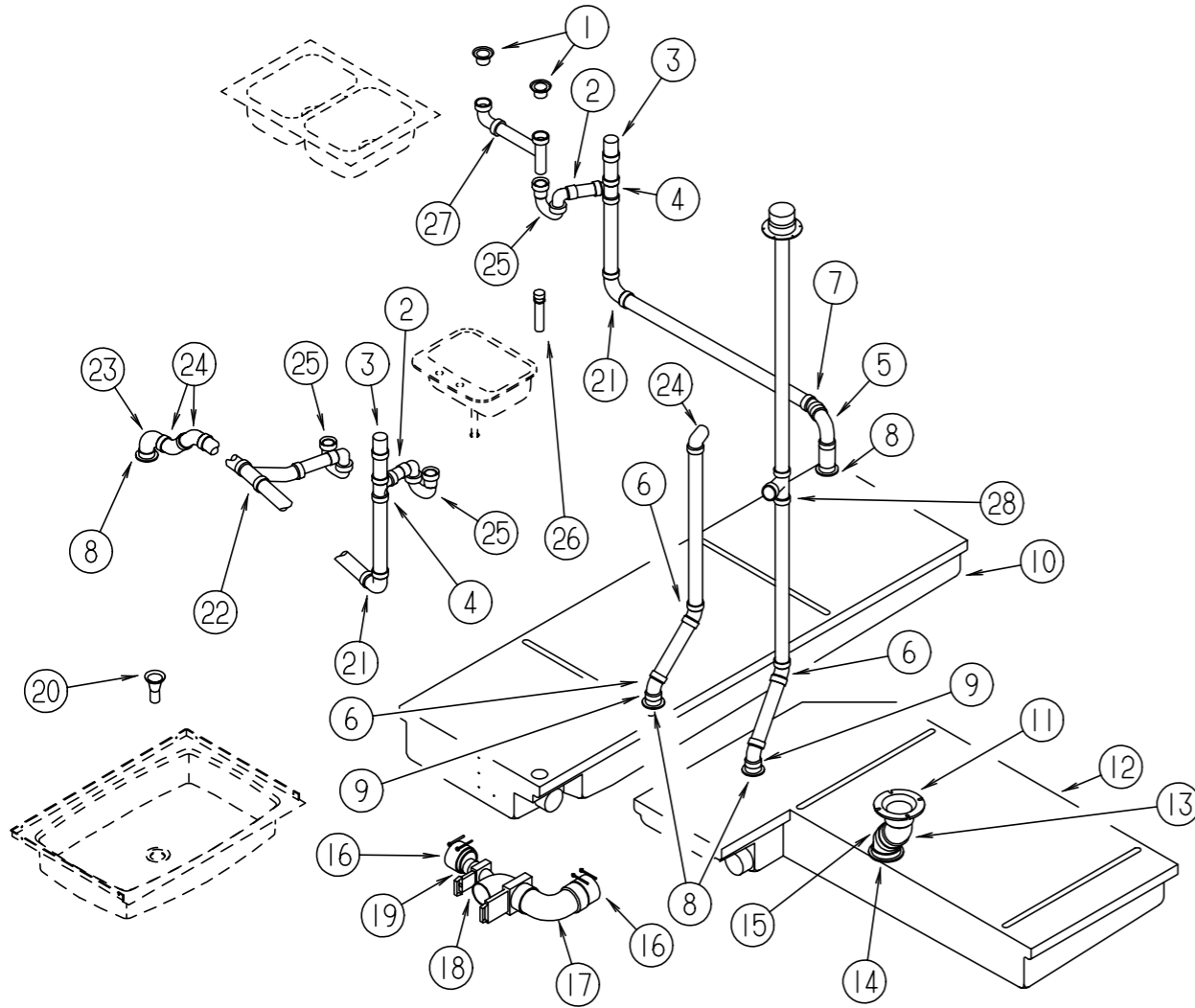


WATER PUMP (SHURFLO)

KEY	PART NUMBER	U/M DESCRIPTION	VENDOR NO.
1	098607-01-000	EA PUMP - WATER - W/.5"MPT FITTING - FLOW 2.8 GPM - UL	
2	098607-01-706	EA UPPER HOUSING/ SWITCH KIT	94-231-20
3	098607-01-705	EA CHECK VALVE - KIT	94-237-00
4	098607-01-703	EA VALVE ASM	94-232-00
5	098607-01-702	EA DRIVE/ DIAPHRAGM - KIT	94-238-04
6	098607-01-707	EA MOTOR/ BASEPLATE REPLACEMENT	94-235-03

WATER & SEWAGE GROUP (CONTINUED)

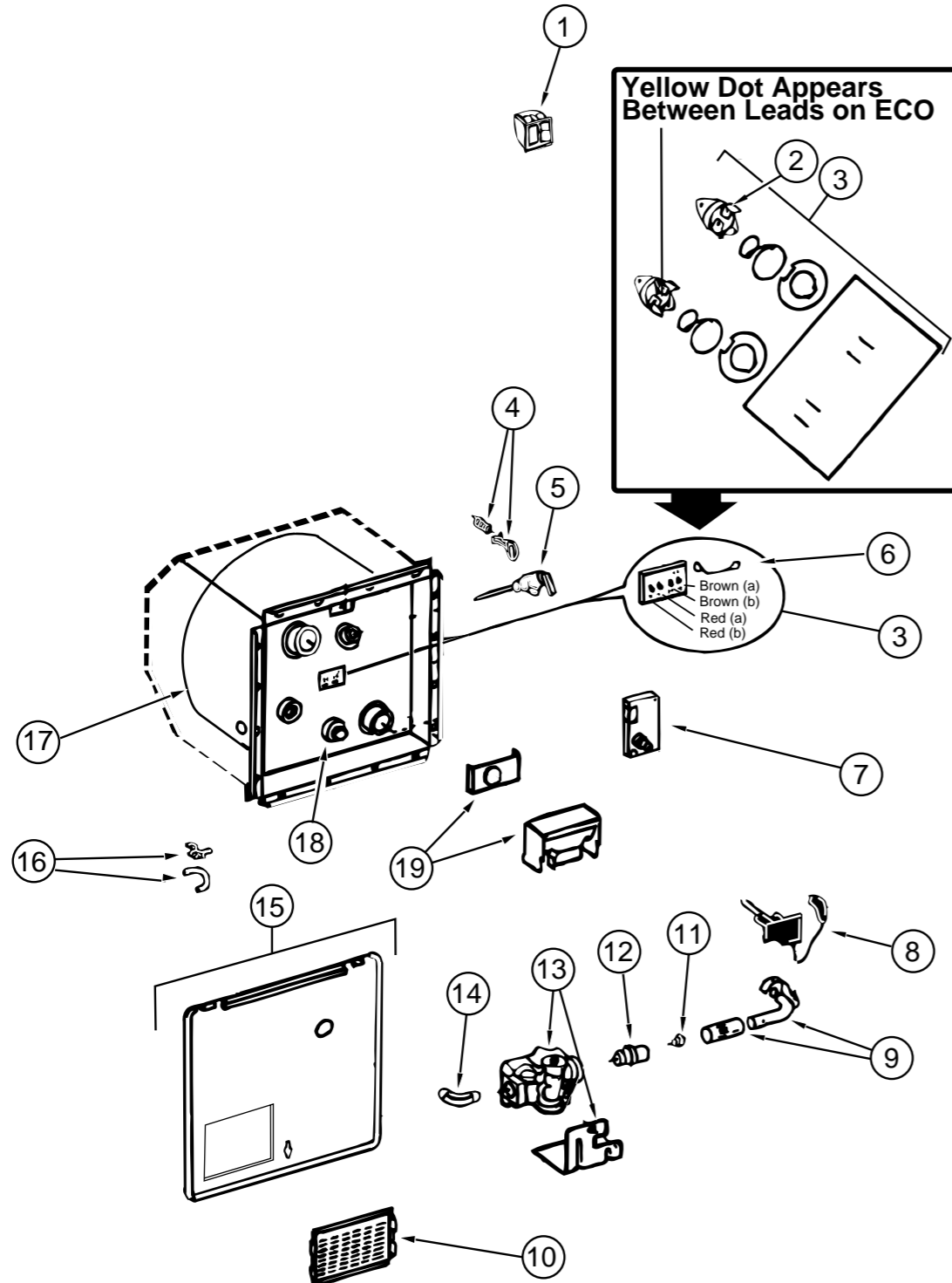
DRAINAGE SYSTEM



KEY	PART NUMBER	U/M	DESCRIPTION
1	092303-01-000	EA	STRAINER - SINK
2	109571-01-000	EA	ADAPTER - P-TRAP - 1 1/2" P X 1 1/4" MPT
3	079968-01-000	EA	VENT - MECHANICAL TRAP ARM - ANTI-SIPHON - 2" DIA X 7.3"
4	010071-01-000	EA	TEE - SANITARY - 1 1/2" HUB X HUB X HUB
5	034250-01-000	EA	ELBOW - 90 DEGREE - LONG TURN - 1/4 BEND - 1 1/2" HUB X HUB
6	010006-01-000	EA	ELBOW - 45 DEGREE - 1/8 BEND - 1 1/2" HUB X HUB
7	010005-01-000	EA	ELBOW - 22 1/2 DEGREE - 1/16 BEND - 1 1/2" HUB X HUB
8	061607-01-000	EA	GROMMET - HOLDING TANK - 1 1/2" NPS
9	010115-01-000	EA	COUPLING - 1 1/2" HUB X HUB - PLASTIC
10	104352-01-000	EA	TANK - HOLDING - 50 GALLON - W/O FITTINGS
			FROM: 00-00-00 THRU: 01-14-96
10	121385-01-000	EA	TANK - HOLDING - 47 GALLON - W/O FITTINGS
			FROM: 01-15-95 THRU: 99-99-99
11	063641-01-000	EA	FLANGE - CLOSET - 4" X 3"
12	104351-01-000	EA	TANK - HOLDING - 55 GALLON - W/O FITTINGS
			FROM: 00-00-00 THRU: 01-14-96
12	121386-01-000	EA	TANK - HOLDING - 48 GALLON - W/O FITTINGS
			FROM: 01-15-95 THRU: 99-99-99
13	010024-01-000	EA	ELBOW - PLASTIC - 1/8 BD - 3 X 45 - H X H
14	061607-02-000	EA	GROMMET - HOLDING TANK - 3" NPS
15	010061-01-000	EA	ELBOW - 45 DEGREE - STREET - 1/8 BEND - 3" S X H - PLASTIC
16	078406-01-000	EA	COUPLER - RUBBER - W/ CLAMPS - 3" X 3"
17	041956-01-000	EA	ELBOW - STREET - 1/4" BEND - 3" X 90° XLT
18	070916-01-000	EA	VALVE ASM - DUAL DUMP - W/CAP - 3" X 1 1/2"
	070916-01-700	EA	VALVE ONLY - 3"
	070916-01-701	EA	VALVE ONLY - 1 1/2"
	062415-01-000	EA	SEWER CAP - 3"
19	062422-01-000	EA	ADAPTER - OFFSET REDUCER - 3" X 1 1/2"
20	011069-04-000	EA	TAILPIECE - 1 1/2 X 1 1/4 X 8 - BRASS (SHOWER PAN)
20	011069-02-000	EA	TAILPIECE - TUB/ SHOWER - 1 1/2" X 1 1/4" X 4" - BRASS (CSA)
	066440-01-000	EA	STRAINER W/ RUBBER WASHER
	091208-01-000	EA	WASHER - RUBBER - .06" X .75" X .5"
	066436-01-000	EA	NUT - SLIP - TAILPIECE - 1.5"
21	010008-01-000	EA	ELBOW - 90 DEGREE - 1/4 BEND - 1 1/2" HUB X HUB
22	031365-02-000	EA	TEE - LONG TURN - 1 1/2" HUB X HUB X HUB
23	033761-01-000	EA	ELBOW - 90 DEGREE STREET - 1/4 BEND - 1 1/2" S X H - PLASTIC
24	010051-01-000	EA	ELBOW - 45 DEGREE STREET - 1/8 BEND - 1 1/2" S X H - PLASTIC
25	107538-01-000	EA	P-TRAP - 1 1/4 - PLASTIC (US)
25	011071-01-000	EA	P-TRAP - 1 1/2 - PLASTIC (CSA)
26	096927-01-701	EA	TAILPIECE - BATH SINK
27	011091-02-000	EA	CONTINUOUS WASTE - DOUBLE SINK - 1 1/4" (US)
27	011091-03-000	EA	CONTINUOUS WASTE - DOUBLE SINK - 1 1/4" (CSA)
28	010073-01-000	EA	WYE - 45 DEGREE, 1 1/2" HUB X HUB X HUB - PLASTIC - BLACK
	010201-01-000	EA	HOSE - SEWER - 3" ID X 8'
	062416-01-000	EA	ADAPTER - SEWER HOSE TO 3" PIPE

WATER & SEWAGE GROUP (CONTINUED)

WATER HEATER W/MOTOR AID ATWOOD (GH6-7E)



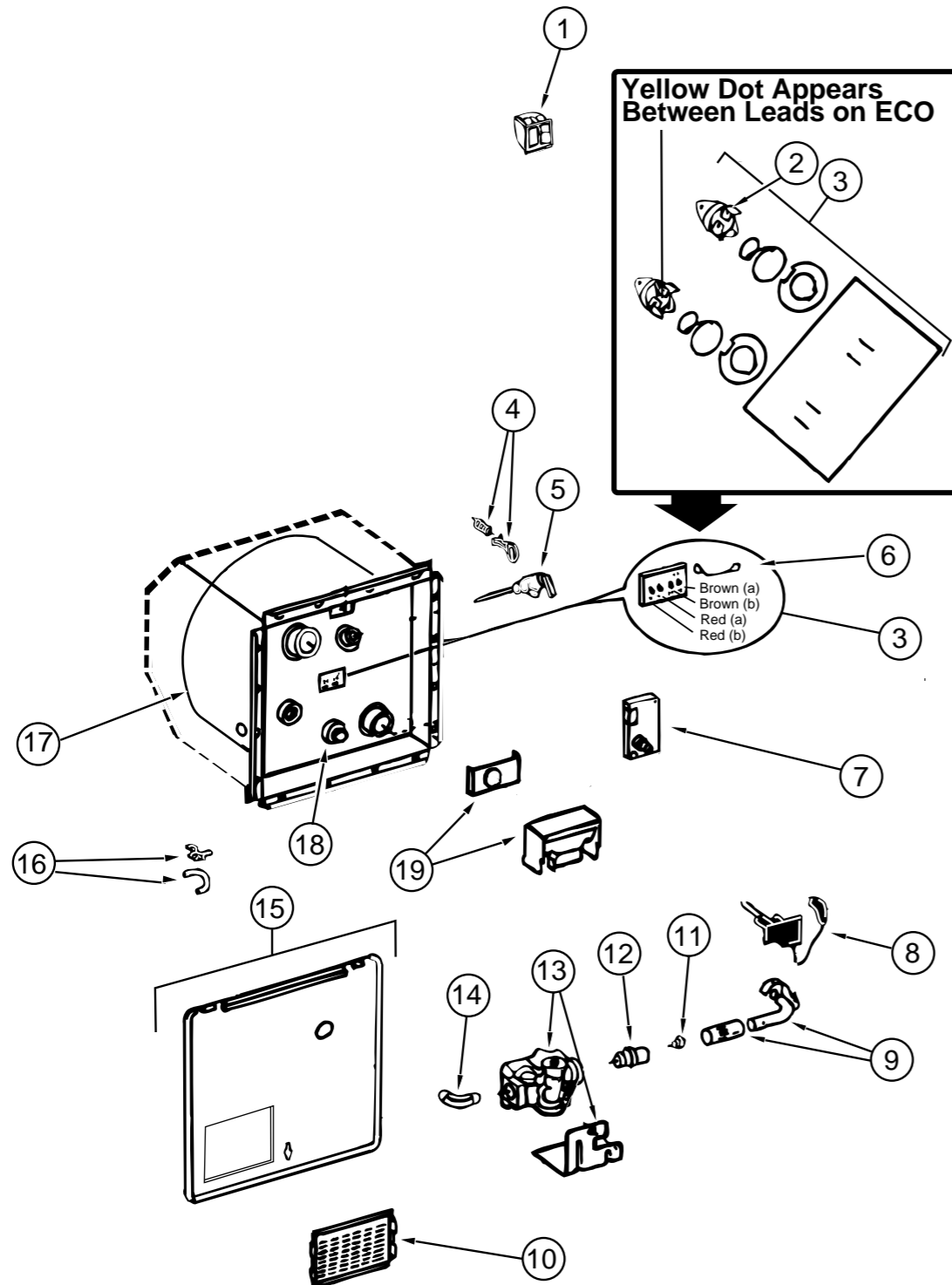
KEY	PART NUMBER	U/M DESCRIPTION	VENDOR NO.
	051393-01-000	EA WATER HEATER - W/MOTOR AID - PILOTLESS IGNITION	
1	051393-01-701	EA SWITCH PACKAGE - W/ LIGHT	91959
2	051391-04-701	EA THERMOSTAT 12 VDC-120 PRESET	91470
3	051393-01-721	EA ECO & THERMOSTAT ASM - FRONT MOUNT - 140°	91447
4	051391-01-705	EA FASTENER - CAMLOC	92609
5	051391-01-704	EA VALVE - RELIEF - 1/2" FITTING	91604
6	051393-01-723	EA SWITCH - ENERGY CUT-OFF	93866
7	051393-01-724	EA CIRCUIT BOARD - W/ SPADE TERMINAL	93867
8	051393-01-725	EA ELECTRODE - SINGLE SPADE CONNECTION	93868
9	051391-04-703	EA BURNER - MAIN	91638
10	051391-01-717	EA GRILLE	92640
11	051391-01-710	EA ORIFICE - MAIN BURNER	92742
12	051391-03-700	EA ORIFICE HOLDER	91563
13	051393-01-726	EA SOLENOID VALVE & BRACKET	93870
14	051391-01-714	EA ELBOW - 45 DEGREE - 3/8" F X 3/8" MPT	91044
15	052009-01-000	EA DOOR - WATER HEATER - OFF WHITE	
16	051391-01-700	EA HINGE KIT - W/CLIP	92568 & 92559
17	051393-03-701	EA TANK - INNER	91642
18	051391-01-715	EA DRAIN PLUG	91857
19	051391-01-706	EA FLUE & GASKET	92787
	116424-01-000	EA PROTECTOR - ROUND VINYL - WATER HEATER LATCH	

WATER HEATER W/ELECTRIC IGNITION ATWOOD (G6A-7E)

KEY	PART NUMBER	U/M DESCRIPTION	VENDOR NO.
	051391-03-000	EA WATER HEATER - W/ ELECTRIC IGNITION	
1	051393-01-701	EA SWITCH PACKAGE - W/ LIGHT	91959
2	051391-04-701	EA THERMOSTAT 12 VDC-120 PRESET	91470
3	051393-01-721	EA ECO & THERMOSTAT ASM - FRONT MOUNT - 140°	91447
4	051391-01-705	EA FASTENER - CAMLOC	92609
5	051391-01-704	EA VALVE - RELIEF - 1/2" FITTING	91604
6	051393-01-723	EA SWITCH - ENERGY CUT-OFF	93866
7	051393-01-724	EA CIRCUIT BOARD - W/ SPADE TERMINAL	93867
8	051393-01-725	EA ELECTRODE - SINGLE SPADE CONNECTION	93868
9	051391-04-703	EA BURNER - MAIN	91638
10	051391-01-717	EA GRILLE	92640
11	051391-01-710	EA ORIFICE - MAIN BURNER	92742
12	051391-03-700	EA ORIFICE HOLDER	91563
13	051393-01-726	EA SOLENOID VALVE & BRACKET	93870
14	051391-01-714	EA ELBOW - 45 DEGREE - 3/8" F X 3/8" MPT	91044
15	052009-01-000	EA DOOR - WATER HEATER - OFF WHITE	
16	051391-01-700	EA HINGE KIT - W/CLIP	92568 & 92559
17	051391-04-706	EA TANK - INNER	91641
18	051391-01-715	EA DRAIN PLUG	91857
19	051391-01-706	EA FLUE & GASKET	92787
	116424-01-000	EA PROTECTOR - ROUND VINYL - WATER HEATER LATCH	

WATER & SEWAGE GROUP (CONTINUED)

WATER HEATER W/MOTOR AID ATWOOD (GH6-8E)



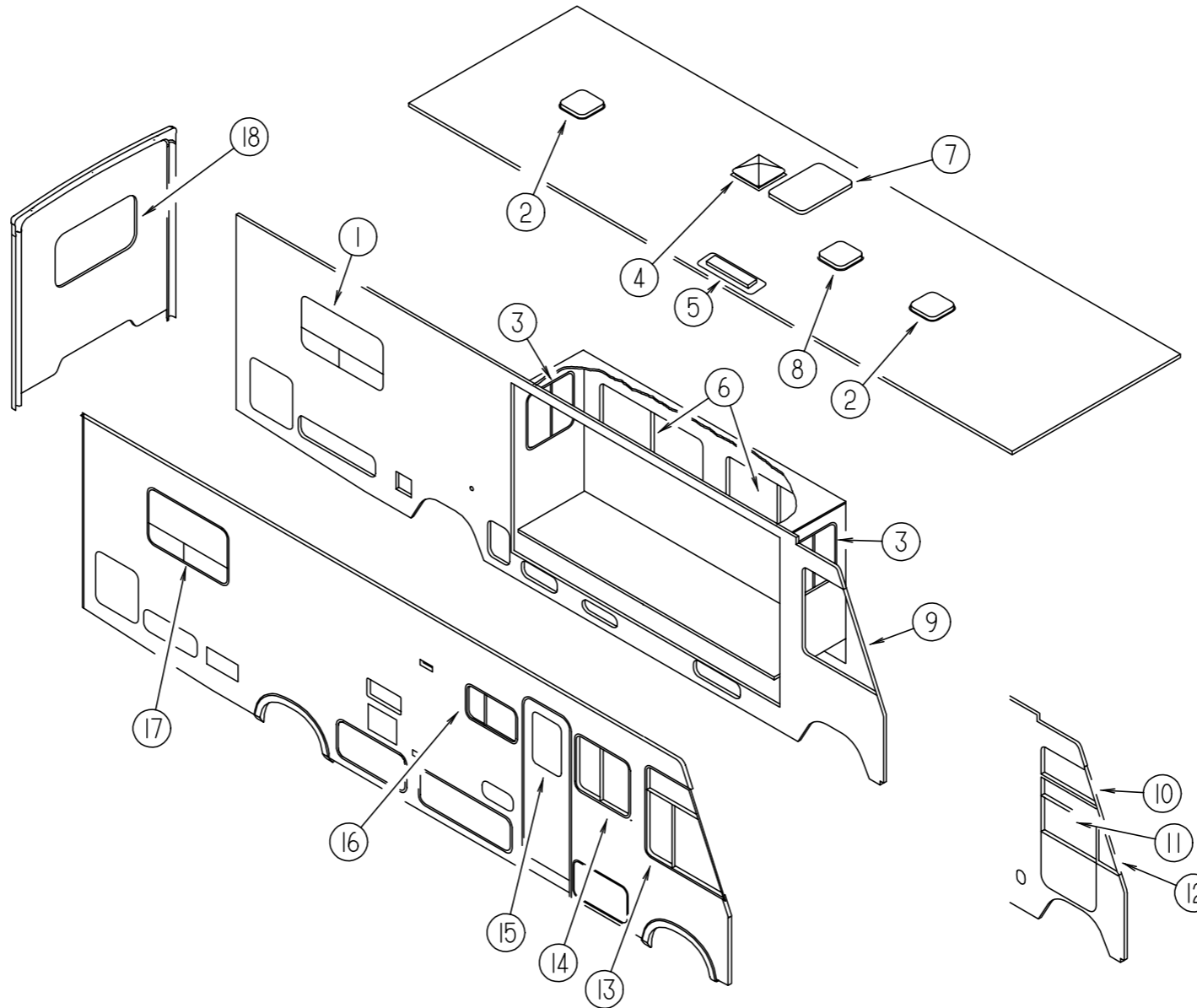
KEY	PART NUMBER	U/M DESCRIPTION	VENDOR NO.
	051393-01-000	EA WATER HEATER - W/ MOTOR AID - PILOTLESS IGNITION	
1	051393-01-701	EA SWITCH PACKAGE	91959
2	051391-04-701	EA THERMOSTAT 12 VDC-120 PRESET	91470
3	051393-01-721	EA ECO & THERMOSTAT ASM - FRONT MOUNT - 140°	91447
4	051391-01-705	EA FASTENER - CAMLOC	92609
5	051391-01-704	EA VALVE - RELIEF - 1/2" FITTING	91604
6	051393-01-723	EA SWITCH - ENERGY CUT-OFF	93866
7	051393-01-724	EA CIRCUIT BOARD - W/ SPADE TERMINAL	93867
8	051393-01-725	EA ELECTRODE - SINGLE SPADE CONNECTION	93868
9	051391-04-703	EA BURNER - MAIN	91638
10	051391-01-717	EA GRILLE	92640
11	051391-01-710	EA ORIFICE - MAIN BURNER	92742
12	051391-03-700	EA ORIFICE HOLDER	91563
13	051393-01-726	EA SOLENOID VALVE & BRACKET	93870
14	051391-01-714	EA ELBOW - 45 DEGREE - 3/8"F X 3/8"MPT	91044
15	052009-04-000	EA DOOR - WATER HEATER - BUFF	
16	051391-01-700	EA HINGE KIT - W/CLIP	92568 & 92559
17	051391-04-704	EA TANK - INNER	91642
18	051391-01-715	EA DRAIN PLUG	91857
19	051391-04-707	EA FLUE & GASKET	90960
	111129-01-711	EA BRACKET-CORNER, SET OF FOUR	91928
	116424-01-000	EA PROTECTOR - ROUND VINYL - WATER HEATER LATCH	

WATER HEATER W/ELECTRIC IGNITION ATWOOD (G6A-8E)

KEY	PART NUMBER	U/M DESCRIPTION	VENDOR NO.
	051391-03-000	EA WATER HEATER - W/ ELECTRIC IGNITION	
1	051393-01-701	EA SWITCH PACKAGE	91959
2	051391-04-701	EA THERMOSTAT 12 VDC-120 PRESET	91470
3	051393-01-721	EA ECO & THERMOSTAT ASM - FRONT MOUNT - 140°	91447
4	051391-01-705	EA FASTENER - CAMLOC	92609
5	051391-01-704	EA VALVE - RELIEF - 1/2" FITTING	91604
6	051393-01-723	EA SWITCH - ENERGY CUT-OFF	93866
7	051393-01-724	EA CIRCUIT BOARD - W/ SPADE TERMINAL	93867
8	051393-01-725	EA ELECTRODE - SINGLE SPADE CONNECTION	93868
9	051391-04-703	EA BURNER - MAIN	91638
10	051391-01-717	EA GRILLE	92640
11	051391-01-710	EA ORIFICE - MAIN BURNER	92742
12	051391-03-700	EA ORIFICE HOLDER	91563
13	051393-01-726	EA SOLENOID VALVE & BRACKET	93870
14	051391-01-714	EA ELBOW - 45 DEGREE - 3/8"F X 3/8"MPT	91044
15	052009-04-000	EA DOOR - WATER HEATER - BUFF	
16	051391-01-700	EA HINGE KIT - W/CLIP	92568 & 92559
17	051391-04-706	EA TANK - INNER	91641
18	051391-01-715	EA DRAIN PLUG	91857
19	051391-04-707	EA FLUE & GASKET	90960
	111129-01-711	EA BRACKET-CORNER, SET OF FOUR	91928
	116424-01-000	EA PROTECTOR - ROUND VINYL - WATER HEATER LATCH	

WINDOW, VENT & EXTERIOR DOOR GROUP

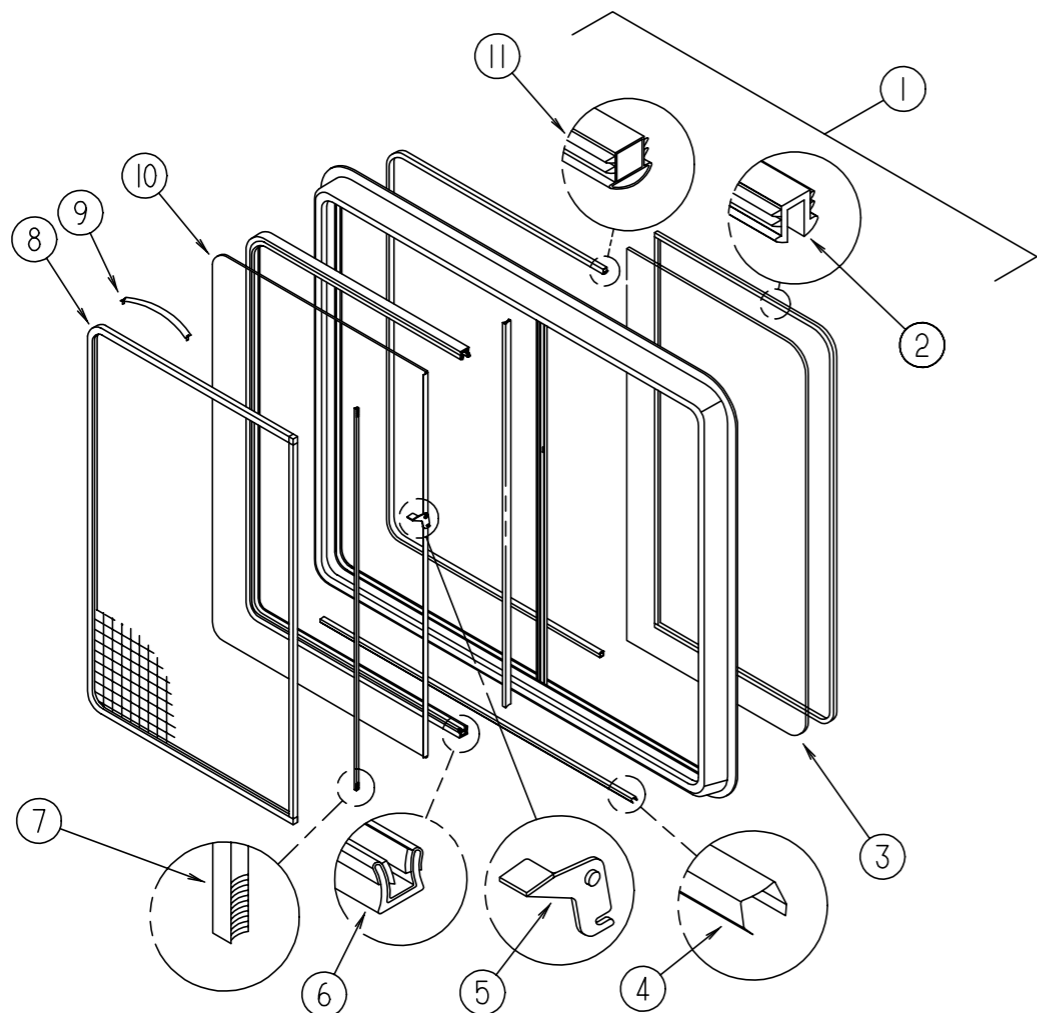
WINDOWS & VENTS



KEY	PART NUMBER	U/M DESCRIPTION	KEY	PART NUMBER	U/M DESCRIPTION
1	113500-01-01A	EA WINDOW ASM - TIPOUT - DOUBLE - BLK/OW - CH04-G2W59	9	103658-07-01A	EA WINDOW ASM. - CAB - DRIVER SIDE - H374-A2B66L
1	112795-23-01A	EA WINDOW ASM. - SLIDER ESCAPE HORIZONTAL - THERMOPANE - DC04-G2W66L	9	113501-01-01A	EA WINDOW ASM. - CAB - DRIVER SIDE - THERMOPANE - DH374-A2B66L
2	110051-02-01A	EA VENT - ROOF - NON POWERED	10	116000-02-01A	EA WINDOW ASM - DRIVER STATIONARY 14 13/16" X 25 11/16" X 32 1/4", THERMOPANE
3	098647-37-01A	EA WINDOW ASM. - SLIDER - HORIZONTAL - H288-G2W60R	10	106467-03-01A	EA WINDOW ASM - DRIVER STATIONARY, 14 13/16" X 25 11/16" X 32 1/4"
4	110051-04-01A	EA VENT - ROOF - POWERED (US)	11	106469-01-704	EA WINDOW - DRIVER DOOR - ROLL-UP GLASS ASM. - W/ BRACKET
4	110051-06-01A	EA VENT - ROOF - POWERED (CSA)	12	115999-02-01A	EA WINDOW ASM - FRONT SLANT - THERMO INSULATED - DRIVER SIDE
5	118369-01-01A	EA VENT - ROOF CAP, REFRIGERATOR - BUFF (SIDE BY SIDE)	12	106468-02-01A	EA WINDOW ASM - FRONT SLANT- DRIVER SIDE
5	118369-02-01A	EA VENT - ROOF BASE, REFRIGERATOR - BUFF (SIDE BY SIDE)	13	103658-08-01A	EA WINDOW ASM - PASS. SLANT, 44 1/4" X 24 7/16" X 44 1/8"
5	084073-04-000	EA BASE - ROOF VENT, REFRIGERATOR - BLACK - NORCOLD (DOUBLE DOOR)	13	113501-02-01A	EA WINDOW ASM - PASS. SLANT, THERMOPANE - 44 1/4" X 24 7/16" X 44 1/8"
5	084073-05-000	EA COVER - ROOF VENT, REFRIGERATOR - BUFF - NORCOLD (DOUBLE DOOR)	14	112795-18-01A	EA WINDOW ASM. - SLIDER - HORIZONTAL - THERMOPANE - DH286-G2W66R
6	098647-22-01A	EA WINDOW ASM. - DRIVER HORIZONTAL - SLIDER - 26 3/8" X 60"	14	098647-25-01A	EA WINDOW ASM. - SLIDER - HORIZONTAL - BLK/OW - H286-G2W66R
6	112795-15-01A	EA WINDOW ASM. - DRIVER HORIZONTAL - SLIDER - THERMOPANE - 26 3/8" X 60"	15	117053-02-F36	EA WINDOW ASM - PICTURE ENTRANCE DOOR
7	080910-01-000	EA PANEL - SKYLITE - OUTER - 16.75" X 23.75" - PLASTIC	15	113733-01-01A	EA WINDOW ASM - STATIONARY, THERMOPANE - 26 3/8" X 17"
7	077902-03-000	EA PANEL - SKYLITE - INNER - 15.6" X 22.5" - PLASTIC	16	112795-19-01A	EA WINDOW ASM - SLIDER - HORIZONTAL - THERMOPANE - DC29-G2W66R
8	084079-14-000	EA VENT - ROOF - POWERED (US)	16	098647-33-01A	EA WINDOW ASM - SLIDER - HORIZONTAL - H425-G2W66R
8	084079-15-000	EA VENT - ROOF - POWERED (CSA)	17	113500-01-01A	EA WINDOW ASM - TIPOUT - DOUBLE - BLK/OW - CH04-G2W59
			17	112795-21-01A	EA WINDOW ASM - SLIDER, HORIZONTAL - THERMOPANE - DC04-G2W66R
			18	078528-06-E10	EA WINDOW ASM - ESCAPE
			18	113502-01-01A	EA WINDOW ASM - CENTER STATIONARY ESCAPE - THERMOPANE - 24 3/4" X 48 3/4"

WINDOW, VENT & EXTERIOR DOOR GROUP (CONTINUED)

SINGLE SLIDER WINDOW (EXCEL) (DRIVER SIDE, DINETTE & LOUNGE)



KEY	PART NUMBER	U/M DESCRIPTION	VENDOR NO.
	098647-22-01A	EA WINDOW ASM. - DRIVER HORIZONTAL - SLIDER - 26 3/8" X 60"	
1	098647-22-700	EA WINDOW ASM - SLIDER - W/O RETAINER TRIM	H287-G2L
	098647-23-702	EA RETAINER TRIM - INSIDE (OFF WHITE)	W28766
2	098644-01-705	FT GLAZING STRIP	132-010231
3	098647-23-703	EA GLASS - STATIONARY	106-017622
4	098644-01-710	FT TRACK - SCREEN SPACER - 12' LENGTH	132-017135
5	098644-01-700	EA LATCH - REPAIR KIT	B801-CK
6	098644-01-708	FT CHANNEL - PIERCED RUN	122-016543
7	098644-01-711	FT WEATHERSTRIP - SCREEN - BLACK	171-016965
8	098647-23-704	EA SCREEN ASM. - W/ SPRINGS & WEATHERSTRIP	410-019066
9	098644-01-713	EA SPRING - SCREEN FRAME (CLIP)	226-016966
10	098647-23-700	EA GLASS - SLIDING - W/ SASH & LATCH	H287-G9
11	098644-01-706	FT WEATHERSTRIP	171-010668
	098644-01-716	FT PLUG - FILLER	132-014470
	098644-01-717	FT SPLINE - SCREEN	132-004716
	098644-01-719	EA STOP - SLIDER GLASS	132-014203

SINGLE SLIDER WINDOW (EXCEL) (PASSENGER SIDE, LOUNGE)

KEY	PART NUMBER	U/M DESCRIPTION	VENDOR NO.
	098647-25-01A	EA WINDOW ASM - SLIDER - W/ RETAINER TRIM - H286-G2W66R	
1	098647-25-700	EA WINDOW ASM - SLIDER - W/O RETAINER TRIM	H286-G2R
	098647-25-701	EA RETAINER TRIM - INSIDE (OFF WHITE)	W28666
2	100322-01-703	FT GLAZING STRIP	132-010723
3	098647-25-702	EA GLASS - STATIONARY	106-017657
4	098644-01-710	FT TRACK - SCREEN SPACER - 12' LENGTH	132-017135
5	098644-01-700	EA LATCH - REPAIR KIT	B801-CK
6	098644-01-708	FT CHANNEL - PIERCED RUN	122-016543
7	098644-01-711	FT WEATHERSTRIP - SCREEN - BLACK	171-016965
8	098647-25-704	EA SCREEN ASM. - W/ SPRINGS & WEATHERSTRIP	410-019065
9	098644-01-713	EA SPRING - SCREEN FRAME (CLIP)	226-016966
10	098647-25-703	EA GLASS - SLIDING - W/ SASH & LATCH	H286-G9
11	098644-01-706	FT WEATHERSTRIP	171-010668
	098644-01-716	FT PLUG - FILLER	132-014470
	098644-01-717	FT SPLINE - SCREEN	132-004716
	098644-01-719	EA STOP - SLIDER GLASS	132-014203

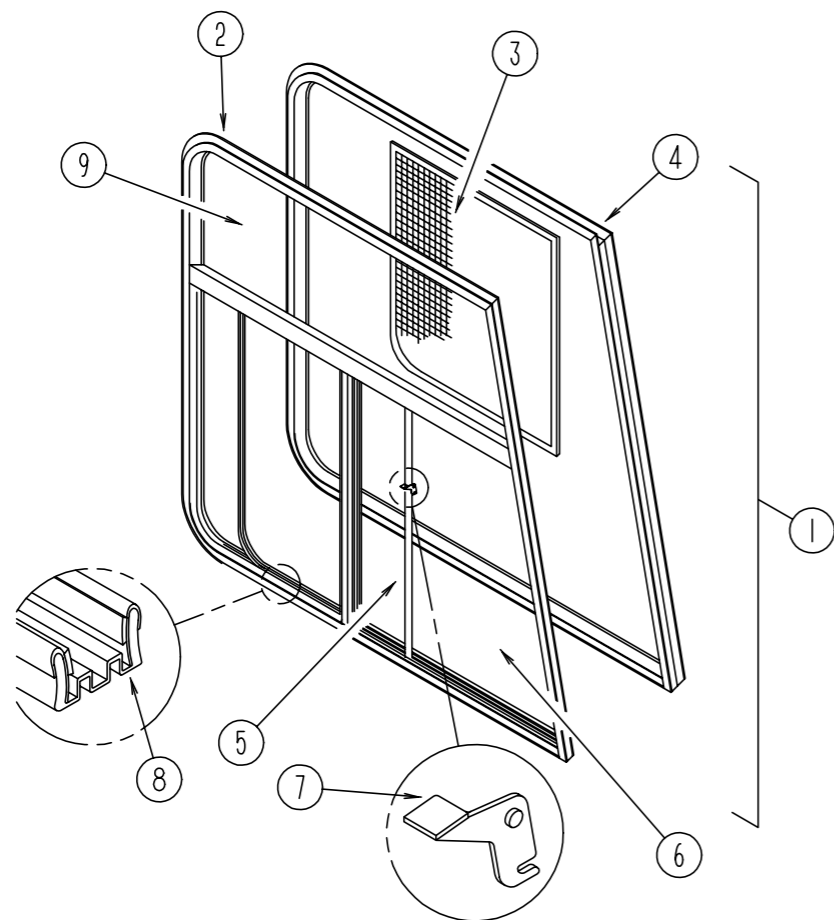
SINGLE SLIDER WINDOW (EXCEL) (SLIDEOUT SIDE WINDOWS)

KEY	PART NUMBER	U/M DESCRIPTION	VENDOR NO.
	098647-37-01A	EA WINDOW ASM. - SLIDER - HORIZONTAL - H288-G2W60R	
1	098647-37-700	EA WINDOW ASM - SLIDER - W/O RETAINER TRIM	H288-G2R
	098647-37-701	EA RETAINER TRIM - INSIDE (OFF WHITE)	W28866
2	098644-01-705	FT GLAZING STRIP	132-010231
3	098647-37-702	EA GLASS - STATIONARY	106-017716
4	098644-01-710	FT TRACK - SCREEN SPACER - 12' LENGTH	132-017135
5	098644-01-700	EA LATCH - REPAIR KIT	B801-CK
6	098644-01-708	FT CHANNEL - PIERCED RUN	122-016543
7	098644-01-711	FT WEATHERSTRIP - SCREEN - BLACK	171-016965
8	098647-37-704	EA SCREEN ASM. - W/ SPRINGS & WEATHERSTRIP	410-019067
9	098644-01-713	EA SPRING - SCREEN FRAME (CLIP)	226-016966
10	098647-37-703	EA GLASS - SLIDING - W/ SASH & LATCH	H288-G9
11	098644-01-706	FT WEATHERSTRIP	171-010668
	098644-01-716	FT PLUG - FILLER	132-014470
	098644-01-717	FT SPLINE - SCREEN	132-004716
	098644-01-719	EA STOP - SLIDER GLASS	132-014203

SINGLE SLIDER WINDOW (EXCEL) (GALLEY)

KEY	PART NUMBER	U/M DESCRIPTION	VENDOR NO.
	098647-33-01A	EA WINDOW ASM - SLIDER - W/ RETAINER TRIM - H425-G2W66R	
1	098647-33-700	EA WINDOW ASM - SLIDER - W/O RETAINER TRIM	H425-G2R
	098647-33-701	EA RETAINER TRIM - INSIDE (OFF WHITE)	CW2966
2	100322-01-703	FT GLAZING STRIP	132-010723
3	098647-33-702	EA GLASS - STATIONARY	106-019297
4	098644-01-710	FT TRACK - SCREEN SPACER - 12' LENGTH	132-017135
5	098644-01-700	EA LATCH - REPAIR KIT	B801-CK
6	098644-01-708	FT CHANNEL - PIERCED RUN	122-016543
7	098644-01-711	FT WEATHERSTRIP - SCREEN - BLACK	171-016965
8	098647-33-704	EA SCREEN ASM. - W/ SPRINGS & WEATHERSTRIP	410-019134
9	098644-01-713	EA SPRING - SCREEN FRAME (CLIP)	226-016966
10	098647-33-703	EA GLASS - SLIDING - W/ SASH & LATCH	H425-G9
11	098644-01-706	FT WEATHERSTRIP	171-010668
	098644-01-716	FT PLUG - FILLER	132-014470
	098644-01-717	FT SPLINE - SCREEN	132-004716
	098644-01-719	EA STOP - SLIDER GLASS	132-014203

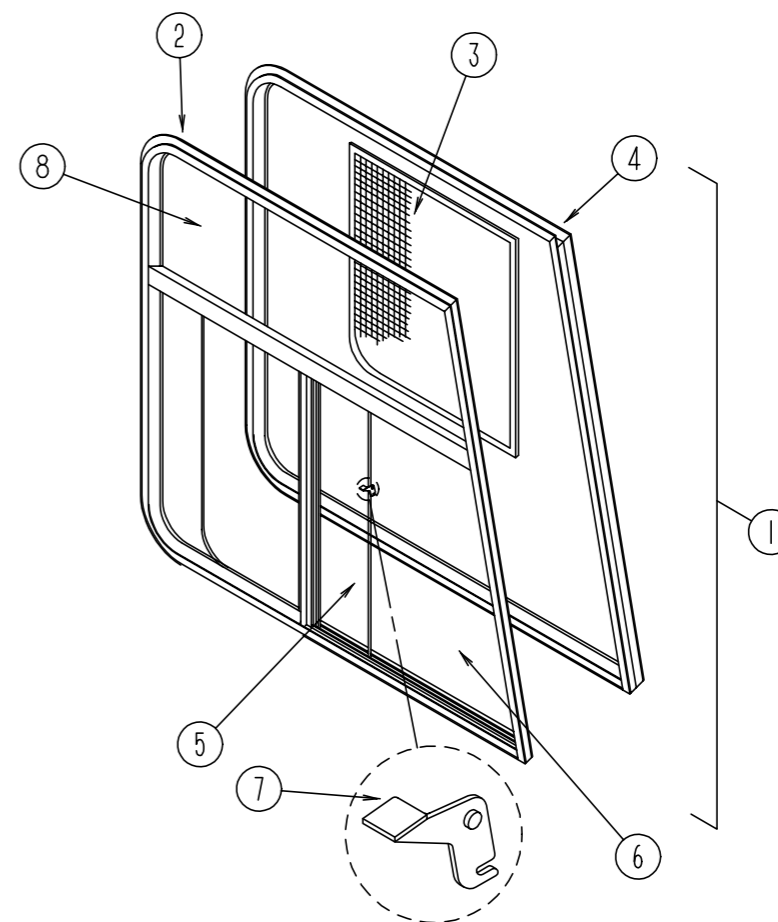
WINDOW, VENT & EXTERIOR DOOR GROUP (CONTINUED)



FRONT CAB THERMOPANE WINDOWS (EXCEL)

KEY	PART NUMBER	U/M DESCRIPTION	VENDOR NO.
1	113501-01-01A	EA WINDOW ASM-CAB,THERMOPANE - LH - EXCEL DH374-A2B66L	
1	113501-02-01A	EA WINDOW ASM-PASS. SLANT, THERMOPANE - 44 1/4" X 24 7/16" X 44 1/8" EXCEL DH374-A2B66R	
2	113501-01-700	EA WINDOW W/O TRIM, LH	DH374-A2L
2	113501-02-700	EA WINDOW W/O TRIM, RH	DH374-A2R
3	103658-01-700	EA SCREEN ASM.-WINDOW, LH	H322-03L
3	103658-02-700	EA SCREEN ASSEMBLY, RH	H322-03R
4	103658-09-702	EA RETAINER-TRIM, LH	H37366L & 76L
4	103658-10-701	EA RETAINER-TRIM, RH	H37366R & 76R
5	113501-01-703	EA GLASS-SLIDE ASSEMBLY, LH	DH374-A9L
5	113501-02-702	EA GLASS-SLIDE ASSEMBLY, RH	DH374-A9R
6	113501-01-702	EA GLASS-STATIONARY-LOWER, LH	390-019139L
6	113501-02-701	EA GLASS-STATIONARY-LOWER, RH	390-019138R
7	112795-01-700	EA LATCH ASM- BLACK	DH287-CK
8	112795-01-703	IN CHANNEL-RUN	122-018736
9	113501-01-701	EA GLASS-STATIONARY-UPPER	390-019137

WINDOW, VENT & EXTERIOR DOOR GROUP (CONTINUED)

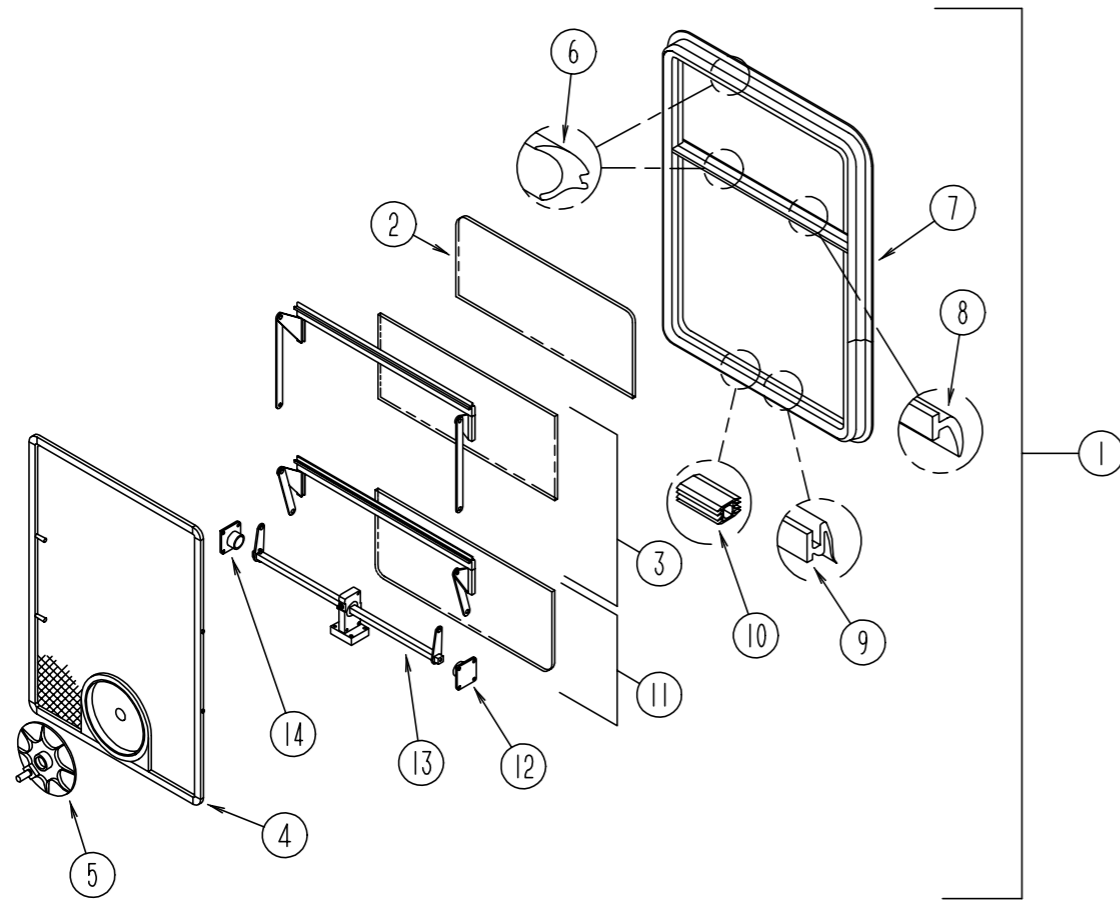


FRONT CAB WINDOWS (EXCEL)

KEY	PART NUMBER	U/M DESCRIPTION	VENDOR NO.
1	103658-07-01A	EA WINDOW ASM. - CAB - W/ INSIDE FRAME - DRIVER SIDE	
1	103658-08-01A	EA WINDOW ASM. - PASS. SLANT, 44 1/4" X 24 7/16" X 44 1/8"	
2	103658-08-700	EA WINDOW ASM. - SLIDER - W/O INSIDE FRAME - PASSENGER SIDE	H374-A2R
2	103658-07-704	EA WINDOW ASM. - SLIDER - W/O INSIDE FRAME - DRIVER SIDE	H374-A2L
3	103658-01-700	EA SCREEN ASM. - WINDOW - DRIVER SIDE	H322-03L
3	103658-02-700	EA SCREEN ASM. - WINDOW - PASSENGER SIDE	H322-03R
	098644-01-717	FT SCREEN SPLINE	132-004716
	098644-01-713	EA SCREEN CLIPS (METAL)(BLACK)	226-016966
	098644-01-710	FT TRACK - SPACER - FOR SCREEN 12'	132-017135
	098644-01-711	FT WEATHERSTRIP - SCREEN - BLACK	171-016965
4	103658-08-701	EA INSIDE FRAME - PASSENGER SIDE	H374-66 & 76R
4	103658-07-700	EA INSIDE FRAME - DRIVER SIDE	H374-66 & 76R
5	103658-01-703	EA GLASS - SLIDING - W/SASH & LATCH - DRVR SIDE	H322-A9L
5	103658-02-701	EA GLASS - SLIDING - W/SASH & LATCH - PASSENGER SIDE	H322-A9R
6	103658-01-702	EA GLASS - STATIONARY - BOTTOM - DRIVER OR PASSENGER SIDE	106-017700
7	098644-01-700	EA LATCH - REPAIR KIT	B801-CK
8	103658-07-701	EA GLASS - STATIONARY - TOP - DRIVER OR PASSENGER SIDE	106-018481
	098644-01-708	FT CHANNEL - PIERCED RUN	122-016543
	098644-01-706	FT WEATHERSTRIP - GLASS	171-010668
	098644-01-716	FT PLUG - FILLER	132-014470

WINDOW, VENT & EXTERIOR DOOR GROUP (CONTINUED)

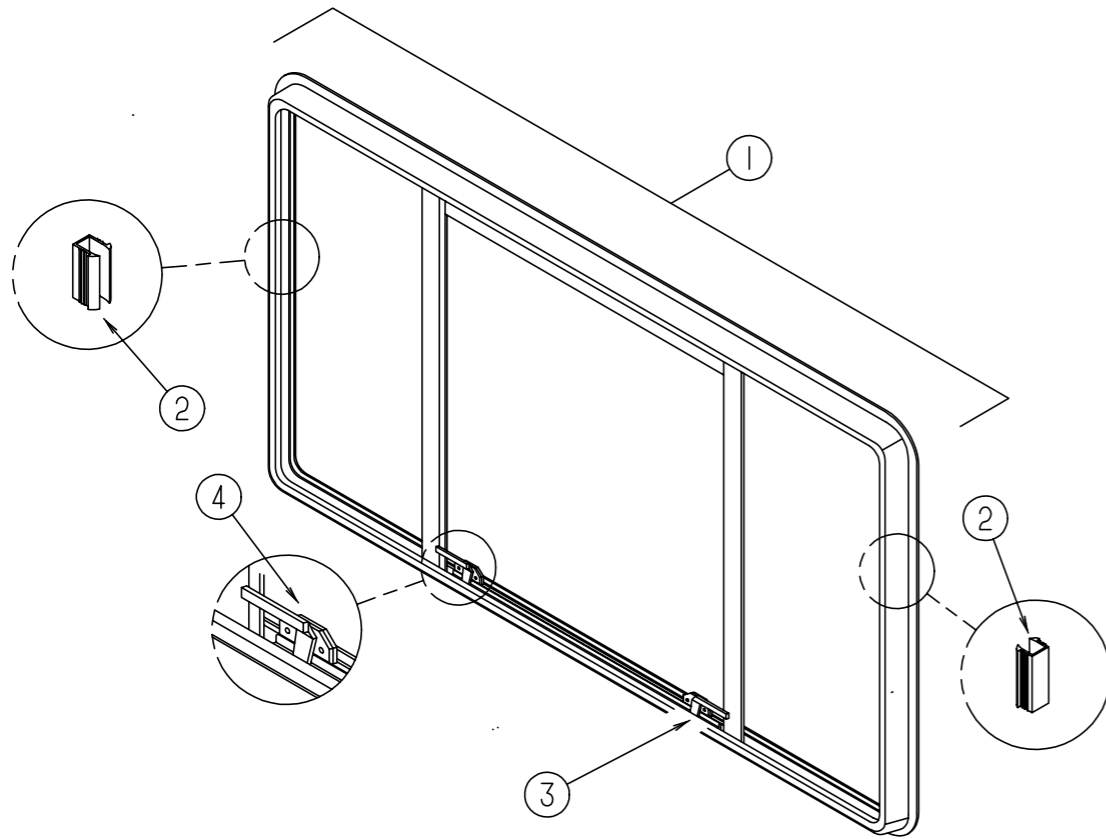
DOUBLE TIPOUT (DRIVERS & PASSENGER SIDE BEDROOM)



KEY	PART NUMBER	U/M DESCRIPTION	VENDOR NO.
1	113500-01-01A	EA WINDOW ASM - TIPOUT, DOUBLE - BLK/OW - CH04-G2W59	
	113500-01-702	EA RETAINER - TRIM	CW0459
2	113500-01-703	EA GLASS - TOP, STATIONARY	106-015970
	100322-01-704	FT TAPE - BUTYL	154-016083
3	113500-01-704	EA GLASS - UPPER VENT ASSEMBLY	CH04-G7
4	113500-01-700	EA SCREEN ASM. - W/SEALS & CLIPS	410-016020
5	100322-01-718	EA HANDLE - DIAL	410-016081
6	100322-01-703	FT VINYL - GLAZING, BUTYL	132-010723
7	113500-01-701	EA WINDOW W/O TRIM	CH04-G2
8	100322-01-702	EA WEATHERSTRIP - HORIZONTAL RAIL	132-015976
9	100322-01-701	FT SEAL - VENT	122-016071
10	098644-01-716	FT PLUG - FILLER	132-014470
11	113500-01-705	EA GLASS - LOWER VENT ASSEMBLY	CH04-G9
12	113500-01-708	EA SUPPORT - TORQUE BAR, LH	130-015978
13	113500-01-706	EA OPERATOR & BAR ASSEMBLY	CH04-15
	112519-01-702	EA OPERATOR - VENT	410-016123
14	113500-01-707	EA SUPPORT - TORQUE BAR, RH	130-015979
	100322-01-717	EA E-RING	245-015975

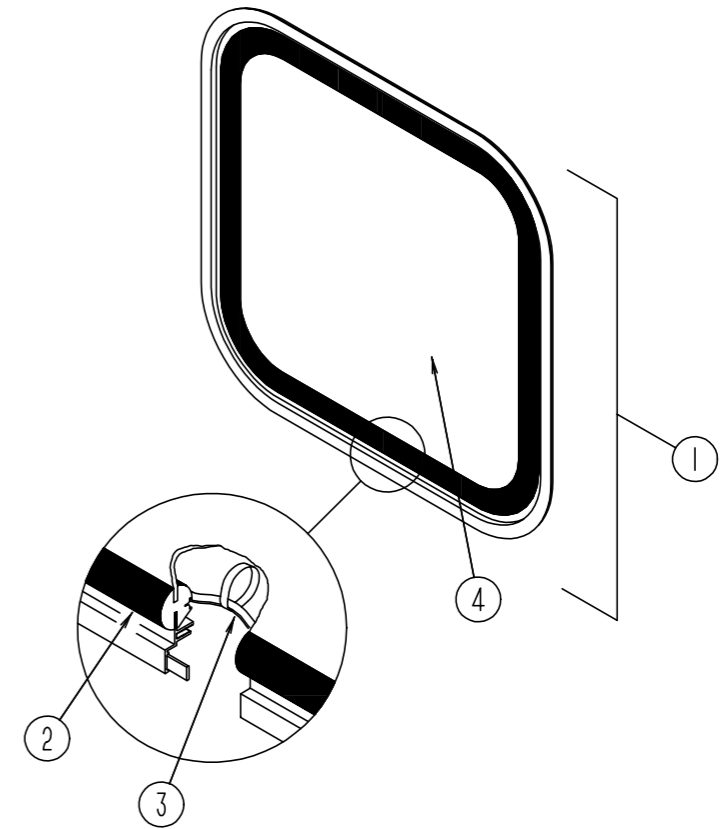
WINDOW, VENT & EXTERIOR DOOR GROUP (CONTINUED)

WINDOW, VENT & EXTERIOR DOOR GROUP (CONTINUED)



EXCEL BACKWALL THERMOPANE ESCAPE WINDOW

KEY	PART NUMBER	U/M DESCRIPTION	VENDOR NO.
1	113502-01-01A	EA WINDOW - CENTER STATIONARY - 24 3/4" X 48 3/4" DH153-G2W60	
2	098644-01-705	FT STRIP-GLAZING, BUTYL	132-010723
3	112898-06-704	EA HANDLE-LATCH, RED - RH	182-11293
4	112898-06-705	EA HANDLE-LATCH, RED - LH	182-11294

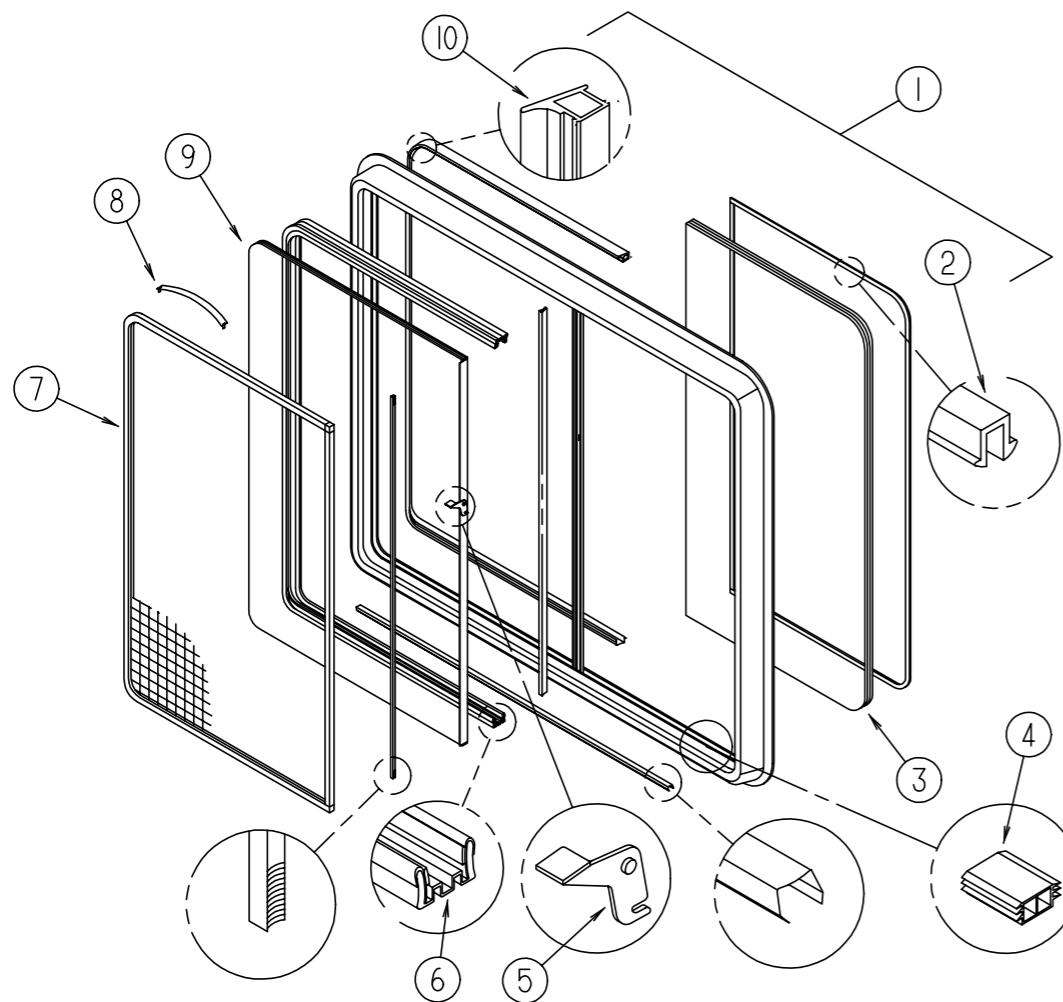


BACKWALL ESCAPE WINDOW

KEY	PART NUMBER	U/M DESCRIPTION
1	078528-06-E10	EA WINDOW - ESCAPE - 24.75" X 48.75" - W/O INSIDE FRAME
	074816-08-000	EA INSIDE FRAME - OFF WHITE
2	002282-09-000	EA WEATHERSTRIP - .125" VULCANIZED - 130.53" LONG - BLACK
3	002285-01-000	FT FILLER - WEATHER STRIP RUBBER - BLACK
4	076337-12-000	EA GLASS - WINDOW

WINDOW, VENT & EXTERIOR DOOR GROUP (CONTINUED)

SINGLE SLIDER THERMOPANE WINDOW (EXCEL) (PASSENGER SIDE, LOUNGE)



KEY	PART NUMBER	U/M DESCRIPTION	VENDOR NO.
1	112795-18-01A	EA WINDOW ASM-SLDR,HORIZ THERMO - EXCEL DH286-G2W66R	DH286-G2R
	112795-18-702	EA WINDOW W/O TRIM	DH286-G2R
	098647-25-701	EA RETAINER-TRIM, WHITE	W28666
2	112795-01-705	FT VINYL-GLAZING	132-019702
3	112795-18-700	EA GLASS-STATIONARY	390-019043
4	112795-01-701	EA SLIDE-STOP	132-019092
5	112795-01-700	EA LATCH ASM., BLACK	DH287-CK
6	112795-01-703	IN CHANNEL-RUN	122-018736
7	098647-25-704	EA SCREEN ASM., W/SPRING CLIP	410-019065
8	098644-01-713	EA CLIP-SPRING, BLACK PLASTIC	226-016966
9	112795-18-701	EA GLASS-SLIDING, W/SASH & LATCH	DH286-G9
10	112795-01-704	FT PLUG-FILLER	122-018737

SINGLE SLIDER THERMOPANE WINDOW (EXCEL) (GALLEY)

KEY	PART NUMBER	U/M DESCRIPTION	VENDOR NO.
1	112795-19-01A	EA WINDOW ASM-SLDR,HORIZ THERMO - EXCEL DC29-G2W66R	DC29-G2R
	112795-19-700	EA WINDOW W/O TRIM	DC29-G2R
	098647-31-701	EA RETAINER-TRIM, WHITE	CW2966
2	112795-01-705	FT VINYL-GLAZING	132-019702
3	112795-19-701	EA GLASS-STATIONARY	390-019134
4	112795-01-701	EA SLIDE-STOP	132-019092
5	112795-01-700	EA LATCH ASM., BLACK	DH287-CK
6	112795-01-703	IN CHANNEL-RUN	122-018736
7	098647-31-704	EA SCREEN ASM., W/SPRING CLIP	410-019128
8	098644-01-713	EA CLIP-SPRING, BLACK PLASTIC	226-016966
9	112795-19-702	EA GLASS-SLIDING, W/SASH & LATCH	DC29-G9
10	112795-01-704	FT PLUG-FILLER	122-018737

SINGLE SLIDER THERMOPANE WINDOW (EXCEL) (DRIVER SIDE DINETTE & LOUNGE)

KEY	PART NUMBER	U/M DESCRIPTION	VENDOR NO.
1	112795-15-01A	EA WINDOW THERMOPANE - 26 3/8" X 60"	DH287-G2W66L
	112795-15-700	EA WINDOW W/O TRIM	DH287-G2L
	098647-23-702	EA RETAINER-TRIM, WHITE	W28766
2	112795-01-705	FT VINYL-GLAZING	132-019702
3	112795-15-701	EA GLASS-STATIONARY	390-019045
4	112795-01-701	EA SLIDE-STOP	132-019092
5	112795-01-700	EA LATCH ASM., BLACK	DH287-CK
6	112795-01-703	IN CHANNEL-RUN	122-018736
7	098647-23-704	EA SCREEN ASM., W/SPRING CLIP	410-019066
8	098644-01-713	EA CLIP-SPRING, BLACK PLASTIC	226-016966
9	112795-15-702	EA GLASS-SLIDING, W/SASH & LATCH	DH287-G9
10	112795-01-704	FT PLUG-FILLER	122-018737
	098644-01-711	FT WEATHERSTRIP-SCREEN, BLACK	171-016965

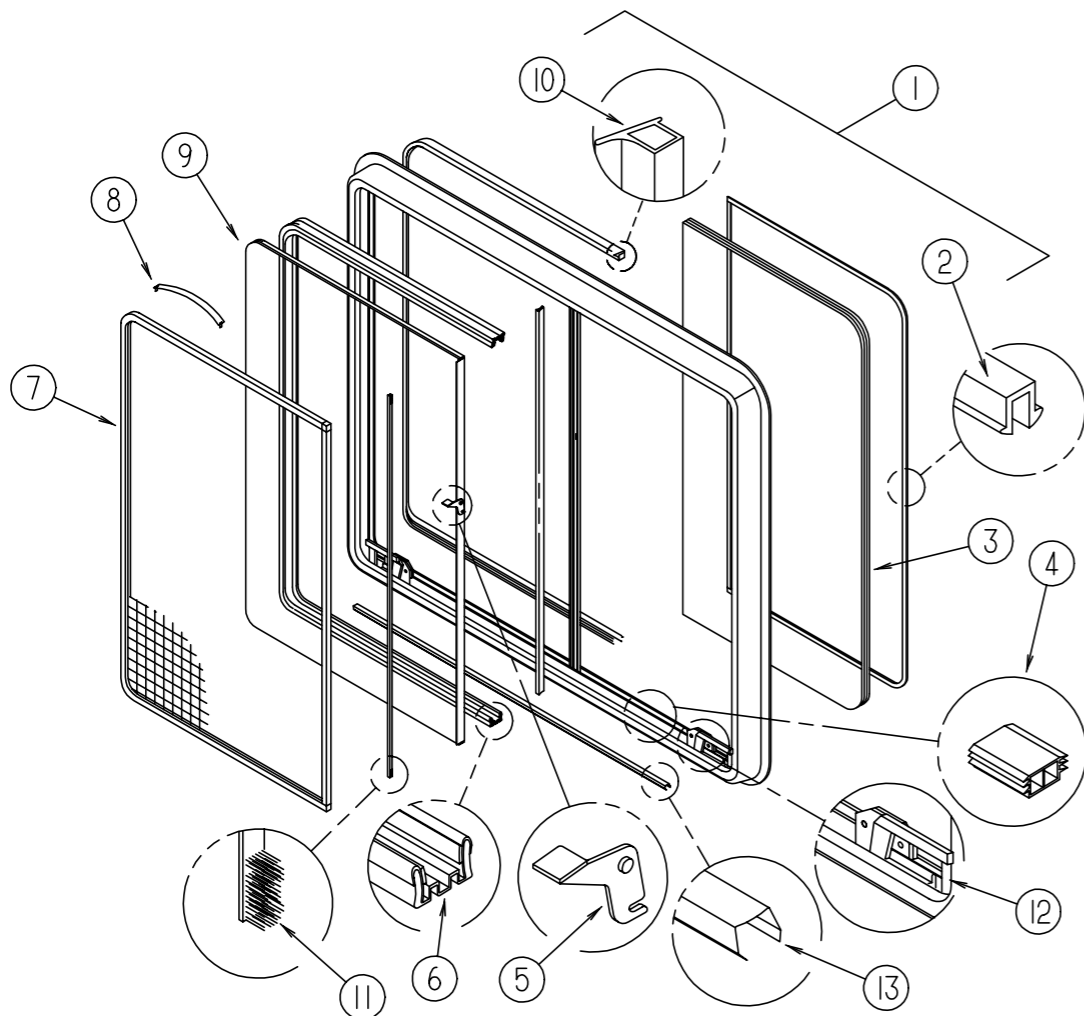
SINGLE SLIDER THERMOPANE WINDOW (EXCEL) (PASSENGER SIDE BEDROOM)

KEY	PART NUMBER	U/M DESCRIPTION	VENDOR NO.
1	112795-21-01A	EA WINDOW ASM - SLIDER, HORIZONTAL - THERMOPANE - DC04-G2W66R	DC04-G2R
	112795-21-700	EA WINDOW W/O TRIM	DC04-G2R
	098647-29-701	EA RETAINER-TRIM	CW0466
2	112795-01-705	FT VINYL-GLAZING	132-019702
2	112795-01-704	FT PLUG-FILLER	122-018737
3	112795-21-701	EA GLASS-STATIONARY	390-019132
4	112795-01-701	EA SLIDE-STOP	132-019092
5	112795-01-700	EA LATCH ASM., BLACK	DH287-CK
6	112795-01-703	IN CHANNEL-RUN	122-018736
7	098647-29-704	EA SCREEN ASM., W/SPRING CLIP	410-018864
8	098644-01-713	EA CLIP-SPRING, METAL	226-016966
9	112795-21-702	EA GLASS-SLIDING, W/SASH & LATCH	DC04-G9
10	112795-01-704	FT PLUG-FILLER	122-018737
	098644-01-711	FT WEATHERSTRIP-SCREEN, BLACK	171-016965

SINGLE SLIDER THERMOPANE WINDOW (EXCEL) (DRIVER SIDE BEDROOM)

KEY	PART NUMBER	U/M DESCRIPTION	VENDOR NO.
1	112795-23-01A	EA WINDOW ASM. - SLIDER ESCAPE HORIZONTAL - THERMOPANE - DC04-G2W66L	DC04-G2L
	112795-23-700	EA WINDOW W/O TRIM	DC04-G2L
	098647-29-701	EA RETAINER-TRIM	CW0466
2	112795-01-705	FT VINYL-GLAZING	132-019702
3	112795-21-701	EA GLASS-STATIONARY	390-019132
4	112795-01-701	EA SLIDE-STOP	132-019092
5	112795-01-700	EA LATCH ASM., BLACK	DH287-CK
6	112795-01-703	IN CHANNEL-RUN	122-018736
7	098647-29-704	EA SCREEN ASM., W/SPRING CLIP	410-018864
8	098644-01-713	EA CLIP-SPRING, METAL	226-016966
9	112795-21-702	EA GLASS-SLIDING, W/SASH & LATCH	DC04-G9
10	112795-01-704	FT PLUG-FILLER	122-018737
	098644-01-711	FT WEATHERSTRIP-SCREEN, BLACK	171-016965

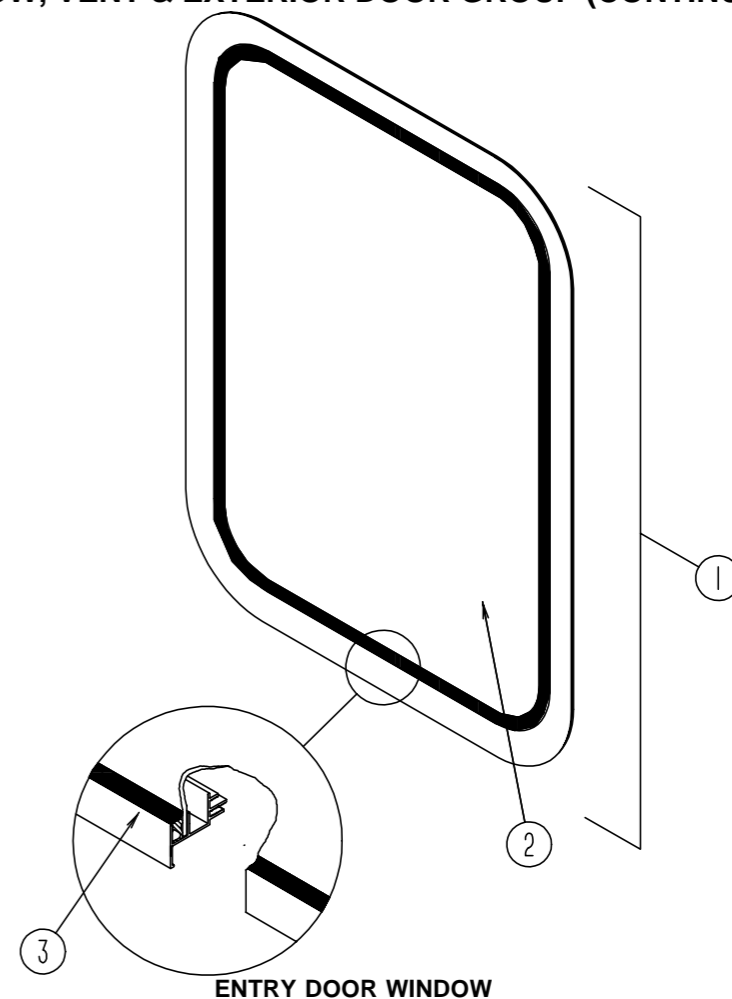
WINDOW, VENT & EXTERIOR DOOR GROUP (CONTINUED)



SINGLE SLIDER ESCAPE THERMOPANE WINDOW (EXCEL) (DRIVER SIDE BEDROOM)

KEY	PART NUMBER	U/M DESCRIPTION	VENDOR NO.
1	112795-24-01A	EA WINDOW ASM-SLDR,HORIZ THERMO - EXCEL DH4148-G2W64L	
	112795-24-700	EA WINDOW W/O TRIM	DH414-G2L
	112795-24-701	EA RETAINER-TRIM	W41464
2	112795-01-705	FT VINYL-GLAZING	132-019702
3	112795-24-702	EA GLASS-STATIONARY	390-019142
4	112795-01-701	EA SLIDE-STOP	132-019092
5	112795-01-700	EA LATCH ASM., BLACK	DH287-CK
6	112795-01-703	IN CHANNEL-RUN	122-018736
7	112795-24-704	EA SCREEN ASM., W/SPRING CLIP	410-019129
8	098644-01-713	EA CLIP-SPRING, BLACK PLASTIC	226-016966
9	112795-24-703	EA GLASS-SLIDING, W/SASH & LATCH	DH414-G9
10	112795-01-704	FT PLUG-FILLER	122-018737
11	098644-01-711	EA WEATHERSTRIP - SCREEN, BLACK	171-016965
12	112898-06-705	EA HANDLE-LATCH, RED - LH	182-11294
	112898-06-704	EA HANDLE-LATCH, RED - RH	182-11293
13	098644-01-710	FT TRACK-SCREEN SPACER, 12'	132-017135

WINDOW, VENT & EXTERIOR DOOR GROUP (CONTINUED)



ENTRY DOOR WINDOW

KEY	PART NUMBER	U/M DESCRIPTION
1	117053-02-F36	EA WINDOW ASM. - ENTRANCE DOOR - W/O RETAINER TRIM
	117054-02-02A	EA RETAINER TRIM - BRIGHT WHITE
2	002181-25-000	EA GLASS - PICTURE 655 X 417 MM
3	087561-01-000	FT SEAL - GLASS - EXTERIOR - .5" WIDE - VINYL - BLACK

ENTRY DOOR WINDOW (THERMO INSULATED)

KEY	PART NUMBER	U/M DESCRIPTION
	113733-01-01A	EA WINDOW ASM-STATIONARY,THERMOPANE - 26 3/8" X 17"
1	113733-01-700	EA WINDOW ASM. - ENTRANCE DOOR - THERMO INSULATED - W/O RETAINER TRIM
	113733-01-701	EA RETAINER TRIM - OFF WHITE
2	113733-01-702	EA GLASS - PICTURE - THERMO INSULATED

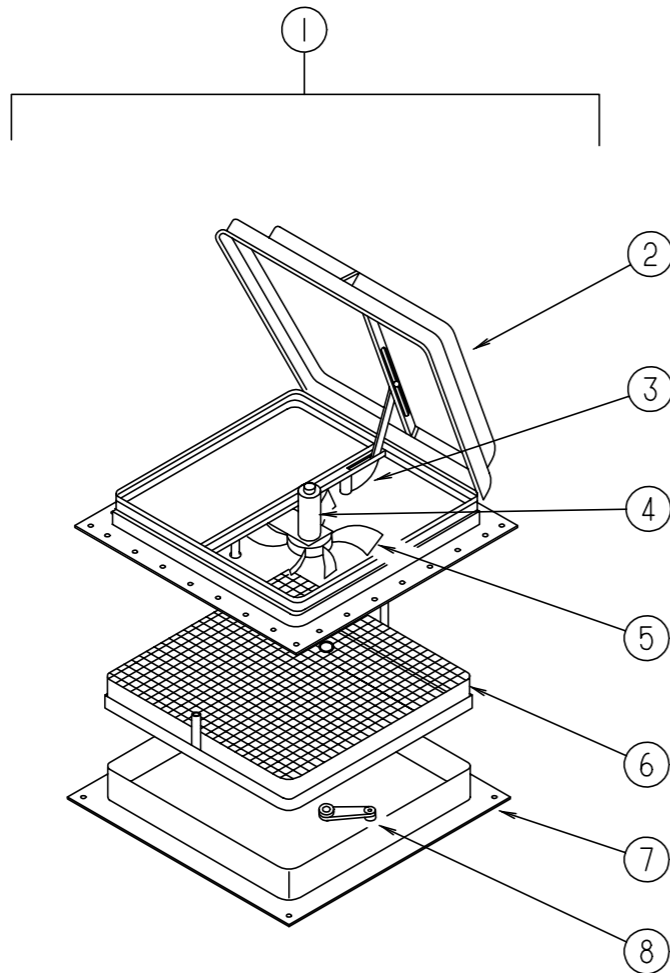
EXCEL VISTA WINDOW

KEY	PART NUMBER	U/M DESCRIPTION	VENDOR NO.
	106467-03-01A	EA WINDOW ASM-DR. STATIONARY, 14 13/16" X 25 11/16" X 32 1/4" EXCEL H388-G2B27L	
	106467-03-700	EA GLASS-STATIONARY	106-018752
	106467-03-701	EA WINDOW	H388-G2L
	106467-03-702	EA RETAINER-TRIM, BLACK	H38827L

EXCEL SLANT WINDOW

KEY	PART NUMBER	U/M DESCRIPTION	VENDOR NO.
	106468-02-01A	EA WINDOW ASM-FRONT SLANT, LH - EXCEL H383-A2B27L	
	100322-01-703	FT STRIP-GLAZING, BUTYL	132-010723
	106468-02-700	EA WINDOW	H383-A2L
	106468-02-701	EA RETAINER-TRIM, BLACK	H383-27L
	106468-02-702	EA GLASS-STATIONARY	106-018740

WINDOW, VENT & EXTERIOR DOOR GROUP (CONTINUED)



POWERED ROOF VENT (US)

KEY	PART NUMBER	U/M DESCRIPTION	VENDOR NO.
1	110051-04-01A	EA VENT ASM. - ROOF - POWERED - 7797	
2	064470-01-700	EA COVER - ROOF VENT (W/O SLIDE BAR)	J7291
	064470-01-701	EA SLIDE BAR (VENT-LID)	JRP1291B
3	110051-01-702	EA GEAR - LIFT-ARM ASM.	RP-1000B
4	048648-01-000	EA MOTOR - 12V NONVENTED 1/8 SHAFT - 42-472-01	
5	048649-01-000	EA FAN - PLASTIC - 6 IN - 6 BLADED - RP-10002B	
6	110051-01-704	EA SCREEN & FRAME	29-688-03
7	110051-02-700	EA GARNISH - INTERIOR - 4"	
8	110051-01-703	EA CRANK HANDLE	RP-1031-B

POWERED ROOF VENT (CANADIAN)

KEY	PART NUMBER	U/M DESCRIPTION	VENDOR NO.
1	110051-06-01A	EA VENT ASM. - ROOF - POWERED - C7797	
2	064470-01-700	EA COVER - ROOF VENT (W/O SLIDE BAR)	J7291
	064470-01-701	EA SLIDE BAR (VENT-LID)	JRP1291B
3	110051-01-702	EA GEAR - LIFT-ARM ASM.	RP-1000B
4	048648-01-000	EA MOTOR - 12V NONVENTED 1/8 SHAFT - 42-472-01	
5	048649-01-000	EA FAN - PLASTIC - 6 IN - 6 BLADED - RP-10002B	
6	110051-01-704	EA SCREEN & FRAME	29-688-03
7	110051-02-700	EA GARNISH - INTERIOR - 4"	
8	110051-01-703	EA CRANK HANDLE	RP-1031-B

WINDOW, VENT & EXTERIOR DOOR GROUP (CONTINUED)

NON POWERED ROOF VENT (JENSEN)

KEY	PART NUMBER	U/M DESCRIPTION	VENDOR NO.
	110051-02-01A	EA ROOF VENT - W/ SCREEN - 7727	
	064470-01-700	EA COVER - ROOF VENT	7291
	110051-01-702	EA GEAR - LIFT-ARM ASM.	RP-1000B
	110051-01-703	EA CRANK HANDLE	RP-1031-B
	110051-01-704	EA SCREEN & FRAME	29-688-03
	064470-01-701	EA SLIDE BAR, (VENT LID)	JRP1291B
	110051-02-700	EA GARNISH-INTERIOR, 4"	

POWERED ROOF VENT (FANTASTIC) (US)

KEY	PART NUMBER	U/M DESCRIPTION	VENDOR NO.
	084079-14-000	EA VENT - EXHAUST - POWERED - OFF WHITE	
	084079-01-700	EA VENT COVER	1020K-19
	084079-01-701	EA SCREEN ASM. - OFF WHITE	1030-80
	084079-01-702	EA ARM LIFT ASSEMBLY - MANUAL	101105
	084079-01-703	EA KNOB - LIFT - W/ EXTENSION & SCREW	1140K-00
	084079-01-707	EA SWITCH - SAFETY	1122.05
	084079-01-709	EA SWITCH - MAIN POWER - 3 SPEED	1031-05
	084079-07-700	EA GARNISH - INTERIOR - 4" - OFF WHITE	2040-80
	084079-11-700	EA MOTOR, BRACKET, & FAN BLADE KIT	4017K-09
	084079-11-702	EA BASE - MAIN W/ DOME SWITCH	1010K-81

POWERED ROOF VENT (FANTASTIC) (CSA)

KEY	PART NUMBER	U/M DESCRIPTION	VENDOR NO.
	084079-15-000	EA VENT - EXHAUST - POWERED - OFF WHITE	
	084079-01-700	EA VENT COVER	1020K-19
	084079-15-700	EA SCREEN ASM.	1030S-80
	084079-01-702	EA ARM LIFT ASSEMBLY - MANUAL	101105
	084079-01-703	EA KNOB - LIFT - W/ EXTENSION & SCREW	1140K-00
	084079-01-707	EA SWITCH - SAFETY	1122.05
	084079-01-709	EA SWITCH - MAIN POWER - 3 SPEED	1031-05
	084079-07-700	EA GARNISH - INTERIOR - 4" - OFF WHITE	2040-80
	084079-11-700	EA MOTOR, BRACKET, & FAN BLADE KIT	4017K-09
	084079-11-702	EA BASE - MAIN W/ DOME SWITCH	1010K-81

ROOF VENTS

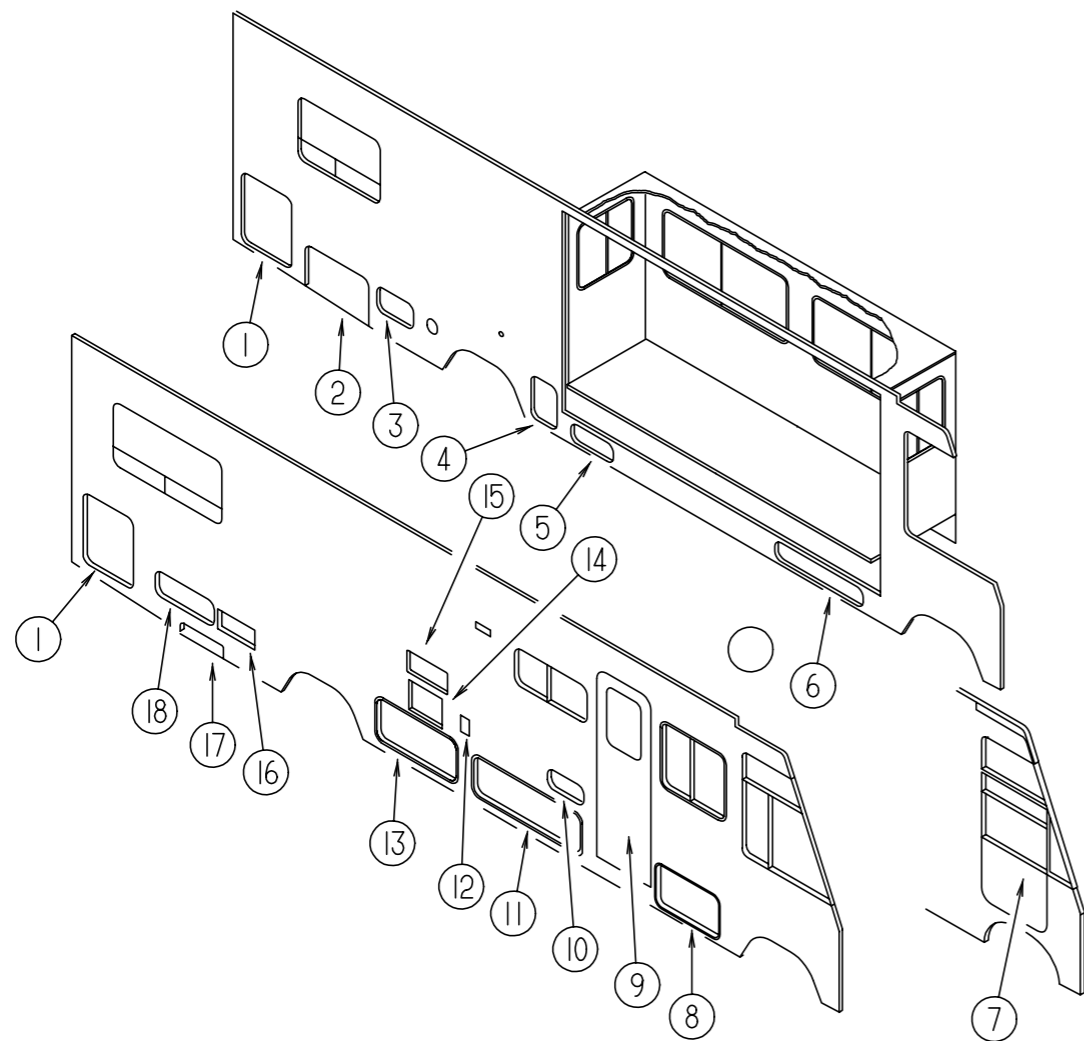
KEY	PART NUMBER	U/M DESCRIPTION
	083558-04-000	EA VENT COVER - PLUMBING PIPE - ROOF - BUFF
	084073-05-000	EA COVER-ROOF VENT, REFRIGERATOR - BUFF - NORCOLD
	084073-04-000	EA BASE-ROOF VENT, REFRIGERATOR - BLACK - NORCOLD
	118369-01-01A	EA VENT-ROOF CAP, REFRIGERATOR - BUFF - DOMETIC
	118369-02-01A	EA VENT-ROOF BASE, REFRIGERATOR - BUFF - DOMETIC

SIDEWALL VENTS

KEY	PART NUMBER	U/M DESCRIPTION
	084616-06-000	EA SHROUD - RANGE HOOD VENT - BUFF
	084878-09-000	EA VENT - RANGE HOOD - SHORT - LVS

WINDOW, VENT & EXTERIOR DOOR GROUP (CONTINUED)

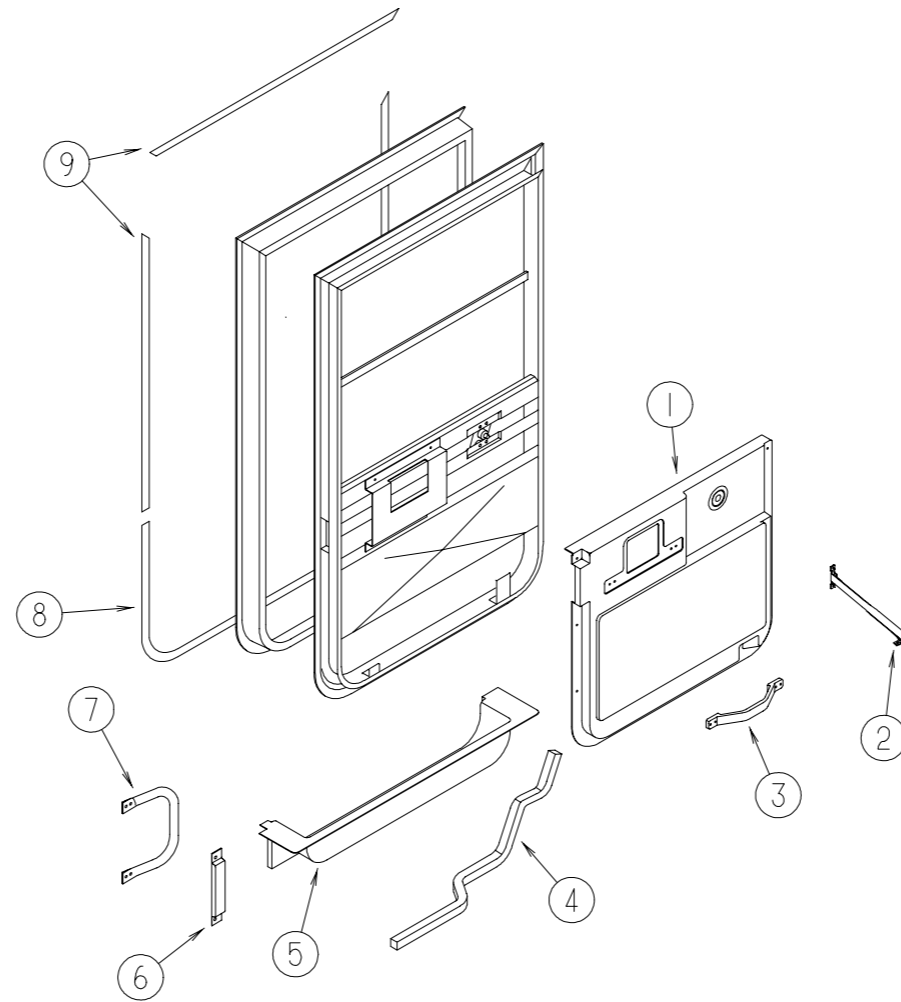
EXTERIOR DOORS



KEY	PART NUMBER	U/M	DESCRIPTION	
1	111013-55-G15	EA	DOOR ASM - STORAGE	
2	111012-09-G15	EA	DOOR ASM - STORAGE	FROM: 00-00-00 THRU: 11-12-95
2	111012-13-G15	EA	DOOR ASM - STORAGE	FROM: 11-13-95 THRU: 99-99-99
3	111013-54-G15	EA	DOOR ASM - STORAGE	FROM: 00-00-00 THRU: 11-12-95
3	111013-85-G35	EA	DOOR ASM - STORAGE	FROM: 11-13-95 THRU: 99-99-99
4	111013-41-G15	EA	DOOR ASM - STORAGE	FROM: 00-00-00 THRU: 11-12-95
4	111013-76-G35	EA	DOOR ASM - STORAGE	FROM: 11-13-95 THRU: 99-99-99
5	111013-47-G15	EA	DOOR ASM - STORAGE	
6	111013-44-G15	EA	DOOR ASM - STORAGE	
7	106469-07-01A	EA	DOOR ASM. - DRIVERS - BLACK	
8	111013-16-G15	EA	DOOR ASM - STORAGE	FROM: 00-00-00 THRU: 11-12-95
8	111013-68-G35	EA	DOOR ASM - STORAGE	FROM: 11-13-95 THRU: 99-99-99
9	115108-02-G15	EA	DOOR - ENTRANCE - W/ SCREEN - W/O WINDOW	
9	115108-02-G16	EA	DOOR - ENTRANCE - W/ SCREEN - W/O WINDOW	
9	115108-02-G17	EA	DOOR - ENTRANCE - W/ SCREEN - W/O WINDOW	
10	111017-01-E10	EA	DOOR ASM - ACCESS - EXTERIOR RADIO	
11	111013-17-G15	EA	DOOR ASM - STORAGE	FROM: 00-00-00 THRU: 11-12-95
11	111013-69-G35	EA	DOOR ASM - STORAGE	FROM: 11-13-95 THRU: 99-99-99
12	081240-12-000	EA	DOOR - WATER FILL - LOCKABLE W/O LOCK - 4" X 4 5/8" - BUFF	
13	111013-43-G15	EA	DOOR ASM - STORAGE	FROM: 00-00-00 THRU: 11-12-95
13	111013-78-G35	EA	DOOR ASM - STORAGE	FROM: 11-13-95 THRU: 99-99-99
14	098668-12-000	EA	DOOR ASM - FURNACE - EXTERIOR - BUFF	
15	118368-01-04A	EA	DOOR - REFRIGERATOR - VENTED - BUFF	
15	084104-06-000	EA	JAMB - REFRIGERATOR - BUFF	
16	052009-04-000	EA	DOOR - WATER HEATER - BUFF	
16	116424 01 000	EA	PROTECTOR - WATER HEATER LATCH	
17	111012-11-G15	EA	DOOR ASM - STORAGE	FROM: 00-00-00 THRU: 11-12-95
18	111013-56-G15	EA	DOOR ASM - STORAGE	FROM: 11-13-95 THRU: 99-99-99
18	111013-86-G35	EA	DOOR ASM - STORAGE	FROM: 00-00-00 THRU: 11-12-95
				FROM: 11-13-95 THRU: 99-99-99

WINDOW, VENT & EXTERIOR DOOR GROUP (CONTINUED)

DRIVER DOOR INTERIOR COMPONENTS

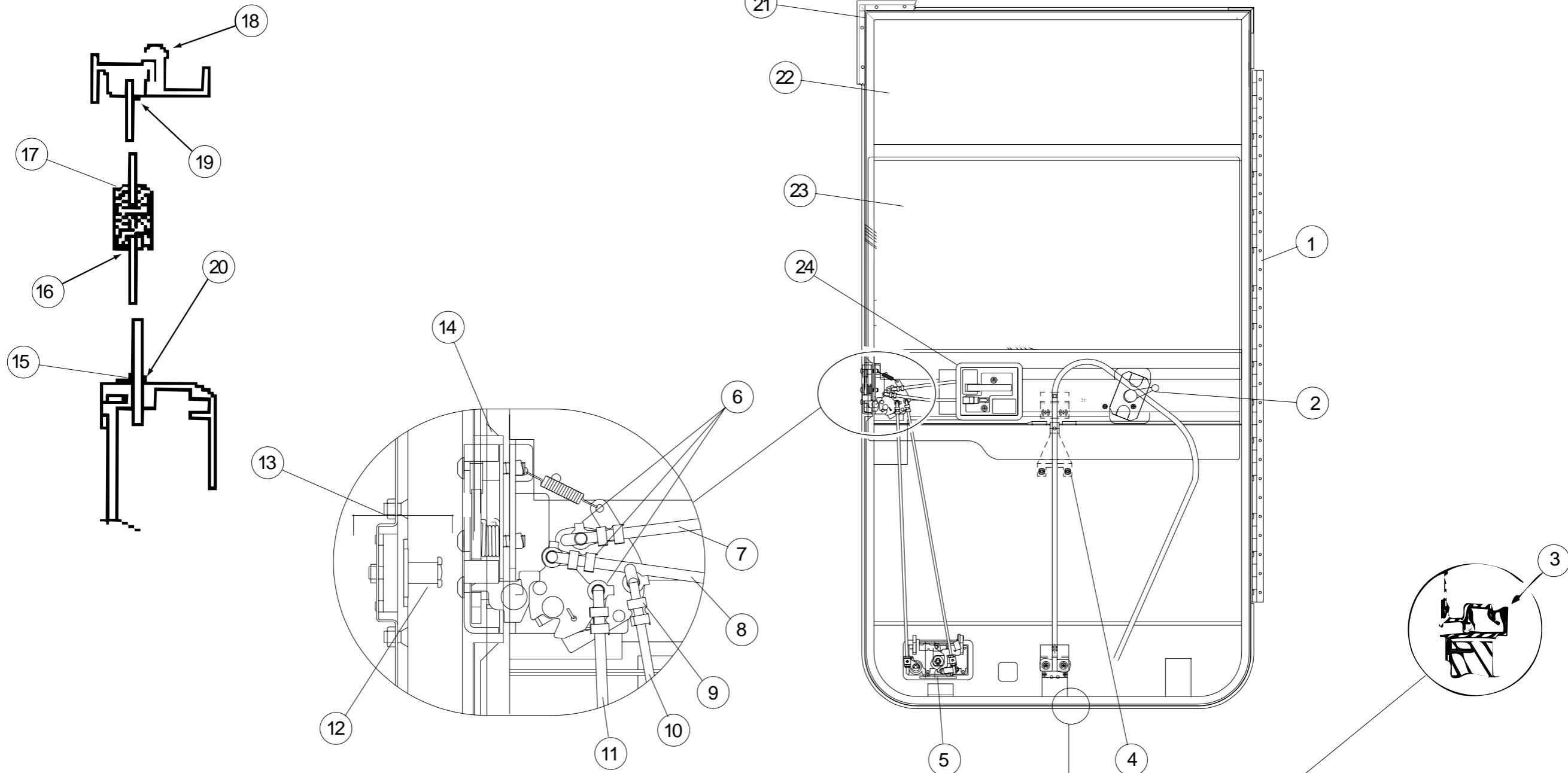


KEY	PART NUMBER	U/M DESCRIPTION
1	114973-01-02A	EA PANEL - DRIVER DOOR - INNER - WILLOW - PLASTIC
2	109378-01-000	EA STRAP - CHECK - DRIVER DOOR - 12.8"
3	110604-01-01A	EA HANDLE - ASSIST - DRIVERS DOOR
4	063977-12-000	EA STEP - DRIVER DOOR - LEFT - PAINTED
4	063977-11-000	EA STEP - DRIVER DOOR - LEFT - UNPAINTED
5	107818-01-01A	EA TRIM - STEP - DRIVERS DOOR - PLASTIC - WILLOW
	106746-01-000	EA PANEL - STEEL - STEPWELL
	106747-01-000	EA PANEL - STEEL - STEPWELL - END RH
	106747-02-000	EA PANEL - STEEL - STEPWELL - END LH
	102569-02-000	EA MAT - ANTI SLIP - LOWER

KEY	PART NUMBER	U/M DESCRIPTION
6	108654-01-01A	EA COVER - STRIKE - DRIVERS DOOR - BLACK
7	108832-01-02A	EA HANDLE - ASSIST - DRIVERS DOOR - METAL - OFF WHITE
	108833-01-01A	EA COVER - HANDLE - ASSIST - OFF WHITE
8	109235-01-05A	FT COVER - SCREW - BRIGHT WHITE - DAWN
9	109235-01-01A	FT COVER - SCREW - MATTE BLACK - DAWN
	108129-02-02A	EA GARNISH - DRIVERS DOOR - FRONT - BLACK
	108107-01-02A	EA GARNISH - DRIVERS DOOR - TOP - BLACK
	108108-04-02A	EA GARNISH - DRIVERS DOOR - REAR UPPER - BLACK
	108897-02-01A	EA GARNISH - DRIVERS DOOR - REAR LOWER - BLACK
	P01713-01-000	EA SWITCH - PUSH BUTTON - IN DOOR JAMB - METAL CHROME
	076725-06-000	EA COVER - ACCESS - DOOR JAMB PUSH BUTTON - BLACK

WINDOW, VENT & EXTERIOR DOOR GROUP (CONTINUED)

DRIVER DOOR (EXCEL)



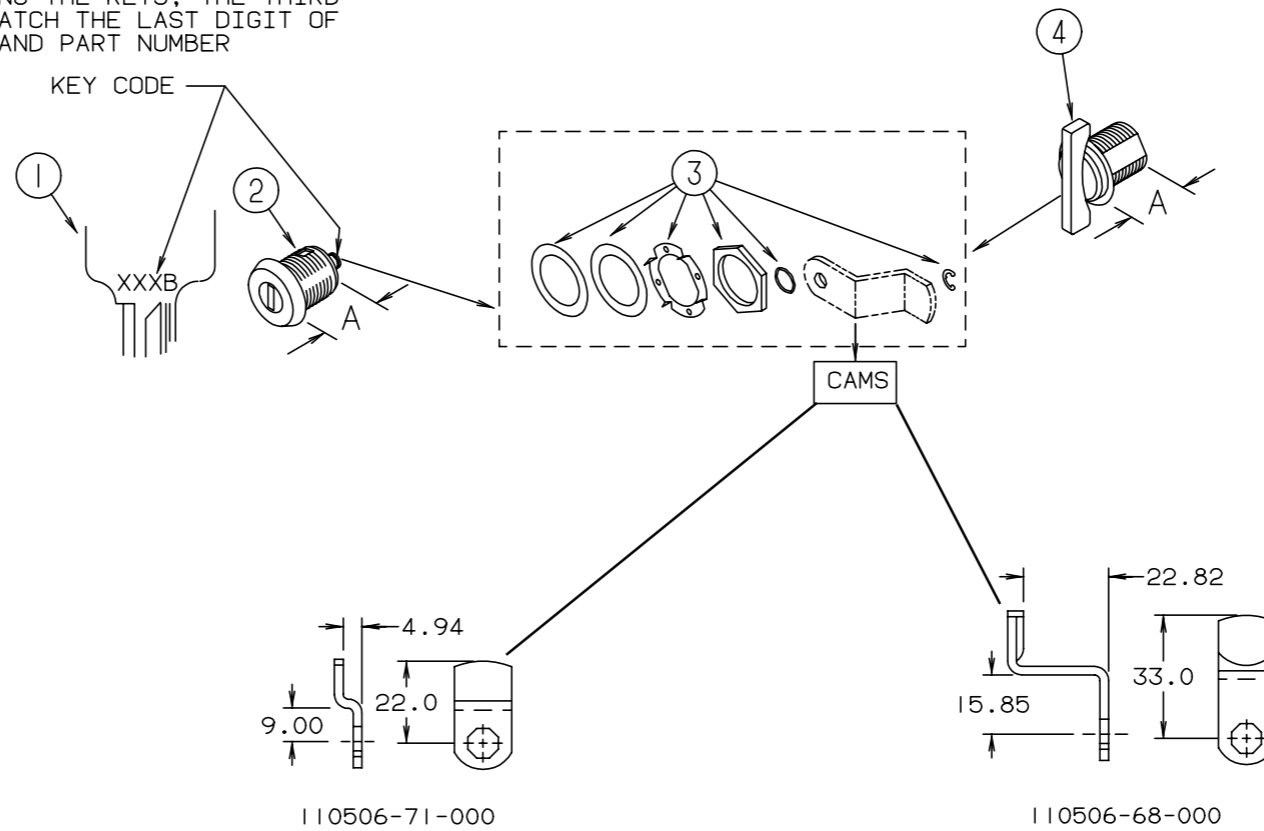
KEY	PART NUMBER	U/M	DESCRIPTION	VENDOR NO.
	106469-07-01A	EA	DOOR ASM. - DRIVERS - BLACK - V130-01L	
1	106469-05-702	EA	HINGE - 42"	211-041194
2	106469-02-704	EA	WINDOW HANDLE	V068-16
3	106469-01-723	EA	SEAL - BULB ASM. (JAMB)	171-040985
4	106469-02-701	EA	REGULATOR - MANUAL	V108-90L
5	106469-04-700	EA	PADDLE ASSEMBLY-W/COLLAR	248-041237
5	106469-04-715	EA	LATCH COMPLETE W/TUMBLER & KEYS	V123-15
6	106469-04-714	EA	ROD CLIP R.H.	248-041153
7	106469-04-705	EA	LATCH ROD - HORIZONTAL	203-041139
8	106469-04-711	EA	LOCK ROD - HORIZONTAL	203-041137
9	106469-04-713	EA	ROD CLIP L.H.	248-041154
10	106469-05-703	EA	ROD - LOCK/VERTICAL ADJUST.	203-041239
11	106469-05-705	EA	ROD - LATCH/VERTICAL ADJUST.	203-041279
12	106469-04-703	EA	BOLT - STRIKER (W/ WASHER)	248-041152
13	106469-04-704	EA	NUT ASSEMBLY - CAGED - W/STRIKER	248-041151

KEY	PART NUMBER	U/M	DESCRIPTION	VENDOR NO.
14	106469-05-706	EA	LATCH - ROTARY - W/LINKAGE	248-041150
15	106469-02-703	EA	BELT WEATHERSTRIP (EXT) WDO	V047-57
16	106469-01-705	FT	CHANNEL - RUN - SLIDING	122-010850
17	106469-08-700	EA	MULLION RAIL	V103-84
18	106469-01-702	EA	DOOR SEAL	122-040984
19	125581-02-705	EA	HORIZONTAL GLAZING - VINYL	V108-87
20	106469-01-709	FT	WEATHERSTRIP - FUZZY	171-040630
21	106469-07-700	EA	MOUNTING FRAME ASSEMBLY	V130-30L
22	106469-02-702	EA	GLASS - STATIONARY	106-041104
23	106469-01-704	EA	GLASS - ROLL-UP W/BACKET	V103-65L
24	106469-04-712	EA	HANDLE/DOOR - INNER W/HARDWARE	248-041402
24	106469-04-716	EA	LEVER - LOCKING - BLACK	80978-00
	106469-04-701	EA	TUMBLER & KEYS (TRI-MARK)	248-041179
	106469-04-702	EA	KEYS (BLANK)	248-041180
	125582-01-708	EA	WEEPHOLE COVER - RIGHT HAND	130-026598
	125582-01-709	EA	WEEPHOLE COVER - LEFT HAND	130-026599

WINDOW, VENT & EXTERIOR DOOR GROUP (CONTINUED)

BRIGGS & STRATTON LOCKS & COMPONENTS

NOTE:
WHEN ORDERING THE LOCK CASE, THE KEY CODE MUST MATCH THE LAST DIGIT OF THE VEHICLE'S SERIAL NUMBER AND PART NUMBER; WHEN ORDERING THE KEYS, THE THIRD DIGIT OF THE KEY CODE MUST MATCH THE LAST DIGIT OF THE VEHICLE'S SERIAL NUMBER AND PART NUMBER

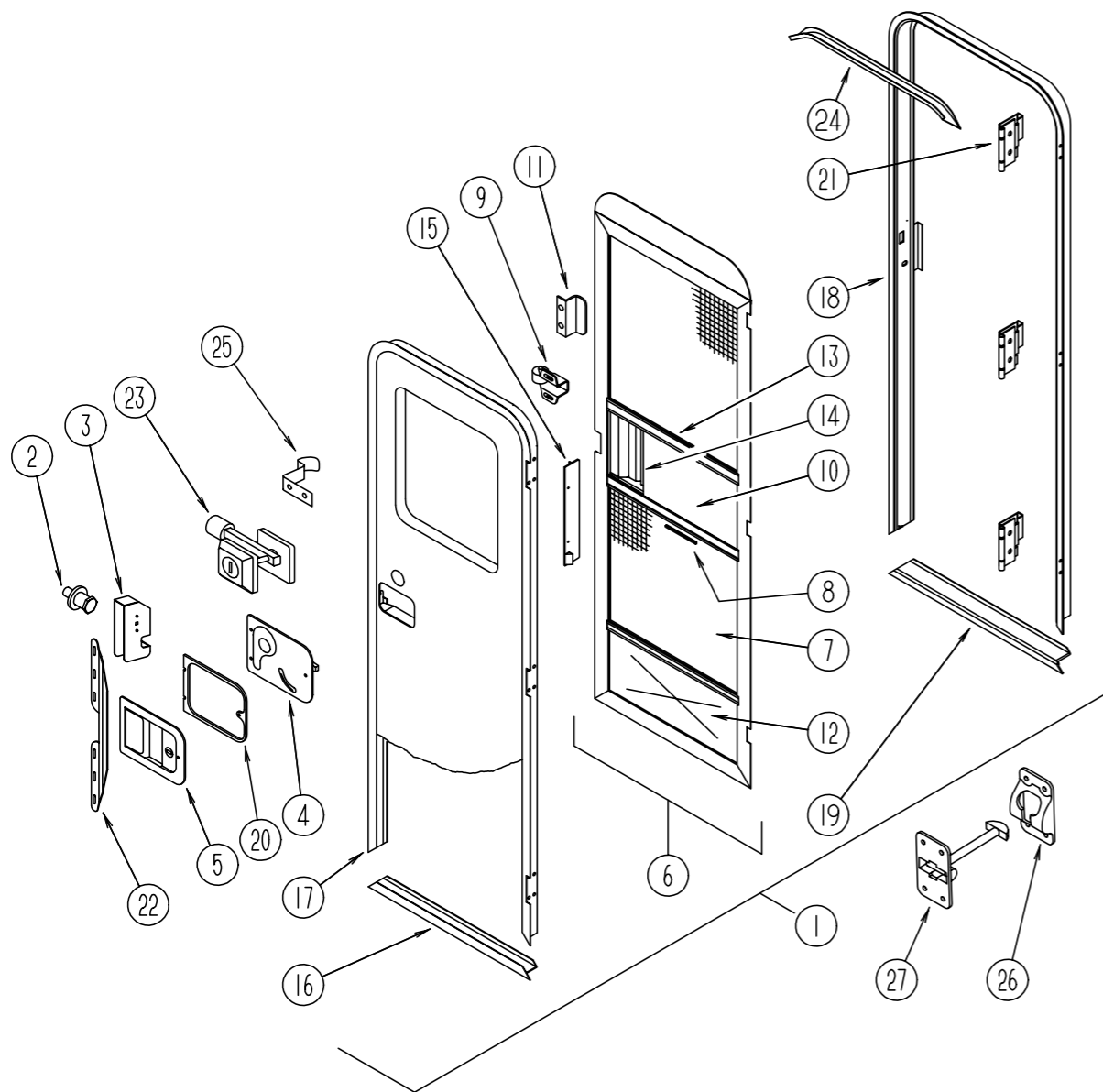


KEY	PART NUMBER	U/M	DESCRIPTION	VENDOR NO.
1	110506-59-000	EA	KEYS - SET OF TWO	596720
2	110506-52-000	EA	CASE - LOCK - A= 17 MM	702370
2	110506-53-000	EA	CASE - LOCK - A= 25 MM	702380
1	110506-59-001	EA	KEYS - SET OF TWO	596721
2	110506-52-001	EA	CASE - LOCK - A= 17 MM	702371
2	110506-53-001	EA	CASE - LOCK - A= 25 MM	702381
1	110506-59-002	EA	KEYS - SET OF TWO	596722
2	110506-52-002	EA	CASE - LOCK - A= 17 MM	702372
2	110506-53-002	EA	CASE - LOCK - A= 25 MM	702382
1	110506-59-003	EA	KEYS - SET OF TWO	596723
2	110506-52-003	EA	CASE - LOCK - A= 17 MM	702373
2	110506-53-003	EA	CASE - LOCK - A= 25 MM	702383
1	110506-59-004	EA	KEYS - SET OF TWO	596724
2	110506-52-004	EA	CASE - LOCK - A= 17 MM	702374
2	110506-53-004	EA	CASE - LOCK - A= 25 MM	702384
1	110506-59-005	EA	KEYS - SET OF TWO	596725
2	110506-52-005	EA	CASE - LOCK - A= 17 MM	702375
2	110506-53-005	EA	CASE - LOCK - A= 25 MM	702385

KEY	PART NUMBER	U/M	DESCRIPTION	VENDOR NO.
1	110506-59-006	EA	KEYS - SET OF TWO	596726
2	110506-52-006	EA	CASE - LOCK - A= 17 MM	702376
2	110506-53-006	EA	CASE - LOCK - A= 25 MM	702386
1	110506-59-007	EA	KEYS - SET OF TWO	596727
2	110506-52-007	EA	CASE - LOCK - A= 17 MM	702377
2	110506-53-007	EA	CASE - LOCK - A= 25 MM	702387
1	110506-59-008	EA	KEYS - SET OF TWO	596728
2	110506-52-008	EA	CASE - LOCK - A= 17 MM	702378
2	110506-53-008	EA	CASE - LOCK - A= 25 MM	702388
1	110506-59-009	EA	KEYS - SET OF TWO	596729
2	110506-52-009	EA	CASE - LOCK - A= 17 MM	702379
2	110506-53-009	EA	CASE - LOCK - A= 25 MM	702389
3	110506-40-700	EA	HARDWARE KIT	
4	110506-50-000	EA	CASE - TWIST LOCK - A= 17 MM	596952
4	110506-51-000	EA	CASE - TWIST LOCK - A= 25 MM	596669
	110506-40-000	EA	CLIP-E - LOCK ASM.	93981
	110506-64-000	EA	CAM - LOCK	322280
	110506-68-000	EA	CAM - LOCK	322284
	110506-71-000	EA	CAM - LOCK	322287
	110506-59-701	EA	KEY BLANK - GOLD	

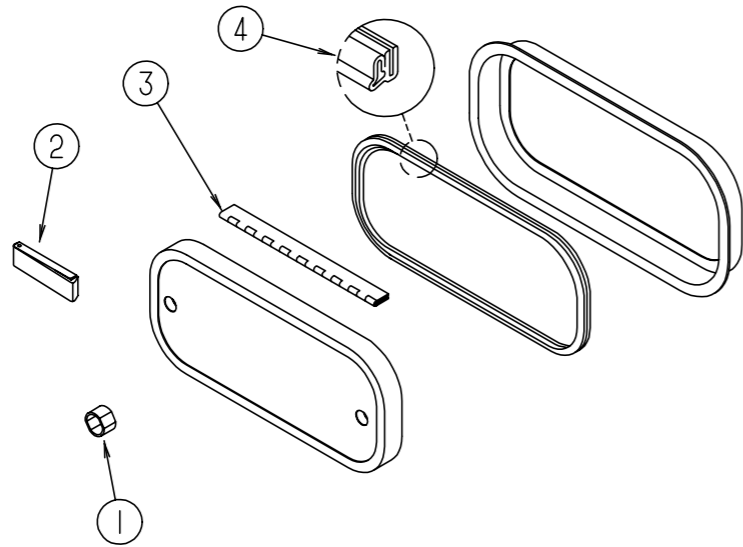
WINDOW - VENT & EXTERIOR DOOR GROUP (CONTINUED)

ENTRY DOOR W/O WINDOW



KEY	PART NUMBER	U/M DESCRIPTION
1	115108-02-G15	EA DOOR - ENTRANCE - W/ SCREEN - W/O WINDOW
1	115108-02-G16	EA DOOR - ENTRANCE - W/ SCREEN - W/O WINDOW
1	115108-02-G17	EA DOOR - ENTRANCE - W/ SCREEN - W/O WINDOW
2	039539-01-000	EA STRIKE - LOCK - ENTRY DOOR - ROUND W/THREADED WASHER
	077461-03-000	EA COVER - STRIKE - ENTRY DOOR - 6.5" X 2.5" - PLASTIC - OFF WHITE
3	039540-01-000	EA LATCH MECHANISM - HOOK - ENTRY DOOR - INTERIOR
	039715-01-000	EA NUT - SERT - 1/4" DIAMETER - 20 THREADS
4	039979-06-000	EA COVER ASM - LATCH PLATE, RH - BLACK - T/M 11883-01
	039984-01-000	EA CAP - ROUND - VINYL - .28" ID X .62" LONG - BLACK
	041546-07-000	EA BRACKET - DOOR ANGLE - METAL - OFF WHITE
5	045017-13-000	EA LATCH - ENTRY DOOR - BLACK - T/M 11896-01
	045017-11-701	EA KEY - BLANK - ROUND TOP - SILVER - TRI/ MARK
	112782-01-702	EA CYLINDER-LOCK ASM., W/KEY - 81266-09
	058806-03-000	EA PLUG - TAPERED - PLASTIC - 1.06" DIAMETER - RED
	063729-04-000	EA RIVNUT - 10-32 UNF - .010-.080
	072893-01-000	EA NUT-SERT - M5 X 0 8
	075671-04-000	FT SEAL - SPONGE - LAZY T SHAPE - W/ADHESIVE STRIPE - .5" WIDE
6	079012-05-B10	EA DOOR - SCREEN - ENTRANCE DOOR
7	002293-02-000	SF SCREENING - WINDOW/DOOR - 26" - CHARCOAL
8	002294-01-000	FT SPLINE - SCREENING - .135" X .138" - BLACK
9	100412-01-000	EA CATCH - SCREEN DOOR
10	016454-01-000	EA INSERT - CENTER - LEATHER GRAIN ALUMINUM - UNPAINTED
	001014-01-013	EA SHEET - ALUMINUM - LEATHER GRAIN - 10.25" X 16.31" - UNPAINTED
11	050712-04-000	EA HANDLE - SCREEN DOOR - ALUMINUM - OFF WHITE
12	078552-03-000	EA KICK PANEL - SCREEN DOOR - LOWER INSERT - UNPAINTED
	078595-01-000	EA TOP PLATE - SCREEN DOOR - CURVED TOP - 4.7" X 25.35"
13	078777-01-000	EA CHANNEL - SLIDE - SCREEN DOOR CENTER SLIDER COVER
14	079086-02-000	EA SLIDER - SCREEN DOOR - OFF WHITE
15	079087-02-000	EA STRIKE - SLIDER - W/ LIP FOR ELBOW CATCH - 1.5" X 8.6" - OFF WHITE
16	089748-09-000	EA FRAME - BOTTOM - ENTRY DOOR - 24.8" LONG - BUFF
	090340-02-000	FT SEAL - FOAM - CLOSED CELL - 3/8" X 1/2" X 50'
17	095276-03-05A	EA FRAME - ENTRANCE DOOR - BUFF
18	120310-02-02A	EA JAMB - ENTRANCE DOOR - BUFF
19	051049-01-000	EA JAMB - BOTTOM - ENTRY DOOR - 25.9" - UNPAINTED
20	096810-01-01A	EA PLATE - LATCH - ENTRY DOOR - PLASTIC - BLACK
21	106719-01-01A	EA HINGE - ENTRANCE DOOR - MILL
22	098173-01-04A	EA STIFFENER - ENTRY DOOR - SUPPORTS LATCH/STRIKE AREA - UNPAINTED
	118929-01-01A	FT SEAL - PILE, PUSH-ON - AMESBURY XC-964
23	101145-01-06A	EA DEADBOLT - ENTRY DOOR - TEXTURED/BLACK
	095229-01-700	EA KEY - BLANK, DEADBOLT - 81205-03
	101145-01-701	EA CYLINDER - LOCK ASM, W/KEY - 81306-03
	101147-01-000	EA BOLT - SECURITY - 4.12" BACKSET
	102524-01-000	EA BUMPER - RUBBER - FLAT - BLACK
	040944-01-000	EA LABEL - ENTRANCE DOOR - "OPEN"
24	044582-33-000	EA CAP - DRIP - DOOR JAMB MOUNTED -
	115222-02-01A	EA GARNISH - RADIUS - ENTRANCE DOOR - OFF WHITE
25	100412-01-000	EA CATCH - SCREEN DOOR - THUMB CLIP
26	104099-02-01A	EA CATCH - DOOR HOLDER - RETAINER - OFF WHITE
27	104099-01-01A	EA CATCH - DOOR HOLDER - STRIKE - OFF WHITE
	009126-03-000	EA HANDLE - ASSIST - BLACK TEXTURED - T/M 10087-01
	093673-01-01A	FT TRIM - ENTRANCE DOOR - 1.4" WIDE X 8' LONG - OFF WHITE PLASTIC
	102248-01-000	EA SHIM - DOOR

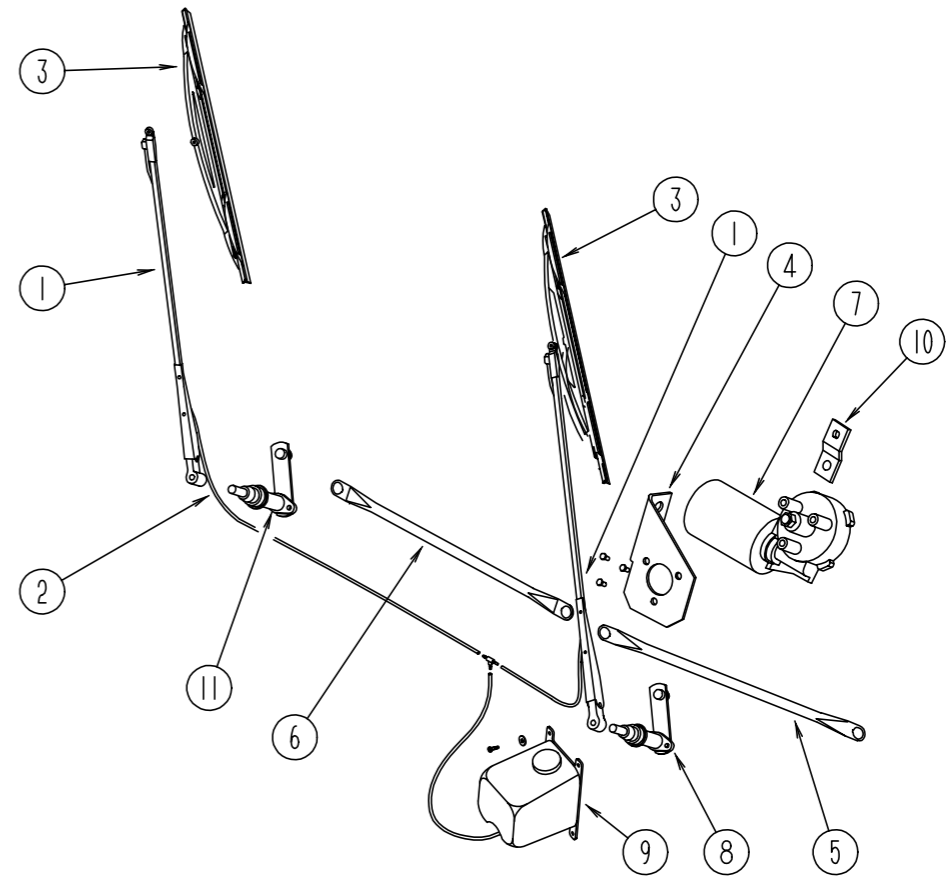
WINDOW, VENT & EXTERIOR DOOR GROUP (CONTINUED)



EXTERIOR COMPARTMENT DOORS

KEY	PART NUMBER	U/M DESCRIPTION
1	107997-51-001	EA SPACER - .86" X .6" - ALUMINUM
2	102768-01-000	EA HOLDER - COMPARTMENT/ ENTRY DOOR - METAL - MILL FINISH
3	081801-02-000	EA HINGE - PIANO - 2" X 96" - ALUMINUM
4	064075-07-000	FT SEAL - BULB - W/ WIRED U CHANNEL - .3" X .5" CHANNEL - BLACK
	096217-55-001	EA U-CHANNEL - 17.5' - OFF WHITE
	096217-55-006	EA U-CHANNEL - 17.5' - BRIGHT WHITE

WINDSHIELD & WIPER GROUP

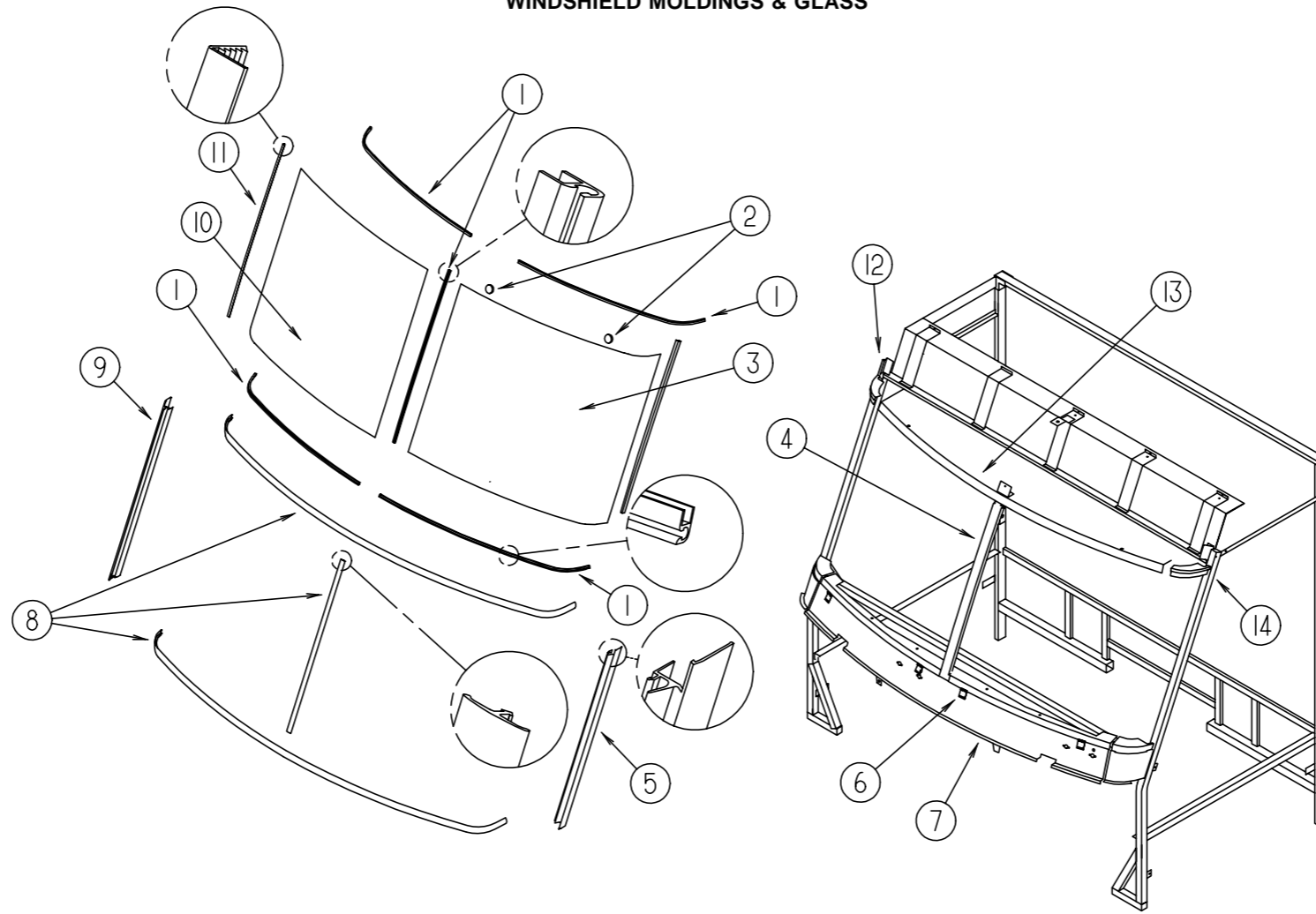


WINDSHIELD WIPER ASM

KEY	PART NUMBER	U/M DESCRIPTION
1	103671-01-000	EA ARM - WIPER - 24"
2	096931-01-700	FT HOSE
3	095964-01-000	EA BLADE - WIPER - WINDSHIELD - 24"
4	104549-01-000	EA BRACKET ASM - WIPER MOTOR
5	117008-01-000	EA LINK ASM - CONNECTING - 21.85" - DRIVER SIDE
6	117008-02-000	EA LINK ASM - CONNECTING - 21.85" - PASSENGER SIDE
7	104346-05-000	EA WIPER MOTOR (FORD)
7	104346-02-000	EA WIPER MOTOR (CHEVY)
		FROM: 00-00-00 THRU: 11-10-95
7	104346-04-000	EA WIPER MOTOR (CHEVY)
		FROM: 11-11-95 THRU: 99-99-99
	110178-01-000	EA HOUSING - WIPER MOTOR
8	096505-06-000	EA PIVOT & SHAFT ASM - WIPER - DRIVER SIDE
9	056000-04-000	EA WINDSHIELD WASHER - BOTTLE & PUMP
	056000-01-700	EA VACUUM HOSE 7/64 - 5/32
	096931-01-701	EA NOZZLE & HARDWARE KIT, INCLUDES NOZZLE, NUT, SHORT THREAD SCREW, LONG THREAD SCREW, AND PLASTIC CAP
9	117766-02-000	EA WASHER ASM - WINDSHIELD WIPER - MCCORD 600328
	110605-01-000	EA TEE - PLAS - BARBED 1/8 X 1/8 X 3/16 BAYLOCK 3799721
	117765-03-000	EA CONNECTOR - 5/32 W/SWSH - ITT H-BAYLOCK 116756
10	104347-01-000	EA ARM - DRIVE - WIPER MOTOR - 1.54"
11	096505-05-000	EA PIVOT & SHAFT ASM - WIPER - PASSENGER SIDE
	110742-01-000	EA WIPER GASKET
	067188-01-000	EA STUD - WIPER CRANK
	096505-02-703	EA CAP - NUT (ACORN) HD W/.687 BARREL
	045794-01-000	FT HOSE-WASHER, WINDSHEILD - 5/32" ID - BLACK
	061603-01-000	EA GROMMET-SNAP, 3/16" ID - 3/8" HOLE - PLASTIC - BLACK

WINDSHIELD & WIPER GROUP

WINDSHIELD MOLDINGS & GLASS



KEY	PART NUMBER	U/M DESCRIPTION
1	110268-01-000	EA CARRIER - REVEAL - 1280 MM
2	081914-01-000	EA BUMPER - RUBBER - ROUND - .43" DIAMETER - BLACK
3	103788-02-000	EA GLASS - WINDSHIELD - DRIVER SIDE - 49.75" X 47.75"
4	075710-01-000	EA FRAME - WINDSHIELD - CENTER DIVIDER - INNER
5	103107-04-01A	EA TRIM - WINDSHIELD - DRIVER SIDE - BLACK
6	104449-01-000	EA BRACKET - WINDSHIELD SUPPORT
7	077847-02-000	EA SUPPORT - WINDSHIELD - LOWER - W/O BRACKETS

KEY	PART NUMBER	U/M DESCRIPTION
8	102936-01-000	FT MOLDING - REVEAL - WINDSHIELD
9	103107-03-01A	EA TRIM - WINDSHIELD - PASSENGER SIDE - BLACK
10	103788-01-000	EA GLASS - WINDSHIELD - PASSENGER SIDE - 49.75" X 47.75"
11	098788-06-000	EA CARRIER - REVEAL - 48.9" WINDSHIELD
12	077922-03-000	EA HEADER WINDSHIELD END - PASSENGER SIDE
13	077922-05-000	EA HEADER WINDSHIELD - CENTER
14	077922-04-000	EA HEADER WINDSHIELD END - DRIVER SIDE