

**1996
WCF25RC**

G09

SANDSCAPE (BROWN)

G10

BATIK (BLUE)

G11

OLIVE BRANCH (SAGE)

G12

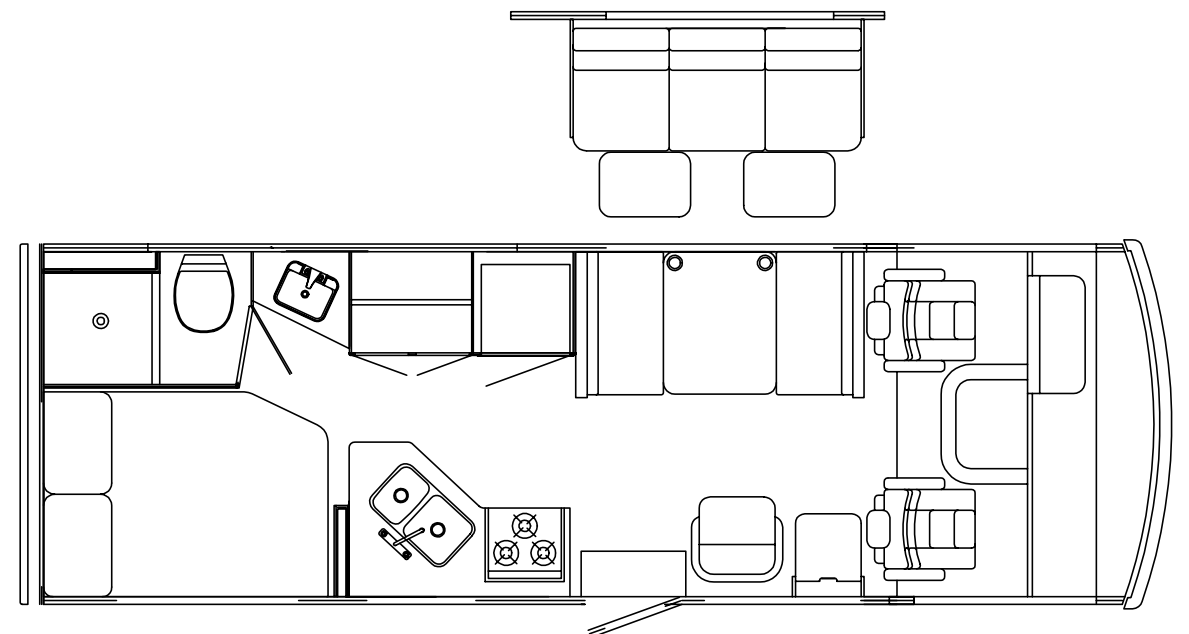
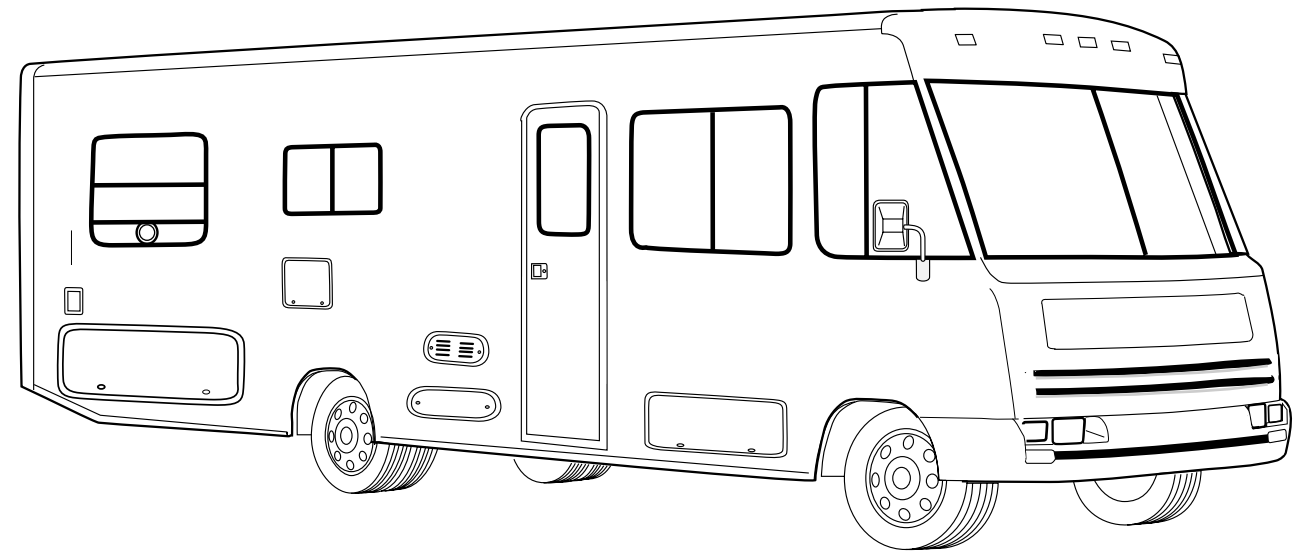
MOTOR SPORT

G13

COPPER CANYON (COPPER)

G14

SAVANNAH (SAND)



**ACCESSORIES GROUP
OPERATOR MANUAL**

KEY	PART NUMBER	U/M	DESCRIPTION
	054185-D9-000	EA	MANUAL-OPERATOR, 1996 BRAVE
	092318-01-000	EA	BINDER - 3 RING, MOTOR HOME MANUAL
	092319-01-000	EA	POCKET PAGE - 3 RING BINDER, PLASTIC
	117907-01-000	DW	TOP LEVEL DRAWING-F, 1996

**AUDIO VIDEO GROUP
PATIO ENTERTAINMENT CENTER**

KEY	PART NUMBER	U/M	DESCRIPTION
	110469-01-000	EA	SPEAKER - 4" X 6", OVAL - MAGNADYNE F46XB-12
	110470-01-01A	EA	GRILLE-SPEAKER, OVAL - 4" X 6" - BLACK - MAGNADYNE G46WI
	077069-02-000	EA	CABLE-ANTENNA, RADIO - EXTENSION 96" - ARA 6700667
	090944-01-000	EA	ANTENNA-RADIO, 16" RUBBER
	109889-04-000	EA	ANTENNA-SHAFT EXTENDER, 3" - MAGNADYNE RV71EX3
	087683-03-000	EA	RADIO-AM/FM STEREO W/CASSETTE - AUDIOVOX RS-100
	108847-01-000	EA	BRACKET-ANTENNA GROUND

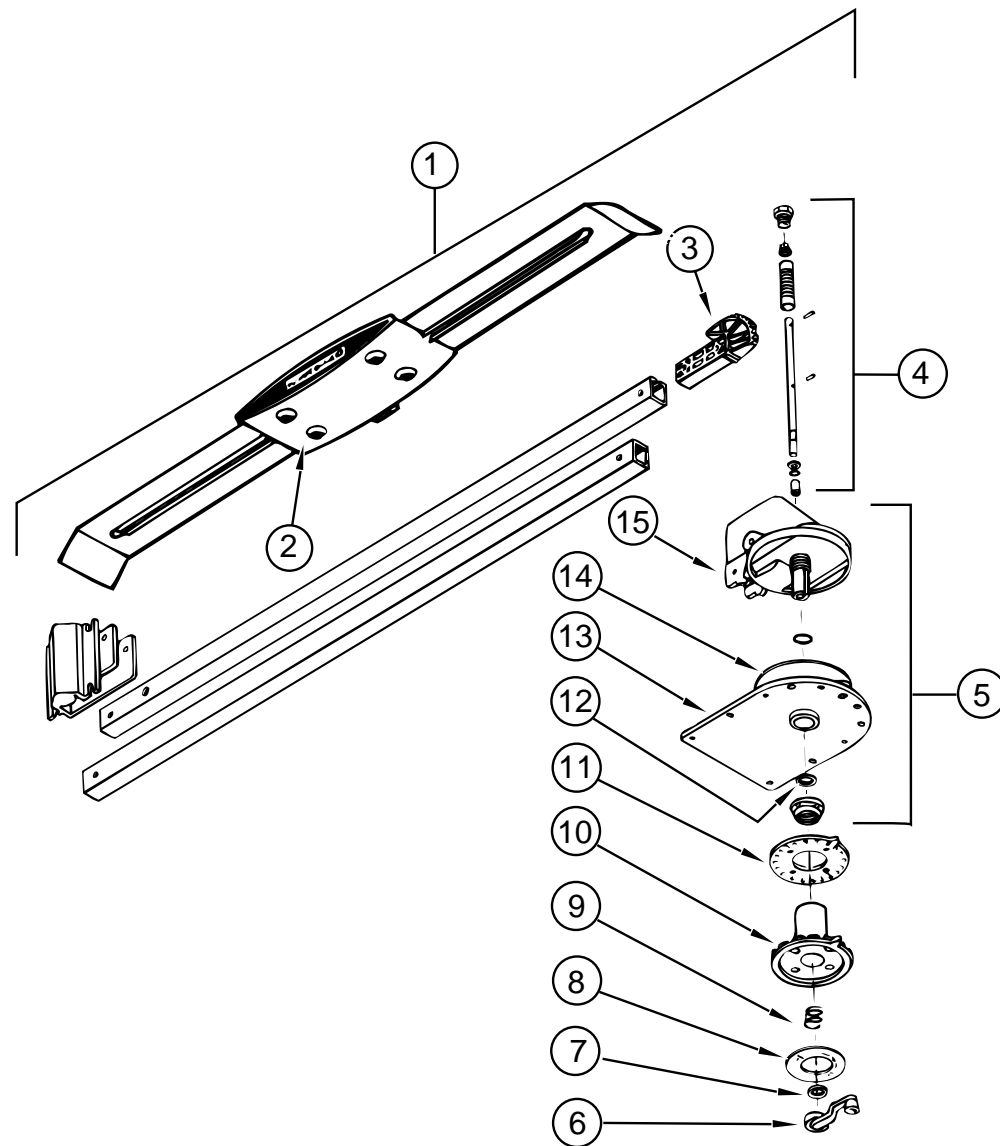
RADIO SYSTEM, CD PLAYER & ANTENNA

KEY	PART NUMBER	U/M	DESCRIPTION
	110267-03-000	EA	RADIO-AM/FM STEREO, CASSETTE - AUDIOVOX IM-400
	097460-08-000	EA	RADIO-AM/FM STEREO, CASSETTE - SONY XR-1700 EUROPEAN EXPORT OPTION
	116148-02-000	EA	RADIO-AM/FM STEREO, CD PLAYER - CLARION RDB515F
	077069-02-000	EA	CABLE-ANTENNA, RADIO - EXTENSION 96" - ARA 6700667
	090944-01-000	EA	ANTENNA-RADIO, 16" RUBBER
	081059-02-000	EA	WIRE ASM - 9-PIN, RADIO - AUDIOVOX 112B-1761
	089340-02-000	EA	GRILLE-SPEAKER, 6.5" SQUARE
	089340-03-000	EA	SPACER-GRILLE, 6.5" SQUARE - TAN - MAGNADYNE G514
	094097-01-000	EA	SPEAKER-RADIO, W/O GRILLE - 5.25" DIA - AUDIOVOX 110C3030
	110469-01-000	EA	SPEAKER - 4" X 6", OVAL - MAGNADYNE F46XB-12
	110470-01-01A	EA	GRILLE-SPEAKER, OVAL - 4" X 6" - BLACK - MAGNADYNE G46WI

CB ANTENNA

KEY	PART NUMBER	U/M	DESCRIPTION
	105248-01-000	EA	ANTENNA-CB, ADVANCE 8604
	115916-01-01B	EA	BRACKET-ANTENNA MOUNT, STEP SHAPED - 3" X 6" - STEEL

AUDIO VIDEO GROUP (CONTINUED)



WINEGARD TV ANTENNA

KEY	PART NUMBER	U/M DESCRIPTION	VENDOR NO.
1	076319-18-000	EA ANTENNA-TV, ROOF MOUNT WI-0094	
2	076319-01-700	EA HEAD-ANTENNA, AMPLIFIED	RVSA U/V
3	076319-01-701	EA GEAR-ELEVATING, PLASTIC	2200046
4	076319-01-702	EA SHAFT ASM-ELEVATING	RVP-400A
5	076319-01-711	EA BASE & LIFT ASM	2762802
6	076319-01-706	EA CRANK-ELEVATING, W/SET SCREW	5755100
7	076319-01-705	EA GROMMET-NYLON, 7/8"ID	3200658
8	076319-01-708	EA CRANK COVER DECAL	5413002
9	076319-01-707	EA SPRING-HANDLE	5160800
10	076319-01-709	EA PLATE-DIRECTIONAL, FOR HEAD	3200644
11	076319-01-712	EA PLATE-CEILING	3200608
12	076319-01-704	EA BEARING-NYLON, 1.25"OD	3200657
13	076319-01-713	EA PLATE-BASE, STEEL	3100523
14	076319-01-703	EA BEARING-NYLON, 5"OD	3200656
15	076319-01-714	EA HOUSING, ROTATING GEAR	2200049

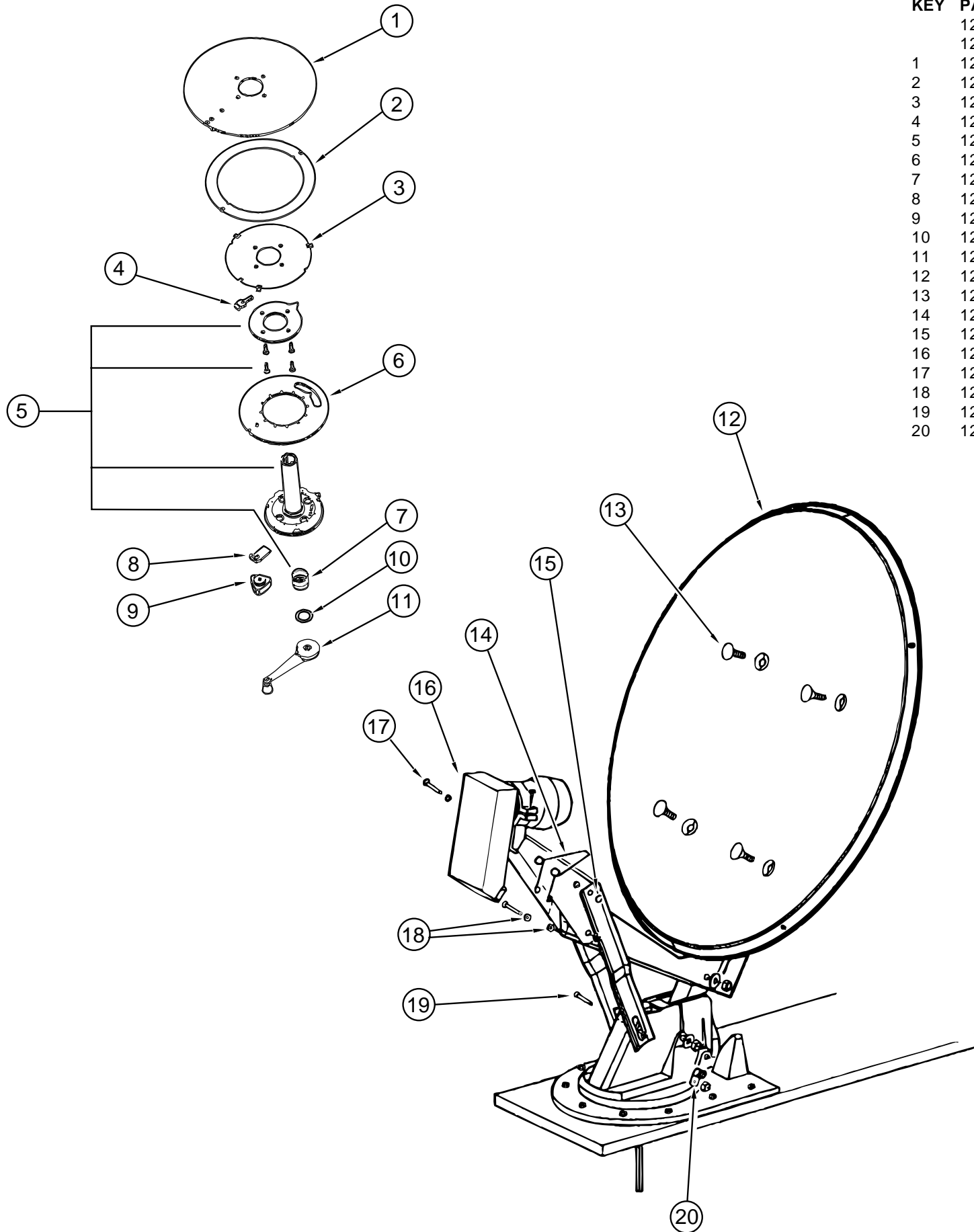
AUDIO VIDEO GROUP (CONTINUED)
TV CABLE, CONNECTORS, & WALLPLATES

KEY	PART NUMBER	U/M DESCRIPTION
	076319-03-000	FT CABLE-COAXIAL, 75 OHM
	076319-06-000	EA ADAPTER-CABLE ROOF PLATE, WINEGARD RPJ-1
	076319-08-000	EA WALLPLATE-CABLE RECEPTACLE, TV - SINGLE - IVORY - BEDROOM
	076319-09-000	EA WALLPLATE-CABLE RECEPTACLE, TV - SINGLE - BROWN - PATIO OPTION
	076319-12-000	EA CONNECTOR-COAXIAL, ONE PIECE
	082134-01-000	EA ADAPTER-TV, CABLE TO CABLE - WINEGARD F-81M
	086756-01-000	EA SPLITTER-TV, 2 WAY
	086777-01-000	EA PLATE-WALL, TV CABLE W/ANTENNA SWITCH - IVORY - WINEGARD RV-0710
	086777-05-000	EA PLATE-WALL, ANTENNA - 1 OUTPUT - IVORY - WINEGARD RV-0921
	093901-03-000	EA PLATE-COAXIAL CABLE, CABLE TV INPUT
	082136-01-000	EA NUT-HEX JAM, 3/8-32, WINEGARD
	114870-02-000	EA PLUG ASM - 3.5 MM AUDIO W/LEADS - OW - DONALD 35-P8

TV, VCR & CONTROL CENTER

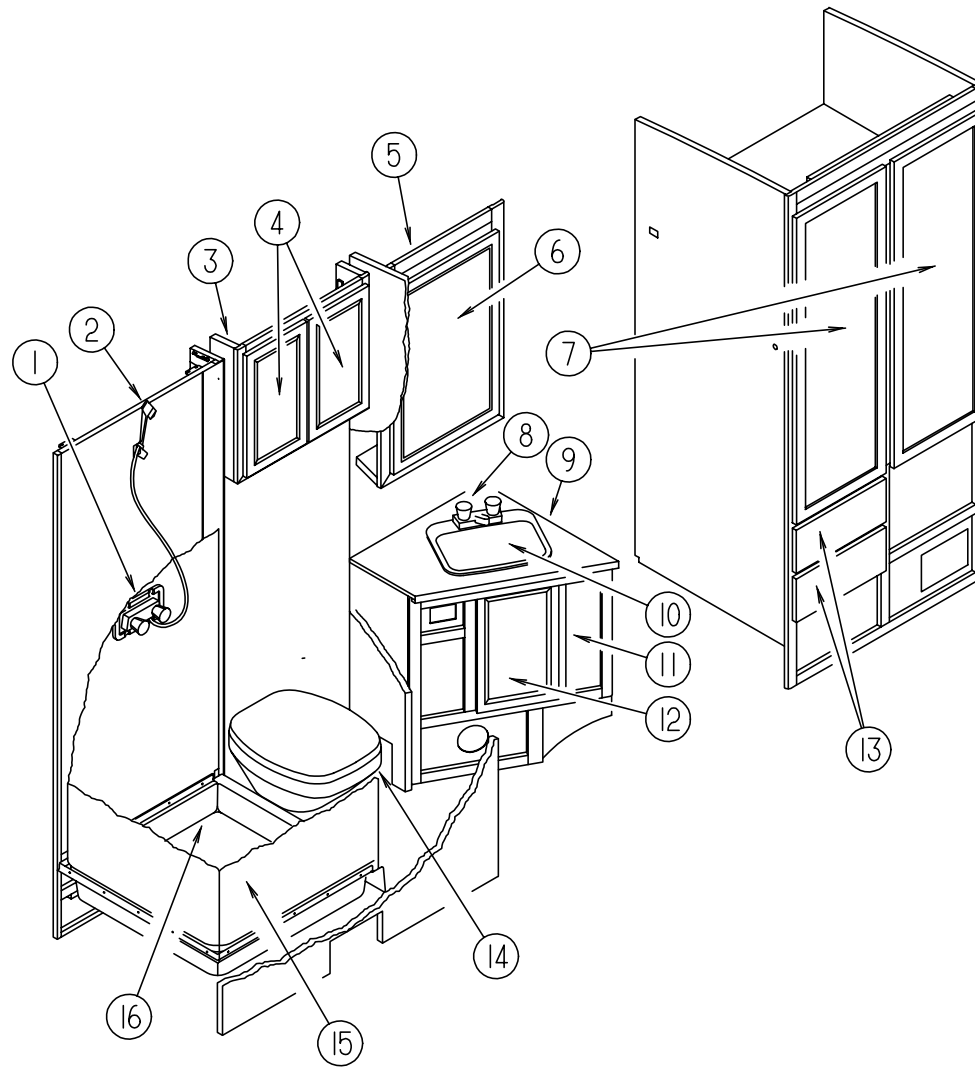
KEY	PART NUMBER	U/M DESCRIPTION	VENDOR NO.
	113684-01-000	EA TV - 19", COLOR - U.S. & CSA - AUDIOVOX AVT-1975	
	113684-01-700	EA REMOTE-TV, AUDIOVOX	8822345
	119120-01-000	EA VCR-VHS, CABLE READY - REMOTE - AUDIOVOX AVR-1075	
	119120-01-700	EA REMOTE F/MODEL #AVR-1075 - AUDIOVOX	8874570
	098819-01-000	EA SPEAKER - 2 WATT, 8 OHM - 4"	
	093214-01-02A	EA GRILLE-SPEAKER, 4" - BROWN	
	086757-03-000	EA CONTROL CENTER-SWITCH, VCR/TV - MAGNADYNE VCS-6	

AUDIO VIDEO GROUP (CONTINUED)
WINEGARD SATELLITE TV ANTENNA



KEY	PART NUMBER	U/M	DESCRIPTION	VENDOR NO.
	120233-02-000	EA	ANTENNA-SATELLITE W/RECEIVER RD-1046	
	120233-01-000	EA	ANTENNA-SATELLITE DSS RD-4600	
1	120233-01-700	EA	PLATE-FIXED	3750821
2	120233-01-701	EA	DIAL-DIRECTIONAL	2745056
3	120233-01-702	EA	PIVOT-DIAL-DIRECTIONAL	2745058
4	120233-01-703	EA	STOP-ROTATION	3711281
5	120233-01-704	EA	PLATE-CEILING W/DIRECTIONAL HANDLE	RP-6300
6	120233-01-705	EA	PLATE-ROTATE	3750820
7	120233-01-706	EA	SPRING	RP-6822
8	120233-01-707	EA	CLAMP-ROTATE	3711280
9	120233-01-708	EA	KNOB-CLAMP	160822
10	120233-01-709	EA	WASHER-NYLON	RP-2658
11	120233-01-710	EA	HANDLE-CRANK	RP-6795
12	120233-01-711	EA	REFLECTOR - 46 CM	2745304
13	120233-01-712	EA	BOLT-FLAT HEAD	2160253
14	120233-01-713	EA	SPRING	2160820
15	120233-01-714	EA	CLIP-E	5160818
16	120233-01-715	EA	RCA LNB	278015
17	120233-01-716	EA	PIN	2160814
18	120233-01-717	EA	BEARING-NYLON	2200728
19	120233-01-718	EA	PIN	5160817
20	120233-01-719	EA	CLAMP-CABLE	2200060

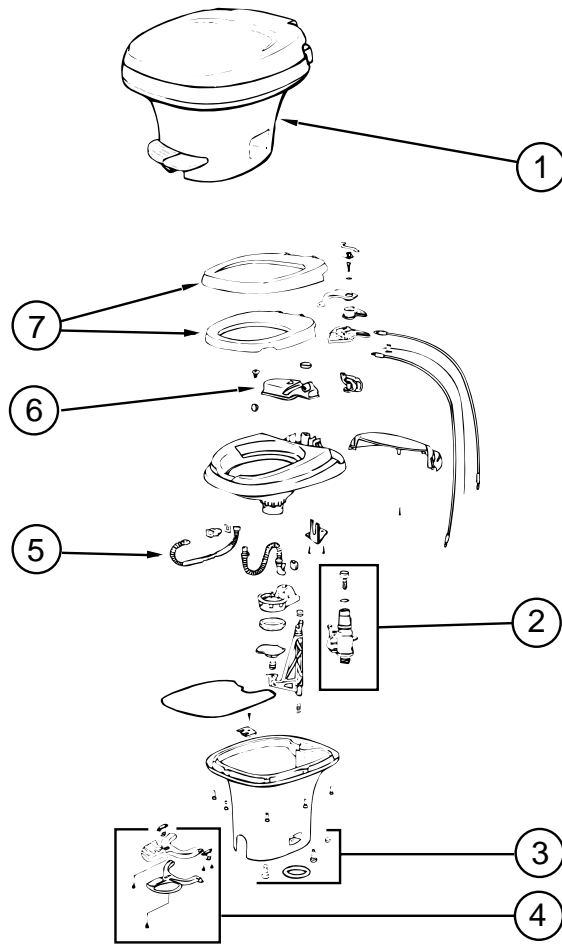
BATH GROUP
BATHROOM CABINET & COMPONENTS



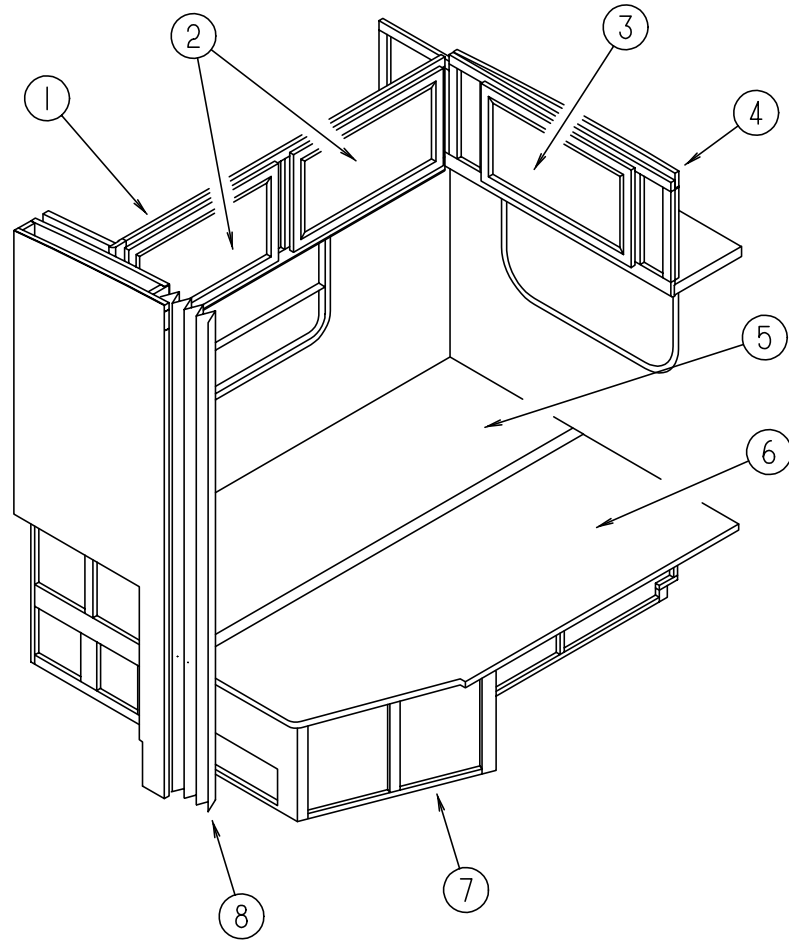
KEY	PART NUMBER	U/M	DESCRIPTION	VENDOR NO.
1	075241-05-000	EA	FAUCET-SHOWER, BONE	
	075606-01-000	EA	PANEL-FAUCET BACK, SHOWER - 5" X 9" - PLASTIC	
2	103092-01-000	EA	SHOWER HEAD-W/60 IN HOSE - U.S.	
	103092-02-000	EA	SHOWER HEAD-W/HOSE - CANADIAN	
	103092-01-700	EA	BRACKET ONLY-CLEAR, F/SHOWER HEAD - BPC	2328028
	103092-01-702	EA	SEALS-SPRAY HEAD	24466
	011048-03-700	EA	BRACKET/F SHOWER HEAD - BPC	2328029-3
3	102851-01-G09	EA	CABINET-STORAGE, BATH - W/O DOORS	
4	M06803-06-G09	EA	DOOR-W/MIRROR - W/O HARDWARE - 285 MM X 500 MM (G09/G10/G11/G12)	
4	M06803-06-G13	EA	DOOR-W/MIRROR - W/O HARDWARE - 285 MM X 500 MM (G13/G14)	
4	M06803-87-G09	EA	DOOR-W/MIRROR - W/O HARDWARE - 285 MM X 500 MM (G09/G10/G11) EXPORT UPGRADE OPTION	
5	118964-01-G09	EA	CABINET-MEDICINE	
6	115237-01-G01	EA	DOOR-MIRRORED, 500 MM X 750 MM	
7	M06803-N1-G09	EA	DOOR-WARDROBE, W/O HARDWARE - 350 MM X 1370 MM (G09/G10/G11/G12)	
7	M06803-N1-G13	EA	DOOR-WARDROBE, W/O HARDWARE - 350 MM X 1370 MM (G13/G14)	
8	075240-06-000	EA	FAUCET-LAVATORY, BONE	
	091253-01-000	EA	GASKET-FAUCET, LAVATORY/GALLEY	
9	118963-14-G09	EA	COUNTERTOP ASM	
9	118963-14-G10	EA	COUNTERTOP ASM	
9	118963-14-G11	EA	COUNTERTOP ASM	
9	118963-15-G12	EA	COUNTERTOP ASM	
9	118963-15-G13	EA	COUNTERTOP ASM	
9	118963-15-G14	EA	COUNTERTOP ASM	
10	096927-01-01A	EA	SINK-LAVATORY, RECTANGULAR - PLASTIC - BONE	
	096927-01-700	EA	SINK-STOPPER	
	096927-01-701	EA	TAILPIECE-SINK	
11	P18963-01-G09	EA	CABINET ASM-LAVATORY, W/O DOORS OR HARDWARE	
11	P18963-01-G10	EA	CABINET ASM-LAVATORY, W/O DOORS OR HARDWARE	
11	P18963-01-G11	EA	CABINET ASM-LAVATORY, W/O DOORS OR HARDWARE	
11	P18963-02-G12	EA	CABINET ASM-LAVATORY, W/O DOORS OR HARDWARE	
11	P18963-02-G13	EA	CABINET ASM-LAVATORY, W/O DOORS OR HARDWARE	
11	P18963-02-G14	EA	CABINET ASM-LAVATORY, W/O DOORS OR HARDWARE	
12	M06803-25-G09	EA	DOOR-W/O HARDWARE, 305 MM X 475 MM (G09/G10/G11/G12)	
12	M06803-25-G13	EA	DOOR-W/O HARDWARE, 305 MM X 475 MM (G13/G14)	
13	M05971-S1-G09	EA	DRAWER-CABINET, W/O HARDWARE	
14	067487-02-000	EA	TOILET-AQUA MAGIC IV, LOW	
15	102046-01-01A	EA	SURROUND-SHOWER - OFF WHITE	
	113714-02-01A	EA	RETAINER-SHELF, SHOWER 306 MM X 25 MM - PLASTIC - OFF WHITE	
16	M02429-10-000	EA	PAN-SHOWER	
	066436-01-000	EA	NUT-SLIP, TAILPIECE - 1.5"	
	057671-01-000	EA	COVER-SCREW, #8 - PLASTIC - OFF WHITE	
	075452-02-000	EA	HOLDER-TOILET TISSUE, BRASS	
	100357-01-000	EA	ROD-TOWEL, BRASS W/ENDS BENT FOR BACK OF BATH DOOR	
	102089-14-G09	EA	WOOD RAIL - TOWEL RACK - LEFT SIDE - 26" LONG	
	102089-13-G09	EA	WOOD RAIL - TOWEL RACK - RIGHT SIDE - 26" LONG	
	075454-02-000	EA	RING-TOWEL, W/MOUNTING HARDWARE - BRASS	
	M87868-10-G09	EA	DOOR-BATH	
	094485-03-01A	EA	KNOB-DOOR, BRASS - THUNADER L132PB	
	102920-01-01A	EA	HINGE-DOOR, SPRING LOADED - BRASS	

BATH GROUP (CONTINUED)
AQUA MAGIC IV - LOW - FOOT FLUSH TOILET

KEY	PART NUMBER	U/M	DESCRIPTION	VENDOR NO.
1	067487-02-000	EA	TOILET-AQUA MAGIC IV - LOW - FOOT FLUSH	
2	063740-01-714	EA	VALVE ASM-WATER, THETFORD	12492
3	063740-01-706	EA	BOLT PACKAGE-CLOSET, THETFORD	12524
4	067487-02-701	EA	PEDAL PACKAGE (FOOT FLUSH) - THETFORD	20821
5	063740-01-717	EA	TUBE-FLUSH, TOILET - THETFORD	12509
6	063740-02-701	EA	RESERVOIR (TANK ASSEMBLY), THETFORD	24630
7	063740-02-700	EA	SEAT & COVER, PARCHMENT - THETFORD	20829

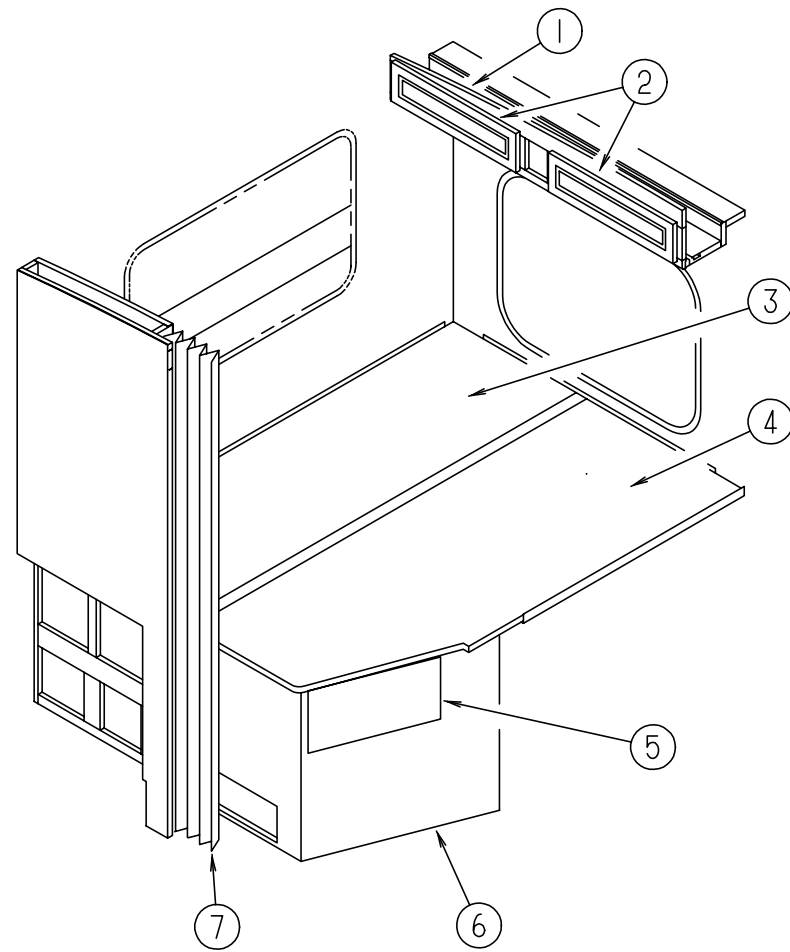


BEDROOM GROUP
DOUBLE BEDROOM CABINETS



KEY	PART NUMBER	U/M	DESCRIPTION
1	116151-01-G09	EA	CABINET-OVERHEAD, W/O DOORS OR HARDWARE
2	M06803-02-G09	EA	DOOR-W/O HARDWARE - 400 MM X 710 MM (G09/G10/G11/G12)
2	M06803-02-G13	EA	DOOR-W/O HARDWARE - 400 MM X 710 MM (G13/G14)
2	M06803-82-G13	EA	DOOR-W/O HARDWARE - 400 MM X 710 MM (G13/G14) DECORATOR DOOR OPTION - RAISED PANEL
2	M06803-K3-G09	EA	DOOR-W/O HARDWARE - 400 MM X 710 MM (G09/G10/G11) EXPORT UPGRADE OPTION - RAISED PANEL
3	M06803-13-G09	EA	DOOR-W/O HARDWARE W/MIRROR - 400 MM X 710 MM (G09/G10/G11/G12)
3	M06803-13-G13	EA	DOOR-W/O HARDWARE W/MIRROR - 400 MM X 710 MM (G13/G14)
3	M06803-02-G09	EA	DOOR-W/O HARDWARE W/O MIRROR - 400 MM X 710 MM (G09/G10/G11/G12) DECORATOR DOOR OPTION - FLAT PANEL
3	M06803-02-G13	EA	DOOR-W/O HARDWARE W/O MIRROR - 400 MM X 710 MM (G13/G14) DECORATOR DOOR OPTION - FLAT PANEL
3	M06803-82-G13	EA	DOOR-W/O HARDWARE W/O MIRROR - 400 MM X 710 MM (G13/G14) DECORATOR DOOR OPTION - RAISED PANEL
3	M06803-K3-G09	EA	DOOR-W/O HARDWARE - 400 MM X 710 MM (G09/G10/G11) EXPORT UPGRADE OPTION - RAISED PANEL
4	103273-01-G09	EA	CABINET-OVERHEAD, W/O DOOR OR HARDWARE
4	103273-01-G10	EA	CABINET-OVERHEAD, W/O DOOR OR HARDWARE
4	103273-01-G11	EA	CABINET-OVERHEAD, W/O DOOR OR HARDWARE
4	103273-01-G12	EA	CABINET-OVERHEAD, W/O DOOR OR HARDWARE
4	103273-01-G13	EA	CABINET-OVERHEAD, W/O DOOR OR HARDWARE
4	103273-01-G14	EA	CABINET-OVERHEAD, W/O DOOR OR HARDWARE
5	M04169-11-G09	EA	DOUBLE BED TOP (G09)
5	M04169-11-G10	EA	DOUBLE BED TOP (G10/G12)
5	M04169-11-G11	EA	DOUBLE BED TOP (G11)
5	M04169-11-G13	EA	DOUBLE BED TOP (G13)
5	M04169-11-G14	EA	DOUBLE BED TOP (G14)
6	M04169-12-000	EA	DOUBLE BED TOP
	089076-08-000	EA	SUPPORT-BED, H-CHANNEL - 1.96" X 72.7" - ALUMINUM - OFF WHITE
7	P18965-01-G09	EA	CABINET-DOUBLE BED W/O TOPS
8	042488-10-000	EA	DOOR-FOLDING, FABRIC - 37" X 75" - OFF WHITE
	080224-01-703	EA	HANDLE-LATCH & CATCH, ALMOND NE03505
	080224-01-705	EA	CATCH & LATCH ASM., ALMOND - DE25010 & DE25020
	094856-06-02A	EA	TRACK-FOLDING DOOR, 37.6" - OFF WHITE

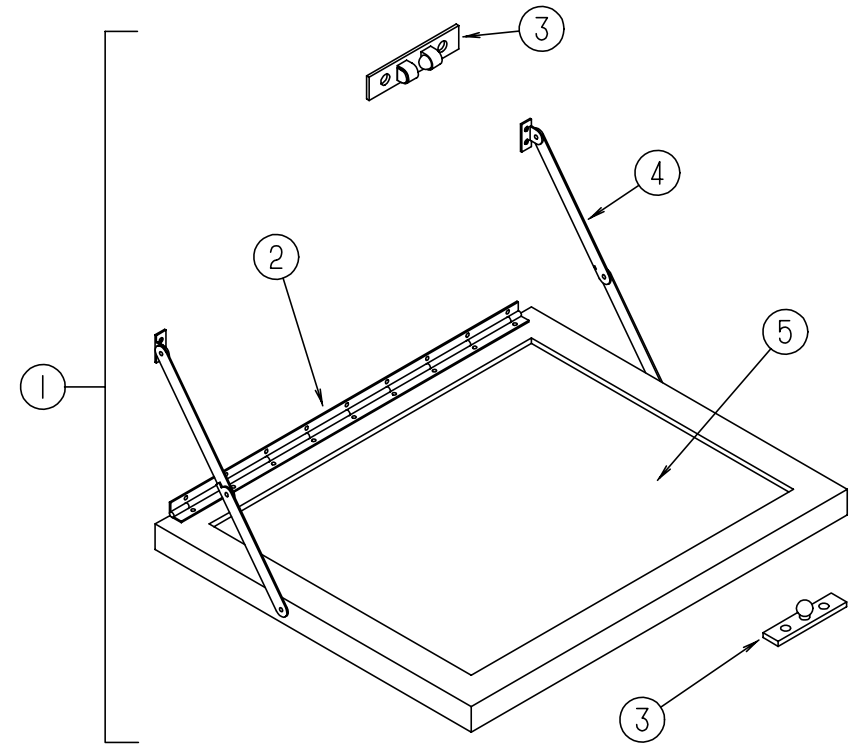
BEDROOM GROUP (CONTINUED)



DOUBLE BEDROOM CABINETRY - RAISED BED OPTION

KEY	PART NUMBER	U/M	DESCRIPTION
1	119485-01-G09	EA	CABINET-OVERHEAD, W/O DOORS OR HARDWARE
2	M05992-G3-G09	EA	DOOR-W/O HARDWARE - 160 MM X 590 MM (G09/G10/G11/G12)
2	M05992-G3-G13	EA	DOOR-W/O HARDWARE - 160 MM X 590 MM (G13/G14)
3	M04169-18-G09	EA	DOUBLE BED TOP - RAISED BED OPTION (G09)
3	M04169-18-G10	EA	DOUBLE BED TOP - RAISED BED OPTION (G10/G12)
3	M04169-18-G11	EA	DOUBLE BED TOP - RAISED BED OPTION (G11)
3	M04169-18-G13	EA	DOUBLE BED TOP - RAISED BED OPTION (G13)
3	M04169-18-G14	EA	DOUBLE BED TOP - RAISED BED OPTION (G14)
4	M04169-17-G09	EA	DOUBLE BED TOP - RAISED BED OPTION (G09)
4	M04169-17-G10	EA	DOUBLE BED TOP - RAISED BED OPTION (G10/G12)
4	M04169-17-G11	EA	DOUBLE BED TOP - RAISED BED OPTION (G11)
4	M04169-17-G13	EA	DOUBLE BED TOP - RAISED BED OPTION (G13)
4	M04169-17-G14	EA	DOUBLE BED TOP - RAISED BED OPTION (G14)
	089076-08-000	EA	SUPPORT-BED, H-CHANNEL - 1.96" X 72.7" - ALUMINUM - OFF WHITE
5	M06803-07-G09	EA	DOOR-W/O HARDWARE - 255 MM X 485 MM (G09/G10/G11/G12) FROM: 09-17-95 THRU: 99-99-99
5	M06803-07-G13	EA	DOOR-W/O HARDWARE - 255 MM X 485 MM (G13/G14) FROM: 09-17-95 THRU: 99-99-99
6	P19360-01-G09	EA	CABINET-DOUBLE BED W/O TOPS - RAISED BED OPTION
7	042488-10-000	EA	DOOR-FOLDING, FABRIC - 37" X 75" - OFF WHITE
	080224-01-703	EA	HANDLE-LATCH & CATCH, ALMOND NE03505
	080224-01-705	EA	CATCH & LATCH ASM., ALMOND - DE25010 & DE25020
	094856-06-02A	EA	TRACK-FOLDING DOOR, 37.6" - OFF WHITE

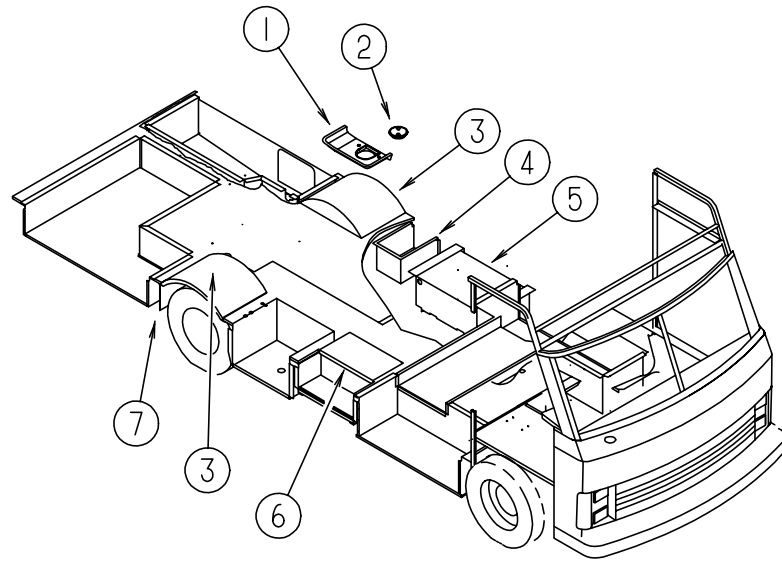
BEDROOM GROUP (CONTINUED)



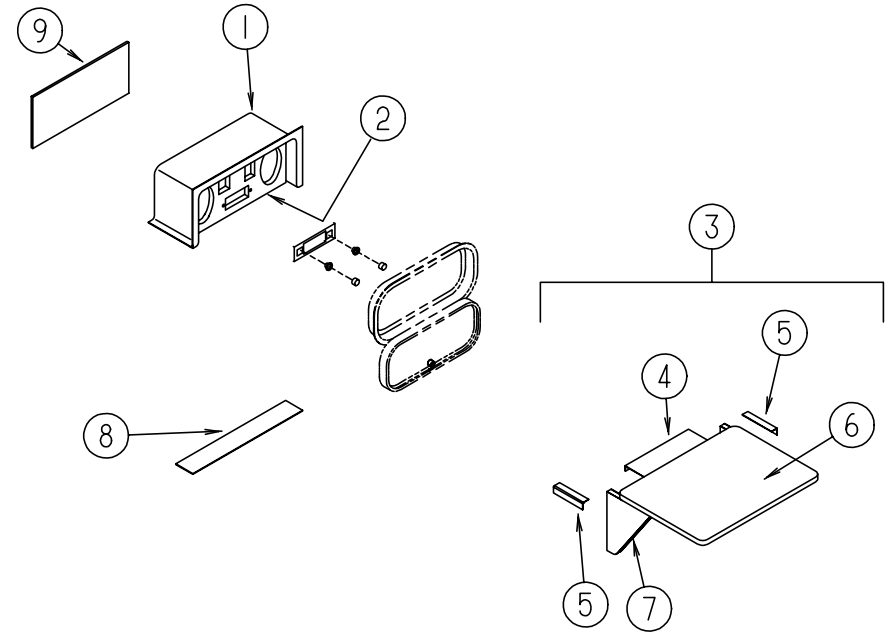
TV STAND

KEY	PART NUMBER	U/M	DESCRIPTION
1	084357-02-G09	EA	STAND-FOLD DOWN, TV - W/MIRROR FROM: 00-00-00 THRU: 08-20-95
1	084357-01-G04	EA	STAND-FOLD DOWN, TV - W/MIRROR FROM: 08-21-95 THRU: 99-99-99
2	084413-01-000	EA	HINGE-CONTINUOUS, W/HOLES
3	084451-01-000	EA	CATCH-TV SHELF, BRASS
4	084412-01-000	EA	SUPPORT-HINGED (PAIR)
5	084356-08-000	EA	INSERT-TV STAND, W/SUPPORT HINGE - METAL - OFF WHITE FROM: 00-00-00 THRU: 08-20-95
5	084356-07-000	EA	INSERT-TV STAND, W/SUPPORT HINGE - METAL - OFF WHITE FROM: 08-21-95 THRU: 99-99-99
5	058331-14-000	EA	MIRROR-GLASS, SAFETY - 14" X 12.7" FROM: 00-00-00 THRU: 08-20-95
5	058331-10-000	EA	MIRROR-GLASS, SAFETY - 14" X 17" FROM: 08-21-95 THRU: 99-99-99

CHASSIS GROUP



CHASSIS GROUP (CONTINUED)



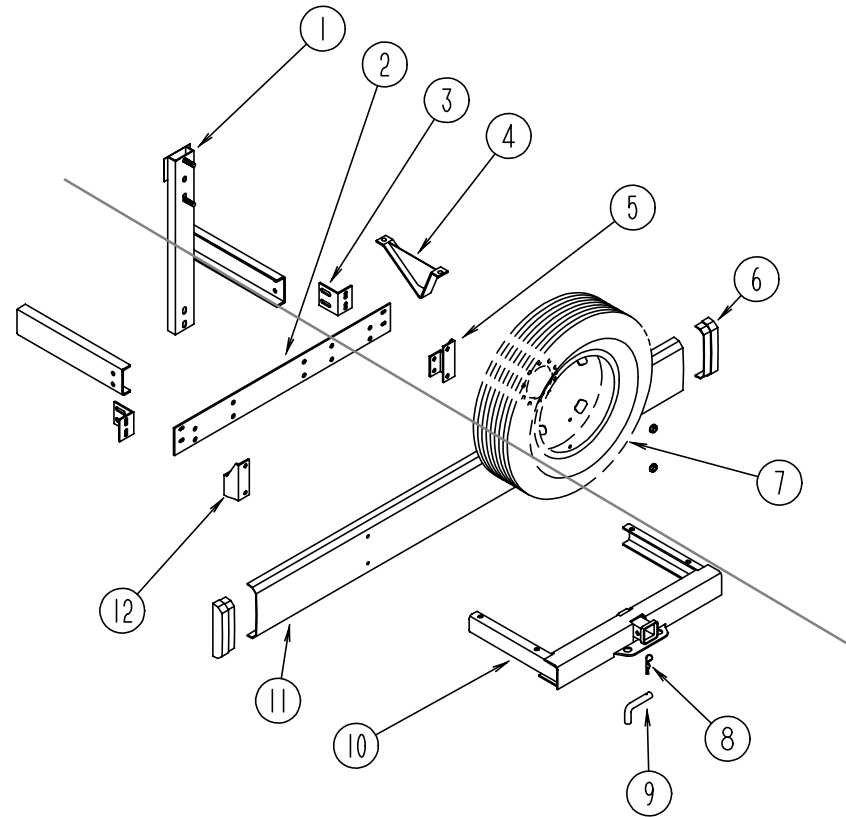
COMPARTMENTS & WHEELWELLS

KEY	PART NUMBER	U/M	DESCRIPTION
1	119536-01-01A	EA	COVER-VALVE, DRAINAGE - BLACK PLASTIC
2	092887-01-000	EA	HATCH-COMPARTMENT, SEWER HOSE - 6"
	092887-04-000	EA	CHAIN-TWIST CAP, 9"
3	102921-01-000	EA	WHEELWELL-PLASTIC
	106208-01-01A	EA	COMPARTMENT-EXTERIOR SHOWER, OFF WHITE PLASTIC
4	102979-04-000	EA	BOX-POWER CORD
5	114072-01-02B	EA	TRAY-STORAGE, 30.9" WIDE - E-COAT - MICROLITE GENERATOR PREP OPTION
5	114070-02-02B	EA	SUPPORT-GENERATOR, LH - 490 MM LONG - STEEL - BLACK - MICROLITE ONLY
5	114071-02-02B	EA	SUPPORT-GENERATOR, RH - 490 MM LONG - STEEL - BLACK - MICROLITE ONLY
6	077848-02-000	EA	STEP-PULLOUT
	091176-01-000	EA	SUPPORT-BASE-ENTRANCE STEP
	102569-04-000	EA	MAT-ANTI SLIP, 178 MM X 610 MM
			FROM: 07-24-95 THRU: 99-99-99
7	017516-01-000	EA	FLAP-MUD, 14" X 18" - BLACK
7	020167-05-000	EA	GUARD-DIRT, STEEL - 380 MM LONG
7	106141-01-000	EA	FLAP-MUD, W/HOLES & WINNEBAGO LOGO - BLACK - JAPAN EXPORT
	056748-01-000	EA	PLUG-CAP, 1.5" DIAMETER - BLACK
	115361-01-01A	EA	PLUG-PLASTIC, .55" DIAMETER HOLE - CAPLUG W-5

PATIO ENTERTAINMENT CENTER

KEY	PART NUMBER	U/M	DESCRIPTION
1	104897-03-01A	EA	BOX-ENTERTAINMENT CENTER - OFF WHITE
2	104899-01-C05	EA	PLATE-RADIO MOUNTING
3	105230-01-F11	EA	SHELF ASSEMBLY
4	105377-01-01A	EA	BRACKET-TABLE HANGER, OFF WHITE
5	105376-01-02A	EA	HINGE-CONTINUOUS, 2" X 140 MM - OFF WHITE
6	105230-11-E01	EA	SHELF
7	105230-12-F11	EA	SUPPORT-SHELF
8	104898-01-01A	EA	PLATE-PLASTIC, BOTTOM - 19.38" X 3.1" - OFF WHITE
9	104898-02-01A	EA	PLATE-PLASTIC, REAR - 16.1" X 6.3" - OFF WHITE

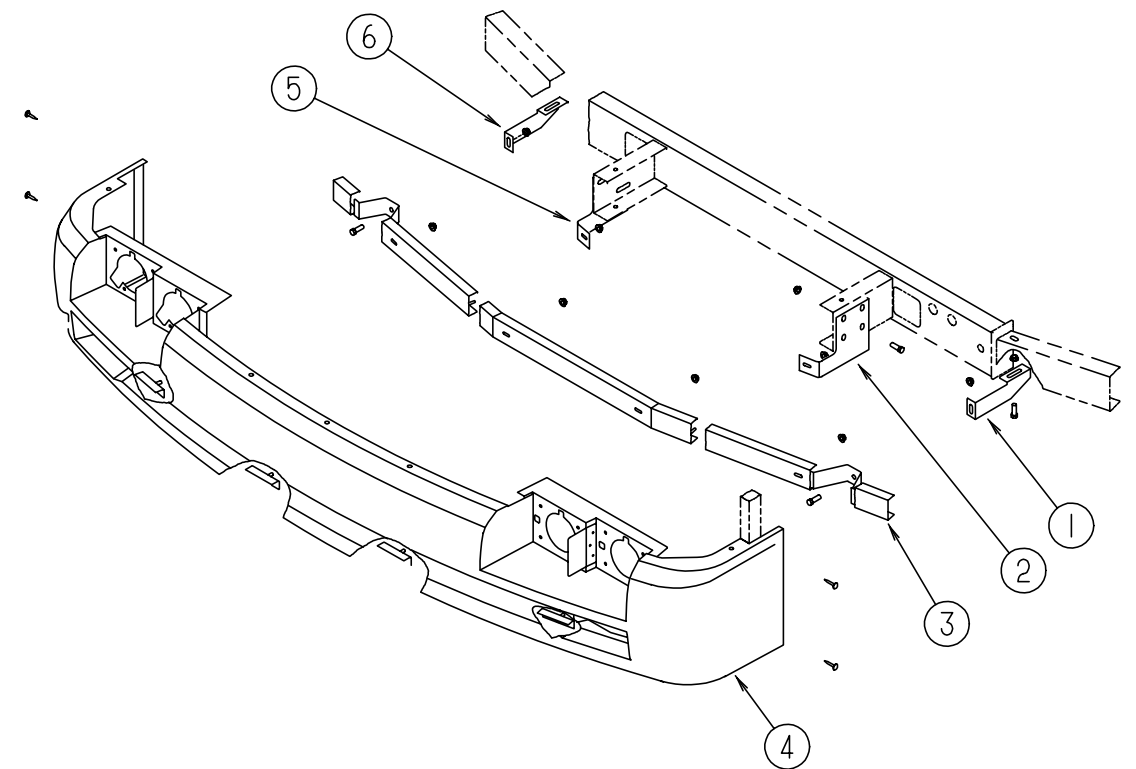
CHASSIS GROUP (CONTINUED)



REAR BUMPER, TRAILER HITCH & COMPONENTS

KEY	PART NUMBER	U/M	DESCRIPTION
1	102944-05-000	EA	BRACKET ASM-TIRE CARRIER, CHEVY
2	078678-02-000	EA	PLATE-MOUNTING, BUMPER - REAR
3	078668-01-000	EA	SUPPORT ANGLE-BUMPER, REAR
4	111742-01-000	EA	PLATE ASM-SKID
5	117950-03-02B	EA	BRACKET ASM-BUMPER, REAR - E-COAT
6	103228-01-05A	EA	CAP-END, BUMPER - REAR - DRIVER OR PASSENGER SIDE - UNPAINTED
7	091673-01-000	EA	TIRE - 225/70R19.5 LRF - MICHELIN XZA - DIESEL
7	083425-07-000	EA	TIRE - 7.50 X R16 LRD, MICHELIN XPS RIB
	051377-01-000	EA	STEM-VALVE, TR 500 - DIESEL
	051377-03-000	EA	STEM-VALVE, TRO 600HP
	077030-02-000	EA	EXTENSION-VALVE STEM, 1.25"
	089359-03-000	EA	WHEEL-STEEL, 16" X 6"K - 8 HOLE - PRIMED - GAS
8	034513-01-000	EA	PIN-HITCH, 3/16" WIRE
9	034512-01-000	EA	PIN-LOCKING, DRAWBAR
10	107707-09-000	EA	HITCH ASM W/O DRAWBAR
11	070579-09-000	EA	PLATE-ANCHOR, 45.7 MM X 38 MM - STEEL - E-COAT
12	103099-01-05A	EA	BUMPER-REAR, BUFF
13	117950-04-02B	EA	BRACKET ASM-BUMPER, REAR - E-COAT
	113589-02-000	EA	CONNECTOR-SOCKET, TRAILER - GENERAL 433601
	113589-01-000	EA	CONNECTOR-PLUG, TRAILER - GENERAL 433501

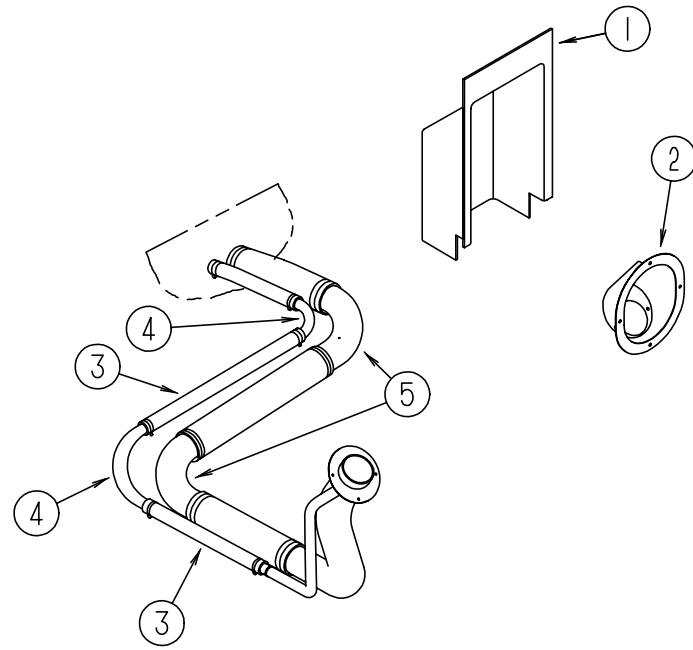
CHASSIS GROUP (CONTINUED)



FRONT BUMPER

KEY	PART NUMBER	U/M	DESCRIPTION
1	118235-02-02B	EA	SUPPORT-BUMPER, OUTER - LH
2	118234-02-02B	EA	SUPPORT-BUMPER, INNER - LH
3	103512-01-000	EA	CHANNEL ASM-BUMPER
4	118193-01-G13	EA	BUMPER ASM-FRONT
5	118234-01-02B	EA	SUPPORT-BUMPER, INNER - RH
6	118235-01-02B	EA	SUPPORT-BUMPER, OUTER - RH
	103491-02-000	EA	BRACKET ASM-LICENSE PLATE, FRONT - JAPAN OPTION

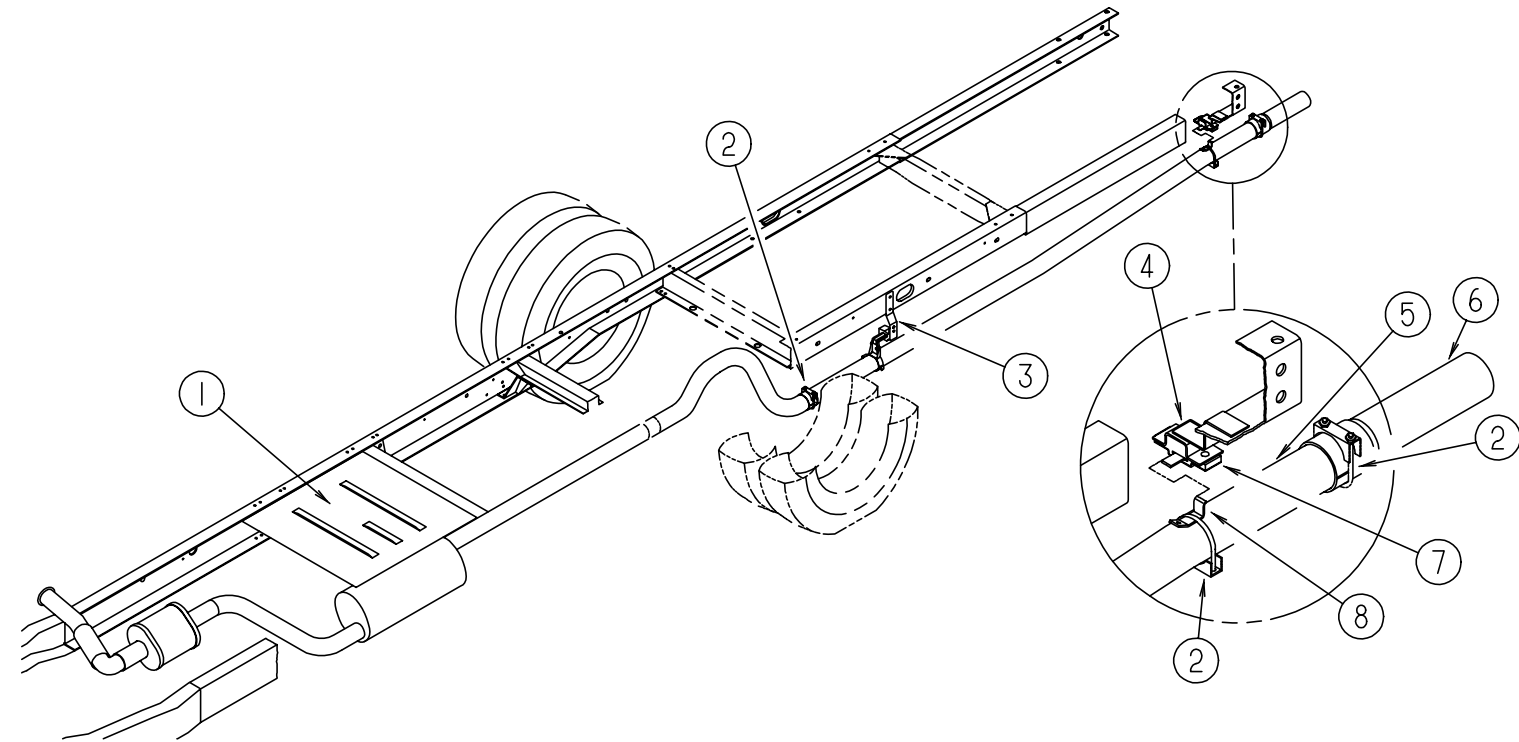
CHASSIS GROUP (CONTINUED)



FUEL SYSTEM

KEY	PART NUMBER	U/M	DESCRIPTION
1	072447-09-000	EA	SHROUD-FUEL FILL, UPPER - PLASTIC
2	095854-01-05A	EA	SHROUD-FUEL FILL, BUFF (NOT USED ON JAPAN UNITS)
3	066732-01-000	FT	HOSE-FUEL FILL, .62" ID
4	098806-01-000	EA	PIPE-FILL VENT, 90 DEGREE BEND - .625" OD - STEEL
5	098803-02-000	EA	PIPE-FUEL, FILL - 90 DEGREE BEND - 1.75" OD - STEEL
	084884-01-000	EA	PLUG-BRASS, 3/8"
	007063-01-000	FT	HOSE-GAS, 1/4" ID X 1/2" OD

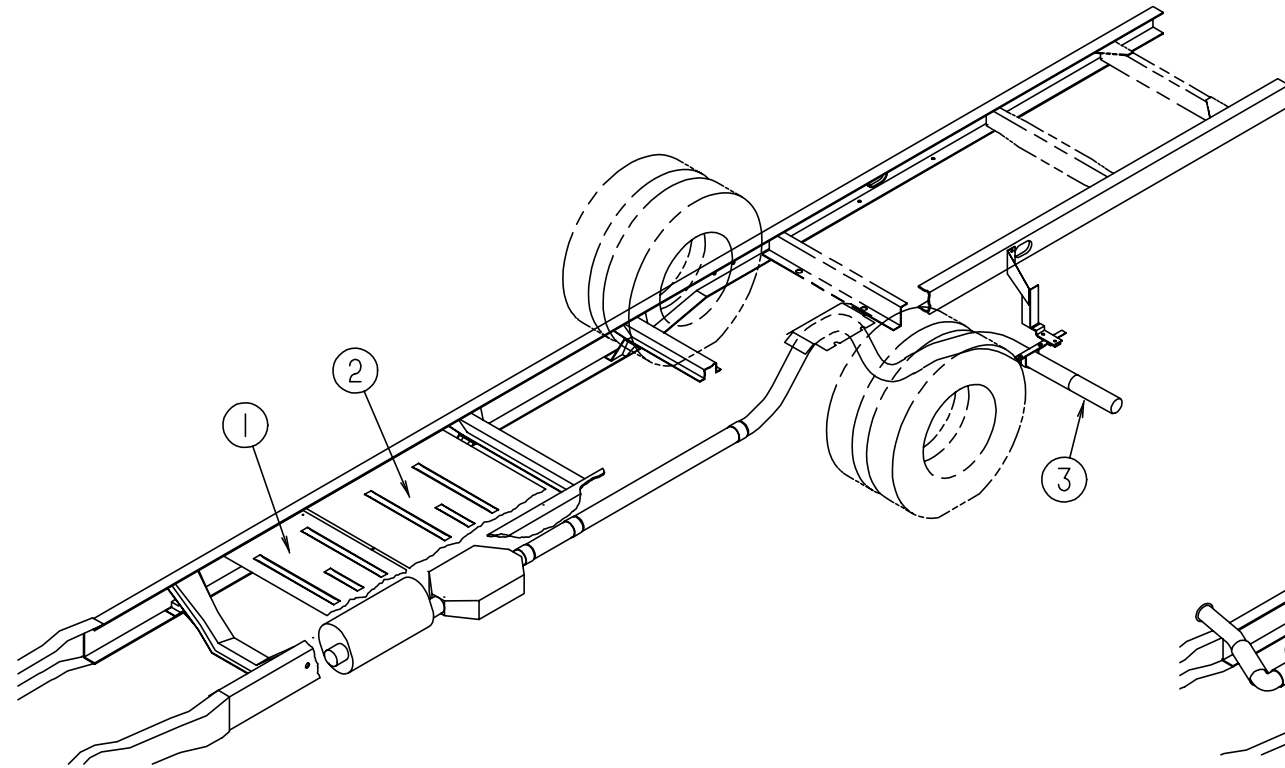
CHASSIS GROUP (CONTINUED)



EXHAUST SYSTEM - EUROPEAN & JAPAN

KEY	PART NUMBER	U/M	DESCRIPTION
1	101544-02-000	EA	SHIELD-HEAT, EXHAUST - 30" X 28.9" - STEEL
2	094918-01-000	EA	CLAMP-EXHAUST, 3" - GUILLOTINE STYLE
3	117029-01-02B	EA	HANGER-EXHAUST, 9.3" X 1.5" - STEEL
4	117380-02-02B	EA	BRACKET-EXHAUST W/WELDNUTS, UPPER - 4" X 2"
5	117048-01-000	EA	PIPE-EXHAUST, TAIL - 3" ID X 74.4"
6	098762-05-000	EA	PIPE-EXHAUST, TAIL - 3" ID X 9.1"
7	095190-01-000	EA	HANGER-EXHAUST, 4" X 1.4" - RUBBER
8	096054-04-000	EA	HANGER-EXHAUST, 5" X .8"

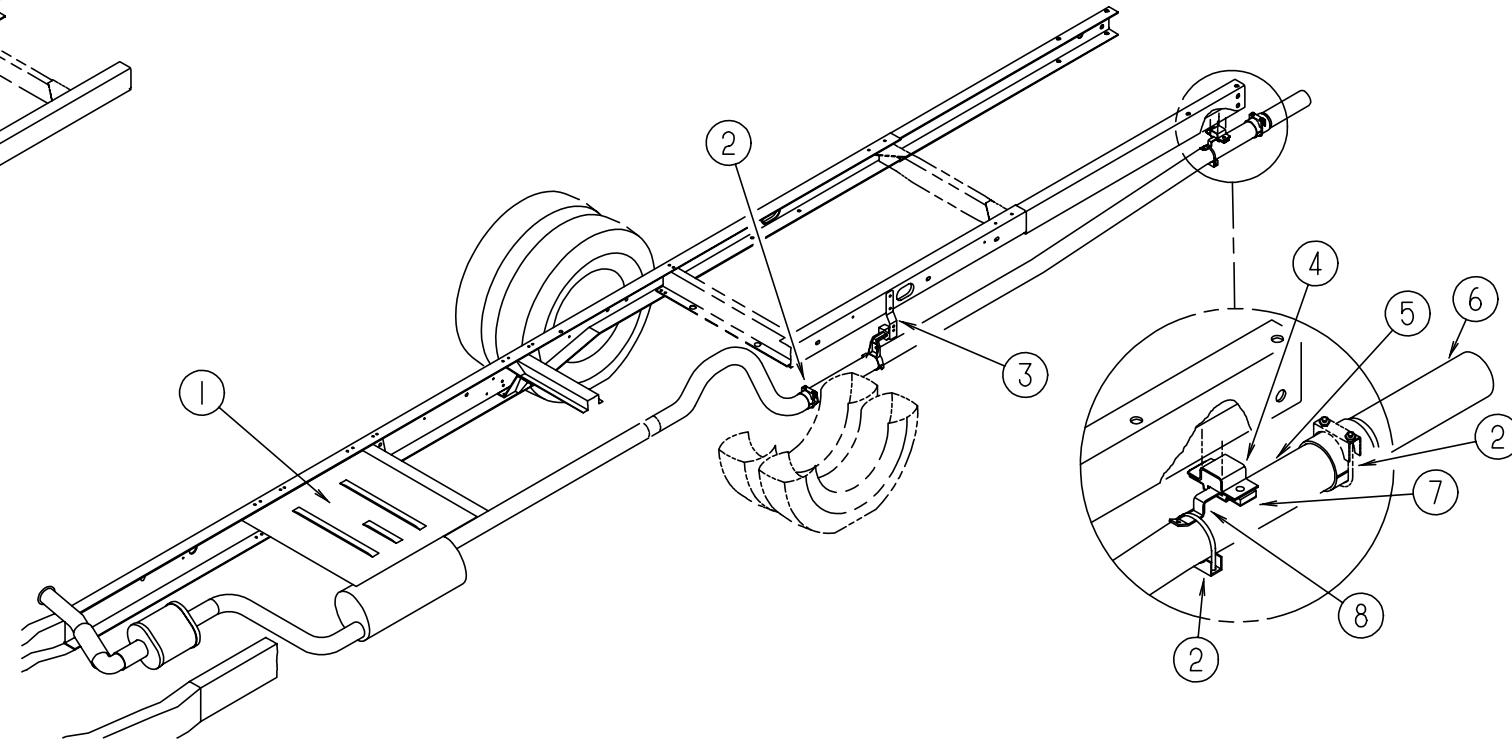
CHASSIS GROUP (CONTINUED)



EXHAUST SYSTEM - GAS

KEY	PART NUMBER	U/M	DESCRIPTION
1	101544-01-000	EA	SHIELD-HEAT, EXHAUST - 19.7" X 28.9" - STEEL
2	101544-02-000	EA	SHIELD-HEAT, EXHAUST - 30" X 28.9" - STEEL
3	098608-03-000	EA	EXTENSION-EXHAUST, TAIL - 3" OD - STAINLESS STEEL

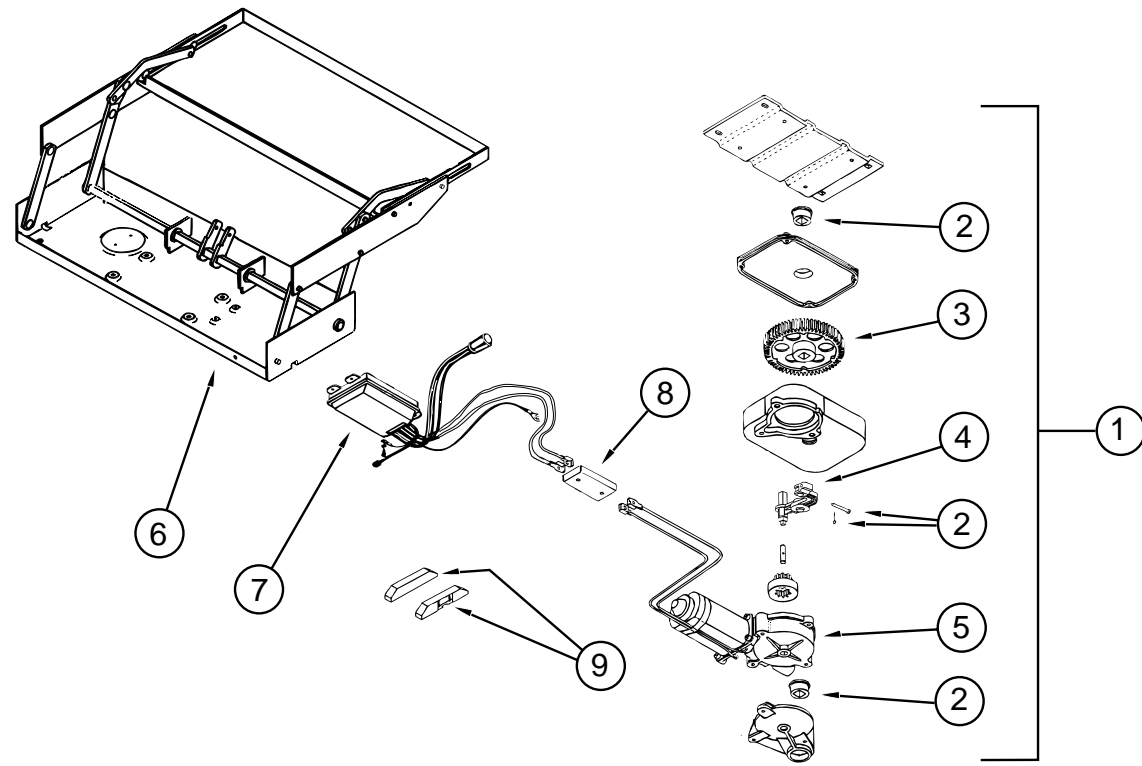
CHASSIS GROUP (CONTINUED)



EXHAUST SYSTEM - DIESEL

KEY	PART NUMBER	U/M	DESCRIPTION
1	101544-02-000	EA	SHIELD-HEAT, EXHAUST - 30" X 28.9" - STEEL
2	094918-01-000	EA	CLAMP-EXHAUST, 3" - GUILLOTINE STYLE
3	117029-01-02B	EA	HANGER-EXHAUST, 9.3" X 1.5" - STEEL
4	102116-02-000	EA	BRACKET-EXHAUST W/WELDNUTS, UPPER - 4" X 2"
5	117048-01-000	EA	PIPE-EXHAUST, TAIL - 3" ID X 74.4"
6	098762-05-000	EA	PIPE-EXHAUST, TAIL - 3" ID X 9.1"
7	095190-01-000	EA	HANGER-EXHAUST, 4" X 1.4" - RUBBER
8	096054-04-000	EA	HANGER-EXHAUST, 5" X .8"

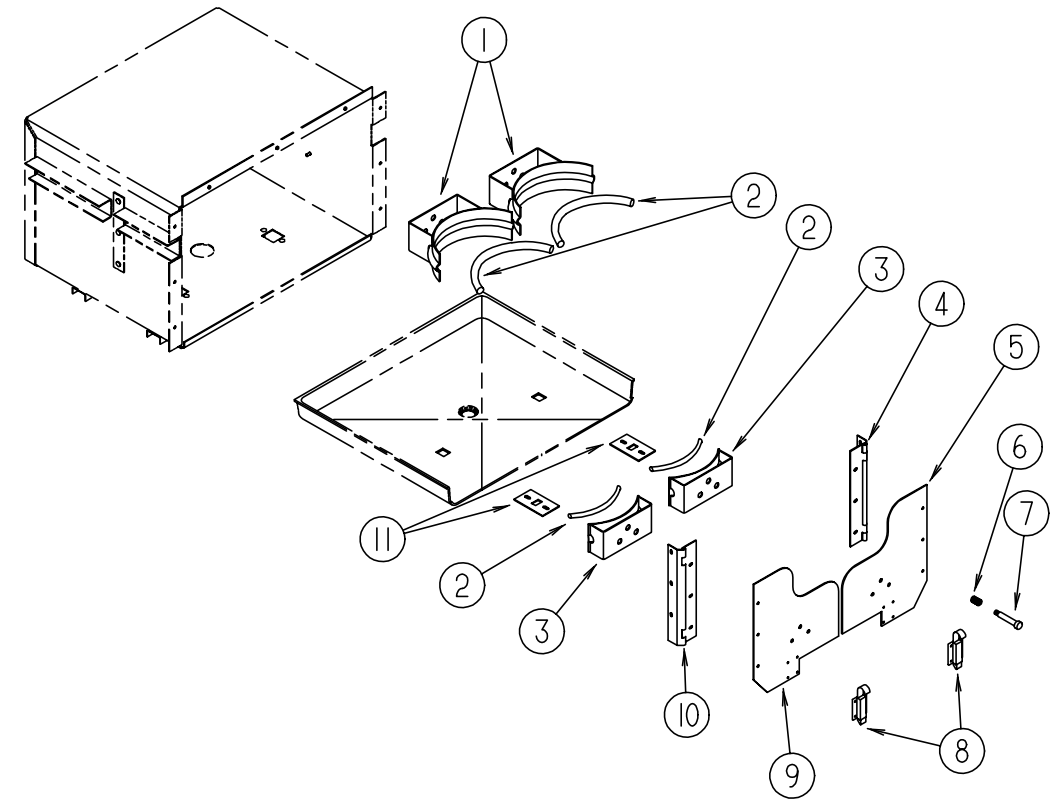
CHASSIS GROUP (CONTINUED)



KWIKIE ELECTRIC ENTRY STEP

KEY	PART NUMBER	U/M	DESCRIPTION	VENDOR NO.
1	094708-01-01A	EA	STEP-ENTRY DOOR, ELECTRIC - SINGLE - KWIKIE 2813	
2	094707-02-703	EA	PARTS KIT, (BEARINGS & PINS)	9530
3	094707-02-702	EA	GEAR KIT - KWIKIE	9525
4	094708-03-700	EA	LINKAGE ASM F/28 SERIES	9522
5	094707-02-700	EA	MOTOR REPLACEMENT KIT - MODELS 32 & 28	9520
6	088746-01-709	EA	FRAME W/SINGLE STEP, 2800 SERIES	908028
7	094707-02-705	EA	CONTROL UNIT, WHITE	909513
8	094707-02-704	EA	CONNECTOR KIT-MOTOR	9537
	094707-02-707	EA	TREAD-NON-SKID, BLACK - 6" X 21"	909333
9	116995-01-000	EA	SWITCH/MAGNET-STEP, ELECTRIC - KWIKIE 905306	

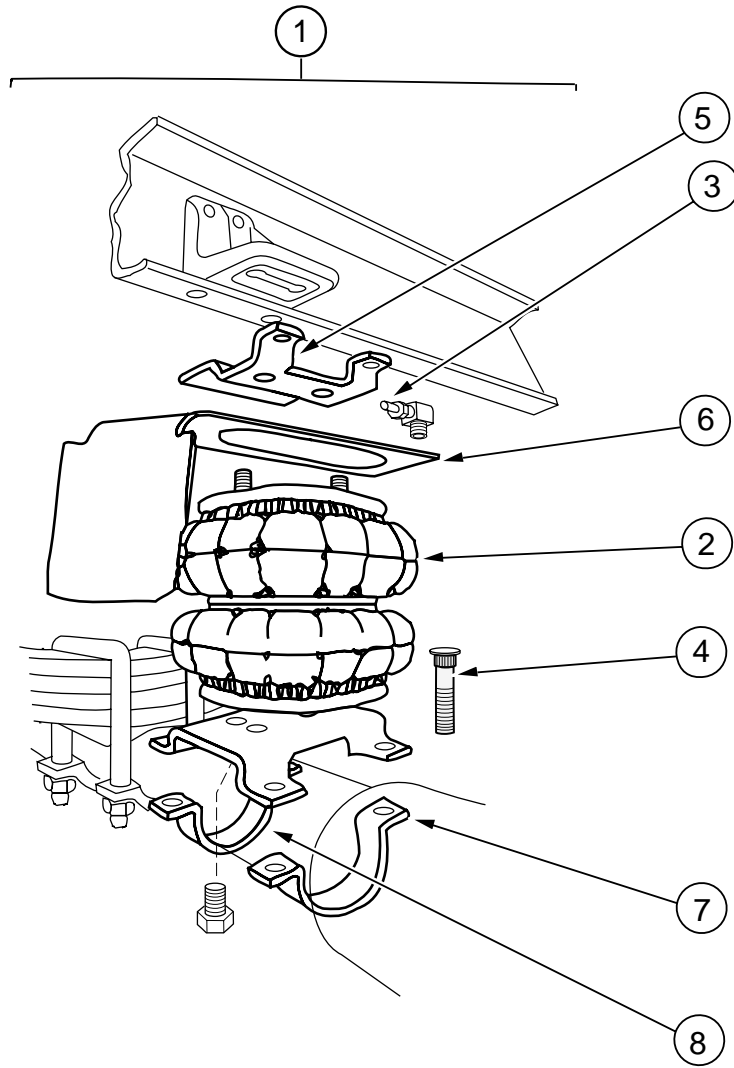
CHASSIS GROUP (CONTINUED)



LP COMPARTMENT COMPONENTS - JAPAN EXPORT

KEY	PART NUMBER	U/M	DESCRIPTION
1	107414-01-000	EA	CRADLE-LP TANK
2	098408-01-000	FT	SEAL-SPONGE RUBBER, CLOSED CELL
3	107414-02-000	EA	CRADLE-LP TANK
4	097207-02-02A	EA	HINGE-CONTINUOUS, LP DOOR, BLACK
5	107433-01-C82	EA	DOOR ASM-LP, W/HINGE, LATCH, CRADLE, SPRINGS, BOLTS & SEAL
6	107394-01-000	EA	SPRING-COMPRESSION, LP DOOR
7	107393-01-000	EA	BOLT-SHOULDER, SOCKET HEAD - LP DOOR
8	107395 01 02A	EA	LATCH-BOLT, FINGER - LP DOOR - BLACK
8	107395 01 01A	EA	LATCH-BOLT, FINGER - LP DOOR - UNPAINTED
9	107433-02-C82	EA	DOOR ASM-LP, W/HINGE, LATCH, CRADLE, SPRINGS, BOLTS & SEAL
10	097207-03-02A	EA	HINGE-CONTINUOUS, LP DOOR, BLACK
11	107421-01-000	EA	PLATE-STRIKE, LP DOOR - BLACK

CHASSIS GROUP (CONTINUED)



FIRESTONE REAR AXLE AIRSPRINGS

KEY	PART NUMBER	U/M DESCRIPTION	VENDOR NO.
1	084086-04-000	EA AIRSPRING-BELLOWS, REAR AXLE - FIRESTONE MHA224	
2	084086-04-702	EA AIR BAG-ONLY	W217602064
3	084086-01-701	EA TUBING-DOT 1/4" X 18'	21-0938
4	084086-01-702	EA BOLT-RIBBED NECK, 3/8"-24 X 2.5"	21-0829
	084086-01-705	EA TUBING PROTECTORS	21-0899
5	084086-01-706	EA BRACKET-UPPER TO FRAME	21-0150
6	084086-01-711	EA HEAT SHIELD-224 DOS SYSTEM	21-5042
7	084086-01-713	EA AXLE STRAP BRACKET, AXLE TUBE - 3 USED	21-1163
8	084086-01-714	EA AXLE STRAP BRACKET, DIFFERENTIAL - 1 USED	21-5038
	084086-04-700	EA BRACKET-LOWER DRIVERS SIDE	21-5064
	084086-04-701	EA BRACKET-LOWER PASSENGER SIDE	21-5065

**CHASSIS GROUP (CONTINUED)
EXPORT REAR AXLE AIRSPRINGS**

FIRESTONE AIR COMPRESSOR

KEY	PART NUMBER	U/M DESCRIPTION	VENDOR NO.
	084086-07-000	EA COMPRESSOR-AIR, 12V - 1/6 HP KIT - FIRESTONE WR1-760-2047	2047
	084086-05-703	EA LOWER BRACKET	5098
	084086-07-700	EA COMPRESSOR	21-9014
	084086-07-701	EA TUBING-18FT	21-9038
	084086-07-702	EA TANK-AIR	21-9003
	084086-07-703	EA HOSE-AIR	21-9006

FIRESTONE AIRSPRING ASSEMBLY

KEY	PART NUMBER	U/M DESCRIPTION	VENDOR NO.
	084086-08-000	EA AIRSPRING-RIDE RITE KIT - FIRESTONE CMA 93	
	084086-05-706	EA VALVE-INFLATION	3032
	084086-08-700	EA BAG-AIR, (SPRING), 224C	0335
	084086-08-701	EA TUBING - 22 FT	0937
	084086-08-702	EA BRACKET-UPPER	5104
	084086-08-703	EA BRACKET-LOWER	5128
	084086-08-704	EA FITTING-PUSH TO CONNECT	3046
	084086-08-705	EA SLEEVE-THERMAL	0899

FIRESTONE CONTROL ASSEMBLY

KEY	PART NUMBER	U/M DESCRIPTION	VENDOR NO.
	084086-09-000	EA CONTROL-SINGLE CAB	
	084086-06-700	EA PANEL-AIR CONTROL, RIGHT	21-9012
	084086-06-702	EA TUBING-FLEXIBLE	21-9008
	084086-06-703	EA CONNECTOR-T	21-3005
	084086-06-704	EA FERRULE	21-0932

CHASSIS GROUP (CONTINUED)
KAPER 19.5" CHEVY STAINLESS STEEL WHEEL LINERS

KEY	PART NUMBER	U/M DESCRIPTION	VENDOR NO.
	091209-01-000	EA LINER-WHEEL, 19.5" - STAINLESS STEEL - SET OF 4 - KAPER	1954-ION
	091209-01-700	EA LINER-WHEEL, 19.5" FRONT - 10 LUG - CHEVY P-30	37N
	091209-01-701	EA LINER-WHEEL, 19.5" REAR - 10 LUG - CHEVY P-30	38N
	091209-01-702	EA COVER-AXLE, 19.5" FRONT - 10 LUG - CHEVY P-30	34N
	091209-01-703	EA COVER-AXLE, 19.5" REAR - 10 LUG - CHEVY P-30	35N
	091209-01-704	EA COVER-LUG NUT	36

DICOR 16" CHEVY WHEEL COVERS

KEY	PART NUMBER	U/M DESCRIPTION	VENDOR NO.
	109443-05-000	EA WHEEL COVER - 4/SET, 16" STAINLESS STEEL - DICOR SHFM16	
	098532-01-700	EA COVER-LUG NUT (CHROME)	SH-AU-LNC
	109443-05-700	EA COVER-WHEEL, 16"	SHFM16-CVR

KAPER II 16" CHEVY STAINLESS STEEL WHEEL LINERS

KEY	PART NUMBER	U/M DESCRIPTION	VENDOR NO.
	091209-05-000	EA LINER-WHEEL, SET OF 4 - 16" - STAINLESS STEEL - KAPER II 1604-88-UE	
	091209-03-702	EA COVER-AXLE, FRONT, 8 LUG	64UE
	091209-03-703	EA COVER-AXLE, REAR, 8 LUG	65UE
	091209-03-704	EA RING-SNAP	00
	091209-05-700	EA LINER-WHEEL, FRONT	57-88
	091209-05-701	EA LINER-WHEEL, REAR	58-88

BILSTEIN FRONT SHOCKS - CHEVY

KEY	PART NUMBER	U/M DESCRIPTION
	104993-01-000	EA SHOCK ABSORBER-GAS, P30 FRONT - BILSTEIN B46-1173

TIRE COVERS

KEY	PART NUMBER	U/M DESCRIPTION
	108163-01-01A	EA COVER-TIRE, 16" - CHROME
	108560-02-04A	EA INSERT-TIRE COVER, 16" - BUFF

LUG WRENCH & LEVERAGE BAR

KEY	PART NUMBER	U/M DESCRIPTION
	080208-01-000	EA LUG WRENCH, 1.06 X 1.00
	080208-02-000	EA BAR-LEVERAGE, LUG WRENCH

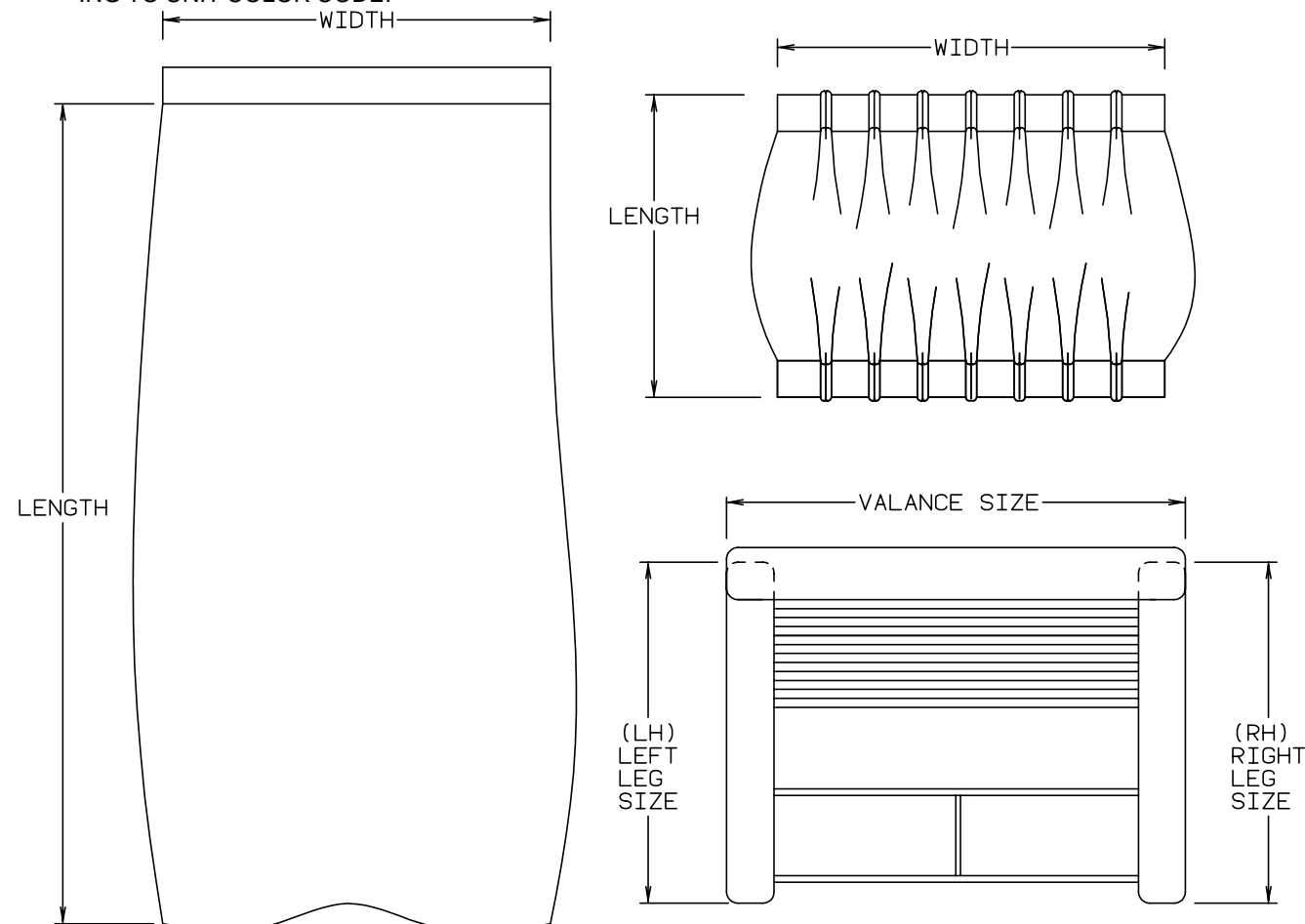
CHASSIS MISCELLANEOUS

KEY	PART NUMBER	U/M DESCRIPTION
	055278-51-259	EA TUBING-STEEL, .75" X 1.5" X 12.5"
	008042-01-000	FT TUBING-VINYL, .65" ID
	065450-05-000	EA TIEDOWN-BATTERY, 8.4" TUBE - STEEL
	119847-01-02B	EA SHIELD-A/C CONDENSER, E-COAT
	113875-01-000	EA HOSE-HUMP, 3" - GRIFFITH HH3 - DIESEL OPTION
	097494-02-000	EA TEE-BARB, 3/8" X 5/32 X 3/8" - BRASS - DIESEL OPTION
	087269-01-000	EA TEE-1/4" X 1/4" X 1/4", BRASS - DIESEL OPTION
	114254-01-000	EA ADAPTER - 1/4" SINGLE BARB X 1/8" MPT
	068382-06-000	EA BUSHING-BRASS, 3/8" MPT X 1/8" FPT
	104147-02-000	EA SHIELD ASM-SPLASH, RH - 494 MM X 408 MM - W/STUDS - E-COATED STEEL

CURTAIN & CUSHION GROUP
NOTICE

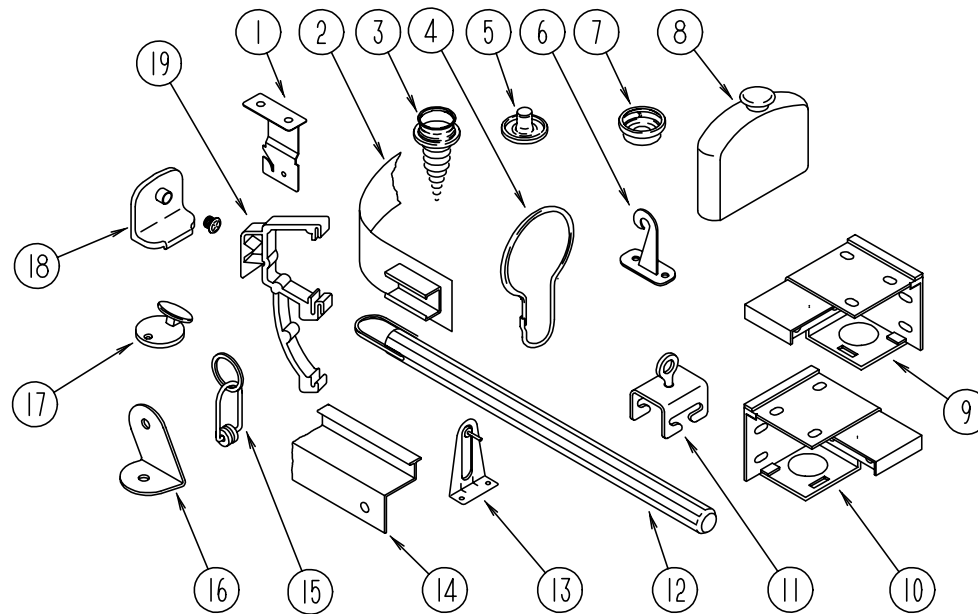
IN ORDER TO ASSIST OUR PARTS SALES DEPT. IN PROVIDING INTERIOR SOFTGOODS ITEMS, PLEASE INCLUDE THE SERIAL NUMBER AND THE COLOR CODE NUMBER FROM THE VEHICLE CERTIFICATION LABEL WHEN ORDERING. THIS LABEL IS LOCATED ON THE LEFT SIDEWALL AT THE END OF THE DASH (A-BODY), OR ON THE DRIVER'S DOOR LATCH PLATE (C-BODY).

AN EXAMPLE OF A COLOR CODE NUMBER IS B07, WHICH DESIGNATES AN OVERALL COLOR SCHEME OF A PARTICULAR UNIT. THE COLOR LISTED AFTER THE ITEM DESCRIPTION ON THE MICROFICHE, INDICATES THE OVERALL UNIT COLOR. ORDER THE ITEM YOU DESIRE ACCORDING TO UNIT COLOR CODE.



NOTE: USE THIS ILLUSTRATION WHEN DETERMINING LENGTH AND WIDTH MEASUREMENTS FOR CURTAINS. YOU WILL NOTE THE WIDTH MEASUREMENT IS TAKEN ON THE TOP OF THE CURTAIN WITH THE CURTAIN FULLY EXTENDED. THE LENGTH MEASUREMENT IS TAKEN FROM TOP TO BOTTOM. LEFT AND RIGHT WINDOW LEGS ARE DETERMINED WHEN FACING THE WINDOW.

CURTAIN & CUSHION GROUP (CONTINUED)
CURTAIN, BLIND HARDWARE & TRACKS



KEY	PART NUMBER	U/M	DESCRIPTION
1	084434-01-000	EA	BRACKET-MOUNTING, ROLLER SHADE - 1 3/8"
	096843-01-000	EA	SPRING-REWIND, ROLLER SHADE
	086276-01-000	EA	TAPE-DOUBLE SIDED, 1/2"
2	101031-01-000	YD	TAPE-GLIDE, CURTAIN - 4.25" SPACING
3	029130-01-000	EA	SCREW-SNAP SOCKET, #8 PH X 5/8"
3	029130-03-000	EA	SCREW-SNAP SOCKET, #8 PH X 1"
4	009136-02-000	EA	HANGER-RING, PIN TYPE - CURTAIN - BRASS
	046867-01-000	EA	GROMMET-BRASS, 7/16" ID X 1" OD - SHOWER CURTAIN
			FROM: 00-00-00 THRU: 10-01-95
	046867-03-000	EA	GROMMET-HANDY BUTTON, #3 - SHOWER CURTAIN
			FROM: 10-02-95 THRU: 99-99-99
5	029155-01-000	EA	CAP-SNAP, 5/32" O.D. OF PIN
6	109441-01-000	EA	HOLD DOWN-BLIND, HOOK
	109441-02-000	EA	SPACER-HOLD DOWN, BLIND
7	029156-01-000	EA	SOCKET-SNAP, 9/16" O.D.
8	093475-01-701	EA	END CAP-BLIND, W/STUD
9	083170-01-000	EA	BRACKET-BLIND, RIGHT HAND
10	083170-02-000	EA	BRACKET-BLIND, LEFT HAND
11	009702-01-000	EA	END STOP-CURTAIN CARRIER, L ROD
12	093475-01-700	EA	WAND-BLIND, W/METAL CLIP - 8" LONG
13	095591-02-000	EA	BRACKET-HOLD DOWN, W/PIN - BLIND - METAL
14	101589-02-C05	EA	TRACK ASM W/BRKTS-CURTAIN, RIGHT HAND WRAPAROUND - OFF WHITE - 10'
			FROM: 00-00-00 THRU: 08-27-95
14	101589-02-G09	EA	TRACK ASM W/BRKTS-CURTAIN, RIGHT HAND WRAPAROUND - WILLOW - 10'
			FROM: 08-28-95 THRU: 99-99-99
14	105450-01-01A	EA	TRACK-CURTAIN, LEFT HAND WRAPAROUND - OFF WHITE - 30.8" LONG
			FROM: 00-00-00 THRU: 08-27-95
14	105450-01-02A	EA	TRACK-CURTAIN, LEFT HAND WRAPAROUND - WILLOW - 30.8" LONG
			FROM: 08-28-95 THRU: 99-99-99
14	114641-03-E10	EA	TRACK ASM-CURTAIN, RIGHT HAND WRAPAROUND - O/W - 6.95' - TV OPTIONS
			FROM: 00-00-00 THRU: 08-27-95
14	114641-03-G09	EA	TRACK ASM-CURTAIN, RIGHT HAND WRAPAROUND - WILLOW - 6.95' - TV OPTIONS
			FROM: 08-28-95 THRU: 09-23-95
14	114641-07-G15	EA	TRACK ASM-CURTAIN, RIGHT HAND WRAPAROUND - WILLOW - 7.17' - TV OPTIONS
			FROM: 09-24-95 THRU: 99-99-99
14	114641-04-E10	EA	TRACK ASM-CURTAIN, LEFT HAND WRAPAROUND - O/W - 6.95' - TV OPTIONS
			FROM: 00-00-00 THRU: 08-27-95
14	114641-04-G09	EA	TRACK ASM-CURTAIN, LEFT HAND WRAPAROUND - WILLOW - 6.95' - TV OPTIONS
			FROM: 08-28-95 THRU: 09-23-95
14	114641-08-G15	EA	TRACK ASM-CURTAIN, LEFT HAND WRAPAROUND - WILLOW - 7.17' - TV OPTIONS
			FROM: 09-24-95 THRU: 99-99-99

KEY	PART NUMBER	U/M	DESCRIPTION
	102075-03-01A	EA	ROD-SHOWER CURTAIN, OFF WHITE - 749 MM LONG
15	009701-01-000	EA	CARRIER-CURTAIN, L-ROD
16	099205-02-02A	EA	BRACKET-WRAPAROUND CURTAIN TRACK, OFF WHITE
17	102555-01-000	EA	CLEAT-CORD, BLIND - OFF WHITE
18	106544-01-000	EA	PULL-SHADE, BRASS
18	106544-01-001	EA	SCREW-SHADE PULL, BRASS
19	109353-04-000	EA	CLIP-MOUNTING, VALANCE SLAT - CLEAR PLASTIC
	056003-01-000	EA	BRACKET-RETAIN, CURTAIN - RH
	056003-02-000	EA	BRACKET-RETAIN, CURTAIN - LH
	048394-02-000	YD	VELCRO TAPE-HOOK, ADHESIVE BACK - .75" WIDE - BEIGE
	088792-01-000	YD	VELCRO-HOOK, .75" WIDE - BEIGE
	088792-02-000	YD	VELCRO TAPE-LOOP, ADHESIVE BACKED - .75" WIDE - BEIGE
	068716-01-001	EA	BRACE - 90 DEGREE L-ANGLE, 192" - EXTRUDED ALUMINUM
	075943-09-000	EA	BRACE-VALANCE, OFF WHITE - 8"
	094896-02-000	EA	GROMMET-CORD, PLEATED BLIND - NYLON - GRAY
	094907-02-000	EA	END CAP-TOP, PLEATED BLIND - PLASTIC - GRAY
	094907-04-000	EA	END CAP-BOTTOM, PLEATED BLIND - PLASTIC - GRAY
	097564-01-000	EA	HANDLE-T, PLEATED BLIND
	097565-01-000	EA	BRACKET-MOUNTING, PLEATED BLIND
	097591-01-000	EA	SPRING-EXTENSION, PLEATED BLIND
	097592-01-000	EA	SPOOL-CORD, PLEATED BLIND - CLEAR PLASTIC
	097593-02-000	EA	CORD-PLEATED BLIND, GRAY (G13/G14)
	110943-01-000	FT	FELTSTRIP - 3/8", ADHESIVE BACKED - PLEATED BLIND
	105648-01-02A	EA	BRACE-VALANCE, ANGLE - 1.5" X 1.5" X 14" - OFF WHITE

CURTAIN & CUSHION GROUP (CONTINUED)

BRAVE FABRIC

COLOR CODES	G09	G10	G11	G12	G13	G14
	SANDSCAPE (BROWN)	BATIK (BLUE)	OLIVE BRANCH (SAGE)	MOTOR SPORT	COPPER CANYON	SAVANNAH (SAND)
CEILING VINYL	089351-03-000	089351-03-000	089351-03-000	089351-03-000	089351-03-000	089351-03-000
VINYL OFF WHITE	106569-01-01A	106569-01-01A	106569-01-01A	106569-01-01A	106569-01-01A	106569-01-01A
WILLOW VINYL	103907-01-03A	103907-01-03A	103907-01-03A	103907-01-03A	103907-01-03A	103907-01-03A
DRAPERY LINING	087272-03-000	087272-03-000	087272-03-000	087272-03-000	087272-03-000	087272-03-000
BUCKET SEATS	104233-59-000	108446-77-000	108446-55-000	108446-55-000	104233-59-000	108446-G9-000
DINETTE	108446-E4-000	108446-E5-000	108446-A7-000	108446-D6-000	108446-H0-000	108446-H1-000
DINETTE PADS	104233-59-000	108446-77-000	108446-55-000	108446-55-000	104233-59-000	108446-G9-000
SOFA	108446-E4-000	108446-E5-000	108446-D9-000	108446-D2-000	108446-H0-000	108446-H1-000
SOFA PILLOWS	108446-E3-000	108446-G6-000	108446-57-000	108446-D6-000	108446-H2-000 084415-77-000	108446-G2-000 084415-69-000
SWIVEL CHAIR	108446-E3-000	108446-G6-000	108446-57-000	108446-D6-000	108446-H2-000	108446-G2-000
LOUNGE WINDOWS	104233-59-000 108446-E3-000	108446-77-000 108446-G6-000	108446-55-000 108446-57-000	108446-D6-000 108446-D2-000	108446-H2-000 108446-H0-000	108446-H1-000 108446-G2-000
BEDROOM WINDOWS	105745-A7-000 105745-A9-000	105745-A3-000 105745-B4-000	105745-83-000 105745-63-000	105745-D1-000 105745-D3-000	105745-A2-000 084415-77-000	105745-B6-000 105745-62-000
BEDSPREAD	105745-A7-000 105745-A9-000	105745-A3-000 105745-B4-000	105745-83-000 105745-63-000	105745-D1-000	105745-A2-000	105745-B6-000
PILLOW SHAMS/ PILLOW CASE	105745-A7-000 105745-A9-000	105745-A3-000 105745-B4-000	105745-83-000 105745-63-000	087272-03-000	105745-A2-000 084415-77-000	105745-B6-000 084415-69-000
HEADBOARD	105745-A7-000 105745-A9-000	105745-A3-000 105745-B4-000	105745-83-000 105745-63-000	105745-D1-000 105745-D3-000	105745-A2-000 084415-77-000	105745-B6-000 105745-62-000
BEDROOM PILLOWS	105745-A9-000 105745-A7-000	105745-B4-000 105745-A3-000	105745-63-000 105745-83-000	105745-D3-000	105745-B7-000 084415-77-000	105745-62-000 084415-69-000
FRONT WRAP AROUND	072333-90-000	072333-82-000	072333-90-000	072333-90-000	072333-90-000	072333-82-000
DIVIDER CURTAIN	072333-90-000	072333-82-000	072333-90-000	072333-90-000	072333-90-000	072333-82-000
MAP POCKETS	104233-59-000	108446-77-000	108446-55-000	108446-55-000	104233-59-000	108446-G9-000

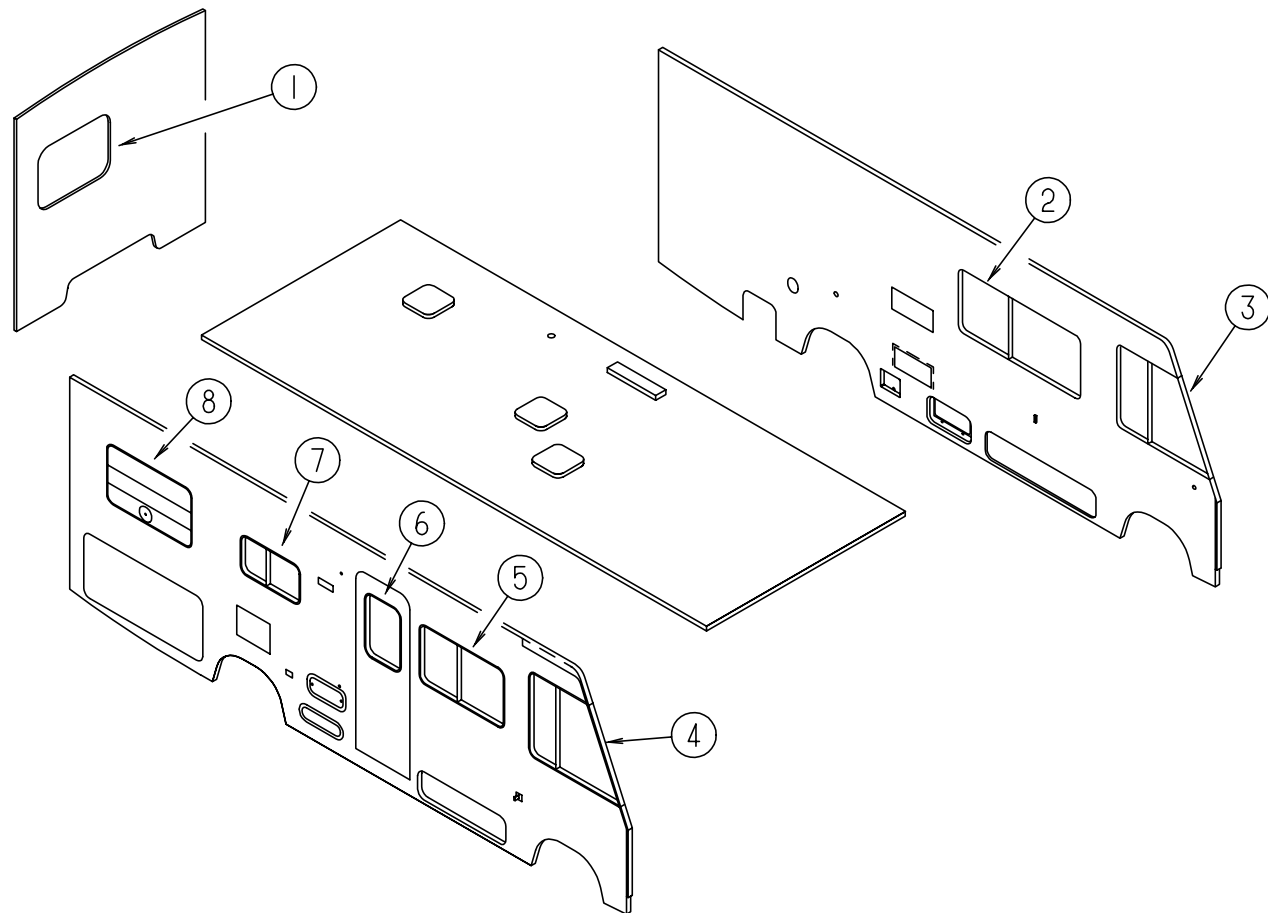
NOTE: FABRIC LISTED FIRST IN A BLOCK IS THE LARGEST QUANTITY OF FABRIC USED.

CURTAIN & CUSHION GROUP (CONTINUED)

BUTTON, TRIM, ASSIST HANDLE & SEAT BELT

KEY	PART NUMBER	U/M DESCRIPTION
	079349-04-E08	YD WELT ASM-NARROW, ACCENT (G09/G13)
	079349-04-E24	YD WELT ASM-NARROW, ACCENT (G10)
	079349-04-E22	YD WELT ASM-NARROW, ACCENT (G11/G12)
	079349-04-G05	YD WELT ASM-NARROW, ACCENT (G14)
	057759-01-000	EA WASHER BRACKET-SEAT BELT, 4" DIAMETER
	007021-01-000	EA BELT-SEAT, 2" X 90" - BLACK
	056271-02-000	EA BELT-SEAT, 2" X 72" - BLACK
	069178-02-000	EA BRACKET-MOUNTING, ASSIST HANDLE - L ANGLE - W/HOLES - STEEL
	118337-01-G09	EA BUTTON ASM - #60, VALANCE
	118337-01-G10	EA BUTTON ASM - #60, VALANCE
	118337-01-G11	EA BUTTON ASM - #60, VALANCE
	118337-04-G13	EA BUTTON ASM - #60, VALANCE
	074494-02-000	EA BUTTON-RETAINING PIVOT #60
	074494-03-000	EA BUTTON-SERRATED PVT.TACK - 3/8"
	084415-77-000	EA TRIM-BRAID, 61814-N10 - CORD (G13)
	084415-69-000	EA TRIM-BRAID, 62027-P57 - CORD (G14)
	000C16-07-16B	EA BOLT-CARRIAGE, ASSIST HANDLE - 7/16" - 14 X 1" ZN
	000D20-07-00B	EA NUT-ACORN, ASSIST HANDLE - 7/16" X 14 ZN
	053552-02-AA8	EA HANDLE-ASSIST, INTERIOR - ENTRY DOOR - VINYL - OFF WHITE
	057534-01-000	EA TIEBACK/TIEDOWN-BED/CURTAIN/DOOR, 6" - PLASTIC - CLEAR

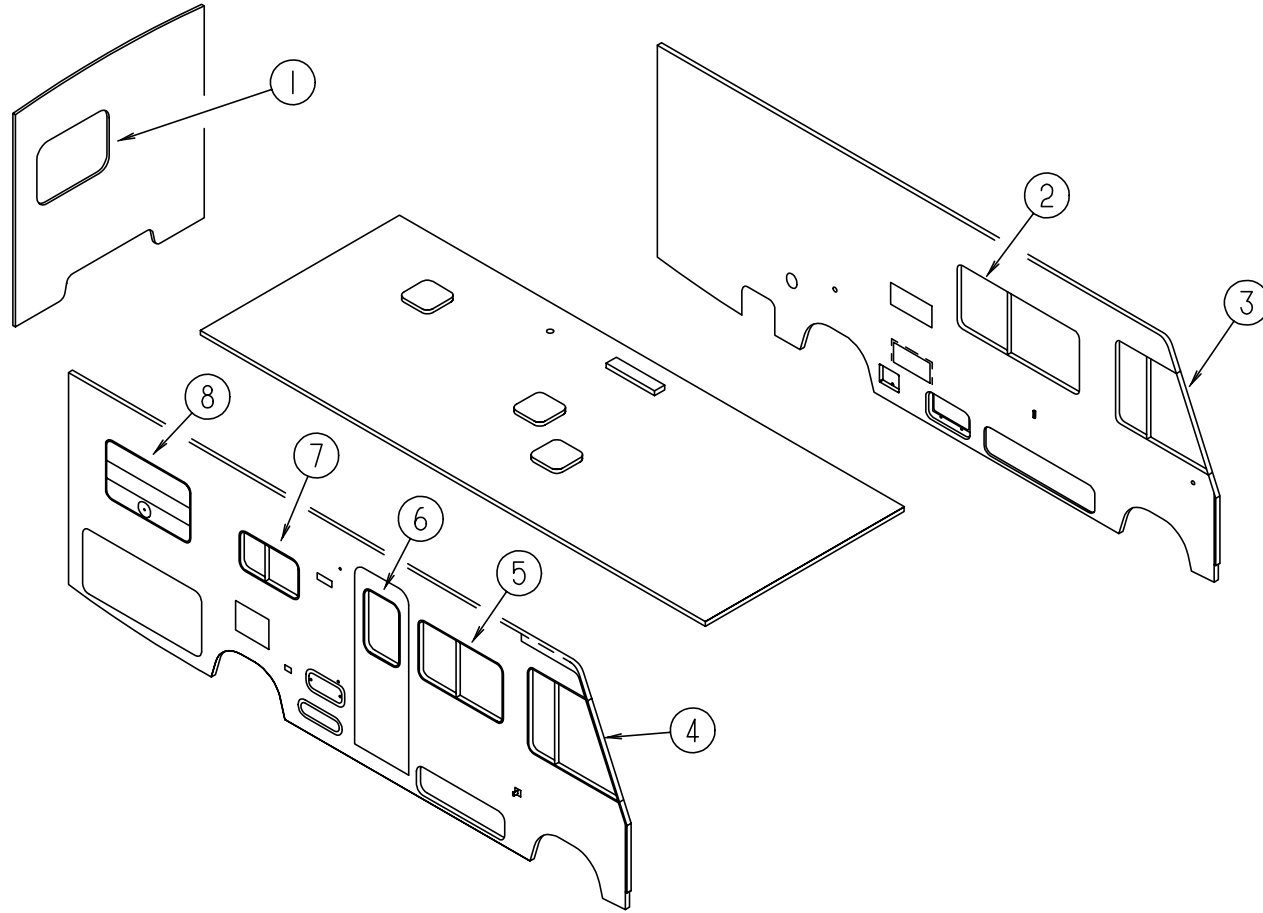
CURTAIN & CUSHION GROUP (CONTINUED)
WINDOW TREATMENT & SHOWER CURTAIN



KEY	PART NUMBER	U/M DESCRIPTION
1	112113-15-G09	EA VALANCE - 40", VALERIE (G09)
1	112113-15-G10	EA VALANCE - 40", VALERIE (G10)
1	112113-15-G11	EA VALANCE - 40", VALERIE (G11)
1	119138-09-G12	EA VALANCE - 40", BELLINI W/BRAID TRIM (G12)
1	119138-09-G13	EA VALANCE - 40", BELLINI W/BRAID TRIM (G13)
1	119299-06-G14	EA VALANCE - 40", WHITNEY (G14)
1	119138-25-G32	EA VALANCE - 40", BELLINI W/WELT (G12) - THERMOPANE WINDOW OPTION
1	119138-26-G13	EA VALANCE - 40", BELLINI W/BRAID TRIM (G13) - THERMOPANE WINDOW OPTION
1	119299-11-G14	EA VALANCE - 40", WHITNEY (G14) - THERMOPANE WINDOW OPTION
1	112986-11-G09	EA CURTAIN - 27.5" X 6", PLEATED TOP - POCKET BOTTOM
1	112986-11-G10	EA CURTAIN - 27.5" X 6", PLEATED TOP - POCKET BOTTOM
1	112986-11-G11	EA CURTAIN - 27.5" X 6", PLEATED TOP - POCKET BOTTOM
1	119333-63-G12	EA LEG - 25", RIGHT (G12)
1	119333-03-G35	EA LEG - 25", RIGHT (G13)
1	119333-07-G14	EA LEG - 25", RIGHT (G14)
1	119333-71-G32	EA LEG - 25", RIGHT (G12) - THERMOPANE WINDOW OPTION
1	119333-37-G13	EA LEG - 25", RIGHT (G13) - THERMOPANE WINDOW OPTION
1	119333-39-G14	EA LEG - 25", RIGHT (G14) - THERMOPANE WINDOW OPTION
1	119333-64-G12	EA LEG - 25", LEFT (G12)
1	119333-04-G35	EA LEG - 25", LEFT (G13)
1	119333-08-G14	EA LEG - 25", LEFT (G14)
1	119333-72-G32	EA LEG - 25", LEFT (G12) - THERMOPANE WINDOW OPTION
1	119333-38-G13	EA LEG - 25", LEFT (G13) - THERMOPANE WINDOW OPTION
1	119333-40-G14	EA LEG - 25", LEFT (G14) - THERMOPANE WINDOW OPTION
1	093475-78-06A	EA BLIND-MINI, 36" X 28" DROP (G09/G11/G12)
1	093475-78-05A	EA BLIND-MINI, 36" X 28" DROP (G10)
1	111910-41-G13	EA BLIND-PLEATED, 36" X 26" DROP (G13)
1	111910-41-G14	EA BLIND-PLEATED, 36" X 26" DROP (G14)
1	111910-41-G09	EA BLIND-PLEATED, 36" X 26" DROP - EUROPEAN UPGRADE OPTION (G09/G11)
1	111910-41-G10	EA BLIND-PLEATED, 36" X 26" DROP - EUROPEAN UPGRADE OPTION (G10)

KEY	PART NUMBER	U/M DESCRIPTION
2	118299-01-G09	EA VALANCE - 64.5", W/BUTTON
2	118299-01-G10	EA VALANCE - 64.5", W/BUTTON
2	118299-01-G11	EA VALANCE - 64.5", W/BUTTON
2	105923-47-G12	EA VALANCE - 64.5", RODEWAY
2	119136-07-G13	EA VALANCE - 64.5", W/BUTTON
2	119262-06-G14	EA VALANCE - 64.5", W/WELT
2	119333-01-G21	EA LEG - 25", RIGHT (G09)
2	119333-01-G22	EA LEG - 25", RIGHT (G10)
2	119333-01-G01	EA LEG - 25", RIGHT (G11)
2	119333-33-G12	EA LEG - 25", RIGHT (G12)
2	119333-01-G13	EA LEG - 25", RIGHT (G13)
2	119333-11-G14	EA LEG - 25", RIGHT (G14)
2	119333-02-G09	EA LEG - 25", LEFT
2	119333-02-G10	EA LEG - 25", LEFT
2	119333-02-G11	EA LEG - 25", LEFT
2	119333-34-G12	EA LEG - 25", LEFT
2	119333-02-G13	EA LEG - 25", LEFT
2	119333-12-G14	EA LEG - 25", LEFT
2	093475-76-06A	EA BLIND-MINI, 60" X 28.5" DROP (G09/G11/G12)
2	093475-76-05A	EA BLIND-MINI, 60" X 28.5" DROP (G10)
2	109802-10-G09	EA BLIND-PLEATED, 60" X 28.5" DROP (G13/G14)
2	109802-10-G09	EA BLIND-PLEATED, 60" X 28.5" DROP - EUROPEAN UPGRADE OPTION (G09/G11)
2	109802-10-E04	EA BLIND-PLEATED, 60" X 28.5" DROP - EUROPEAN UPGRADE OPTION (G10)
3	101668-57-G09	EA CURTAIN - 38" X 95", TAPE TOP - LEFT (G09/G11/G12/G13)
3	101668-57-G10	EA CURTAIN - 38" X 95", TAPE TOP - LEFT (G10/G14)
3	101668-32-D09	EA CURTAIN - 40" X 40", TAPE TOP (G09/G11/G12/G13) - FRONT BUNK OPTION
3	101668-32-D10	EA CURTAIN - 40" X 40", TAPE TOP (G10/G14) - FRONT BUNK OPTION
4	101668-56-G09	EA CURTAIN - 38" X 95", TAPE TOP - RIGHT (G09/G11/G12/G13)
4	101668-56-G10	EA CURTAIN - 38" X 95", TAPE TOP - RIGHT (G10/G14)
4	101668-33-D09	EA CURTAIN - 38" X 125", TAPE TOP (G09/G11/G12/G13) - FRONT BUNK OPTION
4	101668-33-D10	EA CURTAIN - 38" X 125", TAPE TOP (G10/G14) - FRONT BUNK OPTION
	073260-42-D09	EA TIEBACK - 6" X 18" (G09/G11/G12/G13)
	073260-42-D10	EA TIEBACK - 6" X 18" (G10/G14)
5	118299-05-G09	EA VALANCE - 45.5", W/BUTTON
5	118299-05-G10	EA VALANCE - 45.5", W/BUTTON
5	118299-05-G11	EA VALANCE - 45.5", W/BUTTON
5	105923-48-G12	EA VALANCE - 45.5", RODEWAY
5	119136-10-G13	EA VALANCE - 45.5", W/BUTTON
5	119262-22-G14	EA VALANCE - 45.5", W/WELT
5	119333-01-G21	EA LEG - 25", RIGHT (G09)
5	119333-01-G22	EA LEG - 25", RIGHT (G10)
5	119333-01-G01	EA LEG - 25", RIGHT (G11)
5	119333-33-G12	EA LEG - 25", RIGHT (G12)
5	119333-01-G13	EA LEG - 25", RIGHT (G13)
5	119333-11-G14	EA LEG - 25", RIGHT (G14)
5	119333-02-G09	EA LEG - 25", LEFT
5	119333-02-G10	EA LEG - 25", LEFT
5	119333-02-G11	EA LEG - 25", LEFT
5	119333-34-G12	EA LEG - 25", LEFT
5	119333-02-G13	EA LEG - 25", LEFT
5	119333-12-G14	EA LEG - 25", LEFT
5	109041-37-01A	EA BLIND-MINI, 41 X 26" DROP (G09/G11/G12)
5	109041-37-02A	EA BLIND-MINI, 41 X 26" DROP (G10)
5	109802-46-G09	EA BLIND-PLEATED, 41 X 26" DROP (G13/G14)
5	109802-44-G09	EA BLIND-PLEATED, 41" X 28.5" DROP - EUROPEAN UPGRADE OPTION (G09/G11)
5	109802-44-G10	EA BLIND-PLEATED, 41" X 28.5" DROP - EUROPEAN UPGRADE OPTION (G10)

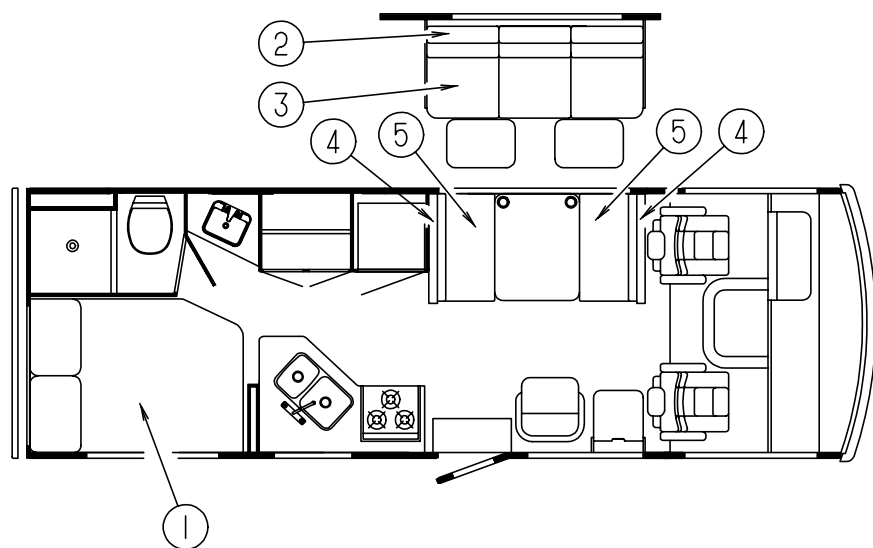
CURTAIN & CUSHION GROUP (CONTINUED)
WINDOW TREATMENT & SHOWER CURTAIN (CONTINUED)



KEY	PART NUMBER	U/M	DESCRIPTION
6	118299-09-G09	EA	VALANCE - 31", W/BUTTON
6	118299-09-G10	EA	VALANCE - 31", W/BUTTON
6	118299-09-G11	EA	VALANCE - 31", W/BUTTON
6	113268-18-G12	EA	VALANCE - 31.25"
6	119136-14-G13	EA	VALANCE - 31", STANWICK
6	119262-23-G14	EA	VALANCE - 31", MONACO
6	084755-57-E07	EA	SHADE-PULL, 27.25" (G09/G10/G11/G12/G13/G14)
7	109353-07-02A	EA	VALANCE-SLAT, 31" (G09/G11/G12)
7	109353-07-01A	EA	VALANCE-SLAT, 31" (G10)
7	109353-07-03A	EA	VALANCE-SLAT, 31" (G13/G14)
7	109041-20-02A	EA	BLIND-MINI, 31" X 18" DROP (G09/G11/G12)
7	109041-20-01A	EA	BLIND-MINI, 31" X 18" DROP (G10)
7	111861-07-01A	EA	BLIND-MINI, 31" X 18" DROP (G13/G14)
8	112113-12-G09	EA	VALANCE - 44", VALERIE
8	112113-12-G10	EA	VALANCE - 44", VALERIE
8	112113-12-G11	EA	VALANCE - 44", VALERIE
8	119138-24-G12	EA	VALANCE - 45", BELLINI W/BRAID TRIM
8	119138-08-G13	EA	VALANCE - 45", BELLINI W/BRAID TRIM
8	119299-03-G14	EA	VALANCE - 45", WHITNEY
8	112986-11-G09	EA	CURTAIN - 27.5" X 6", PLEATED TOP - POCKET BOTTOM
8	112986-11-G10	EA	CURTAIN - 29.5" X 6", PLEATED TOP - POCKET BOTTOM
8	112986-11-G11	EA	CURTAIN - 29.5" X 6", PLEATED TOP - POCKET BOTTOM
8	119333-63-G12	EA	LEG - 25", RIGHT (G12)
8	119333-03-G35	EA	LEG - 25", RIGHT (G13)
8	119333-07-G14	EA	LEG - 25", RIGHT (G14)
8	119333-64-G12	EA	LEG - 25", LEFT (G12)
8	119333-04-G35	EA	LEG - 25", LEFT (G13)
8	119333-08-G14	EA	LEG - 25", LEFT (G14)
8	109041-37-01A	EA	BLIND-MINI, 41" X 26" DROP (G09/G11/G12)
8	109041-37-02A	EA	BLIND-MINI, 41" X 26" DROP (G10)
8	111910-25-G13	EA	BLIND-PLEATED, 41" X 28.5" DROP (G13)
8	111910-25-G14	EA	BLIND-PLEATED, 41" X 28.5" DROP (G14)
8	111910-38-G13	EA	BLIND-PLEATED, 41" X 26' DROP - EUROPEAN UPGRADE OPTION (G09/G11)
8	111910-38-G10	EA	BLIND-PLEATED, 41" X 26' DROP - EUROPEAN UPGRADE OPTION (G10)
	084481-22-E08	EA	CURTAIN-SHOWER, 65" X 40" - GROMMET TOP (G09/G13)
	084481-22-F05	EA	CURTAIN-SHOWER, 65" X 40" - GROMMET TOP (G10/G11/G12)
	084481-22-D36	EA	CURTAIN-SHOWER, 65" X 40" - GROMMET TOP (G14)
	073260-54-E08	EA	TIEBACK-SHOWER CURTAIN, 3" X 16" (G09/G13)
	073260-54-E01	EA	TIEBACK-SHOWER CURTAIN, 3" X 16" (G10/G11/G12)
	073260-54-D36	EA	TIEBACK-SHOWER CURTAIN, 3" X 16" (G14)

CURTAIN & CUSHION GROUP (CONTINUED)

COUCH



DOUBLE MATTRESS, BEDSPREADS & PILLOW SHAMS

KEY	PART NUMBER	U/M	DESCRIPTION
1	101123-03-000	EA	MATTRESS-DOUBLE, W/CUT CORNER - 53" X 74"
1	P01123-03-000	EA	COVER-MATTRESS, 53" X 74"
1	085365-23-G09	EA	BEDSPREAD-THROW, 54" (G09)
1	085365-23-G10	EA	BEDSPREAD-THROW, 54" (G10)
1	085365-23-F06	EA	BEDSPREAD-THROW, 54" (G11)
1	119141-09-G12	EA	BEDSPREAD-THROW, 54" (G12)
1	109588-32-G13	EA	BEDSPREAD-THROW, 54" (G13)
1	085365-08-G14	EA	BEDSPREAD-THROW, 54" (G14)
	111863-06-G09	EA	PILLOW SHAM-W/O FOAM (G09)
	111863-06-G10	EA	PILLOW SHAM-W/O FOAM (G10)
	111863-06-G11	EA	PILLOW SHAM-W/O FOAM (G11)
	119249-03-000	EA	PILLOW CASE (G12)
	119555-02-G13	EA	PILLOW SHAM-W/O FOAM (G13)
	119555-02-G14	EA	PILLOW SHAM-W/O FOAM (G14)
	111862-03-G09	EA	PILLOW-THROW, 15" X 15"
	111862-03-G10	EA	PILLOW-THROW, 15" X 15"
	111862-03-G11	EA	PILLOW-THROW, 15" X 15"
	109785-06-G12	EA	PILLOW-THROW, 15" X 15"
	103669-09-G13	EA	PILLOW-THROW, 15" X 15"
	109785-05-G14	EA	PILLOW-THROW, 15" X 15"

BUNK CUSHION

KEY	PART NUMBER	U/M	DESCRIPTION
	079145-06-000	EA	CUSHION-BUNK, 30" X 77" X 4"
	M79145-06-000	EA	COVER-CUSHION, BUNK

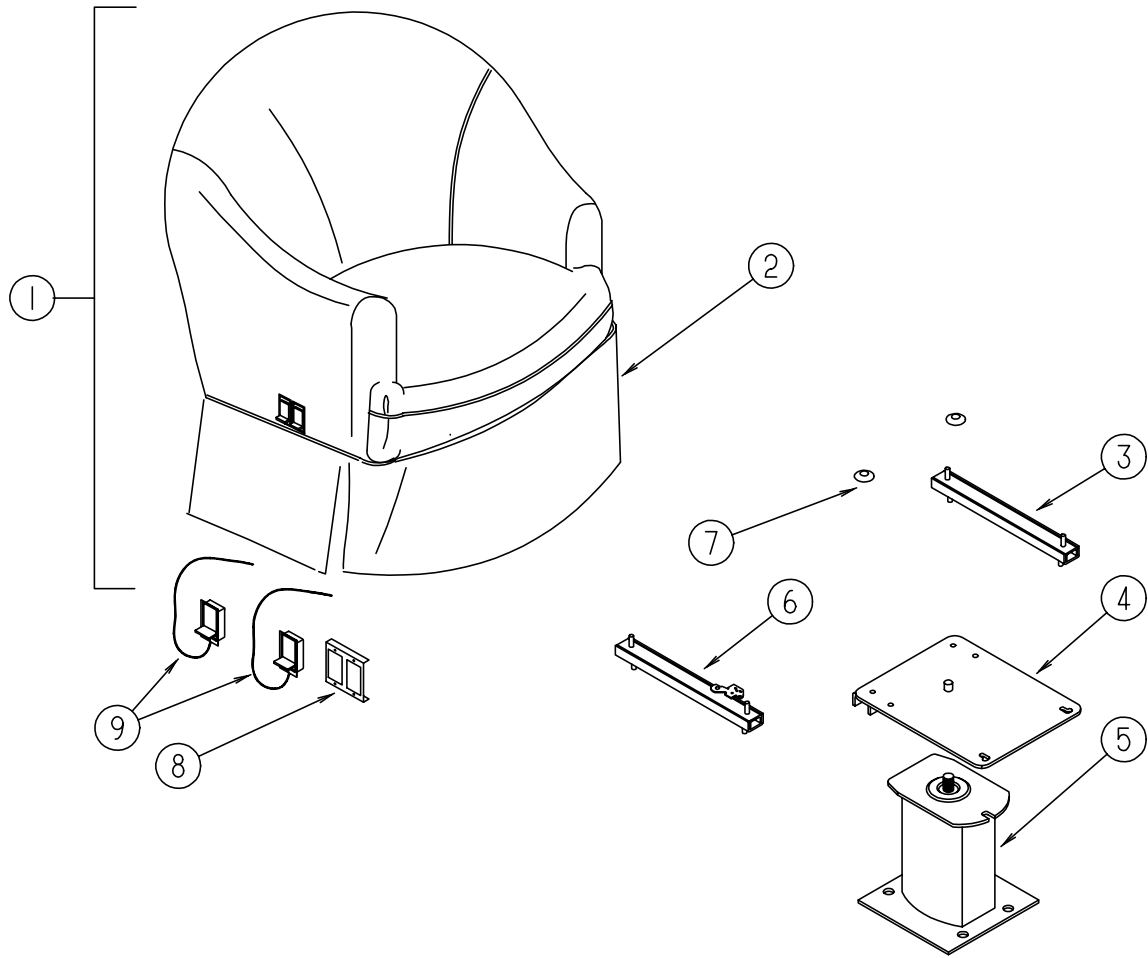
KEY	PART NUMBER	U/M	DESCRIPTION
2	111319-01-G09	EA	COUCH-BACK, 74" W/O ARMS (G09)
2	111319-01-G10	EA	COUCH-BACK, 74" W/O ARMS (G10)
2	111319-01-FA6	EA	COUCH-BACK, 74" W/O ARMS (G11)
2	111319-01-F07	EA	COUCH-BACK, 74" W/O ARMS (G12)
2	112104-01-G13	EA	COUCH-BACK, 74" W/O ARMS (G13)
2	112104-01-G14	EA	COUCH-BACK, 74" W/O ARMS (G14)
2	P11319-01-G09	EA	COVER-COUCH BACK (G09)
2	P11319-01-G10	EA	COVER-COUCH BACK (G10)
2	P11319-01-FA6	EA	COVER-COUCH BACK (G11)
2	P11319-01-F07	EA	COVER-COUCH BACK (G12)
2	P12104-01-G13	EA	COVER-COUCH BACK (G13)
2	P12104-01-G14	EA	COVER-COUCH BACK (G14)
	101085-10-000	EA	FRAME-COUCH BACK, 74"
3	100032-43-G21	EA	COUCH-SEAT, 74" W/O ARMS (G09)
3	100032-43-G22	EA	COUCH-SEAT, 74" W/O ARMS (G10)
3	100032-43-FA6	EA	COUCH-SEAT, 74" W/O ARMS (G11)
3	100032-43-F07	EA	COUCH-SEAT, 74" W/O ARMS (G12)
3	100032-43-G13	EA	COUCH-SEAT, 74" W/O ARMS (G13)
3	100032-43-G14	EA	COUCH-SEAT, 74" W/O ARMS (G14)
3	P00032-43-G21	EA	COVER-COUCH SEAT (G09)
3	P00032-43-G22	EA	COVER-COUCH SEAT (G10)
3	P00032-43-FA6	EA	COVER-COUCH SEAT (G11)
3	P00032-43-F07	EA	COVER-COUCH SEAT (G12)
3	P00032-43-G13	EA	COVER-COUCH SEAT (G13)
3	P00032-43-G14	EA	COVER-COUCH SEAT (G14)
	101085-04-000	EA	FRAME-COUCH SEAT, 74"
	101085-06-000	EA	FRAME-COUCH BASE, 74"
	111637-02-G09	EA	PILLOW-THROW, 22" X 22" (G09)
	111637-02-G10	EA	PILLOW-THROW, 22" X 22" (G10)
	111637-02-F06	EA	PILLOW-THROW, 22" X 22" (G11)
	111637-02-F07	EA	PILLOW-THROW, 22" X 22" (G12)
	111637-03-G13	EA	PILLOW-THROW, 22" X 22" (G13)
	111637-03-G16	EA	PILLOW-THROW, 22" X 22" (G14)

NOTE: COUCH FRONT AND SIDE PANELS ARE FOUND IN THE LOUNGE GROUP

DINETTE CUSHIONS

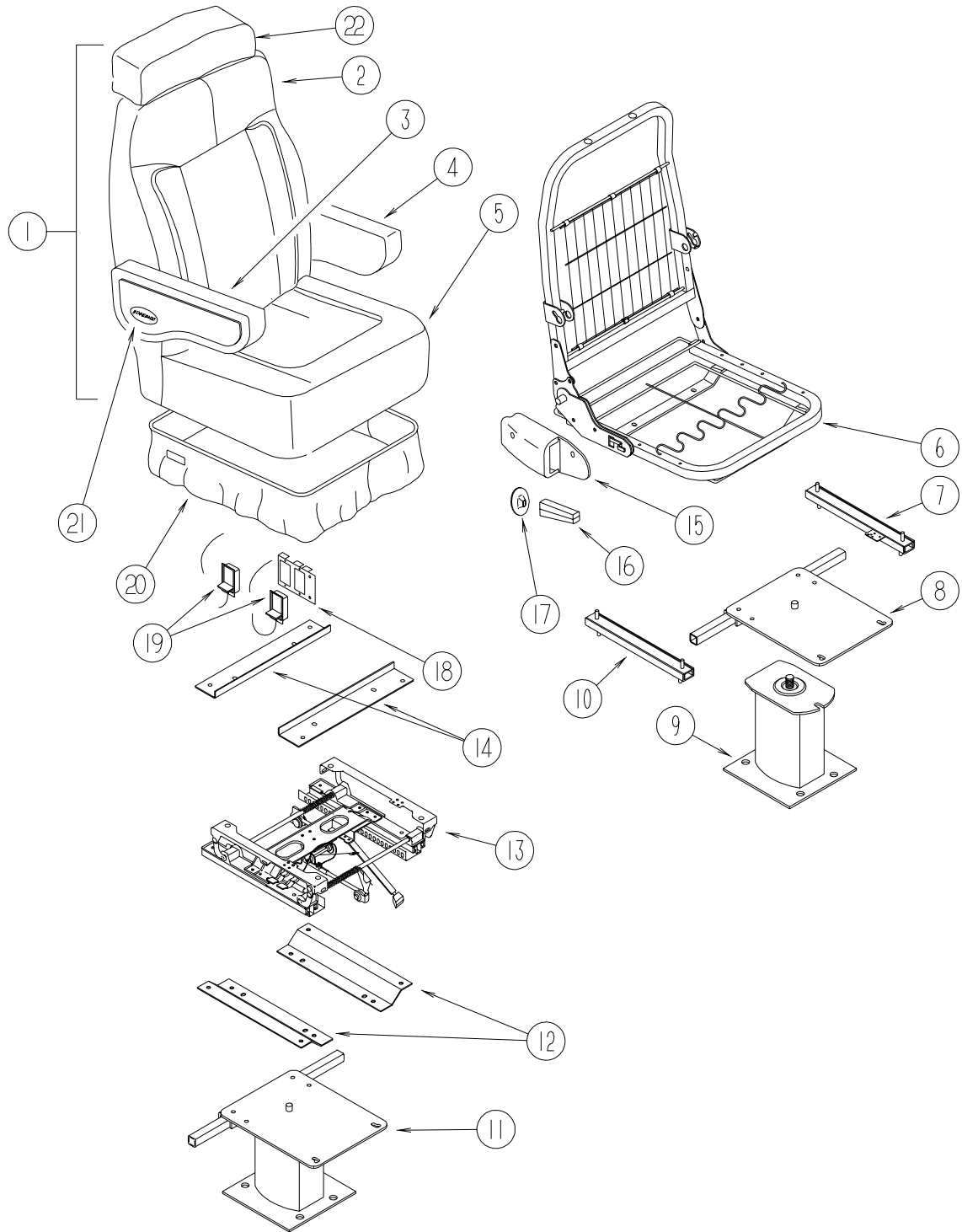
KEY	PART NUMBER	U/M	DESCRIPTION
4	111897-04-G09	EA	CUSHION-BACK, 13.5" X 38" X 5" (G09)
4	111897-04-G10	EA	CUSHION-BACK, 13.5" X 38" X 5" (G10)
4	111897-09-G11	EA	CUSHION-BACK, 13.5" X 38" X 5" (G11)
4	111897-04-F27	EA	CUSHION-BACK, 13.5" X 38" X 5" (G12)
4	111897-04-G13	EA	CUSHION-BACK, 13.5" X 38" X 5" (G13)
4	111897-04-G14	EA	CUSHION-BACK, 13.5" X 38" X 5" (G14)
4	P11897-04-G09	EA	COVER-BACK CUSHION, 13.5" X 38" X 5" (G09)
4	P11897-04-G10	EA	COVER-BACK CUSHION, 13.5" X 38" X 5" (G10)
4	P11897-09-G11	EA	COVER-BACK CUSHION, 13.5" X 38" X 5" (G11)
4	P11897-04-F27	EA	COVER-BACK CUSHION, 13.5" X 38" X 5" (G12)
4	P11897-04-G13	EA	COVER-BACK CUSHION, 13.5" X 38" X 5" (G13)
4	P11897-01-G14	EA	COVER-BACK CUSHION, 13.5" X 38" X 5" (G14)
	078155-01-000	EA	STRAP-SNAP, BACKREST CUSHION
5	088927-87-G21	EA	CUSHION-SEAT, 23" X 38" X 5" (G09)
5	088927-87-G22	EA	CUSHION-SEAT, 23" X 38" X 5" (G10)
5	105603-19-G11	EA	CUSHION-SEAT, 23" X 38" X 5" (G11)
5	088927-87-F27	EA	CUSHION-SEAT, 23" X 38" X 5" (G12)
5	088927-87-G13	EA	CUSHION-SEAT, 23" X 38" X 5" (G13)
5	088927-87-G14	EA	CUSHION-SEAT, 23" X 38" X 5" (G14)
5	M88927-87-G21	EA	COVER-SEAT CUSHION, 23" X 38" X 5" (G09)
5	M88927-87-G22	EA	COVER-SEAT CUSHION, 23" X 38" X 5" (G10)
5	P05603-19-G11	EA	COVER-SEAT CUSHION, 23" X 38" X 5" (G11)
5	M88927-87-F27	EA	COVER-SEAT CUSHION, 23" X 38" X 5" (G12)
5	M88927-87-G13	EA	COVER-SEAT CUSHION, 23" X 38" X 5" (G13)
5	M88927-87-G14	EA	COVER-SEAT CUSHION, 23" X 38" X 5" (G14)

CURTAIN & CUSHION GROUP (CONTINUED)
SWIVEL CHAIR



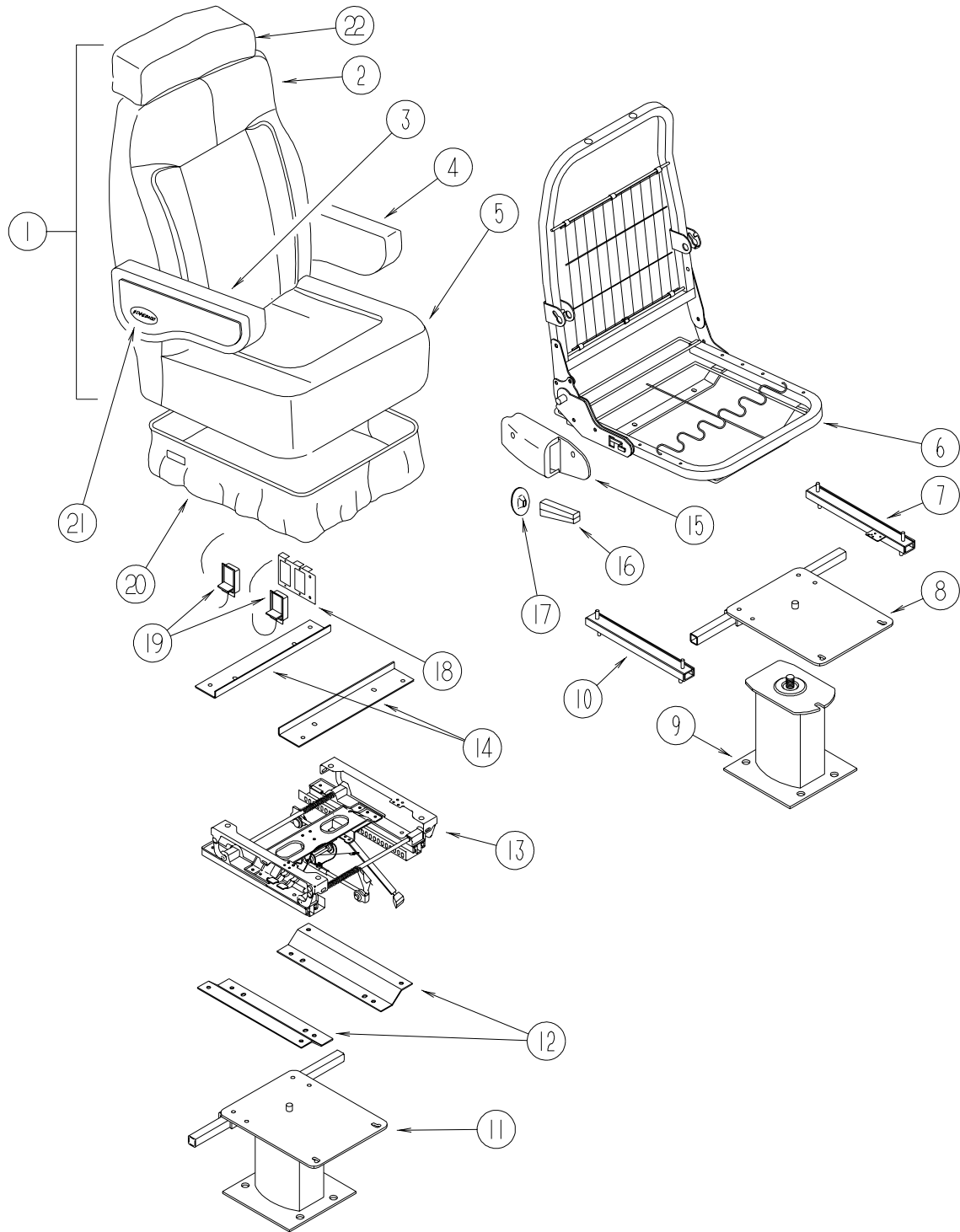
KEY	PART NUMBER	U/M	DESCRIPTION
1	118302-01-G09	EA	CHAIR-SWIVEL, W/O SKIRT
1	118302-01-G10	EA	CHAIR-SWIVEL, W/O SKIRT
1	118302-01-G11	EA	CHAIR-SWIVEL, W/O SKIRT
1	118302-02-G12	EA	CHAIR-SWIVEL, W/O SKIRT
1	118302-01-G13	EA	CHAIR-SWIVEL, W/O SKIRT
1	118302-01-G14	EA	CHAIR-SWIVEL, W/O SKIRT
	P18302-01-G09	EA	COVER-SWIVEL CHAIR
	P18302-01-G10	EA	COVER-SWIVEL CHAIR
	P18302-01-G11	EA	COVER-SWIVEL CHAIR
	P18302-02-G12	EA	COVER-SWIVEL CHAIR
	P18302-01-G13	EA	COVER-SWIVEL CHAIR
	P18302-01-G14	EA	COVER-SWIVEL CHAIR
	P18302-27-G09	EA	COVER-ARM CAP, RIGHT HAND - SWIVEL CHAIR
	P18302-27-G10	EA	COVER-ARM CAP, RIGHT HAND - SWIVEL CHAIR
	P18302-27-G11	EA	COVER-ARM CAP, RIGHT HAND - SWIVEL CHAIR
	P18302-27-G12	EA	COVER-ARM CAP, RIGHT HAND - SWIVEL CHAIR
	P18302-27-G13	EA	COVER-ARM CAP, RIGHT HAND - SWIVEL CHAIR
	P18302-27-G14	EA	COVER-ARM CAP, RIGHT HAND - SWIVEL CHAIR
	P18302-28-G09	EA	COVER-ARM CAP, LEFT HAND - SWIVEL CHAIR
	P18302-28-G10	EA	COVER-ARM CAP, LEFT HAND - SWIVEL CHAIR
	P18302-28-G11	EA	COVER-ARM CAP, LEFT HAND - SWIVEL CHAIR
	P18302-28-G12	EA	COVER-ARM CAP, LEFT HAND - SWIVEL CHAIR
	P18302-28-G13	EA	COVER-ARM CAP, LEFT HAND - SWIVEL CHAIR
	P18302-28-G14	EA	COVER-ARM CAP, LEFT HAND - SWIVEL CHAIR
2	118306-01-G09	EA	SKIRT-SWIVEL CHAIR
2	118306-01-G10	EA	SKIRT-SWIVEL CHAIR
2	118306-01-G11	EA	SKIRT-SWIVEL CHAIR
2	118306-02-G12	EA	SKIRT-SWIVEL CHAIR
2	118306-01-G13	EA	SKIRT-SWIVEL CHAIR
2	118306-01-G14	EA	SKIRT-SWIVEL CHAIR
3	119952-01-000	EA	SLIDE-SEAT W/O LOCK, HD - 2 STUDS - ATWOOD 83711
4	107921-08-000	EA	PLATE-TOP, W/O SEAT BELT BAR
	107921-06-000	EA	BEARING KIT-SEAT SWIVEL
5	107921-02-000	EA	PLATE-SUB, FLOOR MOUNTED PEDESTAL - W/6.5" EXTENSION
6	119952-03-000	EA	SLIDE-SEAT W/LOCK, HD - 2 STUDS - ATWOOD 83775
7	007221-01-000	EA	SPACER-SEAT, ADJUSTER
8	097683-02-000	EA	BRACKET-MOUNT, REMOTE
9	108049-03-000	EA	CABLE W/SWITCH - 26", Z END CABLE - CMA
	108049-02-000	EA	CLIP-CABLE, PEDESTAL
	117125-01-02B	EA	BRACKET-CABLE HOLDER, E-COAT
	108445-02-000	EA	PLATE ASM-PEDESTAL, SEAT - 230 MM X 157 MM - W/WELDNUTS
	112436-03-000	FT	TRIM - #8 RING FLEX - FLEX-O-LATOR

CURTAIN & CUSHION GROUP (CONTINUED)
DRIVER & PASSENGER BUCKET SEATS



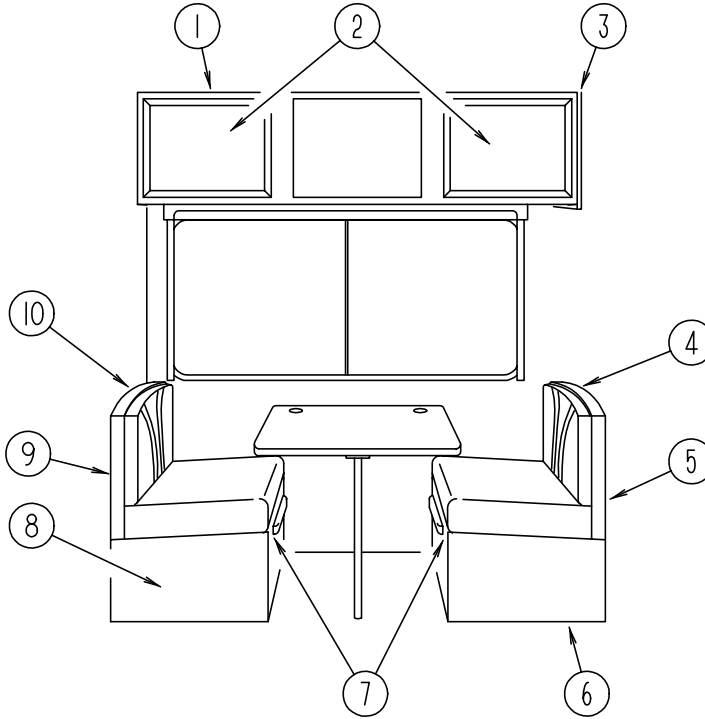
KEY	PART NUMBER	U/M	DESCRIPTION
1	119508-01-G09	EA	SEAT-BUCKET, W/ARMRESTS & HEADREST - W/O SKIRT
1	119508-01-G10	EA	SEAT-BUCKET, W/ARMRESTS & HEADREST - W/O SKIRT
1	119508-01-G11	EA	SEAT-BUCKET, W/ARMRESTS & HEADREST - W/O SKIRT
1	119508-01-G12	EA	SEAT-BUCKET, W/ARMRESTS & HEADREST - W/O SKIRT
1	119508-01-G13	EA	SEAT-BUCKET, W/ARMRESTS & HEADREST - W/O SKIRT
1	119508-01-G14	EA	SEAT-BUCKET, W/ARMRESTS & HEADREST - W/O SKIRT
2	M05962-28-G09	EA	COVER-BACK, BUCKET SEAT
2	M05962-28-G10	EA	COVER-BACK, BUCKET SEAT
2	M05962-28-G11	EA	COVER-BACK, BUCKET SEAT
2	M05962-28-G12	EA	COVER-BACK, BUCKET SEAT
2	M05962-28-G13	EA	COVER-BACK, BUCKET SEAT
2	M05962-28-G14	EA	COVER-BACK, BUCKET SEAT
3	111320-03-G09	EA	ARMREST-RIGHT, BUCKET SEAT (G09/G13)
3	111320-03-G10	EA	ARMREST-RIGHT, BUCKET SEAT (G10)
3	111320-03-G11	EA	ARMREST-RIGHT, BUCKET SEAT (G11/G12)
3	111320-03-G05	EA	ARMREST-RIGHT, BUCKET SEAT (G14)
	P11320-03-G09	EA	COVER-ARMREST, RIGHT (G09/G13)
	P11320-03-G10	EA	COVER-ARMREST, RIGHT (G10)
	P11320-03-G11	EA	COVER-ARMREST, RIGHT (G11/G12)
	P11320-03-G05	EA	COVER-ARMREST, RIGHT (G14)
4	111320-04-G09	EA	ARMREST-LEFT, BUCKET SEAT (G09/G13)
4	111320-04-G10	EA	ARMREST-LEFT, BUCKET SEAT (G10)
4	111320-04-G11	EA	ARMREST-LEFT, BUCKET SEAT (G11/G12)
4	111320-04-G05	EA	ARMREST-LEFT, BUCKET SEAT (G14)
	P11320-04-G09	EA	COVER-ARMREST, LEFT (G09/G13)
	P11320-04-G10	EA	COVER-ARMREST, LEFT (G10)
	P11320-04-G11	EA	COVER-ARMREST, LEFT (G11/G12)
	P11320-04-G05	EA	COVER-ARMREST, LEFT (G14)
5	M05962-06-G09	EA	COVER-SEAT, BUCKET SEAT (G09)
5	M05962-06-G10	EA	COVER-SEAT, BUCKET SEAT (G10)
5	M05962-06-G11	EA	COVER-SEAT, BUCKET SEAT (G11)
5	M05962-06-F06	EA	COVER-SEAT, BUCKET SEAT (G12)
5	M05962-06-F04	EA	COVER-SEAT, BUCKET SEAT (G13)
5	M05962-06-G05	EA	COVER-SEAT, BUCKET SEAT (G14)
6	M80906-12-000	EA	FRAME-SEAT, BACK & SPRING
7	119952-02-000	EA	SLIDE-SEAT W/O LOCK, HD - 4 STUDS - ATWOOD 83731
8	107921-05-000	EA	PLATE-TOP, W/SEAT BELT BAR
9	107921-01-000	EA	PLATE-SUB, FLOOR MOUNTED PEDESTAL - W/9.75" EXTENSION
	107921-06-000	EA	BEARING KIT-SEAT SWIVEL

CURTAIN & CUSHION GROUP (CONTINUED)
DRIVER & PASSENGER BUCKET SEATS (CONTINUED)



KEY	PART NUMBER	U/M	DESCRIPTION
10	119952-04-000	EA	SLIDE-SEAT W/LOCK, HD - 4 STUDS - ATWOOD 83785
	117125-01-02B	EA	BRACKET-CABLE MOUNT, ADJUSTER W/LOCK - STEEL - E-COAT
11	107921-14-000	EA	BASE-FLOOR MOUNTED PEDESTAL, 5.75" - MANUAL SEAT OPTION
12	116215-03-000	EA	PLATE-LOWER, MANUAL - 6-WAY MANUAL SEAT OPTION - ATWOOD 83835
13	116215-01-000	EA	SEAT-MANUAL, DRIVER - 6-WAY MANUAL SEAT OPTION - ATWOOD83805
14	116215-02-000	EA	PLATE-UPPER, 6-WAY MANUAL SEAT OPTION - ATWOOD 85118
15	080730-09-000	EA	SHIELD-RECLINER HANDLE
16	080730-08-000	EA	HANDLE-RECLINER, BLACK
17	080730-11-000	EA	SHIELD-RUBBER BOOT
	108049-02-000	EA	CLIP-CABLE, PEDESTAL
18	097683-02-000	EA	BRACKET-REMOTE, SIDE MOUNT - DOUBLE
19	108049-03-000	EA	CABLE W/SWITCH - 26", Z END CABLE - CMA
20	071126-43-F86	EA	SKIRT-BUCKET SEAT (G09/G13)
20	071126-43-E33	EA	SKIRT-BUCKET SEAT (G10)
20	071126-43-F06	EA	SKIRT-BUCKET SEAT (G11/G12)
20	071126-43-G14	EA	SKIRT-BUCKET SEAT (G14)
20	071126-54-F04	EA	SKIRT-BUCKET SEAT (G09/G13) - MANUAL SEAT OPTION
20	071126-54-F12	EA	SKIRT-BUCKET SEAT (G10) - MANUAL SEAT OPTION
20	071126-54-F06	EA	SKIRT-BUCKET SEAT (G11/G12) - MANUAL SEAT OPTION
20	071126-54-G14	EA	SKIRT-BUCKET SEAT (G14) - MANUAL SEAT OPTION
21	111169-01-000	EA	PLATE-BACK, ARMREST
21	111169-02-000	EA	INSERT-ARMREST, OVAL DECAL - WINNEBAGO
22	119509-01-G09	EA	HEADREST ASM (G09/G13)
22	119509-01-G10	EA	HEADREST ASM (G10)
22	119509-01-G11	EA	HEADREST ASM (G11/G12)
22	119509-01-G05	EA	HEADREST ASM (G14)
	P19509-01-G09	EA	COVER ASM-HEADREST (G09/G13)
	P19509-01-G10	EA	COVER ASM-HEADREST (G10)
	P19509-01-G11	EA	COVER ASM-HEADREST (G11/G12)
	P19509-01-G05	EA	COVER ASM-HEADREST (G14)
	113977-12-000	EA	HEADREST INSERT, W/O LOCK - BLACK PLASTIC - FLEXSTEEL
	113977-13-000	EA	HEADREST INSERT, W/LOCK - BLACK PLASTIC - FLEXSTEEL
	007221-01-000	EA	SPACER-SEAT, ADJUSTER
	114889-01-000	EA	STOP BAR-UNIVERSAL, SHROCK

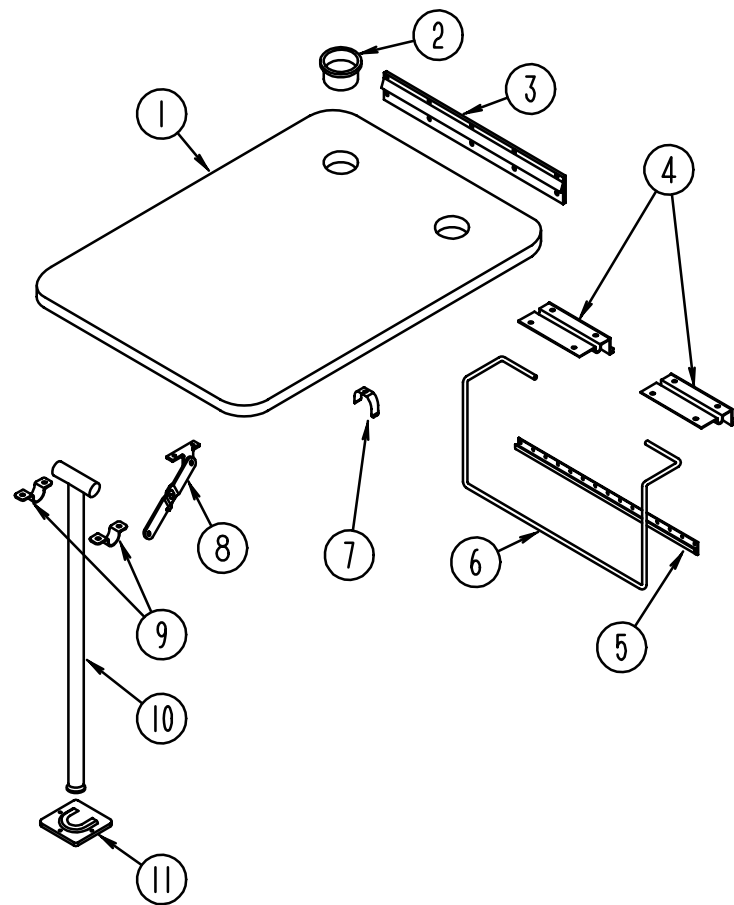
DINETTE GROUP
DINETTE CABINETRY



KEY	PART NUMBER	U/M	DESCRIPTION
1	117922-01-G09	EA	CABINET-OVERHEAD, W/O DOORS
1	117922-01-G10	EA	CABINET-OVERHEAD, W/O DOORS
1	117922-01-G11	EA	CABINET-OVERHEAD, W/O DOORS
1	117922-01-G12	EA	CABINET-OVERHEAD, W/O DOORS
1	117922-01-G13	EA	CABINET-OVERHEAD, W/O DOORS
1	117922-01-G14	EA	CABINET-OVERHEAD, W/O DOORS
1	117579-02-G09	EA	CABINET-OVERHEAD, W/O DOORS - COFFEEMAKER OPTION
1	117579-02-G10	EA	CABINET-OVERHEAD, W/O DOORS - COFFEEMAKER OPTION
1	117579-02-G11	EA	CABINET-OVERHEAD, W/O DOORS - COFFEEMAKER OPTION
1	117579-02-G12	EA	CABINET-OVERHEAD, W/O DOORS - COFFEEMAKER OPTION
1	117579-02-G13	EA	CABINET-OVERHEAD, W/O DOORS - COFFEEMAKER OPTION
1	117579-02-G14	EA	CABINET-OVERHEAD, W/O DOORS - COFFEEMAKER OPTION
2	M06803-13-G09	EA	DOOR-W/O HARDWARE W/MIRROR - 400 MM X 710 MM (G09/G10/G11/G12)
2	M06803-13-G13	EA	DOOR-W/O HARDWARE W/MIRROR - 400 MM X 710 MM (G13/G14)
2	M06803-02-G09	EA	DOOR-W/O HARDWARE W/O MIRROR - 400 MM X 710 MM (G09/G10/G11/G12) DECORATOR DOOR OPTION - FLAT PANEL
2	M06803-02-G13	EA	DOOR-W/O HARDWARE W/O MIRROR - 400 MM X 710 MM (G13/G14) DECORATOR DOOR OPTION - FLAT PANEL
2	M06803-82-G13	EA	DOOR-W/O HARDWARE W/O MIRROR - 400 MM X 710 MM (G13/G14) DECORATOR DOOR OPTION - RAISED PANEL
2	M06803-K3-G09	EA	DOOR-W/O HARDWARE - 400 MM X 710 MM (G09/G10/G11) EXPORT UPGRADE OPTION - RAISED PANEL
3	103128-01-G09	EA	CAP-END, OVERHEAD CABINET - FRONT
4	104787-04-F04	EA	PAD-DINETTE (G09/G13)
4	104787-04-E33	EA	PAD-DINETTE (G10)
4	104787-04-F06	EA	PAD-DINETTE (G11/G12)
4	104787-04-G14	EA	PAD-DINETTE (G14)
4	104787-10-G09	EA	PAD-DINETTE (G09) - EUROPEAN OPTION
4	104787-10-G08	EA	PAD-DINETTE (G10) - EUROPEAN OPTION
4	104787-10-G11	EA	PAD-DINETTE (G11) - EUROPEAN OPTION

KEY	PART NUMBER	U/M	DESCRIPTION
5	M04174-79-G09	EA	CABINET-SEATBACK, FRONT - W/O DOOR
5	M04174-81-G09	EA	CABINET-SEATBACK, FRONT - W/O DOOR - EUROPEAN OPTION
6	M04175-79-G09	EA	CABINET-SEATBASE, FRONT
6	M04175-81-G09	EA	CABINET-SEATBASE, FRONT - EUROPEAN OPTION
7	081295-01-G01	EA	SUPPORT-BED, DINETTE - 28" LONG - WOOD
8	M04175-80-G09	EA	CABINET-SEATBASE, REAR
8	M04175-82-G09	EA	CABINET-SEATBASE, REAR - EUROPEAN OPTION
9	M04174-80-G09	EA	CABINET-SEATBACK, REAR
9	M04174-82-G09	EA	CABINET-SEATBACK, REAR - EUROPEAN OPTION
10	104787-04-F04	EA	PAD-DINETTE (G09/G13)
10	104787-04-E33	EA	PAD-DINETTE (G10)
10	104787-04-F06	EA	PAD-DINETTE (G11/G12)
10	104787-04-G14	EA	PAD-DINETTE (G14)
10	104787-09-G09	EA	PAD-DINETTE (G09) - EUROPEAN OPTION
10	104787-09-G08	EA	PAD-DINETTE (G10) - EUROPEAN OPTION
10	104787-09-G11	EA	PAD-DINETTE (G11) - EUROPEAN OPTION
	058331-47-000	EA	MIRROR-GLASS, SAFETY - 562 MM X 384 MM
	105004-01-05A	EA	MOLDING-MIRROR, VINYL WRAPPED - WATERFORD OAK

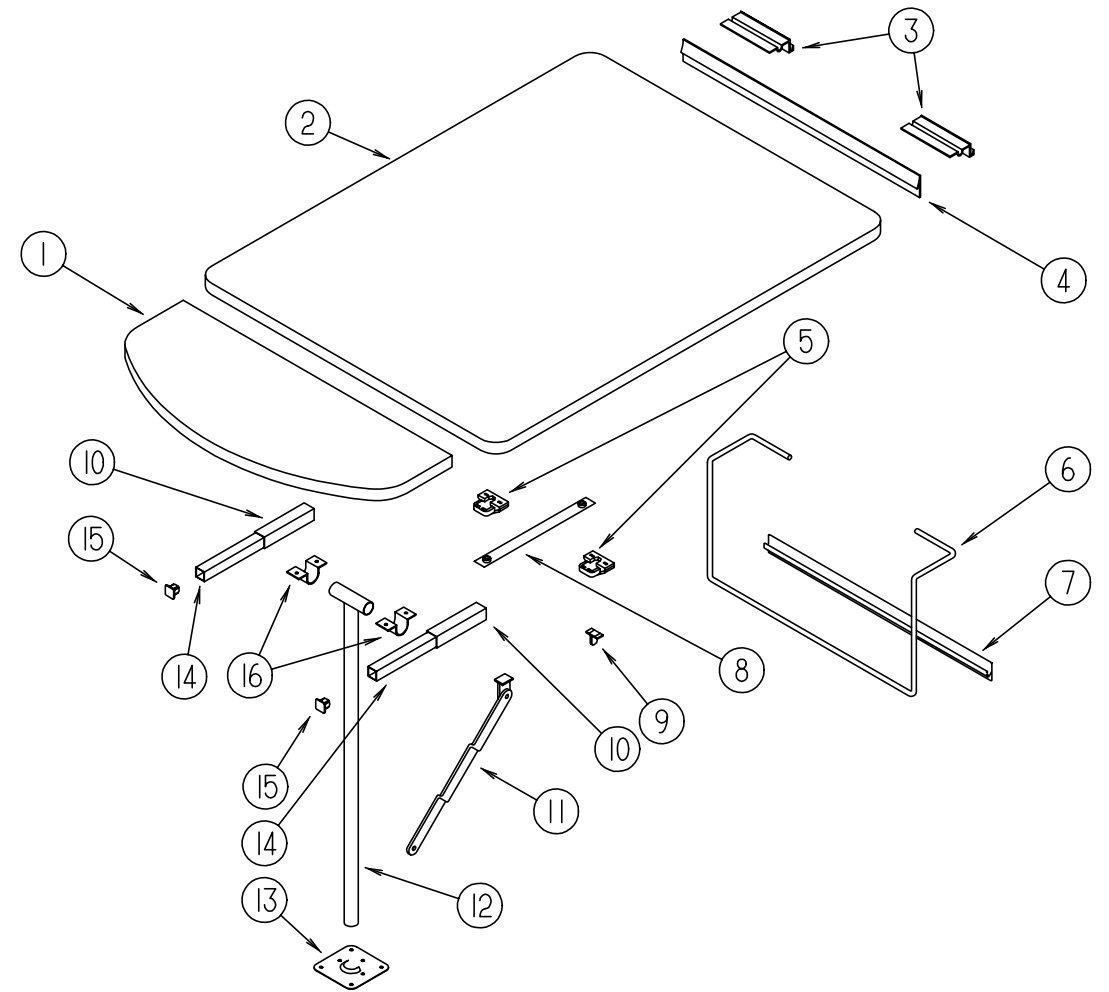
DINETTE GROUP (CONTINUED)



DINETTE TABLE

KEY	PART NUMBER	U/M	DESCRIPTION
1	081322-01-G09	EA	TABLE-DINETTE, W/O HARDWARE OR CUPHOLDERS (G09/G12/G13)
1	081322-01-G10	EA	TABLE-DINETTE, W/O HARDWARE OR CUPHOLDERS (G10)
1	081322-01-G11	EA	TABLE-DINETTE, W/O HARDWARE OR CUPHOLDERS (G11)
1	081322-01-G14	EA	TABLE-DINETTE, W/O HARDWARE OR CUPHOLDERS (G14)
2	064781-06-000	EA	HOLDER-CUP, TWO STEP - OFF WHITE
3	053200-12-000	EA	SUPPORT-TABLE, 23.5" - OFF WHITE
4	088410-02-000	EA	BRACKET-LIFT, TABLE MOUNTED - OFF WHITE
5	024281-14-000	EA	BRACKET-LIFT ROD, LOWER WALL MOUNTED - 22.12" - OFF WHITE
6	024275-12-000	EA	ROD-TABLE LIFT, OFF WHITE
7	024283-01-000	EA	CLIP-LEG, 1" X 1.125" OD - BLACK
8	024282-01-000	EA	BRACE-TABLE LEG, HINGED
9	064050-05-000	EA	HINGE-TABLE LEG, OFF WHITE
10	024276-23-000	EA	LEG-TABLE, METAL - OFF WHITE
11	049493-12-000	EA	CATCH-LEG, FLOOR MOUNTED - 2.5" X 2.7" - METAL - OFF WHITE
11	049493-11-700	EA	CATCH-LEG, FLOOR MOUNTED - 2.5" X 2.7" - METAL - E-COAT

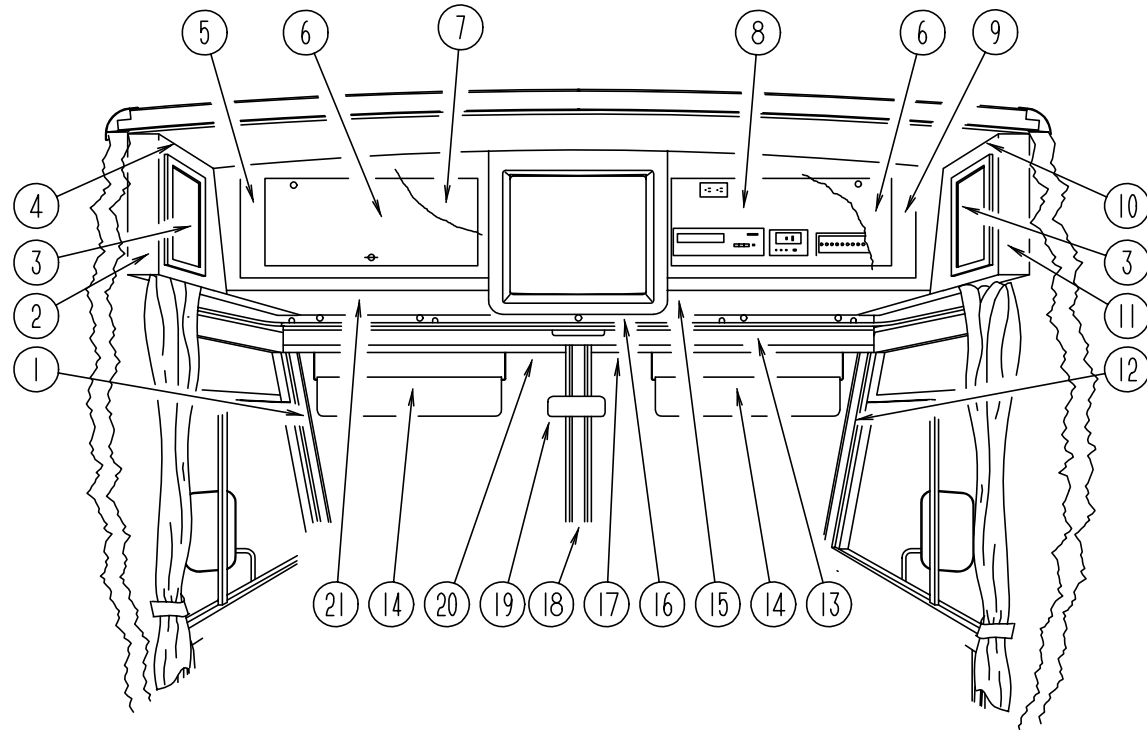
DINETTE GROUP (CONTINUED)



EUROPEAN OPTION DINETTE TABLE

KEY	PART NUMBER	U/M	DESCRIPTION
1	119963-12-G09	EA	EXTENSION-DINETTE TABLE, W/O HARDWARE
1	119963-12-G10	EA	EXTENSION-DINETTE TABLE, W/O HARDWARE
1	119963-12-G11	EA	EXTENSION-DINETTE TABLE, W/O HARDWARE
2	119963-11-G09	EA	TABLE-DINETTE, W/O HARDWARE
2	119963-11-G10	EA	TABLE-DINETTE, W/O HARDWARE
2	119963-11-G11	EA	TABLE-DINETTE, W/O HARDWARE
3	088410-02-000	EA	BRACKET-LIFT, TABLE MOUNTED - OFF WHITE
4	053200-12-000	EA	SUPPORT-TABLE, 23.5" - OFF WHITE
5	009050-02-000	EA	LEVELER-TABLE TOP, FEMALE & MALE ENDS W/4 SCREWS - PLASTIC
6	024275-12-000	EA	ROD-TABLE LIFT, OFF WHITE
7	024281-14-000	EA	BRACKET-LIFT ROD, LOWER WALL MOUNTED - 22.12" - OFF WHITE
8	057534-01-000	EA	TIEBACK/TIEDOWN-TABLE EXTENSION, 6" - PLASTIC - CLEAR
	029130-04-000	EA	SOCKET-SNAP FASTENER
9	024283-01-000	EA	CLIP-LEG, 1" X 1.125" OD - BLACK
10	113729-01-02A	EA	TUBE-TABLE SUPPORT, 5" LONG - OFF WHITE
11	024282-01-000	EA	BRACE-TABLE LEG, HINGED
12	024276-22-000	EA	LEG ASM-TABLE, OFF WHITE
13	049493-12-000	EA	CATCH-LEG, FLOOR MOUNTED - 2.5" X 2.7" - METAL - OFF WHITE
13	049493-11-700	EA	CATCH-LEG, FLOOR MOUNTED - 2.5" X 2.7" - METAL - E-COAT
14	113728-01-02A	EA	TUBE-TABLE SUPPORT, 9" LONG - OFF WHITE
	114117-01-02A	EA	PLATE-SPACER, TABLE SUPPORT TUBE - 4" X 1" - OFF WHITE
15	110550-01-000	EA	CAP-TUBE, 22.2 MM SQUARE - CAPPLUG SQ-7/8
16	064050-05-000	EA	HINGE-TABLE LEG, OFF WHITE
	004354-01-000	EA	BUMPER-RUBBER, .5" DIA - BROWN

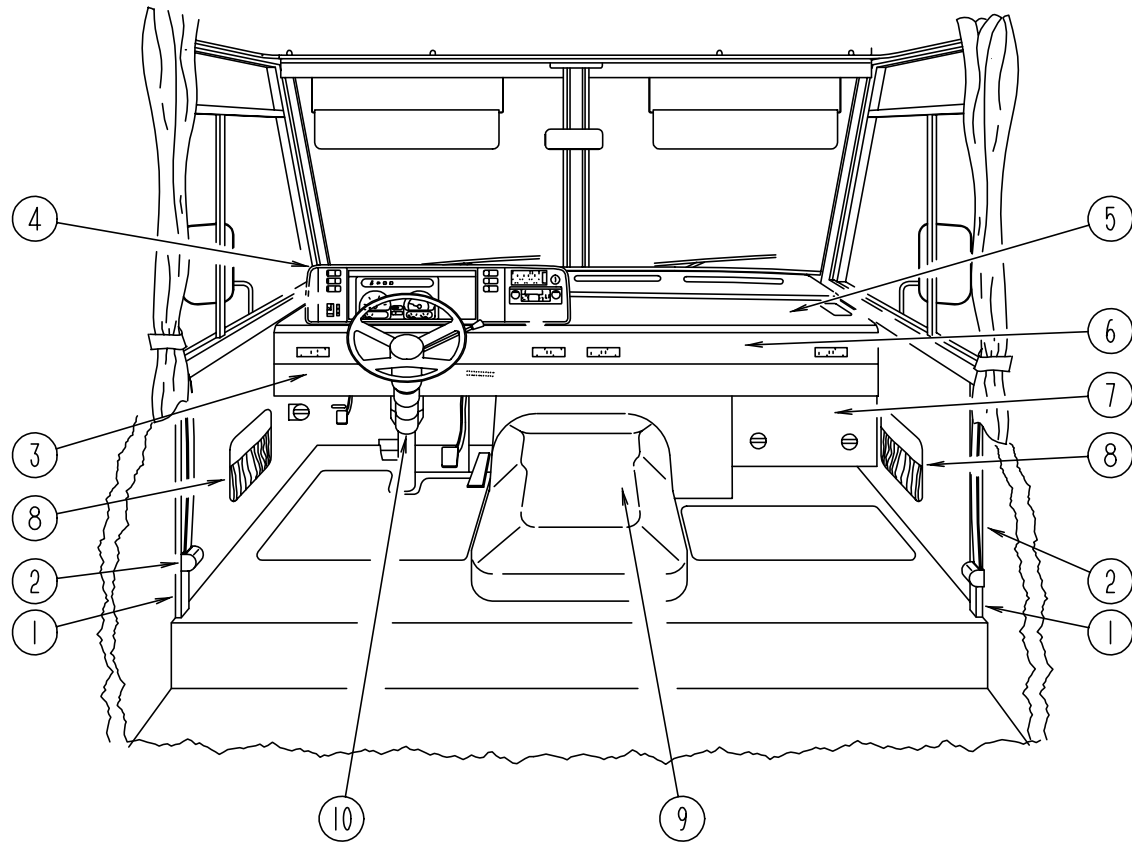
DRIVERS COMPARTMENT GROUP
DRIVERS COMPARTMENT - UPPER



KEY	PART NUMBER	U/M	DESCRIPTION
1	103931-02-04A	EA	COVER-INNER, A-PILLAR - DRIVERS - WILLOW
2	103128-09-G09	EA	CAP-END, FRONT OVERHEAD, DRIVERS SIDE
3	M06803-04-G09	EA	DOOR-CABINET, W/O HARDWARE - 255 MM X 485 MM (G09/G10/G11/G12)
3	M06803-04-G13	EA	DOOR-CABINET, W/O HARDWARE - 255 MM X 485 MM (G13/G14)
3	M06803-F8-G13	EA	DOOR-CABINET, W/O HARDWARE - 255 MM X 485 MM (G13/G14) DECORATOR DOOR OPTION - RAISED PANEL
3	M06803-K9-G09	EA	DOOR-W/O HARDWARE - 255 MM X 485 MM (G09/G10/G11) EXPORT UPGRADE OPTION - RAISED PANEL
4	109561-02-G09	EA	CABINET-FRONT OVERHEAD W/O DOOR, DRIVERS SIDE
4	109561-02-G10	EA	CABINET-FRONT OVERHEAD W/O DOOR, DRIVERS SIDE
4	109561-02-G11	EA	CABINET-FRONT OVERHEAD W/O DOOR, DRIVERS SIDE
4	109561-02-G12	EA	CABINET-FRONT OVERHEAD W/O DOOR, DRIVERS SIDE
4	109561-02-G13	EA	CABINET-FRONT OVERHEAD W/O DOOR, DRIVERS SIDE
4	109561-02-G14	EA	CABINET-FRONT OVERHEAD W/O DOOR, DRIVERS SIDE
	P09561-02-G09	EA	BOTTOM-VINYL COVERED, FRONT OVERHEAD - DRIVERS SIDE
	104289-02-C05	EA	PAD-VINYL COVERED, 769 MM X 245 MM - ANGLED - DRIVERS SIDE - OFF WHITE FROM: 00-00-00 THRU: 08-27-95
	104289-02-G09	EA	PAD-VINYL COVERED, 769 MM X 245 MM - ANGLED - DRIVERS SIDE - WILLOW FROM: 08-28-95 THRU: 99-99-99
	104289-04-D12	EA	PAD-VINYL COVERED, 655 MM X 245 MM - ANGLED - DRIVERS SIDE - OFF WHITE TV OPTIONS FROM: 00-00-00 THRU: 08-27-95
	104289-04-G09	EA	PAD-VINYL COVERED, 655 MM X 245 MM - ANGLED - DRIVERS SIDE - WILLOW TV OPTIONS FROM: 08-28-95 THRU: 99-99-99
5	114612-02-G09	EA	FACE-TV CABINET W/O DOORS, FRONT OVERHEAD - DRIVERS SIDE
	106699-01-01A	EA	BRACKET-L-ANGLE, TV CABINET FACE - 5.1" LONG - OFF WHITE STEEL
6	100708-12-000	EA	DOOR-GLASS, TV CABINET - W/O HARDWARE - 246 MM X 590 MM

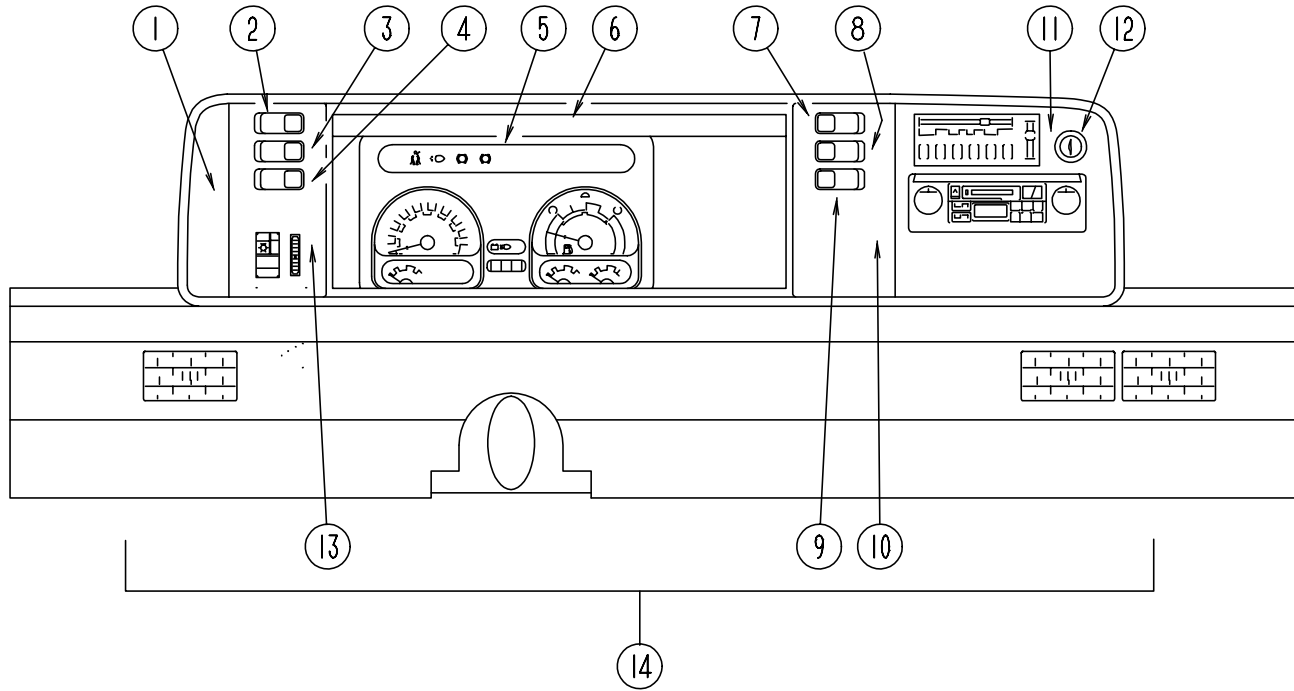
KEY	PART NUMBER	U/M	DESCRIPTION
7	103040-01-G09	EA	PANEL-HEADLINER FRONT OVERHEAD, RH & LH - STANDARD
7	114661-12-G09	EA	PANEL-HEADLINER FRONT OVERHEAD, LH - TV OPTIONS
8	103040-01-G09	EA	PANEL-HEADLINER FRONT OVERHEAD, RH & LH - STANDARD
8	114661-13-G09	EA	PANEL-HEADLINER FRONT OVERHEAD, TV OPTIONS
8	114661-14-G09	EA	PANEL-HEADLINER FRONT OVERHEAD, TV/VCR OPTIONS
8	114661-15-G09	EA	PANEL-HEADLINER FRONT OVERHEAD, TV/VCR/INVERTER OPTION
8	114661-16-G09	EA	PANEL-HEADLINER FRONT OVERHEAD, TV/INVERTER OPTION
	100676-02-000	EA	STAND-VCR, STEEL
9	114612-01-G09	EA	FACE-TV CABINET W/O DOORS, FRONT OVERHEAD - PASSENGERS SIDE
10	109561-01-G09	EA	CABINET-FRONT OVERHEAD W/O DOOR, PASSENGERS SIDE
10	109561-01-G10	EA	CABINET-FRONT OVERHEAD W/O DOOR, PASSENGERS SIDE
10	109561-01-G11	EA	CABINET-FRONT OVERHEAD W/O DOOR, PASSENGERS SIDE
10	109561-01-G12	EA	CABINET-FRONT OVERHEAD W/O DOOR, PASSENGERS SIDE
10	109561-01-G13	EA	CABINET-FRONT OVERHEAD W/O DOOR, PASSENGERS SIDE
10	109561-01-G14	EA	CABINET-FRONT OVERHEAD W/O DOOR, PASSENGERS SIDE
11	103128-08-G09	EA	CAP-END, FRONT OVERHEAD, PASSENGERS SIDE
	P09561-01-G09	EA	BOTTOM-VINYL COVERED, FRONT OVERHEAD - PASSENGERS SIDE
	104289-01-C05	EA	PAD-VINYL COVERED, 769 MM X 245 MM - ANGLED - PASS SIDE - OFF WHITE FROM: 00-00-00 THRU: 08-27-95
	104289-01-G09	EA	PAD-VINYL COVERED, 769 MM X 245 MM - ANGLED - PASSENGERS SIDE - WILLOW FROM: 08-28-95 THRU: 99-99-99
	104289-03-D12	EA	PAD-VINYL COVERED, 655 MM X 245 MM - ANGLED - PASS SIDE - OFF WHITE TV OPTIONS FROM: 00-00-00 THRU: 08-27-95
	104289-03-G09	EA	PAD-VINYL COVERED, 655 MM X 245 MM - ANGLED - PASSENGERS SIDE - WILLOW TV OPTIONS FROM: 08-28-95 THRU: 99-99-99
12	103931-01-04A	EA	COVER-INNER, A-PILLAR - PASSENGERS - WILLOW
13	078811-05-C07	EA	PANEL-HEADER W/RECEPTACLE CUTOUTS - 90.2" LONG - VINYL COVERED
14	082286-18-GB1	EA	SUNVISOR-DRIVER OR PASSENGER - W/O POCKET FROM: 00-00-00 THRU: 08-27-95
14	082286-18-G09	EA	SUNVISOR-DRIVER OR PASSENGER - W/O POCKET FROM: 08-28-95 THRU: 99-99-99
	102377-01-000	EA	BRACKET-SUNVISOR, 1 PIECE - STEEL
	007211-01-000	EA	HINGE-SUNVISOR
	074012-01-000	EA	CLIP-SUNVISOR, SQUARE PINCH-ON
	081987-05-000	EA	ROD-SUNVISOR, BLACK
15	P03077-07-G09	EA	SHELF-CABINET, PASSENGERS SIDE - OFF WHITE VINYL COVERED FROM: 00-00-00 THRU: 08-27-95
15	P03077-07-G15	EA	SHELF-CABINET, PASSENGERS SIDE - WILLOW VINYL COVERED FROM: 08-28-95 THRU: 99-99-99
16	117974-01-01A	EA	COVER-TV CABINET, FRONT FACE - WILLOW
16	118022-01-G09	EA	COVER ASM-TV CABINET, SIDES & BOTTOM (ASSEMBLED KIT)
17	078579-15-000	EA	TRIM - WINDSHIELD - UPPER INNER - RIGHT - WILLOW
18	079765-11-000	EA	TRIM - WINDSHIELD - CENTER INNER - WILLOW
19	040714-01-000	EA	MIRROR-REAR VIEW, W/ARM MOUNT & SET SCREW - GM 911722
	067490-01-000	EA	BUTTON-MIRROR, REAR VIEW - STANK S927H
20	078579-16-000	EA	TRIM - WINDSHIELD - UPPER INNER - LEFT - WILLOW
21	P03077-08-G09	EA	SHELF-CABINET, DRIVERS SIDE - OFF WHITE VINYL COVERED FROM: 00-00-00 THRU: 08-27-95
21	P03077-08-G15	EA	SHELF-CABINET, DRIVERS SIDE - WILLOW VINYL COVERED FROM: 08-28-95 THRU: 99-99-99
	104417-01-G09	EA	CABINET-BLANKET (STANDARD CABINET)

DRIVERS COMPARTMENT GROUP (CONTINUED)
DRIVERS COMPARTMENT - LOWER



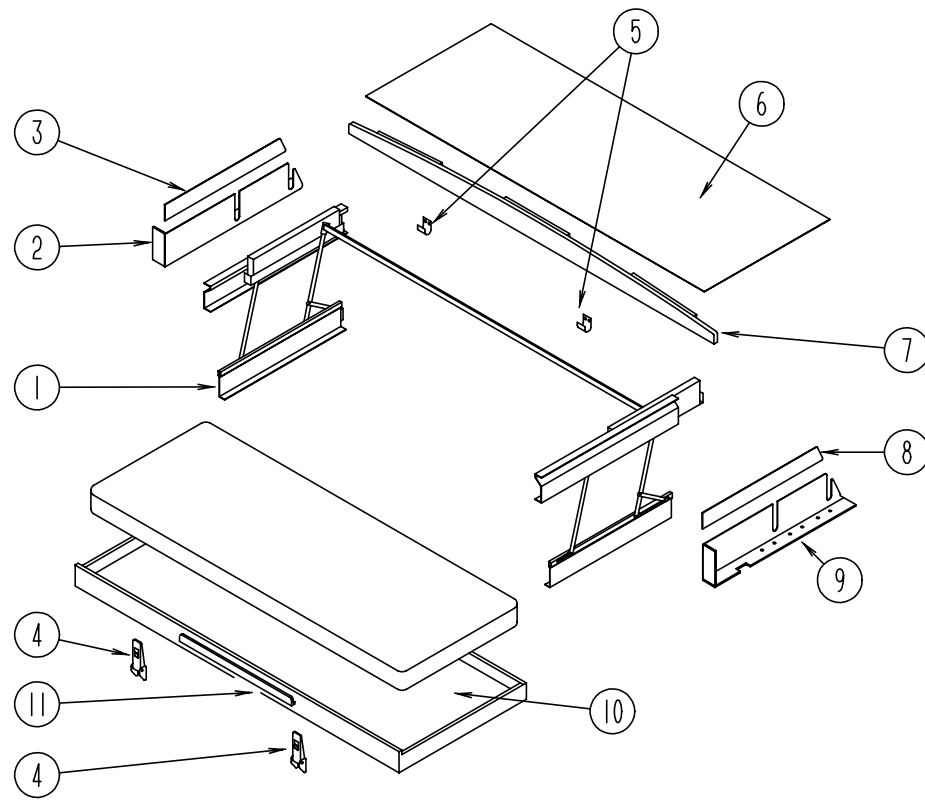
KEY	PART NUMBER	U/M	DESCRIPTION
1	024700-44-000	EA	COVER-SIDEWALL ROLL BAR, OFF WHITE - 53"
1	024700-45-000	EA	COVER-SIDEWALL ROLL BAR, OFF WHITE - 12.8"
	024700-47-000	EA	COVER-SIDEWALL ROLL BAR, OFF WHITE - 18.9" - DRIVER DOOR
	024700-48-000	EA	COVER-SIDEWALL ROLL BAR, OFF WHITE - 25" - DRIVER DOOR
2	091990-04-01A	EA	SEAT BELT-SHOULDER HARNESS - DRIVERS/PASSENGERS - BLACK
	091990-01-700	EA	BOLT COVER
	091990-01-701	EA	9" EXTENDER - F/A8408 3 POINT
	109146-01-000	EA	BOLT-SHOULDER, SEAT BELT
	103961-01-01A	EA	COVER-BRACKET, SEAT BELT - OFF WHITE
	103961-02-01A	EA	COVER-BRACKET, SEAT BELT - OFF WHITE - DRIVER DOOR
	103961-05-01A	EA	COVER-BRACKET, SEAT BELT - OFF WHITE - EUROPEAN
	103961-04-01A	EA	COVER-BRACKET, SEAT BELT - OFF WHITE - EUROPEAN & DRIVER DOOR
3	103812-06-04A	EA	TRIM-DASH, LOWER - 2299 MM LONG - WILLOW
4	111499-01-03A	EA	POD-INSTRUMENT PANEL, WILLOW PLASTIC
5	P03817-11-000	EA	DASH ASM, W/O VINYL
	106569-02-03A	YD	VINYL-LAMINATE, 26 OZ - 54" WIDE - WILLOW
	105927-02-000	EA	PANEL-DASH TOP, STEEL
6	104354-01-04A	EA	APPLIQUE-LOWER DASH, 2300 MM LONG
7	095757-03-F04	EA	COVER-HEATER W/CARPET (G09)
7	095757-03-F05	EA	COVER-HEATER W/CARPET (G10)
7	095757-03-F06	EA	COVER-HEATER W/CARPET (G11)
7	095757-03-G36	EA	COVER-HEATER W/CARPET (G12/G13)
7	095757-03-E33	EA	COVER-HEATER W/CARPET (G14)
8	086120-01-F04	EA	PAD-MAP POCKET, 12" X 16" (G09/G13)
8	086120-01-G10	EA	PAD-MAP POCKET, 12" X 16" (G10)
8	086120-01-F06	EA	PAD-MAP POCKET, 12" X 16" (G11/G12)
8	086120-01-G14	EA	PAD-MAP POCKET, 12" X 16" (G14)
9	115840-01-01A	EA	COVER-MOTOR, W/O CARPET
	115850-01-02B	EA	RETAINER-LATCH, MOTOR COVER
	116581-01-000	EA	LATCH-MOTOR COVER - SOUTHCO 2710074088
	115852-01-02B	EA	STRIKE ASM-MOTOR COVER, E-COAT
	116833-01-02B	EA	WRENCH-HEX, MOTOR COVER - E-COAT
	115860-01-01A	EA	TRIM-MOTOR COVER
	039623-01-000	FT	SEAL-MOTOR COVER, RUBBER BULB TYPE - BLACK
	111618-01-GB1	EA	TRAY ASM-BEVERAGE
	097872-04-000	EA	DOWEL-WOOD, 1" DIAMETER X 1.38" LONG - UNFINISHED
	111618-13-GB1	EA	LID-BEVERAGE TRAY ASM
	046886-03-000	EA	ASHTRAY-CHROME, W/COVER
10	103498-06-000	EA	BOOT-STEERING COLUMN, BLACK VINYL - CHEVY
	116452-02-G13	EA	PANEL-TRIM, 31.9" X 19.7" - WILLOW VINYL COVERED (G12/G13/G14)
	116452-03-F14	EA	PANEL-TRIM, 23.1" X 7.9" - FABRIC COVERED (G12)
	116452-03-G13	EA	PANEL-TRIM, 23.1" X 7.9" - FABRIC COVERED (G13)
	116452-03-G14	EA	PANEL-TRIM, 23.1" X 7.9" - FABRIC COVERED (G14)
	084902-08-000	EA	HOLDER-MUG, COLLAPSIBLE - BLACK (G12/G13/G14)
	108067-03-000	EA	STUD-WELD, 1/4" - 20 X 1/2" CD

DRIVERS COMPARTMENT GROUP (CONTINUED)
DASH, GAUGES & SWITCHES



KEY	PART NUMBER	U/M	DESCRIPTION
1	104056-01-01A	EA	APPLIQUE-BEZEL, BLACK VELVET LEXAN FROM: 00-00-00 THRU: 12-17-95
1	104056-01-02A	EA	APPLIQUE-BEZEL, CHAMPAGNE BURL MAT FROM: 12-18-95 THRU: 99-99-99
2	108356-02-01A	EA	COVER-SWITCH W/DIMPLES, CARLING VVAZC00 BLA
2	108357-05-000	EA	SWITCH-ROCKER, SPDT ON/NONE/ON - RADIO POWER - CARLING V4D1000B-0
3	108356-02-01A	EA	COVER-SWITCH W/DIMPLES, CARLING VVAZC00 BLA
3	108357-09-000	EA	SWITCH-ROCKER, SPDT ON/NONE/MOM - DUAL BATTERY - CARLING V5D1000B-0
4	108356-02-01A	EA	COVER-SWITCH W/DIMPLES, CARLING VVAZC00 BLA
4	108357-06-000	EA	SWITCH-ROCKER, DPDT MOM/OFF/MOM - CARLING VLD1000B-0 BATTERY DISCONNECT SWITCH OPTION
4	096241-03-000	EA	SWITCH-BLANK
5	094796-07-000	EA	CLUSTER-INSTRUMENT PANEL, KILOMETERS - GAS - GM# 16167145
5	094796-08-000	EA	CLUSTER-INSTRUMENT PANEL, KILOMETERS - DIESEL - GM# 16164645
6	103662-01-01A	EA	BEZEL-INSTRUMENT PANEL
7	108356-04-01A	EA	COVER-SWITCH W/DIMPLES & LENS, CARLING VVAGC00
7	108357-10-000	EA	SWITCH-ROCKER, SPDT MOM/OFF/MOM - LIGHTED - CARLING V8D1160B-0 GENERATOR OPTION
7	096241-03-000	EA	SWITCH-BLANK
8	108356-02-01A	EA	COVER-SWITCH W/DIMPLES, CARLING VVAZC00 BLA
8	108357-03-000	EA	SWITCH-ROCKER, SPDT ON/OFF/ON - CARLING V6D1000B-0 REAR HEATER OPTION
8	096241-03-000	EA	SWITCH-BLANK
9	096241-03-000	EA	SWITCH-BLANK
10	104056-21-01A	EA	APPLIQUE-BEZEL
11	104056-06-01A	EA	APPLIQUE-BEZEL, BLACK VELVET LEXAN FROM: 00-00-00 THRU: 12-17-95
11	104056-06-02A	EA	APPLIQUE-BEZEL, CHAMPAGNE BURL MAT FROM: 12-18-95 THRU: 99-99-99
12	089294-01-000	EA	LIGHTER ASM-CIGARETTE - CASCO C213275
13	104056-22-01A	EA	APPLIQUE-BEZEL
14	M05946-26-G09	EA	DASH POD ASSEMBLY - CHEVY
	100138-01-000	EA	MODULE-DAYTIME RUNNING LIGHT - CANADIAN
	077031-01-000	EA	FILM-BLACK, 1" X 1.75"
	077031-03-000	EA	FILM-WHITE, .75" X 1"
	103603-01-000	EA	BULB - 12V, #74 - .12A WEDGE - GE 22-25 - USED IN DASH
	077539-01-000	EA	BRACKET-MOUNTING, DASH PANEL - L/SHAPED - 2.5" X 1" X 1.5"

DRIVERS COMPARTMENT GROUP (CONTINUED)



FRONT BUNK

KEY	PART NUMBER	U/M DESCRIPTION
1	076760-02-000	EA BUNK HARDWARE (COMPLETE)
	076760-02-700	EA SPRING-GAS, BUNK HARDWARE
2	101499-06-C05	EA PANEL ASM - BOTTOM DRIVERS - PADDED - OFF WHITE FROM: 00-00-00 THRU: 08-27-95
2	101499-06-G09	EA PANEL ASM - BOTTOM DRIVERS - PADDED - WILLOW FROM: 08-28-95 THRU: 99-99-99
3	101497-08-C05	EA PANEL ASM - UPPER DRIVERS - PADDED - OFF WHITE FROM: 00-00-00 THRU: 08-27-95
3	101497-08-G09	EA PANEL ASM - UPPER DRIVERS - PADDED - WILLOW FROM: 08-28-95 THRU: 99-99-99
4	116975-01-01A	EA LATCH-W/O STRIKE, BLACK
5	042541-05-000	EA STRIKE-BRASS
6	103040-06-C05	EA PANEL-HEADLINER FRONT OVERHEAD, PADDED - OFF WHITE FROM: 00-00-00 THRU: 08-27-95
6	103040-06-G09	EA PANEL-HEADLINER FRONT OVERHEAD, PADDED - WILLOW FROM: 08-28-95 THRU: 99-99-99
7	P03199-01-C05	EA BOARD ASM-TRIM, BUNK - CEILING MOUNTED
8	101497-07-C05	EA PANEL ASM - UPPER PASSENGERS - PADDED - OFF WHITE FROM: 00-00-00 THRU: 08-27-95
8	101497-07-G09	EA PANEL ASM - UPPER PASSENGERS - PADDED - WILLOW FROM: 08-28-95 THRU: 99-99-99
9	101499-05-C05	EA PANEL ASM - BOTTOM PASSENGERS - PADDED - OFF WHITE FROM: 00-00-00 THRU: 08-27-95
9	101499-05-G09	EA PANEL ASM - BOTTOM PASSENGERS - PADDED - WILLOW FROM: 08-28-95 THRU: 99-99-99
10	081717-03-G09	EA BED ASM-BUNK, FRONT
11	094658-01-G09	EA HANDLE-BUNK, OAK

ELECTRICAL GROUP CIRCUIT BREAKERS

KEY	PART NUMBER	U/M DESCRIPTION
	083209-01-000	EA CIRCUIT BREAKER - 15 AMP, 120V - BW G-15
	083209-02-000	EA CIRCUIT BREAKER - 15/15 AMP, 120V - BW H-15/15
	083209-03-000	EA CIRCUIT BREAKER - 15/20 AMP, 120V - BW O-15/20
	083209-04-000	EA CIRCUIT BREAKER - 30 AMP, 120V - BW L-30
	083209-05-000	EA CIRCUIT BREAKER - 20 AMP, 120V - BW J-20
	083209-06-000	EA CIRCUIT BREAKER - 30/15 AMP, 120V - BW D-30/15
	083209-07-000	EA CIRCUIT BREAKER - 20/20 AMP, 120V - BW K-20/20
	083209-08-000	EA CIRCUIT BREAKER - BLANK - BW
	093655-03-000	EA CIRCUIT BREAKER - 40 AMP, 12V - USD 17440-4E03A2A
	097611-01-000	EA CIRCUIT BREAKER - 6 AMP, ATC - BLACK - FASCO VB3-A10-F57
	112591-01-000	EA CIRCUIT BREAKER - 16 AMP, 240V - EUROPEAN OPTION
	112592-01-000	EA CIRCUIT BREAKER - 25 AMP, 240V - GFI - EUROPEAN OPTION

WIRE ASSEMBLIES

KEY	PART NUMBER	U/M DESCRIPTION
	096449-01-000	EA WIRE ASM-WATER TANK TO MONITOR PANEL
	097618-01-000	EA WIRE ASM-MONITOR PANEL, W/3 WIRES & ORANGE RESISTOR-LVS
	102636-02-000	EA WIRE ASM-CLEARANCE LAMPS
	090986-01-000	EA WIRE ASM-ELECTRIC STEP, KWIKEE 9009
	104271-02-000	EA WIRE ASM-SPEAKER, TV
	108303-01-000	EA WIRE ASM-REAR AUTO HEATER
	110256-01-000	EA WIRE ASM-IP, GENERATOR
	111915-01-000	EA WIRE ASM-DAY RUN LAMPS, FUSE
	119459-01-000	EA WIRE ASM-IP, MAIN
	P03784-01-000	EA WIRE ASM-HEADLAMP

HOUSINGS, PINS & SOCKETS

KEY	PART NUMBER	U/M DESCRIPTION
	088473-01-000	EA HOUSING-PIN, 4 ROWS OF 3
	088473-02-000	EA HOUSING-PIN, 15 CAVITY - AMP 1-480710-0
	088473-03-000	EA HOUSING-PIN, 9 POSITION
	088473-05-000	EA HOUSING-PIN, 6 POSITION (SINGLE ROW)
	088473-06-000	EA HOUSING-PIN, 6 POSITION (TWO ROWS OF THREE)
	088473-08-000	EA HOUSING-PIN, 4 POSITION
	088473-09-000	EA HOUSING-PIN, 3 POSITION (SINGLE ROW)
	088473-10-000	EA HOUSING-PIN, 2 POSITION
	088474-01-000	EA HOUSING-SOCKET, 12 POSITIONS
	088474-02-000	EA HOUSING-SOCKET, 12 CAVITY - AMP 1-480711-0
	088474-03-000	EA HOUSING-SOCKET, 9 POSITION
	088474-06-000	EA SOCKET-HOUSING, 6 POSITION (2 ROWS OF THREE)
	088474-07-000	EA HOUSING-SOCKET, 5 CAVITY - AMP 1-480764-0
	088474-08-000	EA SOCKET-HOUSING, 4 POSITION (SINGLE ROW)
	088474-09-000	EA HOUSING-SOCKET, 3 POSITION
	088474-10-000	EA HOUSING-SOCKET, 2 POSITION
	088475-01-000	EA PIN-CONNECTOR, 14 TO 20 AWG
	088475-02-000	EA PIN-CONNECTOR, 10 TO 12 AWG
	088476-01-000	EA SOCKET-CONNECTOR, BRASS - PRE-TIN
	088476-02-000	EA SOCKET-CONNECTOR, 12-10 GA - PHOSPHATE BRONZE - PRE-TIN
	103608-01-000	EA SOCKET-WEDGE BASE W/LEADS, JKL 2944-6 OR EQUIVALENT
	104100-01-000	EA HOUSING - 1 POSITION, 75 AMP - AMP 53884-1
	106006-01-000	EA HOUSING - 1 POSITION, FEMALE - PACKARD 12015952
	108355-01-000	EA HOUSING-SWITCH, CARLING VCH
	113468-01-000	EA HOUSING - 2 POSITION, FEMALE - 56-SERIES - PACKARD 02965981 USED ON WIPER/WASHER WIRE ASM
	119248-02-000	EA HOUSING - 7 POSITION, FEMALE - METRI-PACK - PACKARD 12059472

ELECTRICAL GROUP (CONTINUED)
CONVERTER & INVERTER

KEY	PART NUMBER	U/M	DESCRIPTION
	083208-01-000	EA	CONVERTER-POWER, 32A - 120V/12V - BW 6332
	083208-02-000	EA	CONVERTER-POWER, 45A - 120V/12V - BW 6345 - CANADIAN OPTION
	099048-02-000	EA	INVERTER - 100 WATT
	113493-01-000	EA	LOAD CENTER - 12MDL, FLUSH MOUNT - EUROPEAN OPTION
	113494-01-000	EA	CONTACTOR - 25A - 230V - 50 HZ - EUROPEAN OPTION
	114511-01-000	EA	CONVERTER - 40 AMP, W/CHARGER - EUROPEAN OPTION

CONNECTORS

KEY	PART NUMBER	U/M	DESCRIPTION
	007942-01-000	EA	TAB-WIRE, 18 TO 14 AWG
	008311-01-000	EA	CONNECTOR-WIRE NUT, INSULATED - RED
	008312-01-000	EA	CONNECTOR-WIRE NUT, INSULATED - BLUE
	008314-01-000	EA	CONNECTOR-WIRE NUT, INSULATED - GRAY
	008355-01-000	EA	CONNECTOR-CABLE CLAMPING, 3/4"
	008356-01-000	EA	CONNECTOR-PLASTIC, 3/8" AVG
	041480-01-000	EA	CONNECTOR-STRAIGHT, 1/2" FLEX CONDUIT
	082741-01-000	EA	CONNECTOR BODY - 2 CONNECTOR - MALE - SERV ELEC 2P-FYL
	087695-03-000	EA	CONNECTOR-ASSEMBLY - EURAMTEC RT10484802 FROM: 09-01-95 THRU: 99-99-99
	058028-01-000	EA	CONNECTOR-ELECTRICAL PIGTAIL, NYLON - CLEAR
	007940-01-000	EA	RECEPTACLE-SLIDE, 16 TO 12 AWG - FEMALE END
	007954-01-000	EA	RECEPTACLE-HOUSING, 6 POSITION
	080015-02-000	EA	RECEPTACLE-FLAG, .185 - 16/14 GA - AMP 3-520340-2

FUSES & FUSE HOUSINGS

KEY	PART NUMBER	U/M	DESCRIPTION
	008234-01-000	EA	FUSE - 10 AMPS, 12 VOLT
	062901-02-000	EA	FUSE - 5 AMPS, AUTOMOTIVE
	062901-05-000	EA	FUSE - 15 AMPS, AUTOMOTIVE
	062901-06-000	EA	FUSE - 20 AMPS, AUTOMOTIVE
	062901-07-000	EA	FUSE - 25 AMPS, AUTOMOTIVE
	062037-01-000	EA	HOUSING-AUTO FUSE, NATURAL
	062037-02-000	EA	HOUSING-AUTO FUSE, GREEN
	062037-03-000	EA	HOUSING-AUTO FUSE, BLACK
	062037-04-000	EA	HOUSING-AUTO FUSE, BLUE
	062037-05-000	EA	HOUSING-AUTO FUSE, GRAY
	062037-06-000	EA	HOUSING-AUTO FUSE, BROWN
	062037-07-000	EA	HOUSING-AUTO FUSE, RED
	108669-01-000	EA	HOUSING-AUTO FUSE HOLDER, PACKARD 12010105
	106655-02-000	EA	TERMINAL-FUSE BLOCK,10-12AWG - PACKARD 12020400
	106656-01-000	EA	FUSE BLOCK - 4 CAVITY AUTOFUSE - PACKARD 12004943

CONDUIT

KEY	PART NUMBER	U/M	DESCRIPTION
	041953-01-000	FT	CONDUIT-CONVOLUTE, SLIT - .5" ID
	041953-03-000	FT	CONDUIT-CONVOLUTE, SLIT - 1" ID (CLOTHES ROD COVER)
	041953-04-000	FT	CONDUIT-CONVOLUTE, SLIT - .50" ID
	041953-05-000	FT	CONDUIT-CONVOLUTE, SOLID - .62" ID
	041953-06-000	FT	CONDUIT-CONVOLUTE, SLIT - .375" ID
	041953-07-000	FT	CONDUIT-CONVOLUTE, SLIT - .25" ID
	041953-08-000	FT	CONDUIT-CONVOLUTE, SLIT - 1.50" ID
	041953-09-000	FT	CONDUIT-CONVOLUTE, SLIT - .50" ID
	041953-12-000	FT	CONDUIT-CONVOLUTE, NON SLIT - 1.1" ID

ELECTRICAL GROUP (CONTINUED)
TERMINALS

KEY	PART NUMBER	U/M	DESCRIPTION
	008326-01-000	EA	TERMINAL-RING, 16/14 WIRE - 3/8" STUD
	008328-01-000	EA	TERMINAL-RING, 12/10 WIRE - #10 STUD FIT
	008331-01-000	EA	TERMINAL-RING,TONGUE - #4 WIRE - 3/8" STUD - COPPER
	008348-01-000	EA	TERMINAL-RING, 3/8" STUD - #2 WIRE
	035416-04-000	EA	TERMINAL-RING #10 STUD FIT, INSULATED BARREL #16/14
	047443-01-000	EA	TERMINAL - .250 RECEPTACLE FIT, INSULATED - 16/14 AWG
	047443-02-000	EA	TERMINAL - .250 RECEPTACLE FIT, INSULATED - 12/10 AWG
	062036-01-000	EA	TERMINAL-PACK-CON,12/10 AWG - PACKARD 12033817
	062036-02-000	EA	TERMINAL-PACK-CON, 16/14 AWG
	088267-01-000	EA	TERMINAL-FEMALE, 1/4 - PACKARD 2962573
	104100-02-000	EA	TERMINAL - 75 AMP, AMP 53880-2 STRIP
	104100-03-000	EA	TERMINAL - 75 AMP, AMP 53880-4 LOOSE
	106007-01-000	EA	TERMINAL-FEMALE, 14-16 AWG - PACKARD 12015861-L
	106655-01-000	EA	TERMINAL-FUSE BLOCK, 14-16 AWG - PACKARD 12020321
	113306-01-000	EA	TERMINAL-FEMALE, METRI-PACK - PACKARD 12048451
	113307-01-000	EA	TERMINAL-FEMALE, METRI-PACK - PACKARD 12048074
	113308-01-000	EA	TERMINAL-FEMALE, METRI-PACK - 280, 14 - 16 - PACKARD 12077412

POWER CORDS

KEY	PART NUMBER	U/M	DESCRIPTION
	008052-01-000	EA	CORD-POWER, 10/3 - 30 AMP - 25' - CANADIAN
	008054-01-000	EA	CORD-POWER, 10/3 - 30 AMP - 25' - US

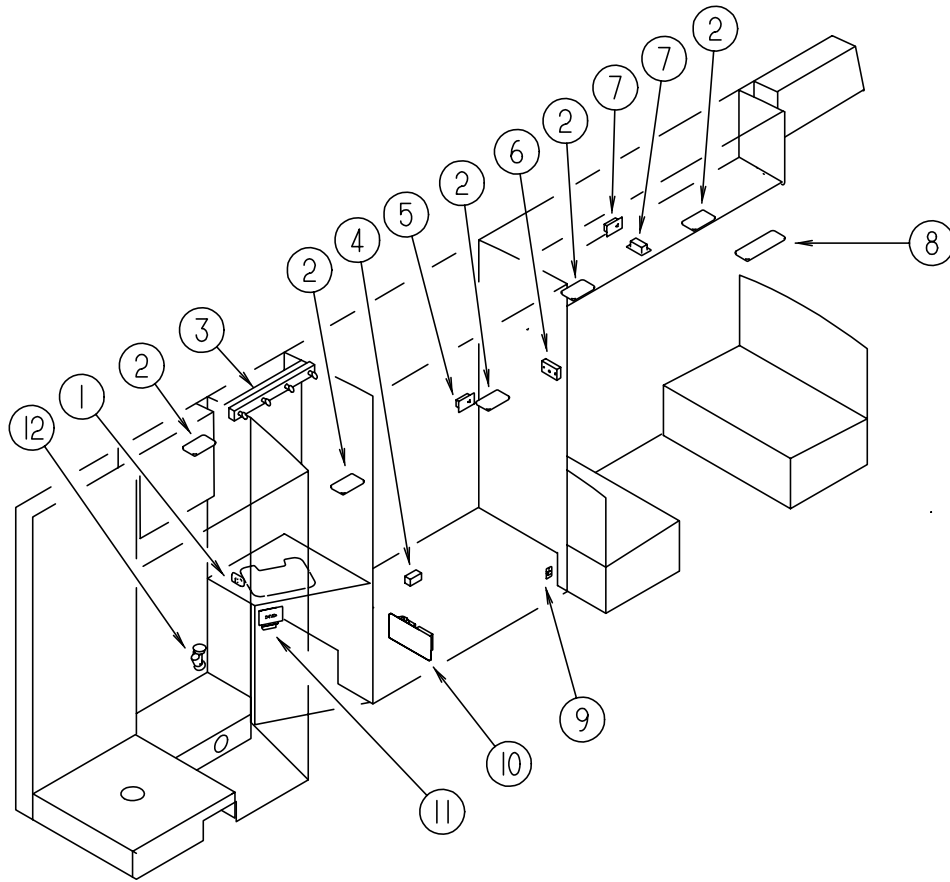
ELECTRIC BOXES & COVERS

KEY	PART NUMBER	U/M	DESCRIPTION
	008289-01-000	EA	BOX-ELECTRIC, STEEL - 1/2" AND 3/4" KNOCKOUTS - 4" X 4" - US
	008289-02-000	EA	BOX-ELECTRIC, 4" X 4" - 1/2" & 3/4" KNOCKOUTS - CANADIAN
	091910-01-000	EA	BOX-ELECTRIC, 3.75" X 3.5" X 1.75" - PLASTIC
	091910-02-000	EA	BOX-ELECTRIC, 57 MM X 88 MM - PLASTIC
	008294-01-000	EA	COVER-ELECTRICAL BOX, BLANK/STEEL - 4" X 4" - GRAY
	008294-02-000	EA	COVER-ELECTRICAL BOX, BLANK STEEL - 4" X 4" - CANADIAN
	073626-04-000	EA	COVER-ELECTRIC, 10.4" X 7.8" - BEIGE PLASTIC
	069238-01-000	EA	COVER-ELECTRICAL BOX, W/HOLE - 4" X 4" - GRAY USED WITH 30 AMP RECEPTACLE
	091927-01-000	EA	COVER-RECEPTACLE, DOUBLE - IVORY
	093257-02-000	EA	BOX-ELECTRIC, CIRCUIT BREAKER - B&W RV80-9
	111510-01-000	EA	DOOR-ELECTRICAL BOX, FRONT

MISCELLANEOUS ELECTRICAL COMPONENTS

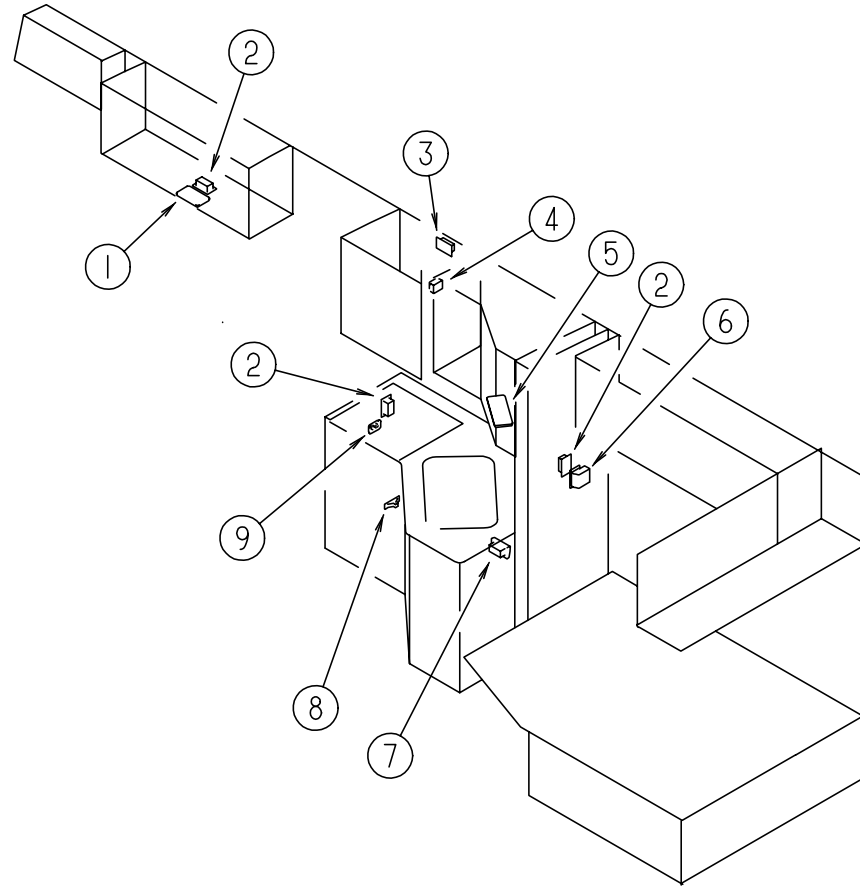
KEY	PART NUMBER	U/M	DESCRIPTION
	007093-01-000	EA	FLASHER-SIGNAL, STAT
	007956-05-000	EA	INSULATOR-SHRINK, .25" ID X 1.50"
	008188-01-000	EA	SOLENOID - 3 POST, BATTERY CHANGE OVER
	063910-01-000	EA	HOUSING-RELAY, BOSCH 3 334 485 008
	063912-02-000	EA	RELAY-CANISTER, SPDT - BOSCH 0332204101
	086233-01-000	EA	STUD-ISOLATED, 3/8" X 7/8" LONG
	086273-01-000	EA	RELAY-BATTERY DISCONNECT
	103987-02-000	EA	SEAL-SOLENOID ACCESS
	073328-B4-000	EA	CABLE ASSEMBLY-BATTERY, W/TERMINALS
	112593-01-000	FT	CABLE - 3 WIRE, 16A - FLEX RUBBER - EUROPEAN OPTION
	112593-02-000	FT	CABLE - 3 WIRE, 25A - FLEX RUBBER - EUROPEAN OPTION
	112594-01-000	EA	INLET - 16A, 240V - 2 POLE W/GROUND - EUROPEAN OPTION
	087225-01-000	FT	SLEEVING - 1/2", TYPE H - VARFLEX
	077479-02-000	EA	BOOT-BATTERY TERMINAL, SINGLE CABLE

ELECTRICAL GROUP (CONTINUED)
LIGHTS, RECEPTACLES & SWITCHES - DRIVER SIDE



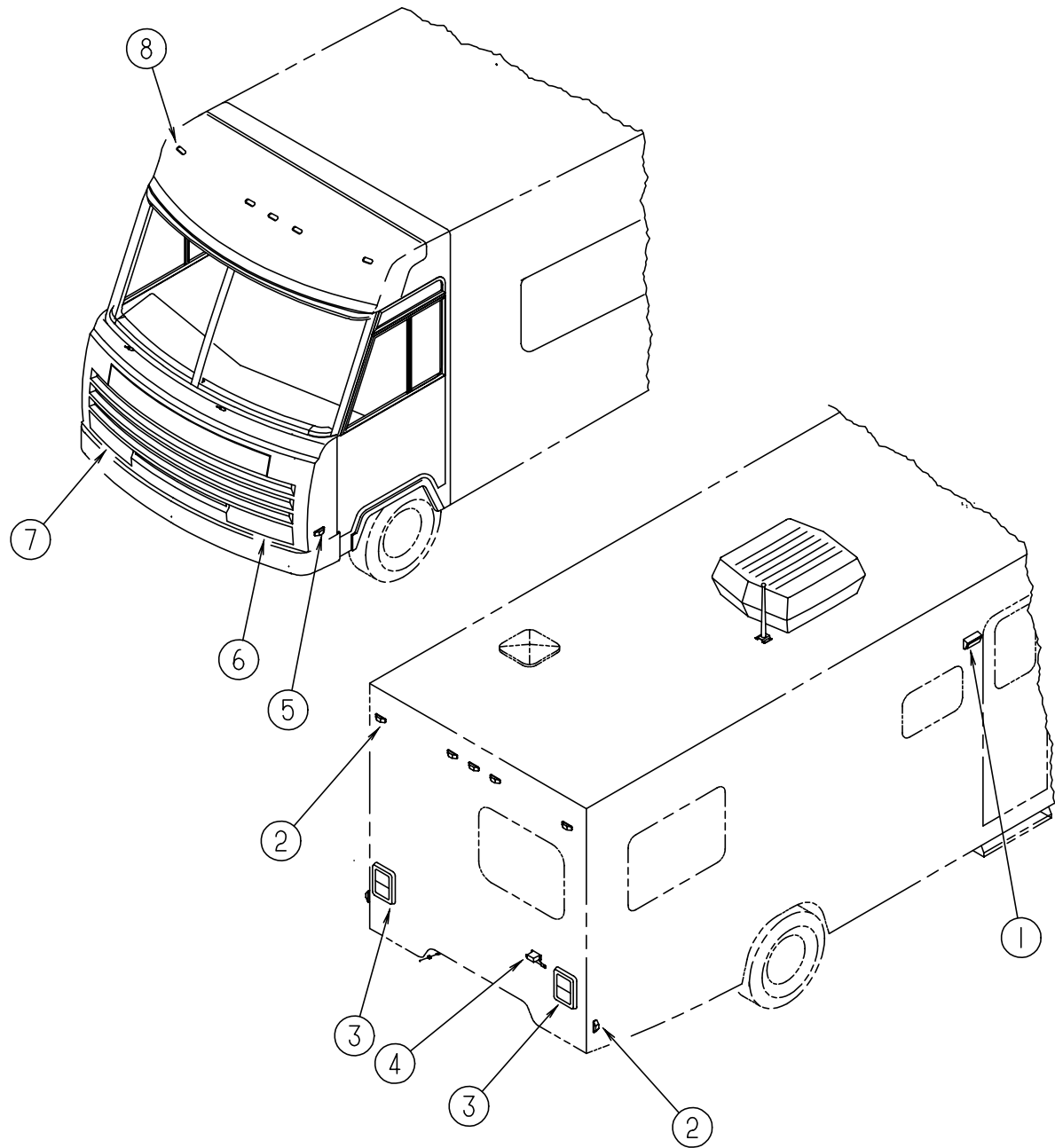
KEY	PART NUMBER	U/M	DESCRIPTION
1	098351-02-01A	EA	PLATE-SWITCH, 2 GANG - POLISHED BRASS - JENSEN - TOILET SIDE
1	098351-01-01A	EA	PLATE-SWITCH, 1 GANG - POLISHED BRASS - JENSEN - LAVATORY SIDE
1	079364-01-000	EA	SWITCH-ON/OFF ROCKER, 2 PRONGS - BROWN TOILET SIDE & LAVATORY SIDE
1	079364-03-000	EA	SWITCH-ON/OFF ROCKER, 3 PRONGS - BROWN - TOILET SIDE
1	095188-01-01A	EA	SPACER-SWITCH, 2.3" X 3.4" - PLASTIC - DARK BROWN TOILET SIDE & LAVATORY SIDE
2	098024-01-01A	EA	LIGHT-DOME, 1 BULB - US - IVORY
2	008218-01-000	EA	BULB-DOME LIGHT, 12V - NUMBER 1141
2	098024-01-700	EA	LENS-DOME LIGHT
3	110235-02-01A	EA	LIGHT-MAKE UP, BRASS - 4 BULB PANLESS - PD PD200-622
3	081633-01-700	EA	BULB-MAKE UP LIGHT, JENSEN
4	058707-02-000	EA	RECEPTACLE-BLANK, JUNCTION - WIRECON WDJ20BR
5	058707-01-000	EA	RECEPTACLE-ELECTRIC, SINGLE - BROWN
6	081087-01-000	EA	LIGHT-INDICATOR, THERMOSTAT - LVS 1436 - JAPAN OPTION
7	058708-01-000	EA	RECEPTACLE-ELECTRIC, DOUBLE - BROWN
7	058708-02-000	EA	RECEPTACLE-ELECTRIC, DOUBLE - IVORY
8	098024-03-01A	EA	LIGHT-DOME, 2 BULB - IVORY
8	008218-01-000	EA	BULB-DOME LIGHT, 12V - NUMBER 1141
8	098024-01-700	EA	LENS-DOME LIGHT
9	098351-01-01A	EA	PLATE-SWITCH, 1 GANG - POLISHED BRASS - JENSEN
9	079364-01-000	EA	SWITCH-ON/OFF ROCKER, 2 PRONGS - BROWN - LP DETECTOR
10	024924-02-000	EA	RECEPTACLE-POWER CORD, W/PARTIAL PLATE
11	084076-01-000	EA	RECEPTACLE-GFI, 15A - 125V - IVORY
11	084076-02-000	EA	RECEPTACLE-GFI, 15A - 125V - BROWN
11	097734-01-02A	EA	EXTENSION-RECEPTACLE, 3.2" X 5" X .7" - PLASTIC - BROWN - CANADIAN
12	104173-01-01A	EA	LIGHT-DESIGNER, BRASS - #81-905 - US
12	104172-01-01A	EA	LIGHT-BULLET, BEIGE - #787 SERIES - CSA
	086280-01-000	EA	LIGHT-SURFACE MOUNT, 12V - JENSEN 1236
	086280-01-700	EA	BULB - 12 VOLT, 6 WATT
	087695-01-000	EA	SWITCH-HEATER, EXTERIOR MIRROR - EURAMTEC FROM: 00-00-00 THRU: 09-10-95
	087695-02-000	EA	SWITCH-HEATER, EXTERIOR MIRROR - EURAMTEC DAV4720-12 FROM: 09-11-95 THRU: 99-99-99
	088246-01-000	EA	SWITCH-REMOTE, EXTERIOR MIRROR - SQUARE PUSH - VELVAC 7471290
	108355-01-000	EA	HOUSING-SWITCH, CARLING VCH
	054250-01-000	EA	COVER-ANGLED, W/O HOLE - 3.6" X 4.5" - PLASTIC - BEIGE ELECTRICAL PLATE SUPPORT W/O HOLES
	054250-04-000	EA	COVER-ANGLED, W/O HOLE - 3.6" X 4.5" - PLASTIC - OFF WHITE ELECTRICAL PLATE SUPPORT
	077942-01-000	EA	SWITCH-DUMMY, BLACK

ELECTRICAL GROUP (CONTINUED)
LIGHTS, RECEPTACLES & SWITCHES - PASSENGER SIDE



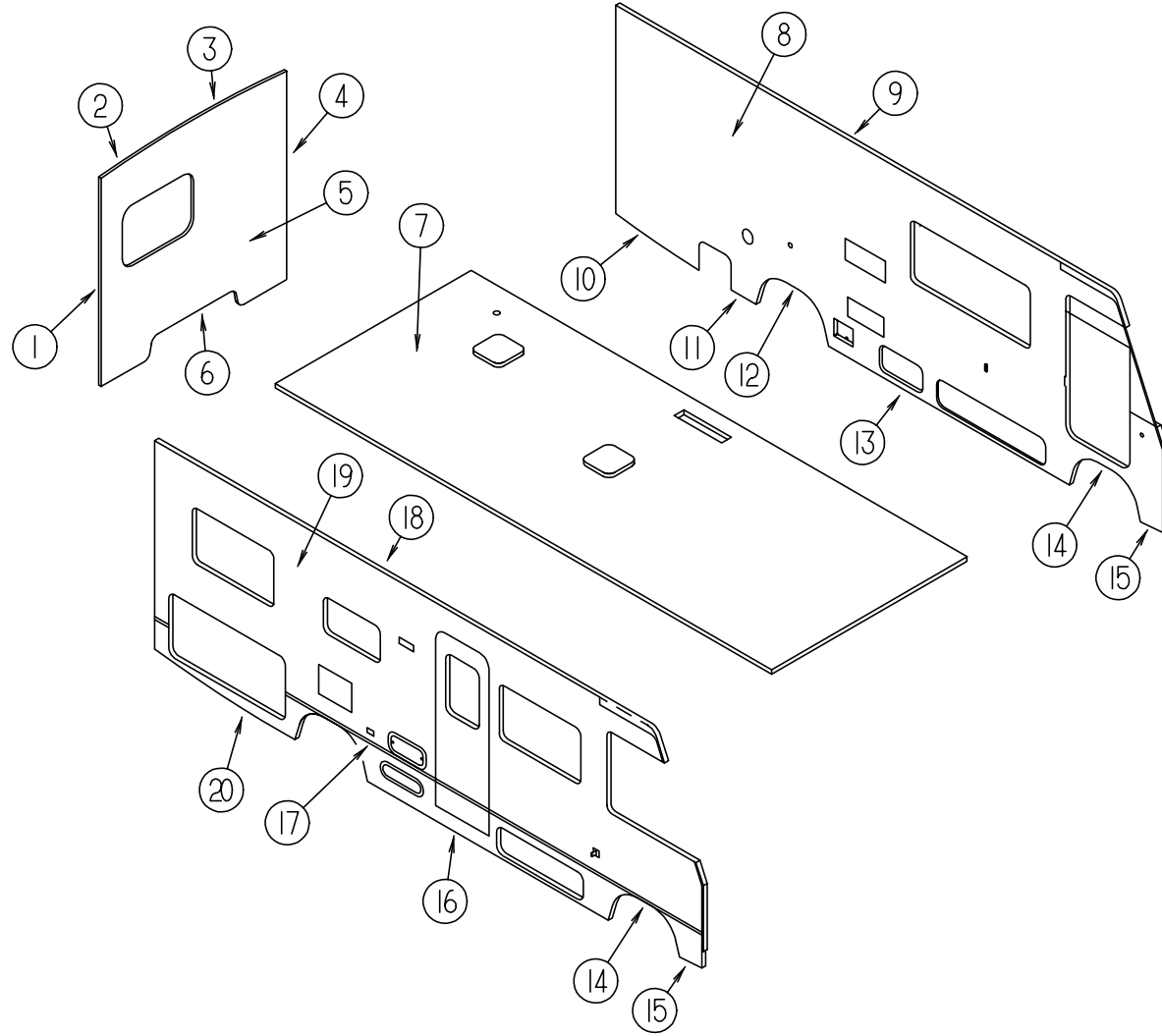
KEY	PART NUMBER	U/M	DESCRIPTION
1	098024-01-01A	EA	LIGHT-DOME, 1 BULB - US - IVORY
1	008218-01-000	EA	BULB-DOME LIGHT, 12V - NUMBER 1141
1	098024-01-700	EA	LENS-DOME LIGHT
2	058708-01-000	EA	RECEPTACLE-ELECTRIC, DOUBLE - BROWN
2	058708-02-000	EA	RECEPTACLE-ELECTRIC, DOUBLE - IVORY
3	058707-01-000	EA	RECEPTACLE-ELECTRIC, SINGLE - BROWN
4	112590-01-000	EA	RECEPTACLE - 16A, 240V - 2 POLE W/GROUND - EUROPEAN OPTION
5	098024-03-01A	EA	LIGHT-DOME, 2 BULB - IVORY
5	008218-01-000	EA	BULB-DOME LIGHT, 12V - NUMBER 1141
5	098024-01-700	EA	LENS-DOME LIGHT
6	084076-01-000	EA	RECEPTACLE-GFI, 15A - 125V - IVORY
6	084076-02-000	EA	RECEPTACLE-GFI, 15A - 125V - BROWN
6	097734-01-02A	EA	EXTENSION-RECEPTACLE, 3.2" X 5" X .7" - PLASTIC - BROWN - CANADIAN
7	112822-01-01A	EA	RECEPTACLE-EXTERIOR, DUPLEX - IVORY - WIRECON WDRU15IV
7	112824-01-02A	EA	COVER-EXTERIOR RECEPTACLE, OFF WHITE - P&S 3780-SC-CW
8	061424-01-000	EA	LIGHT-AISLE, 12V - RECTANGULAR
8	008103-01-000	EA	BULB-DASH/AISLE LIGHT, #53 - 12 V - .12 AMP
9	098351-05-01A	EA	PLATE-SWITCH, 3 GANG W/LABEL - POLISHED BRASS - JENSEN W/ELECTRIC STEP OPTION
9	098351-06-01A	EA	PLATE-SWITCH, 2 GANG W/LABEL - POLISHED BRASS - JENSEN W/O ELECTRIC STEP OPTION
9	095188-02-01A	EA	SPACER-SWITCH, 2.3" X 4.1" - PLASTIC - DARK BROWN W/ELECTRIC STEP OPTION
9	095188-01-01A	EA	SPACER-SWITCH, 2.3" X 3.4" - PLASTIC - DARK BROWN W/O ELECTRIC STEP OPTION
9	079364-01-000	EA	SWITCH-ON/OFF ROCKER, 2 PRONGS - BROWN
	086280-01-000	EA	LIGHT-SURFACE MOUNT, 12V - JENSEN 1236
	086280-01-700	EA	BULB - 12 VOLT, 6 WATT
	087695-01-000	EA	SWITCH-HEATER, EXTERIOR MIRROR - EURAMTEC FROM: 00-00-00 THRU: 09-10-95
	087695-02-000	EA	SWITCH-HEATER, EXTERIOR MIRROR - EURAMTEC DAV4720-12 FROM: 09-11-95 THRU: 99-99-99
	088246-01-000	EA	SWITCH-REMOTE, EXTERIOR MIRROR - SQUARE PUSH - VELVAC 7471290
	108355-01-000	EA	HOUSING-SWITCH, CARLING VCH

ELECTRICAL GROUP (CONTINUED)
EXTERIOR LIGHTS



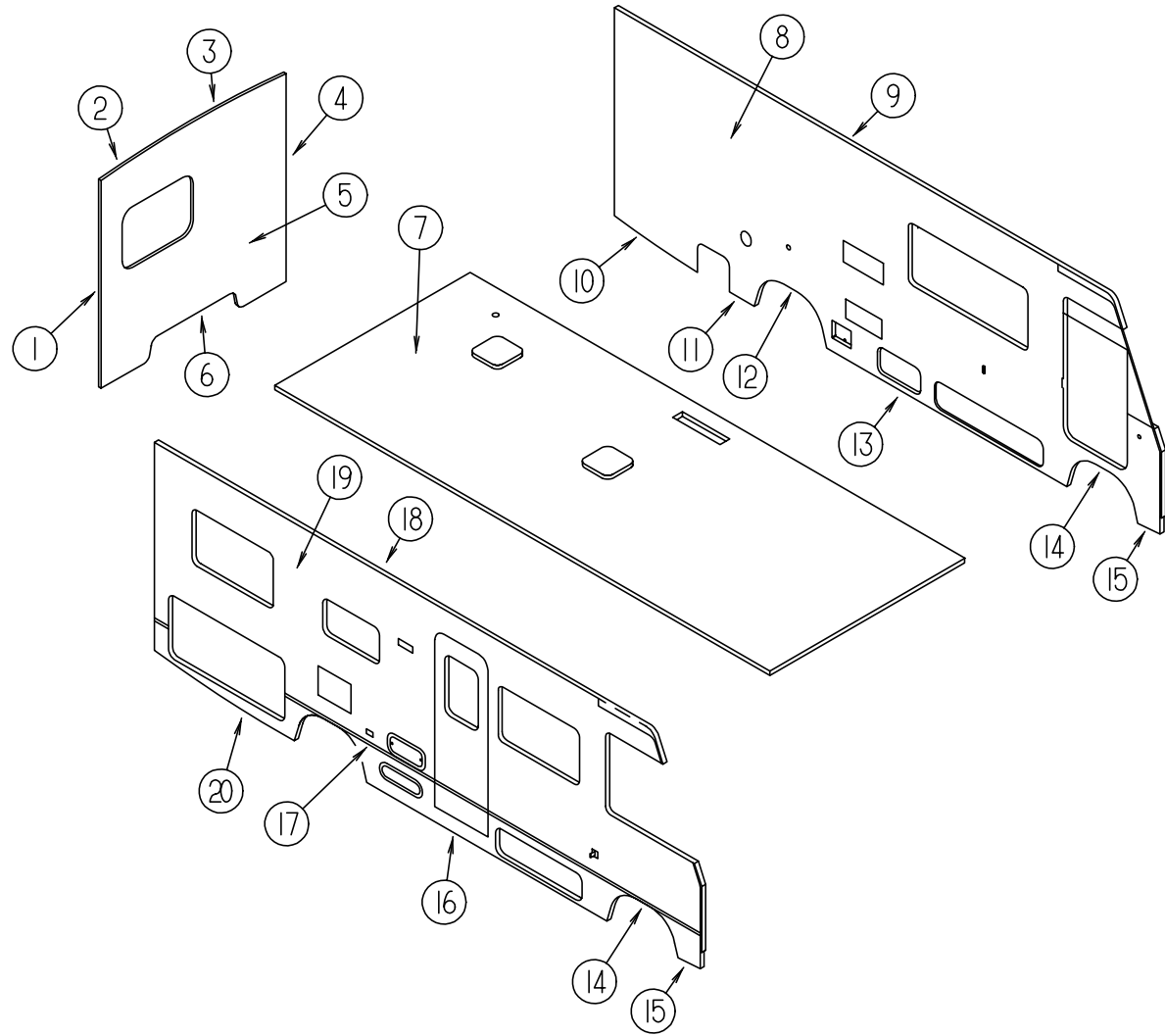
KEY	PART NUMBER	U/M	DESCRIPTION	VENDOR NO.
1	097917-01-04A	EA	LIGHT-PORCH, ENTRY DOOR - BUFF	
	008215-01-000	EA	BULB - 12V, #1003 - .94 AMP	
	097917-01-700	EA	LENS-LIGHT, PORCH	
2	111102-01-000	EA	LAMP-MARKER, BASE - TRIPLEX 117XAS	
2	111102-03-000	EA	LENS-MARKER LAMP, RED - TRIPLEX 117R	
	036196-01-000	EA	BULB - 12V, #194 - .27 AMP - BAYONETTE	
3	081638-01-000	EA	TAILLIGHT-DOUBLE, W/BLACK TRIM - DRIVER OR PASSENGER SIDE	
3	103545-02-01A	EA	TAILLIGHT-TRIPLE, DRIVER OR PASSENGER SIDE - BARGMAN 30-84-104	
			EUROPEAN OR JAPAN OPTION	
	037934-01-000	EA	BULB - 12V, #1156 - 2.1 AMP - CLEAR GLASS	
	037935-01-000	EA	BULB - 12V, #1157 OR #2057 - 2.1 AMP - CLEAR GLASS	
	081638-01-700	EA	LENS-TAILLIGHT, RED - BARGMAN	30-84-010
	081638-01-701	EA	LENS-TAILLIGHT, W/BACKUP - BARGMAN	30-84-700
	081638-02-700	EA	LENS-TAILLIGHT, AMBER - BARGMAN	30-84-016
			EUROPEAN OR JAPAN OPTION	
	081638-06-700	EA	LENS-TAILLIGHT, CLEAR BACKUP - BARGMAN	30-84-050
			EUROPEAN OR JAPAN OPTION	
	106646-02-000	EA	REFLECTOR-STICK ON, RED - PETERSON 483R - JAPAN OPTION ONLY	
	103355-01-04A	EA	POD-TAILLIGHT, BUFF	
	105846-01-05A	EA	POD-TAILLIGHT, BUFF - EUROPEAN OR JAPAN OPTION	
4	066432-02-000	EA	LIGHT-LICENSE, BLACK	
	066432-03-000	EA	BRACKET-LICENSE PLATE - BARGMAN 30-60-030	
5	111102-01-000	EA	LAMP-MARKER, BASE - TRIPLEX 117XAS	
5	111102-02-000	EA	LENS-MARKER LAMP, AMBER - TRIPLEX 118A	
	036196-01-000	EA	BULB - 12V, #194 - .27 AMP - BAYONETTE	
6	049186-04-000	EA	HEADLAMP ASM-DRIVER, HIGH/LOW BEAM - HALOGEN - KD 92749-201	
	049188-04-000	EA	HEADLAMP ASM-DRIVER, HIGH BEAM - HALOGEN - KD 92750-201	
7	049185-04-000	EA	HEADLAMP ASM-PASS, HIGH/LOW BEAM - HALOGEN - KD 92751-201	
	049187-04-000	EA	HEADLAMP ASM-PASS, HIGH BEAM - HALOGEN - KD92748-201	
	049359-01-000	EA	SPRING-RETAINER, HEADLAMP - GM 496096	
	110750-01-000	EA	SCREW ASM-HEADLAMP ADJUSTING - T'MAN B62258-1428	
8	102520-01-000	EA	LIGHT-CLEARANCE, W/O SOCKET CONNECTIONS - AMBER	
	036196-01-000	EA	BULB - 12V, #194 - .27 AMP - BAYONETTE	
	102540-01-000	EA	SEAL-SCREW, ROUND - RUBBER	
	102541-01-000	EA	GASKET-CLEARANCE LIGHT	
	112823-01-000	EA	SPLICE-REDUCER, 16 - 14 TO 18 - 22 - ETC BA-631X	
	067789-02-000	EA	SOCKET-LAMP	

EXTERIOR BODY GROUP
EXTERIOR BODY PANELS AND TRIM



KEY	PART NUMBER	U/M	DESCRIPTION
1	114874-05-07B	EA	TRIM-BACKWALL SIDE, RIGHT - BUFF - STEEL
1	104033-11-01A	EA	TRIM-J, BACKWALL - RIGHT - BUFF - ALUMINUM
2	114872-03-02A	EA	TRIM-BACKWALL, TOP W/O CLEARANCE LIGHTS - RIGHT - BUFF PLASTIC
3	114873-03-02A	EA	TRIM-BACKWALL, TOP W/O CLEARANCE LIGHTS - LEFT - BUFF PLASTIC
4	114874-06-07B	EA	TRIM-BACKWALL SIDE, LEFT - BUFF - STEEL
4	104033-12-01A	EA	TRIM-J, BACKWALL - LEFT - BUFF - ALUMINUM
5	P18642-01-G09	EA	BACKWALL-W/O WINDOW, LIGHTS, OR DECALS (G09)
5	P18642-01-G10	EA	BACKWALL-W/O WINDOW, LIGHTS, OR DECALS (G10/G12)
5	P18642-01-G11	EA	BACKWALL-W/O WINDOW, LIGHTS, OR DECALS (G11)
5	P18642-01-G13	EA	BACKWALL-W/O WINDOW, LIGHTS, OR DECALS (G13)
5	P18642-01-G14	EA	BACKWALL-W/O WINDOW, LIGHTS, OR DECALS (G14)
5	M07419-12-G09	EA	BACKWALL-W/O WINDOW, LIGHTS, OR DECALS - RAISED BED OPTION (G09)
5	M07419-12-G10	EA	BACKWALL-W/O WINDOW, LIGHTS, OR DECALS - RAISED BED OPTION (G10/G12)
5	M07419-12-G11	EA	BACKWALL-W/O WINDOW, LIGHTS, OR DECALS - RAISED BED OPTION (G11)
5	M07419-12-G13	EA	BACKWALL-W/O WINDOW, LIGHTS, OR DECALS - RAISED BED OPTION (G13)
5	M07419-12-G14	EA	BACKWALL-W/O WINDOW, LIGHTS, OR DECALS - RAISED BED OPTION (G14)
5	P18642-02-G09	EA	BACKWALL-W/O WINDOW, LIGHTS, OR DECALS - EUROPEAN RAISED BED OPTION
5	P18642-02-G10	EA	BACKWALL-W/O WINDOW, LIGHTS, OR DECALS - EUROPEAN RAISED BED OPTION
5	P18642-02-G11	EA	BACKWALL-W/O WINDOW, LIGHTS, OR DECALS - EUROPEAN RAISED BED OPTION
6	050406-23-000	EA	TRIM-BACKWALL, LOWER - DRIVER OR PASS SIDE - BUFF - ALUMINUM
7	P18800-01-G09	EA	ROOF-W/O VENTS
8	M05705-43-G09	EA	SIDEWALL ASM-DRIVER SIDE, W/O DOORS OR WINDOWS (G09)
8	M05705-43-G10	EA	SIDEWALL ASM-DRIVER SIDE, W/O DOORS OR WINDOWS (G10/G12)
8	M05705-43-G11	EA	SIDEWALL ASM-DRIVER SIDE, W/O DOORS OR WINDOWS (G11)
8	M05705-43-G13	EA	SIDEWALL ASM-DRIVER SIDE, W/O DOORS OR WINDOWS (G13)
8	M05705-43-G14	EA	SIDEWALL ASM-DRIVER SIDE, W/O DOORS OR WINDOWS (G14)
8	M05739-50-G09	EA	SIDEWALL ASM-DRIVER SIDE, W/O DOORS OR WINDOWS - EUROPEAN
8	M05739-50-G10	EA	SIDEWALL ASM-DRIVER SIDE, W/O DOORS OR WINDOWS - EUROPEAN
8	M05739-50-G11	EA	SIDEWALL ASM-DRIVER SIDE, W/O DOORS OR WINDOWS - EUROPEAN
8	M05705-44-G09	EA	SIDEWALL ASM-DRIVER SIDE, W/O DOORS OR WINDOWS - DRIVER DOOR (G09)
8	M05705-44-G10	EA	SIDEWALL ASM-DRIVER SIDE, W/O DOORS OR WINDOWS - DR DOOR (G10/G12)
8	M05705-44-G11	EA	SIDEWALL ASM-DRIVER SIDE, W/O DOORS OR WINDOWS - DRIVER DOOR (G11)
8	M05705-44-G13	EA	SIDEWALL ASM-DRIVER SIDE, W/O DOORS OR WINDOWS - DRIVER DOOR (G13)
8	M05705-44-G14	EA	SIDEWALL ASM-DRIVER SIDE, W/O DOORS OR WINDOWS - DRIVER DOOR (G14)

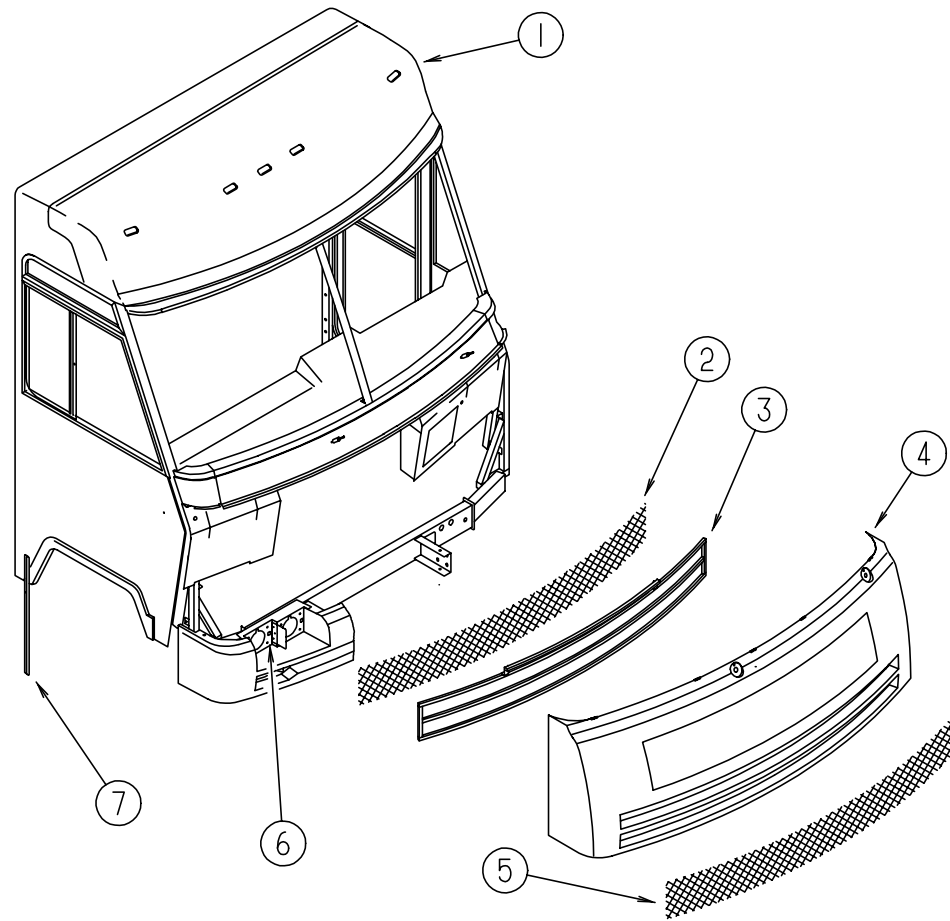
EXTERIOR BODY GROUP (CONTINUED)
EXTERIOR BODY PANELS AND TRIM (CONTINUED)



KEY	PART NUMBER	U/M DESCRIPTION
9	103801-02-04A	EA TRIM-ROOF, 16' LONG - W/O DRILLED HOLES - DRIVER SIDE FROM: 00-00-00 THRU: 09-23-95
9	120091-01-01A	EA TRIM-ROOF, 16' LONG - W/O DRILLED HOLES - DRIVER SIDE - BUFF FROM: 09-24-95 THRU: 99-99-99
10	111108-10-01A	EA TRIM-SIDEWALL, BOTTOM - DRIVER SIDE - BUFF
11	108038-34-01A	EA TRIM-SIDEWALL, BOTTOM - DRIVER SIDE - BUFF
12	108070-01-05A	EA TRIM-WHEELWELL, REAR - DRIVER OR PASSENGER SIDE - BUFF
13	108039-01-05A	EA TRIM-SIDEWALL, BOTTOM - CENTER - 3066 MM LONG - BUFF
14	108069-04-04A	EA TRIM-WHEELWELL, FRONT - DRIVER OR PASSENGER SIDE - BUFF
15	108109-02-01A	EA TRIM-SIDEWALL, BOTTOM - FRONT - DRIVER OR PASSENGER SIDE - BUFF
	116800-55-004	EA U-CHANNEL-EXTRUDED, 1.7" X 16' - BUFF
16	108039-01-05A	EA TRIM-SIDEWALL, BOTTOM - 3066 MM LONG - BUFF
16	108038-45-01A	EA TRIM-SIDEWALL, BOTTOM - 2399 MM LONG - BUFF - EUROPEAN OPTION
16	108038-48-01A	EA TRIM-SIDEWALL, BOTTOM - 150 MM LONG - BUFF - EUROPEAN OPTION

KEY	PART NUMBER	U/M DESCRIPTION
17	108688-01-04A	EA STRIP-FEATURE, W/O INSERT OR END CAPS - 15' LONG - BUFF
	108651-01-01A	EA END CAP-FEATURE STRIP
	105312-01-05A	FT INSERT-FEATURE STRIP
18	103802-02-04A	EA RAIL-AWNING, 16' LONG - W/O DRILLED HOLES - PASSENGER SIDE - BUFF FROM: 00-00-00 THRU: 09-23-95
18	120092-01-01A	EA RAIL-AWNING, 16' LONG - W/O DRILLED HOLES - PASSENGER SIDE - BUFF FROM: 09-24-95 THRU: 99-99-99
19	P18593-01-G09	EA SIDEWALL ASM-PASSENGER SIDE, W/O DOORS OR WINDOWS (G09)
19	P18593-01-G10	EA SIDEWALL ASM-PASSENGER SIDE, W/O DOORS OR WINDOWS (G10/G12)
19	P18593-01-G11	EA SIDEWALL ASM-PASSENGER SIDE, W/O DOORS OR WINDOWS (G11)
19	P18593-01-G13	EA SIDEWALL ASM-PASSENGER SIDE, W/O DOORS OR WINDOWS (G13)
19	P18593-01-G14	EA SIDEWALL ASM-PASSENGER SIDE, W/O DOORS OR WINDOWS (G14)
19	M05739-52-G09	EA SIDEWALL ASM-PASSENGER SIDE, W/O DOORS OR WINDOWS (G09) RAISED BED OPTION
19	M05739-52-G10	EA SIDEWALL ASM-PASSENGER SIDE, W/O DOORS OR WINDOWS (G10/G12) RAISED BED OPTION
19	M05739-52-G11	EA SIDEWALL ASM-PASSENGER SIDE, W/O DOORS OR WINDOWS (G11) RAISED BED OPTION
19	M05739-52-G13	EA SIDEWALL ASM-PASSENGER SIDE, W/O DOORS OR WINDOWS (G13) RAISED BED OPTION
19	M05739-52-G14	EA SIDEWALL ASM-PASSENGER SIDE, W/O DOORS OR WINDOWS (G14) RAISED BED OPTION
19	M05739-49-G09	EA SIDEWALL ASM-PASSENGER SIDE, W/O DOORS OR WINDOWS EUROPEAN OPTION
19	M05739-49-G10	EA SIDEWALL ASM-PASSENGER SIDE, W/O DOORS OR WINDOWS EUROPEAN OPTION
19	M05739-49-G11	EA SIDEWALL ASM-PASSENGER SIDE, W/O DOORS OR WINDOWS EUROPEAN OPTION
19	M05739-51-G09	EA SIDEWALL ASM-PASSENGER SIDE, W/O DOORS OR WINDOWS EUROPEAN RAISED BED OPTION
19	M05739-51-G10	EA SIDEWALL ASM-PASSENGER SIDE, W/O DOORS OR WINDOWS EUROPEAN RAISED BED OPTION
19	M05739-51-G11	EA SIDEWALL ASM-PASSENGER SIDE, W/O DOORS OR WINDOWS EUROPEAN RAISED BED OPTION
19	M05739-59-G09	EA SIDEWALL ASM-PASSENGER SIDE, W/O DOORS OR WINDOWS JAPAN OPTION
19	M05739-59-G10	EA SIDEWALL ASM-PASSENGER SIDE, W/O DOORS OR WINDOWS JAPAN OPTION
19	M05739-59-G11	EA SIDEWALL ASM-PASSENGER SIDE, W/O DOORS OR WINDOWS JAPAN OPTION
19	M05739-64-G09	EA SIDEWALL ASM-PASSENGER SIDE, W/O DOORS OR WINDOWS JAPAN RAISED BED OPTION
19	M05739-64-G10	EA SIDEWALL ASM-PASSENGER SIDE, W/O DOORS OR WINDOWS JAPAN RAISED BED OPTION
19	M05739-64-G11	EA SIDEWALL ASM-PASSENGER SIDE, W/O DOORS OR WINDOWS JAPAN RAISED BED OPTION
20	108038-35-01A	EA TRIM-SIDEWALL, BOTTOM - PASSENGER SIDE - BUFF
	084852-51-003	EA ANGLE-EXTRUDED, 1.25" X .75" X 4600 MM - MILL ALUMINUM
	055278-51-259	EA TUBING-STEEL, .75" X 1.5" X 12.5' LONG
	002726-01-001	EA GARNISH-U-CHANNEL, 1.38" X 19' - SERRATED - MILL ALUMINUM
	069726-02-000	EA BUMPER - .88" DIAMETER X .40", BLACK
	103247-01-000	EA BRACKET-LICENSE PLATE, REAR - JAPAN OPTION

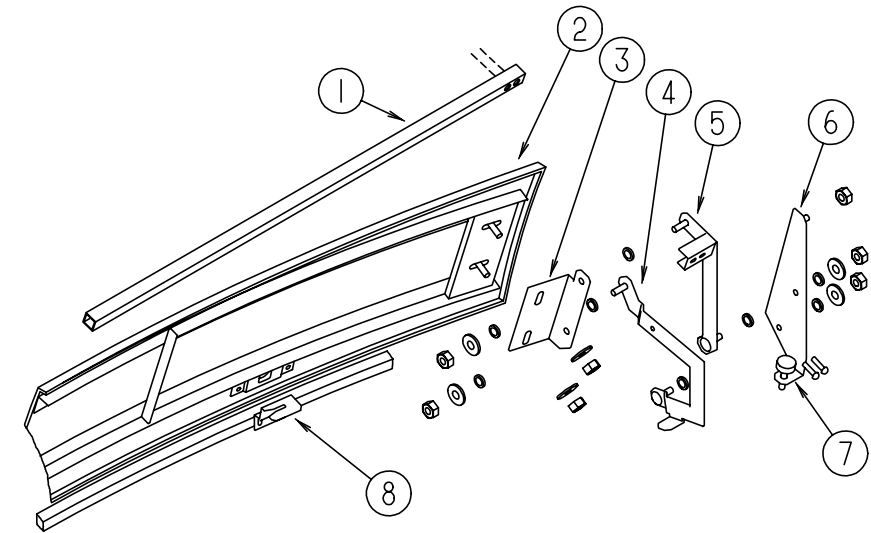
EXTERIOR BODY GROUP (CONTINUED)



FRONT CAP AND FRONT END COMPONENTS

KEY	PART NUMBER	U/M	DESCRIPTION
1	115042-01-03A	EA	PANEL-ROOF CAP, BUFF
1	115042-03-G09	EA	PANEL-ROOF CAP, BUFF - EUROPEAN & JAPAN OPTIONS
	070579-06-000	EA	PLATE-ANCHOR, W/7/16 WELD NUT - 1.5" X 3.3"
	077001-01-000	EA	ANGLE-MOUNTING, ROOF PANEL - V ANGLE - 3" X 2.4" X 1.5"
2	115924-03-02A	EA	GRILLE-WOVEN WIRE, BLACK
3	118182-01-G09	EA	GRILLE ASM-MESH
4	M07546-01-G09	EA	FRONT END ASM-W/O GRILLES, HOOD OR HOOD HINGES - BUFF
	113495-02-02B	EA	SUPPORT-HINGE, 150 MM X 73 MM W/10 HOLES - STEEL - E-COAT
5	115924-04-02A	EA	GRILLE-WOVEN WIRE, BLACK
6	118191-01-01A	EA	BEZEL-HEADLIGHT, PASSENGER SIDE - BLACK
	118191-02-01A	EA	BEZEL-HEADLIGHT, DRIVER SIDE - BLACK
7	089922-30-000	EA	TRIM-FRONT END/SIDEWALL, DRIVER OR PASSENGER SIDE - BUFF
	099418-01-000	FT	D-SECTION SEAL W/ADHESIVE BACK - .44" X .44" - BLACK RUBBER
	110691-01-01A	EA	BRACKET-SPRING, HEADLAMP - DRIVER OR PASSENGER SIDE - UNPAINTED
	119445-01-02B	EA	PLATE-W/HOLES, 38 MM X 26 MM - STAINLESS STEEL - BLACK

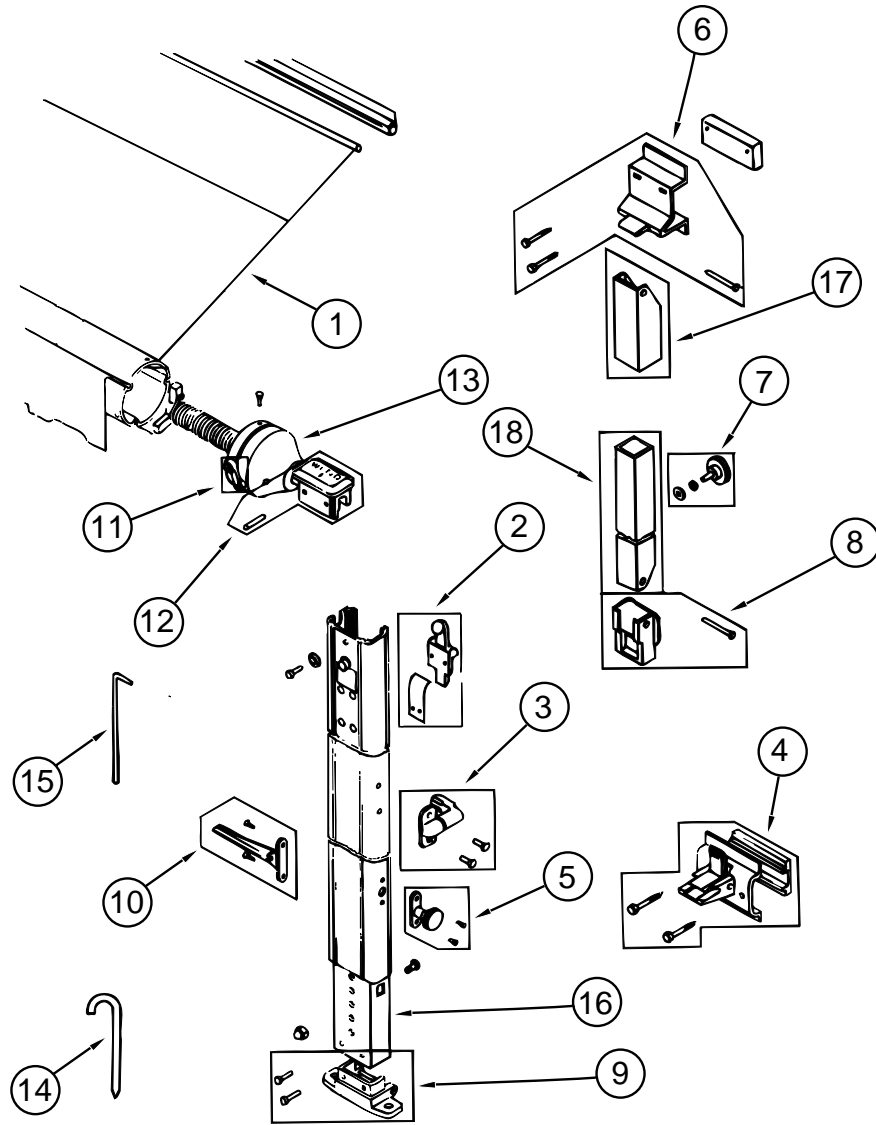
EXTERIOR BODY GROUP (CONTINUED)



HOOD AND FRONT END COMPONENTS

KEY	PART NUMBER	U/M	DESCRIPTION
1	105096-10-000	EA	TUBE-TIMING, HOOD HINGE
2	115976-02-G09	EA	PANEL ASM-HOOD, BUFF
	106730-02-000	EA	PLATE ASM-STUD
	106730-01-000	EA	PLATE-STUD
3	109927-03-000	EA	ANGLE-LINK, HOOD - RH
3	109927-04-000	EA	ANGLE LINK, HOOD - LH
4	109930-07-000	EA	LINK ASM-HINGE, HOOD - LOWER - RH
4	109930-08-000	EA	LINK ASM-HINGE, HOOD - LOWER - LH
5	109929-03-000	EA	LINK ASM-HINGE, HOOD - UPPER - RH
5	109929-04-000	EA	LINK ASM-HINGE, HOOD - UPPER - LH
6	109926-07-000	EA	BRACKET ASM-LINK, HINGE, HOOD - RH
6	109926-08-000	EA	BRACKET ASM-LINK, HINGE, HOOD - LH
7	058786-01-000	EA	BOLT-ADJUSTING, HOOD - W/BLACK PAD - .31" #18 X 2"
8	106748-02-000	EA	LATCH-HOOD, FRONT END
	102330-02-000	EA	LOCK-SINGLE HOLE, VISE ACTION - SOUTHCOE 3-56-715-5
	102328-01-000	EA	KEY-BARREL, NICKEL PLATED - SOUTHCOE 3-26-715-19

EXTERIOR BODY GROUP (CONTINUED)



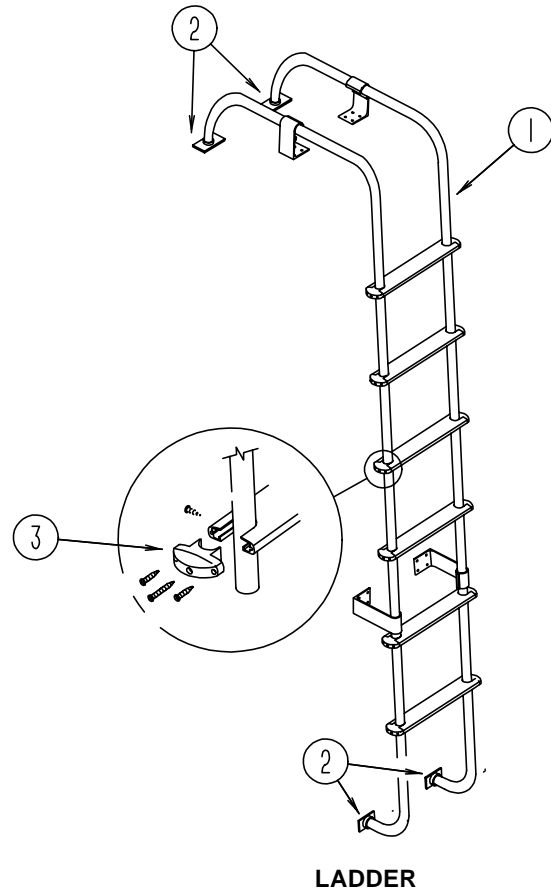
FAULKNER AWNING & HARDWARE

KEY	PART NUMBER	U/M DESCRIPTION	VENDOR NO.
1	110634-13-18A	EA AWNING-ROLLER ASSEMBLY, 13'	
	110634-02-01A	EA HARDWARE KIT-AWNING, BUFF	
2	110634-01-700	EA RAFTER LOCKING MECHANISM KIT	7605-0001
3	110634-01-701	EA SAFETY & LATCH KIT	7509-0001
4	110634-01-702	EA BOTTOM BRACKET KIT	7512-0001
5	110634-01-703	EA HEIGHT LOCK HANDLE KIT	7510-0001
6	110634-01-704	EA UPPER BRACKET KIT W/BOLTS	7505-0001
7	110634-01-705	EA ULTRA RAFTER KNOB KIT	7522-0001
8	110634-01-706	EA RAFTER SLIDE KIT	
9	110634-01-707	EA GROUND BRACKET KIT	7511-0001
10	110634-01-708	EA LIFT HANDLES W/RIVETS	7000-0001
11	110634-01-709	EA RATCHET HANDLE KIT	7507-0001
12	110634-01-710	EA ARM CAP KIT	7503-0001
13	110634-01-711	EA FRONT SPRING ASM	6598-0001
13	110634-01-712	EA REAR SPRING ASM	6599-0001
13	110634-01-713	EA REAR END CAP KIT	7504-0001
14	110634-01-714	EA STAKE - (4 PER BAG)	5208-0001
15	110634-01-715	EA WAND - PULL DOWN	7604-0001
16	110634-01-721	EA ARM-INNER, FRONT - BUFF	5686-0001
16	110634-01-722	EA ARM-INNER, REAR - BUFF	5687-0001
17	110634-01-723	EA RAFTER-OUTER, BUFF	5688A0001
18	110634-01-724	EA RAFTER-INNER, BUFF	5689A0001
	111037-01-01A	EA SPACER-AWNING, UPPER - BLACK	
	111038-01-01A	EA SPACER-AWNING, LOWER - BLACK	

EXTERIOR BODY GROUP (CONTINUED)
FIBERGLASS, STYROFOAM & INSULATION

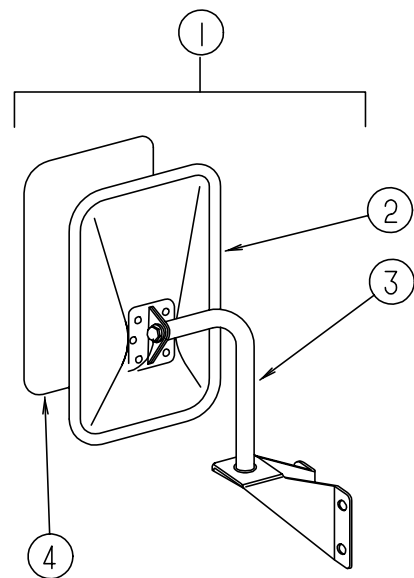
KEY	PART NUMBER	U/M DESCRIPTION
	044487-01-001	EA ALUMINUM SHEET - .019" X 96" X 360" - MILL FINISH
	044487-01-002	EA ALUMINUM SHEET - .019" X 96" X 432" - MILL FINISH
	044487-51-001	EA ALUMINUM SHEET - .019" X 758 MM X 317 MM - MILL FINISH
	076054-T3-000	EA FIBERGLASS SHEET-FLAT, 96.7" X 279.3" - BUFF
	076054-T6-000	EA FIBERGLASS SHEET-FLAT, 2438 X 2463 - BUFF
	077517-59-000	EA FIBERGLASS SHEET-FLAT, 48" X 96" - BUFF
	108535-04-700	EA FIBERGLASS SHEET-FLAT, 104" X 396" - BUFF (ROOF COVERING)
	100619-01-000	BF FOAM-EXPANDED POLYSTYRENE, 1.34" X 48" X 96"
	100619-04-000	BF FOAM-EXPANDED POLYSTYRENE, .5" X 48" X 96"
	100619-05-000	BF FOAM-EXPANDED POLYSTYRENE, .75" X 48" X 96"
	100619-11-000	BF FOAM-EXPANDED POLYSTYRENE, 2" X 48" X 96"
	000870-08-000	SF STYROFOAM - .75" X 48" X 96" - PLANED - INCREMENTS OF 32 SF
	072877-03-000	EA INSULATION-SOUND BARRIER, LB-1 COMPOSITE EAR
	072878-01-000	EA INSULATION-SOUND BARRIER PAD, .058" X 33" X 58"
	105077-03-000	EA FOAM-PLUG, TUBE - 30.2 MM X 33.1 MM X 45 MM LONG - POLYSTYRENE FOAM FROM: 00-00-00 THRU: 09-23-95
	120107 03 000	EA FOAM-PLUG, TUBE - 29.6 MM X 54.5 MM X 45 MM LONG - POLYSTYRENE FOAM FROM: 09-24-95 THRU: 99-99-99
	105077-04-000	EA FOAM-COVE, ROOF - 100.6 MM X 2438 MM LONG - POLYSTYRENE FOAM FROM: 00-00-00 THRU: 09-23-95
	120107 01 000	EA FOAM-COVE, ROOF - 70.6 MM X 2438 MM LONG - POLYSTYRENE FOAM FROM: 09-24-95 THRU: 99-99-99
	105077-07-000	EA FOAM-PLUG, TUBE - 56.9 MM X 78.8 MM X 45 MM LONG - POLYSTYRENE FOAM FROM: 00-00-00 THRU: 09-23-95
	120107 02 000	EA FOAM-PLUG, TUBE - 57 MM X 74.3 MM X 45 MM LONG - POLYSTYRENE FOAM FROM: 09-24-95 THRU: 99-99-99

EXTERIOR BODY GROUP (CONTINUED)



LADDER

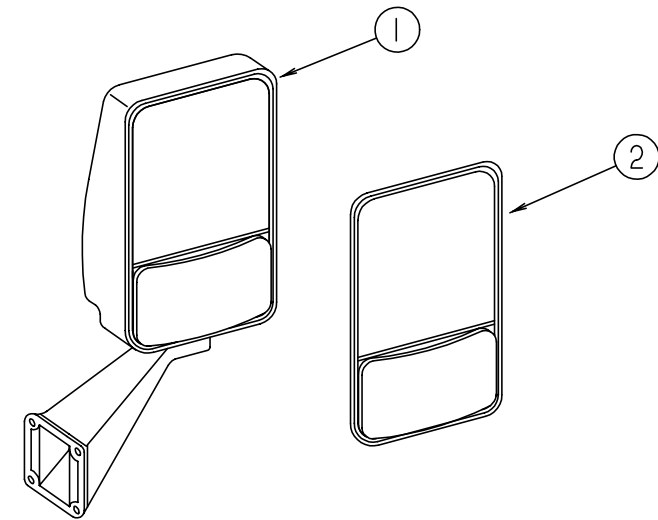
KEY	PART NUMBER	U/M DESCRIPTION
1	102953-16-G09	EA LADDER ASSEMBLY
2	067165-01-000	EA MOUNTING BRACKET-LADDER, LOWER
3	076980-02-000	EA END CAP-STEP, BLACK



VELVAC EXTERIOR MIRRORS - EUROPEAN & JAPAN OPTIONS

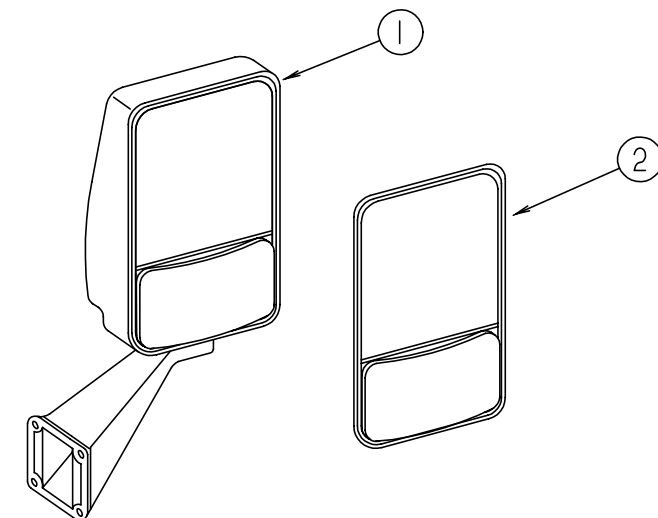
KEY	PART NUMBER	U/M DESCRIPTION	VENDOR NO.
1	105076-01-702	EA MIRROR ASM-FLAT BLACK HOUSING, LH OR RH	713196
2	105076-01-703	EA MIRROR-HEAD, FLAT BLACK	709275-8
3	105076-01-704	EA ARM	Q780521-9
4	049347-01-700	EA GLASS ONLY F/71/2" X 10 1/2"	702081

EXTERIOR BODY GROUP (CONTINUED)



VELVAC HEATED EXTERIOR MIRRORS

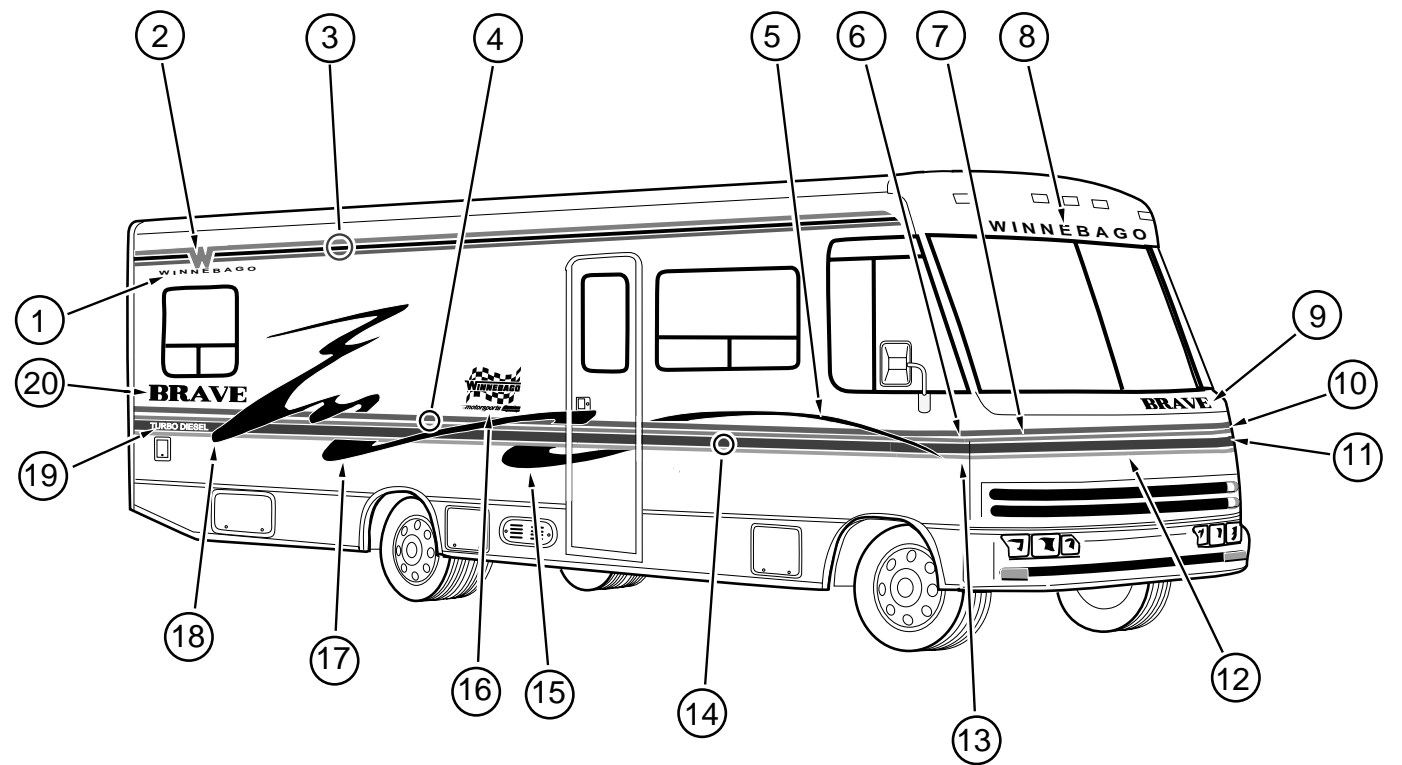
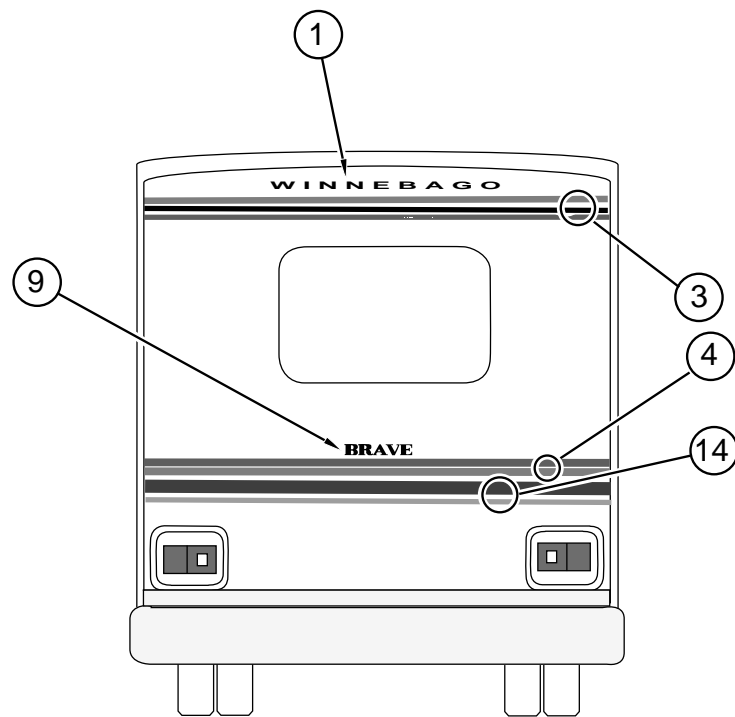
KEY	PART NUMBER	U/M DESCRIPTION	VENDOR NO.
1	106015-05-01A	EA MIRROR ASM. - REMOTE/HEATED - W/O WIRING OR SWITCHES - PASS SIDE VELVAC 713170	
1	106015-06-01A	EA MIRROR ASM - REMOTE/HEATED - W/O WIRING OR SWITCHES - DRIVER SIDE VELVAC 713171	
2	086261-01-704	EA MIRROR KIT (BEZEL W/MIRRORS) PASSENGER SIDE	709268
2	086261-02-701	EA MIRROR KIT (BEZEL W/MIRRORS) DRIVER SIDE	709269
	087695-01-000	EA SWITCH-HEATER, EXTERIOR MIRROR - EURAMTEC FROM: 00-00-00 THRU: 09-10-95	
	087695-02-000	EA SWITCH-HEATER, EXTERIOR MIRROR - EURAMTEC DAV4720-12 FROM: 09-11-95 THRU: 99-99-99	
	088246-01-000	EA SWITCH-REMOTE, EXTERIOR MIRROR - SQUARE PUSH 7471290	



VELVAC EXTERIOR MIRRORS

KEY	PART NUMBER	U/M DESCRIPTION	VENDOR NO.
1	106015-09-01A	EA MIRROR ASM-EXTERIOR GLASS RIGHT - BLACK - VELVAC 713126	
1	106015-10-01A	EA MIRROR ASM-EXTERIOR ADJUST GLASS LEFT - BLACK - VELVAC 713125	
2	106015-01-703	EA MIRROR KIT (BEZEL W/MIRRORS) PASSENGER SIDE	709266
2	106015-02-702	EA MIRROR KIT (BEZEL W/MIRRORS) DRIVER SIDE	709267

EXTERIOR BODY GROUP (CONTINUED)
DECALS, FILM STRIPES & PAINT

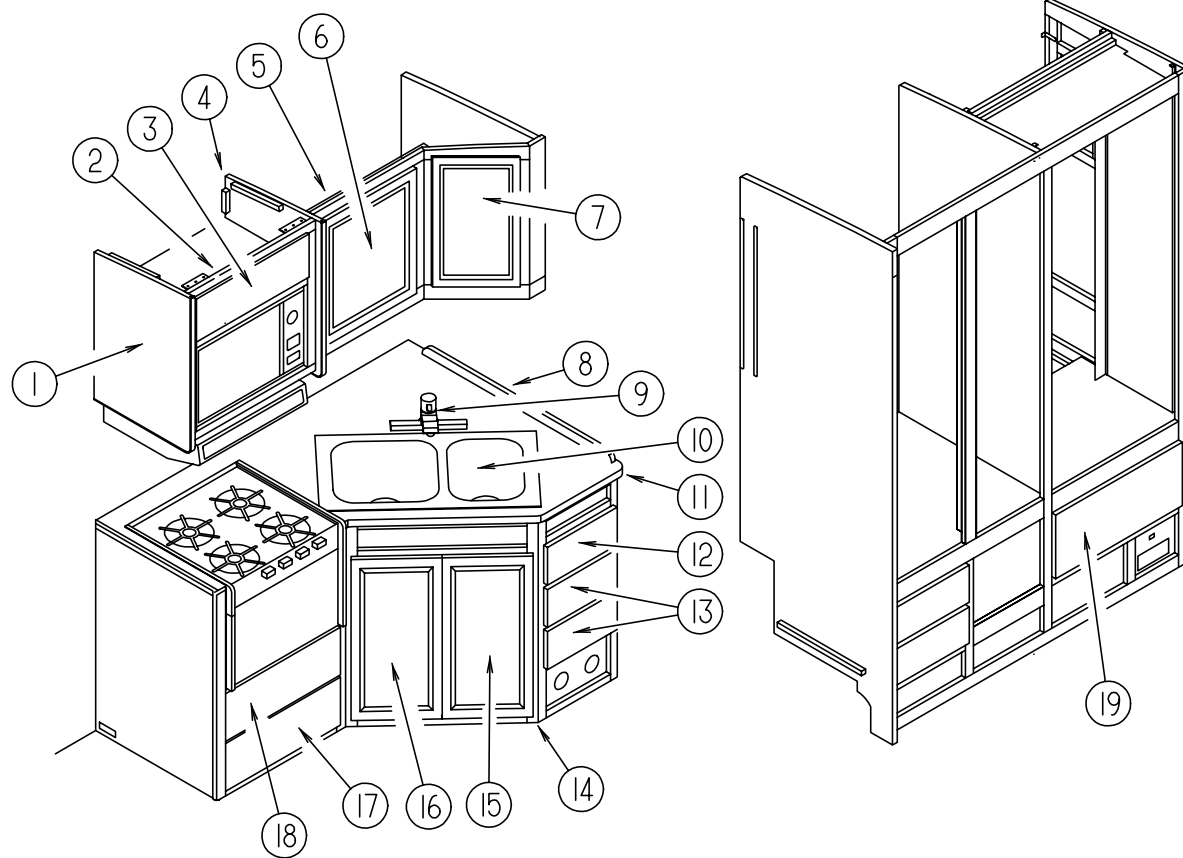


KEY	PART NUMBER	U/M	DESCRIPTION
1	118706-01-01A	EA	DECAL-LOGO, WINNEBAGO - LIGHT GOLD/MALLARD GREEN
2	117480-03-01A	EA	DECAL-LOGO, W - LIGHT GOLD
3	094443-39-01A	FT	FILM-MULTISTRIPE, 82.7 MM WIDE - LIGHT GOLD/MALLARD GREEN/REGGAE BLUE
4	105781-21-03A	FT	FILM-MULTISTRIPE, 63.5 MM WIDE - REGGAE BLUE/RASPBERRY
5	118698-01-01A	EA	DECAL-WHIP, #1 - RH - REGGAE BLUE/LIGHT GOLD/MALLARD GREEN/BUFF
5	118698-02-01A	EA	DECAL-WHIP, #1 - LH - REGGAE BLUE/LIGHT GOLD/MALLARD GREEN/BUFF
6	118704-01-01A	EA	DECAL-CORNER, UPPER - RH - REGGAE BLUE/RASPBERRY
7	118702-01-01A	EA	DECAL-HOOD, UPPER - REGGAE BLUE/RASPBERRY
8	118708-01-01A	EA	DECAL-LOGO, WINNEBAGO - SWP #10 - LIGHT GOLD/MALLARD GREEN
9	118709-02-01A	EA	DECAL-LOGO, BRAVE - SMALL - REGGAE BLUE/MALLARD GREEN/BUFF
10	118704-02-01A	EA	DECAL-CORNER, UPPER - LH - REGGAE BLUE/RASPBERRY
11	118705-02-01A	EA	DECAL-CORNER, LOWER - LH - MALLARD GREEN/LIGHT GOLD
12	118703-01-01A	EA	DECAL-HOOD, LOWER - DUCK GREEN/LIGHT GOLD
13	118705-02-01A	EA	DECAL-CORNER, LOWER - RH - MALLARD GREEN/LIGHT GOLD
14	105781-46-01A	FT	FILM-MULTISTRIPE, 120.8 MM WIDE - MALLARD GREEN/LIGHT GOLD
15	118699-01-01A	EA	DECAL-WHIP, #2 - RH - REGGAE BLUE/LIGHT GOLD/MALLARD GREEN/BUFF
15	118699-02-01A	EA	DECAL-WHIP, #2 - LH - REGGAE BLUE/LIGHT GOLD/MALLARD GREEN/BUFF
16	118700-01-01A	EA	DECAL-MOTORSPORTS
17	118700-01-01A	EA	DECAL-WHIP, #3 - RH - REGGAE BLUE/LIGHT GOLD/MALLARD GREEN/BUFF
17	118700-02-01A	EA	DECAL-WHIP, #3 - LH - REGGAE BLUE/LIGHT GOLD/MALLARD GREEN/BUFF
18	118701-01-01A	EA	DECAL-WHIP, #4 - RH - REGGAE BLUE/LIGHT GOLD/MALLARD GREEN/BUFF
18	118701-02-01A	EA	DECAL-WHIP, #4 - LH - REGGAE BLUE/LIGHT GOLD/MALLARD GREEN/BUFF
19	111318-03-04A	EA	DECAL-TURBO DIESEL, BUFF
20	118709-01-01A	EA	DECAL-LOGO, BRAVE - LARGE - REGGAE BLUE/MALLARDGREEN/BUFF
	041561-03-000	EA	PAINT - 16 OZ SPRAY, OFF WHITE - ACRYLIC ENAMEL

DUPONT COLOR CODES

BUFF #G9692U
DUCK GREEN #F1908U

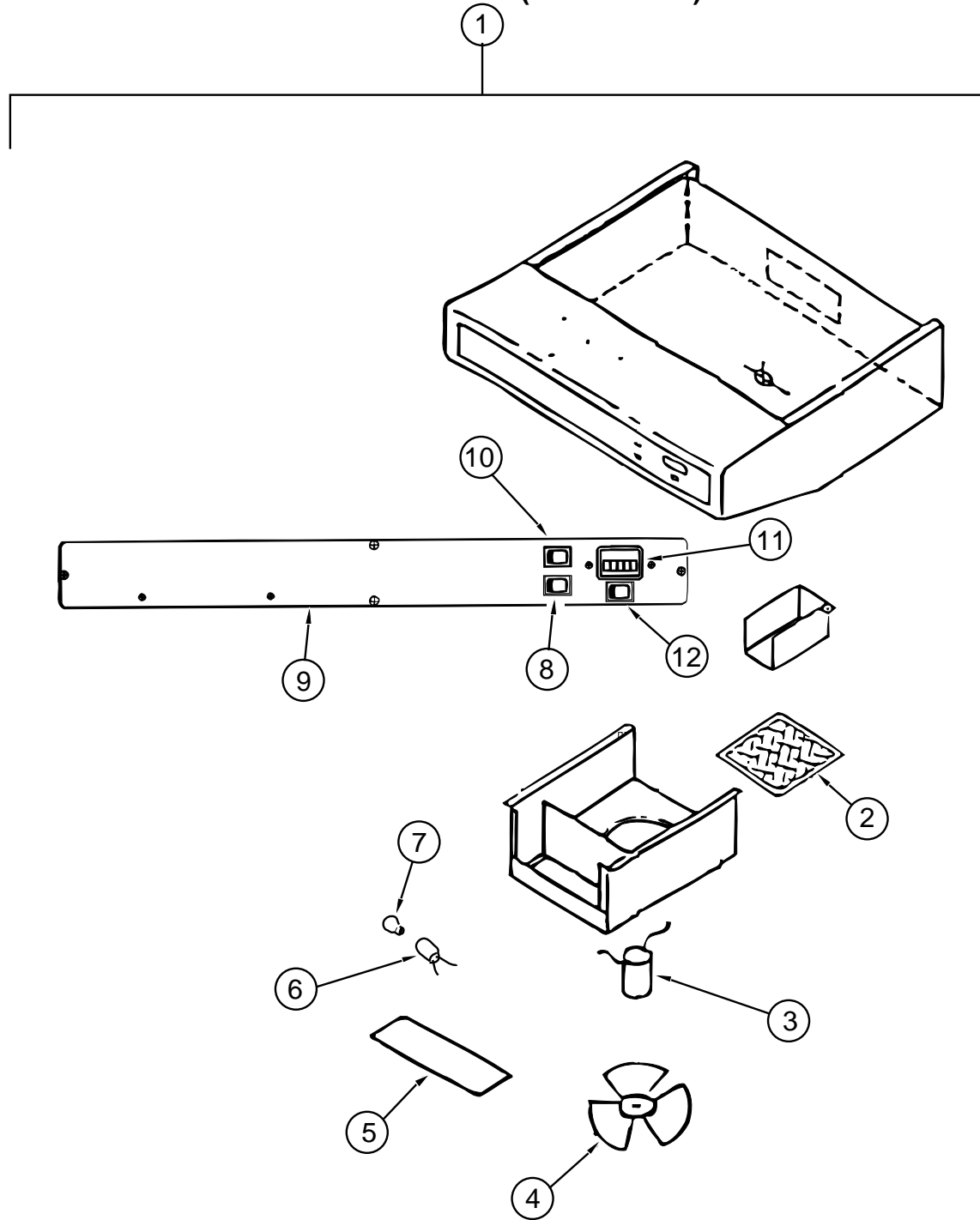
GALLEY GROUP
GALLEY CABINETRY



KEY	PART NUMBER	U/M	DESCRIPTION
1	081320-14-G09	EA	CAP-END, OVERHEAD - REAR
2	114390-07-G09	EA	CABINET-OVERHEAD, W/O DOOR
3	M05992-11-G09	EA	DOOR-CABINET, W/O HARDWARE - 180 MM X 555 MM (G09/G10/G11/G12)
3	M05992-11-G13	EA	DOOR-CABINET, W/O HARDWARE - 180 MM X 555 MM (G13/G14)
4	081320-16-G09	EA	CAP-END, OVERHEAD - FRONT
5	118943-01-G09	EA	CABINET-OVERHEAD, W/O DOORS
6	M06803-N3-G09	EA	DOOR-W/O HARDWARE - 450 MM X 555 MM (G09/G10/G11/G12)
6	M06803-N3-G13	EA	DOOR-W/O HARDWARE - 450 MM X 555 MM (G13/G14)
6	M06803-N4-G13	EA	DOOR-W/O HARDWARE - 450 MM X 555 MM (G13/G14)
6	M06803-N5-G09	EA	DOOR-W/O HARDWARE - 450 MM X 555 MM (G09/G10/G11) EXPORT UPGRADE OPTION - RAISED PANEL
7	M06803-58-G09	EA	DOOR-W/O HARDWARE - 305 MM X 555 MM (G09/G10/G11/G12)
7	M06803-58-G13	EA	DOOR-W/O HARDWARE - 305 MM X 555 MM (G13/G14)
7	M06803-J7-G13	EA	DOOR-W/O HARDWARE - 305 MM X 555 MM (G13/G14)
7	M06803-N2-G09	EA	DOOR-W/O HARDWARE - 305 MM X 555 MM (G09/G10/G11) EXPORT UPGRADE OPTION - RAISED PANEL
8	098335-08-E08	EA	RAIL-GALLEY, 35.3" LONG (G09/G12/G13)
8	098335-08-F12	EA	RAIL-GALLEY, 35.3" LONG (G10)
8	098335-08-E31	EA	RAIL-GALLEY, 35.3" LONG (G11)
8	098335-08-F32	EA	RAIL-GALLEY, 35.3" LONG (G14)
9	103243-01-000	EA	FAUCET-GALLEY, DUAL CONTROL - 8"
10	110654-01-000	EA	SINK-DOUBLE, LARGE/SMALL BASINS - SST - DAYTON FR2917
	092303-01-000	EA	STRAINER-SINK
	108464-04-E08	EA	COVER-SINK (G09/G12/G13)
	108464-04-F40	EA	COVER-SINK (G10)
	108464-04-E31	EA	COVER-SINK (G11)
	108464-04-F32	EA	COVER-SINK (G14)
	008380-01-000	EA	GROMMET-RUBBER, 5/8" HOLE X 1 1/2" DIAMETER

KEY	PART NUMBER	U/M	DESCRIPTION
11	118798-18-G09	EA	COUNTERTOP-GALLEY CABINET (G09/G12)
11	118798-18-G10	EA	COUNTERTOP-GALLEY CABINET (G10)
11	118798-18-G11	EA	COUNTERTOP-GALLEY CABINET (G11)
11	118798-19-G13	EA	COUNTERTOP-GALLEY CABINET (G13)
11	118798-19-G14	EA	COUNTERTOP-GALLEY CABINET (G14)
11	118798-21-G09	EA	COUNTERTOP-GALLEY CABINET - EUROPEAN
11	118798-21-G10	EA	COUNTERTOP-GALLEY CABINET - EUROPEAN
11	118798-21-G11	EA	COUNTERTOP-GALLEY CABINET - EUROPEAN
	080812-04-G09	EA	EXTENSION ASM-GALLEY COUNTERTOP (G09/G12/G13)
	080812-04-G10	EA	EXTENSION ASM-GALLEY COUNTERTOP (G10)
	080812-04-G11	EA	EXTENSION ASM-GALLEY COUNTERTOP (G11)
	080812-04-G14	EA	EXTENSION ASM-GALLEY COUNTERTOP (G14)
12	M05971-42-G09	EA	DRAWER-CABINET, W/O HARDWARE (G09/G10/G11/G12)
12	M05971-42-G13	EA	DRAWER-CABINET, W/O HARDWARE (G13/G14)
13	M05971-U5-G09	EA	DRAWER-CABINET, W/O HARDWARE (G09/G10/G11/G12)
13	M05971-U5-G13	EA	DRAWER-CABINET, W/O HARDWARE (G13/G14)
14	P18798-01-G09	EA	CABINET-GALLEY, W/COUNTERTOP - W/O DOORS OR DRAWERS (G09/G12)
14	P18798-01-G10	EA	CABINET-GALLEY, W/COUNTERTOP - W/O DOORS OR DRAWERS (G10)
14	P18798-01-G11	EA	CABINET-GALLEY, W/COUNTERTOP - W/O DOORS OR DRAWERS (G11)
14	P18798-02-G13	EA	CABINET-GALLEY, W/COUNTERTOP - W/O DOORS OR DRAWERS (G13)
14	P18798-02-G14	EA	CABINET-GALLEY, W/COUNTERTOP - W/O DOORS OR DRAWERS (G14)
14	P18798-03-G09	EA	CABINET-GALLEY, W/COUNTERTOP - W/O DOORS OR DRAWERS - EUROPEAN
14	P18798-03-G10	EA	CABINET-GALLEY, W/COUNTERTOP - W/O DOORS OR DRAWERS - EUROPEAN
14	P18798-03-G11	EA	CABINET-GALLEY, W/COUNTERTOP - W/O DOORS OR DRAWERS - EUROPEAN
14	P18798-05-G09	EA	CABINET-GALLEY, W/COUNTERTOP - W/O DOORS OR DRAWERS - JAPAN
14	P18798-05-G10	EA	CABINET-GALLEY, W/COUNTERTOP - W/O DOORS OR DRAWERS - JAPAN
14	P18798-05-G11	EA	CABINET-GALLEY, W/COUNTERTOP - W/O DOORS OR DRAWERS - JAPAN
15	M06803-27-G09	EA	DOOR-CABINET, W/O HARDWARE - 305 MM X 660 MM (G09/G10/G11/G12)
15	M06803-27-G13	EA	DOOR-CABINET, W/O HARDWARE - 305 MM X 660 MM (G13/G14)
16	M06803-26-G09	EA	DOOR-CABINET, W/O HARDWARE - 305 MM X 660 MM (G09/G10/G11/G12)
16	M06803-26-G13	EA	DOOR-CABINET, W/O HARDWARE - 305 MM X 660 MM (G13/G14)
17	M05971-S3-G09	EA	DRAWER-CABINET, W/O HARDWARE (G09/G10/G11/G12)
17	M05971-S3-G13	EA	DRAWER-CABINET, W/O HARDWARE (G13/G14)
18	M05971-S4-G09	EA	DRAWER-CABINET, W/O HARDWARE (G09/G10/G11/G12)
18	M05971-S4-G13	EA	DRAWER-CABINET, W/O HARDWARE (G13/G14)
18	M05971-T1-G09	EA	DRAWER-CABINET, W/O HARDWARE (G09/G10/G11) - JAPAN OPTION
	M05971-E0-G09	EA	DRAWER-CABINET, W/O HARDWARE (G09/G10/G11) (INSTEAD OF OVEN) EUROPEAN OR JAPAN OPTION
19	M05971-S2-G09	EA	DRAWER-CABINET, W/O HDW - REFRIGERATOR CABINET (G09/G10/G11/G12)
19	M05971-S2-G13	EA	DRAWER-CABINET, W/O HARDWARE - REFRIGERATOR CABINET (G13/G14)
	090329-01-000	FT	SEAL-T, REFRIGERATOR CABINET - .6" WIDE TOP X 2" TAIL

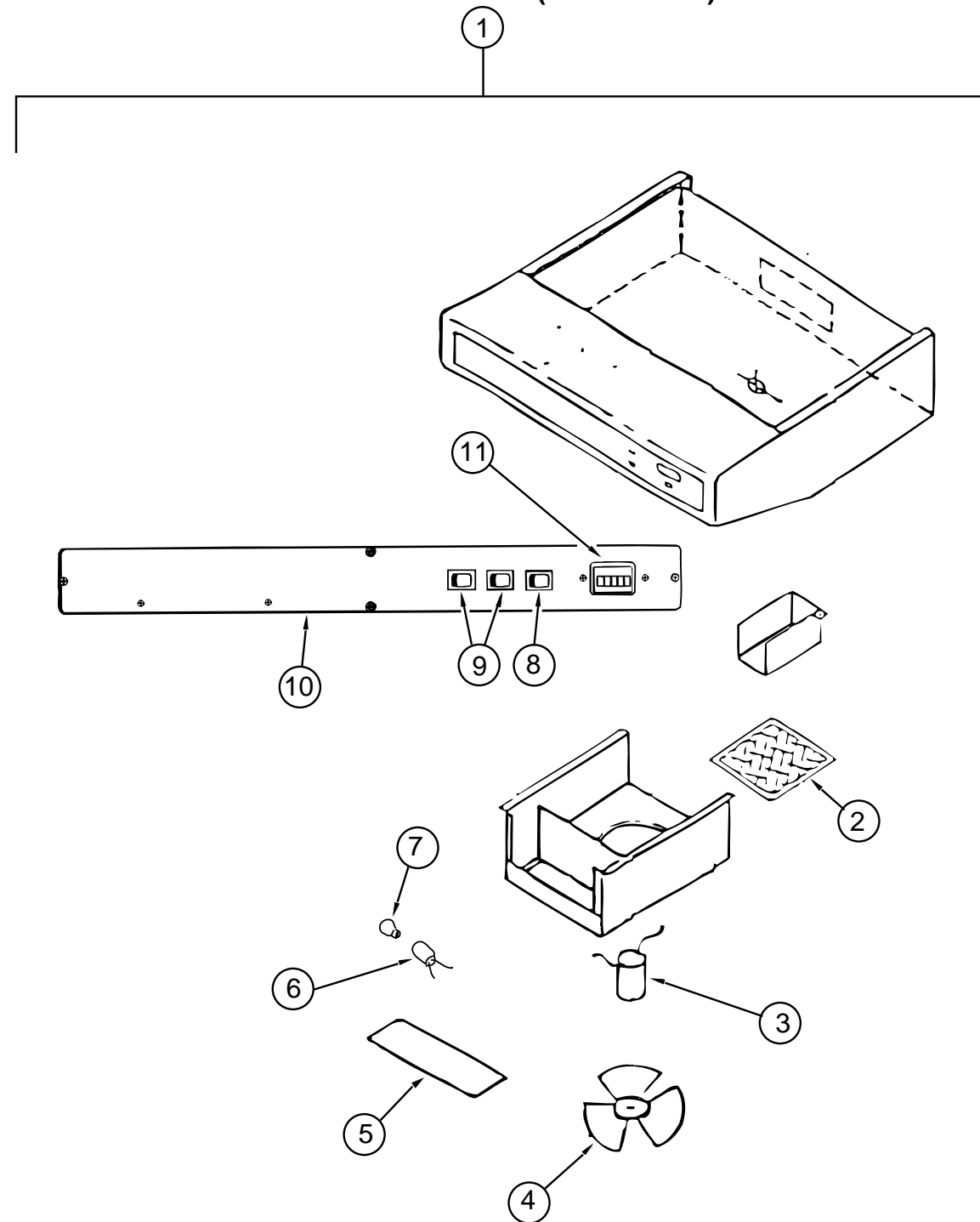
GALLEY GROUP (CONTINUED)



RANGE HOOD MODEL TCS 500-NBCLG - CANADIAN

KEY	PART NUMBER	U/M	DESCRIPTION	VENDOR NO.
1	100258-17-04A	EA	HOOD-RANGE, W/O MONITOR PANEL VENTLINE TCS 500-NBCLG	CC246
2	096983-01-707	EA	FILTER-GREASE, 8" X 8" - LVS	CA508-1
3	090973-01-700	EA	MOTOR - LVS	VA183-1
4	090973-01-702	EA	BLADE-FAN, LVS	CC179
5	092696-02-701	EA	LENS-LAMP, VENTLINE	CB267-2
6	092696-01-710	EA	SOCKET-LIGHT, VENTLINE	VA415
7	092696-01-709	EA	BULB - 912, VENTLINE	108
8	096983-01-700	EA	SWITCH-ON/OFF, VENTLINE	CC428
9	100258-01-700	EA	HOOD-NOSE LABEL	108
10	096983-01-700	EA	SWITCH-ON/OFF, VENTLINE	108
11	100258-10-01A	EA	METER-HOUR, SCREW ON - GENERATOR OPTIONS - VENTLINE 150	112
11	100258-10-701	EA	METER-HOUR, CLIP ON - GENERATOR OPTIONS - VENTLINE L0775-00	
12	096983-01-702	EA	SWITCH-TWO WAY MOMENTARY, VENTLINE	112

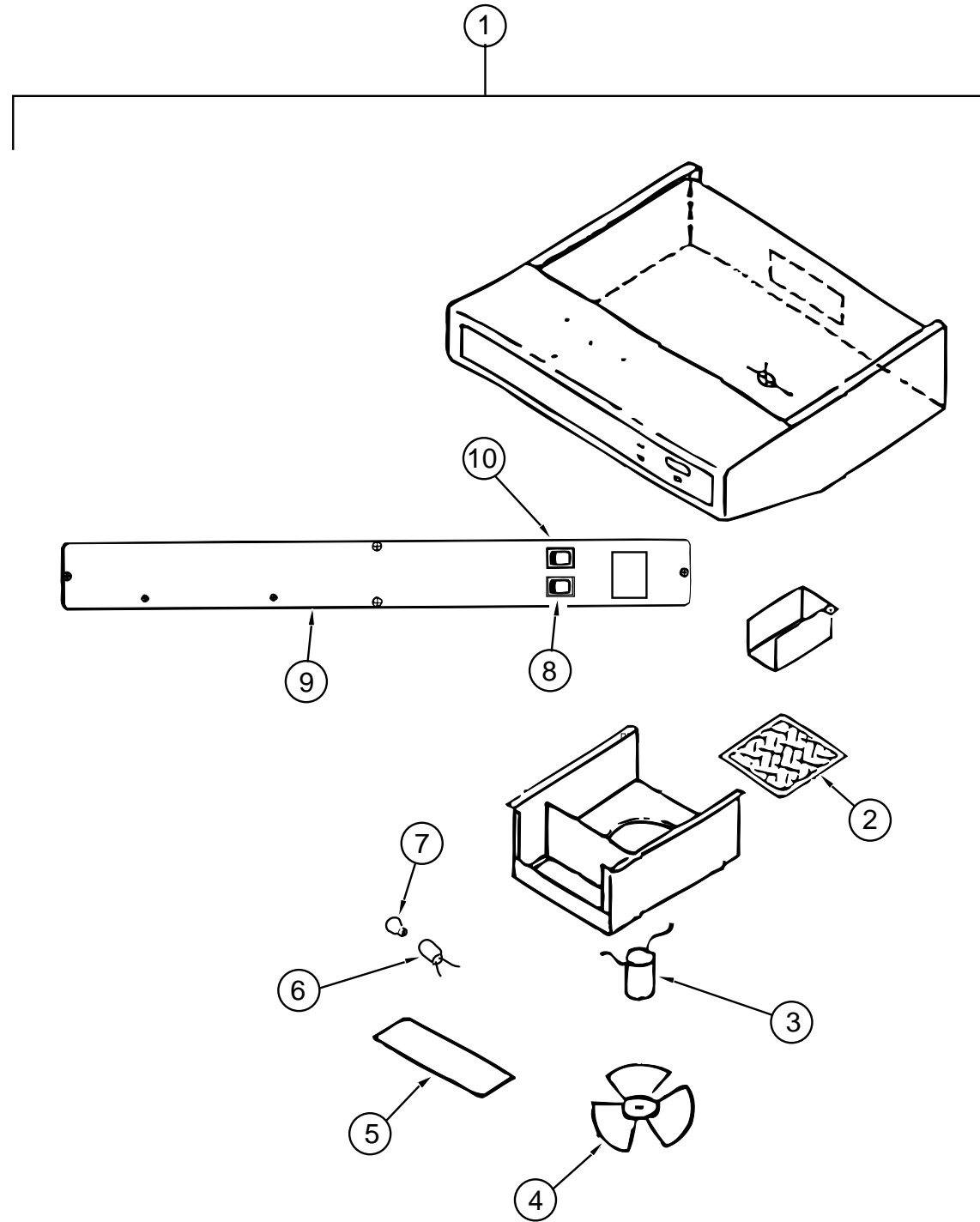
GALLEY GROUP (CONTINUED)



RANGE HOOD MODEL TP-55009-SBO-LG - US - GENERATOR OPTIONS

KEY	PART NUMBER	U/M	DESCRIPTION	VENDOR NO.
1	100258-18-03A	EA	HOOD-RANGE, W/O MONITOR PANEL - VENTLINE TP-55009-SBO-LG	CC246
2	096983-01-707	EA	FILTER-GREASE, 8" X 8" - LVS	CA508-1
3	090973-01-700	EA	MOTOR - LVS	VA183-1
4	090973-01-702	EA	BLADE-FAN, LVS	CC179
5	092696-02-701	EA	LENS-LAMP, VENTLINE	CB267-2
6	092696-01-710	EA	SOCKET-LIGHT, VENTLINE	VA415
7	092696-01-709	EA	BULB - 912, VENTLINE	108
8	096983-01-702	EA	SWITCH-TWO WAY MOMENTARY, VENTLINE	112
9	096983-01-700	EA	SWITCH-ON/OFF, VENTLINE	108
10	100258-01-700	EA	HOOD-NOSE LABEL	CC428
11	100258-10-01A	EA	METER-HOUR, SCREW ON - GENERATOR OPTIONS - VENTLINE 150	
11	100258-10-701	EA	METER-HOUR, CLIP ON - GENERATOR OPTIONS - VENTLINE L0775-00	

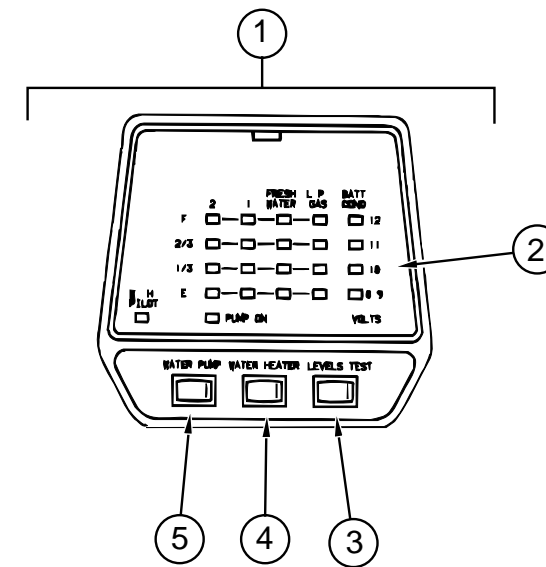
GALLEY GROUP (CONTINUED)



RANGE HOOD MODEL TCS-5008-NBDLG - US - STANDARD

KEY	PART NUMBER	U/M DESCRIPTION	VENDOR NO.
1	100258-16-04A	EA HOOD-RANGE, W/O MONITOR PANEL - VENTLINE TCS-5008-NBDLG	
2	096983-01-707	EA FILTER-GREASE, 8" X 8" - LVS	CC246
3	090973-01-700	EA MOTOR - LVS	CA508-1
4	090973-01-702	EA BLADE-FAN, LVS	VA183-1
5	092696-02-701	EA LENS-LAMP, VENTLINE	CC179
6	092696-01-710	EA SOCKET-LIGHT, VENTLINE	CB267-2
7	092696-01-709	EA BULB - 912, VENTLINE	VA415
8	096983-01-700	EA SWITCH-ON/OFF, VENTLINE	108
9	100258-01-700	EA HOOD-NOSE LABEL	CC428
10	096983-01-702	EA SWITCH-TWO WAY MOMENTARY, VENTLINE	112

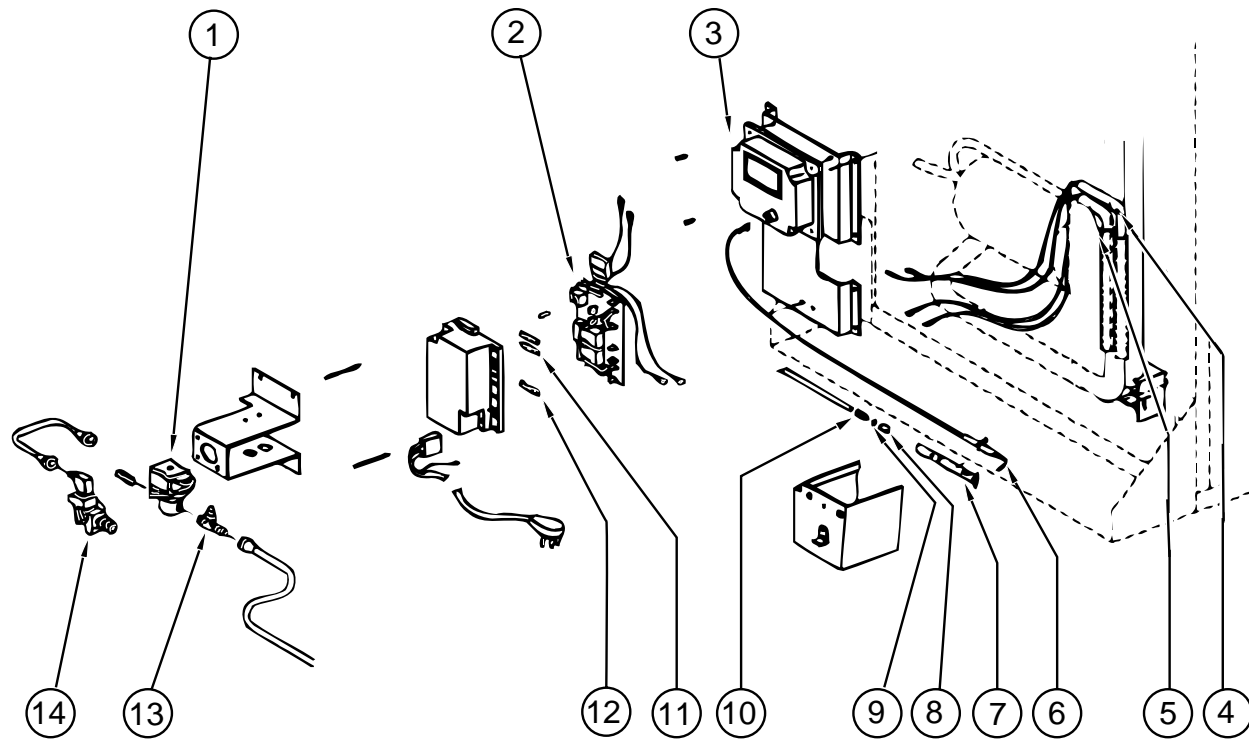
GALLEY GROUP (CONTINUED)



LVS MONITOR PANEL

KEY	PART NUMBER	U/M DESCRIPTION	VENDOR NO.
1	102765-04-01A	EA PANEL-MONITOR, W/PLUG - FOR 2 TANKS & WATER HEATER	
2	102765-04-700	EA BOARD-CIRCUIT, 2 HOLDING TANK	5076-11
3	097617-01-702	EA SWITCH (ALMOND)	107
4	097617-01-701	EA SWITCH-ON/OFF, ALMOND	106
5	102765-01-700	EA SWITCH-ON-ON, ALMOND	110-01

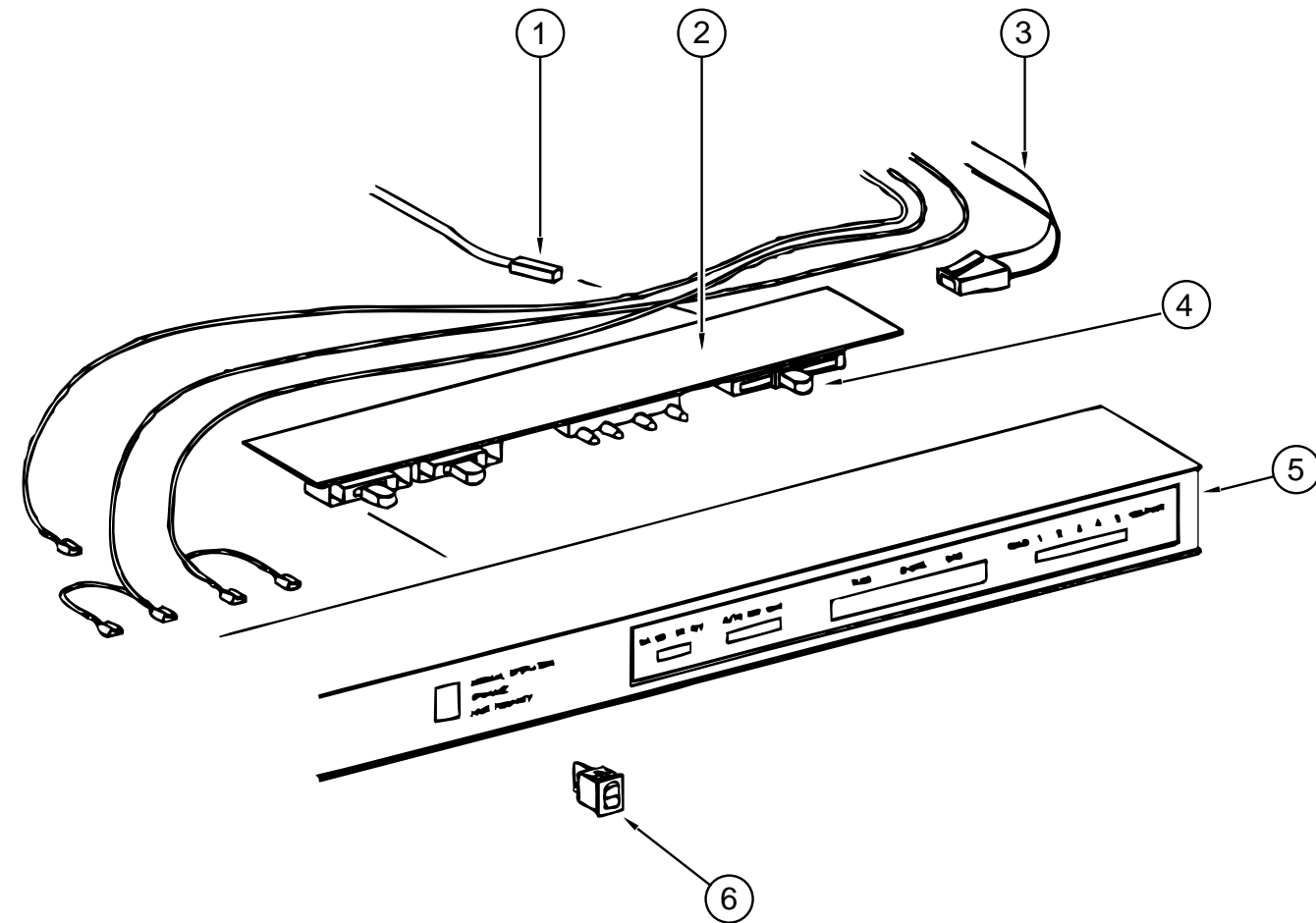
GALLEY GROUP (CONTINUED)



NORCOLD REFRIGERATOR MODEL 6162 CONTROL ASM

KEY	PART NUMBER	U/M	DESCRIPTION	VENDOR NO.
1	084880-01-718	EA	VALVE-GAS, NORCOLD	61551822
2	094039-04-702	EA	POWER SUPPLY, (2 WAY) - NORCOLD	61647422
3	102621-01-702	EA	IGNITION MODULE - NORCOLD	61688922
4	088248-01-710	EA	HEATER-DC, (HORIZONTAL) - 3 WAY - NORCOLD	615628
5	088248-01-709	EA	HEATER-AC, (HORIZONTAL) - NORCOLD	615627
6	104137-06-715	EA	SPARK/SENSE ELECTRODE, (SINGLE) - NORCOLD	61692222
7	104137-06-714	EA	BURNER ASSEMBLY, (5-SLOT) - NORCOLD	61705222
8	084880-01-705	EA	ORIFICE - NORCOLD	614522
9	104137-06-713	EA	ORIFICE GASKET - NORCOLD	61475122
10	104137-06-712	EA	FITTING-GAS TUBE CONNECTION - NORCOLD	61692722
11	075217-01-734	EA	FUSE, 3 AMP - NORCOLD	61538822
12	104137-06-711	EA	FUSE, 5 AMP - NORCOLD	61611622
13	104137-06-710	EA	PRESSURE TAP - NORCOLD	61594422
14	104137-06-709	EA	VALVE, SHUT-OFF-MANUAL ASM - NORCOLD	61694922

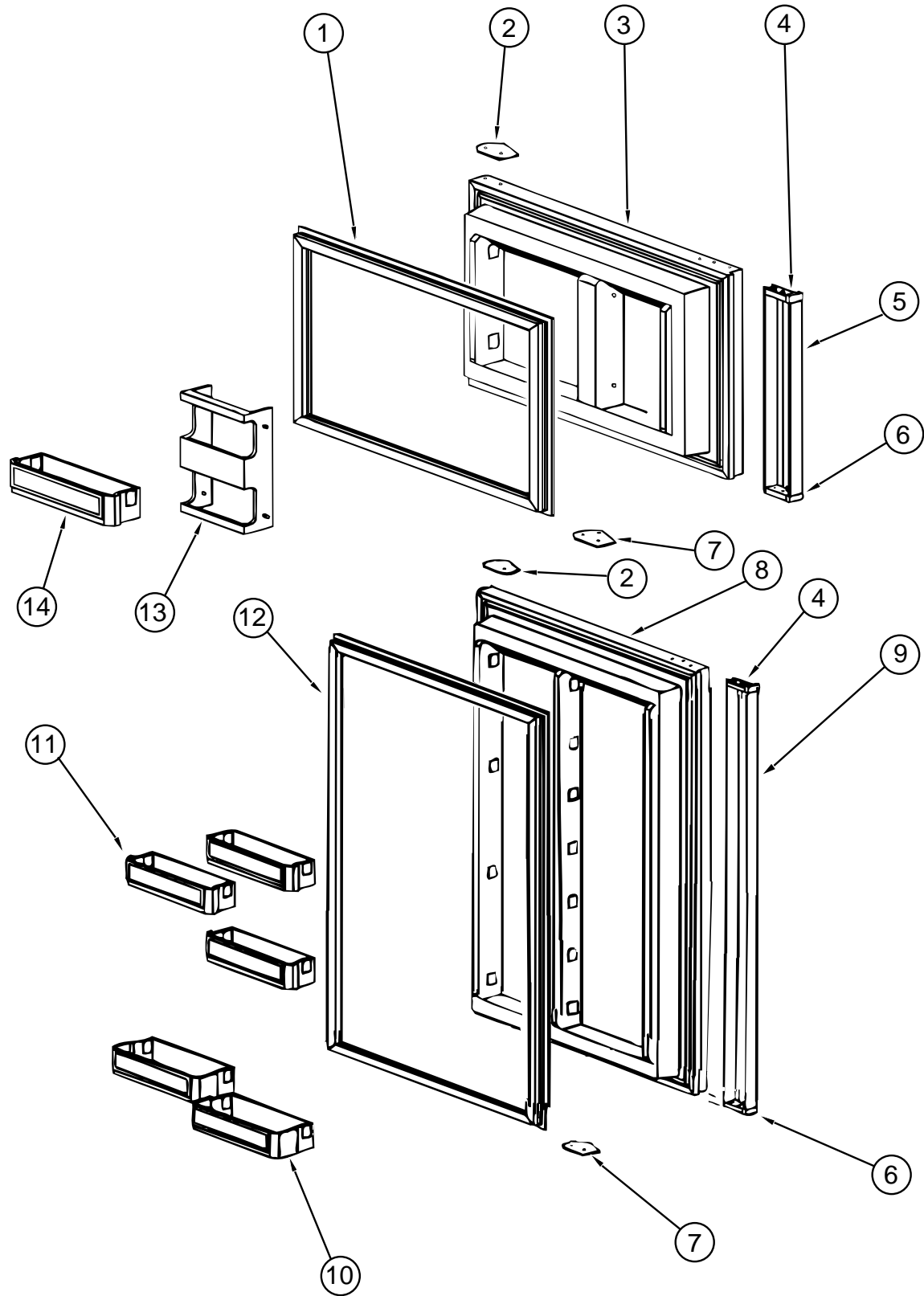
GALLEY GROUP (CONTINUED)



NORCOLD REFRIGERATOR MODEL 6162 EYEBROW ASM

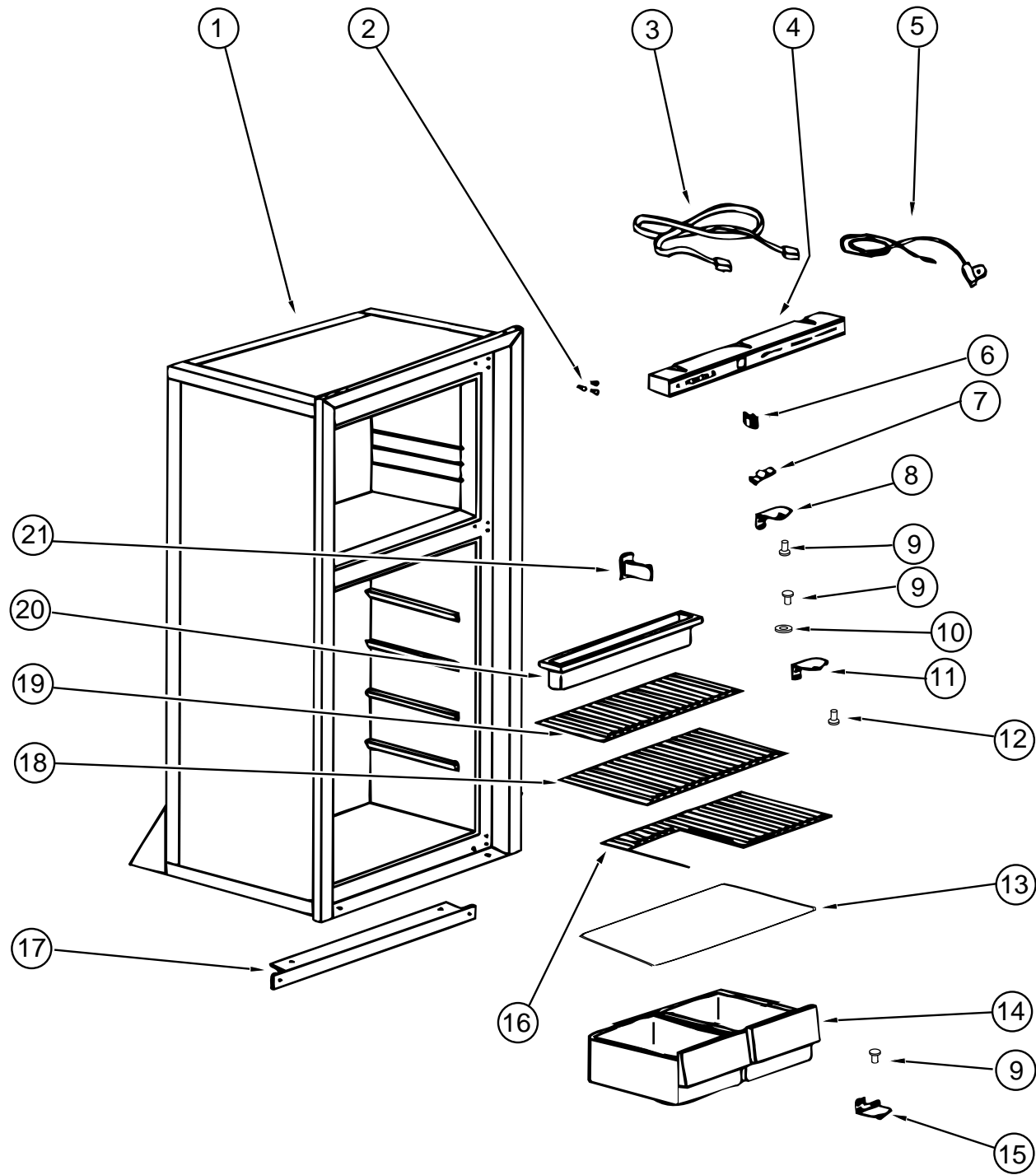
KEY	PART NUMBER	U/M	DESCRIPTION	VENDOR NO.
1	084880-01-753	EA	THERMISTER - 78" - NORCOLD	61693822
2	094039-04-700	EA	BOARD-PRINTED CIRCUIT, 2 WAY, NORCOLD	61647322
3	084880-01-746	EA	CABLE, NORCOLD	61571522
4	102621-01-703	EA	THERMOSTAT BUTTON - NORCOLD	61587422
5	104137-06-700	EA	EYEBROW SHELL, (2-WAY) - NORCOLD	61726622
6	075217-01-738	EA	SWITCH-HUMIDITY, NORCOLD	61525922

GALLEY GROUP (CONTINUED)
NORCOLD REFRIGERATOR MODEL 6162 DOORS



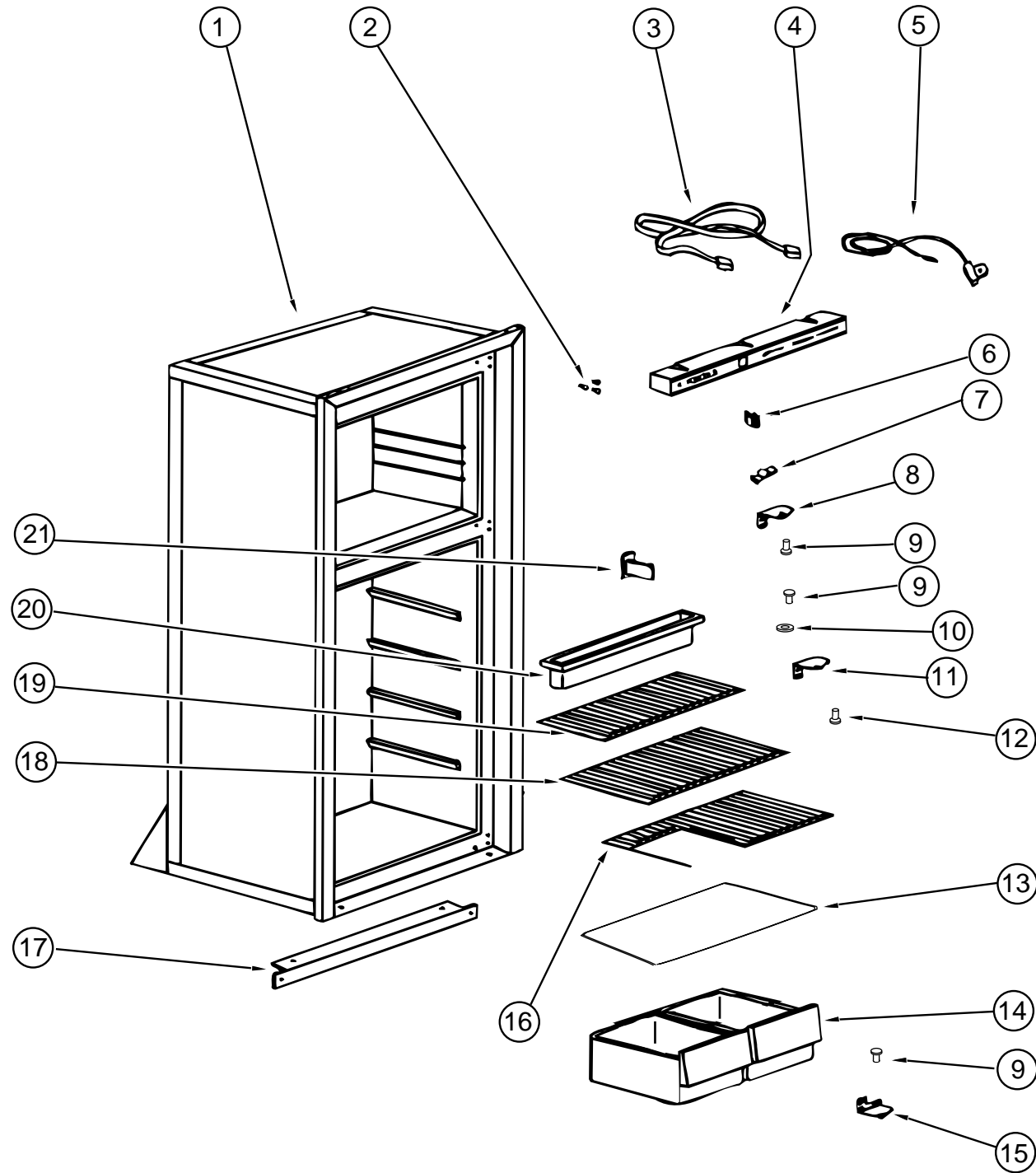
KEY	PART NUMBER	U/M	DESCRIPTION	VENDOR NO.
1	094039-01-702	EA	GASKET (GRAY) UPPER - NORCOLD	61567830
2	094039-01-710	EA	PLATE-HINGE, TOP RH - LH BOTTOM - BLACK - NORCOLD	61631330
3	094039-01-706	EA	UPPER DOOR LINER (WHITE) BLACK - NORCOLD	61581838-B
4	084880-01-761	EA	END CAP (SPRING CATCH) BLACK - NORCOLD	61593730
5	094039-01-708	EA	HANDLE-DOOR, UPPER - BLACK - NORCOLD	61650038
6	084880-01-740	EA	END CAP (STOP CATCH) - NORCOLD	61593830
7	094039-01-704	EA	PLATE-HINGE, BLACK - NORCOLD	61631430
8	094038-01-702	EA	LINER-DOOR, LOWER - BLACK/WHITE - NORCOLD	61581938-B
9	094038-01-704	EA	HANDLE-DOOR, LOWER - BLACK - NORCOLD	61650138
10	104137-06-704	EA	MILK BIN - WHITE - NORCOLD	61579425
11	104137-06-703	EA	BIN-DOOR SHELF, (WHITE) - NORCOLD	61564025
12	094038-01-700	EA	GASKET-LOWER, GRAY - NORCOLD	61567930
13	104137-06-702	EA	RACK-JUICE, WHITE - NORCOLD	61580525
14	104137-06-703	EA	BIN-DOOR SHELF, WHITE - NORCOLD	61564025
	084880-01-720	EA	SPRING (FOR DOOR HANDLE), NORCOLD	61558822

GALLEY GROUP (CONTINUED)
NORCOLD REFRIGERATOR MODEL 6162 CABINET ASM WITH TRAY, TIEDOWNS & LEVEL



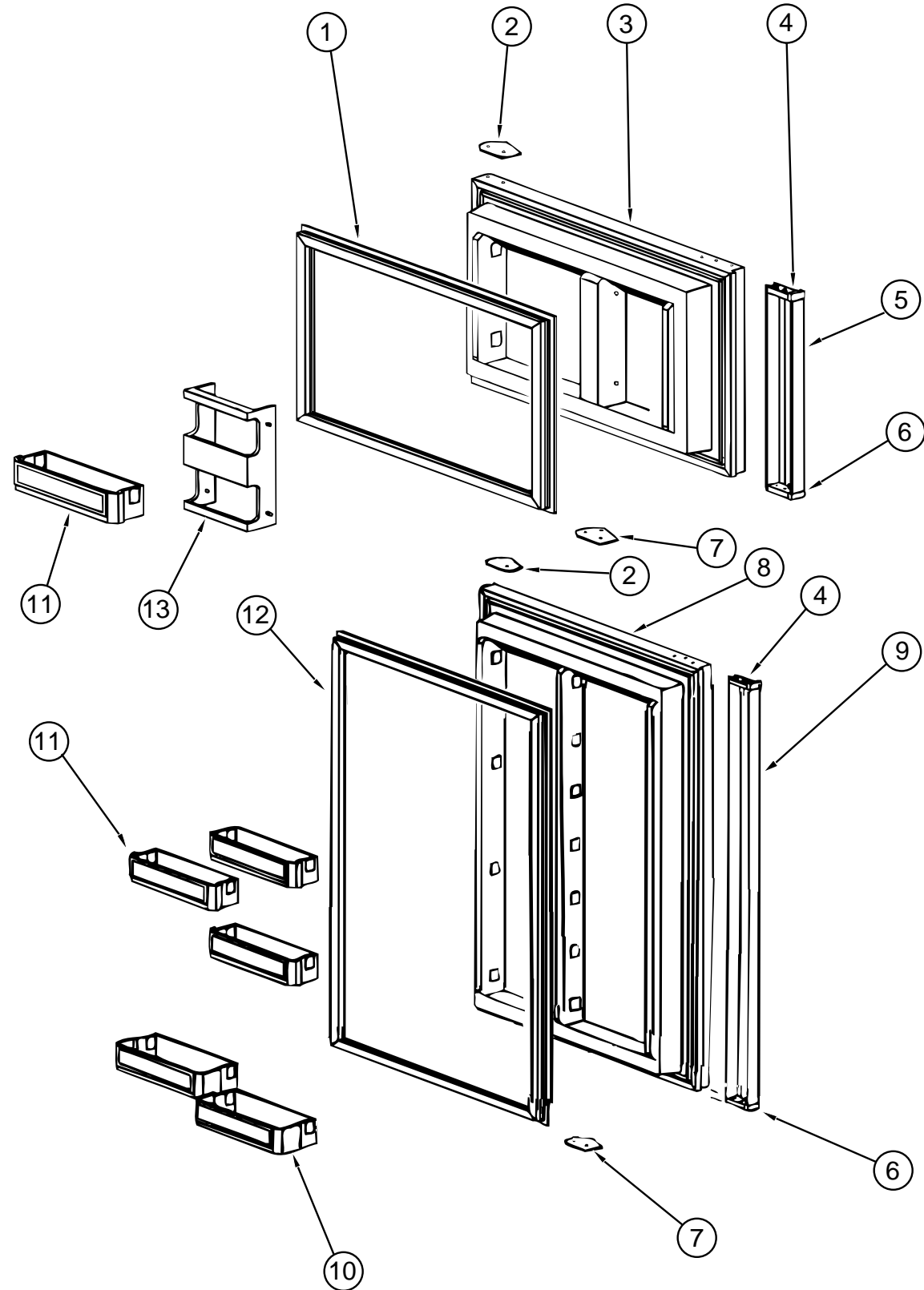
KEY	PART NUMBER	U/M	DESCRIPTION	VENDOR NO.
	104138-05-01A	EA	REFRIGERATOR-DOUBLE DOOR, 2-WAY - NORCOLD 6162 LH BL	
1	104138-04-701	EA	FOAMED CAB ASM BLACK W/WHITE - NORCOLD	61725038
	084879-03-700	EA	COOLING UNIT - HORIZONTAL BURNER, NORCOLD	61687237
2	094039-01-722	EA	HOLE PLUG, (BLACK) HINGE HOLES - NORCOLD	61582030
3	084880-01-746	EA	CABLE-PRINTED CIRCUIT BOARD TO POWER SUPPLY - NORCOLD	61571522
4	104137-06-700	EA	EYEBROW SHELL (2-WAY) - NORCOLD	61726622
5	084880-01-753	EA	THERMISTER 78" - NORCOLD	61697822
6	075217-01-738	EA	SWITCH-HUMIDITY - NORCOLD	61525922
7	084880-01-760	EA	CLIP (THERMISTER) - NORCOLD	61689122
8	094039-01-723	EA	HINGE BRACKET, TOP RH-BOTTOM LH BLACK - NORCOLD	61580838
9	094039-01-725	EA	HINGE PIN, (BLACK) (MALE) - NORCOLD	61578130
10	084880-01-749	EA	HINGE BUSHING - NORCOLD	615807
11	094039-01-728	EA	HINGE BRACKET-CENTER HINGE, BLACK - NORCOLD	61566530
12	094039-01-730	EA	HINGE PIN SHAFT, (BLACK) CENTER HINGE - NORCOLD	61566730
13	084880-01-722	EA	CRISPER COVER - NORCOLD	615641
14	104137-06-707	EA	CRISPER (WHITE) - NORCOLD	61571325
15	094039-01-724	EA	BRACKET-HINGE, TOP LH - BOTTOM RH - BLACK - NORCOLD	61580938
16	094039-01-739	EA	BOTTOM SHELF W/CUT-OUT - NORCOLD	61646722
17	094039-01-732	EA	FRONT COVER, (BLACK) BOTTOM TRIM - NORCOLD	61622130
18	094039-01-733	EA	SHELF-WIRE, CENTER - NORCOLD	61563822
19	104137-06-728	EA	SHELF-WIRE, TOP W/RISER - WHITE	618062
20	094039-01-735	EA	INSIDE DRIP TRAY, (WHITE) - NORCOLD	61572830
21	084880-01-732	EA	LATCH, NORCOLD	61578522
	084880-03-702	EA	PIN-HINGE, TOP/BOTTOM - FEMALE - BLACK - NORCOLD	61580630
	104137-06-727	EA	FREEZER SHELF, WHITE	618057
	093646-01-000	EA	BRACKET-TIEDOWN, REFRIGERATOR - RH	
	093646-02-000	EA	BRACKET-TIEDOWN, REFRIGERATOR - LH	
	116751-01-01A	EA	TRAY-REFRIGERATOR, BLACK	
	065225-02-000	EA	PLATE-TIEDOWN, REFRIGERATOR	
	054450-01-000	EA	LEVEL-REFRIGERATOR	

GALLEY GROUP (CONTINUED)
NORCOLD REFRIGERATOR SMALL DOUBLE DOOR - MODEL 633 RH - JAPAN OPTION



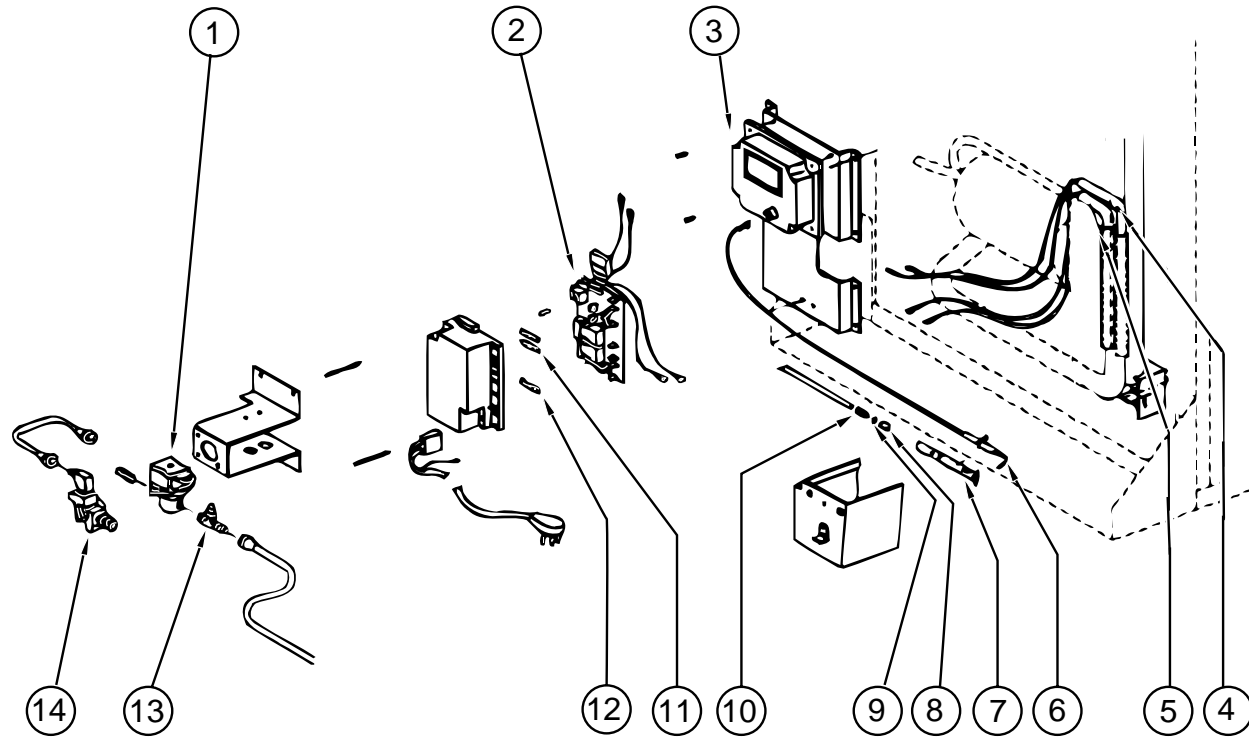
KEY	PART NUMBER	U/M	DESCRIPTION	VENDOR NO.
	104138-01-01A	EA	REFRIGERATOR, SMALL DOUBLE DOOR - 3-WAY	
1	094038-01-706	EA	CABINET ASSEMBLY-WHITE W/BLACK FRAME	
2	094039-01-722	EA	PLUG-HOLE, BLACK	61582030
3	084880-01-746	EA	CABLE-NORCOLD	61571522
4	094039-01-701	EA	EYEBROW-SHELL, 3-WAY - PLASTIC - BLACK	61669922
5	084880-01-753	EA	THERMISTER 78"	61693822
6	075217-01-738	EA	SWITCH-HUMIDITY	61525922
7	084880-01-760	EA	CLIP-THERMISTER	61689122
8	094039-01-723	EA	BRACKET-HINGE, TOP RH - BOTTOM LH	61580838
9	094039-01-725	EA	PIN-HINGE, BLACK	61578130
10	084880-01-749	EA	BUSHING-HINGE	61580722
11	094039-01-728	EA	BRACKET-HINGE, CENTER - BLACK	61566530
12	094039-01-730	EA	PIN-HINGE, CENTER, BLACK	61566730
13	084880-01-722	EA	COVER-CRISPER, GLASS	61564122
14	104137-06-720	EA	CRISPER, WHITE W/BLUE TRIM	617758
15	094039-01-724	EA	BRACKET-HINGE, TOP LH - BOTTOM RH	61580938
16	094039-01-739	EA	BOTTOM SHELF W/CUT-OUT - NORCOLD	61646722
17	094039-01-732	EA	FRONT COVER, (BLACK) BOTTOM TRIM - NORCOLD	61622130
18	094039-01-733	EA	SHELF-WIRE, CENTER - NORCOLD	61563822
19	104137-06-728	EA	SHELF-WIRE, TOP W/RISER - WHITE	618062
20	094039-01-735	EA	TRAY-DRIP, WHITE	61572830
21	084880-01-732	EA	LATCH	61578522
	084879-03-700	EA	COIL-COOLING, HORIZONTAL BURNER	61687237
	094039-01-736	EA	SWITCH-LIGHT, BLACK	61581022
	104137-06-722	EA	KEEPER-DAIRY, WHITE W/BLUE TRIM	617760
	104137-06-727	EA	FREEZER SHELF, WHITE	618057
	094039-01-726	EA	SHELF-EVAPORATOR	61523622
	084880-03-705	EA	BRACKET-LIGHT-INTERIOR	61629722
	084880-03-706	EA	BULB-LAMP	61628922
	084880-03-707	EA	COVER-LAMP, LENS	61627922
	104137-06-724	EA	TRAY-ICE CUBE	61630422
	116751-01-01A	EA	TRAY-DRIP, REFRIGERATOR - 24.6" X 6.3" - PLASTIC - BLACK	

GALLEY GROUP (CONTINUED)
NORCOLD REFRIGERATOR SMALL DOUBLE DOOR - MODEL 633 RH - JAPAN OPTION



KEY	PART NUMBER	U/M	DESCRIPTION	VENDOR NO.
1	094039-01-702	EA	GASKET-UPPER, GRAY	61567830
2	094039-01-710	EA	PLATE-HINGE, RH TOP - LH BOTTOM - BLACK	61631330
3	094039-01-706	EA	LINER-UPPER DOOR, WHITE/BLACK	61581838-B
	084880-01-720	EA	SPRING-DOOR HANDLE	61558822
4	084880-01-761	EA	END CAP (SPRING CATCH) BLACK - NORCOLD	61593730
5	094039-01-708	EA	HANDLE-DOOR, UPPER - BLACK - NORCOLD	61650038
6	084880-01-740	EA	STOP CATCH-END CAP, LOWER - BLACK	61593830
7	094039-01-704	EA	PLATE-HINGE, TOP LH - BOTTOM RH - BLACK	61631430
8	094038-01-702	EA	LINER-LOWER DOOR, BLACK/WHITE	61581938-B
9	094038-01-704	EA	HANDLE-LOWER DOOR, BLACK	61650138
10	104137-06-719	EA	BIN-MILK, WHITE W/BLUE TRIM	617757
11	104137-06-721	EA	BIN-DOOR, WHITE W/BLUE TRIM	617759
12	094038-01-700	EA	GASKET-LOWER, GRAY	61567930
13	104137-06-702	EA	RACK-JUICE, WHITE	61580525
	104137-09-01A	EA	FREEZER-SHELF	61710622

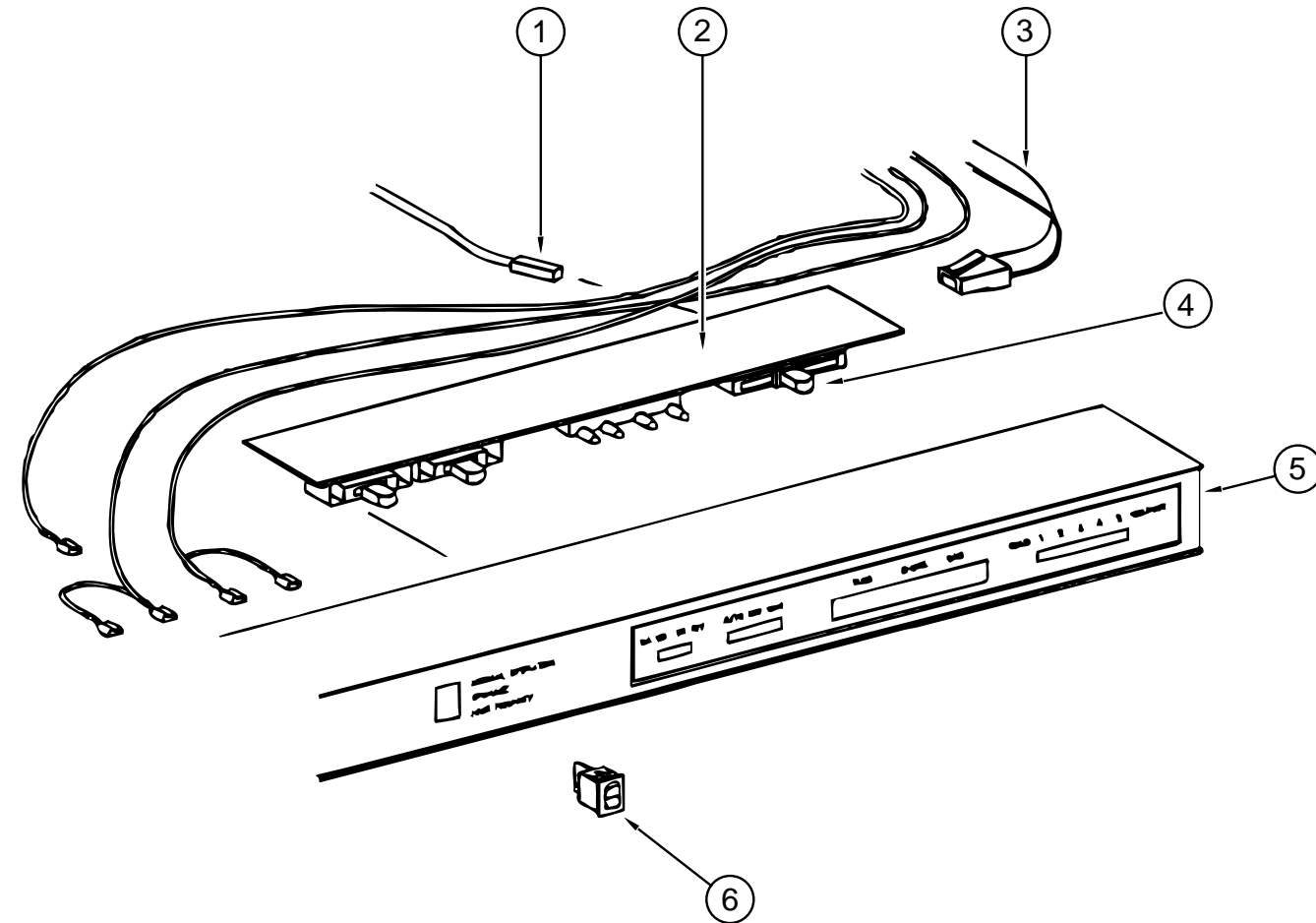
GALLEY GROUP (CONTINUED)



NORCOLD 633 RH REFRIGERATOR CONTROL ASSEMBLY- JAPAN OPTION

KEY	PART NUMBER	U/M	DESCRIPTION	VENDOR NO
1	084880-01-718	EA	VALVE-GAS, ASCO	61551822
2	094039-01-737	EA	POWER SUPPLY-3-WAY	61647622
3	104137-02-700	EA	MODULE-CONTROL, CHANNEL	61717037
4	088248-01-710	EA	HEATER-DC, HORIZONTAL - 3 WAY	61562822
5	088248-01-709	EA	HEATER-AC, HORIZONTAL	61562722
6	104137-06-715	EA	ELECTRODE-SPARK/SENSOR, SINGLE	61692222
7	104137-06-714	EA	BURNER ASSEMBLY, 5-SLOT	61705222
	088248-01-707	EA	SENSOR-ELECTRODE, HORIZONTAL	61573322
8	084880-01-705	EA	ORIFICE	61452222
9	104137-06-713	EA	GASKET-ORIFICE	61475122
10	104137-06-712	EA	FITTING-GAS TUBE CONNECTION	61692722
11	113737-01-714	EA	FUSE 20 AMP (3-WAY)	61440522
12	104137-06-711	EA	FUSE - 5 AMP	61611622
13	113737-01-716	EA	PRESSURE TAP	61594422
	113737-01-702	EA	PLUG 1/8" F/PRESSURE TAP	6144532
14	104137-06-709	EA	VALVE-SHUT OFF, MANUAL	61694922
	113737-01-750	EA	TUBE-UNION	61694622
	084880-01-713	EA	FITTING-MALE INLET CONNECTOR	615256222

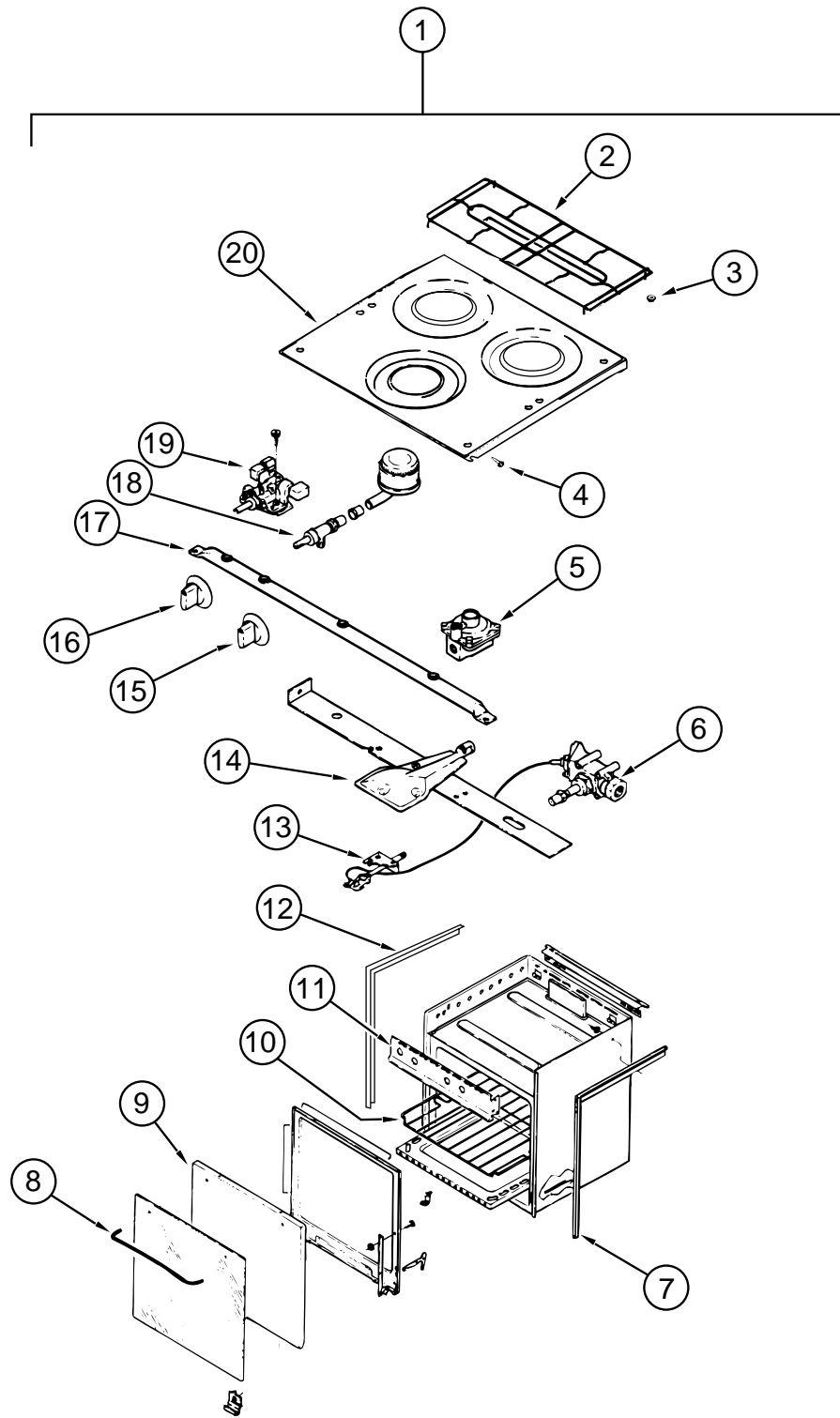
GALLEY GROUP (CONTINUED)



NORCOLD 633 RH REFRIGERATOR EYEBROW ASSEMBLY - JAPAN OPTION

KEY	PART NUMBER	U/M	DESCRIPTION	VENDOR NO.
1	084880-01-753	EA	THERMISTER-78" W/O CLIP	61693822
	084880-01-760	EA	CLIP-THERMISTER	61689122
2	094039-01-700	EA	BOARD-PRINTED CIRCUIT, 3 - WAY	61647522
3	084880-01-746	EA	CABLE-PRINTED CIRCUIT BOARD TO POWER SUPPLY	61571522
4	102621-01-703	EA	BUTTON-THERMOSTAT, ADJUSTABLE	61587422
5	094039-01-701	EA	EYEBROW-SHELL, 3-WAY - BLACK - PLASTIC	61669922
6	075217-01-738	EA	SWITCH-HUMIDITY	61525922

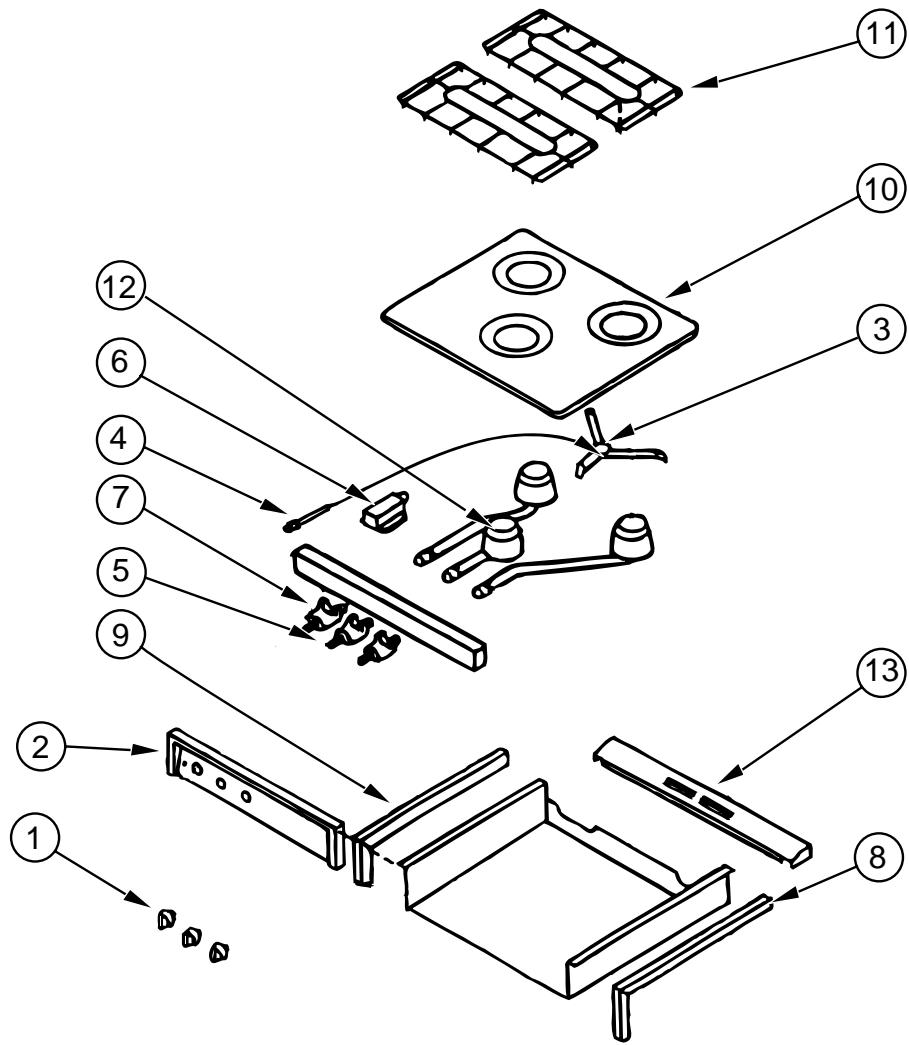
GALLEY GROUP (CONTINUED)
MAGIC CHEF RANGE MODEL 16RB-3B49



KEY	PART NUMBER	U/M	DESCRIPTION	VENDOR NO.
1	112881-01-04A	EA	RANGE - 16", 3 BURNER - MAGIC CHEF 16RB-3B49	
2	102020-01-711	EA	GRATE-TOP, MAGIC CHEF	7518P012-60
3	102020-01-709	EA	BUMPER-GRATE, MAGIC CHEF	8007-P020-60
4	102020-01-724	EA	BUMPER-MAIN TOP, MAGIC CHEF	8003P008-60
5	102022-01-708	EA	REGULATOR-PRESSURE, 1/4 IN 1/2 OUT - MAGIC CHEF	7510P041-60
6	112881-01-702	EA	VALVE-MERCURY, SAFETY VALVE - MAGIC CHEF	7501-P121-60
7	112881-01-708	EA	TRIM-FLAT, RIGHT - BLACK - MAGIC CHEF	3608W036-70
8	102020-01-701	EA	HANDLE-DOOR, MAGIC CHEF	7701P092-60
9	112881-01-713	EA	DOOR-OVEN, TEXTURED - MAGIC CHEF	2401F079-70
10	102020-01-700	EA	SHELF-OVEN, MAGIC CHEF	7801-P027-60
11	112881-01-701	EA	MANIFOLD PANEL - MAGIC CHEF	2616F091-70
12	112881-01-707	EA	TRIM-FLAT, LEFT - BLACK - MAGIC CHEF	3608W035-70
13	112881-01-710	EA	PILOT-OVEN, MAGIC CHEF	7505P202-60
14	112881-01-711	EA	BURNER ASSEMBLY-OVEN, MAGIC CHEF	3404W025045
15	112881-01-705	EA	KNOB-TOP BURNER, MAGIC CHEF	7733P072-60
15	112881-01-718	EA	KNOB-HIGH OUTPUT, FLAME INDICATOR, MAGIC CHEF	7733P072-60
16	112881-01-704	EA	KNOB-THERMOSTAT, MAGIC CHEF	7731P067-60
16	112881-01-716	EA	KNOB-THERMOSTAT, REF. SER. # 3C - MAGIC CHEF	7731P107-60
17	112881-01-709	EA	PIPE-MANIFOLD, MAGIC CHEF	7513P097-60
18	102020-01-722	EA	VALVE-TOP BURNER, MAGIC CHEF	7502P181-60
18	112881-01-703	EA	VALVE-TOP BURNER, HI-OUTPUT - MAGIC CHEF	7502P180-60
19	112881-01-706	EA	THERMOSTAT - MAGIC CHEF	12400026
19	112881-01-715	EA	THERMOSTAT - REF. SER. # 3C - MAGIC CHEF	7515P037-60
20	112881-01-712	EA	TOP-MAIN, BLACK - MAGIC CHEF	740101486
	105458-03-000	EA	BRACKET-TIEDOWN, STOVE - RIGHT	
	105458-04-000	EA	BRACKET-TIEDOWN, STOVE - LEFT	

GALLEY GROUP (CONTINUED)
3 BURNER RANGE - ATWOOD - MODEL C-36 - JAPAN OPTION

KEY	PART NUMBER	U/M	DESCRIPTION	VENDOR NO.
	106689-01-01A	EA	TOP-RANGE, 3 BURNER - BLACK - ATWOOD	53764
1	101593-01-703	EA	KNOB-BURNER, WEDGEWOOD	53000
2	106689-01-700	EA	COVER-MANIFOLD, 3 BURNER	53074
3	106689-01-701	EA	SPARK-IGNITOR, HIGH OUTPUT	53078
4	106689-01-702	EA	PIEZO-PUSH BUTTON	52279
5	106689-01-703	EA	VALVE-HIGH OUTPUT	53047
6	106689-01-704	EA	REGULATOR-W/EXTREME PRESSURE	52154
7	106689-01-705	EA	VALVE-BURNER	52123
8	106689-01-706	EA	TRIM-RIGHT HAND TOP & SIDE - BLACK	53020
9	106689-01-707	EA	TRIM-LEFT HAND TOP & SIDE - BLACK	53019
10	107246-01-700	EA	RANGE TOP - 3 BURNER, BLACK	53083
11	107246-01-701	EA	GRATE-RANGE TOP	53050
	107323-01-710	EA	CLIP-GRATE	53301
	107323-01-711	EA	GRATE CUSHION-RUBBER	53008
12	107246-01-710	EA	BURNER-HIGH OUTPUT	53069
13	107323-01-705	EA	TRIM VENT	53525
	081587-03-000	EA	BRACKET-TIEDOWN, RANGE - RH	
	081587-04-000	EA	BRACKET-TIEDOWN, RANGE - LH	



GALLEY GROUP (CONTINUED)
MCD MICROWAVE OVEN

KEY	PART NUMBER	U/M DESCRIPTION	VENDOR NO.
	115303-01-000	EA OVEN-MICROWAVE - MAGIC CHEF DM15K-7B	
	115303-01-700	EA TRIM F/VENT - TOP - MAGIC CHEF	2100309
	115401-01-01A	EA TRIM-MICROWAVE, LOWER - BLACK	
	094750-07-000	EA BRACKET-MICROWAVE, 89 DEGREE - STEEL	
	098916-14-01A	EA BRACE-MICROWAVE CABINET, LEFT - 8.9" X 7.5" - STEEL	
	098916-15-01A	EA BRACE-MICROWAVE CABINET, RIGHT - 8.9" X 7.5" - STEEL	

BLACK & DECKER COFFEE MAKER

KEY	PART NUMBER	U/M DESCRIPTION	VENDOR NO.
	103799-01-02A	EA COFFEE MAKER-GRAY W/GLASS POT - BLACK & DECKER - MADE BY G.E. FROM: 00-00-00 THRU: 04-07-96	
	103799-01-700	EA CARAFE-GLASS POT - BLACK & DECKER	679420
	103799-01-701	EA BRACKETS-WHITE, PAIR - BLACK & DECKER	164734-06
	103799-02-01A	EA COFFEE MAKER WITH CLOCK, WHITE - BLACK & DECKER SDC2B FROM: 04-08-96 THRU: 99-99-99	

GENERATOR GROUP
3,300 WATT ONAN MICROLITE - 220 VOLT - LP - EXPORT

KEY	PART NUMBER	U/M DESCRIPTION
	109982-05-000	EA GENERATOR - 3,300 WATT MICROLITE, ONAN KY-FR/26119B
	007125-04-000	EA CLAMP-MUFFLER, 1.1" DIAMETER
	105958-10-000	EA PIPE-EXHAUST, GENERATOR

3,600 WATT ONAN MICROLITE - 110 VOLT - LP - DIESEL CHASSIS

KEY	PART NUMBER	U/M DESCRIPTION
	109982-04-000	EA GENERATOR - 3,600 WATT MICROLITE, ONAN KY-FA/26120B
	007125-04-000	EA CLAMP-MUFFLER, 1.1" DIAMETER
	105958-10-000	EA PIPE-EXHAUST, GENERATOR

4,000 WATT ONAN MICROLITE - US & CANADIAN

KEY	PART NUMBER	U/M DESCRIPTION
	109982-03-000	EA GENERATOR - 4,000 WATT MICROLITE, ONAN KY-FA/26100B
	007125-04-000	EA CLAMP-MUFFLER, 1.1" DIAMETER
	105958-10-000	EA PIPE-EXHAUST, GENERATOR

4,000 WATT ONAN MICROLITE - JAPAN

KEY	PART NUMBER	U/M DESCRIPTION
	109982-06-000	EA GENERATOR - 4,000 WATT MICROLITE, ONAN KY-FR/11429E
	007125-04-000	EA CLAMP-MUFFLER, 1.1" DIAMETER
	105958-10-000	EA PIPE-EXHAUST, GENERATOR

HEATING & AIR CONDITIONING GROUP
AUTO A/C & HEATER COMPONENTS

007076-01-700	FT	HOSE-FLEXIBLE PVC - 2" ID
007108-01-000	FT	HOSE-HEATER, 5/8" ID
007281-01-000	EA	HOSE-FLEXIBLE PVC, 2.5" ID X 50'
007281-01-700	FT	HOSE-FLEXIBLE PVC, 2.5" ID
024990-05-000	EA	OUTLET-DEFROSTER, W/SWIVEL - 2" DIAMETER - BLACK
077075-01-000	EA	GASKET-INSTRUMENT PANEL TO DEFROSTER PLENUM - 1.8" X 12.5"
077075-03-000	EA	GASKET-INSTRUMENT PANEL TO DEFROSTER PLENUM - 1.8" X 12.25"
103016-01-000	EA	PLENUM-TRANSITION
103017-01-000	EA	PLENUM-DEFROSTER
103558-01-07A	EA	VENT-DEFROSTER, ABS - WILLOW
103796-01-01A	EA	LOUVER ASM-A/C CARY PROD - BLACK
056402-05-000	EA	BRACKET-HEATER VENT, ROUND - W/BEND - BLACK
103930-05-000	EA	MANUAL-OWNERS, HEATER-A/C - SCS 057-0049

1995 CHEVY GAS CHASSIS

103930-17-000	EA	HOSE KIT #10 GM-SANDEN COMPRESSOR - SCS 093-00076	
103930-01-708	EA	BRACKET-VACUUM MOTOR, SCS	070-0113
103930-17-700	EA	FITTING-PAD COMPRESSOR SUCTION SANDEN - SCS	050-0131
103930-17-701	EA	FITTING #10.90 W/FERRULE/1342CP - SCS	050-0132
103930-17-702	EA	GASKET OR SAE 015 #10 33-781, SCS	045-0127
103930-17-703	EA	GASKET-SEAL, SANDEN COMPRESSOR 33-76 - SCS	045-0142
103930-17-704	EA	HOSE #10 - SCS	085-0113

1996 CHEVY GAS CHASSIS

103930-28-000	EA	HOSE KIT #10 GM - L-19 - SCS 093-00426	
---------------	----	----------------------------------------	--

1995 CHEVY DIESEL CHASSIS

103930-18-000	EA	HOSE KIT #10 GM-HARRISON COMPRESSOR - SCS 093-00077	
103930-17-701	EA	FITTING #10.90 W/FERRULE/1342CP - SCS	050-0132
103930-17-702	EA	GASKET OR SAE 015 #10 33-781, SCS	045-0127
103930-17-703	EA	GASKET-SEAL, SANDEN COMPRESSOR 33-76 - SCS	045-0142
103930-18-700	EA	FITTING-PAD COMPRESSOR SUCTION HARRISON - SCS	050-00133
103930-18-701	EA	HOSE #10 - SCS	085-0114
103930-18-702	EA	GASKET SEAL - HARRISON - SCS	045-0143
110279-01-708	EA	HOSE-REFRIGERANT BARRIER #10 SAEJ51 - SCS	051-0008

1996 CHEVY DIESEL CHASSIS

103930-29-000	EA	HOSE KIT #10 GM - L-29 & L-65 - SCS 093-00427	
---------------	----	-----------------------------------------------	--

1995 CHEVY GAS & CHEVY DIESEL CHASSIS

103930-04-000	EA	CONTROL/PLENUM SET - SCS 093-00037	
072341-06-700	EA	SWITCH - 4 SPEED, FAN - ARA	0883502
094831-01-709	EA	CLAMPS-ROD, 3/16" - MOTIVAIR/SCS	ZGG14431
103930-02-712	EA	PANEL-CONTROL, BLACK BEZEL - SCS	032-0054
103930-02-701	EA	VALVE-CONTROL HEAD, SCS	034-0015
103930-02-702	EA	DECAL-FAN SWITCH, SCS	058-0008
103930-02-703	EA	HARNES-WIRE CONTROL, SCS	036-0048
103930-02-704	EA	HARNES-VACUUM CONTROL, SCS	036-0049
103930-02-705	EA	CABLE-CONTROL, BOWDEN - SCS	074-0011
103930-02-706	EA	CLIP-CABLE, CONTROL - SCS	022-0017
103930-02-707	EA	RELAY, SCS	031-0001
103930-02-708	EA	MOTOR-VACUUM SERVO, A/C - SCS	030-0002
103930-02-710	EA	CANISTER-VACUUM, SCS	054-0002
103930-23-000	EA	VALVE-WATER, 2 PORT - SCS 034-00014	

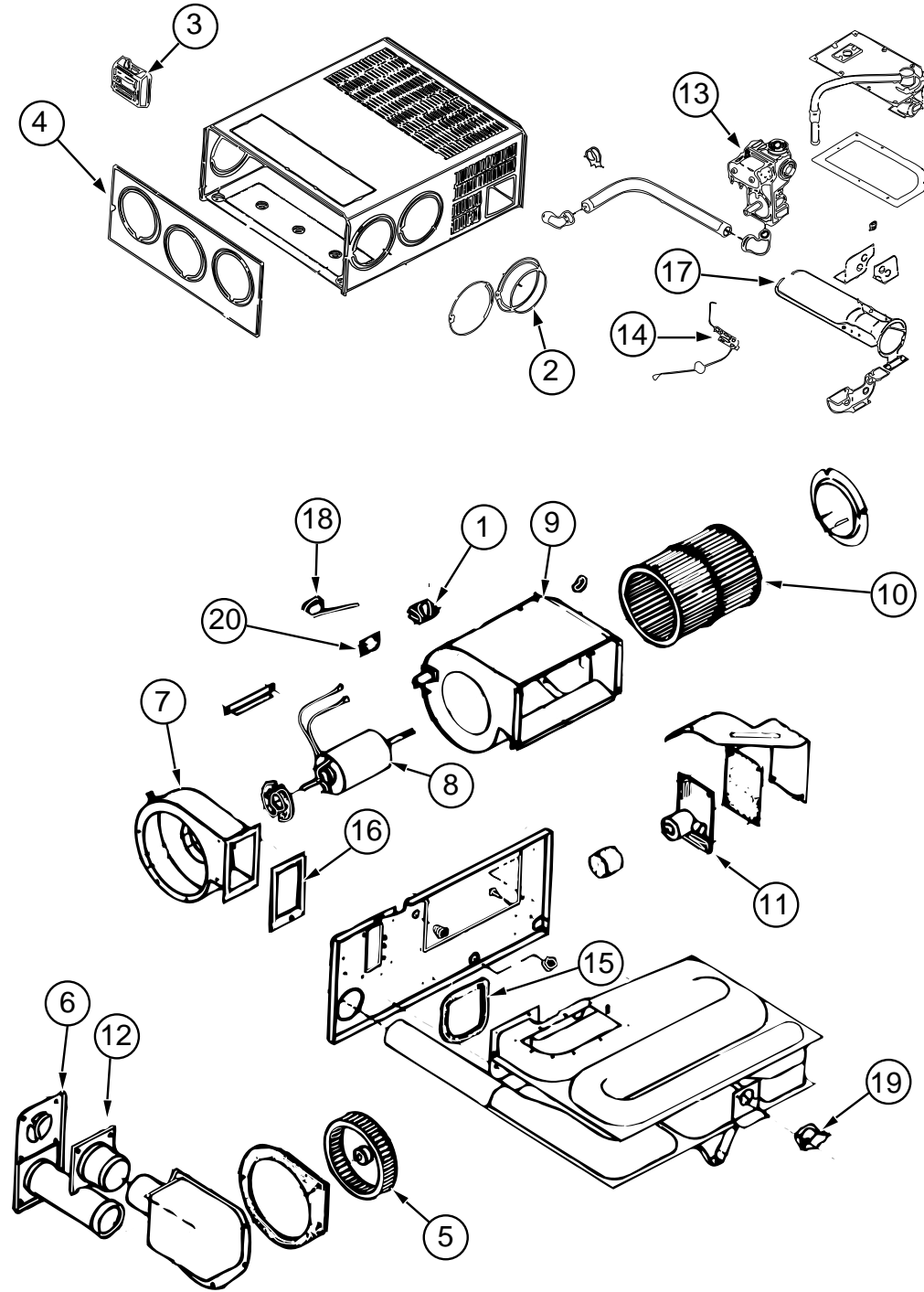
1996 CHEVY GAS & CHEVY DIESEL CHASSIS

103930-27-000	EA	CONTROL/PLENUM SET - SCS 093-00430	
---------------	----	------------------------------------	--

HEATING & AIR CONDITIONING GROUP (CONTINUED)
EVANS REAR HEATER MODEL MPA 304055A & COMPONENTS

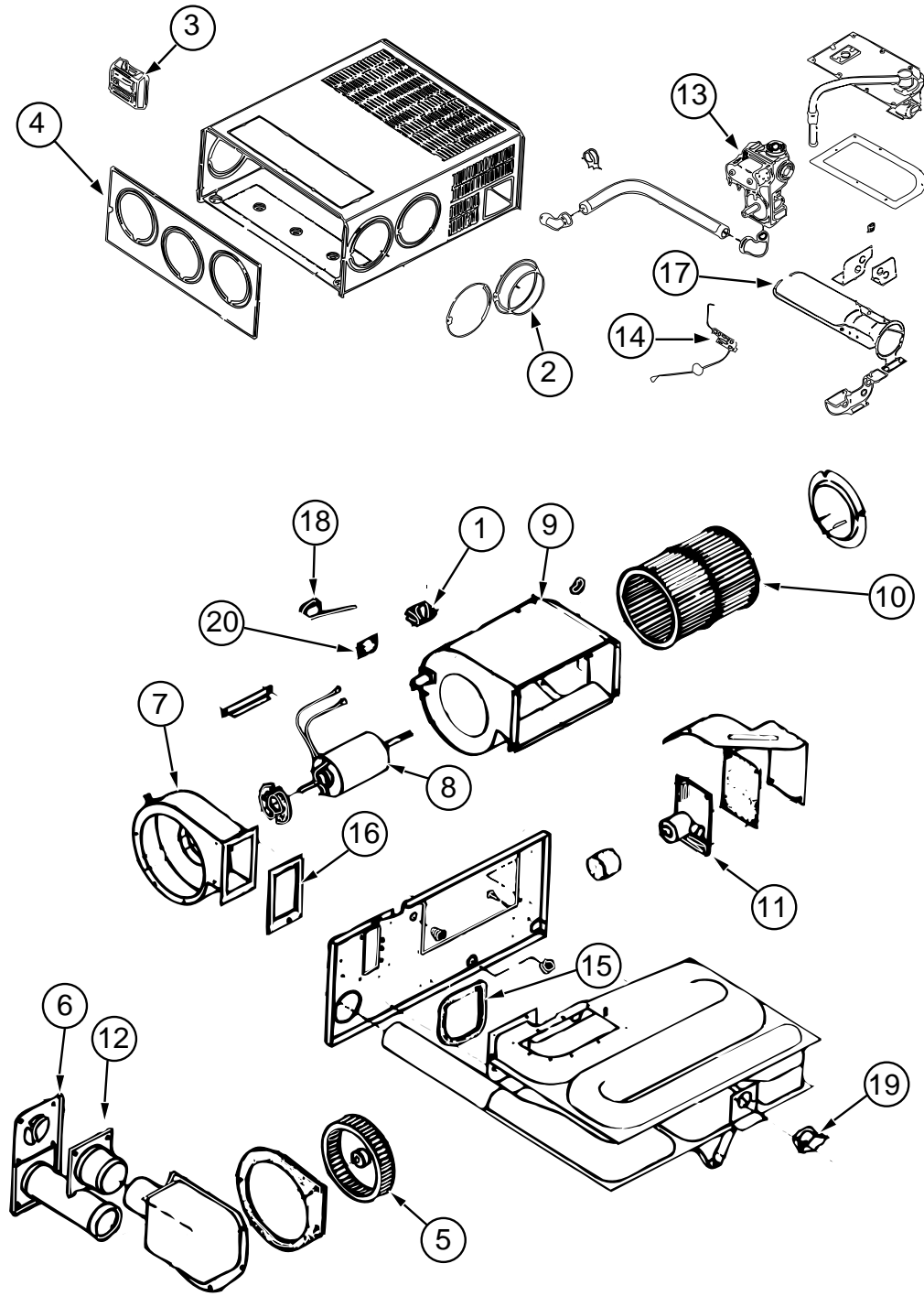
KEY	PART NUMBER	U/M DESCRIPTION	VENDOR NO.
	084405-01-000	EA HEATER ASM-REAR, DUCTED - W/MOTOR AID - EVANS	
	084405-01-700	EA HEATER CORE-EVANS	FT200229
	084405-01-701	EA FAN BLADES-EVANS	HV029931
	084405-01-702	EA MOTOR ASM - 12 V, EVANS	200146
	009198-01-000	FT DUCT-HEAT, FLEXIBLE - 4" ID - INCREMENTS OF 25'	
	009198-02-000	FT DUCT-HEAT, FLEXIBLE - 2" ID - INCREMENTS OF 25'	
	009200-01-000	EA TAPE-FURNACE, 1 1/2"	
	089367-02-000	EA TEE - 4" X 2" X 4"	
	007076-01-000	EA HOSE-FLEXIBLE PVC - 2" ID - INCREMENTS OF 50'	
	007108-01-000	FT HOSE-HEATER, 5/8" ID	
	008042-01-000	FT TUBING-VINYL, .65" ID	
	061673-01-000	EA BRACKET-MOTOR AID TUBES, 4" X 1.5" - STEEL	
	088753-01-000	FT TUBE-ALUMINIZED STEEL, 5/8" - 18 GAUGE	
	094600-05-01A	EA REGISTER-HEAT, W/O DAMPER - LIMA 41, DURA-BEIGE	

HEATING & AIR CONDITIONING GROUP (CONTINUED)
25,000 BTU SUBURBAN FURNACE & WALL THERMOSTAT



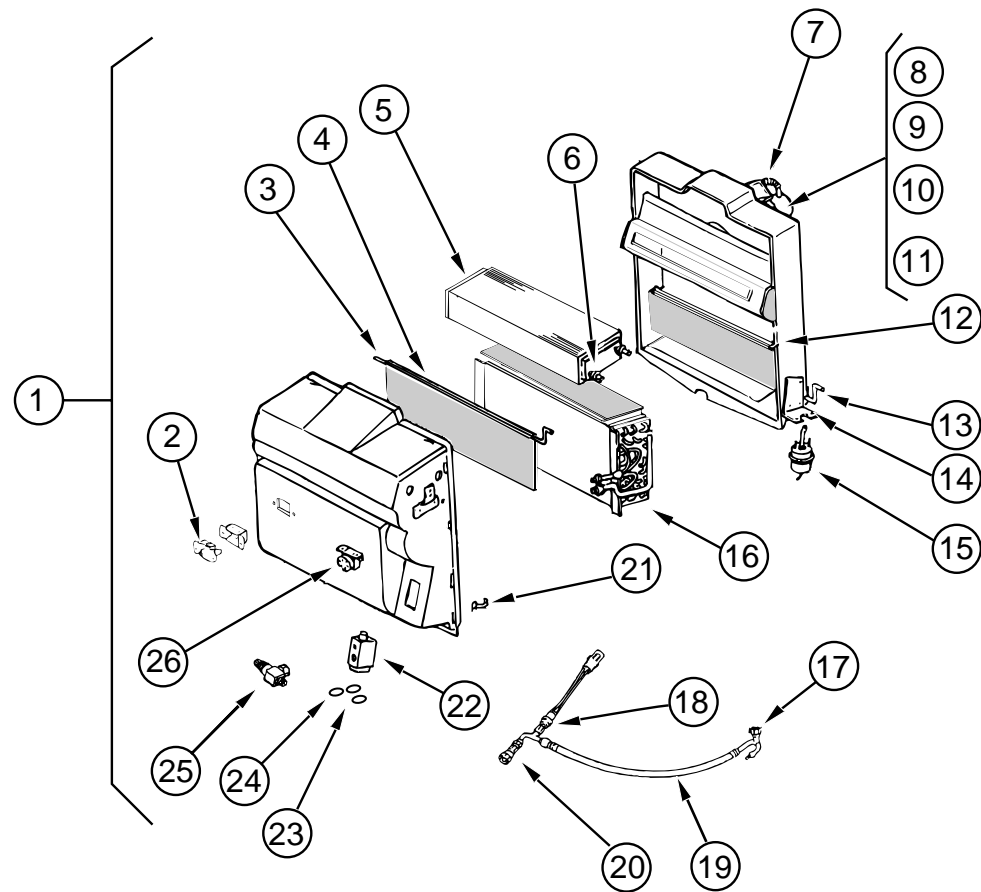
KEY	PART NUMBER	U/M DESCRIPTION	VENDOR NO.
	098668-19-000	EA FURNACE - 25,000 BTU, SUBURBAN SF25 2272	
1	074466-01-702	EA RELAY-TIME DELAY	230625
2	075696-02-703	EA COLLAR-DUCT	050715
3	115764-01-01A	EA THERMOSTAT - WALL, FURNACE 160902	
4	098668-01-700	EA CABINET-FRONT	101242
5	098668-01-706	EA WHEEL-COMBUSTION AIR	350122
6	098668-01-707	EA VENT ASSEMBLY-CAP AND TUBE	260193
7	098668-01-708	EA BLOWER ASSEMBLY-COMBUSTION AIR	390441
8	098668-01-709	EA MOTOR ASSEMBLY-F/SF-25, SF-30	231706
9	098668-01-710	EA BLOWER ASSEMBLY-ROOM AIR	390440
10	098668-01-711	EA WHEEL-ROOM AIR	350123
11	098668-01-712	EA BOARD-MODULE	231741
12	098668-01-713	EA INTAKE VENT TUBE ASSEMBLY	051044
13	098668-01-714	EA VALVE-GAS, (WHITE ROGERS)	161070
14	098668-01-715	EA ELECTRODE ASSEMBLY-SINGLE PROBE	232166
15	098668-01-716	EA GASKET-FIREWALL, CHAMBER SIDE	232166
16	098668-01-717	EA GASKET-FIREWALL, BLOWER SIDE	070163
17	098668-01-703	EA BURNER ASSEMBLY	010762
18	098668-21-700	EA MICROSWITCH W/O FLAG 3 1/4"	232261
19	098668-21-701	EA LIMIT SWITCH	231799
20	101990-01-714	EA MICROSWITCH GASKET	230877
	090039-01-703	EA ORIFICE-MAIN BURNER	180193
	098668-12-000	EA DOOR-ACCESS, FURNACE - BUFF - SUBURBAN 520732	
	056464-10-000	EA REGISTER-HEAT/A/C, ROUND W/O DAMPER - 4" - DURA-BEIGE PLASTIC	
	093614-01-02A	EA GRILLE-RETURN AIR, FURNACE - 15.6" X 7.6" - BEIGE	

HEATING & AIR CONDITIONING GROUP (CONTINUED)
30,000 BTU SUBURBAN FURNACE & WALL THERMOSTAT - JAPAN



KEY	PART NUMBER	U/M	DESCRIPTION	VENDOR NO.
	098668-20-000	EA	FURNACE - 30,000 BTU, SUBURBAN SF30 2273	
1	074466-01-702	EA	RELAY-TIME DELAY	230625
2	075696-02-703	EA	COLLAR-DUCT	050715
3	115764-01-01A	EA	THERMOSTAT - WALL, FURNACE 160902	
4	098668-01-700	EA	CABINET-FRONT	101242
5	098668-01-706	EA	WHEEL-COMBUSTION AIR	350122
6	098668-01-707	EA	VENT ASSEMBLY-CAP AND TUBE	260193
7	098668-01-708	EA	BLOWER ASSEMBLY-COMBUSTION AIR	390441
8	098668-01-709	EA	MOTOR ASSEMBLY-F/SF-25, SF-30	231706
9	098668-01-710	EA	BLOWER ASSEMBLY-ROOM AIR	390440
10	098668-01-711	EA	WHEEL-ROOM AIR	350123
11	098668-01-712	EA	BOARD-MODULE	231741
12	098668-01-713	EA	INTAKE VENT TUBE ASSEMBLY	051044
13	098668-01-714	EA	VALVE-GAS, (WHITE ROGERS)	161070
14	098668-01-715	EA	ELECTRODE ASSEMBLY-SINGLE PROBE	232166
15	098668-01-716	EA	GASKET-FIREWALL, CHAMBER SIDE	232166
16	098668-01-717	EA	GASKET-FIREWALL, BLOWER SIDE	070163
17	098668-02-700	EA	BURNER ASSEMBLY COMPLETE - (SF-30/SF35)	010745
18	098668-21-700	EA	MICROSWITCH W/O FLAG 3 1/4"	232261
19	098668-21-701	EA	LIMIT SWITCH	231799
20	101990-01-714	EA	MICROSWITCH GASKET	230877
	092300-02-701	EA	ORIFICE-(MAIN BURNER) - SUBURBAN	180214
	098668-12-000	EA	DOOR-ACCESS, FURNACE - BUFF - SUBURBAN 520732	
	056464-10-000	EA	REGISTER-HEAT/A/C, ROUND W/O DAMPER - 4" - DURA-BEIGE PLASTIC	
	093614-01-02A	EA	GRILLE-RETURN AIR, FURNACE - 15.6" X 7.6" - BEIGE	

HEATING & AIR CONDITIONING GROUP (CONTINUED)



SCS EVAPORATOR/HEATER ASSEMBLY - 1995 CHEVY GAS & DIESEL CHASSIS

KEY	PART NUMBER	U/M DESCRIPTION	VENDOR NO.
1	103930-20-000	EA EVAPORATOR/HEATER ASSEMBLY - SCS 090-00083	
2	103930-01-710	EA RESISTOR-FUSED, SCS	035-0006
3	103930-20-702	EA ROD-AIR BLEND DOOR, SCS	073-0039
4	103930-20-703	EA DOOR-AIR BLEND, SCS	071-0212
5	103930-01-703	EA COIL-HEATER, SCS	042-0010
6	110279-01-712	EA FITTING-HEATER, SCS	050-0076
7	110279-01-703	EA MOTOR-BLOWER, SCS	051-0034
8	103930-20-707	EA HOUSING-BLOWER, SCS	062-0145
9	103930-01-720	EA MOTOR, SCS	030-0004
10	103930-01-717	EA WHEEL-CLOCK-WISE, SCS	062-0010
11	103930-20-708	EA CLIP F/MOTOR SHAFT, SCS	022-0001
12	103930-20-705	EA DOOR-RECIRCULATING, SCS	071-0213
13	103930-20-704	EA ROD-RECIRCULATING DOOR, SCS	073-0018
14	103930-01-708	EA BRACKET-VACUUM MOTOR, SCS	070-0113
15	103930-02-708	EA MOTOR-VACUUM SERVO, A/C - SCS	030-0002
16	103930-01-704	EA COIL-EVAPORATOR, SCS	041-0017
17	103930-12-708	EA SWITCH-BINARY, R-134A - SCS	032-0048
18	103930-01-716	EA SWITCH-PRESSURE, FAN - SCS	032-0036
19	103930-20-701	EA HOSE ASM - #6, SCS	085-0138
20	103930-12-709	EA FITTING-QUICK CONNECT - SCS	050-0120
21	103930-20-706	EA CLIP-RETAINER, SCS	022-0057
22	103930-20-700	EA VALVE-EXPANSION BLOCK, 2 TON - SCS	034-0032
23	103930-17-702	EA GASKET OR SAE 015 #10 33-781, SCS	045-0127
24	113245-01-707	EA GASKET #8, SCS	045-0126
25	103930-20-709	EA SERVICE VALVE - SCS	050-159
26	103930-01-711	EA THERMOSTAT, SCS	033-0003
	103930-20-710	EA CASE-FRONT, SUB-ASSEMBLY - SCS	062-0146
	103930-20-711	EA CASE-BACK, SUB-ASSEMBLY - SCS	062-0147

HEATING & AIR CONDITIONING GROUP (CONTINUED) SCS EVAPORATOR/HEATER ASSEMBLY - 1996 CHEVY GAS & DIESEL CHASSIS

KEY	PART NUMBER	U/M DESCRIPTION	VENDOR NO.
	103930-25-000	EA EVAPORATOR/HEATER ASSEMBLY - SCS 090-00296	
	094831-01-709	EA CLAMP-ROD 3/16"	022-0025
	094831-01-746	EA CLAMP-BLEND AIR CABLE	022-0031
	103930-01-703	EA CORE-HEATER	042-0010
	103930-01-704	EA COIL-EVAPORATOR	041-0017
	103930-01-708	EA BRACKET-VACUUM MOTOR	070-0113
	103930-01-710	EA RESISTOR-FUSED, A/C	035-0006
	103930-01-711	EA THERMOSTAT	033-0003
	103930-01-717	EA WHEEL-BLOWER, CLOCKWISE	062-0010
	103930-01-720	EA MOTOR-BLOWER, (PM105)	030-0004
	103930-02-708	EA MOTOR-VACUUM SERVO, A/C	030-0025
	103930-02-714	EA CLAMP-CLUTCH, BARREL	022-0006
	103930-12-709	EA FITTING-QUICK CONNECT	050-0120
	103930-17-702	EA GASKET OR SAE 015=#10 33-781	045-0127
	103930-20-700	EA VALVE-EXPANSION-BLOCK, 2 TON	034-0032
	103930-20-702	EA ROD-DOOR, BLEND AIR	073-0039
	103930-20-703	EA DOOR-BLEND AIR	071-0212
	103930-20-704	EA ROD-DOOR-RECIRCULATING	073-0018
	103930-20-705	EA PANEL-DOOR, RECIRCULATING	071-0213
	103930-20-706	EA CLIP-RETAINER	022-0057
	103930-20-707	EA HOUSING-BLOWER	062-0145
	103930-20-708	EA CLIP-MOTOR SHAFT	022-0001
	103930-20-709	EA VALVE-SERVICE	050-0159
	103930-20-710	EA CASE-FRONT, SUB-ASSEMBLY	062-0146
	103930-20-711	EA CASE-BACK, SUB-ASSEMBLY	062-0147
	103930-25-700	EA HOSE ASSY #6	085-0350
	110279-01-703	EA HOSE-VENT, BLOWER MOTOR	051-0034
	110279-01-712	EA FITTING-HEATER	050-0076
	110279-02-702	EA GASKET	045-0125
	113245-01-707	EA GASKET, #8	045-0126

HEATING & AIR CONDITIONING GROUP (CONTINUED)

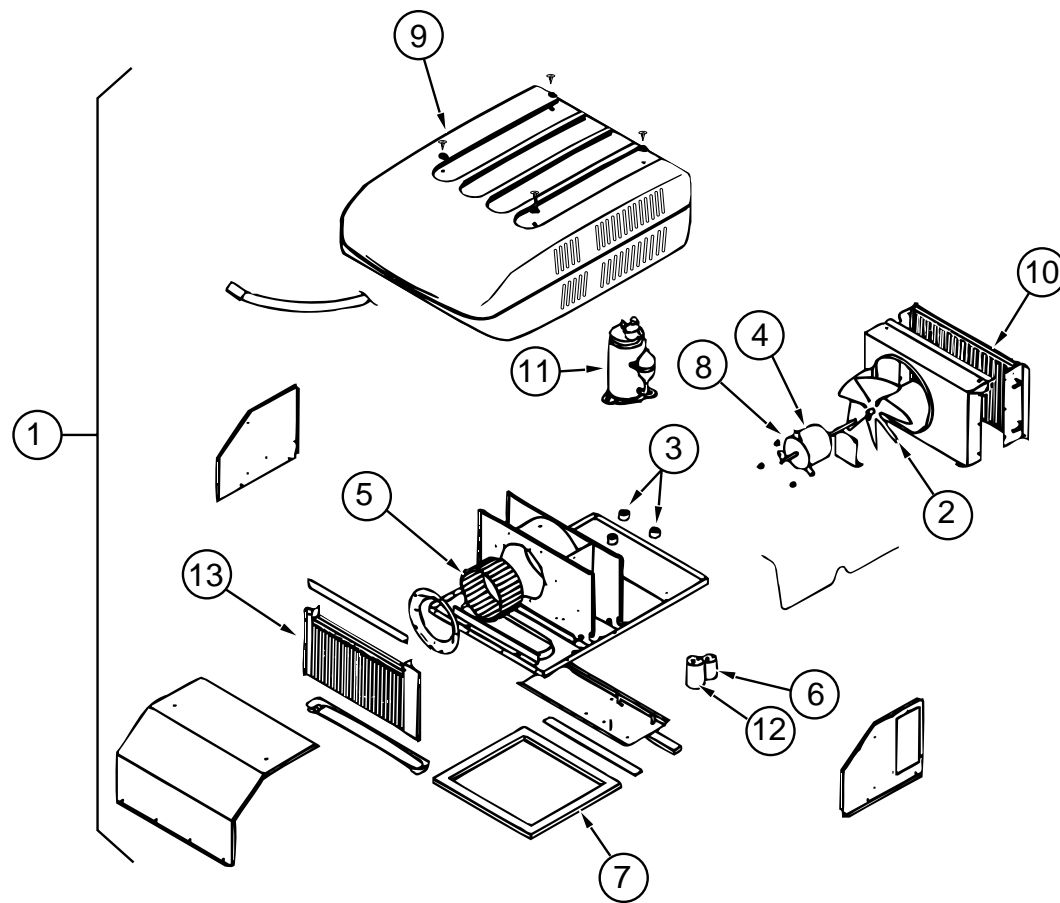
HEATING & AIR CONDITIONING GROUP (CONTINUED)

COLEMAN CEILING ASSEMBLY 14,800 BTU A/C

KEY	PART NUMBER	U/M DESCRIPTION	VENDOR NO.
	108892-01-01A	EA CEILING ASM-A/C DUCTED - COLEMAN 7330-730IV	
	108892-01-700	EA PLUG ASSEMBLY	7330-540
	108892-01-701	EA BOARD-TERMINAL	7330-3201
	108892-01-702	EA BOARD-PRINTED CIRCUIT	7330A3211
	108892-01-703	EA FILTER	6798A3761
	108892-01-704	EA GRILLE (PLASTIC)	6798-3041
	108892-01-705	EA SMALL PARTS PKG	7330A6101
	117238-01-01A	EA THERMOSTAT-A/C AND FURNACE - COLEMAN 7330-3371	
	056464-06-000	EA REGISTER-HEAT/A/C, ROUND W/O DAMPER - 4" - OFF WHITE PLASTIC FROM: 00-00-00 THRU: 11-05-95	
	120134-01-01A	EA REGISTER - 4"-5" DIAMETER W/DAMPER - OFF WHITE - D&W 8840 FROM: 11-06-95 THRU: 99-99-99	

ROOF A/C COVER

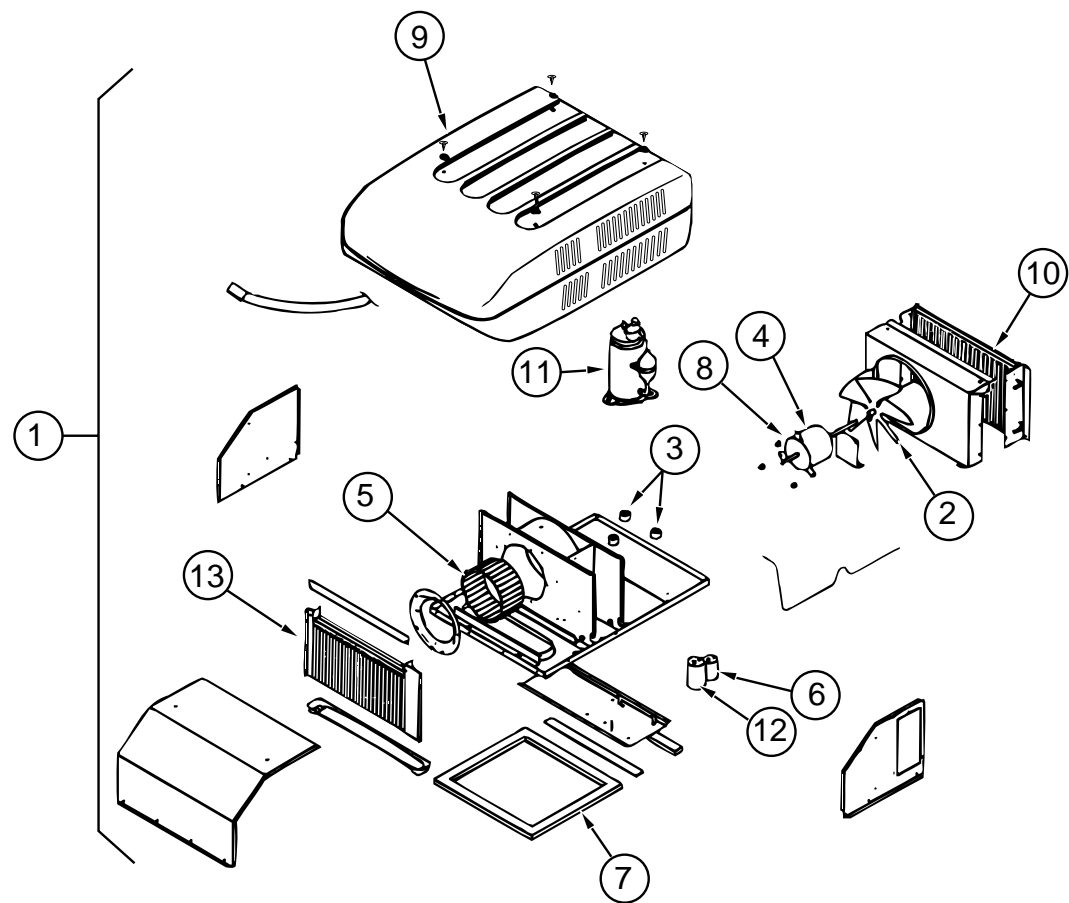
KEY	PART NUMBER	U/M DESCRIPTION
	092633-02-02A	EA COVER-BLANK, ROOF A/C - 5.1" X 5.1" - PLASTIC - OFF WHITE



14,800 BTU COLEMAN ROOF A/C

KEY	PART NUMBER	U/M DESCRIPTION	VENDOR NO.
1	115219-01-04A	EA A/C-ROOF, 14,800 BTU - MACH 15 - BUFF - COLEMAN 7335B898	
2	093763-01-712	EA FAN BLADE-CONDENSER	6733-3221
3	105620-01-706	EA FOOT PACKAGE-COMPRESSOR, 3 PER PACKAGE	6759-3081
4	108889-01-705	EA MOTOR - 115V, 60HZ	1468-3049
5	108889-01-706	EA IMPELLOR	1472-1041
6	108889-01-708	EA CAPACITOR-FAN, (7.5MFD.370U)	1499-5461
	108889-01-710	EA FILLER PAD-COND AIR SEAL	6759A3971
7	108889-01-711	EA GASKET PACKAGE	6792-3301
8	108889-01-715	EA MOTOR MOUNT & SHAFT SEAL KIT	6792-3361
9	108889-01-702	EA SHROUD - BUFF W/O LOGOS	6759-6411
10	115219-01-700	EA CONDENSER COIL	1452-1321
11	115219-01-701	EA COMPRESSOR, PANASONIC	1450-2039
12	115219-01-702	EA CAPACITOR-RUN, COMPRESSOR	1499-5741
	115219-01-703	EA RELAY-START	1497-4151
13	115219-01-704	EA EVAPORATOR COIL	1452-1331
	115219-01-707	EA DISCHARGE LINE ASSEMBLY	7335A132
	115219-01-705	EA LINE-SUCTION, LOWER	7335-130
	115219-01-706	EA LINE-SUCTION, UPPER	7335-131
	093306-01-720	EA CAPACITOR-START	1497-3351
	093306-01-701	EA DECAL PACKAGE-LEFT & RIGHT	6798B3591
	102289-01-000	EA SPRING-SCREW, ROOF A/C GASKET - COLEMAN 6757-150	

HEATING & AIR CONDITIONING GROUP (CONTINUED)



COLEMAN 13,500 BTU COLEMAN ROOF A/C - EUROPEAN

KEY	PART NUMBER	U/M DESCRIPTION	VENDOR NO.
1	108889-02-01A	EA A/C-ROOF, 13,500 BTU - TSR 220 - IVORY - COLEMAN 7373-597	
	093306-01-701	EA DECAL PACKAGE-LEFT & RIGHT - COLEMAN	6798B3591
2	093763-01-712	EA FAN BLADE-CONDENSER, COLEMAN	6733-3221
	105620-01-705	EA PROTECTOR-OVERLOAD, RH & LH - COLEMAN	6759-3791
3	105620-01-706	EA FOOT PACKAGE-COMPRESSOR, 3 PER PKG - COLEMAN	6759-3081
4	108889-02-701	EA MOTOR, COLEMAN	1468-3059
5	108889-01-706	EA IMPELLOR - COLEMAN	1472-1041
6	108889-01-708	EA CAPACITOR-FAN, (7.5MFD.370U) - COLEMAN	1499-5461
7	108889-01-711	EA GASKET PACKAGE - COLEMAN	6792-3301
8	108889-01-715	EA MOTOR MOUNT & SHAFT SEAL KIT - COLEMAN	6792-3361
9	063903-01-700	EA SHROUD, COLEMAN	6759-4601
10	108889-01-703	EA CONDENSER COIL - COLEMAN	1452-1301
11	108889-02-700	EA COMPRESSOR-TECUMSEH, COLEMAN	1452-2029
12	108889-01-707	EA CAPACITOR-RUN, COMPRESSOR-25MFD/370 - COLEMAN	1499-5661
13	108889-01-709	EA EVAPORATOR COIL - COLEMAN	1452-1311
	108889-01-710	EA FILLER PAD-CONDENSER AIR SEAL - COLEMAN	6759A3971
	108889-01-713	EA SUCTION LINE, (3/8" OD X .032" WALL - COLEMAN	6792-130
	108889-01-714	EA DISCHARGE LINE ASSEMBLY - COLEMAN	6792-531
	108889-02-702	EA CAPACITOR-START, COLEMAN	1497-0891
	108889-02-703	EA RELAY-START, COLEMAN	1497-4141
	102289-01-000	EA SPRING-SCREW, ROOF A/C GASKET - COLEMAN 6757-150	

HEATING & AIR CONDITIONING GROUP (CONTINUED)

COLEMAN CEILING ASSEMBLY 13,500 BTU A/C - EUROPEAN

KEY	PART NUMBER	U/M DESCRIPTION	VENDOR NO.
	108892-01-01A	EA CEILING ASM-A/C DUCTED - COLEMAN 7330-730 IV	
	108892-01-700	EA PLUG ASSEMBLY	7330-540
	108892-01-701	EA BOARD-TERMINAL	7330-3201
	108892-01-702	EA BOARD-P.C.	7330A3211
	108892-01-703	EA FILTER	6798A3761
	108892-01-704	EA GRILLE (PLASTIC)	6798-3041
	108892-01-705	EA SMALL PARTS PACKAGE	7330A6101
	117238-02-01A	EA THERMOSTAT-A/C ONLY - COLEMAN 7330-3381	
	056464-06-000	EA REGISTER-HEAT/A/C, ROUND W/O DAMPER - 4" - OFF WHITE PLASTIC	
		FROM: 00-00-00 THRU: 11-05-95	
	120134-01-01A	EA REGISTER - 4"-5" DIAMETER W/DAMPER - OFF WHITE - D&W 8840	
		FROM: 11-06-95 THRU: 99-99-99	

ROOF A/C COVER

KEY	PART NUMBER	U/M DESCRIPTION
	092633-02-02A	EA COVER-BLANK, ROOF A/C - 5.1" X 5.1" - PLASTIC - OFF WHITE

**INTERIOR FINISH GROUP
BATT STRIPS**

KEY	PART NUMBER	U/M	DESCRIPTION
	069733-83-000	EA	BATT STRIP-WOODGRAIN, 8' - WATERFORD OAK
	088263-78-000	EA	BATT STRIP-SHOWER, 8' - OFF WHITE FROM: 00-00-00 THRU: 01-14-96
	088263-E3-000	EA	BATT STRIP-SHOWER, 8' - PEBBLE EMBOSS ANTIQUE FROM: 01-15-96 THRU: 99-99-99
	088263-C1-000	EA	BATT STRIP-DECORATIVE, BIARRITZ/TRAVERTINE - 8' LONG (G09) (MAIN WALL)
	088263-C5-000	EA	BATT STRIP-DECORATIVE, EASTWINDS/MIDNIGHT - 8' LONG (G10) (MAIN WALL) FROM: 00-00-00 THRU: 10-08-95
	088263-B8-000	EA	BATT STRIP-DECORATIVE, EASTWINDS/MIDNIGHT - 8' LONG (G10) (MAIN WALL) FROM: 10-09-95 THRU: 99-99-99
	088263-C8-000	EA	BATT STRIP-DECORATIVE, PAINTED DESERT - 8' LONG (G11) (MAIN WALL)
	088263-B8-000	EA	BATT STRIP-DECORATIVE, EASTWINDS/MIDNIGHT - 8' LONG (G12) (MAIN WALL)
	088263-C7-000	EA	BATT STRIP-DECORATIVE, ETCHING/SAGE - 8' LONG (G13) (MAIN WALL)
	088263-D3-000	EA	BATT STRIP-DECORATIVE, MARBLE/SAGE - 8' LONG (G14) (MAIN WALL)
	085284-B5-000	FT	BATT STRIP-WOODGRAIN, ADHESIVE BACKED - WATERFORD OAK
	085284-76-000	FT	BATT STRIP-SHOWER, ADHESIVE BACKED - OFF WHITE FROM: 00-00-00 THRU: 01-14-96
	085284-D6-000	FT	BATT STRIP-SHOWER, ADHESIVE BACKED - PEBBLE EMBOSS ANTIQUE FROM: 01-15-96 THRU: 99-99-99
	085284-B3-000	FT	BATT STRIP-DECORATIVE, ADHESIVE BACKED (G09) (MAIN WALL)
	085284-B8-000	FT	BATT STRIP-DECORATIVE, ADHESIVE BACKED (G10) (MAIN WALL) FROM: 00-00-00 THRU: 10-08-95
	085284-B1-000	FT	BATT STRIP-DECORATIVE, ADHESIVE BACKED (G10) (MAIN WALL) FROM: 10-09-95 THRU: 99-99-99
	085284-C2-000	FT	BATT STRIP-DECORATIVE, ADHESIVE BACKED (G11) (MAIN WALL)
	085284-B1-000	FT	BATT STRIP-DECORATIVE, ADHESIVE BACKED (G12) (MAIN WALL)
	085284-C1-000	FT	BATT STRIP-DECORATIVE, ADHESIVE BACKED (G13) (MAIN WALL)
	085284-C6-000	FT	BATT STRIP-DECORATIVE, ADHESIVE BACKED (G14) (MAIN WALL)
	086229-13-000	EA	BATTEN-CEILING, 1" WIDE - MODERN IVORY - 7.6'
	086229-01-000	EA	RETAINER-BATTEN, CEILING - .75" WIDE - IVORY - 7.6'

SMOKE DETECTOR, CO DETECTOR, FIRE EXTINGUISHER & CLOCK

KEY	PART NUMBER	U/M	DESCRIPTION
	072852-01-000	EA	DETECTOR-SMOKE, W/9 VOLT BATTERY - US
	072852-02-000	EA	DETECTOR-SMOKE, W/9 VOLT BATTERY - CANADIAN
	094499-01-000	EA	EXTINGUISHER-FIRE, DRY W/MOUNTING BRACKET - 10 BC
	094499-01-700	EA	BRACKET-MOUNTING, W/PLASTIC STRAP - FIRE EXTINGUISHER
	094499-02-000	EA	EXTINGUISHER-FIRE, DRY - 1A10BC - CANADIAN
	112320-01-000	EA	DETECTOR-CO GAS, MODEL 9B-I - COSTAR 940000000 FROM: 00-00-00 THRU: 09-03-95
	112320-02-000	EA	BATTERY/SENSOR-CO GAS, COSTAR 940001000 FROM: 00-00-00 THRU: 09-03-95
	112320-03-000	EA	DETECTOR-CO GAS, MODEL 9D-I - COSTAR 946000001 FROM: 09-04-95 THRU: 99-99-99
	112320-04-000	EA	DETECTOR-CO SENSOR ASSEMBLY - COSTAR 946001001 FROM: 09-04-95 THRU: 99-99-99
	118081-01-01A	EA	CLOCK-WALL, ROUND 8" - BRASS

ANTISLIP & FLOOR MATS

KEY	PART NUMBER	U/M	DESCRIPTION
	091261-01-000	FT	SLIPNOT-ANTISLIP, 1' WIDE (100' ROLL)
	105924-01-F04	EA	MAT-FLOOR, 18" X 27" (G09/G12/G13)
	105924-01-F05	EA	MAT-FLOOR, 18" X 27" (G10)
	105924-01-F06	EA	MAT-FLOOR, 18" X 27" (G11)
	105924-01-F12	EA	MAT-FLOOR, 18" X 27" (G14)
	081075-03-000	EA	MAT-FLOOR ENTRANCE, WINNEBAGO - JAPAN OPTION

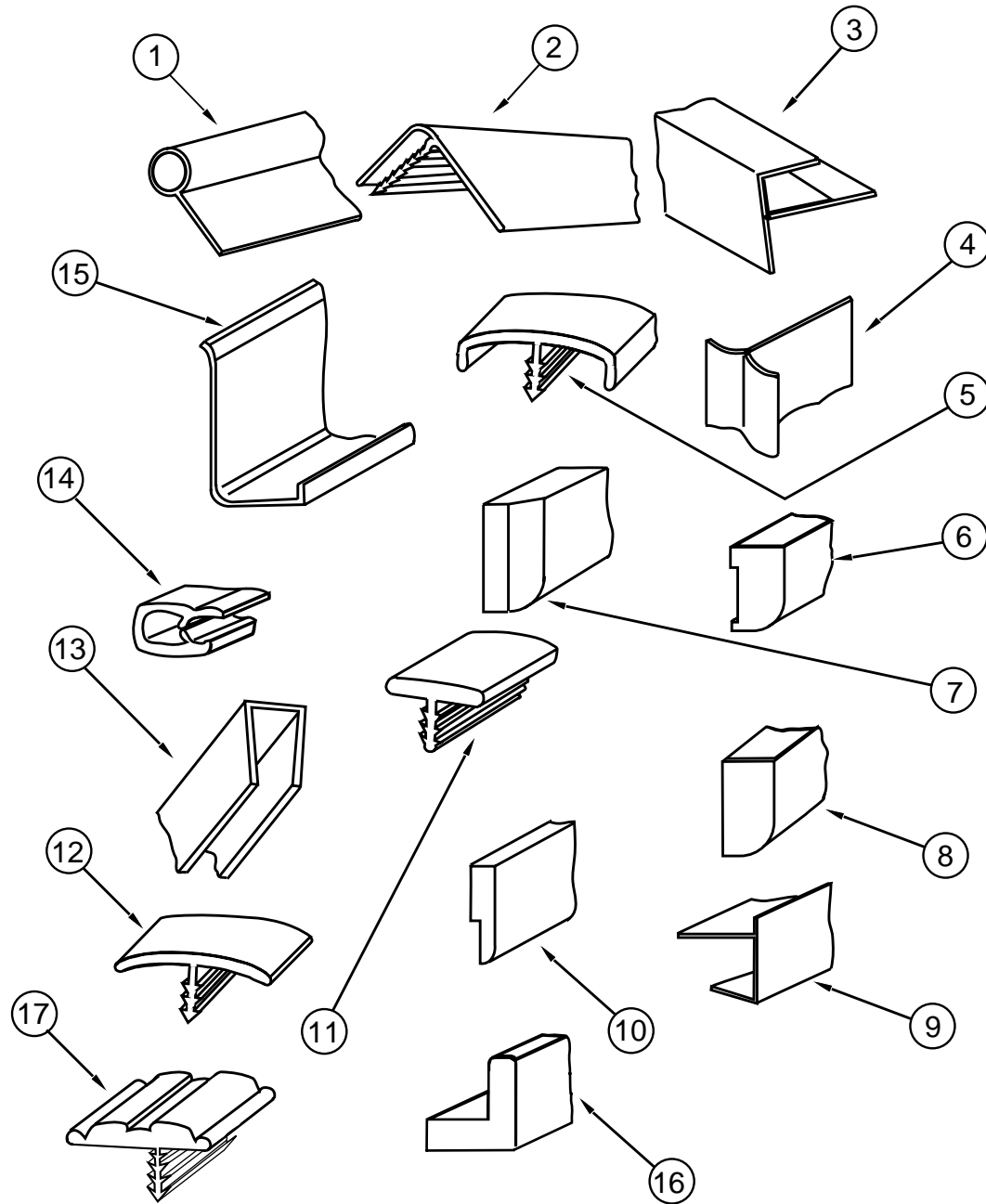
**INTERIOR FINISH GROUP (CONTINUED)
PANELING, PLYWOOD & PARTICLE BOARD**

KEY	PART NUMBER	U/M	DESCRIPTION
	074497-28-000	SF	PANELING-WOODGRAIN, 4' X 8' - INCREMENTS OF 32 SF
	088272-98-000	SF	PANELING-SHOWER, OFF WHITE - 4' X 7' - INCREMENTS OF 28 SF FROM: 00-00-00 THRU: 01-14-96
	088272-G1-000	SF	PANELING-SHOWER, PEBBLE EMBOSS ANTIQUE - 4' X 7' - INCREMENTS OF 28 SF FROM: 01-15-96 THRU: 99-99-99
	088272-E2-000	SF	PANELING-DECORATIVE, BIARRITZ/TRAVERTINE - 4' X 7' - INCREMENTS OF 28 SF (G09) (MAIN WALL)
	088272-E6-000	SF	PANELING-DECORATIVE, EASTWINDS/MIDNIGHT - 4' X 7' - INCREMENTS OF 28 SF (G10) (MAIN WALL) FROM: 00-00-00 THRU: 10-08-95
	088272-E0-000	SF	PANELING-DECORATIVE, EASTWINDS/MIDNIGHT - 4' X 7' - INCREMENTS OF 28 SF (G10) (MAIN WALL) FROM: 10-09-95 THRU: 99-99-99
	088272-E9-000	SF	PANELING-DECORATIVE, PAINTED DESERT - 4' X 7' - INCREMENTS OF 28 SF (G11) (MAIN WALL)
	088272-E0-000	SF	PANELING-DECORATIVE, EASTWINDS/MIDNIGHT - 4' X 7' - INCREMENTS OF 28 SF (G12) (MAIN WALL)
	088272-E8-000	SF	PANELING-DECORATIVE, ETCHINGS/SAGE - 4' X 7' - INCREMENTS OF 28 SF (G13) (MAIN WALL)
	088272-F4-000	SF	PANELING-DECORATIVE, MARBLE/SAGE - 4' X 7' - INCREMENTS OF 28 SF (G14) (MAIN WALL)
	080215-10-000	SF	PANELING - 2 SIDED, WATERFORD OAK - 5 MM X 4' X 8' - INCREMENTS OF 32 SF
	074497-34-000	SF	PANELING-BUNK, IMPACT PEARL - 4' X 8' - INCREMENTS OF 32 SF
	089297-01-000	SF	PLYWOOD-LUAN, OVERLAY GRADE - 4' X 8' - INCREMENTS OF 32 SF
	000885-76-000	SF	PARTICLE BOARD - 3/8" X 48" X 96" - WATERFORD OAK VINYL 1 SIDE
	000885-77-000	SF	PARTICLE BOARD - 3/8" X 48" X 96" - WATERFORD OAK VINYL 2 SIDES
	000885-79-000	SF	PARTICLE BOARD - 3/4" X 48" X 96" - WATERFORD OAK VINYL 2 SIDES

PLASTIC LAMINATE & EDGE BAND MOLDING

KEY	PART NUMBER	U/M	DESCRIPTION
	074498-54-000	SF	LAMINATE-PLASTIC, SAND SPEKTRUM - 5' X 8' - INCREMENTS OF 40 SF (G09/G12/G13) (GALLEY, DINETTE, BATH & BEDROOM)
	074498-71-000	SF	LAMINATE-PLASTIC, NEUTRAL SANTOS - 5' X 8' - INCREMENTS OF 40 SF (G10)(GALLEY, DINETTE, BATH & BEDROOM)
	074498-61-000	SF	LAMINATE-PLASTIC, NEUTRAL MATRIX - 5' X 8' - INCREMENTS OF 40 SF (G11) (GALLEY, DINETTE, BATH & BEDROOM)
	074498-72-000	SF	LAMINATE-PLASTIC, PEBBLE SANTOS - 5' X 8' - INCREMENTS OF 40 SF (G14) (GALLEY, DINETTE, BATH & BEDROOM)
	074498-67-000	SF	LAMINATE-PLASTIC, ORCHID MIST - 5' X 8' - INCREMENTS OF 40 SF (PATIO ENTERTAINMENT CENTER TABLE)
	076325-34-000	FT	MOLDING-EDGE BAND, 1233 ORCHID MIST - 1 5/16" X .030" X 600" (PATIO ENTERTAINMENT CENTER TABLE)
	076325-47-000	FT	MOLDING-EDGE BAND, 1032 SAND - 1 5/16" X .030" X 600" (G09/G12/G13) (DINETTE/BEDROOM)
	076325-39-000	FT	MOLDING-EDGE BAND, 1527 NEUTRAL - 1 5/16" X .030" X 600" (G10) (DINETTE/BEDROOM)
	076325-53-000	FT	MOLDING-EDGE BAND, 1049 NEUTRAL - 1 5/16" X .030" X 600" (G11) (DINETTE/BEDROOM)
	076325-37-000	FT	MOLDING-EDGE BAND, 1136 NEUTRAL - 1 5/16" X .030" X 600" (G14) (DINETTE/BEDROOM)
	076325-44-000	FT	MOLDING-EDGE BAND, 1032 SAND - .875 "X .024" X 600" (G09/G12/G13) (DINETTE/BEDROOM)
	076325-40-000	FT	MOLDING-EDGE BAND, 1527 NEUTRAL - .875 "X .024" X 600" (G10) (DINETTE/BEDROOM)
	076325-54-000	FT	MOLDING-EDGE BAND, 1049 NEUTRAL - .875 "X .024" X 600" (G11) (DINETTE/BEDROOM)
	076325-38-000	FT	MOLDING-EDGE BAND, 1136 NEUTRAL - .875 "X .024" X 600" (G14) (DINETTE/BEDROOM)
	074498-77-000	SF	LAMINATE-PLASTIC, ART CAGIN OAK - 5' X 8' - INCREMENTS OF 40 SF (PULL OUT TABLE)
	076325-68-000	FT	MOLDING-EDGE BAND, WATERFORD OAK - 1 5/16" X .030" X 600" (PULL OUT TABLE)

INTERIOR FINISH GROUP (CONTINUED)
MOLDINGS & TRIM

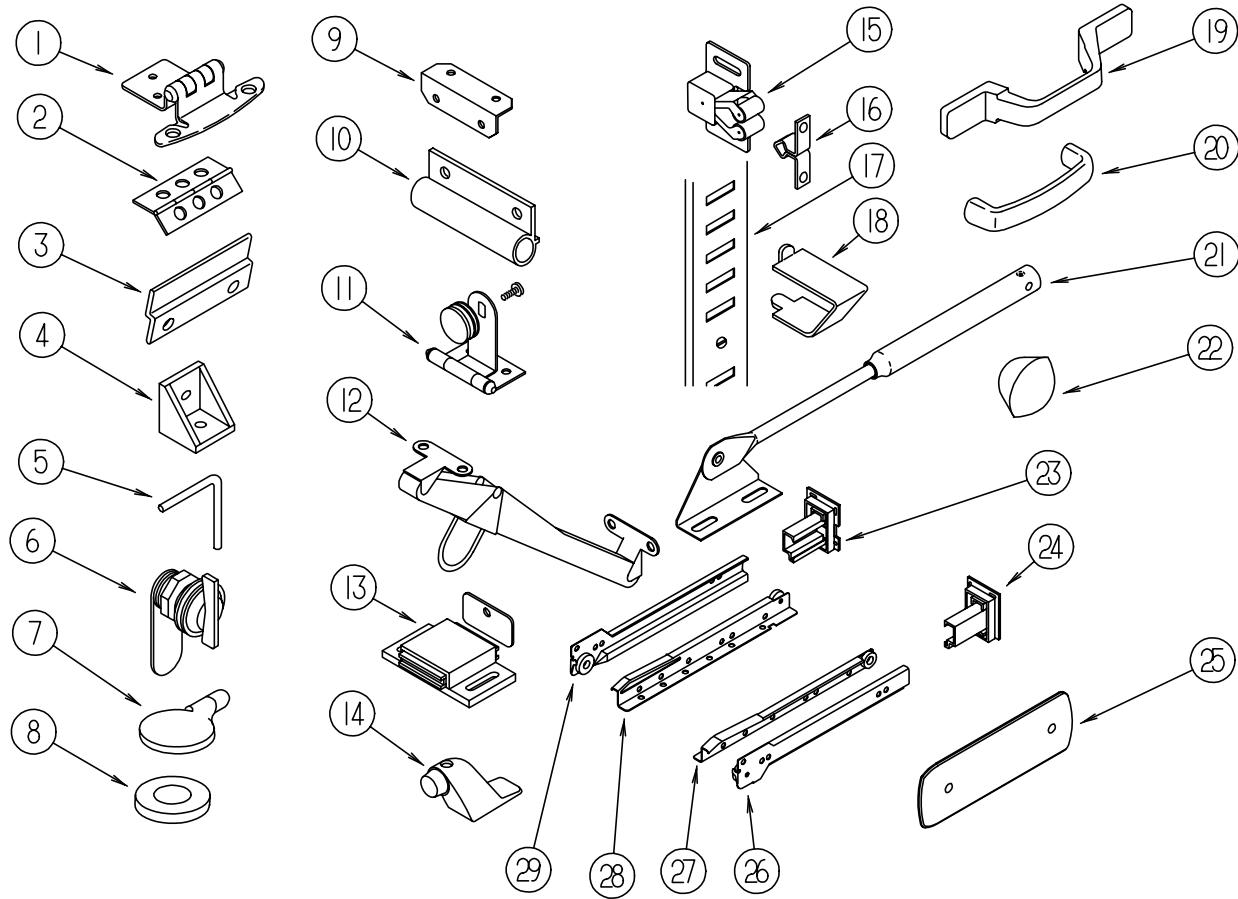


KEY	PART NUMBER	U/M	DESCRIPTION
1	009767-12-000	FT	MOLDING-SIDEWALL TO CEILING/CABINET - WELTING - OFF WHITE
2	009809-28-000	EA	MOLDING-CORNER, OUTSIDE - 1" - PLASTIC - WATERFORD OAK
3	009812-24-000	EA	MOLDING-CORNER, OUTSIDE - .5" X 7' - PLASTIC - IVORY
3	009812-29-000	EA	MOLDING-CORNER, OUTSIDE - .5" X 7' - PLASTIC - WATERFORD OAK
4	022992-11-000	FT	MOLDING-REVERSE COVE, T-SHAPED - VINYL - IVORY
5	083620-12-000	FT	MOLDING-T, END CAP EDGE - W/EDGE LIPS - .75" - WATERFORD OAK
6	117268-D2-134	EA	MOLDING-VINYL WRAPPED, 18 MM X 40 MM X 2134 MM - WATERFORD OAK
6	117268-F2-134	EA	MOLDING-VINYL WRAPPED, 18 MM X 65 MM X 2134 MM - WATERFORD OAK
6	117268-F2-438	EA	MOLDING-VINYL WRAPPED, 18 MM X 65 MM X 2438 MM - WATERFORD OAK
7	100659-01-G09	EA	MOLDING-TRIM, VINYL FLOOR
8	100818-01-05A	EA	MOLDING-VINYL WRAPPED, 1.65" X .4" X 7' - WATERFORD OAK
9	103186-01-05A	FT	MOLDING-EDGE, SHELF - .78" WIDE - PLASTIC - WATERFORD OAK
9	103186-02-05A	FT	MOLDING-EDGE, SHELF - 1.3" WIDE - PLASTIC - WATERFORD OAK
10	105004-01-05A	EA	MOLDING-VINYL WRAPPED, 1" X 8' - WATERFORD OAK
11	104676-01-01A	FT	T-MOLDING, 5/16 - RIGID - GOLD
12	105709-01-000	FT	T-MOLDING, 1", IVORY
13	009778-22-000	FT	U-CHANNEL-PLASTIC, 1 1/4" WIDE X 8' INCREMENTS - WATERFORD OAK
13	070504-18-000	FT	U-CHANNEL-PLASTIC, .065" WIDE - IVORY - INCREMENTS OF 8'
13	070504-19-000	FT	U-CHANNEL-PLASTIC, .815" WIDE - BROWN - INCREMENTS OF 8'
13	070504-36-000	FT	U-CHANNEL-PLASTIC, 1.65" WIDE - WATERFORD OAK - INCREMENTS OF 8'
13	070504-37-000	FT	U-CHANNEL-PLASTIC, .815" WIDE - WATERFORD OAK - INCREMENTS OF 8'
14	072368-02-000	EA	TRIM-VINYL, EDGE - BLACK - GM 14004305
15	085746-01-000	FT	TRIM-J, CARPET - 1.2" X .5" ANGLE - 10' LONG - PVC - BEIGE
16	100819-01-05A	EA	MOLDING-VINYL WRAP, DOOR - WATERFORD OAK
17	109736-01-03A	FT	T-MOLDING, 1" WIDE - WATERFORD OAK - CRILLA PLASTIC
	093873-01-01A	EA	TRIM-CARPET, L-ANGLE - 1.1" X 1.3" X 12' - VINYL - GRAY
	117267-E2-438	EA	LUMBER-VINYL WRAPPED, 18 MM X 50.8 MM X 2438 MM - WATERFORD OAK
	117267-G2-438	EA	LUMBER-VINYL WRAPPED, 18 MM X 76 MM X 2438 MM - WATERFORD OAK

CARPET

KEY	PART NUMBER	U/M	DESCRIPTION
	075233-01-000	SY	PAD-CARPET, 3/8" X 6' ROLL
	047034-06-000	SF	PLASTIC - CARPET - 2' WIDE - CLEAR POLY
	093486-01-000	SY	CARPET - COMPARTMENT, 54" WIDE - DARK GRAY
	096060-95-000	SY	CARPET - 12' ROLL, INCREMENTS OF 4 SY (G09/G12/G13)
	096060-97-000	SY	CARPET - 12' ROLL, INCREMENTS OF 4 SY (G10)
	096060-98-000	SY	CARPET - 12' ROLL, INCREMENTS OF 4 SY (G11)
	096060-99-000	SY	CARPET - 12' ROLL, INCREMENTS OF 4 SY (G14)

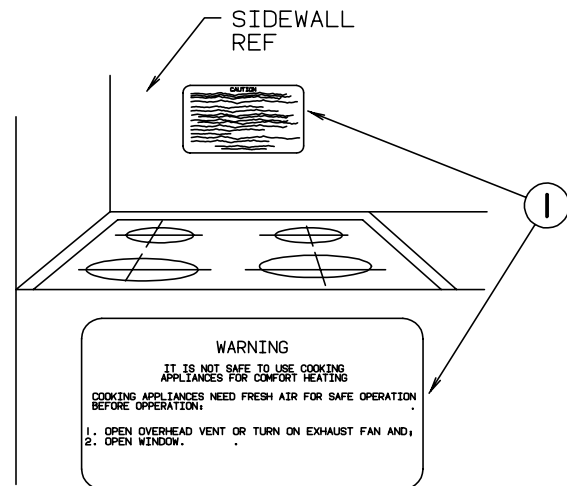
INTERIOR FINISH GROUP (CONTINUED)
CABINET HARDWARE



KEY	PART NUMBER	U/M	DESCRIPTION
1	108138-01-000	EA	HINGE-CABINET DOOR, BURNISHED BRASS
2	009059-01-000	EA	HINGE-DOOR, 2" X 1.4" - BRASS
2	009059-02-000	EA	HINGE-DOOR, 2" X 2.7" - BRASS
3	101272-01-000	EA	CATCH-DOOR, GLASS
4	065740-01-000	EA	BRACE-CABINET CORNER, PLASTIC
5	108487-02-01A	EA	SUPPORT-PROP ROD, OVERHEAD - BLACK
6	100710-01-01A	EA	LOCK-GLASS DOOR, TWIST TYPE - BRASS
7	101766-01-000	EA	PIN-SUPPORT, GLASS DOOR
8	100707-01-000	EA	SPACER-DOOR, GLASS - .8" DIA - .3" HOLE - PLASTIC
9	016604-01-000	EA	BRACE-CABINET, ANGLE - 2.5" - METAL - UNPAINTED
9	016604-05-000	EA	BRACE-CABINET, ANGLE - 2.5" - METAL - OFF WHITE
10	108486-01-01A	EA	BRACKET-PROP ROD, OVERHEAD - BLACK
11	100711-01-01A	EA	HINGE-DOOR, GLASS
12	104181-01-01A	EA	SUPPORT-LEAF, 5.3" - EXTENDS TO 7.5" - SAFTY RING - METAL
13	088254-01-000	EA	CATCH-MAGNETIC W/STRIKE, 1.8" X .7"
14	103257-01-000	EA	STOP-DOOR
15	093586-06-000	EA	CATCH-SPRING, ROLLER
16	093586-05-000	EA	STRIKE-SPRING STEEL
17	098980-01-000	EA	PILASTER-ADJUSTABLE SHELF, 18" LONG
17	098980-02-000	EA	PILASTER-ADJUSTABLE SHELF, 12" LONG
17	098980-03-000	EA	PILASTER-ADJUSTABLE SHELF, 9" LONG
18	098979-01-000	EA	CLIP-ADJUSTABLE SHELF

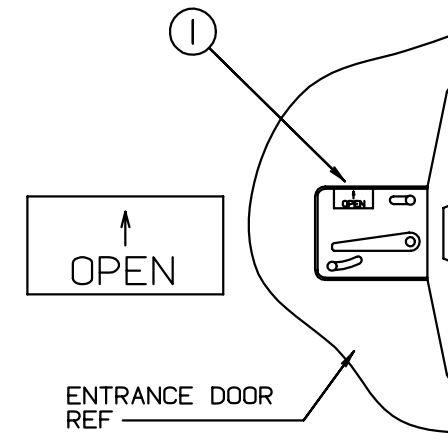
KEY	PART NUMBER	U/M	DESCRIPTION
19	117801-01-01A	EA	PULL-CABINET, BRASS (G09/G10/G11/G12)
20	111093-01-000	EA	PULL-CABINET, BRASS - AMEROCK CM1940-AU (G13/G14)
21	074493-02-000	EA	SUPPORT-PISTON SPRING, CABINET DOOR
22	042356-01-000	EA	PLUG-BUTTON, MAHOGANY - 3/8" DIAMETER - WOOD
23	114045-01-000	EA	BACKSOCKET-ADJUSTABLE, LEFT N/A ORDER KIT ACCORDING TO LENGTH OF DRAWER SLIDE 114031
24	114045-02-000	EA	BACKSOCKET-ADJUSTABLE, RIGHT N/A ORDER KIT ACCORDING TO LENGTH OF DRAWER SLIDE 114031
25	081376-01-000	EA	BACKPLATE-DOOR PULL, OVAL - BRASS - .8" X 4.25"
26	114031-02-000	EA	SLIDE-DRAWER, CABINET - RIGHT SIDE - 12" N/A ORDER #114031-01-700 SLIDE DRAWER KIT
26	114031-10-000	EA	SLIDE-DRAWER, CABINET - RIGHT SIDE - 16" N/A ORDER #114031-09-700 SLIDE DRAWER KIT
26	114031-14-000	EA	SLIDE-DRAWER, CABINET - RIGHT SIDE - 18" N/A ORDER #114031-13-700 SLIDE DRAWER KIT
26	114031-22-000	EA	SLIDE-DRAWER, CABINET - RIGHT SIDE - 22" N/A ORDER #114031-21-700 SLIDE DRAWER KIT
27	114031-04-000	EA	SLIDE-DRAWER, DRAWER MOUNT - RIGHT SIDE - 12" N/A ORDER #114031-01-700 SLIDE DRAWER KIT
27	114031-12-000	EA	SLIDE-DRAWER, DRAWER MOUNT - RIGHT SIDE - 16" N/A ORDER #114031-09-700 SLIDE DRAWER KIT
27	114031-16-000	EA	SLIDE-DRAWER, DRAWER MOUNT - RIGHT SIDE - 18" N/A ORDER #114031-13-700 SLIDE DRAWER KIT
27	114031-24-000	EA	SLIDE-DRAWER, DRAWER MOUNT - RIGHT SIDE - 22" N/A ORDER #114031-21-700 SLIDE DRAWER KIT
28	114031-03-000	EA	SLIDE-DRAWER, DRAWER MOUNT - LEFT SIDE - 12" N/A ORDER #114031-01-700 SLIDE DRAWER KIT
28	114031-11-000	EA	SLIDE-DRAWER, DRAWER MOUNT - LEFT SIDE - 16" N/A ORDER #114031-09-700 SLIDE DRAWER KIT
28	114031-15-000	EA	SLIDE-DRAWER, DRAWER MOUNT - LEFT SIDE - 18" N/A ORDER #114031-13-700 SLIDE DRAWER KIT
28	114031-23-000	EA	SLIDE-DRAWER, DRAWER MOUNT - LEFT SIDE - 22" N/A ORDER #114031-21-700 SLIDE DRAWER KIT
29	114031-01-000	EA	SLIDE-DRAWER, CABINET - LEFT SIDE - 12" N/A ORDER #114031-01-700 SLIDE DRAWER KIT
29	114031-09-000	EA	SLIDE-DRAWER, CABINET - LEFT SIDE - 16" N/A ORDER #114031-09-700 SLIDE DRAWER KIT
29	114031-16-000	EA	SLIDE-DRAWER, CABINET - LEFT SIDE - 18" N/A ORDER #114031-13-700 SLIDE DRAWER KIT
29	114031-21-000	EA	SLIDE-DRAWER, CABINET - LEFT SIDE - 22" N/A ORDER #114031-21-700 SLIDE DRAWER KIT
	004354-01-000	EA	BUMPER-RUBBER, .5" DIA - BROWN
	009112-01-000	EA	FLANGE - 1" ROD, CLOTHES - PLASTIC - OFF WHITE
	023320-01-000	EA	PAD-FELT, 3/8" DIAMETER - BROWN
	039984-01-000	EA	CAP-ROUND, VINYL - .28" ID X .62" LONG - BLACK
	042438-01-000	EA	DOWEL-WOOD, CLOTHES ROD - 1" DIAMETER X 4'
	042438-02-000	EA	DOWEL-WOOD, 2" X 2"

LABELS GROUP

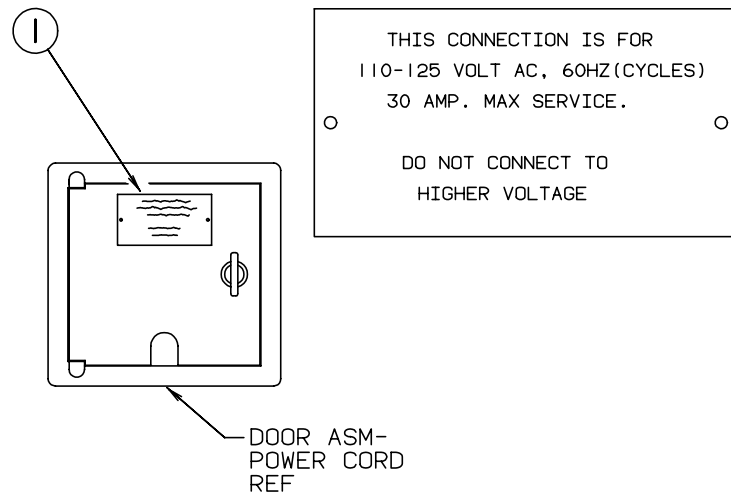


KEY	PART NUMBER	U/M DESCRIPTION
1	050225-01-000	EA LABEL-WARNING, STOVE VENT - US
1	050222-01-000	EA LABEL-WARNING, STOVE VENT - CANADIAN

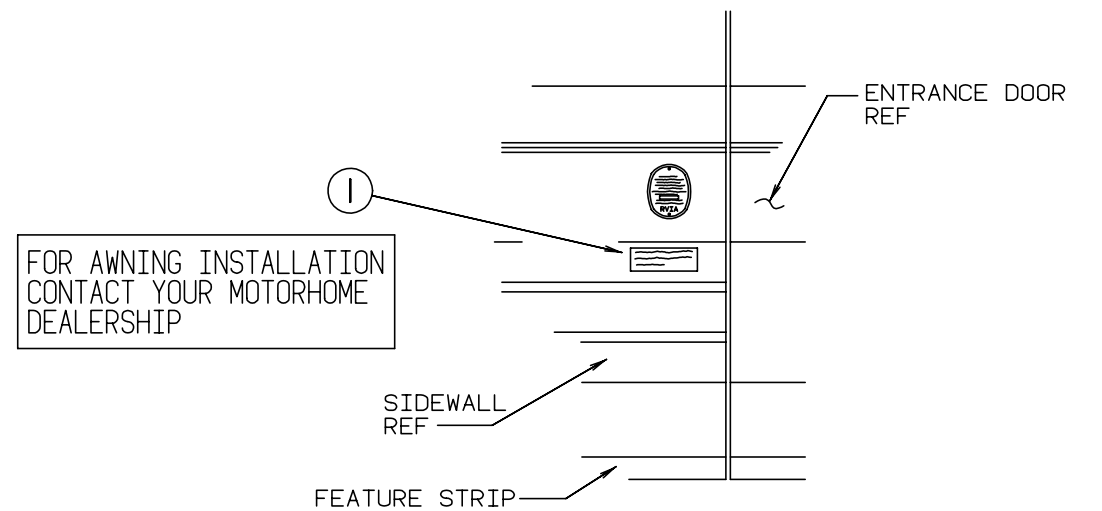
LABELS GROUP (CONTINUED)



KEY	PART NUMBER	U/M DESCRIPTION
1	040944-01-000	EA LABEL-ENTRANCE DOOR, "OPEN"

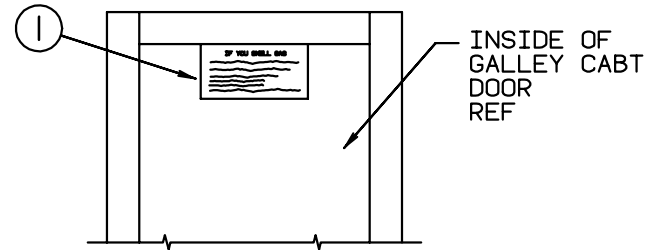


KEY	PART NUMBER	U/M DESCRIPTION
1	006062-01-000	EA LABEL-ELECTRIC, 110V CONNECTION
1	006062-03-000	EA LABEL-ELECTRIC, 100V CONNECTION - JAPAN
1	006062-05-000	EA LABEL-ELECTRIC, 220V - 25A SERVICE - EUROPEAN



KEY	PART NUMBER	U/M DESCRIPTION
1	099509-01-000	EA LABEL-AWNING INSTALLATION

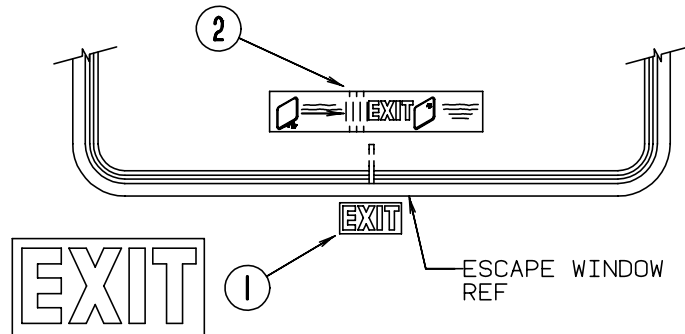
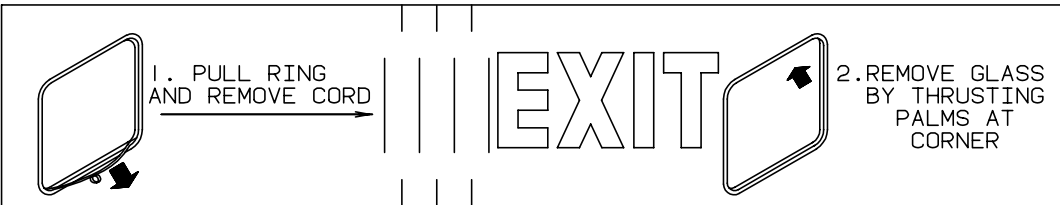
LABELS GROUP (CONTINUED)



IF YOU SMELL GAS

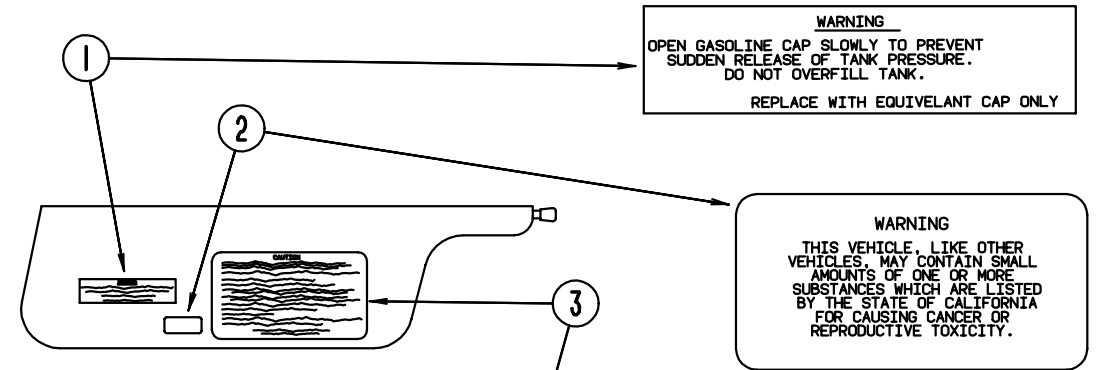
1. EXTINGUISH ANY OPEN FLAME, PILOT LIGHTS AND ALL SMOKING MATERIALS.
2. SHUT OFF THE GAS SUPPLY AT THE TANK VALVE(OR GAS SUPPLY CONNECTION.
3. OPEN DOORS AND OTHER VENTILATING OPENINGS.
4. DO NOT TOUCH ELECTRICAL SWITCHES.
5. LEAVE THE AREA UNTIL ODOR CLEARS.
6. HAVE THE GAS SYSTEM CHECKED AND LEAKAGE SOURCE CORRECTED BEFORE USING AGAIN.

KEY	PART NUMBER	U/M DESCRIPTION
1	073998-01-000	EA LABEL-LPG ODOR WARNING



KEY	PART NUMBER	U/M DESCRIPTION
1	039290-01-000	EA LABEL-WARNING, EXIT
2	107571-01-000	EA LABEL-ESCAPE EXIT, WINDOW

LABELS GROUP (CONTINUED)



WARNING
 OPEN GASOLINE CAP SLOWLY TO PREVENT SUDDEN RELEASE OF TANK PRESSURE. DO NOT OVERFILL TANK.
 REPLACE WITH EQUIVELANT CAP ONLY

WARNING
 THIS VEHICLE, LIKE OTHER VEHICLES, MAY CONTAIN SMALL AMOUNTS OF ONE OR MORE SUBSTANCES WHICH ARE LISTED BY THE STATE OF CALIFORNIA FOR CAUSING CANCER OR REPRODUCTIVE TOXICITY.

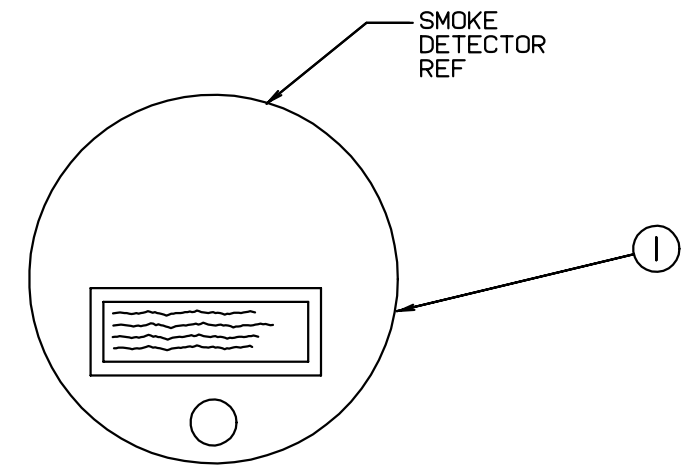
CAUTION

THIS MOTOR HOME HAS BEEN DESIGNED, MANUFACTURED AND TESTED WITH CONCERN FOR THE PROTECTION OF IT'S OCCUPANTS. WE RECOMMEND YOU PERFORM THE FOLLOWING INSPECTIONS FOR YOUR SAFETY AND THE SAFETY OF YOUR PASSENGERS BEFORE STARTING YOUR VEHICLE.

1. LP GAS SYSTEM- TURN OFF AT TANK FOR TRAVELING. TEST FOR LEAKS UPON ARRIVAL AT DESTINATION. BEFORE LIGHTING PILOTS.
2. WHEELS- INSPECT FOR DAMAGE AND CHECK LUG NUTS FOR TIGHTNESS.
3. TIRES- INSPECT FOR WEAR AND DAMAGE AND CHECK FOR RECOMMENDED AIR PRESSURE.
4. LIGHTING- TEST FOR PROPER OPERATION OF ALL INTERIOR AND EXTERIOR LIGHTS INCLUDING DASH LIGHTS, HEADLIGHTS, TAIL LIGHTS, BRAKE LIGHTS, CLEARANCE LIGHTS AND TURN SIGNALS.
5. EXITS- INSPECT RELEASE MECHANISM ON EMERGENCY EXIT WINDOW, TEST BOTH LOCKS ON MAIN ENTRANCE DOOR FOR EASE OF OPERATION AND INSTRUCT PASSENGERS HOW TO USE BOTH MEANS OF EXIT.
6. SEAT BELTS- DIRECT PASSENGERS TO DESIGNATED SEATS AND REQUIRE USE OF SEAT BELTS.
7. APPLIANCES- TURN OFF AND LATCH OR LOCK DOORS WHERE PROVIDED.
8. LOOSE PARCELS- STORE SECURELY.
9. UTILITY SUPPLY LINES- DISCONNECT ALL ELECTRIC, SEWER AND WATER LINES AND SECURE PROPERLY.
10. ENTRANCE DOOR STEP- PLACE IN RETRACTED POSITION FOR TRAVELING.

READ YOUR MOTOR HOME AND CHASSIS OWNER'S MANUAL FOR FURTHER PRECAUTIONS

KEY	PART NUMBER	U/M DESCRIPTION
1	087207-05-000	EA LABEL-FUEL CAP REMOVAL
2	099689-01-000	EA LABEL-WARNING, CANCER/TOXICITY
3	056259-01-000	EA LABEL-SAFETY CHECK LIST



WARNING: TEST SMOKE DETECTOR OPERATION AFTER VEHICLE HAS BEEN IN STORAGE. BEFORE EACH TRIP AND AT LEAST ONCE PER WEEK DURING USE.

KEY	PART NUMBER	U/M DESCRIPTION
1	077956-01-000	EA LABEL-WARNING, SMOKE DETECTOR

LABELS GROUP (CONTINUED)

NOTE: TUNE ANTENNA PER MANUFACTURER'S DIRECTIONS. FAILURE TO COMPLY COULD RESULT IN DAMAGE TO CB.

CB POWER PROVISION
 RED +12 V
 BLACK GROUND
 COAX ANTENNA
 (SEE REVERSE ALSO)

KEY PART NUMBER U/M DESCRIPTION
 1 104678-01-000 EA LABEL-CB PREP

WARNING
 MUST BE STOWED
 IN LATCHED POSITION
 WHILE VEHICLE IS IN MOTION

KEY PART NUMBER U/M DESCRIPTION
 1 079966-01-000 EA LABEL-WARNING, STOWED, MOTION

DO NOT USE HITCH BEFORE
 READING OWNERS MANUAL REGARDING
 VEHICLE LOADING AND TOWING

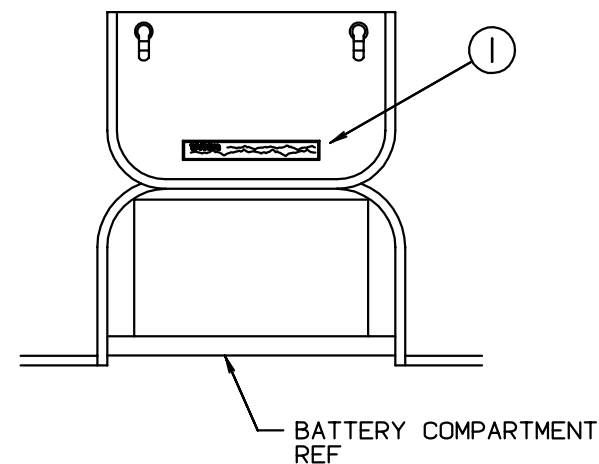
KEY PART NUMBER U/M DESCRIPTION
 1 111104-01-000 EA LABEL-HITCH, READ MANUAL

WIRE IDENTITY :
 YELLOW - LEFT TURN LAMP
 GREEN - RIGHT TURN LAMP
 RED - BRAKE LAMP
 BROWN - RUNNING LAMP
 BLACK - BACKUP LAMP

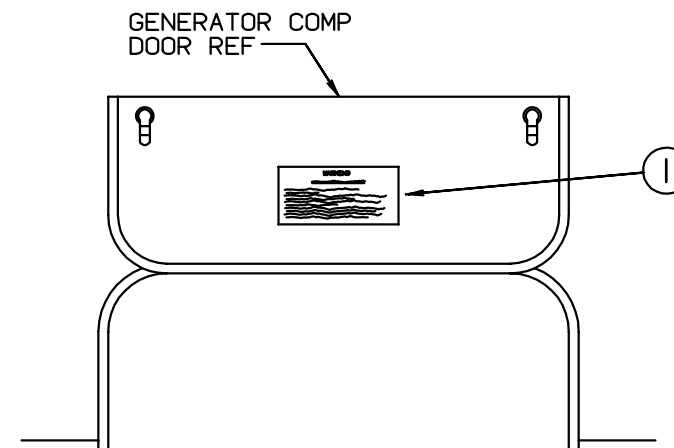
KEY PART NUMBER U/M DESCRIPTION
 1 091224-02-000 EA LABEL-TRAILER LIGHTING

LABELS GROUP (CONTINUED)

WARNING DISCONNECT BATTERIES BEFORE
 CONNECTING EXTERNAL CHARGING EQUIPMENT.



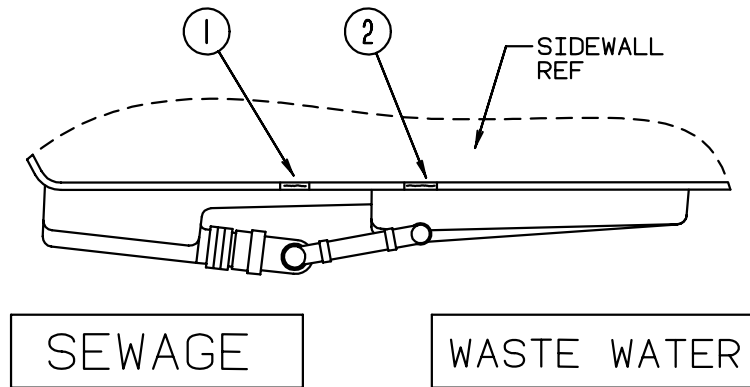
KEY PART NUMBER U/M DESCRIPTION
 1 065748-01-000 EA LABEL-CAUTION, BATTERY CHARGING



WARNING
WHEN ADDING A GENERATOR SET:
 HIGH VOLTAGE-USE EXTREME CAUTION WHEN WORKING ON ELECTRICAL COMPONENTS.
 HAVE ALL ELECTRICAL INSTALLATION PERFORMED BY A QUALIFIED LICENSED ELECTRICIAN-FOLLOW ALL STATE AND LOCAL CODES.
 ONLY INSTALL GENERATOR SET APPROVED FOR R.V. APPLICATION. HAVE INSTALLED BY QUALIFIED TECHNICIAN.
 TO AVOID HEAT BUILD-UP AND TO GUARANTEE AN ADEQUATE AIR SUPPLY TO THE GENERATOR CARBURETOR, FOLLOW INSTALLATION INSTRUCTIONS.
 GENERATOR ENGINE EXHAUST GASES ARE TOXIC AND MUST NOT TERMINATE UNDER THE VEHICLE-DISCHARGE EXHAUST AWAY FROM VEHICLE.

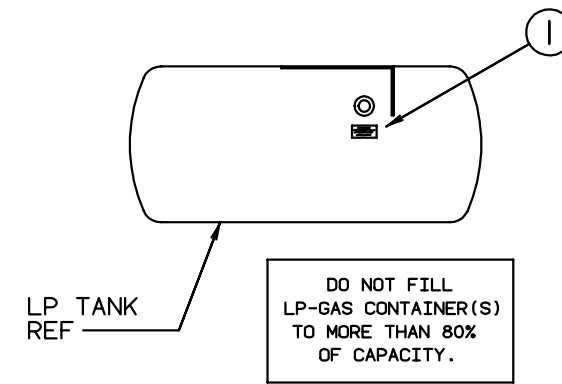
KEY PART NUMBER U/M DESCRIPTION
 1 077510-01-000 EA LABEL-GENERATOR PREP

LABELS GROUP (CONTINUED)



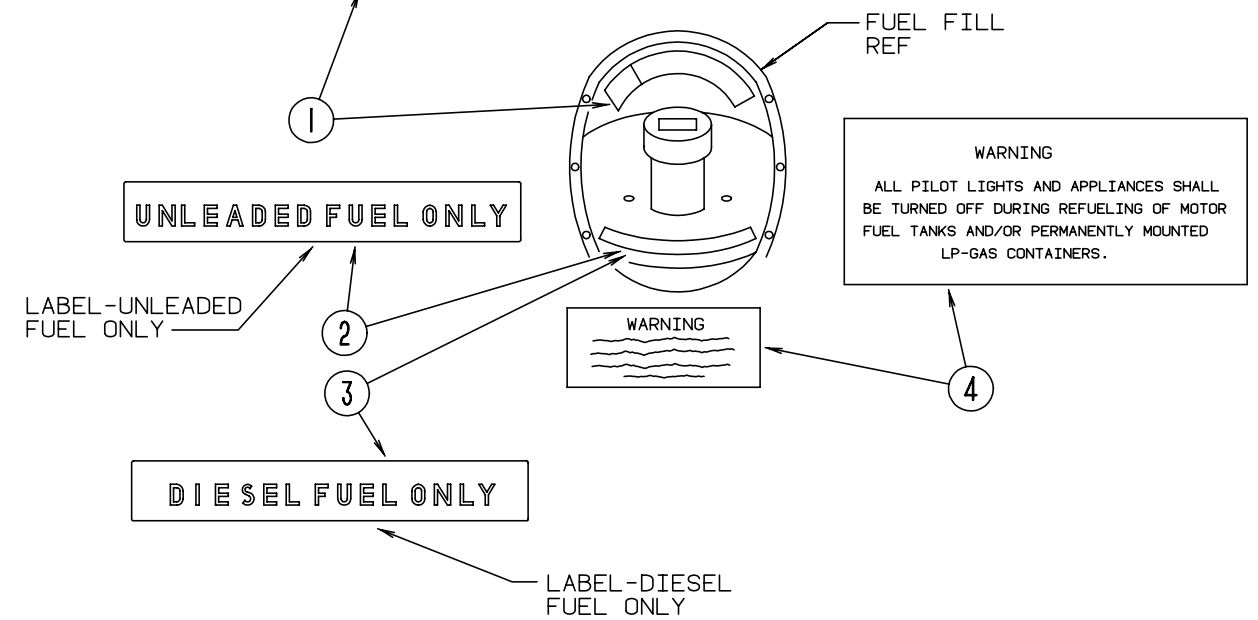
KEY	PART NUMBER	U/M	DESCRIPTION
1	006187-01-000	EA	LABEL-SEWAGE
2	006188-01-000	EA	LABEL-WASTE WATER

LABELS GROUP (CONTINUED)

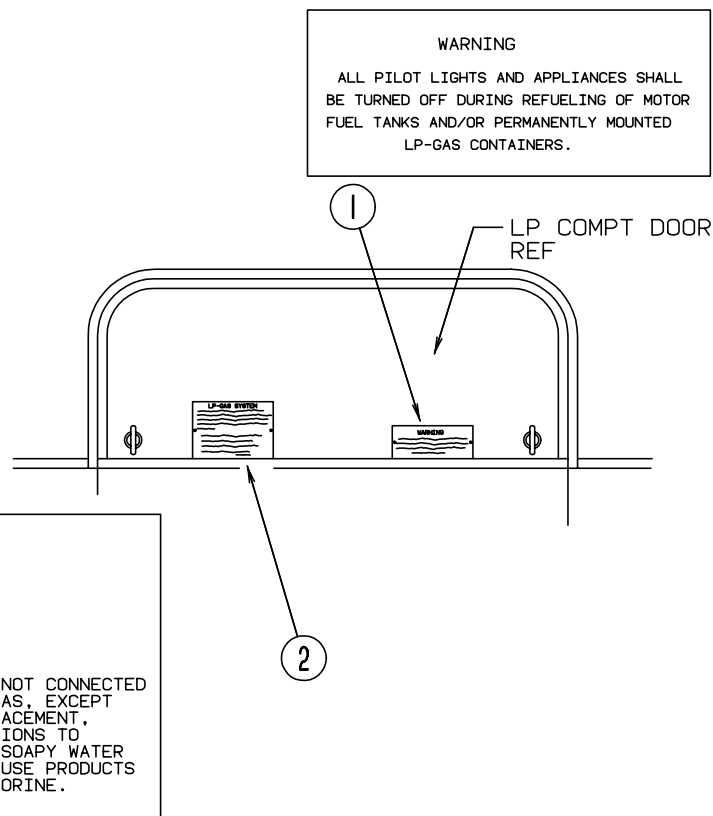


KEY	PART NUMBER	U/M	DESCRIPTION
1	079965-01-000	EA	LABEL-LPG, 80 LB CAPACITY

CAUTION	TO HELP AVOID PERSONAL INJURY DURING REMOVAL OF FUEL FILLER CAP, SLOWLY LOOSEN CAP 1/2 TURN TO ALLOW ANY FUEL PRESSURE TO BE RELIEVED BEFORE TURNING CAP FURTHER.
FUEL SPRAY MAY CAUSE PERSONAL INJURY	STOP ADDING FUEL AFTER FIRST SHUTOFF BY AUTOMATIC NOZZLE WHEN TANK IS NEARLY FULL. DO NOT OVERFILL FUEL TANK. SEE OWNERS MANUAL FOR ADDITIONAL INFORMATION.
	PRINTED IN U.S.A. MLC PT NO 15611763



KEY	PART NUMBER	U/M	DESCRIPTION
1	087207-05-000	EA	LABEL-FUEL CAP REMOVAL
2	062043-01-000	EA	LABEL-FUEL, UNLEADED
3	068383-01-000	EA	LABEL-DIESEL FUEL
4	006040-01-000	EA	TAG-GAS REFUELING WARNING
4	006040-02-000	EA	TAG-GAS REFUEL WARNING, CANADIAN



KEY	PART NUMBER	U/M	DESCRIPTION
1	006040-01-000	EA	TAG-GAS REFUELING WARNING
1	006040-02-000	EA	TAG-GAS REFUEL WARNING, CANADIAN
2	054531-01-000	EA	LABEL-LP GAS ONLY
2	023769-01-000	EA	LABEL-WARNING, LPG - CANADIAN

LABELS GROUP (CONTINUED)

AIR CONDITIONING CIRCUIT.
THIS CONNECTION IS FOR
AIR CONDITIONERS RATED 110-
125 VOLT AC, 60 HZ, 16
AMPERES MAXIMUM. DO NOT
EXCEED CIRCUIT RATING.

1

KEY	PART NUMBER	U/M DESCRIPTION
1	091243-01-000	EA LABEL-A/C COVER, "AIR CONDITIONING CIRCUIT. ETC."

1

ATTENTION

DEALER MUST INSTALL BATTERY AND
SENSOR IN CO DETECTOR WHEN THIS
MOTOR HOME IS PURCHASED. PARTS
ARE IN LOOSE PARTS BOX.

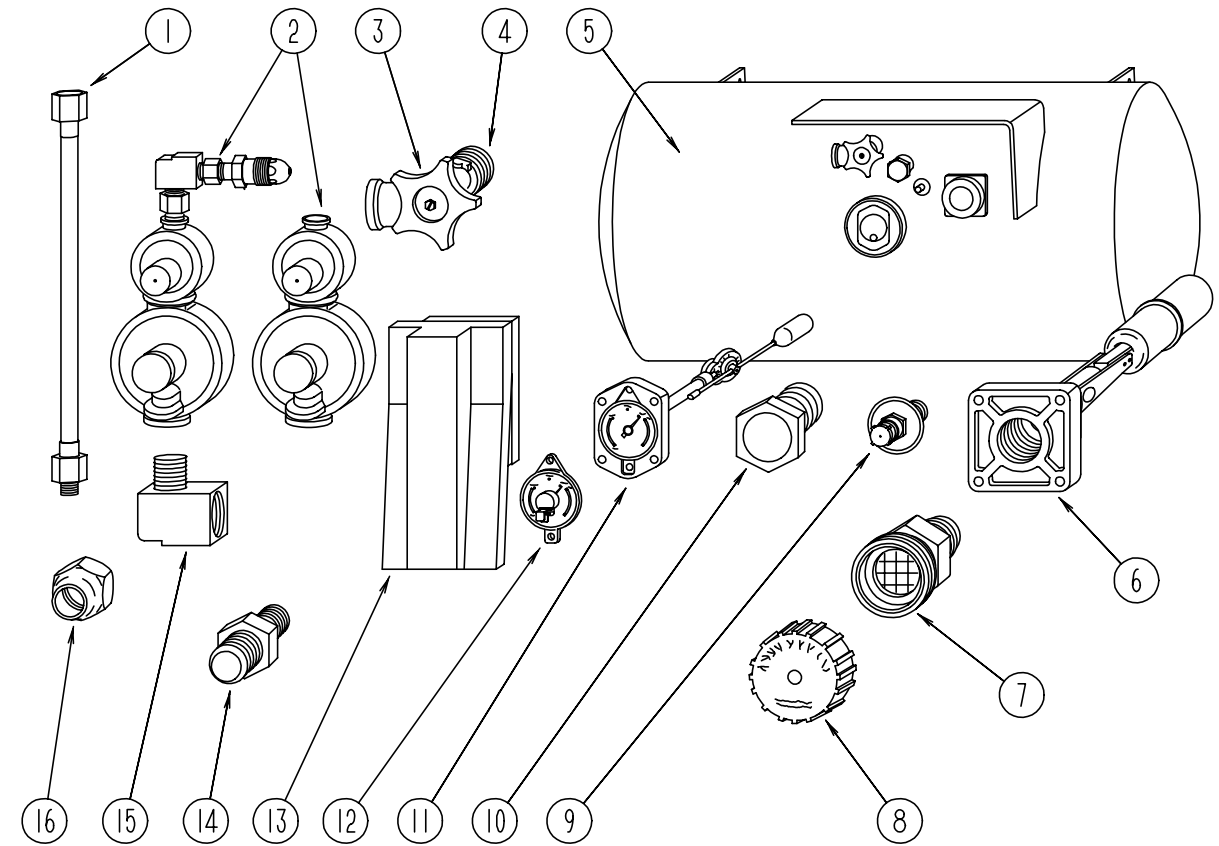
KEY	PART NUMBER	U/M DESCRIPTION
1	112518-01-000	EA LABEL-HANG TAG, CO DETECTOR

FROM: 00-00-00 THRU: 09-10-95

MISCELLANEOUS LABELS

KEY	PART NUMBER	U/M DESCRIPTION
	006064-01-000	EA LABEL-SEAT W/O SEATBELT "NOT INTENDED FOR USE WHILE COACH IN MOTION"
	087236-01-000	EA LABEL-CABLE, INPUT
	098379-04-000	EA LABEL-ELECTRICAL BOX, SIDE
	098641-01-000	EA LABEL-FUEL, UNLEADED - DASH
	111537-07-000	EA LABEL-FUSES
	111802-01-000	EA LABEL-CFC WARNING

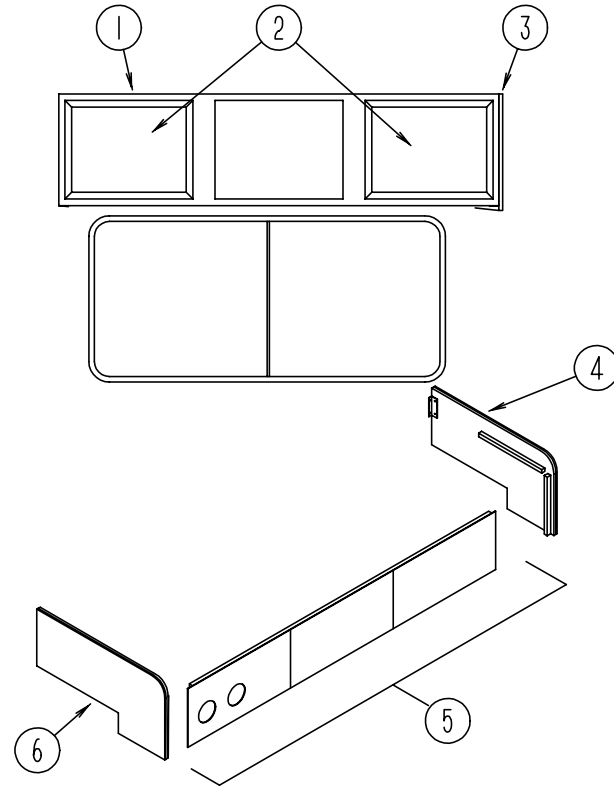
LP GROUP



BRUNNER LP TANK & COMPONENTS

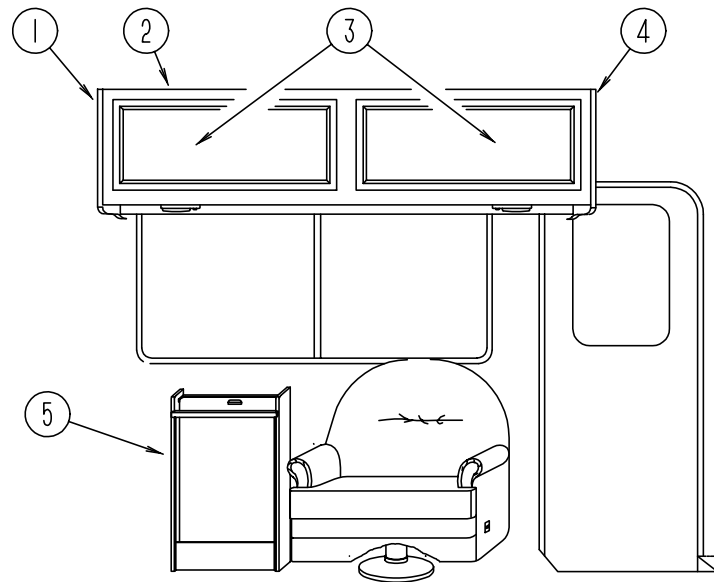
KEY	PART NUMBER	U/M DESCRIPTION	VENDOR NO.
1	045703-01-000	EA HOSE-LP, 3/8" ID X 24" - 3/8" MPT X 1/2" F SWIVEL - US	
1	045703-02-000	EA HOSE-LP, 3/8" ID X 24" - 3/8" MPT X 1/2" F SWIVEL - CANADIAN	
1	045703-09-000	EA HOSE-LP, 3/8" ID X 24" - 3/8" MPT X 3/8" F SWIVEL - DIESEL	
2	106150-01-000	EA REGULATOR-TWO STAGE	
2	106150-02-000	EA REGULATOR-TWO STAGE - EUROPEAN EXPORT OPTION	
3	040421-01-708	EA HANDWHEEL-VAPOR RELIEF VALVE, BRUNNER	G-1015-A
4	040421-01-712	EA VALVE-SERVICE W/O VAPOR RELIEF,	29000853
5	097821-02-000	EA TANK-LP, 60 LB BRUNNER - 14" X 30"	
6	040421-01-711	EA VALVE - 80% W/FLOAT, PLATE, BOLTS & GASKET - BRUNNER	
7	040421-01-701	EA VALVE-SHORT LP FILLER W/YELLOW CAP - BRUNNER	75478
8	040421-01-702	EA CAP-LP FILLER VALVE, PLASTIC - YELLOW - BRUNNER	G-1014-A
9	040421-01-700	EA GAUGE-LIQUID LEVEL, 20% LP - BRUNNER	G-1013
10	040421-01-713	EA PRESSURE RELIEF VALVE	
11	040421-01-707	EA GAUGE-FLOAT W/VISIBLE DIAL - BRUNNER	MA-9 6244-4
12	040440-02-000	EA TRANSMITTER-DIAL, 90 OHM	
13	105658-01-000	EA COMPARTMENT-LP REGULATOR	
14	010329-01-000	EA ADAPTER-BRASS, 1/2" F X 1/2" MPT	
14	010323-01-000	EA ADAPTER-BRASS, 3/8" F X 1/2" MPT	
15	065318-02-000	EA ELBOW - 90 DEGREE, 3/8" MPT TO 3/8" FPT	
16	010377-02-000	EA NUT-BRASS, 3/8 FEMALE - FORGED	
	008042-01-000	FT TUBING-VINYL, .65" ID	
	010326-01-000	EA ADAPTER-FLARE, W/CONE GASKET - 3/8" FEMALE X 1/2" MALE	
	024250-01-000	EA ADAPTER-BRASS, 3/8" F TO 1/2" FPT - DIESEL OPTION	
	095624-01-000	EA ELBOW-BRASS, 90 DEGREE - 1/4" FPT X 1/4" FPT	
	010252-01-000	EA ELBOW-BRASS, 90 DEGREE - 3/8" F X 1/2" MPT - JAPAN OPTION	
	106058-03-01A	EA PAN-LP COMPARTMENT, ABS PLASTIC - JAPAN OPTION	
	107378-01-000	EA PLATE-MOUNTING, LP REGULATOR - JAPAN OPTION	
	103613-01-000	EA DETECTOR-LP GAS	

**LOUNGE GROUP
DRIVERS SIDE COUCH & TABLES**



KEY	PART NUMBER	U/M	DESCRIPTION
1	117922-01-G09	EA	CABINET-OVERHEAD, W/O DOORS
1	117922-01-G10	EA	CABINET-OVERHEAD, W/O DOORS
1	117922-01-G11	EA	CABINET-OVERHEAD, W/O DOORS
1	117922-01-G12	EA	CABINET-OVERHEAD, W/O DOORS
1	117922-01-G13	EA	CABINET-OVERHEAD, W/O DOORS
1	117922-01-G14	EA	CABINET-OVERHEAD, W/O DOORS
1	117579-02-G09	EA	CABINET-OVERHEAD, W/O DOORS - COFFEEMAKER OPTION
1	117579-02-G10	EA	CABINET-OVERHEAD, W/O DOORS - COFFEEMAKER OPTION
1	117579-02-G11	EA	CABINET-OVERHEAD, W/O DOORS - COFFEEMAKER OPTION
1	117579-02-G12	EA	CABINET-OVERHEAD, W/O DOORS - COFFEEMAKER OPTION
1	117579-02-G13	EA	CABINET-OVERHEAD, W/O DOORS - COFFEEMAKER OPTION
1	117579-02-G14	EA	CABINET-OVERHEAD, W/O DOORS - COFFEEMAKER OPTION
2	M06803-13-G09	EA	DOOR-W/O HARDWARE W/MIRROR - 400 MM X 710 MM (G09/G10/G11/G12)
2	M06803-13-G13	EA	DOOR-W/O HARDWARE W/MIRROR - 400 MM X 710 MM (G13/G14)
2	M06803-02-G09	EA	DOOR-W/O HARDWARE W/O MIRROR - 400 MM X 710 MM (G09/G10/G11/G12) DECORATOR DOOR OPTION - FLAT PANEL
2	M06803-02-G13	EA	DOOR-W/O HARDWARE W/O MIRROR - 400 MM X 710 MM (G13/G14) DECORATOR DOOR OPTION - FLAT PANEL
2	M06803-82-G13	EA	DOOR-W/O HARDWARE W/O MIRROR - 400 MM X 710 MM (G13/G14) DECORATOR DOOR OPTION - RAISED PANEL
2	M06803-K3-G09	EA	DOOR-W/O HARDWARE - 400 MM X 710 MM (G09/G10/G11) EXPORT UPGRADE OPTION - RAISED PANEL
3	103128-01-G09	EA	CAP-END, OVERHEAD CABINET - FRONT
4	M06978-02-G09	EA	PANEL-COUCH CABINET - LEFT SIDE - FABRIC COVERED (G09)
4	M06978-02-G10	EA	PANEL-COUCH CABINET - LEFT SIDE - FABRIC COVERED (G10)
4	M06978-02-F06	EA	PANEL-COUCH CABINET - LEFT SIDE - FABRIC COVERED (G11)
4	M06978-02-F27	EA	PANEL-COUCH CABINET - LEFT SIDE - FABRIC COVERED (G12)
4	M06978-02-G13	EA	PANEL-COUCH CABINET - LEFT SIDE - FABRIC COVERED (G13)
4	M06978-02-G14	EA	PANEL-COUCH CABINET - LEFT SIDE - FABRIC COVERED (G14)
5	M06978-03-G09	EA	PANEL-COUCH CABINET - FRONT - FABRIC COVERED
5	M06978-03-G10	EA	PANEL-COUCH CABINET - FRONT - FABRIC COVERED
5	M06978-03-G11	EA	PANEL-COUCH CABINET - FRONT - FABRIC COVERED
5	M06978-03-G12	EA	PANEL-COUCH CABINET - FRONT - FABRIC COVERED
5	M06978-03-G13	EA	PANEL-COUCH CABINET - FRONT - FABRIC COVERED
5	M06978-03-G14	EA	PANEL-COUCH CABINET - FRONT - FABRIC COVERED
6	M06978-01-G09	EA	PANEL-COUCH CABINET - RIGHT SIDE - W/FABRIC (G09)
6	M06978-01-G10	EA	PANEL-COUCH CABINET - RIGHT SIDE - W/FABRIC (G10)
6	M06978-01-F06	EA	PANEL-COUCH CABINET - RIGHT SIDE - W/FABRIC (G11)
6	M06978-01-F27	EA	PANEL-COUCH CABINET - RIGHT SIDE - W/FABRIC (G12)
6	M06978-01-G13	EA	PANEL-COUCH CABINET - RIGHT SIDE - W/FABRIC (G13)
6	M06978-01-G14	EA	PANEL-COUCH CABINET - RIGHT SIDE - W/FABRIC (G14)
	105947-01-000	EA	BRACKET-HOLD DOWN, COUCH - CANADIAN
	082525-01-000	EA	BRACE-COUCH, FLOOR MOUNT - ANGLE 3" LONG - METAL
	083125-07-000	EA	BRACE-ANGLE, COUCH - 2.5" - OFF WHITE
	081298-01-E01	EA	TABLE-LOUNGE, 432 MM X 610 MM - W/O HARDWARE (G09/G12/G13)
	081298-01-F09	EA	TABLE-LOUNGE, 432 MM X 610 MM - W/O HARDWARE (G10)
	081298-01-F06	EA	TABLE-LOUNGE, 432 MM X 610 MM - W/O HARDWARE (G11)
	081298-01-F32	EA	TABLE-LOUNGE, 432 MM X 610 MM - W/O HARDWARE (G14)
	009040-02-000	EA	PEDESTAL TABLE LEG - 27.5" X 2.25" DIA - CHROME
	041194-01-000	EA	BASE-TABLE, FLUSH - FLOOR MOUNTED
	009040-03-000	EA	BASE-TABLE, RAISED - TABLE MOUNTED
	062046-01-000	EA	CLIP-LEG, PEDESTAL - 1.7" X 2.2" - DIAMETER FROM 2" TO 2.5"
	076840-01-000	EA	CORD-BUNGIE, 24"
	056093-01-F04	EA	PLUG ASM-PEDESTAL TABLE (G09/G12/G13)
	056093-01-F05	EA	PLUG ASM-PEDESTAL TABLE (G10)
	056093-01-F06	EA	PLUG ASM-PEDESTAL TABLE (G11)
	056093-01-E33	EA	PLUG ASM-PEDESTAL TABLE (G14)

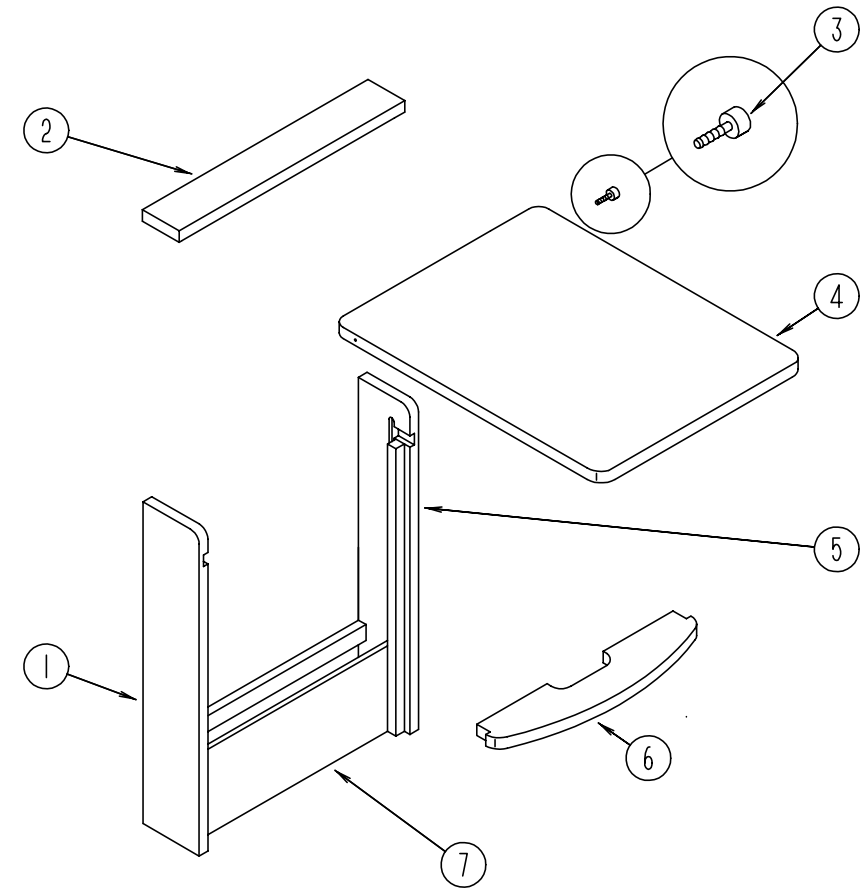
LOUNGE GROUP (CONTINUED)



PASSENGER SIDE SWIVEL CHAIRS & TABLE

KEY	PART NUMBER	U/M	DESCRIPTION
1	103128-07-G15	EA	CAP-END, OVERHEAD CABINET
2	118978-01-G09	EA	CABINET-OVERHEAD, W/O DOORS
3	M06803-M8-G09	EA	DOOR-W/O HARDWARE - 400 MM X 500 MM (G09/G10/G11/G12)
3	M06803-M8-G13	EA	DOOR-W/O HARDWARE - 400 MM X 500 MM (G13/G14)
3	M06803-M9-G13	EA	DOOR-W/O HARDWARE - 400 MM X 500 MM (G13/G14) DECORATOR DOOR OPTION - RAISED PANEL
3	M06803-N0-G09	EA	DOOR-W/O HARDWARE - 400 MM X 500 MM (G09/G10/G11) EXPORT UPGRADE OPTION - RAISED PANEL
4	103128-10-G15	EA	CAP-END, OVERHEAD CABINET
5	M96873-01-G01	EA	CABINET ASSEMBLY-TABLE, W/O PULLOUT TOP
	104006-01-C05	EA	LID-ENTRANCE STEP COMPARTMENT, W/O CARPET
	107941-01-02A	EA	SUPPORT-LID, ENTRANCE STEP - OFF WHITE
	101222-01-02A	EA	BRACKET-CATCH, LID - OFF WHITE
	116975-01-01A	EA	LATCH-W/O STRIKE, BLACK

LOUNGE GROUP (CONTINUED)



PULLOUT TABLE

KEY	PART NUMBER	U/M	DESCRIPTION
	M96873-01-G01	EA	TABLE ASM-PULLOUT
1	096873-14-G01	EA	SIDE END-TABLE, 28.7" X 5.7" - LEFT SIDE
2	096873-15-G01	EA	SHELF-SUPPORT, OVER PULL OUT TABLE TOP
3	079921-01-000	EA	NYLON ROLLER W/SHAFT
4	096873-11-G01	EA	TOP-PULLOUT
5	096873-13-G01	EA	SIDE END-TABLE, 28.7" X 5.7" - RIGHT SIDE
6	096873-12-G01	EA	SHELF-SUPPORT, UNDER PULL OUT TABLE TOP
7	096873-16-G01	EA	PANEL-TABLE, FRONT BOTTOM - 18.1" X 6.7"
	080736-01-000	EA	PULL-RECESSED, 1.25" X 4" - OAK

SEALANTS & FASTENERS GROUP**ADHESIVE**

KEY	PART NUMBER	U/M DESCRIPTION
	004020-01-000	QT ADHESIVE-ABS CEMENT, QUART
	081377-01-700	EA ADHESIVE-CYANOACRYLATE, 10 GRAM TUBE
	087211-01-000	GL ADHESIVE-PROMOTER
	004005-02-000	EA ADHESIVE-SWIFTS, 1 GAL - W1333
	062917-03-000	EA ADHESIVE-LOCTITE 242
	067788-01-000	EA ADHESIVE-SPRAY, 19.5 OZ AEROSOL CAN 3M 74
	114311-01-000	GL ADHESIVE-GLUE - NATIONAL STARCH 72-7843

SEALERS

KEY	PART NUMBER	U/M DESCRIPTION
	069640-03-000	FT SEALER-RIBBON, 1/4" DIAMETER - INCREMENTS OF 30'
	069640-07-000	FT SEALER-RIBBON, 1/2" X 1/8" - INCREMENTS OF 60'
	069640-03-000	FT SEALER-RIBBON, 3/4" X 1/8" - INCREMENTS OF 60'
	069640-07-000	FT SEALER-RIBBON, 2" X 3/32" - INCREMENTS OF 30' OR 45'
	069640-09-000	FT SEALER-RIBBON, 1/32" X 2 1/2" - INCREMENTS OF 80'
	069640-11-000	FT SEALER-TAPE, 3/16" X 3/8", BLACK - INCREMENTS OF 40'
	069640-13-000	FT SEALER-TAPE, 3/32" X 2" - BLACK - INCREMENTS OF 45'
	069640-14-000	FT SEALER-TAPE, 1/16" X 1" - GRAY - INCREMENTS OF 60'
	108353-03-000	FT SEAL-FOAM, 4.76 MM X 6.35 MM - LUNDELL
	900390-01-000	EA TIP - 2 1/2" X 1/8" ORIFICE, ELLSWORTH TS216
	900390-03-000	EA NOZZLES-SILICONE TUBE, CSL D10
	034552-02-000	EA SILICONE-TUBE, 300 ML - CLEAR - W/O NOZZLE
	034552-06-000	EA SILICONE-TUBE, 300 ML - OFF WHITE - W/O NOZZLE
	034552-12-000	EA SILICONE-TUBE, 300 ML - BUFF - W/O NOZZLE
	053766-02-000	EA BEDDING COMPOUND-TUBE, WHITE SCHNEE 5522
	053766-06-000	EA BEDDING COMPOUND-TUBE, CLEAR
	053766-08-000	EA BEDDING COMPOUND-TUBE, GRAY - SCHNEE 5522
	072889-01-000	EA SEALANT-URETHANE, BLACK - 1/10 - ESSEX 552.2
	072889-09-000	EA SEALANT-URETHANE, TUBE - BLACK - MANUS 75AM
	102352-01-000	EA SEALER-PUMPABLE, BLACK - COLORIMETRIC MS101
	106206-01-000	EA SEALER-PUMPABLE, BLACK - MANUS 30A
	107828-01-000	EA SEALANT-SB 190 EVERSEAL - SURE BOND INC
	108716-01-000	EA SILICONE-TUBE, OFF WHITE - SELF LEVELING - CSL 510

NUTS

KEY	PART NUMBER	U/M DESCRIPTION
	000D24-10-00B	EA NUT-HEX, SF/LK - 10-32 - ZINC
	000D29-05-00B	EA NUT-HEX, SELFLOCK - 5/16 - 18 - UNC
	000D15-06-00B	EA NUT-HEX, 3/8 - 24 - ZINC 5
	000D34-06-00B	EA NUT-HEX, LK - 3/8 - 16 GRADE C - ZINC - PREVAILING TORQUE
	000D39-04-00B	EA NUT-HEX, SER FLG LK - 1/4-20 - ZINC
	000D39-05-00B	EA NUT-HEX, SER FLG LK - 5/16-18 - ZINC
	000D39-06-00B	EA NUT-HEX, SER FLG LK - 3/8-16 - ZINC
	000D39-08-00B	EA NUT-HEX, SER FLG LK - 1/2-13 - ZINC
	000D44-07-00B	EA NUT-HEX, SER FLG LK - 7/16-20 - ZINC
	000D46-04-00A	EA NUT-HEX, WELD - 1/4-20 - PLAIN - SHORT PILOT
	000D60-05-00A	EA NUT-HEX, WELD, LOCK - 516-18 - UNC
	005081-01-000	EA NUT-SPEED, C TYPE - NO. 8 SCREW
	044364-02-000	EA NUT-SPEED, FLAT - ROUND
	063253-07-000	EA NUT-J, #8A - .120-.130 PANEL THICKNESS
	104369-01-000	EA NUT-HEX, HEAVY - 5/8-11 UNC
	040921-03-000	EA NUT-SPEED, U TYPE - NO 10
	040921-04-000	EA NUT-SPEED, U TYPE - NO 8 - .59" LENGTH X .44" WIDTH
	040921-09-000	EA NUT-SPEED, U TYPE - NO 8 - TINNEMAN C9812-8A
	087234-01-000	EA NUT-JACK, 1/4 X 20 THD, MOLLY - BRASS - ARDEN 8-L,JN MOUNTS LICENSE PLATES
	095094-01-000	EA NUT-ACORN, 1/4 X 20 - ALUMINUM

SEALANTS & FASTENERS GROUP (CONTINUED)**SCREWS**

KEY	PART NUMBER	U/M DESCRIPTION
	000G11-05-08B	EA SCREW, 5-20 X 1/2 PPH - ZINC
	000G11-06-06B	EA SCREW, 6-20 X 3/8 PPH - ZINC
	000G11-06-08B	EA SCREW, 6-20 X 1/2 PPH - ZINC
	000G11-06-10J	EA SCREW, 6-20 X 5/8 PPH - BRASS
	000G11-06-10B	EA SCREW, 6-20 X 5/8 PPH - ZINC
	000G11-07-08B	EA SCREW, 7-19 X 1/2 PPH - ZINC
	000G11-08-06B	EA SCREW, 8-18 X 3/8 PPH - ZINC
	000G11-08-08B	EA SCREW, 8-18 X 1/2 PPH - ZINC
	000G11-08-08T	EA SCREW, 8-18 X 1/2 PPH - FLUROCARBON COATING
	000G11-08-12S	EA SCREW, 8-18 X 3/4 PPH - OFF WHITE
	000G11-08-12P	EA SCREW, 8-18 X 3/4 PPH - DARK BROWN
	000G11-08-12D	EA SCREW, 8-18 X 3/4 PPH - BLACK PHOS
	000G11-08-12B	EA SCREW, 8-18 X 3/4 PPH - ZINC
	000G11-08-12T	EA SCREW, 8-18 X 3/4 PPH - BLACK
	000G11-08-16S	EA SCREW, 8-18 X 1.00 PPH - OFF WHITE
	000G11-08-20B	EA SCREW, 8-18 X 1 1/4 PPH - ZINC
	000G11-10-12S	EA SCREW, 10-16 X .75 PPH - OFF WHITE
	000G11-10-24P	EA SCREW, 10-16 X 1 1/2" PPH - DARK BROWN
	000G11-10-40B	EA SCREW, 10-16 X 2 1/2 PPH CAD - 34927-01-000
	000G11-10-16B	EA SCREW, 10-16 X 1 - PPH - ZINC
	000G11-10-10X	EA SCREW, 10 - 16 X 5/8 PPH - GRAY
	000G12-06-08T	EA SCREW, 6-20 X .50 POH - BLACK
	000G12-08-16S	EA SCREW, 8-18 X 1.00 POH - OFF WHITE
	000G12-08-283	EA SCREW, 8-18 X 1.75 POH - BUFF
	000G13-06-08B	EA SCREW, 6-20 X 1/2 PFH - ZINC
	000G13-06-08G	EA SCREW, 6-20 X 1/2 PFH - ANTIQUE BRASS
	000G13-06-10G	EA SCREW, 6-20 X 5/8 PFH - ANTIQUE BRASS
	000G13-06-16J	EA SCREW, 6-20 X 1.00 PFH - BRASS
	000G13-07-10H	EA SCREW, 7-19 X 5/8 PFH - BLACK
	000G13-08-10B	EA SCREW, 8-18 X 5/8 PFH - ZINC
	000G13-08-16B	EA SCREW, 8-18 X 1 PFH - ZINC
	000G18-08-22B	EA SCREW-MACHINE, 8-32 X 1 3/8 PPH - ZINC
	000G19-10-20B	EA SCREW-MACHINE, 10-32 X 1 1/14 PPH - ZINC
	000G19-10-08B	EA SCREW-MACHINE, 10-32 X 1/2 PPH - ZINC
	000G32-10-06B	EA SCREW, 10-32 X 3/8" - PPH - ZINC
	000G39-06-10T	EA SCREW-SF/DR, 6-20 X 5/8 PPH - BLACK
	000G39-06-16T	EA SCREW-SF/DR, 6-20 X 1.00 PPH - BLACK
	000G39-08-08B	EA SCREW-SF/DR, 8-18 X 1/2 PPH - ZINC
	000G39-08-08S	EA SCREW-SF/DR, 8-18 X 1/2 PPH - OFF WHITE
	000G39-08-12B	EA SCREW-SF/DR, 8-18 X 3/4 PPH - ZINC
	000G39-08-12T	EA SCREW-SF/DR, 8-18 X 3/4 PPH - BLACK
	000G39-08-16B	EA SCREW-SF/DR, 8-18 X 1 PPH - ZINC
	000G39-08-16S	EA SCREW-SF/DR, 8-18 X 1 PPH - OFF WHITE
	000G39-08-16T	EA SCREW-SF/DR, 8-18 X 1 PPH - BLACK
	000G39-08-24B	EA SCREW-SF/DR, 8-18 X 1 1/2 PPH - ZINC
	000G39-08-243	EA SCREW-SF/DR, 8-18 X 1 1/2 PPH - BUFF
	000G39-08-32B	EA SCREW-SF/DR, 8-18 X 2 PPH - ZINC
	000G39-10-08B	EA SCREW-SF/DR, 10-16 X .50 PPH - ZINC
	000G39-10-12B	EA SCREW-SF/DR, 10-16 X .75 PPH - ZINC
	000G39-10-12D	EA SCREW-SF/DR, 10-16 X 3/4 PPH - BLACK
	000G39-10-123	EA SCREW-SF/DR, 10-16 X .75 PPH - BUFF
	000G39-10-129	EA SCREW-SF/DR, 10-16 X 3/4 PPH - FLUOROCARBON SILVER
	000G39-10-20B	EA SCREW-SF/DR, 10-16 X 1 1/4 PPH - ZINC
	000G39-10-209	EA SCREW-SF/DR, 10-16 X 1.25 PPH - FLUOROCARBON SILVER
	000G39-10-10B	EA SCREW-SF/DR, 10-16 X .625 - ZINC
	000G39-10-12R	EA SCREW-SF/DR, 10-16 X 3/4 PPH - BEIGE
	000G42-04-12B	EA SCREW-SF/DR, 1/4-14 X 3/4 HWH - ZINC
	000G43-06-24B	EA SCREW-MACHINE, 8-32 X 1.50 PFH - BLACK
	000G46-08-24T	EA SCREW-MACHINE, 8-32 X 1.50 PFH - BLACK
	000G50-04-12B	EA SCREW-MACHINE, 1/4-20 X 3/4 PPH - ZINC
	000G52-08-18B	EA SCREW-MACHINE, 8-32 X 11/8 PTH - ZINC
	000G53-04-06B	EA SCREW-MACHINE, 1/4-20 X 3/8 PPH - ZINC - UNDERCUT HEAD
	000G54-04-20B	EA SCREW, 1/4-20 X 1 1/4 PTH - TYPE 23 - ZINC PLATED
	000G55-08-12S	EA SCREW-SF/DR, 8-18 X .75 PWH - OFF WHITE

SEALANTS & FASTENERS GROUP (CONTINUED)
SCREWS (CONTINUED)

KEY	PART NUMBER	U/M DESCRIPTION
	000G56-12-48B	EA SCREW-WOOD, 12-11 X 3 POH - SPECIAL HARDENED
	000G60-10-28T	EA SCREW-SF/DR, 10-16 X 1.75 - BLACK
	000G67-10-08B	EA SCREW, 10-12 X 1/2 PPH - ZINC
	000G67-10-36T	EA SCREW, 10-12 X 2.25 PPH - BLACK - STALGAURD
	000G67-10-24B	EA SCREW, 10-12 X 1 1/2 PPH - ZINC
	000G67-10-20D	EA SCREW, 10-12 X 1 1/4 PPH - BLACK
	000G67-10-120	EA SCREW, 10-12 X .75" PPH - TAN
	000G67-10-16B	EA SCREW, 10-12 X 1 PPH - ZINC
	000G67-10-12B	EA SCREW, 10-12 X 3/4" PPH - ZINC
	000G67-10-12P	EA SCREW, 10-12 X 3/4" PPH - DARK BROWN
	000G67-10-10D	EA SCREW, 10-12 X 5/8 PPH - BLACK - TYPE A
	000G67-10-10B	EA SCREW, 10-12 X 5/8 PPH - ZINC - TYPE A
	000G68-06-10G	EA SCREW, 6-18 X 5/8 POH - ANTIQUE BRASS
	049465-01-000	EA SCREW, 10-16 W/WASHER PTH - DARK BROWN
	049465-03-000	EA SCREW, 10-16 X 1 POH W/WASHER - OFF WHITE
	049465-04-000	EA SCREW, 10-16 X 1 PTH W/WASHER - BEIGE
	049465-05-000	EA SCREW, 10-16 X 1 PTH W/WASHER - GRAY
	075908-01-000	EA SCREW, MACHINE, 10-32 X .56 PTH - ZINC - EXTERNAL TOOTH
	076790-01-000	EA SCREW, 6-20 X 1 1/4 PPH - BLACK
	086256-01-000	EA SCREW-SF/DR, 8 X .75 HWH LG
	087721-01-000	EA SCREW-FLAT HEAD, TAPPING - 1/4" X 1 1/4" LONG - ZINC
	097974-01-000	EA SCREW-PARTICLE BOARD, 7-9 X .75 PPH
	101618-01-000	EA SCREW, 1/4-20 X 3/4 HEX/TAPPING - STALGARD TYPE F
	115430-01-01A	EA SCREW, 8-18 X 1/2 POH W/WASHER - VW TAUPE
	116111-02-01A	EA SCREW-TAPTITE, 1/4-20 X 3/8 PPH - ZINC
	117322-01-000	EA SCREW - 1/4-28 UNF - 2A - TORX

WASHERS

KEY	PART NUMBER	U/M DESCRIPTION
	000E11-07-00B	EA WASHER-LK, 7/16" MED SPLIT - ZINC
	000E13-14-00B	EA WASHER-FL, 1/4" WIDE - ZINC
	000E13-18-00B	EA WASHER-FL, 3/8" WIDE - ZINC
	000E13-20-00B	EA WASHER-FL, 7/16" WIDE - ZINC
	000E13-21-00B	EA WASHER-FL, W/2 NAR - ZINC
	000E14-10-00B	EA WASHER-LK, NO 10 EXT TOOTH - ZINC
	044533-01-000	EA WASHER-PLASTIC, 1 3/8" OD - FOR BUTTONS
	058716-02-000	EA WASHER-FLAT, NYLON - .406 X .750 X .060
	106649-01-000	EA WASHER-SEALING, 5/8" ID - GALVANIZED
	110794-01-000	EA WASHER-FL, 1" ID X 1 3/4" OD - C-TECH 36T1043187

BOLTS

KEY	PART NUMBER	U/M DESCRIPTION
	000C12-05-12B	EA BOLT-HEX, 5/16-18 X 3/4 - ZINC 5
	000C12-05-16B	EA BOLT-HEX, 5/16-18 X 1 - ZINC 5
	000C12-05-24B	EA BOLT-HEX, 5/16-18 X 1 1/2" - ZINC 5
	000C12-06-16B	EA BOLT-HEX, 3/8-16 X 1 - ZINC 5
	000C12-07-20B	EA BOLT-HEX, 7/16 - 14 X 1 1/4" - ZINC 5
	000C12-07-24B	EA BOLT-HEX, 7/16 - 14 X 1 1/2" - ZINC 5
	000C12-08-24B	EA BOLT-HEX, 1/2-13 X 1 1/2 - ZINC 5
	000C12-10-24B	EA BOLT-HEX, 5/8-11 X 1 1/2 - ZINC 5
	000C13-07-48B	EA BOLT-HEX, 7/16 - 20 X 3 - ZINC 5
	000C26-04-10B	EA BOLT-HEX, SER FLG - 1/4-20 X 5/8 - ZINC
	000C26-04-14B	EA BOLT-HEX, SER FLG - 1/4-20 X 7/8 - ZINC
	000C26-04-18B	EA BOLT-HEX, SER FLG - 1/4-20 X 1 1/8 - ZINC
	000C26-05-12B	EA BOLT-HEX, SER FLG - 5/16-18 X 3/4 - ZINC
	000C26-05-16B	EA BOLT-HEX, SER FLG - 5/16-18 X 1 - ZINC
	000C26-06-12B	EA BOLT-HEX, SER FLG - 3/8-16 X 3/4 - ZINC
	000C27-10-32B	EA BOLT-CARRIAGE, 5/8-11 X 2.00
	051387-06-000	EA BOLT-CARRIAGE, W/O HOLE - 5/16-18 X 9.5 - ZINC
	102333-01-02A	EA BOLT-CARRIAGE, 7/16 - 14 SST CAP - OFF WHITE BUMPER BOLT

SEALANTS & FASTENERS GROUP (CONTINUED)
TAPES

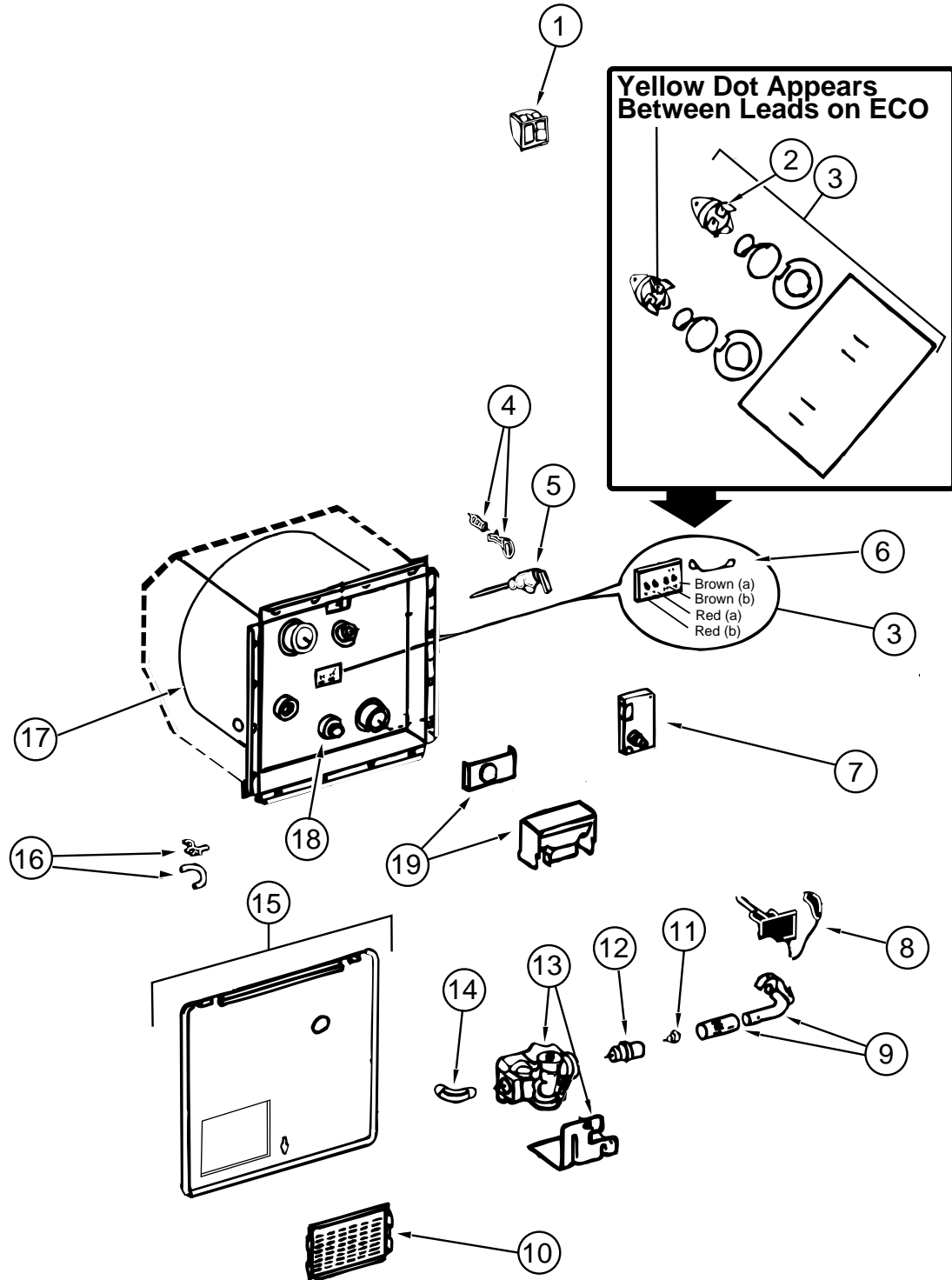
KEY	PART NUMBER	U/M DESCRIPTION
	076314-02-000	FT TAPE-CARPET SEAM, HEAT-BOND - 4" WIDE
	076322-01-000	FT TAPE-FOAM, DOUBLE COATED ADHESIVE BACKED - .75" X 216'
	076322-02-000	FT TAPE-FOAM, DOUBLE COATED ADHESIVE BACKED - 1" X 108'
	076322-05-000	FT TAPE-FOAM, DOUBLE COATED - .025" X 1.5" X 108'
	076322-07-000	FT TAPE-FOAM, DOUBLE COATED - .045" X .50" X 200' - NORTON V2000
	110274-01-000	FT TAPE-FOAM, DOUBLE COATED - .045" X 1.00" - NORTON V-2800
	004363-01-000	FT TAPE-ADHESIVE FOAM, 1 SIDE - 3/16" X 1/2" - INCREMENTS OF 50 FT - GRAY
	002707-02-000	FT TAPE-SEALER, 5/16" X 1/2" - INCREMENTS OF 50 FT
	088479-01-000	FT TAPE-ALUMINUM, 3" - 3M

CLAMPS, GROMMETS AND MISCELLANEOUS FASTENERS

KEY	PART NUMBER	U/M DESCRIPTION
	000H16-06-10R	EA RIVET-POP, 3/16 X .501 - .625 - AL
	069592-02-000	EA RIVET-T, (POP) - 1/4 X .093 - .156
	007161-01-000	EA CLAMP-HOSE, SPRING TYPE - 1/2"
	010495-01-000	EA CLAMP-CABLE, 9/16"
	010497-01-000	EA CLAMP-CLOSED, 5/8" ID
	010497-03-000	EA CLAMP-CLOSED, 1" ID - CUSHIONED
	010497-05-000	EA CLAMP-CLOSED, 1/2" ID
	010499-01-000	EA CLAMP-CLOSED, 3/8" ID
	062401-01-000	EA CLAMP-HOSE, WORMGEAR .25" - 1"
	062401-02-000	EA CLAMP-HOSE, WORMGEAR 1.56" - 2.5"
	062401-03-000	EA CLAMP-HOSE, WORMGEAR .22" - 1"
	062401-04-000	EA CLAMP-HOSE, WORMGEAR .69" - 1.25"
	062401-06-000	EA CLAMP-HOSE, WORMGEAR .22" - .62"
	062401-09-000	EA CLAMP-HOSE, WORMGEAR 2.8" - 3.75"
	062401-11-000	EA CLAMP-HOSE, WORMGEAR 3.56" - 4.5"
	075148-02-000	EA CLAMP-GROUNDING, BRONZE SCREWS
	083609-01-000	EA CLAMP-WIRE, DUAL EQUAL - 5/8" DIAMETER
	083610-01-000	EA CLAMP-WIRE, DUAL - UNEQUAL DIAMETERS - .75" & 1.25"
	034141-02-000	EA PLUG-HOLE, 3/8" - NYLON - BLACK
	008380-01-000	EA GROMMET-RUBBER, 5/8" HOLE X 1 1/2" DIAMETER - BLACK
	016188-03-000	EA GROMMET-L/P LINE, 3/8" HOLE X 2 1/2" LONG - RUBBER
	016188-05-000	EA GROMMET-L/P LINE, 3/8" HOLE X 1 1/4" LONG - RUBBER
	023942-01-000	EA GROMMET-RUBBER, 2" OD
	071015-26-000	EA GROMMET-RUBBER, 1.5" ID X 2.12" OD W/.06" GROOVE
	077953-01-000	EA GROMMET-EDGE LINER, FITS 1"
	114208-02-000	EA GROMMET-EDGE LINER, FITS .625 - HEYCO 2073
	049176-01-000	EA HEDLOCK II - 3/4 DIAMETER, SCREW MOUNT
	056134-02-000	EA HOLDER-RING, 1.8" DIAMETER - METAL
	086285-01-000	EA SPACER-NYLON, .5" OD X .257" ID
	077955-01-000	EA J CLIP-VINYL COATED, 3/8" USED IN WIRING TO CLEARANCE LIGHTS
	029094-04-000	YD VELCRO TAPE-LOOP, 1" WIDE - BLACK
	029096-03-000	YD VELCRO TAPE-HOOK, 1" WIDE - BLACK
	085774-01-000	FT FASTENER-DUAL HOOK, 1" WIDE - ADHESIVE BACK - BLACK
	085774-02-000	FT FASTENER-DUAL LOOP, 1" WIDE - ADHESIVE BACK - BLACK
	008343-01-000	EA TIE-WIRE, 6"
	008343-02-000	EA TIE-WIRE, 14"
	108046-02-000	EA CABLE-TIE, SCREW MOUNT - 15"
	080211-03-000	EA CLIP-MOUNTING, XMAS TREE - DECORATIVE PADS
	091952-02-000	EA CLIP-GRIPPER, 3/4"
	094362-02-000	EA CLIP-XMAS TREE, FLAT HEAD

WATER & SEWAGE GROUP

ATWOOD WATER HEATER W/MOTOR AID



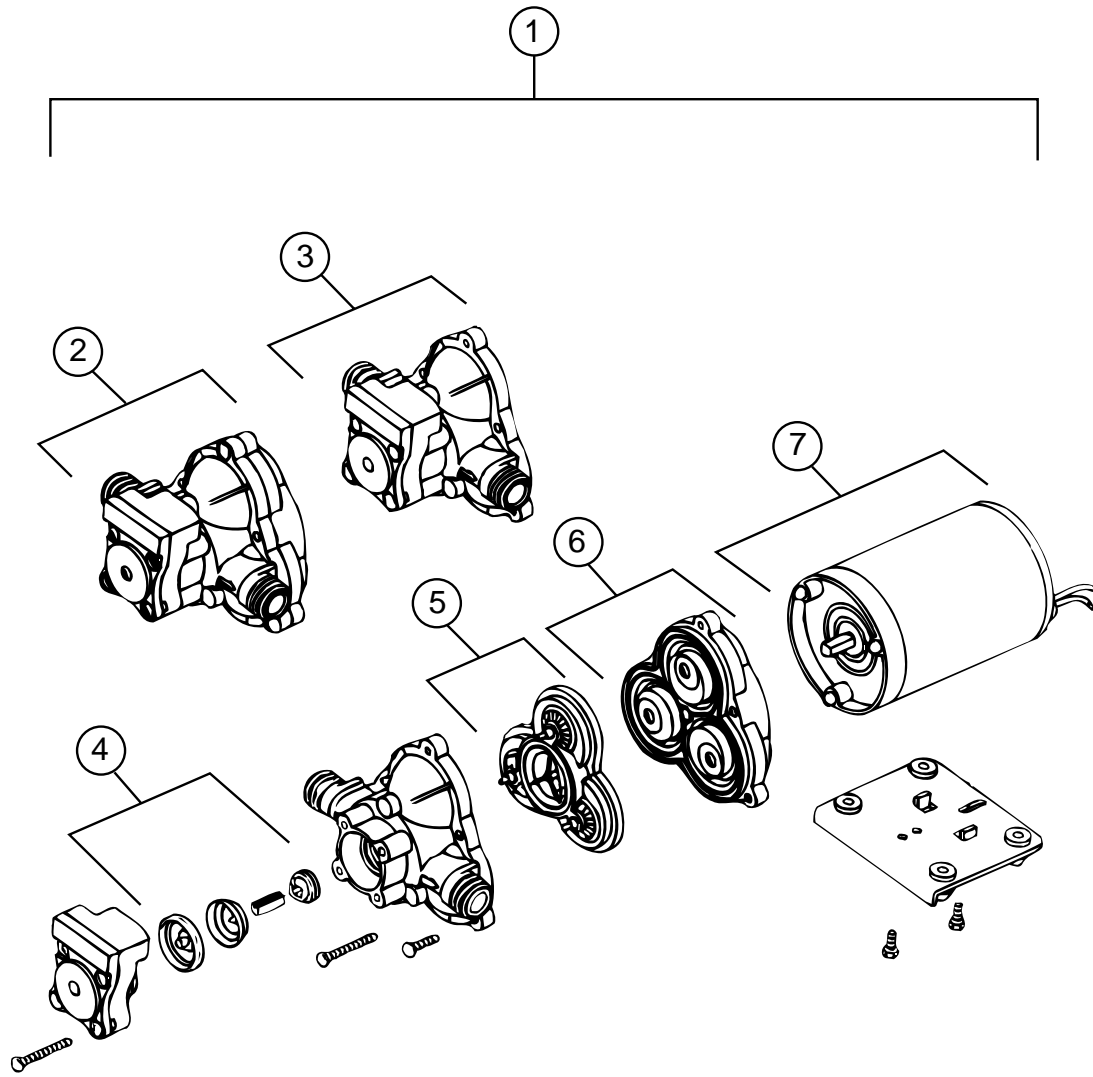
KEY	PART NUMBER	U/M DESCRIPTION	VENDOR NO.
	051393-01-000	EA WATER HEATER-W/MOTOR AID, PILOTLESS IGNITION - ATWOOD GH6-7E	
1	051393-01-701	EA SWITCH PACKAGE - ATWOOD	91959
2	051391-04-701	EA THERMOSTAT 12 VDC - 120 PRESET, FRONT MOUNT - ATWOOD	91470
3	051393-01-721	EA ECO & THERMOSTAT ASM-FRONT MOUNT, 140 DEGREE - ATWOOD	91447
4	051391-01-705	EA FASTENER-CAMLOC, ATWOOD	92609
5	051391-01-704	EA VALVE-RELIEF, 1/2" FITTING - ATWOOD	91604
6	051393-01-723	EA SWITCH-THERMAL CUT-OFF 2/PKG, ATWOOD	93866
7	051393-01-724	EA CIRCUIT BOARD-SPADE TERMINAL, ATWOOD	93867
8	051393-01-725	EA ELECTRODE-SINGLE SPADE CONNECT - ATWOOD	93868
9	051391-04-703	EA BURNER-MAIN, ATWOOD	91638
10	051391-01-717	EA GRILLE ONLY - ATWOOD	92640
11	051391-01-710	EA ORIFICE-MAIN BURNER, ATWOOD	92742
12	051391-03-700	EA ORIFICE HOLDER - ATWOOD	91563
13	051393-01-726	EA SOLENOID VALVE AND BRACKET - ATWOOD	93870
14	051391-01-714	EA ELBOW - 45 DEGREE, 3/8" F X 3/8" MPT - ATWOOD	91044
15	052009-04-000	EA DOOR-WATER HEATER, BUFF - ATWOOD	
16	051391-01-700	EA HINGE KIT-W/CLIP, ATWOOD	92568&92559
17	051393-03-701	EA TANK-INNER - ATWOOD	91642
18	051391-01-715	EA DRAIN PLUG, ATWOOD	91561
19	051391-01-706	EA FLUE, & GASKET - ATWOOD	92787
	116424-01-000	EA PROTECTOR-WATER HEATER LATCH - ATWOOD 92611	
	114430-03-000	EA ADAPTER - 1/2" P X 1/2" MPT - FLAIR-IT 02842	
	101814-01-000	EA COUPLING-FEMALE, 1/2" X 1/2" FPT W/COMP. SLEEVE - GRAY	
	110438-01-000	EA VALVE-CHECK, BRASS - G784	

ATWOOD WATER HEATER - EUROPEAN OPTION

KEY	PART NUMBER	U/M DESCRIPTION	VENDOR NO.
	111129-01-000	EA WATER HEATER-ELECTRIC IGNITION GAS/220V ELECTRIC - ATWOOD9472ICH66E	
	111129-01-700	EA WALL SWITCH PACKAGE - ATWOOD	91208
	111129-01-702	EA PRESSURE DRAIN VALVE 3.5 BAR - ATWOOD	91210
	111129-01-703	EA THERMOSTAT (60 DEGREE) ECO (82 DEGREE) KIT - ATWOOD	91191
	111129-01-704	EA IGNITION BOARD - ATWOOD	91194
	111129-01-705	EA GAS PRESSURE REGULATOR W/NO.10 - ATWOOD	91198
	111129-01-706	EA MAIN BURNER ORIFICE W/FITTING - ATWOOD	91017
	111129-01-707	EA MAIN BURNER KIT - ATWOOD	91204
	111129-01-708	EA SPARK/PROBE IGNITION KIT - ATWOOD	91196
	111129-01-709	EA FLUE ASSEMBLY - ATWOOD	91045
	111129-01-710	EA ACCESS DOOR, W/LOCK - ATWOOD	91203
	111129-01-711	EA CORNER BRACKETS (SET OF 4) - ATWOOD	91928
	111129-01-712	EA HARDWARE KIT, W/LOCK - ATWOOD	91193
	111129-01-713	EA TANK INNER ICH6-6E - ATWOOD	91188
	111129-01-714	EA THERMOSTAT-ELECTRIC, 220V - ATWOOD	91207
	111129-01-715	EA RELAY - 220 V, 12 VDC - ATWOOD	91206
	111129-01-716	EA HEATING ELEMENT 220V/500WATT - ATWOOD	91081
	111129-01-717	EA BUSHING-STRAIN RELIEF - ATWOOD	91372
	112176-01-000	FT TUBING-VINYL, REINFORCED - 1/2" ID - KEVCO	
	112177-01-000	EA ADAPTER-BRASS, 1/2" MPT X 1/2" BARB - KEVCO	

WATER & SEWAGE GROUP (CONTINUED)

SHURFLO WATER PUMP



KEY	PART NUMBER	U/M	DESCRIPTION	VENDOR NO.
1	098607-01-000	EA	PUMP-WATER, W/.5"MPT FITTING - FLOW 2.8 GPM - UL	
2	098607-01-700	EA	PUMPHEAD-REPLACEMENT, SHURFLO	94-236-08
3	098607-01-706	EA	UPPER HOUSING/SWITCH KIT, SHURFLO	94-231-20
4	098607-01-705	EA	CHECK VALVE-KIT, SHURFLO	94-237-00
5	098607-01-703	EA	VALVE ASM, SHURFLO	94-232-00
6	098607-01-702	EA	DIAPHRAGM KIT W/DRIVE, SHURFLO	94-238-04
7	098607-01-707	EA	MOTOR/BASEPLATE REPLACEMENT, SHURFLO	94-234-03

WATER & SEWAGE GROUP (CONTINUED)

WATER TANK

KEY	PART NUMBER	U/M	DESCRIPTION
	118001-02-000	EA	TANK ASSEMBLY-WATER 1719 MM X 762 MM X 380 MM - W/FITTINGS
	118001-04-000	EA	TANK ASSEMBLY-WATER 1719 MM X 762 MM X 380 MM - W/FITTINGS EUROPEAN OPTION
	118001-01-000	EA	TANK-WATER, 1719 MM X 762 MM X 380 MM - W/O FITTINGS
	039861-01-000	EA	SENDING UNIT-W/SCREW, WASHER, WELL NUT & TERMINAL RING
	010219-01-000	EA	ELBOW-1 1/4" MPT X 1 1/4" BARB, WATER FILL - PLASTIC
	035539-01-000	EA	ELBOW-PLASTIC, 3/8"MPT X 3/8"BARB
	042989-03-000	EA	FITTING-WATER TANK, SPINWELD - 1 1/4" NPT - PLASTIC - WHITE
	042989-04-000	EA	FITTING-WATER TANK, SPINWELD - 3/8" FPT - PLASTIC - WHITE
	042989-05-000	EA	FITTING-WATER TANK, SPINWELD - 1/2" FPT - PLASTIC - WHITE
	049032-01-000	EA	PATCH-SPINWELD, 3/8" - PLASTIC
	114429-02-000	EA	ELBOW - 1/2" P X 1/2" MPT - FLAIR-IT 02803
	074462-02-000	FT	TUBING-VINYL, 3/8" ID X 20' - CLEAR
	077954-02-000	EA	FILTER-WATER TANK, SCREEN IN TANK
	079381-01-000	FT	TUBING-SMOOTH FLEXIBLE, 1 1/4" ID X 20'
	120069-01-000	EA	PLUG - 3" MPT - POLYETHYLENE - CUSTOM PLAS P3 - EUROPEAN OPTION
	120070-01-000	EA	FITTING-SPINWELD, 3" FPT - PLASTIC - CUSTOM PLAS 60 - EUROPEAN OPTION

WATER & SEWAGE GROUP (CONTINUED)

WATER SYSTEM

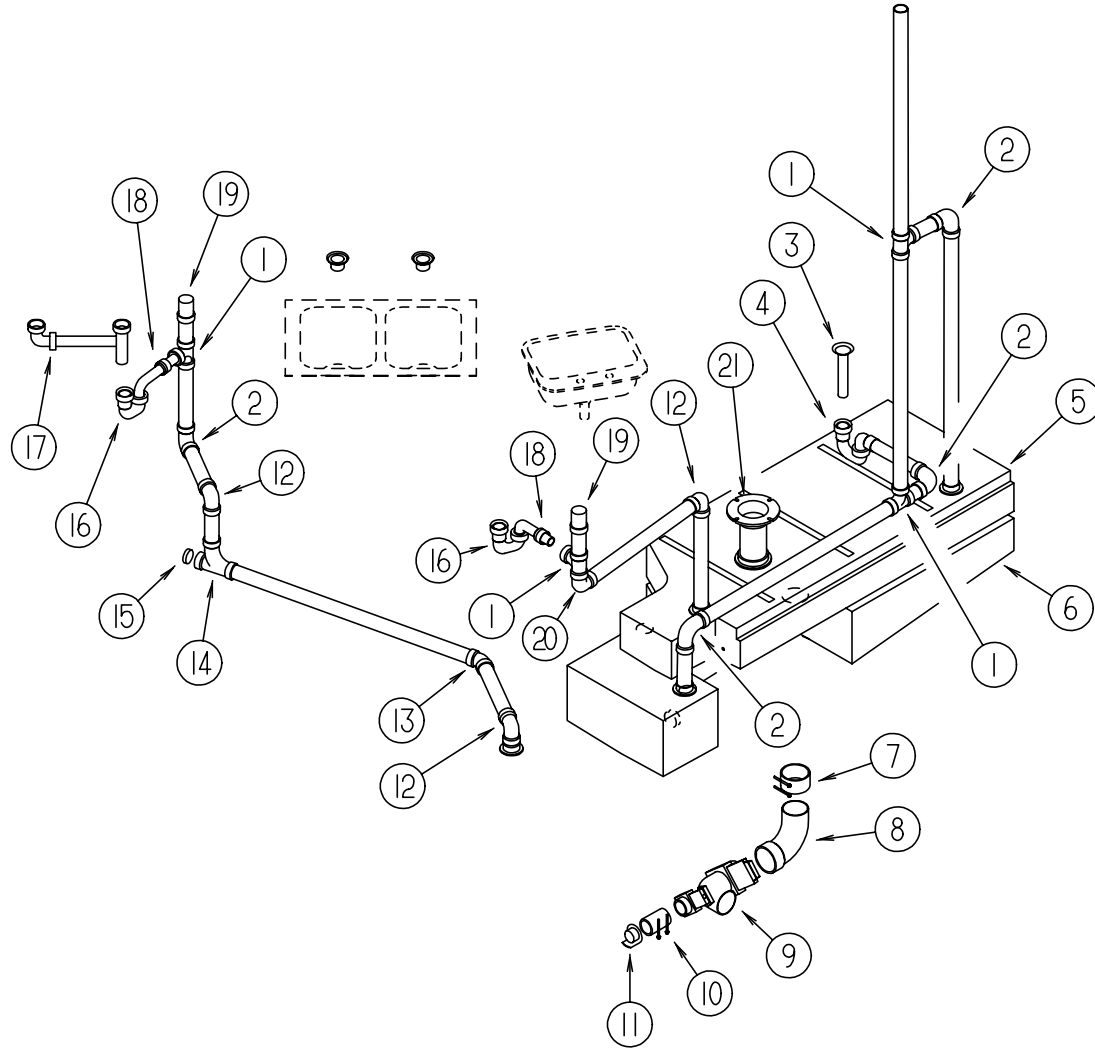
KEY	PART NUMBER	U/M	DESCRIPTION
	039800-02-000	FT	TUBING-POLYBUTYL, 5/8" OD - INCREMENTS OF 20' - BLACK
	039808-03-000	EA	ELBOW - 1/2" MPT X 1/2" MPT, PLASTIC - KEVCO 17296
	091208-01-000	EA	WASHER-RUBBER, .06" X .75" X .5"
	110915-01-01A	EA	FILL-WATER, CITY - CHROME - KEVCO 64713
	114428-01-000	EA	TEE - 1/2" P X 1/2" P X 1/2" P - FLAIR-IT 02820
	114429-01-000	EA	ELBOW - 1/2" P X 1/2" P - FLAIR-IT 02800
	114429-02-000	EA	ELBOW - 1/2" P X 1/2" MPT - FLAIR-IT 02803
	114429-03-000	EA	ELBOW-SWIVEL, 1/2" P X 1/2" FPT - FLAIR-IT 02816
	114430-02-000	EA	ADAPTER-SWIVEL, 1/2" P X 1/2" FPT - FLAIR-IT 02873
	114431-01-000	EA	VALVE-LINE DRAIN, 1/2" P - FLAIR-IT 02914
	114431-02-000	EA	VALVE - 1/2" P, BYPASS - FLAIR-IT 02910
	117089-01-000	FT	HOSE - 1/2" ID, GARDEN - KEVCO 49154
	115029-01-000	FT	HOSE - 3/8" ID, WATER - LAVANTURE PR86 - EUROPEAN OPTION
	118809-01-000	EA	ADAPTER - 1/2" MPT X 3/8" BARB - PLASTIC - KEVCO TA-1086 - EUROPEAN OPTION

EXTERIOR SHOWER

KEY	PART NUMBER	U/M	DESCRIPTION	VENDOR NO.
	114429-01-000	EA	ELBOW - 1/2" P X 1/2" P - FLAIR-IT 02800	
	114429-03-000	EA	ELBOW-SWIVEL, 1/2" P X 1/2" FPT - FLAIR-IT 02816	
	046128-01-000	EA	VALVE-DRAIN, PLASTIC - 1/2" FPT	
	075241-05-000	EA	FAUCET-SHOWER, BONE	
	103092-01-000	EA	SHOWER HEAD-W/60" HOSE - US	
	103092-02-000	EA	SHOWER HEAD-W/60" HOSE - CANADIAN	
	103092-01-700	EA	BRACKET ONLY-CLEAR, F/SHOWER HEAD - BPC	2328028
	103092-01-702	EA	SEALS-SPRAY HEAD	24466
	011048-03-700	EA	BRACKET/F SHOWER HEAD - BPC	2328029-3
	093527-02-000	EA	BRACKET-SQUEEGEE/SHOWER HEAD	
	108356-02-01A	EA	COVER-SWITCH W/DIMPLES, CARLING VVAZC00 BLA	
	108357-08-000	EA	SWITCH-ROCKER, DPDT ON/NONE/ON - CARLING VDD1S00C-0	

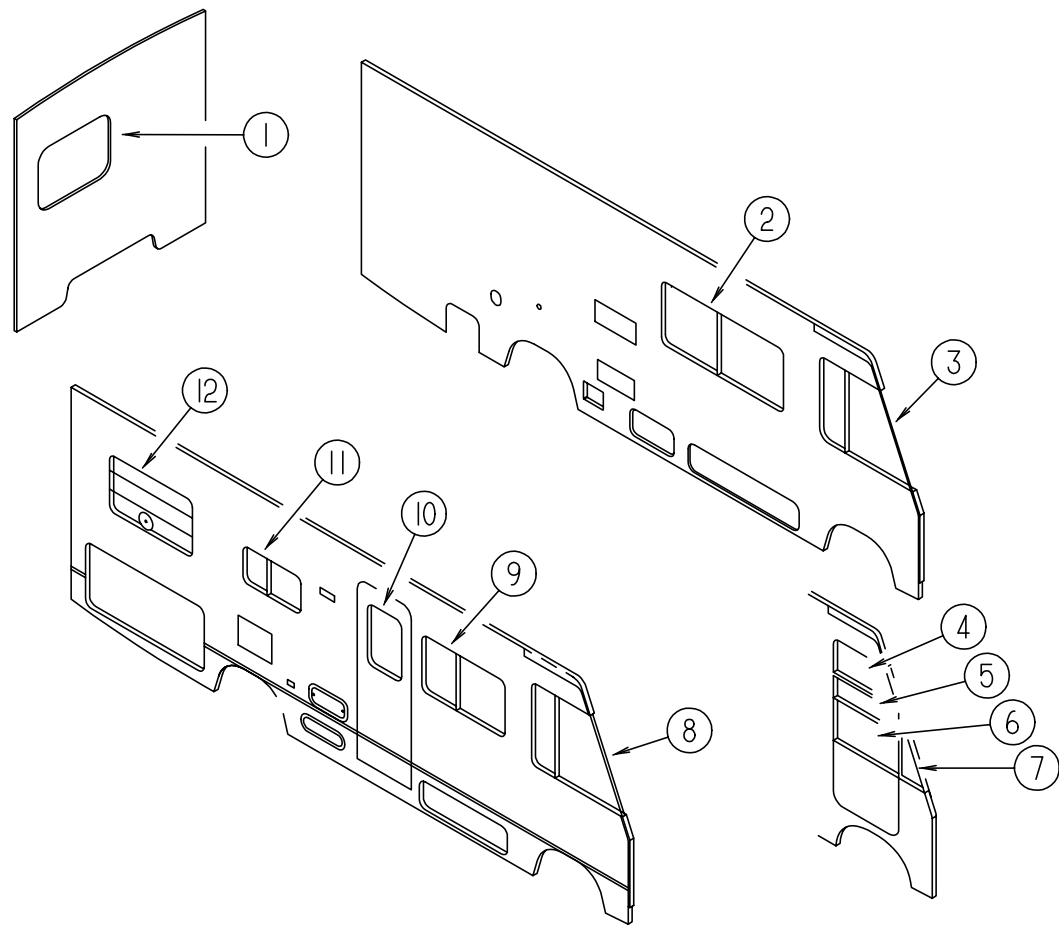
WATER & SEWAGE GROUP (CONTINUED)

DRAINAGE SYSTEM



KEY	PART NUMBER	U/M	DESCRIPTION
1	010071-01-000	EA	TEE-SANITARY, 1 1/2" HUB X HUB X HUB - PLASTIC - BLACK
2	010008-01-000	EA	ELBOW - 90 DEGREE, 1/4 BEND - 1 1/2" HUB X HUB - PLASTIC - BLACK
3	011069-02-000	EA	TAILPIECE-TUB/SHOWER, 1 1/2" X 1 1/4" X 4" - BRASS
	066440-01-000	EA	STRAINER-SHOWER, W/RUBBER WASHER
	069735-01-000	EA	WASHER-STRAINER TO TAILPIECE PLASTIC, 1.5"
4	107538-01-000	EA	P TRAP-PLASTIC, 1 1/4" W/EXT ARM - US
	109571-01-000	EA	ADAPTER-P TRAP, 1 1/2" P X 1 1/4" MPT - US ONLY
4	011066-03-700	EA	P TRAP KIT-PLASTIC, 1 1/2" X 1 1/2" - CANADIAN
4	010121-01-000	EA	BUSHING-REDUCER, 1 1/2" SMOOTH X 1 1/4" HUB - BLACK PLASTIC - CANADIAN
4	011066-03-701	EA	P TRAP-PLASTIC - CANADIAN
4	011066-03-702	EA	ADAPTER-P TRAP, 1 1/2" - CANADIAN
5	117925-01-000	EA	TANK-HOLDING, 17 GALLON - 48" X 14.75" X 8.5"
	061607-01-000	EA	GROMMET-HOLDING TANK, 1 1/2" NPS
	061607-02-000	EA	GROMMET-HOLDING TANK, 3" NPS
	039861-01-000	EA	SENDING UNIT-W/SCREW, WASHER, WELL NUT & TERMINAL RING
6	117924-01-000	EA	TANK-HOLDING, 20 GALLON - 59.25" X 11.4" X 13.8"
	061607-01-000	EA	GROMMET-HOLDING TANK, 1 1/2" NPS
	039861-01-000	EA	SENDING UNIT-W/SCREW, WASHER, WELL NUT & TERMINAL RING
7	078406-01-000	EA	COUPLER-RUBBER, W/CLAMPS - 3" X 3"
8	031126-01-000	EA	ELBOW - 1/4 BEND, 3 X 90 XLT - PLASTIC - BLACK
9	070916-01-000	EA	VALVE-DUAL DUMP, W/CAP - 3" X 1 1/2" - PLASTIC - BLACK
	070916-01-700	EA	VALVE ONLY, 3"
	070916-01-701	EA	VALVE ONLY, 1 1/2"
	062415-01-000	EA	CAP-SEWER 3" DIAMETER
	062415-01-700	EA	STRING SEWER CAP
	062416-01-000	EA	ADAPTER-SEWER HOSE TO 3" PIPE
	010201-01-000	EA	HOSE-SEWER, 3" ID X 8'
10	089355-01-000	EA	COUPLER-RUBBER, 1 1/2" X 1 1/2"
11	102024-01-000	EA	NIPPLE - 1.5 X 2.62 TOE - PLASTIC
12	034250-01-000	EA	ELBOW - 90 DEGREE, LONG TURN - 1 1/2" HUB X HUB - ABS
13	010006-01-000	EA	ELBOW - 45 DEGREE, 1/8 BEND - 1 1/2" HUB X HUB - BLACK PLASTIC
14	031365-02-000	EA	TEE-EXTRA LONG TURN, 1 1/2" - PLASTIC - BLACK - NIBCO 5812-LR-11/2
15	010122-01-000	EA	BUSHING-REDUCER, 1 1/2" SMOOTH X 1 1/4" THREAD - PLASTIC - BLACK
15	010166-01-000	EA	PLUG-THREADED, 1 1/4" DIAMETER - PLASTIC - BLACK
16	107538-01-000	EA	P TRAP-PLASTIC, 1 1/4" W/EXT ARM - US
16	011071-01-000	EA	P TRAP, PLASTIC, 1 1/2" - CANADIAN
17	011091-02-000	EA	PIPE-DRAIN, DOUBLE SINK - BAFFLE TEE - 1 1/2" - US ONE PIPE W/TEE TO DRAIN BOTH SIDES OF SINK
17	011091-03-000	EA	PIPE-DRAIN, W/SEALS - DOUBLE SINK - EXTENDS 9" TO 16" - CANADIAN
18	109571-01-000	EA	ADAPTER-P TRAP, 1 1/2" P X 1 1/4" MPT - US ONLY
19	079968-01-000	EA	VENT-MECHANICAL TRAP ARM, ANTI-SIPHON - 2" DIA X 7.3" - PLASTIC
20	033761-01-000	EA	ELBOW-TURN, 1/4 BEND X 1.5" HUB X 1.5" SPIGOT - PLASTIC - BLACK
21	116644-01-000	EA	FLANGE-CLOSET, TOILET - 4" X 3" - SEALAND 345892

WINDOW, VENT & EXTERIOR DOOR GROUP
WINDOWS

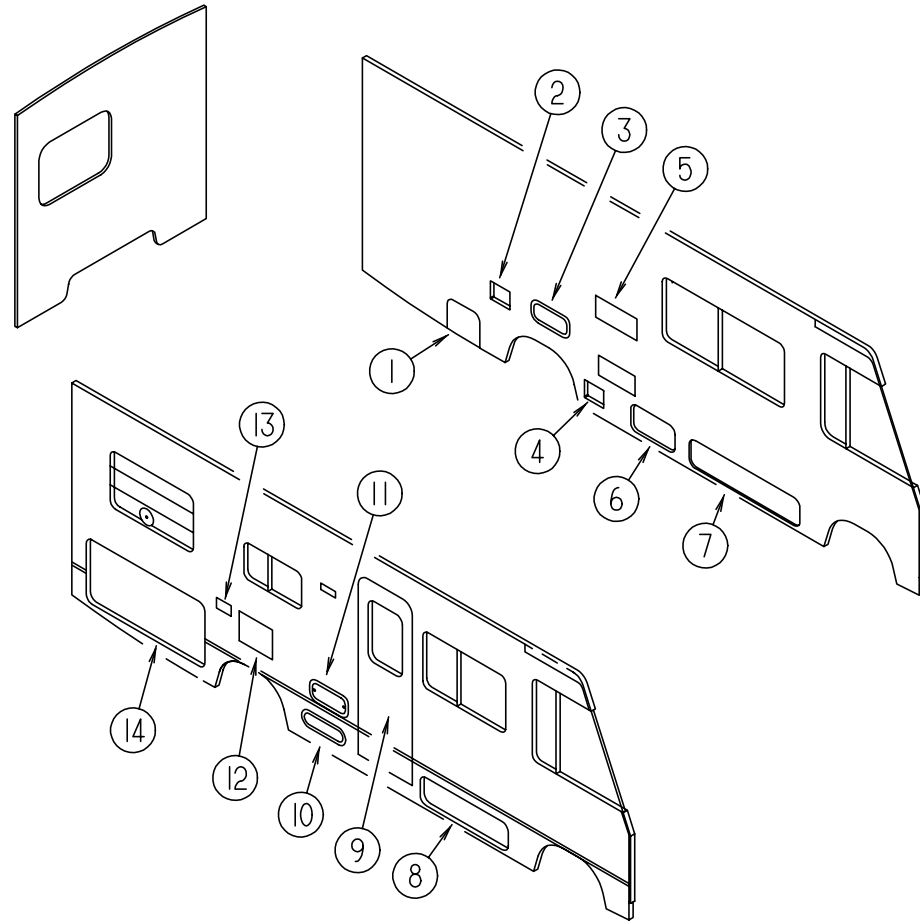


KEY	PART NUMBER	U/M	DESCRIPTION
1	078528-12-FB1	EA	WINDOW-ESCAPE, BACKWALL - W/O INSIDE FRAME
1	113502-03-01A	EA	WINDOW-ESCAPE, BACKWALL - W/INSIDE FRAME - EXCEL DH437-G2W58 THERMOPANE WINDOW OPTION
1	113502-07-01A	EA	WINDOW-ESCAPE, BACKWALL - W/INSIDE FRAME - EXCEL DH437-EG2W60 EUROPEAN WINDOW OPTION
2	098647-22-01A	EA	WINDOW-SLIDING, W/INSIDE FRAME - EXCEL H287-G2W66L
2	112795-15-01A	EA	WINDOW-SLIDING, W/INSIDE FRAME - EXCEL DH287-G2W66L THERMOPANE WINDOW OPTION
2	112795-40-01A	EA	WINDOW-SLIDING, W/INSIDE FRAME - EXCEL DH287-EG2W66L EUROPEAN WINDOW OPTION

KEY	PART NUMBER	U/M	DESCRIPTION	VENDOR NO.
3	103658-09-01A	EA	WINDOW-CAB, W/INSIDE FRAME - DRIVER SIDE - EXCELH373-ARL	
3	113501-03-01A	EA	WINDOW-CAB, W/INSIDE FRAME - DRIVER SIDE - EXCEL DH405-A2B66L THERMOPANE WINDOW OPTION	
3	113501-08-01A	EA	WINDOW-CAB, W/INSIDE FRAME - DRIVER SIDE - EXCEL DH405-EA2B66L EUROPEAN WINDOW OPTION	
4	106467-02-01A	EA	WINDOW-VISTA - DRIVER SIDE - EXCEL - DRIVER DOOR	
4	116000-05-01A	EA	WINDOW-VISTA - DRIVER SIDE - EXCEL - DRIVER DOOR THERMOPANE WINDOW OPTION	
4	116000-04-01A	EA	WINDOW-VISTA - DRIVER SIDE - DRIVER DOOR - EXCEL DH382-EG2B27L EUROPEAN WINDOW OPTION	
5	106469-02-702	EA	WINDOW-DRIVER DOOR - STATIONARY GLASS - EXCEL	106-041104
5	106469-08-701	EA	WINDOW-DRIVER DOOR - STATIONARY GLASS - EXCEL	106-041244
6	106469-01-704	EA	WINDOW-DRIVER DOOR - ROLL-UP GLASS - W/BACKET - EXCEL	V103-65L
6	106469-08-702	EA	WINDOW-DRIVER DOOR - ROLL-UP GLASS - W/BACKET - EXCEL	V103-65EL
7	106468-02-01A	EA	WINDOW-FRONT SLANT - DRIVER SIDE - DRIVER DOOR - EXCEL DH383-A2B27L	
7	115999-02-01A	EA	WINDOW-FRONT SLANT - DRIVER SIDE - EXCEL - DRIVER DOOR THERMOPANE WINDOW OPTION	
7	115999-03-01A	EA	WINDOW-FRONT SLANT - DRIVER SIDE - DRIVER DOOR - EXCEL D383-EA2B27L EUROPEAN WINDOW OPTION	
8	103658-10-01A	EA	WINDOW-CAB, W/INSIDE FRAME - PASSENGER SIDE - EXCEL H373-ARR	
8	113501-04-01A	EA	WINDOW-CAB, W/INSIDE FRAME - PASSENGER SIDE - EXCEL DH405-A2B66R THERMOPANE WINDOW OPTION	
8	113501-07-01A	EA	WINDOW-CAB, W/INSIDE FRAME - PASSENGER SIDE - EXCEL DH405-EA2B66R EUROPEAN WINDOW OPTION	
9	098647-41-01A	EA	WINDOW-SLIDING, W/INSIDE FRAME - EXCEL H172-G2W66R	
9	112795-21-01A	EA	WINDOW-SLIDING, W/INSIDE FRAME - EXCEL DC04-G2W66R THERMOPANE WINDOW OPTION	
9	112795-44-01A	EA	WINDOW-SLIDING, W/INSIDE FRAME - EXCEL DC04-EG2W66R EUROPEAN WINDOW OPTION	
10	117053-02-F36	EA	WINDOW-PICTURE, W/O INSIDE FRAME	
10	113733-01-01A	EA	WINDOW-PICTURE, W/INSIDE FRAME - EXCEL DH416-G2W66 THERMOPANE WINDOW OPTION	
10	113733-03-01A	EA	WINDOW-PICTURE, W/INSIDE FRAME - EXCEL DH416-EG2W66 EUROPEAN WINDOW OPTION	
11	098647-33-01A	EA	WINDOW-SLIDING, W/INSIDE FRAME - EXCEL H425-G2W66R	
11	112795-19-01A	EA	WINDOW-SLIDING, W/INSIDE FRAME - EXCEL DC29-G2W66R THERMOPANE WINDOW OPTION	
11	112795-41-01A	EA	WINDOW-SLIDING, W/INSIDE FRAME - EXCEL DC29-EG2W66R EUROPEAN WINDOW OPTION	
12	113500-01-01A	EA	WINDOW-TIPOUT, DOUBLE - W/INSIDE FRAME - EXCEL CH04-G2W59	
12	112795-21-01A	EA	WINDOW-SLIDING, W/INSIDE FRAME - EXCEL DC04-G2W66R THERMOPANE WINDOW OPTION	
12	112795-41-01A	EA	WINDOW-SLIDING, W/INSIDE FRAME - EXCEL DC29-EG2W66R EUROPEAN WINDOW OPTION	
12	112795-44-01A	EA	WINDOW-SLIDING, W/INSIDE FRAME - EXCEL DC04-EG2W66R EUROPEAN WINDOW OPTION	FROM: 00-00-00 THRU: 09-17-95
	117046-01-000	EA	BUMPER-RUBBER, ROUND END - LAKEVIEW 22134	FROM: 09-18-95 THRU: 09-17-95
	117046-02-000	EA	BUMPER-RUBBER, ROUND END - LAKEVIEW 22073	FROM: 00-00-00 THRU: 07-23-95
			THERMOPANE WINDOW OPTION	
			THERMOPANE WINDOW OPTION	FROM: 07-24-95 THRU: 99-99-99

WINDOW, VENT & EXTERIOR DOOR GROUP (CONTINUED)

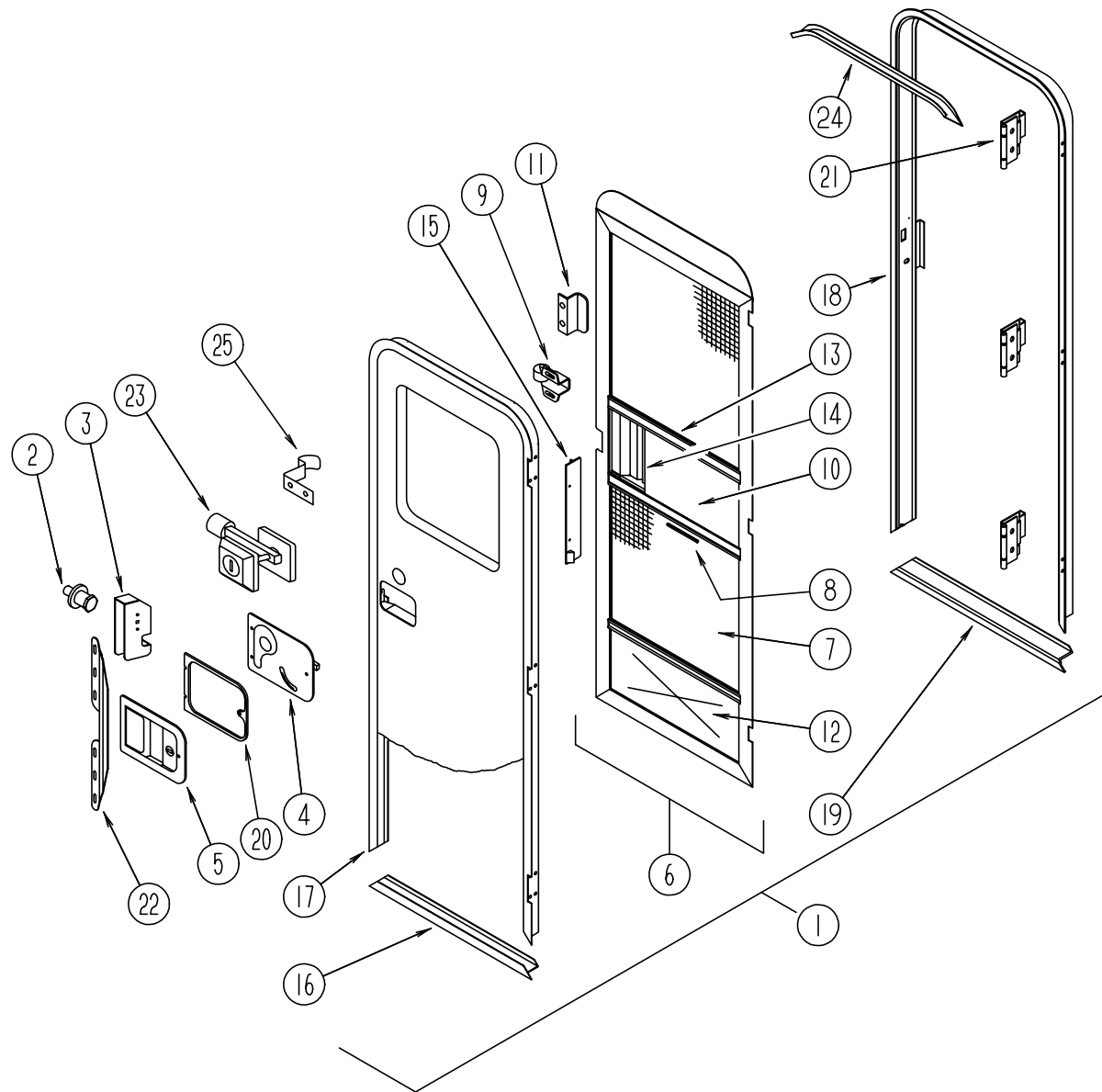
EXTERIOR DOORS



1	111012-08-G09	EA	DOOR-STORAGE, BUFF - SEWER VALVE DOOR
1	111012-08-G13	EA	DOOR-STORAGE, DUCK GREEN - SEWER VALVE DOOR
2	078010-13-000	EA	DOOR-FUEL FILL, BUFF - W/O LOCK - JAPAN OPTION
3	111017-02-G09	EA	DOOR-EXTERIOR SHOWER, BUFF
4	088794-07-000	EA	DOOR-POWER CORD, W/HATCH - BUFF
5	084103-06-000	EA	DOOR-REFRIGERATOR, VENTED - W/O JAMB - BUFF
5	084104-06-000	EA	JAMB-DOOR, REFRIGERATOR - BUFF
	084104-01-700	EA	LOCK-MALE, FASTENER - REFRIGERATOR DOOR
	084104-01-701	EA	LOCK-FEMALE, FASTENER - REFRIGERATOR DOOR
6	111018-03-G09	EA	DOOR-GENERATOR/STORAGE, BUFF
6	111018-03-G13	EA	DOOR-GENERATOR/STORAGE, DUCK GREEN
7	111013-14-G09	EA	DOOR-STORAGE, BUFF
7	111013-14-G13	EA	DOOR-STORAGE, DUCK GREEN
8	111013-13-G09	EA	DOOR-STORAGE, BUFF
8	111013-13-G13	EA	DOOR-STORAGE, DUCK GREEN
9	115108-05-G09	EA	DOOR-ENTRY W/SCREEN DOOR & JAMB - W/O WINDOW (G09)
9	115108-05-G10	EA	DOOR-ENTRY W/SCREEN DOOR & JAMB - W/O WINDOW (G10/G12)
9	115108-05-G11	EA	DOOR-ENTRY W/SCREEN DOOR & JAMB - W/O WINDOW (G11)
9	115108-05-G13	EA	DOOR-ENTRY W/SCREEN DOOR & JAMB - W/O WINDOW (G13)
9	115108-05-G14	EA	DOOR-ENTRY W/SCREEN DOOR & JAMB - W/O WINDOW (G14)
10	111009-01-G09	EA	DOOR-COMPARTMENT, LP - 16.9" X 5.4" - BUFF
10	111009-01-G13	EA	DOOR-COMPARTMENT, LP - 16.9" X 5.4" - DUCK GREEN
10	111013-58-G09	EA	DOOR-COMPARTMENT, LP - 27.1" X 14.4" - BUFF - JAPAN OPTION
10	111013-58-G13	EA	DOOR-COMPARTMENT, LP - 27.1" X 14.4" - DUCK GREEN - JAPAN OPTION
10	111009-01-G09	EA	DOOR-COMPARTMENT, LP - 16.9" X 5.4" - BUFF - EUROPEAN OPTION FROM: 00-00-00 THRU: 10-29-95
10	111009-01-G13	EA	DOOR-COMPARTMENT, LP - 16.9" X 5.4" - DUCK GREEN - EUROPEAN OPTION FROM: 00-00-00 THRU: 10-29-95
10	111012-14-G09	EA	DOOR-COMPARTMENT, LP - 20" X 11.3" - BUFF - EUROPEAN OPTION FROM: 10-30-95 THRU: 99-99-99
10	111012-14-G13	EA	DOOR-COMPARTMENT, LP - 20" X 11.3" - DUCK GREEN - EUROPEAN OPTION FROM: 10-30-95 THRU: 99-99-99
11	111017-01-E10	EA	DOOR-PATIO ENTERTAINMENT CENTER, 17.8" X 8.1" - BUFF
12	052009-04-000	EA	DOOR-WATER HEATER, BUFF - ATWOOD
13	081240-12-000	EA	DOOR-WATER FILL, LOCKABLE W/O LOCK, 4" X 4 5/8" - BUFF
14	111013-57-G09	EA	DOOR-STORAGE, BUFF FROM: 00-00-00 THRU: 09-16-95
14	111013-66-G09	EA	DOOR-STORAGE, BUFF FROM: 09-17-95 THRU: 99-99-99
14	111013-59-G09	EA	DOOR-STORAGE, BUFF - RAISED BED OPTION FROM: 00-00-00 THRU: 09-16-95
14	115772-02-G09	EA	DOOR-STORAGE, BUFF - RAISED BED OPTION FROM: 09-17-95 THRU: 99-99-99

WINDOW, VENT & EXTERIOR DOOR GROUP (CONTINUED)

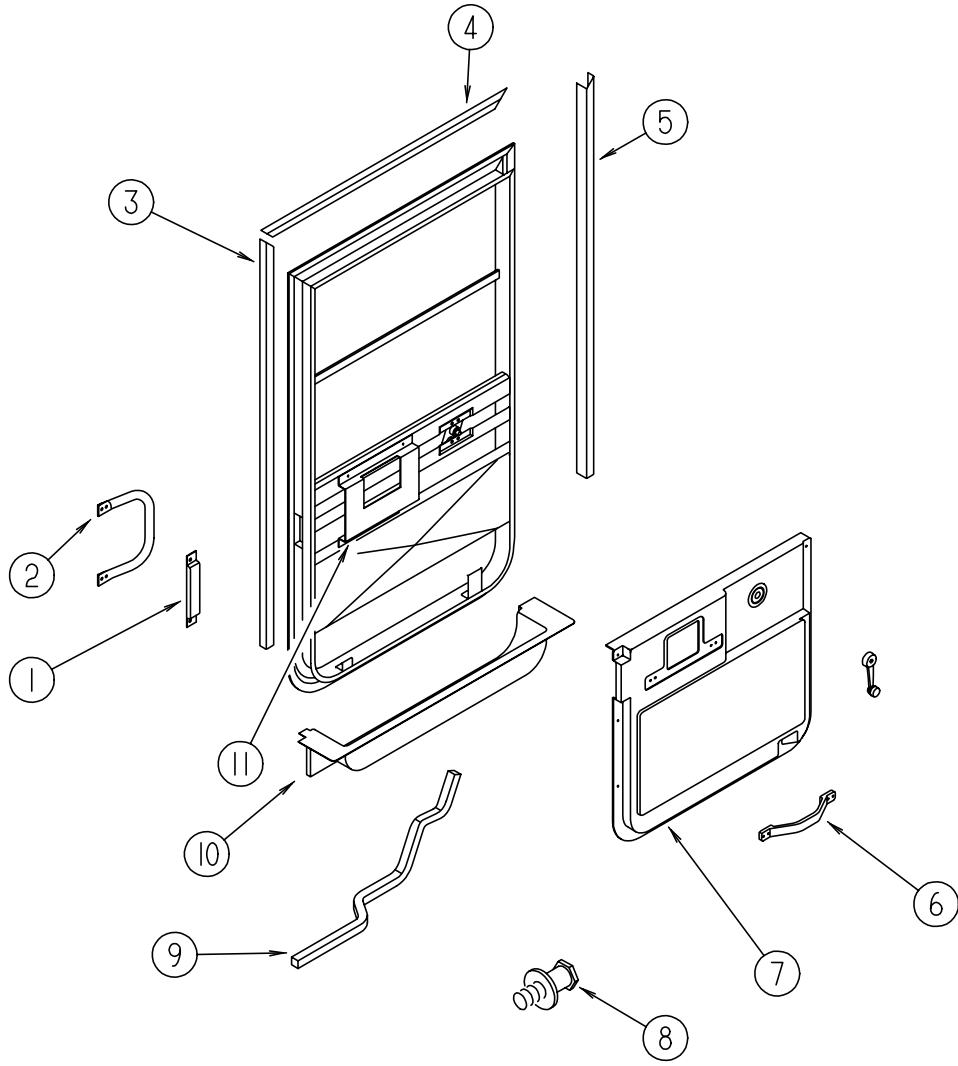
ENTRY DOOR



KEY	PART NUMBER	U/M	DESCRIPTION
1	115108-05-G09	EA	DOOR-ENTRY W/SCREEN DOOR & JAMB - W/O WINDOW (G09)
1	115108-05-G10	EA	DOOR-ENTRY W/SCREEN DOOR & JAMB - W/O WINDOW (G10/G12)
1	115108-05-G11	EA	DOOR-ENTRY W/SCREEN DOOR & JAMB - W/O WINDOW (G11)
1	115108-05-G13	EA	DOOR-ENTRY W/SCREEN DOOR & JAMB - W/O WINDOW (G13)
1	115108-05-G14	EA	DOOR-ENTRY W/SCREEN DOOR & JAMB - W/O WINDOW (G14)
2	039539-01-000	EA	STRIKE-LOCK, ENTRY DOOR - ROUND W/THREADED WASHER
3	039540-01-000	EA	LATCH MECHANISM-HOOK, ENTRY DOOR - INTERIOR
	039715-01-000	EA	NUT-SERT, 1/4" DIAMETER - 20 THREADS
4	039979-04-000	EA	COVER-INTERIOR LATCH, W/TRIP ARM - RIGHT - BLACK - TRI/MARK 11883-12 FROM: 00-00-00 THRU: 09-10-95
4	039979-06-000	EA	COVER-INTERIOR LATCH, W/TRIP ARM - RIGHT - BLACK - TRI/MARK 11883-01 FROM: 09-11-95 THRU: 99-99-99
	039984-01-000	EA	CAP-ROUND, VINYL - .28" ID X .62" LONG - BLACK
	041546-05-000	EA	BRACKET-DOOR ANGLE, 5" X 1.9" - OFF WHITE - METAL

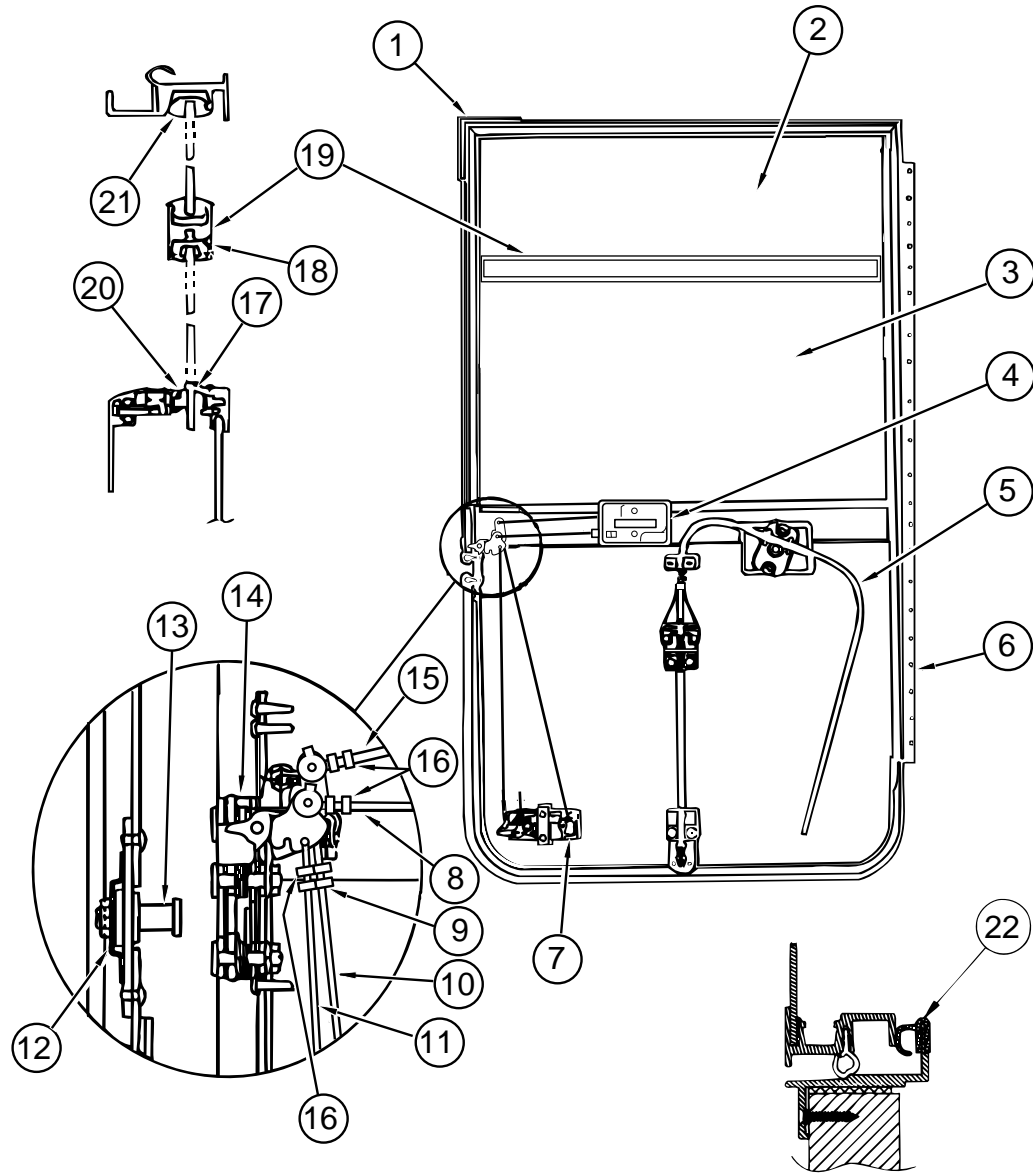
KEY	PART NUMBER	U/M	DESCRIPTION	VENDOR NO.
5	045017-11-000	EA	LATCH-ENTRY DOOR, W/LOCK & KEY - BLACK - TRI/MARK 11896-12 FROM: 00-00-00 THRU: 09-10-95	
5	045017-13-000	EA	LATCH-ENTRY DOOR, W/LOCK & KEY - BLACK - TRI/MARK 11896-01 FROM: 09-11-95 THRU: 99-99-99	
	045017-11-701	EA	KEY BLANK	
	045017-11-703	EA	CYLINDER-LOCK ASSEMBLY W/KEYS - TRIMARK	81266-09
	063729-04-000	EA	RIVNUT, 10-32 UNF - .010-.080	
	075671-04-000	FT	SEAL-SPONGE, LAZY T SHAPE - W/ADHESIVE STRIPE - .5" WIDE	
6	079012-09-F15	EA	DOOR-SCREEN	
	075673-01-000	FT	SEAL-PILE, ADHESIVE BACK - GRAY	
7	002293-02-000	SF	SCREENING-WINDOW/DOOR, 26" - CHARCOAL	
8	002294-01-000	FT	SPLINE-SCREENING, .135" X .138" - BLACK	
9	109403-01-000	EA	CATCH-ASM-SINGLE ROLLER	
10	016454-01-000	EA	INSERT-CENTER, LEATHER GRAIN ALUMINUM - UNPAINTED	
10	001014-01-013	EA	INSERT-CENTER, 10.25" X 16.31" - UNPAINTED	
11	050712-04-000	EA	HANDLE-SCREEN DOOR, ALUMINUM - OFF WHITE	
12	078552-03-000	EA	KICK PANEL-SCREEN DOOR, LOWER INSERT - UNPAINTED	
	078595-01-000	EA	TOP PLATE-SCREEN DOOR, CURVED TOP - 4.7" X 25.35"	
13	078777-01-000	EA	CHANNEL-SLIDE, SCREEN DOOR CENTER SLIDER COVER	
14	079086-02-000	EA	SLIDER-SCREEN DOOR, OFF WHITE	
15	079087-02-000	EA	STRIKE-SLIDER, W/LIP FOR ELBOW CATCH - 1.5" X 8.6" - OFF WHITE	
	081914-01-000	EA	BUMPER-RUBBER, ROUND - .43" DIAMETER - BLACK	
	104692-01-000	FT	SEAL - 3/4" X 3/4", ADHESIVE BACK	
16	089748-09-000	EA	FRAME-BOTTOM, ENTRY DOOR - 24.8" LONG - BUFF	
17	095276-07-04A	EA	FRAME-ENTRY DOOR, W/O BOTTOM - BUFF	
18	095277-09-03A	EA	JAMB-ENTRY DOOR, W/BOTTOM - BUFF FROM: 00-00-00 THRU: 07-30-95	
18	120310-05-02A	EA	JAMB-ENTRY DOOR, W/BOTTOM - BUFF FROM: 07-31-95 THRU: 99-99-99	
19	051049-01-000	EA	JAMB-BOTTOM, ENTRY DOOR - 25.9" - UNPAINTED	
20	096810-01-01A	EA	PLATE-LATCH, ENTRY DOOR - PLASTIC - BLACK	
21	106719-01-01A	EA	HINGE-ENTRY DOOR, UNPAINTED	
22	098173-01-04A	EA	STIFFENER-ENTRY DOOR, SUPPORTS LATCH/STRIKE AREA - UNPAINTED	
	100128-02-000	FT	SEAL-FOAM, ADHESIVE BACK - .37" WIDE X .37" THICK - SCREEN DOOR FROM: 00-00-00 THRU: 07-30-95	
	118929-01-01A	FT	SEAL-PILE, PUSH-ON - AMESBURY XC-964 FROM: 07-31-95 THRU: 99-99-99	
23	101145-01-01A	EA	DEADBOLT-ENTRY DOOR, W/2 KEYS W/O BACK SET BOLT OR SCREWS TRI/MARK 11840-12 FROM: 00-00-00 THRU: 09-10-95	
	101145-01-06A	EA	DEADBOLT ASM-BLACK TEXTURED - TRI/MARK 11840-02 FROM: 09-11-95 THRU: 99-99-99	
	095229-01-700	EA	KEY BLANK FOR DEADBOLT	
	101147-01-000	EA	BOLT-SECURITY, 4.12" BACKSET	
	102524-01-000	EA	BUMPER-RUBBER, FLAT - BLACK	
24	044582-33-000	EA	CAP-DRIP, ENTRY DOOR - JAMB MOUNTED - ALUMINUM - BUFF	
	115222-01-01A	EA	GARNISH-RADIUS, ENTRY DOOR - OFF WHITE	
	077461-03-000	EA	COVER-STRIKE, ENTRY DOOR - 6.5" X 2.5" - PLASTIC - WHITE	
25	100412-01-000	EA	CATCH-SCREEN DOOR, THUMB CLIP W/BLACK PLASTIC CAP	
	009126-02-000	EA	HANDLE-ASSIST, ENTRY DOOR - BLACK FROM: 00-00-00 THRU: 09-10-95	
	009126-03-000	EA	HANDLE-ASSIST, ENTRY DOOR - BLACK TEXTURED FROM: 09-11-95 THRU: 99-99-99	
	102248-01-000	EA	SHIM-DOOR	

WINDOW, VENT & EXTERIOR DOOR GROUP (CONTINUED)
EXCEL DRIVERS DOOR MODEL V130-01L



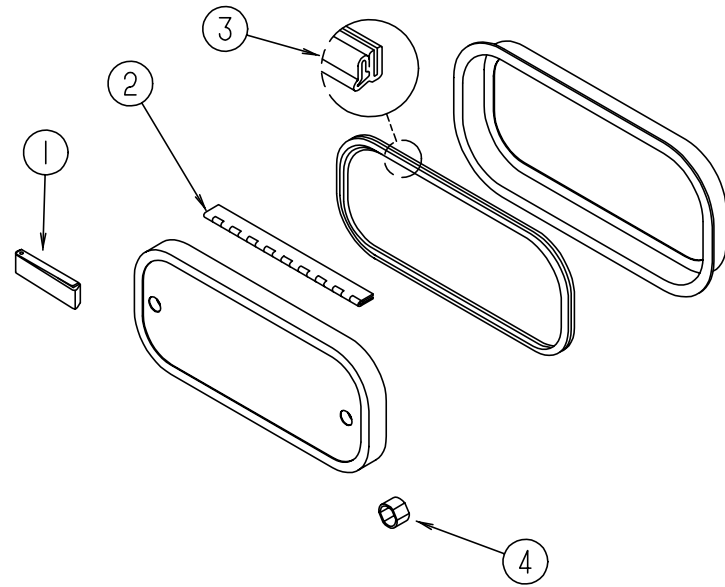
KEY	PART NUMBER	U/M	DESCRIPTION	VENDOR NO.
	106469-07-01A	EA	DOOR - DRIVERS - BLACK - EXCEL V130-01L	
	106469-08-01A	EA	DOOR - DRIVERS - BLACK - EXCEL V130-E1L - EUROPEAN WINDOW OPTION	
1	108654-01-01A	EA	COVER - STRIKE - DRIVERS DOOR - BLACK	
2	108832-01-02A	EA	HANDLE - ASSIST - DRIVERS DOOR - METAL - OFF WHITE	
	108833-01-01A	EA	COVER - HANDLE - ASSIST - OFF WHITE	
3	108129-02-02A	EA	GARNISH - DRIVERS DOOR - BLACK	
4	108107-01-02A	EA	GARNISH - DRIVERS DOOR - BLACK	
5	108108-04-02A	EA	GARNISH - DRIVERS DOOR - BLACK	
6	110604-01-01A	EA	HANDLE - ASSIST - DRIVERS DOOR - 10.8" LONG - BLACK	
7	114973-01-02A	EA	PANEL - DRIVER DOOR - INNER - WILLOW - PLASTIC	
8	106469-04-703	EA	STRIKER ASSEMBLY - (SUPPLIED W/DRIVERS DOOR) - EXCEL	248-041152
9	063977-12-000	EA	STEP - DRIVER DOOR - LEFT - PAINTED BLACK	
9	063977-11-000	EA	STEP - DRIVER DOOR - LEFT - UNPAINTED	
10	107818-01-01A	EA	TRIM - STEP - DRIVERS DOOR - PLASTIC - WILLOW	
	102569-02-000	EA	MAT-ANTISLIP, 4" X 22"	
11	115051-01-01B	EA	BRACKET - HANDLE - MOUNT	
	108897-02-01A	EA	GARNISH - DOOR - DRIVERS - U-CHANNEL - BLACK	
	109378-01-000	EA	STRAP - CHECK - DRIVERS DOOR - BLACK	
	076725-06-000	EA	COVER - ACCESS, HINGE - BLACK	
	109235-01-01A	FT	COVER - SCREW - MAT BLACK	
	109235-01-04A	FT	COVER - SCREW - BUFF	
	106746-01-000	EA	PANEL-STEPWELL, 789 MM LONG - STEEL	
	106747-01-000	EA	PANEL-STEPWELL, RH END - STEEL	
	106747-02-000	EA	PANEL-STEPWELL, LH END - STEEL	

WINDOW, VENT & EXTERIOR DOOR GROUP (CONTINUED)
EXCEL DRIVERS DOOR MODEL V130-01L (CONTINUED)



KEY	PART NUMBER	U/M	DESCRIPTION	VENDOR NO.
1	106469-01-702	EA	DOOR SEAL, EXCEL	122-040984
2	106469-02-702	EA	GLASS-STATIONARY, EXCEL	106-041104
2	106469-08-701	EA	GLASS-STATIONARY, EXCEL - EUROPEAN WINDOW OPTION	106-041244
3	106469-01-704	EA	ROLL-UP GLASS ASM W/BRACKET, EXCEL	V103-65L
3	106469-08-702	EA	ROLL-UP GLASS ASM, EXCEL - EUROPEAN WINDOW OPTION	V103-65EL
4	106469-04-712	EA	INNER HANDLE HARDWARE - LH, EXCEL	248-041148
5	106469-02-701	EA	REGULATOR ASSEMBLY, EXCEL	V108-90L
6	106469-05-702	EA	HINGE - 42", EXCEL	211-041194
7	106469-04-700	EA	PADDLE ASM. W/COLLAR, EXCEL	248-041237
	106469-04-701	EA	TUMBLER & KEYS (TRI-MARK), EXCEL	248-041179
	106469-04-715	EA	LATCH COMPLETE W/TUMBLER & KEYS, EXCEL	V123-15
	045017-11-701	EA	KEY-BLANK, TRIMARK	81312-02
8	106469-04-711	EA	LOCK ROD, HORIZONTAL, EXCEL	203-041137
9	106469-04-713	EA	ROD CLIP-LH, EXCEL	248-041154
10	106469-05-703	EA	LATCH ROD, VERTICAL ADJ, EXCEL	203-041239
11	106469-05-705	EA	LOCK ROD, VERTICAL ADJ, EXCEL	203-041279
12	106469-04-704	EA	CAGED NUT ASSEMBLY (STRIKER), EXCEL	248-041151
13	106469-04-703	EA	STRIKER BOLT (W/WASHER), EXCEL	248-041152
14	106469-05-706	EA	ROTARY LATCH & LINKAGE, EXCEL	248-041150
15	106469-04-705	EA	LATCH ROD-HORIZONTAL, EXCEL	203-041139
16	106469-04-714	EA	ROD CLIP-RH, EXCEL	248-041153
17	106469-02-703	EA	BELT-WEATHERSTRIP, EXTERIOR - ROLL-UP GLASS - EXCEL	V047-57
18	106469-01-705	FT	RUN-CHANNEL, EXCEL	122-010850
19	106469-01-719	EA	MULLION RAIL, EXCEL	V103-84
19	106469-08-700	EA	HORIZONTAL MULLION RAIL, EXCEL - EUROPEAN WINDOW OPTION	V090-84
20	106469-01-709	FT	WEATHERSTRIP-FUZZY, EXCEL	171-040630
21	106469-02-705	EA	HORIZONTAL GLAZING VINYL, EXCEL	V108-87
22	106469-01-723	EA	BULB SEAL ASM-DRIVERS DOOR JAMB - PREFORMED - EXCEL	171-040985
	106469-02-704	EA	PARTS BAG (HANDLE WINDOW), EXCEL	V068-16
	106469-07-700	EA	MOUNTING FRAME ASSEMBLY, EXCEL	V130-30L

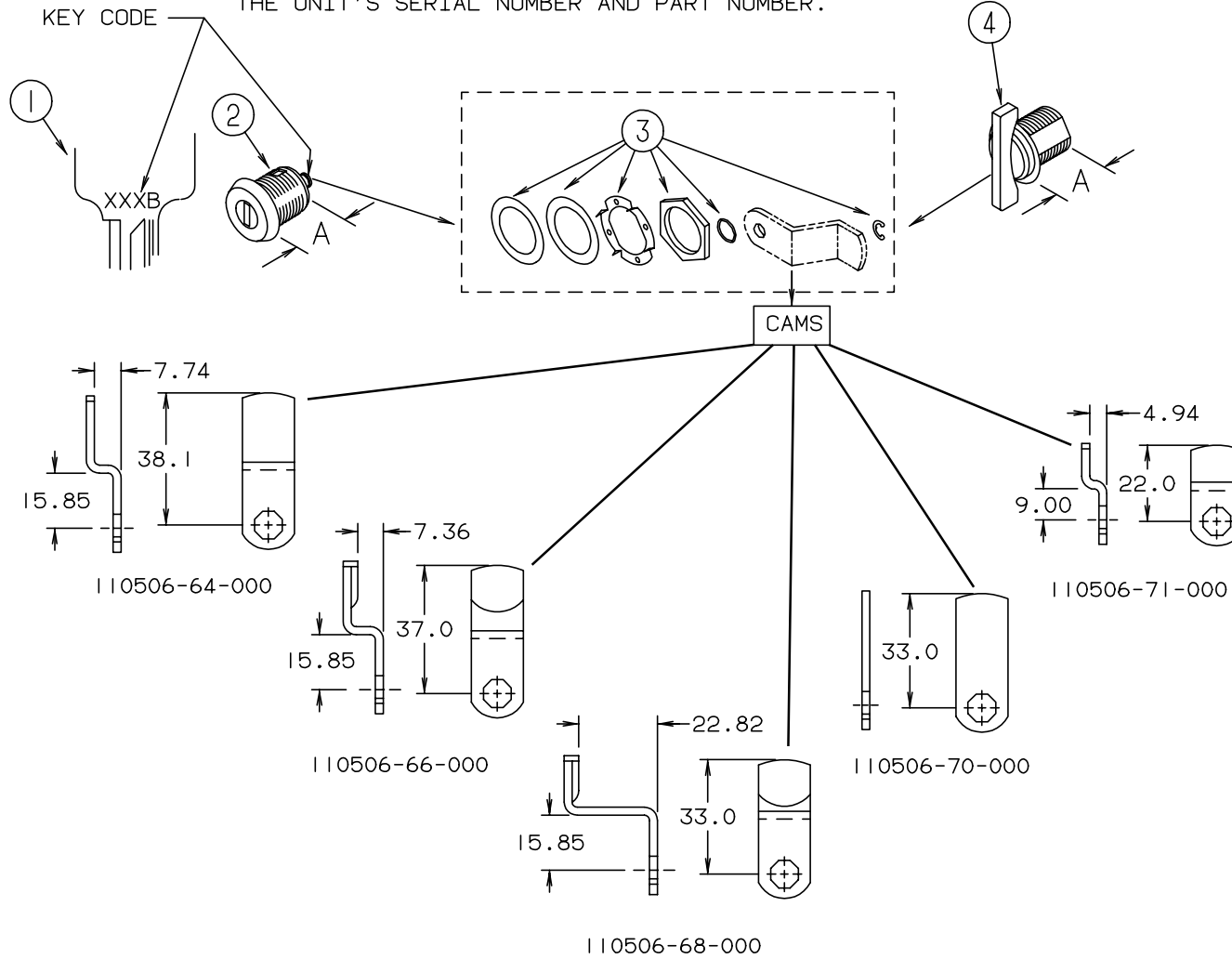
WINDOW, VENT & EXTERIOR DOOR GROUP (CONTINUED)
EXTERIOR DOOR COMPONENTS & HOLDER



KEY	PART NUMBER	U/M	DESCRIPTION
1	102768-01-000	EA	HOLDER-COMPARTMENT/ENTRY DOOR, METAL - MILL FINISH
2	081801-02-000	EA	HINGE - 2" X 96", OFF WHITE
2	081801-08-000	EA	HINGE - 2" X 96", BUFF
2	009065-01-000	EA	HINGE-PIANO, 1.5" X 96" - ALUMINUM - UNPAINTED
3	064075-07-000	FT	SEAL-BULB, W/WIRED U CHANNEL - .3" X .5" CHANNEL - BLACK
4	107997-51-001	EA	SPACER - .86" X .6", ALUMINUM
	081914-01-000	EA	BUMPER-RUBBER, ROUND - .43" DIAMETER - BLACK
	104692-01-000	FT	SEAL - 3/4" X 3/4", ADHESIVE BACK
	081632-02-000	FT	SEAL-BULB, DOOR - W/WIRE CARRIER - .8" WIDE - RUBBER - BLACK
	115359-01-000	FT	SEAL-D SECTION, 10 X 12 - SPG RUB
	076767-04-000	EA	CABLE-SUPPORT, 5.9" - STAINLESS STEEL
	116424-01-000	EA	PROTECTOR-WATER HEATER LATCH - ATWOOD 92611
	057460-02-000	EA	STUD-BALL, GAS SPRING - 10MM - 5/16" - 18 - RAISED BED OPTION
	107796-10-000	EA	BRACKET-GAS SPRING, 90 DEGREE - RAISED BED OPTION
	108998-04-000	EA	SPRING-GAS - RAISED BED OPTION
	120620-02-01A	EA	CLIP-RETAINER, 14" X 1" - BLACK - RAISED BED OPTION
	121126-01-01A	EA	PULL-LOCK ASM, SOUTHCO E3-27-101-12 - RAISED BED OPTION

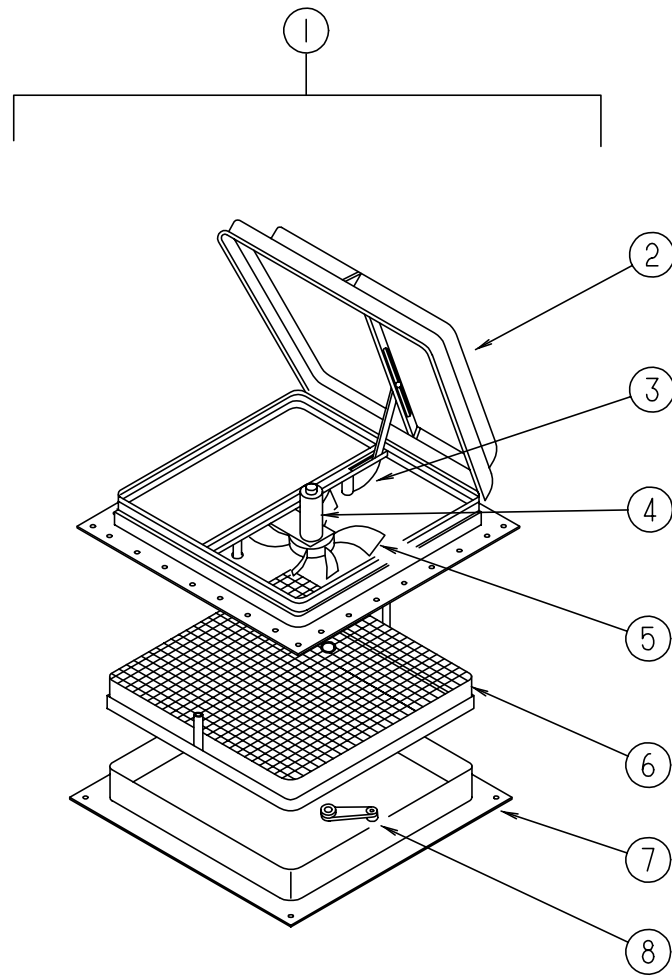
WINDOW, VENT & EXTERIOR DOOR GROUP (CONTINUED)
BRIGGS & STRATTON LOCKS & COMPONENTS

NOTE:
 WHEN ORDERING THE LOCK CASE, THE KEY CODE MUST MATCH THE LAST DIGIT OF THE UNIT'S SERIAL NUMBER AND PART NUMBER; WHEN ORDERING THE KEYS, THE THIRD DIGIT OF THE KEY CODE MUST MATCH THE LAST DIGIT OF THE UNIT'S SERIAL NUMBER AND PART NUMBER.



KEY	PART NUMBER	U/M	DESCRIPTION	VENDOR NO.
1	110506-59-000	EA	KEYS-SET OF 2	596720
2	110506-52-000	EA	CASE-LOCK, A=17MM	702370
2	110506-53-000	EA	CASE-LOCK, A=25MM	702380
1	110506-59-001	EA	KEYS-SET OF 2	596721
2	110506-52-001	EA	CASE-LOCK, A=17MM	702371
2	110506-53-001	EA	CASE-LOCK, A=25MM	702381
1	110506-59-002	EA	KEYS-SET OF 2	596722
2	110506-52-002	EA	CASE-LOCK, A=17MM	702372
2	110506-53-002	EA	CASE-LOCK, A=25MM	702382
1	110506-59-003	EA	KEYS-SET OF 2	596723
2	110506-52-003	EA	CASE-LOCK, A=17MM	702373
2	110506-53-003	EA	CASE-LOCK, A=25MM	702383
1	110506-59-004	EA	KEYS-SET OF 2	596724
2	110506-52-004	EA	CASE-LOCK, A=17MM	702374
2	110506-53-004	EA	CASE-LOCK, A=25MM	702384
1	110506-59-005	EA	KEYS-SET OF 2	596725
2	110506-52-005	EA	CASE-LOCK, A=17MM	702375
2	110506-53-005	EA	CASE-LOCK, A=25MM	702385
1	110506-59-006	EA	KEYS-SET OF 2	596726
2	110506-52-006	EA	CASE-LOCK, A=17MM	702376
2	110506-53-006	EA	CASE-LOCK, A=25MM	702386
1	110506-59-007	EA	KEYS-SET OF 2	596727
2	110506-52-007	EA	CASE-LOCK, A=17MM	702377
2	110506-53-007	EA	CASE-LOCK, A=25MM	702387
1	110506-59-008	EA	KEYS-SET OF 2	596728
2	110506-52-008	EA	CASE-LOCK, A=17MM	702378
2	110506-53-008	EA	CASE-LOCK, A=25MM	702388
1	110506-59-009	EA	KEYS-SET OF 2	596729
2	110506-52-009	EA	CASE-LOCK, A=17MM	702379
2	110506-53-009	EA	CASE-LOCK, A=25MM	702389
3	110506-40-700	EA	HARDWARE KIT-LOCK, W/GASKET, NUT, CLIP & WASHERS	
4	110506-50-000	EA	CASE-TWIST LOCK, A=17MM	596932
4	110506-51-000	EA	CASE-TWIST LOCK, A=25MM	596669
	110506-59-701	EA	KEY BLANK	

WINDOW, VENT & EXTERIOR DOOR GROUP (CONTINUED)



JENSEN POWERED ROOF VENT

KEY	PART NUMBER	U/M DESCRIPTION
1	110051-04-01A	EA VENT-ROOF, POWERED - 4" ROOF - JENSEN 7797 WHE
1	110051-06-01A	EA VENT-ROOF, POWERED - 4" ROOF - CSA - JENSEN C7797 WHE
2	064470-01-700	EA COVER-ROOF VENT, JENSEN
	064470-01-701	EA SLIDE BAR-VENT LID, JENSEN
3	110051-01-702	EA LIFT ASM-VENT LID W/O CRANK, JENSEN
4	048648-01-000	EA MOTOR-ROOF VENT, 1/8 SHAFT - 12V - JENSEN 42-472-01
5	048649-01-000	EA FAN-ROOF VENT, 6 BLADES - 6" - JENSEN RP-1002B
6	110051-01-704	EA SCREEN & FRAME - 4", JENSEN
7	110051-02-700	EA GARNISH-INTERIOR - 4", JENSEN
8	110051-01-703	EA CRANK, JENSEN

VENDOR NO.

7291
JRP 1291B
RP-1000B

29-688-03

RP-1031-B

WINDOW, VENT & EXTERIOR DOOR GROUP (CONTINUED)

JENSEN NONPOWERED ROOF VENT

KEY	PART NUMBER	U/M DESCRIPTION	VENDOR NO.
	110051-02-01A	EA VENT-ROOF, NONPOWERED - 4" ROOF - JENSEN 7727 WHE	
	064470-01-700	EA COVER-ROOF VENT, JENSEN	7291
	064470-01-701	EA SLIDE BAR-VENT LID, JENSEN	JRP 1291B
	110051-01-702	EA LIFT ASM-VENT LID W/O CRANK, JENSEN	RP-1000B
	110051-01-703	EA CRANK, JENSEN	RP-1031-B
	110051-01-704	EA SCREEN & FRAME - 4", JENSEN	29-688-03
	110051-02-700	EA GARNISH-INTERIOR - 4", JENSEN	

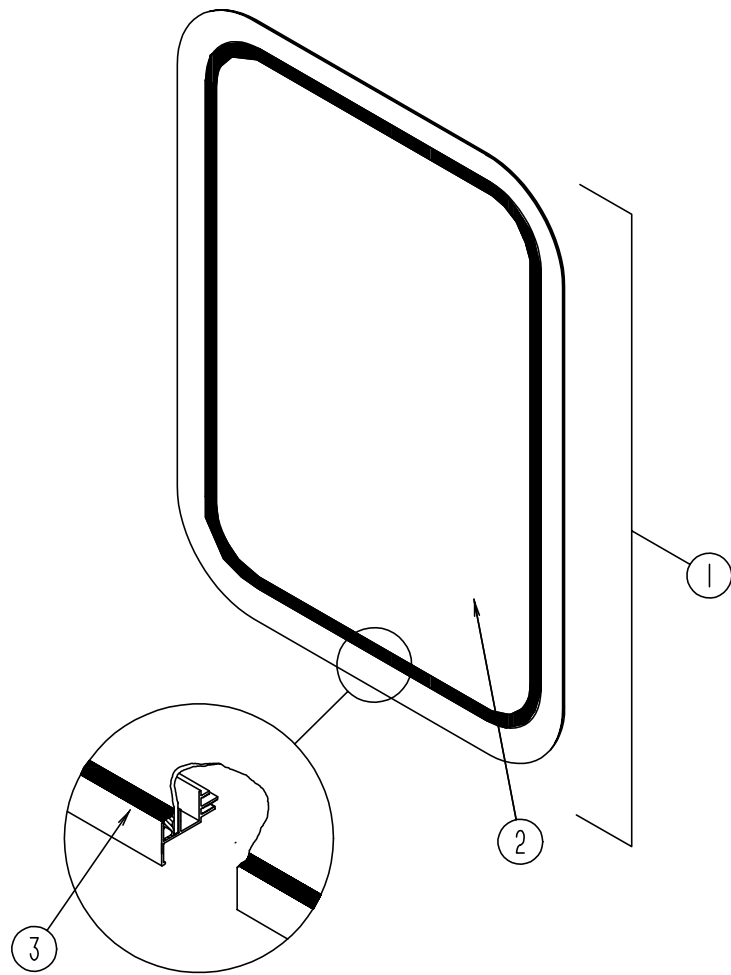
FANTASTIC POWERED EXHAUST ROOF VENT

KEY	PART NUMBER	U/M DESCRIPTION	VENDOR NO.
	084079-14-000	EA VENT-CEILING, EXHAUST - 3.25 OFF WHITE	
	084079-01-700	EA COVER-VENT, W/HINGE & SLIDE	1020K-19
	084079-01-703	EA KNOB-LIFT, W/EXTENSION & SCREW	1140K-00
	084079-01-707	EA SWITCH-SAFETY	1122.05
	084079-01-709	EA SWITCH-MAIN, 3 SPEED	1031-05
	084079-07-700	EA GARNISH-INTERIOR, 4" OFF WHITE	2040-80
	084079-11-700	EA MOTOR, BRACKET, FAN BLADE, KIT	4017K-09
	084079-11-702	EA BASE-MAIN W/DOME SWITCH	1010K-81

VENTS, SHROUDS & ROOF COVERS

KEY	PART NUMBER	U/M DESCRIPTION
	083558-04-000	EA VENT-PLUMBING PIPE ROOF W/COVER - BUFF
	084616-06-000	EA SHROUD-RANGE HOOD VENT, PLASTIC - BUFF
	084878-09-000	EA VENT-RANGE HOOD, SHORT - LVS
	084073-05-000	EA COVER-ROOF VENT, REFRIGERATOR - BUFF - NORCOLD
	084073-04-000	EA BASE-ROOF VENT, REFRIGERATOR - BLACK - NORCOLD
	105028-01-000	EA FLASHING ASM-VENT, REFRIGERATOR

WINDOW, VENT & EXTERIOR DOOR GROUP (CONTINUED)



ENTRANCE DOOR WINDOW

KEY	PART NUMBER	U/M DESCRIPTION
	117054-02-01A	EA FRAME-WINDOW, INSIDE - ENTRY DOOR - OFF WHITE
1	117053-02-F36	EA WINDOW-PICTURE, W/O INSIDE FRAME
2	002181-25-000	EA GLASS-PICTURE WINDOW, 655 MM X 417 MM
3	087561-01-000	FT SEAL-GLASS, EXTERIOR - .5" WIDE - VINYL - BLACK

EXCEL ENTRANCE DOOR WINDOW - THERMOPANE WINDOW OPTION

KEY	PART NUMBER	U/M DESCRIPTION	VENDOR NO.
	113733-01-01A	EA WINDOW ASM-PICTURE, W/INSIDE FRAME - EXCEL DH416-G2W66	
	113733-01-700	EA WINDOW-PICTURE, W/O INSIDE FRAME - EXCEL	DH416-G2
	113733-01-701	EA FRAME-WINDOW, INSIDE - ENTRY DOOR - EXCEL	W41666
	113733-01-702	EA GLASS-STATIONARY - EXCEL	390-019187

WINDOW, VENT & EXTERIOR DOOR GROUP (CONTINUED)

EXCEL BEDROOM DOUBLE TIPOUT WINDOW - PASSENGER SIDE

KEY	PART NUMBER	U/M DESCRIPTION	VENDOR NO.
	113500-01-01A	EA WINDOW-DOUBLE TIPOUT, W/OFF WHITE INSIDE FRAME - EXCEL CH04-G2W59	CH04-G2
	113500-01-701	EA WINDOW-DOUBLE TIPOUT, W/O INSIDE FRAME - EXCEL	CW0459
	113500-01-702	EA FRAME-INSIDE, OFF WHITE - EXCEL	132-014470
	098644-01-716	EA PLUG-FILLER, EXCEL	122-016071
	100322-01-701	FT SEAL-VENT, WINDOW - EXCEL	132-015976
	100322-01-702	EA WEATHERSTRIP-HORIZONTAL RAIL - EXCEL	132-010723
	100322-01-703	EA GLAZING STRIP-BUTYL, GLASS - EXCEL	154-016083
	100322-01-704	EA TAPE-BUTYL, WINDOW - EXCEL	245-015975
	100322-01-717	EA E-RING, WINDOW - EXCEL	410-016081
	100322-01-718	EA HANDLE-DIAL, WINDOW - EXCEL	410-016123
	112519-01-702	EA OPERATOR-VENT, EXCEL	410-016020
	113500-01-700	EA SCREEN W/SPRING & WEATHERSTRIP - EXCEL	106-015970
	113500-01-703	EA GLASS-TOP, STATIONARY - EXCEL	CH04-G7
	113500-01-704	EA GLASS-VENT, UPPER - EXCEL	CH04-G9
	113500-01-705	EA GLASS-VENT, LOWER - EXCEL	CH04-18
	113500-01-706	EA OPERATOR & BAR ASSEMBLY - EXCEL	132-015979
	113500-01-707	EA SUPPORT-TORQUE BAR - EXCEL	132-015978
	113500-01-708	EA SUPPORT-TORQUE BAR - EXCEL	

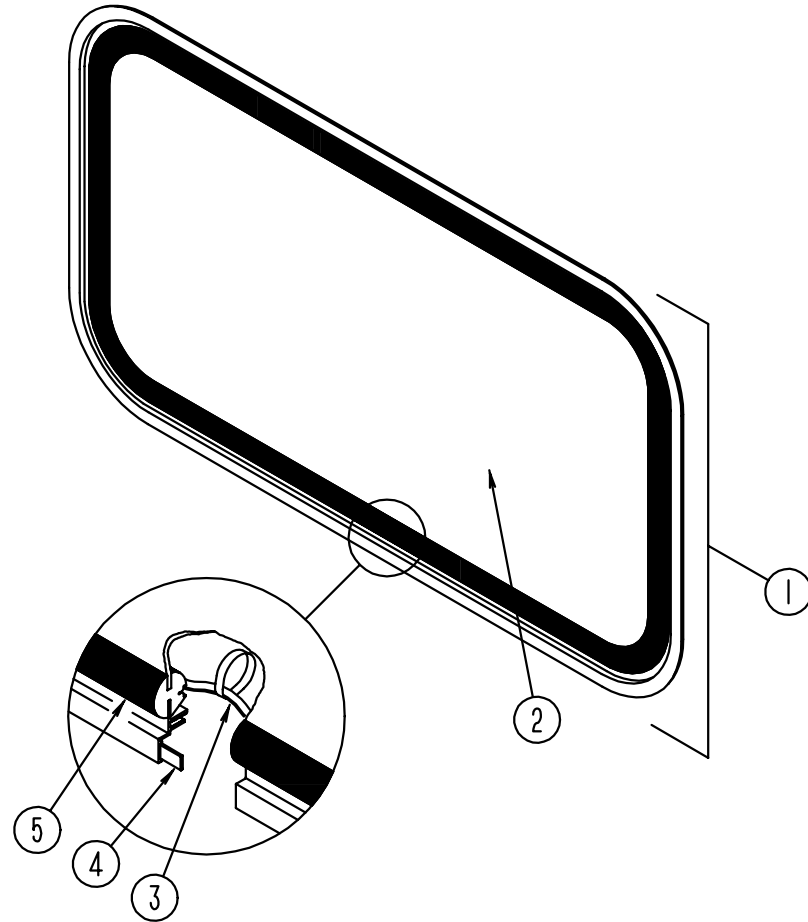
EXCEL BEDROOM HORIZONTAL SLIDER WINDOW - PASSENGER SIDE - THERMOPANE WINDOW OPTION

KEY	PART NUMBER	U/M DESCRIPTION	VENDOR NO.
	112795-21-01A	EA WINDOW-HORIZONTAL SLIDER, W/OFF WHITE INSIDE FRAME EXCEL DC04G2W66R	
	098647-29-701	EA FRAME-INSIDE, OFF WHITE - EXCEL	CW0466
	112795-21-700	EA WINDOW-HORIZONTAL SLIDER, W/O INSIDE FRAME - EXCEL DC04-G2R	
	112795-01-700	EA LATCH ASM-BLACK - EXCEL	DH287-CK
	112795-01-701	EA SLIDE-STOP - EXCEL	132-019092
	112795-01-702	FT FILLER PLUG - EXCEL	122-018737
	112795-01-703	IN RUN CHANNEL - EXCEL	122-018736
	112795-01-704	FT VINYL-GLAZING - EXCEL	132-018280
	112795-21-701	EA GLASS-STATIONARY - EXCEL	390-019132
	112795-21-702	EA GLASS-SLIDING, W/SASH & LATCH - EXCEL	DC04-G9
	098647-29-704	EA SCREEN W/SPRING & WEATHERSTRIP - EXCEL	410-018864
	098644-01-713	EA CLIP-SPRING, BLACK PLASTIC - EXCEL	226-016966
	112898-06-704	EA HANDLE-LATCH, RED - RH - EXCEL	182-11293
	112898-06-705	EA HANDLE-LATCH, RED - LH - EXCEL	182-11294

EXCEL BEDROOM HORIZONTAL SLIDER WINDOW - PASSENGER SIDE - EUROPEAN WINDOW OPTION

KEY	PART NUMBER	U/M DESCRIPTION	VENDOR NO.
	112795-44-01A	EA WINDOW-HORIZONTAL SLIDER, W/OFF WHITE INSIDE FRAME EXCEL DC04-EG2W66R	
	112795-01-700	EA LATCH ASM-BLACK - EXCEL	DH287-CK
	112795-01-701	EA SLIDE-STOP - EXCEL	132-019092
	112795-01-702	FT FILLER PLUG - EXCEL	122-018737
	112795-01-703	IN RUN CHANNEL - EXCEL	122-018736
	112795-01-704	FT VINYL-GLAZING - EXCEL	132-018280

WINDOW, VENT & EXTERIOR DOOR GROUP (CONTINUED)



BACKWALL ESCAPE WINDOW

KEY	PART NUMBER	U/M DESCRIPTION
	074816-14-000	EA FRAME-WINDOW, INSIDE - ESCAPE - OFF WHITE
1	078528-12-FB1	EA WINDOW-ESCAPE, BACKWALL - W/O INSIDE FRAME
2	076337-17-000	EA GLASS-WINDOW, ESCAPE - 589 MM X 830 MM
3	002285-01-000	FT FILLER-WEATHER STRIP, RUBBER - BLACK
	077066-01-702	EA TAPE ASM-ESCAPE WINDOW, RED
4	069640-10-000	FT SEALER-RIBBON, 1/32" X 1 1/2" INCREMENTS OF 90'
5	002282-12-000	EA WEATHERSTRIP-WINDOW, .125" X 108.75" - BLACK
	074815-07-000	EA FRAME-WINDOW, MAIN - ESCAPE - BLACK

EXCEL BACKWALL ESCAPE WINDOW - THERMOPANE WINDOW OPTION

KEY	PART NUMBER	U/M DESCRIPTION	VENDOR NO.
	113502-03-01A	EA WINDOW-ESCAPE, BACKWALL - W/INSIDE FRAME - EXCEL DH437-G2W58	
	100322-01-703	FT STRIP-GLAZING, BUTYL - EXCEL	132-010723
	112898-06-704	EA LOCK-HANDLE, CAM - RED - RH - EXCEL	182-11293
	112898-06-705	EA LOCK-HANDLE, CAM - RED - LH - EXCEL	182-11294
	113502-03-700	EA WINDOW-ESCAPE, BACKWALL - W/O INSIDE FRAME - EXCEL DH437-G2	
	113502-03-701	EA FRAME-WINDOW, INSIDE - ESCAPE	W30658
	113502-03-702	EA GLASS-STATIONARY	390-019466

WINDOW, VENT & EXTERIOR DOOR GROUP (CONTINUED)
EXCEL DINETTE OR COUCH SINGLE SLIDING WINDOW - DRIVERS SIDE - THERMOPANE WINDOW OPTION

KEY	PART NUMBER	U/M DESCRIPTION	VENDOR NO.
	112795-15-01A	EA WINDOW-HORIZONTAL SLIDER, W/OFF WHITE INSIDE FRAME EXCEL DH287-G2W66	
	098647-23-702	EA FRAME-INSIDE, OFF WHITE - EXCEL	W28766
	112795-15-700	EA WINDOW-HORIZONTAL SLIDER, W/O INSIDE FRAME - EXCEL DH287-G2L	
	112795-01-700	EA LATCH ASM-BLACK - EXCEL	DH287-CK
	112795-01-701	EA SLIDE-STOP - EXCEL	132-019092
	112795-01-702	FT FILLER PLUG - EXCEL	122-018737
	112795-01-703	IN RUN CHANNEL - EXCEL	122-018736
	112795-01-704	FT VINYL-GLAZING - EXCEL	132-018280
	112795-15-701	EA GLASS-STATIONARY - EXCEL	390-019045
	112795-15-702	EA GLASS-SLIDING, W/SASH & LATCH - EXCEL	DH287-G9
	098647-23-704	EA SCREEN W/SPRING & WEATHERSTRIP - EXCEL	410-019066
	098644-01-713	EA CLIP-SPRING, BLACK PLASTIC - EXCEL	226-016966

EXCEL DINETTE OR COUCH SINGLE SLIDING WINDOW - DRIVERS SIDE - EUROPEAN WINDOW OPTION

KEY	PART NUMBER	U/M DESCRIPTION	VENDOR NO.
	112795-40-01A	EA WINDOW-HORIZONTAL SLIDER, W/OFF WHITE INSIDE FRAME EXCEL DH287-G2W66	
	112795-01-700	EA LATCH ASM-BLACK - EXCEL	DH287-CK
	112795-01-701	EA SLIDE-STOP - EXCEL	132-019092
	112795-01-702	FT FILLER PLUG - EXCEL	122-018737
	112795-01-703	IN RUN CHANNEL - EXCEL	122-018736
	112795-01-704	FT VINYL-GLAZING - EXCEL	132-018280

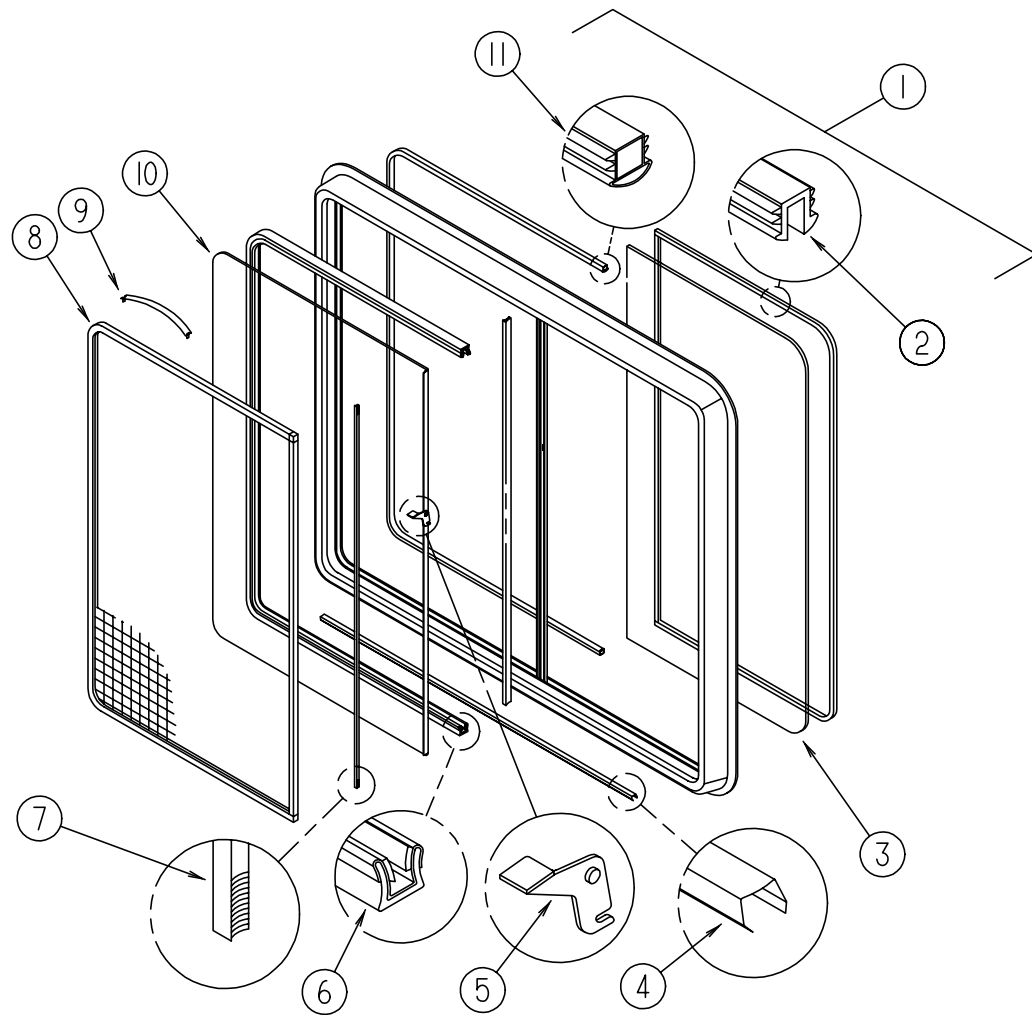
EXCEL FRONT SLANT WINDOW - DRIVERS SIDE - DRIVER DOOR

KEY	PART NUMBER	U/M DESCRIPTION	VENDOR NO.
	106468-02-01A	EA WINDOW-FRONT SLANT, W/INSIDE FRAME - EXCEL H383-A2B27L	
	100322-01-703	FT STRIP-GLAZING, BUTYL - EXCEL	132-010723
	106468-02-701	EA FRAME-INSIDE - EXCEL	H383-27L
	106468-02-700	EA WINDOW-FRONT SLANT, W/O INSIDE FRAME - EXCEL	H383-A2L
	106468-02-702	EA GLASS-STATIONARY - EXCEL	106-018740

EXCEL FRONT SLANT WINDOW - DRIVERS SIDE - DRIVER DOOR W/EUROPEAN WINDOW OPTION

KEY	PART NUMBER	U/M DESCRIPTION	VENDOR NO.
	115999-03-01A	EA WINDOW-FRONT SLANT, W/INSIDE FRAME - EXCEL D383-EA2B27L	
	106468-02-701	EA FRAME-INSIDE - EXCEL	H383-27L
	115999-03-700	EA WINDOW-FRONT SLANT, W/O INSIDE FRAME - EXCEL	DH383-A2L
	115999-03-701	EA GLASS-STATIONARY - EXCEL	390-019550

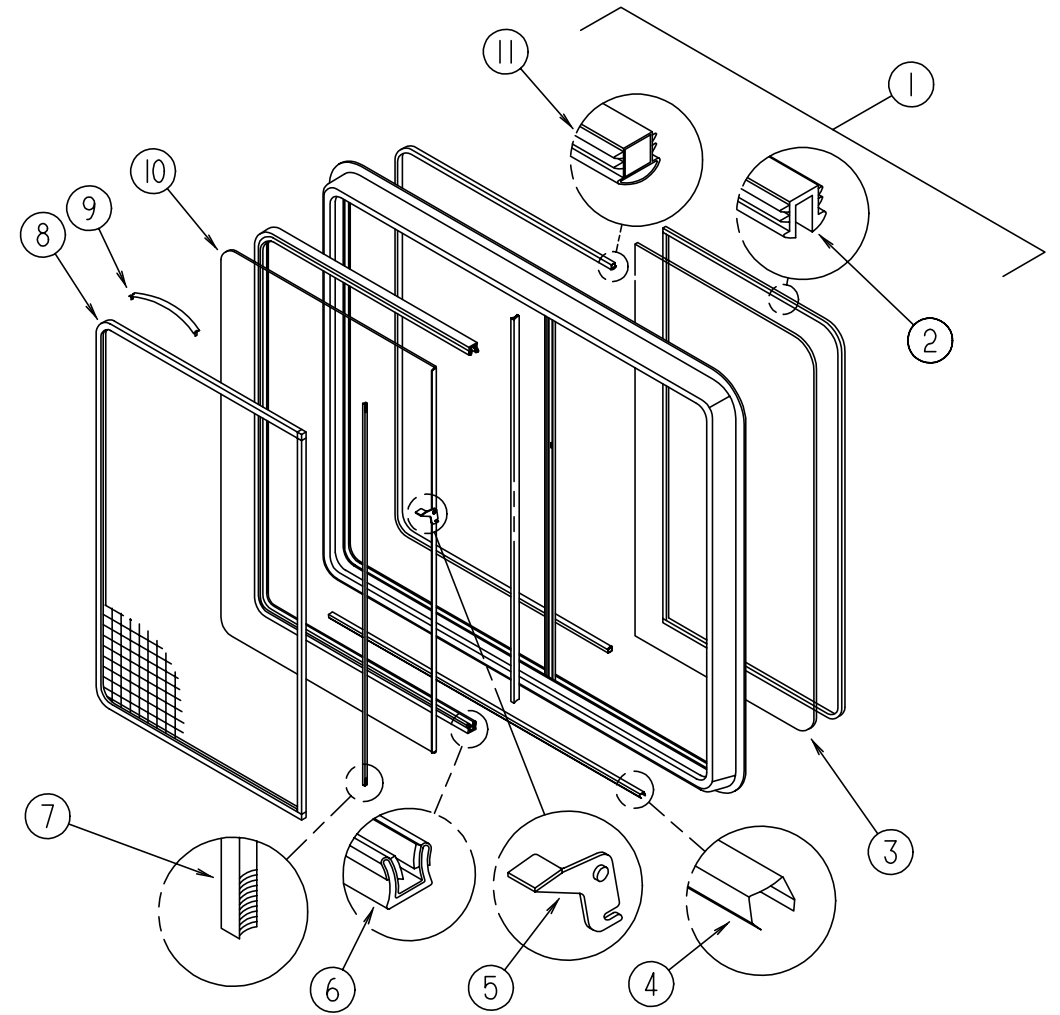
WINDOW, VENT & EXTERIOR DOOR GROUP (CONTINUED)



EXCEL DINETTE OR COUCH SINGLE SLIDING WINDOW - DRIVERS SIDE

KEY	PART NUMBER	U/M	DESCRIPTION	VENDOR NO.
	098647-22-01A	EA	WINDOW-HORIZONTAL SLIDER, W/OFF WHITE INSIDE FRAME EXCEL H287-G2W66L	
	098647-23-702	EA	FRAME-INSIDE, OFF WHITE - EXCEL W28766	
1	098647-22-700	EA	WINDOW-HORIZONTAL SLIDER, W/O INSIDE FRAME - EXCEL H287-G2L	
2	100322-01-703	FT	STRIP-GLAZING, BUTYL - EXCEL	132-010723
3	098647-23-703	EA	GLASS-STATIONARY - EXCEL	106-017622
4	098644-01-710	FT	TRACK-SCREEN SPACER, 12' LENGTH - EXCEL	M401-31
5	098644-01-700	EA	LATCH-REPAIR KIT, EXCEL	B801-CK
6	098644-01-708	FT	CHANNEL-PIERCED RUN, EXCEL	122-016543
7	098644-01-711	FT	WEATHERSTRIP-SCREEN BLACK - EXCEL	171-016965
8	098647-23-704	EA	SCREEN W/SPRING & WEATHERSTRIP - EXCEL	410-019066
9	098644-01-713	EA	SPRING-SCREEN FRAME (CLIP), PLASTIC - BLACK - EXCEL	226-016966
10	098647-23-700	EA	GLASS-SLIDING, W/SASH & LATCH - EXCEL	H287-G9
11	098644-01-706	FT	WEATHERSTRIP, EXCEL	171-010668
	098644-01-716	FT	PLUG-FILLER, EXCEL	132-014470
	098644-01-717	FT	SPLINE-SCREEN, EXCEL	132-004716

WINDOW, VENT & EXTERIOR DOOR GROUP (CONTINUED)



EXCEL GALLEY SINGLE SLIDING WINDOW - PASSENGERS SIDE

KEY	PART NUMBER	U/M	DESCRIPTION	VENDOR NO.
	098647-33-01A	EA	WINDOW-HORIZONTAL SLIDER, W/OFF WHITE INSIDE FRAME EXCEL H425-G2W66R	
	098647-31-701	EA	FRAME-INSIDE, OFF WHITE - EXCEL CW2966	
1	098647-33-700	EA	WINDOW-HORIZONTAL SLIDER, W/O INSIDE FRAME - EXCEL H425-G2R	
2	100322-01-703	FT	STRIP-GLAZING, BUTYL - EXCEL	132-010723
3	098647-33-702	EA	GLASS-STATIONARY - EXCEL	106-019297
4	098644-01-710	FT	TRACK-SCREEN SPACER, 12' LENGTH - EXCEL	M401-31
5	098644-01-700	EA	LATCH-REPAIR KIT, EXCEL	B801-CK
6	098644-01-708	FT	CHANNEL-PIERCED RUN, EXCEL	122-016543
7	098644-01-711	FT	WEATHERSTRIP-SCREEN BLACK - EXCEL	171-016965
8	098647-33-704	EA	SCREEN W/SPRING & WEATHERSTRIP - EXCEL	410-019134
9	098644-01-713	EA	SPRING-SCREEN FRAME (CLIP), PLASTIC - BLACK - EXCEL	226-016966
10	098647-33-703	EA	GLASS-SLIDING, W/SASH & LATCH - EXCEL	H425-G9
11	098644-01-706	FT	WEATHERSTRIP, EXCEL	171-010668
	098644-01-716	FT	PLUG-FILLER, EXCEL	132-014470
	098644-01-717	FT	SPLINE-SCREEN, EXCEL	132-004716

WINDOW, VENT & EXTERIOR DOOR GROUP (CONTINUED)

EXCEL GALLEY SINGLE SLIDING WINDOW - PASSENGERS SIDE - THERMOPANE WINDOW OPTION

KEY	PART NUMBER	U/M DESCRIPTION	VENDOR NO.
	112795-19-01A	EA WINDOW-HORIZONTAL SLIDER, W/OFF WHITE INSIDE FRAME EXCEL DC29-G2W66R	
	098644-01-713	EA CLIP-SPRING, BLACK PLASTIC - EXCEL	226-016966
	098647-31-701	EA FRAME-WINDOW, INSIDE - OFF WHITE - EXCEL	CW2966
	098647-31-704	EA SCREEN ASM., W/SPRING CLIP - EXCEL	410-019128
	112795-01-700	EA LATCH ASM-BLACK - EXCEL	DH287-CK
	112795-01-701	EA SLIDE-STOP - EXCEL	132-019092
	112795-01-702	FT FILLER PLUG - EXCEL	122-018737
	112795-01-703	IN RUN CHANNEL - EXCEL	122-018736
	112795-01-704	FT VINYL-GLAZING - EXCEL	132-018280
	112795-19-700	EA WINDOW-SINGLE SLIDER, W/O INSIDE FRAME - EXCEL	DC29-G2R
	112795-19-701	EA GLASS-STATIONARY - EXCEL	390-019134
	112795-19-702	EA GLASS-SLIDING, W/SASH & LATCH - EXCEL	DC29-G9

EXCEL GALLEY SINGLE SLIDING WINDOW - PASSENGERS SIDE - EUROPEAN WINDOW OPTION

KEY	PART NUMBER	U/M DESCRIPTION	VENDOR NO.
	112795-41-01A	EA WINDOW-HORIZONTAL SLIDER, W/OFF WHITE INSIDE FRAME EXCEL DC29-EG2W66R	
	112795-01-700	EA LATCH ASM-BLACK - EXCEL	DH287-CK
	112795-01-701	EA SLIDE-STOP - EXCEL	132-019092
	112795-01-702	FT FILLER PLUG - EXCEL	122-018737
	112795-01-703	IN RUN CHANNEL - EXCEL	122-018736
	112795-01-704	FT VINYL-GLAZING - EXCEL	132-018280

EXCEL CAB WINDOW - DRIVER SIDE

KEY	PART NUMBER	U/M DESCRIPTION	VENDOR NO.
	103658-09-01A	EA WINDOW-CAB, SINGLE SLIDER - W/INSIDE FRAME - EXCEL	H405-A2B66L
	103658-09-702	EA FRAME-WINDOW, INSIDE - EXCEL	H37366L & H37376L
	103658-09-701	EA WINDOW ASM, W/O TRIM - EXCEL	H405-A2L
	098644-01-700	EA LATCH-REPAIR KIT (BLACK) - EXCEL	B801-CK
	098644-01-706	FT WEATHERSTRIP-GLASS - EXCEL	171-010668
	098644-01-708	FT CHANNEL-RUN, PIERCED - EXCEL	122-016543
	098644-01-710	FT TRACK-SCREEN SPACER, 12' - EXCEL	132-017135
	098644-01-711	FT WEATHERSTRIP-SCREEN, BLACK - EXCEL	171-016965
	098644-01-713	EA CLIP-SPRING, BLACK PLASTIC - EXCEL	226-016966
	098644-01-716	FT PLUG-FILLER - EXCEL	132-014470
	098644-01-717	FT SPLINE-SCREEN - EXCEL	132-004716
	103658-09-700	EA GLASS-STATIONARY, RH OR LH - EXCEL	106-018971
	103658-09-704	EA GLASS-SLIDING, W/SASH & LATCH - EXCEL	H405-A9L
	103658-09-705	EA SCREEN ASSEMBLY - EXCEL	410-018973L

EXCEL CAB WINDOW - DRIVER SIDE - THERMOPANE WINDOW OPTION

KEY	PART NUMBER	U/M DESCRIPTION	VENDOR NO.
	113501-03-01A	EA WINDOW-CAB, SINGLE SLIDER - W/INSIDE FRAME - EXCEL	DH405-A2B66
	103658-09-702	EA FRAME-WINDOW, INSIDE - EXCEL	H37366L & H37376L
	113501-03-700	EA WINDOW-SINGLE SLIDER, W/O INSIDE FRAME - EXCEL	DH405-A2L
	098644-01-711	FT WEATHERSTRIP-SCREEN, BLACK - EXCEL	171-016965
	098644-01-713	EA CLIP-SPRING, BLACK PLASTIC - EXCEL	226-016966
	103658-09-705	EA SCREEN ASSEMBLY - EXCEL	410-018973L
	112795-01-700	EA LATCH ASM-BLACK - EXCEL	DH287-CK
	112795-01-701	EA SLIDE-STOP - EXCEL	132-019092
	112795-01-702	FT FILLER PLUG - EXCEL	122-018737
	112795-01-703	IN RUN CHANNEL - EXCEL	122-018736
	112795-01-704	FT VINYL-GLAZING - EXCEL	132-018280
	112898-04-703	EA SASH LATCH KIT, RAISED - EXCEL	DH343-CK
	113501-03-701	EA GLASS-STATIONARY - EXCEL	390-019397L
	113501-03-702	EA GLASS-SLIDE ASSEMBLY - EXCEL	DH405-A9L

WINDOW, VENT & EXTERIOR DOOR GROUP (CONTINUED)

EXCEL CAB WINDOW - DRIVER SIDE - EUROPEAN WINDOW OPTION

KEY	PART NUMBER	U/M DESCRIPTION	VENDOR NO.
	113501-08-01A	EA WINDOW-CAB, W/INSIDE FRAME - DRIVER SIDE - EXCEL	DH405-EA2B66L
	112795-01-700	EA LATCH ASM-BLACK - EXCEL	DH287-CK
	112795-01-701	EA SLIDE-STOP - EXCEL	132-019092
	112795-01-702	FT FILLER PLUG - EXCEL	122-018737
	112795-01-703	IN RUN CHANNEL - EXCEL	122-018736
	112795-01-704	FT VINYL-GLAZING - EXCEL	132-018280

EXCEL CAB WINDOW - PASSENGER SIDE

KEY	PART NUMBER	U/M DESCRIPTION	VENDOR NO.
	103658-10-01A	EA WINDOW-CAB, SINGLE SLIDER - W/INSIDE FRAME - EXCEL	H405-A2B66R
	103658-10-701	EA FRAME-WINDOW, INSIDE - EXCEL	H37366R & H37376R
	103658-10-700	EA WINDOW ASM, W/O TRIM	H405-A2R
	098644-01-700	EA LATCH-REPAIR KIT (BLACK)	B801-CK
	098644-01-706	FT WEATHERSTRIP-GLASS	171-010668
	098644-01-708	FT CHANNEL-RUN, PIERCED	122-016543
	098644-01-710	FT TRACK-SCREEN SPACER, 12'	132-017135
	098644-01-711	FT WEATHERSTRIP-SCREEN, BLACK	171-016965
	098644-01-713	EA CLIP-SPRING, BLACK PLASTIC	226-016966
	098644-01-716	FT PLUG-FILLER	132-014470
	098644-01-717	FT SPLINE-SCREEN	132-004716
	103658-09-700	EA GLASS-STATIONARY, RH OR LH	106-018971
	103658-10-703	EA GLASS-SLIDING, W/SASH & LATCH	H405-A9R
	103658-10-704	EA SCREEN ASSEMBLY	410-018973R

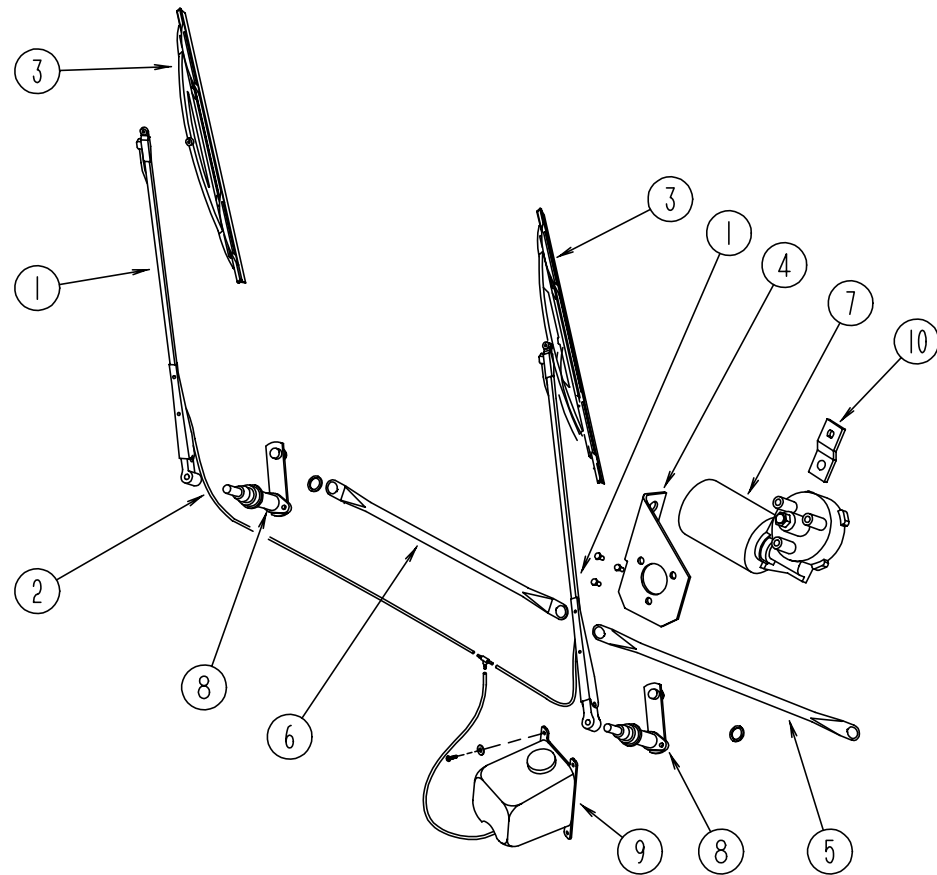
EXCEL CAB WINDOW - PASSENGER SIDE - THERMOPANE WINDOW OPTION

KEY	PART NUMBER	U/M DESCRIPTION	VENDOR NO.
	113501-04-01A	EA WINDOW-CAB, SINGLE SLIDER - W/INSIDE FRAME - EXCEL	DH405-A2B66
	103658-10-701	EA FRAME-WINDOW, INSIDE - EXCEL	H37366R & H37376R
	113501-04-700	EA WINDOW-SINGLE SLIDER, W/O INSIDE FRAME - EXCEL	DH405-A2R
	113501-04-701	EA GLASS-STATIONARY - EXCEL	390-019395R
	113501-04-702	EA GLASS-SLIDING, W/SASH & LATCH - EXCEL	DH405-A9R
	103658-10-704	EA SCREEN W/SPRING & WEATHERSTRIP - EXCEL	410-018973R
	098644-01-711	FT WEATHERSTRIP-SCREEN, BLACK - EXCEL	171-016965
	098644-01-713	EA CLIP-SPRING, BLACK PLASTIC - EXCEL	226-016966
	112795-01-700	EA LATCH ASM-BLACK - EXCEL	DH287-CK
	112795-01-701	EA SLIDE-STOP - EXCEL	132-019092
	112795-01-702	FT FILLER PLUG - EXCEL	122-018737
	112795-01-703	IN RUN CHANNEL - EXCEL	122-018736
	112795-01-704	FT VINYL-GLAZING - EXCEL	132-018280
	112898-04-703	EA SASH LATCH KIT, RAISED - EXCEL	DH343-CK

EXCEL CAB WINDOW - PASSENGER SIDE - EUROPEAN WINDOW OPTION

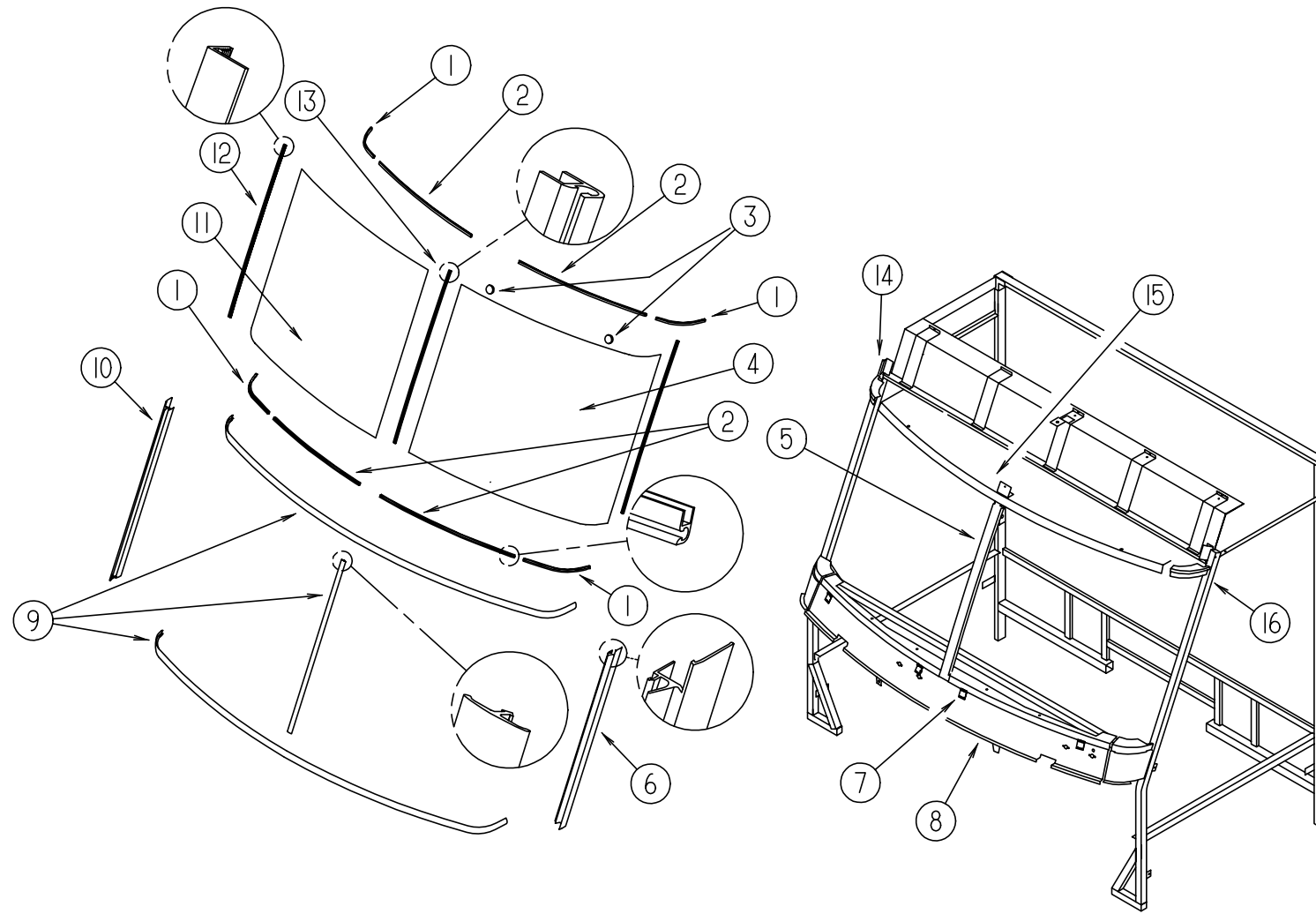
KEY	PART NUMBER	U/M DESCRIPTION	VENDOR NO.
	113501-07-01A	EA WINDOW-CAB, W/INSIDE FRAME - PASSENGER SIDE - EXCEL	DH405-EA2B66R
	112795-01-700	EA LATCH ASM-BLACK - EXCEL	DH287-CK
	112795-01-701	EA SLIDE-STOP - EXCEL	132-019092
	112795-01-702	FT FILLER PLUG - EXCEL	122-018737
	112795-01-703	IN RUN CHANNEL - EXCEL	122-018736
	112795-01-704	FT VINYL-GLAZING - EXCEL	132-018280

WINDSHIELD & WIPER GROUP
WIPER COMPONENTS



KEY	PART NUMBER	U/M	DESCRIPTION
1	103671-01-000	EA	ARM-WIPER, PANTOGRAPH - 24"
	096931-01-700	FT	HOSE-WIPER, TO BLADE
	096931-01-701	EA	NOZZLE-HARDWARE KIT, INCLUDES NOZZLE, NUT, SHORT THREAD SCREW, LONG THREAD SCREW, AND PLASTIC CAP
2	045794-01-000	FT	HOSE-WASHER, WINDSHIELD - 5/32" ID - BLACK
3	095964-01-000	EA	BLADE-WIPER, 24"
	095964-01-700	EA	REFILL-WIPER BLADE, 24" - PAIR
4	104549-01-000	EA	BRACKET ASSEMBLY-WIPER MOTOR
5	117008-01-000	EA	LINK ASM - CONNECTING - DRIVERS SIDE
6	117008-02-000	EA	LINK ASM - CONNECTING - PASSENGERS SIDE
7	104346-02-000	EA	MOTOR-WIPER - UT 63098-20-M012WJ
			FROM: 00-00-00 THRU: 11-19-95
7	104346-04-000	EA	MOTOR-WIPER - UT 65714M02025WJ
			FROM: 11-20-95 THRU: 99-99-99
	110178-01-000	EA	HOUSING-WIPER MOTOR - UT 6237440-EC25WJ
8	096505-05-000	EA	PIVOT & SHAFT ASM-WIPER, PASSENGER WINDSHIELD
8	096505-06-000	EA	PIVOT & SHAFT ASM-WIPER, DRIVER WINDSHIELD
9	117766-02-000	EA	WASHER-WINDSHIELD, BOTTLE & PUMP - MCCORD 600328
	110605-01-000	EA	TEE-BARBED, 1/8 X 1/8 X 3/16 - BAYLOCK 3799721
	117765-03-000	EA	CONNECTOR - 5/32 W/SWSH - ITT H-BAYLOCK 116756
10	104347-01-000	EA	ARM-DRIVE, WIPER MOTOR - 1.54"
	061603-01-000	EA	GROMMET-SNAP, 3/16 ID - 3/8 HOLE - PLASTIC - BLACK
	067188-01-000	EA	STUD-CRANK, WIPER
	110742-01-000	EA	GASKET-WIPER

WINDSHIELD & WIPER GROUP (CONTINUED)
WINDSHIELD MOLDINGS & GLASS



KEY	PART NUMBER	U/M	DESCRIPTION
1	110268-01-000	EA	CARRIER - REVEAL - 50.4" WINDSHIELD
2	110268-01-000	EA	CARRIER - REVEAL - 50.4" WINDSHIELD
3	081914-01-000	EA	BUMPER - RUBBER - ROUND - .43" DIAMETER - BLACK
4	088793-04-000	EA	GLASS-WINDSHIELD, DRIVER
4	088793-06-000	EA	GLASS-WINDSHIELD, DRIVER - EUROPEAN OPTION
5	075710-03-000	EA	FRAME-WINDSHIELD, CENTER DIVIDER - INNER
6	103107-02-01A	EA	TRIM-WINDSHIELD, DRIVER SIDE - BLACK
7	104449-01-000	EA	BRACKET - WINDSHIELD SUPPORT
8	077847-02-000	EA	SUPPORT - WINDSHIELD - LOWER - W/O BRACKETS
9	102936-01-000	FT	MOLDING - REVEAL - WINDSHIELD
10	103107-01-01A	EA	TRIM - WINDSHIELD - PASSENGER SIDE - BLACK

KEY	PART NUMBER	U/M	DESCRIPTION
11	088793-03-000	EA	GLASS-WINDSHIELD, PASSENGER
11	088793-05-000	EA	GLASS-WINDSHIELD, PASSENGER - EUROPEAN OPTION
12	098788-06-000	EA	CHANNEL - 49" PVC, DRIVER OR PASSENGER SIDE
13	110268-01-000	EA	CARRIER - REVEAL - 50.4" WINDSHIELD
14	077922-03-000	EA	HEADER WINDSHIELD END - PASSENGER SIDE
15	077922-05-000	EA	HEADER WINDSHIELD - CENTER
16	077922-04-000	EA	HEADER WINDSHIELD END - DRIVER SIDE
	002328-02-000	EA	BLOCK-WINDSHIELD, .062" X .5" X .98"