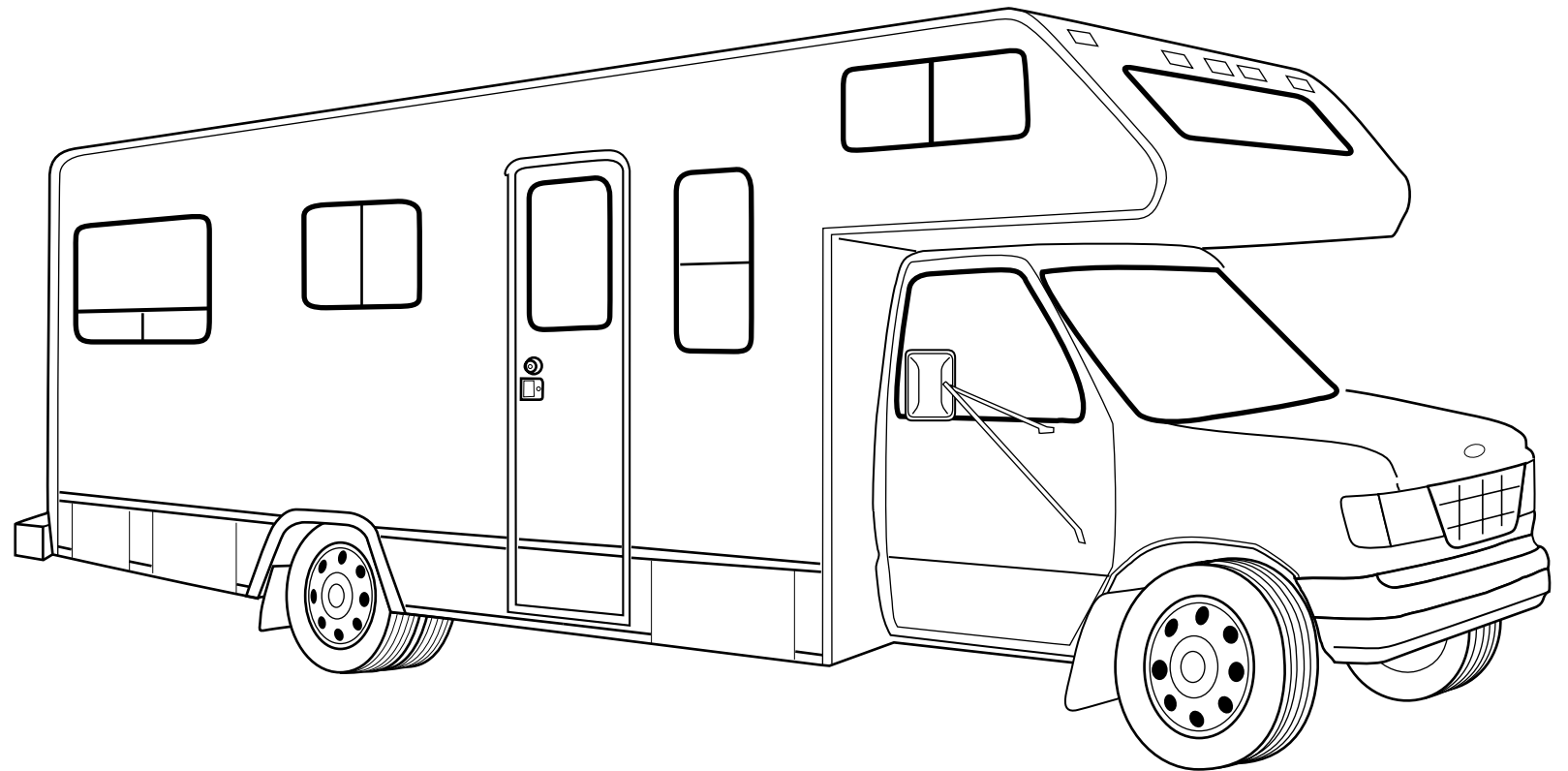
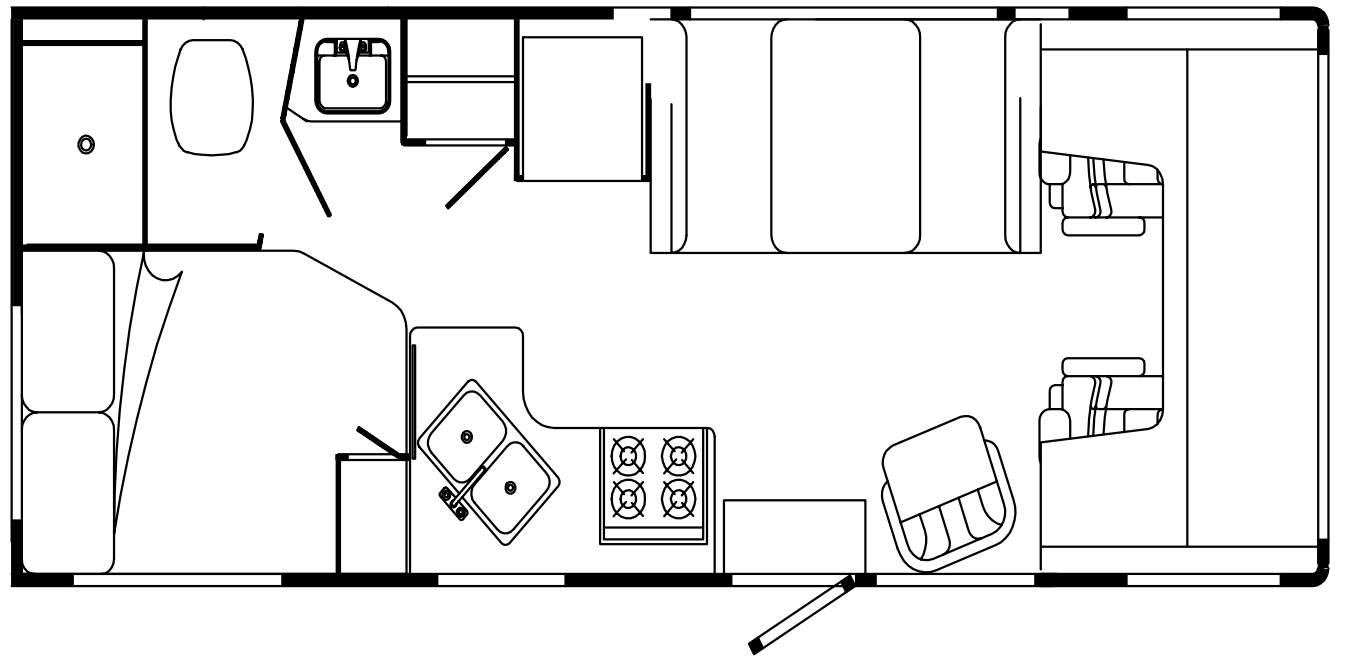


**1996**  
**WF524RC**



**G07**  
**BOTANICAL (GREEN)**

**G08**  
**THISTLE (TAN)**

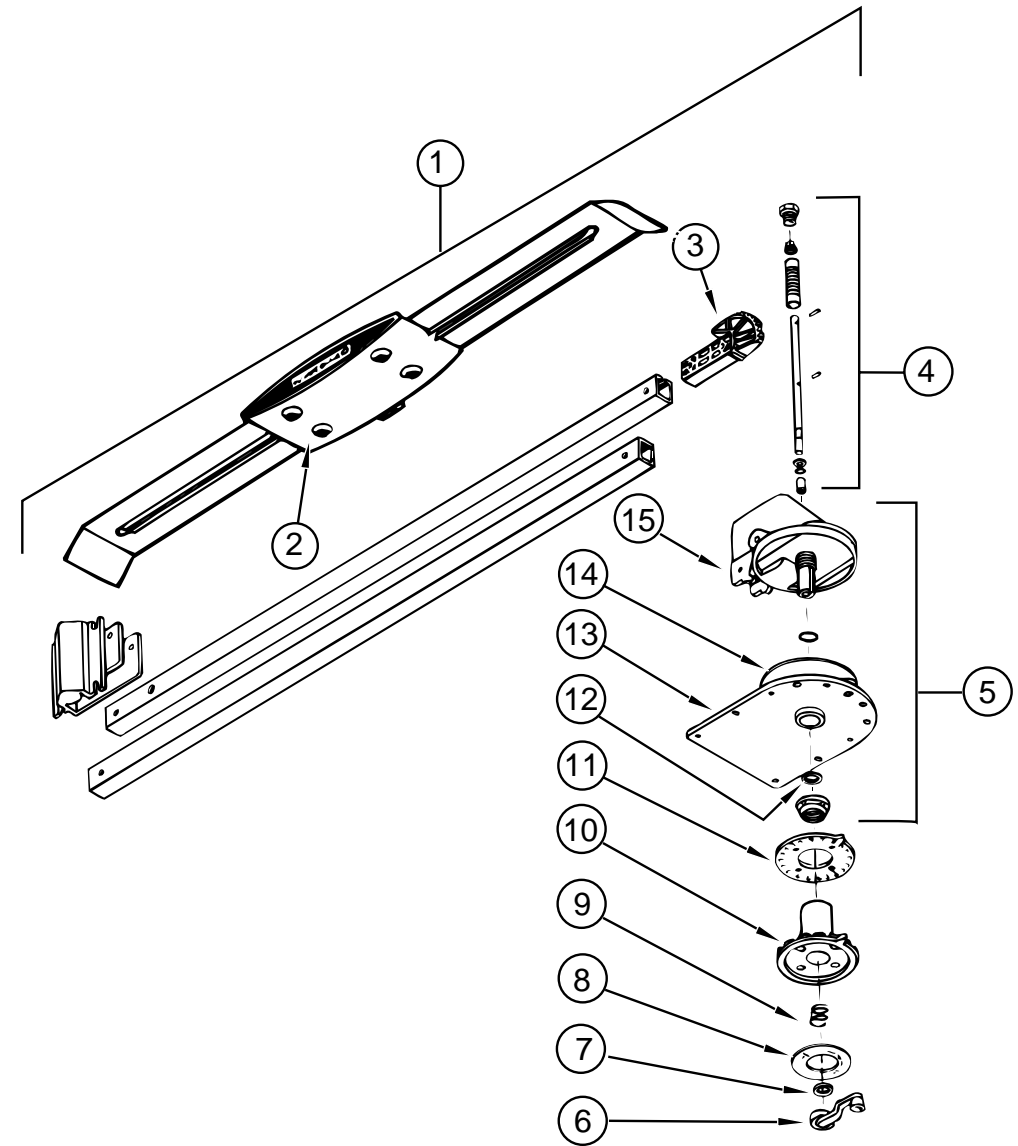


## ACCESSORIES GROUP

### OPERATORS MANUAL

KEY	PART NUMBER	U/M	DESCRIPTION
	054185-D7-000	EA	MANUAL-OPERATOR, 1996 MINNIE
	092318-01-000	EA	BINDER - 3 RING, MOTOR HOME MANUAL
	092319-01-000	EA	POCKET PAGE - 3 RING BINDER, PLASTIC
	117936-01-000	EA	TOP LEVEL-C,1996

## AUDIO VIDEO GROUP



TV ANTENNA - WINEGARD - MODEL RVA W02

KEY	PART NUMBER	U/M	DESCRIPTION	VENDOR NO.
1	076319-01-000	EA	ANTENNA-TV, ROOF MOUNT - 44.5" MAST - RVA W02	
2	076319-01-700	EA	HEAD-ANTENNA, AMPLIFIED	RVSA U/V
3	076319-01-701	EA	GEAR-ELEVATING, PLASTIC	2200046
4	076319-01-702	EA	SHAFT ASM-ELEVATING	RVP-400A
5	076319-01-711	EA	BASE & LIFT ASM	2762802
6	076319-01-706	EA	CRANK-ELEVATING, W/SET SCREW	2750897 UNIVERSAL
7	076319-01-705	EA	GROMMET-NYLON, 7/8"ID	3200658
8	076319-01-708	EA	DECAL-CRANK	5413002
9	076319-01-707	EA	SPRING-HANDLE	5160822
10	076319-01-709	EA	PLATE-DIRECTIONAL, F/HEAD	3200621
11	076319-01-712	EA	PLATE-CEILING, DIRECTIONAL	3200608
12	076319-01-704	EA	BEARING-NYLON, 1.25"OD	3200657
13	076319-01-713	EA	PLATE-BASE, STEEL	3100523
14	076319-01-703	EA	BEARING-NYLON, 5" OD	3200656
15	076319-01-714	EA	HOUSING, ROTATING GEAR	2200049
	076319-01-715	EA	NUT (GEAR HOUSING)	2200047
	076319-03-000	FT	CABLE - COAXIAL - 75 OHM	
	076319-12-000	EA	CONNECTOR - COAXIAL - ONE PIECE	

## AUDIO VIDEO GROUP (CONTINUED)

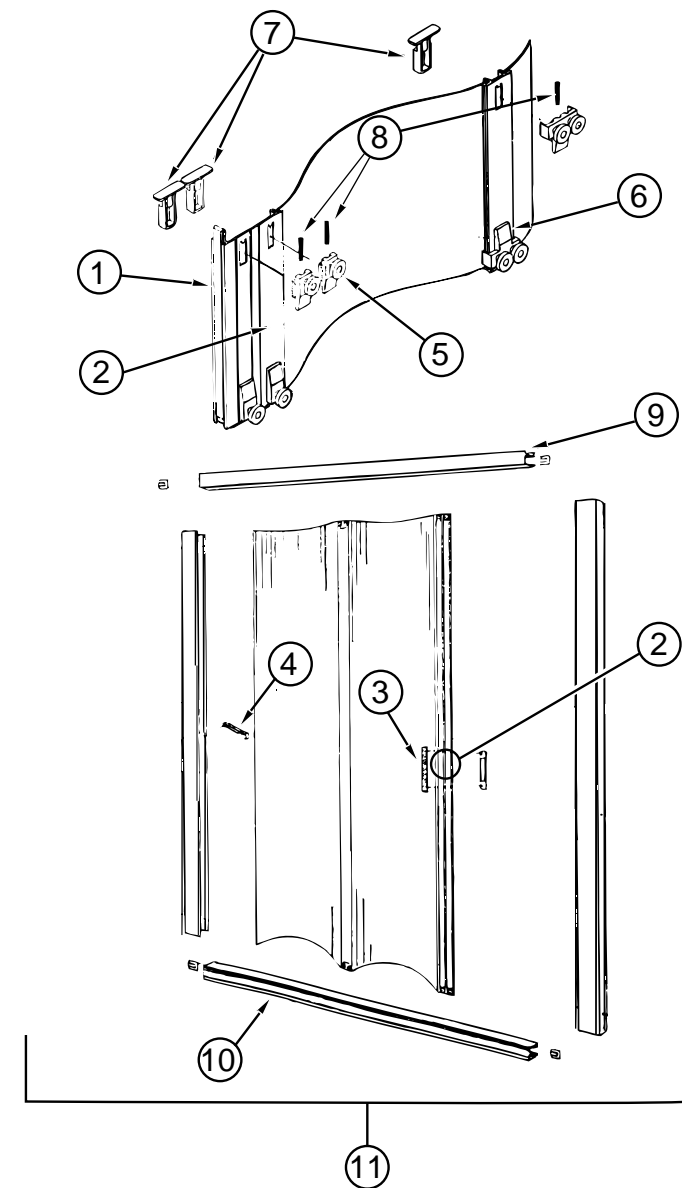
### RADIO-PATIO ENTERTAINMENT CENTER

KEY	PART NUMBER	U/M	DESCRIPTION
	087683-03-000	EA	RADIO - AM/FM STEREO CASSETTE
	090944-01-000	EA	ANTENNA - RADIO - RUBBER - 16"
	108847-01-000	EA	BRACKET - ANTENNA GROUND
	077069-02-000	EA	CABLE - EXTENSION - RADIO ANTENNA - 96"
	109889-01-000	EA	EXTENDER - SHAFT - ANTENNA 1"
	110469-01-000	EA	SPEAKER - 4" X 6" OVAL - COAXIAL
	110470-01-01A	EA	GRILLE - 4" X 6" BLACK OVAL SPEAKER
	111177-01-01A	EA	GRILLE - SPEAKER 6.6"X8.9" - HOUSING 5"X7" OVAL
	108137-01-000	EA	PLUG-ANTENNA HOLE

### TV - VCR SYSTEMS

KEY	PART NUMBER	U/M	DESCRIPTION
	086757-03-000	EA	CONTROL CENTER - SWITCH - VCR/TV
	076319-06-000	EA	ADAPTER - CABLE ROOF PLATE
	082134-01-000	EA	ADAPTER - TV - CABLE TO CABLE
	076319-08-000	EA	WALLPLATE - CABLE RECEPTACLE - TV - SINGLE/IVORY
	076319-09-000	EA	WALLPLATE - CABLE RECEPTACLE - TV - SINGLE - BROWN
	086777-02-000	EA	WALLPLATE - TV CABLE - W/ANTENNA SWITCH
	086777-06-000	EA	WALLPLATE - ANTENNA 1 OUTPUT
	086756-01-000	EA	SPLITTER - TV - 2 WAY
	082136-01-000	EA	NUT - HEX JAM - 3/8 - 32

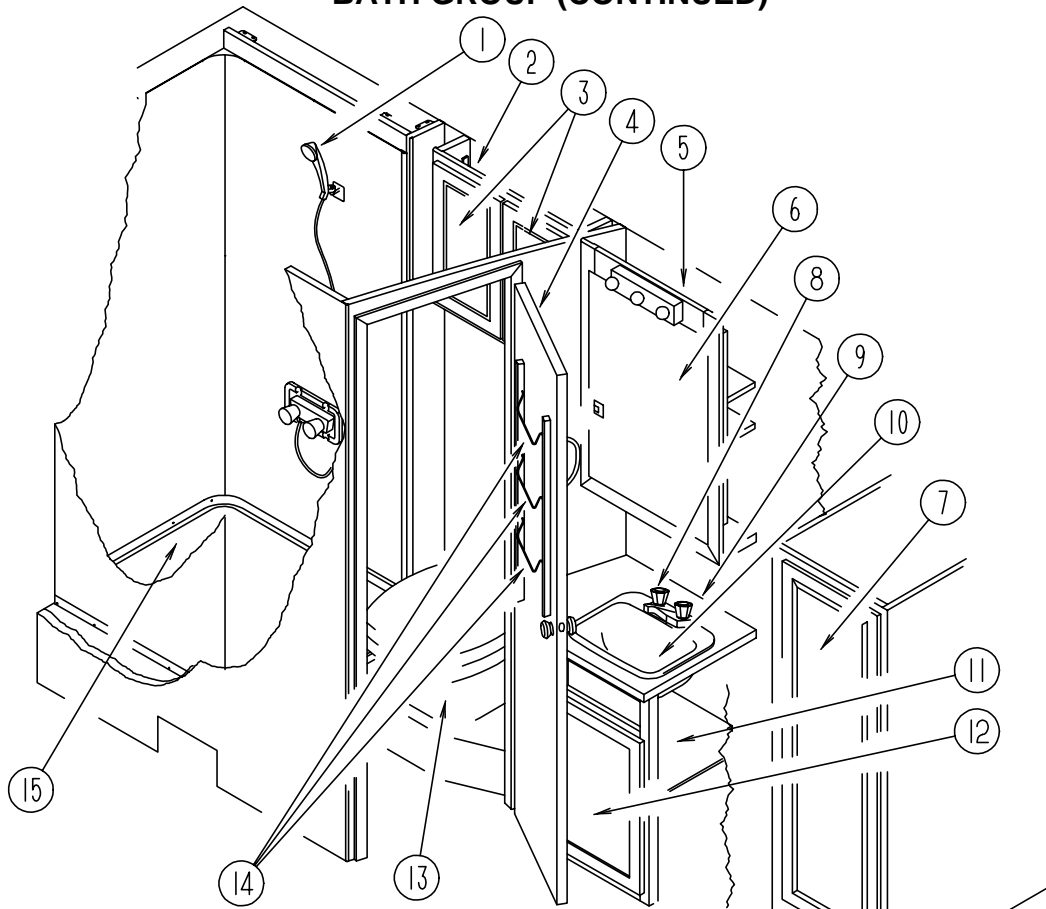
## BATH GROUP



### SHOWER DOOR - COASTAL

KEY	PART NUMBER	U/M	DESCRIPTION	VENDOR NO.
1	092574-01-705	EA	STRIP-MAGNETIC, 56 7/8"	98-41G
2	108351-01-700	EA	STRIKE ASSEMBLY	109
3	108351-01-701	EA	HANDLES-DOOR, SET	SFH
4	108351-01-702	EA	LATCH-DOOR	SFL
5	108351-01-703	EA	BRACKET & ROLLER ASM. SINGLE	GRB1
6	108351-01-704	EA	BRACKET & ROLLER ASM. DOUBLE	GRB2
7	108351-01-705	EA	BRACKET-W/RETAINING CLIP	GRC1
8	108351-01-706	EA	SPRING-ROLLER BRACKET	GS1
9	108351-02-700	EA	TRACK-TOP	111
10	108351-02-701	EA	TRACK-BOTTOM	108
11	108351-05-01A	EA	DOOR-SHOWER - FOLDING - 29.41" X 61"	
	105394-01-04A	EA	EXTR-DOOR JAMB	

**BATH GROUP (CONTINUED)**



**BATHROOM CABINETS & FIXTURES**

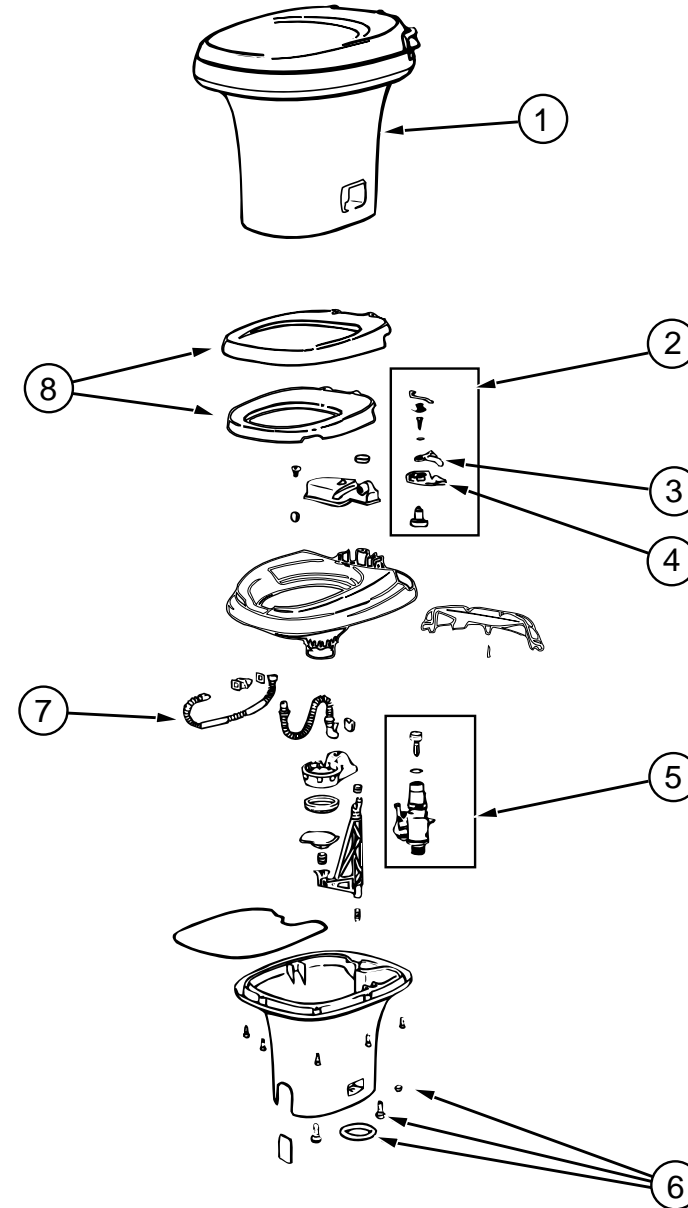
KEY	PART NUMBER	U/M	DESCRIPTION	VENDOR NO.
1	103092-02-000	EA	SHOWER HEAD - W/HOSE - CSA	
1	103092-01-000	EA	SHOWER HEAD - W/60" HOSE	
	103092-01-700	EA	BRACKET-F/SHOWER HEAD, CLEAR	2328028
	011048-03-700	EA	BRACKET-F/SHOWER HEAD	2328029-3
	091952-02-000	EA	CLIP-GRIPPER, 3/4" - SQUEEGEE/SHOWER HEAD - GIBSON TOOL 225-HL	
	075241-05-000	EA	FAUCET-SHOWER-BONE W/ 3/4" MPT X 1.4" LONG INLET PIPES	
	075606-01-000	EA	PANEL - FAUCET BACK - SHOWER - 5" X 9"	
	113236-01-01A	EA	BRACKET - CLOTHES - ROD	
2	P05767-01-F08	EA	CABT ASM-STORAGE,BATH	
	100357-01-000	EA	ROD - TOWEL - BRASS	
3	M06803-87-G07	EA	DOOR-RAIL,MTRD/OG 0285X0500	
4	P05398-03-F08	EA	DOOR ASM-BATH	
	058331-27-000	EA	MIRROR-SAFETY GLASS, 11.8" X 45.7"	
	094485-03-01A	EA	KNOB - DOOR - BRASS	
5	116863-01-G07	EA	CABINET ASM-MEDICINE	
6	115237-04-F08	EA	DOOR ASM-MIRROR	
	093606-03-000	EA	MIRROR-BEVELED, 15.1" X 28.3"	
7	M06803-91-G07	EA	DOOR-RAIL,MTRD/OG 0395X1155	
	009112-01-000	EA	FLANGE - 1" CLOTHES ROD - OFF WHITE PLASTIC	
	042438-01-000	EA	DOWEL - WOOD - CLOTHES ROD - 1" DIAMETER X 4"	
8	075240-06-000	EA	FAUCET - LAVATORY BONE	
	091253-01-000	EA	GASKET - FAUCET - LAVATORY/GALLEY	
9	116862-11-F09	EA	COUNTERTOP ASM	
10	096927-01-01A	EA	SINK - LAVATORY - RECTANGULAR - PLASTIC/BONE	
	096927-01-700	EA	PLUG-SINK	M9801
	096927-01-701	EA	TAILPIECE-DRAIN-LAVATORY	M9802
11	P16862-01-F09	EA	CABINET ASM-LAVATORY	
12	M05992-E2-G07	EA	DOOR-RAIL,HDW,OGEE 0340X0555	
	075452-02-000	EA	HOLDER - TOILET TISSUE - BRASS	
	075454-02-000	EA	RING - TOWEL - W/MOUNTING HARDWARE - BRASS	

**BATH GROUP (CONTINUED)**

**BATHROOM CABINETS & FIXTURES (CONTINUED)**

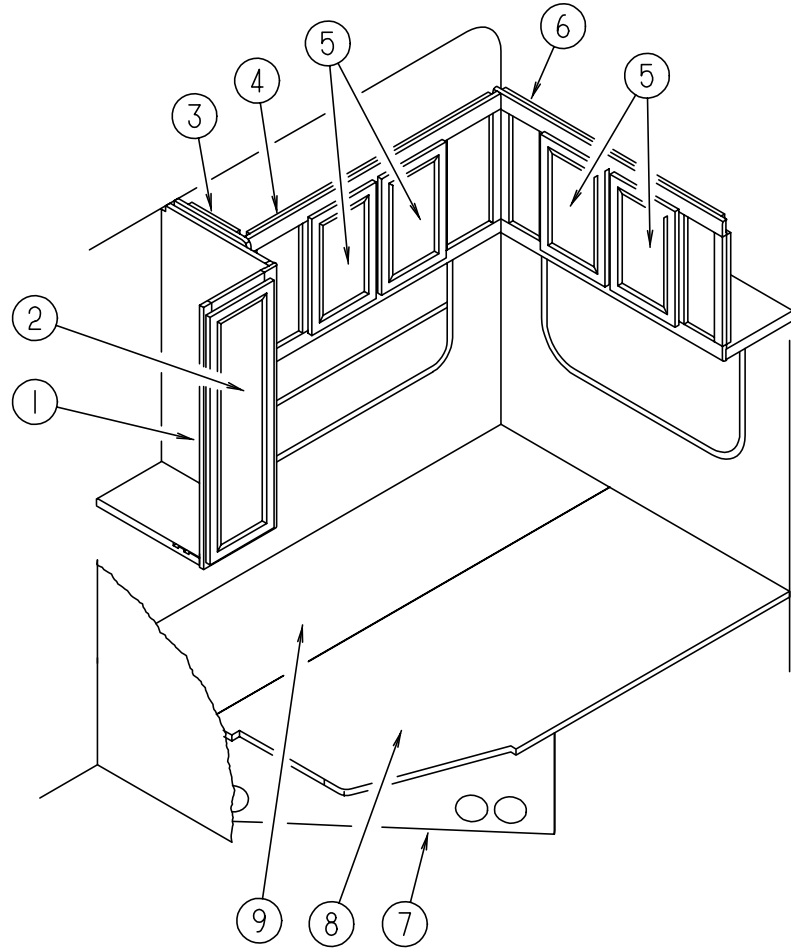
KEY	PART NUMBER	U/M	DESCRIPTION
13	067487-01-000	EA	TOILET-12.37", IVORY - HAND FLUSH - THETFORD 150110
14	075453-02-000	EA	BAR-TOWEL, 18" BRASS
	102089-13-E41	EA	RAIL END - RIGHT HAND/TOWEL RACK - 26" LONG - SALEM CHERRY
	102089-14-E41	EA	RAIL END - LEFT HAND/TOWEL RACK - 26" LONG - SALEM CHERRY
15	105629-01-01A	EA	SURROUND-SHOWER OFF WHITE
	M02673-05-B13	EA	PAN - SHOWER 29.8 X 22.7" X 5.7"
	066436-01-000	EA	NUT - SLIP - TAILPIECE 1.5"
	057671-01-000	EA	COVER-SCREW, #8 - PLASTIC - OFF WHITE

**TOILET & COMPONENTS - THETFORD - MODEL AQUA MAGIC IV LOW**



KEY	PART NUMBER	U/M	DESCRIPTION	VENDOR NO.
1	067487-01-000	EA	TOILET-12.37", IVORY - HAND FLUSH - THETFORD 150110	
2	063740-01-720	EA	LEVER KIT, WAT-FLUSH-BEARING	24629
3	063740-01-700	EA	LEVER-WATER	12514 THETFORD
4	063740-01-701	EA	LEVER-FLUSH	12515 THETFORD
5	063740-01-714	EA	VALVE ASM (VALVE-BALL SEAL)	13168
6	063740-01-706	EA	BOLT PACKAGE-FLOOR FLANGE	12524 THETFORD
7	063740-01-717	EA	TUBE-FLUSH	12509
8	063740-02-700	EA	SEAT & COVER, PARCHMENT	2464157

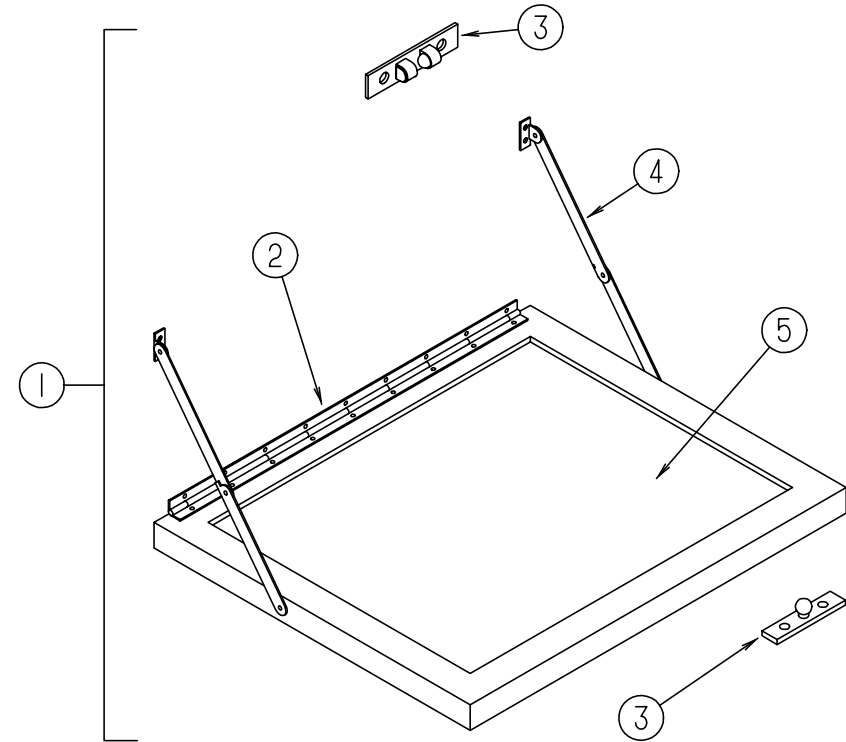
**BEDROOM GROUP**



**BEDROOM CABINETS & FOLDING PRIVACY DOOR**

KEY	PART NUMBER	U/M	DESCRIPTION
1	106236-01-F08	EA	CABINET ASM-SHIRT CLOSET,RH
2	M05992-47-G07	EA	DOOR-RAIL,HDW,OGEE 0305X1015
3	104335-09-F08	EA	CAP ASM-END,OVHD
FROM: 00-00-00 THRU: 12-03-95			
3	104335-31-G07	EA	CAP ASM-END,OVHD
FROM: 12-04-95 THRU: 99-99-99			
4	106941-01-G07	EA	CABINET ASM-OVERHEAD,REAR,RT
4	106941-01-G08	EA	CABINET ASM-OVERHEAD,REAR,RT
5	M05992-38-G07	EA	DOOR-RAIL,HDW,OGEE 0305X0475
6	106968-01-G07	EA	CABINET ASM-OVERHEAD,REAR
6	106968-01-G08	EA	CABINET ASM-OVERHEAD,REAR
7	P16180-02-F08	EA	CABINET ASM-DOUBLE BED
8	M07448-02-F15	EA	DOUBLE BED TOP DTL B
9	M07448-01-000	EA	DOUBLE BED TOP DTL A
	089076-08-000	EA	H-CHANNEL - SUPPORT/BED

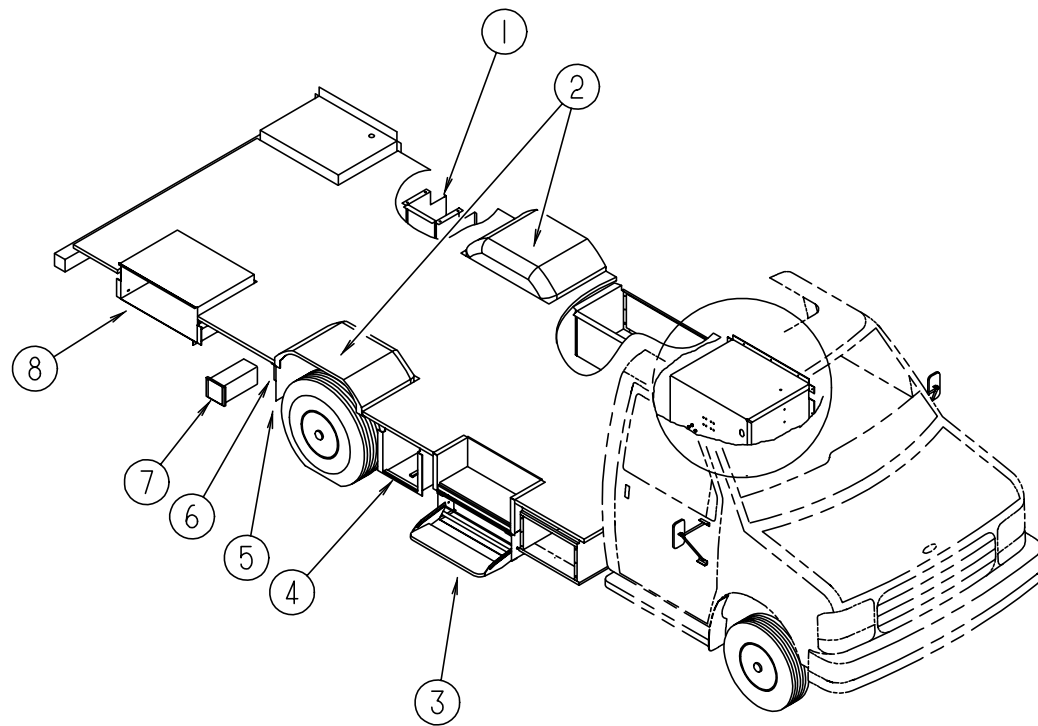
**BEDROOM GROUP (CONTINUED)**



**TV SHELF**

KEY	PART NUMBER	U/M	DESCRIPTION
1	084357-02-G07	EA	TV STAND ASM
2	084413-01-000	EA	HINGE-CONTINUOUS - ALUMINUM 1" X 72" - W/HOLES
3	084451-01-000	EA	CATCH - BRASS
4	084412-01-000	EA	SUPPORT HINGE KIT
5	084356-08-000	EA	INSERT-TV STAND W/SUPPORT HINGE
5	058331-14-000	EA	MIRROR - SAFETY GLASS - 13" X 12.7"

## CHASSIS GROUP



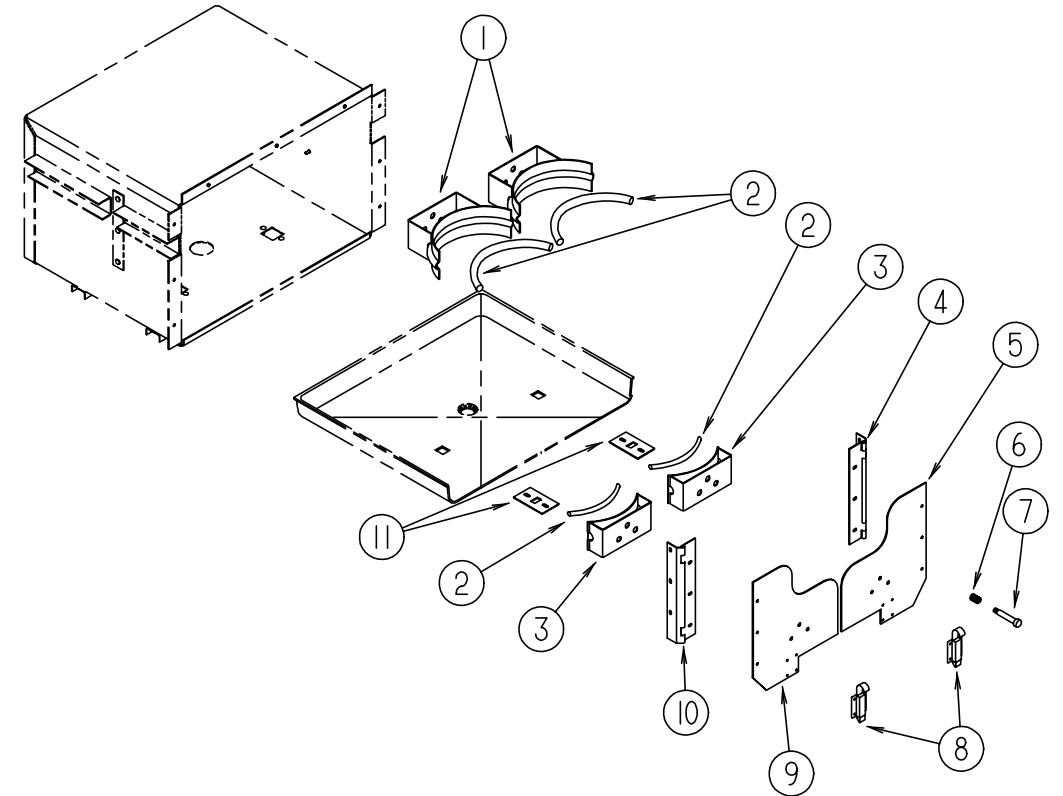
### MISCELLANEOUS CHASSIS COMPONENTS

KEY	PART NUMBER	U/M	DESCRIPTION
1	101868-08-000	EA	COMPARTMENT ASM-POWER CORD
2	096322-01-000	EA	WHEELWELL-REAR, DRIVER OR PASSENGER - PLASTIC
3	077848-02-000	EA	STEP - PULLOUT
3	094708-01-01A	EA	STEP-ENTRY DOOR, ELECTRIC - SINGLE - KWIKEE 2813
	091176-01-000	EA	SUPPORT - BASE - ENTRANCE STEP
4	105203-04-000	EA	COMPARTMENT - BATTERY
	084993-01-000	EA	STRAP - BATTERY
	084993-02-000	EA	STRAP ASM
5	017516-01-000	EA	FLAP - MUD - 14" X 18" - BLACK
	106141-01-000	EA	FLAP-MUD, W/HOLES & WINNEBAGO LOGO - BLACK
6	045731-05-000	EA	GUARD-ROCK
7	085967-01-000	EA	COMPARTMENT-SEWER HOSE 6" X 6.6" X 17.8" - PLASTIC
8	115775-01-02B	EA	COMPARTMENT ASM-GEN,E-COAT
	114070-02-02B	EA	SUPPORT - GENERATOR - LEFT
	114071-02-02B	EA	SUPPORT - GENERATOR - RIGHT
	056748-01-000	EA	PLUG - CAP - 1.5" DIAMETER
	115361-01-01A	EA	PLUG - PLASTIC
	061420-01-000	EA	PLUG-PLASTIC, 1.75" - BROWN
	061420-05-000	EA	PLUG-PLASTIC, 1.8" DIAMETER
	103491-02-000	EA	BRACKET ASM-LICENSE PLATE,FRONT

### TIRE & WHEEL

KEY	PART NUMBER	U/M	DESCRIPTION
	083425-11-000	EA	TIRE-LT225/75R16 LRD - MICHELIN LTX A/S OB
	070917-05-000	EA	TIRE-LT225/75R16D,R4S,M/S - FIRESTONE STEELTEX
	083617-03-000	EA	WHEEL-STL.16.0X6,92 E350 - ACCURIDE 28618
	095012-06-000	EA	STABILIZER - VALVE - EXTENSION - L

## CHASSIS GROUP (CONTINUED)



### LP COMPARTMENT - JAPAN EXPROT

KEY	PART NUMBER	U/M	DESCRIPTION
1	107414-01-000	EA	CRADLE ASM-LP TANK
2	098408-01-000	EA	SEAL-SPONGE RUBBER, CLOSED CELL
3	107414-02-000	EA	CRADLE ASM-LP TANK
4	097207-02-02A	EA	HINGE-CONTINUOUS,DOOR,LP,BLK
5	107433-01-C82	EA	DOOR ASM-HINGED,LP BOX,RH
6	107394-01-000	EA	SPRING-COMPRESSION,DOOR,LP
7	107393-01-000	EA	BOLT-SHOULDER, SOCKET HEAD - BLACK
8	107395-01-02A	EA	LATCH-BOLT,FINGER,DR,LP BLK
9	107433-02-C82	EA	DOOR ASM-HINGED,LP BOX,LH
10	097207-03-02A	EA	HINGE-CONTINUOUS,DOOR,LP,BLK
11	107421-01-000	EA	PLATE-STRIKE,LP COMPARTMENT

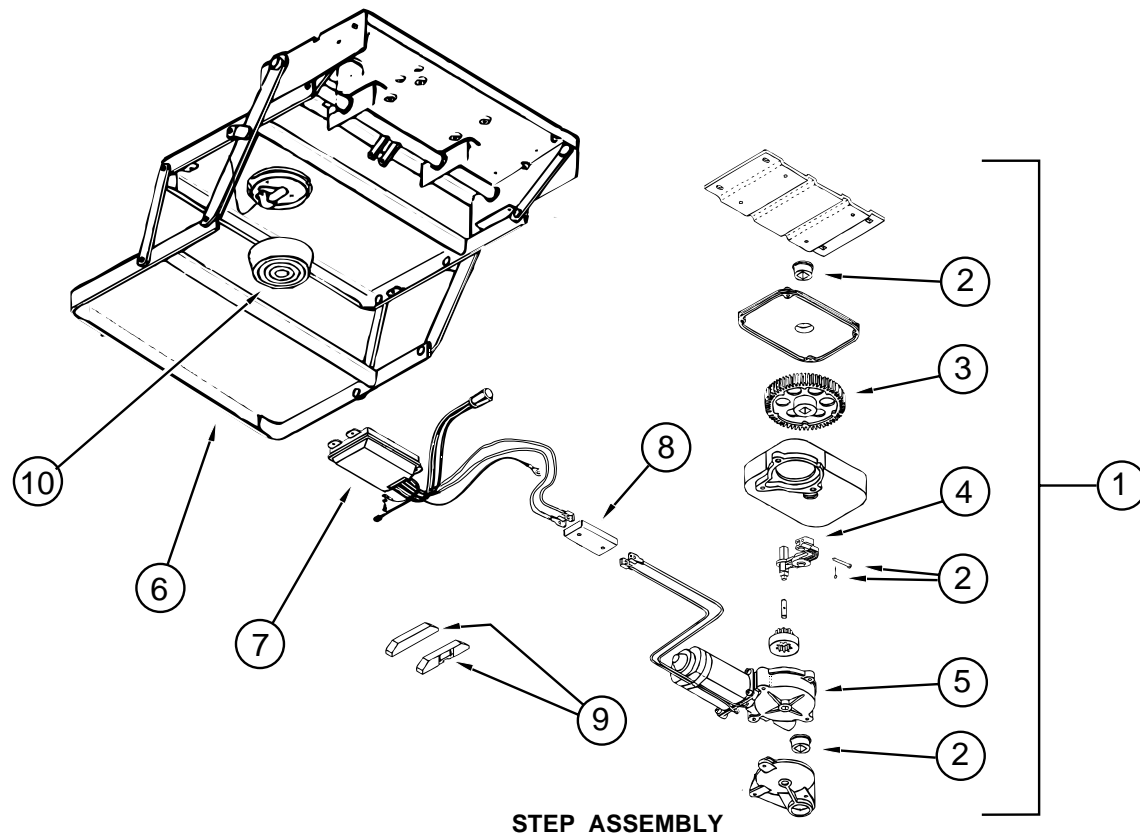
### WHEEL LINERS - DICOR

KEY	PART NUMBER	U/M	DESCRIPTION	VENDOR NO.
	110435-02-000	EA	LINER-WHEEL,SET 4 E350 DICOR V160F2	
	110435-01-711	EA	DECAL-CENTER CAP, 2"	2" DECAL
	110435-02-700	EA	LINER-WHEEL,FRONT	V160F2-FWC
	110435-02-701	EA	LINER-WHEEL,REAR	V160F2-RWC
	110435-02-702	EA	STUD EXTENDER	V160SD-STX
	110435-02-703	EA	NUT (JAMB)	V160SD-JNT
	110435-02-704	EA	COVER-LUG NUT	V160F0-LNC
	110435-02-705	EA	TOOL F/ JAMB NUT, INSTALL.	V160FO-TOL

### WHEEL COVERS

KEY	PART NUMBER	U/M	DESCRIPTION	VENDOR NO.
	109443-05-000	EA	WHEEL COVER-4/SET,16"SS - DICOR SHFM16	
	109443-05-700	EA	COVER-WHEEL, 16" SS EA=1	SHFM16-CVR
	098532-01-700	EA	COVER-LUG NUT (CHROME)	SHAU-LNC

### CHASSIS GROUP (CONTINUED)



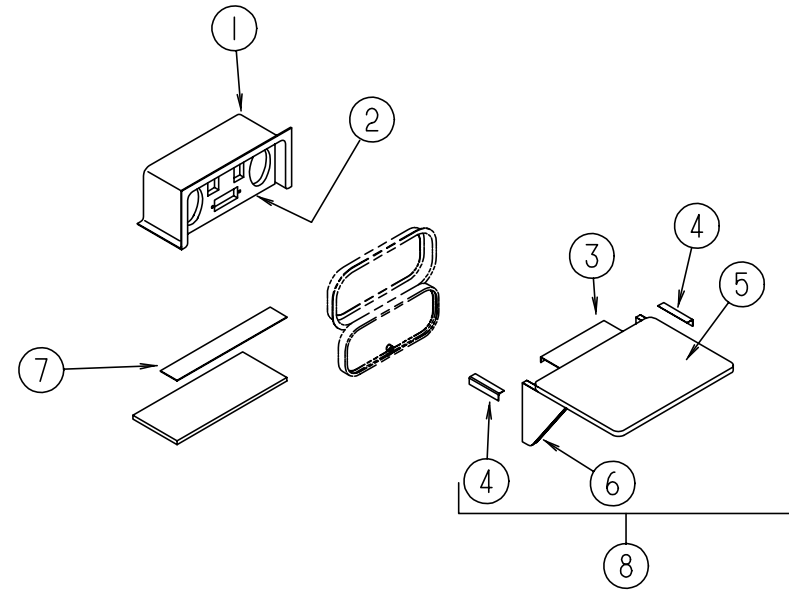
STEP ASSEMBLY

KEY	PART NUMBER	U/M	DESCRIPTION	VENDOR NO.
1	094708-01-01A	EA	STEP-ENTRY DOOR, ELECTRIC - SINGLE - KWIKEE	2813
2	094707-02-703	EA	BEARING & PINS	909530
3	094707-02-702	EA	GEAR KIT,W/BEARINGS,PIN-CASE	909525
4	094708-03-700	EA	LINKAGE ASSEMBLY-SERIES 28	909533
5	094707-02-700	EA	MOTOR ASM.,W/BEARINGS & PINS	909520
6	088746-01-709	EA	FRAME W/SGL STEP,2800 SERIES	908028
7	094707-02-705	EA	CONTROL UNIT, WHITE	909513
8	094707-02-704	EA	CONNECTOR-MOTOR ASM.W/PLATES	909537
	094707-02-707	EA	TREAD-NON SKID, BLACK 6"X21"	909333
9	116995-01-000	EA	SWITCH/MAGNET - STEP - ELECTRIC - KWIKEE-905306	
10	088746-01-705	EA	LIGHT-UNDER STEP	9004
	088733-01-700	EA	BULB	9004

### REAR AIR BAGS

KEY	PART NUMBER	U/M	DESCRIPTION	VENDOR NO.
	106067-03-000	EA	AIRSPRING-4IN DIA TWIN - 3-T'S #T-9FH3 POS	
	106067-03-700	EA	AIR BAG REPL. KIT (2 BAGS)	RK-FH3
	109236-01-000	EA	PLATE-VALVE,AIR SPRING - 93 F33RQ	

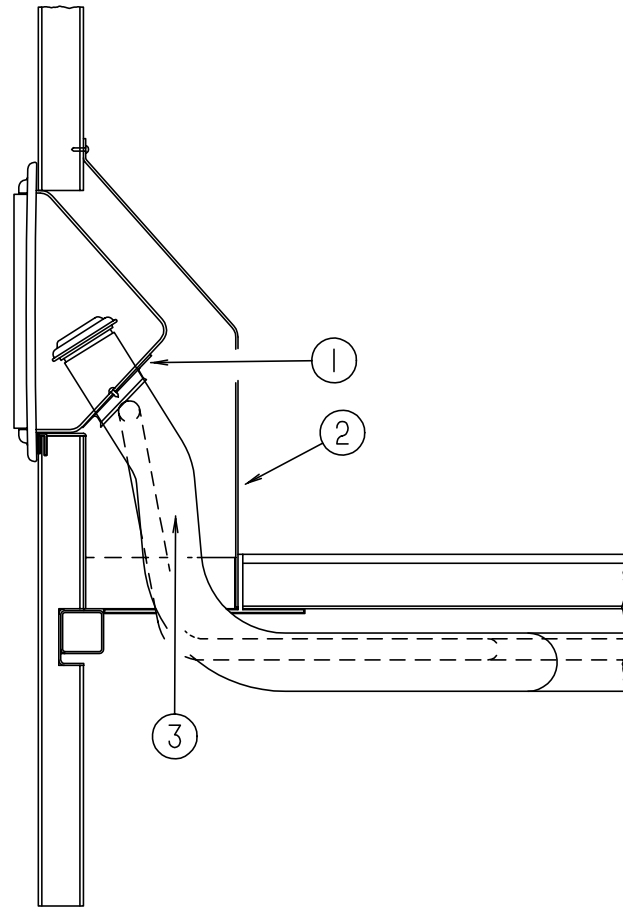
### CHASSIS GROUP (CONTINUED)



EXTERIOR ENTERTAINMENT CENTER

KEY	PART NUMBER	U/M	DESCRIPTION
1	104897-01-02A	EA	BOX - ENTERTAINMENT CENTER
2	104899-01-C05	EA	PLATE - RADIO MOUNTING
3	105377-01-01A	EA	BRACKET - TABLE HANGER
4	105376-01-02A	EA	HINGE - CONTINUOUS - 2" X 5.5"
5	105230-01-F11	EA	SHELF ASM-EXTERIOR TV
6	105230-12-F11	EA	SUPPORT
7	104898-01-02A	EA	PLATE - PLASTIC BOTTOM
8	105230-11-E01	EA	SHELF - EXTERIOR ENTERTAINMENT CENTER

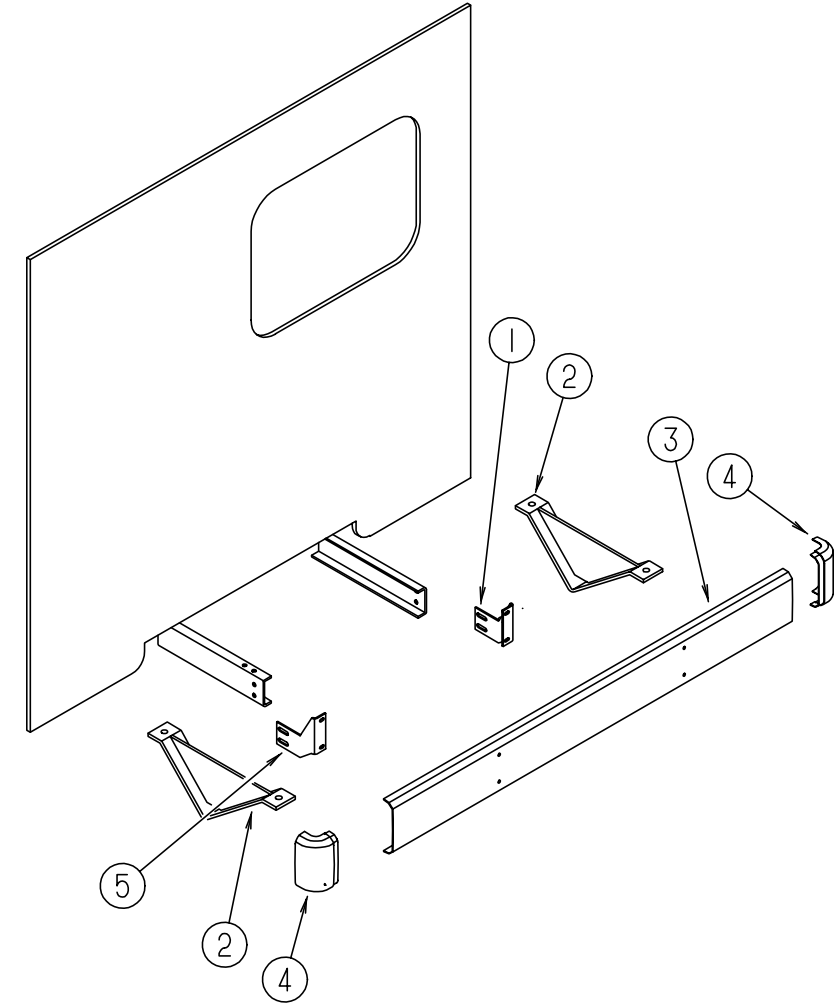
### CHASSIS GROUP (CONTINUED)



**FUEL SYSTEM COMPONENTS**

KEY	PART NUMBER	U/M	DESCRIPTION
1	078040-05-000	EA	SHROUD - FUEL FILL - UPPER
2	116043-01-000	EA	NECK-FILLER,FUEL FILL - BAUER WELD UNLEADED
2	116043-02-000	EA	NECK-FILLER,FUEL FILL - BAUER WELD DIESEL
3	078200-01-000	EA	GASKET - FUEL FILL - 3.5" OD X 2" ID
	007063-01-000	FT	HOSE - FUEL 1/4" ID X 1/2" OD
	084884-01-000	EA	PLUG - BRASS - 3/8"

### CHASSIS GROUP (CONTINUED)

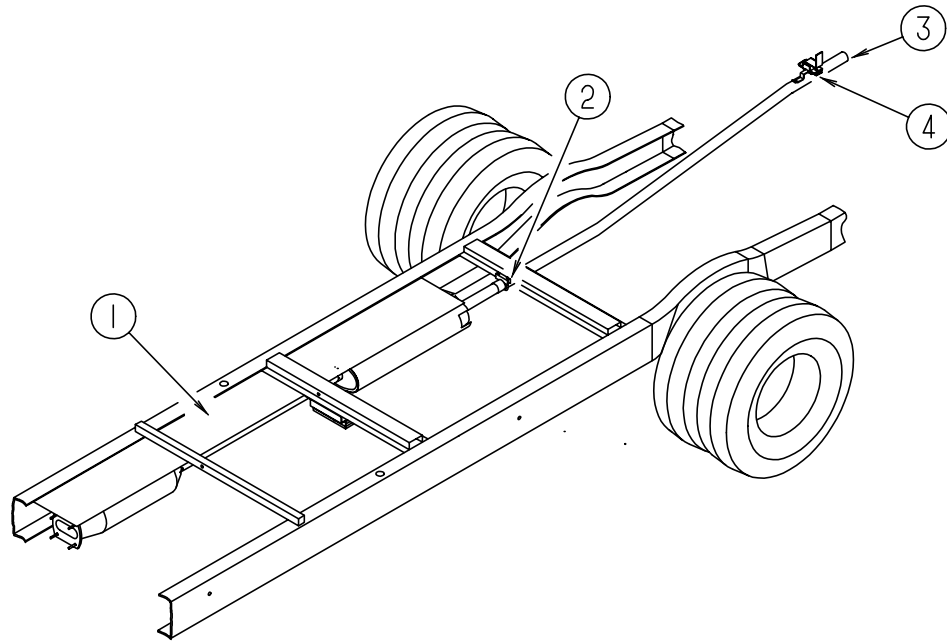


**REAR BUMPER**

KEY	PART NUMBER	U/M	DESCRIPTION
1	105933-01-000	EA	BRACKET-BUMPER,REAR
2	083376-01-000	EA	PLATE-SKID, 13.2" X 6" X 2" - STEEL
3	103099-02-04A	EA	BUMPER-REAR, BRT WHT
4	106147-01-02A	EA	CAP-END,BUMPER BLACK
	097744-02-000	EA	HOUSING - TRAILER PIN - 48"
	097745-02-000	EA	HOUSING - RECEPTACLE - TRAILER - 48' WIRE LENGTH
5	105933-02-000	EA	BRACKET BUMPER,REAR



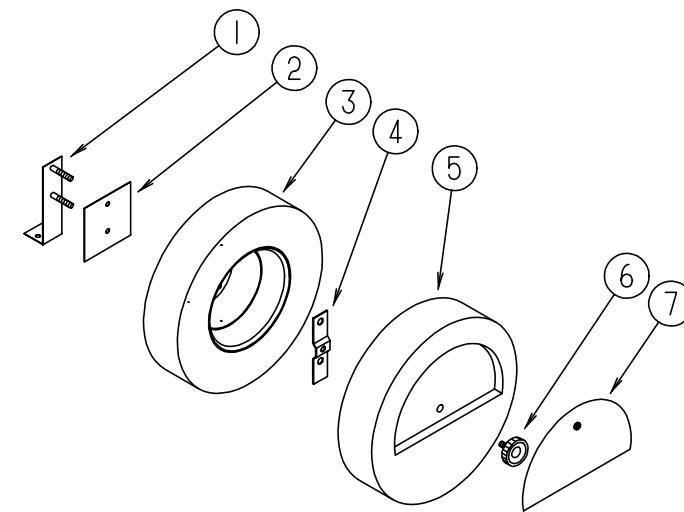
### CHASSIS GROUP (CONTINUED)



#### EXHAUST SYSTEM & HEAT SHIELD

KEY	PART NUMBER	U/M	DESCRIPTION
1	091182-01-000	EA	HEAT SHIELD
2	094918-02-000	EA	CLAMP-EXHAUST 3.5 INCH - GUILLOTINE STYLE
3	117832-01-000	EA	PIPE-EXHAUST, TAIL - 95 F524RC(EUROPE)
4	117380-01-02B	EA	HANGER ASM-TAILPIPE, E-COAT - *95 F&G (EUROPE)
	094918-02-000	EA	CLAMP-EXHAUST 3.5 INCH - GUILLOTINE STYLE
	095190-01-000	EA	HANGER - EXHAUST - 4" X 1.4"
	096054-04-000	EA	SUPPORT-EXHAUST PIPE - 93 W/ICM37RW
	102116-02-000	EA	BRACKET ASM-EXHAUST, UPPER
	007125-05-000	EA	CLAMP - MUFFLER - 2" DIAMETER
	111848-01-02B	EA	SHIELD-HEAT, EXHAUST, E-COAT - *95 321

### CHASSIS GROUP (CONTINUED)



#### SPARE TIRE CARRIER

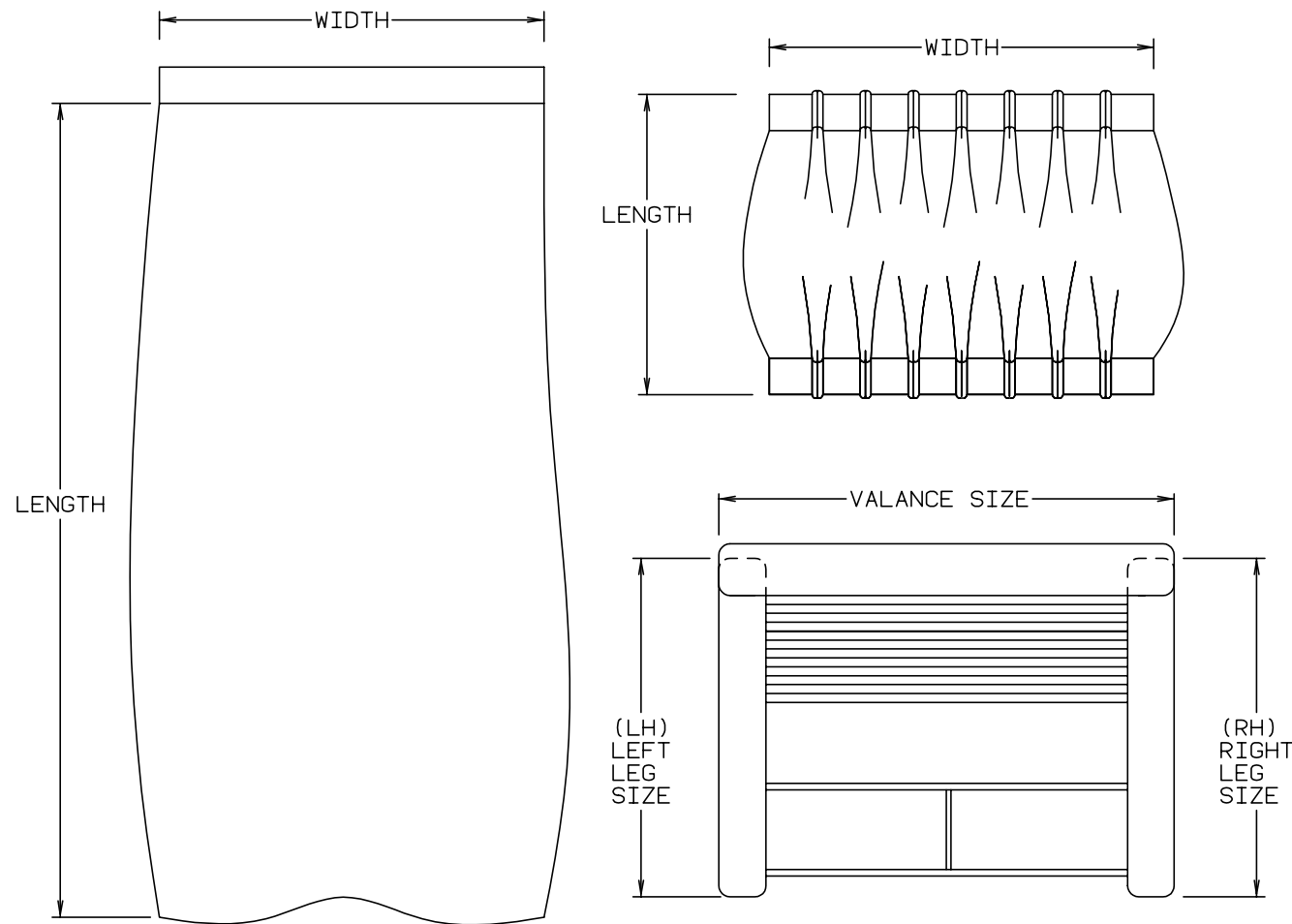
KEY	PART NUMBER	U/M	DESCRIPTION
1	105209-06-C52	EA	BRACKET ASM-SPARE TIRE
2	105208-01-000	EA	PLATE-SPARE TIRE
3	083425-11-000	EA	TIRE-LT225/75R16 LRD - MICHELIN LTX A/S OB
3	070917-05-000	EA	TIRE-LT225/75R16D, R4S, M/S - FIRESTONE STEELTEX
	083617-03-000	EA	WHEEL-STL.16.0X6,92 E350 - ACCURIDE 28618
	095012-05-000	EA	EXTENSION - VALVE STEM - LIVE 5"
4	105531-02-000	EA	RETAINER ASM-SPARE TIRE
5	079799-02-000	EA	COVER-TIRE, BRT WHITE
6	077408-02-000	EA	LOCK-KEY TYPE
	082684-01-700	EA	KEY, 1EA=1ONLY, HUDSON BH024
7	M02047-01-F15	EA	PANEL ASM-DOOR, TIRE COVER
	112358-01-000	EA	WRENCH - LUG - 7/8" - L-SHAPE

## CURTAIN & CUSHION GROUP

### NOTICE

IN ORDER TO ASSIST OUR PARTS SALES DEPT. IN PROVIDING INTERIOR SOFTWARE ITEMS, PLEASE INCLUDE THE SERIAL NUMBER AND THE COLOR CODE NUMBER FROM THE VEHICLE CERTIFICATION LABEL WHEN ORDERING. THIS LABEL IS LOCATED ON THE LEFT SIDEWALL AT THE END OF THE DASH (A-BODY), OR ON THE DRIVER'S DOOR LATCH PLATE (C-BODY).

AN EXAMPLE OF A COLOR CODE NUMBER IS B07, WHICH DESIGNATES AN OVERALL COLOR SCHEME OF A PARTICULAR UNIT. THE COLOR LISTED AFTER THE ITEM DESCRIPTION ON THE MICROFICHE, INDICATES THE OVERALL UNIT COLOR. ORDER THE ITEM YOU DESIRE ACCORDING TO UNIT COLOR CODE.



NOTE: USE THIS ILLUSTRATION WHEN DETERMINING LENGTH AND WIDTH MEASUREMENTS FOR CURTAINS. YOU WILL NOTE THE WIDTH MEASUREMENT IS TAKEN ON THE TOP OF THE CURTAIN WITH THE CURTAIN FULLY EXTENDED. THE LENGTH MEASUREMENT IS TAKEN FROM TOP TO BOTTOM. LEFT AND RIGHT WINDOW LEGS ARE DETERMINED WHEN FACING THE WINDOW.

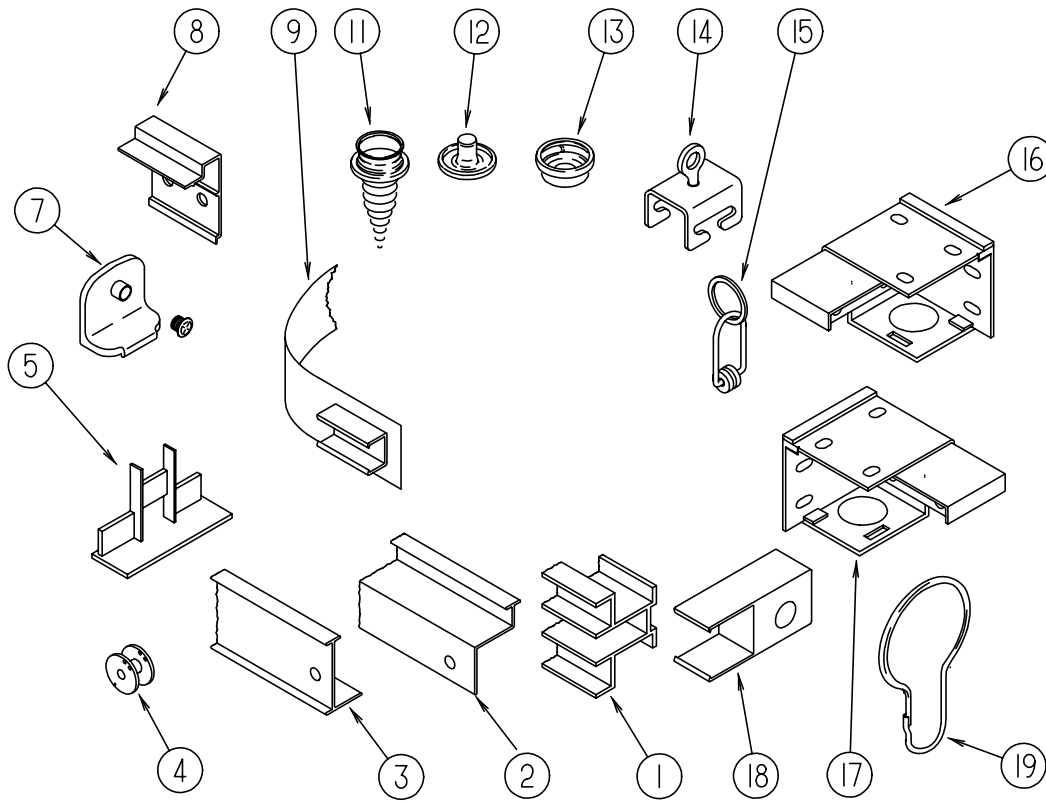
## CURTAIN & CUSHION GROUP (CONTINUED)

### MINNIE WINNIE FABRICS

Family - 500's	G07 Botanical	G08 Thistle
Bucket Seats	108446-G0-000	108446-77-000
Dinette	108446-F8-000	108446-F9-000
Dinette Pads	104233-59-000	108446-77-000
Swivel Chair	108446-G1-000	108446-G2-000
Lounge Pillow	108446-G1-000 108446-70-000	108446-G2-000 108446-69-000
Lounge Windows	108446-F8-000	108446-G2-000 108446-F9-000
Legs	108446-G1-000	108446-G2-000
Overhead Bunk	108446-G1-000	108446-G2-000
Bedroom Window	105745-B0-000	105745-B1-000
Bedroom Legs	105745-B2-000	105745-62-000
Bedroom Pillow	105745-B2-000 105745-B0-000	105745-62-000 105745-B1-000
Bedspread	105745-62-000 105745-B2-000	105745-B1-000 105745-62-000
Pillow Shams	105745-62-000 105745-B2-000	105745-B1-000 105745-62-000
Bunk Privacy	093487-10-01A	093487-10-01A
Front Wraparound	072333-85-000	072333-85-000
Overhead Curtain	105745-B0-000	105745-B1-000
Day/Nighter	094977-30-000 094911-26-000	094977-30-000 094911-26-000

NOTE: THE FABRIC LISTED FIRST, IN A BLOCK, IS THE LARGEST QUANTITY OF FABRIC USED.

**CURTAIN & CUSHION GROUP (CONTINUED)**



**CURTAIN & BLIND HARDWARE**

KEY	PART NUMBER	U/M	DESCRIPTION
1	101033-03-000	FT	TRACK-WALL/WHITE - 8.5'
2	105450-08-01A	EA	TRACK-CURTAIN, 38" LONG - ALUMINUM - OFF WHITE
3	009700-04-002	EA	TRACK - L-SHAPED 195.5" - OFF WHITE
3	092464-05-01A	EA	TRACK-SHOWER OFF WHITE
4	097592-01-000	EA	SPOOL - CORD - ELEVATED BLIND HOLDUP - CLEAR PLASTIC
	097593-07-000	FT	CORD-BLIND, PLEATED - PALE JADE (G07)
	097593-02-000	FT	CORD-BLIND, PLEATED - GRAY (G08)
	094896-02-000	EA	GROMMET - CORD - PLEATED BLIND - NYLON - GRAY
5	094907-02-000	EA	END CAP - TOP/PLEATED BLIND - PLASTIC - GRAY
	094907-04-000	EA	HARDWARE - END CAP BOTTOM - PULL TYPE (RH & LH)
	094907-04-700	EA	END CAP-RH BOTTOM BLIND
	094907-04-701	EA	END CAP-LH BOTTOM BLIND
7	106544-01-000	EA	PULL - SHADE/BRASS
	106544-01-001	EA	SCREW - SHADE/BRASS
	084434-01-000	EA	BRACKET - MOUNTING - ROLLER SHADE - 1 3/8"
	096843-01-000	EA	SPRING - REWIND/ROLLER SHADE
8	097565-01-000	EA	BRACKET - MOUNTING/PLEATED BLIND
	097591-01-000	EA	SPRING - EXTENSION/PLEATED BLIND
	097564-01-000	EA	HANDLE-T - EZ LIFT SHADE
9	101031-01-000	YD	TAPE - GLIDE/CURTAIN - 4.25" SPACING
11	029130-01-000	EA	SCREW - SNAP SOCKET - #8 PH X 5/8"
12	029155-01-000	EA	CAP-SNAP, 5/32" O.D. OF PIN
13	029156-01-000	EA	SOCKET - SNAP - 9/16" O.D.
14	009702-01-000	EA	END STOP - CURTAIN CARRIER - L ROD
15	009701-01-000	EA	CARRIER-CURTAIN, L ROD
16	083170-01-000	EA	BRACKET - BLIND - LEFT SIDE WHEN FACING WINDOW
17	083170-02-000	EA	BRACKET - BLIND - RIGHT SIDE WHEN FACING WINDOW
18	101033-02-000	EA	END CAP-TRACK, CLEAR

**CURTAIN & CUSHION GROUP (CONTINUED)**

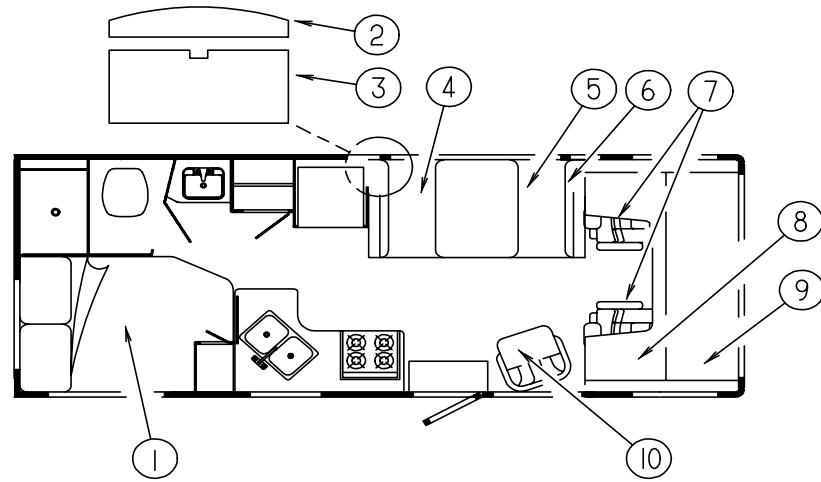
**CURTAIN & BLIND HARDWARE**

KEY	PART NUMBER	U/M	DESCRIPTION
19	009136-02-000	EA	HANGER - RING - PIN TYPE - CURTAIN - BRASS
	109441-03-000	EA	HOLD DOWN - BLIND (CLOUDY)
	046867-03-000	EA	GROMMET - HANDY BUTTON #3
	048394-02-000	YD	VELCRO TAPE - HOOK - ADHESIVE BACK - .75" WIDE - BEIGE
	086276-01-000	EA	TAPE - DOUBLE SIDED - 1/2"
	088792-01-000	YD	VELCRO TAPE - HOOK - .75" WIDE - BEIGE
	088792-02-000	YD	VELCRO TAPE - LOOP - ADHESIVE BACKED - .75" WIDE - BEIGE
	105648-01-02A	EA	BRACE - VALANCE - OFF/WHITE
	109353-04-000	EA	CLIP - VALANCE SLAT MOUNTING - CLEAR PLASTIC
	083125-07-000	EA	BRACE - COUCH - 2.5"

**ASSIST HANDLE, BUTTONS & SEATBELTS**

KEY	PART NUMBER	U/M	DESCRIPTION
	070578-06-F08	EA	BUTTON ASM-#30 9VINYL-02
	084415-70-000	YD	TRIM-BRAID,60261-V118,CORD (G07)
	053552-02-AA8	EA	HANDLE - ASSIST - INTERIOR/ENTRY DOOR - VINYL/OFF WHITE
	069178-02-000	EA	BRACKET - MOUNTING ASSIST HANDLE
	000C16-07-16B	EA	BOLT - CARRIAGE - ASSIST HANDLE - 7/16" - 14 X 1"
	000D20-07-00B	EA	NUT - ACORN - ASSIST HANDLE - 7/16 - 14
	057759-01-000	EA	WASHER BRACKET - SEAT BELT - 4" DIAMETER
	007021-01-000	EA	BELT - SEAT - 2" X 90" - BLACK

**CURTAIN & CUSHION GROUP (CONTINUED)**



**DOUBLE BEDSPREAD, PILLOW & MATTRESS**

KEY	PART NUMBER	U/M	DESCRIPTION
1	085365-46-G07	EA	BEDSPREAD/THROW - 54"
1	085365-46-G08	EA	BEDSPREAD/THROW - 54"
	104176-05-G07	EA	SHAM - PILLOW
	104176-05-G08	EA	SHAM - PILLOW
	101123-03-000	EA	MATTRESS-DOUBLE, W/CUT CORNER - 53" X 74"
	P01123-03-000	EA	COVER-MATTRESS, 53" X 74"
	104504-08-G07	EA	PILLOW - ROUND - 16"
	104504-08-G08	EA	PILLOW - ROUND - 16"

**DINETTE CUSHIONS FOR EXPORT**

KEY	PART NUMBER	U/M	DESCRIPTION
2	120968-03-G07	EA	CUSH-DINETTE TOP BACK FILLER
2	120968-03-G08	EA	CUSH-DINETTE TOP BACK FILLER
	P20968-03-G07	EA	CVR-TOP BACK FILLER
	P20968-03-G08	EA	CVR-TOP BACK FILLER
3	120968-01-G07	EA	CUSHION - BACK - 23" X 41" X 5"
3	120968-01-G08	EA	CUSHION - BACK - 23" X 41" X 5"
	P20968-01-G07	EA	COVER - BACK CUSHION - 23" X 41" X 5"
	P20968-01-G08	EA	COVER - BACK CUSHION - 23" X 41" X 5"
4	120968-02-G07	EA	CUSHION - SEAT - 23" X 41" X 5"
4	120968-02-G08	EA	CUSHION - SEAT - 23" X 41" X 5"
	P20968-02-G07	EA	COVER - SEAT CUSHION - 23" X 41" X 5"
	P20968-02-G08	EA	COVER - SEAT CUSHION - 23" X 41" X 5"
5	120968-05-G07	EA	CUSHION - 23" X 41" X 5"
5	120968-05-G08	EA	CUSHION - 23" X 41" X 5"
	P20968-05-G07	EA	COVER - SEAT CUSHION - 23" X 41" X 5"
	P20968-05-G08	EA	COVER - SEAT CUSHION - 23" X 41" X 5"
6	120968-04-G07	EA	CUSHION - BACK - 13" X 41" X 5"
6	120968-04-G08	EA	CUSHION - BACK - 13" X 41" X 5"
	P20968-04-G07	EA	COVER - BACK - 13" X 41" X 5"
	P20968-04-G08	EA	COVER - BACK - 13" X 41" X 5"
	078155-01-000	EA	STRAP - SNAP - BACKREST CUSHION

**DINETTE CUSHIONS FOR JAPAN**

KEY	PART NUMBER	U/M	DESCRIPTION
3	111897-04-G15	EA	CUSHION - BACK - 13.5" X 38" X 5"(G07)
3	111897-04-G16	EA	CUSHION - BACK - 13.5" X 38" X 5" (G08)
	P11897-04-G15	EA	COVER - BACK - 13.5" X 38" X 5"(G07)
	P11897-04-G16	EA	COVER - BACK - 13.5" X 38" X 5" (G08)
	078155-01-000	EA	STRAP - SNAP - BACKREST CUSHION
4	088927-87-G15	EA	CUSHION - SEAT - 23" X 38" X 5"(G07)
4	088927-87-G16	EA	CUSHION - SEAT - 23" X 38" X 5"(G08)
	M88927-87-G15	EA	COVER - SEAT - 23" X 38" X 5"(G07)
	M88927-87-G16	EA	COVER - SEAT - 23" X 38" X 5"(G08)
5	111897-04-G15	EA	CUSHION - BACK - 13.5" X 38" X 5"(G07)
5	111897-04-G16	EA	CUSHION - BACK - 13.5" X 38" X 5" (G08)
	P11897-04-G15	EA	COVER - BACK - 13.5" X 38" X 5"(G07)
	P11897-04-G16	EA	COVER - BACK - 13.5" X 38" X 5" (G08)
	078155-01-000	EA	STRAP - SNAP - BACKREST CUSHION
6	088927-87-G15	EA	COVER - SEAT - 23" X 38" X 5"(G07)
6	088927-87-G16	EA	COVER - SEAT - 23" X 38" X 5"(G08)
	M88927-87-G15	EA	COVER - SEAT - 23" X 38" X 5"(G07)
	M88927-87-G16	EA	COVER - SEAT - 23" X 38" X 5"(G08)

**BUCKET SEATS**

KEY	PART NUMBER	U/M	DESCRIPTION
7	115390-05-G15	EA	SEAT - NEWPORT - MANUAL RECLINER W/HEADREST (G07)
7	115390-05-G16	EA	SEAT - NEWPORT - MANUAL RECLINER W/HEADREST (G08)

**BUNK CUSHIONS**

KEY	PART NUMBER	U/M	DESCRIPTION
8	105573-10-G07	EA	CUSHION - OVERHEAD - REAR BUNK - 27" X 23" X 80" X 5"
8	105573-10-G08	EA	CUSHION-OVERHEAD BUNK, REAR - 27" X 23" X 80" X 5"
	P05573-10-G07	EA	COVER - OVERHEAD - REAR BUNK CUSHION - 27"X23"X80"X5"
	P05573-10-G08	EA	COVER-CUSHION, OVERHEAD BUNK - REAR - 27" X 23" X 80" X 5"
9	105573-09-G07	EA	CUSHION - OVERHEAD - FRONT BUNK - 32.5" X 80" X 5"(G07)
9	105573-09-G05	EA	CUSHION-OVERHEAD BUNK, FRONT - DOUBLE ANGLED - 32.5" X 80" X 5" (G08)
	P05573-09-G07	EA	COVER - OVERHEAD - FRONT BUNK CUSHION - 32.5" X 80" X 5"(G07)
	P05573-09-G05	EA	COVER-CUSHION, FRONT - DOUBLE ANGLED - 32.5" X 80" X 5" (G08)

**BUNK CUSHIONS-OVERHEAD ENTERTAINMENT CENTER**

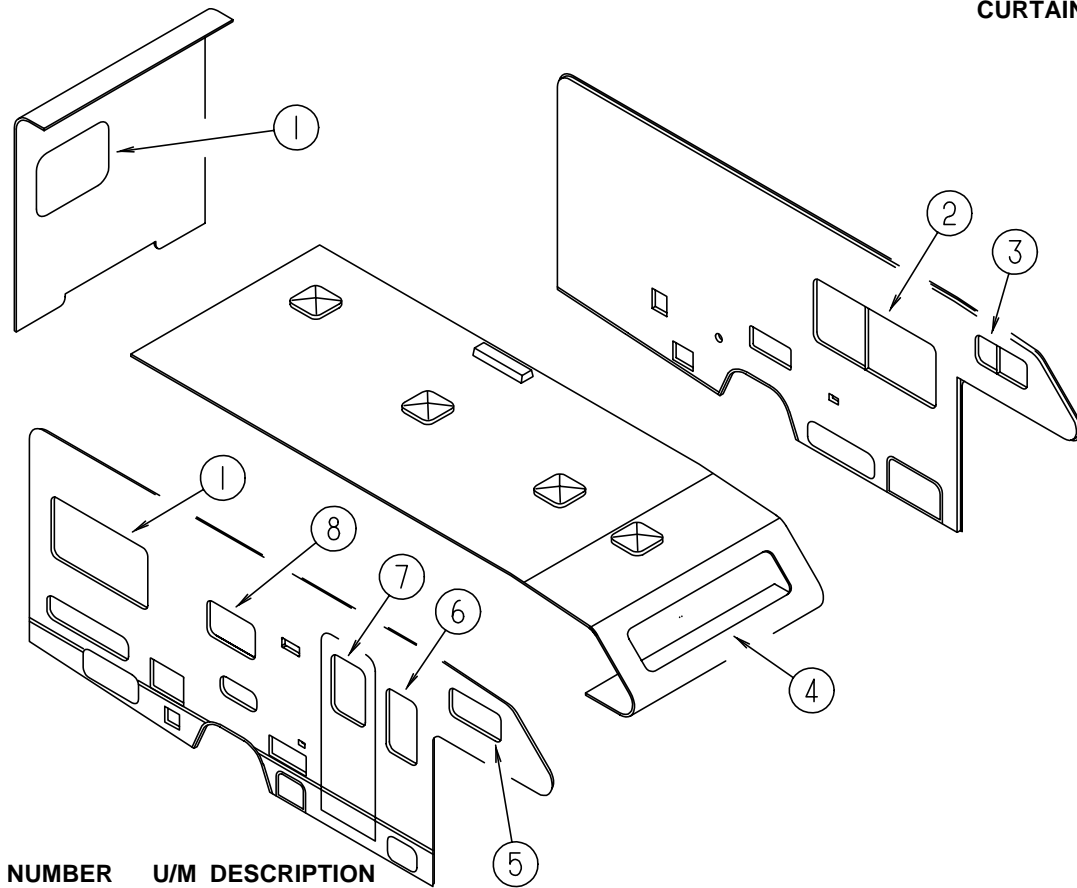
KEY	PART NUMBER	U/M	DESCRIPTION
	079145-08-000	EA	CUSHION - BUNK - 25" X 74" X 3.5'
	M79145-08-000	EA	COVER - CUSHION BUNK - 25" X 74" X 3.5"
	094658-02-F08	EA	OAK HANDLE - SALEM CHERRY

**SWIVEL CHAIR**

KEY	PART NUMBER	U/M	DESCRIPTION
10	115470-01-G07	EA	CHAIR - SWIVEL(G07)
10	115470-01-G05	EA	CHAIR - SWIVEL(G08)

## CURTAIN & CUSHION GROUP (CONTINUED)

### CURTAINS & WINDOW TREATMENT

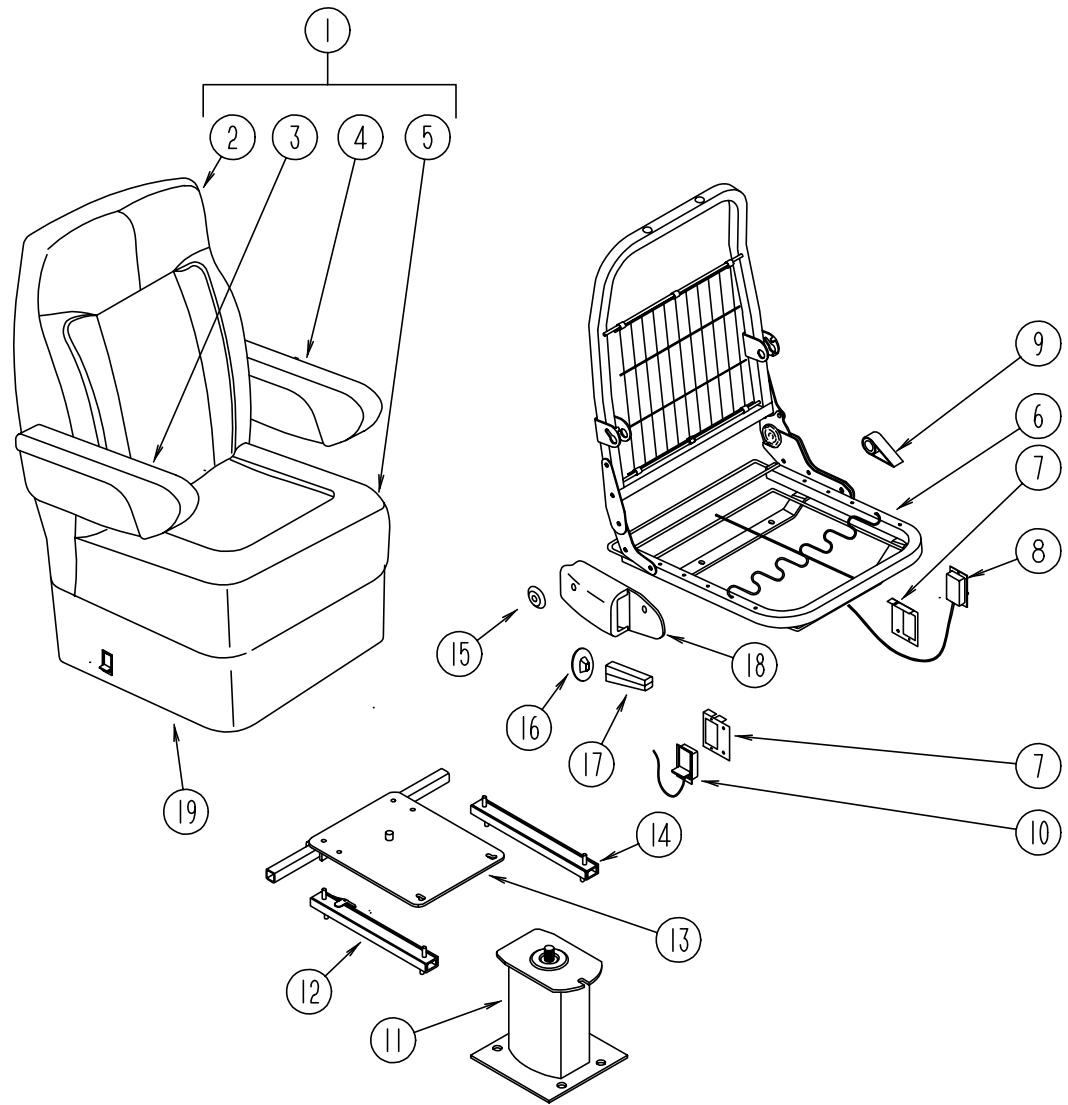


KEY	PART NUMBER	U/M	DESCRIPTION
1	119262-03-G07	EA	VALANCE - MONACO - 52.5" (G07)
1	119299-01-G16	EA	VALANCE - WHITNEY - 53"(G08)
1	111910-19-F08	EA	BLIND - DAY/NIGHTER - 50" X 28"(G07)
1	111910-19-G08	EA	BLIND - DAY/NIGHTER - 50" X 28"(G08)
2	119262-01-G15	EA	VALANCE - MONACO - 64.5" (G07)
2	119263-01-G16	EA	VAL ASM-64.5" STARBUCK (G08)
2	119333-03-G15	EA	LEG - RIGHT - 25" (G07)
2	119333-07-G16	EA	LEG-RT.,25",GATHERED,N/HOLE(G08)
2	119333-04-G15	EA	LEG - LEFT - 25" (G07)
2	119333-08-G16	EA	LEG-LT.,25",GATHERED,N/HOLE(G08)
2	111910-22-F08	EA	BLIND - DAY/NIGHTER - 60" X 28.5"(G07)
2	111910-22-G28	EA	BLIND - DAY/NIGHTER - 60" X 28.5" (G08)
3	101034-51-G07	EA	CURTAIN - RIGHT HAND - 19" X 34"
3	101034-51-G08	EA	CURTAIN - RIGHT HAND - 19" X 34"
3	101034-52-G07	EA	CURTAIN - LEFT HAND - 19" X 34"
3	101034-52-G08	EA	CURTAIN - LEFT HAND - 19" X 34"
4	101034-33-G07	EA	CURTAIN - RIGHT HAND - 21" X 60"
4	101034-33-G08	EA	CURTAIN - RIGHT HAND - 21" X 60"
4	101034-34-G07	EA	CURTAIN - LEFT HAND - 21" X 60"
4	101034-34-G08	EA	CURTAIN - LEFT HAND - 21" X 60"
5	101034-51-G07	EA	CURTAIN - RIGHT HAND - 19" X 34"
5	101034-51-G08	EA	CURTAIN - RIGHT HAND - 19" X 34"
5	101034-52-G07	EA	CURTAIN - LEFT HAND - 19" X 34"
5	101034-52-G08	EA	CURTAIN - LEFT HAND - 19" X 34"
6	119262-33-G07	EA	VAL ASM-17" MONACO W/BRAID
6	119263-16-G08	EA	VAL ASM-17" STARBUCK
6	119333-01-G15	EA	LEG - RIGHT - 25"(G07)
6	119333-01-G16	EA	LEG - RIGHT - 25"(G08)
6	119333-02-G15	EA	LEG - LEFT - 25"(G07)
6	119333-02-G16	EA	LEG - LEFT - 25"(G08)
6	111910-37-F08	EA	BLIND - DAY/NIGHTER - 15 X 28.5"(G07)
6	111910-37-F09	EA	BLIND - DAY/NIGHTER - 15 X 28.5"(G08)

KEY	PART NUMBER	U/M	DESCRIPTION
7	119262-38-G07	EA	VAL-31"MONACO W/BRAID
7	119263-19-G08	EA	VAL-31"STARBUCK
7	084755-57-E07	EA	SHADE - PULL - 27.25"
8	109041-20-02A	EA	BLIND - MINI - 31" X 18" DROP
			FROM: 00-00-00 THRU: 03-24-96
8	109041-44-02A	EA	BLIND - MINI - 30.5" X 18"
			FROM: 03-25-96 THRU: 99-99-99
8	109353-07-02A	EA	BLIND - SLAT - 31"
			FROM: 00-00-00 THRU: 03-24-96
8	109353-10-02A	EA	BLIND - SLAT - 30.5"
			FROM: 03-25-96 THRU: 99-99-99
	093487-10-01A	EA	CURTAIN - PLEATED 31" X 100" BUNK PRIVACY
	076892-23-G07	EA	CURTAIN - 44" X 80"
	101668-53-G07	EA	CURTAIN - 70" X 60" - TAPE TOP
	101668-53-G08	EA	CURTAIN - 70" X 60" - TAPE TOP
	084481-24-G07	EA	CURTAIN - SHOWER - 72" X 42"
	084481-24-G08	EA	CURTAIN - SHOWER - 72" X 42"
	073260-54-G07	EA	TIEBACK - 3" X 16"
	073260-54-G08	EA	TIEBACK - 3" X 16"
	073260-63-G07	EA	TIEBACK - 4" X 15"
	073260-63-G08	EA	TIEBACK - 4" X 15"
	057534-01-000	EA	TIEBACK/TIEDOWN - BED - CURTAIN/DOOR 6" - PLASTIC/CLEAR

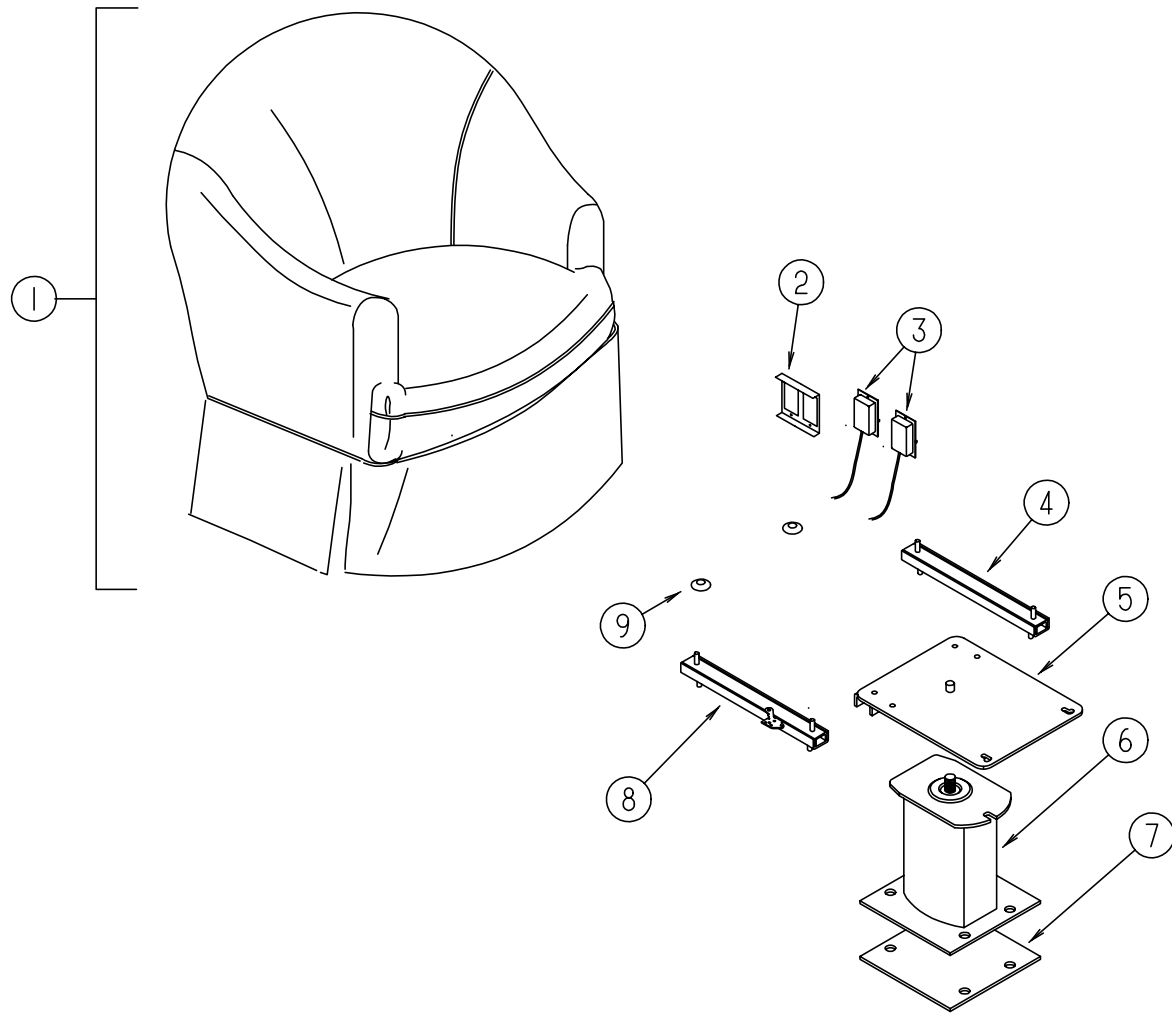
## CURTAIN & CUSHION GROUP (CONTINUED)

### DRIVER & PASSENGER BUCKET SEAT



KEY	PART NUMBER	U/M	DESCRIPTION
1	115390-05-G15	EA	SEAT - NEWPORT - MANUAL RECLINER W/HEADREST (G07)
1	115390-05-G16	EA	SEAT - NEWPORT - MANUAL RECLINER W/HEADREST (G08)
2	119698-01-G15	EA	HEADREST-STRATON II (G07)
2	119698-01-G16	EA	HEADREST-STRATON II (G08)
	P19698-01-G15	EA	CVR-HEADREST STRATON II (G07)
	P19698-01-G16	EA	CVR-HEADREST STRATON II (G08)
	113977-12-000	EA	HEADREST INSERT - W/O LOCK
	113977-13-000	EA	HEADREST INSERT - W/LOCK
	114791-05-000	EA	FRAME - HEADREST
	M05962-13-G15	EA	COVER - BACK (G07)
	M05962-13-G16	EA	COVER - BACK (G08)
3	114929-01-G15	EA	ARMREST ASM-RIATTA,RT (G07)
3	114929-01-G16	EA	ARMREST ASM-RIATTA,RT (G08)
	P14929-01-G15	EA	COVER-ARMREST,RIATTA,RT(G07)
	P14929-01-G16	EA	COVER-ARMREST,RIATTA,RT(G08)
	111169-01-000	EA	PLATE - BACK - ARMREST
	116701-01-000	EA	BRACKET - ARM - RIGHT HAND
	111169-02-000	EA	INSERT - ARMREST - OVAL DECAL - WINNEBAGO
4	114929-02-G15	EA	ARMREST ASM-RIATTA,LT (G07)
4	114929-02-G16	EA	ARMREST ASM-RIATTA,LT (G08)
	P14929-02-G15	EA	COVER-ARMREST,RIATTA,LT. (G07)
	P14929-02-G16	EA	COVER-ARMREST,RIATTA,LT. (G08)
	111169-01-000	EA	PLATE - BACK - ARMREST
	116701-02-000	EA	BRACKET - ARM - LEFT HAND
	111169-02-000	EA	INSERT - ARMREST - OVAL DECAL - WINNEBAGO
5	M05962-14-G15	EA	COVER - SEAT (G07)
5	M05962-14-G16	EA	COVER - SEAT (G08)
6	M80906-12-000	EA	FRAME - SEAT/BACK & SPRING
7	097683-02-000	EA	BRACKET - REMOTE SIDE MOUNT - DOUBLE
8	080730-09-000	EA	SHIELD - RECLINER HANDLE
9	080730-08-000	EA	HANDLE - RECLINER
10	108049-03-000	EA	CABLE-W/CONTROL 25.5" SHEATH/28.5" CABLE W/DOG LEG
	108049-02-000	EA	CLIP - CABLE/PEDESTAL
11	107921-09-000	EA	PEDESTAL
12	119952-02-000	EA	SLIDE - SEAT - HEAVY DUTY NONLOCKING
13	107921-05-000	EA	PLATE TOP - W/SEAT BELT BAR
	107921-06-000	EA	BEARING KIT - PEDESTAL
14	119952-04-000	EA	SLIDE - SEAT - HEAVY DUTY LOCKING
15	000G39-10-12B	EA	SCREW-SF/DR - 10-16 X .75 PPH - ZINC
16	080730-09-000	EA	SHIELD-FLEXSTEEL
17	080730-08-000	EA	HANDLE - RECLINER
18	080730-11-000	EA	SHIELD - RUBBER BOOT
19	071126-42-G07	EA	SKIRT - W/OPEN BACK CORNERS - 7" (G07)
19	071126-42-E24	EA	SKIRT - W/OPEN BACK CORNERS - 7" (G08)
	117125-01-02B	EA	BRACKET - CABLE MOUNT - ADJUSTER W/LOCK
	114889-01-000	EA	STOP BAR - UNIVERSAL

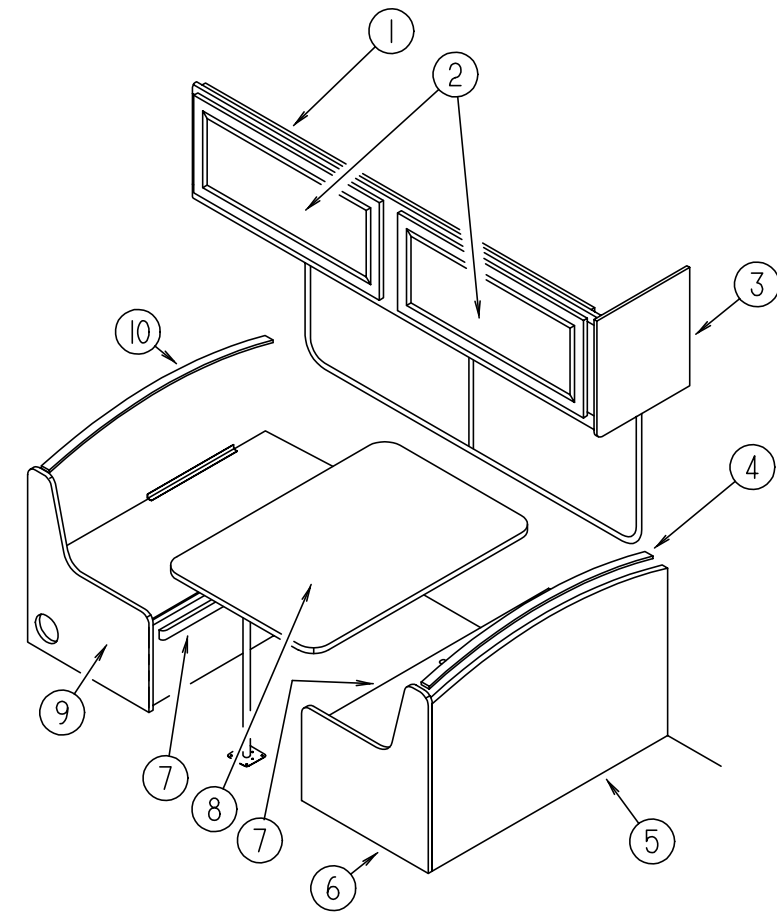
## CURTAIN & CUSHION GROUP (CONTINUED)



**SWIVEL CHAIR**

KEY	PART NUMBER	U/M	DESCRIPTION
1	115470-01-G07	EA	CHAIR - SWIVEL (G07)
1	115470-01-G05	EA	CHAIR - SWIVEL (G08)
	P15470-01-G07	EA	COVER - CHAIR (G07)
	P15470-01-G05	EA	COVER - CHAIR (G08)
2	097683-02-000	EA	BRACKET - REMOTE SIDE MOUNT - DOUBLE
3	108049-03-000	EA	CABLE-W/CONTROL 25.5" SHEATH/28.5" CABLE W/DOG LEG
	108049-02-000	EA	CLIP - CABLE/PEDESTAL
	117125-01-02B	EA	BRACKET - CABLE MOUNT - ADJUSTER W/LOCK
4	119952-01-000	EA	SLIDE - SEAT - NONLOCKING HEAD
5	107921-08-000	EA	TOP PLATE - PEDESTAL - W/O SEAT BELT BAR
	107921-06-000	EA	BEARING KIT - PEDESTAL
6	107921-01-000	EA	PEDESTAL FLOOR MOUNTED - W/9.75" EXTENSION
7	108445-02-000	EA	PLATE - FLOOR MOUNTED PEDESTAL/SEAT
8	119952-03-000	EA	SLIDE - SEAT/ HEAVY DUTY/LOCKING W/2 STUDS
9	007221-01-000	EA	SPACER - SEAT/ADJUSTER
	P07977-01-G07	EA	COVER-SKIRT,CHAIR,DIPLOMAT
	P07977-01-G08	EA	COVER-SKIRT,CHAIR,DIPLOMAT

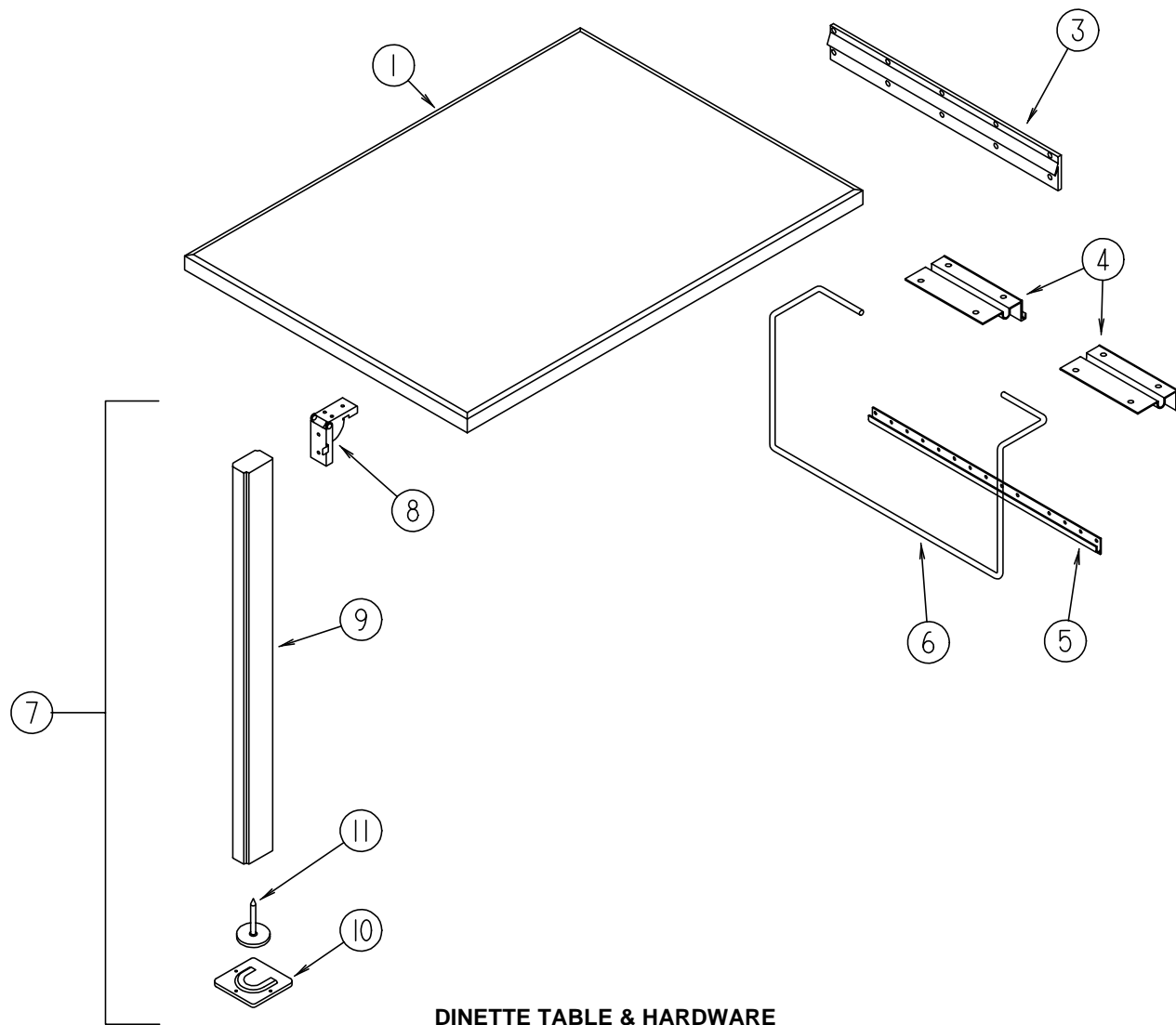
## DINETTE GROUP



**DINETTE CABINETS, PADS & TABLE**

KEY	PART NUMBER	U/M	DESCRIPTION
1	111520-02-G07	EA	CABINET ASM-OVHD,DINETTE
1	111520-02-G08	EA	CABINET ASM-OVHD,DINETTE
2	M05992-21-G07	EA	DOOR-RAIL,HDW,OGEE 0400X0710
2	M05992-48-G07	EA	DOOR-RAIL,HDW,OGEE 0400X0710
3	104335-08-F08	EA	CAP ASM-END,OVHD
4	104787-04-G15	EA	PAD ASM-DINETTE(G07)
4	104787-04-E33	EA	PAD ASM-DINETTE(G08)
4	104787-10-G07	EA	PAD ASM-DINETTE (EUROPEAN)
4	104787-10-G08	EA	PAD ASM-DINETTE (EUROPEAN)
5	M06836-06-G07	EA	CABINET-SEATBACK RH
5	M04174-84-G07	EA	CABINET - SEATBACK RIGHT HAND - W/O HARDWARE - EUROPEAN
6	M06837-06-G07	EA	CABINET-SEATBASE RH
6	M06837-06-G08	EA	CABINET-SEATBASE RH
	111339-14-G07	EA	CAP ASM
	111339-14-G08	EA	CAP ASM
6	M04175-86-G07	EA	CABINET - SEAT BOTTOM RIGHT HAND - W/O DOORS/DRAWERS/HDW
7	081295-01-E74	EA	SUPPORT - BED/DINETTE - 28"
8	081322-01-G10	EA	TABLE - DINETTE W/O CUPHOLDERS/HARDWARE
9	M06885-10-G07	EA	CABT ASM-SEATBASE,LH
9	M06885-10-G08	EA	CABT ASM-SEATBASE,LH
9	M04175-85-G07	EA	CABINET - SEAT BOTTOM LEFT HAND - W/O DOORS/DRAWERS/HDW
	M06884-04-G07	EA	CABT ASM-SEATBACK,LH
	M04174-83-G07	EA	CABINET - SEATBACK LEFT HAND - W/O HARDWARE - EUROPEAN
10	104787-04-G15	EA	PAD ASM-DINETTE(G07)
10	104787-04-E33	EA	PAD ASM-DINETTE(G08)
10	104787-09-G07	EA	PAD ASM-DINETTE (EUROPEAN)
10	104787-09-G08	EA	PAD ASM-DINETTE (EUROPEAN)

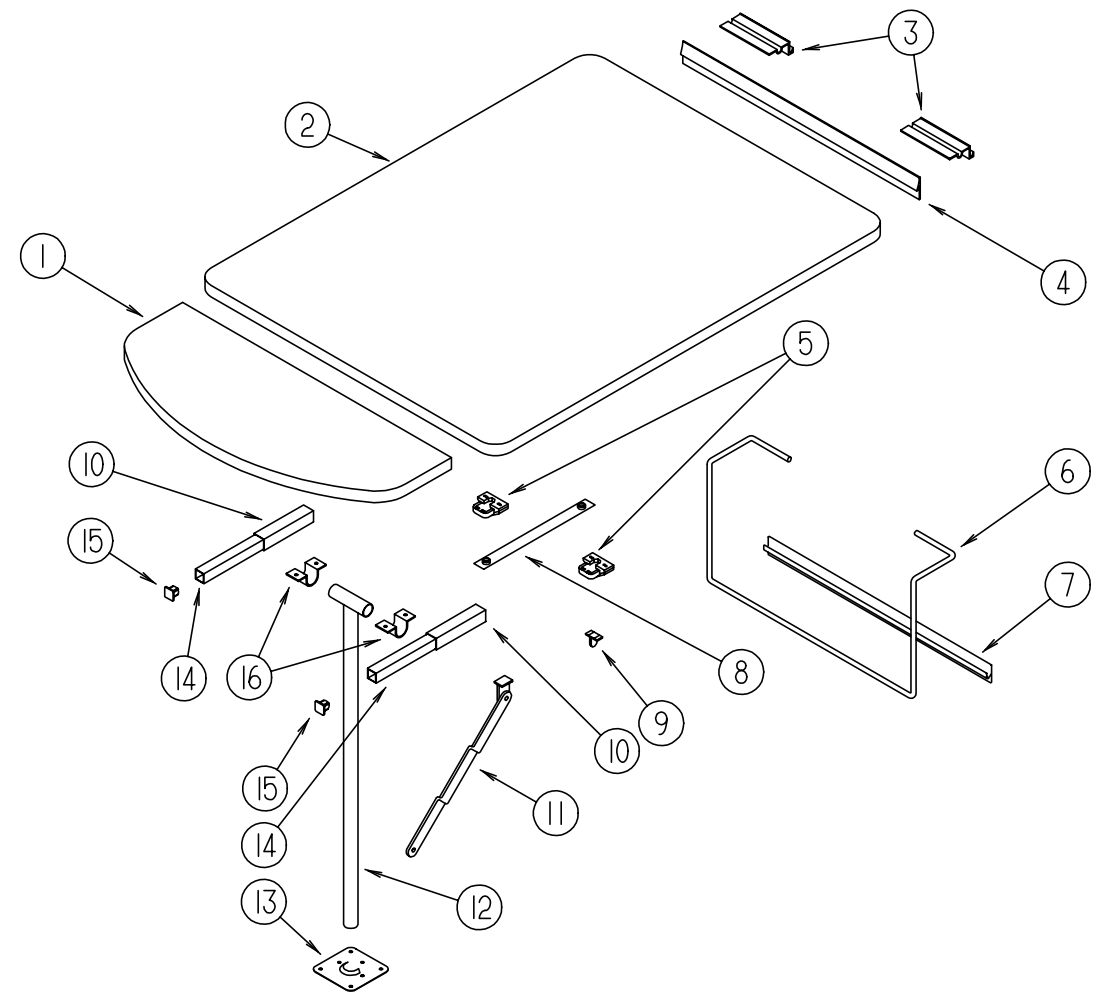
## DINETTE GROUP (CONTINUED)



DINETTE TABLE & HARDWARE

KEY	PART NUMBER	U/M	DESCRIPTION
1	081322-01-G10	EA	TABLE - DINETTE W/O CUPHOLDERS/HARDWARE
3	053200-12-000	EA	BRACKET - TABLE SUPPORT - UPPER WALL MOUNTED 23.50"
4	088410-02-000	EA	BRACKET - LIFT - TABLE MOUNTED
5	024281-14-000	EA	BRACKET - LIFT ROD/LOWER WALL MOUNTED - 22.12"
6	024275-12-000	EA	ROD - TABLE LIFT
7	092708-06-F08	EA	LEG ASM-TABLE
8	093550-01-000	EA	BRACKET - HINGE - MOUNTS TO LEG & TABLE TOP - 1.7" X 2.6"
9	092707-04-04A	EA	MOLDING - TABLE LEG - 27"
10	092593-01-05A	EA	CATCH-TABLE LEG,O/W
11	049493-12-000	EA	CATCH - LEG - FLOOR MOUNTED 2.5" X 2.7"
11	049493-11-700	EA	CATCH-TABLE LEG,E-COAT
	002929-01-001	EA	EXTRUDED - BRACKET TABLE

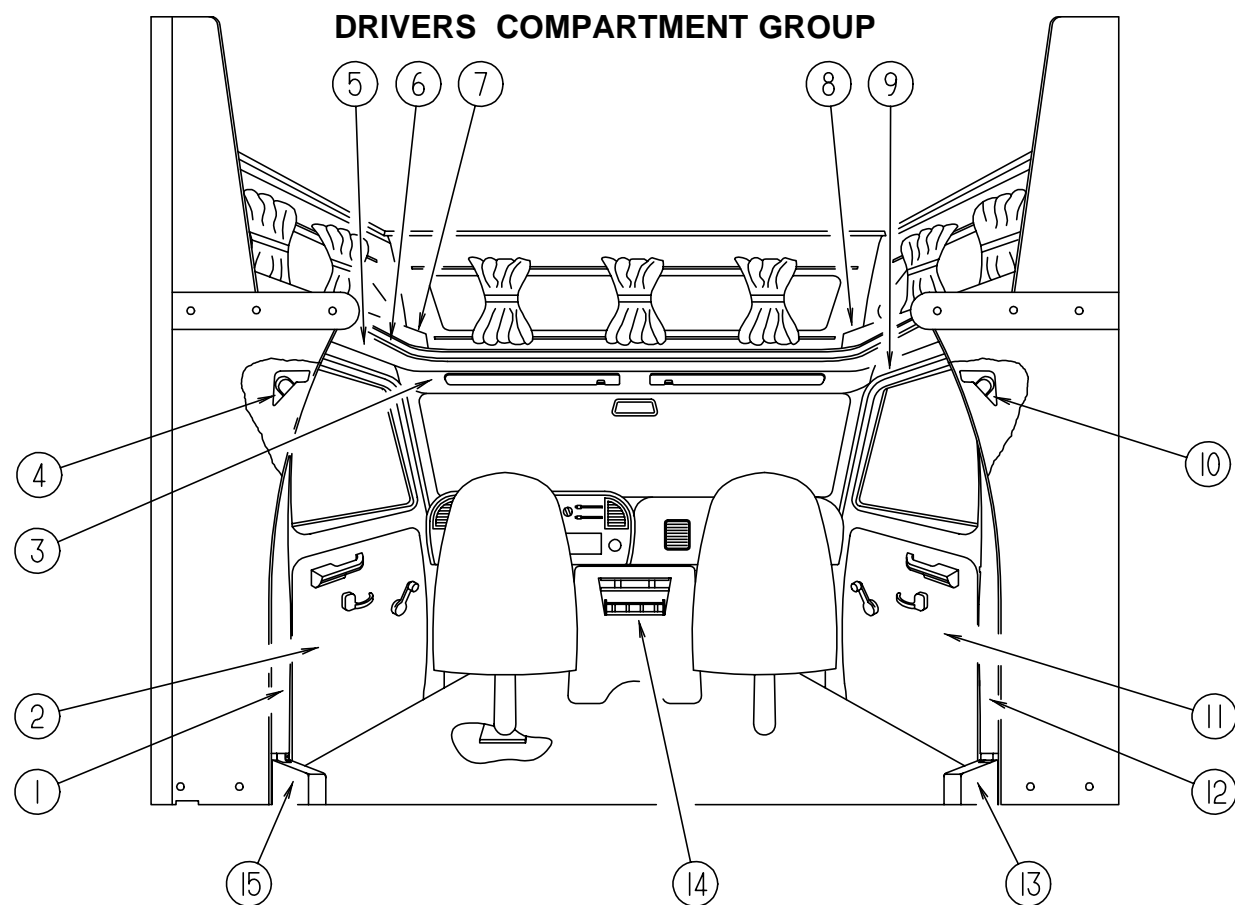
## DINETTE GROUP (CONTINUED)



DINETTE TABLE & HARDWARE

KEY	PART NUMBER	U/M	DESCRIPTION
1	119963-12-G07	EA	EXTENSION-TABLE
2	119963-11-G07	EA	TABLE TOP ASM. W/O EXTENSION
3	088410-02-000	EA	BRACKET - LIFT - TABLE MOUNTED
4	053200-12-000	EA	BRACKET - TABLE SUPPORT - UPPER WALL MOUNTED 23.50"
5	009050-02-000	EA	LEVELER - TABLE TOP - MALE END W/4 SCREWS - PLASTIC
6	024275-12-000	EA	ROD - TABLE LIFT
7	024281-14-000	EA	BRACKET - LIFT ROD/LOWER WALL MOUNTED - 22.12"
8	057534-01-000	EA	TIEBACK/TIEDOWN - BED - CURTAIN/DOOR 6" - PLASTIC/CLEAR
9	024283-01-000	EA	CLIP - LEG - 1" - 1.125" OD _ BLACK
10	113729-01-02A	EA	TUBE-SUPPORT, TABLE O/W
11	024282-01-000	EA	BRACE - TABLE LEG - HINGED
12	024276-22-000	EA	LEG - TABLE, W/O HARDWARE
13	049493-12-000	EA	CATCH - LEG - FLOOR MOUNTED 2.5" X 2.7"
	049493-11-700	EA	CATCH-TABLE LEG,E-COAT
14	113728-01-02A	EA	TUBE-SUPPORT, TABLE O/W
	114117-01-02A	EA	PLATE-SPACER O/W
15	110550-01-000	EA	CAP - TUBE .9" SQUARE
16	064050-05-000	EA	HINGE - TABLE LEG - OFF WHITE
	002929-01-001	EA	EXTRUDED - BRACKET TABLE





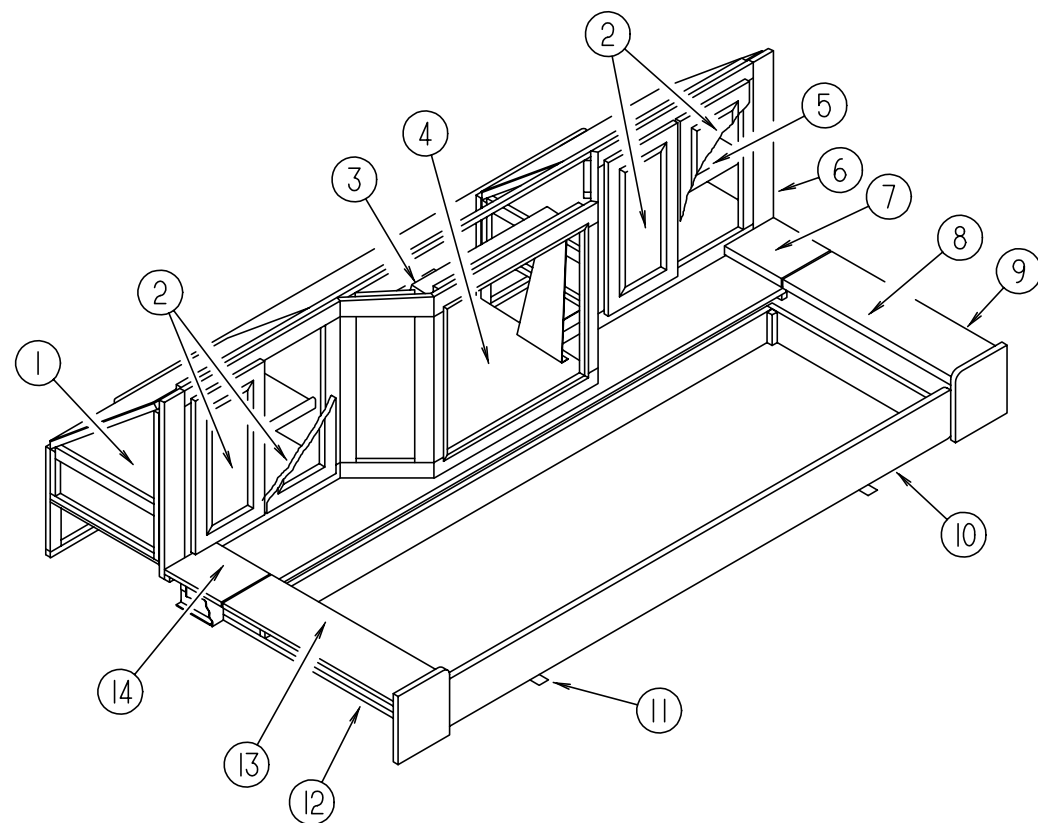
**DRIVERS COMPARTMENT**

KEY	PART NUMBER	U/M	DESCRIPTION
1	106446-02-C03	EA	TRIM - CAB B-PILLAR - DRIVERS SIDE
2	109573-02-G07	EA	PANEL-DOOR,FORD,LT.
2	109573-02-G08	EA	PANEL-DOOR,FORD,LT.
3	106448-01-C03	EA	HEADLINER - W/VINYL
4	115038-02-01A	EA	COVER - SEAT BELT UPPER LEFT HAND
5	106447-02-C03	EA	TRIM - CAB DOOR - UPPER - DRIVERS SIDE
6	119520-01-01A	FT	MOLDING-T - 1" W/EDGE LIPS (OFF/WHITE-CREAM)
7	109894-01-G07	EA	CABINET - HAMPER - FRONT - DRIVER
7	109894-01-G08	EA	CABINET - HAMPER - FRONT - DRIVER
8	109894-03-G07	EA	CABINET - HAMPER - FRONT - PASSENGER
8	109894-03-G08	EA	CABINET - HAMPER - FRONT - PASSENGER
9	106447-01-C03	EA	TRIM - CAB DOOR - UPPER - PASSENGER SIDE
10	115038-01-01A	EA	COVER - SEAT BELT UPPER RIGHT HAND
11	109573-01-G07	EA	PANEL-DOOR,FORD,RT.
11	109573-01-G08	EA	PANEL-DOOR,FORD,RT.
12	106446-01-C03	EA	TRIM - CAB B-PILLAR - PASSENGER SIDE
13	106431-01-01A	EA	COVER - SEATBELT RECOIL - PASSENGER SIDE - OFF WHITE(FORD)
14	112185-02-G07	EA	TRAY - BEVERAGE
	069885-23-G07	EA	COVER - MOTOR - W/POCKET (FORD)(G07)
	069885-23-F09	EA	COVER - MOTOR - W/POCKET (FORD)(G08)
15	106431-02-01A	EA	COVER - RECOIL - SEATBELT - DRIVERS SIDE - OFF WHITE(FORD)
	109574-01-G07	EA	COVER-FORD,FOOTBALL
	109574-01-G08	EA	COVER-FORD,FOOTBALL
	106025-01-01A	EA	LADDER - BUNK - (4.7')
	106025-01-700	EA	BRACKET SET-F/BUNK LADDER 08-0030-00

**INSTRUMENT CLUSTERS**

KEY	PART NUMBER	U/M	DESCRIPTION
	094795-09-000	EA	CLUSTER - INSTRUMENT PANEL - KM - 95 E350 GAS/DIESEL
	108357-09-000	EA	SWITCH - ROCKER SPDT ON/NONE/MOM 3 TERMINAL
	108357-06-000	EA	SWITCH - ROCKER DPDT MON/OFF/MOM 6 TERMINAL

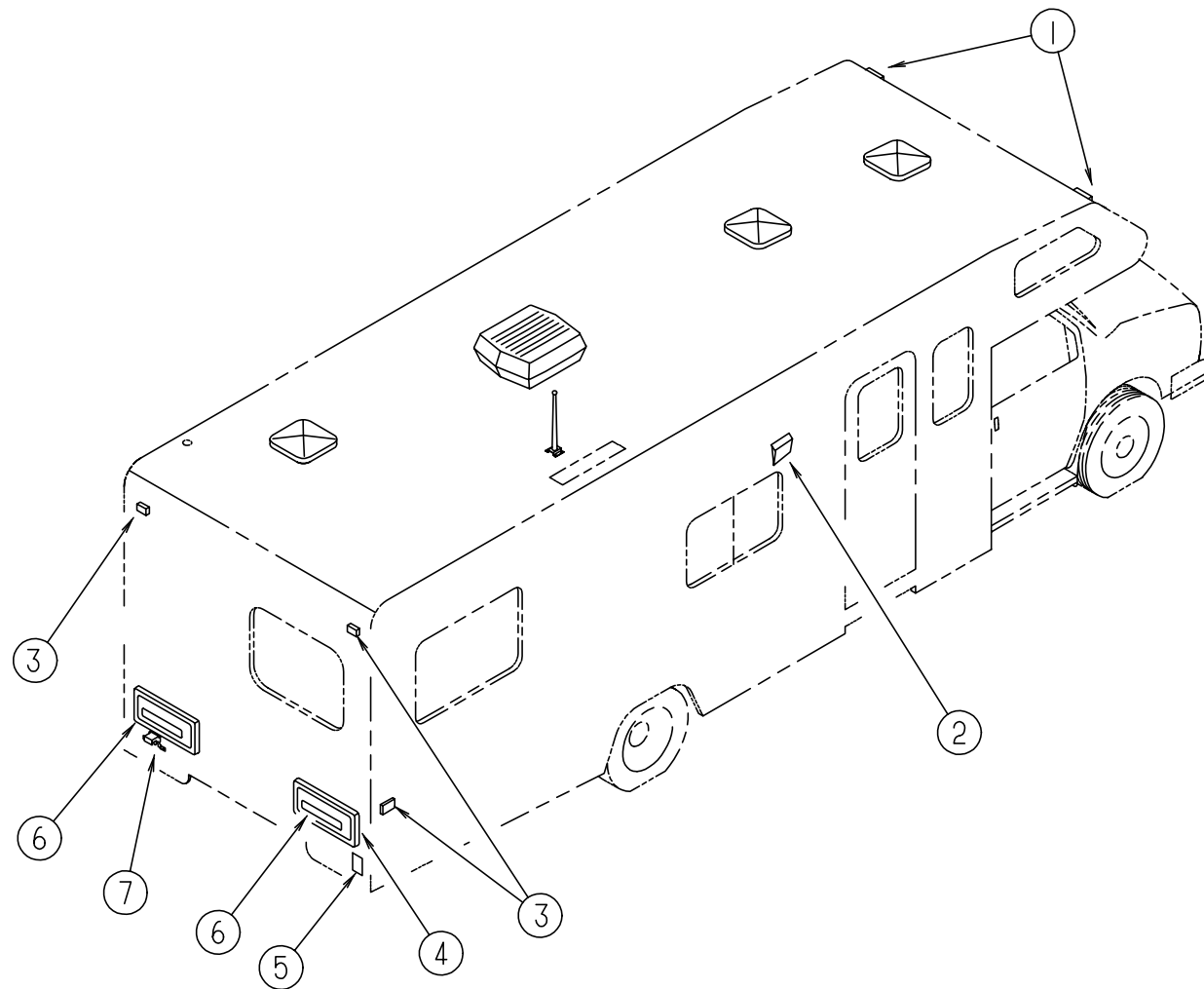
**DRIVERS COMPARTMENT GROUP (CONTINUED)**



**FRONT ENTERTAINMENT CENTER**

KEY	PART NUMBER	U/M	DESCRIPTION
1	110796-02-F08	EA	CABINET ASM-ENT CTR,SHELF
2	M06803-F1-G07	EA	DOOR-RAIL,MTRD/OG 0270X0505
3	110790-02-000	EA	BRACKET-TIEDOWN,TV
4	111356-01-G07	EA	SHELF ASM-TV
5	110796-01-F08	EA	CABINET ASM-ENT CTR,SHELF
6	110795-01-G07	EA	CABINET ASM-ENT CTR,FACE
7	110797-11-F09	EA	COUNTERTOP ASM
8	110797-12-F09	EA	COUNTERTOP ASM
9	P10797-01-F09	EA	CABINET ASM-ENT CTR,STORAGE
10	100847-01-G07	EA	DRAWER ASM-ENTERTAINMENT,FR
11	093673-01-01A	FT	TRIM - ENTRANCE DOOR - 1.4" WIDE X 8' LONG
12	P10797-02-F09	EA	CABINET ASM-ENT CTR,STORAGE
13	110797-23-G07	EA	COUNTERTOP ASM
14	110797-21-F09	EA	COUNTERTOP ASM
	106699-01-01A	EA	BRACKET - OVERHEAD CABINET/TV

## ELECTRICAL GROUP



### EXTERIOR LIGHTS

KEY	PART NUMBER	U/M	DESCRIPTION	VENDOR NO.
1	111102-02-000	EA	LENS - MARKER LAMP - AMBER	
	111102-01-000	EA	LAMP - MARKER - BASE	
	036196-01-000	EA	BULB - 12 VOLT - #194 - .27 AMP - BAYONETTE	
2	097917-01-06A	EA	LIGHT - PORCH - BRIGHT WHITE	
	008215-01-000	EA	BULB - 12 VOLT - #1003 - .94 AMP	
	097917-01-700	EA	LENS-LIGHT, CLEAR	30-78-021
3	111102-03-000	EA	LENS - MARKER LAMP - RED	
	111102-01-000	EA	LAMP - MARKER - BASE	
	036196-01-000	EA	BULB - 12 VOLT - #194 - .27 AMP - BAYONETTE	
4	103545-02-01A	EA	TAIL LIGHT ASM TRIPLE AMBER - *BARGMAN 30-84-104	
	037934-01-000	EA	BULB - 12V - #1156 - 2.1 AMP CLEAR GLASS - BACK UP & TURN SIGNAL BULB	
	037935-01-000	EA	BULB - 12V - #1157 OR #2057 - 2.1 AMP - CLEAR GLASS - BRAKE LIGHT BULB	
	081638-01-700	EA	LENS-TAILLIGHT, RED	30-84-010
	081638-02-700	EA	LENS-TAILLIGHT, AMBER	30-84-016
	103545-01-700	EA	LENS-BACKUP	30-84-711
5	106646-02-000	EA	REFLECTOR-STICK ON, RED - PETERSON 483R	
6	081638-06-700	EA	LENS-TAILLIGHT, CLEAR BACKUP	30-84-050
7	066432-02-000	EA	LIGHT - LICENSE - BLACK	
	066432-03-000	EA	BRACKET - LICENSE PLATE	
	103247-01-000	EA	BRACKET-LICENSE PLATE, REAR	

## ELECTRICAL GROUP (CONTINUED)

### ELECTRIC BOXES, COVERS & POWER CORDS

KEY	PART NUMBER	U/M	DESCRIPTION
	008054-01-000	EA	CORD - POWER - 10/3 - 30 AMP - 25'
	008289-01-000	EA	BOX - ELECTRIC/STEEL - 12" & 3/4" KNOCKOUTS - 4" X 4"
	008294-01-000	EA	COVER - ELECTRICAL BOX - BLANK/STEEL - 4" X 4" - GRAY
	069238-01-000	EA	COVER - ELECTRICAL BOX - W/HOLE - 4" X 4" - GRAY
	091910-02-000	EA	BOX - ELECTRIC - PLASTIC - 2.24" X 3.45"
	093257-02-000	EA	BOX - ELECTRIC - CIRCUIT BREAKER
	093603-01-000	EA	BOX-ELECTRIC, 4" X 2 1/8" X 2 1/8" - STEEL
	107165-01-01A	EA	BOX - CIRCUIT BREAKER 14.6" X 4" - BLACK PLASTIC

### POWER CONVERTER & INVERTER

KEY	PART NUMBER	U/M	DESCRIPTION
	083208-05-000	EA	CONTROL CENTER-45A 100V/12V - BW J6345CNI
	113493-01-000	EA	LOAD CENTER - 12 MDL - FLUSH MOUNT
	114511-01-000	EA	CONVERTOR - 40 AMP - W/CHARGER

### WIRING ASSEMBLIES

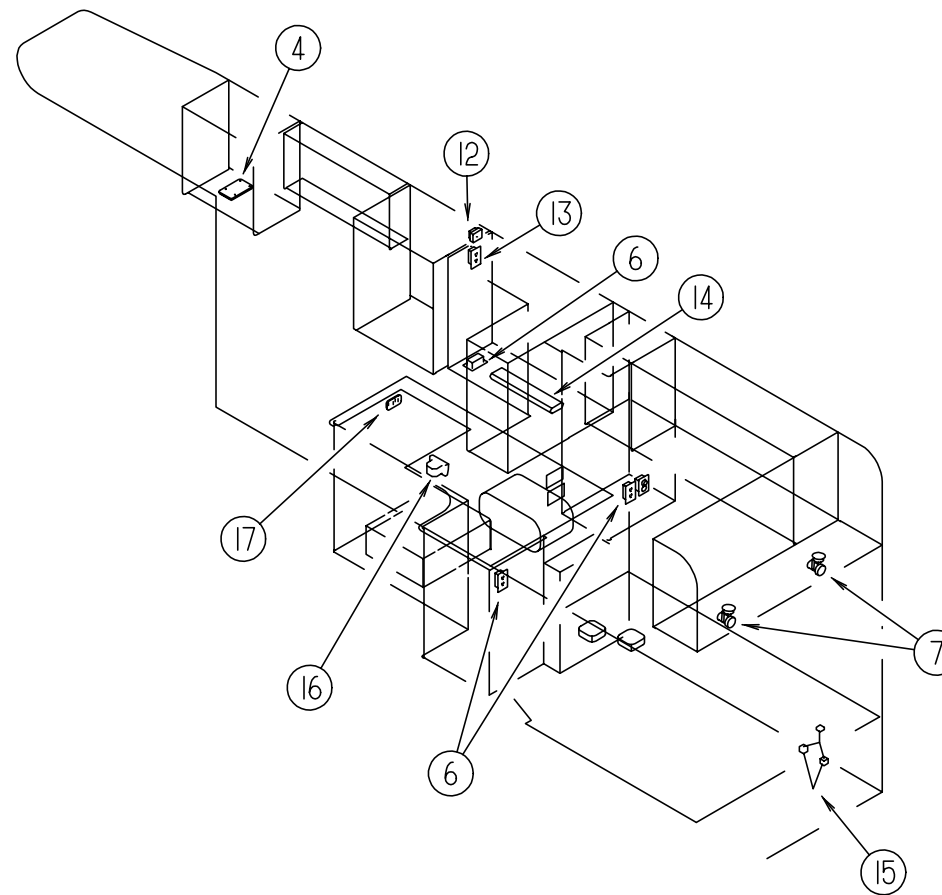
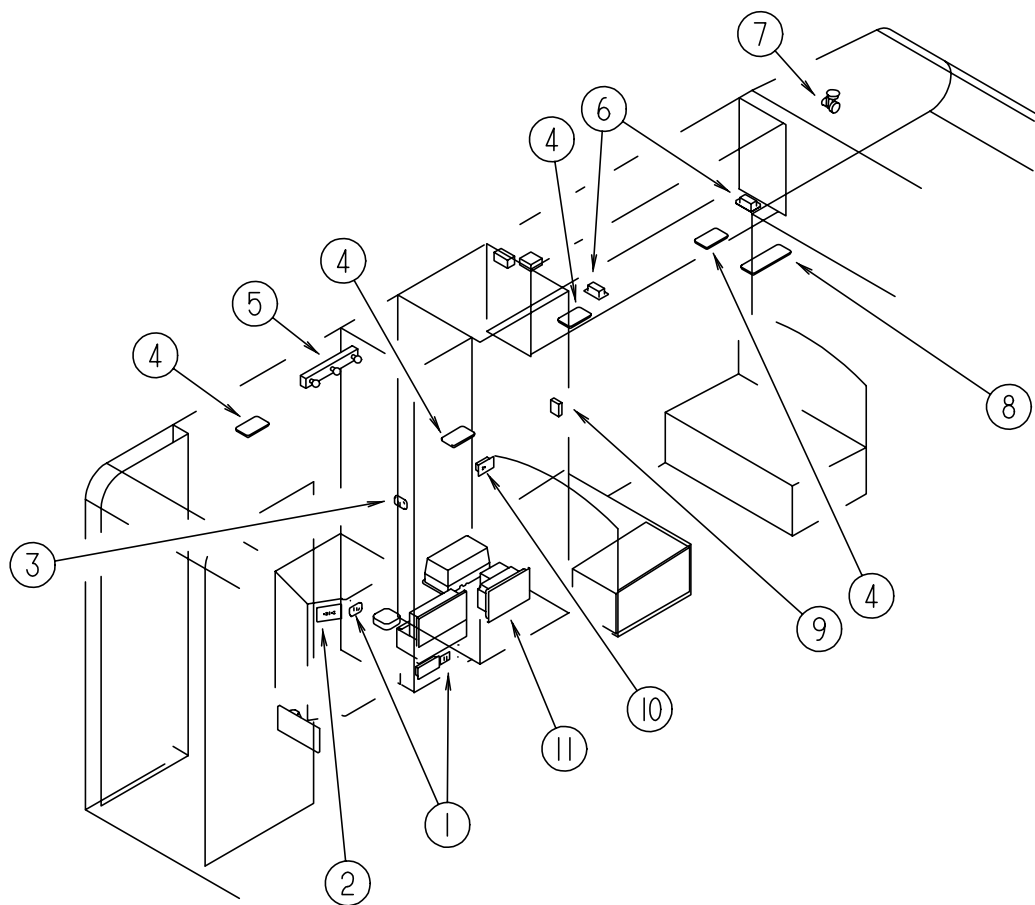
KEY	PART NUMBER	U/M	DESCRIPTION
	096449-01-000	EA	WIRE ASSEMBLY - WATER TANK TO MONITOR PANEL
	097618-01-000	EA	WIRE ASSEMBLY - MONITOR PANEL- W/3 WIRES & ORANGE RESISTOR
	112593-01-000	FT	CABLE-3 WIRE,16A,FLEX RUBBER
	112593-02-000	FT	CABLE-3 WIRE,25A,FLEX RUBBER
	103328-06-000	EA	WIRE ASSEMBLY-PUMP, EXTERIOR SHOWER

### CIRCUIT BREAKERS & FUSES

KEY	PART NUMBER	U/M	DESCRIPTION
	062901-02-000	EA	FUSE - 5 AMPS - AUTOMOTIVE
	062901-05-000	EA	FUSE - 15 AMPS - AUTOMOTIVE
	062901-06-000	EA	FUSE - 20 AMPS - AUTOMOTIVE
	083209-01-000	EA	CIRCUIT BREAKER 15 AMP 120V - CANADIAN
	083209-03-000	EA	CIRCUIT BREAKER 15/20AMP 120V
	083209-06-000	EA	CIRCUIT BREAKER 30/15 AMP 120V
	083209-08-000	EA	CIRCUIT BREAKER, BLANK - BW
	093654-01-000	EA	CIRCUIT BREAKER 6AMP 12V
	093655-01-000	EA	CIRCUIT BREAKER - 25AMP 12V
	093655-02-000	EA	CIRCUIT BREAKER - 30AMP 12V
	112591-01-000	EA	CIRCUIT BREAKER 16 AMP 240 V
	112592-01-000	EA	CIRCUIT BREAKER-25A,240V,GFI - 94 EUROPEAN

## ELECTRICAL GROUP (CONTINUED)

### LIGHTS, SWITCHES & RECEPTACLES



KEY	PART NUMBER	U/M	DESCRIPTION	VENDOR NO.
1	098351-01-01A	EA	PLATE - SWITCH - 1 GANG POLISHED BRASS	
1	079364-01-000	EA	SWITCH - ON/OFF ROCKER - 2 PRONGS - BROWN	
1	095188-01-01A	EA	SPACER - SWITCH - 2.3" X 3.4" - PLASTIC - DARK BROWN	
2	084076-01-000	EA	RECEPTACLE - GFI - 15A - 125V	
3	079364-01-000	EA	SWITCH - ON/OFF ROCKER - 2 PRONGS - BROWN	
3	079364-03-000	EA	SWITCH - ON/OFF ROCKER - 3 PRONGS - BROWN	
3	098351-02-01A	EA	PLATE - SWITCH - 2 GANG POLISHED BRASS	
3	095188-01-01A	EA	SPACER - SWITCH - 2.3" X 3.4" - PLASTIC - DARK BROWN	
4	098024-01-01A	EA	LIGHT - DOME - 1 BULB	
4	008218-01-000	EA	BULB - DOME LIGHT - 12 VOLT - NO. 1141	
4	098024-01-700	EA	LENS-LIGHT	807877
5	110235-01-01A	EA	LIGHT - MAKE UP - 3 BULB	
5	081633-01-700	EA	BULB-LIGHT, MAKE-UP	RP1041
6	058708-01-000	EA	RECEPTACLE - ELECTRIC - DOUBLE - BROWN	
	058708-02-000	EA	RECEPTACLE - ELECTRIC - DOUBLE - IVORY	
7	104173-01-01A	EA	LIGHT-DESIGNER, BRASS - #81-905	
7	104173-01-700	EA	BULB	81900
8	098024-03-01A	EA	LIGHT - DOME - 2 BULB - IVORY	
8	008218-01-000	EA	BULB - DOME LIGHT - 12 VOLT - NO. 1141	
8	098024-01-700	EA	LENS-LIGHT	807877
9	081087-01-000	EA	LIGHT-INDICATOR, LVS 1436	

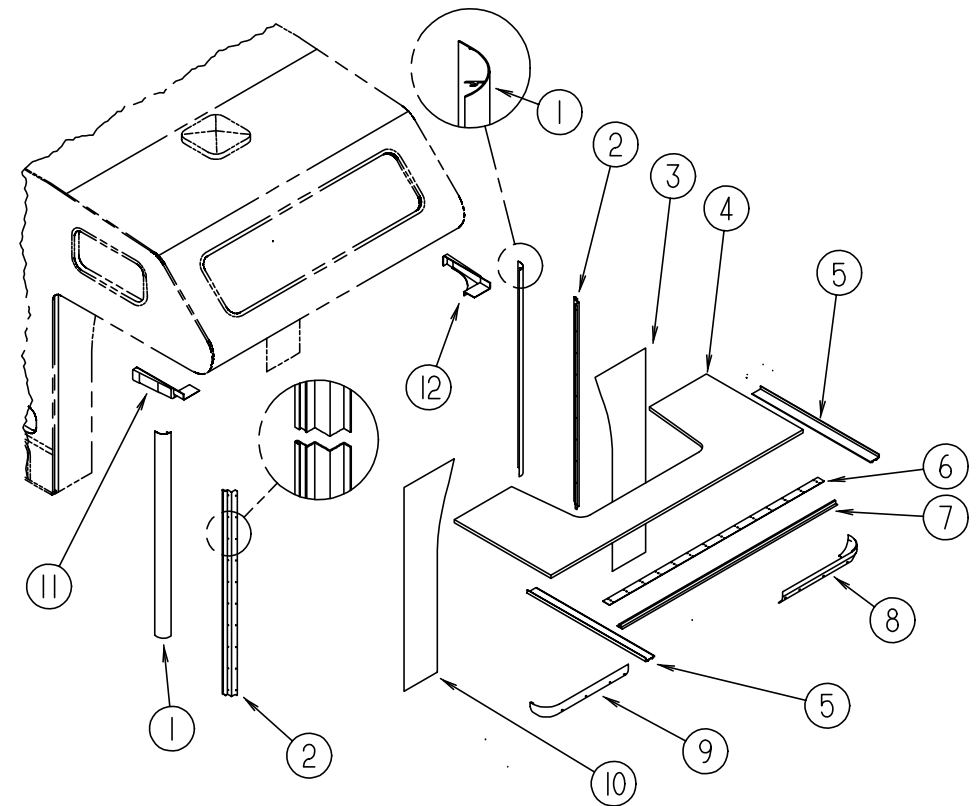
KEY	PART NUMBER	U/M	DESCRIPTION
10	058707-01-000	EA	RECEPTACLE - ELECTRIC -SINGLE - BROWN
10	112590-01-000	EA	RECEPT-16A,240V,2POLE W/GND - 94 EUROPEAN
11	024924-02-000	EA	RECEPTACLE - POWER CORD - W/PARTIAL PLATE
12	112590-01-000	EA	RECEPT-16A,240V,2POLE W/GND - 94 EUROPEAN
13	058708-05-000	EA	RECEPTACLE - SINGLE - BROWN
14	078424-01-000	EA	LIGHT-FLUORESCENT,12V DC 18" - *WHITE
14	091937-03-000	EA	BULB-FLUORESCENT LIGHT, 12V - THIN LITE 736
15	108357-08-000	EA	SWITCH - ROCKER DPDT ON/NONE/ON 6 TERMINAL
15	108356-02-01A	EA	SWITCH COVER - W/DIMPLES
15	081994-02-000	EA	PLATE-SWITCH, EXTERIOR SHOWER
16	112822-01-01A	EA	RECEPTACLE - DUPLEX - IVORY
16	112824-01-03A	EA	COVER - EXTERIOR - DUPLEX RECEPTACLE
17	098351-05-01A	EA	PLATE - SWITCH - 3 GANG POLISHED BRASS
17	079364-01-000	EA	SWITCH - ON/OFF ROCKER - 2 PRONGS - BROWN
17	095188-02-01A	EA	SPACER - SWITCH - 2.3" X 4.1" - PLASTIC - DARK BROWN
	098351-07-01A	EA	PLATE - SWITCH - POLISHED BRASS
	108356-11-01A	EA	SWITCH COVER W/GROOVES
	081994-06-000	EA	PLATE - SWITCH - AUXILIARY START
	087202-01-000	EA	SWITCH - 4 POSITION W/KNOB 5 TERMINAL
	108355-01-000	EA	HOUSING - SWITCH
	108356-07-01A	EA	SWITCH COVER W/ 2 DIMPLES - CARLING VVAZCXX-XWB

## ELECTRICAL GROUP (CONTINUED)

### CONNECTORS, HOUSINGS, CONDUITS & TERMINALS

KEY	PART NUMBER	U/M	DESCRIPTION
	007942-01-000	EA	TAB-WIRE, 18 TO 14 AWG
	007956-05-000	EA	INSULATOR - SHRINK - .25 ID X 1.50
	008311-01-000	EA	CONNECTOR - WIRE NUT - INSULATED - RED
	008312-01-000	EA	CONNECTOR - WIRE NUT - INSULATED - BLUE
	008313-01-000	EA	CONNECTOR - WIRE NUT - INSULATED - YELLOW
	008314-01-000	EA	CONNECTOR - WIRE NUT - INSULATED - GRAY
	008326-01-000	EA	TERMINAL - RING 16/14 WIRE - 3/8" STUD
	008328-01-000	EA	TERMINAL - RING - 12/10 WIRE - #10 STUD FIT
	008331-01-000	EA	TERMINAL - RING - TONGUE - #4 WIRE - 3/8" STUD - COPPER
	008348-01-000	EA	TERMINAL - RING - 3/8" STUD 2 GA. WIRE
	008355-01-000	EA	CONNECTOR - CABLE CLAMPING - 3/4"
	008356-01-000	EA	CONNECTOR - PLASTIC - 3/8" AVG
	035416-04-000	EA	TERMINAL - RING - #10 STUD FIT - INSULATED BARREL #16/14
	041480-01-000	EA	CONNECTOR - STRAIGHT - 1/2' FLEX CONDUIT
	041953-01-000	FT	CONDUIT - CONVOLUTE SLIT - .5" ID
	041953-03-000	FT	CONDUIT - CONVOLUTE SLIT - 1" ID (CLOTHES ROD COVER)
	041953-06-000	FT	CONDUIT - CONVOLUTE SLIT - .375" ID
	041953-07-000	FT	CONDUIT - CONVOLUTE SLIT - .25" ID
	041953-08-000	FT	CONDUIT - CONVOLUTE SLIT - 1.50" ID
	041953-09-000	FT	CONDUIT - CONVOLUTE SLIT - .50" ID
	041953-10-000	FT	CONDUIT - CONVOLUTE SLIT - .75" ID
	041953-11-000	FT	CONDUIT - CONVOLUTE SLIT - 1.06" ID
	047443-01-000	EA	TERMINAL - .250 RECEPTACLE FIT - INSULATED - 16/14 AWG
	047443-02-000	EA	TERMINAL - .250 RECEPTACLE FIT - INSULATED - 12/10 AWG
	058028-01-000	EA	CONNECTOR - ELECTRICAL PIGTAIL - NYLON - CLEAR
	077479-01-000	EA	BOOT - BATTERY TERMINAL - DOUBLE CABLE
	077479-02-000	EA	BOOT - BATTERY TERMINAL - SINGLE CABLE
	080015-02-000	EA	RECEPTACLE - FLAG - .185 - 16/14 GAUGE - AMP 3
	080015-03-000	EA	RECEPTACLE - FLAG - 14/16 GA
	087225-01-000	FT	SLEEVING - 1/2" - TYPE H
	087949-01-000	EA	BUSS BAR - 2 POSITION - .6" X 1.5"
	088473-05-000	EA	HOUSING - PIN - 6 CAVITY
	088473-06-000	EA	HOUSING - PIN - 6 CAVITY
	088473-08-000	EA	HOUSING - PIN - 4 CAVITY
	088473-09-000	EA	HOUSING - PIN - 3 CAVITY
	088473-10-000	EA	HOUSING - PIN - 2 CAVITY
	088474-02-000	EA	HOUSING - SOCKET - 12 CAVITY
	088474-06-000	EA	HOUSING - SOCKET - 6 CAVITY
	088474-08-000	EA	HOUSING - SOCKET - 4 CAVITY
	088474-09-000	EA	HOUSING - SOCKET - 3 CAVITY
	088474-10-000	EA	HOUSING - SOCKET - 2 CAVITY
	088475-01-000	EA	PIN - CONNECTOR - 14 - 20 AWG
	088475-02-000	EA	PIN - CONNECTOR - 10-12 AWG
	088476-01-000	EA	SOCKET - CONNECTOR - BRASS - PRE-TIN
	088476-02-000	EA	SOCKET - CONNECTOR - 12-10 GA - PHOS BRZ - PRE - TIN
	102777-02-000	EA	TERMINAL-RING #6 STUD, 10 AWG
	112590-01-000	EA	RECEPT-16A,240V,2POLE W/GND - 94 EUROPEAN
	112594-01-000	EA	INLET-16A,240V,2POLE W/GND - 94 EUROPEAN
	112823-01-000	EA	SPLICE - REDUCER - 16-14 TO 18-22

## EXTERIOR BODY GROUP

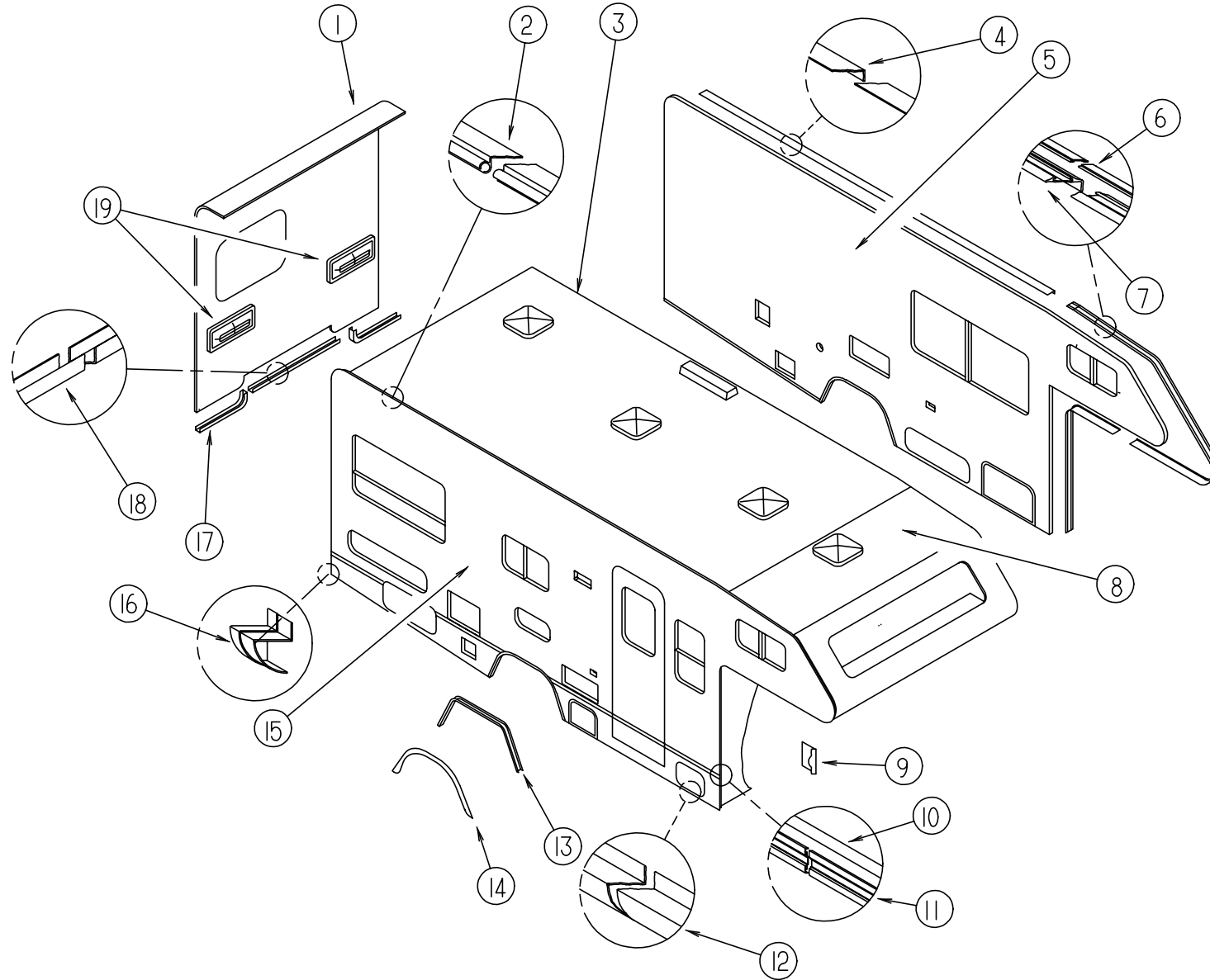


### WINGWALL, SLEEPERBOARD, & TRIMS

KEY	PART NUMBER	U/M	DESCRIPTION
1	108037-02-02A	EA	COVER - WINGWALL OUTER-CURVED BRIGHT WHITE ALUMINUM
2	105015-02-02A	EA	TRIM-WINGWALL/SIDEWALL INNER SUPPORT BRKT - BRIGHT WHITE
3	M07423-13-F08	EA	WINGWALL ASM-RH BRT/WHT
4	M07422-01-G01	EA	SLEEPERBOARD ASM BRT/WHT
5	096854-01-02A	EA	TRIM - CONTOUR ROOF TO SIDEWALL - 108" LONG FROM: 00-00-00 THRU: 11-22-95
5	096854-04-02A	EA	TRIM - CONTOUR FROM: 11-23-95 THRU: 99-99-99
6	100086-04-01A	EA	TRIM - SLEEPER BOARD/ROOF - BRIGHT WHITE - 2" X 96.6"
7	100085-03-01A	EA	TRIM-SLEEPERBOARD, FLAT - 2.5" X 87.5" - OFF WHITE
8	106144-02-F08	EA	COVER ASM-WINGWALL,LH,FORD
8	106145-02-02A	EA	COVER-TRIM,WNGWL,LH,FD,B/W
8	106146-01-02A	EA	SUPPORT-COVER,WNGWLL,FD B/W
9	106144-01-F08	EA	COVER ASM-WINGWALL,RH,FORD
9	106145-01-02A	EA	COVER-TRIM,WNGWL,RH,FD,B/W
9	106146-01-02A	EA	SUPPORT-COVER,WNGWLL,FD B/W
10	M07423-14-F08	EA	WINGWALL ASM-LH BRT/WHT
11	104444-01-02A	EA	COVER - WINGWALL TRIM - UPPER PASSENGER
12	104444-02-02A	EA	COVER - WINGWALL TRIM - UPPER DRIVER

## EXTERIOR BODY GROUP (CONTINUED)

### EXTERIOR BODY PANELS

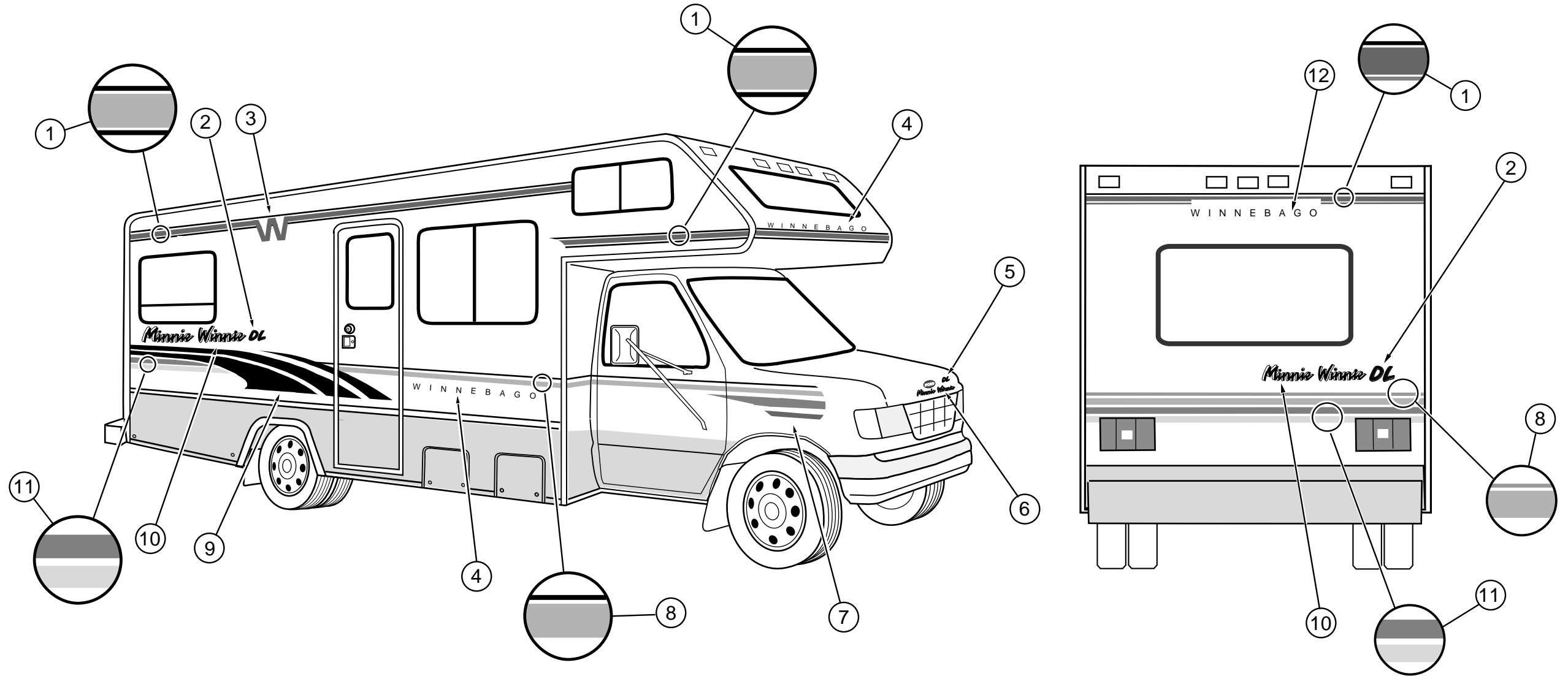


KEY	PART NUMBER	U/M	DESCRIPTION
1	P15674-02-G07	EA	BACKWALL ASM 524RC
1	P15674-02-G08	EA	BACKWALL ASM 524RC
2	100483-02-02A	EA	TRIM - CONTOUR - ROOF - BRIGHT WHITE - 133.9"
	099583-55-004	EA	AWNING RAIL - 133.9" BRIGHT WHITE
	064675-54-004	EA	STEEL-ANGLE, ROOF JOINT - 545MM - OFF WHITE
3	M07431-04-G07	EA	ROOF ASM 524RC BRT WHT
4	096864-01-02A	EA	TRIM - CONTOUR - ROOF TO SIDEWALL
5	P20518-02-G07	EA	SIDEWALL ASM-LEFT EUR 524RC
5	P20518-02-G08	EA	SIDEWALL ASM-LEFT EUR 524RC
5	P20518-01-G07	EA	SIDEWALL ASM-LEFT JAP 524RC
5	P20518-01-G08	EA	SIDEWALL ASM-LEFT JAP 524RC
	064675-54-004	EA	STEEL - ANGLE ROOF JOINT - 1.7' - OFF/WHITE
6	105312-01-07A	FT	INSERT - FEATURE STRIP VINYL - BRIGHT WHITE
7	096854-01-02A	EA	TRIM - CONTOUR ROOF TO SIDEWALL - 108" LONG
			FROM: 00-00-00 THRU: 11-22-95
7	096854-04-02A	EA	TRIM - CONTOUR
			FROM: 11-23-95 THRU: 99-99-99

KEY	PART NUMBER	U/M	DESCRIPTION
8	M76177-01-700	EA	ROOF SECTION, FRONT 8' X 8'
	078580-02-000	EA	TRIM - ROOF/FRONT CAP
9	108651-01-01A	EA	END CAP - FEATURE STRIP
10	105312-01-07A	FT	INSERT - FEATURE STRIP VINYL - BRIGHT WHITE
11	108688-01-03A	EA	STRIP - FEATURE - W/O INSERT/END CAPS - 15'
12	115517-55-001	EA	ROCKER PANEL - PRIMED EXTRUDED ALUM. 118.1" - LH/RH
13	105100-02-02A	EA	TRIM-WHEELWELL BRT/WHT
14	105220-01-02A	EA	TRIM-WHEELWELL,REAR BLACK
15	M07502-01-G07	EA	SIDEWALL ASM-RIGHT STD 524RC
15	M07502-01-G08	EA	SIDEWALL ASM-RIGHT STD 524RC
15	M07502-02-G07	EA	SIDEWALL ASM-RIGHT EUROP 524
15	M07502-02-G08	EA	SIDEWALL ASM-RIGHT EUROP 524
	064675-54-004	EA	STEEL - ANGLE ROOF JOINT - 1.7' - OFF/WHITE
16	106106-01-02A	EA	END CAP-ROCKER PANEL (RH)
	106106-02-02A	EA	END CAP-ROCKER PANEL (LH)
17	103334-02-02A	EA	TRIM - BACKWALL/LOWER
18	103335-02-02A	EA	TRIM-BACKWALL,LOWER BRT/WHT
19	105846-01-04A	EA	TRIM-TAIL LIGHT,RR BRT WHT
	002779-01-001	EA	EXTR-U CHAN 1.75X192.00

## EXTERIOR BODY GROUP (CONTINUED)

### DECALS, STRIPES & PAINT

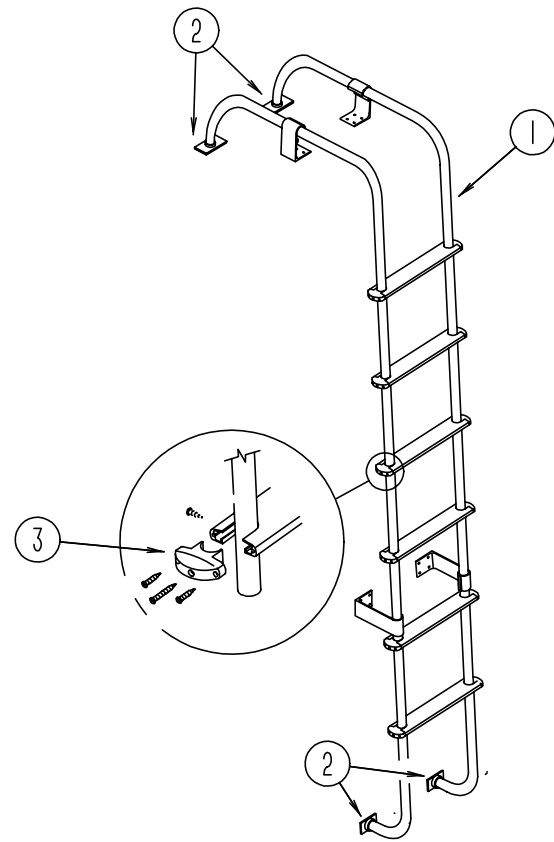


KEY	PART NUMBER	U/M	DESCRIPTION
1	094443-33-01A	FT	FILM-MULTISTRIPE 100.0 MM X 150' - SEA MIST/MED BLUE/FUSCHIA
2	106002-01-07A	EA	DECAL-LOGO - DL - LARGE (W.I.E. EXPORT)
3	093691-08-02A	EA	DECAL-FLYING W - 184.2 HIGH - MED BLUE
4	110889-01-03A	EA	DECAL-LOGO - WINNEBAGO - MED BLUE
5	106002-02-07A	EA	DECAL-LOGO - DL - SMALL (W.I.E. EXPORT)
6	105480-02-07A	EA	DECAL-LOGO - MINNIE WINNIE - BRIGHT WHITE/MED BLUE/SEA MIST (W.I.E. EXPORT)
7	117001-01-01A	EA	DECAL-FENDER - PASSENGER - FUSCHIA/MED BLUE/SEA MIST/FUSCHIA
	117001-02-01A	EA	DECAL-FENDER - DRIVER - FUSCHIA/MED BLUE/SEA MIST/FUSCHIA
8	105781-41-01A	FT	FILM-MULTISTRIPE 62.3 MM X 150' - FUCHSIA/MED BLUE
9	117000-01-01A	EA	DECAL-SWEEPS - PASSENGER - FUSCHIA/MED BLUE/SEA MIST
	117000-02-01A	EA	DECAL-SWEEPS - DRIVER - FUSCHIA/MED BLUE/SEA MIST
10	105480-01-09A	EA	DECAL-LOGO - MINNIE WINNIE - BRIGHT WHITE/MED BLUE/SEA MIST (W.I.E. EXPORT)
11	105781-42-01A	FT	FILM-MULTISTRIPE 112.7MMX150 - *MED BLUE/SEAMIST
12	110206-02-03A	EA	DECAL-WINNEBAGO - MED BLUE
	041561-03-000	EA	PAINT-16OZ SPRAY-OFF WHITE - ACRYLIC ENAMEL
	099399-23-700	EA	PAINT-16OZ SPRAY-BRIGHT WHITE - ACRYLIC ENAMEL
	044486-03-000	EA	PAINT-LOW BAKE - BEIGE

#### DUPONT COLOR CODES

BRIGHT WHITE	B8951
SEA MIST	
MED BLUE	
FUSCHIA	
MED TITANIUM MET	C9248

**EXTERIOR BODY GROUP (CONTINUED)**



**LADDER**

KEY	PART NUMBER	U/M	DESCRIPTION
1	102953-10-F15	EA	LADDER ASM
2	067165-01-000	EA	MOUNTING BRACKET - LOWER LADDER
3	076980-02-000	EA	END CAP - STEP - BLACK
	000G39-06-10T	EA	SCREW-SF/DR, 6-20 X 5/8 PPH - BLACK
	000G68-10-36T	EA	SCREW - 10-12 X 2.25 POH - BLACK
	038327-01-000	EA	TAPE - ANTI-SLIP - 2" X 60'

**EXTERIOR BODY GROUP (CONTINUED)**

**RUNNING BOARDS**

KEY	PART NUMBER	U/M	DESCRIPTION	VENDOR NO.
	072884-27-000	EA	RUNNING BOARD SET - 39" - FORD - ALUMINUM	
	072884-27-700	EA	BRACKET SET 12" 92	RB2BRK/M
	072884-27-701	EA	RUNNING BOARD - 39" - RIGHT OR LEFT - FORD	
	072884-27-702	FT	TREAD TAPE	RB9202
	072884-27-703	EA	MUD FLAP W/HOLES, 1EA=PAIR	99171
	072884-27-704	EA	CAP-ENDS, 1EA=PAIR	99148
	106461-04-000	EA	TRIM-RUNNING BOARD FORD - QUALITY SET/2	
	106461-05-000	EA	NON SKID STRIP-RUNNING BOARD - QUALITY SET/6	
	106461-03-000	EA	HRDW-KIT RUNNING BOARD - QUALITY	
	106461-06-01A	EA	RUNNING BD-FORD RH BRT WHT - *METRO COM RB-1102ZC	
	106461-07-01A	EA	RUNNING BD-FORD LH BRT WHT - *METRO COM RB-1102ZC	

**FIBERGLASS, ALUMINUM, STYROFOAM & CHANNEL**

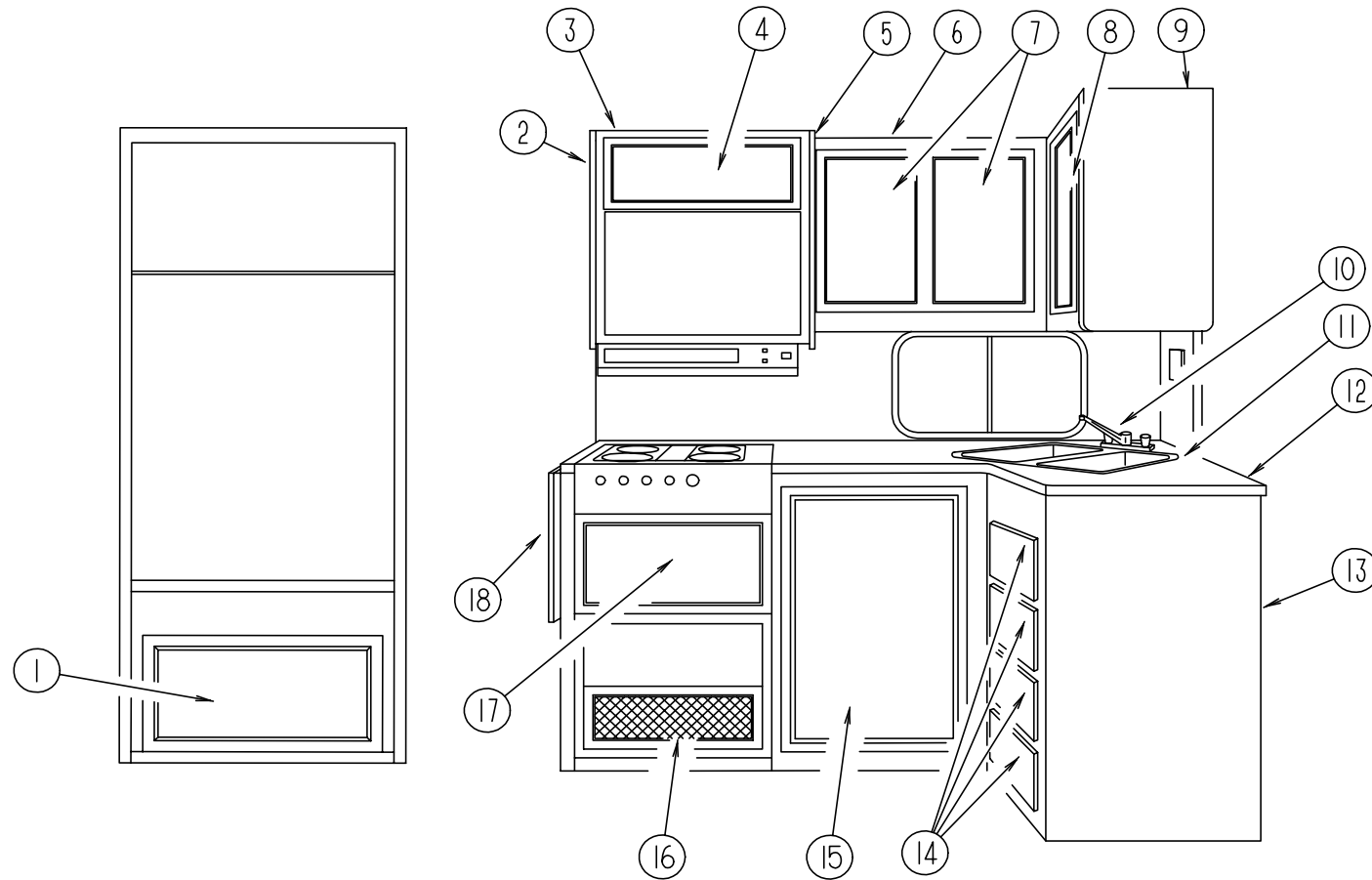
KEY	PART NUMBER	U/M	DESCRIPTION
	000870-08-000	SF	STYROFOAM - .75" X 4' X 8' - PLANED
	002726-01-001	EA	GARNISH - U-CHANNEL - 1.38" X 19' - SERRATED
	002766-01-001	EA	ANGLE - EXTRUDED - 1" X 1.5" X 17'
	058267-01-000	FT	CHANNEL - STEEL - W/HOLES - SIDEWALL STIFFENER - 2" X 20'
	068716-01-001	EA	BRACE - 90 DEGREE L-ANGLE - 16'
	076054-N4-000	EA	FIBERGLASS SHEET - 102" X 261.8" BRIGHT WHITE
	076054-N9-000	EA	FIBERGLASS SHEET - 96" X 102" BRIGHT WHITE
	076054-P1-700	EA	FIBERGLASS-SH B/W 101"X 288" PARTS DEPT
	076054-P1-701	EA	FIBERGLASS-SH B/W 101"X 420" PARTS DEPT
	076054-P9-000	EA	FIBERGLASS SHEET - 37.4" X 99.25" BRIGHT WHITE
	076054-R2-000	EA	FIBERGLASS SHEET - 19.4" X 65.9" BRIGHT WHITE
	077517-62-000	EA	FIBERGLASS SHEET - 48" X 96" BRIGHT WHITE - FLAT
	089297-01-000	SF	PLYWOOD - LUAN - OVERLAY GRADE - 48" X 96"
	100619-01-000	BF	EXPANDED FOAM SHEET - 1.34" X 48" X 96"
	100619-04-000	BF	FOAM - EXPANDED POLYSTYRENE - .5" X 48" X 96"
	100619-05-000	BF	FOAM - EXPANDED POLYSTYRENE - .75" X 44" X 96"
	100619-16-000	BF	FOAM - EXPANDED POLYSTYRENE- .75" X 48" X 96"

**EXTERIOR MIRRORS**

KEY	PART NUMBER	U/M	DESCRIPTION	VENDOR NO.
	120269-01-01A	EA	MIRROR - EXTERIOR - PASSENGER	
	120269-01-700	EA	GLASS KIT W/BEZEL RH/LH	709407-8
	120269-02-01A	EA	MIRROR - EXTERIOR - DRIVER	
	120269-01-700	EA	GLASS KIT W/BEZEL RH/LH	709407-8

# GALLEY GROUP

## GALLEY CABINETS & FIXTURES



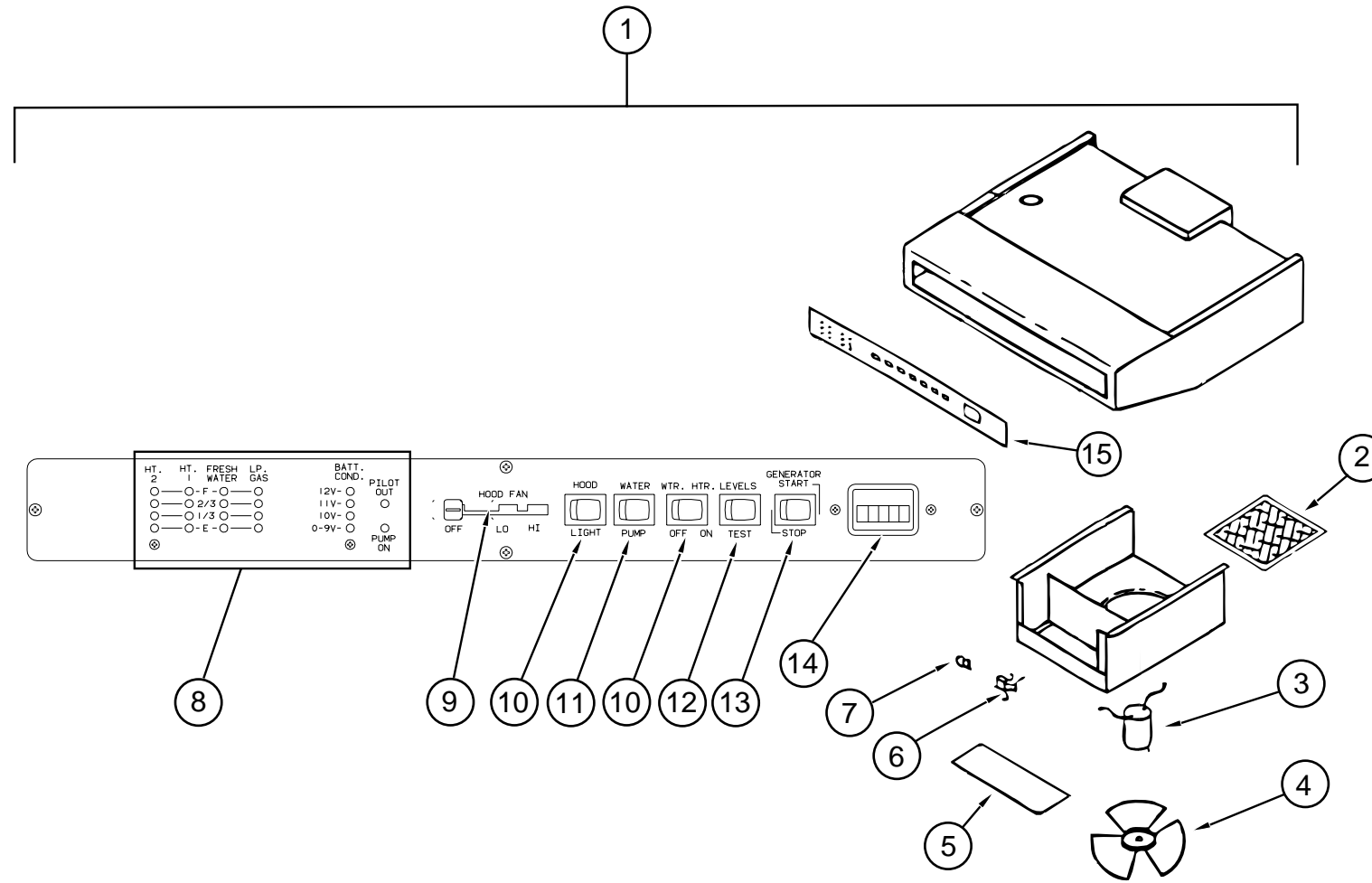
KEY	PART NUMBER	U/M	DESCRIPTION
1	M05992-81-G07	EA	DOOR-RAIL,HDW,OGEE 0255 X 0640
	090329-01-000	FT	SEAL-T - REFRIGERATOR CABINET - .6" WIDE TOP X 2" TAIL
	103251-02-01A	EA	INSERT - ACRYLIC BLACK - 19.53" X 16.06"
	103251-04-01A	EA	INSERT - ACRYLIC BLACK - 19.53" X 39.20"
2	104335-13-F08	EA	CAP ASM-END,OVHD
3	M07441-23-G07	EA	CABINET ASM-MICROWAVE
3	106016-02-F08	EA	CABINET ASM-FACE,MICROWAVE
4	M05992-17-G07	EA	DOOR-RAIL,HDW,OGEE 0280 X 0555
5	111891-15-F08	EA	CAP ASM
6	106885-01-F08	EA	CABINET ASM-OVHD GALLEY
7	M05992-77-G07	EA	DOOR-RAIL,HDW,OGEE 0255 X 0640
8	M05992-80-G07	EA	DOOR-RAIL,HDW,OGEE 0390 X 0650
9	M05778-34-F08	EA	CABINET ASM-CTR GALLEY OVHD
10	104114-02-01A	EA	FAUCET - GALLEY - SINGLE CONTROL

KEY	PART NUMBER	U/M	DESCRIPTION
11	104113-01-000	EA	SINK - DOUBLE - STAINLESS STEEL
	092303-01-000	EA	STRAINER - SINK
	103610-01-F09	EA	COVER - SINK - 15.1" X 15.8"
12	115847-14-F09	EA	COUNTERTOP ASM (W.I.E. EXPORT)
12	115847-15-F09	EA	COUNTERTOP ASM
	098335-19-G22	EA	RAIL - GALLEY - 13"
13	P15847-02-G07	EA	CABINET ASM-GALLEY (W.I.E. EXPORT)
13	P15847-03-G07	EA	CABINET ASM-GALLEY
14	M05971-B0-G07	EA	DRAWER COMPL-SLIDE OGEE
15	M05992-E1-G07	EA	DOOR-RAIL,HDW,OGEE 0400X0710
16	072369-51-000	EA	MESH-EXPANDED,AL
17	M05992-D8-G07	EA	DOOR-RAIL,HDW,OGEE 0280 X 0555
18	080812-04-F09	EA	EXTENSION ASM-GALLEY



# GALLEY GROUP (CONTINUED)

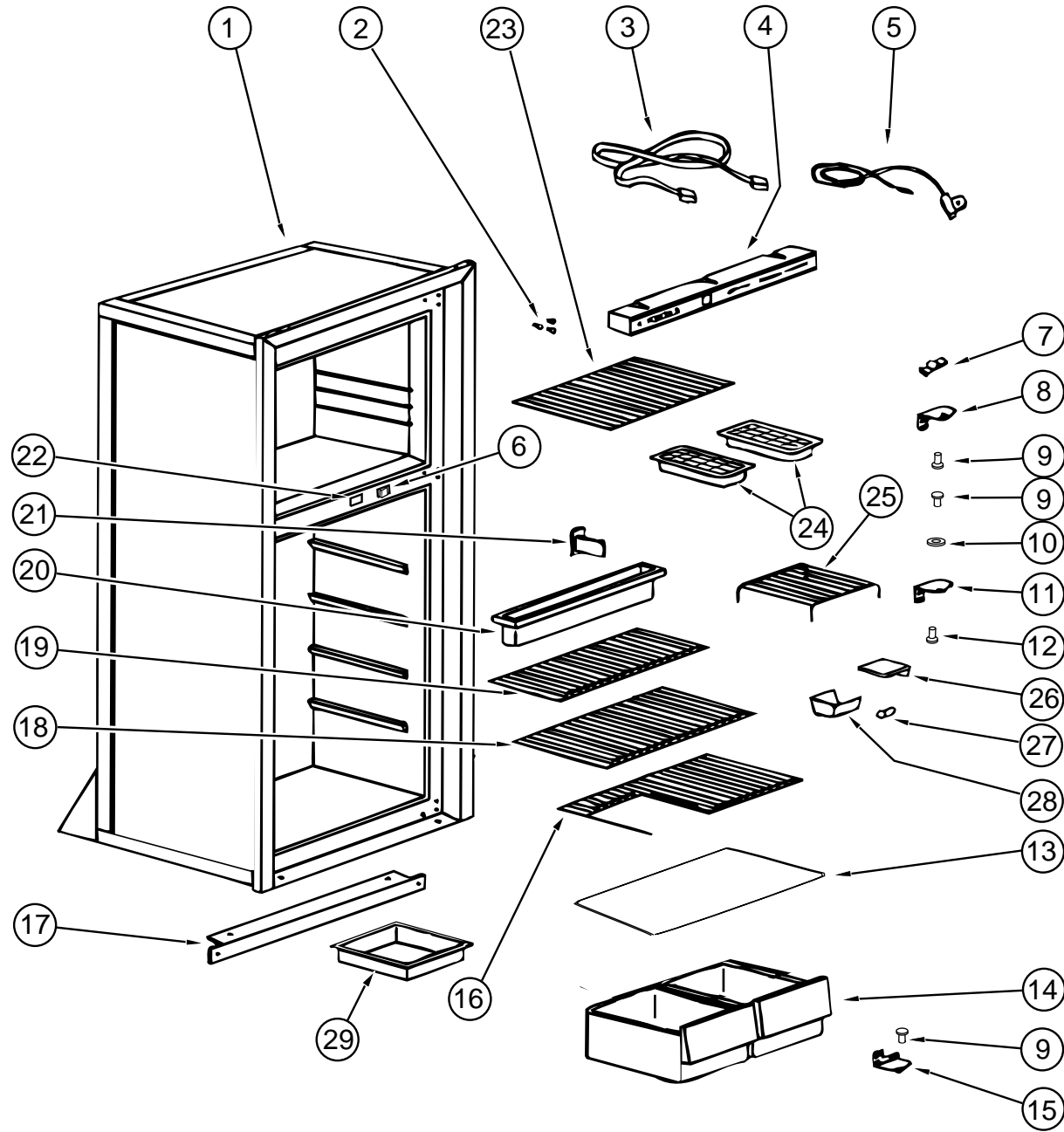
## RANGE HOOD



KEY	PART NUMBER	U/M	DESCRIPTION	VENDOR NO.
1	100258-22-03A	EA	HOOD-RANGE 22 W/MONT PNL TEX - *VENT TMS-5012-SBDLG	
2	096983-01-707	EA	FILTER-MESH	CC246
3	090973-01-700	EA	MOTOR-12 VOLT, CSA & UL	CA508-1
4	090973-01-702	EA	BLADE-FAN	VA183-1
5	092696-02-701	EA	LENS-LAMP	CC179-2
6	092696-01-710	EA	HOLDER-LAMP	
7	092696-01-709	EA	LAMP #912	VA415
8	100258-11-700	EA	BOARD-CIRCUIT	L5099-01
9	100258-04-701	EA	BEZEL-SWITCH LEVER	CC116
10	096983-01-700	EA	SWITCH-ON/OFF	L0108-00
11	096983-01-703	EA	SWITCH-ON/ON	L0115-00
12	096983-01-701	EA	SWITCH-SPST MOM. 2 TERM	L0111-00
13	096983-01-702	EA	SWITCH-MOM/OFF/MOM, 3 TERM	L0112-00
14	100258-10-01A	EA	GAUGE-HOUR METER W/SWITCH-SCREW ON STYLE	
15	100258-12-700	EA	PANEL-CONTROL ASSEMBLY	LA9076
	092698 02 700	EA	FASTNER-PUSH	VB430
	092696-01-702	EA	RESISTER-WIRE	L7314

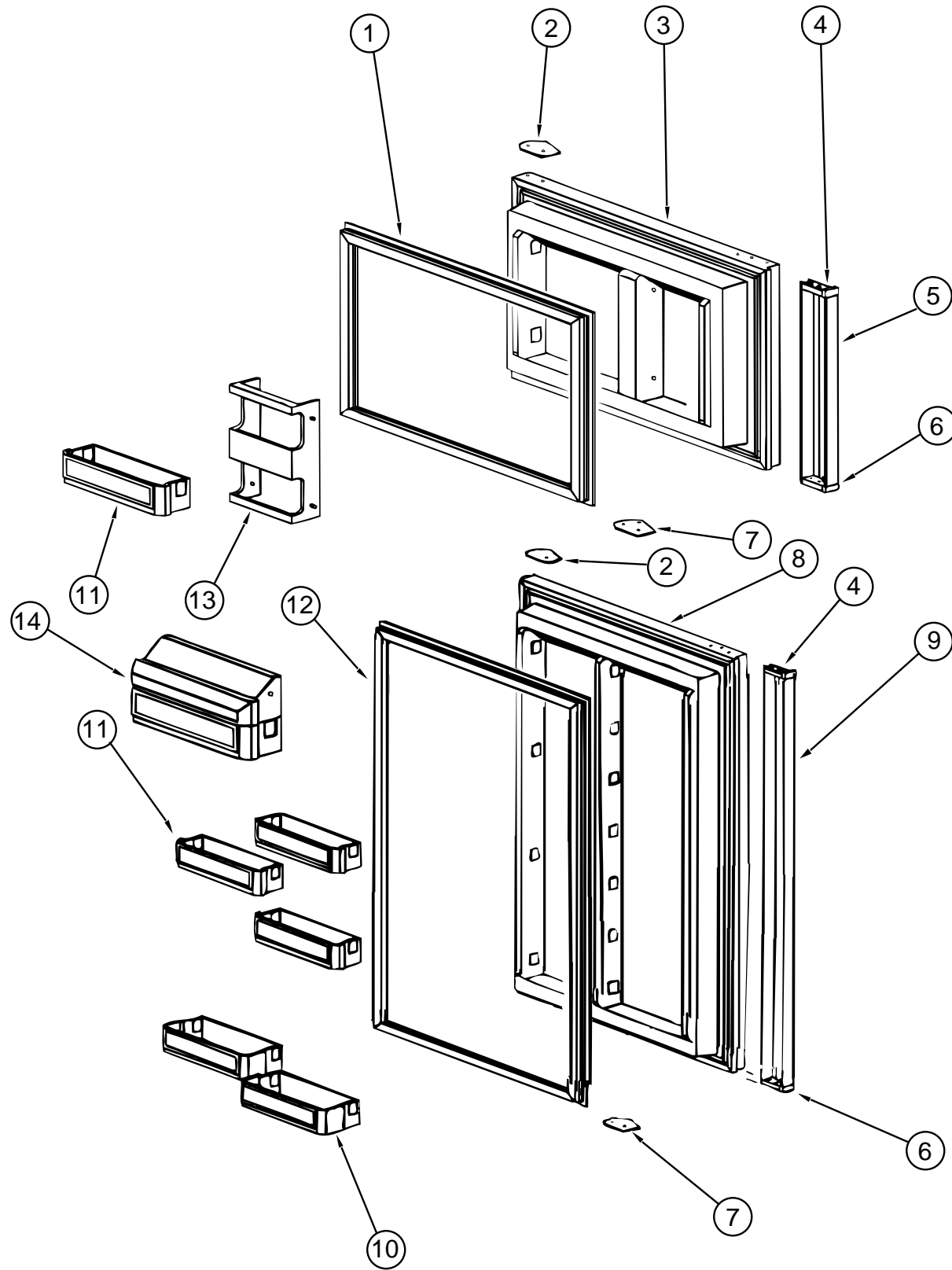
# GALLEY GROUP (CONTINUED)

## NORCOLD 682 REFRIGERATOR CABINET ASSEMBLY



KEY	PART NUMBER	U/M	DESCRIPTION	VENDOR NO.
	104137-02-01A	EA	REFRIG-LARGE DBL DOOR 2-WAY - *NORCOLD 682 RH BLK	
1	104137-06-708	EA	CABINET-W/BLACK TRIM,WHT INT	61725138
1	094039-01-721	EA	CABINET ASM. WHT.W/BLK FRAME	61663238
2	094039-01-722	EA	PLUG-HOLE, BLACK	61582030
3	084880-01-746	EA	CABLE-PRINTED CIRCUIT BOARD-TO POWER SUPPLY	61571522
4	094039-04-701	EA	SHELL-EYEBROW,2-WAY W/O HUM	61669822
5	084880-01-753	EA	THERMISTER-78" W/O CLIP	61693822
6	094039-01-736	EA	SWITCH-LIGHT, BLACK	61581022
7	084880-01-760	EA	CLIP (THERMISTER)	61689122
8	094039-01-723	EA	BRACKET-HINGE, TOP RH-BTM LH	61580830
9	094039-01-725	EA	PIN-HINGE, BLACK	61578130
10	084880-01-749	EA	BUSHING-HINGE	61580722
11	094039-01-728	EA	BRACKET-HINGE, CENTER BLACK	61566530
12	094039-01-730	EA	PIN-HINGE, CENTER, BLACK	61566730
13	084880-01-722	EA	COVER-CRISPER, GLASS	61564122
14	104137-06-720	EA	CRISPER, WHITE W/BLUE TRIM	617758
15	094039-01-724	EA	BRACKET-HINGE, TOP LH-BTM RH	61580930
16	104137-06-730	EA	SHELF-BOTTOM, W/CUTOUT WHITE	618055
17	094039-01-732	EA	TRIM-FRONT LOWER, BLACK	61622130
18	104137-06-729	EA	SHELF-MIDDLE, WHITE	618052
19	104137-06-728	EA	SHELF W/RISER ,WHITE	618062
20	094039-01-735	EA	TRAY-DRIP, WHITE	61572830
21	084880-01-732	EA	LATCH	61578522
22	075217-01-738	EA	SWITCH-HUMIDITY	61525922
23	104137-09-01A	EA	FREEZER SHELF - GRAY	
24	104137-06-724	EA	ICE TRAY	61630422
25	094039-07-702	EA	SHELF-WIRE, FREEZER, LONG	61667722
26	084880-03-705	EA	BRACKET-LIGHT-INTERIOR	61629722
27	084880-03-706	EA	BULB-LAMP	61628922
28	084880-03-707	EA	COVER-LAMP, LENS	61627922
29	104137-06-718	EA	SHELF-TRAY, WHITE, W/CUTOUT	617756
	084880-01-732	EA	LATCH	61578522
	094039-01-726	EA	SHELF-EVAPORATOR	61580323
	103251-02-01A	EA	INSERT - ACRYLIC BLACK - 19.53" X 16.06"	
	103251-04-01A	EA	INSERT - ACRYLIC BLACK - 19.53" X 39.20"	
	116751-01-01A	EA	TRAY - REFRIGERATOR	
	065225-02-000	EA	PLATE - TIEDOWN - REFRIGERATOR	
	117089-01-000	FT	HOSE - 1/2" ID - GARDEN	
	093646-01-000	EA	BRACKET - TIEDOWN/REFRIGERATOR - RIGHT HAND	
	093646-02-000	EA	BRACKET - TIEDOWN/REFRIGERATOR - LEFT HAND	
	054450-01-000	EA	LEVEL-REFRIGERATOR	

**GALLEY GROUP (CONTINUED)**



**GALLEY GROUP (CONTINUED)**

**NORCOLD 682 UPPER & LOWER REFRIGERATOR DOORS**

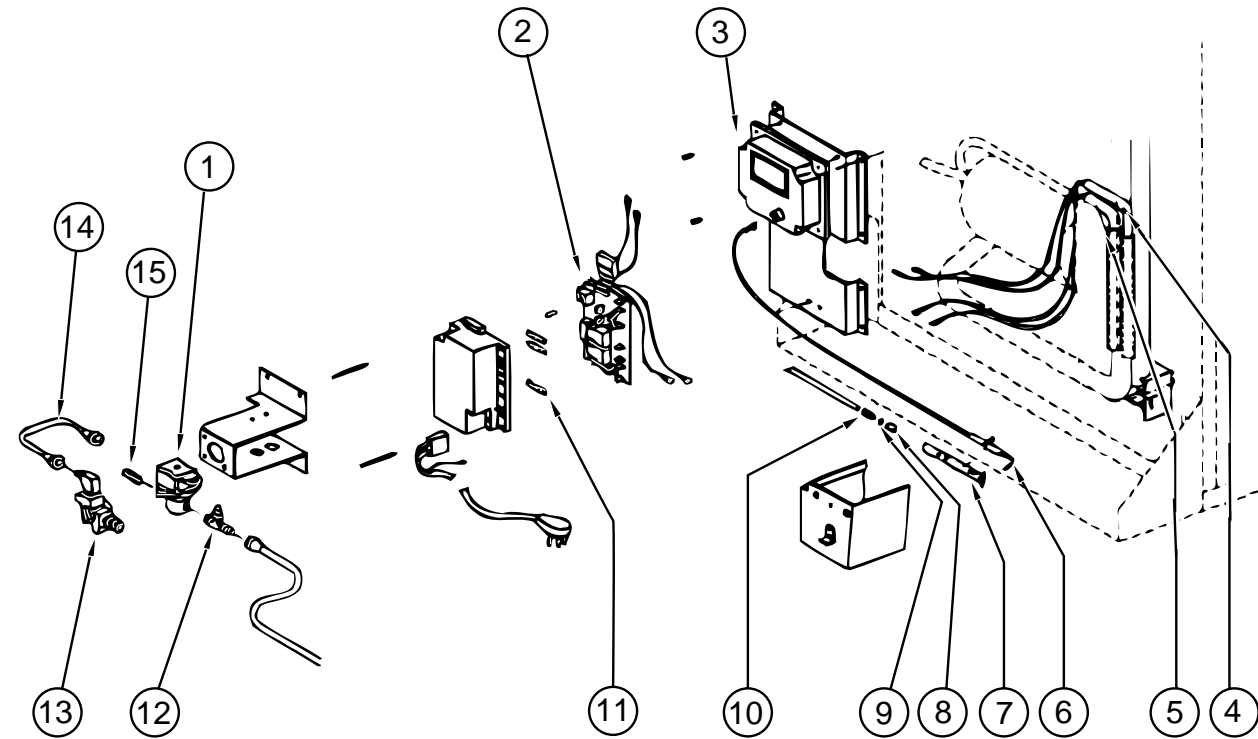
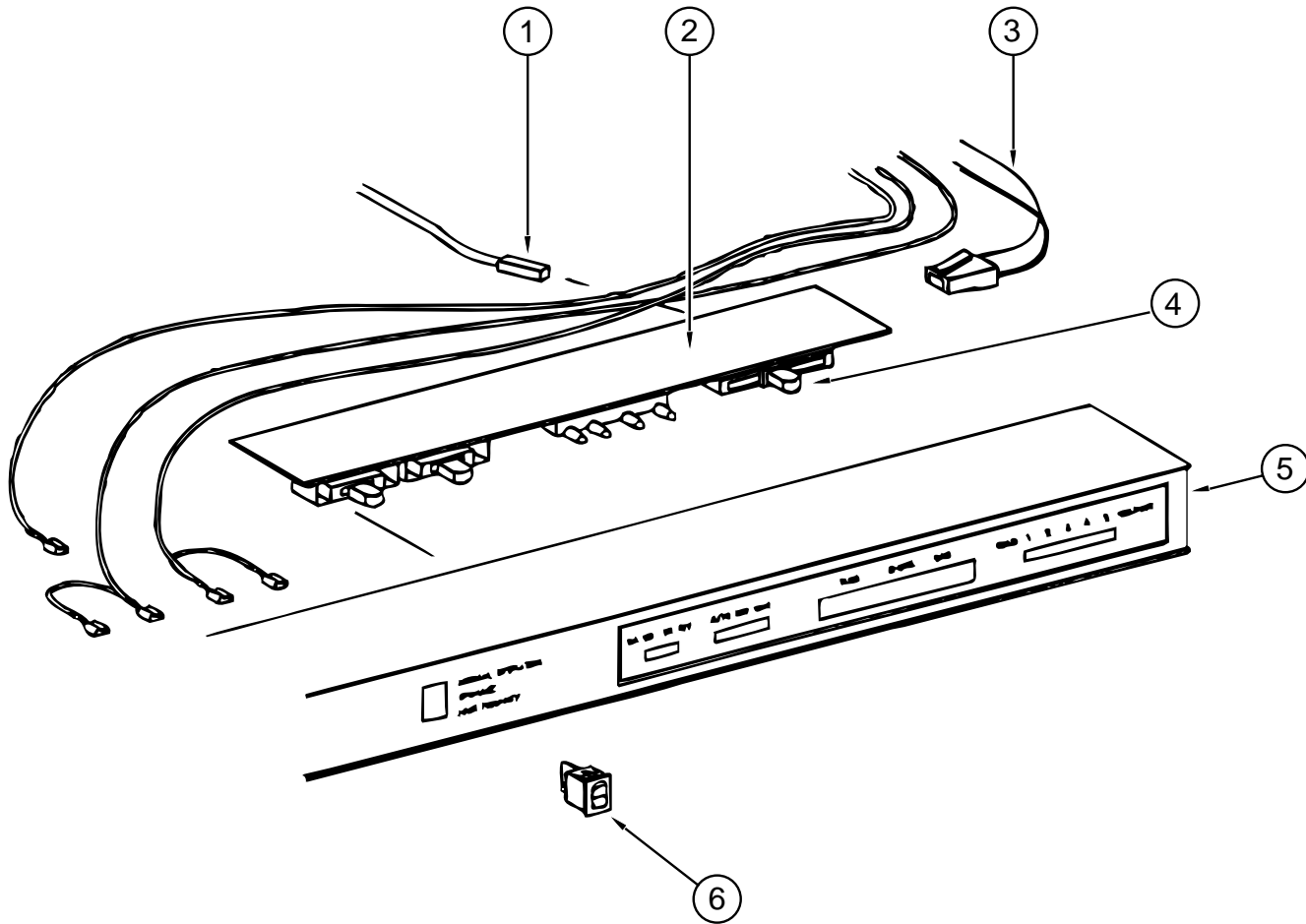
KEY	PART NUMBER	U/M	DESCRIPTION	VENDOR NO.
1	094039-01-702	EA	GASKET (GRAY) UPPER	61567830
2	094039-01-710	EA	PLATE-HINGE,RHTOP,LHBTM, BLK	61631330
3	094039-01-706	EA	LINER-UPPER DOOR,WHITE/BLACK	61581838-B
4	084880-01-761	EA	CAP-END, CATCH, UPPER, BLACK	61593730
5	094039-01-708	EA	HANDLE-UPPER DOOR ASM. BLACK	61650038
	084880-01-720	EA	SPRING (FOR DOOR HANDLE)	61558822
6	084880-01-740	EA	CAP-END, STOP CATCH, LWR.BLK	61593830 BLACK
7	094039-01-704	EA	PLATE-HINGE,TOPLH,RHBTM BLK	61631430
8	094039-01-715	EA	LINER-DOOR LOWER,BLACK/WHITE	61581738-B
9	094039-01-717	EA	HANDLE ASM., LOWER DOOR, BLK	61649938
10	104137-06-719	EA	BIN-MILK, WHITE W/BLUE TRIM	617757
11	104137-06-721	EA	BIN-DOOR, WHITE W/BLUE TRIM	617759
12	094039-01-713	EA	GASKET-DOOR, LOWER-GRAY	61568030
13	104137-06-702	EA	RACK-JUICE, WHITE	61580525
14	104137-06-722	EA	KEEPER-DAIRY,WHT.W/BLUE TRIM	617760

**MICROWAVE OVEN**

KEY	PART NUMBER	U/M	DESCRIPTION	VENDOR NO.
	115303-01-000	EA	MICROWAVE OVEN- 14 1/8"H X 21 7/8"W X13 1/4"D	
	115303-01-700	EA	TRIM F/VENT, TOP	2100309
	094745-01-01A	EA	TRIM - MICROWAVE - LOWER	
	094750-01-000	EA	BRACKET-MICROWAVE, 90 DEGREE - STEEL	
	094750-07-000	EA	BRACKET - MICROWAVE - 89 DEGREE	
	094774-01-01A	EA	TRIM - MICROWAVE - EITHER SIDE - .5" X 14.8"	
	098916-06-01A	EA	BRACE-MICROWAVE CABT,LH E-CT	
	098916-07-01A	EA	BRACE-MICROWAVE CABT E-CT	

**GALLEY GROUP (CONTINUED)**

**GALLEY GROUP (CONTINUED)**



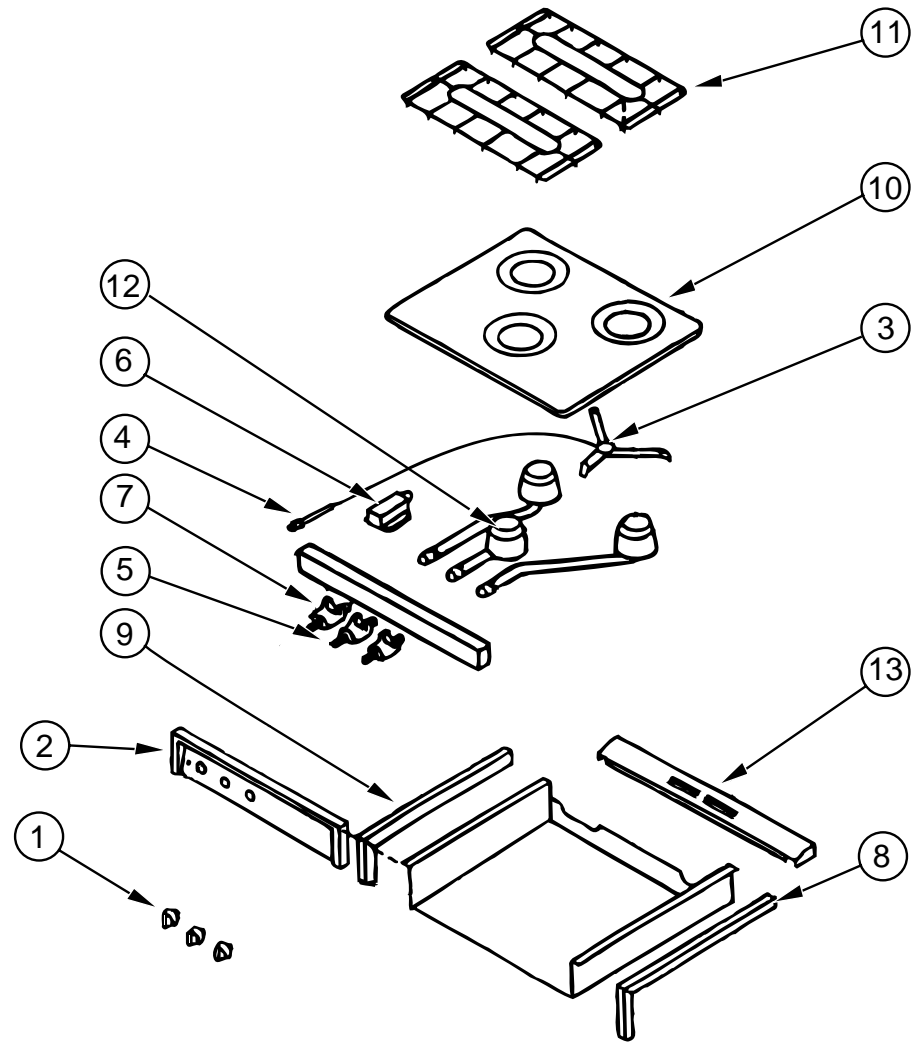
**NORCOLD 682 EYEBROW ASSEMBLY**

**NORCOLD 682 COOLING UNIT & CONTROL BRACKET ASSEMBLY**

KEY	PART NUMBER	U/M	DESCRIPTION	VENDOR NO.
1	084880-01-753	EA	THERMISTER-78" W/O CLIP	61693822
	084880-01-760	EA	CLIP (THERMISTER)	61689122
2	094039-04-700	EA	BOARD-PC, 2 WAY	61647322
3	084880-01-746	EA	CABLE-PRINTED CIRCUIT BOARD-TO POWER SUPPLY	61571522
4	102621-01-703	EA	BUTTON-THERMOSTAT,ADJUSTABLE	61587422
5	104137-06-700	EA	SHELL-EYEBROW.2-WAY, W/HUM	61726622
6	075217-01-738	EA	SWITCH-HUMIDITY	61525922

KEY	PART NUMBER	U/M	DESCRIPTION	VENDOR NO.
1	084880-01-718	EA	VALVE-GAS, (ASCO)	61551822
2	094039-04-702	EA	POWER SUPPLY (2 WAY)	61647422
3	104137-02-700	EA	MODULE-IGNITION	61717037
4	088248-01-710	EA	HEATER DC (HORIZONTAL)	61562822
5	088248-01-709	EA	HEATER-AC (HORIZONTAL)	61562722
6	104137-06-715	EA	ELECTRODE-SPARK/SENSOR, SGL	61692222
7	104137-06-714	EA	BURNER ASSEMBLY, 5-SLOT	61705222
8	084880-01-705	EA	ORIFICE	61452222
9	104137-06-713	EA	GASKET-ORIFICE	61475122
10	104137-06-712	EA	FITTING-GAS, TUBE CONNECTION	61692722
11	104137-06-711	EA	FUSE-5 AMP	61611622
12	104137-06-710	EA	TAP-PRESSURE	61594422
13	104137-06-709	EA	VALVE-SHUT OFF, MANUAL	61694922
14	113737-01-750	EA	TUBE-UNION	61694622
15	084880-01-713	EA	FITTING-MALE INLET CONNECTOR	615256222
	088248-01-707	EA	SENSOR-ELECTRODE, HORIZONTAL	61573322
	088248-01-708	EA	ELECTRODE-SPARK, HORIZONTAL	61573222
	084880-03-701	EA	COIL-COOLING, F/HORIZ.BURNER	61687337

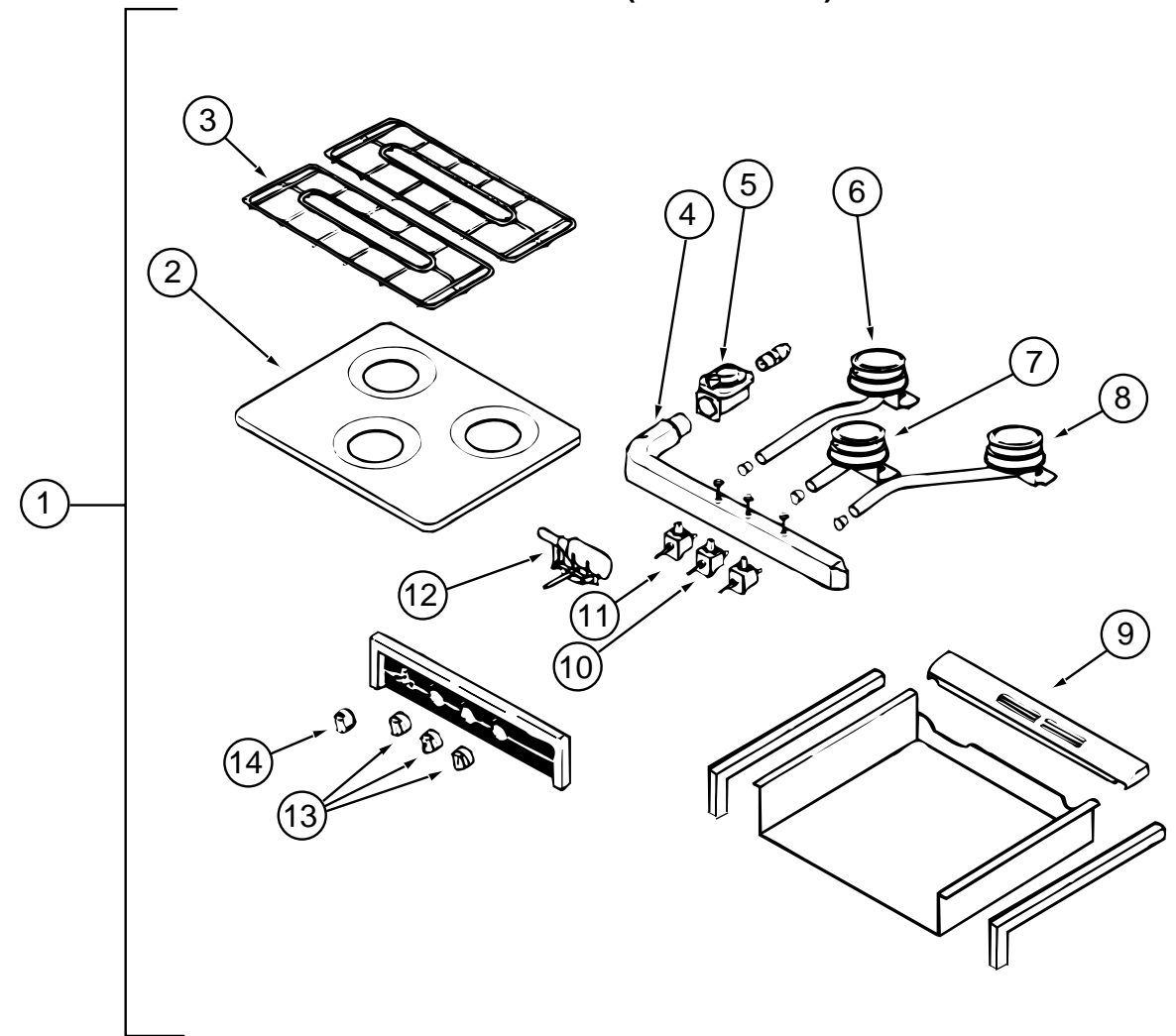
**GALLEY GROUP (CONTINUED)**



**RANGE - 3 BURNER - ATWOOD 53764**

KEY	PART NUMBER	U/M	DESCRIPTION	VENDOR NO.
	106689-01-01A	EA	TOP-RANGE, 3 BURNER - BLACK - ATWOOD 53764	
			FROM: 00-00-00 THRU: 01-14-96	
1	101593-01-703	EA	KNOB-BURNER	53000
2	106689-01-700	EA	COVER-MANIFOLD, 3 BURNER	53074
3	106689-01-701	EA	IGNITOR-SPARK, HIGH OUTPUT	53078
4	106689-01-702	EA	BUTTON-PUSH, PIEZO	52279
5	106689-01-703	EA	VALVE-BURNER, SHAW 9000 BTU	53047
6	106689-01-704	EA	REGULATOR-EXTREME PRESSURE	51062
7	106689-01-705	EA	VALVE-BURNER,R-SHAW 5200 BTU	52123
8	106689-01-706	EA	TRIM-RIGHT HAND, TOP&SIDE BLK	53020
9	106689-01-707	EA	TRIM-LEFT HAND, TOP&SIDE BLK	53019
10	107246-01-700	EA	TOP-MAIN, BLACK 3-BURNER	53083
11	107246-01-701	EA	GRATE-BURNER	53050
	107323-01-710	EA	CLIP-GRATE	53301
	107323-01-711	EA	CUSHION-GRATE, RUBBER	53008
12	107246-01-710	EA	BURNER-HIGH OUTPUT	53069
13	107323-01-705	EA	TRIM-VENT	53525
	081587-03-000	EA	BRACKET-TIEDOWN, RANGE - RIGHT	
	081587-04-000	EA	BRACKET-TIEDOWN, RANGE - LEFT	

**GALLEY GROUP (CONTINUED)**



**RANGE - 3 BURNER - ATWOOD C-37BP**

KEY	PART NUMBER	U/M	DESCRIPTION	VENDOR NO.
1	121757-01-01A	EA	RANGE TOP - 3 BURNER BLACK	
			FROM: 01-15-96 THRU: 99-99-99	
2	121758-01-714	EA	RANGE-TOP, ALMOND	53082
3	107246-01-701	EA	GRATE-BURNER	53050
	107323-01-716	EA	CLIP-GRATE, GREEN	50005
	107323-01-711	EA	CUSHION-GRATE, RUBBER	53008
4	121757-01-700	EA	MANIFOLD - 3 BURNER	56072
5	106689-01-704	EA	REGULATOR-EXTREME PRESSURE	51062
6	121758-01-707	EA	BURNER LEFT REAR PZO	56066
7	121758-01-708	EA	BURNER CENTER (HIGH OUTPUT)	56068
8	121758-01-706	EA	BURNER RIGHT REAR PZO	56067
9	107323-01-705	EA	TRIM-VENT	53525
10	121758-01-705	EA	VALVE HIGH OUTPUT	56087
11	121758-01-710	EA	VALVE, BURNER (2)	56086
12	121758-01-701	EA	IGNITOR PIEZO (ROTARY)	56096
13	121758-01-712	EA	KNOB, BURNER (3)	56093
14	121758-01-700	EA	KNOB-TURN TYPE/PIEZO IGNITOR	56095
	121758-01-702	EA	ELECTRODE WIRE/PIEZO IGNITOR	56097
	121758-01-704	EA	INSERT PIEZO	56098

## GENERATOR GROUP

### 4.0 KW ONAN GENERATOR - JAPAN

KEY	PART NUMBER	U/M	DESCRIPTION
	109982-06-000	EA	GENERATOR-4.0 MICROLITE ONAN KY-FR/11429E
	007125-04-000	EA	CLAMP - MUFFLER - 1.12" DIAMETER
	115716-01-000	EA	PIPE-EXHAUST,GENERATOR,RH
	007125-03-000	EA	CLAMP - MUFFLER - 1.50" DIAMETER
	008401-01-000	EA	STRAP - CONDUIT - 3/4" - 1 HOLE - GALVANIZED STEEL

### 3.3 KW ONAN GENERATOR - EXPORT LP - 220V

KEY	PART NUMBER	U/M	DESCRIPTION
	109982-05-000	EA	GENERATOR-3.3 MICROLITE, ONAN KY-FR/26119 B
	007125-04-000	EA	CLAMP - MUFFLER - 1.12" DIAMETER
	105958-08-000	EA	PIPE-EXHAUST,GENERATOR
	008401-01-000	EA	STRAP - CONDUIT - 3/4" - 1 HOLE - GALVANIZED STEEL

**NOTE: ADDITIONAL GENERATOR COMPONENTS ARE FOUND IN THE CHASSIS GROUP**

## HEATING & AIR CONDITIONING GROUP

### CEILING A/C - COLEMAN

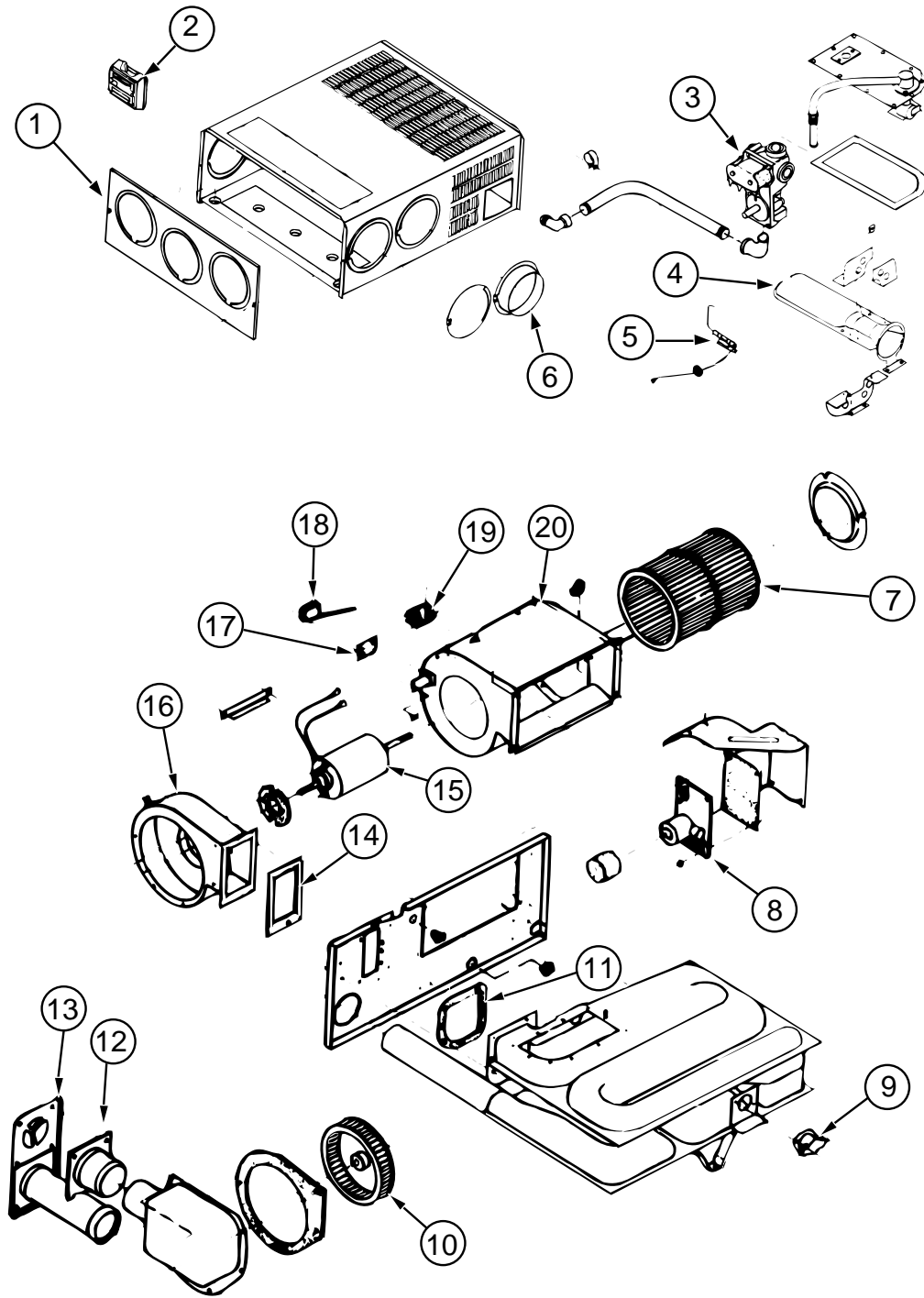
KEY	PART NUMBER	U/M	DESCRIPTION	VENDOR NO.
	108891-01-01A	EA	CEILING ASM-A/C COOL TSR HO - *COLEMAN 7330-714 IV	
	042204-01-709	EA	THERMOSTAT-IN 64 OUT 58	6701-3401
	073742-01-701	EA	SWITCH-SELECTOR,(5 TERMINAL)	6759-3251
	073742-01-702	EA	DECAL-COOL ONLY	6759C3431
	081606-01-712	EA	SHROUD-CEILING, IVORY	6769-5061
	091225-01-713	EA	KNOB	6701-3351
	093766-02-701	EA	DECAL-LEFT	6799-3971
	108891-01-700	EA	PARTS PKG. SGL (KNOB & NUTS)	6792-5991
	108891-01-701	EA	CLIP-FILTER RETAINER, 6 PER	6799-3141
	108891-01-702	EA	COLLAR-DUCT, W/METL FLANGE	6792-4541

### REAR HEATER

KEY	PART NUMBER	U/M	DESCRIPTION	VENDOR NO.
	084405-01-000	EA	HEATER - REAR - DUCTED - W/MOTOR AID - EVANS	
	084405-01-700	EA	CORE-HEATER	FT200229
	084405-01-701	EA	FAN BLADES	HV029931
	084405-01-702	EA	MOTOR ASSEMBLY, 12 VOLT	R0200180
	007108-01-000	FT	HOSE - HEATER - 5/8" ID - HI -TEMP - FORD	
	079059-01-000	EA	HOSE - 90 DEGREE - 5/8" ID X 4" X 36"	
	079059-03-000	EA	HOSE - 90 DEGREE - .61" ID X 4" X 18"	

# HEATING & AIR CONDITIONING GROUP (CONTINUED)

## FURNACE - 30,000 BTU - SUBURBAN - MODEL SF-30



KEY	PART NUMBER	U/M	DESCRIPTION	VENDOR NO.
	098668-20-000	EA	FURNACE-30000 BTU, SUBURBAN SF-30 2273	
1	098668-01-700	EA	CABINET FRONT	101242
2	115764-01-01A	EA	THERMOSTAT - FURNACE	
3	098668-01-714	EA	VALVE-GAS,SF S.N. 921401821	161070
4	098668-02-700	EA	BURNER ASSEMBLY,SF-30 & SF35	010745
5	098668-01-715	EA	ELECTRODE ASM., SINGLE PROBE	232166
6	075696-02-703	EA	COLLAR-DUCT	050715
7	098668-01-711	EA	WHEEL-BLOWER, ROOM AIR	350129
8	098668-01-712	EA	BOARD-MODULE	520741
9	098668-21-701	EA	SWITCH-LIMIT	231799
10	098668-01-706	EA	WHEEL-COMBUSTION AIR	350184
11	098668-01-716	EA	GASKET-FIREWALL,CHAMBER SIDE	070808
12	098668-01-713	EA	TUBE ASSEMBLY, INTAKE	051248
13	098668-01-707	EA	TUBE ASSEMBLY, EXHAUST W/CAP	260231
14	098668-01-717	EA	GASKET-FIREWALL, BLOWER SIDE	070809
15	098668-01-709	EA	MOTOR ASM., F/SF-25, SF-30	231706
16	098668-01-708	EA	HOUSING-BLOWER, COMBUSTION	390441
17	101990-01-714	EA	GASKET-MICROSWITCH	230877
18	098668-21-700	EA	SWITCH-MICRO,W/O FLAG 3 1/4"	232261
19	074466-01-702	EA	RELAY, TIME DELAY	230625
20	098668-01-710	EA	HOUSING-BLOWER, ROOM AIR	390440
	092300-02-701	EA	ORIFICE-MAIN BURNER (NT-30BW)	180214
	098668-23-000	EA	DOOR - ACCESS - FURNACE	
	069636-02-000	EA	CONNECTOR - DUCT - 4" ID	
	056464-10-000	EA	REGISTER - W/O DAMPER - 4" DIAMETER	
	009198-01-000	FT	DUCT - HEAT - FLEXIBLE - 4" ID X 25'	
	009200-01-000	EA	TAPE - FURNACE - 1 1/2"	

## HEATING & AIR CONDITIONING GROUP (CONTINUED)

### ROOF A/C-13,500 BTU-EUROPE - COLEMAN - MODEL TSR 220

KEY	PART NUMBER	U/M DESCRIPTION	VENDOR NO.
	102289-01-000	EA SPRING - SCREW - ROOF A/C GASKET	
	108889-02-03A	EA AIR CONDITIONER - 13,500 BTU/220 VOLT	
	093306-01-701	EA DECAL PACKAGE, LEFT & RIGHT	6798B3591
	093763-01-704	EA CAPACITOR-FAN	1499-5461
	093763-01-712	EA BLADE-FAN-CONDENSER	6733-3221
	105620-01-705	EA PROTECTOR-OVERLOAD, RH & LH	6759-3791
	105620-01-706	EA MOUNTING PKG.,COMP., 3 PER	6759-3081
	108889-01-703	EA COIL-CONDENSER	1452A1301
	108889-01-706	EA IMPELLOR	1472-1041
	108889-01-707	EA CAPACITOR-RUN,COMP-25MFD/370	1499-5661
	108889-01-709	EA COIL-EVAPORATOR	1452A1311
	108889-01-710	EA PAD-FILLER, CONDENSER SEAL	6759A3971
	108889-01-711	EA GASKET PKG	6792-3301
	108889-01-713	EA LINE-SUCTION, 3/8ODX032 WALL	6792-130
	108889-01-714	EA LINE ASSEMBLY-DISCHARGE	6792-531
	108889-01-715	EA MOTOR MOUNT & SHAFT SEAL KIT	6792-3361
	108889-02-700	EA COMPRESSOR-TECUMSEH	1450A2029
	108889-02-701	EA MOTOR	1468-3059
	108889-02-702	EA CAPACITOR-START	1497-0891
	108889-02-703	EA RELAY-START	1497-4141
	108889-05-700	EA SHROUD-BRIGHT/WHT. W/O LOGO	7333-4601

### ROOF A/C-14,800 BTU-JAPAN - COLEMAN - MODEL TSR

KEY	PART NUMBER	U/M DESCRIPTION	VENDOR NO.
	115219-01-03A	EA A/C-ROOF,14,800 MACH 15 B/WT - *COLEMAN 7335B896	
	093306-01-701	EA DECAL PACKAGE, LEFT & RIGHT	6798B3591
	093306-01-720	EA CAPACITOR-START, 21-25 MFD33	1497-3351
	093763-01-704	EA CAPACITOR-FAN	1499-5461
	093763-01-712	EA BLADE-FAN-CONDENSER	6733-3221
	105620-01-706	EA MOUNTING PKG.,COMP., 3 PER	6759-3081
	108889-01-705	EA MOTOR (115, 60HZ)	1468-3049
	108889-01-706	EA IMPELLOR	1472-1041
	108889-01-710	EA PAD-FILLER, CONDENSER SEAL	6759A3971
	108889-01-711	EA GASKET PKG	6792-3301
	108889-01-715	EA MOTOR MOUNT & SHAFT SEAL KIT	6792-3361
	108889-05-700	EA SHROUD-BRIGHT/WHT. W/O LOGO	7333-4601
	115219-01-700	EA COIL-CONDENSER	1452-1321
	115219-01-702	EA CAPACITOR-RUN, COMPRESSOR	1499-5741
	115219-01-703	EA RELAY-START	1497-4151
	115219-01-704	EA COIL-EVAPORATOR	1452-1331
	115219-01-705	EA LINE-SUCTION, LOWER	7335-130
	115219-01-706	EA LINE-SUCTION, UPPER	7335-131
	115219-01-707	EA LINE ASSEMBLY, DISCHARGE	7335A132

## INTERIOR FINISH GROUP

### FIRE EXTINGUISHER, DETECTORS & CLOCK

KEY	PART NUMBER	U/M DESCRIPTION	VENDOR NO.
	072852-01-000	EA DETECTOR - SMOKE - W/9 VOLT BATTERY	
	094499-01-000	EA EXTINGUISHER - FIRE - DRY W/MOUNTING BRACKET - 10 B:C	
	094499-01-700	EA BRACKET MTG. W/PLAS. STRAP	294039
	094499-01-701	EA STRAP ONLY (METAL)	320351
	118081-01-01A	EA CLOCK - WALL - ROUND 8" - BRASS	
	112320-03-000	EA DETECTOR - CO GAS MODEL 9D-I	
	112320-04-000	EA BATTERY/SENSOR MODULE - CO (BLACK MODULE) F/9D-I SYSTEM	

### CARPETING & FLOOR MATS

KEY	PART NUMBER	U/M DESCRIPTION
	096060-98-000	SY CARPET - SILVER ASPEN - INCREMENTS OF 4 SQ YD(G07)
	096060-99-000	SY CARPET-JUBILATION - PARCHMENT (G08)
	093486-01-000	SY CARPET - COMPARTMENT - 54" WIDE - DARK GRAY
	081075-03-000	EA MAT - FLOOR - ENTRANCE - WINNEBAGO
	106884-01-000	EA MAT - FLOOR - FRONT PASSENGER "W" - FORD
	106884-02-000	EA MAT - FLOOR - FRONT DRIVER "W" - FORD

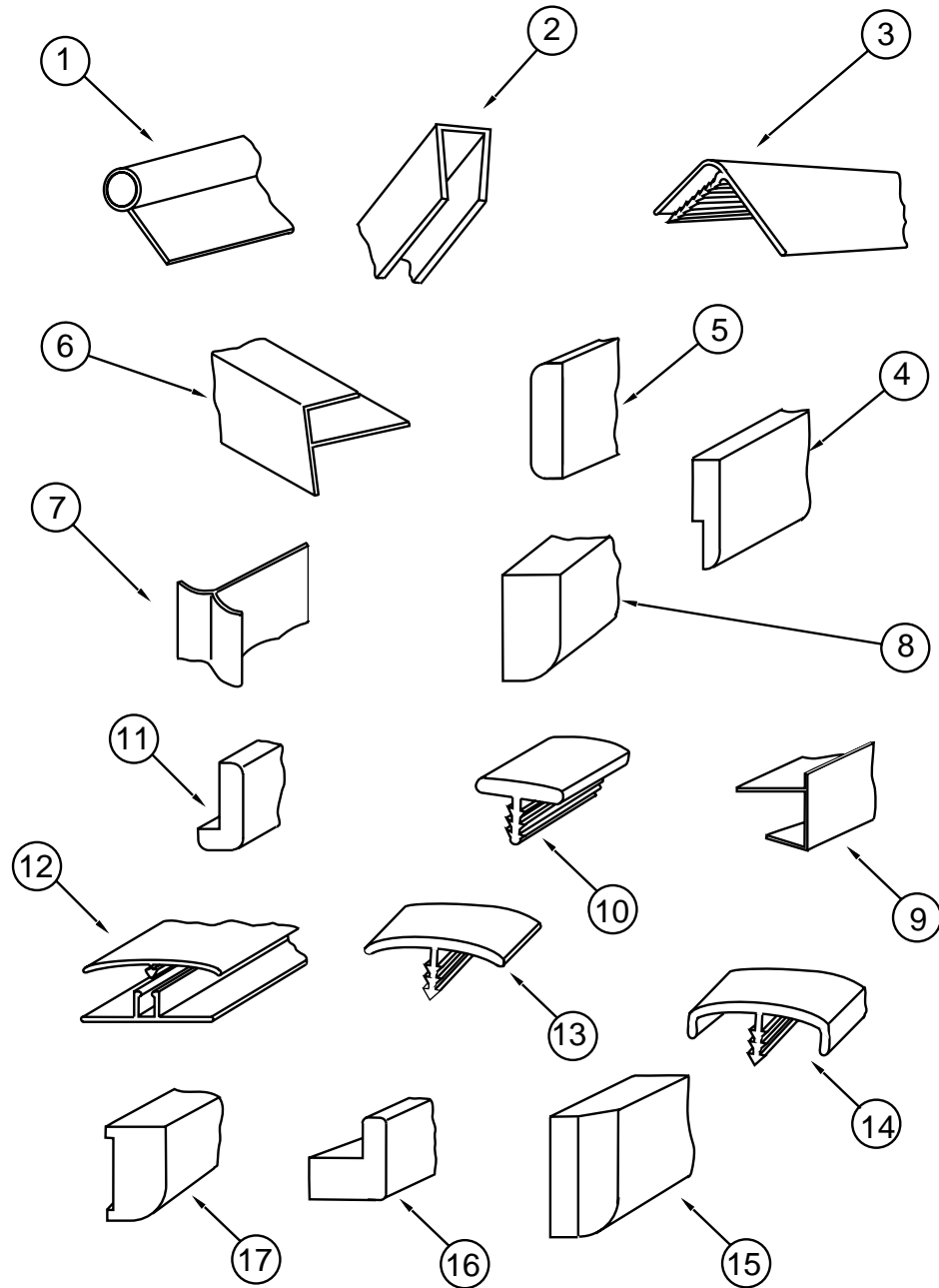
### PANELING, LAMINATES & PLASTIC

KEY	PART NUMBER	U/M DESCRIPTION
	074497-23-000	SF PANELING-CHERRY 3MM X 48" X 96"
	074497-34-000	SF PANELING - CEILING - IMPACT PEARL - 4' X 8'
	074498-67-000	SF LAMINATE - PLASTIC - ORCHID MIST - 5' X 8' INCR OF 40 SF
	074498-71-000	SF LAMINATE - PLASTIC NEUTRAL SANTOS - 5' X 8' INCREMENTS
	088272-E9-000	SF PANELING - DECORATIVE PAINTED DESERT - 4' X 7'(G07)
	088272-D6-000	SF PANELING - DECORATIVE ALLURE-MEADOW - 4' X 7'(G08)
	088272-98-000	SF PANELING - SHOWER - OFF WHITE - 4' X 7' INC OF 28 SQ FT FROM: 00-00-00 THRU: 01-14-96
	088272-G1-000	SF PANELING - SHOWER - ANTIQUE WHT - 4' X 7'-INC OF 28 SQ FT FROM: 01-15-96 THRU: 99-99-99
	000885-73-000	SF PARTICLE BOARD - 3/4" X 60" X 96" 2 SIDED W/VINYL
	000885-74-000	SF PARTICLE BOARD - 3/8" X 48"X96"-CHERRY - 2 SIDE VINYL
	111134-D2-438	EA LUMBER-.7" X 1.49" X 96" VINYL WRAPPED CHERRY
	111134-E2-438	EA LUMBER-.7" X 2" X 96" VINYL WRAPPED CHERRY
	111134-G2-438	EA LUMBER-.7" X 3" X 96" VINYL WRAPPED CHERRY
	093743-05-01A	SF PLASTIC-ABS COIL BRIGHT WHITE 20" X 500" FROM: 06-03-96 THRU: 99-99-99
	098531-02-000	SF PLYWOOD-CHERRY,1/2"
	000846-01-000	SF PLYWOOD - 5/16' X 4' X 8'
	000846-02-000	SF PLYWOOD - UNDR - 5/16" X 4' X 8'



## INTERIOR FINISH GROUP (CONTINUED)

### MOLDINGS & TRIMS

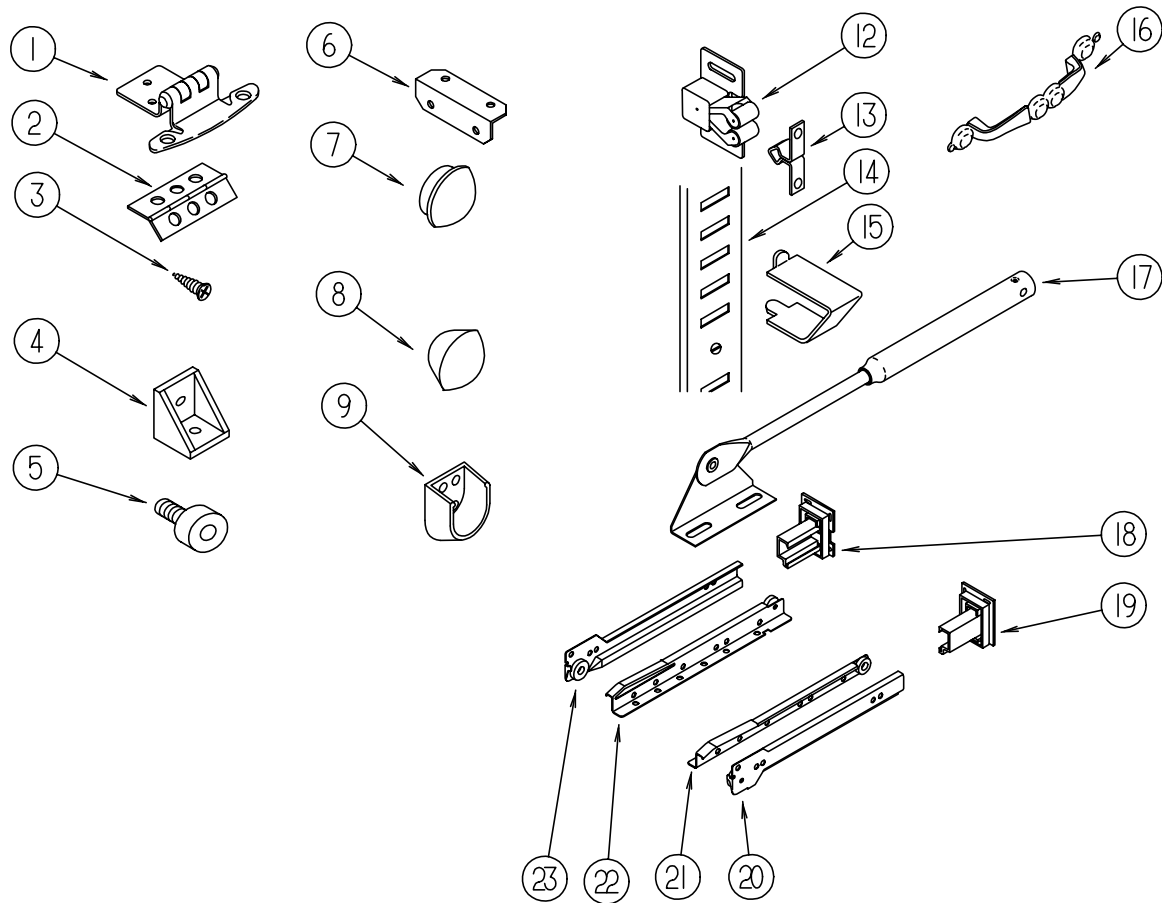


KEY	PART NUMBER	U/M	DESCRIPTION
9	103186-01-04A	FT	MOLDING - PLASTIC - SHELF - .78" - CHERRY/CHERRY
10	104676-01-01A	FT	T-MOLDING - 5/16" - RIGID GOLD
11	077840-01-E41	EA	MOLDING - CAP - WALL - 8'
12	086229-11-000	EA	RETAINER - OFFSET
12	086229-12-000	EA	BATTEN - 1.5" OFFSET X 97.01"
12	086229-01-000	EA	RETAINER - BATTEN - CEILING - .75" X 7.6' - IVORY
12	086229-13-000	EA	BATTEN - CEILING - 1" - MODERN IVORY
13	105709-01-000	FT	T-MOLDING - 1" MODERN IVORY
14	083620-09-000	FT	T-MOLDING, 3/4 W/EDGE LIPS - *MODERN IVORY
14	083620-11-000	FT	T-MOLDING - 3/4" W/EDGE LIPS
15	100659-01-E74	EA	MOLDING-TRIM - VINYL FLOOR
16	100819-01-04A	EA	MOLDING - VINYL WRAPPED - CHERRY/CHERRY
17	111136-D2-110	EA	MOLDING-018X038X2110 M VINYL - WRAPPED
17	111136-D2-134	EA	MOLDING - VINYL WRAPPED - .7" X 1.6" X 7' - CHERRY
17	111136-F2-134	EA	MOLDING - .7" X 2.6" X 7' - VINYL WRAPPED - CHERRY
	076325-50-000	FT	MOLDING-EDGE BAND, 2812 CHERRY - 1 5/16 X .030 X 600
	076325-40-000	FT	MOLDING - EDGE BAND - .875" X .024"
	076325-39-000	FT	MOLDING - EDGE BAND - 1 5/16" X .030"
	076325-34-000	FT	MOLDING - EDGE BAND - 1 5/16" X .030" - ORCHID MIST
	088263-C8-000	EA	BATT STRIP - DECORATIVE - PAINTED DESERT - 8' LONG (G07)
	088263-B3-000	EA	BATT STRIP - DECORATIVE - ALLURE/MEADOW - 8' LONG (G08)
	085284-C2-000	FT	BATT TAPE - ADHESIVE BACKED - DECORATIVE - PAINTED DESERT (G07)
	085284-A4-000	FT	BATT TAPE - ADHESIVE BACKED - DECORATIVE - ALLURE/MEADOW (G08)
	069733-82-000	EA	BATT STRIP - WOODGRAINED/SALEM CHERRY - 8' LONG
	085284-97-000	FT	BATT TAPE - ADHESIVE BACKED - WOODGRAINED/SALEM CHERRY
	096204-02-01A	EA	TRIM-J, .5" EXPOSED - 1" X 52.1" LONG - METAL - OFF WHITE
	105618-01-01A	FT	MOLDING - EDGE - 5/16" - GOLD W/ADHESIVE

KEY	PART NUMBER	U/M	DESCRIPTION
1	009767-12-000	FT	WELTING - SIDEWALL/CEILING/CABINET - OFF/WHT
1	009767-14-000	FT	WELTING - CHERRY
2	009778-18-000	FT	U-CHANNEL - 1"
2	070504-30-000	FT	U-CHANNEL - EXTRUDED PLASTIC - .65" X 84" - CHERRY
2	070504-31-000	FT	U-CHANNEL - EXTRUDED PLASTIC - .81" X 84" - CHERRY
2	070504-37-000	FT	U-CHANNEL - EXTRUDED PLASTIF - .81" X 84" - WATERFORD OAK
3	009809-23-000	EA	MOLDING - CORNER - OUTSIDE - 1" PLASTIC - IVORY
4	105004-01-03A	EA	MOLDING-VINYL WRAP - SALEM CHERRY
5	100181-32-E41	EA	TRIM-MITERED, OAK
5	100181-33-E41	EA	MOLDING - TRIM - MITERED - SALEM CHERRY
6	009812-26-000	EA	MOLDING - PLASTIC - CORNER
6	009812-24-000	EA	MOLDING - PLASTIC - OUTSIDE CORNER - .50" - IVORY
6	009815-09-000	FT	MOLDING-T, .75" - IVORY
7	022992-11-000	FT	MOLDING - REVERSE COVE - T-SHAPED VINYL - IVORY
7	022992-01-000	FT	MOLDING-REVERSE COVE, T-SHAPED - VINYL - WHITE
8	100818-01-04A	EA	MOLDING - VINYL WRAPPED - 1.65" X .4" X 7'

# INTERIOR FINISH GROUP (CONTINUED)

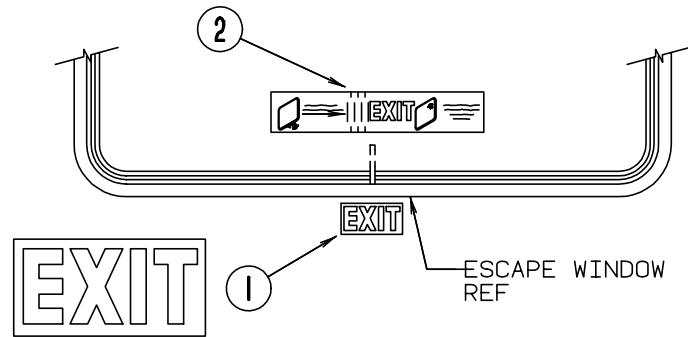
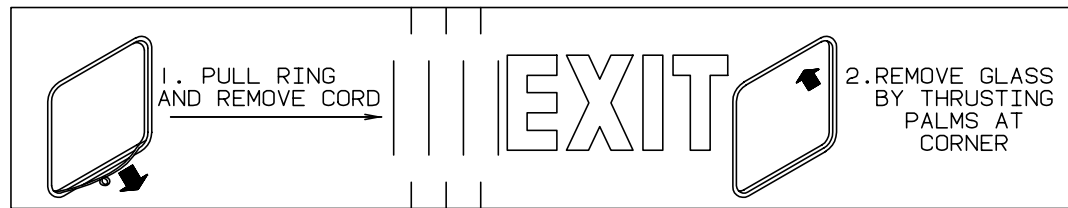
## CABINET & TABLE HARDWARE



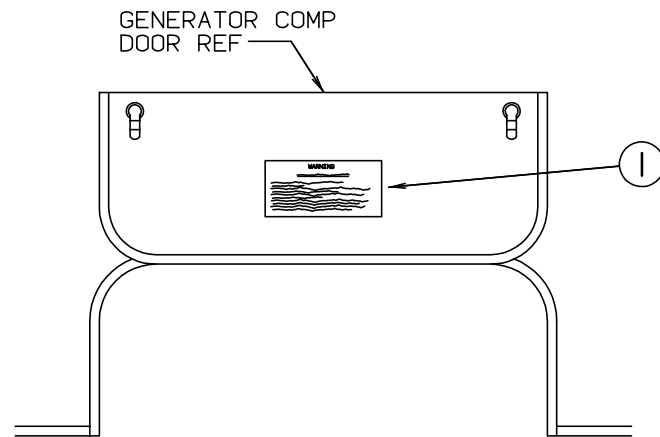
KEY	PART NUMBER	U/M	DESCRIPTION
23	114031-13-000	EA	SLIDE - 18" - LEFT SIDE/CABINET
	076790-01-000	EA	SCREW - 6-20 X 1 1/4 PPH - BLACK
	004354-01-000	EA	BUMPER - RUBBER - .5" DIA - BROWN
	023320-01-000	EA	PAD - FELT 3/8" DIAMETER
	102194-01-000	EA	GUIDE - PLASTIC
	103256-01-000	EA	LATCH - SLIDE
	104181-01-01A	EA	SUPPORT - LEAF 5.3" EXTENDS TO 7.5" - SAFETY RING - METAL
	009059-02-000	EA	HINGE - DOOR - 2" X 2.7" - BRASS
	083204-03-000	EA	BUTTON-RETAINING, MIRROR - 5/16" TIP - WALNUT
	098979-01-000	EA	CLIP - ADJUSTABLE SHELF
	103257-01-000	EA	STOP - DOOR
	114130-02-000	EA	BALLS - SPACER - DOOR

KEY	PART NUMBER	U/M	DESCRIPTION
1	108138-01-000	EA	HINGE - DOOR - CABINET - BURNISHED BRASS
2	009059-01-000	EA	HINGE - DOOR - 2" X 1.4" - BRASS
3	000G13-06-10G	EA	SCREW - 6-20 X 5/8 PFH - ANTIQUE BRASS
4	065740-01-000	EA	BRACE - CABINET/CORNER - PLASTIC
5	079921-01-000	EA	ROLLER-NYLON, W/STEEL SHAFT - BARBED
6	016604-01-000	EA	BRACE - CABINET - ANGLE - 2.5" - UNPAINTED METAL
6	016604-03-000	EA	BRACE-CABINET, ANGLE - 2.5" - BEIGE
			FROM: 00-00-00 THRU: 02-19-95
6	016604-05-000	EA	BRACE - CABINET - ANGLE - 2.5" OFF WHITE METAL
7	074045-08-000	EA	PLUG - OAK - 1/2" DIAMETER - SALEM CHERRY
8	042356-01-000	EA	PLUG - BUTTON - MAHOGANY - 3/8" DIAMETER - WOOD
9	113236-01-01A	EA	BRACKET-CLOTHES ROD
12	093586-06-000	EA	CATCH-SPRING, ROLLER - FASTEC C411-AC
13	093586-05-000	EA	STRIKE - SPRING STEEL
14	098980-01-000	EA	PILASTER - ADJUSTABLE SHELF - 18" LONG
15	098979-01-000	EA	CLIP - ADJUSTABLE SHELF
16	117800-01-01A	EA	PULL-CABINET, BRASS
17	074493-02-000	EA	SUPPORT - PISTON SPRING - CABINET DOOR
18	114045-01-000	EA	BACKSOCKET - ADJUSTABLE LEFT
			PLEASE REFER TO PARTS BULLETIN #140 FOR INTERCHANGEABILITY
19	114045-02-000	EA	BACKSOCKET - ADJUSTABLE RIGHT
			PLEASE REFER TO PARTS BULLETIN #140 FOR INTERCHANGEABILITY
20	114031-14-000	EA	SLIDE - 18" - RIGHT SIDE/CABINET
			REFERENCE DEALER PARTS BULLETIN #7SB010-96-12Z.
21	114031-12-000	EA	SLIDE - 16" - RIGHT SIDE/DRAWER
			REFERENCE DEALER PARTS BULLETIN #7SB010-96-12Z.
22	114031-11-000	EA	SLIDE - 16" - LEFT SIDE/DRAWER
			REFERENCE DEALER PARTS BULLETIN #7SB010-96-12Z.

**LABELS GROUP**



KEY	PART NUMBER	U/M DESCRIPTION
1	039290-01-000	EA LABEL-WARNING - EXIT
2	107571-01-000	EA LABEL-EXIT/ESCAPE WINDOW



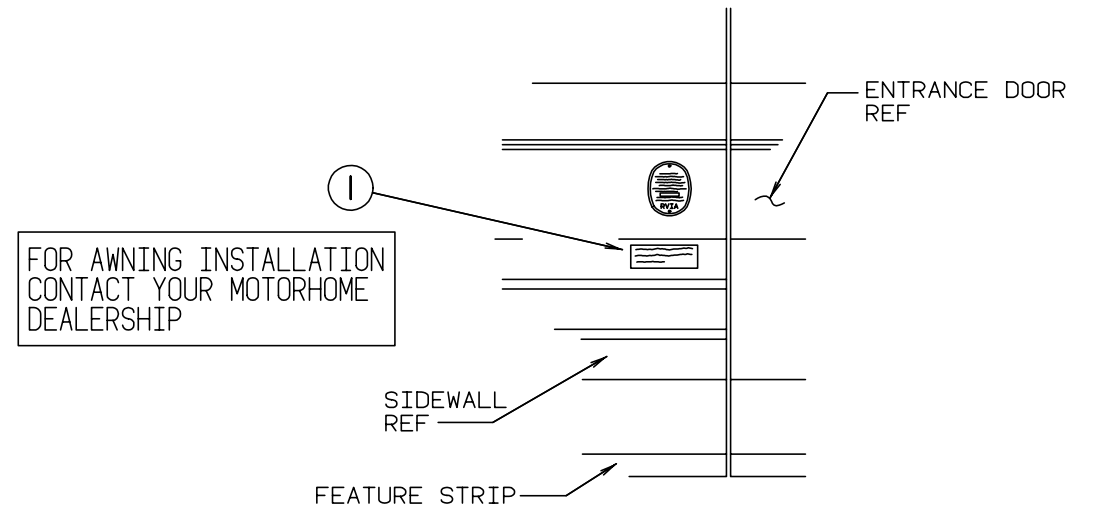
**WARNING**

WHEN ADDING A GENERATOR SET:

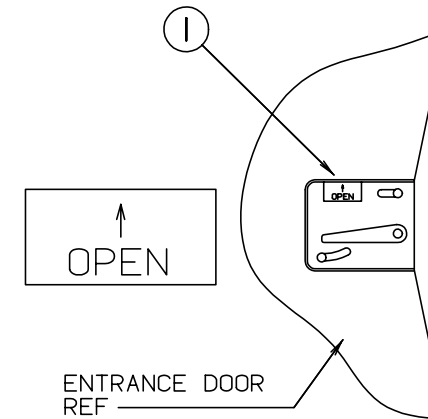
HIGH VOLTAGE-USE EXTREME CAUTION WHEN WORKING ON ELECTRICAL COMPONENTS.  
 HAVE ALL ELECTRICAL INSTALLATION PERFORMED BY A QUALIFIED LICENSED ELECTRICIAN-FOLLOW ALL STATE AND LOCAL CODES.  
 ONLY INSTALL GENERATOR SET APPROVED FOR R.V. APPLICATION. HAVE INSTALLED BY QUALIFIED TECHNICIAN.  
 TO AVOID HEAT BUILD-UP AND TO GUARANTEE AN ADEQUATE AIR SUPPLY TO THE GENERATOR CARBURETOR, FOLLOW INSTALLATION INSTRUCTIONS.  
 GENERATOR ENGINE EXHAUST GASES ARE TOXIC AND MUST NOT TERMINATE UNDER THE VEHICLE-DISCHARGE EXHAUST AWAY FROM VEHICLE.

KEY	PART NUMBER	U/M DESCRIPTION
1	077510-01-000	EA LABEL-GENERATOR PREP

**LABELS GROUP (CONTINUED)**

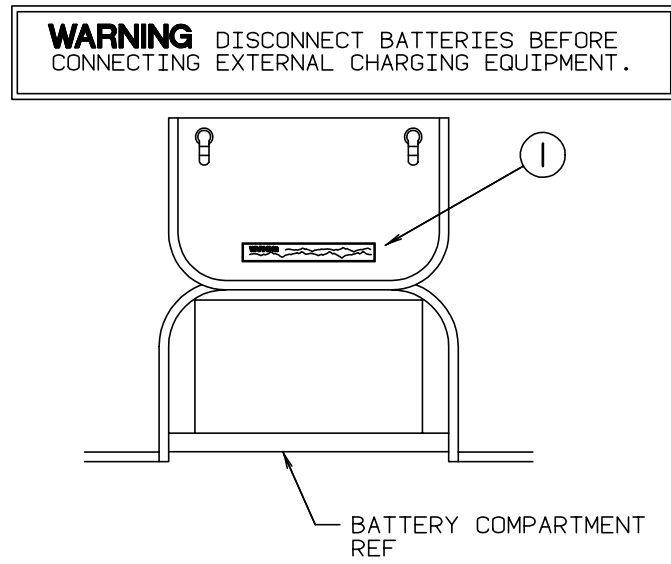


KEY	PART NUMBER	U/M DESCRIPTION
1	099509-01-000	EA LABEL-AWNING INSTALLATION

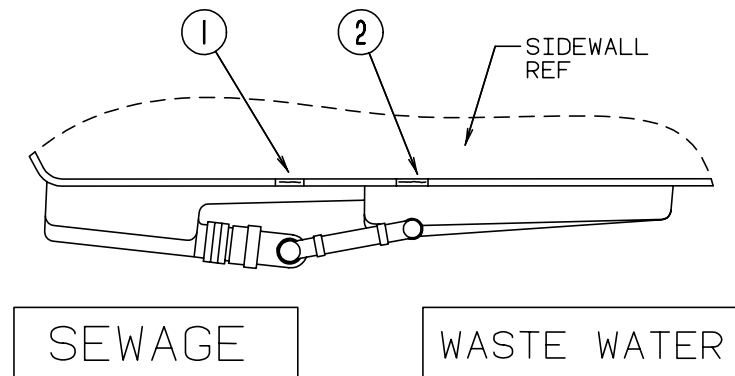


KEY	PART NUMBER	U/M DESCRIPTION
1	040944-01-000	EA LABEL-ENTRANCE DOOR, "OPEN"

**LABELS GROUP (CONTINUED)**

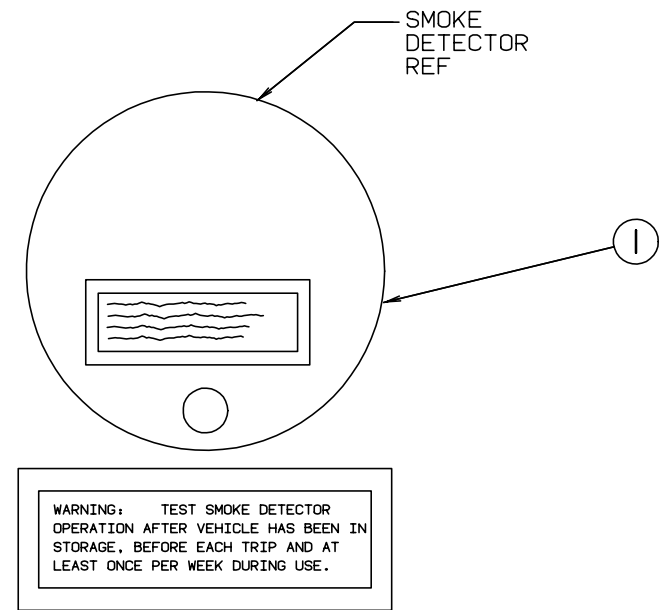


KEY	PART NUMBER	U/M	DESCRIPTION
1	065748-01-000	EA	LABEL-CAUTION, BATTERY CHARGING



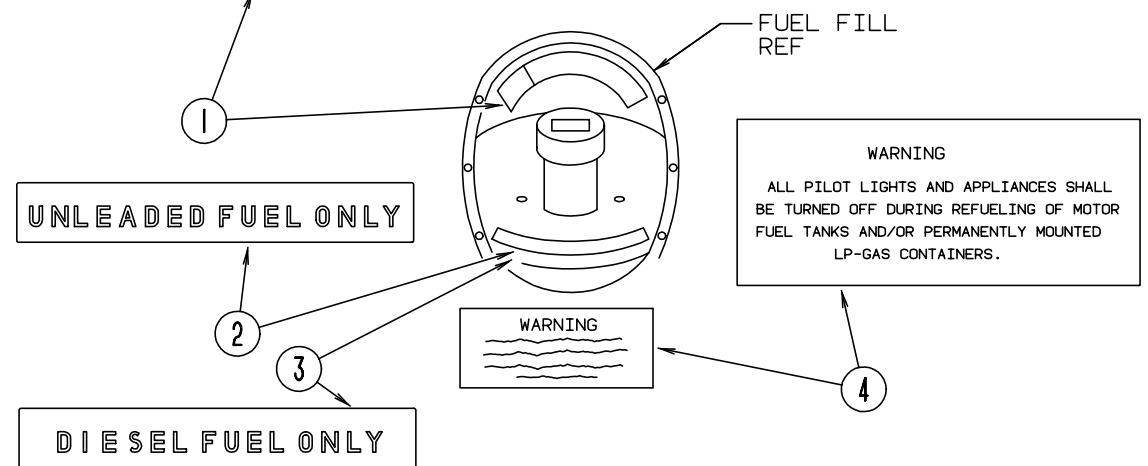
KEY	PART NUMBER	U/M	DESCRIPTION
1	006187-01-000	EA	LABEL-SEWAGE
2	006188-01-000	EA	LABEL-WASTE WATER

**LABELS GROUP (CONTINUED)**



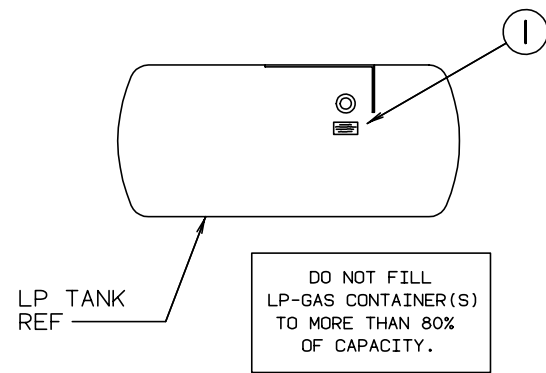
KEY	PART NUMBER	U/M	DESCRIPTION
1	077956-01-000	EA	LABEL-WARNING, SMOKE DETECTOR

<b>CAUTION</b>	TO HELP AVOID PERSONAL INJURY DURING REMOVAL OF FUEL FILLER CAP, SLOWLY LOOSEN CAP 1/2 TURN TO ALLOW ANY FUEL PRESSURE TO BE RELIEVED BEFORE TURNING CAP FURTHER.
FUEL SPRAY MAY CAUSE PERSONAL INJURY	STOP ADDING FUEL AFTER FIRST SHUTOFF BY AUTOMATIC NOZZLE WHEN TANK IS NEARLY FULL. DO NOT OVERFILL FUEL TANK.
	SEE OWNERS MANUAL FOR ADDITIONAL INFORMATION.
	PRINTED IN U.S.A. <span style="float: right;">MLC PT NO 15611763</span>

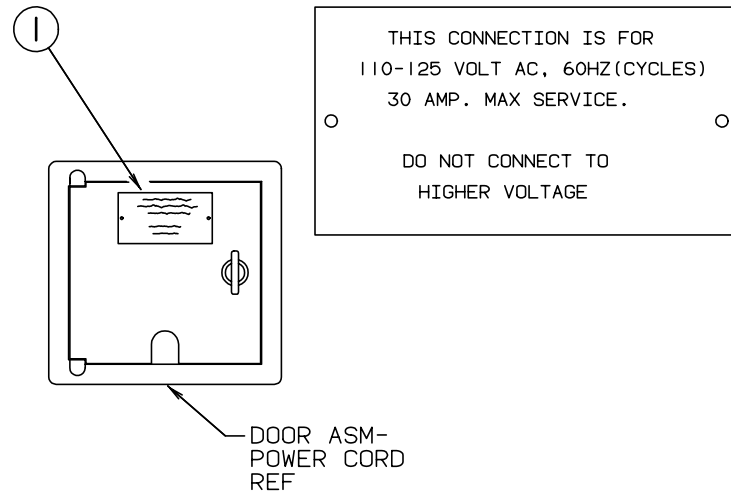


KEY	PART NUMBER	U/M	DESCRIPTION
1	087207-05-000	EA	LABEL-FUEL CAP REMOVAL
2	062043-01-000	EA	LABEL-FUEL, UNLEADED
3	068383-01-000	EA	LABEL-FUEL - DIESEL
4	006040-01-000	EA	TAG-GAS REFUELING WARNING
4	006040-02-000	EA	TAG-GAS REFUELING WARNING, CANADIAN

**LABELS GROUP (CONTINUED)**



KEY	PART NUMBER	U/M	DESCRIPTION
1	054531-01-000	EA	LABEL-LP GAS ONLY

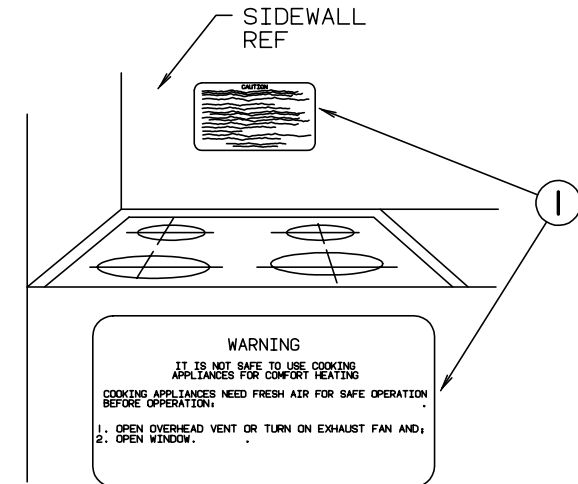


KEY	PART NUMBER	U/M	DESCRIPTION
1	006062-01-000	EA	LABEL-ELECTRIC, 110V CONNECTION

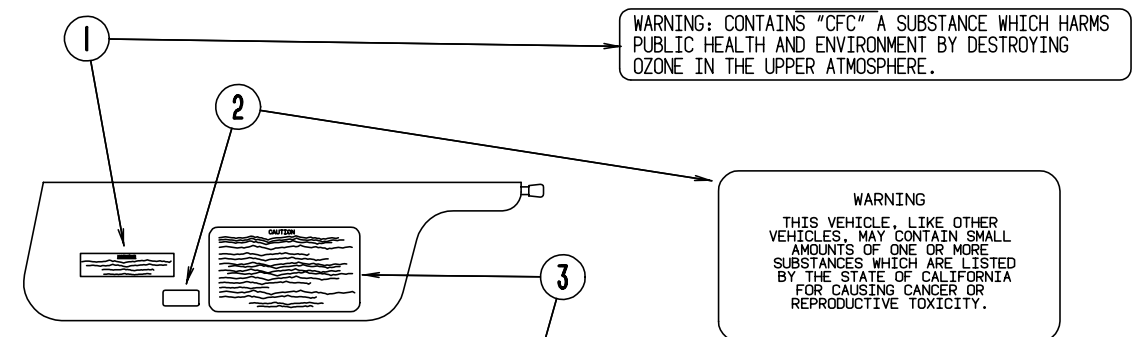
**MISCELLANEOUS LABELS**

KEY	PART NUMBER	U/M	DESCRIPTION
	104236-01-000	EA	LABEL-GENERATOR CIRCUIT
	006064-01-000	EA	LABEL-SEAT W/O SEATBELT
	006064-02-000	EA	LABEL-SEAT W/O SEATBELT (CSA) NOT INTENDED FOR USE WHILE COACH IN MOTION
	091243-01-000	EA	LABEL-A/C COVER, "AIR CONDITIONING CIRCUIT. ETC."
	093236-08-000	EA	LABEL-CIRCUIT BREAKER
	111104-01-000	EA	LABEL-HITCH,READ MANUAL
	061417-01-000	EA	LABEL-FUEL,ON FUEL FILL DOOR
	073998-01-000	EA	LABEL-LPG ODOR WARNING
	112518-01-000	EA	LABEL-HANG TAG,CO DETECTOR

**LABELS GROUP (CONTINUED)**



KEY	PART NUMBER	U/M	DESCRIPTION
1	050225-01-000	EA	LABEL-WARNING, STOVE VENT - US



**CAUTION**

THIS MOTOR HOME HAS BEEN DESIGNED, MANUFACTURED AND TESTED WITH CONCERN FOR THE PROTECTION OF IT'S OCCUPANTS. WE RECOMMEND YOU PERFORM THE FOLLOWING INSPECTIONS FOR YOUR SAFETY AND THE SAFETY OF YOUR PASSENGERS BEFORE STARTING YOUR VEHICLE.

1. LP GAS SYSTEM- TURN OFF AT TANK FOR TRAVELING. TEST FOR LEAKS UPON ARRIVAL AT DESTINATION. BEFORE LIGHTING PILOTS.
2. WHEELS- INSPECT FOR DAMAGE AND CHECK LUG NUTS FOR TIGHTNESS.
3. TIRES- INSPECT FOR WEAR AND DAMAGE AND CHECK FOR RECOMMENDED AIR PRESSURE.
4. LIGHTING- TEST FOR PROPER OPERATION OF ALL INTERIOR AND EXTERIOR LIGHTS INCLUDING DASH LIGHTS, HEADLIGHTS, TAIL LIGHTS, BRAKE LIGHTS, CLEARANCE LIGHTS AND TURN SIGNALS.
5. EXITS- INSPECT RELEASE MECHANISM ON EMERGENCY EXIT WINDOW. TEST BOTH LOCKS ON MAIN ENTRANCE DOOR FOR EASE OF OPERATION AND INSTRUCT PASSENGERS HOW TO USE BOTH MEANS OF EXIT.
6. SEAT BELTS- DIRECT PASSENGERS TO DESIGNATED SEATS AND REQUIRE USE OF SEAT BELTS.
7. APPLIANCES- TURN OFF AND LATCH OR LOCK DOORS WHERE PROVIDED.
8. LOOSE PARCELS- STORE SECURELY.
9. UTILITY SUPPLY LINES- DISCONNECT ALL ELECTRIC, SEWER AND WATER LINES AND SECURE PROPERLY.
10. ENTRANCE DOOR STEP- PLACE IN RETRACTED POSITION FOR TRAVELING.

READ YOUR MOTOR HOME AND CHASSIS OWNER'S MANUAL FOR FURTHER PRECAUTIONS

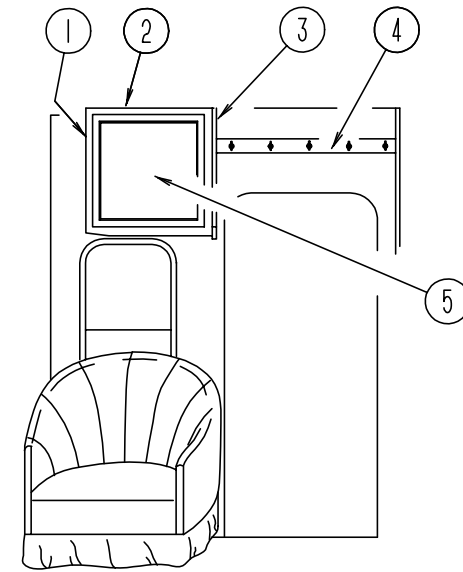
KEY	PART NUMBER	U/M	DESCRIPTION
1	111802-01-000	EA	LABEL-CFC WARNING
2	099689-01-000	EA	LABEL-WARNING, CANCER/TOXICITY
3	056259-01-000	EA	LABEL-SAFETY CHECK LIST

## LP GROUP

### LP COMPONENTS

KEY	PART NUMBER	U/M	DESCRIPTION
	045703-09-000	EA	HOSE - LP- 3/8 ID X 24 - 3/8F SWIVEL X 3/8F SWIVEL
	010323-01-000	EA	ADAPTER-BRASS, 3/8F X 1/2MPT
	057042-01-000	EA	ADAPTER-CROSS 1/2 PIPE
	010377-02-000	EA	NUT - BRASS - 3/8" FLARE - FORGED
	010265-01-000	EA	ELBOW - BRASS - 90 DEGREE - 3/8"F X 1/2"FPT
	010252-01-000	EA	ELBOW - BRASS - 90 DEGREE - 3/8F X 1/2MPT
	107378-01-000	EA	PLATE-MOUNTING, LP REGULATOR

## LOUNGE GROUP



### PASSENGER SIDE LOUNGE CABINETS

KEY	PART NUMBER	U/M	DESCRIPTION
1	104335-09-F08	EA	CAP ASM-END,OVHD
2	111773-01-G07	EA	CABINET ASM-OVERHEAD,FRONT
2	111773-01-G08	EA	CABINET ASM-OVERHEAD,FRONT
3	104335-08-F08	EA	CAP ASM-END,OVHD
4	109305-01-G07	EA	CABINET ASM-OVHD,ENTRANCE
4	109305-01-G08	EA	CABINET ASM-OVHD,ENTRANCE
	109305-11-G07	EA	PANEL
5	M05992-41-G07	EA	DOOR-RAIL,HDW,OGEE 0400X0520

## SEALANTS & FASTENERS GROUP

### SCREWS

KEY	PART NUMBER	U/M	DESCRIPTION
	101618-01-000	EA	SCREW - 1/4-20 X .75 HEX - TAPPING - STALGARD TYPE F
	000G54-04-20B	EA	SCREW - 1/4-20 X 1 1/4 PTH - TYPE 23 - ZINC PLATED
	000G13-05-10B	EA	SCREW - 5-12 X 5/8 PFH - ZINC
	000G11-05-08B	EA	SCREW - 5-20 X .50 PPH - ZINC
	000G68-06-10G	EA	SCREW - 6-18 X 5/8 POH - ANTIQUE BRASS
	000G11-06-08B	EA	SCREW - 6-20 X .50 PPH - ZINC
	000G12-06-08T	EA	SCREW - 6-20 X .50 POH - BLACK
	000G11-06-06B	EA	SCREW - 6-20 X 3/8 PPH - ZINC
	000G11-06-10J	EA	SCREW - 6-20 X 5/8 PPH - BRASS
	000G13-06-08B	EA	SCREW - 6-20 X .50 PFH - ZINC
	000G13-06-16J	EA	SCREW - 6-20 X 1.00 PFH - BRASS
	000G13-06-24J	EA	SCREW - 6-20 X 1.50 PFH - BRASS
	000G11-07-08B	EA	SCREW - 7-19 X .50 PPH - ZINC
	000G13-07-12B	EA	SCREW - 7-19 X .75 PFH - ZINC
	000G11-08-06B	EA	SCREW - 8-18 X 3/8 PPH - ZINC
	000G11-08-08B	EA	SCREW - 8-18 X .50 PPH - ZINC
	000G13-08-10B	EA	SCREW - 8-18 X 5/8 PFH - ZINC
	000G11-08-12B	EA	SCREW - 8-18 X .75 PPH - ZINC
	000G11-08-12D	EA	SCREW - 8-18 X .75 PPH - BLACK
	000G11-08-12E	EA	SCREW - 8-18 X .75 PPH - CHROME
	000G11-08-12P	EA	SCREW - 8-18 X .75 PPH - DARK BROWN
	0G1108-12-170	EA	SCREW - 8-18 X .75 PPH - BRIGHT WHITE
	000G12-08-12S	EA	SCREW - 8-18 X .75 POH - OFF WHITE
	0G1208-12-170	EA	SCREW - 8-18 X .75 POH - BRIGHT WHITE
	000G11-08-12S	EA	SCREW - 8-18 X .75 PPH - OFF WHITE
	000G11-08-12T	EA	SCREW - 8-18 X .75 PPH - BLACK
	000G11-08-16S	EA	SCREW - 8-18 X 1.00 PPH - OFF WHITE
	000G11-08-16B	EA	SCREW - 8-18 X 1.00 PFH - ZINC
	000G11-08-20B	EA	SCREW - 8-18 X 1.25 PPH - ZINC
	000G67-10-120	EA	SCREW - 10-12 X .75 PPH - TAN
	000G11-10-12S	EA	SCREW - 10-16 X .75 PPH - OFF WHITE
	000G11-10-10X	EA	SCREW - 10-16 X 5/8 PPH - GRAY
	000G32-10-06B	EA	SCREW - 10-32 X 3/8 - PPH - ZINC
	000G67-10-08B	EA	SCREW - 10-12 X 1/2 PPH - ZINC
	000G67-10-08R	EA	SCREW - 10-12 X 1/2 PPH - BEIGE - TYPE A
	000G67-10-10B	EA	SCREW - 10-12 X 5/8 PPH - ZINC - TYPE A
	000G67-10-10D	EA	SCREW - 10-12 X 5/8 PPH - BLACK - TYPE A
	000G67-10-10S	EA	SCREW - 10-12 X 5/8 - PPH - OFF WHITE
	000G67-10-12B	EA	SCREW - 10-12 X 3/4 PPH - ZINC
	000G67-10-12P	EA	SCREW - 10-12 X .75 - PPH - DARK BROWN
	000G67-10-12R	EA	SCREW - 10-12 X .75 PPH - BEIGE
	000G67-10-16B	EA	SCREW - 10-12 X 1 PPH - ZINC
	000G67-10-20D	EA	SCREW - 10-12 X 1.25 PPH - BLACK
	000G67-10-24B	EA	SCREW - 10-12 X 1.50 PPH - ZINC
	000G67-10-32B	EA	SCREW - 10-12 X 2 PPH - ZINC
	000G67-10-36T	EA	SCREW - 10-12 X 2.25 PPH - BLACK - STALGARD
	000G50-04-12B	EA	SCREW - MACHINE - 1/4 - 20 X 3/4 PPH - ZINC
	000G46-08-24T	EA	SCREW - MACHINE - 8-32 X 1.5 PFH - BLACK
	000G52-08-18B	EA	SCREW - MACHINE - 8-32 X 1 1/8 PTH - ZINC
	075908-01-000	EA	SCREW - MACHINE - 10-32 X .56 PTH - ZINC EXTERNAL TOOTH
	000G42-04-16B	EA	SCREW - SF/DR - .25-14 X 1 HWH - ZINC
	000G39-06-08B	EA	SCREW - SF/DR - 6-18 X .50 - ZINC
	000G39-06-10T	EA	SCREW - SF/DR - 6-20 X 5/8 PPH - BLACK
	000G39-06-16T	EA	SCREW - SF/DR - 6-20 X 1 PPH - BLACK
	000G39-08-06B	EA	SCREW - SF/DR - 8-18 X 3/8 PPH - ZINC
	000G39-08-08B	EA	SCREW - SF/DR - 8-18 X .50 PPH - ZINC
	000G39-08-08T	EA	SCREW - SF/DR - 8-18 X .50 PPH - BLACK
	000G39-08-08S	EA	SCREW - SF/DR - 8-18 X .50 PPH - OFF WHITE
	0G3908-08-170	EA	SCREW - SF/DR - 8-18 X .50 PPH - BRIGHT WHITE
	000G39-08-12B	EA	SCREW - SF/DR - 8-18 X .75 PPH - ZINC
	000G39-08-16B	EA	SCREW - SF/DR - 8-18 X 1.00 PPH - ZINC
	000G39-08-16R	EA	SCREW - SF/DR - 8-18 X 1.00 PPH - BEIGE
	000G39-08-24B	EA	SCREW - SF/DR - 8-18 X 1.50 PPH - ZINC

## SEALANTS & FASTENERS GROUP (CONTINUED)

### SCREWS (CONTINUED)

KEY	PART NUMBER	U/M	DESCRIPTION
	0G3908-24-170	EA	SCREW - SF/DR - 8-18 X 1.50 PPH - BRIGHT WHITE
	000G39-10-08B	EA	SCREW - SF/DR - 10-16 X .50 PPH - ZINC
	000G39-10-12D	EA	SCREW - SF/DR - 10-16 X .75 PPH - BLACK
	000G39-10-129	EA	SCREW - SF/DR - 10-16 X .75 PPH - FLUOROCARBON SILVER
	000G39-10-12B	EA	SCREW - SF/DR - 10-16 X .75 PPH - ZINC
	000G39-10-12R	EA	SCREW - SF/DR - 10-16 X .75 PPH - BEIGE
	000G39-10-20B	EA	SCREW - SF/DR - 10-16 X 1.25 PPH - ZINC
	000G60-10-28T	EA	SCREW - SF/DR - 10-16 X 1.75 PPH - BLACK
	000G39-10-32B	EA	SCREW - SF/DR - 10-16 X 2.00 PPH - ZINC
	054434-02-000	EA	SCREW - SF/DR - 10-16 X 2.00 PWH - ZINC - W/O WINGS
	000G39-12-12E	EA	SCREW - SF/DR - 12-14 X .75 PPH - CHROME
	086256-01-000	EA	SCREW - SF/DR - 8 X .75 HWH LONG - PL BODY PNL MT
	087721-01-000	EA	SCREW - FLAT HEAD - TAPPING - 1/4" X 1 1/4" LONG - ZINC
	097974-01-000	EA	SCREW - PART BD 7-9 X .75 PPH - FHM 0543 PLAIN

### BOLTS, NUTS & WASHERS

KEY	PART NUMBER	U/M	DESCRIPTION
	0MC31K-08-020	EA	BOLT - HEX - SERRATED FLANGE - M8 X 020
	000C12-05-16B	EA	BOLT - HEX - 5/16-18 X 1 - ZINC 5
	000C12-06-16B	EA	BOLT - HEX - 3/8-16 X 1 LG - ZINC 5
	000C12-09-20B	EA	BOLT - HEX - 9/16-12 X 1.25 - ZINC 5
	000C12-07-24B	EA	BOLT - HEX - 7/16-14 X 1.50 - ZINC 5
	000C12-08-24B	EA	BOLT - HEX - 1/2-13 X 1.50 - ZINC 5
	000C12-10-24B	EA	BOLT - HEX - 5/8-11 X 1.50 - ZINC - 5
	000C13-07-48B	EA	BOLT - HEX - 7/16-20 X 3 - ZINC 5
	000C18-05-40A	EA	BOLT - ELEVATOR - 5/16-18 X 2.50 - PL
	000C18-06-48B	EA	BOLT - ELEVATOR - 3/8-16 X 3 - ZINC - GRADE 5
	000C26-04-14B	EA	BOLT - HEX - SERRATED FLANGE - 1/4 X 20 X 7/8 - ZINC
	000C26-04-10B	EA	BOLT - HEX - SERRATED FLANGE - 1/4-20 X 5/8 - ZINC
	000C26-05-12B	EA	BOLT - HEX - SERRATED FLANGE - 5/16-18 X 3/4 - ZINC
	000C26-06-12B	EA	BOLT - HEX - SERRATED FLANGE - 3/8-16 X 3/4 - ZINC
	091274-03-000	EA	BOLT - J - 3/8-16 X 12.0
	000G45-05-16B	EA	BOLT - LAG 5/16-9 X 1 - ZINC
	051387-06-000	EA	BOLT - CARRIAGE - W/O HOLE - 5/16-18 X 9.5 - ZINC
	102333-01-06A	EA	BOLT - CARRIAGE - 7/16-14 STAINLESS STEEL CAP
	106166-01-000	EA	BOLT - COLLARED HANGER - 8-32 X 1
	000D34-06-00B	EA	NUT - HEX - LOCKING - 3/8-16 GRADE C ZINC - PREVAILING TORQUE
	000D24-10-00B	EA	NUT - HEX - SF/LOCKING - 10-32 - ZINC
	000D29-09-00B	EA	NUT - HEX SELFLOCKING - 9/16-12 - ZINC
	000D29-06-00B	EA	NUT - HEX - W/NYLON LOCK - 3/8 - 16 - ZINC
	000D39-04-00B	EA	NUT - HEX - SERRATED FLANGE LOCKING 1/4-20 - ZINC
	000D39-05-00B	EA	NUT - HEX - SERRATED FLANGE LOCKING - 5/16-18 - ZINC
	000D39-06-00B	EA	NUT - HEX - SERRATED FLANGE LOCKING - 3/8-16 - ZINC
	000D39-08-00B	EA	NUT - HEX - SERRATED FLANGE LOCKING - 1/2-13 - ZINC
	000D44-07-00B	EA	NUT - HEX - SERRATED FLANGE LOCKING - 7/16-20 - ZINC
	087234-01-000	EA	NUT - JACK - 1/4 X 20 THD - MOLLY
	044364-02-000	EA	NUT - SPEED - FLAT - ROUND - T'MN C9186-014-1
	000E11-07-00B	EA	WASHER - LOCKING - 7/16 MED SPLIT - ZINC
	041322-01-000	EA	WASHER - FLANGE - 15/32 ID X 2 3/8 OD - FOR SEAT BELT MOUNT
	000E13-21-00B	EA	WASHER - FLANGE - W/2 NAR - ZINC
	000E13-14-00B	EA	WASHER - FLANGE - 1/4" WIDE - ZINC
	000E13-17-00B	EA	WASHER - FLANGE - 3/8" AR - ZINC
	000E13-18-00B	EA	WASHER - FLANGE - 3/8 WIDE - ZINC
	000E13-20-00B	EA	WASHER - FLANGE - 7/16" WIDE - ZINC
	044533-01-000	EA	WASHER - PLASTIC - 1 3/8 OD - FOR BUTTONS

**SEALANTS & FASTENERS GROUP (CONTINUED)**

**CLAMPS, GROMMETS, CLIPS & RIVETS**

KEY	PART NUMBER	U/M	DESCRIPTION
	007161-01-000	EA	CLAMP - HOSE - SPRING TYPE - 1/2"
	010495-01-000	EA	CLAMP - CABLE - 9/16"
	010497-01-000	EA	CLAMP - CLOSED - 5/8" ID
	010497-03-000	EA	CLAMP - CLOSED - 1" ID - CUSHIONED
	010497-04-000	EA	CLAMP - CLOSED - 1.62" ID - ADEL - 945-2717
	010499-01-000	EA	CLAMP - CLOSED - 3/8" ID
	016188-05-000	EA	GROMMET - L/P LINE - 3/8" HOLE X 1 1/4" LONG - RUBBER
	023942-01-000	EA	GROMMET-RUBBER - 2" OD
	056134-02-000	EA	HOLDER - RING - 1.8" DIAMETER - METAL
	062401-01-000	EA	CLAMP - HOSE - WORMGEAR .25" - 1"
	062401-02-000	EA	CLAMP - HOSE - WORMGEAR - 1.56" - 2.5"
	062401-03-000	EA	CLAMP - HOSE - WORMGEAR - .22" - 1"
	062401-04-000	EA	CLAMP - HOSE - WORMGEAR .69"- 1.25"
	062401-06-000	EA	CLAMP - HOSE - WORMGEAR .22"-.62"
	062401-11-000	EA	CLAMP - HOSE - WORMGEAR 3.56" - 4.5"
	071015-26-000	EA	GROMMET - RUBBER - 1.5" ID X 2.12" OD W/.06" GROOVE - BLACK
	114208-02-000	EA	GROMMET - EDGE LINER - FITS .625 - HEYCO 2073
	075148-02-000	EA	CLAMP - GROUNDING - BRONZE SCREWS
	083609-01-000	EA	CLAMP - WIRE - DUAL EQUAL - 5/8" DIAMETER
	083610-01-000	EA	CLAMP - WIRE - DUAL - UNEQUAL DIAMETERS - .75" & 1.25"
	083610-02-000	EA	CLAMP-WIRE - DUAL UNEQUAL DIA
	101447-01-000	EA	CLIP - U-TYPE - TINNEMAN - HOLDS SHOWER SURROUND TOGETHER
	091952-01-000	EA	CLIP - GRIPPER - 1"
	091952-02-000	EA	CLIP - GRIPPER - 3/4"
	080734-02-000	EA	CLIP - WIRE - NYLON
	080211-03-000	EA	CLIP - MOUNTING - (XMAS TREE) - DECORATIVE PADS
	069592-02-000	EA	RIVET-T - POP - 1/4 X .093 - .156
	108046-01-000	EA	CABLE TIE - SCREW MOUNT 8" - DENNISON 08415
	108046-02-000	EA	CABLE TIE - SCREW MOUNT 15" - DENNISON 10035
	008343-01-000	EA	TIE - WIRE - 6"
	085774-01-000	FT	FASTENER - DUAL HOOK - 1" WIDE - ADHESIVE BACK - BLACK
	085774-02-000	FT	FASTENER - DUAL LOOP - 1" WIDE - ADHESIVE BACK - BLACK

**SEALANTS & FASTENERS GROUP (CONTINUED)**

**ADHESIVE & FASTENERS**

KEY	PART NUMBER	U/M	DESCRIPTION	VENDOR NO.
	034552-02-000	EA	SILICONE - TUBE - 300 ML - W/O NOZZLE - CLEAR	
	034552-06-000	EA	SILICONE - TUBE - 300 ML - W/O NOZZLE - OFF WHITE	
	034552-15-000	EA	SILICONE - TUBE - 300 ML - W/O NOZZLE - BRIGHT WHITE	
	900390-01-000	EA	TIP - 2 1/2" X 1/8" ORIFICE	
	900390-03-000	EA	NOZZLES - #CSL D10	
	002707-02-000	FT	TAPE - SEALER - 6/16" X 1/2"	
	053766-06-000	EA	BEDDING COMPOUND - TUBE - CLEAR	
	063642-01-000	FT	TAPE - ADHESIVE - 10 MM X 1.5" WIDE X 180'	
	069640-01-000	FT	SEALER - RIBBON - 1/4" X 30'	
	069640-02-000	FT	SEALER - RIBBON - 1/2" X 1/8" X 60'	
	069640-03-000	FT	SEALER - RIBBON - 3/4" X 1/8" X 60'	
	069640-07-000	FT	SEALER - RIBBON - 2" X 3/32" - INCREMENTS OF 45'	
	069640-10-000	FT	SEALER - RIBBON - 1/32" X 1.50" X 90'	
	069640-11-000	FT	SEALER - TAPE - 3/16" X 3/8" X 40' - BLACK - MANUS	
	076314-02-000	FT	TAPE - CARPET SEAM - HEAT-BOND - 4" WIDE	
	076322-01-000	FT	TAPE - FOAM - DOUBLE COATED ADHESIVE BACKED - .75" X 216'	
	076322-02-000	FT	TAPE - FOAM - DOUBLE COATED ADHESIVE BACKED - 1" X 108'	
	076322-03-000	FT	TAPE - FOAM - DOUBLE COATED ADHESIVE BACKED - .5" X 108'	
	076322-05-000	FT	TAPE - FOAM - DOUBLE COATED ADHESIVE BACKED - .025" X 1.5" X 108'	
	087211-01-000	GL	PROMOTER - ADHESIVE	
	094401-01-000	EA	SEALER - BODY SEAM SEALER - 3M FLEXICLEAR - TUBE - 12 PER CASE	
	102352-01-000	EA	SEALER - PUMPABLE - BLACK - COLORIMETRIC MS101	
	106206-01-000	EA	SEALER - PUMPABLE - MANUS 30A - BLACK	
	108716-01-000	EA	SILICONE - TUBE - OFF WHITE LEVEL	
	120074-01-01A	EA	SILICONE TUBE - OFF WHITE - W/O NOZZLE	
	120534-01-01A	EA	TAPE-SCOTCH 3M 1/2" FINE LINE - #471 GREEN	
	091255-02-000	FT	SEAL-ADHESIVE BACKED FOAM - .18" THICK X 1.5" WIDE	
	102540-03-000	EA	SEAL-SCREW	
	004006-05-700	EA	ADHESIVE-NAT. STARCH (5 GAL)	0802
	004020-01-000	QT	ADHESIVE-ABS CEMENT - QUART	



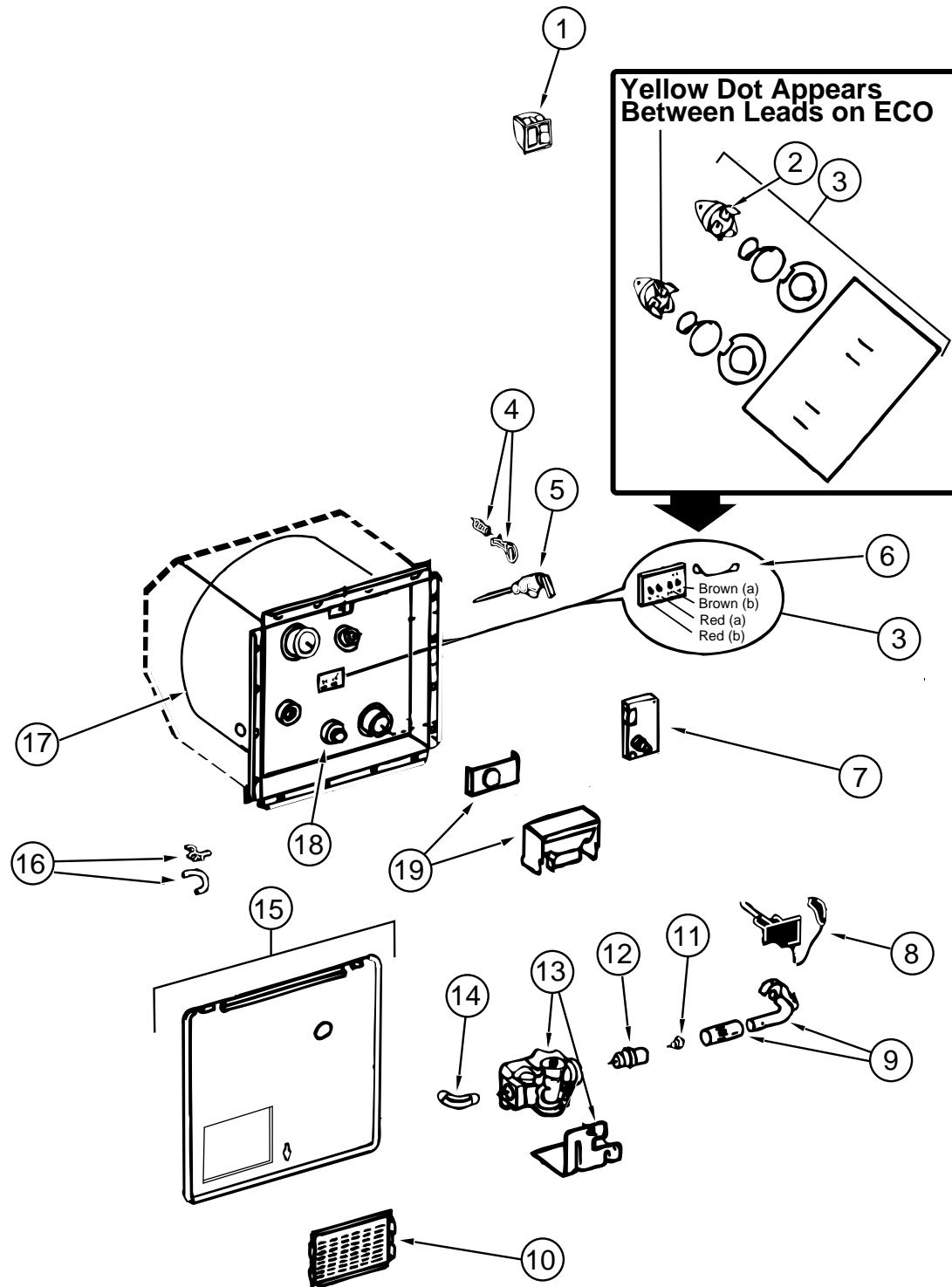
## WATER & SEWAGE GROUP

### WATER HEATER W/ELECTRIC IGNITION ATWOOD (G6A-7E)

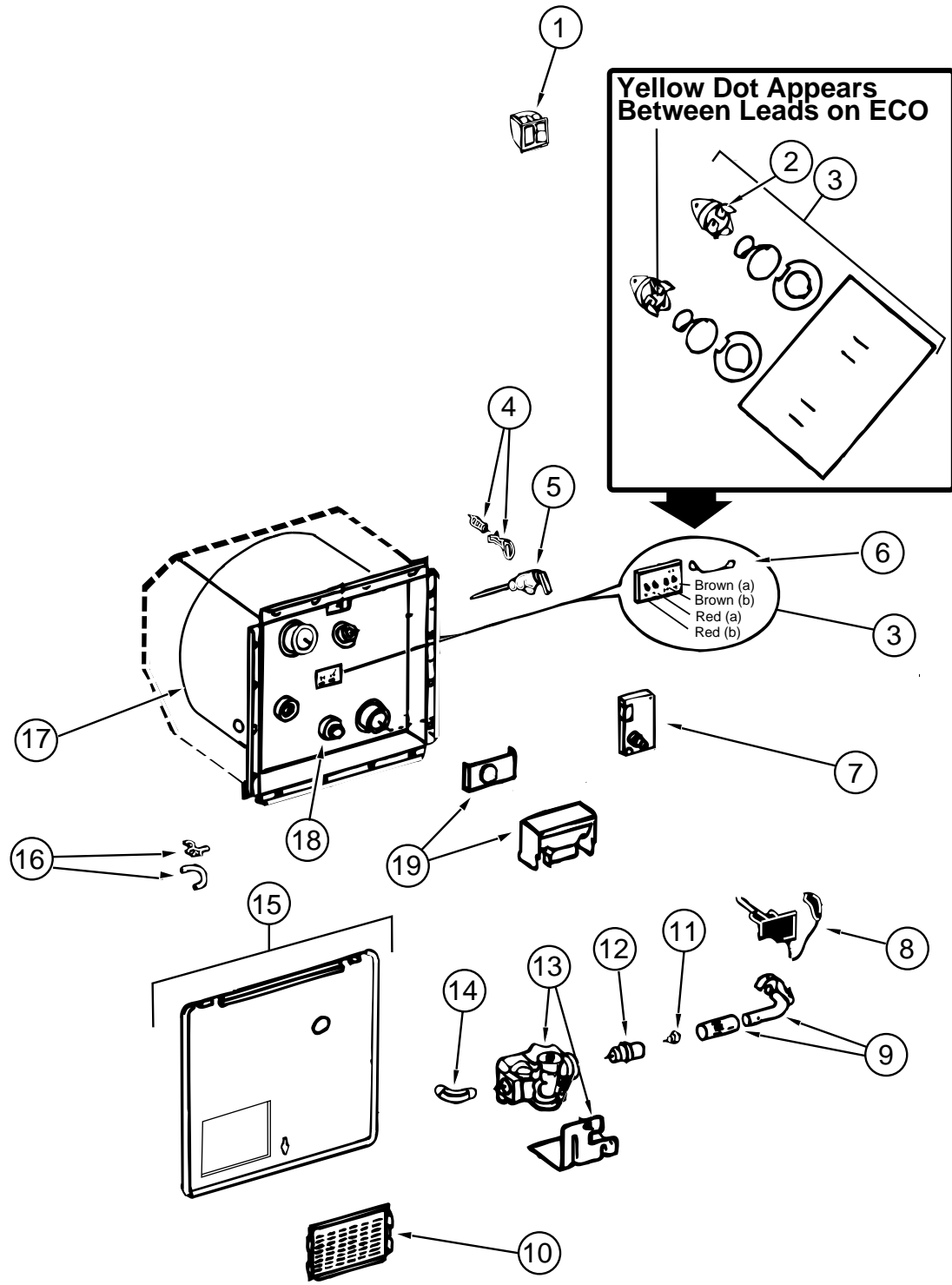
KEY	PART NUMBER	U/M	DESCRIPTION	VENDOR NO.
	051391-03-000	EA	WATER HEATER ATWOOD G6A-7E ELECTRONIC IGNITION	
1	097967-01-000	EA	SWITCH-WATER HEATER, REMOTE W/LIGHT - ATWOOD 91959	
2	051391-04-701	EA	THERMOSTAT 12VDC-120 PRESET	91470
3	051393-01-721	EA	THERMOSTAT W/ECO, 140 FRT MT	91447
4	051391-01-705	EA	FASTENER-CAMLOCK	92609
5	051391-01-704	EA	VALVE-RELIEF, 1/2" FITTING	91604
6	051393-01-723	EA	SWITCH-THERMAL-CUT OFF 2/PKG	93866
7	051393-01-724	EA	BOARD-CIRCUIT, SPADE TERMINAL	93865
8	051393-01-725	EA	ELECTRODE-SGL SPADE CONNECT.	93868
9	051391-04-703	EA	BURNER-MAIN	91638
10	051391-01-717	EA	GRILLE-WATER HEATER DOOR	92640
11	051391-01-710	EA	ORIFICE-MAIN BURNER	92742
12	051391-03-700	EA	HOLDER-ORIFICE	91563
13	051393-01-726	EA	VALVE-SOLENOID, W/BRACKET	93870
14	051391-01-714	EA	FITTING-ELBOW 45,3/8F X 3/8 MPT	1044
15	052009-06-000	EA	DOOR-WATER HEATER - ATWOOD - BRIGHT WHITE	
	116424-01-000	EA	PROTECTOR-WATER HEATER LATCH	
16	051391-01-700	EA	HINGE KIT, (PIN & CLIP)	92568&92559
17	051391-04-706	EA	TANK-INNER, G6A-4E&6E FRT. MT	91641
18	051391-01-715	EA	PLUG-DRAIN, 1 EA = 2 PER PKG	91857
19	051391-04-707	EA	KIT-EXHAUST, (FLUE & GASKET)	90960
	110438-01-000	EA	VALVE-BRASS CHECK	

### WATER HEATER W/MOTOR AID ATWOOD (GH6-7E)

KEY	PART NUMBER	U/M	DESCRIPTION	VENDOR NO.
	051393-01-000	EA	WATER HEATER - ATWOOD #GH6-7E W/ELECTRONIC IGNITION	
1	097967-01-000	EA	SWITCH-WATER HEATER, REMOTE W/LIGHT - ATWOOD 91959	
2	051391-04-701	EA	THERMOSTAT 12VDC-120 PRESET	91470
3	051393-01-721	EA	THERMOSTAT W/ECO, 140 FRT MT	91447
4	051391-01-705	EA	FASTENER-CAMLOCK	92609
5	051391-01-704	EA	VALVE-RELIEF, 1/2" FITTING	91604
6	051393-01-723	EA	SWITCH-THERMAL-CUT OFF 2/PKG	93866
7	051393-01-724	EA	BOARD-CIRCUIT, SPADE TERMINAL	93865
8	051393-01-725	EA	ELECTRODE-SGL SPADE CONNECT.	93868
9	051391-04-703	EA	BURNER-MAIN	91638
10	051391-01-717	EA	GRILLE-WATER HEATER DOOR	92640
11	051391-01-710	EA	ORIFICE-MAIN BURNER	92742
12	051391-03-700	EA	HOLDER-ORIFICE	91563
13	051393-01-726	EA	VALVE-SOLENOID, W/BRACKET	93870
14	051391-01-714	EA	FITTING-ELBOW 45,3/8F X 3/8 MPT	1044
15	052009-06-000	EA	DOOR-WATER HEATER - ATWOOD - BRIGHT WHITE	
	116424-01-000	EA	PROTECTOR-WATER HEATER LATCH	
16	051391-01-700	EA	HINGE KIT, (PIN & CLIP)	92568&92559
17	051391-04-704	EA	TANK-INNER (FRT-MT)	91642
18	051391-01-715	EA	PLUG-DRAIN, 1 EA = 2 PER PKG	91857
19	051391-04-707	EA	KIT-EXHAUST, (FLUE & GASKET)	90960
	110438-01-000	EA	VALVE-CHECK - BRASS	
	051393-01-702	EA	SWITCH-ENERGY CUT-OFF	91951
	051393-01-703	EA	THERMOSTAT-12VDC-140 PRESET	91952
	051393-01-704	EA	BOARD-CIRCUIT	91420
	051393-01-705	EA	HOLDER-ORIFICE	91925
	051393-01-714	EA	TANK-INNER (GH6-3E) REAR MT	91408
	051393-01-716	EA	SPARK & PROBE ASSEMBLY	91606



## WATER & SEWAGE GROUP (CONTINUED)



### WATER HEATER W/ELECTRIC IGNITION ATWOOD (G6A-8E)

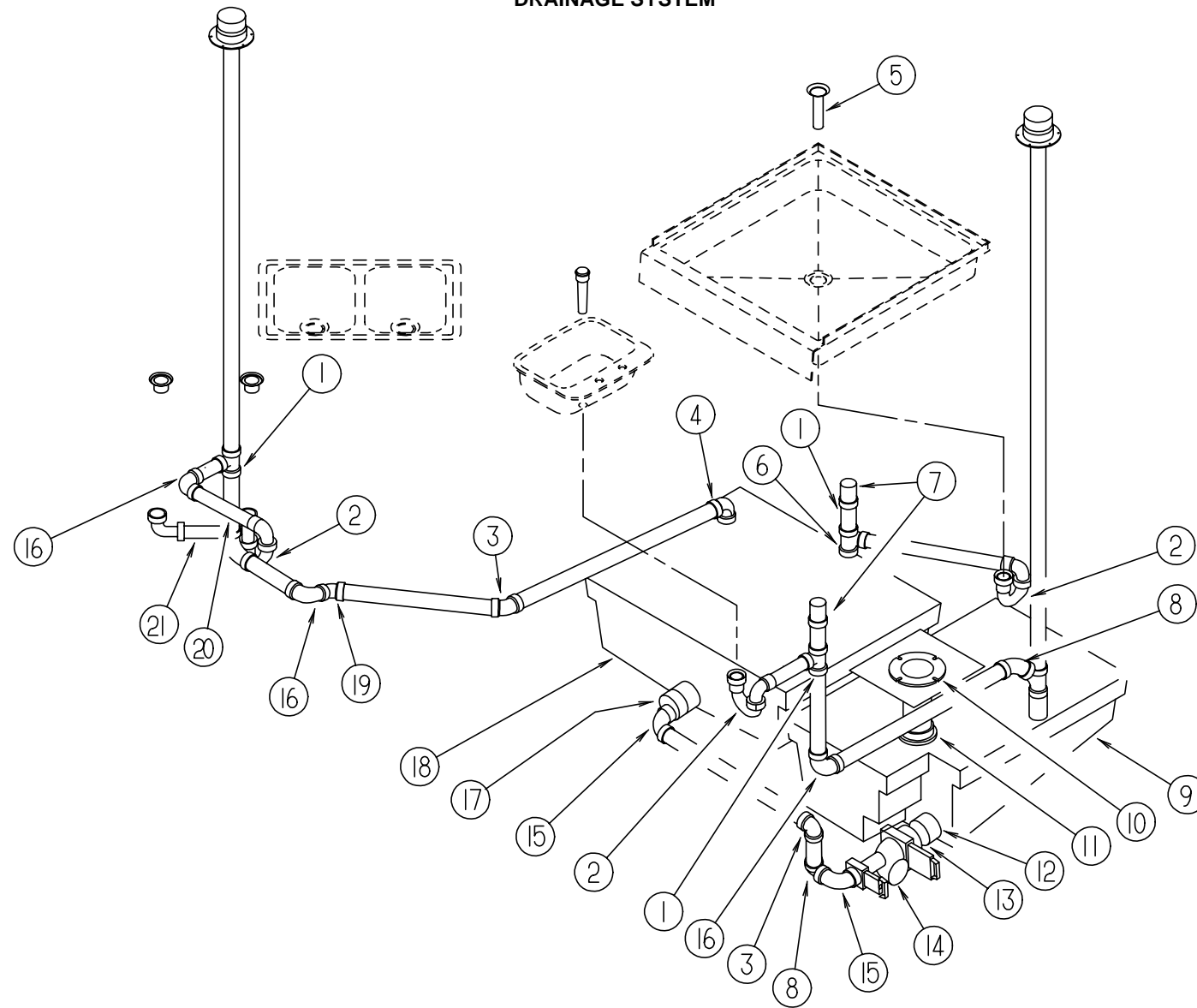
KEY	PART NUMBER	U/M	DESCRIPTION	VENDOR NO.
	051391-03-000	EA	WATER HEATER - ATWOOD G6A-8E W/ELECTRONIC IGNITION	
1	097967-01-000	EA	SWITCH-WATER HEATER, REMOTE W/LIGHT - ATWOOD 91959	
2	051391-04-701	EA	THERMOSTAT 12VDC-120 PRESET	91470
3	051393-01-721	EA	THERMOSTAT W/ECO, 140 FRT MT	91447
4	051391-01-705	EA	FASTENER-CAMLOCK	92609
5	051393-01-704	EA	BOARD-CIRCUIT	91420
6	051393-01-723	EA	SWITCH-THERMAL-CUT OFF 2/PKG	93866
7	051393-01-724	EA	BOARD-CIRCUIT, SPADE TERMINAL	93865
8	051393-01-725	EA	ELECTRODE-SGL SPADE CONNECT.	93868
9	051391-04-703	EA	BURNER-MAIN	91638
10	051391-01-717	EA	GRILLE-WATER HEATER DOOR	92640
11	051391-01-710	EA	ORIFICE-MAIN BURNER	92742
12	051391-03-700	EA	HOLDER-ORIFICE	91563
13	051393-01-726	EA	VALVE-SOLENOID, W/BACKET	93870
14	051391-01-714	EA	FITTING-ELBOW 45 - 3/8 F X 3/8 MPT	1044
15	052009-06-000	EA	DOOR-WATER HEATER - ATWOOD - BRIGHT WHITE	
	116424-01-000	EA	PROTECTOR-WATER HEATER LATCH	
16	051391-01-700	EA	HINGE KIT-W/CLIP	92568 & 92559
17	051391-04-706	EA	TANK-INNER, G6A-4E&6E FRT. MT	91641
18	051391-01-715	EA	PLUG-DRAIN, 1 EA = 2 PER PKG	91857
19	051391-04-707	EA	KIT-EXHAUST, (FLUE & GASKET)	90960
	111129-01-711	EA	BRACKET-CORNER, SET OF FOUR	91928

### WATER HEATER W/MOTOR AID ATWOOD (GH6-8E)

KEY	PART NUMBER	U/M	DESCRIPTION	VENDOR NO.
	051393-01-000	EA	WATER HEATER - W/ MOTOR AID - PILOTLESS IGNITION	
1	097967-01-000	EA	SWITCH-REMOTE W/LIGHT - ATWOOD #91959	
2	051391-04-701	EA	THERMOSTAT 12 VDC-120 PRESET	91470
3	051393-01-721	EA	ECO & THERMOSTAT ASM-FRONT MOUNT, 140 DEGREE	91447
4	051391-01-705	EA	FASTENER-CAMLOC	92609
5	051391-01-704	EA	VALVE-RELIEF - 1/2" FITTING	91604
6	051393-01-723	EA	SWITCH-THERMAL-CUT OFF (2/PKG)	93866
7	051393-01-724	EA	CIRCUIT BOARD-SPADE TERMINAL-ELECTRIC IGNITION	93865
8	051393-01-725	EA	ELECTRODE-SINGLE SPADE CONNECT.-SPARK PROBE	93868
9	051391-04-703	EA	BURNER-MAIN - 4E AND 6E MODELS	91638
10	051391-01-717	EA	GRILL ONLY(GOES ON THE DOOR)	92640
11	051391-01-710	EA	ORIFICE-MAIN BURNER	92742
12	051391-03-700	EA	ORFICE-HOLDER	91563
13	051393-01-726	EA	SOLENOID VALVE AND BRACKET-WHITE-ROGERS	93870
14	051391-01-714	EA	FITTING-ELBOW 45 - 3/8 F X 3/8 MPT	1044
15	052009-06-000	EA	DOOR-WATER HEATER - ATWOOD - BRIGHT WHITE	
	116424-01-000	EA	PROTECTOR-WATER HEATER LATCH	
16	051391-01-700	EA	HINGE KIT-W/CLIP	92568 & 92559
17	051391-04-704	EA	TANK-INNER - FRONT MOUNT	91642
18	051391-01-715	EA	PLUG-DRAIN, 1 EA = 2 PER PKG	91857
19	051391-04-707	EA	KIT-(FLUE & GASKET) FOR EXHAUST	90960
	111129-01-711	EA	BRACKET-CORNER, SET OF FOUR	91928

# WATER & SEWAGE GROUP (CONTINUED)

## DRAINAGE SYSTEM



KEY	PART NUMBER	U/M	DESCRIPTION
1	010071-01-000	EA	TEE-SANITARY, 1 1/2" HUB X HUB X HUB - PLASTIC - BLACK
2	107538-01-000	EA	P-TRAP - PLASTIC - 1 1/4" W/EXTENSION ARM
3	010006-01-000	EA	ELBOW - 45 DEG - 1/8 BEND - 1 1/2" HUB X HUB - BLK PLASTIC
4	034250-01-000	EA	ELBOW - 90 DEG - LONG TURN - 1 1/2" HUB X HUB - ABS
5	011069-02-000	EA	TAILPIECE - TUB/SHOWER - 1 1/2" X 1 1/4" X 4" - BRASS
	066440-01-000	EA	STRAINER-SHOWER, W/RUBBER WASHER
	069735-01-000	EA	WASHER - STRAINER TO TAILPIECE - PLASTIC - 1.5"
6	010115-01-000	EA	COUPLING - 1 1/2" HUB X HUB - PLASTIC
7	079968-01-000	EA	VENT-MECHANICAL TRAP ARM-ANTI-SIPHON 2" DIA X 7.3" PLASTIC
8	010051-01-000	EA	ELBOW, 45 DEG., 1 1/2" SPIGOT & HUB, PLASTIC-BLACK
9	074870-01-000	EA	TANK-HOLDING, W/O GROMMETS - 30 GAL - 36.5" X 13.3" X 23"
	061607-01-000	EA	GROMMET - HOLDING TANK - 1 1/2" NPS
10	063641-01-000	EA	FLANGE - CLOSET - 4" X 3"
11	061607-02-000	EA	GROMMET - HOLDING TANK - 3" NPS
12	062415-01-000	EA	CAP-SEWER, 3" DIAMETER
13	078406-01-000	EA	COUPLER - RUBBER - W/CLAMPS - 3" X 3"

KEY	PART NUMBER	U/M	DESCRIPTION
14	070916-01-000	EA	VALVE - DUAL DUMP - W/CAP - 3" X 1 1/2" - BLACK PLASTIC
	070916-01-700	EA	VALVE ONLY (WASTE) 3" T1003BU
	070916-01-701	EA	VALVE ONLY (WASTE 1 1/2") T1001BU
	010201-01-000	EA	HOSE - SEWER - 3" ID X 8'
	062416-01-000	EA	ADAPTER - SEWER HOSE TO 3" PIPE
15	033761-01-000	EA	ELBOW - TURN - 1/4 BEND X 1 1/2" HUB X 1 1/2" SPIGOT
16	010008-01-000	EA	ELBOW - 90 DEG - 1/4 BEND - 1 1/2" HUB X HUB - BLK PLASTIC
17	062422-01-000	EA	ADAPTER - OFFSET REDUCER - 3" X 1 1/2" - BLACK PLASTIC
18	074861-01-000	EA	TANK-HOLDING, W/O GROMMETS - 35 GALLON - 35" X 11" X 27"
	061607-01-000	EA	GROMMET - HOLDING TANK - 1 1/2" NPS
19	010005-01-000	EA	ELBOW-22 1/2 DEGREE, 1/16 BEND - 1 1/2" HUB X HUB - PLASTIC - BLACK
	109571-01-000	EA	ADAPTER-P TRAP - 1 1/2" P X 1 1/4" MPT
21	011091-02-000	EA	WASTE - CONTINUOUS - DOUBLE SINK

## WATER & SEWAGE GROUP (CONTINUED)

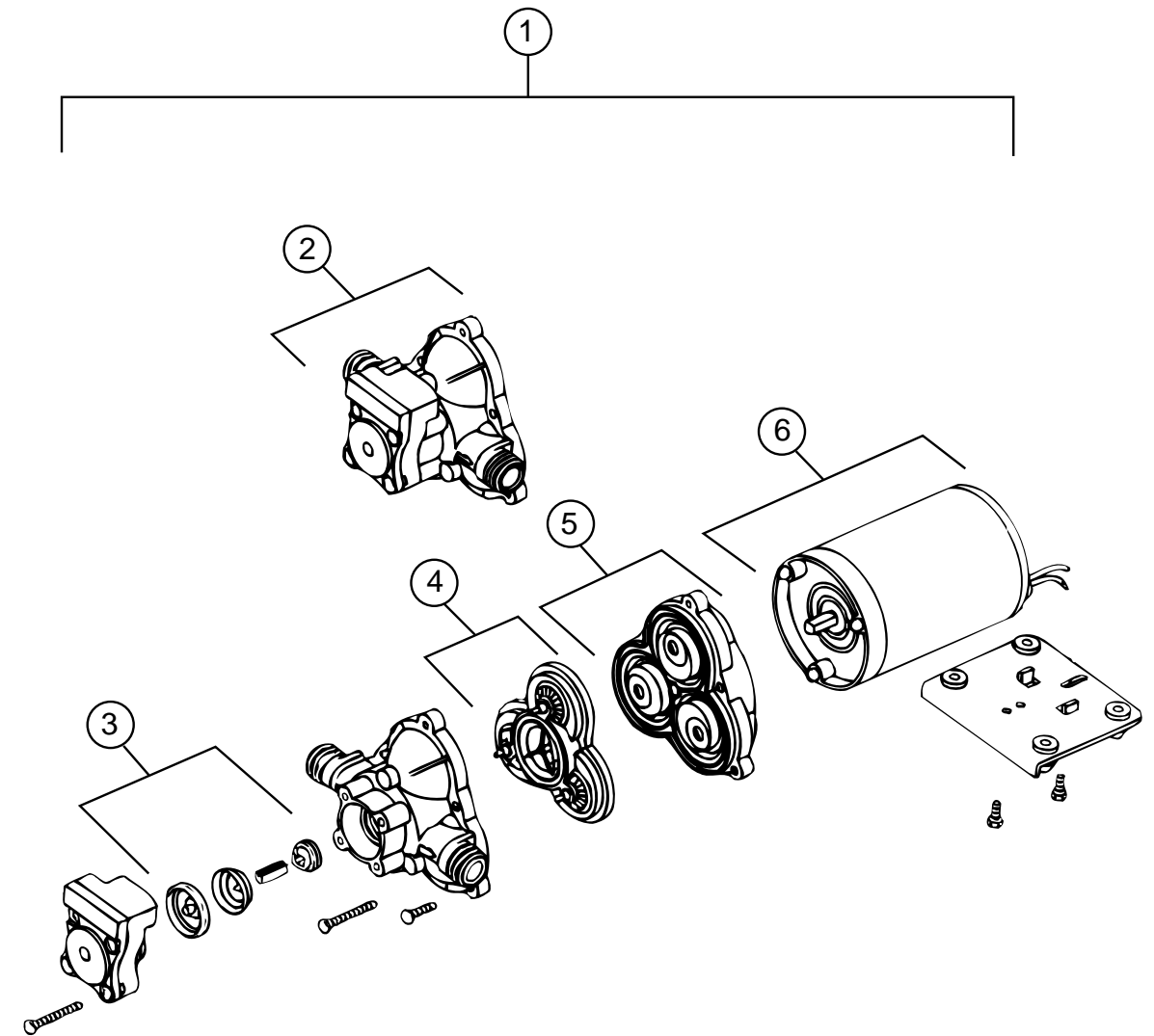
### WATER SYSTEM

KEY	PART NUMBER	U/M	DESCRIPTION
	114430-02-000	EA	ADAPTER - SWIVEL - 1/2P X 1/2FPT
	114430-03-000	EA	ADAPTER - 1/2P X 1/2MPT
	010224-01-000	EA	ADAPTER - HOSE TO PIPE - 3/8" MPT X 3/8" BARB-BLK PLASTIC
	044927-01-000	EA	ADAPTER-HOSE TO PIPE, 1 1/4"MPT X 1 1/4"BARB-BLACK PLASTIC
	110915-01-01A	EA	FILL-WATER, CITY - CHROME - KEVCO 64713
	101814-01-000	EA	COUPLING - FEMALE - 1/2" X 1/2"FPT W/COMP SLEEVE - GRAY
	010219-01-000	EA	ELBOW - 1 1/4"MPT X 1 1/4"BARB - WATER FILL - PLASTIC
	035539-01-000	EA	ELBOW-PLASTIC, 3/8"MPT X 3/8"BARB
	039808-03-000	EA	ELBOW - 1/2" MPT X 1/2" MPT - PLASTIC
	114429-01-000	EA	ELBOW - 1/2P X 1/2P
	114429-02-000	EA	ELBOW - 1/2P X 1/2MPT
	114429-03-000	EA	ELBOW- FLAIR-IT SWIVEL 1/2"P X 1/2"FPT
	042989-03-000	EA	FITTING - WATER TANK - SPINWELD - 1 1/4"NPT-WHITE PLASTIC
	042989-04-000	EA	FITTING-WATER TANK, SPINWELD - 3/8" FPT - PLASTIC - WHITE
	042989-05-000	EA	FITTING - WATER TANK - SPINWELD - 1/2"FPT - WHITE PLASTIC
	120070-01-000	EA	FITTING-SPINWLED,PLAS 3" FPT - CUSTOM PLAS 60
	077954-02-000	EA	FILTER - WATER TANK - SCREEN IN TANK
	049032-01-000	EA	PATCH - SPINWELD - 3/8" - PLASTIC
	120069-01-000	EA	PLUG-3",POLYETHYLENE MPT - CUSTOM PLAS P3
	039861-01-000	EA	SENDING UNIT - W/SCREW - WASHER - WELL NUT & TERMINAL RING
	023441-01-000	EA	TEE-BARB, 3/8" - PLASTIC
	114428-01-000	EA	TEE - 1/2P X 1/2P X 1/2P
	114428-03-000	EA	TEE - 1/2P X 1/2P X 1/2 MPT
	074462-02-000	FT	TUBING - VINYL - 3/8" ID X 20' - CLEAR
	079381-01-000	FT	TUBING - SMOOTH FLEXIBLE - 1 3/8" ID X 20'
	039800-02-000	FT	TUBING - POLYBUTY - 5/8" OD X 20' - INCR OF 20' - BLACK
	110438-01-000	EA	VALVE - BRASS CHECK
	114431-01-000	EA	WATER VALVE - 3 POSITION - "DRAIN VALVE"
	053520-10-000	EA	TANK-WATER, W/FITTINGS - 18 GALLON - 27" X 17.2" X 10"
	053520-01-000	EA	TANK-WATER, 18 GALLON - W/O FITTINGS - 17.2" X 27" X 10"
	074510-08-000	EA	TANK ASM-WATER,16 GAL - 94 524RC
	074510-01-000	EA	TANK-WATER, W/O FITTINGS - 16 GALLON - 33.4" X 11.4" X 10.
	053520-15-000	EA	TANK-WATER,18 GAL - 96 524RC EUROPE
	053520-01-000	EA	TANK-WATER, 18 GALLON - W/O FITTINGS - 17.2" X 27" X 10" - 96 524RC EUROPE
	120579-02-000	EA	TANK ASM-WATER,29 GAL - 96 524RC EUROPE
	120579-01-000	EA	TANK-WATER,29 GAL - 96 524RC EUROPE

### EUROPEAN WATER HEATER

KEY	PART NUMBER	U/M	DESCRIPTION	VENDOR NO.
	111129-01-000	EA	WATER HEATER-ELEC,IGN,220V	
	111129-01-700	EA	SWITCH-WALL PACKAGE	91208
	111129-01-702	EA	VALVE-DRAIN PRESSURE,3.5 BAR	91898
	111129-01-702	EA	VALVE-DRAIN PRESSURE,3.5 BAR	91898
	111129-01-703	EA	THERMOSTAT (60*)ECO(82*)KIT	91191
	111129-01-704	EA	BOARD-IGNITION	91194
	111129-01-705	EA	REGULATOR-GAS PRESSURE #10	91198
	111129-01-706	EA	ORIFICE-MAIN BURNER COMPLETE	91017
	111129-01-707	EA	BURNER KIT, MAIN	91204
	111129-01-708	EA	IGNITION KIT, SPARK & PROBE	91196
	111129-01-709	EA	FLUE ASSEMBLY	91045
	111129-01-710	EA	DOOR-ACCESS, W/LOCK	91203
	111129-01-711	EA	BRACKET-CORNER, SET OF FOUR	91928
	111129-01-712	EA	HARDWARE KIT,W/LOCK	91193
	111129-01-713	EA	TANK INNER ICH6-6E	91188
	111129-01-714	EA	THERMOSTAT,ELECTRIC, 220V	91207
	111129-01-715	EA	RELAY,220 V/12 VDC	91206
	111129-01-716	EA	ELEMENT-HEATING,220V/500WATT	91081
	111129-01-717	EA	BUSHING,STRAIN RELIEF	91372

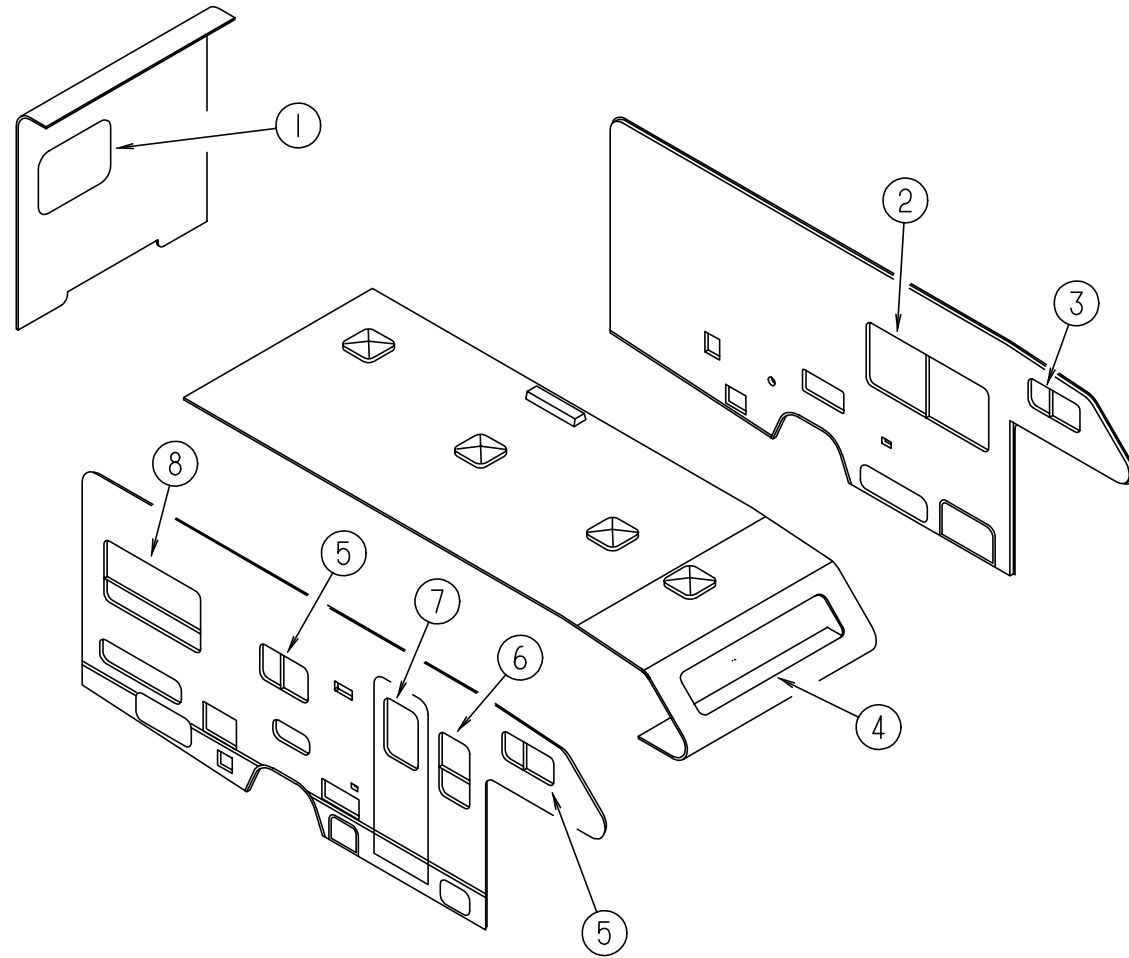
## WATER & SEWAGE GROUP (CONTINUED)



### WATER PUMP-SHURFLOW

KEY	PART NUMBER	U/M	DESCRIPTION	VENDOR NO.
1	098607-01-000	EA	PUMP - WATER - W/.5" MPT FITTING - FLOW W.9 GPM - UL	
2	098607-01-706	EA	HOUSING, W/SWITCH ONLY	94-231-20
3	098607-01-705	EA	VALVE-CHECK, KIT	94-237-00
4	098607-01-703	EA	VALVE KIT	94-232-00
5	098607-01-702	EA	DIAPHRAGM/DRIVE ASSEMBLY KIT	94-238-04
6	098607-01-707	EA	MOTOR W/BASEPLATE	11-148-04

## WINDOW, VENT & EXTERIOR DOOR GROUP



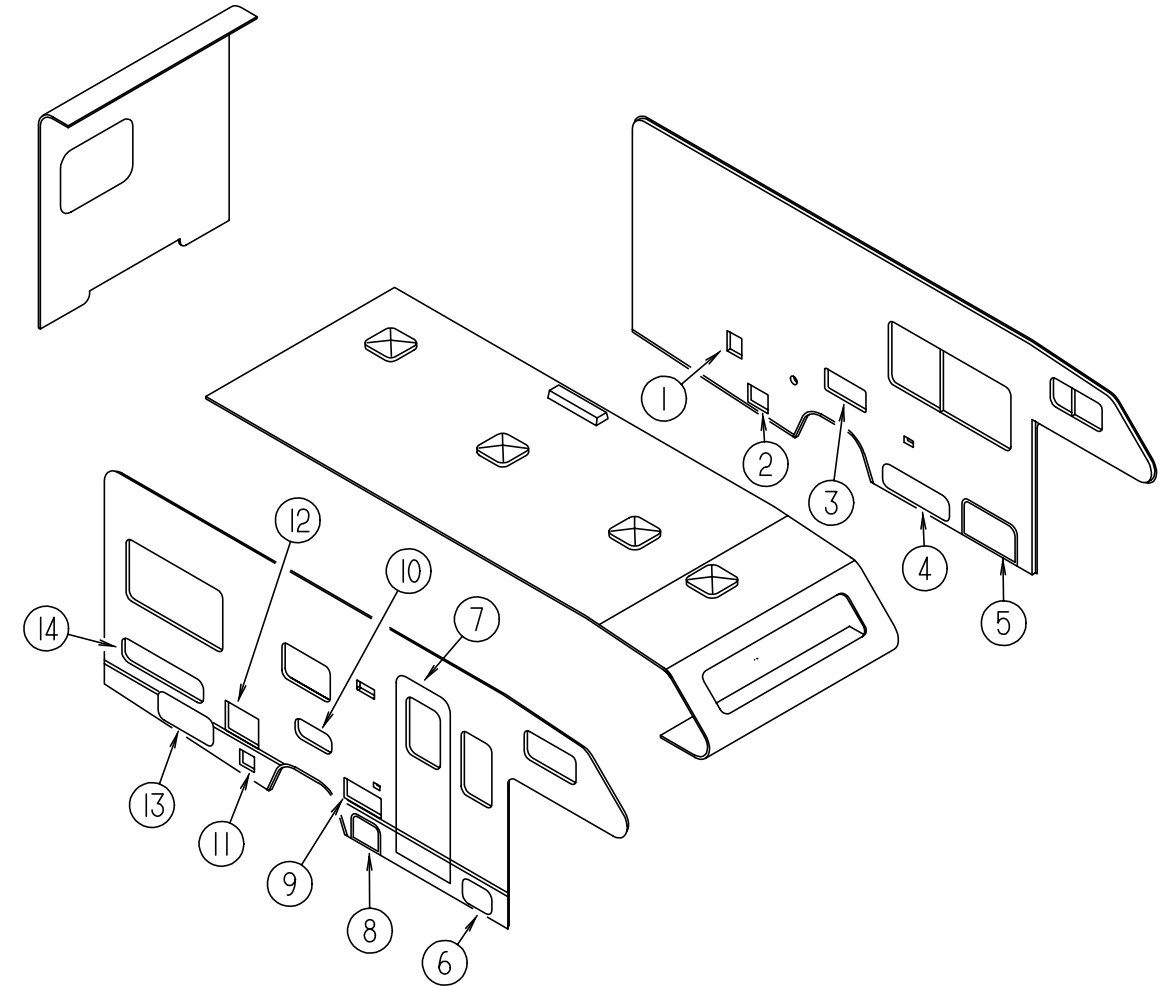
**WINDOWS - JAPAN**

KEY	PART NUMBER	U/M	DESCRIPTION
1	113502-01-01A	EA	WINDOW - REAR ESCAPE THERMO - 24.8" X 48.7"
2	112795-15-01A	EA	WINDOW-DRIVERS HORIZONTAL SLIDER THERMO 26 3/8" X 60"
3	112795-20-01A	EA	WINDOW-DRIVER HORIZONTAL SLIDER THERMO 16" X 28 3/4"
4	115630-01-01A	EA	WINDOW-STATIONARY 17.2" X 72"
5	112795-19-01A	EA	WINDOW-PASSENGER HORIZONTAL SLIDER THERMO 16" X 28 3/4"
6	112898-04-01A	EA	WINDOW - VERTICAL SLIDER - THERMO - 30.2" X 14.3"
7	113733-01-01A	EA	WINDOW - STATIONARY THERMOPANE 26.4" X 17"
8	112795-22-01A	EA	WINDOW-PASSENGER HORIZONTAL SLIDER THERMO 26 3/8" X 48"

**WINDOWS - EUROPEAN OPTION**

KEY	PART NUMBER	U/M	DESCRIPTION
1	113502-06-01A	EA	WINDOW-REAR ESCAPE THERMO/EUROPEAN - 24.8" X 48.7"
2	112795-40-01A	EA	WINDOW-DRIVER HORIZONTAL SLIDE THERMO 26 3/8" X 60"
3	112795-42-01A	EA	WINDOW-DRIVER HORIZONTAL SLIDE THERMO 16" X 28 3/4"
4	115630-02-01A	EA	WINDOW-STATIONARY EUROPEAN 17.2" X 72"
5	112795-41-01A	EA	WINDOW-PASSENGER HORIZONTAL SLIDE THERMO 16" X 28 3/4"
6	112898-10-01A	EA	WINDOW-VERTICLE SLIDER THERMO 30.2" X 14.3"
7	113733-03-01A	EA	WINDOW-STATIONARY THERMOPANE/EUROPEAN - 26.4" X 17"
8	112795-46-01A	EA	WINDOW-PASSENGER HORIZONTAL SLIDE THERMO 26 3/8" X 48"

## WINDOW, VENT & EXTERIOR DOOR GROUP (CONTINUED)

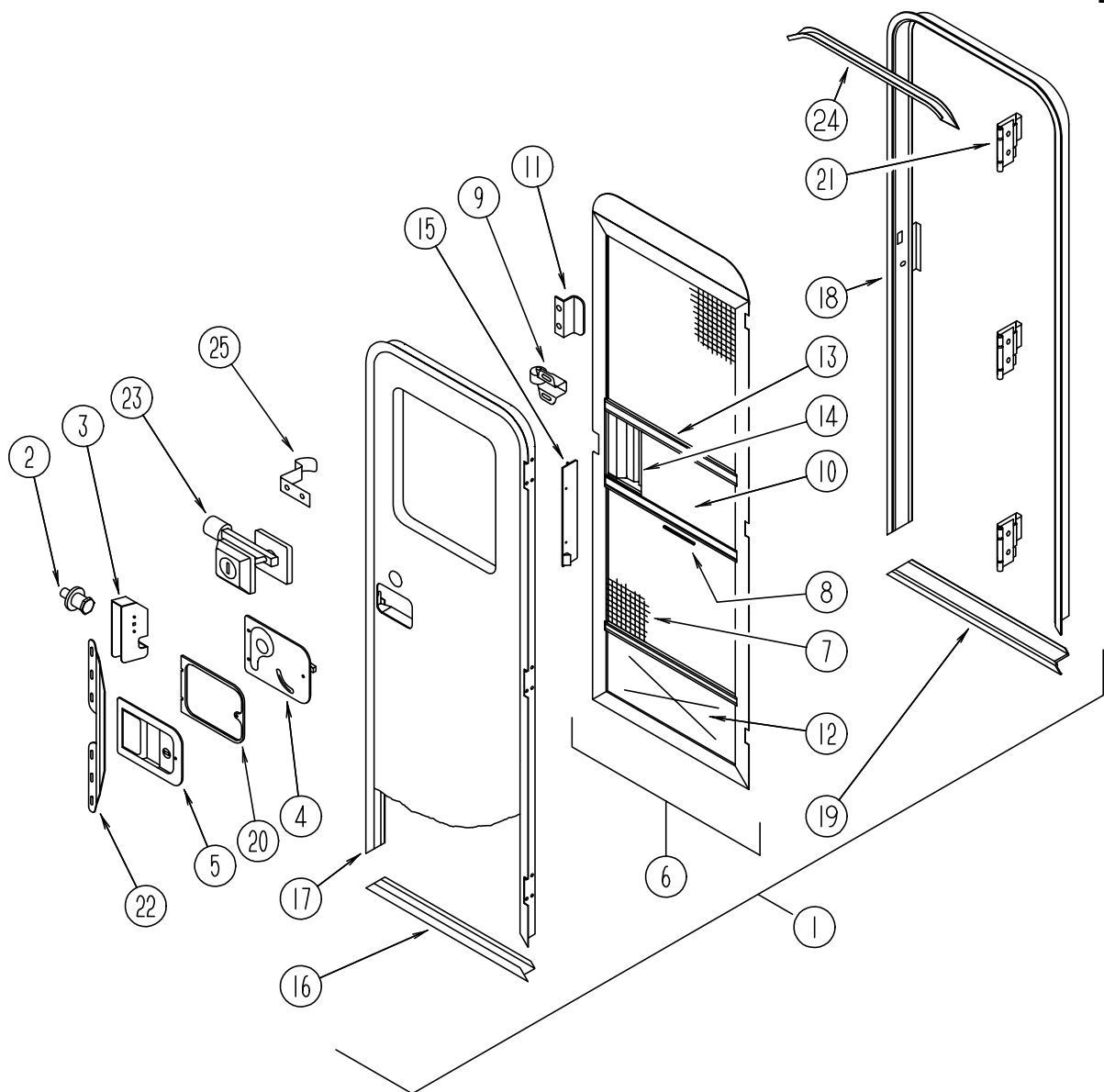


**EXTERIOR DOORS**

KEY	PART NUMBER	U/M	DESCRIPTION	VENDOR NO.
1	078010-15-000	EA	DOOR ASM-FUEL FILL BRT WHT W/O LOCK	
2	088794-06-000	EA	DOOR - POWER CORD W/HATCH - 11" X 9.2"	
3	084103-08-000	EA	DOOR - REFRIGERATOR - VENTED - W/O JAMB	
3	084104-01-700	EA	LOCK-MALE, FASTENER	201-721-010
3	084104-01-701	EA	LOCK-FEMALE, FASTENER	201-802-010
3	077408-02-000	EA	LOCK-KEY TYPE	
	082684-01-700	EA	KEY	
3	084104-08-000	EA	JAMB - REFRIGERATOR DOOR	
4	104558-20-F08	EA	DOOR ASM-STORAGE	
5	116313-01-F08	EA	DOOR ASM-COMPARTMENT	
5	111009-01-F08	EA	DOOR ASM-LP (W.I.E. EXPORT)	
6	104558-21-F08	EA	DOOR ASM-STORAGE	
7	115108-05-G07	EA	DOOR - ENTRY, W/SCREEN DOOR - W/O WINDOW	
7	115108-05-G08	EA	DOOR - ENTRY, W/SCREEN DOOR - W/O WINDOW	
8	116313-02-F08	EA	DOOR ASM-COMPARTMENT	
9	098668-23-000	EA	DOOR-ACCESS, FURNACE - BRIGHT WHITE - SUBURBAN	
10	111017-01-F24	EA	DOOR - PATIO/ENTERTAINMENT CENTER W/O LATCH - 17.8" X 8.1"	
	079775-D3-000	EA	JAMB - DOOR - STORAGE	
11	052423-07-000	EA	DOOR - ACCESS - 6.6" X 6.3" - SEWER HOSE DOOR	
11	052424-06-000	EA	JAMB - DOOR - FUEL FILL - BRIGHT WHITE	
12	052009-06-000	EA	DOOR - WATER HEATER - W/O LATCHES	
13	104558-12-F16	EA	DOOR ASM-STORAGE	
	104564-13-02A	EA	JAMB-DOOR,STORAGE BRT/WHT	
14	104558-22-F16	EA	DOOR ASM-STORAGE	
	081240-16-000	EA	DOOR - WATER FILL - LOCKABLE W/O LOCK - 4" X 4 5/8"	

# WINDOW, VENT & EXTERIOR DOOR GROUP (CONTINUED)

## ENTRANCE DOOR



KEY	PART NUMBER	U/M	DESCRIPTION	VENDOR NO.
1	115108-05-G07	EA	DOOR - ENTRY, W/SCREEN DOOR - W/O WINDOW	
1	115108-01-G08	EA	DOOR - ENTRY, W/SCREEN DOOR - W/O WINDOW	
2	039539-01-000	EA	STRIKE - LOCK - ENTRY DOOR - ROUND W/THREADED WASHER	
3	039540-01-000	EA	LATCH MECHANISM - HOOK - ENTRY DOOR - INTERIOR	
	039715-01-000	EA	NUT-SERT - 1/4" DIAMETER - 20 THREADS	
4	039979-06-000	EA	COVER - LATCH PLATE - RIGHT HAND - BLACK TEXTURED	
	041546-05-000	EA	BRACKET - DOOR ANGLE	
				FROM: 00-00-00 THRU: 10-22-95
	041546-07-000	EA	BRACKET - DOOR ANGLE - OFF WHITE	
				FROM: 10-23-95 THRU: 99-99-99
5	045017-13-000	EA	LATCH - ENTRANCE DOOR - BLACK TEXTURED	
	045017-11-701	EA	KEY-BLANK, F1 SERIES	81312-02
	045017-11-702	EA	KEY-MASTER, F SERIES	81313-02
	045017-11-703	EA	CYLINDER-LOCK ASM. W/KEYS	81266-09
	063729-04-000	EA	RIVNUT, 10-32 UNF - .010-.080	
				FROM: 00-00-00 THRU: 03-17-96
	075671-04-000	FT	SEAL - SPONGE - LAZY T SHAPE - W/ADHESIVE STRIP - .5" WIDE	
6	079012-09-F24	EA	DOOR ASM-SCREEN	
				FROM: 00-00-00 THRU: 03-17-96
6	121899-03-GB1	EA	DOOR ASM-SCREEN	
				FROM: 03-18-96 THRU: 99-99-99

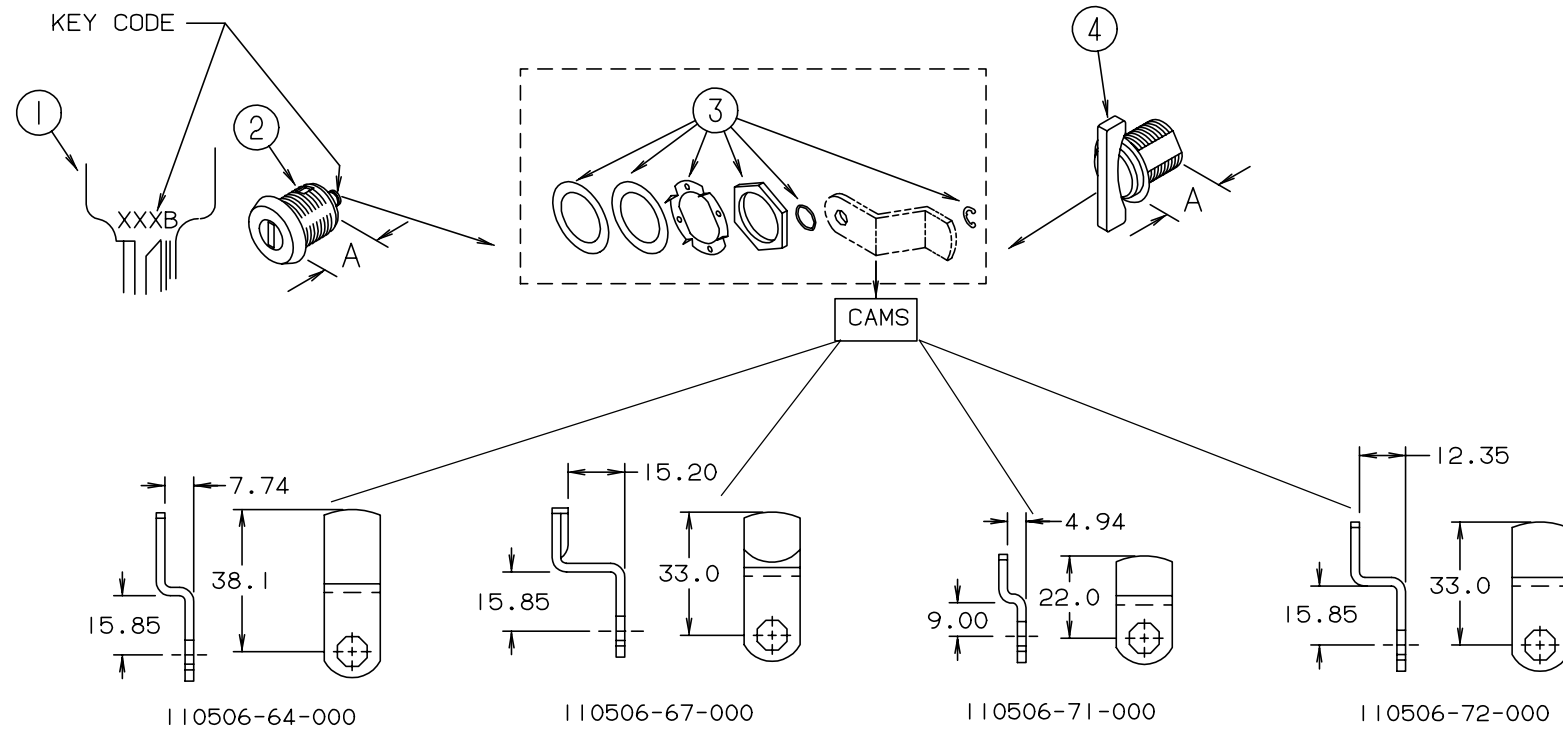
KEY	PART NUMBER	U/M	DESCRIPTION	VENDOR NO.
7	002293-02-000	SF	SCREENING - WINDOW/DOOR - 26"	
8	002294-01-000	FT	SPLINE - SCREENING - .005" X .0054"	
9	109403-01-000	EA	CATCH - SINGLE ROLLER - SCREEN DOOR	
10	016454-01-000	EA	INSERT - CENTER - LEATHER GRAIN ALUMINUM - UNPAINTED	
10	001014-01-013	EA	INSERT - CENTER - 10.25" X 16.31" - UNPAINTED	
11	050712-06-000	EA	HANDLE - SCREEN DOOR - BRIGHT WHITE	
12	078552-03-000	EA	KICK PANEL - SCREEN DOOR - LOWER INSERT - UNPAINTED	
	078595-01-000	EA	TOP PLATE - SCREEN DOOR - CURVED TOP - 4.7" X 25.35"	
13	078777-01-000	EA	CHANNEL - SLIDE - SCREEN DOOR CENTER SLIDER COVER	
14	079086-03-000	EA	SLIDER - SCREEN DOOR - BRIGHT WHITE	
15	079087-03-000	EA	STRIKE - SLIDER - SCREEN DOOR - BRIGHT WHITE	
	122241-01-01A	EA	BUMPER - FOAM RUBBER - BLACK	
16	089748-21-000	EA	FRAME - DOOR/ENTRANCE BOTTOM	
				FROM: 00-00-00 THRU: 03-17-96
16	121893-01-01A	EA	FRAME - ENTRANCE DOOR	
				FROM: 03-18-96 THRU: 99-99-99
17	095276-07-03A	EA	FRAME-DOOR ENTRANCE,BRT/WHT	
				FROM: 00-00-00 THRU: 03-17-96
17	121894-07-01A	EA	FRAME - ENTRANCE DOOR	
				FROM: 03-18-96 THRU: 99-99-99
18	120310-05-01A	EA	JAMB ASM-ENTRNC DOOR BRT/WHT - *96 MOTORHOMES	
				FROM: 00-00-00 THRU: 03-17-96
18	121898-04-01A	EA	JAMB - ENTRANCE DOOR	
				FROM: 03-18-96 THRU: 99-99-99
19	051049-01-000	EA	JAMB - BOTTOM - ENTRY DOOR - 25.9" - UNPAINTED	
20	096810-01-01A	EA	PLATE - LATCH - ENTRY DOOR	
21	106719-01-05A	EA	HINGE - ENTRANCE DOOR - BRIGHT WHITE	
21	106719-01-01A	EA	HINGE - ENTRANCE DOOR - MILL	
22	098173-01-07A	EA	STIFFENER - ENTRANCE DOOR - SUPPORTS LATCH/STRIKE AREA	
22	098173-01-04A	EA	STIFFENER - ENTRANCE DOOR - SUPPORTS LATCH/STRIKE AREA	
	100128-02-000	FT	SEAL - FOAM-ADHESIVE BACK - .37" WIDE X .37" THICK	
	118929-01-01A	FT	SEAL - PILE - PUSH ON	
23	101145-01-06A	EA	DEADBOLT - ENTRY DOOR - W/2 KEYS	
	095229-01-700	EA	KEY-BLANK, DEADBOLT	81205-03
	101145-01-701	EA	CYLINDER-LOCK ASM., W/KEY	81306-03
	101147-01-000	EA	BOLT - SECURITY - 4.12" BACKSET	
	102524-01-000	EA	BUMPER - RUBBER - FLAT - BLACK	
				FROM: 00-00-00 THRU: 02-03-96
24	044582-44-000	EA	CAP - DRIP - JAMB - BRIGHT WHITE	
	115222-04-01A	EA	GARNISH - DOOR/ENTRY - RADIUS	
25	100412-01-000	EA	CATCH - SCREEN DOOR	
	077461-03-000	EA	COVER - STRIKE - ENTRY DOOR - 6.5" X 2.5" - WHITE PLASTIC	
	036618-02-000	EA	E RING - EXTERNAL - 3/16" SHAFT DIAMETER - LYNOR DOOR LOCK	
	075673-01-000	FT	SEAL - PILE - ADHESIVE BACK - GRAY	
	102248-01-000	EA	SHIM - DOOR	
	086285-05-000	EA	SPACER - NYLON - .7" X .56"	
				FROM: 10-23-95 THRU: 99-99-99
	116111-02-01A	EA	SCREW - TAPTITE - 1/4-20 X 3/8 PPH - ZINC	
				FROM: 01-09-95 THRU: 99-99-99
	009126-03-000	EA	HANDLE - ASSIST - BLACK TEXTURED	
				FROM: 09-11-95 THRU: 99-99-99

# WINDOW, VENT & EXTERIOR DOOR GROUP (CONTINUED)

## BRIGGS & STRATTON LOCKS & COMPONENTS

**NOTE:**

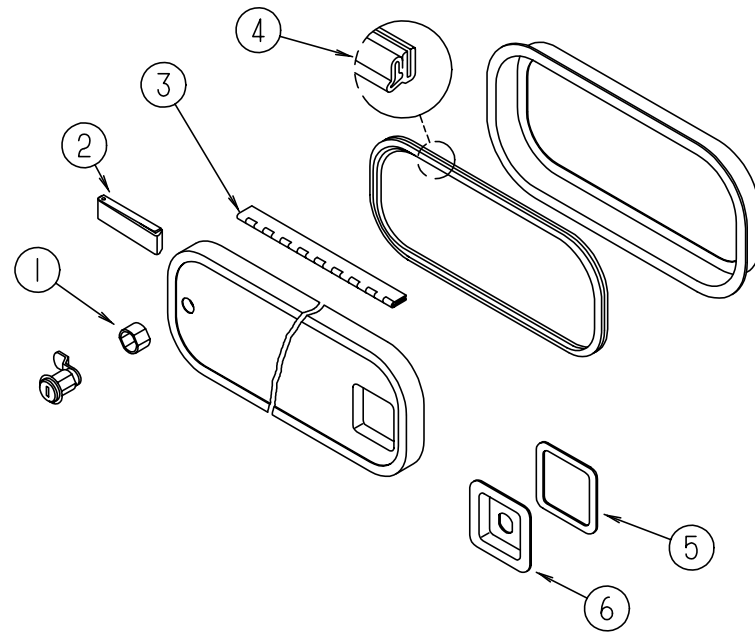
WHEN ORDERING THE LOCK CASE, THE KEY CODE MUST MATCH THE LAST DIGIT OF THE VEHICLE'S SERIAL NUMBER AND PART NUMBER; WHEN ORDERING THE KEYS, THE THIRD DIGIT OF THE KEY CODE MUST MATCH THE LAST DIGIT OF THE VEHICLE'S SERIAL NUMBER AND PART NUMBER.



KEY	PART NUMBER	U/M	DESCRIPTION	VENDOR NO.
1	110506-59-000	EA	KEYS-SET OF TWO	596720
2	110506-52-000	EA	CASE-LOCK, A = 17 MM	702370
2	110506-53-000	EA	CASE-LOCK, A = 25 MM	702380
1	110506-59-001	EA	KEYS-SET OF TWO	596721
2	110506-52-001	EA	CASE-LOCK, A = 17 MM	702371
2	110506-53-001	EA	CASE-LOCK, A = 25 MM	702381
1	110506-59-002	EA	KEYS-SET OF TWO	596722
2	110506-52-002	EA	CASE-LOCK, A = 17 MM	702372
2	110506-53-002	EA	CASE-LOCK, A = 25 MM	702382
1	110506-59-003	EA	KEYS-SET OF TWO	596723
2	110506-52-003	EA	CASE-LOCK, A = 17 MM	702373
2	110506-53-003	EA	CASE-LOCK, A = 25 MM	702383
1	110506-59-004	EA	KEYS-SET OF TWO	596724
2	110506-52-004	EA	CASE-LOCK, A = 17 MM	702374
2	110506-53-004	EA	CASE-LOCK, A = 25 MM	702384
1	110506-59-005	EA	KEYS-SET OF TWO	596725
2	110506-52-005	EA	CASE-LOCK, A = 17 MM	702375
2	110506-53-005	EA	CASE-LOCK, A = 25 MM	702385
1	110506-59-006	EA	KEYS-SET OF TWO	596726
2	110506-52-006	EA	CASE-LOCK, A = 17 MM	702376
2	110506-53-006	EA	CASE-LOCK, A = 25 MM	702386

KEY	PART NUMBER	U/M	DESCRIPTION	VENDOR NO.
1	110506-59-007	EA	KEYS-SET OF TWO	596727
2	110506-52-007	EA	CASE-LOCK, A = 17 MM	702377
2	110506-53-007	EA	CASE-LOCK, A = 25 MM	702387
1	110506-59-008	EA	KEYS-SET OF TWO	596728
2	110506-52-008	EA	CASE-LOCK, A = 17 MM	702378
2	110506-53-008	EA	CASE-LOCK, A = 25 MM	702388
1	110506-59-009	EA	KEYS-SET OF TWO	596729
2	110506-52-009	EA	CASE-LOCK - A = 17 MM	702379
2	110506-53-009	EA	CASE-LOCK - A = 25 MM	702389
3	110506-40-700	EA	HARDWARE KIT	
4	110506-50-000	EA	CASE-TWIST LOCK, A = 17 MM	596952
4	110506-51-000	EA	CASE-TWIST LOCK, A = 25 MM	596669
	110506-61-000	EA	CAM - LATCHING - STRAIGHT .62"	
	110506-62-000	EA	CAM-LOCKING	322278
	110506-64-000	EA	CAM-LOCKING	322280
	110506-67-000	EA	CAM-LOCKING	322283
	110506-68-000	EA	CAM - LOCKING	322284
	110506-70-000	EA	CAM - LOCKING	322286
	110506-71-000	EA	CAM-LOCKING	322287
	110506-72-000	EA	CAM-LOCKING	322354
	110506-59-701	EA	KEY-BLANK, GOLD	

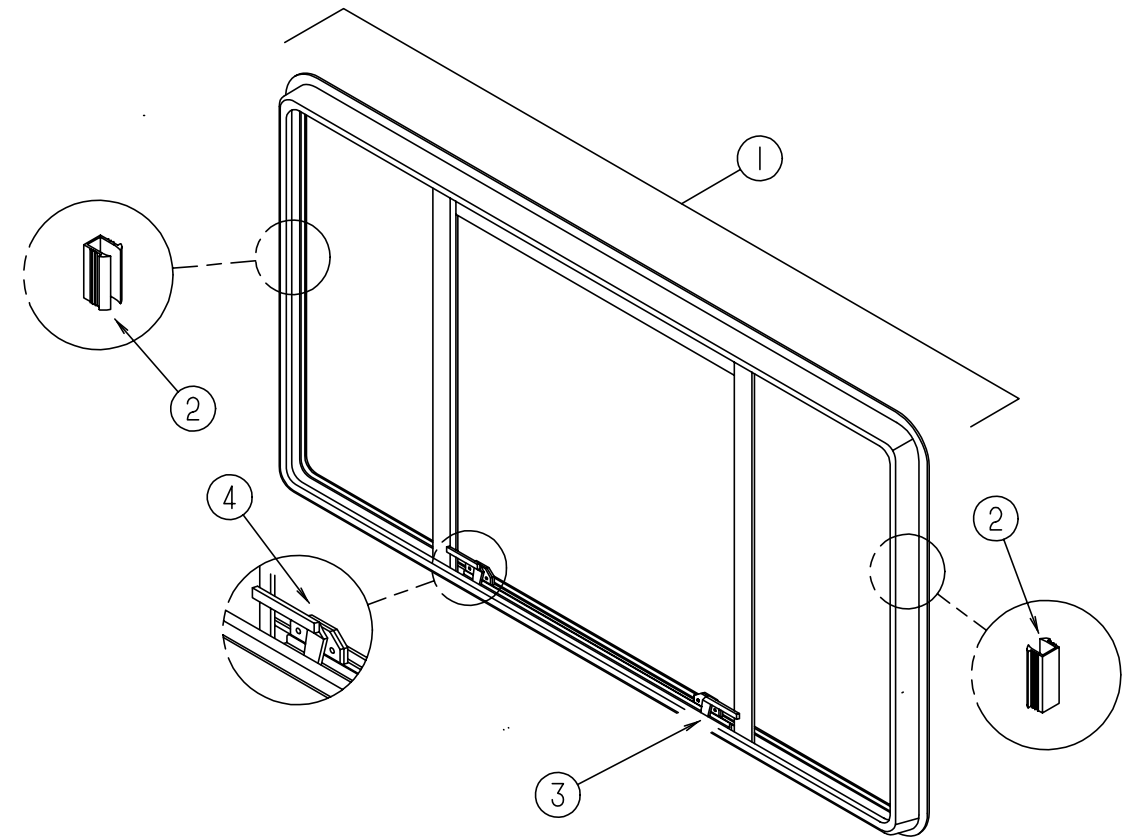
**WINDOW, VENT & EXTERIOR DOOR GROUP (CONTINUED)**



**EXTERIOR DOOR HARDWARE**

KEY	PART NUMBER	U/M	DESCRIPTION
1	107997-51-001	EA	SPACER - DOOR LOCK - .6" DEEP
	107997-51-002	EA	EXTRUDED - SPACER - 16'
2	102768-01-000	EA	HOLDER - COMPARTMENT/ENTRY DOOR - METAL - MILL FINISH
3	081801-02-000	EA	HINGE - DOOR - PIANO - 2" X 8'
3	097207-02-02A	EA	HINGE-CONTINUOUS,DOOR,LP,BLK
3	097207-03-02A	EA	HINGE-CONTINUOUS,DOOR,LP,BLK
3	081801-V3-000	EA	HINGE - ALUMINUM - 2" X 8' - BRIGHT WHITE
3	009065-01-000	EA	HINGE-ALUMINUM, 1 1/2" X 96" - UNPAINTED
4	064075-07-000	FT	SEAL - BULB - W/WIRED U CHANNEL - .3" X .5" CHANNEL - BLK
	104692-01-000	FT	SEAL - 3/4" X 3/4" - ADHESIVE BACK FOAM SEAL
	098408-01-000	FT	SEAL-SPONGE RUBBER, CLOSED CELL
	106850-01-000	FT	SEAL-E,11X19 SPONGE RUBBER
5	098338-01-000	EA	GASKET-LOCK POCKET
6	097111-01-04A	EA	POCKET-LOCK,VALANCE,BRT WHT
	096217-55-003	EA	U CHANNEL 5353MM TITAMIU
	096217-55-006	EA	U CHANNEL 5353MM BRT/WHT
	110506-01-000	EA	LOCK ASM-KEYED,17.65MM
	110506-02-000	EA	LOCK - KEYED 13.64MM - BRIGGS & STRATTON
	110506-08-000	EA	LOCK ASM-TWIST,25.38MM
	110506-12-000	EA	LOCK - KEYED - 1.93"
	110506-16-000	EA	LOCK ASM-KEYED,41.65MM - BRIGGS & STRATTON
	110506-20-000	EA	LOCK ASM-TWIST,41.64MM - BRIGGS & STRATTON
	110506-22-000	EA	LOCK ASM-TWIST,38.90
	107395-01-01A	EA	LATCH-BOLT,FINGER,DR,LP MILL

**WINDOW, VENT & EXTERIOR DOOR GROUP (CONTINUED)**



**BACKWALL ESCAPE WINDOW**

KEY	PART NUMBER	U/M	DESCRIPTION	VENDOR NO.
1	113502-01-01A	EA	WINDOW - REAR ESCAPE THERMO - 24.8" X 48.7"	
2	098644-01-705	FT	GLAZING - STRIP	132-010231
3	112898-06-704	EA	HANDLE-LATCH, RED-RH	182-11293
4	112898-06-705	EA	HANDLE-LATCH, RED-LH	182-11294
	113502-01-703	EA	GLASS - STATIONARY - RH/LH	390-019083
	113502-01-704	EA	GLASS - EGRESS CENTER - ESCP	DH153-G9

**BACKWALL ESCAPE WINDOW - W.I.E. EXPORT**

KEY	PART NUMBER	U/M	DESCRIPTION	VENDOR NO.
1	113502-06-01A	EA	WINDOW-REAR ESCAPE THERMO/EUROPEAN - 24.8" X 48.7"	
	113502-06-700	EA	WINDOW W/O TRIM	DH153-EG2
	113502-06-701	EA	RETAINER - TRIM	W096-80
2	098644-01-705	FT	GLAZING - STRIP	132-010231
3	112898-06-704	EA	HANDLE-LATCH, RED-RH	182-11293
4	112898-06-705	EA	HANDLE-LATCH, RED-LH	182-11294
	113502-06-702	EA	GLASS - STATIONARY (RT/LT)	390-019788
	113502-06-703	EA	GLASS -STATIONARY CTR EGRESS	390-019789



**WINDOW, VENT & EXTERIOR DOOR GROUP (CONTINUED)**

**WINDOW, VENT & EXTERIOR DOOR GROUP (CONTINUED)**

**PASSENGER THERMOPANE SLIDER WINDOW - EXCEL - W.I.E. EXPORT**

KEY	PART NUMBER	U/M	DESCRIPTION	VENDOR NO.
1	112795-46-01A	EA	WINDOW-PASSENGER HORIZONTAL SLIDE THERMO 26 3/8" X 48"	
	112795-22-701	EA	RETAINER - TRIM	W303-66
2	112795-01-705	FT	VINYL - GLAZING	132-025736
3	112795-46-701	EA	GLASS - STATIONARY	390-019830
4	112795-01-701	EA	SLIDE-STOP	132-019092
5	098644-01-710	FT	TRACK - SCREEN SPACER 12'	132-017135
6	112795-01-700	EA	LATCH ASM., BLK.,(BOLT ON)	DH287-CK
7	112795-01-703	IN	CHANNEL-RUN (INCHES)	122-018736
8	098644-01-711	FT	WEATHERSTRIP - SCREEN BLACK	171-016965
9	098647-38-704	EA	SCREEN ASM - W/SEALS & CLIPS	410-019063
10	098644-01-713	EA	CLIP - SPRING - METAL	226-016966
11	112795-46-700	EA	GLASS-SLIDING W/SASH & LATCH	DC48-EG9
12	112795-01-704	FT	PLUG FILLER (DOUBLE GLAZED)	122-018737

**DRIVER & PASSENGER THERMOPANE WINDOWS - EXCEL**

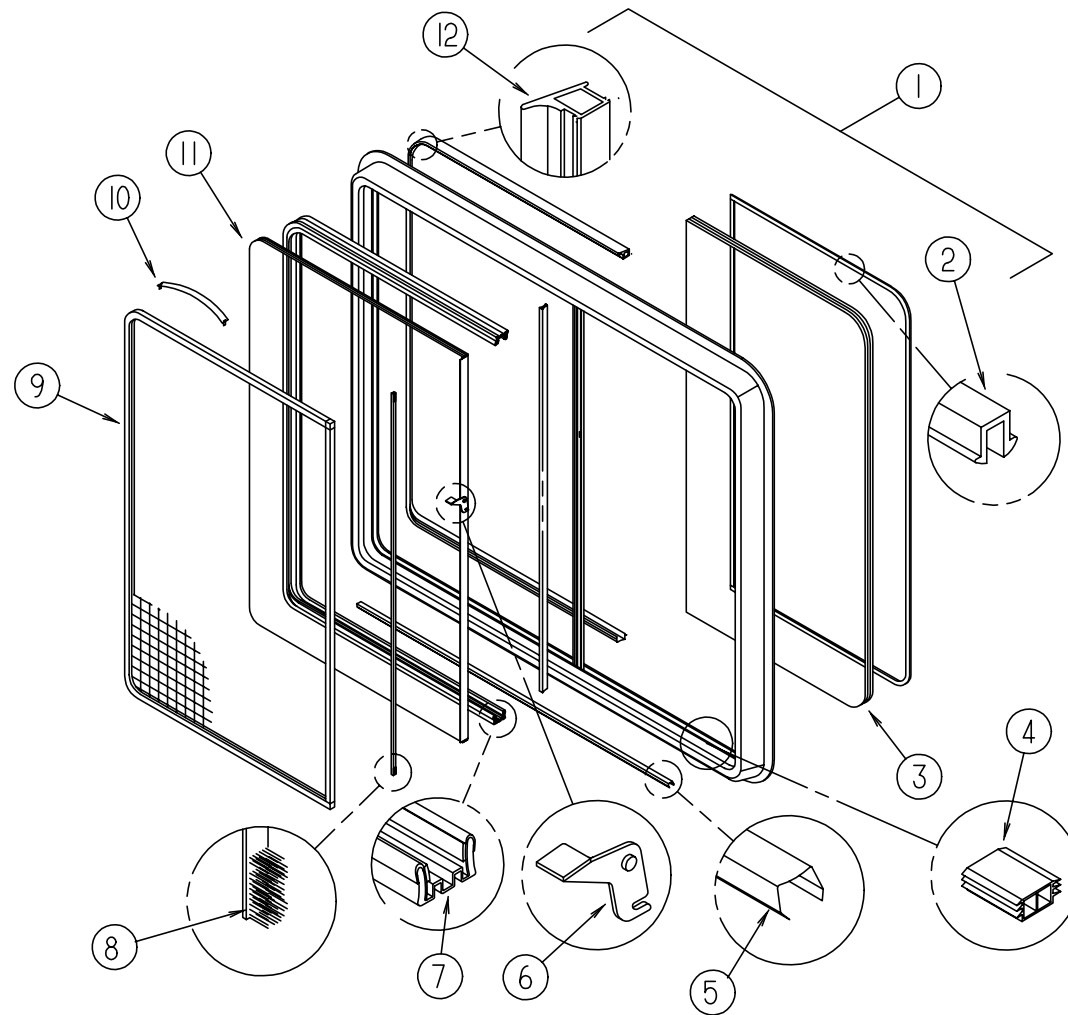
KEY	PART NUMBER	U/M	DESCRIPTION	VENDOR NO.
1	112795-20-01A	EA	WINDOW-DRIVER HORIZONTAL SLIDER THERMO 16" X 28 3/4"	
1	112795-19-01A	EA	WINDOW-PASSENGER HORIZONTAL SLIDER THERMO 16" X 28 3/4"	
	112795-20-700	EA	WINDOW W/O TRIM	DC29-G2L
	112795-19-700	EA	WINDOW W/O TRIM	DC29-G2R
	098647-31-701	EA	RETAINER - TRIM	CW29-66
2	112795-01-705	FT	VINYL - GLAZING	132-025736
3	112795-19-701	EA	GLASS - STATIONARY	390-019134
4	112795-01-701	EA	SLIDE-STOP	132-019092
5	098644-01-710	FT	TRACK - SCREEN SPACER 12'	132-017135
6	112795-01-700	EA	LATCH ASM., BLK.,(BOLT ON)	DH287-CK
7	112795-01-703	IN	CHANNEL-RUN (INCHES)	122-018736
8	098644-01-711	FT	WEATHERSTRIP - SCREEN BLACK	171-016965
9	098647-31-704	EA	SCREEN ASM - W/SEALS & CLIPS	410-019128
10	098644-01-713	EA	CLIP - SPRING - METAL	226-016966
11	112795-19-702	EA	GLASS-SLIDING W/SASH & LATCH	DC29-G9
12	112795-01-704	FT	PLUG FILLER (DOUBLE GLAZED)	122-018737

**DRIVER & PASSENGER THERMOPANE WINDOWS - EXCEL - W.I.E. EXPORT**

KEY	PART NUMBER	U/M	DESCRIPTION	VENDOR NO.
1	112795-42-01A	EA	WINDOW-DRIVER HORIZONTAL SLIDE THERMO 16" X 28 3/4"	
1	112795-41-01A	EA	WINDOW-PASSENGER HORIZONTAL SLIDE THERMO 16" X 28 3/4"	
	098647-31-701	EA	RETAINER - TRIM	CW29-66
2	112795-01-705	FT	VINYL - GLAZING	132-025736
3	112795-41-701	EA	GLASS - STATIONARY	390-019826
4	112795-01-701	EA	SLIDE-STOP	132-019092
5	098644-01-710	FT	TRACK - SCREEN SPACER 12'	132-017135
6	112795-01-700	EA	LATCH ASM., BLK.,(BOLT ON)	DH287-CK
7	112795-01-703	IN	CHANNEL-RUN (INCHES)	122-018736
8	098644-01-711	FT	WEATHERSTRIP - SCREEN BLACK	171-016965
9	098647-31-704	EA	SCREEN ASM - W/SEALS & CLIPS	410-019128
10	098644-01-713	EA	CLIP - SPRING - METAL	226-016966
11	112795-41-700	EA	GLASS-SLIDING W/SASH & LATCH	DC29-EG9
12	112795-01-704	FT	PLUG FILLER (DOUBLE GLAZED)	122-018737

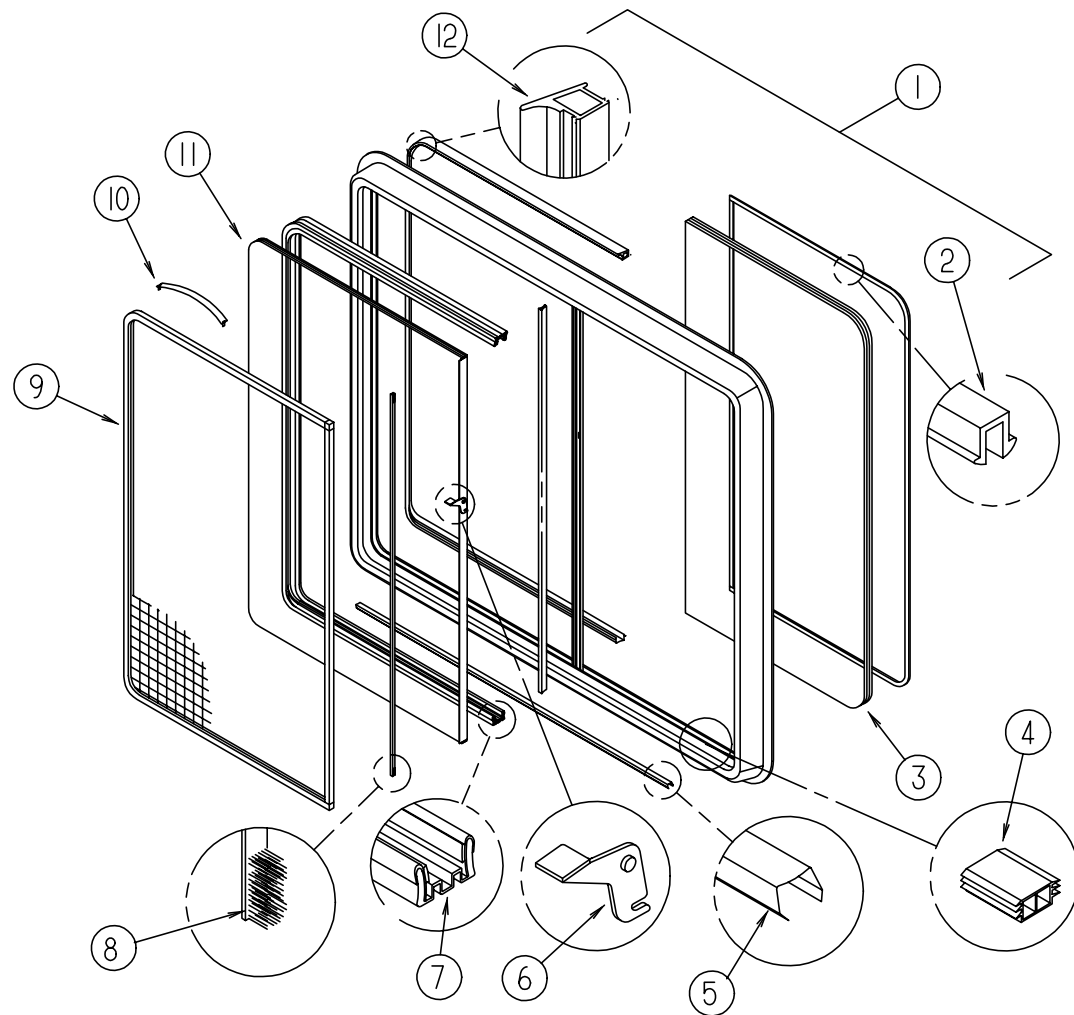
**PASSENGER THERMOPANE SLIDER WINDOW - EXCEL**

KEY	PART NUMBER	U/M	DESCRIPTION	VENDOR NO.
1	112795-22-01A	EA	WINDOW-PASSENGER HORIZONTAL SLIDER THERMO 26 3/8" X 48"	
	112795-22-701	EA	RETAINER - TRIM	W303-66
2	112795-01-705	FT	VINYL - GLAZING	132-025736
3	112795-22-702	EA	GLASS - STATIONARY	390-019039
4	112795-01-701	EA	SLIDE-STOP	132-019092
5	098644-01-710	FT	TRACK - SCREEN SPACER 12'	132-017135
6	112795-01-700	EA	LATCH ASM., BLK.,(BOLT ON)	DH287-CK
7	112795-01-703	IN	CHANNEL-RUN (INCHES)	122-018736
8	098644-01-711	FT	WEATHERSTRIP - SCREEN BLACK	171-016965
9	098647-38-704	EA	SCREEN ASM - W/SEALS & CLIPS	410-019063
10	098644-01-713	EA	CLIP - SPRING - METAL	226-016966
11	112795-22-703	EA	GLASS-SLIDING W/SASH & LATCH	DC48-G9
12	112795-01-704	FT	PLUG FILLER (DOUBLE GLAZED)	122-018737



**WINDOW, VENT & EXTERIOR DOOR GROUP (CONTINUED)**

**WINDOW, VENT & EXTERIOR DOOR GROUP (CONTINUED)**



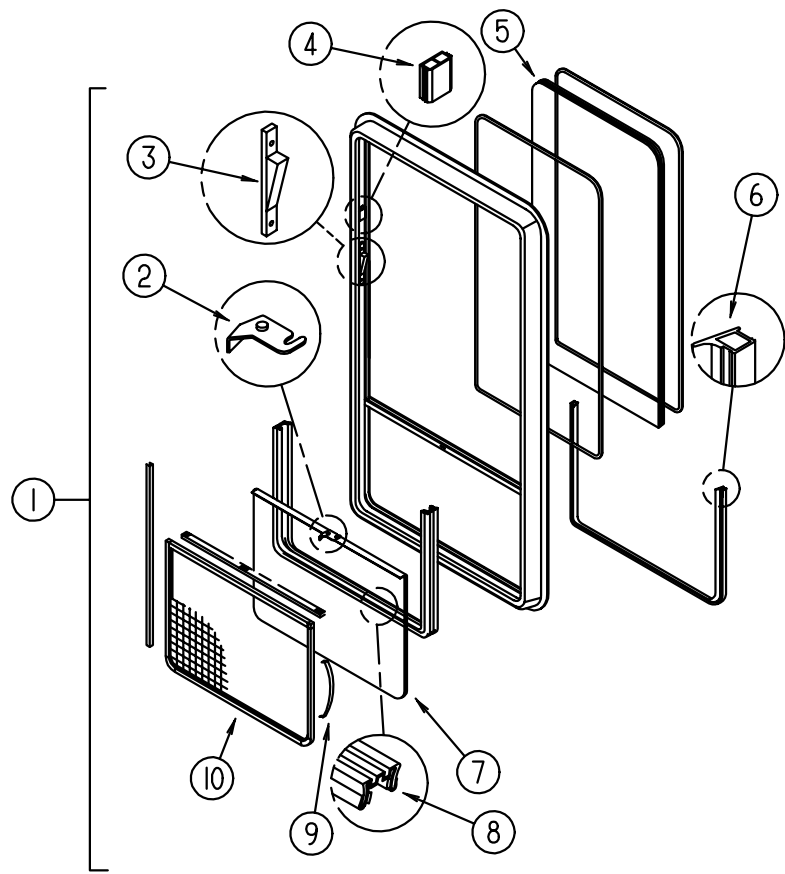
**DRIVER THERMOPANE SLIDER WINDOW - EXCEL - W.I.E. EXPORT**

KEY	PART NUMBER	U/M	DESCRIPTION	VENDOR NO.
1	112795-40-01A	EA	WINDOW-DRIVER HORIZONTAL SLIDE THERMO 26 3/8" X 60"	
	098647-27-701	EA	RETAINER - TRIM	W287-66
2	112795-01-705	FT	VINYL - GLAZING	132-025736
3	112795-39-701	EA	GLASS - STATIONARY	390 - 019792
4	112795-01-701	EA	SLIDE-STOP	132-019092
5	098644-01-710	FT	TRACK - SCREEN SPACER 12'	132-017135
6	112795-01-700	EA	LATCH ASM., BLK.,(BOLT ON)	DH287-CK
7	112795-01-703	IN	CHANNEL-RUN (INCHES)	122-018736
8	098644-01-711	FT	WEATHERSTRIP - SCREEN BLACK	171-016965
9	098647-23-704	EA	SCREEN ASM - W/SEALS & CLIPS	410-019066
10	098644-01-713	EA	CLIP - SPRING - METAL	226-016966
11	112795-39-700	EA	GLASS-SLIDING W/SASH & LATCH	DH287-EG9
12	112795-01-704	FT	PLUG FILLER (DOUBLE GLAZED)	122-018737

**DRIVER THERMOPANE SLIDER WINDOW - EXCEL**

KEY	PART NUMBER	U/M	DESCRIPTION	VENDOR NO.
1	112795-15-01A	EA	WINDOW-DRIVERS HORIZONTAL SLIDER THERMO 26 3/8" X 60"	
	098647-23-702	EA	RETAINER - TRIM	W287-66
2	112795-01-705	FT	VINYL - GLAZING	132-025736
3	112795-15-701	EA	GLASS - STATIONARY	390-019045
4	112795-01-701	EA	SLIDE-STOP	132-019092
5	098644-01-710	FT	TRACK - SCREEN SPACER 12'	132-017135
6	112795-01-700	EA	LATCH ASM., BLK.,(BOLT ON)	DH287-CK
7	112795-01-703	IN	CHANNEL-RUN (INCHES)	122-018736
8	098644-01-711	FT	WEATHERSTRIP - SCREEN BLACK	171-016965
9	098647-23-704	EA	SCREEN ASM - W/SEALS & CLIPS	410-019066
10	098644-01-713	EA	CLIP - SPRING - METAL	226-016966
11	112795-15-702	EA	GLASS-SLIDING W/SASH & LATCH	DH287-G9
12	112795-01-704	FT	PLUG FILLER (DOUBLE GLAZED)	122-018737

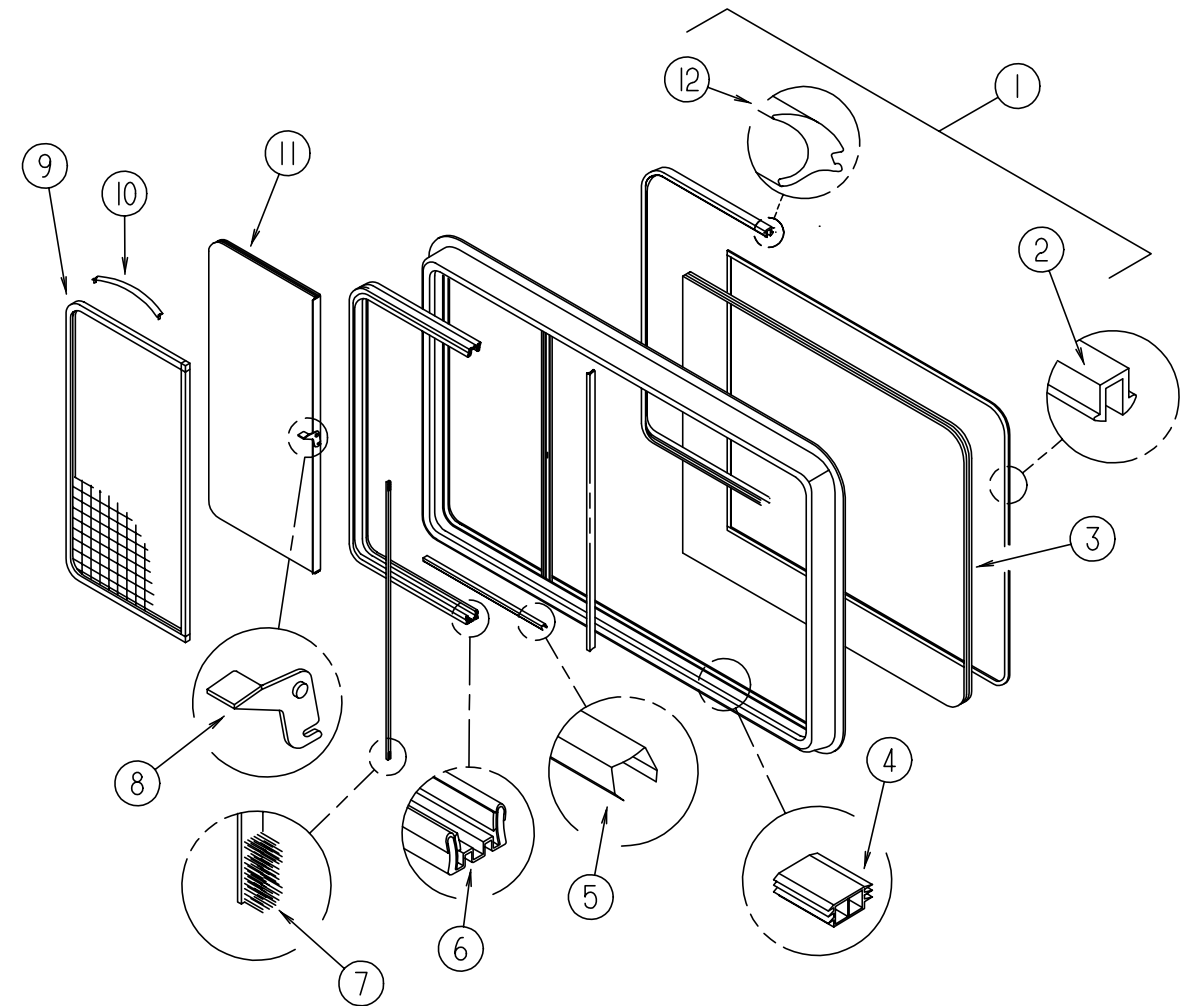
WINDOW, VENT & EXTERIOR DOOR GROUP (CONTINUED)



VERTICAL SLIDER WINDOW - THERMO - EXCEL

KEY	PART NUMBER	U/M	DESCRIPTION	VENDOR NO.
1	112898-04-01A	EA	WINDOW - VERTICAL SLIDER - THERMO - 30.2" X 14.3"	
	112898-04-700	EA	WINDOW W/O TRIM	DC02-G2
	098644-07-701	EA	RETAINER - TRIM	CW02-66
2	112795-01-700	EA	LATCH ASM., BLK.,(BOLT ON)	DH287-CK
3	112898-04-703	EA	SASH LATCH KIT, RAISED	DH343-CK
4	112795-01-701	EA	SLIDE-STOP	132-019092
5	112898-04-701	EA	GLASS - STATIONARY	390-019130
6	112795-01-704	FT	PLUG FILLER (DOUBLE GLAZED)	122-018737
7	112898-04-702	EA	GLASS SLIDING W/SASH & LATCH	DC02-G9
8	112795-01-703	IN	CHANNEL-RUN (INCHES)	122-018736
9	098644-01-713	EA	CLIP - SPRING - METAL	226-016966
10	098644-07-704	EA	SCREEN ASM - W/SEALS & CLIPS	410-018863
	098644-01-710	FT	TRACK - SCREEN SPACER 12'	132-017135
	098644-01-711	FT	WEATHERSTRIP - SCREEN BLACK	171-016965
	112795-01-705	FT	VINYL - GLAZING	132-025736

WINDOW, VENT & EXTERIOR DOOR GROUP (CONTINUED)



HORIZONTAL SLIDER WINDOW - THERMO - EXCEL - W.I.E. EXPORT

KEY	PART NUMBER	U/M	DESCRIPTION	VENDOR NO.
1	112898-10-01A	EA	WINDOW-HORIZONTAL SLIDER THERMO 30.2" X 14.3"	
	098644-07-701	EA	RETAINER - TRIM	CW02-66
2	112795-01-705	FT	VINYL - GLAZING	132-025736
3	112898-10-700	EA	GLASS - STATIONARY	390-019776
4	112795-01-701	EA	SLIDE-STOP	132-019092
5	098644-01-710	FT	TRACK - SCREEN SPACER 12'	132-017135
6	112795-01-703	IN	CHANNEL-RUN (INCHES)	122-018736
7	098644-01-711	FT	WEATHERSTRIP - SCREEN BLACK	171-016965
8	112795-01-700	EA	LATCH ASM., BLK.,(BOLT ON)	DH287-CK
9	098644-07-704	EA	SCREEN ASM - W/SEALS & CLIPS	410-018863
10	098644-01-713	EA	CLIP - SPRING - METAL	226-016966
11	112898-10-701	EA	GLASS SLIDING W/SASH & LATCH	DC02-EG9
12	112795-01-704	FT	PLUG FILLER (DOUBLE GLAZED)	122-018737

**WINDOW, VENT & EXTERIOR DOOR GROUP (CONTINUED)**

**FRONT STATIONARY WINDOW - THERMO - EXCEL**

KEY	PART NUMBER	U/M	DESCRIPTION	VENDOR NO
	115630-01-01A	EA	WINDOW-STATIONARY 17.2" X 72"	
	098644-01-705	FT	GLAZING - STRIP	132-010231
	115630-01-700	EA	WINDOW W/O TRIM	DH438-G2
	115630-01-701	EA	RETAINER - TRIM	W438-58
	115630-01-702	EA	GLASS - STATIONARY	390-019467

**FRONT STATIONARY WINDOW - THERMO - EXCEL - W.I.E. EXPORT**

KEY	PART NUMBER	U/M	DESCRIPTION	VENDOR NO.
	115630-02-01A	EA	WINDOW-STATIONARY EUROPEAN 17.2" X 72"	
	112795-0-705	FT	VINYL - GLAZING	132-025736
	115630-01-701	EA	RETAINER - TRIM	W438-58
	115630-02-700	EA	GLASS - STATIONARY	390-019848

**ENTRANCE DOOR WINDOW - THERMO - EXCEL**

KEY	PART NUMBER	U/M	DESCRIPTION	VENDOR NO.
	113733-01-01A	EA	WINDOW - STATIONARY THERMOPANE 26.4" X 17"	
	112795-01-705	FT	VINYL - GLAZING	132-025736
	113733-01-700	EA	WINDOW ASM. W/O TRIM	DH416-G2
	113733-01-701	EA	RETAINER - TRIM	W41666
	113733-01-702	EA	GLASS - STATIONARY	390-019187

**ENTRANCE DOOR WINDOW - THERMO - EXCEL - W.I.E. EXPORT**

KEY	PART NUMBER	U/M	DESCRIPTION	VENDOR NO.
	113733-03-01A	EA	WINDOW-STATIONARY THERMOPANE/EUROPEAN - 26.4" X 17"	
	112795-01-705	FT	VINYL - GLAZING	132-025736
	113733-03-700	EA	GLASS - STATIONARY	390-019685
	113733-01-701	EA	RETAINER - TRIM	W41666

**WINDOW, VENT & EXTERIOR DOOR GROUP (CONTINUED)**

**POWERED ROOF VENTILATOR - US - FANTASTIC**

KEY	PART NUMBER	U/M	DESCRIPTION	VENDOR NO.
	084079-03-000	EA	VENT-CEILING, POWERED EXHAUST - OFF WHITE - FANTASTIC VENT	
	009440-01-000	EA	GEAR/ARM-VENT COVER, LIFT	
	084079-01-700	EA	COVER-VENT, W/HINGE & SLIDE	1020K-19
	084079-01-703	EA	KNOB-LIFT, W/EXT. & SCREW	1140K-00
	084079-01-704	EA	BLADE-FAN	1070-00
	084079-01-705	EA	MOTOR	1080-00
	084079-01-707	EA	SWITCH-SAFETY	1122.05
	084079-01-709	EA	SWITCH-MAIN, 3 SPEED	1031-05
	084079-01-711	EA	H-MOLDING, MOTOR MOUNT	
	084079-01-712	EA	GARNISH INT., 1 7/8" OFF WHT	1040-80
	084079-03-700	EA	SCREEN ASM., THIN ROOF-W/SW	1030S-80
	092698-02-700	EA	FASTENER-PUSH	VB430

**NONPOWERED ROOF VENT**

KEY	PART NUMBER	U/M	DESCRIPTION	VENDOR NO.
	110051-01-01A	EA	VENT - ROOF - NONPOWERED - 2" ROOF	
	064470-01-700	EA	COVER-VENT, W/O (SLIDE BAR)	J7291
	064470-01-701	EA	SLIDE BAR, (VENT-LID)	JRP1291B
	110051-01-700	EA	SCREEN & FRAME 2" NON-POWER	29-800-01
	009440-01-000	EA	GEAR/ARM-VENT COVER, LIFT	
	110051-01-703	EA	HANDLE-CRANK	RP-1031-B
	110051-01-706	EA	GARNISH-INTERIOR, 2"	

**VENTS, SHROUDS AND ROOF COVERS**

KEY	PART NUMBER	U/M	DESCRIPTION
	084073-04-000	EA	BASE - ROOF VENT - REFRIGERATOR
	084073-07-000	EA	VENT - ROOF - REFRIGERATOR - BRIGHT WHITE
	084616-07-000	EA	SHROUD - VENT - RANGE HOOD - BRIGHT WHITE
	084878-09-000	EA	VENT - HOOD - RANGE/SHORT - OFF WHITE
	063752-01-000	EA	SHROUD-RANGE, 18.5" X 20.6" X 16.2" - METAL - OFF WHITE
	092698-02-05A	EA	VENT-W/DOOR
	083558-03-000	EA	VENT - PLUMBING - PIPE ROOF - W/COVER - OFF WHITE