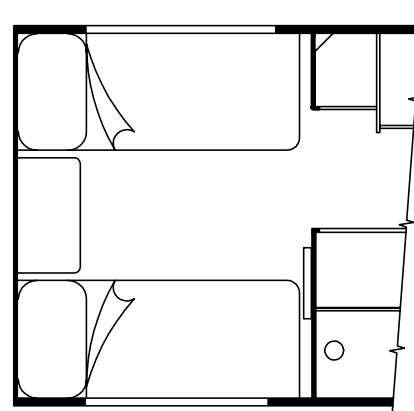
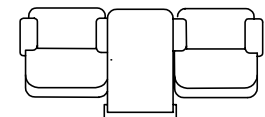
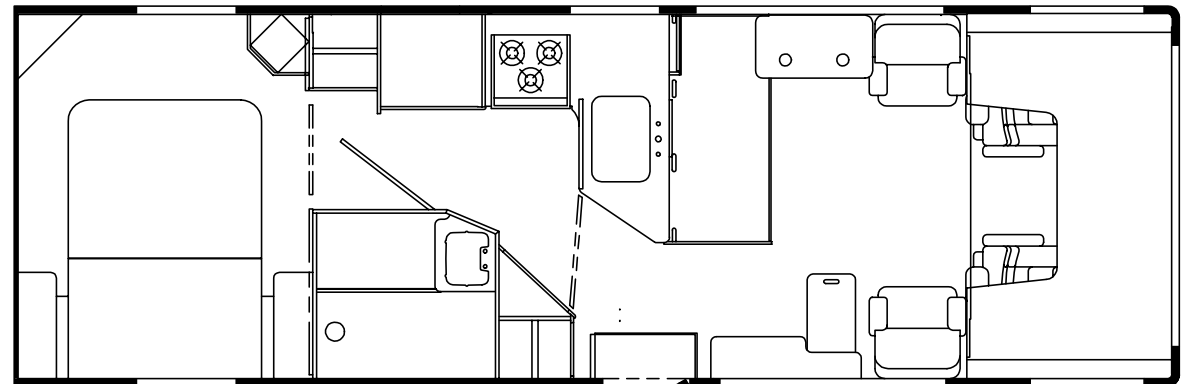
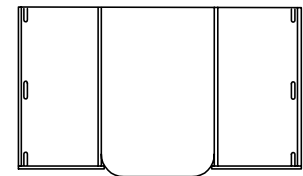


**1996**  
**WF429WU DL**

**G07**  
**BOTANICAL**  
**G08**  
**THISTLE**



## ACCESSORIES GROUP

### OPERATORS MANUAL

KEY	PART NUMBER	U/M	DESCRIPTION
	054185-D7-000	EA	MANUAL-OPERATOR - 96 MINNIE WINNIE - 400 SERIES
	092318-01-000	EA	BINDER - 3 RING - MOTOR HOME MANUAL
	092319-01-000	EA	PAGE-POCKET - 3 RING BINDER - PLASTIC
	117936-01-000	DW	TOP LEVEL DRAWING - 1996 C-BODY

## AUDIO VIDEO GROUP

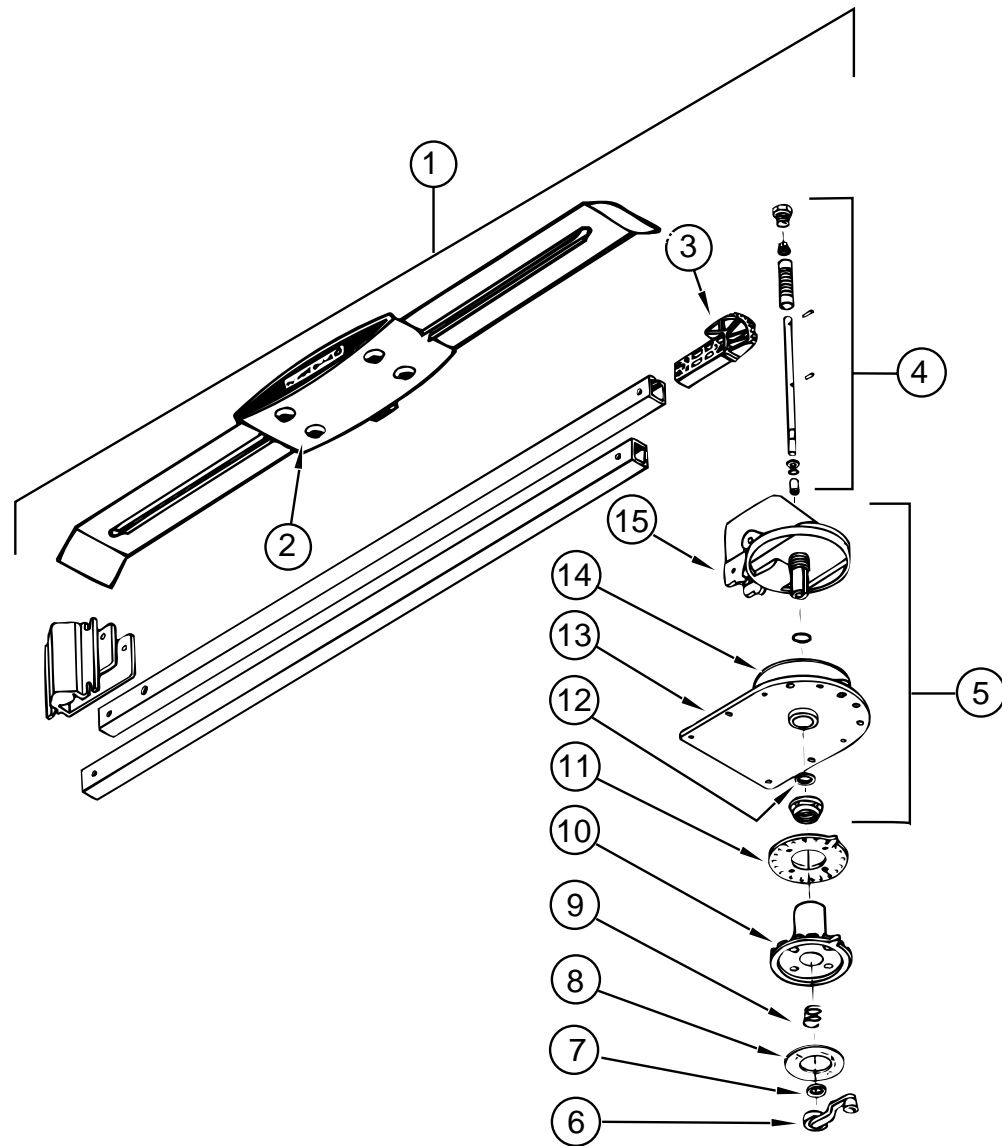
### RADIO SYSTEM & ANTENNA

KEY	PART NUMBER	U/M	DESCRIPTION
	N/A	EA	SPEAKER - 5" X 7" OVAL - FORD F2UF-18814-CD
	111177-01-01A	EA	GRILLE-8.9" X 6.5" HOUSING F/5" X 7" OVAL SPEAKER - GRAY
	087683-03-000	EA	RADIO-AM/FM STEREO CASSETTE
	090944-01-000	EA	ANTENNA-RADIO - 16" RUBBER
	077069-02-000	EA	CABLE-RADIO ANTENNA - 96" EXTENSION
	108137-01-000	EA	PLUG-ANTENNA HOLE - 92 E350 - WARD PRODUCTS
	108847-01-000	EA	BRACKET-ANTENNA GROUND
	109889-01-000	EA	EXTENDER-SHAFT - ANTENNA 1" - MAGNADYNE RV71EX1
	110469-01-000	EA	SPEAKER-4" X 6" - OVAL COAXIAL
	110470-01-01A	EA	GRILLE-4" X 6" - BLACK OVAL SPEAKER

### TV & VCR SYSTEMS

KEY	PART NUMBER	U/M	DESCRIPTION	VENDOR NO.
	113684-01-000	EA	TELEVISION-19" COLOR - 19 3/8" W X 17 3/8" H X 18 1/4" D	
	113684-01-700	EA	REMOTE	8822345
	119120-01-000	EA	VCR-VHS - CABLE READY - REMOTE - AUDIOVOX AVR-1075	
			FROM: 00-00-00 THRU: 12-10-95	
	119120-01-700	EA	REMOTE	8874570
	119120-02-000	EA	VCR-VHS - CABLE READY - REMOTE - AUDIOVOX AVR-1170	
			FROM: 12-11-95 THRU: 99-99-99	
	076319-06-000	EA	ADAPTER-CABLE ROOF PLATE	
	082134-01-000	EA	ADAPTER-TV - CABLE TO CABLE - WINEGARD F-81M	
	099717-02-000	EA	STRAP-TV TIE DOWN W/29.9" FEMALE STRAP & 14.2" MALE STRAP	
	082136-01-000	EA	NUT-HEX JAM 3/8-32 - WINEGARD	
	076319-09-000	EA	WALLPLATE-CABLE RECEPTACLE - TV - SINGLE - BROWN	
	076319-08-000	EA	WALLPLATE-CABLE RECEPTACLE - TV - SINGLE - IVORY	
	086777-02-000	EA	WALLPLATE-TV CABLE - W/ANTENNA SWITCH - BROWN	
	086777-05-000	EA	PLATE-WALL - ANTENNA 1 OUTPUT IVORY - WINEGARD RV-0921	
	086756-01-000	EA	SPLITTER-TV - 2 WAY	
	086757-03-000	EA	CONTROL CENTER-SWITCH - VCR/TV - AUDIOVOX AVCC-100	

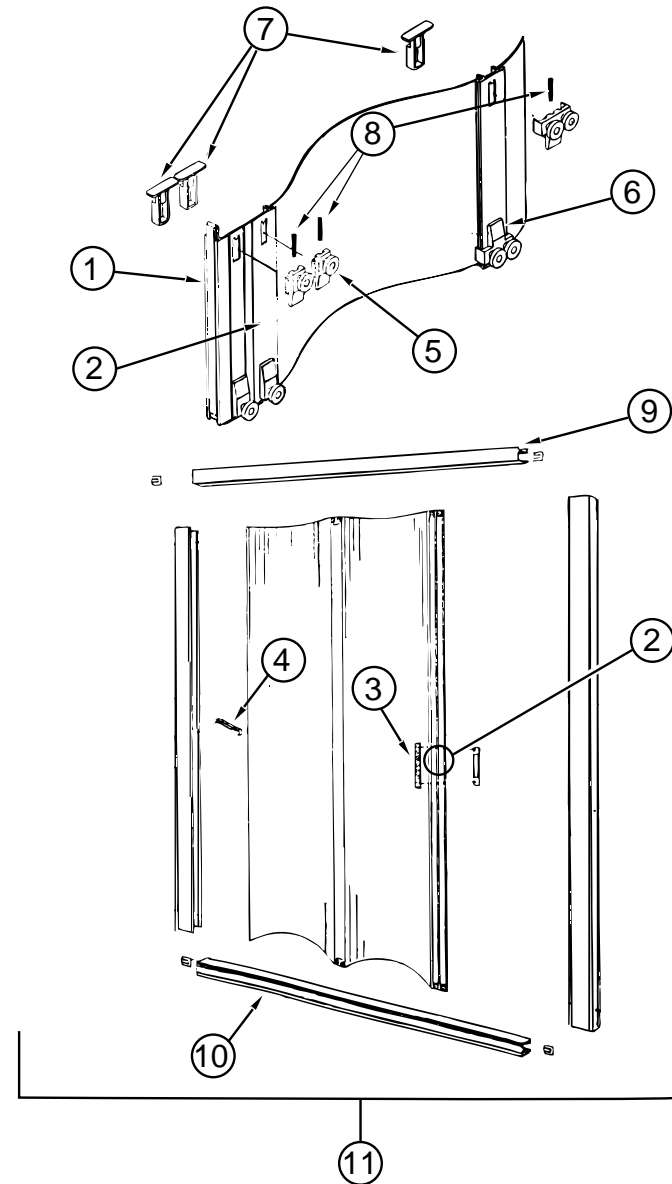
**AUDIO VIDEO GROUP (CONTINUED)**



**TV ANTENNA - WINEGARD - MODEL RVA W02**

KEY	PART NUMBER	U/M	DESCRIPTION	VENDOR NO.
1	076319-01-000	EA	ANTENNA-TV - ROOF MOUNT - 44.5" MAST - RVA W02	
2	076319-01-700	EA	HEAD-ANTENNA - AMPLIFIED	RVSA U/V
3	076319-01-701	EA	GEAR-ELEVATING - PLASTIC	2200046
4	076319-01-702	EA	SHAFT ASM-ELEVATING	RVP-400A
5	076319-01-711	EA	BASE & LIFT ASM	2762802
6	076319-01-706	EA	CRANK-ELEVATING - W/SET SCREW - UNIVERSAL	2750897
7	076319-01-705	EA	GROMMET-NYLON - 7/8"ID	3200658
8	076319-01-708	EA	DECAL-CRANK	5413002
9	076319-01-707	EA	SPRING - HANDLE	5160822
10	076319-01-709	EA	PLATE-DIRECTIONAL F/HEAD	3200621
11	076319-01-712	EA	PLATE-CEILING - DIRECTIONAL	3200608
12	076319-01-704	EA	BEARING-NYLON - 1.25"OD	3200657
13	076319-01-713	EA	PLATE-BASE - STEEL	3100523
14	076319-01-703	EA	BEARING-NYLON - 5" OD	3200656
15	076319-01-714	EA	HOUSING - ROTATING GEAR	2200049
	076319-03-000	FT	CABLE-COAXIAL - 75 OHM	
	076319-12-000	EA	CONNECTOR-COAXIAL - ONE PIECE	

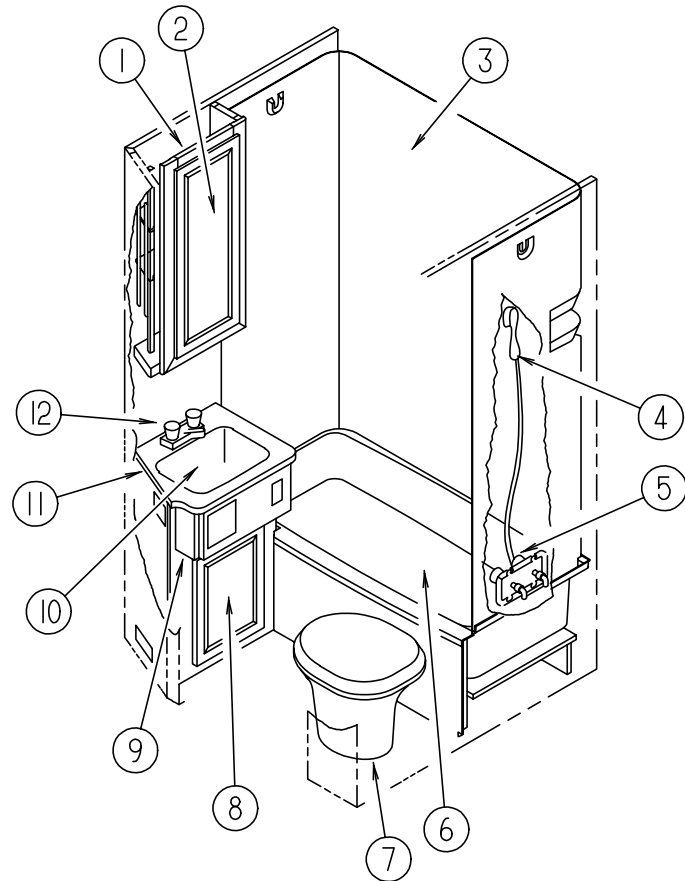
**BATH GROUP**



**SHOWER DOOR - COASTAL**

KEY	PART NUMBER	U/M	DESCRIPTION	VENDOR NO.
1	092574-01-705	EA	STRIP-MAGNETIC - 56 7/8"	98-41G
2	108351-01-700	EA	STRIKE ASSEMBLY	109
3	108351-01-701	EA	HANDLES-DOOR - SET	SFH
4	108351-01-702	EA	LATCH-DOOR	SFL
5	108351-01-703	EA	BRACKET & ROLLER ASM. SINGLE	GRB1
6	108351-01-704	EA	BRACKET & ROLLER ASM. DOUBLE	GRB2
7	108351-01-705	EA	BRACKET-W/RETAINING CLIP	GRC1
8	108351-01-706	EA	SPRING-ROLLER BRACKET	GS1
9	108351-02-700	EA	TRACK-TOP	111
10	108351-02-701	EA	TRACK-BOTTOM	108
11	108351-04-01A	EA	DOOR-SHOWER - FOLDING 47.1X59	
	105394-01-04A	EA	EXTR-DOOR JAMB	

### BATH GROUP (CONTINUED)



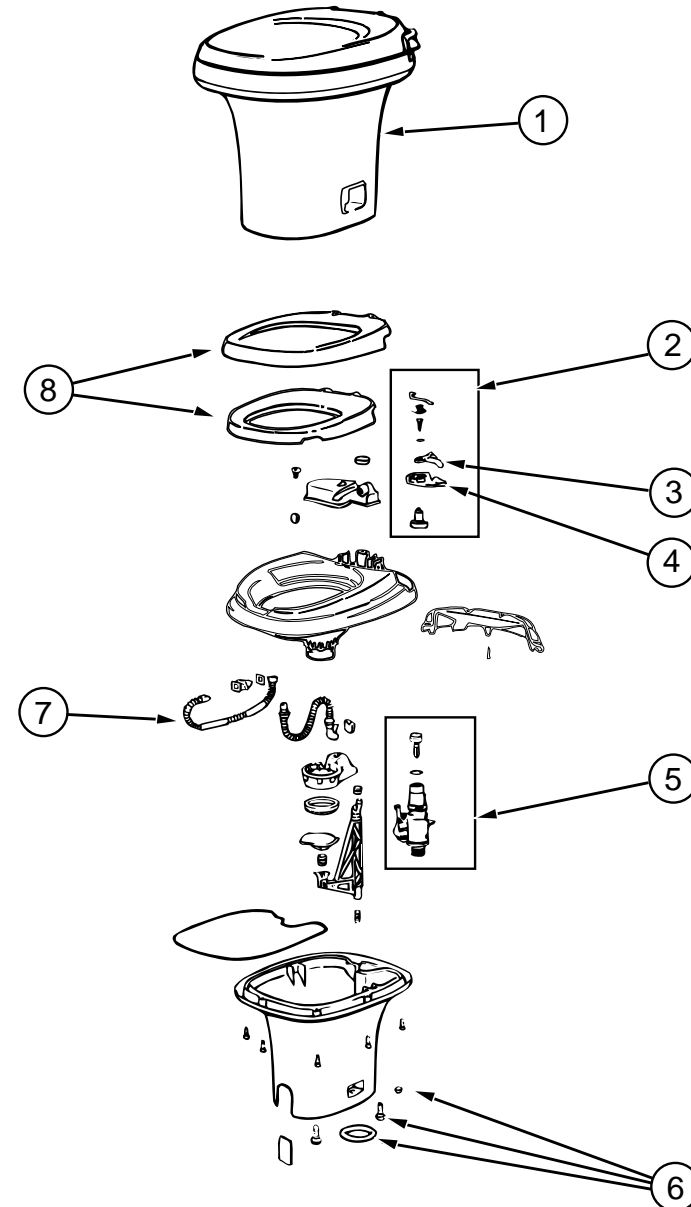
### BATHROOM CABINETS & FIXTURES

KEY	PART NUMBER	U/M	DESCRIPTION	VENDOR NO.
1	114744-01-F08	EA	CABINET ASM-MEDICINE	
	114744-11-F08	EA	SHELF ASM	
2	M06803-E1-G07	EA	DOOR-RAIL - MTRD/OG 0325 X 0450	
3	110541-02-01A	EA	SURROUND-SHOWER/TUB	
	102075-10-01A	EA	ROD-CURTAIN - SHOWER O/W	
4	103092-01-000	EA	SHOWER HEAD-W/60" HOSE	
4	103092-02-000	EA	SHOWER HEAD-W/HOSE - CSA	
	103092-01-700	EA	BRACKET-F/SHOWER HEAD - CLEAR	2328028
	011048-03-700	EA	BRACKET-F/SHOWER HEAD	2328029-3
5	075606-01-000	EA	PANEL-FAUCET BACK - SHOWER - 5" X 9" - PLASTIC	
5	075242-04-000	EA	FAUCET-TUB/SHOWER - BONE	
6	M02630-26-F01	EA	SHOWER PAN ASM	
	066729-01-000	EA	STRAINER-TUB/SHOWER - W/PLUG	
7	063740-01-000	EA	TOILET-HIGH - HAND FLUSH - AQUA MAGIC IV	
8	M06803-E2-G07	EA	DOOR-RAIL - MTRD/OG 0305 X 0740	
9	P18429-02-G07	EA	CABINET ASM-LAVATORY	
9	P18429-02-G08	EA	CABINET ASM-LAVATORY	
10	096927-01-01A	EA	SINK-LAVATORY - RECTANGULAR - PLASTIC - BONE	
	096927-01-700	EA	PLUG-SINK	M9801
	096927-01-701	EA	TAILPIECE-DRAIN-LAVATORY	M9802
11	118429-14-G07	EA	COUNTERTOP ASM	
12	075240-06-000	EA	FAUCET-LAVATORY - BONE	
	091253-01-000	EA	GASKET-FAUCET - LAVATORY/GALLEY	
	085278-01-000	EA	HOLDER-TOILET PAPER - RECESSED - BRASS	
	114495-01-01A	EA	PANEL-SKYLITE - INNER	
	114496-01-01A	EA	PANEL-SKYLITE - OUTER	
	075241-05-000	EA	FAUCET-SHOWER - BONE W/ 3/4" MPT X 1.4" LONG INLET PIPES	

### BATH GROUP (CONTINUED)

#### BATH DOOR

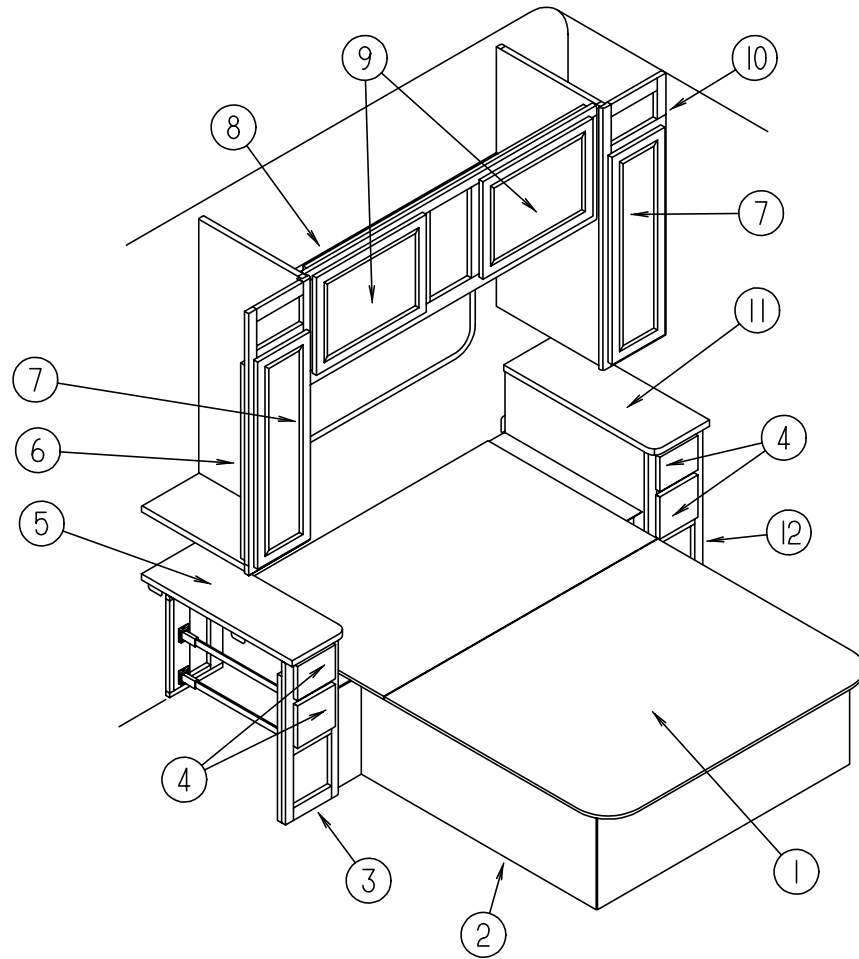
KEY	PART NUMBER	U/M	DESCRIPTION
	M87868-27-F08	EA	DOOR ASM-CABINET - BATH
	110496-01-01A	EA	HINGE-BRASS - STOCKER
	102920-01-01A	EA	HINGE-DOOR - SPRING LOADED - BRASS
	094485-03-01A	EA	KNOB-DOOR - BRASS
	102089-13-E37	EA	RAIL END - RH - TOWEL RACK - 26" LONG - PICKLED ASH
	102089-14-E37	EA	RAIL END - LH - TOWEL RACK - 26" LONG - PICKLED ASH
	100357-01-000	EA	ROD-TOWEL - BRASS W/ENDS BENT FOR BACK OF BATH DOOR



### AQUA MAGIC IV LOW TOILET - THETFORD

KEY	PART NUMBER	U/M	DESCRIPTION	VENDOR NO.
1	063740-01-000	EA	TOILET-HIGH - HAND FLUSH - AQUA MAGIC IV	
2	063740-01-720	EA	LEVER KIT - WAT-FLUSH-BEARING	24629
3	063740-01-700	EA	LEVER-WATER	12514 THETFORD
4	063740-01-701	EA	LEVER-FLUSH	12515 THETFORD
5	063740-01-714	EA	VALVE ASM. - W/GASKET & FLOAT	13168
6	063740-01-706	EA	BOLT PACKAGE-FLOOR FLANGE	12524 THETFORD
7	063740-01-717	EA	TUBE-FLUSH	12509
8	063740-02-700	EA	SEAT & COVER - PARCHMENT	2464157
	063740-01-721	EA	BLADE ONLY	124832

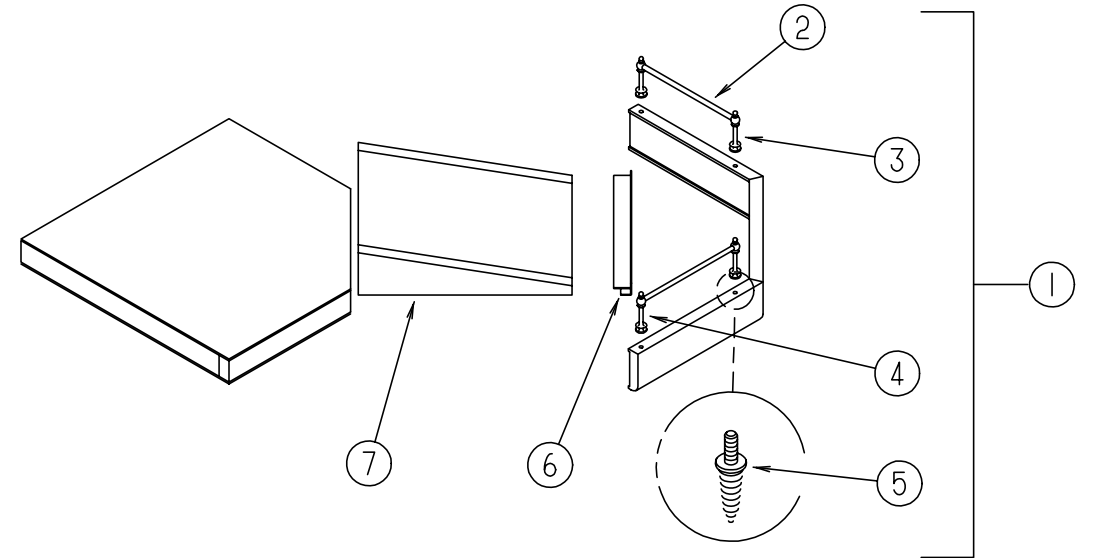
## BEDROOM GROUP



**SIDE QUEEN BEDROOM**

KEY	PART NUMBER	U/M DESCRIPTION
1	M07550-02-000	EA QUEEN BED TOP - W/O HARDWARE
	091261-01-000	FT BACKING-NON-SKID - 12" X 100' ROLLS
	107796-06-000	EA SPRING-GAS - 20" LENGTH - 120 LB - SPDI SPD-2300-120
	107796-05-000	EA BRACKET-FLAT - GAS SPRING - SPDI SPD-1020
	107796-07-000	EA BRACKET-GAS SPRING - SPDI SPD-1080
2	P18430-01-G07	EA CABINET ASM-QUEEN BED
2	P18430-01-G08	EA CABINET ASM-QUEEN BED
2	P18430-03-G07	EA CABINET ASM-QUEEN BED (HEAVY DUTY CHASSIS)
3	114610-02-F09	EA CABINET ASM-NIGHTSTAND - LH
4	M05971-J6-G07	EA DRAWER COMPL-SLIDE OGEE
5	114610-12-F09	EA COUNTERTOP ASM
6	P14697-01-F08	EA CABINET ASM-SHIRT CLOSET - LH
	084071-15-000	EA ROD-BRASS 210 MM
	084070-02-000	EA POST-END - BRASS
7	M06803-D8-G07	EA DOOR-RAIL - MTRD/OG 0250X0850
8	118410-02-G07	EA CABINET ASM-OVERHEAD - REAR
9	M06803-13-G07	EA DOOR-RAIL - MTRD/OG 0400 X 0710 (MIRRORED)
9	M06803-82-G07	EA DOOR-RAIL - MTRD/OG 0400 X 0710 (WOOD PANEL)
10	114608-01-F08	EA CABINET ASM-SHIRT CLOSET - RH
	084071-15-000	EA ROD-BRASS 210 MM
	084070-02-000	EA POST-END - BRASS
11	114643-12-F09	EA COUNTERTOP ASM
12	114643-02-F09	EA CABINET ASM-NIGHTSTAND - RH
	119617-02-G07	EA CABINET ASM-CORNER
	119617-15-G07	EA SHELF ASM
	119617-13-G07	EA SHELF ASM

## BEDROOM GROUP (CONTINUED)



**TV SHELF - BEDROOM**

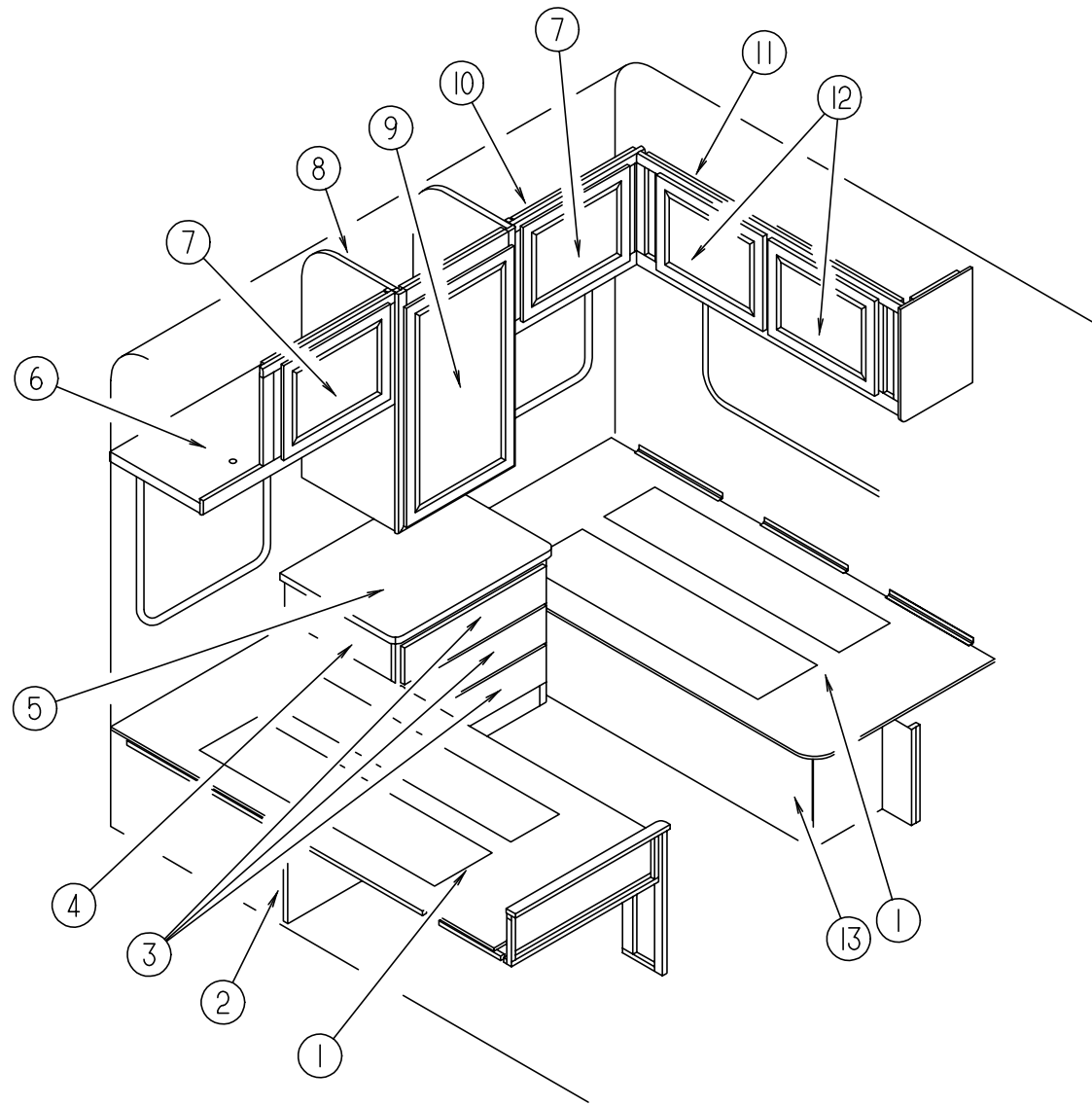
KEY	PART NUMBER	U/M DESCRIPTION
1	116553-01-G07	EA CABINET ASM-TV SHELF
2	084071-12-000	EA ROD-BRASS - 104 MM LONG
3	084070-02-000	EA POST-END - BRASS
4	084071-19-000	EA ROD-BRASS - 198 MM LONG
5	106166-01-000	EA BOLT-COLLARED HANGER
6	103186-01-05A	FT MOLDING-PLASTIC - SHELF
7	116553-15-G07	EA WEDGE ASM

**FOLDING DOOR & HARDWARE**

KEY	PART NUMBER	U/M DESCRIPTION
	042488-10-000	EA DOOR-FOLDING - FABRIC - 37" X 75" - OFF WHITE
	080224-01-703	EA ALMOND HANDLE W/LATCH AND CATCH
	080224-01-705	EA ALMOND LATCH AND CATCH ASM.
	094856-10-01A	EA TRACK-DOOR - FOLDING - OFF WHITE

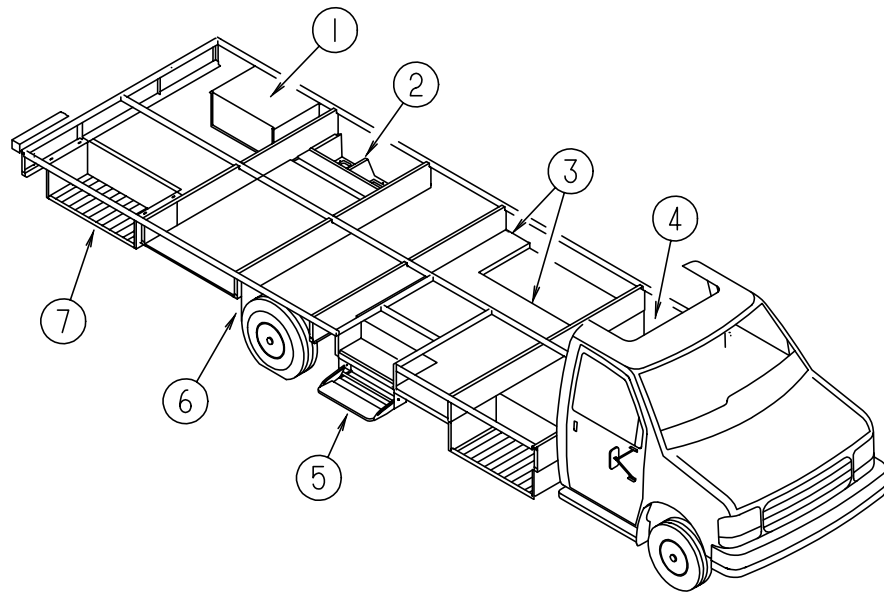
## BEDROOM GROUP (CONTINUED)

### TWIN BEDROOM

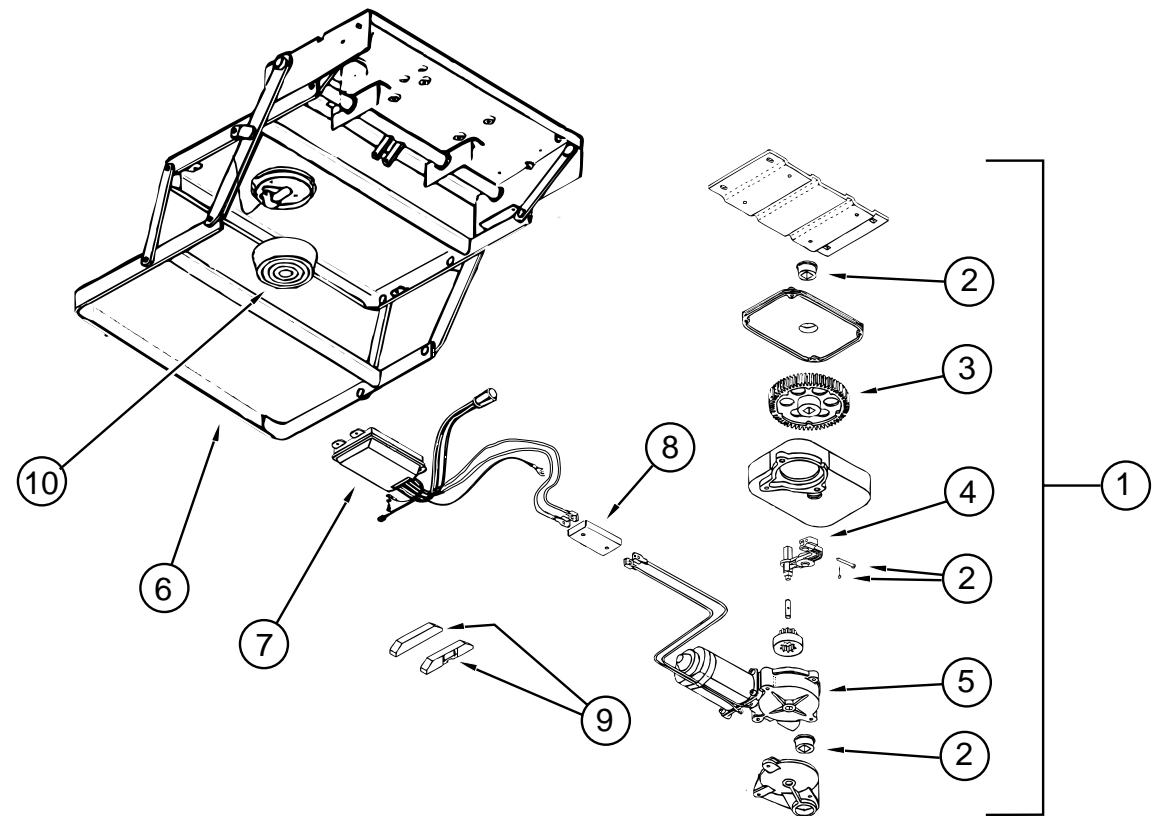


KEY	PART NUMBER	U/M	DESCRIPTION
1	091261-01-000	EA	BACKING-NON-SKID - 12" X 180'
	105376-01-02A	EA	HINGE-CONTINUOUS - 2" X 140 MM - OFF WHITE
2	P18432-01-G07	EA	CABINET ASM-TWIN BED - RH
3	M05971-K4-G07	EA	DRAWER COMPLETE-SLIDE OGEE
4	115319-02-G07	EA	CABINET ASM-NIGHTSTAND - RR - TW
5	115319-12-F09	EA	COUNTERTOP ASM
6	110004-03-F08	EA	CABINET ASM-OVERHEAD - REAR - RH - TW
7	M06803-03-G07	EA	DOOR-RAIL - MITERED/OGEE 0400 X 0520 (MIRRORED PANEL)
7	M06803-B1-G07	EA	DOOR-RAIL - MITERED/OGEE 0400 X 0520 (WOOD PANEL)
8	112787-01-G07	EA	CABINET ASM-SHIRT CLOSET - RR
9	M06803-F0-G07	EA	DOOR-RAIL - MITERED/OGEE 0525 X 0925
10	110004-04-F08	EA	CABINET ASM-OVERHEAD - REAR - LH - TW
11	118427-01-G07	EA	CABINET ASM-OVERHEAD - REAR - LH
	109908-09-F08	EA	CAP ASM-END - OVERHEAD
	118427-02-G07	EA	CABINET ASM-OVERHEAD - REAR - RT
	109908-08-F08	EA	CAP ASM-END - OVERHEAD
12	M06803-82-G07	EA	DOOR-RAIL - MITERED/OGEE 0400 X 0710
	105376-01-02A	EA	HINGE-CONTINUOUS - 2" X 140 MM - OFF WHITE
	091261-01-000	EA	BACKING-NON-SKID - 12" X 180'
	107796-05-000	EA	BRACKET-GAS SPRING - FLAT - SPDI SPD-1020
	107796-06-000	EA	GAS SPRING - 12" COMPRESSED/20" EXTENDED - 120 LB.
	107796-07-000	EA	BRACKET-GAS SPRING - SPDI SPD-1080
13	P18433-01-G07	EA	CABINET ASM-TWIN BED - LH
	042438-01-000	EA	DOWEL-WOOD - CLOTHES ROD - 1" DIAMETER X 4'
	009112-01-000	EA	FLANGE-1" CLOTHES ROD - OFF WHITE PLASTIC
	084357-01-G07	EA	TV STAND ASM
	084357-01-G08	EA	TV STAND ASM
	084356-07-000	EA	INSERT-TV STAND - METAL - OFF WHITE
	084412-01-000	EA	SUPPORT HINGE KIT
	084413-01-000	EA	HINGE-CONTINUOUS - ALUMINUM - 1" X 72" - W/HOLES
	084451-01-000	EA	CATCH-TV SHELF - BRASS
	058331-10-000	EA	MIRROR-GLASS - SAFTEY - 14" X 17"

### CHASSIS GROUP



### CHASSIS GROUP (CONTINUED)



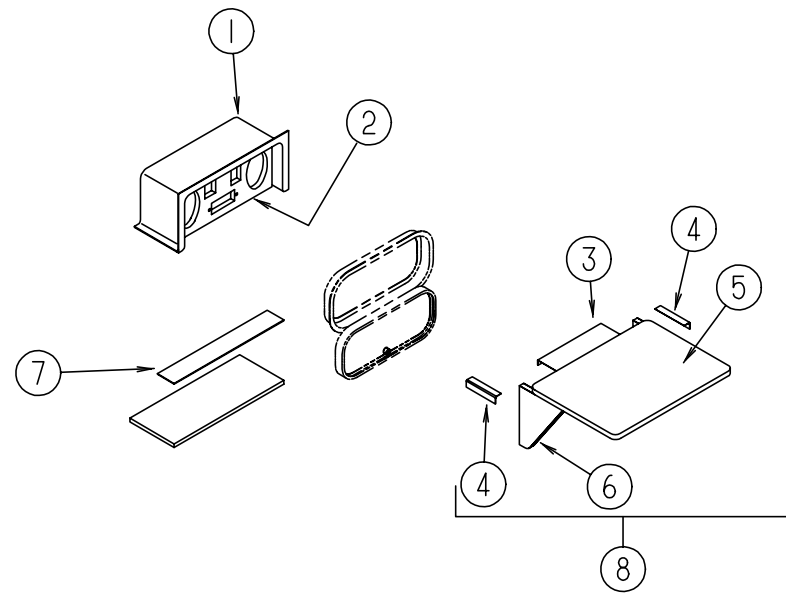
#### COMPARTMENTS, PLUGS & SEALS

KEY	PART NUMBER	U/M	DESCRIPTION
1	118248-01-02B	EA	BRACKET ASM-GENERATOR - E-CT
1	118248-02-02B	EA	BRACKET ASM-GENERATOR - E-CT
	114070-02-02B	EA	SUPPORT ASM-GENERATOR - LT - E-C
	114071-02-02B	EA	SUPPORT ASM-GENERATOR - RT - E-C
2	117186-02-G04	EA	COMPARTMENT ASM-STORAGE
	M06991-02-FQ0	EA	HATCH ASM W/FOAM
	M06991-04-FB1	EA	HATCH ASM W/FOAM
	114677-01-01A	EA	RETAINER-HATCH - COMPT MILL
			FROM: 00-00-00 THRU: 01-25-96
	121175-01-01A	EA	LATCH-SWELL - BLACK
			FROM: 01-26-96 THRU: 99-99-99
	116926-02-01A	EA	COMPARTMENT-SEWER
3	093873-01-01A	EA	TRIM-CARPET - L-ANGLE - 1.1" X 1.3" X 12' - VINYL - GRAY
4	117928-06-01A	EA	COMPARTMENT-STORAGE
	065450-05-000	EA	TIEDOWN-BATTERY - 8.4" TUBE
5	094707-01-01A	EA	STEP-DOUBLE - ELECTRIC - KWIKEE 3218
	116995-01-000	EA	SWITCH/MAGNET-STEP - ELECTRIC - KWIKEE 905306
	116975-01-01A	EA	LATCH ASM-UNDERCENTER - BLACK *SOUTHCO 91-522-69
	042541-05-000	EA	STRIKE
	091176-01-000	EA	SUPPORT-BASE-ENTRANCE STEP
6	017516-01-000	EA	FLAP-MUD - 14" X 18" - BLACK
7	117928-08-01A	EA	COMPARTMENT-STORAGE
	084993-01-000	EA	STRAP-BATTERY
	056746-01-000	EA	PLUG-CAP - 1" DIAMETER
	056748-01-000	EA	PLUG-CAP - 1.5" DIAMETER - BLACK
	119845-01-01A	EA	PLUG-PLASTIC - BLACK - CAPLUG FP 241
			FROM: 00-00-00 THRU: 02-04-96
	115361-01-01A	EA	PLUG-PLASTIC - CAPLUG NO. W5
	088270-01-000	FT	SEAL-BULB - W/WIRE RIGID U-CHANNEL - .5" - RUBBER - BLACK
	121948-01-000	EA	SHIELD-SIGHT
			FROM: 01-29-96 THRU: 99-99-99

#### STEP ASSEMBLY (3200 SERIES)

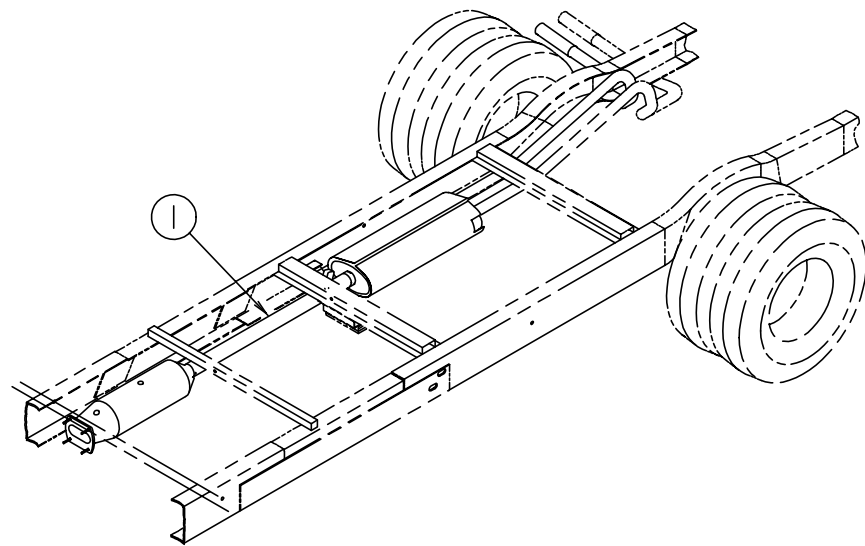
KEY	PART NUMBER	U/M	DESCRIPTION	VENDOR NO.
1	094707-01-01A	EA	STEP ASSEMBLY W/O SWITCH	
2	094707-02-703	EA	BEARINGS & PINS	909530
3	094707-02-702	EA	GEAR KIT - W/ BEARINGS & PIN-CASE	909525
4	094707-02-701	EA	LINKAGE ASSEMBLY - W/ BEARINGS & PINS	909523
5	094707-02-700	EA	MOTOR ASSEMBLY - W/ BEARINGS & PINS	909520
6	094707 01 702	EA	FRAME W/ DOUBLE STEP	908032
7	094707-02-705	EA	CONTROL UNIT - WHITE	909513
8	094707-02-704	EA	CONNECTOR - MOTOR ASSEMBLY - W/ PLATES	909537
	094707-02-707	EA	TREAD - NON SKID - BLACK - 6"X21"	909333
9	116995-01-000	EA	SWITCH/ MAGNET - ELECTRIC	
10	088746-01-705	EA	LIGHT - UNDER STEP	9004
	088733-01-700	EA	BULB	9004

### CHASSIS GROUP (CONTINUED)



**ENTERTAINMENT COMPARTMENT**

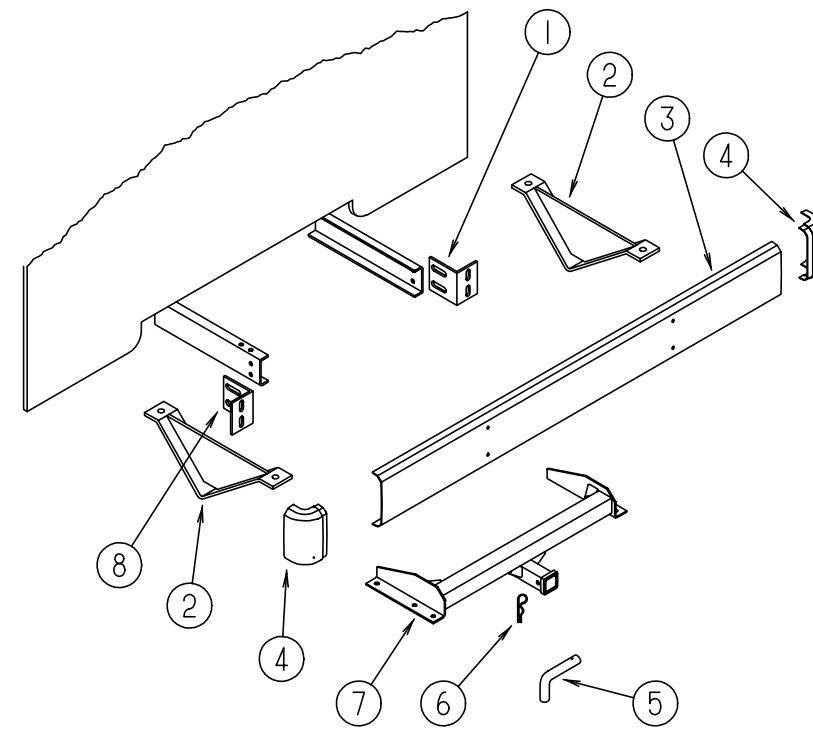
KEY	PART NUMBER	U/M	DESCRIPTION
1	104897-02-02A	EA	BOX-ENTERTAINMENT CTR BRT/WH
2	104899-01-C05	EA	PLATE-RADIO MOUNTING
3	105377-01-01A	EA	BRACKET-TABLE HANGER - OFF WHITE
4	105376-01-02A	EA	HINGE-CONTIN - 2" X 140 MM - OFF WHITE
5	105230-11-E01	EA	SHELF ASM
6	105230-12-F11	EA	SUPPORT ASM
7	104898-01-02A	EA	PLATE-PLASTIC BOTTOM - BRIGHT/WHITE
8	105230-01-F11	EA	SHELF ASM-EXTERIOR TV



**EXHAUST SYSTEM COMPONENTS**

KEY	PART NUMBER	U/M	DESCRIPTION
	082716-01-000	EA	CLAMP-EXHAUST 50.8MM - AMC—8952002512 FROM: 00-00-00 THRU: 10-04-95
	094918-06-000	EA	CLAMP-EXHAUST 3.00 HVY DUTY - HECO 24698
1	111478-02-000	EA	EXHAUST PIPE - DOUBLE WALLED STAINLESS STEEL - 33.9" LONG
	098762-13-000	EA	PIPE-EXHAUST - STRAIGHT - 3.5 IN

### CHASSIS GROUP (CONTINUED)



**REAR BUMPER & HITCH**

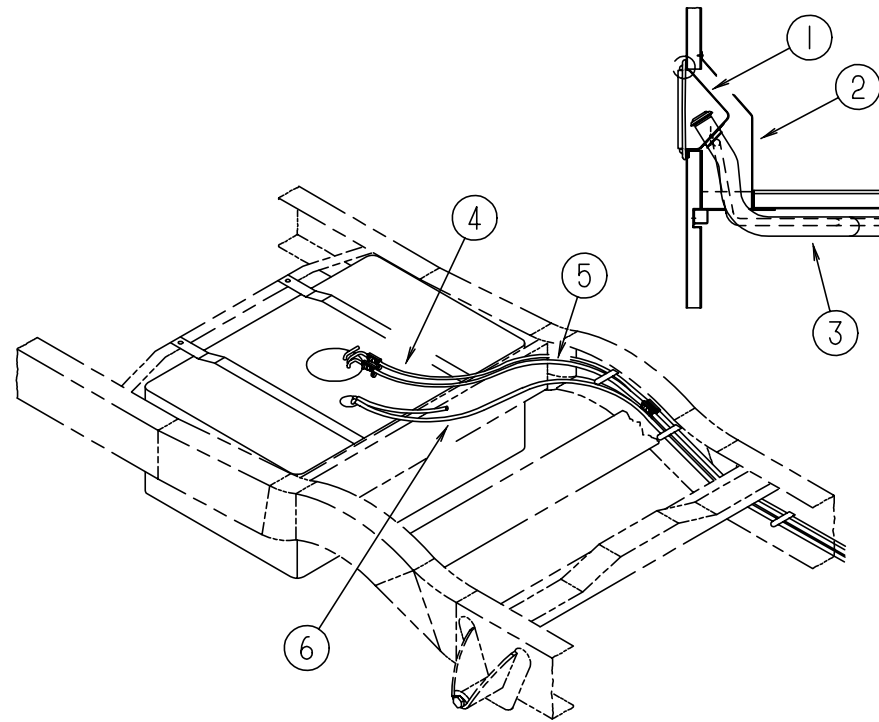
KEY	PART NUMBER	U/M	DESCRIPTION
1	105933-01-000	EA	SUPPORT-ANGLE - BUMPER REAR - RIGHT
2	083376-01-000	EA	PLATE-SKID - 13.2" X 6" X 2" - STEEL
3	103099-05-02A	EA	BUMPER-REAR - BRIGHT/WHITE
	105933-01-000	EA	BRACKET- BUMPER - REAR
	105933-02-000	EA	BRACKET BUMPER - REAR
4	106147-01-02A	EA	CAP-END - BUMPER BLACK
5	034512-01-000	EA	PIN-LOCKING - DRAWBAR
6	034513-01-000	EA	PIN-HITCH - 3/16" WIRE
7	107707-08-000	EA	DRAWBAR ASM-HITCH - CLASS II
	070579-09-000	EA	PLATE ASM ANCHOR
8	105933-02-000	EA	SUPPORT-ANGLE - BUMPER REAR - LEFT
	097744-02-000	EA	HOUSING-TRAILER PIN - 48"
	097745-02-000	EA	HOUSING-RECEPTACLE - TRAILER - 48" WIRE LENGTH
	113634-01-000	EA	WIRE ASM-TRAILER - ADAPTER
	113589-02-000	EA	CONNECTOR-SOCKET - TRAILER - GENERAL 433601
	113589-01-000	EA	CONNECTOR-PLUG - TRAILER - GENERAL 433501
	113588-02-01B	EA	BRACKET-CONNECTOR - TRAILER - MILL

**DRIVESHAFT & BRAKE LINE FLARE UNION**

KEY	PART NUMBER	U/M	DESCRIPTION
	103653-10-000	EA	DRIVESHAFT ASM-BALANCED PAIR - E350 190"WB (158)
	115043-02-000	EA	BUSHING-INCREASE 2.5OD-3.5OD - NEAPCO FORD DIESEL
	103653-16-000	EA	DRIVESHAFT ASM-BALANCED PAIR - E350 190"WB (158)
	074833-01-000	EA	SPACER-BEARING - DRIVESHAFT - 2" X 8" X .5" THICK -
	085771-03-000	EA	NUT-HEX - FLARE TORQUE - GRADE G DRIVE SHAFT
	088498-01-000	EA	UNION-INVERTED FLARE - BRASS - 3/16 - 3/8 - 24 THD - BRAKE LINE



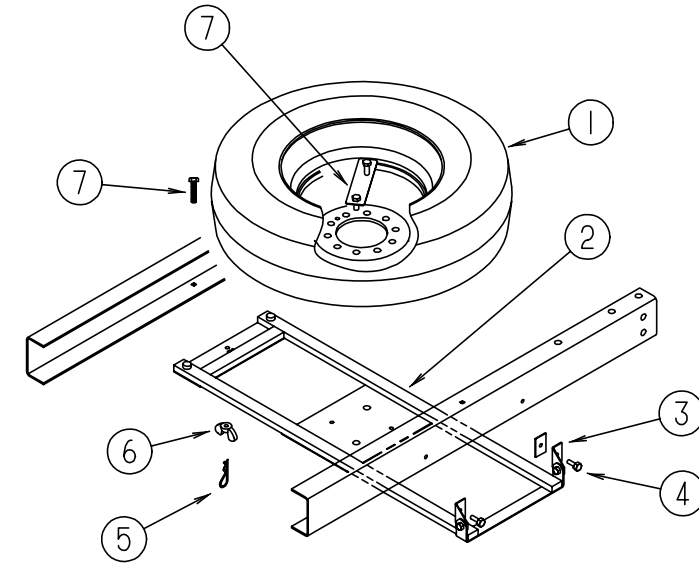
## CHASSIS GROUP (CONTINUED)



**FUEL SYSTEM COMPONENTS**

KEY	PART NUMBER	U/M	DESCRIPTION
1	095854-01-04A	EA	SHROUD-FUEL FILL - BRIGHT WHITE
2	078040-06-000	EA	SHROUD-FUEL FILL - UPPER
3	117934-01-000	EA	NECK-FILLER - FUEL FILL - BAUER WELD UNLEAD
3	117934-02-000	EA	NECK-FILLER - FUEL FILL - BAUER WELD DIESEL
	078200-01-000	EA	GASKET-FUEL FILL - 3.5"OD X 2"ID
4	106389-01-000	EA	FUEL LINE ASM-FORD - 3/8 HP - FORD E350-158-188
5	106388-01-000	EA	FUEL LINE ASM-FORD - 5/16 HP - FORD E350-158-188
6	007063-01-000	FT	HOSE-GAS 1/4" ID X 1/2" OD
	044317-01-000	FT	HOSE-FUEL - 3/8" ID
	084884-01-000	EA	PLUG-BRASS - 3/8"

## CHASSIS GROUP (CONTINUED)



**SPARE TIRE**

KEY	PART NUMBER	U/M	DESCRIPTION
1	083425-11-000	EA	TIRE-LT225/75R16 LRD - MICHELIN LTX A/S OB
1	070917-05-000	EA	TIRE-LT225/75R16D - R4S - M/S - FIRESTONE STEELTEX
1	070917-06-000	EA	TIRE-LT225/75R16E - R4S - M/S - FIRESTONE STEELTEX
1	083617-03-000	EA	WHEEL-STL.16.0 X 6 - 92 E350 - ACCURIDE 28618
	095012-03-000	EA	EXTENSION-VALVE STEM - DUAL WHEEL
	112358-01-000	EA	WRENCH-LUG - 7/8 - L-SHAPE - FORD F2UA-17035-CA
2	116348-01-02B	EA	CRADLE ASM-SPARE TIRE - E-COAT
3	116349-01-02B	EA	BRACKET-HINGE - SPARE TIRE - E-C
4	000C26-06-12B	EA	BOLT-HEX-SER FLANGE - 3/8-16 X 3/4 - ZINC
4	000E13-17-00B	EA	WASHER-FLANGE - 3/8" AR - ZINC
4	000D34-06-00B	EA	NUT-HEX - LK - 3/8 - 16 GRADE C - ZINC - PREVAILING TORQUE
5	034513-01-000	EA	PIN-HITCH - 3/16" WIRE
6	064081-03-000	EA	NUT-WING - 3/8-16 - W/WELD NUT
6	116338-02-02B	EA	BRACKET-CLAMP - SPARE TIRE - E-C
7	000D29-09-00B	EA	NUT-HEX SELFLOCK 9/16-12 ZINC
	115580-01-000	EA	STRAP-SPARE TIRE

**WHEEL LINERS & COVERS**

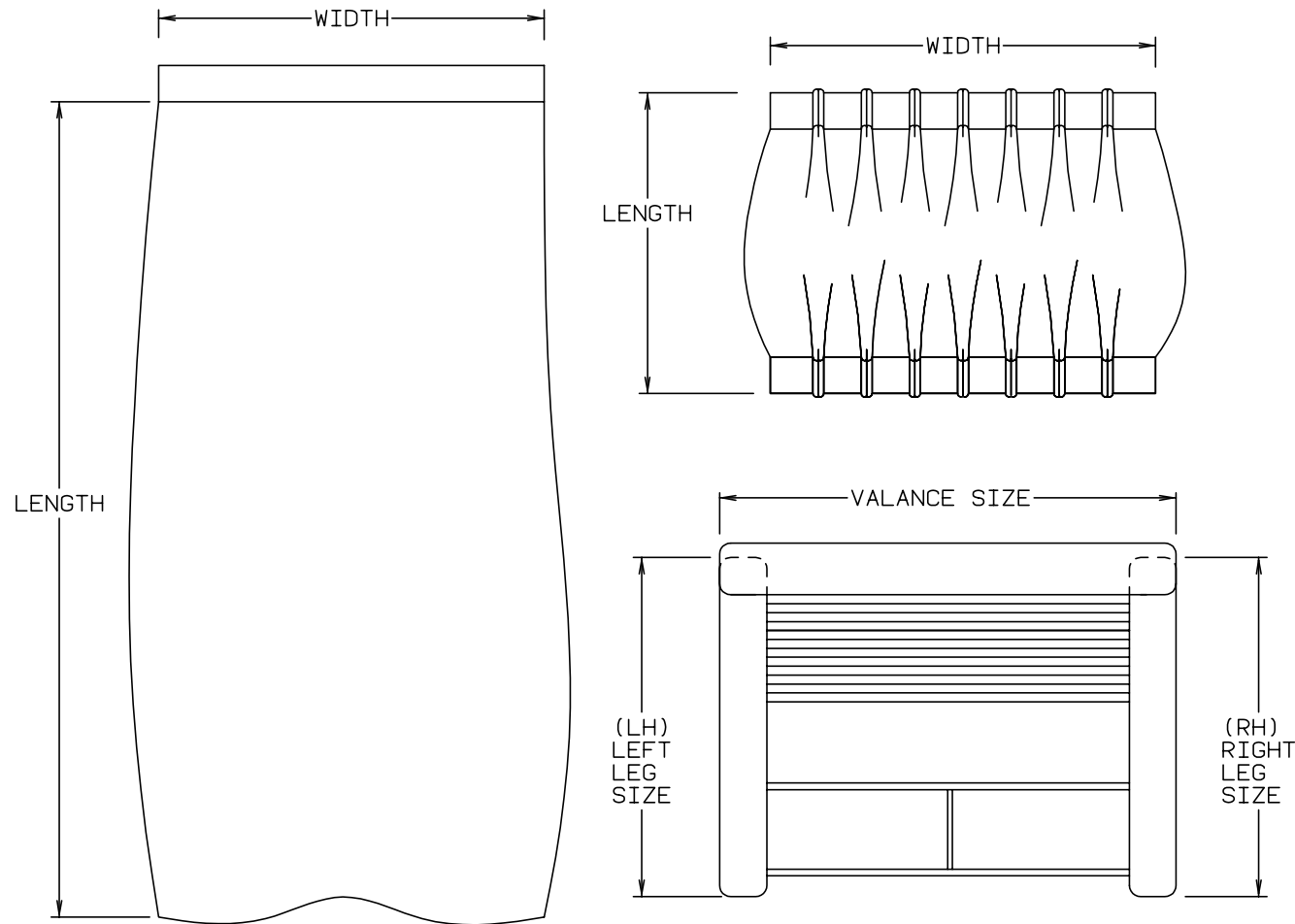
KEY	PART NUMBER	U/M	DESCRIPTION	VENDOR NO.
	110435-02-000	EA	LINER-WHEEL - SET 4 E350	DICOR V160F2
	110435-02-700	EA	LINER-WHEEL - FRONT	V160F2-FWC
	110435-02-701	EA	LINER-WHEEL - REAR	V160F2-RWC
	110435-02-702	EA	STUD EXT.	V160SD-STX
	110435-02-703	EA	NUT (JAMB)	V160SD-JNT
	110435-02-704	EA	COVER-LUG NUT	V160F0-LNC
	110435-02-705	EA	TOOL F/ JAMB NUT - INSTALL.	V160F0-TOL

## CURTAIN & CUSHION GROUP

### NOTICE

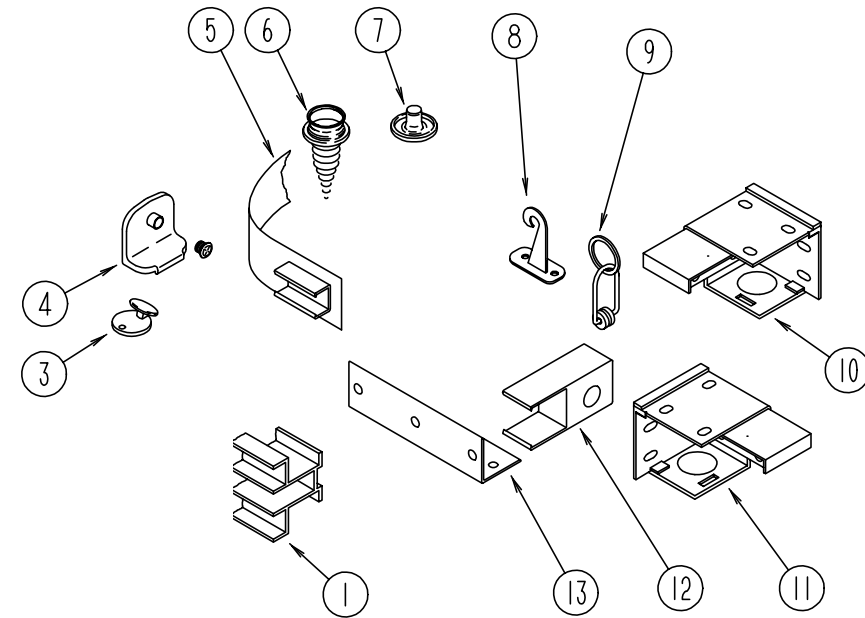
IN ORDER TO ASSIST OUR PARTS SALES DEPT. IN PROVIDING INTERIOR SOFTWARE ITEMS, PLEASE INCLUDE THE SERIAL NUMBER AND THE COLOR CODE NUMBER FROM THE VEHICLE CERTIFICATION LABEL WHEN ORDERING. THIS LABEL IS LOCATED ON THE LEFT SIDEWALL AT THE END OF THE DASH (A-BODY), OR ON THE DRIVER'S DOOR LATCH PLATE (C-BODY).

AN EXAMPLE OF A COLOR CODE NUMBER IS B07, WHICH DESIGNATES AN OVERALL COLOR SCHEME OF A PARTICULAR UNIT. THE COLOR LISTED AFTER THE ITEM DESCRIPTION ON THE MICROFICHE, INDICATES THE OVERALL UNIT COLOR. ORDER THE ITEM YOU DESIRE ACCORDING TO UNIT COLOR CODE.



NOTE: USE THIS ILLUSTRATION WHEN DETERMINING LENGTH AND WIDTH MEASUREMENTS FOR CURTAINS. YOU WILL NOTE THE WIDTH MEASUREMENT IS TAKEN ON THE TOP OF THE CURTAIN WITH THE CURTAIN FULLY EXTENDED. THE LENGTH MEASUREMENT IS TAKEN FROM TOP TO BOTTOM. LEFT AND RIGHT WINDOW LEGS ARE DETERMINED WHEN FACING THE WINDOW.

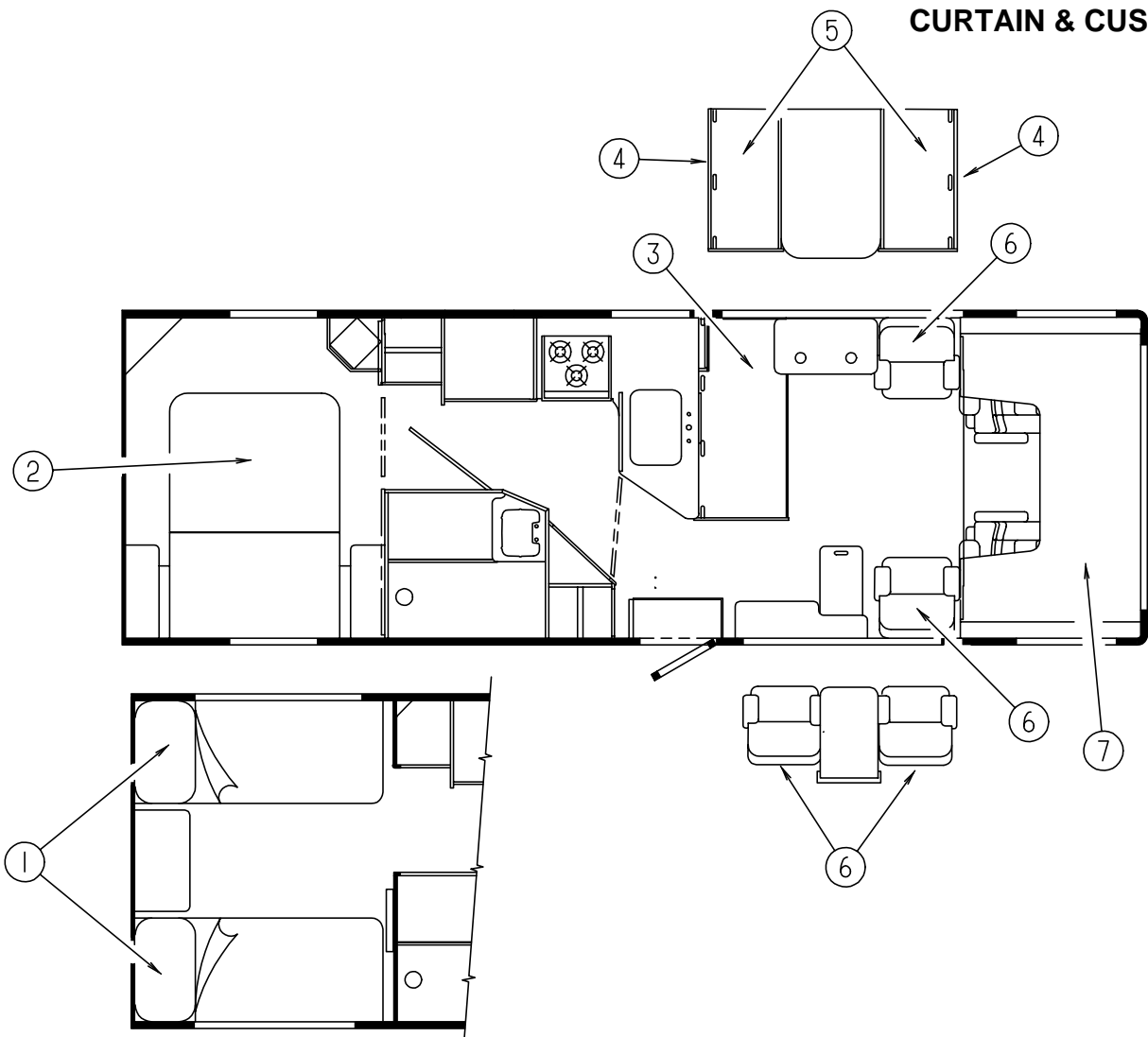
## CURTAIN & CUSHION GROUP (CONTINUED)



CURTAIN & BLIND HARDWARE

KEY	PART NUMBER	U/M	DESCRIPTION	
1	101033-03-000	FT	TRACK-WALL, WHITE	
3	102555-01-000	EA	CLEAT-CORD, BLIND - CLEAR	
4	106544-01-000	EA	PULL-SHADE - BRASS	
	106544-01-001	EA	SCREW-BRASS, SHADE	
5	101031-01-000	YD	TAPE-GLIDE, CURTAIN - 4.25" SPACING	
6	029130-01-000	EA	SCREW-SNAP SOCKET, #8 PH X 5/8"	
7	029155-01-000	EA	CAP-SNAP, 5/32" O.D. OF PIN	
8	109441-03-000	EA	HOLD DOWN-BLIND (CLOUDY)	
9	029156-01-000	EA	SOCKET-SNAP, 9/16" O.D.	
10	083170-01-000	EA	BRACKET-BLIND, LEFT SIDE WHEN FACING WINDOW	
11	083170-02-000	EA	BRACKET-BLIND, RIGHT SIDE WHEN FACING WINDOW	
12	101033-02-000	EA	END CAP-TRACK, CLEAR	
13	075943-10-000	EA	BRACE-VALANCE, 20 IN OFF/WHT	FROM: 00-00-00 THRU: 03-12-96
13	105648-01-02A	EA	BRACE-VALANCE OFF/WHT	FROM: 03-13-96 THRU: 99-99-99
	046867-01-000	EA	GROMMET-BRASS - 7/16" ID X 1" OD	FROM: 00-00-00 THRU: 10-01-95
	046867-03-000	EA	GROMMET-HANDY BUTTON NO 3	FROM: 10-02-95 THRU: 99-99-99
	048394-02-000	YD	VELCRO TAPE-HOOK, ADHESIVE BACK - .75" WIDE - BEIGE	
	084434-01-000	EA	BRACKET-MOUNTING, ROLLER SHADE - 1 3/8"	
	056003-01-000	EA	BRACKET-DRAPERY RETAINING, FRONT - METAL	
	056003-02-000	EA	BRACKET-DRAPERY RETAINING, REAR - METAL	
	093475-01-701	EA	CAP-END, WITH INVERTED STUD PAR	
	093475-01-700	EA	WAND-BLIND W/METAL CLIP, 8" NONE	
	088792-01-000	YD	VELCRO-HOOK, .75" WIDE - BEIGE	
	088792-02-000	YD	VELCRO TAPE-LOOP, ADHESIVE BACKED - .75" WIDE - BEIGE	
	096843-01-000	EA	SPRING-REWIND, ROLLER SHADE	
	086276-01-000	EA	TAPE-DOUBLE SIDED, 1/2"	
	009702-01-000	EA	END STOP-CURTAIN CARRIER, L ROD	
	076827-02-000	EA	BRACKET-LEG, 2.9" X 1.8" TRIANGLE -	
	094896-02-000	EA	GROMMET-CORD, PLEATED BLIND - NYLON - GRAY	
	094907-02-000	EA	END CAP-TOP, PLEATED BLIND - PLASTIC - GRAY	
	094907-04-000	EA	HRDW.-END CAP, BTM, PULL TYPE	
	097564-01-000	EA	HANDLE-T, EZ LIFT SHADE	
	097565-01-000	EA	BRACKET-MOUNTING, PLEATED BLIND	
	097591-01-000	EA	SPRING-EXTENSION, PLEATED BLIND	
	097592-01-000	EA	SPOOL-CORD, ELEVATED BLIND HOLDUP - CLEAR PLASTIC	
	097593-02-000	FT	CORD-BLIND, PLEATED - GRAY	
	009700-04-002	EA	TRACK, L-SHAPED 195.5" - OFF WHITE	

## CURTAIN & CUSHION GROUP (CONTINUED)



**TWIN BED BEDSPREAD, PILLOW & MATTRESS**

KEY	PART NUMBER	U/M	DESCRIPTION
1	101123-30-000	EA	MATTRESS - COMPLETE FOAM - 36" X 80" - 1 CORNER CUT
1	P01123-30-000	EA	COVER - MATTRESS - 36" X 80" - W/1 CUT CORNER
	085365-44-G07	EA	BEDSPREAD - 36 X 80 THROW 1"GATH WELT
	085365-44-G08	EA	BEDSPREAD - 36 X 80 THROW 1"GATH WELT
	104504-08-G07	EA	PILLOW ASM - 16" ROUND
	104504-08-G08	EA	PILLOW ASM - 16" ROUND
	102161-48-G07	EA	SHAM ASM-W/1"NON.GATH WELT - 22" X 37"
	102161-48-G08	EA	SHAM ASM-W/1"NON.GATH WELT - 22" X 37"

**QUEEN BED BEDSPREAD, PILLOW & MATTRESS**

KEY	PART NUMBER	U/M	DESCRIPTION
2	101123-08-000	EA	MATTRESS - QUEEN - 60" X 75" - TICKING COVERED
2	P01123-08-000	EA	COVER - MATTRESS - QUEEN - 60" X 75"
	085365-43-G07	EA	BEDSPREAD-QUEEN - 60" - 1" GATHERS
	085365-43-G08	EA	BEDSPREAD-QUEEN - 60" - 1" GATHERS
	104504-08-G07	EA	PILLOW ASM - 16" ROUND
	104504-08-G08	EA	PILLOW ASM - 16" ROUND
	102161-47-G07	EA	PILLOW SHAM - 14" X 14"
	102161-47-G08	EA	PILLOW SHAM - 14" X 14"

### FORWARD FACING COUCH

KEY	PART NUMBER	U/M	DESCRIPTION
3	114969-01-G07	EA	BED-FORWARD FACING - BACK COMP - JACK KNIFE
3	115469-01-G08	EA	BED-FORWARD FACING - BACK COMP - CHANNEL
	114969-02-G07	EA	RIGHT AND LEFT CUSHIONS - COUCH BACKREST
	115469-02-G08	EA	RIGHT AND LEFT CUSHIONS - COUCH BACKREST
	P14969-02-G07	EA	COVER-RIGHT AND LEFT CUSHIONS - COUCH BACKREST
	P15469-02-G08	EA	COVER-RIGHT AND LEFT CUSHIONS - COUCH BACKREST
	114969-03-G07	EA	CENTER CUSHION - COUCH - BACK
	115469-03-G08	EA	CENTER CUSHION - COUCH - BACK
	P14969-03-G07	EA	COVER-CENTER CUSHION-COUCH - BACK
	P15469-03-G08	EA	COVER-CENTER CUSHION-COUCH - BACK
3	114969-04-G07	EA	SEAT-COUCH - W/O BACKREST
3	114969-04-G08	EA	SEAT-COUCH - W/O BACKREST
	P14969-04-G07	EA	COVER-SEAT - COUCH
	P14969-04-G08	EA	COVER-SEAT - COUCH
	104166-04-G07	EA	PILLOW ASM - 14" X 14" - ACCENT PILLOW
	104166-04-G08	EA	PILLOW ASM - 14" X 14" - ACCENT PILLOW
	114763-01-000	EA	FRAME - FORWARD FACING BASE
	114763-02-000	EA	FRAME - FORWARD FACING SEAT
	114763-07-000	EA	FRAME - FORWARD FACING LEGS
	117125-01-02B	EA	BRACKET-CABLE HOLDER - E-COAT
	120962-01-000	EA	BRACKET-QUICK RELEASE CLAMP
	114726-01-G07	EA	TRAY ASM-BEVERAGE

**NOTE: COUCH FRONT AND SIDE PANELS ARE FOUND IN THE LOUNGE GROUP.**

### DINETTE CUSHIONS

KEY	PART NUMBER	U/M	DESCRIPTION
4	111897-05-G15	EA	CUSHION-BACKREST - 13.5" X 42" X 5" (G07)
4	111897-05-G16	EA	CUSHION-BACKREST - 13.5" X 42" X 5" (G08)
	P11897-05-G15	EA	COVER - BACK REST DINETTE - 13.5" X 42" X 5"(G07)
	P11897-05-G16	EA	COVER - BACK REST DINETTE - 13.5" X 42" X 5 (G08)
5	105603-15-G15	EA	CUSHION-SEATBASE - 23" X 42" X 5" (G07)
5	105603-15-G16	EA	CUSHION-SEATBASE - 23" X 42" X 5" (G08)
	P05603-15-G15	EA	COVER-CUSHION - SEATBASE - 23" X 42" X 5" (G07)
	P05603-15-G16	EA	COVER-CUSHION - SEATBASE - 23" X 42" X 5" (G08)
	078155-01-000	EA	STRAP-SNAP - BACKREST CUSHION

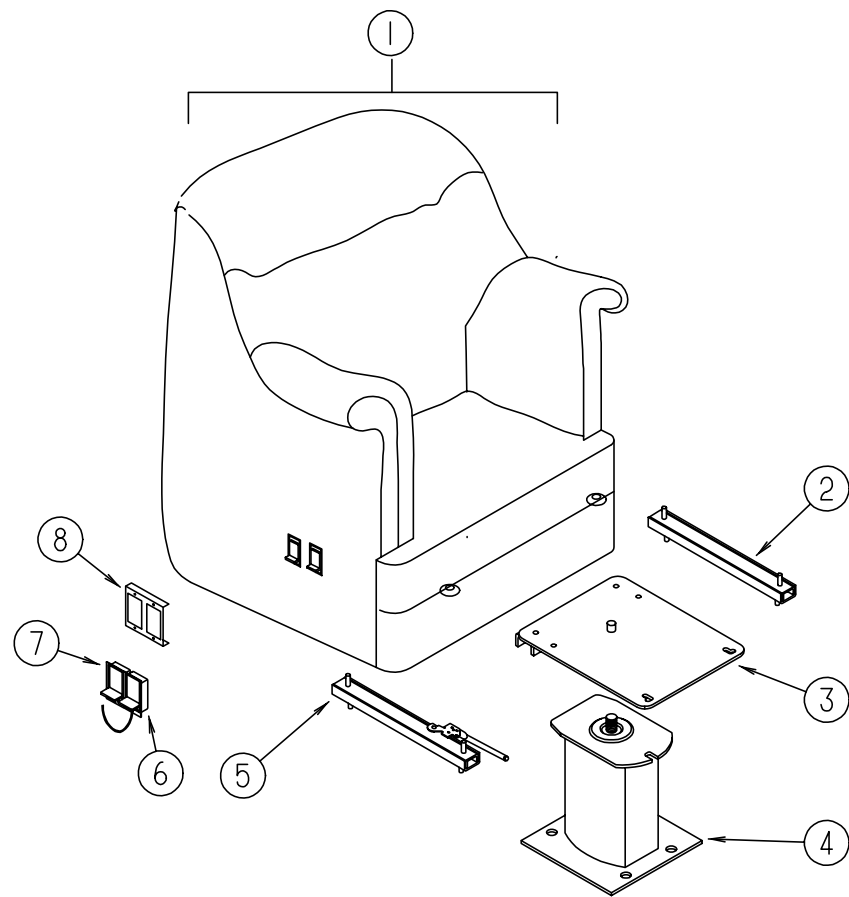
### SWIVEL CHAIR

KEY	PART NUMBER	U/M	DESCRIPTION
6	115470-01-G07	EA	CHAIR ASM-SIERRA (G07)
6	115470-01-G05	EA	CHAIR ASM-SIERRA (G08)
	P15470-01-G07	EA	COVER ASM-SIERRA (G07)
	P15470-01-G05	EA	COVER ASM-SIERRA (G08)

### BUNK CUSHIONS

KEY	PART NUMBER	U/M	DESCRIPTION
7	105573-10-G07	EA	CUSHION-BUNK - REAR - 27" X 23" X 80" X 5"
7	105573-10-G08	EA	CUSHION-BUNK - REAR - 27" X 23" X 80" X 5"
	P05573-10-G07	EA	COVER-CUSHION - BUNK - REAR - 27" X 23" X 80" X 5"
	P05573-10-G08	EA	COVER-CUSHION - BUNK - REAR - 27" X 23" X 80" X 5"
	105573-09-G07	EA	CUSHION-BUNK - FRONT - 32.5" X 80" X 5"(G07)
	105573-09-G05	EA	CUSHION-BUNK - FRONT - 32.5" X 80" X 5"(G08)
	P05573-09-G07	EA	COVER-CUSHION - BUNK - FRONT - 32.5" X 80" X 5"(G07)
	P05573-09-G05	EA	COVER-CUSHION - BUNK - FRONT - 32.5" X 80" X 5"(G08)
	079145-08-000	EA	CUSHION-BUNK - 25" X 74" X 3.5" (FRONT ENTERTAINMENT CENTER)
	M79145-08-000	EA	COVER-CUSHION - BUNK - 25" X 74" X 3.5" (FRONT ENTERTAINMENT CENTER)
	094658-02-F08	EA	HANDLE-SALEM CHERRY

**CURTAIN & CUSHION GROUP (CONTINUED)**



**SWIVEL CHAIR**

KEY	PART NUMBER	U/M	DESCRIPTION
1	115470-01-G07	EA	CHAIR ASM-SIERRA (G07)
1	115470-01-G05	EA	CHAIR ASM-SIERRA (G08)
	P15470-01-G07	EA	COVER ASM-SIERRA (G07)
	P15470-01-G05	EA	COVER ASM-SIERRA (G08)
	P07977-01-G07	EA	COVER SKIRT ASM-DIPLOMAT
	P07977-01-G08	EA	COVER SKIRT ASM-DIPLOMAT
2	119952-03-000	EA	SLIDE-SEAT - HD - LOCKING - 2 STUDS - AMP #83775
3	107921-08-000	EA	TOP PLATE-W/O SEAT BELT BAR - FLEXSTEEL 2759PDTP
	107921-06-000	EA	BEARING KIT-PEDESTAL - FLEXSTEEL
4	107921-01-000	EA	PEDESTAL ASM-SEAT 9-3/4 " - FLEXSTEEL 3060 MSPD
5	119952-01-000	EA	SLIDE-SEAT - HD - NON-LOCKING - 2 STUDS - AMP #83711
	007221-01-000	EA	SPACER-SEAT - ADJUSTER - 4 USED PER SWIVEL CHAIR
6	108049-03-000	EA	CABLE-REMOTE, 26" W/Z END-SWITCH LEVER
	108049-02-000	EA	CLIP-CABLE - PEDESTAL
7	089368-04-000	EA	CABLE-SWIVEL/SLIDE - W/SWITCH
8	097683-02-000	EA	BRACKET-MOUNT - REMOTE
	108445-02-000	EA	PLATE ASM-PEDESTAL - SEAT
	114889-01-000	EA	STOP BAR-UNIVERSAL - SHROCK
	097683-02-000	EA	BRACKET-MOUNT - REMOTE

**CURTAIN & CUSHION GROUP (CONTINUED)**

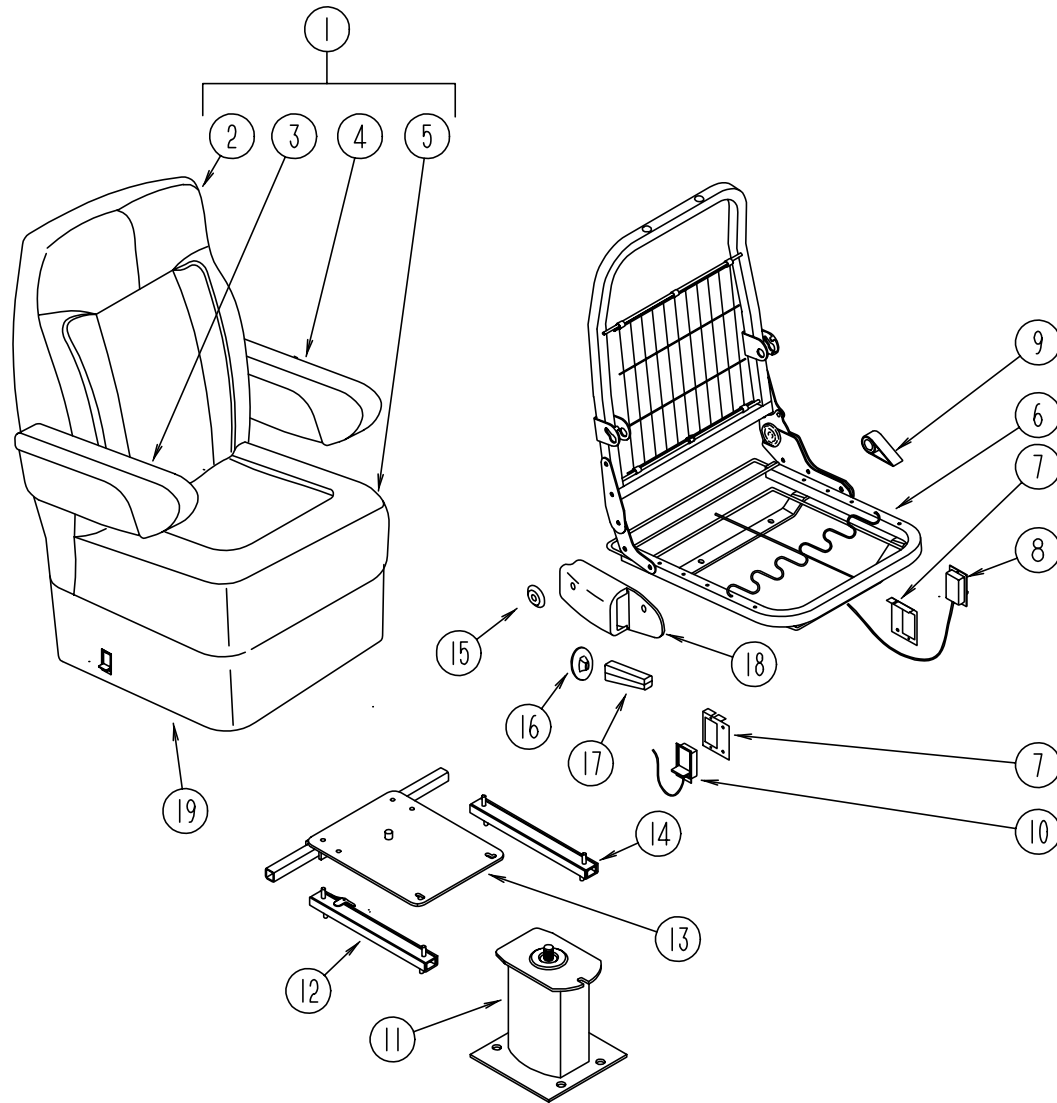
**MINNIE WINNIE FABRICS**

Family - 400 DL's	G07 Botanical	G08 Thistle
<b>Bucket Seats</b>	108446-G0-000	108446-77-000
<b>Dinette</b>	108446-F8-000	108446-F9-000
<b>Dinette Pads</b>	104233-59-000	108446-77-000
<b>Sofa</b>	108446-G0-000	108446-F9-000
<b>Swivel Chair</b>	108446-G1-000	108446-G2-000
<b>Lounge Pillow</b>	108446-G1-000 108446-70-000	108446-G2-000 108446-69-000
<b>Lounge Windows</b>	108446-F8-000	108446-G2-000 108446-F9-000
<b>Legs</b>	108446-G1-000	108446-G2-000
<b>Overhead Bunk</b>	108446-G1-000	108446-G2-000
<b>Bedroom Window</b>	105745-B0-000	105745-B1-000
<b>Bedroom Legs</b>	105745-B2-000	105745-62-000
<b>Bedroom Pillow</b>	105745-B2-000 105745-B0-000	105745-62-000 105745-B1-000
<b>Bedsread</b>	105745-62-000 105745-B2-000	105745-B1-000 105745-62-000
<b>Pillow Shams</b>	105745-62-000 105745-B2-000	105745-B1-000 105745-62-000
<b>Bunk Privacy</b>	093487-10-01A	093487-10-01A
<b>Front Wraparound</b>	072333-85-000	072333-85-000
<b>Overhead Curtain</b>	105745-B0-000	105745-B1-000
<b>Day/Nighter</b>	094977-30-000 094911-26-000	094977-30-000 094911-26-000

NOTE: THE FABRIC LISTED FIRST, IN A BLOCK, IS THE LARGEST QUANTITY OF FABRIC USED.

## CURTAIN & CUSHION GROUP (CONTINUED)

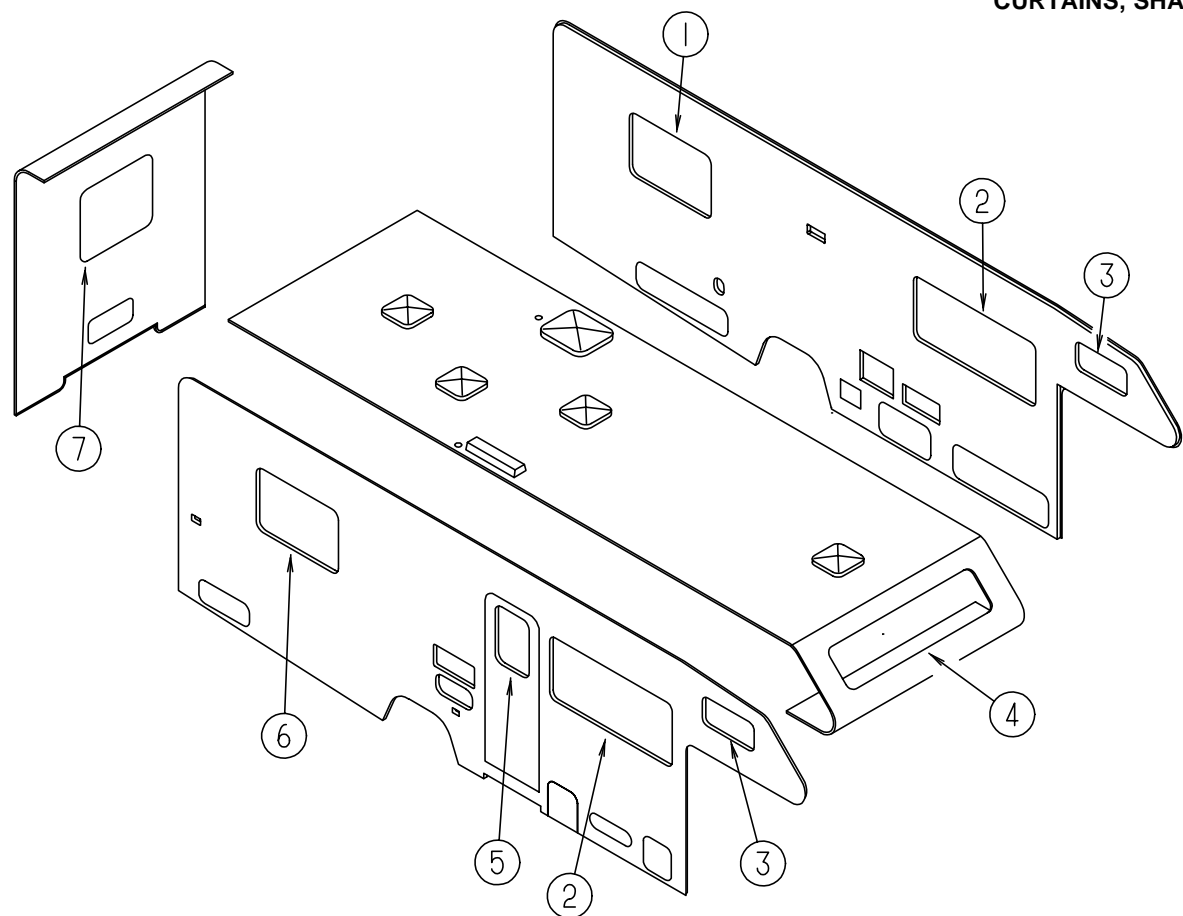
### BUCKET SEATS



KEY	PART NUMBER	U/M	DESCRIPTION
1	115390-05-G15	EA	SEAT-NEWPORT - MANUAL - RECLINING - W/HEADREST (G07)
1	115390-05-G16	EA	SEAT-NEWPORT - MANUAL - RECLINING - W/HEADREST (G08)
2	M05962-13-G15	EA	COVER-BACKREST - BUCKET SEAT (G07)
2	M05962-13-G16	EA	COVER-BACKREST - BUCKET SEAT (G08)
	119698-01-G15	EA	HEADREST ASM (G07)
	119698-01-G16	EA	HEADREST ASM (G08)
	P19698-01-G15	EA	COVER ASM - HEADREST ASM (G07)
	P19698-01-G16	EA	COVER ASM - HEADREST ASM (G08)
	113977-12-000	EA	HEADREST INSERT - W/O LOCK
	113977-13-000	EA	HEADREST INSERT - W/ LOCK
	114791-05-000	EA	FRAME - HEADREST
3	114949-01-G15	EA	ARMREST-BUCKET SEAT - RIGHT (G07)
3	114949-01-G16	EA	ARMREST-BUCKET SEAT - RIGHT (G08)
	P14949-01-G15	EA	COVER-ARMREST - RIGHT (G07)
	P14949-01-G16	EA	COVER-ARMREST - RIGHT (G08)
	111169-01-000	EA	PLATE-BACK - ARMREST
	116701-01-000	EA	BRACKET-ARMREST - RIGHT - RIALTA
4	114949-02-G15	EA	ARMREST-BUCKET SEAT - LEFT (G07)
4	111320-04-G16	EA	ARMREST-BUCKET SEAT - LEFT (G08)
	P14949-02-G15	EA	COVER-ARMREST - LEFT SIDE(G07)
	P14949-02-G16	EA	COVER-ARMREST - LEFT SIDE(G08)
	111169-01-000	EA	PLATE-BACK - ARMREST
	116701-02-000	EA	BRACKET-ARMREST - LEFT - RIALTA
5	M05962-14-G15	EA	COVER-SEAT - BUCKET SEAT (G07)
5	M05962-14-G16	EA	COVER-SEAT - BUCKET SEAT (G08)
6	M80906-12-000	EA	FRAME-SEAT & BACK & SPRING
7	097683-02-000	EA	BRACKET-REMOTE
8	080730-09-000	EA	SHIELD-CABLE - REMOTE RECLINER - BUCKET SEAT
	089323-01-000	FT	STRIP-POLYENTHYLENE - J-CHANNEL FLEX-O-LATORS
9	080730-08-000	EA	HANDLE-30179907
10	108049-03-000	EA	CABLE-REMOTE, 26" W/Z END-SWITCH LEVER
	108049-02-000	EA	CLIP-CABLE - PEDESTAL - FLEXSTEEL 2592-CA
11	107921-09-000	EA	PEDESTAL ASM-SEAT FORD - FLEXSTEEL 3067-PDMB
12	119952-04-000	EA	SLIDE-SEAT - HD - LOCKING - 4 STUDS - ATWOOD #83785
13	107921-08-000	EA	TOP PLATE-PEDESTAL - BUCKET SEAT - W/O SEATBELT BAR
	107921-06-000	EA	BEARING KIT - PEDESTAL
14	119952-02-000	EA	SLIDE-SEAT - HD - NON-LOCKING - 4 STUDS - ATWOOD #83731
15	000G39-10-12B	EA	SCREW-SF/DR - 10-16 X .75 PPH - ZINC
	111169-02-000	EA	INSERT-OVAL - WINNEBAGO
16	080730-09-000	EA	SHIELD - RECLINER HANDLE
17	080730-08-000	EA	HANDLE - RECLINER - BLACK
18	080730-11-000	EA	SHIELD - RUBBER BOOT
19	071126-42-G07	EA	SKIRT-BUCKET SEAT - 7" SINGLE (G07)
19	071126-42-G05	EA	SKIRT-BUCKET SEAT - 7" SINGLE (G08)
	114889-01-000	EA	STOP BAR-UNIVERSAL - SHROCK
	117125-01-02B	EA	BRACKET-CABLE HOLDER - E-COAT

## CURTAIN & CUSHION GROUP (CONTINUED)

### CURTAINS, SHADES VALANCES & BLINDS



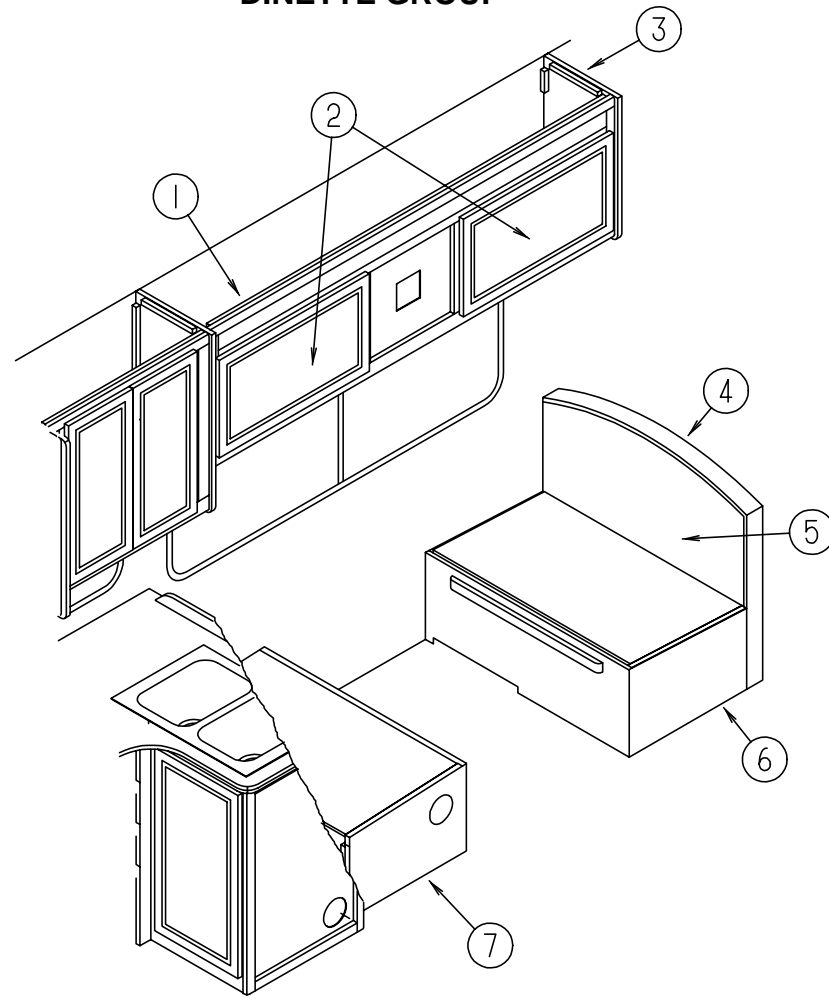
KEY	PART NUMBER	U/M	DESCRIPTION
6	119262-03-G07	EA	VALANCE - 52.5" MONACO W/BRAID (QUEEN)(G07)
6	119299-01-G16	EA	VALANCE - 53" WHITNEY (QUEEN)(G08)
6	119333-59-G15	EA	LEG-RIGHT - 28" - PLAIN - NO HOLE (QUEEN)(G07)
6	119333-61-G16	EA	LEG-RIGHT - 28" - PLAIN - NO HOLE (QUEEN)(G08)
6	119333-60-G15	EA	LEG-LEFT - 28" - PLAIN - NO HOLE (QUEEN)(G07)
6	119333-62-G16	EA	LEG-LEFT - 28" - PLAIN - NO HOLE (QUEEN)(G08)
6	111910-26-G08	EA	BLIND-DAY/NIGHTER - 50" X 30" - LINEN BEIGE (QUEEN)
7	119262-03-G07	EA	VALANCE - 52.5" GALAXY - GATHERED(QUEEN)(G07)
7	119299-01-G16	EA	VALA1111NCE - 53" WHITNEY (QUEEN)(G08)
7	119333-59-G15	EA	LEG-RIGHT - 28" - PLAIN - 3.5" DEEP (QUEEN)(G07)
7	119333-61-G16	EA	LEG-RIGHT - 28" - PLAIN - NO HOLES (QUEEN)(G08)
7	119333-60-G15	EA	LEG-LEFT - 28" - PLAIN - 3.5" DEEP (QUEEN)(G07)
7	119333-62-G16	EA	LEG-LEFT - 28" - PLAIN - NO HOLES (QUEEN)(G08)
7	119262-14-G07	EA	VALANCE - 31.5" MONACO W/BRAID (TWIN)
7	119299-04-G08	EA	VALANCE - 31" WHITNEY(4.5") (TWIN)
7	119333-57-G15	EA	LEG-RIGHT - 28" - PLAIN - 3.5" DEEP (TWIN)(G07)
7	119333-35-G16	EA	LEG-RIGHT - 28" - PLAIN - NO HOLES (TWIN)(G08)
7	119333-58-G15	EA	LEG-LEFT - 28" - PLAIN - 3.5" DEEP (TWIN)(G07)
7	119333-36-G16	EA	LEG-LEFT - 28" - PLAIN - NO HOLES (TWIN)(G08)
7	111910-20-G08	EA	BLIND-DAY/NIGHTER - 28" X 28" - LINEN BEIGE (TWIN)
	093487-10-01A	EA	PLEATED - 31" X 100" - BUNK PRIVACY
	076892-23-G07	EA	CURTAIN ASM - 44" X 80" - PLAIN
	057534-06-000	EA	TIEBACK/TIEDOWN - VINYL - 6" BEIGE

### VINYL ASSIST HANDLE, BUTTONS, WELTING & SEATBELTS

KEY	PART NUMBER	U/M	DESCRIPTION
	069178-02-000	EA	BRACKET-MOUNTING - ASSIST HANDLE - L ANGLE - W/HOLES - ST
	053552-02-AA8	EA	HANDLE-ASSIST - INTERIOR - ENTRY DOOR - VINYL - OFF WHITE
	000C16-07-16B	EA	BOLT-CARRIAGE - ASSIST HANDLE - 7/16" - 14 X 1" ZN
	000D20-07-00B	EA	NUT-ACORN - ASSIST HANDLE - 7/16" X 14 ZN
	057759-01-000	EA	WASHER BRACKET-SEAT BELT - 4" DIAMETER
	007021-01-000	EA	BELT-SEAT - 2" X 90" - BLACK
	084415-70-000	YD	TRIM BRAID - 30261-V118 - CORD

KEY	PART NUMBER	U/M	DESCRIPTION
1	119262-03-G07	EA	VALANCE - 52.5" MONACO W/BRAID (G07)
1	119299-01-G16	EA	VALANCE - WHITNEY - 53" (G08)
1	119333-59-G15	EA	LEG-RIGHT - 28"(G07)
1	119333-61-G16	EA	LEG-RIGHT - 28"(G08)
1	119333-60-G15	EA	LEG-LEFT - 28" (G07)
1	119333-62-G16	EA	LEG-LEFT - 28" (G08)
1	111910-26-G08	EA	BLIND-DAY/NIGHTER - 50" X 30" - LINEN BEIGE
2	119262-01-G15	EA	VALANCE ASM - 64.5" MONACO W/BRAIND (G07)
2	119263-01-G16	EA	VALANCE ASM - 64.5" STARBUCK (G08)
2	119333-01-G15	EA	LEG - RIGHT - 25" (G07)
2	119333-01-G16	EA	LEG - RIGHT - 25" (G08)
2	119333-02-G15	EA	LEG-LEFT - 25" (G07)
2	119333-02-G16	EA	LEG-LEFT - 25" (G08)
2	111910-22-G08	EA	BLIND-DAY/NIGHTER - 60" X 28.5" - LINEN BEIGE
3	101034-51-G07	EA	CURTAIN- 19" X 34" - DARTED TAPE TOP & BOTTOM - RIGHT
3	101034-51-G08	EA	CURTAIN- 19" X 34" - DARTED TAPE TOP & BOTTOM - RIGHT
3	101034-52-G07	EA	CURTAIN- 19" X 34" - DARTED TAPE TOP & BOTTOM - LEFT
3	101034-52-G08	EA	CURTAIN- 19" X 34" - DARTED TAPE TOP & BOTTOM - LEFT
4	101034-33-G07	EA	CURTAIN- 21" X 60" - DARTED TAPE TOP & BOTTOM - RIGHT
4	101034-33-G08	EA	CURTAIN- 21" X 60" - DARTED TAPE TOP & BOTTOM - RIGHT
4	101034-34-G07	EA	CURTAIN- 21" X 60" - DARTED TAPE TOP & BOTTOM - LEFT
4	101034-34-G08	EA	CURTAIN- 21" X 60" - DARTED TAPE TOP & BOTTOM - LEFT
5	119262-34-G07	EA	VALANCE -11 X 31.75,MONOCO W/BRAID - FLAT
5	119263-07-G08	EA	VALANCE - 31.75" - STARBUCK
5	084755-57-E07	EA	SHADE ASM-PULL - 27.25"

### DINETTE GROUP



### DINETTE CABINETS

KEY	PART NUMBER	U/M	DESCRIPTION
1	111166-03-G07	EA	CABINET ASM-OVHD - DINETTE
1	111166-03-G08	EA	CABINET ASM-OVHD - DINETTE
2	M06803-13-G07	EA	DOOR-RAIL - MTRD/OG 0400 X 0710 (MIRRORED)
2	M06803-82-G07	EA	DOOR-RAIL - MTRD/OG 0400 X 0710 (WOOD PANEL)
3	109908-09-F08	EA	CAP ASM-END - OVHD
4	111338-06-G15	EA	PAD ASM-DINETTE (G07)
4	111338-06-F09	EA	PAD ASM-DINETTE (G08)
5	M06884-07-F08	EA	CABT ASM-SEATBACK - RH
5	M06836-11-G07	EA	CABINET-SEATBACK RH
6	M06885-15-G07	EA	CABT ASM-SEATBASE - RH
6	M06837-11-G07	EA	CABINET-SEATBASE RH
7	M06885-24-G07	EA	CABT ASM-SEATBASE - LH

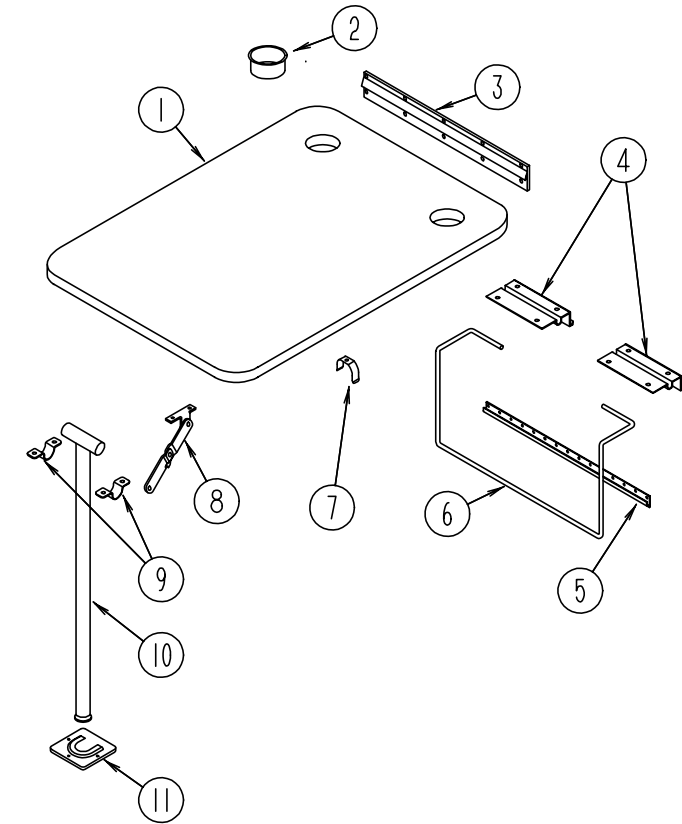
FROM: 00-00-00 THRU: 08-29-95

FROM: 08-30-95 THRU: 99-99-99

FROM: 00-00-00 THRU: 08-29-95

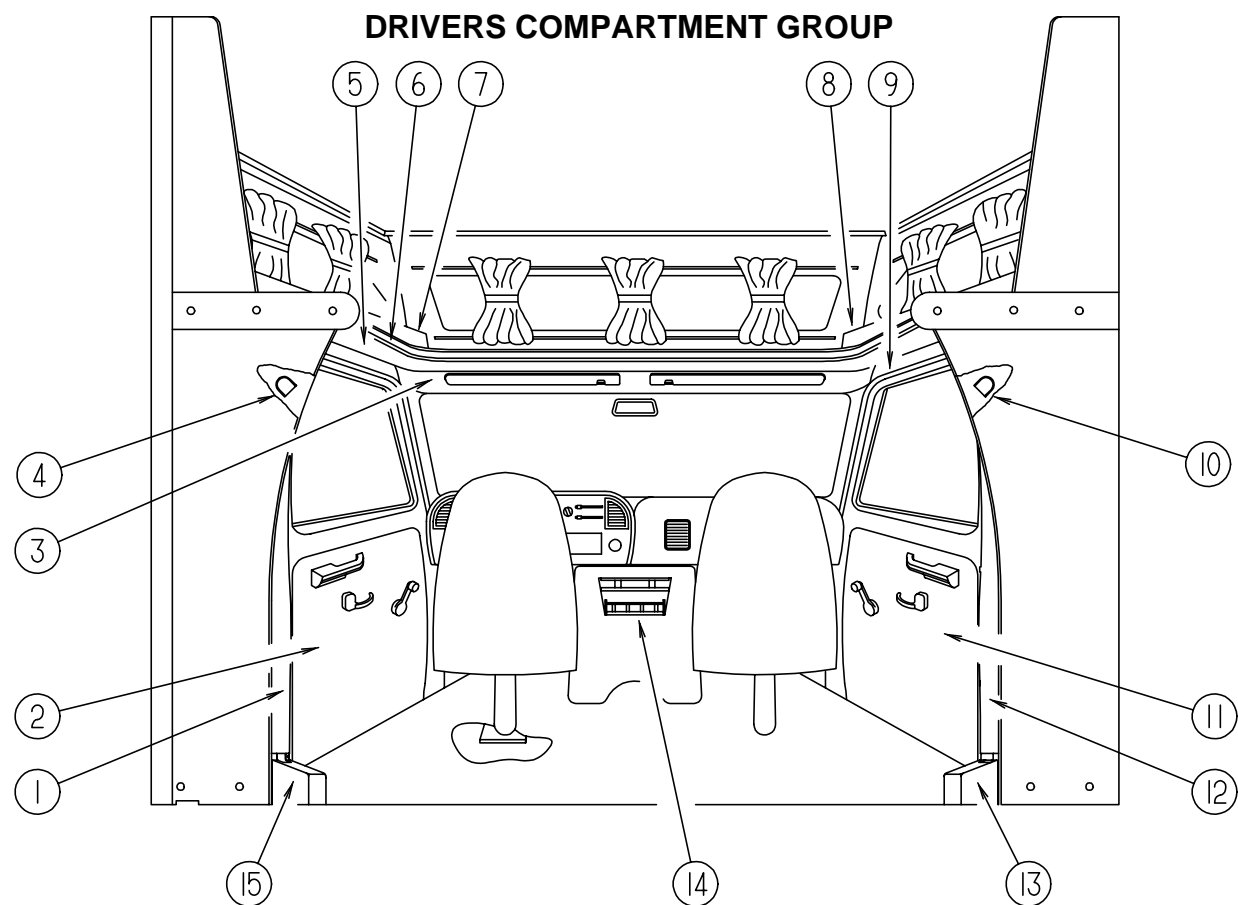
FROM: 08-30-95 THRU: 99-99-99

### DINETTE GROUP (CONTINUED)



### DINETTE TABLE

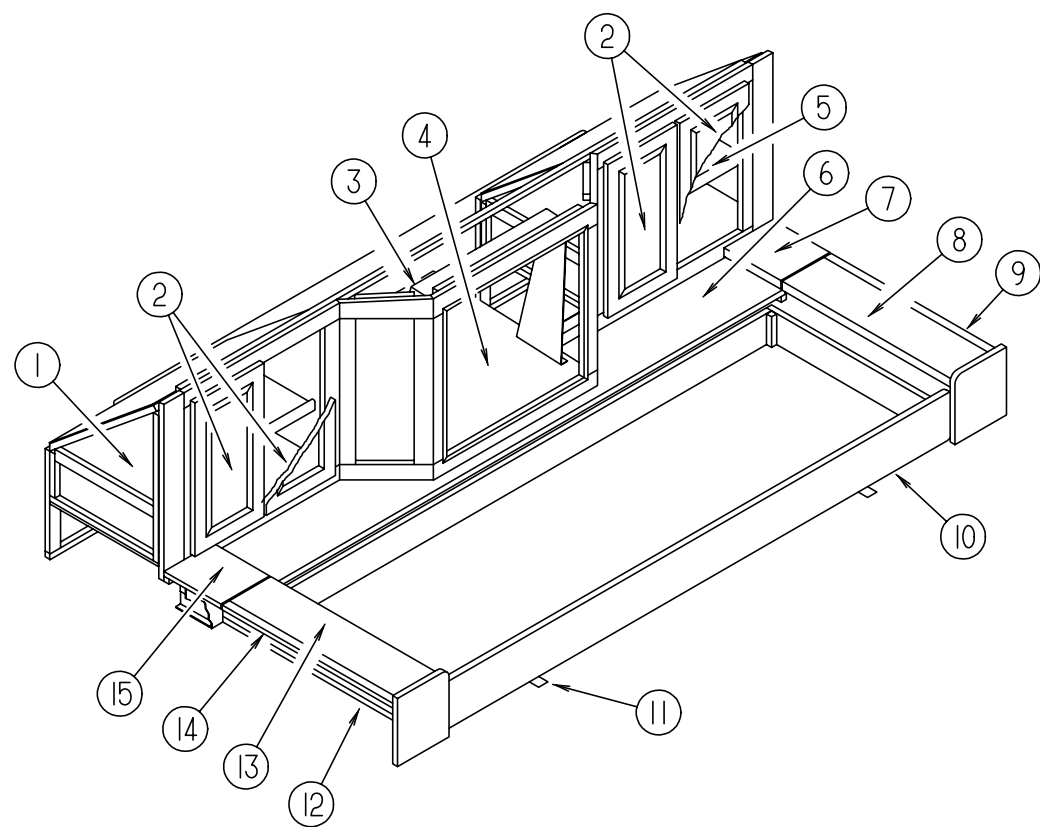
KEY	PART NUMBER	U/M	DESCRIPTION
1	081322-12-F09	EA	TABLE ASM-DINETTE
2	064781-06-000	EA	HOLDER-CUP - TWO STEP - OFF WHITE
3	053200-12-000	EA	SUPPORT-TABLE - 23.50 O/W
4	088410-02-000	EA	HANGER-TABLE - OFF WHITE
5	024281-14-000	EA	BRACKET-TABLE LIFT - 22.12 - OFF WHITE
6	024275-12-000	EA	ROD-TABLE LIFT - OFF WHITE
7	024283-01-000	EA	CLIP-LEG - 1" - 1.125" OD - BLACK
8	024282-01-000	EA	BRACE-TABLE LEG - HINGED
9	064050-05-000	EA	HINGE-TABLE LEG - OFF WHITE
10	024276-23-000	EA	LEG ASM-TABLE - OFF WHITE
11	049493-11-700	EA	CATCH-TABLE LEG - E-COAT
	049493-12-000	EA	CATCH-TABLE LEG - OFF WHITE
	002929-01-001	EA	EXTR- BRACKET TABLE



**DRIVERS COMPARTMENT**

KEY	PART NUMBER	U/M	DESCRIPTION
1	106446-02-C03	EA	TRIM ASM-CAB - B-PILLAR - LH FD C
2	109573-02-G07	EA	PANEL-DOOR - FORD - LT.
2	109573-02-G08	EA	PANEL-DOOR - FORD - LT.
3	106448-01-C03	EA	HEADLINER ASM-W/VINYL
4	115038-02-01A	EA	COVER-SEAT BELT - UP - LH - OFF WHITE
	106445-02-C03	EA	TRIM ASM-WINGWALL WRAP - LH FD C
5	106447-02-C03	EA	TRIM ASM-CAB DOOR - UPPER - LH
6	119520-01-01A	FT	T-MOLDING - 1 W/EDGE LIPS
7	109894-01-G07	EA	CABINET ASM-HAMPER - FRONT
7	109894-01-G08	EA	CABINET ASM-HAMPER - FRONT
8	109894-03-G07	EA	CABINET ASM-HAMPER - FRONT
8	109894-03-G08	EA	CABINET ASM-HAMPER - FRONT
9	106447-01-C03	EA	TRIM ASM-CAB DOOR - UPPER - RH FD C
	106445-01-C03	EA	TRIM ASM-WINGWALL WRAP - RH FD C
10	115038-01-01A	EA	COVER-SEAT BELT - UP - RH - OFF WHITE
11	109573-01-G07	EA	PANEL-DOOR - FORD - RT.
11	109573-01-G08	EA	PANEL-DOOR - FORD - RT.
12	106446-01-C03	EA	TRIM ASM-CAB - B-PILLAR - RH FD C
13	106431-01-01A	EA	COVER-RECOIL - SEATBELT - PASSENGER SIDE - OFF WHITE (FORD)
14	108899-01-F08	EA	TRAY-BEVERAGE - FORD
15	106431-02-01A	EA	COVER-RECOIL - SEATBELT - DRIVER SIDE - OFF WHITE (FORD)
	106025-03-01A	EA	LADDER-BUNK(BLACK) - 1197 MM
	106025-01-700	EA	BRACKET SET FOR BUNK LADDER
	109804-03-G07	EA	CAP ASM-SLEEPERBOARD
	109804-03-G08	EA	CAP ASM-SLEEPERBOARD
	082286-19-F11	EA	SUNVISOR ASM - W/O PCKT
	007211-01-000	EA	HINGE-SUNVISOR - 25.5" X 1.5" - METAL
	074012-01-000	EA	CLIP-SUNVISOR - SQUARE - PINCH ON
	102377-01-000	EA	BRACKET-SUNVISOR - 1 PIECE - STEEL
	116990-01-000	EA	SCREW-SKT.HEAD CAP - 10-24X3/4 PLAIN - C-TECH

**DRIVERS COMPARTMENT GROUP (CONTINUED)**



**FRONT ENTERTAINMENT CENTER**

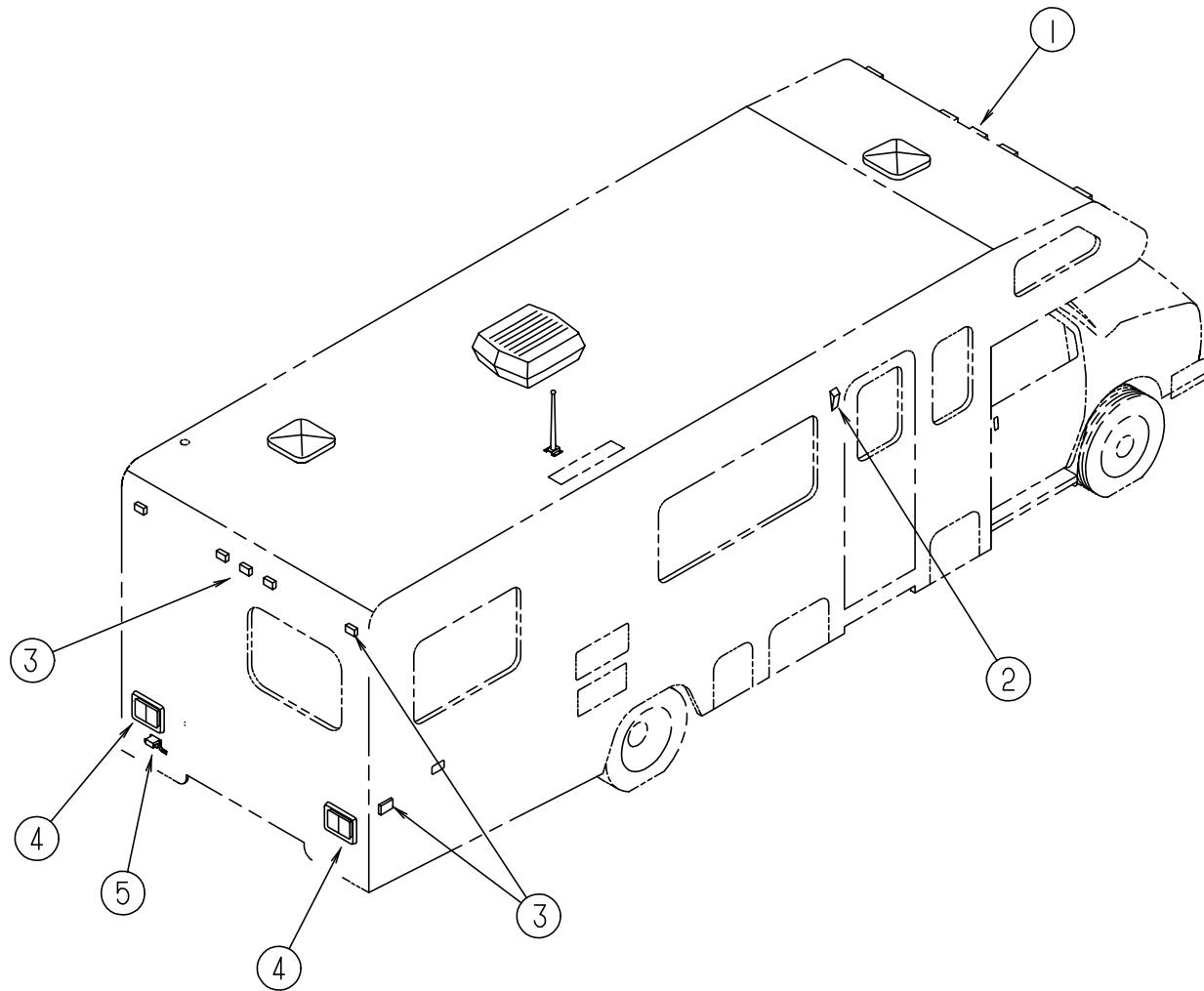
KEY	PART NUMBER	U/M	DESCRIPTION
1	113156-02-F08	EA	CABINET ASM-ENTERTAINMENT CENTER - SHELF
2	M06803-F1-G07	EA	DOOR-RAIL - MTRD/OG 0270 X 0505
3	110790-02-000	EA	BRACKET-TIEDOWN - TV
4	111356-01-G07	EA	SHELF ASM-TV
5	113156-01-F08	EA	CABINET ASM-ENTERTAINMENT CENTER - SHELF
6	118603-12-G07	EA	SHELF-W/PLASTIC EDGE TRIM
7	113155-11-F09	EA	COUNTERTOP ASM
8	113155-12-G07	EA	COUNTERTOP ASM
9	113155-01-G07	EA	CABINET ASM-ENTERTAINMENT CENTER - STORAGE
10	100847-01-G07	EA	DRAWER ASM-ENTERTAINMENT - FR
11	093673-01-01A	FT	TRIM-ENTRANCE DOOR - 1.4" WIDE X 8' LONG- OFF WHITE PLASTIC
12	113155-02-F09	EA	CABINET ASM-ENTERTAINMENT CENTER - STORAGE
13	113155-18-G07	EA	COUNTERTOP ASM
14	113155-21-F09	EA	COUNTERTOP ASM
15	113155-19-F09	EA	COUNTERTOP ASM
	106699-01-01A	EA	BRACKET-CABINET - OVHD TV - OFF WHITE

**INSTRUMENT CLUSTERS & BATTERY SWITCH**

KEY	PART NUMBER	U/M	DESCRIPTION
	094795-09-000	EA	CLUSTER-IP - KM - 95E350 GAS/DSL - FORD F5UZ-10849-B
	100138-01-000	EA	MODULE-DAYTIME RUNNING LIGHT
	108357-09-000	EA	SWITCH-ROCKER - SPDT ON/NONE/MOM 3 TERM. CARLING V5D1000B-0
	108357-06-000	EA	SWITCH-ROCKER - DPDT MOM/OFF/MOM 6 TERM. CARLING VLD1000B-0
	108356-02-01A	EA	SWITCH COVER W/ 2 DIMPLES - CARLING CCAZC00



## ELECTRICAL GROUP



### EXTERIOR LIGHTS

KEY	PART NUMBER	U/M	DESCRIPTION	VENDOR NO.
1	111102-01-000	EA	LAMP-MARKER - BASE - TRIPLEX 117XAS	
1	111102-02-000	EA	LENS-MARKER LAMP - AMBER - TRIPLEX 118A	
	036196-01-000	EA	BULB-12V - #194 - .27AMP - BAYONETTE	
2	097917-01-06A	EA	LIGHT-PORCH - BRIGHT WHITE - BARGMAN 30-78-531	
2	097917-01-700	EA	LENS-LIGHT - CLEAR	30-78-021
2	008215-01-000	EA	BULB-12V - #1003 - .94AMP	
	008089-02-000	EA	LIGHT-PORCH - RECESSED - CANADIAN	
2	008089-01-700	EA	LENS-LIGHT - PORCH - CSA	
2	008214-01-000	EA	BULB - 12V - N067 - .59AMP	
2	091981-01-000	EA	GASKET-PORCH LIGHT	
3	111102-01-000	EA	LAMP-MARKER - BASE - TRIPLEX 117XAS	
3	111102-03-000	EA	LENS-MARKER LAMP - RED - TRIPLEX 117R	
	036196-01-000	EA	BULB-12V - #194 - .27AMP - BAYONETTE	
4	081638-01-000	EA	TAILLIGHT-DOUBLE - W/BLACK TRIM - DRIVER & PASSENGER SIDE	
	037934-01-000	EA	BULB # 1156 (BACK UP & TURN SIGNAL)	
	037935-01-000	EA	BULB # 2057 OR #1157 (BRAKE LIGHT)	
4	081638-01-700	EA	LENS-TAILLIGHT - RED	30-84-010
	081638-01-701	EA	LENS-TAILLIGHT - W/BACKUP	30-84-700
4	008215-01-000	EA	BULB-12V - #1003 - .94AMP	
	103355-01-05A	EA	POD-TAILLIGHT - BRIGHT WHITE	
5	066432-03-000	EA	BRACKET-LICENSE PLATE - BARGMAN 30-60-030	
	066432-02-000	EA	LIGHT-LICENSE BLACK	

## ELECTRICAL GROUP (CONTINUED)

### FUSES & CIRCUIT BREAKERS

KEY	PART NUMBER	U/M	DESCRIPTION
	062901-02-000	EA	FUSE-5 AMPS - AUTOMOTIVE
	062901-05-000	EA	FUSE-15 AMPS - AUTOMOTIVE
	008235-01-000	EA	FUSE-AUTOMOTIVE - 12V - 15AMP
	100341-01-000	EA	FUSE HOLDER-IN LINE TYPE - WESCO 8931-92020
	093654-01-000	EA	CIRCUIT BREAKER 6 AMP 12V - USD 17406-4E12A2A
	093654-03-000	EA	CIRCUIT BREAKER-20A - 12V - USD 17420-4E12A2A
	083209-02-000	EA	CIRCUIT BREAKER 15/15AMP 120V BW H-15/15
	083209-03-000	EA	CIRCUIT BREAKER 15/20AMP 120V BW 0-15/20
	083209-04-000	EA	CIRCUIT BREAKER 30AMP 120V BW L-30
	083209-06-000	EA	CIRCUIT BREAKER 30/15 AMP 120V BW D-30/15
	093655-01-000	EA	CIRCUIT BREAKER 25AMP 12V USD 17425-4E03A2A
	093655-02-000	EA	CIRCUIT BREAKER 30AMP 12V USD 17430-4E03A2A
	108669-01-000	EA	HOUSING-AUTO FUSE HOLDER - PACKARD 12010105

### POWER CONVERTER & INVERTER

KEY	PART NUMBER	U/M	DESCRIPTION
	109171-01-000	EA	CONVERTER-40 AMP ELECTRONIC - MAGNETEK 7240X
	099048-02-000	EA	100 WATT INVERTER W/EXTRA SURGE CAPACITY
	113132-01-000	EA	LOAD CENTER-120/240V -60A - WESCO 2460SGNM

### ELECTRIC BOXES, COVERS & POWER CORDS

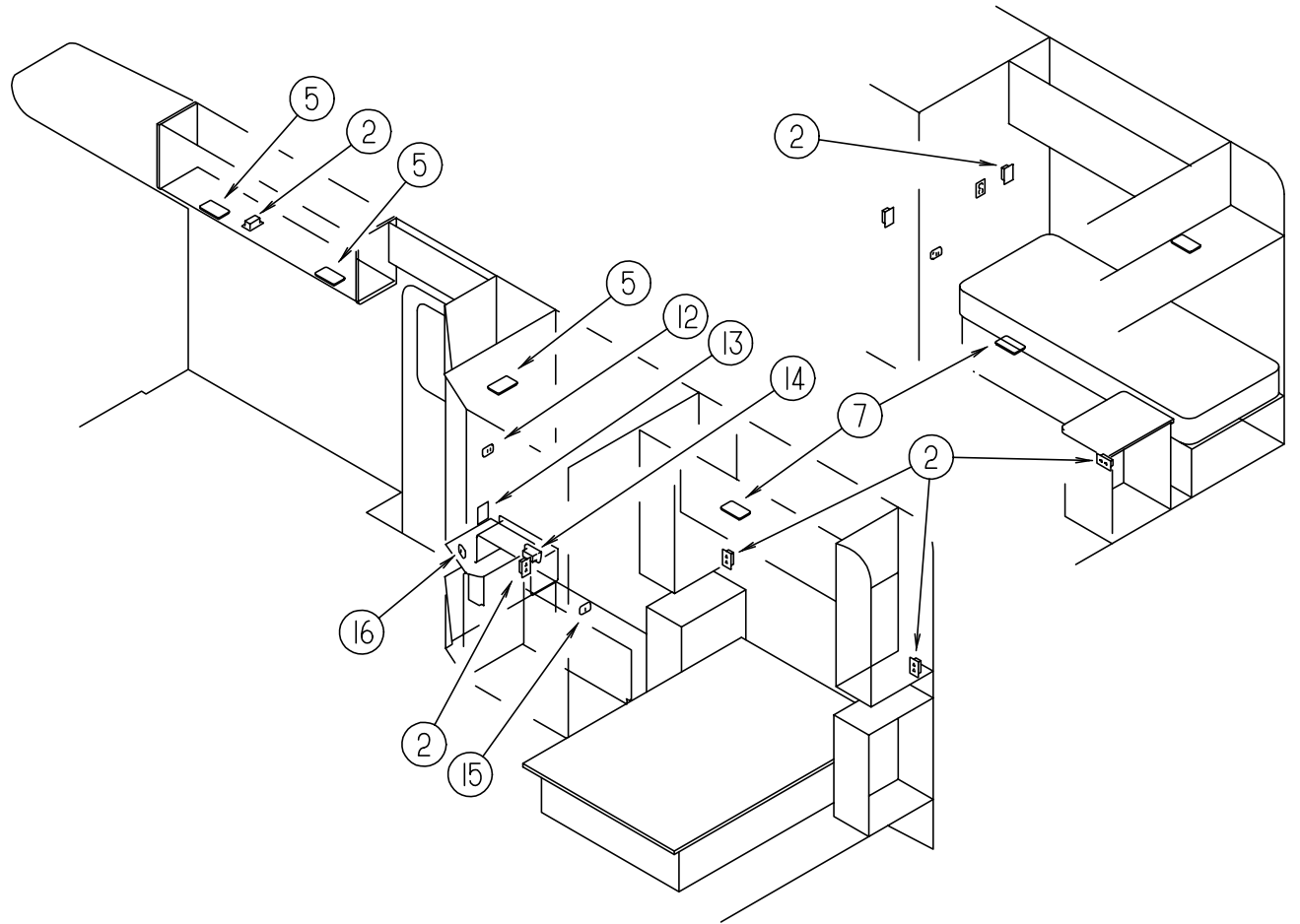
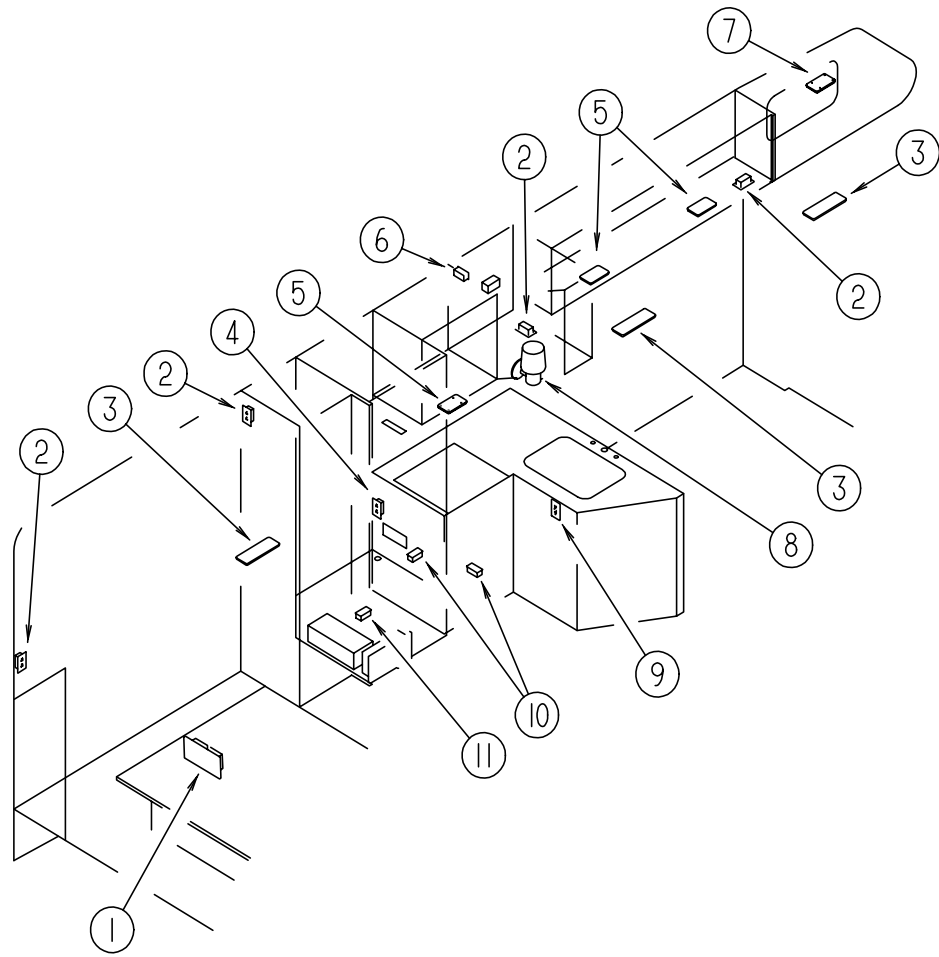
KEY	PART NUMBER	U/M	DESCRIPTION
	107165-01-01A	EA	BOX-CIRCUIT BREAKER MOUNT - 14.6" X 4" - BLACK PLASTIC
	107165-03-01A	EA	BOX-CIRCUIT BREAKER MOUNT BLACK
	008289-01-000	EA	BOX-ELECTRIC - STEEL - 1/2" AND 3/4" KNOCKOUTS - 4" X 4"
	008289-02-000	EA	BOX-ELEC. - 4" X 4" - W/1/2" & 3/4" KNOCKOUTS - CANADIAN
	091910-02-000	EA	BOX-ELECTRICAL - PLASTIC - 57 X 88 MM
	093257-02-000	EA	BOX-ELECTRIC - CIRCUIT BREAKER - B&W RV80-9
	093603-01-000	EA	BOX-ELECTRIC - 4" X 2 1/8" X 2 1/8" - STEEL
	008054-01-000	EA	CORD-POWER - 10/3 - 30 AMP - 25'
	008052-01-000	EA	CORD-POWER - 10/3 - 30 AMP - 25' - CANADIAN
	069238-01-000	EA	COVER-ELECTRICAL BOX - W/HOLE - 4" X 4" - GRAY
	008294-01-000	EA	COVER-ELECTRICAL BOX - BLANK/STEEL - 4" X 4" - GRAY

### RELAY HOUSING & SOLENOID

KEY	PART NUMBER	U/M	DESCRIPTION
	063910-01-000	EA	HOUSING-RELAY - BOSCH 3 334 485 008
	008188-01-000	EA	SOLENOID-3 POST - BATTERY CHANGE OVER
	086273-01-000	EA	RELAY-BATTERY DISCONNECT

## ELECTRICAL GROUP (CONTINUED)

### LIGHTS, SWITCHES & RECEPTACLES



KEY	PART NUMBER	U/M	DESCRIPTION	VENDOR NO.
1	024924-02-000	EA	RECEPTACLE-POWER CORD - W/PARTIAL PLATE	
2	058708-01-000	EA	RECEPTACLE-ELECTRIC - DOUBLE - BROWN	
2	058708-02-000	EA	RECEPTACLE-ELECTRIC - DOUBLE - IVORY	
	102568-01-E41	EA	SPACER-RECEPTACLE SIDEWALL	
3	098024-03-01A	EA	LIGHT-DOME - 2 BULB - IVORY	
3	008218-01-000	EA	BULB-DOME LIGHT - 12V - NUMBER 1141	
3	098024-01-700	EA	LENS-LIGHT	807877
4	058707-01-000	EA	RECEPTACLE-ELECTRIC - SINGLE - BROWN	
5	098024-01-01A	EA	LIGHT-DOME - 1 BULB - US - IVORY	
5	008218-01-000	EA	BULB-DOME LIGHT - 12V - NUMBER 1141	
5	098024-01-700	EA	LENS-LIGHT	807877
6	058708-05-000	EA	RECEPTACLE-SINGLE -BROWN - WIRECON WDR15BRS	
7	104173-01-01A	EA	LIGHT-DESIGNER - BRASS - #81-905	
7	104173-01-700	EA	BULB	81900
8	065202-24-000	EA	LAMP-WALL - BRASS UL/CSA - GUSTAFSON OV-531	
8	065201-12-000	EA	SHADE-LAMP - FABRIC - WHITE SWIRL	
9	084076-01-000	EA	RECEPTACLE-GFI - 15A - 125V - IVORY	
9	097734-01-02A	EA	EXTENSION-RECEPTACLE - 3.2" X 5" X .7" - PLASTIC - BROWN	
10	058707-02-000	EA	RECEPTACLE-BLANK - JUNCTION - WIRECON WDJ20BR	
11	058707-01-000	EA	RECEPTACLE-ELECTRIC - SINGLE - BROWN	
11	058707-02-000	EA	RECEPTACLE-BLANK - JUNCTION - WIRECON WDJ20BR	
12	098351-06-01A	EA	PLATE-SWITCH - 2 GANG W/LABEL - JENSEN - POLISHED BRASS	
12	079364-01-000	EA	SWITCH-ON/OFF ROCKER - 2 PRONGS - BROWN	
12	095188-01-01A	EA	SPACER-SWITCH - 2.3" X 3.4" - PLASTIC - DARK BROWN	
	098351-05-01A	EA	PLATE-SWITCH - 3 GANG - POLISH BRASS - W/LABEL - JENSEN	
	079364-01-000	EA	SWITCH-ON/OFF ROCKER - 2 PRONGS - BROWN	
	095188-02-01A	EA	SPACER-SWITCH - 2.3" X 4.1" - PLASTIC - DARK BROWN	

KEY	PART NUMBER	U/M	DESCRIPTION
13	098351-07-01A	EA	PLATE-SWITCH - GENERATOR SWITCH - JENSEN-BRASS - POLISH
13	108357-06-000	EA	SWITCH-ROCKER - DPDT MOM/OFF/MOM 6 TERM. CARLING VLD1000B-0
13	108356-11-01A	EA	ACTUATOR-SWITCH GROOVES III - CARLING VVCZCXX-SW1
14	112822-01-01A	EA	RECEPTACLE-DUPLEX - IVORY - WIRECON WDRU15IV
14	112824-01-03A	EA	COVER-EXTERIOR DUPLEX RECEPTACLE - WHITE - P&S 3780-SC-WH
15	098351-01-01A	EA	PLATE-SWITCH - 1 GANG - POLISHED BRASS - JENSEN
15	079364-01-000	EA	SWITCH-ON/OFF ROCKER - 2 PRONGS - BROWN
16	098351-01-01A	EA	PLATE-SWITCH - 1 GANG - POLISHED BRASS - JENSEN
16	095188-01-01A	EA	SPACER-SWITCH - 2.3" X 3.4" - PLASTIC - DARK BROWN
	086280-01-000	EA	LIGHT-SURFACE MOUNT - 12V - JENSEN 1236
	086280-01-700	EA	BULB - 12V
	087202-01-000	EA	SWITCH-4 POSITION - W/KNOB
	108355-01-000	EA	HOUSING-SWITCH - CARLING VCH
	108356-07-01A	EA	SWITCH COVER W/ 2 DIMPLES - CARLING VVAZCXX-XWB
	108357-08-000	EA	SWITCH-ROCKER - DPDT ON/NONE/ON 6 TERM. CARLING VDD1S00C-0
	108356-07-01A	EA	SWITCH COVER W/ 2 DIMPLES - CARLING VVAZCXX-XWB
	108356-11-01A	EA	ACTUATOR-SWITCH GROOVES III - CARLING VVCZCXX-SW1
	081994-06-000	EA	PLATE-SWITCH - AUXILIARY START
	117806-01-000	EA	BULB-12V NO. 912 1.0 AMPS
	067479-01-000	EA	BULB-12V - NUMBER 1076

## ELECTRICAL GROUP (CONTINUED)

### CONDUIT, CONNECTORS, HOUSINGS & TERMINALS

KEY	PART NUMBER	U/M	DESCRIPTION
	077479-01-000	EA	BOOT-BATTERY TERMINAL - DOUBLE CABLE
	077479-02-000	EA	BOOT-BATTERY TERMINAL - SINGLE CABLE
	087949-01-000	EA	BUSS BAR-2 POSITION - .6' X 1.5" - ALUMINUM
	041953-01-000	FT	CONDUIT-CONVOLUTE SLIT - .5"ID
	041953-03-000	FT	CONDUIT-CONVOLUTE SLIT - 1" ID (CLOTHES ROD COVER)
	041953-05-000	FT	CONDUIT-CONVOLUTE SOLID - .62" ID
	041953-06-000	FT	CONDUIT-CONVOLUTE - SLIT - .375" ID
	041953-07-000	FT	CONDUIT-CONVOLUTE - SLIT - .25" ID
	041953-08-000	FT	CONDUIT-CONVOLUTE - SLIT - 1.50" ID
	041953-09-000	FT	CONDUIT-CONVOLUTE - SLIT - .50" ID
	041953-10-000	FT	CONDUIT-CONVOLUTE - SLIT - .75" ID
	041953-12-000	FT	CONDUIT-CONVOLUTE - NON SLIT - 1.1" ID
	008355-01-000	EA	CONNECTOR-CABLE CLAMPING - 3/4"
	058028-01-000	EA	CONNECTOR-ELECTRICAL PIGTAIL - NYLON - CLEAR
	088476-01-000	EA	SOCKET-CONNECTOR - BRASS - PRE-TIN
	088476-02-000	EA	SOCKET-CONNECTOR - 12-10 GA - PHOS. BRONZE - PRE-TIN
	008356-01-000	EA	CONNECTOR-PLASTIC - 3/8" AVG
	088476-01-000	EA	SOCKET-CONNECTOR - BRASS - PRE-TIN
	088476-02-000	EA	SOCKET-CONNECTOR - 12-10 GA - PHOS. BRONZE - PRE-TIN
	008311-01-000	EA	CONNECTOR-WIRE NUT - INSULATED - RED
	008313-01-000	EA	CONNECTOR-WIRE NUT - INSULATED - YELLOW
	008314-01-000	EA	CONNECTOR-WIRE NUT - INSULATED - GRAY
	088473-03-000	EA	HOUSING-PIN - 9 CAVITY - AMP 1-480706-0
	088473-05-000	EA	HOUSING-PIN - 6 CAVITY - AMP 640585-1
	088473-06-000	EA	HOUSING-PIN - 6 CAVITY - AMP 1-480704-0
	088473-07-000	EA	HOUSING-PIN - 5 CAVITY - AMP 1-480763-0
	088473-08-000	EA	HOUSING-PIN - 4 CAVITY - AMP 1-480702-0
	088473-09-000	EA	HOUSING-PIN - 3 CAVITY - AMP 1-480700-0
	088473-10-000	EA	HOUSING-PIN - 2 CAVITY - AMP 1-480698-0
	088474-02-000	EA	HOUSING-SOCKET - 12 CAVITY - AMP 1-480711-0
	088474-03-000	EA	HOUSING-SOCKET - 9 CAVITY - AMP 1-480707-0
	088474-06-000	EA	HOUSING-SOCKET - 6 CAVITY - AMP 1-480705-0
	088474-07-000	EA	HOUSING-SOCKET - 5 CAVITY - AMP 1-480764-0
	088474-08-000	EA	HOUSING-SOCKET - 4 CAVITY - AMP 1-480703-0
	088474-09-000	EA	HOUSING-SOCKET - 3 CAVITY - AMP 1-480701-0
	088474-10-000	EA	HOUSING-SOCKET - 2 CAVITY - AMP 1-480699-0
	007956-05-000	EA	INSULATOR-SHRINK .25IDX1.50 - BLACK
	080015-02-000	EA	RECEPTACLE-FLAG - .185 - 16/14 GA - AMP 3
	080015-03-000	EA	RECEPTACLE-FLAG - .250 - 14/16 GA
	008326-01-000	EA	TERMINAL-RING - 16/14 WIRE - 3/8" STUD
	008328-01-000	EA	TERMINAL-RING - 12/10 WIRE - #10 STUD FIT
	008331-01-000	EA	TERMINAL-RING -TONGUE - #4 WIRE - 3/8" STUD - COPPER
	008348-01-000	EA	TERMINAL-RING - 3/8" STUD - #2 WIRE
	035416-04-000	EA	TERMINAL-RING #10 STUD FIT - INSULATED BARREL #16/14
	047443-01-000	EA	TERMINAL-.250 RECEPTACLE FIT - INSULATED - 16/14 AWG
	102777-02-000	EA	TERMINAL-RING #6 STUD - 10 AWG
	106655-01-000	EA	TERMINAL-FUSE BLOCK -14-16AWG - PACKARD 12020321
	106655-02-000	EA	TERMINAL-FUSE BLOCK -10-12AWG - PACKARD 12020400

### WIRING ASSEMBLIES

KEY	PART NUMBER	U/M	DESCRIPTION
	106851-01-000	EA	WIRE ASM-DAY RUN LAMP - FUSE
	097618-01-000	EA	WIRE ASM-MONITOR PANEL - W/3 WIRES & ORANGE RESISTOR- LVS
	096449-01-000	EA	WIRE ASSEMBLY-WATER TANK TO MONITOR PANEL
	116894-01-000	EA	WIRE ASM-SPEED SENSOR EXTEND - JFB L-322B
	073328-B4-000	EA	CABLE ASSEMBLY-BATTERY - W/TERMINALS
	090986-01-000	EA	WIRE ASM-ELECTRIC STEP - KWIKEE 9009
	105306-01-000	EA	WIRE ASM-MONITOR PANEL ADAPT

## EXTERIOR BODY GROUP

### FIBERGLASS, STYROFOAM & ALUMINUM CHANNEL

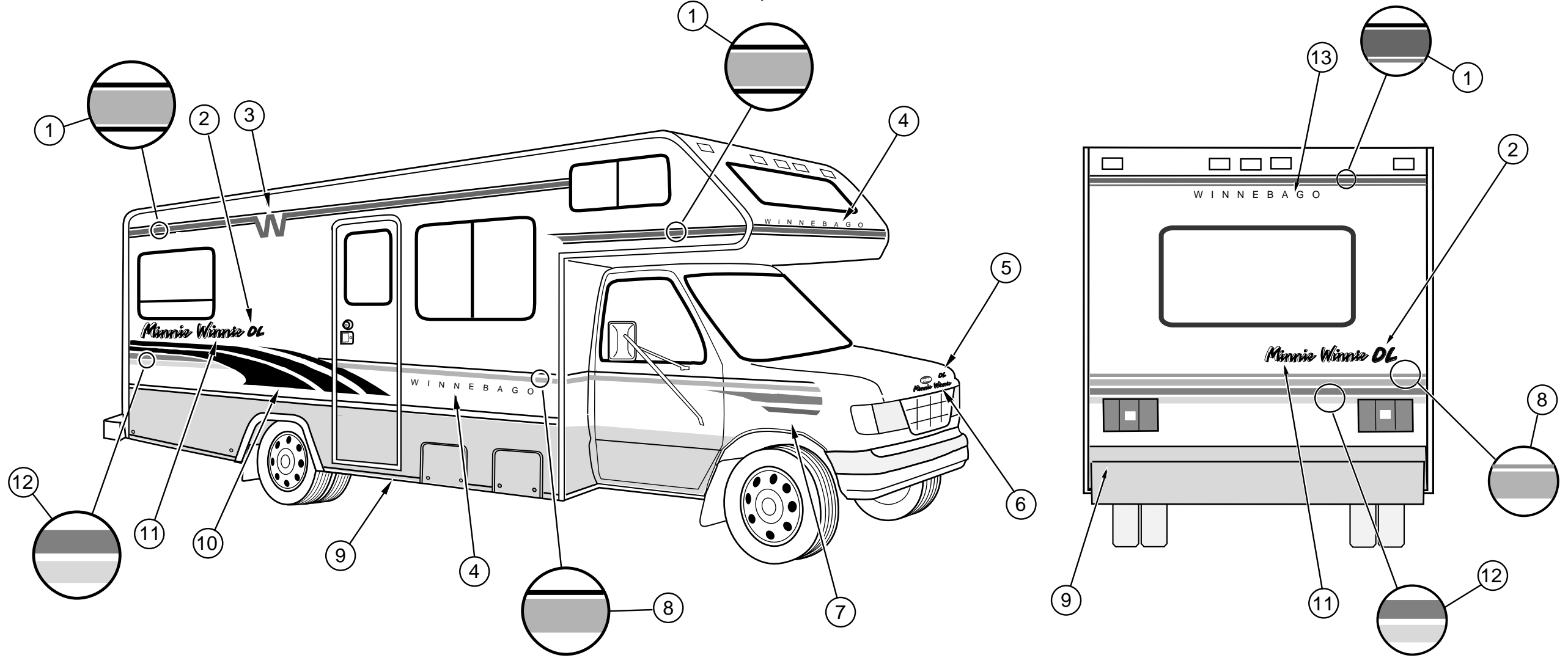
KEY	PART NUMBER	U/M	DESCRIPTION
	100619-01-000	BF	EXPANDED FOAM SHEET - 48" X 96" X 1.34"
	100619-02-000	BF	FOAM-EXPANDED POLYSTYRENE - 48"X96"X1.5"
	100619-04-000	BF	FOAM-EXPANDED POLYSTYRENE - EPS 48"X96"X.5
	100619-05-000	BF	FOAM-EXPANDED POLYSTYRENE - 48"X96"X.75"
	100619-13-000	BF	FOAM-EXPANDED POLYSTYRENE - 48"X96"X.34"
	117754-01-02A	EA	FIBERGLASS-SHEET - 320 X 2442 MM - BRIGHT WHITE
	077517-62-000	EA	SHEET-FIBERGLASS - 4' X 8' BRT. WHT., FLAT
	076054-P9-000	EA	FIBERGLASS SHEET - 37.4" X 99.25" BRIGHT WHITE
	076054-R1-000	EA	FIBERGLASS SHEET - 24" X 65.9" BRIGHT WHITE
	076054-S2-000	EA	FIBERGLASS SHEET - 106.3" X 320.9" BRIGHT WHITE
	076054-S3-000	EA	FIBERGLASS SHEET - 101.4" X 106.9" BRIGHT WHITE
	000870-08-000	SF	STYROFOAM - .75 X 48 X 96 - PLANED
	083574-06-000	SF	STYROFOAM - .75 X 48 X 108 - DOW TYPE SM
	068716-01-001	EA	BRACE-90 DEGREE L-ANGLE - 192" - EXTRUDED ALUMINUM
	033381-17-001	FT	STEEL-TUBE 16GA 1.5 X 1.5 X 192.00 - HOT FORMED ASTM A50
	002726-01-001	EA	GARNISH-U-CHANNEL - 1.38" X 19' - SERRATED - MILL ALUMINUM
	002766-01-001	EA	ANGLE-EXTRUDED - 1" X 1.5" X 17'
	089297-01-000	SF	PLYWOOD-LUAN - OVERLAY GRADE - 4' X 8'

### RUNNING BOARDS

KEY	PART NUMBER	U/M	DESCRIPTION
	106461-06-01A	EA	RUNNING BD-FORD RH BRT WHT - METRO COM RB-1102ZC
	106461-07-01A	EA	RUNNING BD-FORD LH BRT WHT - METRO COM RB-1102ZC
	106461-04-000	EA	TRIM-RUNNING BOARD FORD - QUALITY SET/2
	106461-05-000	EA	NON SKID STRIP-RUNNING BOARD - QUALITY SET/6
	106461-03-000	EA	HARDWARE-KIT RUNNING BOARD - QUALITY

## EXTERIOR BODY GROUP (CONTINUED)

### DECALS, STRIPES & PAINT



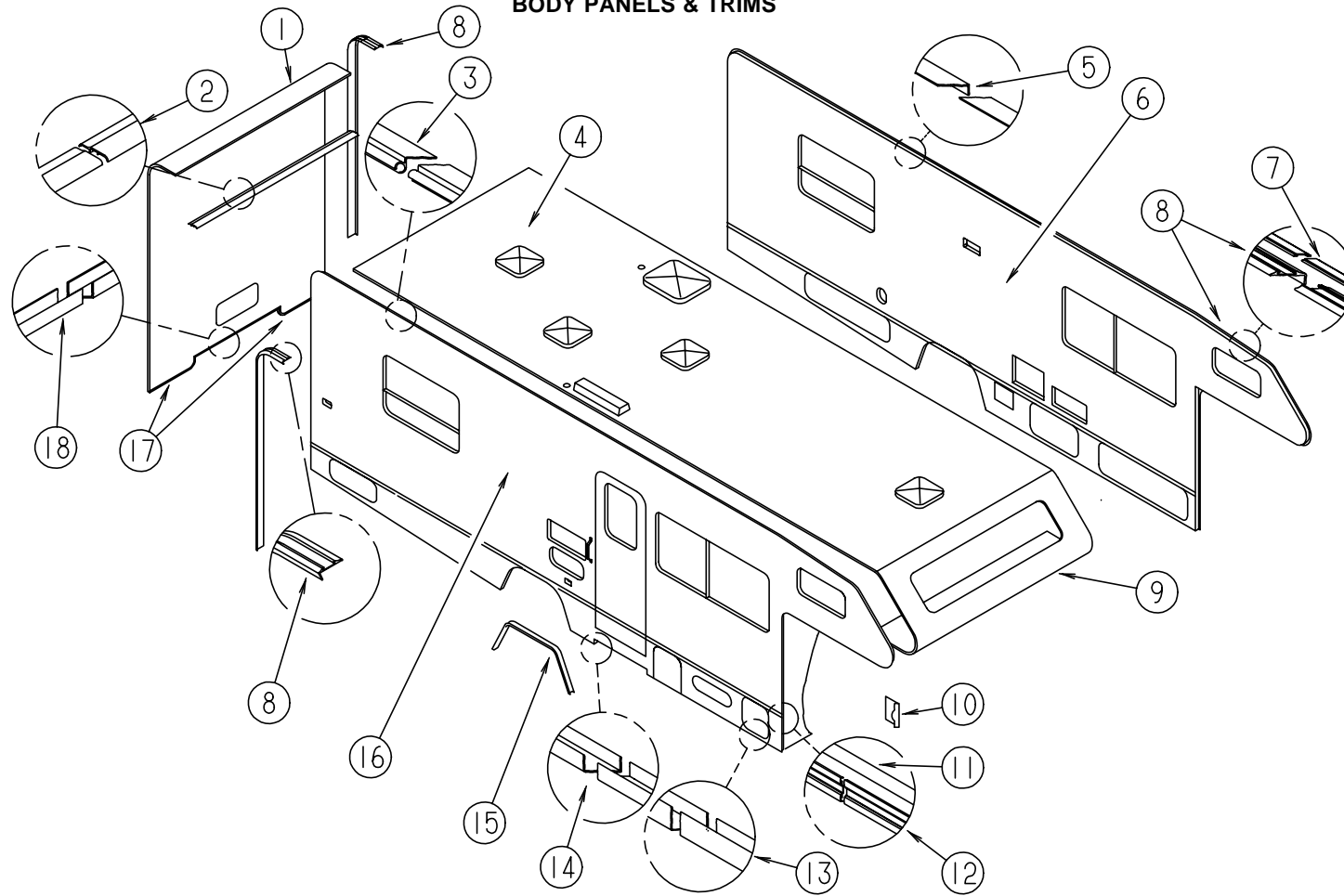
KEY	PART NUMBER	U/M	DESCRIPTION
1	094443-33-01A	FT	FILM-MULTISTRIPE 100.0 MM X 150' - SEA MIST/MED BLUE/FUSCHIA
2	106002-01-07A	EA	DECAL-LOGO - DL - LARGE - BRIGHT WHITE/MED BLUE/SEA MIST
3	093691-08-02A	EA	DECAL-FLYING W - 184.2 HIGH - MED BLUE
4	110889-01-03A	EA	DECAL-LOGO - WINNEBAGO - MED BLUE
5	106002-02-07A	EA	DECAL-LOGO - DL - SMALL - BRIGHT WHITE/MED BLUE/SEAMT
6	105480-02-07A	EA	DECAL-LOGO - MINNIE WINNIE - BRIGHT WHITE/MED BLUE/SEA MIST
7	117001-01-01A	EA	DECAL-FENDER - PASSENGER - FUSCHIA/MED BLUE/SEA MIST/FUSCHIA
	117001-02-01A	EA	DECAL-FENDER - DRIVER - FUSCHIA/MED BLUE/SEA MIST/FUSCHIA
8	105781-41-01A	FT	FILM-MULTISTRIPE 62.3 MM X 150' - FUCHSIA/MED BLUE
9	099399-17-000	GL	PAINT-MED TITANIUM MET - DUPONT C9248
10	117000-01-01A	EA	DECAL-SWEEPS - PASSENGER - FUSCHIA/MED BLUE/SEA MIST
	117000-02-01A	EA	DECAL-SWEEPS - DRIVER - FUSCHIA/MED BLUE/SEA MIST
11	105480-01-09A	EA	DECAL-LOGO - MINNIE WINNIE - BRIGHT WHITE/MED BLUE/SEA MIST
12	105781-42-01A	FT	FILM-MULTISTRIPE 112.7MMX150 - MED BLUE/SEAMIST
13	110206-02-03A	EA	DECAL-WINNEBAGO - MED BLUE
	041561-03-000	EA	PAINT-16OZ SPRAY-OFF WHITE - ACRYLIC ENAMEL
	099399-23-700	EA	PAINT-SPRAY-BRT WHITE ENAMEL B8951U DUPONT

#### DUPONT COLOR CODES

OFF WHITE	L8723A
BRIGHT WHITE	B8951
MED BLUE	
SEAMIST BLUE	
FUCHIA	

## EXTERIOR BODY GROUP (CONTINUED)

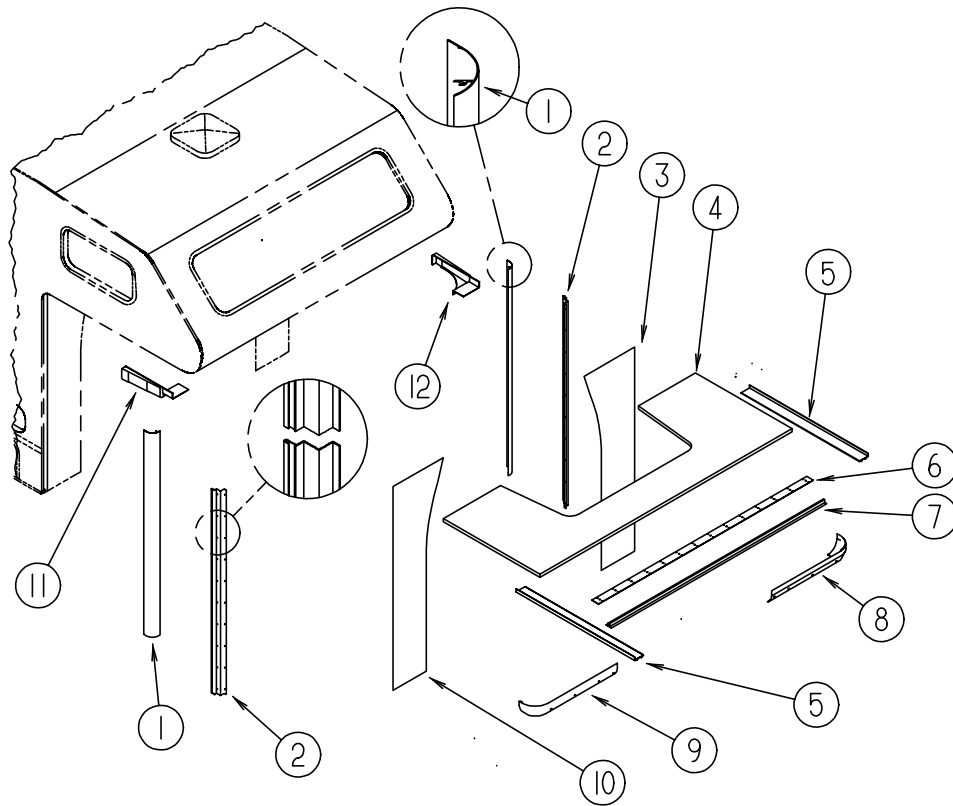
### BODY PANELS & TRIMS



KEY	PART NUMBER	U/M	DESCRIPTION
1	P18221-01-G07	EA	BACKWALL ASM (QUEEN)
1	P18221-01-G08	EA	BACKWALL ASM (QUEEN)
1	P18221-03-G07	EA	BACKWALL ASM (QUEEN)(HEAVY DUTY CHASSIS)
1	P18221-03-G08	EA	BACKWALL ASM (QUEEN)(HEAVY DUTY CHASSIS)
1	P18221-02-G07	EA	BACKWALL ASM (TWIN)
1	P18221-02-G08	EA	BACKWALL ASM (TWIN)
1	P18221-04-G07	EA	BACKWALL ASM (TWIN) (HEAVY DUTY CHASSIS)
1	P18221-04-G08	EA	BACKWALL ASM (TWIN) (HEAVY DUTY CHASSIS)
2	078580-02-000	EA	TRIM-ROOF TO BACKWALL/FRONT CAP - MILL FINISH
3	100483-02-02A	EA	TRIM-CONTOUR - ROOF BRIGHT WHITE - 133.9"
	099583-55-004	EA	AWNING RAIL - 3400 MM B/W
4	P18222-02-G07	EA	ROOF ASM 429WU DL
5	096864-02-02A	EA	TRIM-CONTOUR - ROOF - BRIGHT WHITE
6	P18220-02-G07	EA	SIDEWALL ASM-LEFT
6	P18220-02-G08	EA	SIDEWALL ASM-LEFT
6	P18220-04-G07	EA	SIDEWALL ASM-LEFT (HEAVY DUTY CHASSIS)
6	P18220-04-G08	EA	SIDEWALL ASM-LEFT (HEAVY DUTY CHASSIS)
7	105312-01-07A	FT	EXTR-INSERT - VINYL - BRIGHT WHT
8	096854-05-02A	EA	TRIM-CONTOUR - BRIGHT WHITE
9	M76177-01-700	EA	CAP-FRONT - OVERHEAD CAB TO FIRST SEAM OF ROOF

KEY	PART NUMBER	U/M	DESCRIPTION
10	108651-01-02A	EA	CAP-FEATURE STRIP - VW GRAY
	108651-01-01A	EA	CAP-FEATURE STRIP MILL
11	105312-01-07A	FT	EXTR-INSERT - VINYL - BRIGHT WHITE
12	108688-01-03A	EA	STRIP-FEATURE - BRIGHT WHITE - 4623MM
13	115517-55-001	EA	ROCKER PANEL - PRIMED EXTRUDED ALUM. 118.1" - LH/RH
	106106-01-02A	EA	CAP-END - ROCKER PANEL BRIGHT WHITE
	106106-02-02A	EA	CAP-END - ROCKER PANEL BRIGHT WHITE
14	105025-12-G07	EA	TRIM ASM-SIDEWALL
15	105100-01-02A	EA	TRIM-WHEELWELL BRIGHT WHITE
	105220-01-02A	EA	TRIM-WHEELWELL - REAR BLACK
16	P18219-02-G07	EA	SIDEWALL ASM-RIGHT
16	P18219-02-G08	EA	SIDEWALL ASM-RIGHT
16	P18219-04-G07	EA	SIDEWALL ASM-RIGHT (HEAVY DUTY CHASSIS)
16	P18219-04-G08	EA	SIDEWALL ASM-RIGHT (HEAVY DUTY CHASSIS)
	064675-54-003	EA	STL-ANG ROOF JOINT 1220 MM - OFF WHITE
	064675-54-004	EA	STL-ANG ROOF JOINT 0545 MM OFF WHITE
	064675-54-005	EA	STL-ANG ROOF JOINT 1575 MM OFF WHITE
17	103334-03-02A	EA	TRIM-BACKWALL - LOWER - BRIGHT WHITE
18	103335-02-02A	EA	TRIM-BACKWALL - LOWER - BRIGHT WHITE
	002726-01-001	EA	U-CHANNEL-GARNISH - 1" X 18' - SERRATED - MILL ALUMINUM
	002766-01-001	EA	ANGLE-EXTRUDED - 1" X 1.5" X 17' - ALUMINUM

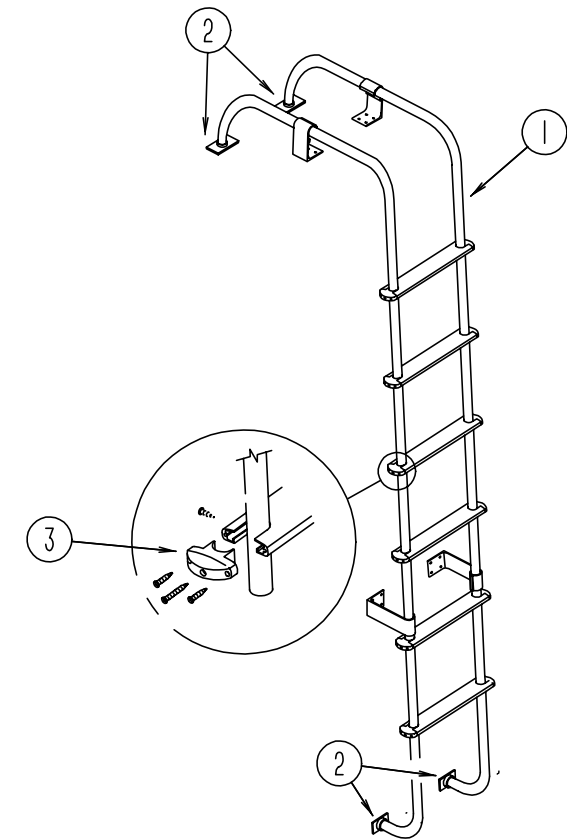
**EXTERIOR BODY GROUP (CONTINUED)**



**WINGWALL, SLEEPERBOARD & TRIM**

KEY	PART NUMBER	U/M	DESCRIPTION
1	108037-02-02A	EA	COVER - WINGWALL OUTER-CURVED BRIGHT WHITE ALUMINUM
2	105015-02-02A	EA	TRIM-WINGWALL/SIDEWALL INNER SUPPORT BRACKET - BRIGHT WHITE
3	106144-06-G07	EA	COVER ASM.-WINGWALL LOWER LH - W/SUPPORT - FORD
4	P18335-01-G04	EA	SLEEPERBOARD ASM
5	096854-05-02A	EA	TRIM-CONTOUR - BRIGHT WHITE
6	100086-04-01A	EA	TRIM - SLEEPER BOARD/ROOF - BRIGHT WHITE - 2" X 96.6"
7	100085-05-01A	EA	TRIM-STRAP - SLEEPERBRD O/W
8	106145-06-02A	EA	COVER ASM.- WINGWALL LOWER LH W/O SUPPORT - BRIGHT WHITE
9	106145-05-02A	EA	COVER ASM.- WINGWALL LOWER RH W/O SUPPORT - BRIGHT WHITE
10	106144-05-G07	EA	COVER ASM.- WINGWALL LOWER RH - W/SUPPORT -FORD
11	104444-01-02A	EA	COVER-WINGWALL TRIM - UPPER - PASSENGER - BRIGHT WHITE
12	104444-02-02A	EA	COVER-WINGWALL TRIM - UPPER - DRIVERS - BRIGHT WHITE

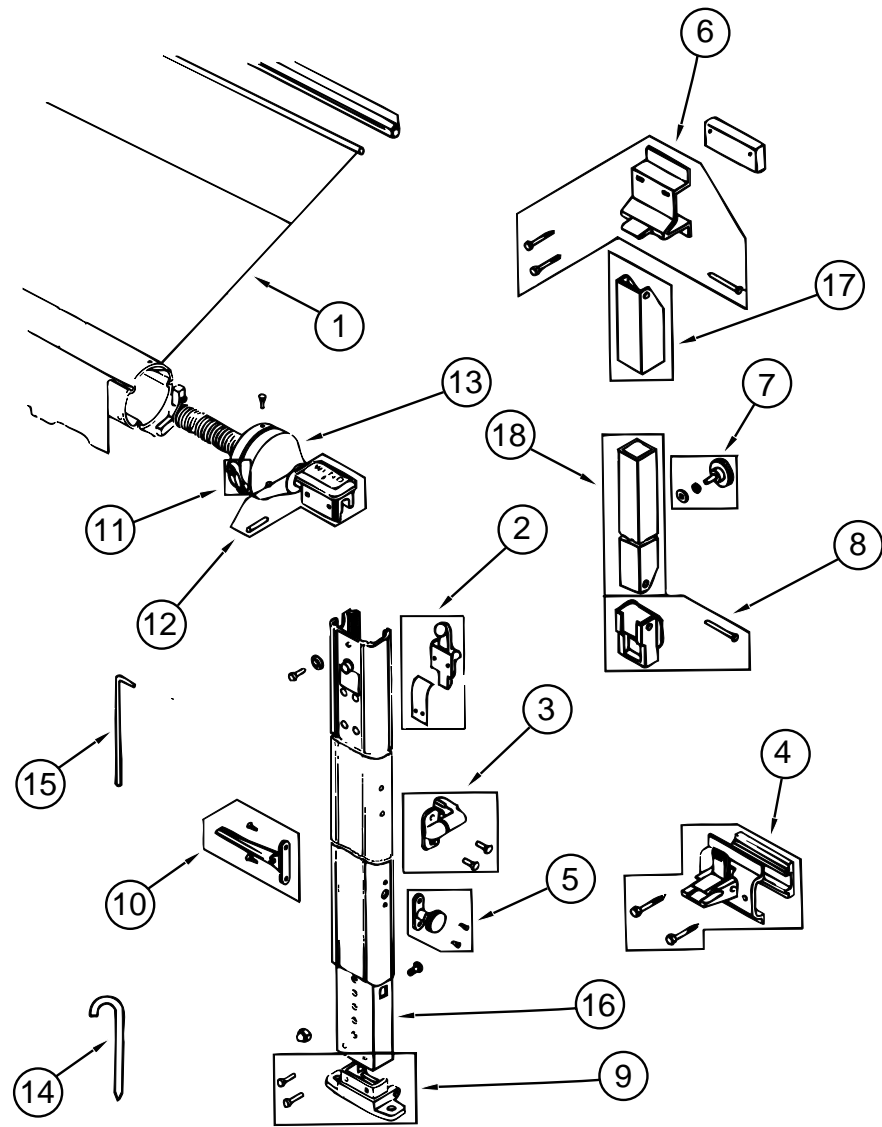
**EXTERIOR BODY GROUP (CONTINUED)**



**LADDER**

KEY	PART NUMBER	U/M	DESCRIPTION
1	102953-15-G04	EA	LADDER ASM
2	067165-01-000	EA	MOUNTING BRACKET-LADDER - LOWER
	000G39-06-10T	EA	SCREW-SF/DR - 6-20 X 5/8 PPH - BLACK
	000G68-10-36T	EA	SCREW-10-12 X 2.25 POH BLACK
3	076980-02-000	EA	END CAP-STEP - BLACK
	081114-01-000	EA	CAP-INSERT - ROUND - 1" DIAMETER - PLASTIC - BLACK
	038327-01-000	EA	TAPE-ANTI SLIP - 2" X 60'

**EXTERIOR BODY GROUP (CONTINUED)**



**AWNING & HARDWARE - FAULKNER**

KEY	PART NUMBER	U/M	DESCRIPTION	VENDOR NO.
1	110634-08-16A	EA	AWNING-ROLLER ASM - 14'	
	110634-02-04A	EA	AWNING-HARDWARE KIT - BRT WHT	
2	110634-01-700	EA	RAFTER LOCKING MECH KIT	7605-0001
3	110634-01-701	EA	SAFETY LATCH KIT	7509-0001
4	110634-01-702	EA	BRACKET KIT - BOTTOM	7512-0001
5	110634-01-703	EA	HANDLE KIT - HEIGHT CONTROL	7510-0001
6	110634-01-704	EA	BRACKET KIT - UPPER W/BOLTS	7505-0001
7	110634-01-705	EA	KNOB KIT-RAFTER - ULTRA	7508-0001
8	110634-01-706	EA	SLIDE KIT - RAFTER	
9	110634-01-707	EA	BRACKET-GROUND KIT	7511-0001
10	110634-01-708	EA	HANDLE-LIFT - W/RIVETS	7000-0001
11	110634-01-709	EA	HANDLE-RACHET KIT	7507-0001
12	110634-01-710	EA	CAP-ARM KIT	7503-0001
13	110634-01-711	EA	SPRING ASSEMBLY - FRONT	6598-0001
	110634-01-712	EA	SPRING ASSEMBLY REAR	6599-0001
	110634-01-713	EA	CAP KIT - REAR END	7504-0001
14	110634-01-714	EA	STAKE-(4 PER BAG)	5208-0001
15	110634-01-715	EA	WAND - PULL DOWN	7604-0001
16	110634-01-730	EA	ARM-INNER - FRONT - BRIGHT WHITE	1002-0071
	110634-01-731	EA	ARM-INNER -REAR - BRIGHT WHITE	1003-0071
17	110634-01-732	EA	RAFTER-OUTER - BRIGHT WHITE	1004-0071
18	110634-01-733	EA	RAFTER-INNER - BRIGHT WHITE	1005-0071
	111038-01-01A	EA	SPACER-AWNING -LOWER BLACK	

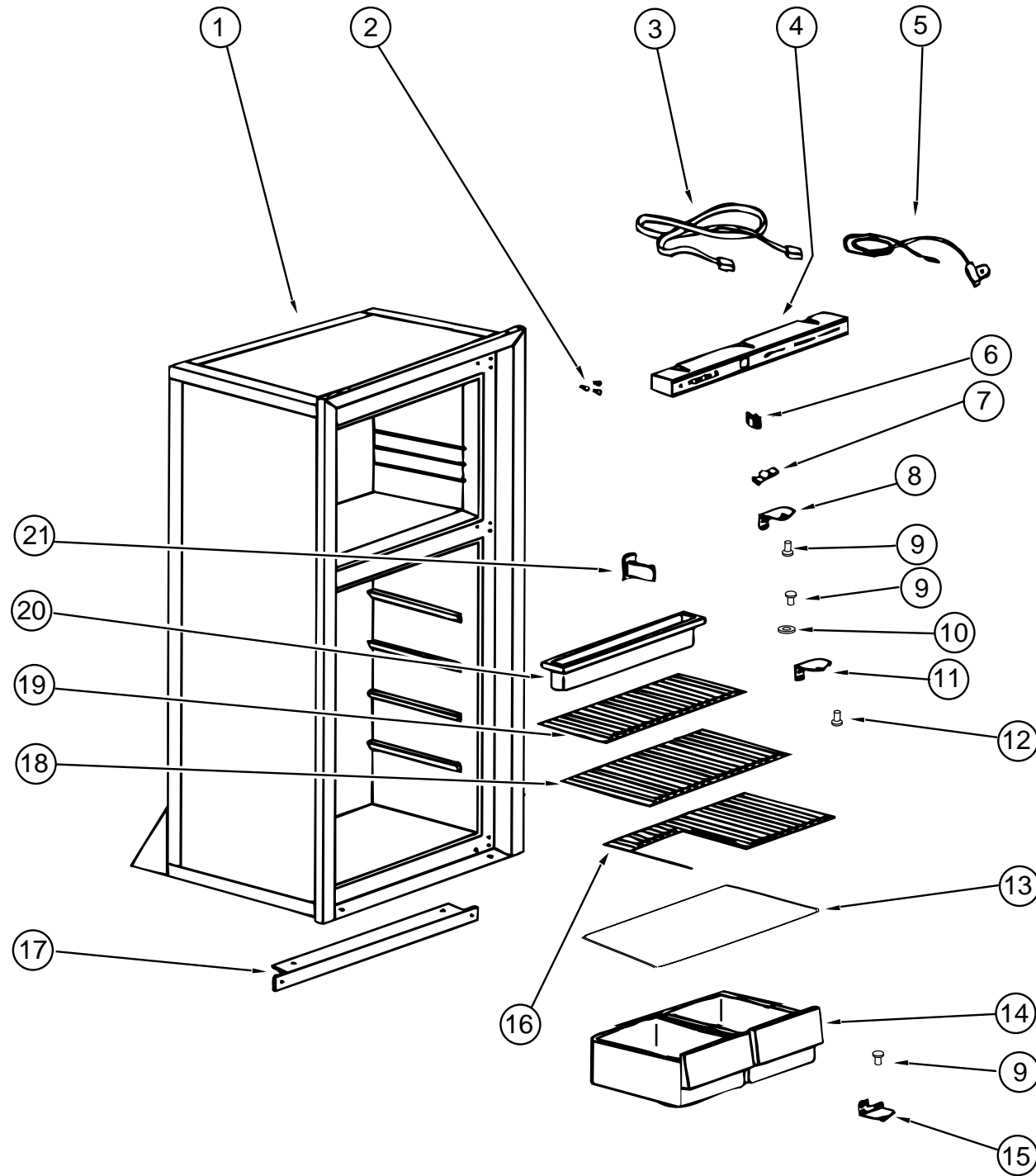
**EXTERIOR BODY GROUP (CONTINUED)**

**EXTERIOR MIRRORS - VELVAC**

KEY	PART NUMBER	U/M	DESCRIPTION	VENDOR NO.
	117051-03-02A	EA	MIRROR COMPLETE - WHITE 102 PASSENGER - EXTERIOR	
			FROM: 00-00-00 THRU: 08-13-95	
	117051-04-02A	EA	MIRROR COMPLETE - WHITE 102 DRIVERS - EXTERIOR	
			FROM: 00-00-00 THRU: 08-13-95	
	106860-02-702	EA	GLASS-FLAT, REPL. L&R STAR	702086-8
	117051-01-700	EA	MIRROR-CONVEX	723068-4
	120269-03-01A	EA	MIRROR COMPLETE PASSENGER 102 BRIGHT WHITE	
			FROM: 08-14-95 THRU: 99-99-99	
	120269-04-01A	EA	MIRROR COMPLETE DRIVER 102 BRIGHT WHITE	
			FROM: 08-14-95 THRU: 99-99-99	
	120269-01-700	EA	GLASS KIT EXT. W/BEZEL RT&LT	709407-8
	120269-05-01A	EA	MIRROR COMPLETE PASSENGER 102 HEATED/REMOTE BRT/WHT	
	120269-06-01A	EA	MIRROR COMPLETE DRIVERS 102 HEATED/REMOTE BRT/WHT	
	120269-05-701	EA	MIRROR-GLASS REPAACEMENT - RT & LT	709411-8
	120269-07-01A	EA	PANEL-DRIVERS DOOR MIRROR CONTROL W/SWITCHES & PIGTAIL	
	120269-08-000	EA	HARNESSE-ELECT MIRROR - VELVAC 748304-8	

# GALLEY GROUP

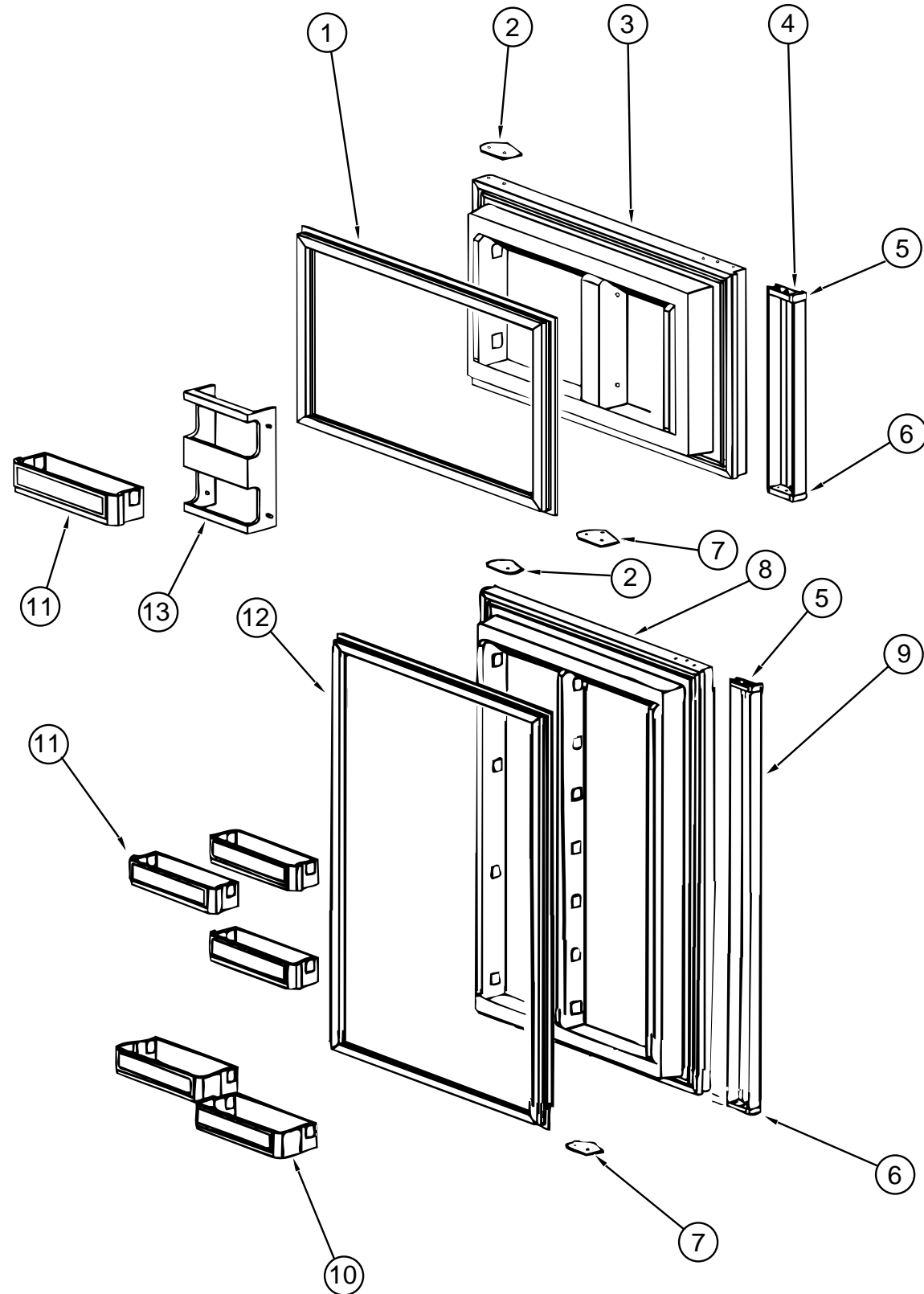
## REFRIGERATOR CABINET AND COMPONENTS



KEY	PART NUMBER	U/M	DESCRIPTION	VENDOR NO.
1	104138-05-01A	EA	REFRIG SMALL DBL DOOR 2-WAY - NORCOLD 6162 LH BL	
2	094039-01-722	EA	PLUG-HOLE - BLACK	61582030
3	084880-01-746	EA	CABLE-PC BD TO POWER SUPPLY	61571522
4	104137-06-700	EA	SHELL-EYEBROW.2-WAY - W/HUM	61726622
4	094039-04-701	EA	SHELL-EYEBROW - 2-WAY W/O HUM	61669822
5	084880-01-753	EA	THERMISTER-78" W/O CLIP	61693822
6	075217-01-738	EA	SWITCH-HUMIDITY	61525922
7	084880-01-760	EA	CLIP (THERMISTER)	61689122
8	094039-01-723	EA	BRACKET-HINGE - TOP RH-BOTTOM LH	61580830
9	094039-01-725	EA	PIN-HINGE - BLACK	61578130
	084880-03-702	EA	PIN-HINGE - TOP/BOTTOM - FEMALE	61580630 - BLACK
10	084880-01-749	EA	BUSHING-HINGE	61580722
11	094039-01-728	EA	BRACKET-HINGE - CENTER BLACK	61566530
12	094039-01-730	EA	PIN-HINGE - CENTER - BLACK	61566730
13	084880-01-722	EA	COVER-CRISPER - GLASS	61564122
14	104137-06-707	EA	CRISPER - WHITE	61571325
15	094039-01-724	EA	BRACKET-HINGE - TOP LH-BTM RH	61580930
16	104137-06-730	EA	SHELF-BOTTOM - W/CUTOUT WHITE	618055
17	094039-01-732	EA	TRIM-FRONT LOWER - BLACK	61622130
18	104137-06-729	EA	SHELF-MIDDLE - WHITE	618052
19	104137-06-725	EA	SHELF-SHORT - WHITE - W/O RISER	618059
20	094039-01-735	EA	TRAY-DRIP - WHITE	61572830
21	084880-01-732	EA	LATCH	61578522
	094039-01-736	EA	SWITCH-LIGHT - BLACK	61581022
	104138-04-701	EA	CABINET-BLACK TRIM & WHITE INT	61725038
	104137-06-728	EA	SHELF W/RISER - WHITE	618062
	104137-06-727	EA	SHELF-FREEZER - WHITE	618057
	104137-02-700	EA	CHANNEL-CONTROL MODULE	61717037
	117089-01-000	EA	DRAIN HOSE-REFRIGERATOR TRAY	
	054450-01-000	EA	LEVEL-REFRIGERATOR	
	065225-02-000	EA	PLATE-TIEDOWN - REFRIGERATOR	
	093646-01-000	EA	BRACKET ASM-TIEDOWN - REFRIGERATOR	
	093646-02-000	EA	BRACKET-TIEDOWN - REFRIGERATOR	
	116751-06-01A	EA	TRAY-REFRIGERATOR BLACK	



### GALLEY GROUP (CONTINUED)



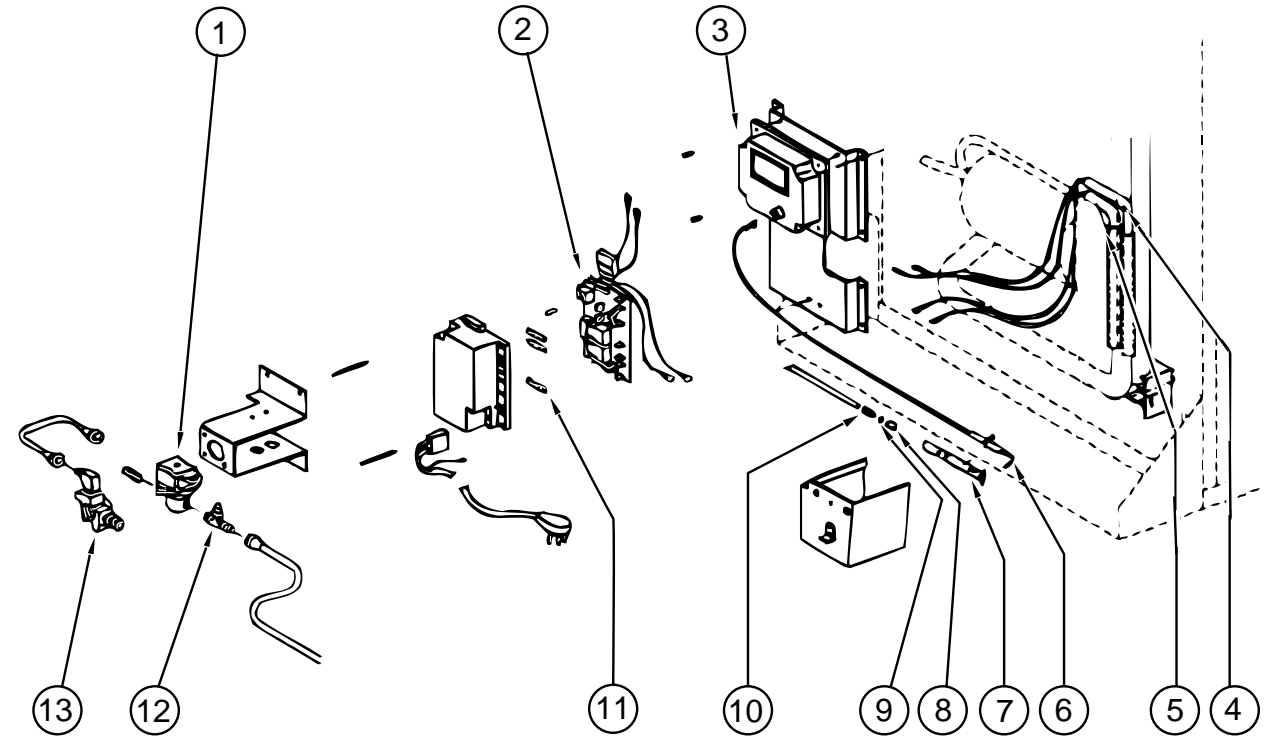
REFRIGERATOR DOOR - NORCOLD

KEY	PART NUMBER	U/M DESCRIPTION	VENDOR NO.
1	094039-01-702	EA GASKET (GRAY) UPPER	61567830
2	094039-01-710	EA PLATE-HINGE - RIGHT TOP - LEFT BOTTOM - BLACK	61631330
3	094039-01-706	EA LINER-UPPER DOOR - WHITE/BLACK	61581838-B
4	094039-01-708	EA HANDLE-UPPER DOOR ASM. BLACK	61650038
5	084880-01-720	EA SPRING (FOR DOOR HANDLE)	61558822
6	084880-01-761	EA CAP-END - CATCH - UPPER - BLACK	61593730
7	084880-01-740	EA CAP-END - STOP CATCH - LOWER BLACK	61593830

### GALLEY GROUP (CONTINUED)

REFRIGERATOR DOOR - NORCOLD (CONTINUED)

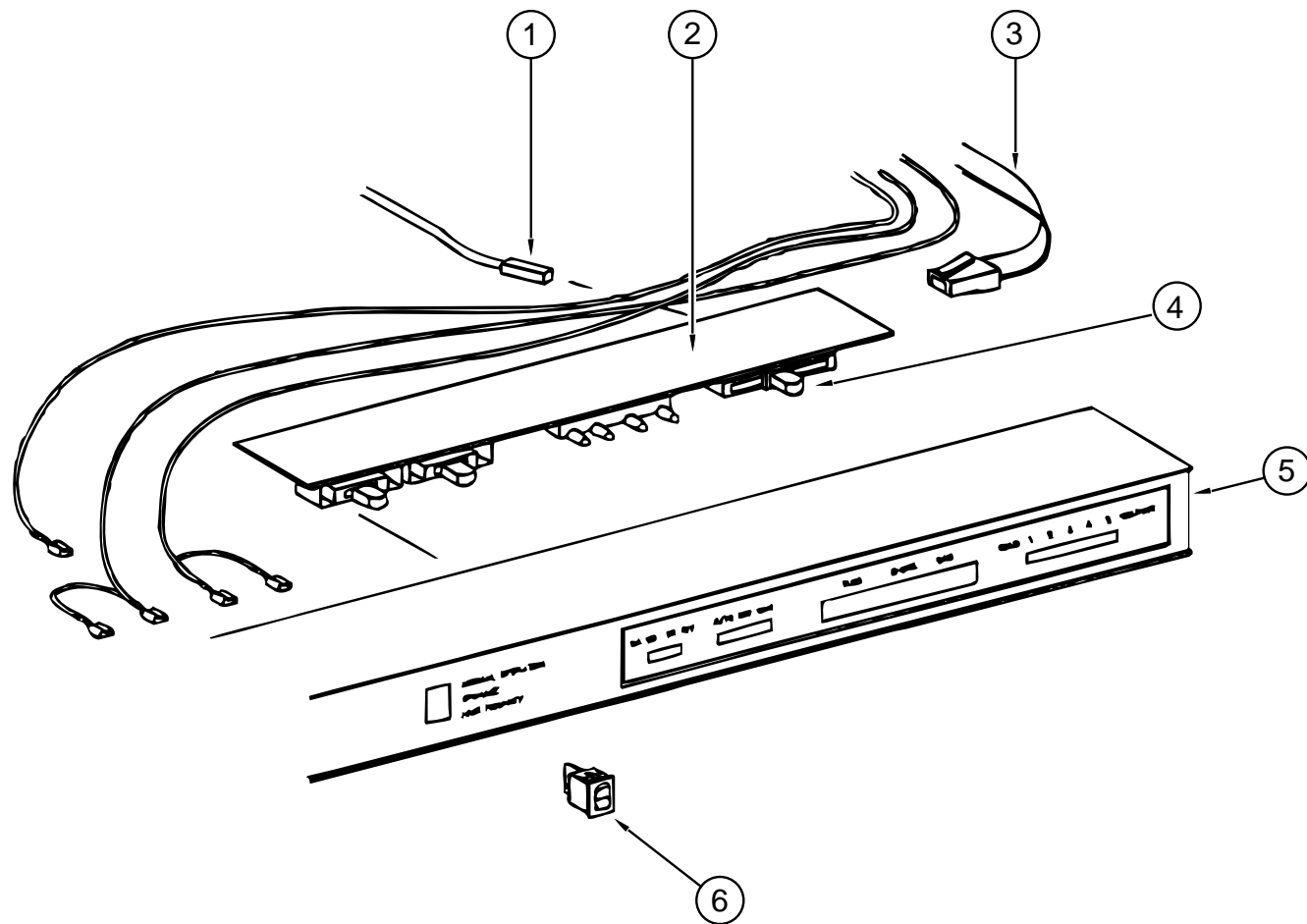
KEY	PART NUMBER	U/M DESCRIPTION	VENDOR NO.
7	094039-01-704	EA PLATE-HINGE - TOP LEFT - RIGHT BOTTOM BLACK	61631430
8	094038-01-702	EA LINER-DOOR - LOWER (BLACK/WHITE)	61581938-B
9	094038-01-704	EA HANDLE-DOOR - LOWER ASM BLACK	61650138
10	104137-06-704	EA BIN-MILK - WHITE	61579425
11	104137-06-703	EA BIN-DOOR SHELF - WHITE	61564025
12	094038-01-700	EA GASKET-LOWER - GRAY	61567930
13	104137-06-702	EA RACK-JUICE - WHITE	61580525
	103251-02-01A	EA INSERT-ACRYLIC BLACK - 19.53" X 16.06"	
	103251-03-01A	EA INSERT-ACRYLIC BLACK - 19.53 X 32.20	



REFRIGERATOR CONTROL CENTER - NORCOLD

KEY	PART NUMBER	U/M DESCRIPTION	VENDOR NO.
1	084880-01-718	EA VALVE-GAS - (ASCO)	61551822
2	094039-04-702	EA POWER SUPPLY (2 WAY)	61647422
3	104137-02-700	EA CHANNEL CONTROL MODULE	61717037
4	088248-01-710	EA HEATER DC (HORIZONTAL)	61562822
5	088248-01-709	EA HEATER-AC (HORIZONTAL)	61562722
6	104137-06-715	EA ELECTRODE-SPARK/SENSOR - SGL	61692222
7	104137-06-714	EA BURNER ASSEMBLY - 5-SLOT	61705222
8	084880-01-705	EA ORIFICE	61452222
9	104137-06-713	EA GASKET-ORIFICE	61475122
10	104137-06-712	EA FITTING-GAS - TUBE CONNECTION	61692722
11	104137-06-711	EA FUSE-5 AMP	61611622
12	104137-06-710	EA TAP-PRESSURE	61594422
13	104137-06-709	EA VALVE-SHUT OFF - MANUAL	61694922
	084879-03-700	EA COIL-COOLING - F/HORIZ-BURNER	61687240

**GALLEY GROUP (CONTINUED)**



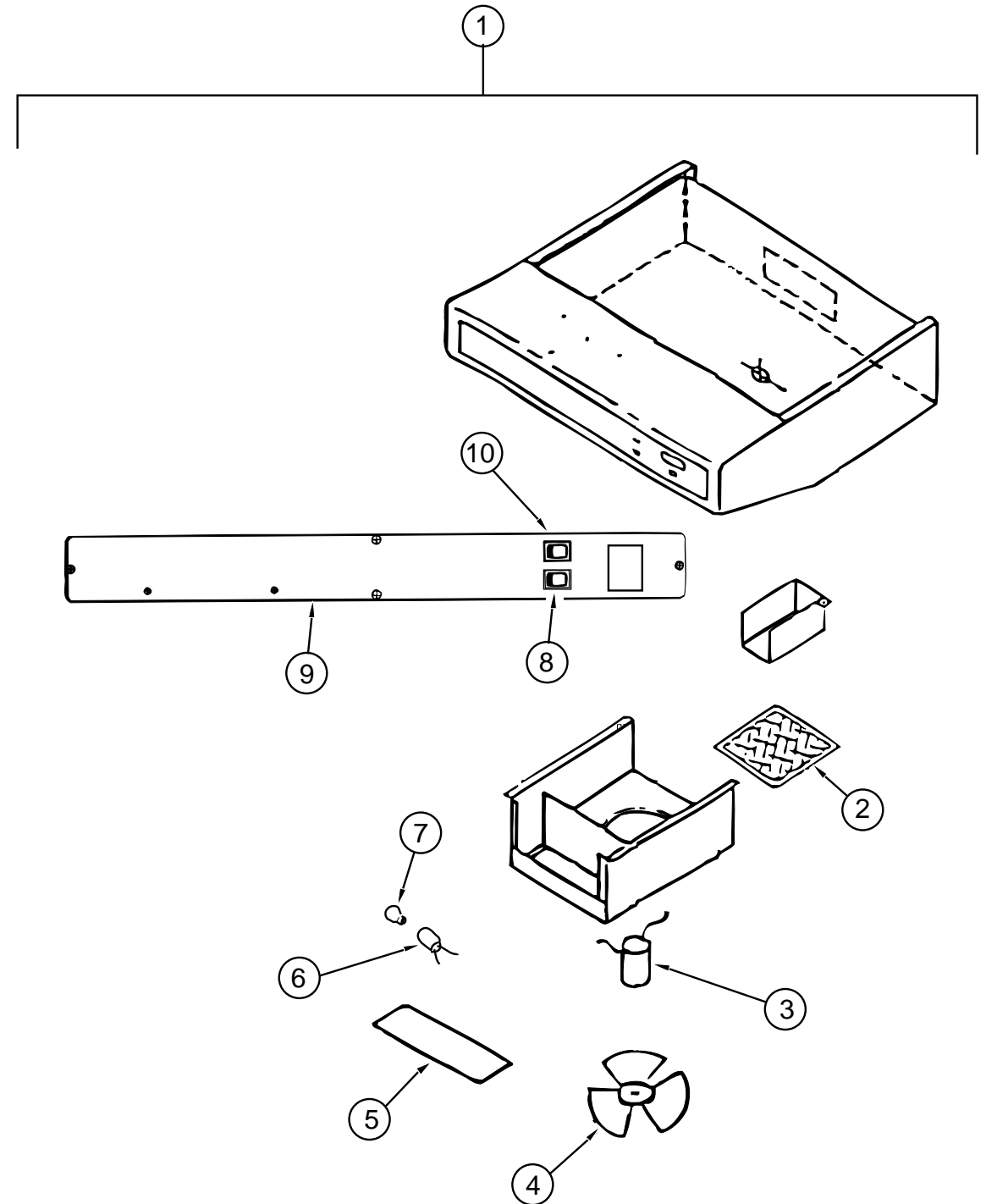
**EYEBROW ASSEMBLY - NORCOLD**

KEY	PART NUMBER	U/M	DESCRIPTION	VENDOR NO.
1	084880-01-753	EA	THERMISTER 78"	61697822
	084880-01-760	EA	CLIP - THERMISTER	61689122
2	094039-04-700	EA	PRINTED CIRCUIT BOARD - 2 WAY	61647322
3	084880-01-746	EA	CABLE	61571522
4	102621-01-703	EA	BUTTON-THERMOSTAT - ADJUSTABLE	61587422
5	104137-06-700	EA	EYEBROW SHELL - 2-WAY - W/ HUMIDITY SWITCH HOLE	61669822
5	094039-04-701	EA	EYEBROW SHELL - 2-WAY - W/O HUMIDITY SWITCH HOLE	61726622
6	075217-01-738	EA	SWITCH-HUMIDITY	61525922

**MICROWAVE**

KEY	PART NUMBER	U/M	DESCRIPTION	VENDOR NO.
	115303-01-000	EA	MICROWAVE OVEN- 14 1/8"H X 21 7/8"H X13 1/4"D	
	115303-01-700	EA	TRIM F/VENT - TOP	2100309
	115401-01-01A	EA	TRIM-MICROWAVE - BLACK	
	098916-14-01A	EA	BRACE-MICROWAVE CABT E-COAT	
	098916-15-01A	EA	BRACE-MICROWAVE CABT E-COAT	
	094750-07-000	EA	BRACKET-MICROWAVE - 89 DEGREE	
	094756-02-01A	EA	BRACKET-L - MICROWAVE - 6.1" LONG X 3.9" WIDE - STEEL - TAN	

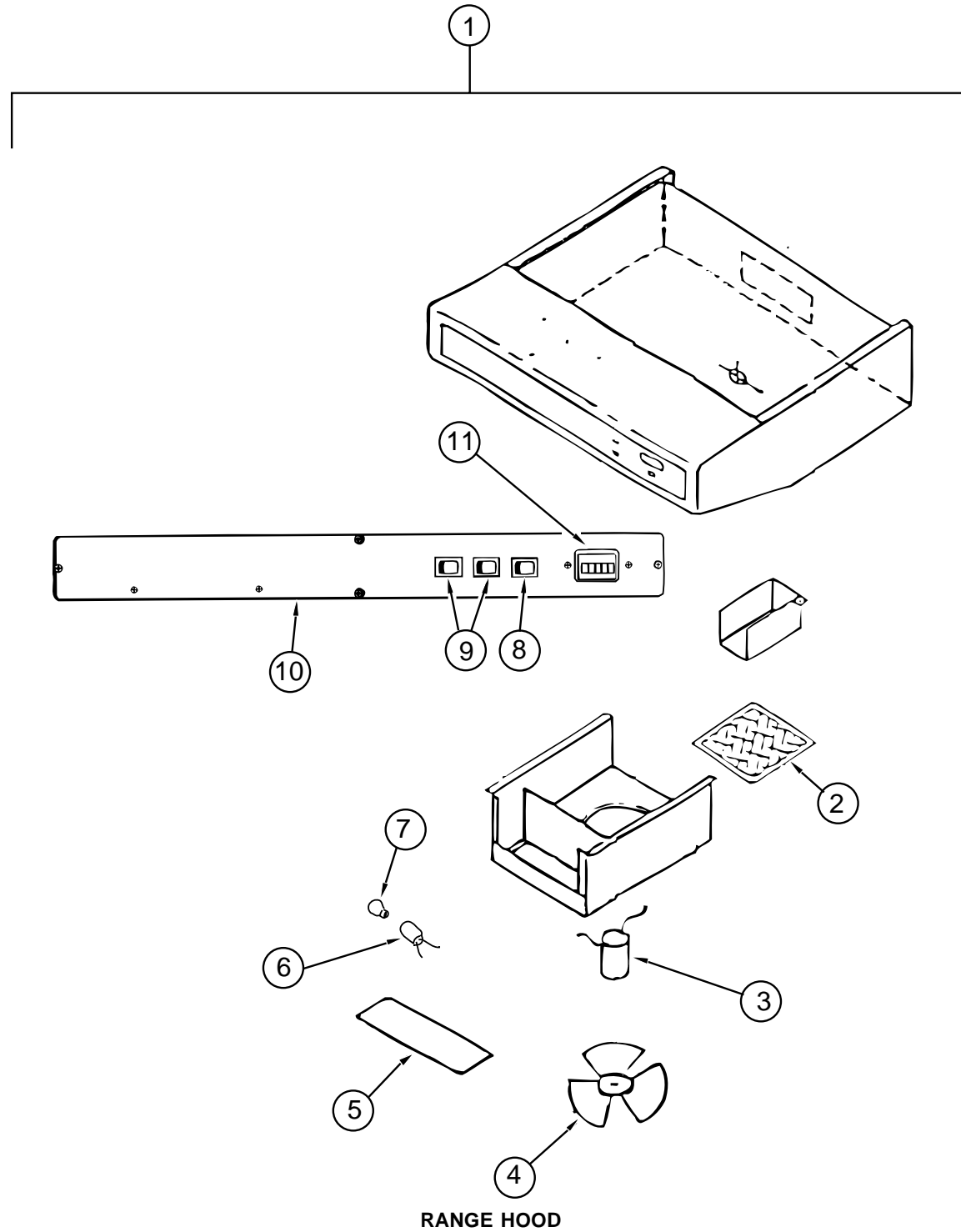
**GALLEY GROUP (CONTINUED)**



**RANGE HOOD**

KEY	PART NUMBER	U/M	DESCRIPTION	VENDOR NO.
1	100258-16-04A	EA	HOOD-RANGE W/O MONT PNL TEX - VENT TCS-5008-NBDLG	
2	096983-01-707	EA	FILTER-MESH	CC246
3	090973-01-700	EA	MOTOR-12 VOLT - CSA & UL	CA508-1
4	090973-01-702	EA	BLADE-FAN	VA183-1
5	092696-02-701	EA	LENS-LAMP	CC179-2
6	092696-01-710	EA	HOLDER-LAMP	CB267-2
7	117806-01-709	EA	BULB-12V NO.912 1.0 AMPS	
8	096983-01-700	EA	SWITCH-ON/OFF	108
9	100258-01-700	EA	LABEL-HOOD NOSE	CC428
10	096983-01-702	EA	SWITCH-MOM/OFF/MOM - 3 TERM	112
	100258-10-01A	EA	GAUGE-HOUR METER W/SWITCH - SCREW ON STYLE	

**GALLEY GROUP (CONTINUED)**



**RANGE HOOD**

KEY	PART NUMBER	U/M DESCRIPTION	VENDOR NO.
1	100258-22-03A	EA HOOD-RANGE 22 W/MONT PNL TEX - *VENT TMS-5012-SBDLG	
2	096983-01-707	EA FILTER-MESH	CC246
3	090973-01-700	EA MOTOR-12 VOLT - CSA & UL	CA508-1
4	090973-01-702	EA BLADE-FAN	VA183-1
5	092696-02-701	EA LENS-LAMP	CC179-2
6	092696-01-710	EA HOLDER-LAMP	CB267-2
7	092696-01-709	EA LAMP #912	VA415
7	117806-01-709	EA BULB-12V NO.912 1.0 AMPS	
8	092696-01-702	EA RESISTER-WIRE	L7314
9	096983-01-700	EA SWITCH-ON/OFF	108
10	100258-01-700	EA LABEL-HOOD NOSE	CC428
11	100258-10-01A	EA GAUGE-HOUR METER W/SWITCH - SCREW ON STYLE	

**GALLEY GROUP (CONTINUED)**

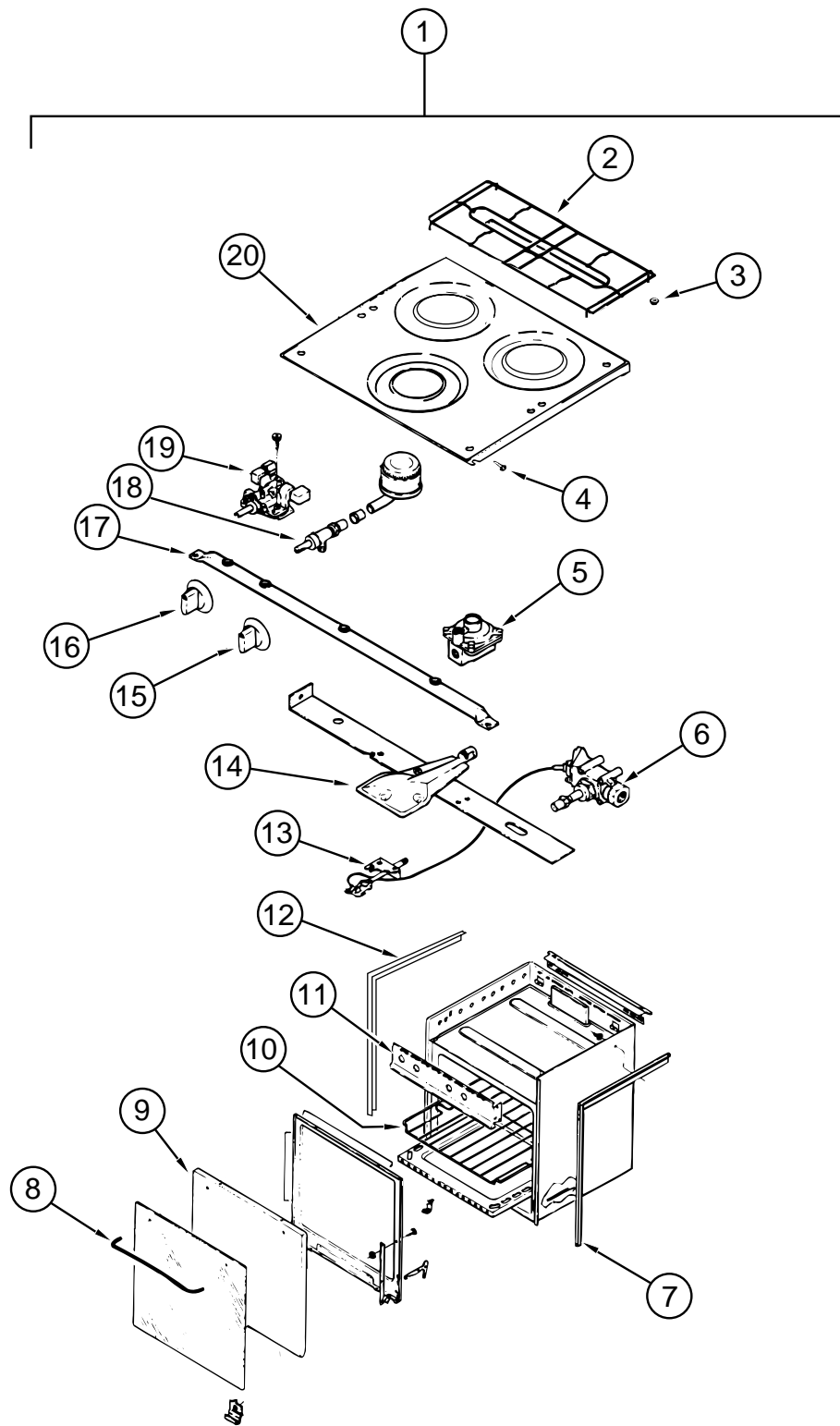
**RANGE HOOD (CONTINUED)**

KEY	PART NUMBER	U/M DESCRIPTION	VENDOR NO.
	100258-11-700	EA BOARD-CIRCUIT	L5099-01
	100258-12-700	EA PANEL-CONTROL ASSEMBLY	LA9076
	096983-01-702	EA SWITCH-MOM/OFF/MOM - 3 TERM	112
	096983-01-703	EA SWITCH-ON/ON	115
	092696-01-701	EA KNOB-PLASTIC	CC 225
	100258-04-701	EA BEZEL-SWITCH LEVER	CC116
	100258-04-702	EA SWITCH-LEVER - W/CABLE	CB547-1
	096983-02-700	EA FASTNER-PUSH	VB430
	096983-02-701	EA CLAMP-CONDUIT	VB334

**COFFEE MAKER - BLACK & DECKER**

KEY	PART NUMBER	U/M DESCRIPTION	VENDOR NO.
	103799-01-02A	EA MAKER-COFFEE - GRAY - W/GLASS POT	FROM: 00-00-00 THRU: 04-07-96
	103799-02-01A	EA COFFEEMAKER WITH CLOCK - WHITE - *BLK&DKR SDC2B	FROM: 04-08-96 THRU: 99-99-99
	103799-01-700	EA POT-CARAFE - GLASS	679420
	103799-01-701	EA BRACKETS - WHITE PAIR	164734-06

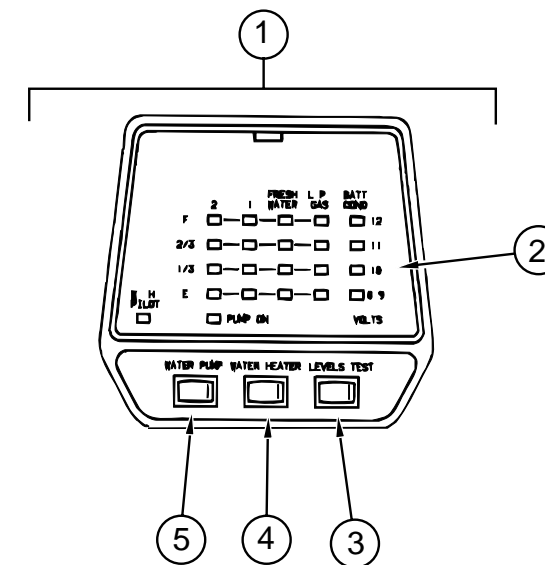
## GALLEY GROUP (CONTINUED)



KEY	PART NUMBER	U/M	DESCRIPTION	VENDOR NO.
1	112881-01-02A	EA	RANGE-16" 3 BURNER BLACK - M'CHEF 16RB-3BZ	
2	102020-01-711	EA	GRATE-TOP	7518P012-60
3	102020-01-709	EA	BUMPER-GRATE	8007-P020-60
4	102020-01-724	EA	BUMPER-MAIN TOP	8003P008-60
5	102022-01-708	EA	REGULATOR - 1/4 & 1/2 OUT	7510P041-60
6	112881-01-702	EA	VALVE-MERCURY (SAFETY VALVE)	7501-P121-60
7	112881-01-708	EA	TRIM-FLAT (RIGHT) (BLACK)	3608W036-70
8	102020-01-701	EA	HANDLE - DOOR	7701P092-60
9	112881-01-714	EA	PANEL-OVEN DOOR - GLASS	2401F114-70
10	102020-01-700	EA	SHELF-OVEN	7801-P027-60
11	112881-01-701	EA	PANEL-MANIFOLD	2616F091-70
12	112881-01-707	EA	TRIM-FLAT (LEFT) (BLACK)	3608W035-70
13	112881-01-710	EA	OVEN PILOT	7505P202-60
14	112881-01-711	EA	BURNER-OVEN	3403W025045
15	112881-01-705	EA	KNOB-TOP BURNER	7733P072-60
16	112881-01-704	EA	KNOB-THERMOSTAT	7731P067-60
17	112881-01-709	EA	PIPE-MANIFOLD	7513P097-60
18	102020-01-722	EA	VALVE-TOP BURNER	7502P181-60
18	112881-01-703	EA	VALVE-TOP BURNER HI-OUTPUT	7502P180-60
19	112881-01-706	EA	THERMOSTAT	12400026
20	112881-01-712	EA	RANGE TOP-MAIN BLACK	740101486
	112881-01-715	EA	THERMOSTAT - REF. SER. # 3C	7515P037-60
	112881-01-716	EA	KNOB - THERMOSTAT-SER# 3C	7731P107-60
	112881-01-718	EA	KNOB - HIGH OUTPUT (FLAME IND)	74001794
	105458-01-000	EA	TIEDOWN BRACKET - STOVE - RH	
	105458-02-000	EA	TIEDOWN BRACKET - STOVE - LH	

## GALLEY GROUP (CONTINUED)

### RANGE - MAGIC CHEF

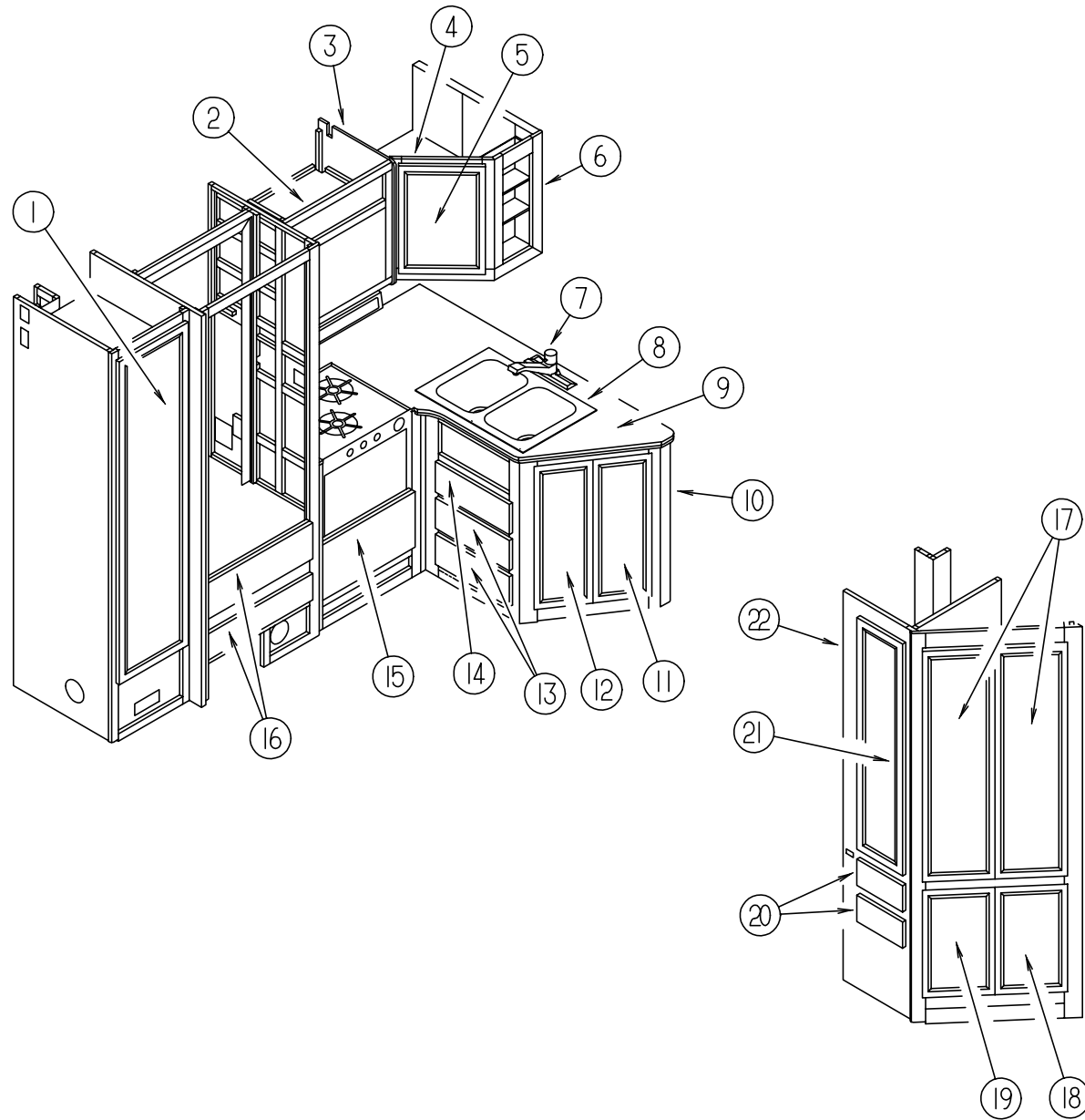


### MONITOR PANEL - LVS

KEY	PART NUMBER	U/M	DESCRIPTION	VENDOR NO.
1	102765-04-01A	EA	PANEL-MONITOR - W/PLUG - FOR 2 TANKS & WATER HEATER - LVS	
2	102765-04-700	EA	BOARD-CIRCUIT - 2 HOLDING TANK	5076-11
3	097617-01-702	EA	SWITCH (ALMOND)	107
4	097617-01-701	EA	SWITCH-ON/OFF - ALMOND	106
5	102765-01-700	EA	SWITCH-ON-ON - ALMOND	110-01
	097618-01-000	EA	WIRE ASM-MONITOR PANEL - W/4 WIRES & BLACK RESISTOR - LVS	

## GALLEY GROUP (CONTINUED)

### CABINETS & FIXTURES



KEY	PART NUMBER	U/M	DESCRIPTION
1	M06803-E7-G07	EA	DOOR-RAIL - MTRD/OG 0410 X 1660
2	115956-01-G07	EA	CABINET ASM-MICROWAVE
3	109908-21-F08	EA	CAP ASM-END - OVHD
4	P14876-01-F08	EA	CABINET ASM-OVHD - GALLEY
5	114876-11-F08	EA	SHELF ASM
5	M06803-E8-G07	EA	DOOR-RAIL - MTRD/OG 0275 X 0365
6	114875-01-F08	EA	CABINET ASM-SPICE RACK
7	098335-03-F09	FT	RAIL-GALLEY - 1020 (G07)
7	104114-02-01A	EA	FAUCET-GALLEY - SGL CONTROL 20PL1038-8" CHROME
8	104113-01-000	EA	SINK-SST - DOUBLE
9	092303-01-000	EA	STRAINER-SINK
9	103610-01-F09	EA	COVER ASM-SINK
9	118428-13-G25	EA	COUNTERTOP ASM
10	M07554-01-G07	EA	CABINET ASM-GALLEY W/COUCH
10	M07554-02-G07	EA	CABINET ASM-GALLEY W/DINETTE
11	M06803-E5-G07	EA	DOOR-RAIL - MTRD/OG 0255 X 0750
12	M06803-E6-G07	EA	DOOR-RAIL - MTRD/OG 0255 X 0750
13	M05971-J4-G07	EA	DRAWER COMPL-SLIDE OGEE
14	M05971-J3-G07	EA	DRAWER COMPL-SLIDE OGEE
15	M05971-E7-G07	EA	DRAWER COMPL-SLIDE OGEE
16	M05971-L9-G07	EA	DRAWER COMPL-SLIDE OGEE
17	090329-01-000	FT	SEAL-T - REFRIGERATOR CABINET - .6" WIDE TOP X 2" TAIL
17	M06803-66-G07	EA	DOOR-RAIL - MTRD/OG 0305 X1220
18	M06803-D7-G07	EA	DOOR-RAIL - MTRD/OG 0305 X 0555
19	M06803-D6-G07	EA	DOOR-RAIL - MTRD/OG 0305 X 0555
20	M05971-J1-G07	EA	DRAWER COMPL-SLIDE OGEE
21	M06803-E9-G07	EA	DOOR-RAIL - MTRD/OG 0305 X 1220
22	114308-01-G07	EA	CABINET ASM-PANTRY
	114308-12-F08	EA	SHELF ASM (3 USED)
	114308-15-F08	EA	SHELF ASM (2 USED)
	114308-15-F08	EA	SHELF ASM

## GENERATOR GROUP

### 4 KW ONAN GAS GENERATOR

KEY	PART NUMBER	U/M	DESCRIPTION
	109982-03-000	EA	GENERATOR - 4.0 MICROLITE - ONAN# KY-FA/2600 B
	109982-04-000	EA	GENERATOR-3.6 MICROLITE - ONAN KY-FA/26120 B
	109982-05-000	EA	GENERATOR-3.3 MICROLITE - ONAN KY-FR/26119 B
	118248-01-02B	EA	BRACKET ASM-GENERATOR - E-CT
	118248-02-02B	EA	BRACKET ASM-GENERATOR - E-CT
	007067-01-000	SF	INSULATION-FIBERGLASS - 1" THICK X 4' - INCREMENTS OF 4 SF
	105958-09-000	EA	PIPE-EXHAUST - GENERATOR
	007125-04-000	EA	CLAMP-MUFFLER - 1.1" DIA

**NOTE: ADDITIONAL GENERATOR COMPONENTS ARE FOUND IN THE CHASSIS GROUP.**

## HEATING & AIR CONDITIONING GROUP

### HEATING SYSTEM

KEY	PART NUMBER	U/M	DESCRIPTION
	093741-01-000	EA	BOX-BOOT - FLOOR REGISTER
	089367-02-000	EA	TEE-4 X 2 X 4 INCH
	069636-02-000	EA	CONNECTOR-DUCT - 4" ID - SUBURBAN 050715
	009198-01-000	FT	DUCT-HEAT - FLEXIBLE - 4" ID X 25 FT
	009198-02-000	FT	DUCT-FLEXIBLE-2" ID X 25 FT
	093614-01-02A	EA	GRILLE-RETURN AIR - DURA BEIGE
	079059-01-000	EA	HOSE - 90 DEGREE - 5/8" ID X 4" X 36"
	007108-01-000	FT	HOSE-HEATER - 5/8" ID - HI-TEMP - FORD ESE-M2D192-A
	094600-05-01A	EA	REGISTER-HEAT - W/O DAMPER - LIMA 41 - DURA-BEIGE
	056464-09-000	EA	REGISTER-4IN DIA - PLASTIC
	056464-10-000	EA	REGISTER-W/O DAMPER - 4" DIAMETER - DURA-BEI
	009200-01-000	EA	TAPE-FURNACE - 1 1/2"
	008042-01-000	FT	TUBING-VINYL - .65" ID

### REAR HEATER - EVANS

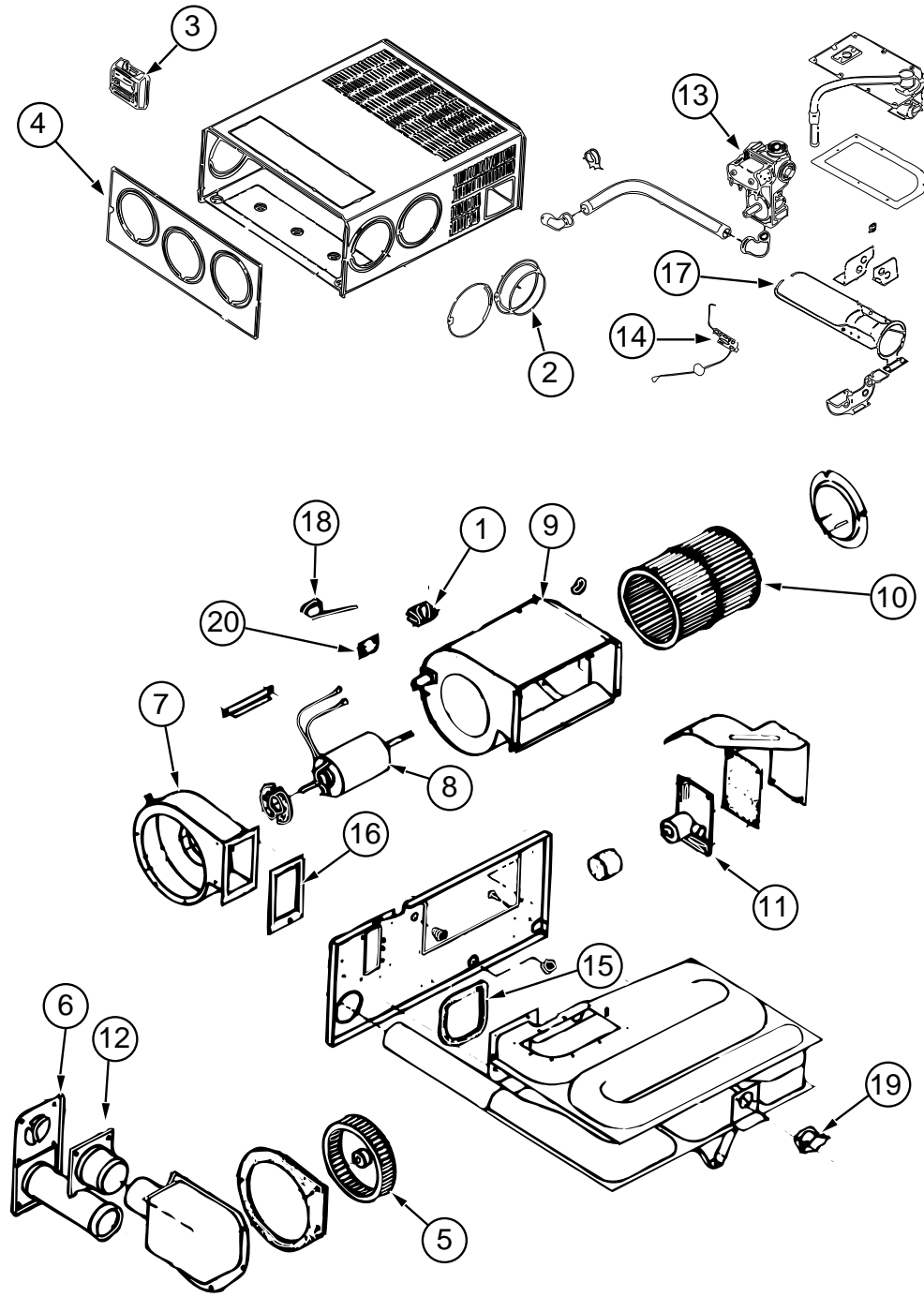
KEY	PART NUMBER	U/M	DESCRIPTION	VENDOR NO.
	084405-01-000	EA	HEATER ASM-REAR - DUCTED - W/MOTOR AID - EVANS	
	084405-01-700	EA	CORE-HEATER	FT200229
	084405-01-701	EA	FAN BLADES	HV029931
	084405-01-702	EA	MOTOR ASSEMBLY - 12 VOLT	R0200180
	087202-01-000	EA	SWITCH-4 POSITION - W/KNOB	

### CEILING ASM. - A/C - COLEMAN

KEY	PART NUMBER	U/M	DESCRIPTION	VENDOR NO.
	108891-01-01A	EA	CEILING ASM-A/C COOL TSR HO - COLEMAN 7330-714 IV	
	042204-01-709	EA	THERMOSTAT-IN 64 OUT 58	6701-3401
	073742-01-701	EA	SWITCH-SELECTOR - (5 TERMINAL)	6759-3251
	073742-01-702	EA	DECAL-COOL ONLY	6759C3431
	081606-01-712	EA	SHROUD-CEILING - IVORY	6769-5061
	091225-01-713	EA	KNOB	6701-3351
	093766-02-701	EA	DECAL-LEFT	6799-3971
	108891-01-700	EA	PARTS PKG. SINGLE (KNOB & NUTS)	6792-5991
	108891-01-701	EA	CLIP-FILTER RETAINER - 6 PER	6799-3141

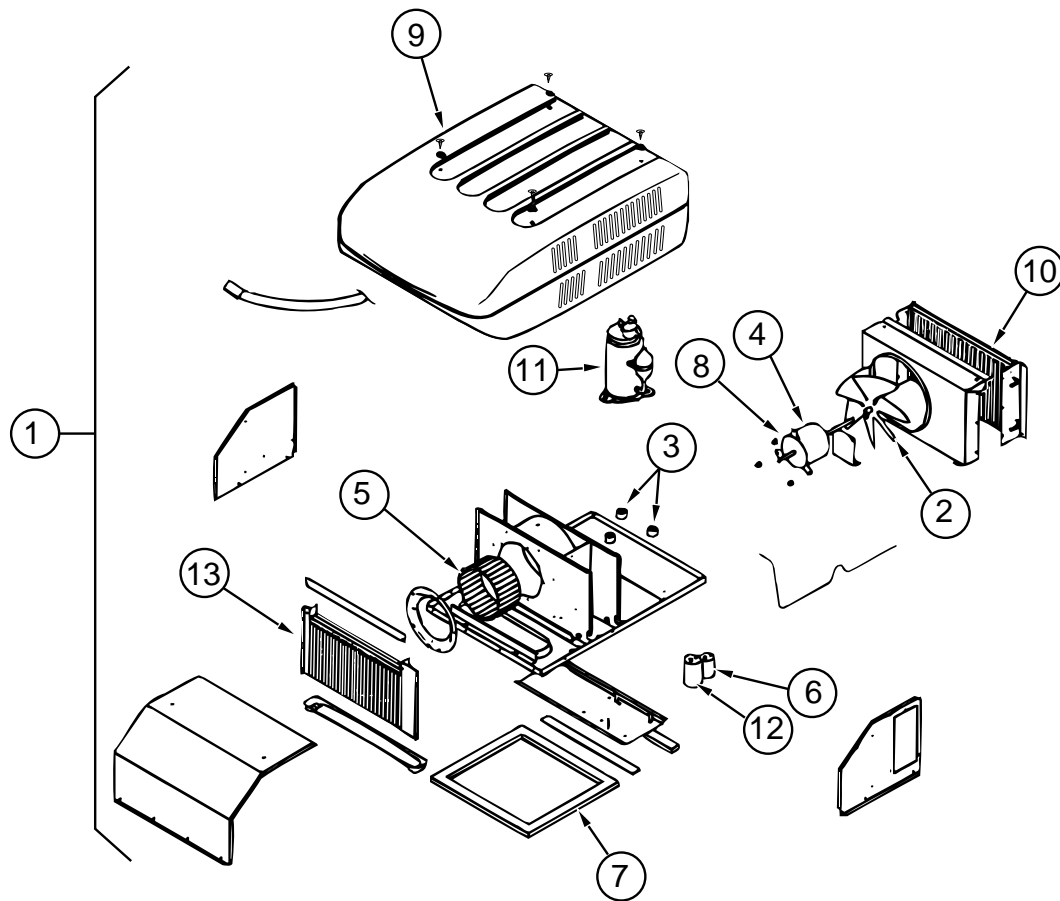
## HEATING & AIR CONDITIONING GROUP (CONTINUED)

### FURNACE - SUBURBAN - MODEL SF-30 2273



KEY	PART NUMBER	U/M	DESCRIPTION	VENDOR NO.
	098668-20-000	EA	FURNACE-30000 BTU - SUBURBAN SF-30 2273	
1	074466-01-702	EA	RELAY - TIME DELAY	230625
2	075696-02-703	EA	COLLAR-DUCT	050715
3	115764-01-01A	EA	THERMOSTAT-FURNACE - SUBURBAN 160902	
4	098668-01-700	EA	CABINET FRONT	101242
	098668-01-707	EA	TUBE ASSEMBLY - EXHAUST W/CAP	260231
5	098668-01-706	EA	WHEEL-COMBUSTION AIR	350128
6	098668-01-707	EA	TUBE ASSEMBLY - EXHAUST W/CAP	260231
7	098668-01-708	EA	HOUSING-BLOWER - COMBUSTION	390441
8	098668-01-709	EA	MOTOR ASM. - F/SF-25 - SF-30	231706
9	098668-01-710	EA	HOUSING-BLOWER - ROOM AIR	390440
10	098668-01-711	EA	WHEEL-BLOWER - ROOM AIR	350129
11	098668-01-712	EA	BOARD-MODULE	520741
12	098668-01-713	EA	TUBE ASSEMBLY - INTAKE	051248
13	098668-01-714	EA	VALVE-GAS -SF S.N. 921401821	161070
14	098668-01-715	EA	ELECTRODE ASM. - SINGLE PROBE	232166
15	098668-01-716	EA	GASKET-FIREWALL - CHAMBER SIDE	070808
16	098668-01-717	EA	GASKET-FIREWALL - BLOWER SIDE	070809
17	098668-02-700	EA	BURNER ASSEMBLY - SF-30 & SF35	010745
18	098668-21-700	EA	SWITCH-MICRO - W/O FLAG 3 1/4"	232261
19	098668-21-701	EA	SWITCH-LIMIT	231799
20	101990-01-714	EA	GASKET-MICROSWITCH	230877
	092300-02-701	EA	ORIFICE-MAIN BURNER (NT-30BW	180214
	098668-23-000	EA	DOOR-ACCESS - FURNACE - BRIGHT WHITE	520574

## HEATING & AIR CONDITIONING GROUP (CONTINUED)



**ROOF A/C - COLEMAN - 14,800 MACH 15**

KEY	PART NUMBER	U/M	DESCRIPTION	VENDOR NO.
1	115219-01-03A	EA	A/C-ROOF -14,800 MACH 15 B/WT - *COLEMAN	7335B896
2	093763-01-712	EA	BLADE-FAN-CONDENSER	6733-3221
3	105620-01-706	EA	MOUNTING PKG. - COMP. - 3 PER	6759-3081
4	108889-01-705	EA	MOTOR (115, 60HZ)	1468-3049
5	108889-01-706	EA	IMPELLOR	1472-1041
6	093763-01-704	EA	CAPACITOR-FAN	1499-5461
	108889-01-710	EA	PAD-FILLER - CONDENSER SEAL	6759A3971
7	108889-01-711	EA	GASKET PKG	6792-3301
8	108889-01-715	EA	MOTOR MOUNT & SHAFT SEAL KIT	6792-3361
9	108889-05-700	EA	SHROUD-BRIGHT WHITE W/O LOGO	7333-4601
10	115219-01-700	EA	COIL-CONDENSER	1452-1321
11	115219-01-701	EA	COMPRESSOR - PANASONIC	1450-2039
12	115219-01-702	EA	CAPACITOR-RUN - COMPRESSOR	1499-5741
	115219-01-703	EA	RELAY-START	1497-4151
13	115219-01-704	EA	COIL-EVAPORATOR	1452-1331
	115219-01-705	EA	LINE-SUCTION - LOWER	7335-130
	115219-01-706	EA	LINE-SUCTION - UPPER	7335-131
	115219-01-707	EA	LINE ASSEMBLY - DISCHARGE	7335A132
	093306-01-701	EA	DECAL PACKAGE - LEFT & RIGHT	6798B3591
	093306-01-720	EA	CAPACITOR-START - 21-25 MFD33	1497-3351
	102289-01-000	EA	SPRING-SCREW - ROOF A/C GASKET - COLEMAN	6757-150
	084077-03-000	EA	COVER-BLANK - ROOF A/C - 5.2" X 3.5" - IVORY	

## INTERIOR FINISH GROUP

### FIRE EXTINGUISHER, DETECTORS & CLOCK

KEY	PART NUMBER	U/M	DESCRIPTION	VENDOR NO.
	072852-01-000	EA	DETECTOR-SMOKE - W/9 VOLT BATTERY - US	
	072852-02-000	EA	DETECTOR-SMOKE - W/9 VOLT BATTERY - CANADIAN	
	094499-01-000	EA	EXTINGUISHER-FIRE - DRY W/MOUNTING BRACKET - 10 BC	
	094499-02-000	EA	EXTINGUISHER-FIRE - DRY - 1A10BC - CANADIAN	
	094499-01-700	EA	BRACKET MTG. W/PLAS. STRAP	294039
	094499-01-701	EA	STRAP ONLY (METAL)	320351
	118081-01-01A	EA	CLOCK-WALL - ROUND 8" BRASS	
	112320-02-000	EA	BATTERY/SENSOR MODULE - CO (BLUE MODULE) F/9B-I SYSTEM	
			FROM: 00-00-00 THRU: 09-03-95	
	112320-03-000	EA	DETECTOR-CO GAS MODEL 9D-I	
			FROM: 09-04-95 THRU: 99-99-99	
	112320-04-000	EA	BATTERY/SENSOR MODULE - CO (BLACK MODULE) F/9D-I SYSTEM	
			FROM: 09-04-95 THRU: 99-99-99	

### CARPETING & FLOOR MATS

KEY	PART NUMBER	U/M	DESCRIPTION
	096060-98-000	SY	CARPET-JUBILATION - SILVER ASP (G07)
	096060-99-000	SY	CARPET-JUBILATION - PARCHMENT (G08)
	093486-01-000	SY	CARPET-COMPARTMENT - 54" WIDE - DARK GRAY
	093873-01-01A	EA	TRIM-CARPET - L-ANGLE - 1.1" X 1.3" X 12' - VINYL - GRAY
	085746-04-000	FT	TRIM-J - CARPET - 1.2" X .5" ANGLE - 12' LONG - OFF WHITE
	081075-03-000	EA	MAT-FLOOR ENTRANCE - WINNEBAGO
	106884-01-000	EA	MAT-FLOOR - FRONT - RH - "W" - FORD
	106884-02-000	EA	MAT-FLOOR - FRONT - LH - "W" - FORD

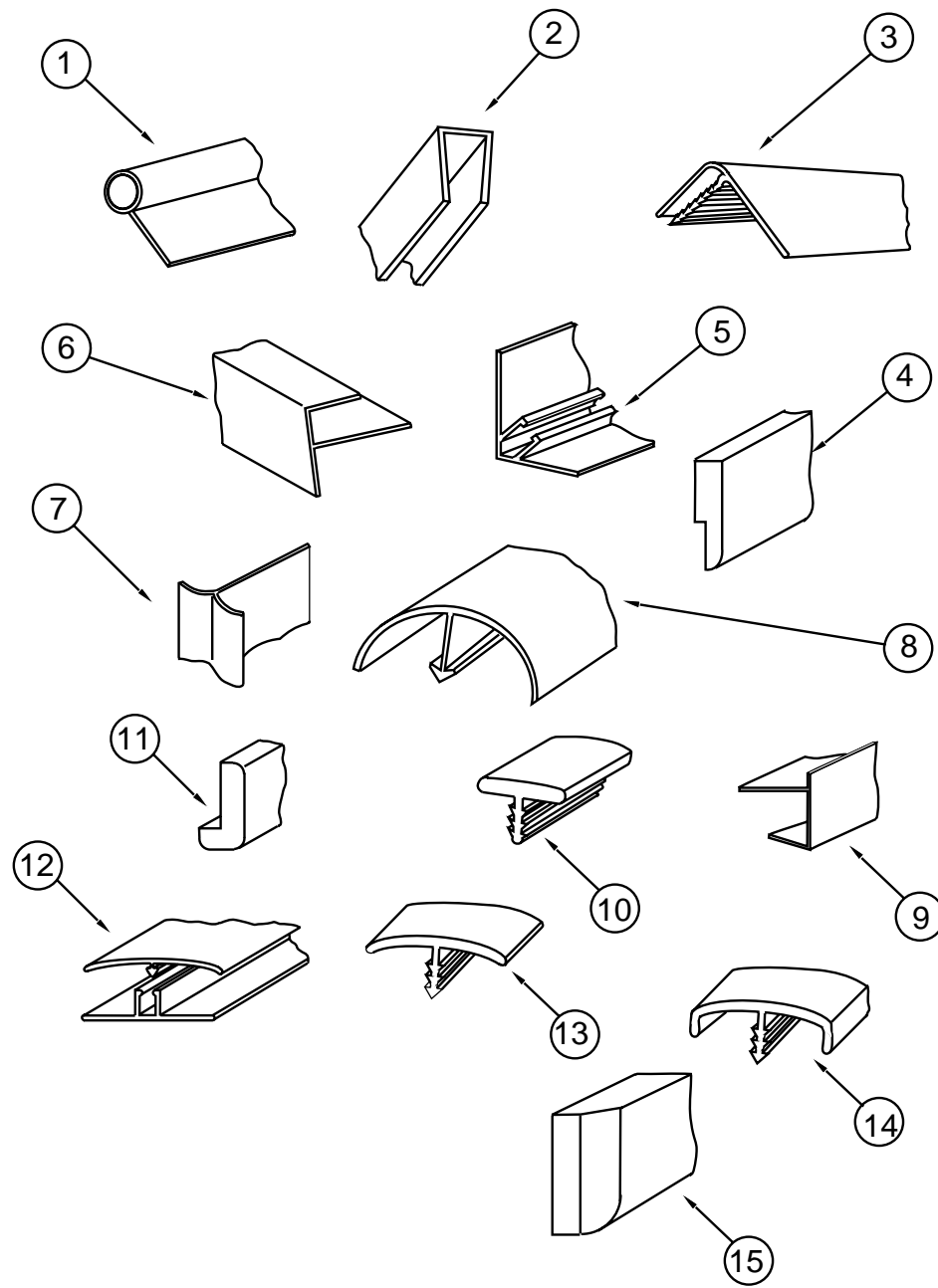
### PANELING, LAMINATES & PLASTIC

KEY	PART NUMBER	U/M	DESCRIPTION
	074497-23-000	SF	PANELING-CHERRY 3 MM X 48" X 96"
	074497-33-000	SF	PANELING-CEILING IMPACT PEAR
	088272-98-000	SF	PANELING-SHOWER - OFF WHITE - 4' X 7' - INC OF 28 SQ FT
			FROM: 00-00-00 THRU: 01-14-96
	074498-58-000	SF	LAMINATE-PLASTIC - PROV. CHERRY
	074498-71-000	SF	LAMINATE-PLASTIC - NEUTRAL SANTOS
	074498-67-000	SF	LAMINATE-PLASTIC - ORCHID MIST
	080215-09-000	SF	PANELING-2 SIDE CHERRY - 5 MM X 48 X 96
	088272-E9-000	SF	PANELING-PAINTED - DESERT (G07)
	088272-D6-000	SF	PANELING-ALLURE - MEADOW (G08)
	088272-G1-000	SF	PANELING-SHOWER - PEBBLE EMBOSS ANTIQUE - 4' X 7' - INC OF 28 SQ FT
	000885-71-000	SF	PART BD-3/8 X 48 X 96 CHERRY
	000885-72-000	SF	PART BD-1/2 X 48 X 96 CHERRY
	000885-73-000	SF	PARTICLE BOARD - 3/4" X 60" X 96" 2 SIDED W/VINYL
	000885-74-000	SF	PART BD-3/8 X 48 X 96 CHERRY
	111134-D2-438	EA	LUMBER-.7" X 1.49" X 96" VINYL WRAPPED CHERRY
	111134-E2-438	EA	LUMBER-.7" X 2" X 96" VINYL WRAPPED CHERRY
	111134-G2-438	EA	LUMBER-.7" X 3" X 96" VINYL WRAPPED CHERRY
	052372-02-000	BF	LUMBER-CLASS II - 1 X 4 XRL
	095688-01-000	SF	VENEER-3.6 MM 48 X 96 UNFINISHED
			FROM: 00-00-00 THRU: 01-29-95
	093743-02-01A	SF	PLASTIC-ABS - 20" WIDE ROLL - OFF WHITE
	000874-04-000	SF	PARTICAL BOARD - .375 X 60 X 96



## INTERIOR FINISH GROUP (CONTINUED)

### MOLDINGS & TRIMS

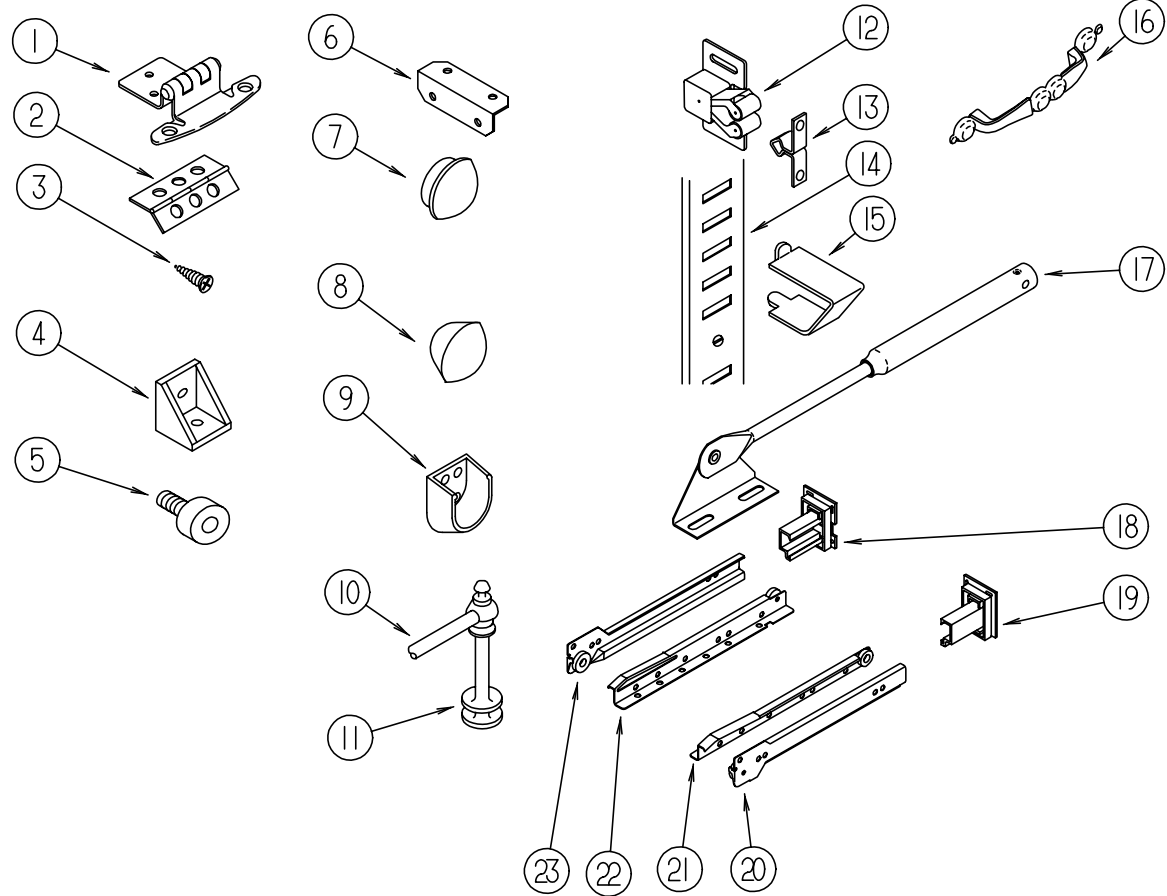


KEY	PART NUMBER	U/M DESCRIPTION
12	086229-01-000	EA RETAINER-BATTEN - CEILING - .75" WIDE - 7.6'
12	086229-11-000	EA RETAINER-OFFSET - W&B
12	086229-12-000	EA BATTEN-1.5" - OFFSET - MOD IVORY - W&B
12	086229-13-000	EA BATTEN-1" CEILING MOD IVORY
12	086229-13-000	EA BATTEN-1" CEILING MOD IVORY
12	086229-14-000	EA RETAINER-3/4 - W&B RN 391
12	086229-19-000	EA BATTEN-1" CEILING - OFF WHITE - W&B RN323-W-129
13	009815-09-000	FT MOLDING-T - .75" - IVORY
14	083620-07-000	FT MOLDING-T - END CAP EDGE - W/EDGE LIPS - .75" - THOR PECAN
14	083620-09-000	FT T-MOLDING - 3/4 W/EDGE LIPS - MODERN IVORY
14	083620-11-000	FT T-MOLDING - 3/4 W/EDGE LIPS - CHERRY
15	093873-01-01A	EA TRIM-CARPET - L-ANGLE - 1.1" X 1.3" X 12' - VINYL - GRAY
	085746-04-000	FT TRIM-J - CARPET - 1.2" X .5" ANGLE - 12' LONG - OFF WHITE
	070504-18-000	FT U-CHANNEL-PLASTIC - .065" WIDE - IVORY - INC. OF 8'
	070504-30-000	FT U-CHANNEL - EXTRUDED 1.65"
	070504-31-000	FT U-CHANNEL - EXTRUDED - 20.70"
	111136-D2-010	EA MOLDING-018 X 038 X 2010 M VINYL - WRAPPED
	111136-D2-134	EA MOLDING - .7" X 1.6" X 83.9" - VINYL WRAPPED
	111136-F2-438	EA MOLDING - .7" X 2.6" X 95.8" - VINYL WRAPPED
	111136-F2-134	EA MOLDING - .7" X 2.6" X 84" - VINYL WRAPPED
	076325-50-000	FT MOLDING-EDGE BAND - 2812 CHERRY - 1 5/16 X .030 X 600
	076325-52-000	FT MOLDING-EDGE BAND - 2812 CHERRY - .93 X .024 X 600
	076325-39-000	FT MOLDING-EDGE BAND - 1527 - 1-5/16 X .030 X 600
	076325-40-000	FT MOLDING-EDGE BAND - 1527 - .875 X .024 X 600
	076325-34-000	FT EDGE BAND MOLDING - 1 5/16" WIDE "ORCHID"
	105709-01-000	FT T-MOLDING-1" - MODERN IVORY
	119520-01-01A	FT T-MOLDING - 1 W/EDGE LIPS - SFR #
		FROM: 09-11-95 THRU: 99-99-99
	109736-01-01A	FT T-MOLDING - 1.00" BRASS/BLACK
	069733-82-000	EA BATT STRIP - WOODGRAINED/SALEM CHERRY - 8' LONG
	085284-97-000	FT BATT TAPE - ADHESIVE BACKED - WOODGRAINED/SALEM CHERRY
	088263-C8-000	EA BATT STRIP - DECORATIVE - PAINTED DESERT - 8' LONG(G07)
	085284-C2-000	FT BATT TAPE - ADHESIVE BACKED - DECORATIVE - PAINTED DESERT(G07)
	088263-B3-000	EA BATT STRIP - DECORATIVE - ALLURE/MEADOW - 8' LONG (G08)
	085284-A4-000	FT BATT TAPE - ADHESIVE BACKED - DECORATIVE - ALLURE/MEADOW(G08)

KEY	PART NUMBER	U/M DESCRIPTION
1	009767-12-000	FT MOLDING-SIDEWALL TO CEILING/CABINET - WELTING - OFF WHITE
1	009767-15-000	FT WELTING-WATERFORD OAK
2	009778-18-000	FT U-CHANNEL- 1" - CHERRY
2	009778-20-700	EA U-CHANNEL - 1" X 55" - MODERN IVORY
3	009809-23-000	EA MOLDING-CORNER - OUTSIDE - 1" - PLASTIC - IVORY
3	009809-27-001	EA MOLDING-O/S LG CABT - 2133 MM
3	009809-27-000	EA MOLDING-PLAS-CORNER 1" - CHERRY
4	079653-20-000	EA MOLDING-BATT STRIP - KERFED - CHERRY
5	081521-02-007	EA MOUNT-METAL MOLDING - FOR RADIUS CORNER MOLDING - 12.5' EA
6	009812-26-000	EA MOLDING-PLAS - CORNER - O/S - CHERRY
6	009812-24-000	EA MOLDING-PLASTIC - OUTSIDE CORNER - .50" - IVORY
7	022992-11-000	FT MOLDING-REVERSE COVE - T-SHAPED - VINYL - IVORY
7	022992-01-000	FT MOLDING-REVERSE COVE - T-SHAPED - VINYL - WHITE
8	042357-19-000	EA MOLDING-CORNER - RADIUS PLAS - CHERRY
9	103186-01-04A	FT MOLDING-PLASTIC - SHELF - CHERRY
10	104676-01-01A	FT T-MOLDING - 5/16 RIGID - GOLD
10	104676-02-03A	FT T-MOLDING - 1/2 X 10 FT - CHERRY
11	077840-01-E41	EA MOLDING-CAP - WALL - SALEM CHERRY

# INTERIOR FINISH GROUP (CONTINUED)

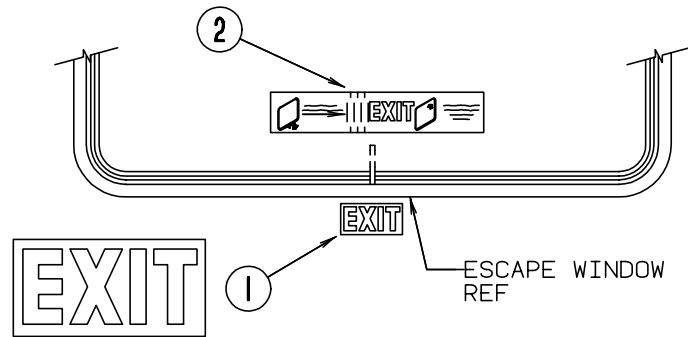
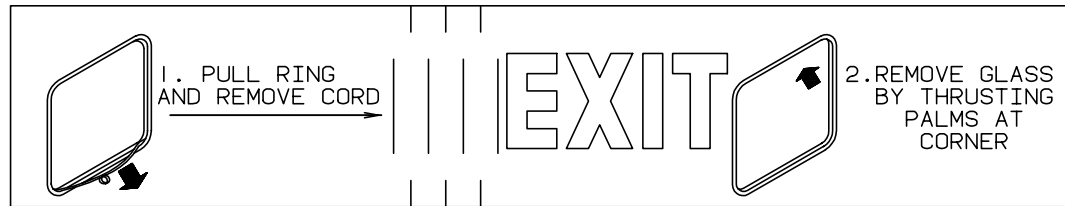
## CABINET & TABLE HARDWARE



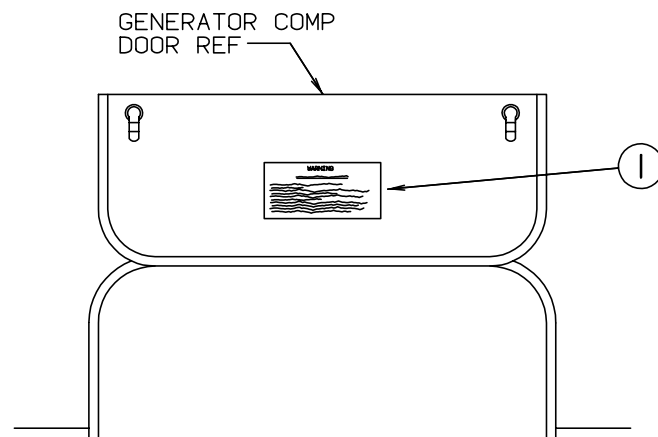
KEY	PART NUMBER	U/M	DESCRIPTION
20	114031-06-000	EA	SLIDE-DRAWER - 14" RIGHT CABT - HOUCK 7200-RV-2 N/A ORDER #114031-05-700 SLIDE DRAWER KIT
20	114031-10-000	EA	SLIDE-DRAWER - 16" RIGHT CABINET - HOUCK 7200-RV-2 N/A ORDER #114031-09-700 SLIDE DRAWER KIT
20	114031-18-000	EA	SLIDE-DRAWER - 20" RIGHT CABT - HOUCK 7200-RV-2 N/A ORDER #114031-17-700 SLIDE DRAWER KIT
21	114031-08-000	EA	SLIDE-DRAWER - 14" RIGHT DRAWER - HOUCK 7200-RV-4 N/A ORDER #114031-05-700 SLIDE DRAWER KIT
21	114031-12-000	EA	SLIDE-DRAWER - 16" RIGHT DRAWER - HOUCK 7200-RV-4 N/A ORDER #114031-09-700 SLIDE DRAWER KIT
21	114031-20-000	EA	SLIDE-DRAWER - 20" RIGHT DRAWER - HOUCK 7200-RV-4 N/A ORDER #114031-17-700 SLIDE DRAWER KIT
22	114031-07-000	EA	SLIDE-DRAWER - 14" LEFT DRAWER - HOUCK 7200-RV-3 N/A ORDER #114031-05-700 SLIDE DRAWER KIT
22	114031-11-000	EA	SLIDE-DRAWER - 16" LEFT DRAWER - HOUCK 7200-RV-3 N/A ORDER #114031-09-700 SLIDE DRAWER KIT
22	114031-19-000	EA	SLIDE-DRAWER - 20" LEFT DRAWER - HOUCK 7200-RV-3 N/A ORDER #114031-17-700 SLIDE DRAWER KIT
23	114031-05-000	EA	SLIDE-DRAWER - 14" LEFT CABINET - HOUCK 7200-RV-1 N/A ORDER #114031-05-700 SLIDE DRAWER KIT
23	114031-09-000	EA	SLIDE-DRAWER - 16" LEFT CABINET - HOUCK7200-RV-1 N/A ORDER #114031-09-700 SLIDE DRAWER KIT
23	114031-17-000	EA	SLIDE-DRAWER - 20" LEFT CABINET HOUCK 7200-RV-1 N/A ORDER #114031-17-700 SLIDE DRAWER KIT
	076790-01-000	EA	SCREW - 6-20 X 1 1/4 PPH - BLACK
	076790-05-000	EA	SCREW-6-20X1/2 PPH BLACK THREADCUTTING - WOOD
	004354-01-000	EA	BUMPER-RUBBER - .5" DIA - BROWN
	023320-01-000	EA	PAD-FELT - 3/8" DIAMETER - BROWN
	009112-01-000	EA	FLANGE-1" CLOTHES ROD- OFF WHITE PLASTIC
	000G13-06-10G	EA	SCREW-6-20 X 5/8 PFH - ANTIQUE BRASS
	042438-01-000	EA	DOWEL-WOOD - CLOTHES ROD - 1" DIAMETER X 4'
	102194-01-000	EA	GUIDE-PLASTIC
			FROM: 07-16-95 THRU: 99-99-99
	103256-01-000	EA	LATCH-SLIDE
	116975-01-01A	EA	LATCH ASM-UNDERCENTER - BLACK SOUTHCO 91-522-69
	042541-05-000	EA	STRIKE - BRASS W/O LATCH

KEY	PART NUMBER	U/M	DESCRIPTION
1	108138-01-000	EA	HINGE-DOOR - CABINET - BURNISHED BRASS
2	009059-01-000	EA	HINGE-DOOR - 2" X 1.4" - BRASS
3	000G13-06-08G	EA	SCREW - 6-20 X 5/8 PFH - ANTIQUE BRASS (HINGE 108138-01-000)
4	065740-01-000	EA	BRACE-CABINET CORNER - PLASTIC
5	079921-01-000	EA	ROLLER-NYLON - W/STEEL SHAFT - BARBED
6	016604-01-000	EA	BRACE-CABINET - ANGLE - 2.5" - UNPAINTED
6	016604-05-000	EA	BRACE-CABINET - L ANGLE - 2.5" - OFF WHITE
7	074045-08-000	EA	PLUG-OAK - 1/2" DIA - SALEM CHERRY
8	042356-01-000	EA	PLUG-BUTTON - MAHOGANY - 3/8" DIAMETER - WOOD
9	113236-01-01A	EA	BRACKET-CLOTHES ROD
			FROM: 00-00-00 THRU: 10-26-95
10	084071-12-000	EA	ROD-BRASS - 104 MM LONG
10	084071-15-000	EA	ROD-BRASS - 210 MM LONG
10	084071-19-000	EA	ROD-BRASS - 198 MM LONG
11	084070-02-000	EA	POST-END - 2.4" - BRASS
12	093586-06-000	EA	CATCH-SPRING - ROLLER - FASTEC C411-AC
13	093586-05-000	EA	STRIKE-SPRING STEEL - FASTEC S411-AC
14	098980-01-000	EA	PILASTER-ADJUSTABLE SHELF - 18" LONG
15	098979-01-000	EA	CLIP-ADJUSTABLE SHELF
16	117800-01-01A	EA	PULL-CABINET - BRASS
17	074493-02-000	EA	SUPPORT-PISTON SPRING - CABINET DOOR
18	114045-01-000	EA	BACKSOCKET-ADJUSTABLE - LEFT - HOUCK 751-1 N/A ORDER SLIDE KIT ACCORDING TO LENGTH-SEE NUMERICAL LISTING OF #114031-??-700 IN THE \$ FICHE F/DESIRED LENGTH
19	114045-02-000	EA	BACKSOCKET-ADJUSTABLE - RIGHT - HOUCK 751-2 N/A ORDER SLIDE KIT ACCORDING TO LENGTH-SEE NUMERICAL LISTING OF #114031-??-700 IN THE \$ FICHE F/DESIRED LENGTH

## LABELS GROUP



KEY	PART NUMBER	U/M DESCRIPTION
1	039290-01-000	EA LABEL-WARNING - EXIT
2	107571-01-000	EA LABEL-EXIT - ESCAPE WINDOW



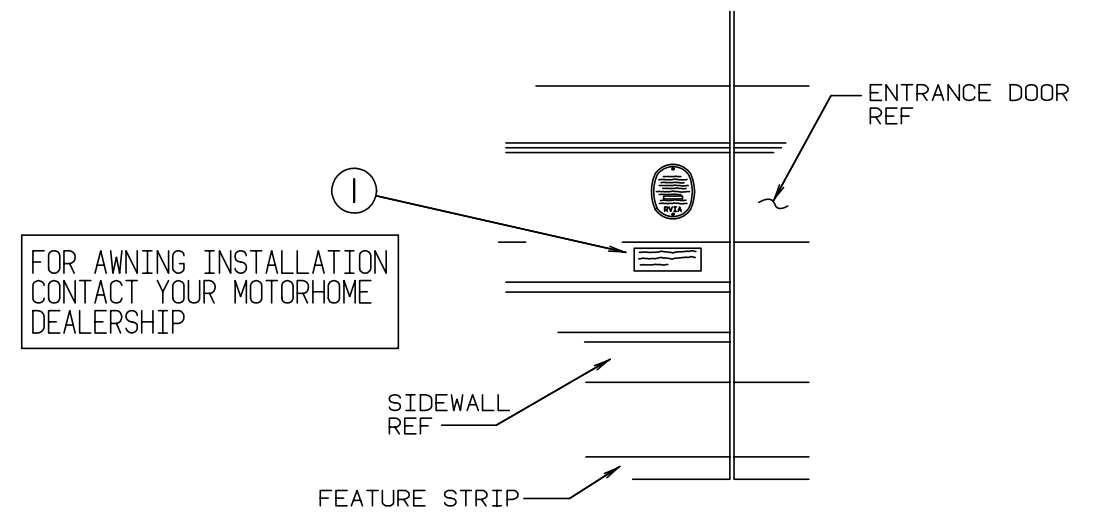
**WARNING**

WHEN ADDING A GENERATOR SET:

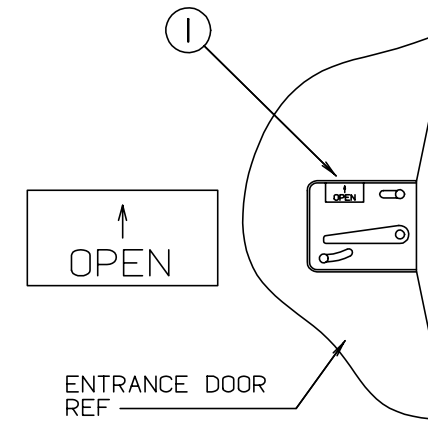
HIGH VOLTAGE-USE EXTREME CAUTION WHEN WORKING ON ELECTRICAL COMPONENTS.  
 HAVE ALL ELECTRICAL INSTALLATION PERFORMED BY A QUALIFIED LICENSED ELECTRICIAN-FOLLOW ALL STATE AND LOCAL CODES.  
 ONLY INSTALL GENERATOR SET APPROVED FOR R.V. APPLICATION. HAVE INSTALLED BY QUALIFIED TECHNICIAN.  
 TO AVOID HEAT BUILD-UP AND TO GUARANTEE AN ADEQUATE AIR SUPPLY TO THE GENERATOR CARBURETOR, FOLLOW INSTALLATION INSTRUCTIONS.  
 GENERATOR ENGINE EXHAUST GASES ARE TOXIC AND MUST NOT TERMINATE UNDER THE VEHICLE-DISCHARGE EXHAUST AWAY FROM VEHICLE.

KEY	PART NUMBER	U/M DESCRIPTION
1	077510-01-000	EA LABEL-GENERATOR PREP

## LABELS GROUP (CONTINUED)

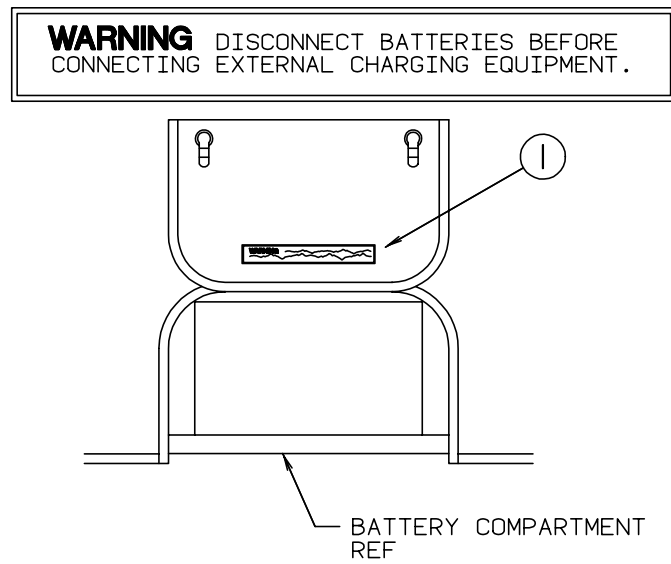


KEY	PART NUMBER	U/M DESCRIPTION
1	099509-01-000	EA LABEL-AWNING INSTALLATION

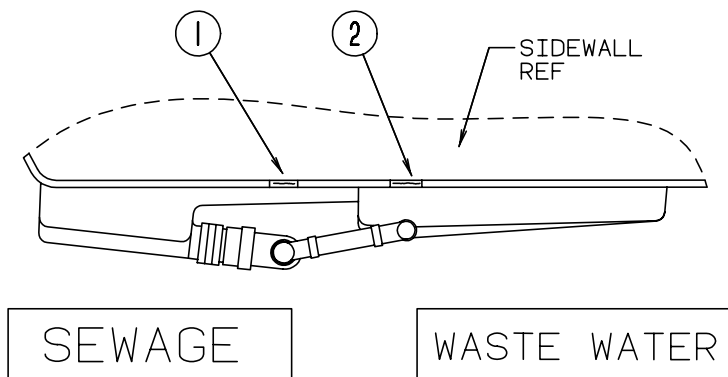


KEY	PART NUMBER	U/M DESCRIPTION
1	040944-01-000	EA LABEL-ENTRANCE DOOR, "OPEN"

**LABELS GROUP (CONTINUED)**

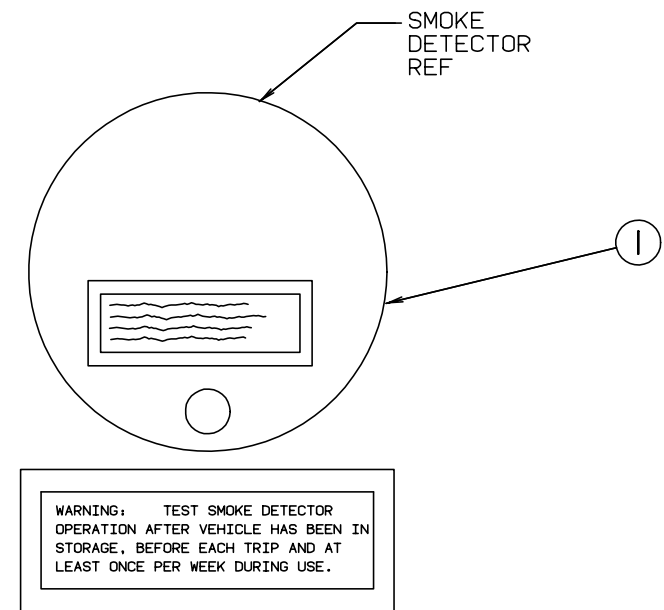


KEY	PART NUMBER	U/M DESCRIPTION
1	065748-01-000	EA LABEL-CAUTION, BATTERY CHARGING

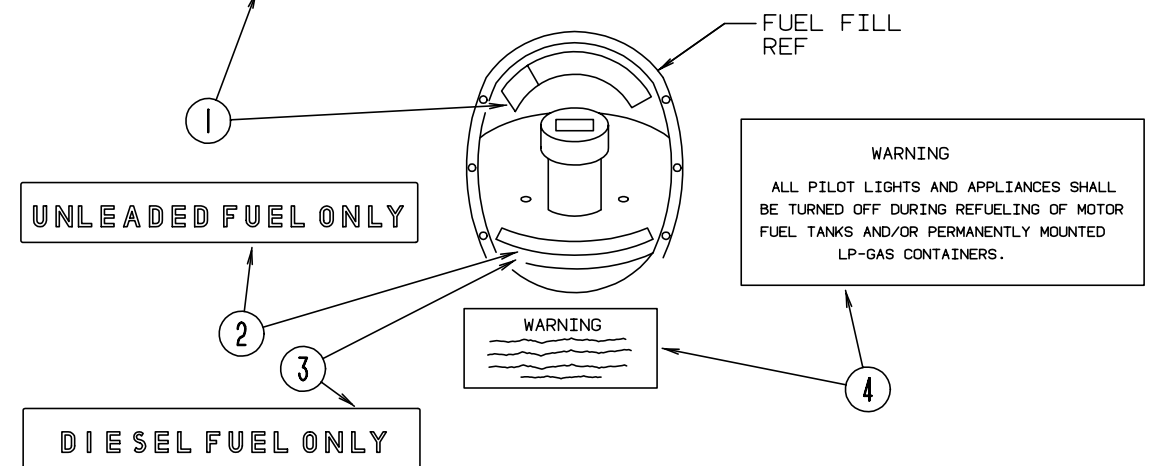
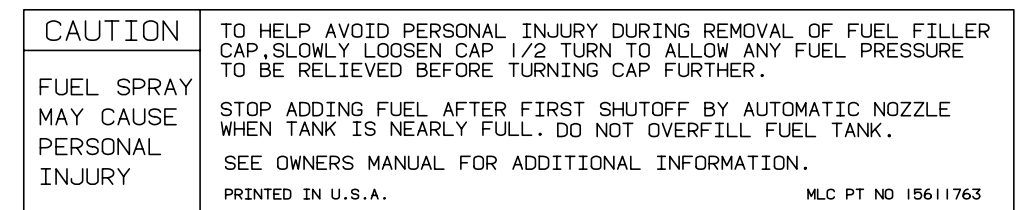


KEY	PART NUMBER	U/M DESCRIPTION
1	006187-01-000	EA LABEL-SEWAGE
2	006188-01-000	EA LABEL-WASTE WATER

**LABELS GROUP (CONTINUED)**

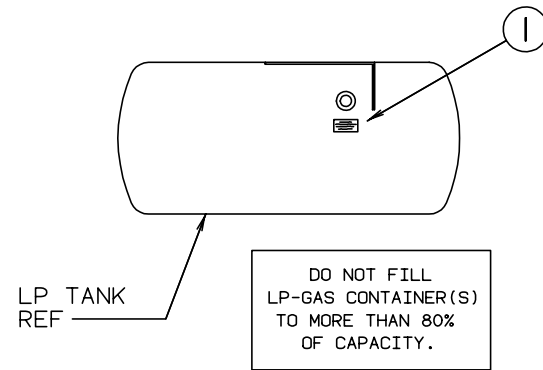


KEY	PART NUMBER	U/M DESCRIPTION
1	077956-01-000	EA LABEL-WARNING - SMOKE DETECTOR



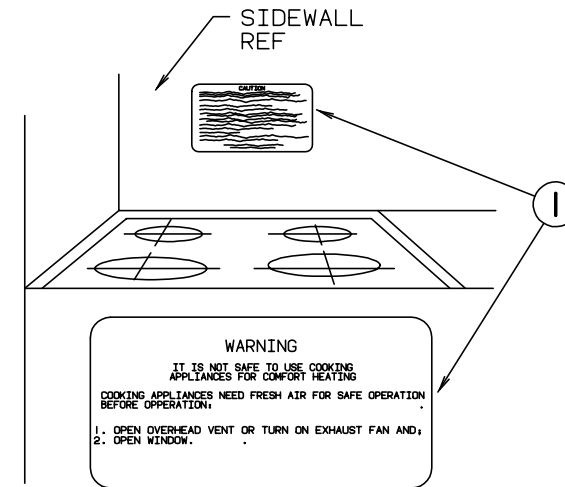
KEY	PART NUMBER	U/M DESCRIPTION
1	087207-05-000	EA LABEL-FUEL CAP REMOVAL
2	062043-01-000	EA LABEL-FUEL - UNLEADED
3	068383-01-000	EA LABEL-FUEL - DIESEL
4	006040-01-000	EA REFUEL WARNING - USA
4	006040-02-000	EA REFUEL WARNING - CANADIAN

**LABELS GROUP (CONTINUED)**

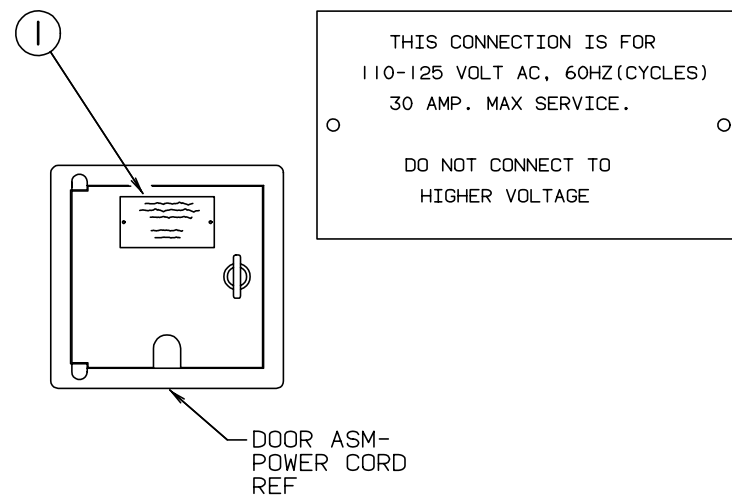


KEY	PART NUMBER	U/M DESCRIPTION
1	054531-01-000	EA LABEL-LP GAS ONLY

**LABELS GROUP (CONTINUED)**



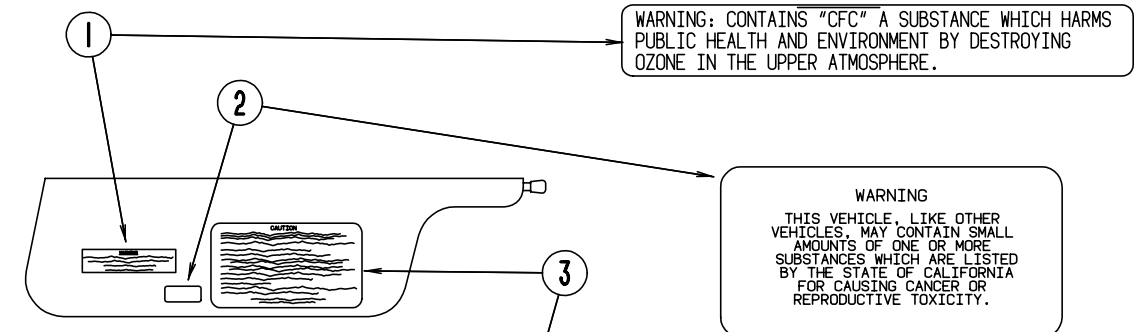
KEY	PART NUMBER	U/M DESCRIPTION
1	050225-01-000	EA LABEL-WARNING - STOVE VENT - US



KEY	PART NUMBER	U/M DESCRIPTION
1	006062-01-000	EA TAG-ELECTRIC - 110V CONNECTION

**MISCELLANEOUS LABELS**

KEY	PART NUMBER	U/M DESCRIPTION
	104236-01-000	EA LABEL-GENERATOR CIRCUIT
	006064-01-000	EA LABEL-SEAT W/O SEATBELT (US)
	006064-02-000	EA LABEL-SEAT W/O SEATBELT (CSA)
		NOT INTENDED FOR USE WHILE COACH IN MOTION
	091243-01-000	EA LABEL-A/C COVER - "AIR CONDITIONING CIRCUIT. ETC."
	093236-08-000	EA LABEL-CIRCUIT BREAKER
	111104-01-000	EA LABEL-HITCH - READ MANUAL
	061417-01-000	EA LABEL-FUEL,ON FUEL FILL DOOR
	073998-01-000	EA LABEL-LPG ODOR WARNING
	112518-01-000	EA LABEL-HANG TAG,CO DETECTOR



**CAUTION**

THIS MOTOR HOME HAS BEEN DESIGNED, MANUFACTURED AND TESTED WITH CONCERN FOR THE PROTECTION OF IT'S OCCUPANTS. WE RECOMMEND YOU PERFORM THE FOLLOWING INSPECTIONS FOR YOUR SAFETY AND THE SAFETY OF YOUR PASSENGERS BEFORE STARTING YOUR VEHICLE.

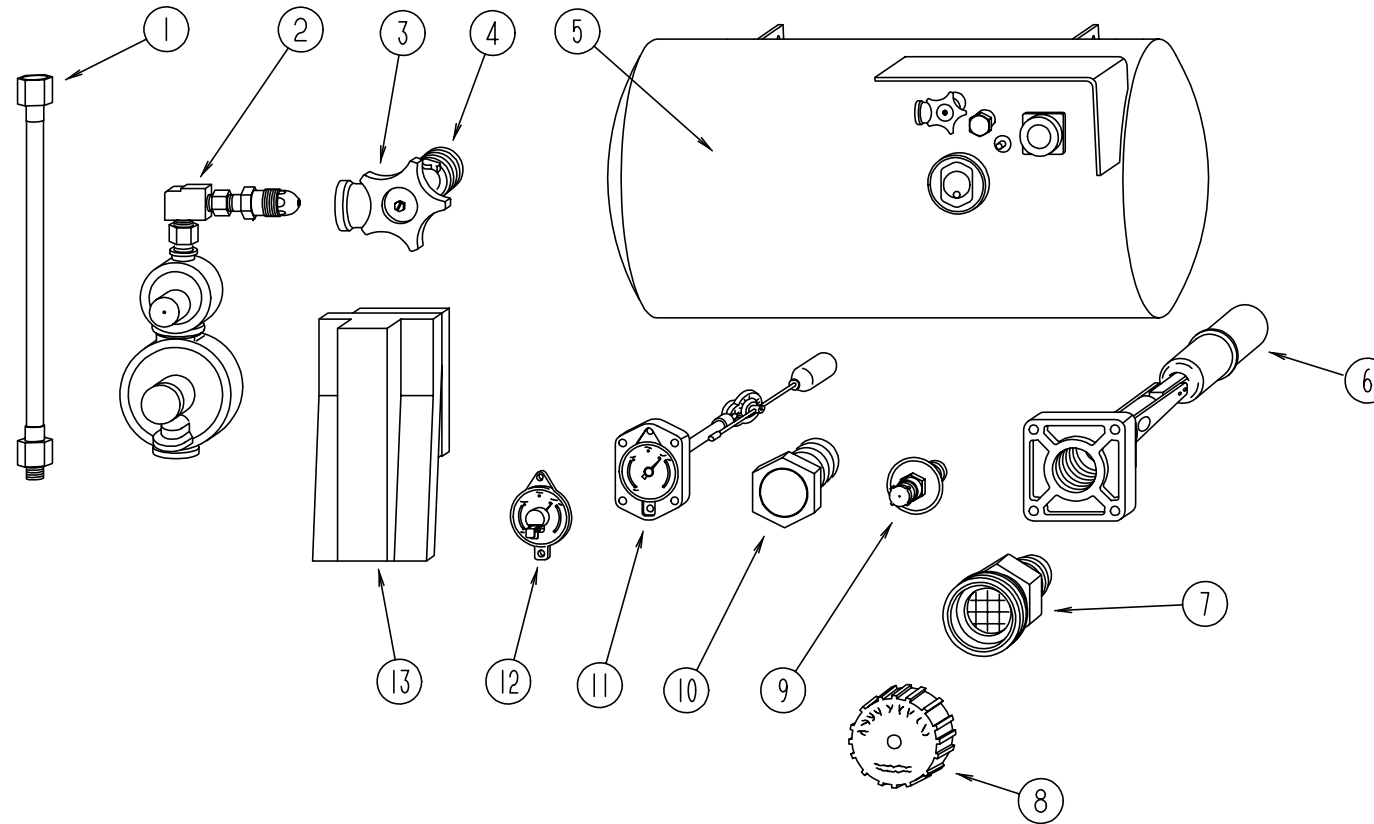
1. LP GAS SYSTEM- TURN OFF AT TANK FOR TRAVELING. TEST FOR LEAKS UPON ARRIVAL AT DESTINATION. BEFORE LIGHTING PILOTS.
2. WHEELS- INSPECT FOR DAMAGE AND CHECK LUG NUTS FOR TIGHTNESS.
3. TIRES- INSPECT FOR WEAR AND DAMAGE AND CHECK FOR RECOMMENDED AIR PRESSURE.
4. LIGHTING- TEST FOR PROPER OPERATION OF ALL INTERIOR AND EXTERIOR LIGHTS INCLUDING DASH LIGHTS, HEADLIGHTS, TAIL LIGHTS, BRAKE LIGHTS, CLEARANCE LIGHTS AND TURN SIGNALS.
5. EXITS- INSPECT RELEASE MECHANISM ON EMERGENCY EXIT WINDOW. TEST BOTH LOCKS ON MAIN ENTRANCE DOOR FOR EASE OF OPERATION AND INSTRUCT PASSENGERS HOW TO USE BOTH MEANS OF EXIT.
6. SEAT BELTS- DIRECT PASSENGERS TO DESIGNATED SEATS AND REQUIRE USE OF SEAT BELTS.
7. APPLIANCES- TURN OFF AND LATCH OR LOCK DOORS WHERE PROVIDED.
8. LOOSE PARCELS- STORE SECURELY.
9. UTILITY SUPPLY LINES- DISCONNECT ALL ELECTRIC, SEWER AND WATER LINES AND SECURE PROPERLY.
10. ENTRANCE DOOR STEP- PLACE IN RETRACTED POSITION FOR TRAVELING.

READ YOUR MOTOR HOME AND CHASSIS OWNER'S MANUAL FOR FURTHER PRECAUTIONS

KEY	PART NUMBER	U/M DESCRIPTION
1	111802-01-000	EA LABEL-CFC WARNING
2	099689-01-000	EA LABEL-WARNING, CANCER/TOXICITY
3	056259-01-000	EA LABEL-SAFETY CHECK LIST

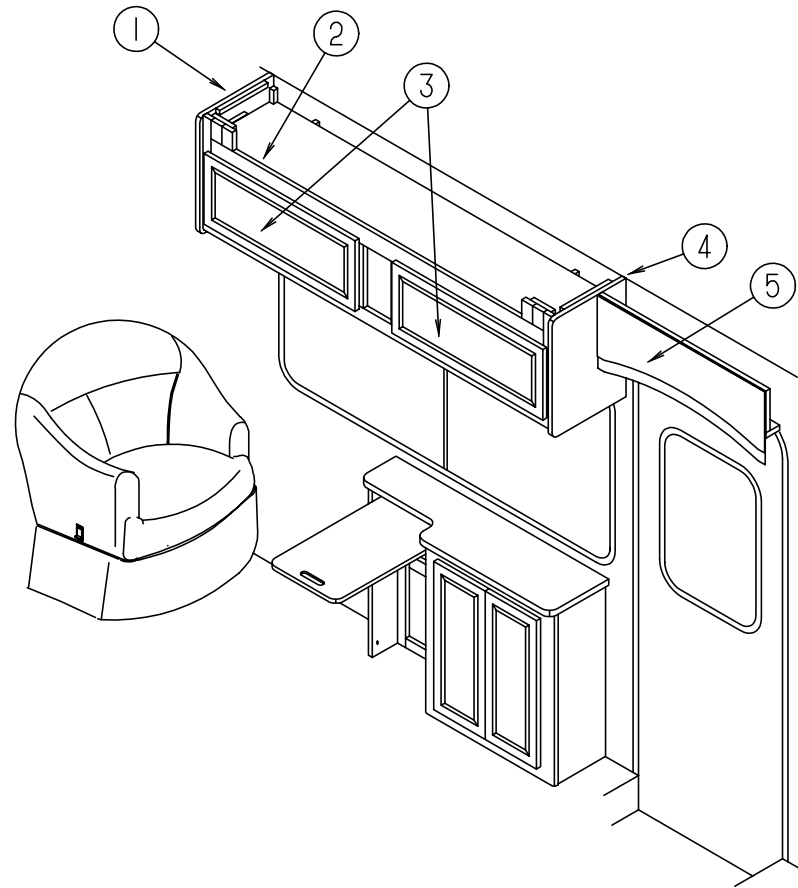
# LP GROUP

## LP SYSTEM



KEY	PART NUMBER	U/M	DESCRIPTION	VENDOR NO.
1	045703-01-000	EA	HOSE-LP, 3/8" ID X 24" - 3/8 MPT X 1/2 F SWIVEL - U.S.	
1	045703-02-000	EA	HOSE-LP - 3/8" ID X 24" - 3/8" MPT X 1/2" F SWIVEL - CANADA	
1	045703-05-000	EA	HOSE-LP - 3/8" ID X 28" - 3/8 MPT X 1/2 F SWIVEL - US	
1	045703-06-000	EA	HOSE-LP - 3/8" ID X 28" - 3/8 MPT X 1/2 F SWIVEL - CANADIAN	
	045703-09-000	EA	HOSE ASM-LP 3/8 ID X 24 US & CGA 3/8F SWI X 3/8F SWI	
2	106150-01-000	EA	REGULATOR-TWO STAGE - M'BRASS 290-303	
	106150-02-000	EA	REGULATOR-TWO STAGE - M'BRASS 290-00	
3	040421-01-708	EA	HANDWHEEL-SERVICE VALVE	G-1015-A
4	040421-01-712	EA	VALVE -SERV. W/O VAPOR RELIEF	29000853
5	080450-01-000	EA	TANK-LP - 42 LB - 13" DIAMETER X 24" LONG	
6	040421-01-711	EA	VALVE-80% FILL W/AUTO STOP	LLL/TL3
7	040421-01-701	EA	VALVE-FILL-SHORT - LP	75478
8	040421-01-702	EA	CAP-FILL VALVE - PLASTIC	G-1014-A
9	040421-01-700	EA	VALVE-LIQUID LEVEL - 20%	G-1013
10	040421-01-713	EA	VALVE-VAPOR ONLY	29000587
11	074142-01-700	EA	FLOAT ASM.SCREW ON F/13"TANK	13C-SCR
	074142-01-701	EA	FLOAT ASM.(SIGHT GAUGE) BOLT	13C-BLT
12	040440-02-000	EA	TRANSMITTER-DIAL - 0-90 OHM - 2 TERMINAL (POWER & GROUND)	
13	105658-01-000	EA	COMPARTMENT-LP REGULATOR	
	010265-01-000	EA	ELBOW-BRASS - 90 DEGREE - 3/8"F X 1/2"FPT	
	010323-01-000	EA	ADAPTER-BRASS - 3/8F X 1/2MPT	
	010377-02-000	EA	NUT-BRASS - 3/8" FLARE - FORGED	
	065318-02-000	EA	ELBOW-90 DEGREE - 3/8" MPT TO 3/8" FPT	
	103613-01-000	EA	DETECTOR-LP GAS	
	071391-02-000	EA	NIPPLE-HEX - 1/4 PIPE - 3325 X 4 WEATHERHEAD	

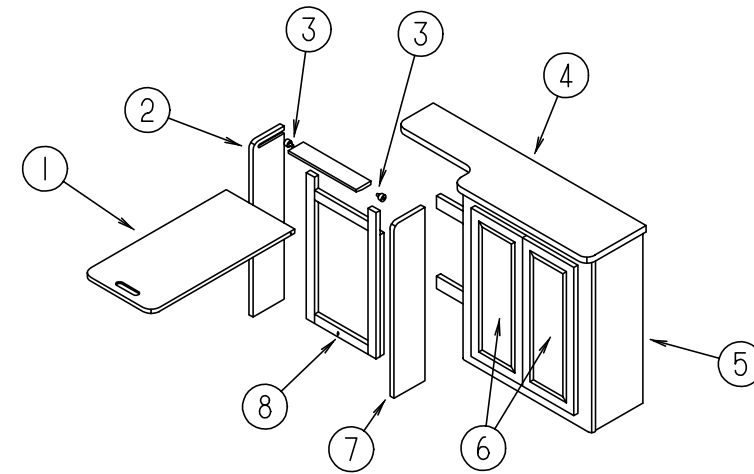
## LOUNGE GROUP



PASSENGER SIDE LOUNGE WITH CHAIR

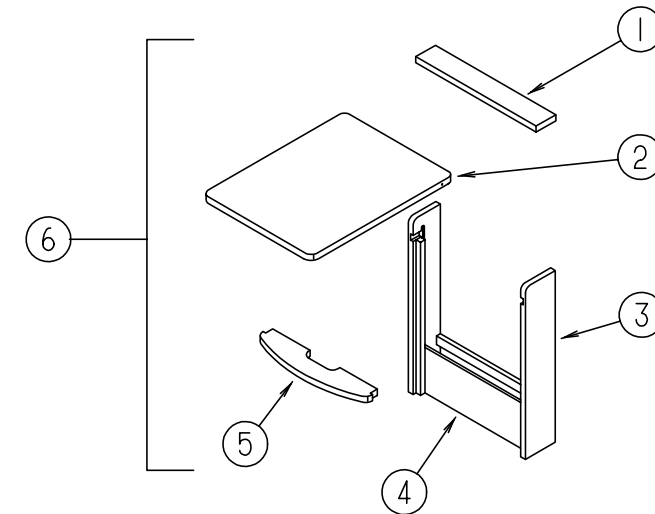
KEY	PART NUMBER	U/M DESCRIPTION
1	109908-08-F08	EA CAP ASM-END -OVHD
2	111167-02-G07	EA CABINET - OVERHEAD FRONT, PASSENGER - W/O DOORS/HARDWARE
2	111167-02-G08	EA CABINET - OVERHEAD FRONT, PASSENGER - W/O DOORS/HARDWARE
3	M06803-D5-G07	EA DOOR-RAIL -MTRD/OG 0290 X 0715
4	109908-09-F08	EA CAP ASM-END - OVHD
5	112964-01-F08	EA CABINET ASM-OVHD - ENTRANCE
	P14437-02-000	EA CABINET ASM-LID - W/O CARPET
	101222-01-02A	EA BRACKET-CATCH - LID - OFF WHITE

## LOUNGE GROUP (CONTINUED)



PASSENGER SIDE HUTCH TABLE

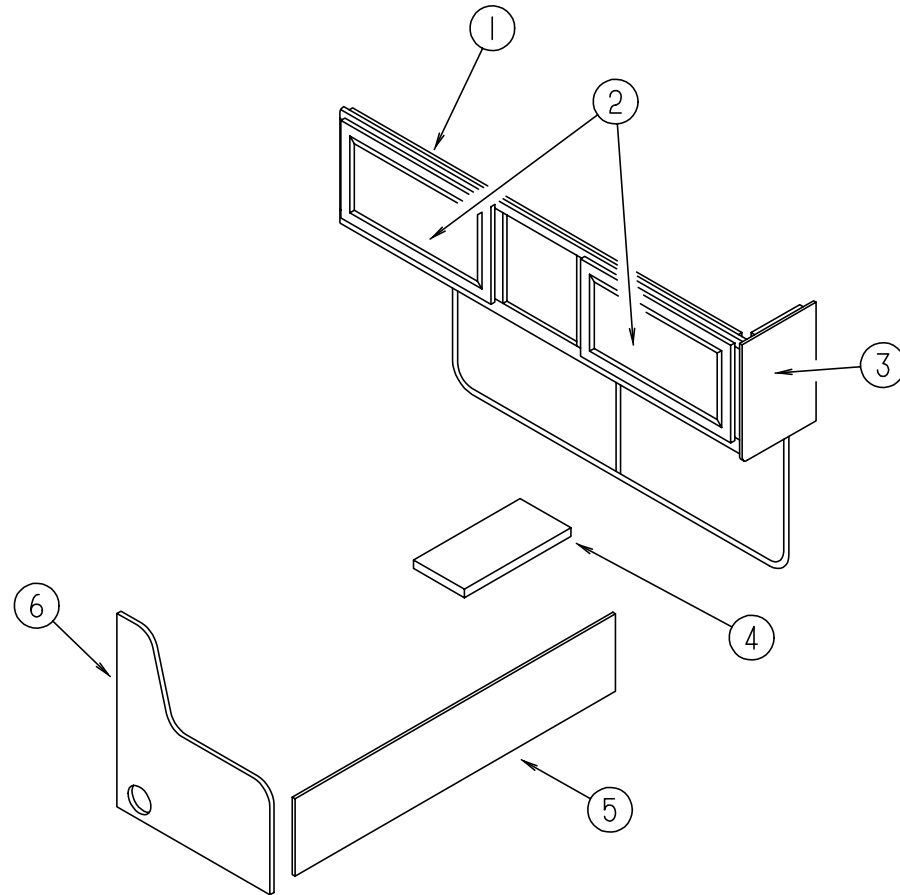
KEY	PART NUMBER	U/M DESCRIPTION
1	114796-15-G07	EA TABLE ASM
2	114796-13-F08	EA END TABLE -RIGHT
3	079921-01-000	EA ROLLER-NYLON - W/STEEL SHAFT - BARBED
4	114796-11-F09	EA COUNTERTOP ASM
5	114796-01-G07	EA CABINET ASM-HUTCH -FRONT RH
6	M06803-D9-G07	EA DOOR-RAIL - MTRD/OG - 0255 X 0640
7	114796-12-G07	EA END TABLE - LEFT
8	049176-01-000	EA HEDLOCK II-3/4 DIA - SCREW MOUNT



PASSENGER SIDE PULL OUT TABLE

KEY	PART NUMBER	U/M DESCRIPTION
1	096873-15-G07	EA LUMBER
2	096873-11-F08	EA PANEL ASM-PULLOUT TOP
	080736-01-000	EA PULL-RECESSED - 1.25" X 4" - OAK
3	096873-14-F08	EA END-TABLE - LEFT
	096873-13-F08	EA END-TABLE - RIGHT
4	096873-16-G07	EA PANEL-ASM
5	096873-12-G07	EA SHELF
6	M96873-01-G07	EA TABLE ASM-PULLOUT

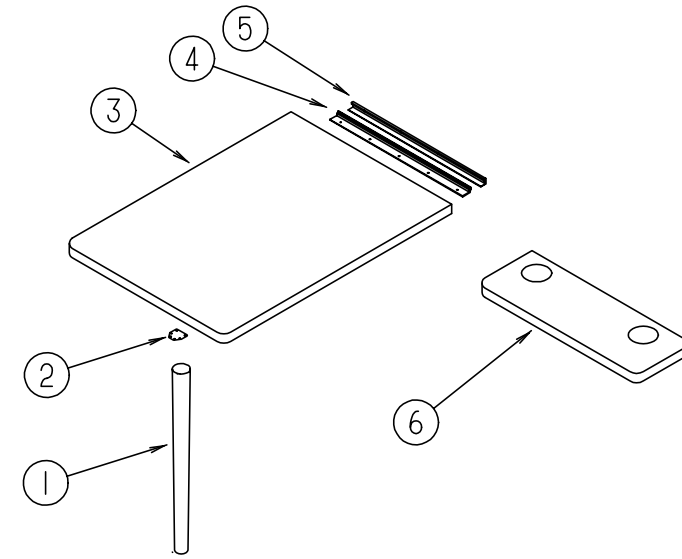
### LOUNGE GROUP (CONTINUED)



**FRONT FACING COUCH, TABLE & CABINTRY**

KEY	PART NUMBER	U/M	DESCRIPTION
1	111166-03-G07	EA	CABINET ASM-OVHD -DINETTE
1	111166-03-G08	EA	CABINET ASM-OVHD -DINETTE
2	M06803-13-G07	EA	DOOR-RAIL - MTRD/OG 0400 X 0710 (MIRRORED)
2	M06803-82-G07	EA	DOOR-RAIL - MTRD/OG 0400 X 0710 (WOOD PANEL)
3	109908-09-F08	EA	CAP ASM-END -OVERHEAD
4	P14725-01-000	EA	COVER ASM-AIR RET. W/O CARPET
5	M04187-89-G07	EA	CABINET-COUCH FACE
5	M04187-89-G08	EA	CABINET-COUCH FACE
6	116110-03-G07	EA	COUCH END-FORWARD - FACE - RIGHT
6	116110-03-G08	EA	COUCH END-FORWARD - FACE - RIGHT
6	116110-04-G07	EA	COUCH END-FORWARD - FACE - RIGHT - W/WATER HEATER OPTION
6	116110-04-G08	EA	COUCH END-FORWARD - FACE - RIGHT - W/WATER HEATER OPTION
	M02634-01-G07	EA	PANEL-KICKBOARD
	M02634-01-G08	EA	PANEL-KICKBOARD
	114726-01-G07	EA	TRAY ASM-BEVERAGE
	114739-01-01A	EA	PAD-NON-SKID - PSA - 1EA=PAIR
	114693-01-01A	EA	SUPPORT-TABLE - BLACK
	114693-02-01A	EA	SUPPORT-TABLE - BLACK

### LOUNGE GROUP (CONTINUED)



**DRIVER SIDE DOUBLE TABLE**

KEY	PART NUMBER	U/M	DESCRIPTION
1	114724-01-01A	EA	LEG-TABLE -WOOD -TAPERED UNFINISHED
1	114724-01-05A	EA	LEG-TABLE -WOOD -TAPERED CHERRY
2	114724-02-000	EA	PLATE - TABLE LEG
3	081322-14-G07	EA	TABLE ASM-DINETTE
4	102201-04-02A	EA	SUPPORT-HINGE CATCH - TABLE MOUNTED- OFF WHITE
5	118933-01-01A	EA	SUPPORT-HINGE LOCK - OFF WHITE
	114693-01-01A	EA	SUPPORT-TABLE BLACK
	114693-02-01A	EA	SUPPORT-TABLE BLACK
6	114681-01-F09	EA	TABLE ASM
	069726-02-000	EA	BUMPER-.88" OD X .40" THICK-BLACK
	064781-06-000	EA	HOLDER-CUP - TWO STEP - OFF WHITE
	062046-01-000	EA	CLIP-LEG - PEDESTAL - 1.7" X 2.2" - DIA. FROM 2" TO 2.5"



## SEALANTS & FASTENERS GROUP

### SCREWS

KEY	PART NUMBER	U/M	DESCRIPTION
	101618-01-000	EA	SCREW - 1/4-20 X .75 HEX - TAPPING - STALGARD TYPE F
	000G54-04-20B	EA	SCREW - 1/4-20 X 1 1/4 PTH - TYPE 23 - ZINC PLATED
	000G13-05-10B	EA	SCREW - 5-12 X 5/8 PFH - ZINC
	000G11-05-08B	EA	SCREW - 5-20 X .50 PPH - ZINC
	000G13-05-16S	EA	SCREW - 5-20 X 1.0 PFH - OFF WHITE
	000G68-06-10G	EA	SCREW - 6-18 X 5/8 POH - ANTIQUE BRASS
	000G11-06-08B	EA	SCREW - 6-20 X .50 PPH - ZINC
	000G12-06-08T	EA	SCREW - 6-20 X .50 POH - BLACK
	000G11-06-06B	EA	SCREW - 6-20 X 3/8 PPH - ZINC
	000G11-06-10J	EA	SCREW - 6-20 X 5/8 PPH - BRASS
	000G13-06-08B	EA	SCREW - 6-20 X .50 PFH - ZINC
	000G13-06-16J	EA	SCREW - 6-20 X 1.00 PFH - BRASS
	000G13-06-24J	EA	SCREW - 6-20 X 1.50 PFH - BRASS
	000G11-07-08B	EA	SCREW - 7-19 X .50 PPH - ZINC
	000G13-07-12B	EA	SCREW - 7-19 X .75 PFH - ZINC
	000G11-08-06B	EA	SCREW - 8-18 X 3/8 PPH - ZINC
	000G11-08-08B	EA	SCREW - 8-18 X .50 PPH - ZINC
	000G13-08-10B	EA	SCREW - 8-18 X 5/8 PFH - ZINC
	000G11-08-12B	EA	SCREW - 8-18 X .75 PPH - ZINC
	000G11-08-12D	EA	SCREW - 8-18 X .75 PPH - BLACK
	000G11-08-12E	EA	SCREW - 8-18 X .75 PPH - CHROME
	000G11-08-12P	EA	SCREW - 8-18 X .75 PPH - DARK BROWN
	0G1108-12-170	EA	SCREW - 8-18 X .75 PPH - BRIGHT WHITE
	000G12-08-12S	EA	SCREW - 8-18 X .75 POH - OFF WHITE
	0G1208-12-170	EA	SCREW - 8-18 X .75 POH - BRIGHT WHITE
	000G11-08-12S	EA	SCREW - 8-18 X .75 PPH - OFF WHITE
	000G11-08-12T	EA	SCREW - 8-18 X .75 PPH - BLACK
	000G11-08-16S	EA	SCREW - 8-18 X 1.00 PPH - OFF WHITE
	000G11-08-16B	EA	SCREW - 8-18 X 1.00 PFH - ZINC
	000G11-08-20B	EA	SCREW - 8-18 X 1.25 PPH - ZINC
	000G67-10-120	EA	SCREW - 10-12 X .75 PPH - TAN
	000G11-10-12S	EA	SCREW - 10-16 X .75 PPH - OFF WHITE
	000G11-10-10X	EA	SCREW - 10-16 X 5/8 PPH - GRAY
	000G32-10-06B	EA	SCREW - 10-32 X 3/8 - PPH - ZINC
	000G67-10-08B	EA	SCREW - 10-12 X 1/2 PPH - ZIN
	0G6710-08-170	EA	SCREW - 10-12 X 1/2 PPH - BRIGHT WHITE
	000G67-10-08R	EA	SCREW - 10-12 X 1/2 PPH - BEIGE - TYPE A
	000G67-10-10B	EA	SCREW - 10-12 X 5/8 PPH - ZINC - TYPE A
	000G67-10-10D	EA	SCREW - 10-12 X 5/8 PPH - BLACK - TYPE A
	000G67-10-10S	EA	SCREW - 10-12 X 5/8 - PPH - OFF WHITE
	000G67-10-12B	EA	SCREW - 10-12 X 3/4 PPH - ZINC
	000G67-10-12P	EA	SCREW - 10-12 X .75 - PPH - DARK BROWN
	000G67-10-12R	EA	SCREW - 10-12 X .75 PPH - BEIGE
	000G67-10-16B	EA	SCREW - 10-12 X 1 PPH - ZINC
	000G67-10-20D	EA	SCREW - 10-12 X 1.25 PPH - BLACK
	000G67-10-24B	EA	SCREW - 10-12 X 1.50 PPH - ZINC
	000G67-10-32B	EA	SCREW - 10-12 X 2 PPH - ZINC
	000G67-10-36T	EA	SCREW - 10-12 X 2.25 PPH - BLACK - STALGARD
	000G50-04-12B	EA	SCREW - MACHINE - 1/4 - 20 X 3/4 PPH - ZINC
	000G46-08-24T	EA	SCREW - MACHINE - 8-32 X 1.5 PFH - BLACK
	000G52-08-18B	EA	SCREW - MACHINE - 8-32 X 1 1/8 PTH - ZINC
	075908-01-000	EA	SCREW - MACHINE - 10-32 X .56 PTH - ZINC EXTERNAL TOOTH
	000G42-04-16B	EA	SCREW - SF/DR - .25-14 X 1 HWH - ZINC
	000G39-06-08B	EA	SCREW - SF/DR - 6-18 X .50 - ZINC
	000G39-06-10T	EA	SCREW - SF/DR - 6-20 X 5/8 PPH - BLACK
	000G39-06-16T	EA	SCREW - SF/DR - 6-20 X 1 PPH - BLACK
	000G39-08-06B	EA	SCREW - SF/DR - 8-18 X 3/8 PPH - ZINC
	000G39-08-08B	EA	SCREW - SF/DR - 8-18 X .50 PPH - ZINC
	000G39-08-08T	EA	SCREW - SF/DR - 8-18 X .50 PPH - BLACK
	000G39-08-08S	EA	SCREW - SF/DR - 8-18 X .50 PPH - OFF WHITE
	0G3908-08-170	EA	SCREW - SF/DR - 8-18 X .50 PPH - BRIGHT WHITE
	000G39-08-12B	EA	SCREW - SF/DR - 8-18 X .75 PPH - ZINC
	000G39-08-16B	EA	SCREW - SF/DR - 8-18 X 1.00 PPH - ZINC

## SEALANTS & FASTENERS GROUP (CONTINUED)

### SCREWS (CONTINUED)

KEY	PART NUMBER	U/M	DESCRIPTION
	000G39-08-16R	EA	SCREW - SF/DR - 8-18 X 1.00 PPH - BEIGE
	000G39-08-24B	EA	SCREW - SF/DR - 8-18 X 1.50 PPH - ZINC
	0G3908-24-170	EA	SCREW - SF/DR - 8-18 X 1.50 PPH - BRIGHT WHITE
	000G39-10-08B	EA	SCREW - SF/DR - 10-16 X .50 PPH - ZINC
	000G39-10-12D	EA	SCREW - SF/DR - 10-16 X .75 PPH - BLACK
	000G39-10-129	EA	SCREW - SF/DR - 10-16 X .75 PPH - FLUOROCARBON SILVER
	000G39-10-12B	EA	SCREW - SF/DR - 10-16 X .75 PPH - ZINC
	000G39-10-12R	EA	SCREW - SF/DR - 10-16 X .75 PPH - BEIGE
	000G39-10-20B	EA	SCREW - SF/DR - 10-16 X 1.25 PPH - ZINC
	000G60-10-28T	EA	SCREW - SF/DR - 10-16 X 1.75 PPH - BLACK
	000G39-10-32B	EA	SCREW - SF/DR - 10-16 X 2.00 PPH - ZINC
	054434-02-000	EA	SCREW - SF/DR - 10-16 X 2.00 PWH - ZINC - W/O WINGS
	000G39-12-12E	EA	SCREW - SF/DR - 12-14 X .75 PPH - CHROME
	086256-01-000	EA	SCREW - SF/DR - 8 X .75 HWH LONG - PL BODY PNL MT
	087721-01-000	EA	SCREW - FLAT HEAD - TAPPING - 1/4" X 1 1/4" LONG - ZINC
	097974-01-000	EA	SCREW - PART BD 7-9 X .75 PPH - FHM 0543 PLAIN

### BOLTS, NUTS & WASHERS

KEY	PART NUMBER	U/M	DESCRIPTION
	0MC31K-08-020	EA	BOLT - HEX - SERRATED FLANGE - M8 X 020
	000C12-05-16B	EA	BOLT - HEX - 5/16-18 X 1 - ZINC 5
	000C12-06-16B	EA	BOLT - HEX - 3/8-16 X 1 LG - ZINC 5
	000C12-09-20B	EA	BOLT - HEX - 9/16-12 X 1.25 - ZINC 5
	000C12-07-24B	EA	BOLT - HEX - 7/16-14 X 1.50 - ZINC 5
	000C12-08-24B	EA	BOLT - HEX - 1/2-13 X 1.50 - ZINC 5
	000C12-10-24B	EA	BOLT - HEX - 5/8-11 X 1.50 - ZINC - 5
	000C13-07-48B	EA	BOLT - HEX - 7/16-20 X 3 - ZINC 5
	000C18-05-40A	EA	BOLT - ELEVATOR - 5/16-18 X 2.50 - PL
	000C18-06-48B	EA	BOLT - ELEVATOR - 3/8-16 X 3 - ZINC - GRADE 5
	000C26-04-14B	EA	BOLT - HEX - SERRATED FLANGE - 1/4 X 20 X 7/8 - ZINC
	000C26-04-10B	EA	BOLT - HEX - SERRATED FLANGE - 1/4-20 X 5/8 - ZINC
	000C26-05-12B	EA	BOLT - HEX - SERRATED FLANGE - 5/16-18 X 3/4 - ZINC
	000C26-06-12B	EA	BOLT - HEX - SERRATED FLANGE - 3/8-16 X 3/4 - ZINC
	091274-03-000	EA	BOLT - J - 3/8-16 X 12.0
	000G45-05-16B	EA	BOLT - LAG 5/16-9 X 1 - ZINC
	051387-06-000	EA	BOLT - CARRIAGE - W/O HOLE - 5/16-18 X 9.5 - ZINC
	102333-01-06A	EA	BOLT - CARRIAGE -7/16-14 SST CAP - BRIGHT WHITE BUMPER BLT
	106166-01-000	EA	BOLT COLLARED HANGER - 8-32 X 1
	000D34-06-00B	EA	NUT - HEX - LOCKING - 3/8-16 GRADE C ZINC - PREVAILING TORQUE
	000D24-10-00B	EA	NUT - HEX - SF/LOCKING - 10-32 - ZINC
	000D29-09-00B	EA	NUT - HEX SELFLOCKING - 9/16-12 - ZINC
	000D29-06-00B	EA	NUT - HEX - W/NYLON LOCK - 3/8 - 16 - ZINC
	000D39-04-00B	EA	NUT - HEX - SERRATED FLANGE LOCKING 1/4-20 - ZINC
	000D39-05-00B	EA	NUT - HEX - SERRATED FLANGE LOCKING - 5/16-18 - ZINC
	000D39-06-00B	EA	NUT - HEX - SERRATED FLANGE LOCKING - 3/8-16 - ZINC
	000D39-08-00B	EA	NUT - HEX - SERRATED FLANGE LOCKING - 1/2-13 - ZINC
	000D44-07-00B	EA	NUT - HEX - SERRATED FLANGE LOCKING - 7/16-20 - ZINC
	087234-01-000	EA	NUT - JACK - 1/4 X 20 THD - MOLLY
	044364-02-000	EA	NUT - SPEED - FLAT - ROUND - T'MN C9186-014-1
	000E11-07-00B	EA	WASHER - LOCKING - 7/16 MED SPLIT - ZINC
	041322-01-000	EA	WASHER - FLANGE - 15/32 ID X 2 3/8 OD - FOR SEAT BELT MOUNT
	000E13-21-00B	EA	WASHER - FLANGE - W/2 NAR - ZINC
	000E13-14-00B	EA	WASHER - FLANGE - 1/4" WIDE - ZINC
	000E13-17-00B	EA	WASHER - FLANGE - 3/8" AR - ZINC
	000E13-18-00B	EA	WASHER - FLANGE - 3/8 WIDE - ZINC
	000E13-20-00B	EA	WASHER - FLANGE - 7/16" WIDE - ZINC
	044533-01-000	EA	WASHER - PLASTIC - 1 3/8 OD - FOR BUTTONS

## SEALANTS & FASTENERS GROUP (CONTINUED)

### CLAMPS, GROMMETS, CLIPS & RIVETS

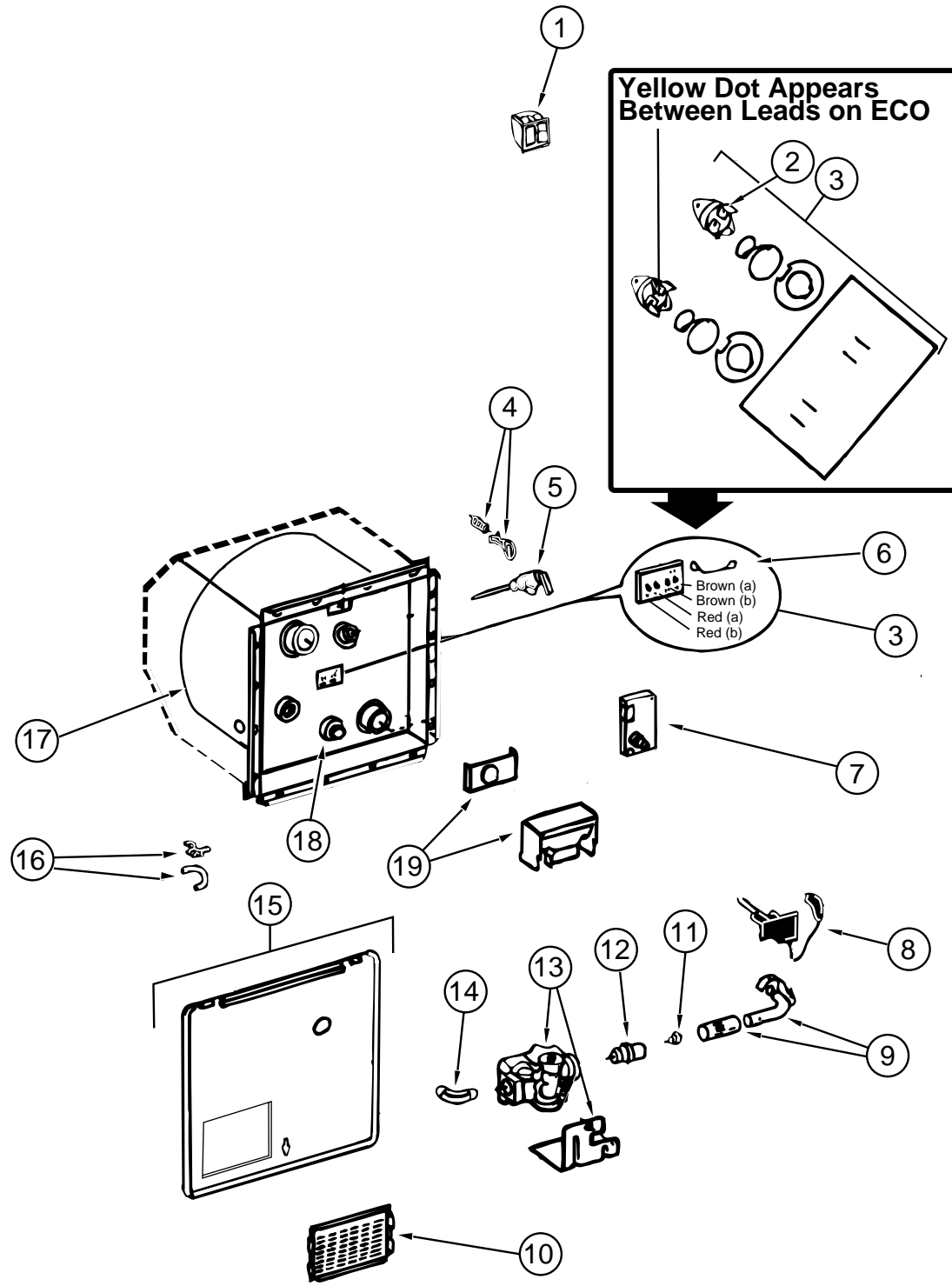
KEY	PART NUMBER	U/M	DESCRIPTION
	007161-01-000	EA	CLAMP - HOSE - SPRING TYPE - 1/2"
	010495-01-000	EA	CLAMP - CABLE - 9/16"
	010497-01-000	EA	CLAMP - CLOSED - 5/8" ID
	010497-03-000	EA	CLAMP - CLOSED - 1" ID - CUSHIONED
	010497-04-000	EA	CLAMP - CLOSED - 1.62" ID - ADEL - 945-2717
	010499-01-000	EA	CLAMP - CLOSED - 3/8" ID
	016188-05-000	EA	GROMMET - L/P LINE - 3/8" HOLE X 1 1/4" LONG - RUBBER
	023942-01-000	EA	GROMMET-RUBBER - 2" OD
	056134-02-000	EA	HOLDER - RING - 1.8" DIAMETER - METAL
	062401-01-000	EA	CLAMP - HOSE - WORMGEAR .25" - 1"
	062401-02-000	EA	CLAMP - HOSE - WORMGEAR - 1.56" - 2.5"
	062401-03-000	EA	CLAMP - HOSE - WORMGEAR - .22" - 1"
	062401-04-000	EA	CLAMP - HOSE - WORMGEAR .69"- 1.25"
	062401-06-000	EA	CLAMP - HOSE - WORMGEAR .22"-.62"
	062401-11-000	EA	CLAMP - HOSE - WORMGEAR 3.56" - 4.5"
	071015-11-000	EA	GROMMET - 1.00 ID - FITS .12 MATL - MINOR RUBBER Z-3065
	071015-26-000	EA	GROMMET - RUBBER - 1.5" ID X 2.12" OD W/.06" GROOVE - BLACK
	114208-02-000	EA	GROMMET - EDGE LINER - FITS .625 - HEYCO 2073
	075148-02-000	EA	CLAMP - GROUNDING - BRONZE SCREWS
	083609-01-000	EA	CLAMP - WIRE - DUAL EQUAL - 5/8" DIAMETER
	083610-01-000	EA	CLAMP - WIRE - DUAL - UNEQUAL DIAMETERS - .75" & 1.25"
	083610-02-000	EA	CLAMP - WIRE - DUAL UNEQUAL DIA
	101447-01-000	EA	CLIP - U-TYPE - TINNEMAN - HOLDS SHOWER SURROUND TOGETHER
	091952-01-000	EA	CLIP - GRIPPER - 1"
	091952-02-000	EA	CLIP - GRIPPER - 3/4"
	080734-02-000	EA	CLIP - WIRE - NYLON
	080211-03-000	EA	CLIP - MOUNTING - (XMAS TREE) - DECORATIVE PADS
	094362-02-000	EA	CLIP-CHRISTMAS TREE, FLAT HEAD - .5" X .95"
	069592-02-000	EA	RIVET-T - POP - 1/4 X .093 - .156
	108046-01-000	EA	CABLE TIE - SCREW MOUNT 8" - DENNISON 08415
	108046-02-000	EA	CABLE TIE - SCREW MOUNT 15" - DENNISON 10035
	008343-01-000	EA	TIE - WIRE - 6"
	085774-01-000	FT	FASTENER - DUAL HOOK - 1" WIDE - ADHESIVE BACK - BLACK
	085774-02-000	FT	FASTENER - DUAL LOOP - 1" WIDE - ADHESIVE BACK - BLACK

## SEALANTS & FASTENERS GROUP (CONTINUED)

### ADHESIVE & FASTENERS

KEY	PART NUMBER	U/M	DESCRIPTION
	034552-02-000	EA	SILICONE - TUBE - 300 ML - W/O NOZZLE - CLEAR
	034552-06-000	EA	SILICONE - TUBE - 300 ML - W/O NOZZLE - OFF WHITE
	034552-15-000	EA	SILICONE - TUBE - 300 ML - W/O NOZZLE - BRIGHT WHITE
	900390-01-000	EA	TIP - 2 1/2" X 1/8" ORIFICE
	900390-03-000	EA	NOZZLES - #CSL D10
	002707-02-000	FT	TAPE - SEALER - 6/16" X 1/2"
	053766-06-000	EA	BEDDING COMPOUND - TUBE - CLEAR
	063642-01-000	FT	TAPE - ADHESIVE - 10 MM X 1.5" WIDE X 180'
	069640-01-000	FT	SEALER - RIBBON - 1/4" X 30'
	069640-02-000	FT	SEALER - RIBBON - 1/2" X 1/8" X 60'
	069640-03-000	FT	SEALER - RIBBON - 3/4" X 1/8" X 60'
	069640-07-000	FT	SEALER - RIBBON - 2" X 3/32" - INCREMENTS OF 45'
	069640-10-000	FT	SEALER - RIBBON - 1/32" X 1.50" X 90'
	069640-11-000	FT	SEALER - TAPE - 3/16" X 3/8" X 40' - BLACK - MANUS
	076314-02-000	FT	TAPE - CARPET SEAM - HEAT-BOND - 4" WIDE
	076322-01-000	FT	TAPE - FOAM - DOUBLE COATED ADHESIVE BACKED - .75" X 216'
	076322-03-000	FT	TAPE - FOAM - DOUBLE COATED ADHESIVE BACKED - .5" X 108'
	076322-05-000	FT	TAPE - FOAM - DOUBLE COATED ADHESIVE BACKED - .025" X 1.5" X 108'
	087211-01-000	GL	PROMOTER - ADHESIVE
	094401-01-000	EA	SEALER - BODY SEAM SEALER - 3M FLEXICLEAR - TUBE - 12 PER CASE
	102352-01-000	EA	SEALER - PUMPABLE - BLACK - COLORIMETRIC MS101
	106206-01-000	EA	SEALER - PUMPABLE - MANUS 30A - BLACK
	108716-01-000	EA	SILICONE - TUBE - OFF WHITE LEVEL - CSL 510
	120074-01-01A	EA	SILICONE TUBE - OFF WHITE - W/O NOZZLE
	120534-01-01A	EA	TAPE-SCOTCH 3M 1/2" FINE LINE - #471 GREEN
	091255-02-000	FT	SEAL-ADHESIVE BACKED FOAM - .18" THICK X 1.5" WIDE
	102540-03-000	EA	SEAL-SCREW
	004020-01-000	QT	ADHESIVE-ABS CEMENT - QUART

## WATER & SEWAGE GROUP

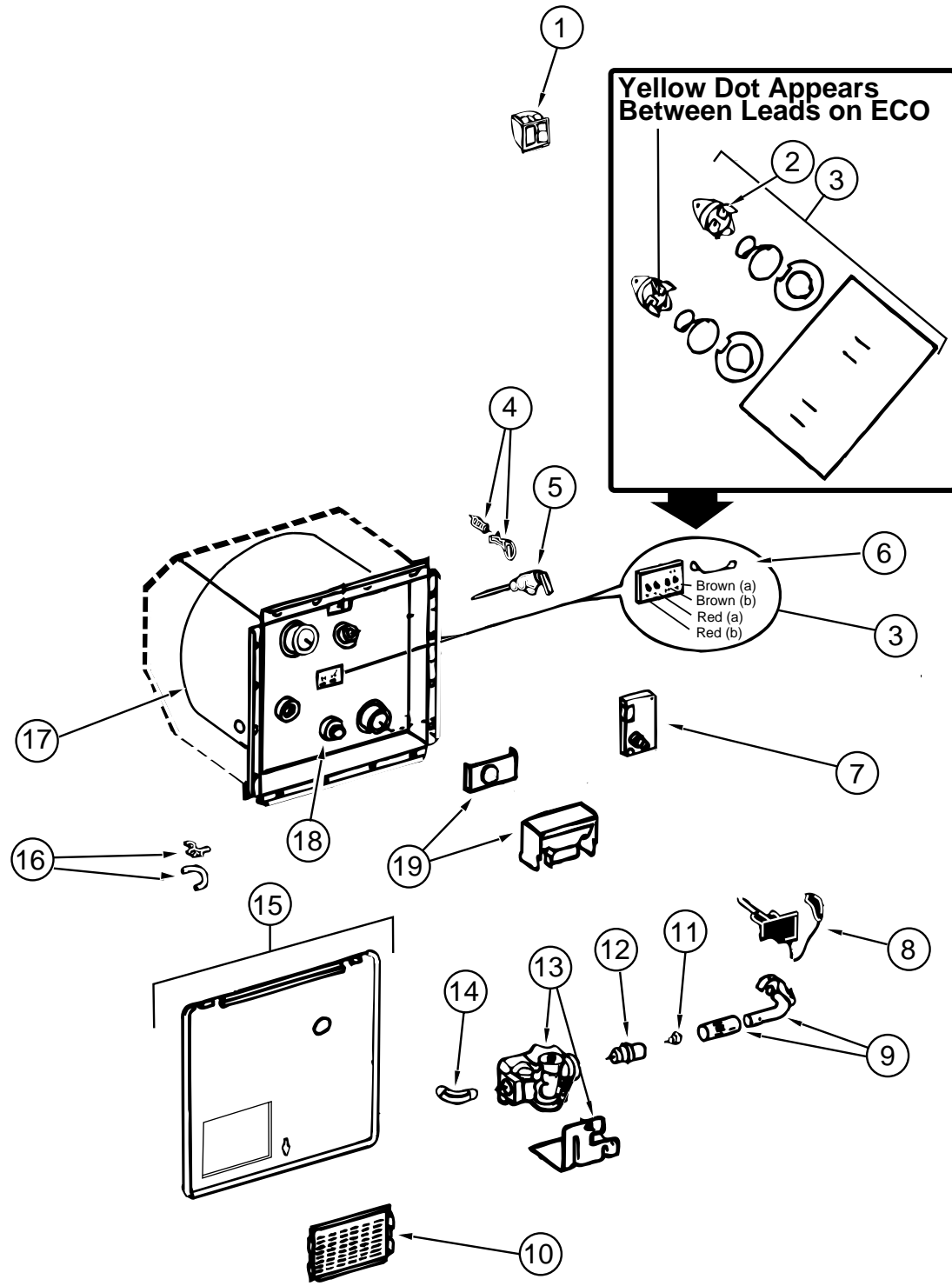


KEY	PART NUMBER	U/M DESCRIPTION	VENDOR NO.
	051391-03-000	EA WATER HEATER - W/ ELECTRIC IGNITION	
1	097967-01-000	EA SWITCH-REMOTE W/LIGHT - ATWOOD #91959	
2	051391-04-701	EA THERMOSTAT 12 VDC-120 PRESET	# 91470
3	051393-01-721	EA ECO & THERMOSTAT ASM-FRONT MOUNT, 140 DEGREE	# 91447
4	051391-01-705	EA FASTENER-CAMLOC	# 92609
5	051391-01-704	EA VALVE-RELIEF - 1/2" FITTING	# 91604
6	051393-01-723	EA SWITCH-THERMAL-CUT OFF (2/PKG)	# 93866
7	051393-01-724	EA CIRCUIT BOARD-SPADE TERMINAL	# 93865
8	051393-01-725	EA ELECTRODE-SINGLE SPADE CONNECT	# 93868
9	051391-04-703	EA BURNER-MAIN	# 91638
10	051391-01-717	EA GRILL ONLY(GOES ON THE DOOR)	# 92640
11	051391-01-710	EA ORIFICE-MAIN BURNER	# 92742
12	051391-03-700	EA ORFICE-HOLDER	# 91563
13	051393-01-726	EA SOLENOID VALVE AND BRACKET-WHITE-ROGERS	# 93870
14	051391-01-714	EA FITTING-ELBOW 45 - 3/8 F X 3/8 MPT	#1044
15	052009-06-000	EA DOOR-WATER HEATER - ATWOOD - BRIGHT WHITE	
	116424-01-000	EA PROTECTOR-WATER HEATER LATCH	
16	051391-01-700	EA HINGE KIT-W/CLIP	# 92568 & 92559
17	051391-04-706	EA TANK-INNER - G6A-4E & 6E - FRONT MOUNT	# 91641
18	051391-01-715	EA PLUG-DRAIN, 1 EA = 2 PER PKG	#91857
19	051391-04-707	EA KIT-(FLUE & GASKET) FOR EXHAUST	#90960
	110438-01-000	EA VALVE-CHECK - BRASS	

### WATER HEATER W/MOTOR AID ATWOOD (GH6-7E)

KEY	PART NUMBER	U/M DESCRIPTION	VENDOR NO.
	051393-01-000	EA WATER HEATER - W/ MOTOR AID - PILOTLESS IGNITION	
1	097967-01-000	EA SWITCH-REMOTE W/LIGHT - ATWOOD #91959	
2	051391-04-701	EA THERMOSTAT 12 VDC-120 PRESET	# 91470
3	051393-01-721	EA ECO & THERMOSTAT ASM-FRONT MOUNT, 140 DEGREE	# 91447
4	051391-01-705	EA FASTENER-CAMLOC	# 92609
5	051391-01-704	EA VALVE-RELIEF - 1/2" FITTING	# 91604
6	051393-01-723	EA SWITCH-THERMAL-CUT OFF (2/PKG)	# 93866
7	051393-01-724	EA CIRCUIT BOARD-SPADE TERMINAL-ELECTRIC IGNITION	# 93865
8	051393-01-725	EA ELECTRODE-SINGLE SPADE CONNECT.-SPARK PROBE	# 93868
9	051391-04-703	EA BURNER-MAIN - 4E AND 6E MODELS	# 91638
10	051391-01-717	EA GRILL ONLY(GOES ON THE DOOR)	# 92640
11	051391-01-710	EA ORIFICE-MAIN BURNER	# 92742
12	051391-03-700	EA ORFICE-HOLDER	# 91563
13	051393-01-726	EA SOLENOID VALVE AND BRACKET-WHITE-ROGERS	# 93870
14	051391-01-714	EA FITTING-ELBOW 45 - 3/8 F X 3/8 MPT	#1044
15	052009-06-000	EA DOOR-WATER HEATER - ATWOOD - BRIGHT WHITE	
	116424-01-000	EA PROTECTOR-WATER HEATER LATCH	
16	051391-01-700	EA HINGE KIT-W/CLIP	# 92568 & 92559
17	051391-04-704	EA TANK-INNER - FRONT MOUNT	#91642
18	051391-01-715	EA PLUG-DRAIN, 1 EA = 2 PER PKG	#91857
19	051391-04-707	EA KIT-(FLUE & GASKET) FOR EXHAUST	#90960
	110438-01-000	EA VALVE-CHECK - BRASS	

**WATER & SEWAGE GROUP (CONTINUED)**



**WATER HEATER W/ELECRIC IGNITION ATWOOD (G6A-8E)**

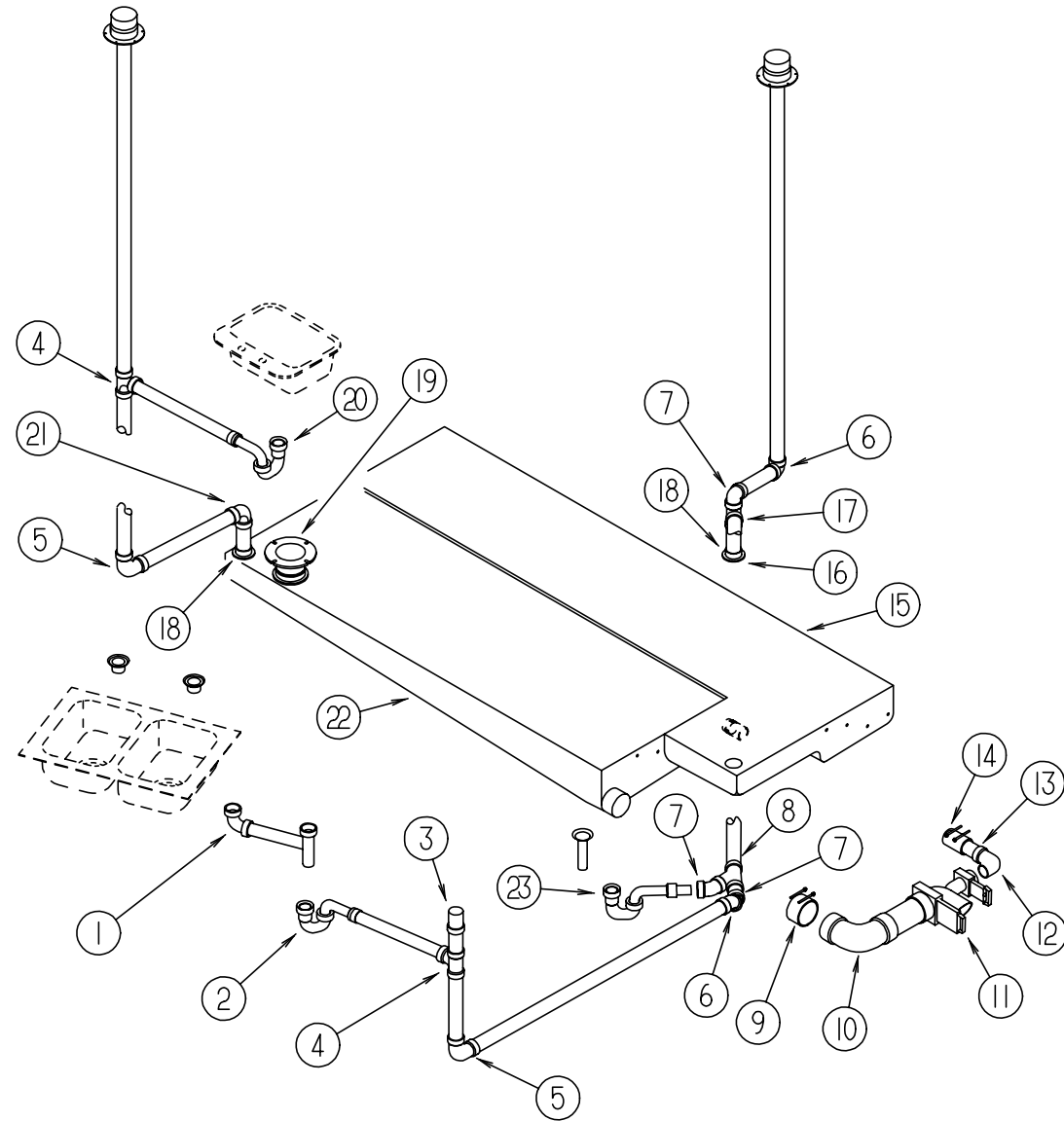
KEY	PART NUMBER	U/M	DESCRIPTION	VENDOR NO.
	051391-03-000	EA	WATER HEATER - W/ ELECTRIC IGNITION	
1	097967-01-000	EA	SWITCH-REMOTE W/LIGHT - ATWOOD #91959	
2	051391-04-701	EA	THERMOSTAT 12 VDC-120 PRESET	# 91470
3	051393-01-721	EA	ECO & THERMOSTAT ASM-FRONT MOUNT, 140 DEGREE	# 91447
4	051391-01-705	EA	FASTENER-CAMLOC	# 92609
5	051391-01-704	EA	VALVE-RELIEF - 1/2" FITTING	# 91604
6	051393-01-723	EA	SWITCH-THERMAL-CUT OFF (2/PKG)	# 93866
7	051393-01-724	EA	CIRCUIT BOARD-SPADE TERMINAL	# 93865
8	051393-01-725	EA	ELECTRODE-SINGLE SPADE CONNECT	# 93868
9	051391-04-703	EA	BURNER-MAIN	# 91638
10	051391-01-717	EA	GRILL ONLY(GOES ON THE DOOR)	# 92640
11	051391-01-710	EA	ORIFICE-MAIN BURNER	# 92742
12	051391-03-700	EA	ORFICE-HOLDER	# 91563
13	051393-01-726	EA	SOLENOID VALVE AND BRACKET-WHITE-ROGERS	# 93870
14	051391-01-714	EA	FITTING-ELBOW 45 - 3/8 F X 3/8 MPT	#1044
15	052009-06-000	EA	DOOR-WATER HEATER - ATWOOD - BRIGHT WHITE	
	116424-01-000	EA	PROTECTOR-WATER HEATER LATCH	
16	051391-01-700	EA	HINGE KIT-W/CLIP	# 92568 & 92559
17	051391-04-706	EA	TANK-INNER - G6A-4E & 6E - FRONT MOUNT	# 91641
18	051391-01-715	EA	PLUG-DRAIN, 1 EA = 2 PER PKG	#91857
19	051391-04-707	EA	KIT-(FLUE & GASKET) FOR EXHAUST	#90960
	110438-01-000	EA	VALVE-CHECK - BRASS	

**WATER HEATER W/MOTOR AID ATWOOD (GH6-8E)**

KEY	PART NUMBER	U/M	DESCRIPTION	VENDOR NO.
	051393-01-000	EA	WATER HEATER - W/ MOTOR AID - PILOTLESS IGNITION	
1	097967-01-000	EA	SWITCH-REMOTE W/LIGHT - ATWOOD #91959	
2	051391-04-701	EA	THERMOSTAT 12 VDC-120 PRESET	# 91470
3	051393-01-721	EA	ECO & THERMOSTAT ASM-FRONT MOUNT, 140 DEGREE	# 91447
4	051391-01-705	EA	FASTENER-CAMLOC	# 92609
5	051391-01-704	EA	VALVE-RELIEF - 1/2" FITTING	# 91604
6	051393-01-723	EA	SWITCH-THERMAL-CUT OFF (2/PKG)	# 93866
7	051393-01-724	EA	CIRCUIT BOARD-SPADE TERMINAL-ELECTRIC IGNITION	# 93865
8	051393-01-725	EA	ELECTRODE-SINGLE SPADE CONNECT.-SPARK PROBE	# 93868
9	051391-04-703	EA	BURNER-MAIN - 4E AND 6E MODELS	# 91638
10	051391-01-717	EA	GRILL ONLY(GOES ON THE DOOR)	# 92640
11	051391-01-710	EA	ORIFICE-MAIN BURNER	# 92742
12	051391-03-700	EA	ORFICE-HOLDER	# 91563
13	051393-01-726	EA	SOLENOID VALVE AND BRACKET-WHITE-ROGERS	# 93870
14	051391-01-714	EA	FITTING-ELBOW 45 - 3/8 F X 3/8 MPT	#1044
15	052009-06-000	EA	DOOR-WATER HEATER - ATWOOD - BRIGHT WHITE	
	116424-01-000	EA	PROTECTOR-WATER HEATER LATCH	
16	051391-01-700	EA	HINGE KIT-W/CLIP	# 92568 & 92559
17	051391-04-704	EA	TANK-INNER - FRONT MOUNT	#91642
18	051391-01-715	EA	PLUG-DRAIN, 1 EA = 2 PER PKG	#91857
19	051391-04-707	EA	KIT-(FLUE & GASKET) FOR EXHAUST	#90960
	110438-01-000	EA	VALVE-CHECK - BRASS	

**WATER & SEWAGE GROUP (CONTINUED)**

**WATER & SEWAGE GROUP (CONTINUED)**



**DRAINAGE SYSTEM**

KEY	PART NUMBER	U/M DESCRIPTION
1	011091-02-000	EA PIPE-DRAIN, DOUBLE SINK - BAFFLE TEE - 1 1/2"
1	011091-03-000	EA PIPE-DRAIN, W/SEALS - DOUBLE SINK - EXTENDS 9" TO 16"
2	109571-01-000	EA ADAPTER-P TRAP, 1 1/2" P X 1 1/4" MPT
	109571-02-000	EA ADAPTER-1 1/2 HUB X 1 1/2 MPT - NIBCO 5801-7
2	107538-01-000	EA P TRAP-PLAS 1 1/4 W/EXT ARM - KEVCO P814 1-1/4"
2	011071-01-000	EA P TRAP-PLASTIC 1 1/2" - NIBCO 5892 1 1/2(CSA)
3	079968-01-000	EA VENT-MECH. TRAP ARM, ANTI-SIPHON - 2" DIA X 7.3" - PLASTIC
4	010071-01-000	EA TEE-SANITARY, 1 1/2" HUB X HUB X HUB - PLASTIC - BLACK
5	010008-01-000	EA ELBOW-90 DEG, 1/4 BEND - 1 1/2" HUB X HUB - BLACK PLASTIC
6	010006-01-000	EA ELBOW-45 DEG, 1/8 BEND - 1 1/2" HUB X HUB - BLACK PLASTIC
7	010051-01-000	EA ELBOW, 45 DEG., 1 1/2" SPIGOT & HUB, PLASTIC-BLACK
8	010073-01-000	EA WYE-45 DEGREE, 1 1/2" HUB X HUB X HUB - PLASTIC - BLACK
9	078406-01-000	EA COUPLER-RUBBER, W/CLAMPS - 3" X 3"
10	031126-01-000	EA ELBOW-1/4 BEND, 3 X 90 XLT - PLASTIC - BLACK
11	070916-01-000	EA VALVE-DUAL DUMP, W/CAP - 3" X 1 1/2" - PLASTIC - BLACK
	070916-01-700	EA VALVE ONLY (WASTE) 3" T1003BU
	070916-01-701	EA VALVE ONLY (WASTE) 1 1/2" T1001BU
11	062415-01-000	EA CAP-SEWER, 3" DIAMETER
	062415-01-700	EA STRING-SEWER CAP V#SV7 STRAP
	010201-01-000	EA HOSE-SEWER, 3" ID X 8'
	062416-01-000	EA ADAPTER-SEWER HOSE TO 3" PIPE
12	033761-01-000	EA ELBOW-TURN - 1/4 BEND X 1.5" HUB X 1.5" SPIGOT - BLK PLASTIC
13	089355-01-000	EA COUPLER-RUBBER, 1 1/2" X 1 1/2"

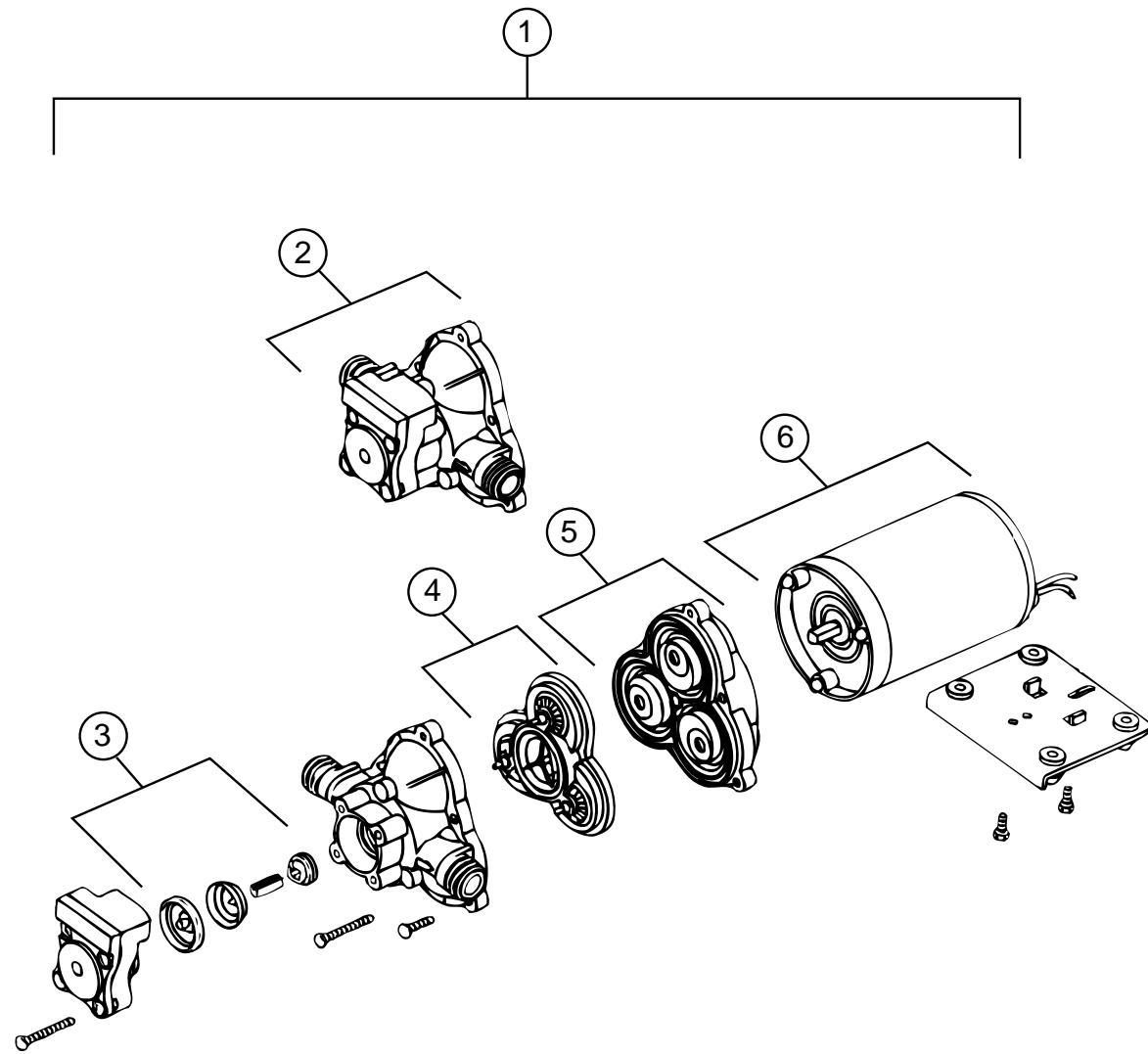
**DRAINAGE SYSTEM (CONTINUED)**

KEY	PART NUMBER	U/M DESCRIPTION
14	102024-01-000	EA NIPPLE-PLAS, 1.5X2.62TOE - 91 N-SERIES
15	117580-01-000	EA TANK-HOLDING, 33 GALLON - 96 429WU
16	061607-01-000	EA GROMMET-HOLDING TANK, 1 1/2" NPS
17	010071-01-000	EA TEE-SANITARY, 1 1/2" HUB X HUB X HUB - PLASTIC - BLACK
18	010115-01-000	EA COUPLING-1 1/2" HUB X HUB, PLASTIC
19	061607-02-000	EA GROMMET-HOLDING TANK, 3" NPS
20	109571-01-000	EA ADAPTER-P TRAP, 1 1/2" P X 1 1/4" MPT
20	107538-01-000	EA P TRAP-PLAS 1 1/4 W/EXT ARM - KEVCO P814 1-1/4"
20	011066-03-700	EA P TRAP-1 1/4" HUB X SLIP JOINT - W/UNION - ABS - CANADIAN
21	034250-01-000	EA ELBOW, 90 DEG., LONG TURN - 1 1/2" HUB X HUB ABS
22	117573-01-000	EA TANK-HOLDING, 33 GALLON - 96 429WU
23	069735-01-000	EA WASHER-STRAINER TO TAILPIECE PLASTIC, 1.5"
	010166-01-000	EA PLUG-THREADED, 1 1/4" DIAMETER - PLASTIC - BLACK
	011069-04-000	EA TAILPIECE, 1 1/2 X 1 1/4 X 8 - BRASS
	011069-02-000	EA TAILPIECE-TUB/SHOWER, 1 1/2" X 1 1/4" X 4" - BRASS
	010122-01-000	EA BUSHING-REDUCER, 1 1/2" SMTH X 1 1/4 THD - PLASTIC - BLACK
	069735-01-000	EA WASHER-STRAINER TO TAILPIECE PLASTIC, 1.5"
	041956-01-000	EA ELBOW-STREET, PLASTIC - 1/4 BEND - 3" X 90 XLT
	116644-01-000	EA FLANGE - CLOSET, 4" X 3"

**FRESH WATER TANK & WATER SYSTEM**

KEY	PART NUMBER	U/M DESCRIPTION
	119109-02-000	EA TANK - WATER 40 GALLONS W/FITTINGS
	119109-01-000	EA TANK - WATER - 40 GAL
	119109-05-000	EA TANK ASM - WATER - 40 GAL - HEAVY DUTY CHASSIS
	077954-02-000	EA FILTER - WATER TANK - SCREEN IN TANK
	042989-03-000	EA FITTING - WATER TANK - SPINWELD - 1 1/4"NPT - PLASTIC - WHITE
	042989-04-000	EA FITTING - WATER TANK - SPINWELD - 3/8"FPT - PLASTIC - WHITE
	042989-05-000	EA FITTING - WATER TANK - SPINWELD - 1/2" FPT - PLASTIC - WHITE
	049032-01-000	EA PATCH - SPINWELD - 3/8" - PLASTIC
	039861-01-000	EA SENDING UNIT - W/SCREW - WASHER- WELL NUT AND TERMINAL RING
	079381-01-000	FT TUBING - SMOOTH FLEXIBLE - 1 1/4" ID X 20'
	114430-02-000	EA ADAPTER - SWIVEL - 1/2" P X 1/2" FPT - FLAIR-IT - 02873
	114430-03-000	EA ADAPTER - SWIVEL - 1/2" P X 1/2" MPT - FLAIR-IT - 02842
	010224-01-000	EA ADAPTER - HOSE TO PIPE - 3/8" MPT X 3/8" BARB - PLASTIC BLACK
	044927-01-000	EA ADAPTER - HOSE TO PIPE - 1 1/4"MPT X 1 1/4"BARB - BLACK PLASTIC
	101814-01-000	EA COUPLING - FEMALE - 1/2" X 1/2" FPT
	114429-01-000	EA ELBOW - 1/2" P X 1/2" P - FLAIR-IT 02800
	114429-02-000	EA ELBOW - 1/2" P X 1/2" MPT - FLAIR-IT 02803
	114429-03-000	EA ELBOW - SWIVEL - 1/2" P X 1/2" FPT - FLAIR-IT 02816
	010230-05-000	EA CITY WATER FILL W/CHECK VALVE
	114428-01-000	EA TEE - 1/2" P X 1/2" P X 1/2" P - FLAIR-IT 02820
	114428-02-000	EA TEE - SWIVEL - 1/2" P X 1/2" P X 1/2" FPT - FLAIR-IT 02821
	114428-03-000	EA TEE - 1/2" P X 1/2" P X 1/2" MPT - FLAIR-IT 02822
	039800-02-000	FT TUBING-POLYBUTYL - 5/8" OD - INCREMENTS OF 20' - BLACK
	074462-02-000	FT TUBING-VINYL - 3/8" ID - CLEAR
	114431-01-000	EA WATER VALVE - 3 POSITION - "DRAIN VALVE"
	114431-03-000	EA WATER VALVE - 90 DEGREE ELBOW - "WATER DRAIN VALVE"
	046128-01-000	EA VALVE-DRAIN - PLASTIC - 1/2" FPT
	091208-01-000	EA WASHER-RUBBER - .06" X .75" X .5"

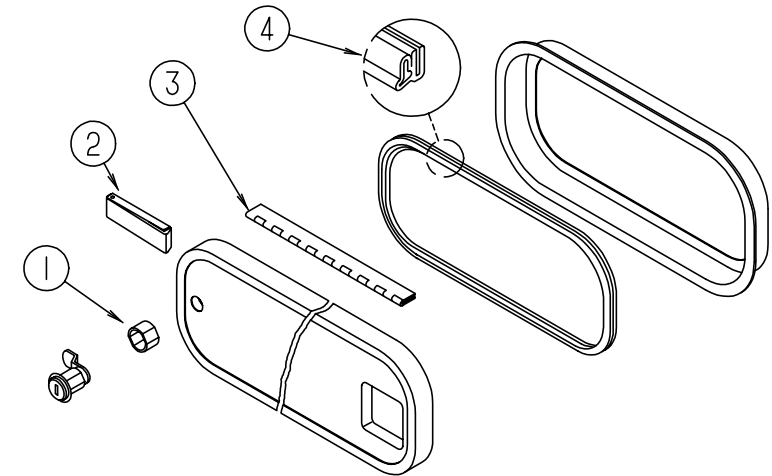
**WATER & SEWAGE GROUP (CONTINUED)**



**WATER PUMP - SHURFLO**

KEY	PART NUMBER	U/M DESCRIPTION	VENDOR NO.
1	098607-01-000	EA PUMP-WATER, W/.5" MPT FITTING - FLOW 2.8 GPM - UL	
2	098607-01-706	EA HOUSING, W/SWITCH ONLY	94-231-20
3	098607-01-705	EA VALVE-CHECK, KIT	94-237-00
4	098607-01-703	EA VALVE KIT	94-232-00
5	098607-01-702	EA DIAPHRAGM/DRIVE ASSEMBLY KIT	94-238-04
6	098607-01-707	EA MOTOR W/BASEPLATE	11-148-04

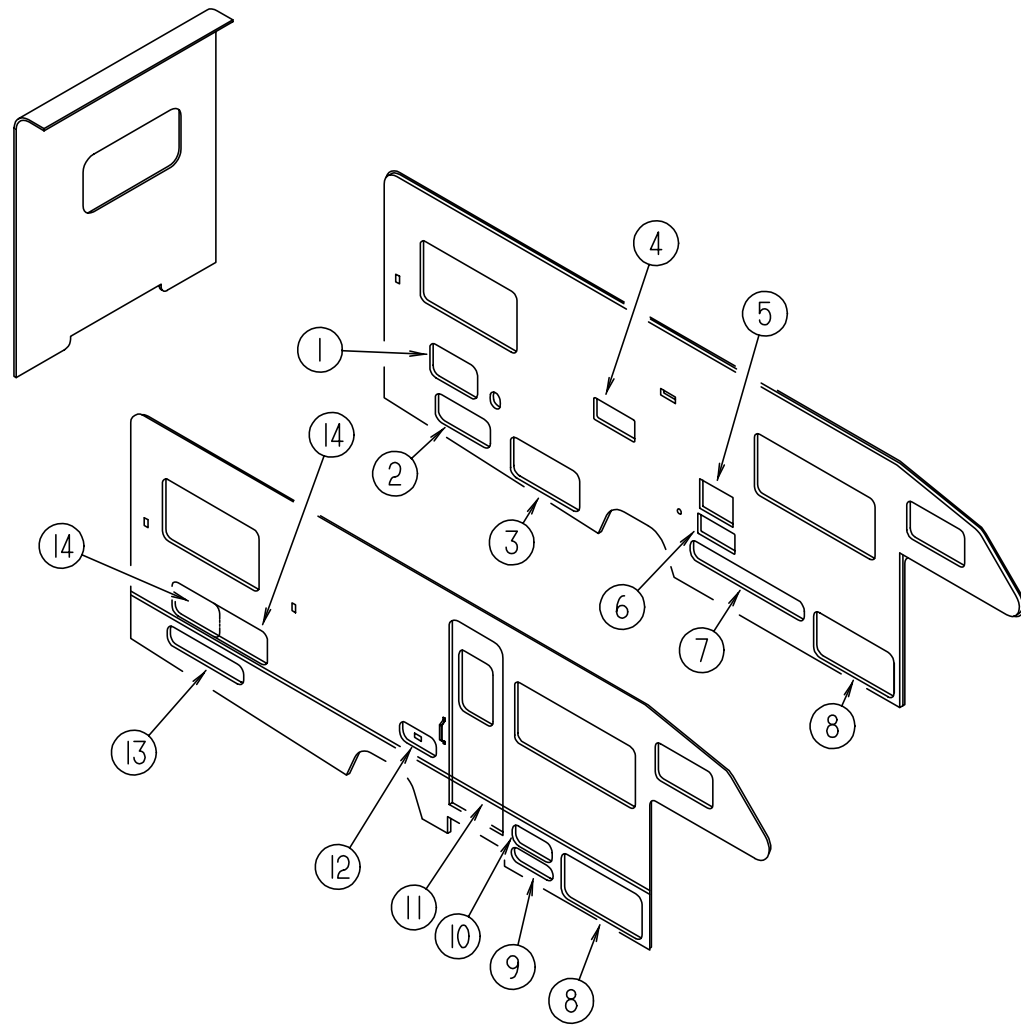
**WINDOW, VENT & EXTERIOR DOOR GROUP**



**EXTERIOR DOOR COMPONENTS**

KEY	PART NUMBER	U/M DESCRIPTION	VENDOR NO.
1	110506-50-000	EA CASE ASM-TWIST LOCK 17 MM - BRIGGS & STRATTON	#596932
1	110506-51-000	EA CASE ASM-TWIST LOCK 25 MM - BRIGGS & STRATTON	#596669
2	102768-01-000	EA HOLDER-COMPARTMENT/ENTRY DOOR - METAL - MILL FINISH	
3	081801-02-000	EA HINGE-PIANO - CONTINUOUS - 2" X 96" - OFF WHITE	
3	081801-V3-000	EA HINGE-PIANO - CONTINUOUS - 2" X 96" - BRIGHT WHITE	
3	009065-01-000	EA HINGE-CONTINUOUS - 1 1/2" X 96" - UNPAINTED	
3	034007-B3-000	EA HINGE-CONTINUOUS - 1 1/2" X 96" - ALUMINUM - BRIGHT WHITE	
4	064075-07-000	FT SEAL-BULB - W/WIRED U-CHANNEL - .3" X .5" CHANNEL - BLACK	
	099418-01-000	FT SEAL-D - W/SIDE ADHESIVE - .4" X .1" - SPONGE RUBBER - BLACK	
	104692-01-000	FT SEAL-ADHESIVE BACK - 3/4" X 34"	
	110530-01-000	FT SEAL-SPONGE - .31" X .62"	
	106850-01-000	FT SEAL-E - 11 X 19 SPONGE RUBBER	
	107997-51-001	EA SPACER - .86" X 6" - ALUMINUM	
	110506-40-700	EA HARDWARE KIT	596950ALL

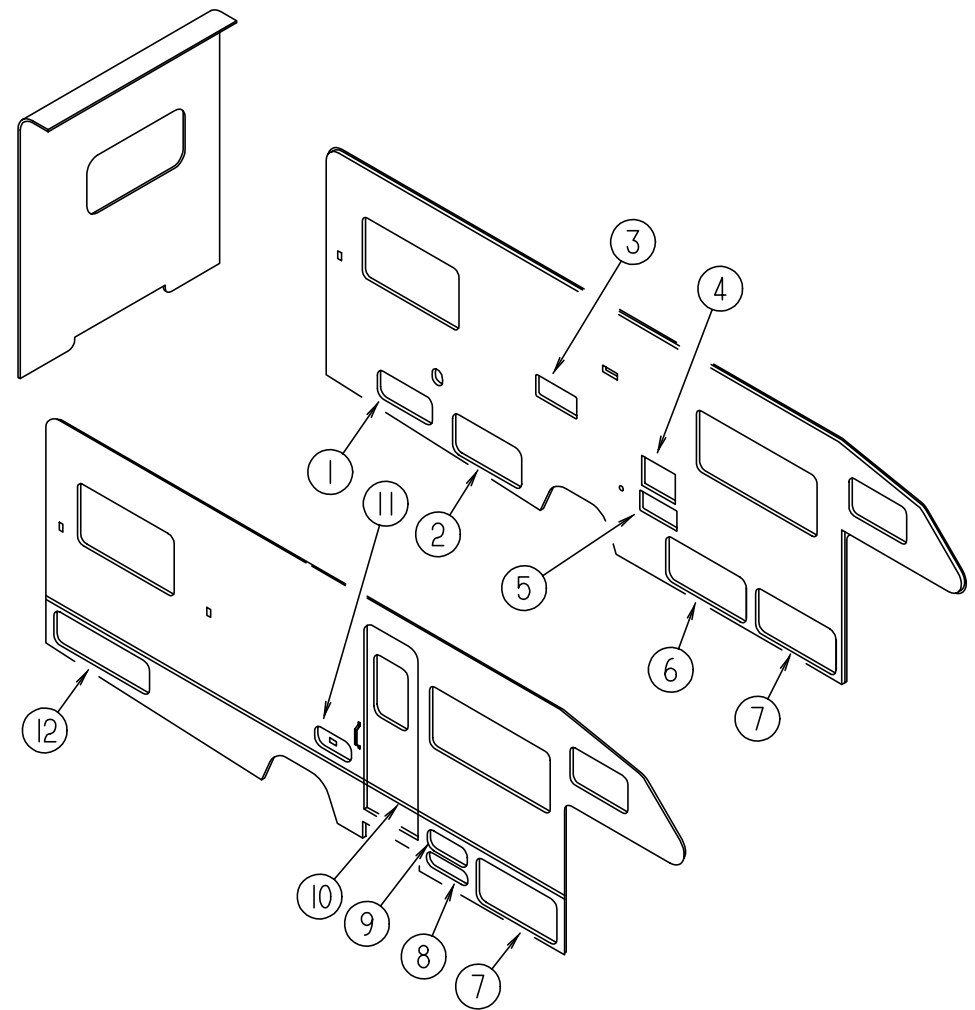
**WINDOW, VENT & EXTERIOR DOOR GROUP (CONTINUED)**



**EXTERIOR DOORS**

KEY	PART NUMBER	U/M	DESCRIPTION
1	104558-43-G04	EA	DOOR - STORAGE W/O PADDLE LATCH - 29.12" WIDE
2	104558-12-F08	EA	DOOR ASM-STORAGE
3	104558-35-G07	EA	DOOR ASM-STORAGE
4	084103-08-000	EA	DOOR-REFRIGERATOR - VENTED - W/O JAMB - BRIGHT WHITE
	084104-08-000	EA	JAMB-DOOR - REFRIGERATOR - BRIGHT WHITE
	084104-01-700	EA	LOCK-MALE - FASTENER - REFRIGERATOR DOOR
	084104-01-701	EA	LOCK-FEMALE - FASTENER - REFRIGERATOR DOOR
5	052009-06-000	EA	DOOR-WATER HEATER - W/O LATCHES
	116424-01-000	EA	PROTECTOR-WATER HEATER LATCH
6	098668-23-000	EA	DOOR-ACCESS - FURNACE
7	104558-39-G07	EA	DOOR ASM-STORAGE
8	104558-38-G07	EA	DOOR ASM-STORAGE
9	111009-01-F08	EA	DOOR-ASM - LP
10	104558-40-G07	EA	DOOR ASM-STORAGE
11	115108-06-G07	EA	DOOR - ENTRY, W/SCREEN DOOR - W/O WINDOW
11	115108-06-G08	EA	DOOR - ENTRY, W/SCREEN DOOR - W/O WINDOW
12	111017-01-F24	EA	DOOR - PATIO/ENTERTAINMENT CENTER-17.8" X 8.1" - W/O LATCH
13	104558-47-G07	EA	DOOR ASM-STORAGE
14	104558-43-G04	EA	DOOR - STORAGE W/O PADDLE LATCH - 29.12" WIDE(TWIN BED)
14	104558-13-F16	EA	DOOR - STORAGE W/O PADDLE LATCH - 47" HIGH(QUEEN BED)
	081240-16-000	EA	DOOR - WATER FILL - LOCKABLE, W/O LOCK - 4" X 4 5/8"

**WINDOW, VENT & EXTERIOR DOOR GROUP (CONTINUED)**

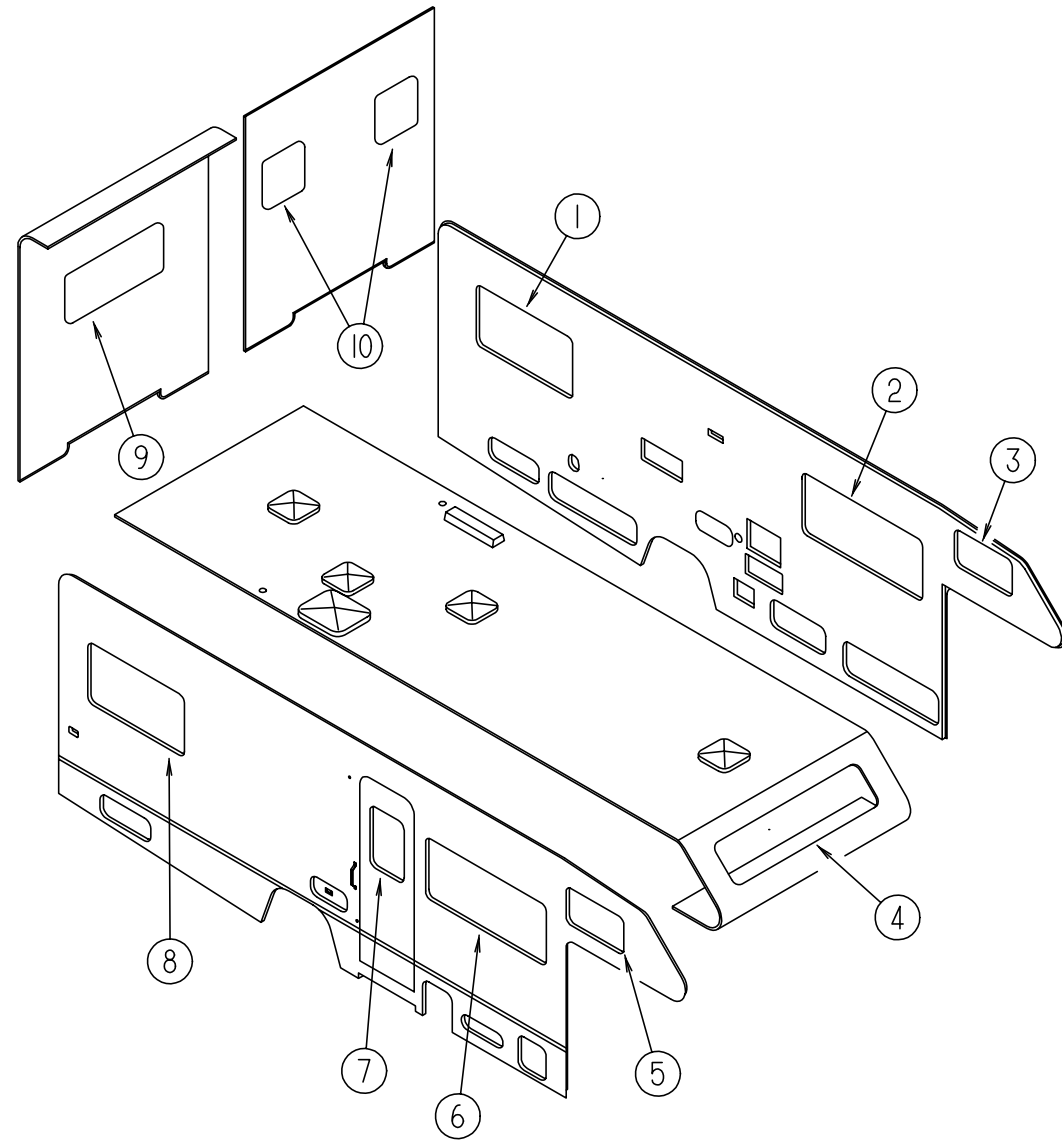


**EXTERIOR DOORS - HEAVY DUTY CHASSIS**

KEY	PART NUMBER	U/M	DESCRIPTION
1	104558-12-F08	EA	DOOR ASM-STORAGE
2	104558-35-G07	EA	DOOR ASM-STORAGE
3	084103-08-000	EA	DOOR-REFRIGERATOR - VENTED - W/O JAMB
	084104-08-000	EA	JAMB-DOOR - REFRIGERATOR
	084104-01-700	EA	LOCK-MALE - FASTENER - REFRIGERATOR DOOR
	084104-01-701	EA	LOCK-FEMALE - FASTENER - REFRIGERATOR DOOR
4	052009-06-000	EA	DOOR-WATER HEATER - W/O LATCHES
	116424-01-000	EA	PROTECTOR-WATER HEATER LATCH
5	098668-23-000	EA	DOOR-ACCESS - FURNACE
6	104558-50-G07	EA	DOOR ASM-STORAGE
7	104558-38-G07	EA	DOOR ASM-STORAGE
8	111009-01-F08	EA	DOOR-ASM - LP
9	104558-40-G07	EA	DOOR ASM-STORAGE
10	115108-06-G07	EA	DOOR - ENTRY, W/SCREEN DOOR - W/O WINDOW
10	115108-06-G08	EA	DOOR - ENTRY, W/SCREEN DOOR - W/O WINDOW
11	111017-01-F24	EA	DOOR - PATIO/ENTERTAINMENT CENTER-17.8" X 8.1" - W/O LATCH
12	104558-51-G07	EA	DOOR ASM-STORAGE
	081240-16-000	EA	FILL-WATER - LOCKABLE W/O LOCK - BRIGHT WHITE

## WINDOW, VENT & EXTERIOR DOOR GROUP (CONTINUED)

### WINDOWS



KEY	PART NUMBER	U/M	DESCRIPTION
1	104691-13-01A	EA	WINDOW - TIPOUT SINGLE - 26.3" X 47.9"
1	112795-25-01A	EA	WINDOW-DRIVERS HORIZONTAL SLIDER THERMO 26 3/8" X 48"
2	098647-22-01A	EA	WINDOW ASM.-DRIVER HORIZONTAL SLIDE - 26 3/8" X 60"
2	112795-15-01A	EA	WINDOW-DRIVERS HORIZONTAL SLIDER-THERMO-26 3/8" X 60"
3	098647-34-01A	EA	WINDOW-DRIVERS HORIZONTAL SLIDER 15.7" X 28.5"
3	112795-20-01A	EA	WINDOW-DRIVER HORIZONTAL SLIDER THERMO 16" X 28 3/4"
4	103313-03-F15	EA	WINDOW ASM-PICTURE
4	115630-01-01A	EA	WINDOW-STATIONARY 17.2" X 72"
5	098647-33-01A	EA	WINDOW-PASSENGER HORIZONTAL SLIDER 15.7" X 28.5"
5	112795-19-01A	EA	WINDOW-PASSENGER HORIZONTAL SLIDER THERMO 16" X 28 3/4"
6	098647-23-01A	EA	WINDOW ASM.-PASS. HORIZONTAL SLIDE 26 3/8" X 60"
6	112795-16-01A	EA	WINDOW-PASSENGER HORIZONTAL SLIDER-THERMO-26 3/8" X 60"
7	117053-02-F36	EA	WINDOW-PICTURE 17" X 26.4"
7	113733-01-01A	EA	WINDOW-STATIONARY THERMOPANE 26.4" X 17"
8	104691-13-01A	EA	WINDOW - TIPOUT SINGLE - 26.3" X 47.9"
8	112795-22-01A	EA	WINDOW-PASSENGER HORIZONTAL SLIDER THERMO 26 3/8" X 48"
9	078528-06-E10	EA	WINDOW-ESCAPE W/O INSIDE TRIM - 48.5" X 24.5"
9	113502-01-01A	EA	WINDOW-REAR ESCAPE THERMO - 24.8" X 48.7"
10	116976-02-01A	EA	WINDOW-REAR TINTED ESCAPE 26.4" X 26.25"
10	116976-04-01A	EA	WINDOW-REAR TINTED PICTURE 26.4" X 26.25"
10	113733-02-01A	EA	WINDOW-STATIONARY THERMOPANE 26.4" X 26.25"
10	113502-04-01A	EA	WINDOW-REAR ESCAPE THERMO - 26.4" X 26.25"

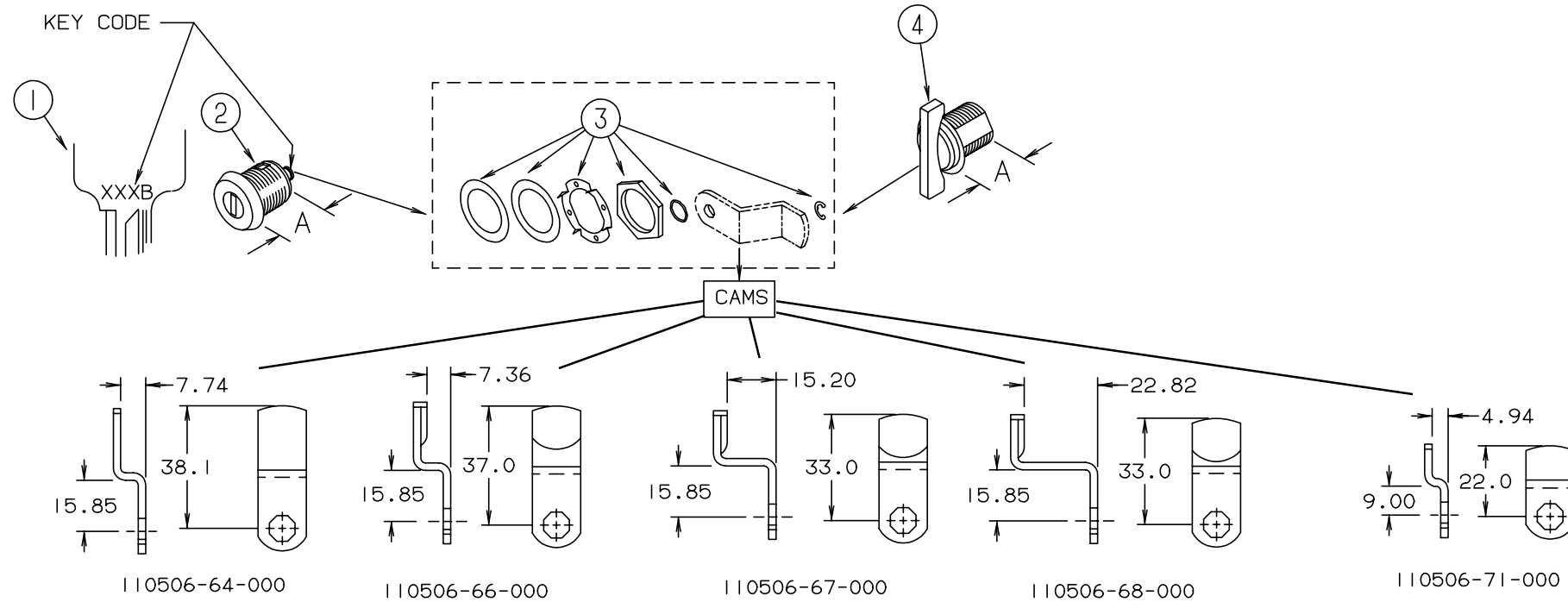


## WINDOW, VENT & EXTERIOR DOOR GROUP (CONTINUED)

### BRIGGS & STRATTON LOCKS & COMPONENTS

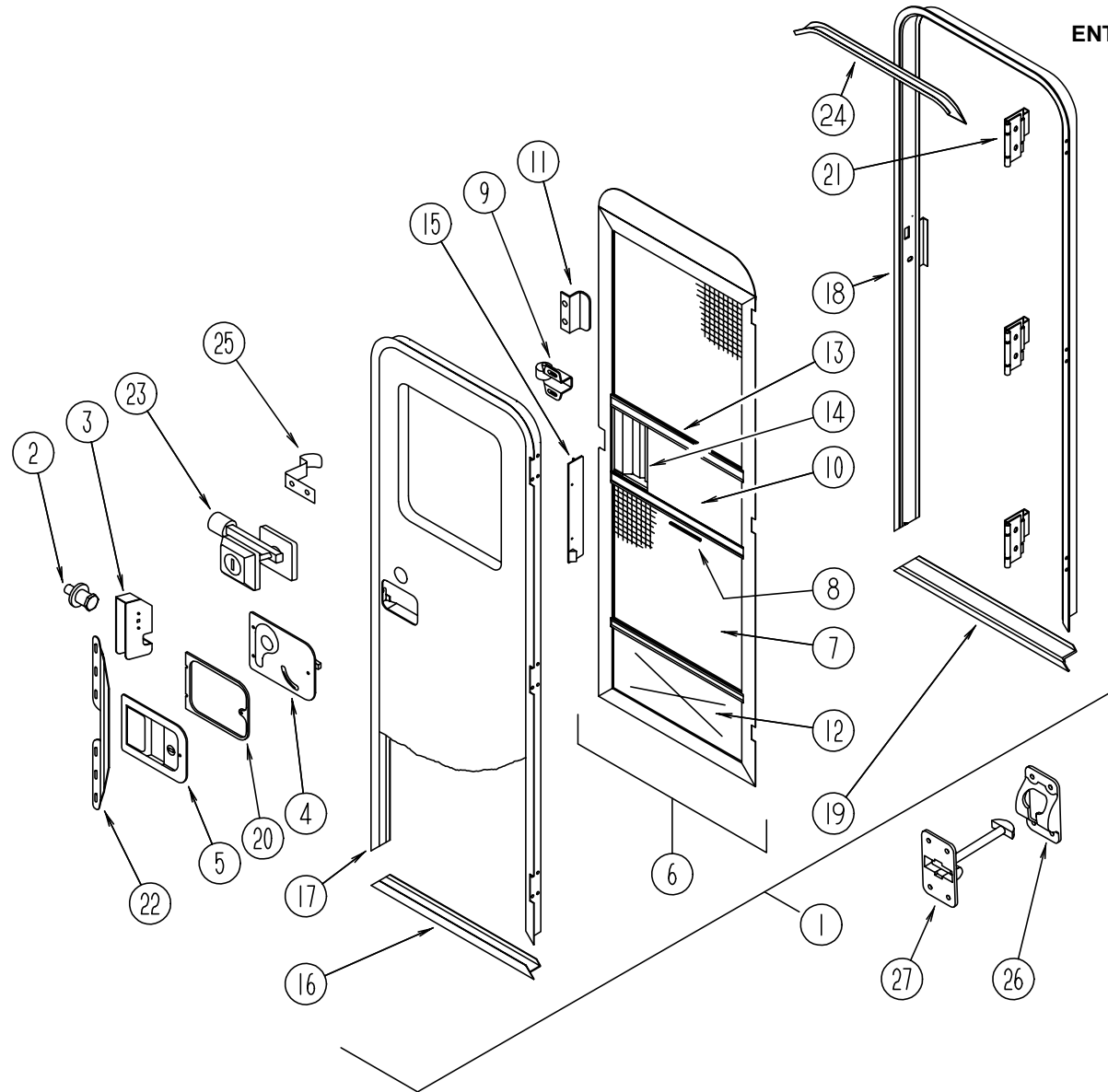
**NOTE:**

WHEN ORDERING THE LOCK CASE, THE KEY CODE MUST MATCH THE LAST DIGIT OF THE VEHICLE'S SERIAL NUMBER AND PART NUMBER; WHEN ORDERING THE KEYS, THE THIRD DIGIT OF THE KEY CODE MUST MATCH THE LAST DIGIT OF THE VEHICLE'S SERIAL NUMBER AND PART NUMBER.



KEY	PART NUMBER	U/M	DESCRIPTION	VENDOR NO.	KEY	PART NUMBER	U/M	DESCRIPTION	VENDOR NO.
1	110506-59-000	EA	KEYS-SET OF 2	596720	1	110506-59-005	EA	KEYS-SET OF 2	596725
2	110506-52-000	EA	CASE - A=17MM	702370	2	110506-52-005	EA	CASE - A=17MM	702375
2	110506-53-000	EA	CASE - A=25MM	702380	2	110506-53-005	EA	CASE - A=25MM	702385
1	110506-59-001	EA	KEYS-SET OF 2	596721	1	110506-59-008	EA	KEYS-SET OF 2	596728
2	110506-52-001	EA	CASE - A=17MM	702371	2	110506-52-008	EA	CASE - A=17MM	702378
2	110506-53-001	EA	CASE - A=25MM	702381	2	110506-53-008	EA	CASE - A=25MM	702388
1	110506-59-002	EA	KEYS-SET OF 2	596722	1	110506-59-009	EA	KEYS-SET OF 2	596729
2	110506-52-002	EA	CASE - A=17MM	702372	2	110506-52-009	EA	CASE - A=17MM	702379
2	110506-53-002	EA	CASE - A=25MM	702382	2	110506-53-009	EA	CASE - A=25MM	702389
1	110506-59-003	EA	KEYS-SET OF 2	596723	3	110506-40-700	EA	HARDWARE KIT- CONTAINS: NUT - WASHERS - E-RING - AND GASKET	
2	110506-52-003	EA	CASE - A=17MM	702373	4	110506-50-000	EA	CASE ASM-TWIST LOCK 17 MM	596932
2	110506-53-003	EA	CASE - A=25MM	702383	4	110506-51-000	EA	CASE ASM-TWIST LOCK 25 MM	596669
1	110506-59-004	EA	KEYS-SET OF 2	596724		110506-64-000	EA	CAM-LOCK	322280
2	110506-52-004	EA	CASE - A=17MM	702374		110506-66-000	EA	CAM-LOCK	322282
2	110506-53-004	EA	CASE - A=25MM	702384		110506-67-000	EA	CAM-LOCK	322283
						110506-68-000	EA	CAM-LOCK	322284
						110506-71-000	EA	CAM-LOCK	322287
						110506-59-701	EA	KEY BLANK - GOLD	

**WINDOW, VENT & EXTERIOR DOOR GROUP (CONTINUED)**

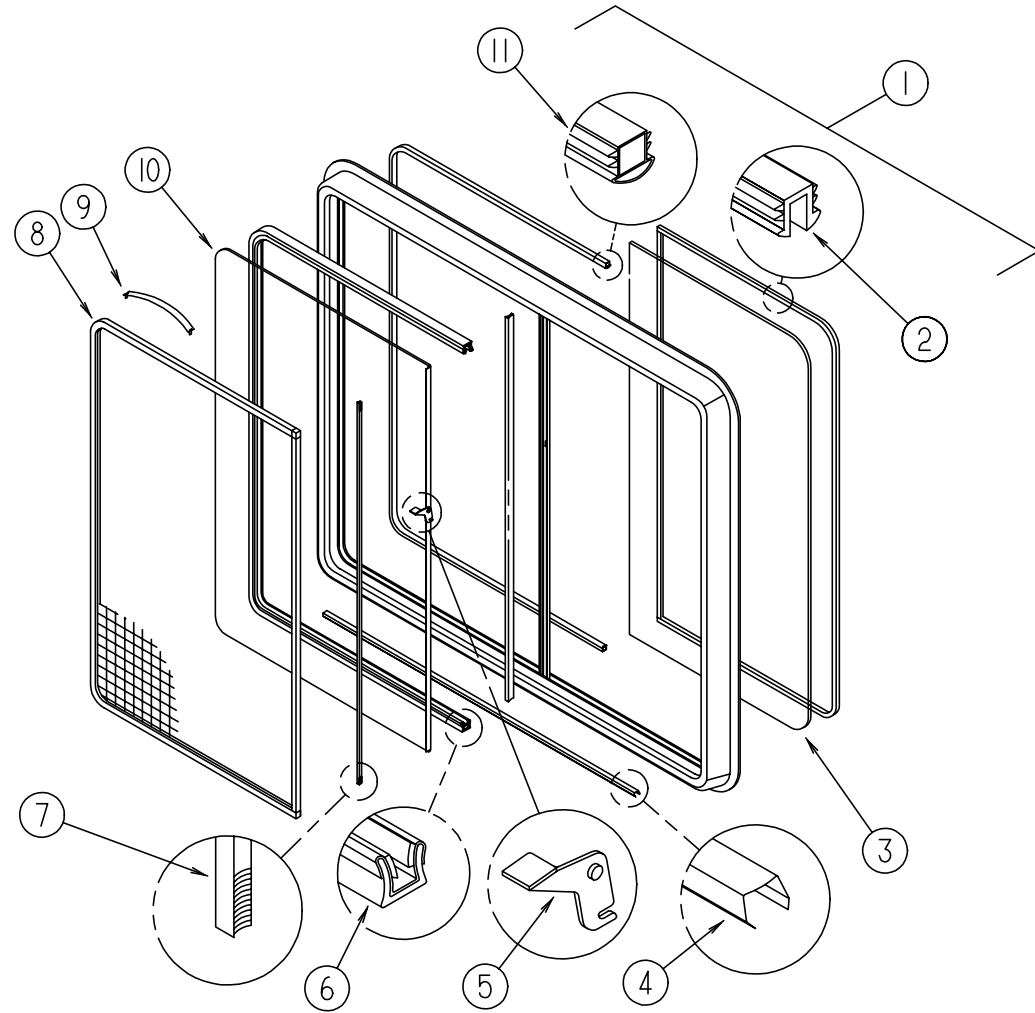


**ENTRANCE DOOR**

KEY	PART NUMBER	U/M DESCRIPTION	VENDOR NO.
6	079012-05-F01	EA DOOR ASM-SCREEN - BRIGHT WHITE	
		FROM: 00-00-00 THRU: 03-17-96	
6	121899-01-G04	EA DOOR ASM-SCREEN - BRIGHT WHITE	
		FROM: 03-18-96 THRU: 99-99-99	
7	002293-02-000	SF SCREENING-WINDOW/DOOR - 26" - CHARCOAL	
8	002294-01-000	FT SPLINE-SCREENING - .135" X .138" - BLACK	
9	109403-01-000	EA CATCH-SINGLE ROLLER - SCREEN DOOR	
10	001014-01-013	EA INSERT-CENTER - 10.25" X 16.31" - UNPAINTED	
11	050712-06-000	EA HANDLE-SCREEN DOOR - ALUMINUM - BRIGHT WHITE	
12	078552-03-000	EA INSERT-SCREEN DOOR - LOWER - MILL	
	016454-01-000	EA INSERT-CENTER, LEATHER GRAIN ALUMINUM - UNPAINTED	
	078595-01-000	EA PLATE-SCREEN DOOR	
13	078777-01-000	EA CHANNEL-SLIDE - SCREEN DOOR CENTER SLIDER COVER - 17.4"	
14	079086-03-000	EA SLIDER-SCREEN DOOR - BRIGHT WHITE	
15	079087-03-000	EA STRIKE-SLIDER - W/LIP FOR ELBOW CATCH - 1.5" X 8.6" - BRIGHT WHITE	
	077461-03-000	EA COVER-STRIKE, ENTRY DOOR - 6.5" X 2.5" - PLASTIC - WHITE	
16	089748-21-000	EA FRAME-DOOR - ENTRANCE - BOTTOM - BRIGHT WHITE	
		FROM: 00-00-00 THRU: 03-17-96	
16	121893-01-01A	EA FRAME-DOOR - ENTRANCE - BRIGHT WHITE	
		FROM: 03-18-96 THRU: 99-99-99	
17	095276-03-06A	EA FRAME-DOOR - ENTRANCE - TOP & SIDES - BRIGHT WHITE	
		FROM: 00-00-00 THRU: 03-17-96	
17	121894-03-01A	EA FRAME-DOOR - ENTRANCE - BRIGHT WHITE	
		FROM: 03-18-96 THRU: 99-99-99	
18	120310-06-01A	EA JAMB ASM-ENTRANCE DOOR BRIGHT/WHITE	
		FROM: 00-00-00 THRU: 03-17-96	
18	121898-05-01A	EA JAMB ASM-ENTRANCE DOOR BRIGHT/WHITE	
		FROM: 03-18-96 THRU: 99-99-99	
19	051049-01-000	EA JAMB-DOOR - ENTRANCE - BOTTOM - 25.9 - UNPAINTED	
20	096810-01-01A	EA PLATE-LATCH - ENTRY DOOR - PLASTIC - BLACK	
21	106719-01-01A	EA HINGE-ENTRY DOOR - MILL	
	116111-02-01A	EA SCREW - TAPTITE - 1/4-20 X 3/8 PPH - ZINC	
22	098173-01-04A	EA STIFFENER-ENTRY DOOR - SUPPORTS LATCH/STRIKE - BRIGHT WHITE	
	098173-01-07A	EA STIFFENER-ENT DOOR - BRT WHT	
	075673-01-000	FT SEAL-PILE, ADHESIVE BACK - GRAY	
		FROM: 07-15-95 THRU: 99-99-99	
	100128-02-000	FT SEAL-FOAM - ADHESIVE BACK - .37" W X .37" THICK	
	118929-01-01A	FT SEAL-PILE - PUSH-ON - AMESBURY XC-964	
		FROM: 07-31-95 THRU: 99-99-99	
23	101145-01-01A	EA DEADBOLT-ENTRY DOOR - W/2 KEYS W/O BOLT OR SCREWS	
		FROM: 00-00-00 THRU: 09-10-95	
	101145-01-06A	EA DEADBOLT ASM-BLACKTEXD/BLACK - T/M #11840-02	
		FROM: 09-11-95 THRU: 99-99-99	
	095229-01-700	EA KEY-BLANK - DEADBOLT	
	101145-01-701	EA CYLINDER-LOCK ASM. - W/KEY	81306-03
	036618-02-000	EA E RING-EXTERNAL, LYNOR DOOR LOCK - 3/16" SHAFT DIAMETER	
	101147-01-000	EA BOLT-SECURITY - 4.12" BACKSET	
	102524-01-000	EA BUMPER-RUBBER - FLAT - BLACK	
24	044582-44-000	EA CAP-DRIP - DOOR JAMB MOUNTED - BRIGHT WHITE	
	115222-05-01A	EA GARNISH-ENTRANCE DOOR - OFF WHITE	
25	100412-01-000	EA CATCH-SCREEN DOOR - THUMB CLIP W/BLACK PLASTIC CAP	
26	104099-02-04A	EA CATCH-DOOR HOLDER - RETAINER - PLASTIC - BRIGHT WHITE	
27	104099-01-04A	EA CATCH-DOOR HOLDER - STRIKE - PLASTIC - BRIGHT WHITE	
	009126-02-000	EA HANDLE-ASSIST - ENTRY DOOR - BLACK	
		FROM: 00-00-00 THRU: 09-10-95	
	009126-03-000	EA HANDLE-ASSIST - ENTRY DOOR - BLACK - TEXTURED	
		FROM: 09-11-95 THRU: 99-99-99	
	081914-01-000	EA BUMPER-RUBBER - ROUND - .43" DIAMETER - BLACK	
		FROM: 00-00-00 THRU: 02-03-96	
	122241-01-01A	EA BUMPER-FOAM RUBBER - BLACK	
		FROM: 02-04-96 THRU: 99-99-99	
	086285-05-000	EA SPACER-NYLON,17.80ODX14.3 - MICROPLAS 17W07051	
		FROM: 10-23-95 THRU: 99-99-99	
	102248-01-000	EA SHIM-DOOR	

KEY	PART NUMBER	U/M DESCRIPTION	VENDOR NO.
1	115108-06-G07	EA DOOR-ENTRY - W/SCREEN DOOR - W/O WINDOW	
1	115108-06-G08	EA DOOR-ENTRY - W/SCREEN DOOR - W/O WINDOW	
2	039539-01-000	EA STRIKE-LOCK - ENTRY DOOR - ROUND/THREADED WASHER	
3	039540-01-000	EA LATCH MECHANISM-HOOK - ENTRY DOOR - INTERIOR	
	039715-01-000	EA NUT-SERT - 1/4" DIAMETER - 20 THREADS	
4	039979-04-000	EA COVER-INTERIOR LATCH - W/TRIP ARM - RIGHT - BLACK	
		FROM: 00-00-00 THRU: 09-10-95	
4	039979-06-000	EA COVER ASM-LATCH PLATE-RIGHT-BLACK-TE - T/M #11883-01	
		FROM: 09-11-95 THRU: 99-99-99	
	039984-01-000	EA CAP-ROUND - VINYL - .28" ID X .62" LONG - BLACK	
	041546-05-000	EA BRACKET-DOOR ANGLE - OFF WHITE	
		FROM: 00-00-00 THRU: 10-22-95	
	041546-07-000	EA BRACKET-DOOR ANGLE - OFF WHITE	
		FROM: 10-23-95 THRU: 99-99-99	
5	045017-11-000	EA LATCH-ENTRY DOOR - MECHANISM W/LOCK & KEY - BLACK	
		FROM: 00-00-00 THRU: 09-10-95	
5	045017-13-000	EA LATCH-ENTRANCE DOOR,BLK TEXT - *T/M #11896-01	
		FROM: 09-11-95 THRU: 99-99-99	
	045017-11-701	EA KEY-BLANK - ROUND TOP - SILVER - TRI/MARK	
	045017-11-703	EA CYLINDER-LOCK ASM. W/KEYS	81266-09
	063729-04-000	EA RIVNUT - 10-32 UNF - 010- 080	
		FROM: 00-00-00 THRU: 03-17-96	
	072893-04-000	EA NUTSERT-10-32	
		FROM: 03-18-96 THRU: 99-99-99	
	075671-04-000	FT SEAL-SPONGE - LAZY T SHAPE - W/ ADHESIVE STRIPE - .5" WIDE	

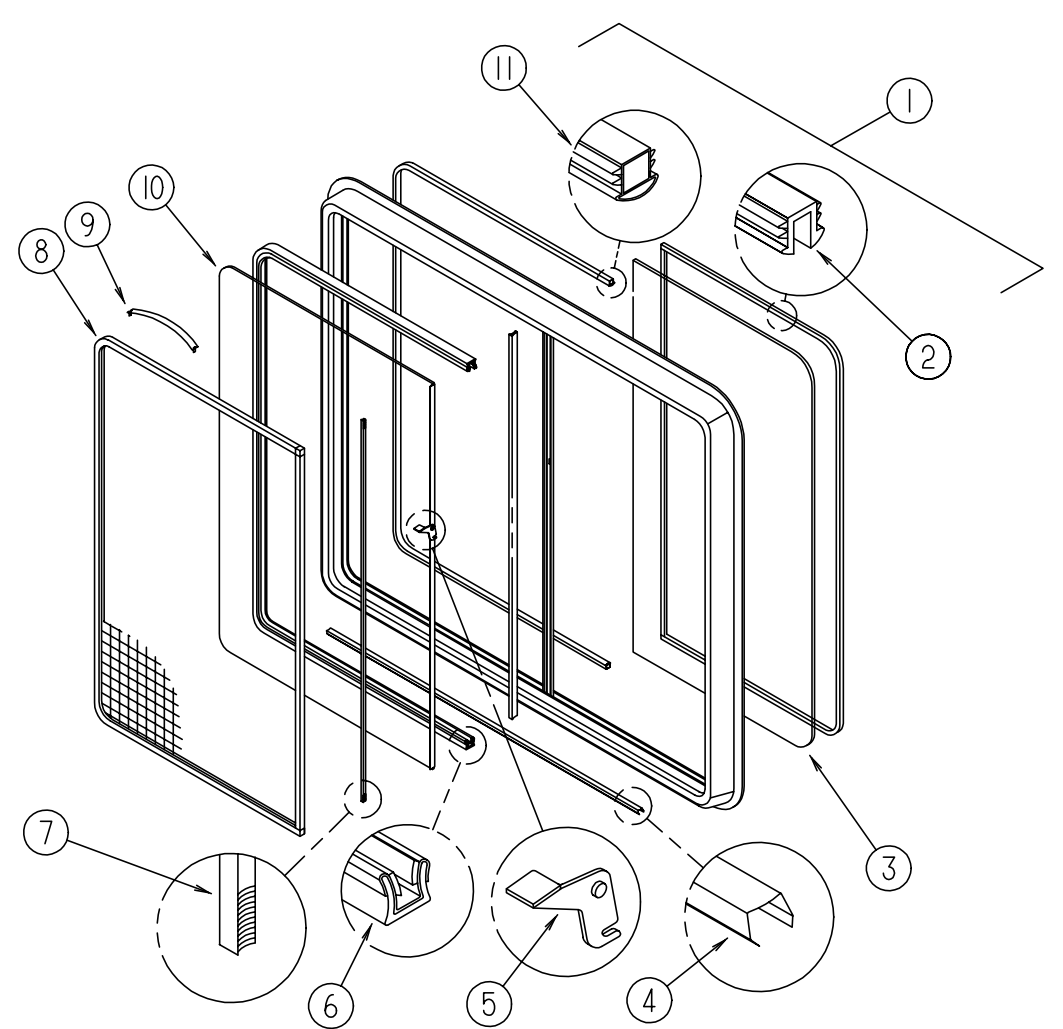
**WINDOW, VENT & EXTERIOR DOOR GROUP (CONTINUED)**



**DRIVER/PASSENGER SIDE WINDOW - EXCEL**

KEY	PART NUMBER	U/M	DESCRIPTION	VENDOR NO.
1	098647-22-01A	EA	WINDOW-DRIVERS HORIZONTAL SLIDER 26.1" X 59.7"	
1	098647-23-01A	EA	WINDOW-PASSENGER HORIZONTAL SLIDER 26.1" X 59.7"	
1	098647-22-700	EA	WINDOW-SLIDING W/O RETAINER	H287-G2L
1	098647-23-701	EA	WINDOW-SLIDING W/O RETAINER	H287-G2R
	098647-23-702	EA	RETAINER-TRIM - WHITE	W28766
2	100322-01-703	FT	STRIP-GLAZING	132-010723
3	098647-23-703	EA	GLASS-STATIONARY	106-017622
4	098644-01-710	FT	TRACK-SCREEN SPACER 12' LENGTH	M401-31
5	098644-01-700	EA	LATCH REPAIR KIT	B801-CK
6	098644-01-708	FT	CHANNEL-PIERCED RUN	122-016543
7	098644-01-711	FT	WEATHERSTRIP-SCREEN BLACK	171-016965
8	098647-23-704	EA	SCREEN W/SPRING & WEATHERSTRIP	410-019066
9	098644-01-713	EA	SPRING-SCREEN FRAME (CLIP) PLASTIC - BLACK	226-016966
10	098647-23-700	EA	GLASS-SLIDING - W/SASH & LATCH	H287-G9
11	098644-01-716	FT	PLUG-FILLER	132-014470
	098644-01-706	FT	WEATHERSTRIP	171-010668
	098644-01-717	FT	SPLINE-SCREEN MFG	32-004716
	098644-01-719	EA	STOP-SLIDER - GLASS	132-014203

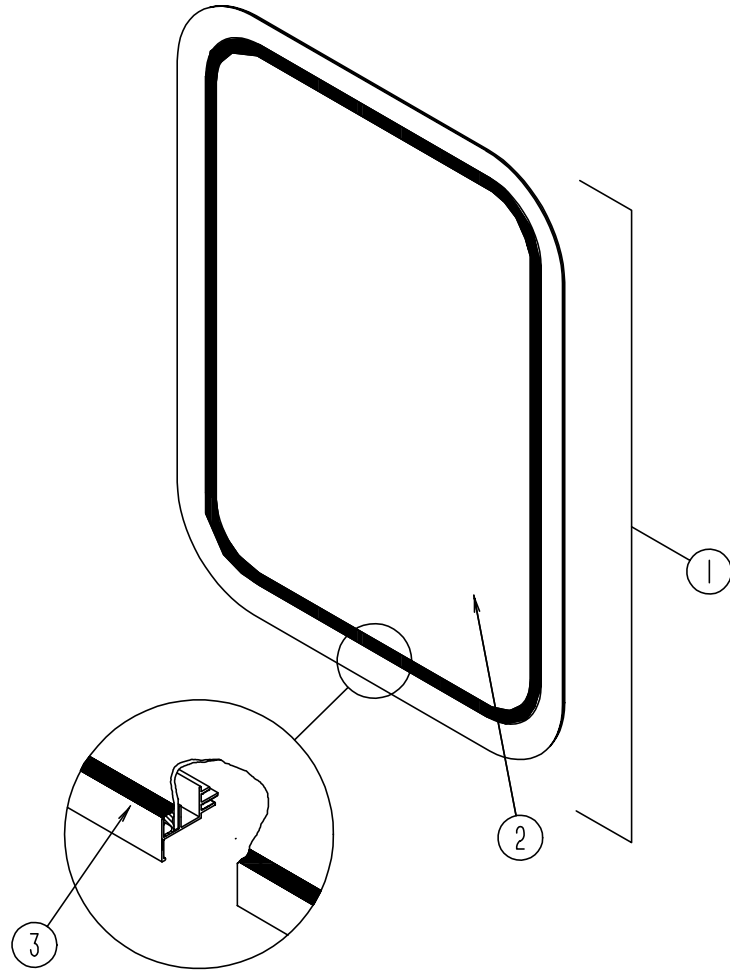
**WINDOW, VENT & EXTERIOR DOOR GROUP (CONTINUED)**



**DRIVER/PASSENGER SIDE WINDOW - EXCEL**

KEY	PART NUMBER	U/M	DESCRIPTION	VENDOR NO.
1	098647-34-01A	EA	WINDOW-DRIVERS HORIZONTAL SLIDER 15.7" X 28.5"	
1	098647-33-01A	EA	WINDOW-PASSENGER HORIZONTAL SLIDER 15.7" X 28.5"	
1	098647-34-700	EA	WINDOW-SLIDING W/O RETAINER	H425-G2L
1	098647-33-700	EA	WINDOW-SLIDING W/O RETAINER	H425-G2R
	098647-31-701	EA	RETAINER-TRIM - WHITE	CW2966
2	100322-01-703	FT	STRIP-GLAZING	132-010723
3	098647-33-702	EA	GLASS-STATIONARY	106-019297
4	098644-01-710	FT	TRACK-SCREEN SPACER 12' LENGTH	M401-31
5	098644-01-700	EA	LATCH REPAIR KIT	B801-CK
6	098644-01-708	FT	CHANNEL-PIERCED RUN	122-016543
7	098644-01-711	FT	WEATHERSTRIP-SCREEN BLACK	171-016965
8	098647-33-704	EA	SCREEN ASM. - W/SPRING CLIP	410-019134
9	098644-01-713	EA	SPRING-SCREEN FRAME (CLIP) PLASTIC - BLACK	226-016966
10	098647-33-703	EA	GLASS-SLIDING - W/SASH & LATCH	H425-G9
	098644-01-719	FT	STOP-SLIDER GLASS	132-014203
11	098644-01-716	FT	PLUG-FILLER	132-014470
	098644-01-706	FT	WEATHERSTRIP	171-010668
	098644-01-717	FT	SPLINE-SCREEN MFG	32-004716

**WINDOW, VENT & EXTERIOR DOOR GROUP (CONTINUED)**



**ENTRY DOOR WINDOW**

KEY	PART NUMBER	U/M	DESCRIPTION
	117054-02-02A	EA	RETAINER - TRIM, BRIGHT/WHITE
1	117053-02-F36	EA	WINDOW-PICTURE 17" X 26.4"
2	002181-25-000	EA	GLASS - PICTURE 25.7" X 16.4"
	069640-11-000	FT	SEALER-TAPE - 3/16" X 3/8", BLACK - MANUS
3	087561-01-000	FT	SEAL-GLASS, EXTERIOR - .5" WIDE - VINYL - BLACK

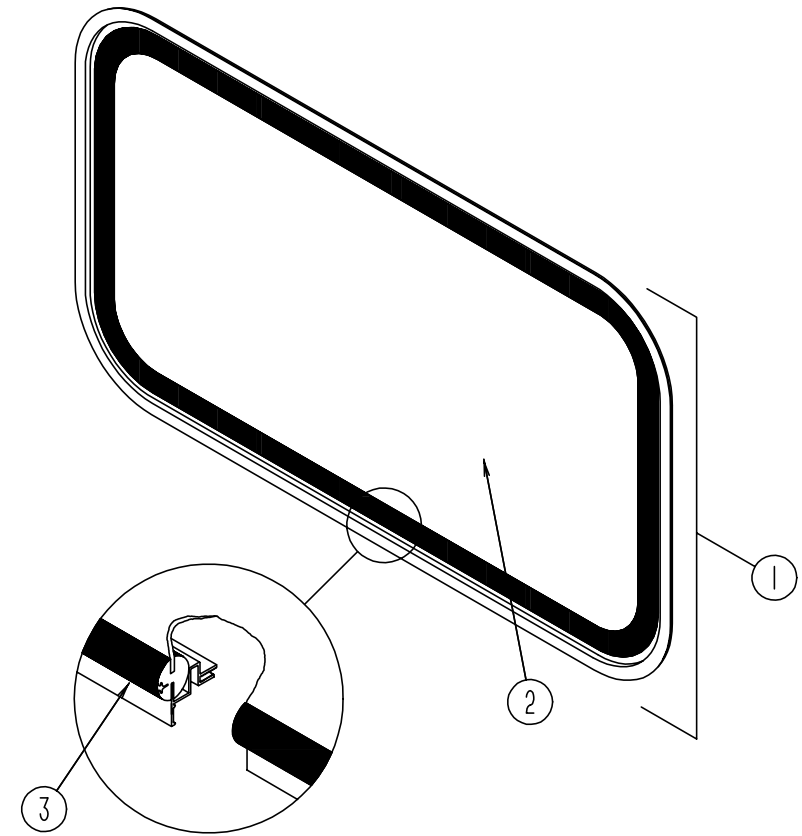
**THERMOPANE ENTRY DOOR WINDOW - EXCEL**

KEY	PART NUMBER	U/M	DESCRIPTION	VENDOR NO.
	113733-01-01A	EA	WINDOW-STATIONARY THERMOPANE 26.4" X 17"	
	113733-01-700	EA	WINDOW ASM. W/O TRIM	DH416-G2
	113733-01-701	EA	TRIM (W)	W41666
	113733-01-702	EA	GLASS-STATIONARY	390-019187

**THERMOPANE REAR PICTURE WINDOW - EXCEL**

KEY	PART NUMBER	U/M	DESCRIPTION	VENDOR NO.
	113733-02-01A	EA	WINDOW-STATIONARY THERMOPANE 26.4" X 26.25"	
	113733-02-700	EA	WINDOW W/O TRIM	DH400-G2
	113733-02-701	EA	TRIM	W38660
	113733-02-702	EA	GLASS-STATIONARY	390-019461

**WINDOW, VENT & EXTERIOR DOOR GROUP (CONTINUED)**



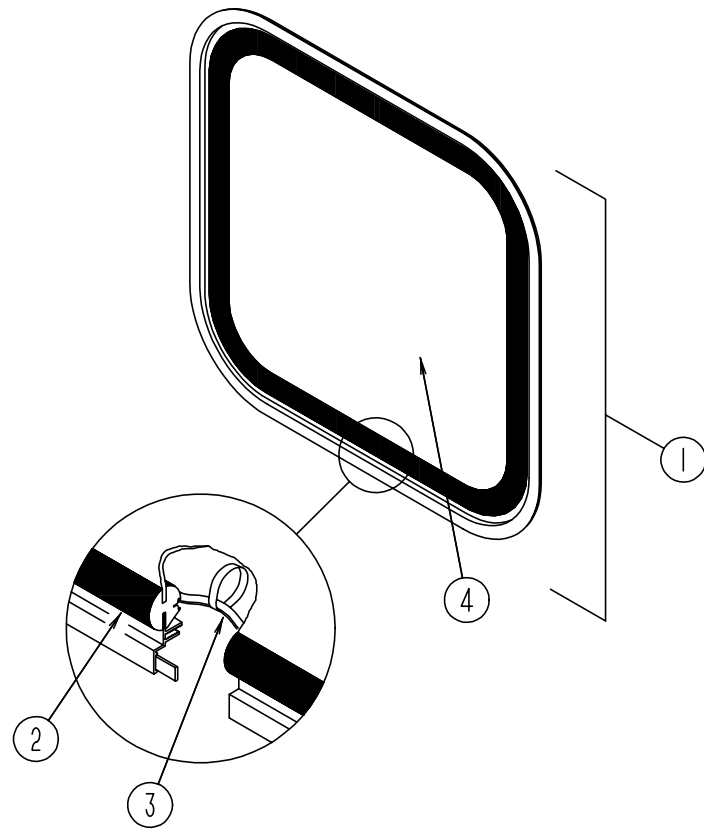
**OVERHEAD BUNK FRONT WINDOW**

KEY	PART NUMBER	U/M	DESCRIPTION
	117054-01-01A	EA	FRAME-INSIDE - WINDOW - WHITE
1	103313-03-F15	EA	WINDOW-PICTURE
	077066-01-702	EA	TAPE ASM-ESCAPE WINDOW, RED
2	002181-29-000	EA	GLASS - PICTURE 71" X 16.4"
	069640-11-000	FT	SEALER-TAPE - 3/16" X 3/8" - BLACK - MANUS
3	099154-01-000	FT	CHANNEL-GLAZING, STATIONARY GLASS - .62" X .45" - BLACK

**THERMOPANE OVERHEAD BUNK FRONT WINDOW - EXCEL**

KEY	PART NUMBER	U/M	DESCRIPTION	VENDOR NO.
	115630-01-01A	EA	WINDOW-STATIONARY 17.2" X 72"	
	100322-01-703	FT	STRIP-GLAZING - BUTYL	132-010723
	115630-01-700	EA	WINDOW W/O TRIM	DH438-G2
	115630-01-701	EA	TRIM	W43858
	115630-01-702	EA	GLASS-STATIONARY	390-019467

**WINDOW, VENT & EXTERIOR DOOR GROUP (CONTINUED)**



**CENTER QUEEN BED ESCAPE WINDOW**

KEY	PART NUMBER	U/M	DESCRIPTION
	074816-11-000	EA	FRAME-WINDOW INSIDE ESCP,O/W
1	078528-06-E10	EA	WINDOW-ESCAPE W/O INSIDE TRIM - 48.5" X 24.5"
2	002282-09-000	EA	WEATHERSTRIP-WINDOW- .125" X 130.5" BLACK
3	002285-01-000	FT	FILLER-WEATHER STRIP, RUBBER - BLACK
4	076337-12-000	EA	GLASS - EGRESS - 45.5" X 21.5"
	077066-01-702	EA	TAPE ASM-ESCAPE WINDOW

**WINDOW, VENT & EXTERIOR DOOR GROUP (CONTINUED)**

**TWIN BED SLIDING WINDOW - EXCEL**

KEY	PART NUMBER	U/M	DESCRIPTION	VENDOR NO.
	104691-13-01A	EA	WINDOW - TIPOUT SINGLE - 26.3" X 47.9"	
	100322-01-701	FT	SEAL-VENT	122-016071
	100322-01-702	EA	WEATHERSTRIP-HORIZONTAL RAIL	132-015976
	100322-01-703	FT	STRIP-GLAZING, BUTYL	132-010723
	100322-01-704	FT	TAPE-BUTYL	154-016083
	100322-01-714	EA	SUPPORT-TORQUE BAR, LH	130-015978
	100322-01-715	EA	SUPPORT-TORQUE BAR, RH	130-015979
	100322-01-718	EA	HANDLE-DIAL	410-016081
	104691-13-700	EA	WINDOW	CH37-G2
	104691-13-701	EA	RETAINER-TRIM, WHITE	W30359
	104691-13-702	EA	GLASS-STATIONARY	106-017670
	104691-13-703	EA	GLASS-VENT ASSEMBLY	CH37-G9
	104691-13-704	EA	OPERATOR & BAR ASSEMBLY	CH36-18
	104691-13-705	EA	SCREEN ASSEMBLY	410-017763
	112519-01-702	EA	OPERATOR VENT	410-016123
	112519-01-706	EA	CLIP SCREEN	CH21-50
	116976-01-702	FT	FILLER PLUG	132-016065

**TWIN BED PICTURE WINDOW - EXCEL**

KEY	PART NUMBER	U/M	DESCRIPTION	VENDOR NO.
	116976-04-01A	EA	WINDOW-REAR TINTED PICTURE 26.4" X 26.25"	
	113733-02-701	EA	TRIM	W38660
	116976-03-701	FT	GLAZING VINYL	132-016071
	116976-04-700	EA	GLASS	106-019678

**TWIN BED THERMOPANE ESCAPE WINDOW**

KEY	PART NUMBER	U/M	DESCRIPTION	VENDOR NO.
	113502-04-01A	EA	WINDOW-REAR ESCAPE THERMO - 26.4" X 26.25"	
	100322-01-703	FT	STRIP-GLAZING, BUTYL	132-010723
	112898-06-704	EA	HANDLE-LATCH, RED-RH	182-11293
	112898-06-705	EA	HANDLE-LATCH, RED-LH	182-11294
	113502-04-700	EA	WINDOW W/O TRIM	DH449-G2
	113502-04-701	EA	TRIM	W44958
	113502-04-702	EA	GLASS-STATIONARY	390-019460

**QUEEN BED THERMOPANE ESCAPE WINDOW - EXCEL**

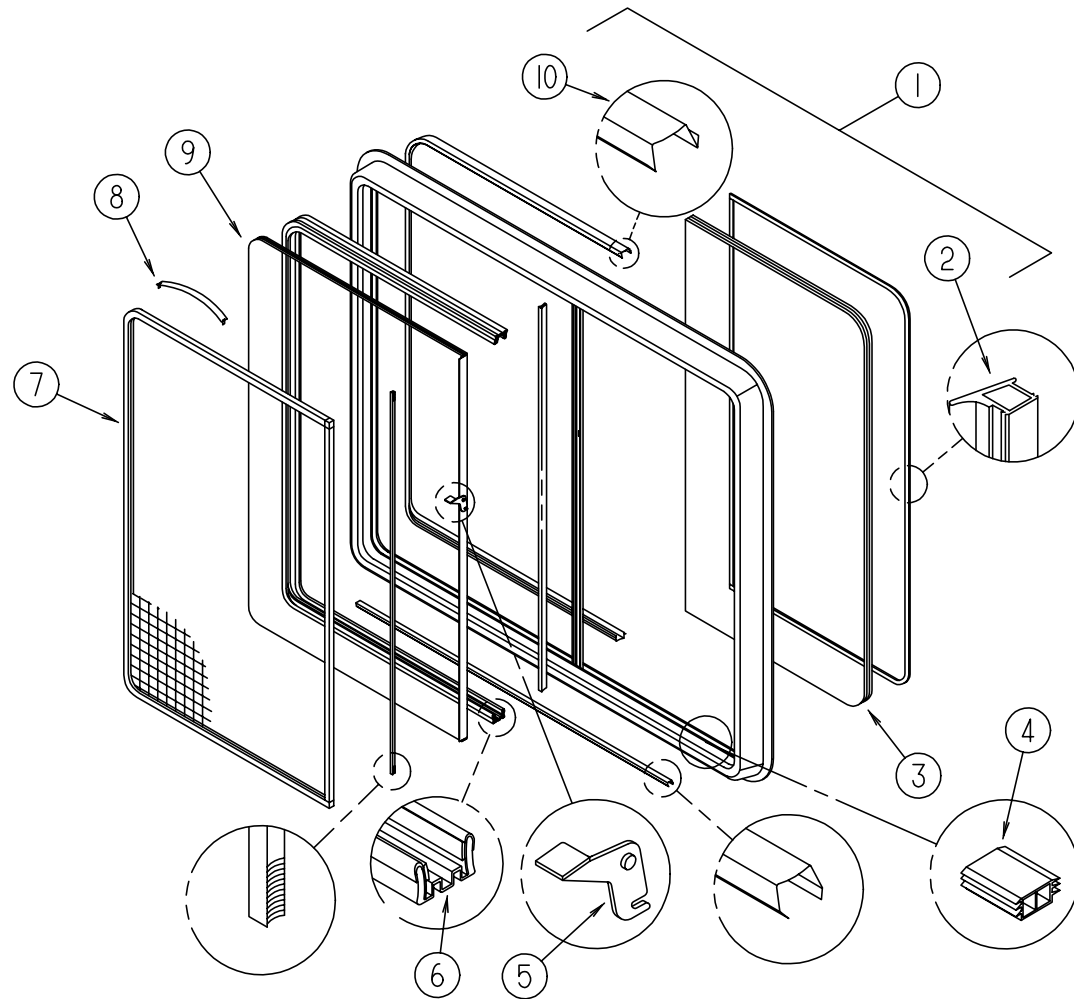
KEY	PART NUMBER	U/M	DESCRIPTION	VENDOR NO.
	113502-01-01A	EA	WINDOW-REAR ESCAPE THERMO - 24.8" X 48.7"	
	100322-01-703	FT	STRIP-GLAZING - BUTYL	132-010723
	112898-06-704	EA	HANDLE-LATCH - RED-RH	182-11293
	112898-06-705	EA	HANDLE-LATCH - RED-LH	182-11294
	113502-01-703	EA	GLASS-STATIONARY - RT & LT	390-019083
	113502-01-704	EA	GLASS-EGRESS -CENTER-ESCAPE	390-019084

**TWIN BED ESCAPE WINDOW - EXCEL**

KEY	PART NUMBER	U/M	DESCRIPTION	VENDOR NO.
	116976-02-01A	EA	WINDOW-REAR TINTED ESCAPE 26.4" X 26.25"	
	100322-01-701	FT	SEAL-VENT	122-016071 EXCEL
	112898-06-704	EA	HANDLE-LATCH, RED-RH	182-11293
	112898-06-705	EA	HANDLE-LATCH, RED-LH	182-11294
	116976-01-701	EA	TRIM	W38653
	116976-01-702	FT	FILLER PLUG	132-016065
	116976-02-700	EA	GLASS	106-018785

**WINDOW, VENT & EXTERIOR DOOR GROUP (CONTINUED)**

**WINDOW, VENT & EXTERIOR DOOR GROUP (CONTINUED)**



**TWIN BED THERMOPANE SLIDER WINDOW - EXCEL**

KEY	PART NUMBER	U/M	DESCRIPTION	VENDOR NO.
1	112795-22-01A	EA	WINDOW-PASSENGER HORIZONTAL SLIDER THERMO 26 3/8" X 48"	
	112795-22-700	EA	WINDOW W/O TRIM	DC48-G2R
	112795-22-701	EA	RETAINER - (TRIM)	W30366
2	112795-01-702	FT	PLUG-FILLER	122-018737
3	112795-22-702	EA	GLASS-STATIONARY	390-019039
4	112795-01-701	EA	SLIDE-STOP	132-019092
5	112795-01-700	EA	LATCH ASM., BLACK	DH287-CK
6	112795-01-703	IN	CHANNEL-RUN	122-018736
7	098647-38-704	EA	SCREEN ASM., W/SPRING CLIP	410-019063
8	098644-01-713	EA	CLIP-SPRING, BLACK PLASTIC	226-016966
9	112795-22-703	EA	GLASS-SLIDE ASSEMBLY	DC48-G9
10	112795-01-705	FT	VINYL-GLAZING	132-018280

**TWIN BED THERMOPANE SLIDER WINDOW - EXCEL**

KEY	PART NUMBER	U/M	DESCRIPTION	VENDOR NO.
1	112795-25-01A	EA	WINDOW-DRIVERS HORIZONTAL SLIDER THERMO 26 3/8" X 48"	
	112795-22-701	EA	RETAINER - (TRIM)	W30366
2	112795-01-702	FT	PLUG-FILLER	122-018737
3	112795-22-702	EA	GLASS-STATIONARY	390-019039
4	112795-01-701	EA	SLIDE-STOP	132-019092
5	112795-01-700	EA	LATCH ASM., BLACK	DH287-CK
6	112795-01-703	IN	CHANNEL-RUN	122-018736
7	098647-38-704	EA	SCREEN ASM., W/SPRING CLIP	410-019063
8	098644-01-713	EA	CLIP-SPRING, BLACK PLASTIC	226-016966
9	112795-22-703	EA	GLASS-SLIDE ASSEMBLY	DC48-G9
10	112795-01-705	FT	VINYL-GLAZING	132-018280

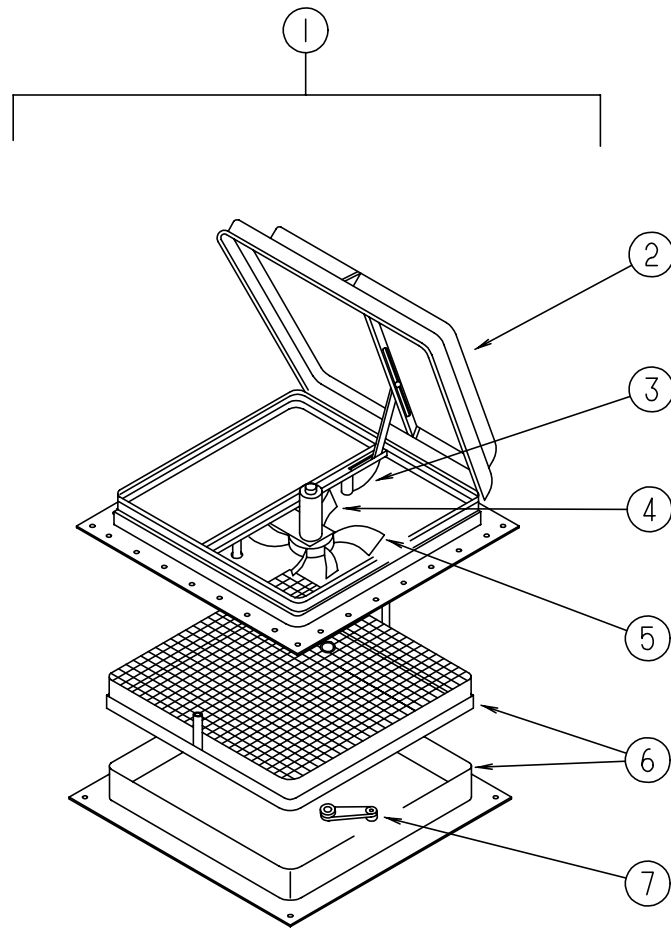
**DRIVER & PASSENGER THERMOPANE SLIDER WINDOW - EXCEL**

KEY	PART NUMBER	U/M	DESCRIPTION	VENDOR NO.
1	112795-15-01A	EA	WINDOW-DRIVERS HORIZONTAL SLIDER-THERMO-26 3/8" X 60"	
1	112795-16-01A	EA	WINDOW-PASSENGER HORIZONTAL SLIDER-THERMO-26 3/8" X 60"	
	112795-15-700	EA	WINDOW W/O TRIM	DH287-G2L
	112795-16-700	EA	WINDOW W/O TRIM	DH287-G2R
	098647-23-702	EA	RETAINER-TRIM - WHITE	W28766
2	112795-01-702	FT	PLUG-FILLER	122-018737
3	112795-15-701	EA	GLASS-STATIONARY	390-019045
4	112795-01-701	EA	SLIDE-STOP	132-019092
5	112795-01-700	EA	LATCH ASM. - BLACK	DH287-CK
6	112795-01-703	IN	CHANNEL-RUN	122-018736
7	098647-23-704	EA	SCREEN ASM. - W/SPRING CLIP	410-019066
8	098644-01-713	EA	CLIP-SPRING - BLACK PLASTIC	226-016966
9	112795-15-702	EA	GLASS-SLIDING - W/SASH&LATCH	DH287-G9
10	112795-01-705	FT	VINYL-GLAZING	132-018280

**DRIVER & PASSENGER THERMOPANE OVERHEAD BUNK WINDOWS - EXCEL**

KEY	PART NUMBER	U/M	DESCRIPTION	VENDOR NO.
1	112795-20-01A	EA	WINDOW-DRIVER HORIZONTAL SLIDER THERMO 16" X 28 3/4"	
1	112795-19-01A	EA	WINDOW-PASSENGER HORIZONTAL SLIDER THERMO 16" X 28 3/4"	
	112795-20-700	EA	WINDOW W/O TRIM	DC29-G2L
	112795-19-700	EA	WINDOW W/O TRIM	DC29-G2R
	098647-31-701	EA	RETAINER-TRIM, WHITE	CW2966
2	112795-01-702	FT	PLUG-FILLER	122-018737
3	112795-19-701	EA	GLASS-STATIONARY	390-019134
4	112795-01-701	EA	SLIDE-STOP	132-019092
5	112795-01-700	EA	LATCH ASM., BLACK	DH287-CK
6	112795-01-703	IN	CHANNEL-RUN	122-018736
7	098647-31-704	EA	SCREEN ASM., W/SPRING CLIP	410-019128
8	098644-01-713	EA	CLIP-SPRING, BLACK PLASTIC	226-016966
9	112795-19-702	EA	GLASS-SLIDING, W/SASH&LATCH	DC29-G9
10	112795-01-705	FT	VINYL-GLAZING	132-018280

**WINDOW, VENT & EXTERIOR DOOR GROUP (CONTINUED)**



**POWERED ROOF VENT - JENSEN**

KEY	PART NUMBER	U/M DESCRIPTION	VENDOR NO.
1	110051-03-01A	EA VENT-ROOF - POWERED - 2" ROOF - JENSEN 7757	
1	110051-05-01A	EA VENT-ROOF - POWERED - 2" ROOF - JENSEN C7757 (CANADIAN)	
2	064470-01-700	EA COVER-ROOF VENT - JENSEN	7291
	064470-01-701	EA SLIDE BAR, (VENT-LID)	JRP1291B
3	110051-01-702	EA ARM LIFT ASSEMBLY W/O HANDLE	RP-1000B
4	048648-01-000	EA MOTOR-12V NONVENTED 1/8 SFT	
5	048649-01-000	EA FAN-PLASTIC - 6" - 6 BLADED	
6	110051-01-700	EA SCREEN & FRAME 2" NON-POWER	29-800-02
7	110051-01-703	EA HANDLE-CRANK	RP-1031-B
	110051-01-706	EA GARNISH-INTERIOR - 2"	

**WINDOW, VENT & EXTERIOR DOOR GROUP (CONTINUED)**

**POWERED ROOF VENTILATOR - US - FANTASTIC**

KEY	PART NUMBER	U/M DESCRIPTION	VENDOR NO.
	084079-03-000	EA VENT-CEILING, POWERED EXHAUST-OFF WHITE-FANTASTIC VENT	
	084079-01-700	EA COVER-VENT, W/HINGE & SLIDE	1020K-19
	084079-01-703	EA KNOB-LIFT, W/EXT. & SCREW	1140K-00
	084079-01-704	EA BLADE-FAN	1070-00
	084079-01-705	EA MOTOR	1080-00
	084079-01-707	EA SWITCH-SAFETY	1122.05
	084079-01-709	EA SWITCH-MAIN, 3 SPEED	1031-05
	084079-01-711	EA H-MOLDING, F/MOTOR MOUNT	
	084079-01-712	EA GARNISH INT. FIN. 1 7/8" O/W	1040-80

**POWERED ROOF VENTILATOR - CSA - FANTASTIC**

KEY	PART NUMBER	U/M DESCRIPTION	VENDOR NO.
	084079-08-000	EA VENT-CEILING - EXHAUST - POWER - OFF WHITE CSA	
	084079-01-700	EA COVER-VENT - W/HINGE & SLIDE	1020K-19
	084079-01-703	EA KNOB-LIFT - W/EXT - & SCREW	1140K-00
	084079-01-704	EA BLADE-FAN	1070-00
	084079-01-707	EA SWITCH-SAFETY	1122.05
	084079-01-709	EA SWITCH-MAIN - 3 SPEED	1031-05
	084079-01-711	EA H-MOLDING - F/MOTOR MOUNT	
	084079-01-712	EA GARNISH INTERIOR FIN - 1 7/8" - OFF WHITE	1040-80
	084079-08-700	EA MOTOR-THIN ROOF	101703

**NONPOWERED ROOF VENT**

KEY	PART NUMBER	U/M DESCRIPTION	VENDOR NO.
	110051-01-01A	EA VENT-ROOF - NONPOWERED - 2" ROOF-JENSEN 7724 WHE	
	064470-01-700	EA COVER-VENT - W/O (SLIDE BAR)	J7291
	064470-01-701	EA SLIDE BAR - (VENT-LID)	JRP1291B
	110051-01-700	EA SCREEN & FRAME 2" NON-POWER	29-800-02
	110051-01-702	EA ARM LIFT ASSEMBLY W/O HANDLE	RP-1000B
	110051-01-703	EA HANDLE-CRANK	RP-1031-B
	110051-01-706	EA GARNISH-INTERIOR - 2"	

**VENTS, SHROUDS AND ROOF COVERS**

KEY	PART NUMBER	U/M DESCRIPTION	VENDOR NO.
	084073-07-000	EA COVER-ROOF VENT - REFRIGERATOR - BRIGHT WHITE - NORCOLD	
	084073-04-000	EA BASE-ROOF VENT - REFRIGERATOR - BLACK - NORCOLD	
	092698-02-05A	EA VENT-W/DOOR	
	092698-02-700	EA FASTNER-PUSH	VB430
	092698-02-701	EA CLAMP-CONDUIT	VB334
	084878-09-000	EA VENT-RANGE HOOD - SHORT - LVS	
	083558-03-000	EA VENT-PLUMBING PIPE - ROOF W/COVER - OFF WHITE	