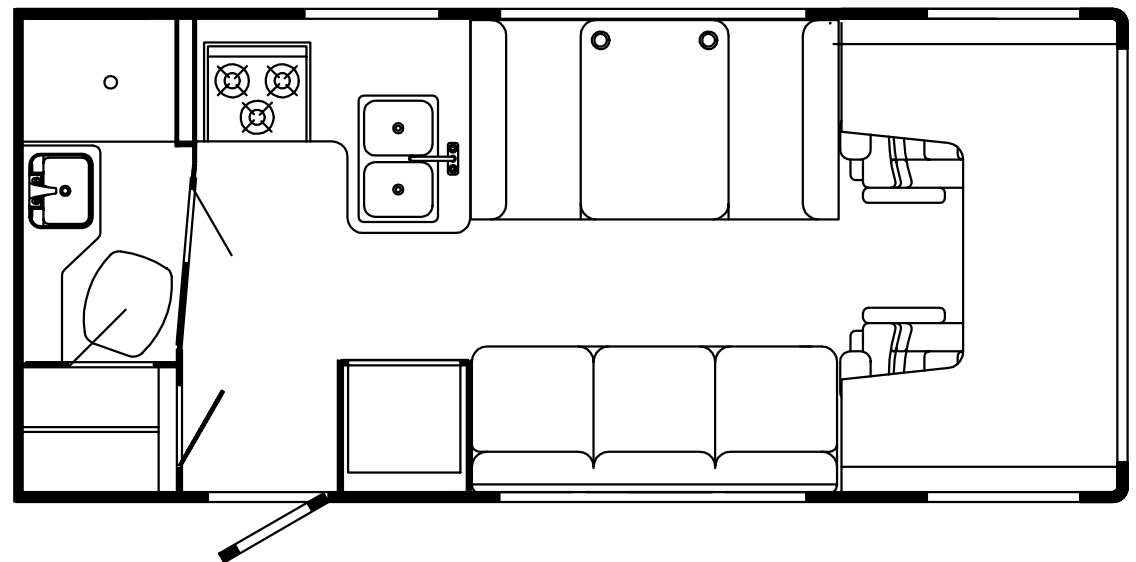
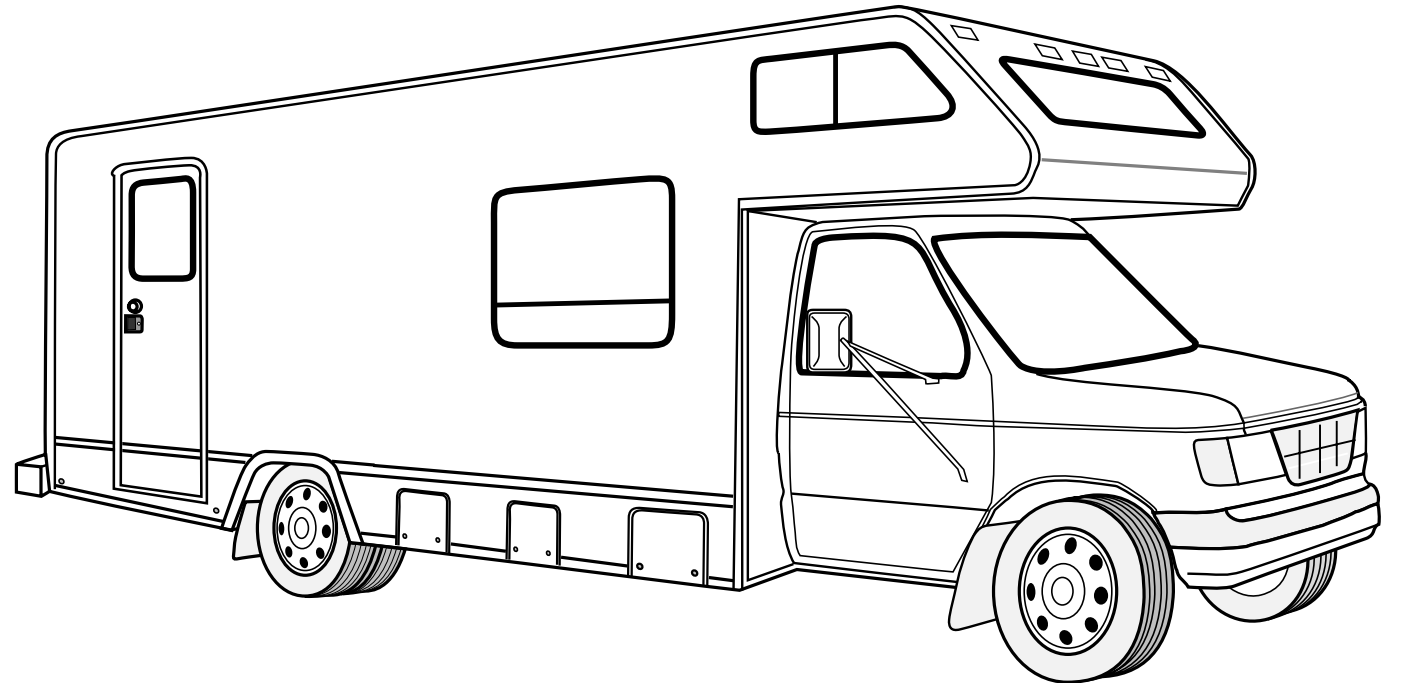


**1996
WC321RB**

**G01
PEBBLE BEACH (BROWN)**

**G02
NEPTUNE (TEAL)**



**ACCESSORIES GROUP
OPERATORS MANUAL**

KEY	PART NUMBER	UM	DESCRIPTION
	054185-D6-000	EA	MANUAL-OPERATOR, 1996 MINNIE 300 SERIES
	092318-01-000	EA	BINDER - 3 RING, MOTOR HOME MANUAL
	092319-01-000	EA	POCKET PAGE - 3 RING BINDER, PLASTIC
	117936-01-000	DW	TOP LEVEL DRAWING - 1996 C BODY

**AUDIO VIDEO GROUP
RADIO SYSTEM & ANTENNA**

KEY	PART NUMBER	U/M	DESCRIPTION
	115305-02-000	EA	RADIO-AM/FM CASS, ELECTRON AUDIOVOX GMA-100
	115306-01-000	EA	RADIO-MOUNTING KIT, AUDIOVOX GMA-94-CHV
	115307-01-000	EA	RADIO-WIRING, REAR SPEAKER ASA 1700030
	094097-01-000	EA	SPEAKER-RADIO, W/O GRILLE - 5.25" DIA. - AUDIOVOX 110C3030
	111177-01-01A	EA	GRILLE-SPEAKER, OVAL - 5 X 7 - GRAY - MAGNADYNE SB68
	007004-01-000	EA	ANTENNA-AUTO
	108137-01-000	EA	PLUG-ANTENNA HOLE, WARD PRODUCTS

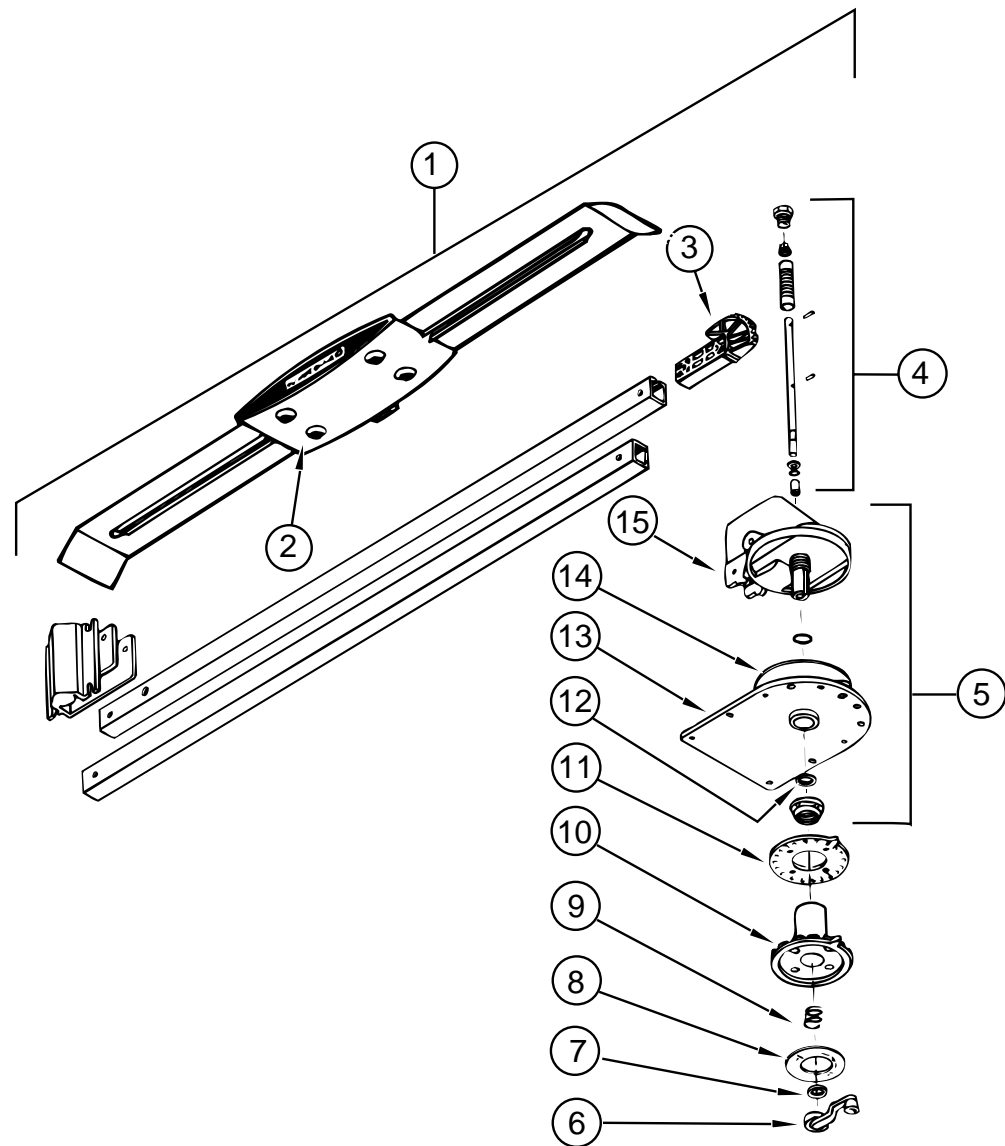
RADIO-PATIO ENTERTAINMENT CENTER

KEY	PART NUMBER	U/M	DESCRIPTION
	087683-03-000	EA	RADIO-AM/FM STEREO CASSETTE - AUDIOVOX RS-100
	090944-01-000	EA	ANTENNA-RADIO, 16" RUBBER
	108847-01-000	EA	BRACKET-ANTENNA GROUND
	077069-02-000	EA	CABLE-ANTENNA, RADIO - EXTENSION 96" - ARA 6700667
	076319-03-000	FT	CABLE-COAXIAL, 75 OHM
	076319-12-000	EA	CONNECTOR-COAXIAL, ONE PIECE
	082134-01-000	EA	ADAPTER-CABLE TO CABLE, WINEGARD F-81M
	086756-01-000	EA	SPLITTER-TV, 2 WAY
	109889-01-000	EA	EXTENDER-SHAFT, ANTENNA - 1" - MAGNADYNE RV71EX1
	110469-01-000	EA	SPEAKER-OVAL, 4" X 6" - COAXIAL - MAGNADYNE F46XB-12
	110470-01-01A	EA	GRILLE-SPEAKER, OVAL 4" X 6" - BLACK - MAGNADYNE G46WI

WINEGARD TV INSTALLATION COMPONENTS

KEY	PART NUMBER	U/M	DESCRIPTION
	076319-03-000	FT	CABLE-COAXIAL, 75 OHM
	076319-12-000	EA	CONNECTOR-COAXIAL, ONE PIECE
	076319-06-000	EA	ADAPTOR-CABLE ROOF PLATE, WINEGARD RPJ-1
	082134-01-000	EA	ADAPTER-TV, CABLE TO CABLE - WINEGARD F-81M
	082136-01-000	EA	NUT-HEX JAM 3/8-32, WINEGARD
	086777-02-000	EA	WALLPLATE-TV CABLE, W/ANTENNA SWITCH - BROWN

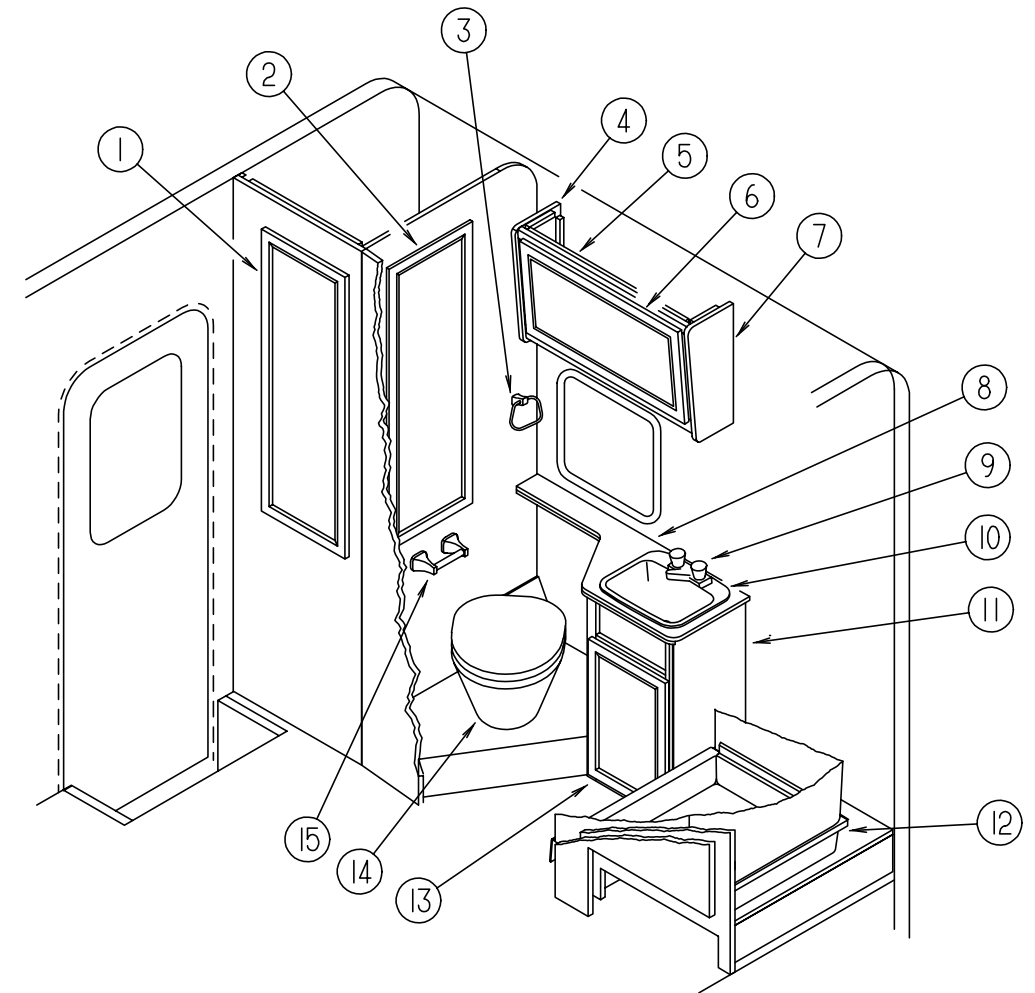
AUDIO VIDEO GROUP (CONTINUED)



TV ANTENNA - WINEGARD - MODEL RVA W02

KEY	PART NUMBER	U/M	DESCRIPTION	VENDOR NO.
1	076319-01-000	EA	ANTENNA-TV, ROOF MOUNT - 44.5" MAST	
2	076319-01-700	EA	HEAD-ANTENNA, AMPLIFIED	RVSA U/V
3	076319-01-701	EA	GEAR-ELEVATING, PLASTIC	2200046
4	076319-01-702	EA	SHAFT ASSEMBLY-ELEVATING	RVP-400A
5	076319-01-711	EA	BASE & LIFT ASSEMBLY	2762802
6	076319-01-706	EA	CRANK-ELEVATING, W/SET SCREW	5755100
7	076319-01-705	EA	GROMMET-NYLON, 7/8" ID	200658
8	076319-01-708	EA	DECAL-CRANK	5413002
9	076319-01-707	EA	SPRING-HANDLE	5160800
10	076319-01-709	EA	PLATE-DIRECTIONAL, FOR HEAD	3200644
11	076319-01-712	EA	PLATE-CEILING	3200608
12	076319-01-704	EA	BEARING-NYLON, 1.25" OD	3200657
13	076319-01-713	EA	PLATE-BASE, STEEL	3100523
14	076319-01-703	EA	BEARING-NYLON, 5" OD	3200656
15	076319-01-714	EA	HOUSING, ROTATING GEAR	2200049

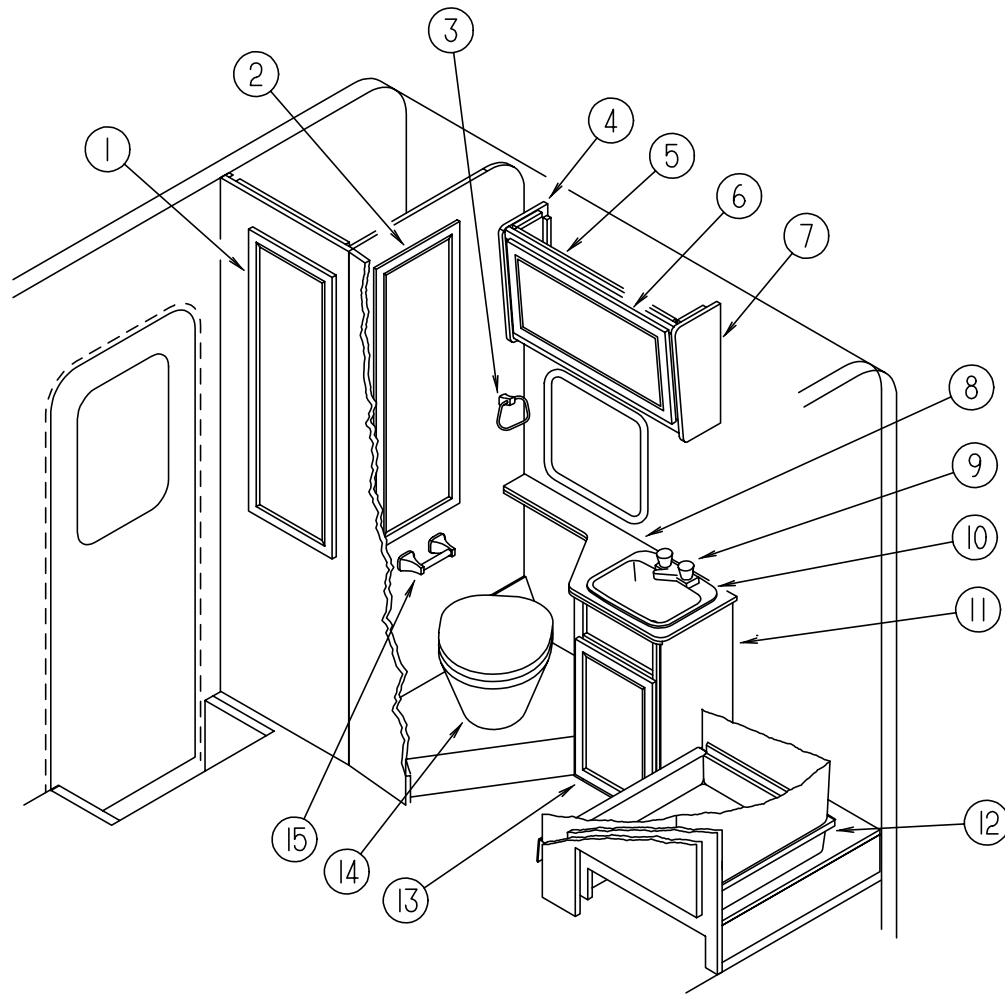
BATH GROUP



BATHROOM CABINETS & FIXTURES

KEY	PART NUMBER	U/M	DESCRIPTION
1	110140-35-G01	EA	DOOR-WARDROBE, W/O HARDWARE - 395MM X 1155MM
2	110140-39-G01	EA	DOOR-WARDROBE, W/MIRROR - W/O HARDWARE - 425MM X 1220MM
	058331-A3-000	EA	MIRROR-SAFETY GLASS, 342MM X 1137MM
	059783-01-000	FT	ROD-CLOTHES, ALUMINUM - SLOTTED - 7 FT
	114701-12-G01	EA	SHELF-WARDROBE CABINET
3	075454-02-000	EA	RING-TOWEL, W/MOUNTING HARDWARE - BRASS
4	110948-12-G01	EA	END CAP-MEDICINE CABINET
5	M05954-08-G01	EA	CABINET-MEDICINE, W/O DOOR OR HARDWARE
6	110140-24-G01	EA	DOOR-MEDICINE CABINET, W/MIRROR - 395MM X 750MM
	110948-11-G01	EA	SHELF-MEDICINE CABINET
7	110948-13-G01	EA	END CAP-MEDICINE CABINET
8	110942-11-G01	EA	COUNTERTOP-LAVATORY CABINET
8	110942-11-G02	EA	COUNTERTOP-LAVATORY CABINET
9	075240-06-000	EA	FAUCET-LAVATORY, BONE
	091253-01-000	EA	GASKET-FAUCET, LAVATORY/GALLEY
10	096927-01-01A	EA	SINK-LAVATORY, RECTANGULAR - PLASTIC - BONE
	096927-01-700	EA	STOPPER-SINK
	096927-01-701	EA	TAILPIECE-SINK
11	P10942-01-G01	EA	CABINET-LAVATORY, W/O DOOR OR HARDWARE
11	P10942-01-G02	EA	CABINET-LAVATORY, W/O DOOR OR HARDWARE

BATH GROUP (CONTINUED)



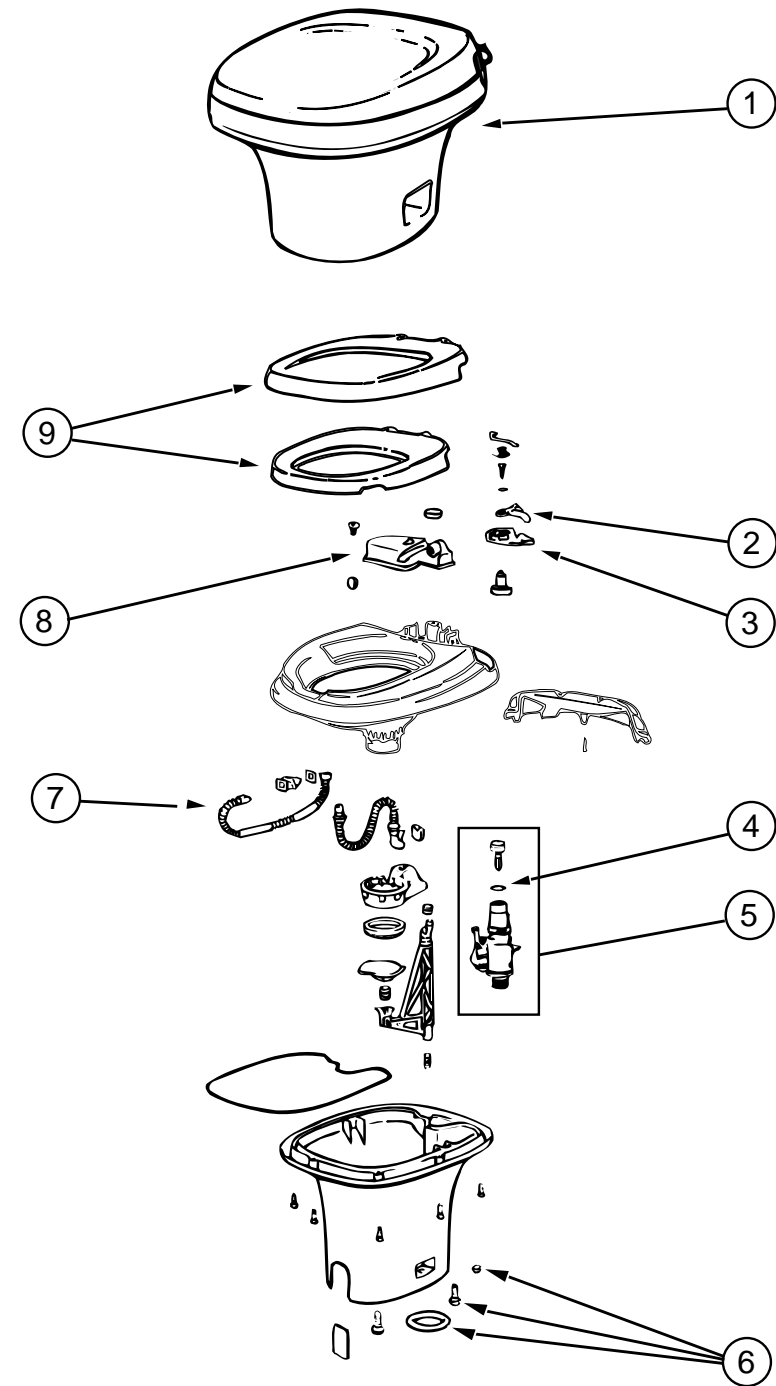
BATHROOM CABINETS & FIXTURES (CONTINUED)

KEY	PART NUMBER	U/M	DESCRIPTION
12	M02429-07-000	EA	PAN-SHOWER, PLASTIC - OFF WHITE
	011069-02-000	EA	TAILPIECE-TUB/SHOWER, 1 1/2" X 1 1/4" X 4" - BRASS
	066436-01-000	EA	NUT-SLIP, TAILPIECE - 1.5"
	066440-01-000	EA	STRAINER-SHOWER, W/RUBBER WASHER
	057671-01-000	EA	COVER-SCREW, #8 - PLASTIC - OFF WHITE
	103092-01-000	EA	SHOWER HEAD-W/60" HOSE
	103092-01-700	EA	BRACKET-SHOWER HEAD, CLEAR - 2328028
	011048-03-700	EA	BRACKET-SHOWER HEAD, BONE - 2328029
	075241-05-000	EA	FAUCET-SHOWER, BONE
	075606-01-000	EA	PANEL-FAUCET BACK, SHOWER - 5" X 9" - PLASTIC
13	110140-04-EB1	EA	DOOR-LAVATORY CABINET, W/O HARDWARE - 365MM X 555MM
14	067487-01-000	EA	TOILET-12.37", IVORY - HAND FLUSH - THETFORD 150110
15	075452-02-000	EA	HOLDER-TOILET TISSUE, BRASS

PRIVACY DOOR

KEY	PART NUMBER	U/M	DESCRIPTION
	100494-07-G01	EA	DOOR-BATH PRIVACY
	009151-01-000	EA	GUARD-WARP, CABINET/PRIVACY DOOR - 48"
	058335-02-000	EA	LATCH-SHOWER/BATH DOOR, W/O LOCK - PLASTIC - BROWN

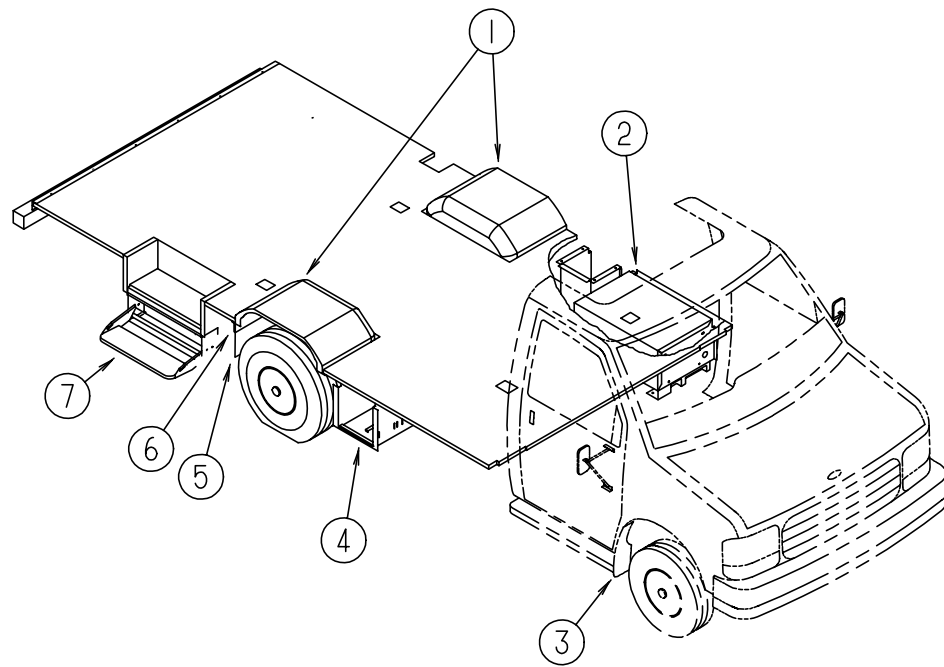
BATH GROUP (CONTINUED)



TOILET & COMPONENTS - THETFORD - MODEL AQUA MAGIC IV LOW

KEY	PART NUMBER	U/M	DESCRIPTION	VENDOR NO.
1	067487-01-000	EA	TOILET - 12.37", IVORY - HAND FLUSH 150110	
2	063740-01-700	EA	LEVER-WATER	12514
3	063740-01-701	EA	LEVER-FLUSH	12515
4	063740-01-713	EA	SEAL-BALL VALVE TO BOWL	12502
5	063740-01-714	EA	VALVE ASSEMBLY-WATER	12492
6	063740-01-706	EA	BOLT PACKAGE-CLOSET	12524
7	063740-01-717	EA	TUBE-FLUSH, TOILET	12509
8	067487-02-702	EA	TANK-RESERVOIR	12507
9	063740-02-700	EA	SEAT & COVER, PARCHMENT	2464157

CHASSIS GROUP



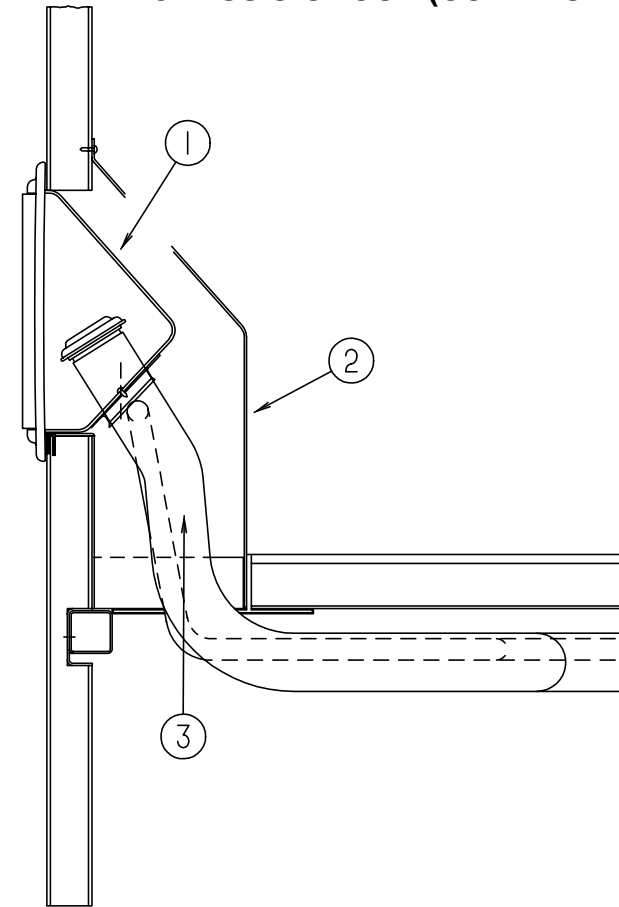
COMPARTMENTS, PLUGS & SEALS

KEY	PART NUMBER	U/M	DESCRIPTION
1	096322-01-000	EA	WHEELWELL-REAR, DRIVER OR PASSENGER - PLASTIC
2	114394-01-02B	EA	COMPARTMENT-GENERATOR, E-COAT
	114070-02-02B	EA	SUPPORT-GENERATOR, LH - E-COAT
	114071-02-02B	EA	SUPPORT-GENERATOR, RH - E-COAT
	061420-01-000	EA	PLUG-PLASTIC, 1.75" - BROWN
3	072884-27-703	EA	MUD FLAPS-W/HOLES, PAIR - 99171
4	105203-04-000	EA	COMPARTMENT-BATTERY
	084993-01-000	EA	STRAP ASSEMBLY-BATTERY, WEBBING & BUCKLE - 1100MM X 1" WIDE
	084993-02-000	EA	STRAP ASSEMBLY-BATTERY, WEBBING & BUCKLE - 1400MM X 1" WIDE
5	017516-01-000	EA	FLAP-MUD, 14" X 18" - BLACK
5	106141-01-000	EA	FLAP-MUD, W/HOLES & WINNEBAGO LOGO - BLACK - JAPAN EXPORT
6	045731-05-000	EA	GUARD-ROCK
7	077848-02-000	EA	STEP-PULLOUT
	102569-04-000	EA	MAT-ANTI SLIP SAFETY TRACK 3100
	076241-14-000	EA	SUPPORT ASM-STEP
	091176-01-000	EA	SUPPORT-BASE-ENTRANCE STEP
	115361-01-01A	EA	PLUG-PLASTIC

LUG WRENCH

KEY	PART NUMBER	U/M	DESCRIPTION
	080208-01-000	EA	WRENCH-LUG, 1.06 X 1.00 - CHEVY
	080208-02-000	EA	BAR-LEVERAGE, LUG WRENCH - CHEVY
	112358-01-000	EA	WRENCH-LUG, 7/8 - L-SHAPE - FORD

CHASSIS GROUP (CONTINUED)



FUEL SYSTEM COMPONENTS

KEY	PART NUMBER	U/M	DESCRIPTION
1	095854-01-04A	EA	SHROUD-FUEL FILL, PLASTIC - BRIGHT WHITE
2	078040-05-000	EA	SHROUD-FUEL FILL, UPPER - PLASTIC
3	106413-01-000	EA	NECK-FUEL FILL, MAIN - GAS - FORD
3	106413-02-000	EA	NECK-FUEL FILL, MAIN - DIESEL - FORD
	078200-01-000	EA	GASKET-FUEL FILL, 3.5" OD X 2" ID
	007063-01-000	FT	HOSE-GAS, 1/4" ID X 1/2" OD
	084884-01-000	EA	PLUG-BRASS, 3/8"
	087269-01-000	EA	TEE - 1/4" X 1/4" X 1/4" - BRASS

WHEEL LINERS & COVERS - DICOR - FORD

KEY	PART NUMBER	U/M	DESCRIPTION	VENDOR NO.
	110435-02-000	EA	LINER-WHEEL, SET 4 V160F2	
	110435-02-700	EA	WHEEL COVER-FRONT	V160F2-FWC
	110435-02-701	EA	WHEEL COVER-REAR	V160F2-RWC
	110435-02-702	EA	STUD EXTENSION	V160SD - STX
	110435-02-703	EA	NUT-JAMB	V160SD - JNT
	110435-02-704	EA	COVER-LUG NUT	V160F0 - LNC
	110435-02-705	EA	TOOL-JAMB NUT INSTALLATION	V160F0-TOL

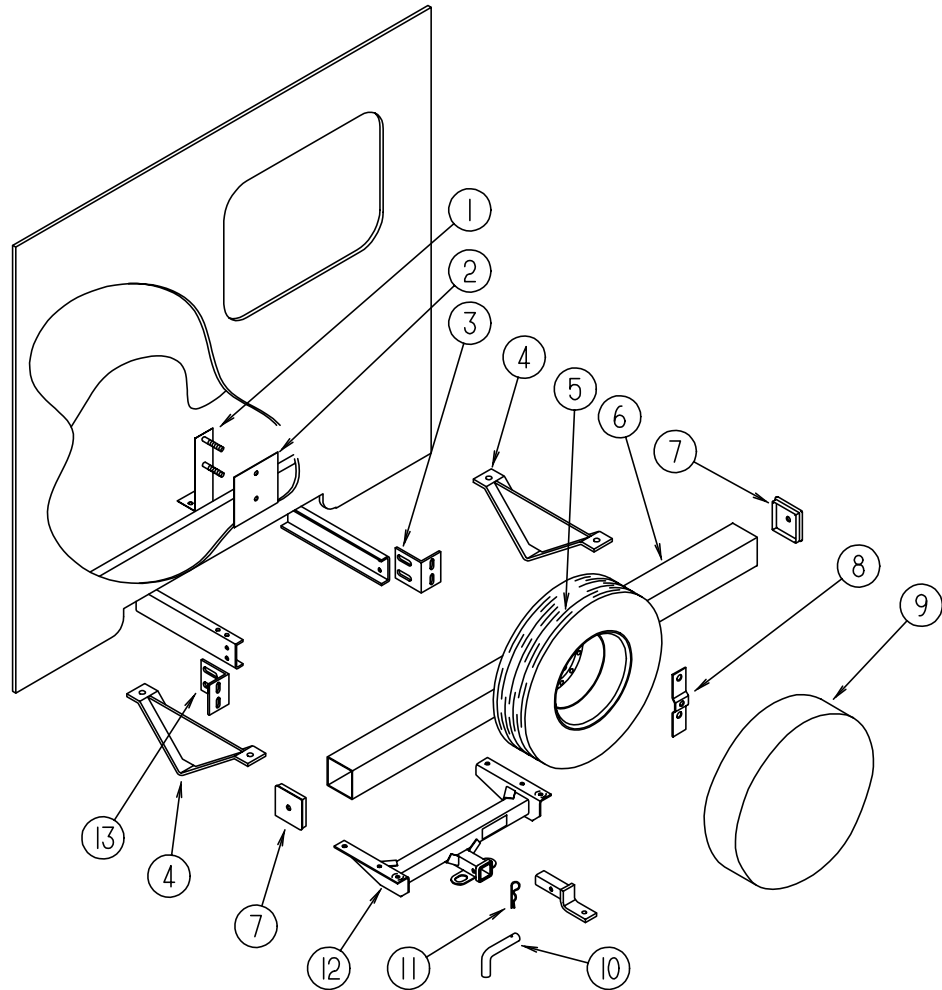
WHEEL - FORD

KEY	PART NUMBER	U/M	DESCRIPTION
	083617-03-000	EA	WHEEL-STEEL, 16.0 X 6 - ACCURIDE 28618 - FORD
	095012-03-000	EA	EXTENSION-VALVE STEM, DUAL WHEEL

WHEEL COVERS - DICOR - CHEVY

KEY	PART NUMBER	U/M	DESCRIPTION	VENDOR NO.
	109443-05-000	EA	WHEEL COVER - 4/ SET, 16" SS SHFM16	
	109443-05-700	EA	COVER WHEEL - 16"	SHFM16 - CVR
	098532-01-700	EA	COVER-LUG NUT, ABS PLATED	
	051377-03-000	EA	STEM-VALVE, TR 600 - CHEVY	

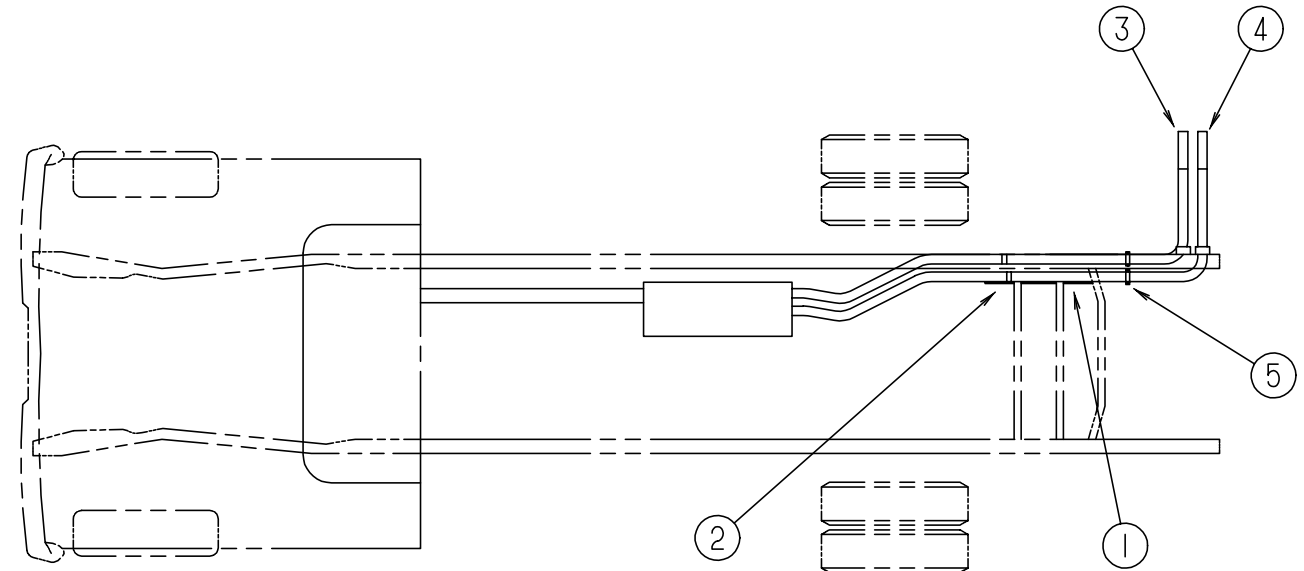
CHASSIS GROUP (CONTINUED)



REAR BUMPER, HITCH & SPARE TIRE CARRIER

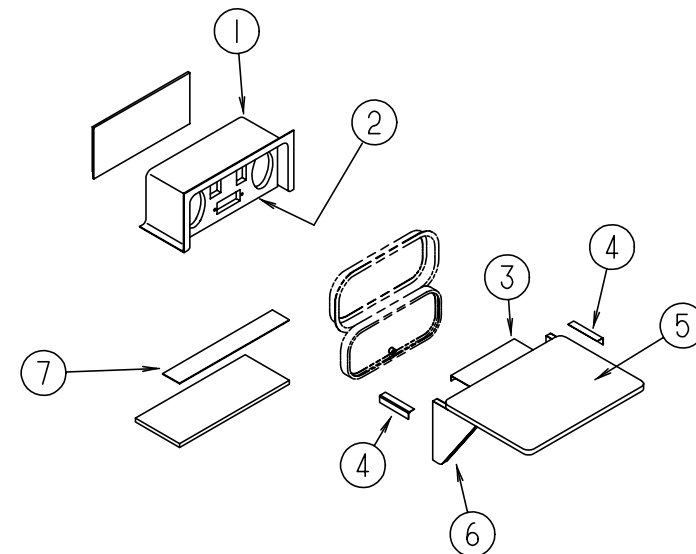
KEY	PART NUMBER	U/M	DESCRIPTION
1	105209-04-C52	EA	BRACKET ASSEMBLY-SPARE TIRE, CHEVY
1	105209-06-C52	EA	BRACKET ASSEMBLY-SPARE TIRE, FORD
2	105208-01-000	EA	PLATE-SPARE TIRE
3	104420-01-000	EA	SUPPORT-ANGLE, BUMPER REAR - RIGHT
4	083376-01-000	EA	PLATE-SKID, 13.2" X 6" X 2" - STEEL
5	083425-09-000	EA	TIRE - LT225/75R16 LRD, MICHELIN XCH4 - CHEVY
5	083425-11-000	EA	TIRE - LT225/75R16 LRD, MICHELIN LTX A/S - FORD
6	103422-02-02A	EA	BUMPER-SQUARE, ALUMINUM - BRIGHT WHITE
7	039779-01-000	EA	CAP-BUMPER, RUBBER - 4" X 4" - BLACK
8	105531-02-000	EA	RETAINER ASSEMBLY-SPARE TIRE, FORD ONLY
9	073322-07-F15	EA	COVER-TIRE, 31" - VINYL - ICE WHITE
9	073322-50-000	EA	COVER-UNIVERSAL LINER
9	079799-01-000	EA	COVER-TIRE, 31" - OFF WHITE - JAPAN EXPORT
9	M02047-01-F15	EA	COVER-TIRE, LOCKABLE - BRIGHT WHITE - JAPAN EXPORT
9	064082-02-000	EA	NUT-RETAINING, WHEEL COVER - 100752
9	077408-02-000	EA	LOCK ASM-KEY TYPE
10	034512-01-000	EA	PIN-LOCKING, DRAWBAR
11	034513-01-000	EA	PIN-HITCH, 3/16" WIRE
12	107707-08-000	EA	HITCH-TRAILER, W/O DRAWBAR
13	104420-02-000	EA	SUPPORT-ANGLE, BUMPER REAR - LEFT
	097745-02-000	EA	HOUSING-RECEPTACLE, TRAILER - 48" WIRE LENGTH
	097744-02-000	EA	HOUSING-TRAILER PIN, 48"
	113589-01-000	EA	CONNECTOR-PLUG, TRAILER
	113589-02-000	EA	CONNECTOR-SOCKET, TRAILER
	113634-01-000	EA	WIRE ASSEMBLY-TRAILER, ADAPTER

CHASSIS GROUP (CONTINUED)



EXHAUST SYSTEM COMPONENTS

KEY	PART NUMBER	U/M	DESCRIPTION
1	111848-02-02B	EA	SHIELD-HEAT, EXHAUST - FORD
2	111848-01-02B	EA	SHIELD-HEAT, EXHAUST - FORD
3	111836-01-000	EA	PIPE-EXHAUST, TAIL - FORD - DUAL
4	111836-02-000	EA	PIPE-EXHAUST, TAIL - FORD - DUAL
5	007125-05-000	EA	CLAMP-MUFFLER, 2.00" DIAMETER - GAS
	007131 01 000	EA	HANGER-TAILPIPE, 6 SLOTS
	111836-03-000	EA	PIPE-EXHAUST, TAIL - FORD REAR - JAPAN EXPORT
	111836-04-000	EA	PIPE-EXHAUST, TAIL - FORD REAR - JAPAN EXPORT
	101884-04-000	EA	PIPE-EXHAUST, TAIL - FORD - DIESEL
	007125-07-000	EA	CLAMP-MUFFLER, 2.50" DIAMETER - USED W/DIESEL
	016379-02-000	EA	STRAP-HANGER EXTENSION, 2" X 1" - STEEL



EXTERIOR ENTERTAINMENT CENTER

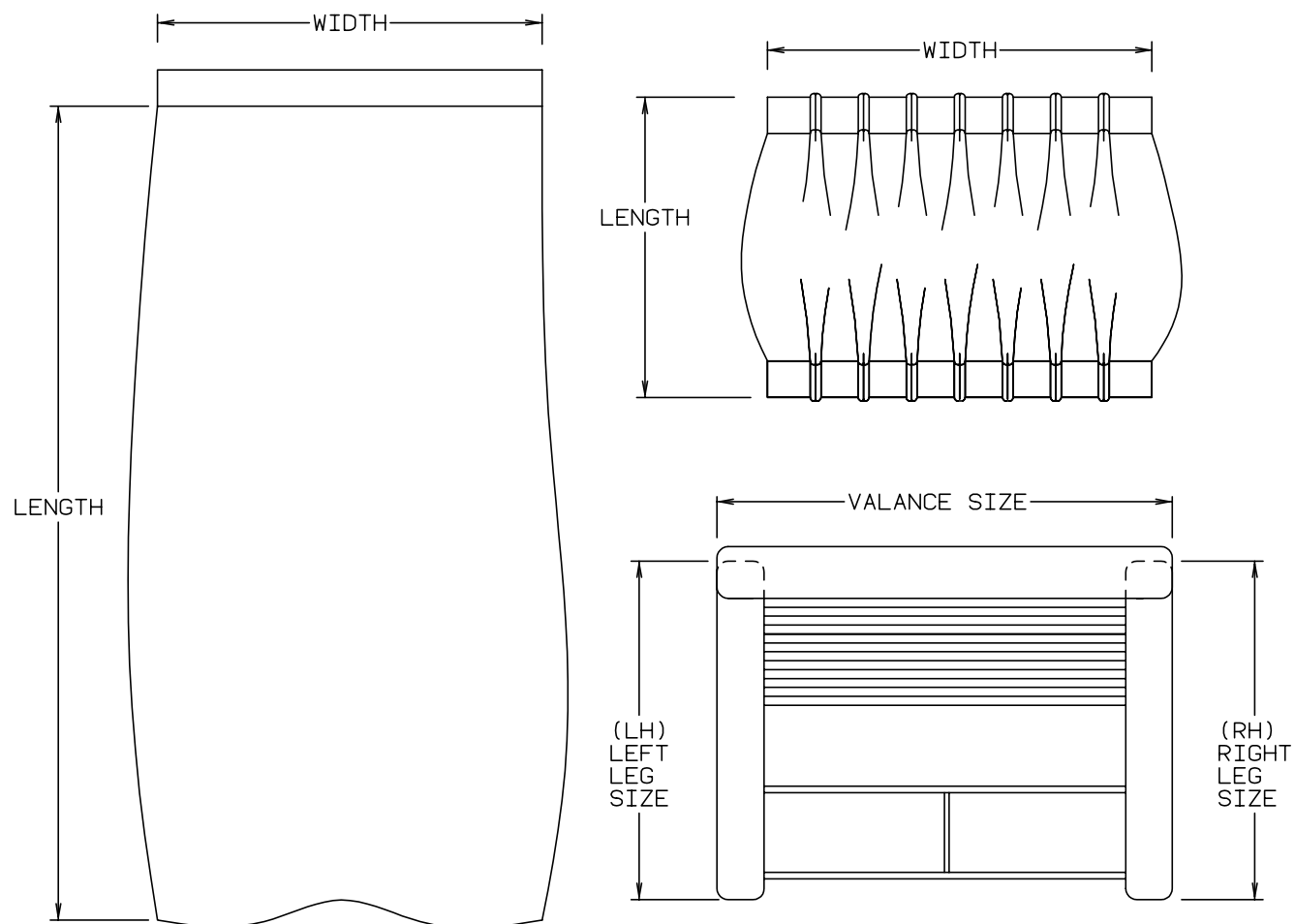
KEY	PART NUMBER	U/M	DESCRIPTION
1	104897-02-02A	EA	BOX-ENTERTAINMENT CENTER, BRIGHT WHITE
2	104899-01-C05	EA	PLATE-RADIO MOUNTING
3	105377-01-01A	EA	BRACKET-TABLE HANGER, OFF WHITE
4	105376-01-02A	EA	HINGE-CONTINUOUS, 2" X 140MM - OFF WHITE
5	105230-01-F11	EA	SHELF-EXTERIOR TV
	105230-11-E01	EA	SHELF ASM
6	105230-12-F11	EA	SUPPORT-SHELF
7	104898-01-02A	EA	PLATE-PLASTIC BOTTOM, BRIGHT WHITE

CURTAIN & CUSHION GROUP

NOTICE

IN ORDER TO ASSIST OUR PARTS SALES DEPT. IN PROVIDING INTERIOR SOFTWARE ITEMS, PLEASE INCLUDE THE SERIAL NUMBER AND THE COLOR CODE NUMBER FROM THE VEHICLE CERTIFICATION LABEL WHEN ORDERING. THIS LABEL IS LOCATED ON THE LEFT SIDEWALL AT THE END OF THE DASH (A-BODY), OR ON THE DRIVER'S DOOR LATCH PLATE (C-BODY).

AN EXAMPLE OF A COLOR CODE NUMBER IS B07, WHICH DESIGNATES AN OVERALL COLOR SCHEME OF A PARTICULAR UNIT. THE COLOR LISTED AFTER THE ITEM DESCRIPTION ON THE MICROFICHE, INDICATES THE OVERALL UNIT COLOR. ORDER THE ITEM YOU DESIRE ACCORDING TO UNIT COLOR CODE.



NOTE: USE THIS ILLUSTRATION WHEN DETERMINING LENGTH AND WIDTH MEASUREMENTS FOR CURTAINS. YOU WILL NOTE THE WIDTH MEASUREMENT IS TAKEN ON THE TOP OF THE CURTAIN WITH THE CURTAIN FULLY EXTENDED. THE LENGTH MEASUREMENT IS TAKEN FROM TOP TO BOTTOM. LEFT AND RIGHT WINDOW LEGS ARE DETERMINED WHEN FACING THE WINDOW.

CURTAIN & CUSHION GROUP (CONTINUED) FABRICS

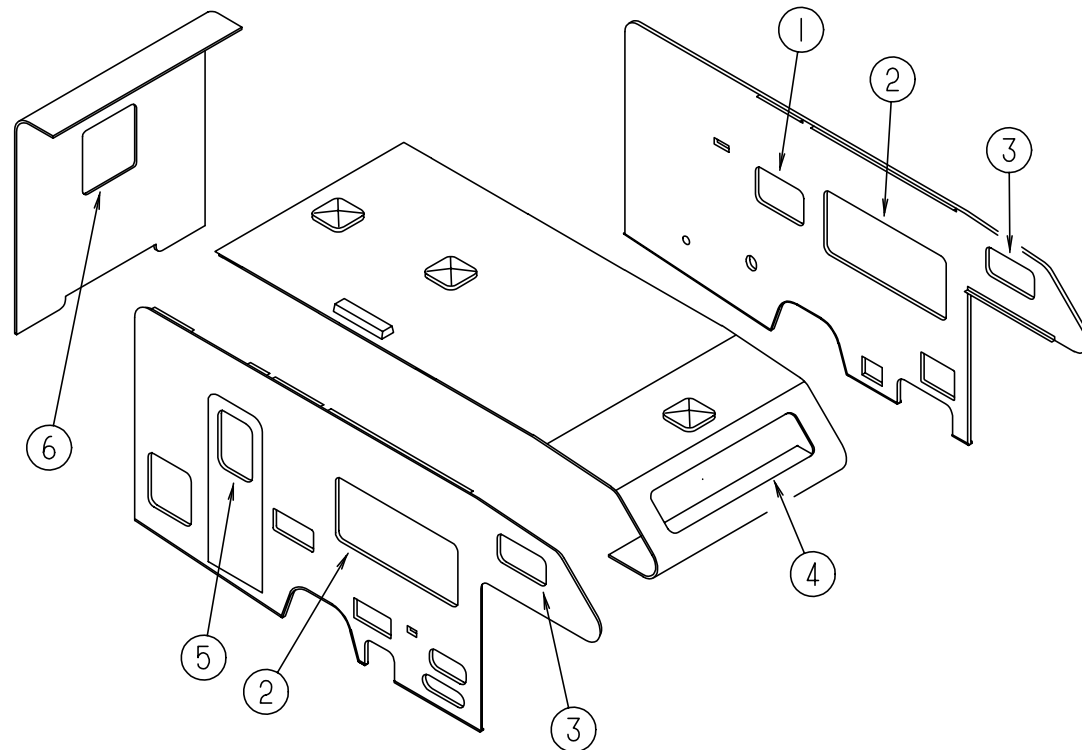
WINNEBAGO 300's FABRIC		
Color Codes	G01	G02
	PEBBLE BEACH (BROWN)	NEPTUNE (TEAL)
BUCKET SEATS DL	104233-14-000	108446-C5-000
BUCKET SEATS	104233-14-000 108446-57-000	108446-C5-000 108446-C6-000
DINETTE CUSHIONS	108446-E1-000	108446-E2-000
DINETTE PADS	104233-14-000	108446-C5-000
SOFA	108446-E1-000	108446-E2-000
SWIVEL CHAIR	108446-57-000	108446-C6-000
LOUNGE/DINETTE VALANCE	108446-57-000 104233-14-000	108446-C6-000 108446-C5-000
LOUNGE/DINETTE LEG	108446-57-000	108446-C6-000
BEDROOM VALANCE	105745-98-000	105745-99-000
BEDROOM CURTAIN	105745-98-000	105745-99-000
BEDSPREAD	105745-98-000 105745-A1-000	105745-99-000 105745-45-000
PILLOW SHAMS	105745-98-000 105745-A1-000	105745-99-000 105745-45-000
ENTRANCE DOOR VALANCE	108446-57-000 104233-14-000	108446-C6-000 108446-C5-000
BUNK CUSHIONS	108446-57-000	108446-C6-000
OVERHEAD BUNK CURTAINS	105745-98-000	105745-99-000
BUNK PRIVACY	105745-A1-000	105745-45-000
FRONT PRIVACY	105745-A1-000	105745-45-000
BEDROOM PRIVACY	105745-98-000 105745-A1-000	105745-99-000 105745-45-000
DRAPERY LINING	087272-03-000	087272-03-000
BUTTONS	104233-59-000	108446-77-000
WELT	079349-04-F01	079349-04-F08
TIRE COVER	103907-05-000	103907-05-000
TIRE COVER LINER	069627-02-000	069627-02-000
HEADLINER	103907-01-01A	103907-01-01A
HEADLINER DL	113979-04-01A	113979-04-01A

BUTTONS

KEY	PART NUMBER	U/M	DESCRIPTION
	070578-10-D27	EA	BUTTON-SCREW STUD - #30 (G01)
	070578-10-G02	EA	BUTTON-SCREW STUD - #30 (G02)

CURTAIN & CUSHION GROUP (CONTINUED)

CURTAIN & CUSHION GROUP (CONTINUED)
CURTAINS & WINDOW TREATMENT (CONTINUED)



CURTAINS & WINDOW TREATMENT

KEY	PART NUMBER	U/M	DESCRIPTION
1	109041-36-02A	EA	BLIND-MINI, 31" X 18" DROP - BEIGE (G01)
	109353-08-02A	EA	SLAT-BLIND, 28" - BEIGE
1	109041-36-01A	EA	BLIND-MINI, 31" X 18" DROP - PURE SILVER (G02)
	109353-08-01A	EA	SLAT-BLIND, 31" - PURE SILVER
	109353-04-000	EA	CLIP-VALANCE, SLAT MOUNTING - CLEAR PLASTIC - PAIR
2	118071-01-G01	EA	VALANCE-WINDOW, SUNDANCE - 64.5" L X 6" WIDE
2	118071-01-G02	EA	VALANCE-WINDOW, SUNDANCE - 64.5" L X 6" WIDE
2	119333-01-G01	EA	LEG-WINDOW, 25" - PLAIN - W/O HOLE - W/3.5" WOOD FACE - RH (G01)
2	119333-01-GC1	EA	LEG-WINDOW, 25" - PLAIN - W/O HOLE - W/3.5" WOOD FACE - RH (G02)
2	119333-02-G01	EA	LEG-WINDOW, 25" - PLAIN - W/O HOLE - W/3.5" WOOD FACE - LH (G01)
2	119333-02-GC1	EA	LEG-WINDOW, 25" - PLAIN - W/O HOLE - W/3.5" WOOD FACE - LH (G02)
2	084755-96-G01	EA	SHADE-PULL, 60.25" - W/O TRIM (G01/G02)
2	111910-22-F32	EA	BLIND-DAY/NIGHTER, 60" X 28.5" DROP (G01)
2	111910-22-F08	EA	BLIND-DAY/NIGHTER, 60" X 28.5" DROP (G02)
2	109802-10-G01	EA	BLIND-PLEATED, 60" X 28.5" DROP - JAPAN EXPORT
2	109802-10-G02	EA	BLIND-PLEATED, 60" X 28.5" DROP - JAPAN EXPORT
3	101034-51-G01	EA	CURTAIN-WINDOW, DARTED TAPE TOP - W/LINING - 19" X 34" - RH
3	101034-51-G02	EA	CURTAIN-WINDOW, DARTED TAPE TOP - W/LINING - 19" X 34" - RH
3	101034-52-G01	EA	CURTAIN-WINDOW, DARTED TAPE TOP - W/LINING - 19" X 34" - LH
3	101034-52-G02	EA	CURTAIN-WINDOW, DARTED TAPE TOP - W/LINING - 19" X 34" - LH
4	101034-33-G01	EA	CURTAIN-WINDOW, DART TAPE TOP & BOTTOM - 21" X 60" - RH
4	101034-33-G02	EA	CURTAIN-WINDOW, DART TAPE TOP & BOTTOM - 21" X 60" - RH
4	101034-34-G01	EA	CURTAIN-WINDOW, DART TAPE TOP & BOTTOM - 21" X 60" - LH
4	101034-34-G02	EA	CURTAIN-WINDOW, DART TAPE TOP & BOTTOM - 21" X 60" - LH

KEY	PART NUMBER	U/M	DESCRIPTION
5	118071-07-G01	EA	VALANCE-WINDOW, SUNDANCE - 29" L X 6"W - W/2" RETURN
5	118071-07-G02	EA	VALANCE-WINDOW, SUNDANCE - 29" L X 6"W - W/2" RETURN
5	084755-57-E07	EA	SHADE-PULL, 27.25 - W/O TRIM (G01/G02)
6	093475-85-09A	EA	BLIND-MINI, 28" X 22.5" DROP (G01)
	109353-08-02A	EA	SLAT-BLIND, 28" - BEIGE
6	093475-85-07A	EA	BLIND-MINI, 28" X 22.5" DROP (G02)
	109353-08-01A	EA	SLAT-BLIND, 31" - PURE SILVER
	109353-04-000	EA	CLIP-VALANCE, SLAT MOUNTING - CLEAR PLASTIC - PAIR

PRIVACY CURTAINS

KEY	PART NUMBER	U/M	DESCRIPTION
	076892-20-G01	EA	CURTAIN-BUNK PRIVACY, SNAP TOP - PLAIN - W/LINING - 50" X 78"
	076892-20-G02	EA	CURTAIN-BUNK PRIVACY, SNAP TOP - PLAIN - W/LINING - 50" X 78"
	101668-39-G01	EA	CURTAIN-BUNK PRIVACY, TAPE TOP - W/LINING - 35" X 50" - RIGHT
	101668-40-G01	EA	CURTAIN-BUNK PRIVACY, TAPE TOP - W/LINING - 35" X 50" - LEFT
	101668-39-G02	EA	CURTAIN-BUNK PRIVACY, TAPE TOP - W/LINING - 35" X 50" - RIGHT
	101668-40-G02	EA	CURTAIN-BUNK PRIVACY, TAPE TOP - W/LINING - 35" X 50" - LEFT

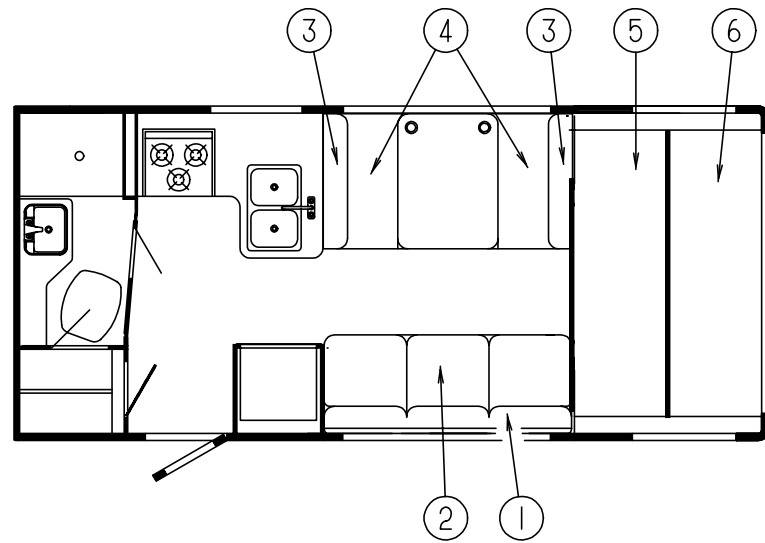
SHOWER CURTAINS

KEY	PART NUMBER	U/M	DESCRIPTION
	084481-24-E01	EA	CURTAIN-SHOWER, GROMMET TOP - 72" X 42" (G01)
	084481-24-C04	EA	CURTAIN-SHOWER, GROMMET TOP - 72" X 42" (G02)

CURTAIN TIEBACKS

KEY	PART NUMBER	U/M	DESCRIPTION
	073260-54-E01	EA	TIEBACK-SHOWER CURTAIN, 3" X 16" (G01)
	073260-54-C10	EA	TIEBACK-SHOWER CURTAIN, 3" X 16" (G02)
	073260-63-G01	EA	TIEBACK-ROOM DIVIDER CURTAIN, 4" X 15"
	073260-63-G02	EA	TIEBACK-ROOM DIVIDER CURTAIN, 4" X 15"
	073260-23-G01	EA	TIEBACK-BUNK PRIVACY CURTAIN, 3" X 18"
	073260-23-G02	EA	TIEBACK-BUNK PRIVACY CURTAIN, 3" X 18"
	057534-01-000	EA	TIEBACK/TIEDOWN-BED/CURTAIN/DOOR, 6" - PLASTIC - CLEAR

CURTAIN & CUSHION GROUP (CONTINUED)



COUCH

KEY	PART NUMBER	U/M	DESCRIPTION
1	100032-42-G01	EA	BACKREST-COUCH, 74"
			FROM: 00-00-00 THRU: 07-23-95
1	100032-42-G02	EA	BACKREST-COUCH, 74"
			FROM: 00-00-00 THRU: 07-23-95
	P00032-42-G01	EA	COVER-BACKREST, 74"
	P00032-42-G02	EA	COVER-BACKREST, 74"
1	120549-01-G01	EA	BACKREST-COUCH, 74"
			FROM: 07-24-95 THRU: 99-99-99
1	120549-01-G02	EA	BACKREST-COUCH, 74"
			FROM: 07-24-95 THRU: 99-99-99
	P20549-01-G01	EA	COVER-BACKREST, 74"
	P20549-01-G02	EA	COVER-BACKREST, 74"
	101085-10-000	EA	FRAME-BACK, COUCH - 74.5" X 16"
2	100032-43-G01	EA	SEAT-COUCH, W/O BACKREST - 74"
2	100032-43-G02	EA	SEAT-COUCH, W/O BACKREST - 74"
	P00032-43-G01	EA	COVER-SEAT, COUCH - 74"
	P00032-43-G02	EA	COVER-SEAT, COUCH - 74"
	101085-04-000	EA	FRAME-SEAT, COUCH - 74.75"
	101085-06-000	EA	FRAME-BASE, COUCH - 74.75"
	105947-01-000	EA	BRACKET-HOLD DOWN, COUCH - CANADIAN

NOTE: COUCH FRONT AND SIDE PANELS ARE FOUND IN LOUNGE GROUP

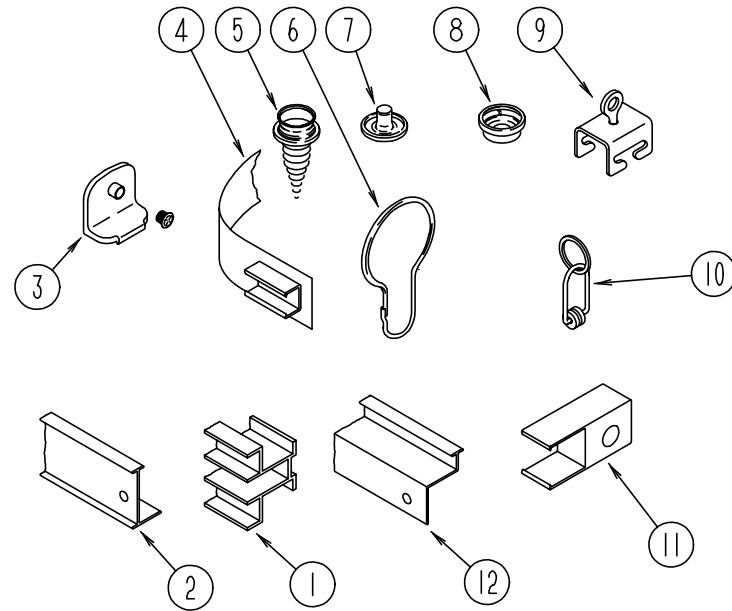
DINETTE CUSHIONS

KEY	PART NUMBER	U/M	DESCRIPTION
3	116134-01-G01	EA	CUSHION-BACKREST, 13" X 38" X 5"
3	116134-01-G02	EA	CUSHION-BACKREST, 13" X 38" X 5"
	P16134-01-G01	EA	COVER-CUSHION, BACKREST - 13.5" X 37.5" X 5"
	P16134-01-G02	EA	COVER-CUSHION, BACKREST - 13.5" X 37.5" X 5"
	078155-01-000	EA	STRAP-SNAP, BACKREST CUSHION
4	088927-86-G01	EA	CUSHION-SEATBASE, 21" X 38" X 5"
4	088927-86-G02	EA	CUSHION-SEATBASE, 21" X 38" X 5"
	M88927-86-G01	EA	COVER-CUSHION, SEATBASE - 21" X 38" X 5"
	M88927-86-G02	EA	COVER-CUSHION, SEATBASE - 21" X 38" X 5"

OVERHEAD BUNK CUSHIONS

KEY	PART NUMBER	U/M	DESCRIPTION
5	105573-10-E22	EA	CUSHION-OVERHEAD BUNK, REAR - 27" X 23" X 80" X 5" (G01)
5	105573-10-G02	EA	CUSHION-OVERHEAD BUNK, REAR - 27" X 23" X 80" X 5" (G02)
	P05573-10-E22	EA	COVER-CUSHION, OVERHEAD BUNK - REAR - 27" X 23" X 80" X 5" (G01)
	P05573-10-G02	EA	COVER-CUSHION, OVERHEAD BUNK - REAR - 27" X 23" X 80" X 5" (G02)
6	105573-09-E22	EA	CUSHION-OVERHEAD BUNK, FRONT - DOUBLE ANGLED - 32.5" X 80" X 5" (G01)
6	105573-09-F08	EA	CUSHION-OVERHEAD BUNK, FRONT - DOUBLE ANGLED - 32.5" X 80" X 5" (G02)
	P05573-09-E22	EA	COVER-CUSHION, FRONT - DOUBLE ANGLED - 32.5" X 80" X 5" (G01)
	P05573-09-F08	EA	COVER-CUSHION, FRONT - DOUBLE ANGLED - 32.5" X 80" X 5" (G02)

CURTAIN & CUSHION GROUP (CONTINUED)



CURTAIN & BLIND HARDWARE

KEY	PART NUMBER	U/M	DESCRIPTION
1	101033-03-000	FT	TRACK-WALL, WHITE - CT225 - SHAPCO
2	009700-04-002	EA	TRACK, L-SHAPED - 195.2" - OFF WHITE
3	106544-01-000	EA	PULL-SHADE, BRASS
	106544-01-001	EA	SCREW-BRASS, PULL SHADE
4	101031-01-000	YD	TAPE-GLIDE, CURTAIN - 4.25" SPACING
5	029130-01-000	EA	SCREW-SNAP SOCKET, 8 PH X 5/8"
6	009136-02-000	EA	HANGER-RING, PIN TYPE - CURTAIN - BRASS
7	029155-01-000	EA	CAP-SNAP, NICKEL
8	029156-01-000	EA	SOCKET-SNAP FASTENER, NICKEL
9	009702-01-000	EA	END STOP-CURTAIN CARRIER, L ROD
10	009701-01-000	EA	CARRIER-CURTAIN, L ROD
	009702-01-000	EA	END STOP-CURTAIN CARRIER, L ROD
11	101033-02-000	EA	END CAP-TRACK, CLEAR
12	105450-01-01A	EA	TRACK-CURTAIN, 30.8" LONG - ALUMINUM - OFF WHITE
12	105450-06-01A	EA	TRACK-CURTAIN, 88" LONG - ALUMINUM - OFF WHITE
12	105450-08-01A	EA	TRACK-CURTAIN, 38" LONG - ALUMINUM - OFF WHITE

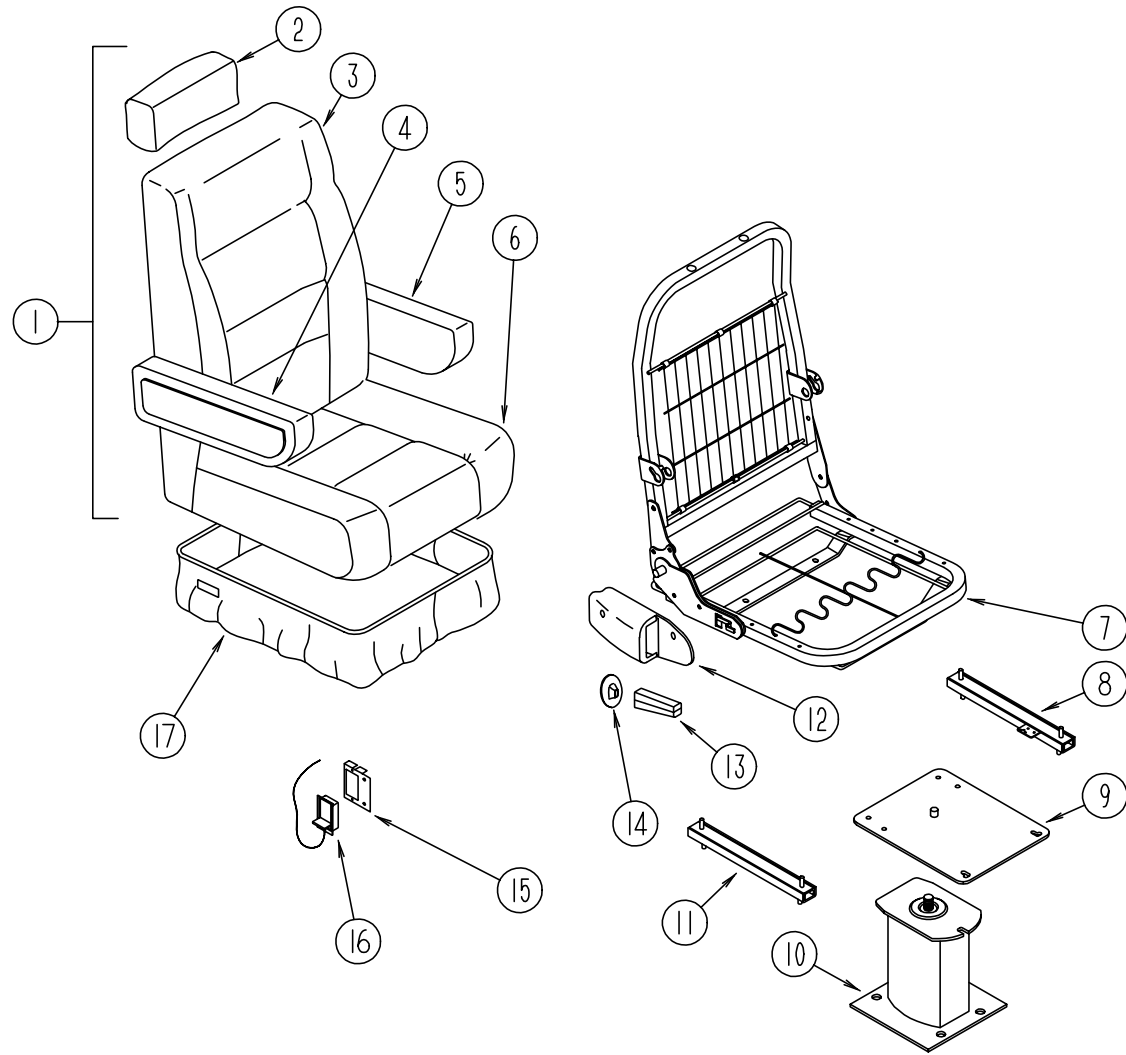
CURTAIN & CUSHION GROUP (CONTINUED)
CURTAIN & BLIND HARDWARE (CONTINUED)

KEY	PART NUMBER	U/M	DESCRIPTION
	046867-01-000	EA	GROMMET-BRASS, 7/16" ID X 1" OD
	048394-02-000	YD	VELCRO TAPE-HOOK, ADHESIVE BACK - .75" WIDE - BEIGE
	075943-10-000	EA	BRACE-WINDOW VALANCE, 20" - ALUMINUM - OFF WHITE
	084433-05-000	EA	SHADE-ROLLER, 72.25"
	084434-01-000	FT	BRACKET-MOUNTING, ROLLER SHADE - 1 3/8"
	086276-01-000	FT	TAPE-DOUBLE SIDED, 1/2" - ROLLER SHADE
	088792-01-000	YD	VELCRO-HOOK, .75" WIDE - BEIGE
	088792-02-000	YD	VELCRO TAPE-LOOP, ADHESIVE BACKED - .75" WIDE - BEIGE
	088792-06-000	YD	VELCRO-3/4" NON-ADH., LOOP BUF MED
	096843-01-000	EA	SPRING-REWIND, ROLLER SHADE
	093475-01-701	EA	CAP-END, WITH INVERTED STUD
	093475-01-700	EA	WAND-BLIND W/METAL CLIP, 8"
	076827-02-000	EA	BRACKET-LEG, 2.9" X 1.8" TRIANGLE
	083170-01-000	EA	BRACKET-BLIND, LEFT SIDE WHEN FACING WINDOW
	083170-02-000	EA	BRACKET-BLIND, RIGHT SIDE WHEN FACING WINDOW
	109441-01-000	EA	HOLD DOWN-BLIND, HOOK
	094896-02-000	EA	GROMMET-CORD, PLEATED BLIND - NYLON - GRAY
	097593-01-000	EA	CORD-PLEATED BLIND, GRAY (G01)
	097593-02-000	EA	CORD-PLEATED BLIND, DAWN GRAY (G02)
	094907-02-000	EA	HARDWARE-END CAP, TOP
	094907-04-000	EA	HARDWARE-END CAP, BOTTOM - PULL TYPE
	117237-01-000	EA	BRACKET-MOUNTING, 2.5" X .75" - CLEAR ACRYLIC
	097564-01-000	EA	HANDLE-T, E-Z LIFT SHADE
	097591-01-000	EA	SPRING-EXTENSION, PLEATED BLIND
	097592-01-000	EA	SPOOL-CORD, ELEVATED BLIND HOLDUP - CLEAR PLASTIC
	110943-01-000	EA	FELT STRIP, SOFT ADHESIVE - 3/8"

ASSIST HANDLE & SEATBELTS

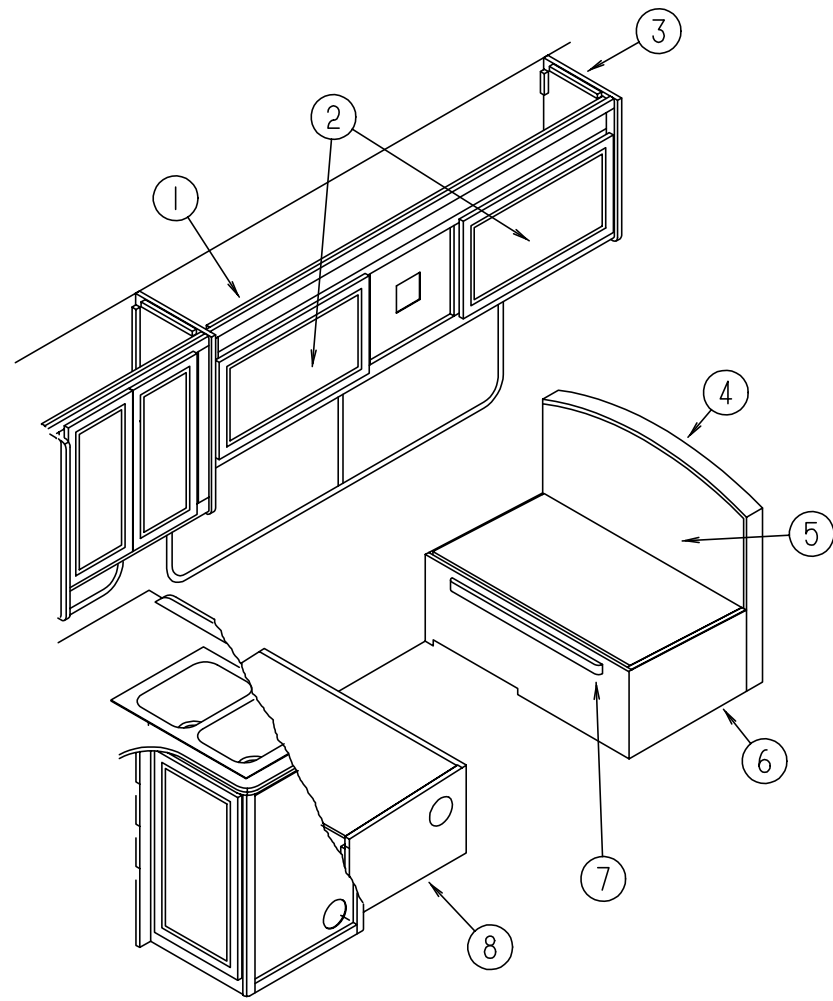
KEY	PART NUMBER	U/M	DESCRIPTION
	053552-02-AA8	EA	HANDLE-ASSIST, INTERIOR - ENTRY DOOR - VINYL - OFF WHITE
	069178-02-000	EA	BRACKET-MOUNTING, ASSIST HANDLE - L ANGLE - W/HOLES - STEEL
	000C16-07-16B	EA	BOLT-CARRIAGE, ASSIST HANDLE - 7/16" - 14 X 1" - ZINC
	000D20-07-00B	EA	NUT-ACORN, ASSIST HANDLE - 7/16" X 14 - ZINC
	057759-01-000	EA	WASHER BRACKET-SEAT BELT, 4" DIAMETER
	007021-01-000	EA	BELT-SEAT, 2" X 90" - BLACK
	056271-01-000	EA	BELT-SEAT, 2" X 102" - BLACK

CURTAIN & CUSHION GROUP (CONTINUED)
BUCKET SEAT



KEY	PART NUMBER	U/M	DESCRIPTION
1	110148-07-G01	EA	SEAT-ECONOMIZER III, HEADREST - PASSENGER OR DRIVERSIDE
1	110148-07-G02	EA	SEAT-ECONOMIZER III, HEADREST - PASSENGER OR DRIVERSIDE
2	119698-01-G01	EA	HEADREST-BUCKET SEAT, STRATON II
2	119698-01-G02	EA	HEADREST-BUCKET SEAT, STRATON II
	P19698-01-G01	EA	COVER-HEADREST, STRATON II
	P19698-01-G02	EA	COVER-HEADREST, STRATON II
	113977-12-000	EA	INSERT-HEADREST, W/O LOCK - FLEXSTEEL
	113977-13-000	EA	INSERT-HEADREST, W/LOCK - FLEXSTEEL
3	M05962-17-G01	EA	COVER-BACK, ECONOMIZER II
3	M05962-17-G02	EA	COVER-BACK, ECONOMIZER II
4	115520-01-G01	EA	ARMREST-RIGHT HAND
4	115520-01-G02	EA	ARMREST-RIGHT HAND
	115617-01-000	EA	BRACKET-ARMREST, RIGHT HAND - MOLDED PLYFOAM
4	P15520-01-G01	EA	COVER-ARMREST, RIGHT HAND
4	P15520-01-G02	EA	COVER-ARMREST, RIGHT HAND
5	115520-02-G01	EA	ARMREST-LEFT HAND
5	115520-02-G02	EA	ARMREST-LEFT HAND
	115617-02-000	EA	BRACKET-ARMREST, LEFT HAND - MOLDED PLYFOAM
5	P15520-02-G01	EA	COVER-ARMREST, LEFT HAND
5	P15520-02-G02	EA	COVER-ARMREST, LEFT HAND
6	M05962-18-G01	EA	COVER-SEAT, ECONOMIZER II
6	M05962-18-G02	EA	COVER-SEAT, ECONOMIZER II
7	M80906-12-000	EA	FRAME-SEAT, BACK & SPRING
	117125-01-02B	EA	BRACKET-CABLE HOLDER, E-COAT
8	119952-04-000	EA	ADJUSTER ASSEMBLY-LOCKING, 4 STUDS
9	107921-08-000	EA	TOP PLATE-PEDESTAL
10	107921-09-000	EA	PEDESTAL-FLOOR MOUNTED, RIGHT OR LEFT SIDE - FORD
10	107921-10-000	EA	PEDESTAL-FLOOR MOUNTED, LEFT SIDE - CHEVY
10	107921-11-000	EA	PEDESTAL-FLOOR MOUNTED, RIGHT SIDE - CHEVY
	107921-06-000	EA	BEARING KIT-PEDESTAL, FLEXSTEEL
	114889-01-000	EA	STOP BAR-UNIVERSAL, ADJUSTER SIDE
11	119952-02-000	EA	ADJUSTER ASSEMBLY-NONLOCK, 4 STUDS
12	080730-09-000	EA	SHIELD-RECLINER HANDLE
13	080730-08-000	EA	HANDLE-RECLINER, BLACK
14	080730-11-000	EA	SHIELD-RUBBER BOOT
15	097683-02-000	EA	BRACKET-REMOTE, SIDE MOUNT - SINGLE
16	108049-03-000	EA	CABLE - 20", Z END - FLEXSTEEL PEDESTAL
	108049-02-000	EA	CLIP-CABLE
17	071126-41-D27	EA	SKIRT-SINGLE, 7" - W/SLIT - CHEVY (G01)
17	071126-41-GC1	EA	SKIRT-SINGLE, 7" - W/SLIT - CHEVY (G02)
17	071126-42-F01	EA	SKIRT-SINGLE, 7" - W/SLIT - FORD (G01)
17	071126-42-F08	EA	SKIRT-SINGLE, 7" - W/SLIT - FORD (G02)

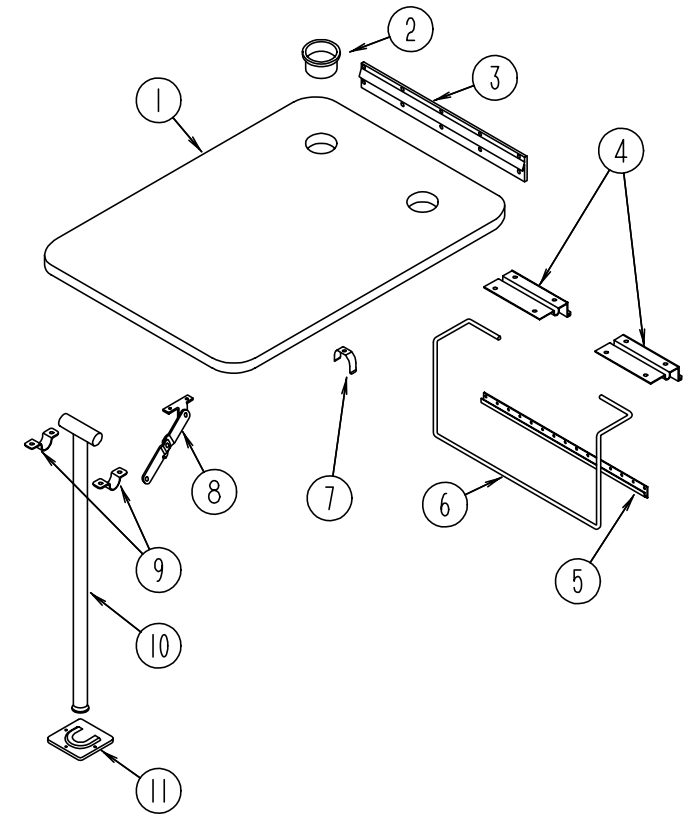
DINETTE GROUP



DINETTE CABINETS

KEY	PART NUMBER	U/M	DESCRIPTION
1	116803-01-G01	EA	CABINET-OVERHEAD, DINETTE - W/O DOORS OR HARDWARE
2	110140-05-G01	EA	DOOR-MITERED, VINYL WRAP - W/O HARDWARE - 365MM X 850MM
3	109908-26-G01	EA	END CAP-CABINET
4	111338-09-F01	EA	PAD-DINETTE CABINET (G01)
4	111338-09-G02	EA	PAD-DINETTE CABINET (G02)
5	M06836-08-G01	EA	CABINET-SEATBACK, RIGHT
6	M06837-08-G01	EA	CABINET-SEATBASE, RIGHT
7	081295-01-G01	EA	SUPPORT-BED, DINETTE
8	M06885-19-G01	EA	CABINET-SEATBASE, LEFT

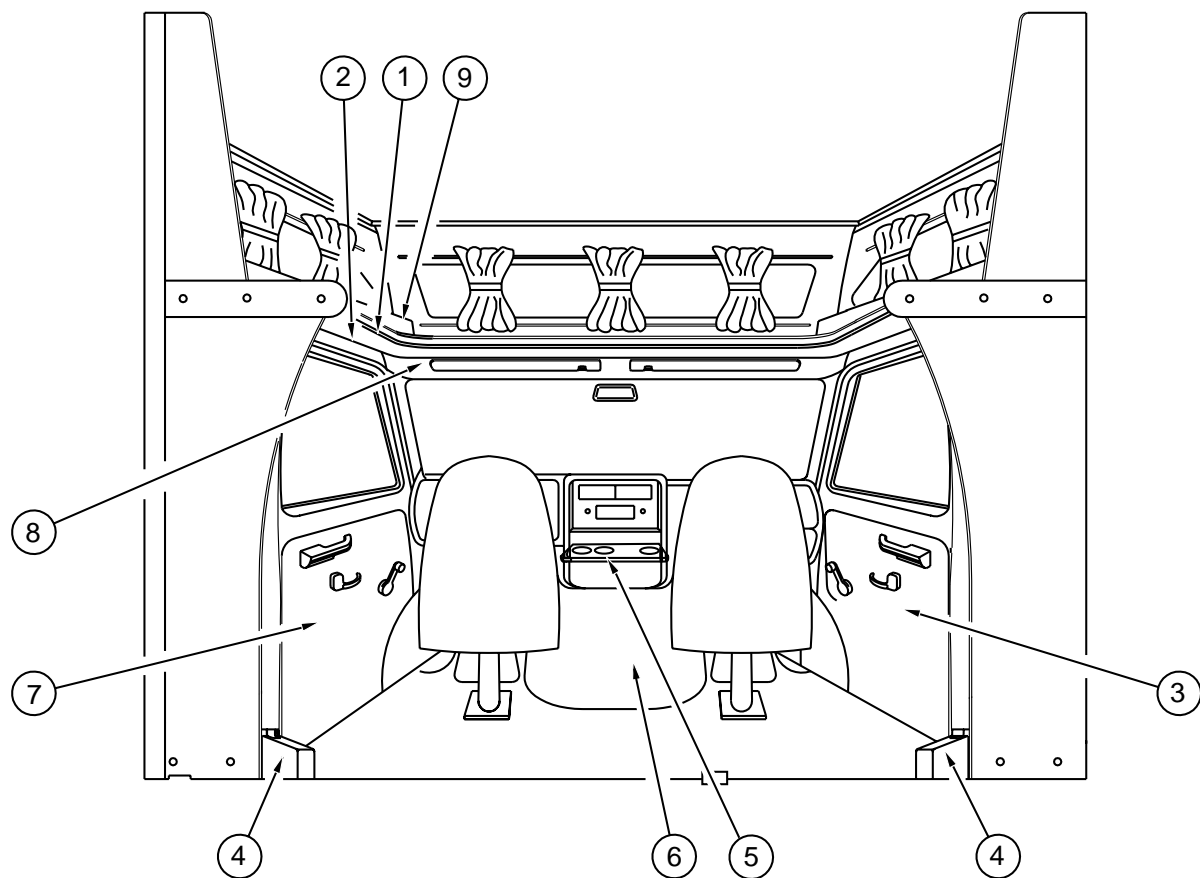
DINETTE GROUP (CONTINUED)



DINETTE TABLE & HARDWARE

KEY	PART NUMBER	U/M	DESCRIPTION
1	M81299-13-G01	EA	TABLE-DINETTE, W/O HARDWARE
1	M81299-13-G02	EA	TABLE-DINETTE, W/O HARDWARE
2	064781-06-000	EA	HOLDER-CUP, TWO STEP - OFF WHITE
3	053200-12-000	EA	SUPPORT-TABLE, UPPER WALL MOUNTED - 23.5" - OFF WHITE
4	088410-02-000	EA	BRACKET-LIFT, TABLE MOUNTED - OFF WHITE
5	024281-15-000	EA	BRACKET-LIFT ROD, LOWER WALL MOUNTED - 22.12" - OFF WHITE
6	024275-13-000	EA	ROD-TABLE LIFT, OFF WHITE
7	024283-01-000	EA	CLIP-LEG, 1" - 1.125" OD - BLACK
8	024282-01-000	EA	BRACE-TABLE LEG, HINGED
9	064050-05-000	EA	HINGE-TABLE LEG, OFF WHITE
10	024276-23-000	EA	LEG-TABLE, OFF WHITE
11	053200-13-000	EA	CATCH-TABLE LEG, 18.50" - OFF WHITE
	049493-11-700	EA	CATCH-LEG, FLOOR MOUNTED - 2.5" X 2.7" - METAL - E COAT

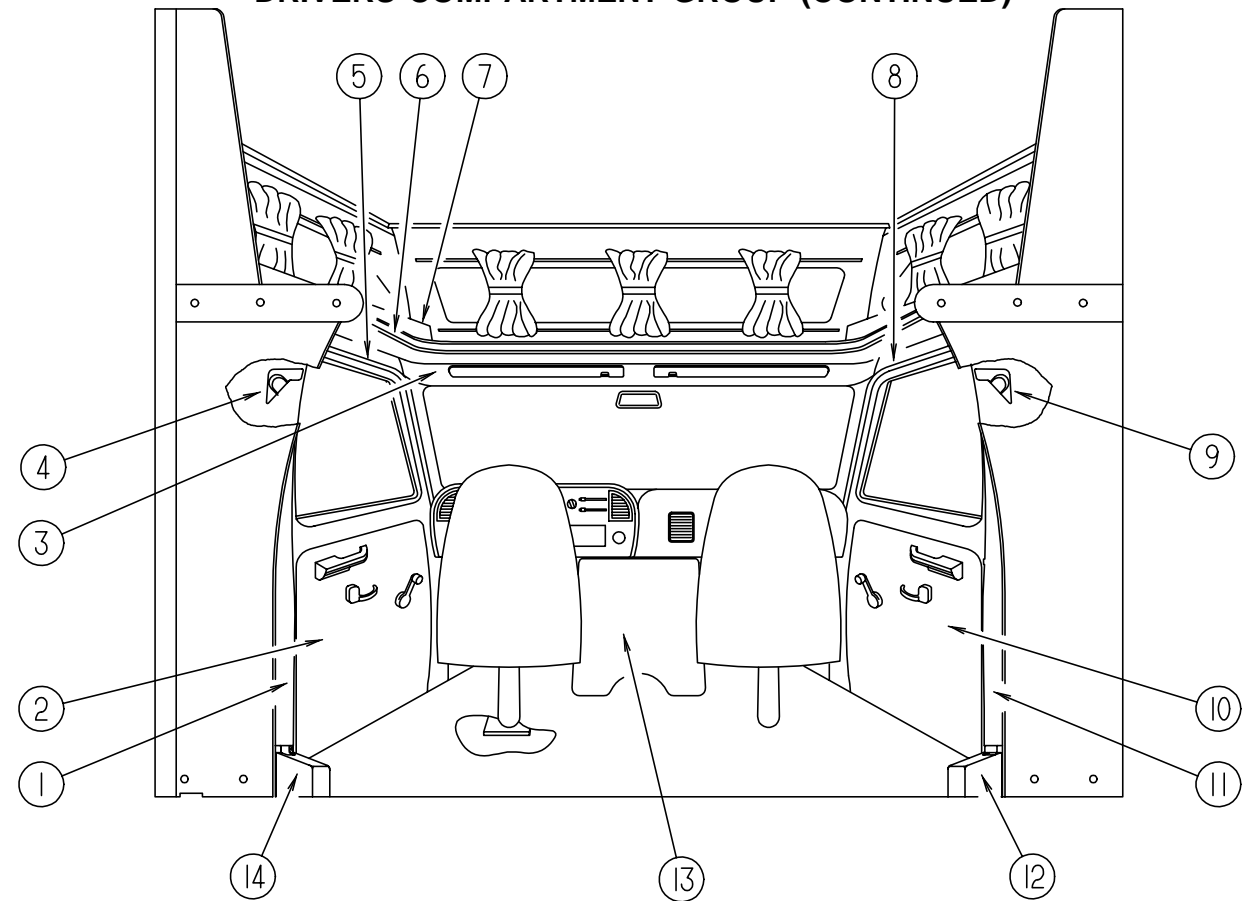
DRIVERS COMPARTMENT GROUP



CHEVY DRIVERS COMPARTMENT

KEY	PART NUMBER	U/M	DESCRIPTION
1	119520-01-01A	FT	T-MOLDING, .1" - W/EDGE LIPS
2	091829-01-B05	EA	HEADLINER-VINYL COVERED, FRONT - OFF WHITE
3	059491-01-D27	EA	PANEL-SIDE, DOOR - RIGHT (G01)
3	059491-01-G02	EA	PANEL-SIDE, DOOR - RIGHT (G02)
4	076302-03-000	EA	BELT-SEAT, DRIVER AND PASSENGER
	087932-03-000	EA	BRACKET ASM-SHOULDER HARNESS, ANGLE W/WELD NUT & GUSSET - LEFT
	087932-04-000	EA	BRACKET ASM-SHOULDER HARNESS, ANGLE W/WELD NUT & GUSSET - RIGHT
5	100516-01-G01	EA	TRAY-BEVERAGE
	M04194-01-G01	EA	TRAY ASM-BEVERAGE, UNSTAINED
6	074891-07-D27	EA	COVER-MOTOR (G01)
6	074891-07-G02	EA	COVER-MOTOR (G02)
7	059492-01-D27	EA	PANEL-SIDE, DOOR - LEFT (G01)
7	059492-01-G02	EA	PANEL-SIDE, DOOR - LEFT (G02)
8	091825-02-AA5	EA	HEADLINER-VINYL COVERED, SIDE - 2 USED - OFF WHITE
9	109894-02-G01	EA	CABINET-HAMPER, FRONT
9	109894-02-G02	EA	CABINET-HAMPER, FRONT

DRIVERS COMPARTMENT GROUP (CONTINUED)



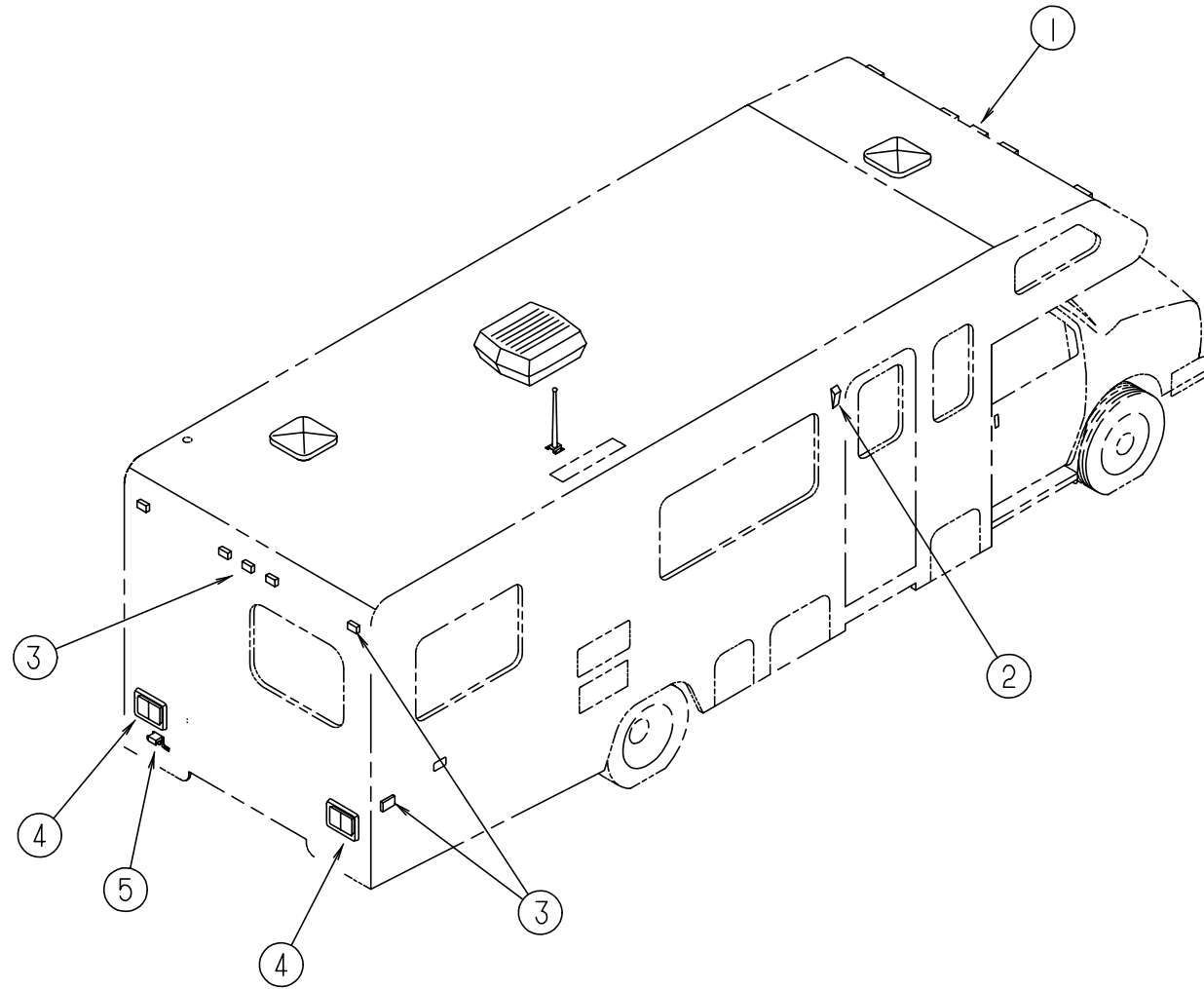
FORD DRIVERS COMPARTMENT

KEY	PART NUMBER	U/M	DESCRIPTION
1	106446-02-C03	EA	TRIM ASSEMBLY-CAB, B-PILLAR - LEFT HAND
	106445-02-C03	EA	TRIM ASSEMBLY-WINGWALL WRAP, BETWEEN CAB STEEL & B PILLAR TRIM
2	N/A	EA	PANEL-SIDE, DOOR - LEFT - CHASSIS SUPPLIED
3	106448-01-C03	EA	HEADLINER-VINYL COVERED, FRONT - OFF WHITE
4	115038-02-01A	EA	COVER-SEAT BELT, UPPER - LH - OFF WHITE
5	106447-02-C03	EA	TRIM ASSEMBLY-CAB DOOR, UPPER - LEFT
6	079800-07-000	EA	TRIM-SLEEPERBOARD, INNER - OFF WHITE
	080742-03-000	FT	INSERT-TRIM, SLEEPER BOARD - VINYL - OFF WHITE
7	109894-01-G01	EA	CABINET ASSEMBLY-HAMPER, FRONT
7	109894-01-G02	EA	CABINET ASSEMBLY-HAMPER, FRONT
8	106447-01-C03	EA	TRIM ASSEMBLY-CAB DOOR, UPPER - RIGHT
9	115038-01-01A	EA	COVER-SEAT BELT, UPPER - RH - OFF WHITE
10	N/A	EA	PANEL-SIDE, DOOR - RIGHT - CHASSIS SUPPLIED
11	106446-01-C03	EA	TRIM ASSEMBLY-CAB, B-PILLAR - RIGHT
	106445-01-C03	EA	TRIM ASSEMBLY-WINGWALL WRAP, BETWEEN CAB STEEL & B PILLAR TRIM
12	106431-01-01A	EA	COVER-SEATBELT RECOIL, RIGHT - OFF WHITE
13	N/A	EA	CHASSIS SUPPLIED
13	069885-26-G01	EA	COVER-MOTOR, W/O SKIRT - JAPAN EXPORT
13	069885-26-G02	EA	COVER-MOTOR, W/O SKIRT - JAPAN EXPORT
	112185-02-G01	EA	TRAY-BEVERAGE
	046886-03-000	EA	ASHTRAY-CHROME
14	106431-02-01A	EA	COVER-SEATBELT RECOIL, LEFT - OFF WHITE

INSTRUMENT CLUSTERS

KEY	PART NUMBER	U/M	DESCRIPTION
	094795-09-000	EA	CLUSTER-INSTRUMENT PANEL, KM - GAS/DIESEL - FORD F5UZ-10849-B - CSA
	094797-07-000	EA	CLUSTER-INSTRUMENT PANEL, KM - GAS - GM-16194765 - CSA
	100138-01-000	EA	MODULE-DAYTIME RUNNING LIGHT
	108357-06-000	EA	ROCKER SWITCH, DPDT MOM/OFF/MOM - CARLING VLD1000B-0
	108357-09-000	EA	SWITCH-AUXILIARY, SPDT ON/NONE/MOM - CARLING V5D1000B-0
	108356-07-01A	EA	ACTUATOR-SWITCH DIMPLE II, CARLING VVAZCXX-XW
	081994-07-000	EA	PLATE-SWITCH, AUXILIARY START

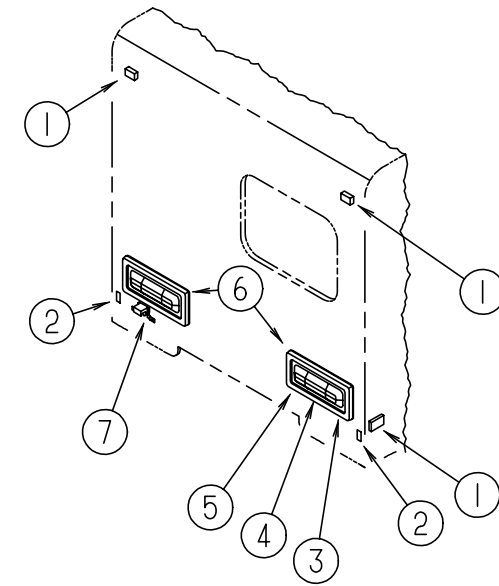
ELECTRICAL GROUP



EXTERIOR LIGHTS

KEY	PART NUMBER	U/M	DESCRIPTION
1	111102-01-000	EA	LAMP-MARKER, BASE - TRIPLEX 117XAS
1	111102-02-000	EA	LAMP-MARKER, LENS - AMBER - TRIPLEX 118A
	036196-01-000	EA	BULB-BAYONETTE, 12V - #194 - .27 AMP
	112823-01-000	EA	SPLICE-REDUCER, 16-14T018-22 ETC BA-631X
2	097917-01-06A	EA	LIGHT-PORCH, ENTRY DOOR - BRIGHT WHITE
	097917-01-700	EA	LENS-LIGHT, PORCH
	008215-01-000	EA	BULB - 12V, #1003 - .94 AMP
3	111102-01-000	EA	LAMP-MARKER, BASE - TRIPLEX 117XAS
3	111102-03-000	EA	LENS-MARKER LAMP, RED - TRIPLEX 117R
	036196-01-000	EA	BULB - 12V, #194 - .27 AMP - BAYONETTE
	112823-01-000	EA	SPLICE-REDUCER, 16-14T018-22 ETC BA-631X
4	081638-01-000	EA	TAILLIGHT-DOUBLE, W/BLACK TRIM - DRIVER & PASSENGER SIDE
	037934-01-000	EA	BULB-BACK UP & TURN SIGNAL, 12V, #1156 - 2.1AMP - CLEAR GLASS
	037935-01-000	EA	BULB-BRAKE LIGHT, 12V, #1157 OR #2057 - 2.1AMP - CLEAR GLASS
	081638-01-700	EA	LENS-TAILLIGHT, RED - BARGMAN 30-84-010
	081638-01-701	EA	LENS-TAILLIGHT, W/BACKUP - BARGMAN 30-84-700
	103355-01-05A	EA	POD-TAILLIGHT, BRIGHT WHITE
5	066432-02-000	EA	LIGHT-LICENSE, BLACK
	066432-03-000	EA	BRACKET-LICENSE PLATE, BARGMAN 30-60-030

ELECTRICAL GROUP (CONTINUED)



EXTERIOR LIGHTS - JAPAN EXPORT

KEY	PART NUMBER	U/M	DESCRIPTION
1	111102-01-000	EA	LAMP-MARKER, BASE - TRIPLEX 117XAS
	036196-01-000	EA	BULB-BAYONETTE, 12V, #194 - .27AMP
	111102-03-000	EA	LENS-MARKER LAMP, RED - TRIPLEX 117R
	112823-01-000	EA	SPLICE-REDUCER 16-14T018-22 ETC BA-631X
2	106646-02-000	EA	REFLECTOR-STICK ON, RED - PETERSON 483R
3	081638-01-700	EA	LENS-TAILLIGHT, RED - BARGMAN 30-84-010
4	081638-02-700	EA	LENS-TAILLIGHT, AMBER - BARGMAN 30-84-016
5	081638-06-700	EA	LENS-TAILLIGHT, CLEAR BACKUP - BARGMAN 30-84-050
6	103545-02-01A	EA	TAIL LIGHT ASSEMBLY-TRIPLE, AMBER - BARGMAN 30-84-104
	037934-01-000	EA	BULB-BACK UP & TURN SIGNAL, 12V, #1156 - 2.1AMP - CLEAR GLASS
	037935-01-000	EA	BULB-BRAKE LIGHT, 12V, #1157 OR #2057 - 2.1AMP - CLEAR GLASS
	105846-01-04A	EA	TRIM-REAR TAIL LIGHT, BRIGHT WHITE
7	066432-02-000	EA	LIGHT-LICENSE PLATE, BLACK
	103247-01-000	EA	BRACKET-LICENSE PLATE, REAR
	103491-02-000	EA	BRACKET-LICENSE PLATE, FRONT

ELECTRICAL GROUP (CONTINUED)
POWER CONVERTER & LOAD CENTER

KEY	PART NUMBER	U/M	DESCRIPTION
	051912-01-000	EA	TRANSFORMER-DRY CONTROL, OVERSEAS EXPORT
	083208-01-000	EA	CONVERTOR-POWER, 32 AMP - 120V/12V - BW 6332
	083208-05-000	EA	CONTROL CENTER - 45 AMP - 100V/12V - BW J6345CNI - JAPAN EXPORT
	094809-01-000	EA	LOAD CENTER - 240V - 125 AMP - TPL412CT

FUSES & CIRCUIT BREAKERS

KEY	PART NUMBER	U/M	DESCRIPTION
	008235-01-000	EA	FUSE-AUTOMOTIVE, 12V - 15 AMP
	062901-02-000	EA	FUSE-AUTOMOTIVE, 5 AMP
	062901-05-000	EA	FUSE-AUTOMOTIVE, 15 AMP
	062901-06-000	EA	FUSE-AUTOMOTIVE, 20 AMP
	062037-01-000	EA	HOUSING-AUTO FUSE, NATURAL
	100341-01-000	EA	FUSE HOLDER-IN LINE TYPE, WESCO 8931-92020
	083209-02-000	EA	CIRCUIT BREAKER - 15/15 AMP, 120V - BW H-15/15
	083209-03-000	EA	CIRCUIT BREAKER - 15/20 AMP, 120V - BW 0-15/20
	083209-06-000	EA	CIRCUIT BREAKER - 30/15 AMP, 120V - BW D-30/15
	083209-07-000	EA	CIRCUIT BREAKER - 20/20 AMP, 120V - BW K-20/20
	083209-08-000	EA	CIRCUIT BREAKER-BLANK, BW
	093654-01-000	EA	CIRCUIT BREAKER - 6 AMP, 12V - USD 17406-4E12A2A
	093655-02-000	EA	CIRCUIT BREAKER - 30 AMP, 12V - USD 17430-4E03A2A
	094810-01-000	EA	CIRCUIT BREAKER - 30 AMP, 120V - GE THQL2130
	094811-01-000	EA	CIRCUIT BREAKER - 20/20 AMP, 120V - GE THQL2120

ELECTRIC BOXES, COVERS & POWER CORDS

KEY	PART NUMBER	U/M	DESCRIPTION
	008052-01-000	EA	CORD-POWER, 10/3 - 30 AMP - 25' - CANADIAN
	008054-01-000	EA	CORD-POWER, 10/3 - 30 AMP - 25'
	008289-01-000	EA	BOX-ELECTRIC, STEEL - 1/2" AND 3/4" KNOCKOUTS - 4" X 4"
	008294-01-000	EA	COVER-ELECTRICAL BOX, BLANK/STEEL - 4" X 4" - GRAY
	069238-01-000	EA	COVER-ELECTRICAL BOX, W/HOLE - 4" X 4" - GRAY USED WITH 30 AMP RECEPTACLE
	091910-02-000	EA	BOX-ELECTRICAL, PLASTIC - 57 X 88 MM
	093603-01-000	EA	BOX-ELECTRIC, 4" X 2 1/8" X 2 1/8" - STEEL
	107165-01-01A	EA	BOX-CIRCUIT BREAKER MOUNT, 14.6" X 4" - BLACK PLASTIC

ELECTRICAL GROUP (CONTINUED)
CONNECTORS, HOUSINGS, & TERMINALS

KEY	PART NUMBER	U/M	DESCRIPTION
	007940-01-000	EA	RECEPTACLE-SLIDE, 16 TO 12 AWG - FEMALE END
	007942-01-000	EA	TAB-WIRE, 18 TO 14 AWG
	007956-05-000	EA	INSULATOR-SHRINK, .25 ID X 1.50 - BLACK
	008311-01-000	EA	CONNECTOR-WIRE NUT, INSULATED - RED
	008314-01-000	EA	CONNECTOR-WIRE NUT, INSULATED - GRAY
	008326-01-000	EA	TERMINAL-RING, 16/14 WIRE - 3/8" STUD
	008328-01-000	EA	TERMINAL-RING, 12/10 WIRE - #10 STUD FIT
	008331-01-000	EA	TERMINAL-RING, TONGUE - #4 WIRE - 3/8" STUD - COPPER
	008348-01-000	EA	TERMINAL-RING, 3/8" STUD - #2 WIRE
	008355-01-000	EA	CONNECTOR-CABLE CLAMPING, 3/4"
	008356-01-000	EA	CONNECTOR-PLASTIC, 3/8" AVG
	035416-04-000	EA	TERMINAL-RING, #10 STUD FIT - INSULATED BARREL #16/14
	041480-01-000	EA	CONNECTOR-STRAIGHT, 1/2" FLEX CONDUIT
	047443-01-000	EA	TERMINAL - .250 RECEPTACLE FIT, INSULATED - 16/14 AWG
	047443-02-000	EA	TERMINAL - .250 RECEPTACLE FIT, INSULATED - 12/10 AWG
	058028-01-000	EA	CONNECTOR-ELECTRICAL PIGTAIL, NYLON - CLEAR
	062036-02-000	EA	TERMINAL-PACK-CON, 16/14 AWG - PACKARD 08917021
	077479-01-000	EA	BOOT-BATTERY TERMINAL, DOUBLE CABLE
	077479-02-000	EA	BOOT-BATTERY TERMINAL, SINGLE CABLE
	080015-03-000	EA	RECEPTACLE-FLAG, .250 - 14/16 GA
	087225-01-000	FT	SLEEVING - 1/2", TYPE H - VARFLEX
	087949-01-000	EA	BUSS BAR - 2 POSITION, .6' X 1.5" - ALUMINUM
	088473-03-000	EA	HOUSING-PIN, 9 CAVITY - AMP 1-480706-0
	088473-05-000	EA	HOUSING-PIN, 6 CAVITY - AMP 640585-1
	088473-06-000	EA	HOUSING-PIN, 6 CAVITY - AMP 1-480704-0
	088473-08-000	EA	HOUSING-PIN, 4 CAVITY - AMP 1-480702-0
	088473-09-000	EA	HOUSING-PIN, 3 CAVITY - AMP 1-480700-0
	088473-10-000	EA	HOUSING-PIN, 2 CAVITY - AMP 1-480698-0
	088474-03-000	EA	HOUSING-SOCKET, 9 CAVITY - AMP 1-480707-0
	088474-06-000	EA	HOUSING-SOCKET, 6 CAVITY - AMP 1-480705-0
	088474-07-000	EA	HOUSING-SOCKET, 5 CAVITY - AMP 1-480764-0
	088474-08-000	EA	HOUSING-SOCKET, 4 CAVITY - AMP 1-480703-0
	088474-09-000	EA	HOUSING-SOCKET, 3 CAVITY - AMP 1-480701-0
	088474-10-000	EA	HOUSING-SOCKET, 2 CAVITY - AMP 1-480699-0
	088475-01-000	EA	PIN-CONNECTOR, 14 TO 20 AWG
	088475-02-000	EA	PIN-CONNECTOR, 10 TO 12 AWG
	088476-01-000	EA	SOCKET-CONNECTOR, BRASS - PRE-TIN
	088476-02-000	EA	SOCKET-CONNECTOR, 12-10 GA - PHOS. BRZ - PRE-TIN
	008188-01-000	EA	SOLENOID - 3 POST, BATTERY CHANGE OVER
	063910-01-000	EA	HOUSING-RELAY, BOSCH 3 334 485 008
	086273-01-000	EA	RELAY-BATTERY DISCONNECT

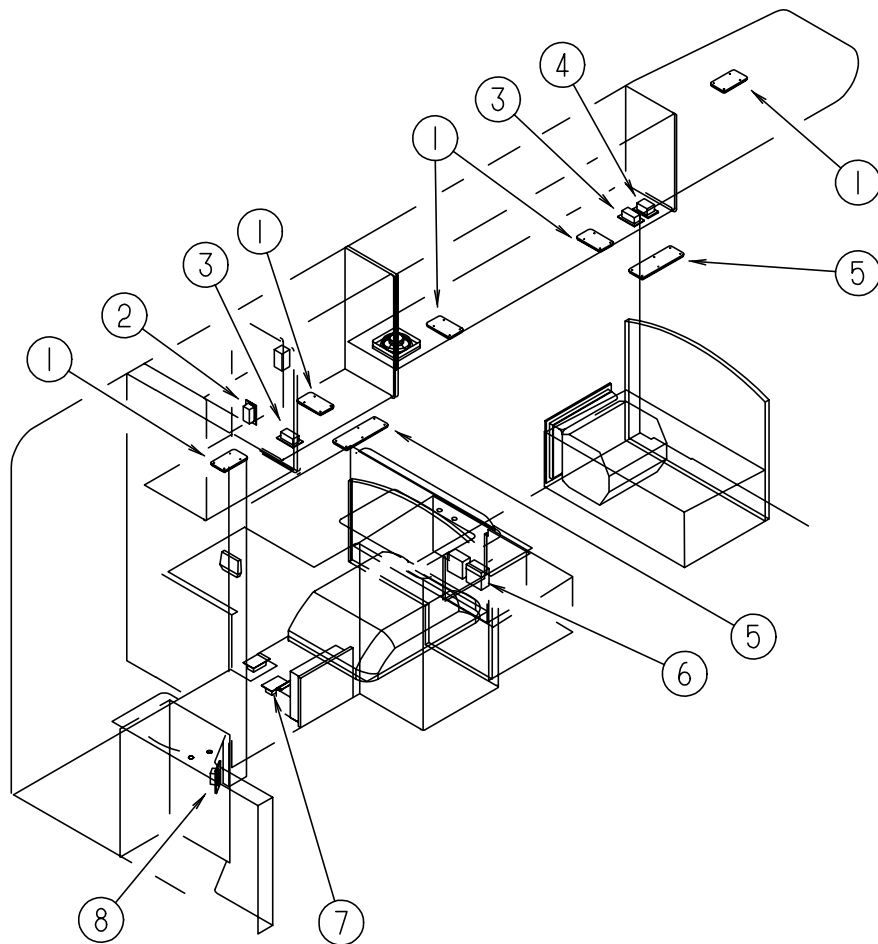
CONDUIT

KEY	PART NUMBER	U/M	DESCRIPTION
	041953-01-000	FT	CONDUIT-CONVOLUTE, SLIT - .5" ID
	041953-01-000	FT	CONDUIT-CONVOLUTE, SLIT - .5" ID
	041953-03-000	FT	CONDUIT-CONVOLUTE, SLIT - 1" ID (CLOTHES ROD COVER)
	041953-05-000	FT	CONDUIT-CONVOLUTE, SOLID - .62" ID
	041953-06-000	FT	CONDUIT-CONVOLUTE, SLIT - .375" ID
	041953-07-000	FT	CONDUIT-CONVOLUTE, SLIT - .25" ID
	041953-08-000	FT	CONDUIT-CONVOLUTE, SLIT - 1.50" ID
	041953-09-000	FT	CONDUIT-CONVOLUTE, SLIT - .50" ID
	041953-10-000	FT	CONDUIT-CONVOLUTE, SLIT - .75" ID

WIRING ASSEMBLIES

KEY	PART NUMBER	U/M	DESCRIPTION
	096449-01-000	EA	WIRE ASSEMBLY-WATER TANK TO MONITOR PANEL
	097618-01-000	EA	WIRE ASSEMBLY-MONITOR PANEL, W/3 WIRES & ORANGE RESISTOR- LVS ORANGE RESISTOR W/3 (ORANGE-GREEN-BLUE) WIRES
	106851-01-000	EA	WIRE ASSEMBLY-DAY RUN LAMP, FUSE

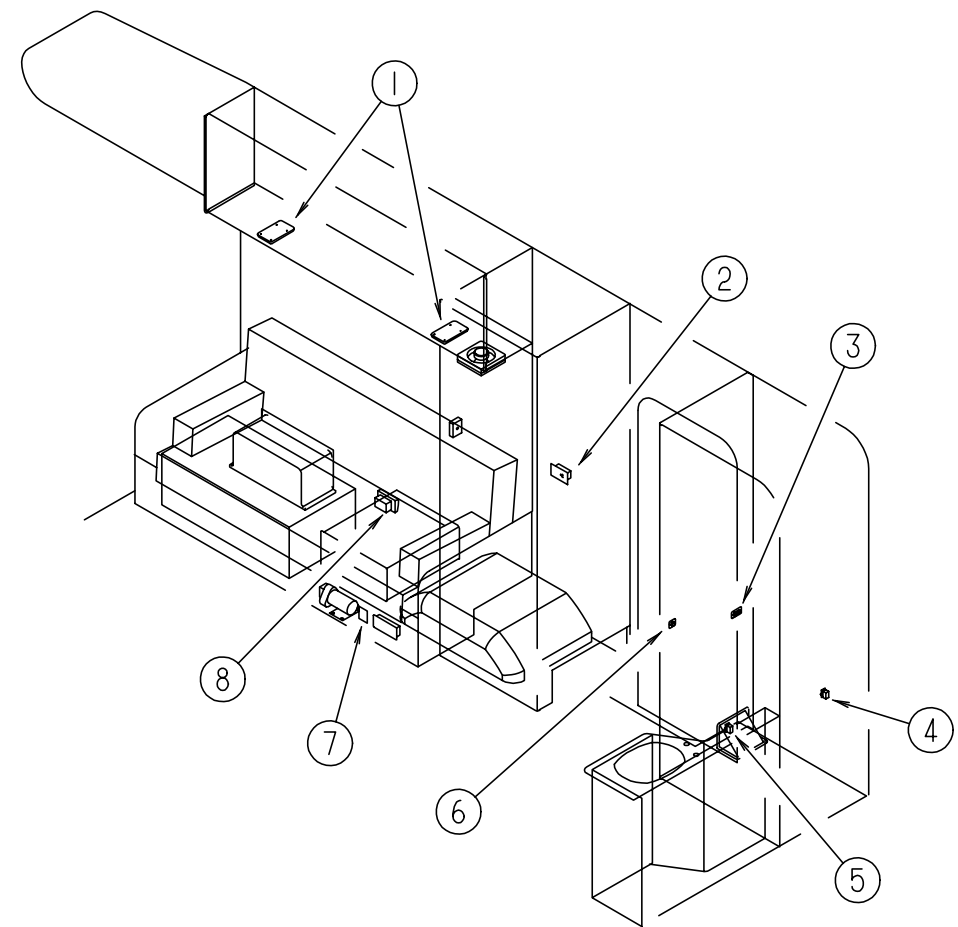
ELECTRICAL GROUP (CONTINUED)



LGHTS, SWITCHES & RECEPTACLES - DRIVER SIDE

KEY	PART NUMBER	U/M	DESCRIPTION
1	098024-01-01A	EA	LIGHT-DOME, 1 BULB - US - IVORY
	008218-01-000	EA	BULB-DOME LIGHT, 12V - NUMBER 1141
	098024-01-700	EA	LENS-DOME LIGHT
2	058708-05-000	EA	RECEPTACLE-SINGLE, BROWN - WIRECON WDR15BRS
3	058708-01-000	EA	RECEPTACLE-ELECTRIC, DOUBLE - BROWN
4	086777-02-000	EA	WALLPLATE-TV CABLE, W/ANTENNA SWITCH - BROWN
5	098024-03-01A	EA	LIGHT-DOME, 2 BULB - IVORY
	086280-01-000	EA	LIGHT-SURFACE MOUNT, 12V - JENSEN 1236
	086280-01-700	EA	BULB - 12V, 6 WATT
6	024924-02-000	EA	RECEPTACLE-POWER CORD, W/PARTIAL PLATE
7	058707-02-000	EA	RECEPTACLE-BLANK, JUNCTION - WIRECON WDJ20BR
8	084076-02-000	EA	RECEPTACLE-GFI, 15A - 125V - BROWN
8	097734-01-01A	EA	EXTENSION-RECEPTACLE, 3.2" X 5" X .7" - PLASTIC - IVORY - CANADIAN
	079364-01-000	EA	SWITCH-ON/OFF ROCKER, 2 PRONGS - BROWN

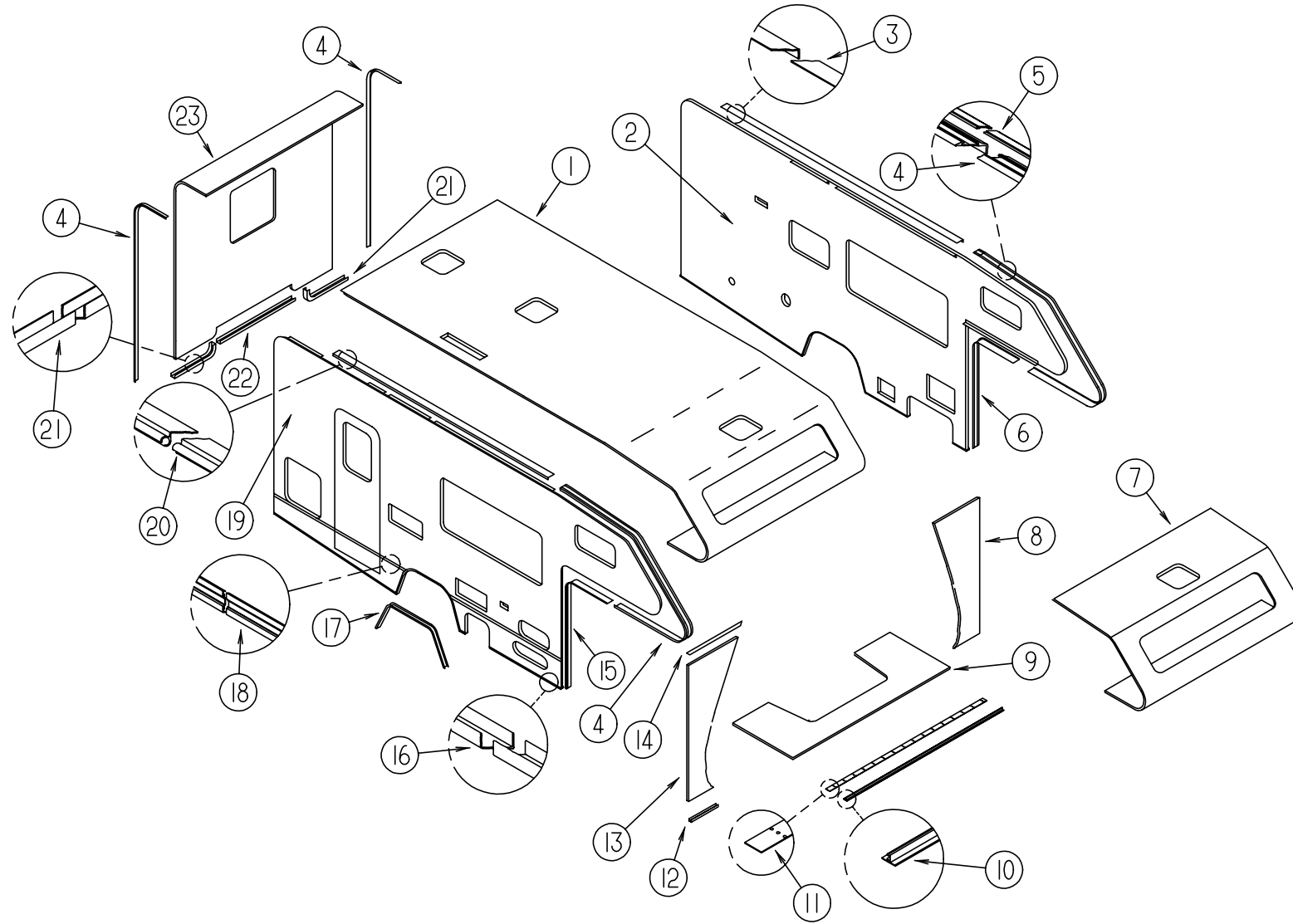
ELECTRICAL GROUP (CONTINUED)



LIGHTS, SWITCHES & RECEPTACLES - PASSENGER SIDE

KEY	PART NUMBER	U/M	DESCRIPTION
1	098024-01-01A	EA	LIGHT-DOME, 1 BULB - US - IVORY
	008218-01-000	EA	BULB-DOME LIGHT, 12V - NUMBER 1141
	098024-01-700	EA	LENS-DOME LIGHT
2	058707-01-000	EA	RECEPTACLE-ELECTRIC, SINGLE - BROWN
3	098351-06-01A	EA	PLATE-SWITCH, 2 GANG W/LABEL - POLISHED BRASS - JENSEN
3	079364-01-000	EA	SWITCH-ON/OFF ROCKER, 2 PRONGS - BROWN
4	108357-08-000	EA	SWITCH-ROCKER, DPDT ON/NONE/ON - CARLING VDD1S00C-0
4	108356-02-01A	EA	SWITCH COVER-W/2 DIMPLES, CARLING CCAZC00
	081994-02-000	EA	PLATE-SWITCH, EXTERIOR SHOWER
5	022756-03-000	EA	COVER-A/C PLASTIC, OFF WHITE
5	098351-07-01A	EA	PLATE-SWITCH, GENERATOR SWITCH - POLISHED BRASS - JENSEN
5	108357-06-000	EA	ROCKER SWITCH, DPDT MOM/OFF/MOM - CARLING VLD1000B-0
5	108356-11-01A	EA	ACTUATOR-SWITCH GROOVES III, CARLING VVCZCXX-SW1
6	095188-01-01A	EA	SPACER-SWITCH, 2.3" X 3.4" - PLASTIC - DARK BROWN
6	098351-01-01A	EA	PLATE-SWITCH, 1 GANG - POLISHED BRASS - JENSEN
6	079364-01-000	EA	SWITCH-ON/OFF ROCKER, 2 PRONGS - BROWN
7	098351-01-01A	EA	PLATE-SWITCH, 1 GANG - LP DETECTOR - JENSEN - JAPAN OPTION
7	079364-01-000	EA	SWITCH-ON/OFF ROCKER, 2 PRONGS - BROWN - JAPAN OPTION
8	112822-01-01A	EA	RECEPTACLE-DUPLEX, IVORY - WIRECON WDRU15IV
8	112824-01-03A	EA	COVER-EXTERIOR DUPLEX RECEPTACLE, WHITE - P&S 3780-SC-WH
8	058708-02-000	EA	RECEPTACLE-DUPLEX, IVORY - EXTERIOR ENTERTAINMENT CENTER
8	076319-09-000	EA	WALLPLATE-CABLE RECEPTACLE, TV - SINGLE - BROWN

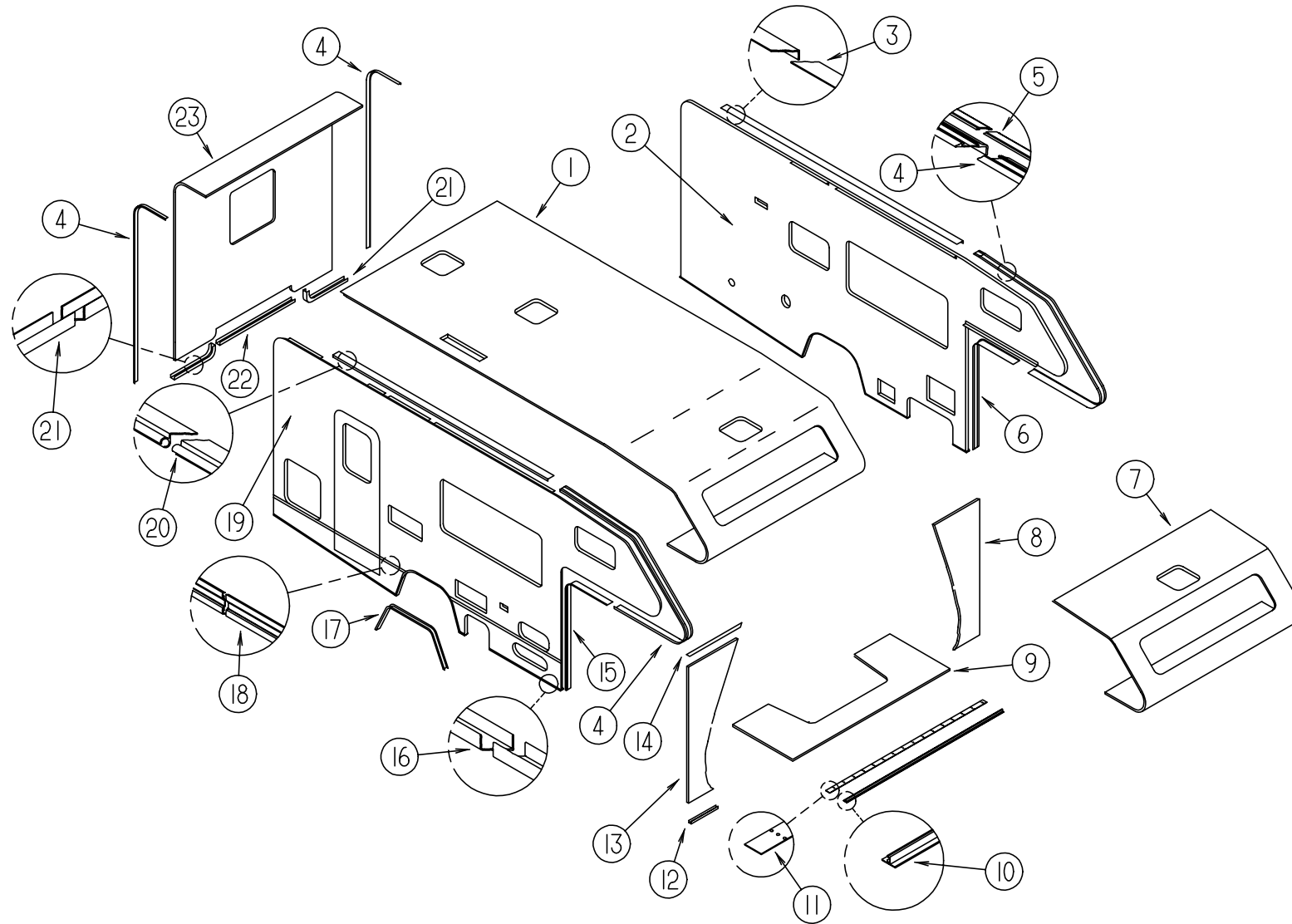
EXTERIOR BODY GROUP
EXTERIOR BODY PANELS



KEY	PART NUMBER	U/M	DESCRIPTION
1	M06976-03-G01	EA	ROOF-W/BASES, BRIGHT WHITE
1	M06976-05-G01	EA	ROOF-W/BASES, BRIGHT WHITE - JAPAN EXPORT
2	M07421-01-G01	EA	SIDEWALL-DRIVER SIDE, BRIGHT WHITE
2	M07421-01-G02	EA	SIDEWALL-DRIVER SIDE, BRIGHT WHITE
	064675-54-004	EA	ANGLE-ROOF JOINT, 545 MM - STEEL - OFF WHITE
3	096864-01-02A	EA	TRIM-CONTOUR, ROOF TO SIDEWALL - 120" - BRIGHT WHITE
4	096854-01-02A	EA	TRIM-CONTOUR, W/O VINYL INSERT - 108" - BRIGHT WHITE
5	105312-01-07A	FT	INSERT-TRIM, VINYL - BRIGHT WHITE
6	104479-06-02A	EA	TRIM-CONTOUR, FRONT - BRIGHT WHITE
7	M76177-01-700	EA	ROOF SECTION-FRONT, UNIVERSAL
8	M07423-02-F15	EA	WINGWALL-DRIVER SIDE, CHEVY - BRIGHT WHITE
8	M07423-04-F15	EA	WINGWALL-DRIVER SIDE, FORD - BRIGHT WHITE

KEY	PART NUMBER	U/M	DESCRIPTION
9	M07422-01-G01	EA	SLEEPERBOARD-BRIGHT WHITE
10	100086-04-01A	EA	TRIM-SLEEPERBOARD/ROOF, 2" X 96.6" - BRIGHT WHITE
11	100085-03-01A	EA	TRIM-SLEEPERBOARD, FLAT - 2.5" X 87.5" - OFF WHITE
12	002365-03-006	EA	U CHANNEL-EXTRUDED, 1.00" X 192" - BRIGHT WHITE
13	M07423-01-F15	EA	WINGWALL-PASSENGER SIDE, CHEVY - BRIGHT WHITE
13	M07423-03-F15	EA	WINGWALL-PASSENGER SIDE, FORD - BRIGHT WHITE
14	022992-14-000	FT	MOLDING-REVERSE COVE, T-SHAPED - BRIGHT WHITE
	089334-02-000	FT	VINYL-EXTERIOR, BETWEEN WINGWALL & CAB SEAL - BRIGHT WHITE
	096945-01-01A	EA	TRIM-L ANGLED, PASSENGER WINGWALL

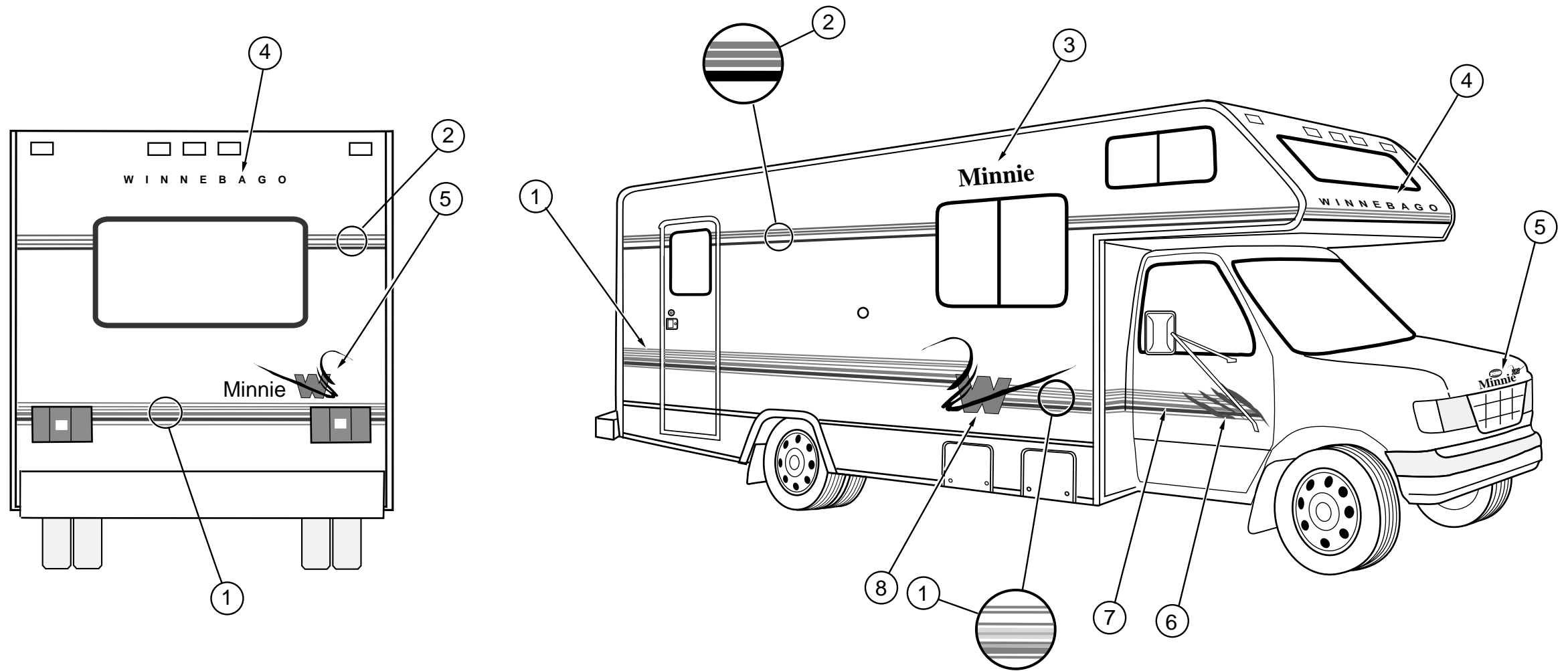
EXTERIOR BODY GROUP (CONTINUED)
EXTERIOR BODY PANELS (CONTINUED)



KEY	PART NUMBER	U/M	DESCRIPTION
15	104479-05-02A	EA	TRIM-CONTOUR - FRONT - BRIGHT WHITE
16	098072-55-003	EA	U CHANNEL-EXTRUDED, 4877 MM - BRIGHT WHITE
17	105100-02-02A	EA	TRIM-WHEELWELL - BRIGHT WHITE
	098072-55-004	EA	U CHANNEL-EXTRUDED, 2900 MM - BRIGHT WHITE
18	108688-01-03A	EA	FEATURE STRIP-BRIGHT WHITE
	108651-01-01A	EA	CAP-FEATURE STRIP, MILL
	105312-01-07A	FT	INSERT-FEATURE STRIP, VINYL - BRIGHT WHITE
19	M07421-02-G01	EA	SIDEWALL-PASSENGER SIDE, BRIGHT WHITE
19	M07421-02-G02	EA	SIDEWALL-PASSENGER SIDE, BRIGHT WHITE
19	M07421-05-G01	EA	SIDEWALL-PASSENGER SIDE, BRIGHT WHITE - JAPAN EXPORT
19	M07421-05-G02	EA	SIDEWALL-PASSENGER SIDE, BRIGHT WHITE - JAPAN EXPORT

KEY	PART NUMBER	U/M	DESCRIPTION
20	098072-55-003	EA	RAIL-AWNING, 10' - BRIGHT WHITE
21	103334-02-02A	EA	TRIM-BACKWALL, LOWER - BRIGHT WHITE
22	103335-02-02A	EA	TRIM-BACKWALL, LOWER - BRIGHT WHITE
23	M06975-04-G01	EA	BACKWALL-W/BASES, BRIGHT WHITE
23	M06975-04-G02	EA	BACKWALL-W/BASES, BRIGHT WHITE
23	M06975-06-G01	EA	BACKWALL-W/BASES, JAPAN EXPORT
23	M06975-06-G02	EA	BACKWALL-W/BASES, JAPAN EXPORT

EXTERIOR BODY GROUP (CONTINUED)
DECALS, STRIPES & PAINT

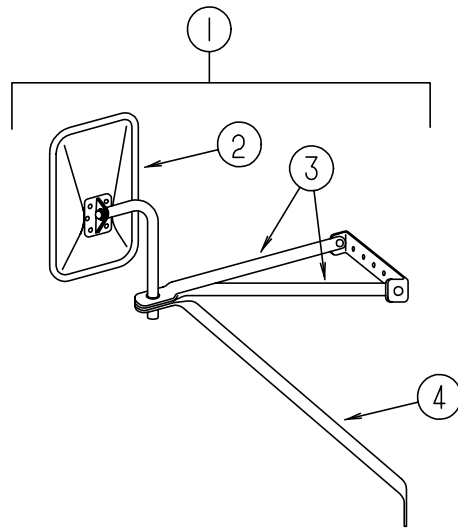


KEY	PART NUMBER	U/M	DESCRIPTION
1	116847-01-01A	FT	FILM-MULTISTRIPE, 209.6 MM - PURPLE/BLUE/FUCHSIA
2	093689-17-01A	FT	FILM-MULTISTRIPE, 66.7 MM - PURPLE/PURPLE/PURPLE/FUCHSIA
3	116849-01-01A	EA	DECAL-LOGO, MINNIE - LARGE - PURPLE/FUCHSIA
4	110206-02-02A	EA	DECAL-WINNEBAGO, PURPLE
5	116994-01-01A	EA	DECAL-LOGO, MINNIE/W - SMALL - PURPLE/BLUE/FUCHSIA/WHITE/BLACK
6	116846-01-01A	EA	DECAL-CAB DOOR, SWOOSH - RH - FUCHSIA/WHITE/BLACK
6	116846-02-01A	EA	DECAL-CAB DOOR, SWOOSH - LH - FUCHSIA/WHITE/BLACK
7	117752-01-01A	EA	DECAL-CAB DOOR, STRIPES - RH - PURPLE/BLUE/FUCHSIA
7	117752-02-01A	EA	DECAL-CAB DOOR, STRIPES - LH - PURPLE/BLUE/FUCHSIA
8	116848-01-01A	EA	DECAL-LOGO, W - LARGE - RH - PURPLE/BLUE/FUCHSIA/WHITE/BLACK
8	116848-02-01A	EA	DECAL-LOGO, W - LARGE - LH - PURPLE/BLUE/FUCHSIA/WHITE/BLACK

DUPONT PAINT COLOR CODES

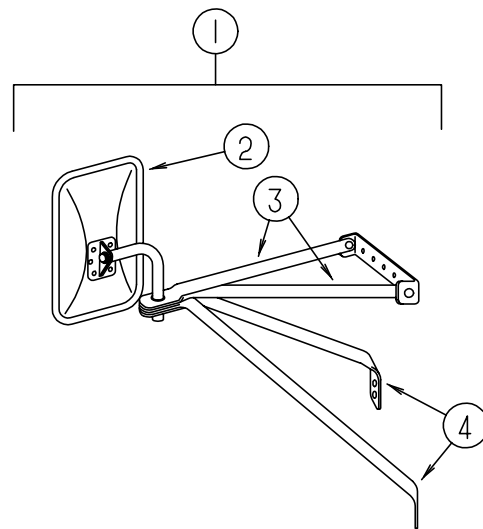
BRIGHT WHITE DUPONT B8951U

EXTERIOR BODY GROUP (CONTINUED)



EXTERIOR MIRRORS - FORD

KEY	PART NUMBER	U/M	DESCRIPTION
1	106860-01-02A	EA	MIRROR-EXTERIOR, LOW MOUNT - PAIR - BRIGHT WHITE
2	106860-01-707	EA	MIRROR-HEAD, EXTERIOR - BRIGHT WHITE
3	106860-01-708	EA	ARM-MIRROR, BRIGHT WHITE
4	106860-01-709	EA	BRACE-LOWER FORWARD, DRIVER - BRIGHT WHITE
4	106860-01-710	EA	BRACE-LOWER FORWARD, PASSENGER - BRIGHT WHITE
	106860-01-702	EA	HARDWARE PACKAGE
	106860-01-711	EA	MIRROR ASSEMBLY-LEFT SIDE, BRIGHT WHITE
	106860-01-712	EA	MIRROR ASSEMBLY-RIGHT SIDE, BRIGHT WHITE
	117051-01-700	EA	MIRROR-AUXILIARY, CONVEX - VELVAC 723068-4



EXTERIOR MIRRORS - CHEVROLET - VELVAC

KEY	PART NUMBER	U/M	DESCRIPTION	VENDOR NO.
1	106860-03-02A	EA	MIRROR-REGULAR HEAD, LOW MOUNT	712620
2	106860-03-706	EA	MIRROR HEAD, 7.5 X 10.0	7090040
3	106860-03-707	EA	ARM-BENT	W7805210
4	106860-03-708	EA	BRACE-UPPER FORWARD RH & UPPER-REAR LH	W7806920
4	106860-03-709	EA	BRACE-UPPER-REAR RH & UPPER FORWARD LH	W7806930

EXTERIOR BODY GROUP (CONTINUED)

EXTERIOR MIRRORS - PLATE MOUNT - VELVAC

KEY	PART NUMBER	U/M	DESCRIPTION	VENDOR NO.
	117051-01-01A	EA	MIRROR-EXTERIOR, PASSENGER - BLACK 713438	
			FROM: 00-00-00 THRU: 08-13-95	
	117051-02-01A	EA	MIRROR-EXTERIOR, DRIVER - BLACK 713439	
			FROM: 00-00-00 THRU: 08-13-95	
	117051-01-700	EA	MIRROR-CONVEX	723068-4
			FROM: 00-00-00 THRU: 08-13-95	
	106860-02-702	EA	GLASS-FLAT, REPLACEMENT - LH & RH - STAR	702086-8
			FROM: 00-00-00 THRU: 08-13-95	
	120269-01-01A	EA	MIRROR-EXTERIOR, PASSENGER - BLACK 713672-7	
			FROM: 08-14-95 THRU: 99-99-99	
	120269-02-01A	EA	MIRROR-EXTERIOR, DRIVER - BLACK 713671-7	
			FROM: 08-14-95 THRU: 99-99-99	

RUNNING BOARDS - FORD

KEY	PART NUMBER	U/M	DESCRIPTION	VENDOR NO.
	072884-27-000	EA	RUNNING BOARD - 39", FORD KEM K12 15539	
	072884-27-700	EA	BRACKET SET - 12"	RB2BRK/M
	072884-27-701	EA	UNIVERSAL RUNNING BOARD ONLY - 39", LH/RH	
	072884-27-702	FT	TAPE-TREAD	RB9202
	072884-27-703	EA	MUD FLAPS-W/HOLES, PAIR	99171
	072884-27-704	EA	END CAPS-PAIR	99148

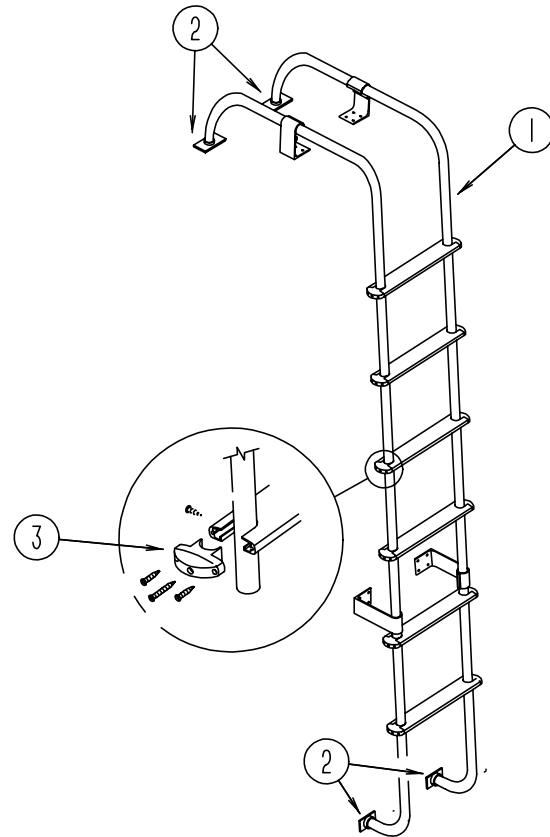
RUNNING BOARDS - CHEVY

KEY	PART NUMBER	U/M	DESCRIPTION	VENDOR NO.
	072884-26-000	EA	RUNNING BOARD - 27", CHEVY KEM K12 15527	
	072884-26-700	EA	UNIVERSAL RUNNING BOARD ONLY - 27", LH/RH	
	072884-27-700	EA	BRACKET SET - 12"	RB2BRK/M
	072884-27-702	FT	TREAD-TAPE	RB9202
	072884-27-703	EA	MUD FLAPS-W/HOLES, PAIR	99171
	072884-27-704	EA	END CAPS-PAIR	99148

RUNNING BOARDS - JAPAN EXPORT

KEY	PART NUMBER	U/M	DESCRIPTION
	106461-03-000	EA	HARDWARE KIT-RUNNING BOARD
	106461-06-01A	EA	RUNNING BOARD-FORD, RH BRIGHT WHITE
	106461-07-01A	EA	RUNNING BOARD-FORD, LH BRIGHT WHITE

EXTERIOR BODY GROUP (CONTINUED)



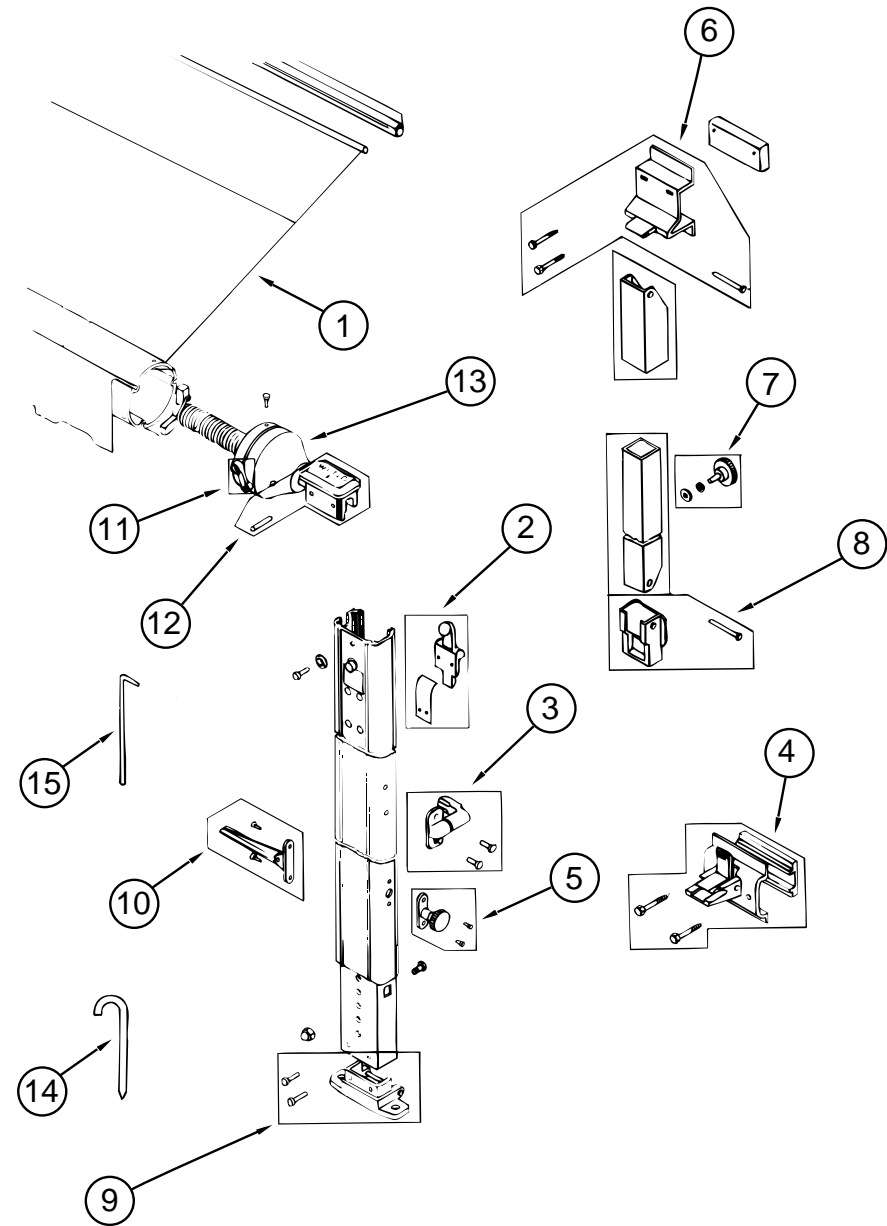
LADDER

KEY	PART NUMBER	U/M	DESCRIPTION
1	102953-10-F15	EA	LADDER ASSEMBLY
2	067165-01-000	EA	MOUNTING BRACKET-LADDER, LOWER
3	076980-02-000	EA	END CAP-STEP, BLACK
	000G39-06-10T	EA	SCREW-SF/DR - 6-20 X 5/8 PPH, BLACK
	000G68-10-36T	EA	SCREW - 10-12 X 2.25 POH, BLACK

FIBERGLASS, STYROFOAM, ALUMINUM, PLYWOOD, CHANNEL & STEEL TUBES

KEY	PART NUMBER	U/M	DESCRIPTION
	076054-N3-000	EA	FIBERGLASS-SHEET - 102" X 233.8" - BRIGHT WHITE
	076054-N9-000	EA	FIBERGLASS-SHEET - 96" X 102" - BRIGHT WHITE
	076054-P9-000	EA	FIBERGLASS-SHEET - 37.4" X 99.25" - BRIGHT WHITE
	076054-R1-000	EA	FIBERGLASS-SHEET - 24" X 65.9" - BRIGHT WHITE
	076054-R2-000	EA	FIBERGLASS-SHEET - 19.4" X 65.9" - BRIGHT WHITE
	077517-62-000	EA	FIBERGLASS-SHEET, FLAT - 48" X 96" - BRIGHT WHITE
	083574-03-000	SF	STYROFOAM - 3/4" X 48" X 96"
	000870-08-000	SF	STYROFOAM - .75" X 48" X 96" - PLANED
	100619-01-000	BF	FOAM-EXPANDED, SHEET - 48" X 96" X 1.34"
	100619-04-000	BF	FOAM-EXPANDED POLYSTYRENE, 48" X 96" X .5"
	100619-05-000	BF	FOAM-EXPANDED POLYSTYRENE, 48" X 96" X .75"
	089297-01-000	SF	PLYWOOD-LUAN, OVERLAY GRADE - 4' X 8'
	044487-01-001	EA	ALUMINUM-SHEET, .019" X 96" X 360" - MILL FINISH
	044487-01-002	EA	ALUMINUM-SHEET, .019" X 14.014" X 30.199" - MILL FINISH
	002726-01-001	EA	GARNISH-U CHANNEL, 1.38" X 19' - SERRATED - MILL ALUMINUM
	055278-51-259	EA	TUBING-STEEL, .75" X 1.5" X 12.5'

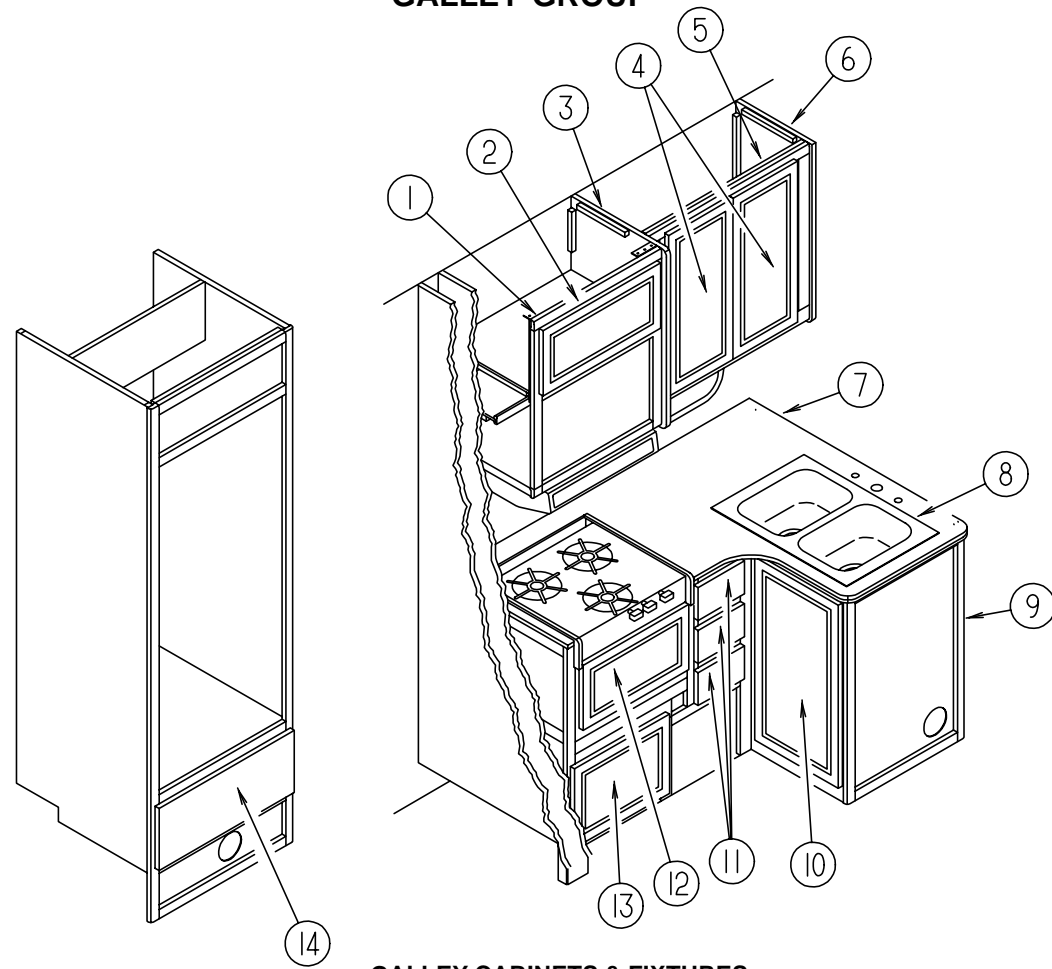
EXTERIOR BODY GROUP (CONTINUED)



AWNING - FAULKNER

KEY	PART NUMBER	U/M	DESCRIPTION	VENDOR NO.
1	110634-14-15A	EA	ROLLER ASSEMBLY-AWNING, 11.5'	
	111037-01-01A	EA	SPACER-AWNING, UPPER - BLACK	
	111038-01-01A	EA	SPACER-AWNING, LOWER - BLACK	
	110634-02-04A	EA	AWNING-HARDWARE KIT, BRIGHT WHITE	
2	110634-01-700	EA	RAFTER LOCKING MECHANISM KIT	7605-0001
3	110634-01-701	EA	SAFETY & LATCH KIT	7509-0001
4	110634-01-702	EA	BOTTOM BRACKET KIT	7512-0001
5	110634-01-703	EA	HEIGHT LOCK HANDLE KIT	7510-0001
6	110634-01-704	EA	UPPER BRACKET KIT W/BOLTS	7505-0001
7	110634-01-705	EA	ULTRA RAFTER KNOB KIT	7522-0001
8	110634-01-706	EA	RAFTER SLIDE KIT	
9	110634-01-707	EA	GROUND BRACKET KIT	7511-0001
10	110634-01-708	EA	LIFT HANDLES-W/RIVETS	7000-0001
11	110634-01-709	EA	RATCHET HANDLE KIT	7507-0001
12	110634-01-710	EA	ARM CAP KIT	7503-0001
13	110634-01-711	EA	FRONT SPRING ASSEMBLY	6598-0001
13	110634-01-712	EA	REAR SPRING ASSEMBLY	6599-0001
13	110634-01-713	EA	REAR END CAP KIT	7504-0001
14	110634-01-714	EA	STAKE - 4 PER BAG	5208-0001
15	110634-01-715	EA	PULL DOWN WAND	7604-0001

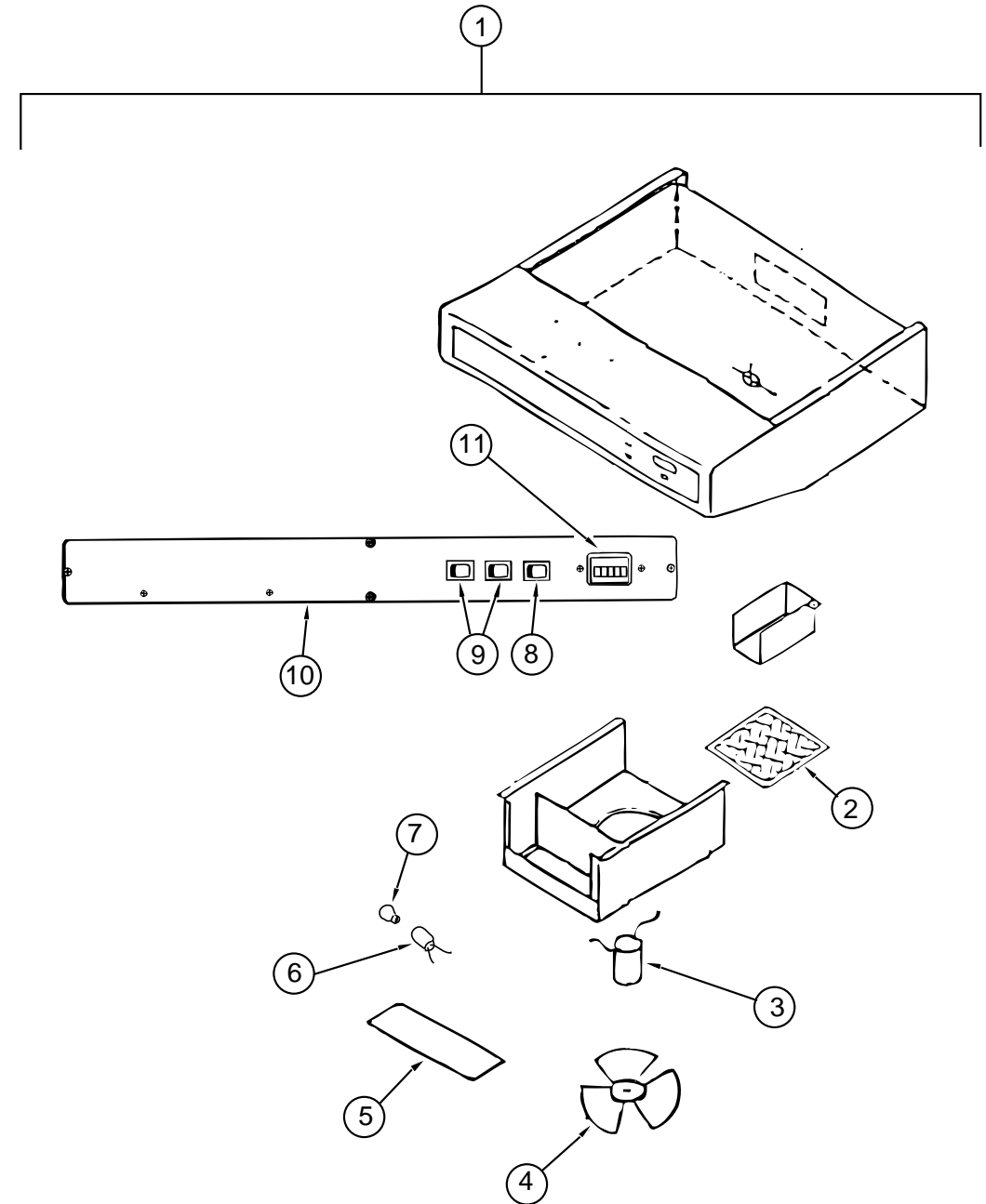
GALLEY GROUP



GALLEY CABINETS & FIXTURES

KEY	PART NUMBER	U/M	DESCRIPTION
1	114774-01-G01	EA	CABINET-OVERHEAD, MICROWAVE
	106016-04-G01	EA	FACE-MICROWAVE CABINET, JAPAN EXPORT
	110140-06-G01	EA	DOOR-CABINET, W/O HARDWARE - 555 MM X 280 MM - JAPAN EXPORT
2	111775-01-02A	EA	RAIL-DECORATIVE, 1830 MM - WATERFORD OAK
3	109908-19-G01	EA	END CAP-CABINET, OVERHEAD
4	110140-34-G01	EA	DOOR-CABINET, W/O HARDWARE - 330 MM X 660 MM
5	114775-01-G01	EA	CABINET-OVERHEAD, W/O DOORS OR HARDWARE
6	114775-12-G01	EA	END CAP-OVERHEAD CABINET
7	114672-11-G01	EA	COUNTERTOP-GALLEY CABINET
7	114672-11-G02	EA	COUNTERTOP-GALLEY CABINET
7	114672-16-G01	EA	COUNTERTOP-GALLEY CABINET - JAPAN EXPORT
7	114672-16-G02	EA	COUNTERTOP-GALLEY CABINET - JAPAN EXPORT
8	104113-01-000	EA	SINK-STAINLESS STEEL, DOUBLE
	092303-01-000	EA	STRAINER-SINK
	103243-01-000	EA	FAUCET-GALLEY, DUAL CONTROL - P5043
	103610-01-G01	EA	COVER-SINK
	103610-01-G02	EA	COVER-SINK
9	P14672-01-G01	EA	CABINET-GALLEY, W/RANGE TOP
9	P14672-01-G02	EA	CABINET-GALLEY, W/RANGE TOP
9	M07412-02-G01	EA	CABINET-GALLEY, W/RANGE & OVEN
9	M07412-02-G02	EA	CABINET-GALLEY, W/RANGE & OVEN
9	M07412-01-G01	EA	CABINET-GALLEY, W/RANGE TOP - JAPAN EXPORT
9	M07412-01-G02	EA	CABINET-GALLEY, W/RANGE TOP - JAPAN EXPORT
10	110140-37-G01	EA	DOOR-CABINET, W/O HARDWARE - 395 MM X 750 MM
11	P10163-H6-G01	EA	DRAWER-CABINET, W/O HARDWARE
12	110140-06-G01	EA	DOOR-CABINET, W/O HARDWARE - 555MM X 280MM
13	110140-36-G01	EA	DOOR-CABINET, W/O HARDWARE - 325 MM X 450 MM
14	110140-01-G01	EA	DOOR-CABINET, W/O HARDWARE - 255 MM X 640 MM
14	110140-44-G01	EA	DOOR-CABINET, W/O HARDWARE - 255 MM X 640 MM - SINGLE DOOR REFRIGERATOR
	090329-01-000	FT	SEAL-T, REFRIGERATOR CABINET - .6" WIDE TOP X 2" TAIL
	114750-14-G01	EA	SHELF-REFRIGERATOR CABINET

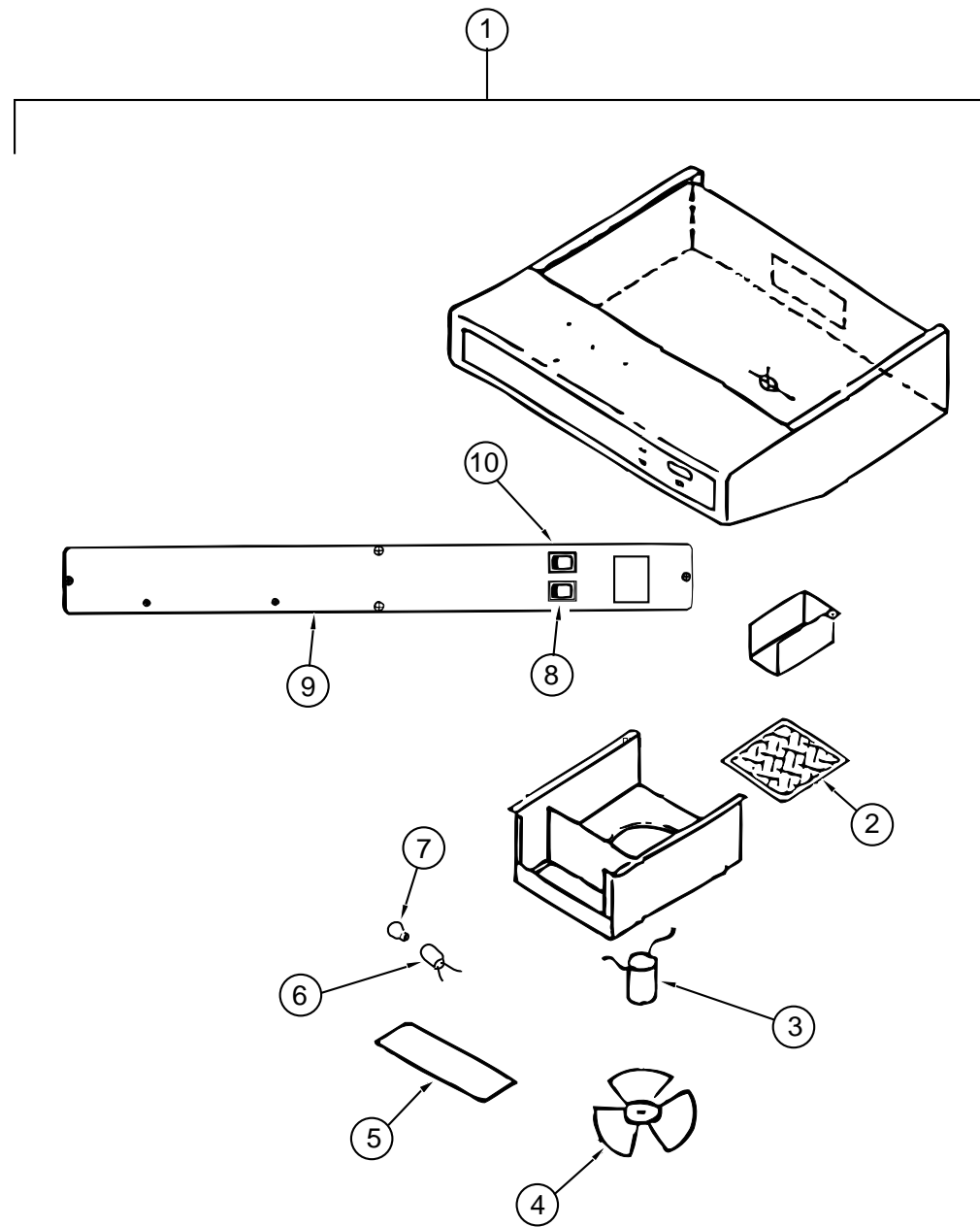
GALLEY GROUP (CONTINUED)



RANGE HOOD W/O MONITOR PANEL - U.S. - MODEL TPS-5009-SADLG

KEY	PART NUMBER	U/M	DESCRIPTION	VENDOR NO.
1	100258-18-02A	EA	HOOD-RANGE, W/O MONITOR PANEL - TEXTURED - VENTLINE	
2	096983-01-707	EA	FILTER-GREASE, 8" X 8" - LVS	CC246
3	090973-01-700	EA	MOTOR - LVS	CA508-1
4	090973-01-702	EA	BLADE-FAN, LVS	VA183-1
5	092696-02-701	EA	LENS-LAMP, LVS	CC179-2
6	092696-01-710	EA	SOCKET-LIGHT, VENTLINE	CB267-2
7	117806-01-000	EA	BULB - 12V NO.912 1.0 AMPS	
8	096983-01-702	EA	SWITCH-TWO WAY MOMENTARY, VENTLINE	112
9	096983-01-700	EA	SWITCH-ON/OFF, VENTLINE	108
10	100258-01-700	EA	HOOD-NOSE LABEL,	CC428
11	100258-10-01A	EA	GAUGE-HOUR METER, W/SWITCH - SCREW ON 150	
11	100258-10-701	EA	GAUGE-HOUR METER, CLIP ON	L0775-00

GALLEY GROUP (CONTINUED)



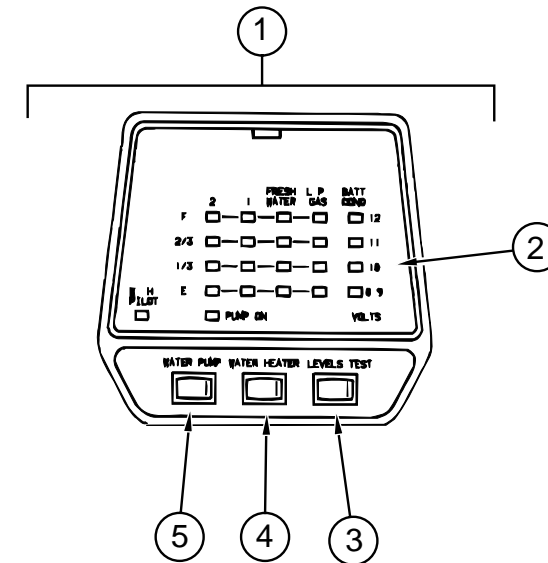
RANGE HOOD W/O MONITOR PANEL - U.S. - MODEL TCS-5008-NADL

KEY	PART NUMBER	U/M	DESCRIPTION	VENDOR NO.
1	100258-16-03A	EA	HOOD-RANGE, W/O MONITOR PANEL -TEXTURED - VENTLINE	
2	096983-01-707	EA	FILTER-GREASE, 8" X 8" - LVS	CC246
3	090973-01-700	EA	MOTOR - LVS	CA508-1
4	090973-01-702	EA	BLADE-FAN, LVS	VA183-1
5	092696-02-701	EA	LENS-LAMP, LVS	CC179-2
6	092696-01-710	EA	SOCKET-LIGHT, VENTLINE	CB267-2
7	117806-01-000	EA	BULB - 12V NO.912 1.0 AMPS	
8	096983-01-700	EA	SWITCH-ON/OFF, VENTLINE	108
9	100258-01-700	EA	HOOD-NOSE LABEL	CC428
10	096983-01-702	EA	SWITCH-TWO WAY MOMENTARY, VENTLINE	112
	100258-10-01A	EA	GAUGE-HOUR METER, W/SWITCH - SCREW ON 150 - OPTIONAL	
	100258-10-701	EA	GAUGE-HOUR METER, CLIP ON L0775-00 - OPTIONAL	

GALLEY GROUP (CONTINUED)

RANGE HOOD W/O MONITOR PANEL - CANADIAN - MODEL TCS-5008-NACL

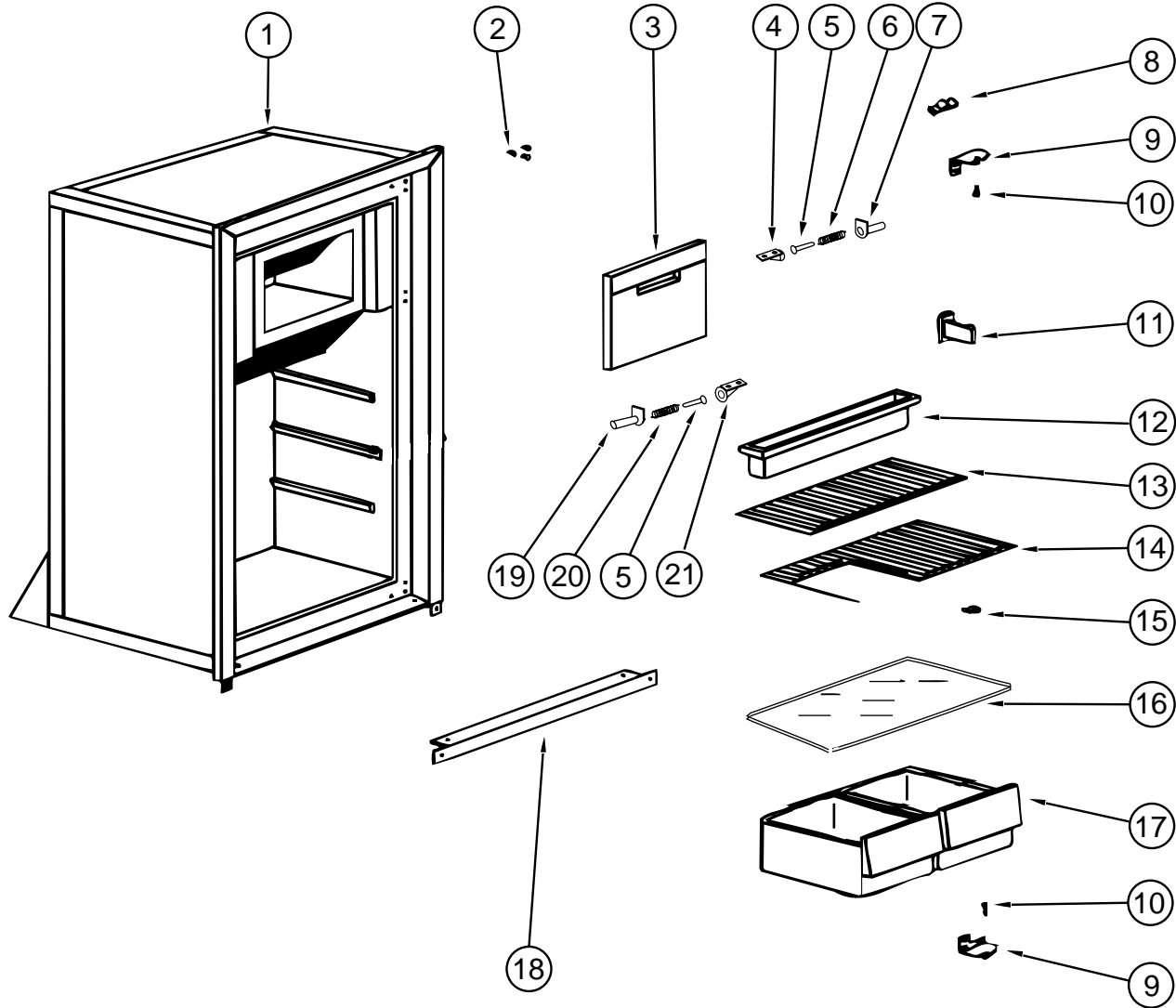
KEY	PART NUMBER	U/M	DESCRIPTION	VENDOR NO.
1	100258-17-03A	EA	HOOD-RANGE, W/O MONITOR PANEL - TEXTURED - VENTLINE	
2	096983-01-707	EA	FILTER-GREASE, 8" X 8" - LVS	CC246
3	090973-01-700	EA	MOTOR - LVS	CA508-1
4	090973-01-702	EA	BLADE-FAN, LVS	VA183-1
5	092696-02-701	EA	LENS-LAMP, LVS	CC179-2
6	092696-01-710	EA	SOCKET-LIGHT, VENTLINE	CB267-2
7	117806-01-000	EA	BULB - 12V NO.912 1.0 AMPS	
8	096983-01-700	EA	SWITCH-ON/OFF, VENTLINE	108
9	100258-01-700	EA	HOOD-NOSE LABEL	CC428
10	096983-01-702	EA	SWITCH-TWO WAY MOMENTARY, VENTLINE	112
	100258-10-01A	EA	GAUGE-HOUR METER, W/SWITCH - SCREW ON 150 - OPTIONAL	
	100258-10-701	EA	GAUGE-HOUR METER, CLIP ON L0775-00 - OPTIONAL	



MONITOR PANEL - LVS

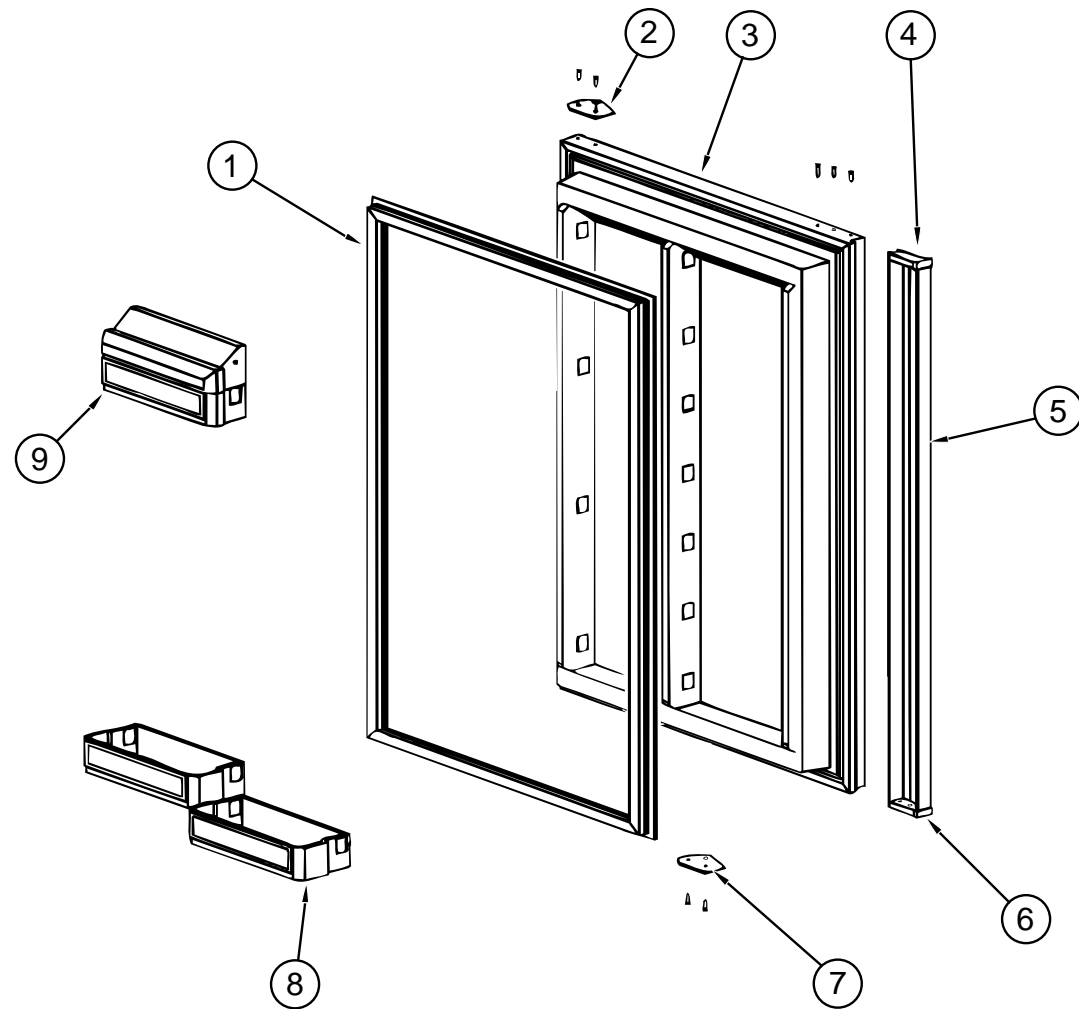
KEY	PART NUMBER	U/M	DESCRIPTION	VENDOR NO.
1	102765-04-01A	EA	PANEL-MONITOR, W/PLUG - FOR 2 TANKS & WATER HEATER	
2	102765-04-700	EA	BOARD-CIRCUIT, 2 HOLDING TANK	5076-11
3	097617-01-702	EA	SWITCH (ALMOND)	107
4	097617-01-701	EA	SWITCH-ON/OFF, ALMOND	106
5	102765-01-700	EA	SWITCH-ON-ON, ALMOND	110-01

GALLEY GROUP (CONTINUED)
NORCOLD SINGLE DOOR REFRIGERATOR - 2-WAY - MODEL 6052 RH



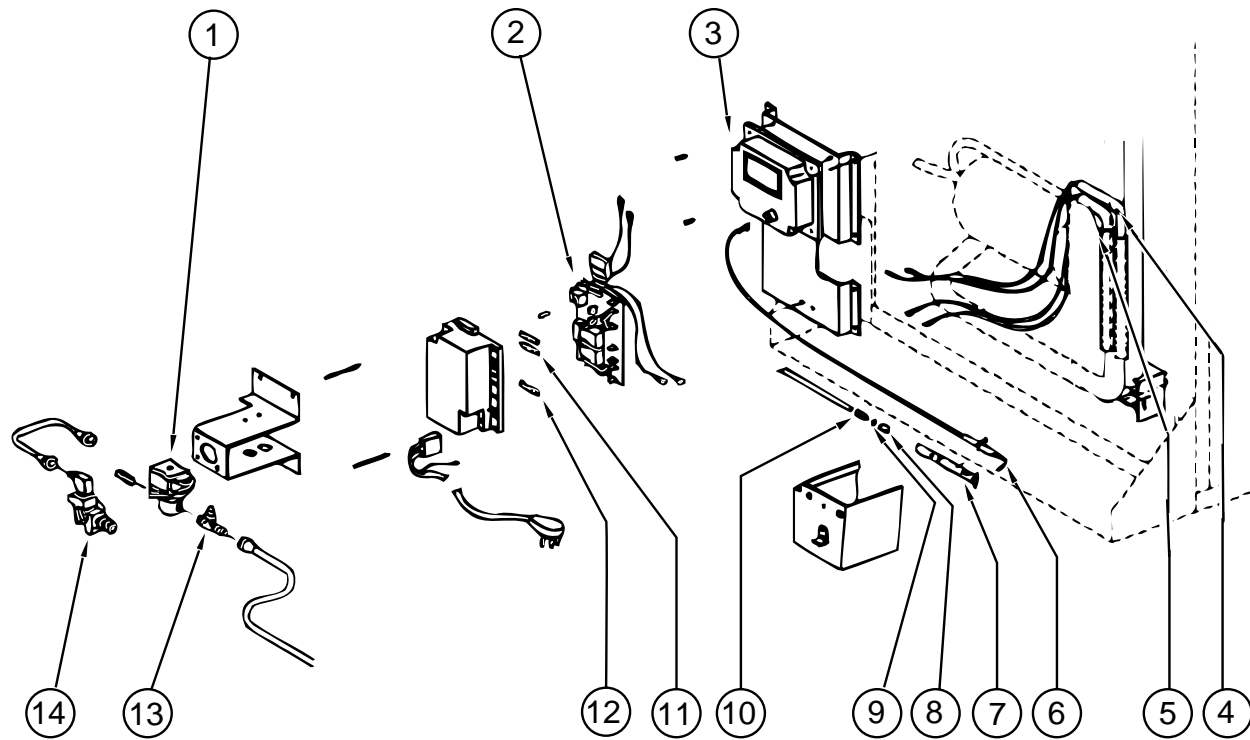
KEY	PART NUMBER	U/M	DESCRIPTION	VENDOR NO.
	102621-04-01A	EA	REFRIGERATOR-LARGE SINGLE DOOR, 2-WAY	
1	102621-01-701	EA	CABINET-FOAMED, BLACK	61620238
2	094039-01-722	EA	HOLE PLUG-HINGE HOLES, BLACK	61582030
3	102621-01-700	EA	DOOR-EVAPORATOR ASM	61620738
4	102621-04-709	EA	CLIPMOUNTING, EVAPORATOR DOOR - RH - WHITE	61632930
5	102621-04-710	EA	SPRING-PIN	61632622
6	102621-04-711	EA	SPRING TORSION-EVAPORATOR DOOR, RH	61633222
7	102621-04-703	EA	HOLDER-SPRING, RH - WHITE	61632830
8	084880-01-760	EA	CLIP-THERMISTER	61689122
9	094039-01-723	EA	BRACKET-HINGE, TOP RH - BOTTOM LH - BLACK	61580838
9	094039-01-724	EA	BRACKET-HINGE TOP LH - BOTTOM RH - BLACK	61580938
10	094039-01-725	EA	PIN-HINGE, MALE - BLACK	61578130
	084880-03-702	EA	PIN-HINGE, TOP/BOTTOM - FEMALE	61580630
11	084880-01-732	EA	LATCH	61578522
12	102621-04-704	EA	TRAY-DRIP, WHITE	61619930
13	104137-06-706	EA	WIRE SHELF-SHORT	61718222
14	094039-01-739	EA	SHELF-CUTOUT	61646722
15	102621-04-705	EA	RETAINER-GLASS SHELF	61580322
16	084880-01-722	EA	COVER-CRISPER	61564122
17	104137-06-707	EA	CRISPER-WHITE	61571325
18	094039-01-732	EA	FRONT COVER-BOTTOM TRIM, BLACK	61622130
19	102621-04-707	EA	HOLDER-SPRING, EVAPORATOR DOOR - LH	61632730
20	102621-04-706	EA	SPRING-EVAPORATOR DOOR, TORSION - LH	61633122
21	102621-04-708	EA	CLIP-MOUNTING, EVAPORATOR DOOR - LH	61633030
	093646-05-000	EA	BRACKET-TIEDOWN - REFRIGERATOR	
	065225-02-000	EA	PLATE - TIEDOWN - REFRIGERATOR	
	054450-01-000	EA	LEVEL-REFRIGERATOR	
	116751-01-01A	EA	TRAY-DRIP, REFRIGERATOR - 24.6" X 6.3" - PLASTIC - BLACK	

GALLEY GROUP (CONTINUED)
NORCOLD SINGLE DOOR REFRIGERATOR - 2-WAY - MODEL 6052 RH



KEY	PART NUMBER	U/M	DESCRIPTION	VENDOR NO.
1	094039-01-713	EA	DOOR GASKET-LOWER, GRAY	61568030
2	094039-01-710	EA	PLATE-HINGE, BLACK	61631330
3	094039-01-715	EA	LINER-LOWER DOOR, FOAMED BLACK/WHITE	61581738-B
4	084880-01-761	EA	END CAP-SPRING CATCH, UPPER - BLACK	61593730
5	094039-01-717	EA	HANDLE-W/CAP & SPRING, BLACK	61649938
	084880-01-720	EA	SPRING-DOOR HANDLE	61558822
6	084880-01-740	EA	END CAP-STOP CATCH	61593830
7	094039-01-704	EA	PLATE-HINGE, BLACK	61631430
8	104137-06-703	EA	BIN-DOOR SHELF, WHITE	61564025
9	104137-06-704	EA	BIN-MILK, WHITE	61579425

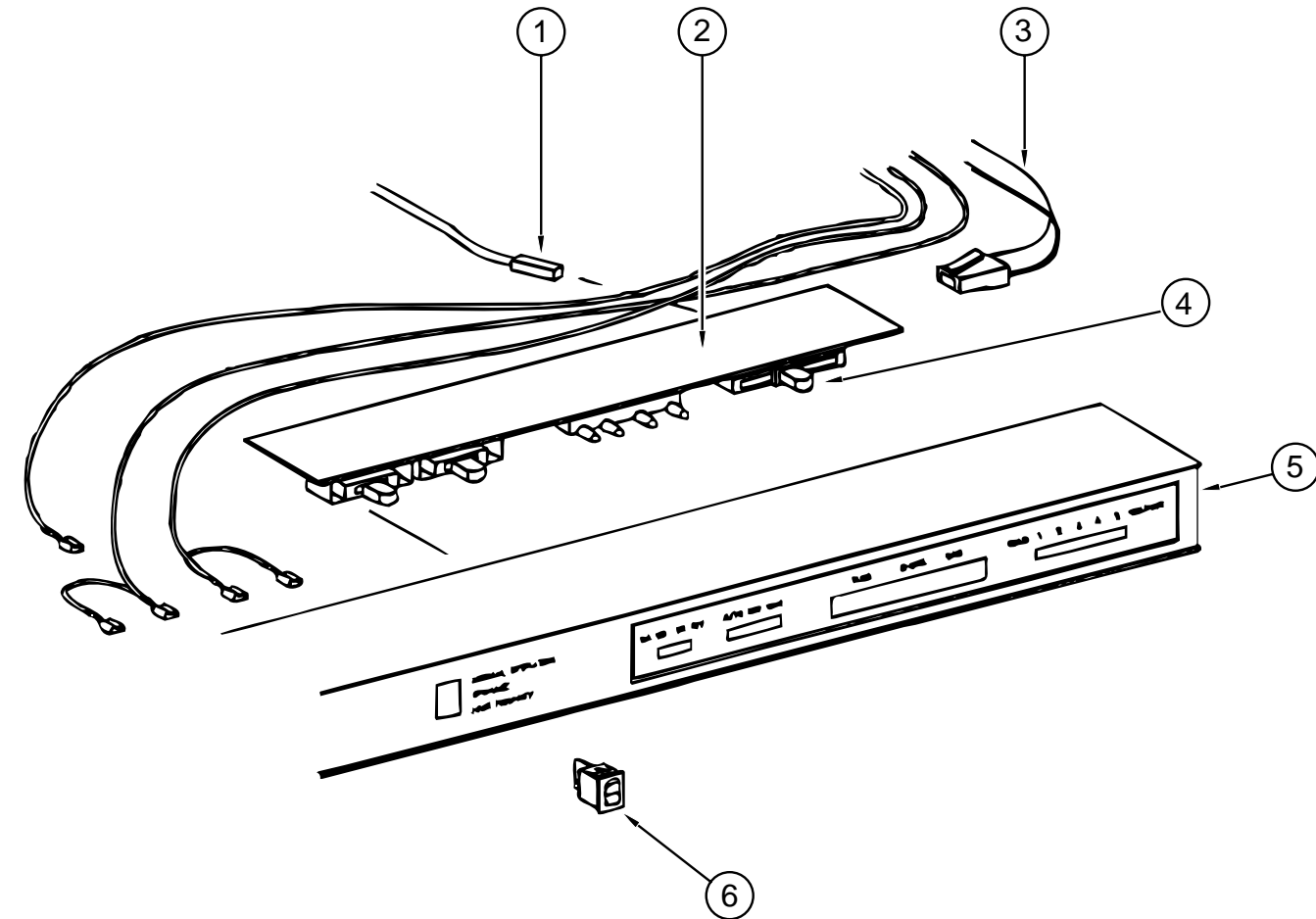
GALLEY GROUP (CONTINUED)



NORCOLD 6052 REFRIGERATOR CONTROL ASSEMBLY

KEY	PART NUMBER	U/M	DESCRIPTION	VENDOR NO.
1	084880-01-718	EA	VALVE-GAS	61551822
2	094039-04-702	EA	POWER SUPPLY - 2 WAY	61647422
3	102621-01-702	EA	MODULE-IGNITION	61688922
	104137-02-700	EA	MODULE-CONTROL, CHANNEL - NORCOLD	61717037
4	102621-04-712	EA	HEATER-DC, HORIZONTAL BURNER	61562622
5	064473-03-701	EA	HEATER-AC, HORIZONTAL BURNER	61562522
	064473-03-718	EA	COOLING UNIT-HORIZONTAL BURNER	61687137
6	104137-06-715	EA	SPARK/SENSE ELECTRODE-SINGLE	61692222
7	104137-06-714	EA	BURNER ASSEMBLY - 5-SLOT	61705222
8	064473-01-702	EA	ORIFICE - 6EG-2	61452122
9	104137-06-713	EA	GASKET-ORIFICE	61475122
10	104137-06-712	EA	FITTING-GAS TUBE CONNECTION	61692722
11	075217-01-734	EA	FUSE - 3 AMP	61538822
12	104137-06-711	EA	FUSE - 5 AMP	61611622
13	104137-06-710	EA	PRESSURE TAP	61594422
14	104137-06-709	EA	VALVE-SHUT OFF, MANUAL	61694922

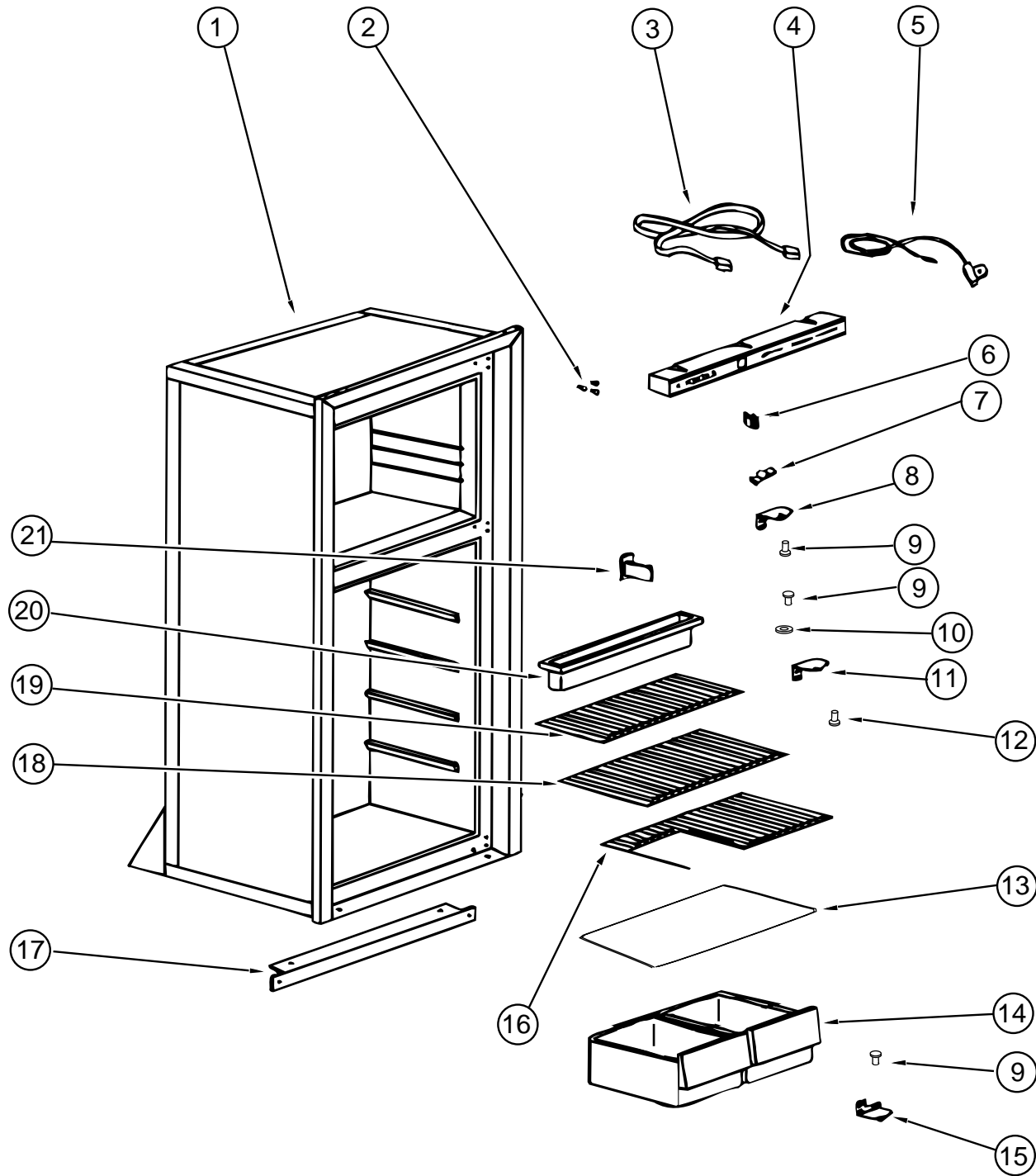
GALLEY GROUP (CONTINUED)



NORCOLD 6052 REFRIGERATOR EYEBROW ASSEMBLY

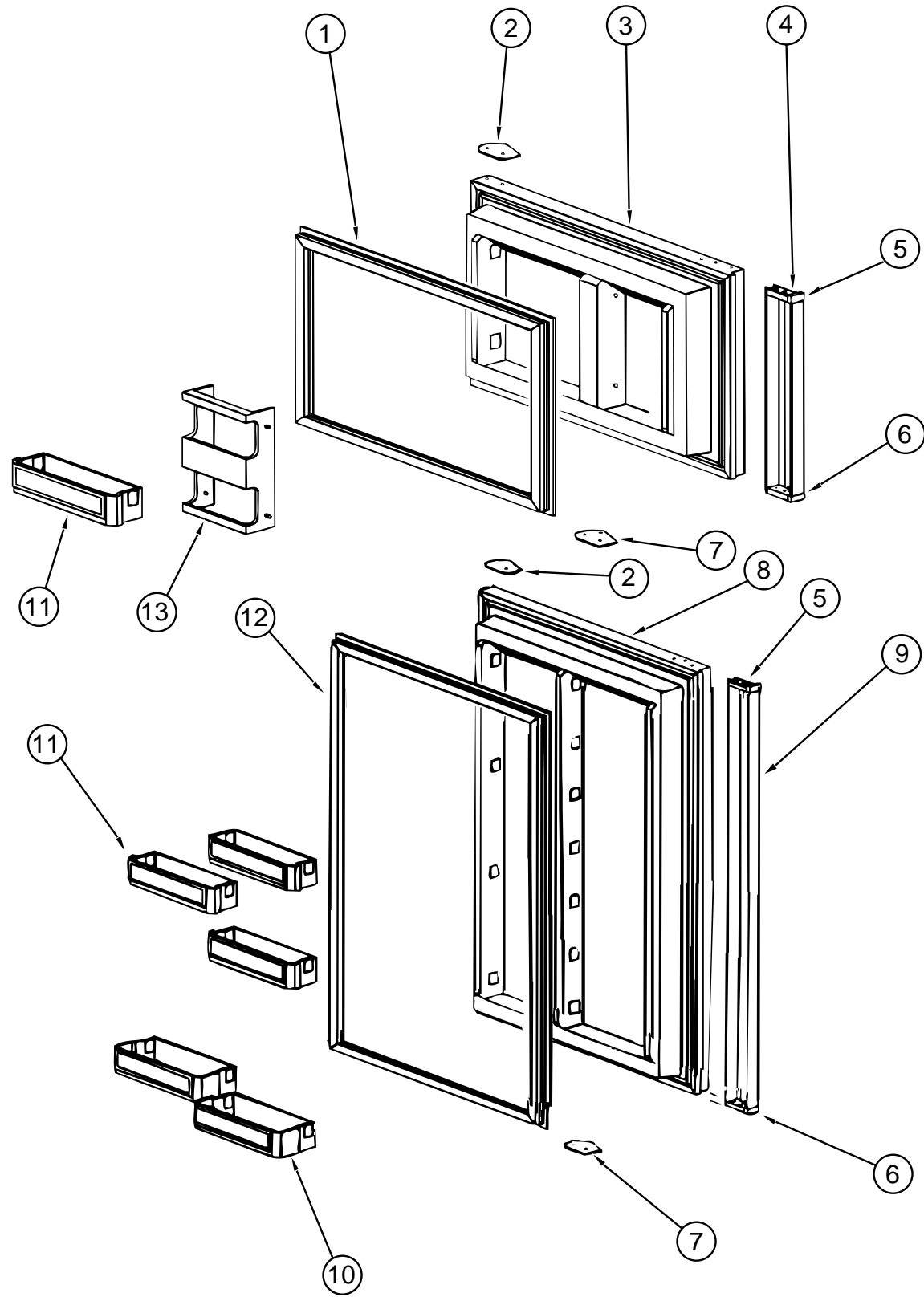
KEY	PART NUMBER	U/M	DESCRIPTION	VENDOR NO.
1	084880-01-753	EA	THERMISTER 78"	61693822
	084880-01-760	EA	CLIP-THERMISTER	61689122
2	094039-04-700	EA	PRINTED CIRCUIT BOARD - 2 WAY	61647322
3	084880-01-746	EA	CABLE-NORCOLD	61571522
4	102621-01-703	EA	BUTTON-THERMOSTAT, ADJUSTABLE	61587422
5	094039-04-701	EA	EYEBROW SHELL, 2-WAY - W/O HUMIDITY SWITCH HOLE	61669822
5	104137-06-700	EA	EYEBROW SHELL, 2-WAY - W/HUMIDITY SWITCH HOLE	61726622
6	075217-01-738	EA	SWITCH-HUMIDITY	61525922

GALLEY GROUP (CONTINUED)
NORCOLD REFRIGERATOR SMALL DOUBLE DOOR - MODEL 6162 LH B



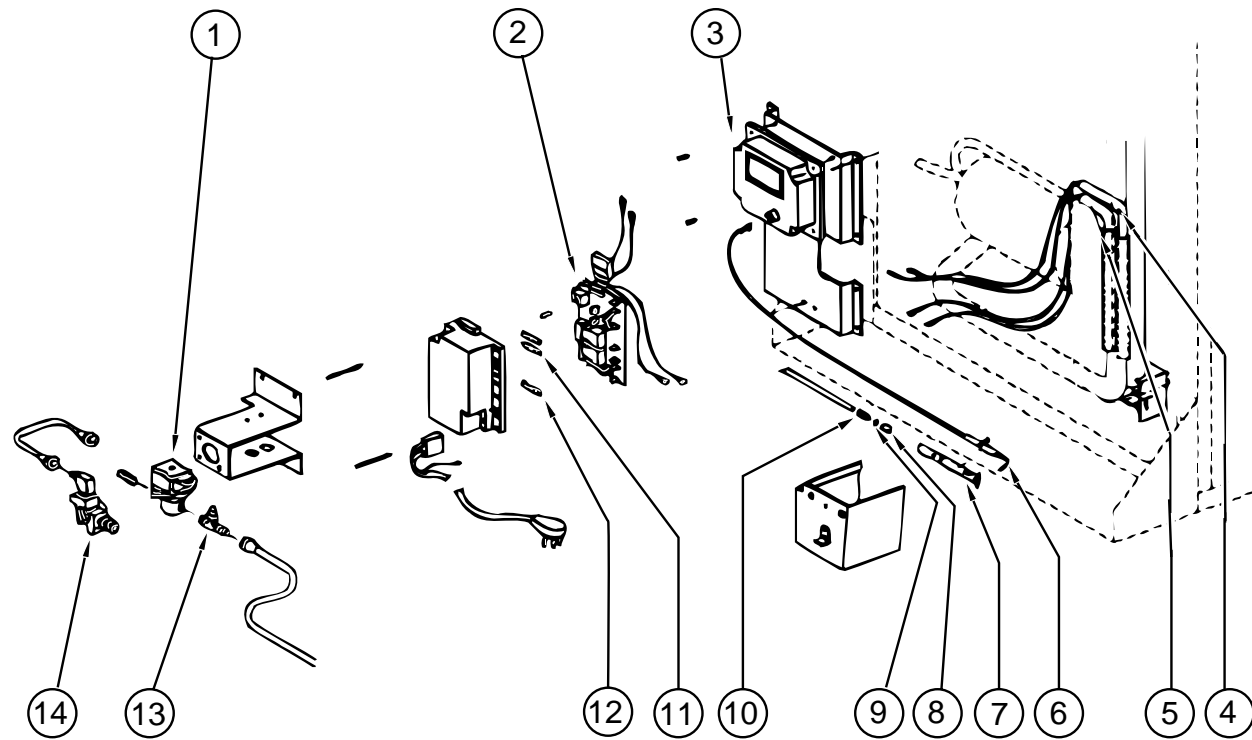
KEY	PART NUMBER	U/M	DESCRIPTION	VENDOR NO.
1	104138-05-01A	EA	REFRIGERATOR, SMALL DOUBLE DOOR - 2-WAY - LH	61725038
2	104138-04-701	EA	FOAMED CABINET ASSEMBLY-BLACK W/WHITE	61582030
3	094039-01-722	EA	HOLE PLUG-BLACK HINGE HOLES	61571522
4	084880-01-746	EA	CABLE-NORCOLD	61571522
4	094039-04-701	EA	EYEBROW SHELL, 2-WAY - W/O HUMIDITY SWITCH HOLE	61669822
4	104137-06-700	EA	EYEBROW SHELL, 2-WAY - W/HUMIDITY SWITCH HOLE	61726622
5	084880-01-753	EA	THERMISTER 78"	61693822
6	075217-01-738	EA	SWITCH-HUMIDITY	61525922
7	084880-01-760	EA	CLIP-THERMISTER	61689122
8	094039-01-723	EA	BRACKET-HINGE, TOP RH - BOTTOM LH - BLACK	61580838
9	094039-01-725	EA	HINGE PIN-MALE, BLACK	61578130
9	084880-03-702	EA	HINGE PIN-TOP/BOTTOM FEMALE	61580630
10	084880-01-749	EA	BUSHING-HINGE	61580722
11	094039-01-728	EA	BRACKET-HINGE, CENTER - BLACK	61566530
12	094039-01-730	EA	HINGE PIN SHAFT-CENTER HINGE, BLACK	61566730
13	084880-01-722	EA	COVER-CRISPER	61564122
14	104137-06-707	EA	CRISPER, WHITE	61571325
15	094039-01-724	EA	BRACKET-HINGE, TOP LH - BOTTOM RH - BLACK	61580938
16	094039-01-739	EA	SHELF-CUTOUT	61646722
17	094039-01-732	EA	COVER-FRONT, BLACK BOTTOM TRIM	61622130
18	094039-01-733	EA	WIRE SHELF-MIDDLE	61563822
19	094039-01-734	EA	WIRE SHELF-TOP W/RISER	61563722
20	094039-01-735	EA	DRIP TRAY-INSIDE, WHITE	61572830
21	084880-01-732	EA	LATCH-NORCOLD	61578522
	084879-03-700	EA	COOLING UNIT-HORIZONTAL BURNER	61687237
	094039-01-736	EA	SWITCH-LIGHT, BLACK	61581022
	104137-06-706	EA	WIRE SHELF-SHORT	61718222
	054450-01-000	EA	LEVEL-REFRIGERATOR	
	065225-02-000	EA	PLATE-TIEDOWN, REFRIGERATOR	
	093646-01-000	EA	BRACKET-TIEDOWN, REFRIGERATOR	
	093646-02-000	EA	BRACKET-TIEDOWN, REFRIGERATOR	
	116751-01-01A	EA	TRAY-DRIP, REFRIGERATOR - 24.6" X 6.3" - PLASTIC - BLACK	

GALLEY GROUP (CONTINUED)
NORCOLD REFRIGERATOR SMALL DOUBLE DOOR - MODEL 6162 LH B



KEY	PART NUMBER	U/M	DESCRIPTION	VENDOR NO.
1	094039-01-702	EA	GASKET-UPPER, GRAY	61567830
2	094039-01-710	EA	PLATE-HINGE, BLACK	61631330
3	094039-01-706	EA	LINER-UPPER DOOR, WHITE/BLACK	61581838-B
4	094039-01-708	EA	HANDLE-DOOR, UPPER - BLACK	61650038
5	084880-01-761	EA	END CAP-SPRING CATCH, UPPER - BLACK	61593730
	084880-01-720	EA	SPRING-DOOR HANDLE	61558822
6	084880-01-740	EA	END CAP-STOP CATCH	61593830
7	094039-01-704	EA	PLATE-HINGE, BLACK	61631430
8	094038-01-702	EA	LINER-DOOR, LOWER - BLACK/WHITE	61581938-B
9	094038-01-704	EA	HANDLE-DOOR, LOWER - BLACK	61650138
10	104137-06-703	EA	BIN-MILK, WHITE	61579425
11	104137-06-704	EA	BIN-DOOR SHELF, WHITE	61564025
12	094038-01-700	EA	GASKET-LOWER, GRAY	61567930
13	104137-06-702	EA	RACK-JUICE, WHITE	61580525

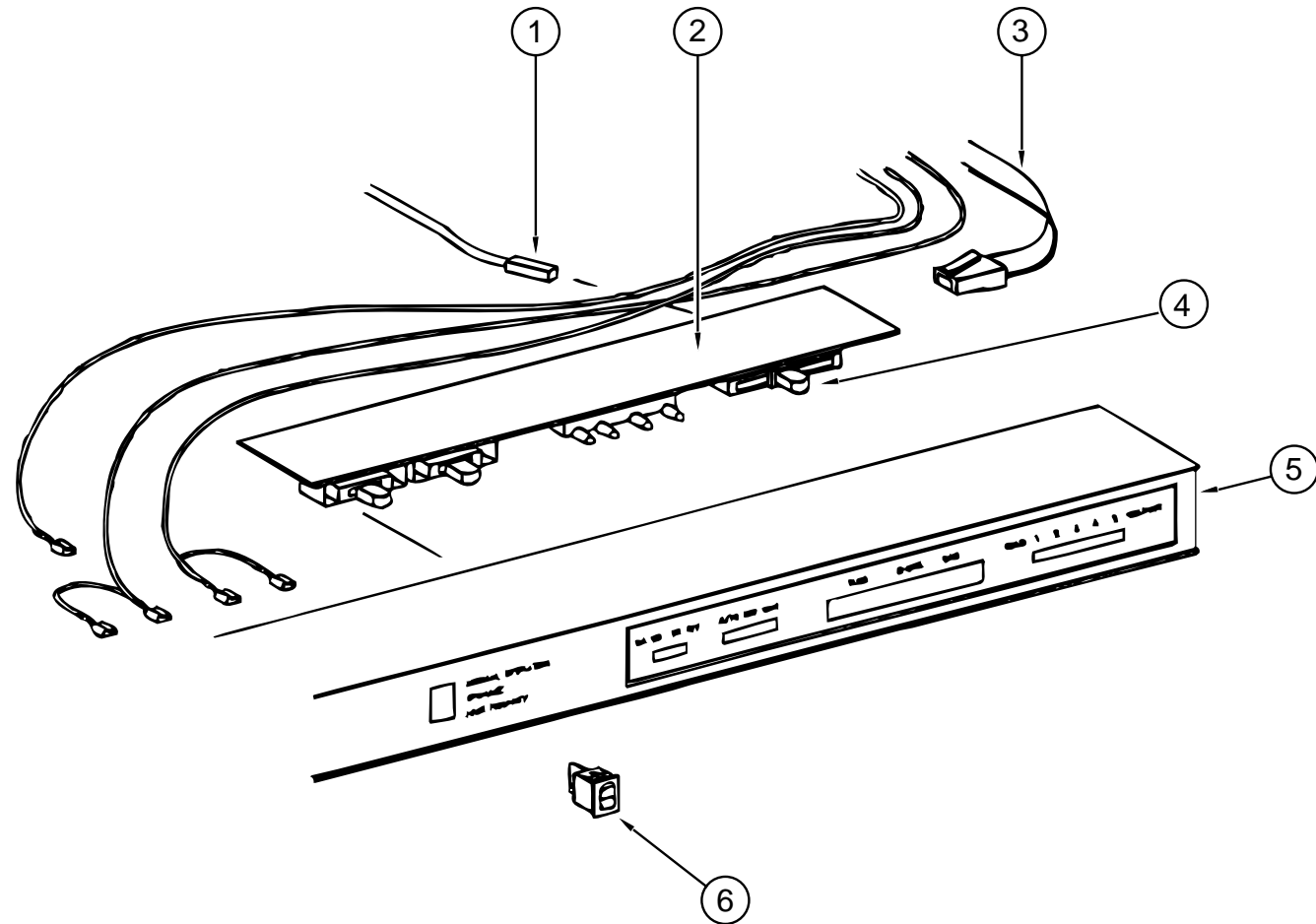
GALLEY GROUP (CONTINUED)



NORCOLD 6162 REFRIGERATOR CONTROL ASSEMBLY

KEY	PART NUMBER	U/M	DESCRIPTION	VENDOR NO.
1	084880-01-718	EA	VALVE-GAS	61551822
2	094039-04-702	EA	POWER SUPPLY - 2 WAY	61647422
3	102621-01-702	EA	MODULE-IGNITION	61688922
4	088248-01-710	EA	HEATER-DC, HORIZONTAL - 3 WAY	61562822
5	088248-01-709	EA	HEATER-AC, HORIZONTAL	61562722
6	104137-06-715	EA	SPARK/SENSE ELECTRODE-SINGLE	61692222
7	104137-06-714	EA	BURNER ASSEMBLY - 5-SLOT	61705222
8	084880-01-705	EA	ORIFICE	61452222
9	104137-06-713	EA	GASKET-ORIFICE	61475122
10	104137-06-712	EA	FITTING-GAS TUBE CONNECTION	61692722
11	075217-01-734	EA	FUSE - 3 AMP	61538822
12	104137-06-711	EA	FUSE - 5 AMP	61611622
13	104137-06-710	EA	PRESSURE TAP	61594422
14	104137-06-709	EA	VALVE-SHUT OFF, MANUAL	61694922

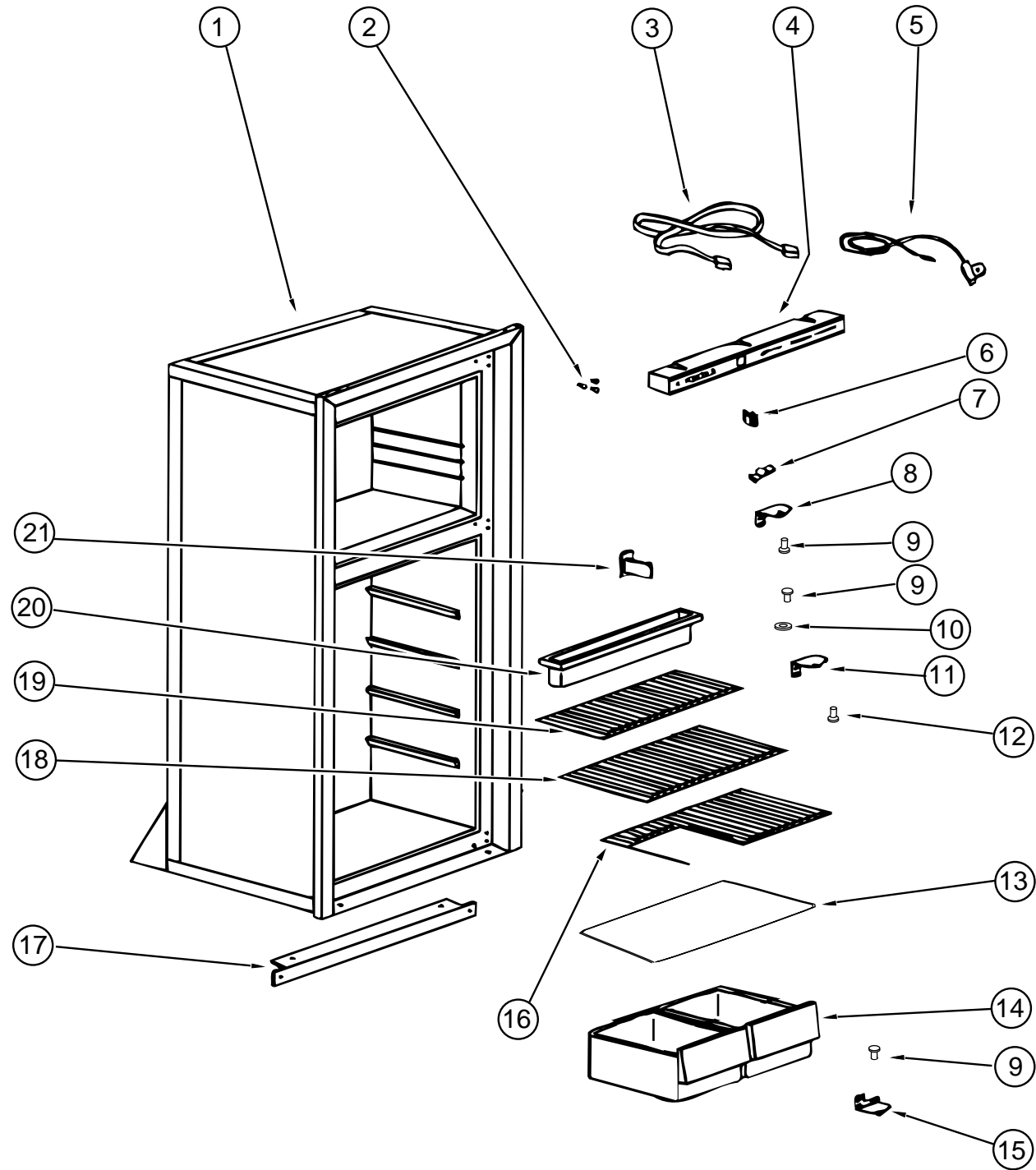
GALLEY GROUP (CONTINUED)



NORCOLD 6162 REFRIGERATOR EYEBROW ASSEMBLY

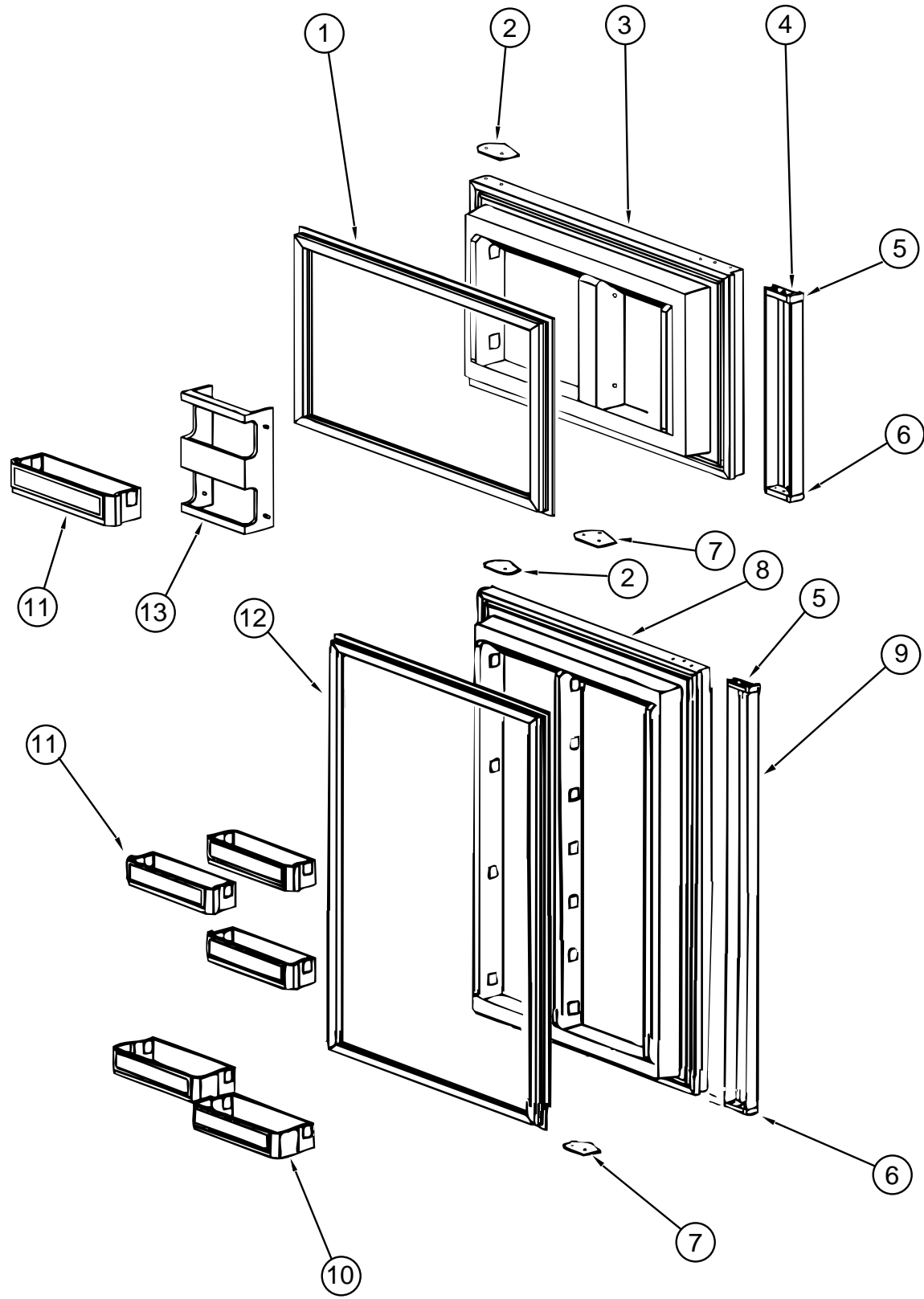
KEY	PART NUMBER	U/M	DESCRIPTION	VENDOR NO.
1	084880-01-753	EA	THERMISTER 78"	61693822
	084880-01-760	EA	CLIP-THERMISTER	61689122
2	094039-04-700	EA	PRINTED CIRCUIT BOARD - 2 WAY	61647322
3	084880-01-746	EA	CABLE-NORCOLD	61571522
4	102621-01-703	EA	BUTTON-THERMOSTAT, ADJUSTABLE	61587422
5	094039-04-701	EA	EYEBROW SHELL, 2-WAY - W/O HUMIDITY SWITCH HOLE	61669822
5	104137-06-700	EA	EYEBROW SHELL, 2-WAY - W/HUMIDITY SWITCH HOLE	61726622
6	075217-01-738	EA	SWITCH-HUMIDITY	61525922

GALLEY GROUP (CONTINUED)
NORCOLD REFRIGERATOR SMALL DOUBLE DOOR - MODEL 633 RH - JAPAN EXPORT



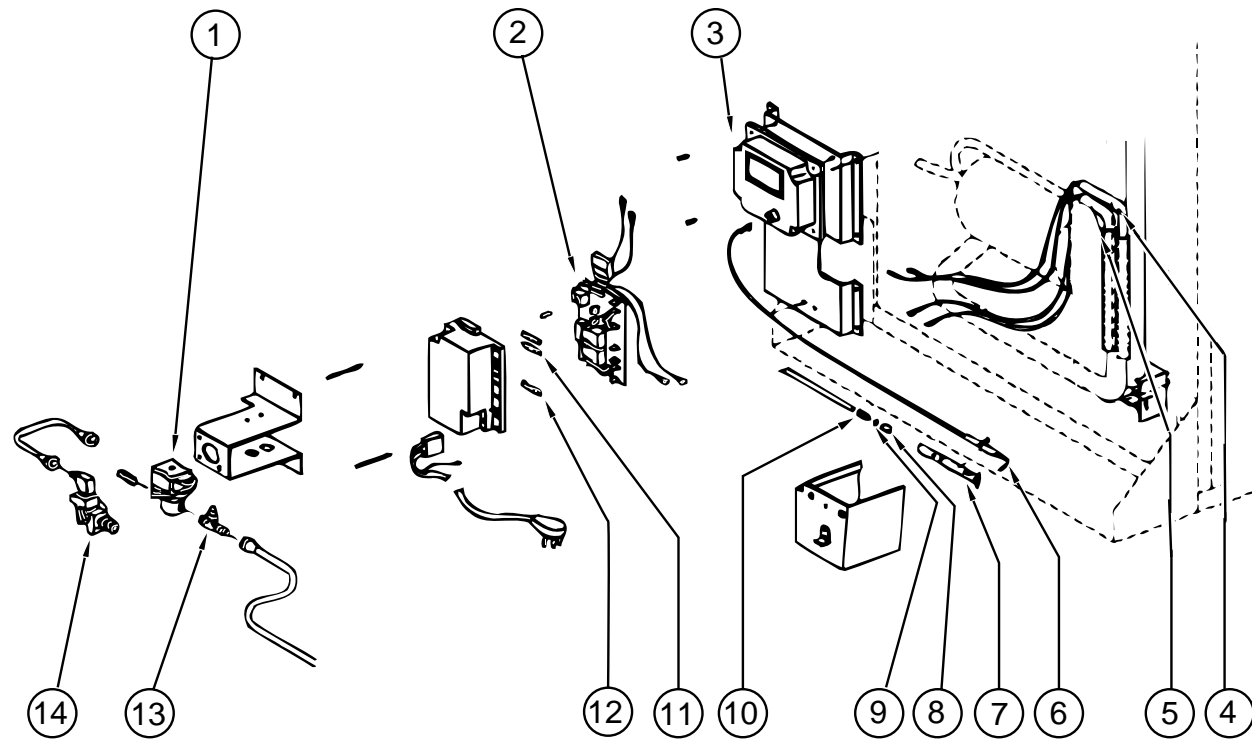
KEY	PART NUMBER	U/M	DESCRIPTION	VENDOR NO.
	104138-01-01A	EA	REFRIGERATOR, SMALL DOUBLE DOOR - 3-WAY	
1	094038-01-706	EA	CABINET ASSEMBLY-WHITE W/BLACK FRAME	
2	094039-01-722	EA	PLUG-HOLE, BLACK	61582030
3	084880-01-746	EA	CABLE-NORCOLD	61571522
4	094039-01-701	EA	EYEBROW-SHELL, 3-WAY - PLASTIC - BLACK	61669922
5	084880-01-753	EA	THERMISTER 78"	61693822
6	075217-01-738	EA	SWITCH-HUMIDITY	61525922
7	084880-01-760	EA	CLIP-THERMISTER	61689122
8	094039-01-723	EA	BRACKET-HINGE, TOP RH - BOTTOM LH	61580838
9	094039-01-725	EA	PIN-HINGE, BLACK	61578130
10	084880-01-749	EA	BUSHING-HINGE	61580722
11	094039-01-728	EA	BRACKET-HINGE, CENTER - BLACK	61566530
12	094039-01-730	EA	PIN-HINGE, CENTER, BLACK	61566730
13	084880-01-722	EA	COVER-CRISPER, GLASS	61564122
14	104137-06-720	EA	CRISPER, WHITE W/BLUE TRIM	617758
15	094039-01-724	EA	BRACKET-HINGE, TOP LH - BOTTOM RH	61580938
16	094039-01-739	EA	SHELF-W/CUTOUT	61646722
17	094039-01-732	EA	TRIM-FRONT LOWER, BLACK	61622130
18	094039-01-733	EA	SHELF-WIRE, CENTER	61563822
19	094039-01-734	EA	SHELF-WIRE, TOP, W/RISER	61563722
20	094039-01-735	EA	TRAY-DRIP, WHITE	61572830
21	084880-01-732	EA	LATCH	61578522
	084879-03-700	EA	COIL-COOLING, HORIZONTAL BURNER	61687237
	094039-01-736	EA	SWITCH-LIGHT, BLACK	61581022
21	084880-01-732	EA	LATCH	61578522
	104137-06-722	EA	KEEPER-DAIRY, WHITE W/BLUE TRIM	617760
	094039-01-726	EA	SHELF-EVAPORATOR	61523622
	084880-03-705	EA	BRACKET-LIGHT-INTERIOR	61629722
	084880-03-706	EA	BULB-LAMP	61628922
	084880-03-707	EA	COVER-LAMP, LENS	61627922
	104137-06-724	EA	TRAY-ICE CUBE	61630422
	054450-01-000	EA	LEVEL-REFRIGERATOR	
	065225-02-000	EA	PLATE-TIEDOWN, REFRIGERATOR	
	093646-01-000	EA	BRACKET-TIEDOWN, REFRIGERATOR	
	093646-02-000	EA	BRACKET-TIEDOWN, REFRIGERATOR	
	116751-01-01A	EA	TRAY-DRIP, REFRIGERATOR - 24.6" X 6.3" - PLASTIC - BLACK	

GALLEY GROUP (CONTINUED)
NORCOLD REFRIGERATOR SMALL DOUBLE DOOR - MODEL 633 RH - JAPAN EXPORT



KEY	PART NUMBER	U/M	DESCRIPTION	VENDOR NO.
1	094039-01-702	EA	GASKET-UPPER, GRAY	61567830
2	094039-01-710	EA	PLATE-HINGE, RH TOP - LH BOTTOM - BLACK	61631330
3	094039-01-706	EA	LINER-UPPER DOOR, WHITE/BLACK	61581838-B
4	094039-01-708	EA	HANDLE-UPPER DOOR ASSEMBLY, BLACK	61650038
5	084880-01-761	EA	CATCH-END CAP, UPPER - BLACK	61593730
	084880-01-720	EA	SPRING-DOOR HANDLE	61558822
6	084880-01-740	EA	STOP CATCH-END CAP, LOWER - BLACK	61593830
7	094039-01-704	EA	PLATE-HINGE, TOP LH - BOTTOM RH - BLACK	61631430
8	094038-01-702	EA	LINER-LOWER DOOR, BLACK/WHITE	61581938-B
9	094038-01-704	EA	HANDLE-LOWER DOOR, BLACK	61650138
10	104137-06-719	EA	BIN-MILK, WHITE W/BLUE TRIM	617757
11	104137-06-721	EA	BIN-DOOR, WHITE W/BLUE TRIM	617759
12	094038-01-700	EA	GASKET-LOWER, GRAY	61567930
13	104137-06-702	EA	RACK-JUICE, WHITE	61580525

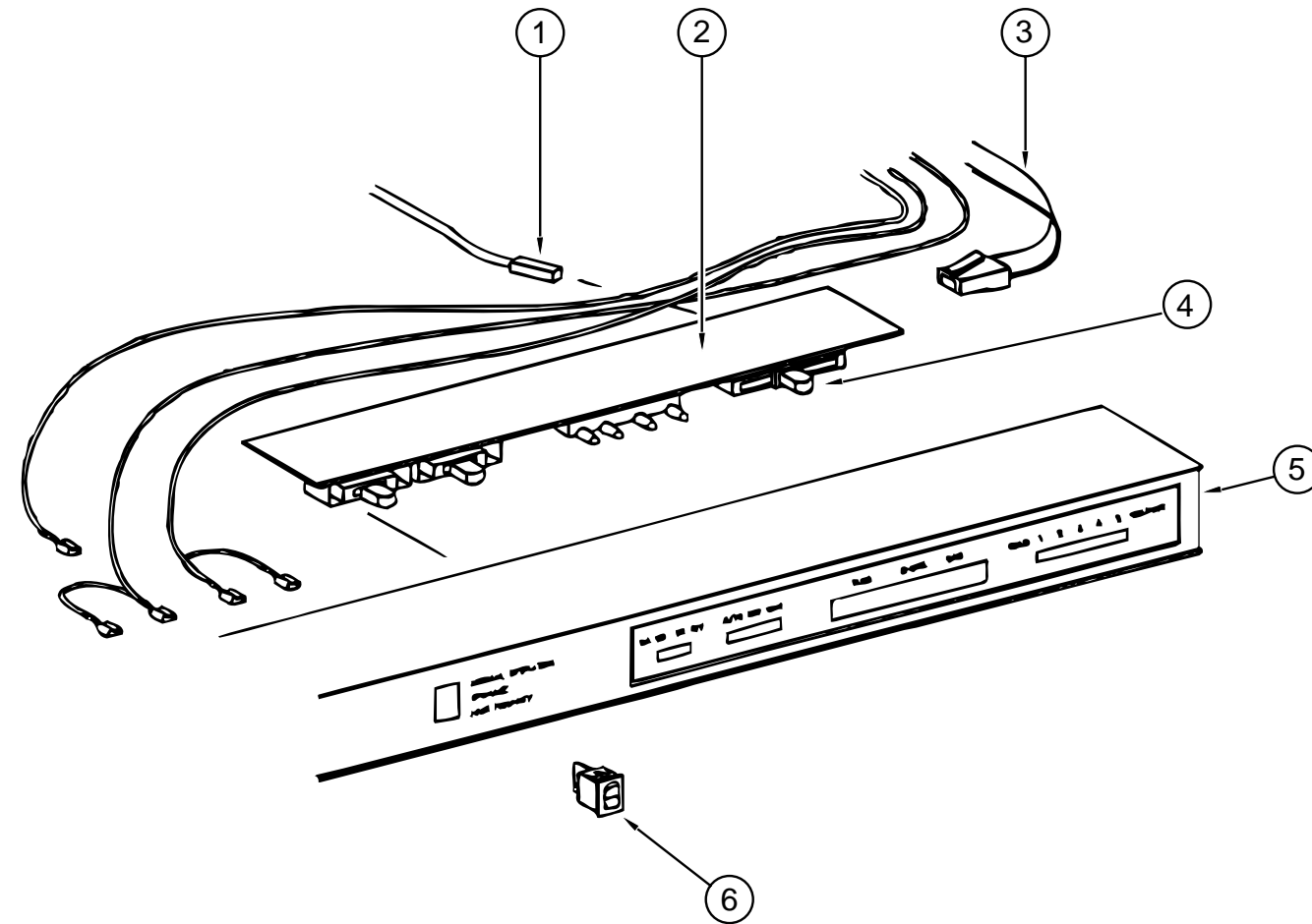
GALLEY GROUP (CONTINUED)



NORCOLD 633 RH REFRIGERATOR CONTROL ASSEMBLY- JAPAN EXPORT

KEY	PART NUMBER	U/M	DESCRIPTION	VENDOR NO
1	084880-01-718	EA	VALVE-GAS, ASCO	61551822
2	094039-01-737	EA	POWER SUPPLY-3-WAY	61647622
3	104137-02-700	EA	MODULE-CONTROL, CHANNEL	61717037
4	088248-01-710	EA	HEATER-DC, HORIZONTAL - 3 WAY	61562822
5	088248-01-709	EA	HEATER-AC, HORIZONTAL	61562722
6	104137-06-715	EA	ELECTRODE-SPARK/SENSOR, SINGLE	61692222
7	104137-06-714	EA	BURNER ASSEMBLY, 5-SLOT	61705222
	088248-01-707	EA	SENSOR-ELECTRODE, HORIZONTAL	61573322
8	084880-01-705	EA	ORIFICE	61452222
9	104137-06-713	EA	GASKET-ORIFICE	61475122
10	104137-06-712	EA	FITTING-GAS TUBE CONNECTION	61692722
11	113737-01-714	EA	FUSE 20 AMP (3-WAY)INE 3-WAY	61440522
12	104137-06-711	EA	FUSE - 5 AMP	61611622
13	113737-01-716	EA	PRESSURE TAP	61594422
	113737-01-702	EA	PLUG 1/8" F/PRESSURE TAP	6144532
14	104137-06-709	EA	VALVE-SHUT OFF, MANUAL	61694922
	113737-01-750	EA	TUBE-UNION	61694622
	084880-01-713	EA	FITTING-MALE INLET CONNECTOR	615256222

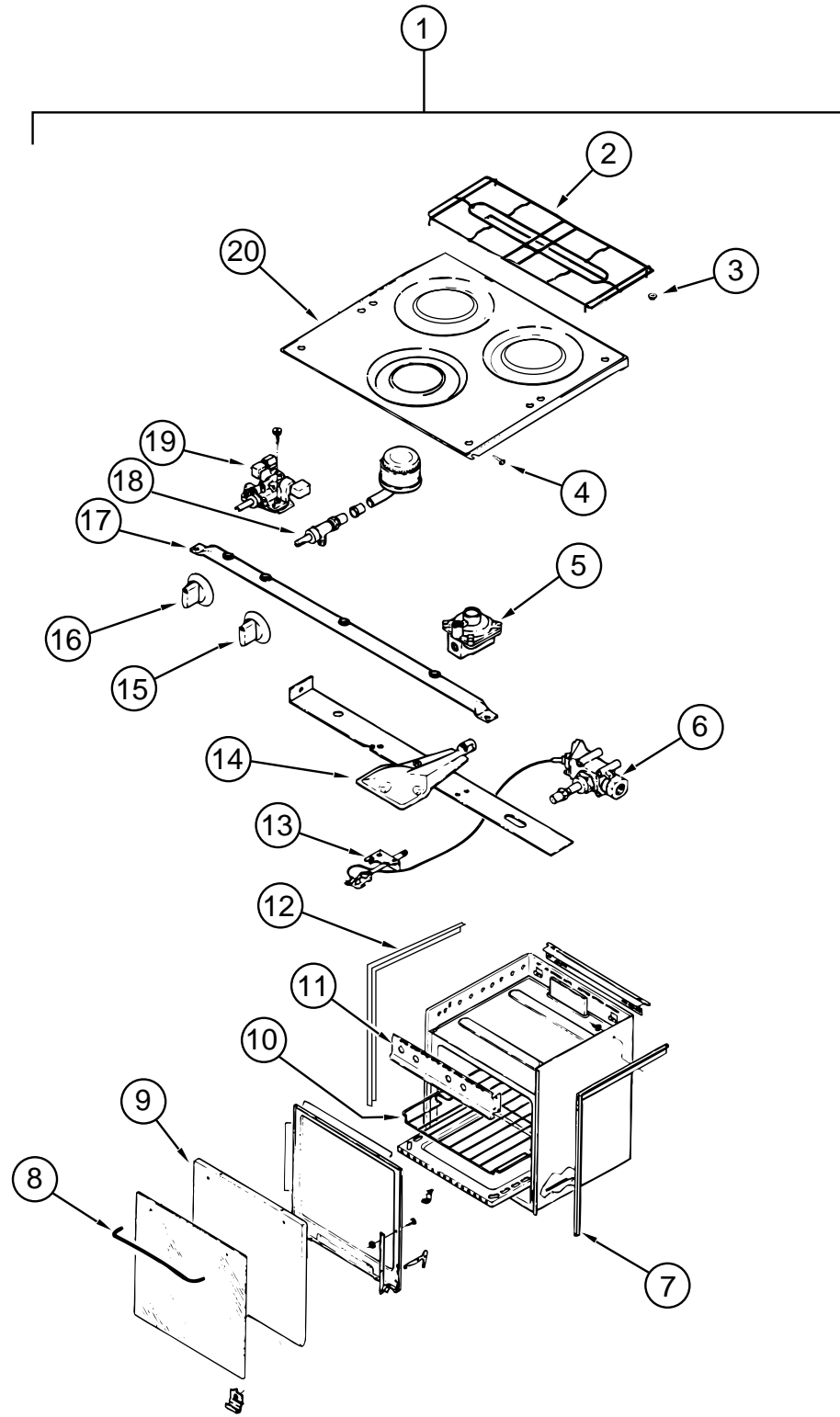
GALLEY GROUP (CONTINUED)



NORCOLD 633 RH REFRIGERATOR EYEBROW ASSEMBLY - JAPAN EXPORT

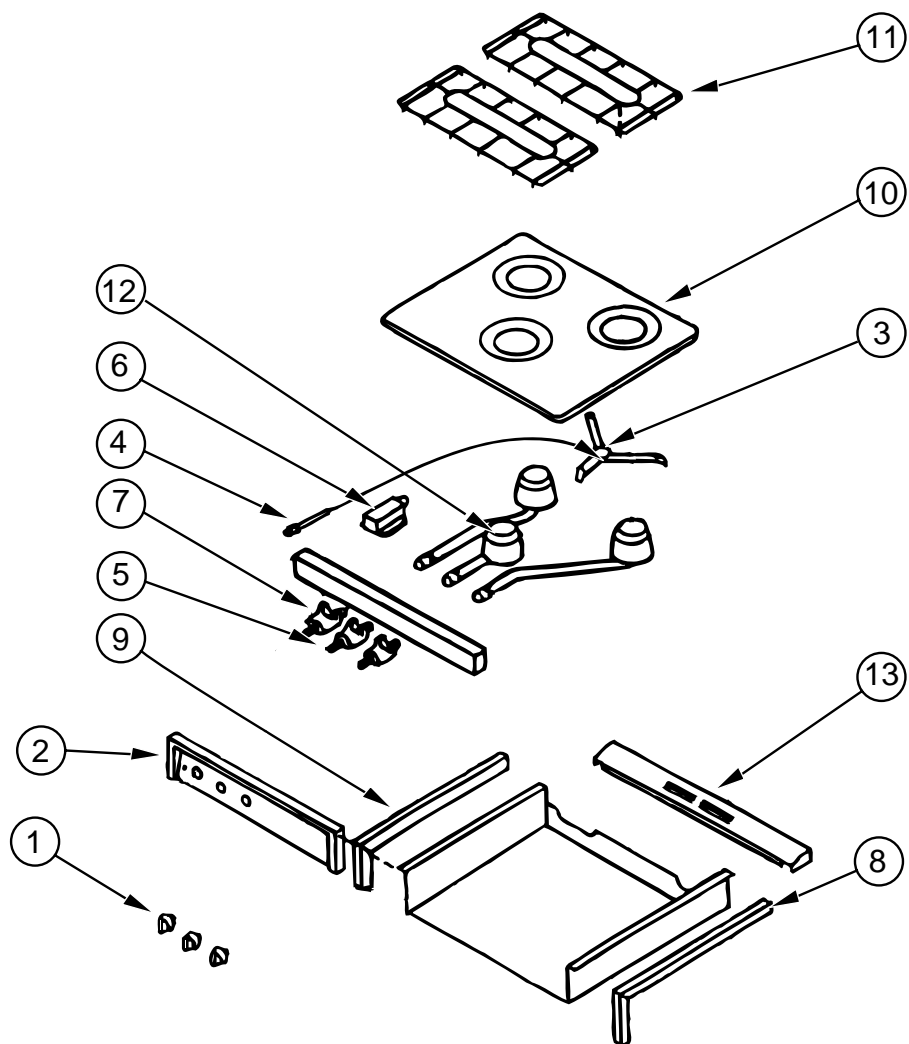
KEY	PART NUMBER	U/M	DESCRIPTION	VENDOR NO.
1	084880-01-753	EA	THERMISTER-78" W/O CLIP	61693822
	084880-01-760	EA	CLIP-THERMISTER	61689122
2	094039-01-700	EA	PC BOARD-3-WAY	61647522
3	084880-01-746	EA	CABLE-PC BD TO POWER SUPPLY	61571522
4	102621-01-703	EA	BUTTON-THERMOSTAT, ADJUSTABLE	61587422
5	094039-01-701	EA	EYEBROW-SHELL, 3-WAY - BLACK - PLASTIC	61669922
6	075217-01-738	EA	SWITCH-HUMIDITY	61525922

GALLEY GROUP (CONTINUED)
RANGE - 3 BURNER W/OVEN - MAGIC CHEF - MODEL 16RA-3B49



KEY	PART NUMBER	U/M	DESCRIPTION	VENDOR NO.
1	112881-01-03A	EA	RANGE - 16", 3 BURNER - ALMOND DOOR	
2	102020-01-711	EA	GRATE-TOP	7518P012-60
3	102020-01-709	EA	BUMPER-GRATE	8007P018-60
4	102020-01-724	EA	BUMPER-MAIN TOP	8003P008-60
5	102022-01-708	EA	REGULATOR-PRESSURE, 1/4 IN - 1/2 OUT	7510P041-60
6	112881-01-702	EA	VALVE-MERCURY, SAFETY VALVE	7501-P121-60
7	112881-01-708	EA	TRIM-FLAT, RIGHT - BLACK	3608W036-70
8	102020-01-701	EA	HANDLE-DOOR	7701P092-60
9	112881-01-713	EA	DOOR-OVEN, TEXTURED	2401F126-70
	055282-04-700	EA	PANEL-OVEN DOOR, ALMOND	50-26577-2A
10	102020-01-700	EA	SHELF-OVEN	7801-P027-60
11	112881-01-701	EA	PANEL-MANIFOLD	2616F091-70
12	112881-01-707	EA	TRIM-FLAT, LEFT - BLACK	3608W035-70
13	112881-01-710	EA	PILOT-OVEN	7505P202-60
14	112881-01-711	EA	BURNER-OVEN	3404W025045
15	112881-01-705	EA	KNOB-TOP BURNER	7733P072-60
16	112881-01-704	EA	KNOB-THERMOSTAT	7731P067-60
16	112881-01-716	EA	KNOB-THERMOSTAT	7731P107-60
17	112881-01-709	EA	PIPE-MANIFOLD	7513P097-60
18	102020-01-722	EA	VALVE-TOP BURNER	7502P095-60
18	112881-01-703	EA	VALVE-TOP BURNER, HI-OUTPUT	7502P180-60
19	112881-01-706	EA	THERMOSTAT	12400026
19	112881-01-715	EA	THERMOSTAT	7515P037-60
20	112881-01-700	EA	TOP-MAIN, ALMOND	2001F110-84
	105458-03-000	EA	BRACKET-TIEDOWN, STOVE - RIGHT	
	105458-04-000	EA	BRACKET-TIEDOWN, STOVE - LEFT	

GALLEY GROUP (CONTINUED)
3 BURNER RANGE - ATWOOD - MODEL C-36 - JAPAN EXPORT



KEY	PART NUMBER	U/M	DESCRIPTION	VENDOR NO.
	106689-01-01A	EA	TOP-RANGE, 3 BURNER - BLACK - ATWOOD 53764	
1	101593-01-703	EA	KNOB-BURNER, WEDGEWOOD	53000
2	106689-01-700	EA	COVER-MANIFOLD, 3 BURNER	53074
3	106689-01-701	EA	SPARK-IGNITOR, HIGH OUTPUT	53078
4	106689-01-702	EA	PIEZO-PUSH BUTTON	52279
5	106689-01-703	EA	VALVE-HIGH OUTPUT	53047
6	106689-01-704	EA	REGULATOR-W/EXTREME PRESSURE	52154
7	106689-01-705	EA	VALVE-BURNER	52123
8	106689-01-706	EA	TRIM-RIGHT HAND TOP & SIDE - BLACK	53020
9	106689-01-707	EA	TRIM-LEFT HAND TOP & SIDE - BLACK	53019
10	107246-01-700	EA	RANGE TOP - 3 BURNER, BLACK	53083

GENERATOR GROUP
4.0 KW MICROLITE GENERATOR - US & CANADIAN

KEY	PART NUMBER	U/M	DESCRIPTION
	109982-03-000	EA	GENERATOR - 4.0 MICROLITE ONAN KY-FA/26100 B
	007067-01-000	SF	INSULATION-FIBERGLASS, 1" THICK X 4' - INCREMENTS OF 4 SF
	105958-10-000	EA	PIPE-EXHAUST, GENERATOR
	007125-03-000	EA	CLAMP-MUFFLER, 1.5" DIAMETER
	007125-04-000	EA	CLAMP-MUFFLER, 1.1" DIAMETER
	007161-01-000	EA	CLAMP-HOSE, SPRING TYPE - 112

4.0 KW MICROLITE GENERATOR - JAPAN OPTION

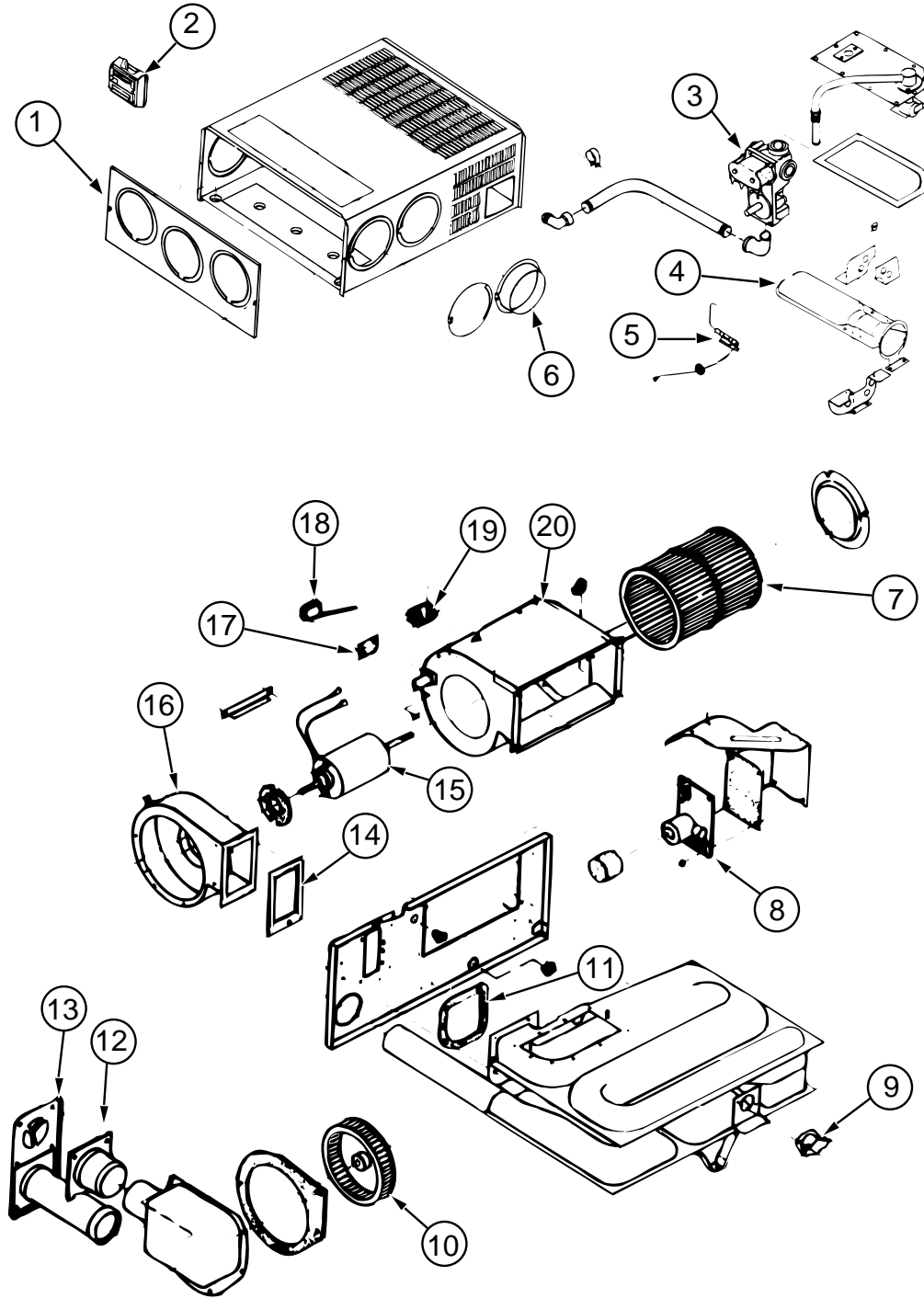
KEY	PART NUMBER	U/M	DESCRIPTION
	109982-06-000	EA	GENERATOR - 4.0 MICROLITE
	007067-01-000	SF	INSULATION-FIBERGLASS, 1" THICK X 4' - INCREMENTS OF 4 SF
	115716-02-000	EA	PIPE-EXHAUST, GENERATOR
	007125-03-000	EA	CLAMP-MUFFLER, 1.5" DIAMETER
	007125-04-000	EA	CLAMP-MUFFLER, 1.1" DIAMETER
	007161-01-000	EA	CLAMP-HOSE, SPRING TYPE 112

3.3 KW MICROLITE GENERATOR - LP EXPORT

KEY	PART NUMBER	U/M	DESCRIPTION
	109982-05-000	EA	GENERATOR - 3.3 MICROLITE, ONAN KY-FR/26119 B
	007125-04-000	EA	CLAMP-MUFFLER, 1.1" DIAMETER
	105958-10-000	EA	PIPE-EXHAUST, GENERATOR
	007067-01-000	SF	INSULATION-FIBERGLASS, 1" THICK X 4' - INCREMENTS OF 4 SF

HEATING & AIR CONDITIONING GROUP

FURNACE - 25,000 BTU - SUBURBAN - MODEL SF-25



KEY	PART NUMBER	U/M	DESCRIPTION	VENDOR NO.
	098668-19-000	EA	FURNACE - 25,000 BTU SF-25 2272	
1	098668-01-700	EA	CABINET FRONT	101242
2	115764-01-01A	EA	THERMOSTAT-FURNACE 160902	
3	098668-01-714	EA	VALVE-GAS	161070
4	098668-01-703	EA	BURNER ASSEMBLY-COMplete	010762
5	098668-01-715	EA	ELECTRODE ASSEMBLY-SINGLE PROBE	232166
6	075696-02-703	EA	COLLAR-DUCT	050715
7	098668-01-711	EA	WHEEL-ROOM AIR	350123
8	069634-01-706	EA	BOARD-MODULE, NT45 ONLY	520612
			FROM: 00-00-00 THRU: 12-15-95	
8	098668-01-712	EA	BOARD-MODULE	520741
			FROM: 12-16-95 THRU: 99-99-99	
9	098668-21-701	EA	SWITCH-LIMIT	231799
10	098668-01-706	EA	WHEEL-COMBUSTION AIR	350122
11	098668-01-716	EA	GASKET-FIREWALL, CHAMBER SIDE	070808
12	098668-01-713	EA	TUBE ASSEMBLY-INTAKE VENT	051248
13	098668-01-707	EA	VENT CAP & EXHAUST TUBE ASSEMBLY	260193
14	098668-01-717	EA	GASKET-FIREWALL, BLOWER SIDE	070809
15	098668-01-709	EA	MOTOR ASSEMBLY	231706
16	098668-01-708	EA	BLOWER ASSEMBLY-COMBUSTION AIR	390441
17	101990-01-714	EA	GASKET-MICROSWITCH	230877
18	098668-21-700	EA	MICROSWITCH-W/O FLAG, 3 1/4"	232261
19	074466-01-702	EA	RELAY-TIME DELAY	230625
20	098668-01-710	EA	BLOWER ASSEMBLY-ROOM AIR	390440
	090039-01-703	EA	ORIFICE-MAIN BURNER	180193
	098668-23-000	EA	DOOR-ACCESS, FURNACE - BRIGHT WHITE 520574	

FURNACE - 30,000 BTU SUBURBAN - MODEL SF-30 - JAPAN EXPORT

KEY	PART NUMBER	U/M	DESCRIPTION	VENDOR NO.
	098668-20-000	EA	FURNACE - 30,000 BTU SF-30 2273	
1	098668-01-700	EA	CABINET FRONT	101242
2	115764-01-01A	EA	THERMOSTAT-FURNACE, SUBURBAN 160902	
	081087-01-000	EA	LIGHT-INDICATOR, THERMOSTAT - LVS 1436	
	117806-01-000	EA	BULB - 12V, 1.0 AMPS NO.912	
3	098668-01-714	EA	VALVE-GAS	161070
4	098668-02-700	EA	BURNER ASSEMBLY-COMplete, SUBURBAN	010745
5	098668-01-715	EA	ELECTRODE ASSEMBLY-SINGLE PROBE	232166
6	075696-02-703	EA	COLLAR-DUCT, SUBURBAN	050715
7	098668-01-711	EA	WHEEL-ROOM AIR - SUBURBAN	350123
8	069634-01-706	EA	BOARD-MODULE, NT45 ONLY	520612
			FROM: 00-00-00 THRU: 12-15-95	
8	098668-01-712	EA	BOARD-MODULE	520741
			FROM: 12-16-95 THRU: 99-99-99	
9	098668-21-701	EA	SWITCH-LIMIT	231799
10	098668-01-706	EA	WHEEL-COMBUSTION AIR, SUBURBAN	350122
11	098668-01-716	EA	GASKET-FIREWALL, CHAMBER SIDE	070808
12	098668-01-713	EA	TUBE ASM-INTAKE VENT	051248
13	098668-01-707	EA	VENT CAP & EXHAUST TUBE ASSEMBLY	260193
14	098668-01-717	EA	GASKET FIREWALL-BLOWER SIDE	070809
15	098668-01-709	EA	MOTOR ASSEMBLY, SUBURBAN	231706
16	098668-01-708	EA	BLOWER ASSEMBLY-COMBUSTION AIR	390441
17	101990-01-714	EA	GASKET-MICROSWITCH, SUBURBAN	230877
18	098668-21-700	EA	MICROSWITCH-W/O FLAG, 3 1/4"	232261
19	074466-01-702	EA	RELAY-TIME DELAY, SUBURBAN	230625
20	098668-01-710	EA	BLOWER ASSEMBLY-ROOM AIR, SUBURBAN	390440
	092300-02-701	EA	ORIFICE-MAIN BURNER, SUBURBAN	180214
	098668-23-000	EA	DOOR-ACCESS, FURNACE - BRIGHT WHITE 520574	
	093614-01-02A	EA	GRILLE-RETURN AIR, FURNACE - BEIGE	
	056464-10-000	EA	REGISTER-PLASTIC, W/O DAMPER - 4" DIAMETER	
	009198-01-000	FT	DUCT-HEAT, FLEXIBLE - 4" ID X 25 FT	
	009200-01-000	EA	TAPE-FURNACE, 1 1/2"	
	069636-02-000	EA	CONNECTOR-DUCT, 4" ID - SUBURBAN 050715	

HEATING & AIR CONDITIONING GROUP (CONTINUED)

ROOF AIR CONDITIONER - COLEMAN - MODEL TSR-HO

KEY	PART NUMBER	U/M DESCRIPTION	VENDOR NO.
1	108889-01-05A	EA A/C-ROOF, 13,500 - BRIGHT WHITE 7333A886	
2	093763-01-712	EA FAN BLADE-CONDENSER, COLEMAN	6733-3221
3	105620-01-706	EA FOOT PACKAGE-COMPRESSOR, 3 PER PKG	6759-3081
4	108889-01-705	EA MOTOR - 115, 60HZ	1468-3049
5	108889-01-706	EA IMPELLOR	1472-1041
6	093763-01-704	EA CAPACITOR-FAN, COLEMAN	1499-3461
	108889-01-710	EA FILLER PAD-CONDITIONER AIR SEAL	6759A3971
7	108889-01-711	EA GASKET PACKAGE	6792-3301
8	108889-01-715	EA SEAL KIT-MOTOR MOUNT & SHAFT	6792-3361
9	108889-05-700	EA SHROUD-LESS LOGO, BRIGHT WHITE	7333-4601
10	108889-01-703	EA CONDENSER COIL	1452A1301
11	105620-01-704	EA COMPRESSOR-RH & LH - COLEMAN	1450-2009
12	108889-01-707	EA RUN CAPACITOR-COMPRESSOR, 25MFD/370	1499-5661
	091225-01-709	EA START RELAY, COLEMAN	1497-4131
13	108889-01-709	EA EVAPORATOR COIL	1452A1311
	102289-01-000	EA SPRING-SCREW, ROOF A/C GASKET - COLEMAN	6757-150
	093306-01-701	EA DECAL PACKAGE, LEFT & RIGHT - COLEMAN	6798B3591
	108889-01-704	EA OVERLOAD-MRA #98693	6749-3541
	108889-01-712	EA SUCTION LINE REDUCER - 3/8" X 1/2"	1215-2161
	108889-01-713	EA SUCTION LINE - 3/8" OD X .032" WALL	6792-130
	108889-01-714	EA DISCHARGE LINE ASSEMBLY	6792-531

ROOF AIR CONDITIONER - COLEMAN - MODEL TSR 220 - EUROPEAN

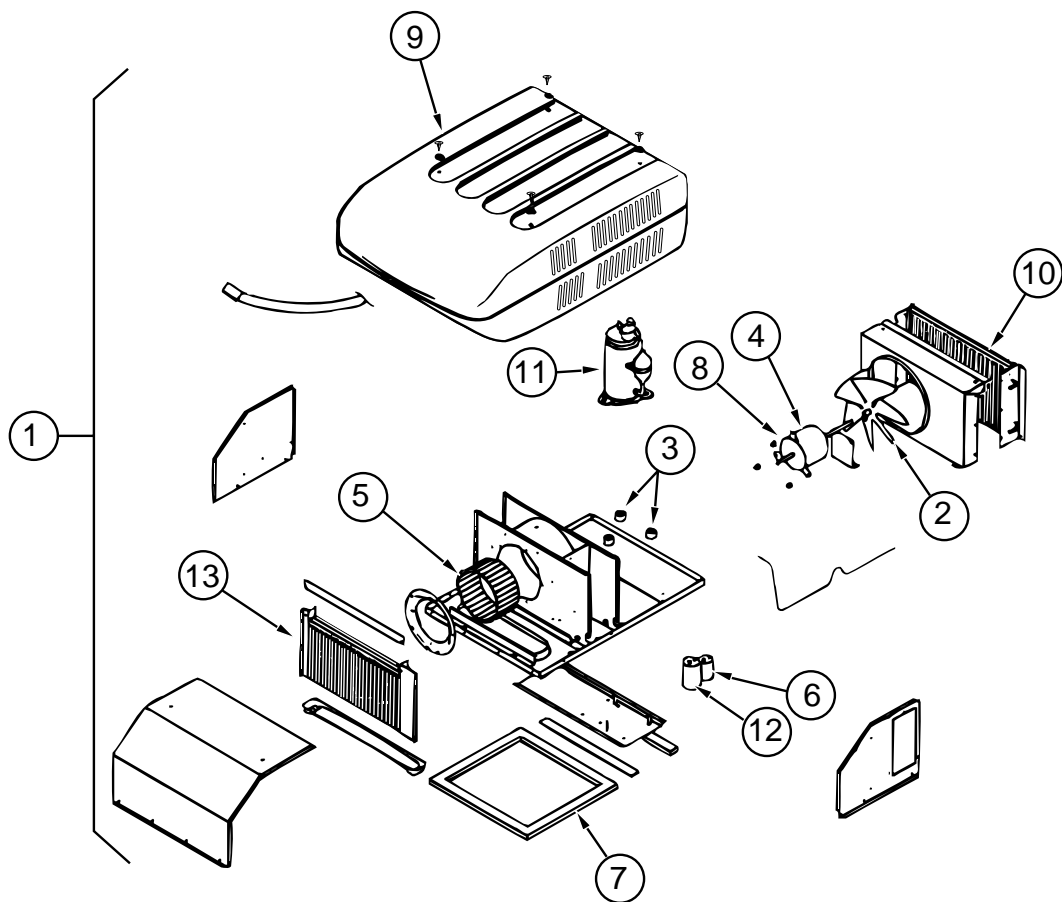
KEY	PART NUMBER	U/M DESCRIPTION
	108889-02-03A	EA A/C-ROOF, 13,500 - BRIGHT WHITE 7373A891

CEILING AIR CONDITIONER - COLEMAN

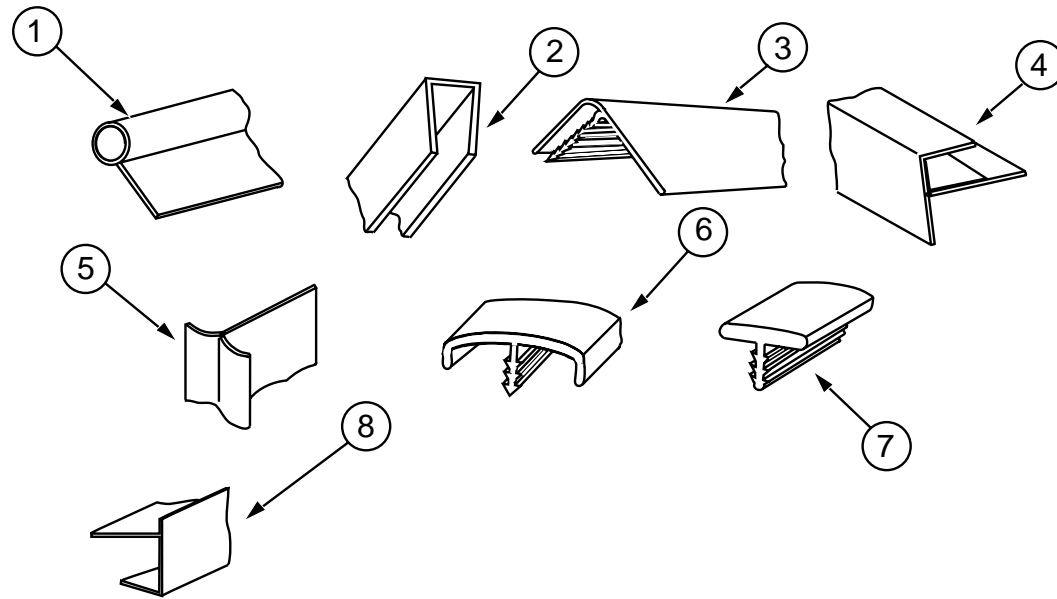
KEY	PART NUMBER	U/M DESCRIPTION	VENDOR NO.
	108891-01-01A	EA CEILING ASM-A/C COOL TSR HO - COLEMAN 7330-714 IV	
	042204-01-709	EA THERMOSTAT-IN 64 OUT 58	6701-3401
	073742-01-701	EA SWITCH-SELECTOR, 5 TERMINAL	6759-3251
	073742-01-702	EA DECAL-COOL	6759C3431
	081606-01-712	EA SHROUD-CEILING, IVORY	6769-5061
	091225-01-713	EA KNOB	6701-3351
	091225-01-717	EA DECAL-THERMOSTAT, COOL ONLY	6799A3441
	093766-02-701	EA DECAL-LEFT	6799-3971
	108891-01-700	EA PARTS PACKAGE - SINGLE KNOBS & NUTS	6792-5991
	108891-01-701	EA CLIP-RETAINER, FILTERS - 6 PER	6799-3141
	022756-03-000	EA COVER-A/C PLASTIC, OFF WHITE	
	022756-02-000	EA COVER-PROTECTIVE, 5.5" ENDS X 8.2" - PLASTIC - OFF WHITE	
	084077-03-000	EA COVER-BLANK, ROOF A/C - 5.2" X 3.5" - IVORY	

REAR HEATER - EVANS - JAPAN EXPORT

KEY	PART NUMBER	U/M DESCRIPTION	VENDOR NO.
	084405-01-000	EA HEATER ASSEMBLY-REAR, DUCTED - W/MOTOR AID	
	084405-01-700	EA HEATER CORE-EVANS	FT200229
	084405-01-701	EA FAN BLADES-EVANS	HV029931
	084405-01-702	EA MOTOR ASSEMBLY - 12 V, EVANS	200146
	087202-01-000	EA SWITCH - 4 POSITION, W/KNOB 083-0068 SCS	
	007108-01-000	FT HOSE-HEATER, 5/8" ID - HI-TEMP ESE-M2D192-A	
	088753-01-000	FT TUBE-GALVANIZED STEEL, 5/8" - 18 GAUGE	
	079059-01-000	EA HOSE - 90 DEGREE, 5/8" ID X 4" X 36"	
	079059-13-000	EA HOSE - 90 DEGREE, .61" ID X 4" X 48"	



INTERIOR FINISH GROUP



MOLDINGS & TRIMS

KEY	PART NUMBER	U/M	DESCRIPTION
1	009767-12-000	FT	MOLDING-SIDEWALL TO CEILING/CABINET - WELTING - OFF WHITE
2	009778-21-000	FT	U-CHANNEL - 1", WATERFORD OAK
3	009809-23-000	EA	MOLDING-CORNER, OUTSIDE - 1" - PLASTIC - IVORY
3	009809-28-000	EA	MOLDING-CORNER, OUTSIDE - 1" - WATERFORD OAK
3	070504-36-000	FT	EXTRUSION-U CHANNEL, 1.65 - WATERFORD OAK
3	070504-37-000	FT	EXTRUSION-U-CHANNEL, 20.70 - WATERFORD OAK
4	009812-29-000	EA	MOLDING-CORNER, OUTSIDE - 1/2" - WATERFORD OAK
5	022992-11-000	FT	MOLDING-REVERSE COVE, T-SHAPED - VINYL - IVORY
6	083620-07-000	FT	MOLDING-T, END CAP EDGE - W/EDGE LIPS - .75" - THOR PECAN
6	083620-09-000	FT	MOLDING-T, 3/4 - W/EDGE LIPS - MODERN IVORY
6	083620-12-000	FT	MOLDING-T, 3/4 - W/EDGE LIPS - WATERFORD OAK
6	104676-02-04A	FT	MOLDING-T, 1/2" X 10' - WATERFORD OAK
6	104676-02-01A	FT	MOLDING-T, 1/2" X 7'
6	105709-01-000	FT	MOLDING-T, 1", MODERN IVORY
7	104676-01-01A	FT	MOLDING-T, 5/16" RIGID - GOLD
8	103186-01-05A	FT	MOLDING-PLASTIC, SHELF - 19.9 MM - WATERFORD OAK
	117268-D2-134	EA	MOLDING-VINYL WRAPPED, 018 X 040 X 2134 MM - WATERFORD OAK
	117268-F2-134	EA	MOLDING-VINYL WRAPPED, 018 X 065 X 2134 MM - WATERFORD OAK
	119520-01-01A	FT	MOLDING-T, 1" - W/EDGE LIPS
	009767-15-000	FT	WELTING-WATERFORD OAK
	076325-37-000	FT	MOLDING-EDGEBAND, 1 5/16 - ORCHID MIST
	076325-47-000	FT	MOLDING-EDGEBAND, 1 5/16 - SAND (G01)
	076325-65-000	FT	MOLDING-EDGEBAND, 1 5/16 - PEPPERMINT (G02)
	076325-44-000	FT	MOLDING-EDGEBAND, .875 - SAND (G01)
	076325-66-000	FT	MOLDING-EDGEBAND, .875 - PEPPERMINT (G02)
	076325-68-000	FT	MOLDING-EDGEBAND, WATERFORD - 1 5/16 X .038
	077840-01-G01	EA	MOLDING-WALL CAP, 2438
	100659-01-G09	EA	MOLDING-TRIM, VINYL FLOOR
	075249-01-000	EA	RAILING-OAK, 72" EA - UNFINISHED
	112198-02-000	FT	MOLDING-J, #90066 - CRILA PLASTICS

**INTERIOR FINISH GROUP (CONTINUED)
BATT STRIPS**

KEY	PART NUMBER	U/M	DESCRIPTION
	088263-C3-000	EA	BATT-STRIP, MAIN - PEBBLE (G01)
	088263-B3-000	EA	BATT-STRIP, MAIN - MEADOW (G02)
	088263-D6-000	EA	BATT-STRIP, CEILING - IMPACT PEARL
	088263-78-000	FT	BATT STRIP-SHOWER, ANTIQUE WHITE
	069733-83-000	EA	BATT-STRIP, WATERFORD OAK
	085284-B5-000	FT	TAPE-BATT STRIP, WATERFORD OAK
	085284-B6-000	FT	TAPE-BATT STRIP, MAIN - PEBBLE (G01)
	085284-A4-000	FT	TAPE-BATT STRIP, MAIN - MEADOW (G02)
	085284-C9-000	FT	TAPE-BATT STRIP, CEILING - IMPACT PEARL
	085284-76-000	FT	TAPE-BATT STRIP, SHOWER - ANTIQUE WHITE
	086229-13-000	EA	BATTEN-CEILING, 1" - MODERN IVORY
	086229-01-000	EA	RETAINER-BATTEN, CEILING - .75" WIDE X 7.6'

PANELING, LAMINATES & PLASTIC

KEY	PART NUMBER	U/M	DESCRIPTION
	074497-34-000	SF	PANELING-CEILING, 3MM X 48" X 8" - IMPACT PEARL
	074497-28-000	SF	PANELING - 48" X 96", WATERFORD OAK
	080215-10-000	SF	PANELING - 2 SIDED, 5MM X 48" X 96" - WATERFORD OAK
	088272-E4-000	SF	PANELING-MAIN, PEBBLE (G01)
	088272-D6-000	SF	PANELING-MAIN, MEADOW (G02)
	088272-98-000	SF	PANELING-SHOWER, OFF WHITE - 4' X 7'
	074498-54-000	SF	LAMINATE-PLASTIC, SAND (G01)
	074498-73-000	SF	LAMINATE-PLASTIC, PEPPERMINT (G02)
	074498-77-000	SF	LAMINATE-PLASTIC, CABIN OAK
	074498-67-000	SF	LAMINATE-PLASTIC, ORCHID MIST
	093743-02-01A	SF	PLASTIC-ABS, 20" WIDE ROLL - OFF WHITE
	000885-76-000	SF	PARTICLE BOARD-VINYL 1 SIDE, 3/8" X 48" X 96" - WATERFORD OAK
	000885-77-000	SF	PARTICLE BOARD-VINYL 2 SIDES, 3/8" X 48" X 96" - WATERFORD OAK
	000885-78-000	SF	PARTICLE BOARD-VINYL 2 SIDES, 1/2" X 48" X 96" - WATERFORD OAK
	000885-79-000	SF	PARTICLE BOARD-VINYL 2 SIDES, 3/4" X 48" X 96" - WATERFORD OAK

CARPETING & FLOOR MATS

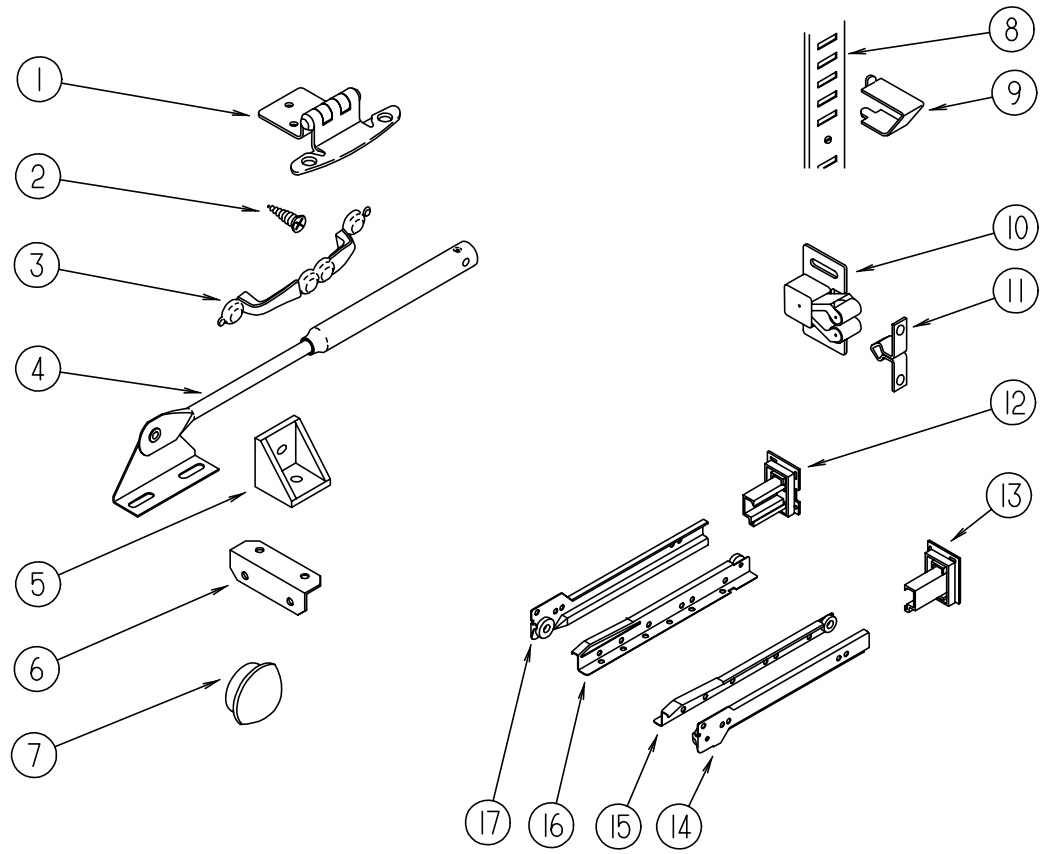
KEY	PART NUMBER	U/M	DESCRIPTION
	096060-95-000	SY	CARPET-JUBILATION, DOESKIN (G01)
	096060-A2-000	SY	CARPET-JUBILATION, NEW MEADOW (G02)
	093486-01-000	SY	CARPET-COMPARTMENT, 54" WIDE - DARK GRAY
	047034-06-000	SF	POLY-CLEAR, .010 X 2FT ROLL
	083218-01-000	EA	MAT-FLOOR, PASSENGER - W/"W" LOGO - CHEVY
	083218-02-000	EA	MAT-FLOOR, DRIVER - W/"W" LOGO - CHEVY
	106884-01-000	EA	MAT-FLOOR, PASSENGER - W/"W" LOGO - FORD
	106884-02-000	EA	MAT-FLOOR, DRIVER - W/"W" LOGO - FORD
	044860-01-000	EA	MAT-STEPWELL, LH - RUBBER - BLACK - CHEVY
	044860-02-000	EA	MAT-STEPWELL, RH - RUBBER - BLACK - CHEVY

FIRE EXTINGUISHER, CLOCK & DETECTORS

KEY	PART NUMBER	U/M	DESCRIPTION
	072852-02-000	EA	DETECTOR-SMOKE, W/9 VOLT BATTERY - CANADIAN
	094499-02-000	EA	EXTINGUISHER-FIRE, DRY - 1A10BC - CANADIAN
	094499-01-700	EA	BRACKET-MOUNTING, W/PLASTIC STRAP - FIRE EXTINGUISHER
	072852-01-000	EA	DETECTOR-SMOKE, W/9 VOLT BATTERY - US
	094499-01-000	EA	EXTINGUISHER-FIRE, DRY W/MOUNTING BRACKET - 10 BC
	094499-01-700	EA	BRACKET-MOUNTING, W/PLASTIC STRAP - FIRE EXTINGUISHER
	112320-01-000	EA	DETECTOR-CO GAS, MODEL 9B-I - COSTAR 940000000 FROM: 00-00-00 THRU: 09-03-95
	112320-03-000	EA	DETECTOR-CO GAS MODEL 9D-I COSTAR 946000001 FROM: 09-04-95 THRU: 99-99-99
	112320-02-000	EA	BATTERY/SENSOR-CO GAS, COSTAR 940001000 FROM: 00-00-00 THRU: 09-03-95
	112320-04-000	EA	BATTERY/SENSOR-CO GAS, COSTAR 946001001 FROM: 09-04-95 THRU: 99-99-99

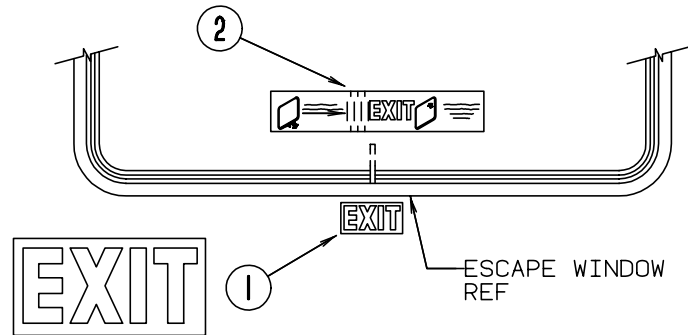
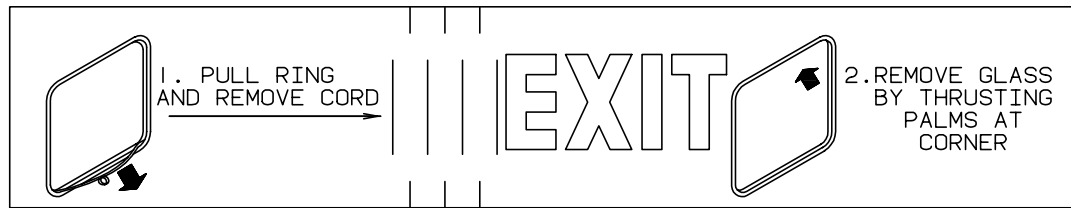
INTERIOR FINISH GROUP (CONTINUED)
CABINET HARDWARE

KEY	PART NUMBER	U/M	DESCRIPTION
	009065-01-000	EA	HINGE-CONTINUOUS, 1 1/2" X 96" - UNPAINTED
	076790-01-000	EA	SCREW - 6-20 X 1 1/4 PPH - BLACK
	004354-01-000	EA	BUMPER-RUBBER, .5" DIAMETER - BROWN
	069726-02-000	EA	BUMPER - .88" DIAMETER X .40" - BLACK
	023320-01-000	EA	PAD-FELT, 3/8" DIAMETER - BROWN
	009112-01-000	EA	FLANGE - 1" CLOTHES ROD - PLASTIC - OFF WHITE
	000G13-06-10G	EA	SCREW - 6-20 X 5/8 PFH - ANTIQUE BRASS
	103256-01-000	EA	LATCH-SLIDE
	113374-01-01A	EA	LATCH-MEDICINE CABINET, JENSEN RP1096B
	047034-06-000	EA	POLY-CLEAR, ROLL SIZE - 2FT
	105037-01-000	EA	FASTENER-WOOD, CORNER - METAL - .5" X .5"
	042438-01-000	EA	DOWEL-WOOD, CLOTHES ROD - 1" DIAMETER X 4'
	042438-02-000	EA	DOWEL-WOOD, 2" X 2"
	008042-01-000	FT	TUBING-VINYL, .65" ID

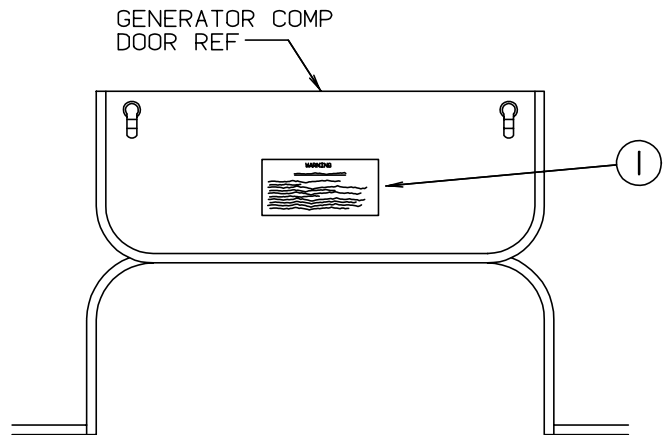


KEY	PART NUMBER	U/M	DESCRIPTION
1	108138-01-000	EA	HINGE-DOOR, CABINET - BURNISHED BRASS
2	000G13-06-08G	EA	SCREW - 6-20 X 5/8 PFH - ANTIQUE BRASS
3	112146-01-000	EA	PULL-CABINET, BRASS - AMEROCK D-1180-3
4	074493-02-000	EA	SUPPORT-PISTON SPRING, CABINET DOOR
5	065740-01-000	EA	BRACE-CABINET CORNER, PLASTIC
6	016604-01-000	EA	BRACE-CABINET, ANGLE - 2.5" - METAL - UNPAINTED
6	016604-03-000	EA	BRACE-CABINET, ANGLE - 2.5" - METAL - BEIGE
6	016604-05-000	EA	BRACE-CABINET, L ANGLE - 2.5" - METAL - OFF WHITE
7	042356-01-000	EA	PLUG-BUTTON, MAHOGANY - 3/8" DIAMETER - WOOD
7	074045-08-000	EA	PLUG-OAK, 1/2" DIA - SALEM CHERRY
8	098980-01-000	EA	PILASTER-ADJUSTABLE SHELF, 18" LONG - WOODGRAIN APPEARANCE
9	098979-01-000	EA	CLIP-ADJUSTABLE SHELF
10	093586-06-000	EA	CATCH-SPRING, ROLLER - FASTEC C411-AC
11	093586-05-000	EA	STRIKE-SPRING, STEEL - FASTEC S411-AC
12	114045-01-000	EA	BACKSOCKET-ADJUSTABLE, LEFT - HOUCK 751-1 N/A ORDER #114031-13-700 SLIDE DRAWER KIT
13	114045-02-000	EA	BACKSOCKET-ADJUSTABLE, RIGHT - HOUCK 751-2 N/A ORDER #114031-13-700 SLIDE DRAWER KIT
14	114031-14-000	EA	SLIDE-DRAWER, CABINET MOUNTED - RIGHT SIDE - 18" N/A ORDER #114031-13-700 SLIDE DRAWER KIT
15	114031-16-000	EA	SLIDE-DRAWER, DRAWER MOUNTED - RIGHT SIDE - 18" N/A ORDER #114031-13-700 SLIDE DRAWER KIT
16	114031-15-000	EA	SLIDE-DRAWER, DRAWER MOUNTED - LEFT SIDE - 18" N/A ORDER #114031-13-700 SLIDE DRAWER KIT
17	114031-13-000	EA	SLIDE-DRAWER, CABINET MOUNTED - LEFT SIDE - 18" N/A ORDER #114031-13-700 SLIDE DRAWER KIT

LABELS GROUP



KEY	PART NUMBER	U/M DESCRIPTION
1	039290-01-000	EA LABEL-WARNING-EXIT
2	107571-01-000	EA LABEL-EXIT-ESCAPE WINDOW



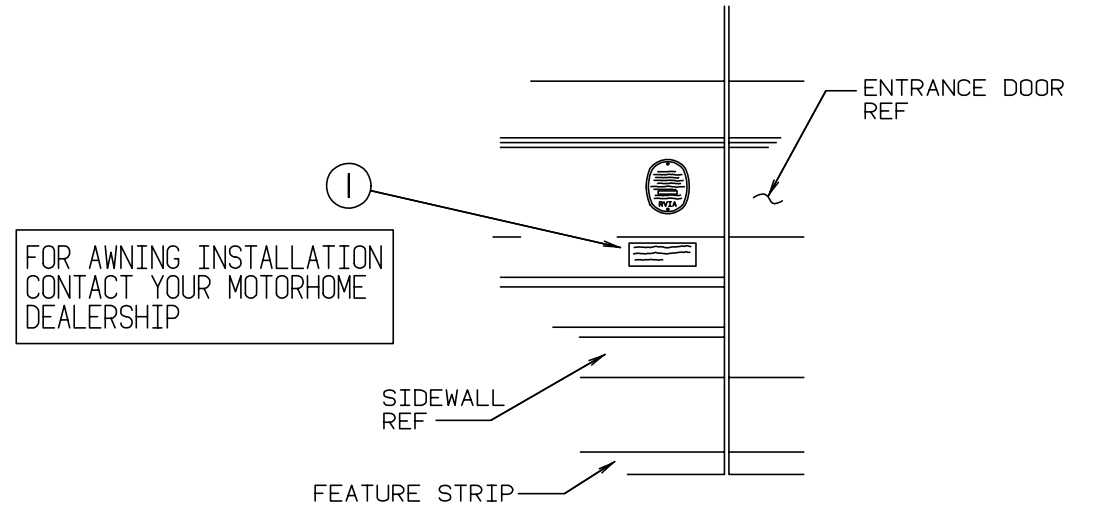
WARNING

WHEN ADDING A GENERATOR SET:

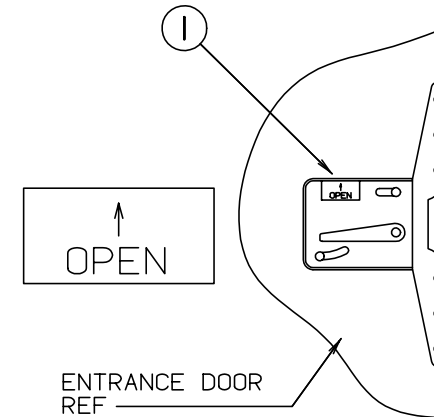
HIGH VOLTAGE-USE EXTREME CAUTION WHEN WORKING ON ELECTRICAL COMPONENTS.
 HAVE ALL ELECTRICAL INSTALLATION PERFORMED BY A QUALIFIED LICENSED ELECTRICIAN-FOLLOW ALL STATE AND LOCAL CODES.
 ONLY INSTALL GENERATOR SET APPROVED FOR R.V. APPLICATION. HAVE INSTALLED BY QUALIFIED TECHNICIAN.
 TO AVOID HEAT BUILD-UP AND TO GUARANTEE AN ADEQUATE AIR SUPPLY TO THE GENERATOR CARBURETOR, FOLLOW INSTALLATION INSTRUCTIONS.
 GENERATOR ENGINE EXHAUST GASES ARE TOXIC AND MUST NOT TERMINATE UNDER THE VEHICLE-DISCHARGE EXHAUST AWAY FROM VEHICLE.

KEY	PART NUMBER	U/M DESCRIPTION
1	077510-01-000	EA LABEL-GENERATOR PREP

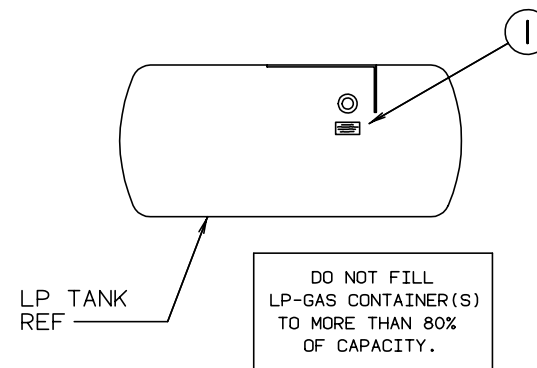
LABELS GROUP (CONTINUED)



KEY	PART NUMBER	U/M DESCRIPTION
1	099509-01-000	EA LABEL-AWNING INSTALLATION



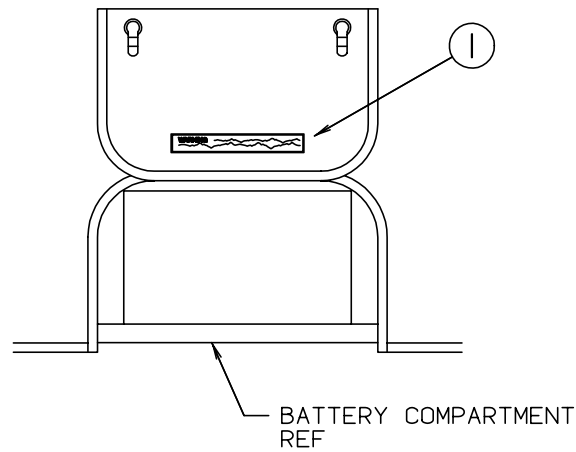
KEY	PART NUMBER	U/M DESCRIPTION
1	040944-01-000	EA LABEL-ENTRANCE DOOR - "OPEN"



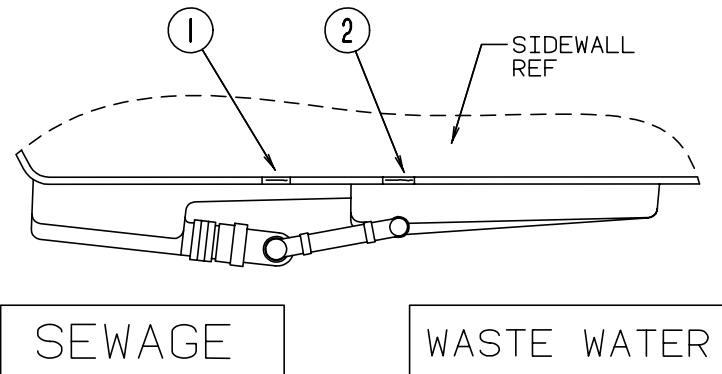
KEY	PART NUMBER	U/M DESCRIPTION
1	079965-01-000	EA LABEL-LPG, 80% CAPACITY

LABELS GROUP (CONTINUED)

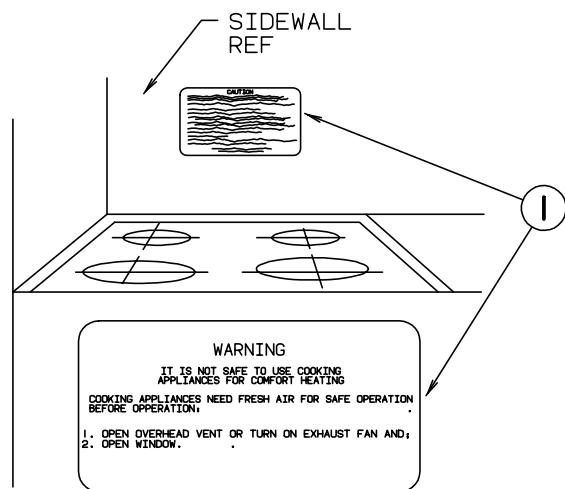
WARNING DISCONNECT BATTERIES BEFORE CONNECTING EXTERNAL CHARGING EQUIPMENT.



KEY	PART NUMBER	U/M DESCRIPTION
1	065748-01-000	EA LABEL-CAUTION-BATTERY CHARGING

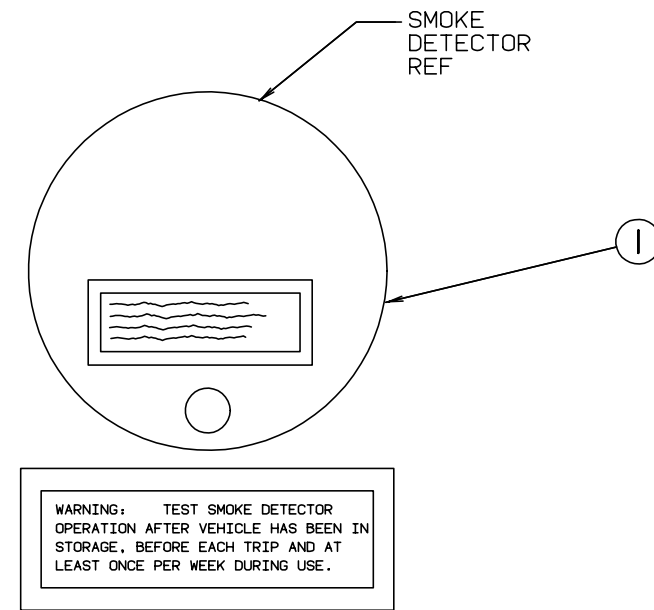


KEY	PART NUMBER	U/M DESCRIPTION
1	006187-01-000	EA LABEL-SEWAGE
2	006188-01-000	EA LABEL-WASTE WATER



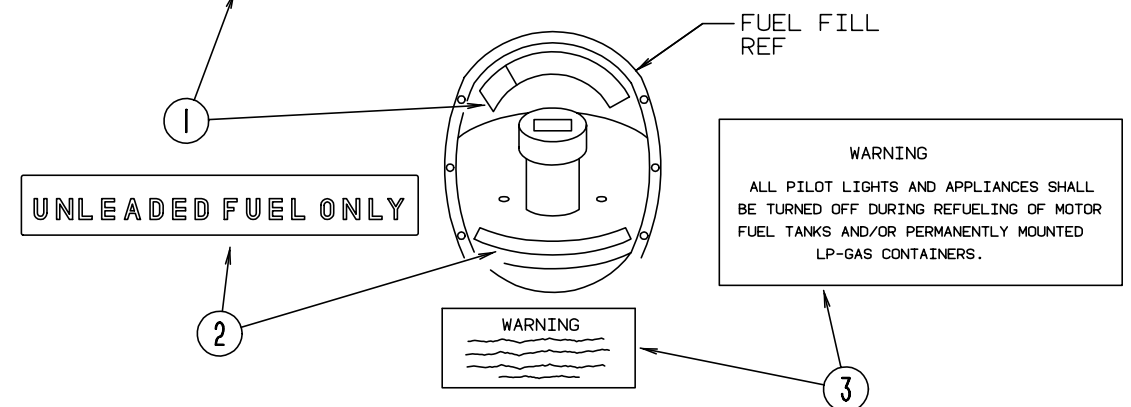
KEY	PART NUMBER	U/M DESCRIPTION
1	050225-01-000	EA LABEL-WARNING, STOVE VENT - US
1	050222-01-000	EA LABEL-WARNING, STOVE VENT - CANADIAN

LABELS GROUP (CONTINUED)



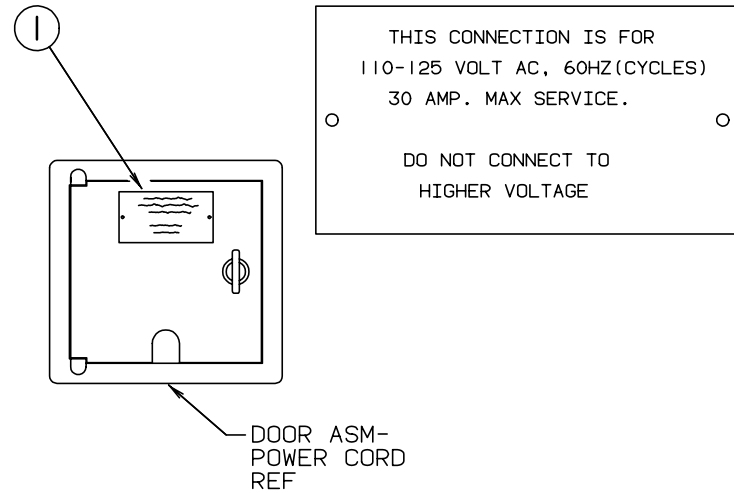
KEY	PART NUMBER	U/M DESCRIPTION
1	077956-01-000	EA LABEL-WARNING-SMOKE DETECTOR

CAUTION	TO HELP AVOID PERSONAL INJURY DURING REMOVAL OF FUEL FILLER CAP, SLOWLY LOOSEN CAP 1/2 TURN TO ALLOW ANY FUEL PRESSURE TO BE RELIEVED BEFORE TURNING CAP FURTHER.
FUEL SPRAY MAY CAUSE PERSONAL INJURY	STOP ADDING FUEL AFTER FIRST SHUTOFF BY AUTOMATIC NOZZLE WHEN TANK IS NEARLY FULL. DO NOT OVERFILL FUEL TANK. SEE OWNERS MANUAL FOR ADDITIONAL INFORMATION. PRINTED IN U.S.A. MLC PT NO 15611763

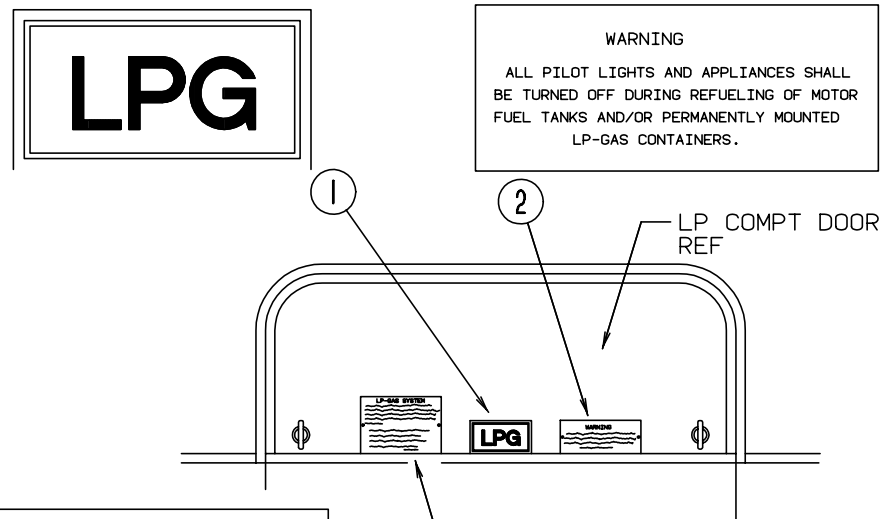


KEY	PART NUMBER	U/M DESCRIPTION
1	087207-05-000	EA LABEL - FUEL CAP REMOVAL
2	062043-01-000	EA LABEL - FUEL - UNLEADED
3	006040-01-000	EA TAG - GAS REFUELING WARNING
3	006040-02-000	EA TAG - GAS REFUELING WARNING (CANADIAN)

LABELS GROUP (CONTINUED)



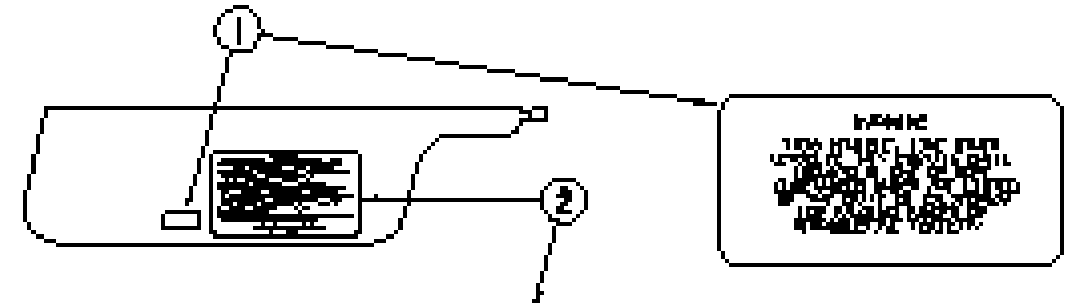
KEY	PART NUMBER	U/M	DESCRIPTION
1	006062-01-000	EA	TAG-ELECTRIC-110V CONNECTION



LP-GAS SYSTEM
 THIS GAS PIPING SYSTEM IS DESIGNED FOR USE OF LIQUEFIED PETROLEUM GAS ONLY. DO NOT CONNECT NATURAL GAS TO THIS SYSTEM.
 SECURELY CAP INLET(S) WHEN NOT CONNECTED FOR USE. AFTER TURNING ON GAS, EXCEPT AFTER NORMAL CONTAINER REPLACEMENT, TEST GAS PIPING AND CONNECTIONS TO APPLIANCE FOR LEAKAGE WITH SOAPY WATER OR BUBBLE SOLUTION. DO NOT USE PRODUCTS THAT CONTAIN AMMONIA OR CHLORINE.
 P.N. 54531

KEY	PART NUMBER	U/M	DESCRIPTION
1	074559-01-000	EA	DECAL-LOGO, LPG - RED - CALIF. CODE
2	006040-01-000	EA	TAG-GAS REFUELING WARNING
2	006040-02-000	EA	TAG-GAS REFUELING WARNING - CANADIAN
3	054531-01-000	EA	LABEL-LP GAS ONLY
3	023769-01-000	EA	LABEL-WARNING, LPG - CANADIAN

LABELS GROUP (CONTINUED)



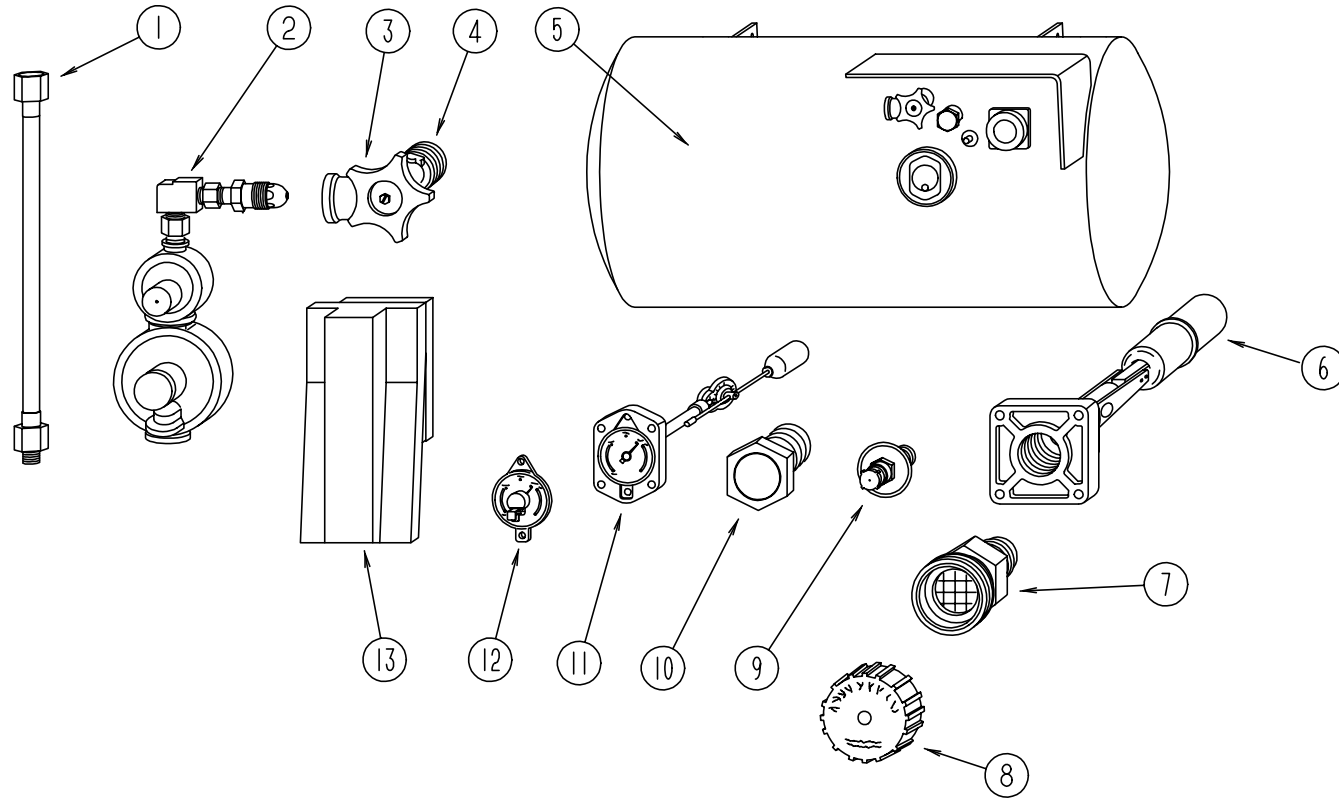
CAUTION
 THIS LABEL IS FOR USE ON ALL VEHICLES EQUIPPED WITH LP-GAS SYSTEMS. IT IS A WARNING LABEL AND IS NOT TO BE USED ON OTHER TYPES OF VEHICLES.
 1. LP-GAS SYSTEM: THIS LABEL IS FOR USE ON ALL VEHICLES EQUIPPED WITH LP-GAS SYSTEMS.
 2. WARNING: THIS LABEL IS FOR USE ON ALL VEHICLES EQUIPPED WITH LP-GAS SYSTEMS.
 3. LP-GAS SYSTEM: THIS LABEL IS FOR USE ON ALL VEHICLES EQUIPPED WITH LP-GAS SYSTEMS.
 4. WARNING: THIS LABEL IS FOR USE ON ALL VEHICLES EQUIPPED WITH LP-GAS SYSTEMS.
 5. LP-GAS SYSTEM: THIS LABEL IS FOR USE ON ALL VEHICLES EQUIPPED WITH LP-GAS SYSTEMS.
 6. WARNING: THIS LABEL IS FOR USE ON ALL VEHICLES EQUIPPED WITH LP-GAS SYSTEMS.
 7. LP-GAS SYSTEM: THIS LABEL IS FOR USE ON ALL VEHICLES EQUIPPED WITH LP-GAS SYSTEMS.
 8. WARNING: THIS LABEL IS FOR USE ON ALL VEHICLES EQUIPPED WITH LP-GAS SYSTEMS.
 9. LP-GAS SYSTEM: THIS LABEL IS FOR USE ON ALL VEHICLES EQUIPPED WITH LP-GAS SYSTEMS.
 10. WARNING: THIS LABEL IS FOR USE ON ALL VEHICLES EQUIPPED WITH LP-GAS SYSTEMS.
 11. LP-GAS SYSTEM: THIS LABEL IS FOR USE ON ALL VEHICLES EQUIPPED WITH LP-GAS SYSTEMS.
 12. WARNING: THIS LABEL IS FOR USE ON ALL VEHICLES EQUIPPED WITH LP-GAS SYSTEMS.
 13. LP-GAS SYSTEM: THIS LABEL IS FOR USE ON ALL VEHICLES EQUIPPED WITH LP-GAS SYSTEMS.
 14. WARNING: THIS LABEL IS FOR USE ON ALL VEHICLES EQUIPPED WITH LP-GAS SYSTEMS.
 15. LP-GAS SYSTEM: THIS LABEL IS FOR USE ON ALL VEHICLES EQUIPPED WITH LP-GAS SYSTEMS.
 16. WARNING: THIS LABEL IS FOR USE ON ALL VEHICLES EQUIPPED WITH LP-GAS SYSTEMS.
 17. LP-GAS SYSTEM: THIS LABEL IS FOR USE ON ALL VEHICLES EQUIPPED WITH LP-GAS SYSTEMS.
 18. WARNING: THIS LABEL IS FOR USE ON ALL VEHICLES EQUIPPED WITH LP-GAS SYSTEMS.
 19. LP-GAS SYSTEM: THIS LABEL IS FOR USE ON ALL VEHICLES EQUIPPED WITH LP-GAS SYSTEMS.
 20. WARNING: THIS LABEL IS FOR USE ON ALL VEHICLES EQUIPPED WITH LP-GAS SYSTEMS.

KEY	PART NUMBER	U/M	DESCRIPTION
1	099689-01-000	EA	LABEL-WARNING, CANCER/TOXICITY
2	056259-01-000	EA	LABEL -SAFETY CHECK LIST

MISCELLANEOUS LABELS

KEY	PART NUMBER	U/M	DESCRIPTION
	104236-01-000	EA	LABEL-GENERATOR CIRCUIT
	006064-01-000	EA	LABEL-SEAT W/O SEATBELT (US)
	091224-02-000	EA	LABEL-TRAILER LIGHTING
	091243-01-000	EA	LABEL-A/C COVER - "AIR CONDITIONING CIRCUIT. ETC."
	093236-08-000	EA	LABEL-CIRCUIT BREAKER
	098641-01-000	EA	LABEL-FUEL - UNLEADED - DASH
	073998-01-000	EA	LABEL-LPG ODOR WARNING
	087236-01-000	EA	LABEL-CABLE - INPUT
	061417-01-000	EA	LABEL-FUEL - ON FUEL FILL DOOR
	023769-01-000	EA	LABEL-WARNING, LPG - CANADIAN
	111104-01-000	EA	LABEL-HITCH,READ MANUAL
	054531-01-000	EA	LABEL-LP GAS ONLY
	112518-01-000	EA	LABEL-HANG TAG, CO DETECTOR
	087207-06-000	EA	LABEL-GAS OVERFILL
	111802-01-000	EA	LABEL-CFC WARNING

LP GROUP



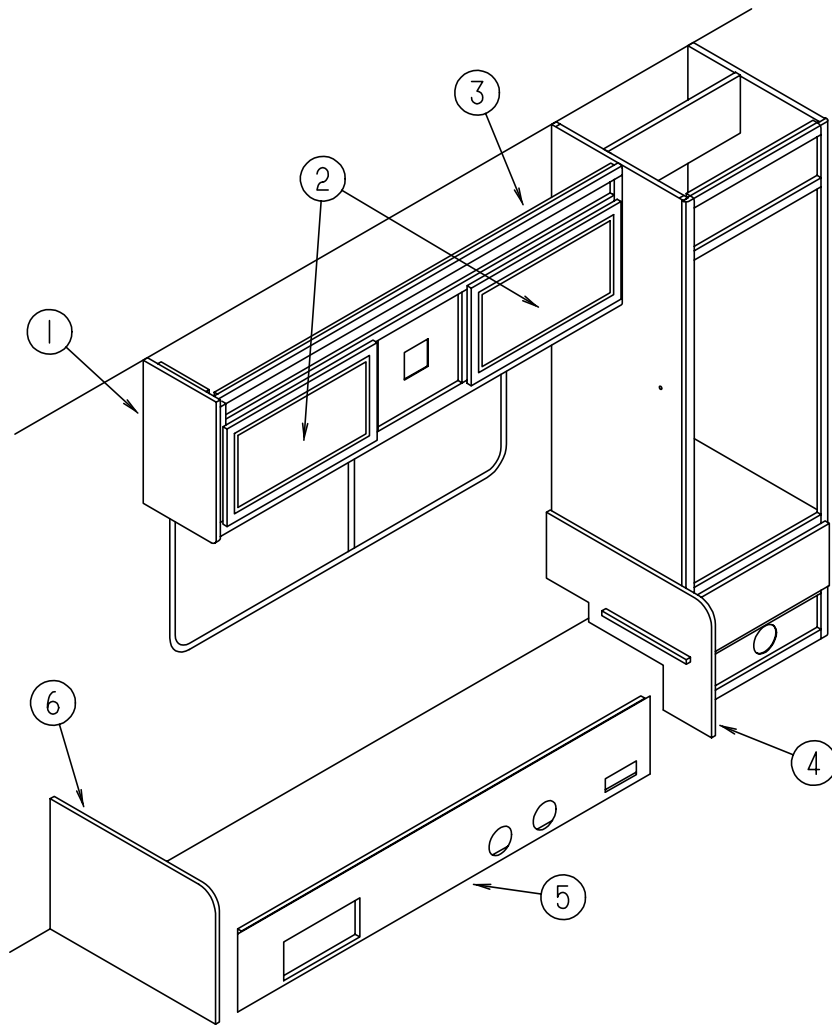
LP GROUP (CONTINUED)
LP TANK & COMPONENTS - JAPAN EXPORT

KEY	PART NUMBER	U/M	DESCRIPTION
	107378-01-000	EA	PLATE-MOUNTING, LP REGULATOR
	107421-01-000	EA	PLATE-STRIKE, LP COMPARTMENT
	084993-02-000	EA	STRAP ASSEMBLY
	107414-01-000	EA	CRADLE ASSEMBLY-LP TANK
	107414-02-000	EA	CRADLE ASSEMBLY-LP TANK
	107433-01-C82	EA	DOOR ASSEMBLY-HINGED, LP BOX - RH
	107433-02-C82	EA	DOOR ASSEMBLY-HINGED, LP BOX - LH
	107393-01-000	EA	BOLT-SHOULDER, SOCKET HEAD - BLACK
	107394-01-000	EA	SPRING-COMPRESSION, LP DOOR
	107395-01-02A	EA	LATCH-BOLT, FINGER - LP DOOR - BLACK

LP TANK & COMPONENTS

KEY	PART NUMBER	U/M	DESCRIPTION	VENDOR NO.
1	045703-02-000	EA	HOSE-LP, 3/8" ID X 24" - 3/8" MPT X 1/2" F SWIVEL - CANADA	
1	045703-01-000	EA	HOSE-LP, 3/8" ID X 24" - 3/8" MPT X 1/2" F SWIVEL - U.S.	
1	045703-09-000	EA	HOSE-LP, 3/8" ID X 24" - 3/8" MPT X 3/8" F SWIVEL - US & EXPORT	
2	106150-01-000	EA	REGULATOR-TWO STAGE M'BRASS 290-303	
3	040421-01-708	EA	HANDWHEEL-SERVICE VALVE, BRUNNER G	1015-A
4	040421-01-712	EA	VALVE-SERVICE W/O VAPOR RELIEF	29000853
5	080450-01-000	EA	TANK-LP, 42LB - 13" DIAMETER X 24" LONG	
6	040421-01-711	EA	VALVE - 80% W/FLOAT, PLATE, BOLTS & GASKET - BRUNNER	
7	040421-01-701	EA	VALVE-SHORT LP FILLER W/YELLOW CAP - BRUNNER	75478
8	040421-01-702	EA	CAP-LP FILLER VALVE, PLASTIC - YELLOW - BRUNNER	G-1014-A
9	040421-01-700	EA	VALVE-LIQUID LEVEL, 20% LP - BRUNNER	G-1013
10	040421-01-713	EA	VALVE-VAPOR ONLY	29000587
11	074142-01-700	EA	FLOAT-GAUGE, SCREW ON - MACHINE	13C-SCR
	074142-01-701	EA	FLOAT ASSEMBLY-BOLT ON	13C-BLT
12	040440-02-000	EA	TRANSMITTER-DIAL, 0-90 OHM - USED W/MONITOR PANEL	
12	040421-01-706	EA	DIAL-LP TANK VOLUME, VISIBLE FACE (5-1789) - USED W/O MONITOR PANEL	
13	105658-01-000	EA	COMPARTMENT-LP REGULATOR	
	010252-01-000	EA	ELBOW-BRASS, 90 3/8" F X 1/2" MPT	
	010265-01-000	EA	ELBOW-BRASS, 90 DEGREE - 3/8" F X 1/2" FPT	
	065318-02-000	EA	ELBOW - 90 DEGREE, 3/8" MPT TO 3/8" FPT	
	095624-01-000	EA	ELBOW - 90 DEGREE, 1/4" FPT X 1/4" FPT - BRASS	
	010323-01-000	EA	ADAPTER-BRASS, 3/8" F X 1/2" MPT	
	024250-01-000	EA	ADAPTER-BRASS, 3/8" F X 1/2" FPT	
	057042-01-000	EA	ADAPTER-CROSS, 1/2 PIPE	
	010326-01-000	EA	ADAPTER-FLARE, W/CONE GASKET - 3/8" FEMALE X 1/2" MALE	
	010329-01-000	EA	ADAPTER-BRASS, 1/2" F X 1/2" MPT	
	010377-02-000	EA	NUT-BRASS, 3/8" FLARE - FORGED	
	010380-02-000	EA	NUT-BRASS, 1/2" FLARE - FORGED	
	103613-01-000	EA	DETECTOR-LP GAS	

LOUNGE GROUP



DRIVER SIDE LOUNGE CABINETS

KEY	PART NUMBER	U/M	DESCRIPTION
1	109908-26-G01	EA	END CAP-OVERHEAD CABINET
2	110140-05-G01	EA	DOOR-CABINET, W/O HARDWARE - 365MM X 850MM
3	114605-01-G01	EA	CABINET-OVERHEAD, LOUNGE - W/O DOORS OR HARDWARE
4	M05968-05-G01	EA	CABINET-COUCH, SIDE
4	M05968-05-G02	EA	CABINET-COUCH, SIDE
4	M05968-08-G01	EA	CABINET-COUCH, SIDE - JAPAN EXPORT
4	M05968-08-G02	EA	CABINET-COUCH, SIDE - JAPAN EXPORT
5	M05968-06-G01	EA	CABINET-COUCH, FRONT
5	M05968-06-G02	EA	CABINET-COUCH, FRONT
5	M05968-09-G01	EA	CABINET-COUCH, FRONT - JAPAN EXPORT
5	M05968-09-G02	EA	CABINET-COUCH, FRONT - JAPAN EXPORT
6	M05968-04-G01	EA	CABINET-COUCH, SIDE
6	M05968-04-G02	EA	CABINET-COUCH, SIDE
6	M05968-07-G01	EA	CABINET-COUCH, SIDE - JAPAN EXPORT
6	M05968-07-G02	EA	CABINET-COUCH, SIDE - JAPAN EXPORT
	083125-07-000	EA	BRACE-ANGLE, COUCH - OFF WHITE
	105947-01-000	EA	BRACKET-HOLD DOWN, COUCH - CANADIAN

SEALANTS & FASTENERS GROUP ADHESIVES

KEY	PART NUMBER	U/M	DESCRIPTION
	004020-01-000	QT	ADHESIVE-ABS CEMENT, QUART
	102352-01-000	EA	SEALER-PUMPABLE, BLACK - COLORIMETRIC MS101
	106206-01-000	EA	SEALER-PUMPABLE, BLACK
	069640-01-000	FT	SEALER-RIBBON, 1/4" DIAMETER - INCREMENTS OF 30'
	069640-02-000	FT	SEALER-RIBBON, 1/2" X 1/8" X 60'
	069640-03-000	FT	SEALER-RIBBON, 3/4" X 1/8" X 60'
	069640-07-000	FT	SEALER-RIBBON, 2" X 3/32" X 45'
	069640-10-000	FT	SEALER-RIBBON, 1/32" X 1 1/2" X 90'
	002707-02-000	FT	TAPE-SEALER, 5/16" X 1/2" X 50'
	063642-01-000	FT	TAPE-ADHESIVE, 10 MIL. X 1.5" WIDE X 180"
	076314-02-000	FT	TAPE-CARPET SEAM, HEAT-BOND - 4" WIDE
	076322-01-000	FT	TAPE-FOAM, DOUBLE COATED ADHESIVE BACKED - .75" X 216'
	120534-01-01A	FT	TAPE-SCOTCH 3M 1/2" FINE LINE *#471 GREEN
	091255-02-000	FT	SEAL-ADHESIVE BACKED FOAM, .18" THICK X 1.5" WIDE
	053766-08-000	EA	BEDDING COMPOUND-TUBE, GRAY - SCHNEE# 5522
	108716-01-000	EA	SILICONE-TUBE, OFF WHITE - SELF LEVELING - CSL 510
	120074-01-01A	EA	SILICONE-OFF WHITE, W/O NOZZLE - CSL 343
	034552-02-000	EA	SILICONE-TUBE, 300 ML - CLEAR - W/O NOZZLE
	034552-06-000	EA	SILICONE-TUBE, 300 ML - OFF WHITE - W/O NOZZLE
	034552-15-000	EA	SILICONE-TUBE, 300 ML - BRIGHT WHITE - W/O NOZZLE
	900390-01-000	EA	TIP - 2 1/2" X 1/8" ORIFICE, ELLSWORTH #TS216
	900390-03-000	EA	NOZZLES-SILICONE TUBE, CSL# D10

BOLTS, NUTS & RIVETS

KEY	PART NUMBER	U/M	DESCRIPTION
	000G45-05-16B	EA	BOLT-LAG, 5/16-9 X 1 - ZINC
	000C12-05-16B	EA	BOLT-HEX, 5/16-18 X 1 - ZINC
	000C12-06-16B	EA	BOLT-HEX, 3/8-16 X 1 - LAG - ZINC
	000C12-07-24B	EA	BOLT-HEX, 7/16-14 X 1 .50 - ZINC
	000C12-08-24B	EA	BOLT-HEX, 1/2-13 X 1 1/2 - ZINC
	000C12-10-24B	EA	BOLT-HEX, 5/8-11 X 1 1/2 - ZINC
	000C12-10-64B	EA	BOLT-HEX, 5/8-11 X 4.0 - ZINC
	000C13-07-48B	EA	BOLT-HEX, 7/16-20 X 3 - ZINC
	000C18-05-40A	EA	BOLT-ELEV, 5/16-18 X 2 1/2 PL
	000C18-06-48B	EA	BOLT-ELEV, 3/8-16 X 3 - ZINC
	000C26-04-14B	EA	BOLT-HEX, SERRATED FLANGE - 1/4-20 X 7/8 - ZINC
	000C26-04-10B	EA	BOLT-HEX, SERRATED FLANGE - 1/4-20 X 5/8 - ZINC
	000C26-05-12B	EA	BOLT-HEX, SERRATED FLANGE - 5/16-18 X 3/4 - ZINC
	000D24-10-00B	EA	NUT-HEX, SELF LOCK - 10-32 - ZINC
	000D29-05-00B	EA	NUT-SELFLOCK, 5/16-18 UNC - NYLON WASHER INSERT
	000D29-06-00B	EA	NUT-HEX W/NYLON LOCK 3/8-16 - ZINC
	000D29-09-00B	EA	NUT-HEX SELF LOCK 9/16-12 - ZINC
	000D39-04-00B	EA	NUT-HEX, SERRATED FLANGE LOCK - 1/4-20 - ZINC
	000D39-05-00B	EA	NUT-HEX, SERRATED FLANGE LOCK - 5/16-18 - ZINC
	000D39-06-00B	EA	NUT-HEX, SERRATED FLANGE LOCK - 3/8-16 - ZINC
	000D39-08-00B	EA	NUT-HEX, SERRATED FLANGE LOCK - 1/2-13 - ZINC
	000D44-07-00B	EA	NUT-HEX, SERRATED FLANGE LOCK - 7/16-20 - ZINC
	000D46-04-00A	EA	NUT-HEX, WELD - 1/4-20 - PLAIN - SHORT PILOT
	104369-01-000	EA	NUT-HEX, HEAVY - 5/8-11 UNC - SPARE TIRE INSTALLATION
	000H16-04-06R	EA	RIVET-POP, AL 1/8 X .313-.375

SEALANTS & FASTENERS GROUP (CONTINUED)

SCREWS

KEY	PART NUMBER	U/M	DESCRIPTION
	0G1108-12-170	EA	SCREW, 8-18 X .75 PPH - BRIGHT WHITE
	0G1208-12-170	EA	SCREW, 8-18 X .75 POH - BRIGHT WHITE
	0G3908-08-170	EA	SCREW-SF/DR, 8-18 X 1/2 PPH - BRIGHT WHITE
	0G3908-16-170	EA	SCREW-SF/DR, 8,18 X 1.00 PPH - BRIGHT WHITE
	0G3908-24-170	EA	SCREW-SF/DR, 8-18 X 1.50 PPH - BRIGHT WHITE
	0G3910-12-170	EA	SCREW-SF/DR, 10-16 X .75 PPH - BRIGHT WHITE
	0G6008-16-170	EA	SCREW-SF/DR, 8-18 X 1.00 POH - BRIGHT WHITE
	0G6710-08-170	EA	SCREW, 10-12 X 1/2 PPH - BRIGHT WHITE
	000G11-04-10B	EA	SCREW, 4-24 X 5/8 PPH - ZINC
	000G11-05-08B	EA	SCREW, 5-20 X 1/2 PPH - ZINC
	000G11-06-10J	EA	SCREW, 6-20 X 5/8 PPH - BRASS
	000G11-06-06B	EA	SCREW, 6-20 X 3/8 PPH - ZINC
	000G11-08-08B	EA	SCREW, 8-18 X 1/2 PPH - ZINC
	000G11-08-06B	EA	SCREW, 8-18 X 3/8 PPH - ZINC
	000G11-08-20B	EA	SCREW, 8-18 X 11/4 PPH - ZINC
	000G11-08-16S	EA	SCREW, 8-18 X 1.00 PPH - OFF WHITE
	000G11-08-12T	EA	SCREW, 8-18 X 3/4 PPH - BLACK
	000G11-08-12S	EA	SCREW, 8-18 X 3/4 PPH - OFF WHITE
	000G11-08-12E	EA	SCREW, 8-18 X .75 PPH - CHROME
	000G11-08-12D	EA	SCREW, 8-18 X 3/4 PPH - BLACK
	000G11-08-12B	EA	SCREW, 8-18 X 3/4 PPH - ZINC
	000G11-10-12S	EA	SCREW, 10-16 X .75 PPH - OFF WHITE
	000G11-10-16B	EA	SCREW, 10-16 X 1 PPH - ZINC
	000G12-06-08T	EA	SCREW, 6-20 X .50 POH - BLACK
	000G12-08-12S	EA	SCREW, 8-18 X 3/4 POH - OFF WHITE
	000G13-06-24J	EA	SCREW, 6-20 X 1.50 PFH - BRASS
	000G13-06-16J	EA	SCREW, 6-20 X 1.00 PFH - BRASS
	000G13-07-12B	EA	SCREW, 7-19 X 3/4 PFH - ZINC
	000G13-07-10H	EA	SCREW-, 7-19 X 5/8 PFH - BLACK
	000G32-10-06B	EA	SCREW, 10-32 X 3/8 - PPH - ZINC
	000G39-06-10T	EA	SCREW-SF/DR, 6-20 X 5/8 PPH - BLACK
	000G39-08-08S	EA	SCREW-SF/DR, 8-18 X 1/2 PPH - OFF WHITE
	000G39-08-08B	EA	SCREW-SF/DR, 8-18 X 1/2 PPH - ZINC
	000G39-08-24B	EA	SCREW-SF/DR, 8-18 X 1 1/2 PPH - ZINC
	000G39-08-16S	EA	SCREW-SF/DR, 8-18 X 1.00 PPH - OFF WHITE
	000G39-08-16B	EA	SCREW-SF/DR, 8-18 X 1 PPH - ZINC
	000G39-08-12B	EA	SCREW-SF/DR, 8-18 X 3/4 PPH - ZINC
	000G39-10-20B	EA	SCREW-SF/DR, 10-16 X 1 1/4 PPH - ZINC
	000G39-10-12D	EA	SCREW-SF/DR, 10-16 X 3/4 PPH - BLACK
	000G39-10-12B	EA	SCREW-SF/DR, 10-16 X .75 PPH - ZINC
	000G39-10-10S	EA	SCREW-SF/DR, 10-16 X .62" - PPH - OFF WHITE
	000G39-10-209	EA	SCREW-SF/DR, 10-16 X 1.25 PPH - FLUOROCARBON SILVER
	000G39-12-12E	EA	SCREW-SF/DR, 12 - 14 X 3/4 PPH - CHROME
	000G42-04-16B	EA	SCREW-SF/DR, 1/4-14 X 1 HWH - ZINC
	000G42-04-12B	EA	SCREW-SF/DR 1/4-14 X 3/4 HWH - ZINC
	000G46-08-24T	EA	SCREW-MACHINE, 8-32 X 1.50 PFH - BLACK
	000G50-04-12B	EA	SCREW-MACHINE, 1/4-20 X 3/4 PPH - ZINC
	000G52-08-18B	EA	SCREW-MACHINE, 8-32 X 11/8 PTH - ZINC
	000G54-04-20B	EA	SCREW, 1/4-20 X 1 1/4 PTH - TYPE 23 - ZINC PLATED
	000G67-10-08R	EA	SCREW, 10-12 X 1/2 PPH - BEIGE - TYPE A
	000G67-10-08B	EA	SCREW, 10-12 X 1/2 PPH - ZINC
	000G67-10-36T	EA	SCREW, 10-12 X 2.25 PPH - BLACK - STALGARD
	000G55-08-12S	EA	SCREW-SF/DR, 8-18 X .75 PWH - OFF WHITE
	000G60-10-28T	EA	SCREW-SF/DR, 10-16 X 1.75 - BLACK
	000G67-08-32B	EA	SCREW, 8-15 X 2 PPH - ZINC
	000G67-10-10S	EA	SCREW, 10-12 X 5/8 PPH - OFF WHITE
	000G67-10-10B	EA	SCREW, 10-12 X 5/8 PPH - ZINC

SEALANTS & FASTENERS GROUP (CONTINUED)

SCREWS (CONTINUED)

KEY	PART NUMBER	U/M	DESCRIPTION
	000G67-10-32B	EA	SCREW, 10-12 X 2 PPH - ZINC
	000G67-10-24B	EA	SCREW, 10-12 X 1 1/2 PPH - ZINC
	000G67-10-20D	EA	SCREW, 10-12 X 1 1/4 PPH - BLACK
	000G67-10-16B	EA	SCREW, 10-12 X 1 PPH - ZINC
	000G67-10-120	EA	SCREW, 10-12 X .75 PPH - TAN
	000G67-10-12S	EA	SCREW, 10-12 X .75 PPH - OFFWHITE
	000G67-10-12P	EA	SCREW, 10-12 X .75 PPH - DARK BROWN
	000G67-10-12B	EA	SCREW, 10-12 X 3/4 PPH - ZINC
	000G68-06-10G	EA	SCREW, 6-18 X 5/8 POH - ANTIQUE BRASS
	000G68-10-36T	EA	SCREW, 10-12 X 2.25 POH - BLACK
	049465-04-000	EA	SCREW, 10-16 X 1 PTH - W/WASHER - BEIGE
	074046-01-000	EA	SCREW, 8-18 X 1 1/2 PFH - BRONZE
	075908-01-000	EA	SCREW-MACHINE, 10-32 X .56 PTH - ZINC EXTERNAL TOOTH
	087721-01-000	EA	SCREW-FLAT HEAD, TAPPING - 1/4 X 1 1/4 LAG - ZINC
	101618-01-000	EA	SCREW-HEX/TAPPING, 1/4-20 X 3/4 - STALGARD TYPE F
	116111-02-01A	EA	SCREW-TAPTITE, 1/4-20 X 3/8 PPH - ZINC

CLAMPS, CLIPS & HOLDERS

KEY	PART NUMBER	U/M	DESCRIPTION
	007161-01-000	EA	CLAMP-HOSE, SPRING TYPE - 1/2"
	010495-01-000	EA	CLAMP-CABLE, 9/16"
	010497-01-000	EA	CLAMP-CLOSED, 5/8" ID
	010497-01-000	EA	CLAMP-CLOSED, 5/8" ID
	010497-03-000	EA	CLAMP-CLOSED, 1" ID - CUSHIONED
	010497-04-000	EA	CLAMP-CLOSED, 1.62 ID
	010499-01-000	EA	CLAMP-CLOSED, 3/8" ID
	062401-01-000	EA	CLAMP-HOSE, WORMGEAR - .25" - 1"
	062401-02-000	EA	CLAMP-HOSE, WORMGEAR - 1.56" - 2.5"
	062401-03-000	EA	CLAMP-HOSE, WORMGEAR - .22" - 1"
	062401-06-000	EA	CLAMP-HOSE, WORMGEAR - .22" - .62"
	062401-11-000	EA	CLAMP-HOSE, WORMGEAR - 3.56" - 4.5"
	075148-02-000	EA	CLAMP-GROUNDING, BRONZE SCREWS
	080211-05-000	EA	CLIP-XMAS TREE, 36MM - FASNAP 09-280297
	080734-02-000	EA	CLIP-WIRE, NYLON
	083609-01-000	EA	CLAMP-WIRE, DUAL EQUAL - 5/8" DIAMETER
	083610-01-000	EA	CLAMP-WIRE, DUAL - UNEQUAL DIAMETERS - .75" & 1.25"
	008343-01-000	EA	TIE-WIRE, 6"
	008343-02-000	EA	TIE-WIRE, 14"
	085774-01-000	FT	FASTENER-DUAL HOOK, 1" WIDE - ADHESIVE BACK - BLACK
	085774-02-000	FT	FASTENER-DUAL LOOP, 1" WIDE - ADHESIVE BACK - BLACK
	108046-02-000	EA	CABLE TIE-SCREW MOUNT 15" DENNISON 10035

GROMMETS

KEY	PART NUMBER	U/M	DESCRIPTION
	114208-02-000	EA	GROMMET-EDGE LINER, FITS .625 HEYCO 2073
	016188-03-000	EA	GROMMET-L P LINE, 3/8" HOLE X 2 1/2" LONG - RUBBER
	016188-05-000	EA	GROMMET-L P LINE, 3/8" HOLE X 1 1/4" LONG - RUBBER
	023942-01-000	EA	GROMMET-RUBBER, 2" OD
	071015-26-000	EA	GROMMET-RUBBER, 1.5" ID X 2.12" OD W/.06" GROOVE - BLACK

WASHERS

KEY	PART NUMBER	U/M	DESCRIPTION
	000E11-07-00B	EA	WASHER-LOCK, 7/16 MED SPLIT - ZINC
	000E11-08-00B	EA	WASHER-LOCK, 1/2 MED SPLIT - ZINC
	000E13-17-00B	EA	WASHER-FLAT, 3/8 AR - ZINC
	000E13-18-00B	EA	WASHER-FLAT, 3/8 WIDE - ZINC
	000E13-20-00B	EA	WASHER-FLAT, 7/16 WIDE - ZINC
	000E13-21-00B	EA	WASHER-FLAT, W/2 NAR - ZINC
	000E14-10-00B	EA	WASHER-LOCK, NO 10 EXT TOOTH - ZINC
	044533-01-000	EA	WASHER-PLASTIC, 1 3/8" OD - FOR BUTTONS

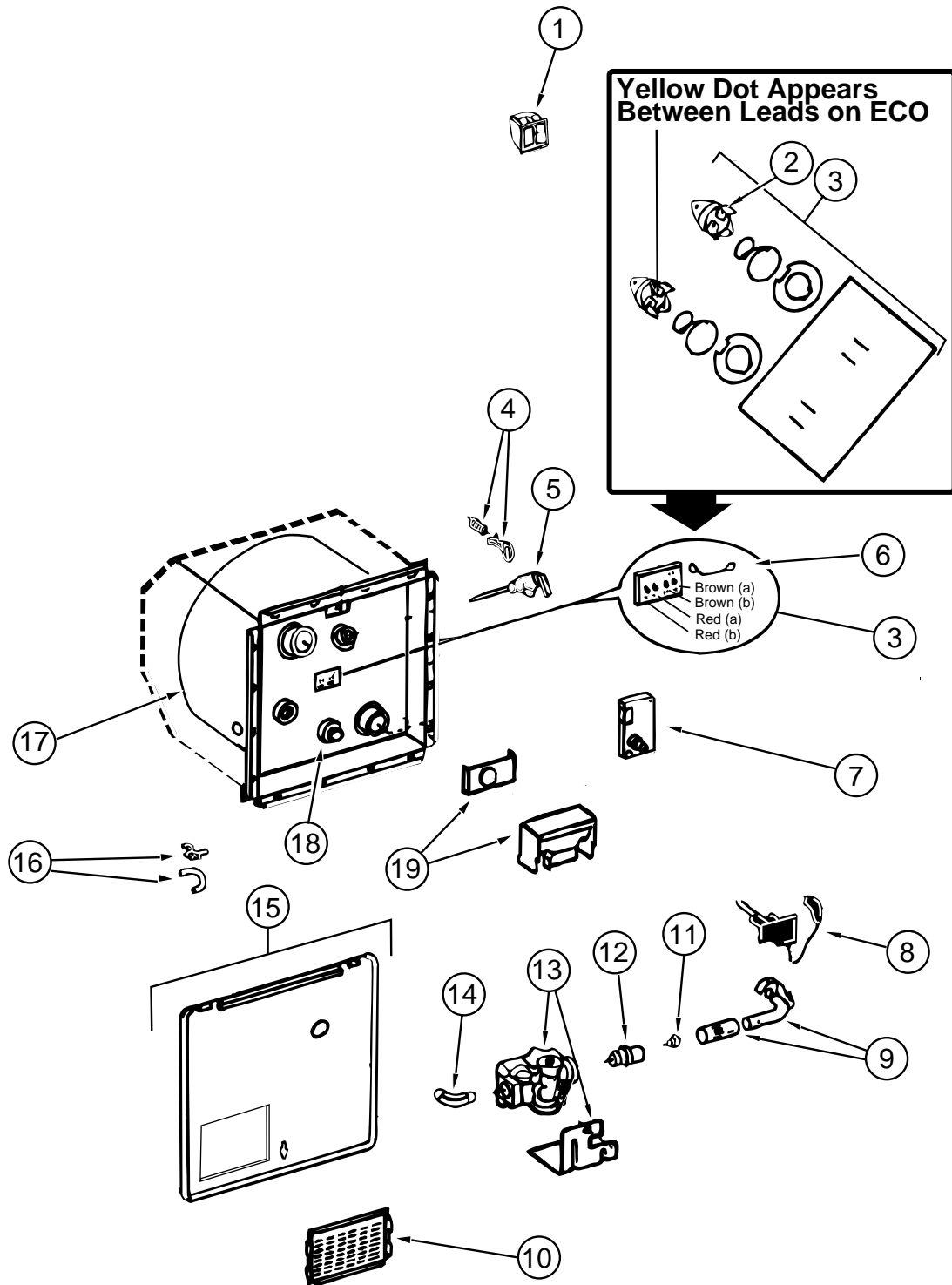
WATER & SEWAGE GROUP

WATER HEATER W/ELECTRIC IGNITION - ATWOOD - MODEL G6A-3E

KEY	PART NUMBER	U/M	DESCRIPTION	VENDOR NO.
	051391-03-000	EA	HEATER-WATER, W/ELECTRIC IGNITION	
1	097967-01-000	EA	SWITCH-WATER HEATER, REMOTE W/LIGHT 91959	
2	051391-04-701	EA	THERMOSTAT - 12 VDC-120 PRESET, ATWOOD	91470
3	051393-01-721	EA	ECO & THERMOSTAT-FRONT MOUNT, 140 DEGREE	91447
4	051391-01-705	EA	FASTENER-CAMLOC, ATWOOD	92609
5	051391-01-704	EA	VALVE-RELIEF, 1/2" FITTING - ATWOOD	91604
6	051393-01-723	EA	SWITCH-THERMAL CUT OFF, 2/PACKAGE	93866
7	051393-01-724	EA	CIRCUIT BOARD-SPADE TERMINAL, ELECTRIC IGNITION	93867
8	051393-01-725	EA	ELECTRODE-SINGLE SPADE CONNECTOR, SPARK PROBE	93868
9	051391-04-703	EA	BURNER-MAIN, ATWOOD	91638
10	051391-01-717	EA	GRILLE ONLY-GOES ON THE DOOR	92640
11	051391-01-710	EA	ORIFICE-MAIN BURNER, ATWOOD	92742
12	051391-03-700	EA	ORIFICE-HOLDER	91563
13	051393-01-726	EA	SOLENOID VALVE AND BRACKET, WHITE ROGERS	93870
14	051391-01-714	EA	ELBOW - 45 DEGREE, 3/8" F X 3/8" MPT - ATWOOD	91044
15	052009-01-000	EA	DOOR-WATER HEATER, OFF WHITE - ATWOOD 5576-27	
	116424-01-000	EA	PROTECTOR-WATER HEATER LATCH ATWOOD 92611	
16	051391-01-700	EA	HINGE KIT-W/CLIP, ATWOOD	92568 & 92559
17	051391-04-706	EA	TANK-INNER, FRONT MOUNT - ATWOOD	91642
18	051391-01-715	EA	DRAIN PLUG, ATWOOD	91561
19	051391-04-707	EA	KIT-GRILLE, FLUE & GASKET - ATWOOD	90960

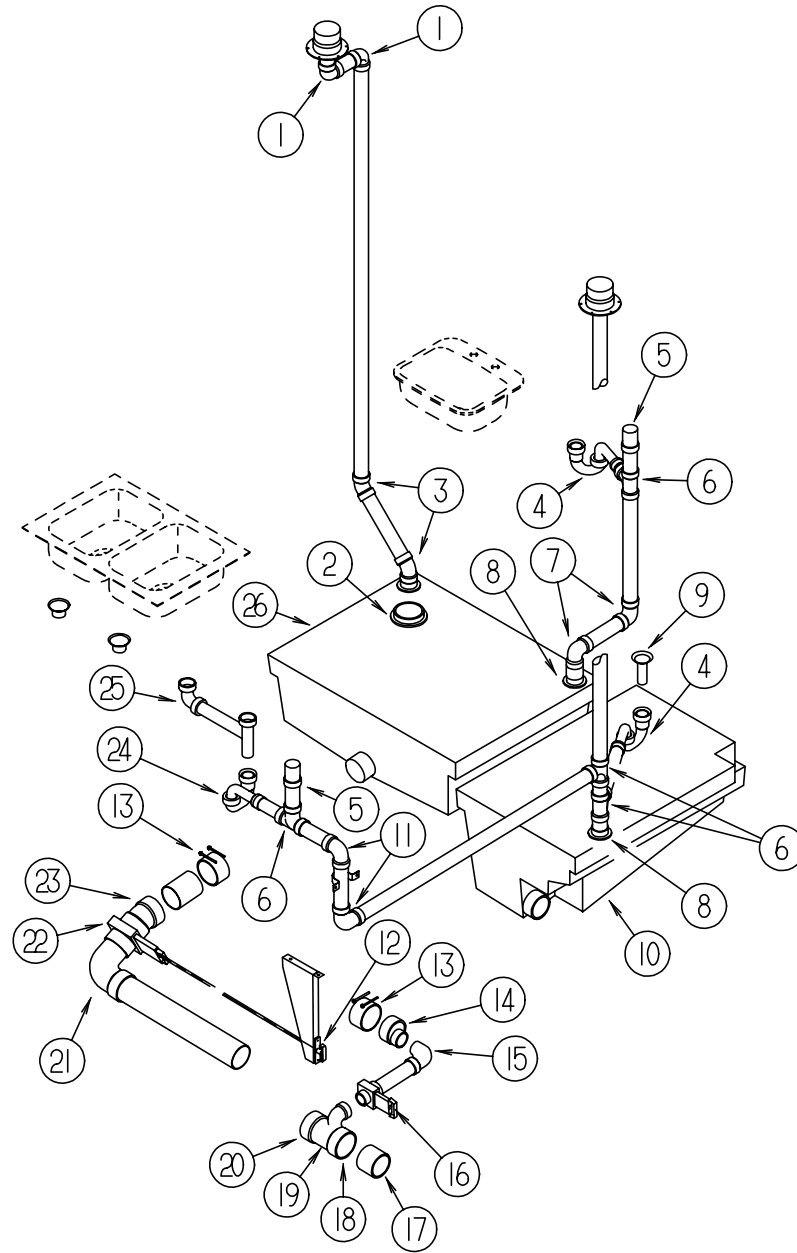
WATER HEATER W/MOTOR AID - ATWOOD - MODEL GH6-7E - JAPAN EXPORT

KEY	PART NUMBER	U/M	DESCRIPTION	VENDOR NO.
	051393-01-000	EA	WATER HEATER-W/MOTOR AID - PILOTLESS IGNITION	
1	097967-01-000	EA	SWITCH-WATER HEATER, REMOTE W/LIGHT 91959	
2	051391-04-701	EA	THERMOSTAT - 12 VDC-120 PRESET - ATWOOD	91470
3	051393-01-721	EA	ECO & THERMOSTAT ASM-FRONT MOUNT - 140 DEGREE	91447
4	051391-01-705	EA	FASTENER-CAMLOC, ATWOOD	92609
5	051391-01-704	EA	VALVE-RELIEF, 1/2" FITTING - ATWOOD	91604
6	051393-01-723	EA	SWITCH-THERMAL CUT OFF, 2/PKG	93866
7	051393-01-724	EA	CIRCUIT BOARD-SPADE TERMINAL, ELECTRIC IGNITION	93867
8	051393-01-725	EA	ELECTRODE-SINGLE SPADE CONNECTOR, SPARK PROBE	93868
9	051391-04-703	EA	BURNER-MAIN, ATWOOD	91638
10	051391-01-717	EA	GRILLE ONLY-WATER HEATER DOOR	92640
11	051391-01-710	EA	ORIFICE-MAIN BURNER, ATWOOD	92742
12	051391-03-700	EA	ORIFICE-HOLDER	91563
13	051393-01-726	EA	SOLENOID VALVE AND BRACKET, WHITE ROGERS	93870
14	051391-01-714	EA	ELBOW - 45 DEGREE, 3/8" F X 3/8" MPT - ATWOOD	91044
15	052009-01-000	EA	DOOR-WATER HEATER, OFF WHITE - ATWOOD 5576-27	
	116424-01-000	EA	PROTECTOR-WATER HEATER LATCH ATWOOD 92611	
16	051391-01-700	EA	HINGE KIT-W/CLIP, ATWOOD	92568 & 92559
17	051391-04-704	EA	TANK-INNER, FRONT MOUNT - GH6-4E & 6E - ATWOOD	91642
18	051391-01-715	EA	PLUG-DRAIN ATWOOD	91561
19	051391-04-707	EA	KIT-GRILLE, FLUE, & GASKET - ATWOOD	90960



WATER & SEWAGE GROUP (CONTINUED)

DRAINAGE SYSTEM



KEY	PART NUMBER	U/M	DESCRIPTION
1	034250-01-000	EA	ELBOW-LONG TURN, 90 DEGREE - 1 1/2" HUB X HUB - ABS
2	061607-02-000	EA	GROMMET-HOLDING TANK, 3" NPS
3	010006-01-000	EA	ELBOW - 45 DEGREE, 1/8 BEND - 1 1/2" HUB X HUB - BLACK PLASTIC
4	107538-01-000	EA	P TRAP-W/EXT ARM, 1 1/4 - PLASTIC KEVCO P814
	109571-01-000	EA	ADAPTER-P TRAP, 1 1/2" P X 1 1/4" MPT
4	011066-03-700	EA	KIT-P TRAP, 1 1/2" X 1 1/2" P TRAP W/1 1/2 TO 1 1/4 REDUCER - CANADIAN
5	079968-01-000	EA	VENT-MECHANICAL TRAP ARM, ANTI-SIPHON - 2" DIAMETER X 7.3" - PLASTIC
6	010071-01-000	EA	TEE-SANITARY, 1 1/2" HUB X HUB X HUB - PLASTIC - BLACK
7	010008-01-000	EA	ELBOW - 90 DEG, 1/4 BEND - 1 1/2" HUB X HUB - BLACK PLASTIC
8	061607-01-000	EA	GROMMET-HOLDING TANK, 1 1/2" NPS
9	011069-02-000	EA	TAILPIECE-TUB/SHOWER, 1 1/2" X 1 1/4" X 4" - BRASS
10	071271-01-000	EA	TANK-HOLDING, AUXILIARY - 31 GALLON
11	010008-01-000	EA	ELBOW - 90 DEGREE, 1/4 BEND - 1 1/2" HUB X HUB - BLACK PLASTIC
12	062419-05-000	EA	BRACKET-VALVE, LOCKING KEVCO T1003-UC
	062419-06-000	EA	HANDLE-T KEVCO CT1003-6
	062419-07-000	EA	HANDLE-EXTENSION, W/TAPPED END KEVCO
13	078406-01-000	EA	COUPLER-RUBBER, W/CLAMPS - 3" X 3"
14	062422-01-000	EA	ADAPTER-OFFSET REDUCER, 3" X 1 1/2" - PLASTIC - BLACK
15	033761-01-000	EA	ELBOW-TURN, 1/4 BEND X 1.5" HUB X 1.5" SPIGOT - BLACK PLASTIC
16	062421-01-000	EA	VALVE-DUMP, W/HANDLE - 1 1/2" - PLASTIC - BLACK
17	062415-01-000	EA	CAP-SEWER, 3" DIAMETER
	062415-01-700	EA	STRING-SEWER CAP, SV7 STRAP
18	062416-01-000	EA	ADAPTER-SEWER HOSE TO 3" PIPE
	010201-01-000	EA	HOSE-SEWER, 3" ID X 8'
19	031365-01-000	EA	TEE-PLAS, EXTRA LONG TURN - 3" X 3" X 1 1/2" NICO 5812-LR-3-3-2
20	109450-01-000	EA	ADAPTER-SEWER HOSE, PLASTIC KEVCO 40738
21	041956-01-000	EA	ELBOW-STREET, PLASTIC - 1/4 BEND - 3" X 90 XLT
22	062418-01-000	EA	VALVE-DUMP, W/HANDLE - 3" - PLASTIC - BLACK
23	010023-01-000	EA	ELBOW-PLAS, ST 1/16 BEND 3" X 22.5' NIBCO 5808-3
24	107538-01-000	EA	P TRAP-W/EXTENDED ARM, 1 1/4 - PLASTIC KEVCO P814 1-1/4"
	109571-01-000	EA	ADAPTER-P TRAP, 1 1/2" P X 1 1/4" MPT
24	011071-01-000	EA	P TRAP-PLASTIC 1 1/2 NIBCO 5892 1 1/2 - CANADIAN
25	011091-02-000	EA	PIPE-DRAIN, DOUBLE SINK - BAFFLE TEE - 1 1/2" ONE PIPE W/TEE TO DRAIN BOTH SIDES OF SINK
25	011091-03-000	EA	PIPE-DRAIN, W/SEALS - DOUBLE SINK - EXTENDS 9" TO 16" - CANADIAN
26	074861-01-000	EA	TANK-HOLDING, MAIN - W/O GROMMETS - 35 GALLON - 35" X 11" X 27"
	116644-01-000	EA	FLANGE-CLOSET, 4" X 3" SEALAND 345892

WATER & SEWAGE GROUP (CONTINUED)
FRESH WATER TANK

KEY	PART NUMBER	U/M	DESCRIPTION
	077908-08-000	EA	TANK-WATER, W/FITTINGS - 33 GAL - 36" X 22.6" X 10.5"
	077908-01-000	EA	TANK-WATER, W/O FITTINGS - 33 GAL - 36" X 22.6" X 10.5"
	042989-03-000	EA	FITTING-WATER TANK, SPINWELD - 1 1/4"NPT - PLASTIC - WHITE
	042989-04-000	EA	FITTING-WATER TANK, SPINWELD - 3/8" FPT - PLASTIC - WHITE
	042989-05-000	EA	FITTING-WATER TANK, SPINWELD - 1/2" FPT - PLASTIC - WHITE
	049032-01-000	EA	PATCH-SPINWELD, 3/8" - PLASTIC
	077954-02-000	EA	FILTER-WATER TANK, SCREEN IN TANK
	039861-01-000	EA	SENDING UNIT-W/SCREW, WASHER, WELL NUT & TERMINAL RING

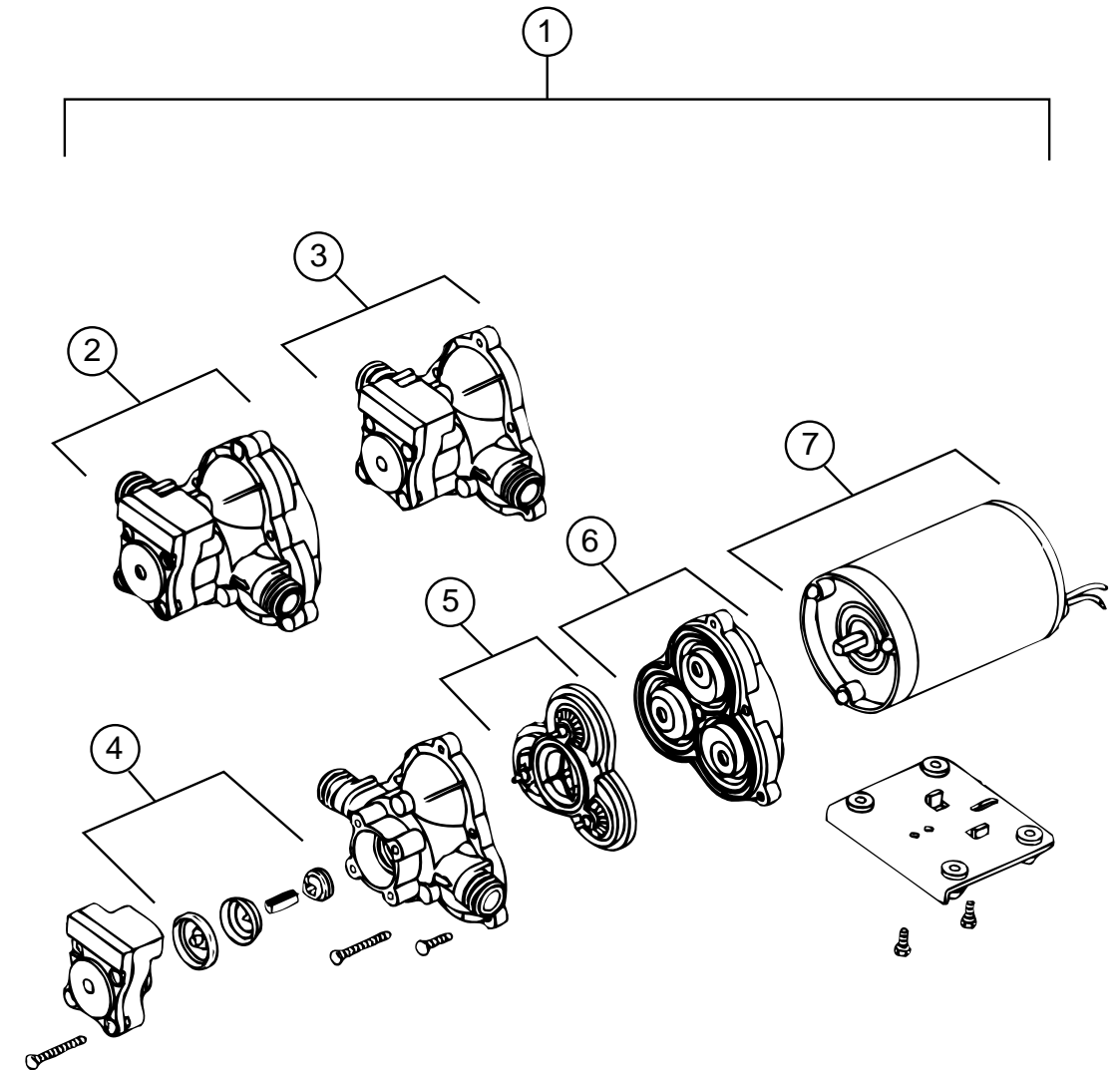
WATER SYSTEM COMPONENTS

KEY	PART NUMBER	U/M	DESCRIPTION
	010224-01-000	EA	ADAPTER-HOSE TO PIPE, 3/8" MPT X 3/8" BARB - BLACK PLASTIC
	044927-01-000	EA	ADAPTER-HOSE TO PIPE, 1 1/4"MPT X 1 1/4"BARB-BLACK PLASTIC
	079381-01-000	FT	TUBING-SMOOTH FLEXIBLE, 1 3/8" ID X 20'
	039800-02-000	FT	TUBING-POLYBUTYL, 5/8" OD - INCREMENTS OF 20' - BLACK
	091208-01-000	EA	WASHER-RUBBER, .06" X .75" X .5"
	110915-01-01A	EA	FILL-WATER, CITY - CHROME - KEVCO 64713
	114428-01-000	EA	TEE - 1/2 P X 1/2 P X 1/2 P, FLAIR-IT 02820
	114429-01-000	EA	ELBOW - 1/2 P X 1/2 P, FLAIR-IT 02800
	114429-02-000	EA	ELBOW - 1/2 P X 1/2 MPT, FLAIR-IT 02803
	114429-03-000	EA	ELBOW-SWIVEL, 1/2 P X 1/2 FPT - FLAIR-IT 02816
	114430-02-000	EA	ADAPTER-SWIVEL, 1/2 P X 1/2 FPT - FLAIR-IT 02873
	114430-03-000	EA	ADAPTER - 1/2 P X 1/2 MPT, FLAIR-IT 02842
	114431-01-000	EA	VALVE-WATER, 3 POSITION, "DRAIN VALVE"
	114431-04-000	EA	VALVE-WATER, STRAIGHT THRU - "SHUT OFF VALVE"

EXTERIOR SHOWER

KEY	PART NUMBER	U/M	DESCRIPTION
	M06849-03-G01	EA	CABINET-EXTERIOR SHOWER, W/FAUCET
	M06849-03-G02	EA	CABINET-EXTERIOR SHOWER, W/FAUCET
	075241-05-000	EA	FAUCET-SHOWER, BONE
	103092-02-000	EA	SHOWER HEAD-W/HOSE, CANADIAN
	103092-01-000	EA	SHOWER HEAD-W/60" HOSE
	091952-02-000	EA	CLIP-GRIPPER, 3/4" - SQUEEGEE/SHOWER HEAD - GIBSON TOOL 225-HL
	114429-03-000	EA	ELBOW-SWIVEL, 1/2 P X 1/2 FPT FLAIR-IT 02816
	114429-06-000	EA	ELBOW-SWIVEL, 1/2 P X 3/4 FPT FLAIR-IT 02811

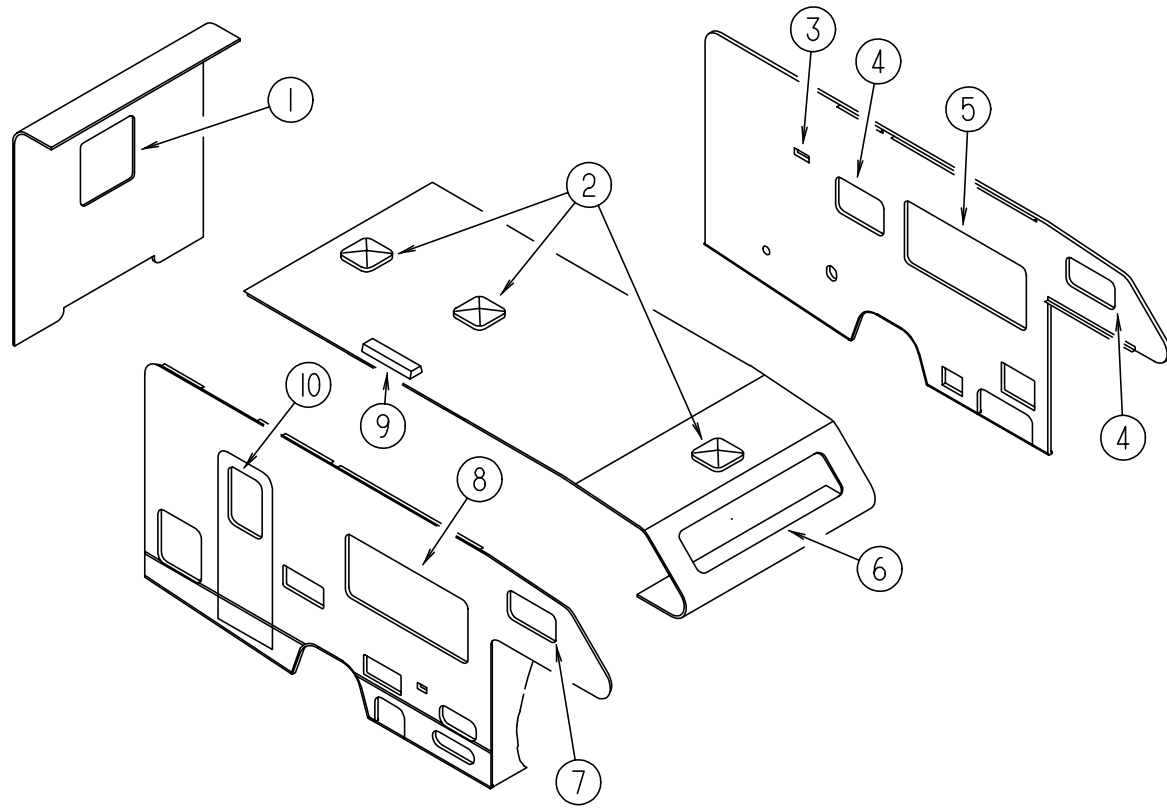
WATER & SEWAGE GROUP (CONTINUED)



WATER PUMP-SHURFLOW

KEY	PART NUMBER	U/M	DESCRIPTION	VENDOR NO.
1	098607-01-000	EA	PUMP - WATER - W/.5" MPT FITTING - FLOW 2.8 GPM - UL	
2	098607-01-700	EA	PUMPHEAD-REPLACEMENT	94-236-08
3	098607-01-706	EA	UPPER HOUSING/SWITCH-KIT	94-231-20
4	098607-01-705	EA	CHECK VALVE-KIT	94-237-00
5	098607-01-703	EA	VALVE ASM	94-232-00
6	098607-01-702	EA	DIAPHRAGM-KIT	94-238-04
7	098607-01-707	EA	MOTOR/ BASEPLATE REPLACEMENT	94-235-03

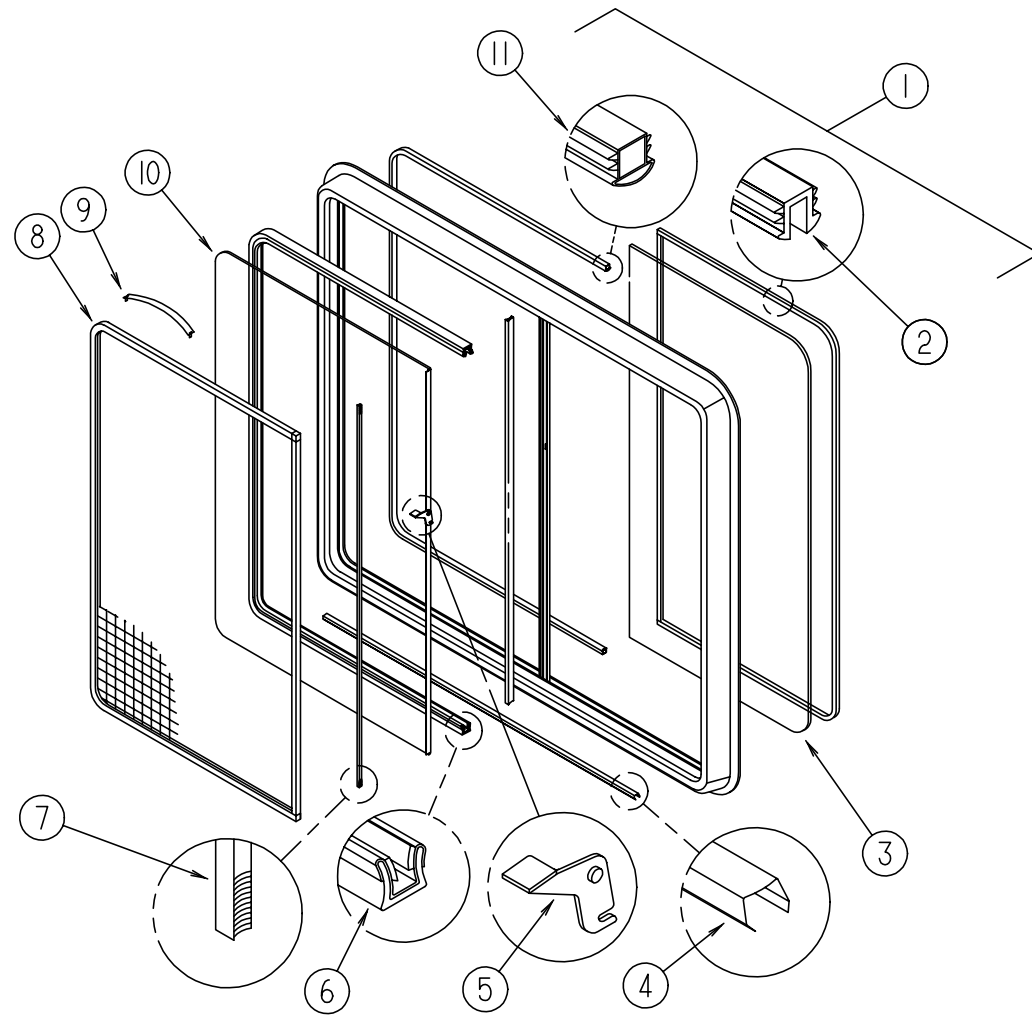
WINDOW, VENT & EXTERIOR DOOR GROUP
WINDOWS & VENTS



KEY	PART NUMBER	U/M	DESCRIPTION
1	117053-04-FB1	EA	WINDOW-STATIONARY
1	113733-05-01A	EA	WINDOW-STATIONARY, THERMO - EXCEL DH455-G2W59
2	110051-01-01A	EA	VENT-ROOF, NONPOWERED - 2" ROOF - JENSEN
2	110051-03-01A	EA	VENT-ROOF, POWERED - US
2	110051-05-01A	EA	VENT-ROOF, POWERED - CANADIAN
2	084079-03-000	EA	VENT-EXHAUST, POWERED - OFF WHITE - JAPAN EXPORT
3	084878-09-000	EA	VENT-RANGE HOOD, SHORT - LVS
	084616-07-000	EA	SHROUD-VENT, RANGE HOOD - BRIGHT WHITE
4	098647-32-01A	EA	WINDOW-SLIDER, HORIZONTAL - CLEAR - EXCEL H425-C1W66L
4	112795-20-01A	EA	WINDOW-SLIDER, HORIZONTAL - THERMO - EXCEL DC29-G2W66L
5	098647-28-01A	EA	WINDOW-SLIDER, HORIZONTAL - CLEAR - EXCEL H287-C1W66L
5	112795-15-01A	EA	WINDOW-SLIDER, HORIZONTAL - THERMO - EXCEL DH287-G2W66L
6	103313-03-F15	EA	WINDOW-STATIONARY, EXCEL
6	115630-01-01A	EA	WINDOW-STATIONARY, THERMO - EXCEL DH438-G2W59
7	098647-31-01A	EA	WINDOW-SLIDER, HORIZONTAL - CLEAR - EXCEL H425-C1W66R
7	112795-19-01A	EA	WINDOW-SLIDER, HORIZONTAL - THERMO - EXCEL DC29-G2W66R
8	098647 27 01A	EA	WINDOW-SLIDER, HORIZONTAL - CLEAR - EXCEL H287-C1W66R
8	112795-16-01A	EA	WINDOW-SLIDER, HORIZONTAL - THERMO - EXCEL DH287-G2W66R
9	084073-07-000	EA	COVER-ROOF VENT, REFRIGERATOR - BRIGHT WHITE - NORCOLD
	084073-04-000	EA	BASE-ROOF VENT, REFRIGERATOR - BLACK - NORCOLD
10	117053-04-FB1	EA	WINDOW-STATIONARY THERMO - EXCEL
10	113733-01-01A	EA	WINDOW-STATIONARY, THERMO - EXCEL DH455-G2W59
	083558-07-000	EA	VENT-PLUMBING PIPE ROOF, W/COVER - BRIGHT WHITE

WINDOW, VENT & EXTERIOR DOOR GROUP (CONTINUED)

SINGLE SLIDER WINDOW - DINETTE - EXCEL



KEY	PART NUMBER	U/M	DESCRIPTION	VENDOR NO.
	098647-27-01A	EA	WINDOW-SLIDER, HORIZONTAL - CLEAR H287-C1W66R	
1	098647-27-700	EA	WINDOW-W/O FRAME	H287-C1R
	098647-27-701	EA	FRAME-WINDOW	W28766
2	100322-01-703	FT	STRIP-GLAZING, BUTYL	132-010723
3	098647-27-702	EA	GLASS-STATIONARY	096-017868
4	098644-01-710	FT	TRACK-SCREEN SPACER, 12' LENGTH	M401-31
5	098644-01-700	EA	LATCH-REPAIR KIT	B801-CK
6	098644-01-708	FT	CHANNEL-PIERCED RUN	122-016543
7	098644-01-711	FT	WEATHERSTRIP-SCREEN, BLACK	171-016965
8	098647-23-704	EA	SCREEN-W/SPRING & WEATHERSTRIP	410-019066
9	098644-01-713	EA	SPRING-SCREEN FRAME, CLIP - PLASTIC	226-016966
10	098647-27-703	EA	GLASS-SLIDING, W/SASH & LATCH	H287-C8
11	098644-01-706	FT	WEATHERSTRIP	171-010668
	098644-01-716	FT	PLUG-FILLER	132-014470
	098644-01-717	FT	SPLINE-SCREEN	132-004716

SINGLE SLIDER WINDOW - GALLEY & OVERHEAD BUNK - DRIVER SIDE - EXCEL

KEY	PART NUMBER	U/M	DESCRIPTION	VENDOR NO.
	098647-32-01A	EA	WINDOW-SLIDER, HORIZONTAL - CLEAR H425-C1W66L	
1	098647-32-700	EA	WINDOW-W/O FRAME	H425-C1L
	098647-31-701	EA	FRAME-WINDOW	CW2966
2	100322-01-703	FT	STRIP-GLAZING, BUTYL	132-010723
3	098647-31-702	EA	GLASS-STATIONARY	096-019299
4	098644-01-710	FT	TRACK-SCREEN SPACER, 12' LENGTH	M401-31
5	098644-01-700	EA	LATCH-REPAIR KIT	B801-CK
6	098644-01-708	FT	CHANNEL-PIERCED RUN	122-016543
7	098644-01-711	FT	WEATHERSTRIP-SCREEN, BLACK	171-016965
8	098647-31-704	EA	SCREEN-W/SPRING & WEATHERSTRIP	410-019128
9	098644-01-713	EA	SPRING-SCREEN FRAME, CLIP - PLASTIC	226-016966
10	098647-31-703	EA	GLASS-SLIDING, W/SASH & LATCH	H425-C8
11	098644-01-706	FT	WEATHERSTRIP	171-010668
	098644-01-716	FT	PLUG-FILLER	132-014470
	098644-01-717	FT	SPLINE-SCREEN	132-004716

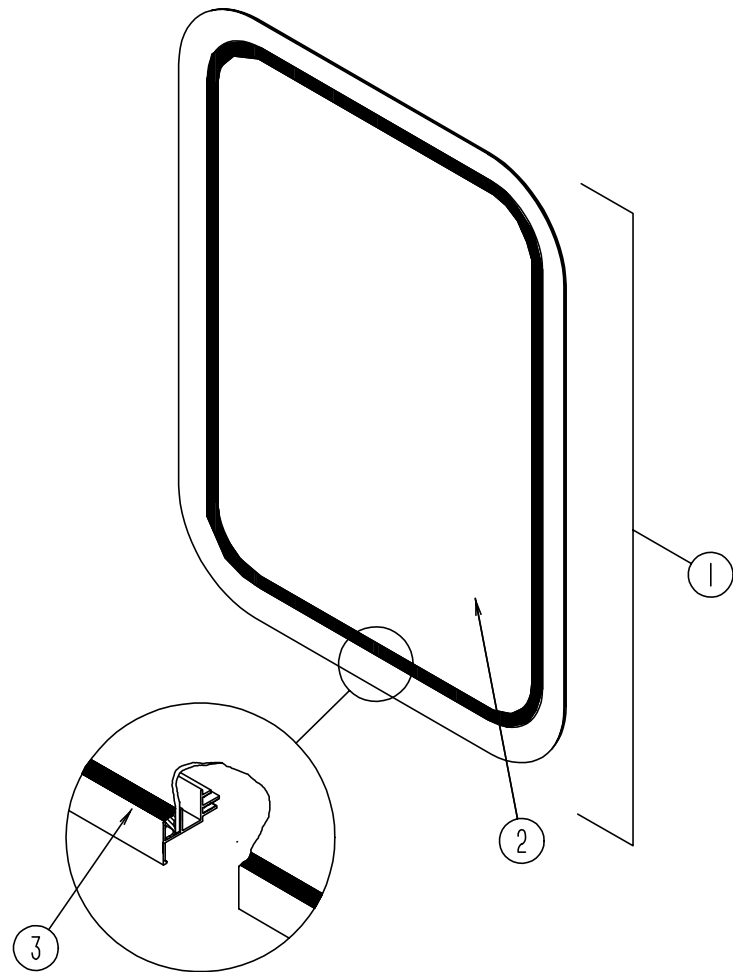
SINGLE SLIDER WINDOW - OVERHEAD BUNK - PASSENGER SIDE - EXCEL

KEY	PART NUMBER	U/M	DESCRIPTION	VENDOR NO.
	098647-31-01A	EA	WINDOW-SLIDER, HORIZONTAL - CLEAR H425-C1W66R	
1	098647-31-700	EA	WINDOW-W/O FRAME	H425-C1R
	098647-31-701	EA	FRAME-WINDOW	CW2966
2	100322-01-703	FT	STRIP-GLAZING, BUTYL	132-010723
3	098647-31-702	EA	GLASS-STATIONARY	096-019299
4	098644-01-710	FT	TRACK-SCREEN SPACER, 12' LENGTH	M401-31
5	098644-01-700	EA	LATCH-REPAIR KIT	B801-CK
6	098644-01-708	FT	CHANNEL-PIERCED RUN	122-016543
7	098644-01-711	FT	WEATHERSTRIP-SCREEN, BLACK	171-016965
8	098647-31-704	EA	SCREEN-W/SPRING & WEATHERSTRIP	410-019128
9	098644-01-713	EA	SPRING-SCREEN FRAME, CLIP - PLASTIC	226-016966
10	098647-31-703	EA	GLASS-SLIDING, W/SASH & LATCH	H425-C8
11	098644-01-706	FT	WEATHERSTRIP	171-010668
	098644-01-716	FT	PLUG-FILLER	132-014470
	098644-01-717	FT	SPLINE-SCREEN	132-004716

SINGLE SLIDER WINDOW - LOUNGE - EXCEL

KEY	PART NUMBER	U/M	DESCRIPTION	VENDOR NO.
	098647-28-01A	EA	WINDOW-SLIDER, HORIZONTAL - CLEAR H287-C1W66L	
1	098647-28-700	EA	WINDOW-W/O FRAME	H287-C1L
	098647-27-701	EA	FRAME-WINDOW	W28766
2	100322-01-703	FT	STRIP-GLAZING, BUTYL	132-010723
3	098647-27-702	EA	GLASS-STATIONARY	096-017868
4	098644-01-710	FT	TRACK-SCREEN SPACER, 12' LENGTH	M401-31
5	098644-01-700	EA	LATCH-REPAIR KIT	B801-CK
6	098644-01-708	FT	CHANNEL-PIERCED RUN	122-016543
7	098644-01-711	FT	WEATHERSTRIP-SCREEN, BLACK	171-016965
8	098647-23-704	EA	SCREEN-W/SPRING & WEATHERSTRIP	410-019066
9	098644-01-713	EA	SPRING-SCREEN FRAME, CLIP - PLASTIC	226-016966
10	098647-27-703	EA	GLASS-SLIDING, W/SASH & LATCH	H287-C8
11	098644-01-706	FT	WEATHERSTRIP	171-010668
	098644-01-716	FT	PLUG-FILLER	132-014470
	098644-01-717	FT	SPLINE-SCREEN	132-004716

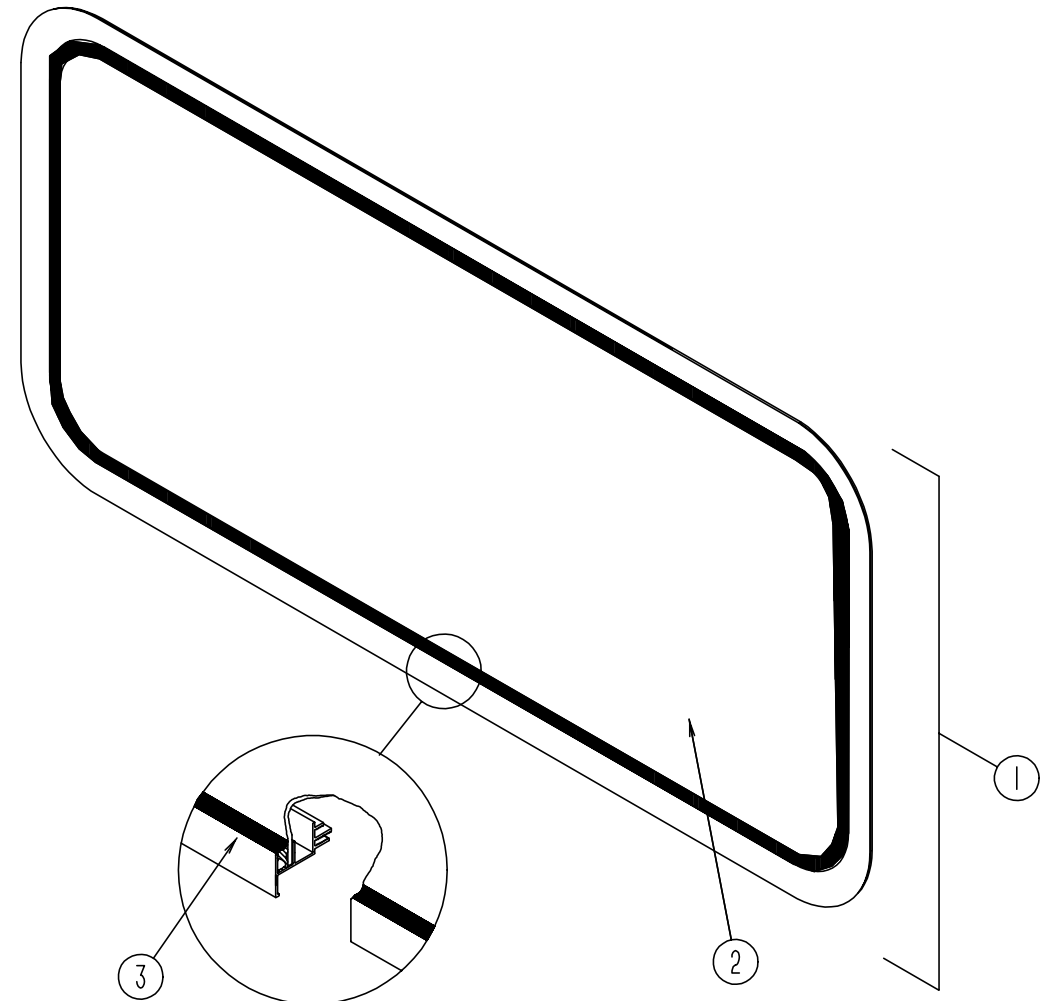
WINDOW, VENT & EXTERIOR DOOR GROUP (CONTINUED)



ENTRY DOOR & BACKWALL WINDOW

KEY	PART NUMBER	U/M	DESCRIPTION
1	117053-04-FB1	EA	WINDOW-STATIONARY
2	002181-27-000	EA	GLASS-PICTURE, 25.8" X 16.4"
	117054-02-01A	EA	FRAME-WINDOW, INSIDE - WHITE
3	087561-01-000	FT	SEAL-GLASS, EXTERIOR - .5" WIDE - VINYL - BLACK

WINDOW, VENT & EXTERIOR DOOR GROUP (CONTINUED)



OVERHEAD BUNK FRONT WINDOW

KEY	PART NUMBER	U/M	DESCRIPTION
1	103313-03-F15	EA	WINDOW-PICTURE
	117054-01-01A	EA	FRAME-WINDOW, INSIDE WHITE
2	002181-29-000	EA	GLASS-PICTURE, 71.2" X 16.4" - GRAY
3	099154-01-000	FT	CHANNEL-GLAZING, STATIONARY GLASS - .62" X .45" - BLACK

WINDOW, VENT & EXTERIOR DOOR GROUP (CONTINUED)
ENTRY DOOR WINDOW - THERMO - EXCEL

KEY	PART NUMBER	U/M	DESCRIPTION	VENDOR NO.
	113733-01-01A	EA	WINDOW-STATIONARY, THERMO - DH416-G2W66	
	113733-01-700	EA	WINDOW-W/O FRAME	DH416-G2
	113733-01-701	EA	FRAME-INSIDE	W41666
	113733-01-702	EA	GLASS-STATIONARY	390-019187

SINGLE SLIDER WINDOW - LOUNGE - THERMO - EXCEL

KEY	PART NUMBER	U/M	DESCRIPTION	VENDOR NO.
	112795-15-01A	EA	WINDOW-SLIDER, HORIZONTAL - DH287-G2W66L	
	098647-23-702	EA	FRAME-INSIDE	W28766
	098647-23-704	EA	SCREEN-W/SPRING & WEATHERSTRIP	410-019066
	112795-01-700	EA	LATCH ASSEMBLY - BLACK	DH287-CK
	112795-01-701	EA	SLIDE-STOP	132-019092
	112795-01-702	FT	PLUG-FILLER	122-018737
	112795-01-703	FT	RUN CHANNEL	122-018736
	112795-01-704	FT	VINYL-GLAZING	132-018280
	112795-15-700	EA	WINDOW-W/O FRAME	DH287-G2L
	112795-15-701	EA	GLASS-STATIONARY	390-019045
	112795-15-702	EA	GLASS-SLIDING, W/SASH & LATCH	DH287-G9
	098644-01-713	EA	SPRING-SCREEN FRAME (CLIP), PLASTIC - BLACK	

SINGLE SLIDER WINDOW - DINETTE - THERMO - EXCEL

KEY	PART NUMBER	U/M	DESCRIPTION	VENDOR NO.
	112795-16-01A	EA	WINDOW-SLIDER, HORIZONTAL - DH287-G2W66R	
	098647-23-702	EA	FRAME-INSIDE	W28766
	098647-23-704	EA	SCREEN W/SPRING & WEATHERSTRIP	410-019066
	112795-01-700	EA	LATCH ASSEMBLY - BLACK	DH287-CK
	112795-01-701	EA	SLIDE-STOP	132-019092
	112795-01-702	FT	PLUG-FILLER	122-018737
	112795-01-703	FT	RUN CHANNEL	122-018736
	112795-01-704	FT	VINYL-GLAZING	132-018280
	112795-15-701	EA	GLASS-STATIONARY	390-019045
	112795-15-702	EA	GLASS-SLIDING, W/SASH & LATCH	DH287-G9
	112795-16-700	EA	WINDOW-W/O FRAME	DH287-G2R
	098644-01-713	EA	SPRING-SCREEN FRAME (CLIP), PLASTIC - BLACK	

SINGLE SLIDER WINDOW - OVERHEAD BUNK - PASSENGER SIDE - THERMO - EXCEL

KEY	PART NUMBER	U/M	DESCRIPTION	VENDOR NO.
	112795-19-01A	EA	WINDOW-SLIDER, HORIZONTAL - DC29-G2W66R	
	098647-31-701	EA	FRAME-INSIDE	CW2966
	098647-31-704	EA	SCREEN W/SPRING & WEATHERSTRIP	410-019128
	112795-01-700	EA	LATCH ASSEMBLY - BLACK	DH287-CK
	112795-01-701	EA	SLIDE-STOP	132-019092
	112795-01-702	FT	PLUG-FILLER	122-018737
	112795-01-703	FT	RUN CHANNEL	122-018736
	112795-01-704	FT	VINYL-GLAZING	132-018280
	112795-19-700	EA	WINDOW-W/O FRAME	DC29-G2R
	112795-19-701	EA	GLASS-STATIONARY	390-019134
	112795-19-702	EA	GLASS-SLIDING, W/SASH & LATCH	DC29-G9
	098644-01-713	EA	SPRING-SCREEN FRAME (CLIP), PLASTIC - BLACK	

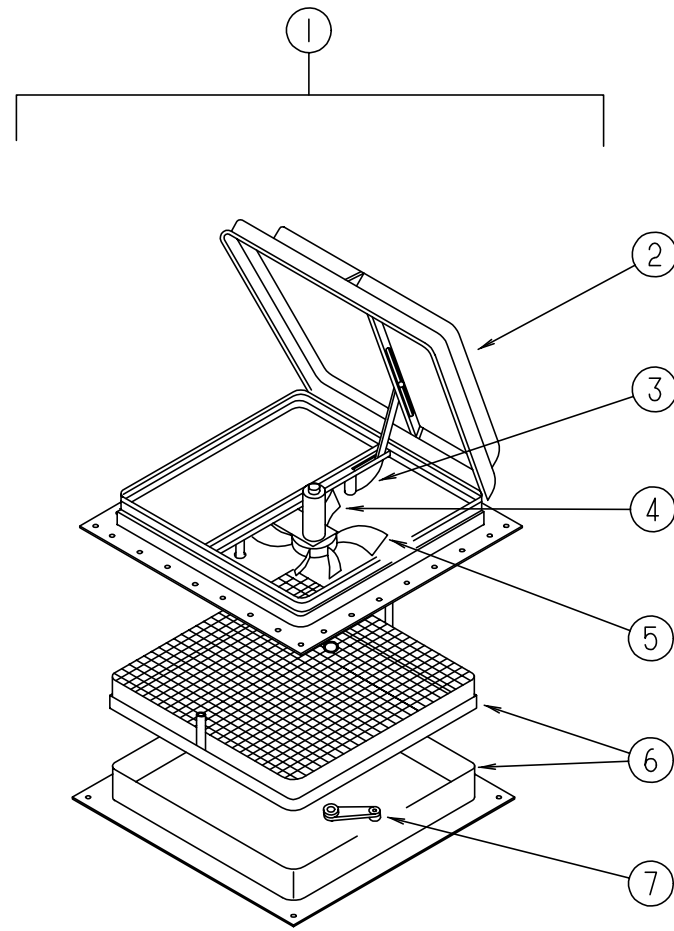
WINDOW, VENT & EXTERIOR DOOR GROUP (CONTINUED)
SINGLE SLIDER WINDOW - GALLEY & OVERHEAD BUNK - DRIVER SIDE - THERMO - EXCEL

KEY	PART NUMBER	U/M	DESCRIPTION	VENDOR NO.
	112795-20-01A	EA	WINDOW-SLIDER, HORIZONTAL - DC29-G2W66L	
	098647-31-701	EA	FRAME-INSIDE	CW2966
	098647-31-704	EA	SCREEN-W/SPRING & WEATHERSTRIP	410-019128
	112795-01-700	EA	LATCH ASSEMBLY - BLACK	DH287-CK
	112795-01-701	EA	SLIDE-STOP	132-019092
	112795-01-702	FT	PLUG-FILLER	122-018737
	112795-01-703	FT	RUN CHANNEL	122-018736
	112795-01-704	FT	VINYL-GLAZING	132-018280
	112795-19-701	EA	GLASS-STATIONARY	390-019134
	112795-19-702	EA	GLASS-SLIDING, W/SASH & LATCH	DC29-G9
	112795-20-700	EA	WINDOW-W/O FRAME	DC29-G2L
	098644-01-713	EA	SPRING-SCREEN FRAME (CLIP), PLASTIC - BLACK	

FRONT WINDOW - OVERHEAD BUNK- THERMO - EXCEL

KEY	PART NUMBER	U/M	DESCRIPTION	VENDOR NO.
	115630-01-01A	EA	WINDOW-STATIONARY, EXCEL DH438-G2W59	
	115630-01-700	EA	WINDOW-W/O FRAME	DH438-G2
	115630-01-701	EA	FRAME-INSIDE	W43858
	115630-01-702	EA	GLASS-STATIONARY	390-019467

WINDOW, VENT & EXTERIOR DOOR GROUP (CONTINUED)



WINDOW, VENT & EXTERIOR DOOR GROUP (CONTINUED)
POWERED ROOF VENT - EXHAUST - FANTASTIC - MODEL 014000-1-OW - JAPAN EXPORT

KEY	PART NUMBER	U/M DESCRIPTION	VENDOR NO.
	084079-03-000	EA VENT-CEILING, POWERED EXHAUST - OFF WHITE	
	084079-01-700	EA VENT COVER - FANTASTIC	1020-19
	084079-01-701	EA SCREEN ASM WHITE - FANTASTIC	1030-80
	084079-01-703	EA KNOB-BLACK PLASTIC - W/EXTENSION AND SCREW	1140K-00
	084079-01-704	EA BLADE-FAN, FANTASTIC	1070-00
	084079-01-705	EA MOTOR, FANTASTIC	1080-00
	084079-01-707	EA SWITCH-SAFETY, FANTASTIC	1120.00
	084079-01-709	EA SWITCH-ON & OFF, MAIN POWER - FANTASTIC	1100.00
	084079-01-711	EA H-MOLDING, MOTOR MOUNT - PLASTIC - FANTASTIC	
	084079-01-712	EA GARNISH-INTERIOR, 1 7/8" - OFF WHITE	1040-80

NONPOWERED ROOF VENT - JENSEN - MODEL 7724 WHE

KEY	PART NUMBER	U/M DESCRIPTION	VENDOR NO.S
	110051-01-01A	EA VENT-ROOF, NONPOWERED - 2" ROOF - JENSEN	
	064470-01-700	EA COVER-ROOF VENT, WITHOUT SLIDE BAR - JENSEN	7291
	064470-01-701	EA SLIDE BAR	1111-492-01
	110051-01-700	EA ROOF VENT SCREEN-MANUAL CRANK ASSEMBLIES	29-800-02
	110051-01-702	EA LIFT ASSEMBLY-VENT LID W/O CRANK, JENSEN	RP-1000B
	110051-01-703	EA CRANK HANDLE-ROOF VENT, JENSEN	RP-1031-B

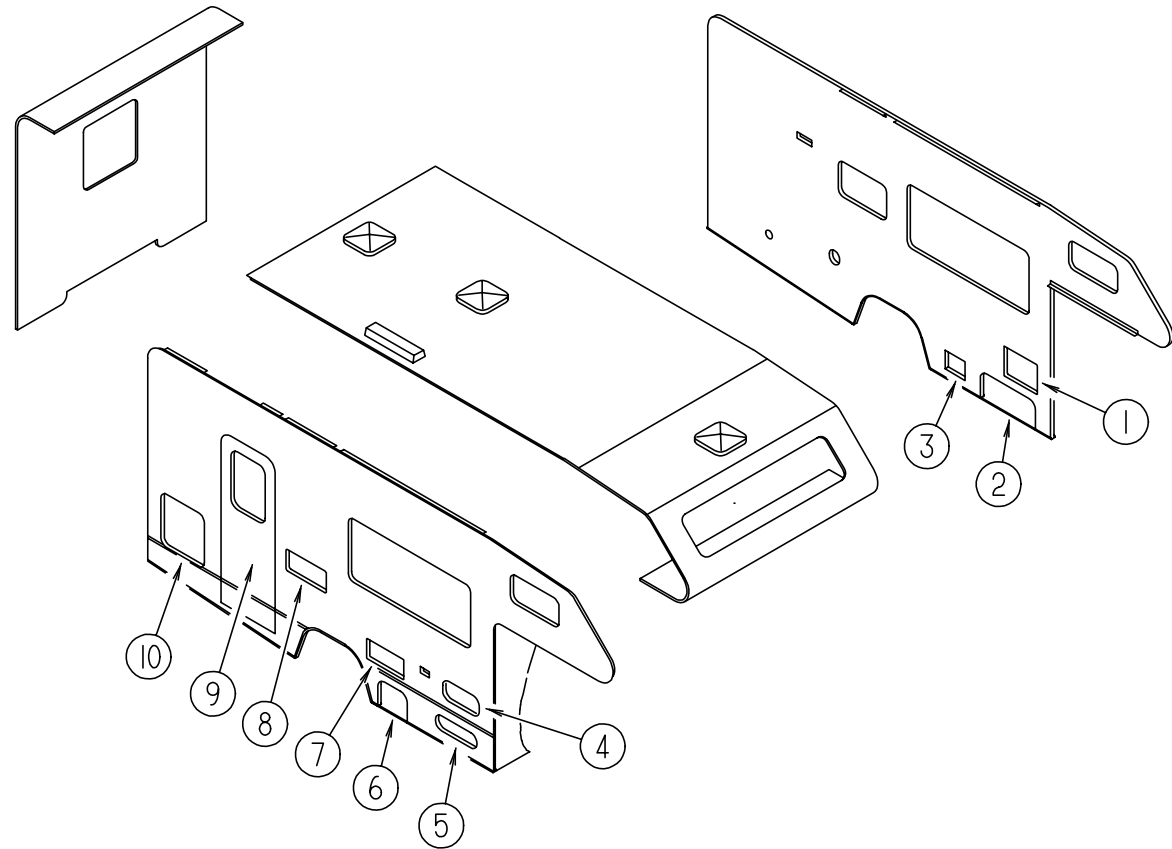
POWERED ROOF VENT - JENSEN - US - MODEL 7757 WHE

KEY	PART NUMBER	U/M DESCRIPTION	VENDOR NO.
1	110051-03-01A	EA VENT-ROOF, POWERED - 2" ROOF - JENSEN 7757 WHE	
2	064470-01-700	EA COVER-ROOF VENT, W/O WITHOUT SLIDE BAR	7291
	064470-01-701	EA SLIDE BAR	1111-492-01
3	110051-01-702	EA LIFT ASSEMBLY-VENT LID W/O CRANK, JENSEN	RP-1000B
4	048648-01-000	EA MOTOR-ROOF VENT, 1/8 SHAFT - 12V - JENSEN	
5	048649-01-000	EA FAN-ROOF VENT, 6 BLADES - 6" - JENSEN	
6	110051-01-700	EA ROOF VENT SCREEN-MANUAL CRANK ASSEMBLIES	29-800-02
7	110051-01-703	EA CRANK HANDLE-ROOF VENT, JENSEN	RP-1031-B

POWERED ROOF VENT - JENSEN - CANADIAN - MODEL C7757 WHE

KEY	PART NUMBER	U/M DESCRIPTION	VENDOR NO.
1	110051-05-01A	EA VENT-ROOF, POWERED - 2" ROOF - CSA C7757 WHE	
2	064470-01-700	EA COVER-ROOF VENT, W/O WITHOUT SLIDE BAR - JENSEN	7291
	064470-01-701	EA SLIDE BAR	1111-492-01
3	110051-01-702	EA LIFT ASSEMBLY-VENT LID W/O CRANK, JENSEN	RP-1000B
4	048648-01-000	EA MOTOR-ROOF VENT, 1/8 SHAFT - 12V - JENSEN	
5	048649-01-000	EA FAN-ROOF VENT, 6 BLADES - 6" - JENSEN	
6	110051-01-700	EA ROOF VENT SCREEN-MANUAL CRANK ASSEMBLIES	29-800-02
7	110051-01-703	EA CRANK HANDLE-ROOF VENT, JENSEN	RP-1031-B

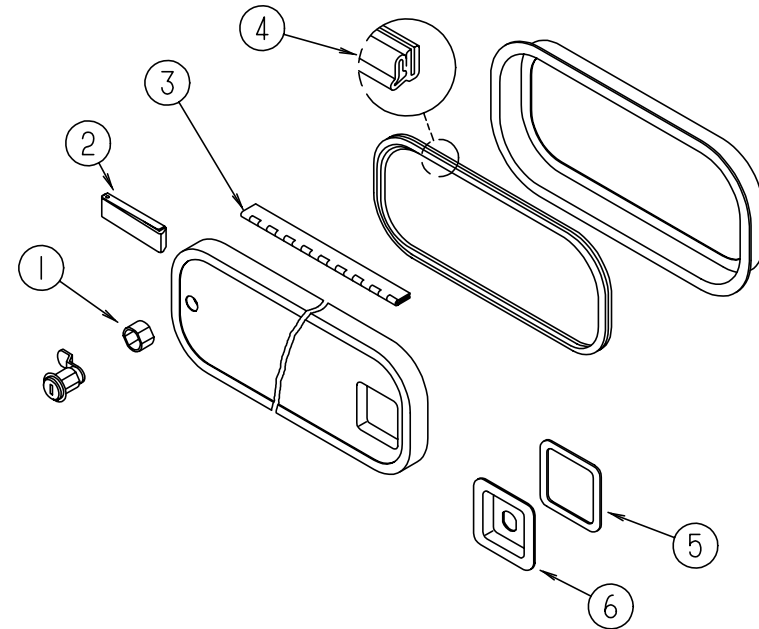
WINDOW, VENT & EXTERIOR DOOR GROUP (CONTINUED)



EXTERIOR DOORS

KEY	PART NUMBER	U/M	DESCRIPTION
1	052009-06-000	EA	DOOR-WATER HEATER, BRIGHT WHITE - ATWOOD 5576-27
2	111014-16-F15	EA	DOOR-STORAGE, LOWER FRONT - BRIGHT WHITE
3	088794-06-000	EA	DOOR-POWER CORD, W/HATCH - 11" X 9.2" - BRIGHT WHITE
4	111017-01-F24	EA	DOOR-EXTERIOR ENTERTAINMENT CENTER - BRIGHT WHITE
5	111014-11-F16	EA	DOOR-COMPARTMENT, LP - 27" X 17.8" - BRIGHT WHITE - JAPAN EXPORT
5	111009-01-F24	EA	DOOR-COMPARTMENT, LP - 16.9" X 5.4" - ALUMINUM - BRIGHT WHITE
6	111014-15-F15	EA	DOOR-STORAGE, LOWER FRONT - BRIGHT WHITE
7	098668-23-000	EA	DOOR-ACCESS, FURNACE - BRIGHT WHITE - SUBURBAN 520574
8	084103-08-000	EA	DOOR-REFRIGERATOR, VENTED - W/O JAMB - BRIGHT WHITE
	084104-08-000	EA	JAMB-REFRIGERATOR DOOR, BRIGHT WHITE
	084104-01-700	EA	LOCK-MALE, FASTENER - REFRIGERATOR DOOR
	084104-01-701	EA	LOCK-FEMALE, FASTENER - REFRIGERATOR DOOR
9	115108-01-G01	EA	DOOR-ENTRANCE, W/O WINDOW - W/SCREEN DOOR - BRIGHT WHITE
9	115108-01-G02	EA	DOOR-ENTRANCE, W/O WINDOW - W/SCREEN DOOR - BRIGHT WHITE
10	104558-17-F16	EA	DOOR-STORAGE, BRIGHT WHITE
	081240-16-000	EA	FILL-WATER, LOCKABLE W/O LOCK - BRIGHT WHITE

WINDOW, VENT & EXTERIOR DOOR GROUP (CONTINUED)

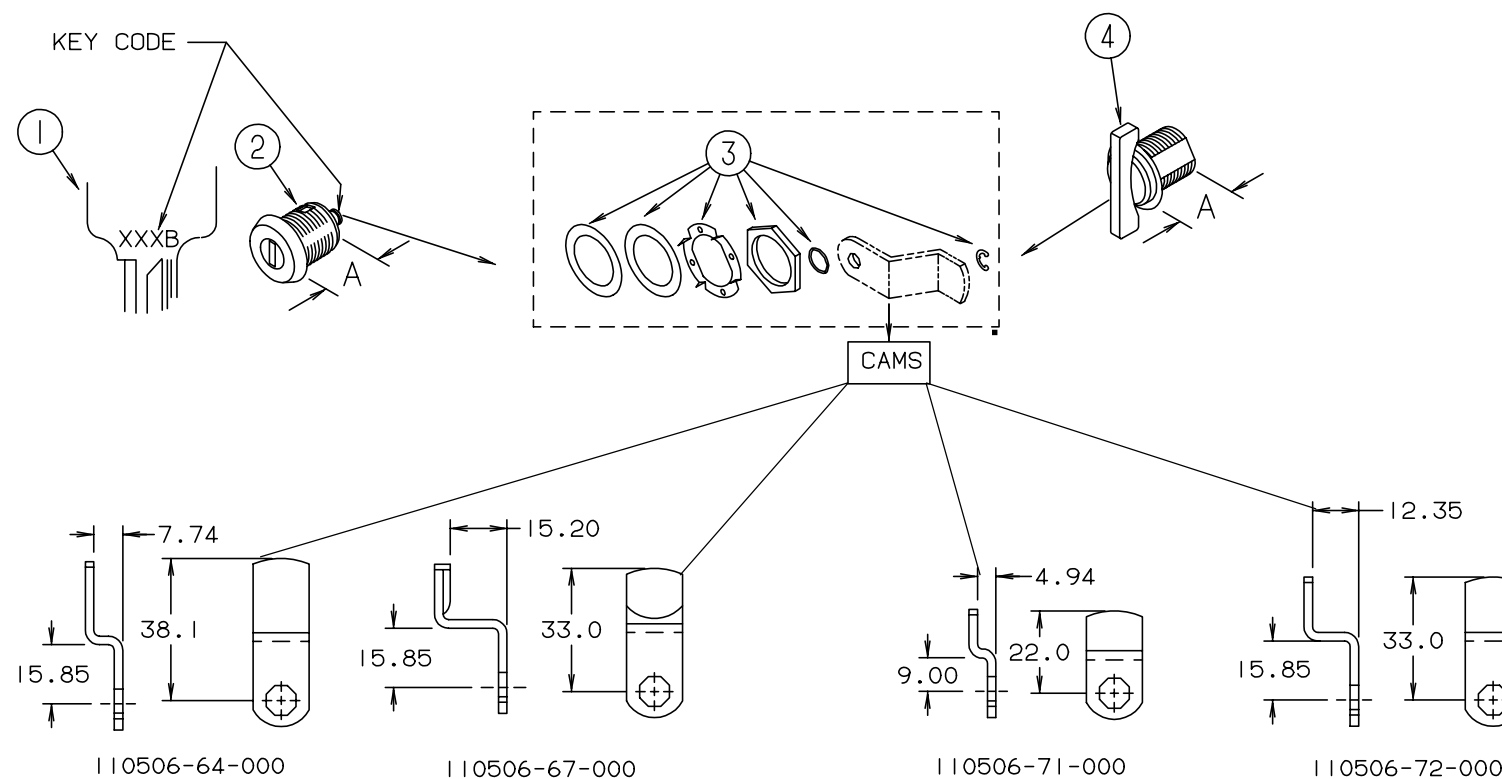


EXTERIOR COMPARTMENT DOOR COMPONENTS

KEY	PART NUMBER	U/M	DESCRIPTION
1	107997-51-001	EA	SPACER - .86" X .6" - ALUMINUM
2	102768-01-000	EA	HOLDER-COMPARTMENT/ENTRY DOOR, METAL - MILL FINISH
3	081801-02-000	EA	HINGE-PIANO, 2" X 96" - ALUMINUM
4	064075-07-000	FT	SEAL-BULB, W/WIRED U CHANNEL - .3" X .5" CHANNEL - BLACK
5	098338-01-000	EA	GASKET-LOCK POCKET
6	097111-01-04A	EA	POCKET-LOCK VALANCE, BRIGHT WHITE
	096217-55-006	EA	U CHANNEL, 17.5' - BRIGHT WHITE

WINDOW, VENT & EXTERIOR DOOR GROUP (CONTINUED)
BRIGGS & STRATTON LOCKS & COMPONENTS

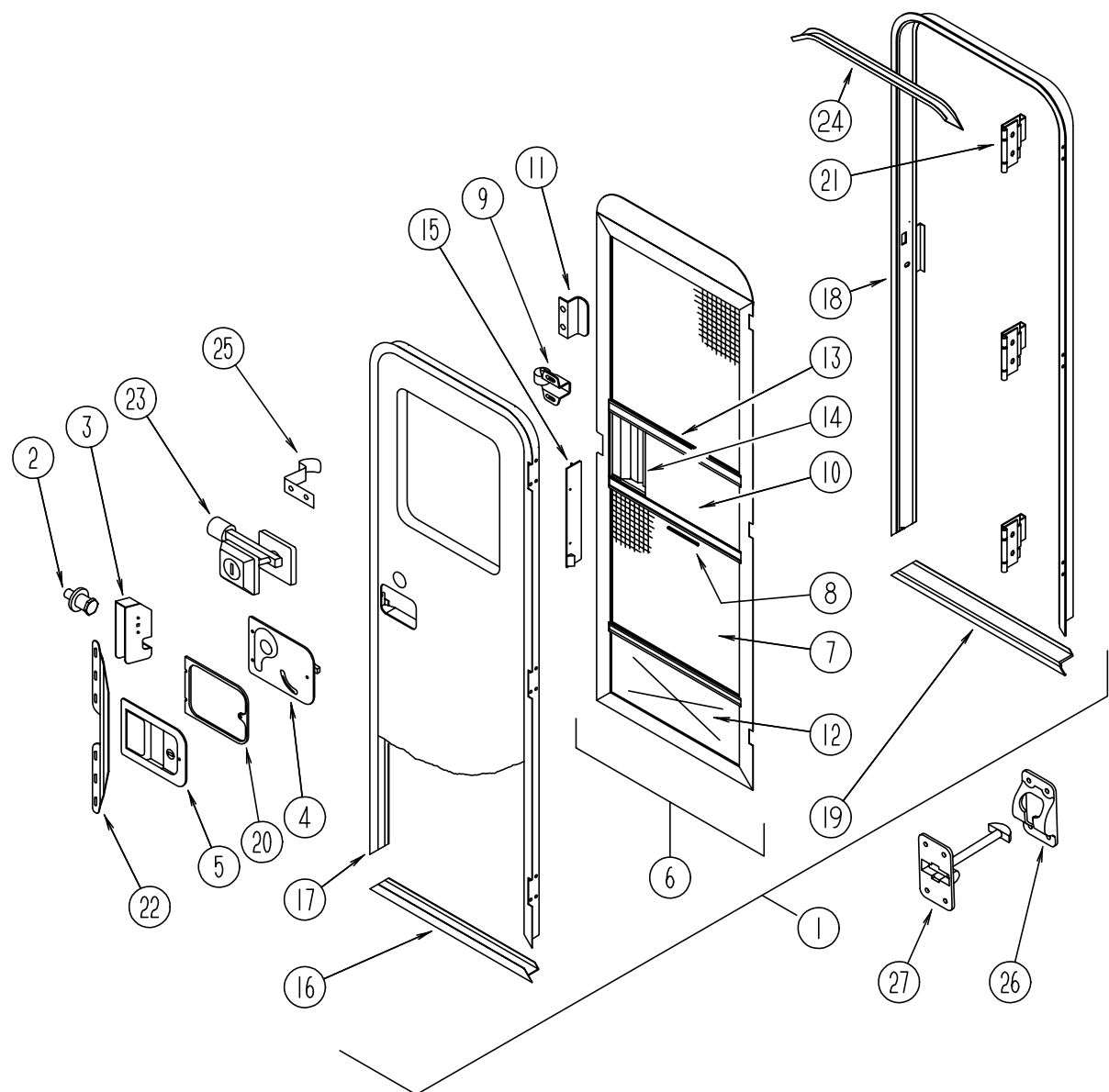
NOTE:
 WHEN ORDERING THE LOCK CASE, THE KEY CODE MUST MATCH THE LAST DIGIT OF THE VEHICLE'S SERIAL NUMBER AND PART NUMBER; WHEN ORDERING THE KEYS, THE THIRD DIGIT OF THE KEY CODE MUST MATCH THE LAST DIGIT OF THE VEHICLE'S SERIAL NUMBER AND PART NUMBER



KEY	PART NUMBER	U/M	DESCRIPTION	VENDOR NO.
1	110506-59-000	EA	KEYS-SET OF TWO	596720
2	110506-52-000	EA	CASE-LOCK, A = 17 MM	702370
2	110506-53-000	EA	CASE-LOCK, A = 25 MM	702380
1	110506-59-001	EA	KEYS-SET OF TWO	596721
2	110506-52-001	EA	CASE-LOCK, A = 17 MM	702371
2	110506-53-001	EA	CASE-LOCK, A = 25 MM	702381
1	110506-59-002	EA	KEYS-SET OF TWO	596722
2	110506-52-002	EA	CASE-LOCK, A = 17 MM	702372
2	110506-53-002	EA	CASE-LOCK, A = 25 MM	702382
1	110506-59-003	EA	KEYS-SET OF TWO	596723
2	110506-52-003	EA	CASE-LOCK, A = 17 MM	702373
2	110506-53-003	EA	CASE-LOCK, A = 25 MM	702383
1	110506-59-004	EA	KEYS-SET OF TWO	596724
2	110506-52-004	EA	CASE-LOCK, A = 17 MM	702374
2	110506-53-004	EA	CASE-LOCK, A = 25 MM	702384
1	110506-59-005	EA	KEYS-SET OF TWO	596725
2	110506-52-005	EA	CASE-LOCK, A = 17 MM	702375
2	110506-53-005	EA	CASE-LOCK, A = 25 MM	702385
1	110506-59-006	EA	KEYS-SET OF TWO	596726
2	110506-52-006	EA	CASE-LOCK, A = 17 MM	702376
2	110506-53-006	EA	CASE-LOCK, A = 25 MM	702386

KEY	PART NUMBER	U/M	DESCRIPTION	VENDOR NO.
1	110506-59-007	EA	KEYS-SET OF TWO	596727
2	110506-52-007	EA	CASE-LOCK, A = 17 MM	702377
2	110506-53-007	EA	CASE-LOCK, A = 25 MM	702387
1	110506-59-008	EA	KEYS-SET OF TWO	596728
2	110506-52-008	EA	CASE-LOCK, A = 17 MM	702378
2	110506-53-008	EA	CASE-LOCK, A = 25 MM	702388
1	110506-59-009	EA	KEYS-SET OF TWO	596729
2	110506-52-009	EA	CASE-LOCK - A = 17 MM	702379
2	110506-53-009	EA	CASE-LOCK - A = 25 MM	702389
3	110506-40-700	EA	HARDWARE KIT	
4	110506-50-000	EA	CASE-TWIST LOCK, A = 17 MM	596952
4	110506-51-000	EA	CASE-TWIST LOCK, A = 25 MM	596669
	110506-40-000	EA	CLIP-E LOCK ASSEMBLY	93981
	110506-64-000	EA	CAM-LOCK	322280
	110506-67-000	EA	CAM-LOCK	322283
	110506-71-000	EA	CAM-LOCK	322287
	110506-72-000	EA	CAM-LOCK	322354
	110506-59-701	EA	KEY-BLANK, GOLD	

WINDOW, VENT & EXTERIOR DOOR GROUP (CONTINUED)
ENTRY DOOR W/O WINDOW



KEY	PART NUMBER	U/M	DESCRIPTION
	063729-04-000	EA	RIVNUT, 10-32 UNF - .010-.080
	039715-01-000	EA	NUT-SERT, 1/4" DIAMETER - 20 THREADS
	075671-04-000	FT	SEAL-SPONGE, LAZY T SHAPE - W/ADHESIVE STRIP - .5" WIDE
6	079012-09-F24	EA	DOOR-SCREEN
7	002293-02-000	SF	SCREENING-WINDOW/DOOR, 26" - CHARCOAL
8	002294-01-000	FT	SPLINE-SCREENING, .135" X .138" - BLACK
9	100412-01-000	EA	CATCH-SCREEN DOOR
10	016454-01-000	EA	INSERT-CENTER, LEATHER GRAIN ALUMINUM - UNPAINTED
10	001014-01-013	EA	INSERT-CENTER, 10.25" X 16.31" - UNPAINTED
11	050712-06-000	EA	HANDLE-SCREEN DOOR, ALUMINUM
12	078552-03-000	EA	KICK PANEL-SCREEN DOOR, LOWER INSERT - UNPAINTED
	078595-01-000	EA	TOP PLATE-SCREEN DOOR, CURVED TOP - 4.7" X 25.35"
13	078777-01-000	EA	CHANNEL-SLIDE, SCREEN DOOR CENTER SLIDER COVER - 17.4"
14	079086-03-000	EA	SLIDER-SCREEN DOOR, BRIGHT WHITE
15	079087-03-000	EA	STRIKE-SLIDER, W/LIP FOR ELBOW CATCH - 1.5" X 8.6"
	081914-01-000	EA	BUMPER-RUBBER, ROUND - .43" DIAMETER - BLACK
16	089748-21-000	EA	FRAME-DOOR, ENTRANCE - BOTTOM - BRIGHT WHITE
	090340-01-000	FT	SEAL-FOAM, CLOSED CELL - 1/4" X 1/2" X 50'
17	095276-07-03A	EA	FRAME-ENTRANCE DOOR, TOP & SIDES - BRIGHT WHITE
18	095277-08-03A	EA	JAMB-ENTRANCE DOOR, 25.9" X 74.5" W/BOTTOM - BRIGHT WHITE
			FROM: 00-00-00 THRU: 07-30-95
18	120310-04-01A	EA	JAMB-ENTRANCE DOOR, 25.9" X 78.5" - BRIGHT WHITE
			FROM: 07-31-95 THRU: 99-99-99
19	051049-01-000	EA	JAMB-ENTRANCE DOOR, BOTTOM - 25.9 - UNPAINTED
20	096810-01-01A	EA	SPACER-DOOR LOCK, PLASTIC - BLACK
21	106719-01-01A	EA	HINGE-ENTRY DOOR, UNPAINTED
22	098173-01-04A	EA	STIFFENER-ENTRANCE DOOR, SUPPORTS LATCH/STRIKE AREA - UNPAINTED
	100128-02-000	FT	SEAL-FOAM, ADHESIVE BACK - .37" W X .37" THICK
			FROM: 00-00-00 THRU: 07-30-95
	118929-01-01A	FT	SEAL-PILE, PUSH-ON - AMESBURY XC-964
			FROM: 07-31-95 THRU: 99-99-99
23	101145-01-01A	EA	DEADBOLT-ENTRANCE DOOR, W/2 KEYS W/O BACK SET BOLT OR SCREWS
			FROM: 00-00-00 THRU: 09-10-95
23	101145-01-06A	EA	DEADBOLT-ENTRANCE DOOR, BLACK TEXTURED
			FROM: 09-11-95 THRU: 99-99-99
	101145-01-701	EA	CYLINDER-LOCK ASM., W/KEY 81306-03
	095229-01-700	EA	KEY-BLANK
	101147-01-000	EA	BOLT-SECURITY, 4.12" BACKSET
	102524-01-000	EA	BUMPER-RUBBER, FLAT - BLACK
24	044582-44-000	EA	CAP-DRIP, DOOR JAMB MOUNTED - BRIGHT WHITE
	115222-04-02A	EA	GARNISH-ENTRANCE DOOR, BRIGHT WHITE
25	100412-01-000	EA	CATCH-SCREEN DOOR, THUMB CLIP
26	104099-02-04A	EA	CATCH-DOOR HOLDER, RETAINER - PLASTIC - BRIGHT WHITE
27	104099-01-04A	EA	CATCH-DOOR HOLDER, STRIKE - PLASTIC - BRIGHT WHITE
	009126-02-000	EA	HANDLE-ASSIST, ENTRY DOOR - BLACK
			FROM: 00-00-00 THRU: 09-10-95
	009126-03-000	EA	HANDLE-ASSIST, ENTRY DOOR - BLACK TEXTURED
			FROM: 09-11-95 THRU: 99-99-99
	102248-01-000	EA	SHIM-DOOR
	104692-01-000	FT	SEAL - 3/4" X 3/4", ADHESIVE BACK FOAM SEAL

KEY	PART NUMBER	U/M	DESCRIPTION
1	115108-01-G01	EA	DOOR-ENTRANCE, W/O WINDOW - W/SCREEN DOOR - BRIGHT WHITE
1	115108-01-G02	EA	DOOR-ENTRANCE, W/O WINDOW - W/SCREEN DOOR - BRIGHT WHITE
2	039539-01-000	EA	STRIKE-LOCK, ENTRANCE DOOR - ROUND/THREADED WASHER
	077461-05-000	EA	COVER-STRIKE, ENTRANCE DOOR - 6.5" X 2.5" - PLASTIC - BRIGHT WHITE
3	039540-01-000	EA	LATCH MECHANISM-HOOK, ENTRANCE DOOR - INTERIOR
	039715-01-000	EA	NUT-SERT, 1/4" DIAMETER - 20 THREADS
4	039979-04-000	EA	COVER-INTERIOR LATCH, W/TRIP ARM - RIGHT - BLACK
			FROM: 00-00-00 THRU: 09-10-95
4	039979-06-000	EA	COVER-INTERIOR LATCH, RIGHT - BLACK TEXTURED
			FROM: 09-11-95 THRU: 99-99-99
	039984-01-000	EA	CAP-ROUND, VINYL - .28" ID X .62" LONG - BLACK
	041546-05-000	EA	BRACKET-DOOR ANGLE, OFF WHITE
			FROM: 00-00-00 THRU: 10-22-95
	041546-07-000	EA	BRACKET-DOOR ANGLE, OFF WHITE
			FROM: 10-23-95 THRU: 99-99-99
5	045017-11-000	EA	LATCH-ENTRANCE DOOR, MECHANISM W/LOCK & KEY - BLACK
			FROM: 00-00-00 THRU: 09-10-95
5	045017-13-000	EA	LATCH-ENTRANCE DOOR, MECHANISM - BLACK TEXTURED
			FROM: 09-11-95 THRU: 99-99-99
	045017-11-701	EA	KEY-BLANK, ROUND TOP - SILVER - TRI/MARK