

**1996  
ICG34WK**

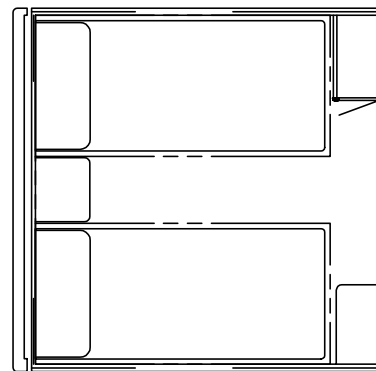
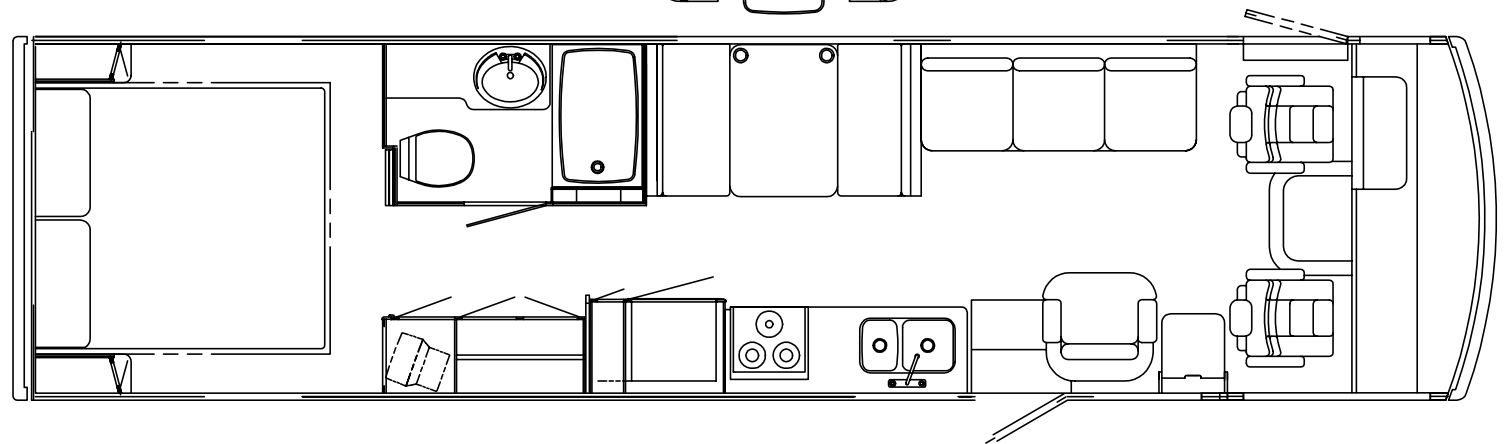
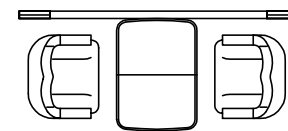
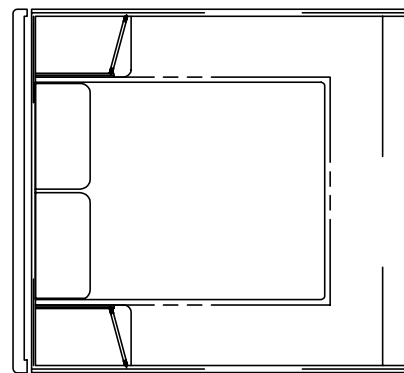
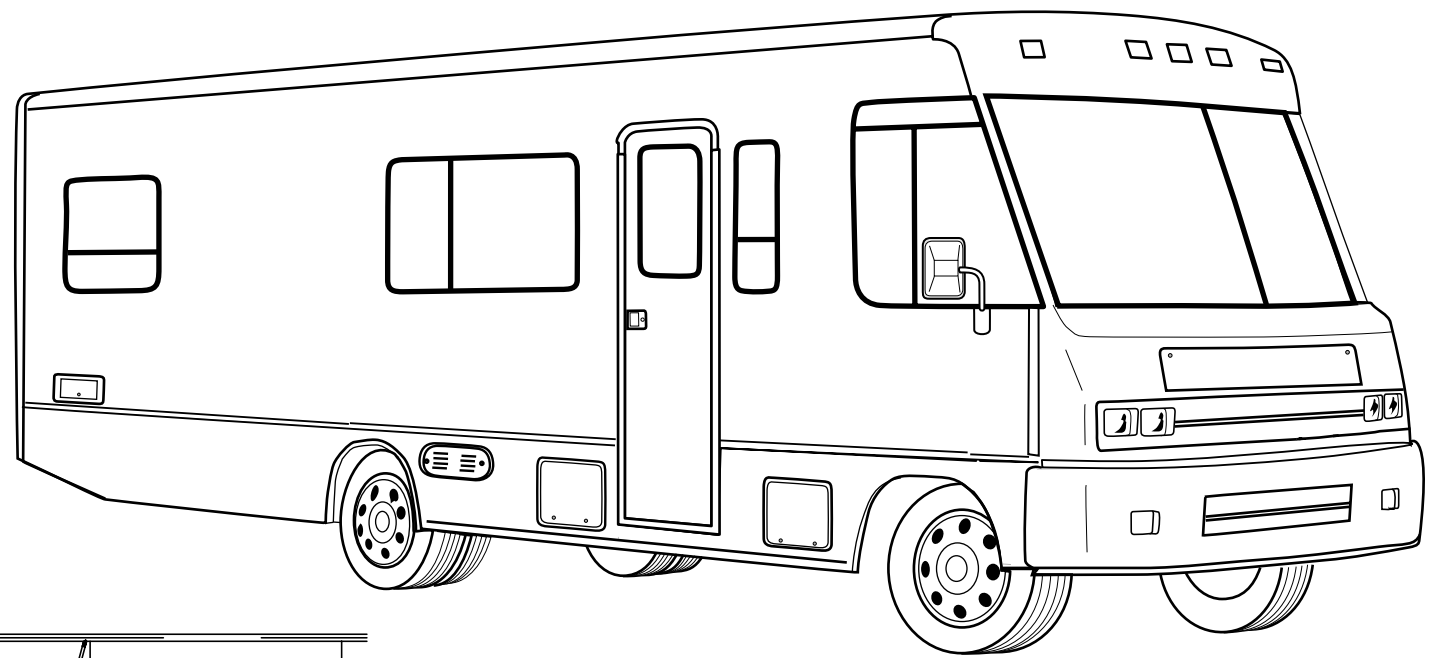
**G35  
WINTER MOSS**

**G36  
TUSCANY**

**G37  
NORTH SHORE**

**G44  
SIENA**

**G45  
REGENCY BLUE**



## ACCESSORIES GROUP

### OPERATOR MANUAL

KEY	PART NUMBER	U/M	DESCRIPTION
	054185-E8-000	EA	MANUAL - OPERATOR 96 SUNCRUISER - G-SERIES
	092318-01-000	EA	BINDER - 3 RING - MOTOR HOME MANUAL
	092319-01-000	EA	POCKET PAGE - 3 RING BINDER - PLASTIC
	118752-01-000	EA	TOP LEVEL DRAWING NUMBER

## AUDIO VIDEO GROUP

### RADIO SYSTEMS & ANTENNA

KEY	PART NUMBER	U/M	DESCRIPTION
	087683-03-000	EA	RADIO - AM/ FM STEREO CASSETTE AUDIOVOX RS-100
	110267-03-000	EA	RADIO - AM/ FM STEREO CD COMPAT AUDIOVOX IM-400
	116148-02-000	EA	RADIO - AM/ FM STEREO - CD PLAYER CLARION RDB515F
	077069-02-000	EA	CABLE - ANTENNA - RADIO - EXTENSION 96" - ARA 6700667
	110469-01-000	EA	SPEAKER - OVAL - 4" X 6" - BLACK
	110470-01-01A	EA	GRILLE - SPEAKER - OVAL - 4" X 6" - BLACK
	081059-02-000	EA	WIRE ASM - 9-PIN - RADIO - AUDIOVOX 112B-1761
	105248-01-000	EA	ANTENNA - CB - ADVANCE 8604
	090944-01-000	EA	ANTENNA - RADIO - 16" RUBBER
	108847-01-000	EA	BRACKET - ANTENNA GROUND
	115916-01-01B	EA	BRACKET - ANTENNA MOUNT
	109889-04-000	EA	EXTENDER - SHAFT - ANTENNA 3"
	074979-12-000	EA	SHIELD - SPEAKER - BACK - MOLDED PLASTIC - OFF WHITE
	089340-02-000	EA	GRILLE - SPEAKER - 6.5" SQUARE
	089340-03-000	EA	SPACER - GRILLE - 6.5" SQUARE - TAN - MAGNADYNE G514
	094097-01-000	EA	SPEAKER - RADIO - W/O GRILLE - 5.25" DIA - AUDIOVOX 110C3030

### REAR MONITOR SYSTEM (SONY)

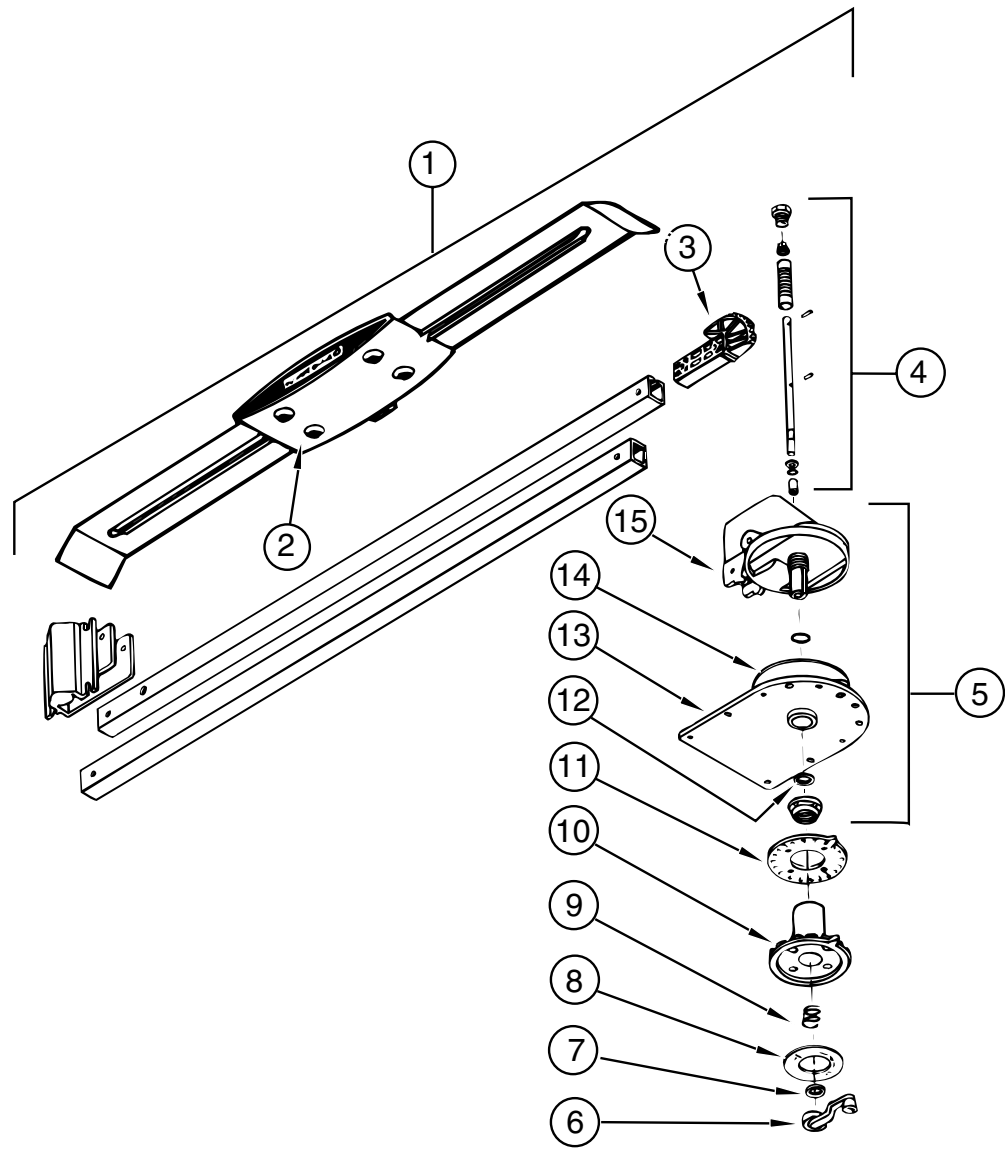
KEY	PART NUMBER	U/M	DESCRIPTION	VENDOR NO.
	093040-04-700	EA	CAMERA - W/BRACKET & WIRING - REAR VIEW	SSC-520AM
	093040-05-700	EA	MONITOR - 7" W/POWER HARNESS	SSM721AM
	093040-06-000	EA	WIRE ASM. - MONITOR - SONY SM-HRN7	
	093041-01-000	EA	CABLE - MONITOR/ CAMERA - INTERNAL USE	
	096717-03-000	EA	WIRE ASM. - REAR MONITOR - UPPER	
	093040-08-000	EA	TELEVISION SYSTEM - REAR VIEW 7" - W/ AUDIO JACK	
	108885-02-000	EA	WIRE ASM. - INSTRUMENT PANEL - REAR MONITOR (CHEVY)	

### PATIO ENTERTAINMENT CENTER

KEY	PART NUMBER	U/M	DESCRIPTION
	110469-01-000	EA	SPEAKER - OVAL - 4" X 6" - BLACK
	110470-01-01A	EA	GRILLE - SPEAKER - OVAL - 4" X 6" - BLACK
	077069-02-000	EA	CABLE - ANTENNA - RADIO - EXTENSION 96" - ARA 6700667
	087683-03-000	EA	RADIO - AM/ FM STEREO W/ CASSETTE - AUDIOVOX
	090944-01-000	EA	ANTENNA - RADIO - 16" RUBBER
	108847-01-000	EA	BRACKET - ANTENNA GROUND
	109889-04-000	EA	ANTENNA - 3" SHAFT EXTENDER - MAGNADYNE RV71EX3

# AUDIO VIDEO GROUP (CONTINUED)

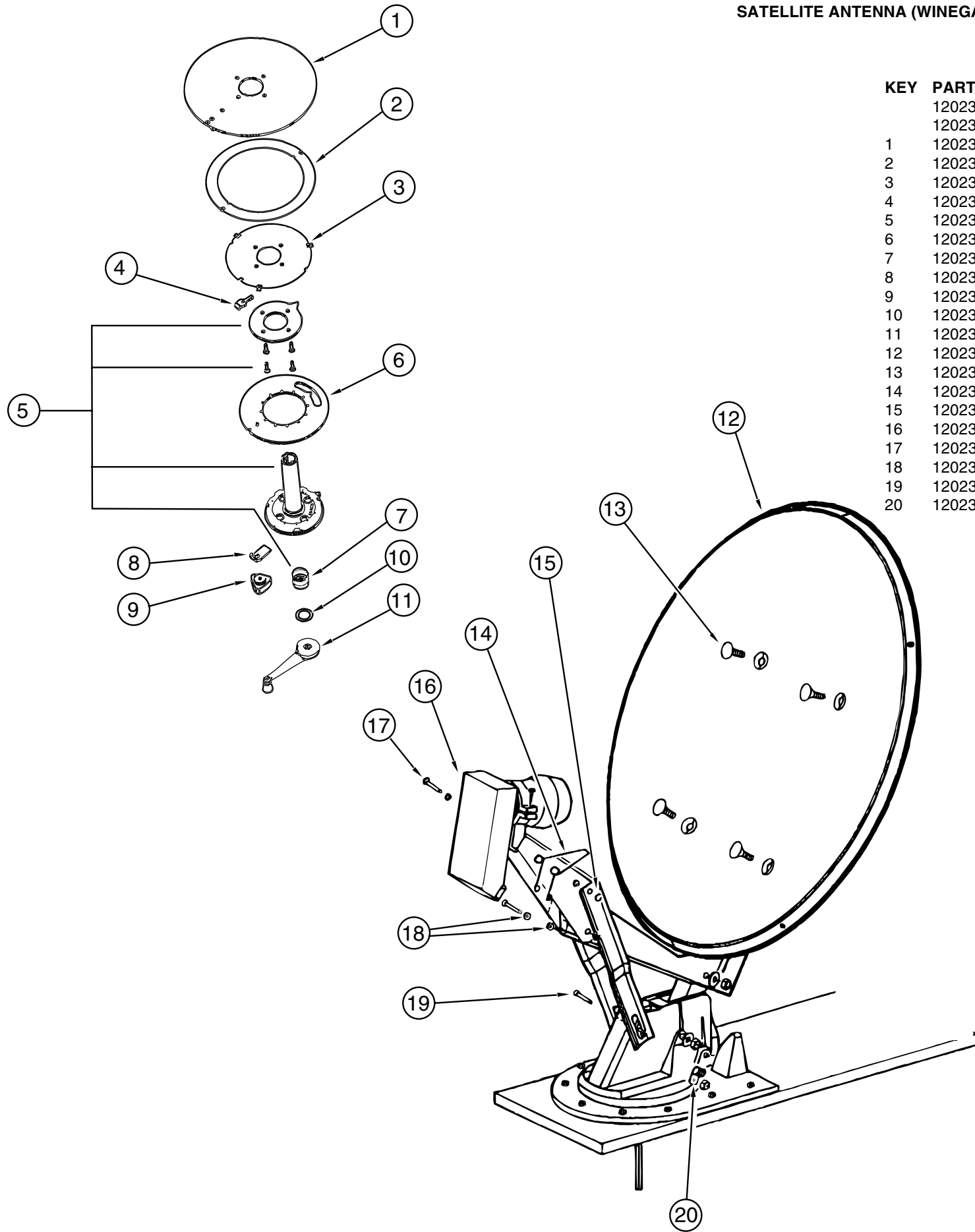
## TV ANTENNA (WINEGARD)



KEY	PART NUMBER	U/M	DESCRIPTION	VENDOR NO.
1	076319-18-000	EA	ANTENNA - TV - ROOF MOUNT	
2	076319-01-700	EA	HEAD - ANTENNA - AMPLIFIED	RVSA U/V
3	076319-01-701	EA	GEAR - ELEVATING - PLASTIC	2200046
4	076319-01-702	EA	SHAFT ASM - ELEVATING	RVP-400A
5	076319-01-711	EA	BASE & LIFT ASM	2762802
6	076319-01-706	EA	CRANK - ELEVATING - W/ SET SCREW	5755100
7	076319-01-705	EA	BEARING - NYLON - 7/8"ID	3200658
8	076319-01-708	EA	CRANK COVER DECAL	5413002
9	076319-01-707	EA	SPRING - HANDLE	5160822
10	076319-01-709	EA	PLATE - DIRECTIONAL - FOR HEAD	3200644
11	076319-01-712	EA	CEILING PLATE - WINEGARD	3200608
12	076319-01-704	EA	BEARING - NYLON - 1.5"OD	3200657
13	076319-01-713	EA	BASE PLATE	3100523
14	076319-01-703	EA	BEARING - NYLON - 5"OD	3200656
15	076319-01-714	EA	HOUSING - ROTATING GEAR	2200049

# AUDIO VIDEO GROUP (CONTINUED)

## SATELLITE ANTENNA (WINEGARD)



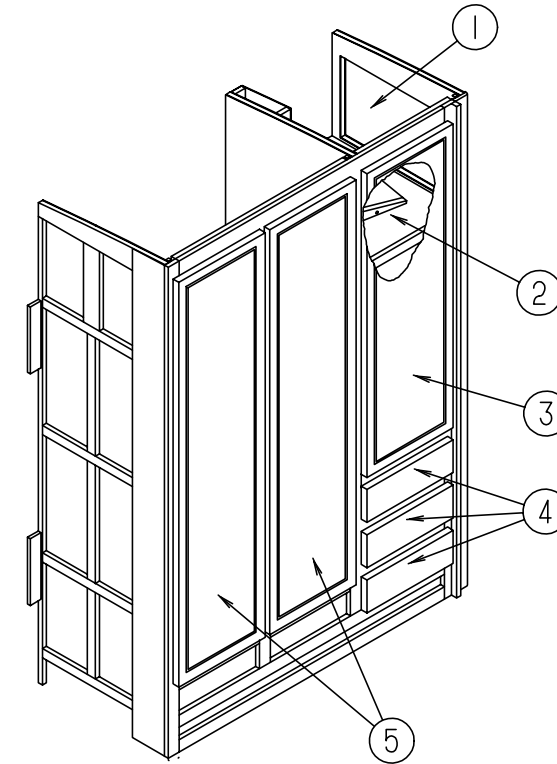
KEY	PART NUMBER	U/M	DESCRIPTION	VENDOR NO.
	120233-02-000	EA	ANTENNA - SATELLITE W/ RECEIVER - RD-1046	
	120233-01-000	EA	ANTENNA - SATELLITE DSS - RD-4600	
1	120233-01-700	EA	PLATE - FIXED	3750821
2	120233-01-701	EA	DIAL - DIRECTIONAL	2745056
3	120233-01-702	EA	PIVOT - DIAL - DIRECTIONAL	2745058
4	120233-01-703	EA	STOP - ROTATION	3711281
5	120233-01-704	EA	PLATE - CEILING W/DIR. HANDLE	RP-6300
6	120233-01-705	EA	PLATE - ROTATE	3750820
7	120233-01-706	EA	SPRING	RP-6822
8	120233-01-707	EA	CLAMP - ROTATE	3711280
9	120233-01-708	EA	KNOB - CLAMP	160822
10	120233-01-709	EA	WASHER - NYLON	RP-2658
11	120233-01-710	EA	HANDLE - CRANK	RP-6795
12	120233-01-711	EA	REFLECTOR - 46CM	2745304
13	120233-01-712	EA	BOLT - FLAT HEAD	2160253
14	120233-01-713	EA	SPRING	2160820
15	120233-01-714	EA	CLIP - E	5160818
16	120233-01-715	EA	RCA LNB	278015
17	120233-01-716	EA	PIN	2160814
18	120233-01-717	EA	BEARING - NYLON	2200728
19	120233-01-718	EA	PIN	5160817
20	120233-01-719	EA	CLAMP - CABLE	2200060

## AUDIO VIDEO GROUP (CONTINUED)

### TV - VCR SYSTEMS

KEY	PART NUMBER	U/M DESCRIPTION	VENDOR NO.
	082134-01-000	EA ADAPTER - TV - CABLE TO CABLE - WINEGARD F-81M	
	086756-01-000	EA SPLITTER - TV - 2 WAY	
	076319-03-000	FT CABLE - COAXIAL - 75 OHM	
	076319-12-000	EA CONNECTOR - COAXIAL - ONE PIECE	
	086757-03-000	EA CONTROL CENTER - SWITCH - VCR/ TV	
	119120-01-000	EA VCR - VHS - CABLE READY - REMOTE - AUDIOVOX AVR-1075	
	119120-01-700	EA REMOTE F/ MODEL AVR-1075	
	113684-01-000	EA TV - 19" COLOR UL AND CSA - AUDIOVOX AVT-1975	
	113684-01-700	EA REMOTE	8822345
	092310-02-000	EA TV - COLOR - 9"- AC/DC - W/REMOTE - MAGNAVOX RD0945 (REAR TV)	
	092310-02-700	EA REMOTE - F/TV MAGNAVOX RD0945	0822334
	098819-01-000	EA SPEAKER - 2 WATT - 8 OHM - 4"	
	114870-02-000	EA PLUG ASM - 3.5 MM AUDIO W/ LEADS - OW DONALD 35-P8	
	093214-01-02A	EA GRILL - SPEAKER, 4" BROWN	
	099717-01-000	EA TIEDOWN - TV STRAP - 38.2" LONG	
	109889-04-000	EA EXTENDER - SHAFT - ANTENNA 3" MAGNADYNE RV71EX3	
	082136-01-000	EA JAM NUT - HEX 3/8-32 - WINEGARD	
	076319-08-000	EA WALLPLATE - CABLE RECEPTACLE - TV - SINGLE - IVORY	
	076319-09-000	EA WALLPLATE - CABLE RECEPTACLE - TV - SINGLE - BROWN	
	086777-01-000	EA WALLPLATE - TV CABLE - W/ ANTENNA SWITCH - IVORY	
	086777-03-000	EA WALLPLATE - CABLE - W/ TV ANTENNA SWITCH & BOOSTER - IVORY	
	086777-05-000	EA WALLPLATE - ANT 1 OUTPUT IVORY	
	086757-03-000	EA CONTROL CENTER - SWITCH - VCR/TV - MAGNADYNE VCS-6	

## BATH GROUP

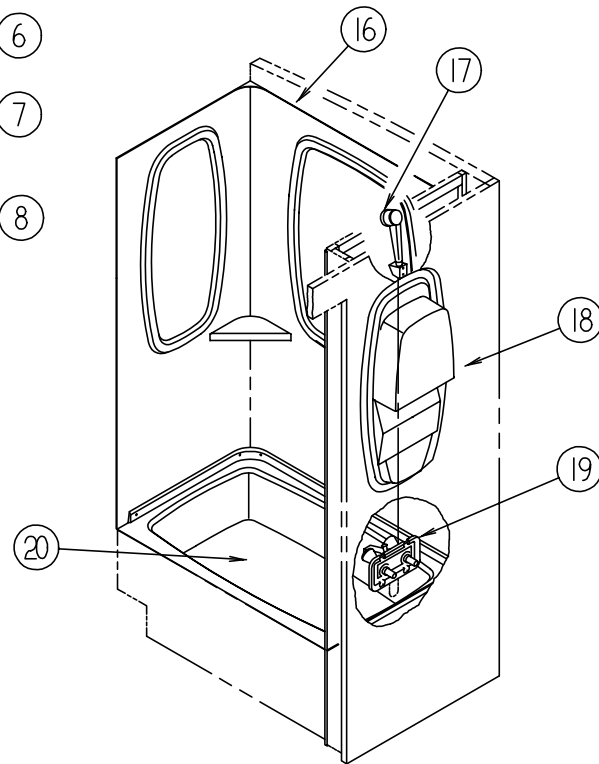
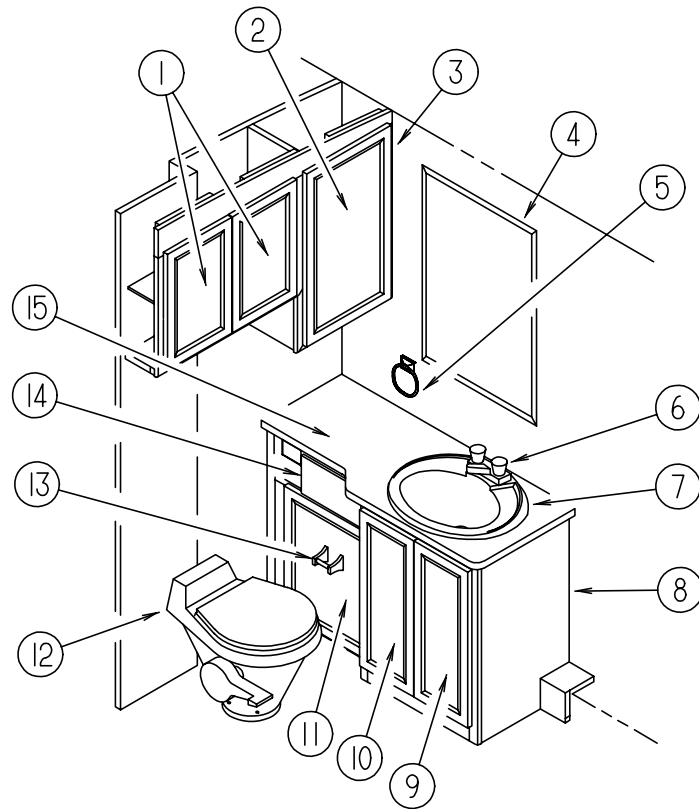


### WARDROBE CABINET

KEY	PART NUMBER	U/M DESCRIPTION
1	M05993-69-G35	EA DOOR ASM. - CABINET W/ RADIUS EDGE 14.4" X 21.9"
2	116172-12-G15	EA TV WEDGE - SHELF
3	M06804-C6-G35	EA DOOR - MITERED CORNER/ RADIUS EDGE - 16.7" X 50" - W/O HARDWARE
4	M05970-L3-G35	EA DRAWER ASM.
5	M06804-11-G35	EA DOOR ASM. - RAIL - W/O HARDWARE - 16.1" X 65.4"
	042438-01-000	EA DOWEL - CLOTHES ROD - 1" DIAMETER - WOOD
	009112-01-000	EA FLANGE - 1" CLOTHES ROD - PLASTIC - OFF WHITE

## BATH GROUP (CONTINUED)

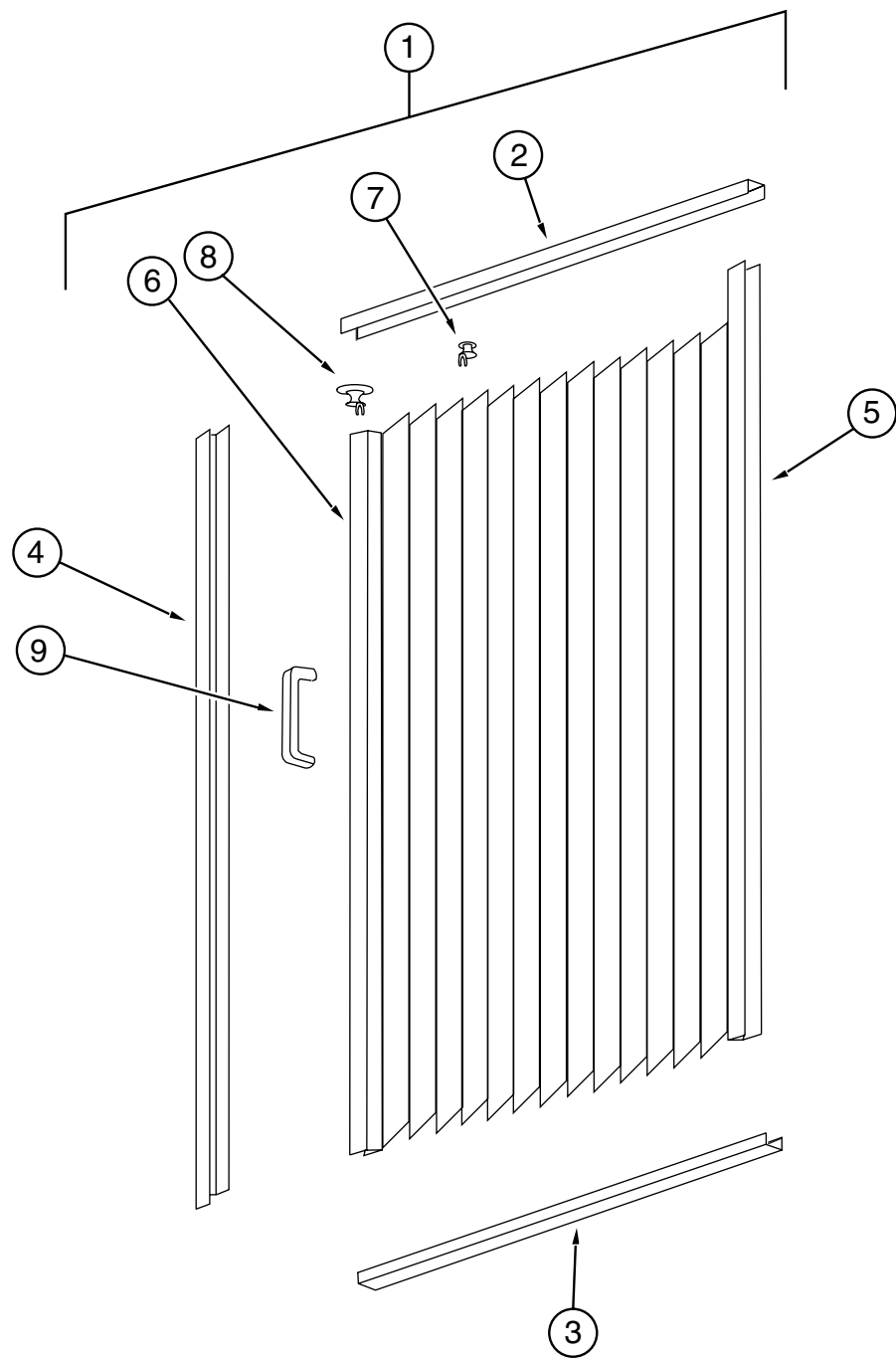
### BATH CABINETS, PRIVACY DOOR & SHOWER COMPONENTS



KEY	PART NUMBER	U/M	DESCRIPTION
1	M05993-38-G35	EA	DOOR ASM. - CABINET W/ RADIUS EDGE - 12" X 18.7"
	116188-12-G35	EA	SHELF ASM
2	M05993-48-G35	EA	DOOR - RADIUS EDGE - 15.7" X 28" - W/O HARDWARE
	116188-17-G35	EA	SHELF ASM
3	P16188-01-G15	EA	CABINET ASM - MEDICINE
4	058331-51-000	EA	MIRROR
5	075454-02-000	EA	RING - TOWEL - W/ MOUNTING HARDWARE - BRASS
6	075240-06-000	EA	FAUCET - LAVATORY - BONE
	105218-01-01A	EA	SPACER - FAUCET - LAVATORY SINK - 2" X 5.9" - PLASTIC - OFF WHITE
7	105921-01-01A	EA	SINK - LAVATORY - LARGE OVAL - 17" X 20" - PLASTIC - OFF WHITE
	106116-01-01A	EA	STRAINER - SINK - W/ STOPPER TAILPIECE GASKET & NUT - PLASTIC
8	P16196-01-G35	EA	CABINET ASM-LAVATORY (G35, G37)
8	P16196-01-G36	EA	CABINET ASM-LAVATORY (G36, G44)
8	P16196-01-G45	EA	CABINET ASM-LAVATORY (G45)
9	M05993-H0-G35	EA	DOOR ASM - W/O HARDWARE - 10" X 25.2"
10	M05993-H1-G35	EA	DOOR ASM - W/O HARDWARE - 10" X 25.2"
	116196-11-G35	EA	SHELF ASM
11	P16237-03-G35	EA	DRAWER ASM - HAMPER
12	085330-06-000	EA	TOILET - CHINA - STANDARD (BONE)
13	075452-02-000	EA	HOLDER - TOILET TISSUE - BRASS
14	M05970-L4-G35	EA	DRAWER ASM. - W/O HARDWARE
15	116196-12-F12	EA	COUNTERTOP ASM. (G35, G37)
15	116196-12-G36	EA	COUNTERTOP ASM. (G36, G44)
15	116196-12-G45	EA	COUNTERTOP ASM. (G45)
16	115612-01-01A	EA	SURROUND - SHOWER - OFF WHITE
17	103092-01-000	EA	SHOWER HEAD - W/60" HOSE (US)
17	103092-02-000	EA	SHOWER HEAD - W/HOSE (CSA)
	103092-01-700	EA	BRACKET (FOR SHOWER HEAD)
18	104462-02-01A	EA	CADDY - SHOWER - OFF WHITE
19	075242-04-000	EA	FAUCET - TUB/ SHOWER - BONE
	075606-01-000	EA	PANEL - FAUCET BACK - SHOWER - 5" X 9" - PLASTIC
	103092-03-700	EA	BRACKET - SHOWER HEAD
20	M02630-27-F11	EA	SHOWER PAN ASM
	066436-01-000	EA	NUT-SLIP - TAILPIECE - 1.5"
	066729-01-000	EA	STRAINER - TUB/ SHOWER - W/ PLUG
	M03866-04-G35	EA	DOOR ASM. (1 BIFOLD ONLY) W/O HARDWARE
	093170-06-02A	EA	HEADER - BIFOLD DOOR (TRACK) OFF WHITE
	117978-01-01A	EA	KNOB - DOOR - BRIGHT BRASS
	092652-01-000	EA	GUIDE WHEEL (BIFOLD DOOR) TOP MOUNT
	084451-01-000	EA	CATCH (BIFOLD DOOR) BRASS
	102920-01-01A	EA	HINGE - DOOR - SPRING LOADED - BRASS
	M87868-13-G15	EA	DOOR ASM. - BATH
	094485-03-01A	EA	KNOB - DOOR - BRASS
	100357-01-000	EA	ROD -TOWEL - BRASS W/ ENDS BENT FOR BACK OF BATH DOOR
	102089-13-G09	EA	RAIL END - RH - TOWEL RACK - 26" LONG - WATERFORD OAK
	102089-14-G09	EA	RAIL END - LH - TOWEL RACK - 26" LONG - WATERFORD OAK

## BATH GROUP (CONTINUED)

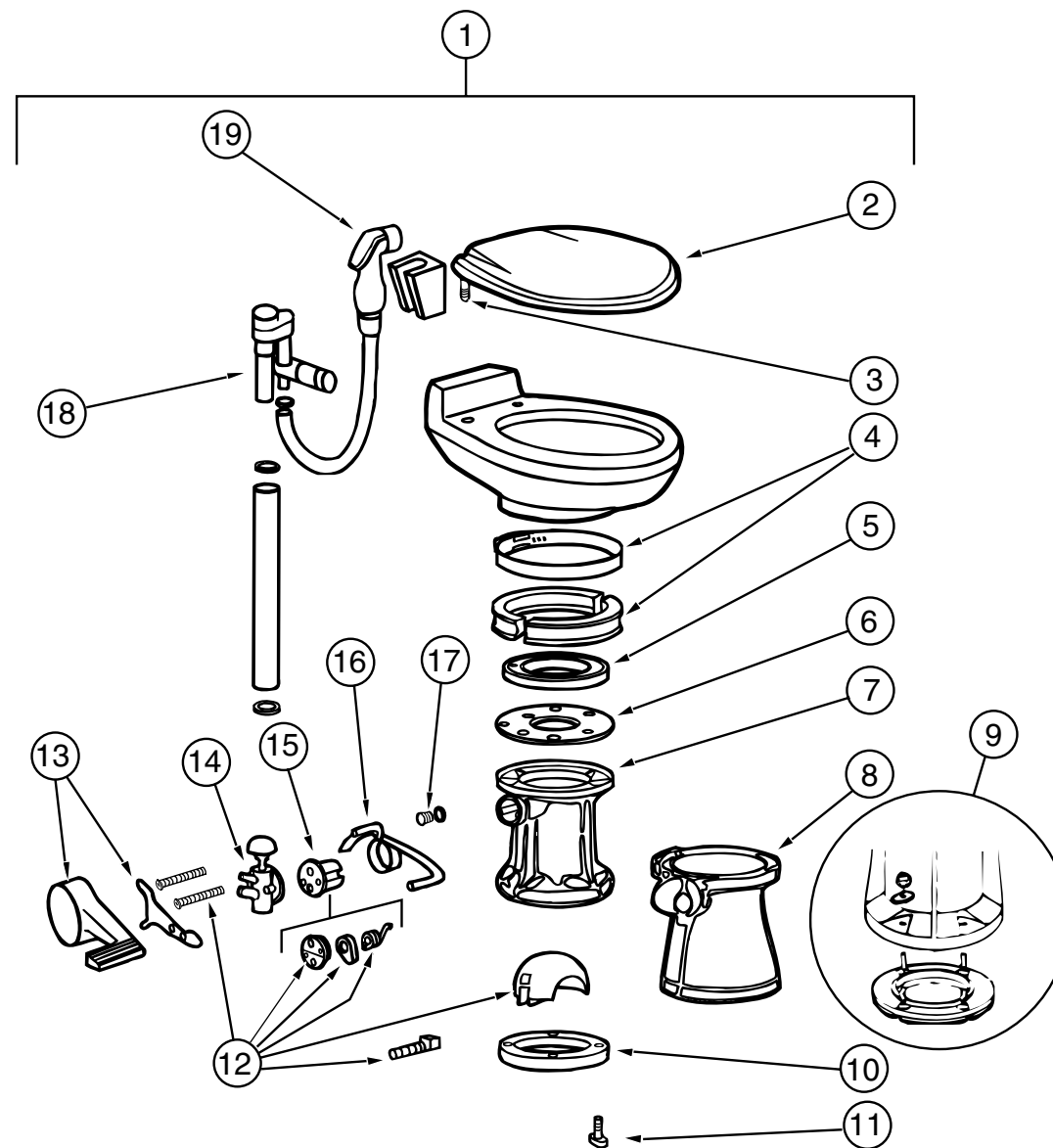
### SHOWER DOOR



KEY	PART NUMBER	U/M DESCRIPTION
1	117431-03-01A	EA DOOR - SHOWER - FABRIC - PLEATED
2	117431-01-700	EA TRACK - TOP - ALUM. - IVORY INSERT
3	117431-01-701	EA TRACK - BOTTOM - 39 3/8
4	117431-01-702	EA RAIL - SIDE - 63"
5	117431-01-703	EA RAIL - STATIONARY - 63"
6	117431-01-704	EA RAIL - LEAD - 63"
7	117431-01-705	EA GLIDE - IVORY - TRAVELER
8	117431-01-706	EA GLIDE - IVORY LEAD - TRAVELER
9	117431-01-708	EA HANDLES & SCREWS
	117431-01-707	EA LATCH
	117431-01-709	EA STRAP - VINYL SHOWER

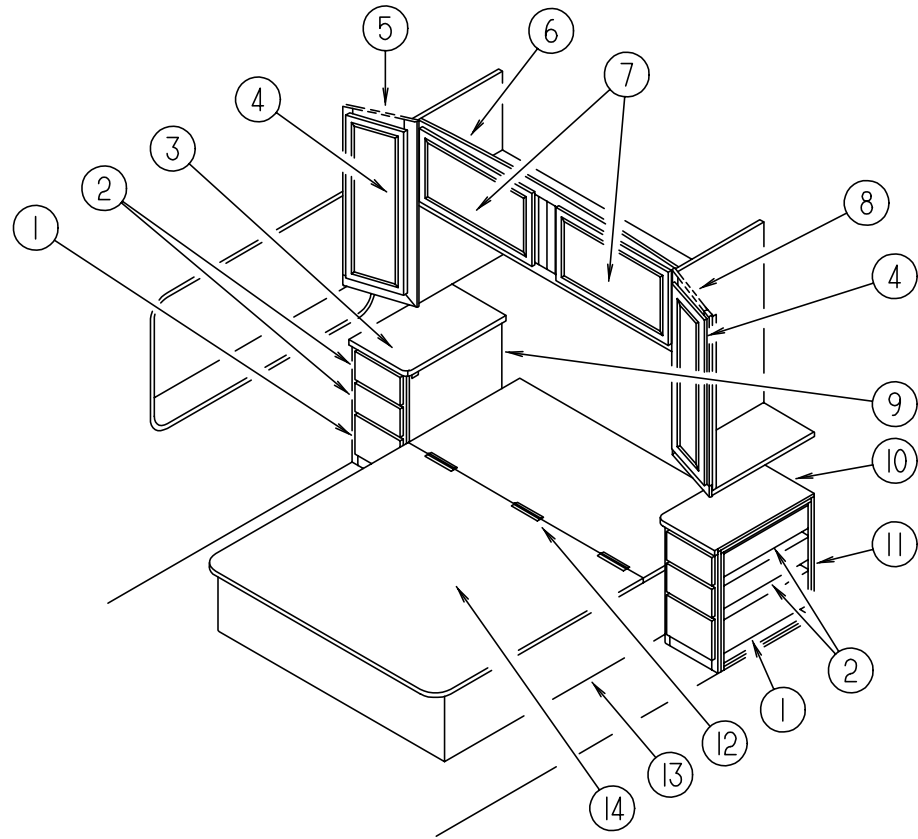
## BATH GROUP (CONTINUED)

### TOILET (SEALAND MODEL 910 W/ SPRAYER)



KEY	PART NUMBER	U/M DESCRIPTION	VENDOR NO.
1	085330-06-000	EA TOILET - CHINA - STANDARD (BONE) - 591003	
2	085330-06-700	EA SEAT ASSEMBLY (BONE)	340591
3	085330-06-702	EA HINGE HARDWARE (BONE) SET	342131
4	085330-01-703	EA RING & HALF CLAMPS ASM (BONE)	385310048
5	085330-01-704	EA TEFLON & RUBBER SEAL KIT	385316140
6	085330-01-705	EA SUPPORT - SEAL - PLASTIC	390346405
7	085330-02-700	EA BASE ASM	310121
8	085330-02-702	EA COVER - PEDESTAL - BONE 510	310112
9	085330-01-718	EA SEAL & BASE W/ MOUNTING HARDWARE	3853100-63
10	085330-01-714	EA SEAL - FLANGE - FLOOR	390343892
11	085330-01-717	EA STOOL MOUNTING PACKAGE - BOLT & SEAL	3100-64
12	085330-01-706	EA BALL - SHAFT & CARTRIDGE	385318162
13	085330-02-703	EA COVER - PEDAL - BONE NEW STYLE	310115
14	085330-01-709	EA VALVE - WATER	385314349
15	085330-01-707	EA CARTRIDGE - SPRING ASM.	381236096
16	085330-06-703	EA LEVER - FLUSH	340873
17	085330-01-710	EA DRAIN - KIT - PLUG - CAP W/ SEAL	230384
18	085330-06-701	EA BREAKER - VACUUM/ DIVERTER (900)	230335
19	085330-04-701	EA HAND SPRAY - W/ HOSE (500 & 900)	340683

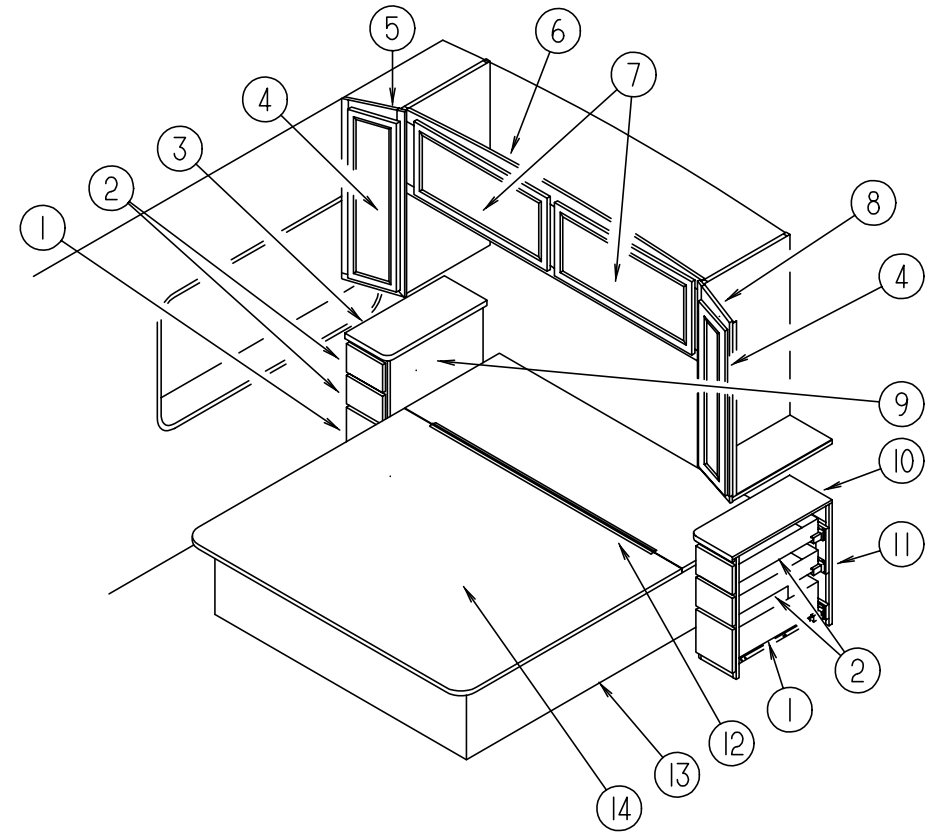
## BEDROOM GROUP



QUEEN BED

KEY	PART NUMBER	U/M	DESCRIPTION
1	M05970-W3-G35	EA	DRAWER - RADIUS EDGE - 11.5" X 21.7" - W/O SLIDES/ HARDWARE
2	M05970-L5-G35	EA	DRAWER - RADIUS EDGE - 11.5" X 21.7" - W/O SLIDES/ HARDWARE
3	116193-11-F12	EA	COUNTERTOP ASM. (G35, G37)
3	116193-11-G36	EA	COUNTERTOP ASM. (G36, G44)
3	116193-11-G45	EA	COUNTERTOP ASM. (G45)
4	M06804-R5-G35	EA	DOOR - MITERED CORNER/RADIUS EDGE - 14.4" X 36.4" W/O HRDW
4	058331-D4-000	EA	MIRROR - CABINET DOOR
5	116142-01-G35	EA	CABINET ASM. - SHIRT CLOSET (PASSENGER SIDE)
6	106523-01-G09	EA	CABINET ASM - OVHD - REAR - QUEEN
7	M05993-48-G35	EA	DOOR - RADIUS EDGE - 15.7" X 28" - W/O HARDWARE
8	116142-02-G35	EA	CABINET ASM. - SHIRT CLOSET (DRIVER SIDE)
9	116193-01-G15	EA	CABINET ASM. - W/ COUNTERTOP - RH - NIGHTSTAND (G35, G37)
9	116193-01-G36	EA	CABINET ASM. - W/ COUNTERTOP - RH - NIGHTSTAND (G36, G44)
9	116193-01-G45	EA	CABINET ASM. - W/ COUNTERTOP - RH - NIGHTSTAND (G45)
10	116193-12-F12	EA	COUNTERTOP ASM. (G35,G37)
10	116193-12-G36	EA	COUNTERTOP ASM. (G36, G44)
10	116193-12-G45	EA	COUNTERTOP ASM. (G45)
11	116193-02-G15	EA	CABINET ASM. - W/ COUNTERTOP - LH - NIGHTSTAND (G35, G37)
11	116193-02-G36	EA	CABINET ASM. - W/ COUNTERTOP - LH - NIGHTSTAND (G36, G44)
11	116193-02-G45	EA	CABINET ASM. - W/ COUNTERTOP - LH - NIGHTSTAND (G45)
12	041389-11-000	EA	PIANO HINGE - BEIGE - 55"
13	P18758-01-G15	EA	CABINET ASM - BED - QUEEN - W/O TOP
14	M07571-02-F15	EA	QUEEN BED TOP
	057460-02-000	EA	STUD - BALL - GAS SPRING - 10MM - 5/16" - 18
	107796-06-000	EA	GAS SPRING - 12" COMPRESSED/ 20" EXTENDED - 120 LB.
	107796-07-000	EA	BRACKET - SUPPORT - GAS SPRING TO BED - ANGLE (UPPER)
	107796-05-000	EA	BRACKET - FLAT - GAS SPRING TO BED (LOWER)
	091952-01-000	EA	CLIP - GRIPPER - 1"
	097872 04 000	EA	DOWEL - WOOD - 1" DIA X 1.38" LONG

## BEDROOM GROUP (CONTINUED)



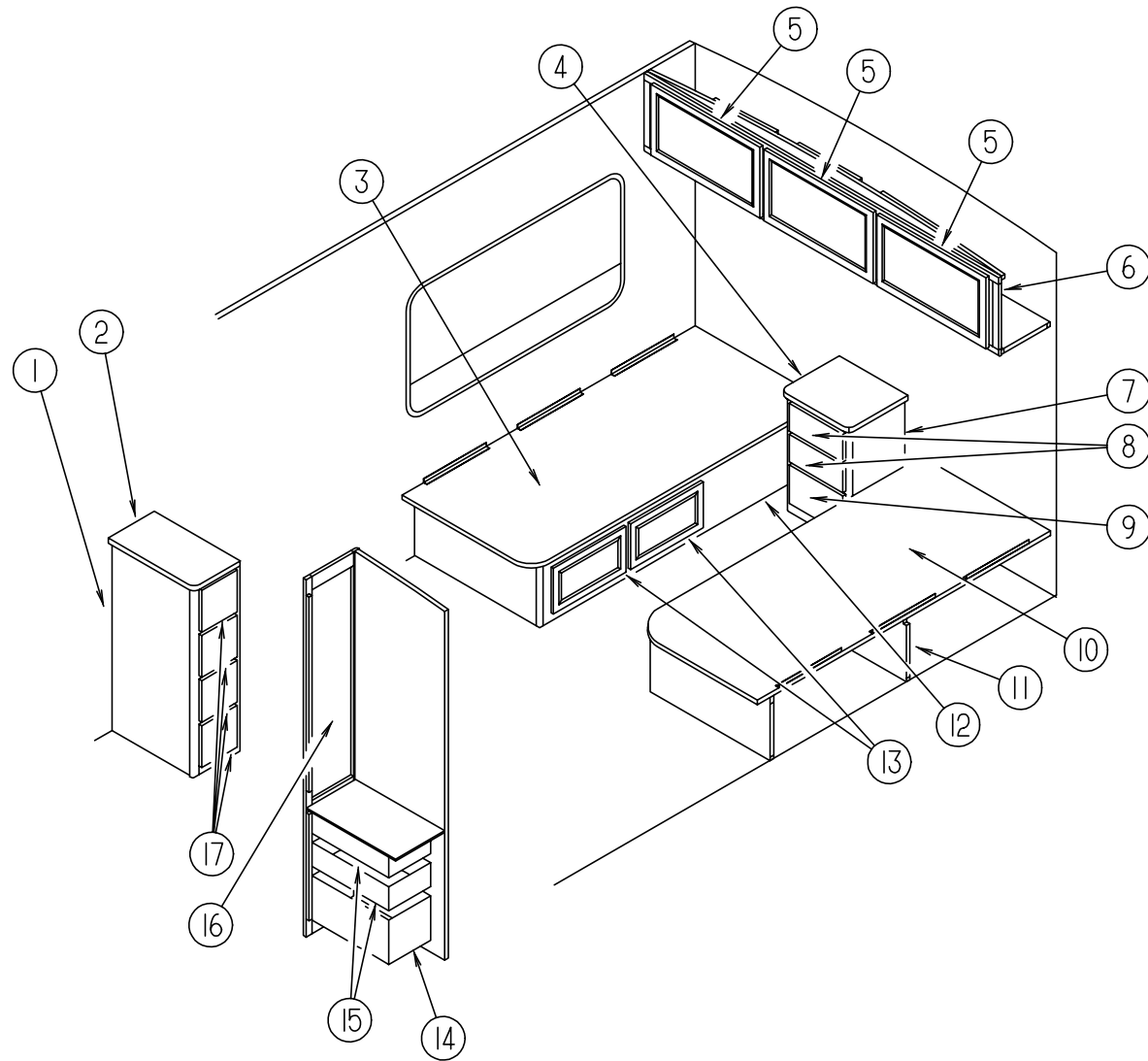
KING BED

KEY	PART NUMBER	U/M	DESCRIPTION
1	M05970-W8-G35	EA	DRAWER ASM. - W/RADIUS FACE - 6.3" X 21.7"
2	M05970-W9-G35	EA	DRAWER ASM. - W/RADIUS FACE - 6.3" X 21.7"
3	117173-11-F12	EA	COUNTERTOP ASM. (G35, G37)
3	117173-11-G36	EA	COUNTERTOP ASM. (G36, G44)
3	117173-11-G45	EA	COUNTERTOP ASM. (G45)
4	M06804-A8-G35	EA	DOOR - W/ MIRROR - MTRD CRNR/ RADIUS EDGE 10.8" X 36.4" W/O HARDWARE
4	058331-A7-000	EA	MIRROR - GLASS - SAFETY - 192 X 842 MM
5	117175-01-G15	EA	CABINET ASM. - SHIRT CLOSET (PASSENGER SIDE)
6	117240-01-G15	EA	CABINET ASM - OVHD - REAR KING
7	M05993-58-G35	EA	DOOR - RADIUS EDGE - 14.4" X 33.5" - W/O HARDWARE
8	117175-02-G15	EA	CABINET ASM. - SHIRT CLOSET (DRIVER SIDE)
9	117173-01-G15	EA	CABINET ASM. - W/ COUNTERTOP - RH - NIGHTSTAND (G35, G37)
9	117173-01-G36	EA	CABINET ASM. - W/ COUNTERTOP - RH - NIGHTSTAND (G36, G44)
9	117173-01-G45	EA	CABINET ASM. - W/ COUNTERTOP - RH - NIGHTSTAND (G45)
10	117173-12-G15	EA	COUNTERTOP ASM. (G35,G37)
10	117173-12-G36	EA	COUNTERTOP ASM. (G36, G44)
10	117173-12-G45	EA	COUNTERTOP ASM. (G45)
11	117173-02-G15	EA	CABINET ASM. - W/ COUNTERTOP - LH - NIGHTSTAND (G35, G37)
11	117173-02-G36	EA	CABINET ASM. - W/ COUNTERTOP - LH - NIGHTSTAND (G36, G44)
11	117173-02-G45	EA	CABINET ASM. - W/ COUNTERTOP - LH - NIGHTSTAND (G45)
12	041389-11-000	EA	PIANO HINGE - BEIGE - 55"
13	P18583-01-G15	EA	CABINET ASM - BED - KING W/O TOP
14	M07513-02-F11	EA	TOP ASM - BED - KING
	058331-D6-000	EA	MIRROR - GLASS - SAFETY - 700 X 1844 MM
	057460-02-000	EA	STUD - BALL - GAS SPRING - 10MM - 5/16" - 18
	107796-06-000	EA	GAS SPRING - 12" COMPRESSED/ 20" EXTENDED - 120 LB.
	107796-07-000	EA	BRACKET - SUPPORT - GAS SPRING TO BED - ANGLE (UPPER)
	107796-05-000	EA	BRACKET - FLAT - GAS SPRING TO BED (LOWER)



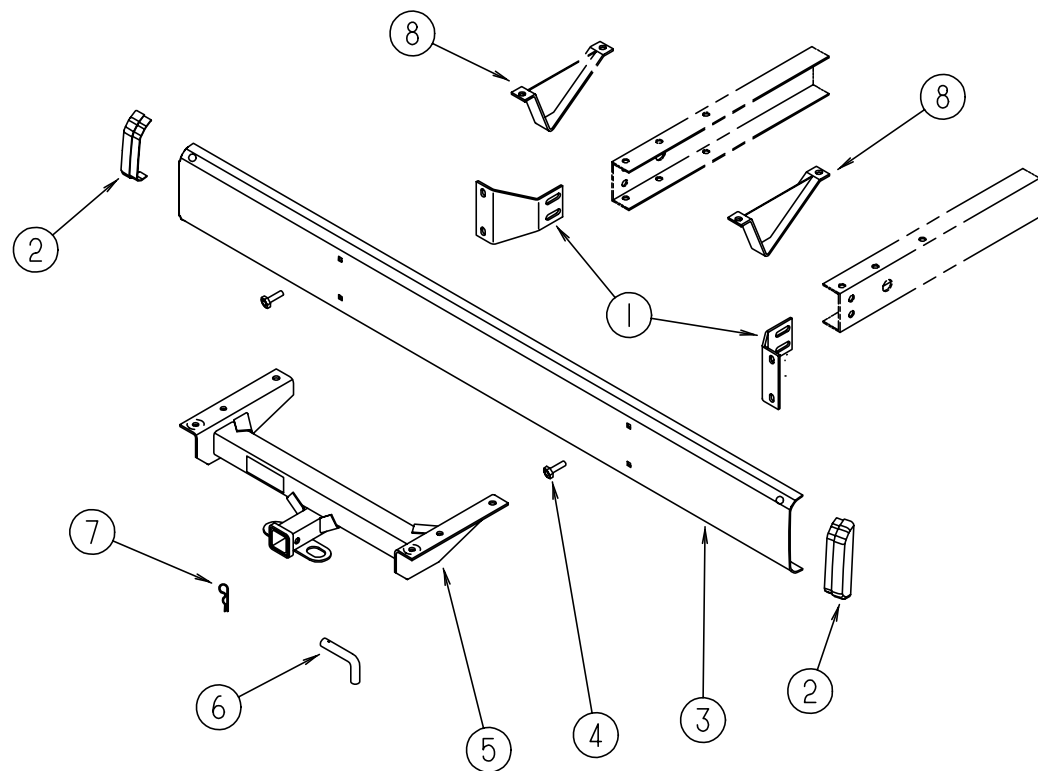
## BEDROOM GROUP (CONTINUED)

### TWIN BEDROOM



KEY	PART NUMBER	U/M	DESCRIPTION
1	116192-01-G15	EA	CABINET ASM - CHEST - W/ COUNTERTOP - PASSENGER SIDE (G35, G37)
1	116192-01-G36	EA	CABINET ASM - CHEST - W/ COUNTERTOP - PASSENGER SIDE (G36, G44)
1	116192-01-G45	EA	CABINET ASM - CHEST - W/ COUNTERTOP - PASSENGER SIDE (G45)
2	104507-11-F12	EA	COUNTERTOP ASM. (G35, G37)
2	104507-11-G36	EA	COUNTERTOP ASM. (G36, G44)
2	104507-11-G45	EA	COUNTERTOP ASM. (G45)
3	M07464-01-000	EA	TOP ASM ONLY - TWIN BED - PASSENGER SIDE
4	104507-11-F12	EA	COUNTERTOP ASM. (G35, G37)
4	104507-11-F32	EA	COUNTERTOP ASM. (G36, G44)
4	104507-11-F31	EA	COUNTERTOP ASM. (G45)
5	M06804-13-G35	EA	DOOR ASM. - 400 X 710 MM
6	116187-01-G15	EA	CABINET ASM. - OVERHEAD - REAR - F/ TWIN BED - W/O DOORS & HARDWARE
7	104507-01-G15	EA	CABINET ASM. - NIGHTSTAND (G35, G37)
7	104507-01-G36	EA	CABINET ASM. - NIGHTSTAND (G36, G44)
7	104507-01-G45	EA	CABINET ASM. - NIGHTSTAND (G45)
8	M05970-65-G35	EA	DRAWER - RADIUS EDGE - 12.2" X 11.8" - W/O SLIDES/ HARDWARE
9	M05970-73-G35	EA	DRAWER - RADIUS EDGE - 12.2" X 11.8" - W/O SLIDES/ HARDWARE
10	M07464-02-000	EA	TOP ASM ONLY - TWIN BED - DRIVERS SIDE
11	P16194-02-G15	EA	CABINET ASM. - TWIN BED BASE - DRIVER SIDE
12	P16194-01-G15	EA	CABINET ASM. - TWIN BED BASE - PASSENGER SIDE
13	M05993-79-G35	EA	DOOR - RADIUS EDGE - 12" X 21.9" - W/O HARDWARE
14	M05970-W5-G35	EA	DRAWER - RADIUS EDGE - 9.6" X 21.7" - W/O SLIDES/ HARDWARE
15	M05970-58-G35	EA	DRAWER - RADIUS EDGE - 9.6" X 21.7" - W/O SLIDES/ HARDWARE
16	M05993-15-G35	EA	DOOR - RADIUS EDGE - 11.9" X 47.9" - W/O HARDWARE
17	M05970-71-G35	EA	DRAWER - RADIUS EDGE - 8" X 17.7" W/O SLIDES/ HARDWARE

## CHASSIS GROUP



### REAR BUMPER & COMPONENTS

KEY	PART NUMBER	U/M DESCRIPTION
1	104418-07-000	EA ANGLE - SUPPORT - BUMPER REAR
2	103228-01-05A	EA END CAP - BUMPER REAR - BLACK
3	103099-04-02A	EA REAR BUMPER - BRIGHT WHITE
4	102333-01-05A	EA BOLT - 7/16"
5	107707-01-000	EA HITCH ASM - CLASS II
6	034512-01-000	EA PIN
7	034513-01-000	EA PIN - 3/16" WIRE
8	111742-01-000	EA SKID PLATE
	113589-01-000	EA CONNECTOR - PLUG - TRAILER
	113589-02-000	EA CONNECTOR - SOCKET - TRAILER

## CHASSIS GROUP (CONTINUED)

### HWH HYDRAULIC LEVELING SYSTEM (AP0758) (CHEVY, FORD)

KEY	PART NUMBER	U/M DESCRIPTION	VENDOR NO.
	100532-08-000	EA LEVELING SYSTEM - HYDRAULIC - JOYSTICK	
	100532-01-704	EA SWITCH - MERCURY F/ 6K & 9K JACK	RAP1010
	100532-01-705	EA SPRING KIT - 9K JACK	R1171
	100532-02-700	EA 6K TALL JACK ASM	RAP7164
	100532-02-701	EA SPRING KIT - 6K JACK	R6824
	100532-02-704	EA ACTIVATOR CABLE - 6K JACK	RAP7194
	100532-02-705	EA PUMP/ RESERVOIR ASM - MONARCH	RAP8178
	100532-03-710	EA SENSING UNIT 21' MTA	RAP6798
	100532-03-715	EA CAP - BREATHER	RAP7876
	100532-08-700	EA POWER UNIT ASM.	RAP0595
	100532-08-701	EA BI-AXIS CONTROL - 200 SYSTEM	RAP0612
	100532-08-702	EA VALVE - BI-AXIS	RAP9589
	100532-08-703	EA PANEL ASM. - 200 BI - AXIS SYSTEM	RAP9755
	100532-08-704	EA JACK ASM. - 9K TALL 200 SYSTEM	RAP7002
	100532-08-705	EA KNOB - 3/4" BLACK - SET OF FOUR	RAP1379
	100532-08-706	EA KNOB - 1 3/16" BLACK	RAP9734
	100532-08-707	EA BEZEL W/ GASKET - F/ SYSTEM 200	RAP9592
	100532-09-707	EA ACTUATOR ASM. - 9K - REAR JACKS	RAP0547
	100532-09-709	EA ACTUATOR ASM. - 6K - FRONT JACKS	RAP0448
	100532-09-710	EA SOLENOID - 4 POST INT. DUTY	RAP0533
	100533-05-000	EA BRACKETS - FRONT LEVELING JACKS (GM)	
	100533-06-000	EA BRACKETS - FRONT LEVELING JACKS (FORD)	
	100534 12 000	EA BRACKETS - REAR LEVELING JACKS (GM)	
	100534-06-000	EA BRACKETS - REAR LEVELING JACKS (FORD)	
	100536-10-000	EA HOSE KIT	
	100536-09-700	EA HOSE - HYDRAULIC - 324"	RAP2464
	100536-09-701	EA HOSE - HYDRAULIC - 60"	RAP4073
	100536-09-702	EA HOSE - HYDRAULIC - 354"	RAP4311
	100536-10-700	EA HOSE - HYDRAULIC - 84"	RAP1412
	100536-10-701	EA HOSE - HYDRAULIC - 116"	RAP5384
	107890-01-000	EA ELBOW - STEEL 90D 1/4 X 3/8 FLARE PARKER 4-C6X-S	
	112236-01-G35	EA BEZEL - MONITOR - UNDER DASH - LEFT SIDE	

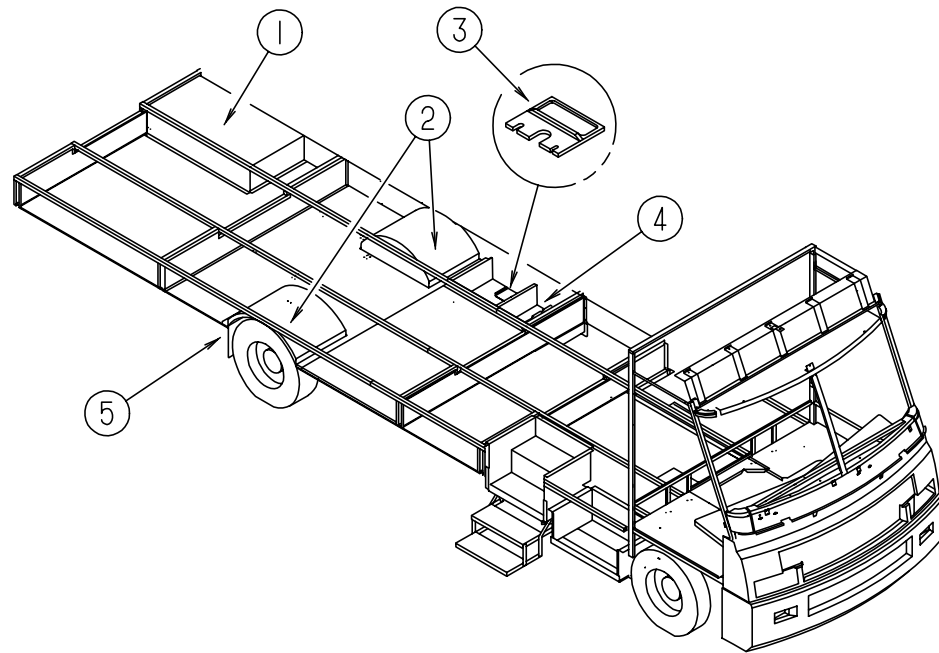
### DRIVESHAFT & BRAKE LINE

KEY	PART NUMBER	U/M DESCRIPTION
	088498-01-000	EA UNION - INVERTED FLARE - BRASS - 3/16 - 3/8 - 24 THREAD - BRAKE LINE
	074833-01-000	EA SPACER - BEARING - DRIVESHAFT - 2" X 8" X .5" THICK
	074833-04-000	EA SPACER - BEARING - DRIVESHAFT - 8" X 2" - STEEL
	075302-09-000	EA DRIVESHAFT ASM. - YOKE/ YOKE - 50"
	075302-25-000	EA DRIVESHAFT ASM. - BAL.PR-20/21
	075302-20-000	EA DRIVESHAFT ASM. - YOKE/ BEARING/ SPLINE
	075302-21-000	EA DRIVESHAFT ASM. - SLIP - YOKE/ YOKE
	107212-01-000	EA CROSSMEMBER ASM. - BEARING SUPPORT CHEVY 228 3 SHAFT
	088497-02-000	EA NUT - INVERTED FLARE - 1/4"
	085771-03-000	EA NUT - HEX - FL. PREV. TORQUE - GRADE G DRIVE SHAFT

### SHOCK ABSORBER (CHEVY)

KEY	PART NUMBER	U/M DESCRIPTION
	104993-01-000	EA SHOCK ABSORBER - GAS - P30 FRONT

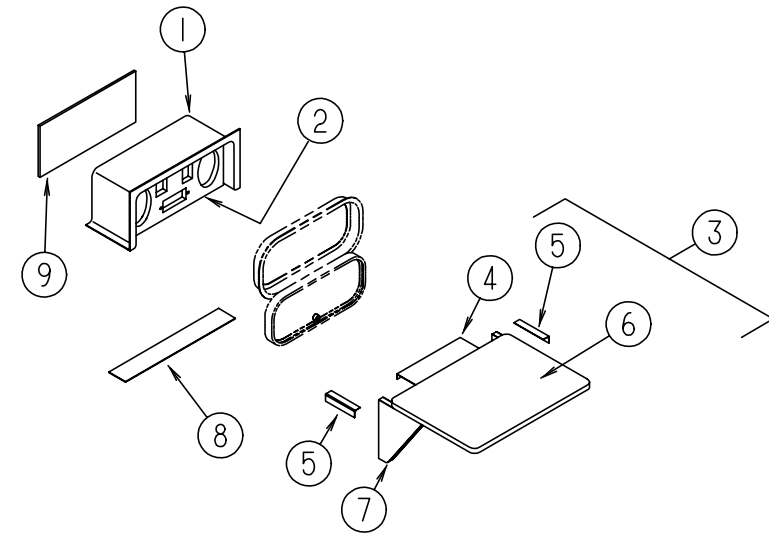
## CHASSIS GROUP (CONTINUED)



### COMPARTMENTS & TRAYS

KEY	PART NUMBER	U/M	DESCRIPTION
1	094657-02-000	EA	TRAY - GENERATOR - 22.5" X 30.4" X 6.9" W/ANGLE & NUTS
2	055374-03-000	EA	REAR WHEELWELL - PLASTIC
3	M06991-05-G38	EA	HATCH ASM - W/ FOAM
	114677-01-01A	EA	RETAINER - HATCH - SEWER HOSE
4	117757-01-01A	EA	COMPARTMENT - STORAGE
5	020167-05-000	EA	DIRT GUARD - STEEL - 380MM LONG (15" LONG)
5	020167-03-000	EA	DIRT GUARD -STEEL - 279.5MM LONG (11" LONG)
5	017516-01-000	EA	FLAP - MUD - 14" X 18" - BLACK
	065450-05-000	EA	TIEDOWN - BATTERY - 8.4" TUBE

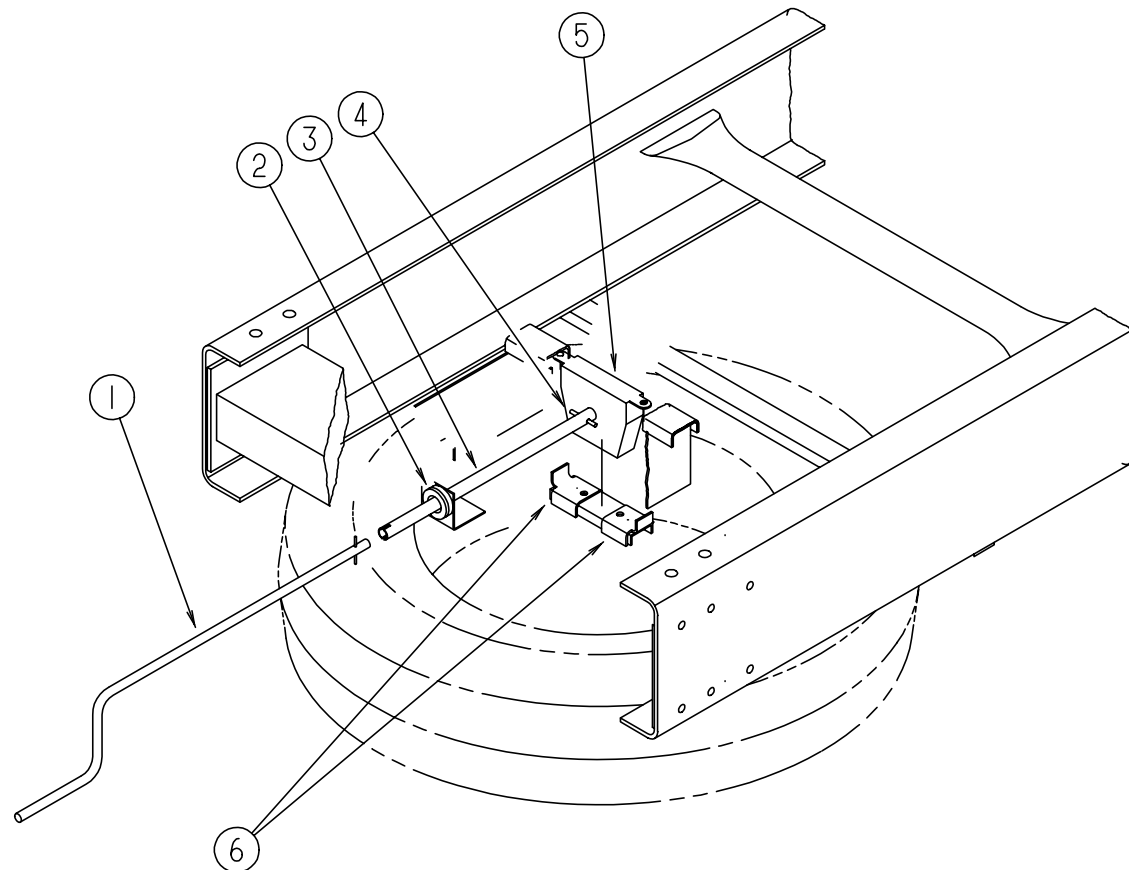
## CHASSIS GROUP (CONTINUED)



### COMPARTMENT (ENTERTAINMENT CENTER)

KEY	PART NUMBER	U/M	DESCRIPTION
1	104897-03-02A	EA	BOX - ENTERTAINMENT CENTER - BRIGHT WHITE
2	104899-01-C05	EA	PLATE - RADIO MOUNTING
3	105230-01-F11	EA	SHELF ASM. - EXTERIOR
4	105377-01-01A	EA	BRACKET - TABLE HANGER - OFF WHITE
5	105376-01-02A	EA	HINGE - CONTINUOUS - 2" X 140 MM - OFF WHITE
6	105230-11-E01	EA	SHELF ASM.
7	105230-12-F11	EA	SUPPORT ASM.
8	104898-01-02A	EA	PLATE - PLASTIC BOTTOM - BRIGHT WHITE
9	104898-02-02A	EA	PLATE - PLASTIC BACK - BRIGHT WHITE

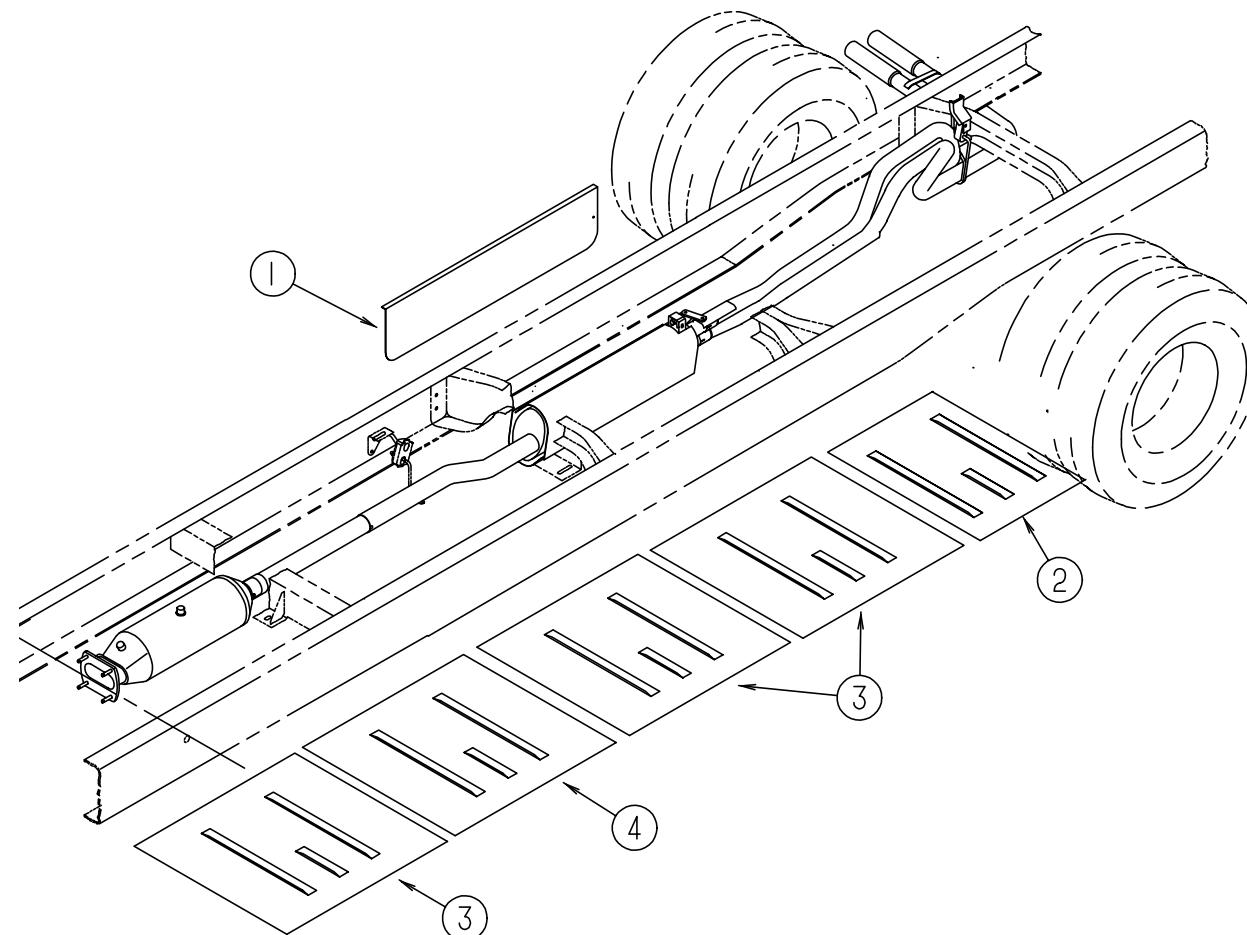
### CHASSIS GROUP (CONTINUED)



**SPARE TIRE & HOIST**

KEY	PART NUMBER	U/M	DESCRIPTION
1	093376-02-000	EA	HANDLE - CRANK - TIRE HOIST
			FROM: 00-00-00 THRU: 04-16-96
1	093376-04-000	EA	HANDLE - CRANK - TIRE HOIST
			FROM: 04-17-96 THRU: 99-99-99
2	071015-11-000	EA	GROMMET - 1.00ID
3	093375-06-000	EA	EXTENSION - TIRE HOIST
			FROM: 00-00-00 THRU: 04-14-96
3	093375-11-000	EA	EXTENSION - TIRE HOIST
			FROM: 04-15-96 THRU: 99-99-99
	093362-06-000	EA	CHANNEL - TIRE HOIST
4	114376-01-000	EA	PIN - DRIVE - .156 X .750 - TYPE-E
4	114376-02-000	EA	PIN - DRIVE - .156 X .1.0 - TYPE-E
5	093267-02-000	EA	HOIST - SPARE TIRE - W/ BRACKETS
	093267-01-000	EA	HOIST - SPARE TIRE - W/O BRACKETS
6	105499-01-000	EA	BRACKET
	077030-02-000	EA	EXTENSION - VALVE STEM - 1.25"
	M00080-60-000	EA	FORD TIRE & WHEEL
	051377-05-000	EA	VALVE STEM ASM - VS938
	083425-05-000	EA	TIRE - MICHELIN - LT235/85R16 LRE - XPS RIB (FORD)
	095853-02-000	EA	WHEEL - STL - 16 X 6K - F2TA-1015-NA (FORD)
	M00080-80-000	EA	TIRE - WHEEL ASM - RAD 8R19.5LRF - GM-CHASS SUPPLD RIM
			FROM: 00-00-00 THRU: 01-09-96
	M00080-82-000	EA	TIRE - WHEEL ASM - RAD 8R19.5LRF - GM-CHASSIS
			FROM: 01-10-96 THRU: 99-99-99
	007324-03-000	EA	TIRE - MICHELIN - 8R 19.8 LRF
	064963-01-000	EA	WHEEL - STEEL - 19.5" X 6" - GM 14005758
	007324-03-000	EA	TIRE - MICHELIN - 8R 19.8 LRF (CHEVY)
	051377-01-000	EA	STEM - VALVE - TR 500
	080208-01-000	EA	LUG WRENCH - 1.06 X 1.00 (CHEVY)
	080208-02-000	EA	BAR - LEVERAGE - LUG WRENCH (CHEVY)

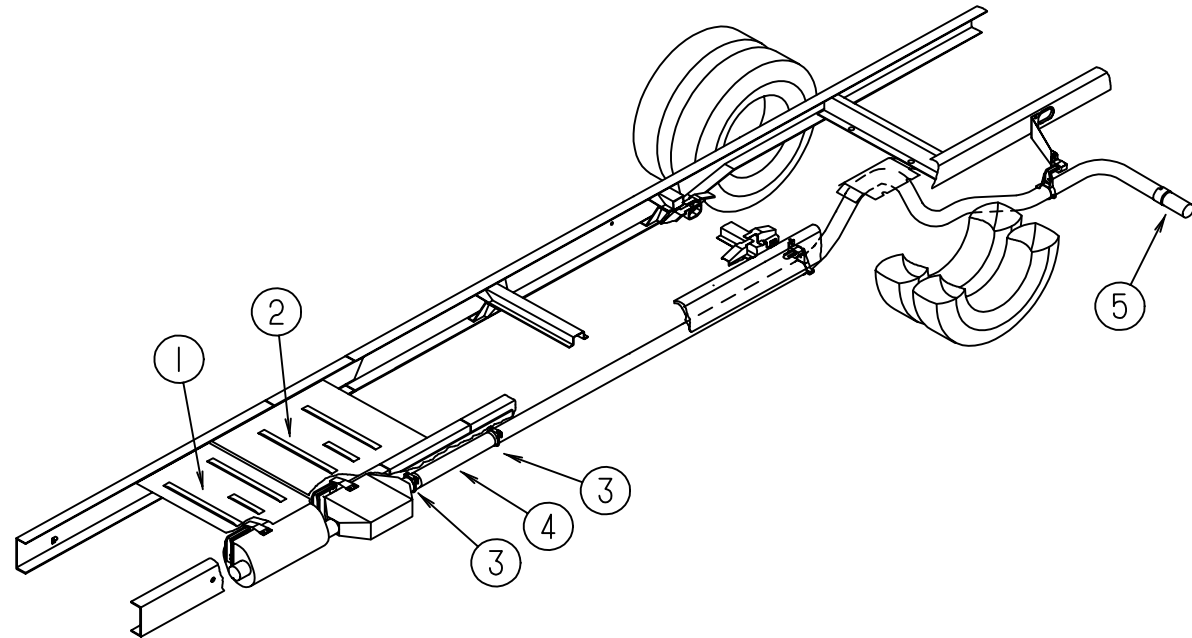
### CHASSIS GROUP (CONTINUED)



**EXHAUST SYSTEM (FORD)**

KEY	PART NUMBER	U/M	DESCRIPTION
1	075307-03-000	EA	SHIELD - HEAT - LP
2	101544-01-000	EA	SHIELD - HEAT - EXHAUST - 19.7" X 28.9" - STEEL
3	101544-02-000	EA	SHIELD - HEAT - EXHAUST - 30" X 28.9" - STEEL
4	101544-06-000	EA	SHIELD - HEAT - EXHAUST

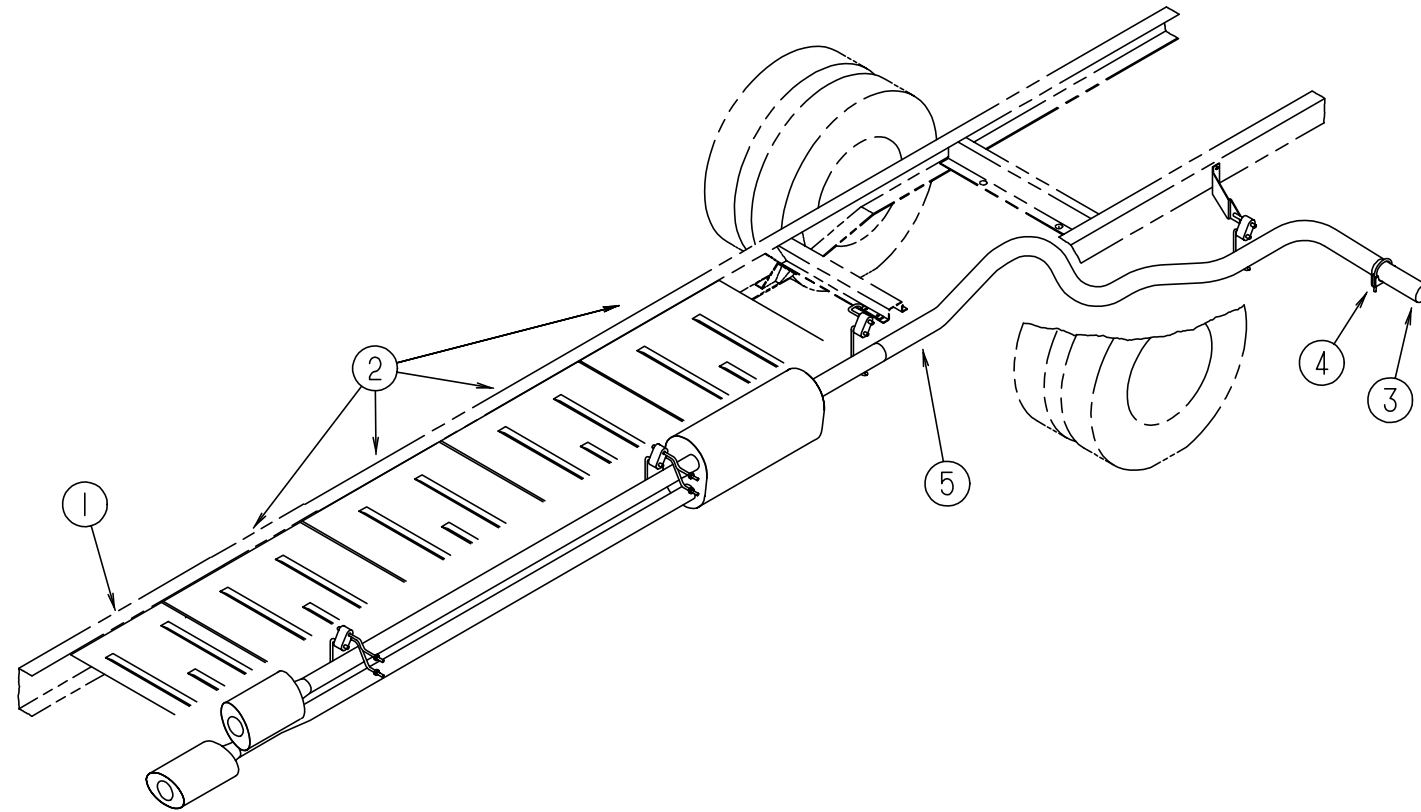
### CHASSIS GROUP (CONTINUED)



**EXHAUST SYSTEM (CHEVY)**

KEY	PART NUMBER	U/M	DESCRIPTION
1	101544-01-000	EA	SHIELD - HEAT - EXHAUST - 19.7" X 28.9" - STEEL
2	101544-02-000	EA	SHIELD - HEAT - EXHAUST - 30" X 28.9" - STEEL
3	094918-01-000	EA	CLAMP - EXHAUST - 3"
4	098762-06-000	EA	PIPE - EXHAUST - STRAIGHT - 3.0" X 22"
5	098762-05-000	EA	PIPE - EXHAUST - STRAIGHT - 3.0" X 9"

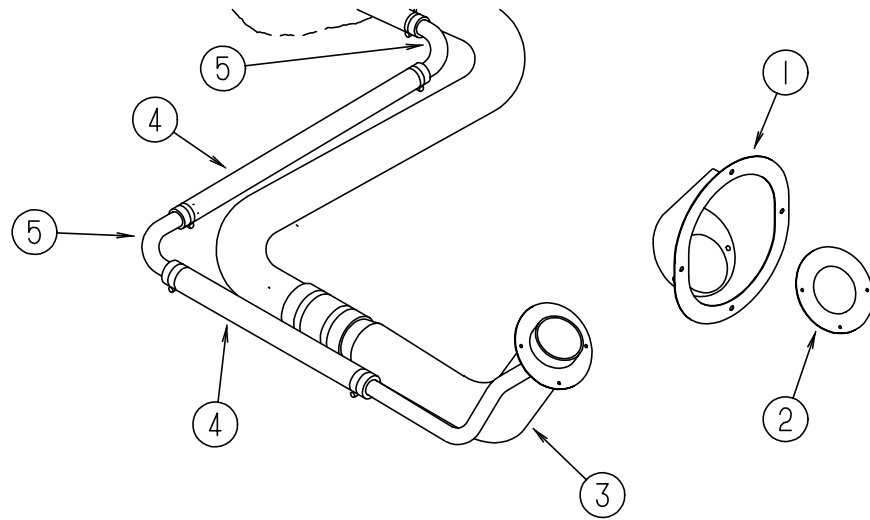
### CHASSIS GROUP (CONTINUED)



**EXHAUST SYSTEM (CHEVY L29 ENGINE)**

KEY	PART NUMBER	U/M	DESCRIPTION
1	101544-01-000	EA	SHIELD - HEAT - EXHAUST - 19.7" X 28.9" - STEEL
2	101544-02-000	EA	SHIELD - HEAT - EXHAUST - 30" X 28.9" - STEEL
3	098762-05-000	EA	EXTENSION - EXHAUST - STRAIGHT - 3" OD X 7.9" LONG - SST
4	094918-01-000	EA	CLAMP - EXHAUST - 3" - GUILLOTINE STYLE
5	098762-06-000	EA	PIPE - EXHAUST - STRAIGHT

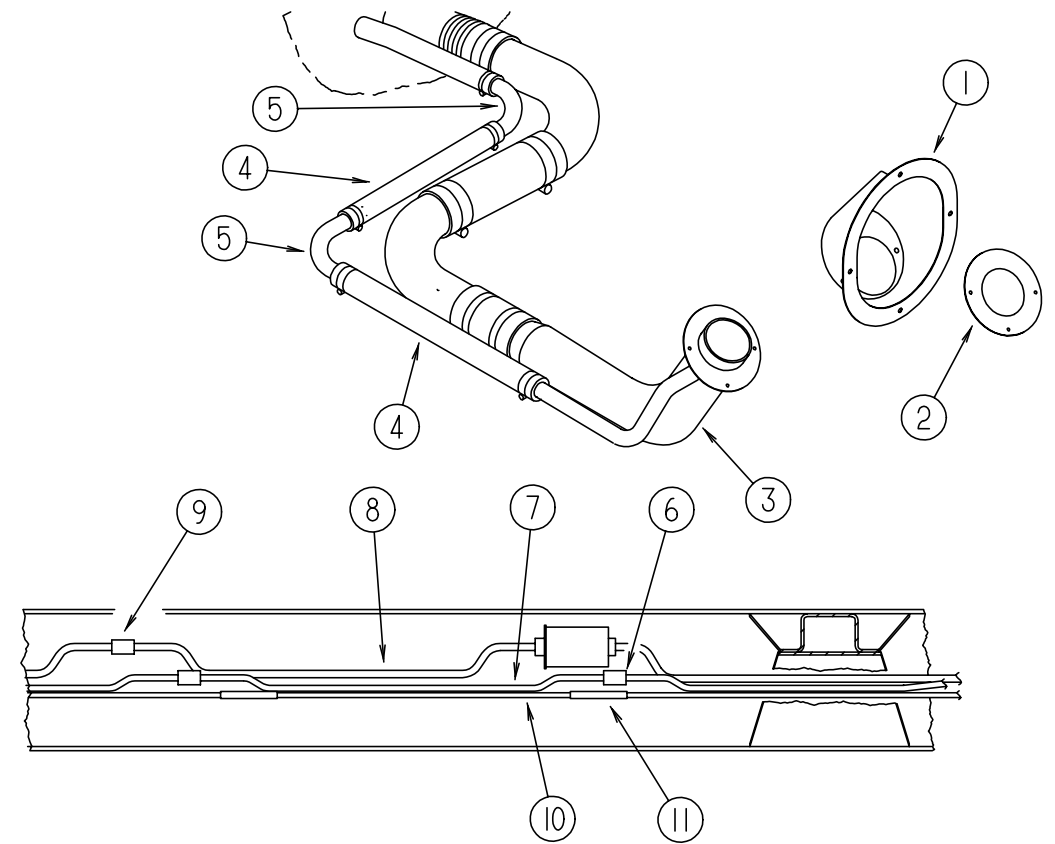
### CHASSIS GROUP (CONTINUED)



#### FUEL SYSTEM (FORD)

KEY	PART NUMBER	U/M	DESCRIPTION
1	095854-01-04A	EA	SHROUD - FUEL FILL
2	078200-01-000	EA	GASKET - FUEL FILL - 3.5"OD X 2"ID
3	087256-07-000	EA	NECK ASM - FUEL FILL
4	066732-01-000	FT	HOSE - FUEL FILL - .62" ID
5	098806-01-000	EA	PIPE - FILL VENT - 90 DEGREE BEND - .625" OD - STEEL
	007063-01-000	FT	HOSE - GAS 1/4"ID X 1/2"OD
	084884-01-000	EA	PLUG - BRASS - 3/8"
	007111-02-000	EA	HOSE - FUEL FILL - 2" ID - IN 3FT LENGTHS

### CHASSIS GROUP (CONTINUED)



#### FUEL SYSTEM (CHEVY)

KEY	PART NUMBER	U/M	DESCRIPTION
1	095854-01-04A	EA	SHROUD - FUEL FILL
2	078200-01-000	EA	GASKET - FUEL FILL - 3.5"OD X 2"ID
3	087256-10-000	EA	NECK ASM. - FUEL FILL
4	066732-01-000	FT	HOSE - FUEL FILL - .62" ID
5	098806-01-000	EA	PIPE - FILL VENT - 90 DEGREE BEND - .625" OD - STEEL
6	098779-01-000	EA	COUPLER - FUEL LINE M14 X 1.5-6H - GM 15550219
7	098758-02-000	EA	FUEL LINE ASM - RETURN - 5/16 - 508 LONG
8	098759-02-000	EA	FUEL LINE ASM - SUPPLY - 3/8 - 508 LONG
9	098779-02-000	EA	COUPLER - FUEL LINE M16 X 1.5-6H
10	074800-18-000	EA	TUBE - EXTENSION - MAIN FUEL - 90 N,208 TO 228
11	007063-01-000	FT	HOSE - GAS 1/4"ID X 1/2"OD
	098803-01-000	EA	PIPE - FUEL FILL - 90 DEGREE BEND - 13.2" - 1 3/4" OD - STEEL
	098807-01-000	EA	PIPE - FUEL FILL - 90 DEGREE BEND - 6.6" - 1 3/4" OD - STEEL

## CHASSIS GROUP (CONTINUED)

### WHEEL LINERS, KAPER (FORD) (FROM: 00-00-00 THRU: 03-17-96)

KEY	PART NUMBER	U/M DESCRIPTION	VENDOR NO.
	091209-14-000	EA WHEEL LINER SET W/ FRONT HUB COVER 16" (SET OF 4) 1611-4UL	
	091209-08-700	EA LINER - WHEEL - 16" FRONT W/AXLE COVER - 10 LUG	157
	091209-14-700	EA LINER - WHEEL - 16" REAR	159
	091209-01-704	EA COVER - LUG NUT	36
	091209-08-706	EA FLAT NUT .500 - 9/16 STUD	165

### WHEEL LINERS, (FORD) (FROM: 03-18-96 THRU: 99-99-99)

KEY	PART NUMBER	U/M DESCRIPTION
	110435-08-000	EA LINER - WHEEL - (SET OF 4) - 16"F53 FORD

### WHEEL COVERS, DICOR (FORD)

KEY	PART NUMBER	U/M DESCRIPTION
	098532-01-000	EA COVER - WHEEL - FORD - 16" - SET OF 4
	098532-01-700	EA COVER - LUG NUT - CHROME
	098532-01-701	EA COVER - WHEEL - 16"

### WHEEL LINERS, KAPER (CHEVY) (FROM: 00-00-00 THRU: 03-31-96)

KEY	PART NUMBER	U/M DESCRIPTION	VENDOR NO.
	091209-01-000	EA LINER - WHEEL - 19.5" - SST - SET OF 4 - 1954-ION	
	091209-01-700	EA LINER - WHEEL - 19.5" FRONT - 10 LUG	37N
	091209-01-701	EA LINER - WHEEL - 19.5" REAR - 10 LUG	38N
	091209-01-702	EA COVER - AXLE - 19.5" FRONT - 10 LUG	34N
	091209-01-703	EA COVER - AXLE - 19.5" REAR - 10 LUG	35N
	091209-01-704	EA COVER - LUG NUT	36

### WHEEL LINERS (CHEVY) (FROM: 04-01-96 THRU: 99-99-99)

KEY	PART NUMBER	U/M DESCRIPTION
	110435-06-000	EA LINER - WHEEL - SET 4 - 19.5" - 96P30

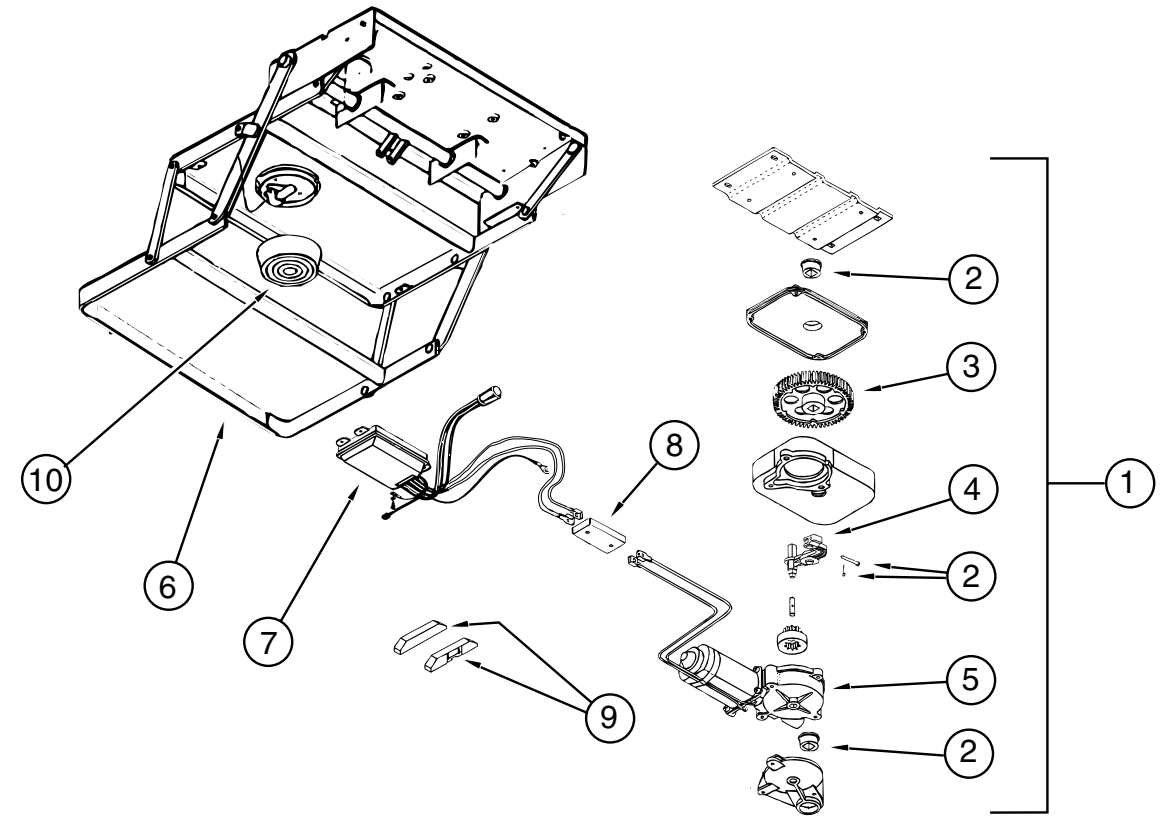
### WHEEL COVERS, DICOR (CHEVY)

KEY	PART NUMBER	U/M DESCRIPTION
	109443-01-000	EA COVER - WHEEL - 4/ SET 19.5 W/ HARDWARE
	109443-01-700	EA COVER - WHEEL - 19.5 - FRONT & REAR
	109443-01-701	EA SET - BRACKET - 1 FRONT WHEEL
	109443-01-702	EA SET - BRACKET - 1 REAR WHEEL
	109443-01-703	EA CAP - CENTER - HUB

### SHOCK ABSORBER (CHEVY)

KEY	PART NUMBER	U/M DESCRIPTION
	104993-01-000	EA SHOCK ABSORBER - GAS - P30 FRONT

## CHASSIS GROUP (CONTINUED)



### STEP ASSEMBLY (3200 SERIES)

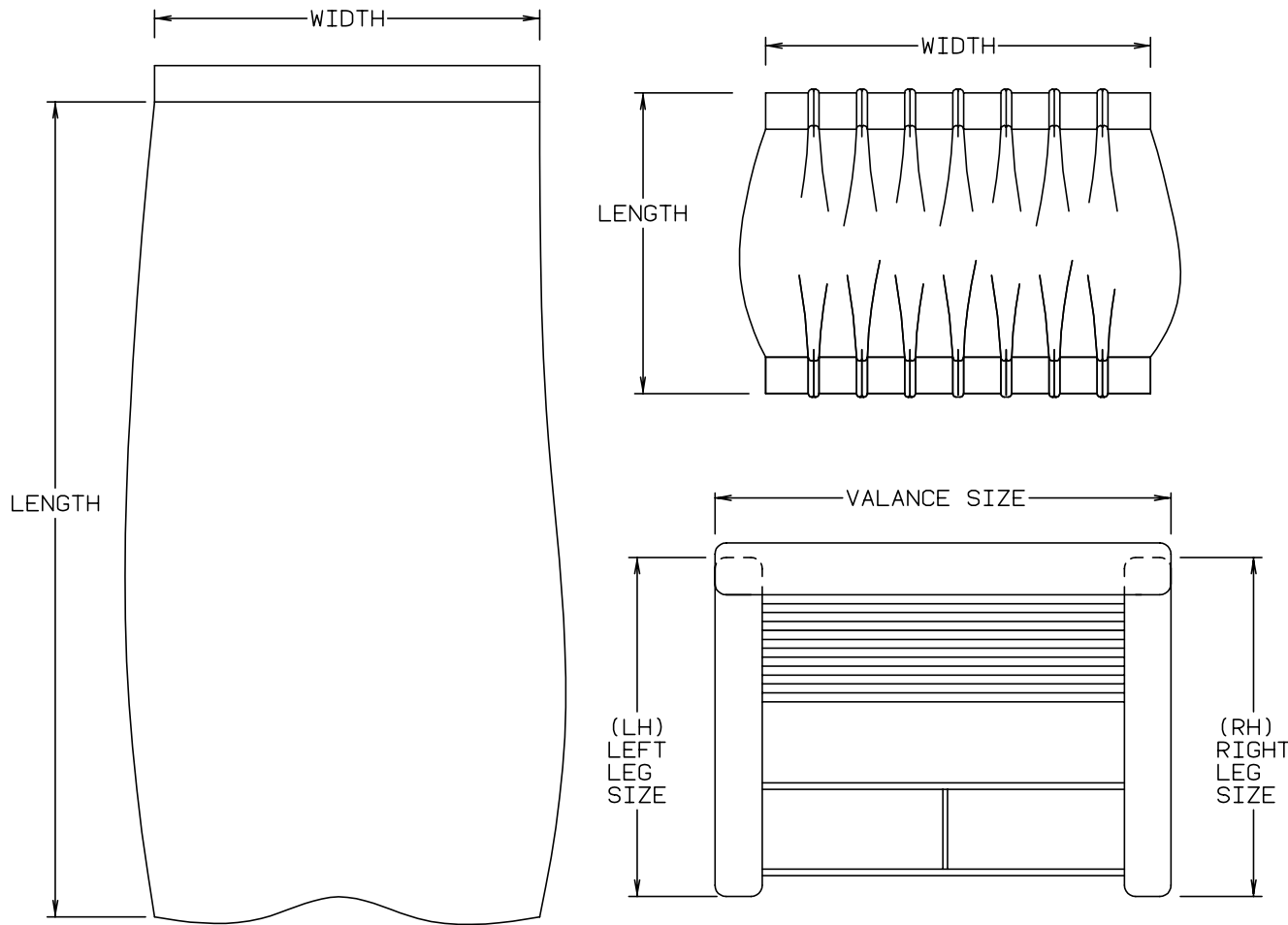
KEY	PART NUMBER	U/M DESCRIPTION	VENDOR NO.
1	094707-01-01A	EA STEP ASSEMBLY W/O SWITCH	
2	094707-02-703	EA BEARINGS & PINS	909530
3	094707-02-702	EA GEAR KIT - W/ BEARINGS & PIN-CASE	909525
4	094707-02-701	EA LINKAGE ASSEMBLY - W/ BEARINGS & PINS	909523
5	094707-02-700	EA MOTOR ASSEMBLY - W/ BEARINGS & PINS	909520
6	094707-01-702	EA FRAME W/ DOUBLE STEP	908032
7	094707-02-705	EA CONTROL UNIT - WHITE	909513
8	094707-02-704	EA CONNECTOR - MOTOR ASSEMBLY - W/ PLATES	909537
	094707-02-707	EA TREAD - NON SKID - BLACK - 6"X21"	909333
9	116995-01-000	EA SWITCH/ MAGNET - ELECTRIC	
10	088746-01-705	EA LIGHT - UNDER STEP	9004
	088733-01-700	EA BULB	9004

## CURTAIN & CUSHION GROUP

### NOTICE

IN ORDER TO ASSIST OUR PARTS SALES DEPT. IN PROVIDING INTERIOR SOFTGOODS ITEMS, PLEASE INCLUDE THE SERIAL NUMBER AND THE COLOR CODE NUMBER FROM THE VEHICLE CERTIFICATION LABEL WHEN ORDERING. THIS LABEL IS LOCATED ON THE LEFT SIDEWALL AT THE END OF THE DASH (A-BODY), OR ON THE DRIVER'S DOOR LATCH PLATE (C-BODY).

AN EXAMPLE OF A COLOR CODE NUMBER IS B07, WHICH DESIGNATES AN OVERALL COLOR SCHEME OF A PARTICULAR UNIT. THE COLOR LISTED AFTER THE ITEM DESCRIPTION ON THE MICROFICHE, INDICATES THE OVERALL UNIT COLOR. ORDER THE ITEM YOU DESIRE ACCORDING TO UNIT COLOR CODE.



NOTE: USE THIS ILLUSTRATION WHEN DETERMINING LENGTH AND WIDTH MEASUREMENTS FOR CURTAINS. YOU WILL NOTE THE WIDTH MEASUREMENT IS TAKEN ON THE TOP OF THE CURTAIN WITH THE CURTAIN FULLY EXTENDED. THE LENGTH MEASUREMENT IS TAKEN FROM TOP TO BOTTOM. LEFT AND RIGHT WINDOW LEGS ARE DETERMINED WHEN FACING THE WINDOW.

## CURTAIN & CUSHION GROUP (CONTINUED)

SUNCCRUISER FABRICS					
COLOR CODES	G35	G36	G37	G44	G45
MARKETING COLORS	WINTER MOSS (GREEN)	TUSCANY (TAUPE)	NORTH SHORE (TAUPE)	SIENA (TAUPE)	REGENCY BLUE
BUCKET SEATS	108446-J6-000	108446-K6-000	108446-J4-000	108446-K6-000	108446-L2-000
DINETTE	108446-J7-000	108446-H6-000	108446-F5-000	108446-H5-000	108446-L1-000
DINETTE PADS	108446-J6-000	108446-K6-000	108446-J4-000	108446-K6-000	108446-L2-000
DINETTE SWIVEL CHAIR	108446-J6-000	108446-H5-000	108446-J3-000	108446-K6-000	108446-L2-000
SOFA	108446-J7-000	108446-H6-000	108446-F5-000	108446-H5-000	108446-L1-000
SWIVEL CHAIR	108446-J6-000	108446-H5-000	108446-J3-000	108446-K6-000	108446-L2-000
LOUNGE WINDOWS	108446-J6-000 108446-J7-000	108446-H5-000 108446-H6-000	108446-J3-000 108446-F5-000	108446-K6-000 108446-H5-000	108446-L2-000 108446-L1-000
BEDROOM WINDOW WRAP	105745-C9-000	105745-C2-000	105745-C5-000	105745-C2-000	105745-D6-000
BEDROOM WINDOW FRINGE OR CORD	108415-67-000	108415-66-000	108415-72-000	108415-66-000	108415-78-000
BEDROOM WINDOW CENTER V & LEGS	105745-B7-000	105745-C3-000	105745-C6-000	105745-C3-000	105745-64-000
BEDSPREAD	105745-C9-000 105745-B7-000 108415-67-000	105745-C2-000 105745-C3-000 108415-66-000	105745-C5-000 105745-C6-000 108415-72-000	105745-C2-000 105745-C3-000 108415-66-000	105745-D6-000 105745-64-000 108415-78-000
LOUNGE PILLOW	108446-J6-000 108415-67-000	108446-H5-000 108415-68-000	108446-J3-000 108415-72-000	108446-K6-000 108415-68-000	108446-L2-000 108415-78-000
BEDROOM PILLOW	105745-B7-000 108415-67-000	105745-C3-000 108415-66-000	105745-C6-000 108415-72-000	105745-C3-000 108415-66-000	105745-64-000 108415-78-000
MAP POCKETS	108446-J6-000	108446-K6-000	108446-J4-000	108446-K6-000	108446-L2-000
FRONT WRAP AROUND	072333-85-000	072333-85-000	072333-85-000	072333-85-000	072333-85-000
HEADBOARD	105745-C9-000 105745-B7-000	105745-C2-000 108415-66-000	105745-C5-000 084415-72-000	105745-C2-000 108415-66-000	105745-D6-000 108415-78-000

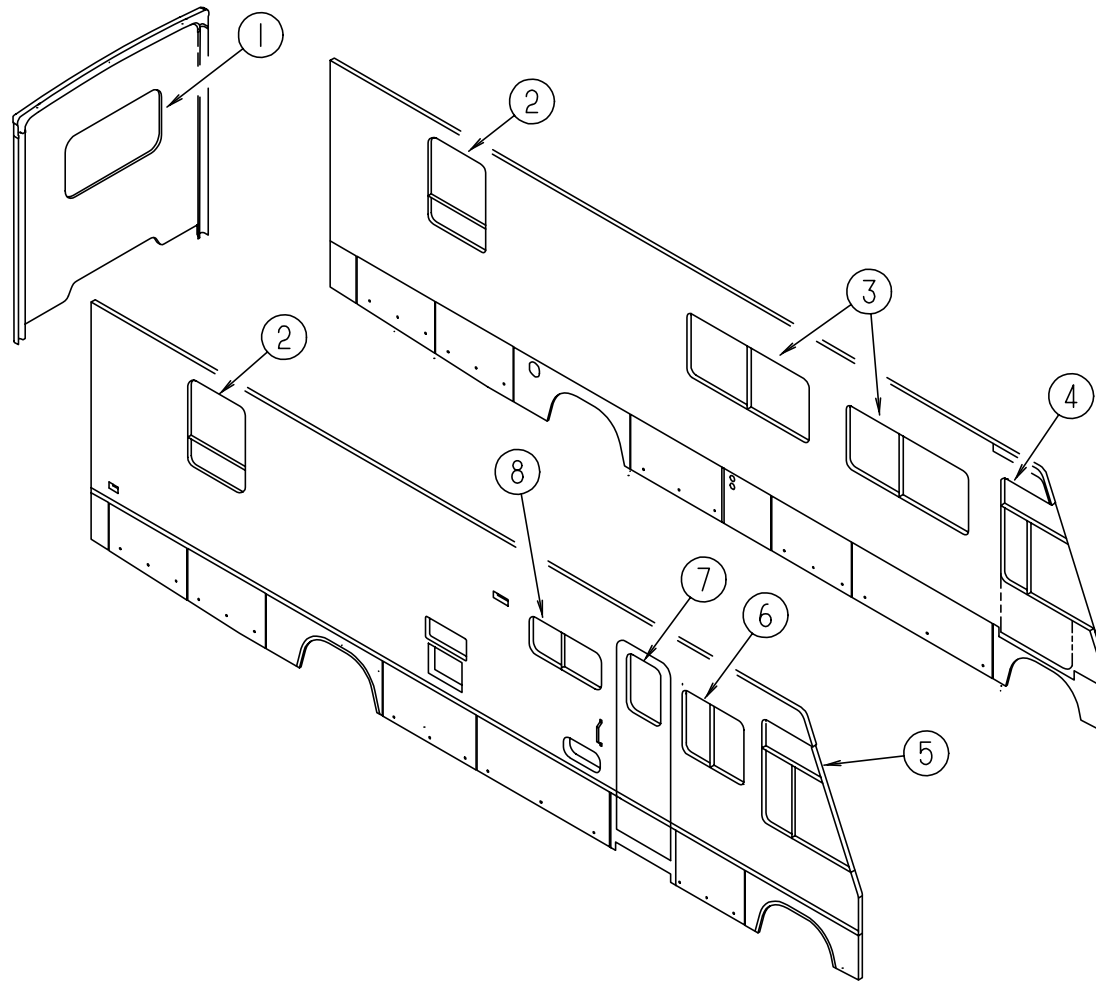
### ASSIST HANDLE & BUTTONS

KEY	PART NUMBER	U/M DESCRIPTION
	069178-02-000	EA BRACKET - MOUNTING - ASSIST HANDLE - L ANGLE - W/ HOLES - STEEL
	000C16-07-16B	EA BOLT - CARRIAGE - ASSIST HANDLE - 7/16" - 14 X 1" ZN
	000D20-07-00B	EA NUT - ACORN - ASSIST HANDLE - 7/16" X 14 ZN
	053552-02-AA8	EA HANDLE - ASSIST - INTERIOR - ENTRY DOOR - VINYL - OFF WHITE
	070578-02-B29	EA BUTTON - SCREW - STUD - #30 - VINYL



# CURTAIN & CUSHION GROUP (CONTINUED)

## CURTAINS & WINDOW TREATMENT

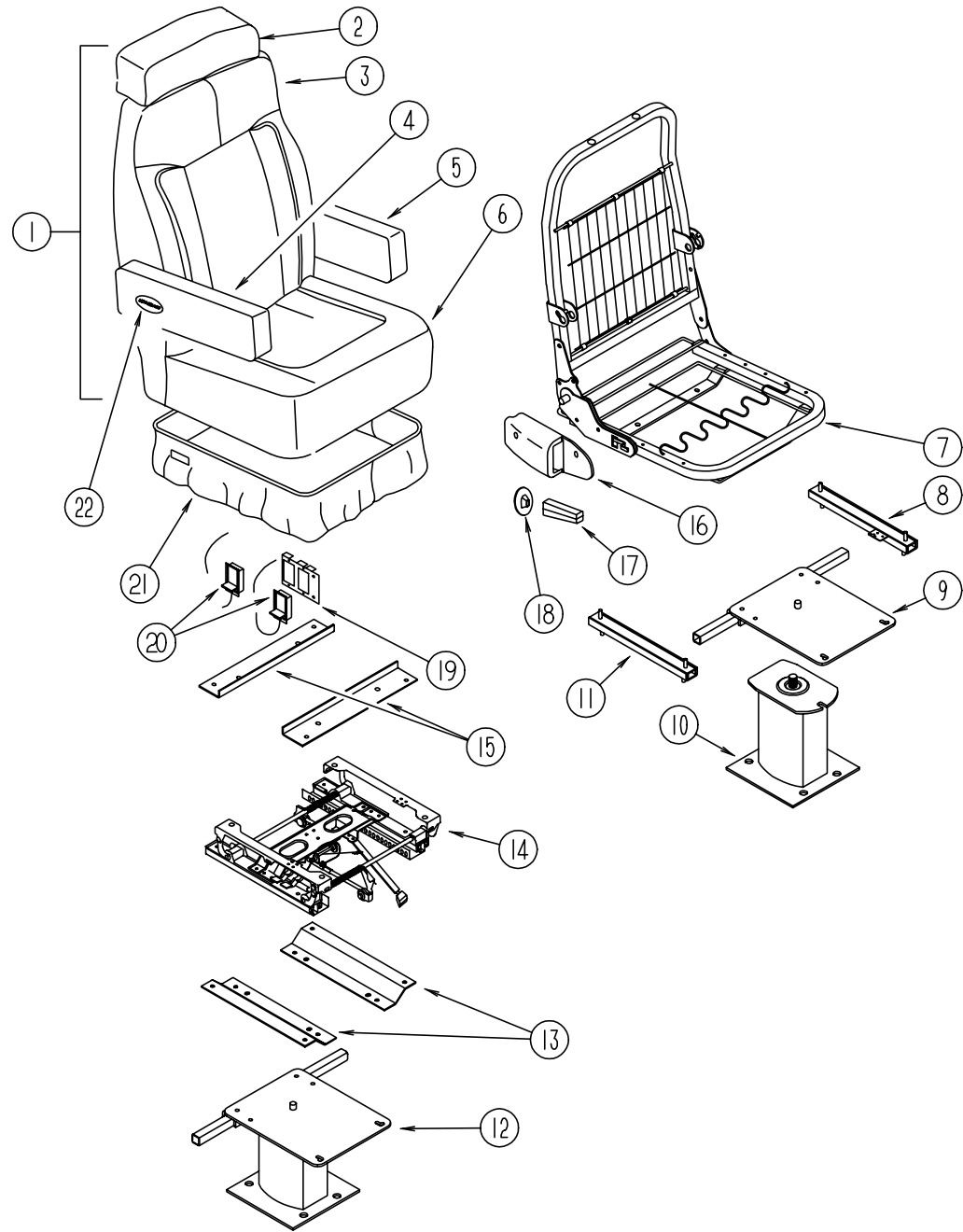


KEY	PART NUMBER	U/M	DESCRIPTION
1	119138-01-G35	EA	VALANCE ASM. - BELLINI - 53" - W/ WELT (G35)
1	119138-03-G36	EA	VALANCE ASM. - BELLINI - 53" - W/ BRAID (G36, G44)
1	119138-03-G37	EA	VALANCE ASM. - BELLINI - 53" - W/ BRAID (G37)
1	119262-03-G45	EA	VALANCE ASM. - BELLINI - 52.5" - W/ BRAID (G45)
1	119333-03-G35	EA	LEG - RIGHT - 25" - PLAIN - NO HOLE (G35)
1	119333-03-G36	EA	LEG - RIGHT - 25" - PLAIN - NO HOLE (G36, G44)
1	119333-03-G37	EA	LEG - RIGHT - 25" - PLAIN - NO HOLE (G37)
1	119333-63-G45	EA	LEG - RIGHT - 25" - PLAIN - NO HOLE (G45)
1	119333-04-G35	EA	LEG - LEFT - 25" - PLAIN - NO HOLE (G35)
1	119333-04-G36	EA	LEG - LEFT - 25" - PLAIN - NO HOLE (G36, G44)
1	119333-04-G37	EA	LEG - LEFT - 25" - PLAIN - NO HOLE (G37)
1	119333-64-G45	EA	LEG - LEFT - 25" - PLAIN - NO HOLE (G45)
1	111910-24-G35	EA	BLIND - DAY/ NIGHTER - 49" X 28.5" (G35, G36, G37, G44)
1	111910-24-G45	EA	BLIND - DAY/ NIGHTER - 49" X 28.5" (G45)
2	119138-10-G35	EA	VALANCE ASM. - BELLINI - 31" - W/ WELT (G35)
2	119138-07-G36	EA	VALANCE ASM. - BELLINI - 31" - W/ BRAID (G36, G44)
2	119138-07-G37	EA	VALANCE ASM. - BELLINI - 31" - W/ BRAID (G37)
2	119262-04-G45	EA	VALANCE ASM. - BELLINI - 31" - W/ BRAID (G45)
2	119333-05-G35	EA	LEG - RIGHT - 38" - PLAIN (G35)
2	119333-05-G36	EA	LEG - RIGHT - 38" - PLAIN (G36, G44)
2	119333-05-G37	EA	LEG - RIGHT - 38" - PLAIN (G37)
2	119333-65-G45	EA	LEG - RIGHT - 38" - PLAIN (G45)
2	119333-06-G35	EA	LEG - LEFT - 38" - PLAIN - NO HOLE (G35)
2	119333-06-G36	EA	LEG - LEFT - 38" - PLAIN - NO HOLE (G36, G44)
2	119333-06-G37	EA	LEG - LEFT - 38" - PLAIN - NO HOLE (G37)
2	119333-66-G45	EA	LEG - LEFT - 38" - PLAIN - NO HOLE (G45)
2	111910-21-F09	EA	BLIND - DAY/ NIGHTER - 28" X 37" (G35, G36, G37, G44)
2	111910-44-F05	EA	BLIND - DAY/ NIGHTER - 41" X 31" (G45)

KEY	PART NUMBER	U/M	DESCRIPTION
3	119136-01-G35	EA	VALANCE ASM. - 64.5" STANWICK
3	119137-01-G36	EA	VALANCE ASM. - 64.5" BAUHAUS
3	119136-01-G37	EA	VALANCE ASM. - 64.5" STANWICK
3	119137-01-G44	EA	VALANCE ASM. - 64.5" BAUHAUS
3	119262-39-G45	EA	VALANCE ASM. - 64.5" MONACO
3	119333-01-G35	EA	LEG - RIGHT - 25" - PLAIN - NO HOLE
3	119333-33-G36	EA	LEG - RIGHT - 25" - PLAIN - NO HOLE
3	119333-01-G37	EA	LEG - RIGHT - 25" - PLAIN - NO HOLE
3	119333-33-G44	EA	LEG - RIGHT - 25" - PLAIN - NO HOLE
3	119333-01-G45	EA	LEG - RIGHT - 25" - PLAIN - NO HOLE
3	119333-02-G35	EA	LEG - LEFT - 25" - PLAIN - NO HOLE
3	119333-34-G36	EA	LEG - LEFT - 25" - PLAIN - NO HOLE
3	119333-02-G37	EA	LEG - LEFT - 25" - PLAIN - NO HOLE
3	119333-34-G44	EA	LEG - LEFT - 25" - PLAIN - NO HOLE
3	119333-01-G45	EA	LEG - LEFT - 25" - PLAIN - NO HOLE
3	109802-38-F32	EA	BLIND - PLEATED - 60" X 30" (G35, G36, G37, G44)
3	109802-38-G45	EA	BLIND - PLEATED - 60" X 30" (G45)
4	101668-46-E91	EA	CURTAIN ASM. - 48" X 80" - DRIVER SIDE - TAPE TOP (G35, G36, G37, G44)
4	101668-46-F87	EA	CURTAIN ASM. - 48" X 80" - DRIVER SIDE - TAPE TOP (G45)
4	073260-42-C18	EA	TIEBACK ASM. - 6" X 18" (G35, G36, G37, G44)
4	073260-42-C17	EA	TIEBACK ASM. - 6" X 18" (G45)
5	101668-45-E91	EA	CURTAIN ASM. - 48" X 80" - PASSENGER SIDE - TAPE TOP (G35, G36, G37, G44)
5	101668-45-F87	EA	CURTAIN ASM. - 48" X 80" - PASSENGER SIDE - TAPE TOP (G45)
5	073260-42-C18	EA	TIEBACK ASM. - 6" X 18" (G35, G36, G37, G44)
5	073260-42-C18	EA	TIEBACK ASM. - 6" X 18" (G45)
6	119136-02-G35	EA	VALANCE ASM. - 34.5" STANWICK
6	119137-02-G36	EA	VALANCE ASM. - 34.5" BAUHAUS
6	119136-02-G37	EA	VALANCE ASM. - 34.5" STANWICK
6	119137-02-G44	EA	VALANCE ASM. - 34.5" BAUHAUS
6	119262-42-G45	EA	VALANCE ASM. - 34.5" MONACO W/ BRAID
6	119333-01-G35	EA	LEG - RIGHT - 25" - PLAIN - NO HOLE
6	119333-33-G36	EA	LEG - RIGHT - 25" - PLAIN - NO HOLE
6	119333-01-G37	EA	LEG - RIGHT - 25" - PLAIN - NO HOLE
6	119333-33-G44	EA	LEG - RIGHT - 25" - PLAIN - NO HOLE
6	119333-01-G45	EA	LEG - RIGHT - 25" - PLAIN - NO HOLE
6	119333-02-G35	EA	LEG - LEFT - 25" - PLAIN - NO HOLE
6	119333-34-G36	EA	LEG - LEFT - 25" - PLAIN - NO HOLE
6	119333-02-G37	EA	LEG - LEFT - 25" - PLAIN - NO HOLE
6	119333-34-G44	EA	LEG - LEFT - 25" - PLAIN - NO HOLE
6	119333-02-G45	EA	LEG - LEFT - 25" - PLAIN - NO HOLE
6	109802-39-F32	EA	BLIND - PLEATED - 30" X 30" (G35, G36, G37, G44)
6	109802-39-G45	EA	BLIND - PLEATED - 30" X 30" (G45)
7	119136-03-G35	EA	VALANCE ASM. - 15 X 31" STANWICK
7	119137-03-G36	EA	VALANCE ASM. - 15 X 31" BAUHAUS
7	119136-03-G37	EA	VALANCE ASM. - 15 X 31" STANWICK
7	119137-03-G44	EA	VALANCE ASM. - 15 X 31" BAUHAUS
7	119262-45-G45	EA	VALANCE ASM. - 15 X 31" MONACO W/ BRAID
7	084755-57-E07	EA	PULL SHADE - 27.25"
8	109041-20-02A	EA	MINI BLIND - 31" X 18" - BEIGE (G35, G36, G37, G44) FROM: 00-00-00 THRU: 03-24-96
8	109041-20-01A	EA	MINI BLIND - 31" X 18" - SILVER (G45) FROM: 00-00-00 THRU: 03-24-96
8	109041-44-02A	EA	MINI BLIND - 31" X 18" - BEIGE (G35, G36, G37, G44) FROM: 03-25-96 THRU: 99-99-99
8	109041-44-01A	EA	MINI BLIND - 31" X 18" - SILVER (G45) FROM: 03-25-96 THRU: 99-99-99
8	109353-07-02A	EA	BLIND SLAT - 31" - BEIGE (G35, G36, G37, G44)
8	109353-07-01A	EA	BLIND SLAT - 31" - SILVER (G45)

# CURTAIN & CUSHION GROUP (CONTINUED)

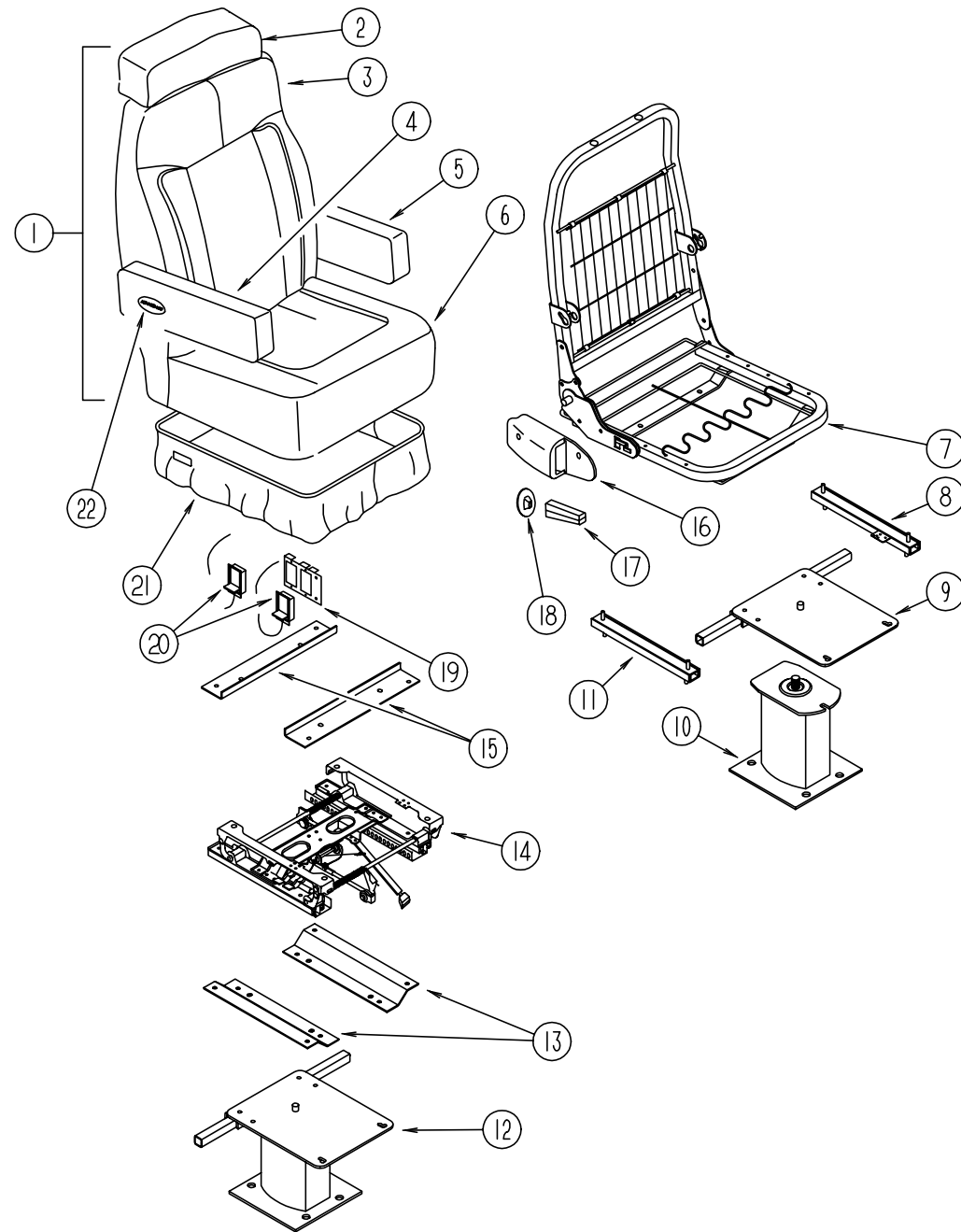
## BUCKET SEAT



KEY	PART NUMBER	U/M DESCRIPTION
1	115390-05-G35	EA SEAT - NEWPORT - MANUAL RECLINER - W/ HEADREST (G35)
1	115390-05-G36	EA SEAT - NEWPORT - MANUAL RECLINER - W/ HEADREST (G36) FROM: 00-00-00 THRU: 10-31-95
1	115390-05-GA6	EA SEAT - NEWPORT - MANUAL RECLINER - W/ HEADREST (G36) FROM: 11-01-95 THRU: 99-99-99
1	115390-05-G37	EA SEAT - NEWPORT - MANUAL RECLINER - W/ HEADREST (G37)
1	115390-05-GA6	EA SEAT - NEWPORT - MANUAL RECLINER - W/ HEADREST (G44)
1	115390-05-G45	EA SEAT - NEWPORT - MANUAL RECLINER - W/ HEADREST (G45)
2	119698-01-G35	EA HEADREST - STRATON II (G35)
2	119698-01-G36	EA HEADREST - STRATON II (G36) FROM: 00-00-00 THRU: 10-31-95
2	119698-01-GA6	EA HEADREST - STRATON II (G36) FROM: 11-01-95 THRU: 99-99-99
2	119698-01-G37	EA HEADREST - STRATON II (G37)
2	119698-01-GA6	EA HEADREST - STRATON II (G44)
2	119698-01-G45	EA HEADREST - STRATON II (G45)
2	P19698-01-G35	EA COVER - HEADREST STRATON II (G35)
2	P19698-01-G36	EA COVER - HEADREST STRATON II (G36) FROM: 00-00-00 THRU: 10-31-95
2	P19698-01-GA6	EA COVER - HEADREST STRATON II (G36) FROM: 11-01-95 THRU: 99-99-99
2	P19698-01-G37	EA COVER - HEADREST STRATON II (G37)
2	P19698-01-GA6	EA COVER - HEADREST STRATON II (G44)
2	P19698-01-G45	EA COVER - HEADREST STRATON II (G45)
2	114791-05-000	EA FRAME - HEADREST - STRATTON
3	M05962-13-G35	EA COVER ASM. - BACK - NEWPORT (G35)
3	M05962-13-G36	EA COVER ASM. - BACK - NEWPORT (G36) FROM: 00-00-00 THRU: 10-31-95
3	M05962-13-GA6	EA COVER ASM. - BACK - NEWPORT (G36) FROM: 11-01-95 THRU: 99-99-99
3	M05962-13-G37	EA COVER ASM. - BACK - NEWPORT (G37)
3	M05962-13-GA6	EA COVER ASM. - BACK - NEWPORT (G44)
3	M05962-13-G45	EA COVER ASM. - BACK - NEWPORT (G45)
4	114929-01-G35	EA ARMREST ASM. - RIGHT HAND (G35)
4	114929-01-G36	EA ARMREST ASM. - RIGHT HAND (G36) FROM: 00-00-00 THRU: 10-31-95
4	114929-01-GA6	EA ARMREST ASM. - RIGHT HAND (G36) FROM: 11-01-95 THRU: 99-99-99
4	114929-01-G37	EA ARMREST ASM. - RIGHT HAND (G37)
4	114929-01-GA6	EA ARMREST ASM. - RIGHT HAND (G44)
4	114929-01-G45	EA ARMREST ASM. - RIGHT HAND (G45)
4	P14929-01-G35	EA COVER ASM. - ARMREST - RIGHT HAND (G35)
4	P14929-01-G36	EA COVER ASM. - ARMREST - RIGHT HAND (G36) FROM: 00-00-00 THRU: 10-31-95
4	P14929-01-GA6	EA COVER ASM. - ARMREST - RIGHT HAND (G36) FROM: 11-01-95 THRU: 99-99-99
4	P14929-01-G37	EA COVER ASM. - ARMREST - RIGHT HAND (G37)
4	P14929-01-GA6	EA COVER ASM. - ARMREST - RIGHT HAND (G44)
4	P14929-01-G45	EA COVER ASM. - ARMREST - RIGHT HAND (G45)

## CURTAIN & CUSHION GROUP (CONTINUED)

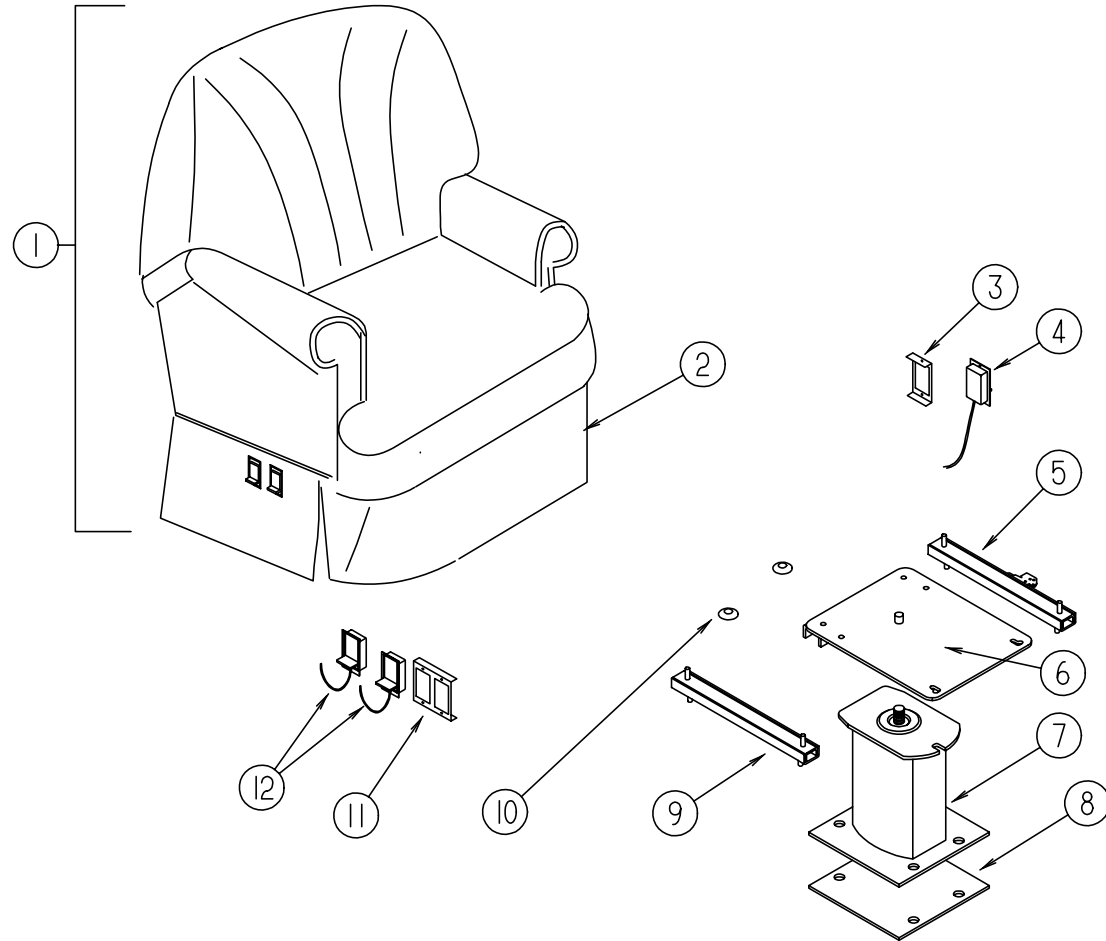
### BUCKET SEAT (CONTINUED)



KEY	PART NUMBER	U/M	DESCRIPTION
5	114929-02-G35	EA	ARMREST ASM. - LEFT HAND (G35)
5	114929-02-G36	EA	ARMREST ASM. - LEFT HAND (G36)
			FROM: 00-00-00 THRU: 10-31-95
5	114929-02-GA6	EA	ARMREST ASM. - LEFT HAND (G36)
			FROM: 11-01-95 THRU: 99-99-99
5	114929-02-G37	EA	ARMREST ASM. - LEFT HAND (G37)
5	114929-02-GA6	EA	ARMREST ASM. - LEFT HAND (G44)
5	114929-02-G45	EA	ARMREST ASM. - LEFT HAND (G45)
5	P14929-02-G35	EA	COVER ASM. - ARMREST - LEFT HAND (G35)
5	P14929-02-G36	EA	COVER ASM. - ARMREST - LEFT HAND (G36)
			FROM: 00-00-00 THRU: 10-31-95
5	P14929-02-GA6	EA	COVER ASM. - ARMREST - LEFT HAND (G36)
			FROM: 11-01-95 THRU: 99-99-99
5	P14929-02-G37	EA	COVER ASM. - ARMREST - LEFT HAND (G37)
5	P14929-02-GA6	EA	COVER ASM. - ARMREST - LEFT HAND (G44)
5	P14929-02-G45	EA	COVER ASM. - ARMREST - LEFT HAND (G45)
6	M05962-14-G35	EA	COVER ASM. - SEAT - NEWPORT (G35)
6	M05962-14-G36	EA	COVER ASM. - SEAT - NEWPORT (G36)
			FROM: 00-00-00 THRU: 10-31-95
6	M05962-14-GA6	EA	COVER ASM. - SEAT - NEWPORT (G36)
			FROM: 11-01-95 THRU: 99-99-99
6	M05962-14-G37	EA	COVER ASM. - SEAT - NEWPORT (G37)
6	M05962-14-GA6	EA	COVER ASM. - SEAT - NEWPORT (G44)
6	M05962-14-G45	EA	COVER ASM. - SEAT - NEWPORT (G45)
7	M80906-12-000	EA	FRAME - SEAT - BACK & SPRING
8	119952-04-000	EA	ADJUSTER SIDE - W/ LOCK - FORWARD & BACK
	117125-01-02B	EA	BRACKET - CABLE HOLDER - STEEL
9	107921-05-000	EA	TOP PLATE - PEDESTAL - W/ SEATBELT BAR
10	107921-01-000	EA	FLOOR MOUNTED PEDESTAL - W/ 9.75" EXTENSION
	107921-06-000	EA	BEARING KIT - PEDESTAL
11	119952-04-000	EA	ADJUSTER SIDE - W/O LOCK - FORWARD & BACK
	007221-01-000	EA	SPACER - SEAT - ADJUSTER
	114889-01-000	EA	STOP BAR - SEAT ADJUSTER
12	107921-14-000	EA	FLOOR MOUNTED PEDESTAL - W/ 5.75" EXTENSION
13	116215-03-000	EA	LOWER PLATE - 6 WAY MANUAL CONTROL
14	116215-01-000	EA	6 WAY MANUAL CONTROL
15	116215-02-000	EA	UPPER PLATE - 6 WAY MANUAL CONTROL
16	080730-09-000	EA	SHIELD - RECLINER HANDLE
	080730-10-000	EA	SCREW - RECLINER HANDLE SHIELD
17	080730-08-000	EA	HANDLE - RECLINER - BLACK
18	080730-11-000	EA	SHIELD - RUBBER BOOT
19	097683-02-000	EA	BRACKET - REMOTE - SIDE MOUNT
20	089368-03-000	EA	REMOTE & CABLE - 26"
	108049-02-000	EA	CABLE CLIP
21	071126-43-G35	EA	SKIRT ASM - SINGLE - 10.5" - W/ OPEN BACK (G35)
21	071126-43-G36	EA	SKIRT ASM - SINGLE - 10.5" - W/ OPEN BACK (G36)
			FROM: 00-00-00 THRU: 10-31-95
21	071126-43-GA6	EA	SKIRT ASM - SINGLE - 10.5" - W/ OPEN BACK (G36)
			FROM: 11-01-95 THRU: 99-99-99
21	071126-43-GV0	EA	SKIRT ASM - SINGLE - 10.5" - W/ OPEN BACK (G37)
21	071126-43-GA6	EA	SKIRT ASM - SINGLE - 10.5" - W/ OPEN BACK (G44)
21	071126-43-G45	EA	SKIRT ASM - SINGLE - 10.5" - W/ OPEN BACK (G45)
21	071126-54-G35	EA	SKIRT ASM - SINGLE - 10.5" - W/ OPEN BACK (W/ 6 WAY MANUAL CONTROL) (G35)
21	071126-54-G36	EA	SKIRT ASM - SINGLE - 10.5" - W/ OPEN BACK (W/ 6 WAY MANUAL CONTROL) (G36)
			FROM: 00-00-00 THRU: 10-31-95
21	071126-54-GA6	EA	SKIRT ASM - SINGLE - 10.5" - W/ OPEN BACK (W/ 6 WAY MANUAL CONTROL) (G36)
			FROM: 11-01-95 THRU: 99-99-99
21	071126-54-GV0	EA	SKIRT ASM - SINGLE - 10.5" - W/ OPEN BACK (W/ 6 WAY MANUAL CONTROL) (G37)
21	071126-54-GA6	EA	SKIRT ASM - SINGLE - 10.5" - W/ OPEN BACK (W/ 6 WAY MANUAL CONTROL) (G44)
21	071126-54-G45	EA	SKIRT ASM - SINGLE - 10.5" - W/ OPEN BACK (W/ 6 WAY MANUAL CONTROL) (G45)
22	111169-01-000	EA	BACK PLATE - ITASCA EMBLEM
22	111169-05-000	EA	EMBLEM - "ITASCA"

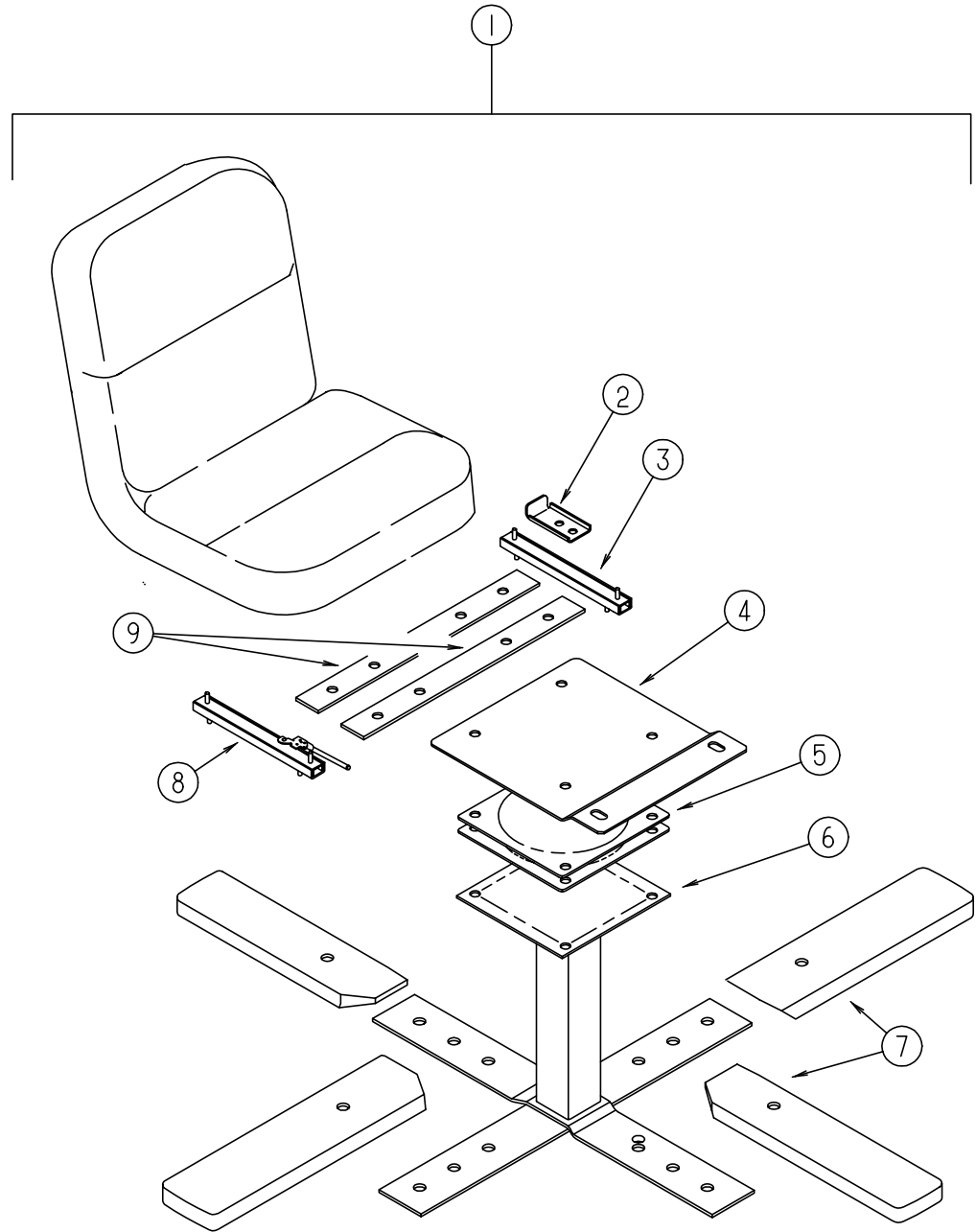
## CURTAIN & CUSHION GROUP (CONTINUED)

### SWIVEL CHAIR (RECLINER)



KEY	PART NUMBER	U/M	DESCRIPTION
1	118538-01-G35	EA	SWIVEL CHAIR - RECLINER
1	118538-01-G36	EA	SWIVEL CHAIR - RECLINER
1	118538-01-G37	EA	SWIVEL CHAIR - RECLINER
1	118538-01-G44	EA	SWIVEL CHAIR - RECLINER
1	118538-01-G45	EA	SWIVEL CHAIR - RECLINER
1	P18538-01-G35	EA	COVER ASM. - SWIVEL CHAIR - RECLINER
1	P18538-01-G36	EA	COVER ASM. - SWIVEL CHAIR - RECLINER
1	P18538-01-G37	EA	COVER ASM. - SWIVEL CHAIR - RECLINER
1	P18538-01-G44	EA	COVER ASM. - SWIVEL CHAIR - RECLINER
1	P18538-01-G45	EA	COVER ASM. - SWIVEL CHAIR - RECLINER
2	118539-01-G35	EA	SKIRT ASM.
2	118539-01-G36	EA	SKIRT ASM.
2	118539-01-G37	EA	SKIRT ASM.
2	118539-01-G44	EA	SKIRT ASM.
2	118539-01-G45	EA	SKIRT ASM.
3	097683-03-000	EA	BRACKET - REMOTE - SIDE MOUNT
4	089368-05-000	EA	REMOTE & CABLE - ADJUSTER SLIDE
5	119952-02-000	EA	ADJUSTER SLIDE - W/ LOCKING ARM
	108049-02-000	EA	CLIP - PEDESTAL CABLE
6	107921-08-000	EA	TOP PLATE - PEDESTAL - W/O SEATBELT BAR
7	107921-01-000	EA	FLOOR MOUNTED PEDESTAL - W/9.75" EXTENSION
8	108445-02-000	EA	SUB PLATE - FLOOR MOUNTED PEDESTAL
	107921-06-000	EA	BEARING KIT - PEDESTAL
9	119952-02-000	EA	ADJUSTER SLIDE - W/O LOCKING ARM
10	007221-01-000	EA	SPACER - SEAT ADJUSTER
11	097683-02-000	EA	BRACKET - REMOTE - SIDE MOUNT
12	089368-03-000	EA	REMOTE & CABLE - 26"
	057759-01-000	EA	WASHER BRACKET - SEAT BELT - 4" DIAMETER
	007021-01-000	EA	SEAT BELT - 2" X 90" - BLACK

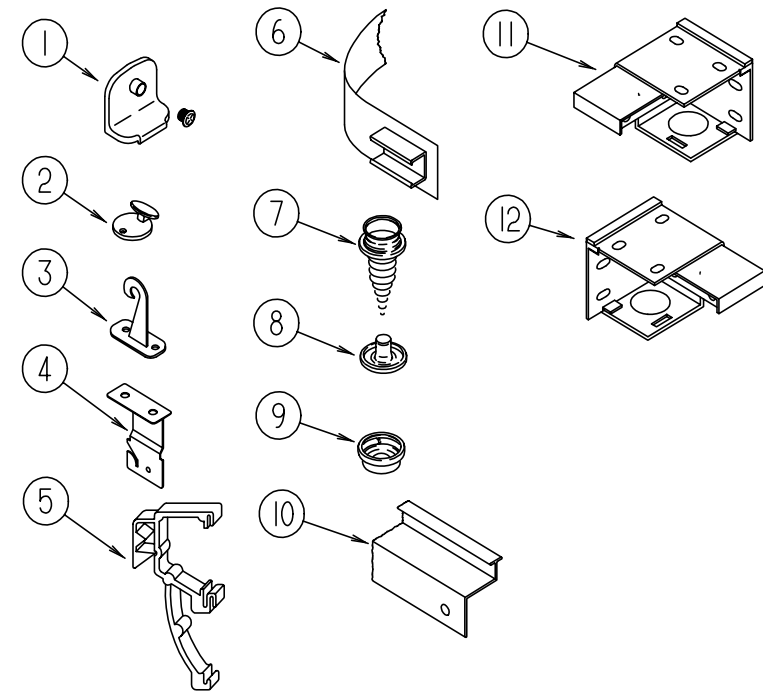
**CURTAIN & CUSHION GROUP (CONTINUED)**



**DINETTE SWIVEL CHAIR ASM (200 KC)**

KEY	PART NUMBER	U/M DESCRIPTION
1	119108-01-G35	EA CHAIR ASM - 200 KC (G35)
1	119108-01-G36	EA CHAIR ASM - 200 KC (G36, G44)
1	119108-01-G37	EA CHAIR ASM - 200 KC (G37)
1	119108-01-G45	EA CHAIR ASM - 200 KC (G45)
2	114889-01-000	EA STOP BRACKET
3	119952-02-000	EA SLIDE - SEAT - NONLOCKING
4	119705-11-02B	EA PLATE - SEAT
5	119105-01-000	EA PLATE - SWIVEL - RETURN-O-MATIC - 5.75"
6	119705-02-03B	EA PEDESTAL ASM.
7	116080-02-G35	EA COVER - CHAIR LEG
8	119952-05-000	EA SLIDE - SEAT - FORWARD HANDLE
9	120109-01-02B	EA ADAPTER BRACKET - CHAIR ASM

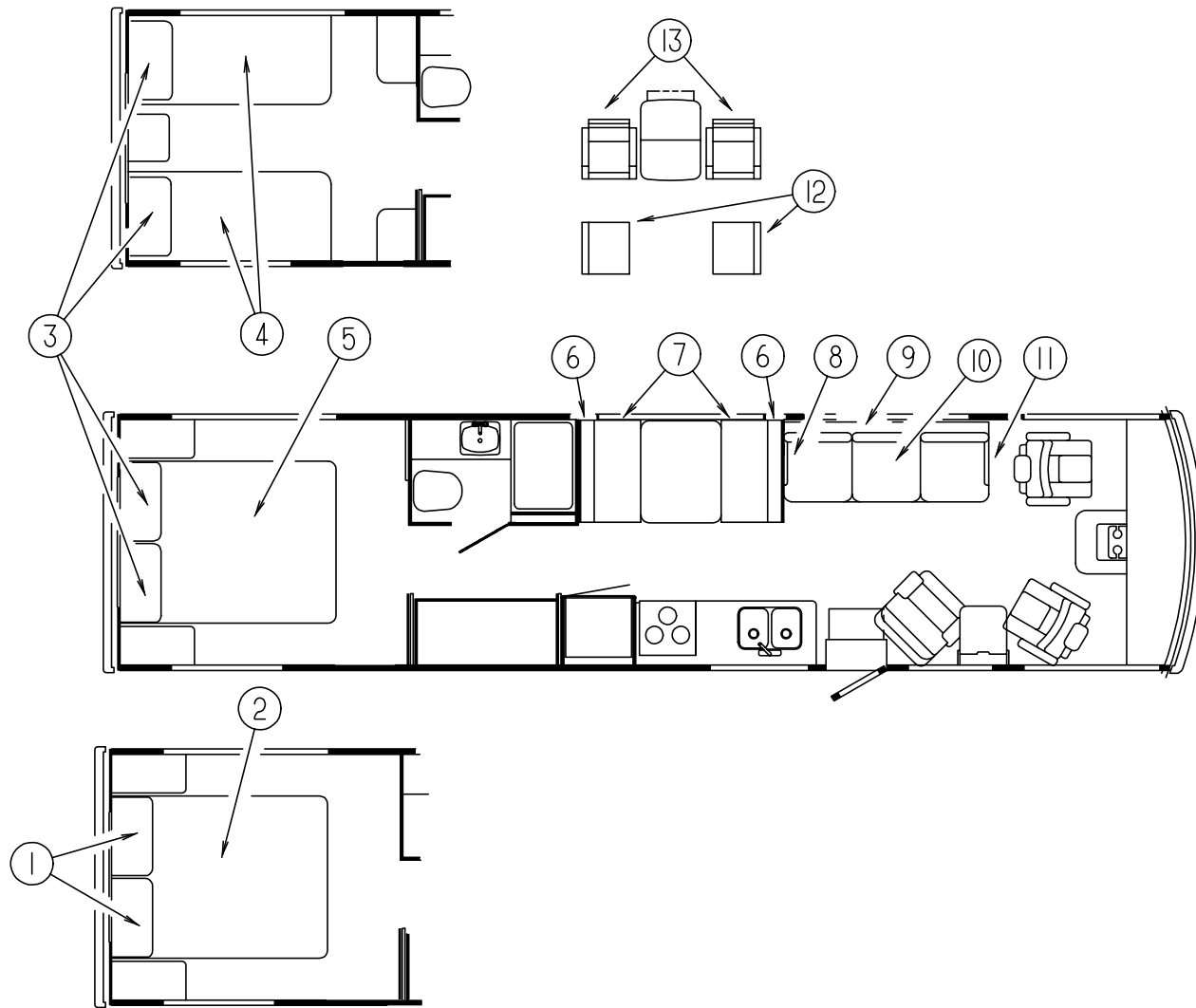
**CURTAIN & CUSHION GROUP (CONTINUED)**



**CURTAIN & BLIND HARDWARE**

KEY	PART NUMBER	U/M DESCRIPTION
1	106544-01-000	EA SHADE PULL - BRASS
	106544-01-001	EA SCREW - SHADE PULL - BRASS
2	102555-01-000	EA CLEAT - CORD - BLIND - OFF WHITE
3	109441-01-000	EA HOLD DOWN - BLIND - HOOK
4	084434-01-000	EA BRACKET - MOUNTING - ROLLER SHADE - 1 3/8"
	096843-01-000	EA SPRING - REWIND - ROLLER SHADE
5	109353-04-000	EA CLIP - VALANCE SLAT MOUNTING - CLEAR PLASTIC - PAR
6	101031-01-000	YD TAPE - GLIDE - CURTAIN - 4.25" SPACING
7	029130-01-000	EA SCREW - SNAP SOCKET - 8 PH X 5/8"
8	029155-01-000	EA CAP - SNAP - 5/32" O.D. OF PIN
	046867-01-000	EA GROMMET - BRASS - 7/16" ID X 1" OD
9	029156-01-000	EA SOCKET - SNAP - 9/16" O.D
10	114641 05 01A	EA TRACK - WRAPAROUND CURTAIN - OFF WHITE (PASSENGER SIDE)
10	114641 06 01A	EA TRACK - WRAPAROUND CURTAIN - OFF WHITE (DRIVER SIDE)
11	083170-02-000	EA BRACKET - BLIND - LEFT SIDE
12	083170-01-000	EA BRACKET - BLIND - RIGHT SIDE
	048394-02-000	YD VELCRO TAPE - HOOK - ADHESIVE BACK - .75" WIDE - C
	097565-01-000	EA BRACKET - MOUNTING - PLEATED BLIND
	097591-01-000	EA SPRING - EXTENSION - PLEATED BLIND
	097592-01-000	EA SPOOL - CORD - ELEVATED BLIND HOLDUP - CLEAR PLASTIC
	097593-02-000	FT CORD - BLIND GRAY

## CURTAIN & CUSHION GROUP (CONTINUED)



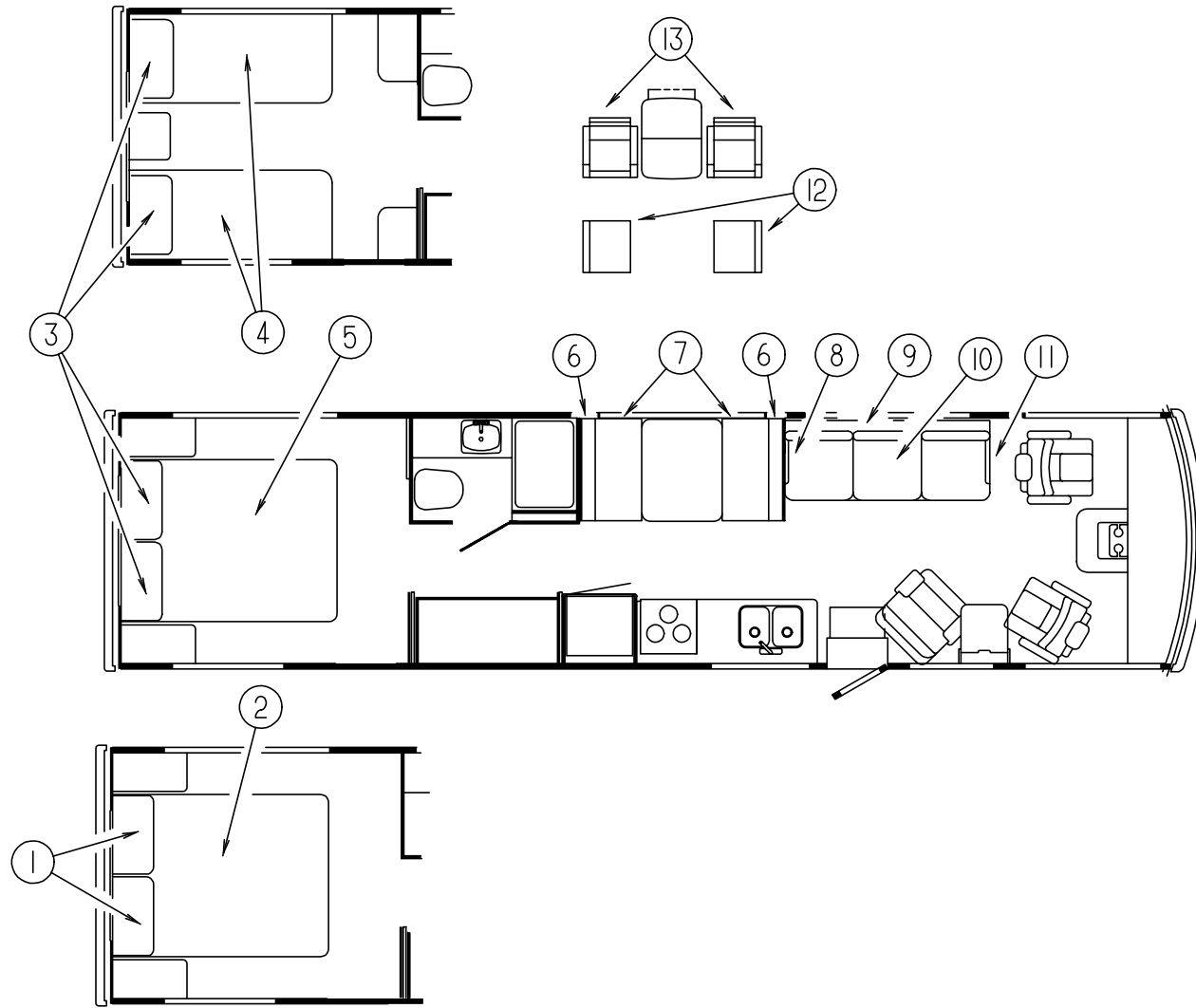
### DINETTE CUSHIONS

KEY	PART NUMBER	U/M	DESCRIPTION
6	111897-05-G35	EA	CUSHION ASM. - 13.5" X 42" X 5" - CLUB BACK (G35)
6	111897-05-G36	EA	CUSHION ASM. - 13.5" X 42" X 5" - CLUB BACK (G36)
6	111897-05-GV0	EA	CUSHION ASM. - 13.5" X 42" X 5" - CLUB BACK (G37) FROM: 00-00-00 THRU: 03-10-96
6	111897-05-GV7	EA	CUSHION ASM. - 13.5" X 42" X 5" - CLUB BACK (G37) FROM: 03-11-96 THRU: 99-99-99
6	111897-05-G44	EA	CUSHION ASM. - 13.5" X 42" X 5" - CLUB BACK (G44)
6	111897-05-G45	EA	CUSHION ASM. - 13.5" X 42" X 5" - CLUB BACK (G45)
6	P11897-05-G35	EA	COVER - 13.5" X 42" X 5" - CLUB BACK (G35)
6	P11897-05-G36	EA	COVER - 13.5" X 42" X 5" - CLUB BACK (G36)
6	P11897-05-GV0	EA	COVER - 13.5" X 42" X 5" - CLUB BACK (G37) FROM: 00-00-00 THRU: 03-10-96
6	P11897-05-GV7	EA	COVER - 13.5" X 42" X 5" - CLUB BACK (G37) FROM: 03-11-96 THRU: 99-99-99
6	P11897-05-G44	EA	COVER - 13.5" X 42" X 5" - CLUB BACK (G44)
6	P11897-05-G45	EA	COVER - 13.5" X 42" X 5" - CLUB BACK (G45)
7	105603-15-G35	EA	CUSHION ASM. - 23" X 42" X 5" - DINETTE SEAT (G35)
7	105603-15-G36	EA	CUSHION ASM. - 23" X 42" X 5" - DINETTE SEAT (G36)
7	105603-15-GV0	EA	CUSHION ASM. - 23" X 42" X 5" - DINETTE SEAT (G37) FROM: 00-00-00 THRU: 03-10-96
7	105603-15-GV7	EA	CUSHION ASM. - 23" X 42" X 5" - DINETTE SEAT (G37) FROM: 03-11-96 THRU: 99-99-99
7	105603-15-G44	EA	CUSHION ASM. - 23" X 42" X 5" - DINETTE SEAT (G44)
7	105603-15-G45	EA	CUSHION ASM. - 23" X 42" X 5" - DINETTE SEAT (G45)
7	P05603-15-G35	EA	COVER - CUSHION - 23" X 42" X 5" - DINETTE SEAT (G35)
7	P05603-15-G36	EA	COVER - CUSHION - 23" X 42" X 5" - DINETTE SEAT (G36)
7	P05603-15-GV0	EA	COVER - CUSHION - 23" X 42" X 5" - DINETTE SEAT (G37) FROM: 00-00-00 THRU: 03-10-96
7	P05603-15-GV0	EA	COVER - CUSHION - 23" X 42" X 5" - DINETTE SEAT (G37) FROM: 03-11-96 THRU: 99-99-99
7	P05603-15-G44	EA	COVER - CUSHION - 23" X 42" X 5" - DINETTE SEAT (G44)
7	P05603-15-G45	EA	COVER - CUSHION - 23" X 42" X 5" - DINETTE SEAT (G45)
	078155-01-000	EA	STRAP - SNAP - BACKREST CUSHION

### KING, QUEEN & TWIN BEDS

KEY	PART NUMBER	U/M	DESCRIPTION
1	119249-01-000	EA	PILLOW - CASE - 20 X 37 - QUEEN BED
2	098176-05-000	EA	MATTRESS - QUEEN - INNERSPRING - 60" X 79.5" - SEALY
2	119141-01-G35	EA	BEDSPREAD W/ REVERSE SHAM - 60" X 80" (G35)
2	118858-01-G36	EA	BEDSPREAD W/ REVERSE SHAM - 60" X 80" (G36, G44)
2	118858-01-G37	EA	BEDSPREAD W/ REVERSE SHAM - 60" X 80" (G37)
2	118858-01-G45	EA	BEDSPREAD W/ REVERSE SHAM - 60" X 80" (G45)
3	119249-02-000	EA	PILLOW - CASE - 22 X 37 - KING & TWIN BED
4	098176-14-000	EA	MATTRESS - TWIN - INNERSPRING - 36" X 79.5" - SEALY
4	119141-04-G35	EA	BEDSPREAD W/ REVERSE SHAM - 36" X 80" (G35)
4	118858-05-G36	EA	BEDSPREAD W/ REVERSE SHAM - 36" X 80" (G36, G44)
4	118858-05-G37	EA	BEDSPREAD W/ REVERSE SHAM - 36" X 80" (G37)
4	118858-05-G45	EA	BEDSPREAD W/ REVERSE SHAM - 36" X 80" (G45)
5	098176-15-000	EA	MATTRESS - KING - INNERSPRING - 72" X 80" - SEALY
5	119141-03-G35	EA	BEDSPREAD W/ REVERSE SHAM - 72" X 80" (G35)
5	118858-04-G36	EA	BEDSPREAD W/ REVERSE SHAM - 72" X 80" (G36, G44)
5	118858-04-G37	EA	BEDSPREAD W/ REVERSE SHAM - 72" X 80" (G37)
5	118858-04-G45	EA	BEDSPREAD W/ REVERSE SHAM - 72" X 80" (G45)
	103669-09-G35	EA	PILLOW ASM - 15" X 15" W/ 1/2" - THROW (G35)
	103669-09-G36	EA	PILLOW ASM - 15" X 15" W/ 1/2" - THROW (G36, G44)
	103669-09-G37	EA	PILLOW ASM - 15" X 15" W/ 1/2" - THROW (G37)
	103669-09-G45	EA	PILLOW ASM - 15" X 15" W/ 1/2" - THROW (G45)

**CURTAIN & CUSHION GROUP (CONTINUED)**



**CONTINENTAL SOFA BED**

KEY	PART NUMBER	U/M	DESCRIPTION
8	111905-03-G35	EA	ARMREST ASM - RIGHT HAND - INSIDE PILLOW (G35)
8	111905-03-G36	EA	ARMREST ASM - RIGHT HAND - INSIDE PILLOW (G36)
8	111905-03-G37	EA	ARMREST ASM - RIGHT HAND - INSIDE PILLOW (G37)
			FROM: 00-00-00 THRU: 03-10-96
8	111905-03-GV7	EA	ARMREST ASM - RIGHT HAND - INSIDE PILLOW (G37)
			FROM: 03-11-96 THRU: 99-99-99
8	111905-03-G44	EA	ARMREST ASM - RIGHT HAND - INSIDE PILLOW (G44)
8	111905-03-G45	EA	ARMREST ASM - RIGHT HAND - INSIDE PILLOW (G45)
8	P11905-03-G35	EA	COVER - ARMREST - RIGHT HAND - INSIDE PILLOW (G35)
8	P11905-03-G36	EA	COVER - ARMREST - RIGHT HAND - INSIDE PILLOW (G36)
8	P11905-03-G37	EA	COVER - ARMREST - RIGHT HAND - INSIDE PILLOW (G37)
			FROM: 00-00-00 THRU: 03-10-96
8	P11905-03-GV7	EA	COVER - ARMREST - RIGHT HAND - INSIDE PILLOW (G37)
			FROM: 03-11-96 THRU: 99-99-99
8	P11905-03-G44	EA	COVER - ARMREST - RIGHT HAND - INSIDE PILLOW (G44)
8	P11905-03-G45	EA	COVER - ARMREST - RIGHT HAND - INSIDE PILLOW (G45)
9	104655-01-G35	EA	CUSHION - SOFA BED - BACK (3 USED) (G35)
9	104655-01-G36	EA	CUSHION - SOFA BED - BACK (3 USED) (G36)
9	104655-01-G37	EA	CUSHION - SOFA BED - BACK (3 USED) (G37)
			FROM: 00-00-00 THRU: 03-10-96
9	104655-01-GV7	EA	CUSHION - SOFA BED - BACK (3 USED) (G37)
			FROM: 03-11-96 THRU: 99-99-99
9	104655-01-G44	EA	CUSHION - SOFA BED - BACK (3 USED) (G44)
9	104655-01-G45	EA	CUSHION - SOFA BED - BACK (3 USED) (G45)

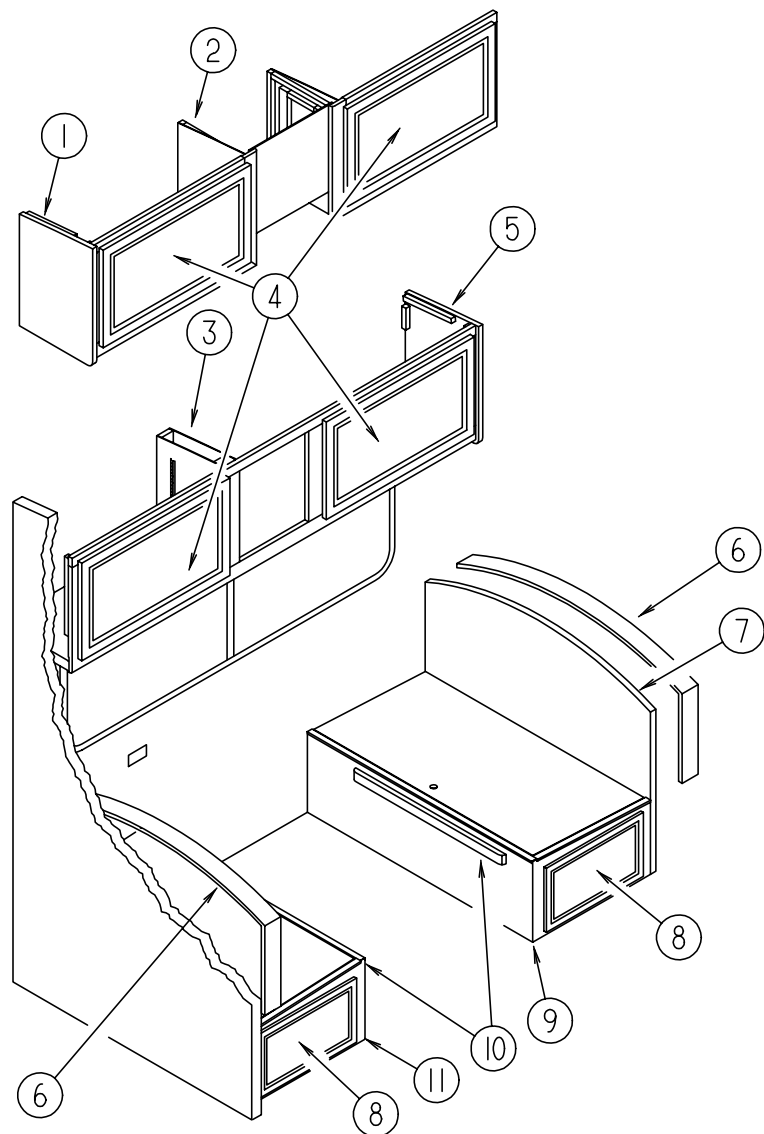
**CONTINENTAL SOFA BED (CONTINUED)**

KEY	PART NUMBER	U/M	DESCRIPTION
9	P04655-01-G35	EA	COVER - SOFA BED - BACK (G35)
9	P04655-01-G36	EA	COVER - SOFA BED - BACK (G36)
9	P04655-01-G37	EA	COVER - SOFA BED - BACK (G37)
			FROM: 00-00-00 THRU: 03-10-96
9	P04655-01-GV7	EA	COVER - SOFA BED - BACK (G37)
			FROM: 03-11-96 THRU: 99-99-99
9	P04655-01-G44	EA	COVER - SOFA BED - BACK (G44)
9	P04655-01-G45	EA	COVER - SOFA BED - BACK (G45)
10	104652-03-G35	EA	SOFA BED - 70" (W/O BACK CUSHIONS) (G35)
10	104652-03-G36	EA	SOFA BED - 70" (W/O BACK CUSHIONS) (G36)
10	104652-03-G37	EA	SOFA BED - 70" (W/O BACK CUSHIONS) (G37)
			FROM: 00-00-00 THRU: 03-10-96
10	104652-03-GV7	EA	SOFA BED - 70" (W/O BACK CUSHIONS) (G37)
			FROM: 03-11-96 THRU: 99-99-99
10	104652-03-G44	EA	SOFA BED - 70" (W/O BACK CUSHIONS) (G44)
10	104652-03-G45	EA	SOFA BED - 70" (W/O BACK CUSHIONS) (G45)
10	P04652-03-G35	EA	COVER - SOFA BED - SEAT (G35)
10	P04652-03-G36	EA	COVER - SOFA BED - SEAT (G36)
10	P04652-03-G37	EA	COVER - SOFA BED - SEAT (G37)
			FROM: 00-00-00 THRU: 03-10-96
10	P04652-03-GV7	EA	COVER - SOFA BED - SEAT (G37)
			FROM: 03-11-96 THRU: 99-99-99
10	P04652-03-G44	EA	COVER - SOFA BED - SEAT (G44)
10	P04652-03-G45	EA	COVER - SOFA BED - SEAT (G45)
11	111905-02-G35	EA	ARMREST ASM - LEFT HAND - INSIDE PILLOW (G35)
11	111905-02-G36	EA	ARMREST ASM - LEFT HAND - INSIDE PILLOW (G36)
11	111905-02-G37	EA	ARMREST ASM - LEFT HAND - INSIDE PILLOW (G37)
			FROM: 00-00-00 THRU: 03-10-96
11	111905-02-GV7	EA	ARMREST ASM - LEFT HAND - INSIDE PILLOW (G37)
			FROM: 03-11-96 THRU: 99-99-99
11	111905-02-G44	EA	ARMREST ASM - LEFT HAND - INSIDE PILLOW (G44)
11	111905-02-G45	EA	ARMREST ASM - LEFT HAND - INSIDE PILLOW (G45)
11	P11905-02-G35	EA	COVER - ARMREST - LEFT HAND - INSIDE PILLOW (G35)
11	P11905-02-G36	EA	COVER - ARMREST - LEFT HAND - INSIDE PILLOW (G36)
11	P11905-02-G37	EA	COVER - ARMREST - LEFT HAND - INSIDE PILLOW (G37)
			FROM: 00-00-00 THRU: 03-10-96
11	P11905-02-GV7	EA	COVER - ARMREST - LEFT HAND - INSIDE PILLOW (G37)
			FROM: 03-11-96 THRU: 99-99-99
11	P11905-02-G44	EA	COVER - ARMREST - LEFT HAND - INSIDE PILLOW (G44)
11	P11905-02-G45	EA	COVER - ARMREST - LEFT HAND - INSIDE PILLOW (G45)
	105433-01-000	EA	FRAME - SEAT - 70"
	106728-02-G35	EA	PILLOW ASM - 9" X 20" W/ BRAID (G35)
	106728-02-G36	EA	PILLOW ASM - 9" X 20" W/ BRAID (G36)
	106728-02-G37	EA	PILLOW ASM - 9" X 20" W/ BRAID (G37)
			FROM: 00-00-00 THRU: 03-10-96
	106728-02-GV7	EA	PILLOW ASM - 9" X 20" W/ BRAID (G37)
			FROM: 03-11-96 THRU: 99-99-99
	106728-02-G44	EA	PILLOW ASM - 9" X 20" W/ BRAID (G44)
	106728-02-G45	EA	PILLOW ASM - 9" X 20" W/ BRAID (G45)

**DINETTE OPTION**

KEY	PART NUMBER	U/M	DESCRIPTION
12	101604-01-03A	EA	CHAIR - FOLDING - DINETTE #3053 - WATERFORD OAK
13	119108-01-G35	EA	CHAIR ASM - 200 KC (G35)
13	119108-01-G36	EA	CHAIR ASM - 200 KC (G36)
13	119108-01-G37	EA	CHAIR ASM - 200 KC (G37)
13	119108-01-G44	EA	CHAIR ASM - 200 KC (G44)
13	119108-01-G45	EA	CHAIR ASM - 200 KC (G45)

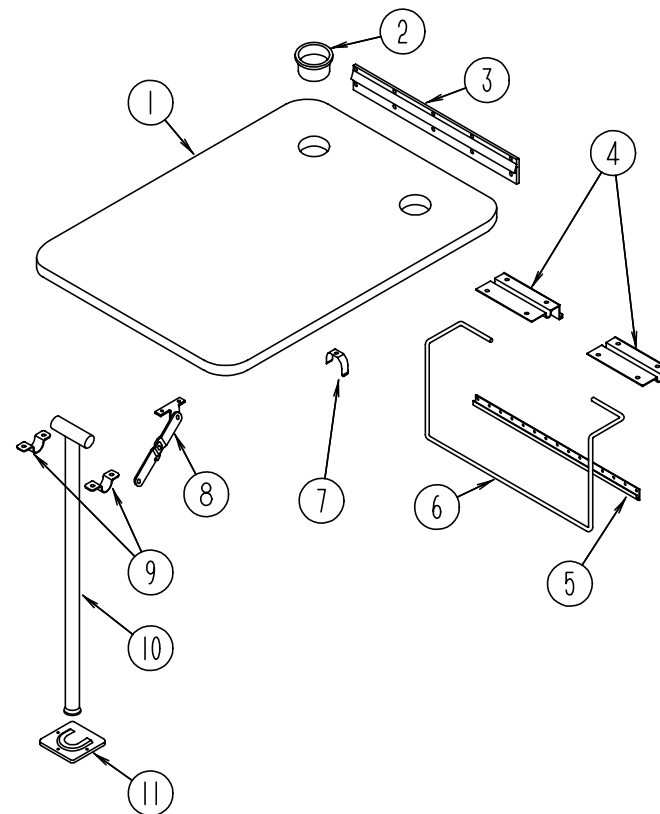
## DINETTE GROUP



**DINETTE & OVERHEAD CABINERY**

KEY	PART NUMBER	U/M	DESCRIPTION
1	103128-02-G09	EA	END CAP ASM. - LEFT HAND
2	117579-03-G35	EA	CABINET - DINETTE OVERHEAD - F/ COFFEE MKR - W/O DOORS/ HDWR (G35)
2	117579-03-G36	EA	CABINET - DINETTE OVERHEAD - F/ COFFEE MKR - W/O DOORS/ HDWR (G36, G44)
2	117579-03-G37	EA	CABINET - DINETTE OVERHEAD - F/ COFFEE MKR - W/O DOORS/ HDWR (G37)
2	117579-03-G45	EA	CABINET - DINETTE OVERHEAD - F/ COFFEE MKR - W/O DOORS/ HDWR (G45)
3	117922-02-G35	EA	CABINET - DINETTE OVERHEAD (G35)
3	117922-02-G36	EA	CABINET - DINETTE OVERHEAD (G36, G44)
3	117922-02-G37	EA	CABINET - DINETTE OVERHEAD (G37)
3	117922-02-G45	EA	CABINET - DINETTE OVERHEAD (G45)
4	M05993-48-G35	EA	DOOR - W/ RADIUS EDGING 15.7" X 28" - W/O HARDWARE
5	103128-01-G09	EA	END CAP ASM. - RIGHT HAND
6	104787-08-G35	EA	PAD ASM. - DINETTE (G35)
6	104787-08-GA6	EA	PAD ASM. - DINETTE (G36, G44)
6	104787-08-G37	EA	PAD ASM. - DINETTE (G37)
6	104787-08-G45	EA	PAD ASM. - DINETTE (G45)
7	M07514-01-G15	EA	CABINET - SEATBACK - RIGHT HAND
8	M05970-35-G35	EA	DRAWER ASM. - W/O HARDWARE
9	M07515-01-G15	EA	CABINET - SEATBASE - RIGHT HAND
10	081295-01-G01	EA	BED SUPPORT - DINETTE
11	M07515-02-G15	EA	CABINET - SEATBASE - LEFT HAND

## DINETTE GROUP (CONTINUED)

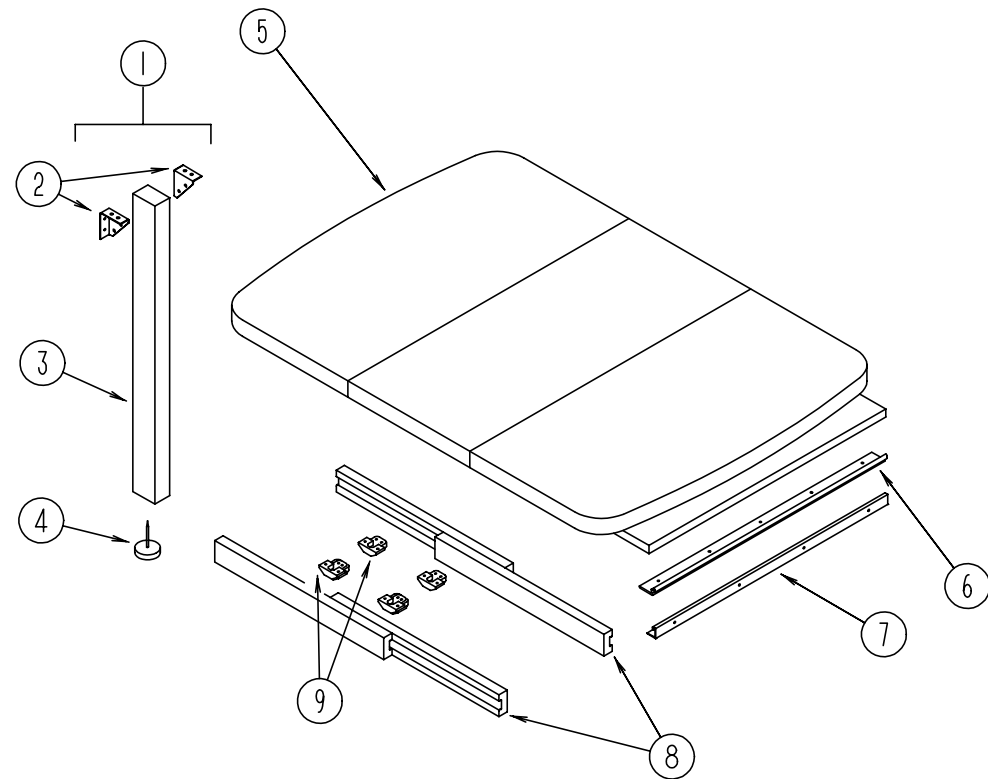


**DINETTE TABLE ASM.**

KEY	PART NUMBER	U/M	DESCRIPTION
1	081322-15-G15	EA	DINETTE TABLE (G35, G37)
1	081322-15-G36	EA	DINETTE TABLE (G36, G44)
1	081322-15-G45	EA	DINETTE TABLE (G45)
2	064781-06-000	EA	CUP HOLDER - 2 STEP
3	053200-12-000	EA	BRACKET - TABLE SUPPORT - UPPER WALL MOUNTED - 23.5" - OFF WHITE
4	088410-02-000	EA	HANGER - TABLE MOUNTED - OFF WHITE
5	024281-14-000	EA	BRACKET - LIFT ROD - LOWER WALL MOUNTED - 22.12" - OFF WHITE
6	024275-12-000	EA	ROD - TABLE LIFT - 8" X 23.5" - OFF WHITE
7	024283-01-000	EA	CLIP - LEG - 1" - 1.125" OD - BLACK
8	024282-01-000	EA	BRACE - TABLE LEG - HINGED
9	064050-05-000	EA	CLAMP - SADDLE - LEG HINGE - OFF WHITE
10	024276-23-000	EA	TABLE LEG - METAL - OFF WHITE
11	049493-12-000	EA	LEG CATCH - FLOOR MOUNTED - 2.5" X 2.7" - METAL - E-COAT



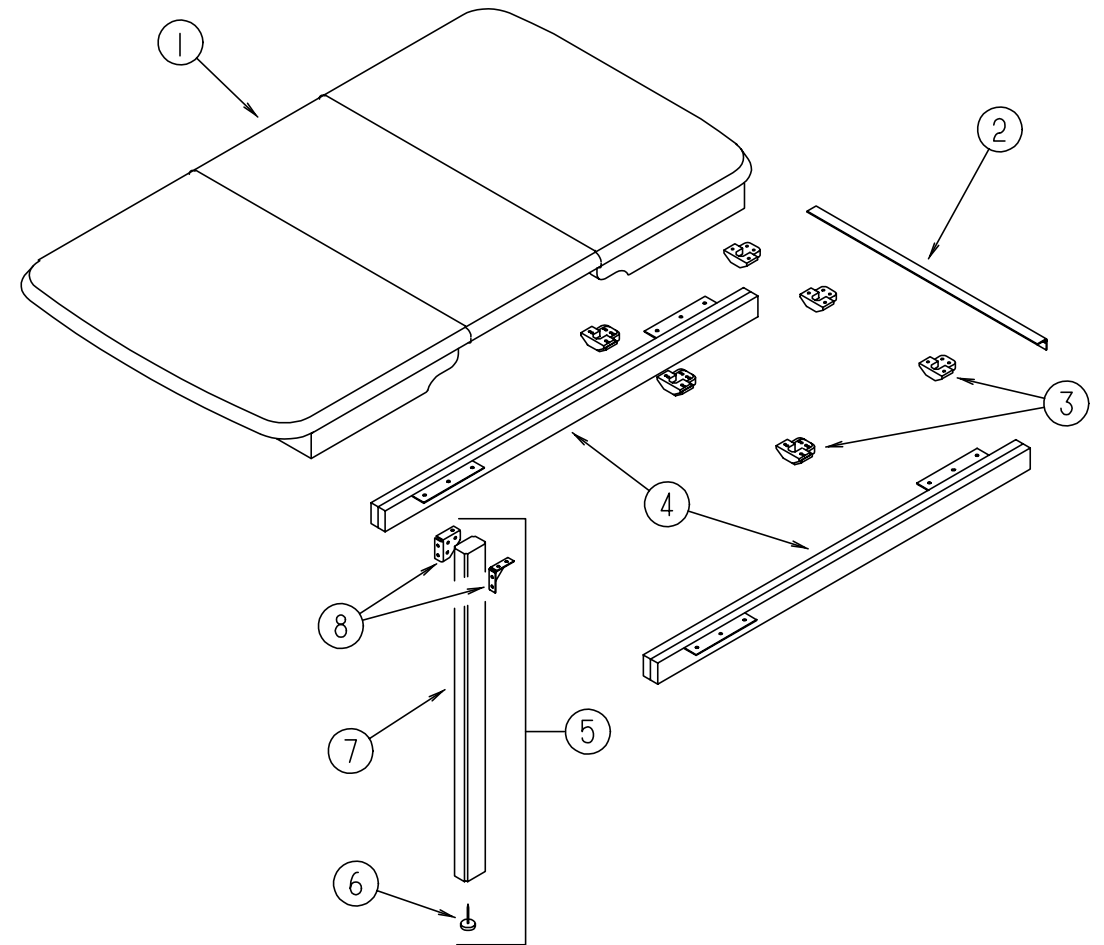
**DINETTE GROUP (CONTINUED)**



**DINETTE TABLE ASM. (DROP LEAF) (FROM: 00-00-00 THRU: 01-28-96)**

KEY	PART NUMBER	U/M	DESCRIPTION
1	092708-09-G16	EA	LEG ASM - TABLE
2	102810-01-04A	EA	BRACE - TABLE LEG - BLACK
3	092707-07-05A	EA	LEG MOLDING - OAK - WATERFORD OAK
4	102194-01-000	EA	GUIDE - PLASTIC
5	P02056-06-G35	EA	TABLE ASM. - W/ DROP LEAF
6	102201-02-01A	EA	SUPPORT - HINGE CATCH
7	102200-02-02A	EA	SUPPORT - HINGE LOCK - OFF WHITE
8	110749-01-000	EA	SLIDE - TABLE - 19 3/4 LONG
9	009050-02-000	EA	LEVELER - TABLE TOP - MALE END W/4 SCREWS - PLASTIC
9	009050-03-000	EA	LEVELER - TABLE TOP - FEMALE END W/4 SCREWS - PLASTIC

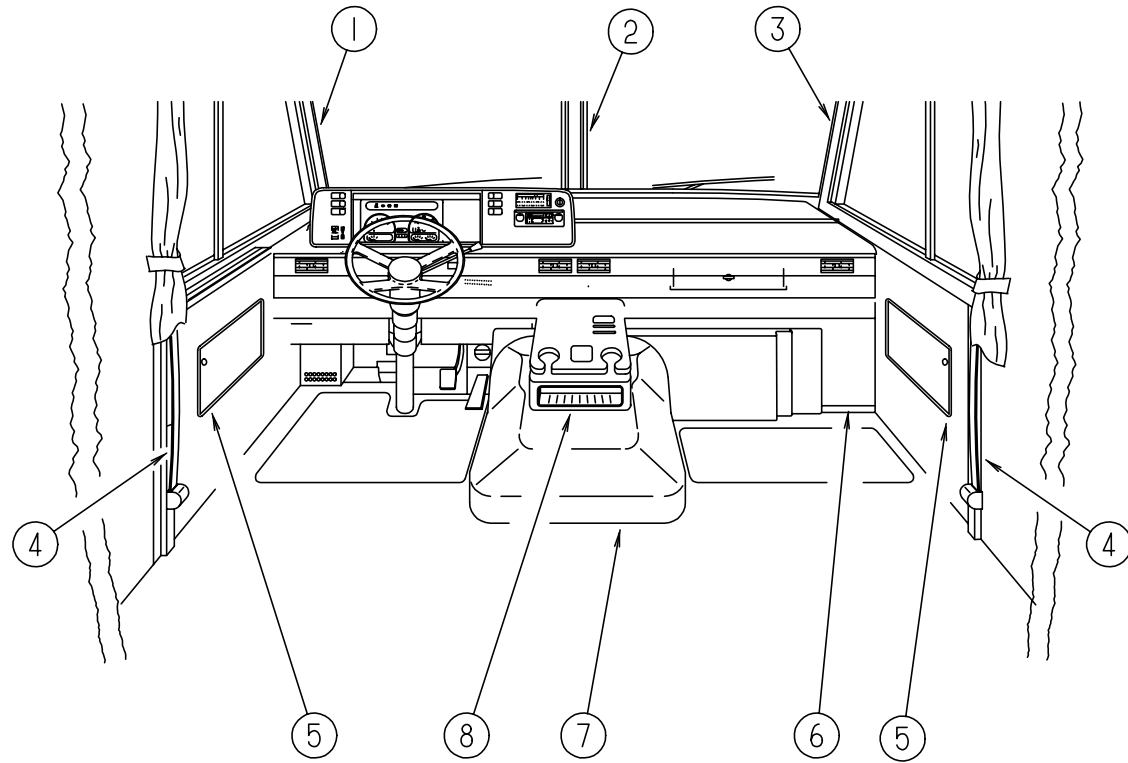
**DINETTE GROUP (CONTINUED)**



**DINETTE TABLE ASM. (DROP LEAF) (FROM: 01-29-96 THRU: 99-99-99)**

KEY	PART NUMBER	U/M	DESCRIPTION
1	P21955-01-G35	EA	TABLE ASM - PULLOUT
2	041389-18-000	EA	HINGE - PIANO - 1.50 X 482.6 - OFF WHITE
3	009050-02-000	EA	LEVELER - TABLE TOP - MALE END W/4 SCREWS - PLASTIC
3	009050-03-000	EA	LEVELER - TABLE TOP - FEMALE END W/4 SCREWS - PLASTIC
4	110749-01-000	EA	SLIDE - TABLE - 19 3/4 LONG
5	092708-09-G16	EA	LEG ASM - TABLE
6	102194-01-000	EA	GUIDE - PLASTIC
7	092707-07-05A	EA	LEG MOLDING - OAK - WATERFORD OAK
8	102810-01-02A	EA	BRACE - TABLE LEG - OFF WHITE

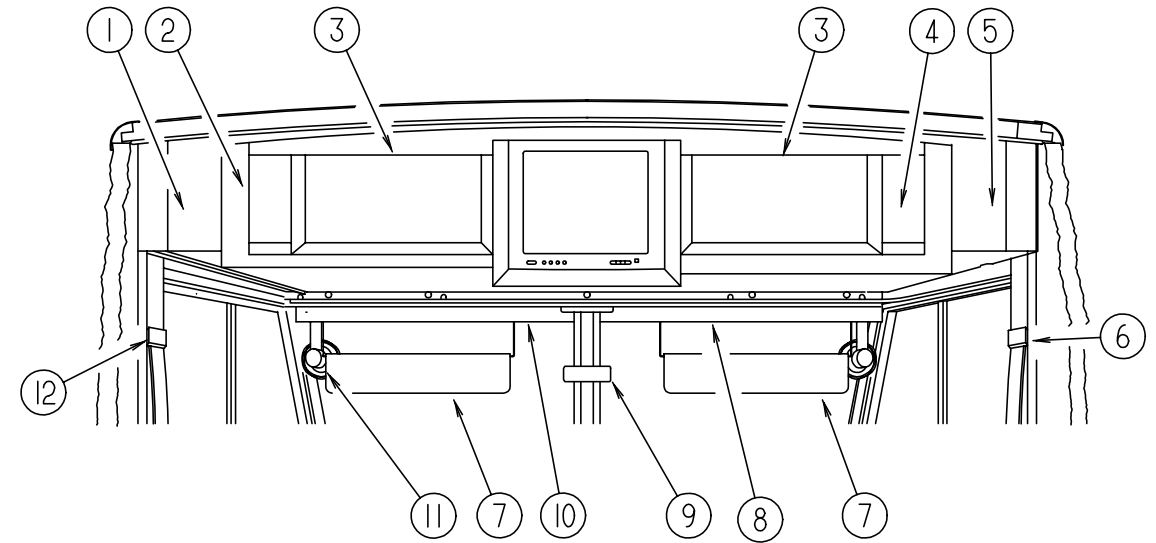
## DRIVERS COMPARTMENT GROUP



LOWER DRIVER COMPARTMENT

KEY	PART NUMBER	U/M DESCRIPTION
1	103931-04-04A	EA INTERIOR COVER - A-PILLAR - DRIVER SIDE - QUICK SILVER
2	079765-12-000	EA TRIM - WINDSHIELD - CENTER - QUICK SILVER
3	103931-03-04A	EA INTERIOR COVER - A-PILLAR - PASSENGER SIDE - QUICK SILVER
	024700-44-000	EA COVER - SIDEWALL ROLL BAR - OFF WHITE - 53.00"
	024700-46-000	EA COVER - ROLL BAR - DRIVER & PASSENGER SIDE UPPER - OFF WHITE - 21.2"
	024700-47-000	EA COVER - ROLL BAR - DRIVER SIDE LOWER - 18.9" (W/ DRIVER DOOR)
	024700-48-000	EA COVER - ROLL BAR - DRIVER SIDE CENTER - 25" (W/ DRIVER DOOR)
4	091990-04-01A	EA SEAT BELT & SHOULDER HARNESS - DRIVER/ PASSENGER SIDE
	109146-01-000	EA BOLT - SHOULDER - SEAT BELT
	091990-01-701	EA EXTENDER - 9" FOR A8408 3 PT
5	086120-10-G35	EA PAD ASM. - MAP POCKET - 12 X 16
5	086120-10-G36	EA PAD ASM. - MAP POCKET - 12 X 16
5	086120-10-G37	EA PAD ASM. - MAP POCKET - 12 X 16
5	086120-10-G44	EA PAD ASM. - MAP POCKET - 12 X 16
5	086120-10-G45	EA PAD ASM. - MAP POCKET - 12 X 16
6	095757-05-G35	EA COVER ASM - HEATER (G35)
6	095757-05-G17	EA COVER ASM - HEATER (G36, G44)
6	095757-05-GV2	EA COVER ASM - HEATER (G37)
6	095757-05-G45	EA COVER ASM - HEATER (G45)
7	115840-01-01A	EA COVER - MOTOR - W/O CARPET OR PAD
7	115840-02-01A	EA COVER - MOTOR F/1996 CHEV VORTEC OPT., W/O CARPET/ PAD
	115860-01-01A	EA TRIM - MOTOR COVER - MILL
8	111618-01-GB1	EA TRAY ASM - BEVERAGE
8	111618-13-GB1	EA LID ASM
8	046886-03-000	EA ASHTRAY - CHROME - W/ COVER
	115850-01-02B	EA RETAINER ASM - LAT - MTR CVR - E-C
	116581-01-000	EA LATCH - MOTOR COVER SOUTH CO 2710074088
	115852-01-02B	EA STRIKE ASM - MOTOR COVER - E-CT
	103498-06-000	EA BOOT - STEERING COLUMN - UNIVERSAL
	103498-07-000	EA BOOT - STEERING COLUMN

## DRIVERS COMPARTMENT GROUP (CONTINUED)

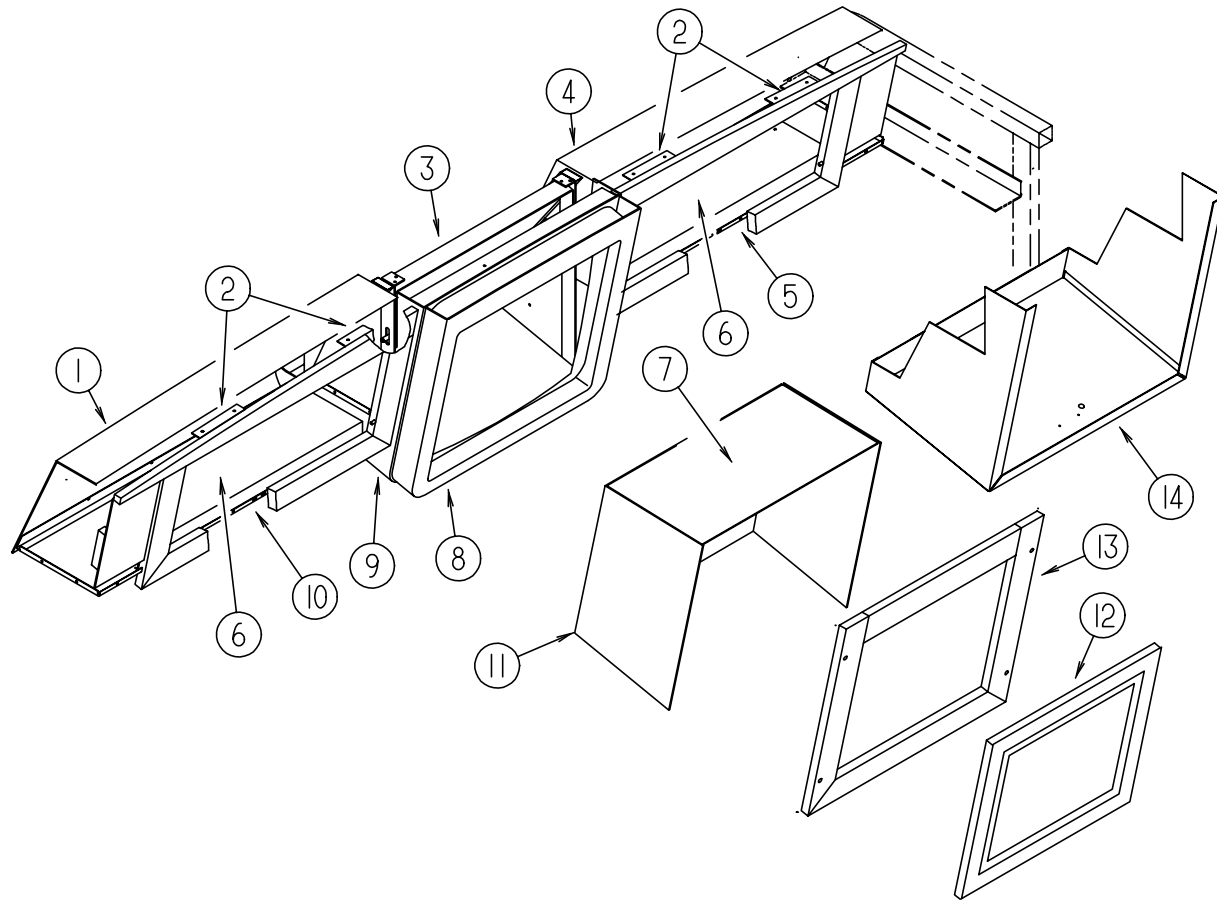


UPPER DRIVER COMPARTMENT

KEY	PART NUMBER	U/M DESCRIPTION
1	104289-04-G35	EA PANEL - SIDE - DRIVER - OVERHEAD - VINYL
2	114612-04-G15	EA FACE ASSEMBLY - OVERHEAD CABINET - DRIVER SIDE - W/ TV
3	100708-13-000	EA DOOR - CABINET - GLASS
	100710-01-01A	EA LOCK ASSEMBLY - TWIST TYPE - BRASS
	100711-01-01A	EA HINGE - GLASS DOOR
	100707- 01-000	EA SPACER - GLASS DOOR - .8" DIAMETER - .3" HOLE - PLASTIC
	101272-01-000	EA CATCH - GLASS DOOR
	101766-01-000	EA PIN - SUPPORT - GLASS DOOR
	108487-02-01A	EA SUPPORT - PROP ROD - PASSENGER OVERHEAD - BLACK
	108486-01-01A	EA BRACKET - PROP ROD - PASSENGER OVERHEAD - BLACK
4	114612-03-G15	EA FACE ASSEMBLY - OVERHEAD CABINET - PASSENGER SIDE - W/ TV
5	104289-03-G35	EA PANEL - SIDE - PASSENGER OVERHEAD - VINYL
6	103961-01-01A	EA COVER - BRACKET - SEATBELT - OFF WHITE
7	082286-19-G35	EA SUNVISOR ASSEMBLY
	007211-01-000	EA HINGE - SUNVISOR - 25.5" X 1.5" - METAL
	074012-01-000	EA CLIP - SUNVISOR - SQUARE - PINCH ON
	102377-01-000	EA BRACKET SUNVISOR - 1 PIECE - STEEL
8	078579-21-000	EA TRIM - WINDSHIELD - UPPER INNER - RH - QUICK SILVER
9	040714-01-000	EA MIRROR - REAR VIEW - W/ARM MOUNT & SET SCREW
	067490-01-000	EA BUTTON - MIRROR - REAR VIEW
10	078579-22-000	EA TRIM - WINDSHIELD - UPPER INNER - LH - QUICK SILVER
11	036420-02-000	EA FAN - DEFROSTER - 2 SPEED - 6" DIAMETER
12	103961-02-01A	EA COVER - BRACKET - SEATBELT - W/ DRIVER DOOR - OFF WHITE
	R77030-53-447	EA WASHER - FLAT

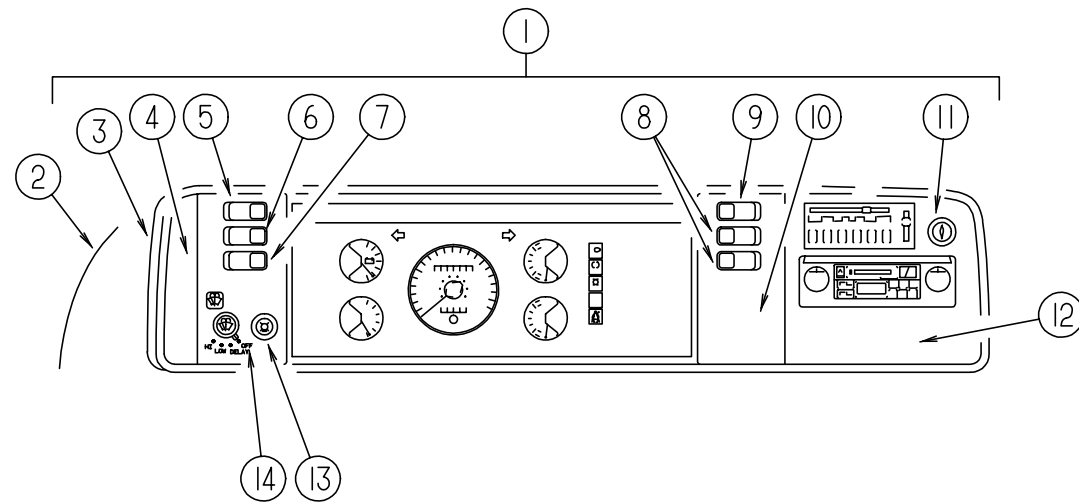
## DRIVERS COMPARTMENT GROUP (CONTINUED)

### FRONT OVERHEAD COMPONENTS



KEY	PART NUMBER	U/M	DESCRIPTION
1	114661-11-G35	EA	PANEL ASM. - LINER - DRIVER OVERHEAD - W/O TV
1	114661-17-G35	EA	PANEL ASM. - LINER - DRIVER OVERHEAD - W/ TV
1	114661-23-G35	EA	PANEL ASM. - LINER - DRIVER OVERHEAD - W/ SATELLITE DISH
2	106699-01-01A	EA	BRACKET - OVERHEAD CABINET - W/ TV - OFF WHITE
3	114706-02-02B	EA	SUPPORT ASM. - SHELF - TV - E-COAT
4	114661-22-G35	EA	PANEL ASM. - LINER - PASSENGER OVERHEAD - W/O TV
4	114661-18-G35	EA	PANEL ASM. - LINER - PASSENGER OVERHEAD - W/ TV
4	114661-19-G35	EA	PANEL ASM. - LINER - PASSENGER OVERHEAD - W/ TV & VCR
4	114661-20-G35	EA	PANEL ASM. - LINER - PASSENGER OVERHEAD - W/ TV - VCR/ INVERTER
4	114661-21-G35	EA	PANEL ASM. - LINER - PASSENGER OVERHEAD - W/ TV & INVERTER
5	P03077-06-G35	EA	SHELF - BASE - PASSENGER SIDE OVERHEAD CABINET - W/O TV
5	P03077-10-G35	EA	SHELF - BASE - PASSENGER SIDE OVERHEAD CABINET - W/ TV
6	100676-02-000	EA	SHELF - OVERHEAD CABINET - VCR/ INVERTER
7	115638-01-G35	EA	PANEL ASM. - LINER - TOP - W/O TV
8	117974-01-02A	EA	COVER - TV FACE - OVERHEAD FRONT - QUICK SILVER
9	118022-01-G29	EA	COVER ASM - TV - OVERHEAD FRONT
10	P03077-05-G35	EA	SHELF - BASE - OVERHEAD CABINET - DRIVER SIDE - W/O TV
10	P03077-09-G35	EA	SHELF - BASE - OVERHEAD CABINET - DRIVER SIDE - W/ TV
11	115639-01-G35	EA	PANEL ASM. - LINER - W/O TV - SIDE
12	M05993-C5-G35	EA	DOOR - RADIUS EDGE - 14.3" X 21.8" - W/O HARDWARE
13	116791-01-F31	EA	CABINET ASM. - FRAME - W/O TV
14	P18192-01-G35	EA	COVER ASM. - W/O TV - WITH VINYL
	099856-01-000	EA	TIEDOWN - STRAP - TV - W/ BUCKLE - 53.1" X 1" - WEBBING - BLACK
	078811-09-G35	EA	PANEL - TRIM - HEADER - LOWER - BETWEEN OVERHEAD AND W/S TRIM

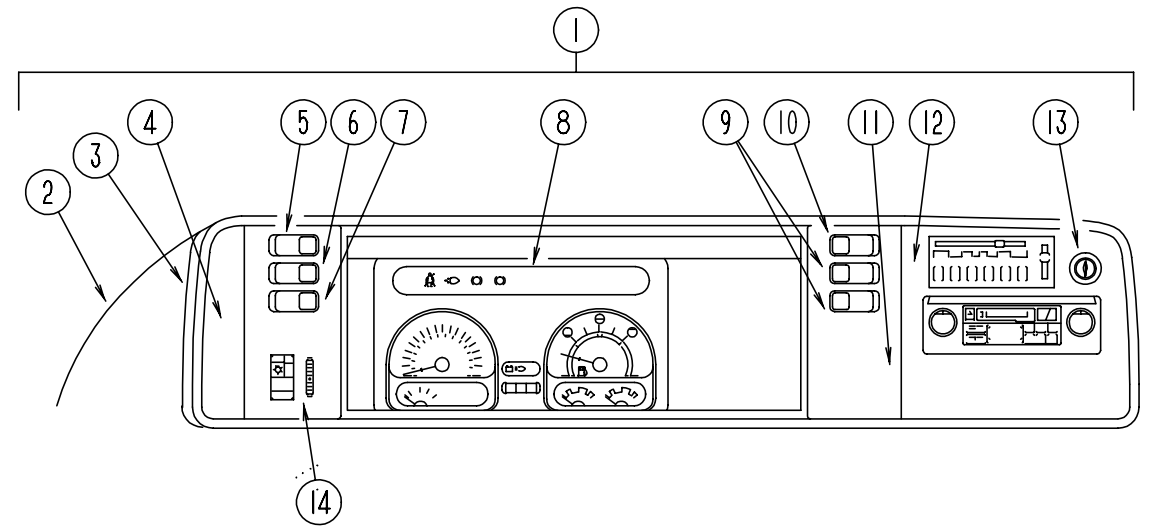
## DRIVERS COMPARTMENT GROUP (CONTINUED)



DASH, GAUGES & SWITCHES (FORD)

KEY	PART NUMBER	U/M	DESCRIPTION
1	M05946-30-G35	EA	DASH POD ASM.
2	111499-01-05A	EA	POD - INSTRUMENT PANEL - QUICK SILVER
3	103662-04-01A	EA	BEZEL - INSTRUMENT PANEL
4	104056-01-01A	EA	APPLIQUE - BEZEL - LEFT - DRESS UP
5	108357-05-000	EA	SWITCH - ROCKER - SPDT ON/ NONE/ ON
5	108356-02-01A	EA	SWITCH COVER - W/ DIMPLES - CARLING VVAZC00 BLA
6	108357-09-000	EA	SWITCH - ROCKER - SPDT ON/ NONE/ MOM
6	108356-02-01A	EA	SWITCH COVER - W/ DIMPLES - CARLING VVAZC00 BLA
7	108357-06-000	EA	SWITCH - ROCKER - DPDT MOM/ OFF/ MOM
7	108356-02-01A	EA	SWITCH COVER - W/ DIMPLES - CARLING VVAZC00 BLA
8	094794-06-000	EA	CLUSTER - IP - KM - 95 F53 - EXCHANG - FORD F5TD-10849-BB
8	108357-03-000	EA	SWITCH - ROCKER - SPDT ON/ OFF/ ON
8	108356-02-01A	EA	SWITCH COVER - W/ DIMPLES - CARLING VVAZC00 BLA
9	108357-10-000	EA	SWITCH - ROCKER - SPDT MOM/ OFF/ MOM
9	108356-04-01A	EA	SWITCH COVER - W/ DIMPLES & LENS - CARLING VVAGC00
9	096241-03-000	EA	SWITCH - BLANK
10	104056-21-01A	EA	APPLIQUE - BEZEL - SWITCH RIGHT
11	089294-01-000	EA	LIGHTER ASM. - CIGARETTE
12	104056-06-01A	EA	APPLIQUE - BEZEL - RIGHT DRESS UP
13	096675-01-000	EA	KNOB - HEADLAMP SWITCH - W/SHAFT
13	096674-01-000	EA	NUT - HEADLAMP SWITCH - BLACK
14	104056-24-01A	EA	APPLIQUE - BEZEL - SWITCH LEFT
	P14614-02-F11	EA	DASH ASM - FORD - W/O VINYL
	106569-07-02A	EA	VINYL - LAMINATE - QUICK SILVER
	100138-01-000	EA	MODULE - DAYTIME RUNNING LIGHT (CSA)
	077031-01-000	EA	FILM - BLACK - 1" X 1.75"
	077031-03-000	EA	FILM - WHITE .75" X 1"
	104354-09-01A	EA	APPLIQUE - LOWER DASH - FORD
	112236-01-G35	EA	BEZEL ASM - LEVELING PANEL
	112235-01-04A	EA	BEZEL - MON - LEVELING QUICK SILVER
	111528-03-04A	EA	TRIM - DASH - LOWER - RIGHT HAND - QUICK SILVER
	111528-04-01A	EA	TRIM - DASH - LOWER - LEFT HAND - MILL
	117306-02-G35	EA	TRIM ASM - DASH - LOWER - FORD

## DRIVERS COMPARTMENT GROUP (CONTINUED)

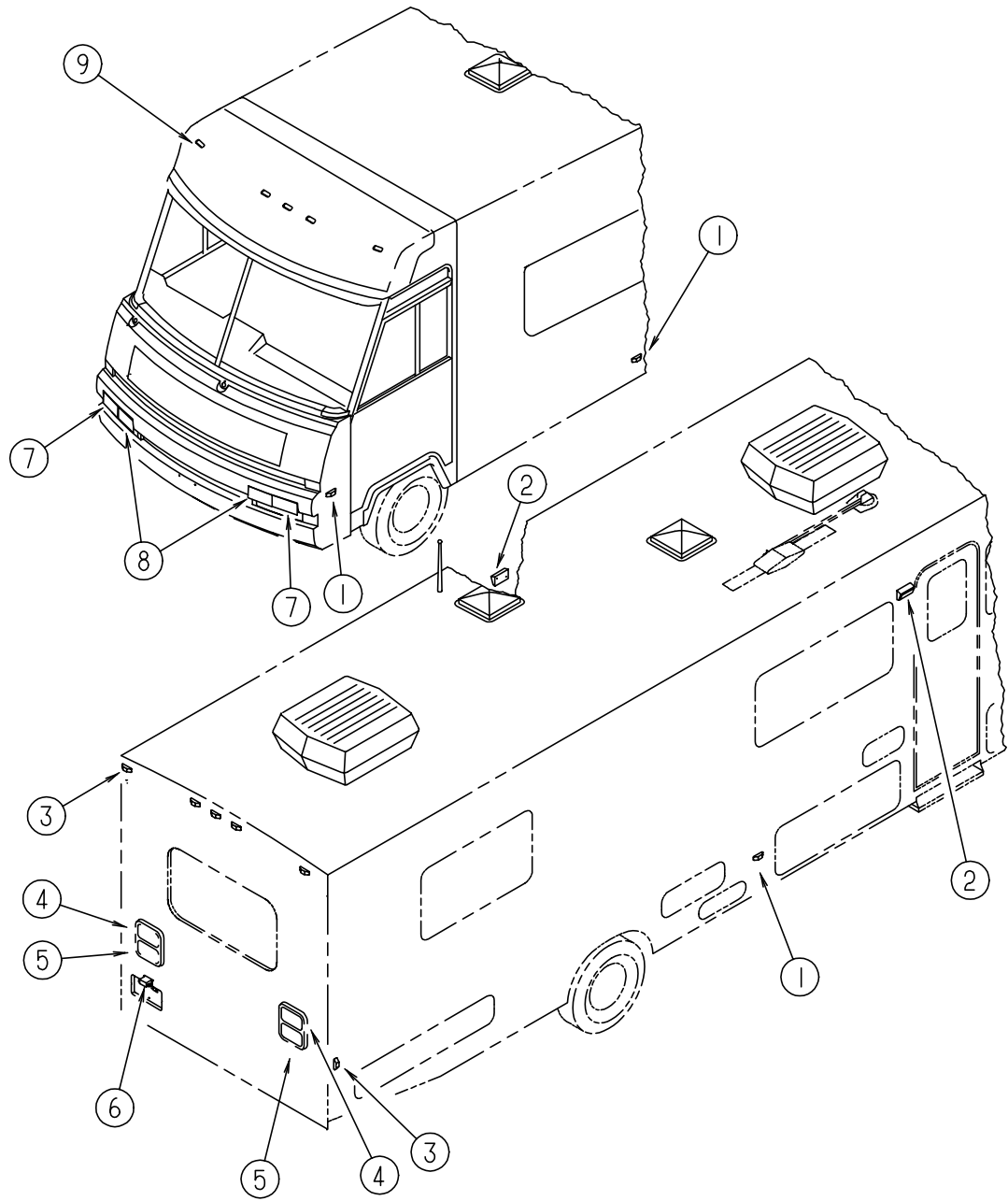


DASH, GAUGES & SWITCHES (CHEVY)

KEY	PART NUMBER	U/M	DESCRIPTION
1	M05946-29-G35	EA	DASH POD ASM.
2	111499-01-05A	EA	POD - INSTRUMENT PANEL - QUICK SILVER
3	103662-01-01A	EA	BEZEL - INSTRUMENT PANEL
4	104056-01-01A	EA	APPLIQUE - BEZEL - LEFT - DRESS UP
5	108357-05-000	EA	SWITCH - ROCKER - SPDT ON/ NONE/ ON
5	108356-02-01A	EA	SWITCH COVER - W/ DIMPLES - CARLING VVAZC00 BLA
6	108357-09-000	EA	SWITCH - ROCKER - SPDT ON/ NONE/ MOM
6	108356-02-01A	EA	SWITCH COVER - W/ DIMPLES - CARLING VVAZC00 BLA
7	108357-06-000	EA	SWITCH - ROCKER - DPDT MOM/ OFF/ MOM
7	108356-02-01A	EA	SWITCH COVER - W/ DIMPLES - CARLING VVAZC00 BLA
8	094796-07-000	EA	CLUSTER - INSTRUMENT PANEL - KILOMETER (CSA)
9	108357-03-000	EA	SWITCH - ROCKER - SPDT ON/ OFF/ ON
9	108356-02-01A	EA	SWITCH COVER - W/ DIMPLES - CARLING VVAZC00 BLA
10	108357-10-000	EA	SWITCH - ROCKER - SPDT MOM/ OFF/ MOM
10	108356-04-01A	EA	SWITCH COVER - W/ DIMPLES & LENS - CARLING VVAGC00
10	096241-03-000	EA	SWITCH - BLANK
11	104056-21-01A	EA	APPLIQUE - BEZEL - SWITCH RIGHT
12	104056-06-01A	EA	APPLIQUE - BEZEL - RIGHT DRESS UP
13	089294-01-000	EA	LIGHTER ASM. - CIGARETTE
14	104056-22-01A	EA	APPLIQUE - BEZEL - SWITCH LEFT
	P14614-01-F11	EA	DASH ASM - LOWER - W/O VINYL
	106569-07-02A	EA	VINYL - LAMINATE - QUICK SILVER
	077031-01-000	EA	FILM - BLACK - 1" X 1.75"
	077031-03-000	EA	FILM - WHITE .75" X 1"
	111528-03-04A	EA	TRIM - DASH - LOWER - RIGHT HAND - QUICK SILVER
	111528-04-01A	EA	TRIM - DASH - LOWER - LEFT HAND - MILL
	104354-09-01A	EA	APPLIQUE - LOWER DASH
	100138-01-000	EA	MODULE - DAYTIME RUNNING LIGHT (CSA)
	077539-01-000	EA	BRACKET - MOUNTING - DASH PANEL - L/ SHAPED
	112235-01-04A	EA	BEZEL - MONITOR - LEVELING JACK - QUICK SILVER

# ELECTRICAL GROUP

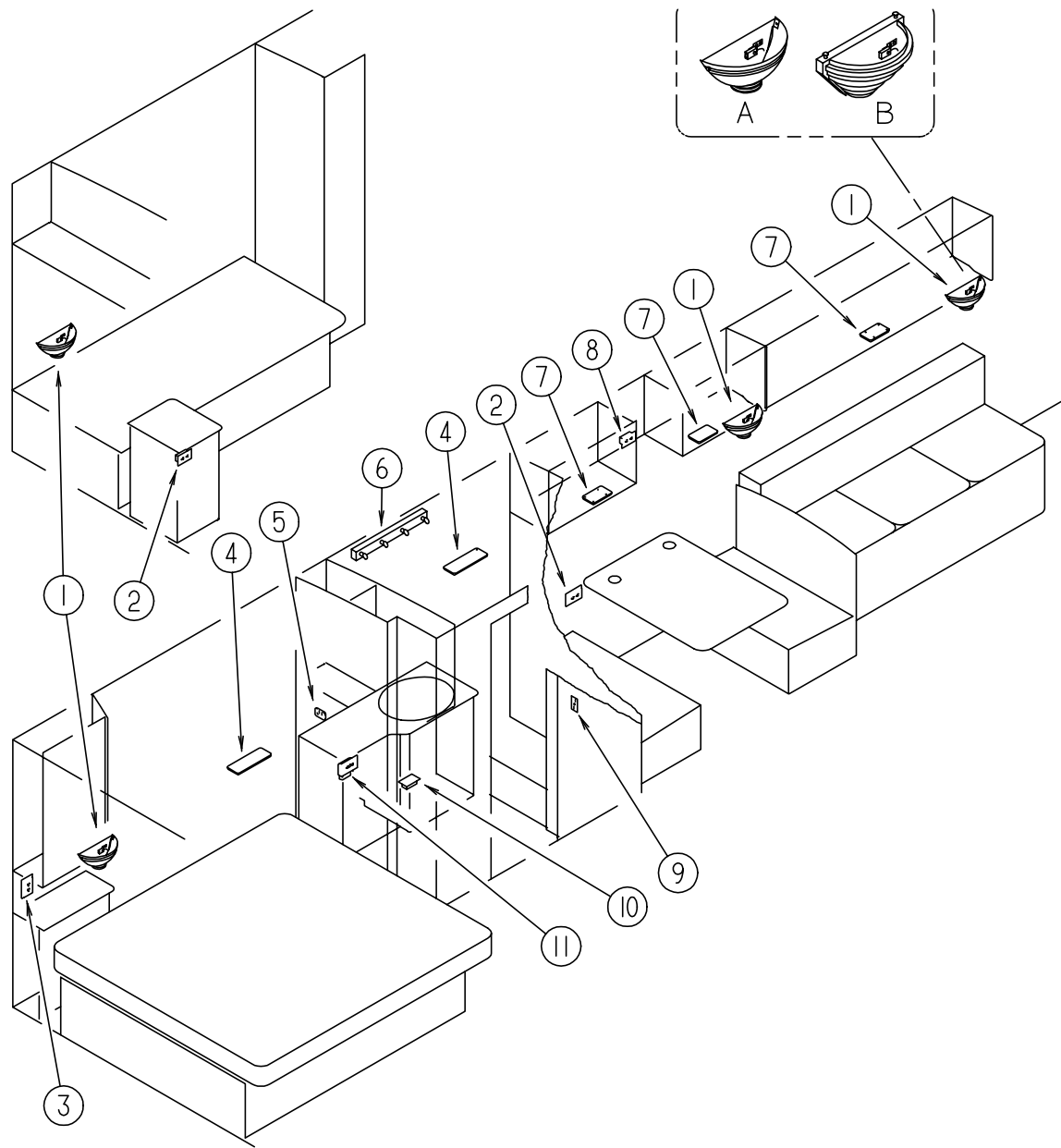
## EXTERIOR LIGHTS



KEY	PART NUMBER	U/M DESCRIPTION
1	111102-01-000	EA LAMP - MARKER - BASE - TRIPLEX - 117XAS
1	036196-01-000	EA BULB
1	111102-02-000	EA LENS - MARKER LAMP - AMBER - TRIPLEX - 118A
1	112823-01-000	EA SPLICE - REDUCER
2	097917-01-06A	EA LIGHT - PORCH - ENTRY DOOR - BRIGHT WHITE - US
2	008215-01-000	EA BULB - US
2	097917-01-700	EA LENS - LIGHT - PORCH - US
2	008089-02-000	EA LIGHT - PORCH - ENTRY DOOR - RECESSED - CSA
2	008089-01-700	EA LENS - LIGHT - RECESSED - PORCH - CSA
2	008214-01-000	EA BULB - 12V NO67 0.59AMP - CSA
2	091981-01-000	EA GASKET - LIGHT - PORCH - CSA
3	111102-01-000	EA LAMP - MARKER - BASE - TRIPLEX - 117XAS
3	036196-01-000	EA BULB
3	111102-03-000	EA LENS - MARKER LAMP - RED - TRIPLEX - 117R
3	112823-01-000	EA SPLICE - REDUCER
4	115632-01-02A	EA LIGHT - STOP/ TURN/ TAIL RED - BARGMAN 3092106
4	115632-03-02A	EA LIGHT - STOP/ TAIL/ BACKUP - BARGMAN 3092107
	117379-01-01A	EA TRIM - TAIL LIGHT - REAR - BUFF
5	115632-03-02A	EA LIGHT - STOP/ TAIL/ BACK UP - BARGMAN 3092107
6	066432-02-000	EA LIGHT - LICENSE
6	066432-03-000	EA BRACKET - LICENSE PLATE - BARGMAN 30-60-030
7	070907-04-000	EA HEADLAMP ASM - DRIVER & PASSENGER SIDE - HIGH/ LOW BEAM
8	089292-01-000	EA LIGHT - PARK/ TURN - DRIVER & PASSENGER SIDE - W/ AMBER LENS
	049359-01-000	EA SPRING - RETAINER - HEADLAMP
	073308-01-000	EA SCREW - ADJUSTING - HEADLAMP
9	102520-01-000	EA CLEARANCE LIGHT ASM. - W/O SOCKET CONNECTIONS - AMBER
9	036196-01-000	EA BULB
9	102540-01-000	EA SEAL - SCREW - ROUND - RUBBER
9	067789-02-000	EA SOCKET - LAMP - PACKARD 8919426
9	088474-09-000	EA HOUSING - SOCKET - 3 CAVITY - AMP 1-480701-0
9	088476-01-000	EA SOCKET - CONNECTOR - BRASS - PRE-TIN

## ELECTRICAL GROUP (CONTINUED)

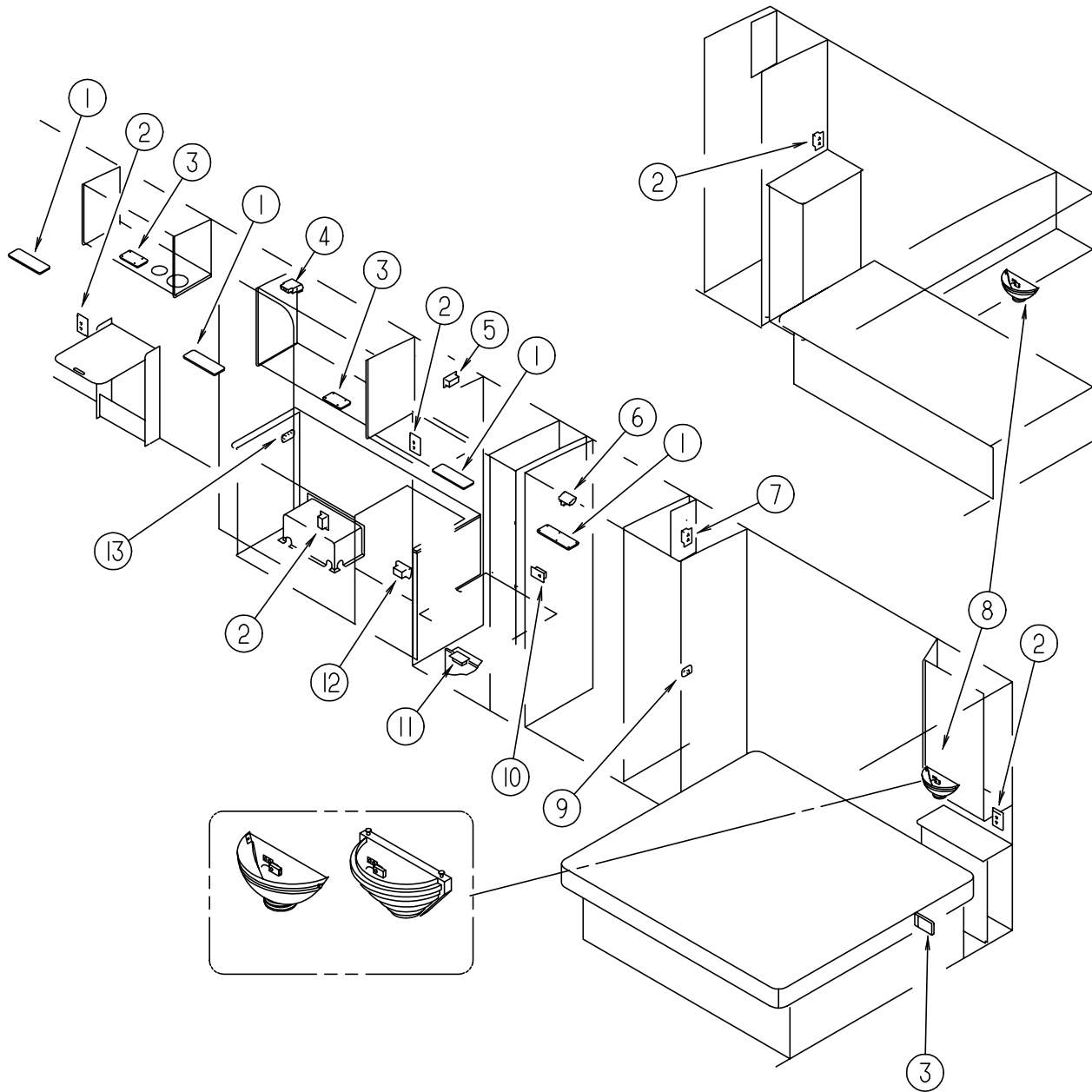
### LIGHTS, RECEPTACLES, & SWITCHES (DRIVER SIDE)



KEY	PART NUMBER	U/M	DESCRIPTION
1	065202-38-000	EA	LAMP - WALL (TUSCIN) (A)
1	065202-30-000	EA	LAMP - WALL (B)
1	065202-31-000	EA	LAMP - WALL - BRASS - CSA
1	067479-01-000	EA	BULB - 12 VOLT - #1076
2	058708-01-000	EA	RECEPTACLE - ELECTRIC - DOUBLE - BROWN
3	058708-02-000	EA	RECEPTACLE - ELECTRIC - DOUBLE - IVORY
4	098024-03-01A	EA	LIGHT - DOME - 2 BULB - IVORY
	008218-01-000	EA	BULB - DOME LIGHT - 12V - NUMBER 1141
	098024-01-700	EA	LENS - LIGHT - 807877
5	079364-01-000	EA	SWITCH - ON/ OFF ROCKER - 2 PRONGS - BROWN
	079364-03-000	EA	SWITCH - ON/ OFF ROCKER - 3 PRONGS - BROWN
	098351-02-01A	EA	PLATE - SWITCH - 2 GANG - POLISHED BRASS - JENSEN
	095188-02-01A	EA	SPACER - SWITCH - 2.3" X 4.1" - PLASTIC - DARK BROWN
6	110235-02-01A	EA	LIGHT - MAKE UP - 4 BULB PANLESS - PD PD200-622 BRASS
	081633-01-700	EA	BULB - LIGHT - MAKE-UP - RP1041
7	098024-01-01A	EA	LIGHT - DOME - 1 BULB - US - IVORY
	008218-01-000	EA	BULB - DOME LIGHT - 12V - NUMBER 1141
	098024-01-700	EA	LENS - LIGHT - 807877
8	058708-05-000	EA	RECEPTACLE - SINGLE - BROWN - WIRECON WDR15BRS
9	079364-01-000	EA	SWITCH - ON/ OFF ROCKER - 2 PRONGS - BROWN
10	058707-02-000	EA	RECEPTACLE - BLANK - JUNCTION - WIRECON WDJ20BR
11	084076-02-000	EA	RECEPTACLE - GFI - 15A - 125V - BROWN

## ELECTRICAL GROUP (CONTINUED)

### LIGHTS, RECEPTACLES, & SWITCHES (PASSENGER SIDE)



KEY	PART NUMBER	U/M	DESCRIPTION
1	098024-03-01A	EA	LIGHT - DOME - 2 BULB - IVORY
1	008218-01-000	EA	BULB - DOME LIGHT - 12V - NUMBER 1141
1	098024-01-700	EA	LENS - LIGHT - 807877
2	058708-02-000	EA	RECEPTACLE - ELECTRIC - DOUBLE - IVORY
3	098024-01-01A	EA	LIGHT - DOME - 1 BULB - US - IVORY
3	008218-01-000	EA	BULB - DOME LIGHT - 12V - NUMBER 1141
3	098024-01-700	EA	LENS - LIGHT - 807877
4	091910-02-000	EA	BOX - ELECTRICAL - PLASTIC - 57 X 88 MM
5	058708-05-000	EA	RECEPTACLE - SINGLE - BRN - WIRECON WDR15BRS
6	087694-01-000	EA	LIGHT - WARDROBE/ CLOSET - W/ SWITCH
6	087694-01-700	EA	BULB - GE561
7	058708-02-000	EA	RECEPTACLE - ELECTRIC - DOUBLE - IVORY
	091910-02-000	EA	BOX - ELECTRICAL - PLASTIC - 57 X 88 MM
8	065202-38-000	EA	LAMP - WALL (TUSCIN) (A)
8	065202-30-000	EA	LAMP - WALL (B)
8	065202-31-000	EA	LAMP - WALL - BRASS - CSA
8	067479-01-000	EA	BULB - 12 VOLT - #1076
9	079364-04-000	EA	SWITCH - ON/ OFF - ROCKER - BLACK
9	098351-01-01A	EA	PLATE - SWITCH - 1 GANG - POLISHED BRASS - JENSEN
9	095188-01-01A	EA	SPACER - SWITCH - 2.3" X 3.4" - PLASTIC - DARK BROWN
10	058707-01-000	EA	RECEPTACLE - ELECTRIC - SINGLE - BROWN
11	058707-02-000	EA	RECEPTACLE - BLANK - JUNCTION - WIRECON WDJ20BR
12	112822-01-01A	EA	RECEPTACLE - DUPLEX - IVORY - WIRECON WDRU15IV
13	098351-05-01A	EA	PLATE - SWITCH - 3 GANG - POLISH BRASS - W/LABEL - JENSEN
13	079364-01-000	EA	SWITCH - ON/ OFF ROCKER - 2 PRONGS - BROWN

**ELECTRICAL GROUP (CONTINUED)****ELECTRIC COMPONENTS**

KEY	PART NUMBER	U/M	DESCRIPTION
	008326-01-000	EA	TERMINAL - RING - 16/14 WIRE - 3/8" STUD
	008328-01-000	EA	TERMINAL - RING - 12/10 WIRE - #10 STUD FIT
	008331-01-000	EA	TERMINAL - RING - TONGUE - #4 WIRE - 3/8" STUD - COPPER
	008348-01-000	EA	TERMINAL - RING - 3/8" STUD - #2 WIRE
	035416-04-000	EA	TERMINAL - RING #10 STUD FITTING - INSULATED BARREL #16/14
	047443-01-000	EA	TERMINAL - 250 RECEP. FITTING - INSULATED - 16/14 AWG
	062036-01-000	EA	TERMINAL - PACK - CONNECTOR - 12/10 AWG
	062036-02-000	EA	TERMINAL - PACK - CONNECTOR - 16/14 AWG
	104100-03-000	EA	TERMINAL - 75 AMP AMP 53880-4 LOOSE
	106655-02-000	EA	TERMINAL - FUSE BLOCK - 10-12AWG
	113306-01-000	EA	TERMINAL - FEMALE - METRI-PACK
	113307-01-000	EA	TERMINAL - FEMALE - METRI-PACK
	103603-01-000	EA	BULB - 12V NO.74 0.12A WEDGE GE 22-25 OR EQUIV.
	008218-01-000	EA	BULB - DOME LIGHT - 12V - NUMBER 1141
	067479-01-000	EA	BULB - 12V - NUMBER 1076
	103608-01-000	EA	SOCKET - WEDGE BASE W/LEADS JKL 2944-6 OR EQUIV
	077479-01-000	EA	BOOT - BATTERY TERMINAL - DOUBLE CABLE
	077479-02-000	EA	BOOT - BATTERY TERMINAL - SINGLE CABLE
	086233-01-000	EA	STUD - ISOLATED - 3/8" X 7/8" LONG
	086273-01-000	EA	RELAY - BATTERY DISCONNECT
	087949-01-000	EA	BUSS BAR - 2 POSITION - .6' X 1.5" - ALUMINUM
	087949-02-000	EA	BUSS BAR - 3 POS. 90 WIV
	007093-01-000	EA	FLASHER - SIGNAL - STAT
	008188-01-000	EA	SOLENOID - 3 POST - BATTERY CHANGE OVER
	075723-02-000	EA	SPACER - SWITCH - W/HOLE - .2" X .9" X 2" - METAL - OFF WHITE FOR ELECTRIC STEP DOOR JAMB SWITCH
	095188-01-01A	EA	SPACER - SWITCH - 2.3" X 3.4" - PLASTIC - DARK BROWN
	102568-01-E90	EA	SPACER - RECEPTACLE - SIDEWALL
	103987-02-000	EA	SEAL - SOLENOID ACCESS
	063910-01-000	EA	HOUSING - RELAY - BOSCH 3 334 485 008
	063912-02-000	EA	RELAY - CANISTER - SPDT - BOSCH 0332204101
	115504-01-000	EA	PANEL - SOLAR 10 WATT
	115505-01-000	EA	MONITOR - SOLAR CHARGER
	087225-01-000	FT	SLEEVING - 1/2" - TYPE H
	087225-02-000	FT	SLEEVING - 5/8" - TYPE H

**CONVERTER & LOAD CENTER**

KEY	PART NUMBER	U/M	DESCRIPTION
	113132-01-000	EA	LOAD CENTER - 120/ 240V - 60A WESCO 2460SGNM
	083208-02-000	EA	CONVERTER - POWER - 45A - 120V/12V - BW 6345
	099048-02-000	EA	INVERTER - 100 WATT

**ELECTRICAL GROUP (CONTINUED)****ELECTRICAL HOUSINGS**

KEY	PART NUMBER	U/M	DESCRIPTION
	088473-01-000	EA	PIN HOUSING - 12 POSITION
	088473-02-000	EA	PIN HOUSING - 15 POSITION
	088473-03-000	EA	PIN HOUSING - 9 POSITION
	088473-05-000	EA	PIN HOUSING - 6 POSITION (SINGLE ROW)
	088473-06-000	EA	PIN HOUSING - 6 POSITION (TWO ROWS OF THREE)
	088473-08-000	EA	PIN HOUSING - 4 POSITION
	088473-09-000	EA	PIN HOUSING - 3 POSITION (SINGLE ROW)
	088473-10-000	EA	PIN HOUSING - 2 POSITION
	088474-01-000	EA	HOUSING - SOCKET - 12 POSITIONS
	088474-02-000	EA	HOUSING - SOCKET - 15 POSITION (3 ROWS OF 5)
	088474-03-000	EA	HOUSING - SOCKET - 9 POSITION
	088474-06-000	EA	HOUSING - SOCKET - 6 POSITION (2 ROWS OF THREE)
	088474-07-000	EA	HOUSING - SOCKET - 5 POSITION
	088474-08-000	EA	HOUSING - SOCKET - 4 POSITION (SINGLE ROW)
	088474-09-000	EA	HOUSING - SOCKET - 3 POSITION
	088474-10-000	EA	HOUSING - SOCKET - 2 POSITION
	115556-01-000	EA	HOUSING - 3 POSITION - FEMALE - 59-SERIES
	115556-02-000	EA	HOUSING - 2 POSITION - FEMALE - 59-SERIES
	104100-01-000	EA	HOUSING - 1 POSITION - 75 AMP - AMP 53884-1
	106006-01-000	EA	HOUSING - 1 POSITION - FEMALE
	113468-01-000	EA	HOUSING - 2 POSITION - FEMALE (WIPER/WASHER WIRE ASM)
	108355-01-000	EA	HOUSING - SWITCH - CARLING VCH

**ROCKER SWITCHES (DASH)**

KEY	PART NUMBER	U/M	DESCRIPTION
	108357-03-000	EA	SWITCH - ROCKER - SPDT ON/ OFF/ ON 3 TERM. CARLING - V6D1000B-0
	108356-02-01A	EA	SWITCH COVER W/ 2 DIMPLES - CARLING - CCAZC00
	108357-05-000	EA	SWITCH - ROCKER - SPDT ON/ NONE/ ON 3 TERM. CARLING - V4D1000B-0
	108356-02-01A	EA	SWITCH COVER W/ 2 DIMPLES - CARLING - CCAZC00
	108357-06-000	EA	SWITCH - ROCKER - DPDT MOM/ OFF/ MOM 6 TERM. CARLING - VLD1000B-0
	108356-02-01A	EA	SWITCH COVER W/ 2 DIMPLES - CARLING - CCAZC00
	108357-09-000	EA	SWITCH - ROCKER - SPDT ON/ NONE/ MOM 3 TERM. CARLING - V5D1000B-0
	108356-02-01A	EA	SWITCH COVER W/ 2 DIMPLES - CARLING - CCAZC00
	108357-10-000	EA	SWITCH - ROCKER - SPDT MOM/ ON LIGHTED-5 TERM (3 SWITCH/ 2 LIGHT)
	108356-04-01A	EA	SWITCH COVER W/ DIMPLES - LIGHTED - CARLING - VVAGC00
	096241-03-000	EA	SWITCH - BLANK
	077942-01-000	EA	SWITCH - DUMMY - BLACK



**ELECTRICAL GROUP (CONTINUED)****ELECTRICAL WIRING & BOXES**

KEY	PART NUMBER	U/M	DESCRIPTION
	008052-01-000	EA	CORD - POWER - 10/3 - 30 AMP - 25' - CANADIAN
	008054-01-000	EA	CORD - POWER - 10/3 - 30 AMP - 25'
	008289-01-000	EA	BOX - ELECTRIC - STEEL - 1/2" AND 3/4" KNOCKOUTS - 4" X 4"
	008289-02-000	EA	BOX - ELECTRICAL - 4" X 4" - 1/2" & 3/4" KNOCKOUTS - CANADIAN
	074890-01-000	EA	BOX - EXTENSION - STEEL - OPEN SIDES - 4" X 4" X 1 1/2"
	091910-01-000	EA	BOX - ELECTRIC - 3.75" X 3.5" X 1.75" - PLASTIC
	091910-02-000	EA	BOX - ELECTRIC - 57 X 88 MM - PLASTIC
	008294-01-000	EA	COVER - ELECTRICAL BOX - BLANK/STEEL - 4" X 4" - GRAY
	008294-02-000	EA	COVER - ELECTRICAL BOX - BLANK STEEL - 4" X 4" - CANADIAN
	074897-01-000	EA	COVER - ELECTRIC BOX - 1 LARGE & 2 SMALL HOLES - 4" X 4"
	073626-04-000	EA	COVER - ELECTRIC - 10.4" X 7.8"
	069238-01-000	EA	COVER - ELECTRICAL BOX - W/HOLE - 4" X 4" - GRAY USED WITH 30 AMP RECEPTACLE
	111510-01-000	EA	DOOR - ELECTRICAL BOX - FRONT
	108304-01-000	EA	WIRE ASM. - AUX FANS
	090986-01-000	EA	WIRE ASM - ELECTRIC STEP
	096449-01-000	EA	WIRE ASSEMBLY - WATER TANK TO MONITOR PANEL
	097618-01-000	EA	WIRE ASM - MONITOR PANEL - W/ 3 WIRES & ORANGE RESISTOR - LVS ORANGE RESISTOR W/ 3 WIRES (ORANGE-GREEN-BLUE)
	108303-01-000	EA	WIRE ASM - REAR AUTO HEATER
	111915-03-000	EA	WIRE ASM - DAY RUN LAMPS - FUSE - FORD
	111915-01-000	EA	WIRE ASM - DAY RUN LAMPS - FUSE (GM)
	073328-B4-000	EA	CABLE ASSEMBLY - BATTERY - W/TERMINALS
	119456-01-000	EA	WIRE ASM - INSTRUMENT PANEL - MAIN (FORD)
	119459-01-000	EA	WIRE ASM - INSTRUMENT PANEL - MAIN (CHEVY)

**ELECTRICAL GROUP (CONTINUED)****ELECTRICAL CONNECTORS & CONDUIT**

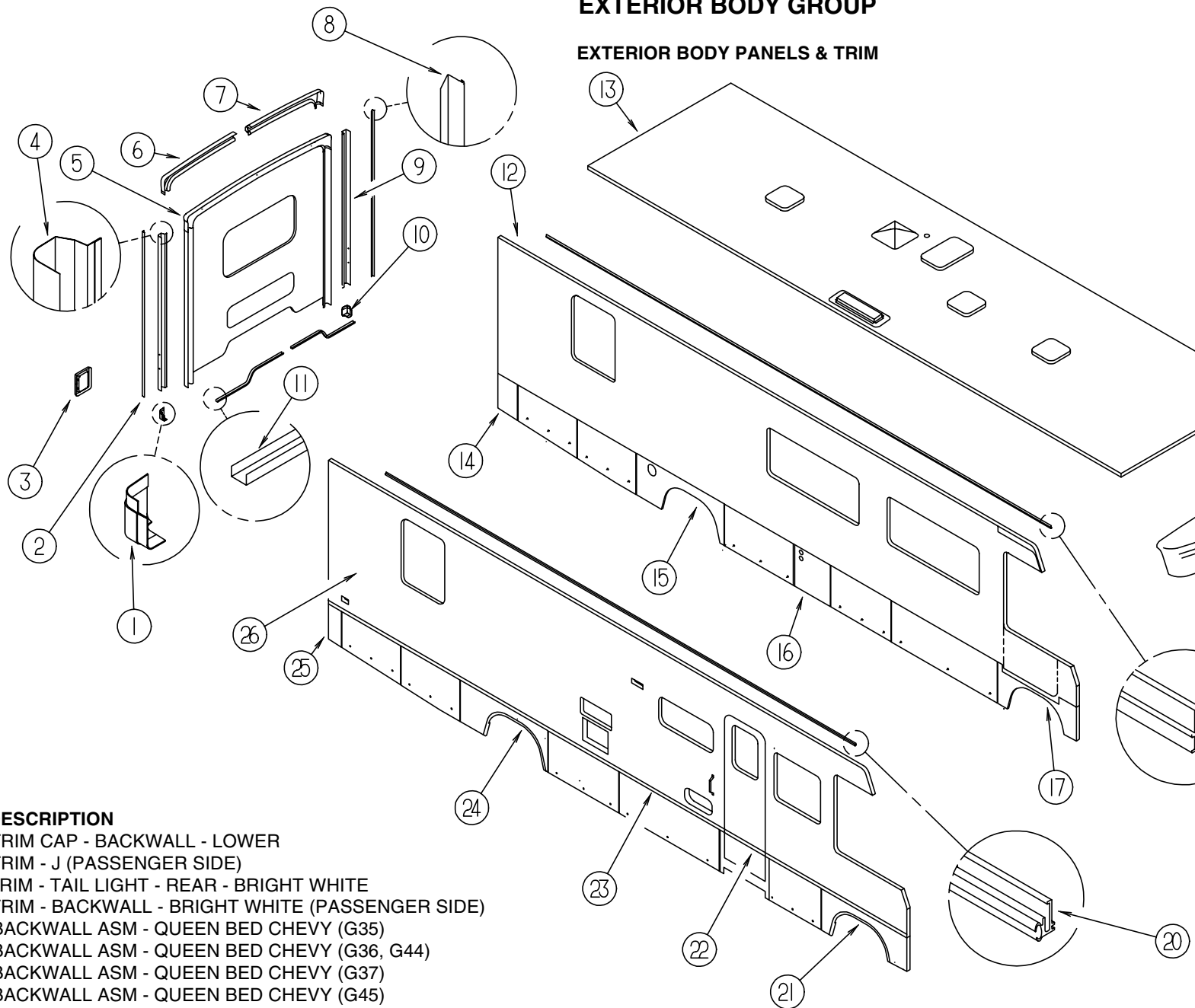
KEY	PART NUMBER	U/M	DESCRIPTION
	041953-01-000	FT	CONDUIT - CONVOLUTE - SLIT - .5"ID
	041953-03-000	FT	CONDUIT - CONVOLUTE - SLIT - 1" ID (CLOTHES ROD COVER)
	041953-05-000	FT	CONDUIT - CONVOLUTE - SOLID - .62" ID
	041953-06-000	FT	CONDUIT - CONVOLUTE - SLIT .375"ID
	041953-07-000	FT	CONDUIT - CONVOLUTE - SLIT - .25" ID
	041953-08-000	FT	CONDUIT - CONVOLUTE - SLIT - 1.50"ID
	041953-09-000	FT	CONDUIT - CONVOLUTE - SLIT .50"ID
	041953-10-000	FT	CONDUIT - CONVOLUTE - SLIT - .75" ID
	041953-11-000	FT	CONDUIT - CONVOLUTE - SLIT - 1.06" ID
	041953-12-000	FT	CONDUIT - CONVOLUTE - NON SLIT 1.1" ID
	008311-01-000	EA	CONNECTOR - WIRE NUT - INSULATED - RED
	008312-01-000	EA	CONNECTOR - WIRE NUT - INSULATED - BLUE
	008314-01-000	EA	CONNECTOR - WIRE NUT - INSULATED - GRAY
	008355-01-000	EA	CONNECTOR - CABLE CLAMPING - 3/4"
	008356-01-000	EA	CONNECTOR - PLASTIC - 3/8" AVG
	082741-01-000	EA	CONNECTOR - BODY - 2 CONNECTOR - MALE
	058028-01-000	EA	CONNECTOR - ELECTRICAL PIGTAIL - NYLON - CLEAR
	041480-01-000	EA	CONNECTOR - STRAIGHT - 1/2" FLEX CONDUIT
	008398-01-000	EA	CONNECTOR - 1/2" X 90° - FLEX CONDUIT
	088475-02-000	EA	PIN-CONNECTOR - 10 TO 12 AWG
	088476-01-000	EA	SOCKET - CONNECTOR - BRASS - PRE - TIN
	088476-02-000	EA	SOCKET - CONNECTOR - 12-10 GA - PHOS. BRZ - PRE - TIN

**CIRCUIT BREAKERS & FUSES**

KEY	PART NUMBER	U/M	DESCRIPTION
	097611-01-000	EA	CIRCUIT BREAKER - 6AMP - ATC - BLACK
	093655-03-000	EA	CIRCUIT BREAKER - 40 AMP USD 17440-4E03A2A
	083209-02-000	EA	CIRCUIT BREAKER - 15/15AMP - 120V - BW H - 15/15
	083209-03-000	EA	CIRCUIT BREAKER - 15/20AMP - 120V - BW - 0-15/20
	083209-04-000	EA	CIRCUIT BREAKER - 30A - 120V - BW L - 30
	083209-06-000	EA	CIRCUIT BREAKER - 30/15 AMP - 120V - BW D - 30/15
	083209-07-000	EA	CIRCUIT BREAKER - 20/20A - 120V - BW K - 20/20
	083209-08-000	EA	CIRCUIT BREAKER - BLANK - BW
	062901-02-000	EA	FUSE - 5 AMP - AUTOMOTIVE
	062901-05-000	EA	FUSE - 15 AMPS - AUTOMOTIVE
	062901-07-000	EA	FUSE - AUTOMOTIVE - 25 AMPS
	062901-08-000	EA	FUSE - 30 AMPS - AUTOMOTIVE
	106656-01-000	EA	FUSE BLOCK - 4 CAVITY AUTOFUSE
	108669-01-000	EA	HOUSING - AUTO FUSE HOLDER
	062037-01-000	EA	HOUSING - AUTO FUSE - NATURAL
	062037-02-000	EA	HOUSING - AUTO FUSE - GREEN
	062037-03-000	EA	HOUSING - AUTO FUSE - BLACK
	062037-04-000	EA	HOUSING - AUTO FUSE - BLUE
	062037-06-000	EA	HOUSING - AUTO FUSE - BROWN

# EXTERIOR BODY GROUP

## EXTERIOR BODY PANELS & TRIM

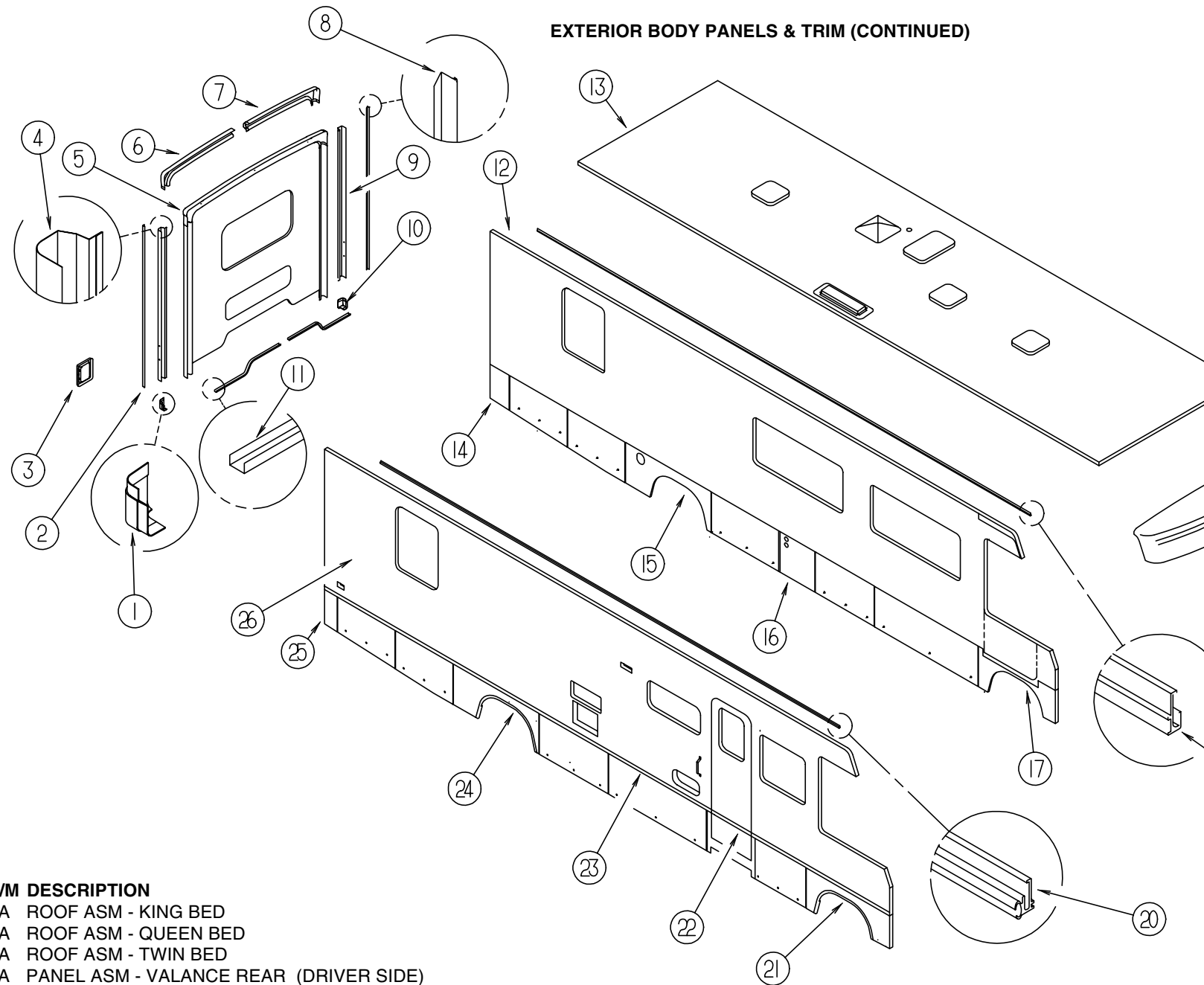


KEY	PART NUMBER	U/M	DESCRIPTION
1	119212-01-01A	EA	TRIM CAP - BACKWALL - LOWER
2	120548-01-02A	EA	TRIM - J (PASSENGER SIDE)
3	117379-01-02A	EA	TRIM - TAIL LIGHT - REAR - BRIGHT WHITE
4	114874-03-12B	EA	TRIM - BACKWALL - BRIGHT WHITE (PASSENGER SIDE)
5	M07576-02-G35	EA	BACKWALL ASM - QUEEN BED CHEVY (G35)
5	M07576-02-G36	EA	BACKWALL ASM - QUEEN BED CHEVY (G36, G44)
5	M07576-02-G37	EA	BACKWALL ASM - QUEEN BED CHEVY (G37)
5	M07576-02-G45	EA	BACKWALL ASM - QUEEN BED CHEVY (G45)
5	M07577-02-G35	EA	BACKWALL ASM - QUEEN BED FORD (G35)
5	M07577-02-G36	EA	BACKWALL ASM - QUEEN BED FORD (G36, G44)
5	M07577-02-G37	EA	BACKWALL ASM - QUEEN BED FORD (G37)
5	M07577-02-G45	EA	BACKWALL ASM - QUEEN BED FORD (G45)
5	M07576-01-G35	EA	BACKWALL ASM - KING BED CHEVY (G35)
5	M07576-01-G36	EA	BACKWALL ASM - KING BED CHEVY (G36, G44)
5	M07576-01-G37	EA	BACKWALL ASM - KING BED CHEVY (G37)
5	M07576-01-G45	EA	BACKWALL ASM - KING BED CHEVY (G45)
5	M07577-01-G35	EA	BACKWALL ASM - KING BED FORD (G35)
5	M07577-01-G36	EA	BACKWALL ASM - KING BED FORD (G36, G44)
5	M07577-01-G37	EA	BACKWALL ASM - KING BED FORD (G37)
5	M07577-01-G45	EA	BACKWALL ASM - KING BED FORD (G45)
5	M07576-03-G35	EA	BACKWALL ASM - TWIN BED CHEVY (G35)
5	M07576-03-G36	EA	BACKWALL ASM - TWIN BED CHEVY (G36, G44)
5	M07576-03-G37	EA	BACKWALL ASM - TWIN BED CHEVY (G37)
5	M07576-03-G45	EA	BACKWALL ASM - TWIN BED CHEVY (G45)
5	M07577-03-G35	EA	BACKWALL ASM - TWIN BED FORD (G35)
5	M07577-03-G36	EA	BACKWALL ASM - TWIN BED FORD (G36, G44)
5	M07577-03-G37	EA	BACKWALL ASM - TWIN BED FORD (G37)
5	M07577-03-G45	EA	BACKWALL ASM - TWIN BED FORD (G45)

KEY	PART NUMBER	U/M	DESCRIPTION
6	114872-02-02A	EA	TRIM - BACKWALL - TOP - RH - BRT WHT
7	114873-02-02A	EA	TRIM - BACKWALL - TOP - LH - BRT WHT
8	120548-02-02A	EA	TRIM - J-LH - BACKWALL - W/NOTCH - BRT/ WH
9	114874-04-12B	EA	TRIM - BACKWALL - SIDE - LH - B/ W
10	119212-02-01A	EA	TRIM - BACKWALL - LOWER - LH - BLK
11	050406-25-000	EA	TRIM - BACKWALL - LOWER LEFT OR RIGHT SIDE - BUFF
12	M07519-05-G35	EA	SIDEWALL - DRIVER - W/O WINDOWS/ TRIM/ DRIVER DOOR (G35)
12	M07519-05-G36	EA	SIDEWALL - DRIVER - W/O WINDOWS/ TRIM/ DRIVER DOOR (G36, G44)
12	M07519-05-G37	EA	SIDEWALL - DRIVER - W/O WINDOWS/ TRIM/ DRIVER DOOR (G37)
12	M07519-05-G45	EA	SIDEWALL - DRIVER - W/O WINDOWS/ TRIM/ DRIVER DOOR (G45)
12	M07519-08-G35	EA	SIDEWALL - DRIVER - W/O WINDOWS/ TRIM - W/ DRIVER DOOR/ WAINSCOT (G35)
12	M07519-08-G36	EA	SIDEWALL - DRIVER - W/O WINDOWS/ TRIM - W/ DRIVER DOOR/ WAINSCOT (G36, G44)
12	M07519-08-G37	EA	SIDEWALL - DRIVER - W/O WINDOWS/ TRIM - W/ DRIVER DOOR/ WAINSCOT (G37)
12	M07519-08-G45	EA	SIDEWALL - DRIVER - W/O WINDOWS/ TRIM - W/ DRIVER DOOR/ WAINSCOT (G45)
12	M07519-07-G35	EA	SIDEWALL - DRIVER - W/O WINDOWS/ TRIM/ DRIVER DOOR - W/ WAINSCOT (G35)
12	M07519-07-G36	EA	SIDEWALL - DRIVER - W/O WINDOWS/ TRIM/ DRIVER DOOR - W/ WAINSCOT (G36, G44)
12	M07519-07-G37	EA	SIDEWALL - DRIVER - W/O WINDOWS/ TRIM/ DRIVER DOOR - W/ WAINSCOT (G37)
12	M07519-07-G45	EA	SIDEWALL - DRIVER - W/O WINDOWS/ TRIM/ DRIVER DOOR - W/ WAINSCOT (G45)

## EXTERIOR BODY GROUP (CONTINUED)

### EXTERIOR BODY PANELS & TRIM (CONTINUED)

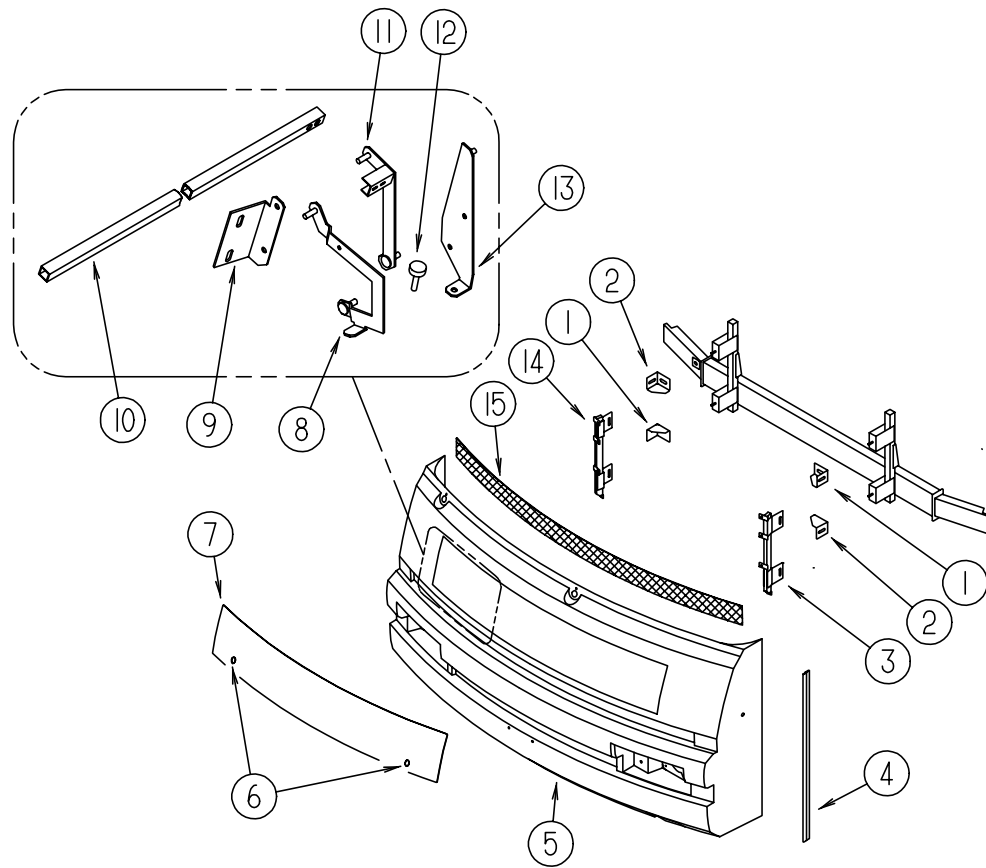


KEY	PART NUMBER	U/M	DESCRIPTION
13	M07520-04-G35	EA	ROOF ASM - KING BED
13	M07520-05-G35	EA	ROOF ASM - QUEEN BED
13	M07520-06-G35	EA	ROOF ASM - TWIN BED
14	118657-02-G35	EA	PANEL ASM - VALANCE REAR (DRIVER SIDE)
15	118609-02-G35	EA	WHEEL LIP ASM - REAR - LH
16	118658-01-G35	EA	PANEL ASM - VALANCE - FURNACE
17	118528-02-G35	EA	WHEEL LIP ASM - FRONT - LH
18	115001-01-02A	EA	CAP - ROOF - BRT WHT
19	103801-02-05A	EA	TRIM - ROOF - BRIGHT WHITE
19	120091-01-02A	EA	TRIM - ROOF - BRIGHT WHITE
			FROM: 00-00-00 THRU: 10-08-95
			FROM: 10-09-95 THRU: 99-99-99
20	103802-02-05A	EA	RAIL - AWNING - BRIGHT WHITE
20	120092-01-02A	EA	RAIL - AWNING - BRIGHT WHITE
			FROM: 00-00-00 THRU: 10-08-95
			FROM: 10-09-95 THRU: 99-99-99
21	118528-01-G35	EA	WHEEL LIP ASM - FRONT - RH
22	108688-01-03A	EA	STRIP - FEATURE - BRIGHT WHITE - 4623 MM
23	118785-03-01A	EA	TRIM - SIDEWALL - HINGE - 4876 MM - VW GRAY
	105312-01-06A	FT	INSERT - TRIM & FEATURE STRIP
	108651-02-01A	EA	END CAP - TRIM & FEATURE STRIP - MILL
	108651-02-02A	EA	END CAP - TRIM & FEATURE STRIP - GRAY

KEY	PART NUMBER	U/M	DESCRIPTION
24	118609-01-G35	EA	WHEEL LIP ASM - REAR - RH
	118500-01-01A	EA	PLUG - ROCKER TRIM (WHEEL LIP ASM)
	107865-02-000	EA	ROD - SUPPORT - VALANCE PANEL
	118442-55-002	EA	ROCKER PANEL - EXTRUDED 192" - ANY COLOR
25	118657-01-G35	EA	PANEL ASM - VALANCE REAR (PASSENGER SIDE)
26	P18602-01-G35	EA	SIDEWALL ASM - RIGHT - W/O WAINSCOT (G35)
26	P18602-01-G36	EA	SIDEWALL ASM - RIGHT - W/O WAINSCOT (G36, G44)
26	P18602-01-G37	EA	SIDEWALL ASM - RIGHT - W/O WAINSCOT (G37)
26	P18602-01-G45	EA	SIDEWALL ASM - RIGHT - W/O WAINSCOT (G45)
26	M08053-01-G35	EA	SIDEWALL ASM - RIGHT - W/ WAINSCOT (G35)
26	M08053-01-G36	EA	SIDEWALL ASM - RIGHT - W/ WAINSCOT (G36, G44)
26	M08053-01-G37	EA	SIDEWALL ASM - RIGHT - W/ WAINSCOT (G37)
26	M08053-01-G45	EA	SIDEWALL ASM - RIGHT - W/ WAINSCOT (G45)

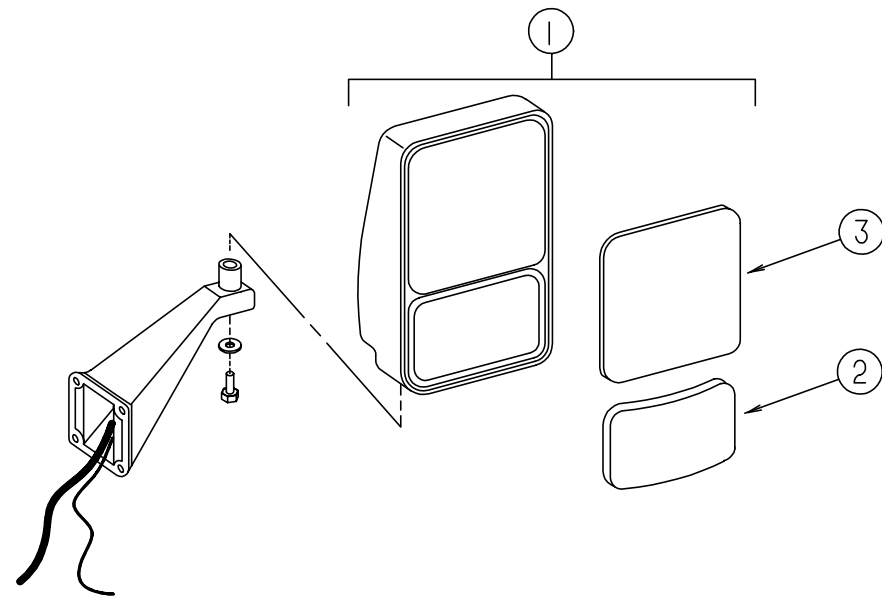
## EXTERIOR BODY GROUP (CONTINUED)

### FRONT END ASM



KEY	PART NUMBER	U/M	DESCRIPTION
1	117611-04-02B	EA	BRACKET - BUMPER
2	117611-03-02B	EA	BRACKET - BUMPER
3	118997-02-G35	EA	SUPPORT ASM - GRILL - FRONT - LH
4	089922-34-000	EA	TRIM - FIBERGLASS - PANEL - BRIGHT WHITE
5	118999-03-G35	EA	PANEL ASM - FRONT - LOWER
6	102330-02-000	EA	HOOD LOCK - SINGLE HOLE - VISE ACTION
	102328-01-000	EA	BARREL KEY - HOOD LOCK
7	115976-03-G35	EA	PANEL ASM - HOOD - BRIGHT WHITE
8	109930-11-000	EA	LINK - HINGE - HOOD - LOWER - RH
	109930-12-000	EA	LINK - HINGE - HOOD - LOWER - LH
9	109927-03-000	EA	ANGLE - LINK - HOOD - RH
	109927-04-000	EA	ANGLE - LINK - HOOD - LH
10	105096-10-000	EA	TUBE ASM - TIMING - HOOD HINGE
11	109929-05-000	EA	LINK ASM - HINGE - HOOD - UPPER - RH
	109929-06-000	EA	LINK ASM - HINGE - HOOD - UPPER - LH
12	058786-01-000	EA	BOLT - ADJUSTING - HOOD - W/ BLACK PAD - .31" #18 X 2"
13	109926-15-000	EA	BRACKET - LINK - HINGE - HOOD
	109926-16-000	EA	BRACKET - LINK - HINGE - HOOD
14	118997-01-G35	EA	SUPPORT ASM - GRILL - FRONT - RH
15	115924-05-02A	EA	GRILLE - WOVEN WIRE
	070579-06-000	EA	PLATE - ANCHOR - W/7/16 WELD NUT - 1.5" X 3.3"
	077001-01-000	EA	ANGLE - MOUNTING - ROOF PANEL - V ANGLE - 3" X 2.4" X 1.5"
	106746-01-000	EA	PANEL - STEPWELL
	106747-01-000	EA	PANEL - STEPWELL - END RH
	106747-02-000	EA	PANEL - STEPWELL - END LH
	115951-01-02B	EA	PLATE ASM - HEADLAMP - DUAL - RH - E-CT
	115951-02-02B	EA	PLATE ASM - HEADLAMP - DUAL - LH - E-CT
	110691-01-01A	EA	BRACKET - SPRING - HEADLAMP MILL
	113495-02-02B	EA	SUPPORT - HINGE - E-COAT
	119445-01-02B	EA	PLATE - W/ HOLES - E-COAT

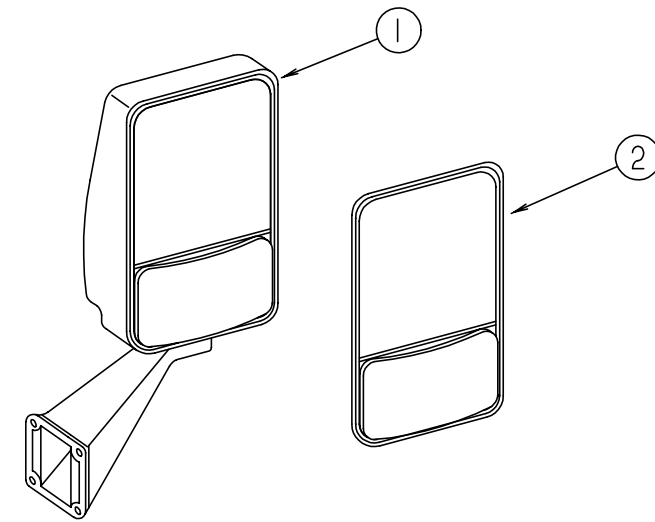
**EXTERIOR BODY GROUP (CONTINUED)**



**EXTERIOR MIRROR OPTION (REMOTE & HEAT)**

KEY	PART NUMBER	U/M DESCRIPTION
1	106015-05-01A	EA MIRROR ASM - EXTERIOR REMOTE & HEAT - PASSENGER SIDE
1	106015-06-01A	EA MIRROR ASM - EXTERIOR REMOTE & HEAT - DRIVER SIDE
2	086261-02-700	EA CONVEX REPLACEMENT - INNER HOUSING & BEZEL - DRIVER SIDE
2	086261-01-703	EA CONVEX REPLACEMENT - INNER HOUSING & BEZEL - PASSENGER SIDE
3	086261-01-702	EA GLASS - FLAT - HEATED - W/ BEZEL
	087695-01-000	EA SWITCH - HEATER - EXTERIOR MIRROR
	088246-01-000	EA SWITCH - REMOTE - EXT. MIRROR - SQUARE PUSH
	086261-02-701	EA KIT - EXTERIOR. MIRROR - W/BEZEL - FLAT & CONVEX GLASS - DRIVER SIDE KIT INCLUDES: BEZEL - CONVEX GLASS - HEATED FLAT GLASS FOR CURRENT AND OLD STYLE MIRROR

**EXTERIOR BODY GROUP (CONTINUED)**

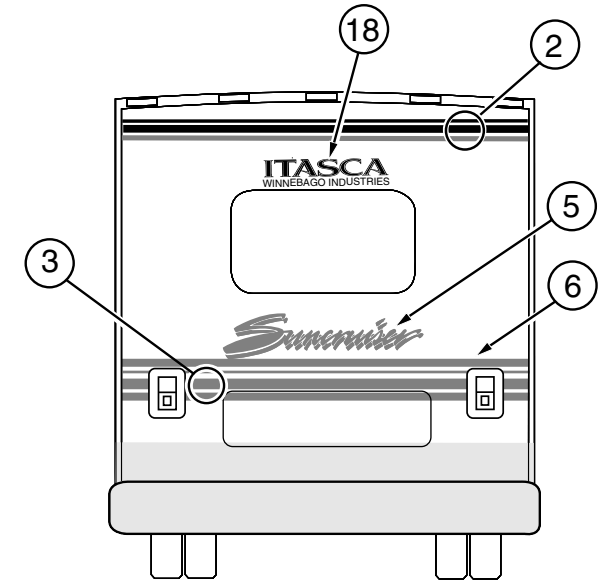
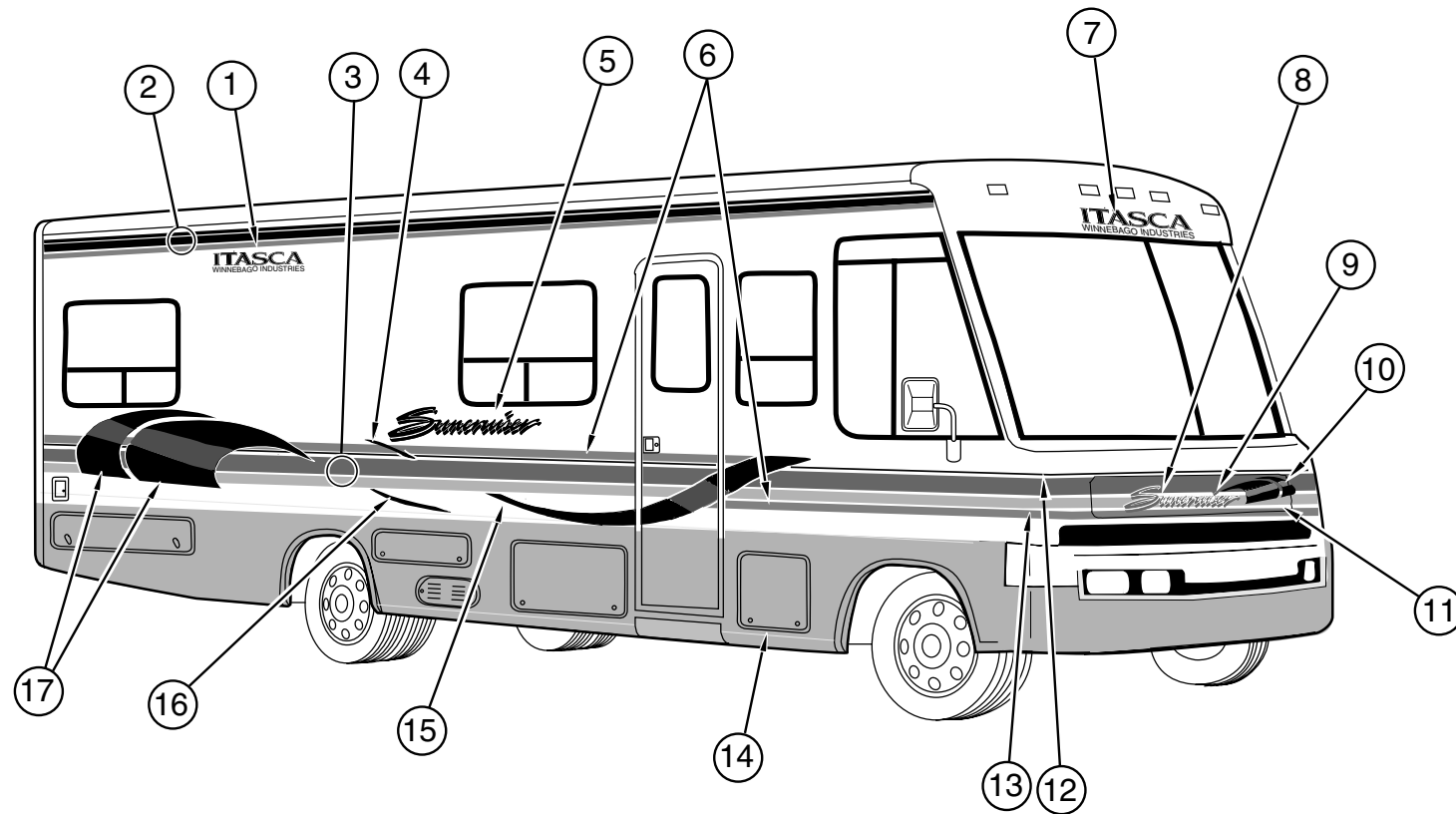


**EXTERIOR MIRROR**

KEY	PART NUMBER	U/M DESCRIPTION
1	106015-09-01A	EA MIRROR ASM - PASSENGER SIDE
1	106015-10-01A	EA MIRROR ASM - DRIVER SIDE
2	106015-01-703	EA MIRROR KIT (BEZEL W/MIRRORS) PASSENGER SIDE
2	106015-02-702	EA MIRROR KIT (BEZEL W/MIRRORS) DRIVER SIDE

## EXTERIOR BODY GROUP (CONTINUED)

### DECALS, FILM STRIPES & PAINT



### DUPONT PAINT COLOR CODES

OFF WHITE	DUPONT L8723
VIOLET METALLIC	DUPONT F0900U
BRIGHT WHITE	DUPONT B8951U

KEY	PART NUMBER	U/M	DESCRIPTION
1	116921-01-04A	EA	DECAL - LOGO - ITASCA - WINN IND L - LILAC/ LILAC/ LILAC
2	094443-37-01A	FT	FILM - MULTISTRIPE 127.0 MM X 150 - CHINA BLUE/ CHINA BLUE/ LILAC
3	094443-38-01A	FT	FILM - MULTISTRIPE 177.8 MM X 150 - CHINA BLUE/ CHINA BLUE/ LILAC
4	118982-03-01A	EA	DECAL - TAIL - SWEEPS - #2 (PASSENGER SIDE) TEAL/ PATIN/ WHITE/ BLACK
	118982-04-01A	EA	DECAL - TAIL - SWEEPS - #2 (DRIVER SIDE) TEAL/ PATIN/ WHITE/ BLACK
5	111307-01-02A	EA	DECAL - SUNCRUISER - BRIGHT WHITE/ LILAC
6	107385-11-07A	FT	FILM - 31.8MM X 150FT - TEALITE
7	118312-01-01A	EA	DECAL - ITASCA - WINN IND - SWPT - LILAC/ LILAC/ LILAC
8	111307-02-01A	EA	DECAL - SUNCRUISER - SMALL - BRIGHT WHITE/ LILAC
9	118314-01-01A	EA	DECAL - HOOD - UPPR - CHINA BLUE/ CHINA BLUE
10	118324-01-01A	EA	DECAL - SWEEPS - SML - TEAL/ PATIN/ WHITE/ BLACK
11	118981-01-01A	EA	DECAL - HOOD - LOWER - LILAC/ TEALITE
12	118323-01-01A	EA	DECAL - CORNER - UPPER (PASSENGER SIDE) CHINA BLUE/ CHINA BLUE
	118323-02-01A	EA	DECAL - CORNER - UPPER (DRIVER SIDE) CHINA BLUE/ CHINA BLUE
13	118310-01-01A	EA	DECAL - CORNER - LOWER (PASSENGER SIDE) LILAC/ TEALITE
	118310-02-01A	EA	DECAL - CORNER - LOWER (DRIVER SIDE) LILAC/ TEALITE
14	NPN		PAINT - VIOLET METALLI (DUPONT F0900U)
15	118311-03-01A	EA	DECAL - SWEEPS - #2 (PASSENGER SIDE) TEAL/ PATIN/ WHITE/ BLACK
	118311-04-01A	EA	DECAL - SWEEPS - #2 (DRIVER SIDE) TEAL/ PATIN/ WHITE/ BLACK
16	118982-01-01A	EA	DECAL - TAIL - SWEEPS - #1 (PASSENGER SIDE) TEAL/ PATIN/ WHITE/ BLACK
	118982-02-01A	EA	DECAL - TAIL - SWEEPS - #1 (DRIVER SIDE) TEAL/ PATIN/ WHITE/ BLACK
17	118311-01-01A	EA	DECAL - SWEEPS - #1 (PASSENGER SIDE) TEAL/ PATIN/ WHITE/ BLACK
	118311-02-01A	EA	DECAL - SWEEPS - #1 (DRIVER SIDE) TEAL/ PATIN/ WHITE/ BLACK
18	116921-02-04A	EA	DECAL - LOGO - ITASCA - WINN IND - SMALL - LILAC/ LILAC/ LILAC
	004308-01-000	EA	PAINT - SPRAY - BLACK
	041561-03-000	EA	PAINT - 16 OZ SPRAY - OFF WHITE - ACRYLIC ENAMEL
	099399-23-700	EA	PAINT - 16 OZ SPRAY - BRIGHT WHITE - ENAMEL

**EXTERIOR BODY GROUP (CONTINUED)**

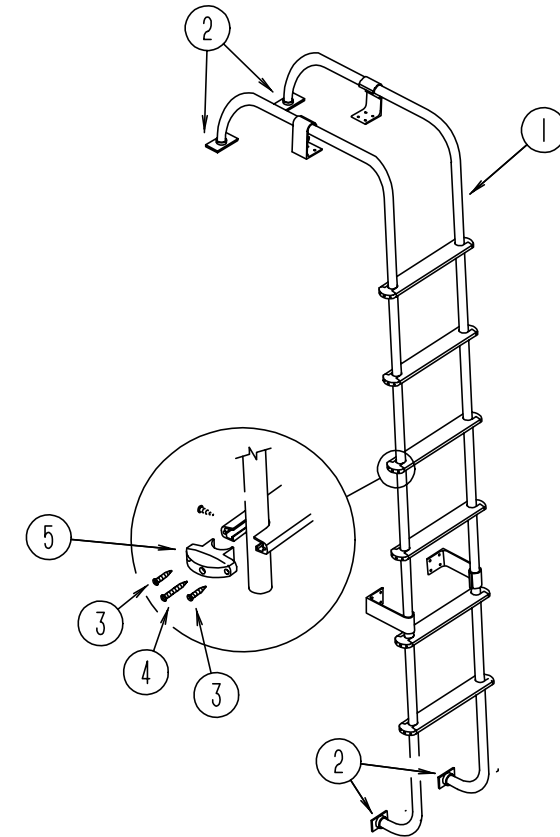
**STYROFOAM & FIBERGLASS SHEETING**

KEY	PART NUMBER	U/M DESCRIPTION
	083574-06-000	SF STYROFOAM - 1.3 /4" X 48" X 96" - PLANED
	000870-08-000	SF STYROFOAM -.75" X 48" X 96" - PLANED
	083574-03-000	SF STYROFOAM - 3/4" X 48" X 96"
	100619-01-000	BF EXPANDED FOAM SHEET - 48" X 96" X 1.34"
	100619-02-000	BF FOAM - EXPANDED POLYSTYRENE - 48" X 96" X 1.5"
	100619-04-000	BF FOAM - EXPANDED POLYSTYRENE - EPS 48" X 96" X .5
	100619-05-000	BF FOAM - EXPANDED POLYSTYRENE - 48" X 96" X .75"
	100619-11-000	BF FOAM - EXPANDED POLYSTYRENE - 48" X 96" X 2"
	100619-13-000	BF FOAM - EXPANDED POLYSTYRENE - 48" X 96" X .34"
	105077-03-000	EA FOAM - PLUG - SIDEWALL TUBE
	108535-02-702	SF FRP FLAT 104" X 396" LONG - BRIGHT WHITE (ROOF SKIN)
	115661-01-000	FT POLYETHYLENE - HIGH DENSITY - 1/16 X 3.0
	105077-04-000	EA FOAM - COVE - ROOF
		FROM: 00-00-00 THRU: 10-08-95
	120107-01-000	EA FOAM - COVE - ROOF
		FROM: 10-09-95 THRU: 99-99-99
	120107-02-000	EA FOAM - PLUG - ROOF TUBE
		FROM: 10-09-95 THRU: 99-99-99
	120107-03-000	EA FOAM - PLUG - ROOF TUBE
		FROM: 10-09-95 THRU: 99-99-99
	076054-R5-000	EA FIBERGLASS SHEET -102" X 385.2" BRIGHT WHITE
	076054-R9-000	EA FIBERGLASS SHEET - 38.1" X 70.6" BRIGHT WHITE
	077517-62-000	EA FIBERGLASS SHEET - 48 X 96 - BRIGHT WHITE - FLAT
	089297-01-000	SF PLYWOOD - LUAN - OVERLAY GRADE - 4' X 8'

**EXTERIOR BODY HARDWARE**

KEY	PART NUMBER	U/M DESCRIPTION
	002726-01-001	EA GARNISH - U-CHANNEL - 1.38" X 19' - SERRATED - MILL ALUMINUM
	033381-17-001	FT STEEL - TUBE 16GA 1.5 X 1.5 X 288.00 HOT FORMED ASTM A50
	044487-01-001	LB ALUMINUM - 019 X 96.00 X 300" MILL FINISH
	044487-01-002	LB ALUMINUM - 019 X 96.00 X 432" MILL FINISH
	055278-51-259	FT TUBING - STEEL - .75" X 1.5" X 12.5' LONG
	058267-01-000	FT CHANNEL - STEEL - W/ HOLES - SIDEWALL STIFFENER - 2" X 20'
	068716-01-001	EA BRACE - 90 DEGREE L-ANGLE - 192" - EXTRUDED ALUMINUM

**EXTERIOR BODY GROUP (CONTINUED)**

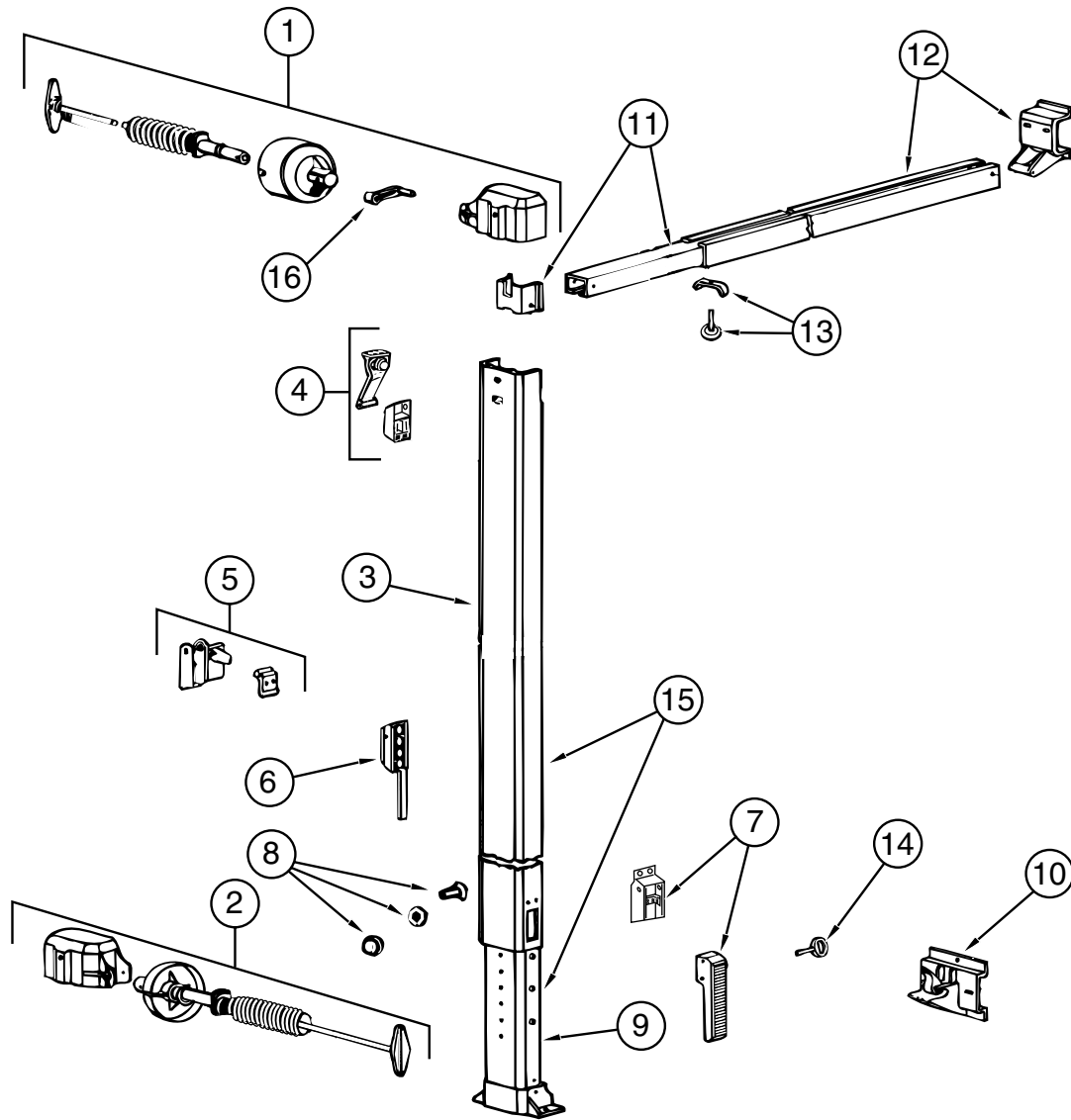


**LADDER**

KEY	PART NUMBER	U/M DESCRIPTION
1	102953-11-F31	EA LADDER ASM
2	067165-01-000	EA MOUNTING BRACKET - LADDER - LOWER
3	000G39-06-10T	EA SCREW-SF/ DR - 6 - 20 X 5/8 PPH - BLACK
4	000G68-10-36T	EA SCREW - 10 - 12 X 2.25 POH BLACK
5	076980-02-000	EA END CAP - STEP - BLACK
	038327-01-000	FT TAPE - ANTI SLIP - 2" X 60FT

## EXTERIOR BODY GROUP (CONTINUED)

### EXTERIOR AWNING (CAREFREE TEAL)

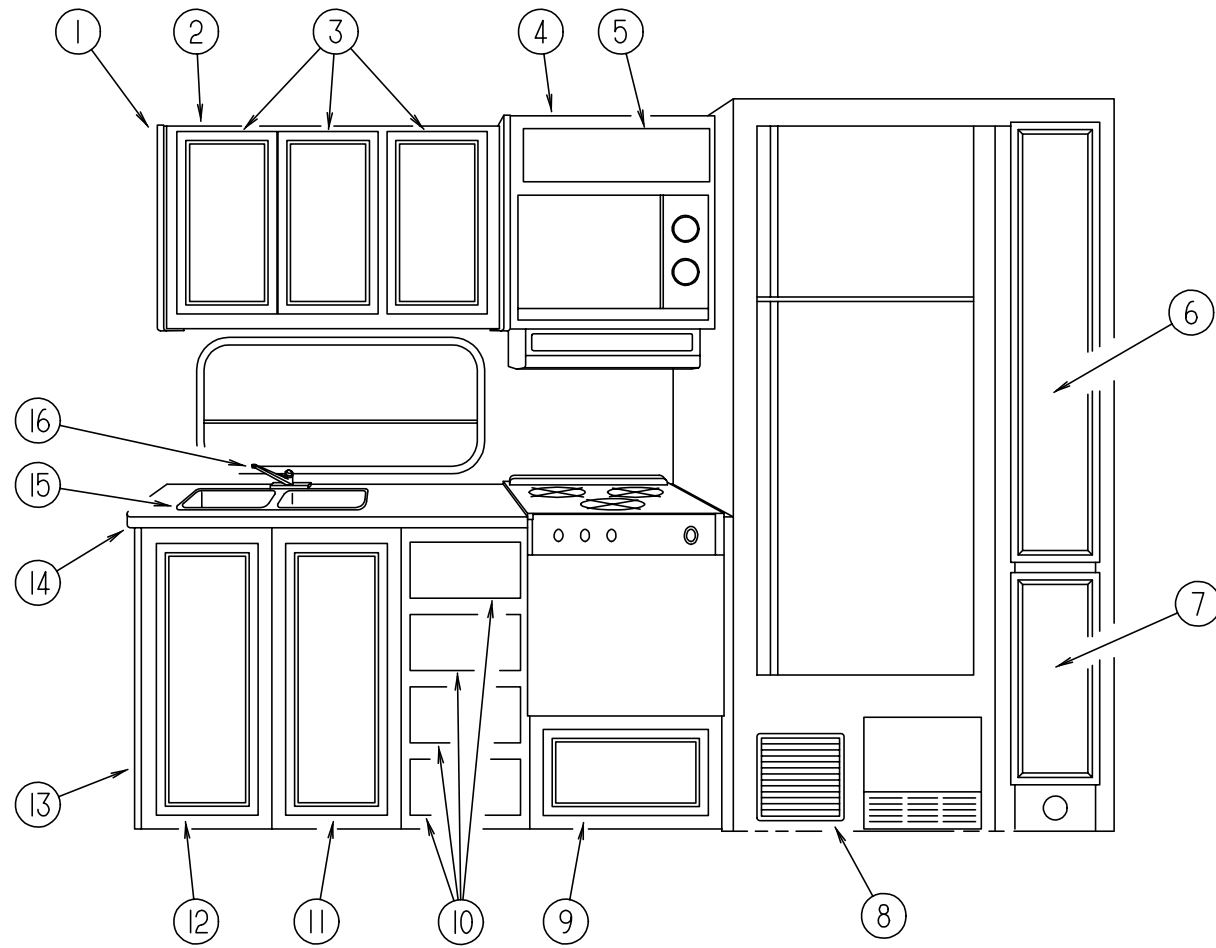


KEY	PART NUMBER	U/M	DESCRIPTION	VENDOR NO.
	116059-01-02A	EA	AWNING - HARDWARE KIT - BRIGHT WHITE	
	116059-04-02A	EA	AWNING - ROLLER ASM - 19' - VINYL	
1	116059-01-724	EA	FRONT SPRING & BRAKE ASM.	249001AWHT
2	116059-01-725	EA	REAR SPRING ASM.	249020AWHT
3	116059-01-726	EA	UPPER ARM ASM. - FRONT - 66"	249528WHT
	116059-01-727	EA	UPPER ARM ASM. - REAR - 66"	249529WHT
4	116059-01-728	EA	UPPER SLIDER ASM.	249040WHT
5	116059-01-729	EA	ARM STORAGE LOCK ASM.	249060WHT
6	116059-01-706	EA	BRAKE CONTROL	249070
7	116059-01-731	EA	HANDLE ASM.	249080WHT
8	116059-01-732	EA	STOP BOLT - W/ NUT & WASHER	011131WHT
9	116059-01-733	EA	LOWER ARM ASM. W/ BASKET - FRONT. 56"	249600WHT
	116059-01-734	EA	LOWER ARM ASM. W/ BASKET - REAR 56"	249601WHT
10	116059-01-735	EA	BOTTOM BASKET - ASM.	012414WHT
11	116059-01-736	EA	LOWER BRACE ASM. - COMP. 50"	012410WHT
12	116059-01-737	EA	UPPER BRACE ASM. - COMP. 50"	012409WHT
13	116059-01-714	EA	BLACK LOCKING KNOB - W/ CLAMP	249105
14	116059-01-741	EA	HANDLE LOCK PIN	040279WHT
15	116059 01 742	EA	ARM ASM. - UPPER & LOWER W/ BASKET - FRONT	249201WHT
	116059-01-743	EA	ARM ASM. - UPPER & LOWER W/ BASKET - REAR	249221WHT
16	116059-01-750	EA	BRAKE LEVER	249070WHT
	116059-01-718	EA	WAND - PULL	036031
	116059-01-719	EA	SCREW - #8 X 5/16 (WAND - PULL)	030523
	116059-01-739	EA	DOOR ROLLER	060063WHT
	116059-01-740	EA	NUTSERT TOOL KIT	905007WHT



# GALLEY GROUP

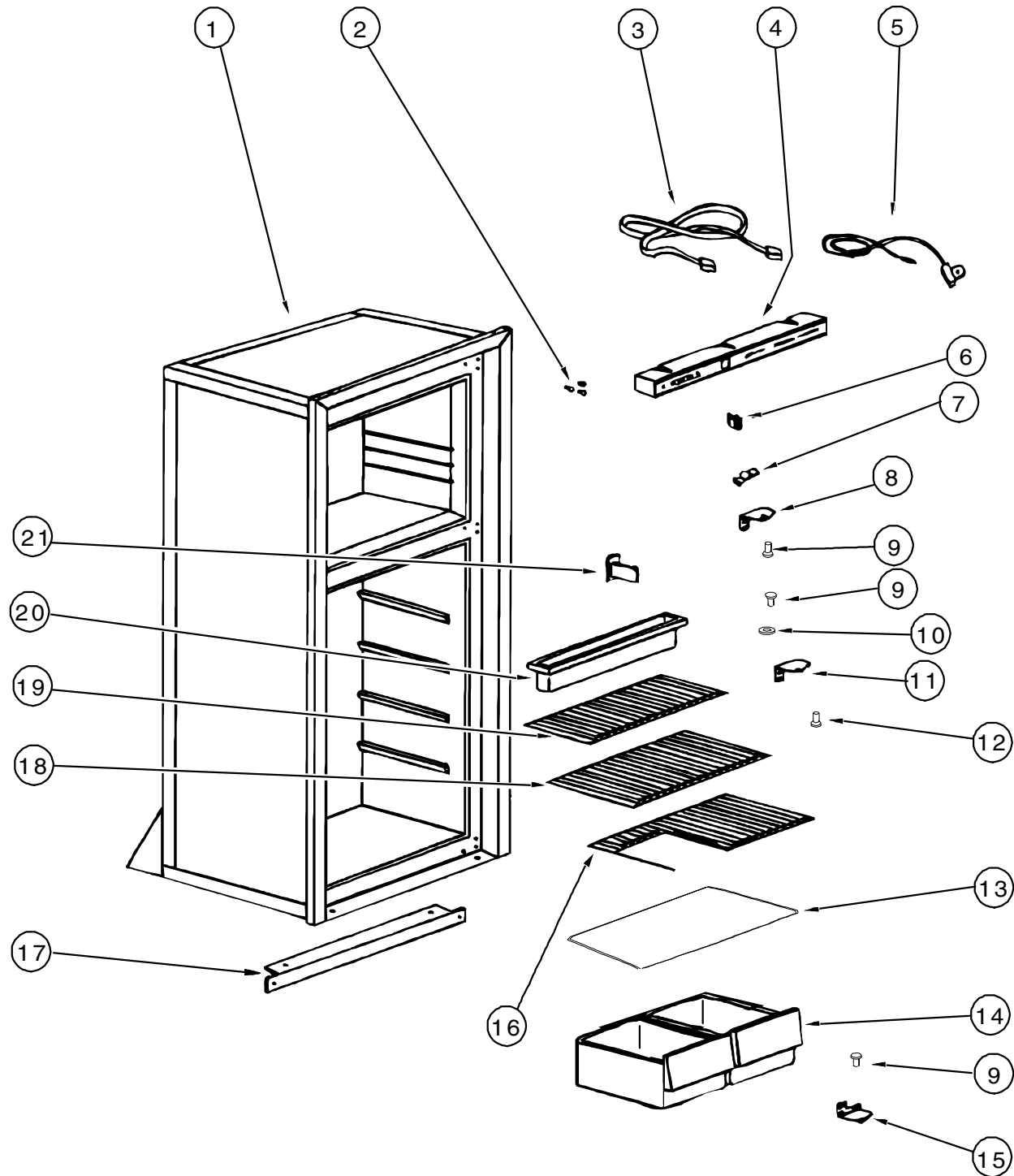
## GALLEY CABINETRY & FIXTURES



KEY	PART NUMBER	U/M	DESCRIPTION
1	081319-20-G15	EA	END CAP ASM. - OVERHEAD
2	P15842-01-G15	EA	CABINET ASM - GALLEY - OVERHEAD
	115842-11-G35	EA	SHELF - W/ PLASTIC EDGE TRIM - LARGE
	115842-12-G35	EA	SHELF - W/ PLASTIC EDGE TRIM - SMALL
3	M05993-14-G35	EA	DOOR - RADIUS EDGE - 12" X 21.8" - W/O HARDWARE
4	114390-02-G35	EA	CABINET ASM - MICROWAVE OVERHEAD
	116592-02-G15	EA	CABINET ASM - A/C SWITCH
5	M05993-11-G35	EA	DOOR - RADIUS EDGE - 7.1" X 21.8" - W/O HARDWARE
6	M05993-D1-G35	EA	DOOR - RADIUS EDGE - 8.5" X 48" - W/O HARDWARE
7	M05993-G4-G35	EA	DOOR - RADIUS EDGE - 8.5" X 19.1" - W/O HARDWARE
8	093614-02-02A	EA	GRILL - RETURN AIR - DURA - 252 X 252 MM - BEIGE
9	M05970-V1-G35	EA	DRAWER - RADIUS EDGE - 16.6" X 11.8" - W/O SLIDES/ HARDWARE
10	M05970-11-G35	EA	DRAWER - RADIUS EDGE - 9.9" X 17.7" - W/O SLIDES/HARDWARE
11	M05993-E5-G35	EA	DOOR - RADIUS EDGE - 13.6" X 27.2" - W/O HARDWARE
12	M05993-E6-G35	EA	DOOR - RADIUS EDGE - 13.6" X 27.2" - W/O HARDWARE
13	M07426-24-G35	EA	GALLEY CABINET ASM. (G35, G37)
13	M07426-24-G36	EA	GALLEY CABINET ASM. (G36, G44)
13	M07426-24-G45	EA	GALLEY CABINET ASM. (G45)
14	118755-11-G15	EA	COUNTERTOP ASM. (G35, G37)
14	118755-11-G36	EA	COUNTERTOP ASM. (G36, G44)
14	118755-11-G45	EA	COUNTERTOP ASM. (G45)
	108464-05-G35	EA	COVER ASM - SINK 7.1" X 15" (G35, G37)
	108464-05-G36	EA	COVER ASM - SINK 7.1" X 15" (G36, G44)
	108464-05-G45	EA	COVER ASM - SINK 7.1" X 15" (G45)
	108464-04-F40	EA	COVER ASM - SINK 15" X 15" (G35, G37)
	108464-04-F32	EA	COVER ASM - SINK 15" X 15" (G36, G44)
	108464-04-E38	EA	COVER ASM - SINK 15" X 15" (G45)
15	110654-01-000	EA	SINK - STAINLES STEEL - DOUBLE - LARGE/ SMALL BASIN
	092303-01-000	EA	STRAINER - SINK
16	104114-02-01A	EA	FAUCET - GALLEY - SINGLE CONTROL
	103635-01-000	EA	FAUCET - SINGLE CONTROL - EVERPURE
	103799-01-02A	EA	COFFEE MAKER - GRAY
	090329-01-000	FT	T-SEAL - REFRIGERATOR CABINET - .6" WIDE TOP X 2" TAIL
	054450-01-000	EA	LEVEL - REFRIGERATOR
	093646-01-000	EA	BRACKET ASM - TIEDOWN - REFRIGERATOR
	093646-02-000	EA	BRACKET ASM - TIEDOWN - REFRIGERATOR
	065225-01-000	EA	PLATE - TIEDOWN - REFRIG
	065225-02-000	EA	PLATE - TIEDOWN - REFRIG

# GALLEY GROUP (CONTINUED)

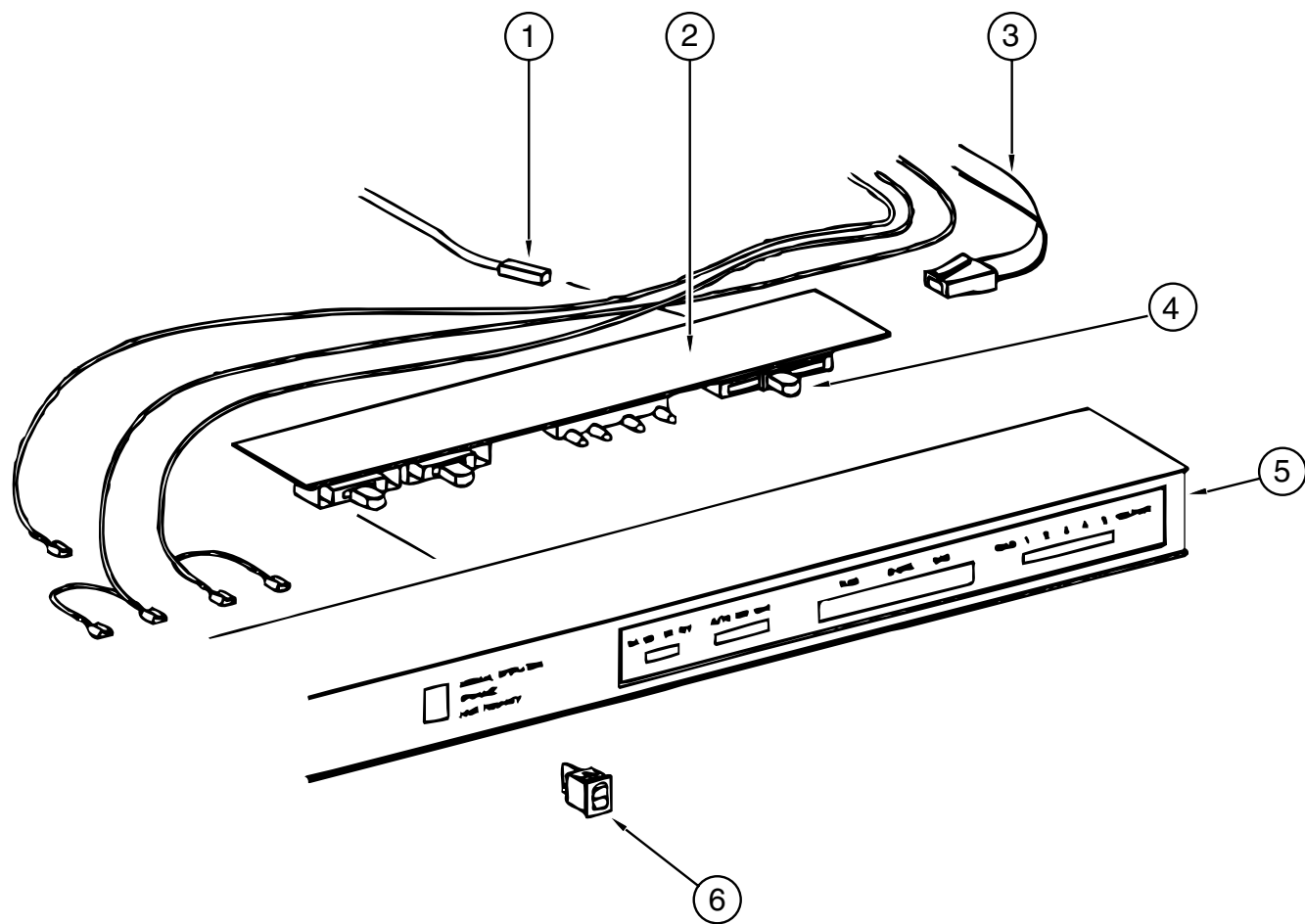
## REFRIGERATOR CABINET ASM. (NORCOLD 6182)



KEY	PART NUMBER	U/M	DESCRIPTION	VENDOR NO.
	104137-07-01A	EA	REFRIGERATOR - LARGE DBL DOOR 2-WAY	
1	104137-06-708	EA	FOAMED CAB ASM (BLACK W/ WHITE)	61725138
2	094039-01-722	EA	HOLE PLUG (BLACK) HINGE HOLES	61582030
3	084880-01-746	EA	CABLE	61571522
4	104137-06-700	EA	EYEBROW SHELL (2-WAY)	61726622
5	084880-01-753	EA	THERMISTER 78"	61693822
6	075217-01-738	EA	SWITCH - HUMIDITY	61525922
7	084880-01-760	EA	CLIP (THERMISTER)	61689122
8	094039-01-723	EA	HINGE BRACKET - TOP RH - BOTTOM - LH - BLACK	61580838
9	094039-01-725	EA	HINGE PIN (BLACK)(MALE)	61578130
	084880-03-702	EA	HINGE PIN TOP/BTM FEMALE	61580630
10	084880-01-749	EA	HINGE BUSHING	615807
11	094039-01-728	EA	HINGE BRACKET - CENTER - BLACK	61566530
12	094039-01-730	EA	HINGE PIN SHAFT (BLACK) CENTER HINGE	61566730
13	084880-01-722	EA	CRISPER COVER	615641
14	104137-06-707	EA	CRISPER (WHITE)	61571325
15	094039-01-724	EA	HINGE BRACKET - TOP LH - BOTTOM - RH - BLACK	61580938
16	094039-01-739	EA	SHELF (CUTOUT)	61646722
17	094039-01-732	EA	FRONT COVER (BLACK) BOTTOM TRIM	61622130
18	094039-01-733	EA	WIRE SHELF (MIDDLE)	61563822
19	104137-06-706	EA	WIRE SHELF (SHORT)	61718222
20	094039-01-735	EA	INSIDE DRIP TRAY (WHITE)	61572830
21	084880-01-732	EA	LATCH	61578522
	094039-01-736	EA	SWITCH - LIGHT - BLACK	61581022
	104137-06-727	EA	SHELF - FREEZER - WHITE	618057
	093646-01-000	EA	BRACKET ASM - TIEDOWN - REFRIGERATOR	
	093646-02-000	EA	BRACKET ASM - TIEDOWN - REFRIGERATOR	
	065225-01-000	EA	PLATE - TIEDOWN - REFRIGERATOR	
	065225-02-000	EA	PLATE - TIEDOWN - REFRIGERATOR	



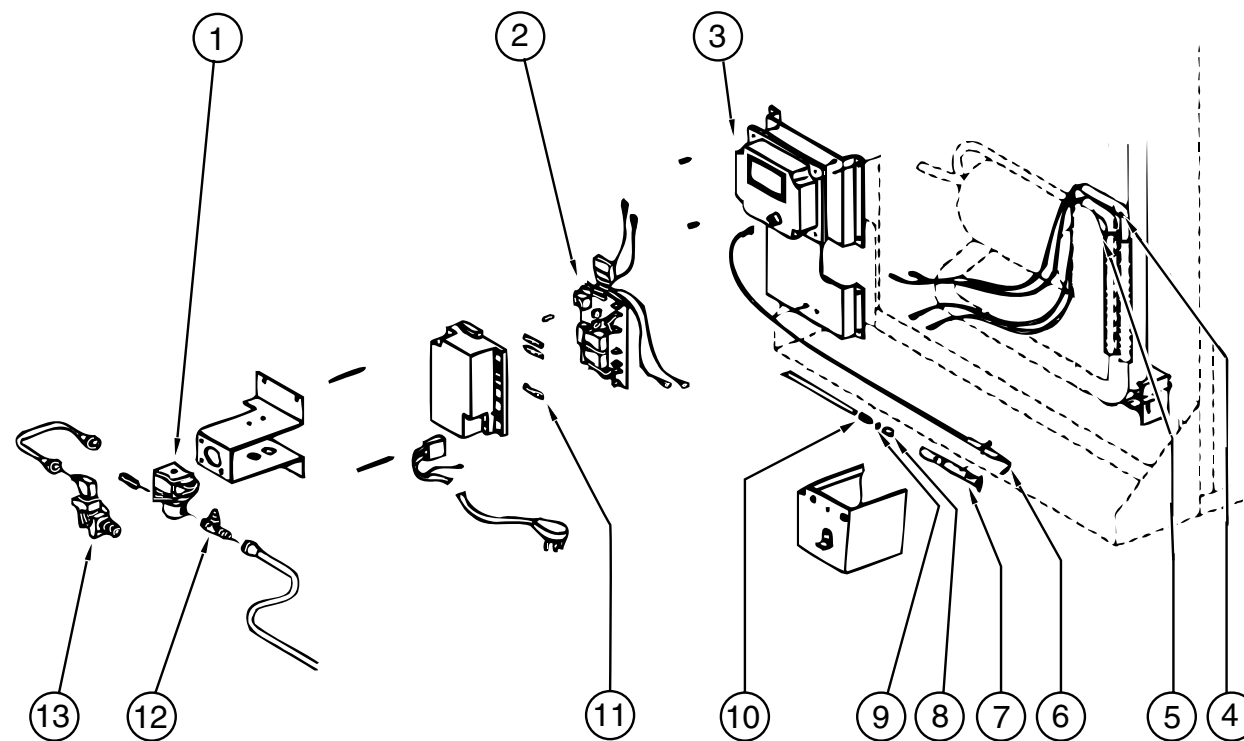
**GALLEY GROUP (CONTINUED)**



**REFRIGERATOR EYEBROW ASM. (NORCOLD 6182)**

KEY	PART NUMBER	U/M	DESCRIPTION	VENDOR NO.
1	084880-01-753	EA	THERMISTER 78" - W/O CLIP	61693822
2	094039-04-700	EA	PRINTED CIRCUIT BOARD - 2 WAY	61647322
3	084880-01-746	EA	CABLE - PRINTED CIRCUIT BOARD - TO POWER SUPPLY	61571522
4	102621-01-703	EA	BUTTON - THERMOSTAT - ADJUSTABLE	61587422
5	104137-06-700	EA	SHELL - EYEBROW - 2-WAY - W/ HUM	61726622
6	075217-01-738	EA	SWITCH - HUMIDITY	61525922

**GALLEY GROUP (CONTINUED)**

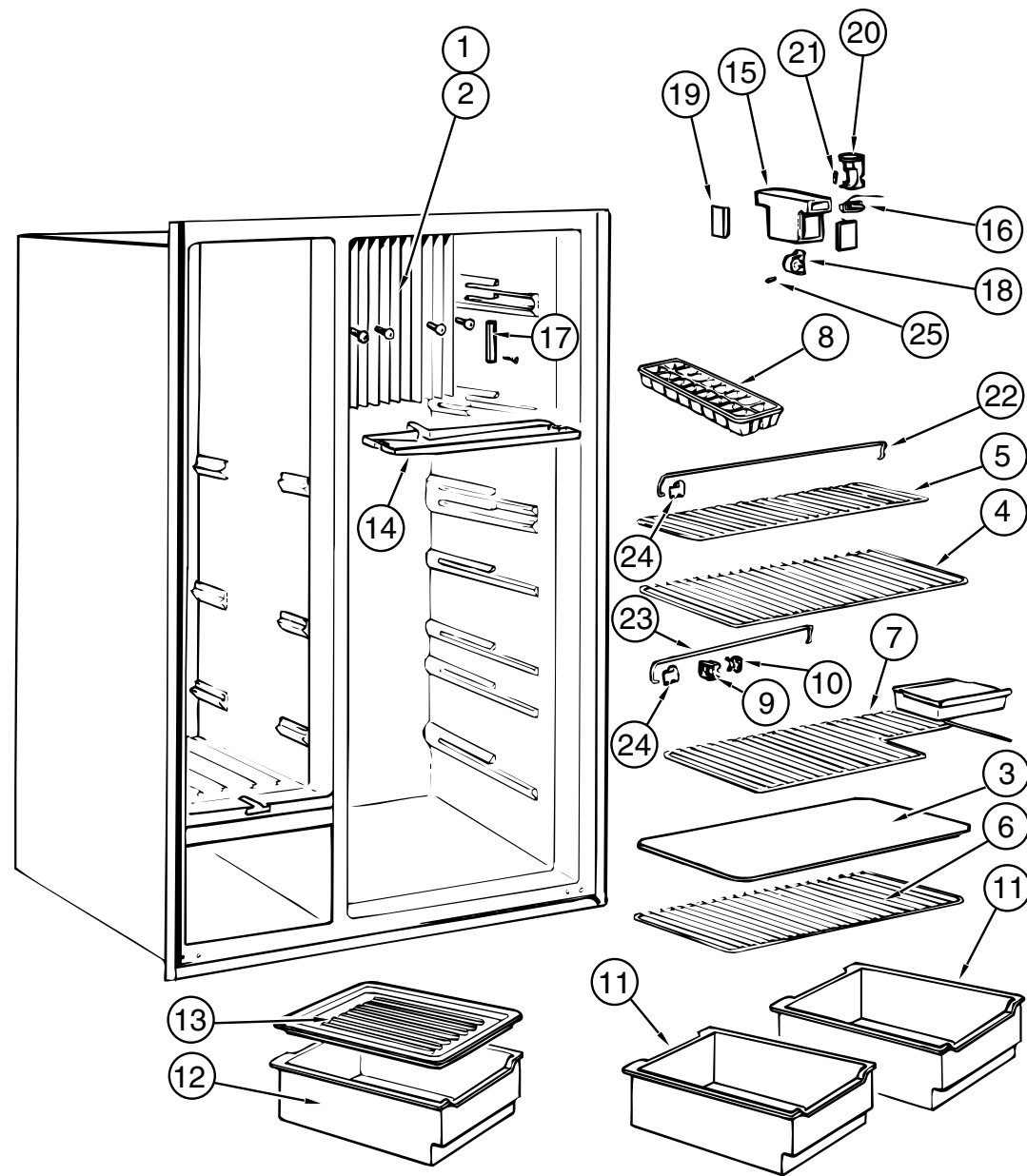


**REFRIGERATOR CONTROL ASM. (NORCOLD 6182)**

KEY	PART NUMBER	U/M	DESCRIPTION	VENDOR NO.
<b>1</b>	<b>084880-01-718</b>	<b>EA</b>	<b>VALVE - GAS (ASCO)</b>	<b>61551822</b>
2	094039-04-702	EA	POWER SUPPLY (2 WAY)	61647422
3	104137-02-700	EA	CHANNEL - CONTROL MODULE	61717037
4	088248-01-710	EA	HEATER - DC (HORIZONTAL) 3 WAY	615628
5	088248-01-709	EA	HEATER - AC (HORIZONTAL)	615627
6	104137-06-715	EA	ELECTRODE - SPARK/ SENSOR (SINGLE)	61692222
7	104137-06-714	EA	BURNER ASSEMBLY - 5-SLOT	61705222
8	084880-01-705	EA	ORIFICE	614522
9	104137-06-713	EA	ORIFICE GASKET	61475122
10	104137-06-712	EA	FITTING - GAS TUBE CONNECTION	61692722
11	104137-06-711	EA	FUSE 5 AMP	61611622
12	104137-06-710	EA	PRESSURE TAP	61594422
13	104137-06-709	EA	VALVE SHUT - OFF - MANUAL ASM	61694922
	084880-03-701	EA	COOLING UNIT (HORIZ BURNER)	61687337

## GALLEY GROUP (CONTINUED)

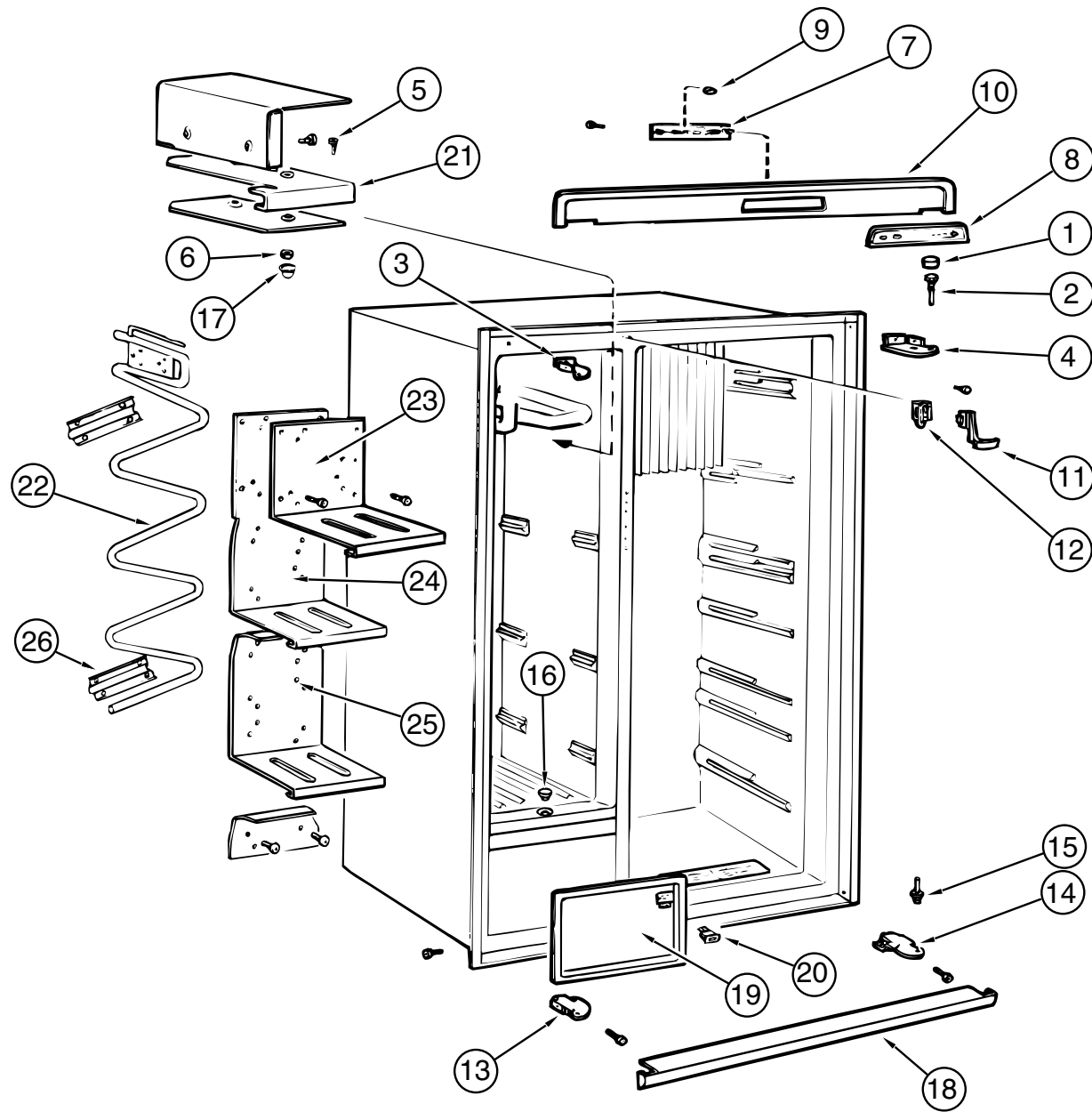
### REFRIGERATOR CABINET ASM. & COMPONENTS (DOMETIC RM 7732IM)



KEY	PART NUMBER	U/M	DESCRIPTION	VENDOR NO.
	118367-01-01A	EA	REFRIGERATOR - SIDE BY SIDE DOOR - 2 WAY	
	065225-01-000	EA	PLATE - TIEDOWN - REFRIGERATOR	
	065225-03-000	EA	PLATE - TIEDOWN - REFRIGERATOR	
	103251-05-01A	EA	INSERT - DOOR - ACRYLIC BLACK - 16.81 X 55.06	
	103251-06-01A	EA	INSERT - DOOR - ACRYLIC BLACK - 10.44 X 55.06	
1	118367-01-739	EA	FLANGE - COOLING COIL - LEFT	293 16 61-02/5
2	118367-01-740	EA	FLANGE - COOLING COIL - RIGHT	293 16 61-03/3
3	118367-01-741	EA	SHELF - UPPER - (REFRIGERATOR)	293 15 41-05/2
4	118367-01-742	EA	SHELF - (REFRIGERATOR)	293 15 41-04/5
5	118367-01-743	EA	SHELF - (REFRIGERATOR)	293 15 42-02/7
6	118367-01-744	EA	SHELF - (REFRIGERATOR)	293 11 17-06/9
7	118367-01-745	EA	SHELF - (REFRIGERATOR)	293 15 41-06/0
8	118367-01-746	EA	TRAY - ICE	293 04 00-00/3
9	118367-01-747	EA	LOCK - FLAP - INNER	200 73 92-02/6
10	118367-01-748	EA	LOCK - FLAP - OUTER	200 73 93-02/4
11	118367-01-749	EA	BOX - VEGETABLE	293 14 71-03/7
12	118367-01-750	EA	BOX - VEGETABLE - UPPER	293 14 71-03/7
13	118367-01-751	EA	LID - VEGETABLE	293 26 93-01/9
14	118367-01-752	EA	PAN - DRIP	293 61 63-01/3
15	118367-01-753	EA	COVER - SWITCH & LIGHT	200 40 44-09/1
16	118367-01-754	EA	SWITCH - DOOR	294 08 25 00/9
17	118367-01-755	EA	RETAINER - PROBE	293 19 76-01/9
18	118367-01-756	EA	SUPPORT - THERMOSTAT	200 40 42-00/4
19	118367-01-757	EA	CAP - END LAMP PROTECTION	200 40 43-00/2
20	118367-01-758	EA	LIGHTING	293 07 44-01/2
21	118367-01-759	EA	LAMP - 10W - 12VOLT	200 72 90-00/6
22	118367-01-760	EA	RACK - UPPER	200 73 37-15/3
23	118367-01-761	EA	RACK - LOWER	200 73 37-16/1
24	118367-01-762	EA	RETAINER - RACKS	293 06 93-04/5
25	118367-01-763	EA	PIN - LOCKING	200 12 81-01/9
	118367-01-784	EA	BUCKET - ICE	293 08 80-02
	118367-01-785	EA	CONNECTION - WATER - COMPLETE	293 09 16-02
	118367-01-786	EA	STRIP - DOOR DECORATION	293 1163-11
	118367-01-787	EA	SHELF - ICE BUCKET	293 19 23-01
	118367-01-788	EA	BLOCK - TERMINAL	293 19 63-01
	118367-01-789	EA	ICEMAKER	293 19 71-02
	118367-01-790	EA	VALVE - WATER	293 19 72-02

## GALLEY GROUP (CONTINUED)

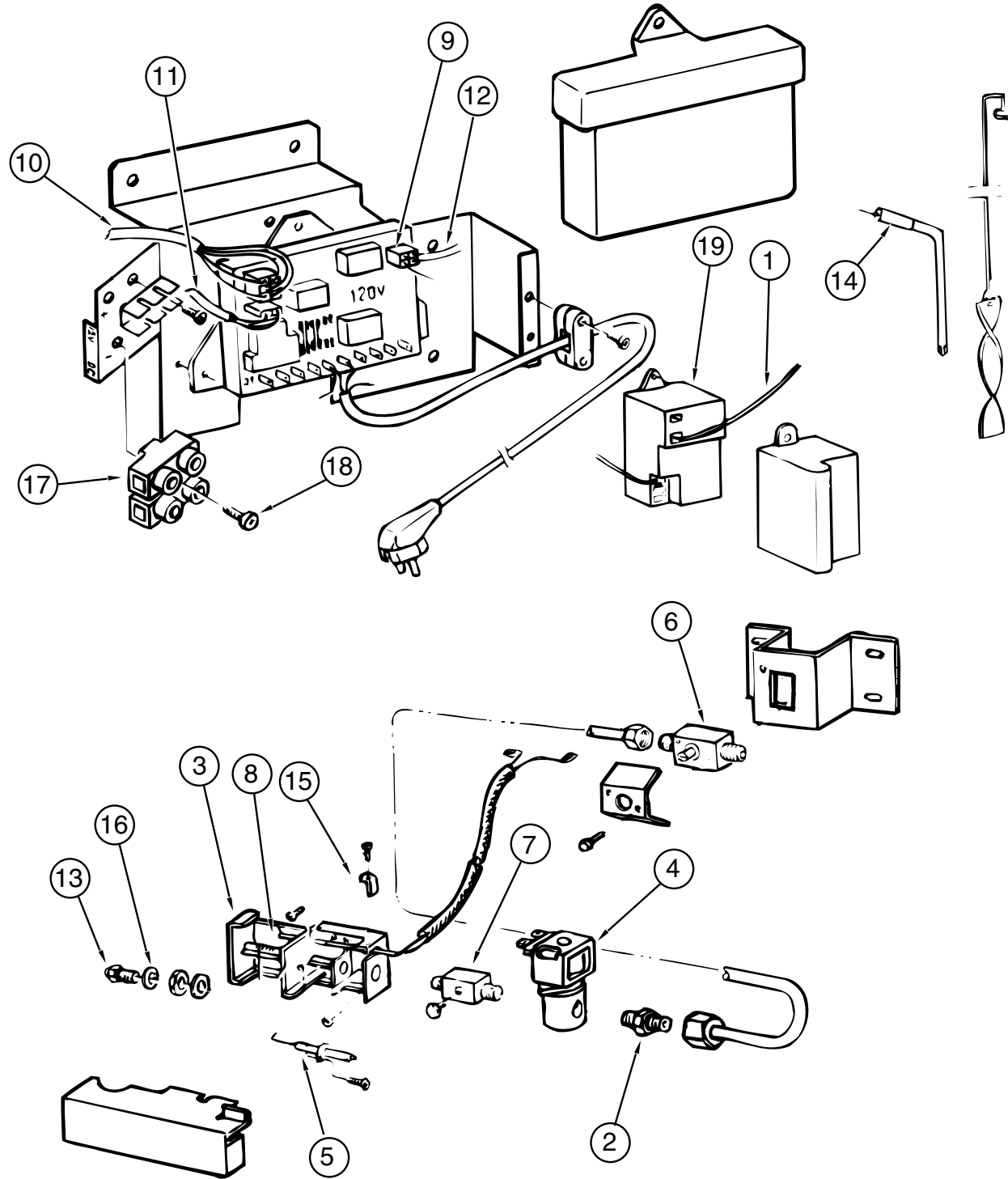
### REFRIGERATOR FREEZER SHELVES & COMPONENTS (DOMETIC RM 7732IM)



KEY	PART NUMBER	U/M	DESCRIPTION	VENDOR NO.
1	118367-01-713	EA	PLUG	293 27 36-01/6
2	118367-01-714	EA	PIN - HINGE - UPPER	293 26 47-01/5
3	118367-01-715	EA	HINGE - UPPER - LEFT (FREEZER)	293 26 46-01/7
4	118367-01-716	EA	HINGE - UPPER - RIGHT (REFRIGERATOR)	293 26 46-02/5
5	118367-01-717	EA	SCREW - M6S - 5X20 - FN	725 23 30-13/4
6	118367-01-718	EA	NUT - M5 - BRASS - FN	731 43 14-13/4
7	118367-01-719	EA	BOARD - CIRCUIT - AES ASM.	293 26 97-05/1
8	118367-01-720	EA	DECORATION	95 50 24-53/4
9	118367-01-721	EA	BUTTON	95 50 24-13/8
10	118367-01-722	EA	DECORATION - FRONT	293 26 63-01/2
11	118367-01-723	EA	BOW - LOCKING	293 27 45-01/7
12	118367-01-724	EA	RETAINER	293 27 46-01/5
13	118367-01-725	EA	HINGE - LOWER - LEFT (FREEZER)	293 26 45-01/9
14	118367-01-726	EA	HINGE - LOWER - RIGHT (REFRIGERATOR)	293 26 45-02/7
15	118367-01-727	EA	PIN - HINGE - LOWER	293 26 49-02/9
16	118367-01-728	EA	LID - LOWER	293 17 15-01/1
17	118367-01-729	EA	LID - UPPER	293 04 87-00/0
18	118367-01-730	EA	STRIP - FRONT	293 26 64-01/0
19	118367-01-731	EA	FLAP	293 26 55-01/8
20	118367-01-732	EA	SWITCH - DOOR	293 26 80-01/6
21	118367-01-733	EA	SHELF - UPPER - FREEZER	293 14 77-02/6
22	118367-01-734	EA	COIL - FREEZER	293 14 74-01/5
23	118367-01-735	EA	SHELF - #2 - FREEZER	293 19 83-02/3
24	118367-01-736	EA	SHELF - #3 - FREEZER	293 19 82-02/5
25	118367-01-737	EA	SHELF - #4 - FREEZER	293 14 82-02/6
26	118367-01-738	EA	BRACKET - SHELF - FREEZER	293 14 84-01/4

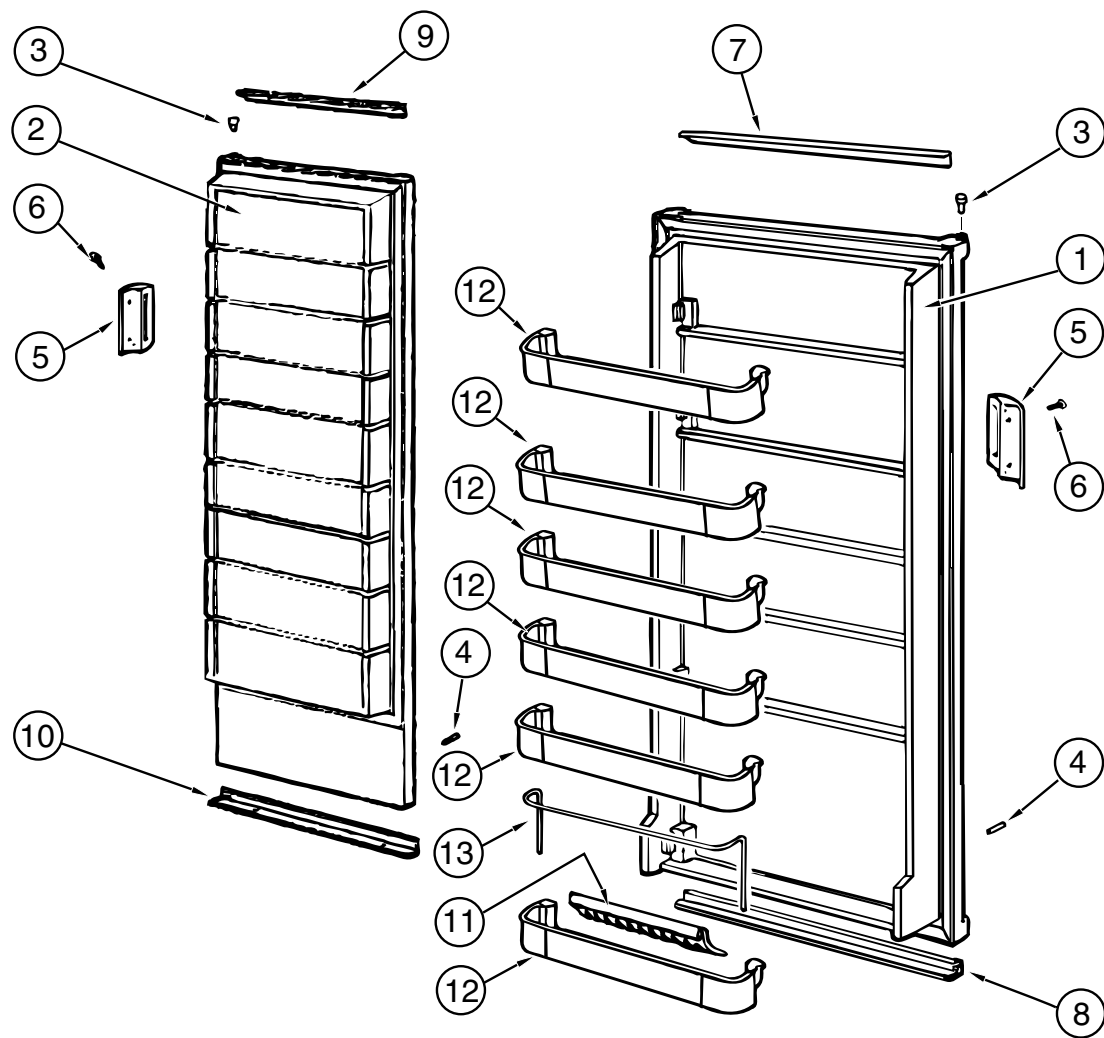
## GALLEY GROUP (CONTINUED)

### REFRIGERATOR ELECTRICAL COMPONENTS (DOMETIC RM 7732IM)



KEY	PART NUMBER	U/M	DESCRIPTION	VENDOR NO.
1	118367-01-764	EA	CONDUCTOR - ELECTRODE	200 76 68-04/5
2	118367-01-765	EA	NIPPLE	293 20 63-01/5
3	118367-01-766	EA	HOUSING - BURNER	293 21 61-01/7
4	118367-01-767	EA	VALVE - SOLENOID	294 3298-03/0
5	118367-01-768	EA	ELECTRODE	293 14 95-01/0
6	118367-01-769	EA	GAS SHUTOFF	293 26 16-01/0
7	118367-01-770	EA	NIPPLE	293 18 24-01/1
8	118367-01-771	EA	THERMOSTAT	293 18 26-01/6
9	118367-01-772	EA	BOARD - CIRCUIT - COMPLETE	293 18 42-03/9
10	118367-01-773	EA	CONDUCTOR - CIRCUIT BOARD	293 18 62-02/9
11	118367-01-774	EA	CONDUCTOR - THERMISTOR	293 18 63-02/7
12	118367-01-775	EA	CONDUCTOR - GAS VALVE	295 44 37-02/2
13	118367-01-776	EA	ORFICE - JET - NR76	200 74 19-33/2
14	118367-01-777	EA	HEATER - 210WATT - 120VOLT	17 37 58-03/8
15	118367-01-778	EA	RETAINER	293 06 60-01/0
16	118367-01-779	EA	WASHER	200 74 57-00/1
17	118367-01-780	EA	BLOCK - TERMINAL	293 04 63-01/9
18	118367-01-781	EA	SCREW - RXS - B6X25 - STAINLESS	729 52 87-40/8
19	118367-01-782	EA	IGNITION - SPARK	293 11 32-01/9

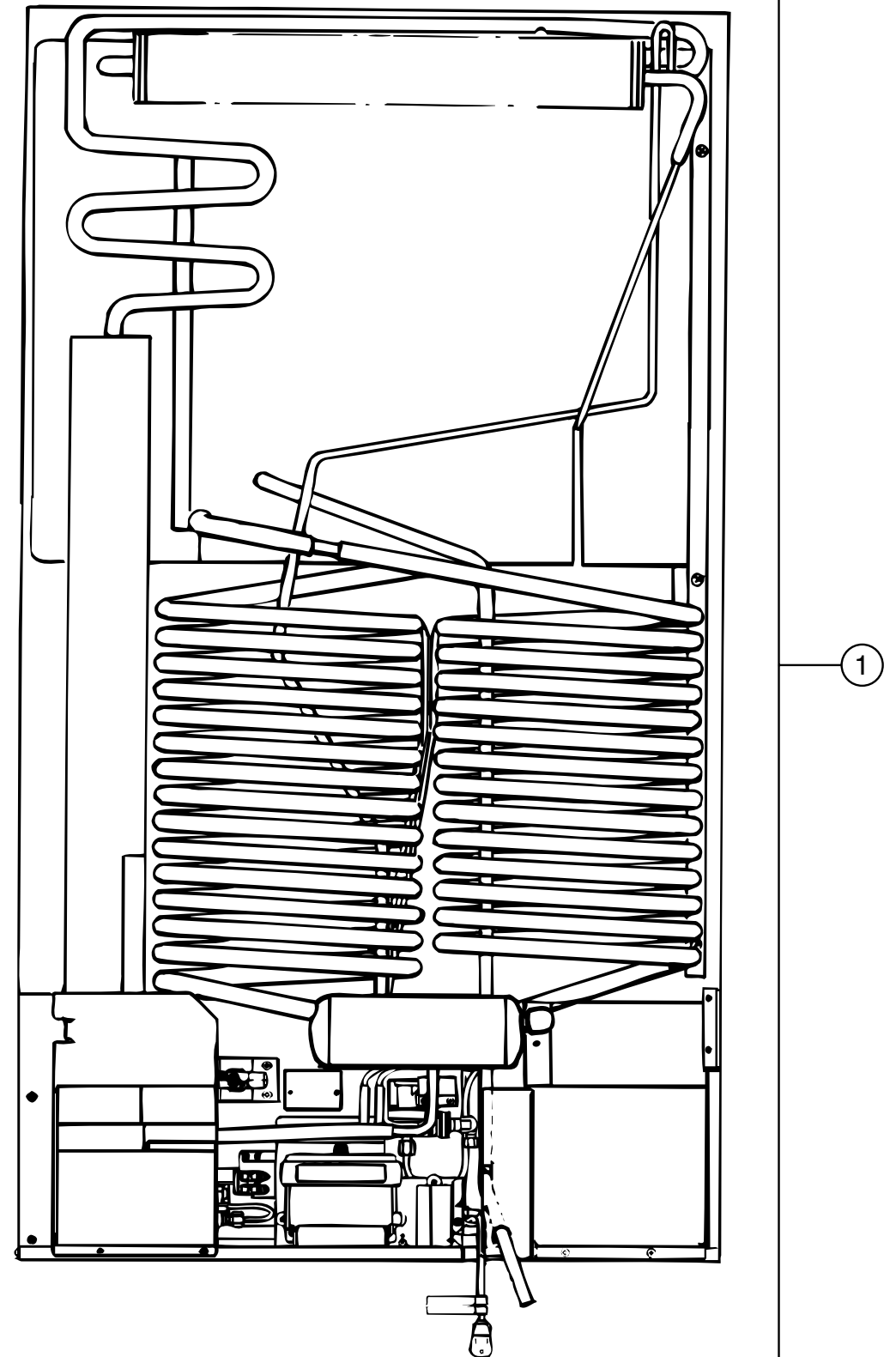
**GALLEY GROUP (CONTINUED)**



**REFRIGERATOR DOORS (DOMETIC RM 7732IM)**

KEY	PART NUMBER	U/M DESCRIPTION	VENDOR NO.
1	118367-01-700	EA DOOR - REFRIGERATOR	293 25 90-11/6
2	118367-01-701	EA DOOR - FREEZER	293 25 89-11/8
3	118367-01-702	EA BUSHING - HINGE - FREEZER - REFRIGERATOR	293 11 71-01/7
4	118367-01-703	EA STOP - LOWER - FREEZER - REFRIGERATOR	293 25 88-01/1
5	118367-01-704	EA HANDLE - FREEZER - REFRIGERATOR	293 27 29-01/1
6	118367-01-705	EA SCREW - HANDLE - FREEZER - REFRIGERATOR	724 13 23-61/2
7	118367-01-706	EA DECORATION - DOOR - REFRIGERATOR - UPPER	293 26 42-08/1
8	118367-01-707	EA DECORATION - DOOR - REFRIGERATOR - LOWER	293 26 42-03/2
9	118367-01-708	EA DECORATION - DOOR FREEZER - UPPER	293 26 42-12/3
10	118367-01-709	EA DECORATION - DOOR - FREEZER - LOWER	293 26 42-02/4
11	118367-01-710	EA HOLDER - BOTTLE - DOOR - REFRIGERATOR	293 26 58-01/2
12	118367-01-711	EA SHELF - DOOR - REFRIGERATOR	293 25 83-02/0
13	118367-01-712	EA RACK - DOOR - REFRIGERATOR	293 25 85-04/1

**GALLEY GROUP (CONTINUED)**



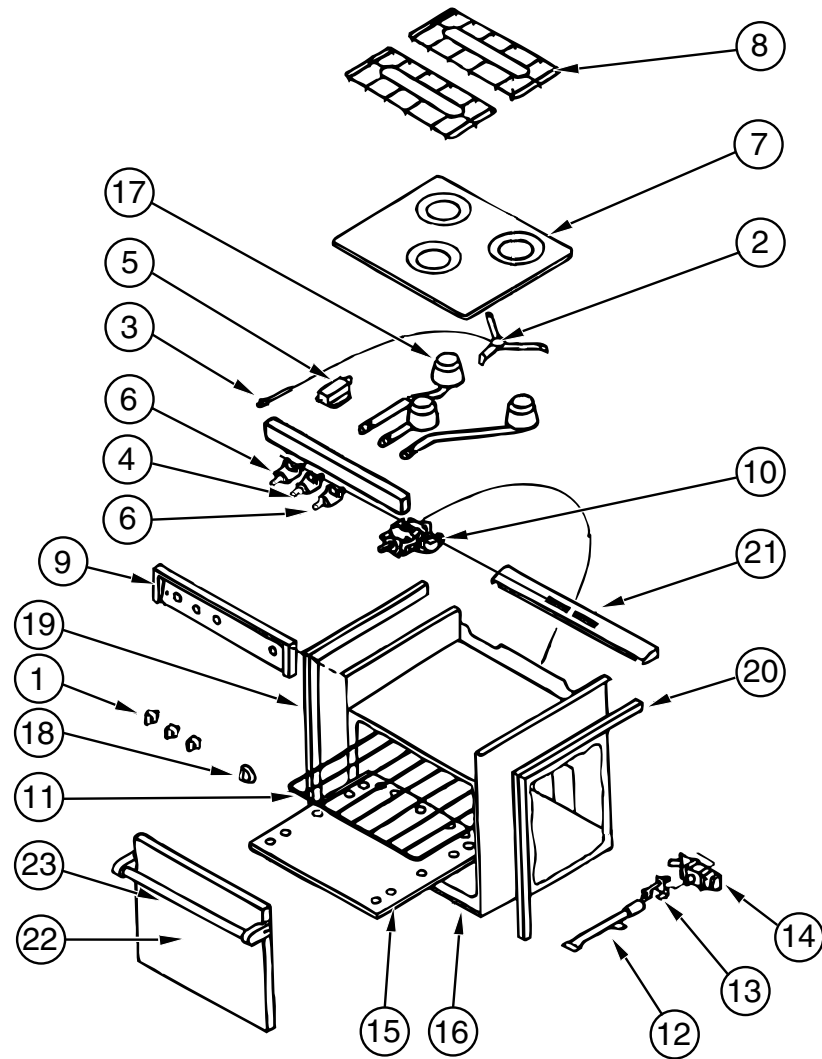
**REFRIGERATOR COOLING COIL (DOMETIC RM 7732IM)**

KEY	PART NUMBER	U/M DESCRIPTION	VENDOR NO.
1	118367-01-783	EA COIL - COOLING	293 49 45-09/4
	118871-02-01A	EA TRAY - DRAIN - REFRIGERATOR - SIDE/ SIDE BLACK	



## GALLEY GROUP (CONTINUED)

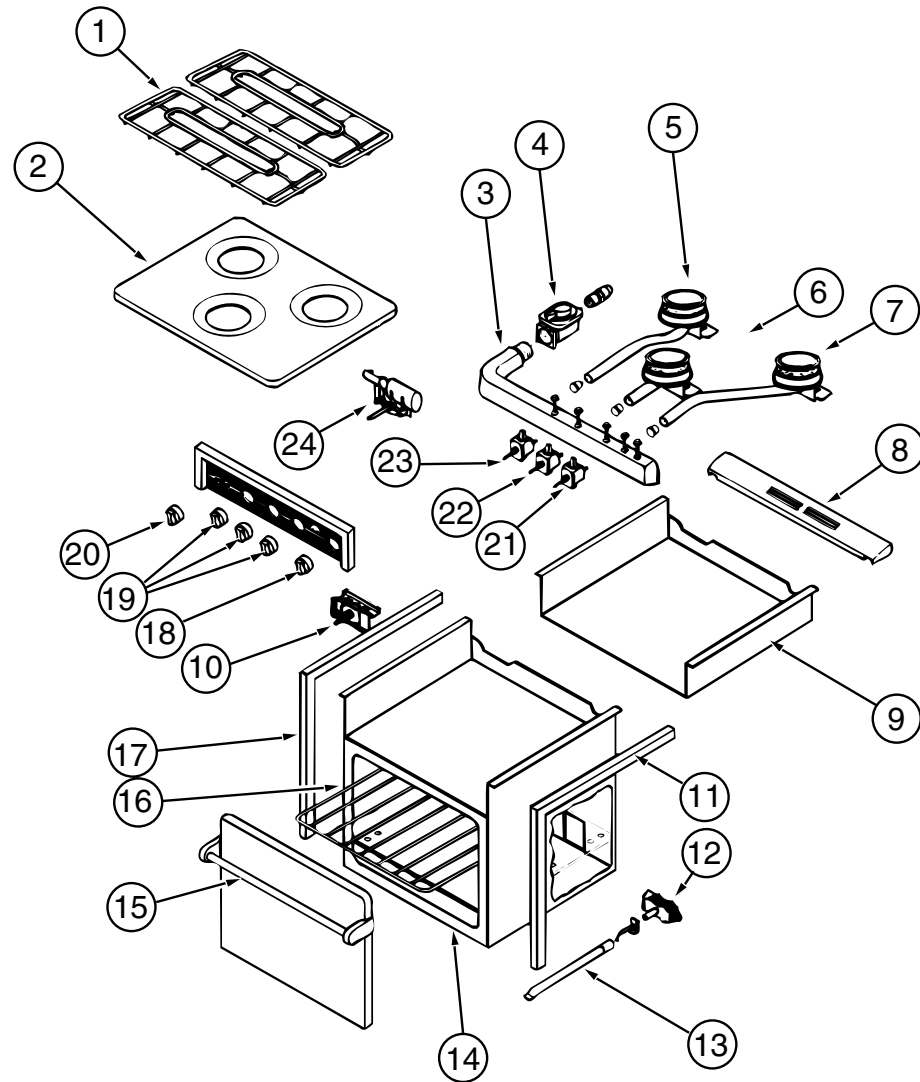
ATWOOD RANGE, 3 BURNER (BLACK R-2136BG) (FROM: 00-00-00 THRU: 02-28-96)



KEY	PART NUMBER	U/M DESCRIPTION	VENDOR NO.
	107246-01-01A	EA RANGE - W/ OVEN - 21" 3 - BURNER BLACK	
	107314-01-01A	EA RANGE COVER - BIFOLD 21" BLACK	
	105458-03-000	EA BRACKET - TIEDOWN - STOVE - RIGHT	
	105458-04-000	EA BRACKET - TIEDOWN - STOVE - LEFT	
1	101593-01-703	EA KNOB - BURNER	53000
2	106689-01-701	EA SPARK - IGNITOR ASM - HIGH OUTPUT	53078
3	106689-01-702	EA PIEZO PUSH BUTTON	52279
4	106689-01-703	EA VALVE - BURNER - ROBERT SHAW 9000 BTU	53047
5	106689-01-704	EA REGULATOR W/EXTREME PRESSURE	52154
6	107323-01-719	EA VALVE - BURNER - HARPER WYMAN 5200 BTU	51138
6	106689-01-705	EA VALVE - BURNER - ROBERT SHAW 5200 BTU	52123
7	107246-01-700	EA TOP - MAIN - BLACK	53083
8	107246-01-701	EA GRATE - BURNER	53050
9	107246-01-702	EA COVER - MANIFOLD	53072
10	107246-01-703	EA THERMOSTAT ROBERT SHAW	52122
11	107246-01-704	EA RACK - OVEN	51069
12	107246-01-705	EA BURNER - OVEN	52018
13	107246-01-706	EA PILOT ASSEMBLY - OVEN	52242
14	107246-01-707	EA VALVE - SAFETY	51177
15	107246-01-708	EA SHELF - OVEN - LOWER	51657
16	107246-01-709	EA TRIM - LOWER - BLACK	53526D
17	107246-01-710	EA BURNER - HIGH OUTPUT	53069
18	107246-01-711	EA KNOB - THERMOSTAT	53001
19	107323-01-702	EA TRIM LEFT	53023
20	107323-01-703	EA TRIM RIGHT	53024
21	107323-01-705	EA TRIM VENT	53525
	107323-01-710	EA GRATE CLIP	53301
	107323-01-711	EA RUBBER GRATE CUSHION	53008
22	107246-01-717	EA DOOR - OVEN ASM - BLACK GLASS LARGE	51835
22	107323-01-713	EA BLACKGLASS INSERT - W/ HOLE	53426
23	107323-01-714	EA HANDLE ASM. - DESIGNER STYLE	51112
	107323-01-709	EA HANDLE END CAP - W/O HOLE	53424

## GALLEY GROUP (CONTINUED)

ATWOOD RANGE, 3 BURNER (BLACK R-2137BGP) (FROM: 02-29-96 THRU: 99-99-99)



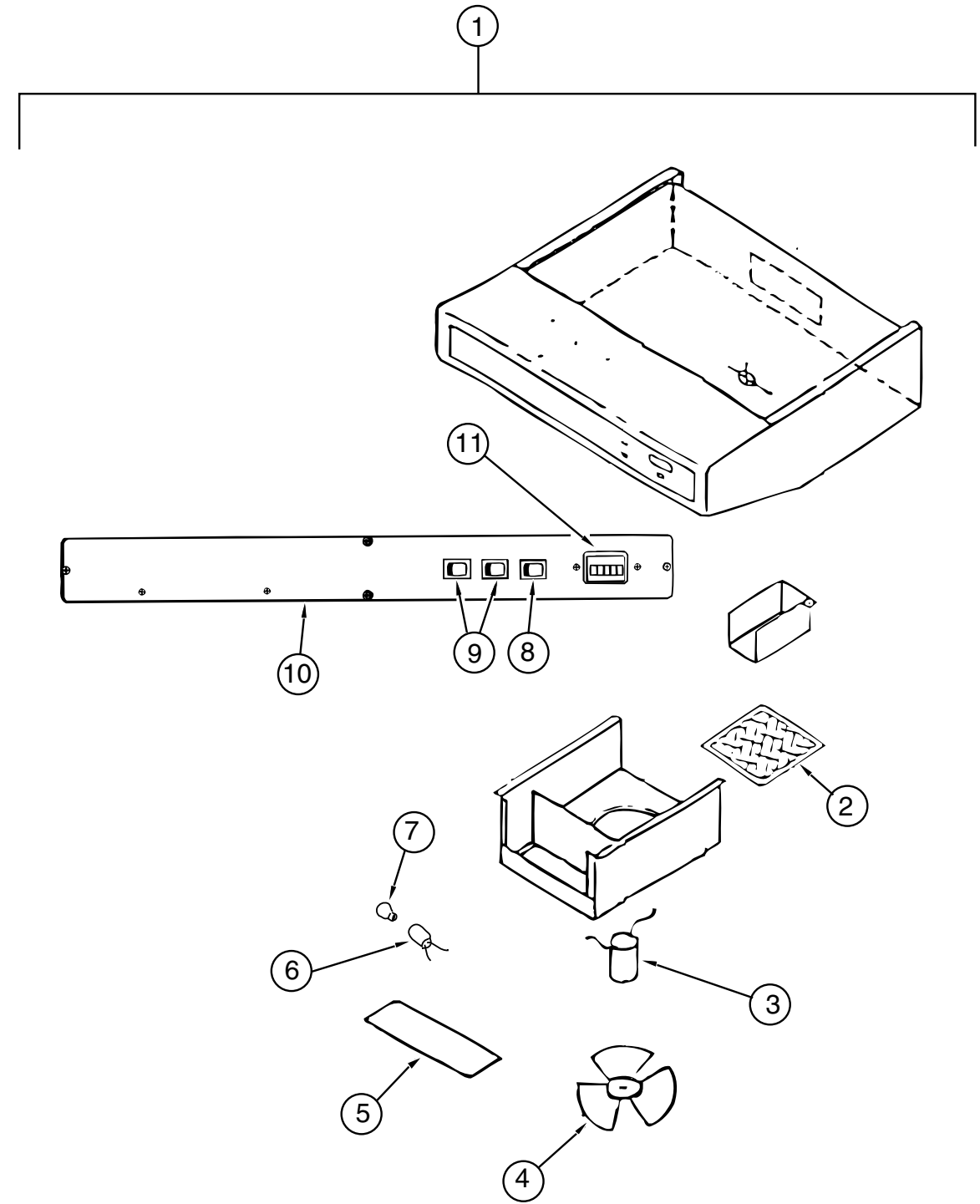
KEY	PART NUMBER	U/M	DESCRIPTION	VENDOR NO.
	121758-01-01A	EA	RANGE - W/ OVEN - BLACK - R-2137BGP	
1	107246-01-701	EA	GRATE - BURNER	53050
	107323-01-711	EA	CUSHION - GRATE - RUBBER	53008
	107323-01-716	EA	CLIP - GRATE - GREEN	50005
2	121758-01-714	EA	RANGE - TOP - ALMOND	53082
3	121758-01-709	EA	MANIFOLD 3 BURNER	51272
	121758-01-713	EA	COVER - MANIFOLD	56107
4	106689-01-704	EA	REGULATOR - EXTREME PRESSURE	51062
5	121758-01-707	EA	BURNER LEFT REAR PZO	56066
6	121758-01-708	EA	BURNER CENTER (HIGH OUTPUT)	56068
7	121758-01-706	EA	BURNER RIGHT REAR PZO	56067
8	107323-01-705	EA	TRIM - VENT	53525
9	121758-01-711	EA	BURNER BOX	51684
10	107246-01-703	EA	THERMOSTAT - ROBERT SHAW	52122
11	107323-01-703	EA	TRIM-RIGHT	53024
12	107246-01-706	EA	PILOT ASM. - ONLY (OVEN)	51065
13	107246-01-705	EA	BURNER - OVEN	52018
14	107246-01-709	EA	TRIM - LOWER - BLACK	53526D
15	107323-01-714	EA	HANDLE ASM. DESIGNER STYLE	51112
	107323-01-713	EA	GLASS - BLACK - INSERT OVEN DOOR	53426
16	107246-01-704	EA	RACK - OVEN	51069
	107246-01-708	EA	SHELF - OVEN - LOWER	51657
17	107323-01-702	EA	TRIM - LEFT	53023
18	121758-01-703	EA	KNOB THERMOSTAT	56094
19	121758-01-712	EA	KNOB - BURNER (3)	56093
20	121758-01-700	EA	KNOB (TURN STYLE) PIEZO IGN	56095
21	121758-01-710	EA	VALVE - BURNER	56086
22	121758-01-705	EA	VALVE HIGH OUTPUT	56087
23	121758-01-710	EA	VALVE - BURNER	56086
24	121758-01-701	EA	IGNITOR PIEZO (ROTARY)	56096
	121758-01-702	EA	ELECTRODE WIRE (PIEZO IGNITOR)	56097
	107246-01-707	EA	VALVE - SAFETY W/ PILOT COMP	51063

**GALLEY GROUP (CONTINUED)**

**MICROWAVE OVEN**

KEY	PART NUMBER	U/M	DESCRIPTION
	115303-01-000	EA	MICROWAVE OVEN - 14 1/8"H X 21 7/8"W X 13 1/4"D - .8 CU FT./ 700 WATT
	098916-14-01A	EA	BRACE - MICROWAVE CABINET - LEFT
	098916-15-01A	EA	BRACE - MICROWAVE CABINET - RIGHT
	115401-01-01A	EA	TRIM - MICROWAVE - BLACK
	094756-02-01A	EA	BRACKET - MICROWAVE - 6.1" LONG X 3.9" WIDE - STEEL - TAN
	094756-01-02A	EA	BRACKET - ANGLE - W/ HOLES - MILL

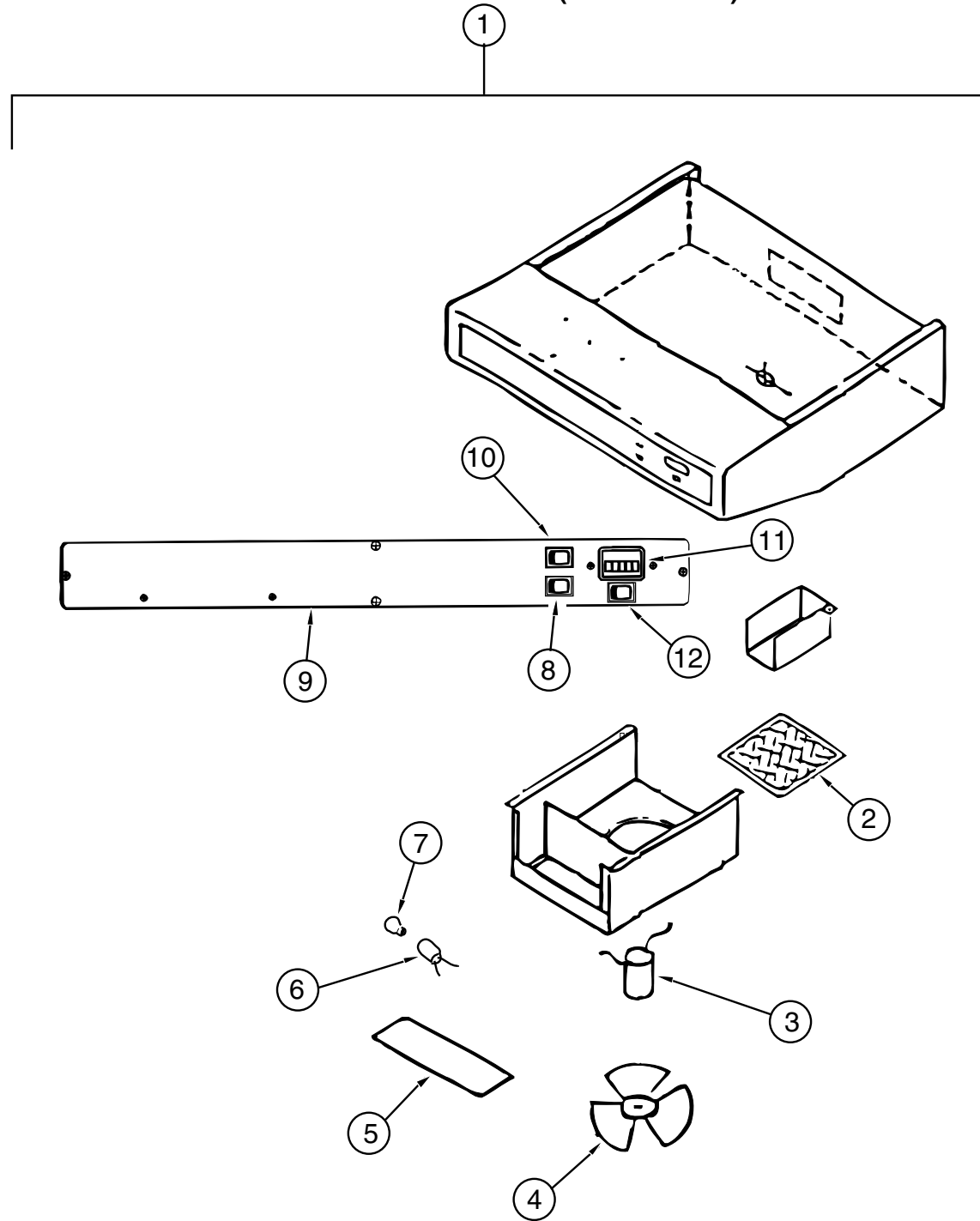
**GALLEY GROUP (CONTINUED)**



**RANGE HOOD , W/HOUR METER, TPS-5009-SBDLG (USA)**

KEY	PART NUMBER	U/M	DESCRIPTION	VENDOR NO.
1	100258-18-03A	EA	HOOD - RANGE 22W W/O MONITOR PANEL	
2	096983-01-707	EA	FILTER - GREASE - 8" X 8" - LVS	CC246
3	090973-01-700	EA	MOTOR - LVS	CA508-1
4	090973-01-702	EA	BLADE - FAN - LVS	VA183-1
5	092696-02-701	EA	LENS - LAMP	CC179
6	092696-01-710	EA	SOCKET - LIGHT	CB267-2
7	092696-01-709	EA	BULB - 912	VA415
8	096983-01-702	EA	SWITCH - TWO WAY MOMENTARY	112
9	096983-01-700	EA	SWITCH - ON/OFF	108
10	100258-01-700	EA	HOOD NOSE LABEL	CC428
11	100258-10-01A	EA	GAUGE - HOUR METER W/ SWITCH - SCREW ON - 150	
11	100258-10-701	EA	GAUGE - HOUR METER - CLIP ON	72367

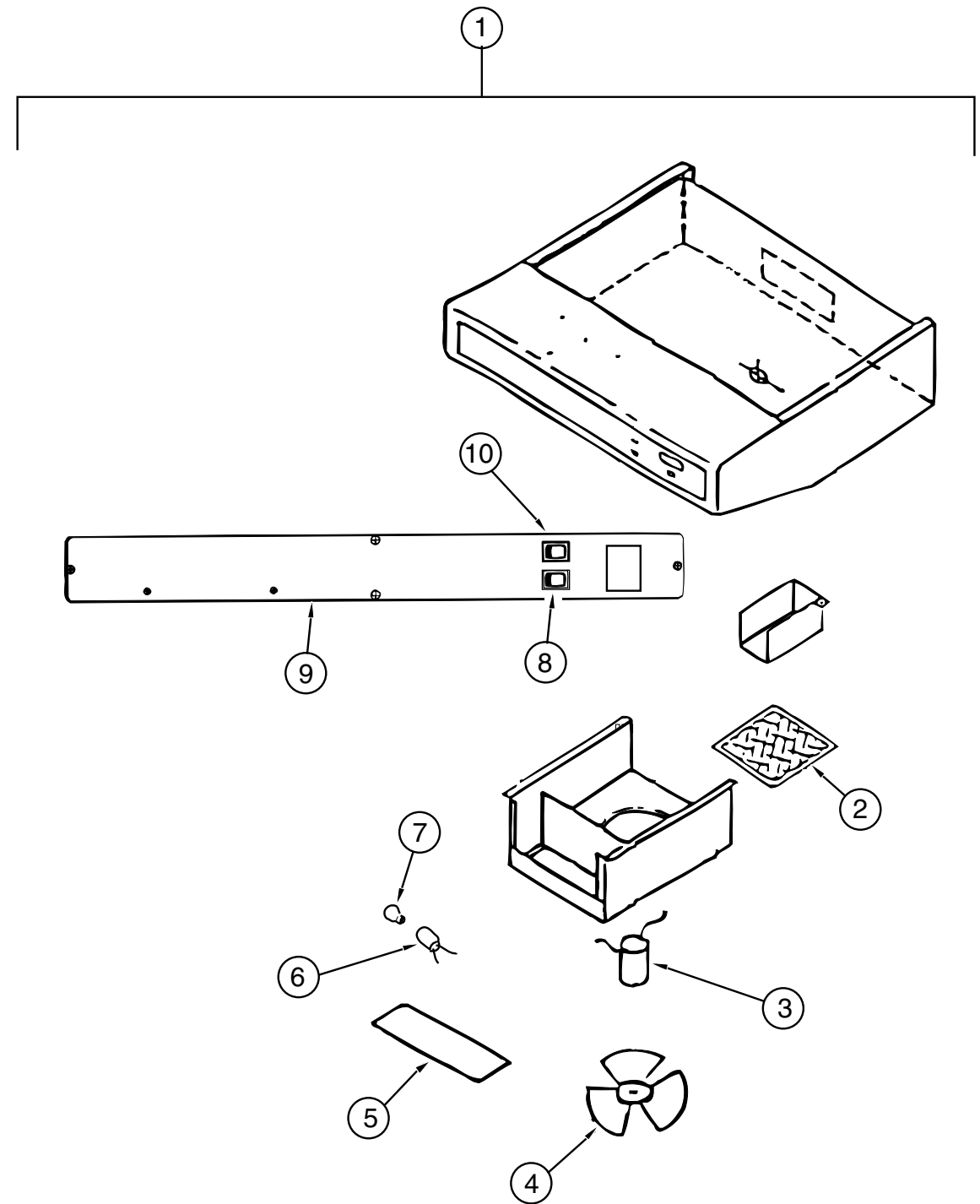
**GALLEY GROUP (CONTINUED)**



**RANGE HOOD , W/O HOUR METER, TCS 5008-NBCLG (CANADIAN)**

KEY	PART NUMBER	U/M DESCRIPTION	VENDOR NO.
1	100258-17-04A	EA HOOD - RANGE - W/O MONITOR PANEL	
2	096983-01-707	EA FILTER - GREASE - 8" X 8" - LVS	CC246
3	090973-01-700	EA MOTOR - LVS	CA508-1
4	090973-01-702	EA BLADE - FAN - LVS	VA183-1
5	092696-02-701	EA LENS - LAMP	CC179-2
6	092696-01-710	EA SOCKET - LIGHT	CB267-2
7	092696-01-709	EA BULB - 912	VA415
8	096983-01-700	EA SWITCH - ON/OFF	108
9	100258-01-700	EA HOOD NOSE LABEL	CC428
10	096983-01-700	EA SWITCH - ON/OFF	108
11	100258-10-01A	EA GAUGE - HOUR METER - SCREW ON (OPTION) - 150	
11	100258-10-701	EA GAUGE - HOUR METER - CLIP ON (OPTION)	72367
12	096983-01-702	EA SWITCH - TWO WAY MOMENTARY (OPTION)	112

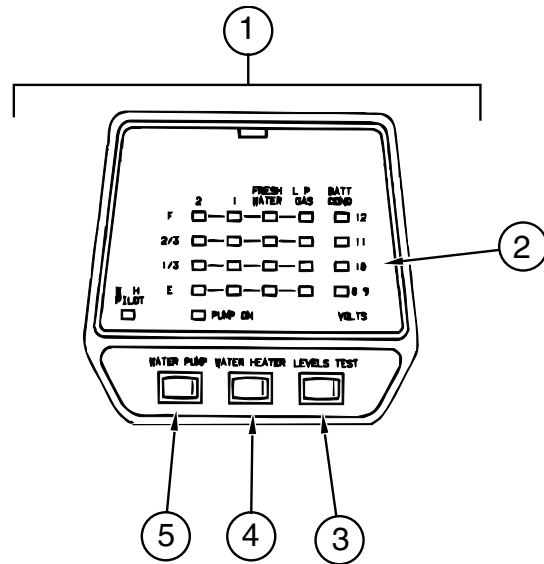
**GALLEY GROUP (CONTINUED)**



**RANGE HOOD , W/O HOUR METER, TCS-5008-NBDLG (USA)**

KEY	PART NUMBER	U/M DESCRIPTION	VENDOR NO.
1	100258-16-04A	EA HOOD - RANGE - W/O MONITOR PANEL	
2	096983-01-707	EA FILTER - GREASE - 8" X 8" - LVS	CC246
3	090973-01-700	EA MOTOR - LVS	CA508-1
4	090973-01-702	EA BLADE - FAN - LVS	VA183-1
5	092696-02-701	EA LENS - LAMP	CC179
6	092696-01-710	EA SOCKET - LIGHT	CB267-2
7	092696-01-709	EA BULB - 912	VA415
8	096983-01-700	EA SWITCH - ON/OFF	108
9	100258-01-700	EA HOOD NOSE LABEL	CC428
10	096983-01-702	EA SWITCH - TWO WAY MOMENTARY	112

**GALLEY GROUP (CONTINUED)**



**MONITOR PANEL (2 WATER TANKS & WATER HEATER)**

KEY	PART NUMBER	U/M	DESCRIPTION	VENDOR NO.
1	102765-04-01A	EA	PANEL - MONITOR - W/ PLUG - 2 TANKS & WATER HEATER - LVS	
2	102765-04-700	EA	CIRCUIT BOARD - 2 HOLDING TANKS	5076-11
3	097617-01-702	EA	SWITCH (ALMOND)	107
4	097617-01-701	EA	SWITCH - ON/OFF - ALMOND	106
5	102765-01-700	EA	SWITCH - ON-ON - ALMOND	110-01

**GENERATOR GROUP**

**ONAN GENERATOR, 5.0 KW EMERALD PLUS**

KEY	PART NUMBER	U/M	DESCRIPTION
	109303-01-000	EA	GENERATOR - 5.0 KW EMERALD PLUS
	007125-03-000	EA	CLAMP - MUFFLER - 1.5" DIA
	007125-04-000	EA	CLAMP - MUFFLER - 1.1" DIA
	081364-03-000	EA	MUFFLER - GENERATOR - ONAN
	079654-05-000	EA	PIPE - EXHAUST - ANGLED - W/FLANGE - 2" ID - ONAN# 154-2539
	106602-01-000	EA	PIPE - EXHAUST - GENERATOR
	106607-01-000	EA	ANGLE - SUPPORT - EXHAUST
	094059-01-000	EA	SPACER

**ONAN GENERATOR, 3.5 KW EMERALD PLUS (BGE-FN/29236G) (EXPORT)**

KEY	PART NUMBER	U/M	DESCRIPTION
	100974-04-000	EA	GENERATOR - 4.0 KW EMERALD PLUS
	106602-01-000	EA	PIPE - EXHAUST - GENERATOR
	007125-03-000	EA	CLAMP - MUFFLER - 1.5" DIA
	007125-04-000	EA	CLAMP - MUFFLER - 1.1" DIA
	079654-05-000	EA	PIPE - EXHAUST - ANGLED - W/FLANGE - 2" ID - ONAN# 154-2539
	081364-03-000	EA	MUFFLER - GENERATOR - ONAN
	106607-01-000	EA	ANGLE - SUPPORT - EXHAUST
	094059-01-000	EA	SPACER

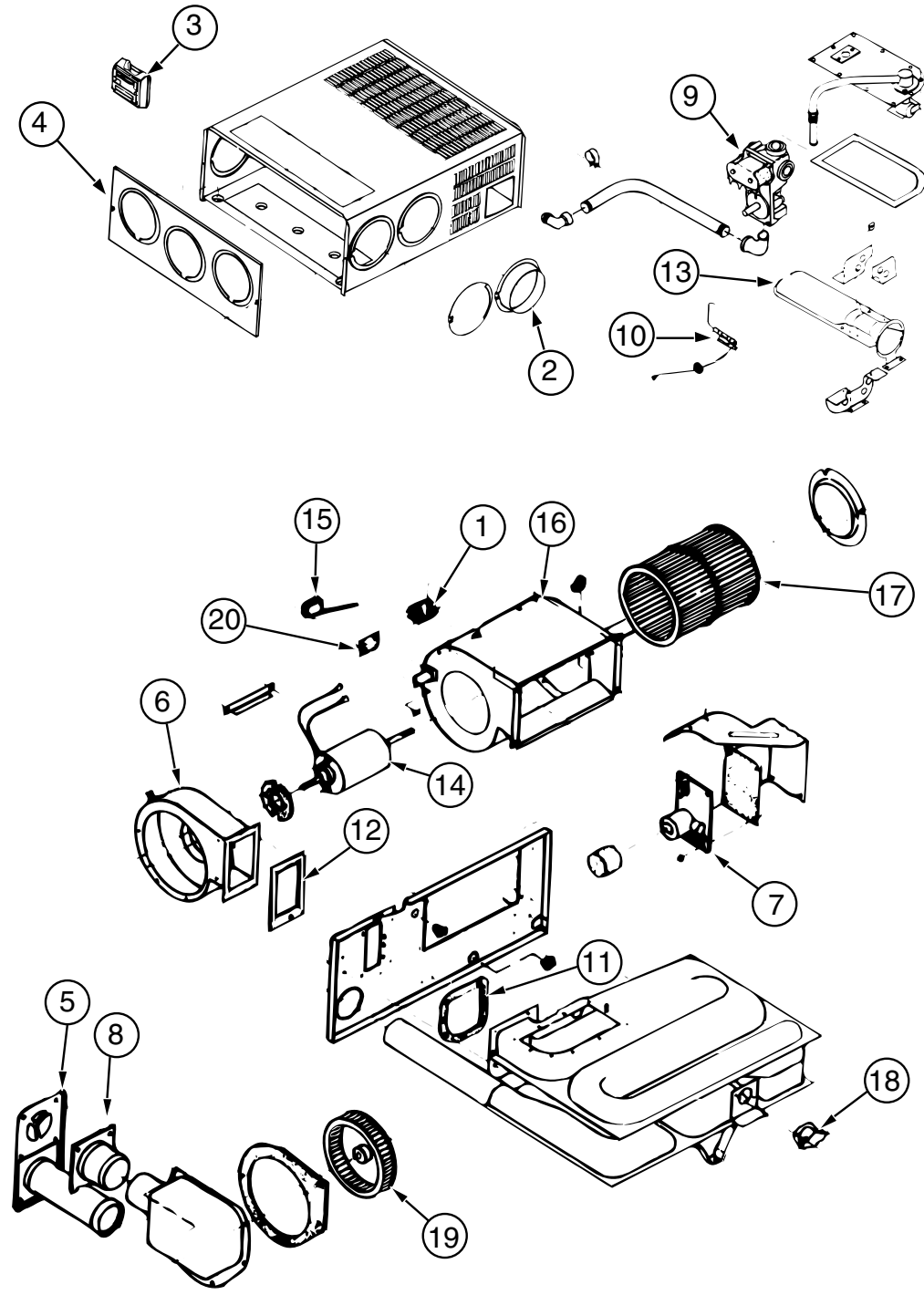
**ONAN GENERATOR, 6.5 KW EMERALD PLUS (NHE-FA/26100G)**

KEY	PART NUMBER	U/M	DESCRIPTION
	100975-01-000	EA	GENERATOR - 6.5 KW EMERALD PLUS
	106602-01-000	EA	PIPE - EXHAUST - GENERATOR
	007125-03-000	EA	CLAMP - MUFFLER - 1.5" DIA
	007125-04-000	EA	CLAMP - MUFFLER - 1.1" DIA
	079654-05-000	EA	PIPE - EXHAUST - ANGLED - W/FLANGE - 2" ID - ONAN# 154-2539
	081364-03-000	EA	MUFFLER - GENERATOR - ONAN
	106607-01-000	EA	ANGLE - SUPPORT - EXHAUST
	094059-01-000	EA	SPACER

**NOTE:** ADDITIONAL GENERATOR COMPONENTS ARE FOUND IN THE CHASSIS GROUP

# HEATING & AIR CONDITIONING GROUP

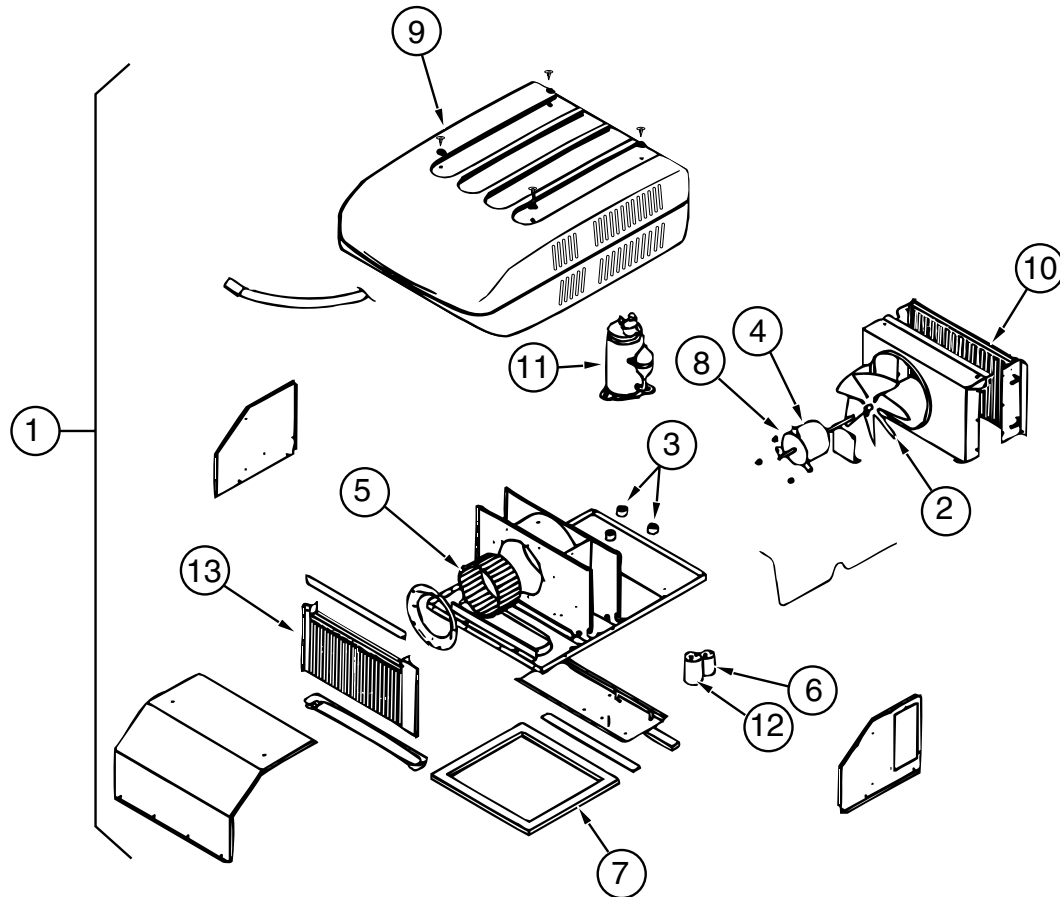
## FURNACE (SUBURBAN SF-42 2275)



KEY	PART NUMBER	U/M	DESCRIPTION	VENDOR NO.
	098668-22-000	EA	FURNACE - 40,000 BTU	
1	074466-01-702	EA	RELAY - TIME DELAY	230625
2	075696-02-703	EA	DUCT COLLAR	050715
3	115764-01-01A	EA	THERMOSTAT - WALL - FURNACE - 160902	
4	098668-01-700	EA	CABINET FRONT	101242
5	098668-01-707	EA	VENT CAP & EXHAUST TUBE ASM	260231
6	098668-01-708	EA	BLOWER ASM (COMBUSTION AIR)	390441
7	098668-01-712	EA	BOARD - MODULE	231741
8	098668-01-713	EA	INTAKE VENT TUBE ASM	051248
9	098668-01-714	EA	GAS VALVE (WHITE ROGERS)	161070
10	098668-01-715	EA	ELECTRODE ASM. (SINGLE PROBE)	232166
11	098668-01-716	EA	GASKET FIREWALL (CHAMBER SIDE)	070808
12	098668-01-717	EA	GASKET FIREWALL(BLOWER SIDE)	070809
13	098668-11-701	EA	BURNER ASM COMP (SF-42F)	010799
14	098668-11-702	EA	MOTOR ASM COMP (SF-42F)	232212
15	098668-11-703	EA	SWITCH - SAIL ASM (SF-42F)	232216
16	098668-11-704	EA	BLOWER ASM ROOM AIR (SF-42F)	390698
17	098668-01-711	EA	WHEEL - ROOM AIR	350129
18	098668-11-706	EA	LIMIT SWITCH (SF-42F)	232217
19	098668-22-702	EA	WHEEL COMBUSTION AIR	350183
20	101990-01-714	EA	MICROSWITCH GASKET	230877
	098668-11-700	EA	ORIFICE - MAIN BURNER SF-42F	180216
	009198-01-000	FT	DUCT - HEAT - FLEXIBLE - 4" ID X 25 FT	
	009200-01-000	EA	TAPE - FURNACE - 1 1/2"	
	098668-13-000	EA	GASKET - FIBERGLASS - .5" X 16.37" X 17.56"	
	093741-01-000	EA	BOX - BOOT - FLOOR REGISTER	
	093614-02-02A	EA	GRILL-RETURN AIR,DURA-BEIGE - LIMA,19H-8X8BR-RAG	
	093614-04-02A	EA	GRILL-RETURN AIR,DURA-BEIGE *LIMA,35-14X8BR	
	056464-10-000	EA	REGISTER - W/O DAMPER - 4" DIAMETER	

# HEATING & AIR CONDITIONING GROUP (CONTINUED)

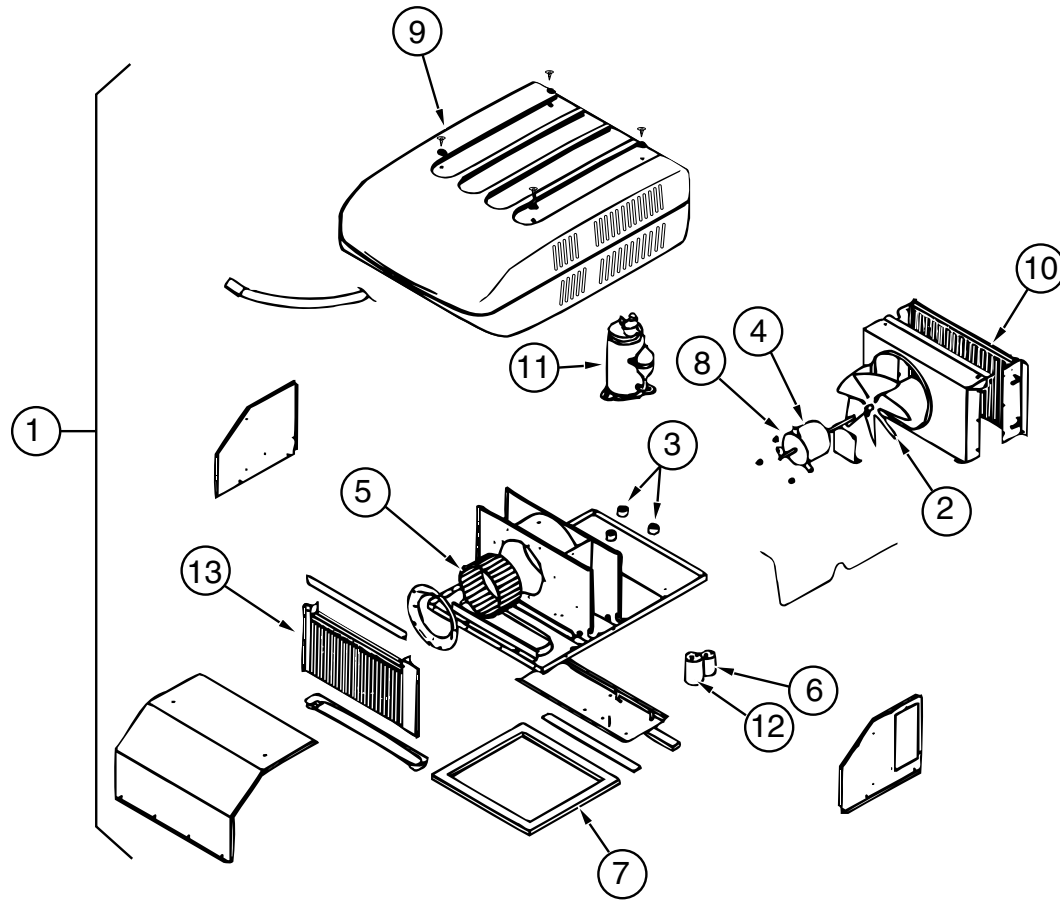
## COLEMAN ROOF AIR 13,500 BTU (EXPORT)



KEY	PART NUMBER	U/M DESCRIPTION	VENDOR NO.
1	108889-02-03A	EA A/C - ROOF - 13,500 TSR HO IVORY - 7373A891	
2	093763-01-712	EA FAN BLADE - CONDENSER	6733-3221
3	105620-01-706	EA FOOT PKG - COMPRESSOR - 3 PER PACKAGE	6759-3081
4	108889-02-701	EA MOTOR	1468-3059
5	108889-01-706	EA IMPELLOR	1472-1041
6	093763-01-704	EA CAPACITOR - FAN	1499-3461
7	108889-01-711	EA GASKET PACKAGE	6792-3301
8	108889-01-715	EA MOTOR MOUNT & SHAFT SEAL KIT	6792-3361
9	108889-05-700	EA SHROUD (BRIGHT WHITE) LESS LOGO	7333-4601
10	108889-01-703	EA CONDENSER COIL	1452A1301
11	108889-02-700	EA COMPRESSOR	1452-2029
12	108889-01-707	EA RUN CAPACITOR (COMP-25MFD/ 370)	1499-5661
13	108889-01-709	EA EVAPORATOR COIL	1452A1311
	108889-02-703	EA START RELAY	1497-4141
	093306-01-701	EA DECAL PKG - LEFT & RIGHT	6798B3591
	108889-01-710	EA FILLER PAD - COND AIR SEAL	6759A3971
	108889-01-713	EA SUCTION LINE (3/8 OD X .032 WALL)	6792-130
	108889-01-714	EA DISCHARGE LINE ASM.	6792-531
	108891-01-01A	EA CEILING ASM - A/C DUCTED - 7330-730 IV	
	081606-01-712	EA SHROUD - CEILING - IVORY	6769-5061
	102289-01-000	EA SPRING - SCREW - ROOF A/C GASKET - 6757-150	
	105620-01-705	EA PROTECTOR - OVERLOAD - RH & LH	6759-3791
	108889-02-702	EA CAPACITOR - START	1497-0891
	042204-01-709	EA THERMOSTAT - IN 64 OUT 58	6701-3401
	073742-01-701	EA SWITCH - SELECTOR (5 TERMINAL)	6759-3251
	073742-01-702	EA DECAL - COOL ONLY	6759C3431
	091225-01-713	EA KNOB	6701-3351
	093766-02-701	EA DECAL - LEFT	6799-3971
	108891-01-700	EA PARTS PKG. SGL (KNOB & NUTS)	6792-5991
	108891-01-701	EA CLIP - FILTER RETAINER - 6 PER	6799-3141
	073937-03-000	EA SWITCH - ROTARY SELECTOR - 3 DECK - A/C - CA20-USA892	
	056464-06-000	EA REGISTER - HEAT/ A/C - ROUND W/O DAMPER - 4" - PLASTIC - OFF WHITE	
			FROM: 00-00-00 THRU: 03-17-96
	120134-01-01A	EA REGISTER - 4-5IN DIA W/ DAMPER - OFF WHITE	
			FROM: 03-18-96 THRU: 99-99-99

# HEATING & AIR CONDITIONING GROUP (CONTINUED)

## COLEMAN ROOF AIR 13,500 BTU (US, CSA)

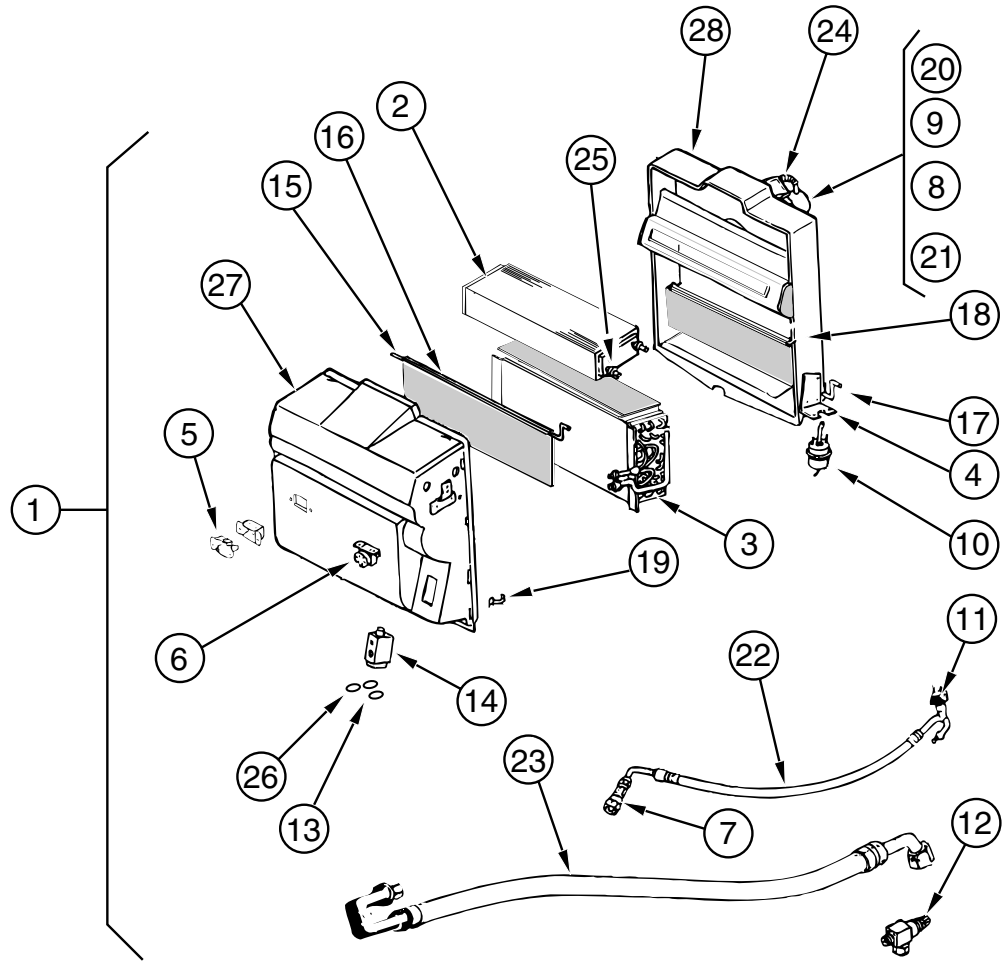


KEY	PART NUMBER	U/M DESCRIPTION	VENDOR NO.
1	108889-01-05A	EA A/C - ROOF - 13,500 TSR HO IVORY - 7333A886	
2	093763-01-712	EA FAN BLADE - CONDENSER	6733-3221
3	105620-01-706	EA FOOT PKG - COMPRESSOR - 3 PER PACKAGE	6759-3081
4	108889-01-705	EA MOTOR (115 - 60HZ)	1468-3049
5	108889-01-706	EA IMPELLOR	1472-1041
6	093763-01-704	EA CAPACITOR - FAN	1499-3461
7	108889-01-711	EA GASKET PACKAGE	6792-3301
8	108889-01-715	EA MOTOR MOUNT & SHAFT SEAL KIT	6792-3361
9	108889-05-700	EA SHROUD (BRIGHT WHITE) LESS LOGO	7333-4601
10	108889-01-703	EA CONDENSER COIL	1452A1301
11	105620-01-704	EA COMPRESSOR - RH & LH	1450-2009
12	108889-01-707	EA RUN CAPACITOR (COMP-25MFD/ 370)	1499-5661
13	108889-01-709	EA EVAPORATOR COIL	1452A1311
	091225-01-710	EA CAPACITOR-START	1497-0881
	108889-01-704	EA OVERLOAD (MRA#98693)	6749-3541
	091225-01-709	EA START RELAY	1497-4131
	093306-01-701	EA DECAL PKG - LEFT & RIGHT	6798B3591
	108889-01-710	EA FILLER PAD - COND AIR SEAL	6759A3971
	108889-01-712	EA SUCTION LINE REDUCER (3/8 X 1/2)	1215-2161
	108889-01-713	EA SUCTION LINE (3/8 OD X .032 WALL)	6792-130
	108889-01-714	EA DISCHARGE LINE ASM.	6792-531
	108892-01-01A	EA CEILING ASM - A/C DUCTED - 7330-730 IV	
	108892-01-700	EA PLUG ASSEMBLY	7330-540
	108892-01-701	EA TERMINAL BOARD	7330-3201
	108892-01-702	EA PRINTED CIRCUIT BOARD	7330-3211
	108892-01-703	EA FILTER	6798A3761
	108889-01-720	EA TUBE-CAP	6792-1351
	108892-01-704	EA GRILLE (PLASTIC)	6798-3041
	108892-01-705	EA SMALL PARTS PKG	7330A6101
	102289-01-000	EA SPRING - SCREW - ROOF A/C GASKET - 6757-150	
	117238-01-01A	EA THERMOSTAT - A/C AND FURNACE - 7330-3371	
	117238-02-01A	EA THERMOSTAT - A/C ONLY - 7330-3381	
	056464-06-000	EA REGISTER - HEAT/ A/C - ROUND W/O DAMPER - 4" - PLASTIC - OFF WHITE	
			FROM: 00-00-00 THRU: 03-17-96
	120134-01-01A	EA REGISTER - 4-5IN DIA W/ DAMPER - OFF WHITE	
			FROM: 03-18-96 THRU: 99-99-99



# HEATING & AIR CONDITIONING GROUP (CONTINUED)

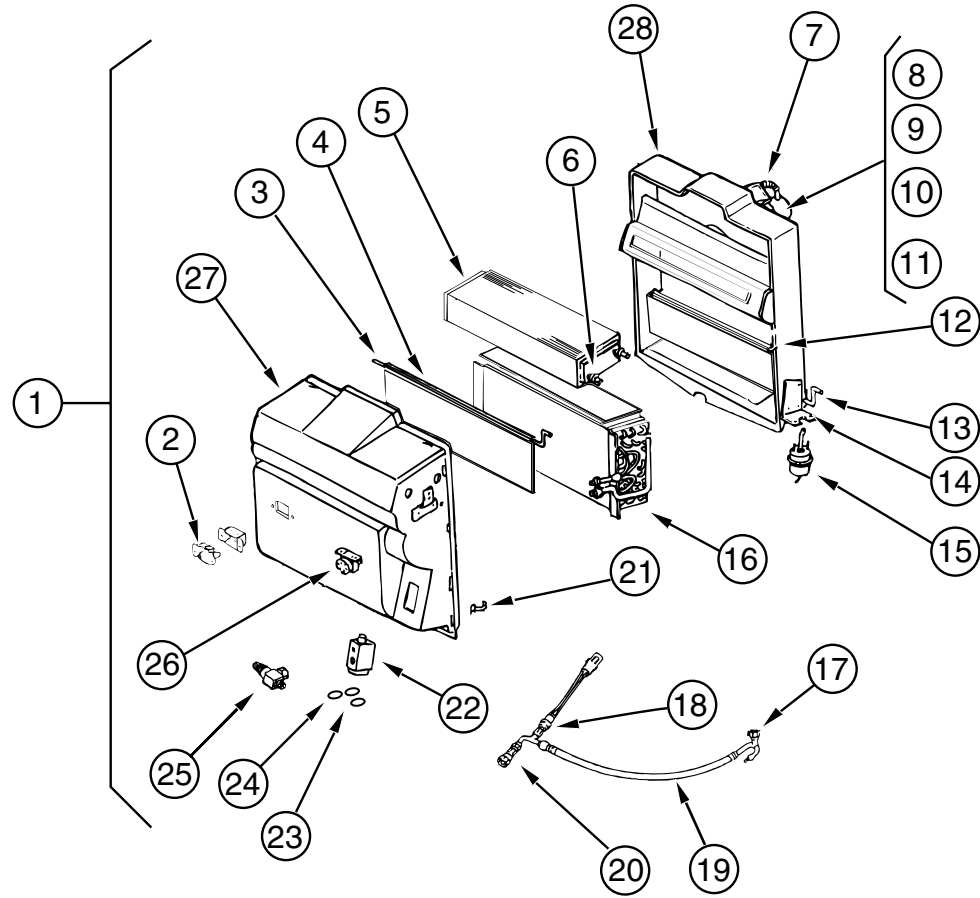
## SCS AUTOMOTIVE AIR CONDITIONING (FORD)



KEY	PART NUMBER	U/M DESCRIPTION	VENDOR NO.
1	103930-21-000	EA EVAPORATOR/ HEATER ASSEMBLY - 090-00084	
2	103930-01-703	EA COIL - HEATER	042-0010
3	103930-01-704	EA COIL EVAPORATOR	041-0017
4	103930-01-708	EA BRACKET - VACUUM MOTOR	070-0113
5	103930-01-710	EA RESISTOR - FUSED	035-0006
6	103930-01-711	EA THERMOSTAT	033-0003
7	103930-01-713	EA FITTING - QUICK CONNECT - #4	050-003
8	103930-01-717	EA WHEEL - CLOCKWISE	062-0010
9	103930-01-720	EA MOTOR	030-0004
10	103930-02-708	EA MOTOR - VACUUM SERVO - A/C	030-0025
11	103930-12-708	EA SWITCH - BINARY - R-134A	032-0048
12	103930-13-702	EA SERVICE VALVE W/O C.P.	050-152
13	103930-17-702	EA O'RING #10	045-0127
14	103930-20-700	EA VALVE EXPANSION BLOCK (2 TON)	034-0032
15	103930-20-702	EA ROD F/BLEND AIR DOOR	073-0039
16	103930-20-703	EA DOOR - BLEND AIR	071-0212
17	103930-20-704	EA ROD - DOOR - RECIRCULATING	073-0018
18	103930-20-705	EA DOOR PANEL - RECIRCULATING	071-0213
19	103930-20-706	EA CLIP - RETAINER	022-0057
20	103930-20-707	EA BLOWER HOUSING	062-0145
21	103930-20-708	EA CLIP F/ MOTOR SHAFT	022-0001
22	103930-21-700	EA HOSE ASM. - #6	085-0139
23	103930-21-701	EA HOSE ASM. - #10	085-0140
24	110279-01-703	EA HOSE - VENT - MOTOR BLOWER	70510034
25	110279-01-712	EA HEATER FITTING	
26	113245-01-707	EA O'RING #8	045-0126
27	103930-20-710	EA CASE - FRONT - SUB-ASM.	062-0146
28	103930-20-711	EA CASE - BACK - SUB-ASM.	062-0147
	007281-01-000	EA HOSE - FLEXIBLE PVC - 2.5"ID X 50' - ATCOFLEX - A-182-355	
	072341-06-700	EA SWITCH - 4 SPEED - FAN	032-0043
	094831-01-709	EA CLAMPS - ROD - 3/16" - MOTIVAIR	ZGG14431
	103930-02-701	EA SWITCH - VACUUM - CONTROL HEAD	034-0015
	103930-02-702	EA DECAL - FAN SWITCH	058-0008
	103930-02-703	EA HARNESS - WIRE CONTROL	036-0048
	103930-02-704	EA HARNESS - VACUUM CONTROL	036-0049
	103930-02-705	EA CABLE - CONTROL - BOWDEN	074-0011
	103930-02-706	EA CLIP - CABLE - CONTROL	022-0017
	103930-02-707	EA RELAY	031-0001
	103930-02-708	EA MOTOR - VACUUM - SERVO - A/C	030-0025
	103930-02-710	EA CANISTER - VACUUM	054-0002
	103930-23-000	EA VALVE - WATER - 2 PORT - 034-00114	
	103930-24-000	EA VALVE - WATER - 4 PORT - 034-00035	
	103930-02-712	EA CONTROL PANEL - A/C & HEAT - BLACK FACING	032-0054
	103930-04-000	EA CONTROL/ PLENUM SET	
	103930-05-000	EA MANUAL - OWNERS - HEATER - A/C - 057-0049	
	103930-17-000	EA HOSE KIT - #10 GM - SANDEN COMP - 093-00076	
	103930-17-700	EA FITTING - PAD COMP. SUCTION SAN	050-0131
	103930-17-701	EA FITTING - #10.90 W/FERRULE/1342CP	050-0132
	103930-17-702	EA GASKET OR SAE 015 = #10 33-781	045-0127
	103930-17-703	EA GASKET - SEAL,SANDEW COMP33-76	045-0142
	103930-17-704	EA HOSE ASSY - #10	085-0113
	024990-05-000	EA 4" DIAMETER OUTLET - W/ SWIVEL DEFLECTORS	
	103016-01-000	EA PLENUM - TRANSITION	
	103017-01-000	EA PLENUM - DEFROSTER	
	103558-01-06A	EA VENT - DEFROSTER - ABS QUICK SILVER	
	103796-01-01A	EA LOUVER ASM - A/C CARY PROD BLACK	
	056402-05-000	EA BRACKET - HEATER VENT - ROUND - W/ BEND - BLACK	
	077075-01-000	EA GASKET - INSTRUMENT PANEL TO DEFROSTER PLENUM - .6" X 11.3"	
	077075-03-000	EA GASKET - INSTRUMENT TO DEFROSTER PLENUM - SPL	

## HEATING & AIR CONDITIONING GROUP (CONTINUED)

SCS AUTOMOTIVE AIR CONDITIONING (CHEVY) (FROM: 00-00-00 THRU: 01-14-96)



KEY	PART NUMBER	U/M DESCRIPTION	VENDOR NO.
1	103930-20-000	EA EVAPORATOR/ HEATER ASSEMBLY - 090-00084	
2	103930-01-710	EA RESISTOR - FUSED	035-0006
3	103930-20-702	EA ROD F/BLEND AIR DOOR	073-0039
4	103930-20-703	EA DOOR - BLEND AIR	071-0212
5	103930-01-703	EA COIL - HEATER	042-0010
6	110279-01-712	EA HEATER FITTING	
7	110279-01-703	EA HOSE - VENT - MOTOR BLOWER	70510034
8	103930-01-717	EA WHEEL - CLOCKWISE	062-0010
9	103930-01-720	EA MOTOR	030-0004
10	103930-20-707	EA BLOWER HOUSING	062-0145
11	103930-20-708	EA CLIP F/ MOTOR SHAFT	022-0001
12	103930-20-705	EA DOOR PANEL - RECIRCULATING	071-0213
13	103930-20-704	EA ROD - DOOR - RECIRCULATING	073-0018
14	103930-01-708	EA BRACKET - VACUUM MOTOR	070-0113
15	103930-02-708	EA MOTOR - VACUUM SERVO - A/C	030-0002
16	103930-01-704	EA COIL EVAPORATOR	041-0017
17	103930-12-708	EA SWITCH - BINARY - R-134A	032-0048
18	103930-01-716	EA SWITCH - PRESSURE - FAN	032-0036
19	103930-20-701	EA HOSE ASM. - #6 GM	085-0138
20	103930-12-709	EA FITTING - QUICK CONNECT	050-0120
21	103930-20-706	EA CLIP - RETAINER	022-0057
22	103930-20-700	EA VALVE EXPANSION BLOCK (2 TON)	034-0032
23	103930-17-702	EA O'RING #10	045-0127
24	113245-01-707	EA O'RING #8	045-0126
25	103930-20-709	EA SERVICE VALVE W/O C.P.	050-0159
26	103930-01-711	EA THERMOSTAT	033-0003
27	103930-20-710	EA CASE - FRONT - SUB-ASSEMBLY	062-0146
28	103930-20-711	EA CASE - BACK - SUB-ASSEMBLY	062-0147
	007281-01-000	EA HOSE - FLEXIBLE PVC - 2.5"ID X 50' - ATCOFLEX - A-182-355	
	072341-06-700	EA SWITCH - 4 SPEED - FAN	032-0043
	094831-01-709	EA CLAMPS - ROD - 3/16" - MOTIVAIR	ZGG14431
	103930-02-701	EA VALVE - CONTROL HEAD	034-0015
	103930-02-702	EA DECAL - FAN SWITCH	058-0008
	103930-02-703	EA HARNESS - WIRE CONTROL	036-0048
	103930-02-704	EA HARNESS - VACUUM CONTROL	036-0049
	103930-02-705	EA CABLE - CONTROL - BOWDEN	074-0011
	103930-02-706	EA CLIP - CABLE - CONTROL	022-0017
	103930-02-707	EA RELAY	031-0001
	103930-02-708	EA MOTOR - VACUUM - SERVO - A/C	030-0025
	103930-02-710	EA CANISTER - VACUUM	054-0002
	103930-23-000	EA VALVE - WATER - 2 PORT - 034-00114	
	103930-24-000	EA VALVE - WATER - 4 PORT - 034-00035	
	103930-02-712	EA CONTROL PANEL - A/C & HEAT - BLACK FACING	
	103930-04-000	EA CONTROL/ PLENUM SET - 093-00037	
	103930-05-000	EA MANUAL - OWNERS - HEATER - A/C - 057-0049	
	024990-05-000	EA 4" DIAMETER OUTLET - W/ SWIVEL DEFLECTORS	
	103016-01-000	EA PLENUM - TRANSITION	
	103017-01-000	EA PLENUM - DEFROSTER	
	103558-01-06A	EA VENT - DEFROSTER - ABS QUICK SILVER	
	103796-01-01A	EA LOUVER ASM - A/C CARY PROD BLACK	
	056402-05-000	EA BRACKET - HEATER VENT - ROUND - W/ BEND - BLACK	
	077075-01-000	EA GASKET - INSTRUMENT PANEL TO DEFROSTER PLENUM - .6" X 11.3"	
	077075-03-000	EA GASKET - INSTRUMENT TO DEFROSTER PLENUM - SPL	

## HEATING & AIR CONDITIONING GROUP (CONTINUED)

SCS AUTOMOTIVE AIR CONDITIONING (CHEVY) (FROM: 01-15-96 THRU: 99-99-99)

KEY	PART NUMBER	U/M DESCRIPTION	VENDOR NO.
	103930-25-000	EA EVAPORATOR/ HEATER - CHEVY "96"	
	094831-01-709	EA CLAMP - ROD 3/16"	022-0025
	094831-01-746	EA CLAMP - BLEND AIR CABLE	022-0031
	103930-01-703	EA CORE - HEATER	042-0010
	103930-01-704	EA COIL - EVAPORATOR	041-0017
	103930-01-708	EA BRACKET - VACUUM MOTOR	070-0113
	103930-01-710	EA RESISTOR - FUSED - A/C	035-0006
	103930-01-711	EA THERMOSTAT	033-0003
	103930-01-717	EA WHEEL - BLOWER - CLOCKWISE	062-0010
	103930-01-720	EA MOTOR - BLOWER - (PM105)	030-0004
	103930-02-708	EA MOTOR - VACUUM SERVO - A/C	030-0025
	103930-02-714	EA CLAMP - CLUTCH - BARREL	022-0006
	103930-12-709	EA FITTING - QUICK CONNECT	050-0120
	103930-17-702	EA O'RING #10	045-0127
	103930-20-700	EA VALVE - EXPANSION-BLOCK - 2 TON	034-0032
	103930-20-702	EA ROD - DOOR - BLEND AIR	073-0039
	103930-20-703	EA DOOR - BLEND AIR	071-0212
	103930-20-704	EA ROD - DOOR-RECIRCULATING	073-0018
	103930-20-705	EA PANEL - DOOR - RECIRCULATING	071-0213
	103930-20-706	EA CLIP - RETAINER	022-0057
	103930-20-707	EA HOUSING - BLOWER	062-0145
	103930-20-708	EA CLIP - MOTOR SHAFT	022-0001
	103930-20-709	EA VALVE - SERVICE	050-0159
	103930-20-710	EA CASE - FRONT - SUB-ASSEMBLY	062-0146
	103930-20-711	EA CASE - BACK - SUB-ASSEMBLY	062-0147
	103930-25-700	EA HOSE ASM. - #6 EVAP TO DRIER	085-0350
	110279-01-703	EA HOSE - VENT - BLOWER MOTOR	051-0034
	110279-01-712	EA FITTING - HEATER	050-0076
	110279-02-702	EA O'RING #12	045-0125
	113245-01-707	EA O'RING #8	045-0126
	103930-27-000	EA CONTROL/ PLENUM SET - F,G & D	
	094831-01-709	EA CLAMP-ROD 3/16"	022-0025
	103930-01-724	EA CLIP - SPRING - S TYPE	022-00002
	103930-02-701	EA SWITCH - VACUUM - CONTROL HEAD	034-0015
	103930-02-702	EA DECAL - CONT. HEAD - (N) SERIES	058-0009
	103930-02-704	EA HARNESS - VACUUM CONTROL	036-0049
	103930-02-705	EA CABLE - BOWDEN W/O LEVER 89"	074-0011
	103930-02-707	EA RELAY - BOSCH W/ RESISTER	031-0001
	103930-02-708	EA MOTOR - VACUUM SERVO - A/C	030-0025
	103930-02-710	EA CANISTER - VACUUM	054-0002
	103930-02-712	EA PANEL - CONT. A/C BLACK BEZEL	032-0054

## HEATING & AIR CONDITIONING GROUP (CONTINUED)

REAR HEATER SYSTEM W/ MOTOR AID, EVANS

KEY	PART NUMBER	U/M DESCRIPTION	VENDOR NO.
	084405-01-000	EA HEATER ASM - REAR - DUCTED - W/ MOTOR AID - EVANS	
	084405-01-700	EA CORE - HEATER	FT200229
	084405-01-701	EA FAN BLADES	HV029931
	084405-01-702	EA MOTOR ASSEMBLY - 12 VOLT	R0200180
	007108-01-000	FT HOSE - HEATER - 5/8" ID - HI-TEMP - FORD ESE-M2D192-A	
	061673-01-000	EA BRACKET - MOTOR AID TUBES - 4" X 1.5" - STEEL	
	089353-01-000	EA UNION - 5/8 -TUBE TO TUBE	
	007076-01-000	EA HOSE - FLEXIBLE PVC - 2" ID - INCREMENTS OF 50'	
	079059-01-000	EA HOSE - 90 DEGREE - 5/8"ID X 4" X 36"	
	079059-02-000	EA HOSE - 90 DEGREE - .61" I.D. X 4" X 6"	
	079059-01-000	EA HOSE - 90 DEGREE - 5/8"ID X 4" X 36"	

## INTERIOR FINISH GROUP

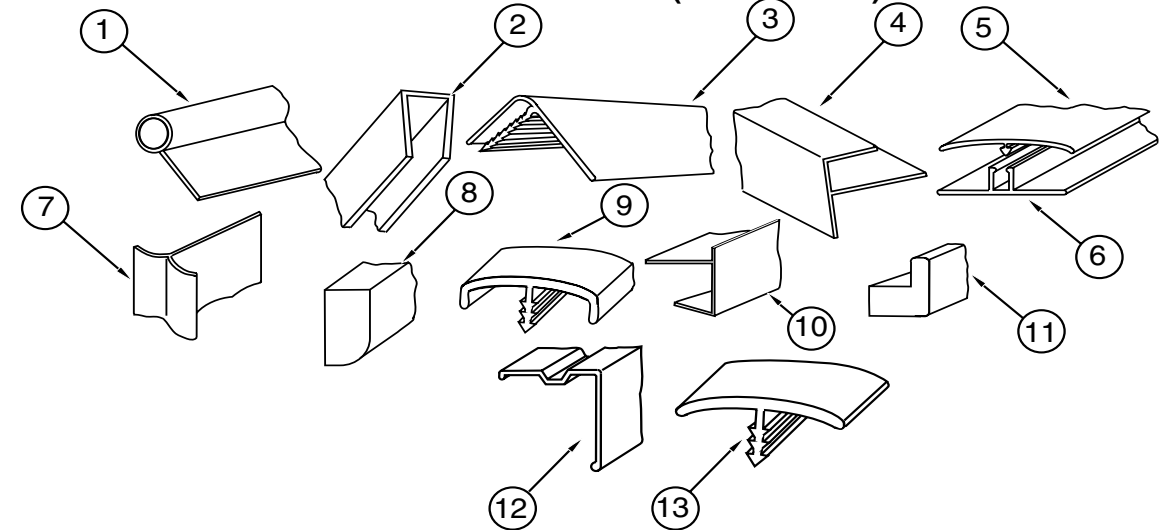
### PANELING, PLASTIC LAMINATE & CARPET

KEY	PART NUMBER	U/M	DESCRIPTION
	074497-28-000	SF	PANELING - WATERFORD OAK - 48 X 96" - 1 SIDED
	080215-10-000	SF	PANELING - WATERFORD OAK - 48 X 96" - 2 SIDED
	000885-76-000	SF	PARTICLE BOARD - 3/8 X 48 X 96" - WATERFORD OAK - VINYL 1 SIDED
	000885-77-000	SF	PARTICLE BOARD - 3/8 X 48 X 96" - WATERFORD OAK - VINYL 2 SIDED
	000885-79-000	SF	PARTICLE BOARD - 3/4 X 48 X 96" - WATERFORD OAK - VINYL 2 SIDED
	074498-77-000	SF	LAMINATE - PLASTIC - ART CABIN - 4' X 7' (28 SF) (PULLOUT TABLE)
	074498-71-000	SF	LAMINATE - PLASTIC - NEUTRAL SANTOS (DINETTE TABLE) (G35, G37)
	074498-72-000	SF	LAMINATE - PLASTIC - PEBBLE SANTOS (DINETTE TABLE) (G36, G44)
	074498-62-000	SF	LAMINATE - PLASTIC - GRAY FINESSE (DINETTE TABLE) (G45)
	074498-67-000	SF	LAMINATE - PLASTIC - ORCHID MIST (PATIO TABLE)
	088272-E8-000	SF	PANELING - SAGE (MAIN WALL) (G35)
	088272-E7-000	SF	PANELING - QUEST (MAIN WALL) (G36, G44)
	088272-F3-000	SF	PANELING - FRENCH WASH (MAIN WALL) (G37)
	088272-E0-000	SF	PANELING - METRO MIST (MAIN WALL) (G45)
	088272-G1-000	SF	PANELING - SHOWER - OFF WHITE - 4' X 7' (28 SF)
	095688-01-000	SF	VENEER - 3.6 MM 48 X 96" UNFINISH
	096060-B3-000	SY	CARPET - 12' ROLL - JUBILATION CASTILE (MINIMUM 4 SY) (G35)
	096060-95-000	SY	CARPET - 12' ROLL - DOESKIN (MINIMUM 4 SY) (G36, G44)
	096060-B5-000	SY	CARPET - 12' ROLL - EXCALIBUR - NIGHT NAVY (MINIMUM 4 SY) (G37)
	096060-96-000	SY	CARPET - 12' ROLL - JUBILATION CRYSTAL (MINIMUM 4 SY) (G45)
	093486-01-000	SY	CARPET - (COMPARTMENT - 54" WIDE - DARK GRAY)
	075233-01-000	SY	PAD - CARPET - 3/8" X 6' ROLL
	047034-02-000	SF	PLASTIC - CARPET - 4'WIDE - CLEAR POLY
	105924-01-G35	EA	MAT - FLOOR 18 X 27 (DRIVERS COMPARTMENT) (G35)
	105924-01-G36	EA	MAT - FLOOR 18 X 27 (DRIVERS COMPARTMENT) (G36, G44)
	105924-01-G37	EA	MAT - FLOOR 18 X 27 (DRIVERS COMPARTMENT) (G37)
	105924-01-G45	EA	MAT - FLOOR 18 X 27 (DRIVERS COMPARTMENT) (G45)

### FIRE EXTINGUISHER, DETECTORS & WALL CLOCK

KEY	PART NUMBER	U/M	DESCRIPTION
	072852-01-000	EA	DETECTOR - SMOKE - W/9 VOLT BATTERY
	072852-02-000	EA	DETECTOR - SMOKE - W/9 VOLT BATTERY - CANADIAN
	112320-01-000	EA	DETECTOR - CO GAS - MODEL 9B-I - COSTAR 940000000 FROM: 00-00-00 THRU: 09-03-95
	112320-02-000	EA	BATTERY/ SENSOR - CO GAS - COSTAR 940001000 FROM: 00-00-00 THRU: 09-03-95
	112320-03-000	EA	DETECTOR - CO GAS MODEL 9D-I COSTAR 946000001 FROM: 09-04-95 THRU: 99-99-99
	112320-04-000	EA	DETECTOR - CO SENSOR ASSEMBLY COSTAR 946001001 FROM: 09-04-95 THRU: 99-99-99
	094499-01-000	EA	FIRE EXTINGUISHER - DRY W/MOUNTING BRACKET - 10 BC
	094499-01-700	EA	BRACKET - MOUNTING - W/PLASTIC STRAP - FIRE EXTINGUISHER
	094499-02-000	EA	FIRE EXTINGUISHER - DRY - 1A10BC - CANADIAN
	118081-01-01A	EA	WALL CLOCK - 8" DIAMETER - BRASS

## INTERIOR FINISH GROUP (CONTINUED)

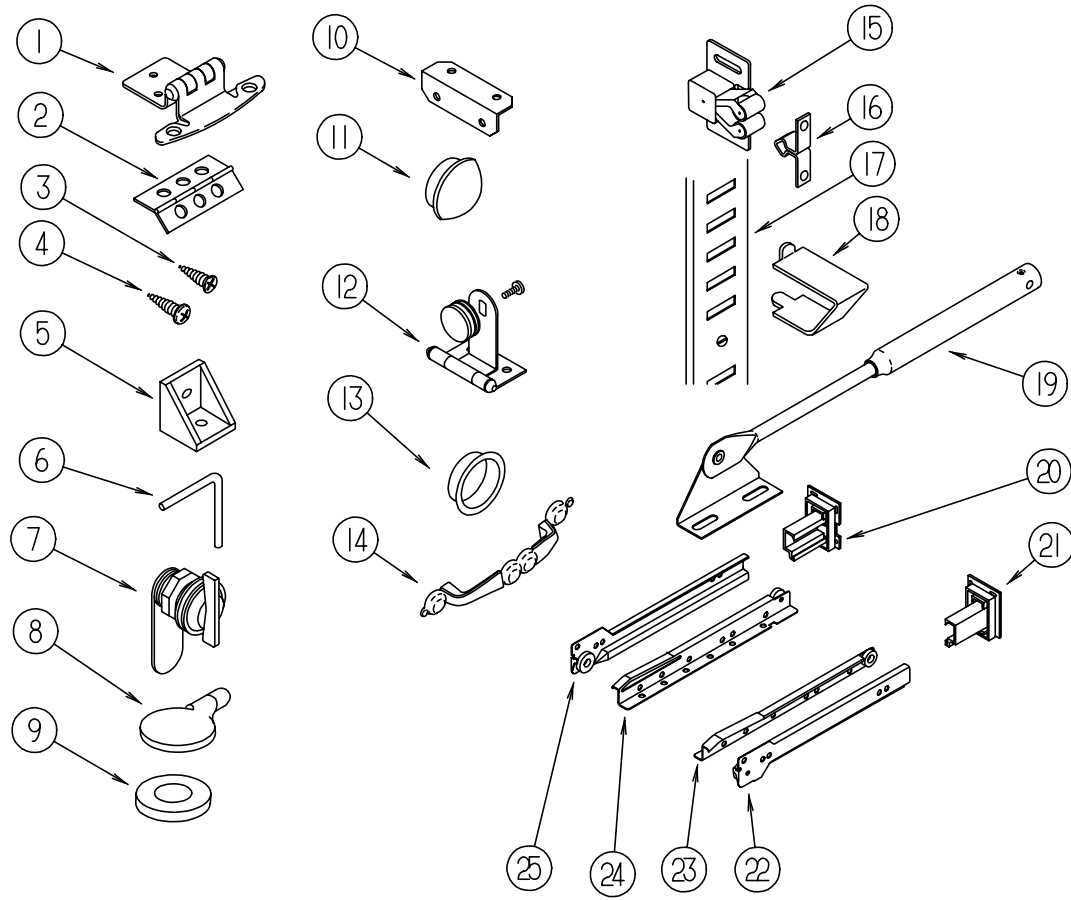


### INTERIOR TRIM, BATT STRIPS & MOLDINGS

KEY	PART NUMBER	U/M	DESCRIPTION
	1	009767-12-000	FT MOLDING - SIDEWALL TO CEILING/ CABINET - WELTING - OFF WHITE
	2	009778-21-000	FT U-CHANNEL - 1" - PICKLED ASH
	2	070504-36-000	FT EXTRUSION - U CHANNEL - 1.65" WATERFORD OAK
	2	070504-37-000	FT EXTRUSION - U CHANNEL - 20.70 - WATERFORD OAK
	3	009809-28-000	EA MOLDING - CORNER - OUTSIDE - 1" - PLASTIC - WATERFORD OAK
	3	009809-23-000	EA MOLDING - CORNER - OUTSIDE - 1" - PLASTIC - IVORY
	4	009812-29-000	EA MOLDING - CORNER - OUTSIDE - .5" X 7" - PLASTIC - WATERFORD OAK
	5	086229-13-000	EA BATTEN - CEILING - 1" WIDE - IVORY - 7.6'
	6	086229-01-000	EA RETAINER - BATTEN - CEILING - .75" WIDE - 7.6'
	7	022992-11-000	FT MOLDING - REVERSE COVE - T-SHAPED - VINYL - IVORY
	8	100818-01-05A	EA MOLDING - VINYL WRAP - TRIM - WATERFORD OAK
	9	083620-07-000	FT T-MOLDING - 3/4 END CAP EDGE - W/ EDGE LIPS - THOR PECAN
	9	083620-12-000	FT T-MOLDING - 3/4 W/ EDGE LIPS - WATERFORD OAK
	10	103186-02-05A	FT MOLDING - PLASTIC - SHELF EDGING - 25.4 MM - WATERFORD OAK
	10	103186-01-05A	FT MOLDING - PLASTIC - SHELF EDGING - 9.5 MM - WATERFORD OAK
	11	100819-01-05A	EA MOLDING - VINYL WRAP - L-SHAPED - DOOR - WATERFORD OAK
		076325-68-000	FT MOLDING - EDGE BAND - 1 5/16 X .038 - WATERFORD OAK
		076325-34-000	FT MOLDING - EDGE BAND - 1 5/16 X .030 - ORCHID MIST (PATIO TABLE)
		076325-39-000	FT MOLDING - EDGE BAND - 1 5/16" X .030 - NEUTRAL (G35, G37)
		076325-37-000	FT MOLDING - EDGE BAND - 1 5/16" X .030 - NEUTRAL (G36, G44)
		076325-46-000	FT MOLDING - EDGE BAND - 1 5/16" X .030 - CLOUD (G45)
		076325-67-000	FT MOLDING - EDGE BAND - WATERFORD OAK - .93 X .024 X 600
		076325-40-000	FT MOLDING - EDGE BAND - .875" X .024 - NEUTRAL (G35, G37)
		076325-38-000	FT MOLDING - EDGE BAND - .875" X .024 - NEUTRAL (G36, G44)
		076325-43-000	FT MOLDING - EDGE BAND - .875" X .024 - CLOUD (G45)
	12	093873-01-01A	EA TRIM - CARPET - L-ANGLE - 1.1" X 1.3" X 12' - VINYL - GRAY
		109332-02-01A	FT TRIM - J-MIRROR - BRASS
	13	105709-01-000	FT T-MOLDING - 1" - MODERN IVORY
		109736-01-01A	FT T-MOLDING - 1.00" BRASS/ BLACK
		116951-01-F31	EA MOLDING
		117268-D2-134	EA MOLDING - 018 X 040 X 2134 MM VINYL - WRAPPED-WATERFORD
		117268-F2-438	EA MOLDING - 018 X 065 X 2438 MM - WRAPPED WATERFORD
		117268-F2-134	EA MOLDING - 018 X 065 X 2134 MM - WRAPPED WATERFORD
		075249-01-000	EA RAILING - OAK - 72" UNFINISHED
		085284-76-000	FT STRIP-TAPE - ADHESIVE - SHOWER - TRAVERTINE - ANTIQUE WHITE
		085284-B5-000	FT STRIP-TAPE - ADHESIVE - WATERFORD OAK
		085284-C1-000	FT STRIP-TAPE - ADHESIVE - SAGE (MAIN WALL) (G35)
		085284-B9-000	FT STRIP-TAPE - ADHESIVE - BERBER (MAIN WALL) (G36, G44)
		085284-C5-000	FT STRIP-TAPE - ADHESIVE - VANILLA (MAIN WALL) (G37)
		085284-B1-000	FT STRIP-TAPE - ADHESIVE - METRO MIST (MAIN WALL) (G45)
		069733-83-000	EA BATT STRIP - 8' - WATERFORD OAK
		088263-78-000	EA BATT STRIP - SHOWER - TRAVERTINE - ANTIQUE WHITE
		088263-C7-000	EA BATT STRIP - SAGE (MAIN WALL) (G35)
		088263-C6-000	EA BATT STRIP - BERBER (MAIN WALL) (G36, G44)
		088263-D2-000	EA BATT STRIP - VANILLA (MAIN WALL) (G37)
		088263-B8-000	EA BATT STRIP - METRO MIST (MAIN WALL) (G45)

# INTERIOR FINISH GROUP (CONTINUED)

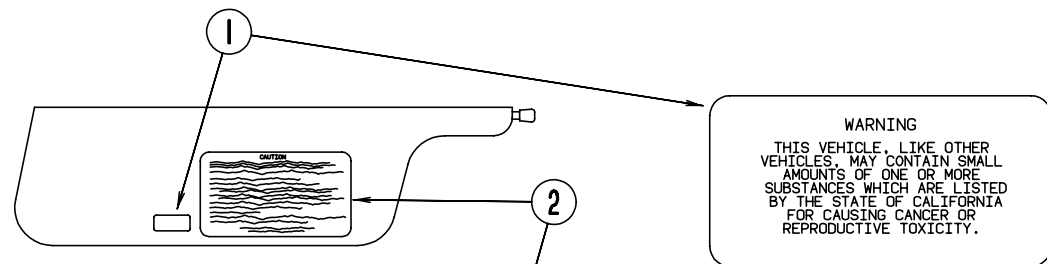
## CABINET HARDWARE



KEY	PART NUMBER	U/M DESCRIPTION
1	108138-01-000	EA HINGE - DOOR - CABINET - BURNISHED BRASS
2	009059-02-000	EA HINGE - DOOR - 2" X 2.7" - BRASS
3	000G13-06-10G	EA SCREW - 6-20 X.5/8" - PHILLIP FLAT HEAD - ANTIQUE BRASS
4	000G68-06-10G	EA SCREW - 6-18 X 5/8" - PHILLIP OVAL HEAD - ANTIQUE BRASS
5	065740-01-000	EA BRACE - CABINET CORNER - PLASTIC
6	108487-02-01A	EA PROP ROD - OVERHEAD GLASS DOOR SUPPORT - BLACK
	108486-01-01A	EA BRACKET - PROP ROD - OVHD - BLACK
	039984 01 000	EA CAP - VINYL - BLACK (PROP ROD)
7	100710-01-01A	EA LOCK - GLASS DOOR - TWIST TYPE - BRASS
	101272-01-000	EA CATCH - DOOR - GLASS
8	101766-01-000	EA PIN - SUPPORT - GLASS DOOR
9	100707-01-000	EA SPACER - DOOR - GLASS - PLASTIC
10	016604-05-000	EA BRACE - CABINET - ANGLE - 2.5" - METAL - OFF WHITE
11	042356-01-000	EA PLUG - MAHOGANY - 3/8" DIAMETER - WOOD
11	074045-01-000	EA PLUG - OAK - 1/2" DIAMETER
12	100711-01-01A	EA HINGE - DOOR - GLASS
13	098410-01-01A	EA PULL - FINGER - OVAL - BRASS
14	117800-01-01A	EA CABINET DOOR PULL - BRASS
15	093586-06-000	EA CATCH - SPRING - ROLLER
16	093586-05-000	EA STRIKE - SPRING STEEL

KEY	PART NUMBER	U/M DESCRIPTION
17	098980-01-000	EA PILASTER - ADJUSTABLE SHELF - 18" LONG
17	098980-02-000	EA PILASTER - ADJUSTABLE SHELF - 12" LONG
17	098980-06-000	EA PILASTER - ADJUSTABLE SHELF - 24" LONG
17	098980-03-000	EA PILASTER - ADJUSTABLE SHELF - WOOD GRAIN
18	098979-01-000	EA CLIP - ADJUSTABLE SHELF
19	074493-02-000	EA SUPPORT - PISTON SPRING - CABINET DOOR
20	114045-01-000	EA BACKSOCKET - ADJUSTABLE - LEFT N/A ORDER SLIDE KIT ACCORDING TO LENGTH - SEE NUMERICAL LISTING OF #114031-??-700 IN THE \$ FICHE F/ DESIRED LENGTH
21	114045-02-000	EA BACKSOCKET - ADJUSTABLE - RIGHT N/A ORDER SLIDE KIT ACCORDING TO LENGTH - SEE NUMERICAL LISTING OF #114031-??-700 IN THE \$ FICHE F/ DESIRED LENGTH
22	114031-02-000	EA SLIDE - DRAWER - 12" - CABINET - RIGHT SIDE N/A ORDER #114031-01-700 SLIDE DRAWER KIT
22	114031-14-000	EA SLIDE - DRAWER - 18" - CABINET - RIGHT SIDE N/A ORDER #114031-13-700 SLIDE DRAWER KIT
22	114031-18-000	EA SLIDE - DRAWER - 20" - CABINET - RIGHT SIDE N/A ORDER #114031-17-700 SLIDE DRAWER KIT
22	114031-22-000	EA SLIDE - DRAWER - 22" - CABINET - RIGHT SIDE N/A ORDER #114031-21-700 SLIDE DRAWER KIT
23	114031-04-000	EA SLIDE - DRAWER - 12" - RIGHT SIDE N/A ORDER #114031-01-700 SLIDE DRAWER KIT
23	114031-16-000	EA SLIDE - DRAWER - 18" - RIGHT SIDE N/A ORDER #114031-13-700 SLIDE DRAWER KIT
23	114031-20-000	EA SLIDE - DRAWER - 20" - RIGHT SIDE N/A ORDER #114031-17-700 SLIDE DRAWER KIT
23	114031-24-000	EA SLIDE - DRAWER - 22" - RIGHT SIDE N/A ORDER #114031-21-700 SLIDE DRAWER KIT
24	114031-03-000	EA SLIDE - DRAWER - 12" - LEFT SIDE N/A ORDER #114031-01-700 SLIDE DRAWER KIT
24	114031-15-000	EA SLIDE - DRAWER - 18" - LEFT SIDE N/A ORDER #114031-13-700 SLIDE DRAWER KIT
24	114031-19-000	EA SLIDE - DRAWER - 20" - LEFT SIDE N/A ORDER #114031-17-700 SLIDE DRAWER KIT
24	114031-23-000	EA SLIDE - DRAWER - 22" - LEFT SIDE N/A ORDER #114031-21-700 SLIDE DRAWER KIT
25	114031-01-000	EA SLIDE - DRAWER - 12" - CABINET - LEFT SIDE N/A ORDER #114031-01-700 SLIDE DRAWER KIT
25	114031-13-000	EA SLIDE - DRAWER - 18" - CABINET - LEFT SIDE N/A ORDER #114031-13-700 SLIDE DRAWER KIT
25	114031-17-000	EA SLIDE - DRAWER - 20" - CABINET - LEFT SIDE N/A ORDER #114031-17-700 SLIDE DRAWER KIT
25	114031-21-000	EA SLIDE - DRAWER - 22" - CABINET - LEFT SIDE N/A ORDER #114031-21-700 SLIDE DRAWER KIT
	P02786-04-E10	EA HANDRAIL - ENTRANCE DOOR
	099682-01-01A	EA BRACKET - MOUNTING - HAND RAIL - BRASS
	009063-01-000	EA HINGE - CONTINUOUS - 1 1/2" X 72" - UNPAINTED
	009066-01-000	EA HINGE - ALUMINUM - NO HOLES - 1 1/16" X 6' - UNPAINTED
	004354-01-000	EA BUMPER - RUBBER - .5" DIA - BROWN

## LABELS GROUP



**WARNING**  
THIS VEHICLE, LIKE OTHER VEHICLES, MAY CONTAIN SMALL AMOUNTS OF ONE OR MORE SUBSTANCES WHICH ARE LISTED BY THE STATE OF CALIFORNIA FOR CAUSING CANCER OR REPRODUCTIVE TOXICITY.

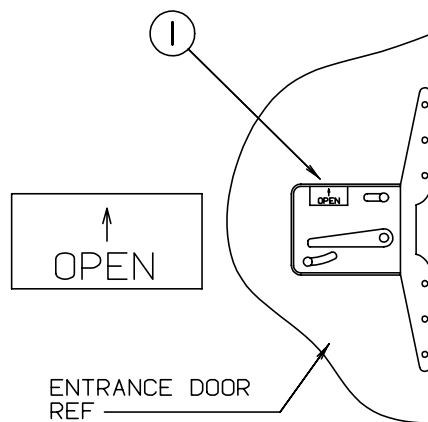
### CAUTION

THIS MOTOR HOME HAS BEEN DESIGNED, MANUFACTURED AND TESTED WITH CONCERN FOR THE PROTECTION OF IT'S OCCUPANTS. WE RECOMMEND YOU PERFORM THE FOLLOWING INSPECTIONS FOR YOUR SAFETY AND THE SAFETY OF YOUR PASSENGERS BEFORE STARTING YOUR VEHICLE.

1. LP GAS SYSTEM- TURN OFF AT TANK FOR TRAVELING. TEST FOR LEAKS UPON ARRIVAL AT DESTINATION. BEFORE LIGHTING PILOTS.
2. WHEELS- INSPECT FOR DAMAGE AND CHECK LUG NUTS FOR TIGHTNESS.
3. TIRES- INSPECT FOR WEAR AND DAMAGE AND CHECK FOR RECOMMENDED AIR PRESSURE.
4. LIGHTING- TEST FOR PROPER OPERATION OF ALL INTERIOR AND EXTERIOR LIGHTS INCLUDING DASH LIGHTS, HEADLIGHTS, TAIL LIGHTS, BRAKE LIGHTS, CLEARANCE LIGHTS AND TURN SIGNALS.
5. EXITS- INSPECT RELEASE MECHANISM ON EMERGENCY EXIT WINDOW, TEST BOTH LOCKS ON MAIN ENTRANCE DOOR FOR EASE OF OPERATION AND INSTRUCT PASSENGERS HOW TO USE BOTH MEANS OF EXIT.
6. SEAT BELTS- DIRECT PASSENGERS TO DESIGNATED SEATS AND REQUIRE USE OF SEAT BELTS.
7. APPLIANCES- TURN OFF AND LATCH OR LOCK DOORS WHERE PROVIDED.
8. LOOSE PARCELS- STORE SECURELY.
9. UTILITY SUPPLY LINES- DISCONNECT ALL ELECTRIC, SEWER AND WATER LINES AND SECURE PROPERLY.
10. ENTRANCE DOOR STEP- PLACE IN RETRACTED POSITION FOR TRAVELING.

READ YOUR MOTOR HOME AND CHASSIS OWNER'S MANUAL FOR FURTHER PRECAUTIONS

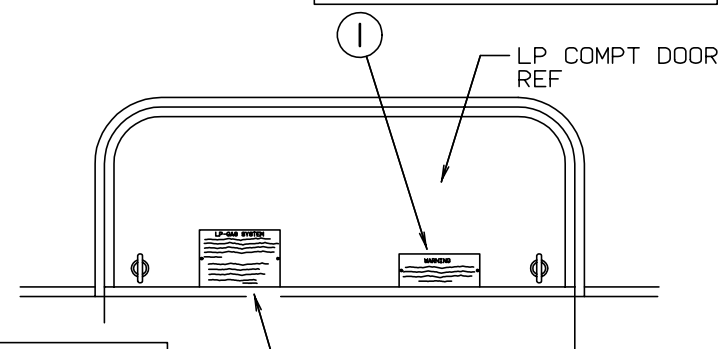
KEY	PART NUMBER	U/M DESCRIPTION
1	099689-01-000	EA LABEL - WARNING - CANCER/TOXICITY
2	056259-01-000	EA LABEL - SAFETY CHECK LIST



KEY	PART NUMBER	U/M DESCRIPTION
1	040944-01-000	EA LABEL - ENTRANCE DOOR - "OPEN"

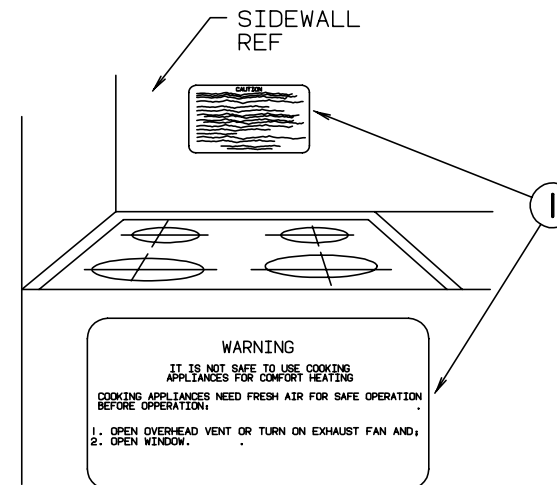
## LABELS GROUP (CONTINUED)

**WARNING**  
ALL PILOT LIGHTS AND APPLIANCES SHALL BE TURNED OFF DURING REFUELING OF MOTOR FUEL TANKS AND/OR PERMANENTLY MOUNTED LP-GAS CONTAINERS.



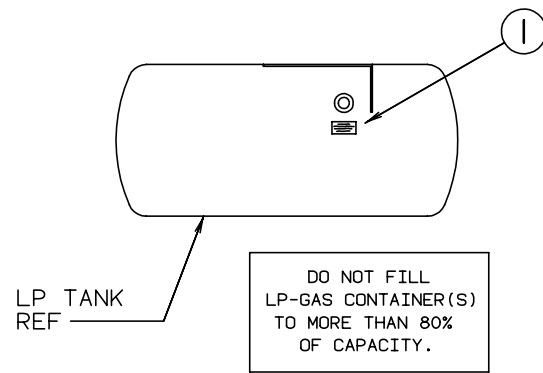
**LP-GAS SYSTEM**  
THIS GAS PIPING SYSTEM IS DESIGNED FOR USE OF LIQUEFIED PETROLEUM GAS ONLY. DO NOT CONNECT NATURAL GAS TO THIS SYSTEM.  
  
SECURELY CAP INLET(S) WHEN NOT CONNECTED FOR USE. AFTER TURNING ON GAS, EXCEPT AFTER NORMAL CONTAINER REPLACEMENT, TEST GAS PIPING AND CONNECTIONS TO APPLIANCE FOR LEAKAGE WITH SOAPY WATER OR BUBBLE SOLUTION. DO NOT USE PRODUCTS THAT CONTAIN AMMONIA OR CHLORINE.  
P.N. 54531

KEY	PART NUMBER	U/M DESCRIPTION
1	006040-01-000	EA TAG - GAS REFUELING WARNING
1	006040-02-000	EA TAG - GAS REFUELING WARNING (CANADIAN)
2	054531-01-000	EA LABEL - LP GAS ONLY
2	023769-01-000	EA LABEL - WARNING-LPG (CANADIAN)



KEY	PART NUMBER	U/M DESCRIPTION
1	050225-01-000	EA LABEL - WARNING - STOVE VENT - US
1	050222-01-000	EA LABEL - WARNING - STOVE VENT - CSA

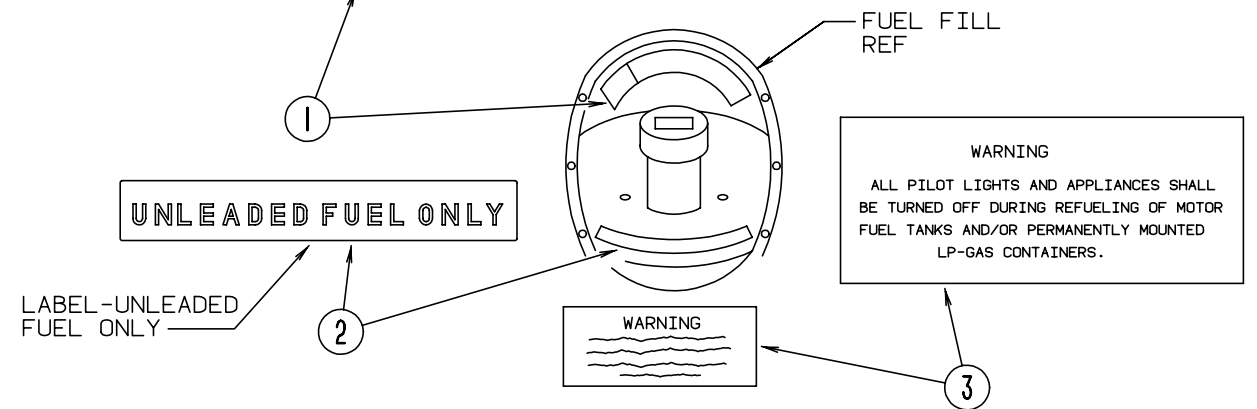
**LABELS GROUP (CONTINUED)**



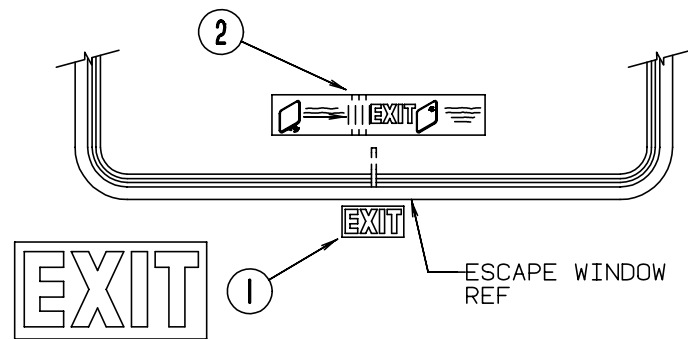
KEY	PART NUMBER	U/M DESCRIPTION
1	079965-01-000	EA LABEL - LPG - 80% CAPACITY

**LABELS GROUP (CONTINUED)**

<b>CAUTION</b>	TO HELP AVOID PERSONAL INJURY DURING REMOVAL OF FUEL FILLER CAP, SLOWLY LOOSEN CAP 1/2 TURN TO ALLOW ANY FUEL PRESSURE TO BE RELIEVED BEFORE TURNING CAP FURTHER.
<b>FUEL SPRAY MAY CAUSE PERSONAL INJURY</b>	STOP ADDING FUEL AFTER FIRST SHUTOFF BY AUTOMATIC NOZZLE WHEN TANK IS NEARLY FULL. DO NOT OVERFILL FUEL TANK. SEE OWNERS MANUAL FOR ADDITIONAL INFORMATION. PRINTED IN U.S.A. MLC PT NO 15611763

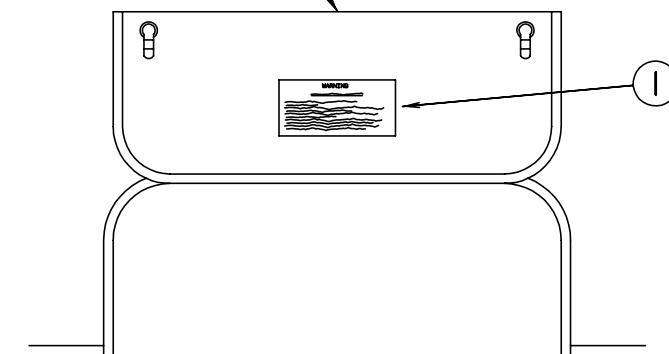


KEY	PART NUMBER	U/M DESCRIPTION
1	087207-05-000	EA LABEL - FUEL CAP REMOVAL
2	062043-01-000	EA LABEL - FUEL - UNLEADED
3	006040-01-000	EA TAG - GAS REFUELING WARNING
3	006040-02-000	EA TAG - GAS REFUELING WARNING (CANADIAN)



KEY	PART NUMBER	U/M DESCRIPTION
1	107571-01-000	EA LABEL - EXIT/ESCAPE WINDOW
2	039290-01-000	EA LABEL - EXIT WARNING

GENERATOR COMP DOOR REF



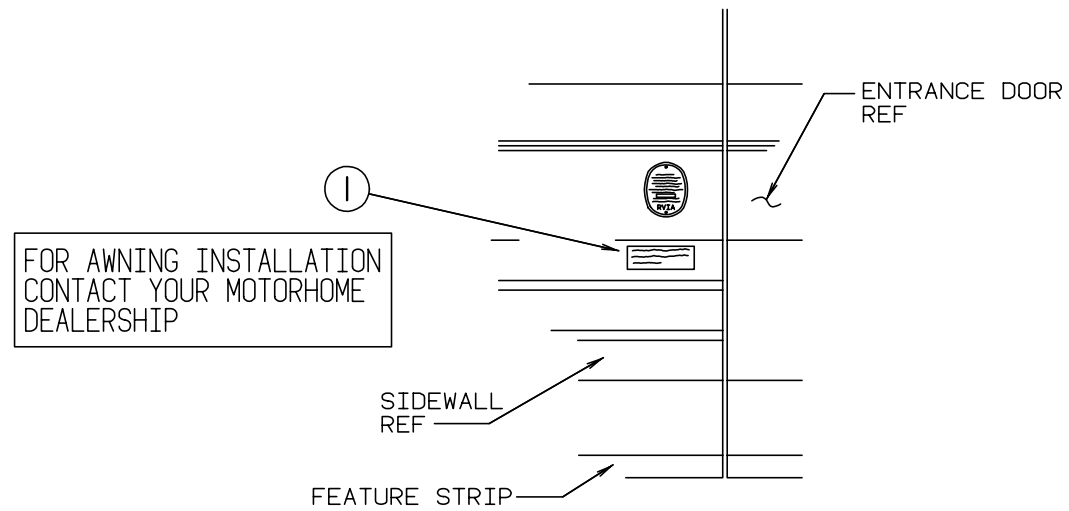
**WARNING**

WHEN ADDING A GENERATOR SET:

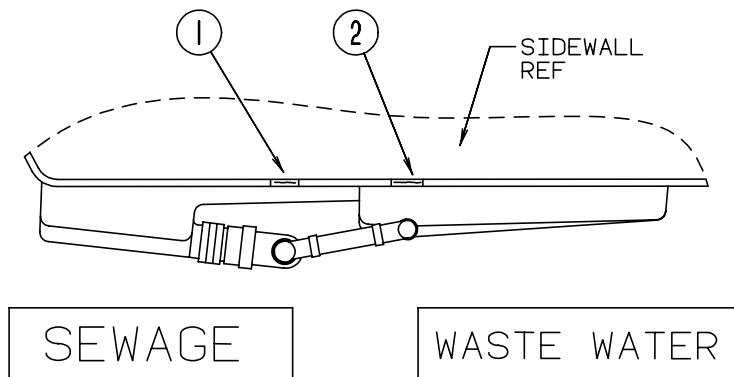
HIGH VOLTAGE-USE EXTREME CAUTION WHEN WORKING ON ELECTRICAL COMPONENTS. HAVE ALL ELECTRICAL INSTALLATION PERFORMED BY A QUALIFIED LICENSED ELECTRICIAN-FOLLOW ALL STATE AND LOCAL CODES. ONLY INSTALL GENERATOR SET APPROVED FOR R.V. APPLICATION. HAVE INSTALLED BY QUALIFIED TECHNICIAN. TO AVOID HEAT BUILD-UP AND TO GUARANTEE AN ADEQUATE AIR SUPPLY TO THE GENERATOR CARBURETOR, FOLLOW INSTALLATION INSTRUCTIONS. GENERATOR ENGINE EXHAUST GASES ARE TOXIC AND MUST NOT TERMINATE UNDER THE VEHICLE-DISCHARGE EXHAUST AWAY FROM VEHICLE.

KEY	PART NUMBER	U/M DESCRIPTION
1	077510-01-000	EA LABEL - GENERATOR PREP

**LABELS GROUP (CONTINUED)**

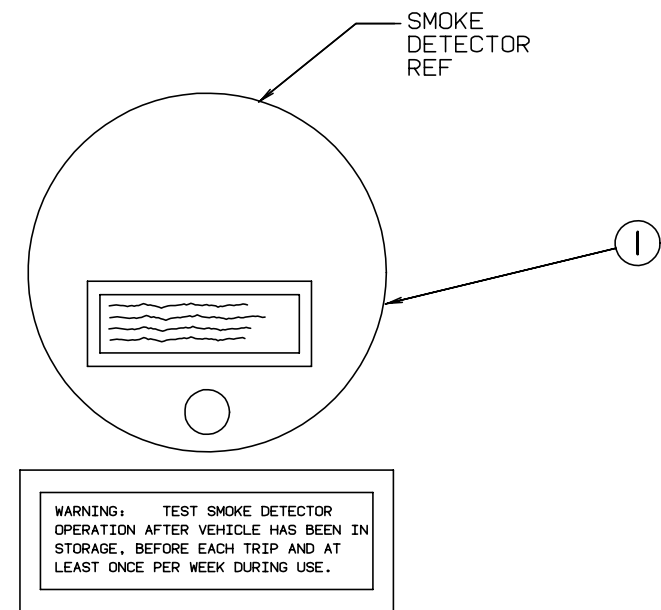


KEY	PART NUMBER	U/M DESCRIPTION
1	099509-01-000	EA LABEL - AWNING INSTALLATION

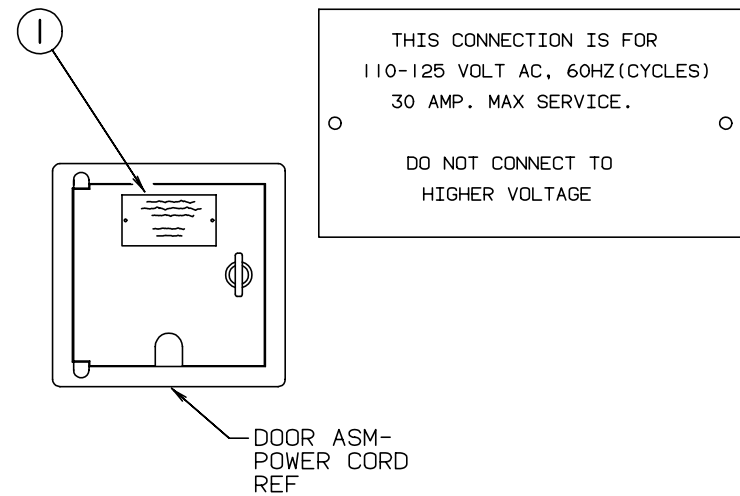


KEY	PART NUMBER	U/M DESCRIPTION
1	006187-01-000	EA LABEL - SEWAGE
2	006188-01-000	EA LABEL - WASTE WATER

**LABELS GROUP (CONTINUED)**



KEY	PART NUMBER	U/M DESCRIPTION
1	077956-01-000	EA LABEL - WARNING - SMOKE DETECTOR



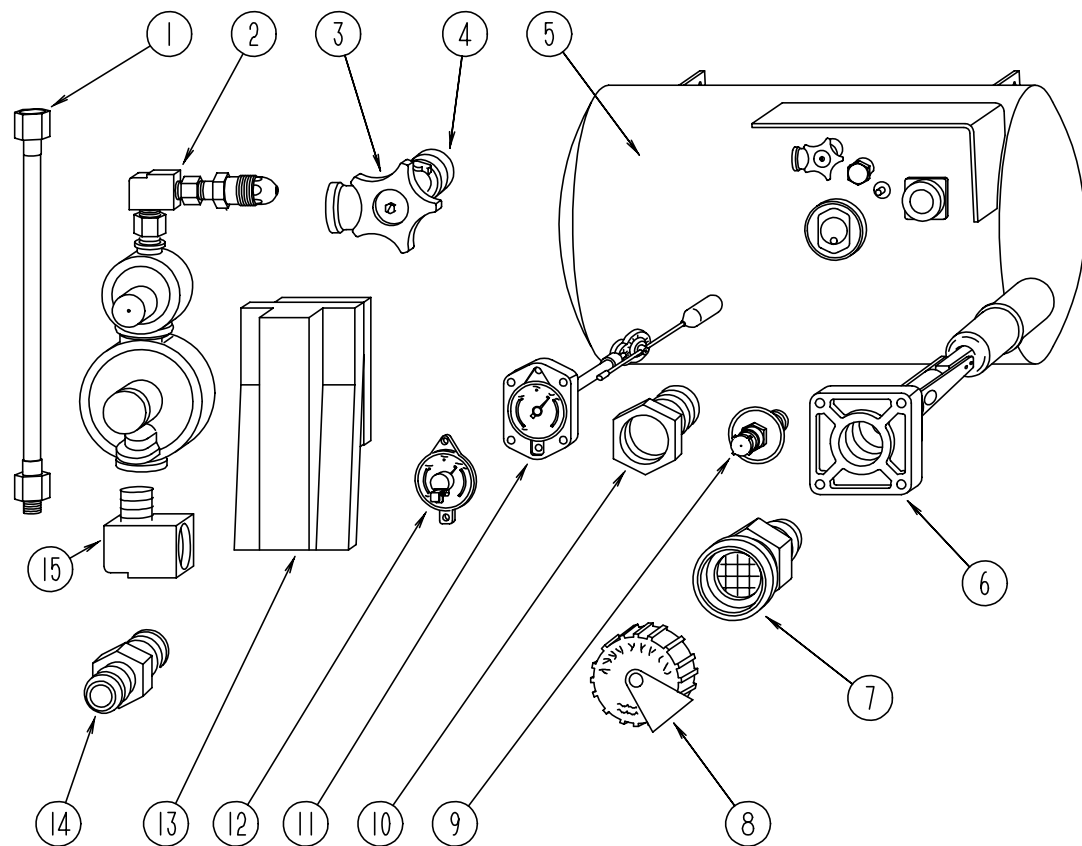
KEY	PART NUMBER	U/M DESCRIPTION
1	006062-01-000	EA TAG - ELECTRIC - 110V CONNECTION

**MISCELLANEOUS LABELS**

KEY	PART NUMBER	U/M DESCRIPTION
	094675-01-000	EA LABEL - EXTERIOR LIGHT - SERVICE
	073998-01-000	EA LABEL - LPG ODOR WARNING
	079966-01-000	EA LABEL - WARNING - STOWED - MOTION
	091243-01-000	EA LABEL - A/C COVER - "AIR CONDITIONING CIRCUIT. ETC."
	098379-04-000	EA LABEL - ELECTRICAL BOX SIDE
	098641-01-000	EA LABEL - FUEL - UNLEADED - DASH
	104678-01-000	EA LABEL - CB PREP
	111104-01-000	EA LABEL - HITCH - READ MANUAL
	111537-07-000	EA LABEL - FUSES
	111802-01-000	EA LABEL - CFC WARNING



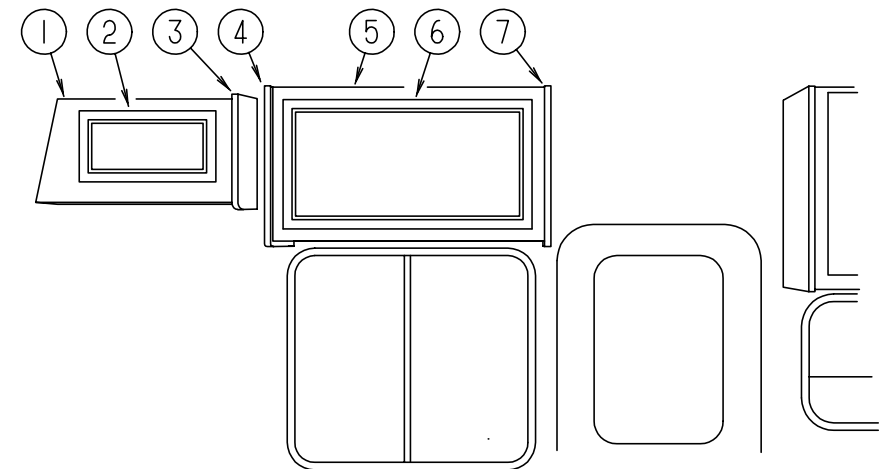
## LP GROUP



### LP TANK & COMPONENTS

KEY	PART NUMBER	U/M	DESCRIPTION	VENDOR NO.
1	045703-01-000	EA	HOSE - L/P - 3/8" ID X 24" - 3/8" MPT X 1/2" F SWIVEL - US	
1	045703-02-000	EA	HOSE - LP - 3/8" ID X 24" - 3/8" MPT X 1/2" F SWIVEL - CANADA	
2	106150-01-000	EA	REGULATOR - TWO STAGE	
3	040421-01-708	EA	HANDWHEEL - VAPOR RELIEF VALVE - BRUNNER	G-1015-A
4	040421-01-712	EA	VALVE - SERVICE W/HANDWHEEL	29000853
5	088253-03-000	EA	TANK - LP - 100 LB - 16"D X 36" - SPL	
6	040421-01-711	EA	VALVE - 80% W/FLOAT - PLATE - BOLTS & GASKET - BRUNNER	
7	040421-01-701	EA	VALVE - SHORT LP FILLER W/YELLOW CAP - BRUNNER	75478
8	040421-01-702	EA	CAP - LP FILLER VALVE - PLASTIC - YELLOW - BRUNNER	G-1014-A
9	040421-01-700	EA	GAUGE - LIQUID LEVEL - 20% LP - BRUNNER	G-1013
10	040421-01-713	EA	PRESSURE RELIEF VALVE	29000587
11	088253-01-700	EA	GAUGE - FLOAT ASSEMBLY - L.P.	16C
12	040440-02-000	EA	TRANSMITTER - DIAL - 90 OHM	
13	105658-01-000	EA	COMPARTMENT - LP REGULATOR	
14	010323-01-000	EA	ADAPTER - BRASS - 3/8" F X 1/2" MPT	
15	065318-02-000	EA	ELBOW - 90 DEGREE - 3/8" MPT TO 3/8" FPT	
	010265-01-000	EA	ELBOW - BRASS - 90 DEGREE - 3/8" F X 1/2" FPT	
	010329-01-000	EA	ADAPTER - BRASS - 1/2" F X 1/2" MPT	
	103613-01-000	EA	DETECTOR - LP GAS	
	010377-02-000	EA	NUT - BRASS - 3/8" FLARE - FORGED	
	010380-02-000	EA	NUT - BRASS - 1/2" FLARE - FORGED	
	010326-01-000	EA	ADAPTER - FLARE - W/ CONE GASKET - 3/8" FEMALE X 1/2" MALE	

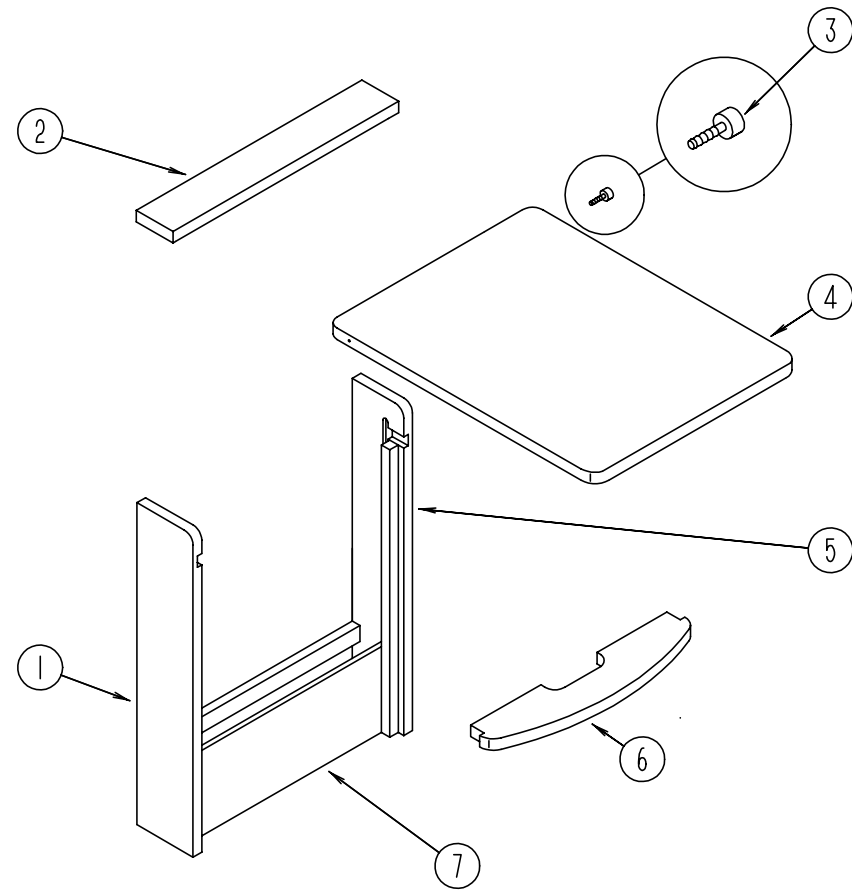
## LOUNGE GROUP



### FRONT OVERHEAD CABINET (PASSENGER SIDE)

KEY	PART NUMBER	U/M	DESCRIPTION
1	M06839-01-G35	EA	CABINET - FRONT OVERHEAD - PASSENGER - W/O DOORS/HARDWARE (G35)
1	M06839-01-G36	EA	CABINET - FRONT OVERHEAD - PASSENGER - W/O DOORS/HARDWARE (G36, G44)
1	M06839-01-G37	EA	CABINET - OVERHEAD FRONT - PASSENGER - W/O DOORS/HARDWARE (G37)
1	M06839-01-G45	EA	CABINET - OVERHEAD FRONT - PASSENGER - W/O DOORS/HARDWARE (G45)
2	M05993-13-G35	EA	DOOR - RADIUS EDGE - 10" X 19.1" - W/O HARDWARE
3	103128-08-G09	EA	CAP - END - FRONT OVERHEAD - PASSENGER
4	103128-07-G35	EA	CAP - END - FRONT OVERHEAD - DRIVER
5	M06839-08-G35	EA	CABINET - OVERHEAD PASSENGER - W/O DOORS/HARDWARE
	104414-12-G35	EA	SHELF - W/PLASTIC EDGE TRIM
6	M05993-16-G35	EA	DOOR - RADIUS EDGE - 15.6" X 29.5" - W/O HARDWARE
7	103128-10-G15	EA	CAP ASM - END - OVERHEAD - RH
	101222-01-02A	EA	BRACKET - CATCH - LID - OFF WHITE
	107941-02-03B	EA	SUPPORT - LID - ENT STEP - OFF WHITE
	107941-02-01B	EA	SUPPORT - LID - ENT STEP - MILL
	P14437-01-000	EA	CABINET ASM - LID - W/O CARPT

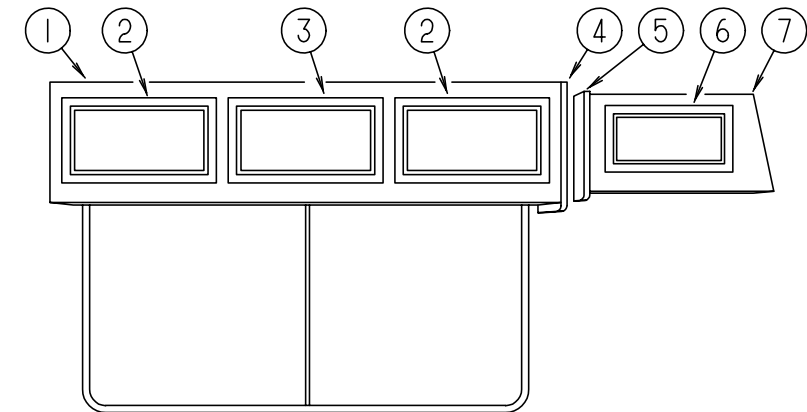
**LOUNGE GROUP (CONTINUED)**



**PULLOUT TABLE**

KEY	PART NUMBER	U/M	DESCRIPTION
	P19559-01-G35	EA	CABINET - TABLE W/O PULLOUT TOP
1	119559-12-G35	EA	END - TABLE, LEFT SIDE - 28.7" X 5.7"
2	119559-13-G35	EA	TOP - SHELF F/ PULLOUT TABLE
3	079921-01-000	EA	NYLON ROLLER W/SHAFT
4	119559-17-G35	EA	TABLE - PULLOUT TOP
5	119559-11-G35	EA	END - TABLE RIGHT SIDE - 28.7" X 5.7"
6	119559-14-G35	EA	SHELF - SUPPORT - UNDER TABLE TOP
7	119559-15-G35	EA	PANEL - TABLE - FRONT BOTTOM - 18.1" X 6.7"
	080736-01-000	EA	PULL - RECESSED - 1.25" X 4" - OAK

**LOUNGE GROUP (CONTINUED)**



**FRONT OVERHEAD CABINET (DRIVER SIDE)**

KEY	PART NUMBER	U/M	DESCRIPTION
1	104312-01-G35	EA	CABINET - LOUNGE OVERHEAD - DRIVER - W/O DOORS/ HARDWARE
2	M05993-21-G35	EA	DOOR - W/ MIRROR - RADIUS EDGE - 15.7" X 28" W/O HARDWARE
2	108536-06-04A	EA	MIRROR - DECORATIVE - W/ FERNLEY DESIGN - 13" X 25.2"
3	M05993-22-G35	EA	DOOR - W/ MIRROR - RADIUS EDGE - 15.7" X 20.5" -W/O HARDWARE
3	108536-05-04A	EA	MIRROR - DECORATIVE - 13" X 17.7" - FERNLY DESIGN
4	103128-01-G09	EA	CAP - OVERHEAD FRONT END
5	103128-09-G09	EA	CAP - LH FRONT OVERHEAD END
6	M05993-13-G35	EA	DOOR - RADIUS EDGE - 10" X 19.1" - W/O HARDWARE
7	M06839-02-G35	EA	CABINET - OVERHEAD FRONT - DRIVER - W/O DOORS/ HARDWARE (G35)
7	M06839-02-G36	EA	CABINET - OVERHEAD FRONT - DRIVER - W/O DOORS/ HARDWARE (G36, G44)
7	M06839-02-G37	EA	CABINET - OVERHEAD FRONT - DRIVER - W/O DOORS/ HARDWARE (G37)
7	M06839-02-G45	EA	CABINET - OVERHEAD FRONT - DRIVER - W/O DOORS/ HARDWARE (G45)

## SEALANTS & FASTENERS GROUP

### ADHESIVE AND TAPE SEALERS

KEY	PART NUMBER	U/M	DESCRIPTION
	002707-02-000	FT	TAPE - SEALER - 5/16" X 1/2" - INCREMENTS OF 50 FT
	034552-02-000	EA	SILICONE - TUBE - 300 ML - CLEAR - W/O NOZZLE ALSO ORDER P.N.#900390-03-000 NOZZLE SEPARATELY
	034552-06-000	EA	SILICONE - TUBE - 300 ML - OFF WHITE - W/O NOZZLE ALSO ORDER P.N.#900390-03-000 NOZZLE SEPARATELY
	034552-07-000	EA	SILICONE - 300 ML TUBE - DARK GRAY - W/O NOZZLE ALSO ORDER P.N.#900390-03-000 NOZZLE SEPARATELY
	034552-15-000	EA	SILICONE - TUBE 300 ML BRIGHT WHITE - W/O NOZZLE ALSO ORDER #900390-03-000 NOZZLE
	053766-06-000	EA	BEDDING COMPOUND-TUBE - CLEAR
	062917-03-000	EA	ADHESIVE - LOCTITE 242 - LOCTITE 242 - SIDE 41
	067788-01-000	EA	ADHESIVE - SPRAY - 3M 74 - 19.5 OZ AEROSOL CAN
	069640-01-000	FT	SEALER - RIBBON - 1/4" DIAMETER - INCREMENTS OF 30'
	069640-02-000	FT	SEALER - RIBBON - 1/2" X 1/8" - INCREMENTS OF 60'
	069640-03-000	FT	SEALER - RIBBON - 3/4" X 1/8" - INCREMENTS OF 60'
	069640-07-000	FT	SEALER - RIBBON - 2" X 3/32" - INCREMENTS OF 45'
	069640-09-000	FT	SEALER - RIBBON - 1/32" X 2 1/2" - INCREMENTS OF 80'
	069640-14-000	FT	SEALER - TAPE - 1/16" X 1"X100' - MANUS - GRAY
	069640-15-000	FT	SEALER - RIBBON 1/16" X 3/8" GRY - MANUS
	072889-01-000	EA	SEALANT - URETHANE - BLACK - 1/10 - ESSEX 552.2
	072889-09-000	EA	SEALANT - URETHANE(TUBE) BLACK - MANUS 75AM
	076322-01-000	FT	TAPE - FOAM - DOUBLE COATED ADHESIVE BACKED - .75" X 216'
	076322-05-000	FT	TAPE - FOAM - DOUBLE COATED - .045" X .75" X 108'
	076322-07-000	FT	TAPE - FOAM - DOUBLE COATED .045 X .50 - NORT V2000
	087211-01-000	GL	PROMOTER - ADHESIVE
	091255-02-000	FT	SEAL - ADHESIVE BACKED FOAM - .18" THICK X 1.5" WIDE
	094401-01-000	EA	SEALER - BODY SEAM SEALER - 3M FLATEXICLEAR
	102352-01-000	EA	SEALER - PUMPABLE - BLACK - COLORIMETRIC MS101
	106206-01-000	EA	SEALER - PUMPABLE - MANUS 30ABLACK
	110274-01-000	FT	TAPE - FOAM - DBL COATED .045 X 1.0 - NORTON V-2800
	120074-01-01A	EA	SILICONE TUBE - OFF WHITE W/O NOZZLE ALSO ORDER NOZZLE #900390-03-000
	900390-01-000	EA	TIP - 2 1/2" X 1/8" ORIFICE - ELLSWORTH #TS216
	900390-03-000	EA	NOZZLES-SILICONE TUBE - CSL# D10

### MISCELLANEOUS FASTENERS

KEY	PART NUMBER	U/M	DESCRIPTION
	008343-01-000	EA	TIE - WIRE - 6"
	008343-02-000	EA	TIE - WIRE - 14"
	029094-04-000	YD	VELCRO TAPE - LOOP - 1" WIDE - BLACK
	029096-03-000	YD	VELCRO TAPE - HOOK - 1" WIDE - BLACK
	085774-01-000	FT	FASTENER - DUAL HOOK - 1" WIDE - ADHESIVE BACK - BLACK
	085774-02-000	FT	FASTENER - DUAL LOOP - 1" WIDE - ADHESIVE BACK - BLACK
	086285-01-000	EA	SPACER - NYLON - .5" OD X .257" ID
	108046-02-000	EA	CABLE TIE-SCREW MOUNT 15" - DENNISON 10035

## SEALANTS & FASTENERS GROUP (CONTINUED)

### BOLTS & NUTS

KEY	PART NUMBER	U/M	DESCRIPTION
	000C12-05-16B	EA	BOLT - HEX - 5/16-18 X 1 - ZINC 5
	000C12-05-12B	EA	BOLT - HEX - 5/16-18 X 3/4 ZINK 5
	000C12-06-20B	EA	BOLT - HEX - 3/8-16 X 11/4 ZINK 5
	000C12-06-16B	EA	BOLT - HEX - 3/8-16 X 1LG - ZINK 5
	000C12-06-44B	EA	BOLT - HEX - 3/8-16 X 2 3/4 ZINK 5
	000C12-07-20B	EA	BOLT - HEX - 7/16 - 14 X 1 1/4" - ZINK5
	000C12-08-28B	EA	BOLT - HEX - 1/2-13 X 1-3/4 ZINK 5
	000C12-08-24B	EA	BOLT - HEX - 1/2-13 X 1 1/2 - ZINK 5
	000C12-10-24B	EA	BOLT - HEX - 5/8-11 X 1 1/2 ZINK - 5
	000C13-07-48B	EA	BOLT - HEX - 7/16 - 20 X 3 - ZINK 5
	000C26-04-10B	EA	BOLT - HEX - SERRATED FLANGE - 1/4-20 X 5/8 ZINC
	000C26-04-18B	EA	BOLT - HEX - SERRATED FLANGE 1/4-20 X 11/8 - ZINK
	000C26-04-14B	EA	BOLT - HEX - SERRATED FLANGE - 1/4 X 20 X 7/8 ZINC
	000C26-05-16B	EA	BOLT - HEX - SERRATED FLANGE 5/16-18 X 1 - ZINC
	000C26-05-12B	EA	BOLT - HEX - SERRATED FLANGE 5/16-18 X 3/4 - ZINK
	000C26-05-20B	EA	BOLT - HEX - SERRATED FLANGE 5/16 - 18 X 1 1/4 ZINC
	000C26-06-12B	EA	BOLT - HEX - SERRATED FLANGE 3/8-16 X 3/4 - ZINK
	102333-01-05A	EA	BOLT - CARR - 7/16-14 SST CAP
	106956-03-000	EA	BOLT - HEX TAP 1/2-13NC X 3 GR5 - FULL THREAD ZINC
	051387-06-000	EA	BOLT - CARRIAGE - W/O HOLE - 5/16-18 X 9.5 ZINK
	000D24-10-00B	EA	NUT - HEX - SF/ LK - 10-32 - ZINK
	000D29-05-00B	EA	NUT - 5/16 - 18 UNC - SF/ LOCKING - NYLON WASHER INSERT
	000D29-06-00B	EA	NUT - HEX W/ NYLON LOK 3/8-16 ZINK
	000D34-06-00B	EA	NUT - HEX - LK - 3/8 - 16 GRADE C ZINK - PREVAILING TORQUE
	000D39-04-00B	EA	NUT - HEX - SERRATED FLANGE LK 1/4 - 20 ZINK
	000D39-05-00B	EA	NUT - HEX - SERRATED FLANGE LK - 5/16 - 18 ZINK
	000D39-06-00B	EA	NUT - HEX - SERRATED FLANGE LK - 3/8-16 ZINK
	000D39-08-00B	EA	NUT - HEX - SERRATED FLANGE LK - 1/2-13 ZINK
	000D46-04-00A	EA	NUT - HEX - WELD - 1/4-20 - PLAIN - SHORT PILOT
	000D73-08-00C	EA	NUT - HEX FLATG - 1/2-13 CAD PREV - GRADE G
	000E11-05-00B	EA	WASHER - LK-5/16 MED SPLIT ZINK - 05110-01-000
	000E11-07-00B	EA	WASHER - LK-7/16 MED SPLIT ZINK
	000E13-14-00B	EA	WASHER - FLAT - 1/4" WIDE ZINK
	000E13-17-00B	EA	WASHER - FLAT - 3/8" AR ZINK
	000E13-18-00B	EA	WASHER - FLAT-3/8 WIDE ZINK
	000E13-20-00B	EA	WASHER - FLAT - 7/16" WIDE - ZINK
	000E13-21-00B	EA	WASHER - FLAT - W/2 NAR ZINK
	000E13-22-00B	EA	WASHER - FLAT-1/2 WIDE ZINK - 05117-01-000
	110794-01-000	EA	WASHER - FLAT-1ID X 13/4OD
	000E14-10-00B	EA	WASHER - LK - NO 10 EXT TOOTH - ZINK
	058716-02-000	EA	WASHER - FLAT NYLON - .406 X .750 X .060
	040921-03-000	EA	NUT - SPEED - U TYPE - NO 10
	040921-04-000	EA	NUT - SPEED - U TYPE - NO. 8 - .59" LENGTH X .44" WIDTH
	040921-09-000	EA	NUT - SPEED - U TYPE - NO 8 - T'MN C9812-8A
	044364-02-000	EA	NUT - SPEED - FLAT - ROUND
	063253-07-000	EA	NUT - J - #8A .120- .130 PNL THK
	083163-06-000	EA	PUSHNUT - FLAT TYPE 3/8 STUD - FORD ONLY TO RETAIN THE AIR BAFFLATE ON THE OIL DIPSTICK TUBE
	087234-01-000	EA	NUT - JACK - 1/4 X 20THD - MOLLY - ARDEN 8-L - JN BRASS MOUNTS LICENSE PLATES
	088787-12-000	EA	STUD - WELD - 1/4-20 X 1.0LG MN

**SEALANTS & FASTENERS GROUP (CONTINUED)**

**SCREWS**

KEY	PART NUMBER	U/M DESCRIPTION
	0B1210-32-180	EA SET SCREW - 5/8-11 X 2.00 - BLACK CUP POINT
	0G3908-08-170	EA SCREW - SF/ DR - 8-18 X 1/2PPH - BRIGHT WHITE
	0G5508-16-190	EA SCREW - SF/ DR - 8-18 X 1.00 PWH - QUICK SILVER
	000G11-05-08B	EA SCREW - 5-20 X 1/2 PPH ZINK
	000G11-06-10J	EA SCREW - 6-20 X 5/8 PPH - BRASS
	000G11-06-10B	EA SCREW - 6-20 X 5/8 PPH ZINK
	000G11-06-08B	EA SCREW - 6-20 X 1/2 PPH ZINC
	000G11-06-06B	EA SCREW - 6-20 X 3/8 PPH ZINK
	000G11-07-08B	EA SCREW - 7-19 X 1/2 PPH - ZINK
	000G11-08-08T	EA SCREW - 8-18 X 1/2 PPH
	000G11-08-08B	EA SCREW - 8-18 X 1/2 PPH - ZINK
	000G11-08-06B	EA SCREW - 8-18 X 3/8 PPH ZINK
	000G11-08-20B	EA SCREW - 8-18 X 11/4 PPH ZINK
	000G11-08-16S	EA SCREW - 8-18 X 1.00 PPH - OFF WHITE
	000G11-08-12T	EA SCREW - 8-18 X 3/4 PPH - BLACK
	000G11-08-12S	EA SCREW - 8-18 X 3/4 PPH - OFF WHITE
	000G11-08-12S	EA SCREW - 8-18 X 3/4 PPH - OFF WHITE
	000G11-08-12P	EA SCREW - 8-18 X .75 PPH - DARK BROWN
	000G11-08-12D	EA SCREW - 8-18 X 3/4 PPH - BLACK
	000G11-08-12B	EA SCREW - 8-18 X 3/4 PPH ZINK
	000G11-10-40B	EA SCREW - 10-16 X 2 1/2 PPH CAD - 34927-01-000
	000G11-10-16B	EA SCREW - 10-16 X 1 - PPH ZINK
	000G11-10-12S	EA SCREW - 10-16 X .75 PPH OFF WHT
	000G11-10-12D	EA SCREW - 10-16 X 3/4 PPH - BLACK
	000G11-10-10X	EA SCREW - 10-16 X 5/8 PPH GRAY
	000G12-06-14A	EA SCREW - 6-20 X .87 POH PLAIN
	000G12-06-08T	EA SCREW - 6-20 X .50 POH - BLACK
	000G12-08-16S	EA SCREW - 8-18 X 1.00 POH - OFF WHITE
	000G13-05-16S	EA SCREW - 5-20 X 1 PFH OFF WHITE
	000G13-06-16J	EA SCREW - 6-20 X 1.00 PFH - BRASS
	000G13-06-08B	EA SCREW - 6-20 X 1/2 PFH ZINK
	000G13-06-24J	EA SCREW - 6-20 X 1.50 PFH BRASS
	000G13-07-12B	EA SCREW - 7-19 X 3/4 PFH ZINK
	000G13-08-16B	EA SCREW - 8-18 X 1 PFH - ZINK
	000G13-08-10B	EA SCREW - 8-18 X 5/8 PFH ZINK - 90 CW922FV
	000G18-08-22B	EA SCREW - MACH - 8-32 X 1 3/8 PPH ZINK
	000G19-10-20B	EA SCREW - MACHINE - 10-32 X 1 1/14 PPH ZINK
	000G19-10-08B	EA SCREW - MACHINE - 10-32 X 1/2 PPH ZINK
	000G32-10-06B	EA SCREW - 10-32 X 3/8" - PPH - ZINC
	000G39-06-10T	EA SCREW - SF/ DR - 6-20 X 5/8 PPH - BLACK
	000G39-06-08B	EA SCREW - DR - 6-18 X 1/2 ZINK
	000G39-08-08S	EA SCREW - SF/ DR - 8-18 X 1/2 PPH - OFF WHITE
	000G39-08-08B	EA SCREW - SF/ DR - 8-18 X 1/2 PPH ZINK
	000G39-08-32B	EA SCREW - SF/ DR - 8-18 X 2 PPH - ZINC
	000G39-08-24B	EA SCREW - SF/ DR - 8-18 X 1 1/2 PPH ZINK
	000G39-08-16T	EA SCREW - SF/ DR - 8-18 X 1 PPH - BLACK
	000G39-08-16S	EA SCREW - SF/ DR - 8-18 X 1.00 PPH - OFF WHITE
	000G39-08-16B	EA SCREW - SF/ DR - 8-18 X 1 PPH ZINK
	000G39-08-12T	EA SCREW - SF/ DR - 8-18 X 3/4 PPH - BLACK
	000G39-08-12B	EA SCREW - SF/ DR - 8-18 X 3/4 PPH ZINK
	000G39-10-08B	EA SCREW - SF/ DR 10-16 X .50 P&H - ZINC
	000G39-10-209	EA SCREW - SF/ DR - 10-16 X 1.25 PPH - FLATUOROCARBON SILVER
	000G39-10-20B	EA SCREW - SF/ DR - 10-16 X 1 1/4 PPH ZINK
	000G39-10-129	EA SCREW - SF/ DR - 10-16 X 3/4 PPH - FLATUOROCARBON SILVER
	000G39-10-12R	EA SCREW - SF/ DR - 10-16 X 3/4 PPH - BEIGE
	000G39-10-12D	EA SCREW - SF/ DR - 10-16 X 3/4 PPH - BLACK
	000G39-10-12B	EA SCREW - SF/ DR - 10-16 X .75 PPH ZINK
	000G39-12-12E	EA SCREW - SF/ DR - 12 - 14 X 3/4 PPH - CHROME
	000G42-04-12B	EA SCREW - SF/ DR 1/4-14 X 3/4 HWH ZINK
	000G46-08-24T	EA SCREW - MACHINE - 8-32 - 1.50 IN PFH - BLACK
	000G50-04-12B	EA SCREW - MACHINE - 1/4-20 X 3/4 PPH ZINK
	000G50-04-08B	EA SCREW - MACHINE - 1/4-20 X 1/2 PTH - 2N
	000G51-08-08B	EA SCREW - 8-18 X 1/2 PTH ZINK

**SEALANTS & FASTENERS GROUP (CONTINUED)**

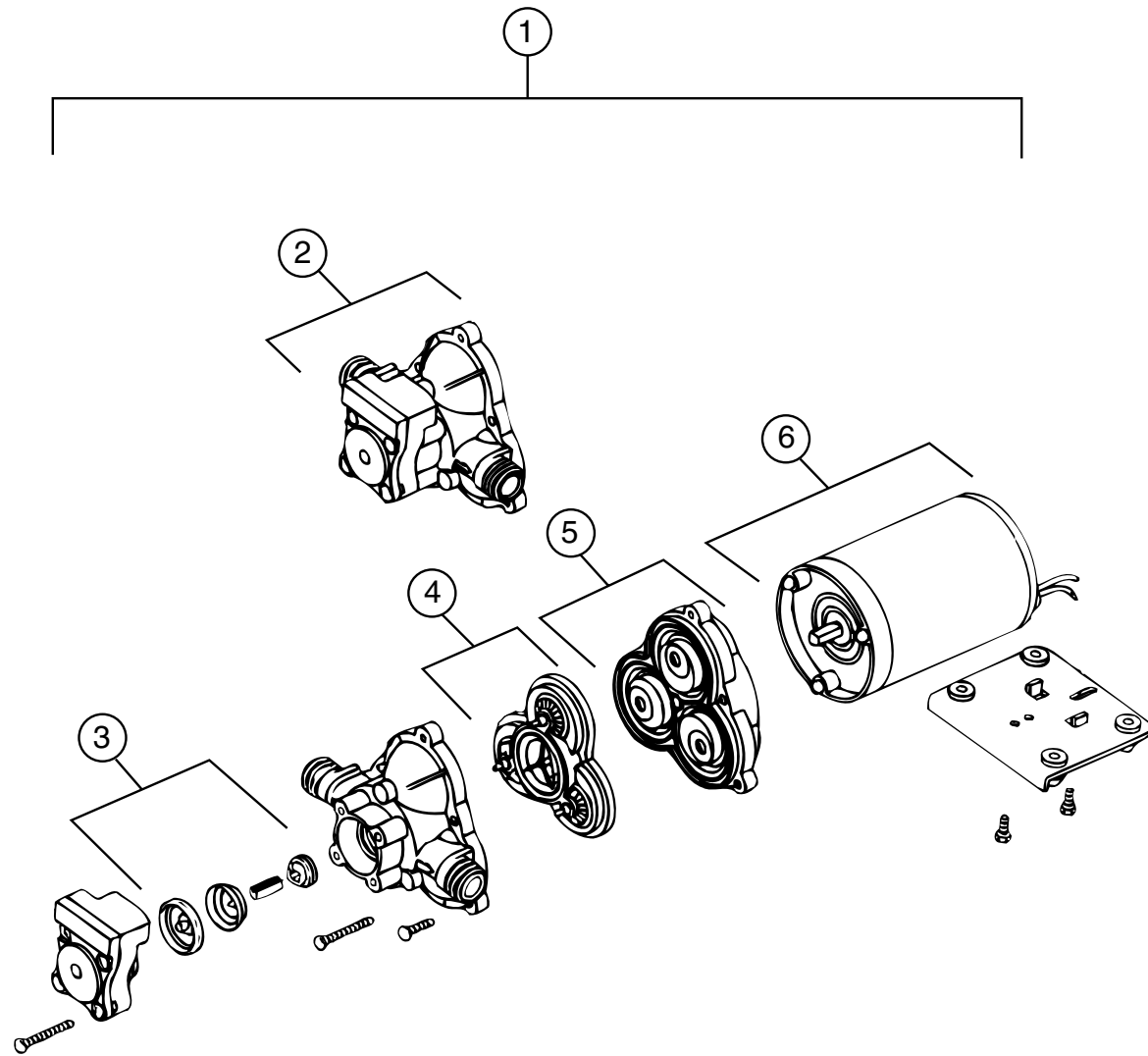
**SCREWS (CONTINUED)**

KEY	PART NUMBER	U/M DESCRIPTION
	000G52-08-18B	EA SCREW - MACH-8-32 X 11/8 PTH ZINK
	000G54-04-20B	EA SCREW - 1/4-20 X 1 1/4 PTH - TYPE 23 - ZINC PLATED
	000G55-08-127	EA SCREW - SF/DR - 8-18 X .75 PWH - FAWN
	000G55-08-12S	EA SCREW - SF/DR - 8-18 X .75 PWH - *OFF WHITE
	000G57-05-16J	EA SCREW - 5-20 X 1 PFH - BRASS
	000G60-10-28T	EA SCREW - SF/ DR - 10-16 X 1.75 - BLACK
	000G67-08-32B	EA SCREW - 8-15 X 2 PPH ZINK
	000G67-10-08B	EA SCREW - 10-12 X 1/2 PPH ZINK
	000G67-10-48B	EA SCREW - 10-12 X 3 PPH ZINK
	000G67-10-36T	EA SCREW - 10-12 X 2.25PPHBLACK - STALGARD
	000G67-10-20D	EA SCREW - 10-12 X 1 1/4 PPH - BLACK
	000G67-10-120	EA SCREW - 10-12 X .75" PPH - TAN
	000G67-10-120	EA SCREW - 10-12 X .75" PPH - TAN
	000G67-10-12B	EA SCREW - 10-12 X 3/4" PPH - ZINK
	000G67-10-10P	EA SCREW - 10-12 X .62 PPH - DARK BROWN
	000G67-10-10D	EA SCREW - 10-12 X 5/8 PPH - BLACK - TYPE A
	000G67-10-10B	EA SCREW - 10-12 X 5/8 PPH ZINK - TYPE A
	000G67-10-08R	EA SCREW - 10-12 X 1/2 PPH - BEIGE - TYPE A
	000G68-06-10G	EA SCREW - 6-18 X 5/8 POH - ANTIQUE BRASS
	049465-01-000	EA SCREW - 10-16 W/ WASHER PTH - DARK BROWN
	049465-03-000	EA SCREW - 10-16 X 1 POH W/ WASHER - OFF WHITE
	049465-17-000	EA SCREW - 10-16 X 1 POH W/ WASHER - BRIGHT WHITE
	075908-01-000	EA SCREW - MACHINE - 10-32 X .56 PTH - ZINC EXTERNAL TOOTH
	086256-01-000	EA SCREW ASM - SF/DR 8 X .75HWH LG - PL BODY PNL MT
	097974-01-000	EA SCREW - PART BD 7-9 X .75 PPH - FHM 0543 PLAIN
	106477-01-000	EA SCREW - 14-10 X 3.00 PFH - STEEL BRASS PLATED
	116111-02-01A	EA SCREW - TAPTITE - 1/4-20 X 3/8 PPH - ZINC
	117322-01-000	EA SCREW - 1/4-28UNF-2A - TORX - U.T. 6270020 SC25WJ

**CLAMPS, CLIPS, & GROMMETS**

KEY	PART NUMBER	U/M DESCRIPTION
	000F10-06-32B	EA PIN - COTTER - 3/16 X 2.00 ZN
	000H16-04-06R	EA RIVET - POP - AL 1/8 X .313-.375
	000H16-06-10R	EA RIVET - POP-AL 3/16 X .501-.625
	010495-01-000	EA CLAMP - CABLE - 9/16"
	010497-01-000	EA CLAMP - CLOSED - 5/8" ID
	010497-03-000	EA CLAMP - CLOSED - 1" ID - CUSHIONED
	010497-04-000	EA CLAMP - CLOSED - 1.62 ID - ADEL - 945-2717
	010497-05-000	EA CLAMP - CLOSED - 1/2" ID
	010499-01-000	EA CLAMP - CLOSED - 3/8" ID
	062401-01-000	EA CLAMP - HOSE - WORMGEAR .25" - 1"
	062401-03-000	EA CLAMP - HOSE - WORMGEAR - .22"- 1"
	062401-04-000	EA CLAMP - HOSE - WORMGEAR .69"- 1.25"
	062401-06-000	EA CLAMP - HOSE - WORMGEAR .22"- .62"
	062401-11-000	EA CLAMP - HOSE - WORMGEAR 3.56"- 4.5"
	075148-02-000	EA CLAMP - GROUNDING - BRONZE SCREWS
	083609-01-000	EA CLAMP - WIRE - DUAL EQUAL - 5/8" DIAMETER
	083610-01-000	EA CLAMP - WIRE - DUAL - UNEQUAL DIAMETERS - .75" & 1.25"
	083610-02-000	EA CLAMP - WIRE - DUAL UNEQUAL DIA
	008380-01-000	EA GROMMET - RUBBER - 5/8" HOLE X 1 1/2" DIAMETER - BLACK
	016188-03-000	EA GROMMET - L/P LINE - 3/8" HOLE X 2 1/2" LONG - RUBBER
	016188-05-000	EA GROMMET - L/P LINE - 3/8" HOLE X 1 1/4" LONG - RUBBER
	023942-01-000	EA GROMMET - RUBBER - 2" OD
	071015-11-000	EA GROMMET - 1.00 ID - FITS .12 MATL - MINOR RUBBER Z-3065
	071015-29-000	EA GROMMET - RUBBER - .25" ID X 1.25" OD W/.12" GROOVE - BLACK
	071015-30-000	EA GROMMET - RUBBER - .31" ID X .81" OD W/.12" GROOVE - BLACK
	114208-02-000	EA GROMMET - EDGE LINER - FITS .625 - HEYCO 2073
	077955-01-000	EA CLIP - J - VINYL COATED - 3/8"
	091952-01-000	EA CLIP - GRIPPER - 1"
	094362-02-000	EA CLIP - CHRISTMAS TREE - FLAT HEAD - .5" X .95"

**WATER & SEWAGE GROUP**



**WATER PUMP (SHURFLOW)**

KEY	PART NUMBER	U/M DESCRIPTION	VENDOR NO.
1	098607-01-000	EA PUMP - WATER - W/.5"MPT FITTING - FLOW 2.8 GPM - UL	
2	098607-01-706	EA UPPER HOUSING/ SWITCH KIT	94-231-20
3	098607-01-705	EA CHECK VALVE - KIT	94-237-00
4	098607-01-703	EA VALVE ASM	94-232-00
5	098607-01-702	EA DRIVE/ DIAPHRAGM - KIT	94-238-04
6	098607-01-707	EA MOTOR/ BASEPLATE REPLACEMENT	94-235-03

**WATER & SEWAGE GROUP (CONTINUED)**

**FRESH WATER TANK**

KEY	PART NUMBER	U/M DESCRIPTION
	117217-02-000	EA TANK ASM - WATER - 30 GAL - W/ FITTINGS
	117217-01-000	EA TANK ASM - WATER - 30 GAL - W/O FITTINGS
	116881-04-000	EA TANK ASM - WATER - 48 GAL - W/ FITTINGS
	116881-01-000	EA TANK ASM - WATER - 48 GAL - W/O FITTINGS
	042989-05-000	EA FITTING - SPINWELD - PLASTIC 1/2FPT
	042989-03-000	EA FITTING - SPINWELD - PLASTIC - 1 1/4" FPT
	049032-01-000	EA PATCH - SPINWELD - 3/8" - PLASTIC
	039861-01-000	EA SENDING UNIT W/SCREW - WASHER
	091208-01-000	EA WASHER - RUBBER - .06" X .75" X .5"
	077954-02-000	EA FILTER - WATER TANK - SCREEN IN TANK

**WATER SYSTEM COMPONENTS (FLAIR-IT)**

KEY	PART NUMBER	U/M DESCRIPTION
	114427-01-000	EA CAP - 1/2P - 02860
	114427-02-000	EA PLUG - 1/2P - 02863
	114428-01-000	EA TEE - 1/2P X 1/2P X 1/2P - 02820
	114428-02-000	EA TEE - SWIVEL - 1/2P X 1/2P X 1/2FPT - 02821
	114428-03-000	EA TEE - 1/2P X 1/2P X 1/2MPT - 02822
	114429-01-000	EA ELBOW - 1/2P X 1/2P - 02800
	114429-02-000	EA ELBOW - 1/2P X 1/2MPT - 02803
	114429-03-000	EA ELBOW - SWIVEL - 1/2P X 1/2FPT - 02816
	114429-04-000	EA ELBOW - 1/2P X 3/8MPT - 02810
	114429-05-000	EA ELBOW - 1/2P X 3/4MPT - 02812
	114429-06-000	EA ELBOW - SWIVEL - 1/2P X 3/4FPT - 02811
	114430-01-000	EA ADAPTER - 1/2P X 1/2P - 02840
	114430-02-000	EA ADAPTER - SWIVEL - 1/2P X 1/2FPT - 02873
	114430-03-000	EA ADAPTER - 1/2P X 1/2MPT - 02842
	114431-01-000	EA VALVE - LINE DRAIN 1/2P - 02914
	114431-02-000	EA VALVE - 1/2P - BYPASS - 02910
	114431-03-000	EA VALVE - 1/2P X 1/2P - 02884
	114431-04-000	EA VALVE - STOP - 1/2P X 1/2P - 02880

**WATER SYSTEM COMPONENTS**

KEY	PART NUMBER	U/M DESCRIPTION
	701069-01-000	EA WATER PURIFICATION SYSTEM
	701069-03-700	EA CARTRIDGE - WATER FILTER - AC - EVERPURE 9601-11
	079381-01-000	FT TUBING - SMOOTH FLEXIBLE - 1 3/8" ID X 20'
	039800-02-000	FT TUBING - POLYBUTYL - 5/8" OD X 20FT
	010219-01-000	EA ELBOW - 1 1/4" MPT X 1 1/4" BARB - WATER FILL - PLASTIC
	039798-01-000	EA TEE - 1/2" MPT X 1/2" MPT X 1/2" MPT - PLASTIC
	101814-01-000	EA COUPLING - FEMALE - 1/2" X 1/2" FPT
	010230-05-000	EA CITY WATER FILL W/CHECK VALVE

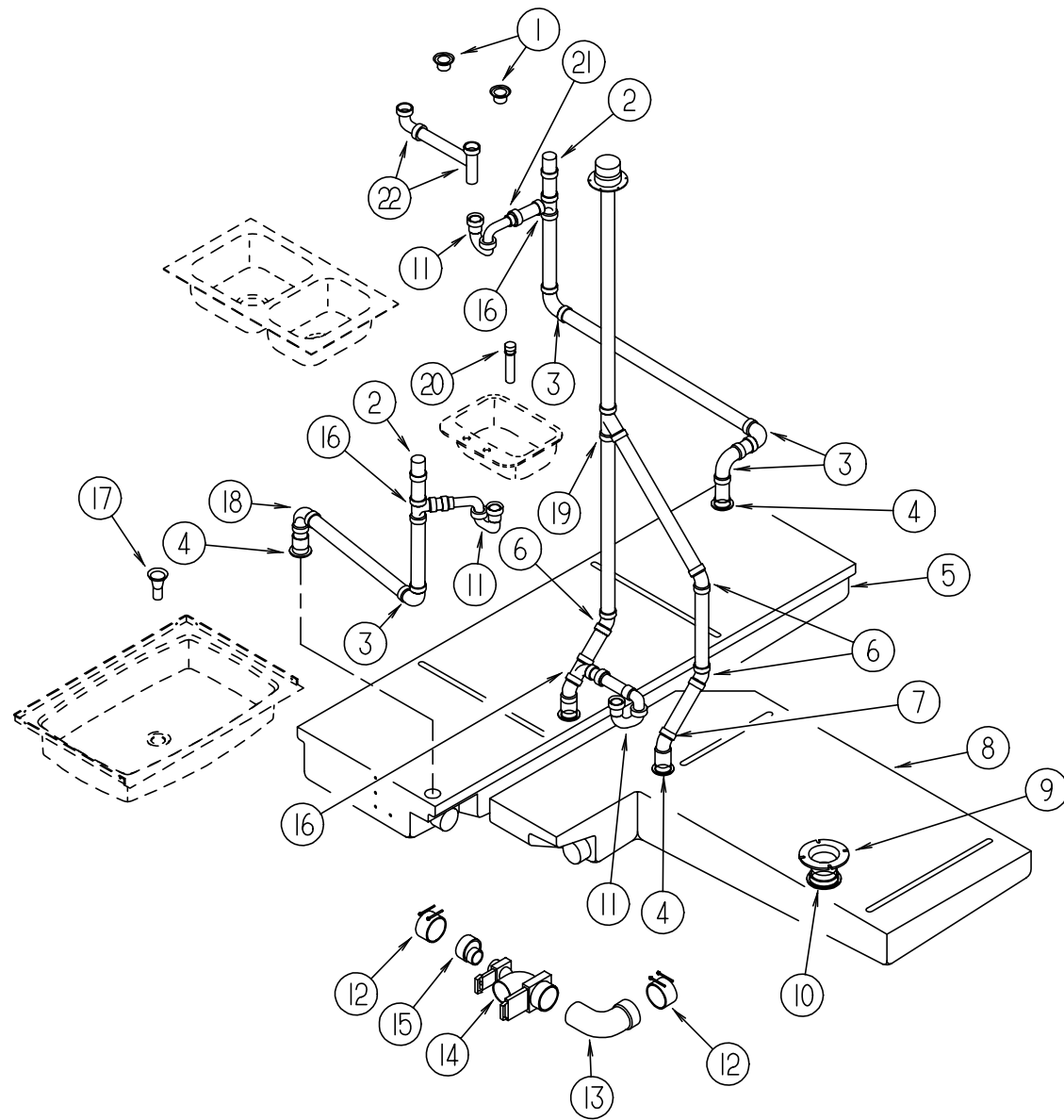
**EXTERIOR SHOWER COMPONENTS**

KEY	PART NUMBER	U/M DESCRIPTION
	103092-01-000	EA SHOWER HEAD - W/ 60" HOSE (US)
	103092-02-000	EA SHOWER HEAD - W/ HOSE (CSA)
	104044-01-000	EA BRACKET - SUPPORT - FAUCET
	103092-01-701	EA BRACKET (FOR SHOWER HEAD) BONE
	075241-05-000	EA FAUCET - SHOWER - BONE

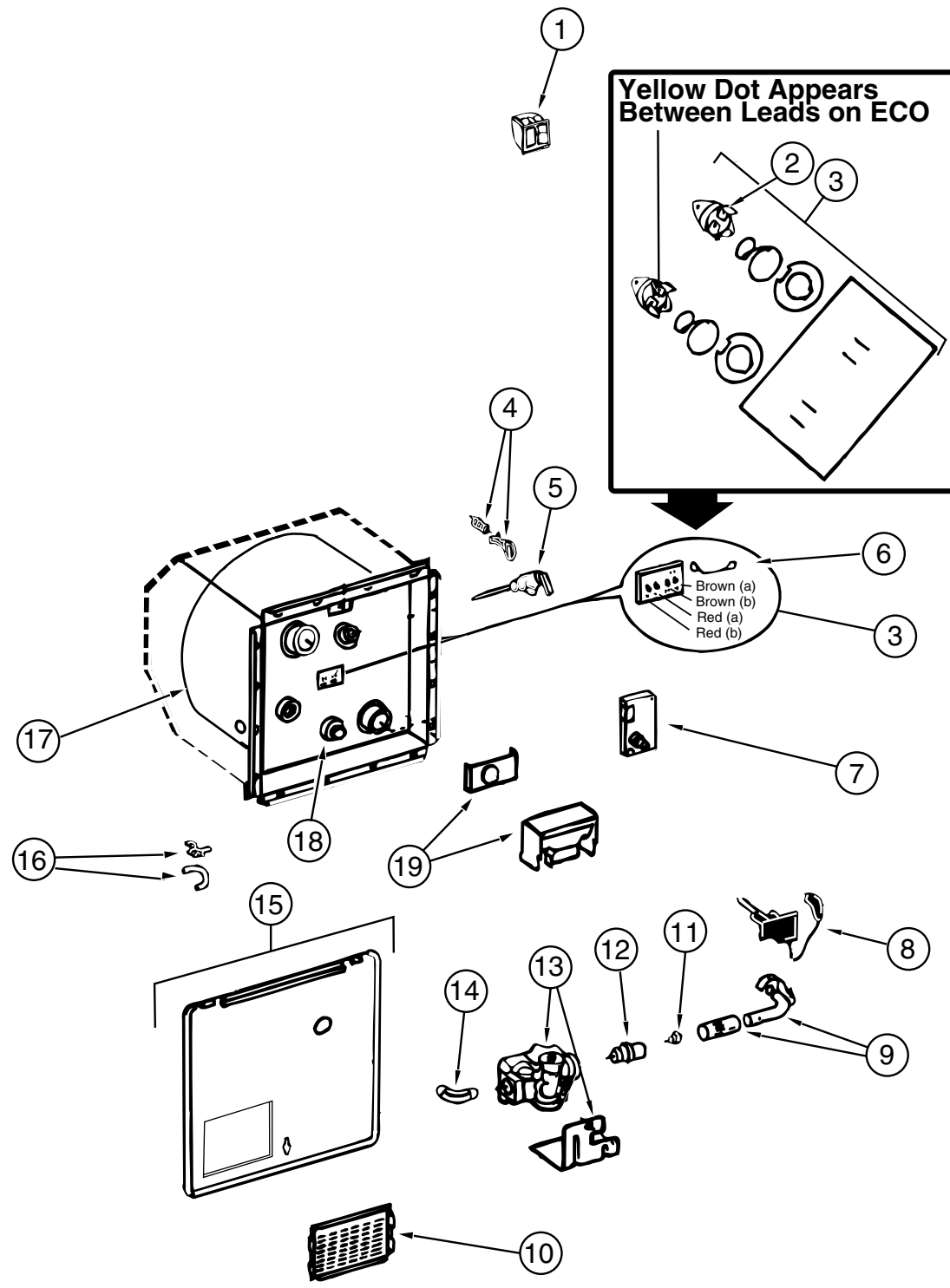
# WATER & SEWAGE GROUP (CONTINUED)

## DRAINAGE SYSTEM

KEY	PART NUMBER	U/M	DESCRIPTION
1	092303-01-000	EA	STRAINER - SINK
2	079968-01-000	EA	VENT - MECHANICAL TRAP ARM - ANTI-SIPHON - 2" DIA X 7.3"
3	010008-01-000	EA	ELBOW - 90 DEGREE - 1/4 BEND - 1 1/2" HUB X HUB - EXTRA LONG TURN
4	061607-01-000	EA	GROMMET - HOLDING TANK - 1 1/2" NPS
	010115-01-000	EA	COUPLING - 1 1/2" HUB X HUB - PLASTIC
5	104352-01-000	EA	TANK - HOLDING - 50 GAL
6	010006-01-000	EA	ELBOW - 45 DEGREE - 1/8 BEND - 1 1/2" HUB X HUB
7	010051-01-000	EA	ELBOW - 45 DEGREE STREET- 1/8 BEND - 1 1/2" S X H - PLASTIC
8	112789-01-000	EA	TANK - HOLDING - 46 GAL
9	116644-01-000	EA	FLANGE - CLOSET - 4" X 3"
10	061607-02-000	EA	GROMMET - HOLDING TANK - 3" NPS
11	107538-01-000	EA	P-TRAP - 1 1/4 - PLASTIC (US)
11	011071-01-000	EA	P-TRAP - 1 1/2 - PLASTIC (CSA) (GALLEY)
11	011066-01-000	EA	P-TRAP - 1 1/2 - PLASTIC (CSA) (BATH)
12	078406-01-000	EA	COUPLER - RUBBER - W/ CLAMPS - 3" X 3"
13	041956-01-000	EA	ELBOW - STREET - 1/4" BEND - 3" X 90° XLT
14	070916-01-000	EA	VALVE ASM - DUAL DUMP - W/CAP - 3" X 1 1/2"
	070916-01-700	EA	VALVE ONLY - 3"
	070916-01-701	EA	VALVE ONLY - 1 1/2"
	062415-01-000	EA	SEWER CAP - 3"
15	062422-01-000	EA	ADAPTER - OFFSET REDUCER - 3" X 1 1/2"
16	010071-01-000	EA	TEE - SANITARY - 1 1/2" HUB X HUB X HUB
17	011069-03-000	EA	TAILPIECE - SHOWER/ TUB - 1 1/2" X 1 3/4" - PLASTIC (US)
17	011069-02-000	EA	TAILPIECE - TUB/ SHOWER - 1 1/2" X 1 1/4" X 4" - BRASS (CSA)
	066440-01-000	EA	STRAINER - SHOWER - W/RUBBER WASHER
	066436-01-000	EA	NUT - SLIP - TAILPIECE - 1.5"
	069735-01-000	EA	WASHER-STRAINER TO TAILPIECE PLASTIC, 1.5"
18	034250-01-000	EA	ELBOW - 90 DEGREE - 1/4 BEND - 1 1/2" HUB X HUB - LONG TURN
19	010073-01-000	EA	WYE - 45 DEGREE - 1 1/2" HUB X HUB X HUB
20	096927-01-701	EA	TAILPIECE - BATH SINK
21	109571-01-000	EA	ADAPTER - P-TRAP - 1 1/2" P X 1 1/4" MPT
22	011091-02-000	EA	CONTINUOUS WASTE - DOUBLE SINK - 1 1/4" (US)
22	011091-03-000	EA	CONTINUOUS WASTE - DOUBLE SINK - 1 1/4" (CSA)
	010201-01-000	EA	HOSE - SEWER - 3" ID X 8'
	062416-01-000	EA	ADAPTER - SEWER HOSE TO 3" PIPE



## WATER & SEWAGE GROUP (CONTINUED)



### WATER HEATER W/MOTOR AID ATWOOD (GH6-7E)

KEY	PART NUMBER	U/M DESCRIPTION	VENDOR NO.
	051393-01-000	EA WATER HEATER - W/MOTOR AID - PILOTLESS IGNITION	
1	051393-01-701	EA SWITCH PACKAGE	91959
2	051391-04-701	EA THERMOSTAT 12 VDC-120 PRESET	91470
3	051393-01-721	EA ECO & THERMOSTAT ASM - FRONT MOUNT - 140°	91447
4	051391-01-705	EA FASTENER - CAMLOC	92609
5	051391-01-704	EA VALVE - RELIEF - 1/2" FITTING	91604
6	051393-01-723	EA SWITCH - ENERGY CUT-OFF	93866
7	051393-01-724	EA CIRCUIT BOARD - W/ SPADE TERMINAL	93867
8	051393-01-725	EA ELECTRODE - SINGLE SPADE CONNECTION	93868
9	051391-04-703	EA BURNER - MAIN	91638
10	051391-01-717	EA GRILLE	92640
11	051391-01-710	EA ORIFICE - MAIN BURNER	92742
12	051391-03-700	EA ORIFICE HOLDER	91563
13	051393-01-726	EA SOLENOID VALVE & BRACKET	93870
14	051391-01-714	EA ELBOW - 45 DEGREE - 3/8" F X 3/8" MPT	91044
15	052009-01-000	EA DOOR - WATER HEATER - OFF WHITE	
16	051391-01-700	EA HINGE KIT - W/CLIP	92568 & 92559
17	051393-03-701	EA TANK - INNER	91642
18	051391-01-715	EA DRAIN PLUG	91857
19	051391-01-706	EA FLUE & GASKET	92787
	116424-01-000	EA PROTECTOR - ROUND VINYL - WATER HEATER LATCH	

### WATER HEATER W/MOTOR AID ATWOOD (GH6-8E)

KEY	PART NUMBER	U/M DESCRIPTION	VENDOR NO.
	051393-01-000	EA WATER HEATER - W/ MOTOR AID - PILOTLESS IGNITION	
1	051393-01-701	EA SWITCH PACKAGE	91959
2	051391-04-701	EA THERMOSTAT 12 VDC-120 PRESET	91470
3	051393-01-721	EA ECO & THERMOSTAT ASM - FRONT MOUNT - 140°	91447
4	051391-01-705	EA FASTENER - CAMLOC	92609
5	051391-01-704	EA VALVE - RELIEF - 1/2" FITTING	91604
6	051393-01-723	EA SWITCH - ENERGY CUT-OFF	93866
7	051393-01-724	EA CIRCUIT BOARD - W/ SPADE TERMINAL	93867
8	051393-01-725	EA ELECTRODE - SINGLE SPADE CONNECTION	93868
9	051391-04-703	EA BURNER - MAIN	91638
10	051391-01-717	EA GRILLE	92640
11	051391-01-710	EA ORIFICE - MAIN BURNER	92742
12	051391-03-700	EA ORIFICE HOLDER	91563
13	051393-01-726	EA SOLENOID VALVE & BRACKET	93870
14	051391-01-714	EA ELBOW - 45 DEGREE - 3/8" F X 3/8" MPT	91044
15	052009-04-000	EA DOOR - WATER HEATER - BUFF	
16	051391-01-700	EA HINGE KIT - W/CLIP	92568 & 92559
17	051391-04-704	EA TANK - INNER	91642
18	051391-01-715	EA DRAIN PLUG	91857
19	051391-04-707	EA FLUE & GASKET	90960
	111129-01-711	EA BRACKET-CORNER, SET OF FOUR	91928
	116424-01-000	EA PROTECTOR - ROUND VINYL - WATER HEATER LATCH	

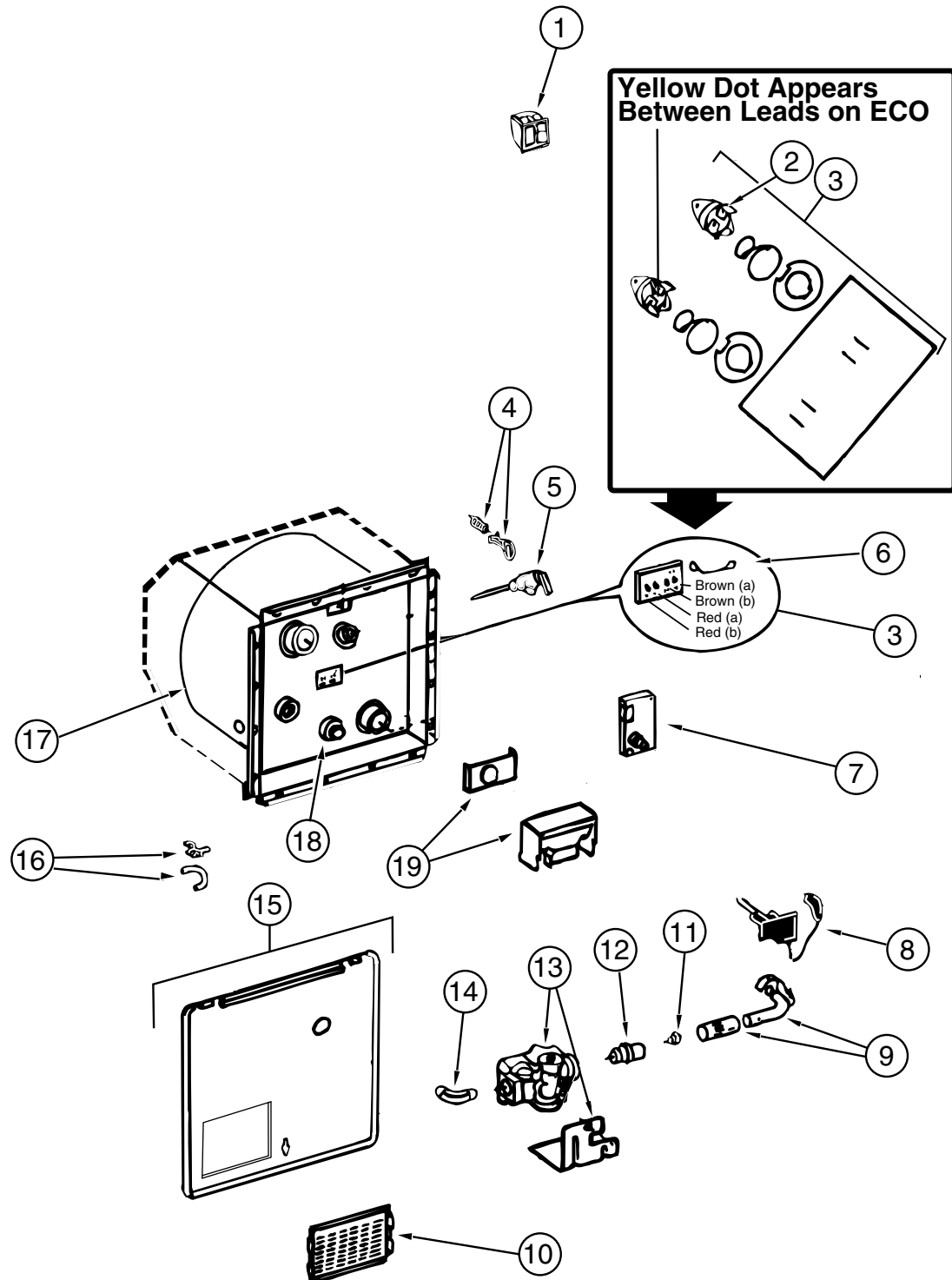
## WATER & SEWAGE GROUP (CONTINUED)

### WATER HEATER W/MOTOR AID ATWOOD (G6A-7E)

KEY	PART NUMBER	U/M DESCRIPTION	VENDOR NO.
	051391-03-000	EA WATER HEATER - W/ ELECTRIC IGNITION	
1	051393-01-701	EA SWITCH PACKAGE	91959
2	051391-04-701	EA THERMOSTAT 12 VDC-120 PRESET	91470
3	051393-01-721	EA ECO & THERMOSTAT ASM - FRONT MOUNT - 140°	91447
4	051391-01-705	EA FASTENER - CAMLOC	92609
5	051391-01-704	EA VALVE - RELIEF - 1/2" FITTING	91604
6	051393-01-723	EA SWITCH - ENERGY CUT-OFF	93866
7	051393-01-724	EA CIRCUIT BOARD - W/ SPADE TERMINAL	93867
8	051393-01-725	EA ELECTRODE - SINGLE SPADE CONNECTION	93868
9	051391-04-703	EA BURNER - MAIN	91638
10	051391-01-717	EA GRILLE	92640
11	051391-01-710	EA ORIFICE - MAIN BURNER	92742
12	051391-03-700	EA ORIFICE HOLDER	91563
13	051393-01-726	EA SOLENOID VALVE & BRACKET	93870
14	051391-01-714	EA ELBOW - 45 DEGREE - 3/8" F X 3/8" MPT	91044
15	052009-01-000	EA DOOR - WATER HEATER - OFF WHITE	
16	051391-01-700	EA HINGE KIT - W/CLIP	92568 & 92559
17	051391-04-706	EA TANK - INNER	91641
18	051391-01-715	EA DRAIN PLUG	91857
19	051391-01-706	EA FLUE & GASKET	92787
	116424-01-000	EA PROTECTOR - ROUND VINYL - WATER HEATER LATCH	

### WATER HEATER W/ ELECTRIC IGNITION ATWOOD (G6A-8E)

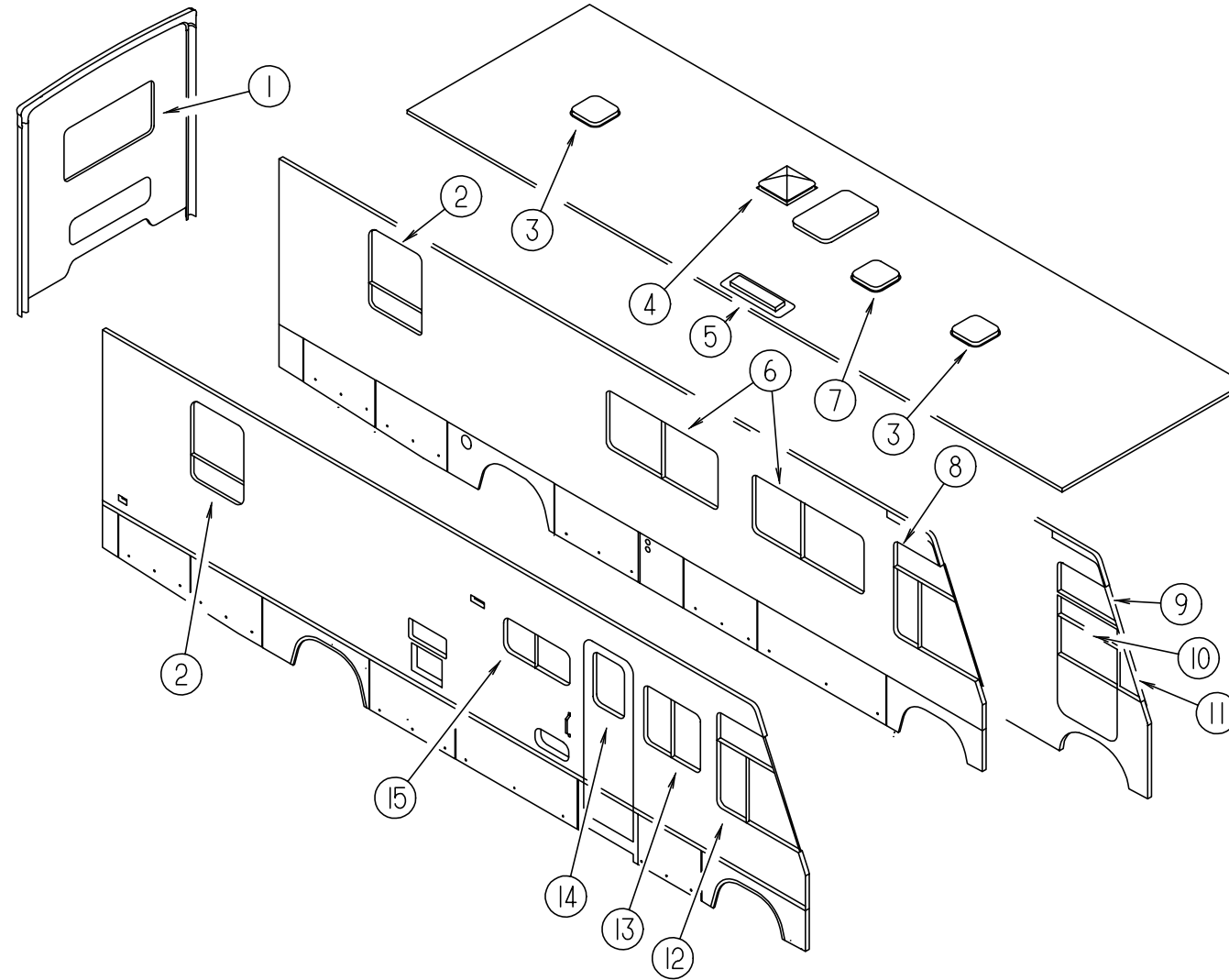
KEY	PART NUMBER	U/M DESCRIPTION	VENDOR NO.
	051391-03-000	EA WATER HEATER - W/ ELECTRIC IGNITION	
1	051393-01-701	EA SWITCH PACKAGE	91959
2	051391-04-701	EA THERMOSTAT 12 VDC-120 PRESET	91470
3	051393-01-721	EA ECO & THERMOSTAT ASM - FRONT MOUNT - 140°	91447
4	051391-01-705	EA FASTENER - CAMLOC	92609
5	051391-01-704	EA VALVE - RELIEF - 1/2" FITTING	91604
6	051393-01-723	EA SWITCH - ENERGY CUT-OFF	93866
7	051393-01-724	EA CIRCUIT BOARD - W/ SPADE TERMINAL	93867
8	051393-01-725	EA ELECTRODE - SINGLE SPADE CONNECTION	93868
9	051391-04-703	EA BURNER - MAIN	91638
10	051391-01-717	EA GRILLE	92640
11	051391-01-710	EA ORIFICE - MAIN BURNER	92742
12	051391-03-700	EA ORIFICE HOLDER	91563
13	051393-01-726	EA SOLENOID VALVE & BRACKET	93870
14	051391-01-714	EA ELBOW - 45 DEGREE - 3/8" F X 3/8" MPT	91044
15	052009-04-000	EA DOOR - WATER HEATER - BUFF	
16	051391-01-700	EA HINGE KIT - W/CLIP	92568 & 92559
17	051391-04-706	EA TANK - INNER	91641
18	051391-01-715	EA DRAIN PLUG	91857
19	051391-04-707	EA FLUE & GASKET	90960
	111129-01-711	EA BRACKET-CORNER, SET OF FOUR	91928
	116424-01-000	EA PROTECTOR - ROUND VINYL - WATER HEATER LATCH	





# WINDOW, VENT & EXTERIOR DOOR GROUP

## WINDOWS & VENTS

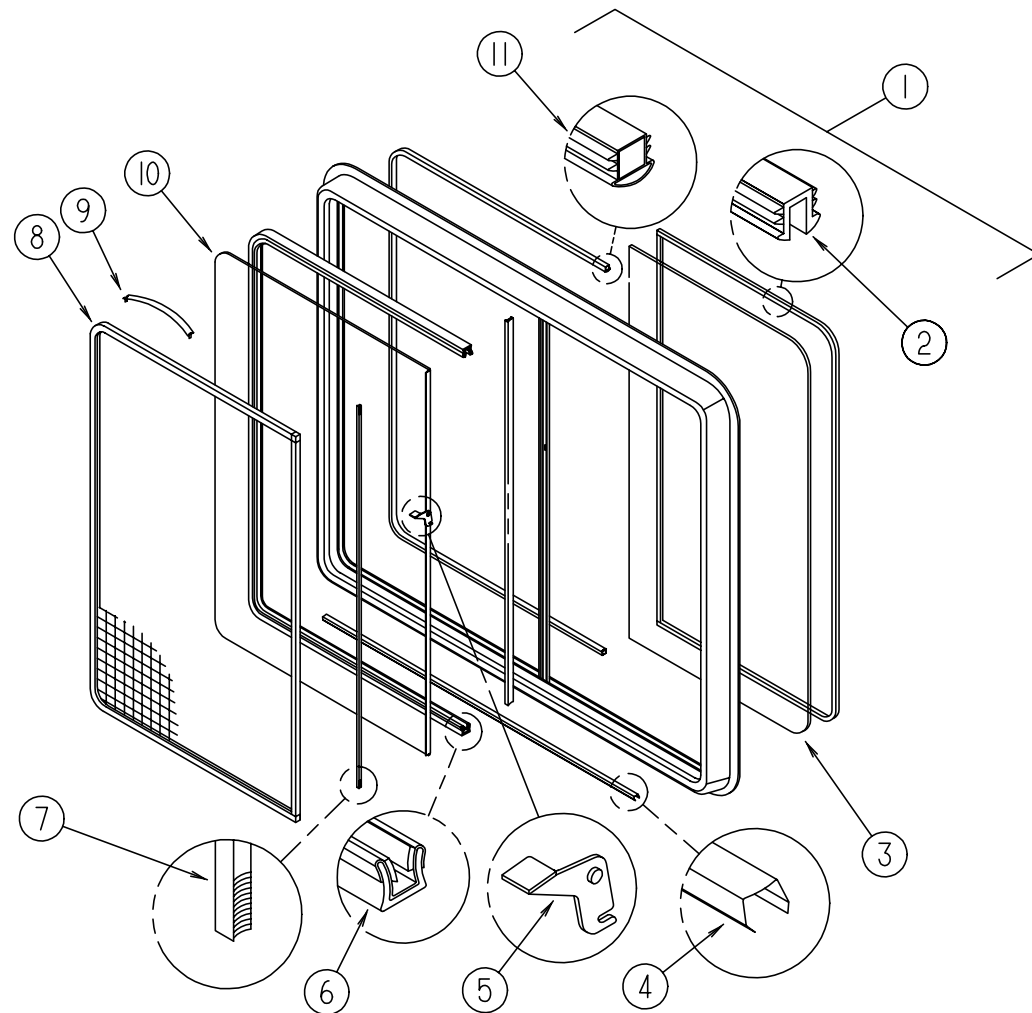


KEY	PART NUMBER	U/M	DESCRIPTION
1	113502-01-01A	EA	WINDOW ASM - CENTER STATIONARY ESCAPE - THERMOPANE 24 3/4" X 48 3/4" (KING OR QUEEN BED)
1	113733-07-01A	EA	WINDOW ASM - STATIONARY - THERMO - W/ RETAINER TRIM (TWIN BED)
1	078528-06-E10	EA	WINDOW ASM - ESCAPE - W/O RETAINER TRIM (KING OR QUEEN BED)
1	078528-13-F11	EA	WINDOW ASM - ESCAPE - W/O RETAINER TRIM (TWIN BED)
2	112898-08-01A	EA	WINDOW ASM - VERTICAL SLIDER - THERMOPANE - 36" X 27"
2	112463-01-01A	EA	WINDOW ASM - TIPOUT W/ RETAINER TRIM - 36" X 27"
3	110051-02-01A	EA	VENT - ROOF - NON POWERED
4	110051-04-01A	EA	VENT - ROOF - POWERED (US)
4	110051-06-01A	EA	VENT - ROOF - POWERED (CSA)
	114495-01-01A	EA	PANEL - SKYLITE - INNER
	114496-01-01A	EA	PANEL - SKYLITE - OUTER
5	084073-07-000	EA	COVER - ROOF VENT - NORCOLD REFRIGERATOR - BRIGHT WHITE
5	118369-01-02A	EA	COVER - ROOF VENT - DOMETIC REFRIGERATOR - BRIGHT WHITE
5	084073-04-000	EA	BASE - ROOF VENT - NORCOLD REFRIGERATOR - BLACK
5	118369-02-02A	EA	BASE - ROOF VENT - DOMETIC REFRIGERATOR - BRIGHT WHITE
6	112795-15-01A	EA	WINDOW ASM - DR. HORIZONTAL SLIDER - THERMOPANE - 26 3/8" X 60"
6	098647-22-01A	EA	WINDOW ASM - DR. HORIZONTAL SLIDER - 26 3/8" X 60"
7	084079-14-000	EA	VENT - ROOF - POWERED (US)
7	084079-15-000	EA	VENT - ROOF - POWERED (CSA)

KEY	PART NUMBER	U/M	DESCRIPTION
8	113501-01-01A	EA	WINDOW ASM. - CAB - THERMO INSULATED - W/ RETAINER TRIM
8	103658-07-01A	EA	WINDOW ASM. - CAB - DRIVER SIDE
9	116000-02-01A	EA	WINDOW ASM - DR. STATIONARY THERMOPANE - 14 13/16" X 25 11/16" X 32 1/4"
9	106467-03-01A	EA	WINDOW ASM - DR. STATIONARY - 14 13/16" X 25 11/16" X 32 1/4"
10	106469-01-704	EA	WINDOW - DRIVER DOOR - ROLL-UP GLASS ASM. - W/ BRACKET
11	115999-02-01A	EA	WINDOW ASM - FRONT SLANT - THERMO INSULATED - DRIVER SIDE
11	106468-02-01A	EA	WINDOW ASM - FRONT SLANT- DRIVER SIDE
12	113501-02-01A	EA	WINDOW ASM - PASS. SLANT - THERMOPANE - 44 1/4" X 24 7/16" X 44 1/8"
12	103658-08-01A	EA	WINDOW ASM - PASS. SLANT - 44 1/4" X 24 7/16" X 44 1/8"
13	112795-18-01A	EA	WINDOW ASM - SLIDER - THERMO INSULATED - W/ RETAINER TRIM
13	098647-25-01A	EA	WINDOW ASM - SLIDER - W/ RETAINER TRIM (OFF-WHITE)
14	113733-01-01A	EA	WINDOW ASM - STATIONARY - THERMOPANE - 26 3/8" X 17"
14	117053-02-F36	EA	WINDOW ASM - ENTRANCE DOOR - W/O RETAINER TRIM
15	112795-19-01A	EA	WINDOW ASM - SLIDER - THERMO INSULATED - W/ RETAINER TRIM
15	098647-33-01A	EA	WINDOW ASM - SLIDER - W/ RETAINER TRIM (OFF-WHITE)

## WINDOW, VENT & EXTERIOR DOOR GROUP (CONTINUED)

### SINGLE SLIDER WINDOW (EXCEL) (DRIVER SIDE DINETTE & LOUNGE)



KEY	PART NUMBER	U/M	DESCRIPTION	VENDOR NO.
	098647-22-01A	EA	WINDOW ASM - SLIDER - W/ RETAINER TRIM - H287-G2W66L	
1	098647-22-700	EA	WINDOW ASM - SLIDER - W/O RETAINER TRIM	H287-G2L
	098647-23-702	EA	RETAINER TRIM - INSIDE (OFF WHITE)	W28766
2	100322-01-703	FT	GLAZING STRIP	132-010723
3	098647-23-703	EA	GLASS - STATIONARY	106-017622
4	098644-01-710	FT	TRACK - SCREEN SPACER - 12' LENGTH	132-017135
5	098644-01-700	EA	LATCH - REPAIR KIT	B801-CK
6	098644-01-708	FT	CHANNEL - PIERCED RUN	122-016543
7	098644-01-711	FT	WEATHERSTRIP - SCREEN - BLACK	171-016965
8	098647-23-704	EA	SCREEN ASM. - W/ SPRINGS & WEATHERSTRIP	410-019066
9	098644-01-713	EA	SPRING - SCREEN FRAME (CLIP)	226-016966
10	098647-23-700	EA	GLASS - SLIDING - W/ SASH & LATCH	H287-G9
11	098644-01-706	FT	WEATHERSTRIP	171-010668
	098644-01-716	FT	PLUG - FILLER	132-014470
	098644-01-719	FT	STOP - SLIDER GLASS	132-014203
	098644-01-717	FT	SPLINE - SCREEN	132-004716

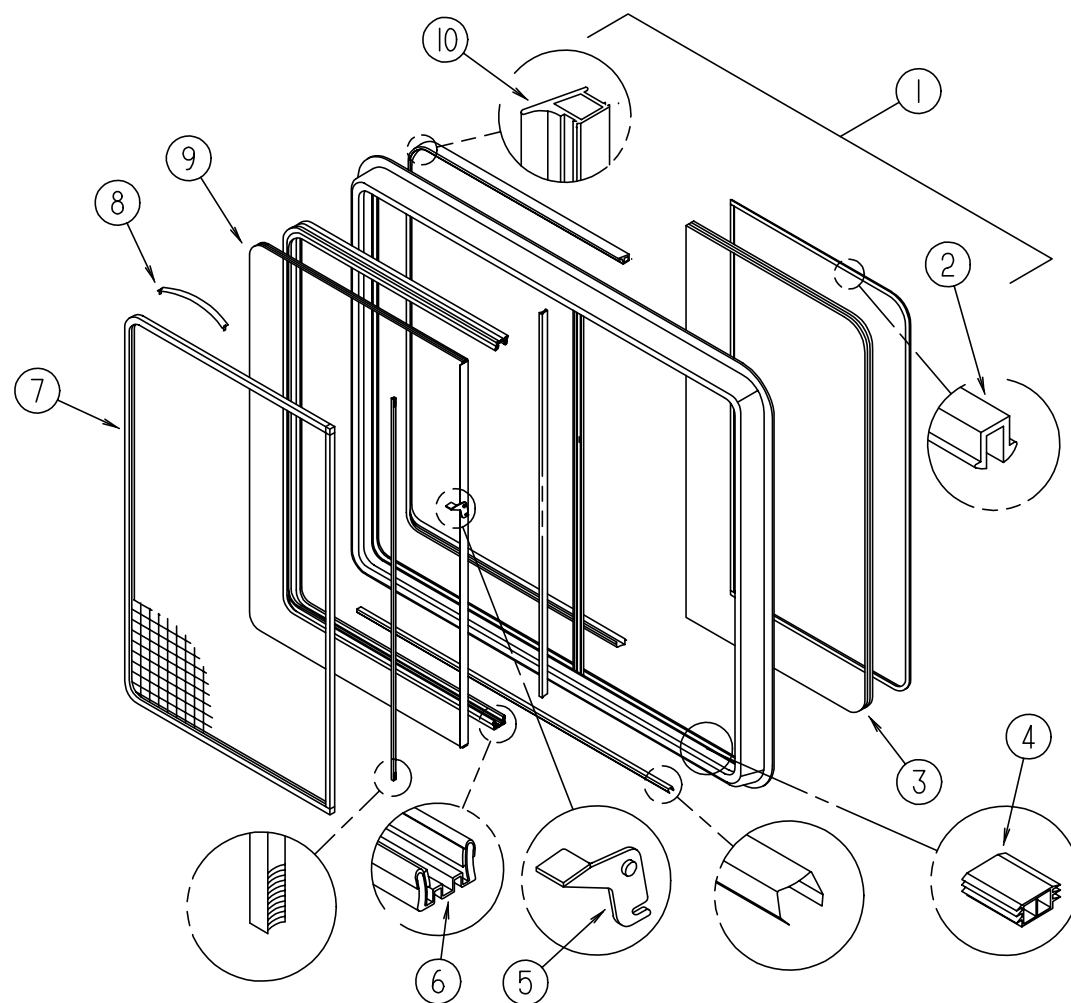
### SINGLE SLIDER WINDOW (EXCEL) (PASSENGER SIDE LOUNGE)

KEY	PART NUMBER	U/M	DESCRIPTION	VENDOR NO.
	098647-25-01A	EA	WINDOW ASM - SLIDER - W/ RETAINER TRIM - H286-G2W66R	
1	098647-25-700	EA	WINDOW ASM - SLIDER - W/O RETAINER TRIM	H286-G2R
	098647-25-701	EA	RETAINER TRIM - INSIDE (OFF WHITE)	W28666
2	100322-01-703	FT	GLAZING STRIP	132-010723
3	098647-25-702	EA	GLASS - STATIONARY	106-017657
4	098644-01-710	FT	TRACK - SCREEN SPACER - 12' LENGTH	132-017135
5	098644-01-700	EA	LATCH - REPAIR KIT	B801-CK
6	098644-01-708	FT	CHANNEL - PIERCED RUN	122-016543
7	098644-01-711	FT	WEATHERSTRIP - SCREEN - BLACK	171-016965
8	098647-25-704	EA	SCREEN ASM. - W/ SPRINGS & WEATHERSTRIP	410-019065
9	098644-01-713	EA	SPRING - SCREEN FRAME (CLIP)	226-016966
10	098647-25-703	EA	GLASS - SLIDING - W/ SASH & LATCH	H286-G9
11	098644-01-706	FT	WEATHERSTRIP	171-010668
	098644-01-716	FT	PLUG - FILLER	132-014470
	098644-01-719	FT	STOP - SLIDER GLASS	132-014203
	098644-01-717	FT	SPLINE - SCREEN	132-004716

### SINGLE SLIDER WINDOW (EXCEL) (GALLEY)

KEY	PART NUMBER	U/M	DESCRIPTION	VENDOR NO.
	098647-33-01A	EA	WINDOW ASM - SLIDER - W/ RETAINER TRIM - H425-G2W66R	
1	098647-33-700	EA	WINDOW ASM - SLIDER - W/O RETAINER TRIM	H425-G2R
	098647-33-701	EA	RETAINER TRIM - INSIDE (OFF WHITE)	CW2966
2	100322-01-703	FT	GLAZING STRIP	132-010723
3	098647-33-702	EA	GLASS - STATIONARY	106-019297
4	098644-01-710	FT	TRACK - SCREEN SPACER - 12' LENGTH	132-017135
5	098644-01-700	EA	LATCH - REPAIR KIT	B801-CK
6	098644-01-708	FT	CHANNEL - PIERCED RUN	122-016543
7	098644-01-711	FT	WEATHERSTRIP - SCREEN - BLACK	171-016965
8	098647-33-704	EA	SCREEN ASM. - W/ SPRINGS & WEATHERSTRIP	410-019134
9	098644-01-713	EA	SPRING - SCREEN FRAME (CLIP)	226-016966
10	098647-33-703	EA	GLASS - SLIDING - W/ SASH & LATCH	H425-G9
11	098644-01-706	FT	WEATHERSTRIP	171-010668
	098644-01-716	FT	PLUG - FILLER	132-014470
	098644-01-717	FT	SPLINE - SCREEN	132-004716

## WINDOW, VENT & EXTERIOR DOOR GROUP (CONTINUED)



### DRIVER SIDE LOUNGE & DINETTE WINDOW (THERMO INSULATED)

KEY	PART NUMBER	U/M DESCRIPTION	VENDOR NO.
	112795-15-01A	EA WINDOW ASM. - DRIVERS HORIZ.SLIDE THERMO - 26 3/8" X 60"	
1	112795-15-700	EA WINDOW ASM. - W/O RETAINER TRIM	DH287-G2L
	098647-23-702	EA RETAINER - TRIM - WHITE	W28766
2	112795-01-704	FT VINYL - GLAZING	132-018280
3	112795-15-701	EA GLASS - STATIONARY	390-019045
4	112795-01-701	EA SLIDE - STOP	132-019092
5	112795-01-700	EA LATCH ASM. - BLK. (BOLT ON)	DH287-CK
6	112795-01-703	IN CHANNEL - RUN (INCHES)	122-018736
7	098647-23-704	EA SCREEN ASM. - W/SPRING CLIP	410-019066
8	098644-01-713	EA CLIP - SPRING - METAL	226-016966
9	112795-15-702	EA GLASS - SLIDING - W/ SASH & LATCH	DH287-G9
10	112795-01-702	FT PLUG - FILLER	122-018737

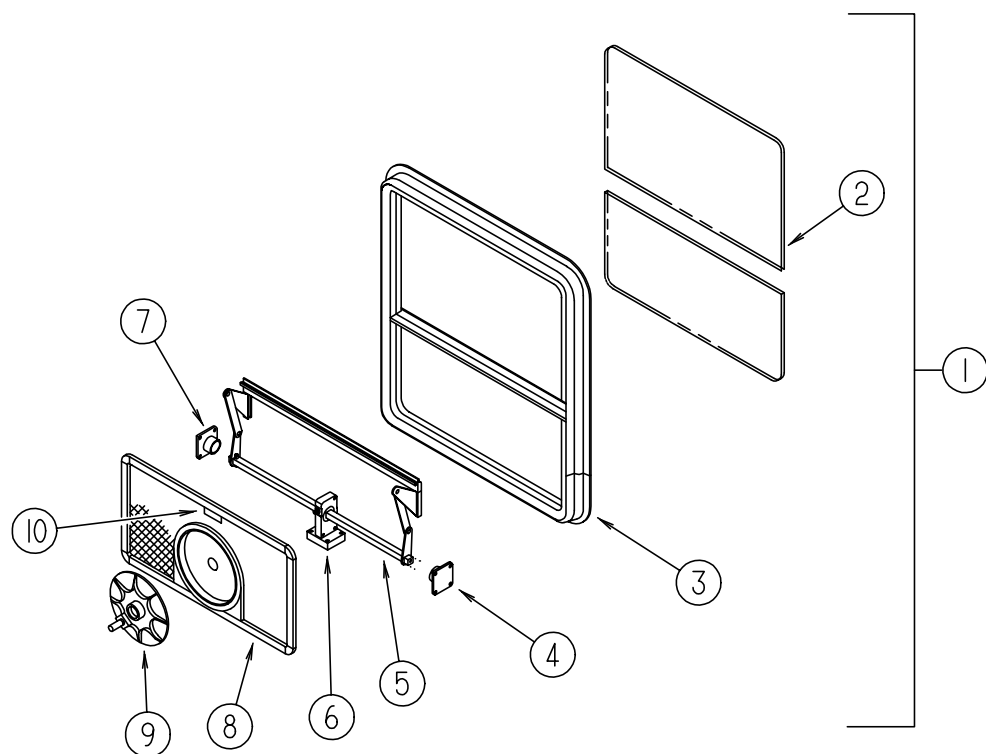
### PASSENGER SIDE LOUNGE WINDOW (THERMO INSULATED)

KEY	PART NUMBER	U/M DESCRIPTION	VENDOR NO.
	112795-18-01A	EA WINDOW ASM - SLD - HORIZ THERMO - DH286-G2W66R	
1	112795-18-702	EA WINDOW ASM. - W/O RETAINER TRIM	DH286-G2R
	098647-25-701	EA RETAINER-TRIM - WHITE	W28666
2	112795-01-704	FT VINYL - GLAZING	132-018280
3	112795-18-700	EA GLASS - STATIONARY	390-019043
4	112795-01-701	EA SLIDE - STOP	132-019092
5	112795-01-700	EA LATCH ASM. - BLK. -(BOLT ON)	DH287-CK
6	112795-01-703	IN CHANNEL - RUN (INCHES)	122-018736
7	098647-25-704	EA SCREEN ASM. - W/ SPRING CLIP	410-019065
8	098644-01-713	EA CLIP - SPRING - METAL	226-016966
9	112795-18-701	EA GLASS - SLIDING - W/SASH&LATCH	DH286-G9
10	112795-01-702	FT PLUG - FILLER	122-018737

### GALLEY WINDOW (THERMO INSULATED)

KEY	PART NUMBER	U/M DESCRIPTION	VENDOR NO.
	112795-19-01A	EA WINDOW ASM - SLD - HORIZ THERMO - DC29-G2W66R	
1	112795-19-700	EA WINDOW ASM. - W/O RETAINER TRIM	DC29-G2R
	098647-31-701	EA RETAINER - TRIM - WHITE	CW2966
2	112795-01-705	FT VINYL - GLAZING	132-019702
3	112795-19-701	EA GLASS - STATIONARY	390-019134
4	112795-01-701	EA SLIDE - STOP	132-019092
5	112795-01-700	EA LATCH ASM. - BLK. (BOLT ON)	DH287-CK
6	112795-01-703	IN CHANNEL - RUN (INCHES)	122-018736
7	098647-31-704	EA SCREEN ASM. - W/ SEAL & SPRING CLIPS	410-019128
8	098644-01-713	EA CLIP - SPRING - METAL	226-016966
9	112795-19-702	EA GLASS - SLIDING - W/ SASH & LATCH	DC29-G9
10	112795-01-704	FT PLUG - FILLER (DOUBLE GLAZED)	122-018737

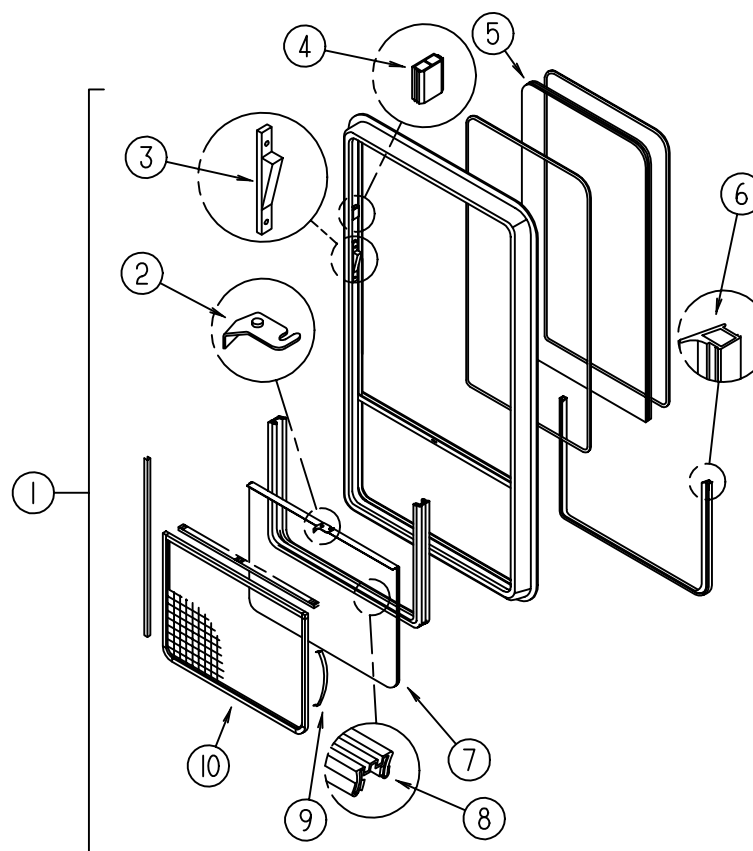
WINDOW, VENT & EXTERIOR DOOR GROUP (CONTINUED)



EXCEL BEDROOM WINDOW (EXCEL TIPOUT)

KEY	PART NUMBER	U/M	DESCRIPTION	VENDOR NO.
1	112463-01-01A	EA	WINDOW ASM - TIPOUT W/ RETAINER TRIM, 36" X 27" - CH81-G2W59	
	112463-01-702	EA	RETAINER TRIM	CW8159
2	112463-01-700	EA	GLASS - STATIONARY 62 % GP	106-018807
3	112463-01-701	EA	WINDOW W/O TRIM	CH81-G2
4	113500-01-707	EA	SUPPORT - TORQUE BAR - RH	130-015979
5	112463-01-704	EA	OPERATOR & BAR ASSEMBLY	CH78-18
6	112463-01-703	EA	VENT ASSEMBLY	CH81-G9
7	113500-01-708	EA	SUPPORT - TORQUE BAR - LH	130-015978
8	112463-01-705	EA	SCREEN ASSEMBLY	410-018811
9	100322-01-718	EA	HANDLE - DIAL	410-016081
10	112519-01-706	EA	CLIP - SCREEN	CH21-50
	098644-01-705	FT	STRIP - GLAZING	132-010723

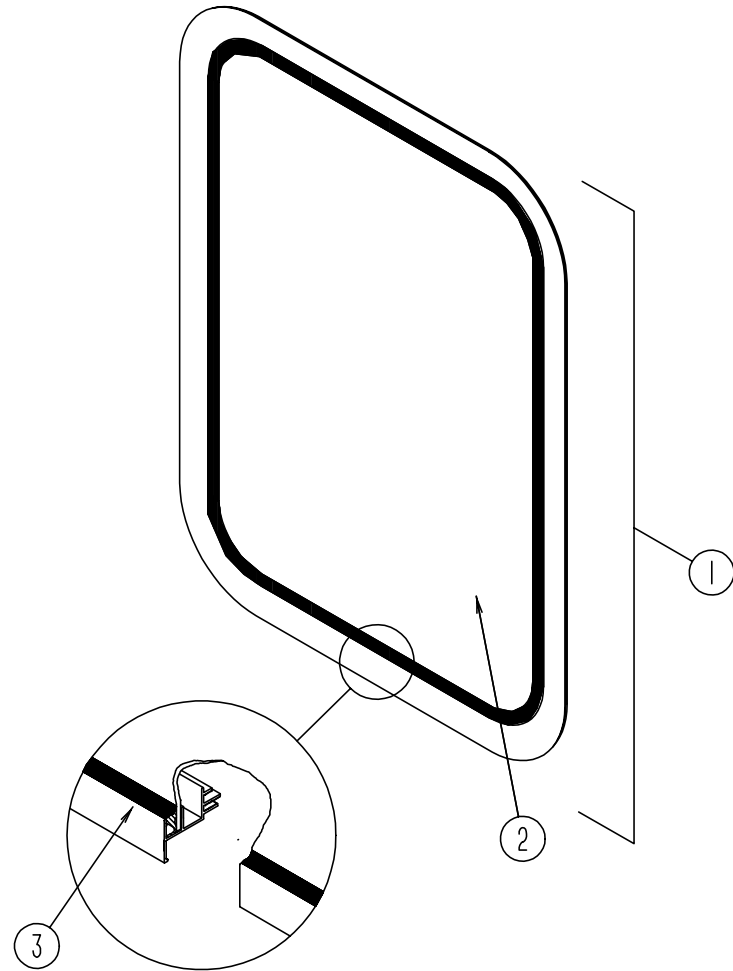
WINDOW, VENT & EXTERIOR DOOR GROUP (CONTINUED)



EXCEL BEDROOM THERMOPANE WINDOW

KEY	PART NUMBER	U/M	DESCRIPTION	VENDOR NO.
1	112898-08-01A	EA	WINDOW ASM - VERTICAL SLIDER - THERMOPANE - 36" X 27"	
	112898-08-700	EA	WINDOW - W/O RETAINER TRIM	DH435-G2R
	112898-08-701	EA	RETAINER TRIM	W43566
2	112795-01-700	EA	LATCH ASM. - BLACK	DH287-CK
3	112898-04-703	EA	SASH LATCH KIT - RAISED	DH343-CK
4	112795-01-701	EA	SLIDE - STOP	132-019092
5	112898-08-702	EA	GLASS - STATIONARY	390-019462
6	112795-01-702	FT	PLUG - FILLER	122-018737
7	112898-08-703	EA	GLASS ASM. - SLIDING	DH435-G9
8	112795-01-703	IN	CHANNEL - RUN	122-018736
9	098644-01-713	EA	CLIP-SPRING - BLACK PLASTIC	226-016966
10	112898-08-704	EA	SCREEN ASM.	410-019473

**WINDOW, VENT & EXTERIOR DOOR GROUP (CONTINUED)**



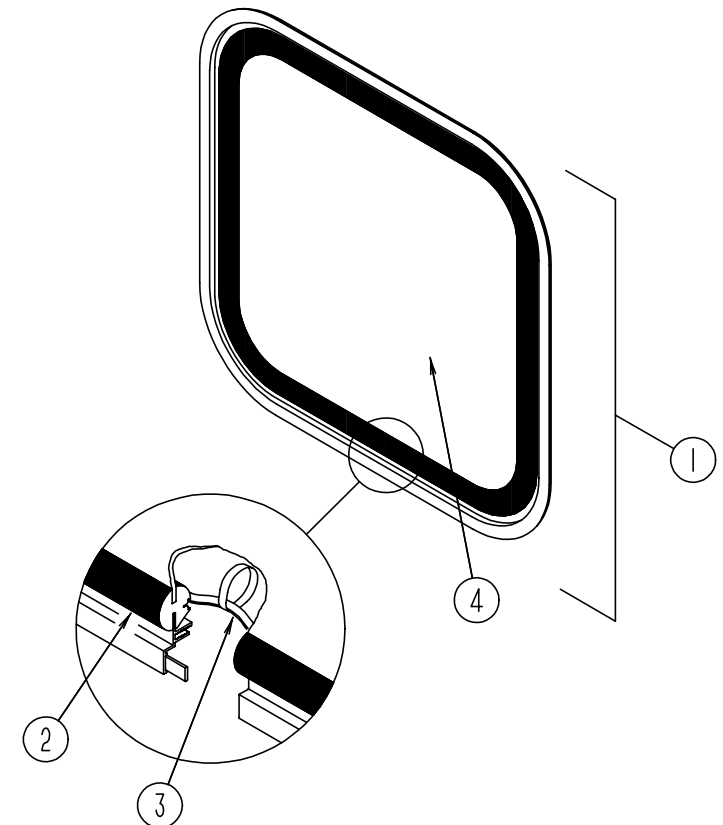
**ENTRY DOOR WINDOW**

KEY	PART NUMBER	U/M DESCRIPTION
1	117053-02-F36	EA WINDOW ASM. - ENTRANCE DOOR - W/O RETAINER TRIM
	117054-02-02A	EA RETAINER TRIM - BRIGHT WHITE
2	002181-25-000	EA GLASS - PICTURE 655 X 417 MM
3	087561-01-000	FT SEAL - GLASS - EXTERIOR - .5" WIDE - VINYL - BLACK

**ENTRY DOOR WINDOW (THERMO INSULATED)**

KEY	PART NUMBER	U/M DESCRIPTION	VENDOR NO.
	113733-01-01A	EA WINDOW ASM - STATIONARY - THERMO 26 3/8" X 17"	
1	113733-01-700	EA WINDOW ASM. W/O RETAINER TRIM	DH416-G2
	113733-01-701	EA RETAINER (TRIM)	W41666
2	113733-01-702	EA GLASS - STATIONARY	390-019187

**WINDOW, VENT & EXTERIOR DOOR GROUP (CONTINUED)**



**BACKWALL ESCAPE WINDOW (KING OR QUEEN BED)**

KEY	PART NUMBER	U/M DESCRIPTION
1	078528-06-E10	EA WINDOW - ESCAPE - 24.75" X 48.75" - W/O RETAINER TRIM
	074816-15-000	EA RETAINER TRIM - OFF WHITE
2	002282-09-000	EA WEATHERSTRIP - .125" VULCANIZED - 130.53" LONG - BLACK
3	002285-01-000	FT FILLER - WEATHER STRIP RUBBER - BLACK
4	076337-12-000	EA GLASS - WINDOW
	077066-01-702	EA TAPE ASM - ESCAPE WINDOW

**BACKWALL ESCAPE WINDOW (TWIN BED)**

KEY	PART NUMBER	U/M DESCRIPTION
1	078528-13-F11	EA WINDOW ASM. - ESCAPE - W/O RETAINER TRIM
	074816-11-000	EA RETAINER TRIM - OFF WHITE
2	002282-13-000	EA WEATHERSTRIP - .125" VULCANIZED - BLACK
3	002285-01-000	FT FILLER - WEATHER STRIP RUBBER - BLACK
4	076337-18-000	EA GLASS - WINDOW - 1443 X 589 - GRAY
	077066-01-702	EA TAPE ASM - ESCAPE WINDOW

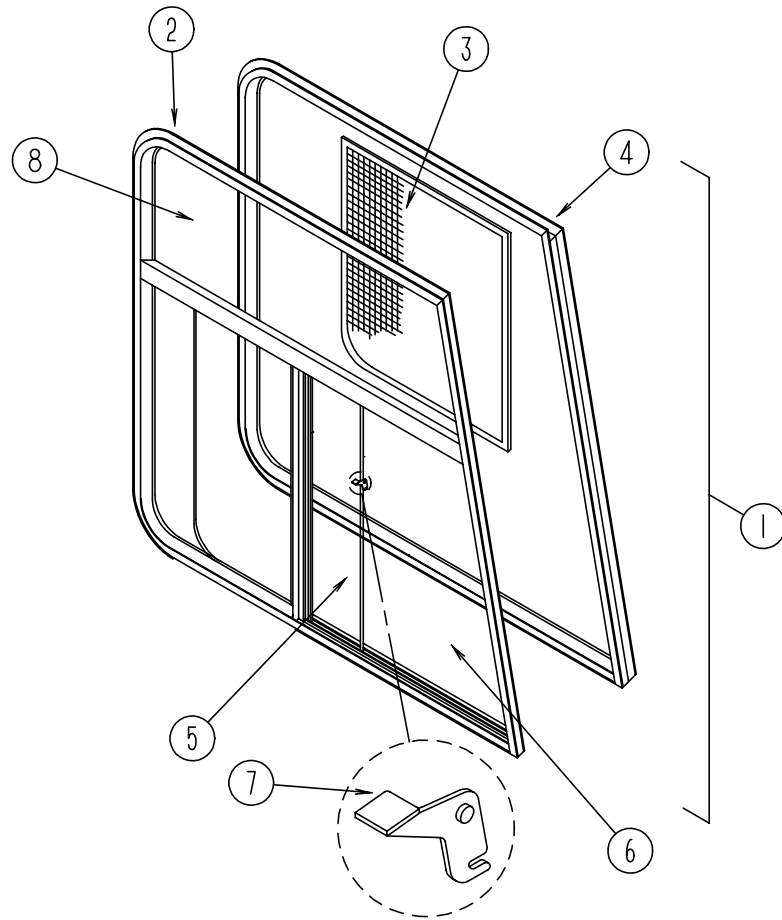
**BACKWALL ESCAPE WINDOW (THERMO INSULATED)(KING OR QUEEN BED)**

KEY	PART NUMBER	U/M DESCRIPTION	VENDOR NO.
	113502-01-01A	EA WINDOW ASM. - ESCAPE - THERMO INSULATED - W/ RETAINER TRIM	
	100322-01-703	FT STRIP - GLAZING - BUTYL	132-010723
	112898-06-704	EA HANDLE - LATCH - RED-RH	182-11293
	112898-06-705	EA HANDLE - LATCH - RED-LH	182-11294
	113502-01-703	EA GLASS - STATIONARY - RT & LT	390-019083
	113502-01-704	EA GLASS - EGRESS - CENTER ESCAPE	390-019084

**BACKWALL ESCAPE WINDOW (THERMO INSULATED)(TWIN BED)**

KEY	PART NUMBER	U/M DESCRIPTION	VENDOR NO.
	113733-07-01A	EA WINDOW ASM. - ESCAPE - THERMO INSULATED - W/ RETAINER TRIM	
	113733-07-700	EA WINDOW - W/O RETAINER TRIM	DH337-G2
	113733-07-701	EA RETAINER TRIM	W28760
	113733-07-702	EA GLASS - STATIONARY	390-019051

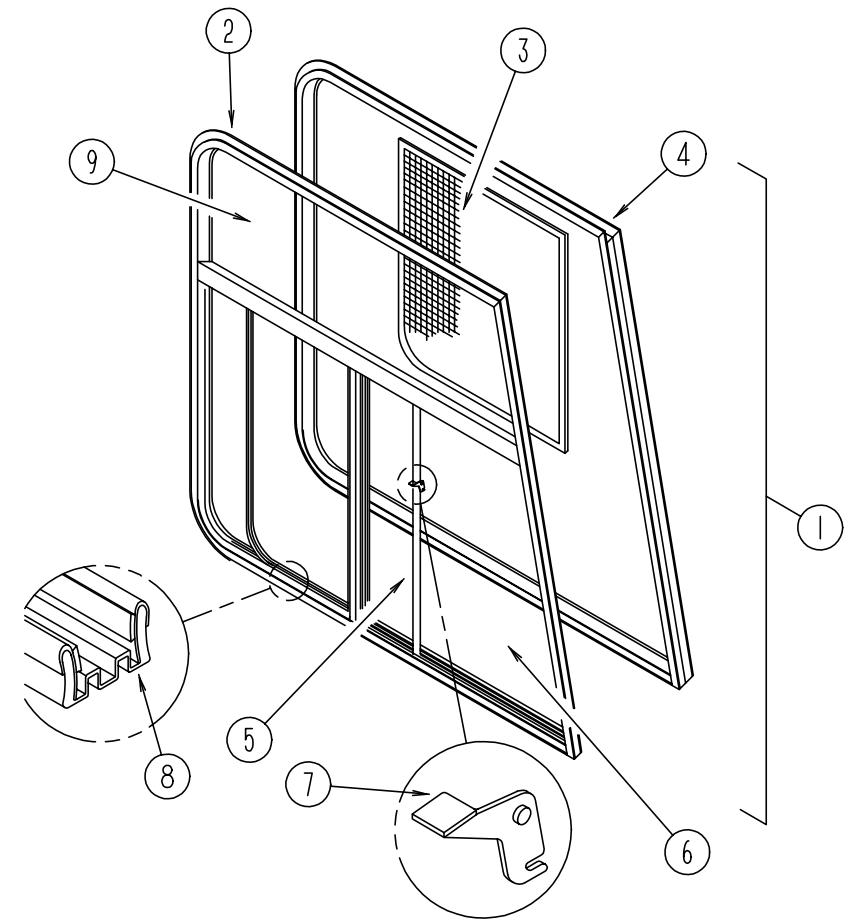
**WINDOW, VENT & EXTERIOR DOOR GROUP (CONTINUED)**



**FRONT CAB WINDOWS (EXCEL)**

KEY	PART NUMBER	U/M	DESCRIPTION	VENDOR NO.
1	103658-07-01A	EA	WINDOW ASM. - W/ RETAINER TRIM - DRIVER SIDE - H374-A2B66L	
1	103658-08-01A	EA	WINDOW ASM. - W/ RETAINER TRIM - PASSENGER SIDE - H374-A2B66R	
2	103658-08-700	EA	WINDOW ASM. - W/O RETAINER TRIM - PASSENGER SIDE	H374-A2R
2	103658-07-704	EA	WINDOW ASM. - W/O RETAINER TRIM - DRIVER SIDE	H374-A2L
3	103658-01-700	EA	SCREEN ASM. - WINDOW - DRIVER SIDE	H322-03L
3	103658-02-700	EA	SCREEN ASM. - WINDOW - PASSENGER SIDE	H322-03R
	098644-01-717	FT	SPLINE - SCREEN	132-004716
	098644-01-713	EA	SPRING - SCREEN FRAME (CLIP)	226-016966
	098644-01-710	FT	TRACK - SCREEN SPACER - 12' LENGTH	132-017135
	098644-01-711	FT	WEATHERSTRIP - SCREEN - BLACK	171-016965
4	103658-08-701	EA	RETAINER TRIM - PASSENGER SIDE	H374-66R & 76R
4	103658-07-700	EA	RETAINER TRIM - DRIVER SIDE	H374-66L & 76L
5	103658-01-703	EA	GLASS - SLIDING - W/SASH & LATCH - DRIVER SIDE	H322-A9L
5	103658-02-701	EA	GLASS - SLIDING - W/SASH & LATCH - PASSENGER SIDE	H322-A9R
6	103658-01-702	EA	GLASS - STATIONARY - BOTTOM - DRIVER OR PASSENGER SIDE	106-017700
7	098644-01-700	EA	LATCH - REPAIR KIT	B801-CK
8	103658-07-701	EA	GLASS - STATIONARY - TOP - DRIVER OR PASSENGER SIDE	106-018481
	098644-01-708	FT	CHANNEL - PIERCED RUN	122-016543
	098644-01-706	FT	WEATHERSTRIP	171-010668
	098644-01-716	FT	PLUG - FILLER	132-014470

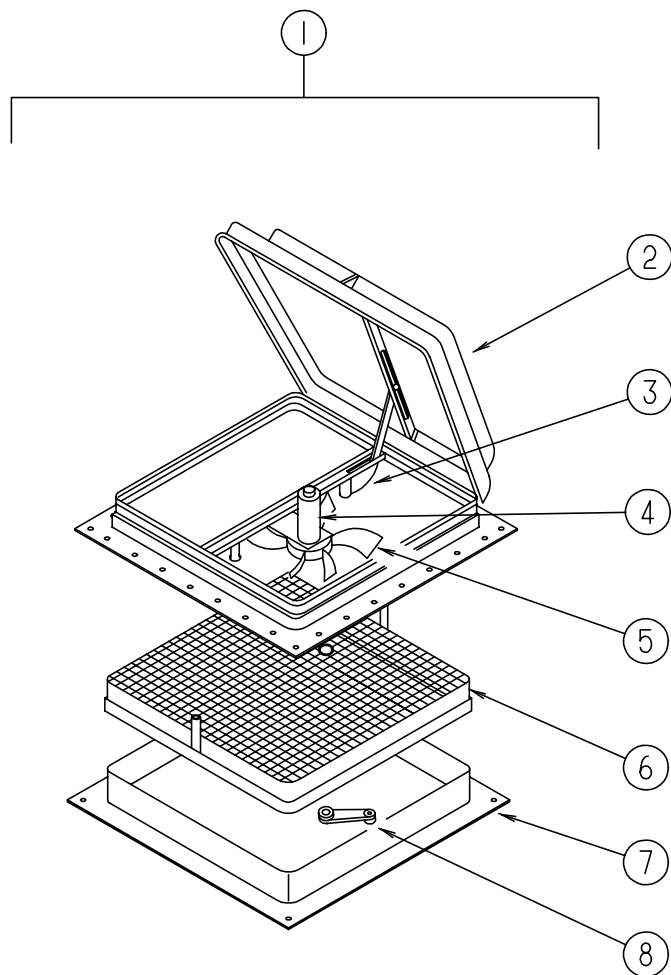
**WINDOW, VENT & EXTERIOR DOOR GROUP (CONTINUED)**



**FRONT CAB THERMOPANE WINDOWS (EXCEL)**

KEY	PART NUMBER	U/M	DESCRIPTION	VENDOR NO.
1	113501-01-01A	EA	WINDOW ASM. - W/ RETAINER TRIM - DRIVER SIDE - DH374-A2B66L	
1	113501-02-01A	EA	WINDOW ASM. - W/ RETAINER TRIM - PASSENGER SIDE - DH374-A2B66R	
2	113501-01-700	EA	WINDOW ASM. - W/O RETAINER TRIM - DRIVER SIDE	DH374-A2L
2	113501-02-700	EA	WINDOW ASM. - W/O RETAINER TRIM - PASSENGER SIDE	DH374-A2R
3	103658-01-700	EA	SCREEN ASM. - WINDOW - DRIVER SIDE	H322-03L
3	103658-02-700	EA	SCREEN ASM. - WINDOW - PASSENGER SIDE	H322-03R
	098644-01-717	FT	SPLINE - SCREEN	132-004716
	098644-01-713	EA	CLIP - SPRING - BLACK PLASTIC	226-016966
	098644-01-710	FT	TRACK - SCREEN SPACER - 12' LENGTH	132-017135
	098644-01-711	FT	WEATHERSTRIP - SCREEN - BLACK	171-016965
4	103658-10-701	EA	RETAINER TRIM - PASSENGER SIDE	H373-66R & 76R
4	103658-09-702	EA	RETAINER TRIM - DRIVER SIDE	H373-66L & 76L
5	113501-01-703	EA	GLASS - SLIDING - W/ SASH & LATCH - DRIVER SIDE	DH374-A9L
5	113501-02-702	EA	GLASS - SLIDING - W/ SASH & LATCH - PASSENGER SIDE	DH374-A9R
6	113501-01-702	EA	GLASS - STATIONARY - LOWER - DRIVER SIDE	390-019139L
6	113501-02-701	EA	GLASS - STATIONARY - LOWER - PASSENGER SIDE	390-019138R
7	112795-01-700	EA	LATCH ASM. - BLACK	DH287-CK
8	112795-01-703	IN	CHANNEL - RUN	122-018736
9	113501-01-701	EA	GLASS - STATIONARY - UPPER - DRIVER OR PASSENGER SIDE	106-018481

**WINDOW, VENT & EXTERIOR DOOR GROUP (CONTINUED)**



**POWERED ROOF VENT (US)**

KEY	PART NUMBER	U/M DESCRIPTION	VENDOR NO.
1	110051-04-01A	EA VENT ASM. - ROOF - POWERED - 7797	
2	064470-01-700	EA COVER - ROOF VENT (W/O SLIDE BAR)	J7291
	064470-01-701	EA SLIDE BAR (VENT-LID)	JRP1291B
3	110051-01-702	EA GEAR - LIFT-ARM ASM.	RP-1000B
4	048648-01-000	EA MOTOR - 12V NONVENTED 1/8 SHAFT - 42-472-01	
5	048649-01-000	EA FAN - PLASTIC - 6 IN - 6 BLADED - RP-10002B	
6	110051-01-704	EA SCREEN & FRAME	29-688-03
7	110051-02-700	EA GARNISH - INTERIOR - 4"	
8	110051-01-703	EA CRANK HANDLE	RP-1031-B

**POWERED ROOF VENT (CANADIAN)**

KEY	PART NUMBER	U/M DESCRIPTION	VENDOR NO.
1	110051-06-01A	EA VENT ASM. - ROOF - POWERED - C7797	
2	064470-01-700	EA COVER - ROOF VENT (W/O SLIDE BAR)	J7291
	064470-01-701	EA SLIDE BAR (VENT-LID)	JRP1291B
3	110051-01-702	EA GEAR - LIFT-ARM ASM.	RP-1000B
4	048648-01-000	EA MOTOR - 12V NONVENTED 1/8 SHAFT - 42-472-01	
5	048649-01-000	EA FAN - PLASTIC - 6 IN - 6 BLADED - RP-10002B	
6	110051-01-704	EA SCREEN & FRAME	29-688-03
7	110051-02-700	EA GARNISH - INTERIOR - 4"	
8	110051-01-703	EA CRANK HANDLE	RP-1031-B

**WINDOW, VENT & EXTERIOR DOOR GROUP (CONTINUED)**

**NON POWERED ROOF VENT**

KEY	PART NUMBER	U/M DESCRIPTION	VENDOR NO.
	110051-02-01A	EA ROOF VENT - W/ SCREEN - 7727	
	064470-01-700	EA COVER - ROOF VENT (W/O SLIDE BAR)	J7291
	064470-01-701	EA SLIDE BAR (VENT-LID)	JRP1291B
	110051-01-702	EA GEAR - LIFT-ARM ASM.	RP-1000B
	110051-01-703	EA CRANK HANDLE	RP-1031-B
	110051-01-704	EA SCREEN & FRAME	29-688-03
	110051-02-700	EA GARNISH - INTERIOR - 4"	

**POWERED ROOF VENT (FANTASTIC) (US)**

KEY	PART NUMBER	U/M DESCRIPTION	VENDOR NO.
	084079-14-000	EA VENT - EXHAUST - POWERED - OFF WHITE	
	084079-01-700	EA VENT COVER	1020-19
	084079-01-701	EA SCREEN ASM. - WHITE	1030-80
	084079-01-702	EA ARM LIFT ASSEMBLY - MANUAL	101105
	084079-01-703	EA CRANK - EXTERIOR	1060-09
	084079-01-707	EA SWITCH - SAFETY	1120-00
	084079-01-709	EA SWITCH - ON & OFF - MAIN POWER	1100-00
	084079-07-700	EA GARNISH - INTERIOR 4" OFF/WHT	2040-80
	084079-11-700	EA MOTOR, BRACKET & FAN BLADE	4017K-09
	084079-11-702	EA BASE - MAIN W/ DOME SWITCH	1010K-81

**POWERED ROOF VENT (FANTASTIC) (CSA)**

KEY	PART NUMBER	U/M DESCRIPTION	VENDOR NO.
	084079-15-000	EA VENT - EXHAUST - POWERED - OFF WHITE	
	084079-01-700	EA VENT COVER	1020-19
	084079-01-702	EA ARM LIFT ASSEMBLY - MANUAL	101105
	084079-01-703	EA CRANK - EXTERIOR	1060-09
	084079-01-707	EA SWITCH - SAFETY	1120-00
	084079-01-709	EA SWITCH - ON & OFF - MAIN POWER	1100-00
	084079-07-700	EA GARNISH - INTERIOR 4" OFF/WHT	2040-80
	084079-11-700	EA MOTOR, BRACKET & FAN BLADE	4017K-09
	084079-11-702	EA BASE - MAIN W/ DOME SWITCH	1010K-81
	084079-15-700	EA SCREEN ASM. - INT. W/ SWITCHES 1030S-80	

**ROOF VENTS**

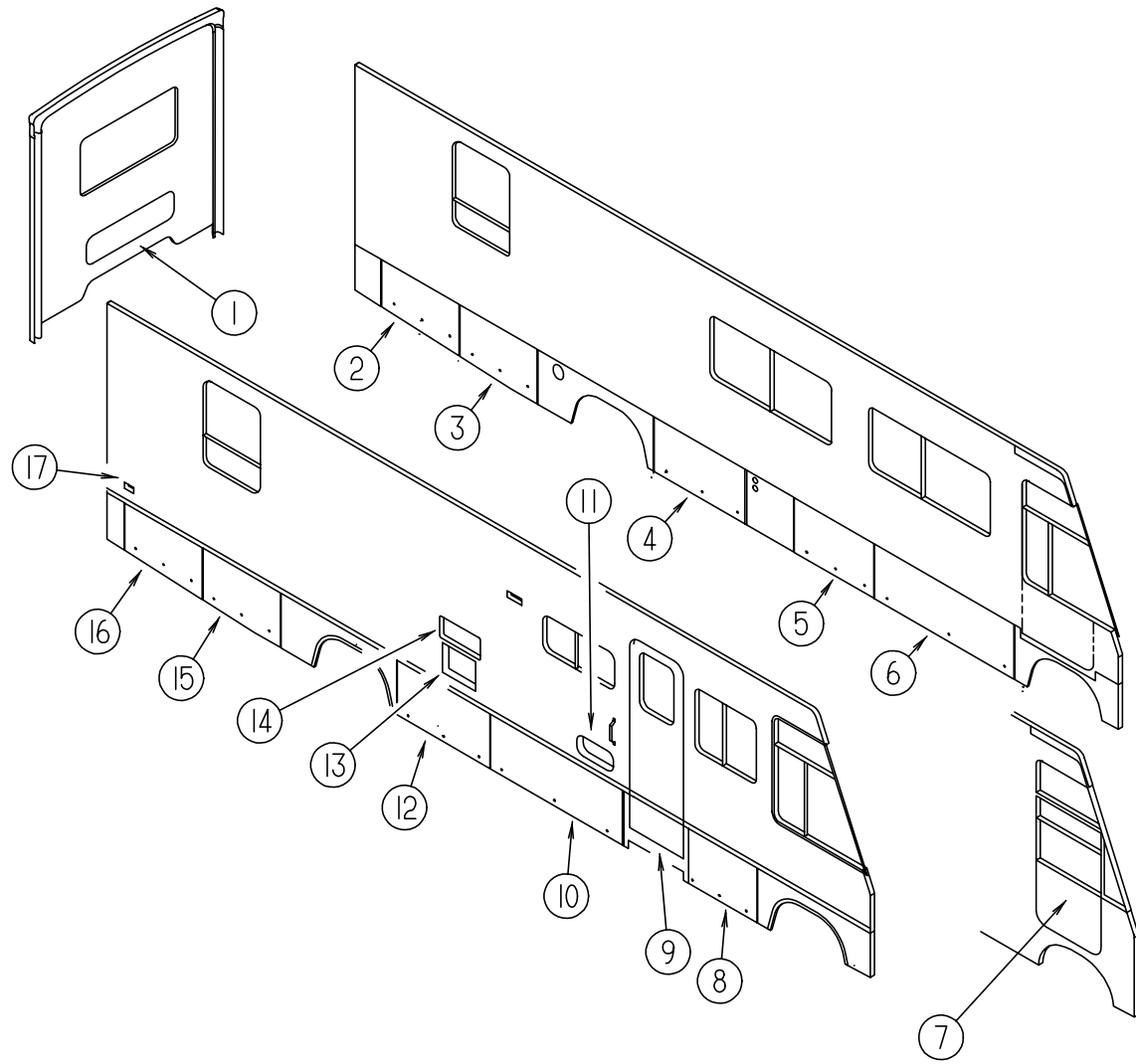
KEY	PART NUMBER	U/M DESCRIPTION
	083558-03-000	EA VENT COVER - PLUMBING PIPE - ROOF
	084073-07-000	EA COVER - ROOF VENT - NORCOLD REFRIGERATOR - BRIGHT WHITE
	118369-01-02A	EA COVER - ROOF VENT - DOMETIC REFRIGERATOR - BRIGHT WHITE
	084073-04-000	EA BASE - ROOF VENT - NORCOLD REFRIGERATOR - BLACK
	118369-02-02A	EA BASE - ROOF VENT - DOMETIC REFRIGERATOR - BRIGHT WHITE

**SIDEWALL VENTS**

KEY	PART NUMBER	U/M DESCRIPTION
	084616-07-000	EA SHROUD - RANGE HOOD VENT - BRIGHT WHITE
	084878-09-000	EA VENT - RANGE HOOD - SHORT - LVS

# WINDOW, VENT & EXTERIOR DOOR GROUP (CONTINUED)

## EXTERIOR DOORS

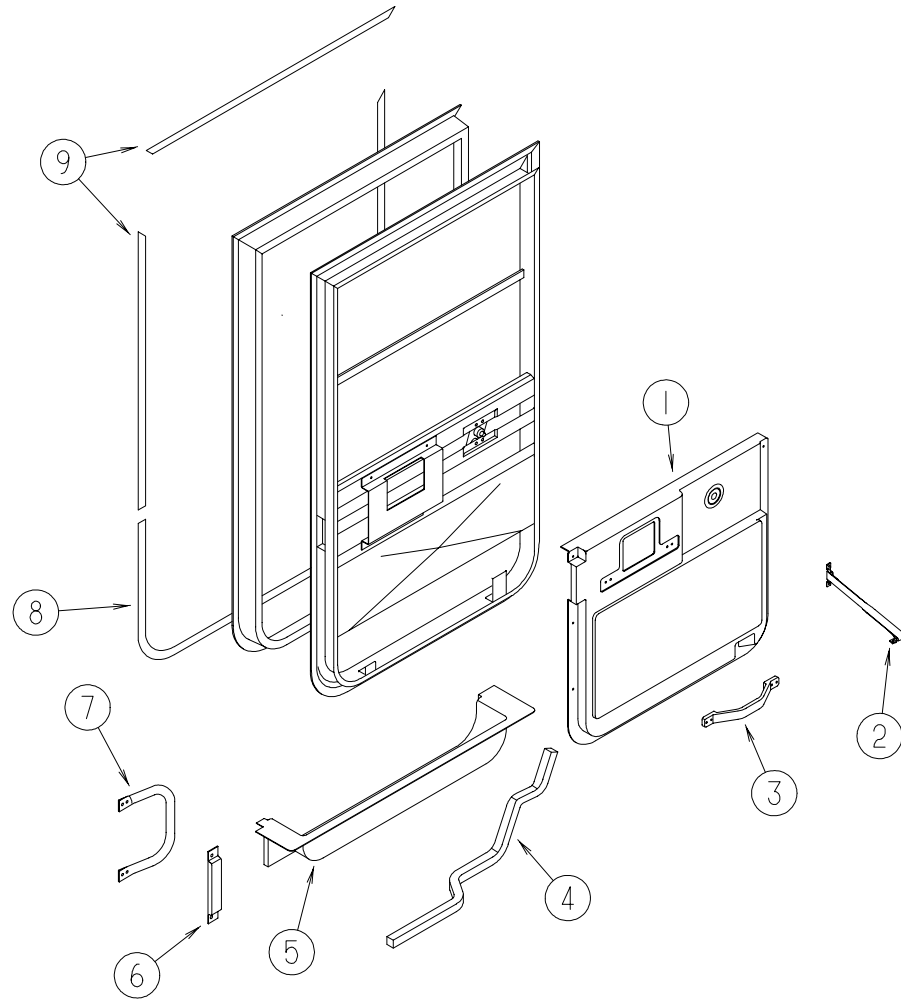


KEY	PART NUMBER	U/M	DESCRIPTION	
1	111013-63-G35	EA	DOOR ASM - STORAGE	
2	118789-04-G15	EA	DOOR ASM - STORAGE	
3	118789-02-G15	EA	DOOR ASM - STORAGE	
4	118791-24-G35	EA	DOOR ASM - STORAGE	
				FROM: 00-00-00 THRU: 11-19-95
4	121294-24-G15	EA	DOOR ASM - STORAGE	
				FROM: 11-20-95 THRU: 99-99-99
5	118791-02-G35	EA	DOOR ASM - STORAGE	
				FROM: 00-00-00 THRU: 11-19-95
5	121294-02-G15	EA	DOOR ASM - STORAGE	
				FROM: 11-20-95 THRU: 99-99-99
6	118791-01-G35	EA	DOOR ASM - STORAGE	
				FROM: 00-00-00 THRU: 11-19-95
6	121294-01-G15	EA	DOOR ASM - STORAGE	
				FROM: 11-20-95 THRU: 99-99-99
7	106469-07-01A	EA	DOOR ASM - DRIVERS, BLACK - EXCEL V130-01L	
8	118791-04-G35	EA	DOOR ASM - STORAGE	
				FROM: 00-00-00 THRU: 11-19-95
8	121294-04-G15	EA	DOOR ASM - STORAGE	
				FROM: 11-20-95 THRU: 99-99-99
9	115108-02-G35	EA	DOOR - ENTRY - W/O WINDOW - W/ SCREEN DOOR (G35)	
9	115108-02-G36	EA	DOOR - ENTRY - W/O WINDOW - W/ SCREEN DOOR (G36, G44)	
9	115108-02-G37	EA	DOOR - ENTRY - W/O WINDOW - W/ SCREEN DOOR (G37)	
9	115108-02-GB1	EA	DOOR - ENTRY - W/O WINDOW - W/ SCREEN DOOR (G45)	
10	118791-05-G35	EA	DOOR ASM - STORAGE	
				FROM: 00-00-00 THRU: 11-19-95
10	121294-05-G15	EA	DOOR ASM - STORAGE	
				FROM: 11-20-95 THRU: 99-99-99
11	111017-01-F24	EA	DOOR ASM - STORAGE	
12	118791-03-G35	EA	DOOR ASM - STORAGE	
				FROM: 00-00-00 THRU: 11-19-95
12	121294-03-G15	EA	DOOR ASM - STORAGE	
				FROM: 11-20-95 THRU: 99-99-99
13	052009-06-000	EA	DOOR - WATER HEATER - BRIGHT WHITE	
13	116424-01-000	EA	PROTECTOR - WATER HEATER LATCH	
14	118368-01-03A	EA	DOOR - VENT - DOMETIC REFRIGERATOR - BRIGHT WHITE	
14	084103-08-000	EA	DOOR - VENT - NORCOLD REFRIGERATOR - BRIGHT WHITE	
14	084104-08-000	EA	JAMB - VENT - NORCOLD REFRIGERATOR - BRIGHT WHITE	
15	118789-01-G15	EA	DOOR ASM - STORAGE	
16	118789-03-G15	EA	DOOR ASM - STORAGE	
17	081240-16-000	EA	DOOR - WATER FILL - LOCKABLE W/O LOCK - 4" X 4 5/8" - BRIGHT WHITE	



## WINDOW, VENT & EXTERIOR DOOR GROUP (CONTINUED)

### DRIVER DOOR INTERIOR COMPONENTS

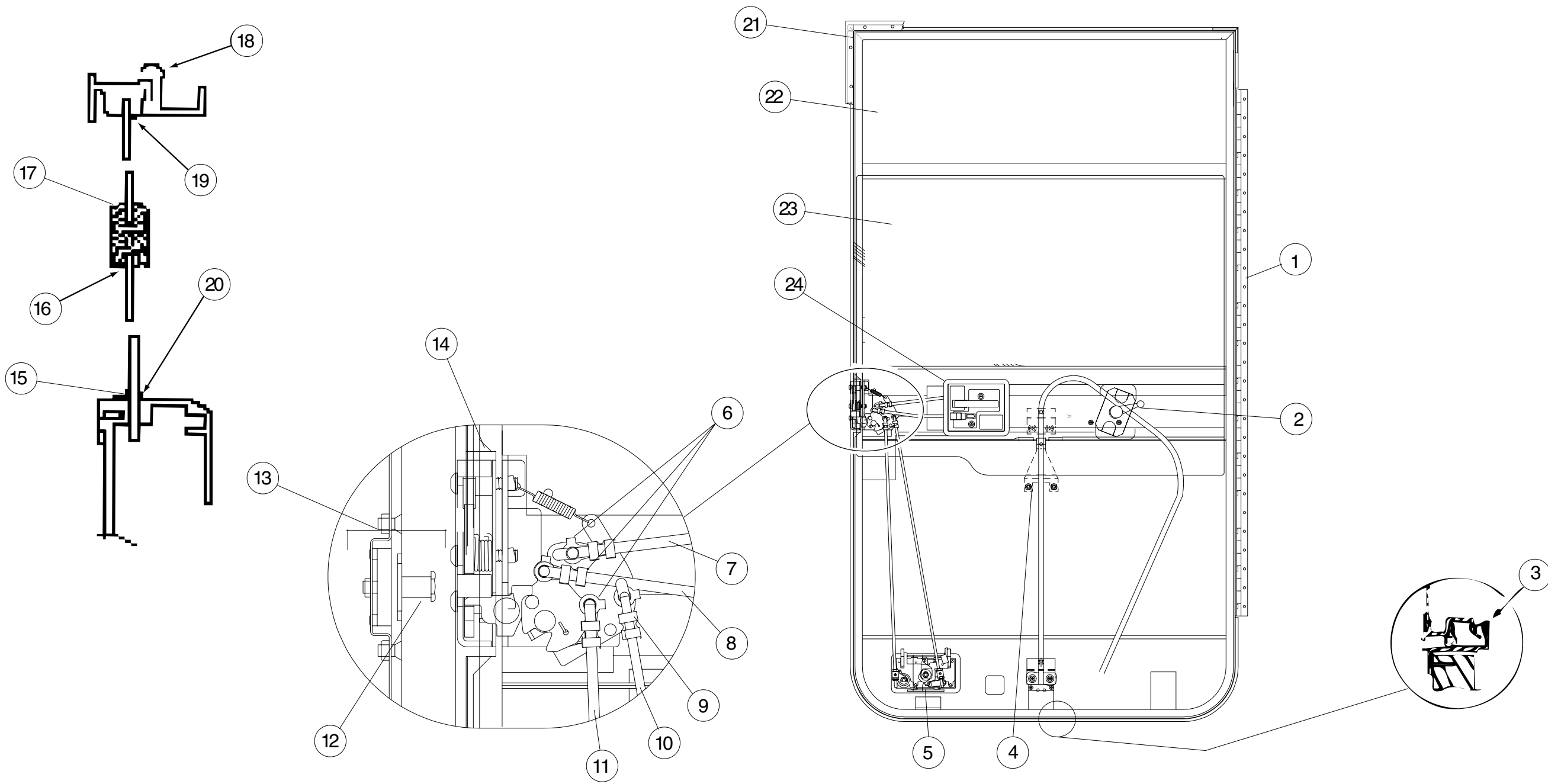


KEY	PART NUMBER	U/M DESCRIPTION
1	114973-01-02A	EA PANEL - DRIVER DOOR - INNER - WILLOW - PLASTIC
2	109378-01-000	EA STRAP - CHECK - DRIVER DOOR - 12.8"
3	110604-01-01A	EA HANDLE - ASSIST - DRIVERS DOOR
4	063977-12-000	EA STEP - DRIVER DOOR - LEFT - PAINTED
4	063977-11-000	EA STEP - DRIVER DOOR - LEFT - UNPAINTED
5	107818-01-01A	EA TRIM - STEP - DRIVERS DOOR - PLASTIC - WILLOW
	106746-01-000	EA PANEL - STEEL - STEPWELL
	106747-01-000	EA PANEL - STEEL - STEPWELL - END RH
	106747-02-000	EA PANEL - STEEL - STEPWELL - END LH
	102569-02-000	EA MAT - ANTI SLIP - LOWER

KEY	PART NUMBER	U/M DESCRIPTION
6	108654-01-01A	EA COVER - STRIKE - DRIVERS DOOR - BLACK
7	108832-01-02A	EA HANDLE - ASSIST - DRIVERS DOOR - METAL - OFF WHITE
	108833-01-01A	EA COVER - HANDLE - ASSIST - OFF WHITE
8	109235-01-05A	FT COVER - SCREW - BRIGHT WHITE - DAWN
9	109235-01-01A	FT COVER - SCREW - MATTE BLACK - DAWN
	108129-02-02A	EA GARNISH - DRIVERS DOOR - FRONT - BLACK
	108107-01-02A	EA GARNISH - DRIVERS DOOR - TOP - BLACK
	108108-04-02A	EA GARNISH - DRIVERS DOOR - REAR UPPER - BLACK
	108897-02-01A	EA GARNISH - DRIVERS DOOR - REAR LOWER - BLACK
	P01713-01-000	EA SWITCH - PUSH BUTTON - IN DOOR JAMB - METAL CHROME
	076725-06-000	EA COVER - ACCESS - DOOR JAMB PUSH BUTTON - BLACK

# WINDOW, VENT & EXTERIOR DOOR GROUP (CONTINUED)

## DRIVER DOOR (EXCEL)



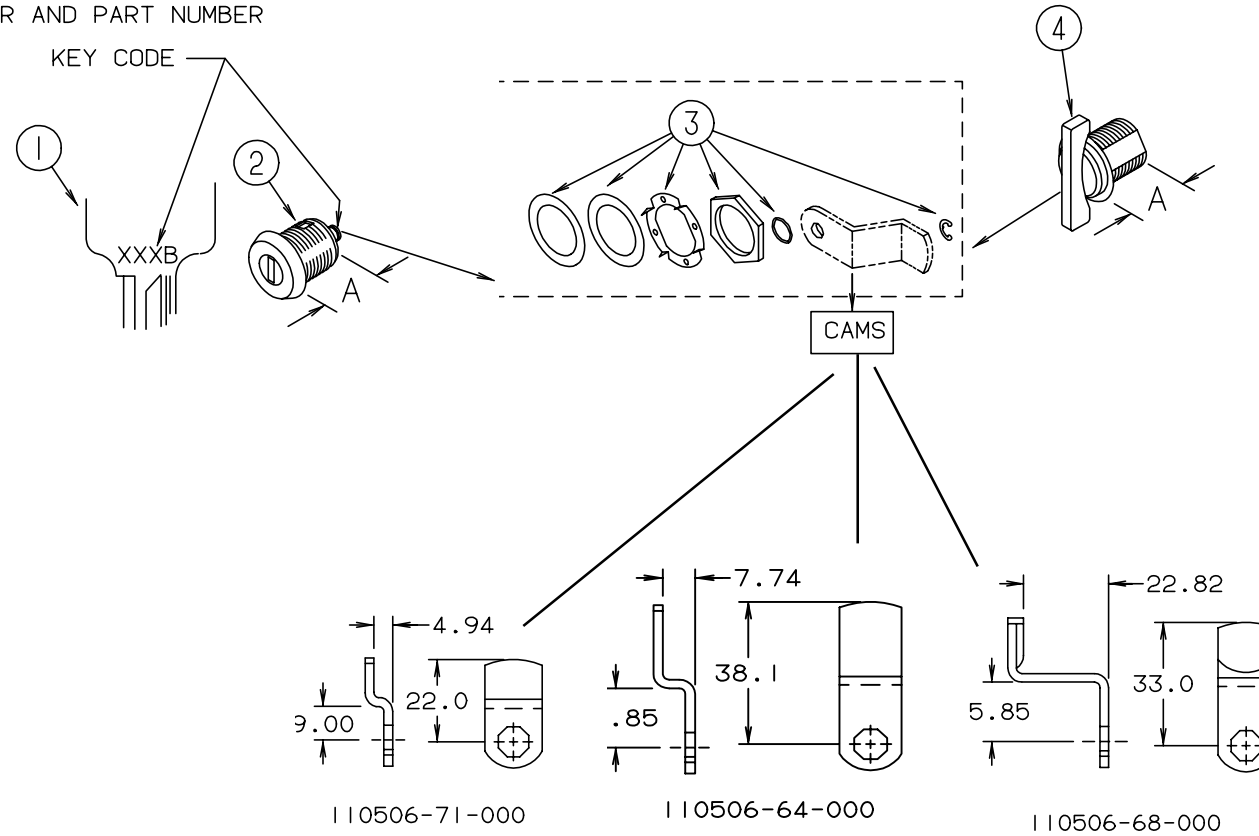
KEY	PART NUMBER	U/M	DESCRIPTION	VENDOR NO.
	106469-07-01A	EA	DOOR ASM. - DRIVERS - BLACK - V130-01L	
1	106469-05-702	EA	HINGE - 42"	211-041194
2	106469-02-704	EA	WINDOW HANDLE	V068-16
3	106469-01-723	EA	SEAL - BULB ASM. (JAMB)	171-040985
4	106469-02-701	EA	REGULATOR - MANUAL	V108-90L
5	106469-04-700	EA	PADDLE ASSEMBLY-W/COLLAR	248-041237
5	106469-04-715	EA	LATCH COMPLETE W/TUMBLER & KEYS	V123-15
6	106469-04-714	EA	ROD CLIP R.H.	248-041153
7	106469-04-705	EA	LATCH ROD - HORIZONTAL	203-041139
8	106469-04-711	EA	LOCK ROD - HORIZONTAL	203-041137
9	106469-04-713	EA	ROD CLIP L.H.	248-041154
10	106469-05-703	EA	ROD - LOCK/VERTICAL ADJUST.	203-041239
11	106469-05-705	EA	ROD - LATCH/VERTICAL ADJUST.	203-041279
12	106469-04-703	EA	BOLT - STRIKER (W/ WASHER)	248-041152
13	106469-04-704	EA	NUT ASSEMBLY - CAGED - W/STRIKER	248-041151

KEY	PART NUMBER	U/M	DESCRIPTION	VENDOR NO.
14	106469-05-706	EA	LATCH - ROTARY - W/LINKAGE	248-041150
15	106469-02-703	EA	BELT WEATHERSTRIP (EXT) WDO	V047-57
16	106469-01-705	FT	CHANNEL - RUN - SLIDING	122-010850
17	106469-08-700	EA	MULLION RAIL	V103-84
18	106469-01-702	EA	DOOR SEAL	122-040984
19	125581-02-705	EA	HORIZONTAL GLAZING - VINYL	V108-87
20	106469-01-709	FT	WEATHERSTRIP - FUZZY	171-040630
21	106469-07-700	EA	MOUNTING FRAME ASSEMBLY	V130-30L
22	106469-02-702	EA	GLASS - STATIONARY	106-041104
23	106469-01-704	EA	GLASS - ROLL-UP W/BACKET	V103-65L
24	106469-04-712	EA	HANDLE/DOOR - INNER W/HARDWARE	248-041402
24	106469-04-716	EA	LEVER - LOCKING - BLACK	80978-00
	106469-04-701	EA	TUMBLER & KEYS (TRI-MARK)	248-041179
	106469-04-702	EA	KEYS (BLANK)	248-041180
	125582-01-708	EA	WEEPHOLE COVER - RIGHT HAND	130-026598
	125582-01-709	EA	WEEPHOLE COVER - LEFT HAND	130-026599

## WINDOW, VENT & EXTERIOR DOOR GROUP (CONTINUED)

**NOTE:**

WHEN ORDERING THE LOCK CASE, THE KEY CODE MUST MATCH THE LAST DIGIT OF THE VEHICLE'S SERIAL NUMBER AND PART NUMBER; WHEN ORDERING THE KEYS, THE THIRD DIGIT OF THE KEY CODE MUST MATCH THE LAST DIGIT OF THE VEHICLE'S SERIAL NUMBER AND PART NUMBER

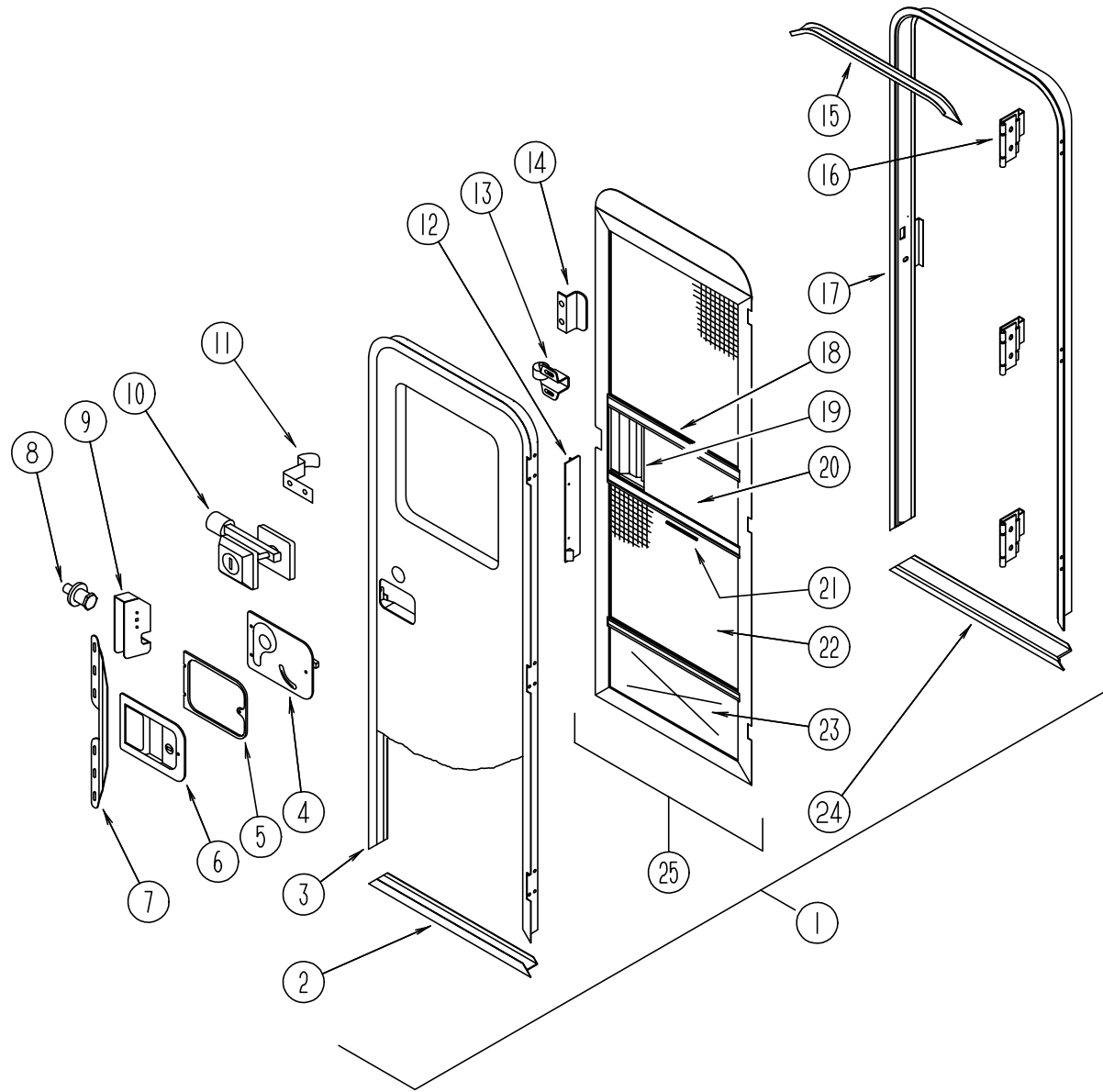


**BRIGGS & STRATTON LOCKS & COMPONENTS**

KEY	PART NUMBER	U/M	DESCRIPTION	VENDOR NO.	KEY	PART NUMBER	U/M	DESCRIPTION	VENDOR NO.
1	110506-59-000	EA	KEYS - SET OF TWO	596720	1	110506-59-006	EA	KEYS - SET OF TWO	596726
2	110506-52-000	EA	CASE - LOCK - A= 17 MM	702370	2	110506-52-006	EA	CASE - LOCK - A= 17 MM	702376
2	110506-53-000	EA	CASE - LOCK - A= 25 MM	702380	2	110506-53-006	EA	CASE - LOCK - A= 25 MM	702386
1	110506-59-001	EA	KEYS - SET OF TWO	596721	1	110506-59-007	EA	KEYS - SET OF TWO	596727
2	110506-52-001	EA	CASE - LOCK - A= 17 MM	702371	2	110506-52-007	EA	CASE - LOCK - A= 17 MM	702377
2	110506-53-001	EA	CASE - LOCK - A= 25 MM	702381	2	110506-53-007	EA	CASE - LOCK - A= 25 MM	702387
1	110506-59-002	EA	KEYS - SET OF TWO	596722	1	110506-59-008	EA	KEYS - SET OF TWO	596728
2	110506-52-002	EA	CASE - LOCK - A= 17 MM	702372	2	110506-52-008	EA	CASE - LOCK - A= 17 MM	702378
2	110506-53-002	EA	CASE - LOCK - A= 25 MM	702382	2	110506-53-008	EA	CASE - LOCK - A= 25 MM	702388
1	110506-59-003	EA	KEYS - SET OF TWO	596723	1	110506-59-009	EA	KEYS - SET OF TWO	596729
2	110506-52-003	EA	CASE - LOCK - A= 17 MM	702373	2	110506-52-009	EA	CASE - LOCK - A= 17 MM	702379
2	110506-53-003	EA	CASE - LOCK - A= 25 MM	702383	2	110506-53-009	EA	CASE - LOCK - A= 25 MM	702389
1	110506-59-004	EA	KEYS - SET OF TWO	596724	3	110506-40-700	EA	HARDWARE KIT	
2	110506-52-004	EA	CASE - LOCK - A= 17 MM	702374	4	110506-50-000	EA	CASE - TWIST LOCK - A= 17 MM	596952
2	110506-53-004	EA	CASE - LOCK - A= 25 MM	702384	4	110506-51-000	EA	CASE - TWIST LOCK - A= 25 MM	596669
1	110506-59-005	EA	KEYS - SET OF TWO	596725		110506-40-000	EA	CLIP-E - LOCK ASM.	93981
2	110506-52-005	EA	CASE - LOCK - A= 17 MM	702375		110506-64-000	EA	CAM - LOCK	322280
2	110506-53-005	EA	CASE - LOCK - A= 25 MM	702385		110506-68-000	EA	CAM - LOCK	322284
						110506-71-000	EA	CAM - LOCK	322287
						110506-59-701	EA	KEY BLANK - GOLD	

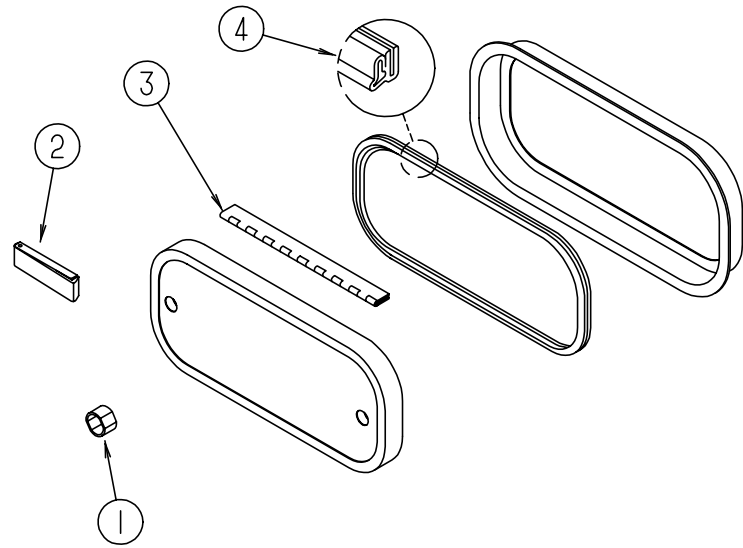
# WINDOW, VENT & EXTERIOR DOOR GROUP (CONTINUED)

## ENTRY DOOR W/O WINDOW



KEY	PART NUMBER	U/M	DESCRIPTION
1	115108-02-G35	EA	DOOR - ENTRY - W/O WINDOW - W/ SCREEN DOOR (G35)
1	115108-02-G36	EA	DOOR - ENTRY - W/O WINDOW - W/ SCREEN DOOR (G36, G44)
1	115108-02-G37	EA	DOOR - ENTRY - W/O WINDOW - W/ SCREEN DOOR (G37)
1	115108-02-GB1	EA	DOOR - ENTRY - W/O WINDOW - W/ SCREEN DOOR (G45)
	041546-05-000	EA	BRACKET - DOOR ANGLE - 5" X 1.9" - OFF WHITE - METAL
	115222-02-01A	EA	GARNISH - RADIUS - ENTRY DOOR - OFF WHITE
2	089748-21-000	EA	FRAME - BOTTOM ENTRY DOOR - BRIGHT WHITE
3	095276-03-06A	EA	FRAME - ENTRY DOOR - W/O BOTTOM - BRIGHT WHITE
4	039979-04-000	EA	COVER - INTERIOR LATCH - W/TRIP ARM - RIGHT - BLACK
			FROM: 00-00-00 THRU: 09-10-95
4	039979-06-000	EA	COVER - INTERIOR LATCH - W/TRIP ARM - RIGHT - BLACK
			FROM: 09-11-95 THRU: 99-99-99
5	096810-01-01A	EA	SPACER - DOOR LOCK - PLASTIC - BLACK
6	045017-11-000	EA	LATCH - PADDLE - MECHANISM W/LOCK CYLINDER & KEY - BLACK
			FROM: 00-00-00 THRU: 09-10-95
6	045017-13-000	EA	LATCH - PADDLE - MECHANISM W/LOCK CYLINDER & KEY - BLACK
			FROM: 09-11-95 THRU: 99-99-99
	045017-11-701	EA	KEY BLANK
7	098173-01-04A	EA	STIFFENER - ENTRY DOOR - SUPPORTS LATCH/ STRIKE AREA - MILL
8	039539-01-000	EA	STRIKE - ENTRANCE DOOR LOCK
	077461-03-000	EA	COVER - STRIKE - ENTRY DOOR - 6.5" X 2.5" - PLASTIC - BRIGHT WHITE
9	039540-01-000	EA	LATCH MECHANISM - HOOK - ENTRY DOOR - INTERIOR
	039715-01-000	EA	NUT - SERT - 1/4" DIAMETER - 20 THREADS
	039984-01-000	EA	CAP - ROUND - VINYL - .28" ID X .62" LONG - BLACK
	040944-01-000	EA	LABEL - ENTRANCE DOOR - "OPEN"
10	101145-01-01A	EA	DEADBOLT - ENTRY DOOR - BLACK
			FROM: 00-00-00 THRU: 09-10-95
10	101145-01-06A	EA	DEADBOLT - ENTRY DOOR - BLACK
			FROM: 09-11-95 THRU: 99-99-99
	095229-01-700	EA	KEY ONLY - BLANK
	101147-01-000	EA	BOLT - SECURITY - 4.12" BACKSET
	101145-01-701	EA	CYLINDER - LOCK ASM. - W/ KEY
	102524-01-000	EA	BUMPER - RUBBER - FLAT - BLACK
11	100412-01-000	EA	CATCH - SCREEN DOOR - THUMB CLIP
12	079087-03-000	EA	STRIKE - SLIDER - W/LIP FOR ELBOW CATCH - 1.5" X 8.6" - BRIGHT WHITE
13	109403-01-000	EA	CATCH - SCREEN DOOR ROLLER
	063729-04-000	EA	RIVNUT - 10-32 UNF - .010-.080
	072893-01-000	EA	NUTSERT - M5 X 0 - 8
	075671-04-000	FT	SEAL - SPONGE - LAZY-T SHAPE - W/ ADHESIVE STRIPE - .5" WIDE
	118929-01-01A	FT	SEAL - PILE - PUSH-ON
14	050712-06-000	EA	HANDLE - SCREEN DOOR - BRIGHT WHITE
15	044582-44-000	EA	CAP - DRIP - ENTRY DOOR - ALUMINUM - BRIGHT WHITE
16	106719-01-01A	EA	HINGE - ENTRY DOOR - MILL
17	120310-02-01A	EA	JAMB ASM - ENTRANCE DOOR - BRIGHT WHITE
18	078777-01-000	EA	CHANNEL - SLIDE - SCREEN DOOR CENTER SLIDER COVER
19	079086-03-000	EA	SLIDER - SCREEN DOOR - BRIGHT WHITE
	078595-01-000	EA	TOP PLATE - SCREEN DOOR - CURVED TOP - 4.7" X 25.35"
20	016454-01-000	EA	INSERT - SCREEN DOOR - CENTER - LEATHER GRAIN ALUMINUM
21	002294-01-000	FT	SPLINE - SCREENING - .135" X .138" - BLACK
22	002293-02-000	SF	SCREENING - 26" - CHARCOAL
23	078552-03-000	EA	KICK PANEL - SCREEN DOOR - LOWER INSERT - UNPAINTED
24	051049-01-000	EA	JAMB BOTTOM - ENTRY DOOR - 25.9" - UNPAINTED
25	079012-05-F01	EA	DOOR - SCREEN
	100128-02-000	FT	SEAL - SCREEN DOOR
	009126-02-000	EA	HANDLE - ASSIST - ENTRY DOOR - BLACK
			FROM: 00-00-00 THRU: 09-10-95
	009126-03-000	EA	HANDLE - ASSIST - BLACK TEXTURED
			FROM: 09-11-95 THRU: 99-99-99

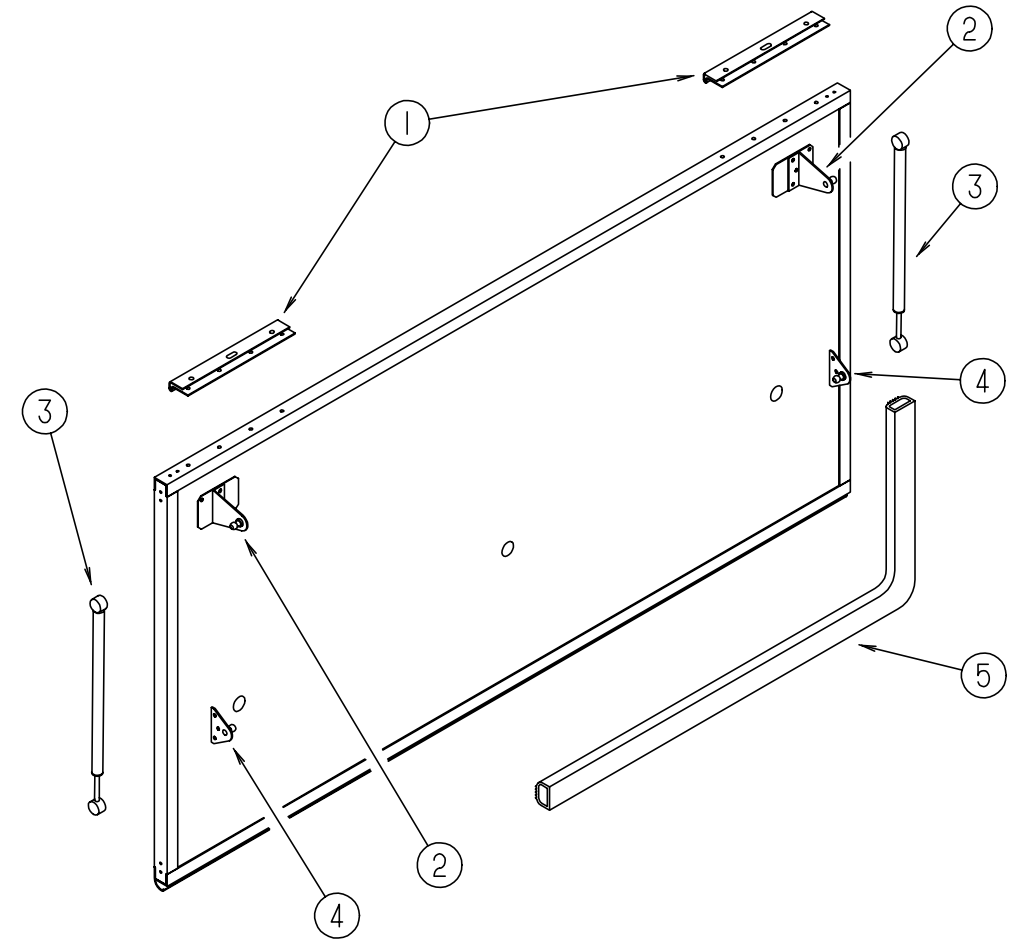
WINDOW, VENT & EXTERIOR DOOR GROUP (CONTINUED)



EXTERIOR DOORS

KEY	PART NUMBER	U/M	DESCRIPTION
1	107997-51-001	EA	SPACER - .86" X .6" - ALUMINUM
2	102768-01-000	EA	HOLDER - COMPARTMENT/ ENTRY DOOR - METAL - MILL FINISH
3	081801-02-000	EA	HINGE - PIANO - 2" X 96" - ALUMINUM
4	064075-07-000	FT	SEAL - BULB - W/ WIRED U CHANNEL - .3" X .5" CHANNEL - BLACK
	096217-55-001	EA	U-CHANNEL - 17.5' - OFF WHITE
	096217-55-006	EA	U-CHANNEL - 17.5' - BRIGHT WHITE

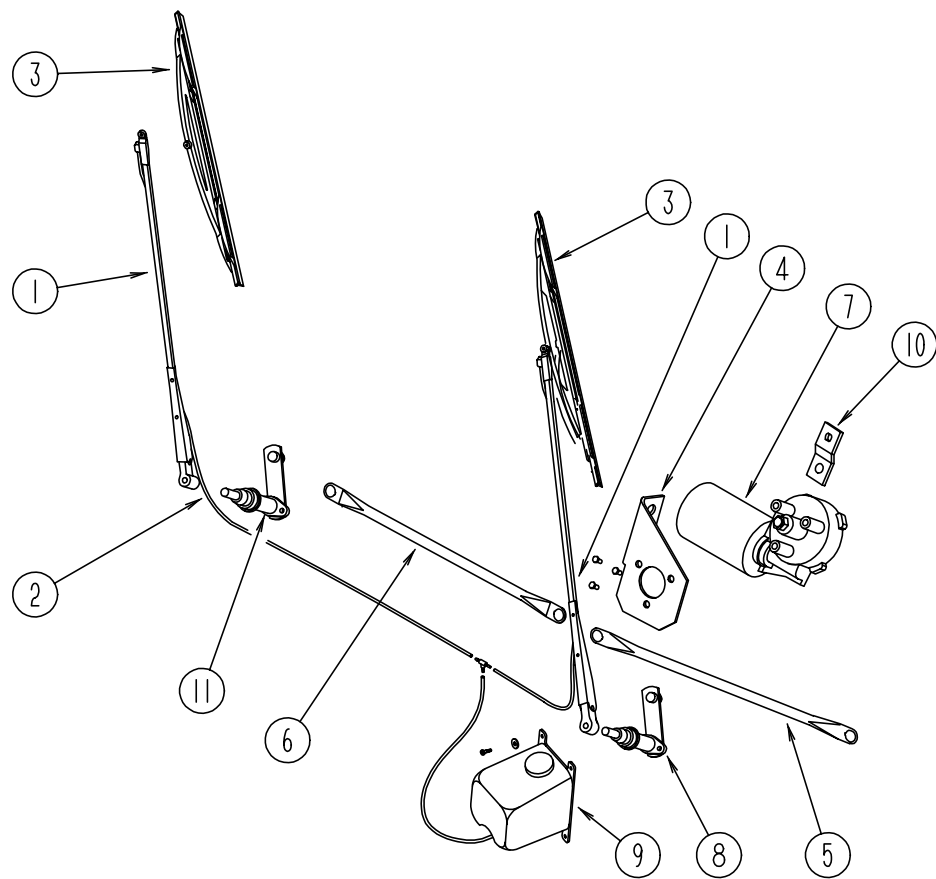
WINDOW, VENT & EXTERIOR DOOR GROUP (CONTINUED)



EXTERIOR DOOR HARDWARE

KEY	PART NUMBER	U/M	DESCRIPTION
1	120774-01-02B	EA	HINGE - 8.00 INCH - E-COAT
2	108998-02-000	EA	BRACKET - L W/ BALL STUD
3	107796-04-000	EA	GAS SPRING - 12" COMPRESSED/ 20" EXTENDED - 20LB.
4	107796-05-000	EA	BRACKET - GAS SPRING - FLAT
5	107721-01-000	EA	SEAL - ACCESS DOOR

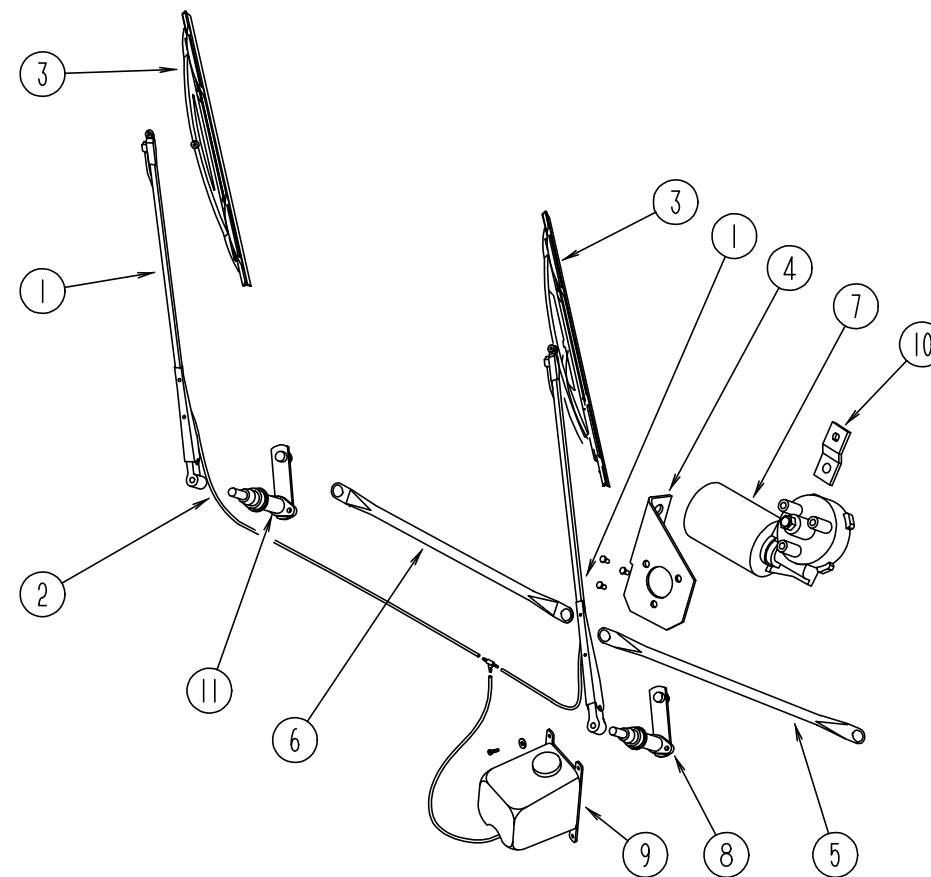
### WINDSHIELD & WIPER GROUP (CONTINUED)



WINDSHIELD WIPER ASM (FORD)

KEY	PART NUMBER	U/M DESCRIPTION
1	103671-01-000	EA ARM - WIPER - 24"
2	096931-01-700	FT HOSE
3	095964-01-000	EA BLADE - WIPER - WINDSHIELD - 24"
	095964-01-700	EA BLADE - REFILL 24" (PAIR)
4	104549-01-000	EA BRACKET ASM - WIPER MOTOR
5	117008-01-000	EA LINK ASM - CONNECTING - 21.85" - DRIVER SIDE
6	117008-02-000	EA LINK ASM - CONNECTING - 21.85" - PASSENGER SIDE
7	104346-05-000	EA WIPER MOTOR
	110178-01-000	EA HOUSING - WIPER MOTOR
8	096505-06-000	EA PIVOT & SHAFT ASM - WIPER - DRIVER SIDE
9	117766-02-000	EA RESERVOIR/PUMP ASM - MCCORD 600328
	110605-01-000	EA TEE - PLAS - BARBED 1/8 X 1/8 X 3/16 BAYLOCK 3799721
9	117765-01-000	EA CONNECTOR - 5/32-1/4-3/8 WINDSHIELD WASHER DANA - WEATHERHD
10	104347-01-000	EA ARM - DRIVE - WIPER MOTOR - 1.54"
11	096505-05-000	EA PIVOT & SHAFT ASM - WIPER - PASSENGER SIDE
	061603-01-000	EA GROMMET - SNAP - 3/16"ID - 3/8" HOLE - PLASTIC - BLACK
	110742-01-000	EA WIPER GASKET
	067188-01-000	EA STUD - WIPER CRANK

### WINDSHIELD & WIPER GROUP

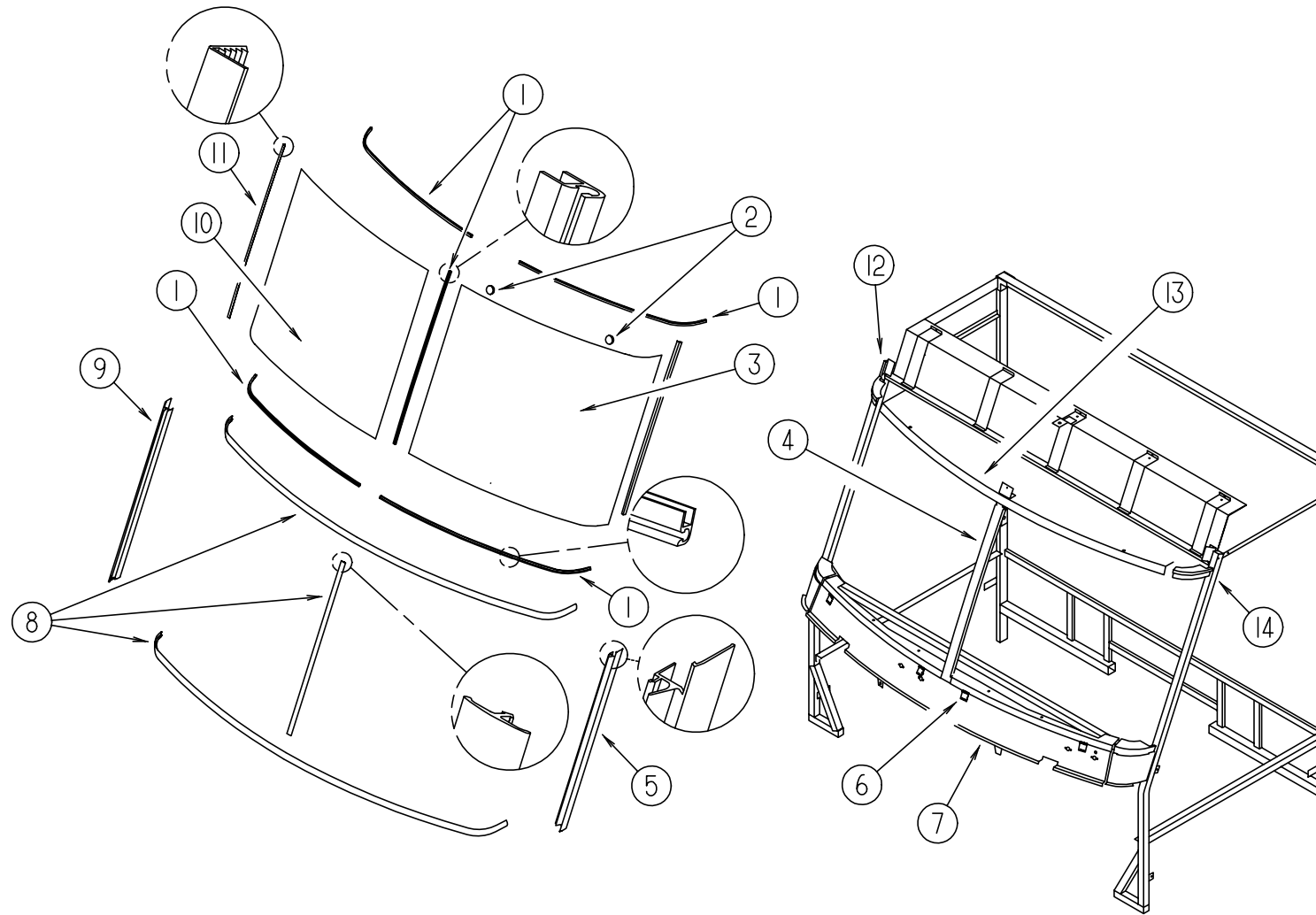


WINDSHIE WIPER ASM (CHEVY)

KEY	PART NUMBER	U/M DESCRIPTION
1	103671-01-000	EA ARM - WIPER - 24"
2	096931-01-700	FT HOSE
3	095964-01-000	EA BLADE - WIPER - WINDSHIELD - 24"
	095964-01-700	EA BLADE - REFILL 24" (PAIR)
4	104549-01-000	EA BRACKET ASM - WIPER MOTOR
5	117008-01-000	EA LINK ASM - CONNECTING - 21.85" - DRIVER SIDE
6	117008-02-000	EA LINK ASM - CONNECTING - 21.85" - PASSENGER SIDE
7	104346-04-000	EA WIPER MOTOR
	110178-01-000	EA HOUSING - WIPER MOTOR
8	096505-06-000	EA PIVOT & SHAFT ASM - WIPER - DRIVER SIDE
9	117766-02-000	EA RESERVOIR/PUMP ASM - MCCORD 600328
	110605-01-000	EA TEE - PLAS - BARBED 1/8 X 1/8 X 3/16 BAYLOCK 3799721
9	117765-01-000	EA CONNECTOR - 5/32-1/4-3/8 WINDSHIELD WASHER DANA - WEATHERHD
10	104347-01-000	EA ARM - DRIVE - WIPER MOTOR - 1.54"
11	096505-05-000	EA PIVOT & SHAFT ASM - WIPER - PASSENGER SIDE
	061603-01-000	EA GROMMET - SNAP - 3/16"ID - 3/8" HOLE - PLASTIC - BLACK
	110742-01-000	EA WIPER GASKET
	067188-01-000	EA STUD - WIPER CRANK

# WINDSHIELD & WIPER GROUP (CONTINUED)

## WINDSHIELD MOLDINGS & GLASS



KEY	PART NUMBER	U/M	DESCRIPTION
1	110268-01-000	EA	CARRIER - REVEAL - 1280 MM
2	081914-01-000	EA	BUMPER - RUBBER - ROUND - .43" DIAMETER - BLACK
3	114432-02-000	EA	GLASS - WINDSHIELD - DRIVER SIDE
4	075710-01-000	EA	FRAME - WINDSHIELD - CENTER DIVIDER - INNER
5	103107-04-01A	EA	TRIM - WINDSHIELD - DRIVER SIDE - BLACK
6	104449-01-000	EA	BRACKET - WINDSHIELD SUPPORT
7	077847-05-000	EA	SUPPORT - WINDSHIELD - LOWER - W/O BRACKETS
	077847-03-000	EA	SUPPORT - WINDSHIELD - END - PASSENGER SIDE
	077847-04-000	EA	SUPPORT - WINDSHIELD - END - DRIVER SIDE
8	102936-01-000	FT	MOLDING - REVEAL - WINDSHIELD
9	103107-03-01A	EA	TRIM - WINDSHIELD - PASSENGER SIDE - BLACK
10	114432-01-000	EA	GLASS - WINDSHIELD - PASSENGER SIDE
11	098788-06-000	EA	CHANNEL - REVEAL - 49" WINDSHIELD
12	077922-03-000	EA	HEADER WINDSHIELD END - PASSENGER SIDE
	114583-01-01B	EA	HEADER - WINDSHIELD - FILLER - UPPER - MILL
13	077922-06-000	EA	HEADER WINDSHIELD - CENTER
14	077922-04-000	EA	HEADER WINDSHIELD END - DRIVER SIDE
	114583-02-01B	EA	HEADER - WINDSHIELD - FILLER - UPPER - MILL
	002328-02-000	EA	BLOCK - WINDSHIELD - .062" X .5" X .98