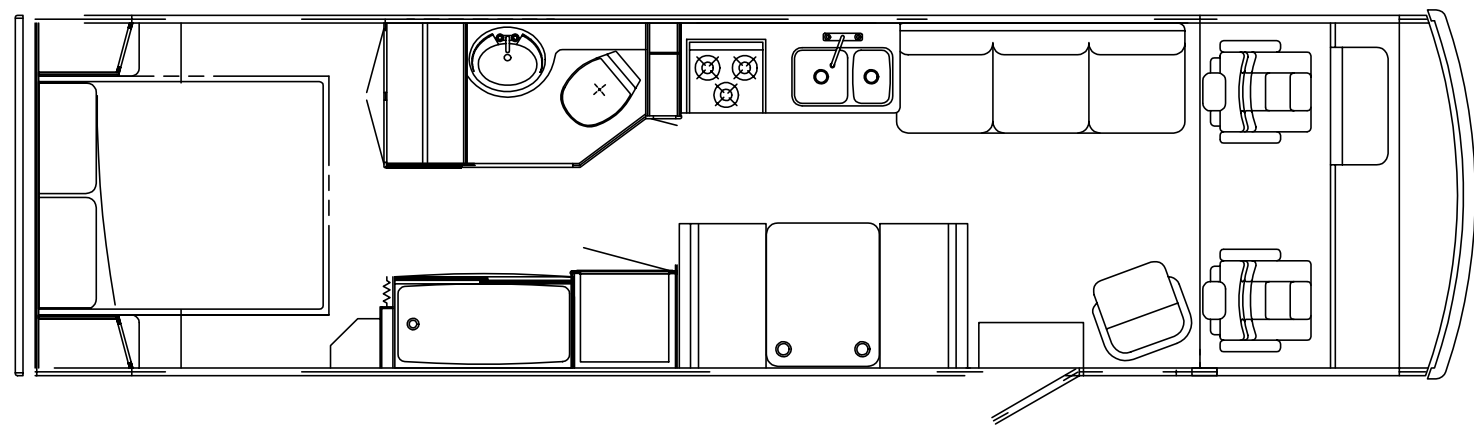
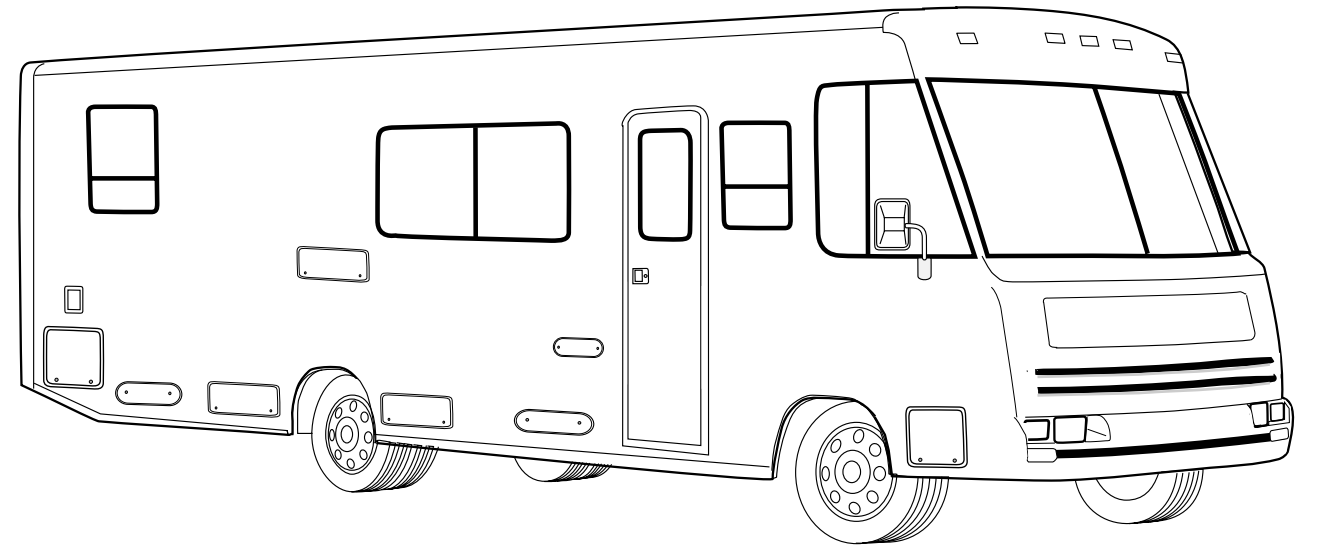


**1996**  
**IKF32RQ**

**G30**  
**NEPTUNE (TEAL)**

**G31**  
**GALAXY (BLUE)**



**ACCESSORIES GROUP  
OPERATOR MANUAL**

KEY	PART NUMBER	U/M	DESCRIPTION
	054185-E7-000	EA	MANUAL-OPERATOR, 1996 SUNRISE
	092318-01-000	EA	BINDER - 3 RING, MOTOR HOME MANUAL
	092319-01-000	EA	POCKET PAGE - 3 RING BINDER, PLASTIC
	117907-01-000	DW	TOP LEVEL DRAWING-F, 1996

**AUDIO VIDEO GROUP  
PATIO ENTERTAINMENT CENTER**

KEY	PART NUMBER	U/M	DESCRIPTION
	110469-01-000	EA	SPEAKER - 4" X 6", OVAL - MAGNADYNE F46XB-12
	110470-01-01A	EA	GRILLE-SPEAKER, OVAL - 4" X 6" - BLACK - MAGNADYNE G46WI
	077069-02-000	EA	CABLE-ANTENNA, RADIO - EXTENSION 96" - ARA 6700667
	090944-01-000	EA	ANTENNA-RADIO, 16" RUBBER
	109889-02-000	EA	EXTENDER-SHAFT, ANTENNA - 2" - MAGNADYNE RV71EX2
	087683-03-000	EA	RADIO-AM/FM STEREO W/CASSETTE - AUDIOVOX RS-100
	108847-01-000	EA	BRACKET-ANTENNA GROUND

**RADIO SYSTEM, CD PLAYER & ANTENNA**

KEY	PART NUMBER	U/M	DESCRIPTION
	110267-03-000	EA	RADIO-AM/FM STEREO, CASSETTE - AUDIOVOX IM-400
	116148-02-000	EA	RADIO-AM/FM STEREO, CD PLAYER - CLARION RDB515F
	077069-02-000	EA	CABLE-ANTENNA, RADIO - EXTENSION 96" - ARA 6700667
	090944-01-000	EA	ANTENNA-RADIO, 16" RUBBER
	081059-02-000	EA	WIRE ASM - 9-PIN, RADIO - AUDIOVOX 112B-1761
	089340-02-000	EA	GRILLE-SPEAKER, 6.5" SQUARE
	089340-03-000	EA	SPACER-GRILLE, 6.5" SQUARE - TAN - MAGNADYNE G514
	094097-01-000	EA	SPEAKER-RADIO/TV, W/O GRILLE - 5.25" DIA - AUDIOVOX 110C3030
	110469-01-000	EA	SPEAKER - 4" X 6", OVAL - MAGNADYNE F46XB-12
	110470-01-01A	EA	GRILLE-SPEAKER, OVAL - 4" X 6" - BLACK - MAGNADYNE G46WI

**CB ANTENNA**

KEY	PART NUMBER	U/M	DESCRIPTION
	105248-01-000	EA	ANTENNA-CB, ADVANCE 8604 FROM: 00-00-00 THRU: 06-14-96
	123256-01-000	EA	ANTENNA-CB W/O CABLE FROM: 06-15-96 THRU: 99-99-99
	123256-02-000	EA	CABLE-CB, COAX FROM: 06-15-96 THRU: 99-99-99
	115916-01-01B	EA	BRACKET-ANTENNA MOUNT, STEP SHAPED - 3" X 6" - STEEL

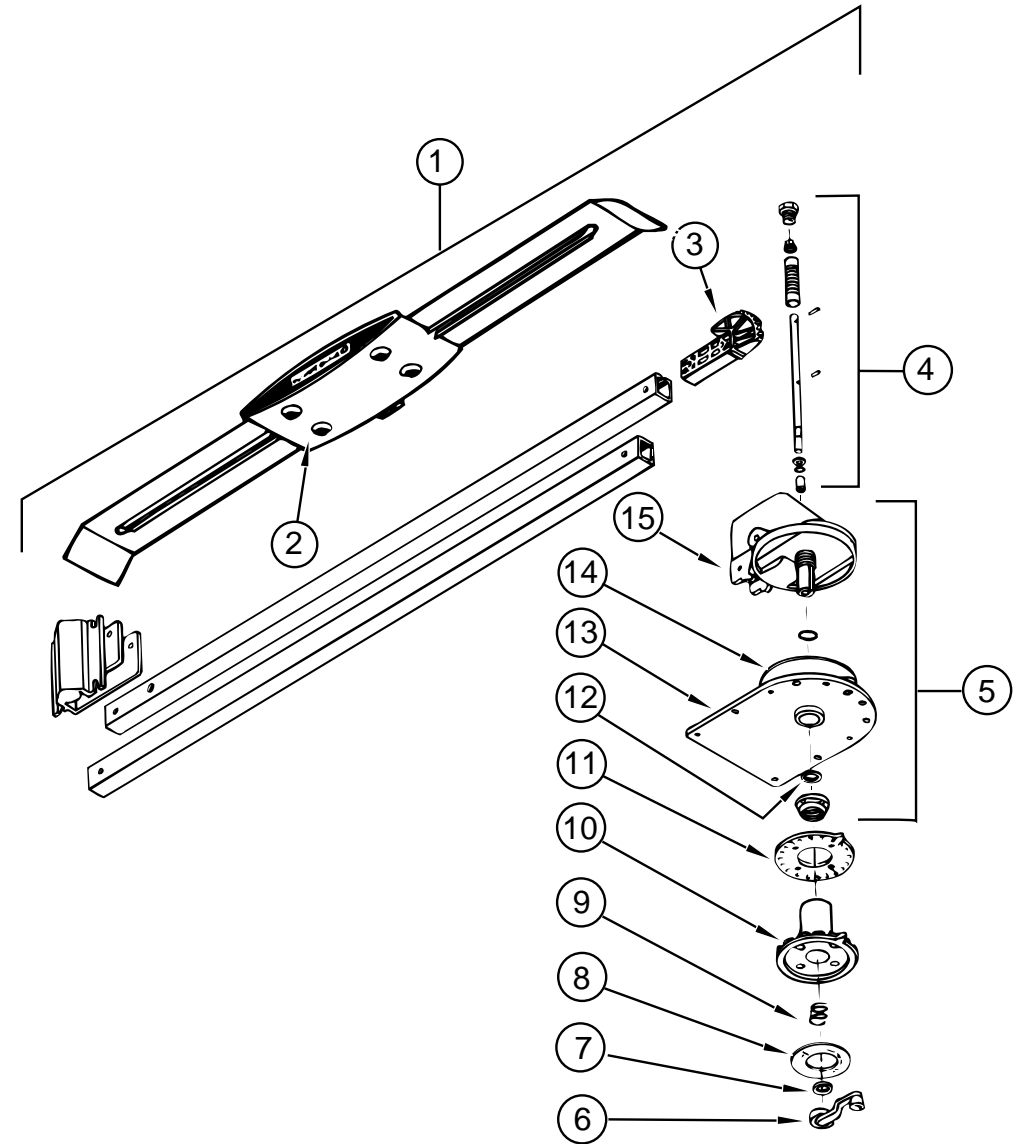
**AUDIO VIDEO GROUP (CONTINUED)**  
TVS, VCR & CONTROL CENTER

KEY	PART NUMBER	U/M DESCRIPTION	VENDOR NO.
	092310-02-000	EA TV-COLOR, 9" - AC/DC - W/REMOTE - MAGNAVOX RD0945	
	092310-02-700	EA REMOTE-TV, MAGNAVOX	RD0945
	113684-01-000	EA TV - 19", COLOR UL/CSA - 19 3/8" W X 17 3/8" H X 18 1/4" D - AUDIOVOX AVT-1975	
	113684-01-700	EA REMOTE-TV, AUDIOVOX	8822345
	119120-01-000	EA VCR-VHS, CABLE READY - REMOTE - AUDIOVOX AVR-1075	
	119120-01-700	EA REMOTE-VCR - AUDIOVOX	8874570
	098819-01-000	EA SPEAKER - 2 WATT, 8 OHM - 4"	
	093214-01-02A	EA GRILLE-SPEAKER, 4" - BROWN	
	086757-03-000	EA CONTROL CENTER-SWITCH, VCR/TV - MAGNADYNE VCS-6	

**TV CABLE, CONNECTORS, & WALLPLATES**

KEY	PART NUMBER	U/M DESCRIPTION
	076319-03-000	FT CABLE-COAXIAL, 75 OHM
	076319-06-000	EA ADAPTOR-CABLE ROOF PLATE, WINEGARD RPJ-1
	076319-08-000	EA WALLPLATE-CABLE RECEPTACLE, TV - SINGLE - IVORY - BEDROOM
	076319-09-000	EA WALLPLATE-CABLE RECEPTACLE, TV - SINGLE - BROWN
	076319-12-000	EA CONNECTOR-COAXIAL, ONE PIECE
	082134-01-000	EA ADAPTER-TV, CABLE TO CABLE - WINEGARD F-81M
	086756-01-000	EA SPLITTER-TV, 2 WAY
	086777-01-000	EA PLATE-WALL, TV CABLE W/ANTENNA SWITCH - IVORY - WINEGARD RV-0710
	086777-05-000	EA PLATE-WALL, ANTENNA - 1 OUTPUT - IVORY - WINEGARD RV-0921
	099717-01-000	EA TIEDOWN-TV, STRAP ON FEMALE END IS 22.8" LONG
	099717-02-000	EA TIEDOWN-TV, STRAP ON FEMALE END IS 28.7" LONG
	098819-01-000	EA SPEAKER - 2 WATT, 8 OHM - 4"
	093214-01-02A	EA GRILLE-SPEAKER, 4" BROWN
	114870-02-000	EA PLUG ASM - 3.5 MM AUDIO W/LEADS - OW - DONALD 35-P8

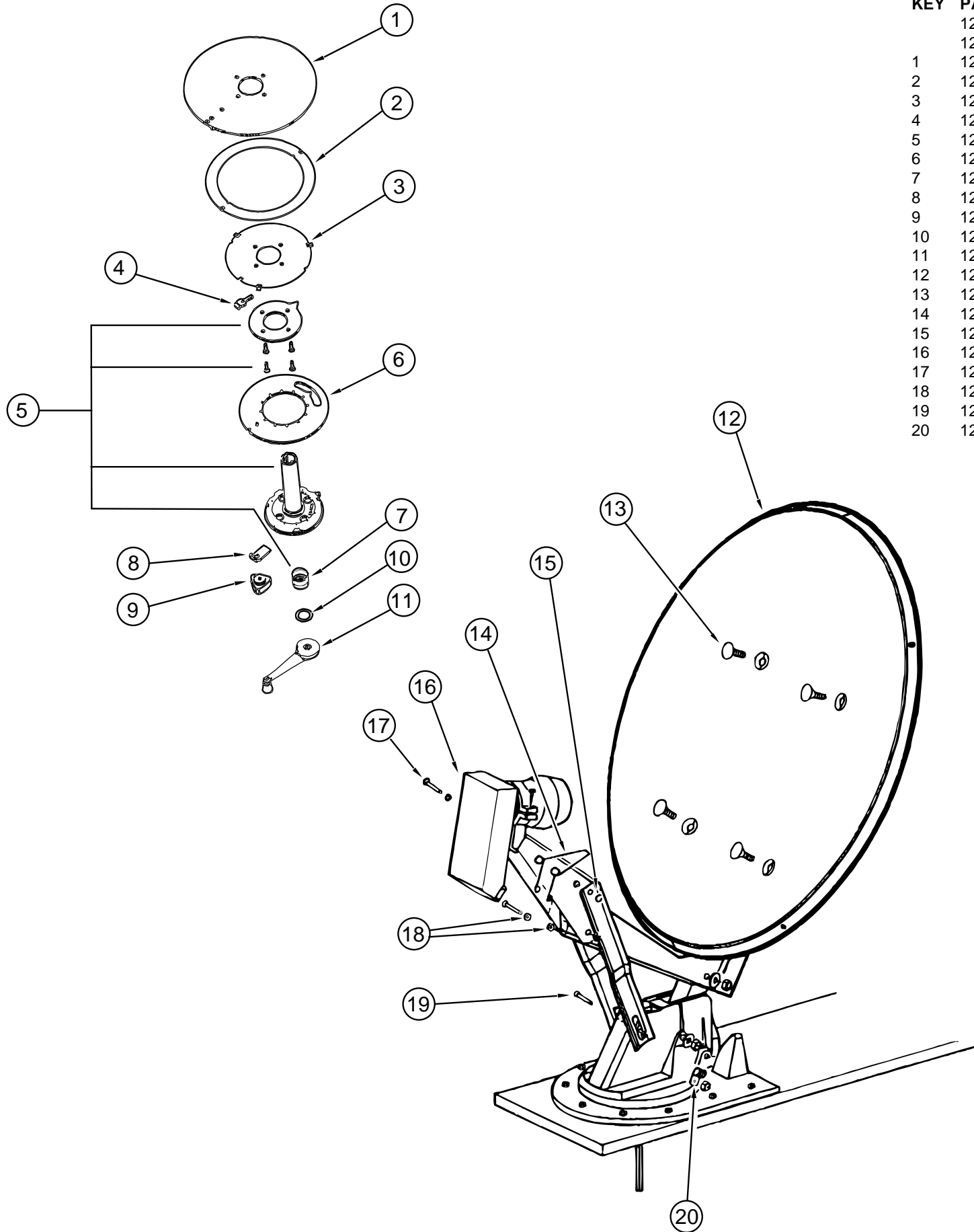
**AUDIO VIDEO GROUP (CONTINUED)**



**WINEGARD TV ANTENNA**

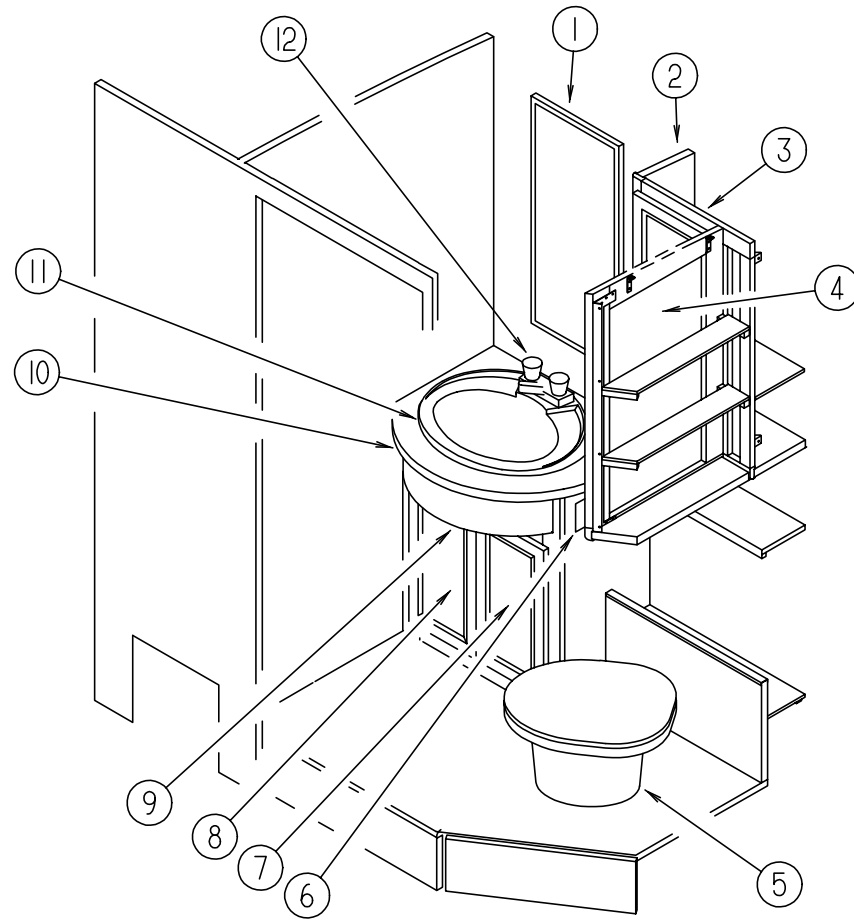
KEY	PART NUMBER	U/M DESCRIPTION	VENDOR NO.
1	076319-18-000	EA ANTENNA-TV, ROOF MOUNT	
2	076319-01-700	EA HEAD-ANTENNA, AMPLIFIED	RVSA U/V
3	076319-01-701	EA GEAR-ELEVATING, PLASTIC	2200046
4	076319-01-702	EA SHAFT ASM-ELEVATING	RVP-400A
5	076319-01-711	EA BASE & LIFT ASM	2762802
6	076319-01-706	EA CRANK-ELEVATING, W/SET SCREW	5755100
7	076319-01-705	EA GROMMET-NYLON, 7/8"ID	3200658
8	076319-01-708	EA CRANK COVER DECAL	5413002
9	076319-01-707	EA SPRING-HANDLE	5160800
10	076319-01-709	EA PLATE-DIRECTIONAL, FOR HEAD	3200644
11	076319-01-712	EA PLATE-CEILING	3200608
12	076319-01-704	EA BEARING-NYLON, 1.25"OD	3200657
13	076319-01-713	EA PLATE-BASE, STEEL	3100523
14	076319-01-703	EA BEARING-NYLON, 5"OD	3200656
15	076319-01-714	EA HOUSING, ROTATING GEAR	2200049
	076319-01-715	EA NUT (GEAR HOUSING)	2200047

**AUDIO VIDEO GROUP (CONTINUED)**  
**WINEGARD SATELLITE TV ANTENNA**



KEY	PART NUMBER	U/M	DESCRIPTION	VENDOR NO.
	120233-02-000	EA	RECEIVER-SATELLITEONLY	
	120233-01-000	EA	ANTENNA-SATELLITE W/O RECEIVER (DISH & HDW KIT) MANUAL	
1	120233-01-700	EA	PLATE-FIXED	3750821
2	120233-01-701	EA	DIAL-DIRECTIONAL	2745056
3	120233-01-702	EA	PIVOT-DIAL-DIRECTIONAL	2745058
4	120233-01-703	EA	STOP-ROTATION	3711281
5	120233-01-704	EA	PLATE-CEILING W/DIRECTIONAL HANDLE	RP-6300
6	120233-01-705	EA	PLATE-ROTATE	3750820
7	120233-01-706	EA	SPRING	RP-6822
8	120233-01-707	EA	CLAMP-ROTATE	3711280
9	120233-01-708	EA	KNOB-CLAMP	160822
10	120233-01-709	EA	WASHER-NYLON	RP-2658
11	120233-01-710	EA	HANDLE-CRANK	RP-6795
12	120233-01-711	EA	REFLECTOR - 46 CM	2745304
13	120233-01-712	EA	BOLT-FLAT HEAD	2160253
14	120233-01-713	EA	SPRING	2160820
15	120233-01-714	EA	CLIP-E	5160818
16	120233-01-715	EA	RCA LNB	278015
17	120233-01-716	EA	PIN	2160814
18	120233-01-717	EA	BEARING-NYLON	2200728
19	120233-01-718	EA	PIN	5160817
20	120233-01-719	EA	CLAMP-CABLE	2200060

**BATH GROUP**  
**BATHROOM CABINET & COMPONENTS**

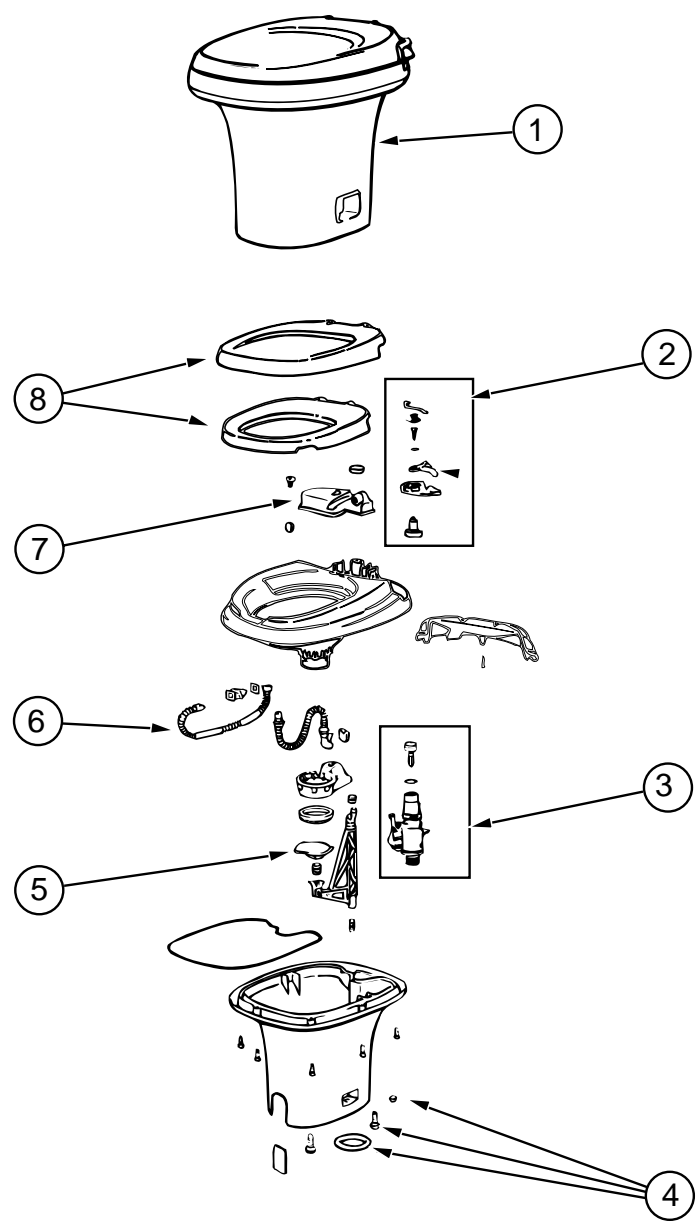


KEY	PART NUMBER	U/M	DESCRIPTION
1	058331-D0-000	EA	MIRROR-GLASS, SAFETY - 500 MM X 900 MM
	009089-01-000	EA	CLIP-MIRROR
2	114814-01-G09	EA	CABINET ASM-LINEN/MEDICINE - W/O DOORS OR HARDWARE
3	M06803-49-G09	EA	DOOR-W/O HARDWARE - FLAT PANEL - 290 X 715MM
4	M06803-C3-G09	EA	DOOR-W/O HARDWARE - FLAT PANEL - 400 X 715MM
5	063740-02-000	EA	TOILET-HIGH, FOOT FLUSH - THETFORD
6	075452-02-000	EA	HOLDER-TOILET TISSUE, BRASS
7	M06803-C5-G09	EA	DOOR-W/O HARDWARE - 255 X 485MM
8	M06803-C4-G09	EA	DOOR-W/O HARDWARE - 255 X 485MM
9	P14812-01-G30	EA	CABINET ASM-LAVATORY, W/O DOORS OR HARDWARE
9	P14812-01-G31	EA	CABINET ASM-LAVATORY, W/O DOORS OR HARDWARE
	075454-02-000	EA	RING-TOWEL, W/MOUNTING HARDWARE - BRASS
10	114812-11-G30	EA	COUNTERTOP ASM (G30)
10	114812-11-F05	EA	COUNTERTOP ASM (G31)
11	105921-01-01A	EA	SINK-LAVATORY, LARGE OVAL - 17" X 20" - PLASTIC - OFF WHITE
	106116-01-01A	EA	STRAINER-SINK, W/STOPPER TAILPIECE GASKET & NUT - PLASTIC
12	075240-06-000	EA	FAUCET-LAVATORY, BONE
	091253-01-000	EA	GASKET-FAUCET, LAVATORY/GALLEY
	105218-01-01A	EA	SPACER-FAUCET, LAVATORY SINK - 2" X 5.9" - ABS PLASTIC - OFF WHITE
	M87868-28-G09	EA	DOOR ASM-CABINET BATH
	094485-03-01A	EA	KNOB-DOOR, BRASS - THUNADER L132PB
	100357-01-000	EA	ROD-TOWEL, BRASS W/ENDS BENT FOR BACK OF BATH DOOR
	102089-13-G09	EA	MOUNT-RAIL, RIGHT SIDE - TOWEL ROD - 26" LONG - WOOD - WATERFORD OAK
	102089-14-G09	EA	MOUNT-RAIL, LEFT SIDE - TOWEL ROD - 26" LONG - WOOD - WATERFORD OAK
	102920-01-01A	EA	HINGE-DOOR, SPRING LOADED - BRASS
	110496-01-01A	EA	HINGE-BRASS
	058331-A3-000	EA	MIRROR-GLASS, SAFETY - 342 MM X 1137 MM
	105004-01-05A	EA	MOLDING-MIRROR, VINYL WRAPPED - OAK

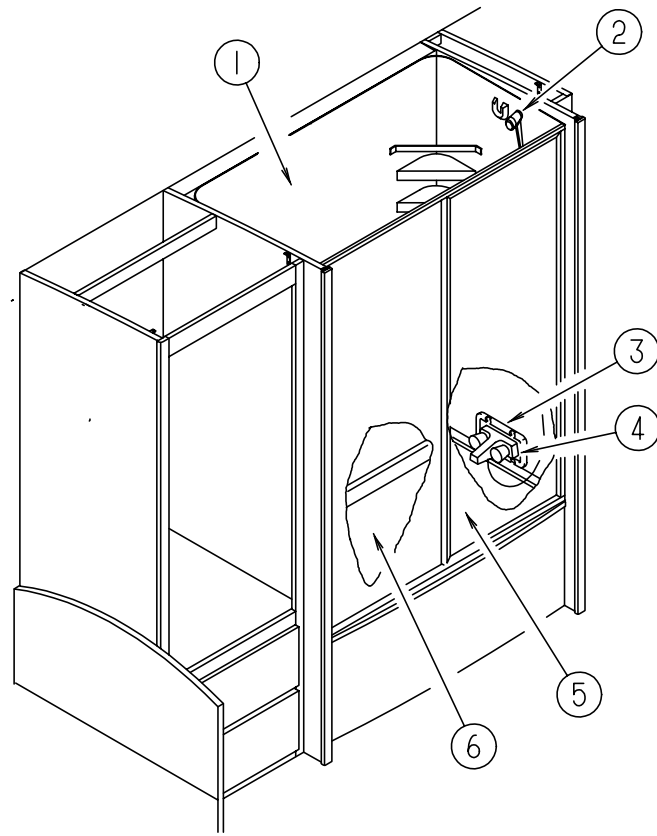
**BATH GROUP (CONTINUED)**  
**AQUA MAGIC IV - LOW - FOOT FLUSH TOILET**

KEY	PART NUMBER	U/M	DESCRIPTION
1	063740-02-000	EA	TOILET-HIGH, FOOT FLUSH - THETFORD
2	063740-01-720	EA	LEVER KIT, WAT-FLUSH-BEARING
3	063740-01-714	EA	VALVE ASM, W/GASKET & FLOAT
4	063740-01-706	EA	BOLT PACKAGE-FLOOR FLANGE
5	063740-01-721	EA	BLADE ONLY
6	063740-01-717	EA	TUBE-FLUSH
7	063740-02-701	EA	RESERVOIR (TANK ASSEMBLY)
8	063740-02-700	EA	SEAT & COVER, PARCHMENT

VENDOR NO.
24629
12492
12524
1248 32
12509
24630
20829

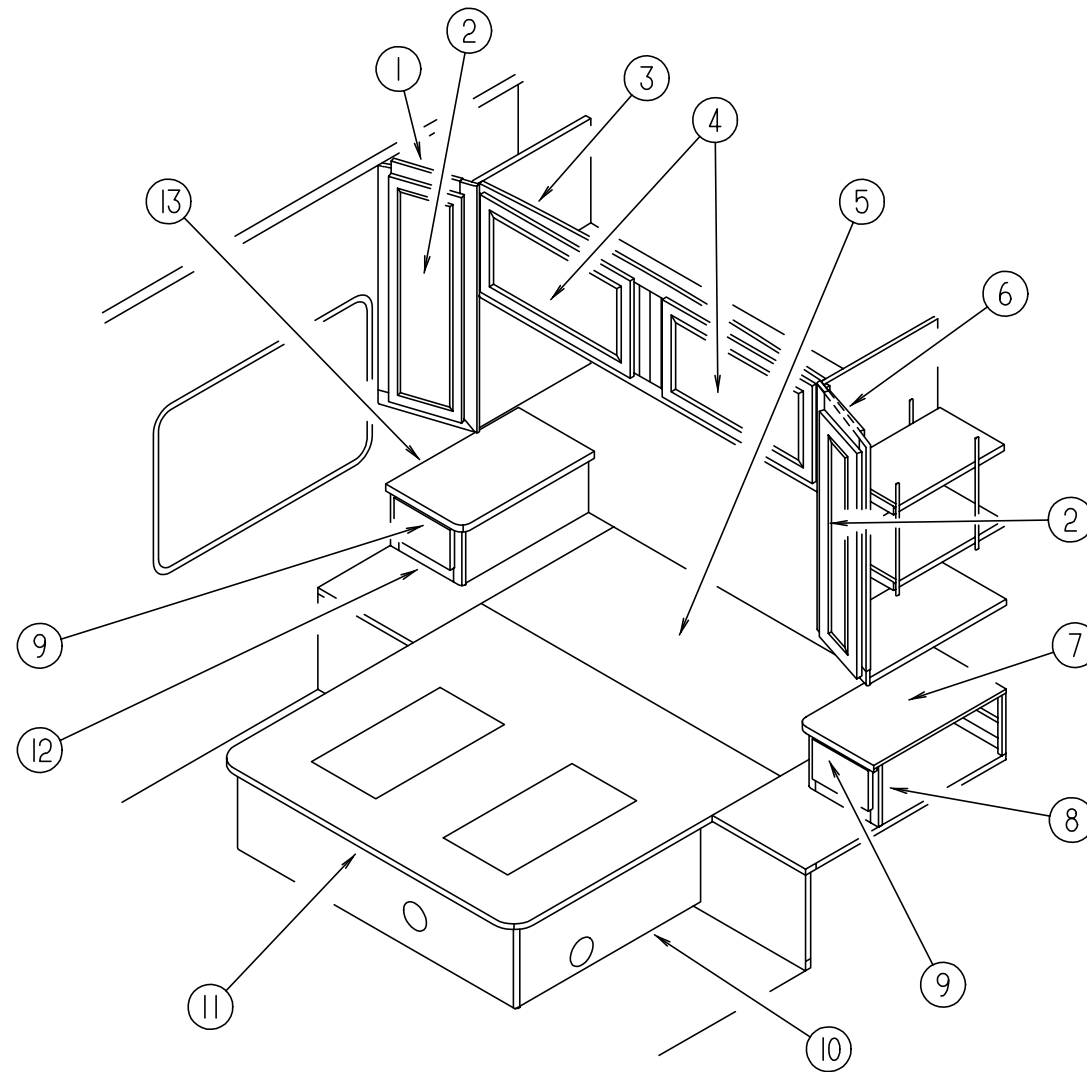


**BATH GROUP (CONTINUED)**  
**SHOWER CABINET & COMPONENTS**



KEY	PART NUMBER	U/M	DESCRIPTION	VENDOR NO.
1	110541-01-01A	EA	SURROUND-SHOWER/TUB	
2	103092-01-000	EA	SHOWER HEAD-W/60" HOSE - US	
2	103092-02-000	EA	SHOWER HEAD-W/60" HOSE - CANADIAN	
	103092-01-700	EA	BRACKET ONLY-CLEAR, F/SHOWER HEAD - BPC	2328028
	103092-01-702	EA	SEALS-SPRAY HEAD	24466
	011048-03-700	EA	BRACKET/F SHOWER HEAD - BPC	2328029-3
3	075606-01-000	EA	PANEL-FAUCET BACK, SHOWER - 5" X 9" - PLASTIC	
4	075242-04-000	EA	FAUCET-TUB/SHOWER, BONE	
5	M02630-25-E37	EA	SHOWER PAN ASM	
	066436-01-000	EA	NUT-SLIP, TAILPIECE - 1.5"	
	066729-01-000	EA	STRAINER-TUB/SHOWER, W/PLUG	
6	115011-01-01A	EA	SHOWER DOOR - BYPASS W/50" LOWER TRACK	
	115011-01-700	EA	HEADER, W/O ANTI JUMP GUARD	120G
	115011-01-701	EA	GUIDE-NYLON, (W-TRACK)	1104
	115011-01-702	EA	BRACKET-TOWEL BAR	135
	115011-01-703	EA	BAR-TOWEL	136
	115011-01-704	EA	ROLLERS	PN193
	115011-01-705	EA	SCREW-ROLLER, (HEX HEAD)	832HEX
	115011-01-706	EA	GLAZING VINYL	C 169
	115011-01-707	EA	SCREW F/TOWEL BAR	612F
	115011-01-708	EA	SCREW F/TOWEL BAR BRKTS	638F
	115011-01-709	EA	TRACK-BOTTOM- 50"	90
	115011-01-710	EA	GUARD-ANTI JUMP	130
	115011-01-711	EA	KNOB-TENSION,(HEADER W/BOLT)	1420K-1420S
	115011-01-712	EA	BOLT-TENSION, (HEADER)	1420S
	115011-01-713	EA	JAMB - WALL SHOWER DOOR	126
	114495-01-01A	EA	PANEL-SKYLITE, INNER	
	114496-01-01A	EA	PANEL-SKYLITE, OUTER	

**BEDROOM GROUP**  
**QUEEN BEDROOM CABINETS - REAR**

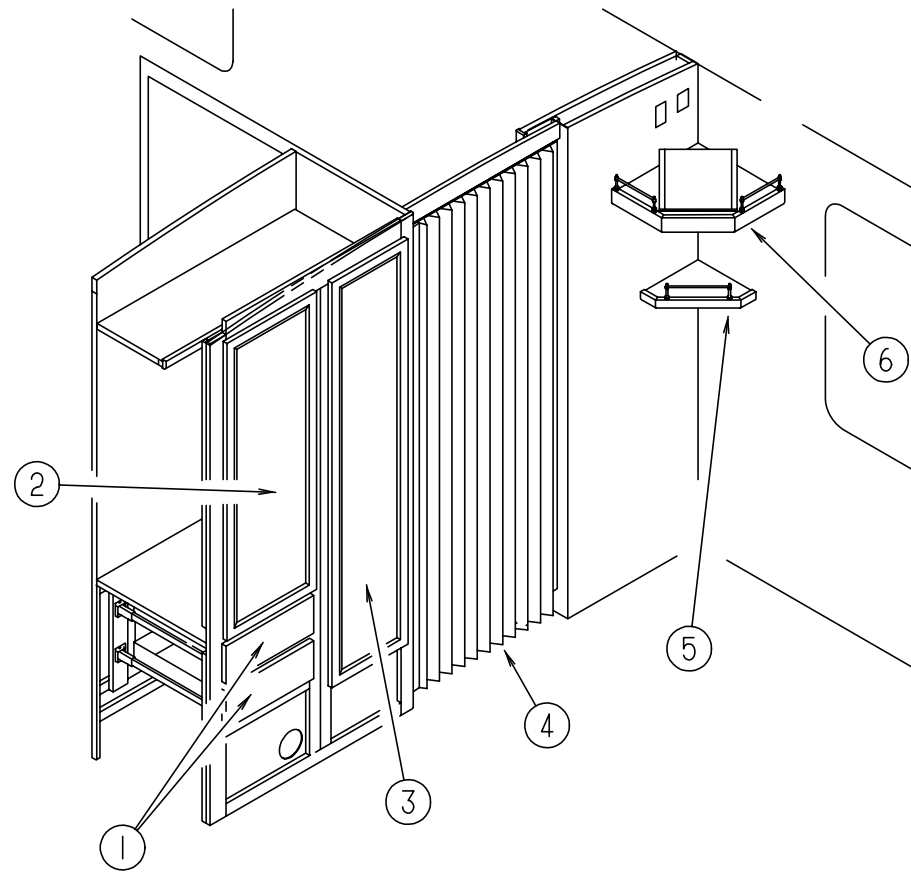


KEY	PART NUMBER	U/M DESCRIPTION
1	110625-01-G09	EA CABINET-SHIRT CLOSET RIGHT HAND, W/O DOOR OR HARDWARE
	009112-01-000	EA FLANGE - 1" ROD, CLOTHES - PLASTIC - OFF WHITE
	042438-01-000	EA DOWEL-WOOD, CLOTHES ROD - 1" DIAMETER X 4'
2	M06803-10-G09	EA DOOR-W/O HARDWARE - FLAT PANEL - 10.8" X 36.4"
3	106523-01-G09	EA CABINET-OVERHEAD, W/O DOORS OR HARDWARE
4	M06803-13-G09	EA DOOR-W/O HARDWARE W/MIRROR - 400 MM X 710 MM
5	M06979-01-000	EA TOP-QUEEN BED CABINET W/O HINGE
6	110625-02-G09	EA CABINET-SHIRT CLOSET LEFT HAND, W/O DOOR OR HARDWARE
	009112-01-000	EA FLANGE - 1" ROD, CLOTHES - PLASTIC - OFF WHITE
	042438-01-000	EA DOWEL-WOOD, CLOTHES ROD - 1" DIAMETER X 4'
7	117901-12-G30	EA COUNTERTOP-NIGHTSTAND
7	117901-12-G31	EA COUNTERTOP-NIGHTSTAND
8	P17901-02-G30	EA CABINET-NIGHTSTAND W/COUNTERTOP W/O DRAWER OR HARDWARE
8	P17901-02-G31	EA CABINET-NIGHTSTAND W/COUNTERTOP W/O DRAWER OR HARDWARE

KEY	PART NUMBER	U/M DESCRIPTION
9	M05971-R3-G09	EA DRAWER-CABINET, W/O SLIDES OR HARDWARE
10	P14484-01-G09	EA CABINET ASM-BED, QUEEN
11	M06979-02-F04	EA TOP-QUEEN BED CABINET W/HINGE
	041389-25-000	EA HINGE-PIANO, 1.5" X 55" - MILL
	110535-01-01A	EA ROD-PROP, BED MILL
	081114-01-000	EA CAP-INSERT, ROUND - 1" DIAMETER - PLASTIC - BLACK
	091952-01-000	EA CLIP-GRIPPER - 1"
	110536-01-000	EA BRACKET-PROP ROD
12	P17901-01-G30	EA CABINET-NIGHTSTAND W/COUNTERTOP W/O DRAWER OR HARDWARE
12	P17901-01-G31	EA CABINET-NIGHTSTAND W/COUNTERTOP W/O DRAWER OR HARDWARE
13	117901-11-G30	EA COUNTERTOP-NIGHTSTAND
13	117901-11-G31	EA COUNTERTOP-NIGHTSTAND



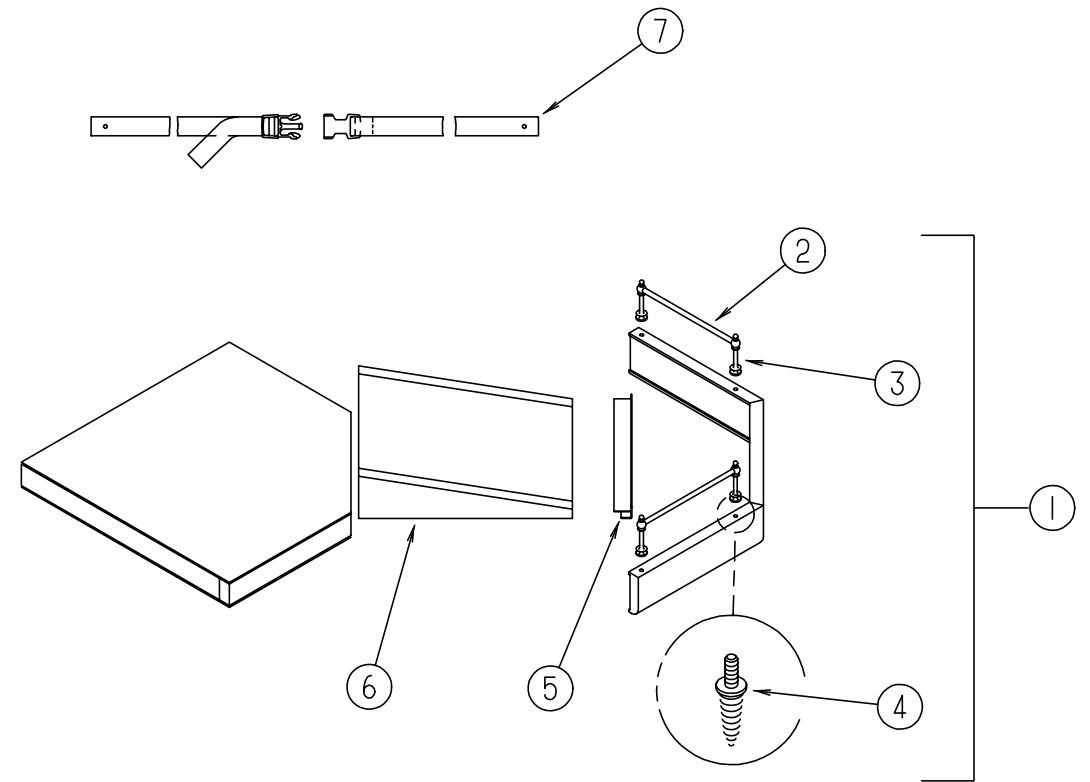
**BEDROOM GROUP (CONTINUED)**



**QUEEN BEDROOM CABINETRY - FRONT**

KEY	PART NUMBER	U/M DESCRIPTION
1	M05971-J9-G09	EA DRAWER-CABINET, W/O HARDWARE
2	M06803-C6-G09	EA DOOR-W/O HARDWARE, 425 MM X 1220 MM
3	M06803-L9-G09	EA DOOR-W/O HARDWARE W/MIRROR, 360 MM X 1660 MM
4	042488-10-000	EA DOOR-FOLDING, FABRIC - 37" X 75" - OFF WHITE
	080224-01-703	EA ALMOND HANDLE W/LATCH AND CATCH
	080224-01-705	EA ALMOND LATCH AND CATCH ASM.
	094856-14-01A	EA TRACK-DOOR, FOLDING - OFF WHITE
	009702-01-000	EA END STOP-DOOR TRACK
5	105219-01-G09	EA CABINET ASM-SHELF
	084070-02-000	EA POST-END, 2.4" - BRASS
	084071-15-000	EA ROD-BRASS, 210 MM LONG
	106166-01-000	EA BOLT-COLLARED HANGER, 8-32 X 1"
	058331-17-000	EA MIRROR-GLASS, SAFETY - 8.75" X 12.5"
	105004-01-05A	EA MOLDING-MIRROR, VINYL WRAPPED - OAK
6	111236-01-G13	EA SHELF ASM-TV, W/BRASS RAILING & WEDGE

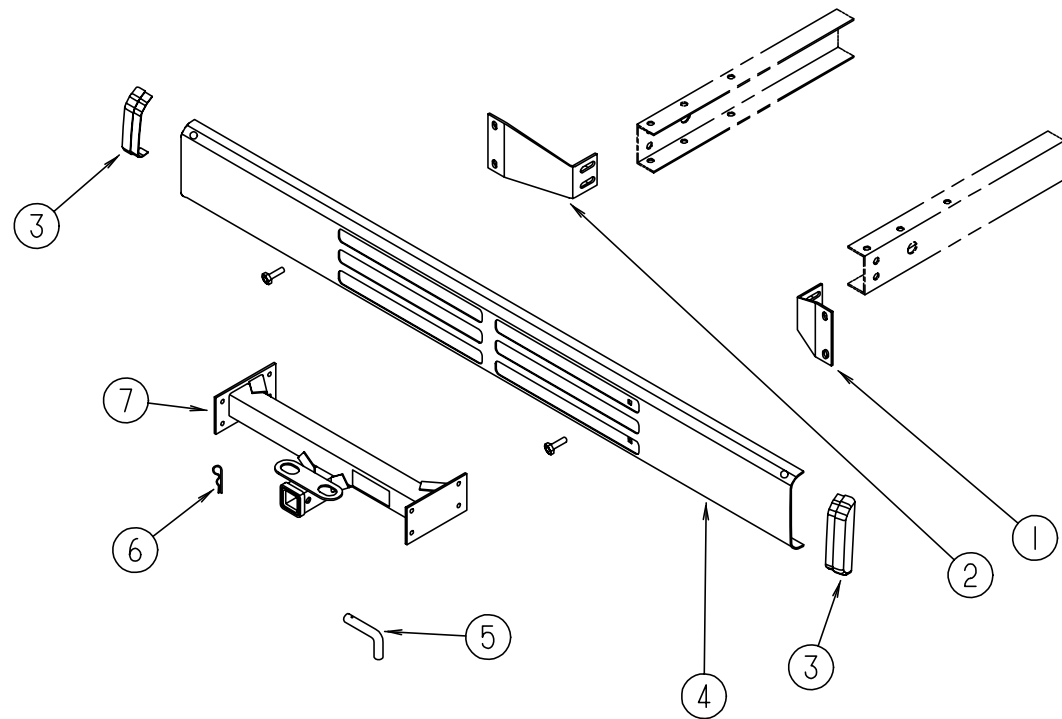
**BEDROOM GROUP (CONTINUED)**



**TV SHELVES**

KEY	PART NUMBER	U/M DESCRIPTION
1	111236-01-G13	EA SHELF ASM-TV, W/BRASS RAILING & WEDGE
2	084071-17-000	EA ROD-BRASS, 181 MM LONG
3	084070-02-000	EA POST-END, 2.4" - BRASS
4	106166-01-000	EA BOLT-COLLARED HANGER, 8-32 X 1"
5	103186-01-05A	FT MOLDING-EDGE, SHELF - .78" WIDE - PLASTIC - WATERFORD OAK
6	111236-15-G13	EA WEDGE-TV
7	099717-01-000	EA TIEDOWN-TV, STRAP ON FEMALE END IS 22.8" LONG

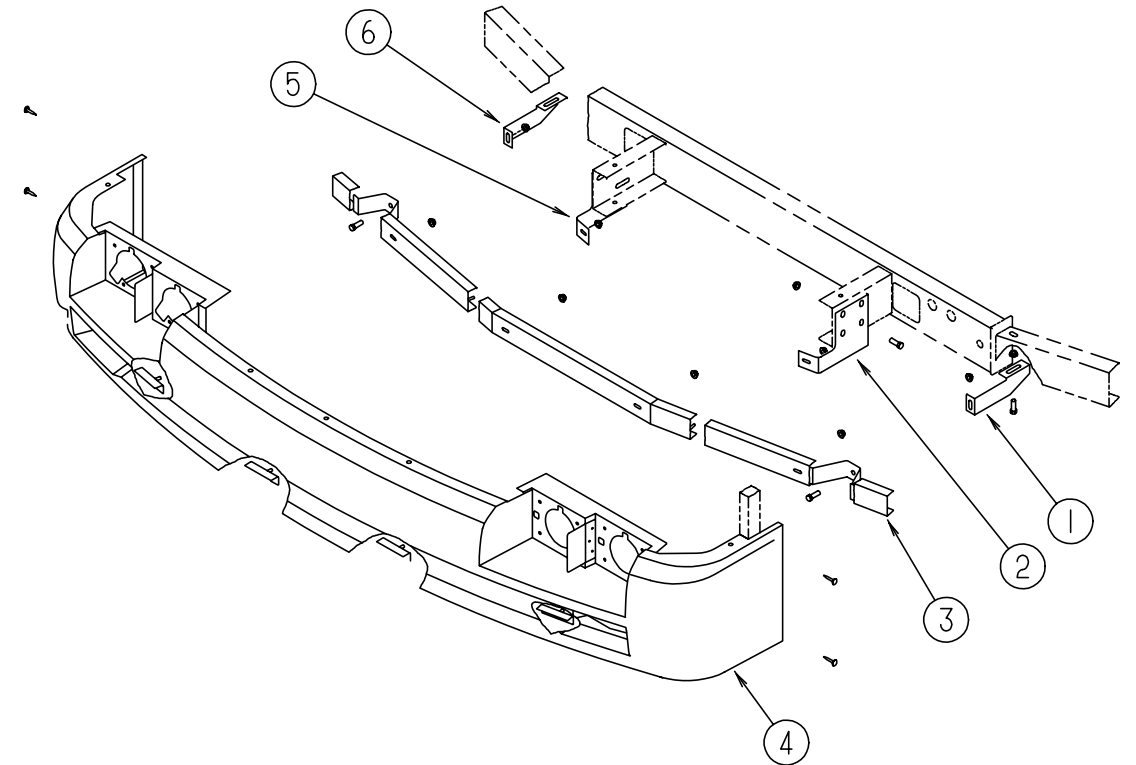
## CHASSIS GROUP



### REAR BUMPER, TRAILER HITCH & COMPONENTS

KEY	PART NUMBER	U/M DESCRIPTION
1	104418-08-000	EA ANGLE-SUPPORT BUMPER REAR
2	104418-09-000	EA ANGLE-SUPPORT BUMPER REAR
3	103228-01-06A	EA CAP-END, BUMPER - REAR - DRIVER OR PASSENGER SIDE - BRIGHT WHITE
4	103099-03-06A	EA BUMPER-REAR, BRIGHT WHITE
5	034512-01-000	EA PIN-LOCKING-DRAWBAR
6	034513-01-000	EA PIN-HITCH - 3/16" WIRE
7	107707-04-000	EA HITCH ASM W/O DRAWBAR
	113589-02-000	EA CONNECTOR-SOCKET, TRAILER - GENERAL 433601
	113589-01-000	EA CONNECTOR-PLUG, TRAILER - GENERAL 433501
	113588-02-01B	EA BRACKET-CONNECTOR, TRAILER W/O LIP

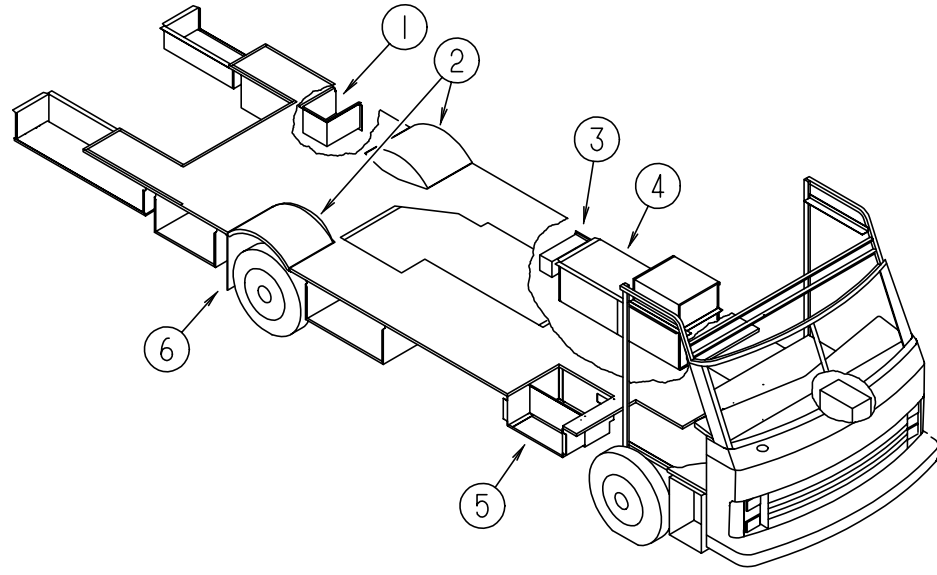
## CHASSIS GROUP (CONTINUED)



### FRONT BUMPER

KEY	PART NUMBER	U/M DESCRIPTION
1	118235-02-02B	EA SUPPORT-BUMPER, OUTER - LH
2	114634-02-02B	EA SUPPORT-BUMPER, INNER - LH
3	103512-01-000	EA CHANNEL ASM-BUMPER
4	118193-02-G13	EA BUMPER ASM-FRONT - UNPAINTED
5	114634-01-02B	EA SUPPORT-BUMPER, INNER - RH
6	118235-01-02B	EA SUPPORT-BUMPER, OUTER - RH

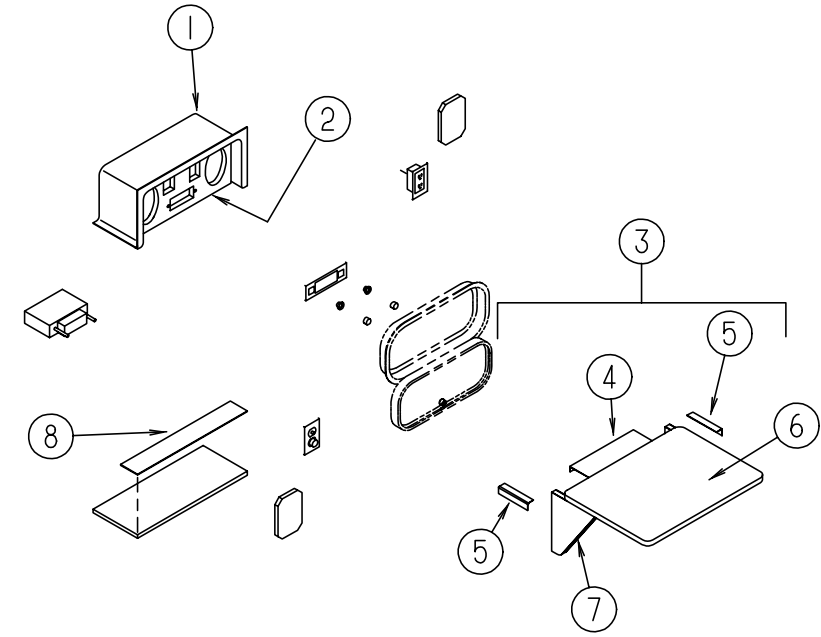
## CHASSIS GROUP (CONTINUED)



### STORAGE COMPARTMENTS & WHEELWELLS

KEY	PART NUMBER	U/M	DESCRIPTION
1	102979-05-000	EA	BOX-POWER CORD
2	102921-01-000	EA	WHEELWELL - PLASTIC
3	085967-01-000	EA	COMPARTMENT-SEWER HOSE, 6" X 6.6" X 17.8" - PLASTIC
4	078137-04-000	EA	TRAY-COMPARTMENT, GENERATOR - 29.1" WIDE X 22.4" DEEP
	105732-02-000	EA	TRAY ASM-GENERATOR
5	094707-01-01A	EA	STEP-DOUBLE, ELECTRIC - KWIKEE 3218
5	091176-01-000	EA	SUPPORT-BASE, ENTRANCE STEP
6	017516-01-000	EA	FLAP-MUD, 14" X 18" - BLACK
6	020167-04-000	EA	GUARD-DIRT
	056748-01-000	EA	PLUG-CAP, 1.5" DIAMETER - BLACK
	061420-01-000	EA	PLUG-PLASTIC, 1.75" - BROWN
	061420-05-000	EA	PLUG-PLASTIC, 1.8" DIAMETER
	115361-01-01A	EA	PLUG-PLASTIC, CAPPLUG NO.W5
	114473-13-02B	EA	WHEELWELL ASM, FRONT - E-COAT
	109606-01-000	EA	COMPARTMENT - 650 MM X 607 MM X 305 MM, POLYETHYLENE
	106208-01-01A	EA	COMPARTMENT-EXTERIOR SHOWER, PLASTIC - OFF WHITE

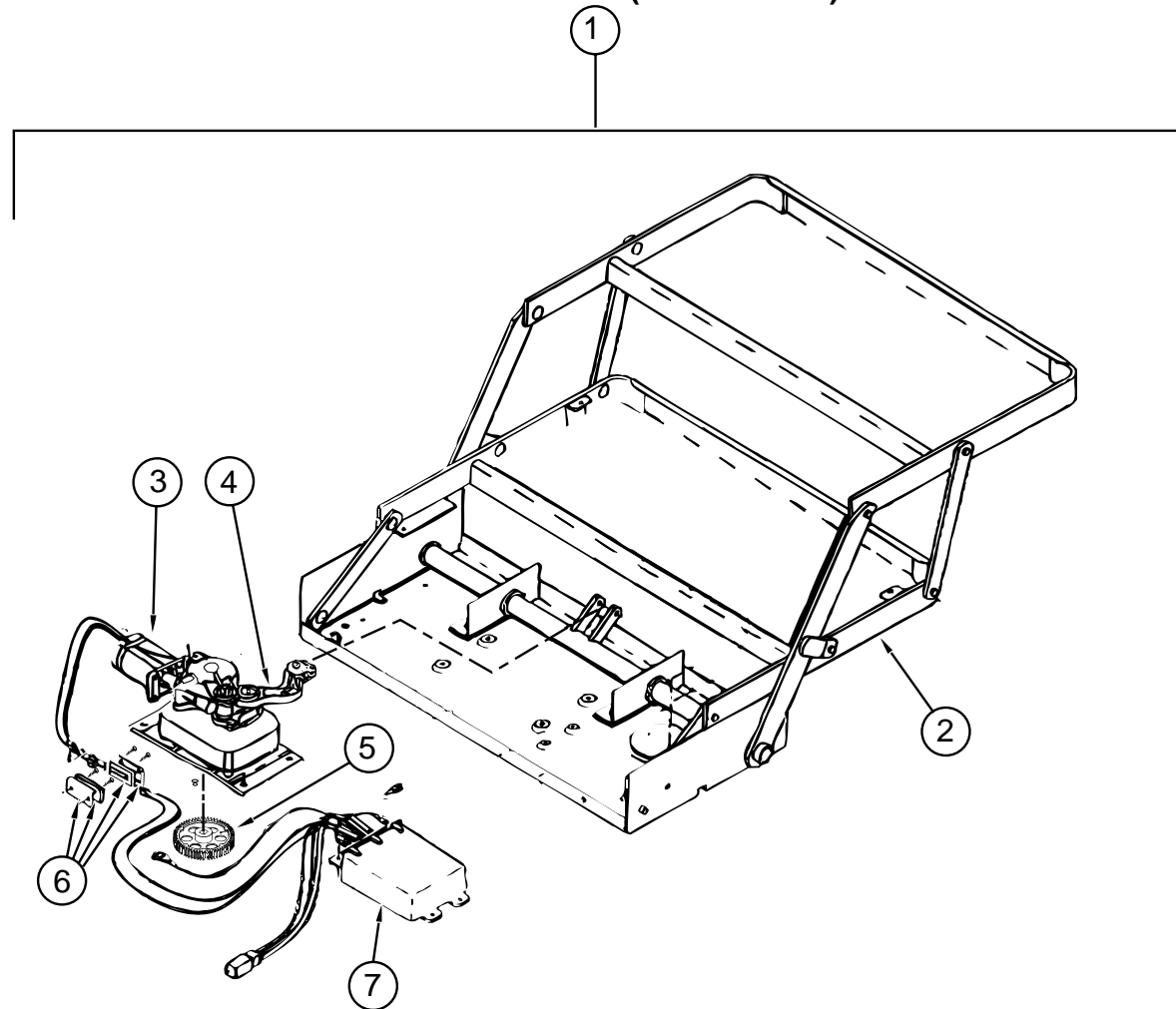
## CHASSIS GROUP (CONTINUED)



### PATIO ENTERTAINMENT CENTER

KEY	PART NUMBER	U/M	DESCRIPTION
1	104897-01-01A	EA	BOX-ENTERTAINMENT CENTER - OFF WHITE
2	104899-01-C05	EA	PLATE-RADIO MOUNTING
3	105230-01-F11	EA	SHELF ASSEMBLY
4	105377-01-01A	EA	BRACKET-TABLE HANGER, OFF WHITE
5	105376-01-02A	EA	HINGE-CONTINUOUS, 2" X 140 MM - OFF WHITE
6	105230-11-E01	EA	SHELF
7	105230-12-F11	EA	SUPPORT-SHELF
8	104898-01-01A	EA	PLATE-PLASTIC, BOTTOM - 19.38" X 3.1" - OFF WHITE

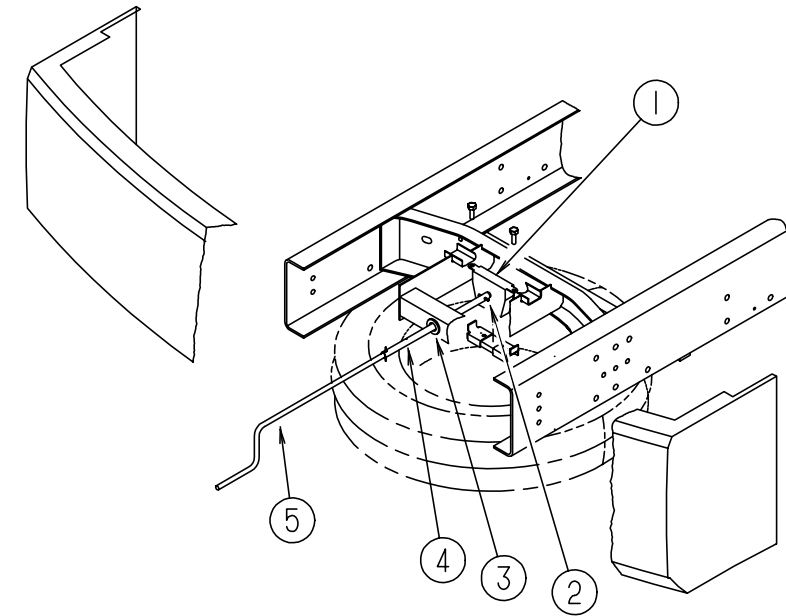
**CHASSIS GROUP (CONTINUED)**



**KWIKEE ELECTRIC ENTRY STEP**

KEY	PART NUMBER	U/M	DESCRIPTION	VENDOR NO.
1	094707-01-01A	EA	STEP-DOUBLE, ELECTRIC - KWIKEE 3218	
2	094707-01-702	EA	FRAME-DOUBLE STEP, 3200 SERIES	908032
	094707-02-703	EA	PARTS KIT, (BEARINGS & PINS)	9530
3	094707-02-700	EA	MOTOR REPLACEMENT KIT - MODELS 32 & 28	9520
4	094707-02-701	EA	LINKAGE ASM. W/BEARINGS-PINS	909534
5	094707-02-702	EA	GEAR KIT - KWIKEE	9525
6	094707-02-704	EA	CONNECTOR KIT-MOTOR	9537
7	094707-02-705	EA	CONTROL UNIT, WHITE	909513
	094707-02-707	EA	TREAD-NON-SKID, BLACK - 6" X 21"	909333
	088746-01-705	EA	LIGHT-UNDER STEP	9004
	088733-01-700	EA	BULB	9004

**CHASSIS GROUP (CONTINUED)**



**SPARE TIRE HOIST**

KEY	PART NUMBER	U/M	DESCRIPTION
1	093267-03-000	EA	HOIST-SPARE TIRE, 100#
	105499-01-000	EA	BRACKET-TIRE HOIST
2	114376-01-000	EA	PIN-DRIVE, .156 X .750 - TYPE E - TIRE HOIST
3	071015-11-000	EA	GROMMET - 1.00 ID - FITS .12 MATL - MINOR RUBBER Z-3065
4	093375-09-000	EA	EXTENSION-TIRE HOIST
5	093376-02-000	EA	HANDLE ASM-CRANK, TIRE HOIST

**CHASSIS GROUP (CONTINUED)**  
**FUEL SYSTEM**

KEY	PART NUMBER	U/M DESCRIPTION
	073220-03-000	EA CAP-FUEL FILL, NON LOCK - GM 15671703
	072447-04-000	EA SHROUD-FUEL FILL, UPPER - PLASTIC
	078200-01-000	EA GASKET-FUEL FILL, 3.5" OD X 2" ID
	095854-01-04A	EA SHROUD-FUEL FILL, BRIGHT WHITE

**TIRE & WHEEL**

KEY	PART NUMBER	U/M DESCRIPTION
	007324-03-000	EA TIRE - 8R19.8 LRF, MICHELIN
	086281-02-000	EA WHEEL-STEEL, 19.5" X 6" - 8.75 3500 - ACCURIDE 28853
	051377-01-000	EA STEM-VALVE, TR 500
	077030-02-000	EA EXTENSION-VALVE STEM, 1.25"

**DICOR 19.5" OSH KOSH WHEEL COVERS**

KEY	PART NUMBER	U/M DESCRIPTION	VENDOR NO.
	109443-03-000	EA WHEEL-COVER W/HARDWARE, SET (SET=4) 19.5" OSH KOSH - SHAJ95	
	109443-01-700	EA WHEEL-COVER, 1 - FRONT OR REAR - 19.5	SHAG95
	109443-03-700	EA BRACKET-RETAINER W/JAMB NUTS, FRONT (1 EA=1)	SHAJ95-FBS
	109443-03-701	EA BRACKET-RETAINER, REAR (1 EA=1)	SHAJ95-RBS
	109443-01-703	EA CAP-CENTER, HUB	SP-AUCAP

**DICOR 19.5" STAINLESS STEEL WHEEL LINERS**

KEY	PART NUMBER	U/M DESCRIPTION	VENDOR NO.
	110435-03-000	EA LINER-WHEEL, SET (SET=4) 19.5" - V195J0-FWC	
	110435-03-700	EA LINER-WHEEL, FRONT	V195J0-FWC
	110435-03-701	EA LINER-WHEEL, REAR	V195J0-RWC
	110435-01-700	EA COVER-LUG NUT	V195J0-LNC
	110435-01-705	EA TOOL-INSTALLATION	V195J0-TOL0S
	110435-01-706	EA NUT-JAMB, 1 1/2 X 1 1/16 - RIGHT REAR	V195J0-RRJ
	110435-01-707	EA NUT-JAMB, 1 1/2 X 1 1/16 - LEFT REAR	V195J0-LRJ
	110435-01-708	EA NUT-JAMB, 1 1/2 X 3/4 - RIGHT FRONT	V195J0-RFJ
	110435-01-709	EA NUT-JAMB, 1 1/2 X 3/4 - LEFT FRONT	V195J0-LFJ
	077030-02-000	EA EXTENSION-VALVE STEM, 1.25"	

**CHASSIS GROUP (CONTINUED)**  
**LUG WRENCH & LEVERAGE BAR**

KEY	PART NUMBER	U/M DESCRIPTION
	080208-02-000	EA BAR-LEVERAGE, LUG WRENCH
	080208-03-000	EA WRENCH-LUG, 1.5" X .8"

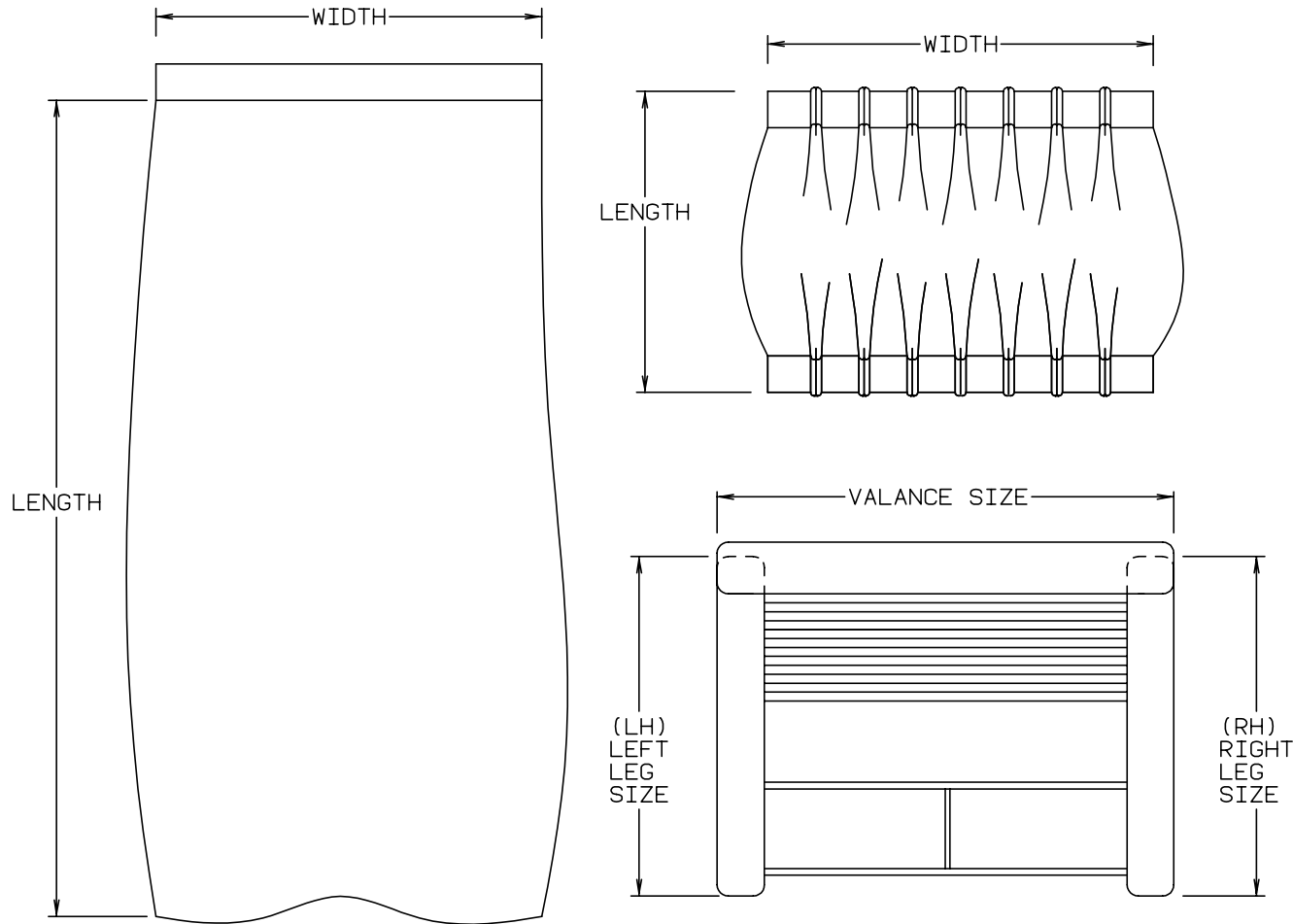
**CHASSIS MISCELLANEOUS**

KEY	PART NUMBER	U/M DESCRIPTION
	055278-51-259	FT TUBING-STEEL, .75" X 1.5" X 150"
	008042-01-000	FT TUBING-VINYL, .65" ID
	065450-05-000	EA TIEDOWN-BATTERY, 8.4" TUBE
	076310-04-000	EA SHEET-RUBBER, 23" X 50"
	098215-03-000	EA COLLAR-CRIMPED, 6" DIAMETER - ROUND - AIR INTAKE
	102805-01-000	EA CHANNEL-EXT, FRONT FRAME - 114.3 MM X 53.9 MM X 350 MM - STEEL
	110277-02-000	EA STRAP-W/HOLES
	077298-55-003	EA EXTR-TUBE, 0007 MM, BLACK - 6060T6

**CURTAIN & CUSHION GROUP  
NOTICE**

IN ORDER TO ASSIST OUR PARTS SALES DEPT. IN PROVIDING INTERIOR SOFTGOODS ITEMS, PLEASE INCLUDE THE SERIAL NUMBER AND THE COLOR CODE NUMBER FROM THE VEHICLE CERTIFICATION LABEL WHEN ORDERING. THIS LABEL IS LOCATED ON THE LEFT SIDEWALL AT THE END OF THE DASH (A-BODY), OR ON THE DRIVER'S DOOR LATCH PLATE (C-BODY).

AN EXAMPLE OF A COLOR CODE NUMBER IS B07, WHICH DESIGNATES AN OVERALL COLOR SCHEME OF A PARTICULAR UNIT. THE COLOR LISTED AFTER THE ITEM DESCRIPTION ON THE MICROFICHE, INDICATES THE OVERALL UNIT COLOR. ORDER THE ITEM YOU DESIRE ACCORDING TO UNIT COLOR CODE.



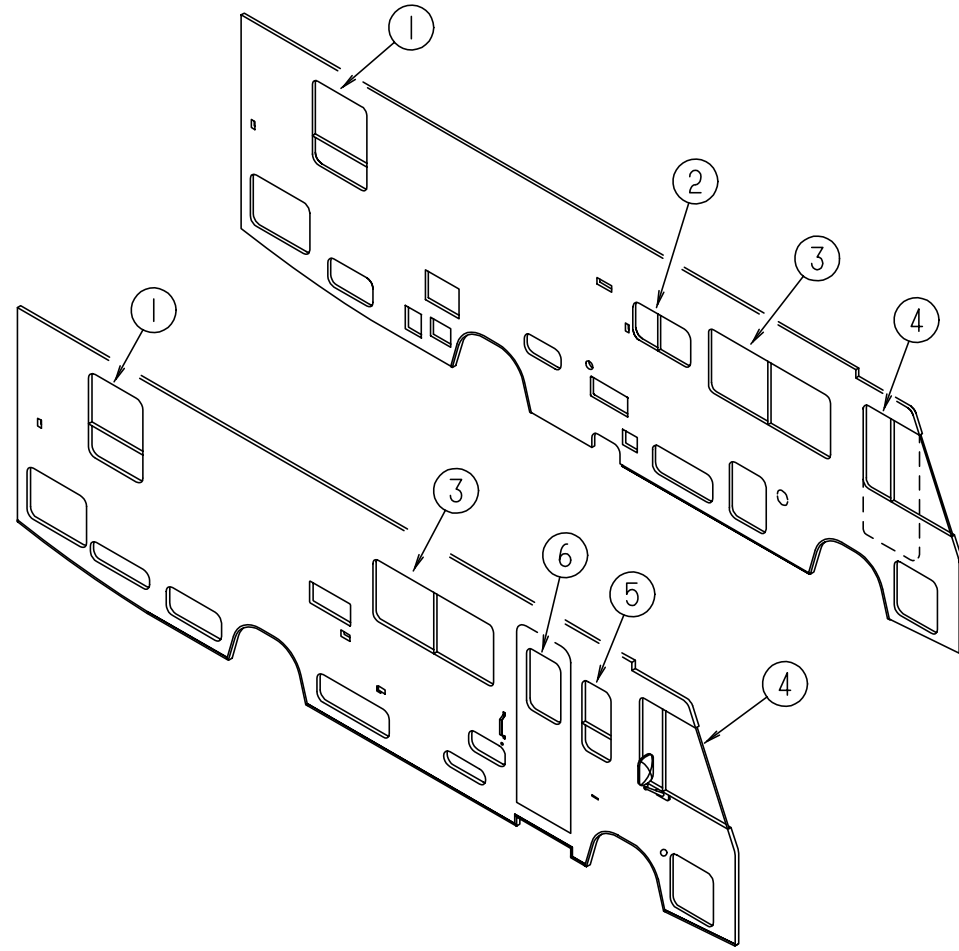
NOTE: USE THIS ILLUSTRATION WHEN DETERMINING LENGTH AND WIDTH MEASUREMENTS FOR CURTAINS. YOU WILL NOTE THE WIDTH MEASUREMENT IS TAKEN ON THE TOP OF THE CURTAIN WITH THE CURTAIN FULLY EXTENDED. THE LENGTH MEASUREMENT IS TAKEN FROM TOP TO BOTTOM. LEFT AND RIGHT WINDOW LEGS ARE DETERMINED WHEN FACING THE WINDOW.

**CURTAIN & CUSHION GROUP (CONTINUED)**

SUNRISE FABRIC		
COLOR CODES	G30	G31
	NEPTUNE (TEAL)	GALAXY (BLUE)
CEILING VINYL	089351-03-000	089351-03-000
OFF WHITE VINYL	106569-01-01A	106569-01-01A
QUICKSILVER VINYL	103907-01-05A	103907-01-05A
DRAPERY LINING	087272-03-000	087272-03-000
BUCKET SEATS	108446-C5-000	098428-30-000
DINETTE	108446-E2-000	108446-B1-000
DINETTE PADS	108446-C5-000	108446-30-000
SOFA	108446-E2-000	108446-B1-000
SOFA PILLOWS	108446-C6-000	098428-30-000
SWIVEL CHAIR	108446-C6-000	098428-30-000
LOUNGE WINDOWS	108446-C5-000 108446-C6-000 108446-E2-000	098428-30-000 108446-B1-000
BEDROOM WINDOW	105745-45-000 105745-99-000	105745-61-000 105745-91-000
BEDSPREAD	105745-45-000 105745-99-000	105745-61-000 105745-91-000
PILLOW SHAMS	105745-45-000 105745-99-000	105745-61-000 105745-91-000
BEDROOM PILLOWS	105745-45-000 105745-99-000	105745-61-000 105745-91-000
FRONT WRAP AROUND	072333-82-000	072333-82-000
DIVIDER CURTAIN	072333-82-000	072333-82-000
MAP POCKETS	108446-C5-000	098428-30-000

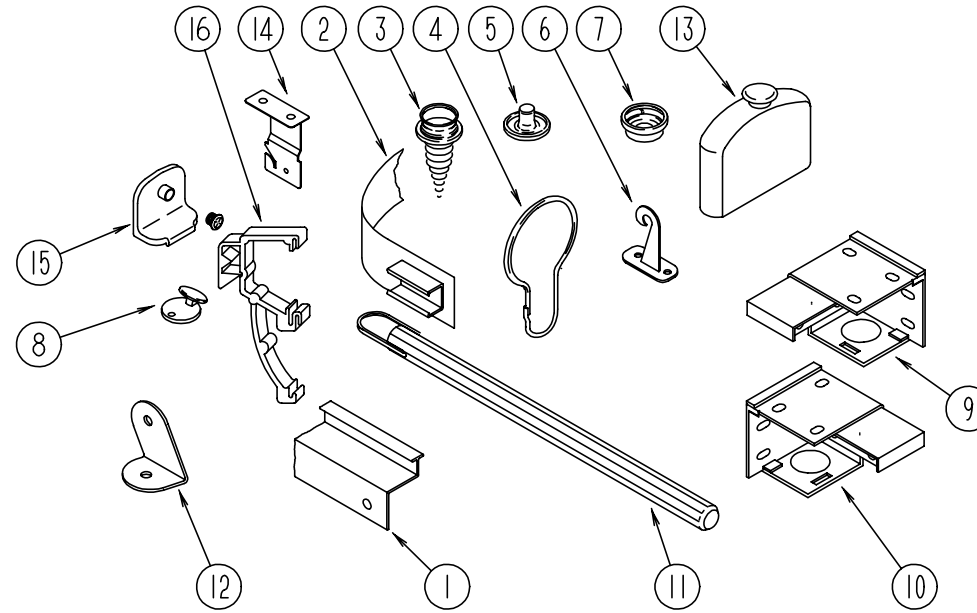
NOTE: FABRIC LISTED FIRST, IN A BLOCK, IS THE LARGEST QUANTITY OF FABRIC USED.

**CURTAIN & CUSHION GROUP (CONTINUED)**  
**WINDOW TREATMENT**



KEY	PART NUMBER	U/M	DESCRIPTION
1	112113-17-G30	EA	VALANCE - 30", VALERIE
1	112113-17-G31	EA	VALANCE - 30", VALERIE
1	112986-07-G30	EA	CURTAIN - 38.5" X 6", PLEATED TOP - POCKET BOTTOM (G30)
1	112986-07-F25	EA	CURTAIN - 38.5" X 6", PLEATED TOP - POCKET BOTTOM (G31)
1	109041-21-01A	EA	BLIND-MINI, 27" X 37" DROP (G30/G31)
2	109353-07-01A	EA	VALANCE-SLAT, 31" (G30/G31)
2	109041-20-01A	EA	BLIND-MINI, 31" X 18" DROP (G30/G31)
3	118537-01-G30	EA	VALANCE - 64.5", GALAXY
3	118537-02-G31	EA	VALANCE - 64.5", GALAXY
3	119333-11-G30	EA	LEG - 25", RIGHT
3	119333-11-G31	EA	LEG - 25", RIGHT
3	119333-12-G30	EA	LEG - 25", LEFT
3	119333-12-G31	EA	LEG - 25", LEFT
3	093475-76-05A	EA	BLIND-MINI, 60" X 28.5" DROP (G30/G31)
4	101668-57-G10	EA	CURTAIN - 38" X 95", TAPE TOP - LEFT (G30/G31)
4	101668-32-D10	EA	CURTAIN - 40" X 40", TAPE TOP (G30/G31) - FRONT BUNK OPTION
5	101668-56-G10	EA	CURTAIN - 38" X 95", TAPE TOP - RIGHT (G30/G31)
5	101668-33-D10	EA	CURTAIN - 38" X 125", TAPE TOP (G30/G31) - FRONT BUNK OPTION
	073260-42-D10	EA	TIEBACK - 6" X 18" (G30/G31)
5	118537-03-G30	EA	VALANCE - 17", GALAXY
5	118537-04-G31	EA	VALANCE - 17", GALAXY
5	109041-30-01A	EA	BLIND-MINI, 15.5" X 33" DROP (G30/G31)
6	118537-05-G30	EA	VALANCE - 33.75", GALAXY
6	118537-06-G31	EA	VALANCE - 33.75", GALAXY
6	084755-57-E07	EA	SHADE-PULL, 27.25" (G30/G31)

**CURTAIN & CUSHION GROUP (CONTINUED)**  
**CURTAIN, BLIND HARDWARE & TRACKS**



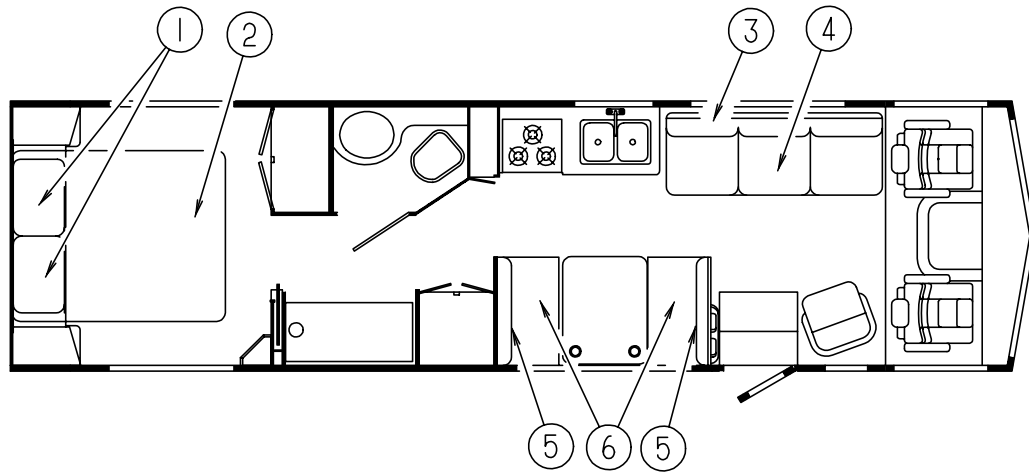
KEY	PART NUMBER	U/M DESCRIPTION
1	101589-02-G29	EA TRACK ASM W/BRKTS-CURTAIN, RIGHT HAND WRAPAROUND - QUICKSILVER - 10'
1	105450-01-03A	EA TRACK-CURTAIN, LEFT HAND WRAPAROUND - QUICKSILVER - 30.8" LONG
1	114641-07-G35	EA TRACK ASM-CURTAIN, RIGHT HAND WRAPAROUND - WILLOW - 7.17' - TV OPTIONS
1	114641-08-G35	EA TRACK ASM-CURTAIN, LEFT HAND WRAPAROUND - WILLOW - 7.17' - TV OPTIONS
2	101031-01-000	YD TAPE-GLIDE, CURTAIN - 4.25" SPACING
3	029130-01-000	EA SCREW-SNAP SOCKET, #8 PH X 5/8"
3	029130-03-000	EA SCREW-SNAP SOCKET, #8 PH X 1"
4	009136-02-000	EA HANGER-RING, PIN TYPE - CURTAIN - BRASS
5	029155-01-000	EA CAP-SNAP, 5/32" O.D. OF PIN
6	109441-01-000	EA HOLD DOWN-BLIND, HOOK
7	029156-01-000	EA SOCKET-SNAP, 9/16" O.D.
8	102555-01-000	EA CLEAT-CORD, BLIND - OFF WHITE
9	083170-01-000	EA BRACKET-MINI BLIND, LEFT SIDE WHEN FACING WINDOW
10	083170-02-000	EA BRACKET-MINI BLIND, RIGHT SIDE WHEN FACING WINDOW
11	093475-01-700	EA WAND-BLIND, W/METAL CLIP - 8" LONG
12	099205-02-02A	EA BRACKET-WRAPAROUND, OFF WHITE
13	093475-01-701	EA END CAP-BLIND, W/STUD
14	084434-01-000	EA BRACKET-MOUNTING, ROLLER SHADE - 1 3/8"

KEY	PART NUMBER	U/M DESCRIPTION
15	106544-01-001	EA SCREW-BRASS, SHADE
15	106544-01-000	EA PULL-SHADE, BRASS
16	109353-04-000	EA CLIP-VALANCE SLAT MOUNTING, CLEAR PLASTIC - PAR
	046867-03-000	EA GROMMET-HANDY BUTTON NO 3
	048394-02-000	YD VELCRO TAPE-HOOK, ADHESIVE BACK - .75" WIDE - BEIGE
	105648-01-02A	EA BRACE-VALANCE, OFF WHITE
	056003-01-000	EA BRACKET-RETAIN, CURTAIN - RH
	056003-02-000	EA BRACKET-RETAIN, CURTAIN - LH
	068716-01-001	EA BRACE - 90 DEGREE L-ANGLE, 192" - EXTRUDED ALUMINUM
	088792-01-000	YD VELCRO-HOOK, .75" WIDE - BEIGE
	088792-02-000	YD VELCRO TAPE-LOOP, ADHESIVE BACKED - .75" WIDE - BEIGE
	086276-01-000	YD TAPE-DOUBLE SIDED, 1/2"
	009700-04-002	EA TRACK, L-SHAPED 195.5" - OFF WHITE
	009702-01-000	EA END STOP-CURTAIN CARRIER, L ROD



## CURTAIN & CUSHION GROUP (CONTINUED)

### QUEEN MATTRESS, BEDSPREAD, PILLOW SHAMS, & THROW PILLOW



KEY	PART NUMBER	U/M	DESCRIPTION
1	111863-05-G30	EA	PILLOW SHAM-W/O FOAM
1	111863-05-G31	EA	PILLOW SHAM-W/O FOAM
2	098176-04-000	EA	MATTRESS-QUEEN, INNERSPRING - 59" X 74"
2	085365-19-G30	EA	BEDSPREAD-THROW, 60" X 75" (G30)
2	085365-19-F25	EA	BEDSPREAD-THROW, 60" X 75" (G31)
	111862-03-G30	EA	PILLOW-THROW, 15" X 15" (G30)
	111862-03-G31	EA	PILLOW-THROW, 15" X 15" (G31)

### COUCH & THROW PILLOW

KEY	PART NUMBER	U/M	DESCRIPTION
3	112104-01-G30	EA	COUCH-BACK, 74" W/O ARMS (G30)
3	112104-01-F25	EA	COUCH-BACK, 74" W/O ARMS (G31)
3	P12104-01-G30	EA	COVER-COUCH BACK (G30)
3	P12104-01-F25	EA	COVER-COUCH BACK (G31)
	101085-10-000	EA	FRAME - 74.5" X 16" BACK FRAME JACKKNIFE
4	100032-43-G02	EA	COUCH-SEAT, 74" W/O ARMS (G30)
4	100032-43-F02	EA	COUCH-SEAT, 74" W/O ARMS (G31)
4	P00032-43-G02	EA	COVER-COUCH SEAT (G30)
4	P00032-43-F02	EA	COVER-COUCH SEAT (G31)
	101085-04-000	EA	FRAME-COUCH SEAT, 74"
	101085-06-000	EA	FRAME-COUCH BASE, 74"
	111637-02-F08	EA	PILLOW-THROW, 22" X 22" (G30)
	111637-02-E04	EA	PILLOW-THROW, 22" X 22" (G31)

**NOTE:** COUCH FRONT AND SIDE PANELS ARE FOUND IN THE LOUNGE GROUP

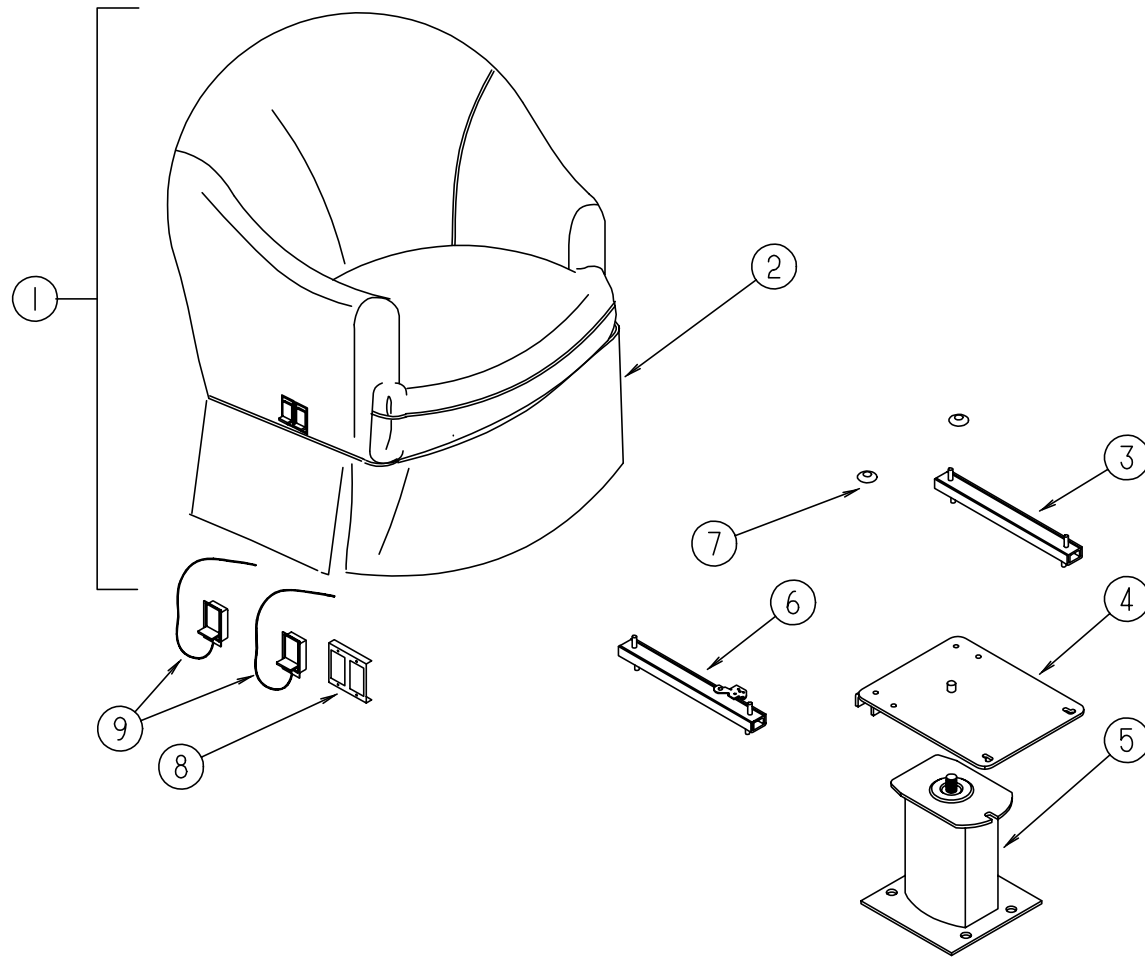
### DINETTE CUSHIONS

KEY	PART NUMBER	U/M	DESCRIPTION
5	111880-01-G30	EA	CUSHION-BACK, 13.5" X 38" X 5" (G30)
5	111880-01-F25	EA	CUSHION-BACK, 13.5" X 38" X 5" (G31)
5	P11880-01-G30	EA	COVER-BACK CUSHION, 13.5" X 38" X 5" (G30)
5	P11880-01-F25	EA	COVER-BACK CUSHION, 13.5" X 38" X 5" (G31)
	078155-01-000	EA	STRAP-SNAP, BACKREST CUSHION
6	088927-87-G02	EA	CUSHION-SEAT, 23" X 38" X 5" (G30)
6	088927-87-F02	EA	CUSHION-SEAT, 23" X 38" X 5" (G31)
6	M88927-87-G02	EA	COVER-SEAT CUSHION, 23" X 38" X 5" (G30)
6	M88927-87-F02	EA	COVER-SEAT CUSHION, 23" X 38" X 5" (G31)

### BUNK CUSHION

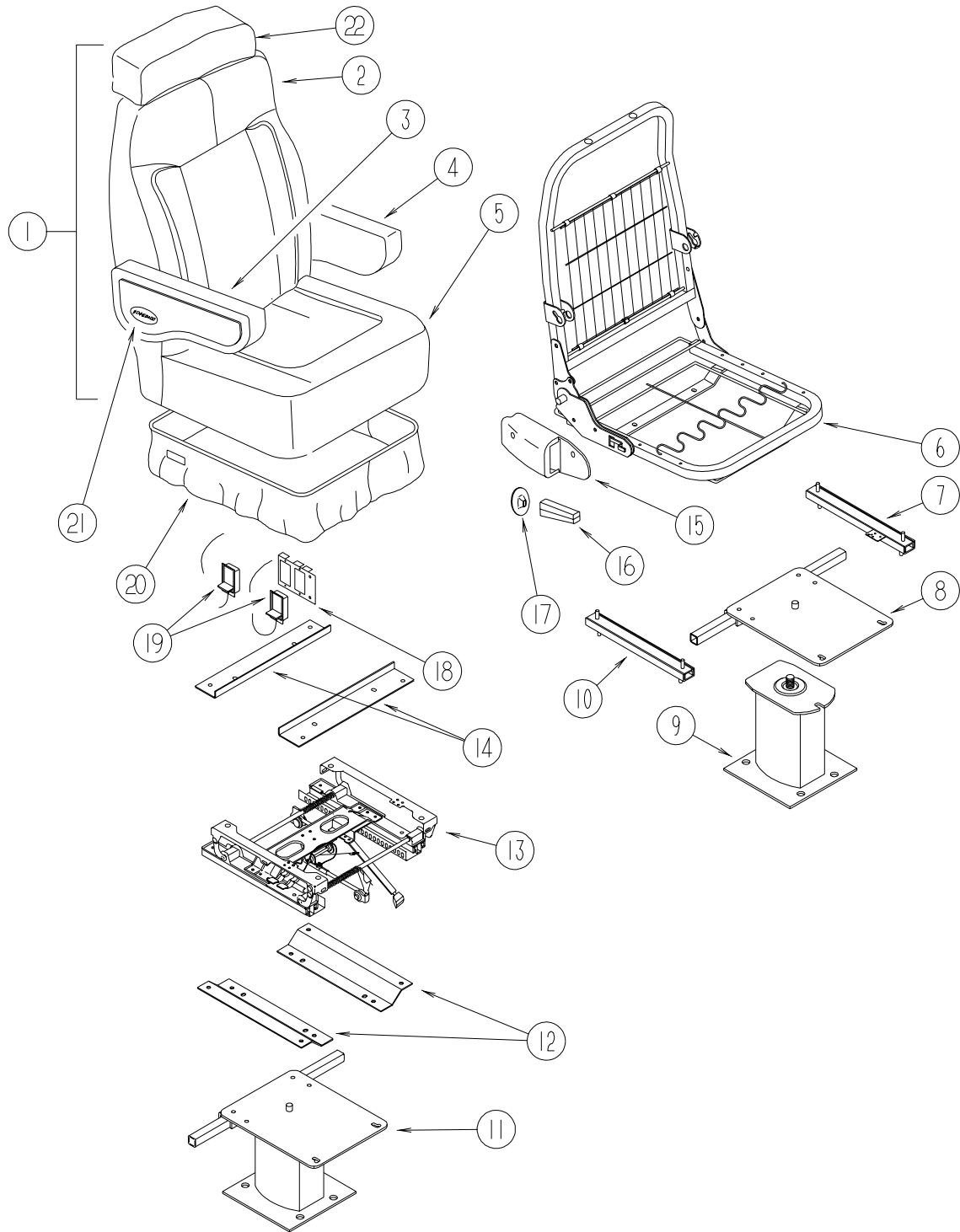
KEY	PART NUMBER	U/M	DESCRIPTION
	079145-06-000	EA	CUSHION-BUNK, 30" X 77" X 4"
	M79145-06-000	EA	COVER-CUSHION, BUNK

**CURTAIN & CUSHION GROUP (CONTINUED)**  
**SWIVEL CHAIR**



KEY	PART NUMBER	U/M	DESCRIPTION
1	118302-01-G30	EA	CHAIR-SWIVEL, W/O SKIRT OR ARM CAP COVERS
1	118302-01-G31	EA	CHAIR-SWIVEL, W/O SKIRT OR ARM CAP COVERS
	P18302-01-G30	EA	COVER-SWIVEL CHAIR
	P18302-01-G31	EA	COVER-SWIVEL CHAIR
	P18302-27-G30	EA	COVER-ARM CAP, SWIVEL CHAIR - RH OR LH
	P18302-27-G31	EA	COVER-ARM CAP, SWIVEL CHAIR - RH OR LH
2	118306-01-G30	EA	SKIRT-SWIVEL CHAIR
2	118306-01-G31	EA	SKIRT-SWIVEL CHAIR
3	119952-01-000	EA	SLIDE-SEAT W/O LOCK, HD - 2 STUDS - ATWOOD 83711
4	107921-08-000	EA	PLATE-TOP, W/O SEAT BELT BAR
	107921-06-000	EA	BEARING KIT-SEAT SWIVEL
5	107921-07-000	EA	PLATE-SUB, FLOOR MOUNTED PEDESTAL - W/4.5" EXTENSION
6	119952-03-000	EA	SLIDE-SEAT W/LOCK, HD - 2 STUDS - ATWOOD 83775
7	007221-01-000	EA	SPACER-SEAT, ADJUSTER
8	097683-02-000	EA	BRACKET-MOUNT, REMOTE
9	108049-03-000	EA	CABLE W/SWITCH - 26", Z END CABLE - CMA
	108049-02-000	EA	CLIP-CABLE, PEDESTAL
	117125-01-02B	EA	BRACKET-CABLE HOLDER, E-COAT
	108445-02-000	EA	PLATE ASM-PEDESTAL, SEAT - 230 MM X 157 MM - W/WELDNUTS
	112436-03-000	FT	TRIM - #8 RING FLEX - FLEX-O-LATOR

**CURTAIN & CUSHION GROUP (CONTINUED)**  
**DRIVER & PASSENGER BUCKET SEATS**

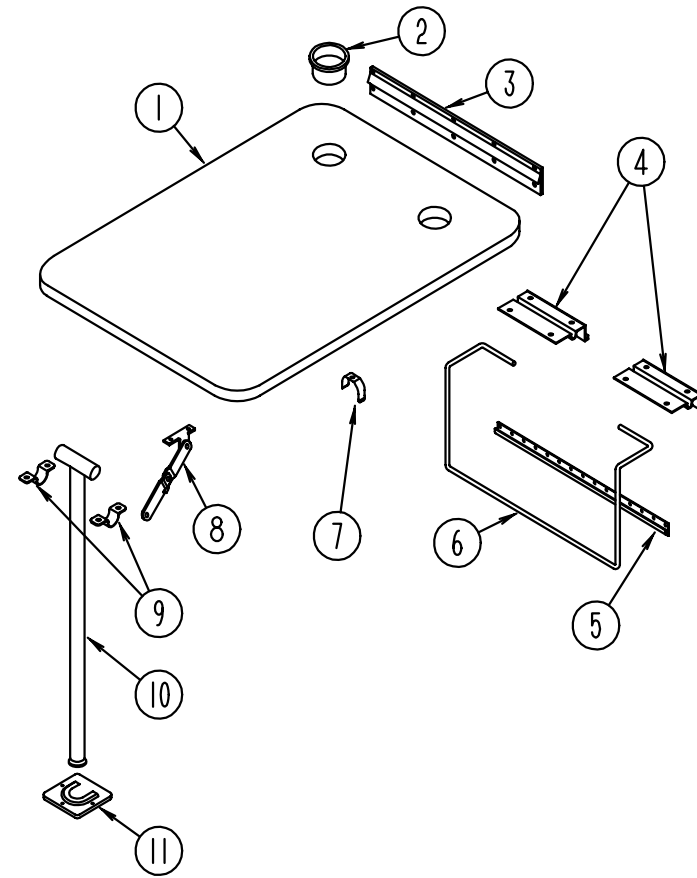


KEY	PART NUMBER	U/M	DESCRIPTION
1	119508-03-G30	EA	SEAT-BUCKET, W/ARMRESTS & HEADREST - W/O SKIRT
1	119508-03-G31	EA	SEAT-BUCKET, W/ARMRESTS & HEADREST - W/O SKIRT
2	M05962-29-G30	EA	COVER-BACK, BUCKET SEAT
2	M05962-29-G31	EA	COVER-BACK, BUCKET SEAT
3	111320-03-G30	EA	ARMREST-RIGHT, BUCKET SEAT
3	111320-03-G31	EA	ARMREST-RIGHT, BUCKET SEAT
	P11320-03-G30	EA	COVER-ARMREST, RIGHT
	P11320-03-G31	EA	COVER-ARMREST, RIGHT
4	111320-04-G30	EA	ARMREST-LEFT, BUCKET SEAT
4	111320-04-G31	EA	ARMREST-LEFT, BUCKET SEAT
	P11320-04-G30	EA	COVER-ARMREST, LEFT
	P11320-04-G31	EA	COVER-ARMREST, LEFT
5	M05962-06-G30	EA	COVER-SEAT, BUCKET SEAT
5	M05962-06-G31	EA	COVER-SEAT, BUCKET SEAT
6	M80906-12-000	EA	FRAME-SEAT, BACK & SPRING
7	119952-02-000	EA	SLIDE-SEAT W/O LOCK, HD - 4 STUDS - ATWOOD 83731
8	107921-05-000	EA	PLATE-TOP, W/SEAT BELT BAR
9	107921-01-000	EA	PLATE-SUB, FLOOR MOUNTED PEDESTAL - W/9.75" EXTENSION
	107921-06-000	EA	BEARING KIT-SEAT SWIVEL
10	119952-04-000	EA	SLIDE-SEAT W/LOCK, HD - 4 STUDS - ATWOOD 83785
	117125-01-02B	EA	BRACKET-CABLE MOUNT, ADJUSTER W/LOCK - STEEL - E-COAT
11	107921-14-000	EA	BASE-FLOOR MOUNTED PEDESTAL, 5.75" - MANUAL SEAT OPTION
12	116215-03-000	EA	PLATE - LOWER, 6-WAY MANUAL CONTROL
13	116215-01-000	EA	SEAT - 6-WAY MANUAL CONTROL - DRIVER
14	116215-02-000	EA	PLATE - UPPER, 6-WAY MANUAL CONTROL
15	080730-09-000	EA	SHIELD-RECLINER HANDLE
16	080730-08-000	EA	HANDLE-RECLINER, BLACK
17	080730-11-000	EA	SHIELD-RUBBER BOOT
	108049-02-000	EA	CLIP-CABLE, PEDESTAL
18	097683-02-000	EA	BRACKET-REMOTE, SIDE MOUNT - DOUBLE
19	108049-03-000	EA	CABLE W/SWITCH - 26", Z END CABLE - CMA
20	071126-43-F11	EA	SKIRT-BUCKET SEAT (G30)
20	071126-43-F25	EA	SKIRT-BUCKET SEAT (G31)
20	071126-54-F11	EA	SKIRT-BUCKET SEAT (G30) - MANUAL SEAT OPTION
20	071126-54-F25	EA	SKIRT-BUCKET SEAT (G31) - MANUAL SEAT OPTION
21	111169-01-000	EA	PLATE-BACK, ARMREST
21	111169-05-000	EA	INSERT-ARMREST, OVAL DECAL - ITASCA
22	119509-01-G30	EA	HEADREST ASM
22	119509-01-G31	EA	HEADREST ASM
	P19509-01-G30	EA	COVER ASM-HEADREST
	P19509-01-G31	EA	COVER ASM-HEADREST
	113977-12-000	EA	HEADREST INSERT, W/O LOCK - BLACK PLASTIC - FLEXSTEEL
	113977-13-000	EA	HEADREST INSERT, W/LOCK - BLACK PLASTIC - FLEXSTEEL
	007221-01-000	EA	SPACER-SEAT, ADJUSTER
	114889-01-000	EA	STOP BAR-UNIVERSAL, SHROCK

**CURTAIN & CUSHION GROUP (CONTINUED)**  
**BUTTON, TRIM, ASSIST HANDLE & SEAT BELT**

KEY	PART NUMBER	U/M DESCRIPTION
	079349-04-F08	YD WELT ASM-NARROW, ACCENT (G30)
	079349-04-E04	YD WELT ASM-NARROW, ACCENT (G31)
	057759-01-000	EA WASHER BRACKET-SEAT BELT, 4" DIAMETER
	007021-01-000	EA BELT-SEAT, 2" X 90" - BLACK
	056271-02-000	EA BELT-SEAT, 2" X 72" - BLACK
	118350-01-01A	EA BELT ASM-SEAT, 2 POINT - BLACK
	069178-02-000	EA BRACKET-MOUNTING, ASSIST HANDLE - L ANGLE - W/HOLES - STEEL
	000C16-07-16B	EA BOLT-CARRIAGE, ASSIST HANDLE - 7/16" - 14 X 1" ZN
	000D20-07-00B	EA NUT-ACORN, ASSIST HANDLE - 7/16" X 14 ZN
	053552-02-AA8	EA HANDLE-ASSIST, INTERIOR - ENTRY DOOR - VINYL - OFF WHITE
	057534-01-000	EA TIEBACK/TIEDOWN-BED/CURTAIN/DOOR, 6" - PLASTIC - CLEAR

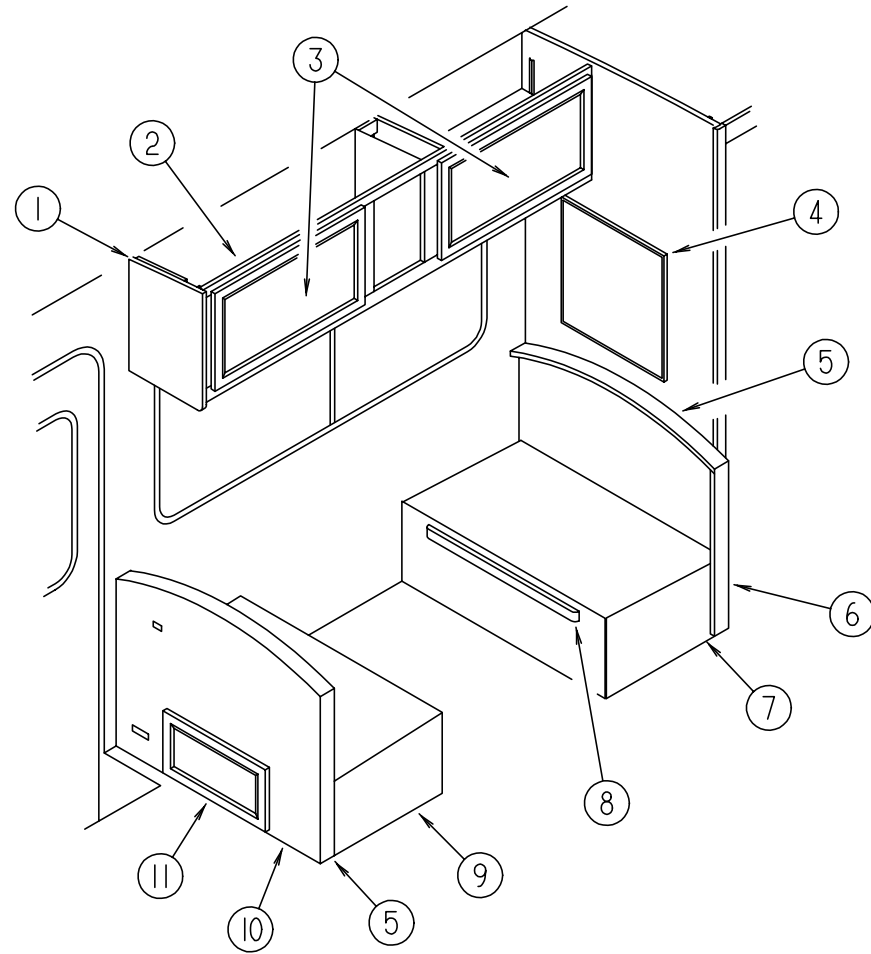
**DINETTE GROUP**



**DINETTE TABLE**

KEY	PART NUMBER	U/M DESCRIPTION
1	081322-01-G30	EA TABLE-DINETTE, W/O HARDWARE OR CUPHOLDERS
1	081322-01-G31	EA TABLE-DINETTE, W/O HARDWARE OR CUPHOLDERS
2	064781-06-000	EA HOLDER-CUP, TWO STEP - OFF WHITE
3	053200-12-000	EA SUPPORT-TABLE, 23.5" - OFF WHITE
4	088410-02-000	EA BRACKET-LIFT, TABLE MOUNTED - OFF WHITE
5	024281-14-000	EA BRACKET-LIFT ROD, LOWER WALL MOUNTED - 22.12" - OFF WHITE
6	024275-12-000	EA ROD-TABLE LIFT, OFF WHITE
7	024283-01-000	EA CLIP-LEG, 1" X 1.125" OD - BLACK
8	024282-01-000	EA BRACE-TABLE LEG, HINGED
9	064050-05-000	EA HINGE-TABLE LEG, OFF WHITE
10	024276-23-000	EA LEG-TABLE, METAL - OFF WHITE
11	049493-12-000	EA CATCH-LEG, FLOOR MOUNTED - 2.5" X 2.7" - METAL - OFF WHITE
11	049493-11-700	EA CATCH-LEG, FLOOR MOUNTED - 2.5" X 2.7" - METAL - E-COAT

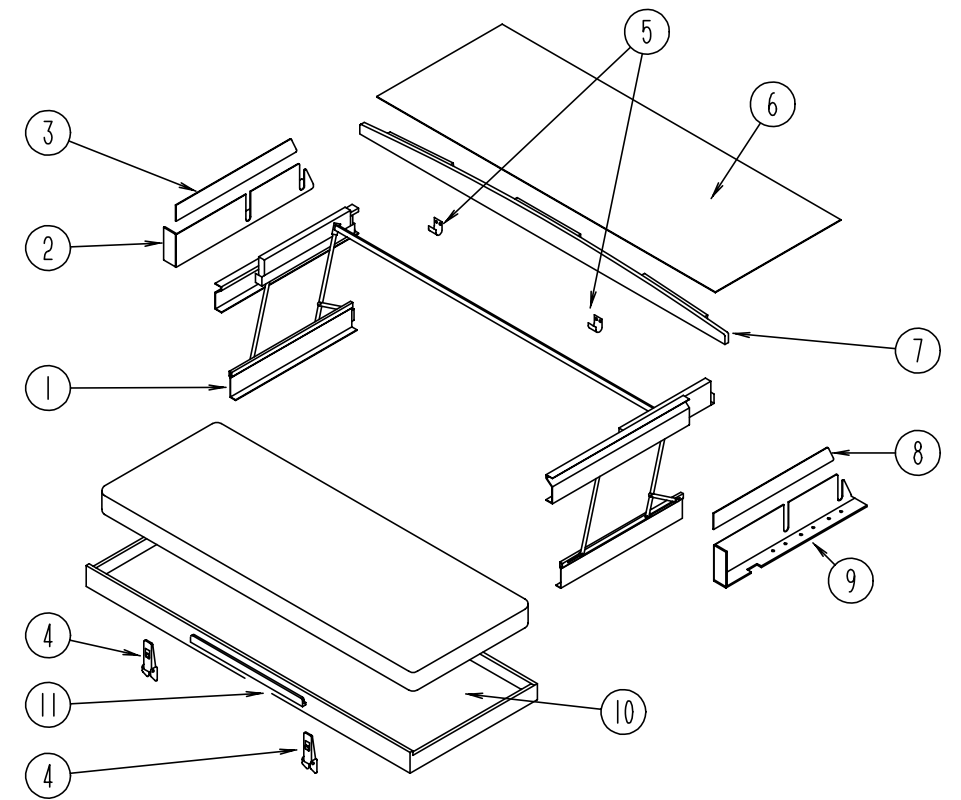
## DINETTE GROUP (CONTINUED)



### DINETTE CABINETRY

KEY	PART NUMBER	U/M DESCRIPTION
1	103128-02-G09	EA CAP-END, OVERHEAD CABINET
2	117902-01-G30	EA CABINET-OVERHEAD, W/O DOORS
2	117902-01-G31	EA CABINET-OVERHEAD, W/O DOORS
2	117579-01-G30	EA CABINET-OVERHEAD, W/O DOORS - COFFEEMAKER OPTION
2	117579-01-G31	EA CABINET-OVERHEAD, W/O DOORS - COFFEEMAKER OPTION
3	M06803-02-G09	EA DOOR-W/O HARDWARE - 400 MM X 710 MM
4	058331-47-000	EA MIRROR-SAFETY GLASS - 22.36" X 15.09"
	105004-01-05A	EA MOLDING-MIRROR, VINYL WRAPPED - OAK
5	104787-04-F11	EA PAD-DINETTE (G30)
5	104787-04-F25	EA PAD-DINETTE (G31)
6	M04174-72-F04	EA CABINET ASM-SEAT BACK, RIGHT
7	M04175-72-G09	EA CABINET ASM-SEAT BASE, RIGHT
8	081295-01-G01	EA SUPPORT-BED, DINETTE - EITHER SIDE - 712 LG
9	M04175-73-G09	EA CABINET ASM-SEAT BASE, LEFT - W/O DOOR
10	M04174-73-G09	EA CABINET ASM-SEAT BACK, LEFT
11	M06803-07-G09	EA DOOR-W/O HARDWARE - 255 MM X 485 MM
	091257-08-000	EA HANDLE-ASSIST, ENTRY DOOR - WOOD - FINISHED

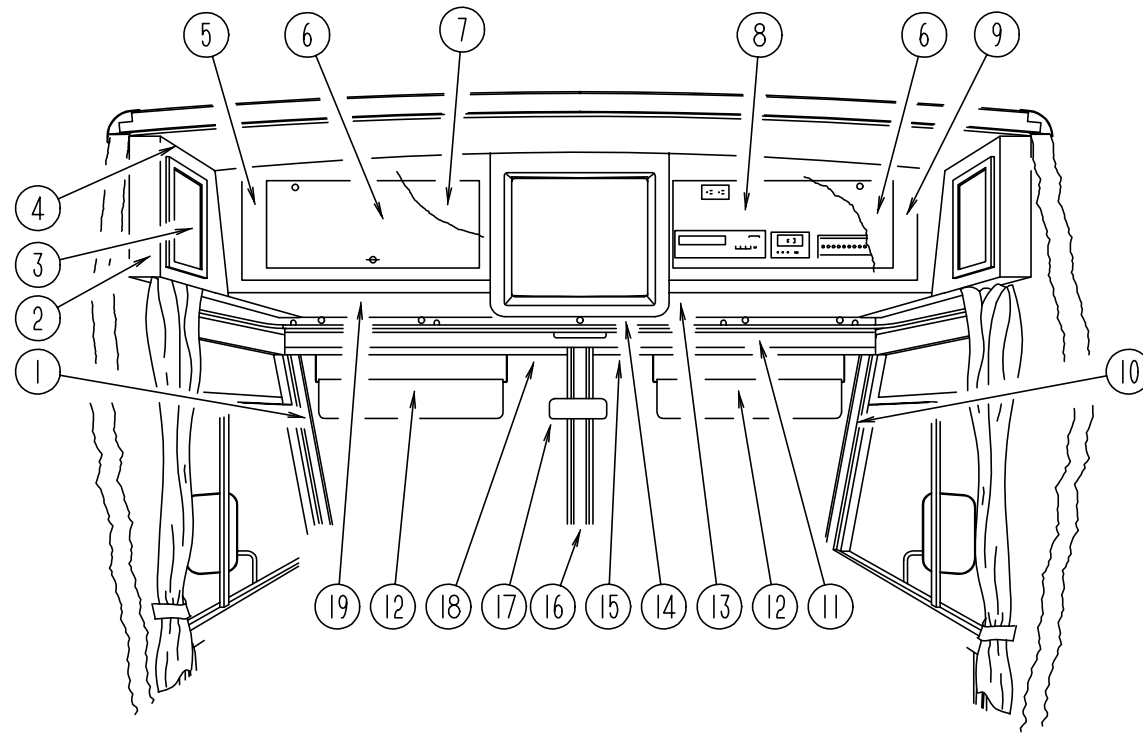
## DRIVERS COMPARTMENT GROUP



### FRONT BUNK

KEY	PART NUMBER	U/M DESCRIPTION
1	076760-02-000	EA BUNK HARDWARE (COMPLETE)
	076760-02-700	EA SPRING-GAS, BUNK HARDWARE
2	101499-06-G29	EA PANEL ASM - BOTTOM DRIVERS - PADDED - QUICK SILVER
3	101497-08-G29	EA PANEL ASM - UPPER DRIVERS - PADDED - QUICK SILVER
4	116975-01-01A	EA LATCH-W/O STRIKE, BLACK
5	042541-05-000	EA STRIKE-BRASS
6	103040-06-G29	EA PANEL-HEADLINER FRONT OVERHEAD, PADDED - QUICK SILVER
7	P03199-01-C05	EA BOARD ASM-TRIM, BUNK - CEILING MOUNTED
8	101497-07-G29	EA PANEL ASM - UPPER PASSENGERS - PADDED - QUICK SILVER
9	101499-05-G29	EA PANEL ASM - BOTTOM PASSENGERS - PADDED - QUICK SILVER
10	081717-03-G09	EA BED ASM-BUNK, FRONT
11	094658-01-G09	EA HANDLE-BUNK, OAK

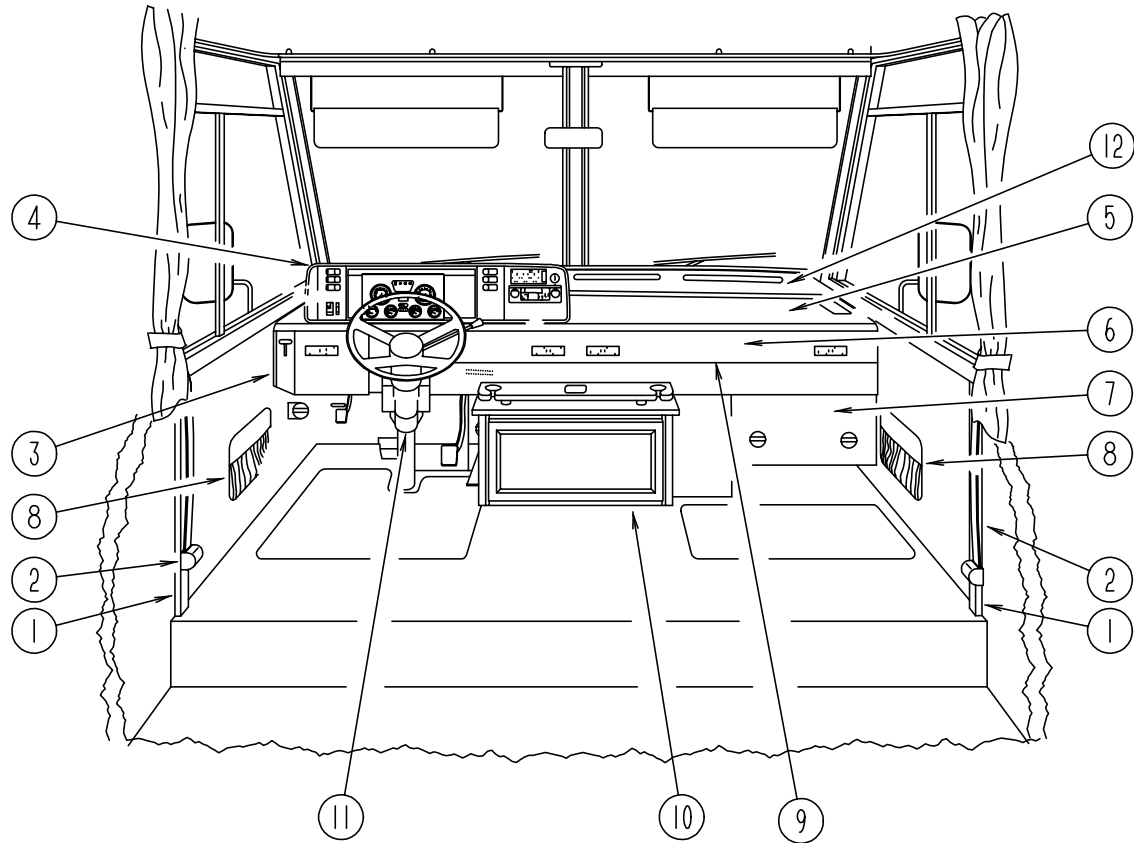
**DRIVERS COMPARTMENT GROUP (CONTINUED)**  
**DRIVERS COMPARTMENT - UPPER**



KEY	PART NUMBER	U/M	DESCRIPTION
1	103931-02-03A	EA	COVER-INNER, A-PILLAR - DRIVERS - QUICK SILVER
2	103128-09-G09	EA	CAP-END, FRONT OVERHEAD, DRIVERS SIDE
3	M06803-04-G09	EA	DOOR-CABINET, W/O HARDWARE - 255 MM X 485 MM
4	109561-02-G30	EA	CABINET-FRONT OVERHEAD W/O DOOR, DRIVERS SIDE
4	109561-02-G31	EA	CABINET-FRONT OVERHEAD W/O DOOR, DRIVERS SIDE
	P09561-02-G29	EA	BOTTOM-VINYL COVERED, FRONT OVERHEAD - DRIVERS SIDE
	104289-02-G29	EA	PAD-VINYL COVERED, 769 MM X 245 MM - ANGLED - DR SIDE - QUICK SILVER
	104289-04-G35	EA	PAD-VINYL COVERED, 655 MM X 245 MM - ANGLED - DR SIDE - QUICK SILVER
			TV OPTIONS
5	114612-02-G09	EA	FACE-TV CABINET W/O DOORS, FRONT OVERHEAD - DRIVERS SIDE
	106699-01-01A	EA	BRACKET-L-ANGLE, TV CABINET FACE - 5.1" LONG - OFF WHITE STEEL
6	100708-12-000	EA	DOOR-GLASS, TV CABINET - 9.7" X 23.2" - W/O HARDWARE
7	103040-01-G29	EA	PANEL-HEADLINER FRONT OVERHEAD, RH & LH - STANDARD
7	114661-12-G35	EA	PANEL-HEADLINER FRONT OVERHEAD, LH - TV OPTIONS
8	103040-01-G29	EA	PANEL-HEADLINER FRONT OVERHEAD, RH & LH - STANDARD
8	114661-13-G35	EA	PANEL-HEADLINER FRONT OVERHEAD, TV OPTIONS
8	114661-14-G35	EA	PANEL-HEADLINER FRONT OVERHEAD, TV/VCR OPTIONS
8	114661-15-G35	EA	PANEL-HEADLINER FRONT OVERHEAD, TV/VCR/INVERTER OPTION
8	114661-16-G35	EA	PANEL-HEADLINER FRONT OVERHEAD, TV/INVERTER OPTION
	100676-02-000	EA	STAND-VCR, STEEL
	100676-03-000	EA	STAND-VCR, STEEL - SATELLITE DISH OPTION

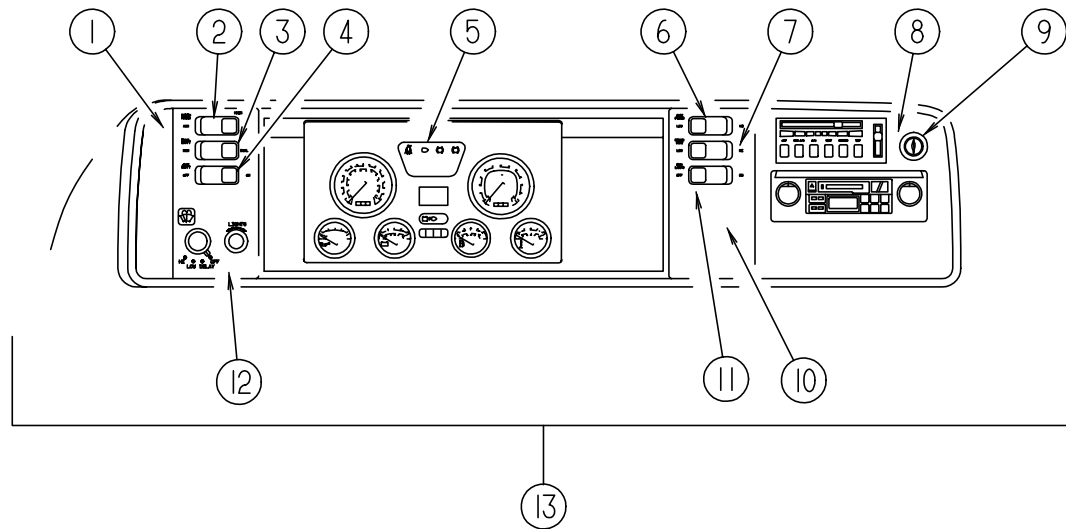
KEY	PART NUMBER	U/M	DESCRIPTION
9	114612-01-G09	EA	FACE-TV CABINET W/O DOORS, FRONT OVERHEAD - PASSENGERS SIDE
	106699-01-01A	EA	BRACKET-L-ANGLE, TV CABINET FACE - 5.1" LONG - OFF WHITE STEEL
10	103931-01-03A	EA	COVER-INNER, A-PILLAR - PASSENGERS - QUICK SILVER
11	078811-05-G29	EA	PANEL-HEADER W/RECEPTACLE CUTOUTS - 90.2" LONG - VINYL COVERED
12	082286-18-G29	EA	SUNVISOR-DRIVER OR PASSENGER - W/O POCKET
	102377-01-000	EA	BRACKET-SUNVISOR, 1 PIECE - STEEL
	007211-01-000	EA	HINGE-SUNVISOR
	074012-01-000	EA	CLIP-SUNVISOR, SQUARE PINCH-ON
	081987-05-000	EA	ROD-SUNVISOR, BLACK
13	P03077-08-G35	EA	SHELF-CABINET, PASSENGERS SIDE - QUICK SILVER VINYL COVERED
14	117974-01-02A	EA	COVER-TV CABINET, FRONT FACE - QUICK SILVER
14	118022-01-G29	EA	COVER ASM-TV CABINET, SIDES & BOTTOM (ASSEMBLED KIT)
	114706-02-02B	EA	SUPPORT ASM-SHELF, TV - U-SHAPED W/WELD STUDS - 518 MM WIDE - E-COAT
15	078579-19-000	EA	TRIM - WINDSHIELD - UPPER INNER - RIGHT - QUICK SILVER
16	079765-12-000	EA	TRIM - WINDSHIELD - CENTER INNER - QUICK SILVER
17	040714-01-000	EA	MIRROR-REAR VIEW, W/ARM MOUNT & SET SCREW - GM 911722
	067490-01-000	EA	BUTTON-MIRROR, REAR VIEW - STANK S927H
18	078579-20-000	EA	TRIM - WINDSHIELD - UPPER INNER - LEFT - QUICK SILVER
19	P03077-07-G35	EA	SHELF-CABINET, DRIVERS SIDE - QUICK SILVER VINYL COVERED
	104417-01-G29	EA	CABINET-BLANKET (STANDARD CABINET)

**DRIVERS COMPARTMENT GROUP (CONTINUED)**  
**DRIVERS COMPARTMENT - LOWER**



KEY	PART NUMBER	U/M	DESCRIPTION
1	024700-44-000	EA	COVER-SIDEWALL ROLL BAR, OFF WHITE - 53"
1	024700-45-000	EA	COVER-SIDEWALL ROLL BAR, OFF WHITE - 12.8"
	024700-47-000	EA	COVER-SIDEWALL ROLL BAR, OFF WHITE - 18.9" - DRIVER DOOR
	024700-48-000	EA	COVER-SIDEWALL ROLL BAR, OFF WHITE - 25" - DRIVER DOOR
2	091990-04-01A	EA	SEAT BELT-SHOULDER HARNESS - DRIVERS/PASSENGERS - BLACK
	091990-01-700	EA	BOLT COVER
	091990-01-701	EA	9" EXTENDER - F/A8408 3 POINT
	109146-01-000	EA	BOLT-SHOULDER, SEAT BELT
	103961-01-01A	EA	COVER-BRACKET, SEATBELT - OFF WHITE
	103961-02-01A	EA	COVER-BRACKET, SEATBELT - OFF WHITE - DRIVER DOOR OPTION
3	P12158-01-04A	EA	COVER-SHIFTER, QUICK SILVER
	117829-01-02B	EA	BRACKET-SHIFTER COVER, E-COAT
4	111499-01-05A	EA	POD-INSTRUMENT PANEL, QUICK SILVER PLASTIC
5	P03817-12-000	EA	DASH ASM, W/O VINYL
	106569-02-05A	EA	VINYL-LAMINATE, 1/4" X 16" X 96" - QUICK SILVER
6	104354-01-05A	EA	APPLIQUE-LOWER DASH, 2300 MM LONG
7	095757-03-F26	EA	COVER-HEATER W/CARPET (G30)
7	095757-03-F25	EA	COVER-HEATER W/CARPET (G31)
8	086120-01-G30	EA	PAD-MAP POCKET, 12" X 16" (G30)
8	086120-01-F25	EA	PAD-MAP POCKET, 12" X 16" (G31)
9	103812-09-05A	EA	TRIM-DASH, LOWER - OSHKOSH - QUICK SILVER
10	M06880-01-G09	EA	CABINET ASM-TRAY, BEVERAGE
	M06881-01-G09	EA	DRAWER ASM
	M06803-75-G09	EA	DRAWER FACE - 280 MM X 555 MM
	111759-13-G15	EA	TOP
	111759-14-G15	EA	TRAY
	046886-03-000	EA	ASHTRAY-CHROME, W/COVER
11	103498-07-000	EA	BOOT-STEERING COLUMN
	073151-02-000	EA	HINGE-CONTINUOUS, 22.3" LONG - OFF WHITE (STORAGE COMPARTMENT DOOR)
12	105927-02-000	EA	PANEL-DASH TOP, STEEL

## DRIVERS COMPARTMENT GROUP (CONTINUED)



### INSTRUMENT CLUSTER

KEY	PART NUMBER	U/M DESCRIPTION
1	104056-01-01A	EA APPLIQUE-BEZEL
2	108356-02-01A	EA COVER-SWITCH W/DIMPLES, CARLING VVAZC00 BLA
2	108357-05-000	EA SWITCH-ROCKER, SPDT ON/NONE/ON - RADIO POWER - CARLING V4D1000B-0
3	108356-02-01A	EA COVER-SWITCH W/DIMPLES, CARLING VVAZC00 BLA
3	108357-09-000	EA SWITCH-ROCKER, SPDT ON/NONE/MOM - DUAL BATTERY - CARLING V5D1000B-0
4	108356-02-01A	EA COVER-SWITCH W/DIMPLES, CARLING VVAZC00 BLA
4	108357-06-000	EA SWITCH-ROCKER, DPDT MOM/OFF/MOM - CARLING VLD1000B-0 BATTERY DISCONNECT SWITCH OPTION
4	096241-03-000	EA SWITCH-BLANK
5	094796-07-000	EA CLUSTER-INSTRUMENT, KM - DIESEL - CANADIAN
6	108356-04-01A	EA COVER-SWITCH W/DIMPLES & LENS, CARLING VVAGC00
6	108357-10-000	EA SWITCH-ROCKER, SPDT MOM/OFF/MOM - LIGHTED - CARLING V8D1160B-0 GENERATOR OPTION
6	096241-03-000	EA SWITCH-BLANK
7	096241-03-000	EA SWITCH-BLANK
8	104056-06-01A	EA APPLIQUE-BEZEL
9	089294-01-000	EA LIGHTER ASM-CIGARETTE - CASCO C213275
10	104056-21-01A	EA APPLIQUE-BEZEL
11	096241-03-000	EA SWITCH-BLANK
12	104056-24-01A	EA APPLIQUE-BEZEL
13	M05946-28-G29	EA DASH POD ASM-OSHKOSH
	103662-03-01A	EA BEZEL-INSTRUMENT PANEL, OSHKOSH
	100138-01-000	EA MODULE-DAYTIME RUNNING LIGHT - CANADIAN
	077031-01-000	EA FILM-BLACK, 1" X 1.75"
	077031-03-000	EA FILM-WHITE, .75" X 1"
	103603-01-000	EA BULB - 12V, #74 - .12A WEDGE - GE 22-25 - USED IN DASH
	077539-01-000	EA BRACKET-MOUNTING, DASH PANEL - L/SHAPED - 2.5" X 1" X 1.5"

## ELECTRICAL GROUP POWER CORDS & ELECTRICAL BOXES

KEY	PART NUMBER	U/M DESCRIPTION
	008052-01-000	EA CORD-POWER, 10/3 - 30 AMP - 25' - CANADIAN
	008054-01-000	EA CORD-POWER, 10/3 - 30 AMP - 25'
	121470-01-000	EA CORD-EXTENSION, 6 FT - 16-2 WIRE - AWI 2030 - SATELLITE DISH OPTION
	008289-01-000	EA BOX-ELECTRIC, STEEL - 1/2" AND 3/4" KNOCKOUTS - 4" X 4"
	008289-02-000	EA BOX-ELECTRICAL, 4" X 4" - 1/2" & 3/4" KNOCKOUTS - CANADIAN
	074890-01-000	EA BOX-EXTENSION, STEEL - OPEN SIDES - 4" X 4" X 1 1/2"
	074897-01-000	EA COVER-ELECTRICAL BOX W/HOLES - 4" X 4"
	008294-01-000	EA COVER-ELECTRICAL BOX, BLANK/STEEL - 4" X 4" - GRAY
	008294-02-000	EA COVER-ELECTRICAL BOX, BLANK STEEL - 4" X 4" - CANADIAN
	069238-01-000	EA COVER-ELECTRICAL BOX, W/HOLE - 4" X 4" - GRAY USED WITH 30 AMP RECEPTACLE
	091910-02-000	EA BOX-ELECTRICAL, PLASTIC - 57 MM X 88 MM
	111509-01-000	EA BOX ASM-ELECTRICAL, FRONT
	111510-01-000	EA DOOR-ELECTRICAL BOX, FRONT

### POWER CONVERTERS & INVERTER

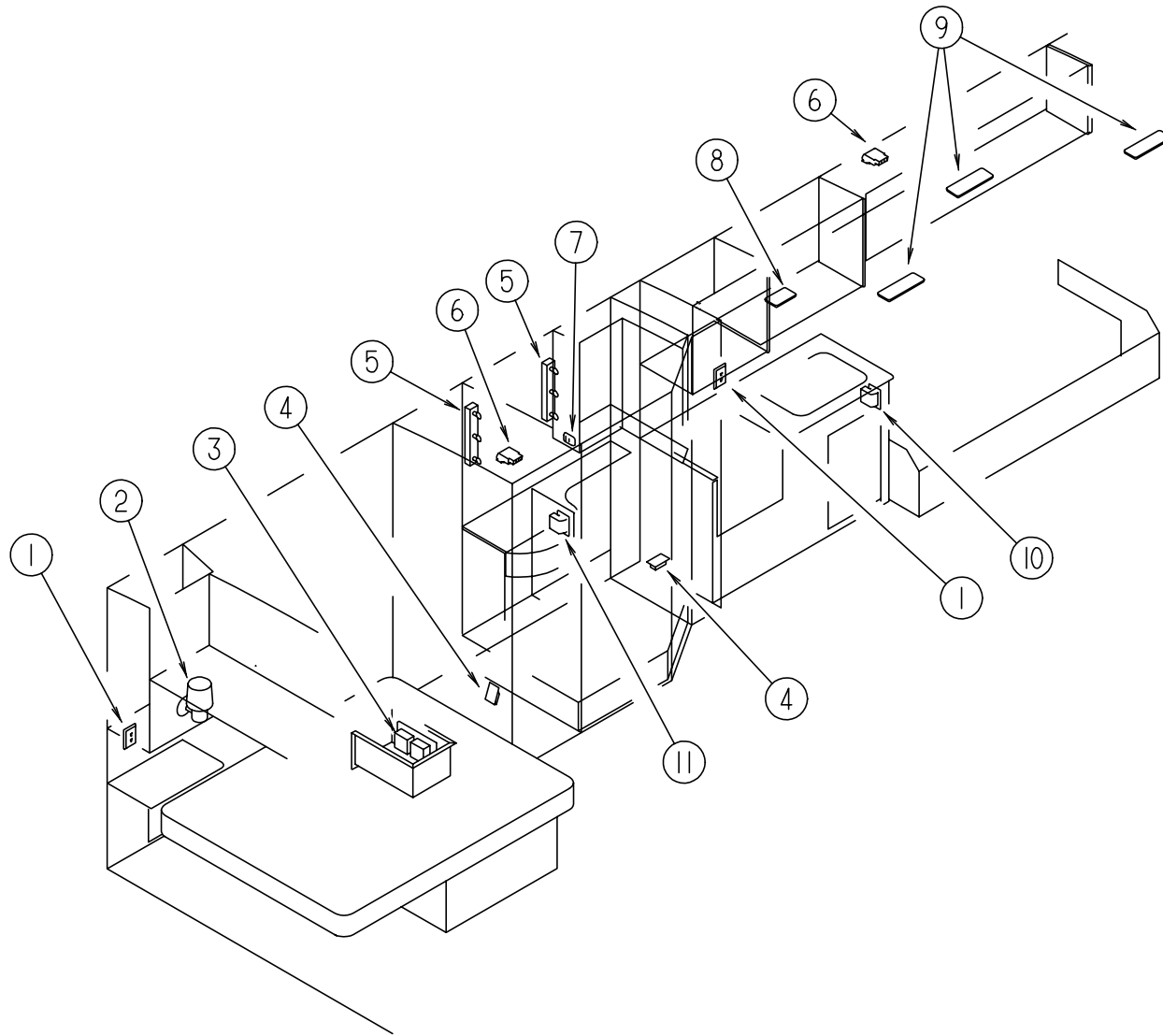
KEY	PART NUMBER	U/M DESCRIPTION
	083208-02-000	EA CONVERTER-POWER, 45A - 120V/12V - BW 6345
	099048-02-000	EA INVERTER - 100 WATT - DUI-12/100TLW

### TERMINALS

KEY	PART NUMBER	U/M DESCRIPTION
	008326-01-000	EA TERMINAL-RING, 16/14 WIRE - 3/8" STUD
	008328-01-000	EA TERMINAL-RING, 12/10 WIRE - #10 STUD FIT
	008331-01-000	EA TERMINAL-RING, TONGUE - #4 WIRE - 3/8" STUD - COPPER
	008348-01-000	EA TERMINAL-RING, 3/8" STUD - #2 WIRE
	035416-04-000	EA TERMINAL-RING, #10 STUD FIT, INSULATED BARREL #16/14
	047443-01-000	EA TERMINAL - .250 RECEPTACLE FIT, INSULATED - 16/14 AWG
	062036-01-000	EA TERMINAL-PACK-CON, 12/10 AWG - PACKARD 12033817
	062036-02-000	EA TERMINAL-PACK-CON, 16/14 AWG
	088267-01-000	EA TERMINAL-FEMALE, 1/4 - PACKARD 2962573
	104100-03-000	EA TERMINAL - 75 AMP - AMP 53880-4 LOOSE
	098260-01-000	EA TERMINAL-MALE, 56 SERIES - PACKARD 02971962
	106007-01-000	EA TERMINAL-FEMALE, 14-16AWG - PACKARD 12015861-L
	106655-01-000	EA TERMINAL-FUSE BLOCK, 14-16AWG - PACKARD 12020321

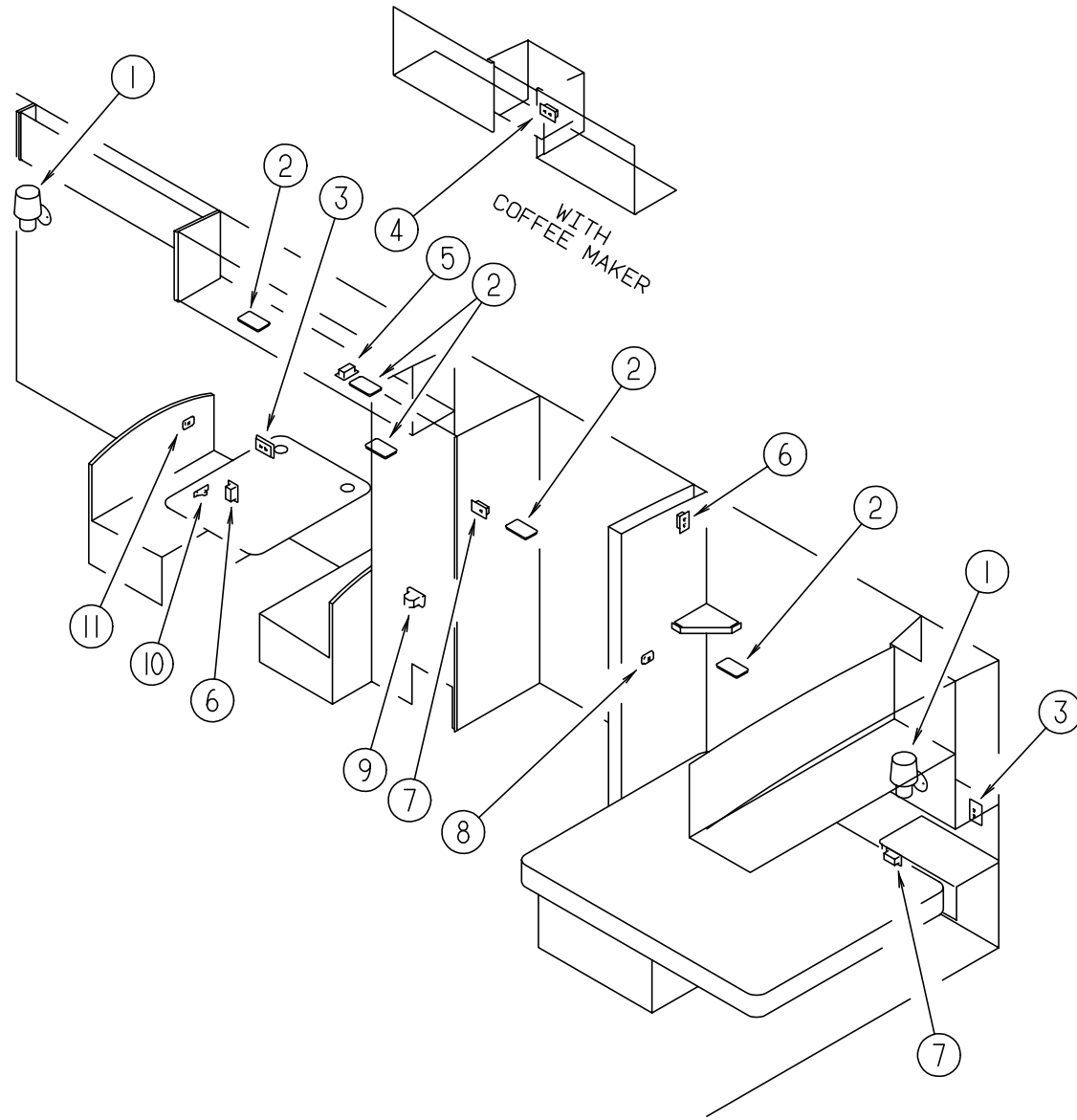


**ELECTRICAL GROUP (CONTINUED)**  
**LIGHTS, RECEPTACLES & SWITCHES - DRIVER SIDE**



KEY	PART NUMBER	U/M	DESCRIPTION
1	058708-02-000	EA	RECEPTACLE-ELECTRIC, DOUBLE - IVORY
1	102568-01-GB1	EA	SPACER-RECEPTACLE, SIDEWALL
2	065202-28-000	EA	LAMP-WALL W/O SHADE, BRASS
2	065201-09-000	EA	SHADE-LAMP, FABRIC - PARCHMENT
2	067479-01-000	EA	BULB - 12V, NUMBER 1076
3	024924-02-000	EA	RECEPTACLE-POWER CORD, W/PARTIAL PLATE
4	058707-02-000	EA	RECEPTACLE-BLANK, JUNCTION - WIRECON WDJ20BR
5	110235-01-01A	EA	LIGHT-MAKE UP, 3 BULB PANLESS - PD PD200-621 BRASS
5	081633-01-700	EA	BULB-MAKE UP LIGHT, JENSEN
6	091927-01-000	EA	COVER-RECEPTACLE, DOUBLE - IVORY
7	079364-01-000	EA	SWITCH-ON/OFF ROCKER, 2 PRONGS - BROWN - LAMP
7	079364-03-000	EA	SWITCH-ON/OFF ROCKER, 3 PRONGS - BROWN - WATER PUMP
7	098351-02-01A	EA	PLATE-SWITCH, 2 GANG - POLISHED BRASS - JENSEN
8	098024-01-01A	EA	LIGHT-DOME, 1 BULB - IVORY
8	098024-01-700	EA	LENS-DOME LIGHT
8	008218-01-000	EA	BULB-DOME LIGHT, 12V - NUMBER 1141
9	098024-03-01A	EA	LIGHT-DOME, 2 BULB - IVORY
9	098024-01-700	EA	LENS-DOME LIGHT
9	008218-01-000	EA	BULB-DOME LIGHT, 12V - NUMBER 1141
10	084076-02-000	EA	RECEPTACLE-GFI, 15A - 125V - BROWN
11	084076-01-000	EA	RECEPTACLE-GFI, 15A - 125V - IVORY
	087695-02-000	EA	SWITCH-HEATER, EXTERIOR MIRROR - EURAMTEC DAV4720-12
	087695-03-000	EA	CONNECTOR-ASSEMBLY - EURAMTEC RT10484802
	088246-01-000	EA	SWITCH-REMOTE, EXTERIOR MIRROR - SQUARE PUSH 7471290
	054250-04-000	EA	COVER-ANGLED, W/O HOLE - 3.6" X 4.5" - PLASTIC - OFF WHITE
			ELECTRICAL PLATE SUPPORT
	073626-04-000	EA	COVER-ELECTRIC, 10.4" X 7.8" - BEIGE PLASTIC
	117806-01-000	EA	BULB - 12V NO.912 1.0 AMPS
	086280-01-000	EA	LIGHT-SURFACE MOUNT, 12V - JENSEN 1236
	086280-01-700	EA	BULB - 12V, 6 WATT

**ELECTRICAL GROUP (CONTINUED)**  
**LIGHTS, RECEPTACLES & SWITCHES - PASSENGER SIDE**



KEY	PART NUMBER	U/M	DESCRIPTION
1	065202-28-000	EA	LAMP-WALL W/O SHADE, BRASS
1	065201-09-000	EA	SHADE-LAMP, FABRIC - PARCHMENT
1	067479-01-000	EA	BULB - 12V, NUMBER 1076
2	098024-01-01A	EA	LIGHT-DOME, 1 BULB - IVORY
2	098024-01-700	EA	LENS-DOME LIGHT
2	008218-01-000	EA	BULB-DOME LIGHT, 12V - NUMBER 1141
3	058708-02-000	EA	RECEPTACLE-ELECTRIC, DOUBLE - IVORY
3	102568-01-GB1	EA	SPACER-RECEPTACLE, SIDEWALL
4	058708-05-000	EA	RECEPTACLE-ELECTRIC, SINGLE - BROWN - WIRECON WDR15BRS
5	058708-01-000	EA	RECEPTACLE-ELECTRIC, DOUBLE - BROWN
6	058708-02-000	EA	RECEPTACLE-ELECTRIC, DOUBLE - IVORY
7	058707-01-000	EA	RECEPTACLE-ELECTRIC, SINGLE - BROWN
8	079364-01-000	EA	SWITCH-ON/OFF ROCKER, 2 PRONGS - BROWN - LAMP
8	098351-01-01A	EA	PLATE-SWITCH, 1 GANG - POLISHED BRASS - JENSEN
8	095188-01-01A	EA	SPACER-SWITCH, 2.3" X 3.4" - PLASTIC - DARK BROWN
9	112822-01-01A	EA	RECEPTACLE-DUPLEX, IVORY - WIRECON WDRU15IV
9	112824-01-03A	EA	COVER-EXTERIOR DUPLEX RECEPTACLE, WHITE - P&S 3780-SC-WH
10	061424-01-000	EA	LIGHT-AISLE, 12V - RECTANGULAR
10	008103-01-000	EA	BULB-DASH/AISLE LIGHT, #53 - 12 V - .12 AMP
11	098351-05-01A	EA	PLATE-SWITCH, 3 GANG - POLISHED BRASS - JENSEN
11	079364-01-000	EA	SWITCH-ON/OFF ROCKER, 2 PRONGS - BROWN
11	095188-02-01A	EA	SPACER-SWITCH, 2.3" X 4.1" - PLASTIC - DARK BROWN
	086280-01-000	EA	LIGHT-SURFACE MOUNT, 12V - JENSEN 1236
	086280-01-700	EA	BULB - 12V, 6 WATT
	087695-02-000	EA	SWITCH-HEATER, EXTERIOR MIRROR - EURAMTEC DAV4720-12
	087695-03-000	EA	CONNECTOR-ASSEMBLY - EURAMTEC RT10484802
	088246-01-000	EA	SWITCH-REMOTE, EXTERIOR MIRROR - SQUARE PUSH 7471290
	054250-04-000	EA	COVER-ANGLED, W/O HOLE - 3.6" X 4.5" - PLASTIC - OFF WHITE
			ELECTRICAL PLATE SUPPORT
	073626-04-000	EA	COVER-ELECTRIC, 10.4" X 7.8" - BEIGE PLASTIC
	117806-01-000	EA	BULB-12V NO.912 1.0 AMPS

**ELECTRICAL GROUP (CONTINUED)**  
HOUSINGS, PINS, TABS & SOCKETS

KEY	PART NUMBER	U/M DESCRIPTION
	088473-01-000	EA HOUSING-PIN, 12 CAVITY - AMP 1-480708-0
	088473-02-000	EA HOUSING-PIN, 15 CAVITY - AMP 1-480710-0
	088473-03-000	EA HOUSING-PIN, 9 CAVITY - AMP 1-480706-0
	088473-05-000	EA HOUSING-PIN, 6 CAVITY - AMP 640585-1
	088473-06-000	EA HOUSING-PIN, 6 CAVITY - AMP 1-480704-0
	088473-08-000	EA HOUSING-PIN, 4 CAVITY - AMP 1-480702-0
	088473-09-000	EA HOUSING-PIN, 3 CAVITY - AMP 1-480700-0
	088473-10-000	EA HOUSING-PIN, 2 CAVITY - AMP 1-480698-0
	098264-01-000	EA HOUSING - 2 PIN, WEATHER PACK - M - PACKARD 12015792
	108355-01-000	EA HOUSING-SWITCH - CARLING VCH
	088474-01-000	EA HOUSING-SOCKET, 12 CAVITY - AMP 1-480709-0
	088474-02-000	EA HOUSING-SOCKET, 12 CAVITY - AMP 1-480711-0
	088474-03-000	EA HOUSING-SOCKET, 9 CAVITY - AMP 1-480707-0
	088474-06-000	EA HOUSING-SOCKET, 6 CAVITY - AMP 1-480705-0
	088474-07-000	EA HOUSING-SOCKET, 5 CAVITY - AMP 1-480764-0
	088474-08-000	EA HOUSING-SOCKET, 4 CAVITY - AMP 1-480703-0
	088474-09-000	EA HOUSING-SOCKET, 3 CAVITY - AMP 1-480701-0
	088474-10-000	EA HOUSING-SOCKET, 2 CAVITY - AMP 1-480699-0
	088475-01-000	EA PIN-CONNECTOR, 14 TO 20 AWG
	088475-02-000	EA PIN-CONNECTOR, 10 TO 12 AWG
	088476-01-000	EA SOCKET-CONNECTOR, BRASS - PRE-TIN
	088476-02-000	EA SOCKET-CONNECTOR, 12-10 GA - PHOS. BRZ - PRE-TIN
	098261-02-000	EA SOCKET-CONNECTOR, WEATHERPACK - PACKARD 12124580
	103608-01-000	EA SOCKET-WEDGE BASE W/LEADS - JKL 2944-6 OR EQUIVALENT
	098262-01-000	EA SEAL-CONNECTOR, WEATHER PACK - PACKARD 12010293
	101571-01-000	EA HOUSING - 2 POSITION, MALE
	110178-01-000	EA HOUSING-WIPER MOTOR - UT 6237440-EC25WJ
	115556-01-000	EA HOUSING - 3 POSITION, FEMALE 59-SERIES - PACKARD 02965810
	115556-02-000	EA HOUSING - 2 POSITION, FEMALE 59-SERIES - PACKARD 02965809
	104100-01-000	EA HOUSING - 1 POSITION, 75 AMP - AMP 53884-1
	106006-01-000	EA HOUSING - 1 POSITION, FEMALE - PACKARD 12015952
	113468-01-000	EA HOUSING - 2 POSITION, FEMALE - 56-SERIES - PACKARD 02965981 USED ON WIPER/WASHER WIRE ASM

**CONDUIT**

KEY	PART NUMBER	U/M DESCRIPTION
	041953-01-000	FT CONDUIT-CONVOLUTE, SLIT - .5" ID
	041953-03-000	FT CONDUIT-CONVOLUTE, SLIT - 1" ID (CLOTHES ROD COVER)
	041953-05-000	FT CONDUIT-CONVOLUTE, SOLID - .62" ID
	041953-06-000	FT CONDUIT-CONVOLUTE, SLIT - .375" ID
	041953-07-000	FT CONDUIT-CONVOLUTE, SLIT - .25" ID
	041953-08-000	FT CONDUIT-CONVOLUTE, SLIT - 1.50" ID
	041953-09-000	FT CONDUIT-CONVOLUTE, SLIT - .50" ID
	041953-10-000	FT CONDUIT-CONVOLUTE, SLIT - .75" ID
	041953-11-000	FT CONDUIT-CONVOLUTE, SLIT - 1.06" ID
	041953-12-000	FT CONDUIT-CONVOLUTE, NON SLIT - 1.1" ID

**CONNECTORS**

KEY	PART NUMBER	U/M DESCRIPTION
	008311-01-000	EA CONNECTOR-WIRE NUT, INSULATED - RED
	008312-01-000	EA CONNECTOR-WIRE NUT, INSULATED - BLUE
	008313-01-000	EA CONNECTOR-WIRE NUT, INSULATED - YELLOW
	008314-01-000	EA CONNECTOR-WIRE NUT, INSULATED - GRAY
	008355-01-000	EA CONNECTOR-CABLE CLAMPING, 3/4"
	008356-01-000	EA CONNECTOR-PLASTIC, 3/8" AVG
	041480-01-000	EA CONNECTOR-STRAIGHT, 1/2" FLEX CONDUIT
	058028-01-000	EA CONNECTOR-ELECTRICAL PIGTAIL, NYLON - CLEAR
	082741-01-000	EA CONNECTOR BODY - 2 CONNECTOR MALE
	008398-01-000	EA CONNECTOR - 1/2" X 90 DEGREE, FLEX CONDUIT - UL AND CSA
	087695-03-000	EA CONNECTOR-ASSEMBLY - EURAMTEC RT10484802
	007954-01-000	EA RECEPTACLE-HOUSING, 6 POSITION
	080015-02-000	EA RECEPTACLE-FLAG, .185 - 16/14 GA - AMP 3

**ELECTRICAL GROUP (CONTINUED)**  
FUSES & CIRCUIT BREAKERS

KEY	PART NUMBER	U/M DESCRIPTION
	008234-01-000	EA FUSE - 12V, 10 AMP
	062037-01-000	EA HOUSING-AUTO FUSE, NATURAL
	062037-02-000	EA HOUSING-AUTO FUSE, GREEN
	062037-03-000	EA HOUSING-AUTO FUSE, BLACK
	062037-04-000	EA HOUSING-AUTO FUSE, BLUE
	062037-06-000	EA HOUSING-AUTO FUSE, BROWN
	062901-02-000	EA FUSE - 5 AMPS, AUTOMOTIVE
	062901-05-000	EA FUSE - 15 AMPS, AUTOMOTIVE
	062901-06-000	EA FUSE - 20 AMPS, AUTOMOTIVE
	062901-07-000	EA FUSE - 25 AMPS, AUTOMOTIVE
	083209-02-000	EA CIRCUIT BREAKER - 15/15AMP, 120V - BW H-15/15
	083209-06-000	EA CIRCUIT BREAKER - 30/15 AMP, 120V - BW D-30/15
	083209-07-000	EA CIRCUIT BREAKER - 20/20A, 120V - BW K-20/20
	093655-03-000	EA CIRCUIT BREAKER - 40A, 12V - USD 17440-4E03A2A
	106655-02-000	EA TERMINAL-FUSE BLOCK,10-12AWG - PACKARD 12020400
	106656-01-000	EA FUSE BLOCK - 4 CAVITY AUTOFUSE - PACKARD 12004943
	108669-01-000	EA HOUSING-AUTO FUSE HOLDER, PACKARD 12010105

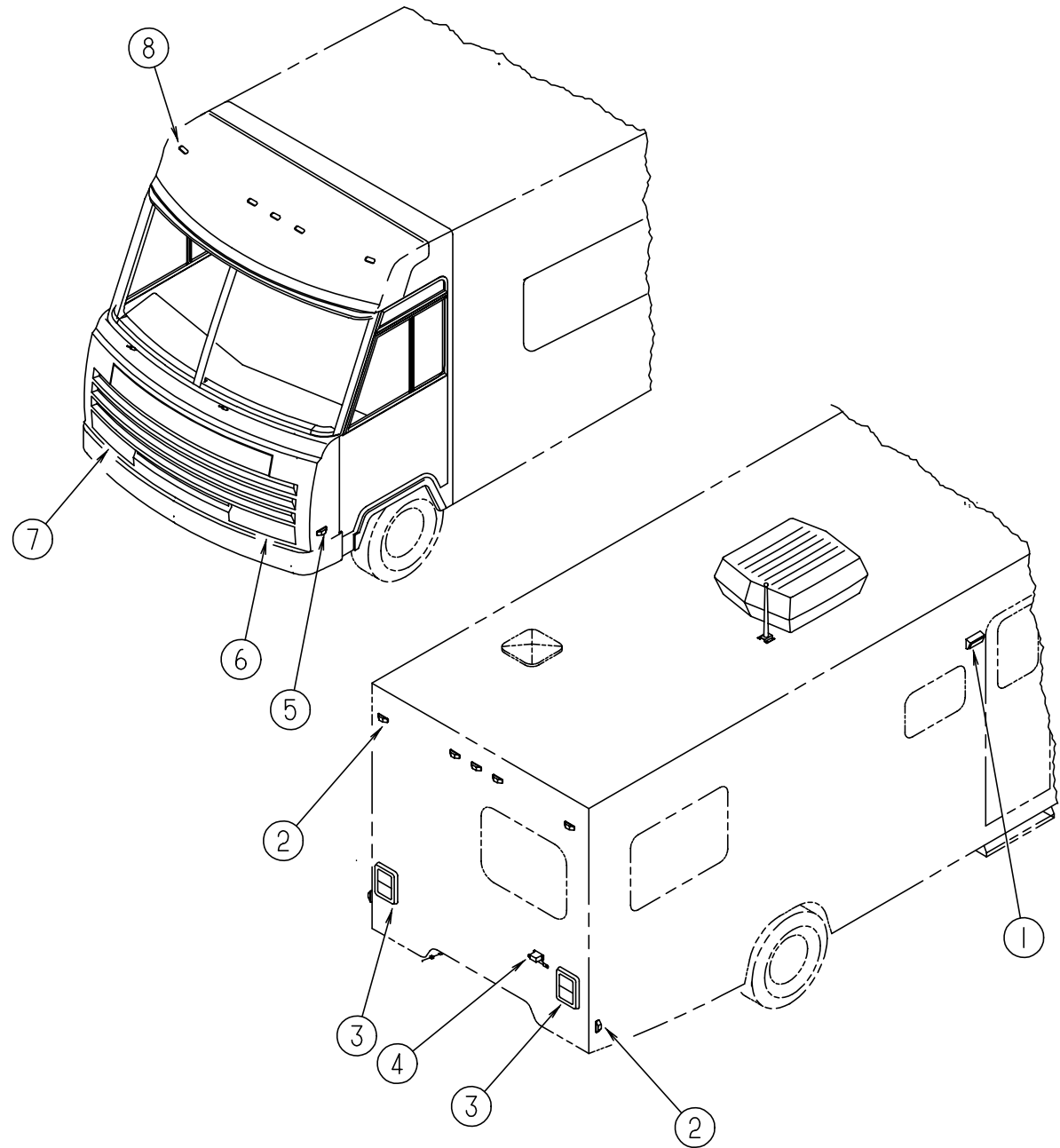
**WIRE ASSEMBLIES**

KEY	PART NUMBER	U/M DESCRIPTION
	096449-01-000	EA WIRE ASM-WATER TANK TO MONITOR PANEL
	097618-01-000	EA WIRE ASM-MONITOR PANEL, W/3 WIRES & ORANGE RESISTOR - LVS
	102636-02-000	EA WIRE ASM-CLEARANCE LAMPS
	100677-01-000	EA WIRE ASM-RADIO
	103342-02-000	EA WIRE ASM-CLEARANCE, UPPER - LT
	103342-03-000	EA WIRE ASM-CLEARANCE, UPPER - RT
	104271-02-000	EA WIRE ASM-SPEAKER, TV
	108303-01-000	EA WIRE ASM-REAR AUTO HEATER
	110256-01-000	EA WIRE ASM-IP, GENERATOR
	111915-01-000	EA WIRE ASM-DAY RUN LAMPS, FUSE
	115957-01-000	EA WIRE ASM-WIPER/WASHER
	119458-01-000	EA WIRE ASM-IP, MAIN
	P03783-05-000	EA WIRE ASM-HEADLAMP

**ELECTRICAL MISCELLANEOUS**

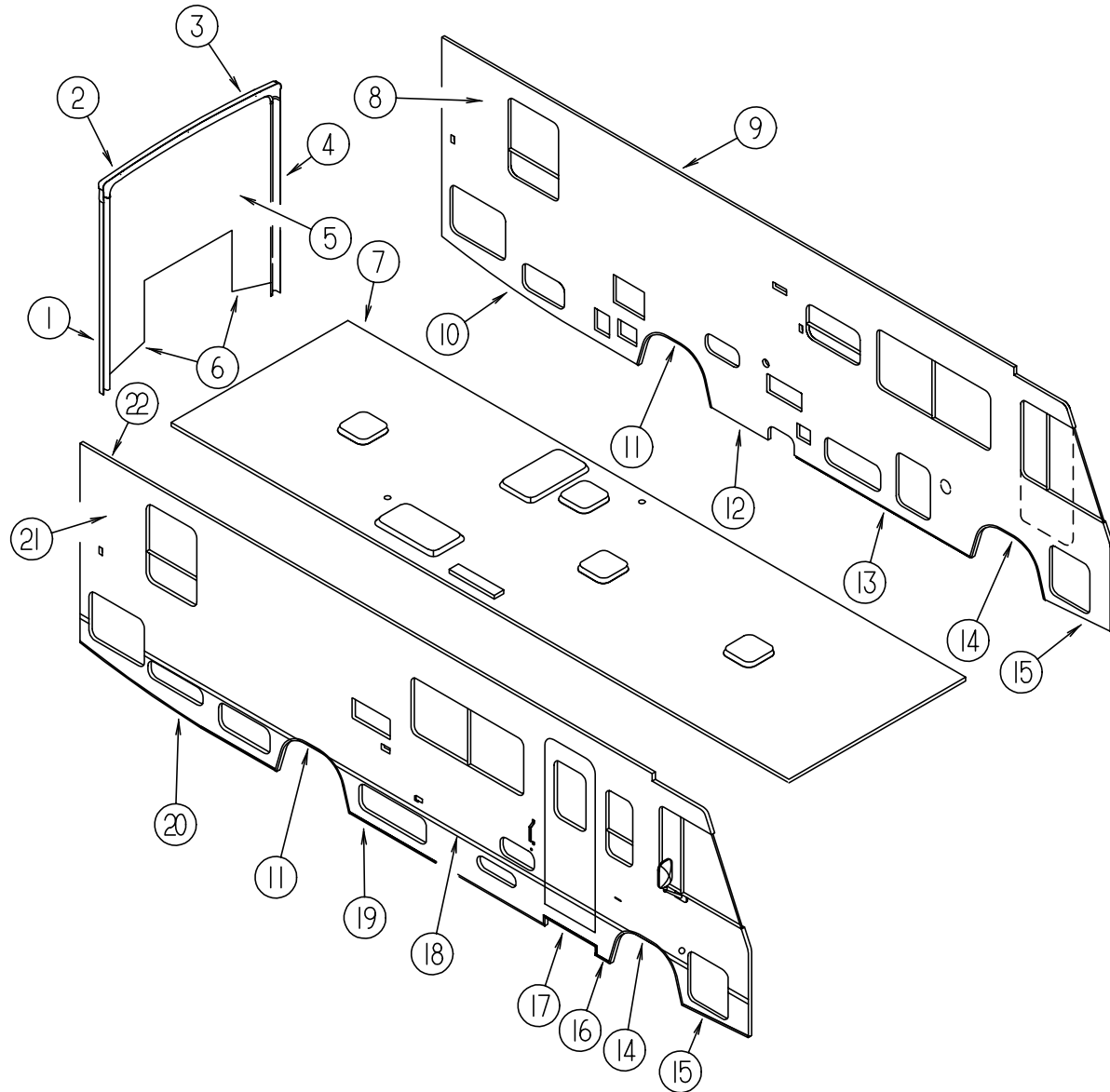
KEY	PART NUMBER	U/M DESCRIPTION
	073328-B4-000	EA CABLE ASSEMBLY-BATTERY, W/TERMINALS
	087949-02-000	EA BUS BAR - 3 POSITION, .6" X 2.4" - ALUMINUM
	112823-01-000	EA SPLICE-REDUCER, 16-14TO 18-22 - ETC BA-631X
	063912-02-000	EA RELAY-CANISTER, SPDT - BOSCH 0332204101
	077479-01-000	EA BOOT-BATTERY TERMINAL, DOUBLE CABLE
	077479-02-000	EA BOOT-BATTERY TERMINAL, SINGLE CABLE
	103987-02-000	EA SEAL-SOLENOID ACCESS
	007093-01-000	EA FLASHER-SIGNAL, STAT
	007956-05-000	EA INSULATOR-SHRINK, .25 ID X 1.50 - BLACK
	008188-01-000	EA SOLENOID - 3 POST, BATTERY CHANGE OVER
	063910-01-000	EA HOUSING-RELAY, BOSCH 3 334 485 008
	086233-01-000	EA STUD-ISOLATED, 3/8" X 7/8" LONG
	086273-01-000	EA RELAY-BATTERY DISCONNECT

**ELECTRICAL GROUP (CONTINUED)**  
**EXTERIOR LIGHTS**



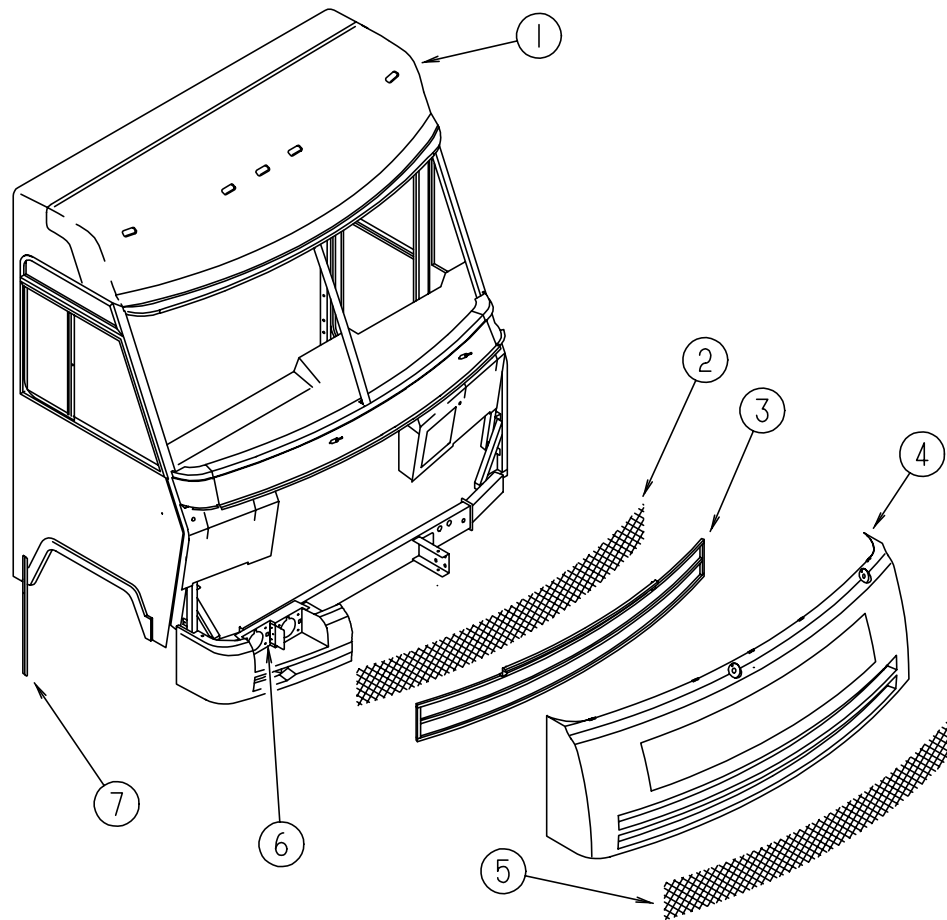
KEY	PART NUMBER	U/M	DESCRIPTION	VENDOR NO.
1	097917-01-06A	EA	LIGHT-PORCH, ENTRY DOOR - BRIGHT WHITE	
	008215-01-000	EA	BULB - 12V, #1003 - .94 AMP	
	097917-01-700	EA	LENS-LIGHT, PORCH	
2	111102-01-000	EA	LAMP-MARKER, BASE - TRIPLEX 117XAS	
	111102-03-000	EA	LENS-MARKER LAMP, RED - TRIPLEX 117R	
	036196-01-000	EA	BULB - 12V, #194 - .27 AMP - BAYONETTE	
3	081638-01-000	EA	TAILLIGHT-DOUBLE, W/BLACK TRIM - DRIVER OR PASSENGER SIDE	
	037934-01-000	EA	BULB - 12V, #1156 - 2.1 AMP - CLEAR GLASS	
	037935-01-000	EA	BULB - 12V, #1157 OR #2057 - 2.1 AMP - CLEAR GLASS	
	081638-01-700	EA	LENS-TAILLIGHT, RED - BARGMAN	30-84-010
	081638-01-701	EA	LENS-TAILLIGHT, W/BACKUP - BARGMAN	30-84-700
4	103355-01-05A	EA	POD-TAILLIGHT, BRIGHT WHITE	
	066432-02-000	EA	LIGHT-LICENSE, BLACK	
	066432-03-000	EA	BRACKET-LICENSE PLATE - BARGMAN 30-60-030	
5	111102-01-000	EA	LAMP-MARKER, BASE - TRIPLEX 117XAS	
	111102-02-000	EA	LENS-MARKER LAMP, AMBER - TRIPLEX 118A	
6	036196-01-000	EA	BULB - 12V, #194 - .27 AMP - BAYONETTE	
	049186-04-000	EA	HEADLAMP ASM-DRIVER, HIGH/LOW BEAM - HALOGEN - KD 92749-201	
	049188-04-000	EA	HEADLAMP ASM-DRIVER, HIGH BEAM - HALOGEN - KD 92750-201	
	049185-04-000	EA	HEADLAMP ASM-PASS, HIGH/LOW BEAM - HALOGEN - KD 92751-201	
	049187-04-000	EA	HEADLAMP ASM-PASS, HIGH BEAM - HALOGEN - KD 92748-201	
7	049359-01-000	EA	SPRING-RETAINER, HEADLAMP - GM 496096	
	110750-01-000	EA	SCREW-ADJUSTING, HEADLAMP	
	089292-01-000	EA	LIGHT-TURN, DRIVER OR PASSENGER - W/AMBER LENS	
	037935-01-000	EA	BULB - 12V, #1157 OR #2057 - 2.1 AMP - CLEAR GLASS	
	036196-01-000	EA	BULB - 12V, #194 - .27 AMP - BAYONETTE	
8	102520-01-000	EA	LIGHT-CLEARANCE, W/O SOCKET CONNECTIONS - AMBER - (LENS N/A)	
	036196-01-000	EA	BULB - 12V, #194 - .27 AMP - BAYONETTE	
	102540-01-000	EA	SEAL-SCREW, ROUND - RUBBER	
	102541-01-000	EA	GASKET-CLEARANCE LIGHT	
	112823-01-000	EA	SPLICE-REDUCER, 16-14 TO 18-22 - ETC BA-631X	
	067789-02-000	EA	SOCKET-LAMP	

**EXTERIOR BODY GROUP**  
**EXTERIOR BODY PANELS AND TRIM**



KEY	PART NUMBER	U/M DESCRIPTION
1	114874-09-12B	EA TRIM-BACKWALL SIDE, RIGHT - BRIGHT WHITE - STEEL
1	104033-07-02A	EA TRIM-J, BACKWALL - RIGHT - BRIGHT WHITE - ALUMINUM
2	114872-01-02A	EA TRIM-BACKWALL, TOP W/O CLEARANCE LIGHTS - RIGHT - BRIGHT WHITE PLASTIC
3	114873-01-02A	EA TRIM-BACKWALL, TOP W/O CLEARANCE LIGHTS - LEFT - BRIGHT WHITE PLASTIC
4	114874-10-12B	EA TRIM-BACKWALL SIDE, LEFT - BRIGHT WHITE - STEEL
4	104033-08-02A	EA TRIM-J, BACKWALL - LEFT - BRIGHT WHITE - ALUMINUM
5	M07419-14-G30	EA BACKWALL-W/O WINDOW, LIGHTS, OR DECALS
5	M07419-14-G31	EA BACKWALL-W/O WINDOW, LIGHTS, OR DECALS
6	105930-04-03A	EA TRIM-BACKWALL, LOWER - DRIVER OR PASS SIDE - BRIGHT WHITE - ALUMINUM
	002365-01-001	EA U-CHANNEL, 1" X 18' - SERRATED - MILL FINISHED ALUMINUM
7	P20117-01-G29	EA ROOF-W/O VENTS
8	M05735-19-G30	EA SIDEWALL ASM-DRIVER SIDE, W/O WINDOWS & TRIM
8	M05735-19-G31	EA SIDEWALL ASM-DRIVER SIDE, W/O WINDOWS & TRIM
8	M05735-21-G30	EA SIDEWALL ASM-DRIVER SIDE, W/O WINDOWS & TRIM - DRIVER DOOR
8	M05735-21-G31	EA SIDEWALL ASM-DRIVER SIDE, W/O WINDOWS & TRIM - DRIVER DOOR
9	120091-01-02A	EA TRIM-ROOF, 16' LONG - W/O DRILLED HOLES - DRIVER SIDE - BRIGHT WHITE
10	108038-21-03A	EA TRIM-SIDEWALL, BOTTOM - DRIVER SIDE REAR - 2706 MM LONG - BRIGHT WHITE
11	108070-02-03A	EA TRIM-WHEELWELL, REAR - DRIVER OR PASSENGER SIDE - BRIGHT WHITE
12	108038-26-02A	EA TRIM-SIDEWALL, BOTTOM - DRIVER SIDE - 770 MM LONG - BRIGHT WHITE
13	108038-25-03A	EA TRIM-SIDEWALL, BOTTOM - DRIVER SIDE - 2390 MM LONG - BRIGHT WHITE
14	108069-06-02A	EA TRIM-WHEELWELL, FRONT - DRIVER OR PASSENGER SIDE - BRIGHT WHITE
15	108038-44-02A	EA TRIM-SIDEWALL, BOTTOM - FRONT - DR OR PASS SIDE - BRIGHT WHITE
	116800-55-005	EA U-CHANNEL-EXTRUDED, 1.7" X 16' - BRIGHT WHITE
16	108038-24-03A	EA TRIM-SIDEWALL, BOTTOM - PASSENGER SIDE - 184 MM LONG - BRIGHT WHITE
17	114961-01-F24	EA TRIM-STEPWELL, BRIGHT WHITE
	086180-51-001	EA EXTRUSION-CHANNEL, SERRATED - 4877 MM
18	108688-01-03A	EA STRIP-FEATURE, W/O INSERT OR END CAPS - 15' LONG - BRIGHT WHITE
	108651-01-01A	EA END CAP-FEATURE STRIP
	105312-01-07A	FT INSERT-FEATURE STRIP, BRIGHT WHITE
19	108038-20-03A	EA TRIM-SIDEWALL, BOTTOM - PASSENGER SIDE - 2644 MM LONG - BRIGHT WHITE
20	108038-22-03A	EA TRIM-SIDEWALL, BOTTOM - PASSENGER SIDE - 2706 MM LONG - BRIGHT WHITE
21	M05734-19-G30	EA SIDEWALL ASM-PASSENGER SIDE, W/O WINDOWS & TRIM
21	M05734-19-G31	EA SIDEWALL ASM-PASSENGER SIDE, W/O WINDOWS & TRIM
22	120092-01-02A	EA RAIL-AWNING, 16' LONG - W/O DRILLED HOLES - PASS SIDE - BRIGHT WHITE
	119943-51-001	EA EXTRUSION-AWNING RAIL, 4877 MM - MILL
	084852-51-003	EA ANGLE-EXTRUDED, 1.25" X .75" X 4600 MM - MILL ALUMINUM
	033381-17-001	FT TUBING-STEEL, 1.5" X 1.5" X 192" - 16 GA - HOT FORMED ASTM A50
	055278-51-259	EA TUBING-STEEL, .75" X 1.5" X 12.5' LONG
	002726-01-001	EA GARNISH-U-CHANNEL, 1.38" X 19' - SERRATED - MILL ALUMINUM
	002766-01-001	EA ANGLE-EXTRUDED, 1" X 1.5" X 17'
	069726-02-000	EA BUMPER - .88" DIAMETER X .40", BLACK

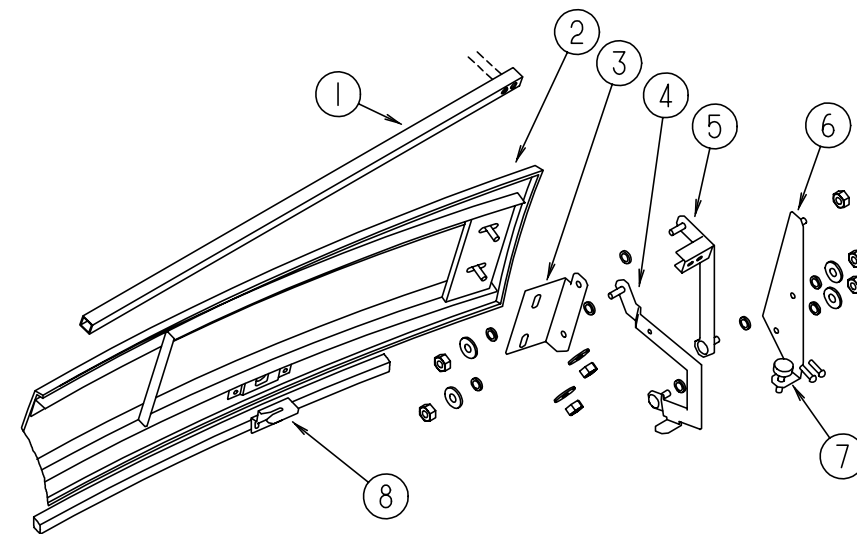
## EXTERIOR BODY GROUP (CONTINUED)



### FRONT CAP AND FRONT END COMPONENTS

KEY	PART NUMBER	U/M	DESCRIPTION
1	115042-01-02A	EA	PANEL-ROOF CAP, BRIGHT WHITE
	070579-06-000	EA	PLATE-ANCHOR, W/7/16 WELD NUT - 1.5" X 3.3"
	077001-01-000	EA	ANGLE-MOUNTING, ROOF PANEL - V ANGLE - 3" X 2.4" X 1.5"
2	115924-03-02A	EA	GRILLE-WOVEN WIRE, BLACK
3	118182-01-G09	EA	GRILLE ASSEMBLY-TUBE W/O MESH
4	M07546-01-G29	EA	FRONT END ASM-W/O GRILLES, HOOD OR HOOD HINGES - BRIGHT WHITE
	113495-02-02B	EA	SUPPORT-HINGE, 150 MM X 73 MM W/10 HOLES - STEEL - E-COAT
5	115924-04-02A	EA	GRILLE-WOVEN WIRE, BLACK
6	118191-01-01A	EA	BEZEL-HEADLIGHT, PASSENGER SIDE - BLACK
	118191-02-01A	EA	BEZEL-HEADLIGHT, DRIVER SIDE - BLACK
7	089922-27-000	EA	TRIM-FRONT END/SIDEWALL, DRIVER OR PASSENGER SIDE - BRIGHT WHITE
	099418-01-000	FT	D-SECTION SEAL W/ADHESIVE BACK - .44" X .44" - BLACK RUBBER
	110691-01-01A	EA	BRACKET-SPRING, HEADLAMP - DRIVER OR PASSENGER SIDE - UNPAINTED
	119445-01-02B	EA	PLATE-W/HOLES, 38 MM X 26 MM - STAINLESS STEEL - BLACK

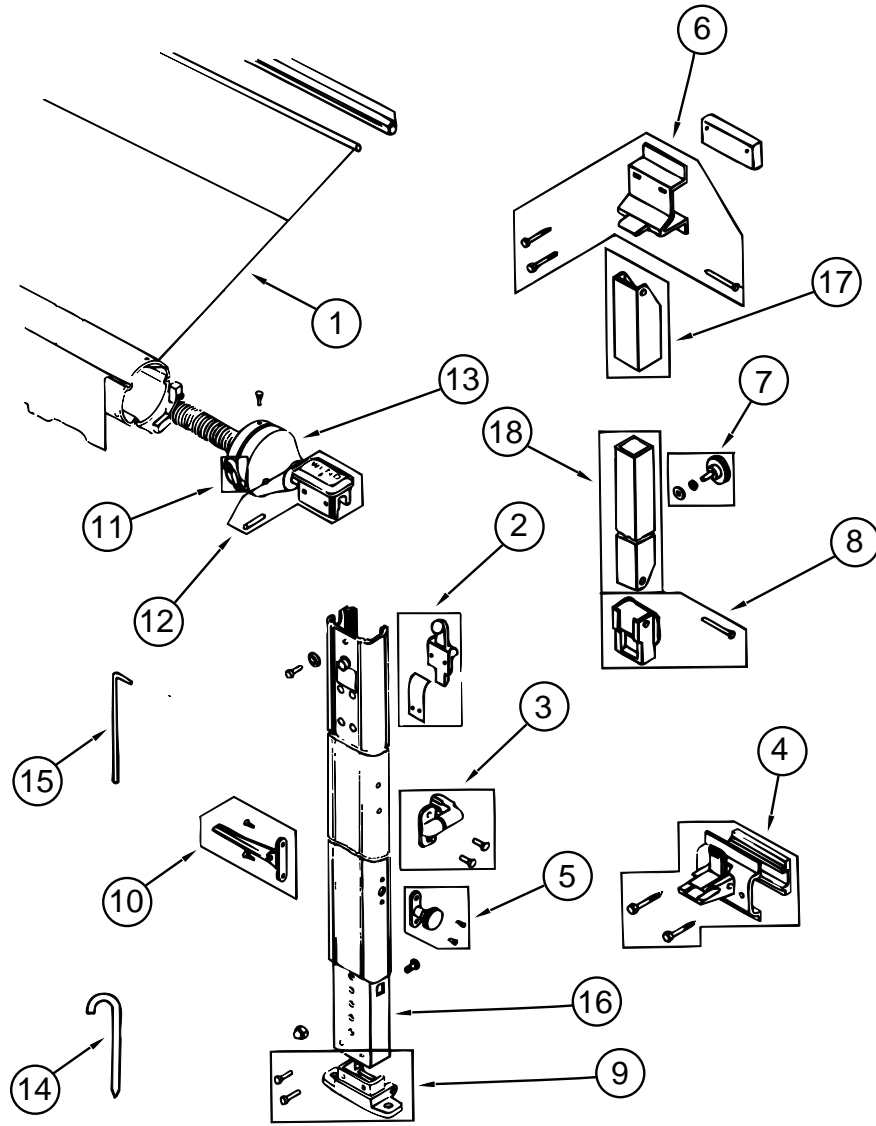
## EXTERIOR BODY GROUP (CONTINUED)



### HOOD AND FRONT END COMPONENTS

KEY	PART NUMBER	U/M	DESCRIPTION
1	105096-10-000	EA	TUBE-TIMING, HOOD HINGE
2	115976-02-G29	EA	PANEL ASM-HOOD, BRIGHT WHITE
	106730-02-000	EA	PLATE ASM-STUD
	106730-01-000	EA	PLATE-STUD
3	109927-03-000	EA	ANGLE-LINK, HOOD - RH
3	109927-04-000	EA	ANGLE LINK, HOOD - LH
4	109930-07-000	EA	LINK ASM-HINGE, HOOD - LOWER - RH
4	109930-08-000	EA	LINK ASM-HINGE, HOOD - LOWER - LH
5	109929-03-000	EA	LINK ASM-HINGE, HOOD - UPPER - RH
5	109929-04-000	EA	LINK ASM-HINGE, HOOD - UPPER - LH
6	109926-07-000	EA	BRACKET ASM-LINK, HINGE, HOOD - RH
6	109926-08-000	EA	BRACKET ASM-LINK, HINGE, HOOD - LH
7	058786-01-000	EA	BOLT-ADJUSTING, HOOD - W/BLACK PAD - .31" #18 X 2"
8	106748-02-000	EA	LATCH-HOOD, FRONT END
	103136-03-000	EA	BRACKET - SUPPORT UPPER - HINGE/RIGHT
	103136-04-000	EA	BRACKET - SUPPORT UPPER - HINGE/LEFT
	102330-02-000	EA	LOCK-SINGLE HOLE, VISE ACTION - SOUTHCOE 3-56-715-5
	102328-01-000	EA	KEY-BARREL, NICKEL PLATED - SOUTHCOE 3-26-715-19

**EXTERIOR BODY GROUP (CONTINUED)**



**FAULKNER AWNING & HARDWARE**

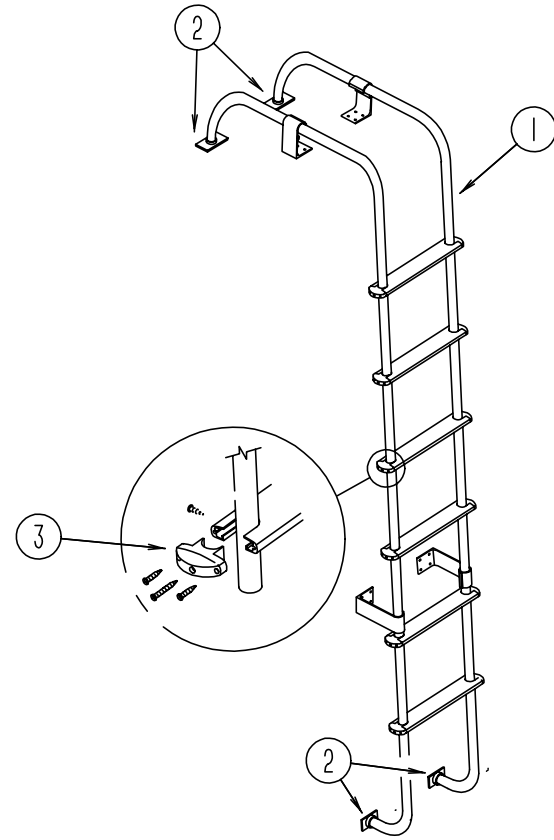
KEY	PART NUMBER	U/M DESCRIPTION	VENDOR NO.
1	110634-07-19A	EA AWNING-ROLLER ASSEMBLY, 19'	
	110634-02-04A	EA HARDWARE KIT-AWNING, BRIGHT WHITE	
2	110634-01-700	EA RAFTER LOCKING MECHANISM KIT	7605-0001
3	110634-01-701	EA SAFETY & LATCH KIT	7509-0001
4	110634-01-702	EA BOTTOM BRACKET KIT	7512-0001
5	110634-01-703	EA HEIGHT LOCK HANDLE KIT	7510-0001
6	110634-01-704	EA UPPER BRACKET KIT W/BOLTS	7505-0001
7	110634-01-705	EA ULTRA RAFTER KNOB KIT	7522-0001
8	110634-01-706	EA RAFTER SLIDE KIT	
9	110634-01-707	EA GROUND BRACKET KIT	7511-0001
10	110634-01-708	EA LIFT HANDLES W/RIVETS	7000-0001
11	110634-01-709	EA RATCHET HANDLE KIT	7507-0001
12	110634-01-710	EA ARM CAP KIT	7503-0001
13	110634-01-711	EA FRONT SPRING ASM	6598-0001
13	110634-01-712	EA REAR SPRING ASM	6599-0001
13	110634-01-713	EA REAR END CAP KIT	7504-0001
14	110634-01-714	EA STAKE - (4 PER BAG)	5208-0001
15	110634-01-715	EA WAND - PULL DOWN	7604-0001
16	110634-01-730	EA ARM-INNER, FRONT - BRIGHT WHITE	1002-0071
16	110634-01-731	EA ARM-INNER, REAR - BRIGHT WHITE	1003-0071
17	110634-01-732	EA RAFTER-OUTER, BRIGHT WHITE	1004-0071
18	110634-01-733	EA RAFTER-INNER, BRIGHT WHITE	1005-0071
	110634-01-735	EA HANDLE-PUSH BUTTON, BRIGHT WHITE	7000-9071
	111037-01-01A	EA SPACER-AWNING, UPPER - BLACK	
	111038-01-01A	EA SPACER-AWNING, LOWER - BLACK	

**EXTERIOR BODY GROUP (CONTINUED)**

**FIBERGLASS, STYROFOAM & INSULATION**

KEY	PART NUMBER	U/M DESCRIPTION
	044487-01-001	EA ALUMINUM SHEET - .019" X 96" X 360" - MILL FINISH
	044487-01-002	EA ALUMINUM SHEET - .019" X 96" X 432" - MILL FINISH
	044487-51-001	EA ALUMINUM SHEET - .019" X 758 MM X 317 MM - MILL FINISH
	076054-P7-000	EA FIBERGLASS SHEET-FLAT, 99.6" X 360.6" - BRIGHT WHITE
	076054-R5-000	EA FIBERGLASS SHEET-FLAT, 102" X 385.2" - BRIGHT WHITE
	077517-62-000	EA FIBERGLASS SHEET-FLAT, 48" X 96" - BRIGHT WHITE
	076054-P4-000	EA FIBERGLASS SHEET-FLAT, 96" X 97" - BRIGHT WHITE
	108535-04-701	EA FIBERGLASS SHEET-FLAT, 104" X 396" - BRIGHT WHITE (ROOF COVERING)
	108535-04-705	EA FIBERGLASS SHEET-FLAT, 6" X 34' - BRIGHT WHITE
	100619-01-000	BF FOAM-EXPANDED POLYSTYRENE, 1.34" X 48" X 96"
	100619-04-000	BF FOAM-EXPANDED POLYSTYRENE, .5" X 48" X 96"
	100619-05-000	BF FOAM-EXPANDED POLYSTYRENE, .75" X 48" X 96"
	100619-11-000	BF FOAM-EXPANDED POLYSTYRENE, 2" X 48" X 96"
	000870-08-000	SF STYROFOAM - .75" X 48" X 96" - PLANED - INCREMENTS OF 32 SF
	072877-03-000	EA INSULATION-SOUND BARRIER, LB-1 COMPOSITE EAR
	120107-01-000	EA FOAM-COVE, ROOF - 70.6 MM X 2438 MM LONG - POLYSTYRENE FOAM
	120107-02-000	EA FOAM-PLUG, TUBE - 57 MM X 74.3 MM X 45 MM LONG - POLYSTYRENE FOAM
	120107-03-000	EA FOAM-PLUG, TUBE - 29.6 MM X 54.5 MM X 45 MM LONG - POLYSTYRENE FOAM

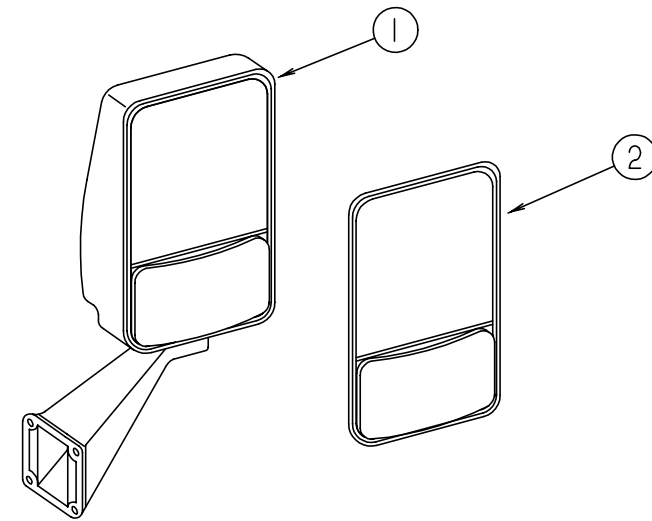
**EXTERIOR BODY GROUP (CONTINUED)**



**LADDER**

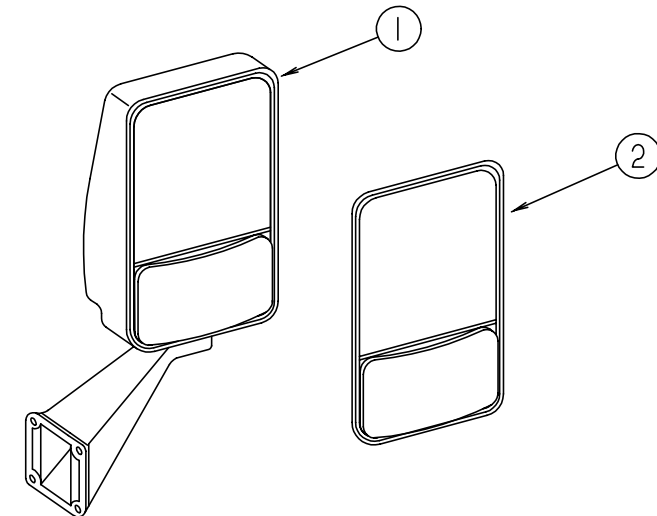
KEY	PART NUMBER	U/M DESCRIPTION
1	102953-17-G09	EA LADDER ASSEMBLY
2	067165-01-000	EA MOUNTING BRACKET-LADDER, LOWER
3	076980-02-000	EA END CAP-STEP, BLACK
	038327-01-000	EA TAPE-ANTI SLIP, 2" X 60'

**EXTERIOR BODY GROUP (CONTINUED)**



**VELVAC HEATED EXTERIOR MIRRORS**

KEY	PART NUMBER	U/M DESCRIPTION	VENDOR NO.
1	106015-05-01A	EA MIRROR ASM. - REMOTE/HEATED - W/O WIRING OR SWITCHES - PASS SIDE VELVAC 713170	
1	106015-06-01A	EA MIRROR ASM - REMOTE/HEATED - W/O WIRING OR SWITCHES - DRIVER SIDE VELVAC 713171	
2	086261-01-704	EA MIRROR KIT (BEZEL W/MIRRORS) PASSENGER SIDE	709268
2	086261-02-701	EA MIRROR KIT (BEZEL W/MIRRORS) DRIVER SIDE	709269
	087695-02-000	EA SWITCH-HEATER, EXTERIOR MIRROR - EURAMTEC DAV4720-12	
	087695-03-000	EA CONNECTOR-ASSEMBLY - EURAMTEC RT10484802	
	088246-01-000	EA SWITCH-REMOTE, EXTERIOR MIRROR - SQUARE PUSH 7471290	

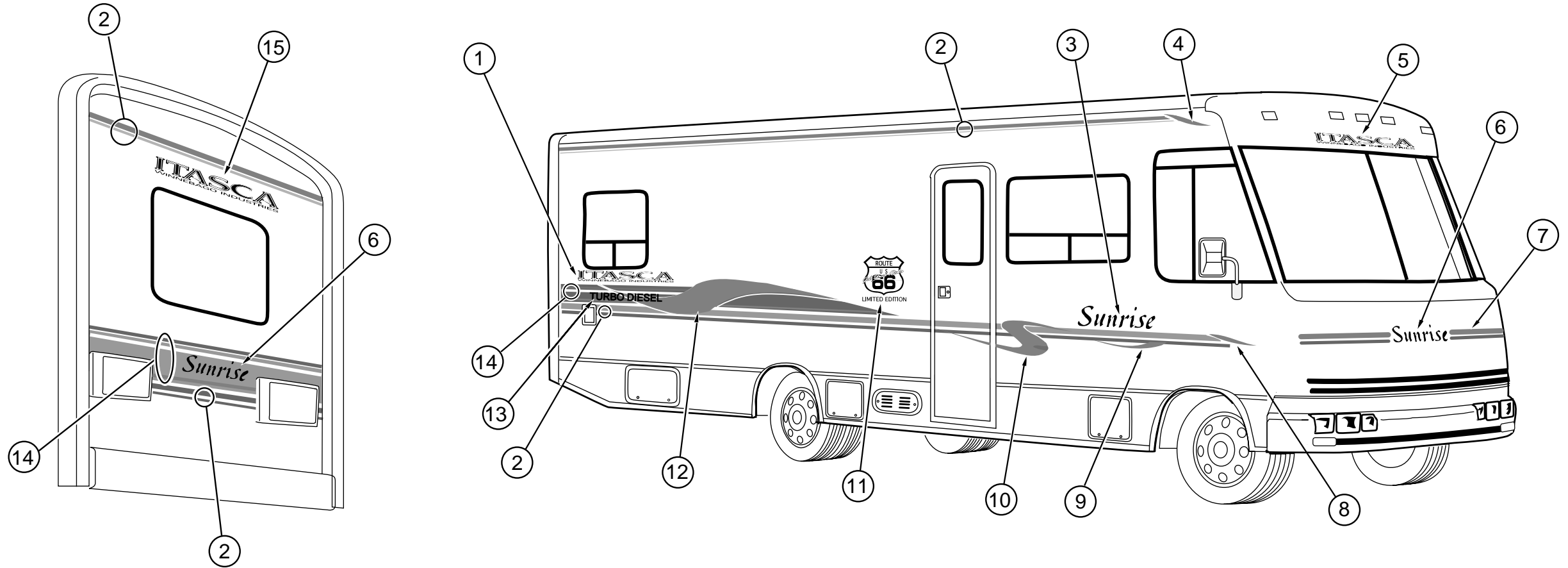


**VELVAC EXTERIOR MIRRORS**

KEY	PART NUMBER	U/M DESCRIPTION	VENDOR NO.
1	106015-09-01A	EA MIRROR ASM-EXTERIOR GLASS RIGHT - BLACK - VELVAC 713126	
1	106015-10-01A	EA MIRROR ASM-EXTERIOR ADJUST GLASS LEFT - BLACK - VELVAC 713125	
2	106015-01-703	EA MIRROR KIT (BEZEL W/MIRRORS) PASSENGER SIDE	709266
2	106015-02-702	EA MIRROR KIT (BEZEL W/MIRRORS) DRIVER SIDE	709267



**EXTERIOR BODY GROUP (CONTINUED)**  
DECALS, FILM STRIPES & PAINT

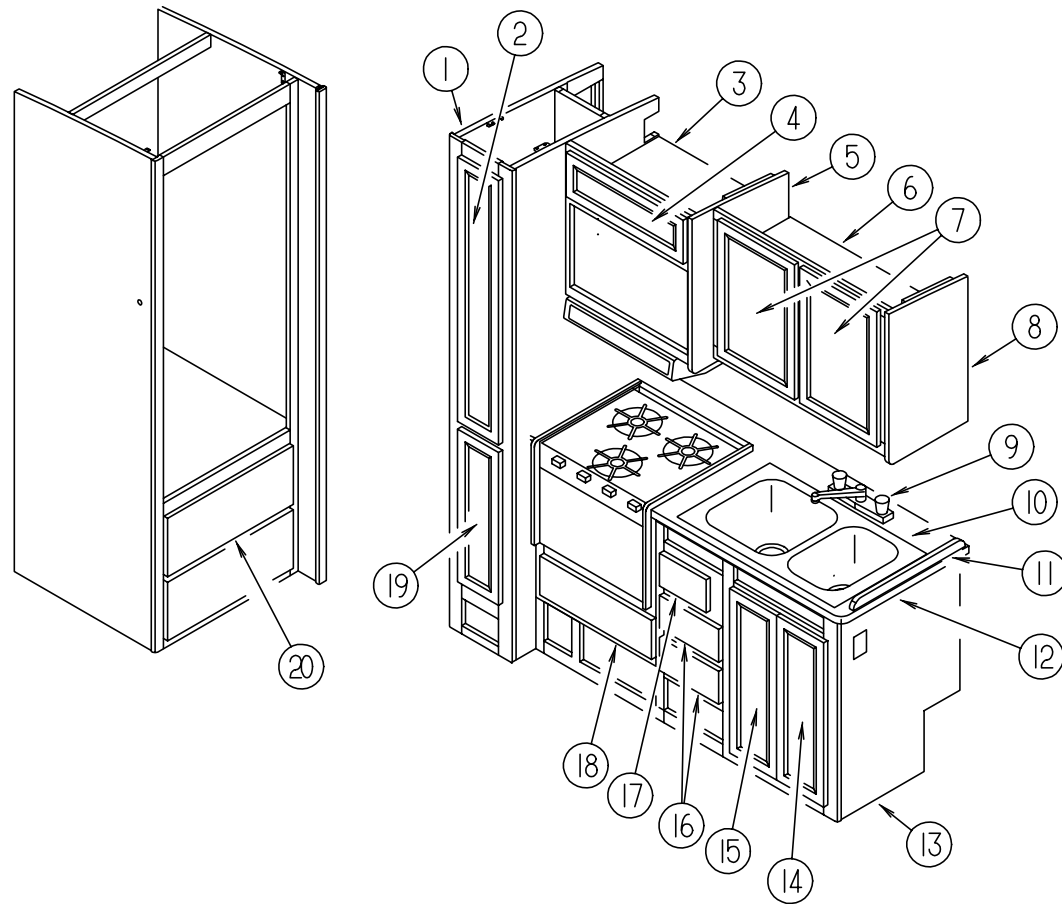


KEY	PART NUMBER	U/M DESCRIPTION
1	116921-01-03A	EA DECAL-LOGO, ITASCA WINN. IND. - MALIBU TEAL/MALIBU TEAL/MALIBU TEAL
2	105781-47-01A	FT FILM-MULTISTRIPE, 82.5 MM WIDE - MEDIUM BLUE/SHADOW BLUE
3	118717-01-01A	EA DECAL-LOGO, SUNRISE - LARGE - MEDIUM BLUE/SHADOW BLUE/BRIGHT WHITE
4	118715-01-01A	EA DECAL-RIBBON, SMALL - RH - MALIBU TEAL/CHAMPAGNE/MEDIUM BLUE/WHITE
4	118715-02-01A	EA DECAL-RIBBON, SMALL - LH - MALIBU TEAL/CHAMPAGNE/MEDIUM BLUE/WHITE
5	118312-01-02A	EA DECAL-ITASCA, WINN. IND. - SWEEP - MALIBU TEAL/MALIBU TEAL/MALIBU TEAL
6	118717-02-01A	EA DECAL-LOGO, SUNRISE - SMALL - MEDIUM BLUE/SHADOW BLUE/BRIGHT WHITE
7	118716-01-01A	EA DECAL-HOOD - MEDIUM BLUE/SHADOW BLUE
8	118711-01-01A	EA DECAL-RIBBON, #1 - RH - MALIBU TEAL/CHAMPAGNE STAR/MEDIUM BLUE/WHITE
8	118711-02-01A	EA DECAL-RIBBON, #1 - LH - MALIBU TEAL/CHAMPAGNE STAR/MEDIUM BLUE/WHITE
9	118712-01-01A	EA DECAL-RIBBON, #2 - RH - MALIBU TEAL/CHAMPAGNE STAR/MEDIUM BLUE/WHITE
9	118712-02-01A	EA DECAL-RIBBON, #2 - LH - MALIBU TEAL/CHAMPAGNE STAR/MEDIUM BLUE/WHITE
10	118713-01-01A	EA DECAL-RIBBON, #3 - RH - MALIBU TEAL/CHAMPAGNE STAR/MEDIUM BLUE/WHITE
10	118713-02-01A	EA DECAL-RIBBON, #3 - LH - MALIBU TEAL/CHAMPAGNE STAR/MEDIUM BLUE/WHITE
11	116404-01-01A	EA DECAL-ROUTE 66
12	118714-01-01A	EA DECAL-RIBBON, #4 - RH - MALIBU TEAL/CHAMPAGNE STAR/MEDIUM BLUE/WHITE
12	118714-02-01A	EA DECAL-RIBBON, #4 - LH - MALIBU TEAL/CHAMPAGNE STAR/MEDIUM BLUE/WHITE
13	111318-03-03A	EA DECAL-TURBO DIESEL - BRIGHT WHITE
14	118710-01-01A	FT FILM-MULTISTRIPE, 174.6 MM WIDE - SHADOW BLUE/AMETHYST FROST/ AMETHYST FROST/MEDIUM BLUE
15	116921-02-03A	EA DECAL-LOGO, ITASCA WINN. IND. - MALIBU TEAL/MALIBU TEAL/MALIBU TEAL
	041561-03-000	EA PAINT - 16 OZ SPRAY, OFF WHITE - ACRYLIC ENAMEL

**DUPONT COLOR CODES**

BRIGHT WHITE #B8951

**GALLEY GROUP**  
**GALLEY CABINETS**



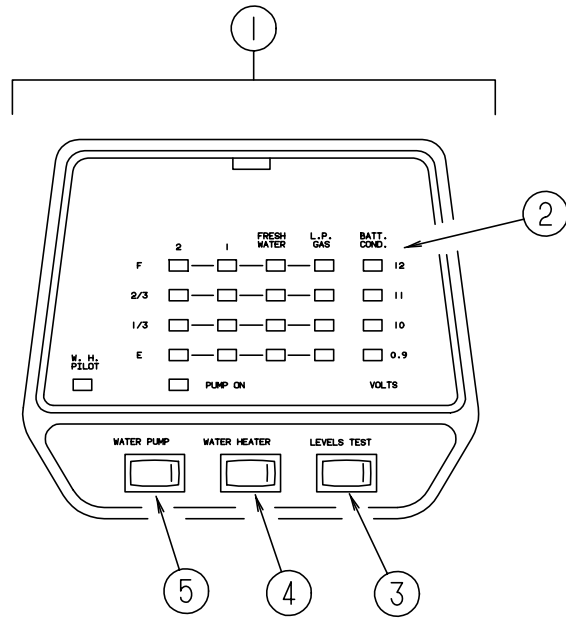
KEY	PART NUMBER	U/M	DESCRIPTION
1	114813-01-G30	EA	CABINET ASM-PANTRY
1	114813-01-G31	EA	CABINET ASM-PANTRY
2	M05992-D4-G09	EA	DOOR-CABINET, W/O HARDWARE - 200 MM X 1110 MM
	M05971-K2-G09	EA	DRAWER-CABINET, W/O HARDWARE (INSIDE CABINET)
3	114390-01-G09	EA	CABINET-OVERHEAD, W/O DOOR
	104879-01-G09	EA	CABINET ASM-A/C SWITCH (INSIDE CABINET)
4	M05992-11-G09	EA	DOOR-CABINET, W/O HARDWARE - 7.1" X 21.9"
5	081320-16-G09	EA	CAP-END, OVERHEAD - FRONT
6	103276-01-G09	EA	CABINET-OVERHEAD, W/O DOORS
	103276-11-G09	EA	SHELF ASM-OVERHEAD CABINET
7	M06803-05-G09	EA	DOOR-CABINET, W/O HARDWARE - 14.3" X 21.8"
8	081320-17-G09	EA	CAP-END, OVERHEAD - FRONT
9	104114-02-01A	EA	FAUCET-GALLEY, SINGLE CONTROL - CHROME - 20PL1038-8"
	103635-01-000	EA	FAUCET-SINGLE CONTROL, (WATER PURIFIER) EVERPURE 5435-00
10	110654-01-000	EA	SINK-DOUBLE, LARGE/SMALL BASINS - SST - DAYTON FR2917
	092303-01-000	EA	STRAINER-SINK
	108464-04-F11	EA	COVER-SINK (G30)
	108464-04-E38	EA	COVER-SINK (G31)
11	098335-05-G30	EA	RAIL-GALLEY, 20.9" LONG (G30)
11	098335-05-F05	EA	RAIL-GALLEY, 20.9" LONG (G31)
12	114893-11-G30	EA	COUNTERTOP-GALLEY CABINET (G30)
12	114893-11-F05	EA	COUNTERTOP-GALLEY CABINET (G31)
13	M07426-02-G30	EA	CABINET-GALLEY, W/COUNTERTOP - W/O DOORS OR DRAWERS
13	M07426-02-G31	EA	CABINET-GALLEY, W/COUNTERTOP - W/O DOORS OR DRAWERS
14	M06803-08-G09	EA	DOOR-CABINET, W/O HARDWARE - 9.04" X 26.5"
15	M06803-09-G09	EA	DOOR-CABINET, W/O HARDWARE - 9.04" X 26.5"
16	M05971-K0-G09	EA	DRAWER-CABINET, W/O HARDWARE
17	M05971-K1-G09	EA	DRAWER-CABINET, W/O HARDWARE
18	M05971-L1-G09	EA	DRAWER-CABINET, W/O HARDWARE
19	M05992-D3-G09	EA	DOOR-CABINET, W/O HARDWARE - 200 MM X 670 MM
20	M05971-41-G09	EA	DRAWER-CABINET, W/O HARDWARE
	090329-01-000	FT	SEAL-T, REFRIGERATOR CABINET - .6" WIDE TOP X 2" TAIL

**GALLEY GROUP (CONTINUED)**  
**BLACK & DECKER COFFEE MAKER**

KEY	PART NUMBER	U/M DESCRIPTION	VENDOR NO.
	103799-01-02A	EA COFFEE MAKER-GRAY W/GLASS POT - BLACK & DECKER - MADE BY G.E.	
	103799-01-700	EA CARAFE-GLASS POT - BLACK & DECKER	679420
	103799-01-701	EA BRACKETS-WHITE, PAIR - BLACK & DECKER	164734-06

**MAGIC CHEF MICROWAVE OVEN**

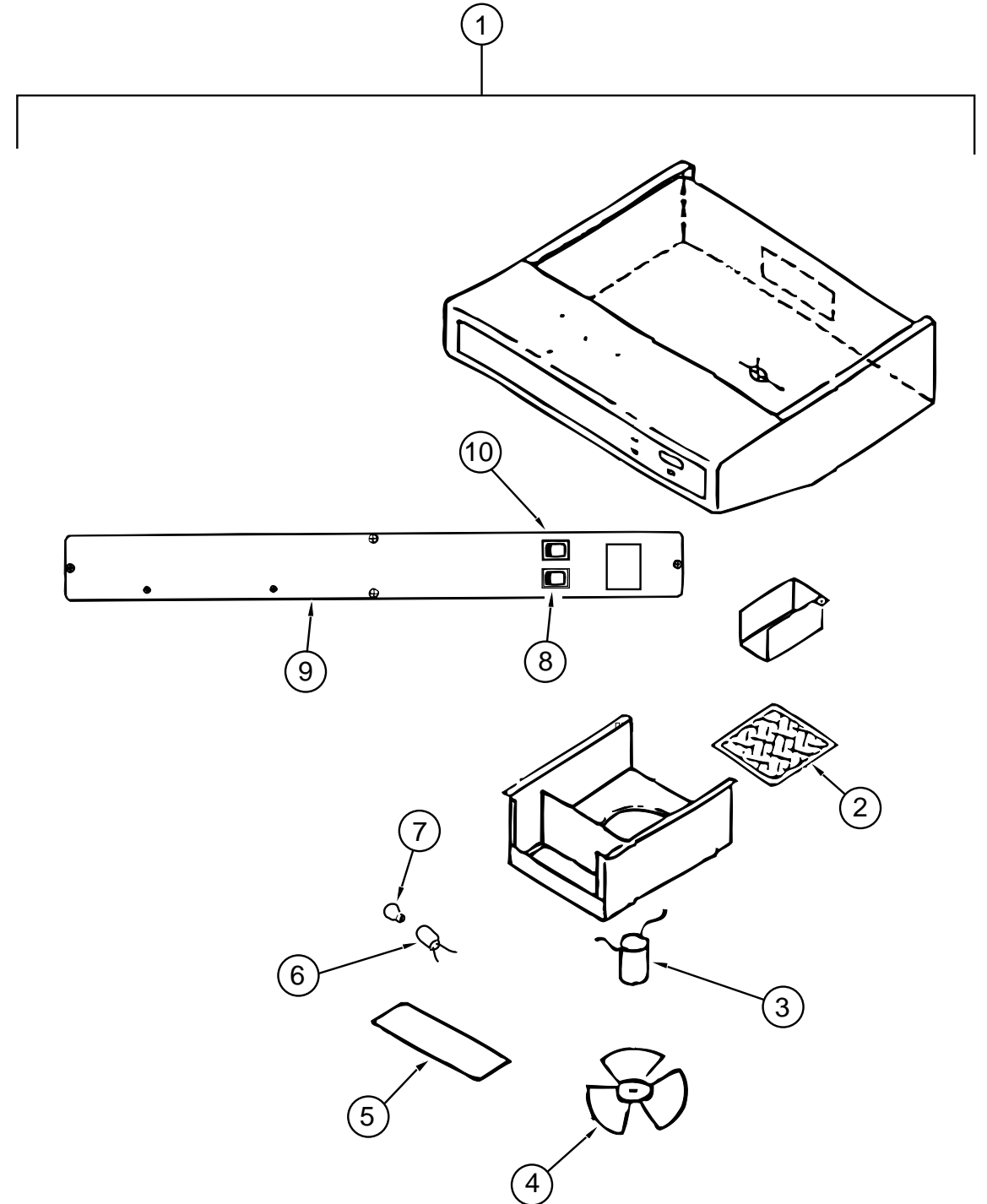
KEY	PART NUMBER	U/M DESCRIPTION	VENDOR NO.
	115303-01-000	EA OVEN-MICROWAVE - MAGIC CHEF DM15K-7B	
	115303-01-700	EA TRIM F/VENT - TOP - MAGIC CHEF	2100309
	115401-01-01A	EA TRIM-MICROWAVE, LOWER - BLACK	
	094750-07-000	EA BRACKET-MICROWAVE, 89 DEGREE - STEEL	
	098916-14-01A	EA BRACE-MICROWAVE CABINET, LEFT - 8.9" X 7.5" - STEEL	
	098916-15-01A	EA BRACE-MICROWAVE CABINET, RIGHT - 8.9" X 7.5" - STEEL	



**LVS MONITOR PANEL**

KEY	PART NUMBER	U/M DESCRIPTION	VENDOR NO.
1	102765-04-01A	EA PANEL-MONITOR, W/PLUG - FOR 2 TANKS & WATER HEATER	
2	102765-04-700	EA BOARD-CIRCUIT, 2 HOLDING TANK	5076-11
3	097617-01-702	EA SWITCH (ALMOND)	107
4	097617-01-701	EA SWITCH-ON/OFF, ALMOND	106
5	102765-01-700	EA SWITCH-ON-ON, ALMOND	110-01

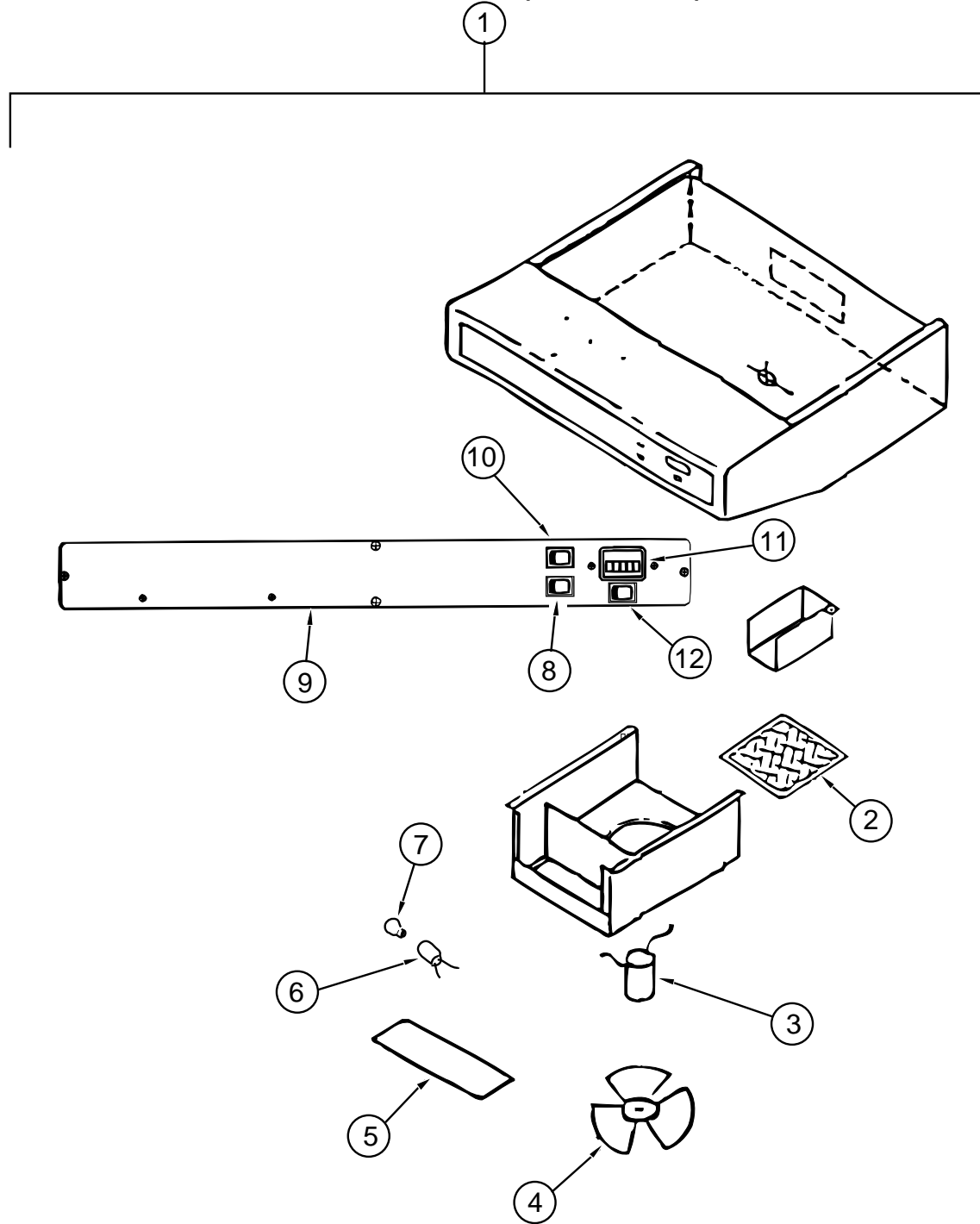
**GALLEY GROUP (CONTINUED)**



**RANGE HOOD MODEL TCS-5008-NBDLG - US - STANDARD**

KEY	PART NUMBER	U/M DESCRIPTION	VENDOR NO.
1	100258-16-04A	EA HOOD-RANGE, W/O MONITOR PANEL - VENTLINE TCS-5008-NBDLG	
2	096983-01-707	EA FILTER-GREASE, 8" X 8" - LVS	CC246
3	090973-01-700	EA MOTOR - LVS	CA508-1
4	090973-01-702	EA BLADE-FAN, LVS	VA183-1
5	092696-02-701	EA LENS-LAMP, VENTLINE	CC179
6	092696-01-710	EA SOCKET-LIGHT, VENTLINE	CB267-2
7	092696-01-709	EA BULB - 912, VENTLINE	VA415
8	096983-01-700	EA SWITCH-ON/OFF, VENTLINE	108
9	100258-01-700	EA HOOD-NOSE LABEL	CC428
10	096983-01-702	EA SWITCH-TWO WAY MOMENTARY, VENTLINE	112

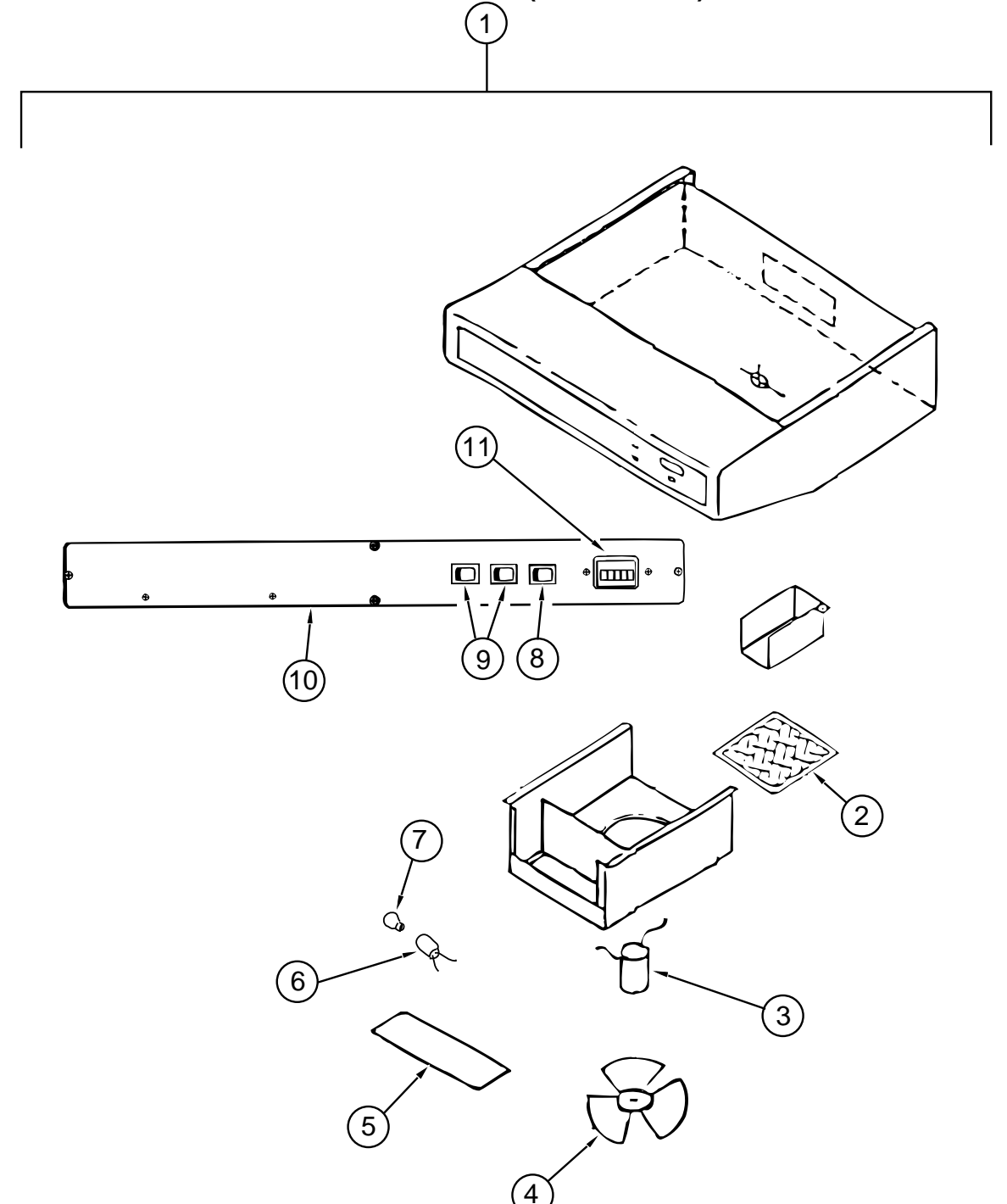
**GALLEY GROUP (CONTINUED)**



**RANGE HOOD MODEL TCS 500-NBCLG - CANADIAN**

KEY	PART NUMBER	U/M	DESCRIPTION	VENDOR NO.
1	100258-17-04A	EA	HOOD-RANGE, W/O MONITOR PANEL VENTLINE TCS 500-NBCLG	CC246
2	096983-01-707	EA	FILTER-GREASE, 8" X 8" - LVS	CA508-1
3	090973-01-700	EA	MOTOR - LVS	VA183-1
4	090973-01-702	EA	BLADE-FAN, LVS	CC179
5	092696-02-701	EA	LENS-LAMP, VENTLINE	CB267-2
6	092696-01-710	EA	SOCKET-LIGHT, VENTLINE	VA415
7	092696-01-709	EA	BULB - 912, VENTLINE	108
8	096983-01-700	EA	SWITCH-ON/OFF, VENTLINE	CC428
9	100258-01-700	EA	HOOD-NOSE LABEL	108
10	096983-01-700	EA	SWITCH-ON/OFF, VENTLINE	108
11	100258-10-01A	EA	METER-HOUR, SCREW ON - GENERATOR OPTIONS - VENTLINE 150	L0775-00
11	100258-10-701	EA	METER-HOUR, CLIP ON - GENERATOR OPTIONS - VENTLINE	L0775-00
12	096983-01-702	EA	SWITCH-TWO WAY MOMENTARY, VENTLINE	112

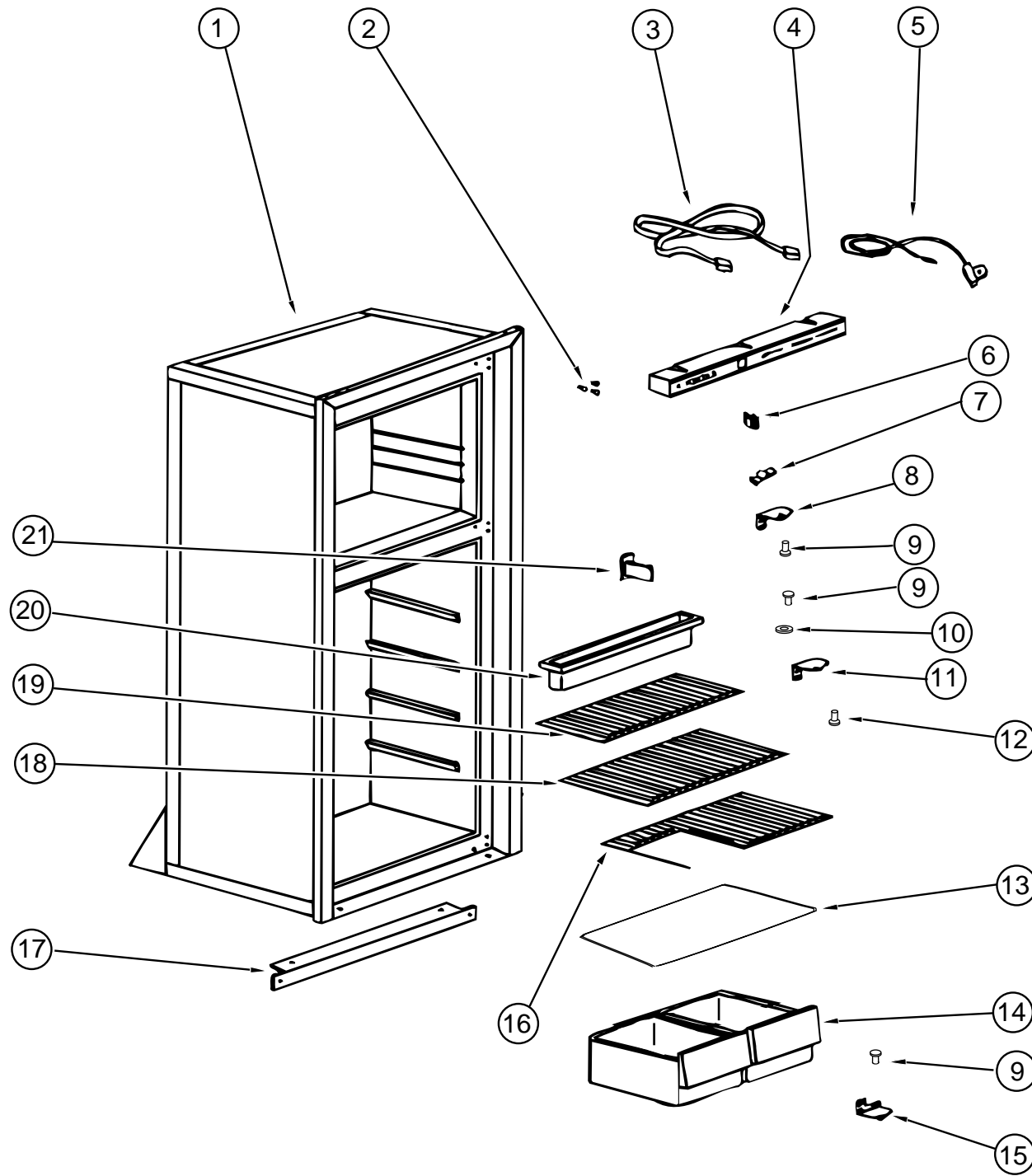
**GALLEY GROUP (CONTINUED)**



**RANGE HOOD MODEL TP-55009-SBO-LG - US - GENERATOR OPTIONS**

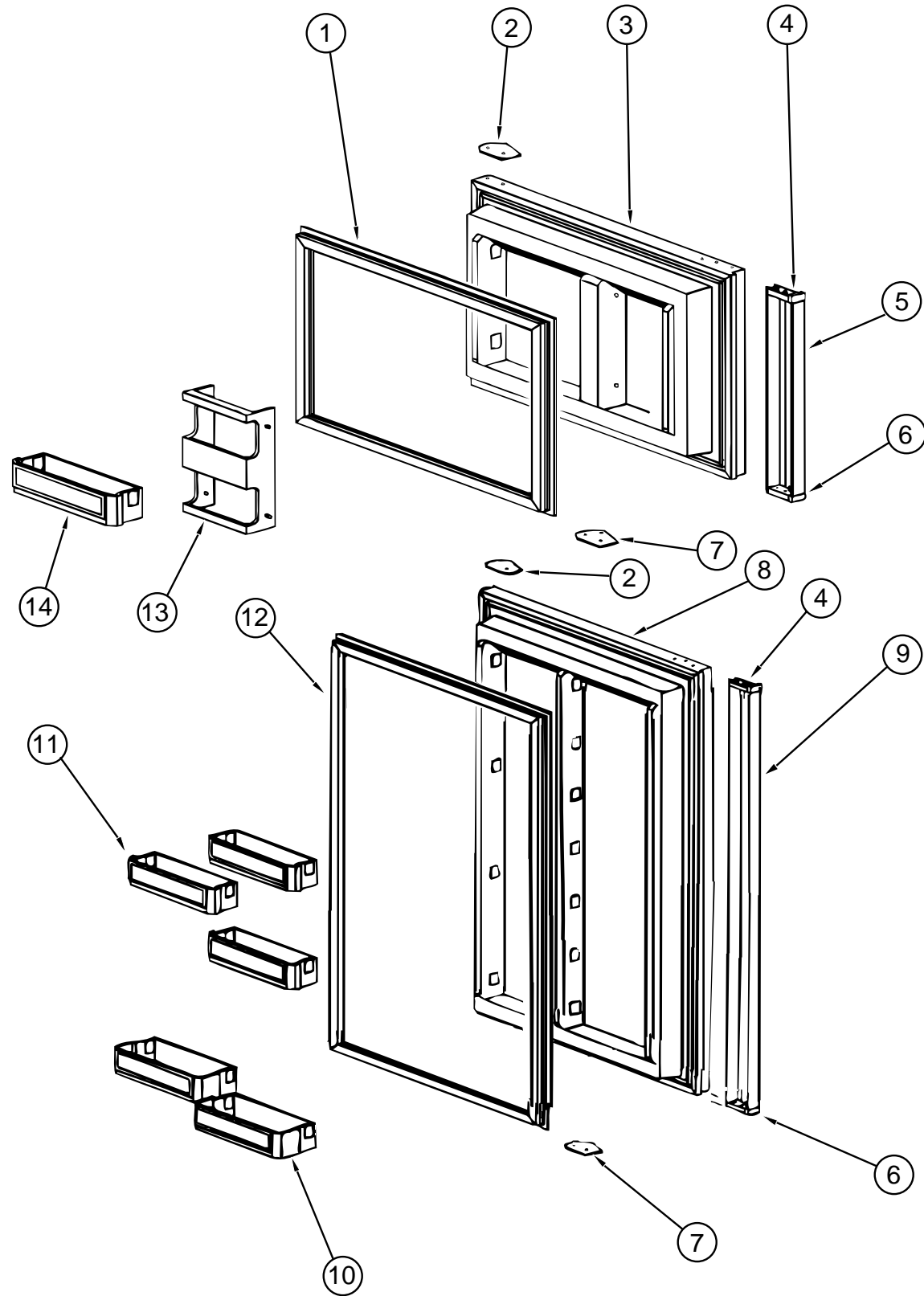
KEY	PART NUMBER	U/M	DESCRIPTION	VENDOR NO.
1	100258-18-03A	EA	HOOD-RANGE, W/O MONITOR PANEL - VENTLINE TP-55009-SBO-LG	CC246
2	096983-01-707	EA	FILTER-GREASE, 8" X 8" - LVS	CA508-1
3	090973-01-700	EA	MOTOR - LVS	VA183-1
4	090973-01-702	EA	BLADE-FAN, LVS	CC179
5	092696-02-701	EA	LENS-LAMP, VENTLINE	CB267-2
6	092696-01-710	EA	SOCKET-LIGHT, VENTLINE	VA415
7	092696-01-709	EA	BULB - 912, VENTLINE	112
8	096983-01-702	EA	SWITCH-TWO WAY MOMENTARY, VENTLINE	108
9	096983-01-700	EA	SWITCH-ON/OFF, VENTLINE	108
10	100258-01-700	EA	HOOD-NOSE LABEL	CC428
11	100258-10-01A	EA	METER-HOUR, SCREW ON - GENERATOR OPTIONS - VENTLINE 150	L0775-00
11	100258-10-701	EA	METER-HOUR, CLIP ON - GENERATOR OPTIONS - VENTLINE	L0775-00

**GALLEY GROUP (CONTINUED)**  
**NORCOLD REFRIGERATOR MODEL 6162 CABINET ASM WITH TRAY, TIEDOWNS & LEVEL**



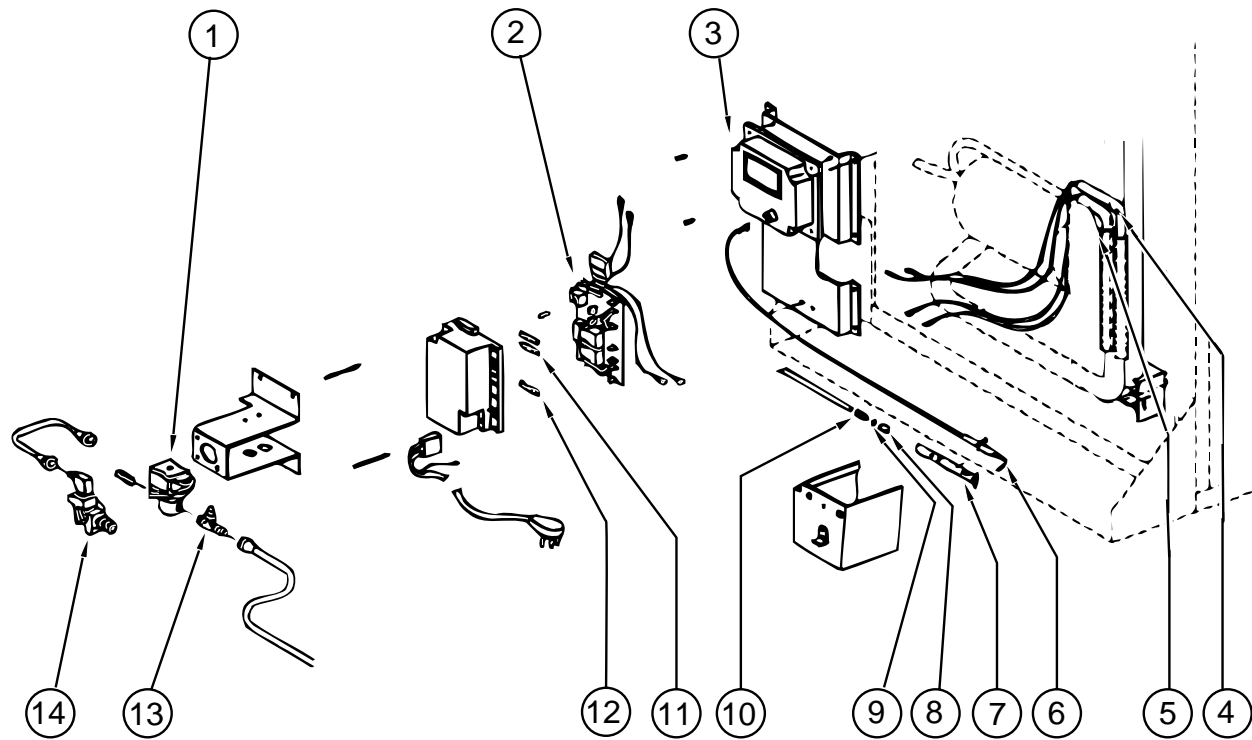
KEY	PART NUMBER	U/M	DESCRIPTION	VENDOR NO.
	104138-04-01A	EA	REFRIGERATOR-DOUBLE DOOR, 2-WAY - NORCOLD 6162 RH BL	
1	104138-04-701	EA	CABINET ASM BLACK TRIM W/WHITE INTERIOR	61725038
	084879-03-700	EA	COOLING UNIT - HORIZONTAL BURNER	61687237
2	094039-01-722	EA	HOLE PLUG, (BLACK) HINGE HOLES	61582030
3	084880-01-746	EA	CABLE-PRINTED CIRCUIT BOARD TO POWER SUPPLY	61571522
4	104137-06-700	EA	EYEBROW SHELL (2-WAY)	61726622
5	084880-01-753	EA	THERMISTER 78"	61697822
6	075217-01-738	EA	SWITCH-HUMIDITY	61525922
7	084880-01-760	EA	CLIP (THERMISTER)	61689122
8	094039-01-723	EA	HINGE BRACKET, TOP RH-BOTTOM LH BLACK	61580838
9	094039-01-725	EA	HINGE PIN, (BLACK) (MALE)	61578130
10	084880-01-749	EA	HINGE BUSHING	615807
11	094039-01-728	EA	HINGE BRACKET-CENTER HINGE, BLACK	61566530
12	094039-01-730	EA	HINGE PIN SHAFT, (BLACK) CENTER HINGE	61566730
13	084880-01-722	EA	CRISPER COVER	615641
14	104137-06-707	EA	CRISPER (WHITE)	61571325
15	094039-01-724	EA	BRACKET-HINGE, TOP LH - BOTTOM RH - BLACK	61580938
16	094039-01-739	EA	BOTTOM SHELF W/CUT-OUT - NORCOLD	61646722
17	094039-01-732	EA	FRONT COVER, (BLACK) BOTTOM TRIM - NORCOLD	61622130
18	094039-01-733	EA	SHELF-WIRE, CENTER - NORCOLD	61563822
19	104137-06-728	EA	SHELF-WIRE, TOP W/RISER - WHITE	618062
20	094039-01-735	EA	INSIDE DRIP TRAY, (WHITE)	61572830
21	084880-01-732	EA	LATCH	61578522
	084880-03-702	EA	PIN-HINGE, TOP/BOTTOM - FEMALE - BLACK	61580630
	104137-06-727	EA	FREEZER SHELF, WHITE	618057
	093646-01-000	EA	BRACKET-TIEDOWN, REFRIGERATOR - RH	
	093646-02-000	EA	BRACKET-TIEDOWN, REFRIGERATOR - LH	
	116751-02-01A	EA	TRAY-REFRIGERATOR, BLACK	
	065225-02-000	EA	PLATE-TIEDOWN, REFRIGERATOR	
	054450-01-000	EA	LEVEL-REFRIGERATOR	

**GALLEY GROUP (CONTINUED)**  
**NORCOLD REFRIGERATOR MODEL 6162 DOORS**



KEY	PART NUMBER	U/M	DESCRIPTION	VENDOR NO.
	104138-04-01A	EA	REFRIGERATOR-DOUBLE DOOR, 2-WAY - NORCOLD 6162 RH BL	
1	094039-01-702	EA	GASKET (GRAY) UPPER	61567830
2	094039-01-710	EA	PLATE-HINGE, TOP RH - LH BOTTOM - BLACK	61631330
3	094039-01-706	EA	UPPER DOOR LINER (WHITE) BLACK	61581838-B
4	084880-01-761	EA	END CAP (SPRING CATCH) BLACK - NORCOLD	61593730
5	094039-01-708	EA	HANDLE-DOOR, UPPER - BLACK - NORCOLD	61650038
6	084880-01-740	EA	END CAP (STOP CATCH)	61593830
7	094039-01-704	EA	PLATE-HINGE, BLACK	61631430
8	094038-01-702	EA	LINER-DOOR, LOWER - BLACK/WHITE	61581938-B
9	094038-01-704	EA	HANDLE-DOOR, LOWER - BLACK	61650138
10	104137-06-704	EA	MILK BIN - WHITE	61579425
11	104137-06-703	EA	BIN-DOOR SHELF, (WHITE)	61564025
12	094038-01-700	EA	GASKET-LOWER, GRAY	61567930
13	104137-06-702	EA	RACK-JUICE, WHITE	61580525
14	104137-06-703	EA	BIN-DOOR SHELF, WHITE	61564025
	084880-01-720	EA	SPRING (FOR DOOR HANDLE)	61558822

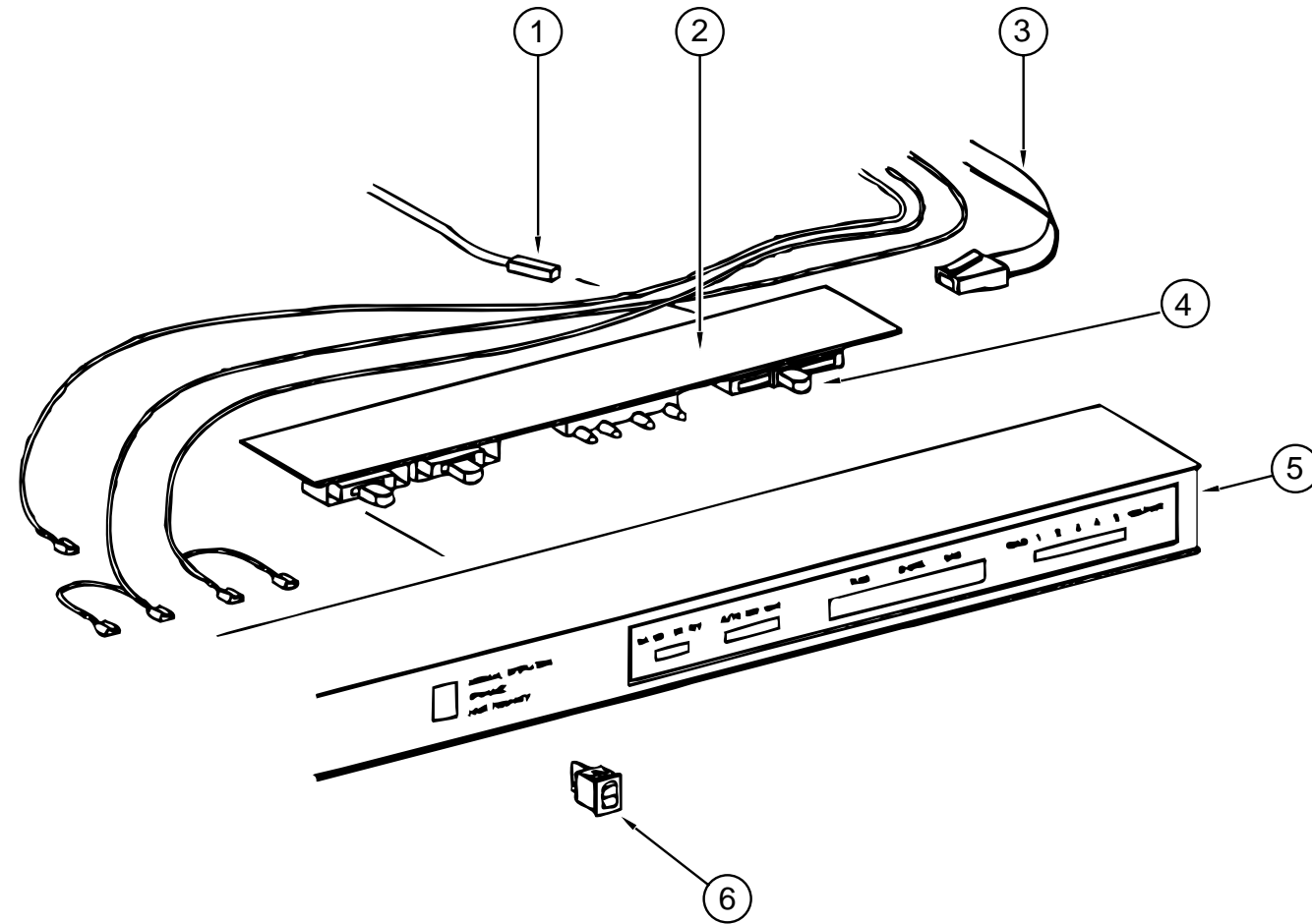
**GALLEY GROUP (CONTINUED)**



**NORCOLD REFRIGERATOR MODEL 6162 CONTROL ASM**

KEY	PART NUMBER	U/M	DESCRIPTION	VENDOR NO.
	104138-04-01A	EA	REFRIGERATOR-DOUBLE DOOR, 2-WAY - NORCOLD 6162 RH BL	
1	084880-01-718	EA	VALVE-GAS	61551822
2	094039-04-702	EA	POWER SUPPLY, (2 WAY)	61647422
3	102621-01-702	EA	IGNITION MODULE	61688922
4	088248-01-710	EA	HEATER-DC, (HORIZONTAL) - 3 WAY	615628
5	088248-01-709	EA	HEATER-AC, (HORIZONTAL)	615627
6	104137-06-715	EA	SPARK/SENSE ELECTRODE, (SINGLE)	61692222
7	104137-06-714	EA	BURNER ASSEMBLY, (5-SLOT)	61705222
8	084880-01-705	EA	ORIFICE	614522
9	104137-06-713	EA	ORIFICE GASKET	61475122
10	104137-06-712	EA	FITTING-GAS TUBE CONNECTION	61692722
11	075217-01-734	EA	FUSE, 3 AMP	61538822
12	104137-06-711	EA	FUSE, 5 AMP	61611622
13	104137-06-710	EA	PRESSURE TAP	61594422
14	104137-06-709	EA	VALVE, SHUT-OFF-MANUAL ASM	61694922

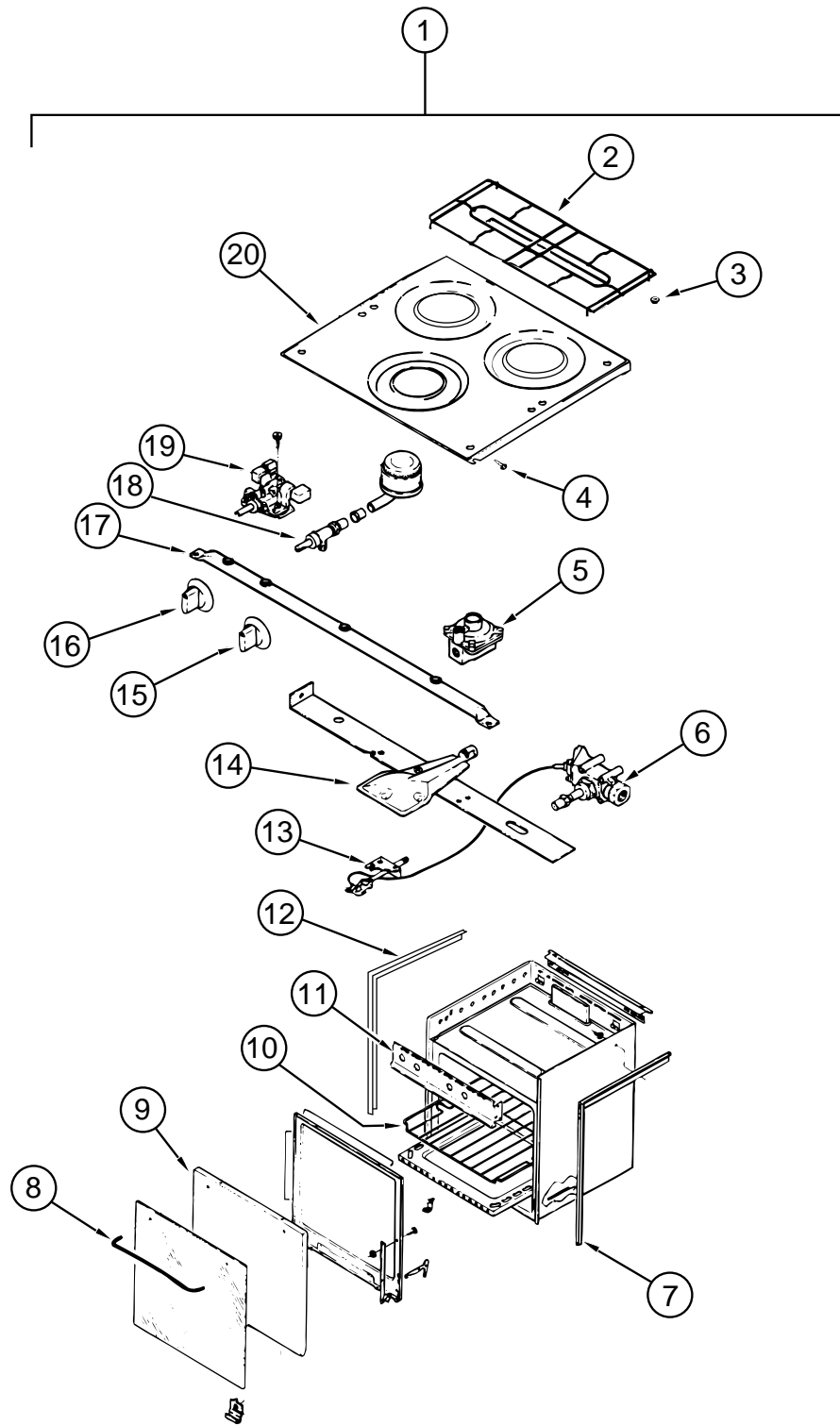
**GALLEY GROUP (CONTINUED)**



**NORCOLD REFRIGERATOR MODEL 6162 EYEBROW ASM**

KEY	PART NUMBER	U/M	DESCRIPTION	VENDOR NO.
	104138-04-01A	EA	REFRIGERATOR-DOUBLE DOOR, 2-WAY - NORCOLD 6162 RH BL	
1	084880-01-753	EA	THERMISTER - 78"	61693822
2	094039-04-700	EA	BOARD-PRINTED CIRCUIT, 2 WAY	61647322
3	084880-01-746	EA	CABLE	61571522
4	102621-01-703	EA	THERMOSTAT BUTTON	61587422
5	104137-06-700	EA	EYEBROW SHELL, (2-WAY)	61726622
6	075217-01-738	EA	SWITCH-HUMIDITY	61525922

**GALLEY GROUP (CONTINUED)**  
**MAGIC CHEF RANGE MODEL 16RB-3B49**



KEY	PART NUMBER	U/M	DESCRIPTION	VENDOR NO.
1	112881-01-04A	EA	RANGE - 16", 3 BURNER - MAGIC CHEF 16RB-3B49	
2	102020-01-711	EA	GRATE-TOP, MAGIC CHEF	7518P012-60
3	102020-01-709	EA	BUMPER-GRATE, MAGIC CHEF	8007-P020-60
4	102020-01-724	EA	BUMPER-MAIN TOP, MAGIC CHEF	8003P008-60
5	102022-01-708	EA	REGULATOR-PRESSURE, 1/4 IN 1/2 OUT - MAGIC CHEF	7510P041-60
6	112881-01-702	EA	VALVE-MERCURY, SAFETY VALVE - MAGIC CHEF	7501-P121-60
7	112881-01-708	EA	TRIM-FLAT, RIGHT - BLACK - MAGIC CHEF	3608W036-70
8	102020-01-701	EA	HANDLE-DOOR, MAGIC CHEF	7701P092-60
9	112881-01-713	EA	DOOR-OVEN, TEXTURED - MAGIC CHEF	2401F079-70
10	102020-01-700	EA	SHELF-OVEN, MAGIC CHEF	7801-P027-60
11	112881-01-701	EA	MANIFOLD PANEL - MAGIC CHEF	2616F091-70
12	112881-01-707	EA	TRIM-FLAT, LEFT - BLACK - MAGIC CHEF	3608W035-70
13	112881-01-710	EA	PILOT-OVEN, MAGIC CHEF	7505P202-60
14	112881-01-711	EA	BURNER ASSEMBLY-OVEN, MAGIC CHEF	3404W025045
15	112881-01-705	EA	KNOB-TOP BURNER, MAGIC CHEF	7733P072-60
15	112881-01-718	EA	KNOB-HIGH OUTPUT, FLAME INDICATOR, MAGIC CHEF	7733P072-60
16	112881-01-704	EA	KNOB-THERMOSTAT, MAGIC CHEF	7731P067-60
16	112881-01-716	EA	KNOB-THERMOSTAT, REF. SER. # 3C - MAGIC CHEF	7731P107-60
17	112881-01-709	EA	PIPE-MANIFOLD, MAGIC CHEF	7513P097-60
18	102020-01-722	EA	VALVE-TOP BURNER, MAGIC CHEF	7502P181-60
18	112881-01-703	EA	VALVE-TOP BURNER, HI-OUTPUT - MAGIC CHEF	7502P180-60
19	112881-01-706	EA	THERMOSTAT - MAGIC CHEF	12400026
19	112881-01-715	EA	THERMOSTAT - REF. SER. # 3C - MAGIC CHEF	7515P037-60
20	112881-01-712	EA	TOP-MAIN, BLACK - MAGIC CHEF	740101486
	105458-01-000	EA	BRACKET-TIEDOWN, STOVE - RIGHT	
	105458-02-000	EA	BRACKET-TIEDOWN, STOVE - LEFT	



**GENERATOR GROUP**  
6,500 WATT ONAN EMERALD PLUS - LP

KEY	PART NUMBER	U/M	DESCRIPTION
	100975-01-000	EA	GENERATOR-6,500 WATT EMERALD PLUS, ONAN NHE-FA/26100G WITH ONAN TRAY #403-2218
	007125-03-000	EA	CLAMP-MUFFLER, 1.5" DIA
	007125-04-000	EA	CLAMP-MUFFLER, 1.1" DIA
	079654-05-000	EA	PIPE-EXHAUST, ANGLED - W/FLANGE - 2" ID - ONAN# 154-2539
	081364-03-000	EA	MUFFLER-GENERATOR, ONAN
	106602-01-000	EA	PIPE-EXHAUST, GENERATOR
	106607-01-000	EA	ANGLE-SUPPORT, EXHAUST
	007067-01-000	SF	INSULATION-FIBERGLASS, 1" THICK X 4' - INCREMENTS OF 4 SF
	007131-01-000	EA	HANGER-TAILPIPE, 6 SLOTS
	093511-01-000	EA	VAPOR KIT-LP, GENERATOR
	094059-01-000	EA	SPACER-GENERATOR, ONAN

**NOTE:** ADDITIONAL GENERATOR COMPONENTS ARE FOUND IN THE CHASSIS GROUP

**HEATING & AIR CONDITIONING GROUP**  
AUTO A/C & HEATER COMPONENTS

KEY	PART NUMBER	U/M	DESCRIPTION
	007076-01-000	EA	HOSE-FLEXIBLE PVC - 2" ID - INCREMENTS OF 50'
	007076-01-700	FT	HOSE-FLEXIBLE PVC - 2" ID
	007108-01-000	FT	HOSE-HEATER, 5/8" ID
	009198-01-000	FT	DUCT-HEAT, FLEXIBLE - 4" ID - INCREMENTS OF 25'
	009200-01-000	EA	TAPE-FURNACE, 1 1/2"
	069636-02-000	EA	CONNECTOR-DUCT, 4" ID - SUBURBAN 050715
	007281-01-000	EA	HOSE-FLEXIBLE PVC, 2.5" ID X 50'
	007281-01-700	FT	HOSE-FLEXIBLE PVC, 2.5" ID
	024990-05-000	EA	OUTLET-DEFROSTER, W/SWIVEL - 2" DIAMETER - BLACK
	077075-01-000	EA	GASKET-INSTRUMENT PANEL TO DEFROSTER PLENUM - 1.8" X 12.5"
	077075-03-000	EA	GASKET-INSTRUMENT PANEL TO DEFROSTER PLENUM - 1.8" X 12.25"
	103016-01-000	EA	PLENUM-TRANSITION
	103017-01-000	EA	PLENUM-DEFROSTER
	103558-01-06A	EA	VENT-DEFROSTER, ABS - QUICK SILVER
	103796-01-01A	EA	LOUVER ASM-A/C CARY PROD - BLACK
	056402-05-000	EA	BRACKET-HEATER VENT, ROUND - W/BEND - BLACK
	103930-05-000	EA	MANUAL-OWNERS, HEATER-A/C - SCS 057-0049
	114802-01-000	EA	PUMP-VACUUM, 12V, 16" HG - EVANS RV212471

**HEATING & AIR CONDITIONING GROUP (CONTINUED)**  
**AUTO A/C HOSE KIT**

KEY	PART NUMBER	U/M DESCRIPTION
	103930-15-000	EA HOSE KIT #12 PRECHARGED R134 - SCS 093-00075
	103930-07-704	EA FITTING QUICK CONNECT #8
	103930-13-702	EA VALVE-SERVICE, W/O COMPRESSOR
	103930-15-700	EA HOSE ASSEMBLY #12 OSHKOSH
	103930-15-702	EA O'RING #18
	103930-17-702	EA O'RING #10
	113245-01-710	EA GASKET, #12

**AUTO A/C & HEATER CONTROL/PLENUM**

KEY	PART NUMBER	U/M DESCRIPTION
	103930-04-000	EA CONTROL/PLENUM SET - SCS 093-00037
	072341-06-700	EA SWITCH - 4 SPEED, FAN - ARA
	094831-01-709	EA CLAMPS-ROD, 3/16" - MOTIVAIR/SCS
	103930-02-712	EA PANEL-CONTROL, BLACK BEZEL - SCS
	103930-02-701	EA VALVE-CONTROL HEAD, SCS
	103930-02-702	EA DECAL-FAN SWITCH, SCS
	103930-02-703	EA HARNESS-WIRE CONTROL, SCS
	103930-02-704	EA HARNESS-VACUUM CONTROL, SCS
	103930-02-705	EA CABLE-CONTROL, BOWDEN - SCS
	103930-02-714	EA CLAMP-CLUTCH, BARREL
	103930-02-707	EA RELAY, SCS
	103930-02-708	EA MOTOR-VACUUM SERVO, A/C - SCS
	103930-02-710	EA CANISTER-VACUUM, SCS
	103930-23-000	EA VALVE-WATER, 2 PORT - SCS 034-00014

**AUTO A/C CONDENSER**

KEY	PART NUMBER	U/M DESCRIPTION
	072342-10-000	EA CONDENSER ASM-W/FAN PUSH R13
	072342-08-703	EA FAN BLADE/MOTOR & SHROUD 11"
	072342-10-700	EA COIL-CONDENSER
	072342-10-701	EA RECEIVER DRIER
	072342-10-702	EA FITTING-QUICK CONNECT #4 MALE
	072342-10-703	EA HOSE #8
	072342-10-704	EA VALVE-SERVICE #8X8
	072342-10-705	EA HOSE ASSEMBLY W/FITTINGS

**VENDOR NO.**

050-0081  
 050-152  
 085-0099  
 045-0152  
 045-0127  
 045-0128

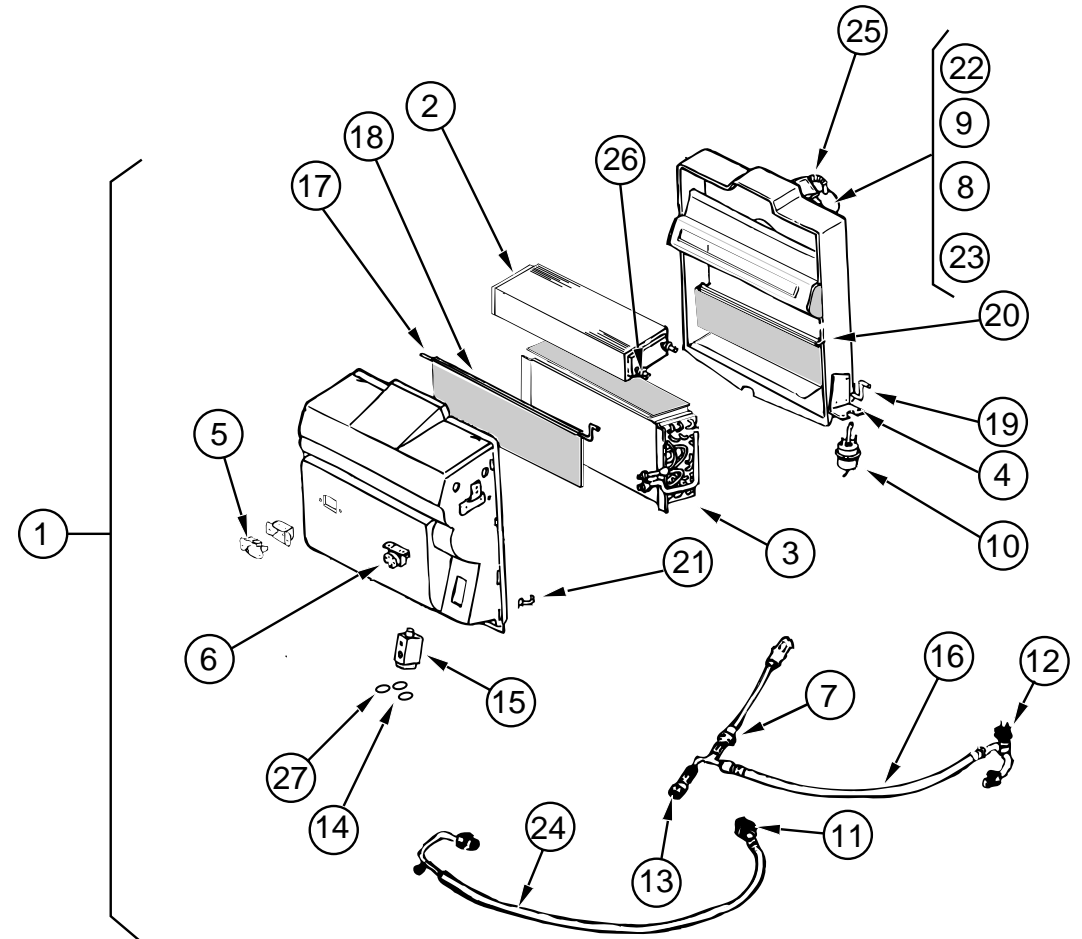
**VENDOR NO.**

0883502  
 ZGG14431  
 032-0054  
 034-0015  
 058-0008  
 036-0048  
 036-0049  
 074-0011  
 022-0006  
 031-0001  
 030-0002  
 054-0002

**VENDOR NO.**

062-0097  
 040-0028  
 054-0015  
 050-0148  
 051-0096  
 050-0134  
 085-0119

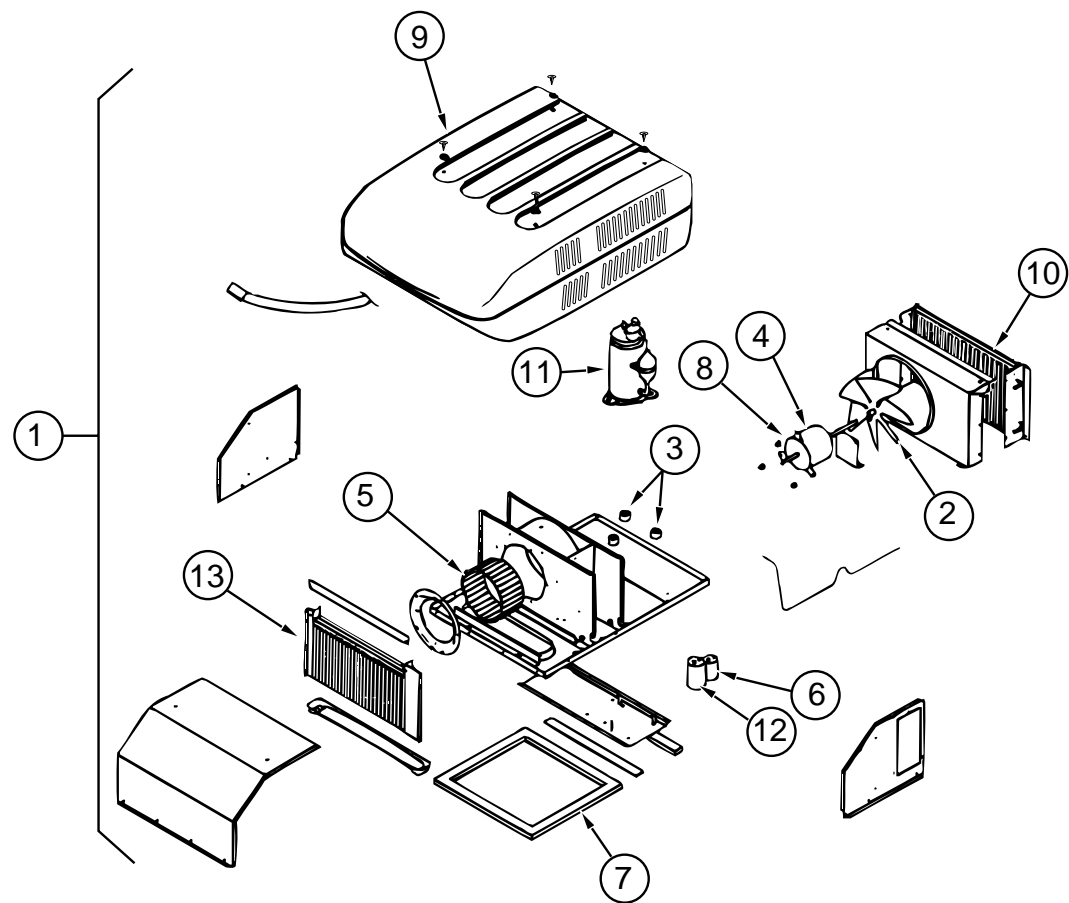
**HEATING & AIR CONDITIONING GROUP (CONTINUED)**



**SCS EVAPORATOR/HEATER ASSEMBLY**

KEY	PART NUMBER	U/M DESCRIPTION	VENDOR NO.
1	103930-22-000	EA EVAPORATOR/HEATER ASSEMBLY - SCS 090-00085	
2	103930-01-703	EA COIL-HEATER, SCS	042-0010
3	103930-01-704	EA COIL-EVAPORATOR, SCS	041-0017
4	103930-01-708	EA BRACKET-VACUUM MOTOR, SCS	070-0113
5	103930-01-710	EA RESISTOR-FUSED, SCS	035-0006
6	103930-01-711	EA THERMOSTAT, SCS	033-0003
7	103930-01-716	EA SWITCH-PRESSURE, FAN - SCS	032-0036
8	103930-01-717	EA WHEEL-CLOCKWISE, SCS	062-0010
9	103930-01-720	EA MOTOR, SCS	030-0004
10	103930-02-708	EA MOTOR-VACUUM SERVO, A/C - SCS	030-0002
11	103930-06-700	EA FITTING-QUICK CONNECT, #8 - SCS	050-0082
12	103930-12-708	EA SWITCH-BINARY, R-134A - SCS	032-0048
13	103930-12-709	EA FITTING-QUICK CONNECT - SCS	050-0120
14	103930-17-702	EA GASKET OR SAE 015 #10 33-781, SCS	045-0127
15	103930-20-700	EA VALVE-EXPANSION BLOCK, 2 TON - SCS	034-0032
16	103930-20-701	EA HOSE ASM - #6, SCS	085-0138
17	103930-20-702	EA ROD-AIR BLEND DOOR, SCS	073-0039
18	103930-20-703	EA DOOR-AIR BLEND, SCS	071-0212
19	103930-20-704	EA ROD-RECIRCULATING DOOR, SCS	073-0018
20	103930-20-705	EA DOOR-RECIRCULATING, SCS	071-0213
21	103930-20-706	EA CLIP-RETAINER, SCS	022-0057
22	103930-20-707	EA HOUSING-BLOWER, SCS	062-0145
23	103930-20-708	EA CLIP F/MOTOR SHAFT, SCS	022-0001
24	103930-22-700	EA HOSE ASM - #10 - SCS	085-0141
25	110279-01-703	EA MOTOR-BLOWER, SCS	051-0034
26	110279-01-712	EA FITTING-HEATER, SCS	050-0076
27	113245-01-707	EA GASKET #8, SCS	045-0126
	103930-05-000	EA MANUAL-OWNERS, HEATER-A/C - SCS 057-0049	

## HEATING & AIR CONDITIONING GROUP (CONTINUED)



COLEMAN 13,500 BTU COLEMAN ROOF A/C

KEY	PART NUMBER	U/M DESCRIPTION	VENDOR NO.
1	108889-01-05A	EA A/C-ROOF, 13,500 BTU TSR HO - BRIGHT WHITE - COLEMAN	7333A886
2	093763-01-712	EA FAN BLADE-CONDENSER	6733-3221
3	105620-01-706	EA FOOT PACKAGE-COMPRESSOR, 3 PER PACKAGE	6759-3081
4	108889-01-705	EA MOTOR - 115V, 60HZ	1468-3049
5	108889-01-706	EA IMPELLOR	1472-1041
6	093763-01-704	EA CAPACITOR-FAN	1499-5461
	108889-01-710	EA FILLER PAD-COND AIR SEAL	6759A3971
7	108889-01-711	EA GASKET PACKAGE	6792-3301
8	108889-01-715	EA MOTOR MOUNT & SHAFT SEAL KIT	6792-3361
9	108889-05-700	EA SHROUD - BRIGHT WHITE	7333-4601
10	108889-01-703	EA COIL-CONDENSER	1452A1301
11	105620-01-704	EA COMPRESSOR, RH & LH	1450-2009
12	108889-01-707	EA CAPACITOR-RUN, COMPRESSOR - 25MFD/370	1499-5661
	091225-01-709	EA RELAY-START	1497-4131
13	108889-01-709	EA COIL-EVAPORATOR	1452A1311
	108889-01-714	EA LINE ASSEMBLY-DISCHARGE	6792-531
	108889-01-712	EA LINE-SUCTION, REDUCER - 3/8" X 1/2"	1215-2161
	108889-01-713	EA LINE-SUCTION, 3/8" OD X 032 WALL	6792-130
	108889-01-704	EA OVERLOAD (MRA#98693)	6749-3541
	091225-01-710	EA CAPACITOR-START	1497-0881
	108889-01-720	EA TUBE-CAP	6792-1351
	093306-01-701	EA DECAL PACKAGE-LEFT & RIGHT	6798B3591
	102289-01-000	EA SPRING-SCREW, ROOF A/C GASKET - COLEMAN 6757-150	

## HEATING & AIR CONDITIONING GROUP (CONTINUED)

### COLEMAN CEILING ASSEMBLY 13,500 BTU A/C

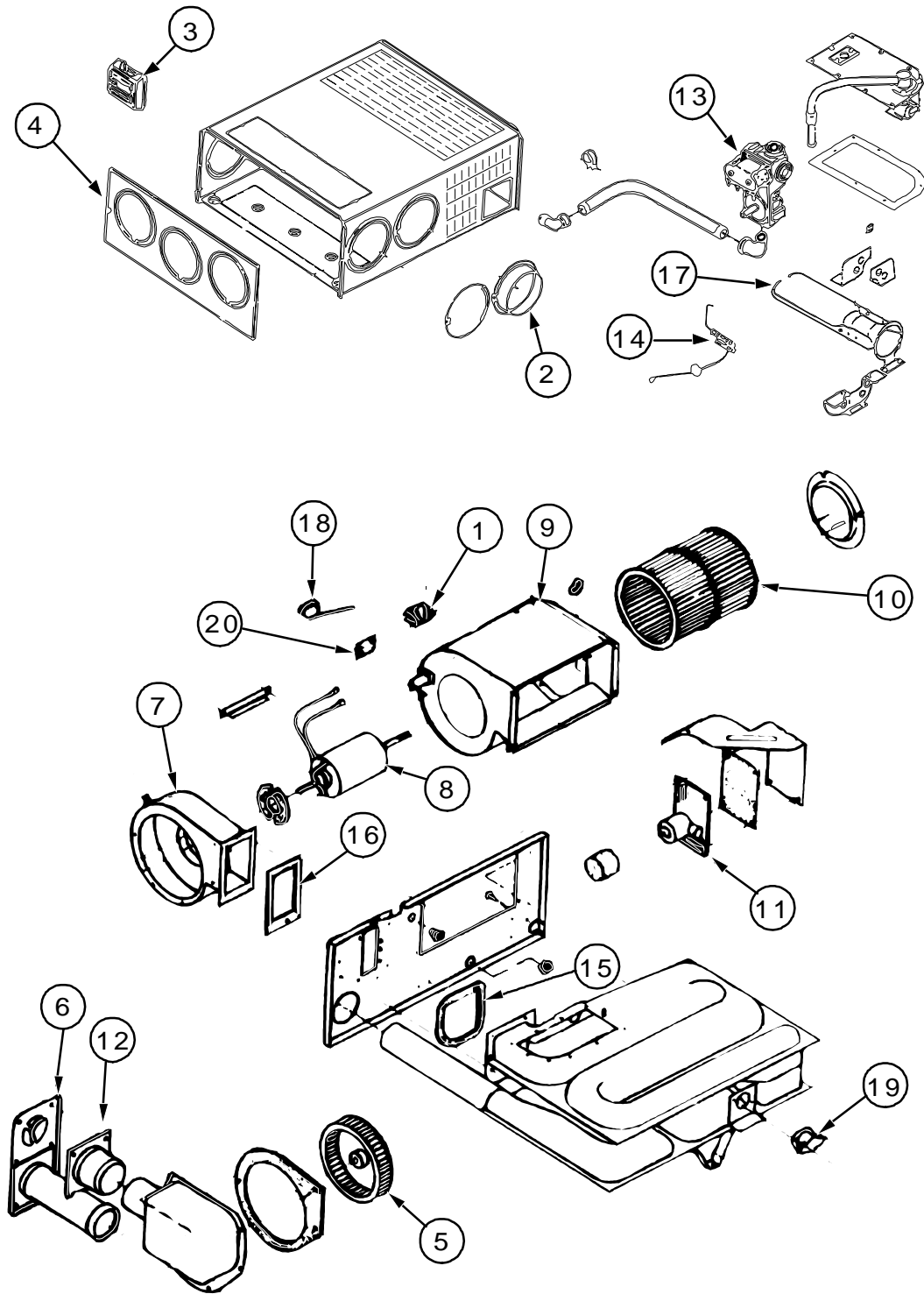
KEY	PART NUMBER	U/M DESCRIPTION	VENDOR NO.
	108892-01-01A	EA CEILING ASM-A/C DUCTED - COLEMAN 7330-730IV	
	108892-01-700	EA PLUG ASSEMBLY	7330-540
	108892-01-701	EA BOARD-TERMINAL	7330-3201
	108892-01-702	EA BOARD-PRINTED CIRCUIT	7330A3211
	108892-01-703	EA FILTER	6798A3761
	108892-01-704	EA GRILLE (PLASTIC)	6798-3041
	108892-01-705	EA SMALL PARTS PKG	7330A6101
	117238-01-01A	EA THERMOSTAT-A/C AND FURNACE - COLEMAN 7330-3371	
	056464-06-000	EA REGISTER-HEAT/A/C, ROUND W/O DAMPER - 4" - OFF WHITE PLASTIC	

### ROOF A/C COVER & AC SELECTOR SWITCH

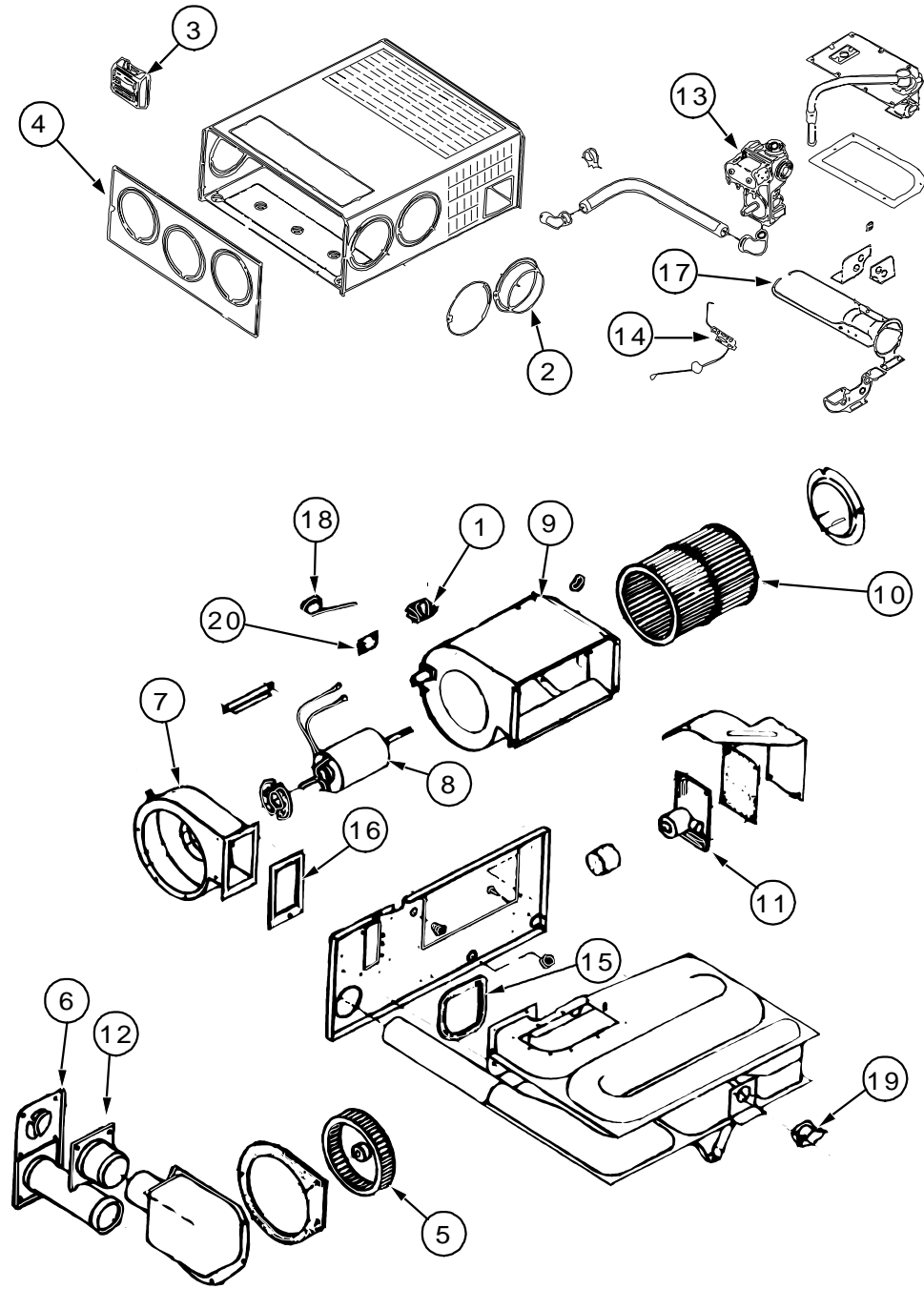
KEY	PART NUMBER	U/M DESCRIPTION
	092633-02-02A	EA COVER-BLANK, ROOF A/C - 5.1" X 5.1" - PLASTIC - OFF WHITE
	022756-03-000	EA COVER-A/C, OFF WHITE - PLASTIC
	022756-02-000	EA COVER-PROTECTIVE, 5.5" ENDS X 8.2" - PLASTIC - OFF WHITE
	073937-03-000	EA SWITCH-ROTARY SELECTOR, 3 DECK - A/C - CA20-USA892
	088238-01-000	EA COVER-SWITCH, A/C SELECTOR - FRONT TO REAR A/C

**HEATING & AIR CONDITIONING GROUP (CONTINUED)**  
**30,000 BTU SUBURBAN FURNACE & WALL THERMOSTAT**

KEY	PART NUMBER	U/M	DESCRIPTION	VENDOR NO.
	098668-20-000	EA	FURNACE - 30,000 BTU, SUBURBAN SF30 2273	
1	074466-01-702	EA	RELAY-TIME DELAY	230625
2	075696-02-703	EA	COLLAR-DUCT	050715
3	115764-01-01A	EA	THERMOSTAT - WALL, FURNACE 160902	
4	098668-01-700	EA	CABINET-FRONT	101242
5	098668-01-706	EA	WHEEL-COMBUSTION AIR	350122
6	098668-01-707	EA	VENT ASSEMBLY-CAP AND TUBE	260193
7	098668-01-708	EA	BLOWER ASSEMBLY-COMBUSTION AIR	390441
8	098668-01-709	EA	MOTOR ASSEMBLY-F/SF-25, SF-30	231706
9	098668-01-710	EA	BLOWER ASSEMBLY-ROOM AIR	390440
10	098668-01-711	EA	WHEEL-ROOM AIR	350123
11	098668-01-712	EA	BOARD-MODULE	231741
12	098668-01-713	EA	INTAKE VENT TUBE ASSEMBLY	051044
13	098668-01-714	EA	VALVE-GAS, SF S.N. 921401821	161070
14	098668-01-715	EA	ELECTRODE ASSEMBLY-SINGLE PROBE	232166
15	098668-01-716	EA	GASKET-FIREWALL, CHAMBER SIDE	232166
16	098668-01-717	EA	GASKET-FIREWALL, BLOWER SIDE	070163
17	098668-02-700	EA	BURNER ASSEMBLY COMPLETE - (SF-30/SF35)	010745
18	098668-21-700	EA	MICROSWITCH W/O FLAG 3 1/4"	232261
19	098668-21-701	EA	LIMIT SWITCH	231799
20	101990-01-714	EA	MICROSWITCH GASKET	230877
	092300-02-701	EA	ORIFICE-(MAIN BURNER) - SUBURBAN	180214
	098668-23-000	EA	DOOR-ACCESS, FURNACE - BRIGHT WHITE - SUBURBAN 520574	
	056464-10-000	EA	REGISTER-HEAT/A/C, ROUND W/O DAMPER - 4" - DURA-BEIGE PLASTIC	
	093614-01-02A	EA	GRILLE-RETURN AIR, FURNACE - 15.6" X 7.6" - BEIGE - LIMA,19H-14X6BR-RAG	

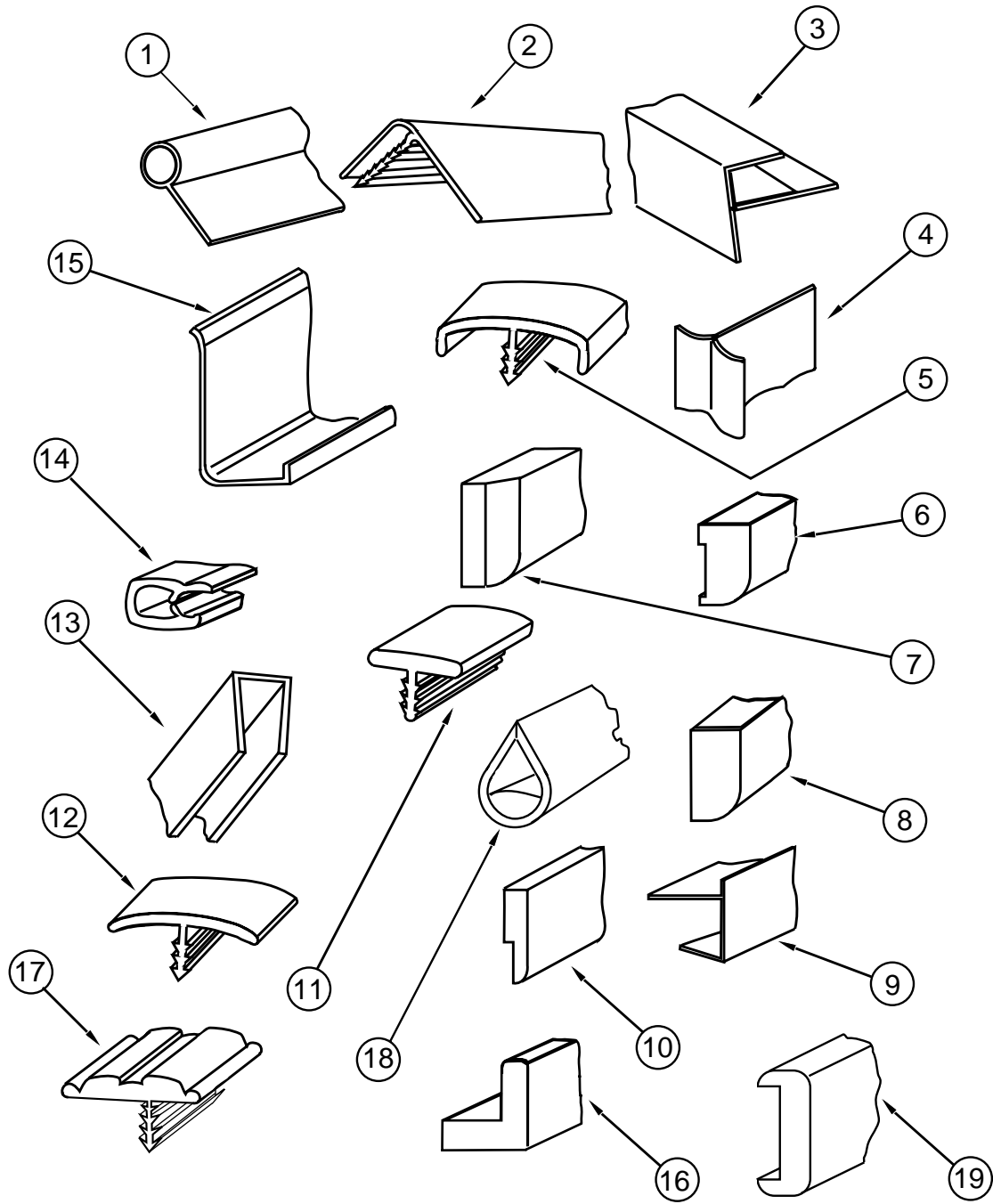


**HEATING & AIR CONDITIONING GROUP (CONTINUED)**  
**35,000 BTU SUBURBAN FURNACE & WALL THERMOSTAT**



KEY	PART NUMBER	U/M	DESCRIPTION	VENDOR NO.
	098668-21-000	EA	FURNACE - 35,000 BTU - SUBURBAN SF35 2274	
1	074466-01-702	EA	RELAY-TIME DELAY	230625
2	075696-02-703	EA	COLLAR-DUCT	050715
3	115764-01-01A	EA	THERMOSTAT - WALL, FURNACE 160902	
4	098668-01-700	EA	CABINET-FRONT	101242
5	098668-01-706	EA	WHEEL-COMBUSTION AIR	350122
6	098668-01-707	EA	VENT ASSEMBLY-CAP AND TUBE	260193
7	098668-01-708	EA	BLOWER ASSEMBLY-COMBUSTION AIR	390441
8	098668-03-700	EA	MOTOR ASSEMBLY, SF-35	231707
9	098668-01-710	EA	BLOWER ASSEMBLY-ROOM AIR	390440
10	098668-01-711	EA	WHEEL-ROOM AIR	350123
11	098668-01-712	EA	BOARD-MODULE	231741
12	098668-01-713	EA	INTAKE VENT TUBE ASSEMBLY	051044
13	098668-01-714	EA	VALVE-GAS, (WHITE ROGERS	161070
14	098668-01-715	EA	ELECTRODE ASSEMBLY-SINGLE PROBE	232166
15	098668-01-716	EA	GASKET-FIREWALL, CHAMBER SIDE	232166
16	098668-01-717	EA	GASKET-FIREWALL, BLOWER SIDE	070163
17	098668-02-700	EA	BURNER ASSEMBLY COMPLETE - (SF-30/SF35)	010745
18	098668-21-700	EA	MICROSWITCH W/O FLAG 3 1/4"	232261
19	098668-21-701	EA	LIMIT SWITCH	231799
20	101990-01-714	EA	MICROSWITCH GASKET	230877
	069634-01-720	EA	ORIFICE-MAIN BURNER	0180222
	098668-23-000	EA	DOOR-ACCESS, FURNACE - BRIGHT WHITE - SUBURBAN 520574	
	094600-05-01A	EA	REGISTER-HEAT, W/O DAMPER - LIMA 41 - DURA-BEIGE	
	056464-10-000	EA	REGISTER-W/O DAMPER, 4" DIAMETER - DURA-BEIGE PLASTIC	
	093614-01-02A	EA	GRILLE-RETURN AIR, FURNACE - 15.6" X 7.6" - BEIGE	

**INTERIOR FINISH GROUP**  
**MOLDINGS, TRIM & LUMBER**



KEY	PART NUMBER	U/M	DESCRIPTION
1	009767-12-000	FT	MOLDING-SIDEWALL TO CEILING/CABINET - WELTING - OFF WHITE
2	009809-28-000	EA	MOLDING-CORNER, OUTSIDE - 1" - PLASTIC - WATERFORD OAK
3	009812-29-000	EA	MOLDING-CORNER, OUTSIDE - .5" X 7' - PLASTIC - WATERFORD OAK
4	022992-11-000	FT	MOLDING-REVERSE COVE, T-SHAPED - VINYL - IVORY
5	083620-12-000	FT	MOLDING-T, END CAP EDGE - W/EDGE LIPS - .75" - WATERFORD OAK
6	117268-D2-134	EA	MOLDING-VINYL WRAPPED, .7" X 1.6" X 7' - WATERFORD OAK
6	117268-F2-134	EA	MOLDING-VINYL WRAPPED, .7" X 2.6" X 7' - WATERFORD OAK
6	117268-F2-438	EA	MOLDING-VINYL WRAPPED, .7" X 2.6" X 8' - WATERFORD
7	100659-01-G09	EA	MOLDING-TRIM, VINYL FLOOR
8	100818-01-05A	EA	MOLDING-VINYL WRAPPED, 1.65" X .4" X 7' - WATERFORD OAK
9	103186-01-05A	FT	MOLDING-EDGE, SHELF - .78" WIDE - PLASTIC - WATERFORD OAK
9	103186-02-05A	FT	MOLDING-EDGE, SHELF - 1.3" WIDE - PLASTIC - WATERFORD OAK
10	105004-01-05A	EA	MOLDING-VINYL WRAPPED, 1" X 8' - WATERFORD OAK
11	104676-01-01A	FT	T-MOLDING, 5/16 - RIGID - GOLD
12	105709-01-000	FT	T-MOLDING, 1", IVORY
13	009778-21-000	FT	U - CHANNEL, 1" WIDE X 8' INCREMENTS - PLASTIC - WATERFORD OAK
13	070504-18-000	FT	U-CHANNEL-PLASTIC, .065" WIDE - IVORY - INCREMENTS OF 8'
13	070504-19-000	FT	U-CHANNEL-PLASTIC, .815" WIDE - BROWN - INCREMENTS OF 8'
14	072368-02-000	EA	TRIM-VINYL, EDGE - BLACK - GM 14004305
15	085746-01-000	FT	TRIM-J, CARPET - 1.2" X .5" ANGLE - 10' LONG - PVC - BEIGE
16	100819-01-05A	EA	MOLDING-VINYL WRAP, DOOR - WATERFORD OAK
17	109736-01-03A	FT	T-MOLDING, 1" WIDE- WATERFORD OAK - CRILLA PLASTIC
18	105618-01-01A	FT	MOLDING-EDGE, 5/16" - GOLD W/ADHESIVE
19	078323-06-G15	EA	MOLDING-CAP, WALL - 2022 MM
	093873-01-01A	EA	TRIM-CARPET, L-ANGLE - 1.1" X 1.3" X 12' - VINYL - GRAY
	117267-D2-438	EA	LUMBER-VINYL WRAPPED, .7" X 1 1/2" X 8' - WATERFORD OAK
	117267-E2-438	EA	LUMBER-VINYL WRAPPED, .7" X 2" X 8' - WATERFORD OAK
	117267-G2-438	EA	LUMBER-VINYL WRAPPED, .7" X 3" X 8' - WATERFORD OAK

**INTERIOR FINISH GROUP (CONTINUED)**  
**BATT STRIPS**

KEY	PART NUMBER	U/M DESCRIPTION
	069733-83-000	EA BATT STRIP-WOODGRAIN, 8' - WATERFORD OAK
	088263-78-000	EA BATT STRIP-SHOWER, 8' - OFF WHITE
	088263-B3-000	EA BATT STRIP-DECORATIVE, ALLURE/MEADOW - 8' LONG (G30) (MAIN WALL)
	088263-B8-000	EA BATT STRIP-DECORATIVE, METRO/MIST - 8' LONG (G31) (MAIN WALL)
	085284-B5-000	FT BATT - TAPE, WATERFORD OAK WOODGRAIN - ADHESIVE BACKED
	085284-76-000	FT BATT - TAPE, SHOWER - OFF WHITE - ADHESIVE BACKED
	085284-A4-000	FT BATT - TAPE, ALLURE-MEADOW - ADHESIVE BACKED (G30) (MAIN WALL)
	085284-B1-000	FT BATT - TAPE, METRO MIST - ADHESIVE BACKED (G31) (MAIN WALL)
	086229-13-000	EA BATTEN-CEILING, 1" WIDE - MODERN IVORY - 7.6'
	086229-01-000	EA RETAINER-BATTEN, CEILING - .75" WIDE - IVORY - 7.6'

**PLASTIC LAMINATE & EDGE BAND MOLDING**

KEY	PART NUMBER	U/M DESCRIPTION
	074498-73-000	SF LAMINATE-PLASTIC, PEPPERMINT SANTOS - 5' X 8' - INCREMENTS OF 40 SF (G30) (GALLEY, DINETTE, BATH & BEDROOM)
	074498-62-000	SF LAMINATE-PLASTIC, GREY FINESSE - 5' X 8' - INCREMENTS OF 40 SF (G31) (GALLEY, DINETTE, BATH & BEDROOM)
	074498-67-000	SF LAMINATE-PLASTIC, ORCHID MIST - 5' X 8' - INCREMENTS OF 40 SF (PATIO ENTERTAINMENT CENTER TABLE)
	076325-34-000	FT MOLDING-EDGE BAND, 1233 ORCHID MIST - 1 5/16" X .030" X 600" (PATIO ENTERTAINMENT CENTER TABLE)
	076325-65-000	FT MOLDING-EDGE BAND, 1179 PEPPERMINT - 1 5/16" X .030" X 600" (G30) (DINETTE/BEDROOM)
	076325-46-000	FT MOLDING-EDGE BAND, 1035 CLOUD - 1 5/16" X .030" X 600" (G31) (DINETTE/BEDROOM)
	076325-66-000	FT MOLDING-EDGE BAND, 1179 PEPPERMINT - .875 "X .024" X 600" (G30) (DINETTE/BEDROOM)
	076325-43-000	FT MOLDING-EDGE BAND, 1035 CLOUD - .875 "X .024" X 600" (G31) (DINETTE/BEDROOM)

**INTERIOR FINISH GROUP (CONTINUED)**  
**PANELING, PLYWOOD, PARTICLE BOARD & TAMBOUR**

KEY	PART NUMBER	U/M DESCRIPTION
	074497-28-000	SF PANELING-WOODGRAIN, 4' X 8' - INCREMENTS OF 32 SF
	088272-98-000	SF PANELING-SHOWER, OFF WHITE - 4' X 7' - INCREMENTS OF 28 SF
	088272-D6-000	SF PANELING-DECORATIVE, ALLURE/MEADOW - 4' X 7' - INCREMENTS OF 28 SF (G30) (MAIN WALL)
	088272-E0-000	SF PANELING-DECORATIVE, METRO/MIST - 4' X 7' - INCREMENTS OF 28 SF (G31) (MAIN WALL)
	080215-10-000	SF PANELING - 2 SIDED, WATERFORD OAK - 5 MM X 4' X 8' - INCREMENTS OF 32 SF
	074497-34-000	SF PANELING-BUNK, IMPACT PEARL - 4' X 8' - INCREMENTS OF 32 SF
	000846-01-000	SF PLYWOOD - 5/16" X 48" X 96.69"
	000846-02-000	SF PLYWOOD-UNDR, 5/16" X 48" X 96.69"
	089297-01-000	SF PLYWOOD-LUAN, OVERLAY GRADE - 4' X 8' - INCREMENTS OF 32 SF
	000885-76-000	SF PARTICLE BOARD - 3/8" X 48" X 96" - WATERFORD OAK VINYL 1 SIDE
	000885-77-000	SF PARTICLE BOARD - 3/8" X 48" X 96" - WATERFORD OAK VINYL 2 SIDES
	000885-79-000	SF PARTICLE BOARD - 3/4" X 48" X 96" - WATERFORD OAK VINYL 2 SIDES
	057882-04-700	EA TAMBOUR-SHEET, 4' X 4' - WINONA - LAVATORY CABINET

**ANTISLIP & FLOOR MATS**

KEY	PART NUMBER	U/M DESCRIPTION
	091261-01-000	FT SLIPNOT-ANTISLIP, 1' WIDE (100' ROLL)
	105924-01-F11	EA MAT-FLOOR, 18" X 27" (G30)
	105924-01-F25	EA MAT-FLOOR, 18" X 27" (G31)

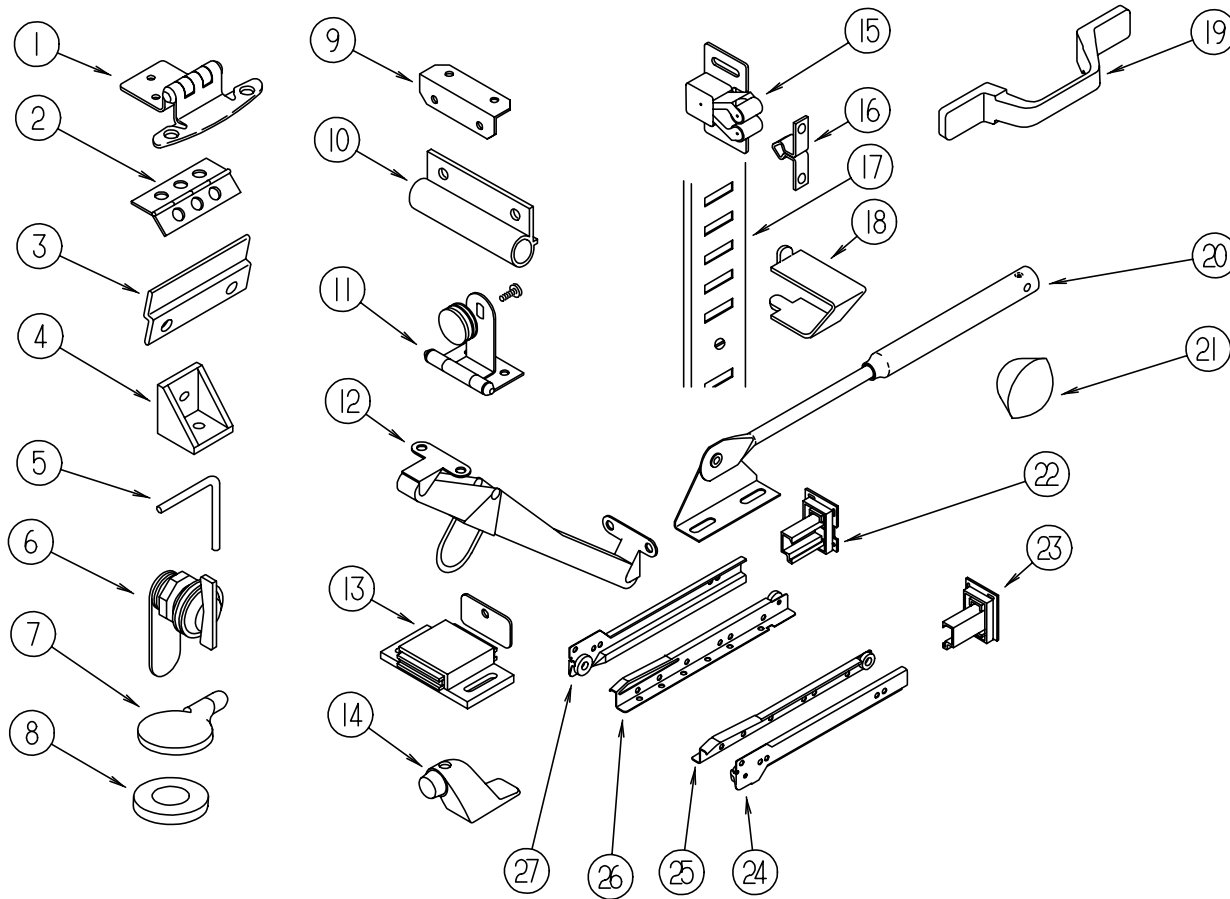
**CARPET**

KEY	PART NUMBER	U/M DESCRIPTION
	075233-01-000	SY PAD-CARPET, 3/8" X 6' ROLL
	047034-06-000	SF PLASTIC - CARPET - 2' WIDE - CLEAR POLY
	093486-01-000	SY CARPET - COMPARTMENT, 54" WIDE - DARK GRAY
	096060-A2-000	SY CARPET - NEW MEADOW, 12' ROLL, INCREMENTS OF 4 SY (G30)
	096060-A8-000	SY CARPET - BLUE LAGOON, 12' ROLL, INCREMENTS OF 4 SY (G31)

**SMOKE DETECTOR, CO DETECTOR, FIRE EXTINGUISHER & CLOCK**

KEY	PART NUMBER	U/M DESCRIPTION
	072852-01-000	EA DETECTOR-SMOKE, W/9 VOLT BATTERY - US
	072852-02-000	EA DETECTOR-SMOKE, W/9 VOLT BATTERY - CANADIAN
	094499-01-000	EA EXTINGUISHER-FIRE, DRY W/MOUNTING BRACKET - 10 BC
	094499-01-700	EA BRACKET-MOUNTING, W/PLASTIC STRAP - FIRE EXTINGUISHER
	094499-01-701	EA STRAP ONLY-(METAL), FIRE EXTINGUISHER
	094499-02-000	EA EXTINGUISHER-FIRE, DRY - 1A10BC - CANADIAN
	112320-03-000	EA DETECTOR-CO GAS, MODEL 9D-I - COSTAR 946000001
	112320-04-000	EA DETECTOR-CO SENSOR ASSEMBLY - COSTAR 946001001
	118081-01-01A	EA CLOCK-WALL, ROUND 8" - BRASS

**INTERIOR FINISH GROUP (CONTINUED)**  
**CABINET HARDWARE**

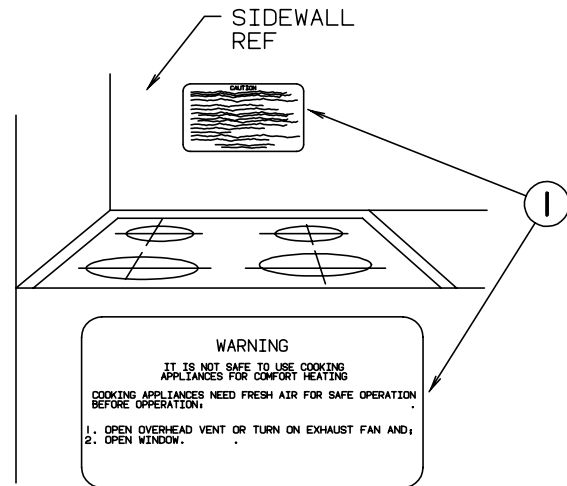


KEY	PART NUMBER	U/M	DESCRIPTION
1	108138-01-000	EA	HINGE-CABINET DOOR, BURNISHED BRASS
2	009059-01-000	EA	HINGE-DOOR, 2" X 1.4" - BRASS
2	009059-02-000	EA	HINGE-DOOR, 2" X 2.7" - BRASS
3	101272-01-000	EA	CATCH-DOOR, GLASS
4	065740-01-000	EA	BRACE-CABINET CORNER, PLASTIC
5	108487-02-01A	EA	SUPPORT-PROP ROD, OVERHEAD - BLACK
6	100710-01-01A	EA	LOCK-GLASS DOOR, TWIST TYPE - BRASS
7	101766-01-000	EA	PIN-SUPPORT, GLASS DOOR
8	100707-01-000	EA	SPACER-DOOR, GLASS - .8" DIA - .3" HOLE - PLASTIC
9	016604-01-000	EA	BRACE-CABINET, ANGLE - 2.5" - METAL - UNPAINTED
9	016604-05-000	EA	BRACE-CABINET, ANGLE - 2.5" - METAL - OFF WHITE
10	108486-01-01A	EA	BRACKET-PROP ROD, OVERHEAD - BLACK
11	100711-01-01A	EA	HINGE-DOOR, GLASS
12	104181-01-01A	EA	SUPPORT-LEAF, 5.3" - EXTENDS TO 7.5" - SAFETY RING - METAL
13	088254-01-000	EA	CATCH-MAGNETIC W/STRIKE, 1.8" X .7"
14	103257-01-000	EA	STOP-DOOR
15	093586-06-000	EA	CATCH-SPRING, ROLLER
16	093586-05-000	EA	STRIKE-SPRING STEEL
17	098980-01-000	EA	PILASTER-ADJUSTABLE SHELF, 18" LONG
17	098980-02-000	EA	PILASTER-ADJUSTABLE SHELF, 12" LONG
17	098980-03-000	EA	PILASTER-ADJUSTABLE SHELF, 9" LONG
18	098979-01-000	EA	CLIP-ADJUSTABLE SHELF
19	117801-01-01A	EA	PULL-CABINET, BRASS
20	074493-02-000	EA	SUPPORT-PISTON SPRING, CABINET DOOR
21	042356-01-000	EA	PLUG-BUTTON, MAHOGANY - 3/8" DIAMETER - WOOD
22	114045-01-000	EA	BACKSOCKET-ADJUSTABLE, LEFT PLEASE REFER TO PARTS BULLETIN #140 FOR INTERCHANGEABILITY
23	114045-02-000	EA	BACKSOCKET-ADJUSTABLE, RIGHT PLEASE REFER TO PARTS BULLETIN #140 FOR INTERCHANGEABILITY

KEY	PART NUMBER	U/M	DESCRIPTION
24	114031-06-000	EA	SLIDE-DRAWER, CABINET - RIGHT SIDE - 14" REFERENCE DEALER PARTS BULLETIN #7SB010-96-12Z.
24	114031-10-000	EA	SLIDE-DRAWER, CABINET - RIGHT SIDE - 16" REFERENCE DEALER PARTS BULLETIN #7SB010-96-12Z.
24	114031-14-000	EA	SLIDE-DRAWER, CABINET - RIGHT SIDE - 18" REFERENCE DEALER PARTS BULLETIN #7SB010-96-12Z.
24	114031-18-000	EA	SLIDE-DRAWER, CABINET - RIGHT SIDE - 20" REFERENCE DEALER PARTS BULLETIN #7SB010-96-12Z.
24	114031-22-000	EA	SLIDE-DRAWER, CABINET - RIGHT SIDE - 22" REFERENCE DEALER PARTS BULLETIN #7SB010-96-12Z.
24	114031-26-000	EA	SLIDE-DRAWER, CABINET - RIGHT SIDE - 24" REFERENCE DEALER PARTS BULLETIN #7SB010-96-12Z.
25	114031-08-000	EA	SLIDE-DRAWER, DRAWER MOUNT - RIGHT SIDE - 14" REFERENCE DEALER PARTS BULLETIN #7SB010-96-12Z.
25	114031-12-000	EA	SLIDE-DRAWER, DRAWER MOUNT - RIGHT SIDE - 16" REFERENCE DEALER PARTS BULLETIN #7SB010-96-12Z.
25	114031-16-000	EA	SLIDE-DRAWER, DRAWER MOUNT - RIGHT SIDE - 18" REFERENCE DEALER PARTS BULLETIN #7SB010-96-12Z.
25	114031-20-000	EA	SLIDE-DRAWER, DRAWER MOUNT - RIGHT SIDE - 20" REFERENCE DEALER PARTS BULLETIN #7SB010-96-12Z.
25	114031-24-000	EA	SLIDE-DRAWER, DRAWER MOUNT - RIGHT SIDE - 22" REFERENCE DEALER PARTS BULLETIN #7SB010-96-12Z.
25	114031-28-000	EA	SLIDE-DRAWER, DRAWER MOUNT - RIGHT SIDE - 24" REFERENCE DEALER PARTS BULLETIN #7SB010-96-12Z.
26	114031-07-000	EA	SLIDE-DRAWER, DRAWER MOUNT - LEFT SIDE - 14" REFERENCE DEALER PARTS BULLETIN #7SB010-96-12Z.
26	114031-11-000	EA	SLIDE-DRAWER, DRAWER MOUNT - LEFT SIDE - 16" REFERENCE DEALER PARTS BULLETIN #7SB010-96-12Z.
26	114031-15-000	EA	SLIDE-DRAWER, DRAWER MOUNT - LEFT SIDE - 18" REFERENCE DEALER PARTS BULLETIN #7SB010-96-12Z.
26	114031-19-000	EA	SLIDE-DRAWER, DRAWER MOUNT - LEFT SIDE - 20" REFERENCE DEALER PARTS BULLETIN #7SB010-96-12Z.
26	114031-23-000	EA	SLIDE-DRAWER, DRAWER MOUNT - LEFT SIDE - 22" REFERENCE DEALER PARTS BULLETIN #7SB010-96-12Z.
26	114031-27-000	EA	SLIDE-DRAWER, DRAWER MOUNT - LEFT SIDE - 24" REFERENCE DEALER PARTS BULLETIN #7SB010-96-12Z.
27	114031-05-000	EA	SLIDE-DRAWER, CABINET - LEFT SIDE - 14" REFERENCE DEALER PARTS BULLETIN #7SB010-96-12Z.
27	114031-09-000	EA	SLIDE-DRAWER, CABINET - LEFT SIDE - 16" REFERENCE DEALER PARTS BULLETIN #7SB010-96-12Z.
27	114031-16-000	EA	SLIDE-DRAWER, CABINET - LEFT SIDE - 18" REFERENCE DEALER PARTS BULLETIN #7SB010-96-12Z.
27	114031-17-000	EA	SLIDE-DRAWER, CABINET - LEFT SIDE - 20" REFERENCE DEALER PARTS BULLETIN #7SB010-96-12Z.
27	114031-21-000	EA	SLIDE-DRAWER, CABINET - LEFT SIDE - 22" REFERENCE DEALER PARTS BULLETIN #7SB010-96-12Z.
27	114031-25-000	EA	SLIDE-DRAWER, CABINET - LEFT SIDE - 24" REFERENCE DEALER PARTS BULLETIN #7SB010-96-12Z.
	004354-01-000	EA	BUMPER-RUBBER, .5" DIA - BROWN
	009112-01-000	EA	FLANGE - 1" ROD, CLOTHES - PLASTIC - OFF WHITE
	023320-01-000	EA	PAD-FELT, 3/8" DIAMETER - BROWN
	039984-01-000	EA	CAP-ROUND, VINYL - .28" ID X .62" LONG - BLACK
	042438-01-000	EA	DOWEL-WOOD, CLOTHES ROD - 1" DIAMETER X 4'
	009021-01-000	EA	CATCH-GRILLE, NYLON
	009021-02-000	EA	STRIKE-SPRING STEEL
	072871-01-000	EA	PULL-FLUSH, CHROME
	074045-07-000	EA	PLUG-WOOD, 1/2"

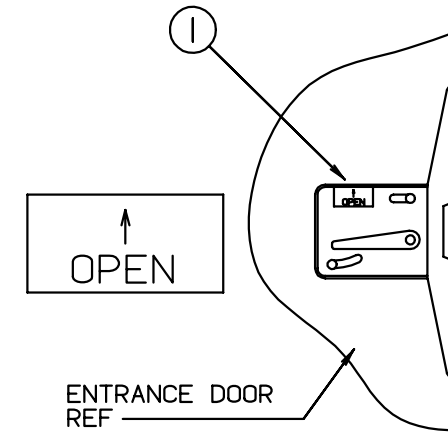


**LABELS GROUP**

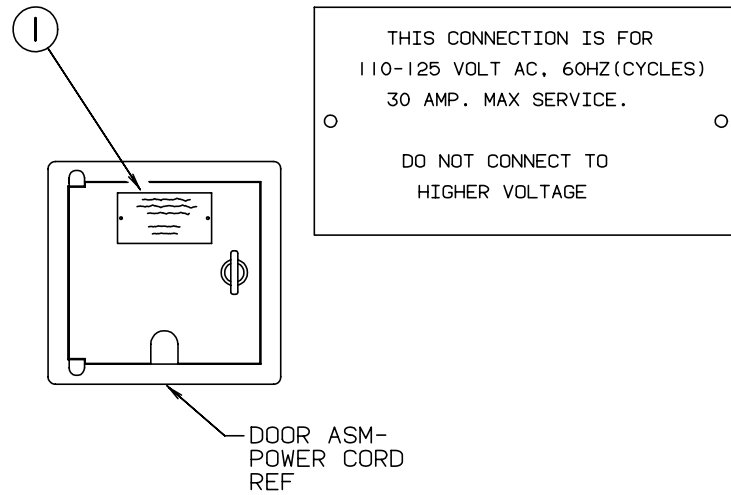


KEY	PART NUMBER	U/M DESCRIPTION
1	050225-01-000	EA LABEL-WARNING, STOVE VENT - US
1	050222-01-000	EA LABEL-WARNING, STOVE VENT - CANADIAN

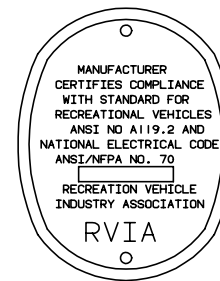
**LABELS GROUP (CONTINUED)**



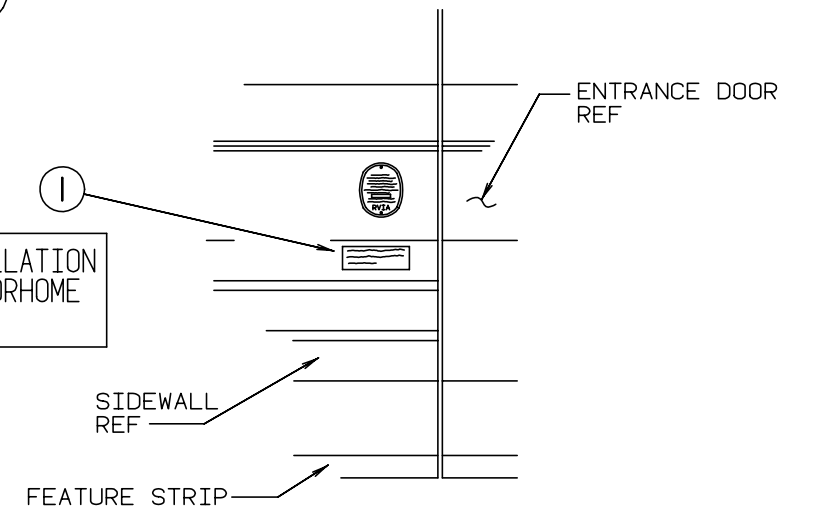
KEY	PART NUMBER	U/M DESCRIPTION
1	040944-01-000	EA LABEL-ENTRANCE DOOR, "OPEN"



KEY	PART NUMBER	U/M DESCRIPTION
1	006062-01-000	EA LABEL-ELECTRIC, 110V CONNECTION

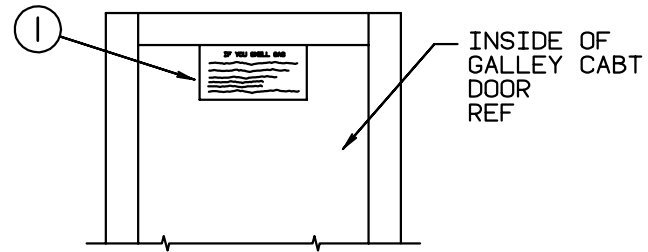


FOR AWNING INSTALLATION CONTACT YOUR MOTORHOME DEALERSHIP



KEY	PART NUMBER	U/M DESCRIPTION
1	099509-01-000	EA LABEL-AWNING INSTALLATION

**LABELS GROUP (CONTINUED)**

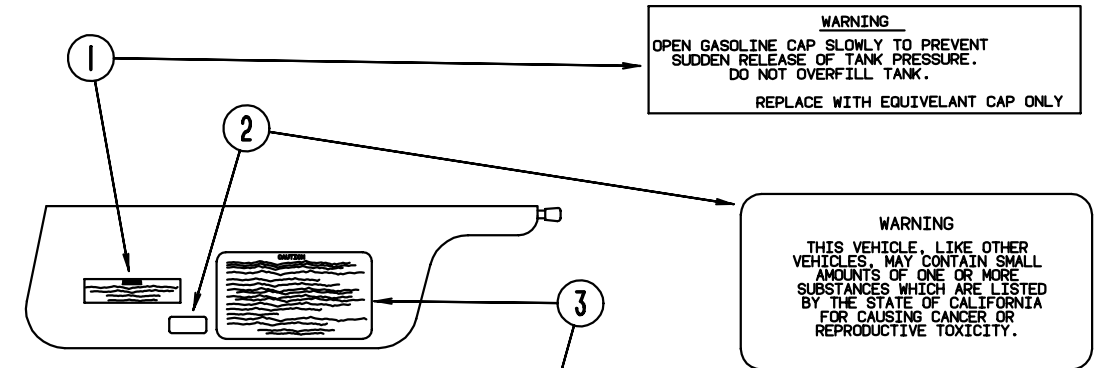


**IF YOU SMELL GAS**

1. EXTINGUISH ANY OPEN FLAME, PILOT LIGHTS AND ALL SMOKING MATERIALS.
2. SHUT OFF THE GAS SUPPLY AT THE TANK VALVE( OR GAS SUPPLY CONNECTION.
3. OPEN DOORS AND OTHER VENTILATING OPENINGS.
4. DO NOT TOUCH ELECTRICAL SWITCHES.
5. LEAVE THE AREA UNTIL ODOR CLEARS.
6. HAVE THE GAS SYSTEM CHECKED AND LEAKAGE SOURCE CORRECTED BEFORE USING AGAIN.

KEY	PART NUMBER	U/M DESCRIPTION
1	073998-01-000	EA LABEL-LPG ODOR WARNING

**LABELS GROUP (CONTINUED)**



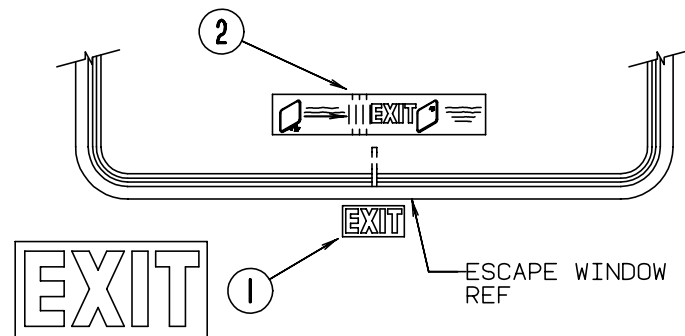
**CAUTION**

THIS MOTOR HOME HAS BEEN DESIGNED, MANUFACTURED AND TESTED WITH CONCERN FOR THE PROTECTION OF IT'S OCCUPANTS. WE RECOMMEND YOU PERFORM THE FOLLOWING INSPECTIONS FOR YOUR SAFETY AND THE SAFETY OF YOUR PASSENGERS BEFORE STARTING YOUR VEHICLE.

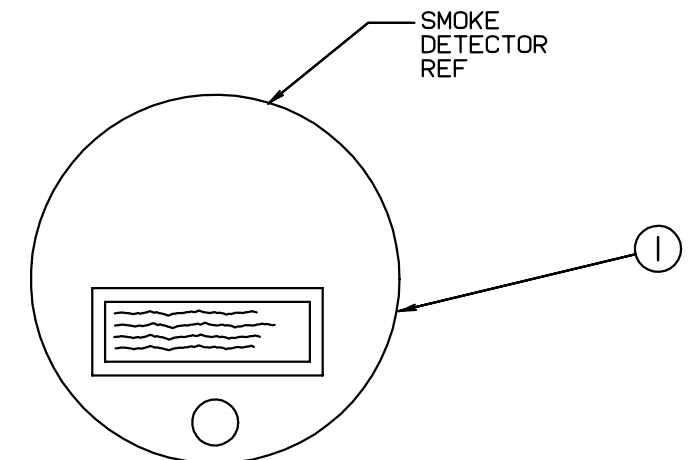
1. LP GAS SYSTEM- TURN OFF AT TANK FOR TRAVELING. TEST FOR LEAKS UPON ARRIVAL AT DESTINATION. BEFORE LIGHTING PILOTS.
2. WHEELS- INSPECT FOR DAMAGE AND CHECK LUG NUTS FOR TIGHTNESS.
3. TIRES- INSPECT FOR WEAR AND DAMAGE AND CHECK FOR RECOMMENDED AIR PRESSURE.
4. LIGHTING- TEST FOR PROPER OPERATION OF ALL INTERIOR AND EXTERIOR LIGHTS INCLUDING DASH LIGHTS, HEADLIGHTS, TAIL LIGHTS, BRAKE LIGHTS, CLEARANCE LIGHTS AND TURN SIGNALS.
5. EXITS- INSPECT RELEASE MECHANISM ON EMERGENCY EXIT WINDOW, TEST BOTH LOCKS ON MAIN ENTRANCE DOOR FOR EASE OF OPERATION AND INSTRUCT PASSENGERS HOW TO USE BOTH MEANS OF EXIT.
6. SEAT BELTS- DIRECT PASSENGERS TO DESIGNATED SEATS AND REQUIRE USE OF SEAT BELTS.
7. APPLIANCES- TURN OFF AND LATCH OR LOCK DOORS WHERE PROVIDED.
8. LOOSE PARCELS- STORE SECURELY.
9. UTILITY SUPPLY LINES- DISCONNECT ALL ELECTRIC, SEWER AND WATER LINES AND SECURE PROPERLY.
10. ENTRANCE DOOR STEP- PLACE IN RETRACTED POSITION FOR TRAVELING.

READ YOUR MOTOR HOME AND CHASSIS OWNER'S MANUAL FOR FURTHER PRECAUTIONS

KEY	PART NUMBER	U/M DESCRIPTION
1	087207-05-000	EA LABEL-FUEL CAP REMOVAL
2	099689-01-000	EA LABEL-WARNING, CANCER/TOXICITY
3	056259-01-000	EA LABEL-SAFETY CHECK LIST



KEY	PART NUMBER	U/M DESCRIPTION
1	039290-01-000	EA LABEL-WARNING, EXIT
2	107571-01-000	EA LABEL-ESCAPE EXIT, WINDOW



**WARNING:** TEST SMOKE DETECTOR OPERATION AFTER VEHICLE HAS BEEN IN STORAGE, BEFORE EACH TRIP AND AT LEAST ONCE PER WEEK DURING USE.

KEY	PART NUMBER	U/M DESCRIPTION
1	077956-01-000	EA LABEL-WARNING, SMOKE DETECTOR

**LABELS GROUP (CONTINUED)**

NOTE: TUNE ANTENNA PER MANUFACTURER'S DIRECTIONS. FAILURE TO COMPLY COULD RESULT IN DAMAGE TO CB.

CB POWER PROVISION

RED	+12 V
BLACK	GROUND
COAX	ANTENNA

(SEE REVERSE ALSO)

**KEY PART NUMBER U/M DESCRIPTION**  
 1 104678-01-000 EA LABEL-CB PREP

**WARNING**  
 MUST BE STOWED  
 IN LATCHED POSITION  
 WHILE VEHICLE IS IN MOTION

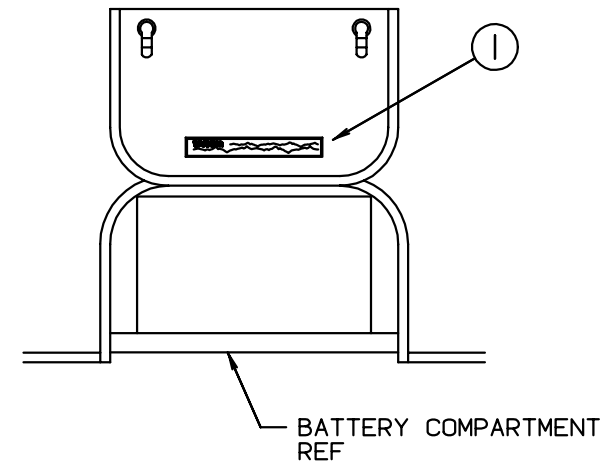
**KEY PART NUMBER U/M DESCRIPTION**  
 1 079966-01-000 EA LABEL-WARNING, STOWED, MOTION

DO NOT USE HITCH BEFORE  
 READING OWNERS MANUAL REGARDING  
 VEHICLE LOADING AND TOWING

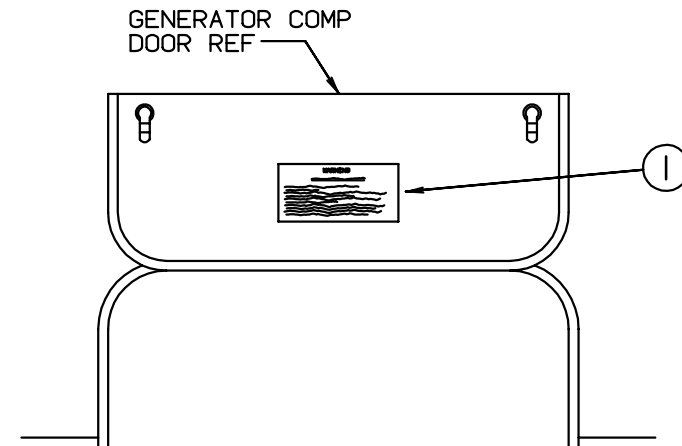
**KEY PART NUMBER U/M DESCRIPTION**  
 1 111104-01-000 EA LABEL-HITCH, READ MANUAL

**LABELS GROUP (CONTINUED)**

**WARNING** DISCONNECT BATTERIES BEFORE CONNECTING EXTERNAL CHARGING EQUIPMENT.



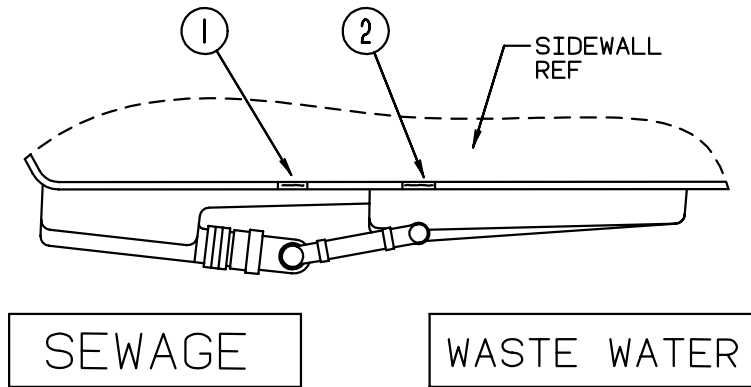
**KEY PART NUMBER U/M DESCRIPTION**  
 1 065748-01-000 EA LABEL-CAUTION, BATTERY CHARGING



**WARNING**  
 WHEN ADDING A GENERATOR SET:  
 HIGH VOLTAGE--USE EXTREME CAUTION WHEN WORKING ON ELECTRICAL COMPONENTS.  
 HAVE ALL ELECTRICAL INSTALLATION PERFORMED BY A QUALIFIED LICENSED ELECTRICIAN--FOLLOW ALL STATE AND LOCAL CODES.  
 ONLY INSTALL GENERATOR SET APPROVED FOR R.V. APPLICATION. HAVE INSTALLED BY QUALIFIED TECHNICIAN.  
 TO AVOID HEAT BUILD-UP AND TO GUARANTEE AN ADEQUATE AIR SUPPLY TO THE GENERATOR CARBURETOR, FOLLOW INSTALLATION INSTRUCTIONS.  
 GENERATOR ENGINE EXHAUST GASES ARE TOXIC AND MUST NOT TERMINATE UNDER THE VEHICLE--DISCHARGE EXHAUST AWAY FROM VEHICLE.

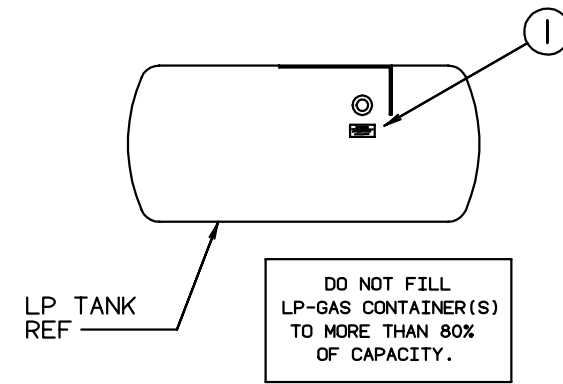
**KEY PART NUMBER U/M DESCRIPTION**  
 1 077510-01-000 EA LABEL-GENERATOR PREP

**LABELS GROUP (CONTINUED)**



KEY	PART NUMBER	U/M DESCRIPTION
1	006187-01-000	EA LABEL-SEWAGE
2	006188-01-000	EA LABEL-WASTE WATER

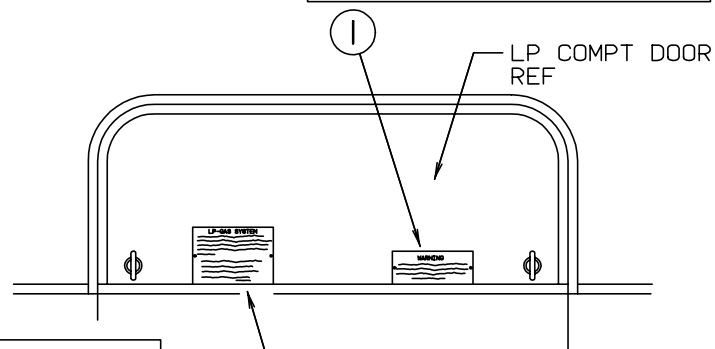
**LABELS GROUP (CONTINUED)**



KEY	PART NUMBER	U/M DESCRIPTION
1	079965-01-000	EA LABEL-LPG, 80 LB CAPACITY

<b>CAUTION</b>	TO HELP AVOID PERSONAL INJURY DURING REMOVAL OF FUEL FILLER CAP, SLOWLY LOOSEN CAP 1/2 TURN TO ALLOW ANY FUEL PRESSURE TO BE RELIEVED BEFORE TURNING CAP FURTHER.
<b>FUEL SPRAY MAY CAUSE PERSONAL INJURY</b>	STOP ADDING FUEL AFTER FIRST SHUTOFF BY AUTOMATIC NOZZLE WHEN TANK IS NEARLY FULL. DO NOT OVERFILL FUEL TANK. SEE OWNERS MANUAL FOR ADDITIONAL INFORMATION.
	PRINTED IN U.S.A. <span style="float: right;">MLC PT NO 15611763</span>

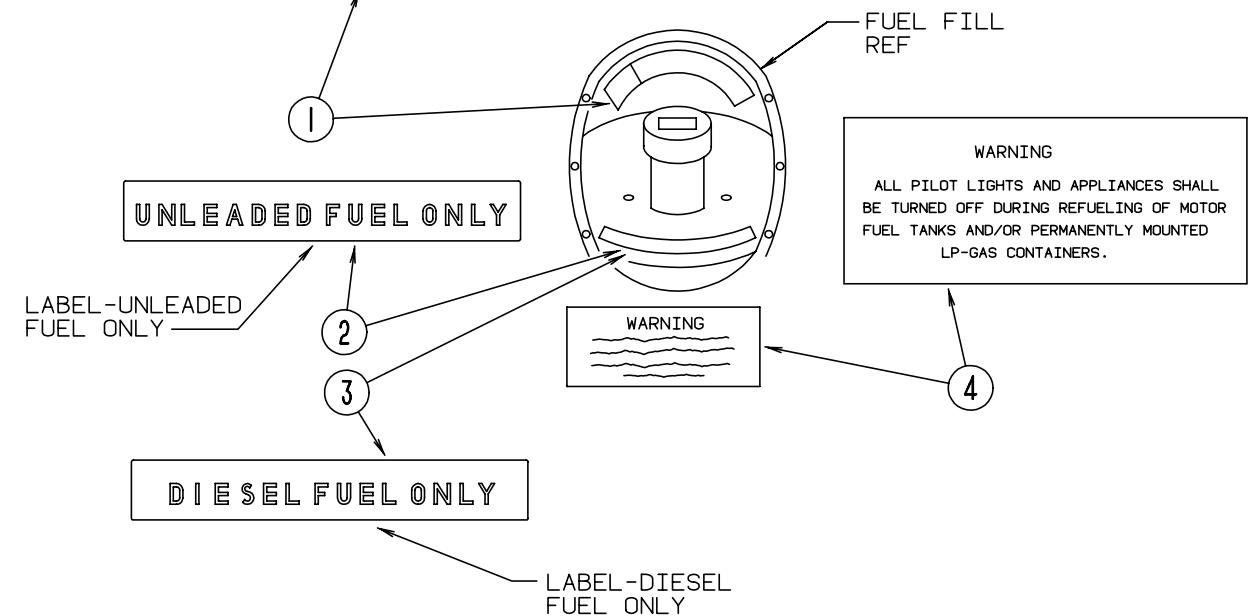
**WARNING**  
ALL PILOT LIGHTS AND APPLIANCES SHALL BE TURNED OFF DURING REFUELING OF MOTOR FUEL TANKS AND/OR PERMANENTLY MOUNTED LP-GAS CONTAINERS.



**LP-GAS SYSTEM**  
THIS GAS PIPING SYSTEM IS DESIGNED FOR USE OF LIQUEFIED PETROLEUM GAS ONLY. DO NOT CONNECT NATURAL GAS TO THIS SYSTEM.

SECURELY CAP INLET(S) WHEN NOT CONNECTED FOR USE. AFTER TURNING ON GAS, EXCEPT AFTER NORMAL CONTAINER REPLACEMENT, TEST GAS PIPING AND CONNECTIONS TO APPLIANCE FOR LEAKAGE WITH SOAPY WATER OR BUBBLE SOLUTION. DO NOT USE PRODUCTS THAT CONTAIN AMMONIA OR CHLORINE.  
P.N. 54531

KEY	PART NUMBER	U/M DESCRIPTION
1	006040-01-000	EA TAG-GAS REFUELING WARNING
1	006040-02-000	EA TAG-GAS REFUEL WARNING, CANADIAN
2	054531-01-000	EA LABEL-LP GAS ONLY
2	023769-01-000	EA LABEL-WARNING, LPG - CANADIAN



KEY	PART NUMBER	U/M DESCRIPTION
1	087207-05-000	EA LABEL-FUEL CAP REMOVAL
2	062043-01-000	EA LABEL-FUEL, UNLEADED
3	068383-01-000	EA LABEL-DIESEL FUEL
4	006040-01-000	EA TAG-GAS REFUELING WARNING
4	006040-02-000	EA TAG-GAS REFUEL WARNING, CANADIAN

## LABELS GROUP (CONTINUED)

AIR CONDITIONING CIRCUIT.  
THIS CONNECTION IS FOR  
AIR CONDITIONERS RATED 110-  
125 VOLT AC, 60 HZ, 16  
AMPERES MAXIMUM. DO NOT  
EXCEED CIRCUIT RATING.

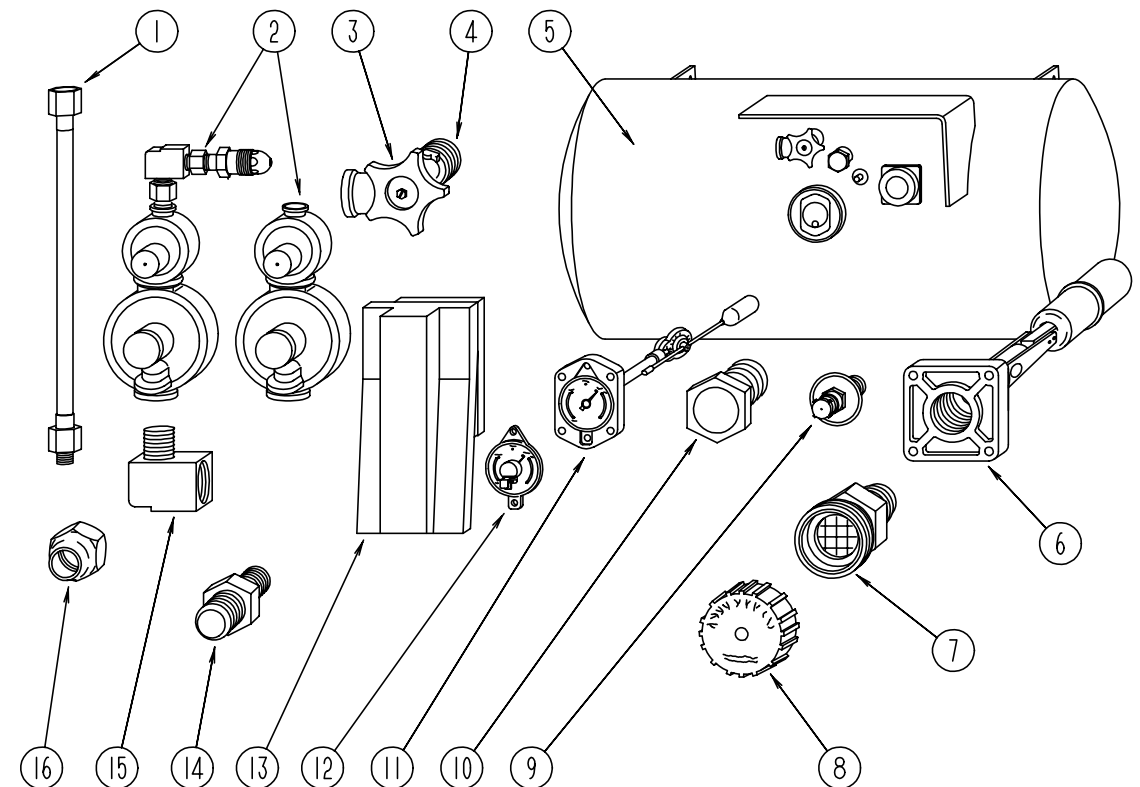
1

KEY	PART NUMBER	U/M DESCRIPTION
1	091243-01-000	EA LABEL-A/C COVER, "AIR CONDITIONING CIRCUIT. ETC."

### MISCELLANEOUS LABELS

KEY	PART NUMBER	U/M DESCRIPTION
	006064-01-000	EA LABEL-SEAT W/O SEATBELT "NOT INTENDED FOR USE WHILE COACH IN MOTION"
	074983-01-000	EA LABEL-SWITCH, A/C SELECTOR FOR FRONT OR REAR
	087236-01-000	EA LABEL-CABLE, INPUT
	098379-04-000	EA LABEL-ELECTRICAL BOX, SIDE
	098641-01-000	EA LABEL-FUEL, UNLEADED - DASH
	111537-07-000	EA LABEL-FUSES
	111802-01-000	EA LABEL-CFC WARNING

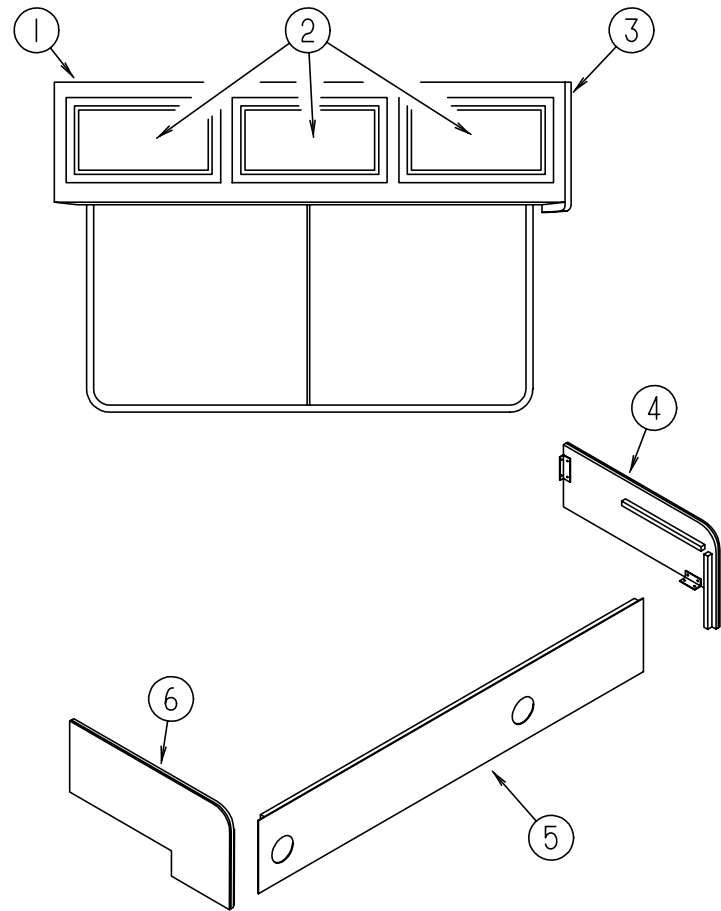
## LP GROUP



### LP TANK & COMPONENTS

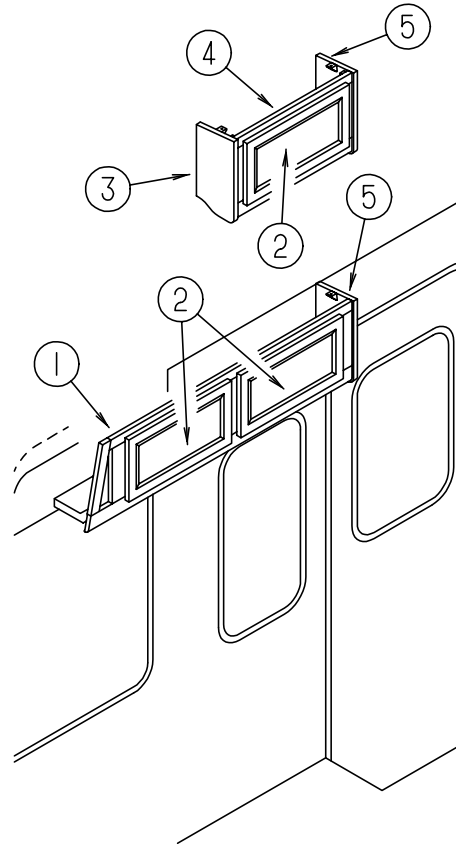
KEY	PART NUMBER	U/M DESCRIPTION	VENDOR NO.
1	045703-01-000	EA HOSE-LP, 3/8" ID X 24" - 3/8" MPT X 1/2" F SWIVEL - US	
1	045703-05-000	EA HOSE-LP, 3/8" ID X 28" - 3/8" MPT X 1/2" F SWIVEL - US	
1	045703-02-000	EA HOSE-LP, 3/8" ID X 24" - 3/8" MPT X 1/2" F SWIVEL - CANADIAN	
1	045703-06-000	EA HOSE-LP, 3/8" ID X 28" - 3/8" MPT X 1/2" F SWIVEL - CANADIAN	
1	045703-09-000	EA HOSE-LP, 3/8" ID X 24" - 3/8" F SWIVEL X 3/8" F SWIVEL	
2	106150-01-000	EA REGULATOR-TWO STAGE W/90 DEGREE ELBOW	
2	106150-02-000	EA REGULATOR-TWO STAGE W/O 90 DEGREE ELBOW	
3	040421-01-708	EA HANDWHEEL-VAPOR RELIEF VALVE, BRUNNER	G-1015-A
4	040421-01-712	EA VALVE-SERVICE W/O VAPOR RELIEF, 29000853	
5	088253-06-000	EA TANK-LP, 130 LB	
6	040421-01-711	EA VALVE - 80% W/FLOAT, PLATE, BOLTS & GASKET - BRUNNER	75478
7	040421-01-701	EA VALVE-SHORT LP FILLER W/YELLOW CAP - BRUNNER	G-1014-A
8	040421-01-702	EA CAP-LP FILLER VALVE, PLASTIC - YELLOW - BRUNNER	G-1013
9	040421-01-700	EA GAUGE-LIQUID LEVEL, 20% LP - BRUNNER	
10	040421-01-713	EA PRESSURE RELIEF VALVE	
11	088253-01-700	EA LP FLOAT GAUGE - 4 MACHINE SCREW STYLE	
12	040440-02-000	EA TRANSMITTER-DIAL, 90 OHM	
13	105658-01-000	EA COMPARTMENT-LP REGULATOR	
14	010329-01-000	EA ADAPTER-BRASS, 1/2" F X 1/2" MPT	
14	010323-01-000	EA ADAPTER-BRASS, 3/8" F X 1/2" MPT	
15	065318-02-000	EA ELBOW - 90 DEGREE, 3/8" MPT TO 3/8" FPT	
16	010377-02-000	EA NUT-BRASS, 3/8 FEMALE - FORGED	
	008042-01-000	FT TUBING-VINYL, .65" ID	
	010265-01-000	EA ELBOW-BRASS, 90 DEGREE - 3/8" F X 1/2" FPT	
	010380-02-000	EA NUT-BRASS, 1/2" FEMALE - FORGED	
	071391-02-000	EA NIPPLE-HEX, 1/4 PIPE - 3325X4 WEATHERHEAD	
	103613-01-000	EA DETECTOR-LP GAS	

**LOUNGE GROUP**  
**DRIVERS SIDE CABINETS & COMPONENTS**



KEY	PART NUMBER	U/M	DESCRIPTION
1	103275-01-G09	EA	CABINET-OVERHEAD, W/O DOORS
	103275-12-G09	EA	SHELF-OVERHEAD CABINET
2	M06803-03-G09	EA	DOOR-W/MIRROR W/O HARDWARE - 400 MM X 520 MM
3	103128-01-G09	EA	CAP-END, OVERHEAD CABINET - FRONT
4	M06978-02-G30	EA	PANEL-COUCH CABINET - LEFT SIDE - FABRIC COVERED (G30)
4	M06978-02-F25	EA	PANEL-COUCH CABINET - LEFT SIDE - FABRIC COVERED (G31)
5	M06978-03-G30	EA	PANEL-COUCH CABINET - FRONT - FABRIC COVERED
5	M06978-03-G31	EA	PANEL-COUCH CABINET - FRONT - FABRIC COVERED
6	M06978-01-G30	EA	PANEL-COUCH CABINET - RIGHT SIDE - FABRIC COVERED (G30)
6	M06978-01-F25	EA	PANEL-COUCH CABINET - RIGHT SIDE - FABRIC COVERED (G31)
	083125-07-000	EA	BRACE-ANGLE, COUCH - 2.5" - OFF WHITE

**LOUNGE GROUP (CONTINUED)**  
**PASSENGER SIDE CABINETS & COMPONENTS**



KEY	PART NUMBER	U/M	DESCRIPTION
1	114188-01-G30	EA	CABINET-FRONT OVERHEAD W/O DOOR, PASSENGERS SIDE - TV OPTIONS
1	114188-01-G31	EA	CABINET-FRONT OVERHEAD W/O DOOR, PASSENGERS SIDE - TV OPTIONS
2	M06803-04-G09	EA	DOOR-CABINET, W/O HARDWARE - 255 MM X 485 MM
3	103128-09-G09	EA	CAP-END, OVERHEAD CABINET - FRONT
4	114189-01-G09	EA	CABINET-FRONT OVERHEAD W/O DOOR, PASSENGERS SIDE
5	103128-08-G09	EA	CAP-END, OVERHEAD LOUNGE - PASSENGER RIGHT
	P14188-01-G29	EA	BOTTOM-VINYL COVERED, FRONT OVERHEAD - PASSENGER SIDE - TV OPTIONS
	104289-01-G29	EA	PAD-VINYL COVERED, 769 MM X 245 MM - ANGLED - PASS SIDE - QUICK SILVER
	104289-03-G35	EA	PAD-VINYL COVERED, 655 MM X 245 MM - ANGLED - PASS SIDE - QUICK SILVER
			TV OPTIONS
	104006-01-C05	EA	LID-ENTRANCE STEP COMPARTMENT, W/O CARPET OR HARDWARE
	101222-01-02A	EA	BRACKET-CATCH, LID - 60 MM X 36.7 MM - STEEL - OFF WHITE
	107941-01-02A	EA	SUPPORT-LID, ENTRANCE STEP - 645 MM X 378 MM - STEEL - OFF WHITE
	116975-01-01A	EA	LATCH ASM-UNDERCENTER, BLACK - SOUTHCO 91-522-69

**SEALANTS & FASTENERS GROUP  
ADHESIVE**

KEY	PART NUMBER	U/M DESCRIPTION
	004020-01-000	QT ADHESIVE-ABS CEMENT, QUART
	081377-01-700	EA ADHESIVE-CYANOACRYLATE, 10 GRAM TUBE
	087211-01-000	GL ADHESIVE-PROMOTER
	004006-05-700	EA ADHESIVE - 5 GALLON - NATURAL STARCH
	062917-03-000	EA ADHESIVE-LOCTITE 242
	067788-01-000	EA ADHESIVE-SPRAY, 3M 74 - 19.5 OZ AEROSOL CAN

**TAPES**

KEY	PART NUMBER	U/M DESCRIPTION
	076314-02-000	FT TAPE-CARPET SEAM, HEAT-BOND - 4" WIDE
	076322-01-000	FT TAPE-FOAM, DOUBLE COATED ADHESIVE BACKED - .75" X 216'
	076322-02-000	FT TAPE-FOAM, DOUBLE COATED ADHESIVE BACKED - 1" X 108'
	076322-05-000	FT TAPE-FOAM, DOUBLE COATED - .025" X 1.5" X 108'
	076322-07-000	FT TAPE-FOAM, DOUBLE COATED - .045" X .50" X 200' - NORTON V2000
	108353-03-000	FT SEAL-FOAM, 4.76 MM X 6.35 MM - LUNDELL
	110274-01-000	FT TAPE-FOAM, DOUBLE COATED - .045" X 1.00" - NORTON V-2800
	002707-02-000	FT TAPE-SEALER, 5/16" X 1/2" - INCREMENTS OF 50 FT
	063642-01-000	FT TAPE-ADHESIVE, 10 MM X 1.5" WIDE X 180'
	088479-01-000	FT TAPE-ALUMINUM, 3" - 3M

**SEALERS**

KEY	PART NUMBER	U/M DESCRIPTION
	069640-01-000	FT SEALER-RIBBON, 1/4" DIAMETER - INCREMENTS OF 30'
	069640-02-000	FT SEALER-RIBBON, 1/2" X 1/8" - INCREMENTS OF 60'
	069640-03-000	FT SEALER-RIBBON, 3/4" X 1/8" - INCREMENTS OF 60'
	069640-07-000	FT SEALER-RIBBON, 2" X 3/32" - INCREMENTS OF 30' OR 45'
	069640-09-000	FT SEALER-RIBBON, 1/32" X 2 1/2" - INCREMENTS OF 80'
	069640-11-000	FT SEALER-TAPE, 3/16" X 3/8" - BLACK - MANUS
	069640-13-000	FT SEALER-TAPE, 3/32" X 2" - BLACK
	069640-14-000	FT SEALER-TAPE, 1/16" X 1" - GRAY - INCREMENTS OF 60'
	900390-01-000	EA TIP - 2 1/2" X 1/8" ORIFICE, ELLSWORTH# TS216
	900390-03-000	EA NOZZLES-SILICONE TUBE, CSL# D10
	034552-02-000	EA SILICONE-TUBE, 300 ML - CLEAR - W/O NOZZLE
	034552-15-000	EA SILICONE-TUBE, 300 ML - BRIGHT WHITE - W/O NOZZLE
	053766-02-000	EA BEDDING COMPOUND-TUBE, WHITE SCHNEE# 5522
	053766-06-000	EA BEDDING COMPOUND-TUBE, CLEAR
	053766-08-000	EA BEDDING COMPOUND-TUBE, GRAY - SCHNEE# 5522
	072889-01-000	EA SEALANT-URETHANE, BLACK - 1/10 - ESSEX 552.2
	072889-09-000	EA SEALANT-URETHANE, TUBE - BLACK - MANUS 75AM
	102352-01-000	EA SEALER-PUMPABLE, BLACK - COLORIMETRIC MS101
	106206-01-000	EA SEALER-PUMPABLE - MANUS 30ABLACK
	108716-01-000	EA SILICONE-TUBE, OFF WHITE - SELF LEVELING - CSL 510

**SEALANTS & FASTENERS GROUP (CONTINUED)  
SCREWS**

KEY	PART NUMBER	U/M DESCRIPTION
	000G11-05-08B	EA SCREW, 5-20 X 1/2 PPH - ZINC
	000G11-06-08B	EA SCREW, 6-20 X 1/2 PPH - ZINC
	000G11-06-10J	EA SCREW, 6-20 X 5/8 PPH - BRASS
	000G11-06-06B	EA SCREW, 6-20 X 3/8 PPH - ZINC
	000G11-07-08B	EA SCREW, 7-19 X 1/2 PPH - ZINC
	000G11-08-06B	EA SCREW, 8-18 X 3/8 PPH - ZINC
	000G11-08-08B	EA SCREW, 8-18 X 1/2 PPH - ZINC
	000G11-08-12S	EA SCREW, 8-18 X 3/4 PPH - OFF WHITE
	000G11-08-12P	EA SCREW, 8-18 X .75 PPH - DARK BROWN
	000G11-08-12D	EA SCREW, 8-18 X 3/4 PPH - BLACK
	000G11-08-12B	EA SCREW, 8-18 X 3/4 PPH - ZINC
	000G11-08-16S	EA SCREW, 8-18 X 1.00 PPH - OFF WHITE
	000G11-08-20B	EA SCREW, 8-18 X 1 1/4 PPH - ZINC
	000G11-10-12D	EA SCREW, 10-16 X 3/4 PPH - BLACK
	000G11-10-12S	EA SCREW, 10-16 X .75 PPH - OFF WHT
	000G11-10-40B	EA SCREW, 10-16 X 2 1/2 PPH - CAD
	000G12-06-08T	EA SCREW, 6-20 X .50 POH - BLACK
	000G12-08-16S	EA SCREW, 8-18 X 1.00 POH - OFF WHITE
	000G13-06-08G	EA SCREW, 6-20 X 1/2 PFH - ANTIQUE BRASS
	000G13-06-10G	EA SCREW, 6-20 X 5/8 PFH - ANTIQUE BRASS
	000G13-06-16E	EA SCREW, 6-20 X 1.00 PFH - CHROME
	000G13-06-16J	EA SCREW, 6-20 X 1.00 PFH - BRASS
	000G13-06-24J	EA SCREW, 6-20 X 1.50 PFH - BRASS
	000G13-07-12B	EA SCREW, 7-19 X 3/4 PFH - ZINC
	000G13-08-10B	EA SCREW, 8-18 X 5/8 PFH - ZINC
	000G18-08-22B	EA SCREW-MACHINE, 8-32 X 1 3/8 PPH - ZINC
	000G19-10-10B	EA SCREW, 10-32 X 5/8 PPH - ZINC
	000G19-10-20B	EA SCREW-MACHINE, 10-32 X 1 1/14 PPH - ZINC
	000G19-10-08B	EA SCREW-MACHINE, 10-32 X 1/2 PPH - ZINC
	000G32-10-06B	EA SCREW, 10-32 X 3/8" - PPH - ZINC
	000G39-06-10T	EA SCREW-SF/DR, 6-20 X 5/8 PPH - BLACK
	000G39-06-16T	EA SCREW-SF/DR, 6-20 X 1 PPH - BLACK
	000G39-08-06B	EA SCREW-SF/DR, 8-18 X 3/8 PPH - ZINC
	000G39-08-08B	EA SCREW-SF/DR, 8-18 X 1/2 PPH - ZINC
	000G39-08-08S	EA SCREW-SF/DR, 8-18 X 1/2 PPH - OFF WHITE
	000G39-08-12B	EA SCREW-SF/DR, 8-18 X 3/4 PPH - ZINC
	000G39-08-12T	EA SCREW-SF/DR, 8-18 X 3/4 PPH - BLACK
	000G39-08-16B	EA SCREW-SF/DR, 8-18 X 1 PPH - ZINC
	000G39-08-16R	EA SCREW-SF/DR, 8-18 X 1.00 PPH - BEIGE
	000G39-08-16T	EA SCREW-SF/DR, 8-18 X 1 PPH - BLACK
	000G39-08-24B	EA SCREW-SF/DR, 8-18 X 1.5 PPH - ZINC
	000G39-08-32B	EA SCREW-SF/DR, 8-18 X 2 PPH - ZINC
	000G39-10-08B	EA SCREW-SF/DR, 10-16 X .50 P&H - ZINC
	000G39-10-10B	EA SCREW-SF/DR, 10-16 X .625 PPH - ZINC
	000G39-10-12B	EA SCREW-SF/DR, 10-16 X .75 PPH - ZINC
	000G39-10-12D	EA SCREW-SF/DR, 10-16 X 3/4 PPH - BLACK
	000G39-10-129	EA SCREW-SF/DR, 10-16 X 3/4 PPH - FLUOROCARBON SILVER
	000G39-10-209	EA SCREW-SF/DR, 10-16 X 1.25 PPH - FLUOROCARBON SILVER
	000G39-10-20B	EA SCREW-SF/DR, 10-16 X 1 1/4 PPH - ZINC
	000G42-04-12B	EA SCREW-SF/DR, 1/4-14 X 3/4 HWH - ZINC
	000G46-08-24T	EA SCREW-MACHINE, 8-32 X 1.50 PFH - BLACK
	000G50-04-08B	EA SCREW-MACHINE, 1/4-20 X 1/2 PTH - ZINC
	000G50-04-12B	EA SCREW-MACHINE, 1/4-20 X 3/4 PPH - ZINC
	000G52-08-18B	EA SCREW-MACHINE, 8-32 X 11/8 PTH - ZINC
	000G54-04-20B	EA SCREW, 1/4-20 X 1 1/4 PTH - TYPE 23 - ZINC PLATED
	000G55-08-12S	EA SCREW-SF/DR - 8-18 X .75 PWH - OFF WHITE
	000G55-08-12M	EA SCREW-SF/DR - 8-18 X .75 PWH - GRAY
	000G56-12-48B	EA SCREW-WOOD, 12-11 X 3 POH - SPECIAL HARDENED
	000G60-10-28T	EA SCREW-SF/DR, 10-16 X 1.75 - BLACK
	000G67-10-08B	EA SCREW, 10-12 X 1/2 PPH - ZINC
	000G67-10-36T	EA SCREW, 10-12 X 2.25 PPH - BLACK - STALGAURD
	000G67-10-24B	EA SCREW, 10-12 X 1 1/2 PPH - ZINC
	000G67-10-20D	EA SCREW, 10-12 X 1 1/4 PPH - BLACK
	000G67-10-120	EA SCREW, 10-12 X .75" PPH - TAN



**SEALANTS & FASTENERS GROUP (CONTINUED)**  
**SCREWS (CONTINUED)**

KEY	PART NUMBER	U/M DESCRIPTION
	000G67-10-12B	EA SCREW, 10-12 X 3/4" PPH - ZINC
	000G67-10-10D	EA SCREW, 10-12 X 5/8 PPH - BLACK - TYPE A
	000G67-10-10B	EA SCREW, 10-12 X 5/8 PPH - ZINC - TYPE A
	000G67-10-08R	EA SCREW, 10-12 X 1/2 PPH - BEIGE - TYPE A
	000G67-10-12P	EA SCREW, 10-12 X .75" - PPH - DARK BROWN
	000G68-06-10G	EA SCREW, 6-18 X 5/8 POH - ANTIQUE BRASS
	0G3908-16-170	EA SCREW-SF/DR, 8-18 X .50 PPH - BRIGHT WHITE
	0G3908-16-170	EA SCREW-SF/DR, 8-18 X 1.00 PPH - BRIGHT WHITE
	0G6008-16-170	EA SCREW-SF/DR, 8-18 X 1.00 POH - BRIGHT WHITE
	049465-03-000	EA SCREW, 10-16 X 1 POH W/WASHER - OFF WHITE
	049465-04-000	EA SCREW, 10-16 X 1 PTH W/WASHER - BEIGE
	049465-17-000	EA SCREW, 10-16 X 1 POH W/WASHER - BRIGHT WHITE
	054434-02-000	EA SCREW-SF/DR, 10-16 X 2 ZN - TORX #25 HEAD
	075908-01-000	EA SCREW, MACHINE, 10-32 X .56 PTH - ZINC - EXTERNAL TOOTH
	076790-01-000	EA SCREW, 6-20 X 1 1/4 PPH - BLACK
	086256-01-000	EA SCREW-SF/DR, 8X .75HWH LG
	101618-01-000	EA SCREW, 1/4-20 X 3/4 HEX/TAPPING - STALGARD TYPE F
	057671-01-000	EA COVER - SCREW - #8 - PLASTIC - OFF WHITE

**BOLTS**

KEY	PART NUMBER	U/M DESCRIPTION
	000C12-05-12B	EA BOLT-HEX, 5/16-18 X 3/4 - ZINC 5
	000C12-05-16B	EA BOLT-HEX, 5/16-18 X 1 - ZINC 5
	000C12-05-64B	EA BOLT-HEX, 5/16-18 X 4
	000C12-06-16B	EA BOLT-HEX, 3/8-16 X 1 - ZINC 5
	000C12-07-20B	EA BOLT-HEX, 7/16-14 X 1 1/4" - ZINC 5
	000C12-08-24B	EA BOLT-HEX, 1/2-13 X 1 1/2 - ZINC 5
	000C12-10-24B	EA BOLT-HEX, 5/8-11 X 1 1/2 - ZINC 5
	000C13-07-48B	EA BOLT-HEX, 7/16 - 20 X 3 - ZINC 5
	000C18-05-40A	EA BOLT-ELEVATOR, 5/16" - 18 X 2 1/2" - PL
	000C26-04-10B	EA BOLT-HEX, SER FLG - 1/4-20 X 5/8 - ZINC
	000C26-04-14B	EA BOLT-HEX, SER FLG - 1/4-20 X 7/8 - ZINC
	000C26-05-12B	EA BOLT-HEX, SER FLG - 5/16-18 X 3/4 - ZINC
	000C26-06-12B	EA BOLT-HEX, SER FLG - 3/8-16 X 3/4 - ZINC
	000C26-06-28B	EA BOLT-HEX, SER FLG - 3/8-16 X 1 3/4 - ZINC
	000C27-10-32B	EA BOLT-CARRIAGE, 5/8-11 X 2.00
	000G45-05-16B	EA BOLT-LAG, 5/16 - 9 X 1 - ZINC
	051387-06-000	EA BOLT-CARRIAGE, W/O HOLE - 5/16-18 X 9.5 - ZINC
	102333-01-06A	EA BOLT-CARRIAGE, 7/16 - 14 SST CAP - BRIGHT WHITE BUMPER BOLT

**NUTS**

KEY	PART NUMBER	U/M DESCRIPTION
	000D24-10-00B	EA NUT-HEX, SF/LK - 10-32 - ZINC
	000D29-05-00B	EA NUT - 5/16-18 UNC, SF/LOCKING - NYLON WASHER INSERT
	000D34-06-00B	EA NUT-HEX, LK - 3/8 - 16 GRADE C - ZINC - PREVAILING TORQUE
	000D39-04-00B	EA NUT-HEX, SER FLG LK 1/4 - 20 - ZINC
	000D39-05-00B	EA NUT-HEX, SER FLG LK - 5/16 - 18 - ZINC
	000D39-06-00B	EA NUT-HEX, SER FLG LK - 3/8-16 - ZINC
	000D44-07-00B	EA NUT-HEX, SER FLG LK - 7/16-20 - ZINC
	000D46-04-00A	EA NUT-HEX, WELD - 1/4-20 - PLAIN - SHORT PILOT
	040921-03-000	EA NUT-SPEED, U TYPE - NO. 10
	040921-04-000	EA NUT-SPEED, U TYPE - NO. 8
	040921-09-000	EA NUT-SPEED, U TYPE - NO. 8 - T'MN C9812-8A
	044364-02-000	EA NUT-SPEED, FLAT - ROUND
	063253-07-000	EA NUT-J, #8A - .120-.130 PANEL THICKNESS
	104369-01-000	EA NUT-HEX, HEAVY - 5/8-11 UNC
	087234-01-000	EA NUT-JACK, 1/4" X 20 - MOLLY - ARDEN 8-L,JN BRASS
		MOUNTS LICENSE PLATES

**SEALANTS & FASTENERS GROUP (CONTINUED)**  
**CLAMPS**

KEY	PART NUMBER	U/M DESCRIPTION
	007161-01-000	EA CLAMP-HOSE, SPRING TYPE - 1/2"
	010495-01-000	EA CLAMP-CABLE, 9/16"
	010497-01-000	EA CLAMP-CLOSED, 5/8" ID
	010497-03-000	EA CLAMP-CLOSED, 1" ID - CUSHIONED
	010497-04-000	EA CLAMP-CLOSED, 1.62" ID
	010497-07-000	EA CLAMP-CLOSED, 3/8" ID
	062401-01-000	EA CLAMP-HOSE, WORMGEAR .25" - 1"
	062401-02-000	EA CLAMP-HOSE, WORMGEAR 1.56" - 2.5"
	062401-03-000	EA CLAMP-HOSE, WORMGEAR .22" - 1"
	062401-04-000	EA CLAMP-HOSE, WORMGEAR .69" - 1.25"
	062401-05-000	EA CLAMP-HOSE, WORMGEAR 2" - 3"
	062401-11-000	EA CLAMP-HOSE, WORMGEAR 3.56" - 4.5"
	075148-02-000	EA CLAMP-GROUNDING, BRONZE SCREWS
	083610-01-000	EA CLAMP-WIRE, DUAL - UNEQUAL DIAMETERS - .75" & 1.25"

**WASHERS**

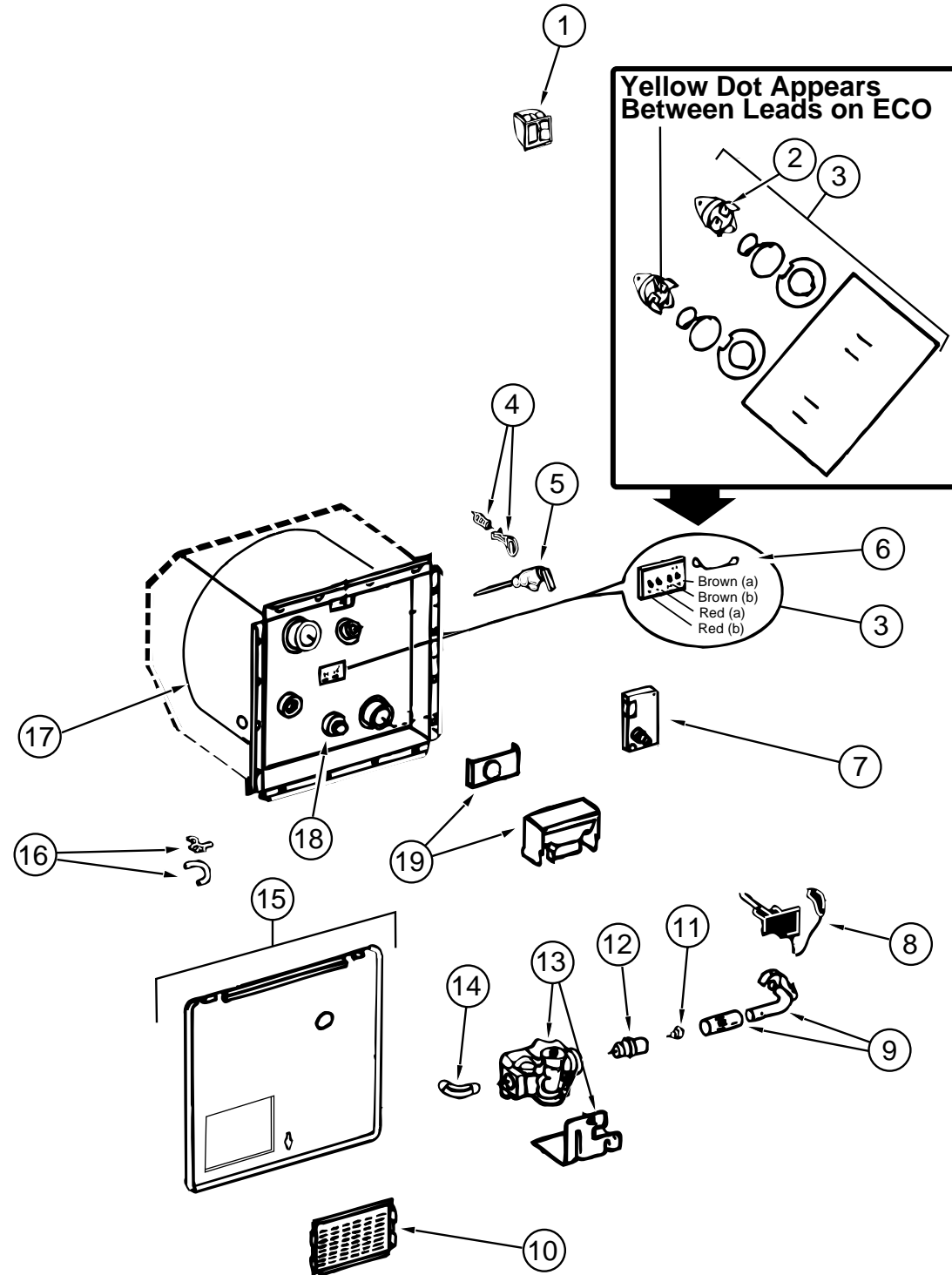
KEY	PART NUMBER	U/M DESCRIPTION
	000E11-05-00B	EA WASHER-LK, 5/16" MED SPLIT - ZINC
	000E11-07-00B	EA WASHER-LK, 7/16" MED SPLIT - ZINC
	000E13-14-00B	EA WASHER-FL, 1/4" WIDE - ZINC
	000E13-18-00B	EA WASHER-FL, 3/8 WIDE - ZINC
	000E13-20-00B	EA WASHER-FL, 7/16" WIDE - ZINC
	000E13-21-00B	EA WASHER-FL, W/2 NAR - ZINC
	000E14-10-00B	EA WASHER-LK, NO 10 EXT TOOTH - ZINC
	044533-01-000	EA WASHER-PLASTIC, 1 3/8"OD - FOR BUTTONS
	058716-02-000	EA WASHER-FLAT, NYLON - .406 X .750 X .060
	110794-01-000	EA WASHER-FLAT, 1" ID X 1 3/4" OD - C-TECH 36T1043187
	102540-01-000	EA SEAL-SCREW, ROUND - NEOPRENE - 9.5 MM X 1.1 MM W/3.25 MM HOLE

**RIVETS, GROMMETS & MISCELLANEOUS**

KEY	PART NUMBER	U/M DESCRIPTION
	069592-02-000	EA RIVET-T, (POP) - 1/4 X .093 - .156
	000H14-06-14R	EA RIVET-MANDREL BLIND, 3/16"
	000F10-04-16B	EA PIN-COTTER, 1/8" X 1" - ZINC
	008380-01-000	EA GROMMET-RUBBER, 5/8" HOLE X 1 1/2" DIAMETER - BLACK
	016188-03-000	EA GROMMET-L/P LINE, 3/8" HOLE X 2 1/2" LONG - RUBBER
	016188-05-000	EA GROMMET-L/P LINE, 3/8" HOLE X 1 1/4" LONG - RUBBER
	023942-01-000	EA GROMMET-RUBBER, 2" OD
	071015-11-000	EA GROMMET-RUBBER, 1.00" ID FITS .12 MATERIAL - BLACK
	071015-26-000	EA GROMMET-RUBBER, 1.5" ID X 2.12" OD W/.06" GROOVE - BLACK
	114208-02-000	EA GROMMET-EDGE LINER, FITS .625" - HEYCO 2073
	056134-02-000	EA HOLDER-RING, 1.8" DIAMETER - METAL
	029094-04-000	YD VELCRO TAPE-LOOP, 1" WIDE - BLACK
	029096-03-000	YD VELCRO TAPE-HOOK, 1" WIDE - BLACK
	029096-04-000	YD VELCRO TAPE-HOOK W/ADHESIVE BACK, 1" WIDE - BLACK
	085774-01-000	FT FASTENER-DUAL HOOK, 1" WIDE - ADHESIVE BACK - BLACK
	085774-02-000	FT FASTENER-DUAL LOOP, 1" WIDE - ADHESIVE BACK - BLACK
	106648-01-000	EA CAP-STUD, .120 TO .130 STUD DIA - T'MN C30017-014-27
	008343-01-000	EA TIE-WIRE, 6"
	008343-02-000	EA TIE-WIRE, 14"
	108046-02-000	EA CABLE-TIE, SCREW MOUNT - 15"
	049176-01-000	EA HEDLOCK II - 3/4" DIAMETER - SCREW MOUNT
	077955-01-000	EA CLIP-J, VINYL COATED, 3/8"
	080211-03-000	EA CLIP-MOUNTING, XMAS TREE - DECORATIVE PADS
	080734-02-000	EA CLIP-WIRE, NYLON
	091952-02-000	EA CLIP-GRIPPER, 3/4"
	094362-02-000	EA CLIP-CHRISTMAS TREE, FLAT HEAD - .5" X .95"
	086285-01-000	EA SPACER-NYLON, .5" OD X .257" ID
	081211-05-000	EA PLUG-PLASTIC, .188 DIA - NATURAL
	088787-12-000	EA STUD-WELD, 1/4-20 X 1.0 LG MN - ARDEN MN-1420-S-100

## WATER & SEWAGE GROUP

### ATWOOD WATER HEATER W/ELECTRIC IGNITION (G6A-7E)



KEY	PART NUMBER	U/M DESCRIPTION	VENDOR NO.
	051391-03-000	EA HEATER-WATER, W/ELECTRIC IGNITION	
1	051393-01-701	EA SWITCH PACKAGE - ATWOOD	91959
2	051391-04-701	EA THERMOSTAT 12 VDC - 120 PRESET, FRONT MOUNT - ATWOOD	91470
3	051393-01-721	EA ECO & THERMOSTAT ASM-FRONT MOUNT, 140 DEGREE - ATWOOD	91447
4	051391-01-705	EA FASTENER-CAMLOC, ATWOOD	92609
5	051391-01-704	EA VALVE-RELIEF, 1/2" FITTING - ATWOOD	91604
6	051393-01-723	EA SWITCH-THERMAL CUT-OFF 2/PKG, ATWOOD	93866
7	051393-01-724	EA CIRCUIT BOARD-SPADE TERMINAL, ATWOOD	93867
8	051393-01-725	EA ELECTRODE-SINGLE SPADE CONNECT - ATWOOD	93868
9	051391-04-703	EA BURNER-MAIN, ATWOOD	91638
10	051391-01-717	EA GRILLE ONLY - ATWOOD	92640
11	051391-01-710	EA ORIFICE-MAIN BURNER, ATWOOD	92742
12	051391-03-700	EA ORIFICE HOLDER - ATWOOD	91563
13	051393-01-726	EA SOLENOID VALVE AND BRACKET - ATWOOD	93870
14	051391-01-714	EA ELBOW - 45 DEGREE, 3/8" F X 3/8" MPT - ATWOOD	91044
15	052009-06-000	EA DOOR-WATER HEATER, BRIGHT WHITE - ATWOOD	
16	051391-01-700	EA HINGE KIT-W/CLIP, ATWOOD	92568 & 92559
17	051393-04-706	EA TANK-INNER - ATWOOD	91641
18	051391-01-715	EA DRAIN PLUG, ATWOOD	91561
19	051391-01-706	EA FLUE, & GASKET - ATWOOD	92787
	116424-01-000	EA PROTECTOR-WATER HEATER LATCH - ATWOOD 92611	
	110438-01-000	EA VALVE-CHECK, BRASS - G784	

### ATWOOD WATER HEATER W/ELECTRIC IGNITION (G6A-8E)

KEY	PART NUMBER	U/M DESCRIPTION	VENDOR NO.
	051391-03-000	EA HEATER-WATER, W/ELECTRIC IGNITION	
1	051393-01-701	EA SWITCH PACKAGE - ATWOOD	91959
2	051391-04-701	EA THERMOSTAT 12 VDC - 120 PRESET, FRONT MOUNT - ATWOOD	91470
3	051393-01-721	EA ECO & THERMOSTAT ASM-FRONT MOUNT, 140 DEGREE - ATWOOD	91447
4	051391-01-705	EA FASTENER-CAMLOC, ATWOOD	92609
5	051391-01-704	EA VALVE-RELIEF, 1/2" FITTING - ATWOOD	91604
6	051393-01-723	EA SWITCH-THERMAL CUT-OFF 2/PKG, ATWOOD	93866
7	051393-01-724	EA CIRCUIT BOARD-SPADE TERMINAL, ATWOOD	93867
8	051393-01-725	EA ELECTRODE-SINGLE SPADE CONNECT - ATWOOD	93868
9	051391-04-703	EA BURNER-MAIN, ATWOOD	91638
10	051391-01-717	EA GRILLE ONLY - ATWOOD	92640
11	051391-01-710	EA ORIFICE-MAIN BURNER, ATWOOD	92742
12	051391-03-700	EA ORIFICE HOLDER - ATWOOD	91563
13	051393-01-726	EA SOLENOID VALVE AND BRACKET - ATWOOD	93870
14	051391-01-714	EA ELBOW - 45 DEGREE, 3/8" F X 3/8" MPT - ATWOOD	91044
15	052009-06-000	EA DOOR-WATER HEATER, BRIGHT WHITE - ATWOOD	
16	051391-01-700	EA HINGE KIT-W/CLIP, ATWOOD	92568 & 92559
17	051391-04-706	EA TANK-INNER - ATWOOD	91641
18	051391-01-715	EA DRAIN PLUG, ATWOOD	91561
19	051391-04-707	EA FLUE, & GASKET - ATWOOD	90960
	111129-01-711	EA BRACKET-CORNER, SET OF FOUR	91928
	116424-01-000	EA PROTECTOR-WATER HEATER LATCH - ATWOOD 92611	
	110438-01-000	EA VALVE-CHECK, BRASS - G784	

**WATER & SEWAGE GROUP (CONTINUED)**  
**WATER TANK**

KEY	PART NUMBER	U/M	DESCRIPTION
	113883-02-000	EA	TANK ASM-WATER, 55 GALLON - W/FITTINGS - 1178 M X 522 MM X 290 MM
	113883-01-000	EA	TANK-WATER BASE, 55 GALLON - W/O FITTINGS - 1178 M X 522 MM X 290 MM
	010224-01-000	EA	ADAPTER-HOSE TO PIPE, 3/8" MPT X 3/8" BARB - BLACK PLASTIC
	039861-01-000	EA	SENDING UNIT-W/SCREW, WASHER, WELL NUT & TERMINAL RING
	042989-03-000	EA	FITTING-WATER TANK, SPINWELD - 1 1/4"NPT - PLASTIC - WHITE
	042989-04-000	EA	FITTING-WATER TANK, SPINWELD - 3/8" FPT - PLASTIC - WHITE
	042989-05-000	EA	FITTING-WATER TANK, SPINWELD - 1/2" FPT - PLASTIC - WHITE
	044927-01-000	EA	ADAPTER-HOSE TO PIPE, 1 1/4" MPT X 1 1/4" BARB - PLASTIC - BLACK
	049032-01-000	EA	PATCH-SPINWELD, 3/8" - PLASTIC
	074462-02-000	FT	TUBING-VINYL, 3/8" ID X 20' - CLEAR
	077954-02-000	EA	FILTER-WATER TANK, SCREEN IN TANK
	079381-01-000	FT	TUBING-SMOOTH FLEXIBLE, 1 1/4" ID X 20'
	114429-02-000	EA	ELBOW - 1/2" P X 1/2" MPT - FLAIR-IT 02803

**WATER SYSTEM**

KEY	PART NUMBER	U/M	DESCRIPTION
	039800-02-000	FT	TUBING-POLYBUTYL, 5/8" OD - INCREMENTS OF 20' - BLACK
	091208-01-000	EA	WASHER-RUBBER, .06" X .75" X .5"
	110915-01-01A	EA	FILL-WATER, CITY - CHROME - KEVCO 64713
	111039-02-000	EA	BRACKET-FAUCET
	114428-01-000	EA	TEE - 1/2" P X 1/2" P X 1/2" P - FLAIR-IT 02820
	114428-02-000	EA	TEE-SWIVEL, 1/2" P X 1/2" P X 1/2" FPT - FLAIR-IT 02821
	114429-01-000	EA	ELBOW - 1/2" P X 1/2" P - FLAIR-IT 02800
	114429-03-000	EA	ELBOW-SWIVEL, 1/2" P X 1/2" FPT - FLAIR-IT 02816
	114430-02-000	EA	ADAPTER-SWIVEL, 1/2" P X 1/2" FPT - FLAIR-IT 02873
	114430-03-000	EA	ADAPTER - 1/2" P X 1/2" MPT - FLAIR-IT 02842
	114431-01-000	EA	VALVE-LINE DRAIN, 1/2" P - FLAIR-IT 02914
	114431-02-000	EA	VALVE - 1/2" P, BYPASS - FLAIR-IT 02910
	117089-01-000	FT	HOSE - 1/2" ID, GARDEN - KEVCO 49154

**WATER PURIFICATION SYSTEM**

KEY	PART NUMBER	U/M	DESCRIPTION
	701069-01-000	EA	WATER PURIFICATION SYSTEM - EVERPURE 9252
	701069-03-700	EA	CARTRIDGE-WATER FILTER, AC - EVERPURE

**EXTERIOR SHOWER KIT**

KEY	PART NUMBER	U/M	DESCRIPTION
	046128-01-000	EA	VALVE-DRAIN, PLASTIC - 1/2" FPT
	079563-04-01A	EA	FAUCET - SHOWER W/ 1/2" MPT X 1.25" LONG INLET PIPE
	091952-02-000	EA	CLIP-GRIPPER - 3/4"
	103092-01-000	EA	SHOWER HEAD-W/60" HOSE - US
	103092-02-000	EA	SHOWER HEAD-W/60" HOSE - CANADIAN
	103092-01-700	EA	BRACKET ONLY-CLEAR, F/SHOWER HEAD - BPC
	103092-01-702	EA	SEALS-SPRAY HEAD
	011048-03-700	EA	BRACKET/F SHOWER HEAD - BPC
	108356-02-01A	EA	COVER-SWITCH W/DIMPLES, CARLING VVAZC00 BLA
	108357-08-000	EA	SWITCH-ROCKER, DPDT ON/NONE/ON - CARLING VDD1S00C-0
	114293-01-01A	EA	PAN-DRIP, 280 MM X 250 MM - OFF WHITE PLASTIC

**VENDOR NO.**

9601-11

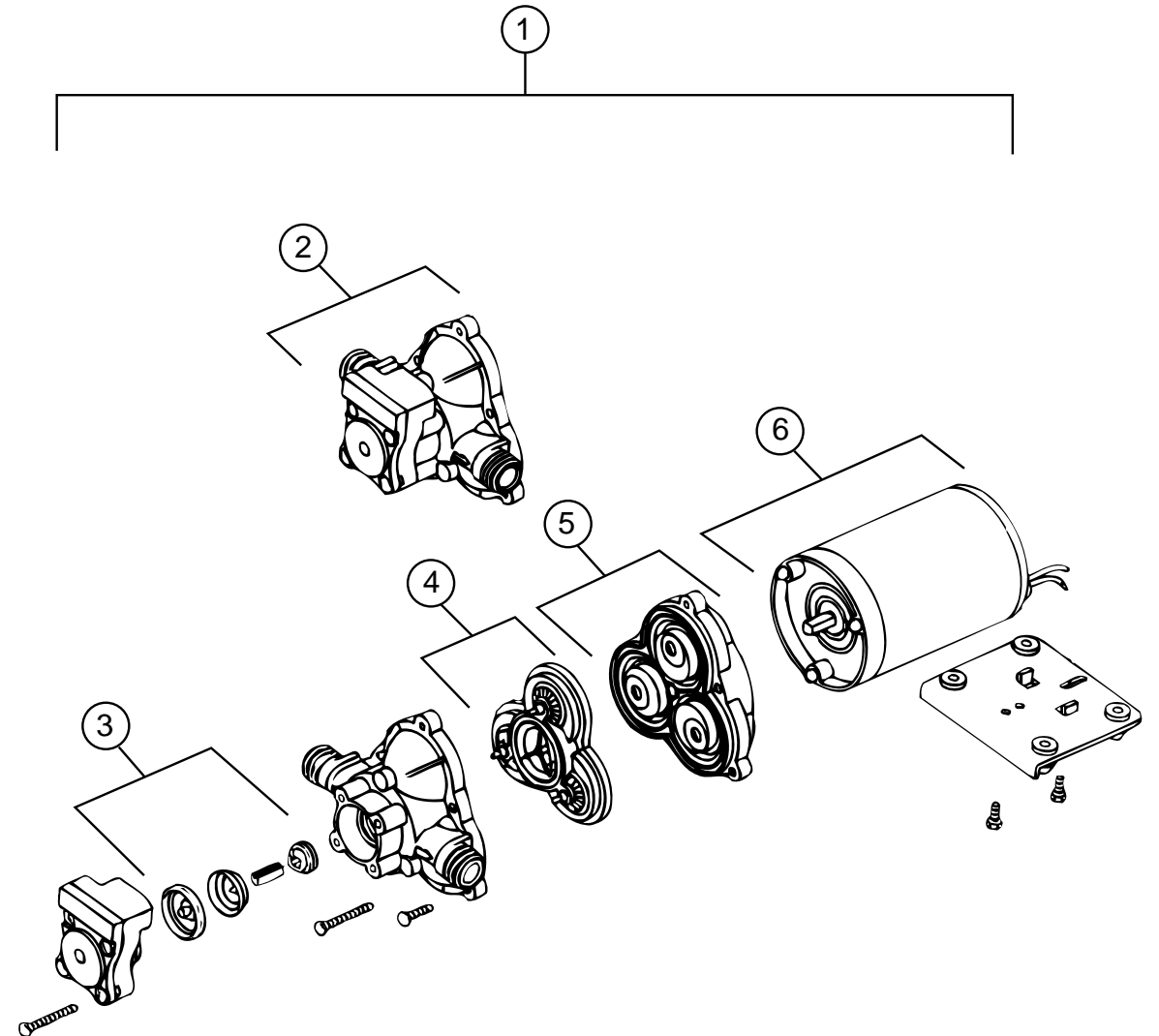
**VENDOR NO.**

2328028

24466

2328029-3

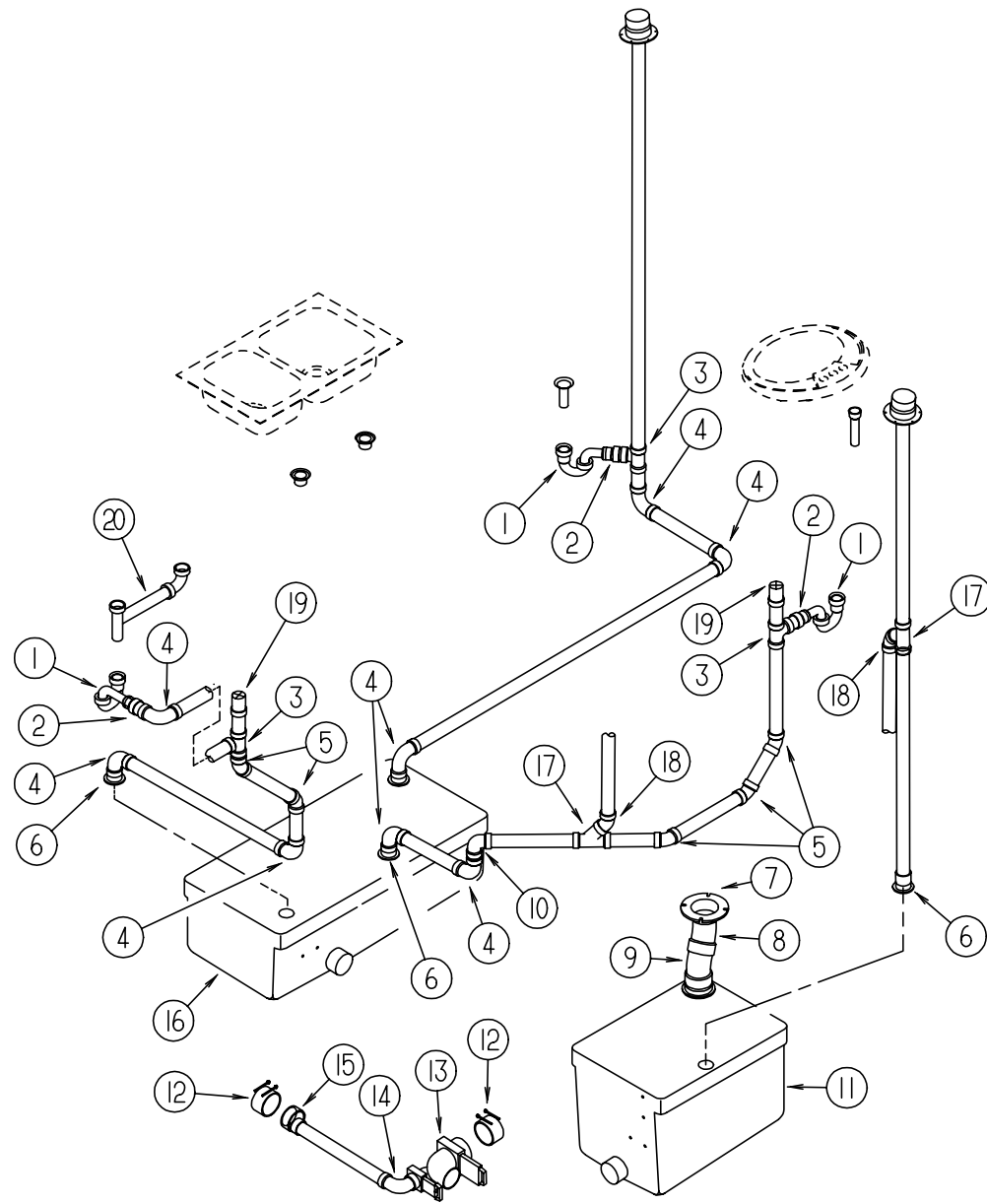
**WATER & SEWAGE GROUP (CONTINUED)**



**SHURFLO WATER PUMP & COMPONENTS**

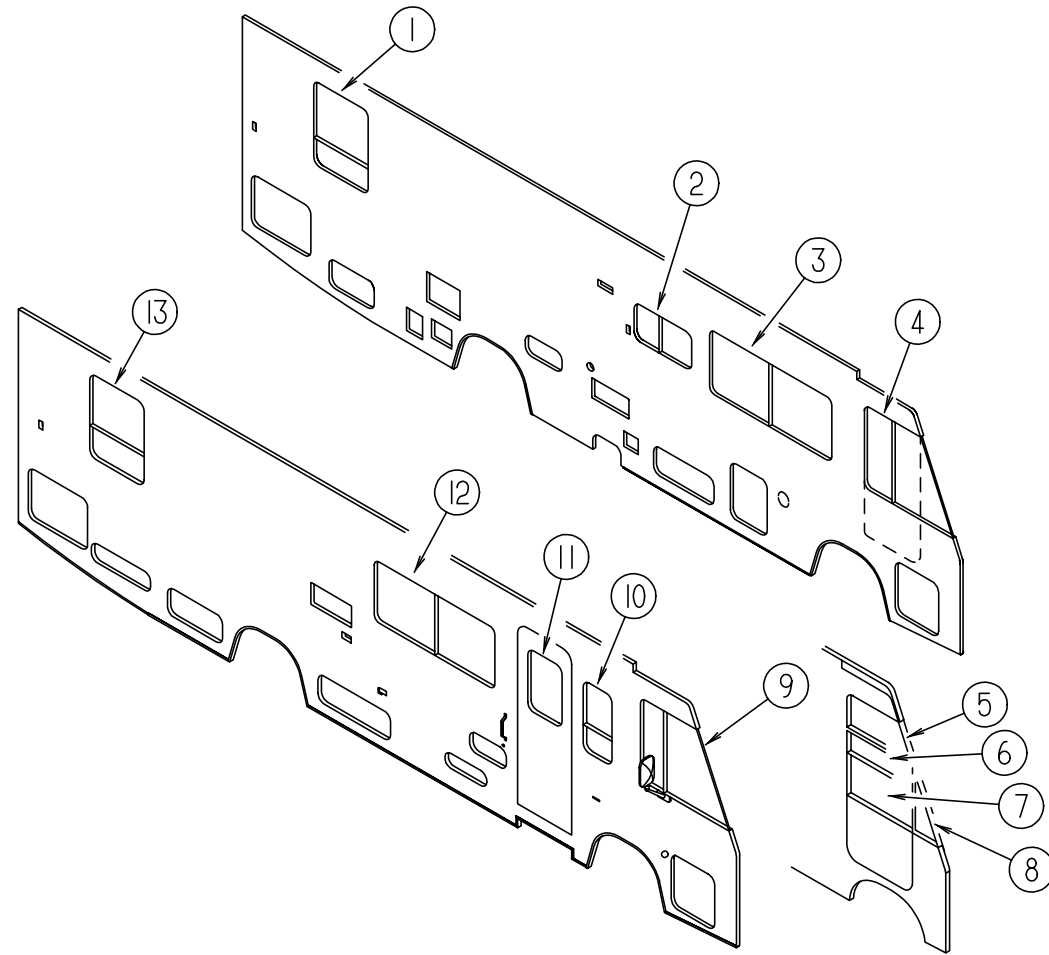
KEY	PART NUMBER	U/M	DESCRIPTION	VENDOR NO.
1	098607-01-000	EA	PUMP-WATER, W/.5" MPT FITTING - FLOW 2.8 GPM - UL	
2	098607-01-706	EA	HOUSING W/SWITCH ONLY	94-231-20
3	098607-01-705	EA	VALVE-CHECK, KIT	94-237-00
4	098607-01-703	EA	VALVE KIT	94-232-00
5	098607-01-702	EA	DIAPHRAGM/DRIVE ASSEMBLY KIT	94-238-04
6	098607-01-707	EA	MOTOR W/BASEPLATE	94-234-03

**WATER & SEWAGE GROUP (CONTINUED)**  
**DRAINAGE SYSTEM**



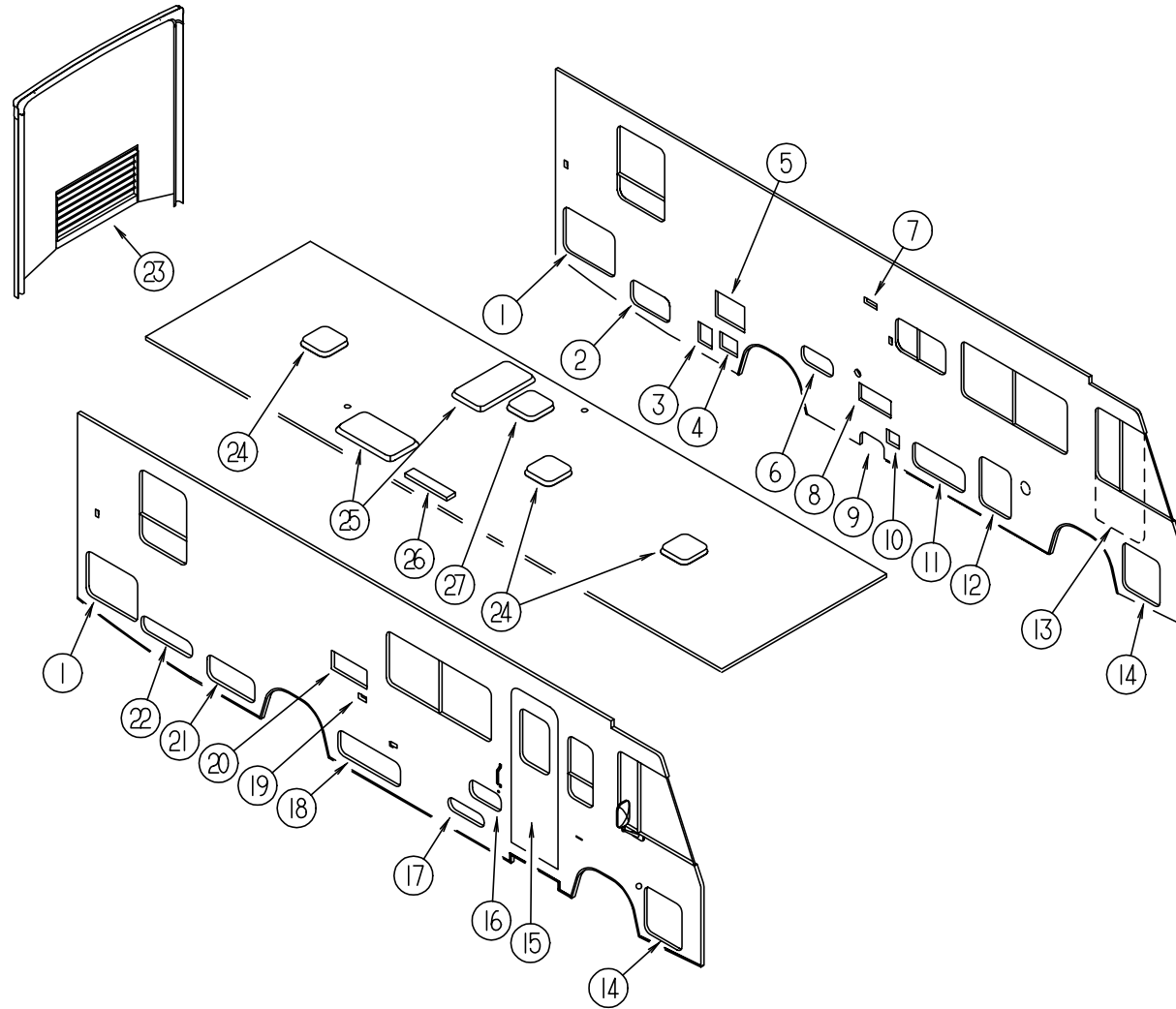
KEY	PART NUMBER	U/M DESCRIPTION
1	107538-01-000	EA P TRAP-PLASTIC, 1 1/4 W/EXTENSION ARM - KEVCO P814 1-1/4" - US
1	011071-01-000	EA P TRAP-PLASTIC, 1 1/2" - NIBCO 5892 1 1/2 - CANADIAN
	011069-04-000	EA TAILPIECE, 1 1/2 X 1 1/4 X 8 - BRASS
	069735-01-000	EA WASHER-STRAINER TO TAILPIECE PLASTIC, 1.5"
	066440-01-000	EA STRAINER W/RUBBER WASHER
2	109571-01-000	EA ADAPTER-P TRAP, 1 1/2" P X 1 1/4" MPT
3	010071-01-000	EA TEE-SANITARY, 1 1/2" HUB X HUB X HUB - PLASTIC - BLACK
4	010008-01-000	EA ELBOW - 90 DEGREE, 1/4 BEND - 1 1/2" HUB X HUB - BLACK PLASTIC
5	010006-01-000	EA ELBOW - 45 DEGREE, 1/8 BEND - 1 1/2" HUB X HUB - BLACK PLASTIC
6	010115-01-000	EA COUPLING - 1 1/2" HUB X HUB, PLASTIC
	061607-01-000	EA GROMMET-HOLDING TANK, 1 1/2" NPS
7	116644-01-000	EA FLANGE-CLOSET, TOILET - 4" X 3" - SEALAND 345892 - US
7	010147-02-000	EA FLANGE-CLOSET, TOILET - 4" X 3" FPT - CANADIAN
	061607-02-000	EA GROMMET-HOLDING TANK, 3" NPS
8	010061-01-000	EA ELBOW - 45 DEGREE, STREET - 1/8 BEND - 3" S X H - PLASTIC
9	010024-01-000	EA ELBOW-PLASTIC, 1/8 BD - 3 X 45 - H X H
10	034250-01-000	EA ELBOW - 90 DEGREE, LONG TURN - 1 1/2" HUB X HUB - ABS
11	113861-01-000	EA TANK-HOLDING W/O FITTINGS - 30 GALLONS - 678 MM X 481 MM X 478 MM
	061607-01-000	EA GROMMET-HOLDING TANK, 1 1/2" NPS
	061607-02-000	EA GROMMET-HOLDING TANK, 3" NPS
	039861-01-000	EA SENDING UNIT-W/SCREW, WASHER, WELL NUT & TERMINAL RING
12	078406-01-000	EA COUPLER-RUBBER, W/CLAMPS - 3" X 3"
13	070916-01-000	EA VALVE-DUAL DUMP, W/CAP - 3" X 1 1/2" - PLASTIC - BLACK
	070916-01-700	EA VALVE ONLY, 3"
	070916-01-701	EA VALVE ONLY, 1 1/2"
	010201-01-000	EA HOSE-SEWER, 3" ID X 8'
	062415-01-000	EA CAP-SEWER 3" DIAMETER
	062415-01-700	EA STRING SEWER CAP
	062416-01-000	EA ADAPTER-SEWER HOSE TO 3" PIPE
14	033761-01-000	EA ELBOW-TURN, 1/4 BEND X 1.5" HUB X 1.5" SPIGOT - BLACK PLASTIC
15	062422-01-000	EA ADAPTER-OFFSET REDUCER, 3" X 1 1/2" - PLASTIC - BLACK
16	113860-01-000	EA TANK-HOLDING W/O FITTINGS - 39 GALLONS - 1100 MM X 520 MM X 329 MM
	061607-01-000	EA GROMMET-HOLDING TANK, 1 1/2" NPS
	039861-01-000	EA SENDING UNIT-W/SCREW, WASHER, WELL NUT & TERMINAL RING
17	010073-01-000	EA WYE - 45 DEGREE, 1 1/2" HUB X HUB X HUB - PLASTIC - BLACK
18	010051-01-000	EA ELBOW - 45 DEGREE BEND, 1 1/2" SPIGOT AND HUB - PLASTIC - BLACK
19	079968-01-000	EA VENT-MECH. TRAP ARM, ANTI-SIPHON - 2" DIA X 7.3" - PLASTIC
20	011091-02-000	EA PIPE-DRAIN, DOUBLE SINK - BAFFLE TEE - 1 1/2" - US
20	011091-03-000	EA PIPE-DRAIN, W/SEALS - DOUBLE SINK - EXTENDS 9" TO 16" - CANADIAN

**WINDOW, VENT & EXTERIOR DOOR GROUP**  
**WINDOWS**



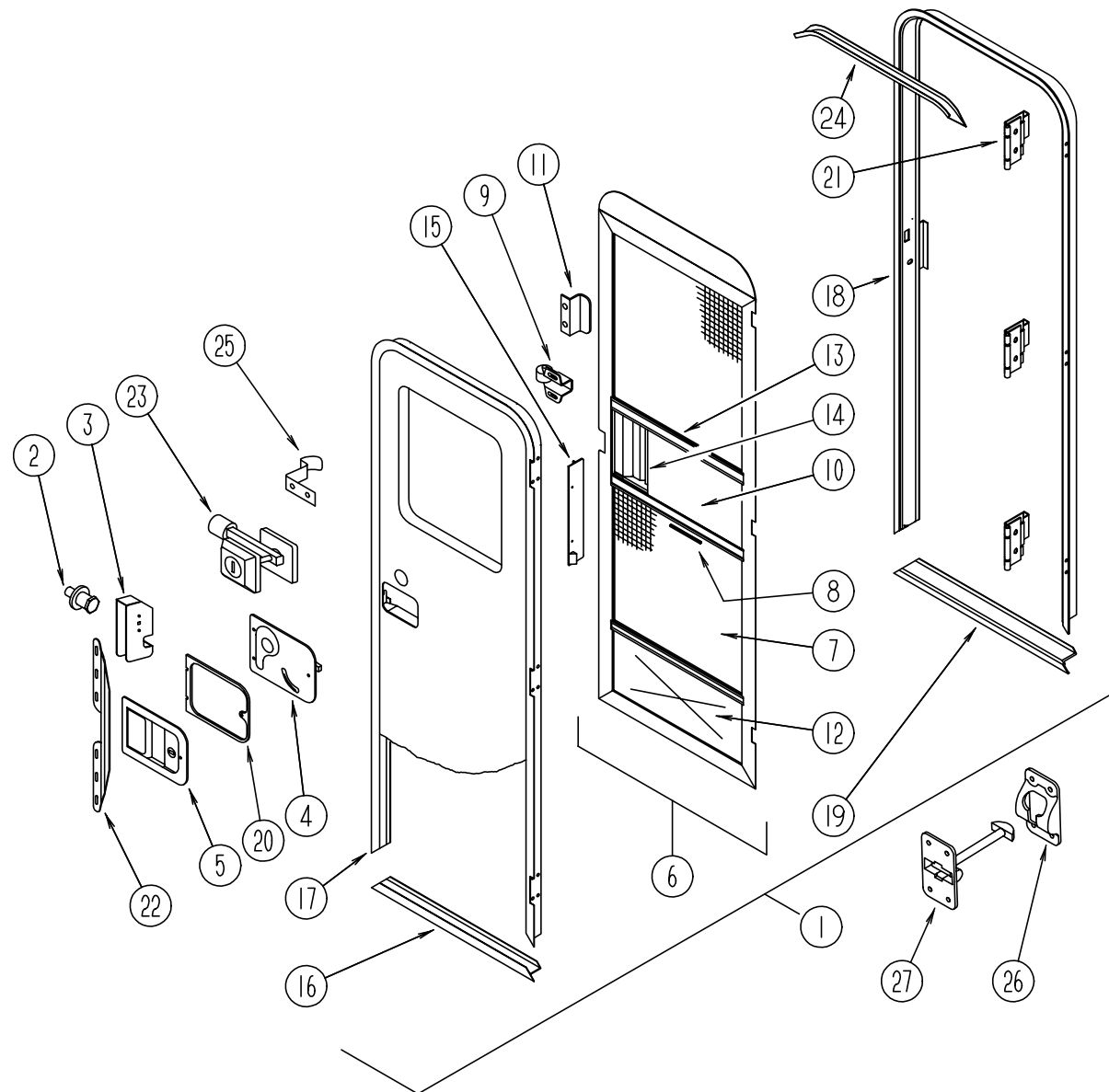
KEY	PART NUMBER	U/M	DESCRIPTION	VENDOR NO.
1	112463-02-01A	EA	WINDOW-TIPOUT/ESCAPE W/RETAINER TRIM - 36" X 27", EXCEL CH82-G2W59	
1	112898-09-01A	EA	WINDOW-VERTICAL SLIDER/ESCAPE, 36" X 27" - EXCEL DH436-G2W64L THERMOPANE WINDOW OPTION	
2	098647-34-01A	EA	WINDOW-DRIVERS, HORIZONTAL SLIDER - 15.7" X 28.5" - EXCEL H425-G2W66L	
2	112795-20-01A	EA	WINDOW-DRIVERS, HORIZONTAL SLIDER - 16" X 28 3/4" - EXCEL DC29-G2W66L THERMOPANE WINDOW OPTION	
3	098647-22-01A	EA	WINDOW-DRIVERS, HORIZONTAL SLIDER - 26.1" X 59.7" - EXCEL H287-G2W66L	
3	112795-15-01A	EA	WINDOW-DRIVERS, HORIZONTAL SLIDER - 26 3/8" X 60" - EXCEL DH287-G2W66L THERMOPANE WINDOW OPTION	
4	103658-09-01A	EA	WINDOW-CAB, W/RETAINER - DRIVER SIDE - EXCEL H405-A2B66L	
4	113501-03-01A	EA	WINDOW-CAB, W/RETAINER - DRIVER SIDE - EXCEL DH405-A2B66L THERMOPANE WINDOW OPTION	
5	106467-02-01A	EA	WINDOW-VISTA - DRIVER SIDE - EXCEL - DRIVER DOOR	
5	116000-05-01A	EA	WINDOW-VISTA - DRIVER SIDE - EXCEL - DRIVER DOOR THERMOPANE WINDOW OPTION	
6	106469-02-702	EA	GLASS-STATIONARY, EXCEL - DRIVER DOOR	106-041104
7	106469-01-704	EA	ROLL-UP GLASS ASM W/BACKET, EXCEL - DRIVER DOOR	V103-65L
8	106468-02-01A	EA	WINDOW-FRONT SLANT - DRIVER SIDE - DRIVER DOOR - EXCEL H383-A2B27L	
8	115999-02-01A	EA	WINDOW-FRONT SLANT - DRIVER SIDE - DRIVER DOOR - EXCEL DH383-A2B27L THERMOPANE WINDOW OPTION	
9	103658-10-01A	EA	WINDOW-CAB, W/RETAINER - PASSENGER SIDE - EXCEL H405-A2B66R	
9	113501-04-01A	EA	WINDOW-CAB, W/RETAINER - PASSENGER SIDE - EXCEL DH405-A2B66R THERMOPANE WINDOW OPTION	
10	098644-07-01A	EA	WINDOW-VERTICAL SLIDER, W/RETAINER - 30.2" X 14.3" - EXCEL H170-G2W66	
10	112898-04-01A	EA	WINDOW-VERTICAL SLIDER, W/RETAINER - 30.2" X 14.3" - EXCEL DC02-G2W66 THERMOPANE WINDOW OPTION	
11	117053-02-F36	EA	WINDOW-PICTURE, W/O RETAINER - 17" X 26.4"	
11	113733-01-01A	EA	WINDOW-PICTURE, W/RETAINER - 17" X 26.4" - EXCEL DH416-G2W66 THERMOPANE WINDOW OPTION	
12	098647-23-01A	EA	WINDOW ASM-SLIDING, 26 3/8" X 60" - EXCEL H287-G2W66R	
12	112795-16-01A	EA	WINDOW ASM-SLIDING, 26 3/8" X 60" - EXCEL DH287-G2W66R THERMOPANE WINDOW OPTION	
13	112463-01-01A	EA	WINDOW-TIPOUT, W/RETAINER - 36" X 27" - EXCEL CH81-G2W59	
13	112898-08-01A	EA	WINDOW-VERTICAL SLIDER - 36" X 27" - EXCEL DH435-G2W66R THERMOPANE WINDOW OPTION	
	117046-02-000	EA	BUMPER-RUBBER, ROUND END - LAKEVIEW 22073 THERMOPANE WINDOW OPTION	

**WINDOW, VENT & EXTERIOR DOOR GROUP (CONTINUED)**  
**EXTERIOR DOORS & VENTS**



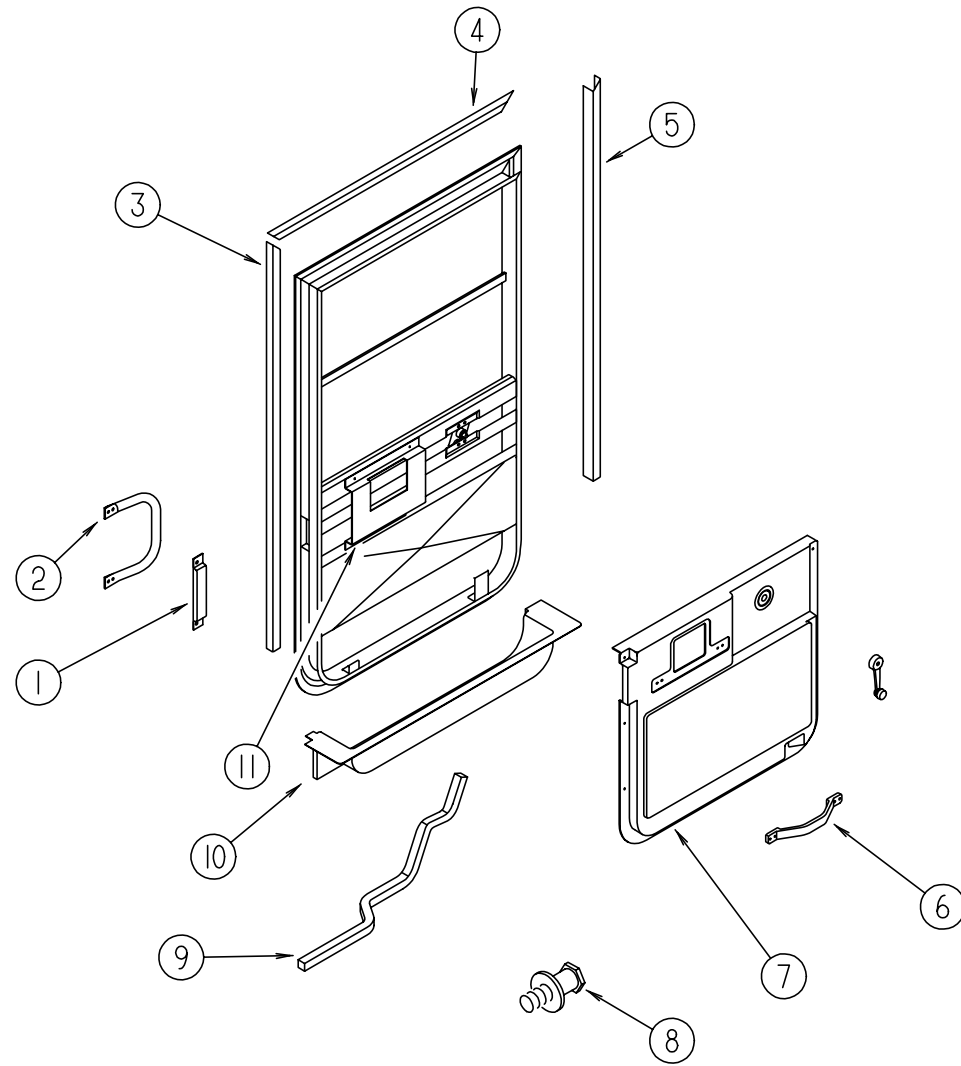
KEY	PART NUMBER	U/M	DESCRIPTION
1	111013-36-F24	EA	DOOR-STORAGE, BRIGHT WHITE
2	111013-04-F24	EA	DOOR-STORAGE, 22.1" X 11.6" - W/O PADDLE LATCH - BRIGHT WHITE
3	088794-06-000	EA	DOOR-POWER CORD, W/HATCH - BRIGHT WHITE
4	106100-01-F24	EA	VENT ASM-ENGINE
5	052009-06-000	EA	DOOR-WATER HEATER, 18" X 14.6" - BRIGHT WHITE - ATWOOD
6	111017-02-F24	EA	DOOR ASM-EXTERIOR SHOWER, BRIGHT WHITE
7	084616-07-000	EA	SHROUD-RANGE HOOD VENT, BRIGHT WHITE
	084878-09-000	EA	VENT-RANGE HOOD, SHORT - LVS
8	098668-23-000	EA	DOOR-ACCESS, FURNACE - BRIGHT WHITE - SUBURBAN 520574
9	111012-05-F24	EA	DOOR-STORAGE, BRIGHT WHITE
10	052423-07-000	EA	DOOR-ACCESS, 6.6" X 6.3" - PLASTIC - BRIGHT WHITE - SEWER HOSE DOOR
10	052424-06-000	EA	JAMB-DOOR, 8" X 7.7" - PLASTIC - BRIGHT WHITE - SEWER HOSE DOOR
11	111018-03-G29	EA	DOOR-GENERATOR/STORAGE, BRIGHT WHITE
12	111013-40-F24	EA	DOOR-STORAGE, BRIGHT WHITE
13	106469-07-01A	EA	DOOR-DRIVERS - BLACK - EXCEL V130-01L
14	111013-07-F24	EA	DOOR-STORAGE, BRIGHT WHITE
15	115108-05-G30	EA	DOOR-ENTRY W/SCREEN DOOR & JAMB - W/O WINDOW
15	115108-05-G31	EA	DOOR-ENTRY W/SCREEN DOOR & JAMB - W/O WINDOW
16	111017-01-F24	EA	DOOR-PATIO ENTERTAINMENT CENTER, 17.8" X 8.1" - BRIGHT WHITE
17	111009-01-GB1	EA	DOOR-COMPARTMENT, LP - 6.5" X 20.8" - BRIGHT WHITE
18	111013-90-G29	EA	DOOR-STORAGE, BRIGHT WHITE
19	081240-16-000	EA	DOOR-WATER FILL, LOCKABLE W/O LOCK - 4" X 4 5/8" - BRIGHT WHITE
20	084103-08-000	EA	DOOR-REFRIGERATOR, VENTED - W/O JAMB - BRIGHT WHITE
20	084104-08-000	EA	JAMB-DOOR, REFRIGERATOR - BRIGHT WHITE
	084104-01-700	EA	LOCK-MALE, FASTENER - REFRIGERATOR DOOR
	084104-01-701	EA	LOCK-FEMALE, FASTENER - REFRIGERATOR DOOR
21	111013-48-F24	EA	DOOR-STORAGE, BRIGHT WHITE
22	111013-11-F24	EA	DOOR-STORAGE, BRIGHT WHITE
23	105546-02-F24	EA	DOOR ASM-ACCESS, ENGINE
	105548-02-03A	EA	ROD-GRILL, MILL
	102330-01-000	EA	LOCK-SINGLE HOLE, VISE ACTION - SOUTHCOE E3-216-715-19
	102328-01-000	EA	KEY-BARREL, NICKEL PLATED - SOUTHCOE 3-26-715-19
24	110051-02-01A	EA	VENT-ROOF, NONPOWERED - 4" ROOF - JENSEN 7727 WHE
25	114495-01-01A	EA	PANEL-SKYLITE, INNER
25	114496-01-01A	EA	PANEL-SKYLITE, OUTER
26	084073-07-000	EA	COVER-ROOF VENT, REFRIGERATOR - BRIGHT WHITE - NORCOLD
26	084073-04-000	EA	BASE-ROOF VENT, REFRIGERATOR - BLACK - NORCOLD
27	110051-04-01A	EA	VENT-ROOF, POWERED - 4" ROOF - US - JENSEN 7797 WHE
27	110051-06-01A	EA	VENT-ROOF, POWERED - 4" ROOF - CSA - JENSEN C7797 WHE

**WINDOW, VENT & EXTERIOR DOOR GROUP (CONTINUED)**  
**ENTRANCE DOOR W/O WINDOW**



KEY	PART NUMBER	U/M	DESCRIPTION	VENDOR NO.
1	115108-05-G30	EA	DOOR-ENTRY W/SCREEN DOOR & JAMB - W/O WINDOW	
1	115108-05-G31	EA	DOOR-ENTRY W/SCREEN DOOR & JAMB - W/O WINDOW	
2	039539-01-000	EA	STRIKE-LOCK, ENTRY DOOR - ROUND W/THREADED WASHER	
3	039540-01-000	EA	LATCH MECHANISM-HOOK, ENTRY DOOR - INTERIOR	
	039715-01-000	EA	NUT-SERT, 1/4" DIAMETER - 20 THREADS	
4	039979-06-000	EA	COVER-INTERIOR LATCH, W/TRIP ARM - RIGHT - BLACK - TRI/MARK 11883-01	
	039984-01-000	EA	CAP-ROUND, VINYL - .28" ID X .62" LONG - BLACK	
	041546-07-000	EA	BRACKET-DOOR ANGLE, 5" X 1.9" - OFF WHITE - METAL	
5	045017-13-000	EA	LATCH-ENTRY DOOR, W/LOCK & KEY - BLACK - TRI/MARK 11896-01	
	045017-11-701	EA	KEY BLANK	
	045017-11-703	EA	CYLINDER-LOCK ASSEMBLY W/KEYS - TRIMARK	81266-09
	036618-02-000	EA	E RING-EXTERNAL, LYNOR DOOR LOCK - 3/16" SHAFT DIAMETER	
	063729-04-000	EA	RIVNUT, 10-32 UNF - .010-.080	
	075671-04-000	FT	SEAL-SPONGE, LAZY T SHAPE - W/ADHESIVE STRIPE - .5" WIDE	
6	079012-09-F24	EA	DOOR-SCREEN	
	075673-01-000	FT	SEAL-PILE, ADHESIVE BACK - GRAY	
7	002293-02-000	SF	SCREENING-WINDOW/DOOR, 26" - CHARCOAL	
8	002294-01-000	FT	SPLINE-SCREENING, .135" X .138" - BLACK	
9	109403-01-000	EA	CATCH-ASM-SINGLE ROLLER	
10	016454-01-000	EA	INSERT-CENTER, LEATHER GRAIN ALUMINUM - UNPAINTED	
10	001014-01-013	EA	INSERT-CENTER, 10.25" X 16.31" - UNPAINTED	
11	050712-06-000	EA	HANDLE-SCREEN DOOR, ALUMINUM - BRIGHT WHITE	
12	078552-03-000	EA	KICK PANEL-SCREEN DOOR, LOWER INSERT - UNPAINTED	
	078595-01-000	EA	TOP PLATE-SCREEN DOOR, CURVED TOP - 4.7" X 25.35"	
13	078777-01-000	EA	CHANNEL-SLIDE, SCREEN DOOR CENTER SLIDER COVER	
14	079086-03-000	EA	SLIDER-SCREEN DOOR, BRIGHT WHITE	
15	079087-03-000	EA	STRIKE-SLIDER, W/LIP FOR ELBOW CATCH - 1.5" X 8.6" - BRIGHT WHITE	
	081914-01-000	EA	BUMPER-RUBBER, ROUND - .43" DIAMETER - BLACK	
	104692-01-000	FT	SEAL - 3/4" X 3/4", ADHESIVE BACK	
16	089748-21-000	EA	FRAME-BOTTOM, ENTRY DOOR - 24.8" LONG - BRIGHT WHITE	
17	095276-07-03A	EA	FRAME-ENTRY DOOR, W/O BOTTOM - BRIGHT WHITE	
18	120310-05-01A	EA	JAMB-ENTRY DOOR, W/BOTTOM - BRIGHT WHITE	
19	051049-01-000	EA	JAMB-BOTTOM, ENTRY DOOR - 25.9" - UNPAINTED	
20	096810-01-01A	EA	PLATE-LATCH, ENTRY DOOR - PLASTIC - BLACK	
21	106719-01-05A	EA	HINGE-ENTRY DOOR, BRIGHT WHITE	
22	098173-01-07A	EA	STIFFENER-ENTRY DOOR, SUPPORTS LATCH/STRIKE AREA - BRIGHT WHITE	
	118929-01-01A	FT	SEAL-PILE, PUSH-ON - AMESBURY XC-964	
23	101145-01-06A	EA	DEADBOLT ASM-BLACK TEXTURED - TRI/MARK 11840-02	
	095229-01-700	EA	KEY BLANK FOR DEADBOLT	
	101145-01-701	EA	CYLINDER-LOCK ASM, W/KEY	81306-03
	101147-01-000	EA	BOLT-SECURITY, 4.12" BACKSET	
	102524-01-000	EA	BUMPER-RUBBER, FLAT - BLACK	
24	044582-44-000	EA	CAP-DRIP, ENTRY DOOR - JAMB MOUNTED - ALUMINUM - BRIGHT WHITE	
	115222-01-01A	EA	GARNISH-RADIUS, ENTRY DOOR - OFF WHITE	
	077461-03-000	EA	COVER-STRIKE, ENTRY DOOR - 6.5" X 2.5" - PLASTIC - WHITE	
25	100412-01-000	EA	CATCH-SCREEN DOOR, THUMB CLIP W/BLACK PLASTIC CAP	
26	104099-02-01A	EA	CATCH-DOOR HOLDER, RETAINER - OFF WHITE - DH-520BCW	
27	104099-01-04A	EA	CATCH-DOOR HOLDER, STRIKE - BRIGHT WHITE - DH-520ACW	
	009126-03-000	EA	HANDLE-ASSIST, ENTRY DOOR - BLACK TEXTURED	
	102248-01-000	EA	SHIM-DOOR	
	038327-01-000	EA	TAPE-ANTI SLIP, 2" X 60'	
	076725-02-000	EA	COVER-HINGE, ENTRY DOOR - 6" X 3.2"	
	100128-02-000	FT	SEAL-FOAM, ADHESIVE BACK - .37" W X .37" THICK	
	090340-01-000	FT	SEAL-FOAM, CLOSED CELL - 1/4" X 1/2" X 50'	
	116111-02-01A	EA	SCREW - TAPTITE - 1/4-20 X 3/8 PPH - ZINC	
	086285-05-000	EA	SPACER-NYLON, 17.80 OD X 14.3 - MICROPLAS 17W07051	

**WINDOW, VENT & EXTERIOR DOOR GROUP (CONTINUED)**  
**EXCEL DRIVERS DOOR MODEL V130-01L**



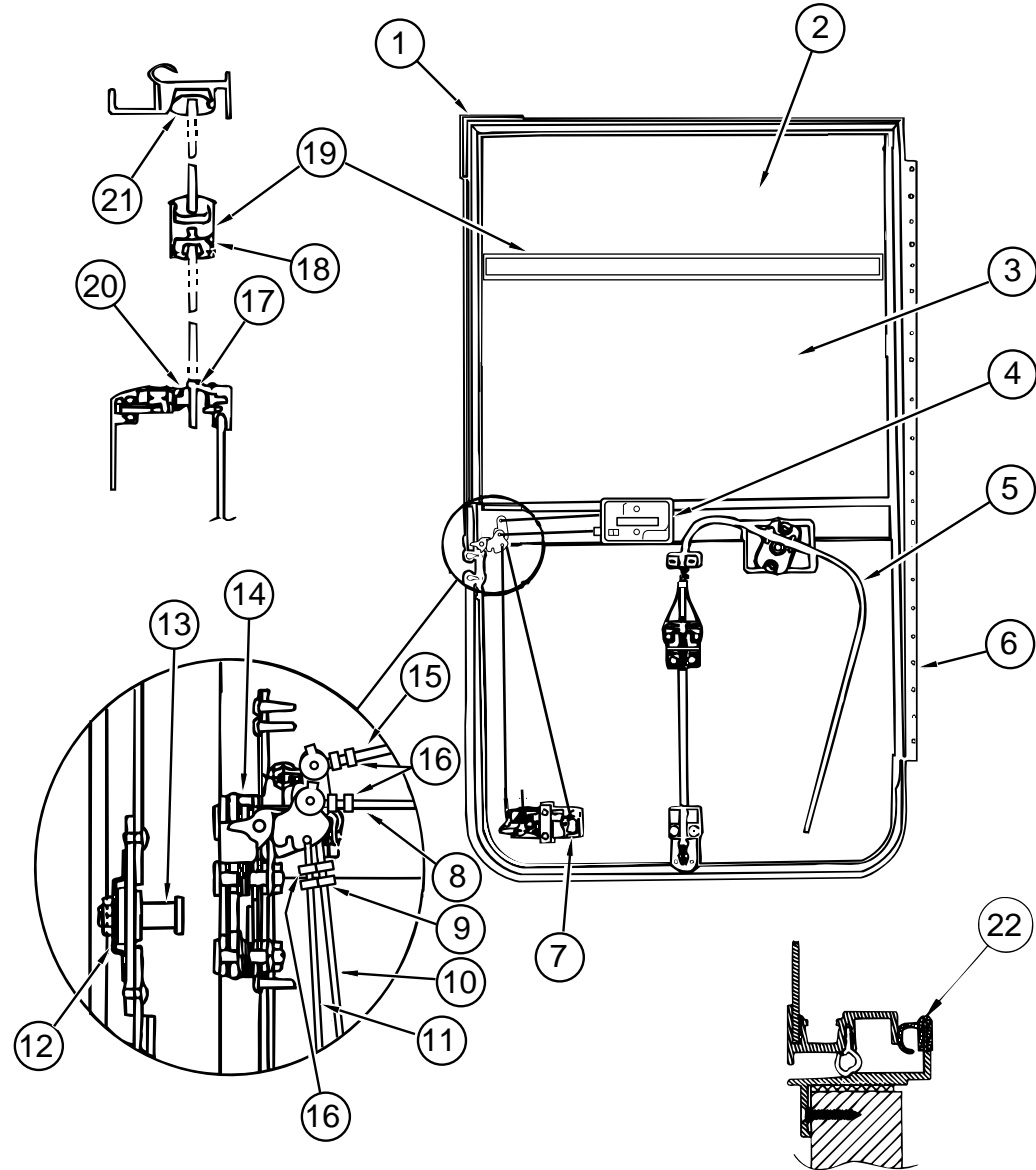
KEY	PART NUMBER	U/M	DESCRIPTION
	106469-07-01A	EA	DOOR - DRIVERS - BLACK - EXCEL V130-01L
1	108654-01-01A	EA	COVER - STRIKE - DRIVERS DOOR - BLACK
2	108832-01-02A	EA	HANDLE - ASSIST - DRIVERS DOOR - METAL - OFF WHITE
	108833-01-01A	EA	COVER - HANDLE - ASSIST - OFF WHITE
3	108129-02-02A	EA	GARNISH - DRIVERS DOOR - BLACK
4	108107-01-02A	EA	GARNISH - DRIVERS DOOR - BLACK
5	108108-04-02A	EA	GARNISH - DRIVERS DOOR - BLACK
6	110604-01-01A	EA	HANDLE - ASSIST - DRIVERS DOOR - 10.8" LONG - BLACK
7	114973-01-04A	EA	PANEL - DRIVER DOOR - INNER - QUICK SILVER - PLASTIC
8	106469-04-703	EA	STRIKER ASSEMBLY - (SUPPLIED W/DRIVERS DOOR) - EXCEL
9	063977-12-000	EA	STEP - DRIVER DOOR - LEFT - PAINTED BLACK
9	063977-11-000	EA	STEP - DRIVER DOOR - LEFT - UNPAINTED
10	107818-01-07A	EA	TRIM - STEP - DRIVERS DOOR - PLASTIC - QUICK SILVER
	102569-02-000	EA	MAT-ANTISLIP, 4" X 22"
11	115051-01-01B	EA	BRACKET - HANDLE - MOUNT
	108897-02-01A	EA	GARNISH - DOOR - DRIVERS - U-CHANNEL - BLACK
	109378-01-000	EA	STRAP - CHECK - DRIVERS DOOR - BLACK
	076725-06-000	EA	COVER - ACCESS, HINGE - BLACK
	109235-01-01A	FT	COVER - SCREW - MAT BLACK
	109235-01-05A	FT	COVER - SCREW - BRIGHT WHITE
	106746-01-000	EA	PANEL-STEPWELL, 789 MM LONG - STEEL
	106747-01-000	EA	PANEL-STEPWELL, RH END - STEEL
	106747-02-000	EA	PANEL-STEPWELL, LH END - STEEL
	110063-01-000	EA	PLATE ASM-STEP
	116102-02-01A	EA	LINER-STEPWELL, VALANCE - BLACK
	102569-02-000	EA	MAT-ANTI SLIP, LOWER

VENDOR NO.

248-041152

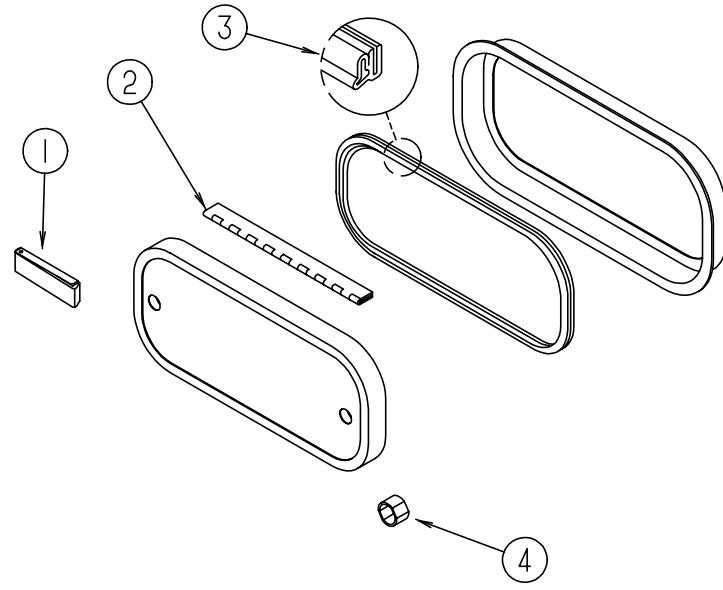


**WINDOW, VENT & EXTERIOR DOOR GROUP (CONTINUED)**  
**EXCEL DRIVERS DOOR MODEL V130-01L (CONTINUED)**



KEY	PART NUMBER	U/M	DESCRIPTION	VENDOR NO.
1	106469-01-702	EA	DOOR SEAL, EXCEL	122-040984
2	106469-02-702	EA	GLASS-STATIONARY, EXCEL	106-041104
3	106469-01-704	EA	ROLL-UP GLASS ASM W/BACKET, EXCEL	V103-65L
4	106469-04-712	EA	INNER HANDLE HARDWARE - LH, EXCEL	248-041148
5	106469-02-701	EA	REGULATOR ASSEMBLY, EXCEL	V108-90L
6	106469-05-702	EA	HINGE - 42", EXCEL	211-041194
7	106469-04-700	EA	PADDLE ASM. W/COLLAR, EXCEL	248-041237
	106469-04-701	EA	TUMBLER & KEYS (TRI-MARK), EXCEL	248-041179
	106469-04-715	EA	LATCH COMPLETE W/TUMBLER & KEYS, EXCEL	V123-15
	045017-11-701	EA	KEY-BLANK, TRIMARK	81312-02
8	106469-04-711	EA	LOCK ROD, HORIZONTAL, EXCEL	203-041137
9	106469-04-713	EA	ROD CLIP-LH, EXCEL	248-041154
10	106469-05-703	EA	LATCH ROD, VERTICAL ADJ, EXCEL	203-041239
11	106469-05-705	EA	LOCK ROD, VERTICAL ADJ, EXCEL	203-041279
12	106469-04-704	EA	CAGED NUT ASSEMBLY (STRIKER), EXCEL	248-041151
13	106469-04-703	EA	STRIKER BOLT (W/WASHER), EXCEL	248-041152
14	106469-05-706	EA	ROTARY LATCH & LINKAGE, EXCEL	248-041150
15	106469-04-705	EA	LATCH ROD-HORIZONTAL, EXCEL	203-041139
16	106469-04-714	EA	ROD CLIP-RH, EXCEL	248-041153
17	106469-02-703	EA	BELT-WEATHERSTRIP, EXTERIOR - ROLL-UP GLASS - EXCEL	V047-57
18	106469-01-705	FT	RUN-CHANNEL, EXCEL	122-010850
19	106469-01-719	EA	MULLION RAIL, EXCEL	V103-84
20	106469-01-709	FT	WEATHERSTRIP-FUZZY, EXCEL	171-040630
21	106469-02-705	EA	HORIZONTAL GLAZING VINYL, EXCEL	V108-87
22	106469-01-723	EA	BULB SEAL ASM-DRIVERS DOOR JAMB - PREFORMED - EXCEL	171-040985
	106469-02-704	EA	PARTS BAG (HANDLE WINDOW), EXCEL	V068-16
	106469-07-700	EA	MOUNTING FRAME ASSEMBLY, EXCEL	V130-30L

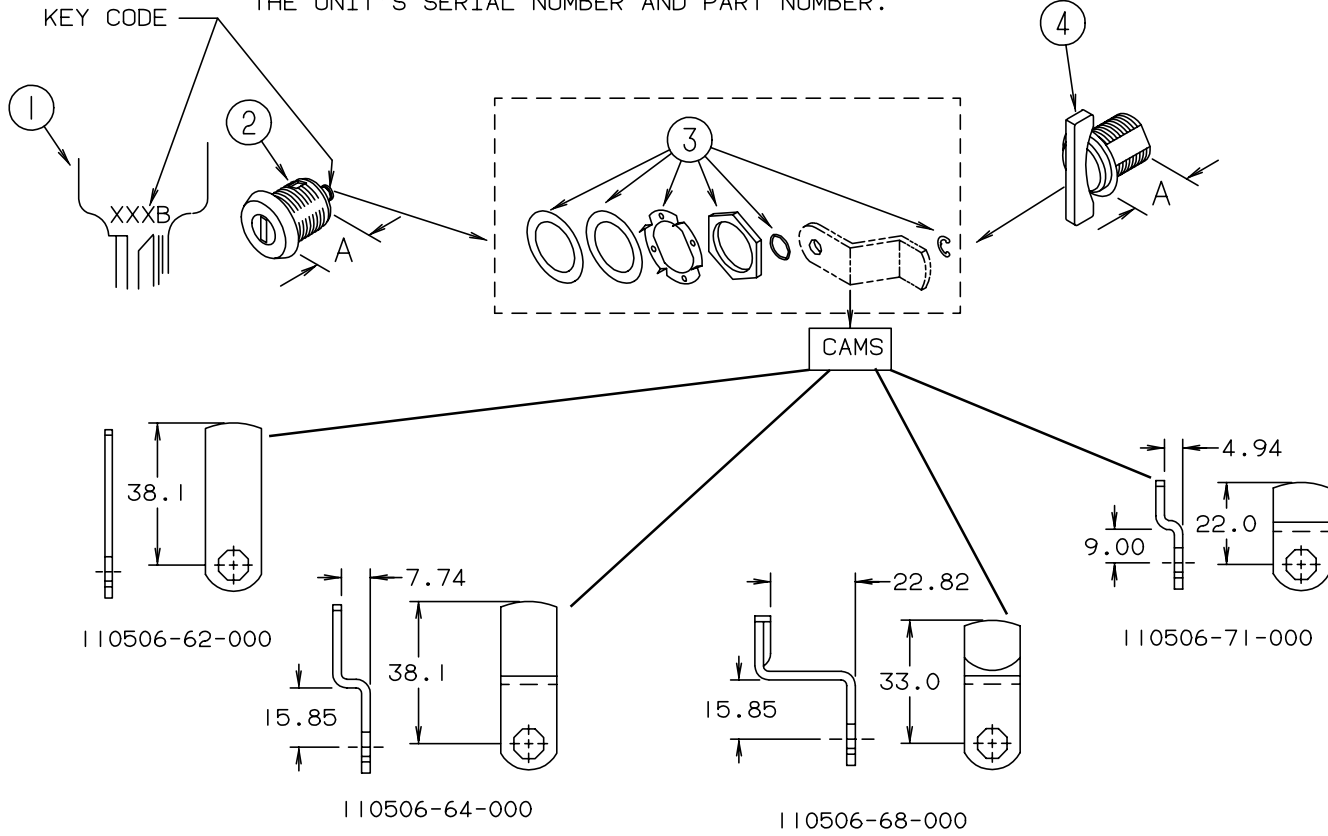
**WINDOW, VENT & EXTERIOR DOOR GROUP (CONTINUED)**  
**EXTERIOR DOOR COMPONENTS & HOLDERS**



KEY	PART NUMBER	U/M	DESCRIPTION
1	102768-01-000	EA	HOLDER-COMPARTMENT/ENTRY DOOR, METAL - MILL FINISH
2	081801-02-000	EA	HINGE - 2" X 96", OFF WHITE
2	081801-V3-000	EA	HINGE - 2" X 96", BRIGHT WHITE
2	034007-B3-000	EA	HINGE-PIANO, 1.5" X 96" - ALUMINUM - BRIGHT WHITE
2	009065-01-000	EA	HINGE-PIANO, 1.5" X 96" - ALUMINUM - UNPAINTED
3	064075-07-000	FT	SEAL-BULB, W/WIRED U CHANNEL - .3" X .5" CHANNEL - BLACK
4	107997-51-001	EA	SPACER - .86" X .6", ALUMINUM
	081914-01-000	EA	BUMPER-RUBBER, ROUND - .43" DIAMETER - BLACK
	099418-01-000	FT	D-SECTION SEAL W/ ADHESIVE BACK - .44" X .44" - BLACK RUBBER
	090340-02-000	FT	SEAL-FOAM, CLOSED CELL - 3/8" X 1/2" X 50'
	104692-01-000	FT	SEAL - 3/4" X 3/4", ADHESIVE BACK
	116424-01-000	EA	PROTECTOR-WATER HEATER LATCH - ATWOOD 92611

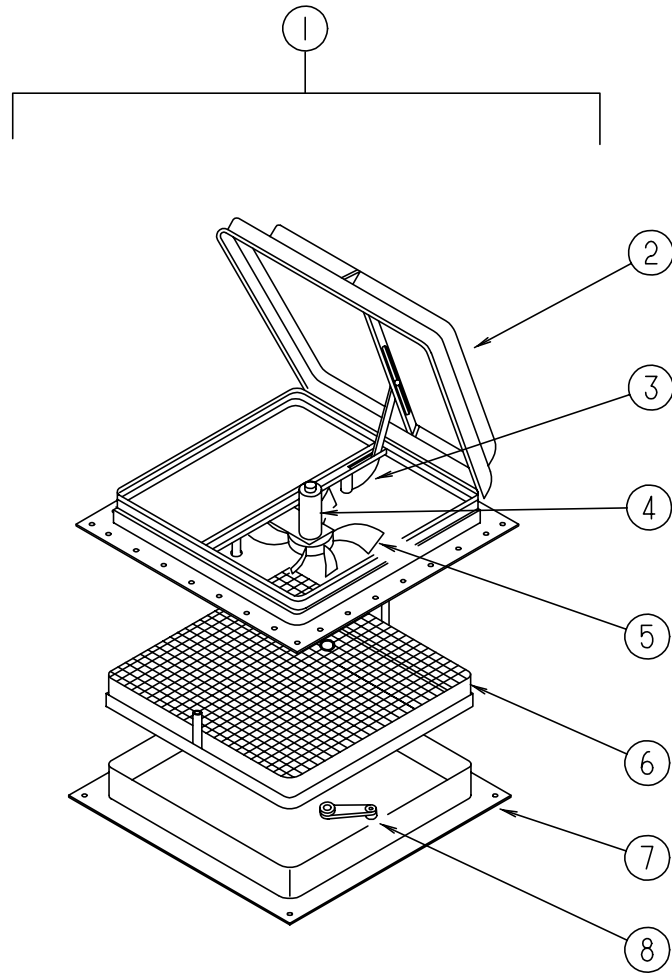
**WINDOW, VENT & EXTERIOR DOOR GROUP (CONTINUED)**  
**BRIGGS & STRATTON LOCKS & COMPONENTS**

NOTE:  
 WHEN ORDERING THE LOCK CASE, THE KEY CODE MUST MATCH THE LAST DIGIT OF THE UNIT'S SERIAL NUMBER AND PART NUMBER; WHEN ORDERING THE KEYS, THE THIRD DIGIT OF THE KEY CODE MUST MATCH THE LAST DIGIT OF THE UNIT'S SERIAL NUMBER AND PART NUMBER.



KEY	PART NUMBER	U/M	DESCRIPTION	VENDOR NO.
1	110506-59-000	EA	KEYS-SET OF 2	596720
2	110506-52-000	EA	CASE-LOCK, A=17 MM	702370
2	110506-53-000	EA	CASE-LOCK, A=25 MM	702380
2	110506-54-000	EA	CASE-LOCK, A=32 MM	703170
1	110506-59-001	EA	KEYS-SET OF 2	596721
2	110506-52-001	EA	CASE-LOCK, A=17 MM	702371
2	110506-53-001	EA	CASE-LOCK, A=25 MM	702381
2	110506-54-001	EA	CASE-LOCK, A=32 MM	703171
1	110506-59-002	EA	KEYS-SET OF 2	596722
2	110506-52-002	EA	CASE-LOCK, A=17 MM	702372
2	110506-53-002	EA	CASE-LOCK, A=25 MM	702382
2	110506-54-002	EA	CASE-LOCK, A=32 MM	703172
1	110506-59-003	EA	KEYS-SET OF 2	596723
2	110506-52-003	EA	CASE-LOCK, A=17 MM	702373
2	110506-53-003	EA	CASE-LOCK, A=25 MM	702383
2	110506-54-003	EA	CASE-LOCK, A=32 MM	703173
1	110506-59-004	EA	KEYS-SET OF 2	596724
2	110506-52-004	EA	CASE-LOCK, A=17 MM	702374
2	110506-53-004	EA	CASE-LOCK, A=25 MM	702384
2	110506-54-004	EA	CASE-LOCK, A=32 MM	703174
1	110506-59-005	EA	KEYS-SET OF 2	596725
2	110506-52-005	EA	CASE-LOCK, A=17 MM	702375
2	110506-53-005	EA	CASE-LOCK, A=25 MM	702385
2	110506-54-005	EA	CASE-LOCK, A=32 MM	703175
1	110506-59-006	EA	KEYS-SET OF 2	596726
2	110506-52-006	EA	CASE-LOCK, A=17 MM	702376
2	110506-53-006	EA	CASE-LOCK, A=25 MM	702386
2	110506-54-006	EA	CASE-LOCK, A=32 MM	703176
1	110506-59-007	EA	KEYS-SET OF 2	596727
2	110506-52-007	EA	CASE-LOCK, A=17 MM	702377
2	110506-53-007	EA	CASE-LOCK, A=25 MM	702387
2	110506-54-007	EA	CASE-LOCK, A=32 MM	703177
1	110506-59-008	EA	KEYS-SET OF 2	596728
2	110506-52-008	EA	CASE-LOCK, A=17 MM	702378
2	110506-53-008	EA	CASE-LOCK, A=25 MM	702388
2	110506-54-008	EA	CASE-LOCK, A=32 MM	703178
1	110506-59-009	EA	KEYS-SET OF 2	596729
2	110506-52-009	EA	CASE-LOCK, A=17 MM	702379
2	110506-53-009	EA	CASE-LOCK, A=25 MM	702389
2	110506-54-009	EA	CASE-LOCK, A=32 MM	703179
3	110506-40-700	EA	HARDWARE KIT-LOCK, W/GASKET, NUT, CLIP & WASHERS	
4	110506-50-000	EA	CASE-TWIST LOCK, A=17 MM	596932
4	110506-51-000	EA	CASE-TWIST LOCK, A=25 MM	596669
4	110506-55-000	EA	CASE-TWIST LOCK, A=32 MM	597312AA1
	110506-59-701	EA	KEY BLANK	

**WINDOW, VENT & EXTERIOR DOOR GROUP (CONTINUED)**



**JENSEN POWERED ROOF VENT**

KEY	PART NUMBER	U/M DESCRIPTION
1	110051-04-01A	EA VENT-ROOF, POWERED - 4" ROOF - JENSEN 7797 WHE
1	110051-06-01A	EA VENT-ROOF, POWERED - 4" ROOF - CSA - JENSEN C7797 WHE
2	064470-01-700	EA COVER-ROOF VENT, JENSEN
	064470-01-701	EA SLIDE BAR-VENT LID, JENSEN
3	110051-01-702	EA LIFT ASM-VENT LID W/O CRANK, JENSEN
4	048648-01-000	EA MOTOR-ROOF VENT, 1/8 SHAFT - 12V - JENSEN 42-472-01
5	048649-01-000	EA FAN-ROOF VENT, 6 BLADES - 6" - JENSEN RP-1002B
6	110051-01-704	EA SCREEN & FRAME - 4", JENSEN
7	110051-02-700	EA GARNISH-INTERIOR - 4", JENSEN
8	110051-01-703	EA CRANK, JENSEN
	110051-03-700	EA SWITCH-PUSH BUTTON, BLACK

**WINDOW, VENT & EXTERIOR DOOR GROUP (CONTINUED)**

**JENSEN NONPOWERED ROOF VENT**

KEY	PART NUMBER	U/M DESCRIPTION	VENDOR NO.
	110051-02-01A	EA VENT-ROOF, NONPOWERED - 4" ROOF - JENSEN 7727 WHE	
	064470-01-700	EA COVER-ROOF VENT, JENSEN	7291
	064470-01-701	EA SLIDE BAR-VENT LID, JENSEN	JRP 1291B
	110051-01-702	EA LIFT ASM-VENT LID W/O CRANK, JENSEN	RP-1000B
	110051-01-703	EA CRANK, JENSEN	RP-1031-B
	110051-01-704	EA SCREEN & FRAME - 4", JENSEN	29-688-03
	110051-02-700	EA GARNISH-INTERIOR - 4", JENSEN	

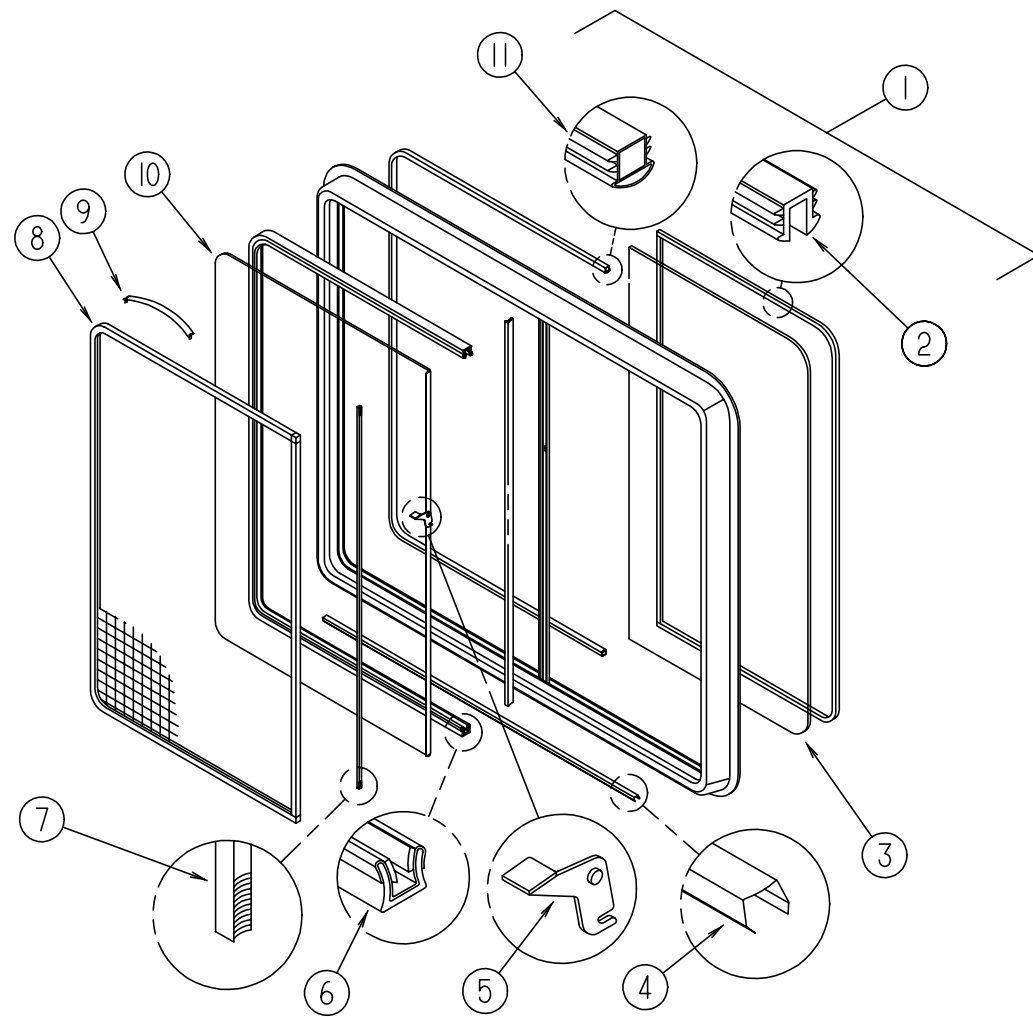
**VENTS, SHROUDS & ROOF COVERS**

KEY	PART NUMBER	U/M DESCRIPTION
	083558-03-000	EA VENT-PLUMBING PIPE ROOF W/COVER - OFF WHITE
	084616-07-000	EA SHROUD-RANGE HOOD VENT, PLASTIC - BRIGHT WHITE
	084878-09-000	EA VENT-RANGE HOOD, SHORT - LVS
	084073-07-000	EA COVER-ROOF VENT, REFRIGERATOR - BRIGHT WHITE - NORCOLD
	084073-04-000	EA BASE-ROOF VENT, REFRIGERATOR - BLACK - NORCOLD

**VENDOR NO.**

7291  
 JRP 1291B  
 RP-1000B  
  
 29-688-03  
  
 RP-1031-B  
 27-0164

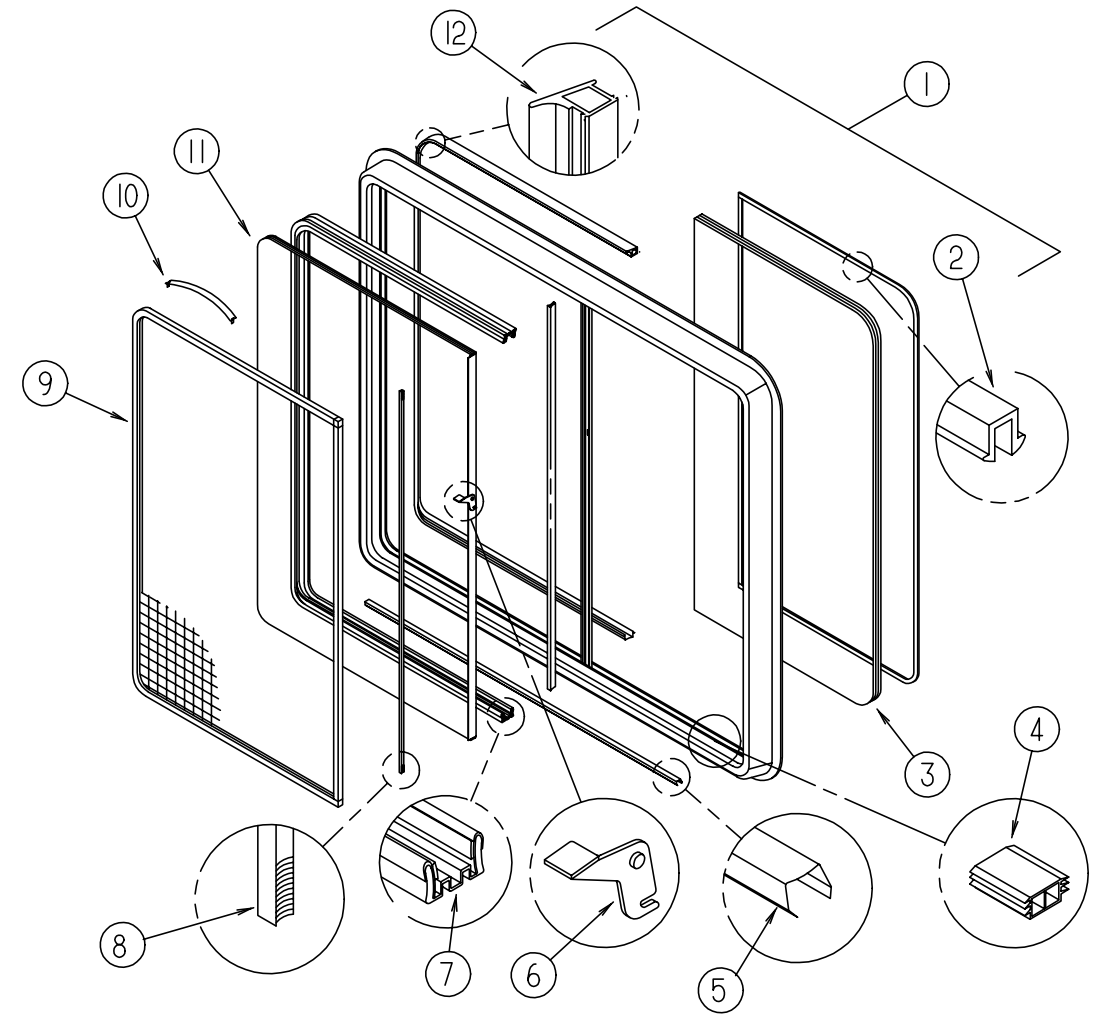
**WINDOW, VENT & EXTERIOR DOOR GROUP (CONTINUED)**



**EXCEL GALLEY SINGLE SLIDING WINDOW**

KEY	PART NUMBER	U/M DESCRIPTION	VENDOR NO.
	098647-34-01A	EA WINDOW-HORIZONTAL SLIDER, W/RETAINER - EXCEL H425-G2W66L	
	098647-33-701	EA RETAINER-TRIM, OFF WHITE - EXCEL	CW2966
1	098647-34-700	EA WINDOW-HORIZONTAL SLIDER, W/O RETAINER - EXCEL	H425-G2L
2	098644-01-705	FT STRIP-GLAZING - EXCEL	132-010231
3	098647-33-702	EA GLASS-STATIONARY - EXCEL	106-019297
4	098644-01-710	FT TRACK-SCREEN SPACER, 12' LENGTH - EXCEL	M401-31
5	098644-01-700	EA LATCH-REPAIR KIT, EXCEL	B801-CK
6	098644-01-708	FT CHANNEL-PIERCED RUN, EXCEL	122-016543
7	098644-01-711	FT WEATHERSTRIP-SCREEN BLACK - EXCEL	171-016965
8	098647-33-704	EA SCREEN W/SPRING & WEATHERSTRIP - EXCEL	410-019134
9	098644-01-713	EA SPRING-SCREEN FRAME (CLIP), PLASTIC - BLACK - EXCEL	226-016966
10	098647-33-703	EA GLASS-SLIDING, W/SASH & LATCH - EXCEL	H425-G9
11	098644-01-716	FT PLUG-FILLER, EXCEL	132-014470
	098644-01-706	FT WEATHERSTRIP, EXCEL	171-010668
	098644-01-717	FT SPLINE-SCREEN, EXCEL	132-004716
	098644-01-719	EA STOP-SLIDER GLASS, EXCEL	132-014203

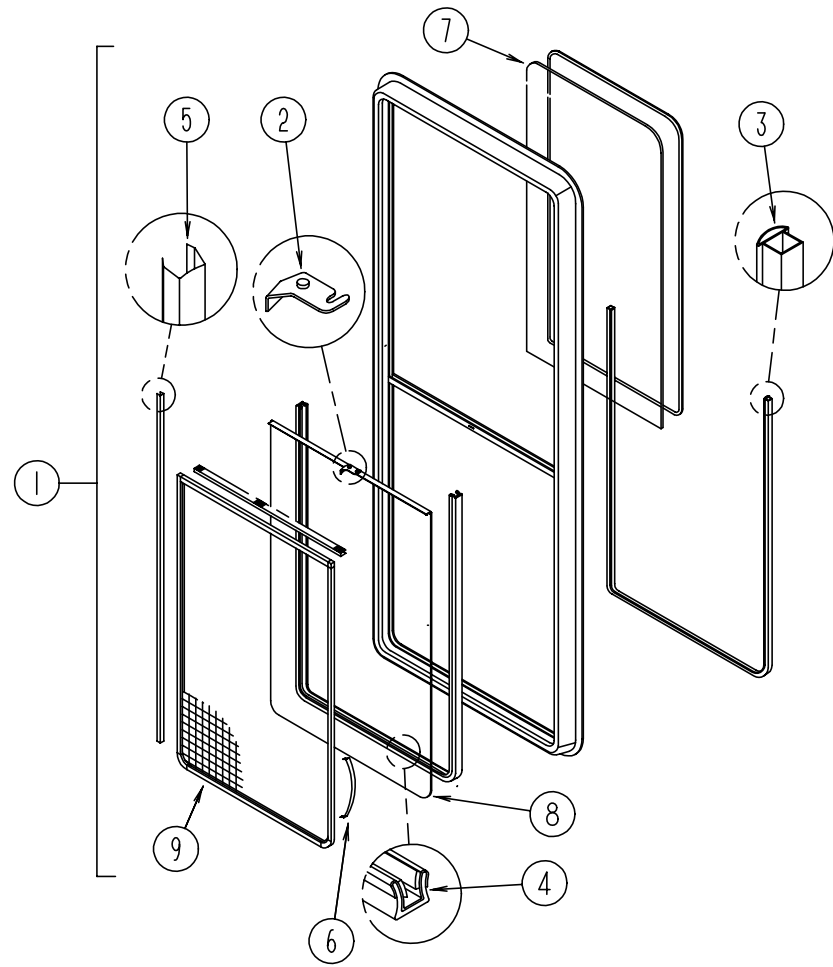
**WINDOW, VENT & EXTERIOR DOOR GROUP (CONTINUED)**



**EXCEL GALLEY SINGLE SLIDING WINDOW - THERMOPANE WINDOW OPTION**

KEY	PART NUMBER	U/M DESCRIPTION	VENDOR NO.
	112795-20-01A	EA WINDOW-SLIDING, W/RETAINER - EXCEL DC29-G2W66L	
	098647-31-701	EA RETAINER-TRIM, OFF WHITE	CW2966
1	112795-20-700	EA WINDOW-HORIZONTAL SLIDER, W/O RETAINER	DC29-G2L
2	112795-01-705	FT VINYL-GLAZING	132-019702
3	112795-19-701	EA GLASS-STATIONARY	390-019134
4	112795-01-701	EA SLIDE-STOP	132-019092
5	098644-01-710	FT TRACK-SCREEN SPACER, 12' LENGTH - EXCEL	M401-31
6	112795-01-700	EA LATCH ASM-BLACK - EXCEL	DH287-CK
7	112795-01-703	IN RUN CHANNEL - EXCEL	122-018736
8	098644-01-711	FT WEATHERSTRIP-SCREEN, BLACK - EXCEL	171-016965
9	098647-31-704	EA SCREEN W/SPRING & WEATHERSTRIP - EXCEL	410-019128
10	098644-01-713	EA CLIP-SPRING, BLACK PLASTIC	226-016966
11	112795-19-702	EA GLASS-SLIDING, W/SASH & LATCH	DC29-G9
12	112795-01-704	FT PLUG-FILLER (DOUBLE GLAZED)	122-018737

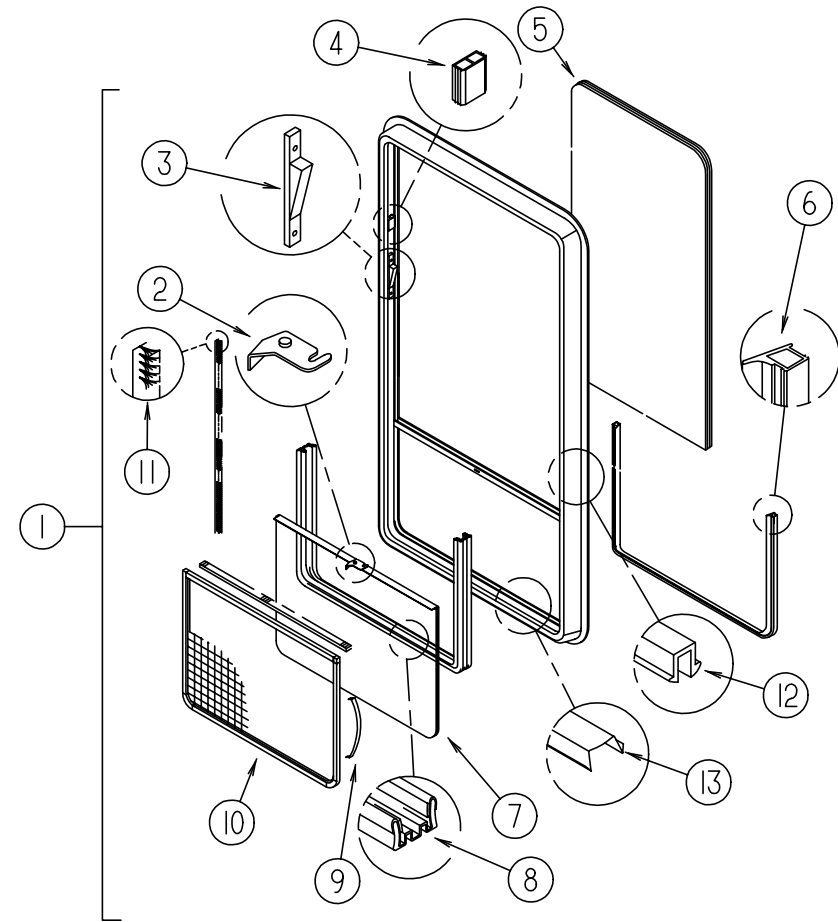
**WINDOW, VENT & EXTERIOR DOOR GROUP (CONTINUED)**



**EXCEL SWIVEL CHAIR VERTICAL SLIDING WINDOW**

KEY	PART NUMBER	U/M	DESCRIPTION
	098644-07-01A	EA	WINDOW-VERTICAL SLIDER, W/RETAINER - EXCEL H170-G2W66
	098644-07-701	EA	RETAINER-TRIM, OFF WHITE - EXCEL
1	098644-07-700	EA	WINDOW-VERTICAL SLIDER, W/O RETAINER - EXCEL
2	098644-01-700	EA	LATCH-REPAIR KIT, EXCEL
3	098644-01-706	FT	WEATHERSTRIP, EXCEL
4	098644-01-708	FT	CHANNEL-PIERCED RUN, EXCEL
5	098644-01-710	FT	TRACK-SCREEN SPACER, 12' LENGTH - EXCEL
	098644-01-711	FT	WEATHERSTRIP-SCREEN, BLACK - EXCEL
6	098644-01-713	EA	SPRING-SCREEN FRAME (CLIP), PLASTIC - BLACK - EXCEL
	098644-01-705	FT	STRIP-GLAZING - EXCEL
	098644-01-716	FT	PLUG-FILLER, EXCEL
	098644-01-717	FT	SPLINE-SCREEN, EXCEL
	098644-01-719	EA	STOP-SLIDER GLASS, EXCEL
7	098644-07-702	EA	GLASS-STATIONARY - EXCEL
8	098644-07-703	EA	GLASS-SLIDING, W/SASH & LATCH - EXCEL
9	098644-07-704	EA	SCREEN W/SPRING & WEATHERSTRIP - EXCEL

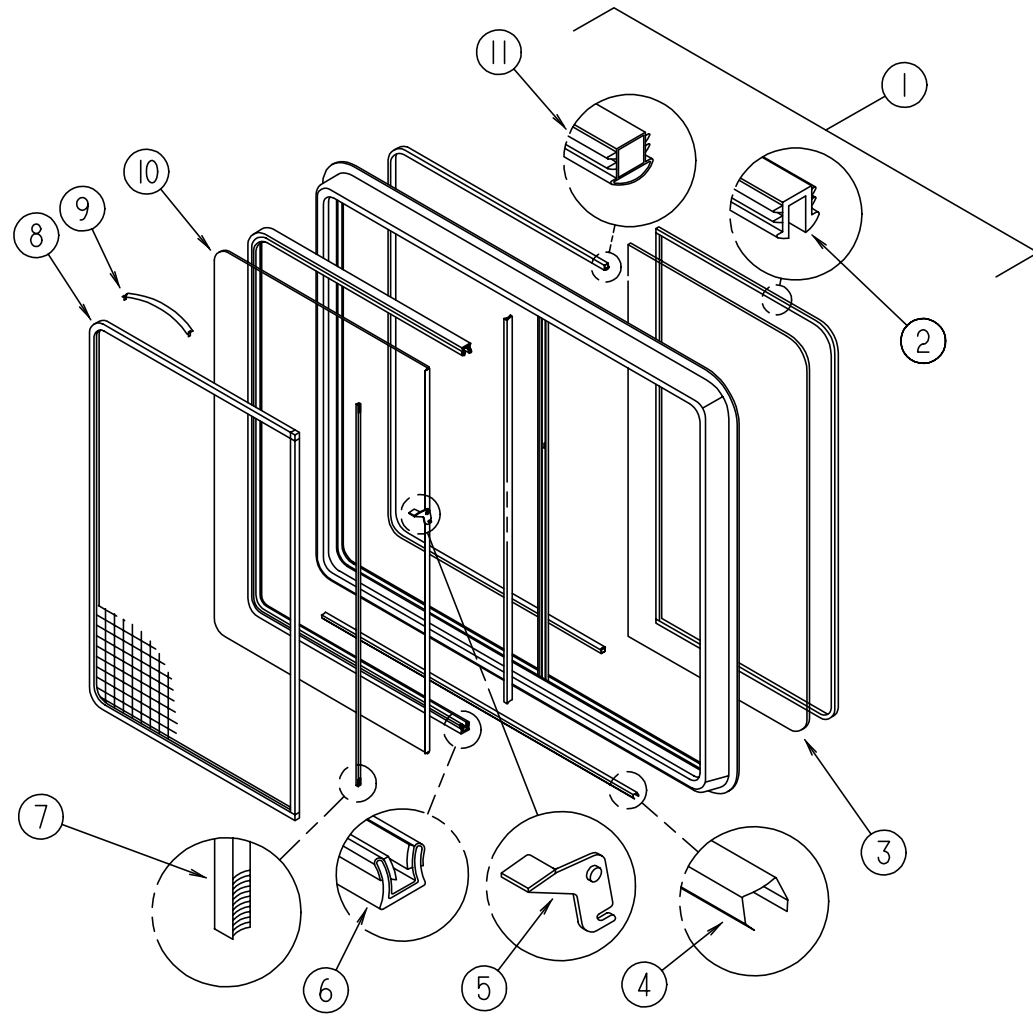
**WINDOW, VENT & EXTERIOR DOOR GROUP (CONTINUED)**



**EXCEL SWIVEL CHAIR VERTICAL SLIDING WINDOW - THERMOPANE WINDOW OPTION**

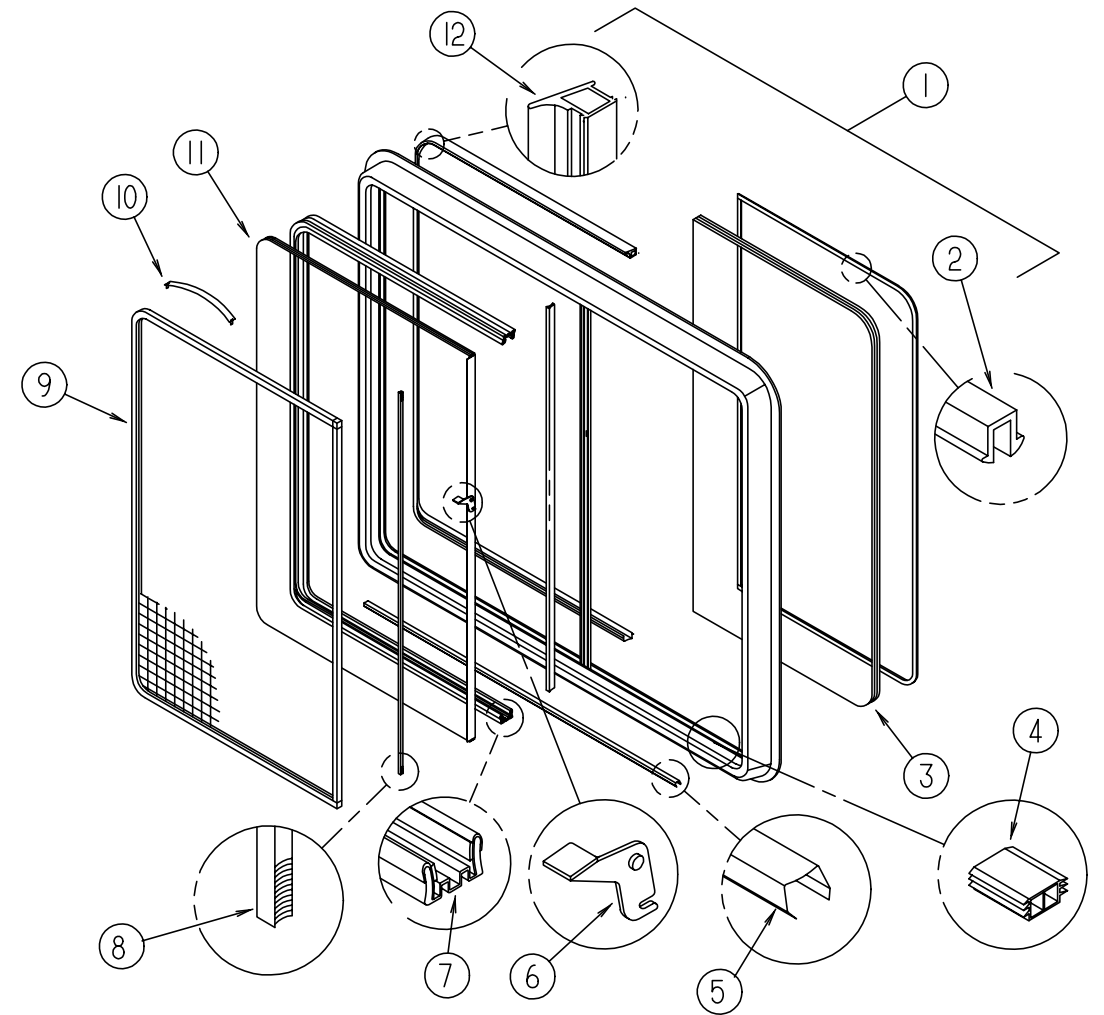
KEY	PART NUMBER	U/M	DESCRIPTION	VENDOR NO.
	112898-04-01A	EA	WINDOW-VERTICAL SLIDER, W/RETAINER - EXCEL DC02-G2W66	
	098644-07-701	EA	RETAINER-TRIM, OFF WHITE - EXCEL	CW0266
1	112898-04-700	EA	WINDOW-VERTICAL SLIDER, W/O RETAINER - EXCEL	DC02-G2
2	112795-01-700	EA	LATCH ASM-BLACK - EXCEL	DH287-CK
3	112898-04-703	EA	SASH LATCH KIT, RAISED - EXCEL	DH343-CK
4	112795-01-701	EA	SLIDE-STOP - EXCEL	132-019092
5	112898-04-701	EA	GLASS-STATIONARY - EXCEL	390-019130
6	112795-01-704	FT	PLUG FILLER (DOUBLE GLAZED) - EXCEL	122-018737
7	112898-04-702	EA	GLASS-SLIDING, W/SASH & LATCH - EXCEL	DC02-G9
8	112795-01-703	IN	RUN CHANNEL - EXCEL	122-018736
9	098644-01-713	EA	SPRING-SCREEN FRAME (CLIP), PLASTIC - BLACK - EXCEL	226-016966
10	098644-07-704	EA	SCREEN W/SPRING & WEATHERSTRIP - EXCEL	410-018863
11	098644-01-711	FT	WEATHERSTRIP-SCREEN, BLACK - EXCEL	171-016965
12	112795-01-705	FT	VINYL-GLAZING - EXCEL	132-019702
13	098644-01-710	FT	TRACK-SCREEN SPACER, 12'	132-017135

**WINDOW, VENT & EXTERIOR DOOR GROUP (CONTINUED)**



**EXCEL DINNETTE SINGLE SLIDING WINDOW**

**WINDOW, VENT & EXTERIOR DOOR GROUP (CONTINUED)**

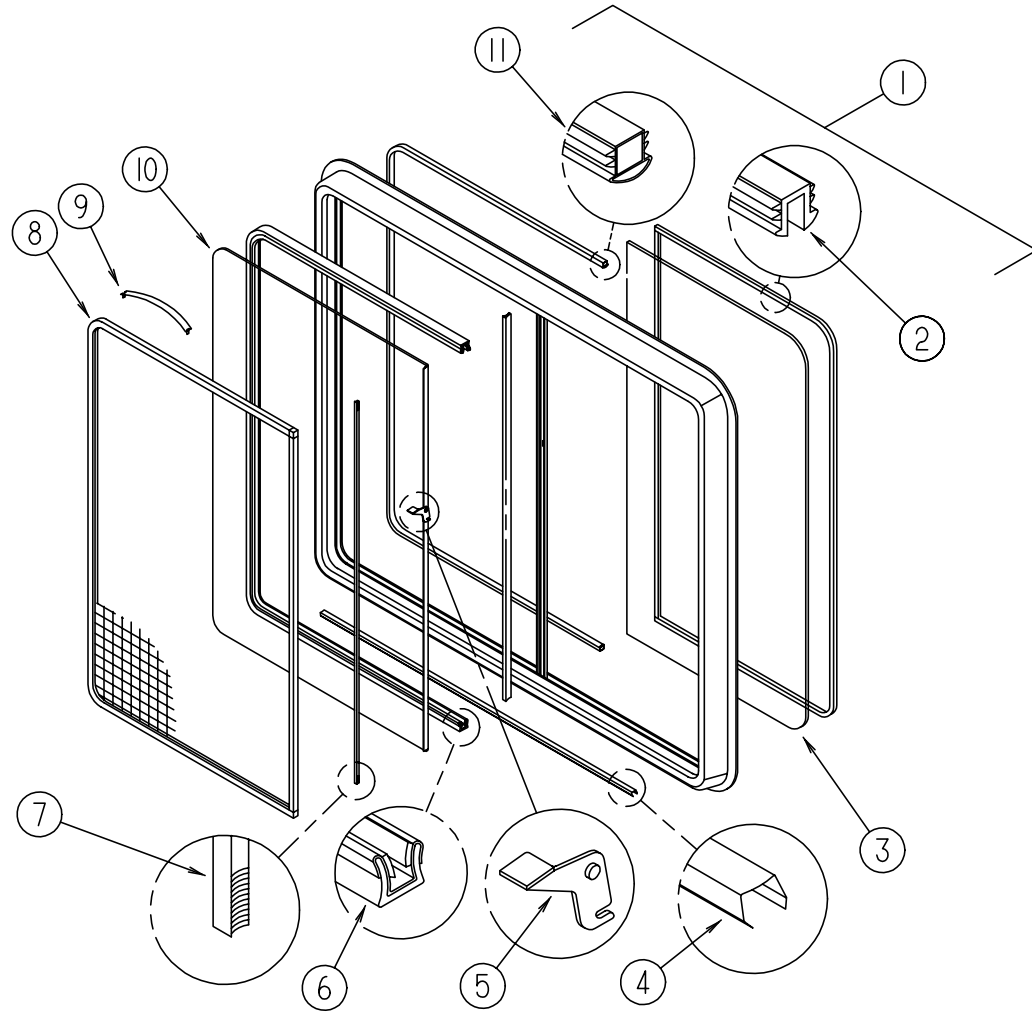


**EXCEL DINNETTE SINGLE SLIDING WINDOW - THERMOPANE WINDOW OPTION**

KEY	PART NUMBER	U/M DESCRIPTION	VENDOR NO.
	098647-23-01A	EA WINDOW-HORIZONTAL SLIDER, W/RETAINER - EXCEL H287-G2W66R	
	098647-23-702	EA RETAINER-TRIM, OFF WHITE - EXCEL	W28766
1	098647-23-701	EA WINDOW-HORIZONTAL SLIDER, W/O RETAINER - EXCEL	H287-G2R
2	098644-01-705	FT STRIP-GLAZING - EXCEL	132-010231
3	098647-23-703	EA GLASS-STATIONARY - EXCEL	106-017622
4	098644-01-710	FT TRACK-SCREEN SPACER, 12' LENGTH - EXCEL	M401-31
5	098644-01-700	EA LATCH-REPAIR KIT, EXCEL	B801-CK
6	098644-01-708	FT CHANNEL-PIERCED RUN, EXCEL	122-016543
7	098644-01-711	FT WEATHERSTRIP-SCREEN BLACK - EXCEL	171-016965
8	098647-23-704	EA SCREEN W/SPRING & WEATHERSTRIP - EXCEL	410-019066
9	098644-01-713	EA SPRING-SCREEN FRAME (CLIP), PLASTIC - BLACK - EXCEL	226-016966
10	098647-23-700	EA GLASS-SLIDING, W/SASH & LATCH - EXCEL	H287-G9
11	098644-01-716	FT PLUG-FILLER, EXCEL	132-014470
	098644-01-706	FT WEATHERSTRIP, EXCEL	171-010668
	098644-01-717	FT SPLINE-SCREEN, EXCEL	132-004716
	098644-01-719	EA STOP-SLIDER GLASS, EXCEL	132-014203

KEY	PART NUMBER	U/M DESCRIPTION	VENDOR NO.
	112795-16-01A	EA WINDOW-HORIZONTAL SLIDER, W/RETAINER - EXCEL DH287-G2W66R	
	098647-23-702	EA RETAINER-TRIM, OFF WHITE - EXCEL	W28766
1	112795-16-700	EA WINDOW-HORIZONTAL SLIDER, W/O RETAINER - EXCEL	DH287-G2R
2	112795-01-705	FT VINYL-GLAZING - EXCEL	132-019702
3	112795-15-701	EA GLASS-STATIONARY - EXCEL	390-019045
4	112795-01-701	EA SLIDE-STOP - EXCEL	132-019092
5	098644-01-710	FT TRACK-SCREEN SPACER, 12' LENGTH - EXCEL	M401-31
6	112795-01-700	EA LATCH ASM-BLACK - EXCEL	DH287-CK
7	112795-01-703	IN RUN CHANNEL - EXCEL	122-018736
8	098644-01-711	FT WEATHERSTRIP-SCREEN, BLACK - EXCEL	171-016965
9	098647-23-704	EA SCREEN W/SPRING & WEATHERSTRIP - EXCEL	410-019066
10	098644-01-713	EA SPRING-SCREEN FRAME (CLIP), PLASTIC - BLACK - EXCEL	226-016966
11	112795-15-702	EA GLASS-SLIDING, W/SASH & LATCH - EXCEL	DH287-G9
12	112795-01-704	FT PLUG FILLER (DOUBLE GLAZED) - EXCEL	122-018737

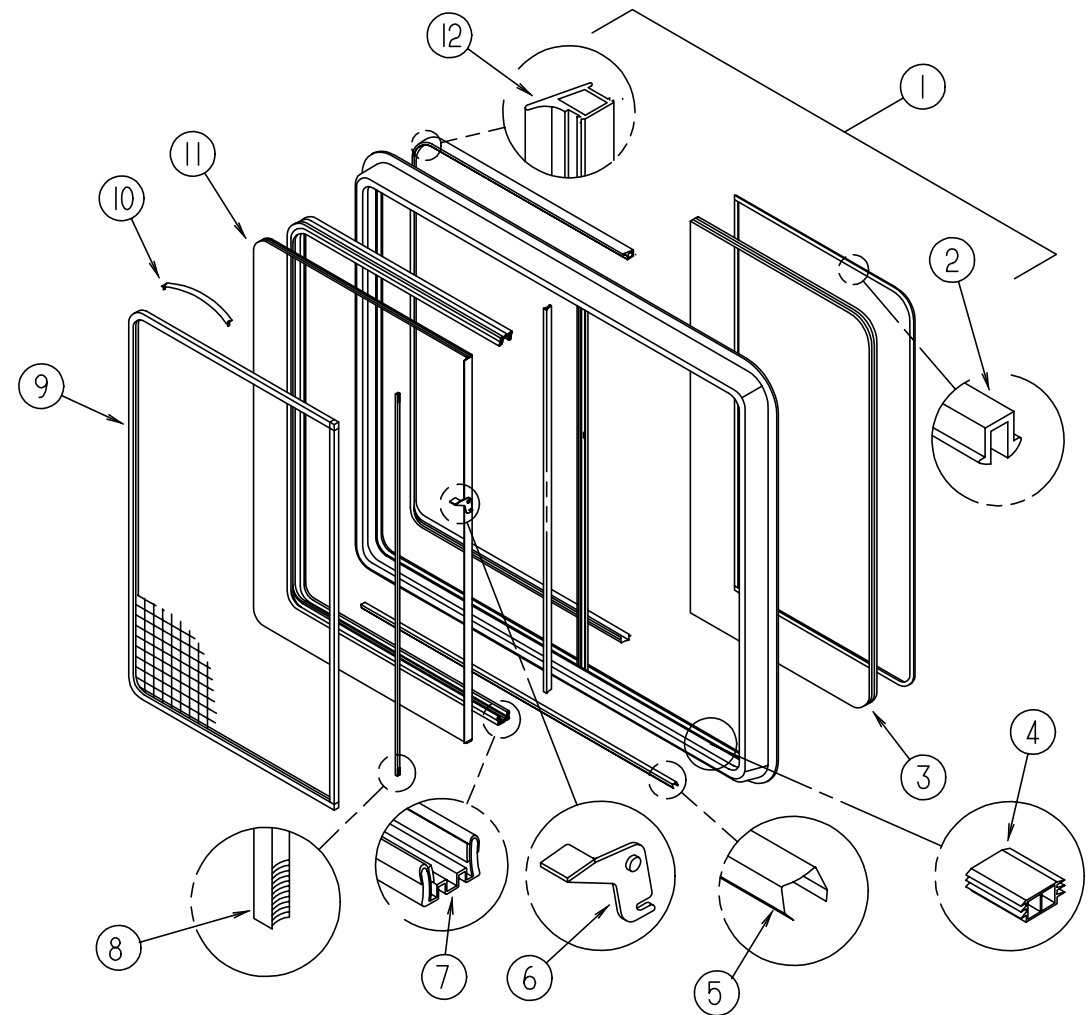
**WINDOW, VENT & EXTERIOR DOOR GROUP (CONTINUED)**



**EXCEL COUCH SINGLE SLIDING WINDOW**

KEY	PART NUMBER	U/M	DESCRIPTION	VENDOR NO.
	098647-22-01A	EA	WINDOW-HORIZONTAL SLIDER, W/RETAINER - EXCEL H287-G2W66L	
	098647-23-702	EA	RETAINER-TRIM, OFF WHITE - EXCEL W28766	
1	098647-22-700	EA	WINDOW-HORIZONTAL SLIDER, W/O RETAINER - EXCEL H287-G2L	
2	098644-01-705	FT	STRIP-GLAZING - EXCEL	132-010231
3	098647-23-703	EA	GLASS-STATIONARY - EXCEL	106-017622
4	098644-01-710	FT	TRACK-SCREEN SPACER, 12' LENGTH - EXCEL	M401-31
5	098644-01-700	EA	LATCH-REPAIR KIT, EXCEL	B801-CK
6	098644-01-708	FT	CHANNEL-PIERCED RUN, EXCEL	122-016543
7	098644-01-711	FT	WEATHERSTRIP-SCREEN BLACK - EXCEL	171-016965
8	098647-23-704	EA	SCREEN W/SPRING & WEATHERSTRIP - EXCEL	410-019066
9	098644-01-713	EA	SPRING-SCREEN FRAME (CLIP), PLASTIC - BLACK - EXCEL	226-016966
10	098647-23-700	EA	GLASS-SLIDING, W/SASH & LATCH - EXCEL	H287-G9
11	098644-01-716	FT	PLUG-FILLER, EXCEL	132-014470
	098644-01-706	FT	WEATHERSTRIP, EXCEL	171-010668
	098644-01-717	FT	SPLINE-SCREEN - EXCEL	132-004716
	098644-01-719	EA	STOP-SLIDER GLASS, EXCEL	132-014203

**WINDOW, VENT & EXTERIOR DOOR GROUP (CONTINUED)**

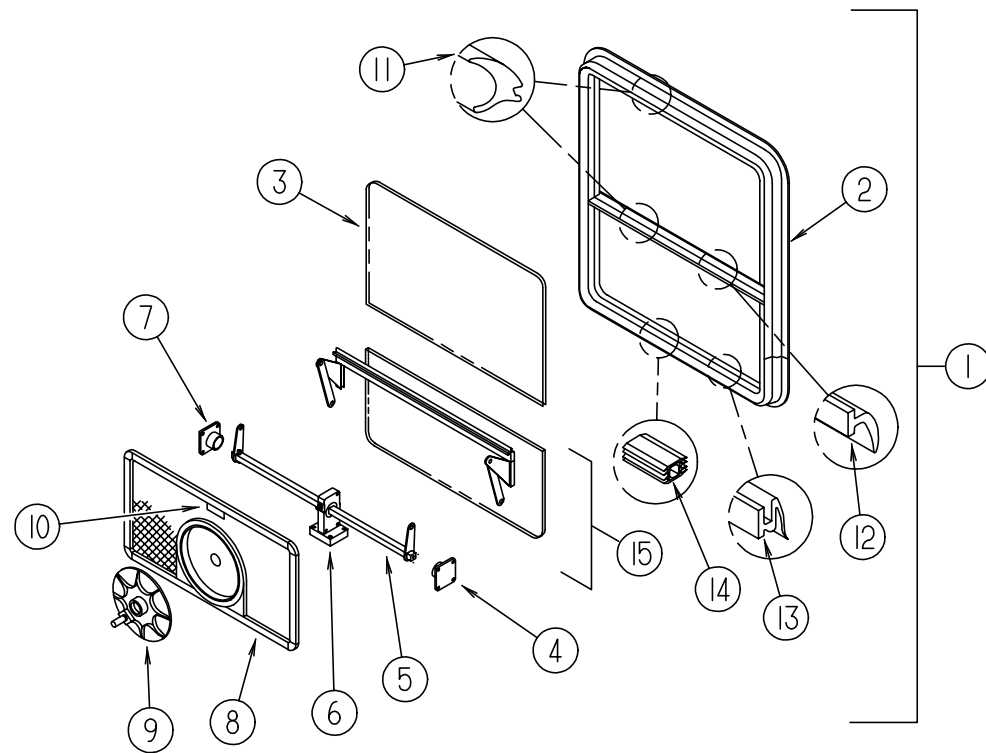


**EXCEL COUCH SINGLE SLIDING WINDOW - THERMOPANE WINDOW OPTION**

KEY	PART NUMBER	U/M	DESCRIPTION	VENDOR NO.
	112795-15-01A	EA	WINDOW-HORIZONTAL SLIDER, W/RETAINER - EXCEL DH287-G2W66L	
	098647-23-702	EA	RETAINER-TRIM, OFF WHITE - EXCEL	W28766
1	112795-15-700	EA	WINDOW-HORIZONTAL SLIDER, W/O RETAINER - EXCEL	DH287-G2L
2	112795-01-705	FT	VINYL-GLAZING	132-019702
3	112795-15-701	EA	GLASS-STATIONARY - EXCEL	390-019045
4	112795-01-701	FT	SLIDE-STOP - EXCEL	132-019092
5	098644-01-710	FT	TRACK-SCREEN SPACER, 12' LENGTH - EXCEL	M401-31
6	112795-01-700	EA	LATCH ASM-BLACK - EXCEL	DH287-CK
7	112795-01-703	IN	RUN CHANNEL - EXCEL	122-018736
8	098644-01-711	FT	WEATHERSTRIP-SCREEN, BLACK - EXCEL	171-016965
9	098647-23-704	EA	SCREEN W/SPRING & WEATHERSTRIP - EXCEL	410-019066
10	098644-01-713	EA	SPRING-SCREEN FRAME (CLIP), PLASTIC - BLACK - EXCEL	226-016966
11	112795-15-702	EA	GLASS-SLIDING, W/SASH & LATCH - EXCEL	DH287-G9
12	112795-01-704	FT	PLUG FILLER (DOUBLE GLAZED) - EXCEL	122-018737



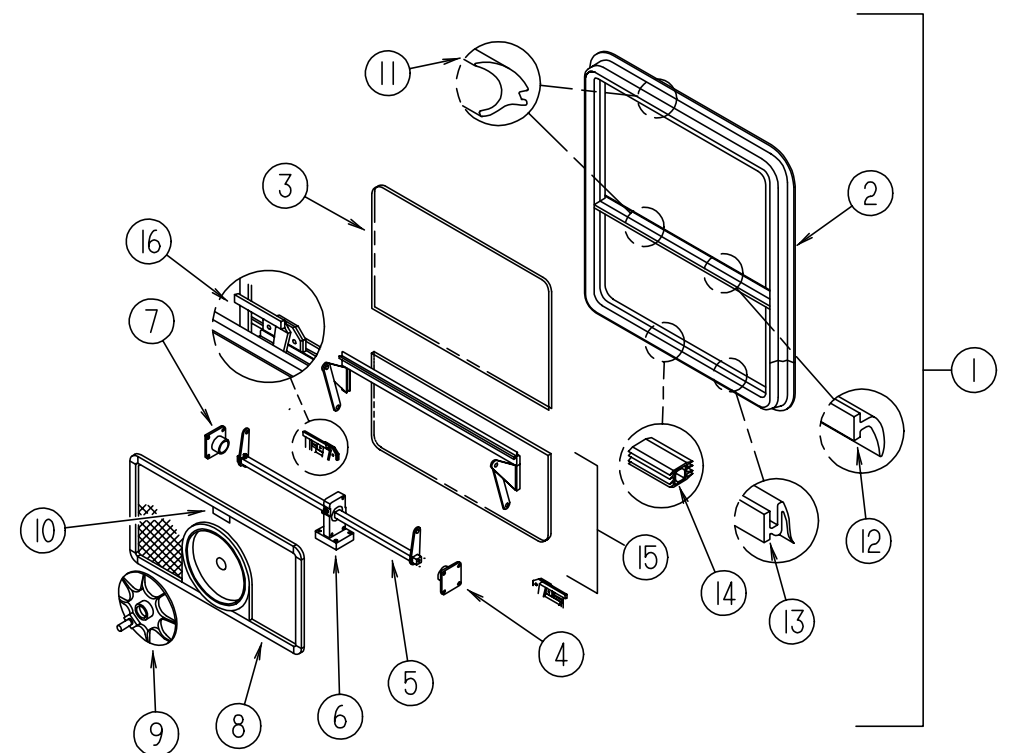
**WINDOW, VENT & EXTERIOR DOOR GROUP (CONTINUED)**



**EXCEL BEDROOM TIPOUT WINDOW - PASSENGER SIDE**

KEY	PART NUMBER	U/M	DESCRIPTION	VENDOR NO.
1	112463-01-01A	EA	WINDOW - TIPOUT, W/RETAINER - 36" X 27" - EXCEL CH81-G2W59	CH81-G2
2	112463-01-701	EA	WINDOW W/O TRIM	CW81-59
	112463-01-702	EA	RETAINER - TRIM	106-018807
3	112463-01-700	EA	GLASS-STATIONARY	154-016083
	100322-01-704	EA	TAPE-BUTYL, WINDOW - EXCEL	130-015978
4	100322-01-714	EA	SUPPORT-TORQUE BAR, LH	CH78-18
5	112463-01-704	EA	OPERATOR & BAR ASSEMBLY	130-015980
6	100322-01-716	EA	SUPPORT-TORQUE BAR, CENTER RAIL	130-015979
7	100322-01-715	EA	SUPPORT-TORQUE BAR, RH	410-018811
8	112463-01-705	EA	SCREEN ASM., W/SEAL & CLIPS	410-016081
9	100322-01-718	EA	HANDLE-DIAL	CH21-50
10	112519-01-706	EA	CLIP-SCREEN	132-010723
11	100322-01-703	FT	VINYL-GLAZING, BUTYL	132-015976
12	100322-01-702	FT	WEATHERSTRIP-HORIZONTAL RAIL - EXCEL	122-016071
13	100322-01-701	FT	SEAL-VENT, WINDOW - EXCEL	132-014470
14	098644-01-716	EA	PLUG-FILLER, EXCEL	CH81-G9
15	112463-01-703	EA	VENT ASSEMBLY	245-015975
	100322-01-717	EA	E-RING, WINDOW - EXCEL	

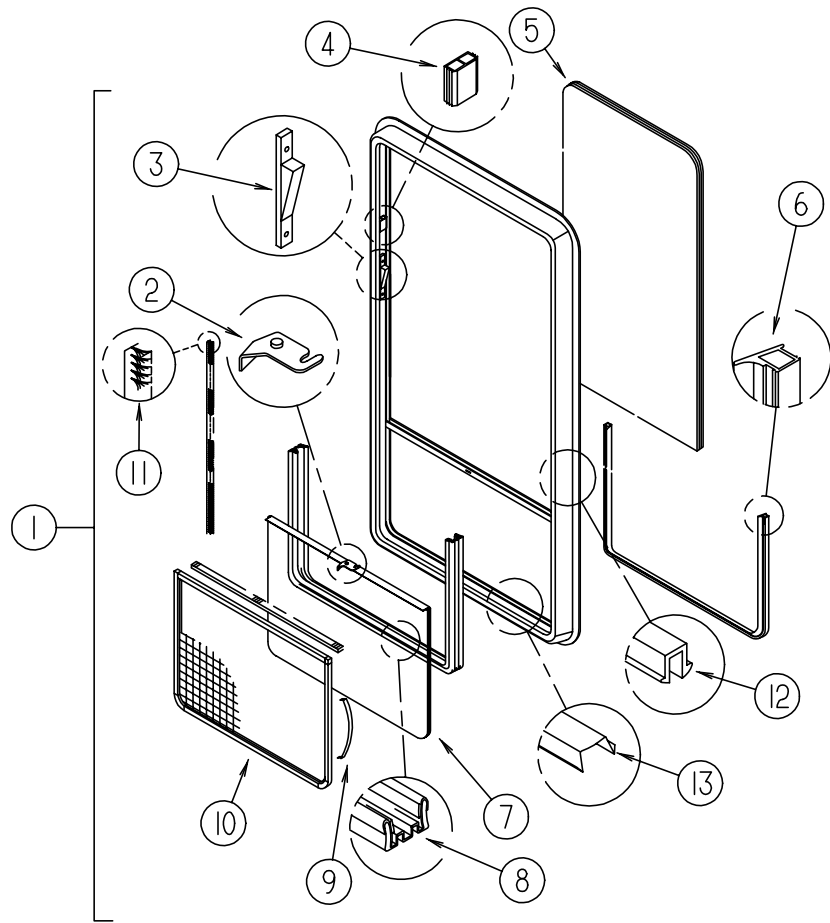
**WINDOW, VENT & EXTERIOR DOOR GROUP (CONTINUED)**



**EXCEL BEDROOM TIPOUT/ESCAPE WINDOW - DRIVER SIDE**

KEY	PART NUMBER	U/M	DESCRIPTION	VENDOR NO.
1	112463-02-01A	EA	WINDOW-TIPOUT/ESCAPE W/RETAINER TRIM - 36" X 27", EXCEL CH82-G2W59	CH82-G2
2	112463-02-700	EA	WINDOW W/O TRIM	CW82-59
	112463-02-701	EA	RETAINER - TRIM	106-018809
3	112463-02-702	EA	GLASS-STATIONARY	154-016083
	100322-01-704	EA	TAPE-BUTYL, WINDOW - EXCEL	130-015978
4	100322-01-714	EA	SUPPORT-TORQUE BAR, LH	CH82-18
5	112463-02-704	EA	OPERATOR & BAR ASSEMBLY	130-015980
6	100322-01-716	EA	SUPPORT-TORQUE BAR, CENTER RAIL	130-015979
7	100322-01-715	EA	SUPPORT-TORQUE BAR, RH	410-018812
8	112463-02-705	EA	SCREEN ASM., W/SEAL & CLIPS	410-016081
9	100322-01-718	EA	HANDLE-DIAL	CH21-50
10	112519-01-706	EA	CLIP-SCREEN	132-010723
11	100322-01-703	FT	VINYL-GLAZING, BUTYL	132-015976
12	100322-01-702	FT	WEATHERSTRIP-HORIZONTAL RAIL - EXCEL	122-016071
13	100322-01-701	FT	SEAL-VENT, WINDOW - EXCEL	132-014470
14	098644-01-716	EA	PLUG-FILLER, EXCEL	CH82-G9
15	112463-02-703	EA	VENT ASSEMBLY	182-11294
16	112898-06-705	EA	HANDLE-LATCH, RED - LH	182-11293
	112898-06-704	EA	HANDLE-LATCH, RED - RH	245-015975
	100322-01-717	EA	E-RING, WINDOW - EXCEL	

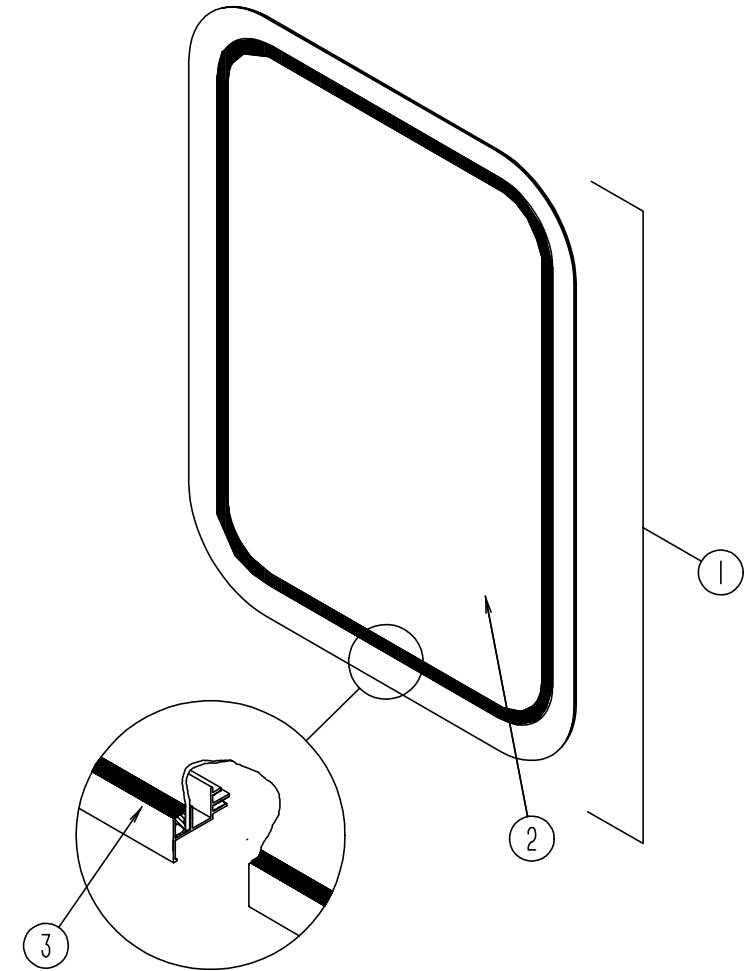
**WINDOW, VENT & EXTERIOR DOOR GROUP (CONTINUED)**



**EXCEL BEDROOM VERTICAL SLIDER WINDOWS - THERMOPANE WINDOW OPTION**

KEY	PART NUMBER	U/M	DESCRIPTION	VENDOR NO.
	112898-09-01A	EA	WINDOW-VERTICAL SLIDER/ESCAPE, 36" X 27" - EXCEL DH436-G2W64L DRIVER SIDE	
	112898-08-01A	EA	WINDOW-VERTICAL SLIDER - 36" X 27" - EXCEL DH435-G2W66R PASSENGER SIDE	
	112898-09-701	EA	RETAINER-TRIM, OFF WHITE - DRIVER SIDE - EXCEL	W436-64
	112898-08-701	EA	RETAINER-TRIM, OFF WHITE - PASSENGER SIDE - EXCEL	W435-66
1	112898-09-700	EA	WINDOW-VERTICAL SLIDER, W/O RETAINER - DRIVER SIDE - EXCEL	DH436-G2
1	112898-08-700	EA	WINDOW-VERTICAL SLIDER, W/O RETAINER - PASS SIDE - EXCEL	DH435-G2R
2	112795-01-700	EA	LATCH ASM-BLACK - EXCEL	DH287-CK
3	112898-04-703	EA	SASH LATCH KIT, RAISED - EXCEL	DH343-CK
4	112795-01-701	EA	SLIDE-STOP - EXCEL	132-019092
5	112898-09-702	EA	GLASS-STATIONARY - DRIVER SIDE - EXCEL	390-019464
5	112898-08-702	EA	GLASS-STATIONARY - PASSENGER SIDE - EXCEL	390-019462
6	112795-01-704	FT	PLUG FILLER (DOUBLE GLAZED) - EXCEL	122-018737
7	112898-09-703	EA	GLASS-SLIDING, W/SASH & LATCH - DRIVER SIDE - EXCEL	DH436-G9
7	112898-08-703	EA	GLASS-SLIDING, W/SASH & LATCH - PASSENGER SIDE - EXCEL	DH435-G9
8	112795-01-703	IN	RUN CHANNEL - EXCEL	122-018736
9	098644-01-713	EA	SPRING-SCREEN FRAME (CLIP), PLASTIC - BLACK - EXCEL	226-016966
10	098644-09-704	EA	SCREEN W/SPRING & WEATHERSTRIP - DRIVER SIDE - EXCEL	410-019474
10	098644-08-704	EA	SCREEN W/SPRING & WEATHERSTRIP - PASSENGER SIDE - EXCEL	410-019473
11	098644-01-711	FT	WEATHERSTRIP-SCREEN, BLACK - EXCEL	171-016965
12	112795-01-705	FT	VINYL-GLAZING - EXCEL	132-019702
13	098644-01-710	FT	TRACK-SCREEN SPACER, 12'	132-017135
	112898-06-704	EA	HANDLE-LATCH, RED - RH - DRIVER SIDE - EXCEL	182-11293
	112898-06-705	EA	HANDLE-LATCH, RED - LH - DRIVER SIDE - EXCEL	182-11294

**WINDOW, VENT & EXTERIOR DOOR GROUP (CONTINUED)**



**ENTRANCE DOOR WINDOW**

KEY	PART NUMBER	U/M	DESCRIPTION	VENDOR NO.
	117054-02-02A	EA	RETAINER-TRIM, ENTRY DOOR WINDOW - BRIGHT WHITE	
1	117053-02-F36	EA	WINDOW-PICTURE, W/O RETAINER	
2	002181-25-000	EA	GLASS-PICTURE WINDOW, 655 MM X 417 MM	
3	087561-01-000	FT	SEAL-GLASS, EXTERIOR - .5" WIDE - VINYL - BLACK	

KEY	PART NUMBER	U/M	DESCRIPTION	VENDOR NO.
	113733-01-01A	EA	WINDOW ASM-PICTURE, W/RETAINER - EXCEL DH416-G2W66	
	113733-01-700	EA	WINDOW-PICTURE, W/O RETAINER - EXCEL	DH416-G2
	113733-01-701	EA	RETAINER-TRIM, ENTRY DOOR WINDOW - EXCEL	W41666
	113733-01-702	EA	GLASS-STATIONARY - EXCEL	390-019187
	112795-01-705	FT	VINYL-GLAZING	132-019702

**EXCEL ENTRANCE DOOR WINDOW - THERMOPANE WINDOW OPTION**

**WINDOW, VENT & EXTERIOR DOOR GROUP (CONTINUED)**

**EXCEL FRONT SLANT WINDOW - DRIVERS SIDE - DRIVER DOOR**

KEY	PART NUMBER	U/M DESCRIPTION	VENDOR NO.
	106468-02-01A	EA WINDOW-FRONT SLANT, W/RETAINER - EXCEL H383-A2B27L	
	100322-01-703	FT STRIP-GLAZING, BUTYL - EXCEL	132-010723
	106468-02-701	EA RETAINER-TRIM - EXCEL	H383-27L
	106468-02-702	EA GLASS-STATIONARY - EXCEL	106-018740

**EXCEL FRONT SLANT WINDOW - DRIVERS SIDE - DRIVER DOOR & THERMOPANE WINDOW OPTION**

KEY	PART NUMBER	U/M DESCRIPTION	VENDOR NO.
	115999-02-01A	EA WINDOW-FRONT SLANT, W/RETAINERS - EXCEL	
	115999-01-701	EA RETAINER-TRIM - EXCEL	H358-27L
	115999-02-700	EA RETAINER-TRIM RAIL, REAR - EXCEL	H383-41L
	115999-03-701	EA GLASS-STATIONARY - EXCEL	390-019550
	116000-01-704	FT STRIP-GLAZING, VINYL- EXCEL	132-018161

**EXCEL VISTA WINDOW - DRIVERS SIDE - DRIVER DOOR & THERMOPANE WINDOW OPTION**

KEY	PART NUMBER	U/M DESCRIPTION	VENDOR NO.
	116000-05-01A	EA WINDOW-VISTA, W/RETAINERS - EXCEL	
	116000-01-704	FT STRIP-GLAZING, VINYL- EXCEL	132-018161
	116000-04-701	EA RETAINER-TRIM RAIL, TOP/REAR - EXCEL	H382-41L
	116000-04-702	EA RETAINER-TRIM RAIL, FRONT - EXCEL	H382-42L
	116000-04-703	EA RETAINER-TRIM RAIL, BOTTOM - EXCEL	H382-43L
	116000-05-700	EA GLASS-STATIONARY - EXCEL	390-019688

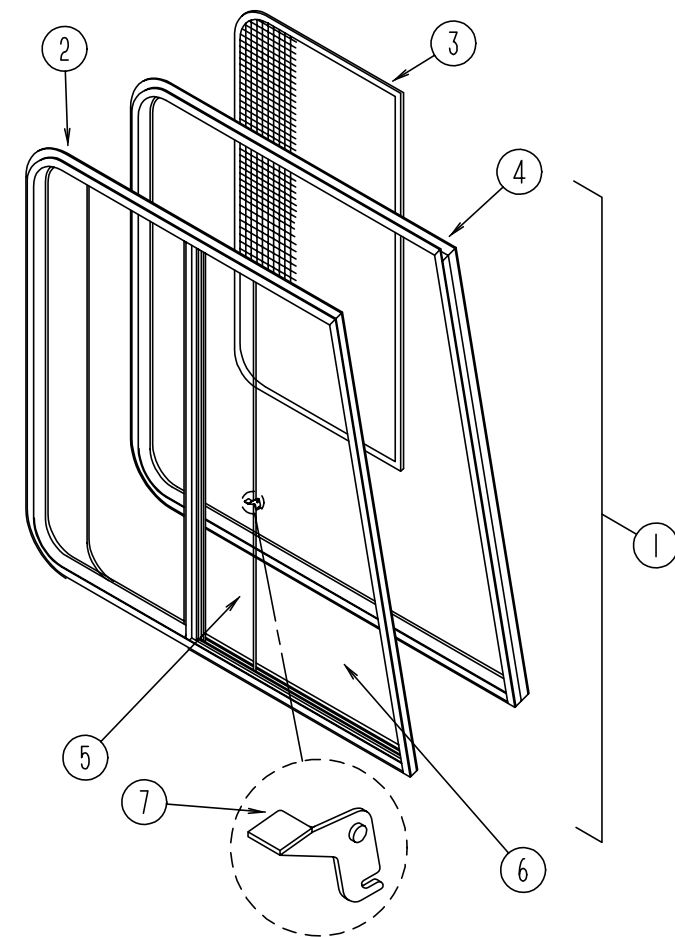
**EXCEL CAB WINDOW - DRIVER SIDE - THERMOPANE WINDOW OPTION**

KEY	PART NUMBER	U/M DESCRIPTION	VENDOR NO.
	113501-03-01A	EA WINDOW-CAB, SINGLE SLIDER - W/RETAINER - EXCEL DH405-A2B66	
	103658-09-702	EA RETAINER-TRIM, EXCEL	H37366L & H37376L
	113501-03-700	EA WINDOW-SINGLE SLIDER, W/O RETAINER - EXCEL	DH405-A2L
	098644-01-711	FT WEATHERSTRIP-SCREEN, BLACK - EXCEL	171-016965
	098644-01-713	EA CLIP-SPRING, BLACK PLASTIC - EXCEL	226-016966
	098644-01-717	FT SPLINE-SCREEN	132-004716
	103658-09-705	EA SCREEN ASSEMBLY - EXCEL	410-018973L
	112795-01-700	EA LATCH ASM, BLACK - EXCEL	DH287-CK
	112795-01-701	EA SLIDE-STOP - EXCEL	132-019092
	112795-01-703	IN CHANNEL-RUN - EXCEL	122-018736
	112795-01-704	FT PLUG FILLER (DOUBLE GLAZED) - EXCEL	122-018737
	112795-01-705	FT VINYL-GLAZING - EXCEL	132-019702
	112898-04-703	EA SASH LATCH KIT, RAISED - EXCEL	DH343-CK
	113501-03-701	EA GLASS-STATIONARY - EXCEL	390-019397L
	113501-03-702	EA GLASS-SLIDE ASSEMBLY - EXCEL	DH405-A9L

**EXCEL CAB WINDOW - PASSENGER SIDE - THERMOPANE WINDOW OPTION**

KEY	PART NUMBER	U/M DESCRIPTION	VENDOR NO.
	113501-04-01A	EA WINDOW-CAB, SINGLE SLIDER - W/RETAINER - EXCEL DH405-A2B66	
	103658-10-701	EA RETAINER-TRIM, EXCEL	H37366R & H37376R
	113501-04-700	EA WINDOW-SINGLE SLIDER, W/O RETAINER - EXCEL	DH405-A2R
	113501-04-701	EA GLASS-STATIONARY - EXCEL	390-019395R
	113501-04-702	EA GLASS-SLIDING, W/SASH & LATCH - EXCEL	DH405-A9R
	103658-10-704	EA SCREEN W/SPRING & WEATHERSTRIP - EXCEL	410-018973R
	098644-01-711	FT WEATHERSTRIP-SCREEN, BLACK - EXCEL	171-016965
	098644-01-713	EA CLIP-SPRING, BLACK PLASTIC - EXCEL	226-016966
	098644-01-717	FT SPLINE-SCREEN	132-004716
	112795-01-700	EA LATCH ASM., BLACK - EXCEL	DH287-CK
	112795-01-701	EA SLIDE-STOP - EXCEL	132-019092
	112795-01-703	IN CHANNEL-RUN - EXCEL	122-018736
	112795-01-704	FT PLUG FILLER (DOUBLE GLAZED) - EXCEL	122-018737
	112795-01-705	FT VINYL-GLAZING - EXCEL	132-019702
	112898-04-703	EA SASH LATCH KIT, RAISED - EXCEL	DH343-CK

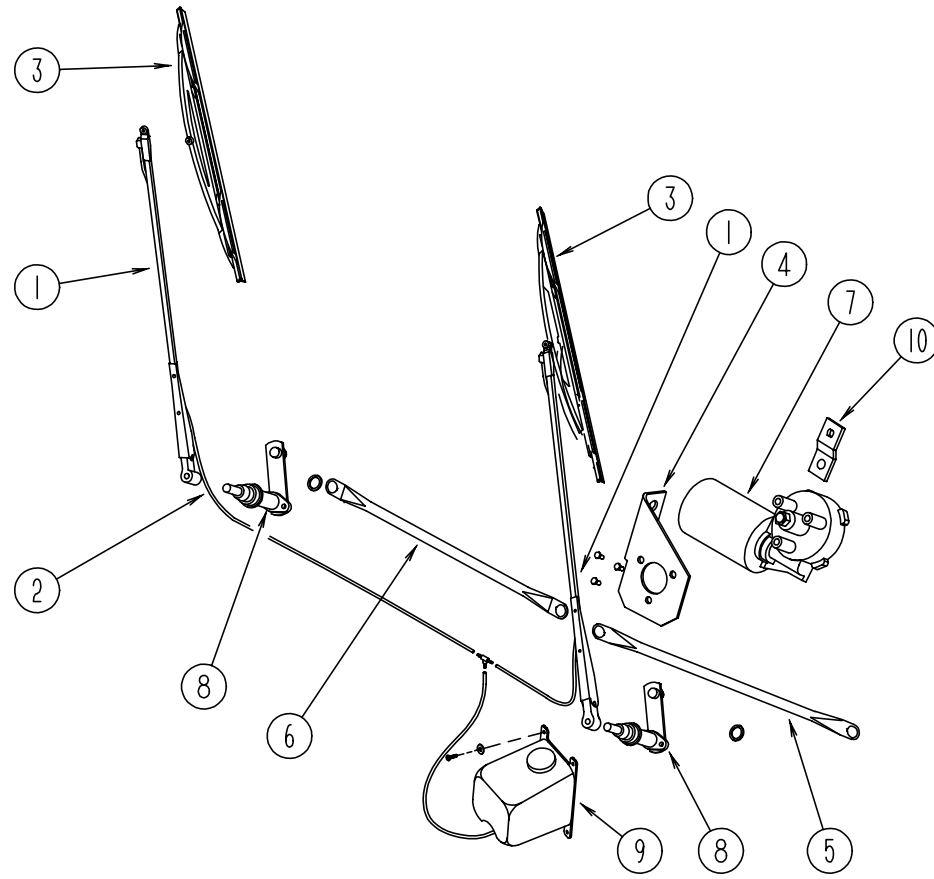
**WINDOW, VENT & EXTERIOR DOOR GROUP (CONTINUED)**



**EXCEL CAB WINDOWS**

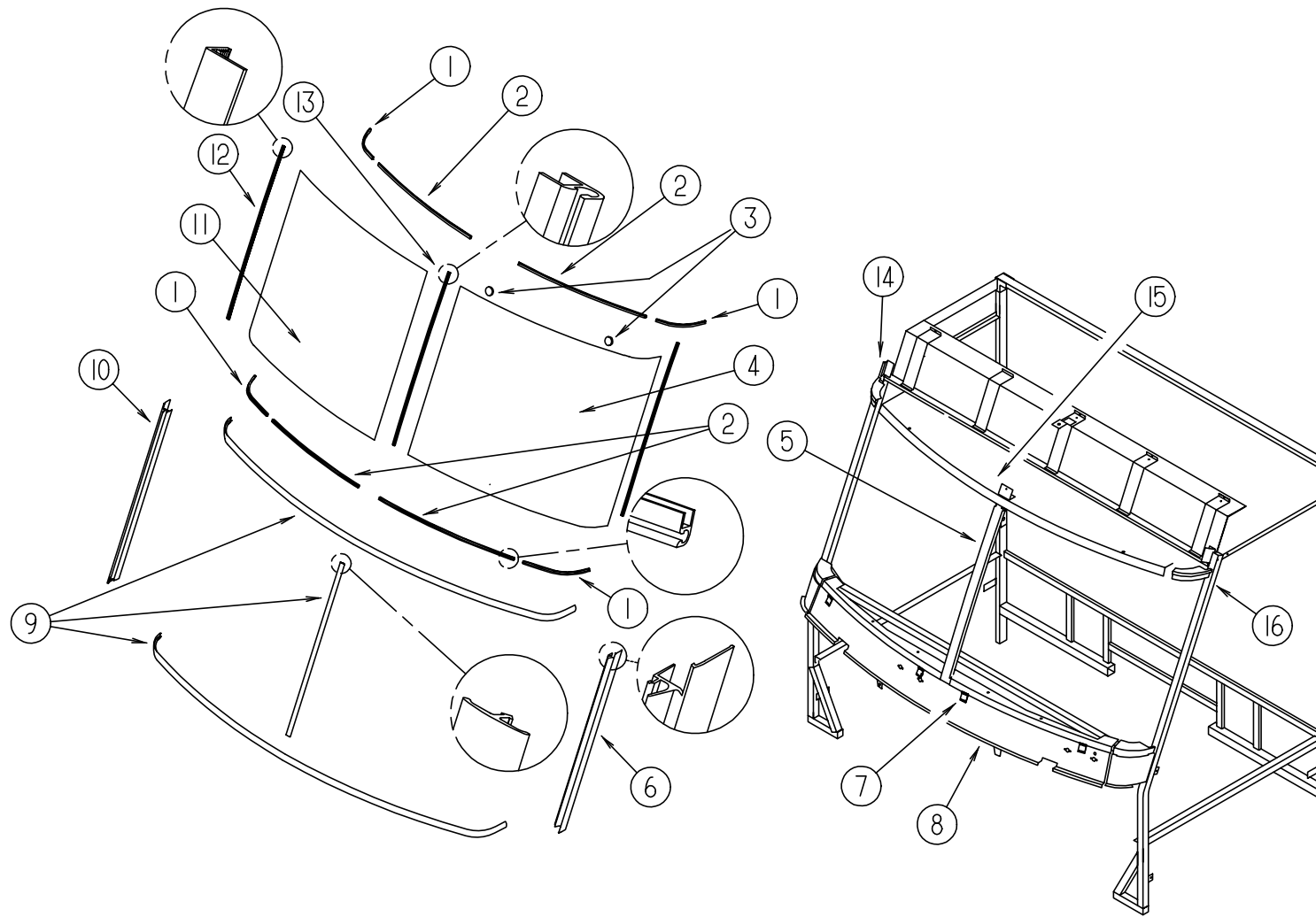
KEY	PART NUMBER	U/M DESCRIPTION	VENDOR NO.
1	103658-09-01A	EA WINDOW-CAB W/RETAINER - DRIVER SIDE - EXCEL H405-A2B66L	
1	103658-10-01A	EA WINDOW-CAB W/RETAINER - PASSENGER SIDE - EXCEL H405-A2B66R	
2	103658-09-701	EA WINDOW ASM, W/O RETAINER - DRIVER SIDE	H405-A2L
2	103658-10-700	EA WINDOW ASM, W/O RETAINER - PASSENGER SIDE	H405-A2R
3	103658-09-705	EA SCREEN ASSEMBLY - DRIVER SIDE	410-018973L
3	103658-10-704	EA SCREEN ASSEMBLY - PASSENGER SIDE	410-018973R
	098644-01-717	FT SPLINE-SCREEN	132-004716
	098644-01-713	EA CLIP-SPRING, BLACK PLASTIC	226-016966
	098644-01-710	FT TRACK-SCREEN SPACER, 12'	132-017135
	098644-01-711	FT WEATHERSTRIP-SCREEN, BLACK	171-016965
4	103658-09-702	EA RETAINER-TRIM, DRIVER SIDE	H37366L & H37376L
4	098647-10-701	EA RETAINER-TRIM, PASSENGER SIDE	H37366R & H37376R
5	103658-09-704	EA GLASS-SLIDING, W/SASH & LATCH - DRIVER SIDE	H405-A9L
5	103658-10-703	EA GLASS-SLIDING, W/SASH & LATCH - PASSENGER SIDE	H405-A9R
6	103658-09-700	EA GLASS-STATIONARY, BOTTOM - DR OR PASS SIDE	106-018971
7	098644-01-700	EA LATCH-REPAIR KIT (BLACK)	B801-CK
	098644-01-706	FT WEATHERSTRIP-GLASS	171-010668
	098644-01-708	FT CHANNEL-RUN, PIERCED	122-016543
	098644-01-716	FT PLUG-FILLER	132-014470

**WINDSHIELD & WIPER GROUP**  
**WIPER COMPONENTS**



KEY	PART NUMBER	U/M	DESCRIPTION	VENDOR NO.
1	103671-01-000	EA	ARM-WIPER, PANTOGRAPH - 24"	
	096931-01-700	FT	HOSE-WIPER, TO BLADE	
	096931-01-701	EA	NOZZLE-HARDWARE KIT, INCLUDES NOZZLE, NUT, SHORT THREAD SCREW, LONG THREAD SCREW, AND PLASTIC CAP	
2	045794-01-000	FT	HOSE-WASHER, WINDSHIELD - 5/32" ID - BLACK	
3	095964-01-000	EA	BLADE-WIPER, 24"	
	095964-01-700	EA	REFILL-WIPER BLADE, 24" - PAIR	
4	104549-01-000	EA	BRACKET ASSEMBLY-WIPER MOTOR	
5	117008-01-000	EA	LINK ASM - CONNECTING - DRIVERS SIDE	
6	117008-02-000	EA	LINK ASM - CONNECTING - PASSENGERS SIDE	
7	104346-05-000	EA	MOTOR-WIPER W/INTERNAL BREAKER, DYNAMIC PARK - UT 6571M02025WJ	
	117322-01-000	EA	SCREW - 1/4-28 UNF-2A, TORX - U.T. 6270020 SC25WJ	
8	096505-05-000	EA	PIVOT & SHAFT ASM-WIPER, PASSENGER WINDSHIELD	
8	096505-06-000	EA	PIVOT & SHAFT ASM-WIPER, DRIVER WINDSHIELD	
	096505-02-700	EA	DRIVER-KNURLED,(HD) BRL .687	NT721017
	096505-02-701	EA	NUT-HEX (HD) W/.687 BARREL	NT721021
	096505-02-702	EA	CAP-RUBBER (HD) BARREL .687	CP721084
	096505-02-703	EA	CAP-NUT(ACORN) HD W/.687 BRL	51065-40-NT27WC
9	117766-02-000	EA	WASHER-WINDSHIELD, BOTTLE & PUMP - MCCORD 600328	
	110605-01-000	EA	TEE-BARBED, 1/8 X 1/8 X 3/16 - BAYLOCK 3799721	
	110934-01-000	EA	CONNECTOR-BARB, 5/16" - PLASTIC - KEVCO TC 7055	
	117765-03-000	EA	CONNECTOR - 5/32 W/SWSH - ITT H-BAYLOCK 116756	
10	104347-01-000	EA	ARM-DRIVE, WIPER MOTOR - 1.54"	
	061603-01-000	EA	GROMMET-SNAP, 3/16 ID - 3/8 HOLE - PLASTIC - BLACK	
	067188-01-000	EA	STUD-CRANK, WIPER	
	110742-01-000	EA	GASKET-WIPER	

**WINDSHIELD & WIPER GROUP (CONTINUED)**  
**WINDSHIELD MOLDINGS & GLASS**



KEY	PART NUMBER	U/M	DESCRIPTION
1	110268-01-000	EA	CARRIER - REVEAL - 50.4" WINDSHIELD
2	110268-01-000	EA	CARRIER - REVEAL - 50.4" WINDSHIELD
3	081914-01-000	EA	BUMPER - RUBBER - ROUND - .43" DIAMETER - BLACK
4	088793-04-000	EA	GLASS-WINDSHIELD, DRIVER
5	075710-03-000	EA	FRAME-WINDSHIELD, CENTER DIVIDER - INNER
6	103107-02-01A	EA	TRIM-WINDSHIELD, DRIVER SIDE - BLACK
7	104449-01-000	EA	BRACKET - WINDSHIELD SUPPORT
8	077847-02-000	EA	SUPPORT - WINDSHIELD - LOWER - W/O BRACKETS
9	102936-01-000	FT	MOLDING - REVEAL - WINDSHIELD
10	103107-01-01A	EA	TRIM - WINDSHIELD - PASSENGER SIDE - BLACK

KEY	PART NUMBER	U/M	DESCRIPTION
11	088793-03-000	EA	GLASS-WINDSHIELD, PASSENGER
12	098788-06-000	EA	CHANNEL - 49" PVC, DRIVER OR PASSENGER SIDE
13	110268-01-000	EA	CARRIER - REVEAL - 50.4" WINDSHIELD
14	077922-02-000	EA	HEADER WINDSHIELD END - PASSENGER SIDE
15	077922-05-000	EA	HEADER WINDSHIELD - CENTER
16	077922-04-000	EA	HEADER WINDSHIELD END - DRIVER SIDE
	002328-02-000	EA	BLOCK-WINDSHIELD, .062" X .5" X .98"