

**1996
ICF29RQ**

G29

PEBBLE BEACH (BROWN)

G30

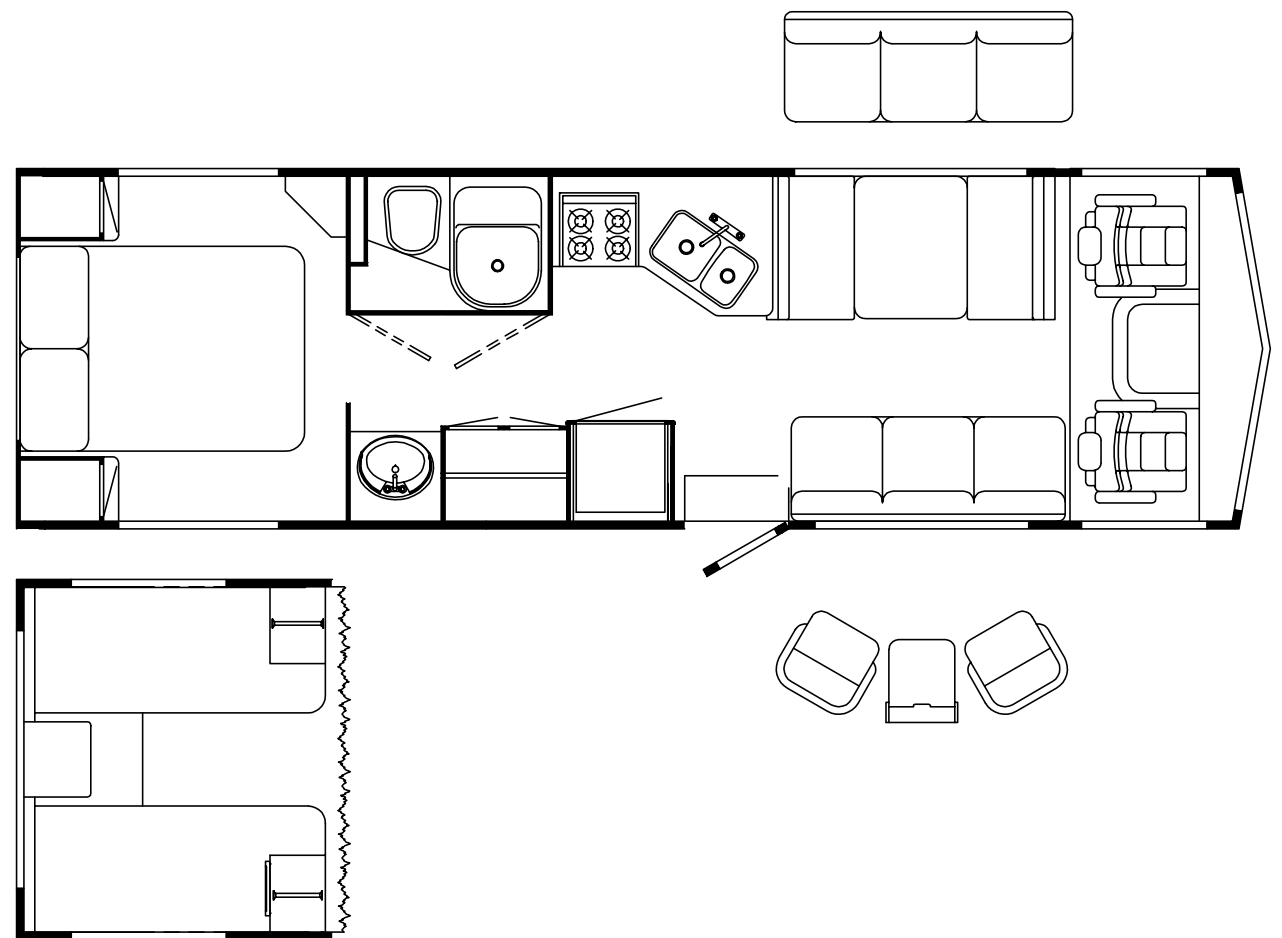
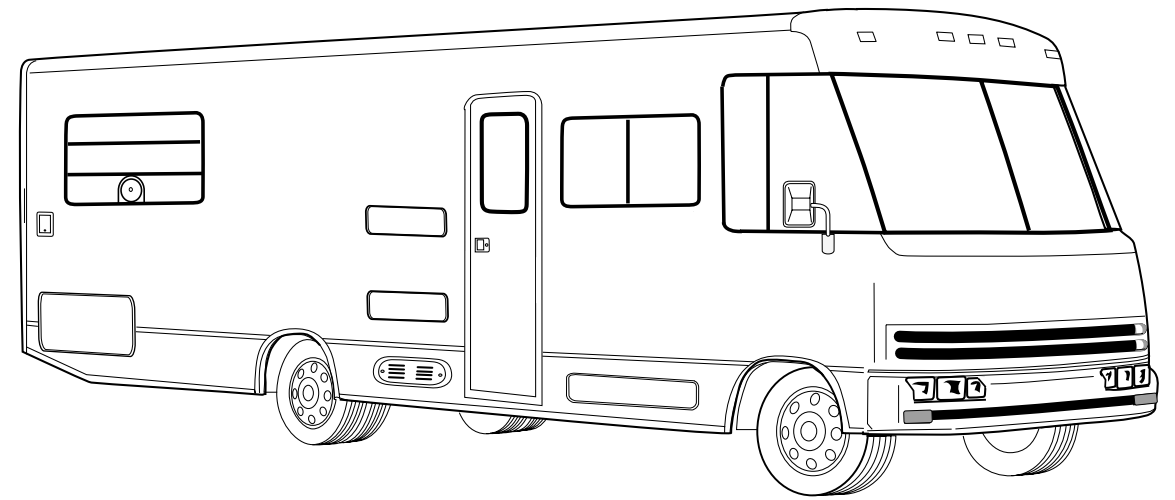
NEPTUNE (TEAL)

G31

GALAXY (BLUE)

G32

ROUTE 66



**ACCESSORIES GROUP
OPERATOR MANUAL**

| KEY | PART NUMBER | U/M DESCRIPTION |
|------------|--------------------|---|
| | 054185-E7-000 | EA MANUAL-OPERATOR, 1996 SUNRISE |
| | 092318-01-000 | EA BINDER - 3 RING, MOTOR HOME MANUAL |
| | 092319-01-000 | EA POCKET PAGE - 3 RING BINDER, PLASTIC |
| | 117907-01-000 | DW TOP LEVEL DRAWING-F, 1996 |

**AUDIO VIDEO GROUP
PATIO ENTERTAINMENT CENTER**

| KEY | PART NUMBER | U/M DESCRIPTION |
|------------|--------------------|---|
| | 110469-01-000 | EA SPEAKER - 4" X 6", OVAL - MAGNADYNE F46XB-12 |
| | 110470-01-01A | EA GRILLE-SPEAKER, OVAL - 4" X 6" - BLACK - MAGNADYNE G46WI |
| | 077069-02-000 | EA CABLE-ANTENNA, RADIO - EXTENSION 96" - ARA 6700667 |
| | 090944-01-000 | EA ANTENNA-RADIO, 16" RUBBER |
| | 109889-04-000 | EA ANTENNA-SHAFT EXTENDER, 3" - MAGNADYNE RV71EX3 |
| | 087683-03-000 | EA RADIO-AM/FM STEREO W/CASSETTE - AUDIOVOX RS-100 |
| | 108847-01-000 | EA BRACKET-ANTENNA GROUND |

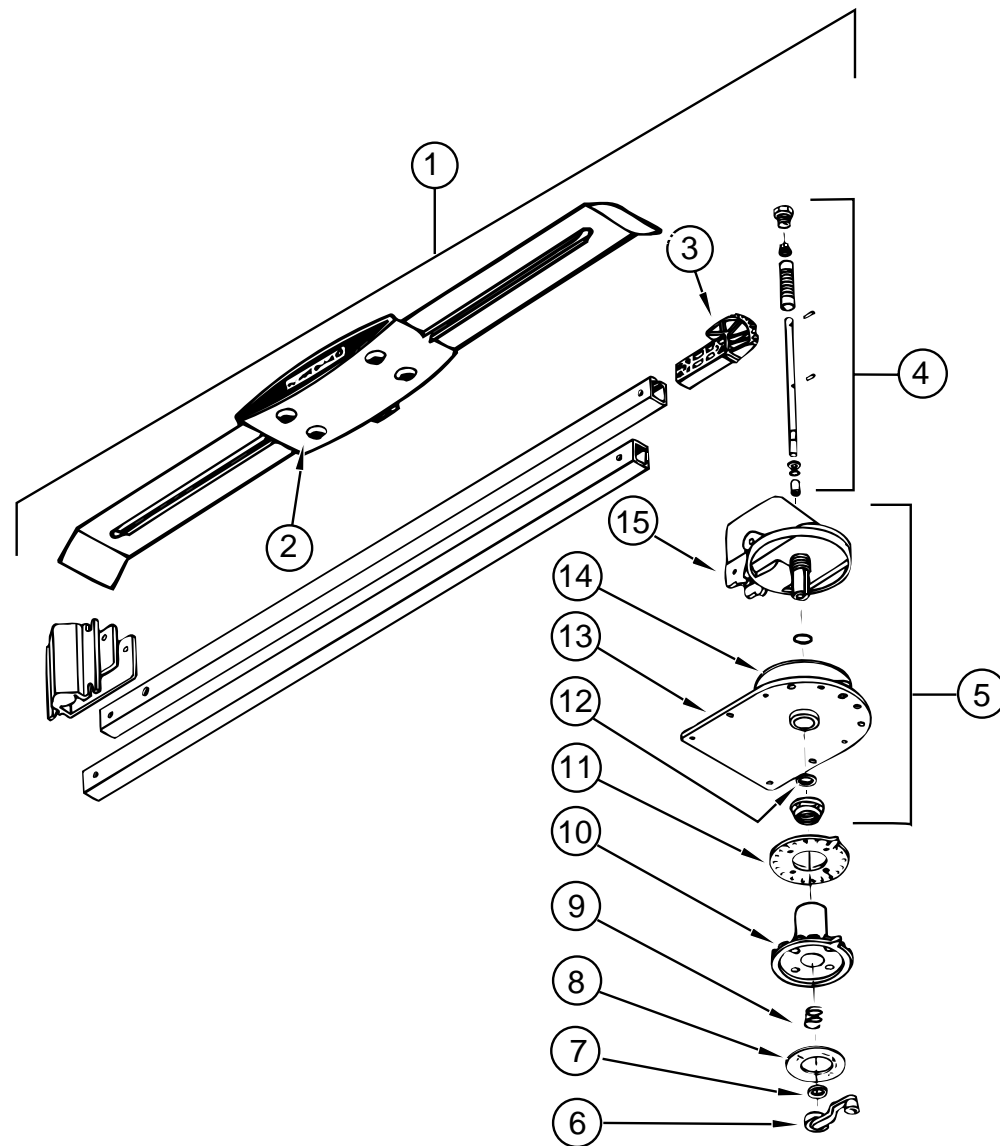
RADIO SYSTEM, CD PLAYER & ANTENNA

| KEY | PART NUMBER | U/M DESCRIPTION |
|------------|--------------------|--|
| | 110267-03-000 | EA RADIO-AM/FM STEREO, CASSETTE - AUDIOVOX IM-400 |
| | 116148-02-000 | EA RADIO-AM/FM STEREO, CD PLAYER - CLARION RDB515F |
| | 077069-02-000 | EA CABLE-ANTENNA, RADIO - EXTENSION 96" - ARA 6700667 |
| | 090944-01-000 | EA ANTENNA-RADIO, 16" RUBBER |
| | 081059-02-000 | EA WIRE ASM - 9-PIN, RADIO - AUDIOVOX 112B-1761 |
| | 089340-02-000 | EA GRILLE-SPEAKER, 6.5" SQUARE |
| | 089340-03-000 | EA SPACER-GRILLE, 6.5" SQUARE - TAN - MAGNADYNE G514 |
| | 094097-01-000 | EA SPEAKER-RADIO, W/O GRILLE - 5.25" DIA - AUDIOVOX 110C3030 |
| | 110469-01-000 | EA SPEAKER - 4" X 6", OVAL - MAGNADYNE F46XB-12 |
| | 110470-01-01A | EA GRILLE-SPEAKER, OVAL - 4" X 6" - BLACK - MAGNADYNE G46WI |

CB ANTENNA

| KEY | PART NUMBER | U/M DESCRIPTION |
|------------|--------------------|---|
| | 105248-01-000 | EA ANTENNA-CB, ADVANCE 8604 |
| | 115916-01-01B | EA BRACKET-ANTENNA MOUNT, STEP SHAPED - 3" X 6" - STEEL |

AUDIO VIDEO GROUP (CONTINUED)



WINEGARD TV ANTENNA

| KEY | PART NUMBER | U/M DESCRIPTION | VENDOR NO. |
|-----|---------------|-------------------------------------|------------|
| 1 | 076319-18-000 | EA ANTENNA-TV, ROOF MOUNT - WI-0094 | |
| 2 | 076319-01-700 | EA HEAD-ANTENNA, AMPLIFIED | RVSA U/V |
| 3 | 076319-01-701 | EA GEAR-ELEVATING, PLASTIC | 2200046 |
| 4 | 076319-01-702 | EA SHAFT ASM-ELEVATING | RVP-400A |
| 5 | 076319-01-711 | EA BASE & LIFT ASM | 2762802 |
| 6 | 076319-01-706 | EA CRANK-ELEVATING, W/SET SCREW | 5755100 |
| 7 | 076319-01-705 | EA GROMMET-NYLON, 7/8" ID | 3200658 |
| 8 | 076319-01-708 | EA CRANK COVER DECAL | 5413002 |
| 9 | 076319-01-707 | EA SPRING-HANDLE | 5160800 |
| 10 | 076319-01-709 | EA PLATE-DIRECTIONAL, FOR HEAD | 3200644 |
| 11 | 076319-01-712 | EA PLATE-CEILING | 3200608 |
| 12 | 076319-01-704 | EA BEARING-NYLON, 1.25" OD | 3200657 |
| 13 | 076319-01-713 | EA PLATE-BASE, STEEL | 3100523 |
| 14 | 076319-01-703 | EA BEARING-NYLON, 5" OD | 3200656 |
| 15 | 076319-01-714 | EA HOUSING, ROTATING GEAR | 2200049 |

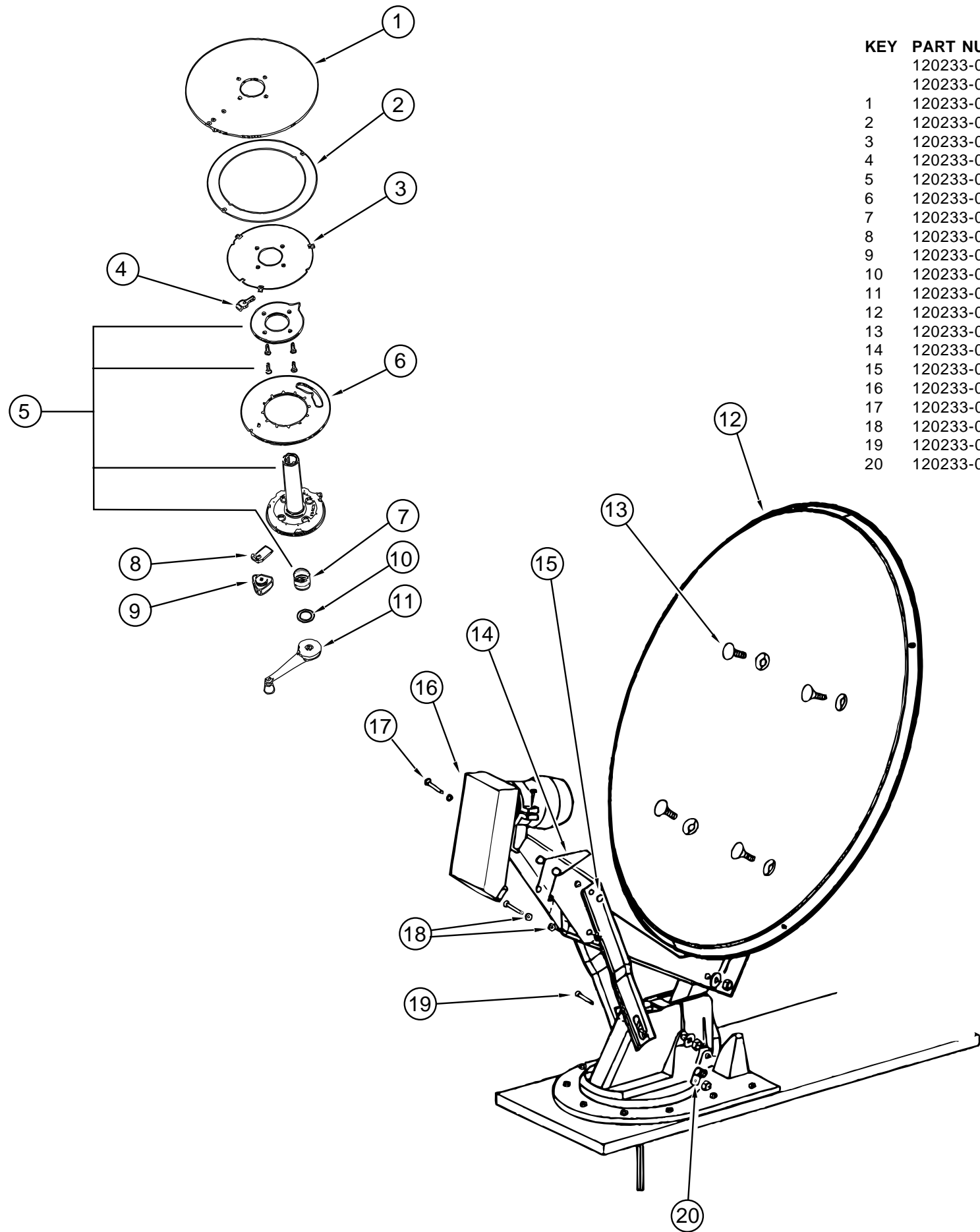
AUDIO VIDEO GROUP (CONTINUED)
TV CABLE, CONNECTORS, & WALLPLATES

| KEY | PART NUMBER | U/M DESCRIPTION |
|-----|---------------|---|
| | 076319-03-000 | FT CABLE-COAXIAL, 75 OHM |
| | 076319-06-000 | EA ADAPTOR-CABLE ROOF PLATE, WINEGARD RPJ-1 |
| | 076319-08-000 | EA WALLPLATE-CABLE RECEPTACLE, TV - SINGLE - IVORY - BEDROOM |
| | 076319-09-000 | EA WALLPLATE-CABLE RECEPTACLE, TV - SINGLE - BROWN - PATIO OPTION |
| | 076319-12-000 | EA CONNECTOR-COAXIAL, ONE PIECE |
| | 082134-01-000 | EA ADAPTER-TV, CABLE TO CABLE - WINEGARD F-81M |
| | 086756-01-000 | EA SPLITTER-TV, 2 WAY |
| | 086777-01-000 | EA PLATE-WALL, TV CABLE W/ANTENNA SWITCH - IVORY - WINEGARD RV-0710 |
| | 086777-05-000 | EA PLATE-WALL, ANTENNA - 1 OUTPUT - IVORY - WINEGARD RV-0921 |
| | 114870-02-000 | EA PLUG ASM - 3.5 MM AUDIO W/LEADS - OW - DONALD 35-P8 |

TV, VCR & CONTROL CENTER

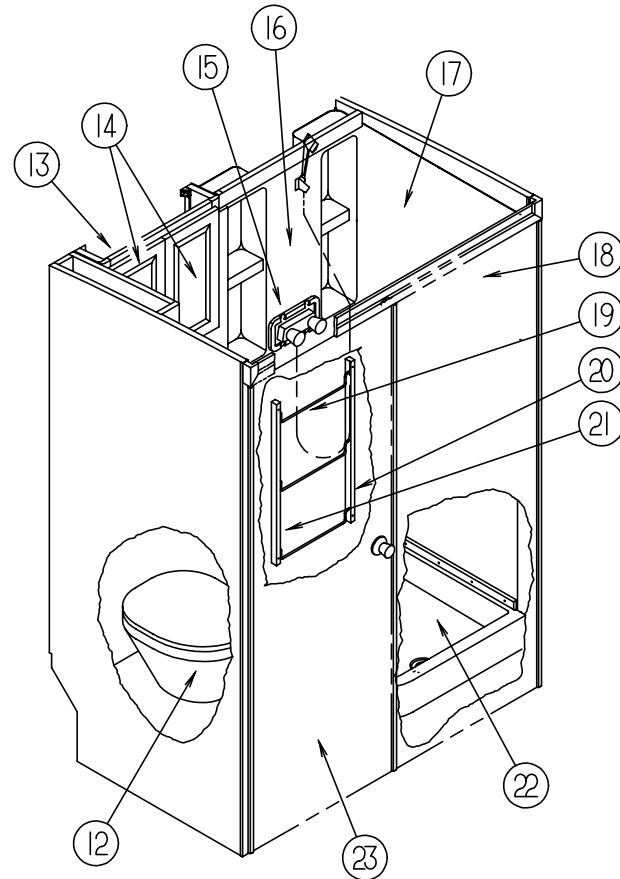
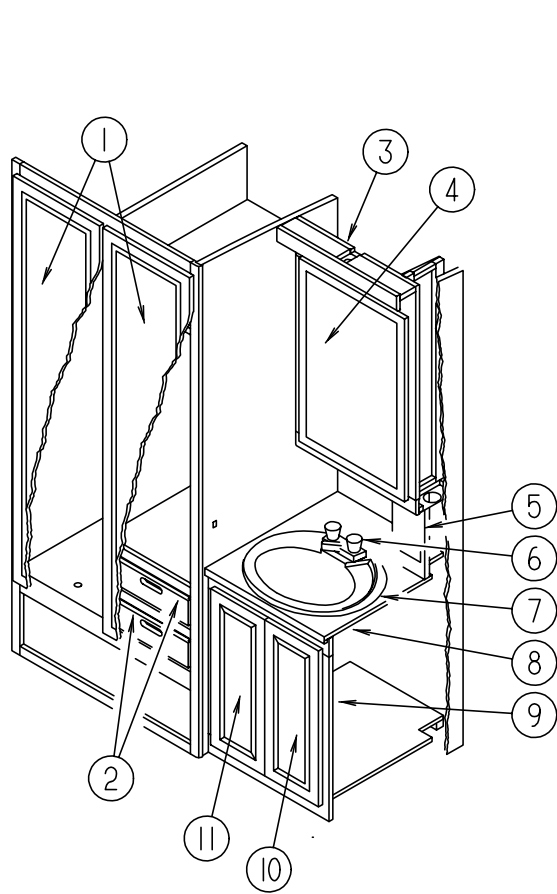
| KEY | PART NUMBER | U/M DESCRIPTION | VENDOR NO. |
|-----|---------------|--|------------|
| | 092310-02-000 | EA TV-COLOR, 9" - AC/DC - W/REMOTE - MAGNAVOX RD0945 | |
| | 092310-02-700 | EA REMOTE-TV, MAGNAVOX | RD0945 |
| | 113684-01-000 | EA TV - 19", COLOR - U.S. & CSA - AUDIOVOX AVT-1975 | |
| | 113684-01-700 | EA REMOTE-TV, AUDIOVOX | 8822345 |
| | 119120-01-000 | EA VCR-VHS, CABLE READY - REMOTE - AUDIOVOX AVR-1075 | |
| | 119120-01-700 | EA REMOTE F/MODEL #AVR-1075 - AUDIOVOX | 8874570 |
| | 099717-01-000 | EA TIEDOWN-TV, STRAP ON FEMALE END IS 22.8" LONG | |
| | 098819-01-000 | EA SPEAKER - 2 WATT, 8 OHM - 4" | |
| | 093214-01-02A | EA GRILLE-SPEAKER, 4" - BROWN | |
| | 086757-03-000 | EA CONTROL CENTER-SWITCH, VCR/TV - MAGNADYNE VCS-6 | |

AUDIO VIDEO GROUP (CONTINUED)
WINEGARD SATELLITE TV ANTENNA



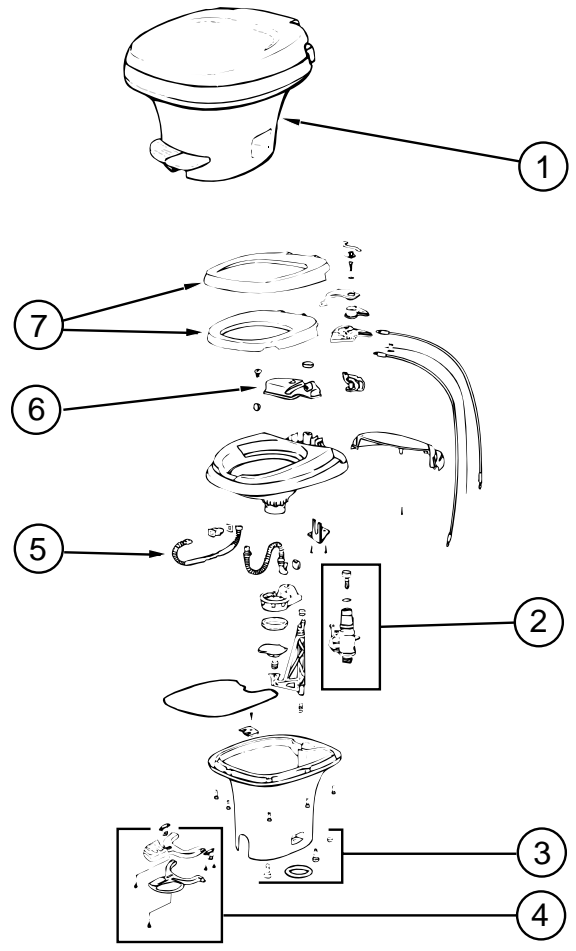
| KEY | PART NUMBER | U/M | DESCRIPTION | VENDOR NO. |
|-----|---------------|-----|--|------------|
| | 120233-02-000 | EA | ANTENNA-SATELLITE W/RECEIVER - RD-1046 | |
| | 120233-01-000 | EA | ANTENNA-SATELLITE DSS - RD-4600 | |
| 1 | 120233-01-700 | EA | PLATE-FIXED | 3750821 |
| 2 | 120233-01-701 | EA | DIAL-DIRECTIONAL | 2745056 |
| 3 | 120233-01-702 | EA | PIVOT-DIAL-DIRECTIONAL | 2745058 |
| 4 | 120233-01-703 | EA | STOP-ROTATION | 3711281 |
| 5 | 120233-01-704 | EA | PLATE-CEILING W/DIRECTIONAL HANDLE | RP-6300 |
| 6 | 120233-01-705 | EA | PLATE-ROTATE | 3750820 |
| 7 | 120233-01-706 | EA | SPRING | RP-6822 |
| 8 | 120233-01-707 | EA | CLAMP-ROTATE | 3711280 |
| 9 | 120233-01-708 | EA | KNOB-CLAMP | 160822 |
| 10 | 120233-01-709 | EA | WASHER-NYLON | RP-2658 |
| 11 | 120233-01-710 | EA | HANDLE-CRANK | RP-6795 |
| 12 | 120233-01-711 | EA | REFLECTOR - 46 CM | 2745304 |
| 13 | 120233-01-712 | EA | BOLT-FLAT HEAD | 2160253 |
| 14 | 120233-01-713 | EA | SPRING | 2160820 |
| 15 | 120233-01-714 | EA | CLIP-E | 5160818 |
| 16 | 120233-01-715 | EA | RCA LNB | 278015 |
| 17 | 120233-01-716 | EA | PIN | 2160814 |
| 18 | 120233-01-717 | EA | BEARING-NYLON | 2200728 |
| 19 | 120233-01-718 | EA | PIN | 5160817 |
| 20 | 120233-01-719 | EA | CLAMP-CABLE | 2200060 |

BATH GROUP
BATHROOM CABINET & COMPONENTS



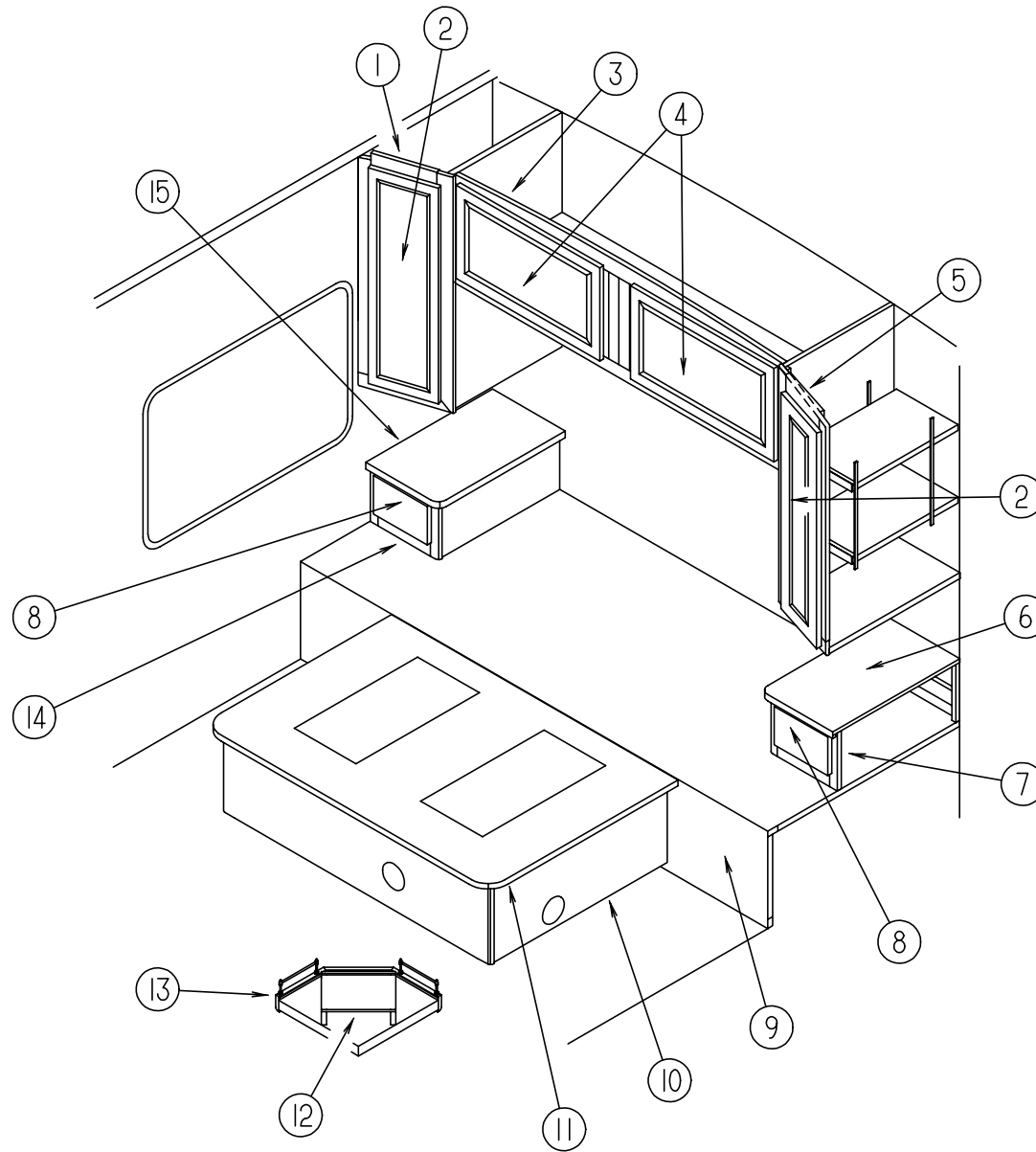
| KEY | PART NUMBER | U/M | DESCRIPTION | VENDOR NO. |
|-----|---------------|-----|--|------------|
| 1 | M06803-11-G09 | EA | DOOR-W/O HARDWARE - 410 MM X 1660 MM | |
| 2 | P11023-01-G09 | EA | DRAWER-CABINET, W/O HARDWARE | |
| 3 | 111086-01-G09 | EA | DOOR-MIRRORED, W/O DOOR OR HARDWARE | |
| 4 | 115237-01-G01 | EA | DOOR-MIRRORED, 500 MM X 750 MM | |
| 5 | 111087-01-G29 | EA | CABINET-COVER, PIPE (G29) | |
| 5 | 111087-01-G30 | EA | CABINET-COVER, PIPE (G30) | |
| 5 | 111087-01-G31 | EA | CABINET-COVER, PIPE (G31) | |
| 5 | 111087-01-G10 | EA | CABINET-COVER, PIPE (G32) | |
| 6 | 075454-02-000 | EA | RING-TOWEL, W/MOUNTING HARDWARE - BRASS | |
| 6 | 075240-06-000 | EA | FAUCET-LAVATORY, BONE | |
| | 091253-01-000 | EA | GASKET-FAUCET, LAVATORY/GALLEY | |
| | 105218-01-01A | EA | SPACER-FAUCET, LAVATORY SINK - 2" X 5.9" - ABS PLASTIC - OFF WHITE | |
| 7 | 105921-01-01A | EA | SINK-LAVATORY, LARGE OVAL - 17" X 20" - PLASTIC - OFF WHITE | |
| | 106116-01-01A | EA | STRAINER-SINK, W/STOPPER TAILPIECE, GASKET & NUT - PLASTIC | |
| 8 | 111088-11-G29 | EA | COUNTERTOP-LAVATORY CABINET (G29) | |
| 8 | 111088-11-G30 | EA | COUNTERTOP-LAVATORY CABINET (G30) | |
| 8 | 111088-11-G31 | EA | COUNTERTOP-LAVATORY CABINET (G31) | |
| 8 | 111088-11-G09 | EA | COUNTERTOP-LAVATORY CABINET (G32) | |
| 9 | P11088-01-G29 | EA | CABINET-LAVATORY W/COUNTERTOP | |
| 9 | P11088-01-G30 | EA | CABINET-LAVATORY W/COUNTERTOP | |
| 9 | P11088-01-G31 | EA | CABINET-LAVATORY W/COUNTERTOP | |
| 9 | P11088-01-G32 | EA | CABINET-LAVATORY W/COUNTERTOP | |
| 10 | M06803-D9-G09 | EA | DOOR-W/O HARDWARE, 255 MM X 640 MM | |
| 11 | M06803-20-G09 | EA | DOOR-W/O HARDWARE, 255 MM X 640 MM | |
| 12 | 067487-02-000 | EA | TOILET - 12.37", IVORY - FOOT FLUSH - THETFORD | |
| 13 | 111190-01-G09 | EA | CABINET-LINEN, W/O DOORS OR HARDWARE | |
| 14 | M06803-24-G09 | EA | DOOR-W/O HARDWARE, W/MIRROR - 255 MM X 485 MM | |
| 15 | 075241-05-000 | EA | FAUCET-SHOWER, BONE | |
| | 075606-01-000 | EA | PANEL-FAUCET BACK, SHOWER - 5" X 9" - PLASTIC | |
| | 103092-01-000 | EA | SHOWER HEAD-W/60" HOSE - US | |
| | 103092-02-000 | EA | SHOWER HEAD-W/60" HOSE - CANADIAN | |
| | 103092-01-700 | EA | BRACKET ONLY-CLEAR, F/SHOWER HEAD - BPC | 2328028 |
| | 103092-01-702 | EA | SEALS-SPRAY HEAD | 24466 |
| | 011048-03-700 | EA | BRACKET/F SHOWER HEAD - BPC | 2328029-3 |
| 16 | M06888-01-E07 | EA | SURROUND ASSEMBLY-SHOWER W/2 SHOWER CADDIES, OFF WHITE | |
| | 110937-01-01A | EA | CADDY-SHOWER, OFF WHITE | |
| 17 | 110450-01-01A | EA | SURROUND-SHOWER, OFF WHITE | |
| | 077902-01-000 | EA | COVER-SKYLIGHT, INSIDE - 15.6" X 22.5" - PLASTIC | |
| | 080910-01-000 | EA | COVER-SKYLIGHT, OUTER - 15.25" X 22.25" - PLASTIC | |
| 18 | 111180-02-G29 | EA | DOOR-BATH CABINET, W/O HARDWARE (G29) | |
| 18 | 111180-02-G30 | EA | DOOR-BATH CABINET, W/O HARDWARE (G30) | |
| 18 | 111180-02-G31 | EA | DOOR-BATH CABINET, W/O HARDWARE (G31) | |
| 18 | 111180-02-G10 | EA | DOOR-BATH CABINET, W/O HARDWARE (G32) | |
| | 080728-01-000 | EA | HANDLE-PULL, 1.3" X 4.4" - PLASTIC - BROWN | |
| 19 | 100357-01-000 | EA | ROD-TOWEL, BRASS W/ENDS BENT FOR BACK OF BATH DOOR | |
| 20 | 102089-14-G09 | EA | WOOD RAIL - TOWEL RACK - LEFT SIDE - 26" LONG | |
| 21 | 102089-13-G09 | EA | WOOD RAIL - TOWEL RACK - RIGHT SIDE - 26" LONG | |
| 22 | M02429-08-000 | EA | PAN-SHOWER, OFF WHITE | |
| | 066436-01-000 | EA | NUT-SLIP, TAILPIECE - 1.5" | |
| | 057671-01-000 | EA | COVER-SCREW, #8 - PLASTIC - OFF WHITE | |
| 23 | 111180-01-G29 | EA | DOOR-BATH CABINET, W/O HARDWARE (G29) | |
| 23 | 111180-01-G30 | EA | DOOR-BATH CABINET, W/O HARDWARE (G30) | |
| 23 | 111180-01-G31 | EA | DOOR-BATH CABINET, W/O HARDWARE (G31) | |
| 23 | 111180-01-G10 | EA | DOOR-BATH CABINET, W/O HARDWARE (G32) | |
| | 094485-03-01A | EA | KNOB-DOOR W/LOCK, BRASS - THUNADER L132PB | |
| | 061604-01-000 | EA | SLIDE-BOLT, BRIGHT BRASS - GM HDW BB-789-BW/S | |
| | 009013-01-000 | EA | CATCH-MALE & FEMALE BULLDOG, ANTIQUE COPPER | |
| | 112457-01-01A | EA | PLATE-CATCH, BULLDOG - 50 MM X 40 MM - STEEL - OFF WHITE | |
| | 112457-01-02A | EA | PLATE-CATCH, BULLDOG - 50 MM X 40 MM - STEEL - MILL FINISH | |
| | 112456-01-E07 | EA | CATCH ASM-BATH DOOR, OFF WHITE | |
| | 075453-02-000 | EA | BAR-TOWEL, 18" BRASS | |
| | 075452-02-000 | EA | HOLDER-TOILET TISSUE, BRASS | |

BATH GROUP (CONTINUED)
AQUA MAGIC IV - LOW - FOOT FLUSH TOILET



| KEY | PART NUMBER | U/M | DESCRIPTION | VENDOR NO. |
|-----|---------------|-----|---|------------|
| 1 | 067487-02-000 | EA | TOILET-AQUA MAGIC IV - LOW - FOOT FLUSH | |
| 2 | 063740-01-714 | EA | VALVE ASM-WATER, THETFORD | 12492 |
| 3 | 063740-01-706 | EA | BOLT PACKAGE-CLOSET, THETFORD | 12524 |
| 4 | 067487-02-701 | EA | PEDAL PACKAGE (FOOT FLUSH) - THETFORD | 20821 |
| 5 | 063740-01-717 | EA | TUBE-FLUSH, TOILET - THETFORD | 12509 |
| 6 | 063740-02-701 | EA | RESERVOIR (TANK ASSEMBLY), THETFORD | 24630 |
| 7 | 063740-02-700 | EA | SEAT & COVER, PARCHMENT - THETFORD | 20829 |

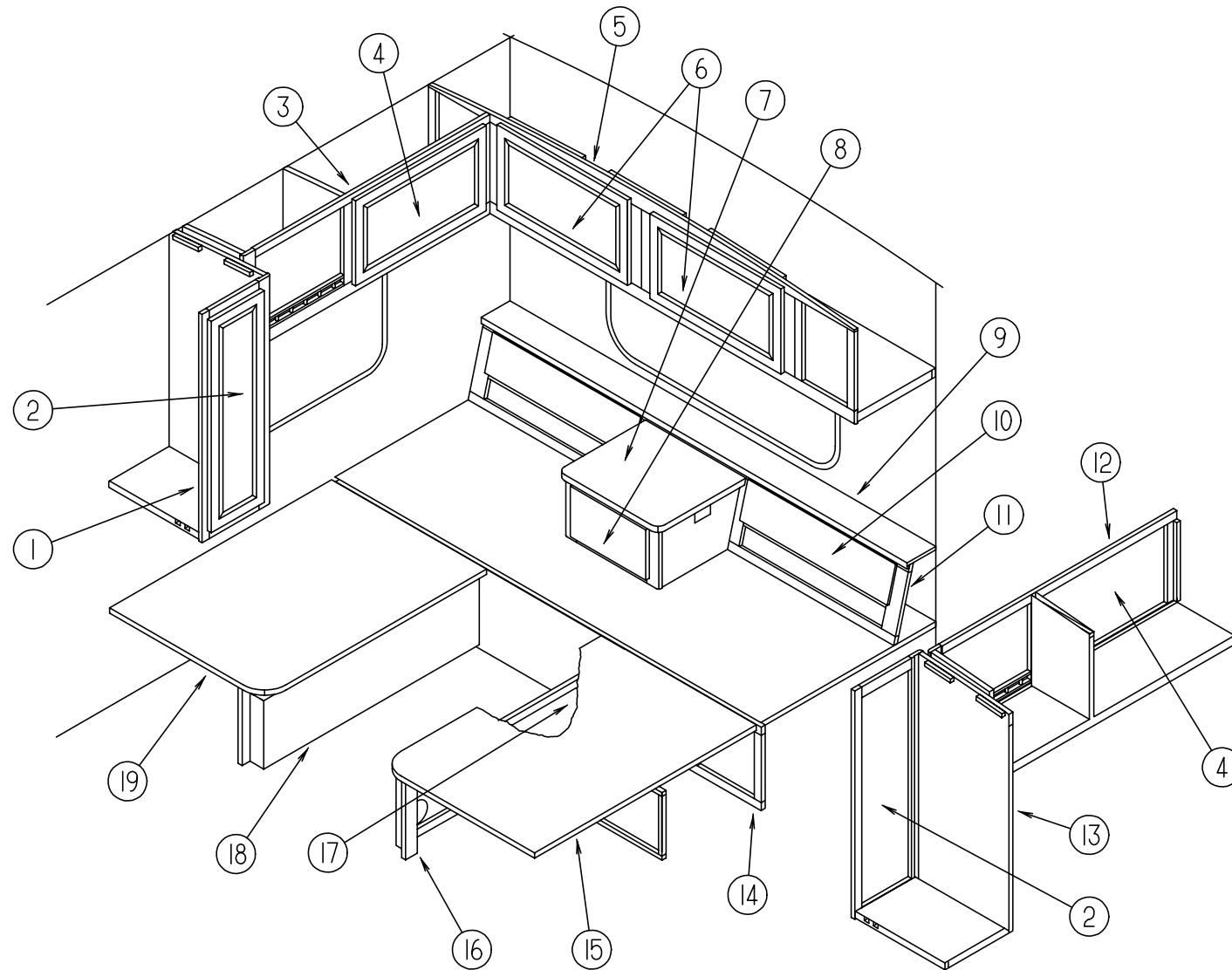
BEDROOM GROUP
QUEEN BEDROOM CABINETS



| KEY | PART NUMBER | U/M | DESCRIPTION |
|-----|---------------|-----|--|
| 1 | 110625-01-G09 | EA | CABINET-SHIRT CLOSET, W/O DOOR OR HARDWARE |
| 2 | M06803-10-G09 | EA | DOOR-W/O HARDWARE - 275 MM X 925 MM |
| 3 | 106523-01-G09 | EA | CABINET-OVERHEAD, W/O DOORS OR HARDWARE |
| 4 | M06803-13-G09 | EA | DOOR-W/O HARDWARE W/MIRROR - 400 MM X 710 MM |
| 4 | M06803-02-G09 | EA | DOOR-W/O HARDWARE W/O MIRROR - 400 MM X 710 MM DECORATOR DOOR OPTION - FLAT PANEL |
| 5 | 110625-02-G09 | EA | CABINET-SHIRT CLOSET, W/O DOOR OR HARDWARE |
| 6 | 117901-12-G29 | EA | COUNTERTOP-NIGHTSTAND (G29) |
| 6 | 117901-12-G30 | EA | COUNTERTOP-NIGHTSTAND (G30) |
| 6 | 117901-12-G31 | EA | COUNTERTOP-NIGHTSTAND (G31) |
| 6 | 117901-12-G09 | EA | COUNTERTOP-NIGHTSTAND (G32) |
| 7 | P17901-02-G29 | EA | CABINET-NIGHTSTAND W/COUNTERTOP - W/O DRAWER (G29) |
| 7 | P17901-02-G30 | EA | CABINET-NIGHTSTAND W/COUNTERTOP - W/O DRAWER (G30) |
| 7 | P17901-02-G31 | EA | CABINET-NIGHTSTAND W/COUNTERTOP - W/O DRAWER (G31) |
| 7 | P17901-02-G09 | EA | CABINET-NIGHTSTAND W/COUNTERTOP - W/O DRAWER (G32) |
| 8 | M05971-R3-G09 | EA | DRAWER-CABINET, W/O HARDWARE |
| 9 | P10624-01-000 | EA | CABINET-COMPARTMENT, W/O CARPET OR TOP |
| 10 | P10623-01-G09 | EA | CABINET-QUEEN BED W/O TOP |

| KEY | PART NUMBER | U/M | DESCRIPTION |
|-----|---------------|-----|---|
| 11 | M05706-09-000 | EA | TOP-QUEEN BED CABINET |
| 12 | 116553-15-G09 | EA | WEDGE-TV |
| 13 | 116553-02-G09 | EA | SHELF ASM-TV, W/BRASS RAILING & WEDGE - 444 MM X 424 MM |
| | 105219-01-G09 | EA | SHELF ASM-W/BRASS RAILING - 273 MM X 274 MM |
| | 084070-02-000 | EA | POST-END, 2.4" - BRASS |
| | 084071-15-000 | EA | ROD-BRASS, 210 MM LONG |
| | 058331-17-000 | EA | MIRROR-GLASS, SAFETY - 8.75" X 12.5" |
| | 105004-01-05A | EA | MOLDING-MIRROR, VINYL WRAPPED - OAK |
| 14 | P17901-01-G29 | EA | CABINET-NIGHTSTAND W/COUNTERTOP - W/O DRAWER (G29) |
| 14 | P17901-01-G30 | EA | CABINET-NIGHTSTAND W/COUNTERTOP - W/O DRAWER (G30) |
| 14 | P17901-01-G31 | EA | CABINET-NIGHTSTAND W/COUNTERTOP - W/O DRAWER (G31) |
| 14 | P17901-01-G09 | EA | CABINET-NIGHTSTAND W/COUNTERTOP - W/O DRAWER (G32) |
| 15 | 117901-11-G29 | EA | COUNTERTOP-NIGHTSTAND (G29) |
| 15 | 117901-11-G30 | EA | COUNTERTOP-NIGHTSTAND (G30) |
| 15 | 117901-11-G31 | EA | COUNTERTOP-NIGHTSTAND (G31) |
| 15 | 117901-11-G09 | EA | COUNTERTOP-NIGHTSTAND (G32) |

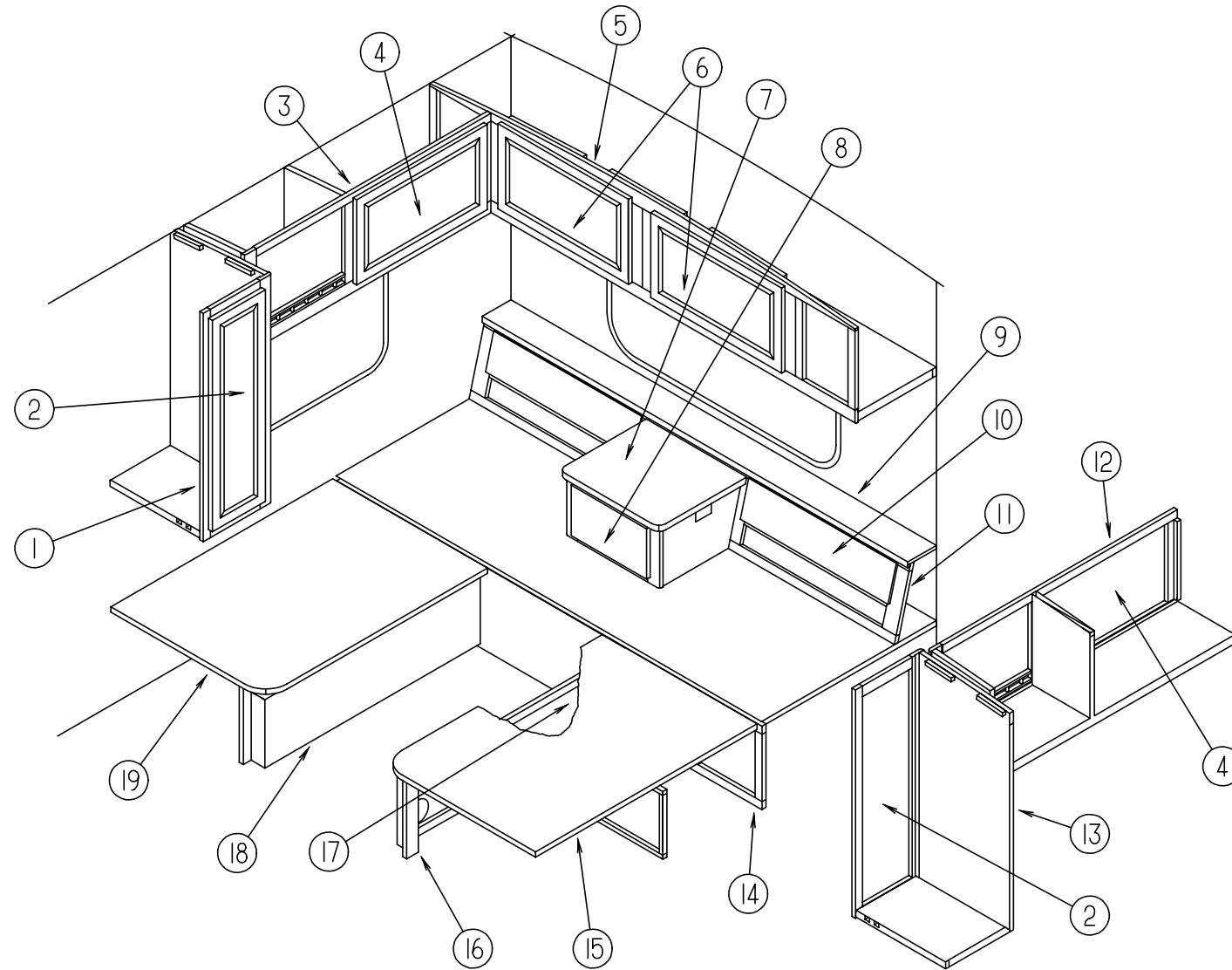
BEDROOM GROUP (CONTINUED)
TWIN BEDROOM CABINETS



| KEY | PART NUMBER | U/M | DESCRIPTION |
|-----|---------------|-----|--|
| 1 | 110946-01-G09 | EA | CABINET-SHIRT CLOSET, W/O DOOR OR HARDWARE |
| 2 | M06803-15-G09 | EA | DOOR-W/O HARDWARE - 305 MM X 1015 MM |
| 3 | 111185-01-G09 | EA | CABINET-OVERHEAD, W/O DOOR OR HARDWARE |
| | 058331-A5-000 | EA | MIRROR-GLASS, SAFETY - 396 MM X 516 MM |
| 4 | M06803-02-G09 | EA | DOOR-W/O HARDWARE - 400 MM X 710 MM |
| 5 | 111239-01-G09 | EA | CABINET-OVERHEAD, W/O DOORS OR HARDWARE |

| KEY | PART NUMBER | U/M | DESCRIPTION |
|-----|---------------|-----|--|
| 6 | M06803-13-G09 | EA | DOOR-W/O HARDWARE W/MIRROR - 400 MM X 710 MM |
| 6 | M06803-02-G09 | EA | DOOR-W/O HARDWARE W/O MIRROR - 400 MM X 710 MM DECORATOR DOOR OPTION - FLAT PANEL |
| 7 | 110826-13-F24 | EA | COUNTERTOP-NIGHTSTAND CABINET (G29/G32) |
| 7 | 110826-13-G30 | EA | COUNTERTOP-NIGHTSTAND CABINET (G30) |
| 7 | 110826-13-F05 | EA | COUNTERTOP-NIGHTSTAND CABINET (G31) |

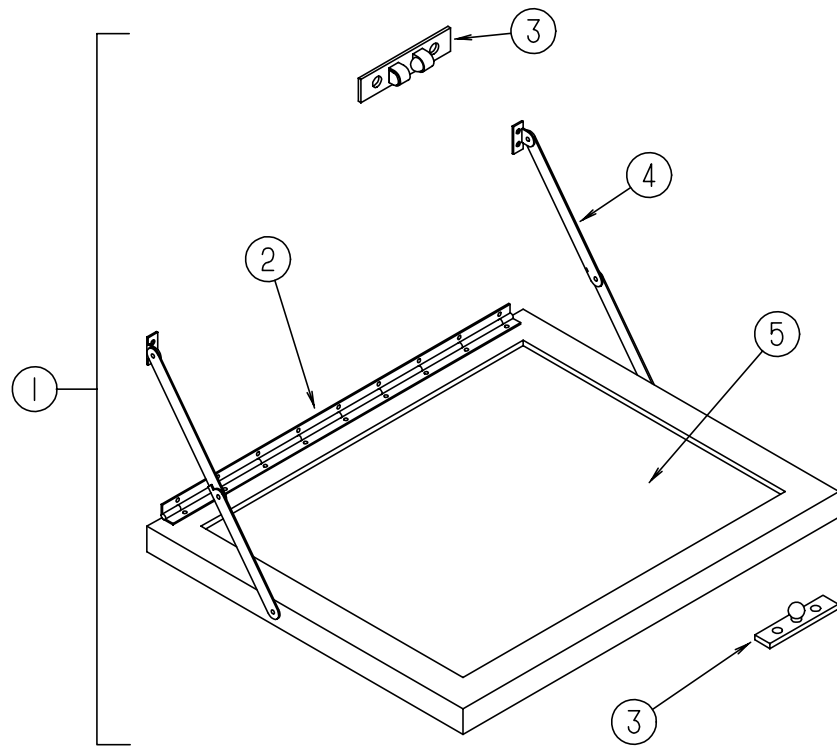
BEDROOM GROUP (CONTINUED)
TWIN BEDROOM CABINETRY (CONTINUED)



| KEY | PART NUMBER | U/M | DESCRIPTION |
|-----|---------------|-----|--|
| 8 | M05971-R4-G09 | EA | DRAWER-CABINET, W/O HARDWARE |
| 9 | 110826-11-F24 | EA | COUNTERTOP-NIGHTSTAND CABINET (G29/G32) |
| 9 | 110826-11-G30 | EA | COUNTERTOP-NIGHTSTAND CABINET (G30) |
| 9 | 110826-11-F05 | EA | COUNTERTOP-NIGHTSTAND CABINET (G31) |
| 10 | 110826-12-G29 | EA | DOOR-W/O HARDWARE - FABRIC COVERED - 176 MM X 802 MM - EITHER SIDE |
| 10 | 110826-12-G30 | EA | DOOR-W/O HARDWARE - FABRIC COVERED - 176 MM X 802 MM - EITHER SIDE |
| 10 | 110826-12-G31 | EA | DOOR-W/O HARDWARE - FABRIC COVERED - 176 MM X 802 MM - EITHER SIDE |
| 10 | 110826-12-G32 | EA | DOOR-W/O HARDWARE - FABRIC COVERED - 176 MM X 802 MM - EITHER SIDE |
| 11 | 110826-01-G29 | EA | CABINET-NIGHTSTAND, W/COUNTERTOPS - W/O DOORS OR DRAWER |
| 11 | 110826-01-G30 | EA | CABINET-NIGHTSTAND, W/COUNTERTOPS - W/O DOORS OR DRAWER |
| 11 | 110826-01-G31 | EA | CABINET-NIGHTSTAND, W/COUNTERTOPS - W/O DOORS OR DRAWER |
| 11 | 110826-01-G32 | EA | CABINET-NIGHTSTAND, W/COUNTERTOPS - W/O DOORS OR DRAWER |

| KEY | PART NUMBER | U/M | DESCRIPTION |
|-----|---------------|-----|--|
| 12 | 111186-01-G09 | EA | CABINET-OVERHEAD, W/O DOOR OR HARDWARE |
| | 058331-A5-000 | EA | MIRROR-GLASS, SAFETY - 396 MM X 516 MM |
| 13 | 110947-01-G09 | EA | CABINET-SHIRT CLOSET, W/O DOOR OR HARDWARE - DRIVER SIDE |
| 14 | P10877-01-000 | EA | CABINET-COMPARTMENT, W/O TOP OR CARPET |
| 15 | M04170-11-000 | EA | TOP-TWIN BED, DRIVER SIDE |
| 16 | P18049-01-G09 | EA | CABINET-TWIN BED W/O TOP |
| 17 | M06803-25-G09 | EA | DOOR-W/O HARDWARE - 305 MM X 475 MM - DRIVER SIDE TWIN BED CABINET |
| 18 | P18048-01-G09 | EA | CABINET-TWIN BED W/O TOP |
| 19 | M04170-10-000 | EA | TOP-TWIN BED, PASSENGER SIDE |

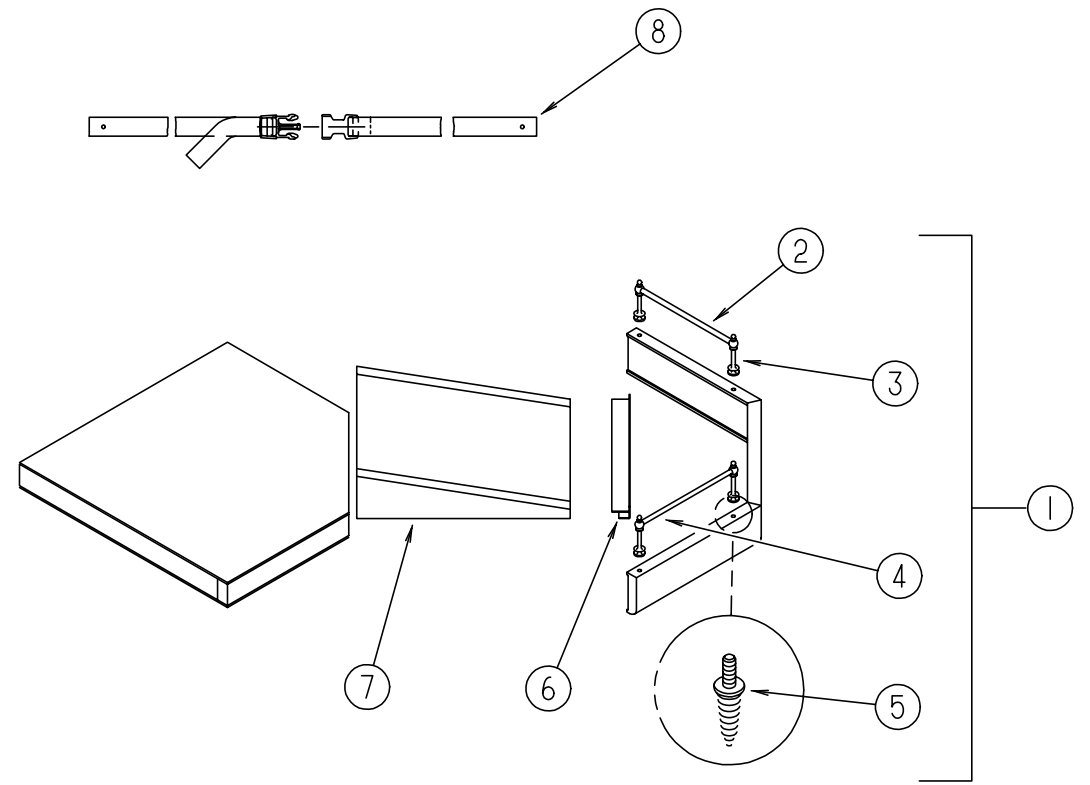
BEDROOM GROUP (CONTINUED)



TV STAND

| KEY | PART NUMBER | U/M | DESCRIPTION |
|-----|---------------|-----|--|
| 1 | 084357-02-G09 | EA | STAND-FOLD DOWN, TV - W/MIRROR |
| 2 | 084413-01-000 | EA | HINGE-CONTINUOUS, W/HOLES |
| 3 | 084451-01-000 | EA | CATCH-TV SHELF, BRASS |
| 4 | 084412-01-000 | EA | SUPPORT-HINGED (PAIR) |
| 5 | 084356-08-000 | EA | INSERT-TV STAND, W/SUPPORT HINGE - METAL - OFF WHITE |
| 5 | 058331-14-000 | EA | MIRROR-GLASS, SAFETY - 14" X 12.7" |

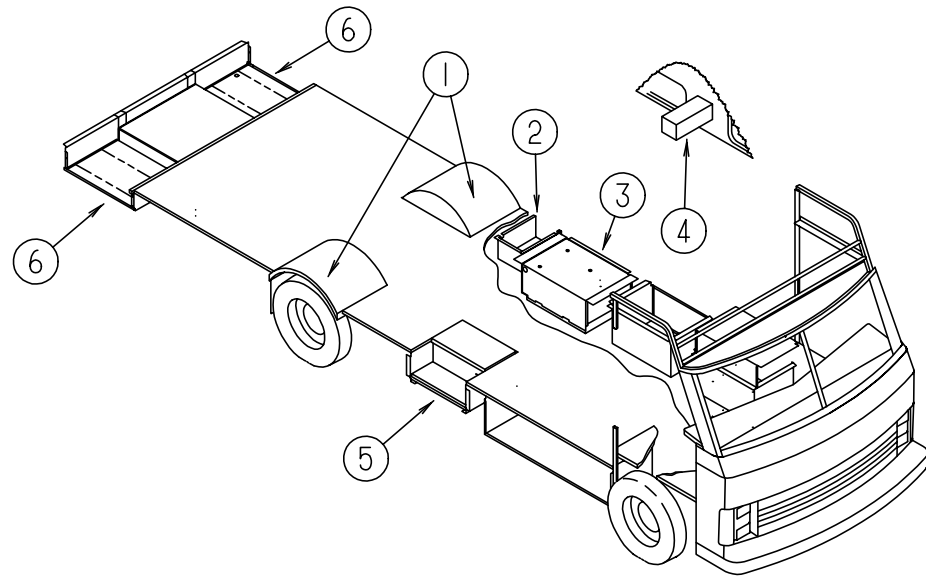
BEDROOM GROUP (CONTINUED)



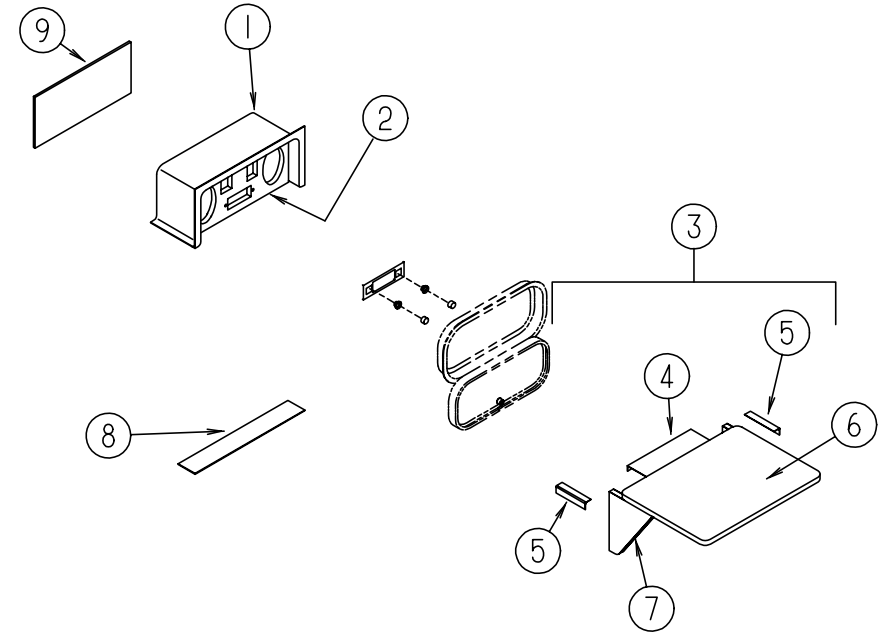
TV SHELF

| KEY | PART NUMBER | U/M | DESCRIPTION |
|-----|---------------|-----|---|
| 1 | 116553-02-G09 | EA | SHELF ASM-TV, W/BRASS RAILING & WEDGE - 444 MM X 424 MM |
| 2 | 084071-12-000 | EA | ROD-BRASS, 104 MM LONG |
| 3 | 084070-02-000 | EA | POST-END, 2.4" - BRASS |
| 4 | 084071-19-000 | EA | ROD-BRASS, 198 MM LONG |
| 5 | 106166-01-000 | EA | BOLT-COLLARED HANGER, 8-32 X 1" |
| 6 | 103186-01-05A | FT | MOLDING-EDGE, SHELF - .78" WIDE - PLASTIC - WATERFORD OAK |
| 7 | 116553-15-G09 | EA | WEDGE-TV |
| 8 | 099717-01-000 | EA | TIEDOWN-TV, STRAP ON FEMALE END IS 22.8" LONG |

CHASSIS GROUP



CHASSIS GROUP (CONTINUED)



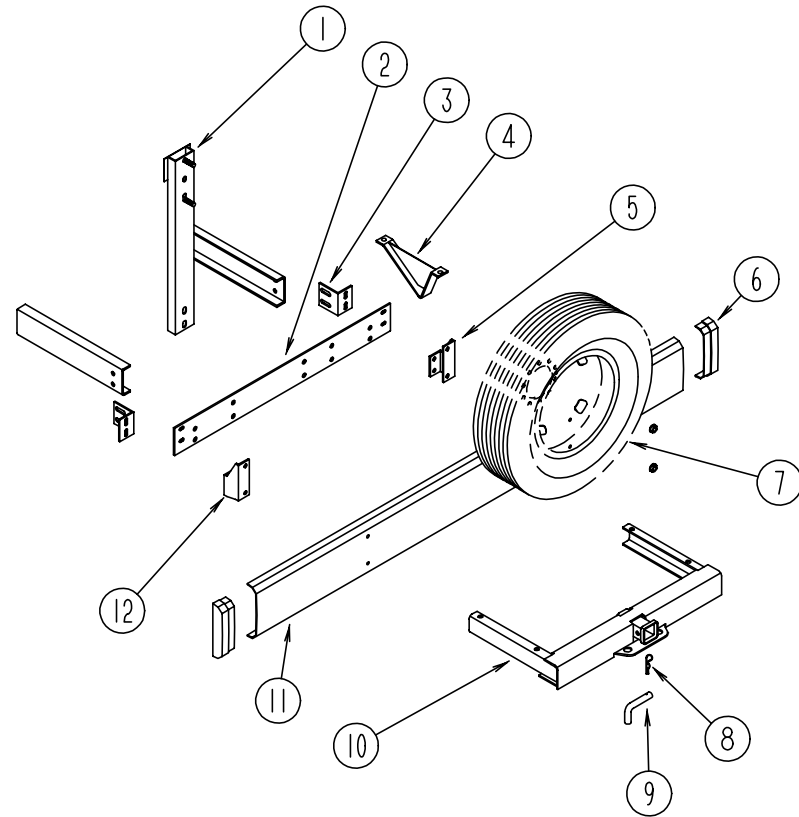
COMPARTMENTS & WHEELWELLS

| KEY | PART NUMBER | U/M | DESCRIPTION |
|-------------------------------|---------------|-----|--|
| 1 | 102921-01-000 | EA | WHEELWELL-PLASTIC |
| 2 | 102979-04-000 | EA | BOX-POWER CORD |
| 3 | 114072-01-02B | EA | TRAY-STORAGE, 30.9" WIDE - E-COAT - MICROLITE GENERATOR PREP OPTION |
| 3 | 114070-02-02B | EA | SUPPORT-GENERATOR, LH - 490 MM LONG - STEEL - BLACK - MICROLITE ONLY |
| 3 | 114071-02-02B | EA | SUPPORT-GENERATOR, RH - 490 MM LONG - STEEL - BLACK - MICROLITE ONLY |
| 4 | 085967-01-000 | EA | COMPARTMENT-SEWER HOSE, 6" X 6.6" X 17.8" - PLASTIC |
| 5 | 077848-02-000 | EA | STEP-PULLOUT |
| | 091176-01-000 | EA | SUPPORT-BASE-ENTRANCE STEP |
| | 102569-04-000 | EA | MAT-ANTI SLIP, 178 MM X 610 MM |
| FROM: 07-24-95 THRU: 99-99-99 | | | |
| 6 | 110820-02-000 | EA | COMPARTMENT-STORAGE, STEEL - E-COAT |
| | 017516-01-000 | EA | FLAP-MUD, 14" X 18" - BLACK |
| | 020167-04-000 | EA | GUARD-DIRT |
| | 056748-01-000 | EA | PLUG-CAP, 1.5" DIAMETER - BLACK |
| | 115361-01-01A | EA | PLUG-PLASTIC, .55" DIAMETER HOLE - CAPPLUG W-5 |

PATIO ENTERTAINMENT CENTER

| KEY | PART NUMBER | U/M | DESCRIPTION |
|-----|---------------|-----|--|
| 1 | 104897-03-02A | EA | BOX-ENTERTAINMENT CENTER - BRIGHT WHITE |
| 2 | 104899-01-C05 | EA | PLATE-RADIO MOUNTING |
| 3 | 105230-01-E01 | EA | SHELF ASSEMBLY |
| 4 | 105377-01-01A | EA | BRACKET-TABLE HANGER, OFF WHITE |
| 5 | 105376-01-02A | EA | HINGE-CONTINUOUS, 2" X 140 MM - OFF WHITE |
| 6 | 105230-11-E01 | EA | SHELF |
| 7 | 105230-12-E01 | EA | SUPPORT-SHELF |
| 8 | 104898-01-02A | EA | PLATE-PLASTIC, BOTTOM - 19.38" X 3.1" - BRIGHT WHITE |
| 9 | 104898-02-01A | EA | PLATE-PLASTIC, REAR - 16.1" X 6.3" - OFF WHITE |

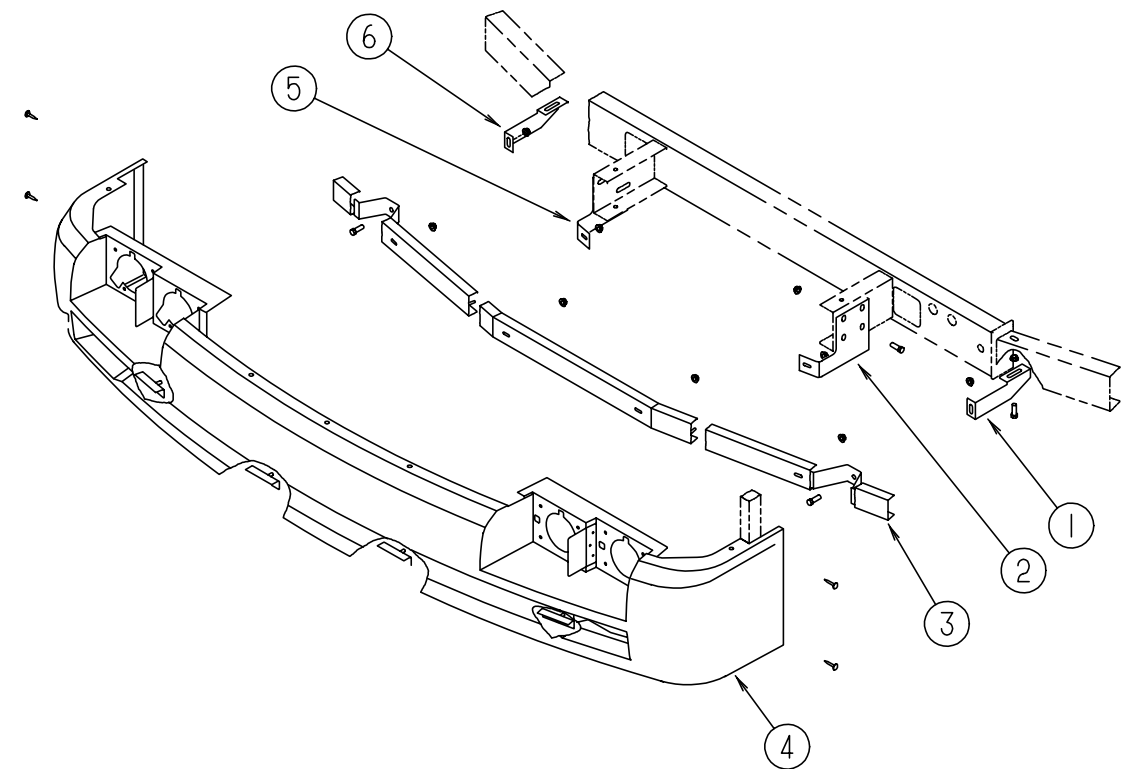
CHASSIS GROUP (CONTINUED)



REAR BUMPER, TRAILER HITCH & COMPONENTS

| KEY | PART NUMBER | U/M | DESCRIPTION |
|-----|---------------|-----|---|
| 1 | 102944-05-000 | EA | BRACKET ASM-TIRE CARRIER, CHEVY |
| 1 | 102944-06-000 | EA | BRACKET ASM-TIRE CARRIER, FORD OPTION |
| 2 | 078678-02-000 | EA | PLATE-MOUNTING, BUMPER - REAR |
| 3 | 078668-01-000 | EA | SUPPORT ANGLE-BUMPER, REAR |
| 4 | 083376-01-000 | EA | SKID PLATE |
| 5 | 117950-03-02B | EA | BRACKET ASM-BUMPER, REAR - E-COAT |
| 6 | 103228-01-06A | EA | CAP-END, BUMPER - REAR - DRIVER OR PASSENGER SIDE - BRIGHT WHITE |
| 7 | 083425-10-000 | EA | TIRE - LT215/85R16, LRE XCH4 - MICHELIN XCH4 ORBL - FORD OPTION |
| 7 | 007324-04-000 | EA | TIRE - 8R19.5 LRD, MICHELIN XZA - CHEVY |
| | 051377-01-000 | EA | STEM-VALVE, TR 500 |
| | 051377-05-000 | EA | STEM-VALVE, EATON VS-938 F53-92 - FORD OPTION |
| | 077030-02-000 | EA | EXTENSION-VALVE STEM, 1.25" - FORD OPTION |
| | 095853-02-000 | EA | WHEEL-STEEL, 16" X 6K - F2TA-1015-NA - ACCURIDE 28513-7 - FORD OPTION |
| 8 | 034513-01-000 | EA | PIN-HITCH, 3/16" WIRE |
| 9 | 034512-01-000 | EA | PIN-LOCKING, DRAWBAR |
| 10 | 107707-01-000 | EA | HITCH ASM W/O DRAWBAR |
| 11 | 103099-01-06A | EA | BUMPER-REAR, BRIGHT WHITE |
| 12 | 117950-04-02B | EA | BRACKET ASM-BUMPER, REAR - E-COAT |
| | 113589-02-000 | EA | CONNECTOR-SOCKET, TRAILER - GENERAL 433601 |
| | 113589-01-000 | EA | CONNECTOR-PLUG, TRAILER - GENERAL 433501 |

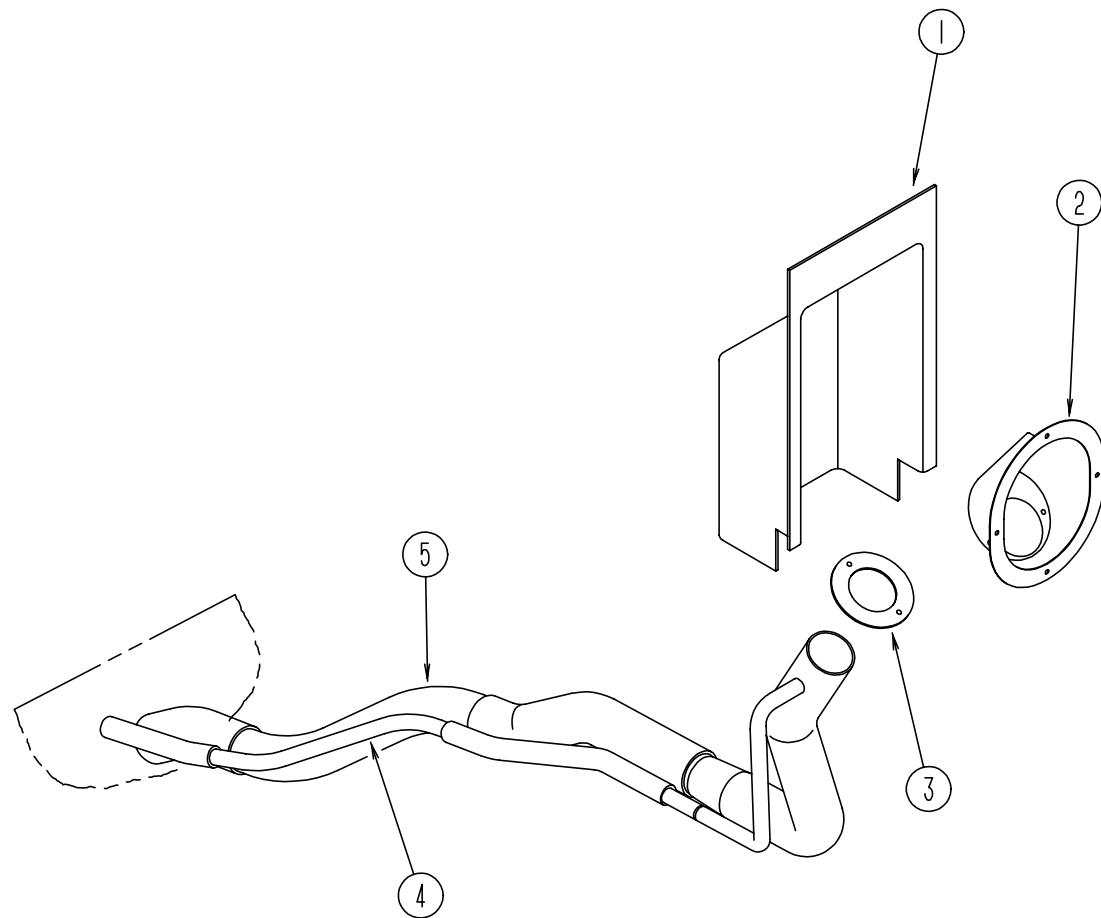
CHASSIS GROUP (CONTINUED)



FRONT BUMPER

| KEY | PART NUMBER | U/M | DESCRIPTION |
|-----|---------------|-----|----------------------------|
| 1 | 118235-02-02B | EA | SUPPORT-BUMPER, OUTER - LH |
| 2 | 118234-02-02B | EA | SUPPORT-BUMPER, INNER - LH |
| 3 | 103512-01-000 | EA | CHANNEL ASM-BUMPER |
| 4 | 118193-01-G13 | EA | BUMPER ASM-FRONT |
| 5 | 118234-01-02B | EA | SUPPORT-BUMPER, INNER - RH |
| 6 | 118235-01-02B | EA | SUPPORT-BUMPER, OUTER - RH |

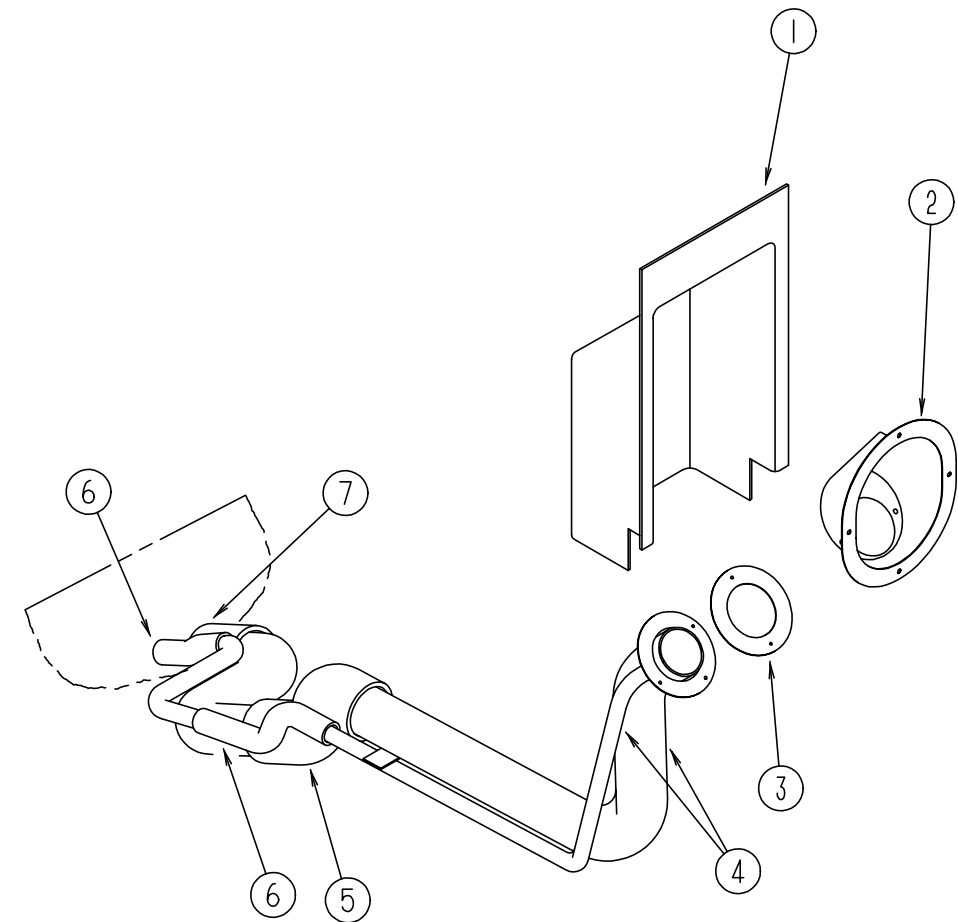
CHASSIS GROUP (CONTINUED)



FUEL SYSTEM - CHEVY

| KEY | PART NUMBER | U/M | DESCRIPTION |
|-----|---------------|-----|-----------------------------------|
| 1 | 072447-04-000 | EA | SHROUD-FUEL FILL, UPPER - PLASTIC |
| 2 | 095854-01-04A | EA | SHROUD-FUEL FILL, BRIGHT WHITE |
| 3 | 078200-01-000 | EA | GASKET-FUEL FILL, 3.5" OD X 2" ID |
| 4 | 098804-01-000 | EA | PIPE-VENT, FUEL FILL - 12" LONG |
| 5 | 098805-01-000 | EA | PIPE-FUEL, FUEL FILL - 11.4" LONG |
| | 084884-01-000 | EA | PLUG-BRASS, 3/8" |
| | 007063-01-000 | FT | HOSE-GAS, 1/4" ID X 1/2" OD |
| | 024138-01-000 | FT | HOSE-FUEL, 5/16" ID |

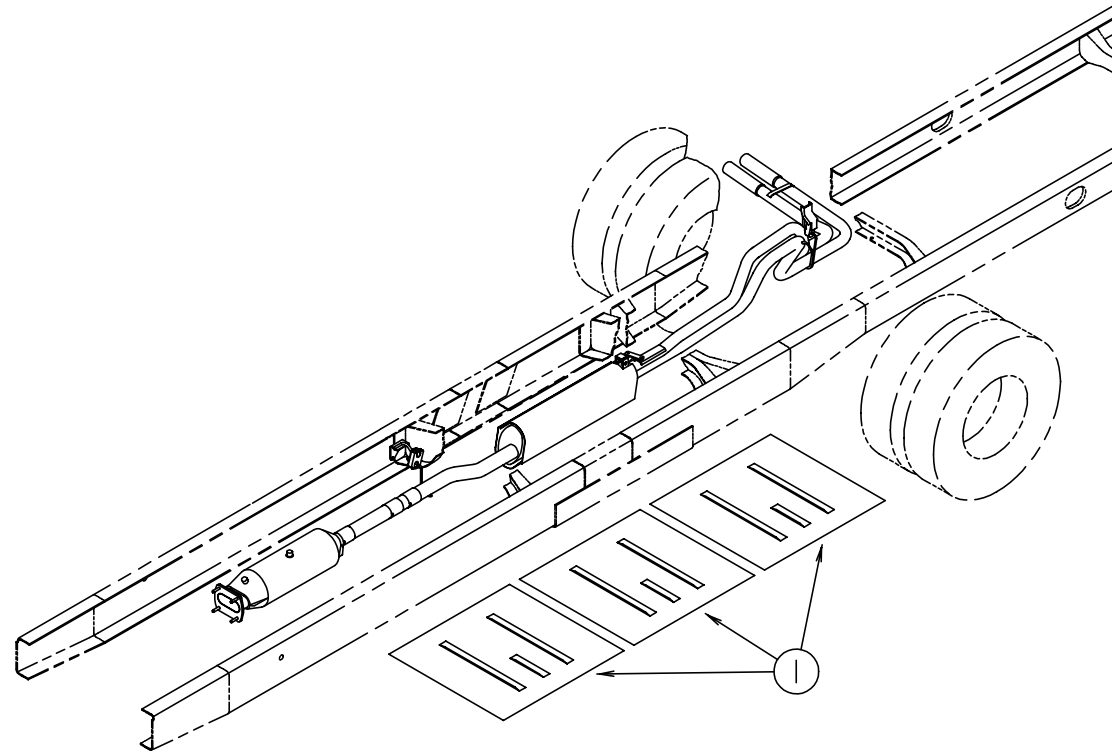
CHASSIS GROUP (CONTINUED)



FUEL SYSTEM - FORD

| KEY | PART NUMBER | U/M | DESCRIPTION |
|-----|---------------|-----|---|
| 1 | 072447-04-000 | EA | SHROUD-FUEL FILL, UPPER - PLASTIC |
| 2 | 095854-01-04A | EA | SHROUD-FUEL FILL, BRIGHT WHITE |
| 3 | 078200-01-000 | EA | GASKET-FUEL FILL, 3.5" OD X 2" ID |
| 4 | 095606-01-000 | EA | NECK-FUEL FILL, W/CHECK VALVE - L-SHAPED - 18.2" LONG |
| 5 | 100156-01-000 | EA | HOSE-FUEL FILL, 8.3" LONG W/2" ID |
| 6 | 066732-03-000 | FT | HOSE-FUEL FILL, .75" ID |
| 7 | 007111-02-000 | EA | HOSE-FUEL FILL, 2.00 ID - IN 3FT LENGTHS |
| | 007063-01-000 | FT | HOSE-GAS, 1/4" ID X 1/2" OD |
| | 084884-01-000 | EA | PLUG-BRASS, 3/8" |

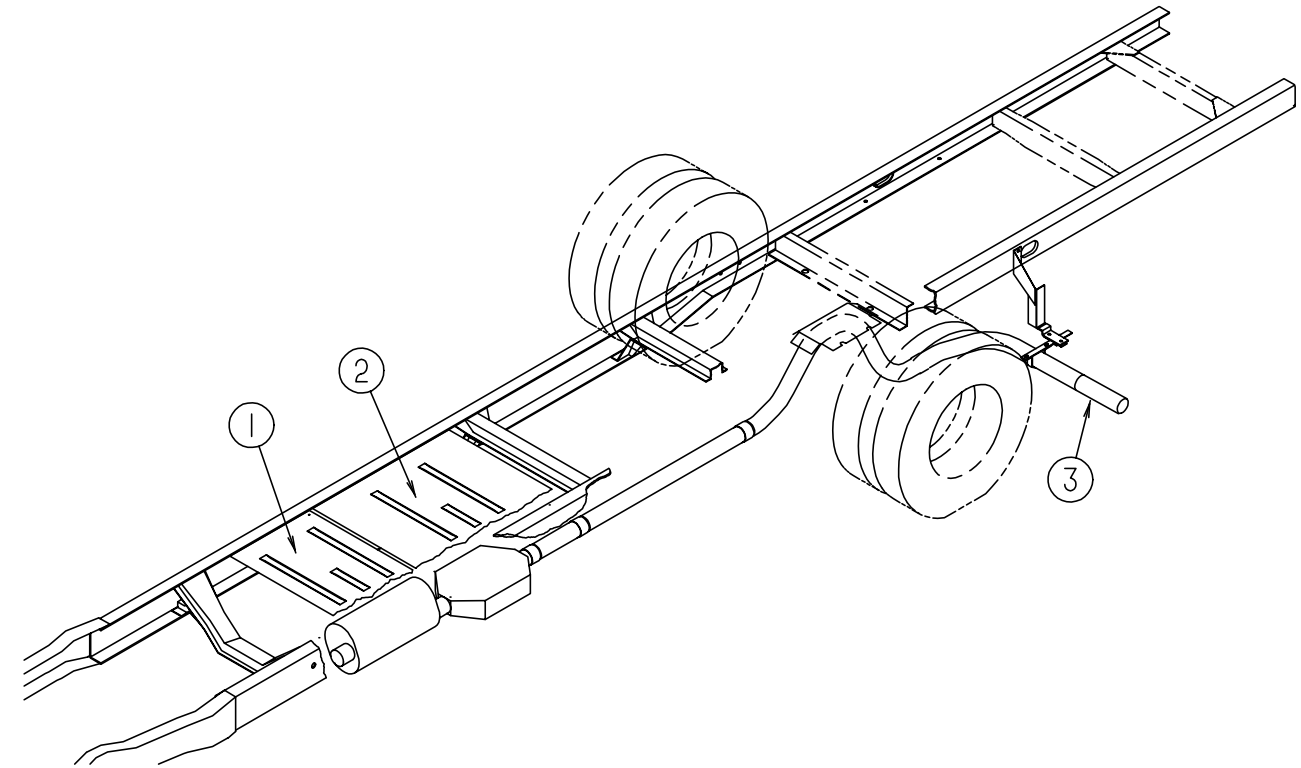
CHASSIS GROUP (CONTINUED)



FORD EXHAUST HEAT SHIELDS

| KEY | PART NUMBER | U/M DESCRIPTION |
|-----|---------------|---|
| 1 | 101544-02-000 | EA SHIELD-HEAT, EXHAUST - 30" X 28.9" - STEEL |

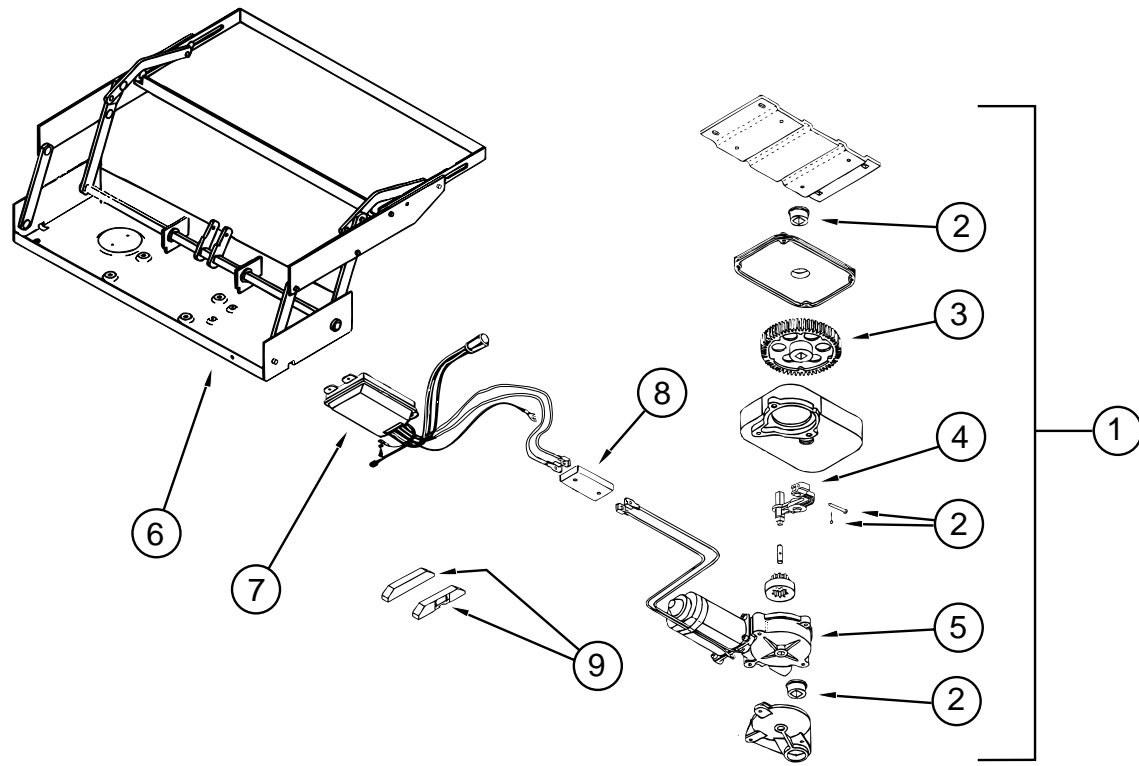
CHASSIS GROUP (CONTINUED)



CHEVY EXHAUST SYSTEM

| KEY | PART NUMBER | U/M DESCRIPTION |
|-----|---------------|--|
| 1 | 101544-01-000 | EA SHIELD-HEAT, EXHAUST - 19.7" X 28.9" - STEEL |
| 2 | 101544-02-000 | EA SHIELD-HEAT, EXHAUST - 30" X 28.9" - STEEL |
| 3 | 098762-05-000 | EA EXTENSION-EXHAUST, STRAIGHT - 3" OD X 7.9" LONG - STAINLESS STEEL |

CHASSIS GROUP (CONTINUED)



KWIKIEE ELECTRIC ENTRY STEP MODEL 2813

| KEY | PART NUMBER | U/M DESCRIPTION | VENDOR NO. |
|-----|---------------|--|------------|
| 1 | 094708-01-01A | EA STEP-ENTRY DOOR, ELECTRIC - SINGLE - 2813 | |
| 2 | 094707-02-703 | EA PARTS KIT, (BEARINGS & PINS) | 9530 |
| 3 | 094707-02-702 | EA GEAR KIT - KWIKIEE | 9525 |
| 4 | 094708-03-700 | EA LINKAGE ASM F/28 SERIES | 9522 |
| 5 | 094707-02-700 | EA MOTOR REPLACEMENT KIT - MODELS 32 & 28 | 9520 |
| 6 | 088746-01-709 | EA FRAME W/SINGLE STEP, 2800 SERIES | 908028 |
| 7 | 094707-02-705 | EA CONTROL UNIT, WHITE | 909513 |
| 8 | 094707-02-704 | EA CONNECTOR KIT-MOTOR | 9537 |
| | 094707-02-707 | EA TREAD-NON-SKID, BLACK - 6" X 21" | 909333 |
| 9 | 116995-01-000 | EA SWITCH/MAGNET-STEP, ELECTRIC - KWIKIEE 905306 | |

**CHASSIS GROUP (CONTINUED)
DICOR 19.5" CHEVY WHEEL COVERS**

| KEY | PART NUMBER | U/M DESCRIPTION | VENDOR NO. |
|-----|---------------|---|--------------|
| | 109443-01-000 | EA WHEEL-COVER, 4/SET - 19.5" W/HARDWARE - SHAG95 | |
| | 109443-01-700 | EA WHEEL-COVER, 1 - FRONT OR REAR - 19.5" | SHAG95 LONLY |
| | 109443-01-701 | EA SET-BRACKET, 1 FRONT WHEEL | SHAG95-FBS |
| | 109443-01-702 | EA SET-BRACKET, 1 REAR WHEEL | SHAG95-RBS |
| | 109443-01-703 | EA CAP-CENTER, HUB | SP-AUCAP |
| | 109443-01-704 | EA CLIP-RETAINER | V160GM-PNT |

KAPER 19.5" CHEVY STAINLESS STEEL WHEEL LINERS

| KEY | PART NUMBER | U/M DESCRIPTION | VENDOR NO. |
|-----|---------------|---|------------|
| | 091209-01-000 | EA LINER-WHEEL, 19.5" - STAINLESS STEEL - SET OF 4 - 1954-ION | |
| | 091209-01-700 | EA LINER-WHEEL, 19.5" FRONT - 10 LUG - CHEVY P-30 | 37N |
| | 091209-01-701 | EA LINER-WHEEL, 19.5" REAR - 10 LUG - CHEVY P-30 | 38N |
| | 091209-01-702 | EA COVER-AXLE, 19.5" FRONT - 10 LUG - CHEVY P-30 | 34N |
| | 091209-01-703 | EA COVER-AXLE, 19.5" REAR - 10 LUG - CHEVY P-30 | 35N |
| | 091209-01-704 | EA COVER-LUG NUT | 36 |
| | 077030-02-000 | EA EXTENSION-VALVE STEM, 1.25" | |

DICOR 16" FORD WHEEL COVERS

| KEY | PART NUMBER | U/M DESCRIPTION | VENDOR NO. |
|-----|---------------|--|------------|
| | 098532-01-000 | EA COVER-WHEEL, FORD - 16" - SET OF 4 - SH-SD-16 | |
| | 098532-01-700 | EA COVER-LUG NUT, FORD - CHROME | SP-FM-CLN |
| | 098532-01-701 | EA COVER-WHEEL, FORD - 16" | |

KAPER II 16" FORD CHROME WHEEL LINERS

| KEY | PART NUMBER | U/M DESCRIPTION | VENDOR NO. |
|-----|---------------|--|------------|
| | 091209-14-000 | EA LINER-WHEEL, SET OF 4 - 16" - CHROME - 1611-4ULT4 | |
| | 091209-08-700 | EA SIMULATOR-FRONT | 157 |
| | 091209-14-700 | EA SIMULATOR-REAR | 159 |
| | 091209-08-706 | EA FLAT NUT - .500, 9/16" STUD | |
| | 091209-01-704 | EA COVER-LUG NUT | |
| | 077030-02-000 | EA EXTENSION-VALVE STEM, 1.25" | |

FRONT SHOCKS - CHEVY

| KEY | PART NUMBER | U/M DESCRIPTION |
|-----|---------------|--|
| | 104993-01-000 | EA SHOCK ABSORBER-GAS, P30 FRONT - BILSTEIN B46-1173 |

TIRE COVERS

| KEY | PART NUMBER | U/M DESCRIPTION |
|-----|---------------|---|
| | 108163-02-01A | EA COVER-TIRE, 19.5" CHEVY - CHROME - EXTERIOR TRIM OPTION |
| | 108560-03-03A | EA INSERT-TIRE COVER, 19.5" CHEVY - BRIGHT WHITE - EXTERIOR TRIM OPTION |
| | 108163-01-01A | EA COVER-TIRE, 16" FORD - CHROME - EXTERIOR TRIM OPTION |
| | 108560-02-03A | EA INSERT-TIRE COVER, 16" FORD - BRIGHT WHITE - EXTERIOR TRIM OPTION |

LUG WRENCH & LEVERAGE BAR

| KEY | PART NUMBER | U/M DESCRIPTION |
|-----|---------------|----------------------------|
| | 080208-01-000 | EA LUG WRENCH, 1.06 X 1.00 |
| | 080208-02-000 | EA LEVERAGE BAR-LUG WRENCH |

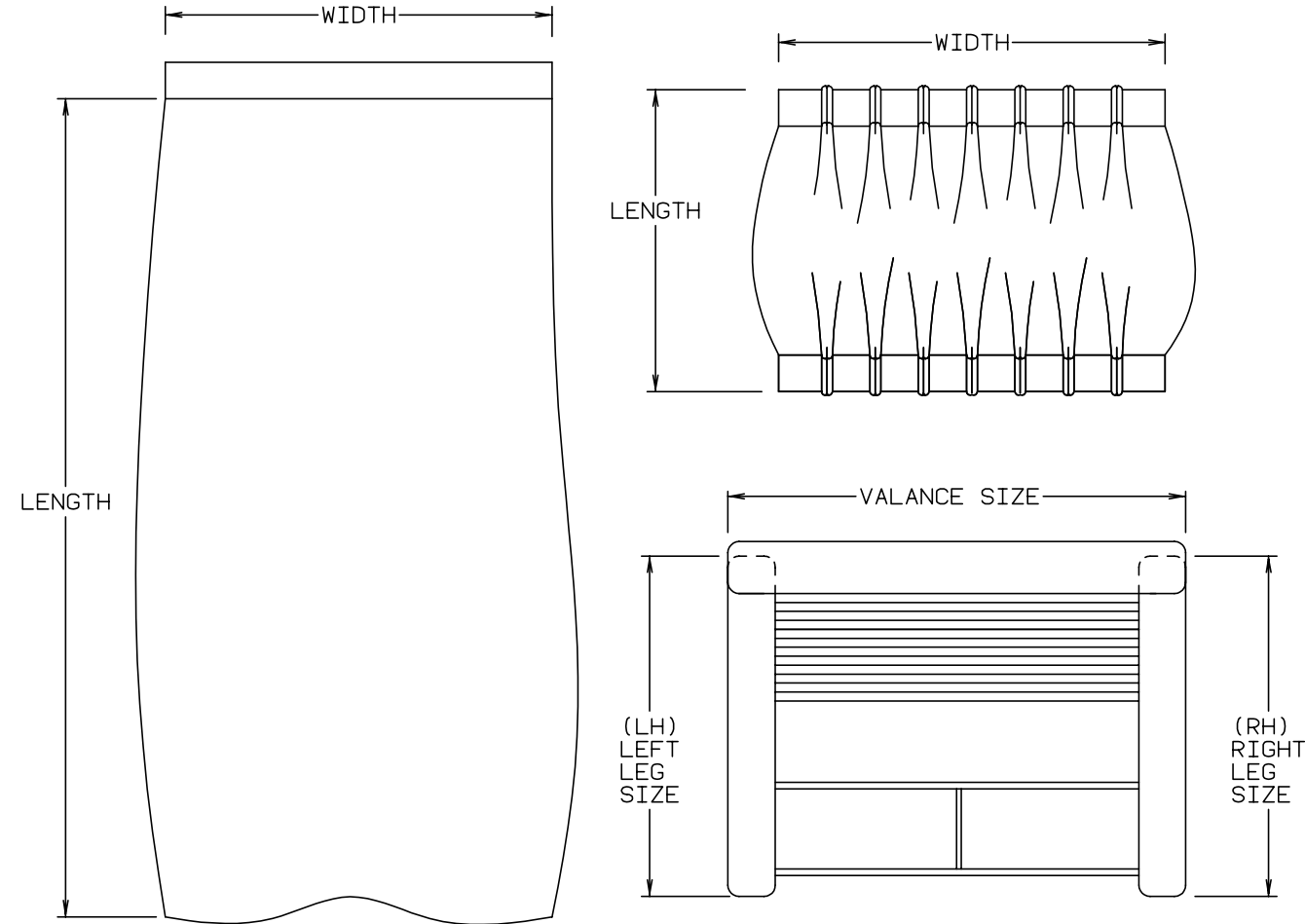
CHASSIS GROUP (CONTINUED)
CHASSIS MISCELLANEOUS

| KEY | PART NUMBER | U/M | DESCRIPTION |
|-----|---------------|-----|--|
| | 055278-51-259 | EA | TUBING-STEEL, .75" X 1.5" X 12.5" |
| | 008042-01-000 | FT | TUBING-VINYL, .65" ID |
| | 065450-05-000 | EA | TIEDOWN-BATTERY, 8.4" TUBE - STEEL |
| | 087475-02-000 | EA | BRACKET-TIE DOWN, BATTERY - 13.5" X 1.3" - FORD OPTION |
| | 090604-06-000 | EA | TRAY-BATTERY, AUTO - W/TWO HEX NUTS - FORD OPTION |
| | 119847-01-02B | EA | SHIELD-A/C CONDENSER, E-COAT |
| | 075307-03-000 | EA | SHIELD-HEAT, LP - DIESEL OPTION |
| | 113875-01-000 | EA | HOSE-HUMP, 3" - GRIFFITH HH3 - DIESEL OPTION |
| | 097494-02-000 | EA | TEE-BARB, 3/8" X 5/32 X 3/8" - BRASS - DIESEL OPTION |
| | 110934-01-000 | EA | CONNECTOR-BARB, 5/16" - PLASTIC - KEVCO - TC 7055 |
| | 114254-01-000 | EA | ADAPTER - 1/4" SINGLE BARB X 1/8" MPT |
| | 113007-01-000 | EA | PIN-SPRING, .375" X 3" - FORD |
| | 083163-06-000 | EA | PUSHNUT-FLAT TYPE 3/8 STUD - FORD |
| | 068382-06-000 | EA | BUSHING-BRASS, 3/8" MPT X 1/8" FPT |
| | 104147-02-000 | EA | SHIELD ASM-SPLASH, RH - 494 MM X 408 MM - W/STUDS - E-COATED STEEL |

CURTAIN & CUSHION GROUP
NOTICE

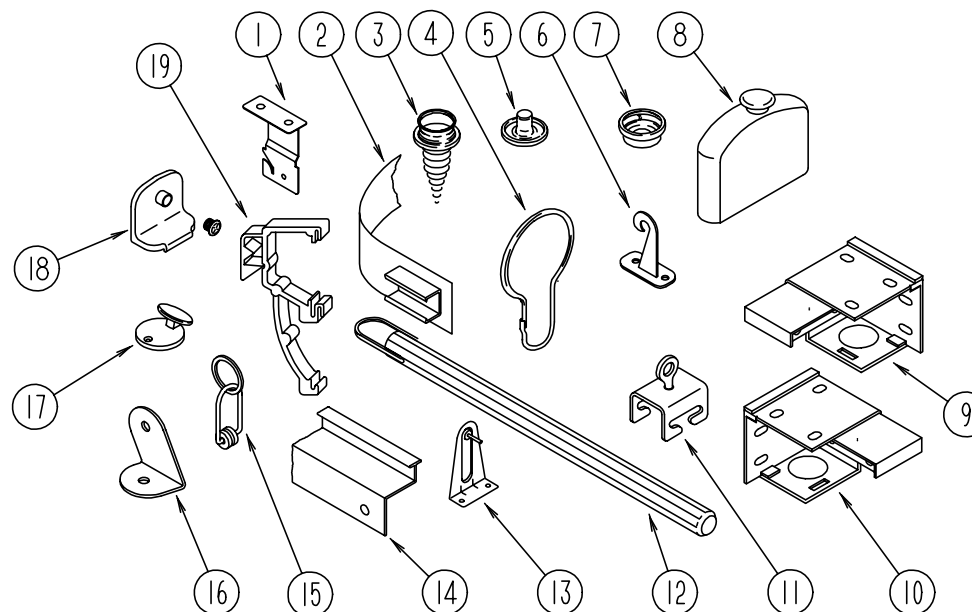
IN ORDER TO ASSIST OUR PARTS SALES DEPT. IN PROVIDING INTERIOR SOFTGOODS ITEMS, PLEASE INCLUDE THE SERIAL NUMBER AND THE COLOR CODE NUMBER FROM THE VEHICLE CERTIFICATION LABEL WHEN ORDERING. THIS LABEL IS LOCATED ON THE LEFT SIDEWALL AT THE END OF THE DASH (A-BODY), OR ON THE DRIVER'S DOOR LATCH PLATE (C-BODY).

AN EXAMPLE OF A COLOR CODE NUMBER IS B07, WHICH DESIGNATES AN OVERALL COLOR SCHEME OF A PARTICULAR UNIT. THE COLOR LISTED AFTER THE ITEM DESCRIPTION ON THE MICROFICHE, INDICATES THE OVERALL UNIT COLOR. ORDER THE ITEM YOU DESIRE ACCORDING TO UNIT COLOR CODE.



NOTE: USE THIS ILLUSTRATION WHEN DETERMINING LENGTH AND WIDTH MEASUREMENTS FOR CURTAINS. YOU WILL NOTE THE WIDTH MEASUREMENT IS TAKEN ON THE TOP OF THE CURTAIN WITH THE CURTAIN FULLY EXTENDED. THE LENGTH MEASUREMENT IS TAKEN FROM TOP TO BOTTOM. LEFT AND RIGHT WINDOW LEGS ARE DETERMINED WHEN FACING THE WINDOW.

CURTAIN & CUSHION GROUP (CONTINUED)
CURTAIN, BLIND HARDWARE & TRACKS



| KEY | PART NUMBER | U/M | DESCRIPTION | KEY | PART NUMBER | U/M | DESCRIPTION |
|-----|---------------|-----|--|---------------|---------------|---|---|
| 1 | 084434-01-000 | EA | BRACKET-MOUNTING, ROLLER SHADE - 1 3/8" | 15 | 009701-01-000 | EA | CARRIER-CURTAIN, L-ROD |
| | 096843-01-000 | EA | SPRING-REWIND, ROLLER SHADE | 16 | 099205-02-02A | EA | BRACKET-WRAPAROUND CURTAIN TRACK, OFF WHITE |
| | 086276-01-000 | EA | TAPE-DOUBLE SIDED, 1/2" | 17 | 102555-01-000 | EA | CLEAT-CORD, BLIND - OFF WHITE |
| 2 | 101031-01-000 | YD | TAPE-GLIDE, CURTAIN - 4.25" SPACING | 18 | 106544-01-000 | EA | PULL-SHADE, BRASS |
| 3 | 029130-01-000 | EA | SCREW-SNAP SOCKET, #8 PH X 5/8" | 18 | 106544-01-001 | EA | SCREW-SHADE PULL, BRASS |
| 3 | 029130-03-000 | EA | SCREW-SNAP SOCKET, #8 PH X 1" | 19 | 109353-04-000 | EA | CLIP-MOUNTING, VALANCE SLAT - CLEAR PLASTIC |
| 4 | 009136-02-000 | EA | HANGER-RING, PIN TYPE - CURTAIN - BRASS | 056003-01-000 | EA | BRACKET-RETAIN, CURTAIN - RH | |
| | 046867-01-000 | EA | GROMMET-BRASS, 7/16" ID X 1" OD | 056003-02-000 | EA | BRACKET-RETAIN, CURTAIN - LH | |
| 5 | 029155-01-000 | EA | CAP-SNAP, 5/32" O.D. OF PIN | 048394-02-000 | YD | VELCRO TAPE-HOOK, ADHESIVE BACK - .75" WIDE - BEIGE | |
| 6 | 109441-01-000 | EA | HOLD DOWN-BLIND, HOOK | 088792-01-000 | YD | VELCRO-HOOK, .75" WIDE - BEIGE | |
| | 109441-02-000 | EA | SPACER-HOLD DOWN, BLIND | 088792-02-000 | YD | VELCRO TAPE-LOOP, ADHESIVE BACKED - .75" WIDE - BEIGE | |
| 7 | 029156-01-000 | EA | SOCKET-SNAP, 9/16" O.D. | 068716-01-001 | EA | BRACE - 90 DEGREE L-ANGLE, 192" - EXTRUDED ALUMINUM | |
| 8 | 093475-01-701 | EA | END CAP-BLIND, W/STUD | 075943-09-000 | EA | BRACE-VALANCE, OFF WHITE - 8" | |
| 9 | 083170-01-000 | EA | BRACKET-BLIND, RIGHT HAND | 105648-01-02A | EA | BRACE-VALANCE, ANGLE - 1.5" X 1.5" X 14" - OFF WHITE | |
| 10 | 083170-02-000 | EA | BRACKET-BLIND, LEFT HAND | | | | |
| 11 | 009702-01-000 | EA | END STOP-CURTAIN CARRIER, L ROD | | | | |
| 12 | 093475-01-700 | EA | WAND-BLIND, W/METAL CLIP - 8" LONG | | | | |
| 13 | 095591-02-000 | EA | BRACKET-HOLD DOWN, W/PIN - BLIND - METAL | | | | |
| 14 | 101589-02-C05 | EA | TRACK ASM W/BRKTS-CURTAIN, RIGHT HAND WRAPAROUND - OFF WHITE - 10' | | | | |
| | | | FROM: 00-00-00 THRU: 08-27-95 | | | | |
| 14 | 101589-02-G29 | EA | TRACK ASM W/BRKTS-CURTAIN, RIGHT HAND WRAPAROUND - QUICKSILVER - 10' | | | | |
| | | | FROM: 08-28-95 THRU: 99-99-99 | | | | |
| 14 | 105450-01-01A | EA | TRACK-CURTAIN, LEFT HAND WRAPAROUND - OFF WHITE - 30.8" LONG | | | | |
| | | | FROM: 00-00-00 THRU: 08-27-95 | | | | |
| 14 | 105450-01-03A | EA | TRACK-CURTAIN, LEFT HAND WRAPAROUND - QUICKSILVER - 30.8" LONG | | | | |
| | | | FROM: 08-28-95 THRU: 99-99-99 | | | | |
| 14 | 114641-03-E10 | EA | TRACK ASM-CURTAIN, RIGHT HAND WRAPAROUND - O/W - 6.95' - TV OPTIONS | | | | |
| | | | FROM: 00-00-00 THRU: 08-27-95 | | | | |
| 14 | 114641-03-G29 | EA | TRACK ASM-CURTAIN, RIGHT HAND WRAPAROUND - WILLOW - 6.95' - TV OPTIONS | | | | |
| | | | FROM: 08-28-95 THRU: 09-23-95 | | | | |
| 14 | 114641-07-G35 | EA | TRACK ASM-CURTAIN, RIGHT HAND WRAPAROUND - WILLOW - 7.17' - TV OPTIONS | | | | |
| | | | FROM: 09-24-95 THRU: 99-99-99 | | | | |
| 14 | 114641-04-E10 | EA | TRACK ASM-CURTAIN, LEFT HAND WRAPAROUND - O/W - 6.95' - TV OPTIONS | | | | |
| | | | FROM: 00-00-00 THRU: 08-27-95 | | | | |
| 14 | 114641-04-G29 | EA | TRACK ASM-CURTAIN, LEFT HAND WRAPAROUND - WILLOW - 6.95' - TV OPTIONS | | | | |
| | | | FROM: 08-28-95 THRU: 09-23-95 | | | | |
| 14 | 114641-08-G35 | EA | TRACK ASM-CURTAIN, LEFT HAND WRAPAROUND - WILLOW - 7.17' - TV OPTIONS | | | | |
| | | | FROM: 09-24-95 THRU: 99-99-99 | | | | |
| 14 | 111298-01-01A | EA | TRACK-SHOWER CURTAIN, OFF WHITE | | | | |

CURTAIN & CUSHION GROUP (CONTINUED)

SUNRISE FABRIC

| COLOR CODES | G29 | G30 | G31 | G32 |
|---------------------------------------|---|--|---------------------------------|----------------------------------|
| | PEBBLE BEACH (BROWN) | NEPTUNE (TEAL) | GALAXY (BLUE) | ROUTE 66 |
| CEILING VINYL | 089351-0 3-000 | 089351-03-000 | 089351-03-000 | 089351-0 3-000 |
| OFF WHITE VINYL | 106569-01-01A | 106569 -01 -01A | 106569 -01 -01A | 106569-01 -01A |
| QUICKSILVER VINYL | 103907-01-05A | 103907 -01 -05A | 103907 -01 -05A | 103907-01 -05A |
| DRAPERY LINING | 087272-0 3-000 | 087272-03-000 | 087272-03-000 | 087272-0 3-000 |
| BUCKET SEATS | 104233-1 4-000 | 108446-C5 -000 | 098428-30-000 | 108446-5 5-000 |
| DINETTE | 108446-E1-000 | 108446-E2 -000 | 108446 -B1-000 | 108446- D3-000 |
| DINETTE PADS | 104233-1 4-000 | 108446-C5 -000 | 108446-30-000 | 108446-5 5-000 |
| SOFA | 108446-E1-000 | 108446-E2 -000 | 108446 -B1-000 | 108446- D2-000 |
| SOFA PILLOWS | 108446-5 7-000 | 108446-C6 -000 | 098428-30-000 | 108446- D3-000 |
| SWIVEL CHAIR | 108446-5 7-000 | 108446-C6 -000 | 098428-30-000 | 108446- D3-000 |
| LOUNGE WINDOWS | 104233-1 4-000 108446-E1-000 108446-5 7-000 | 108446-C5 -000 108446-C6 -000 108446-E2 -000 | 098428-30-000 108446 -B1-000 | 108446- D4-000 108446- D2-000 |
| BEDROOM WINDOW | 105745-A1-000 105745-9 8-000 | 105745-45-000 105745-99-000 | 105745-61-000 105745-91-000 | 105745- D1-000 105745- D3-000 |
| BEDSPREAD | 105745-A1-000 105745-9 8-000 | 105745-45-000 105745-99-000 | 105745-61-000 105745-91-000 | 105745- D1-000 |
| PILLOW SHAMS/ PILLOW CASES | 105745-A1-000 105745-9 8-000 | 105745-45-000 105745-99-000 | 105745-61-000 105745-91-000 | 083272-0 3-000 |
| BEDROOM PILLOWS | 105745-A1-000 105745-9 8-000 | 105745-45-000 105745-99-000 | 105745-61-000 105745-91-000 | 105745- D3-000 |
| FRONT WRAP AROUND | 072333-9 0-000 | 072333-82-000 | 072333-82-000 | 072333-8 2-000 |
| DIVIDER CURTAIN | 072333-9 0-000 | 072333-82-000 | 072333-82-000 | 072333-8 2-000 |
| MAP POCKETS | 104233-1 4-000 | 108446-C5 -000 | 098428-30-000 | 108446-5 5-000 |

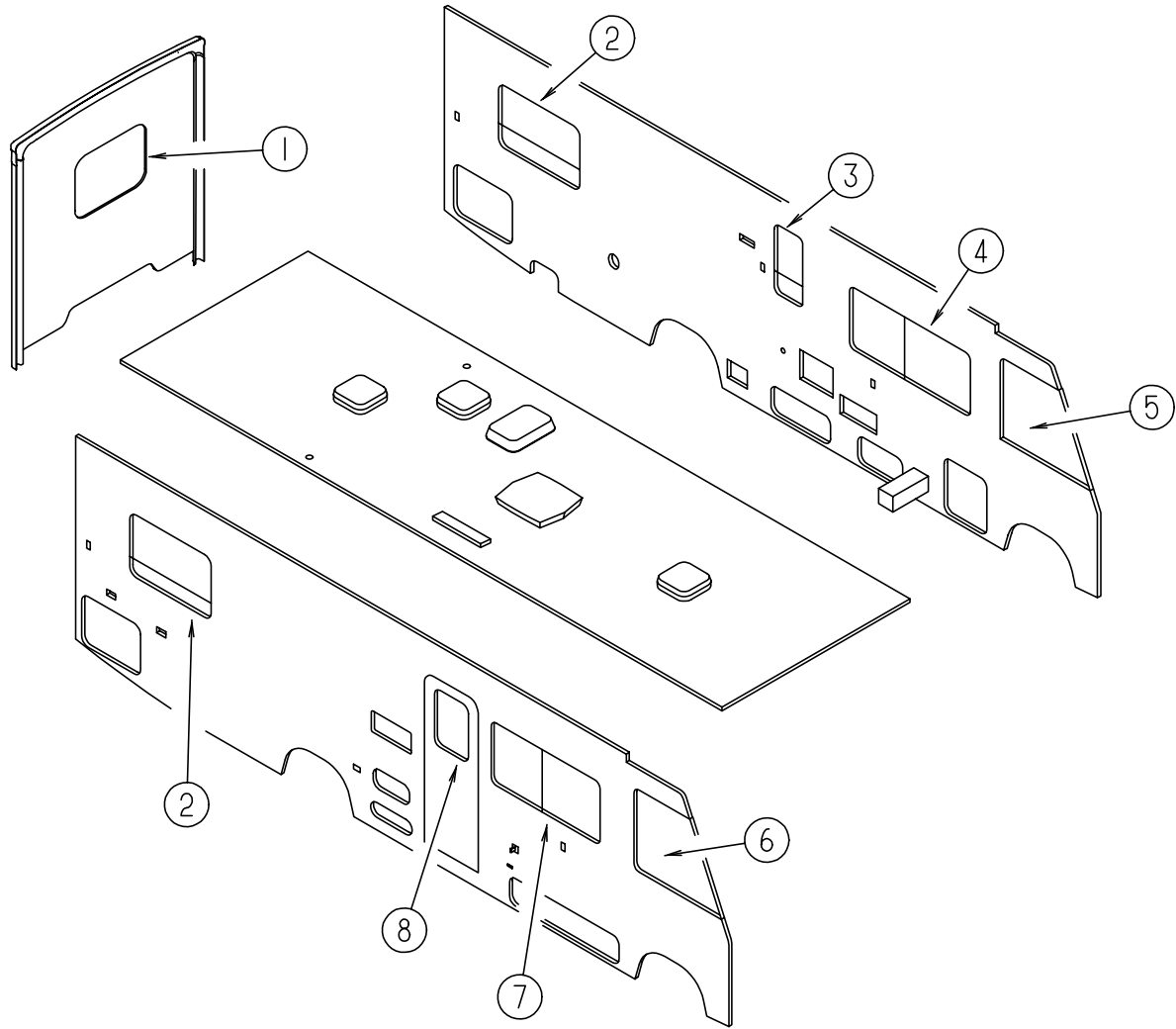
CURTAIN & CUSHION GROUP (CONTINUED)

BUTTON, TIEBACK, ASSIST HANDLE & SEAT BELT

| KEY | PART NUMBER | U/M DESCRIPTION |
|-----|---------------|--|
| | 079349-04-F01 | YD WELT ASM-NARROW, ACCENT (G29) |
| | 079349-04-F08 | YD WELT ASM-NARROW, ACCENT (G30) |
| | 079349-04-E04 | YD WELT ASM-NARROW, ACCENT (G31) |
| | 079349-04-G32 | YD WELT ASM-NARROW, ACCENT (G32) |
| | 057759-01-000 | EA WASHER BRACKET-SEAT BELT, 4" DIAMETER |
| | 007021-01-000 | EA BELT-SEAT, 2" X 90" - BLACK |
| | 056271-02-000 | EA BELT-SEAT, 2" X 72" - BLACK |
| | 069178-02-000 | EA BRACKET-MOUNTING, ASSIST HANDLE - L ANGLE - W/HOLES - STEEL |
| | 000C16-07-16B | EA BOLT-CARRIAGE, ASSIST HANDLE - 7/16" - 14 X 1" ZN |
| | 000D20-07-00B | EA NUT-ACORN, ASSIST HANDLE - 7/16" X 14 ZN |
| | 053552-02-AA8 | EA HANDLE-ASSIST, INTERIOR - ENTRY DOOR - VINYL - OFF WHITE |
| | 057534-01-000 | EA TIEBACK/TIEDOWN-BED/CURTAIN/DOOR, 6" - PLASTIC - CLEAR |

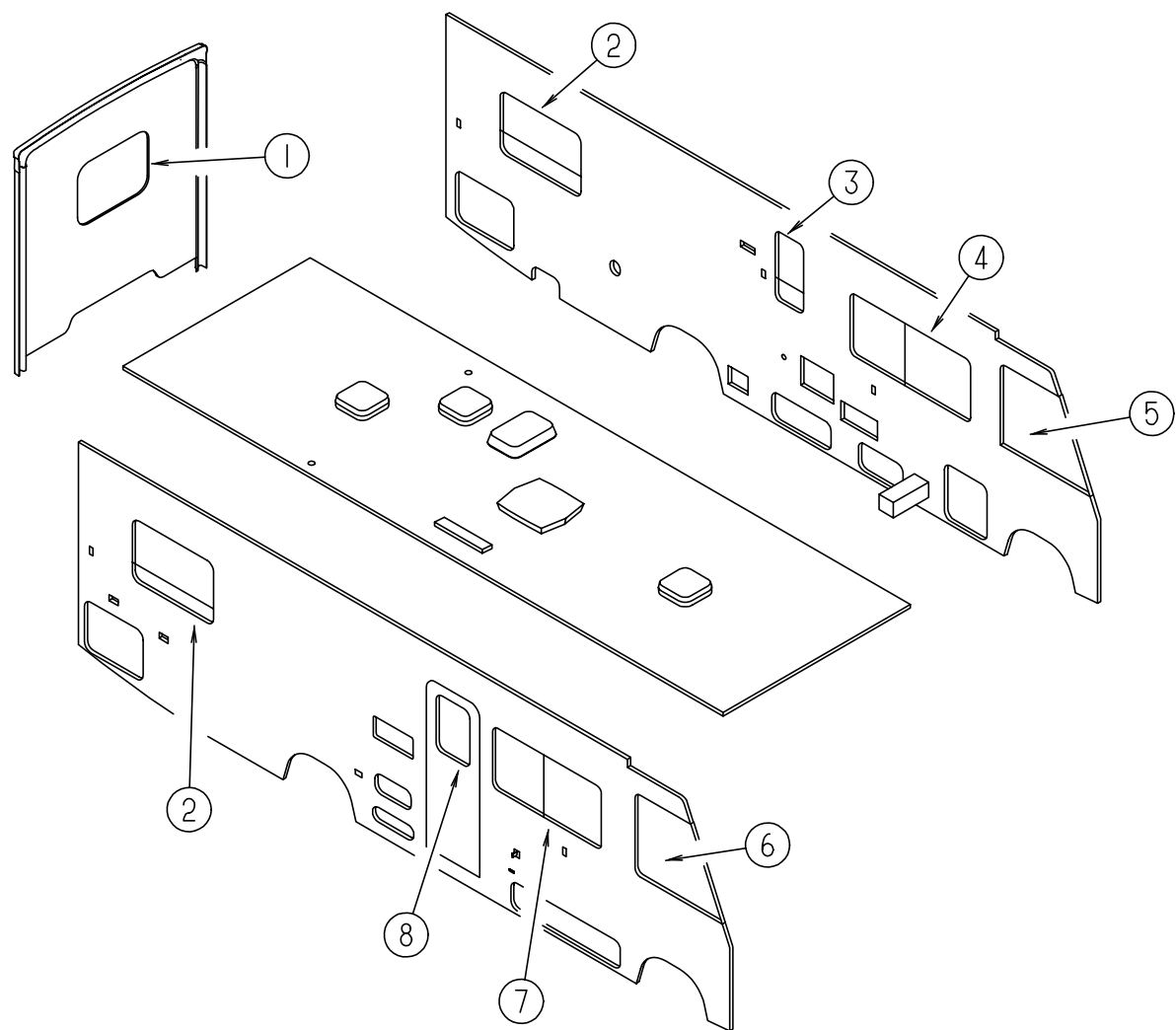
NOTE: FABRIC LISTED FIRST IN A BLOCK IS THE LARGEST QUANTITY OF FABRIC USED.

CURTAIN & CUSHION GROUP (CONTINUED)
WINDOW TREATMENT & SHOWER CURTAIN



| KEY | PART NUMBER | U/M | DESCRIPTION |
|-----|---------------|-----|--|
| 1 | 112113-10-G29 | EA | VALANCE - 52", VALERIE (G29) |
| 1 | 112113-10-G30 | EA | VALANCE - 52", VALERIE (G30) |
| 1 | 112113-10-G31 | EA | VALANCE - 52", VALERIE (G31) |
| 1 | 119138-01-G12 | EA | VALANCE - 53", BELLINI (G32) |
| 1 | 112986-11-G29 | EA | CURTAIN - 27.5" X 6", PLEATED TOP - POCKET BOTTOM |
| 1 | 112986-11-G30 | EA | CURTAIN - 27.5" X 6", PLEATED TOP - POCKET BOTTOM |
| 1 | 112986-11-G31 | EA | CURTAIN - 27.5" X 6", PLEATED TOP - POCKET BOTTOM |
| 1 | 119333-63-G12 | EA | LEG - 25", RIGHT (G32) |
| 1 | 119333-64-G12 | EA | LEG - 25", LEFT (G32) |
| 1 | 093475-68-08A | EA | BLIND-MINI, 48" X 27" DROP (G29/G32) |
| 1 | 093475-68-07A | EA | BLIND-MINI, 48" X 27" DROP (G30/G31) |
| 2 | 112113-11-G29 | EA | VALANCE - 44", VALERIE (G29) |
| 2 | 112113-11-G30 | EA | VALANCE - 44", VALERIE (G30) |
| 2 | 112113-11-G31 | EA | VALANCE - 44", VALERIE (G31) |
| 2 | 119138-02-G12 | EA | VALANCE - 45", BELLINI (G32) |
| 2 | 112113-12-G29 | EA | VALANCE - 44", VALERIE - TWIN BEDS OPTION (G29) |
| 2 | 112113-12-G30 | EA | VALANCE - 44", VALERIE - TWIN BEDS OPTION (G30) |
| 2 | 112113-12-G31 | EA | VALANCE - 44", VALERIE - TWIN BEDS OPTION (G31) |
| 2 | 119138-24-G12 | EA | VALANCE - 45", BELLINI - TWIN BEDS OPTION (G32) |
| 2 | 112986-04-G29 | EA | CURTAIN - 29.5" X 6", PLEATED TOP - POCKET BOTTOM (G29) |
| 2 | 112986-04-G30 | EA | CURTAIN - 29.5" X 6", PLEATED TOP - POCKET BOTTOM (G30) |
| 2 | 112986-04-F25 | EA | CURTAIN - 29.5" X 6", PLEATED TOP - POCKET BOTTOM (G11) |
| 2 | 112986-11-G29 | EA | CURTAIN - 27.5" X 6", PLEATED TOP - POCKET BOTTOM - TWIN BEDS OPTION |
| 2 | 112986-11-G30 | EA | CURTAIN - 27.5" X 6", PLEATED TOP - POCKET BOTTOM - TWIN BEDS OPTION |
| 2 | 112986-11-G31 | EA | CURTAIN - 27.5" X 6", PLEATED TOP - POCKET BOTTOM - TWIN BEDS OPTION |
| 2 | 119333-63-G12 | EA | LEG - 25", RIGHT (G32) |
| 2 | 119333-64-G12 | EA | LEG - 25", LEFT (G32) |
| 2 | 093475-99-03A | EA | BLIND-MINI, 41" X 28.5" DROP (G29/G32) |
| 2 | 093475-99-02A | EA | BLIND-MINI, 41" X 28.5" DROP (G30/G31) |
| 2 | 109041-37-01A | EA | BLIND-MINI, 41" X 26" DROP - TWIN BEDS OPTION (G29/G32) |
| 2 | 109041-37-02A | EA | BLIND-MINI, 41" X 26" DROP - TWIN BEDS OPTION (G30/G31) |
| 3 | 109353-06-02A | EA | VALANCE-SLAT, 14.5" (G29/G32) |
| 3 | 109353-06-01A | EA | VALANCE-SLAT, 14.5" (G30/G31) |
| 3 | 109041-15-03A | EA | BLIND-MINI, 14.5" X 32" DROP (G29/G32) |
| 3 | 109041-15-01A | EA | BLIND-MINI, 14.5" X 32" DROP (G30/G31) |
| 4 | 118537-01-G29 | EA | VALANCE - 64.5", GALAXY |
| 4 | 118537-01-G30 | EA | VALANCE - 64.5", GALAXY |
| 4 | 118537-02-G31 | EA | VALANCE - 64.5", GALAXY |
| 4 | 105923-46-G32 | EA | VALANCE - 64.5", RODEWAY |
| 4 | 119333-11-G29 | EA | LEG - 25", RIGHT (G29) |
| 4 | 119333-11-G30 | EA | LEG - 25", RIGHT (G30) |
| 4 | 119333-11-G31 | EA | LEG - 25", RIGHT (G31) |
| 4 | 119333-33-G12 | EA | LEG - 25", RIGHT (G32) |
| 4 | 119333-12-G29 | EA | LEG - 25", LEFT (G29) |
| 4 | 119333-12-G30 | EA | LEG - 25", LEFT (G30) |
| 4 | 119333-12-G31 | EA | LEG - 25", LEFT (G31) |
| 4 | 119333-34-G12 | EA | LEG - 25", LEFT (G32) |
| 4 | 093475-76-06A | EA | BLIND-MINI, 60" X 28.5" DROP (G29/G32) |
| 4 | 093475-76-05A | EA | BLIND-MINI, 60" X 28.5" DROP (G30/G31) |

CURTAIN & CUSHION GROUP (CONTINUED)
WINDOW TREATMENT & SHOWER CURTAIN (CONTINUED)



| KEY | PART NUMBER | U/M | DESCRIPTION |
|-----|---------------|-----|--|
| 5 | 101668-57-G09 | EA | CURTAIN - 38" X 95", TAPE TOP - LEFT (G29/G32) |
| 5 | 101668-57-G10 | EA | CURTAIN - 38" X 95", TAPE TOP - LEFT (G30/G31) |
| 5 | 101668-32-D09 | EA | CURTAIN - 40" X 40", TAPE TOP (G29/G32) - FRONT BUNK OPTION |
| 5 | 101668-32-D10 | EA | CURTAIN - 40" X 40", TAPE TOP (G30/G31) - FRONT BUNK OPTION |
| 6 | 101668-56-G09 | EA | CURTAIN - 38" X 95", TAPE TOP - RIGHT (G29/G32) |
| 6 | 101668-56-G10 | EA | CURTAIN - 38" X 95", TAPE TOP - RIGHT (G30/G31) |
| 6 | 101668-33-D09 | EA | CURTAIN - 38" X 125", TAPE TOP (G29/G32) - FRONT BUNK OPTION |
| 6 | 101668-33-D10 | EA | CURTAIN - 38" X 125", TAPE TOP (G30/G31) - FRONT BUNK OPTION |
| | 073260-42-D09 | EA | TIEBACK - 6" X 18" (G29/G32) |
| | 073260-42-D10 | EA | TIEBACK - 6" X 18" (G30/G31) |
| 7 | 118537-13-G29 | EA | VALANCE - 58.5", GALAXY (G29) |
| 7 | 118537-13-G30 | EA | VALANCE - 58.5", GALAXY (G30) |
| 7 | 118537-14-G31 | EA | VALANCE - 58.5", GALAXY (G21) |
| 7 | 105923-50-G32 | EA | VALANCE - 58.5", RODEWAY (G32) |
| 7 | 119333-11-G29 | EA | LEG - 25", RIGHT (G29) |
| 7 | 119333-11-G30 | EA | LEG - 25", RIGHT (G30) |
| 7 | 119333-11-G31 | EA | LEG - 25", RIGHT (G31) |
| 7 | 119333-33-G12 | EA | LEG - 25", RIGHT (G32) |
| 7 | 119333-12-G29 | EA | LEG - 25", LEFT (G29) |
| 7 | 119333-12-G30 | EA | LEG - 25", LEFT (G30) |
| 7 | 119333-12-G31 | EA | LEG - 25", LEFT (G31) |
| 7 | 119333-34-G12 | EA | LEG - 25", LEFT (G32) |
| 7 | 109041-28-02A | EA | BLIND-MINI, 54" X 28.5" DROP (G29/G32) |
| 7 | 109041-28-01A | EA | BLIND-MINI, 54" X 28.5" DROP (G30/G31) |
| 8 | 118537-15-G29 | EA | VALANCE - 30.25", GALAXY (G29) |
| 8 | 118537-15-G30 | EA | VALANCE - 30.25", GALAXY (G30) |
| 8 | 118537-16-G31 | EA | VALANCE - 30.25", GALAXY (G31) |
| 8 | 113268-12-F27 | EA | VALANCE - 30.25" (G32) |
| 8 | 084755-57-E07 | EA | SHADE-PULL, 27.25" (G29/G30/G31/G32) |
| | 084481-28-F05 | EA | CURTAIN-SHOWER, 68" X 84" - GROMMET TOP (G29) |
| | 084481-28-E29 | EA | CURTAIN-SHOWER, 68" X 84" - GROMMET TOP (G30) |
| | 084481-28-E07 | EA | CURTAIN-SHOWER, 68" X 84" - GROMMET TOP (G31) |
| | 084481-28-F05 | EA | CURTAIN-SHOWER, 68" X 84" - GROMMET TOP (G32) |
| | 073260-54-E01 | EA | TIEBACK-SHOWER CURTAIN, 3" X 16" (G29/G32) |
| | 073260-54-C10 | EA | TIEBACK-SHOWER CURTAIN, 3" X 16" (G30) |
| | 073260-54-C30 | EA | TIEBACK-SHOWER CURTAIN, 3" X 16" (G31) |

CURTAIN & CUSHION GROUP (CONTINUED)

TWIN MATTRESSES, BEDSPREADS & PILLOW SHAMS

| KEY | PART NUMBER | U/M | DESCRIPTION |
|-----|---------------|-----|----------------------------------|
| 1 | 098176-01-000 | EA | MATTRESS-TWIN, 32" X 74" |
| 1 | 085365-33-G29 | EA | BEDSPREAD-THROW, 33" X 75" (G29) |
| 1 | 085365-33-G30 | EA | BEDSPREAD-THROW, 33" X 75" (G30) |
| 1 | 085365-33-F25 | EA | BEDSPREAD-THROW, 33" X 75" (G31) |
| 1 | 119141-10-G32 | EA | BEDSPREAD-THROW, 33" X 75" (G32) |
| | 111863-05-G29 | EA | PILLOW SHAM-W/O FOAM (G29) |
| | 111863-05-G30 | EA | PILLOW SHAM-W/O FOAM (G30) |
| | 111863-05-G31 | EA | PILLOW SHAM-W/O FOAM (G31) |
| | 119249-01-000 | EA | PILLOW CASE (G32) |
| | 111862-03-G29 | EA | PILLOW-THROW, 15" X 15" (G29) |
| | 111862-03-G30 | EA | PILLOW-THROW, 15" X 15" (G30) |
| | 111862-03-G31 | EA | PILLOW-THROW, 15" X 15" (G31) |
| | 109785-06-G12 | EA | PILLOW-THROW, 15" X 15" (G32) |

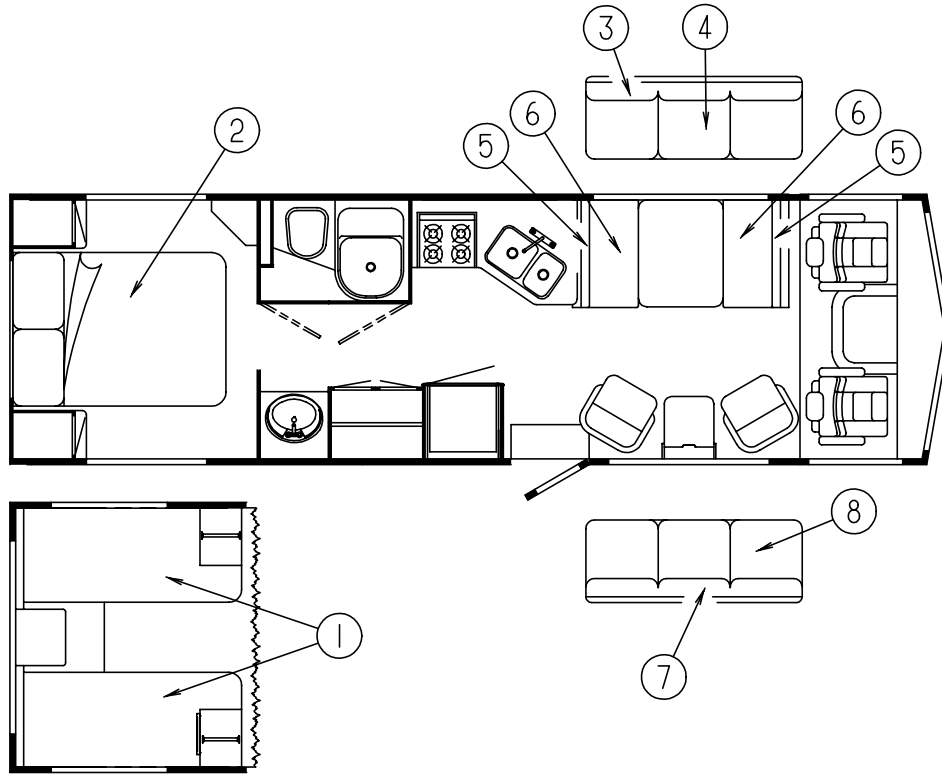
QUEEN MATTRESS, BEDSPREADS & PILLOW SHAMS

| KEY | PART NUMBER | U/M | DESCRIPTION |
|-----|---------------|-----|----------------------------------|
| 2 | 098176-04-000 | EA | MATTRESS-QUEEN, 59" X 74" |
| 2 | 085365-19-G29 | EA | BEDSPREAD-THROW, 60" X 75" (G29) |
| 2 | 085365-19-G30 | EA | BEDSPREAD-THROW, 60" X 75" (G30) |
| 2 | 085365-19-F25 | EA | BEDSPREAD-THROW, 60" X 75" (G31) |
| 2 | 119141-07-G12 | EA | BEDSPREAD-THROW, 60" X 75" (G32) |
| | 111863-05-G29 | EA | PILLOW SHAM-W/O FOAM (G29) |
| | 111863-05-G30 | EA | PILLOW SHAM-W/O FOAM (G30) |
| | 111863-05-G31 | EA | PILLOW SHAM-W/O FOAM (G31) |
| | 119249-01-000 | EA | PILLOW CASE (G32) |
| | 111862-03-G29 | EA | PILLOW-THROW, 15" X 15" (G29) |
| | 111862-03-G30 | EA | PILLOW-THROW, 15" X 15" (G30) |
| | 111862-03-G31 | EA | PILLOW-THROW, 15" X 15" (G31) |
| | 109785-06-G12 | EA | PILLOW-THROW, 15" X 15" (G32) |

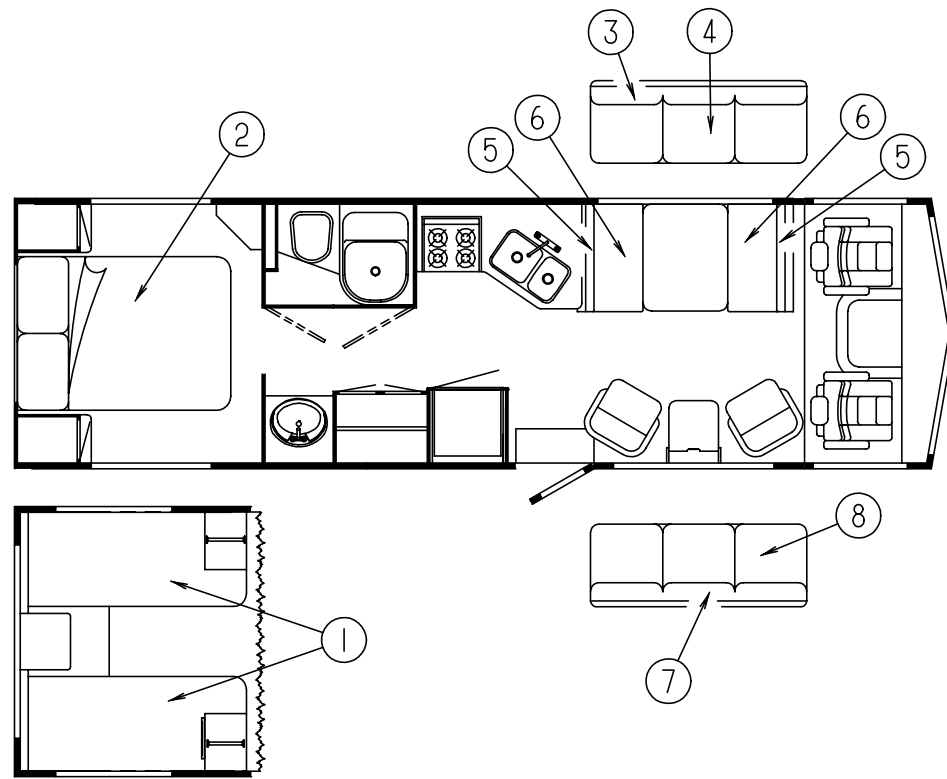
COUCH

| KEY | PART NUMBER | U/M | DESCRIPTION |
|-----|---------------|-----|--------------------------------|
| 3 | 112104-01-G29 | EA | COUCH-BACK, 74" W/O ARMS (G29) |
| 3 | 112104-01-G30 | EA | COUCH-BACK, 74" W/O ARMS (G30) |
| 3 | 112104-01-F25 | EA | COUCH-BACK, 74" W/O ARMS (G31) |
| 3 | 111319-01-F07 | EA | COUCH-BACK, 74" W/O ARMS (G32) |
| 3 | P12104-01-G29 | EA | COVER-COUCH BACK (G29) |
| 3 | P12104-01-G30 | EA | COVER-COUCH BACK (G30) |
| 3 | P12104-01-F25 | EA | COVER-COUCH BACK (G31) |
| 3 | P11319-01-F07 | EA | COVER-COUCH BACK (G32) |
| | 101085-10-000 | EA | FRAME-COUCH BACK, 74" |
| 4 | 100032-43-G01 | EA | COUCH-SEAT, 74" W/O ARMS (G29) |
| 4 | 100032-43-G02 | EA | COUCH-SEAT, 74" W/O ARMS (G30) |
| 4 | 100032-43-F02 | EA | COUCH-SEAT, 74" W/O ARMS (G31) |
| 4 | 100032-43-F07 | EA | COUCH-SEAT, 74" W/O ARMS (G32) |
| 4 | P00032-43-G01 | EA | COVER-COUCH SEAT (G29) |
| 4 | P00032-43-G02 | EA | COVER-COUCH SEAT (G30) |
| 4 | P00032-43-F02 | EA | COVER-COUCH SEAT (G31) |
| 4 | P00032-43-F07 | EA | COVER-COUCH SEAT (G32) |
| | 101085-04-000 | EA | FRAME-COUCH SEAT, 74" |
| | 101085-06-000 | EA | FRAME-COUCH BASE, 74" |
| | 111637-02-F24 | EA | PILLOW-THROW, 22" X 22" (G29) |
| | 111637-02-F08 | EA | PILLOW-THROW, 22" X 22" (G30) |
| | 111637-02-E04 | EA | PILLOW-THROW, 22" X 22" (G31) |
| | 111637-02-F27 | EA | PILLOW-THROW, 22" X 22" (G32) |

NOTE: COUCH FRONT AND SIDE PANELS ARE FOUND IN THE LOUNGE GROUP



CURTAIN & CUSHION GROUP (CONTINUED)



DINETTE CUSHIONS

| KEY | PART NUMBER | U/M | DESCRIPTION |
|-----|---------------|-----|--|
| 5 | 111880-01-G29 | EA | CUSHION-BACK, 13.5" X 38" X 5" (G29) |
| 5 | 111880-01-G30 | EA | CUSHION-BACK, 13.5" X 38" X 5" (G30) |
| 5 | 111880-01-F25 | EA | CUSHION-BACK, 13.5" X 38" X 5" (G31) |
| 5 | 111897-08-F27 | EA | CUSHION-BACK, 13.5" X 38" X 5" (G32) |
| 5 | P11880-01-G29 | EA | COVER-BACK CUSHION, 13.5" X 38" X 5" (G29) |
| 5 | P11880-01-G30 | EA | COVER-BACK CUSHION, 13.5" X 38" X 5" (G30) |
| 5 | P11880-01-F25 | EA | COVER-BACK CUSHION, 13.5" X 38" X 5" (G31) |
| 5 | P11897-08-F27 | EA | COVER-BACK CUSHION, 13.5" X 38" X 5" (G32) |
| | 078155-01-000 | EA | STRAP-SNAP, BACKREST CUSHION |
| 6 | 088927-87-G01 | EA | CUSHION-SEAT, 23" X 38" X 5" (G29) |
| 6 | 088927-87-G02 | EA | CUSHION-SEAT, 23" X 38" X 5" (G30) |
| 6 | 088927-87-F02 | EA | CUSHION-SEAT, 23" X 38" X 5" (G31) |
| 6 | 105603-03-F27 | EA | CUSHION-SEAT, 23" X 38" X 5" (G32) |
| 6 | M88927-87-G01 | EA | COVER-SEAT CUSHION, 23" X 38" X 5" (G29) |
| 6 | M88927-87-G02 | EA | COVER-SEAT CUSHION, 23" X 38" X 5" (G30) |
| 6 | M88927-87-F02 | EA | COVER-SEAT CUSHION, 23" X 38" X 5" (G31) |
| 6 | P05603-03-F27 | EA | COVER-SEAT CUSHION, 23" X 38" X 5" (G32) |

COUCH

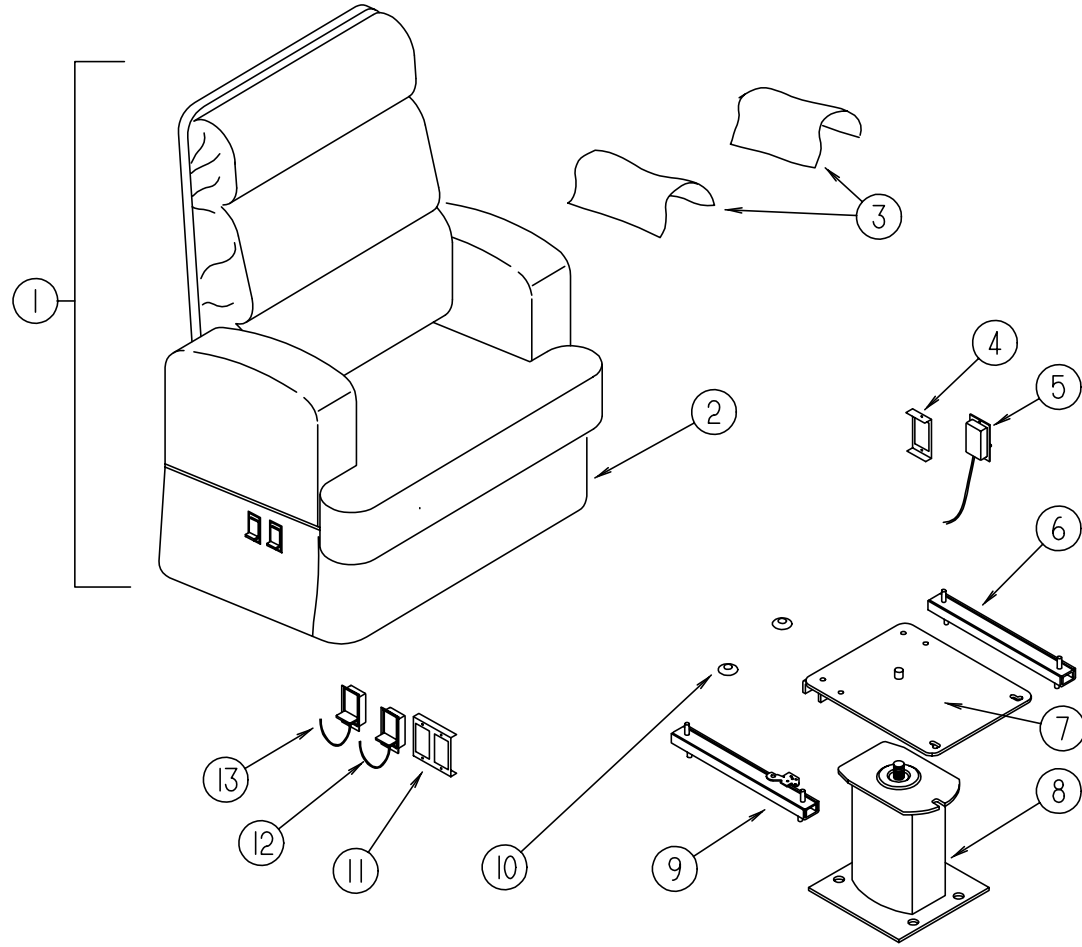
| KEY | PART NUMBER | U/M | DESCRIPTION |
|-----|---------------|-----|----------------------------------|
| 7 | 112104-02-G29 | EA | COUCH-BACK, 66.5" W/O ARMS (G29) |
| 7 | 112104-02-G30 | EA | COUCH-BACK, 66.5" W/O ARMS (G30) |
| 7 | 112104-02-F25 | EA | COUCH-BACK, 66.5" W/O ARMS (G31) |
| 7 | 111319-03-F27 | EA | COUCH-BACK, 66.5" W/O ARMS (G32) |
| 7 | P12104-02-G29 | EA | COVER-COUCH BACK (G29) |
| 7 | P12104-02-G30 | EA | COVER-COUCH BACK (G30) |
| 7 | P12104-02-F25 | EA | COVER-COUCH BACK (G31) |
| 7 | P11319-03-F27 | EA | COVER-COUCH BACK (G32) |
| | 101085-09-000 | EA | FRAME-BACK, 66.5" |
| 8 | 100032-37-G01 | EA | COUCH-SEAT, 66.5" W/O ARMS (G29) |
| 8 | 100032-37-G02 | EA | COUCH-SEAT, 66.5" W/O ARMS (G30) |
| 8 | 100032-37-F25 | EA | COUCH-SEAT, 66.5" W/O ARMS (G31) |
| 8 | 100032-37-F27 | EA | COUCH-SEAT, 66.5" W/O ARMS (G32) |
| 8 | P00032-37-G01 | EA | COVER-COUCH SEAT (G29) |
| 8 | P00032-37-G02 | EA | COVER-COUCH SEAT (G30) |
| 8 | P00032-37-F25 | EA | COVER-COUCH SEAT (G31) |
| 8 | P00032-37-F27 | EA | COVER-COUCH SEAT (G32) |
| | 101085-01-000 | EA | FRAME-SEAT, 66.5" |
| | 101085-03-000 | EA | FRAME-BASE, 66.5" |
| | 111637-02-F24 | EA | PILLOW-THROW, 22" X 22" (G29) |
| | 111637-02-F08 | EA | PILLOW-THROW, 22" X 22" (G30) |
| | 111637-02-E04 | EA | PILLOW-THROW, 22" X 22" (G31) |
| | 111637-02-F27 | EA | PILLOW-THROW, 22" X 22" (G32) |

NOTE: COUCH FRONT AND SIDE PANELS ARE FOUND IN THE LOUNGE GROUP

BUNK CUSHION

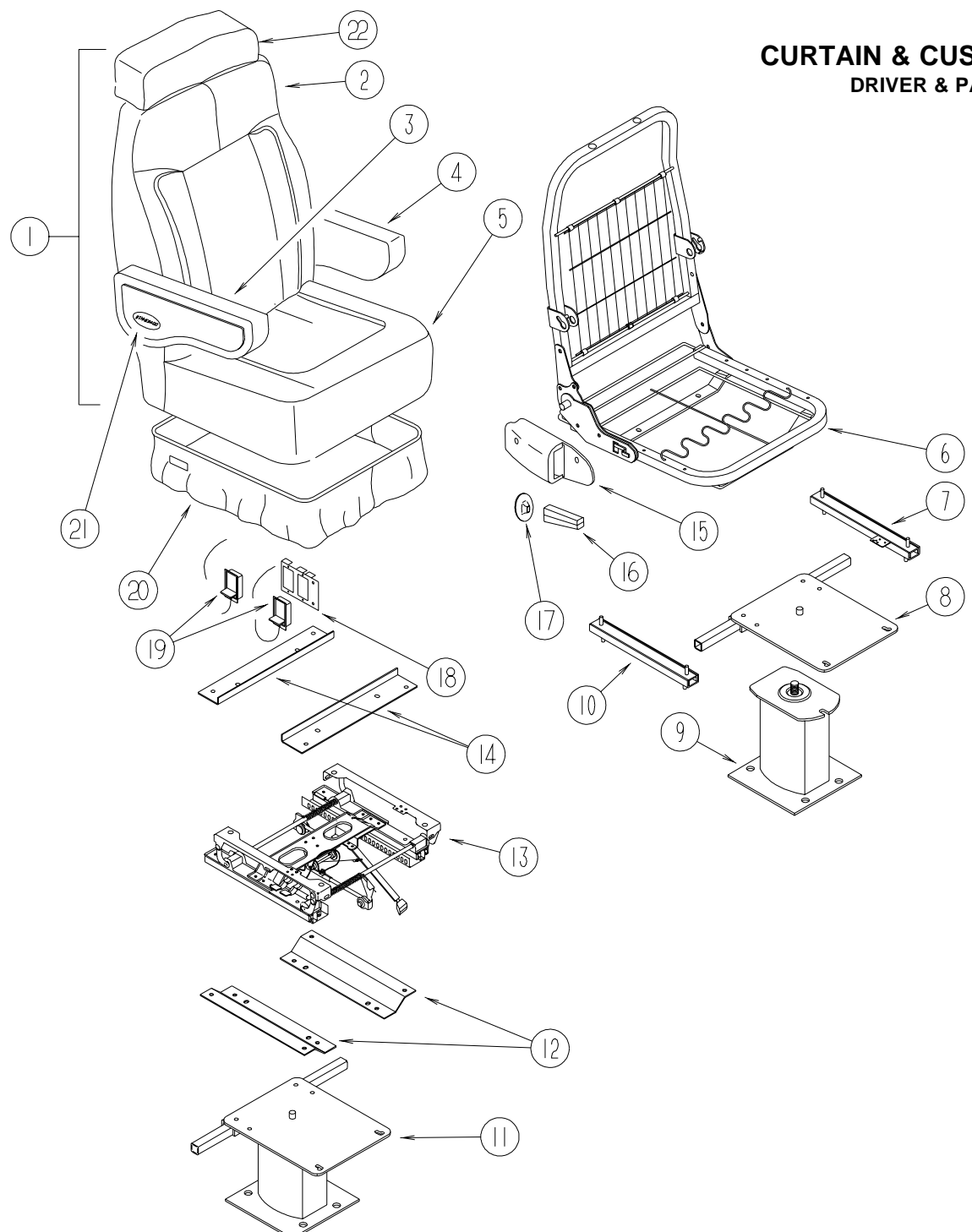
| KEY | PART NUMBER | U/M | DESCRIPTION |
|-----|---------------|-----|------------------------------|
| | 079145-06-000 | EA | CUSHION-BUNK, 30" X 77" X 4" |
| | M79145-06-000 | EA | COVER-CUSHION, BUNK |

CURTAIN & CUSHION GROUP (CONTINUED)
SWIVEL CHAIR



| KEY | PART NUMBER | U/M | DESCRIPTION |
|-----|---------------|-----|---|
| 1 | 118538-01-G29 | EA | CHAIR-SWIVEL, W/O SKIRT |
| 1 | 118538-01-G30 | EA | CHAIR-SWIVEL, W/O SKIRT |
| 1 | 118538-01-G31 | EA | CHAIR-SWIVEL, W/O SKIRT |
| 1 | 118538-01-G32 | EA | CHAIR-SWIVEL, W/O SKIRT |
| | P18538-01-G29 | EA | COVER-SWIVEL CHAIR |
| | P18538-01-G30 | EA | COVER-SWIVEL CHAIR |
| | P18538-01-G31 | EA | COVER-SWIVEL CHAIR |
| | P18538-01-G32 | EA | COVER-SWIVEL CHAIR |
| 2 | 118539-01-G29 | EA | SKIRT-SWIVEL CHAIR |
| 2 | 118539-01-G30 | EA | SKIRT-SWIVEL CHAIR |
| 2 | 118539-01-G31 | EA | SKIRT-SWIVEL CHAIR |
| 2 | 118539-01-G32 | EA | SKIRT-SWIVEL CHAIR |
| 3 | P18538-27-G29 | EA | COVER-ARM CAP, RIGHT HAND - SWIVEL CHAIR |
| 3 | P18538-27-G30 | EA | COVER-ARM CAP, RIGHT HAND - SWIVEL CHAIR |
| 3 | P18538-27-G31 | EA | COVER-ARM CAP, RIGHT HAND - SWIVEL CHAIR |
| 3 | P18538-27-G32 | EA | COVER-ARM CAP, RIGHT HAND - SWIVEL CHAIR |
| 3 | P18538-28-G29 | EA | COVER-ARM CAP, LEFT HAND - SWIVEL CHAIR |
| 3 | P18538-28-G30 | EA | COVER-ARM CAP, LEFT HAND - SWIVEL CHAIR |
| 3 | P18538-28-G31 | EA | COVER-ARM CAP, LEFT HAND - SWIVEL CHAIR |
| 3 | P18538-28-G32 | EA | COVER-ARM CAP, LEFT HAND - SWIVEL CHAIR |
| 4 | 097683-03-000 | EA | BRACKET-MOUNT, REMOTE - SINGLE |
| 5 | 108049-03-000 | EA | CABLE W/SWITCH - 26", Z END CABLE - CMA |
| | 108049-02-000 | EA | CLIP-CABLE, PEDESTAL |
| 6 | 119952-01-000 | EA | SLIDE-SEAT W/O LOCK, HD - 2 STUDS - ATWOOD 83711 |
| 7 | 107921-08-000 | EA | PLATE-TOP, W/O SEAT BELT BAR - FLEXSTEEL 2759 PDTP |
| | 107921-06-000 | EA | BEARING KIT-SEAT SWIVEL |
| 8 | 107921-01-000 | EA | PEDESTAL ASM-SEAT, 9 3/4" - FLEXSTEEL 3060 MSPD |
| 9 | 119952-03-000 | EA | SLIDE-SEAT W/LOCK, HD - 2 STUDS - ATWOOD 83775 |
| 10 | 007221-01-000 | EA | SPACER-SEAT, ADJUSTER |
| 11 | 097683-02-000 | EA | BRACKET-MOUNT, REMOTE - DOUBLE |
| 12 | 089368-05-000 | EA | CABLE-RECLINER, W/SWITCH |
| 13 | 108049-03-000 | EA | CABLE W/SWITCH - 26", Z END CABLE - CMA |
| | 108049-02-000 | EA | CLIP-CABLE, PEDESTAL |
| | 117125-01-02B | EA | BRACKET-CABLE HOLDER, E-COAT |
| | 108445-02-000 | EA | PLATE ASM-PEDESTAL, SEAT - 230 MM X 157 MM - W/WELDNUTS |

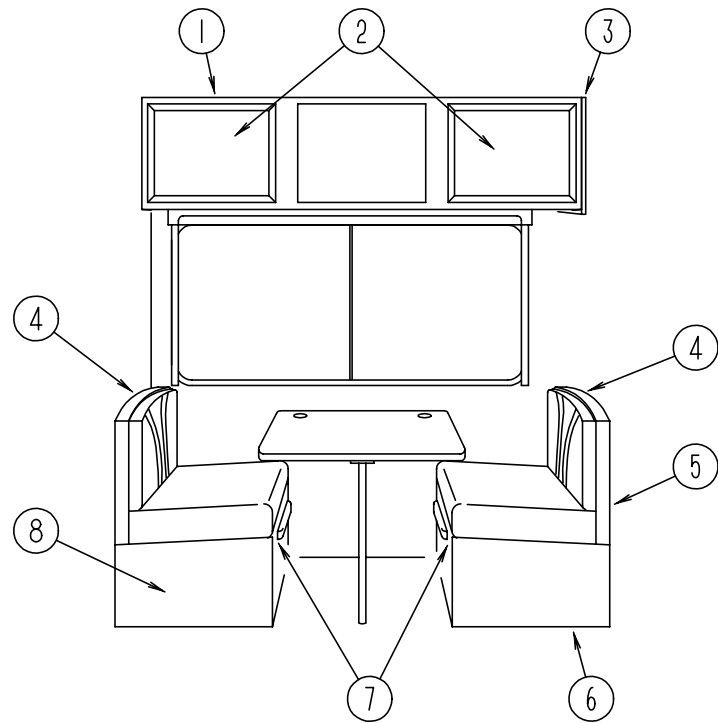
CURTAIN & CUSHION GROUP (CONTINUED)
DRIVER & PASSENGER BUCKET SEATS



| KEY | PART NUMBER | U/M | DESCRIPTION |
|-----|---------------|-----|--|
| 1 | 119508-03-G29 | EA | SEAT-BUCKET, W/ARMRESTS & HEADREST - W/O SKIRT |
| 1 | 119508-03-G30 | EA | SEAT-BUCKET, W/ARMRESTS & HEADREST - W/O SKIRT |
| 1 | 119508-03-G31 | EA | SEAT-BUCKET, W/ARMRESTS & HEADREST - W/O SKIRT |
| 1 | 119508-03-G32 | EA | SEAT-BUCKET, W/ARMRESTS & HEADREST - W/O SKIRT |
| 2 | M05962-29-G29 | EA | COVER-BACK, BUCKET SEAT |
| 2 | M05962-29-G30 | EA | COVER-BACK, BUCKET SEAT |
| 2 | M05962-29-G31 | EA | COVER-BACK, BUCKET SEAT |
| 2 | M05962-29-G32 | EA | COVER-BACK, BUCKET SEAT |
| 3 | 111320-03-G29 | EA | ARMREST-RIGHT, BUCKET SEAT (G29) |
| 3 | 111320-03-G30 | EA | ARMREST-RIGHT, BUCKET SEAT (G30) |
| 3 | 111320-03-G31 | EA | ARMREST-RIGHT, BUCKET SEAT (G31) |
| 3 | 111320-03-G11 | EA | ARMREST-RIGHT, BUCKET SEAT (G32) |
| | P11320-03-G29 | EA | COVER-ARMREST, RIGHT (G29) |
| | P11320-03-G30 | EA | COVER-ARMREST, RIGHT (G30) |
| | P11320-03-G31 | EA | COVER-ARMREST, RIGHT (G31) |
| | P11320-03-G11 | EA | COVER-ARMREST, RIGHT (G32) |

| KEY | PART NUMBER | U/M | DESCRIPTION |
|-----|---------------|-----|---|
| 4 | 111320-04-G29 | EA | ARMREST-LEFT, BUCKET SEAT (G29) |
| 4 | 111320-04-G30 | EA | ARMREST-LEFT, BUCKET SEAT (G30) |
| 4 | 111320-04-G31 | EA | ARMREST-LEFT, BUCKET SEAT (G31) |
| 4 | 111320-04-G11 | EA | ARMREST-LEFT, BUCKET SEAT (G32) |
| | P11320-04-G29 | EA | COVER-ARMREST, LEFT (G29) |
| | P11320-04-G30 | EA | COVER-ARMREST, LEFT (G30) |
| | P11320-04-G31 | EA | COVER-ARMREST, LEFT (G31) |
| | P11320-04-G11 | EA | COVER-ARMREST, LEFT (G32) |
| 5 | M05962-06-G29 | EA | COVER-SEAT, BUCKET SEAT |
| 5 | M05962-06-G30 | EA | COVER-SEAT, BUCKET SEAT |
| 5 | M05962-06-G31 | EA | COVER-SEAT, BUCKET SEAT |
| 5 | M05962-06-G32 | EA | COVER-SEAT, BUCKET SEAT |
| 6 | M80906-12-000 | EA | FRAME-SEAT, BACK & SPRING |
| 7 | 119952-02-000 | EA | SLIDE-SEAT W/O LOCK, HD - 4 STUDS - ATWOOD 83731 |
| 8 | 107921-05-000 | EA | PLATE-TOP, W/SEAT BELT BAR |
| 9 | 107921-01-000 | EA | PLATE-SUB, FLOOR MOUNTED PEDESTAL - W/9.75" EXTENSION |
| | 107921-06-000 | EA | BEARING KIT-SEAT SWIVEL |
| 10 | 119952-04-000 | EA | SLIDE-SEAT W/LOCK, HD - 4 STUDS - ATWOOD 83785 |
| | 117125-01-02B | EA | BRACKET-CABLE MOUNT, ADJUSTER W/LOCK - STEEL - E-COAT |
| 11 | 107921-14-000 | EA | BASE-FLOOR MOUNTED PEDESTAL, 5.75" - MANUAL SEAT OPTION |
| 12 | 116215-03-000 | EA | PLATE-LOWER, MANUAL - 6-WAY MANUAL SEAT OPTION - ATWOOD 83835 |
| 13 | 116215-01-000 | EA | SEAT-MANUAL, DRIVER - 6-WAY MANUAL SEAT OPTION - ATWOOD 83805 |
| 14 | 116215-02-000 | EA | PLATE-UPPER, 6-WAY MANUAL SEAT OPTION - ATWOOD 85118 |
| 15 | 080730-09-000 | EA | SHIELD-RECLINER HANDLE |
| 16 | 080730-08-000 | EA | HANDLE-RECLINER, BLACK |
| 17 | 080730-11-000 | EA | SHIELD-RUBBER BOOT |
| | 108049-02-000 | EA | CLIP-CABLE, PEDESTAL |
| 18 | 097683-02-000 | EA | BRACKET-REMOTE, SIDE MOUNT - DOUBLE |
| 19 | 108049-03-000 | EA | CABLE W/SWITCH - 26", Z END CABLE - CMA |
| 20 | 071126-43-F24 | EA | SKIRT-BUCKET SEAT (G29) |
| 20 | 071126-43-F11 | EA | SKIRT-BUCKET SEAT (G30) |
| 20 | 071126-43-F25 | EA | SKIRT-BUCKET SEAT (G31) |
| 20 | 071126-43-F06 | EA | SKIRT-BUCKET SEAT (G32) |
| 20 | 071126-54-F24 | EA | SKIRT-BUCKET SEAT (G29) - MANUAL SEAT OPTION |
| 20 | 071126-54-F11 | EA | SKIRT-BUCKET SEAT (G30) - MANUAL SEAT OPTION |
| 20 | 071126-54-F25 | EA | SKIRT-BUCKET SEAT (G31) - MANUAL SEAT OPTION |
| 20 | 071126-54-F06 | EA | SKIRT-BUCKET SEAT (G32) - MANUAL SEAT OPTION |
| 21 | 111169-01-000 | EA | PLATE-BACK, ARMREST |
| 21 | 111169-05-000 | EA | INSERT-ARMREST, OVAL DECAL - ITASCA |
| 22 | 119509-01-G29 | EA | HEADREST ASM (G29) |
| 22 | 119509-01-G30 | EA | HEADREST ASM (G30) |
| 22 | 119509-01-G31 | EA | HEADREST ASM (G31) |
| 22 | 119509-01-G11 | EA | HEADREST ASM (G32) |
| | P19509-01-G29 | EA | COVER ASM-HEADREST (G29) |
| | P19509-01-G30 | EA | COVER ASM-HEADREST (G30) |
| | P19509-01-G31 | EA | COVER ASM-HEADREST (G31) |
| | P19509-01-G11 | EA | COVER ASM-HEADREST (G32) |
| | 113977-12-000 | EA | HEADREST INSERT, W/O LOCK - BLACK PLASTIC - FLEXSTEEL |
| | 113977-13-000 | EA | HEADREST INSERT, W/LOCK - BLACK PLASTIC - FLEXSTEEL |
| | 114889-01-000 | EA | STOP BAR-UNIVERSAL, SHROCK |

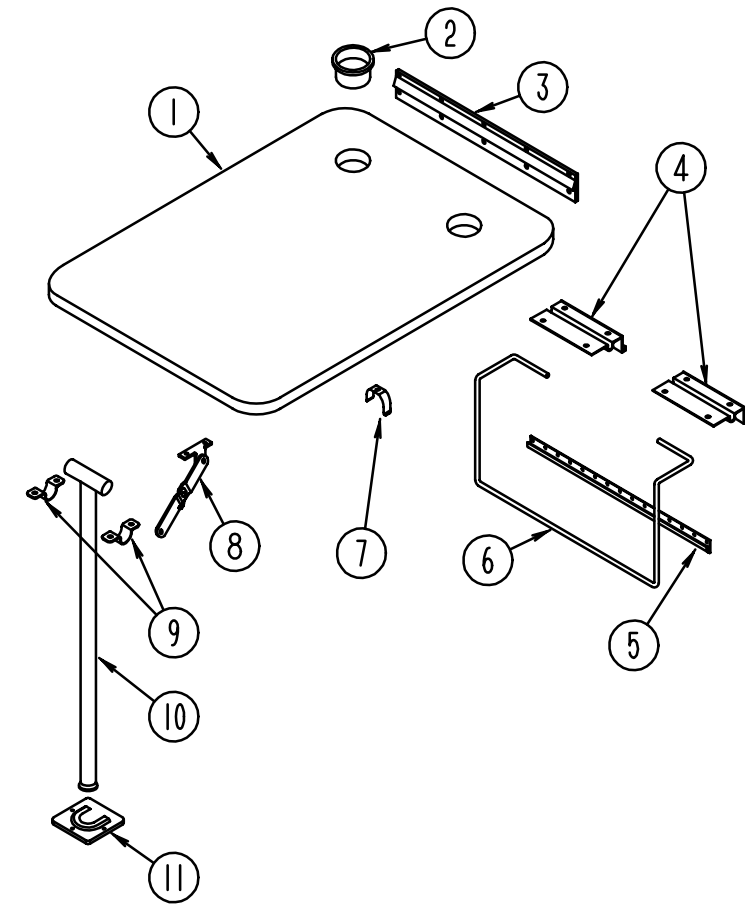
DINETTE GROUP



DINETTE CABINETRY

| KEY | PART NUMBER | U/M | DESCRIPTION |
|-----|---------------|-----|--|
| 1 | 113880-01-G11 | EA | CABINET-OVERHEAD, W/O DOORS (G29) |
| 1 | 113880-01-G30 | EA | CABINET-OVERHEAD, W/O DOORS (G30) |
| 1 | 113880-01-G31 | EA | CABINET-OVERHEAD, W/O DOORS (G31) |
| 1 | 113880-01-G32 | EA | CABINET-OVERHEAD, W/O DOORS (G32) |
| 2 | M06803-13-G09 | EA | DOOR-W/O HARDWARE W/MIRROR - 400 MM X 710 MM |
| 2 | M06803-02-G09 | EA | DOOR-W/O HARDWARE W/O MIRROR - 400 MM X 710 MM DECORATOR DOOR OPTION - FLAT PANEL |
| 3 | 103128-01-G09 | EA | CAP-END, OVERHEAD CABINET - FRONT |
| 4 | 104787-04-F24 | EA | PAD-DINETTE (G29) |
| 4 | 104787-04-F11 | EA | PAD-DINETTE (G30) |
| 4 | 104787-04-F25 | EA | PAD-DINETTE (G31) |
| 4 | 104787-04-F06 | EA | PAD-DINETTE (G32) |
| 5 | M05162-03-G09 | EA | CABINET-SEATBACK, FRONT |
| 6 | M05161-03-G09 | EA | CABINET-SEATBASE, FRONT |
| 7 | 081295-01-G01 | EA | SUPPORT-BED, DINETTE - 28" LONG - WOOD |
| 8 | M04175-16-G09 | EA | CABINET-SEATBASE, REAR |

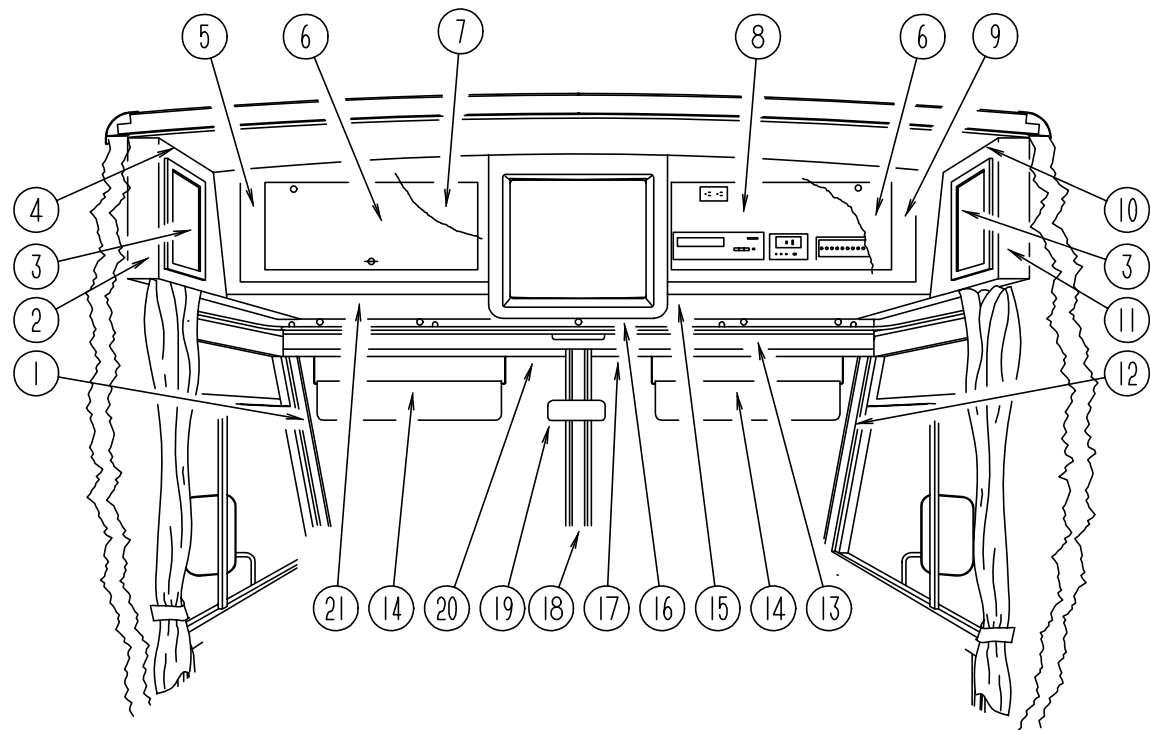
DINETTE GROUP (CONTINUED)



DINETTE TABLE

| KEY | PART NUMBER | U/M | DESCRIPTION |
|-----|---------------|-----|--|
| 1 | 081322-01-G29 | EA | TABLE-DINETTE, W/O HARDWARE OR CUPHOLDERS (G29) |
| 1 | 081322-01-G30 | EA | TABLE-DINETTE, W/O HARDWARE OR CUPHOLDERS (G30) |
| 1 | 081322-05-G31 | EA | TABLE-DINETTE, W/O HARDWARE OR CUPHOLDERS (G31) |
| 1 | 081322-01-G09 | EA | TABLE-DINETTE, W/O HARDWARE OR CUPHOLDERS (G32) |
| 2 | 064781-06-000 | EA | HOLDER-CUP, TWO STEP - OFF WHITE |
| 3 | 053200-12-000 | EA | SUPPORT-TABLE, 23.5" - OFF WHITE |
| 4 | 088410-02-000 | EA | BRACKET-LIFT, TABLE MOUNTED - OFF WHITE |
| 5 | 024281-14-000 | EA | BRACKET-LIFT ROD, LOWER WALL MOUNTED - 22.12" - OFF WHITE |
| 6 | 024275-12-000 | EA | ROD-TABLE LIFT, OFF WHITE |
| 7 | 024283-01-000 | EA | CLIP-LEG, 1" X 1.125" OD - BLACK |
| 8 | 024282-01-000 | EA | BRACE-TABLE LEG, HINGED |
| 9 | 064050-05-000 | EA | HINGE-TABLE LEG, OFF WHITE |
| 10 | 024276-23-000 | EA | LEG-TABLE, METAL - OFF WHITE |
| 11 | 049493-12-000 | EA | CATCH-LEG, FLOOR MOUNTED - 2.5" X 2.7" - METAL - OFF WHITE |
| 11 | 049493-11-700 | EA | CATCH-LEG, FLOOR MOUNTED - 2.5" X 2.7" - METAL - E-COAT |

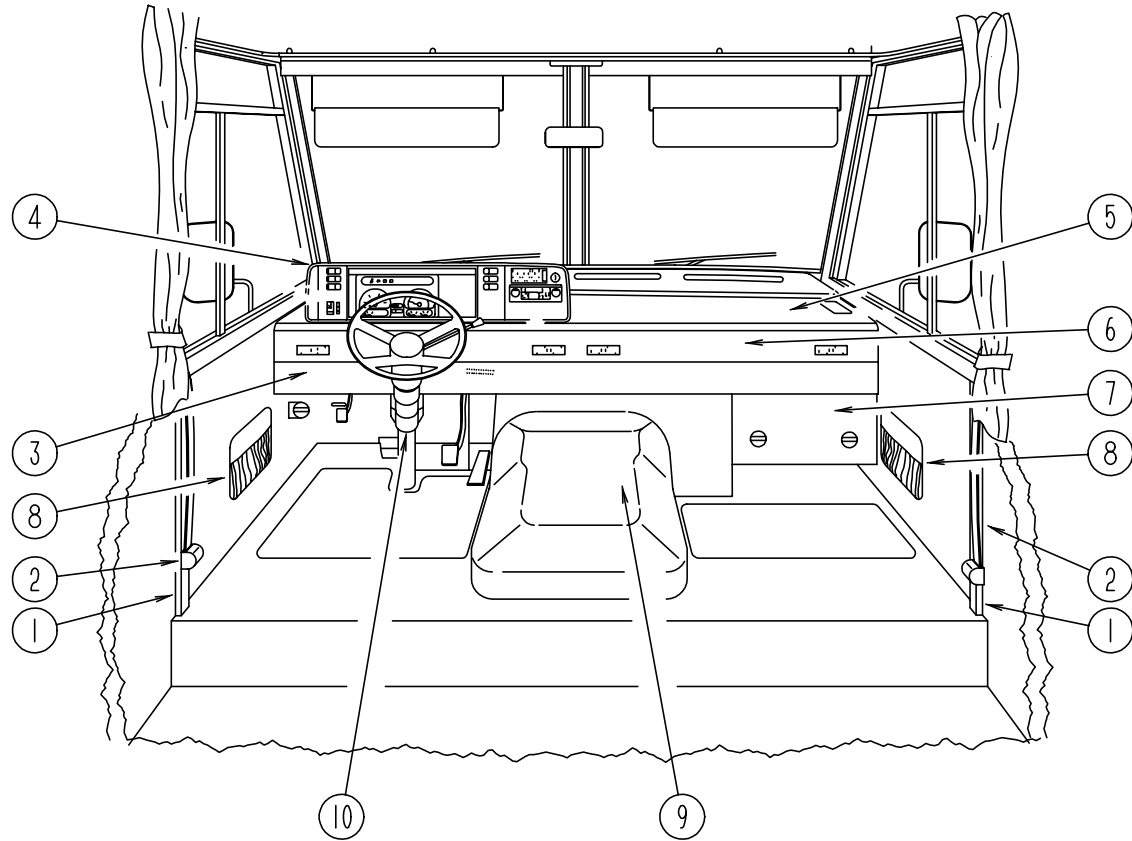
DRIVERS COMPARTMENT GROUP
DRIVERS COMPARTMENT - UPPER



| KEY | PART NUMBER | U/M | DESCRIPTION |
|-----|---------------|-----|--|
| 1 | 103931-02-03A | EA | COVER-INNER, A-PILLAR - DRIVERS - QUICKSILVER |
| 2 | 103128-09-G09 | EA | CAP-END, FRONT OVERHEAD, DRIVERS SIDE |
| 3 | M06803-04-G09 | EA | DOOR-CABINET, W/O HARDWARE - 255 MM X 485 MM |
| 4 | 109561-02-G29 | EA | CABINET-FRONT OVERHEAD W/O DOOR, DRIVERS SIDE |
| 4 | 109561-02-G30 | EA | CABINET-FRONT OVERHEAD W/O DOOR, DRIVERS SIDE |
| 4 | 109561-02-G31 | EA | CABINET-FRONT OVERHEAD W/O DOOR, DRIVERS SIDE |
| 4 | 109561-02-G32 | EA | CABINET-FRONT OVERHEAD W/O DOOR, DRIVERS SIDE |
| | P09561-02-E07 | EA | BOTTOM-VINYL COVERED, FRONT OVERHEAD - DRIVERS SIDE |
| | 104289-02-C05 | EA | PAD-VINYL COVERED, 769 MM X 245 MM - ANGLED - DRIVER SIDE - OFF WHITE FROM: 00-00-00 THRU: 08-27-95 |
| | 104289-02-G29 | EA | PAD-VINYL COVERED, 769 MM X 245 MM - ANGLED - DRIVER SIDE - QUICKSILVER FROM: 08-28-95 THRU: 99-99-99 |
| | 104289-04-D12 | EA | PAD-VINYL COVERED, 655 MM X 245 MM - ANGLED - DRIVER SIDE - OFF WHITE TV OPTIONS FROM: 00-00-00 THRU: 08-27-95 |
| | 104289-04-G35 | EA | PAD-VINYL COVERED, 655 MM X 245 MM - ANGLED - DRIVER SIDE - QUICKSILVER TV OPTIONS FROM: 08-28-95 THRU: 99-99-99 |
| 5 | 114612-02-G09 | EA | FACE-TV CABINET W/O DOORS, FRONT OVERHEAD - DRIVERS SIDE |
| | 106699-01-01A | EA | BRACKET-L-ANGLE, TV CABINET FACE - 5.1" LONG - OFF WHITE STEEL |
| 6 | 100708-12-000 | EA | DOOR-GLASS, TV CABINET - W/O HARDWARE - 246 MM X 590 MM |

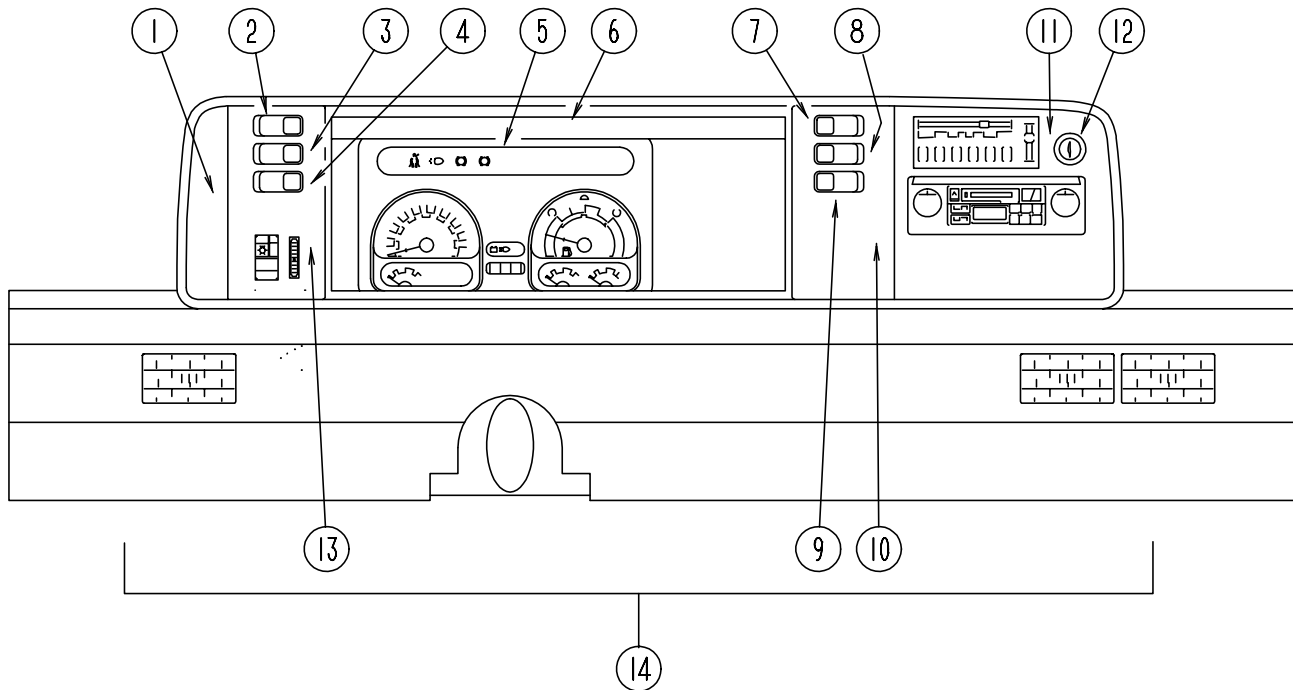
| KEY | PART NUMBER | U/M | DESCRIPTION |
|-----|---------------|-----|--|
| 7 | 103040-01-G29 | EA | PANEL-HEADLINER FRONT OVERHEAD, RH & LH - STANDARD |
| 7 | 114661-12-G35 | EA | PANEL-HEADLINER FRONT OVERHEAD, LH - TV OPTIONS |
| 8 | 103040-01-G29 | EA | PANEL-HEADLINER FRONT OVERHEAD, RH & LH - STANDARD |
| 8 | 114661-13-G35 | EA | PANEL-HEADLINER FRONT OVERHEAD, TV OPTIONS |
| 8 | 114661-14-G35 | EA | PANEL-HEADLINER FRONT OVERHEAD, TV/VCR OPTIONS |
| 8 | 114661-15-G35 | EA | PANEL-HEADLINER FRONT OVERHEAD, TV/VCR/INVERTER OPTION |
| 8 | 114661-16-G35 | EA | PANEL-HEADLINER FRONT OVERHEAD, TV/INVERTER OPTION |
| | 100676-02-000 | EA | STAND-VCR, STEEL |
| 9 | 114612-01-G09 | EA | FACE-TV CABINET W/O DOORS, FRONT OVERHEAD - PASSENGERS SIDE |
| 10 | 109561-01-G29 | EA | CABINET-FRONT OVERHEAD W/O DOOR, PASSENGERS SIDE |
| 10 | 109561-01-G30 | EA | CABINET-FRONT OVERHEAD W/O DOOR, PASSENGERS SIDE |
| 10 | 109561-01-G31 | EA | CABINET-FRONT OVERHEAD W/O DOOR, PASSENGERS SIDE |
| 10 | 109561-01-G32 | EA | CABINET-FRONT OVERHEAD W/O DOOR, PASSENGERS SIDE |
| 11 | 103128-08-G09 | EA | CAP-END, FRONT OVERHEAD, PASSENGERS SIDE |
| | P09561-01-E07 | EA | BOTTOM-VINYL COVERED, FRONT OVERHEAD - PASSENGERS SIDE |
| | 104289-01-C05 | EA | PAD-VINYL COVERED, 769 MM X 245 MM - ANGLED - PASS SIDE - OFF WHITE FROM: 00-00-00 THRU: 08-27-95 |
| | 104289-01-G29 | EA | PAD-VINYL COVERED, 769 MM X 245 MM - ANGLED - PASS SIDE - QUICKSILVER FROM: 08-28-95 THRU: 99-99-99 |
| | 104289-03-D12 | EA | PAD-VINYL COVERED, 655 MM X 245 MM - ANGLED - PASS SIDE - OFF WHITE TV OPTIONS FROM: 00-00-00 THRU: 08-27-95 |
| | 104289-03-G35 | EA | PAD-VINYL COVERED, 655 MM X 245 MM - ANGLED - PASS SIDE - QUICKSILVER TV OPTIONS FROM: 08-28-95 THRU: 99-99-99 |
| 12 | 103931-01-03A | EA | COVER-INNER, A-PILLAR - PASSENGERS - QUICKSILVER |
| 13 | 078811-05-G29 | EA | PANEL-HEADER W/RECEPTACLE CUTOUTS - 90.2" LONG - VINYL COVERED |
| 14 | 082286-18-GB1 | EA | SUNVISOR-DRIVER OR PASSENGER - W/O POCKET FROM: 00-00-00 THRU: 08-27-95 |
| 14 | 082286-18-G29 | EA | SUNVISOR-DRIVER OR PASSENGER - W/O POCKET FROM: 08-28-95 THRU: 99-99-99 |
| | 102377-01-000 | EA | BRACKET-SUNVISOR, 1 PIECE - STEEL |
| | 007211-01-000 | EA | HINGE-SUNVISOR |
| | 074012-01-000 | EA | CLIP-SUNVISOR, SQUARE PINCH-ON |
| | 081987-05-000 | EA | ROD-SUNVISOR, BLACK |
| 15 | P03077-07-G09 | EA | SHELF-CABINET, PASSENGERS SIDE - OFF WHITE VINYL COVERED FROM: 00-00-00 THRU: 08-27-95 |
| 15 | P03077-07-G35 | EA | SHELF-CABINET, PASSENGERS SIDE - QUICKSILVER VINYL COVERED FROM: 08-28-95 THRU: 99-99-99 |
| 16 | 117974-01-02A | EA | COVER-TV CABINET, FRONT FACE - QUICKSILVER |
| 16 | 118022-01-G29 | EA | COVER ASM-TV CABINET, SIDES & BOTTOM (ASSEMBLED KIT) |
| 17 | 078579-19-000 | EA | TRIM - WINDSHIELD - UPPER INNER - RIGHT - QUICKSILVER |
| 18 | 079765-12-000 | EA | TRIM - WINDSHIELD - CENTER INNER - QUICKSILVER |
| 19 | 040714-01-000 | EA | MIRROR-REAR VIEW, W/ARM MOUNT & SET SCREW - GM 911722 |
| | 067490-01-000 | EA | BUTTON-MIRROR, REAR VIEW - STANK S927H |
| 20 | 078579-20-000 | EA | TRIM - WINDSHIELD - UPPER INNER - LEFT - QUICKSILVER |
| 21 | P03077-08-G09 | EA | SHELF-CABINET, DRIVERS SIDE - OFF WHITE VINYL COVERED FROM: 00-00-00 THRU: 08-27-95 |
| 21 | P03077-08-G35 | EA | SHELF-CABINET, DRIVERS SIDE - QUICKSILVER VINYL COVERED FROM: 08-28-95 THRU: 99-99-99 |
| | 104417-01-G09 | EA | CABINET-BLANKET (STANDARD CABINET) |

DRIVERS COMPARTMENT GROUP (CONTINUED)
DRIVERS COMPARTMENT - LOWER



| KEY | PART NUMBER | U/M | DESCRIPTION |
|-----|---------------|-----|--|
| 1 | 024700-44-000 | EA | COVER-SIDEWALL ROLL BAR, OFF WHITE - 53" |
| 1 | 024700-45-000 | EA | COVER-SIDEWALL ROLL BAR, OFF WHITE - 12.8" |
| | 024700-47-000 | EA | COVER-SIDEWALL ROLL BAR, OFF WHITE - 18.9" - DRIVER DOOR |
| | 024700-48-000 | EA | COVER-SIDEWALL ROLL BAR, OFF WHITE - 25" - DRIVER DOOR |
| 2 | 091990-04-01A | EA | SEAT BELT-SHOULDER HARNESS - DRIVERS/PASSENGERS - BLACK |
| | 091990-01-700 | EA | BOLT COVER |
| | 109146-01-000 | EA | BOLT-SHOULDER, SEAT BELT |
| | 103961-01-01A | EA | COVER-BRACKET, SEAT BELT - OFF WHITE |
| | 103961-02-01A | EA | COVER-BRACKET, SEAT BELT - OFF WHITE - DRIVER DOOR |
| 3 | 111528-05-05A | EA | TRIM-DASH, LOWER - 1648 MM LONG - QUICKSILVER - FORD |
| 3 | 117306-01-G35 | EA | TRIM-DASH, LOWER - 307 MM LONG - QUICKSILVER - FORD |
| 3 | 103812-06-04A | EA | TRIM-DASH, LOWER - 2299 MM LONG - WILLOW - CHEVY |
| 4 | 111499-01-05A | EA | POD-INSTRUMENT PANEL, QUICKSILVER PLASTIC |
| 5 | P03817-11-000 | EA | DASH ASM, W/O VINYL - CHEVY |
| 5 | P03817-10-000 | EA | DASH ASM, W/O VINYL - FORD |
| | 106569-02-05A | YD | VINYL-LAMINATE, 26 OZ - 54" WIDE - QUICKSILVER |
| | 105927-02-000 | EA | PANEL-DASH TOP, STEEL |
| 6 | 104354-01-05A | EA | APPLIQUE-LOWER DASH, 2300 MM LONG |
| 7 | 095757-03-F04 | EA | COVER-HEATER W/CARPET (G29) |
| 7 | 095757-03-F26 | EA | COVER-HEATER W/CARPET (G30) |
| 7 | 095757-03-F25 | EA | COVER-HEATER W/CARPET (G31) |
| 7 | 095757-03-G36 | EA | COVER-HEATER W/CARPET (G32) |
| 8 | 086120-01-F24 | EA | PAD-MAP POCKET, 12" X 16' (G29) |
| 8 | 086120-01-G30 | EA | PAD-MAP POCKET, 12" X 16' (G30) |
| 8 | 086120-01-F25 | EA | PAD-MAP POCKET, 12" X 16' (G31) |
| 8 | 086120-01-F06 | EA | PAD-MAP POCKET, 12" X 16' (G32) |
| 9 | 115840-01-01A | EA | COVER-MOTOR, W/O CARPET |
| | 115850-01-02B | EA | RETAINER-LATCH, MOTOR COVER |
| | 116581-01-000 | EA | LATCH-MOTOR COVER - SOUTHCO 2710074088 |
| | 115852-01-02B | EA | STRIKE ASM-MOTOR COVER, E-COAT |
| | 116833-01-02B | EA | WRENCH-HEX, MOTOR COVER - E-COAT |
| | 115860-01-01A | EA | TRIM-MOTOR COVER |
| | 039623-01-000 | FT | SEAL-MOTOR COVER, RUBBER BULB TYPE - BLACK |
| | 111618-01-GB1 | EA | TRAY ASM-BEVERAGE |
| | 097872-04-000 | EA | DOWEL-WOOD, 1" DIAMETER X 1.38" LONG - UNFINISHED |
| | 111618-13-GB1 | EA | LID-BEVERAGE TRAY ASM |
| | 046886-03-000 | EA | ASHTRAY-CHROME, W/COVER |
| 10 | 103498-06-000 | EA | BOOT-STEERING COLUMN, BLACK VINYL - CHEVY |
| | 111521-03-01A | EA | COVER-STEERING COLUMN, BLACK PLASTIC - FORD |
| | 112634-01-01A | EA | TRIM-STEERING COLUMN, RH BLACK PLASTIC - FORD |
| | 112634-02-01A | EA | TRIM-STEERING COLUMN, LH BLACK PLASTIC - FORD |

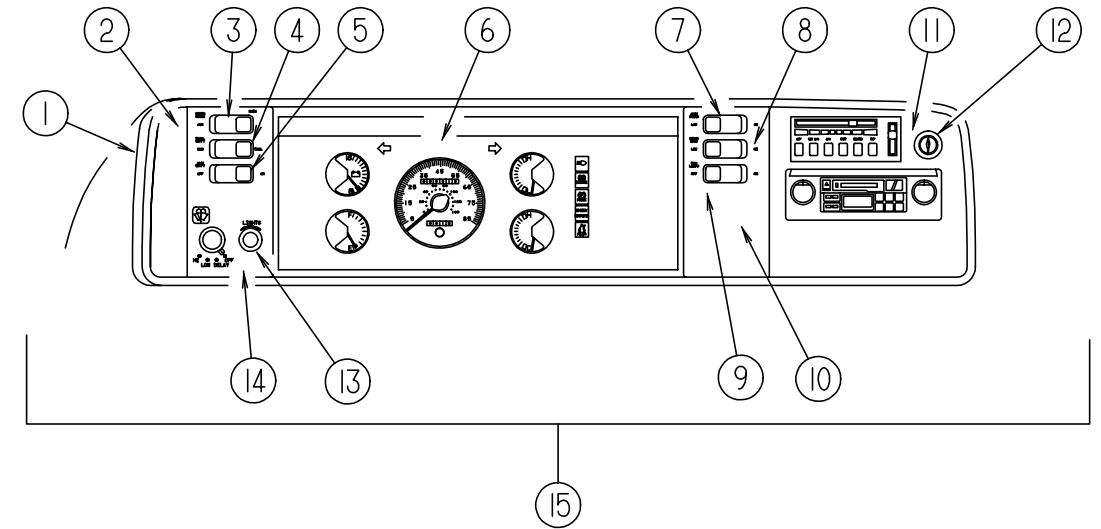
DRIVERS COMPARTMENT GROUP (CONTINUED)



DASH, GAUGES & SWITCHES (CHEVY)

| KEY | PART NUMBER | U/M | DESCRIPTION |
|-----|---------------|-----|--|
| 1 | 104056-01-01A | EA | APPLIQUE-BEZEL |
| 2 | 108356-02-01A | EA | COVER-SWITCH W/DIMPLES, CARLING VVAZC00 BLA |
| 2 | 108357-05-000 | EA | SWITCH-ROCKER, SPDT ON/NONE/ON - RADIO POWER - CARLING V4D1000B-0 |
| 3 | 108356-02-01A | EA | COVER-SWITCH W/DIMPLES, CARLING VVAZC00 BLA |
| 3 | 108357-09-000 | EA | SWITCH-ROCKER, SPDT ON/NONE/MOM - DUAL BATTERY-CARLING V5D1000B-0 |
| 4 | 108356-02-01A | EA | COVER-SWITCH W/DIMPLES, CARLING VVAZC00 BLA |
| 4 | 108357-06-000 | EA | SWITCH-ROCKER, DPDT MOM/OFF/MOM - CARLING VLD1000B-0 BATTERY DISCONNECT SWITCH OPTION |
| 4 | 096241-03-000 | EA | SWITCH-BLANK |
| 5 | 094796-07-000 | EA | CLUSTER-INSTRUMENT PANEL, KILOMETERS - GAS - GM# 16167145 |
| 5 | 094796-08-000 | EA | CLUSTER-INSTRUMENT PANEL, KILOMETERS - DIESEL - GM# 16164645 |
| 6 | 103662-01-01A | EA | BEZEL-INSTRUMENT PANEL |
| 7 | 108356-04-01A | EA | COVER-SWITCH W/DIMPLES & LENS, CARLING VVAGC00 |
| 7 | 108357-10-000 | EA | SWITCH-ROCKER, SPDT MOM/OFF/MOM - LIGHTED - CARLING V8D1160B-0 GENERATOR OPTION |
| 7 | 096241-03-000 | EA | SWITCH-BLANK |
| 8 | 108356-02-01A | EA | COVER-SWITCH W/DIMPLES, CARLING VVAZC00 BLA |
| 8 | 108357-03-000 | EA | SWITCH-ROCKER, SPDT ON/OFF/ON - CARLING V6D1000B-0 REAR HEATER OPTION |
| 8 | 096241-03-000 | EA | SWITCH-BLANK |
| 9 | 096241-03-000 | EA | SWITCH-BLANK |
| 10 | 104056-21-01A | EA | APPLIQUE-BEZEL |
| 11 | 104056-06-01A | EA | APPLIQUE-BEZEL |
| 12 | 089294-01-000 | EA | LIGHTER ASM-CIGARETTE - CASCO C213275 |
| 13 | 104056-22-01A | EA | APPLIQUE-BEZEL |
| 14 | M05946-26-G29 | EA | DASH POD ASSEMBLY - CHEVY |
| | 100138-01-000 | EA | MODULE-DAYTIME RUNNING LIGHT - CANADIAN |
| | 077031-01-000 | EA | FILM-BLACK, 1" X 1.75" |
| | 077031-03-000 | EA | FILM-WHITE, .75" X 1" |
| | 103603-01-000 | EA | BULB - 12V, #74 - .12A WEDGE - GE 22-25 - USED IN DASH |
| | 077539-01-000 | EA | BRACKET-MOUNTING, DASH PANEL - L/SHAPED - 2.5" X 1" X 1.5" |

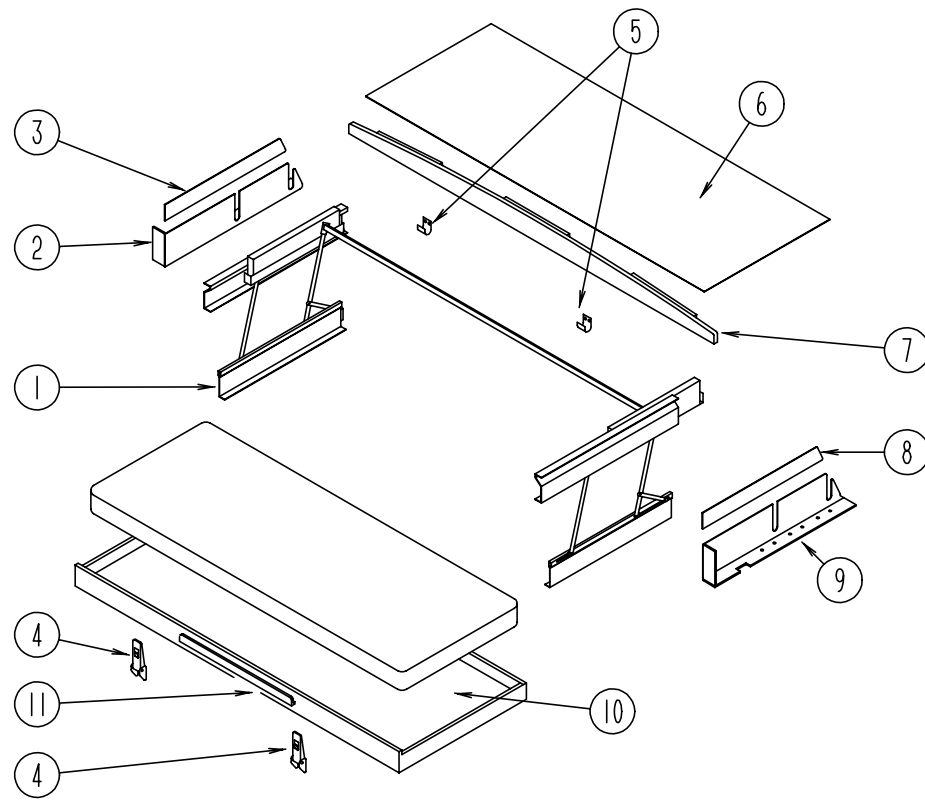
DRIVERS COMPARTMENT GROUP (CONTINUED)



DASH, GAUGES & SWITCHES (FORD)

| KEY | PART NUMBER | U/M | DESCRIPTION |
|-----|---------------|-----|--|
| 1 | 103662-04-01A | EA | BEZEL-INSTRUMENT PANEL |
| 2 | 104056-01-01A | EA | APPLIQUE-BEZEL |
| 3 | 108356-02-01A | EA | COVER-SWITCH W/DIMPLES, CARLING VVAZC00 BLA |
| 3 | 108357-05-000 | EA | SWITCH-ROCKER, SPDT ON/NONE/ON - RADIO POWER - CARLING V4D1000B-0 |
| 4 | 108356-02-01A | EA | COVER-SWITCH W/DIMPLES, CARLING VVAZC00 BLA |
| 4 | 108357-09-000 | EA | SWITCH-ROCKER, SPDT ON/NONE/MOM - DUAL BATTERY-CARLING V5D1000B-0 |
| 5 | 108356-02-01A | EA | COVER-SWITCH W/DIMPLES, CARLING VVAZC00 BLA |
| 5 | 108357-06-000 | EA | SWITCH-ROCKER, DPDT MOM/OFF/MOM - CARLING VLD1000B-0 BATTERY DISCONNECT SWITCH OPTION |
| 5 | 096241-03-000 | EA | SWITCH-BLANK |
| 6 | 094794-04-000 | EA | CLUSTER-INSTRUMENT PANEL, KILOMETERS - FORD F3TD10849BA |
| 6 | 094794-05-000 | EA | CLUSTER-INSTRUMENT PANEL, MILES - FORD F4TD10849AA |
| 7 | 108356-04-01A | EA | COVER-SWITCH W/DIMPLES & LENS, CARLING VVAGC00 |
| 7 | 108357-10-000 | EA | SWITCH-ROCKER, SPDT MOM/OFF/MOM - LIGHTED - CARLING V8D1160B-0 GENERATOR OPTION |
| 7 | 096241-03-000 | EA | SWITCH-BLANK |
| 8 | 108356-02-01A | EA | COVER-SWITCH W/DIMPLES, CARLING VVAZC00 BLA |
| 8 | 108357-03-000 | EA | SWITCH-ROCKER, SPDT ON/OFF/ON - CARLING V6D1000B-0 REAR HEATER OPTION |
| 8 | 096241-03-000 | EA | SWITCH-BLANK |
| 9 | 096241-03-000 | EA | SWITCH-BLANK |
| 10 | 104056-21-01A | EA | APPLIQUE-BEZEL |
| 11 | 104056-06-01A | EA | APPLIQUE-BEZEL |
| 12 | 089294-01-000 | EA | LIGHTER ASM-CIGARETTE - CASCO C213275 |
| 13 | 096674-01-000 | EA | NUT-HEADLAMP KNOB, BLACK |
| 13 | 096675-01-000 | EA | KNOB - HEADLAMP - W/SHAFT |
| 14 | 104056-24-01A | EA | APPLIQUE-BEZEL |
| 15 | M05946-27-G29 | EA | DASH POD ASSEMBLY - FORD |
| | 100138-01-000 | EA | MODULE-DAYTIME RUNNING LIGHT - CANADIAN |
| | 103603-01-000 | EA | BULB - 12V, #74 - .12A WEDGE - GE 22-25 - USED IN DASH |
| | 077031-01-000 | EA | FILM-BLACK, 1" X 1.75" |
| | 077031-03-000 | EA | FILM-WHITE, .75" X 1" |
| | 111904-01-000 | EA | INDICATOR ASM-TRANSMISSION - FORD F2US-7B053 |

DRIVERS COMPARTMENT GROUP (CONTINUED)



FRONT BUNK

| KEY | PART NUMBER | U/M DESCRIPTION |
|-----|---------------|--|
| 1 | 076760-02-000 | EA BUNK HARDWARE (COMPLETE) |
| | 076760-02-700 | EA SPRING-GAS, BUNK HARDWARE |
| 2 | 101499-06-C05 | EA PANEL ASM - BOTTOM DRIVERS - PADDED - OFF WHITE FROM: 00-00-00 THRU: 08-27-95 |
| | 101499-06-G29 | EA PANEL ASM - BOTTOM DRIVERS - PADDED - QUICKSILVER FROM: 08-28-95 THRU: 99-99-99 |
| 3 | 101497-08-C05 | EA PANEL ASM - UPPER DRIVERS - PADDED - OFF WHITE FROM: 00-00-00 THRU: 08-27-95 |
| | 101497-08-G29 | EA PANEL ASM - UPPER DRIVERS - PADDED - QUICKSILVER FROM: 08-28-95 THRU: 99-99-99 |
| 4 | 116975-01-01A | EA LATCH-W/O STRIKE, BLACK |
| 5 | 042541-05-000 | EA STRIKE-BRASS |
| 6 | 103040-06-C05 | EA PANEL-HEADLINER FRONT OVERHEAD, PADDED - OFF WHITE FROM: 00-00-00 THRU: 08-27-95 |
| | 103040-06-G29 | EA PANEL-HEADLINER FRONT OVERHEAD, PADDED - QUICKSILVER FROM: 08-28-95 THRU: 99-99-99 |
| 7 | P03199-01-C05 | EA BOARD ASM-TRIM, BUNK - CEILING MOUNTED |
| 8 | 101497-07-C05 | EA PANEL ASM - UPPER PASSENGERS - PADDED - OFF WHITE FROM: 00-00-00 THRU: 08-27-95 |
| | 101497-07-G29 | EA PANEL ASM - UPPER PASSENGERS - PADDED - QUICKSILVER FROM: 08-28-95 THRU: 99-99-99 |
| 9 | 101499-05-C05 | EA PANEL ASM - BOTTOM PASSENGERS - PADDED - OFF WHITE FROM: 00-00-00 THRU: 08-27-95 |
| | 101499-05-G29 | EA PANEL ASM - BOTTOM PASSENGERS - PADDED - QUICKSILVER FROM: 08-28-95 THRU: 99-99-99 |
| 10 | 081717-03-G09 | EA BED ASM-BUNK, FRONT |
| 11 | 094658-01-G09 | EA HANDLE-BUNK, OAK |

ELECTRICAL GROUP CIRCUIT BREAKERS

| KEY | PART NUMBER | U/M DESCRIPTION |
|-----|---------------|---|
| | 083209-01-000 | EA CIRCUIT BREAKER - 15 AMP, 120V - BW G-15 |
| | 083209-02-000 | EA CIRCUIT BREAKER - 15/15 AMP, 120V - BW H-15/15 |
| | 083209-03-000 | EA CIRCUIT BREAKER - 15/20 AMP, 120V - BW O-15/20 |
| | 083209-04-000 | EA CIRCUIT BREAKER - 30 AMP, 120V - BW L-30 |
| | 083209-06-000 | EA CIRCUIT BREAKER - 30/15 AMP, 120V - BW D-30/15 |
| | 083209-07-000 | EA CIRCUIT BREAKER - 20/20 AMP, 120V - BW K-20/20 |
| | 093655-03-000 | EA CIRCUIT BREAKER - 40 AMP, 12V - USD 17440-4E03A2A |
| | 097611-01-000 | EA CIRCUIT BREAKER - 6 AMP, ATC - BLACK - FASCO VB3-A10-F57 |

WIRE ASSEMBLIES

| KEY | PART NUMBER | U/M DESCRIPTION |
|-----|---------------|---|
| | 096449-01-000 | EA WIRE ASM-WATER TANK TO MONITOR PANEL |
| | 097618-01-000 | EA WIRE ASM-MONITOR PANEL, W/3 WIRES & ORANGE RESISTOR- LVS |
| | 102636-02-000 | EA WIRE ASM-CLEARANCE LAMPS |
| | 103328-06-000 | EA WIRE ASM-PUMP, EXTERIOR SHOWER |
| | 104271-02-000 | EA WIRE ASM-SPEAKER, TV |
| | 108303-01-000 | EA WIRE ASM-REAR AUTO HEATER |
| | 110256-01-000 | EA WIRE ASM-IP, GENERATOR |
| | 111915-01-000 | EA WIRE ASM-DAY RUN LAMPS, FUSE - CHEVY |
| | 111915-03-000 | EA WIRE ASM-DAY RUN LAMPS, FUSE - FORD |
| | 119456-01-000 | EA WIRE ASM-IP, MAIN - FORD |
| | 119459-01-000 | EA WIRE ASM-IP, MAIN - CHEVY |
| | P03784-01-000 | EA WIRE ASM-HEADLAMP - CHEVY |
| | P03784-02-000 | EA WIRE ASM-HEADLAMP - FORD |

HOUSINGS, PINS & SOCKETS

| KEY | PART NUMBER | U/M DESCRIPTION |
|-----|---------------|---|
| | 088473-01-000 | EA HOUSING-PIN, 4 ROWS OF 3 |
| | 088473-02-000 | EA HOUSING-PIN, 15 CAVITY - AMP 1-480710-0 |
| | 088473-03-000 | EA HOUSING-PIN, 9 POSITION |
| | 088473-05-000 | EA HOUSING-PIN, 6 POSITION (SINGLE ROW) |
| | 088473-06-000 | EA HOUSING-PIN, 6 POSITION (TWO ROWS OF THREE) |
| | 088473-08-000 | EA HOUSING-PIN, 4 POSITION |
| | 088473-09-000 | EA HOUSING-PIN, 3 POSITION (SINGLE ROW) |
| | 088473-10-000 | EA HOUSING-PIN, 2 POSITION |
| | 088474-01-000 | EA HOUSING-SOCKET, 12 POSITIONS |
| | 088474-02-000 | EA HOUSING-SOCKET, 12 CAVITY - AMP 1-480711-0 |
| | 088474-03-000 | EA HOUSING-SOCKET, 9 POSITION |
| | 088474-06-000 | EA SOCKET-HOUSING, 6 POSITION (2 ROWS OF THREE) |
| | 088474-07-000 | EA HOUSING-SOCKET, 5 CAVITY - AMP 1-480764-0 |
| | 088474-08-000 | EA SOCKET-HOUSING, 4 POSITION (SINGLE ROW) |
| | 088474-09-000 | EA HOUSING-SOCKET, 3 POSITION |
| | 088474-10-000 | EA HOUSING-SOCKET, 2 POSITION |
| | 088475-01-000 | EA PIN-CONNECTOR, 14 TO 20 AWG |
| | 088475-02-000 | EA PIN-CONNECTOR, 10 TO 12 AWG |
| | 088476-01-000 | EA SOCKET-CONNECTOR, BRASS - PRE-TIN |
| | 088476-02-000 | EA SOCKET-CONNECTOR, 12-10 GA - PHOSPHATE BRONZE - PRE-TIN |
| | 103608-01-000 | EA SOCKET-WEDGE BASE W/LEADS, JKL 2944-6 OR EQUIVALENT |
| | 104100-01-000 | EA HOUSING - 1 POSITION, 75 AMP - AMP 53884-1 |
| | 106006-01-000 | EA HOUSING - 1 POSITION, FEMALE - PACKARD 12015952 |
| | 108355-01-000 | EA HOUSING-SWITCH, CARLING VCH |
| | 113468-01-000 | EA HOUSING - 2 POSITION, FEMALE - 56-SERIES - PACKARD 02965981 USED ON WIPER/WASHER WIRE ASM |
| | 119248-02-000 | EA HOUSING - 7 POSITION, FEMALE - METRI-PACK - PACKARD 12059472 |

ELECTRICAL GROUP (CONTINUED)
CONVERTER & INVERTER

| KEY | PART NUMBER | U/M DESCRIPTION |
|-----|---------------|--|
| | 083208-02-000 | EA CONVERTER-POWER, 45A - 120V/12V - BW 6345 |
| | 099048-02-000 | EA INVERTER - 100 WATT |

CONNECTORS

| KEY | PART NUMBER | U/M DESCRIPTION |
|-----|---------------|--|
| | 008311-01-000 | EA CONNECTOR-WIRE NUT, INSULATED - RED |
| | 008312-01-000 | EA CONNECTOR-WIRE NUT, INSULATED - BLUE |
| | 008314-01-000 | EA CONNECTOR-WIRE NUT, INSULATED - GRAY |
| | 008355-01-000 | EA CONNECTOR-CABLE CLAMPING, 3/4" |
| | 008356-01-000 | EA CONNECTOR-PLASTIC, 3/8" AVG |
| | 008398-01-000 | EA CONNECTOR - 1/2" X 90 DEGREE, FLEX CONDUIT - UL AND CSA |
| | 082741-01-000 | EA CONNECTOR BODY - 2 CONNECTOR - MALE - SERV ELEC 2P-FYL |
| | 087695-03-000 | EA CONNECTOR-ASSEMBLY - EURAMTEC RT10484802 FROM: 09-01-95 THRU: 99-99-99 |
| | 058028-01-000 | EA CONNECTOR-ELECTRICAL PIGTAIL, NYLON - CLEAR |
| | 007940-01-000 | EA RECEPTACLE-SLIDE, 16 TO 12 AWG - FEMALE END |
| | 007954-01-000 | EA RECEPTACLE-HOUSING, 6 POSITION |
| | 080015-02-000 | EA RECEPTACLE-FLAG, .185 - 16/14 GA - AMP 3-520340-2 |
| | 112823-01-000 | EA SPLICE-REDUCER, 16-14 TO 18-22 - ETC BA-631X |

FUSES & FUSE HOUSINGS

| KEY | PART NUMBER | U/M DESCRIPTION |
|-----|---------------|---|
| | 008234-01-000 | EA FUSE - 10 AMPS, 12 VOLT |
| | 062901-02-000 | EA FUSE - 5 AMPS, AUTOMOTIVE |
| | 062901-05-000 | EA FUSE - 15 AMPS, AUTOMOTIVE |
| | 062901-06-000 | EA FUSE - 20 AMPS, AUTOMOTIVE |
| | 062901-07-000 | EA FUSE - 25 AMPS, AUTOMOTIVE |
| | 062901-08-000 | EA FUSE - 30 AMPS, AUTOMOTIVE |
| | 062037-01-000 | EA HOUSING-AUTO FUSE, NATURAL |
| | 062037-02-000 | EA HOUSING-AUTO FUSE, GREEN |
| | 062037-03-000 | EA HOUSING-AUTO FUSE, BLACK |
| | 062037-04-000 | EA HOUSING-AUTO FUSE, BLUE |
| | 062037-06-000 | EA HOUSING-AUTO FUSE, BROWN |
| | 062037-07-000 | EA HOUSING-AUTO FUSE, RED |
| | 108669-01-000 | EA HOUSING-AUTO FUSE HOLDER, PACKARD 12010105 |
| | 106655-02-000 | EA TERMINAL-FUSE BLOCK, 10-12 AWG - PACKARD 12020400 |
| | 106656-01-000 | EA FUSE BLOCK - 4 CAVITY AUTO FUSE - PACKARD 12004943 |

POWER CORDS

| KEY | PART NUMBER | U/M DESCRIPTION |
|-----|---------------|---|
| | 008052-01-000 | EA CORD-POWER, 10/3 - 30 AMP - 25' - CANADIAN |
| | 008054-02-000 | EA CORD-POWER, 10/3 - 30 AMP - 35' - US |

CONDUIT

| KEY | PART NUMBER | U/M DESCRIPTION |
|-----|---------------|--|
| | 041953-01-000 | FT CONDUIT-CONVOLUTE, SLIT - .5" ID |
| | 041953-03-000 | FT CONDUIT-CONVOLUTE, SLIT - 1" ID (CLOTHES ROD COVER) |
| | 041953-05-000 | FT CONDUIT-CONVOLUTE, SOLID - .62" ID |
| | 041953-06-000 | FT CONDUIT-CONVOLUTE, SLIT - .375" ID |
| | 041953-07-000 | FT CONDUIT-CONVOLUTE, SLIT - .25" ID |
| | 041953-08-000 | FT CONDUIT-CONVOLUTE, SLIT - 1.50" ID |
| | 041953-09-000 | FT CONDUIT-CONVOLUTE, SLIT - .50" ID |
| | 041953-12-000 | FT CONDUIT-CONVOLUTE, NON SLIT - 1.1" ID |

ELECTRICAL GROUP (CONTINUED)
TERMINALS

| KEY | PART NUMBER | U/M DESCRIPTION |
|-----|---------------|--|
| | 008326-01-000 | EA TERMINAL-RING, 16/14 WIRE - 3/8" STUD |
| | 008328-01-000 | EA TERMINAL-RING, 12/10 WIRE - #10 STUD FIT |
| | 008331-01-000 | EA TERMINAL-RING, TONGUE - #4 WIRE - 3/8" STUD - COPPER |
| | 008348-01-000 | EA TERMINAL-RING, 3/8" STUD - #2 WIRE |
| | 035416-04-000 | EA TERMINAL-RING #10 STUD FIT, INSULATED BARREL #16/14 |
| | 047443-01-000 | EA TERMINAL - .250 RECEPTACLE FIT, INSULATED - 16/14 AWG |
| | 062036-01-000 | EA TERMINAL-PACK-CON, 12/10 AWG - PACKARD 12033817 |
| | 062036-02-000 | EA TERMINAL-PACK-CON, 16/14 AWG |
| | 088267-01-000 | EA TERMINAL-FEMALE, 1/4 - PACKARD 2962573 |
| | 104100-03-000 | EA TERMINAL - 75 AMP, AMP 53880-4 LOOSE |
| | 106007-01-000 | EA TERMINAL-FEMALE, 14-16 AWG - PACKARD 12015861-L |
| | 106655-01-000 | EA TERMINAL-FUSE BLOCK, 14-16 AWG - PACKARD 12020321 |
| | 113306-01-000 | EA TERMINAL-FEMALE, METRI-PACK - PACKARD 12048451 |
| | 113307-01-000 | EA TERMINAL-FEMALE, METRI-PACK - PACKARD 12048074 |

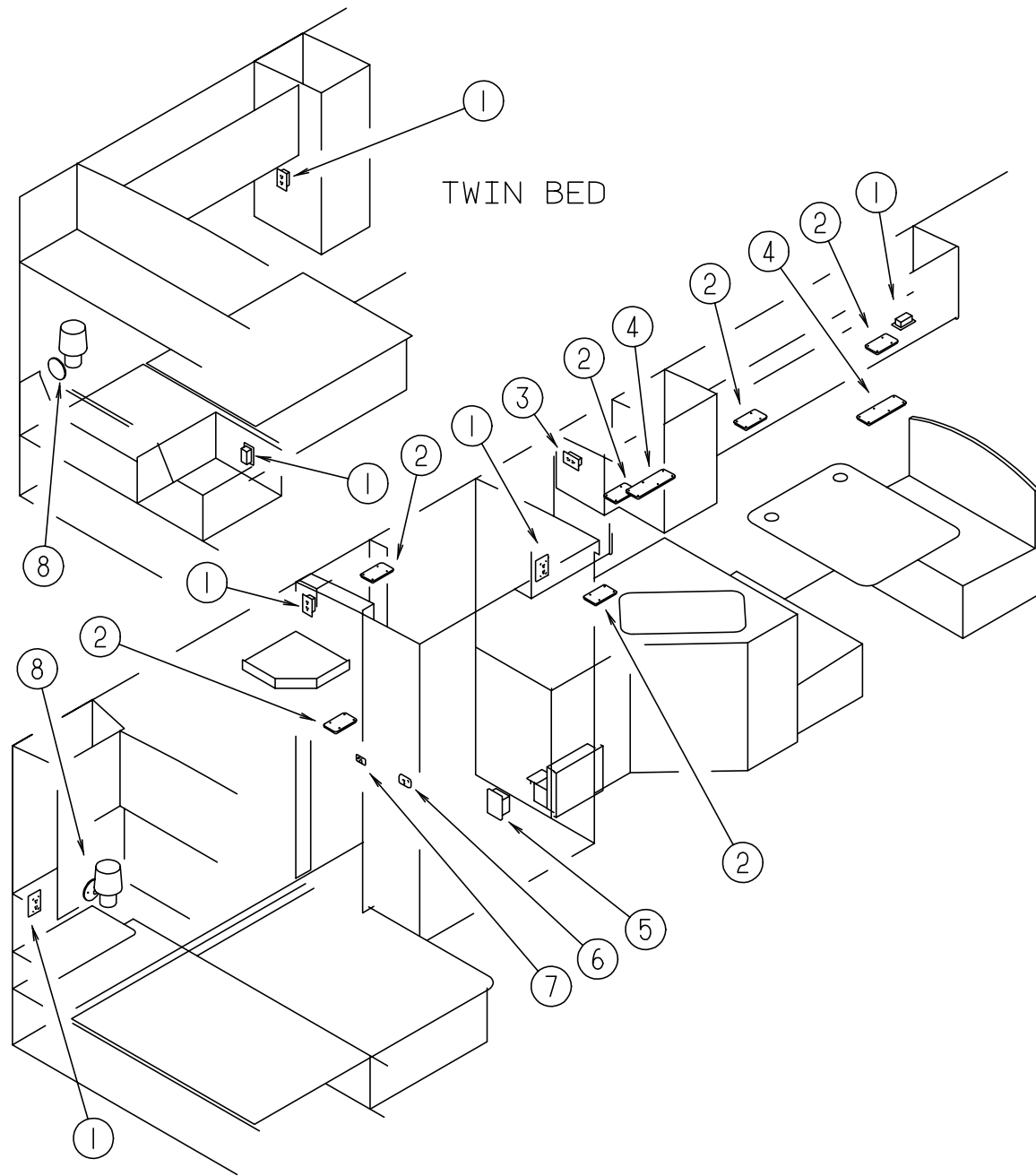
ELECTRIC BOXES & COVERS

| KEY | PART NUMBER | U/M DESCRIPTION |
|-----|---------------|---|
| | 008289-01-000 | EA BOX-ELECTRIC, STEEL - 1/2" AND 3/4" KNOCKOUTS - 4" X 4" - US |
| | 008289-02-000 | EA BOX-ELECTRIC, 4" X 4" - 1/2" & 3/4" KNOCKOUTS - CANADIAN |
| | 091910-01-000 | EA BOX-ELECTRIC, 3.75" X 3.5" X 1.75" - PLASTIC |
| | 091910-02-000 | EA BOX-ELECTRIC, 57 MM X 88 MM - PLASTIC |
| | 008294-01-000 | EA COVER-ELECTRICAL BOX, BLANK/STEEL - 4" X 4" - GRAY |
| | 008294-02-000 | EA COVER-ELECTRICAL BOX, BLANK STEEL - 4" X 4" - CANADIAN |
| | 073626-04-000 | EA COVER-ELECTRIC, 10.4" X 7.8" - BEIGE PLASTIC |
| | 069238-01-000 | EA COVER-ELECTRICAL BOX, W/HOLE - 4" X 4" - GRAY USED WITH 30 AMP RECEPTACLE |
| | 111510-01-000 | EA DOOR-ELECTRICAL BOX, FRONT |

MISCELLANEOUS ELECTRICAL COMPONENTS

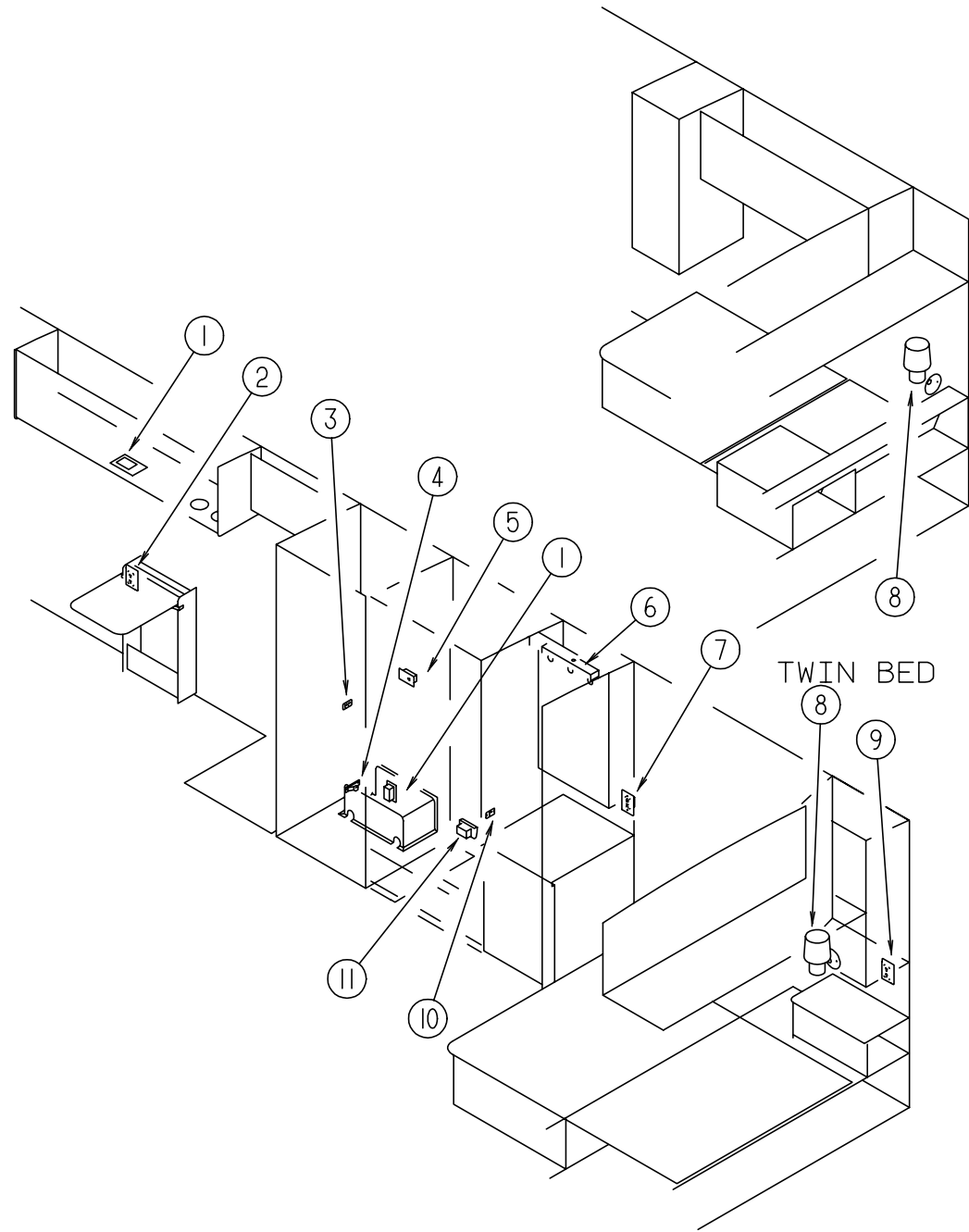
| KEY | PART NUMBER | U/M DESCRIPTION |
|-----|---------------|--|
| | 007093-01-000 | EA FLASHER-SIGNAL, STAT |
| | 007956-05-000 | EA INSULATOR-SHRINK, .25" ID X 1.50" |
| | 008188-01-000 | EA SOLENOID - 3 POST, BATTERY CHANGE OVER |
| | 063910-01-000 | EA HOUSING-RELAY, BOSCH 3 334 485 008 |
| | 063912-02-000 | EA RELAY-CANISTER, SPDT - BOSCH 0332204101 |
| | 086233-01-000 | EA STUD-ISOLATED, 3/8" X 7/8" LONG |
| | 086273-01-000 | EA RELAY-BATTERY DISCONNECT |
| | 103987-02-000 | EA SEAL-SOLENOID ACCESS |
| | 087225-01-000 | FT SLEEVING - 1/2", TYPE H - VARFLEX |
| | 073328-B4-000 | EA CABLE ASSEMBLY-BATTERY, W/TERMINALS |
| | 077479-01-000 | EA BOOT-BATTERY TERMINAL, DOUBLE CABLE |
| | 077479-02-000 | EA BOOT-BATTERY TERMINAL, SINGLE CABLE |

ELECTRICAL GROUP (CONTINUED)
LIGHTS, RECEPTACLES & SWITCHES - DRIVER SIDE



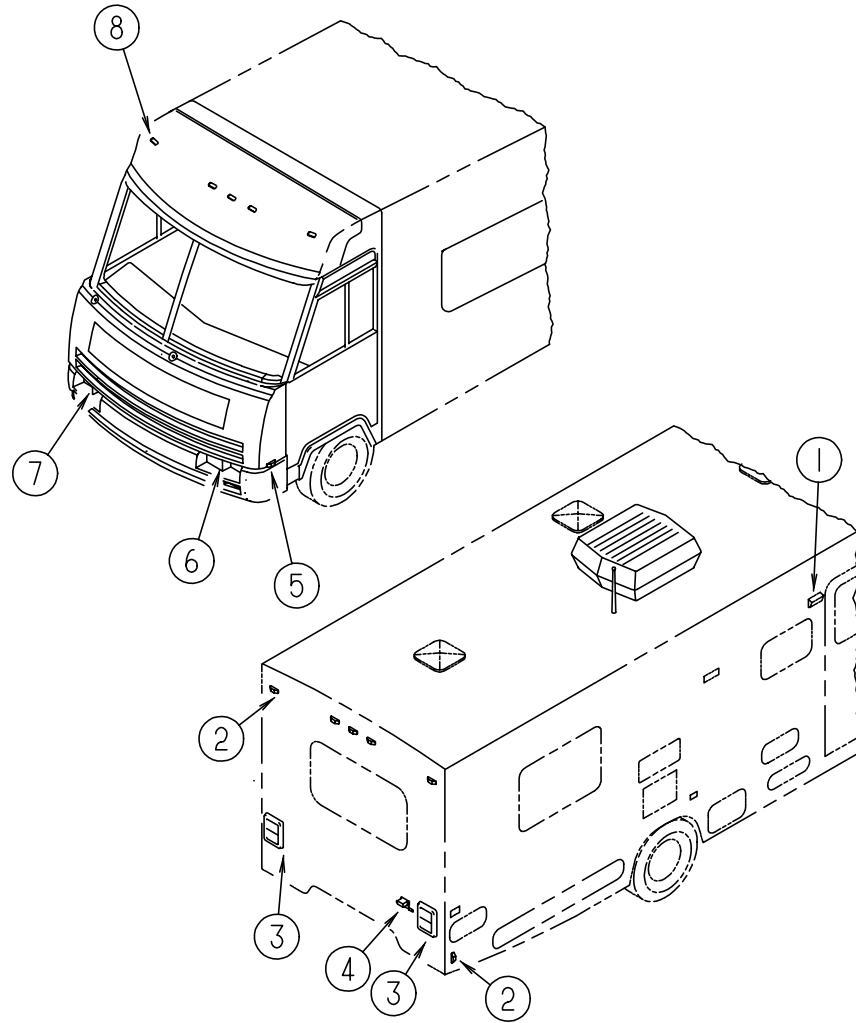
| KEY | PART NUMBER | U/M | DESCRIPTION |
|-----|---------------|-----|---|
| 1 | 058708-01-000 | EA | RECEPTACLE-ELECTRIC, DOUBLE - BROWN |
| 1 | 058708-02-000 | EA | RECEPTACLE-ELECTRIC, DOUBLE - IVORY |
| 2 | 098024-01-01A | EA | LIGHT-DOME, 1 BULB - US - IVORY |
| 2 | 008218-01-000 | EA | BULB-DOME LIGHT, 12V - NUMBER 1141 |
| 2 | 098024-01-700 | EA | LENS-DOME LIGHT |
| 3 | 058708-05-000 | EA | RECEPTACLE-SINGLE, BROWN - WIRECON WDR15BRS |
| 4 | 098024-03-01A | EA | LIGHT-DOME, 2 BULB - IVORY |
| 4 | 008218-01-000 | EA | BULB-DOME LIGHT, 12V - NUMBER 1141 |
| 4 | 098024-01-700 | EA | LENS-DOME LIGHT |
| 5 | 024924-02-000 | EA | RECEPTACLE-POWER CORD, W/PARTIAL PLATE |
| 6 | 098351-01-01A | EA | PLATE-SWITCH, 1 GANG - POLISHED BRASS - JENSEN |
| 6 | 095188-01-01A | EA | SPACER-SWITCH, 2.3" X 3.4" - PLASTIC - DARK BROWN |
| 6 | 079364-01-000 | EA | SWITCH-ON/OFF ROCKER, 2 PRONGS - BROWN |
| 7 | 098351-02-01A | EA | PLATE-SWITCH, 2 GANG - POLISHED BRASS - JENSEN |
| 7 | 079364-03-000 | EA | SWITCH-ON/OFF ROCKER, 3 PRONGS - BROWN |
| 7 | 079364-01-000 | EA | SWITCH-ON/OFF ROCKER, 2 PRONGS - BROWN |
| 8 | 065202-22-000 | EA | LAMP-WALL W/O SHADE, BRASS - US & CANADIAN (G29/G30/G31) |
| 8 | 065201-09-000 | EA | SHADE-LAMP, FABRIC - PARCHMENT (G29/G30/G31) |
| 8 | 067479-01-000 | EA | BULB - 12V, NUMBER 1076 |
| 8 | 065202-24-000 | EA | LAMP-WALL W/O SHADE, BRASS - US & CANADIAN (G32) |
| 8 | 065201-09-000 | EA | SHADE-LAMP, FABRIC - WHITE SWIRL (G32) |
| | 086280-01-000 | EA | LIGHT-SURFACE MOUNT, 12V - JENSEN 1236 |
| | 086280-01-700 | EA | BULB - 12 VOLT, 6 WATT |
| | 058707-02-000 | EA | RECEPTACLE-BLANK, JUNCTION - WIRECON WDJ20BR |
| | 112824-01-03A | EA | COVER-EXTERIOR RECEPTACLE, WHITE - P&S 3780-SC-WH |
| | 097734-01-02A | EA | EXTENSION-RECEPTACLE, 3.2" X 5" X .7" - PLASTIC - BROWN |
| | 087695-01-000 | EA | SWITCH-HEATER, EXTERIOR MIRROR - EURAMTEC |
| | | | FROM: 00-00-00 THRU: 09-10-95 |
| | 087695-02-000 | EA | SWITCH-HEATER, EXTERIOR MIRROR - EURAMTEC DAV4720-12 |
| | | | FROM: 09-11-95 THRU: 99-99-99 |
| | 088246-01-000 | EA | SWITCH-REMOTE, EXTERIOR MIRROR - SQUARE PUSH - VELVAC 7471290 |
| | 098351-05-01A | EA | PLATE-SWITCH, 3 GANG W/LABEL - POLISHED BRASS - JENSEN |
| | 098351-06-01A | EA | PLATE-SWITCH, 2 GANG W/LABEL - POLISHED BRASS - JENSEN |
| | 095188-02-01A | EA | SPACER-SWITCH, 2.3" X 4.1" - PLASTIC - DARK BROWN |
| | 073626-04-000 | EA | COVER-ELECTRIC, 10.4" X 7.8" - BEIGE PLASTIC |
| | 108355-01-000 | EA | HOUSING-SWITCH, CARLING VCH |

ELECTRICAL GROUP (CONTINUED)
LIGHTS, RECEPTACLES & SWITCHES - PASSENGER SIDE



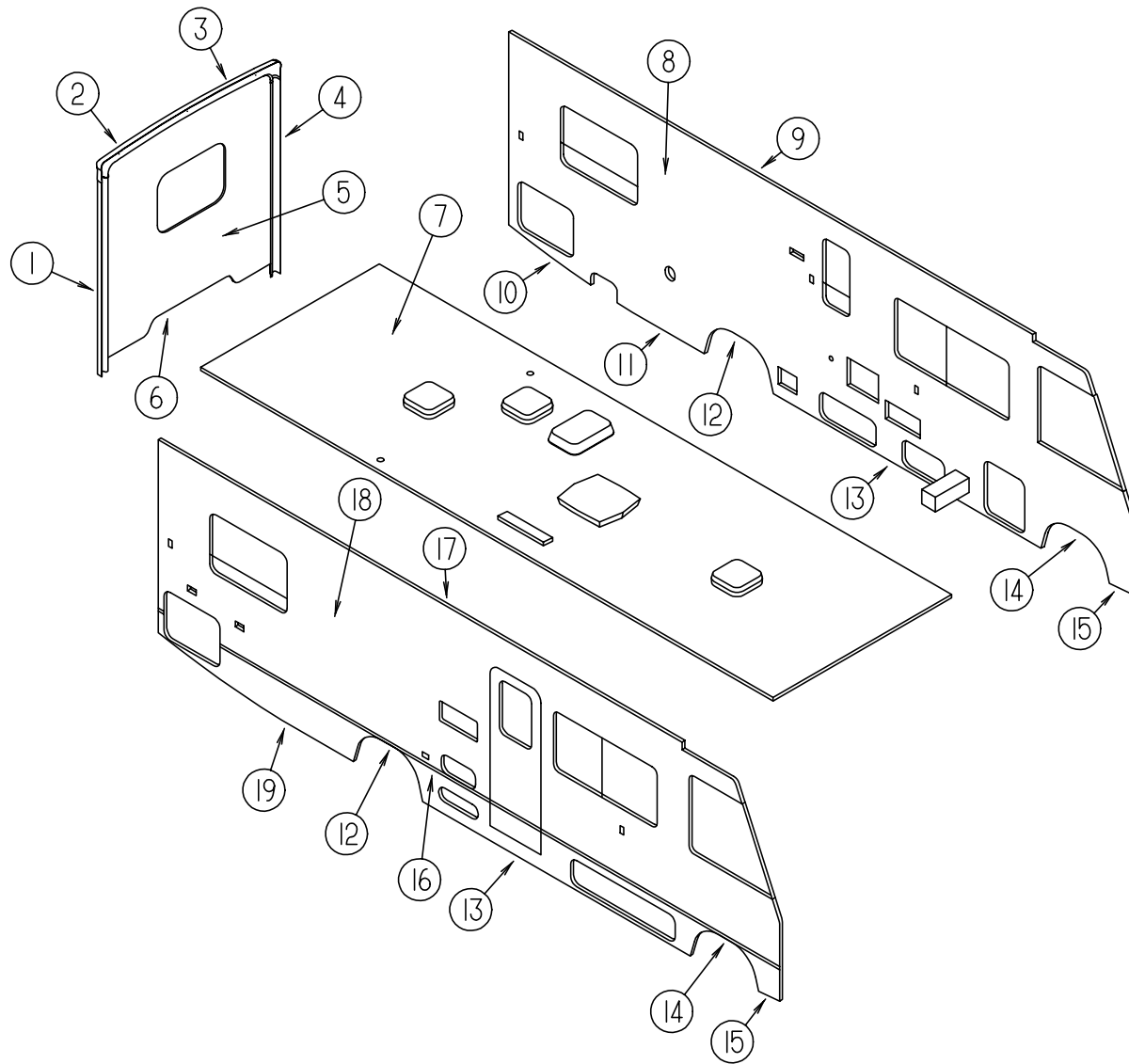
| KEY | PART NUMBER | U/M | DESCRIPTION |
|-----|---------------|-----|---|
| 1 | 098024-01-01A | EA | LIGHT-DOME, 1 BULB - US - IVORY |
| 1 | 008218-01-000 | EA | BULB-DOME LIGHT, 12V - NUMBER 1141 |
| 1 | 098024-01-700 | EA | LENS-DOME LIGHT |
| 2 | 058708-01-000 | EA | RECEPTACLE-ELECTRIC, DOUBLE - BROWN |
| 2 | 058708-02-000 | EA | RECEPTACLE-ELECTRIC, DOUBLE - IVORY |
| 3 | 098351-02-01A | EA | PLATE-SWITCH, 2 GANG - POLISHED BRASS - JENSEN |
| 3 | 079364-01-000 | EA | SWITCH-ON/OFF ROCKER, 2 PRONGS - BROWN |
| 4 | 061424-01-000 | EA | LIGHT-AISLE, 12V - RECTANGULAR |
| 4 | 008103-01-000 | EA | BULB-DASH/AISLE LIGHT, #53 - 12 V - .12 AMP |
| 5 | 058707-01-000 | EA | RECEPTACLE-ELECTRIC, SINGLE - BROWN |
| 6 | 110235-01-01A | EA | LIGHT-MAKE UP, BRASS - 3 BULB PANLESS - PD PD200-621 |
| 6 | 081633-01-700 | EA | BULB-MAKE UP LIGHT, JENSEN |
| 7 | 084076-01-000 | EA | RECEPTACLE-GFI, 15A - 125V - IVORY |
| 7 | 084076-02-000 | EA | RECEPTACLE-GFI, 15A - 125V - BROWN |
| 8 | 065202-22-000 | EA | LAMP-WALL W/O SHADE, BRASS - US & CANADIAN (G29/G30/G31) |
| 8 | 065201-09-000 | EA | SHADE-LAMP, FABRIC - PARCHMENT (G29/G30/G31) |
| 8 | 067479-01-000 | EA | BULB - 12V, NUMBER 1076 |
| 8 | 065202-24-000 | EA | LAMP-WALL W/O SHADE, BRASS - US & CANADIAN (G32) |
| 8 | 065201-09-000 | EA | SHADE-LAMP, FABRIC - WHITE SWIRL (G32) |
| 9 | 102568-01-GB1 | EA | SPACER-RECEPTACLE, BETWEEN SIDEWALL & PLATE - WOOD |
| 9 | 058708-01-000 | EA | RECEPTACLE-ELECTRIC, DOUBLE - BROWN |
| 9 | 058708-02-000 | EA | RECEPTACLE-ELECTRIC, DOUBLE - IVORY |
| 10 | 098351-01-01A | EA | PLATE-SWITCH, 1 GANG - POLISHED BRASS - JENSEN |
| 10 | 095188-01-01A | EA | SPACER-SWITCH, 2.3" X 3.4" - PLASTIC - DARK BROWN |
| 10 | 079364-01-000 | EA | SWITCH-ON/OFF ROCKER, 2 PRONGS - BROWN |
| 11 | 112822-01-01A | EA | RECEPTACLE-EXTERIOR, DUPLEX - IVORY - WIRECON WDRU151V |
| | 112824-01-02A | EA | COVER-EXTERIOR RECEPTACLE, OFF WHITE - P&S 3780-SC-CW |
| | 086280-01-000 | EA | LIGHT-SURFACE MOUNT, 12V - JENSEN 1236 |
| | 086280-01-700 | EA | BULB - 12 VOLT, 6 WATT |
| | 058707-02-000 | EA | RECEPTACLE-BLANK, JUNCTION - WIRECON WDJ20BR |
| | 112824-01-02A | EA | COVER-EXTERIOR RECEPTACLE, OFF WHITE - P&S 3780-SC-CW |
| | 097734-01-02A | EA | EXTENSION-RECEPTACLE, 3.2" X 5" X .7" - PLASTIC - BROWN |
| | 087695-01-000 | EA | SWITCH-HEATER, EXTERIOR MIRROR - EURAMTEC |
| | | | FROM: 00-00-00 THRU: 09-10-95 |
| | 087695-02-000 | EA | SWITCH-HEATER, EXTERIOR MIRROR - EURAMTEC DAV4720-12 |
| | | | FROM: 09-11-95 THRU: 99-99-99 |
| | 088246-01-000 | EA | SWITCH-REMOTE, EXTERIOR MIRROR - SQUARE PUSH - VELVAC 7471290 |
| | 098351-05-01A | EA | PLATE-SWITCH, 3 GANG W/LABEL - POLISHED BRASS - JENSEN |
| | 098351-06-01A | EA | PLATE-SWITCH, 2 GANG W/LABEL - POLISHED BRASS - JENSEN |
| | 095188-02-01A | EA | SPACER-SWITCH, 2.3" X 4.1" - PLASTIC - DARK BROWN |
| | 073626-04-000 | EA | COVER-ELECTRIC, 10.4" X 7.8" - BEIGE PLASTIC |
| | 108355-01-000 | EA | HOUSING-SWITCH, CARLING VCH |

ELECTRICAL GROUP (CONTINUED)
EXTERIOR LIGHTS



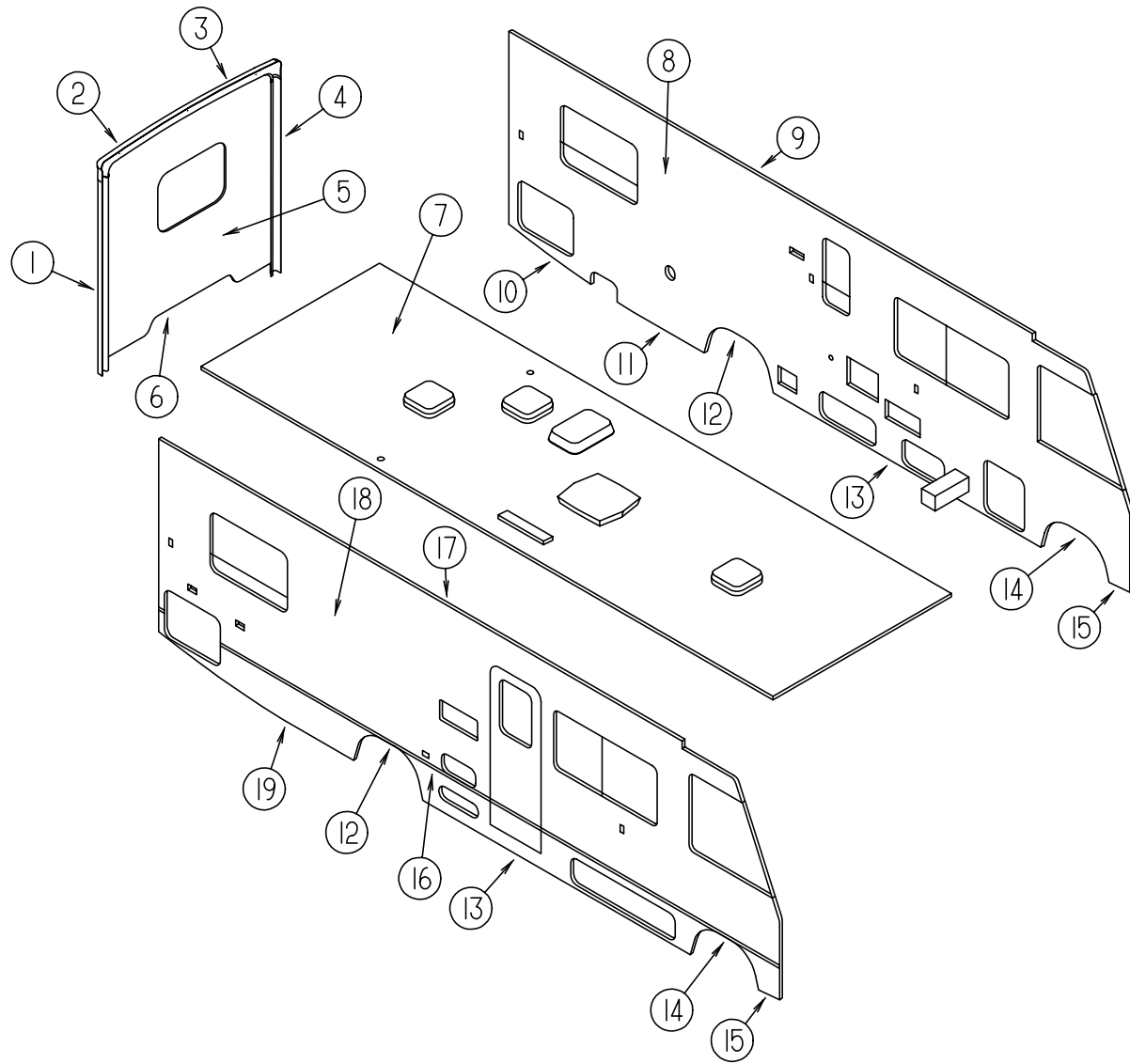
| KEY | PART NUMBER | U/M | DESCRIPTION | VENDOR NO. |
|-----|---------------|-----|---|------------|
| 1 | 097917-01-06A | EA | LIGHT-PORCH, ENTRY DOOR - BRIGHT WHITE | |
| | 008215-01-000 | EA | BULB - 12V, #1003 - .94 AMP | |
| | 097917-01-700 | EA | LENS-LIGHT, PORCH | |
| 2 | 111102-01-000 | EA | LAMP-MARKER, BASE - TRIPLEX 117XAS | |
| 2 | 111102-03-000 | EA | LENS-MARKER LAMP, RED - TRIPLEX 117R | |
| | 036196-01-000 | EA | BULB - 12V, #194 - .27 AMP - BAYONETTE | |
| 3 | 081638-01-000 | EA | TAILLIGHT-DOUBLE, W/BLACK TRIM - DRIVER OR PASSENGER SIDE | |
| | 037934-01-000 | EA | BULB - 12V, #1156 - 2.1 AMP - CLEAR GLASS | |
| | 037935-01-000 | EA | BULB - 12V, #1157 OR #2057 - 2.1 AMP - CLEAR GLASS | |
| | 081638-01-700 | EA | LENS-TAILLIGHT, RED - BARGMAN | 30-84-010 |
| | 081638-01-701 | EA | LENS-TAILLIGHT, W/BACKUP - BARGMAN | 30-84-700 |
| | 103355-01-05A | EA | POD-TAILLIGHT, BRIGHT WHITE | |
| 4 | 066432-02-000 | EA | LIGHT-LICENSE, BLACK | |
| | 066432-03-000 | EA | BRACKET-LICENSE PLATE - BARGMAN 30-60-030 | |
| 5 | 111102-01-000 | EA | LAMP-MARKER, BASE - TRIPLEX 117XAS | |
| 5 | 111102-02-000 | EA | LENS-MARKER LAMP, AMBER - TRIPLEX 118A | |
| | 036196-01-000 | EA | BULB - 12V, #194 - .27 AMP - BAYONETTE | |
| 6 | 049186-04-000 | EA | HEADLAMP ASM-DRIVER, HIGH/LOW BEAM - HALOGEN - KD 92749-201 | |
| | 049188-04-000 | EA | HEADLAMP ASM-DRIVER, HIGH BEAM - HALOGEN - KD 92750-201 | |
| 7 | 049185-04-000 | EA | HEADLAMP ASM-PASS, HIGH/LOW BEAM - HALOGEN - KD 92751-201 | |
| | 049187-04-000 | EA | HEADLAMP ASM-PASS, HIGH BEAM - HALOGEN - KD92748-201 | |
| | 049359-01-000 | EA | SPRING-RETAINER, HEADLAMP - GM 496096 | |
| 8 | 102520-01-000 | EA | LIGHT-CLEARANCE, W/O SOCKET CONNECTIONS - AMBER | |
| | 036196-01-000 | EA | BULB - 12V, #194 - .27 AMP - BAYONETTE | |
| | 102540-01-000 | EA | SEAL-SCREW, ROUND - RUBBER | |
| | 102541-01-000 | EA | GASKET-CLEARANCE LIGHT | |
| | 112823-01-000 | EA | SPLICE-REDUCER, 16-14 TO 18-22 - ETC BA-631X | |
| | 067789-02-000 | EA | SOCKET-LAMP | |

EXTERIOR BODY GROUP
EXTERIOR BODY PANELS AND TRIM



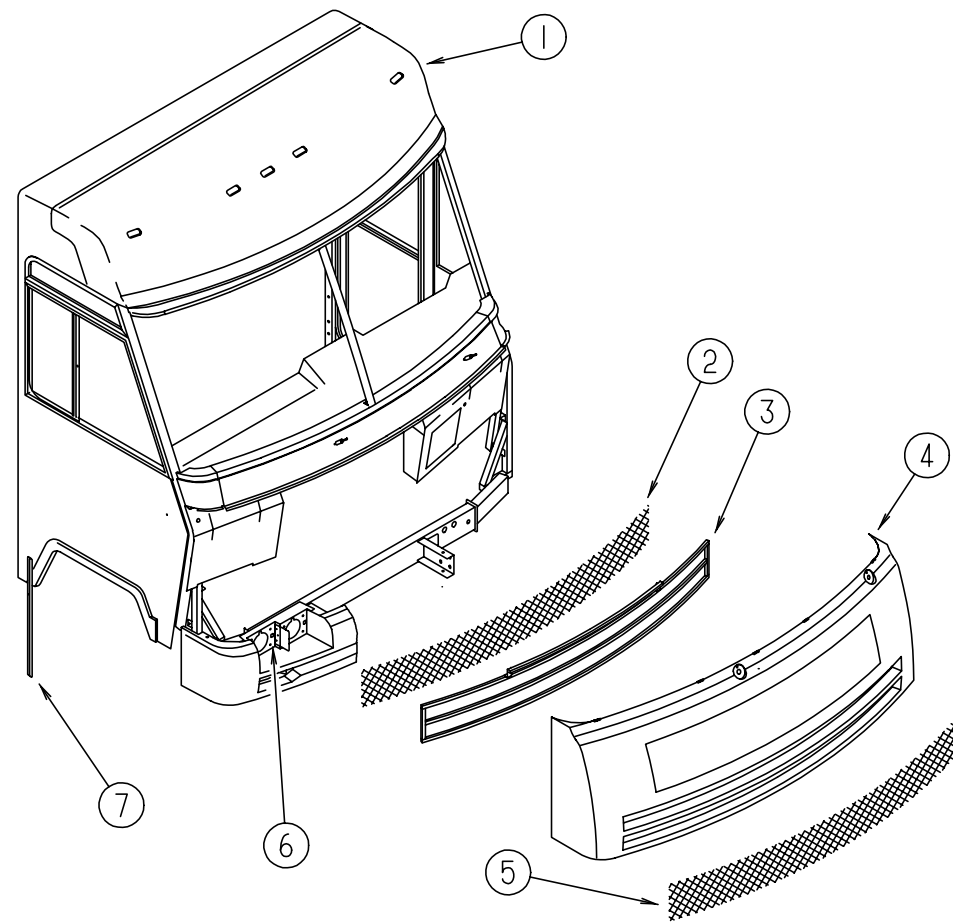
| KEY | PART NUMBER | U/M | DESCRIPTION |
|-----|---------------|-----|---|
| 1 | 114874-05-12B | EA | TRIM-BACKWALL SIDE, RIGHT - BRIGHT WHITE - STEEL |
| 1 | 104033-11-02A | EA | TRIM-J, BACKWALL - RIGHT - BRIGHT WHITE - ALUMINUM |
| 2 | 114872-01-01A | EA | TRIM-BACKWALL, TOP W/O CLEARANCE LIGHTS - RIGHT - OFF WHITE PLASTIC |
| 3 | 114873-03-01A | EA | TRIM-BACKWALL, TOP W/O CLEARANCE LIGHTS - LEFT - OFF WHITE PLASTIC |
| 4 | 114874-06-12B | EA | TRIM-BACKWALL SIDE, LEFT - BRIGHT WHITE - STEEL |
| 4 | 104033-12-02A | EA | TRIM-J, BACKWALL - LEFT - BRIGHT WHITE - ALUMINUM |
| 5 | M07419-07-G29 | EA | BACKWALL-W/O WINDOW, LIGHTS, OR DECALS - QUEEN BED - CHEVY (G29) |
| 5 | M07419-07-G30 | EA | BACKWALL-W/O WINDOW, LIGHTS, OR DECALS - QUEEN BED - CHEVY (G30) |
| 5 | M07419-07-G31 | EA | BACKWALL-W/O WINDOW, LIGHTS, OR DECALS - QUEEN BED - CHEVY (G31/G32) |
| 5 | M07419-08-G29 | EA | BACKWALL-W/O WINDOW, LIGHTS, OR DECALS - TWIN BEDS OPTION - CHEVY (G29) |
| 5 | M07419-08-G30 | EA | BACKWALL-W/O WINDOW, LIGHTS, OR DECALS - TWIN BEDS OPTION - CHEVY (G30) |
| 5 | M07419-08-G31 | EA | BACKWALL-W/O WINDOW, LIGHTS, OR DECALS - TWIN BEDS OPTION - CHEVY (G31/G32) |
| 5 | M07419-09-G29 | EA | BACKWALL-W/O WINDOW, LIGHTS, OR DECALS - QUEEN BED - FORD (G29) |
| 5 | M07419-09-G30 | EA | BACKWALL-W/O WINDOW, LIGHTS, OR DECALS - QUEEN BED - FORD (G30) |
| 5 | M07419-09-G31 | EA | BACKWALL-W/O WINDOW, LIGHTS, OR DECALS - QUEEN BED - FORD (G31/G32) |
| 5 | M07419-10-G29 | EA | BACKWALL-W/O WINDOW, LIGHTS, OR DECALS - TWIN BEDS OPTION - FORD (G29) |
| 5 | M07419-10-G30 | EA | BACKWALL-W/O WINDOW, LIGHTS, OR DECALS - TWIN BEDS OPTION - FORD (G30) |
| 5 | M07419-10-G31 | EA | BACKWALL-W/O WINDOW, LIGHTS, OR DECALS - TWIN BEDS OPTION - FORD (G31/G32) |
| 6 | 050406-24-000 | EA | TRIM-BACKWALL, LOWER - DRIVER OR PASS SIDE - BRIGHT WHITE - ALUMINUM |
| 7 | M05702-18-G29 | EA | ROOF-W/O VENTS - QUEEN BED |
| 7 | M05702-19-G29 | EA | ROOF-W/O VENTS - TWIN BEDS OPTION |
| 8 | M05705-49-G29 | EA | SIDEWALL ASM-DRIVER SIDE, W/O DOORS OR WINDOWS - QUEEN BED (G29) |
| 8 | M05705-49-G30 | EA | SIDEWALL ASM-DRIVER SIDE, W/O DOORS OR WINDOWS - QUEEN BED (G30) |
| 8 | M05705-49-G31 | EA | SIDEWALL ASM-DRIVER SIDE, W/O DOORS OR WINDOWS - QUEEN BED (G31/G32) |
| 8 | M05705-46-G29 | EA | SIDEWALL ASM-DRIVER SIDE, W/O DOORS OR WINDOWS - TWIN BEDS OPTION (G29) |
| 8 | M05705-46-G30 | EA | SIDEWALL ASM-DRIVER SIDE, W/O DOORS OR WINDOWS - TWIN BEDS OPTION (G30) |
| 8 | M05705-46-G31 | EA | SIDEWALL ASM-DRIVER SIDE, W/O DOORS OR WINDOWS - TWIN BEDS OPTION (G31/G32) |
| 8 | M05705-52-G29 | EA | SIDEWALL ASM-DRIVER SIDE, W/O DOORS OR WINDOWS - QUEEN BED (G29) DRIVER DOOR |
| 8 | M05705-52-G30 | EA | SIDEWALL ASM-DRIVER SIDE, W/O DOORS OR WINDOWS - QUEEN BED (G30) DRIVER DOOR |
| 8 | M05705-52-G31 | EA | SIDEWALL ASM-DRIVER SIDE, W/O DOORS OR WINDOWS - QUEEN BED (G31/G32) DRIVER DOOR |
| 8 | M05705-48-G29 | EA | SIDEWALL ASM-DRIVER SIDE, W/O DOORS OR WINDOWS (G29) TWIN BEDS OPTION & DRIVER DOOR |
| 8 | M05705-48-G30 | EA | SIDEWALL ASM-DRIVER SIDE, W/O DOORS OR WINDOWS (G30) TWIN BEDS OPTION & DRIVER DOOR |
| 8 | M05705-48-G31 | EA | SIDEWALL ASM-DRIVER SIDE, W/O DOORS OR WINDOWS (G31/G32) TWIN BEDS OPTION & DRIVER DOOR |

EXTERIOR BODY GROUP (CONTINUED)
EXTERIOR BODY PANELS AND TRIM (CONTINUED)



| KEY | PART NUMBER | U/M | DESCRIPTION |
|-----|---------------|-----|---|
| 9 | 103801-02-05A | EA | TRIM-ROOF, 16' LONG - W/O DRILLED HOLES - DRIVER SIDE - BRIGHT WHITE FROM: 00-00-00 THRU: 09-23-95 |
| 9 | 120091-01-02A | EA | TRIM-ROOF, 16' LONG - W/O DRILLED HOLES - DRIVER SIDE - BRIGHT WHITE FROM: 09-24-95 THRU: 99-99-99 |
| 10 | 111108-07-02A | EA | TRIM-SIDEWALL, BOTTOM - DRIVER SIDE - BRIGHT WHITE |
| 11 | 108038-37-02A | EA | TRIM-SIDEWALL, BOTTOM - DRIVER SIDE - BRIGHT WHITE |
| 12 | 108070-01-04A | EA | TRIM-WHEELWELL, REAR - DRIVER OR PASSENGER SIDE - BRIGHT WHITE |
| 13 | 108039-05-03A | EA | TRIM-SIDEWALL, BOTTOM - CENTER - DRIVER OR PASS SIDE - BRIGHT WHITE |
| 14 | 108069-04-03A | EA | TRIM-WHEELWELL, FRONT - DRIVER OR PASSENGER SIDE - BRIGHT WHITE |
| 15 | 108109-02-02A | EA | TRIM-SIDEWALL, BOTTOM - FRONT - DRIVER OR PASS SIDE - BRIGHT WHITE |
| | 116800-55-005 | EA | U-CHANNEL-EXTRUDED, 1.7" X 16' - BRIGHT WHITE |
| 16 | 108688-01-03A | EA | STRIP-FEATURE, W/O INSERT OR END CAPS - 15' LONG - BRIGHT WHITE |
| | 108651-01-01A | EA | END CAP-FEATURE STRIP |
| | 105312-01-07A | FT | INSERT-FEATURE STRIP |
| 17 | 103802-02-05A | EA | RAIL-AWNING, 16' LONG - W/O DRILLED HOLES - PASS SIDE - BRIGHT WHITE FROM: 00-00-00 THRU: 09-23-95 |
| 17 | 120092-01-02A | EA | RAIL-AWNING, 16' LONG - W/O DRILLED HOLES - PASS SIDE - BRIGHT WHITE FROM: 09-24-95 THRU: 99-99-99 |
| 18 | M05704-49-G29 | EA | SIDEWALL ASM-PASSENGER SIDE, W/O DOORS OR WINDOWS - QUEEN BED (G29) |
| 18 | M05704-49-G30 | EA | SIDEWALL ASM-PASSENGER SIDE, W/O DOORS OR WINDOWS - QUEEN BED (G30) |
| 18 | M05704-49-G31 | EA | SIDEWALL ASM-PASSENGER SIDE, W/O DOORS OR WINDOWS - QUEEN BED (G31/G32) |
| 18 | M05704-46-G29 | EA | SIDEWALL ASM-PASSENGER SIDE, W/O DOORS OR WINDOWS - TWIN BEDS (G29) |
| 18 | M05704-46-G30 | EA | SIDEWALL ASM-PASSENGER SIDE, W/O DOORS OR WINDOWS - TWIN BEDS (G30) |
| 18 | M05704-46-G31 | EA | SIDEWALL ASM-PASSENGER SIDE, W/O DOORS OR WINDOWS - TWIN BEDS (G31/G32) |
| 19 | 108038-36-02A | EA | TRIM-SIDEWALL, BOTTOM - PASSENGER SIDE - BRIGHT WHITE |
| | 084852-51-003 | EA | ANGLE-EXTRUDED, 1.25" X .75" X 4600 MM - MILL ALUMINUM |
| | 055278-51-259 | EA | TUBING-STEEL, .75" X 1.5" X 12.5' LONG |
| | 002726-01-001 | EA | GARNISH-U-CHANNEL, 1.38" X 19' - SERRATED - MILL ALUMINUM |
| | 069726-02-000 | EA | BUMPER - .88" DIAMETER X .40", BLACK |

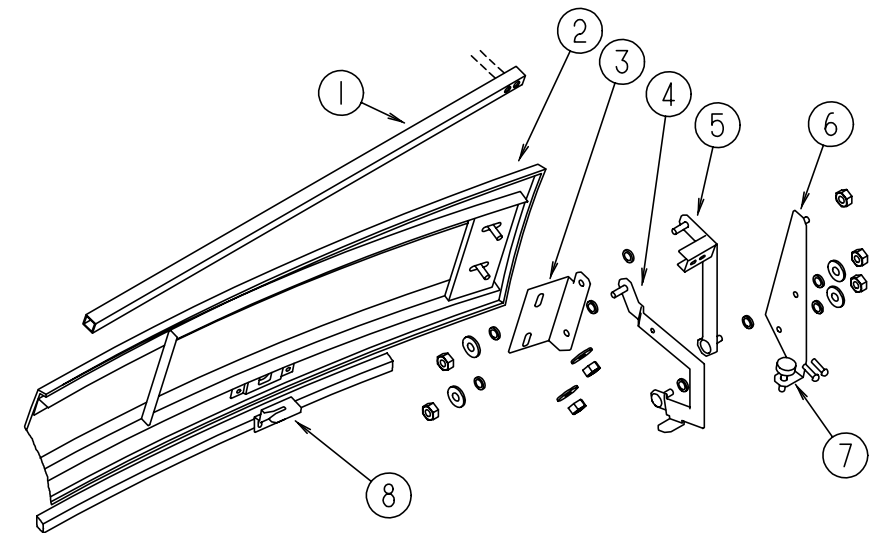
EXTERIOR BODY GROUP (CONTINUED)



ROOF CAP AND FRONT END COMPONENTS

| KEY | PART NUMBER | U/M | DESCRIPTION |
|-----|---------------|-----|--|
| 1 | 115042-01-02A | EA | PANEL-ROOF CAP, BRIGHT WHITE |
| | 070579-06-000 | EA | PLATE-ANCHOR, W/7/16 WELD NUT - 1.5" X 3.3" |
| | 077001-01-000 | EA | ANGLE-MOUNTING, ROOF PANEL - V ANGLE - 3" X 2.4" X 1.5" |
| 2 | 115924-03-01A | EA | GRILLE-WOVEN WIRE |
| 3 | 118182-01-G09 | EA | GRILLE ASM-MESH |
| 4 | M07546-01-G29 | EA | FRONT END ASM-W/O GRILLES, HOOD OR HOOD HINGES - BRIGHT WHITE |
| 5 | 115924-04-01A | EA | GRILLE-WOVEN WIRE |
| 6 | 118191-01-01A | EA | BEZEL-HEADLIGHT, PASSENGER SIDE - BLACK |
| | 118191-02-01A | EA | BEZEL-HEADLIGHT, DRIVER SIDE - BLACK |
| 7 | 089922-27-000 | EA | TRIM-FRONT END/SIDEWALL, DRIVER OR PASSENGER SIDE - BRIGHT WHITE |
| | 099418-01-000 | FT | D-SECTION SEAL W/ADHESIVE BACK - .44" X .44" - BLACK RUBBER |
| | 110691-01-01A | EA | BRACKET-SPRING, HEADLAMP - DRIVER OR PASSENGER SIDE - UNPAINTED |
| | 119445-01-02B | EA | PLATE-W/HOLES, 38 MM X 26 MM - STAINLESS STEEL - BLACK |

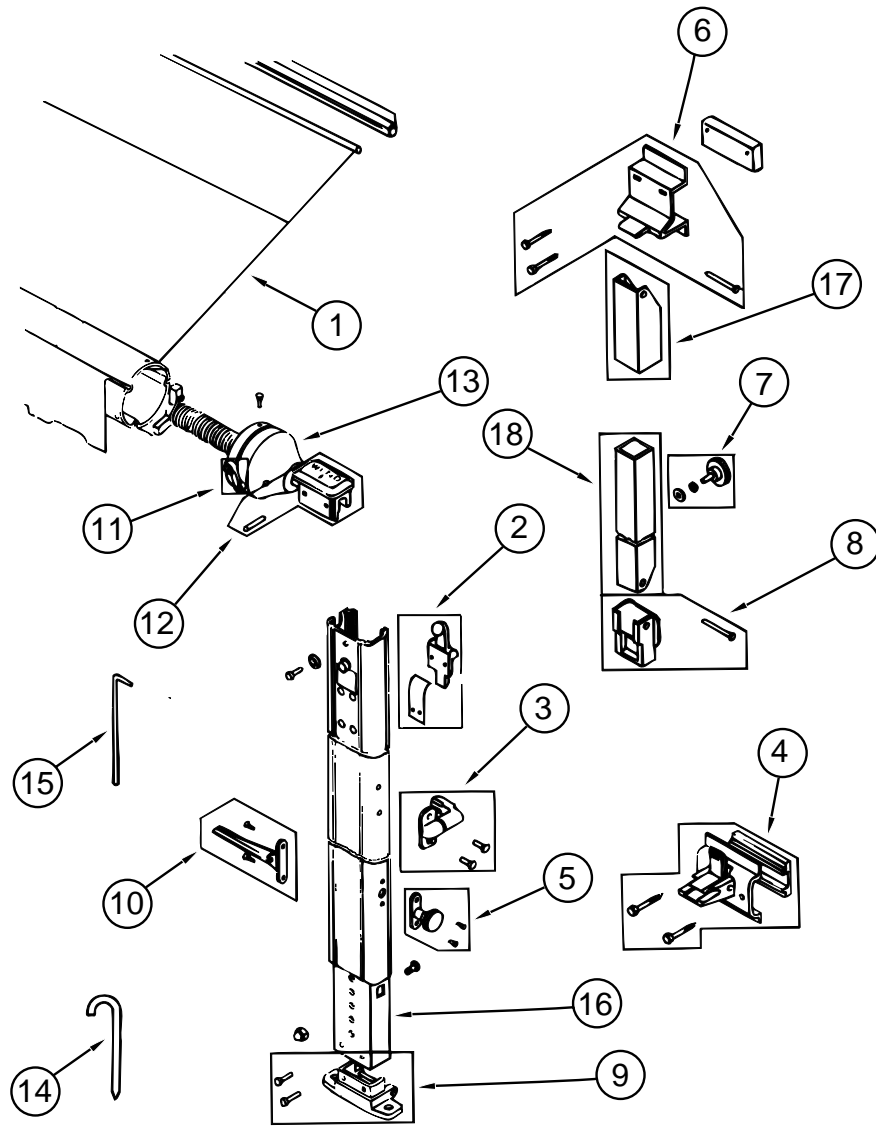
EXTERIOR BODY GROUP (CONTINUED)



HOOD AND FRONT END COMPONENTS

| KEY | PART NUMBER | U/M | DESCRIPTION |
|-----|---------------|-----|---|
| 1 | 105096-10-000 | EA | TUBE-TIMING, HOOD HINGE |
| 2 | 115976-02-G29 | EA | PANEL ASM-HOOD, BRIGHT WHITE |
| 3 | 109927-03-000 | EA | ANGLE-LINK, HOOD - RH |
| 3 | 109927-04-000 | EA | ANGLE LINK, HOOD - LH |
| 4 | 109930-07-000 | EA | LINK ASM-HINGE, HOOD - LOWER - RH |
| 4 | 109930-08-000 | EA | LINK ASM-HINGE, HOOD - LOWER - LH |
| 5 | 109929-03-000 | EA | LINK ASM-HINGE, HOOD - UPPER - RH |
| 5 | 109929-04-000 | EA | LINK ASM-HINGE, HOOD - UPPER - LH |
| 6 | 109926-07-000 | EA | BRACKET ASM-LINK, HINGE, HOOD - RH |
| 6 | 109926-08-000 | EA | BRACKET ASM-LINK, HINGE, HOOD - LH |
| 7 | 058786-01-000 | EA | BOLT-ADJUSTING, HOOD - W/BLACK PAD - .31" #18 X 2" |
| 8 | 106748-02-000 | EA | LATCH-HOOD, FRONT END |
| | 102330-02-000 | EA | LOCK-SINGLE HOLE, VISE ACTION - SOUTHCOE 3-56-715-5 |
| | 102328-01-000 | EA | KEY-BARREL, NICKEL PLATED - SOUTHCOE 3-26-715-19 |

EXTERIOR BODY GROUP (CONTINUED)
FAULKNER AWNING & HARDWARE



| KEY | PART NUMBER | U/M | DESCRIPTION |
|-----|---------------|-----|-----------------------------------|
| 1 | 110634-04-19A | EA | AWNING-ROLLER ASSEMBLY, 16' |
| | 110634-02-04A | EA | HARDWARE KIT-AWNING, BRIGHT WHITE |
| 2 | 110634-01-700 | EA | RAFTER LOCKING MECHANISM KIT |
| 3 | 110634-01-701 | EA | SAFETY & LATCH KIT |
| 4 | 110634-01-702 | EA | BOTTOM BRACKET KIT |
| 5 | 110634-01-703 | EA | HEIGHT LOCK HANDLE KIT |
| 6 | 110634-01-704 | EA | UPPER BRACKET KIT W/BOLTS |
| 7 | 110634-01-705 | EA | ULTRA RAFTER KNOB KIT |
| 8 | 110634-01-706 | EA | RAFTER SLIDE KIT |
| 9 | 110634-01-707 | EA | GROUND BRACKET KIT |
| 10 | 110634-01-708 | EA | LIFT HANDLES W/RIVETS |
| 11 | 110634-01-709 | EA | RATCHET HANDLE KIT |
| 12 | 110634-01-710 | EA | ARM CAP KIT |
| 13 | 110634-01-711 | EA | FRONT SPRING ASM |
| 13 | 110634-01-712 | EA | REAR SPRING ASM |
| 13 | 110634-01-713 | EA | REAR END CAP KIT |
| 14 | 110634-01-714 | EA | STAKE - (4 PER BAG) |
| 15 | 110634-01-715 | EA | WAND - PULL DOWN |
| 16 | 110634-01-730 | EA | ARM-INNER, FRONT - BRIGHT WHITE |
| 16 | 110634-01-731 | EA | ARM-INNER, REAR - BRIGHT WHITE |
| 17 | 110634-01-732 | EA | RAFTER-OUTER, BRIGHT WHITE |
| 18 | 110634-01-733 | EA | RAFTER-INNER, BRIGHT WHITE |
| | 111037-01-01A | EA | SPACER-AWNING, UPPER - BLACK |
| | 111038-01-01A | EA | SPACER-AWNING, LOWER - BLACK |

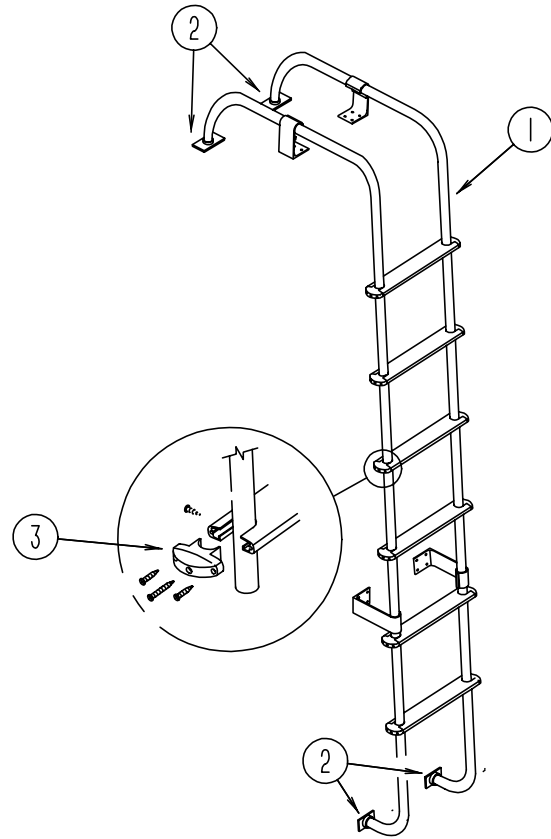
EXTERIOR BODY GROUP (CONTINUED)
FIBERGLASS, STYROFOAM & INSULATION

| KEY | PART NUMBER | U/M | DESCRIPTION |
|-----|---------------|-----|--|
| | 044487-01-001 | EA | ALUMINUM SHEET - .019" X 96" X 360" - MILL FINISH |
| | 044487-01-002 | EA | ALUMINUM SHEET - .019" X 96" X 432" - MILL FINISH |
| | 044487-51-001 | EA | ALUMINUM SHEET - .019" X 758 MM X 317 MM - MILL FINISH |
| | 076054-N1-000 | EA | FIBERGLASS SHEET-FLAT, 96" X 355.5" - BRIGHT WHITE |
| | 076054-P4-000 | EA | FIBERGLASS SHEET-FLAT, 2438 X 2463 - BRIGHT WHITE |
| | 077517-62-000 | EA | FIBERGLASS SHEET-FLAT, 48" X 96" - BRIGHT WHITE |
| | 108535-04-701 | EA | FIBERGLASS SHEET-FLAT, 104" X 396" - BRIGHT WHITE (ROOF COVERING) |
| | 108535-04-705 | EA | FIBERGLASS SHEET-FLAT, 6" X 34' - BRIGHT WHITE |
| | 100619-01-000 | BF | FOAM-EXPANDED POLYSTYRENE, 1.34" X 48" X 96" |
| | 100619-04-000 | BF | FOAM-EXPANDED POLYSTYRENE, .5" X 48" X 96" |
| | 100619-05-000 | BF | FOAM-EXPANDED POLYSTYRENE, .75" X 48" X 96" |
| | 100619-10-000 | BF | FOAM-EXPANDED POLYSTYRENE, 1.5" X 48" X 96" |
| | 100619-11-000 | BF | FOAM-EXPANDED POLYSTYRENE, 2" X 48" X 96" |
| | 000870-08-000 | SF | STYROFOAM - .75" X 48" X 96" - PLANED - INCREMENTS OF 32 SF |
| | 072877-03-000 | EA | INSULATION-SOUND BARRIER, LB-1 COMPOSITE EAR |
| | 072878-01-000 | EA | INSULATION-SOUND BARRIER PAD, .058" X 33" X 58" |
| | 105077-03-000 | EA | FOAM-PLUG, TUBE - 30.2 MM X 33.1 MM X 45 MM LONG - POLYSTYRENE FOAM FROM: 00-00-00 THRU: 09-23-95 |
| | 120107 03 000 | EA | FOAM-PLUG, TUBE - 29.6 MM X 54.5 MM X 45 MM LONG - POLYSTYRENE FOAM FROM: 09-24-95 THRU: 99-99-99 |
| | 105077-04-000 | EA | FOAM-COVE, ROOF - 100.6 MM X 2438 MM LONG - POLYSTYRENE FOAM FROM: 00-00-00 THRU: 09-23-95 |
| | 120107 01 000 | EA | FOAM-COVE, ROOF - 70.6 MM X 2438 MM LONG - POLYSTYRENE FOAM FROM: 09-24-95 THRU: 99-99-99 |
| | 105077-07-000 | EA | FOAM-PLUG, TUBE - 56.9 MM X 78.8 MM X 45 MM LONG - POLYSTYRENE FOAM FROM: 00-00-00 THRU: 09-23-95 |
| | 120107 02 000 | EA | FOAM-PLUG, TUBE - 57 MM X 74.3 MM X 45 MM LONG - POLYSTYRENE FOAM FROM: 09-24-95 THRU: 99-99-99 |

VENDOR NO.

| |
|-----------|
| 7605-0001 |
| 7509-0001 |
| 7512-0001 |
| 7510-0001 |
| 7505-0001 |
| 7522-0001 |
| 7511-0001 |
| 7000-0001 |
| 7507-0001 |
| 7503-0001 |
| 6598-0001 |
| 6599-0001 |
| 7504-0001 |
| 5208-0001 |
| 7604-0001 |
| 1002-0071 |
| 1003-0071 |
| 1004-0071 |
| 1005-0071 |

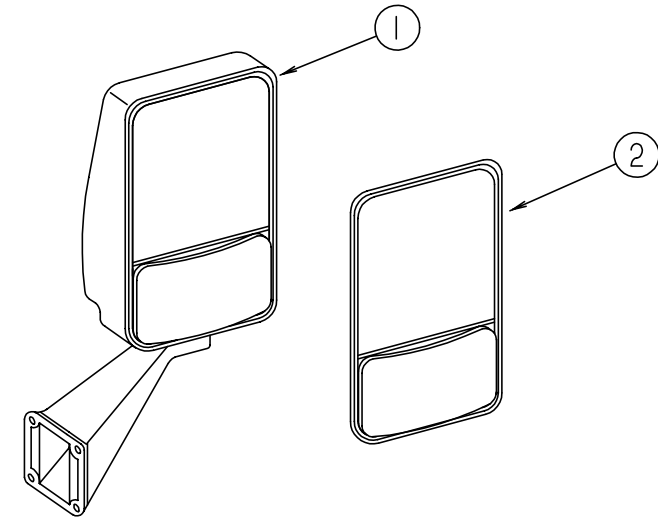
EXTERIOR BODY GROUP (CONTINUED)



LADDER

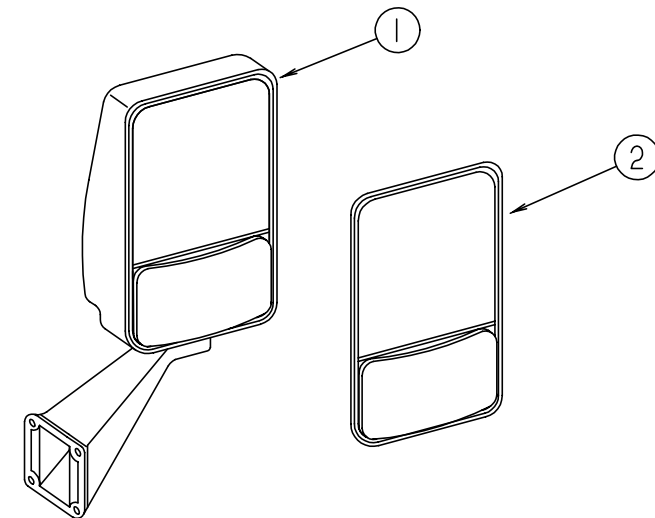
| KEY | PART NUMBER | U/M DESCRIPTION |
|-----|---------------|-----------------------------------|
| 1 | 102953-16-G09 | EA LADDER ASSEMBLY |
| 2 | 067165-01-000 | EA MOUNTING BRACKET-LADDER, LOWER |
| 3 | 076980-02-000 | EA END CAP-STEP, BLACK |

EXTERIOR BODY GROUP (CONTINUED)



VELVAC HEATED EXTERIOR MIRRORS

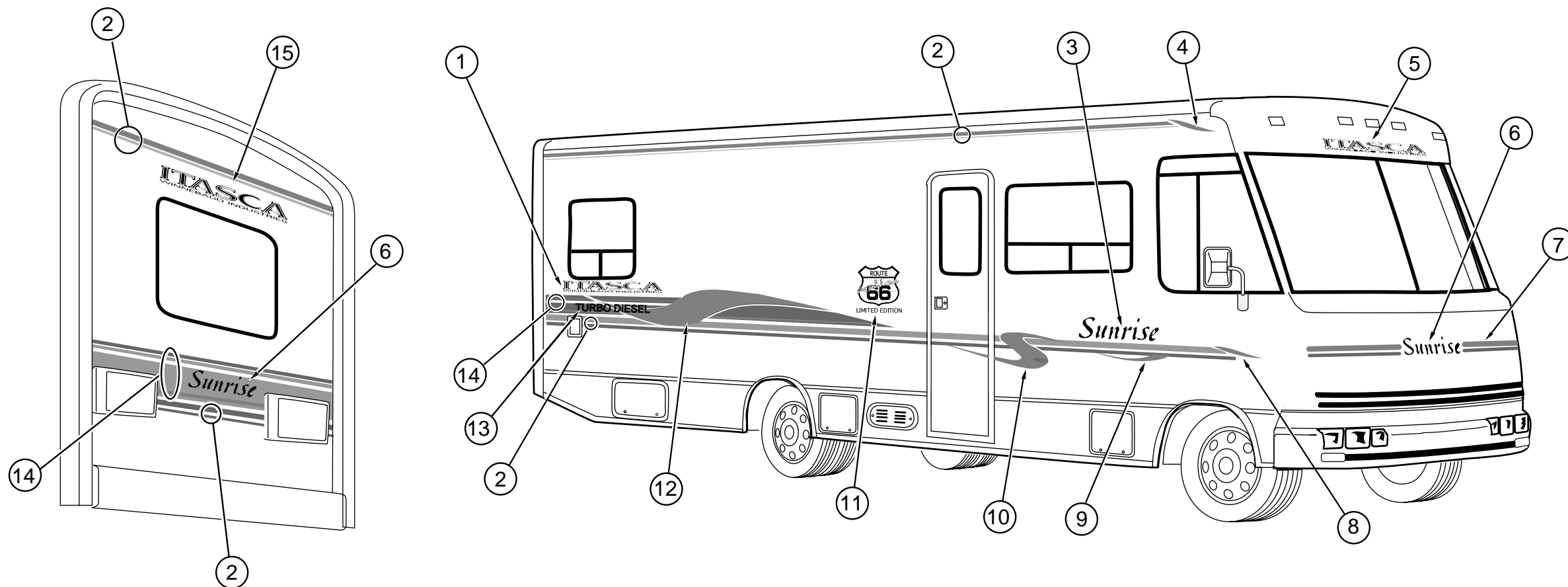
| KEY | PART NUMBER | U/M DESCRIPTION | VENDOR NO. |
|-----|---------------|--|------------|
| 1 | 106015-05-01A | EA MIRROR ASM - REMOTE/HEATED - W/O WIRING OR SWITCHES-PASS SIDE | 713170 |
| 1 | 106015-06-01A | EA MIRROR ASM - REMOTE/HEATED - W/O WIRING OR SWITCHES-DR SIDE | 713171 |
| 2 | 086261-01-704 | EA MIRROR KIT (BEZEL W/MIRRORS) PASSENGER SIDE | 709268 |
| 2 | 086261-02-701 | EA MIRROR KIT (BEZEL W/MIRRORS) DRIVER SIDE | 709269 |
| | 087695-01-000 | EA SWITCH-HEATER, EXTERIOR MIRROR - EURAMTEC FROM: 00-00-00 THRU: 09-10-95 | |
| | 087695-02-000 | EA SWITCH-HEATER, EXTERIOR MIRROR - EURAMTEC DAV4720-12 FROM: 09-11-95 THRU: 99-99-99 | |
| | 088246-01-000 | EA SWITCH-REMOTE, EXTERIOR MIRROR - SQUARE PUSH | 7471290 |



VELVAC EXTERIOR MIRRORS

| KEY | PART NUMBER | U/M DESCRIPTION | VENDOR NO. |
|-----|---------------|--|------------|
| 1 | 106015-09-01A | EA MIRROR ASM-EXTERIOR GLASS RIGHT - BLACK | 713126 |
| 1 | 106015-10-01A | EA MIRROR ASM-EXTERIOR ADJUST GLASS LEFT - BLACK | 713125 |
| 2 | 106015-01-703 | EA MIRROR KIT (BEZEL W/MIRRORS) PASSENGER SIDE | 709266 |
| 2 | 106015-02-702 | EA MIRROR KIT (BEZEL W/MIRRORS) DRIVER SIDE | 709267 |

EXTERIOR BODY GROUP (CONTINUED)
DECALS, FILM STRIPES & PAINT

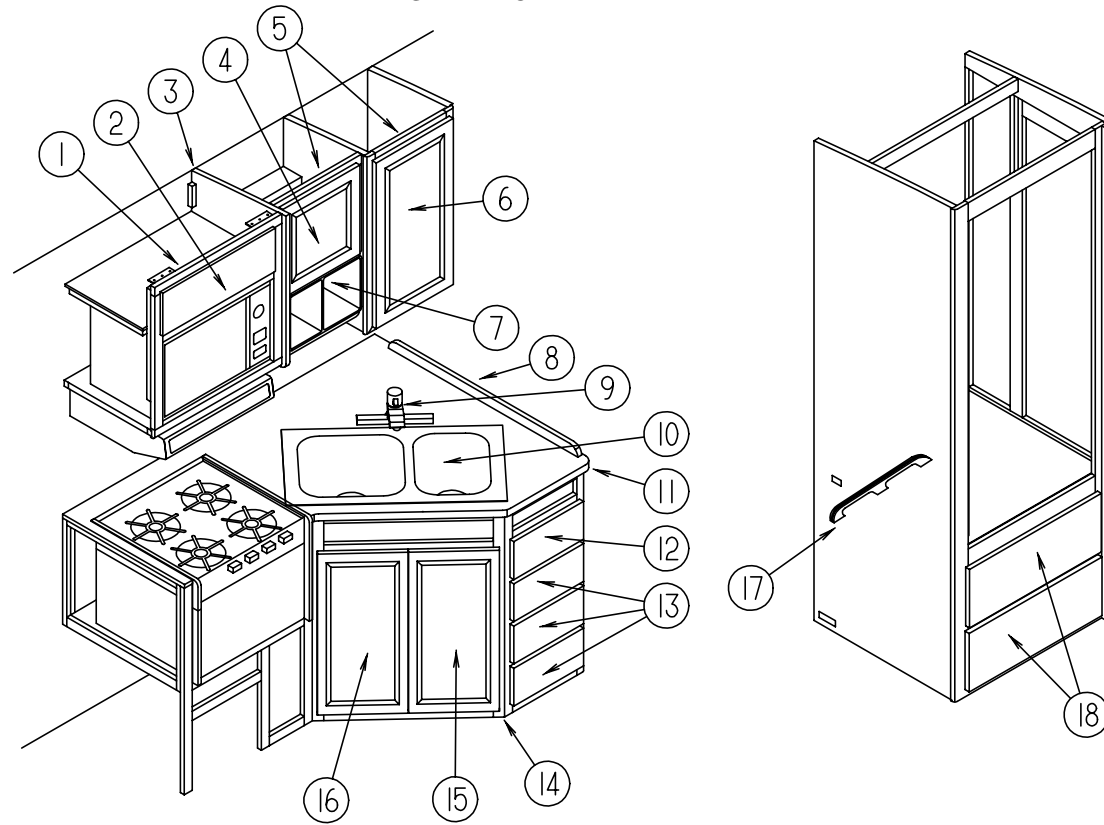


| KEY | PART NUMBER | U/M | DESCRIPTION |
|-----|---------------|-----|---|
| 1 | 116921-01-03A | EA | DECAL-LOGO, ITASCA WINN. IND. - MALIBU TEAL/MALIBU TEAL/MALIBU TEAL |
| 2 | 105781-47-01A | FT | FILM-MULTISTRIPE, 82.5 MM WIDE - MEDIUM BLUE/SHADOW BLUE |
| 3 | 118717-01-01A | EA | DECAL-LOGO, SUNRISE - LARGE - MEDIUM BLUE/SHADOW BLUE/BRIGHT WHITE |
| 4 | 118715-01-01A | EA | DECAL-RIBBON, SMALL - RH - MALIBU TEAL/CHAMPAGNE/MEDIUM BLUE/WHITE |
| 4 | 118715-02-01A | EA | DECAL-RIBBON, SMALL - LH - MALIBU TEAL/CHAMPAGNE/MEDIUM BLUE/WHITE |
| 5 | 118312-01-02A | EA | DECAL-ITASCA, WINN. IND. - SWEEP - MALIBU TEAL/MALIBU TEAL/MALIBU TEAL |
| 6 | 118717-02-01A | EA | DECAL-LOGO, SUNRISE - SMALL - MEDIUM BLUE/SHADOW BLUE/BRIGHT WHITE |
| 7 | 118716-01-01A | EA | DECAL-HOOD - MEDIUM BLUE/SHADOW BLUE |
| 8 | 118711-01-01A | EA | DECAL-RIBBON, #1 - RH - MALIBU TEAL/CHAMPAGNE STAR/MEDIUM BLUE/WHITE |
| 8 | 118711-02-01A | EA | DECAL-RIBBON, #1 - LH - MALIBU TEAL/CHAMPAGNE STAR/MEDIUM BLUE/WHITE |
| 9 | 118712-01-01A | EA | DECAL-RIBBON, #2 - RH - MALIBU TEAL/CHAMPAGNE STAR/MEDIUM BLUE/WHITE |
| 9 | 118712-02-01A | EA | DECAL-RIBBON, #2 - LH - MALIBU TEAL/CHAMPAGNE STAR/MEDIUM BLUE/WHITE |
| 10 | 118713-01-01A | EA | DECAL-RIBBON, #3 - RH - MALIBU TEAL/CHAMPAGNE STAR/MEDIUM BLUE/WHITE |
| 10 | 118713-02-01A | EA | DECAL-RIBBON, #3 - LH - MALIBU TEAL/CHAMPAGNE STAR/MEDIUM BLUE/WHITE |
| 11 | 116404-01-01A | EA | DECAL-ROUTE 66 |
| 12 | 118714-01-01A | EA | DECAL-RIBBON, #4 - RH - MALIBU TEAL/CHAMPAGNE STAR/MEDIUM BLUE/WHITE |
| 12 | 118714-02-01A | EA | DECAL-RIBBON, #4 - LH - MALIBU TEAL/CHAMPAGNE STAR/MEDIUM BLUE/WHITE |
| 13 | 111318-03-03A | EA | DECAL-TURBO DIESEL - BRIGHT WHITE |
| 14 | 118710-01-01A | FT | FILM-MULTISTRIPE, 174.6 MM WIDE - SHADOW BLUE/AMETHYST FROST/ AMETHYST FROST/MEDIUM BLUE |
| 15 | 116921-02-03A | EA | DECAL-LOGO, ITASCA WINN. IND. - MALIBU TEAL/MALIBU TEAL/MALIBU TEAL |
| | 041561-03-000 | EA | PAINT - 16 OZ SPRAY, OFF WHITE - ACRYLIC ENAMEL |

DUPONT COLOR CODES

BRIGHT WHITE #B8951

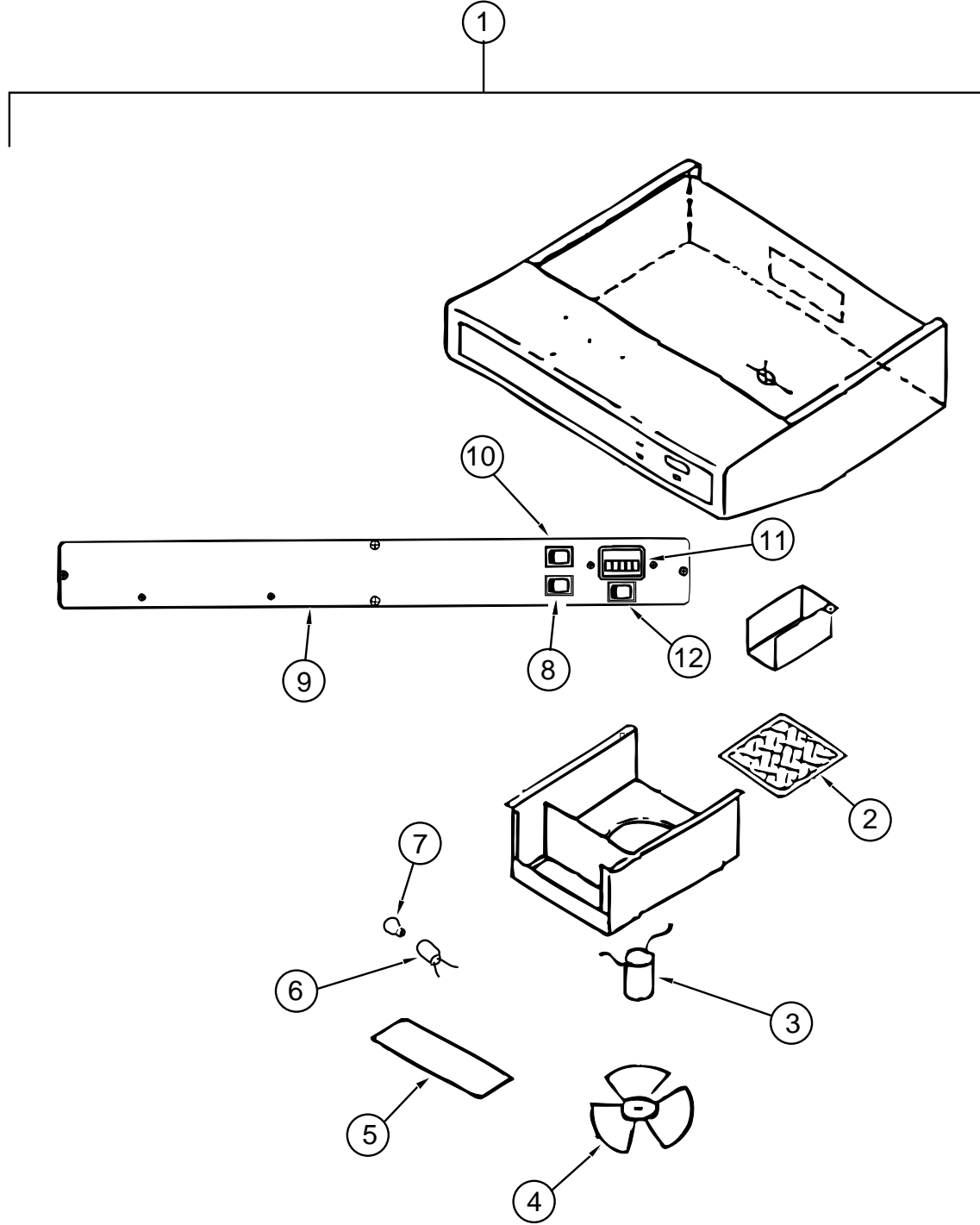
GALLEY GROUP
GALLEY CABINETRY



| KEY | PART NUMBER | U/M | DESCRIPTION |
|-----|---------------|-----|--|
| 1 | 114390-01-G09 | EA | CABINET-OVERHEAD, W/O DOOR |
| 2 | M05992-11-G09 | EA | DOOR-CABINET, W/O HARDWARE - 240 MM X 555 MM |
| 3 | 081320-16-G09 | EA | CAP-END, OVERHEAD - FRONT |
| 4 | M06803-23-G09 | EA | DOOR-CABINET, W/O HARDWARE - 365 MM X 365 MM |
| 5 | 110776-01-G09 | EA | CABINET-OVERHEAD, W/O DOORS |
| | 110776-11-G09 | EA | SHELF ASM-OVERHEAD CABINET |
| 6 | M06803-22-G09 | EA | DOOR-CABINET, W/O HARDWARE - 365 MM X 680 MM |
| 7 | 103799-01-02A | EA | COFFEE MAKER-GRAY W/GLASS POT - BLACK & DECKER |
| | 103799-01-700 | EA | CARAFE-GLASS POT - BLACK & DECKER |
| | 103799-01-701 | EA | BRACKETS-WHITE, PAIR - BLACK & DECKER |
| 8 | 098335-08-E08 | EA | RAIL-GALLEY, 35.3" LONG (G29/G32) |
| 8 | 098335-08-E11 | EA | RAIL-GALLEY, 35.3" LONG (G30) |
| 8 | 098335-08-F05 | EA | RAIL-GALLEY, 35.3" LONG (G31) |
| 9 | 104114-02-01A | EA | FAUCET-GALLEY, SINGLE CONTROL - CHROME - BPC 20PL1038-8" |
| | 103635-01-000 | EA | FAUCET-SINGLE CONTROL, (WATER PURIFIER) EVERPURE 5435-00 |
| 10 | 110654-01-000 | EA | SINK-DOUBLE, LARGE/SMALL BASINS - SST - DAYTON FR2917 |
| | 092303-01-000 | EA | STRAINER-SINK |
| | 108464-04-E08 | EA | COVER-SINK (G29/G32) |
| | 108464-04-F11 | EA | COVER-SINK (G30) |
| | 108464-04-E38 | EA | COVER-SINK (G31) |
| | 008380-01-000 | EA | GROMMET-RUBBER, 5/8" HOLE X 1 1/2" DIAMETER |

| VENDOR NO. | KEY | PART NUMBER | U/M | DESCRIPTION |
|------------|-----|---------------|-----|---|
| | 11 | 118043-19-G29 | EA | COUNTERTOP-GALLEY CABINET (G29) |
| | 11 | 118043-19-G30 | EA | COUNTERTOP-GALLEY CABINET (G30) |
| | 11 | 118043-19-G31 | EA | COUNTERTOP-GALLEY CABINET (G31) |
| | 11 | 118043-19-G09 | EA | COUNTERTOP-GALLEY CABINET (G32) |
| | 12 | M05971-42-G09 | EA | DRAWER-CABINET, W/O HARDWARE |
| | 13 | M05971-43-G09 | EA | DRAWER-CABINET, W/O HARDWARE |
| | 14 | P18043-01-G29 | EA | CABINET-GALLEY, W/COUNTERTOP - W/O DOORS OR DRAWERS (G29) |
| | 14 | P18043-01-G30 | EA | CABINET-GALLEY, W/COUNTERTOP - W/O DOORS OR DRAWERS (G30) |
| | 14 | P18043-01-G31 | EA | CABINET-GALLEY, W/COUNTERTOP - W/O DOORS OR DRAWERS (G31) |
| 679420 | 14 | P18043-01-G09 | EA | CABINET-GALLEY, W/COUNTERTOP - W/O DOORS OR DRAWERS (G32) |
| 164734-06 | 14 | P18043-01-G09 | EA | CABINET-GALLEY, W/COUNTERTOP - W/O DOORS OR DRAWERS (G32) |
| | 15 | M06803-27-G09 | EA | DOOR-CABINET, W/O HARDWARE - 305 MM X 660 MM |
| | 16 | M06803-26-G09 | EA | DOOR-CABINET, W/O HARDWARE - 305 MM X 660 MM |
| | 17 | 091257-08-000 | EA | HANDLE-ASSIST, ENTRY DOOR - WOOD - FINISHED |
| | 18 | M05971-41-G09 | EA | DRAWER-CABINET, W/O HARDWARE - REFRIGERATOR CABINET |
| | | 090329-01-000 | FT | SEAL-T, REFRIGERATOR CABINET - .6" WIDE TOP X 2" TAIL |

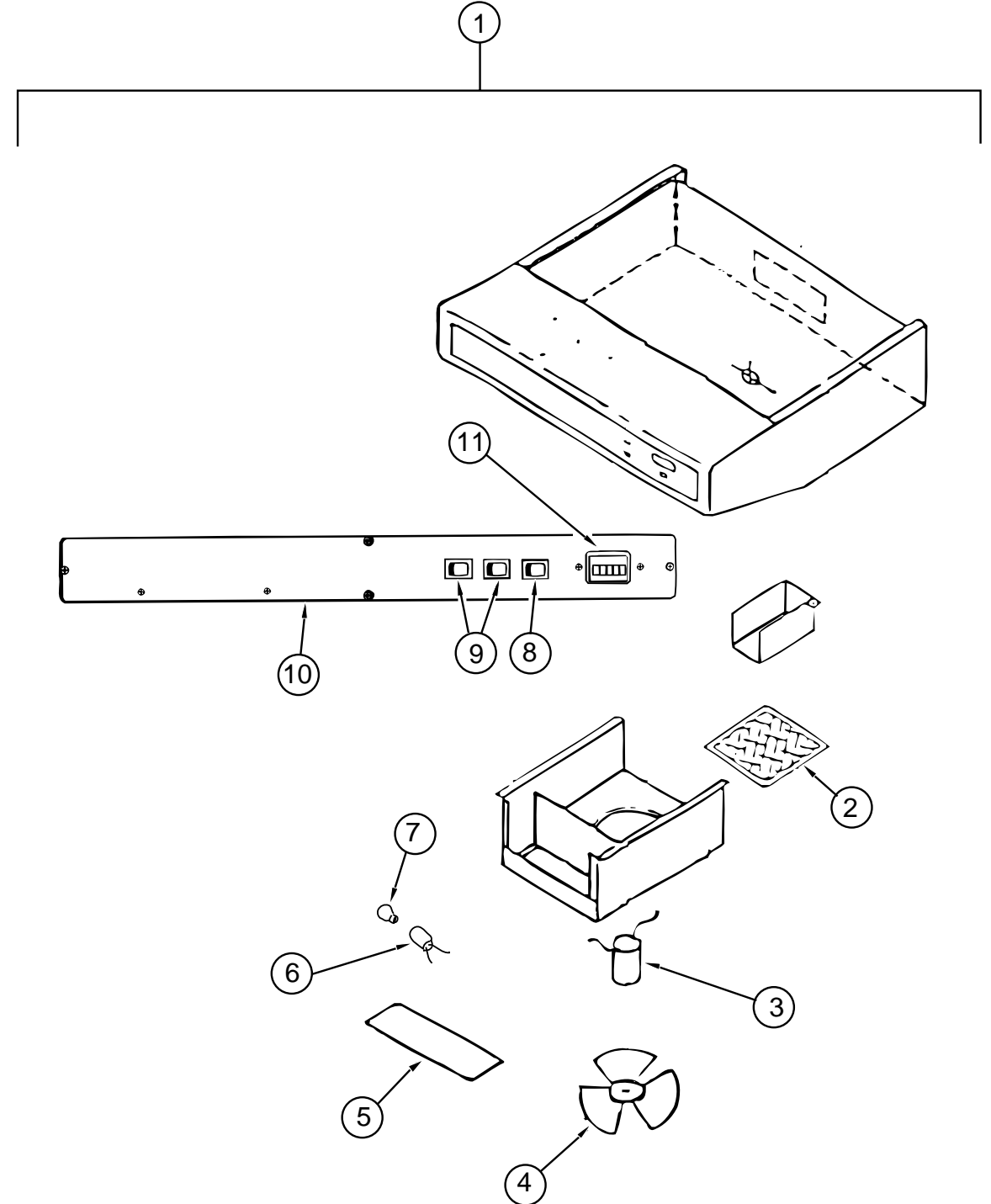
GALLEY GROUP (CONTINUED)



RANGE HOOD MODEL TCS 500-NBCLG - CANADIAN

| KEY | PART NUMBER | U/M DESCRIPTION | VENDOR NO. |
|-----|---------------|--|------------|
| 1 | 100258-17-04A | EA HOOD-RANGE, W/O MONITOR PANEL VENTLINE TCS 500-NBCLG | CC246 |
| 2 | 096983-01-707 | EA FILTER-GREASE, 8" X 8" - LVS | CA508-1 |
| 3 | 090973-01-700 | EA MOTOR - LVS | VA183-1 |
| 4 | 090973-01-702 | EA BLADE-FAN, LVS | CC179 |
| 5 | 092696-02-701 | EA LENS-LAMP, VENTLINE | CB267-2 |
| 6 | 092696-01-710 | EA SOCKET-LIGHT, VENTLINE | VA415 |
| 7 | 092696-01-709 | EA BULB - 912, VENTLINE | 108 |
| 8 | 096983-01-700 | EA SWITCH-ON/OFF, VENTLINE | CC428 |
| 9 | 100258-01-700 | EA HOOD-NOSE LABEL | 108 |
| 10 | 096983-01-700 | EA SWITCH-ON/OFF, VENTLINE | 150 |
| 11 | 100258-10-01A | EA METER-HOUR, SCREW ON - GENERATOR OPTIONS - VENTLINE | |
| 11 | 100258-10-701 | EA METER-HOUR, CLIP ON - GENERATOR OPTIONS - VENTLINE L0775-00 | |
| 12 | 096983-01-702 | EA SWITCH-TWO WAY MOMENTARY, VENTLINE 112 | |

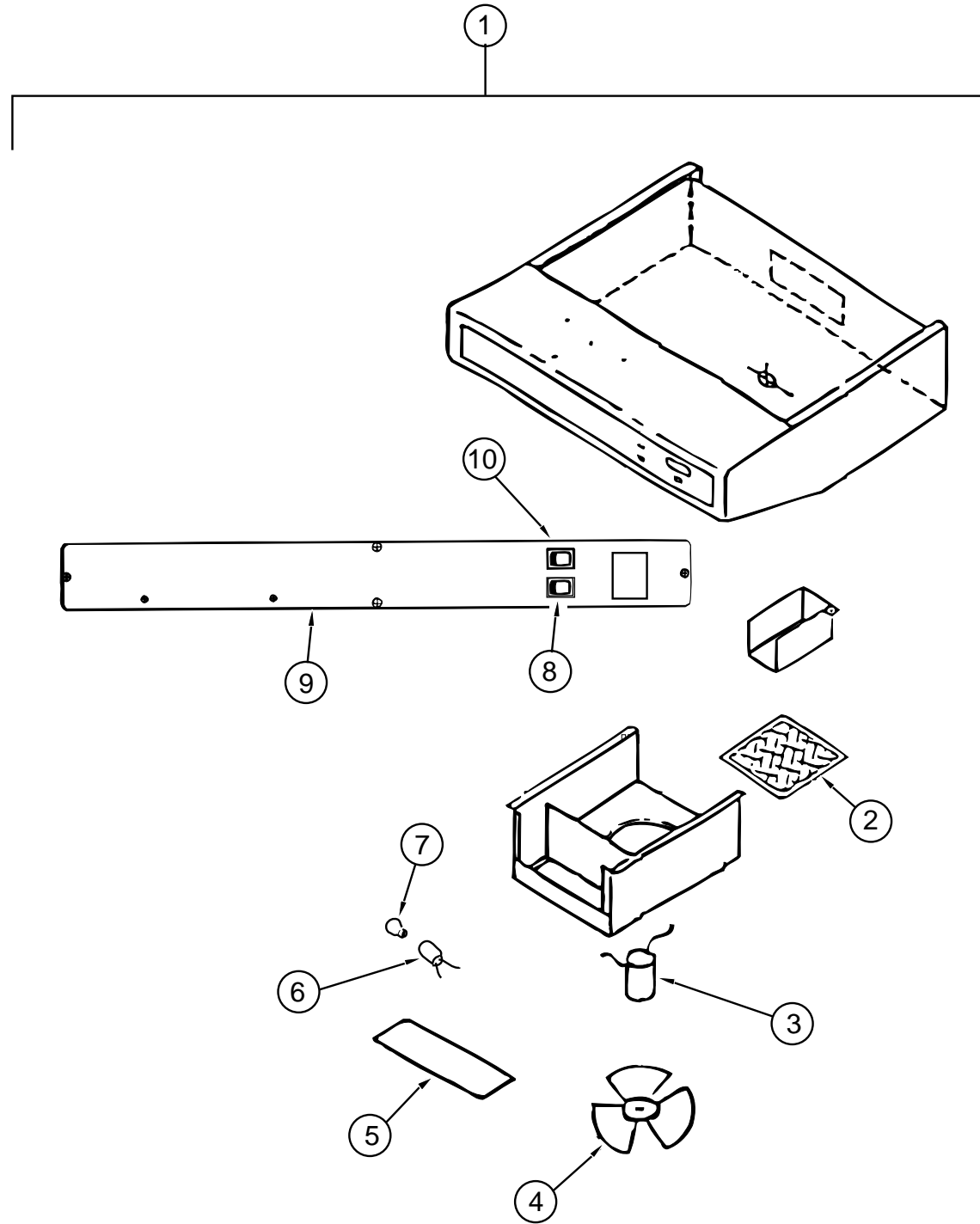
GALLEY GROUP (CONTINUED)



RANGE HOOD MODEL TP-55009-SBO-LG - US - GENERATOR OPTIONS

| KEY | PART NUMBER | U/M DESCRIPTION | VENDOR NO. |
|-----|---------------|--|------------|
| 1 | 100258-18-03A | EA HOOD-RANGE, W/O MONITOR PANEL - VENTLINE TP-55009-SBO-LG | CC246 |
| 2 | 096983-01-707 | EA FILTER-GREASE, 8" X 8" - LVS | CA508-1 |
| 3 | 090973-01-700 | EA MOTOR - LVS | VA183-1 |
| 4 | 090973-01-702 | EA BLADE-FAN, LVS | CC179 |
| 5 | 092696-02-701 | EA LENS-LAMP, VENTLINE | CB267-2 |
| 6 | 092696-01-710 | EA SOCKET-LIGHT, VENTLINE | VA415 |
| 7 | 092696-01-709 | EA BULB - 912, VENTLINE | 112 |
| 8 | 096983-01-702 | EA SWITCH-TWO WAY MOMENTARY, VENTLINE | 108 |
| 9 | 096983-01-700 | EA SWITCH-ON/OFF, VENTLINE | 108 |
| 10 | 100258-01-700 | EA HOOD-NOSE LABEL | CC428 |
| 11 | 100258-10-01A | EA METER-HOUR, SCREW ON - GENERATOR OPTIONS - VENTLINE 150 | |
| 11 | 100258-10-701 | EA METER-HOUR, CLIP ON - GENERATOR OPTIONS - VENTLINE L0775-00 | |

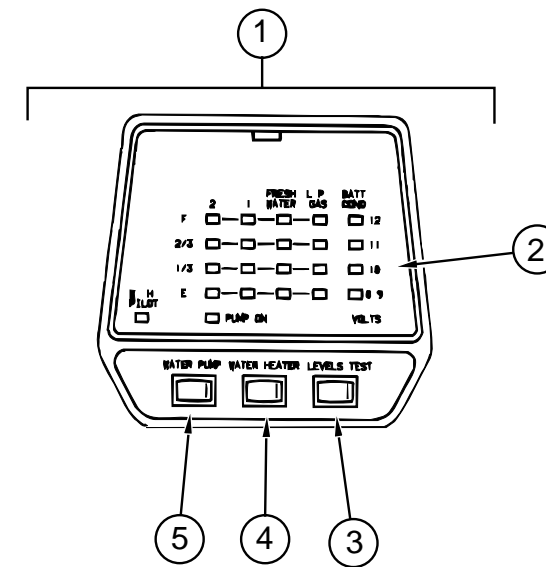
GALLEY GROUP (CONTINUED)



RANGE HOOD MODEL TCS-5008-NBDLG - US - STANDARD

| KEY | PART NUMBER | U/M DESCRIPTION | VENDOR NO. |
|-----|---------------|--|------------|
| 1 | 100258-16-04A | EA HOOD-RANGE, W/O MONITOR PANEL - VENTLINE TCS-5008-NBDLG | |
| 2 | 096983-01-707 | EA FILTER-GREASE, 8" X 8" - LVS | CC246 |
| 3 | 090973-01-700 | EA MOTOR - LVS | CA508-1 |
| 4 | 090973-01-702 | EA BLADE-FAN, LVS | VA183-1 |
| 5 | 092696-02-701 | EA LENS-LAMP, VENTLINE | CC179 |
| 6 | 092696-01-710 | EA SOCKET-LIGHT, VENTLINE | CB267-2 |
| 7 | 092696-01-709 | EA BULB - 912, VENTLINE | VA415 |
| 8 | 096983-01-700 | EA SWITCH-ON/OFF, VENTLINE | 108 |
| 9 | 100258-01-700 | EA HOOD-NOSE LABEL | CC428 |
| 10 | 096983-01-702 | EA SWITCH-TWO WAY MOMENTARY, VENTLINE | 112 |

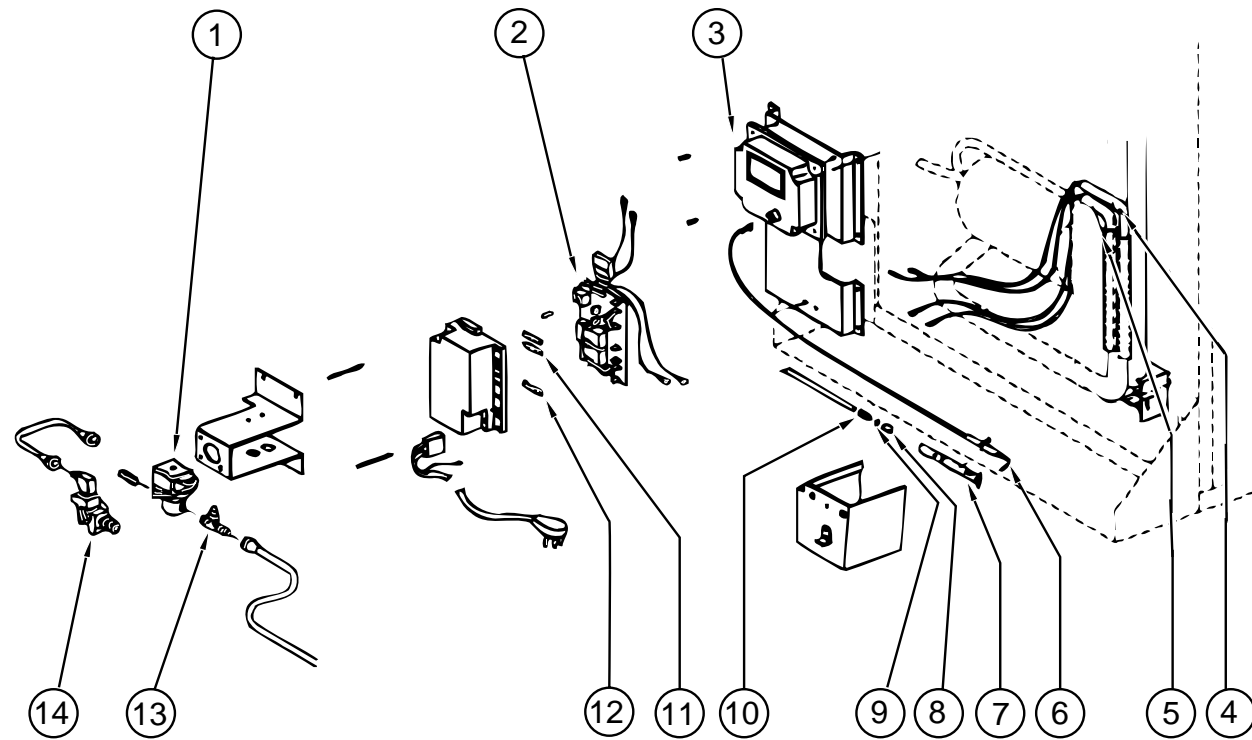
GALLEY GROUP (CONTINUED)



MONITOR PANEL

| KEY | PART NUMBER | U/M DESCRIPTION | VENDOR NO. |
|-----|---------------|---|------------|
| 1 | 102765-03-01A | EA PANEL-MONITOR, W/PLUG - FOR 3 TANKS & WATER HEATER - LVS | CP-9018 |
| 2 | 102765-03-700 | EA CIRCUIT BOARD, LVS | 5076-12 |
| 3 | 097617-01-702 | EA SWITCH-ALMOND - VENTLINE | 107 |
| 4 | 097617-01-701 | EA SWITCH-ON/OFF, ALMOND - VENTLINE | 106 |
| 5 | 102765-01-700 | EA SWITCH-ON/ON, ALMOND - VENTLINE | 110-01 |

GALLEY GROUP (CONTINUED)

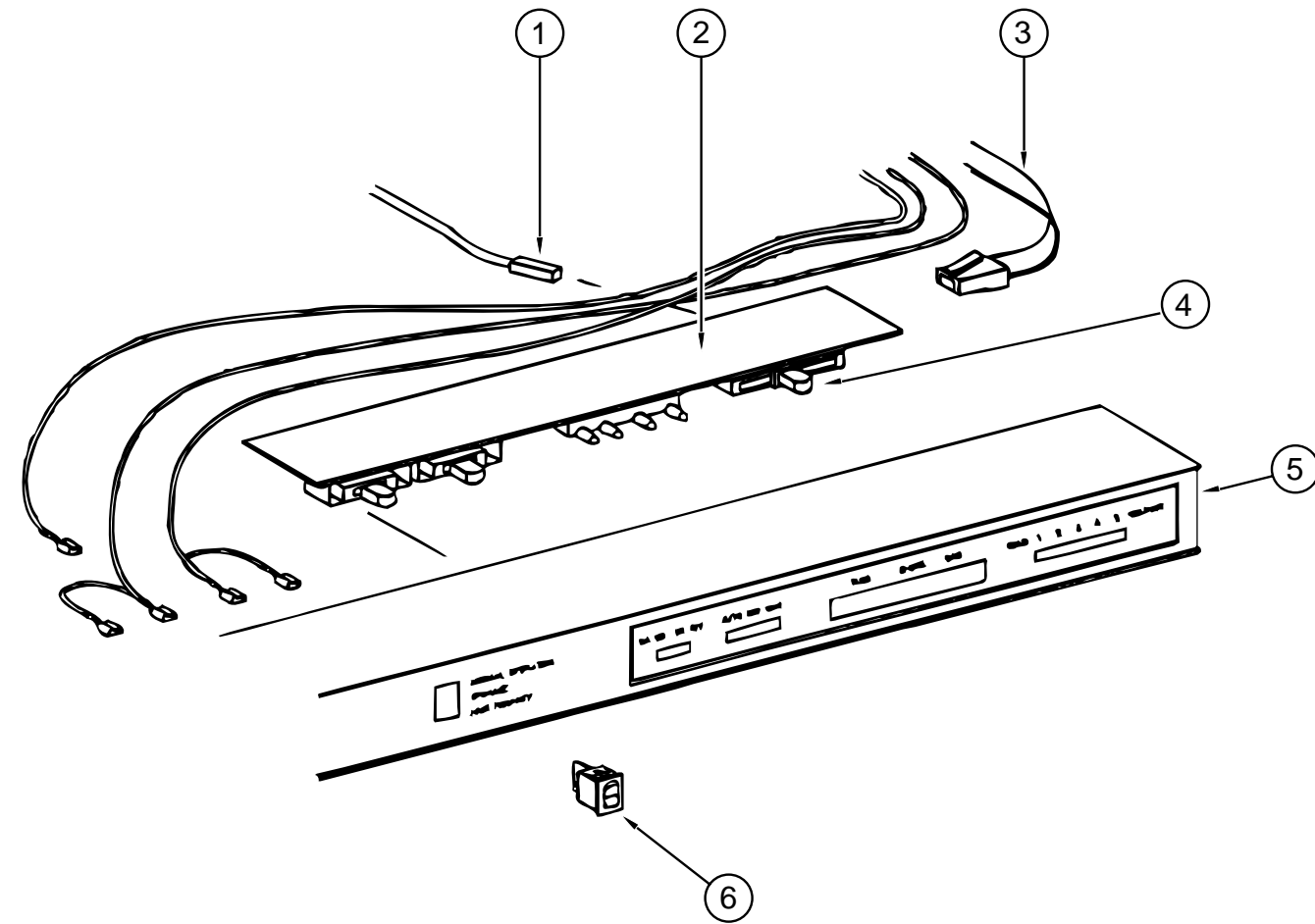


NORCOLD REFRIGERATOR CONTROL ASM

| KEY | PART NUMBER | U/M | DESCRIPTION |
|-----|---------------|-----|---------------------------------|
| 1 | 084880-01-718 | EA | VALVE-GAS |
| 2 | 094039-04-702 | EA | POWER SUPPLY, (2 WAY) |
| 3 | 102621-01-702 | EA | IGNITION MODULE |
| 4 | 088248-01-710 | EA | HEATER-DC, (HORIZONTAL) - 3 WAY |
| 5 | 088248-01-709 | EA | HEATER-AC, (HORIZONTAL) |
| 6 | 104137-06-715 | EA | SPARK/SENSE ELECTRODE, (SINGLE) |
| 7 | 104137-06-714 | EA | BURNER ASSEMBLY, (5-SLOT) |
| 8 | 084880-01-705 | EA | ORIFICE |
| 9 | 104137-06-713 | EA | ORIFICE GASKET |
| 10 | 104137-06-712 | EA | FITTING-GAS TUBE CONNECTION |
| 11 | 075217-01-734 | EA | FUSE, 3 AMP |
| 12 | 104137-06-711 | EA | FUSE, 5 AMP |
| 13 | 104137-06-710 | EA | PRESSURE TAP |
| 14 | 104137-06-709 | EA | VALVE, SHUT-OFF-MANUAL ASM |

| VENDOR NO. |
|------------|
| 61551822 |
| 61647422 |
| 61688922 |
| 615628 |
| 615627 |
| 61692222 |
| 61705222 |
| 614522 |
| 61475122 |
| 61692722 |
| 61538822 |
| 61611622 |
| 61594422 |
| 61694922 |

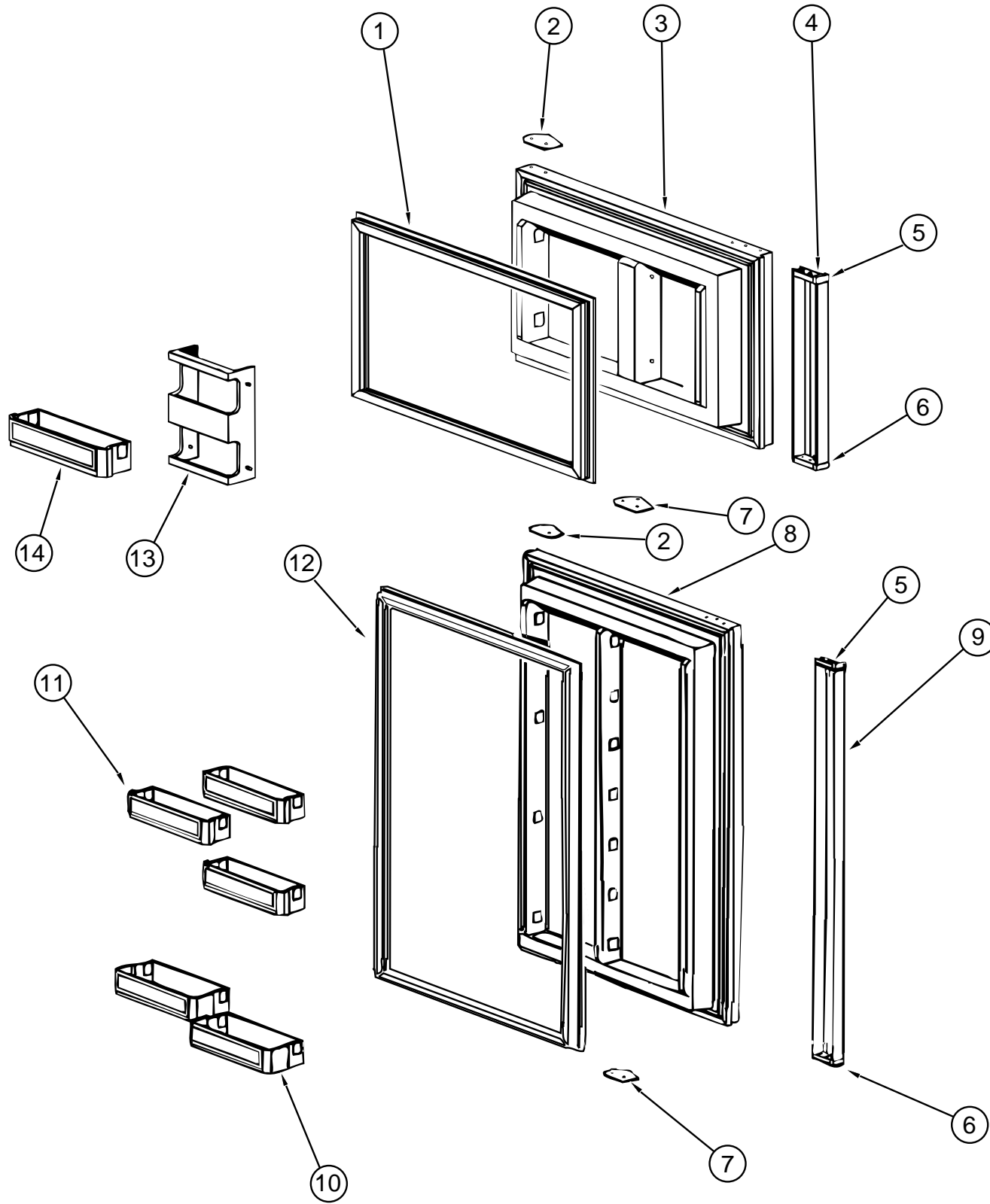
GALLEY GROUP (CONTINUED)



NORCOLD REFRIGERATOR EYEBROW ASM

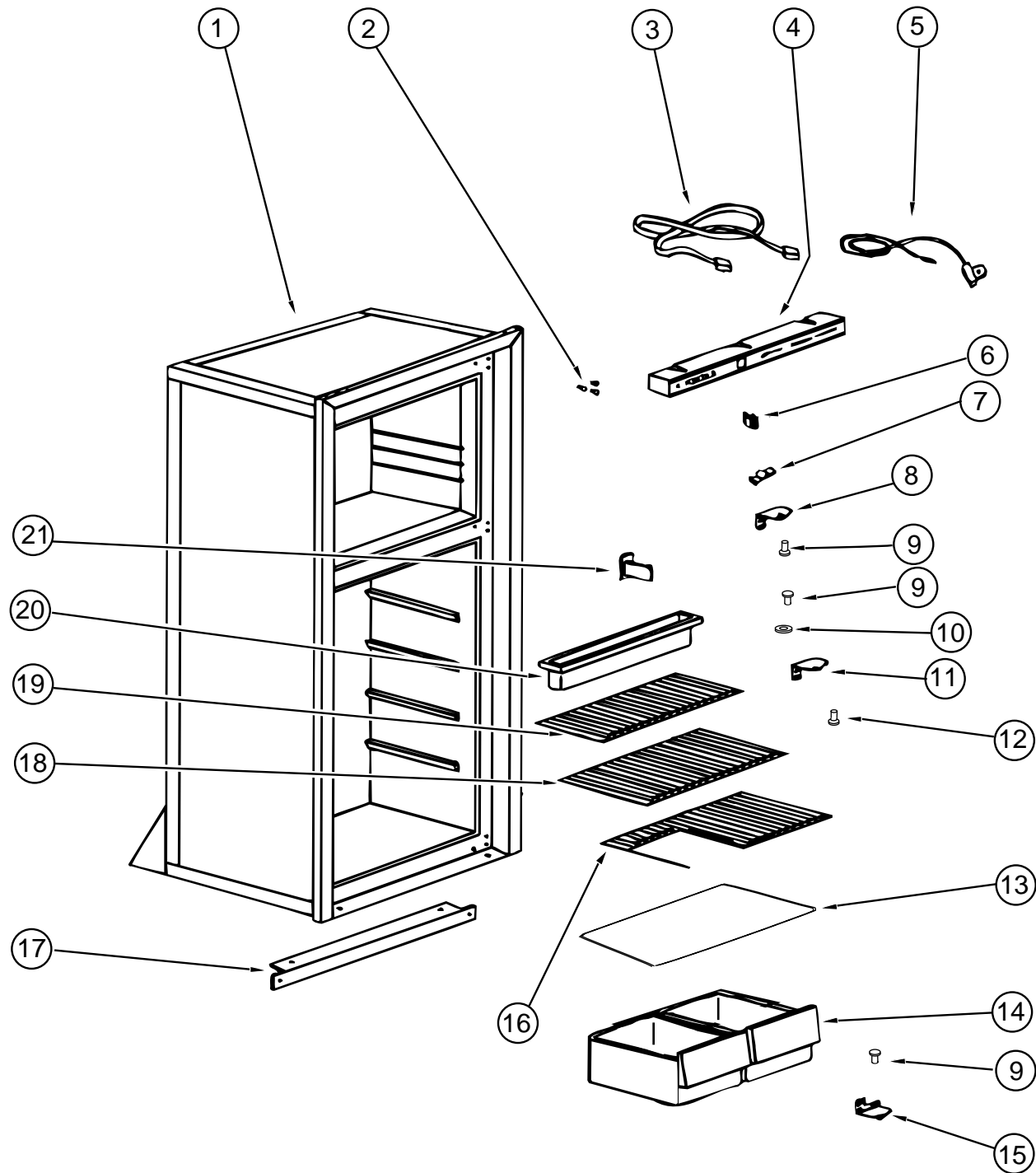
| KEY | PART NUMBER | U/M | DESCRIPTION | VENDOR NO. |
|-----|---------------|-----|------------------------------|------------|
| 1 | 084880-01-753 | EA | THERMISTER - 78" | 61693822 |
| 2 | 094039-04-700 | EA | BOARD-PRINTED CIRCUIT, 2 WAY | 61647322 |
| 3 | 084880-01-746 | EA | CABLE | 61571522 |
| 4 | 102621-01-703 | EA | THERMOSTAT BUTTON | 61587422 |
| 5 | 104137-06-700 | EA | EYEBROW SHELL, (2-WAY) | 61726622 |
| 6 | 075217-01-738 | EA | SWITCH-HUMIDITY | 61525922 |

GALLEY GROUP (CONTINUED)
NORCOLD REFRIGERATOR DOORS



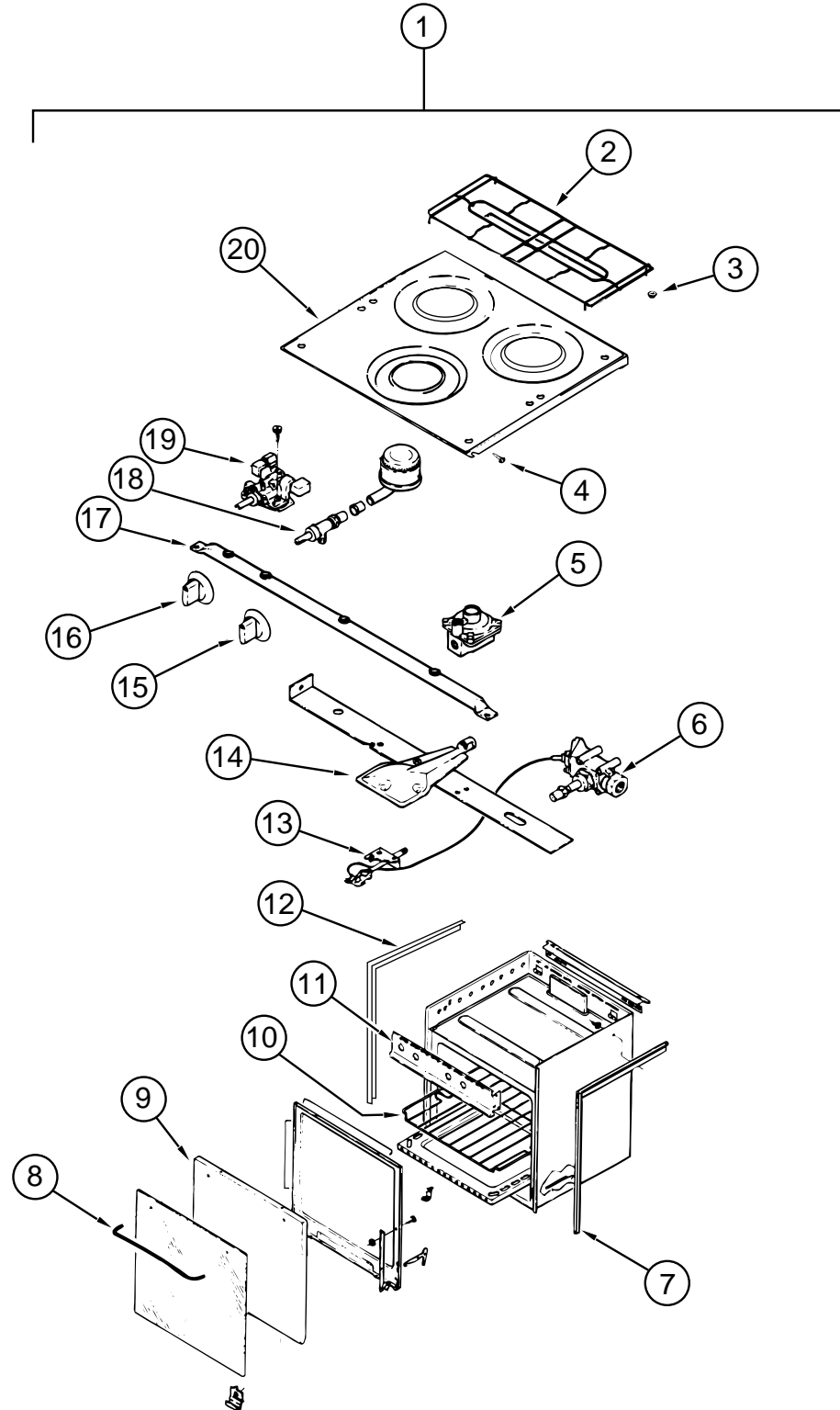
| KEY | PART NUMBER | U/M | DESCRIPTION | VENDOR NO. |
|-----|---------------|-----|---|------------|
| 1 | 094039-01-702 | EA | GASKET (GRAY) UPPER | 61567830 |
| 2 | 094039-01-710 | EA | PLATE-HINGE, TOP RH - LH BOTTOM - BLACK | 61631330 |
| 3 | 094039-01-706 | EA | UPPER DOOR LINER (WHITE) BLACK | 61581838-B |
| 4 | 094039-01-708 | EA | HANDLE-DOOR, UPPER - BLACK | 61650038 |
| 5 | 084880-01-761 | EA | END CAP (SPRING CATCH) BLACK | 61593730 |
| 6 | 084880-01-740 | EA | END CAP (STOP CATCH) | 61593830 |
| 7 | 094039-01-704 | EA | PLATE-HINGE, BLACK | 61631430 |
| 8 | 094038-01-702 | EA | LINER-DOOR, LOWER - BLACK/WHITE | 61581938-B |
| 9 | 094038-01-704 | EA | HANDLE-DOOR, LOWER - BLACK | 61650138 |
| 10 | 104137-06-704 | EA | MILK BIN - WHITE | 61579425 |
| 11 | 104137-06-703 | EA | BIN-DOOR SHELF, (WHITE) | 61564025 |
| 12 | 094038-01-700 | EA | GASKET-LOWER, GRAY | 61567930 |
| 13 | 104137-06-702 | EA | RACK-JUICE, WHITE | 61580525 |
| 14 | 104137-06-703 | EA | BIN-DOOR SHELF, WHITE | 61564025 |
| | 084880-01-720 | EA | SPRING (FOR DOOR HANDLE) | 61558822 |

GALLEY GROUP (CONTINUED)
NORCOLD REFRIGERATOR CABINET ASM WITH TRAY, TIEDOWNS & LEVEL



| KEY | PART NUMBER | U/M | DESCRIPTION | VENDOR NO. |
|-----|---------------|-----|--|------------|
| | 104138-04-01A | EA | REFRIGERATOR-DOUBLE DOOR, 2-WAY - NORCOLD 6162 RH BL | |
| 1 | 104138-04-701 | EA | FOAMED CAB ASM BLACK W/WHITE | 61725038 |
| | 084879-03-700 | EA | COOLING UNIT - HORIZONTAL BURNER | 61687237 |
| 2 | 094039-01-722 | EA | HOLE PLUG, (BLACK) HINGE HOLES | 61582030 |
| 3 | 084880-01-746 | EA | CABLE-PRINTED CIRCUIT BOARD TO POWER SUPPLY | 61571522 |
| 4 | 104137-06-700 | EA | EYEBROW SHELL (2-WAY) | 61726622 |
| 5 | 084880-01-753 | EA | THERMISTER 78" | 61697822 |
| 6 | 075217-01-738 | EA | SWITCH-HUMIDITY | 61525922 |
| 7 | 084880-01-760 | EA | CLIP (THERMISTER) | 61689122 |
| 8 | 094039-01-723 | EA | HINGE BRACKET, TOP RH-BOTTOM LH BLACK | 61580838 |
| 9 | 094039-01-725 | EA | HINGE PIN, (BLACK) (MALE) | 61578130 |
| 10 | 084880-01-749 | EA | HINGE BUSHING | 615807 |
| 11 | 094039-01-728 | EA | HINGE BRACKET-CENTER HINGE, BLACK | 61566530 |
| 12 | 094039-01-730 | EA | HINGE PIN SHAFT, (BLACK) CENTER HINGE | 61566730 |
| 13 | 084880-01-722 | EA | CRISPER COVER | 615641 |
| 14 | 104137-06-707 | EA | CRISPER (WHITE) | 61571325 |
| 15 | 094039-01-724 | EA | BRACKET-HINGE, TOP LH - BOTTOM RH - BLACK | 61580938 |
| 16 | 094039-01-739 | EA | BOTTOM SHELF W/CUT-OUT - NORCOLD | 61646722 |
| 17 | 094039-01-732 | EA | FRONT COVER, (BLACK) BOTTOM TRIM - NORCOLD | 61622130 |
| 18 | 094039-01-733 | EA | SHELF-WIRE, CENTER - NORCOLD | 61563822 |
| 19 | 104137-06-728 | EA | SHELF-WIRE, TOP W/RISER - WHITE | 618062 |
| 20 | 094039-01-735 | EA | INSIDE DRIP TRAY, (WHITE) | 61572830 |
| 21 | 084880-01-732 | EA | LATCH | 61578522 |
| | 084880-03-702 | EA | PIN-HINGE, TOP/BOTTOM - FEMALE - BLACK | 61580630 |
| | 104137-06-727 | EA | FREEZER SHELF, WHITE | 618057 |
| | 093646-01-000 | EA | BRACKET-TIEDOWN, REFRIGERATOR - RH | |
| | 093646-02-000 | EA | BRACKET-TIEDOWN, REFRIGERATOR - LH | |
| | 116751-03-01A | EA | TRAY-REFRIGERATOR, BLACK | |
| | 065225-02-000 | EA | PLATE-TIEDOWN, REFRIGERATOR | |
| | 054450-01-000 | EA | LEVEL-REFRIGERATOR | |

GALLEY GROUP (CONTINUED)
MAGIC CHEF RANGE MODEL 16RB-3B49



| KEY | PART NUMBER | U/M | DESCRIPTION | VENDOR NO. |
|-----|---------------|-----|--|--------------|
| 1 | 112881-01-04A | EA | RANGE - 16", 3 BURNER - MAGIC CHEF 16RB-3B49 | |
| 2 | 102020-01-711 | EA | GRATE-TOP | 7518P012-60 |
| 3 | 102020-01-709 | EA | BUMPER-GRATE | 8007-P020-60 |
| 4 | 102020-01-724 | EA | BUMPER-MAIN TOP | 8003P008-60 |
| 5 | 102022-01-708 | EA | REGULATOR-PRESSURE, 1/4 IN 1/2 OUT | 7510P041-60 |
| 6 | 112881-01-702 | EA | VALVE-MERCURY, SAFETY VALVE | 7501-P121-60 |
| 7 | 112881-01-708 | EA | TRIM-FLAT, RIGHT - BLACK | 3608W036-70 |
| 8 | 102020-01-701 | EA | HANDLE-DOOR | 7701P092-60 |
| 9 | 112881-01-713 | EA | DOOR-OVEN, TEXTURED | 2401F079-70 |
| 10 | 102020-01-700 | EA | SHELF-OVEN | 7801-P027-60 |
| 11 | 112881-01-701 | EA | MANIFOLD PANEL | 2616F091-70 |
| 12 | 112881-01-707 | EA | TRIM-FLAT, LEFT - BLACK | 3608W035-70 |
| 13 | 112881-01-710 | EA | PILOT-OVEN | 7505P202-60 |
| 14 | 112881-01-711 | EA | BURNER ASSEMBLY-OVEN | 3404W025045 |
| 15 | 112881-01-705 | EA | KNOB-TOP BURNER | 7733P072-60 |
| 16 | 112881-01-704 | EA | KNOB-THERMOSTAT | 7731P067-60 |
| 16 | 112881-01-716 | EA | KNOB-THERMOSTAT, REF. SER. # 3C | 7731P107-60 |
| 17 | 112881-01-709 | EA | PIPE-MANIFOLD | 7513P097-60 |
| 18 | 102020-01-722 | EA | VALVE-TOP BURNER | 7502P181-60 |
| 18 | 112881-01-703 | EA | VALVE-TOP BURNER, HI-OUTPUT | 7502P180-60 |
| 19 | 112881-01-706 | EA | THERMOSTAT | 12400026 |
| 19 | 112881-01-715 | EA | THERMOSTAT - REF. SER. # 3C | 7515P037-60 |
| 20 | 112881-01-712 | EA | TOP-MAIN, BLACK | 740101486 |
| | 105458-03-000 | EA | BRACKET-TIEDOWN, STOVE - RIGHT | |
| | 105458-04-000 | EA | BRACKET-TIEDOWN, STOVE - LEFT | |

GALLEY GROUP (CONTINUED)
MAGIC CHEF MICROWAVE OVEN

| KEY | PART NUMBER | U/M DESCRIPTION |
|-----|---------------|---|
| | 115303-01-000 | EA OVEN-MICROWAVE - MAGIC CHEF DM 15K-7B |
| | 115303-01-700 | EA TRIM F/VENT - TOP - MAGIC CHEF |
| | 115401-01-01A | EA TRIM-MICROWAVE, LOWER - BLACK |
| | 094750-07-000 | EA BRACKET-MICROWAVE, 89 DEGREE - STEEL |
| | 098916-14-01A | EA BRACE-MICROWAVE CABINET, LEFT - 8.9" X 7.5" - STEEL |
| | 098916-15-01A | EA BRACE-MICROWAVE CABINET, RIGHT - 8.9" X 7.5" - STEEL |

VENDOR NO.
2100309

GENERATOR GROUP
3,600 WATT ONAN MICROLITE - 110 VOLT - LP - DIESEL CHASSIS

| KEY | PART NUMBER | U/M DESCRIPTION |
|-----|---------------|--|
| | 109982-04-000 | EA GENERATOR - 3,600 WATT MICROLITE, ONAN KY-FA/26120B |
| | 007125-04-000 | EA CLAMP-MUFFLER, 1.1" DIAMETER |
| | 105958-10-000 | EA PIPE-EXHAUST, GENERATOR |

4,000 WATT ONAN MICROLITE - US & CANADIAN

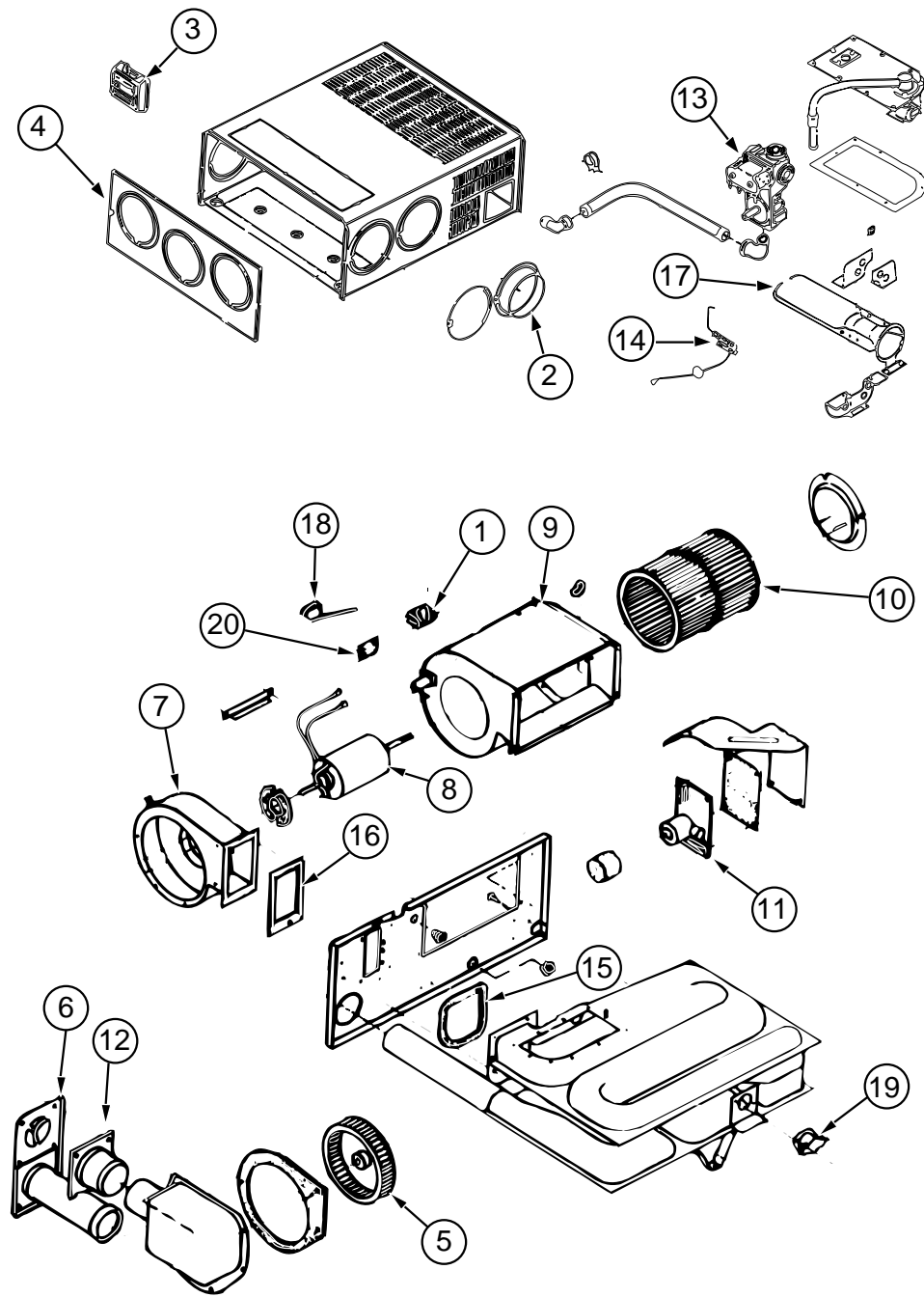
| KEY | PART NUMBER | U/M DESCRIPTION |
|-----|---------------|--|
| | 109982-03-000 | EA GENERATOR - 4,000 WATT MICROLITE, ONAN KY-FA/26100B |
| | 007125-04-000 | EA CLAMP-MUFFLER, 1.1" DIAMETER |
| | 105958-10-000 | EA PIPE-EXHAUST, GENERATOR |

**HEATING & AIR CONDITIONING GROUP
AUTO A/C & HEATER COMPONENTS**

**HEATING & AIR CONDITIONING GROUP (CONTINUED)
EVANS REAR HEATER & COMPONENTS**

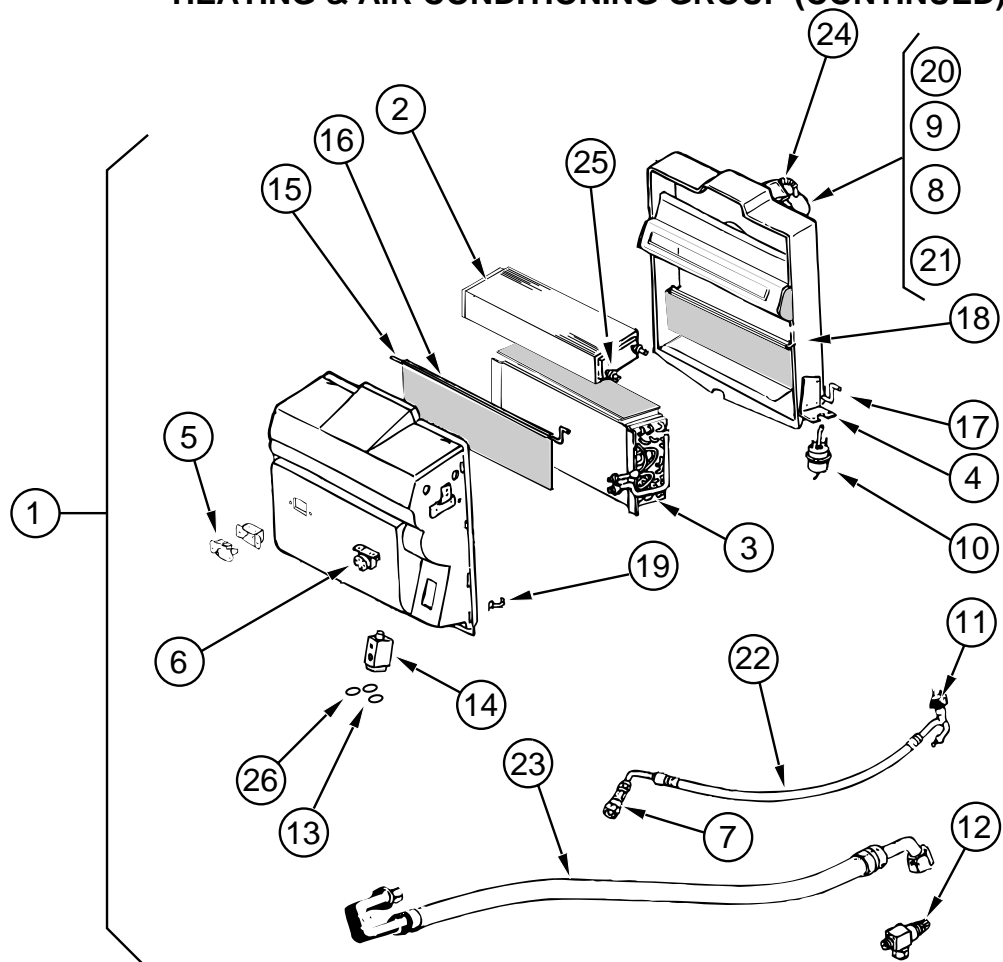
| KEY | PART NUMBER | U/M DESCRIPTION | VENDOR NO. | KEY | PART NUMBER | U/M DESCRIPTION | VENDOR NO. |
|-----|---------------|--|------------|-----|---------------|--|------------|
| | 007076-01-700 | FT HOSE-FLEXIBLE PVC - 2" ID | | | 084405-01-000 | EA HEATER ASM-REAR, DUCTED - W/MOTOR AID - EVANS MPA 304055A | |
| | 007108-01-000 | FT HOSE-HEATER, 5/8" ID | | | 084405-01-700 | EA HEATER CORE-EVANS | FT200229 |
| | 007281-01-000 | EA HOSE-FLEXIBLE PVC, 2.5" ID X 50' | | | 084405-01-701 | EA FAN BLADES-EVANS | HV029931 |
| | 007281-01-700 | FT HOSE-FLEXIBLE PVC, 2.5" ID | | | 084405-01-702 | EA MOTOR ASM - 12 V, EVANS | 200146 |
| | 024990-05-000 | EA OUTLET-DEFROSTER, W/SWIVEL - 2" DIAMETER - BLACK | | | 009198-01-000 | FT DUCT-HEAT, FLEXIBLE - 4" ID - INCREMENTS OF 25' | |
| | 077075-01-000 | EA GASKET-INSTRUMENT PANEL TO DEFROSTER PLENUM - 1.8" X 12.5" | | | 009200-01-000 | EA TAPE-FURNACE, 1 1/2" | |
| | 077075-03-000 | EA GASKET-INSTRUMENT PANEL TO DEFROSTER PLENUM - 1.8" X 12.25" | | | 069636-02-000 | EA CONNECTOR-DUCT, 4" ID | |
| | 103016-01-000 | EA PLENUM-TRANSITION | | | 007076-01-000 | EA HOSE-FLEXIBLE PVC - 2" ID - INCREMENTS OF 50' | |
| | 103017-01-000 | EA PLENUM-DEFROSTER | | | 007108-01-000 | FT HOSE-HEATER, 5/8" ID | |
| | 103558-01-06A | EA VENT-DEFROSTER, ABS - QUICKSILVER | | | 008042-01-000 | FT TUBING-VINYL, .65" ID | |
| | 103796-01-01A | EA LOUVER ASM-A/C CARY PROD - BLACK | | | 061673-01-000 | EA BRACKET-MOTOR AID TUBES, 4" X 1.5" - STEEL | |
| | 056402-05-000 | EA BRACKET-HEATER VENT, ROUND - W/BEND - BLACK | | | 088753-01-000 | FT TUBE-ALUMINIZED STEEL, 5/8" - 18 GAUGE | |
| | 103930-05-000 | EA MANUAL-OWNERS, HEATER-A/C - SCS 057-0049 | | | 094600-05-01A | EA REGISTER-HEAT, W/O DAMPER - LIMA 41, DURA-BEIGE | |
| | | 1995 CHEVY GAS CHASSIS | | | 076776-01-000 | EA TEE-BARB, 5/8" X 5/8" X 5/8" | |
| | 103930-17-000 | EA HOSE KIT #10 GM-SANDEN COMPRESSOR - SCS 093-00076 | | | 079059-01-000 | EA HOSE - 90 DEGREE, 5/8" ID X 4" X 36" | |
| | 103930-01-708 | EA BRACKET-VACUUM MOTOR - SCS | 070-0113 | | 079059-02-000 | EA HOSE - 90 DEGREE, .61" ID X 4" X 6" | |
| | 103930-17-700 | EA FITTING-PAD COMPRESSOR SUCTION SANDEN | 050-0131 | | 079059-03-000 | EA HOSE - 90 DEGREE, .61" ID X 4" X 18" | |
| | 103930-17-701 | EA FITTING #10.90 W/FERRULE/1342CP - SCS | 050-0132 | | | | |
| | 103930-17-702 | EA GASKET OR SAE 015 #10 33-781, SCS | 045-0127 | | | | |
| | 103930-17-703 | EA GASKET-SEAL, SANDEN COMPRESSOR 33-76 - SCS | 045-0142 | | | | |
| | 103930-17-704 | EA HOSE #10 - SCS | 085-0113 | | | | |
| | | 1996 CHEVY GAS CHASSIS | | | | | |
| | 103930-28-000 | EA HOSE KIT #10 GM - L-19 - SCS 093-00426 | | | | | |
| | | 1995 CHEVY DIESEL CHASSIS | | | | | |
| | 103930-18-000 | EA HOSE KIT #10 GM-HARRISON COMPRESSOR - SCS 093-00077 | | | | | |
| | 103930-17-701 | EA FITTING #10.90 W/FERRULE/1342CP - SCS | 050-0132 | | | | |
| | 103930-17-702 | EA GASKET OR SAE 015 #10 33-781, SCS | 045-0127 | | | | |
| | 103930-17-703 | EA GASKET-SEAL, SANDEN COMPRESSOR 33-76 - SCS | 045-0142 | | | | |
| | 103930-18-700 | EA FITTING-PAD COMPRESSOR SUCTION HARRISON - SCS | 050-00133 | | | | |
| | 103930-18-701 | EA HOSE #10 - SCS | 085-0114 | | | | |
| | 103930-18-702 | EA GASKET SEAL - HARRISON - SCS | 045-0143 | | | | |
| | 110279-01-708 | EA HOSE-REFRIGERANT BARRIER #10 SAEJ51 - SCS | 051-0008 | | | | |
| | | 1996 CHEVY DIESEL CHASSIS | | | | | |
| | 103930-29-000 | EA HOSE KIT #10 GM - L-29 & L-65 - SCS 093-00427 | | | | | |
| | | 1995 CHEVY OR FORD GAS & CHEVY DIESEL CHASSIS | | | | | |
| | 103930-04-000 | EA CONTROL/PLENUM SET - SCS 093-00037 | | | | | |
| | 072341-06-700 | EA SWITCH - 4 SPEED, FAN - ARA | 0883502 | | | | |
| | 094831-01-709 | EA CLAMPS-ROD, 3/16" - MOTIVAIR/SCS | ZGG14431 | | | | |
| | 103930-02-712 | EA PANEL-CONTROL, BLACK BEZEL - SCS | 032-0054 | | | | |
| | 103930-02-701 | EA VALVE-CONTROL HEAD, SCS | 034-0015 | | | | |
| | 103930-02-702 | EA DECAL-FAN SWITCH, SCS | 058-0008 | | | | |
| | 103930-02-703 | EA HARNESS-WIRE CONTROL, SCS | 036-0048 | | | | |
| | 103930-02-704 | EA HARNESS-VACUUM CONTROL, SCS | 036-0049 | | | | |
| | 103930-02-705 | EA CABLE-CONTROL, BOWDEN - SCS | 074-0011 | | | | |
| | 103930-02-706 | EA CLIP-CABLE, CONTROL - SCS | 022-0017 | | | | |
| | 103930-02-707 | EA RELAY, SCS | 031-0001 | | | | |
| | 103930-02-708 | EA MOTOR-VACUUM SERVO, A/C - SCS | 030-0002 | | | | |
| | 103930-02-710 | EA CANISTER-VACUUM, SCS | 054-0002 | | | | |
| | 103930-23-000 | EA VALVE-WATER, 2 PORT - SCS 034-00014 | | | | | |
| | | 1996 CHEVY GAS & CHEVY DIESEL CHASSIS | | | | | |
| | 103930-27-000 | EA CONTROL/PLENUM SET - SCS 093-00430 | | | | | |

HEATING & AIR CONDITIONING GROUP (CONTINUED)
30,000 BTU SUBURBAN FURNACE & WALL THERMOSTAT



| KEY | PART NUMBER | U/M | DESCRIPTION | VENDOR NO. |
|-----|---------------|-----|---|------------|
| | 098668-20-000 | EA | FURNACE - 30,000 BTU - SUBURBAN SF30 2273 | |
| 1 | 074466-01-702 | EA | RELAY-TIME DELAY | 230625 |
| 2 | 075696-02-703 | EA | COLLAR-DUCT | 050715 |
| 3 | 115764-01-01A | EA | THERMOSTAT - WALL, FURNACE 160902 | |
| 4 | 098668-01-700 | EA | CABINET-FRONT | 101242 |
| 5 | 098668-01-706 | EA | WHEEL-COMBUSTION AIR | 350122 |
| 6 | 098668-01-707 | EA | VENT ASSEMBLY-CAP AND TUBE | 260193 |
| 7 | 098668-01-708 | EA | BLOWER ASSEMBLY-COMBUSTION AIR | 390441 |
| 8 | 098668-01-709 | EA | MOTOR ASSEMBLY-F/SF-25, SF-30 | 231706 |
| 9 | 098668-01-710 | EA | BLOWER ASSEMBLY-ROOM AIR | 390440 |
| 10 | 098668-01-711 | EA | WHEEL-ROOM AIR | 350123 |
| 11 | 098668-01-712 | EA | BOARD-MODULE | 231741 |
| 12 | 098668-01-713 | EA | INTAKE VENT TUBE ASSEMBLY | 051044 |
| 13 | 098668-01-714 | EA | VALVE-GAS, (WHITE ROGERS) | 161070 |
| 14 | 098668-01-715 | EA | ELECTRODE ASSEMBLY-SINGLE PROBE | 232166 |
| 15 | 098668-01-716 | EA | GASKET-FIREWALL, CHAMBER SIDE | 232166 |
| 16 | 098668-01-717 | EA | GASKET-FIREWALL, BLOWER SIDE | 070163 |
| 17 | 098668-02-700 | EA | BURNER ASSEMBLY COMPLETE - (SF-30/SF35) | 010745 |
| 18 | 098668-21-700 | EA | MICROSWITCH W/O FLAG 3 1/4" | 232261 |
| 19 | 098668-21-701 | EA | LIMIT SWITCH | 231799 |
| 20 | 101990-01-714 | EA | MICROSWITCH GASKET | 230877 |
| | 092300-02-701 | EA | ORIFICE-(MAIN BURNER) | 180214 |
| | 098668-23-000 | EA | DOOR-ACCESS, FURNACE - BRIGHT WHITE - 520574 | |
| | 056464-10-000 | EA | REGISTER-HEAT/A/C, ROUND W/O DAMPER - 4" - DURA-BEIGE PLASTIC | |
| | 093614-01-02A | EA | GRILLE-RETURN AIR, FURNACE - 15.6" X 7.6" - BEIGE | |

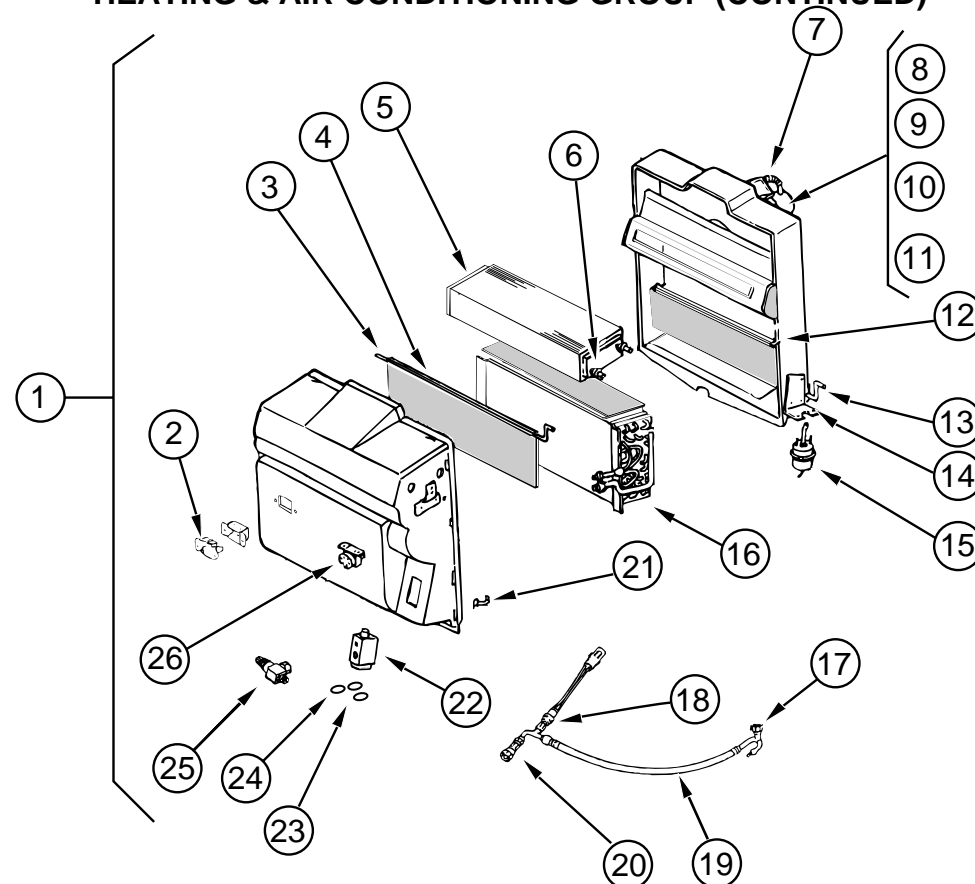
HEATING & AIR CONDITIONING GROUP (CONTINUED)



SCS EVAPORATOR/HEATER ASSEMBLY - FORD GAS CHASSIS

| KEY | PART NUMBER | U/M DESCRIPTION | VENDOR NO. |
|-----|---------------|---|------------|
| 1 | 103930-21-000 | EA EVAPORATOR/HEATER ASSEMBLY - SCS 090-00084 | |
| 2 | 103930-01-703 | EA COIL-HEATER | 042-0010 |
| 3 | 103930-01-704 | EA COIL EVAPORATOR | 041-0017 |
| 4 | 103930-01-708 | EA BRACKET-VACUUM MOTOR | 070-0113 |
| 5 | 103930-01-710 | EA RESISTOR-FUSED | 035-0006 |
| 6 | 103930-01-711 | EA THERMOSTAT | 033-0003 |
| 7 | 103930-01-713 | EA FITTING-QUICK CONNECT, #4 | 050-003 |
| 8 | 103930-01-717 | EA WHEEL-CLOCK-WISE | 062-0010 |
| 9 | 103930-01-720 | EA MOTOR | 030-0004 |
| 10 | 103930-02-708 | EA MOTOR-VACUUM SERVO, A/C | 030-0002 |
| 11 | 103930-12-708 | EA SWITCH-BINARY, R-134A | 032-0048 |
| 12 | 103930-13-702 | EA SERVICE VALVE | 050-152 |
| 13 | 103930-17-702 | EA GASKET OR SAE 015 #10 33-781 | 045-0127 |
| 14 | 103930-20-700 | EA VALVE-EXPANSION BLOCK, 2 TON | 034-0032 |
| 15 | 103930-20-702 | EA ROD-AIR BLEND DOOR | 073-0039 |
| 16 | 103930-20-703 | EA DOOR-AIR BLEND | 071-0212 |
| 17 | 103930-20-704 | EA ROD-RECIRCULATING DOOR | 073-0018 |
| 18 | 103930-20-705 | EA DOOR-RECIRCULATING | 071-0213 |
| 19 | 103930-20-706 | EA CLIP-RETAINER | 022-0057 |
| 20 | 103930-20-707 | EA HOUSING-BLOWER | 062-0145 |
| 21 | 103930-20-708 | EA CLIP F/MOTOR SHAFT | 022-0001 |
| | 103930-20-710 | EA CASE-FRONT, SUB-ASSEMBLY | 062-0146 |
| | 103930-20-711 | EA CASE-BACK, SUB-ASSEMBLY | 062-0147 |
| 22 | 103930-21-700 | EA HOSE #6 - FORD | 085-0139 |
| 23 | 103930-21-701 | EA HOSE #10 - FORD | 085-0140 |
| 24 | 110279-01-703 | EA MOTOR-BLOWER | 051-0034 |
| 25 | 110279-01-712 | EA FITTING-HEATER | 050-0076 |
| 26 | 113245-01-707 | EA GASKET #8 | 045-0126 |

HEATING & AIR CONDITIONING GROUP (CONTINUED)



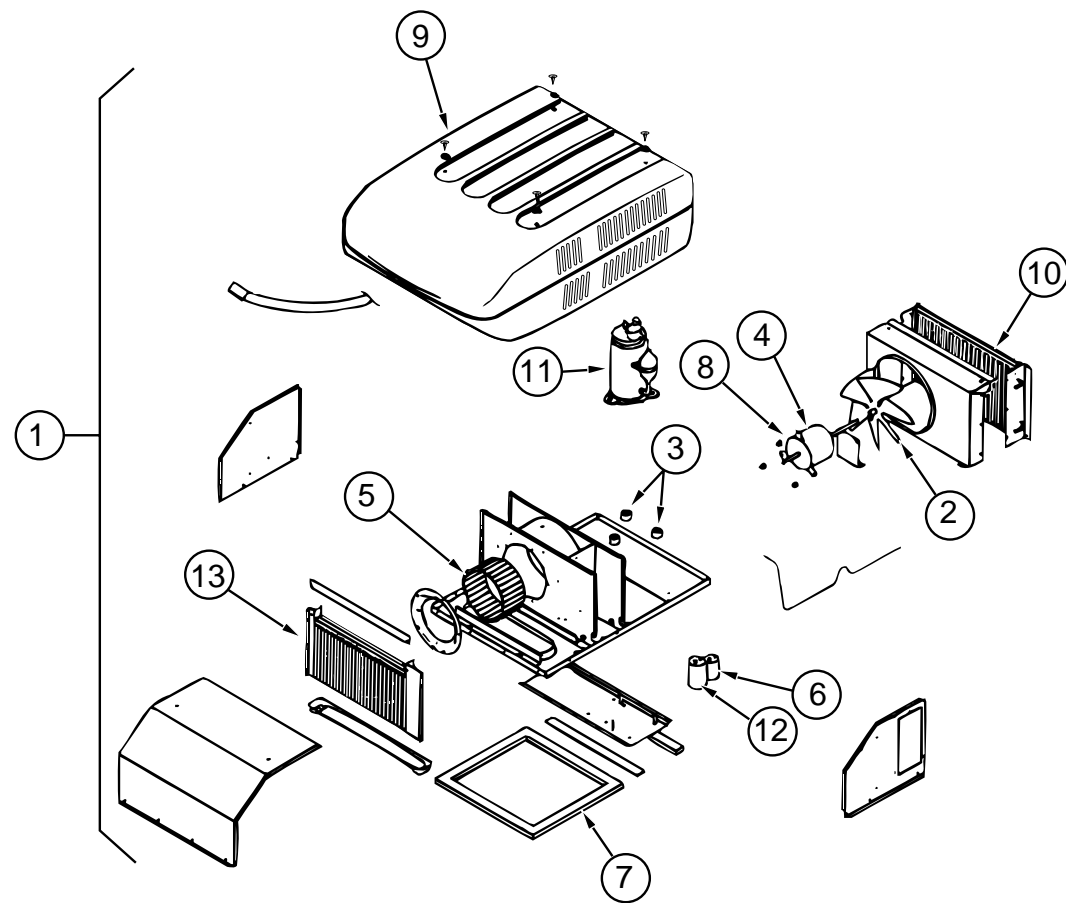
SCS EVAPORATOR/HEATER ASSEMBLY - CHEVY GAS & DIESEL CHASSIS

| KEY | PART NUMBER | U/M DESCRIPTION | VENDOR NO. |
|-----|---------------|---|------------|
| 1 | 103930-20-000 | EA EVAPORATOR/HEATER ASSEMBLY - SCS 090-00083 | |
| 2 | 103930-01-710 | EA RESISTOR-FUSED | 035-0006 |
| 3 | 103930-20-702 | EA ROD-AIR BLEND DOOR | 073-0039 |
| 4 | 103930-20-703 | EA DOOR-AIR BLEND | 071-0212 |
| 5 | 103930-01-703 | EA COIL-HEATER | 042-0010 |
| 6 | 110279-01-712 | EA FITTING-HEATER | 050-0076 |
| 7 | 110279-01-703 | EA MOTOR-BLOWER | 051-0034 |
| 8 | 103930-20-707 | EA HOUSING-BLOWER | 062-0145 |
| 9 | 103930-01-720 | EA MOTOR | 030-0004 |
| 10 | 103930-01-717 | EA WHEEL-CLOCK-WISE | 062-0010 |
| 11 | 103930-20-708 | EA CLIP F/MOTOR SHAFT | 022-0001 |
| 12 | 103930-20-705 | EA DOOR-RECIRCULATING | 071-0213 |
| 13 | 103930-20-704 | EA ROD-RECIRCULATING DOOR | 073-0018 |
| 14 | 103930-01-708 | EA BRACKET-VACUUM MOTOR | 070-0113 |
| 15 | 103930-02-708 | EA MOTOR-VACUUM SERVO, A/C | 030-0002 |
| 16 | 103930-01-704 | EA COIL-EVAPORATOR | 041-0017 |
| 17 | 103930-12-708 | EA SWITCH-BINARY, R-134A | 032-0048 |
| 18 | 103930-01-716 | EA SWITCH-PRESSURE, FAN | 032-0036 |
| 19 | 103930-20-701 | EA HOSE ASM - #6 | 085-0138 |
| 20 | 103930-12-709 | EA FITTING-QUICK CONNECT | 050-0120 |
| 21 | 103930-20-706 | EA CLIP-RETAINER, SCS | 022-0057 |
| 22 | 103930-20-700 | EA VALVE-EXPANSION BLOCK, 2 TON | 034-0032 |
| 23 | 103930-17-702 | EA GASKET OR SAE 015 #10 33-781 | 045-0127 |
| 24 | 113245-01-707 | EA GASKET #8 | 045-0126 |
| 25 | 103930-20-709 | EA SERVICE VALVE | 050-159 |
| 26 | 103930-01-711 | EA THERMOSTAT | 033-0003 |
| | 103930-20-710 | EA CASE-FRONT, SUB-ASSEMBLY | 062-0146 |
| | 103930-20-711 | EA CASE-BACK, SUB-ASSEMBLY | 062-0147 |

SCS EVAPORATOR/HEATER ASSEMBLY - 1996 CHEVY GAS & DIESEL CHASSIS

| KEY | PART NUMBER | U/M DESCRIPTION |
|-----|---------------|---|
| | 103930-25-000 | EA EVAPORATOR/HEATER ASSEMBLY - SCS 090-00296 |

HEATING & AIR CONDITIONING GROUP (CONTINUED)



14,800 BTU COLEMAN ROOF A/C & CEILING ASSEMBLY

| KEY | PART NUMBER | U/M DESCRIPTION | VENDOR NO. |
|-----|---------------|---|------------|
| 1 | 115219-01-03A | EA A/C-ROOF, 14,800 BTU - MACH 15 - BRIGHT WHITE - COLEMAN 7335B896 | |
| 2 | 093763-01-712 | EA FAN BLADE-CONDENSER | 6733-3221 |
| 3 | 105620-01-706 | EA FOOT PACKAGE-COMPRESSOR, 3 PER PACKAGE | 6759-3081 |
| 4 | 108889-01-705 | EA MOTOR - 115V, 60HZ | 1468-3049 |
| 5 | 108889-01-706 | EA IMPELLOR | 1472-1041 |
| 6 | 108889-01-708 | EA CAPACITOR-FAN, (7.5MFD.370U) | 1499-5461 |
| | 108889-01-710 | EA FILLER PAD-COND AIR SEAL | 6759A3971 |
| 7 | 108889-01-711 | EA GASKET PACKAGE | 6792-3301 |
| 8 | 108889-01-715 | EA MOTOR MOUNT & SHAFT SEAL KIT | 6792-3361 |
| 9 | 108889-05-700 | EA SHROUD | 7333-4601 |
| 10 | 115219-01-700 | EA CONDENSER COIL | 1452-1321 |
| 11 | 115219-01-701 | EA COMPRESSOR, PANASONIC | 1450-2039 |
| 12 | 115219-01-702 | EA CAPACITOR-RUN, COMPRESSOR | 1499-5741 |
| | 115219-01-703 | EA RELAY-START | 1497-4151 |
| 13 | 115219-01-704 | EA EVAPORATOR COIL | 1452-1331 |
| | 115219-01-707 | EA DISCHARGE LINE ASSEMBLY | 7335A132 |
| | 115219-01-705 | EA LINE-SUCTION, LOWER | 7335-130 |
| | 115219-01-706 | EA LINE-SUCTION, UPPER | 7335-131 |
| | 093306-01-720 | EA CAPACITOR-START | 1497-3351 |
| | 093306-01-701 | EA DECAL PACKAGE-LEFT & RIGHT | 6798B3591 |
| | 102289-01-000 | EA SPRING-SCREW, ROOF A/C GASKET - COLEMAN 6757-150 | |

HEATING & AIR CONDITIONING GROUP (CONTINUED)

COLEMAN CEILING ASSEMBLY 14,800 BTU A/C

| KEY | PART NUMBER | U/M DESCRIPTION | VENDOR NO. |
|-----|---------------|--|------------|
| | 108892-01-01A | EA CEILING ASM-A/C DUCTED - COLEMAN 7330-730IV | |
| | 108892-01-700 | EA PLUG ASSEMBLY | 7330-540 |
| | 108892-01-701 | EA BOARD-TERMINAL | 7330-3201 |
| | 108892-01-702 | EA BOARD-PRINTED CIRCUIT | 7330A3211 |
| | 108892-01-703 | EA FILTER | 6798A3761 |
| | 108892-01-704 | EA GRILLE (PLASTIC) | 6798-3041 |
| | 108892-01-705 | EA SMALL PARTS PKG | 7330A6101 |
| | 117238-01-01A | EA THERMOSTAT-A/C AND FURNACE - COLEMAN 7330-3371 | |
| | 056464-06-000 | EA REGISTER-HEAT/A/C, ROUND W/O DAMPER - 4" - OFF WHITE PLASTIC FROM: 00-00-00 THRU: 11-05-95 | |
| | 120134-01-01A | EA REGISTER - 4"-5" DIAMETER W/DAMPER - OFF WHITE - D&W 8840 FROM: 11-06-95 THRU: 99-99-99 | |

ROOF A/C COVER

| KEY | PART NUMBER | U/M DESCRIPTION |
|-----|---------------|--|
| | 092633-02-02A | EA COVER-BLANK, ROOF A/C - 5.1" X 5.1" - PLASTIC - OFF WHITE |
| | 084077-03-000 | EA COVER-BLANK, ROOF A/C - 5.2" X 3.5" - IVORY |
| | 022756-03-000 | EA COVER-A/C, OFF WHITE - PLASTIC |
| | 022756-02-000 | EA COVER-PROTECTIVE, 5.5" ENDS X 8.2" - PLASTIC - OFF WHITE |

**INTERIOR FINISH GROUP
BATT STRIPS**

| KEY | PART NUMBER | U/M | DESCRIPTION |
|-----|---------------|-----|---|
| | 069733-83-000 | EA | BATT STRIP-WOODGRAIN, 8' - WATERFORD OAK |
| | 088263-78-000 | EA | BATT STRIP-SHOWER, 8' - OFF WHITE |
| | 088263-C3-000 | EA | BATT STRIP-DECORATIVE, TRAVIS/PEBBLE - 8' LONG (G29) (MAIN WALL) |
| | 088263-B3-000 | EA | BATT STRIP-DECORATIVE, ALLURE/MEADOW - 8' LONG (G30) (MAIN WALL) |
| | 088263-B8-000 | EA | BATT STRIP-DECORATIVE, METRO/MIST - 8' LONG (G31/G32) (MAIN WALL) |
| | 085284-B5-000 | FT | BATT STRIP-WOODGRAIN, ADHESIVE BACKED - WATERFORD OAK |
| | 085284-76-000 | FT | BATT STRIP-SHOWER, ADHESIVE BACKED - OFF WHITE |
| | 085284-B6-000 | FT | BATT STRIP-DECORATIVE, ADHESIVE BACKED (G29) (MAIN WALL) |
| | 085284-A4-000 | FT | BATT STRIP-DECORATIVE, ADHESIVE BACKED (G30) (MAIN WALL) |
| | 085284-B1-000 | FT | BATT STRIP-DECORATIVE, ADHESIVE BACKED (G31/G32) (MAIN WALL) |
| | 086229-04-000 | EA | BATTEN-CEILING, 1" WIDE - IVORY - 7.6' |
| | 086229-01-000 | EA | RETAINER-BATTEN, CEILING - .75" WIDE - IVORY - 7.6' |

PANELING & PLYWOOD

| KEY | PART NUMBER | U/M | DESCRIPTION |
|-----|---------------|-----|---|
| | 074497-28-000 | SF | PANELING-WOODGRAIN, 4' X 8' - INCREMENTS OF 32 SF |
| | 088272-98-000 | SF | PANELING-SHOWER, OFF WHITE - 4' X 7' - INCREMENTS OF 28 SF |
| | 088272-E4-000 | SF | PANELING-DECORATIVE, TRAVIS/PEBBLE - 4' X 7' - INCREMENTS OF 28 SF (G29) (MAIN WALL) |
| | 088272-D6-000 | SF | PANELING-DECORATIVE, ALLURE/MEADOW - 4' X 7' - INCREMENTS OF 28 SF (G30) (MAIN WALL) |
| | 088272-E0-000 | SF | PANELING-DECORATIVE, METRO/MIST - 4' X 7' - INCREMENTS OF 28 SF (G31/G32) (MAIN WALL) |
| | 080215-10-000 | SF | PANELING - 2 SIDED, WATERFORD OAK - 5 MM X 4' X 8' - INCREMENTS OF 32 SF |
| | 089297-01-000 | SF | PLYWOOD-LUAN, OVERLAY GRADE - 4' X 8' - INCREMENTS OF 32 SF |
| | 000885-76-000 | SF | PARTICLE BOARD - 3/8" X 48" X 96" - WATERFORD OAK VINYL 1 SIDE |
| | 000885-77-000 | SF | PARTICLE BOARD - 3/8" X 48" X 96" - WATERFORD OAK VINYL 2 SIDES |
| | 000885-79-000 | SF | PARTICLE BOARD - 3/4" X 48" X 96" - WATERFORD OAK VINYL 2 SIDES |

SMOKE DETECTOR, CO DETECTOR, FIRE EXTINGUISHER & CLOCK

| KEY | PART NUMBER | U/M | DESCRIPTION |
|-----|---------------|-----|---|
| | 072852-01-000 | EA | DETECTOR-SMOKE, W/9 VOLT BATTERY - US |
| | 072852-02-000 | EA | DETECTOR-SMOKE, W/9 VOLT BATTERY - CANADIAN |
| | 094499-01-000 | EA | EXTINGUISHER-FIRE, DRY W/MOUNTING BRACKET - 10 BC |
| | 094499-01-700 | EA | BRACKET-MOUNTING, W/PLASTIC STRAP - FIRE EXTINGUISHER |
| | 094499-02-000 | EA | EXTINGUISHER-FIRE, DRY - 1A10BC - CANADIAN |
| | 112320-01-000 | EA | DETECTOR-CO GAS, MODEL 9B-I - COSTAR 940000000 FROM: 00-00-00 THRU: 09-03-95 |
| | 112320-02-000 | EA | BATTERY/SENSOR-CO GAS, COSTAR 940001000 FROM: 00-00-00 THRU: 09-03-95 |
| | 112320-03-000 | EA | DETECTOR-CO GAS, MODEL 9D-I - COSTAR 946000001 FROM: 09-04-95 THRU: 99-99-99 |
| | 112320-04-000 | EA | DETECTOR-CO SENSOR ASSEMBLY - COSTAR 946001001 FROM: 09-04-95 THRU: 99-99-99 |
| | 118081-01-01A | EA | CLOCK-WALL, ROUND 8" - BRASS |

**INTERIOR FINISH GROUP (CONTINUED)
PLASTIC LAMINATE & EDGE BAND MOLDING**

| KEY | PART NUMBER | U/M | DESCRIPTION |
|-----|---------------|-----|---|
| | 074498-54-000 | SF | LAMINATE-PLASTIC, SAND SPEKTRUM - 5' X 8' - INCREMENTS OF 40 SF (G29/G32) (GALLEY, DINETTE, BATH & BEDROOM) |
| | 074498-73-000 | SF | LAMINATE-PLASTIC, PEPPERMINT SANTOS - 5' X 8' - INCREMENTS OF 40 SF (G30) (GALLEY, DINETTE, BATH & BEDROOM) |
| | 074498-62-000 | SF | LAMINATE-PLASTIC, GREY FINESSE - 5' X 8' - INCREMENTS OF 40 SF (G31) (GALLEY, DINETTE, BATH & BEDROOM) |
| | 074498-67-000 | SF | LAMINATE-PLASTIC, ORCHID MIST - 5' X 8' - INCREMENTS OF 40 SF (PATIO ENTERTAINMENT CENTER TABLE) |
| | 076325-34-000 | FT | MOLDING-EDGE BAND, 1233 ORCHID MIST - 1 5/16" X .030" X 600" (PATIO ENTERTAINMENT CENTER TABLE) |
| | 076325-47-000 | FT | MOLDING-EDGE BAND, 1032 SAND - 1 5/16" X .030" X 600" (G29/G32) (DINETTE/BEDROOM) |
| | 076325-65-000 | FT | MOLDING-EDGE BAND, 1179 PEPPERMINT - 1 5/16" X .030" X 600" (G30) (DINETTE/BEDROOM) |
| | 076325-46-000 | FT | MOLDING-EDGE BAND, 1035 CLOUD - 1 5/16" X .030" X 600" (G31) (DINETTE/BEDROOM) |
| | 076325-44-000 | FT | MOLDING-EDGE BAND, 1032 SAND - .875" X .024" X 600" (G29/G32) (DINETTE/BEDROOM) |
| | 076325-66-000 | FT | MOLDING-EDGE BAND, 1179 PEPPERMINT - .875" X .024" X 600" (G30) (DINETTE/BEDROOM) |
| | 076325-43-000 | FT | MOLDING-EDGE BAND, 1035 CLOUD - .875" X .024" X 600" (G31) (DINETTE/BEDROOM) |
| | 074498-77-000 | SF | LAMINATE-PLASTIC, ART CAGIN OAK - 5' X 8' - INCREMENTS OF 40 SF (PULL OUT TABLE) |
| | 076325-68-000 | FT | MOLDING-EDGE BAND, WATERFORD OAK - 1 5/16" X .038" X 600" (PULL OUT TABLE) |

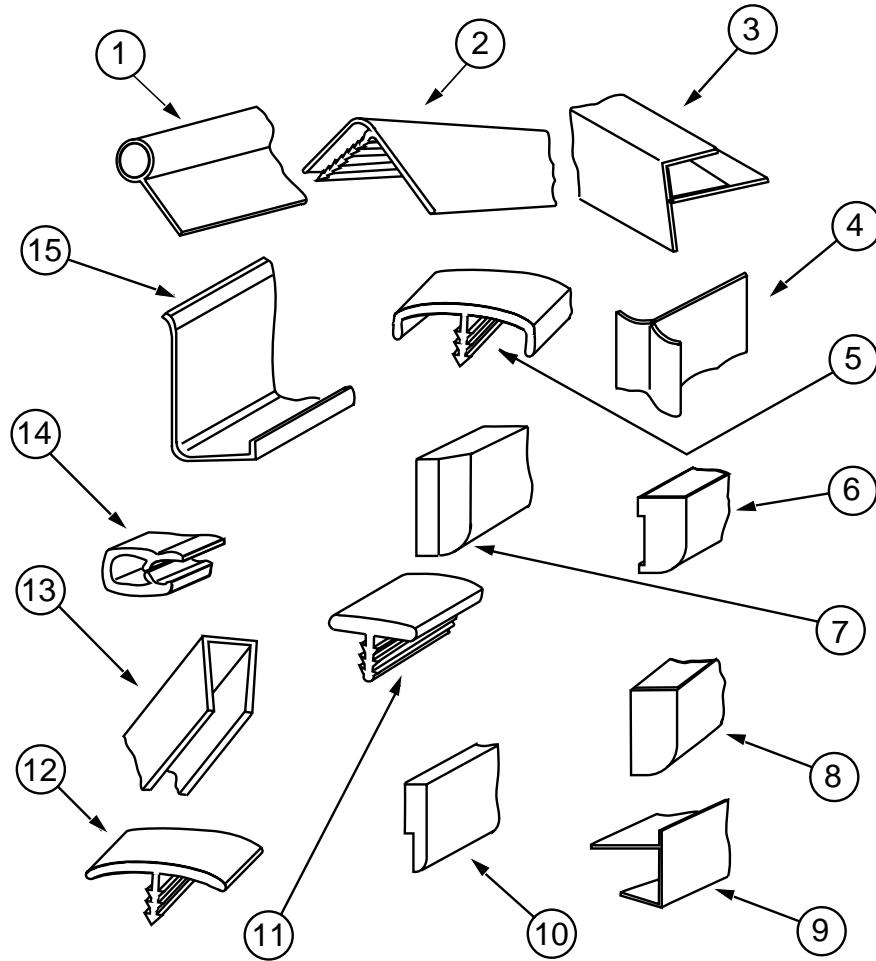
ANTISLIP & FLOOR MATS

| KEY | PART NUMBER | U/M | DESCRIPTION |
|-----|---------------|-----|---------------------------------------|
| | 091261-01-000 | FT | SLIPNOT-ANTISLIP, 1' WIDE (100' ROLL) |
| | 105924-01-F04 | EA | MAT-FLOOR, 18" X 27" (G29) |
| | 105924-01-F11 | EA | MAT-FLOOR, 18" X 27" (G30) |
| | 105924-01-F25 | EA | MAT-FLOOR, 18" X 27" (G31) |
| | 105924-01-F04 | EA | MAT-FLOOR, 18" X 27" (G32) |

CARPET

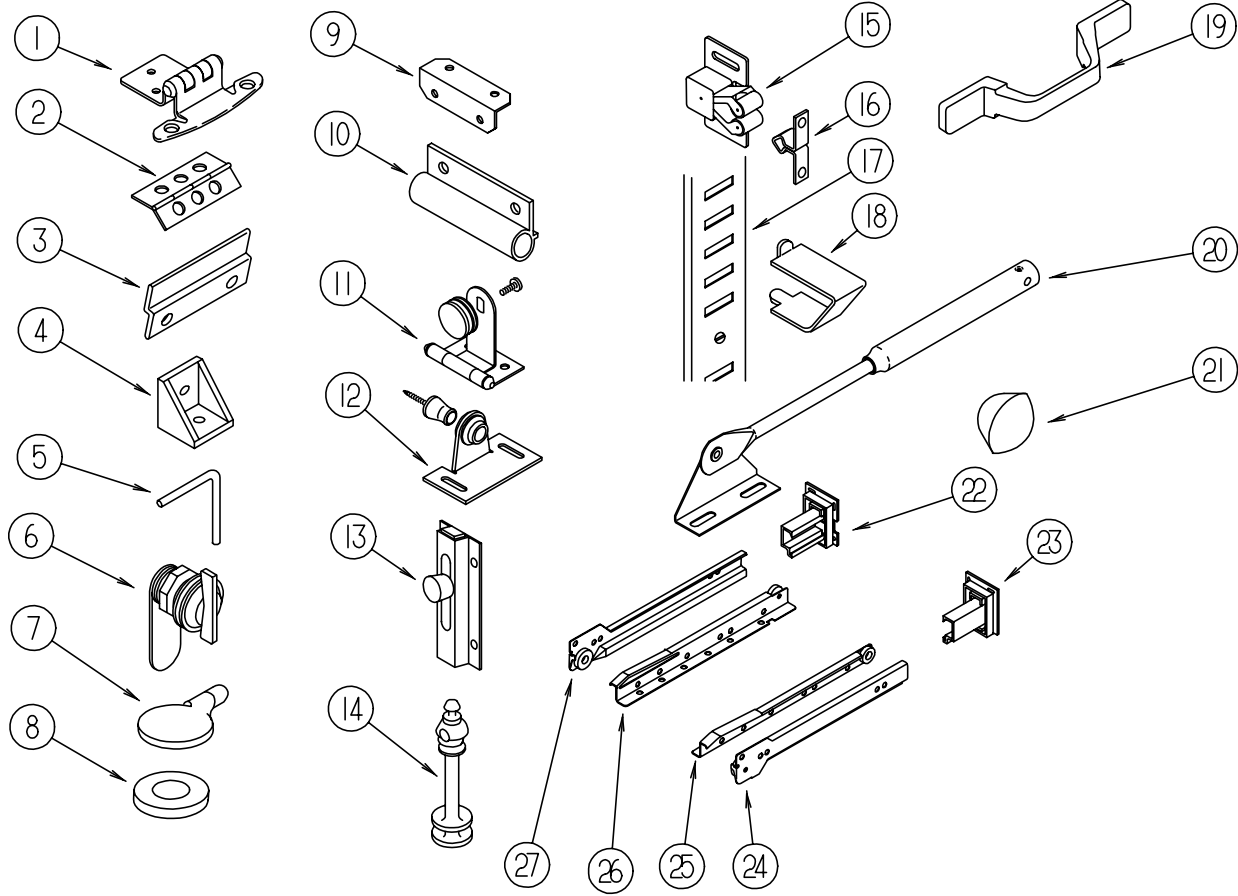
| KEY | PART NUMBER | U/M | DESCRIPTION |
|-----|---------------|-----|---|
| | 075233-01-000 | SY | PAD-CARPET, 3/8" X 6' ROLL |
| | 047034-02-000 | SF | PLASTIC - CARPET - 4' WIDE - CLEAR POLY |
| | 093486-01-000 | SY | CARPET - COMPARTMENT, 54" WIDE - DARK GRAY |
| | 096060-95-000 | SY | CARPET - 12' ROLL, INCREMENTS OF 4 SY (G29/G32) |
| | 096060-A2-000 | SY | CARPET - 12' ROLL, INCREMENTS OF 4 SY (G30) |
| | 096060-A8-000 | SY | CARPET - 12' ROLL, INCREMENTS OF 4 SY (G31) |

INTERIOR FINISH GROUP (CONTINUED)
MOLDINGS & TRIM



| KEY | PART NUMBER | U/M DESCRIPTION |
|-----|---------------|---|
| 1 | 009767-12-000 | FT MOLDING-SIDEWALL TO CEILING/CABINET - WELTING - OFF WHITE |
| 2 | 009809-28-000 | EA MOLDING-CORNER, OUTSIDE - 1" - PLASTIC - WATERFORD OAK |
| 3 | 009812-29-000 | EA MOLDING-CORNER, OUTSIDE - .5" X 7' - PLASTIC - WATERFORD OAK |
| 4 | 022992-11-000 | FT MOLDING-REVERSE COVE, T-SHAPED - VINYL - IVORY |
| 5 | 083620-12-000 | FT MOLDING-T, END CAP EDGE - W/EDGE LIPS - .75" - WATERFORD OAK |
| 6 | 117268-D2-134 | EA MOLDING-VINYL WRAPPED, 18 MM X 40 MM X 2134 MM - WATERFORD OAK |
| 6 | 117268-F2-134 | EA MOLDING-VINYL WRAPPED, 18 MM X 65 MM X 2134 MM - WATERFORD OAK |
| 6 | 117268-F2-438 | EA MOLDING-VINYL WRAPPED, 18 MM X 65 MM X 2438 MM - WATERFORD OAK |
| 7 | 100659-01-G09 | EA MOLDING-TRIM, VINYL FLOOR |
| 8 | 100818-01-02A | EA MOLDING-VINYL WRAPPED, 1.65" X .4" X 7' - OAK |
| 9 | 103186-01-05A | FT MOLDING-EDGE, SHELF - .78" WIDE - PLASTIC - WATERFORD OAK |
| 9 | 103186-02-05A | FT MOLDING-EDGE, SHELF - 1.3" WIDE - PLASTIC - WATERFORD OAK |
| 10 | 105004-01-05A | EA MOLDING-VINYL WRAPPED, 1" X 8' - WATERFORD OAK |
| 11 | 104676-01-01A | FT T-MOLDING, 5/16 - RIGID - GOLD |
| 12 | 105709-01-000 | FT T-MOLDING, 1", IVORY |
| 13 | 009778-21-000 | FT U-CHANNEL-PLASTIC, 1" WIDE - WATERFORD OAK |
| 13 | 070504-18-000 | FT U-CHANNEL-PLASTIC, .065" WIDE - IVORY - INCREMENTS OF 8' |
| 13 | 070504-19-000 | FT U-CHANNEL-PLASTIC, .815" WIDE - BROWN - INCREMENTS OF 8' |
| 13 | 070504-36-000 | FT U-CHANNEL-PLASTIC, 1.65" WIDE - WATERFORD OAK - INCREMENTS OF 8' |
| 14 | 072368-02-000 | EA TRIM-VINYL, EDGE - BLACK - GM 14004305 |
| 15 | 085746-01-000 | FT TRIM-J, CARPET - 1.2" X .5" ANGLE - 10' LONG - PVC - BEIGE |
| | 052859-01-B05 | FT TRIM ASM-ACCENT, SEWN VINYL |
| | 075249-01-000 | EA RAILING-OAK, 72" - UNFINISHED |
| | 100040-06-000 | EA LUMBER-VINYL WRAPPED, .71" X 3" X 8' - RAMBLING OAK |

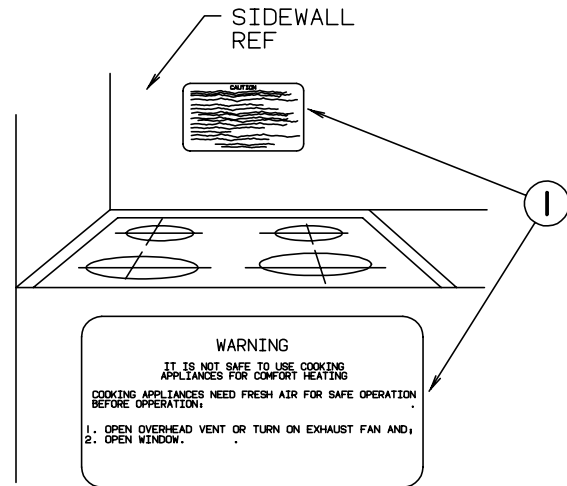
INTERIOR FINISH GROUP (CONTINUED)
CABINET HARDWARE



| KEY | PART NUMBER | U/M | DESCRIPTION |
|-----|---------------|-----|---|
| 1 | 108138-01-000 | EA | HINGE-CABINET DOOR, BURNISHED BRASS |
| 2 | 009059-02-000 | EA | HINGE-DOOR, 2" X 2.7" - BRASS |
| | 041389-33-000 | EA | HINGE-PIANO, OFF WHITE - 72.5" |
| 3 | 101272-01-000 | EA | CATCH-DOOR, GLASS |
| 4 | 065740-01-000 | EA | BRACE-CABINET CORNER, PLASTIC |
| 5 | 108487-02-01A | EA | SUPPORT-PROP ROD, OVERHEAD - BLACK |
| 6 | 100710-01-01A | EA | LOCK-GLASS DOOR, TWIST TYPE - BRASS |
| 7 | 101766-01-000 | EA | PIN-SUPPORT, GLASS DOOR |
| 8 | 100707-01-000 | EA | SPACER-DOOR, GLASS - .8" DIA - .3" HOLE - PLASTIC |
| 9 | 016604-01-000 | EA | BRACE-CABINET, ANGLE - 2.5" - METAL - UNPAINTED |
| 9 | 016604-05-000 | EA | BRACE-CABINET, ANGLE - 2.5" - METAL - OFF WHITE |
| 10 | 108486-01-01A | EA | BRACKET-PROP ROD, OVERHEAD - BLACK |
| 11 | 100711-01-01A | EA | HINGE-DOOR, GLASS |
| 12 | 009013-01-000 | EA | CATCH-MALE & FEMALE BULLDOG, ANTIQUE COPPER |
| 13 | 061604-01-000 | EA | SLIDE-BOLT, BRIGHT BRASS - GM HDW BB-789-BW/S |
| 14 | 084070-02-000 | EA | POST-END, 2.4" - BRASS |
| 15 | 093586-06-000 | EA | CATCH-SPRING, ROLLER |
| 16 | 093586-05-000 | EA | STRIKE-SPRING STEEL |
| 17 | 098980-01-000 | EA | PILASTER-ADJUSTABLE SHELF, 18" LONG |
| 17 | 098980-02-000 | EA | PILASTER-ADJUSTABLE SHELF, 12" LONG |
| 18 | 098979-01-000 | EA | CLIP-ADJUSTABLE SHELF |
| 19 | 117801-01-01A | EA | PULL-CABINET, BRASS |
| 20 | 074493-02-000 | EA | SUPPORT-PISTON SPRING, CABINET DOOR |
| 21 | 042356-01-000 | EA | PLUG-BUTTON, MAHOGANY - 3/8" DIAMETER - WOOD |

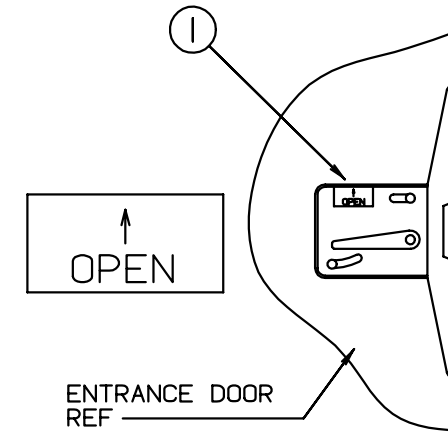
| KEY | PART NUMBER | U/M | DESCRIPTION |
|-----|---------------|-----|--|
| 22 | 114045-01-000 | EA | BACKSOCKET-ADJUSTABLE, LEFT N/A ORDER KIT ACCORDING TO LENGTH OF DRAWER SLIDE 114031 |
| 23 | 114045-02-000 | EA | BACKSOCKET-ADJUSTABLE, RIGHT N/A ORDER KIT ACCORDING TO LENGTH OF DRAWER SLIDE 114031 |
| 24 | 114031-02-000 | EA | SLIDE-DRAWER, CABINET - RIGHT SIDE - 12" N/A ORDER #114031-01-700 SLIDE DRAWER KIT |
| 24 | 114031-06-000 | EA | SLIDE-DRAWER, CABINET - RIGHT SIDE - 14" N/A ORDER #114031-05-700 SLIDE DRAWER KIT |
| 24 | 114031-10-000 | EA | SLIDE-DRAWER, CABINET - RIGHT SIDE - 16" N/A ORDER #114031-09-700 SLIDE DRAWER KIT |
| 24 | 114031-22-000 | EA | SLIDE-DRAWER, CABINET - RIGHT SIDE - 22" N/A ORDER #114031-21-700 SLIDE DRAWER KIT |
| 24 | 114031-26-000 | EA | SLIDE-DRAWER, CABINET - RIGHT SIDE - 24" N/A ORDER #114031-25-700 SLIDE DRAWER KIT |
| 25 | 114031-04-000 | EA | SLIDE-DRAWER, DRAWER MOUNT - RIGHT SIDE - 12" N/A ORDER #114031-01-700 SLIDE DRAWER KIT |
| 25 | 114031-08-000 | EA | SLIDE-DRAWER, DRAWER MOUNT - RIGHT SIDE - 14" N/A ORDER #114031-05-700 SLIDE DRAWER KIT |
| 25 | 114031-12-000 | EA | SLIDE-DRAWER, DRAWER MOUNT - RIGHT SIDE - 16" N/A ORDER #114031-09-700 SLIDE DRAWER KIT |
| 25 | 114031-24-000 | EA | SLIDE-DRAWER, DRAWER MOUNT - RIGHT SIDE - 22" N/A ORDER #114031-21-700 SLIDE DRAWER KIT |
| 25 | 114031-28-000 | EA | SLIDE-DRAWER, DRAWER MOUNT - RIGHT SIDE - 24" N/A ORDER #114031-25-700 SLIDE DRAWER KIT |
| 26 | 114031-03-000 | EA | SLIDE-DRAWER, DRAWER MOUNT - LEFT SIDE - 12" N/A ORDER #114031-01-700 SLIDE DRAWER KIT |
| 26 | 114031-07-000 | EA | SLIDE-DRAWER, DRAWER MOUNT - LEFT SIDE - 14" N/A ORDER #114031-05-700 SLIDE DRAWER KIT |
| 26 | 114031-11-000 | EA | SLIDE-DRAWER, DRAWER MOUNT - LEFT SIDE - 16" N/A ORDER #114031-09-700 SLIDE DRAWER KIT |
| 26 | 114031-23-000 | EA | SLIDE-DRAWER, DRAWER MOUNT - LEFT SIDE - 22" N/A ORDER #114031-21-700 SLIDE DRAWER KIT |
| 26 | 114031-27-000 | EA | SLIDE-DRAWER, DRAWER MOUNT - LEFT SIDE - 24" N/A ORDER #114031-25-700 SLIDE DRAWER KIT |
| 27 | 114031-01-000 | EA | SLIDE-DRAWER, CABINET - LEFT SIDE - 12" N/A ORDER #114031-01-700 SLIDE DRAWER KIT |
| 27 | 114031-05-000 | EA | SLIDE-DRAWER, CABINET - LEFT SIDE - 14" N/A ORDER #114031-05-700 SLIDE DRAWER KIT |
| 27 | 114031-09-000 | EA | SLIDE-DRAWER, CABINET - LEFT SIDE - 16" N/A ORDER #114031-09-700 SLIDE DRAWER KIT |
| 27 | 114031-21-000 | EA | SLIDE-DRAWER, CABINET - LEFT SIDE - 22" N/A ORDER #114031-21-700 SLIDE DRAWER KIT |
| 27 | 114031-25-000 | EA | SLIDE-DRAWER, CABINET - LEFT SIDE - 24" N/A ORDER #114031-25-700 SLIDE DRAWER KIT |
| | 004354-01-000 | EA | BUMPER-RUBBER, .5" DIA - BROWN |
| | 009112-01-000 | EA | FLANGE - 1" ROD, CLOTHES - PLASTIC - OFF WHITE |
| | 023320-01-000 | EA | PAD-FELT, 3/8" DIAMETER - BROWN |
| | 039984-01-000 | EA | CAP-ROUND, VINYL - .28" ID X .62" LONG - BLACK |
| | 042438-01-000 | EA | DOWEL-WOOD, CLOTHES ROD - 1" DIAMETER X 4' |
| | 042438-02-000 | EA | DOWEL-WOOD, 2" X 2" |
| | 097872-04-000 | EA | DOWEL-WOOD, 1" DIAMETER X 1.38 LONG - UNFINISHED |
| | 081114-01-000 | EA | CAP-INSERT, ROUND - 1" DIAMETER - PLASTIC - BLACK |
| | 083125-07-000 | EA | BRACE-CABINET, ANGLE - METAL - OFF WHITE (FOR DINETTE BACK PADS) |

LABELS GROUP

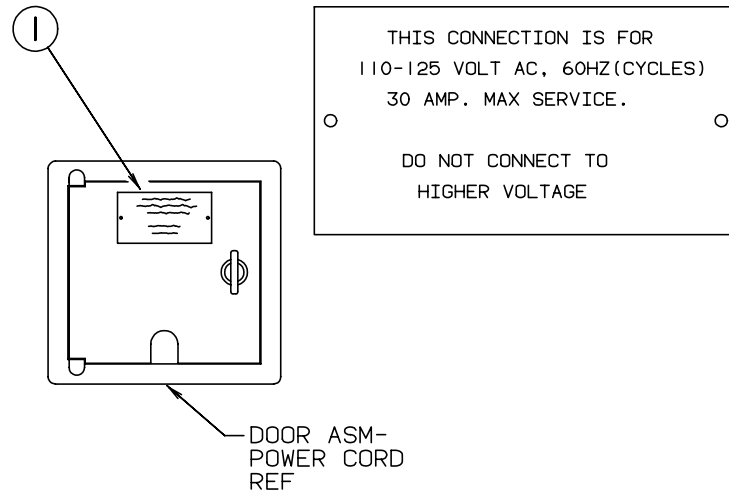


| KEY | PART NUMBER | U/M DESCRIPTION |
|-----|---------------|---|
| 1 | 050225-01-000 | EA LABEL-WARNING, STOVE VENT - US |
| 1 | 050222-01-000 | EA LABEL-WARNING, STOVE VENT - CANADIAN |

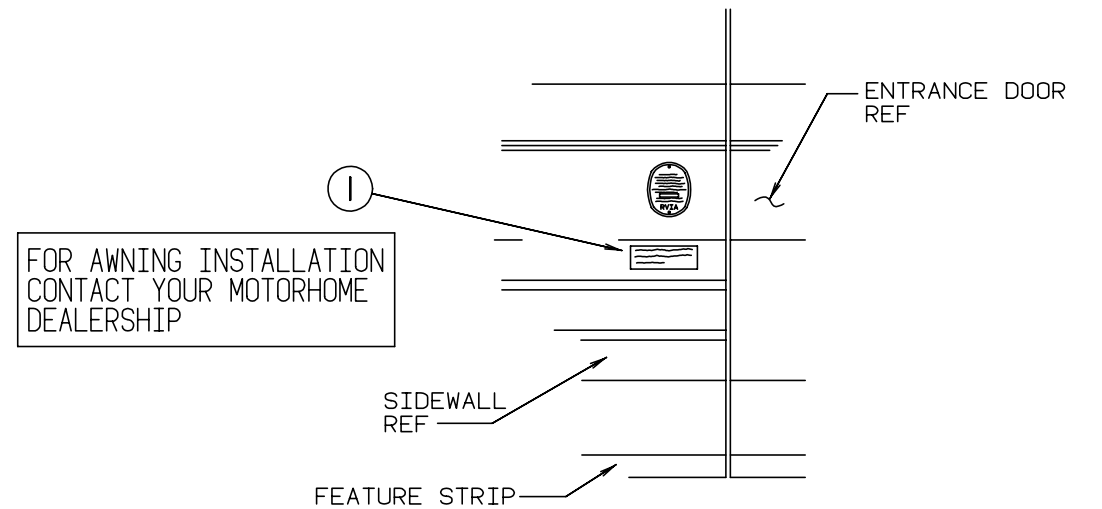
LABELS GROUP (CONTINUED)



| KEY | PART NUMBER | U/M DESCRIPTION |
|-----|---------------|--------------------------------|
| 1 | 040944-01-000 | EA LABEL-ENTRANCE DOOR, "OPEN" |

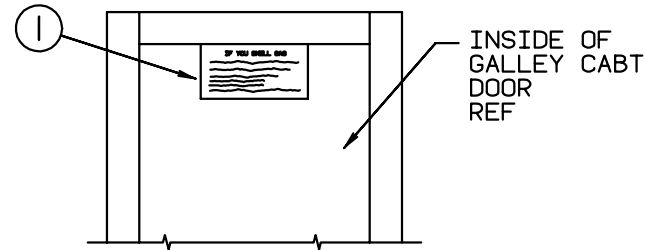


| KEY | PART NUMBER | U/M DESCRIPTION |
|-----|---------------|----------------------------------|
| 1 | 006062-01-000 | EA TAG-ELECTRIC, 110V CONNECTION |



| KEY | PART NUMBER | U/M DESCRIPTION |
|-----|---------------|------------------------------|
| 1 | 099509-01-000 | EA LABEL-AWNING INSTALLATION |

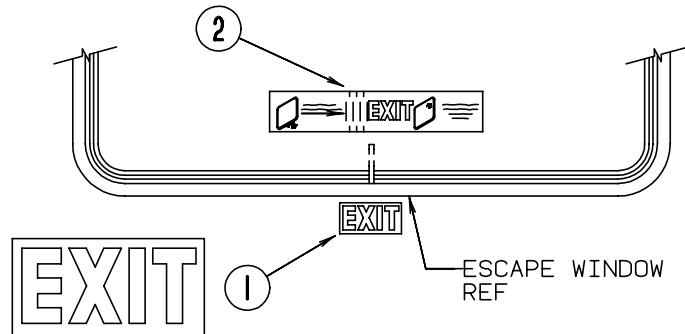
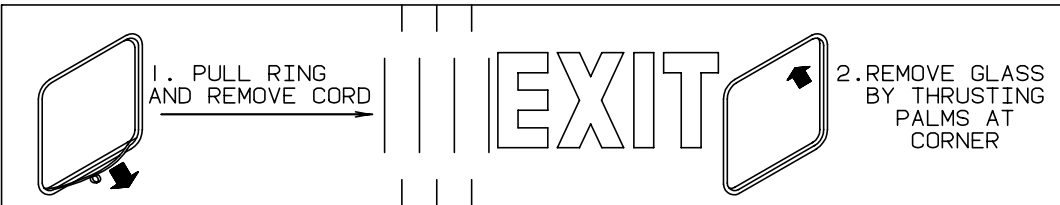
LABELS GROUP (CONTINUED)



IF YOU SMELL GAS

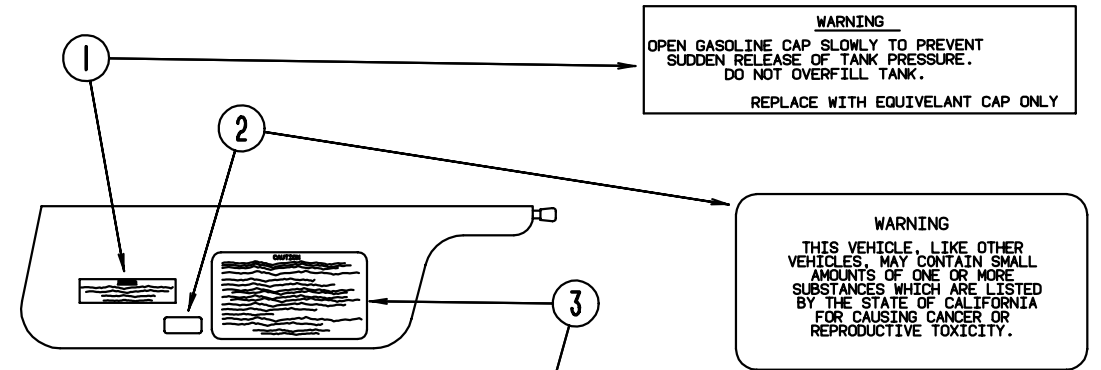
1. EXTINGUISH ANY OPEN FLAME, PILOT LIGHTS AND ALL SMOKING MATERIALS.
2. SHUT OFF THE GAS SUPPLY AT THE TANK VALVE(OR GAS SUPPLY CONNECTION.
3. OPEN DOORS AND OTHER VENTILATING OPENINGS.
4. DO NOT TOUCH ELECTRICAL SWITCHES.
5. LEAVE THE AREA UNTIL ODOR CLEARS.
6. HAVE THE GAS SYSTEM CHECKED AND LEAKAGE SOURCE CORRECTED BEFORE USING AGAIN.

| KEY | PART NUMBER | U/M DESCRIPTION |
|-----|---------------|---------------------------|
| 1 | 073998-01-000 | EA LABEL-LPG ODOR WARNING |



| KEY | PART NUMBER | U/M DESCRIPTION |
|-----|---------------|------------------------------|
| 1 | 039290-01-000 | EA LABEL-WARNING, EXIT |
| 2 | 107571-01-000 | EA LABEL-ESCAPE EXIT, WINDOW |

LABELS GROUP (CONTINUED)



WARNING
OPEN GASOLINE CAP SLOWLY TO PREVENT SUDDEN RELEASE OF TANK PRESSURE. DO NOT OVERFILL TANK.
REPLACE WITH EQUIVELANT CAP ONLY

WARNING
THIS VEHICLE, LIKE OTHER VEHICLES, MAY CONTAIN SMALL AMOUNTS OF ONE OR MORE SUBSTANCES WHICH ARE LISTED BY THE STATE OF CALIFORNIA FOR CAUSING CANCER OR REPRODUCTIVE TOXICITY.

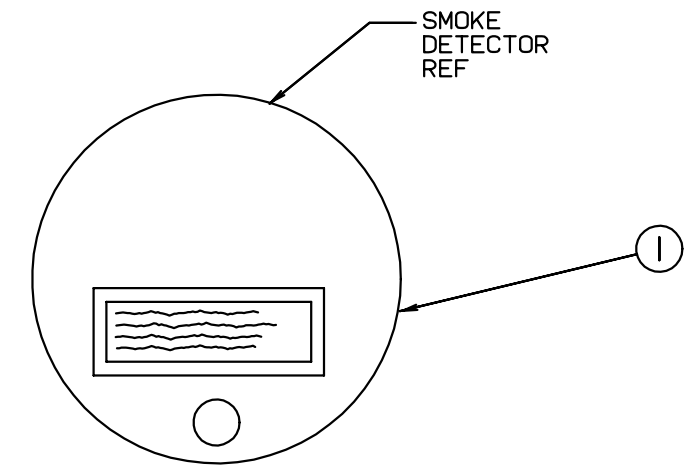
CAUTION

THIS MOTOR HOME HAS BEEN DESIGNED, MANUFACTURED AND TESTED WITH CONCERN FOR THE PROTECTION OF IT'S OCCUPANTS. WE RECOMMEND YOU PERFORM THE FOLLOWING INSPECTIONS FOR YOUR SAFETY AND THE SAFETY OF YOUR PASSENGERS BEFORE STARTING YOUR VEHICLE.

1. LP GAS SYSTEM- TURN OFF AT TANK FOR TRAVELING. TEST FOR LEAKS UPON ARRIVAL AT DESTINATION. BEFORE LIGHTING PILOTS.
2. WHEELS- INSPECT FOR DAMAGE AND CHECK LUG NUTS FOR TIGHTNESS.
3. TIRES- INSPECT FOR WEAR AND DAMAGE AND CHECK FOR RECOMMENDED AIR PRESSURE.
4. LIGHTING- TEST FOR PROPER OPERATION OF ALL INTERIOR AND EXTERIOR LIGHTS INCLUDING DASH LIGHTS, HEADLIGHTS, TAIL LIGHTS, BRAKE LIGHTS, CLEARANCE LIGHTS AND TURN SIGNALS.
5. EXITS- INSPECT RELEASE MECHANISM ON EMERGENCY EXIT WINDOW, TEST BOTH LOCKS ON MAIN ENTRANCE DOOR FOR EASE OF OPERATION AND INSTRUCT PASSENGERS HOW TO USE BOTH MEANS OF EXIT.
6. SEAT BELTS- DIRECT PASSENGERS TO DESIGNATED SEATS AND REQUIRE USE OF SEAT BELTS.
7. APPLIANCES- TURN OFF AND LATCH OR LOCK DOORS WHERE PROVIDED.
8. LOOSE PARCELS- STORE SECURELY.
9. UTILITY SUPPLY LINES- DISCONNECT ALL ELECTRIC, SEWER AND WATER LINES AND SECURE PROPERLY.
10. ENTRANCE DOOR STEP- PLACE IN RETRACTED POSITION FOR TRAVELING.

READ YOUR MOTOR HOME AND CHASSIS OWNER'S MANUAL FOR FURTHER PRECAUTIONS

| KEY | PART NUMBER | U/M DESCRIPTION |
|-----|---------------|-----------------------------------|
| 1 | 087207-05-000 | EA LABEL-FUEL CAP REMOVAL |
| 2 | 099689-01-000 | EA LABEL-WARNING, CANCER/TOXICITY |
| 3 | 056259-01-000 | EA LABEL-SAFETY CHECK LIST |



WARNING: TEST SMOKE DETECTOR OPERATION AFTER VEHICLE HAS BEEN IN STORAGE. BEFORE EACH TRIP AND AT LEAST ONCE PER WEEK DURING USE.

| KEY | PART NUMBER | U/M DESCRIPTION |
|-----|---------------|----------------------------------|
| 1 | 077956-01-000 | EA LABEL-WARNING, SMOKE DETECTOR |

LABELS GROUP (CONTINUED)

NOTE: TUNE ANTENNA PER MANUFACTURER'S DIRECTIONS. FAILURE TO COMPLY COULD RESULT IN DAMAGE TO CB.

CB POWER PROVISION
 RED +12 V
 BLACK GROUND
 COAX ANTENNA
 (SEE REVERSE ALSO)

KEY PART NUMBER U/M DESCRIPTION
 1 104678-01-000 EA LABEL-CB PREP

WARNING
 MUST BE STOWED
 IN LATCHED POSITION
 WHILE VEHICLE IS IN MOTION

KEY PART NUMBER U/M DESCRIPTION
 1 079966-01-000 EA LABEL-WARNING, STOWED, MOTION

DO NOT USE HITCH BEFORE
 READING OWNERS MANUAL REGARDING
 VEHICLE LOADING AND TOWING

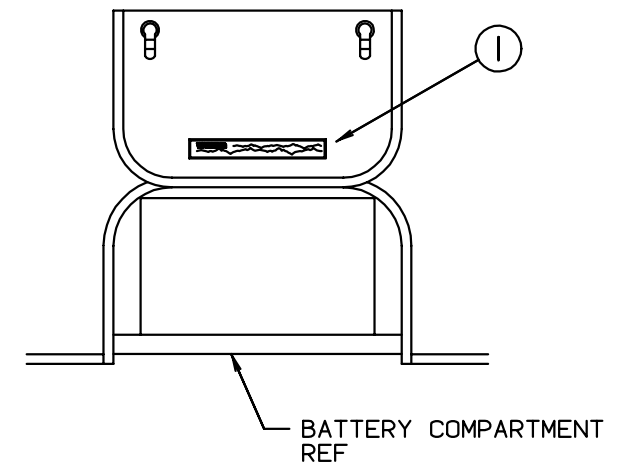
KEY PART NUMBER U/M DESCRIPTION
 1 111104-01-000 EA LABEL-HITCH, READ MANUAL

WIRE IDENTITY :
 YELLOW - LEFT TURN LAMP
 GREEN - RIGHT TURN LAMP
 RED - BRAKE LAMP
 BROWN - RUNNING LAMP
 BLACK - BACKUP LAMP

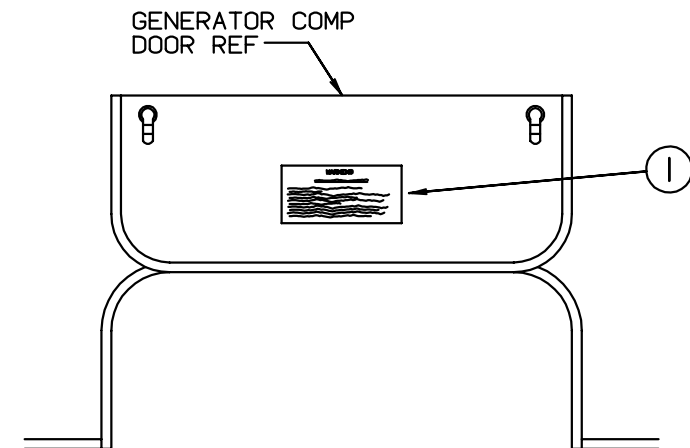
KEY PART NUMBER U/M DESCRIPTION
 1 091224-02-000 EA LABEL-TRAILER LIGHTING

LABELS GROUP (CONTINUED)

WARNING DISCONNECT BATTERIES BEFORE
 CONNECTING EXTERNAL CHARGING EQUIPMENT.



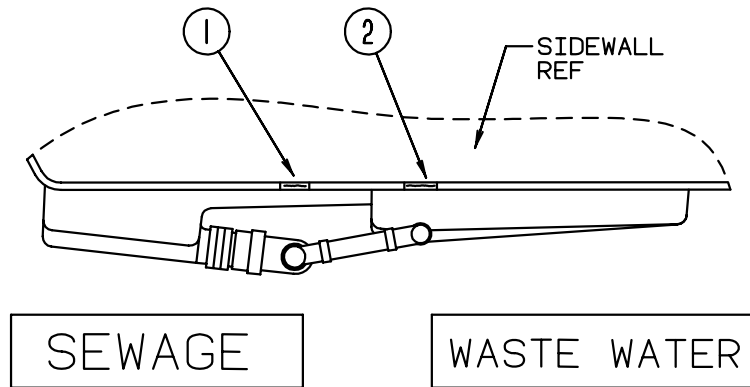
KEY PART NUMBER U/M DESCRIPTION
 1 065748-01-000 EA LABEL-CAUTION, BATTERY CHARGING



WARNING
 WHEN ADDING A GENERATOR SET:
 HIGH VOLTAGE-USE EXTREME CAUTION WHEN WORKING ON
 ELECTRICAL COMPONENTS.
 HAVE ALL ELECTRICAL INSTALLATION PERFORMED BY A QUALIFIED LICENSED
 ELECTRICIAN-FOLLOW ALL STATE AND LOCAL CODES.
 ONLY INSTALL GENERATOR SET APPROVED FOR R.V. APPLICATION. HAVE
 INSTALLED BY QUALIFIED TECHNICIAN.
 TO AVOID HEAT BUILD-UP AND TO GUARANTEE AN ADEQUATE AIR SUPPLY TO
 THE GENERATOR CARBURETOR, FOLLOW INSTALLATION INSTRUCTIONS.
 GENERATOR ENGINE EXHAUST GASES ARE TOXIC AND MUST NOT TERMINATE
 UNDER THE VEHICLE-DISCHARGE EXHAUST AWAY FROM VEHICLE.

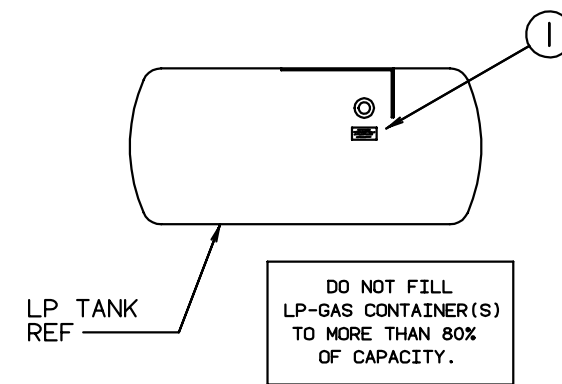
KEY PART NUMBER U/M DESCRIPTION
 1 077510-01-000 EA LABEL-GENERATOR PREP

LABELS GROUP (CONTINUED)



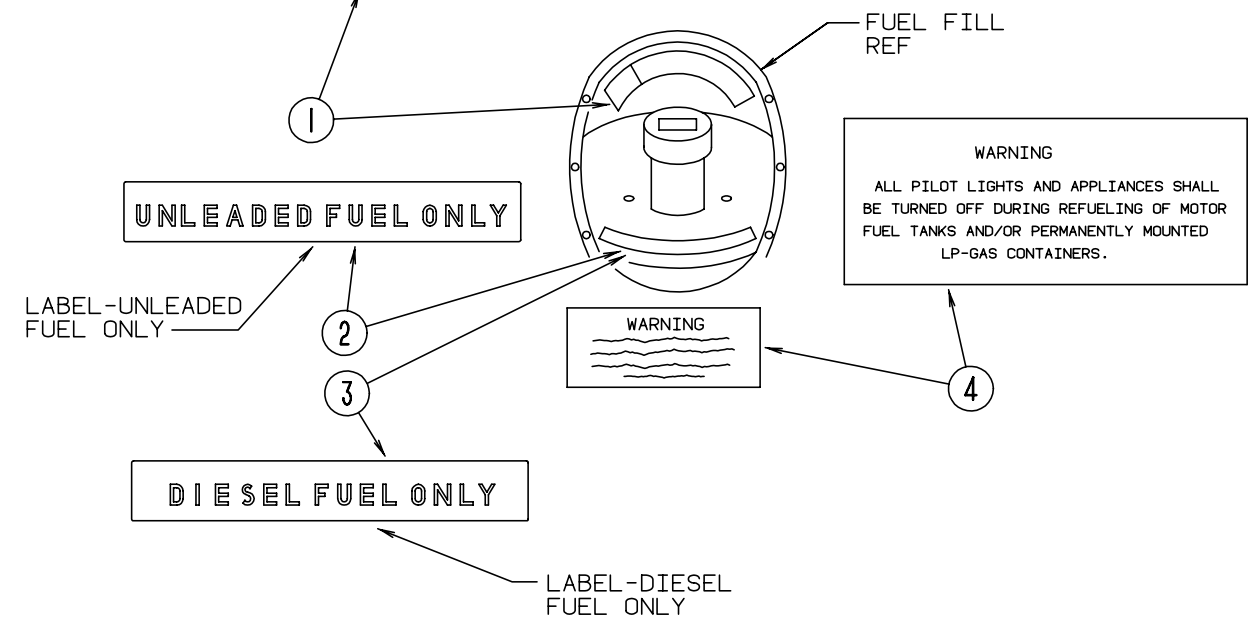
| KEY | PART NUMBER | U/M | DESCRIPTION |
|-----|---------------|-----|-------------------|
| 1 | 006187-01-000 | EA | LABEL-SEWAGE |
| 2 | 006188-01-000 | EA | LABEL-WASTE WATER |

LABELS GROUP (CONTINUED)

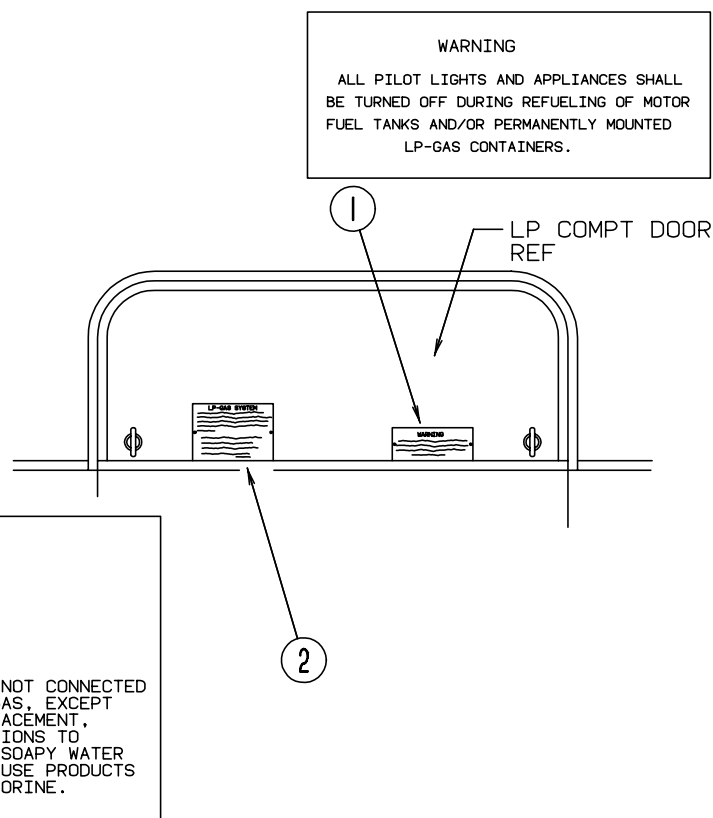


| KEY | PART NUMBER | U/M | DESCRIPTION |
|-----|---------------|-----|---------------------------|
| 1 | 079965-01-000 | EA | LABEL-LPG, 80 LB CAPACITY |

| | |
|---|---|
| CAUTION | TO HELP AVOID PERSONAL INJURY DURING REMOVAL OF FUEL FILLER CAP, SLOWLY LOOSEN CAP 1/2 TURN TO ALLOW ANY FUEL PRESSURE TO BE RELIEVED BEFORE TURNING CAP FURTHER. |
| FUEL SPRAY MAY CAUSE PERSONAL INJURY | STOP ADDING FUEL AFTER FIRST SHUTOFF BY AUTOMATIC NOZZLE WHEN TANK IS NEARLY FULL. DO NOT OVERFILL FUEL TANK. SEE OWNERS MANUAL FOR ADDITIONAL INFORMATION. |
| | PRINTED IN U.S.A. MLC PT NO 15611763 |



| KEY | PART NUMBER | U/M | DESCRIPTION |
|-----|---------------|-----|----------------------------------|
| 1 | 087207-05-000 | EA | LABEL-FUEL CAP REMOVAL |
| 2 | 062043-01-000 | EA | LABEL-FUEL, UNLEADED |
| 3 | 068383-01-000 | EA | LABEL-DIESEL FUEL |
| 4 | 006040-01-000 | EA | TAG-GAS REFUELING WARNING |
| 4 | 006040-02-000 | EA | TAG-GAS REFUEL WARNING, CANADIAN |



| KEY | PART NUMBER | U/M | DESCRIPTION |
|-----|---------------|-----|----------------------------------|
| 1 | 006040-01-000 | EA | TAG-GAS REFUELING WARNING |
| 1 | 006040-02-000 | EA | TAG-GAS REFUEL WARNING, CANADIAN |
| 2 | 054531-01-000 | EA | LABEL-LP GAS ONLY |
| 2 | 023769-01-000 | EA | LABEL-WARNING, LPG - CANADIAN |

LABELS GROUP (CONTINUED)

AIR CONDITIONING CIRCUIT.
THIS CONNECTION IS FOR
AIR CONDITIONERS RATED 110-
125 VOLT AC, 60 HZ, 16
AMPERES MAXIMUM. DO NOT
EXCEED CIRCUIT RATING.



| KEY | PART NUMBER | U/M DESCRIPTION |
|-----|---------------|--|
| | 091243-01-000 | EA LABEL-A/C COVER, "AIR CONDITIONING CIRCUIT. ETC." |

ATTENTION
DEALER MUST INSTALL BATTERY AND
SENSOR IN CO DETECTOR WHEN THIS
MOTOR HOME IS PURCHASED. PARTS
ARE IN LOOSE PARTS BOX.

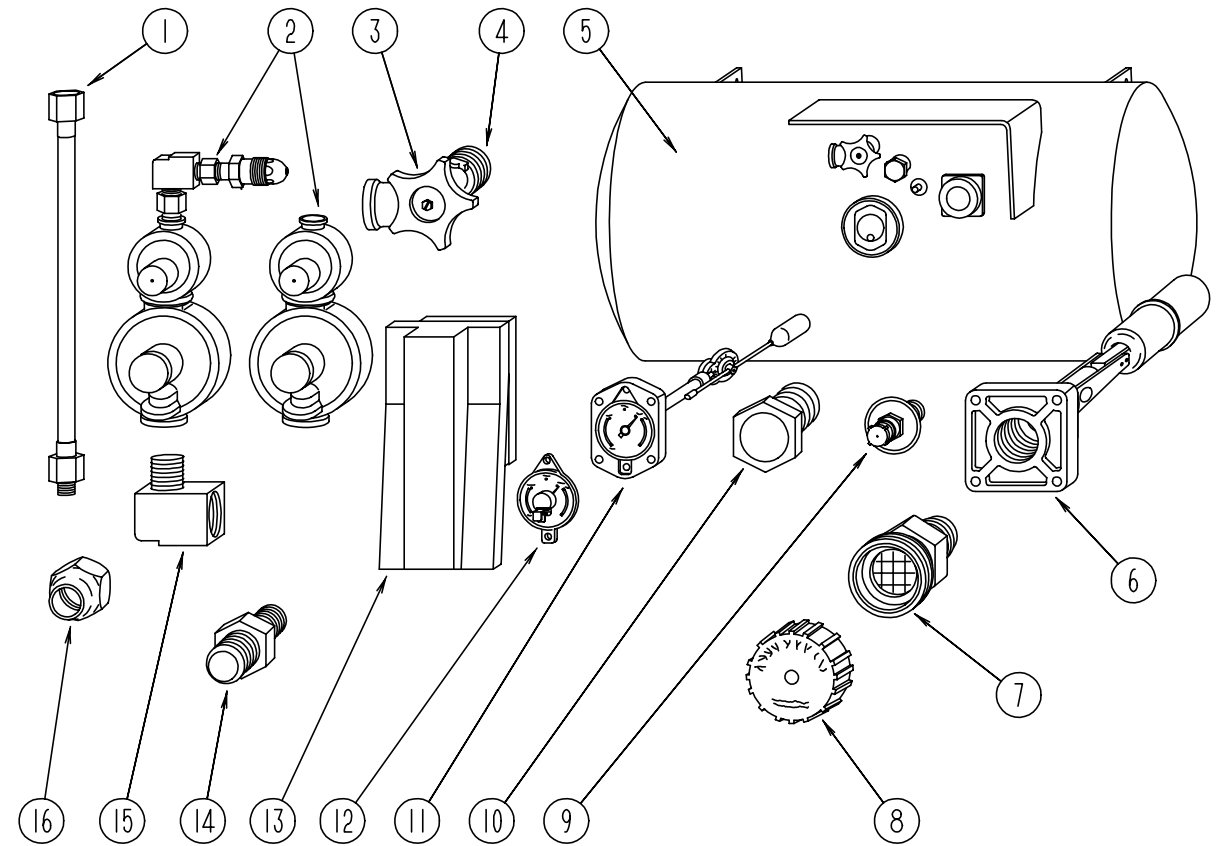
| KEY | PART NUMBER | U/M DESCRIPTION |
|-----|---------------|--------------------------------|
| | 112518-01-000 | EA LABEL-HANG TAG, CO DETECTOR |

FROM: 00-00-00 THRU: 09-11-95

MISCELLANEOUS LABELS

| KEY | PART NUMBER | U/M DESCRIPTION |
|-----|---------------|---|
| | 006064-01-000 | EA LABEL-SEAT W/O SEATBELT "NOT INTENDED FOR USE WHILE COACH IN MOTION" |
| | 098379-04-000 | EA LABEL-ELECTRICAL BOX, SIDE |
| | 098641-01-000 | EA LABEL-FUEL, UNLEADED - DASH |
| | 111537-07-000 | EA LABEL-FUSES |
| | 111802-01-000 | EA LABEL-CFC WARNING |

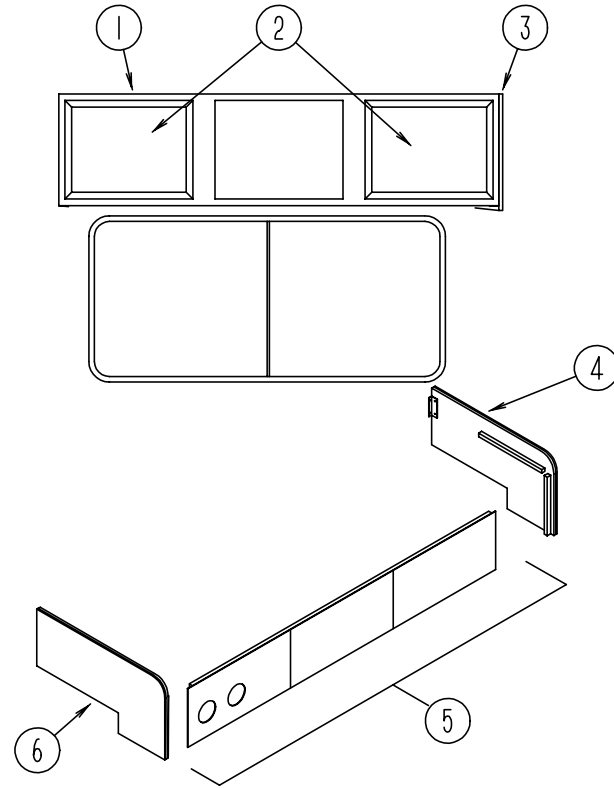
LP GROUP



BRUNNER LP TANK & COMPONENTS

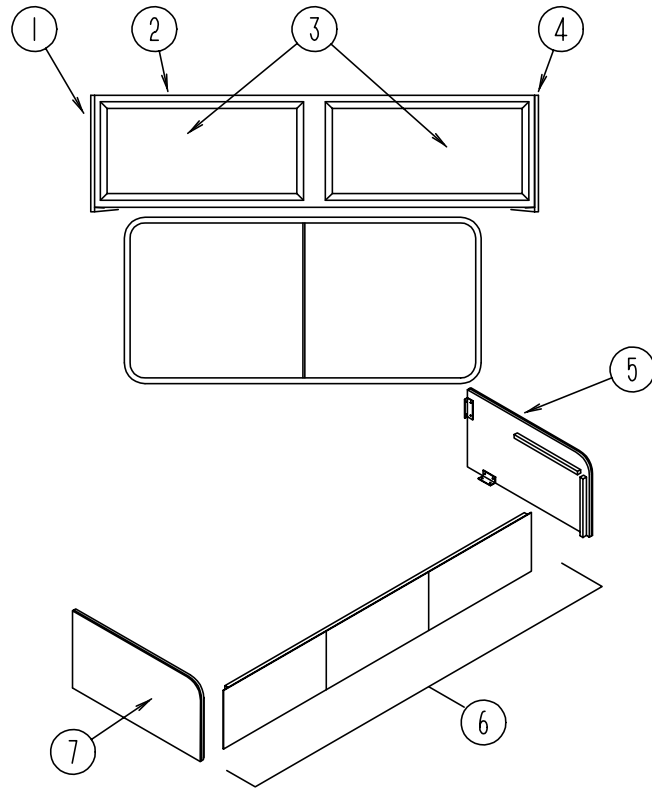
| KEY | PART NUMBER | U/M DESCRIPTION | VENDOR NO. |
|-----|---------------|---|-------------|
| 1 | 045703-01-000 | EA HOSE-LP, 3/8" ID X 24" - 3/8" MPT X 1/2" F SWIVEL - US | |
| 1 | 045703-02-000 | EA HOSE-LP, 3/8" ID X 24" - 3/8" MPT X 1/2" F SWIVEL - CANADIAN | |
| 1 | 045703-09-000 | EA HOSE-LP, 3/8" ID X 24" - 3/8" MPT X 3/8" F SWIVEL - DIESEL | |
| 2 | 106150-01-000 | EA REGULATOR-TWO STAGE | |
| 2 | 106150-02-000 | EA REGULATOR-TWO STAGE - EUROPEAN EXPORT OPTION | |
| 3 | 040421-01-708 | EA HANDWHEEL-VAPOR RELIEF VALVE, BRUNNER | G-1015-A |
| 4 | 040421-01-712 | EA VALVE-SERVICE W/O VAPOR RELIEF, | 29000853 |
| 5 | 097821-01-000 | EA TANK-LP, 60 LB BRUNNER - 14" X 30" | |
| 6 | 040421-01-711 | EA VALVE - 80% W/FLOAT, PLATE, BOLTS & GASKET - BRUNNER | |
| 7 | 040421-01-701 | EA VALVE-SHORT LP FILLER W/YELLOW CAP - BRUNNER | 75478 |
| 8 | 040421-01-702 | EA CAP-LP FILLER VALVE, PLASTIC - YELLOW - BRUNNER | G-1014-A |
| 9 | 040421-01-700 | EA GAUGE-LIQUID LEVEL, 20% LP - BRUNNER | G-1013 |
| 10 | 040421-01-713 | EA PRESSURE RELIEF VALVE | |
| 11 | 040421-01-707 | EA GAUGE-FLOAT W/VISIBLE DIAL - BRUNNER | MA-9 6244-4 |
| 12 | 040440-02-000 | EA TRANSMITTER-DIAL, 90 OHM | |
| 13 | 105658-01-000 | EA COMPARTMENT-LP REGULATOR | |
| 14 | 010329-01-000 | EA ADAPTER-BRASS, 1/2" F X 1/2" MPT | |
| 14 | 010323-01-000 | EA ADAPTER-BRASS, 3/8" F X 1/2" MPT | |
| 15 | 065318-02-000 | EA ELBOW - 90 DEGREE, 3/8" MPT TO 3/8" FPT | |
| 16 | 010377-02-000 | EA NUT-BRASS, 3/8 FEMALE - FORGED | |
| | 008042-01-000 | FT TUBING-VINYL, .65" ID | |
| | 010265-01-000 | EA ELBOW-BRASS, 90 DEGREE - 3/8" F X 1/2" FPT | |
| | 103613-01-000 | EA DETECTOR-LP GAS | |

**LOUNGE GROUP
DRIVERS SIDE COUCH & TABLES**



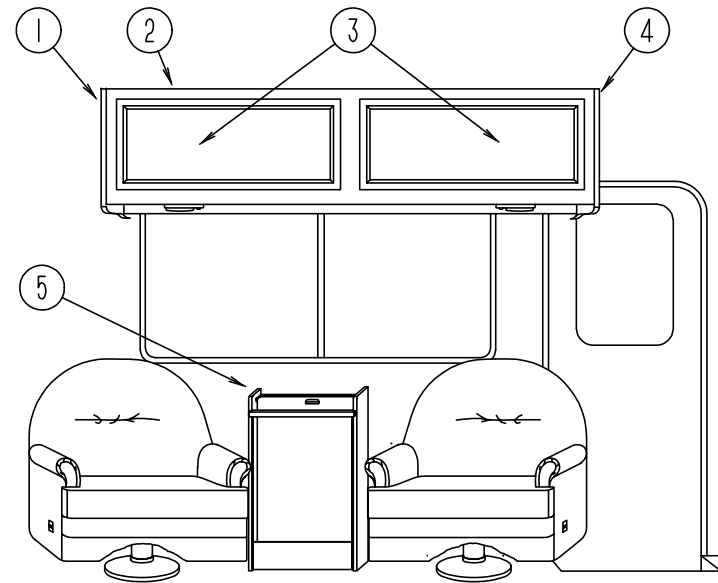
| KEY | PART NUMBER | U/M | DESCRIPTION |
|-----|---------------|-----|--|
| 1 | 113880-01-G11 | EA | CABINET-OVERHEAD, W/O DOORS (G29) |
| 1 | 113880-01-G30 | EA | CABINET-OVERHEAD, W/O DOORS (G30) |
| 1 | 113880-01-G31 | EA | CABINET-OVERHEAD, W/O DOORS (G31) |
| 1 | 113880-01-G32 | EA | CABINET-OVERHEAD, W/O DOORS (G32) |
| 2 | M06803-13-G09 | EA | DOOR-W/O HARDWARE W/MIRROR - 400 MM X 710 MM |
| 2 | M06803-02-G09 | EA | DOOR-W/O HARDWARE W/O MIRROR - 400 MM X 710 MM DECORATOR DOOR OPTION - FLAT PANEL |
| 3 | 103128-01-G09 | EA | CAP-END, OVERHEAD CABINET - FRONT |
| 4 | M04187-81-G29 | EA | PANEL-COUCH CABINET - LEFT SIDE - FABRIC COVERED (G29) |
| 4 | M04187-81-G30 | EA | PANEL-COUCH CABINET - LEFT SIDE - FABRIC COVERED (G30) |
| 4 | M04187-81-F25 | EA | PANEL-COUCH CABINET - LEFT SIDE - FABRIC COVERED (G31) |
| 4 | M04187-81-F27 | EA | PANEL-COUCH CABINET - LEFT SIDE - FABRIC COVERED (G32) |
| 5 | M04187-80-G29 | EA | PANEL-COUCH CABINET - FRONT - W/DOOR - FABRIC COVERED |
| 5 | M04187-80-G30 | EA | PANEL-COUCH CABINET - FRONT - W/DOOR - FABRIC COVERED |
| 5 | M04187-80-G31 | EA | PANEL-COUCH CABINET - FRONT - W/DOOR - FABRIC COVERED |
| 5 | M04187-80-G32 | EA | PANEL-COUCH CABINET - FRONT - W/DOOR - FABRIC COVERED |
| 6 | M04187-82-G29 | EA | PANEL-COUCH CABINET - RIGHT SIDE - W/FABRIC (G29) |
| 6 | M04187-82-G30 | EA | PANEL-COUCH CABINET - RIGHT SIDE - W/FABRIC (G30) |
| 6 | M04187-82-F25 | EA | PANEL-COUCH CABINET - RIGHT SIDE - W/FABRIC (G31) |
| 6 | M04187-82-F27 | EA | PANEL-COUCH CABINET - RIGHT SIDE - W/FABRIC (G32) |
| | 105947-01-000 | EA | BRACKET-HOLD DOWN, COUCH - CANADIAN |
| | 082525-01-000 | EA | BRACE-COUCH, FLOOR MOUNT - ANGLE 3" LONG - METAL |
| | 083125-07-000 | EA | BRACE-ANGLE, COUCH - 2.5" - OFF WHITE |
| | 081298-01-G01 | EA | TABLE-LOUNGE, 432 MM X 610 MM - W/O HARDWARE (G29) |
| | 081298-01-G02 | EA | TABLE-LOUNGE, 432 MM X 610 MM - W/O HARDWARE (G30) |
| | 081298-01-E04 | EA | TABLE-LOUNGE, 432 MM X 610 MM - W/O HARDWARE (G31) |
| | 081298-01-E01 | EA | TABLE-LOUNGE, 432 MM X 610 MM - W/O HARDWARE (G32) |
| | 009040-02-000 | EA | PEDESTAL TABLE LEG - 27.5" X 2.25" DIA - CHROME |
| | 041194-01-000 | EA | BASE-TABLE, FLUSH - FLOOR MOUNTED |
| | 009040-03-000 | EA | BASE-TABLE, RAISED - TABLE MOUNTED |
| | 062046-01-000 | EA | CLIP-LEG, PEDESTAL - 1.7" X 2.2" - DIAMETER FROM 2" TO 2.5" |
| | 056093-01-F04 | EA | PLUG ASM-PEDESTAL TABLE (G29/G32) |
| | 056093-01-F26 | EA | PLUG ASM-PEDESTAL TABLE (G30) |
| | 056093-01-F25 | EA | PLUG ASM-PEDESTAL TABLE (G31) |

LOUNGE GROUP (CONTINUED)
PASSENGERS SIDE COUCH



| KEY | PART NUMBER | U/M | DESCRIPTION |
|-----|---------------|-----|---|
| 1 | 103128-02-G09 | EA | CAP-END, OVERHEAD CABINET |
| 2 | 106483-01-G09 | EA | CABINET-OVERHEAD, W/O DOORS |
| 3 | M06803-02-G09 | EA | DOOR-W/O HARDWARE W/O MIRROR - 400 MM X 710 MM |
| 4 | 103128-01-G09 | EA | CAP-END, OVERHEAD CABINET |
| 5 | M04187-85-G29 | EA | PANEL-COUCH CABINET - LEFT SIDE - W/FABRIC (G29) |
| 5 | M04187-85-G30 | EA | PANEL-COUCH CABINET - LEFT SIDE - W/FABRIC (G30) |
| 5 | M04187-85-F25 | EA | PANEL-COUCH CABINET - LEFT SIDE - W/FABRIC (G31) |
| 5 | M04187-85-F27 | EA | PANEL-COUCH CABINET - LEFT SIDE - W/FABRIC (G32) |
| 6 | M04187-83-G29 | EA | PANEL-COUCH CABINET - FRONT - W/DOOR - FABRIC COVERED |
| 6 | M04187-83-G30 | EA | PANEL-COUCH CABINET - FRONT - W/DOOR - FABRIC COVERED |
| 6 | M04187-83-G31 | EA | PANEL-COUCH CABINET - FRONT - W/DOOR - FABRIC COVERED |
| 6 | M04187-83-G32 | EA | PANEL-COUCH CABINET - FRONT - W/DOOR - FABRIC COVERED |
| 7 | M04187-84-G29 | EA | PANEL-COUCH CABINET - RIGHT SIDE - FABRIC COVERED (G29) |
| 7 | M04187-84-G30 | EA | PANEL-COUCH CABINET - RIGHT SIDE - FABRIC COVERED (G30) |
| 7 | M04187-84-F25 | EA | PANEL-COUCH CABINET - RIGHT SIDE - FABRIC COVERED (G31) |
| 7 | M04187-84-F27 | EA | PANEL-COUCH CABINET - RIGHT SIDE - FABRIC COVERED (G32) |
| | 105947-01-000 | EA | BRACKET-HOLD DOWN, COUCH - CANADIAN |
| | 082525-01-000 | EA | BRACE-COUCH, FLOOR MOUNT - ANGLE 3" LONG - METAL |
| | 083125-07-000 | EA | BRACE-ANGLE, COUCH - 2.5" - OFF WHITE |
| | 104006-01-C05 | EA | LID-ENTRANCE STEP COMPARTMENT, W/O CARPET |
| | 107941-01-02A | EA | SUPPORT-LID, ENTRANCE STEP - OFF WHITE |
| | 101222-01-02A | EA | BRACKET-CATCH, LID - OFF WHITE |
| | 116975-01-01A | EA | LATCH-W/O STRIKE, BLACK |

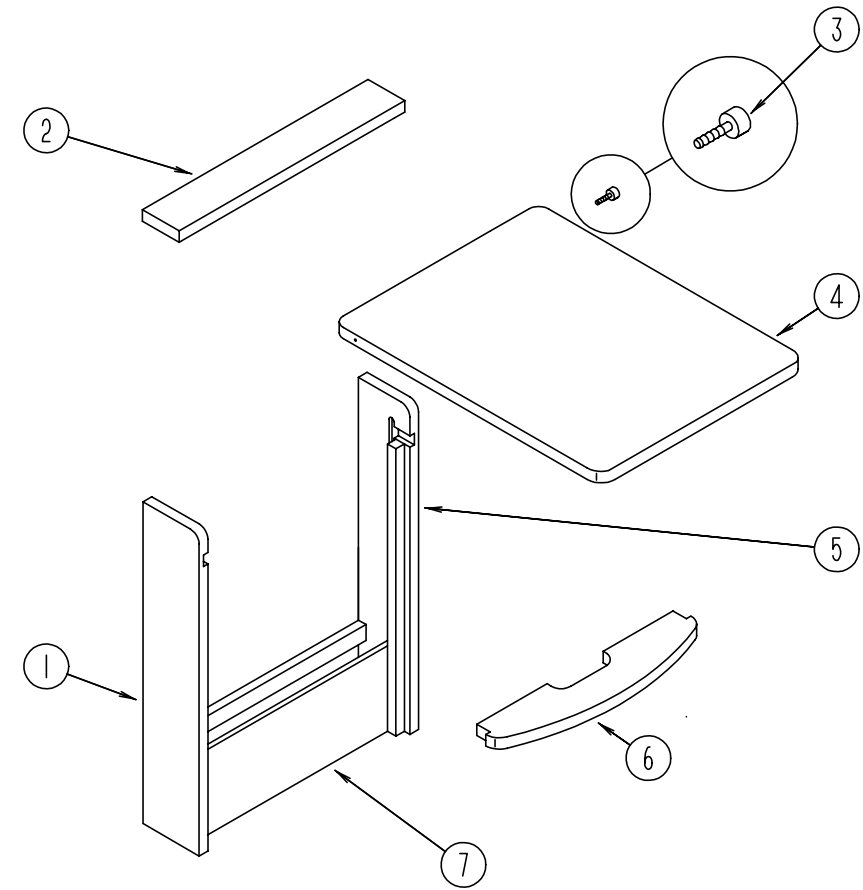
LOUNGE GROUP (CONTINUED)



PASSENGER SIDE SWIVEL CHAIRS & TABLE

| KEY | PART NUMBER | U/M | DESCRIPTION |
|-----|---------------|-----|--|
| 1 | 103128-02-G09 | EA | CAP-END, OVERHEAD CABINET |
| 2 | 106483-01-G09 | EA | CABINET-OVERHEAD, W/O DOORS |
| 3 | M06803-02-G09 | EA | DOOR-W/O HARDWARE W/O MIRROR - 400 MM X 710 MM |
| 4 | 103128-01-G09 | EA | CAP-END, OVERHEAD CABINET |
| 5 | M96873-01-G01 | EA | CABINET ASSEMBLY-TABLE, W/O PULLOUT TOP |
| | 104006-01-C05 | EA | LID-ENTRANCE STEP COMPARTMENT, W/O CARPET |
| | 107941-01-02A | EA | SUPPORT-LID, ENTRANCE STEP - OFF WHITE |
| | 101222-01-02A | EA | BRACKET-CATCH, LID - OFF WHITE |
| | 116975-01-01A | EA | LATCH-W/O STRIKE, BLACK |

LOUNGE GROUP (CONTINUED)



PULLOUT TABLE

| KEY | PART NUMBER | U/M | DESCRIPTION |
|-----|---------------|-----|---|
| | M96873-01-G01 | EA | TABLE ASM-PULLOUT |
| 1 | 096873-14-G01 | EA | SIDE END-TABLE, 28.7" X 5.7" - LEFT SIDE |
| 2 | 096873-15-G01 | EA | SHELF-SUPPORT, OVER PULL OUT TABLE TOP |
| 3 | 079921-01-000 | EA | NYLON ROLLER W/SHAFT |
| 4 | 096873-11-G01 | EA | TOP-PULLOUT |
| 5 | 096873-13-G01 | EA | SIDE END-TABLE, 28.7" X 5.7" - RIGHT SIDE |
| 6 | 096873-12-G01 | EA | SHELF-SUPPORT, UNDER PULL OUT TABLE TOP |
| 7 | 096873-16-G01 | EA | PANEL-TABLE, FRONT BOTTOM - 18.1" X 6.7" |
| | 080736-01-000 | EA | PULL-RECESSED, 1.25" X 4" - OAK |

SEALANTS & FASTENERS GROUP**ADHESIVE**

| KEY | PART NUMBER | U/M | DESCRIPTION |
|-----|---------------|-----|---|
| | 004020-01-000 | QT | ADHESIVE-ABS CEMENT, QUART |
| | 081377-01-700 | EA | ADHESIVE-CYANOACRYLATE, 10 GRAM TUBE |
| | 087211-01-000 | GL | ADHESIVE-PROMOTER |
| | 004005-02-000 | EA | ADHESIVE-SWIFTS, 1 GAL - W1333 |
| | 062917-03-000 | EA | ADHESIVE-LOCTITE 242 |
| | 067788-01-000 | EA | ADHESIVE-SPRAY, 19.5 OZ AEROSOL CAN 3M 74 |
| | 114311-01-000 | GL | ADHESIVE-GLUE - NATIONAL STARCH 72-7843 |

TAPES

| KEY | PART NUMBER | U/M | DESCRIPTION |
|-----|---------------|-----|---|
| | 076314-02-000 | FT | TAPE-CARPET SEAM, HEAT-BOND - 4" WIDE |
| | 076322-01-000 | FT | TAPE-FOAM, DOUBLE COATED ADHESIVE BACKED - .75" X 216' |
| | 076322-02-000 | FT | TAPE-FOAM, DOUBLE COATED ADHESIVE BACKED - 1" X 108' |
| | 076322-03-000 | FT | TAPE-FOAM, DOUBLE COATED ADHESIVE BACKED - .5" X 108' |
| | 076322-05-000 | FT | TAPE-FOAM, DOUBLE COATED - .025" X 1.5" X 108' |
| | 076322-07-000 | FT | TAPE-FOAM, DOUBLE COATED - .045" X .50" X 200' - NORTON V2000 |
| | 110274-01-000 | FT | TAPE-FOAM, DOUBLE COATED - .045" X 1.00" - NORTON V-2800 |
| | 002707-02-000 | FT | TAPE-SEALER, 5/16" X 1/2" - INCREMENTS OF 50 FT |
| | 088479-01-000 | FT | TAPE-ALUMINUM, 3" - 3M |

SEALERS

| KEY | PART NUMBER | U/M | DESCRIPTION |
|-----|---------------|-----|--|
| | 069640-03-000 | FT | SEALER-RIBBON, 3/4" X 1/8" - INCREMENTS OF 60' |
| | 069640-07-000 | FT | SEALER-RIBBON, 2" X 3/32" - INCREMENTS OF 30' OR 45' |
| | 069640-09-000 | FT | SEALER-RIBBON, 1/32" X 2 1/2" - INCREMENTS OF 80' |
| | 069640-11-000 | FT | SEALER-TAPE, 3/16" X 3/8", BLACK - INCREMENTS OF 40' |
| | 069640-13-000 | FT | SEALER-TAPE, 3/32" X 2" - BLACK |
| | 069640-14-000 | FT | SEALER-TAPE, 1/16" X 1" - GRAY - INCREMENTS OF 60' |
| | 108353-03-000 | FT | SEAL-FOAM, 4.76 MM X 6.35 MM - LUNDELL |
| | 900390-01-000 | EA | TIP - 2 1/2" X 1/8" ORIFICE, ELLSWORTH TS216 |
| | 900390-03-000 | EA | NOZZLES-SILICONE TUBE, CSL D10 |
| | 034552-02-000 | EA | SILICONE-TUBE, 300 ML - CLEAR - W/O NOZZLE |
| | 034552-15-000 | EA | SILICONE-TUBE, 300 ML - BRIGHT WHITE - W/O NOZZLE |
| | 053766-02-000 | EA | BEDDING COMPOUND-TUBE, WHITE SCHNEE 5522 |
| | 053766-06-000 | EA | BEDDING COMPOUND-TUBE, CLEAR |
| | 053766-08-000 | EA | BEDDING COMPOUND-TUBE, GRAY - SCHNEE 5522 |
| | 072889-01-000 | EA | SEALANT-URETHANE, BLACK - 1/10 - ESSEX 552.2 |
| | 072889-09-000 | EA | SEALANT-URETHANE, TUBE - BLACK - MANUS 75AM |
| | 102352-01-000 | EA | SEALER-PUMPABLE, BLACK - COLORIMETRIC MS101 |
| | 106206-01-000 | EA | SEALER-PUMPABLE, BLACK - MANUS 30A |
| | 107828-01-000 | EA | SEALANT-SB 190 EVERSEAL - SURE BOND INC |
| | 108716-01-000 | EA | SILICONE-TUBE, OFF WHITE - SELF LEVELING - CSL 510 |

WASHERS

| KEY | PART NUMBER | U/M | DESCRIPTION |
|-----|---------------|-----|--|
| | 000E11-07-00B | EA | WASHER-LK, 7/16" MED SPLIT - ZINC |
| | 000E11-08-00B | EA | WASHER-LK, 1/2" MED SPLIT - ZINC |
| | 000E13-14-00B | EA | WASHER-FL, 1/4" WIDE - ZINC |
| | 000E13-18-00B | EA | WASHER-FL, 3/8" WIDE - ZINC |
| | 000E13-20-00B | EA | WASHER-FL, 7/16" WIDE - ZINC |
| | 000E13-21-00B | EA | WASHER-FL, W/2 NAR - ZINC |
| | 000E14-10-00B | EA | WASHER-LK, NO 10 EXT TOOTH - ZINC |
| | 044533-01-000 | EA | WASHER-PLASTIC, 1 3/8" OD - FOR BUTTONS |
| | 058716-02-000 | EA | WASHER-FLAT, NYLON - .406 X .750 X .060 |
| | 077071-01-000 | EA | WASHER-FENDER, 3/16" ID X 1" OD |
| | 106649-01-000 | EA | WASHER-SEALING, 5/8" ID - GALVANIZED |
| | 110794-01-000 | EA | WASHER-FL, 1" ID X 1 3/4" OD - C-TECH 36T1043187 |

SEALANTS & FASTENERS GROUP (CONTINUED)**SCREWS**

| KEY | PART NUMBER | U/M | DESCRIPTION |
|-----|---------------|-----|--|
| | 000G11-05-08B | EA | SCREW, 5-20 X 1/2 PPH - ZINC |
| | 000G11-06-06B | EA | SCREW, 6-20 X 3/8 PPH - ZINC |
| | 000G11-06-08B | EA | SCREW, 6-20 X 1/2 PPH - ZINC |
| | 000G11-06-10J | EA | SCREW, 6-20 X 5/8 PPH - BRASS |
| | 000G11-06-10B | EA | SCREW, 6-20 X 5/8 PPH - ZINC |
| | 000G11-07-08B | EA | SCREW, 7-19 X 1/2 PPH - ZINC |
| | 000G11-08-06B | EA | SCREW, 8-18 X 3/8 PPH - ZINC |
| | 000G11-08-08B | EA | SCREW, 8-18 X 1/2 PPH - ZINC |
| | 000G11-08-12S | EA | SCREW, 8-18 X 3/4 PPH - OFF WHITE |
| | 000G11-08-12P | EA | SCREW, 8-18 X 3/4 PPH - DARK BROWN |
| | 000G11-08-12D | EA | SCREW, 8-18 X 3/4 PPH - BLACK PHOS |
| | 000G11-08-12B | EA | SCREW, 8-18 X 3/4 PPH - ZINC |
| | 000G11-08-16S | EA | SCREW, 8-18 X 1.00 PPH - OFF WHITE |
| | 000G11-08-20B | EA | SCREW, 8-18 X 1 1/4 PPH - ZINC |
| | 000G11-10-12S | EA | SCREW, 10-16 X .75 PPH - OFF WHITE |
| | 000G11-10-12D | EA | SCREW, 10-16 X 3/4 PPH - BLACK |
| | 000G11-10-40B | EA | SCREW, 10-16 X 2 1/2 PPH CAD - 34927-01-000 |
| | 000G11-10-16B | EA | SCREW, 10-16 X 1 - PPH - ZINC |
| | 000G11-10-10X | EA | SCREW, 10 - 16 X 5/8 PPH - GRAY |
| | 000G12-06-08T | EA | SCREW, 6-20 X .50 POH - BLACK |
| | 000G12-08-16S | EA | SCREW, 8-18 X 1.00 POH - OFF WHITE |
| | 000G13-06-08G | EA | SCREW, 6-20 X 1/2 PFH - ANTIQUE BRASS |
| | 000G13-06-10G | EA | SCREW, 6-20 X 5/8 PFH - ANTIQUE BRASS |
| | 000G13-07-10H | EA | SCREW, 7-19 X 5/8 PFH - BLACK |
| | 000G13-08-10B | EA | SCREW, 8-18 X 5/8 PFH - ZINC |
| | 000G18-08-22B | EA | SCREW-MACHINE, 8-32 X 1 3/8 PPH - ZINC |
| | 000G19-10-20B | EA | SCREW-MACHINE, 10-32 X 1 1/14 PPH - ZINC |
| | 000G19-10-08B | EA | SCREW-MACHINE, 10-32 X 1/2 PPH - ZINC |
| | 000G32-10-06B | EA | SCREW, 10-32 X 3/8" - PPH - ZINC |
| | 000G39-06-10T | EA | SCREW-SF/DR, 6-20 X 5/8 PPH - BLACK |
| | 000G39-06-16T | EA | SCREW-SF/DR, 6-20 X 1.00 PPH - BLACK |
| | 000G39-08-08B | EA | SCREW-SF/DR, 8-18 X 1/2 PPH - ZINC |
| | 000G39-08-06B | EA | SCREW-SF/DR, 8-18 X 3/8 PPH - ZINC |
| | 000G39-08-08S | EA | SCREW-SF/DR, 8-18 X 1/2 PPH - OFF WHITE |
| | 000G39-08-12B | EA | SCREW-SF/DR, 8-18 X 3/4 PPH - ZINC |
| | 000G39-08-12T | EA | SCREW-SF/DR, 8-18 X 3/4 PPH - BLACK |
| | 000G39-08-16B | EA | SCREW-SF/DR, 8-18 X 1 PPH - ZINC |
| | 000G39-08-16T | EA | SCREW-SF/DR, 8-18 X 1 PPH - BLACK |
| | 000G39-08-32B | EA | SCREW-SF/DR, 8-18 X 2 PPH - ZINC |
| | 000G39-10-08B | EA | SCREW-SF/DR, 10-16 X .50 PPH - ZINC |
| | 000G39-10-12B | EA | SCREW-SF/DR, 10-16 X .75 PPH - ZINC |
| | 000G39-10-12D | EA | SCREW-SF/DR, 10-16 X 3/4 PPH - BLACK |
| | 000G39-10-129 | EA | SCREW-SF/DR, 10-16 X 3/4 PPH - FLUOROCARBON SILVER |
| | 000G39-10-20B | EA | SCREW-SF/DR, 10-16 X 1 1/4 PPH - ZINC |
| | 000G39-10-10B | EA | SCREW-SF/DR, 10-16 X .625 - ZINC |
| | 000G42-04-12B | EA | SCREW-SF/DR, 1/4-14 X 3/4 HWH - ZINC |
| | 000G43-06-24B | EA | SCREW-MACHINE, 8-32 X 1.50 PFH - BLACK |
| | 000G46-08-24T | EA | SCREW-MACHINE, 8-32 X 1.50 PFH - BLACK |
| | 000G50-04-08B | EA | SCREW-MACHINE, 1/4-20 X 1/2 PTH - ZINC |
| | 000G50-04-12B | EA | SCREW-MACHINE, 1/4-20 X 3/4 PPH - ZINC |
| | 000G52-08-18B | EA | SCREW-MACHINE, 8-32 X 11/8 PTH - ZINC |
| | 000G53-04-06B | EA | SCREW-MACHINE, 1/4-20 X 3/8 PPH - ZINC - UNDERCUT HEAD |
| | 000G54-04-20B | EA | SCREW, 1/4-20 X 1 1/4 PTH - TYPE 23 - ZINC PLATED |
| | 000G55-08-12S | EA | SCREW-SF/DR, 8-18 X .75 PWH - OFF WHITE |
| | 000G56-12-48B | EA | SCREW-WOOD, 12-11 X 3 POH - SPECIAL HARDENED |
| | 000G60-10-28T | EA | SCREW-SF/DR, 10-16 X 1.75 - BLACK |
| | 000G67-10-08B | EA | SCREW, 10-12 X 1/2 PPH - ZINC |
| | 000G67-10-36T | EA | SCREW, 10-12 X 2.25 PPH - BLACK - STALGAURD |
| | 000G67-10-24B | EA | SCREW, 10-12 X 1 1/2 PPH - ZINC |
| | 000G67-10-20D | EA | SCREW, 10-12 X 1 1/4 PPH - BLACK |
| | 000G67-10-120 | EA | SCREW, 10-12 X .75" PPH - TAN |
| | 000G67-10-16B | EA | SCREW, 10-12 X 1 PPH - ZINC |
| | 000G67-10-12B | EA | SCREW, 10-12 X 3/4" PPH - ZINC |
| | 000G67-10-12P | EA | SCREW, 10-12 X 3/4" PPH - DARK BROWN |
| | 000G67-10-10D | EA | SCREW, 10-12 X 5/8 PPH - BLACK - TYPE A |

SEALANTS & FASTENERS GROUP (CONTINUED)
SCREWS (CONTINUED)

| KEY | PART NUMBER | U/M DESCRIPTION |
|-----|---------------|--|
| | 000G67-10-10B | EA SCREW, 10-12 X 5/8 PPH - ZINC - TYPE A |
| | 000G68-06-10G | EA SCREW, 6-18 X 5/8 POH - ANTIQUE BRASS |
| | 0G6008-16-170 | EA SCREW-SF/DR, 8-18 X 1 POH - BRIGHT WHITE |
| | 0G3908-08-170 | EA SCREW-SF/DR, 8-18 X 1/2 PPH - BRIGHT WHITE |
| | 049465-01-000 | EA SCREW, 10-16 W/WASHER PTH - DARK BROWN |
| | 049465-03-000 | EA SCREW, 10-16 X 1 POH W/WASHER - OFF WHITE |
| | 049465-04-000 | EA SCREW, 10-16 X 1 PTH W/WASHER - BEIGE |
| | 049465-17-000 | EA SCREW, 10-16 X 1 POH W/WASHER - BRIGHT WHITE |
| | 075908-01-000 | EA SCREW, MACHINE, 10-32 X .56 PTH - ZINC - EXTERNAL TOOTH |
| | 076790-01-000 | EA SCREW, 6-20 X 1 1/4 PPH - BLACK |
| | 086256-01-000 | EA SCREW-SF/DR, 8 X .75 HWH LG |
| | 087721-01-000 | EA SCREW-FLAT HEAD, TAPPING - 1/4" X 1 1/4" LONG - ZINC |
| | 097974-01-000 | EA SCREW-PARTICLE BOARD, 7-9 X .75 PPH |
| | 101618-01-000 | EA SCREW, 1/4-20 X 3/4 HEX/TAPPING - STALGARD TYPE F |
| | 116111-02-01A | EA SCREW-TAPTITE, 1/4-20 X 3/8 PPH - ZINC |
| | 117322-01-000 | EA SCREW - 1/4-28 UNF - 2A - TORX |

BOLTS

| KEY | PART NUMBER | U/M DESCRIPTION |
|-----|---------------|--|
| | 000C12-05-12B | EA BOLT-HEX, 5/16-18 X 3/4 - ZINC 5 |
| | 000C12-05-16B | EA BOLT-HEX, 5/16-18 X 1 - ZINC 5 |
| | 000C12-05-64B | EA BOLT-HEX, 5/16-18 X 4 |
| | 000C12-06-16B | EA BOLT-HEX, 3/8-16 X 1 - ZINC 5 |
| | 000C12-07-20B | EA BOLT-HEX, 7/16 - 14 X 1 1/4" - ZINC 5 |
| | 000C12-08-24B | EA BOLT-HEX, 1/2-13 X 1 1/2 - ZINC 5 |
| | 000C12-09-20B | EA BOLT-HEX, 9/16-12 X1 1/4 - ZINC 5 |
| | 000C12-10-24B | EA BOLT-HEX, 5/8-11 X 1 1/2 - ZINC 5 |
| | 000C13-07-48B | EA BOLT-HEX, 7/16 - 20 X 3 - ZINC 5 |
| | 000C18-05-40A | EA BOLT-ELEVATOR, 5/16"-18 X 2 1/2" - PL |
| | 000C26-04-10B | EA BOLT-HEX, SER FLG - 1/4-20 X 5/8 - ZINC |
| | 000C26-04-14B | EA BOLT-HEX, SER FLG - 1/4-20 X 7/8 - ZINC |
| | 000C26-04-18B | EA BOLT-HEX, SER FLG - 1/4-20 X 1 1/8 - ZINC |
| | 000C26-05-12B | EA BOLT-HEX, SER FLG - 5/16-18 X 3/4 - ZINC |
| | 000C26-05-16B | EA BOLT-HEX, SER FLG - 5/16-18 X 1 - ZINC |
| | 000C26-06-12B | EA BOLT-HEX, SER FLG - 3/8-16 X 3/4 - ZINC |
| | 000C27-10-32B | EA BOLT-CARRIAGE, 5/8-11 X 2.00 |
| | 000G45-05-16B | EA BOLT-LAG, 5/16 - 9 X 1 - ZINC |
| | 051387-06-000 | EA BOLT-CARRIAGE, W/O HOLE - 5/16-18 X 9.5 - ZINC |
| | 102333-01-06A | EA BOLT-CARRIAGE, 7/16 - 14 SST CAP - BRIGHT WHITE BUMPER BOLT |
| | 106166-01-000 | EA BOLT-COLLARED HANGER, 8-32 X 1" |

NUTS

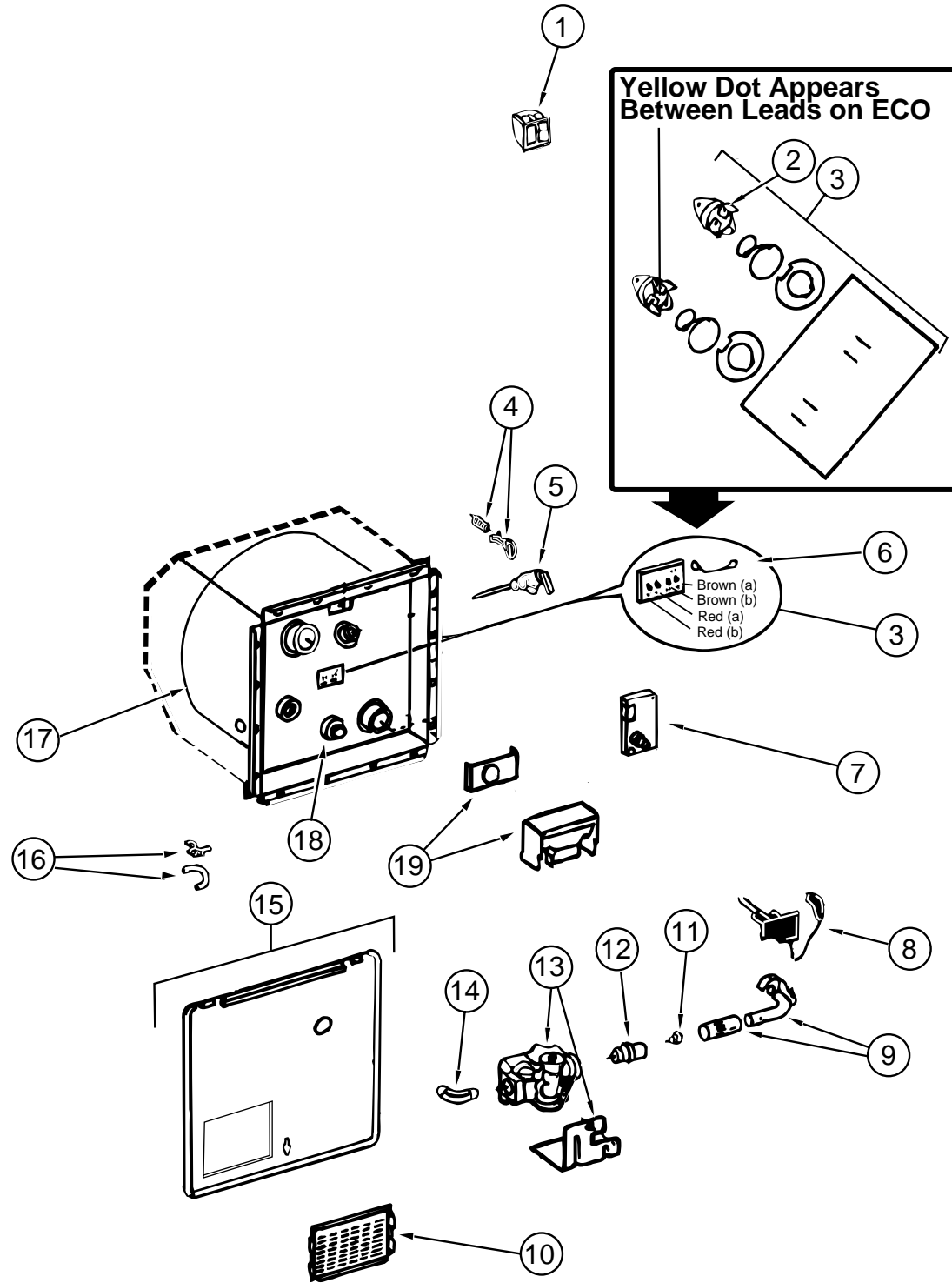
| KEY | PART NUMBER | U/M DESCRIPTION |
|-----|---------------|---|
| | 000D24-10-00B | EA NUT-HEX, SF/LK - 10-32 - ZINC |
| | 000D29-05-00B | EA NUT-HEX, SELFLOCK - 5/16 - 18 - UNC |
| | 000D29-09-00B | EA NUT-HEX, SELFLOCK - 9/16 - 12 - ZINC |
| | 000D34-06-00B | EA NUT-HEX, LK - 3/8 - 16 GRADE C - ZINC - PREVAILING TORQUE |
| | 000D39-04-00B | EA NUT-HEX, SER FLG LK - 1/4-20 - ZINC |
| | 000D39-05-00B | EA NUT-HEX, SER FLG LK - 5/16-18 - ZINC |
| | 000D39-06-00B | EA NUT-HEX, SER FLG LK - 3/8-16 - ZINC |
| | 000D39-08-00B | EA NUT-HEX, SER FLG LK - 1/2-13 - ZINC |
| | 000D44-07-00B | EA NUT-HEX, SER FLG LK - 7/16-20 - ZINC |
| | 000D46-04-00A | EA NUT-HEX, WELD - 1/4-20 - PLAIN - SHORT PILOT |
| | 044364-02-000 | EA NUT-SPEED, FLAT - ROUND |
| | 063253-07-000 | EA NUT-J, #8A - .120-.130 PANEL THICKNESS |
| | 104369-01-000 | EA NUT-HEX, HEAVY - 5/8-11 UNC |
| | 040921-03-000 | EA NUT-SPEED, U TYPE - NO 10 |
| | 040921-04-000 | EA NUT-SPEED, U TYPE - NO 8 - .59" LENGTH X .44" WIDTH |
| | 040921-09-000 | EA NUT-SPEED, U TYPE - NO 8 - TINNERMAN C9812-8A |
| | 083163-06-000 | EA PUSHNUT-FLAT TYPE 3/8 STUD - FORD ONLY |
| | | TO RETAIN THE AIR BAFFLE ON THE OIL DIPSTICK TUBE |
| | 087234-01-000 | EA NUT-JACK, 1/4 X 20 THD, MOLLY - BRASS - ARDEN 8-L,JN MOUNTS LICENSE PLATES |

SEALANTS & FASTENERS GROUP (CONTINUED)
CLAMPS, GROMMETS AND MISCELLANEOUS FASTENERS

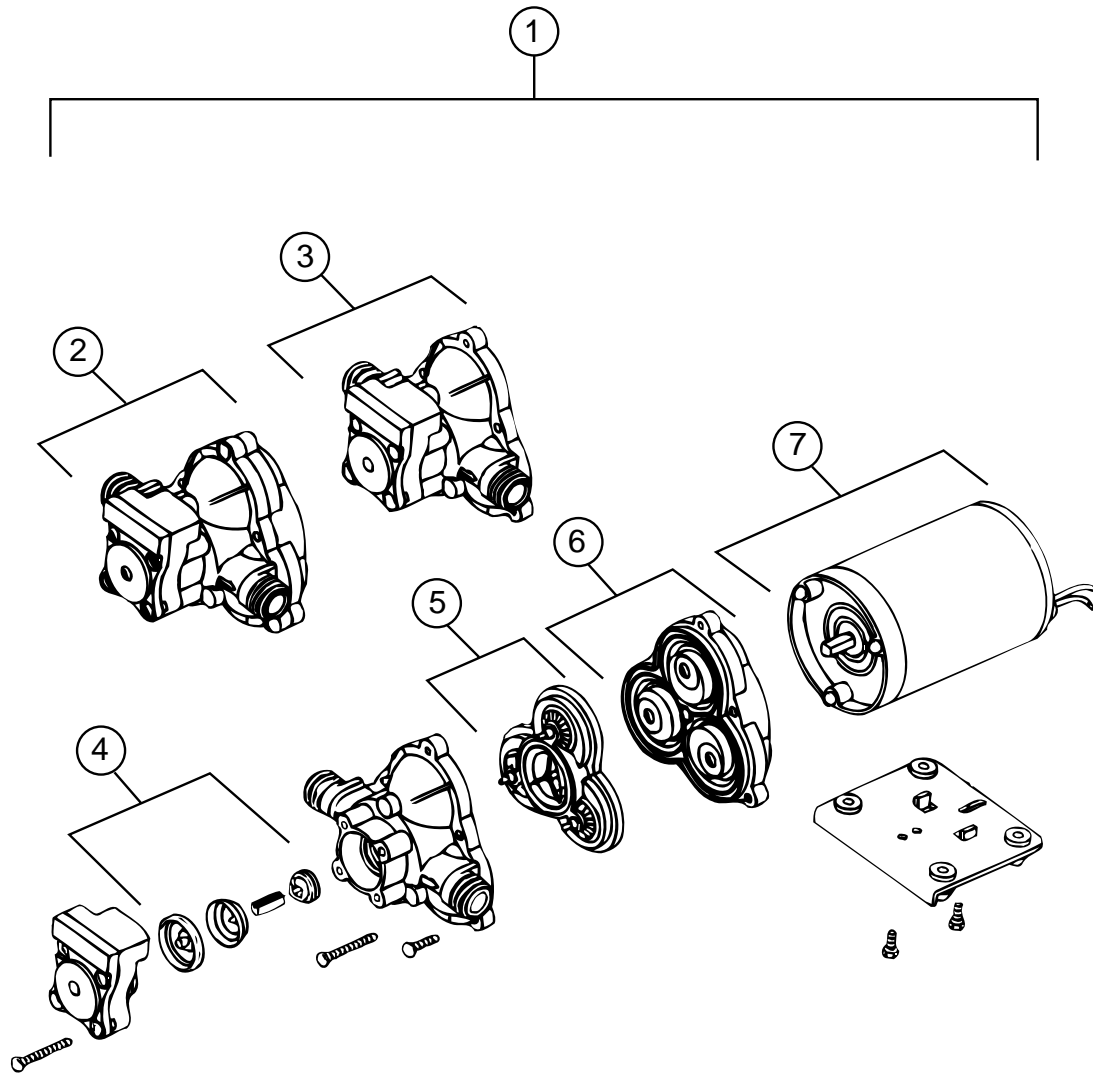
| KEY | PART NUMBER | U/M DESCRIPTION |
|-----|---------------|---|
| | 000H16-06-10R | EA RIVET-POP, 3/16 X .501 - .625 - AL |
| | 007161-01-000 | EA CLAMP-HOSE, SPRING TYPE - 1/2" |
| | 010495-01-000 | EA CLAMP-CABLE, 9/16" |
| | 010497-01-000 | EA CLAMP-CLOSED, 5/8" ID |
| | 010497-03-000 | EA CLAMP-CLOSED, 1" ID - CUSHIONED |
| | 010499-01-000 | EA CLAMP-CLOSED, 3/8" ID |
| | 062401-01-000 | EA CLAMP-HOSE, WORMGEAR .25" - 1" |
| | 062401-02-000 | EA CLAMP-HOSE, WORMGEAR 1.56" - 2.5" |
| | 062401-03-000 | EA CLAMP-HOSE, WORMGEAR .22" - 1" |
| | 062401-04-000 | EA CLAMP-HOSE, WORMGEAR .69" - 1.25" |
| | 062401-06-000 | EA CLAMP-HOSE, WORMGEAR .22" - .62" |
| | 062401-11-000 | EA CLAMP-HOSE, WORMGEAR 3.56" - 4.5" |
| | 075148-02-000 | EA CLAMP-GROUNDING, BRONZE SCREWS |
| | 080734-02-000 | EA CLIP-WIRE, NYLON |
| | 083609-01-000 | EA CLAMP-WIRE, DUAL EQUAL - 5/8" DIAMETER |
| | 083610-01-000 | EA CLAMP-WIRE, DUAL - UNEQUAL DIAMETERS - .75" & 1.25" |
| | 083610-02-000 | EA CLAMP-WIRE, DUAL - UNEQUAL DIAMETERS |
| | 008380-01-000 | EA GROMMET-RUBBER, 5/8" HOLE X 1 1/2" DIAMETER - BLACK |
| | 016188-03-000 | EA GROMMET-L/P LINE, 3/8" HOLE X 2 1/2" LONG - RUBBER |
| | 016188-05-000 | EA GROMMET-L/P LINE, 3/8" HOLE X 1 1/4" LONG - RUBBER |
| | 023942-01-000 | EA GROMMET-RUBBER, 2" OD |
| | 071015-26-000 | EA GROMMET-RUBBER, 1.5" ID X 2.12" OD W/.06" GROOVE |
| | 114208-02-000 | EA GROMMET-EDGE LINER, FITS .625 - HEYCO 2073 |
| | 049176-01-000 | EA HEDLOCK II - 3/4 DIAMETER, SCREW MOUNT |
| | 056134-01-000 | EA HOLDER-RING, 3.6" DIAMETER - METAL |
| | 056134-02-000 | EA HOLDER-RING, 1.8" DIAMETER - METAL |
| | 086285-01-000 | EA SPACER-NYLON, .5" OD X .257" ID |
| | 077955-01-000 | EA J CLIP-VINYL COATED, 3/8" USED IN WIRING TO CLEARANCE LIGHTS |
| | 029094-04-000 | YD VELCRO TAPE-LOOP, 1" WIDE - BLACK |
| | 029096-03-000 | YD VELCRO TAPE-HOOK, 1" WIDE - BLACK |
| | 085774-01-000 | FT FASTENER-DUAL HOOK, 1" WIDE - ADHESIVE BACK - BLACK |
| | 085774-02-000 | FT FASTENER-DUAL LOOP, 1" WIDE - ADHESIVE BACK - BLACK |
| | 008343-01-000 | EA TIE-WIRE, 6" |
| | 008343-02-000 | EA TIE-WIRE, 14" |
| | 108046-02-000 | EA CABLE-TIE, SCREW MOUNT - 15" |
| | 080211-03-000 | EA CLIP-MOUNTING, XMAS TREE - DECORATIVE PADS |
| | 091952-02-000 | EA CLIP-GRIPPER, 3/4" |
| | 094362-02-000 | EA CLIP-XMAS TREE, FLAT HEAD |
| | 101447-01-000 | EA CLIP-U TYPE, TINNERMAN |
| | | HOLDS SHOWER SURROUND TOGETHER |

WATER & SEWAGE GROUP
ATWOOD WATER HEATER W/MOTOR AID MODEL GH6-7E

| KEY | PART NUMBER | U/M | DESCRIPTION | VENDOR NO. |
|-----|---------------|-----|--|-------------|
| | 051393-01-000 | EA | WATER HEATER-W/MOTOR AID, PILOTLESS IGNITION - ATWOOD GH6-7E | |
| 1 | 097967-01-000 | EA | SWITCH-WATER HEATER, REMOTE W/LIGHT - ATWOOD 91959 | |
| 2 | 051391-04-701 | EA | THERMOSTAT 12 VDC - 120 PRESET, FRONT MOUNT - ATWOOD | 91470 |
| 3 | 051393-01-721 | EA | ECO & THERMOSTAT ASM-FRONT MOUNT, 140 DEGREE - ATWOOD | 91447 |
| 4 | 051391-01-705 | EA | FASTENER-CAMLOC, ATWOOD | 92609 |
| 5 | 051391-01-704 | EA | VALVE-RELIEF, 1/2" FITTING - ATWOOD | 91604 |
| 6 | 051393-01-723 | EA | SWITCH-THERMAL CUT-OFF 2/PKG, ATWOOD | 93866 |
| 7 | 051393-01-724 | EA | CIRCUIT BOARD-SPADE TERMINAL, ATWOOD | 93867 |
| 8 | 051393-01-725 | EA | ELECTRODE-SINGLE SPADE CONNECT - ATWOOD | 93868 |
| 9 | 051391-04-703 | EA | BURNER-MAIN, ATWOOD | 91638 |
| 10 | 051391-01-717 | EA | GRILLE ONLY - ATWOOD | 92640 |
| 11 | 051391-01-710 | EA | ORIFICE-MAIN BURNER, ATWOOD | 92742 |
| 12 | 051391-03-700 | EA | ORIFICE HOLDER - ATWOOD | 91563 |
| 13 | 051393-01-726 | EA | SOLENOID VALVE AND BRACKET - ATWOOD | 93870 |
| 14 | 051391-01-714 | EA | ELBOW - 45 DEGREE, 3/8" F X 3/8" MPT - ATWOOD | 91044 |
| 15 | 052009-06-000 | EA | DOOR-WATER HEATER, BRIGHT WHITE - ATWOOD | |
| 16 | 051391-01-700 | EA | HINGE KIT-W/CLIP, ATWOOD | 92568&92559 |
| 17 | 051391-04-704 | EA | TANK-INNER - ATWOOD | 91642 |
| 18 | 051391-01-715 | EA | DRAIN PLUG, ATWOOD | 91561 |
| 19 | 051391-04-707 | EA | FLUE, & GASKET - ATWOOD | 90960 |
| | 116424-01-000 | EA | PROTECTOR-WATER HEATER LATCH - ATWOOD 92611 | |
| | 114430-03-000 | EA | ADAPTER - 1/2" P X 1/2" MPT - FLAIR-IT 02842 | |
| | 101814-01-000 | EA | COUPLING-FEMALE, 1/2" X 1/2" FPT W/COMP. SLEEVE - GRAY | |
| | 110438-01-000 | EA | VALVE-CHECK, BRASS - G784 | |



WATER & SEWAGE GROUP (CONTINUED)
SHURFLO WATER PUMP



| KEY | PART NUMBER | U/M | DESCRIPTION | VENDOR NO. |
|-----|---------------|-----|--|------------|
| 1 | 098607-01-000 | EA | PUMP-WATER, W/.5"MPT FITTING - FLOW 2.8 GPM - UL | |
| 2 | 098607-01-700 | EA | PUMPHEAD-REPLACEMENT, SHURFLO | 94-236-08 |
| 3 | 098607-01-706 | EA | UPPER HOUSING/SWITCH KIT, SHURFLO | 94-231-20 |
| 4 | 098607-01-705 | EA | CHECK VALVE-KIT, SHURFLO | 94-237-00 |
| 5 | 098607-01-703 | EA | VALVE ASM, SHURFLO | 94-232-00 |
| 6 | 098607-01-702 | EA | DIAPHRAGM KIT W/DRIVE, SHURFLO | 94-238-04 |
| 7 | 098607-01-707 | EA | MOTOR/BASEPLATE REPLACEMENT, SHURFLO | 94-234-03 |

WATER & SEWAGE GROUP (CONTINUED)
WATER TANK QUEEN BED

| KEY | PART NUMBER | U/M DESCRIPTION |
|-----|---------------|---|
| | 117898-02-000 | EA TANK ASSEMBLY-WATER 1066 MM X 674 MM X 390 MM - W/FITTINGS |
| | 117898-01-000 | EA TANK-WATER, 1066 MM X 674 MM X 390 MM - W/O FITTINGS |
| | 039861-01-000 | EA SENDING UNIT-W/SCREW, WASHER, WELL NUT & TERMINAL RING |
| | 010224-01-000 | EA ADAPTER-HOSE TO PIPE, 3/8" MPT X 3/8" BARB - BLACK PLASTIC |
| | 042989-03-000 | EA FITTING-WATER TANK, SPINWELD - 1 1/4" NPT - PLASTIC - WHITE |
| | 042989-04-000 | EA FITTING-WATER TANK, SPINWELD - 3/8" FPT - PLASTIC - WHITE |
| | 042989-05-000 | EA FITTING-WATER TANK, SPINWELD - 1/2" FPT - PLASTIC - WHITE |
| | 049032-01-000 | EA PATCH-SPINWELD, 3/8" - PLASTIC |
| | 044927-01-000 | EA ADAPTER-HOSE TO PIPE, 1 1/4"MPT X 1 1/4"BARB - PLASTIC - BLACK |
| | 114429-02-000 | EA ELBOW - 1/2" P X 1/2" MPT - FLAIR-IT 02803 |
| | 074462-02-000 | FT TUBING-VINYL, 3/8" ID X 20' - CLEAR |
| | 077954-02-000 | EA FILTER-WATER TANK, SCREEN IN TANK |
| | 079381-01-000 | FT TUBING-SMOOTH FLEXIBLE, 1 1/4" ID X 20' |

WATER TANK TWIN BED

| KEY | PART NUMBER | U/M DESCRIPTION |
|-----|---------------|---|
| | 117898-03-000 | EA TANK ASSEMBLY-WATER 1066 MM X 674 MM X 390 MM - W/FITTINGS |
| | 117898-01-000 | EA TANK-WATER, 1066 MM X 674 MM X 390 MM - W/O FITTINGS |
| | 039861-01-000 | EA SENDING UNIT-W/SCREW, WASHER, WELL NUT & TERMINAL RING |
| | 010219-01-000 | EA ELBOW - 1 1/4" MPT X 1 1/4" BARB, WATER FILL - PLASTIC |
| | 010224-01-000 | EA ADAPTER-HOSE TO PIPE, 3/8" MPT X 3/8" BARB - BLACK PLASTIC |
| | 114430-03-000 | EA ADAPTER - 1/2" P X 1/2" MPT - FLAIR-IT 02842 |
| | 042989-03-000 | EA FITTING-WATER TANK, SPINWELD - 1 1/4"NPT - PLASTIC - WHITE |
| | 042989-04-000 | EA FITTING-WATER TANK, SPINWELD - 3/8" FPT - PLASTIC - WHITE |
| | 042989-05-000 | EA FITTING-WATER TANK, SPINWELD - 1/2" FPT - PLASTIC - WHITE |
| | 049032-01-000 | EA PATCH-SPINWELD, 3/8" - PLASTIC |
| | 074462-02-000 | FT TUBING-VINYL, 3/8" ID X 20' - CLEAR |
| | 077954-02-000 | EA FILTER-WATER TANK, SCREEN IN TANK |
| | 079381-01-000 | FT TUBING-SMOOTH FLEXIBLE, 1 1/4" ID X 20' |

WATER & SEWAGE GROUP (CONTINUED)
WATER SYSTEM

| KEY | PART NUMBER | U/M DESCRIPTION |
|-----|---------------|--|
| | 039800-02-000 | FT TUBING-POLYBUTYL, 5/8" OD - INCREMENTS OF 20' - BLACK |
| | 035539-01-000 | EA ELBOW-PLASTIC, 3/8" MPT X 3/8" BARB |
| | 039808-03-000 | EA ELBOW - 1/2" MPT X 1/2" MPT, PLASTIC - KEVCO 17296 |
| | 091208-01-000 | EA WASHER-RUBBER, .06" X .75" X .5" |
| | 110915-01-01A | EA FILL-WATER, CITY - CHROME - KEVCO 64713 |
| | 114428-01-000 | EA TEE - 1/2" P X 1/2" P X 1/2" P - FLAIR-IT 02820 |
| | 114428-02-000 | EA TEE-SWIVEL, 1/2" P X 1/2" P X 1/2" P - FLAIR-IT 02821 |
| | 114429-01-000 | EA ELBOW - 1/2" P X 1/2" P - FLAIR-IT 02800 |
| | 114429-02-000 | EA ELBOW - 1/2" P X 1/2" MPT - FLAIR-IT 02803 |
| | 114429-03-000 | EA ELBOW-SWIVEL, 1/2" P X 1/2" FPT - FLAIR-IT 02816 |
| | 114430-02-000 | EA ADAPTER-SWIVEL, 1/2" P X 1/2" FPT - FLAIR-IT 02873 |
| | 114431-01-000 | EA VALVE-LINE DRAIN, 1/2" P - FLAIR-IT 02914 |
| | 114431-02-000 | EA VALVE - 1/2" P, BYPASS - FLAIR-IT 02910 |
| | 117089-01-000 | FT HOSE - 1/2" ID, GARDEN - KEVCO 49154 |

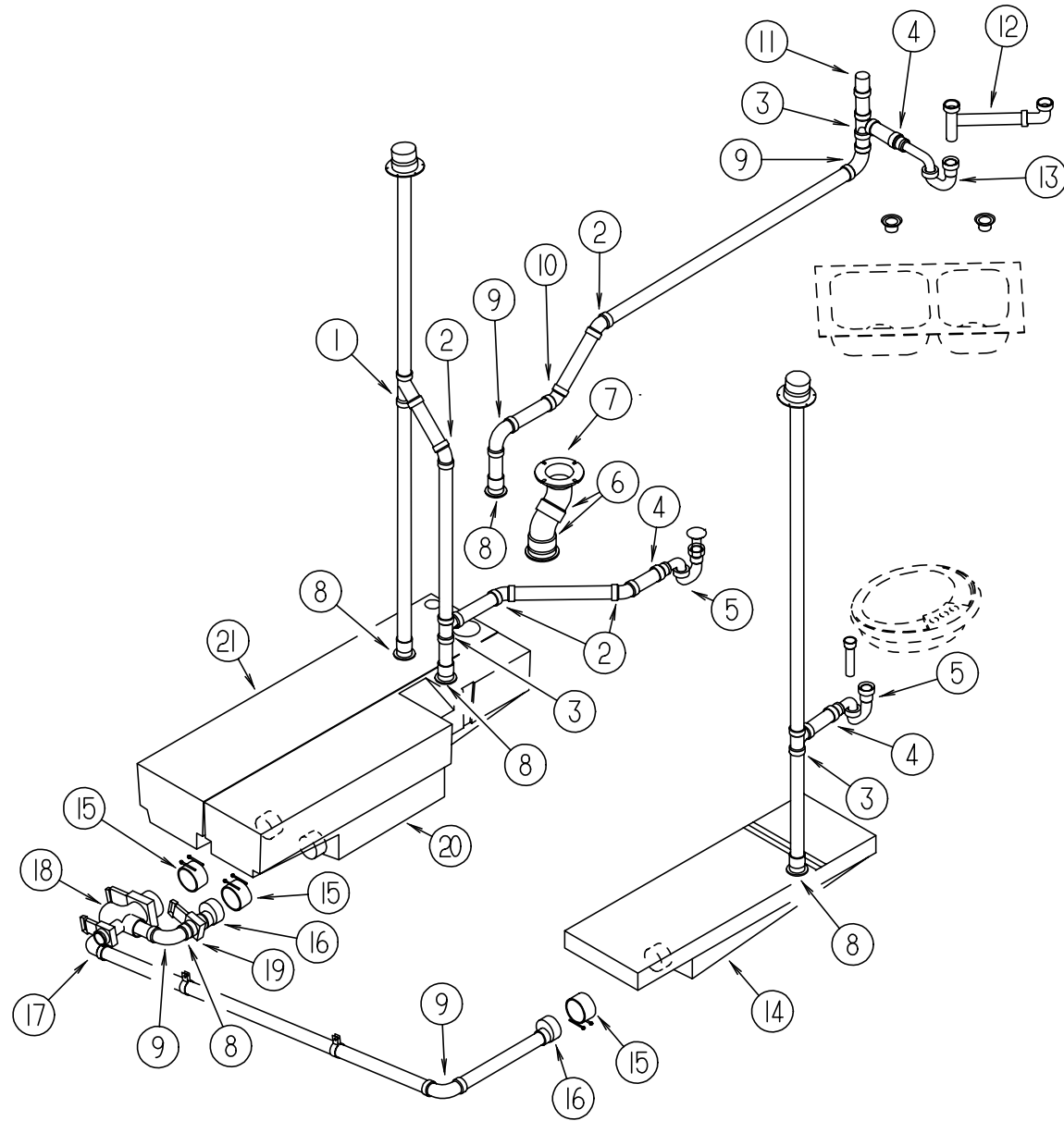
EXTERIOR SHOWER

| KEY | PART NUMBER | U/M DESCRIPTION | VENDOR NO. |
|-----|---------------|--|------------|
| | 114429-01-000 | EA ELBOW - 1/2" P X 1/2" P - FLAIR-IT 02800 | |
| | 114429-03-000 | EA ELBOW-SWIVEL, 1/2" P X 1/2" FPT - FLAIR-IT 02816 | |
| | 046128-01-000 | EA VALVE-DRAIN, PLASTIC - 1/2" FPT | |
| | 075241-05-000 | EA FAUCET-SHOWER, BONE | |
| | 103092-01-000 | EA SHOWER HEAD-W/60" HOSE - US | |
| | 103092-02-000 | EA SHOWER HEAD-W/60" HOSE - CANADIAN | |
| | 103092-01-700 | EA BRACKET ONLY-CLEAR, F/SHOWER HEAD - BPC | 2328028 |
| | 103092-01-702 | EA SEALS-SPRAY HEAD | 24466 |
| | 011048-03-700 | EA BRACKET/F SHOWER HEAD - BPC | 2328029-3 |
| | 108356-02-01A | EA COVER-SWITCH W/DIMPLES, CARLING VVAZC00 BLA | |
| | 108357-08-000 | EA SWITCH-ROCKER, DPDT ON/NONE/ON - CARLING VDD1S00C-0 | |
| | 114293-01-01A | EA PAN-DRIP, 280 MM X 250 MM - OFF WHITE PLASTIC | |

WATER PURIFICATION SYSTEM

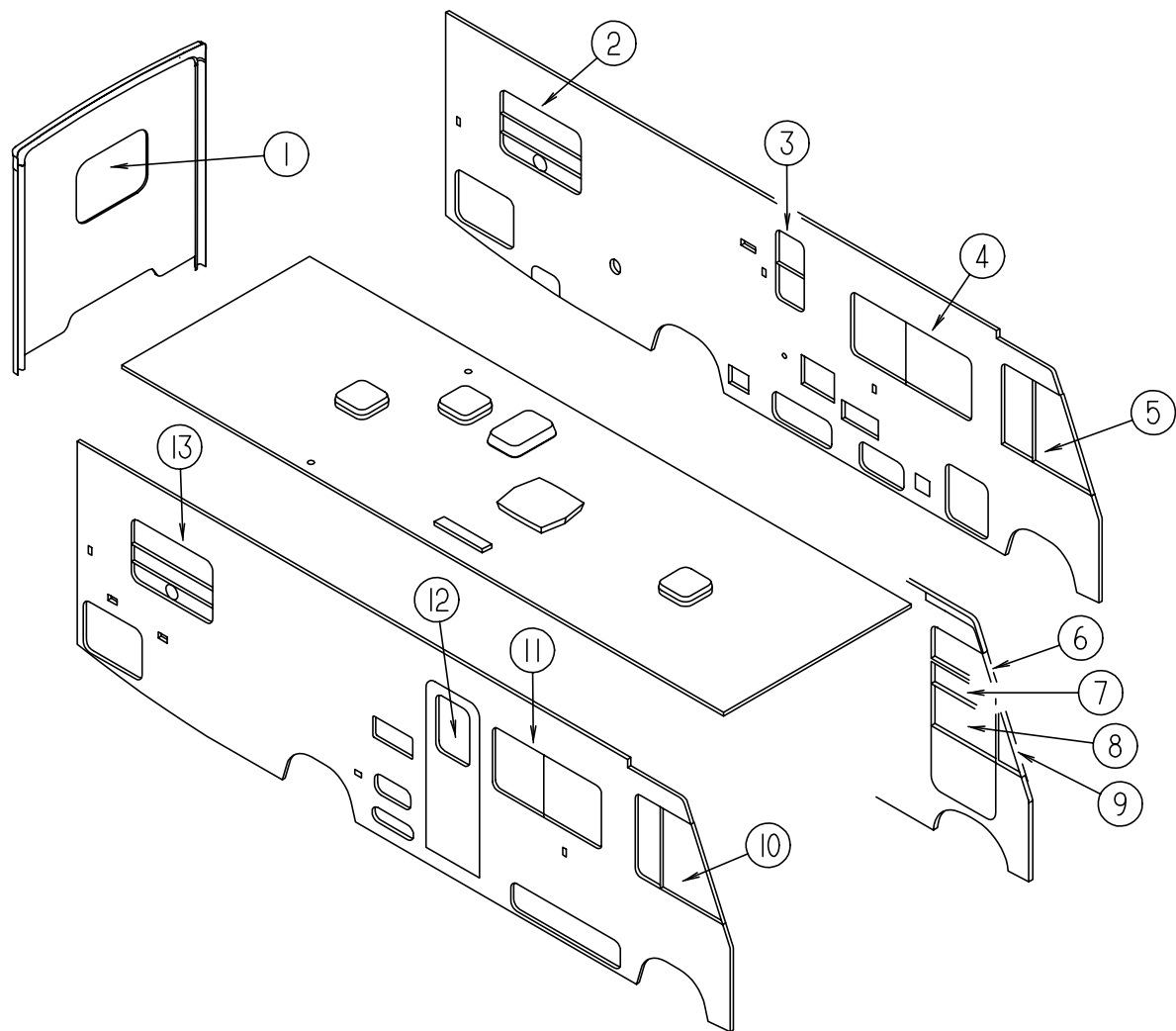
| KEY | PART NUMBER | U/M DESCRIPTION | VENDOR NO. |
|-----|---------------|--|------------|
| | 701069-01-000 | EA WATER PURIFICATION SYSTEM - EVERPURE 9252 | |
| | 701069-03-700 | EA CARTRIDGE-WATER FILTER, AC - EVERPURE | 9601-11 |

WATER & SEWAGE GROUP (CONTINUED)
DRAINAGE SYSTEM



| KEY | PART NUMBER | U/M DESCRIPTION |
|-----|---------------|---|
| 1 | 010073-01-000 | EA WYE - 45 DEGREE, 1 1/2" HUB X HUB X HUB - PLASTIC - BLACK |
| 2 | 010006-01-000 | EA ELBOW - 45 DEGREE, 1/8 BEND - 1 1/2" HUB X HUB - BLACK PLASTIC |
| 3 | 010071-01-000 | EA TEE-SANITARY, 1 1/2" HUB X HUB X HUB - PLASTIC - BLACK |
| 4 | 109571-01-000 | EA ADAPTER-P TRAP, 1 1/2" P X 1 1/4" MPT - US ONLY |
| 5 | 107538-01-000 | EA P TRAP-PLASTIC, 1 1/4" W/EXT ARM - US |
| 5 | 011066-03-700 | EA P TRAP KIT-PLASTIC, 1 1/2" X 1 1/2" - CANADIAN |
| 5 | 010121-01-000 | EA BUSHING-REDUCER, 1 1/2" SMOOTH X 1 1/4"HUB - BLACK PLASTIC - CANADIAN |
| 5 | 011066-03-701 | EA P TRAP-PLASTIC - CANADIAN |
| 5 | 011066-03-702 | EA ADAPTER-P TRAP, 1 1/2" - CANADIAN |
| | 011069-02-000 | EA TAILPIECE-TUB/SHOWER, 1 1/2" X 1 1/4" X 4" - BRASS |
| | 066440-01-000 | EA STRAINER-SHOWER, W/RUBBER WASHER |
| | 069735-01-000 | EA WASHER-STRAINER TO TAILPIECE PLASTIC, 1.5" |
| 6 | 010061-01-000 | EA ELBOW - 45 DEGREE, STREET - 1/8 BEND - 3" S X H - PLASTIC |
| 7 | 116644-01-000 | EA FLANGE-CLOSET, TOILET - 4" X 3" - SEALAND 345892 |
| 8 | 010115-01-000 | EA COUPLING - 1 1/2" HUB X HUB, PLASTIC |
| 9 | 010008-01-000 | EA ELBOW - 90 DEGREE, 1/4 BEND - 1 1/2" HUB X HUB - PLASTIC - BLACK |
| 10 | 010051-01-000 | EA ELBOW - 45 DEGREE BEND, 1 1/2" SPIGOT AND HUB - PLASTIC - BLACK |
| 11 | 079968-01-000 | EA VENT-MECHANICAL TRAP ARM, ANTI-SIPHON - 2" DIA X 7.3" - PLASTIC |
| 12 | 011091-02-000 | EA PIPE-DRAIN, DOUBLE SINK - BAFFLE TEE - 1 1/2" - US ONE PIPE W/TEE TO DRAIN BOTH SIDES OF SINK |
| 12 | 011091-03-000 | EA PIPE-DRAIN, W/SEALS - DOUBLE SINK - EXTENDS 9" TO 16" - CANADIAN |
| 13 | 107538-01-000 | EA P TRAP-PLASTIC, 1 1/4" W/EXT ARM - US |
| 13 | 011071-01-000 | EA P TRAP-PLASTIC, 1 1/2" - CANADIAN |
| 14 | 064546-01-000 | EA TANK-HOLDING, 17 GALLON - 48" X 14.75" X 8.5" |
| | 061607-01-000 | EA GROMMET-HOLDING TANK, 1 1/2" NPS |
| | 039861-01-000 | EA SENDING UNIT-W/SCREW, WASHER, WELL NUT & TERMINAL RING |
| 15 | 078406-01-000 | EA COUPLER-RUBBER, W/CLAMPS - 3" X 3" |
| 16 | 062422-01-000 | EA ADAPTER-OFFSET REDUCER, 3" X 1 1/2" - PLASTIC - BLACK |
| 17 | 033761-01-000 | EA ELBOW-TURN, 1/4 BEND X 1.5" HUB X 1.5" SPIGOT - PLASTIC - BLACK |
| 18 | 082696-01-000 | EA VALVE-DUAL DUMP, W/CAP - 3" X 1 1/2" - PLASTIC - BLACK |
| | 010201-01-000 | EA HOSE-SEWER, 3" ID X 8' |
| | 062416-01-000 | EA ADAPTER-SEWER HOSE TO 3" PIPE |
| | 089330-01-000 | EA ADAPTER-SEWER HOSE TO DUMP VALVE - PLASTIC - BLACK |
| | 062415-01-000 | EA CAP-SEWER, 3" DIAMETER |
| | 062415-01-700 | EA STRING SEWER CAP |
| 19 | 062421-01-000 | EA VALVE-DUMP, W/HANDLE - 1 1/2" - PLASTIC - BLACK |
| 20 | 081185-01-000 | EA TANK-HOLDING, 20 GALLON - 59.25" X 11.4" X 13.8" |
| | 061607-01-000 | EA GROMMET-HOLDING TANK, 1 1/2" NPS |
| | 039861-01-000 | EA SENDING UNIT-W/SCREW, WASHER, WELL NUT & TERMINAL RING |
| 21 | 081149-01-000 | EA TANK-HOLDING, 29 GALLON - 59.25" X 13.4" X 15.5" |
| | 061607-01-000 | EA GROMMET-HOLDING TANK, 1 1/2" NPS |
| | 061607-02-000 | EA GROMMET-HOLDING TANK, 3" NPS |
| | 039861-01-000 | EA SENDING UNIT-W/SCREW, WASHER, WELL NUT & TERMINAL RING |

WINDOW, VENT & EXTERIOR DOOR GROUP
WINDOWS

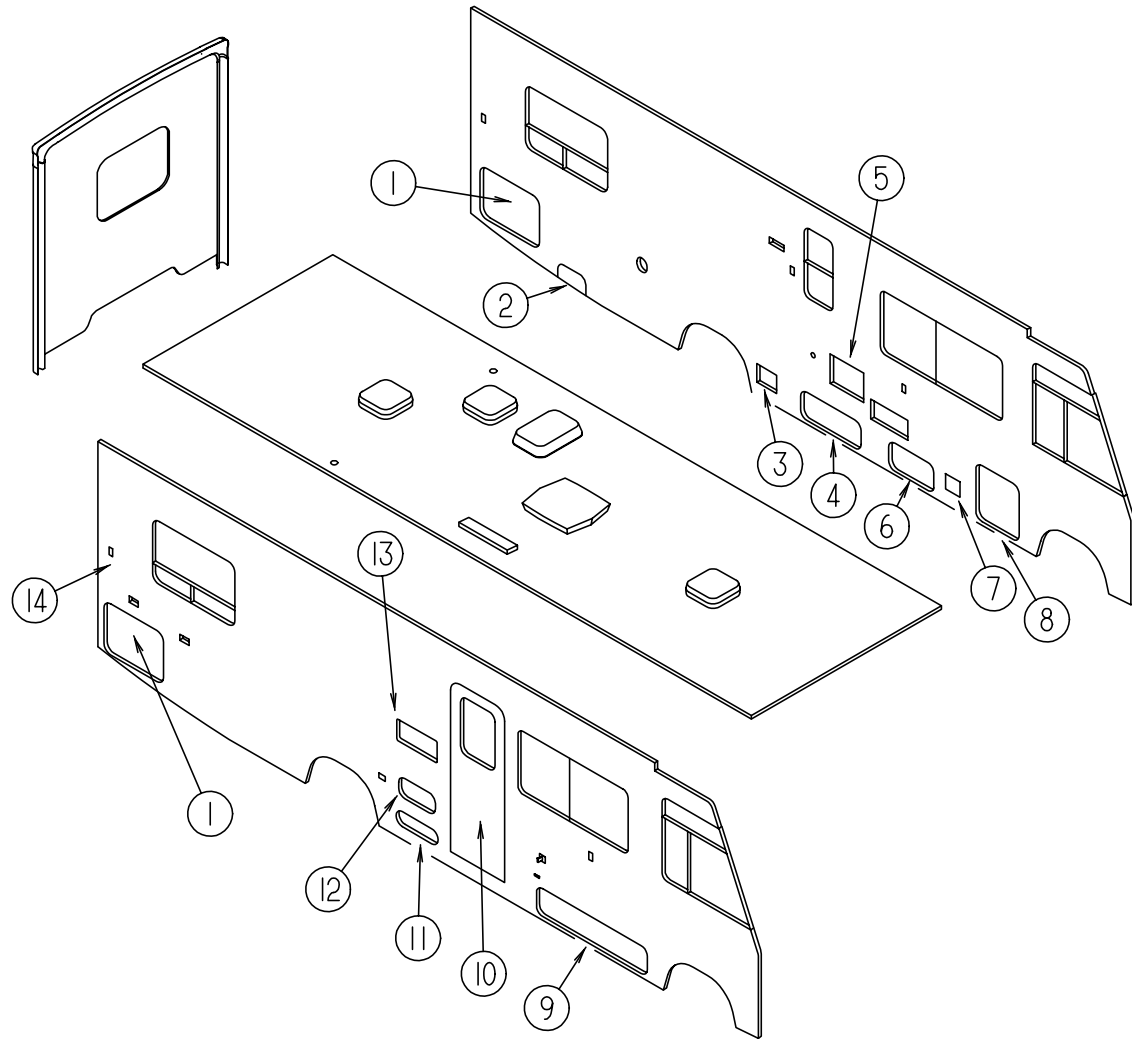


| KEY | PART NUMBER | U/M | DESCRIPTION |
|-----|---------------|-----|--|
| 1 | 078528-06-E10 | EA | WINDOW-ESCAPE, BACKWALL - W/O INSIDE FRAME |
| 1 | 113502-01-01A | EA | WINDOW-ESCAPE, BACKWALL - W/INSIDE FRAME - EXCEL DH153-G2W66 THERMOPANE WINDOW OPTION |
| 2 | 113500-01-01A | EA | WINDOW-TIPOUT, DOUBLE - W/INSIDE FRAME - EXCEL CH04-G2W59 |
| 2 | 112795-23-01A | EA | WINDOW-HORIZONTAL SLIDER, W/INSIDE FRAME - EXCEL DC04-G2W66L THERMOPANE WINDOW OPTION |
| 3 | 098644-07-01A | EA | WINDOW-VERTICAL SLIDER, W/INSIDE FRAME - EXCEL H170-G2W66 |
| 3 | 112898-04-01A | EA | WINDOW-VERTICAL SLIDER, W/INSIDE FRAME - EXCEL DC02-G2W66 THERMOPANE WINDOW OPTION |
| 4 | 098647-22-01A | EA | WINDOW-SLIDING, W/INSIDE FRAME - EXCEL H287-G2W66L |
| 4 | 112795-15-01A | EA | WINDOW-SLIDING, W/INSIDE FRAME - EXCEL DH287G2W66L THERMOPANE WINDOW OPTION |
| 5 | 103658-09-01A | EA | WINDOW-CAB, W/INSIDE FRAME - DRIVER SIDE - EXCEL H373-ARL |
| 5 | 113501-03-01A | EA | WINDOW-CAB, W/INSIDE FRAME - DRIVER SIDE - EXCEL DH405-A2B66L THERMOPANE WINDOW OPTION |
| 6 | 106467-02-01A | EA | WINDOW-VISTA - DRIVER SIDE - EXCEL - DRIVER DOOR |
| 6 | 116000-05-01A | EA | WINDOW-VISTA - DRIVER SIDE - EXCEL - DRIVER DOOR THERMOPANE WINDOW OPTION |
| 7 | 106469-02-702 | EA | WINDOW-DRIVER DOOR - STATIONARY GLASS - EXCEL 106-041104 DRIVER DOOR |
| 8 | 106469-01-704 | EA | WINDOW-DRIVER DOOR - ROLL-UP GLASS - W/BACKET - EXCEL V103-65L DRIVER DOOR |
| 9 | 106468-02-01A | EA | WINDOW-FRONT SLANT - DRIVER SIDE - DRIVER DOOR - EXCEL DH383-A2B27L |
| 9 | 115999-02-01A | EA | WINDOW-FRONT SLANT - DRIVER SIDE - EXCEL - DRIVER DOOR THERMOPANE WINDOW OPTION |
| 10 | 103658-10-01A | EA | WINDOW-CAB, W/INSIDE FRAME - PASSENGER SIDE - EXCEL H373-ARR |
| 10 | 113501-04-01A | EA | WINDOW-CAB, W/INSIDE FRAME - PASSENGER SIDE - EXCEL DH405-A2B66R THERMOPANE WINDOW OPTION |
| 11 | 098647-24-01A | EA | WINDOW-SLIDING, W/INSIDE FRAME - EXCEL H415-G2W66R |
| 11 | 112795-17-01A | EA | WINDOW-SLIDING, W/INSIDE FRAME - EXCEL DC80-G2W66R THERMOPANE WINDOW OPTION |
| 12 | 117053-02-F36 | EA | WINDOW-PICTURE, W/O INSIDE FRAME |
| 12 | 113733-01-01A | EA | WINDOW-PICTURE, W/INSIDE FRAME - EXCEL DH416-G2W66 THERMOPANE WINDOW OPTION |
| 13 | 113500-01-01A | EA | WINDOW-TIPOUT, DOUBLE - W/INSIDE FRAME - EXCEL CH04-G2W59 |
| 13 | 112795-21-01A | EA | WINDOW-HORIZONTAL SLIDER, W/INSIDE FRAME - EXCEL DC04-G2W66R THERMOPANE WINDOW OPTION |
| | 117046-01-000 | EA | BUMPER-RUBBER, ROUND END - LAKEVIEW 22134 FROM: 00-00-00 THRU: 07-23-95 THERMOPANE WINDOW OPTION |
| | 117046-02-000 | EA | BUMPER-RUBBER, ROUND END - LAKEVIEW 22073 FROM: 07-24-95 THRU: 99-99-99 THERMOPANE WINDOW OPTION |

WINDOW, VENT & EXTERIOR DOOR GROUP (CONTINUED)

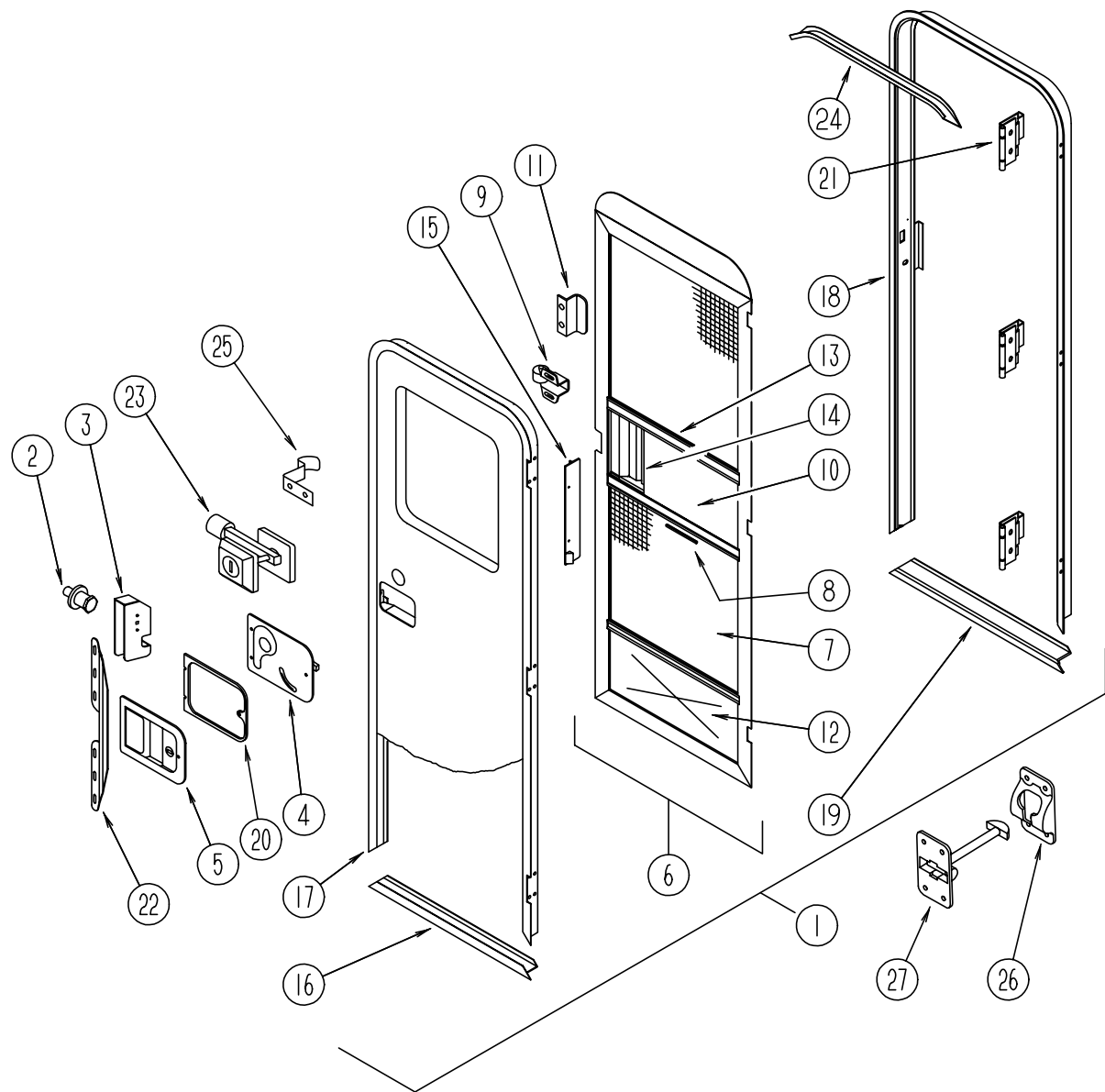
EXTERIOR DOORS

| KEY | PART NUMBER | U/M | DESCRIPTION |
|-----|---------------|-----|---|
| 1 | 111013-53-G29 | EA | DOOR-STORAGE, BRIGHT WHITE |
| 2 | 111012-07-G29 | EA | DOOR-ACCESS, BRIGHT WHITE- SEWER VALVE DOOR |
| 3 | 088794-06-000 | EA | DOOR-POWER CORD, W/HATCH - BRIGHT WHITE |
| 4 | 111018-03-G29 | EA | DOOR-GENERATOR/STORAGE, BRIGHT WHITE |
| 5 | 052009-06-000 | EA | DOOR-WATER HEATER, BRIGHT WHITE - ATWOOD |
| 6 | 111013-04-F24 | EA | DOOR-STORAGE, 22.1" X 11.6" - BRIGHT WHITE |
| 7 | 052423-07-000 | EA | DOOR-ACCESS, 6.6" X 6.3" - PLASTIC - BRIGHT WHITE - SEWER HOSE DOOR |
| | 052424-06-000 | EA | JAMB-DOOR, 8" X 7.7" - PLASTIC - BRIGHT WHITE - SEWER HOSE DOOR |
| 8 | 111013-02-F24 | EA | DOOR-STORAGE, BRIGHT WHITE |
| 9 | 111013-14-F24 | EA | DOOR-STORAGE, BRIGHT WHITE |
| 10 | 115108-05-G29 | EA | DOOR-ENTRY W/SCREEN DOOR & JAMB - W/O WINDOW (G29) |
| 10 | 115108-05-G30 | EA | DOOR-ENTRY W/SCREEN DOOR & JAMB - W/O WINDOW (G30) |
| 10 | 115108-05-G31 | EA | DOOR-ENTRY W/SCREEN DOOR & JAMB - W/O WINDOW (G31/G32) |
| 11 | 111009-01-F24 | EA | DOOR-COMPARTMENT, LP - 16.9" X 5.4" - BRIGHT WHITE |
| 12 | 111017-01-F24 | EA | DOOR-PATIO ENTERTAINMENT CENTER, 17.8" X 8.1" - BRIGHT WHITE |
| 13 | 084103-08-000 | EA | DOOR-REFRIGERATOR, VENTED - W/O JAMB - BRIGHT WHITE |
| 13 | 084104-08-000 | EA | JAMB-DOOR, REFRIGERATOR - BRIGHT WHITE |
| | 084104-01-700 | EA | LOCK-MALE, FASTENER - REFRIGERATOR DOOR |
| | 084104-01-701 | EA | LOCK-FEMALE, FASTENER - REFRIGERATOR DOOR |
| 14 | 081240-16-000 | EA | DOOR-WATER FILL, LOCKABLE W/O LOCK, 4" X 4 5/8" - BRIGHT WHITE |



WINDOW, VENT & EXTERIOR DOOR GROUP (CONTINUED)

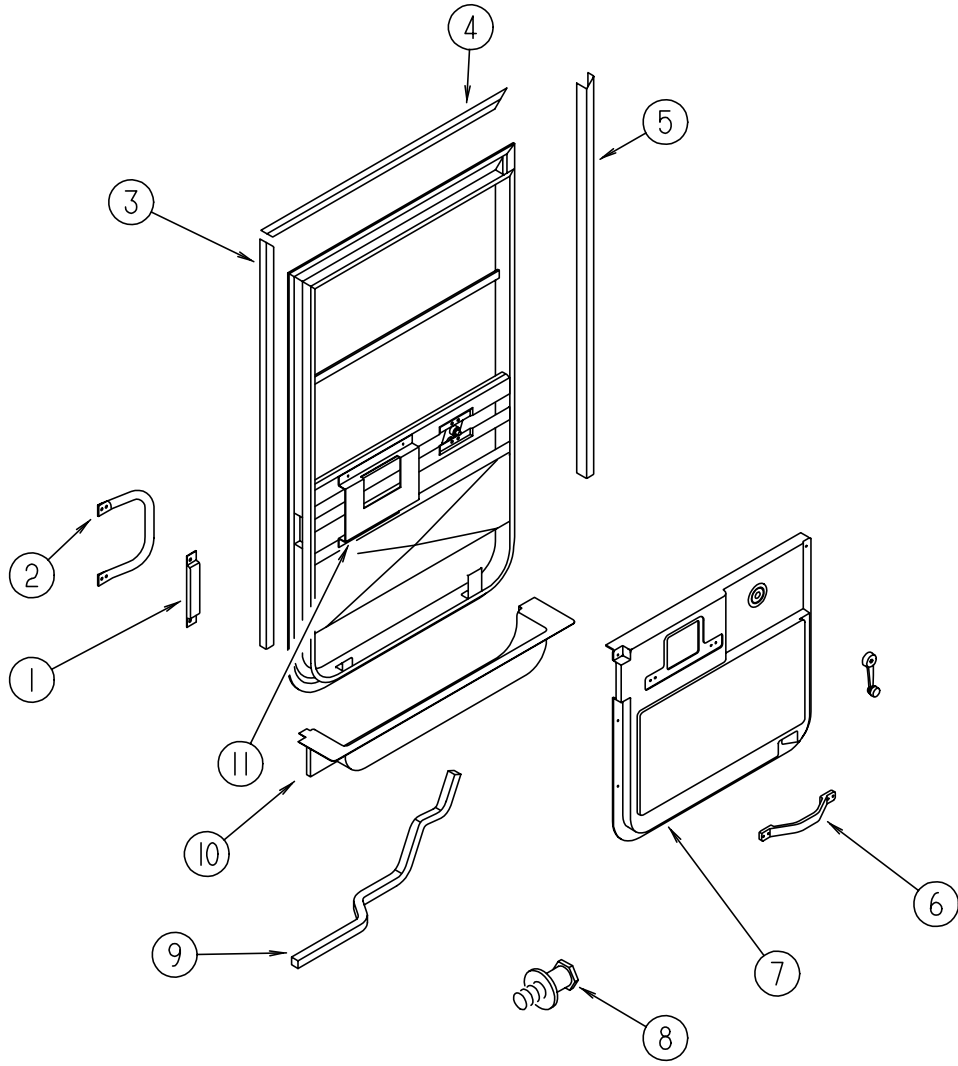
ENTRY DOOR



| KEY | PART NUMBER | U/M | DESCRIPTION |
|-----|---------------|-----|---|
| 1 | 115108-05-G29 | EA | DOOR-ENTRY W/SCREEN DOOR & JAMB - W/O WINDOW (G29) |
| 1 | 115108-05-G30 | EA | DOOR-ENTRY W/SCREEN DOOR & JAMB - W/O WINDOW (G30) |
| 1 | 115108-05-G31 | EA | DOOR-ENTRY W/SCREEN DOOR & JAMB - W/O WINDOW (G31/G32) |
| 2 | 039539-01-000 | EA | STRIKE-LOCK, ENTRY DOOR - ROUND W/THREADED WASHER |
| 3 | 039540-01-000 | EA | LATCH MECHANISM-HOOK, ENTRY DOOR - INTERIOR |
| | 039715-01-000 | EA | NUT-SERT, 1/4" DIAMETER - 20 THREADS |
| 4 | 039979-04-000 | EA | COVER-INTERIOR LATCH, W/TRIP ARM - RIGHT - BLACK - TRI/MARK 11883-12 FROM: 00-00-00 THRU: 09-10-95 |
| 4 | 039979-06-000 | EA | COVER-INTERIOR LATCH, W/TRIP ARM - RIGHT - BLACK - TRI/MARK 11883-01 FROM: 09-11-95 THRU: 99-99-99 |
| | 039984-01-000 | EA | CAP-ROUND, VINYL - .28" ID X .62" LONG - BLACK |
| | 041546-05-000 | EA | BRACKET-DOOR ANGLE, 5" X 1.9" - OFF WHITE - METAL |

| KEY | PART NUMBER | U/M | DESCRIPTION | VENDOR NO. |
|-----|---------------|-----|---|------------|
| 5 | 045017-11-000 | EA | LATCH-ENTRY DOOR, W/LOCK & KEY - BLACK - TRI/MARK 11896-12 FROM: 00-00-00 THRU: 09-10-95 | |
| 5 | 045017-13-000 | EA | LATCH-ENTRY DOOR, W/LOCK & KEY - BLACK - TRI/MARK 11896-01 FROM: 09-11-95 THRU: 99-99-99 | |
| | 045017-11-701 | EA | KEY BLANK FROM: 00-00-00 THRU: 99-99-99 | |
| | 112782-01-702 | EA | CYLINDER-LOCK ASSEMBLY W/KEY - TRIMARK | 81266-09 |
| | 063729-04-000 | EA | RIVNUT, 10-32 UNF - .010-.080 | |
| | 075671-04-000 | FT | SEAL-SPONGE, LAZY T SHAPE - W/ADHESIVE STRIPE - .5" WIDE | |
| | 075673-01-000 | FT | SEAL-PILE, ADHESIVE BACK - GRAY | |
| 6 | 079012-09-F24 | EA | DOOR-SCREEN | |
| | 075673-01-000 | FT | SEAL-PILE, ADHESIVE BACK - GRAY | |
| 7 | 002293-02-000 | SF | SCREENING-WINDOW/DOOR, 26" - CHARCOAL | |
| 8 | 002294-01-000 | FT | SPLINE-SCREENING, .135" X .138" - BLACK | |
| 9 | 109403-01-000 | EA | CATCH-ASM-SINGLE ROLLER | |
| 10 | 016454-01-000 | EA | INSERT-CENTER, LEATHER GRAIN ALUMINUM - UNPAINTED | |
| 10 | 001014-01-013 | EA | INSERT-CENTER, 10.25" X 16.31" - UNPAINTED | |
| 11 | 050712-06-000 | EA | HANDLE-SCREEN DOOR, ALUMINUM - BRIGHT WHITE | |
| 12 | 078552-03-000 | EA | KICK PANEL-SCREEN DOOR, LOWER INSERT - UNPAINTED | |
| | 078595-01-000 | EA | TOP PLATE-SCREEN DOOR, CURVED TOP - 4.7" X 25.35" | |
| 13 | 078777-01-000 | EA | CHANNEL-SLIDE, SCREEN DOOR CENTER SLIDER COVER | |
| 14 | 079086-03-000 | EA | SLIDER-SCREEN DOOR, BRIGHT WHITE | |
| 15 | 079087-03-000 | EA | STRIKE-SLIDER, W/LIP FOR ELBOW CATCH - 1.5" X 8.6" - BRIGHT WHITE | |
| | 081914-01-000 | EA | BUMPER-RUBBER, ROUND - .43" DIAMETER - BLACK | |
| | 104692-01-000 | FT | SEAL - 3/4" X 3/4", ADHESIVE BACK | |
| 16 | 089748-21-000 | EA | FRAME-BOTTOM, ENTRY DOOR - 24.8" LONG - BRIGHT WHITE | |
| 17 | 095276-07-03A | EA | FRAME-ENTRY DOOR, W/O BOTTOM - BRIGHT WHITE | |
| 18 | 095277-09-02A | EA | JAMB-ENTRY DOOR, W/BOTTOM - BRIGHT WHITE FROM: 00-00-00 THRU: 07-30-95 | |
| | 120310-05-01A | EA | JAMB-ENTRY DOOR, W/BOTTOM - BRIGHT WHITE FROM: 07-31-95 THRU: 99-99-99 | |
| 19 | 051049-01-000 | EA | JAMB-BOTTOM, ENTRY DOOR - 25.9" - UNPAINTED | |
| 20 | 096810-01-01A | EA | PLATE-LATCH, ENTRY DOOR - PLASTIC - BLACK | |
| 21 | 106719-01-01A | EA | HINGE-ENTRY DOOR, UNPAINTED | |
| 22 | 098173-01-04A | EA | STIFFENER-ENTRY DOOR, SUPPORTS LATCH/STRIKE AREA - UNPAINTED | |
| | 100128-02-000 | FT | SEAL-FOAM, ADHESIVE BACK - .37" WIDE X .37" THICK - SCREEN DOOR FROM: 00-00-00 THRU: 07-30-95 | |
| | 118929-01-01A | FT | SEAL-PILE, PUSH-ON - AMESBURYXC-964 FROM: 07-31-95 THRU: 99-99-99 | |
| 23 | 101145-01-01A | EA | DEADBOLT-ENTRY DOOR, W/2 KEYS W/O BACK SET BOLT OR SCREWS TRI/MARK 11840-12 FROM: 00-00-00 THRU: 09-10-95 | |
| | 101145-01-06A | EA | DEADBOLT ASM-BLACK TEXTUREDD - TRI/MARK 11840-02 FROM: 09-11-95 THRU: 99-99-99 | |
| | 095229-01-700 | EA | KEY BLANK FOR DEADBOLT FROM: 00-00-00 THRU: 99-99-99 | |
| | 101147-01-000 | EA | BOLT-SECURITY, 4.12" BACKSET | |
| | 102524-01-000 | EA | BUMPER-RUBBER, FLAT - BLACK | |
| 24 | 044582-44-000 | EA | CAP-DRIP, ENTRY DOOR - JAMB MOUNTED - ALUMINUM - BRIGHT WHITE | |
| | 115222-01-01A | EA | GARNISH-RADIUS, ENTRY DOOR - OFF WHITE | |
| | 077461-03-000 | EA | COVER-STRIKE, ENTRY DOOR - 6.5" X 2.5" - PLASTIC - WHITE | |
| 25 | 100412-01-000 | EA | CATCH-SCREEN DOOR, THUMB CLIP W/BLACK PLASTIC CAP | |
| 26 | 104099-02-04A | EA | CATCH-DOOR HOLDER, RETAINER - BRIGHT WHITE | |
| 27 | 104099-01-04A | EA | CATCH-DOOR HOLDER, STRIKE - BRIGHT WHITE | |
| | 009126-02-000 | EA | HANDLE-ASSIST, ENTRY DOOR - BLACK FROM: 00-00-00 THRU: 09-10-95 | |
| | 009126-02-000 | EA | HANDLE-ASSIST, ENTRY DOOR - BLACK TEXTURED FROM: 09-11-95 THRU: 99-99-99 | |
| | 102248-01-000 | EA | SHIM-DOOR | |

WINDOW, VENT & EXTERIOR DOOR GROUP (CONTINUED)
EXCEL DRIVERS DOOR MODEL V130-01L

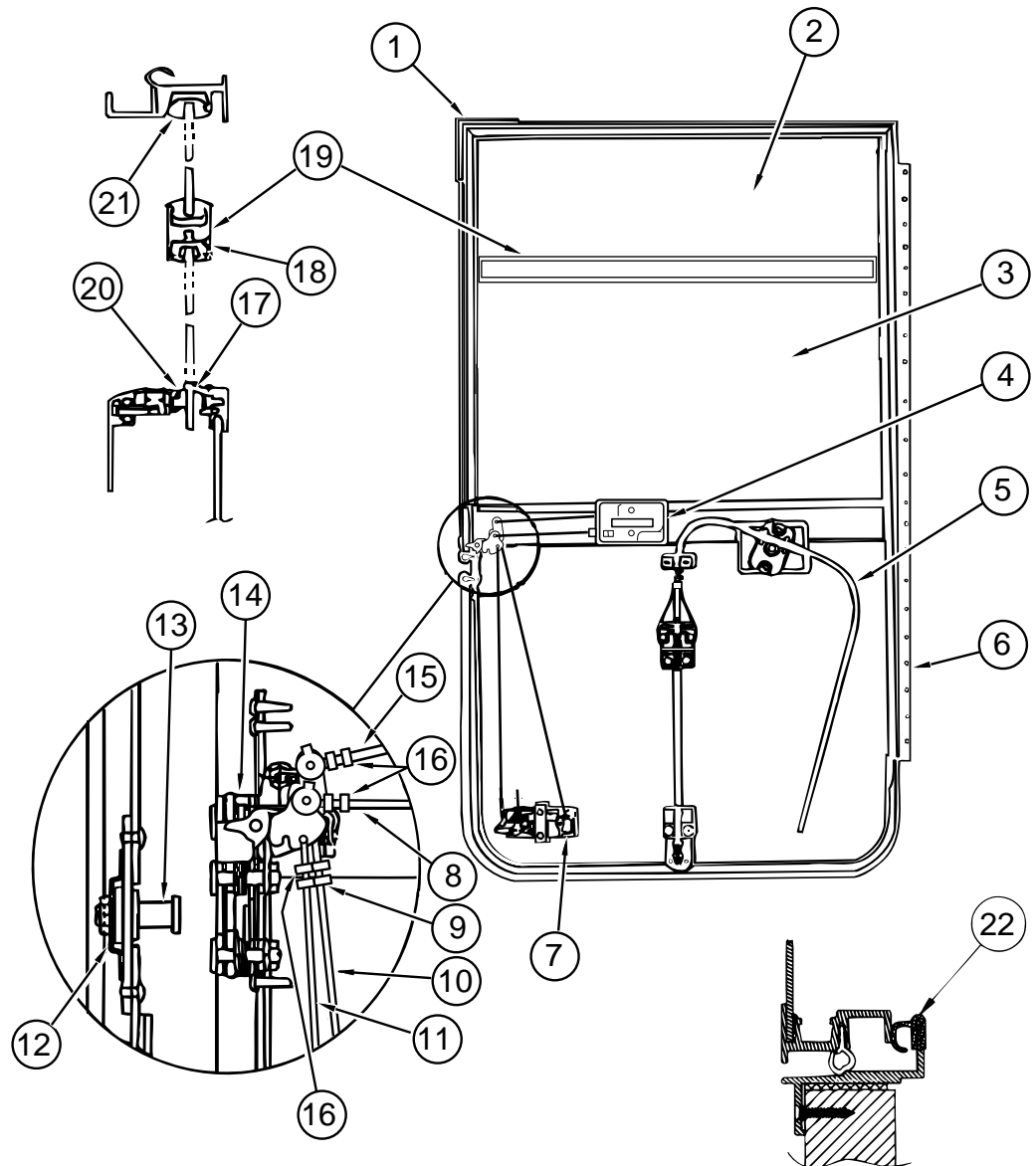


| KEY | PART NUMBER | U/M | DESCRIPTION |
|-----|---------------|-----|--|
| | 106469-07-01A | EA | DOOR - DRIVERS - BLACK - EXCEL |
| 1 | 108654-01-01A | EA | COVER - STRIKE - DRIVERS DOOR - BLACK |
| 2 | 108832-01-02A | EA | HANDLE - ASSIST - DRIVERS DOOR - METAL - OFF WHITE |
| | 108833-01-01A | EA | COVER - HANDLE - ASSIST - OFF WHITE |
| 3 | 108129-02-02A | EA | GARNISH - DRIVERS DOOR - BLACK |
| 4 | 108107-01-02A | EA | GARNISH - DRIVERS DOOR - BLACK |
| 5 | 108108-04-02A | EA | GARNISH - DRIVERS DOOR - BLACK |
| 6 | 110604-01-01A | EA | HANDLE - ASSIST - DRIVERS DOOR - 10.8" LONG - BLACK |
| 7 | 114973-01-04A | EA | PANEL - DRIVER DOOR - INNER - QUICKSILVER - PLASTIC |
| 8 | 106469-04-703 | EA | STRIKER ASSEMBLY - (SUPPLIED W/DRIVERS DOOR) - EXCEL |
| 9 | 063977-12-000 | EA | STEP - DRIVER DOOR - LEFT - PAINTED BLACK |
| 9 | 063977-11-000 | EA | STEP - DRIVER DOOR - LEFT - UNPAINTED |
| 10 | 107818-01-07A | EA | TRIM - STEP - DRIVERS DOOR - PLASTIC - QUICKSILVER |
| | 102569-02-000 | EA | MAT-ANTISLIP, 4" X 22" |
| 11 | 115051-01-01B | EA | BRACKET - HANDLE - MOUNT |
| | 108897-02-01A | EA | GARNISH - DOOR - DRIVERS - U-CHANNEL - BLACK |
| | 109378-01-000 | EA | STRAP - CHECK - DRIVERS DOOR - BLACK |
| | 076725-06-000 | EA | COVER - ACCESS, HINGE - BLACK |
| | 109235-01-01A | FT | COVER - SCREW - MAT BLACK |
| | 109235-01-05A | FT | COVER - SCREW - BRIGHT WHITE |
| | 106746-01-000 | EA | PANEL-STEPWELL, 789 MM LONG - STEEL |
| | 106747-01-000 | EA | PANEL-STEPWELL, RH END - STEEL |
| | 106747-02-000 | EA | PANEL-STEPWELL, LH END - STEEL |

VENDOR NO.

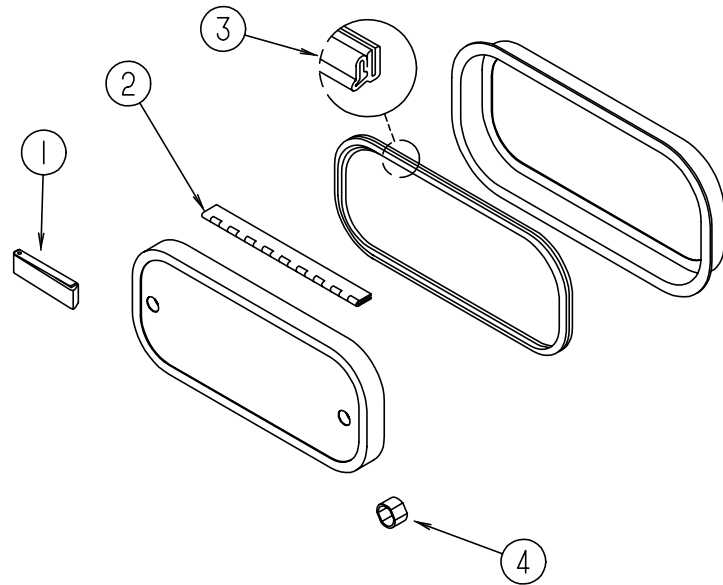
248-041152

WINDOW, VENT & EXTERIOR DOOR GROUP (CONTINUED)
EXCEL DRIVERS DOOR (CONTINUED)



| KEY | PART NUMBER | U/M | DESCRIPTION | VENDOR NO. |
|-----|---------------|-----|---|------------|
| 1 | 106469-01-702 | EA | DOOR SEAL, EXCEL | 122-040984 |
| 2 | 106469-02-702 | EA | GLASS-STATIONARY, EXCEL | 106-041104 |
| 3 | 106469-01-704 | EA | ROLL-UP GLASS ASM W/BACKET, EXCEL | V103-65L |
| 4 | 106469-04-712 | EA | INNER HANDLE HARDWARE - LH, EXCEL | 248-041148 |
| 5 | 106469-02-701 | EA | REGULATOR ASSEMBLY, EXCEL | V108-90L |
| 6 | 106469-05-702 | EA | HINGE - 42", EXCEL | 211-041194 |
| 7 | 106469-04-700 | EA | PADDLE ASM. W/COLLAR, EXCEL | 248-041237 |
| | 106469-04-701 | EA | TUMBLER & KEYS (TRI-MARK), EXCEL | 248-041179 |
| | 106469-04-715 | EA | LATCH COMPLETE W/TUMBLER & KEYS, EXCEL | V123-15 |
| | 045017-11-701 | EA | KEY-BLANK, TRIMARK | 81312-02 |
| 8 | 106469-04-711 | EA | LOCK ROD, HORIZONTAL, EXCEL | 203-041137 |
| 9 | 106469-04-713 | EA | ROD CLIP-LH, EXCEL | 248-041154 |
| 10 | 106469-05-703 | EA | LATCH ROD, VERTICAL ADJ, EXCEL | 203-041239 |
| 11 | 106469-05-705 | EA | LOCK ROD, VERTICAL ADJ, EXCEL | 203-041279 |
| 12 | 106469-04-704 | EA | CAGED NUT ASSEMBLY (STRIKER), EXCEL | 248-041151 |
| 13 | 106469-04-703 | EA | STRIKER BOLT (W/WASHER), EXCEL | 248-041152 |
| 14 | 106469-05-706 | EA | ROTARY LATCH & LINKAGE, EXCEL | 248-041150 |
| 15 | 106469-04-705 | EA | LATCH ROD-HORIZONTAL, EXCEL | 203-041139 |
| 16 | 106469-04-714 | EA | ROD CLIP-RH, EXCEL | 248-041153 |
| 17 | 106469-02-703 | EA | BELT-WEATHERSTRIP, EXTERIOR - ROLL-UP GLASS - EXCEL | V047-57 |
| 18 | 106469-01-705 | FT | RUN-CHANNEL, EXCEL | 122-010850 |
| 19 | 106469-01-719 | EA | MULLION RAIL, EXCEL | V103-84 |
| 20 | 106469-01-709 | FT | WEATHERSTRIP-FUZZY, EXCEL | 171-040630 |
| 21 | 106469-02-705 | EA | HORIZONTAL GLAZING VINYL, EXCEL | V108-87 |
| 22 | 106469-01-723 | EA | BULB SEAL ASM-DRIVERS DOOR JAMB - PREFORMED - EXCEL | 171-040985 |
| | 106469-02-704 | EA | PARTS BAG (HANDLE WINDOW), EXCEL | V068-16 |
| | 106469-07-700 | EA | MOUNTING FRAME ASSEMBLY, EXCEL | V130-30L |

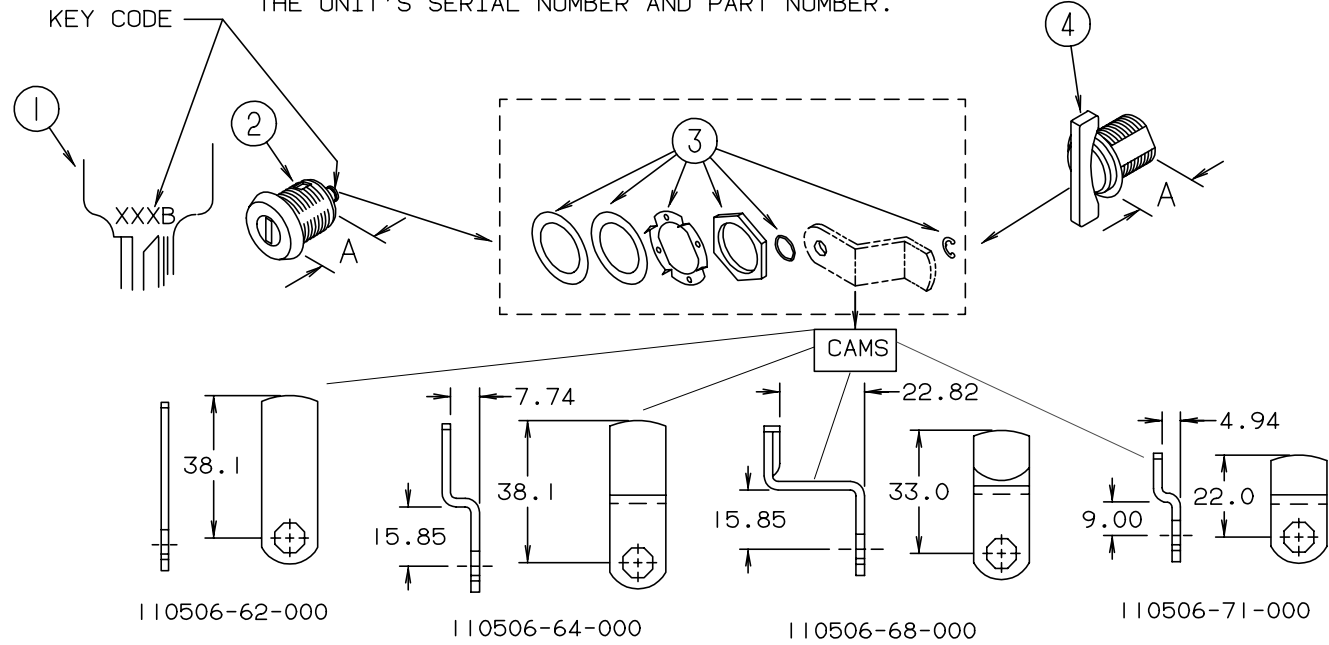
WINDOW, VENT & EXTERIOR DOOR GROUP (CONTINUED)
EXTERIOR DOOR COMPONENTS & HOLDER



| KEY | PART NUMBER | U/M | DESCRIPTION |
|-----|---------------|-----|--|
| 1 | 102768-01-000 | EA | HOLDER-COMPARTMENT/ENTRY DOOR, METAL - MILL FINISH |
| 2 | 081801-V3-000 | EA | HINGE - 2" X 96", BRIGHT WHITE |
| 2 | 034007-B3-000 | EA | HINGE-PIANO, 1.5" X 96" - ALUMINUM - BRIGHT WHITE |
| 2 | 009065-01-000 | EA | HINGE-PIANO, 1.5" X 96" - ALUMINUM - UNPAINTED |
| 3 | 064075-07-000 | FT | SEAL-BULB, W/WIRED U CHANNEL - .3" X .5" CHANNEL - BLACK |
| 4 | 107997-51-001 | EA | SPACER - .86" X .6", ALUMINUM |
| | 081914-01-000 | EA | BUMPER-RUBBER, ROUND - .43" DIAMETER - BLACK |
| | 104692-01-000 | FT | SEAL - 3/4" X 3/4", ADHESIVE BACK |
| | 079368-01-000 | FT | SEAL-BULB, W/WIRED U CHANNEL - .37" X .57" CHANNEL - BLACK W/ADHESIVE, VENTED BULB SECTION & BULB LIP |
| | 076767-04-000 | EA | CABLE-SUPPORT, 5.9" - STAINLESS STEEL |
| | 116424-01-000 | EA | PROTECTOR-WATER HEATER LATCH - ATWOOD 92611 |

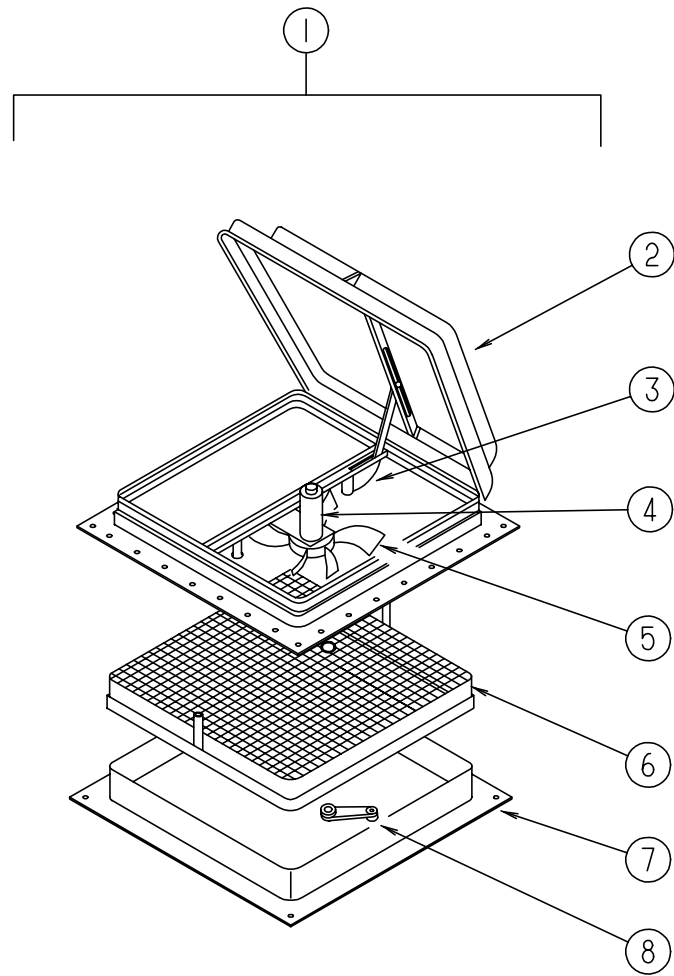
WINDOW, VENT & EXTERIOR DOOR GROUP (CONTINUED)
BRIGGS & STRATTON LOCKS & COMPONENTS

NOTE:
 WHEN ORDERING THE LOCK CASE, THE KEY CODE MUST MATCH THE LAST DIGIT OF THE UNIT'S SERIAL NUMBER AND PART NUMBER; WHEN ORDERING THE KEYS, THE THIRD DIGIT OF THE KEY CODE MUST MATCH THE LAST DIGIT OF THE UNIT'S SERIAL NUMBER AND PART NUMBER.



| KEY | PART NUMBER | U/M | DESCRIPTION | VENDOR NO. |
|-----|---------------|-----|--|------------|
| 1 | 110506-59-000 | EA | KEYS-SET OF 2 | 596720 |
| 2 | 110506-52-000 | EA | CASE-LOCK, A=17MM | 702370 |
| 2 | 110506-53-000 | EA | CASE-LOCK, A=25MM | 702380 |
| 1 | 110506-59-001 | EA | KEYS-SET OF 2 | 596721 |
| 2 | 110506-52-001 | EA | CASE-LOCK, A=17MM | 702371 |
| 2 | 110506-53-001 | EA | CASE-LOCK, A=25MM | 702381 |
| 1 | 110506-59-002 | EA | KEYS-SET OF 2 | 596722 |
| 2 | 110506-52-002 | EA | CASE-LOCK, A=17MM | 702372 |
| 2 | 110506-53-002 | EA | CASE-LOCK, A=25MM | 702382 |
| 1 | 110506-59-003 | EA | KEYS-SET OF 2 | 596723 |
| 2 | 110506-52-003 | EA | CASE-LOCK, A=17MM | 702373 |
| 2 | 110506-53-003 | EA | CASE-LOCK, A=25MM | 702383 |
| 1 | 110506-59-004 | EA | KEYS-SET OF 2 | 596724 |
| 2 | 110506-52-004 | EA | CASE-LOCK, A=17MM | 702374 |
| 2 | 110506-53-004 | EA | CASE-LOCK, A=25MM | 702384 |
| 1 | 110506-59-005 | EA | KEYS-SET OF 2 | 596725 |
| 2 | 110506-52-005 | EA | CASE-LOCK, A=17MM | 702375 |
| 2 | 110506-53-005 | EA | CASE-LOCK, A=25MM | 702385 |
| 1 | 110506-59-006 | EA | KEYS-SET OF 2 | 596726 |
| 2 | 110506-52-006 | EA | CASE-LOCK, A=17MM | 702376 |
| 2 | 110506-53-006 | EA | CASE-LOCK, A=25MM | 702386 |
| 1 | 110506-59-007 | EA | KEYS-SET OF 2 | 596727 |
| 2 | 110506-52-007 | EA | CASE-LOCK, A=17MM | 702377 |
| 2 | 110506-53-007 | EA | CASE-LOCK, A=25MM | 702387 |
| 1 | 110506-59-008 | EA | KEYS-SET OF 2 | 596728 |
| 2 | 110506-52-008 | EA | CASE-LOCK, A=17MM | 702378 |
| 2 | 110506-53-008 | EA | CASE-LOCK, A=25MM | 702388 |
| 1 | 110506-59-009 | EA | KEYS-SET OF 2 | 596729 |
| 2 | 110506-52-009 | EA | CASE-LOCK, A=17MM | 702379 |
| 2 | 110506-53-009 | EA | CASE-LOCK, A=25MM | 702389 |
| 3 | 110506-40-700 | EA | HARDWARE KIT-LOCK, W/GASKET, NUT, CLIP & WASHERS | |
| 4 | 110506-50-000 | EA | CASE-TWIST LOCK, A=17MM | 596932 |
| 4 | 110506-51-000 | EA | CASE-TWIST LOCK, A=25MM | 596669 |
| | 110506-59-701 | EA | KEY BLANK | |

WINDOW, VENT & EXTERIOR DOOR GROUP (CONTINUED)



JENSEN POWERED ROOF VENT

| KEY | PART NUMBER | U/M | DESCRIPTION |
|-----|---------------|-----|---|
| 1 | 110051-04-01A | EA | VENT-ROOF, POWERED - 4" ROOF - JENSEN 7797 WHE |
| 1 | 110051-06-01A | EA | VENT-ROOF, POWERED - 4" ROOF - CSA - JENSEN C7797 WHE |
| 2 | 064470-01-700 | EA | COVER-ROOF VENT, JENSEN |
| | 064470-01-701 | EA | SLIDE BAR-VENT LID, JENSEN |
| 3 | 110051-01-702 | EA | LIFT ASM-VENT LID W/O CRANK, JENSEN |
| 4 | 048648-01-000 | EA | MOTOR-ROOF VENT, 1/8 SHAFT - 12V - JENSEN 42-472-01 |
| 5 | 048649-01-000 | EA | FAN-ROOF VENT, 6 BLADES - 6" - JENSEN RP-1002B |
| 6 | 110051-01-704 | EA | SCREEN & FRAME - 4", JENSEN |
| 7 | 110051-02-700 | EA | GARNISH-INTERIOR - 4", JENSEN |
| 8 | 110051-01-703 | EA | CRANK, JENSEN |

VENDOR NO.

7291
JRP 1291B
RP-1000B

29-688-03

RP-1031-B

WINDOW, VENT & EXTERIOR DOOR GROUP (CONTINUED)

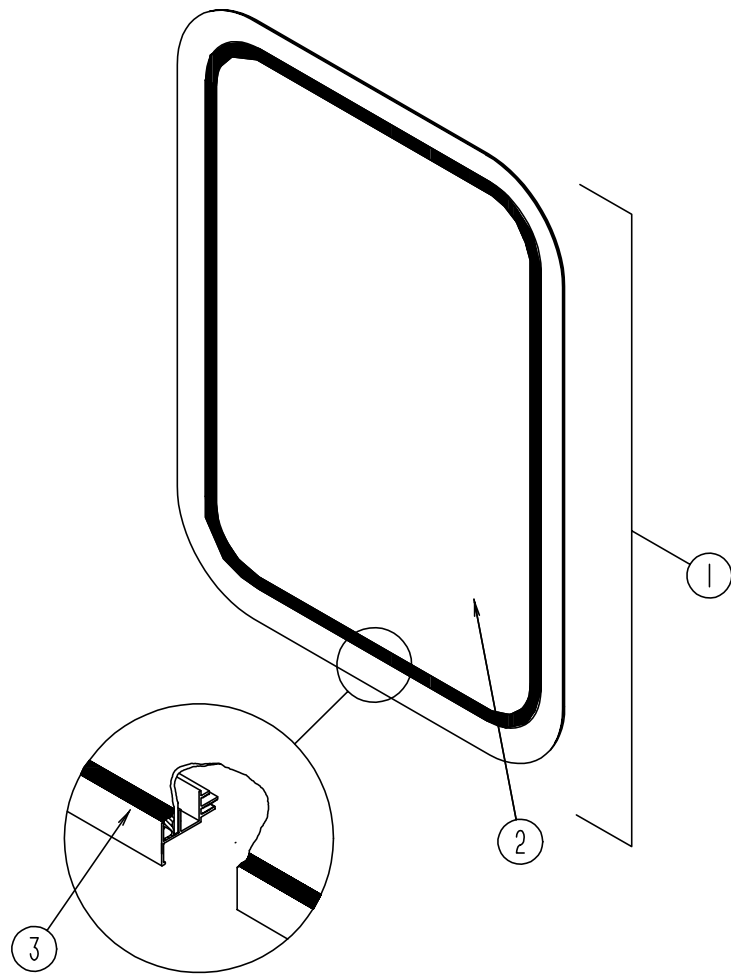
JENSEN NONPOWERED ROOF VENT

| KEY | PART NUMBER | U/M | DESCRIPTION | VENDOR NO. |
|-----|---------------|-----|---|------------|
| | 110051-02-01A | EA | VENT-ROOF, NONPOWERED - 4" ROOF - JENSEN 7727 WHE | |
| | 064470-01-700 | EA | COVER-ROOF VENT, JENSEN | 7291 |
| | 064470-01-701 | EA | SLIDE BAR-VENT LID, JENSEN | JRP 1291B |
| | 110051-01-702 | EA | LIFT ASM-VENT LID W/O CRANK, JENSEN | RP-1000B |
| | 110051-01-703 | EA | CRANK, JENSEN | RP-1031-B |
| | 110051-01-704 | EA | SCREEN & FRAME - 4", JENSEN | 29-688-03 |
| | 110051-02-700 | EA | GARNISH-INTERIOR - 4", JENSEN | |

VENTS, SHROUDS & ROOF COVERS

| KEY | PART NUMBER | U/M | DESCRIPTION |
|-----|---------------|-----|--|
| | 083558-03-000 | EA | VENT-PLUMBING PIPE ROOF W/COVER - OFF WHITE |
| | 084616-07-000 | EA | SHROUD-RANGE HOOD VENT, PLASTIC - BRIGHT WHITE |
| | 084878-09-000 | EA | VENT-RANGE HOOD, SHORT - LVS |
| | 084073-07-000 | EA | COVER-ROOF VENT, REFRIGERATOR - BRIGHT WHITE - NORCOLD |
| | 084073-04-000 | EA | BASE-ROOF VENT, REFRIGERATOR - BLACK - NORCOLD |
| | 105028-01-000 | EA | FLASHING ASM-VENT, REFRIGERATOR |

WINDOW, VENT & EXTERIOR DOOR GROUP (CONTINUED)



ENTRANCE DOOR WINDOW

| KEY | PART NUMBER | U/M DESCRIPTION |
|-----|---------------|---|
| | 117054-02-02A | EA FRAME-WINDOW, INSIDE - ENTRY DOOR - BRIGHT WHITE |
| 1 | 117053-02-F36 | EA WINDOW-PICTURE, W/O INSIDE FRAME |
| 2 | 002181-25-000 | EA GLASS-PICTURE WINDOW, 655 MM X 417 MM |
| 3 | 087561-01-000 | FT SEAL-GLASS, EXTERIOR - .5" WIDE - VINYL - BLACK |

EXCEL ENTRANCE DOOR WINDOW - THERMOPANE WINDOW OPTION

| KEY | PART NUMBER | U/M DESCRIPTION | VENDOR NO. |
|-----|---------------|---|------------|
| | 113733-01-01A | EA WINDOW ASM-PICTURE, W/INSIDE FRAME - EXCEL DH416-G2W66 | |
| | 113733-01-700 | EA WINDOW-PICTURE, W/O INSIDE FRAME - EXCEL | DH416-G2 |
| | 113733-01-701 | EA FRAME-WINDOW, INSIDE - ENTRY DOOR - EXCEL | W41666 |
| | 113733-01-702 | EA GLASS-STATIONARY - EXCEL | 390-019187 |

WINDOW, VENT & EXTERIOR DOOR GROUP (CONTINUED)
EXCEL BEDROOM DOUBLE TIPOUT WINDOW - DRIVER OR PASSENGER SIDE

| KEY | PART NUMBER | U/M DESCRIPTION | VENDOR NO. |
|-----|---------------|--|------------|
| | 113500-01-01A | EA WINDOW-DOUBLE TIPOUT, W/OFF WHITE INSIDE FRAME - EXCEL CH04-G2W59 | CH04-G2 |
| | 113500-01-701 | EA WINDOW-DOUBLE TIPOUT, W/O INSIDE FRAME - EXCEL | CW0459 |
| | 113500-01-702 | EA FRAME-INSIDE, OFF WHITE - EXCEL | 132-014470 |
| | 098644-01-716 | EA PLUG-FILLER, EXCEL | 122-016071 |
| | 100322-01-701 | FT SEAL-VENT, WINDOW - EXCEL | 132-015976 |
| | 100322-01-702 | FT WEATHERSTRIP-HORIZONTAL RAIL - EXCEL | 132-010723 |
| | 100322-01-703 | EA GLAZING STRIP-BUTYL, GLASS - EXCEL | 154-016083 |
| | 100322-01-704 | EA TAPE-BUTYL, WINDOW - EXCEL | 245-015975 |
| | 100322-01-717 | EA E-RING, WINDOW - EXCEL | 410-016081 |
| | 100322-01-718 | EA HANDLE-DIAL, WINDOW - EXCEL | 410-016123 |
| | 112519-01-702 | EA OPERATOR-VENT, EXCEL | 410-016020 |
| | 113500-01-700 | EA SCREEN W/SPRING & WEATHERSTRIP - EXCEL | 106-015970 |
| | 113500-01-703 | EA GLASS-TOP, STATIONARY - EXCEL | CH04-G7 |
| | 113500-01-704 | EA GLASS-VENT, UPPER - EXCEL | CH04-G9 |
| | 113500-01-705 | EA GLASS-VENT, LOWER - EXCEL | CH04-18 |
| | 113500-01-706 | EA OPERATOR & BAR ASSEMBLY - EXCEL | 132-015979 |
| | 113500-01-707 | EA SUPPORT-TORQUE BAR - EXCEL | 132-015978 |
| | 113500-01-708 | EA SUPPORT-TORQUE BAR - EXCEL | |

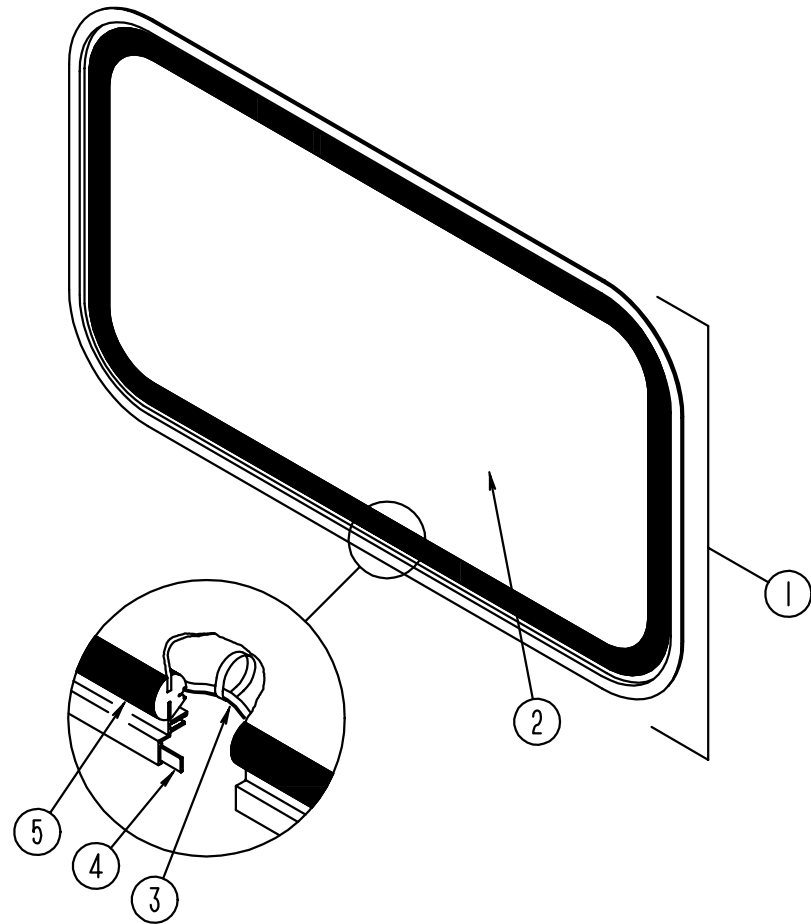
EXCEL BEDROOM HORIZONTAL SLIDER WINDOW - DRIVER SIDE - THERMOPANE WINDOW OPTION

| KEY | PART NUMBER | U/M DESCRIPTION | VENDOR NO. |
|-----|---------------|---|------------|
| | 112795-23-01A | EA WINDOW-HORIZONTAL SLIDER, W/OFF WHITE INSIDE FRAME EXCEL DC04-G2W66L | |
| | 098647-29-701 | EA FRAME-INSIDE, OFF WHITE - EXCEL | CW0466 |
| | 112795-23-700 | EA WINDOW-HORIZONTAL SLIDER, W/O INSIDE FRAME - EXCEL DC04-G2L | |
| | 112795-01-700 | EA LATCH ASM-BLACK - EXCEL | DH287-CK |
| | 112795-01-701 | FT SLIDE-STOP - EXCEL | 132-019092 |
| | 112795-01-702 | FT FILLER PLUG - EXCEL | 122-018737 |
| | 112795-01-703 | IN RUN CHANNEL - EXCEL | 122-018736 |
| | 112795-01-704 | FT VINYL-GLAZING - EXCEL | 132-018280 |
| | 112795-21-701 | EA GLASS-STATIONARY - EXCEL | 390-019132 |
| | 112795-21-702 | EA GLASS-SLIDING, W/SASH & LATCH - EXCEL | DC04-G9 |
| | 098647-29-704 | EA SCREEN W/SPRING & WEATHERSTRIP - EXCEL | 410-018864 |
| | 098644-01-713 | EA CLIP-SPRING, BLACK PLASTIC - EXCEL | 226-016966 |

EXCEL BEDROOM HORIZONTAL SLIDER WINDOW - PASSENGER SIDE - THERMOPANE WINDOW OPTION

| KEY | PART NUMBER | U/M DESCRIPTION | VENDOR NO. |
|-----|---------------|--|------------|
| | 112795-21-01A | EA WINDOW-HORIZONTAL SLIDER, W/OFF WHITE INSIDE FRAME EXCEL DC04G2W66R | |
| | 098647-29-701 | EA FRAME-INSIDE, OFF WHITE - EXCEL | CW0466 |
| | 112795-21-700 | EA WINDOW-HORIZONTAL SLIDER, W/O INSIDE FRAME - EXCEL DC04-G2R | |
| | 112795-01-700 | EA LATCH ASM-BLACK - EXCEL | DH287-CK |
| | 112795-01-701 | FT SLIDE-STOP - EXCEL | 132-019092 |
| | 112795-01-702 | FT FILLER PLUG - EXCEL | 122-018737 |
| | 112795-01-703 | IN RUN CHANNEL - EXCEL | 122-018736 |
| | 112795-01-704 | FT VINYL-GLAZING - EXCEL | 132-018280 |
| | 112795-21-701 | EA GLASS-STATIONARY - EXCEL | 390-019132 |
| | 112795-21-702 | EA GLASS-SLIDING, W/SASH & LATCH - EXCEL | DC04-G9 |
| | 098647-29-704 | EA SCREEN W/SPRING & WEATHERSTRIP - EXCEL | 410-018864 |
| | 098644-01-713 | EA CLIP-SPRING, BLACK PLASTIC - EXCEL | 226-016966 |
| | 112898-06-704 | EA HANDLE-LATCH, RED - RH - EXCEL | 182-11293 |
| | 112898-06-705 | EA HANDLE-LATCH, RED - LH - EXCEL | 182-11294 |

WINDOW, VENT & EXTERIOR DOOR GROUP (CONTINUED)



BACKWALL ESCAPE WINDOW

| KEY | PART NUMBER | U/M DESCRIPTION |
|-----|---------------|--|
| | 074816-11-000 | EA FRAME-WINDOW, INSIDE - ESCAPE - OFF WHITE |
| 1 | 078528-06-E10 | EA WINDOW-ESCAPE, BACKWALL - W/O INSIDE FRAME |
| 2 | 076337-12-000 | EA GLASS-WINDOW, ESCAPE - 1157.4 MM X 548.1 MM |
| 3 | 002285-01-000 | FT FILLER-WEATHER STRIP, RUBBER - BLACK |
| | 077066-01-702 | EA TAPE ASM-ESCAPE WINDOW, RED |
| 4 | 069640-10-000 | FT SEALER-RIBBON, 1/32" X 1 1/2" INCREMENTS OF 90' |
| 5 | 002282-09-000 | EA WEATHERSTRIP-WINDOW, .125" X 130.53" - BLACK |

EXCEL BACKWALL ESCAPE WINDOW - THERMOPANE WINDOW OPTION

| KEY | PART NUMBER | U/M DESCRIPTION | VENDOR NO. |
|-----|---------------|---|------------|
| | 113502-01-01A | EA WINDOW-ESCAPE, BACKWALL - W/INSIDE FRAME - EXCEL DH153-G2W60 | |
| | 100322-01-703 | FT STRIP-GLAZING, BUTYL - EXCEL | 132-010723 |
| | 112898-06-704 | EA LOCK-HANDLE, CAM - RED - RH - EXCEL | 182-11293 |
| | 112898-06-705 | EA LOCK-HANDLE, CAM - RED - LH - EXCEL | 182-11294 |

WINDOW, VENT & EXTERIOR DOOR GROUP (CONTINUED)
EXCEL DINETTE OR COUCH SINGLE SLIDING WINDOW - DRIVERS SIDE - THERMOPANE WINDOW OPTION

| KEY | PART NUMBER | U/M DESCRIPTION | VENDOR NO. |
|-----|---------------|--|------------|
| | 112795-15-01A | EA WINDOW-HORIZONTAL SLIDER, W/OFF WHITE INSIDE FRAME EXCEL DH287-G2W66 | |
| | 098647-23-702 | EA FRAME-INSIDE, OFF WHITE - EXCEL | W28766 |
| | 112795-15-700 | EA WINDOW-HORIZONTAL SLIDER, W/O INSIDE FRAME - EXCEL DH287-G2L | |
| | 112795-01-700 | EA LATCH ASM-BLACK - EXCEL | DH287-CK |
| | 112795-01-701 | FT SLIDE-STOP - EXCEL | 132-019092 |
| | 112795-01-702 | FT FILLER PLUG - EXCEL | 122-018737 |
| | 112795-01-703 | IN RUN CHANNEL - EXCEL | 122-018736 |
| | 112795-01-704 | FT VINYL-GLAZING - EXCEL | 132-018280 |
| | 112795-15-701 | EA GLASS-STATIONARY - EXCEL | 390-019045 |
| | 112795-15-702 | EA GLASS-SLIDING, W/SASH & LATCH - EXCEL | DH287-G9 |
| | 098647-23-704 | EA SCREEN W/SPRING & WEATHERSTRIP - EXCEL | 410-019066 |
| | 098644-01-713 | EA CLIP-SPRING, BLACK PLASTIC - EXCEL | 226-016966 |

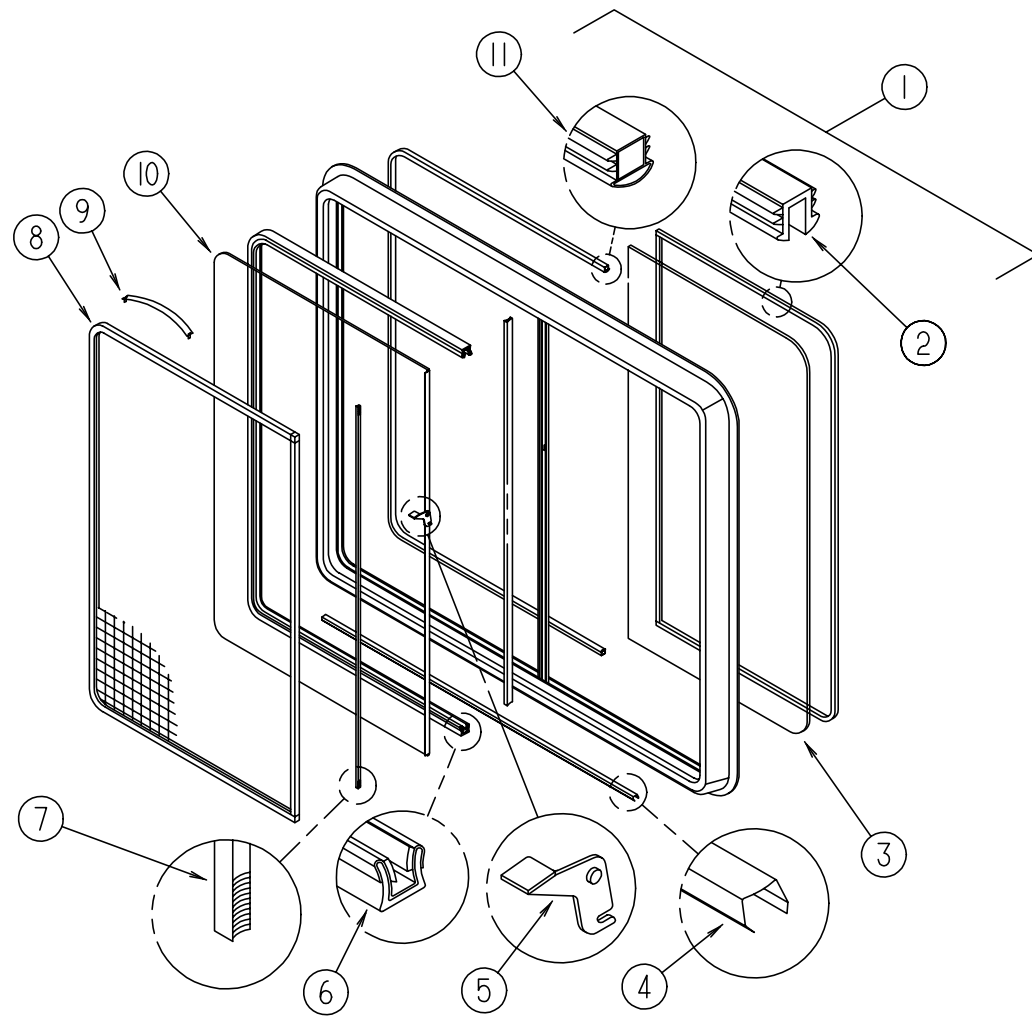
EXCEL SWIVEL CHAIRS OR COUCH SINGLE SLIDING WINDOW - PASS SIDE - THERMOPANE WINDOW OPTION

| KEY | PART NUMBER | U/M DESCRIPTION | VENDOR NO. |
|-----|---------------|---|------------|
| | 112795-17-01A | EA WINDOW-HORIZONTAL SLIDER, W/OFF WHITE INSIDE FRAME EXCEL DC80G2W66R | |
| | 112795-01-700 | EA LATCH ASM-BLACK - EXCEL | DH287-CK |
| | 112795-01-701 | FT SLIDE-STOP - EXCEL | 132-019092 |
| | 112795-01-702 | FT FILLER PLUG - EXCEL | 122-018737 |
| | 112795-01-703 | IN RUN CHANNEL - EXCEL | 122-018736 |
| | 112795-01-704 | FT VINYL-GLAZING - EXCEL | 132-018280 |
| | 098644-01-713 | EA CLIP-SPRING, BLACK PLASTIC - EXCEL | 226-016966 |

EXCEL FRONT SLANT WINDOW - DRIVERS SIDE - DRIVER DOOR

| KEY | PART NUMBER | U/M DESCRIPTION | VENDOR NO. |
|-----|---------------|---|------------|
| | 106468-02-01A | EA WINDOW-FRONT SLANT, W/INSIDE FRAME - EXCEL H383-A2B27L | |
| | 100322-01-703 | FT STRIP-GLAZING, BUTYL - EXCEL | 132-010723 |
| | 106468-02-701 | EA FRAME-INSIDE - EXCEL | H383-27L |
| | 106468-02-700 | EA WINDOW-FRONT SLANT, W/O INSIDE FRAME - EXCEL | H383-A2L |
| | 106468-02-702 | EA GLASS-STATIONARY - EXCEL | 106-018740 |

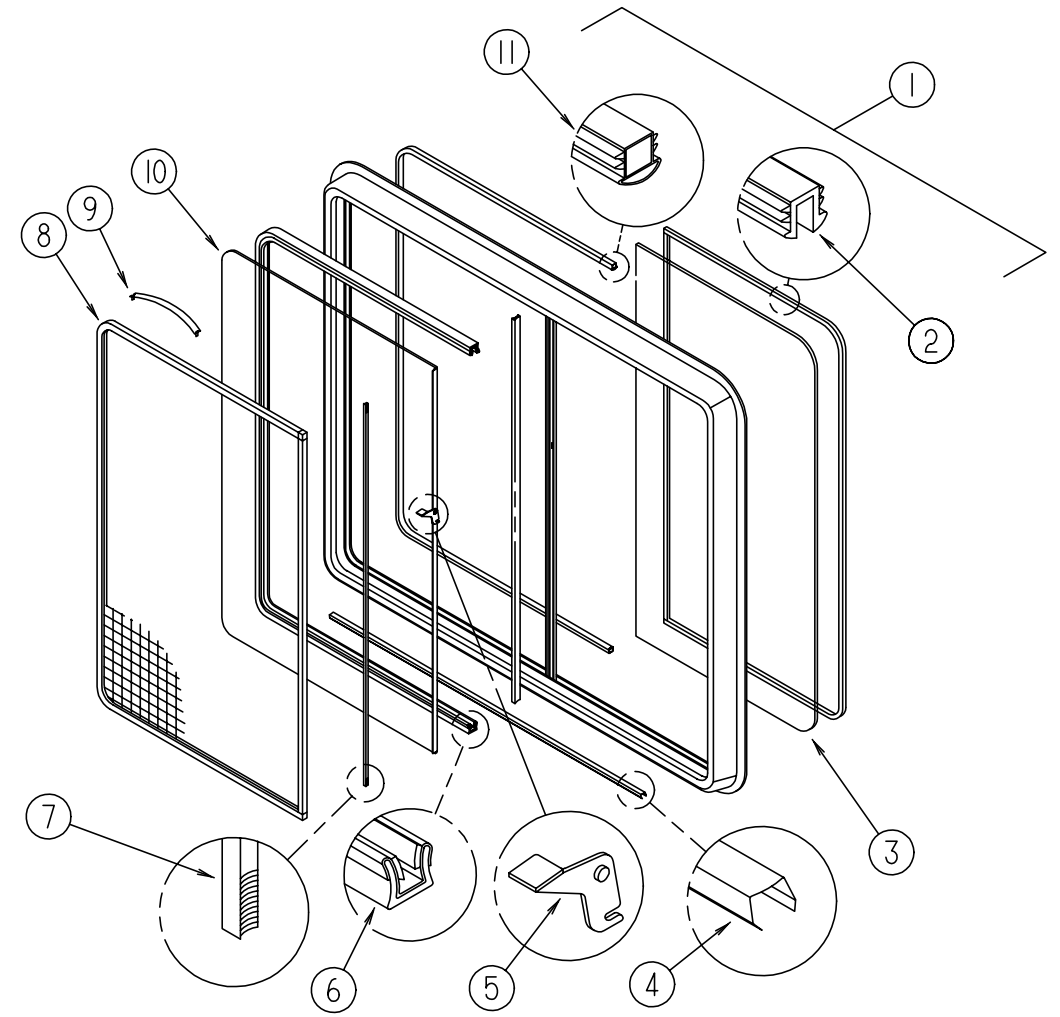
WINDOW, VENT & EXTERIOR DOOR GROUP (CONTINUED)



EXCEL DINETTE OR COUCH SINGLE SLIDING WINDOW - DRIVERS SIDE

| KEY | PART NUMBER | U/M | DESCRIPTION | VENDOR NO. |
|-----|---------------|-----|--|------------|
| | 098647-22-01A | EA | WINDOW-HORIZONTAL SLIDER, W/OFF WHITE INSIDE FRAME EXCEL H287-G2W66L | |
| | 098647-23-702 | EA | FRAME-INSIDE, OFF WHITE - EXCEL W28766 | |
| 1 | 098647-22-700 | EA | WINDOW-HORIZONTAL SLIDER, W/O INSIDE FRAME - EXCEL H287-G2L | |
| 2 | 100322-01-703 | FT | STRIP-GLAZING, BUTYL - EXCEL | 132-010723 |
| 3 | 098647-23-703 | EA | GLASS-STATIONARY - EXCEL | 106-017622 |
| 4 | 098644-01-710 | FT | TRACK-SCREEN SPACER, 12' LENGTH - EXCEL | M401-31 |
| 5 | 098644-01-700 | EA | LATCH-REPAIR KIT, EXCEL | B801-CK |
| 6 | 098644-01-708 | FT | CHANNEL-PIERCED RUN, EXCEL | 122-016543 |
| 7 | 098644-01-711 | FT | WEATHERSTRIP-SCREEN BLACK - EXCEL | 171-016965 |
| 8 | 098647-23-704 | EA | SCREEN W/SPRING & WEATHERSTRIP - EXCEL | 410-019066 |
| 9 | 098644-01-713 | EA | SPRING-SCREEN FRAME (CLIP), PLASTIC - BLACK - EXCEL | 226-016966 |
| 10 | 098647-23-700 | EA | GLASS-SLIDING, W/SASH & LATCH - EXCEL | H287-G9 |
| 11 | 098644-01-706 | FT | WEATHERSTRIP, EXCEL | 171-010668 |
| | 098644-01-716 | FT | PLUG-FILLER, EXCEL | 132-014470 |
| | 098644-01-717 | FT | SPLINE-SCREEN, EXCEL | 132-004716 |

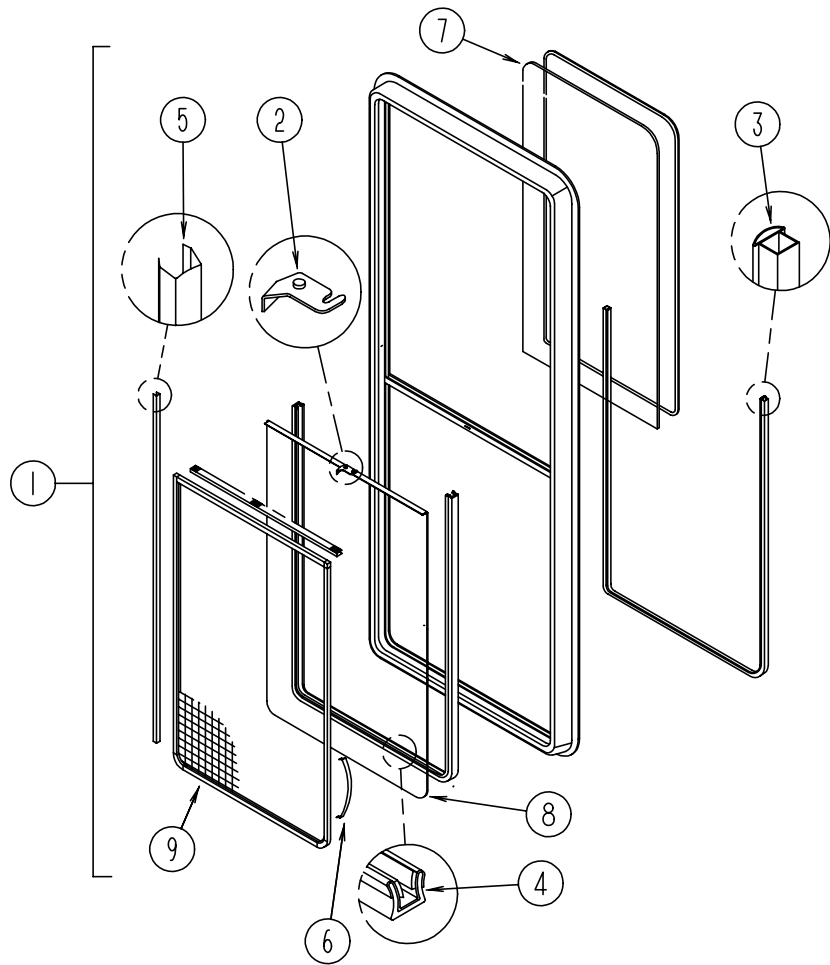
WINDOW, VENT & EXTERIOR DOOR GROUP (CONTINUED)



SWIVEL CHAIRS OR COUCH SINGLE SLIDING WINDOW - PASSENGERS SIDE

| KEY | PART NUMBER | U/M | DESCRIPTION | VENDOR NO. |
|-----|---------------|-----|--|------------|
| | 098647-24-01A | EA | WINDOW-HORIZONTAL SLIDER, W/OFF WHITE INSIDE FRAME EXCEL H415-G2W66R | |
| | 098647-36-701 | EA | FRAME-INSIDE, OFF WHITE - EXCEL CW8066 | |
| 1 | 098647-24-700 | EA | WINDOW-HORIZONTAL SLIDER, W/O INSIDE FRAME - EXCEL H415-G2R | |
| 2 | 100322-01-703 | FT | STRIP-GLAZING, BUTYL - EXCEL | 132-010723 |
| 3 | 098647-35-701 | EA | GLASS-STATIONARY - EXCEL | 106-019119 |
| 4 | 098644-01-710 | FT | TRACK-SCREEN SPACER, 12' LENGTH - EXCEL | M401-31 |
| 5 | 098644-01-700 | EA | LATCH-REPAIR KIT, EXCEL | B801-CK |
| 6 | 098644-01-708 | FT | CHANNEL-PIERCED RUN, EXCEL | 122-016543 |
| 7 | 098644-01-711 | FT | WEATHERSTRIP-SCREEN BLACK - EXCEL | 171-016965 |
| 8 | 098647-36-704 | EA | SCREEN W/SPRING & WEATHERSTRIP - EXCEL | 410-017550 |
| 9 | 098644-01-713 | EA | SPRING-SCREEN FRAME (CLIP), PLASTIC - BLACK - EXCEL | 226-016966 |
| 10 | 098647-35-702 | EA | GLASS-SLIDING, W/SASH & LATCH - EXCEL | H279-G9 |
| 11 | 098644-01-706 | FT | WEATHERSTRIP, EXCEL | 171-010668 |
| | 098644-01-716 | FT | PLUG-FILLER, EXCEL | 132-014470 |
| | 098644-01-717 | FT | SPLINE-SCREEN, EXCEL | 132-004716 |

WINDOW, VENT & EXTERIOR DOOR GROUP (CONTINUED)



EXCEL GALLEY WINDOW

| KEY | PART NUMBER | U/M DESCRIPTION | VENDOR NO. |
|-----|---------------|---|------------|
| | 098644-07-01A | EA WINDOW-VERTICAL SLIDER, W/OFF WHITE INSIDE FRAME - EXCEL | H170-G2W66 |
| | 098644-07-701 | EA FRAME-WINDOW, INSIDE - OFF WHITE - EXCEL | CW0266 |
| 1 | 098644-07-700 | EA WINDOW-VERTICAL SLIDER, W/O INSIDE FRAME - EXCEL | H170-G2 |
| 2 | 098644-01-700 | EA LATCH-REPAIR KIT, EXCEL | B801-CK |
| 3 | 098644-01-706 | FT WEATHERSTRIP, EXCEL | 171-010668 |
| 4 | 098644-01-708 | FT CHANNEL-PIERCED RUN, EXCEL | 122-016543 |
| 5 | 098644-01-710 | FT TRACK-SCREEN SPACER, 12' LENGTH - EXCEL | M401-31 |
| | 098644-01-711 | FT WEATHERSTRIP-SCREEN, BLACK - EXCEL | 171-016965 |
| 6 | 098644-01-713 | EA CLIP-SPRING, BLACK PLASTIC - EXCEL | 226-016966 |
| | 098644-01-716 | FT PLUG-FILLER, EXCEL | 132-014470 |
| | 098644-01-717 | FT SPLINE-SCREEN MFG, EXCEL | 132-004716 |
| 7 | 098644-07-702 | EA GLASS-STATIONARY - EXCEL | 106-015777 |
| 8 | 098644-07-703 | EA GLASS-SLIDING, W/SASH & LATCH - EXCEL | 410-018863 |
| 9 | 098644-07-704 | EA SCREEN W/SPRING & WEATHERSTRIP - EXCEL | 410-018863 |
| | 100322-01-703 | FT STRIP-GLAZING, BUTYL - EXCEL | 132-010723 |

EXCEL GALLEY WINDOW - THERMOPANE WINDOW OPTION

| KEY | PART NUMBER | U/M DESCRIPTION | VENDOR NO. |
|-----|---------------|---|------------|
| | 112898-04-01A | EA WINDOW-VERTICAL SLIDER, W/OFF WHITE INSIDE FRAME - EXCEL | DC02-G2W66 |
| | 098644-07-701 | EA FRAME-WINDOW, INSIDE - OFF WHITE - EXCEL | CW0266 |
| | 112898-04-700 | EA WINDOW-VERTICAL SLIDER, W/O INSIDE FRAME - EXCEL | DC02-G2 |
| | 112898-04-701 | EA GLASS-STATIONARY - EXCEL | 390-019130 |
| | 112898-04-702 | EA GLASS-SLIDING, W/SASH & LATCH - EXCEL | DC02-G9 |
| | 112898-04-703 | EA SASH LATCH KIT, RAISED - EXCEL | DH343-CK |
| | 098644-01-713 | EA CLIP-SPRING, BLACK PLASTIC - EXCEL | 226-016966 |
| | 098644-07-704 | EA SCREEN W/SPRING & WEATHERSTRIP - EXCEL | 410-018863 |
| | 112795-01-700 | EA LATCH ASM, BLACK - EXCEL | DH287-CK |
| | 112795-01-701 | EA SLIDE-STOP - EXCEL | 132-019092 |

WINDOW, VENT & EXTERIOR DOOR GROUP (CONTINUED)

EXCEL CAB WINDOW - DRIVER SIDE

| KEY | PART NUMBER | U/M DESCRIPTION | VENDOR NO. |
|-----|---------------|---|-------------------|
| | 103658-09-01A | EA WINDOW-CAB, SINGLE SLIDER - W/INSIDE FRAME - EXCEL | H405-A2B66L |
| | 103658-09-702 | EA FRAME-WINDOW, INSIDE - EXCEL | H37366L & H37376L |
| | 103658-09-701 | EA WINDOW ASM, W/O TRIM - EXCEL | H405-A2L |
| | 098644-01-700 | EA LATCH-REPAIR KIT (BLACK) - EXCEL | B801-CK |
| | 098644-01-706 | FT WEATHERSTRIP-GLASS - EXCEL | 171-010668 |
| | 098644-01-708 | FT CHANNEL-RUN, PIERCED - EXCEL | 122-016543 |
| | 098644-01-710 | FT TRACK-SCREEN SPACER, 12' - EXCEL | 132-017135 |
| | 098644-01-711 | FT WEATHERSTRIP-SCREEN, BLACK - EXCEL | 171-016965 |
| | 098644-01-713 | EA CLIP-SPRING, BLACK PLASTIC - EXCEL | 226-016966 |
| | 098644-01-716 | FT PLUG-FILLER - EXCEL | 132-014470 |
| | 098644-01-717 | FT SPLINE-SCREEN - EXCEL | 132-004716 |
| | 103658-09-700 | EA GLASS-STATIONARY, RT OR LT - EXCEL | 106-018971 |
| | 103658-09-704 | EA GLASS-SLIDING, W/SASH & LATCH - EXCEL | H405-A9L |
| | 103658-09-705 | EA SCREEN ASSEMBLY - EXCEL | 410-018973L |

EXCEL CAB WINDOW - DRIVER SIDE - THERMOPANE WINDOW OPTION

| KEY | PART NUMBER | U/M DESCRIPTION | VENDOR NO. |
|-----|---------------|---|-------------------|
| | 113501-03-01A | EA WINDOW-CAB, SINGLE SLIDER - W/INSIDE FRAME - EXCEL | DH405-A2B66 |
| | 103658-09-702 | EA FRAME-WINDOW, INSIDE - EXCEL | H37366L & H37376L |
| | 113501-03-700 | EA WINDOW-SINGLE SLIDER, W/O INSIDE FRAME - EXCEL | DH405-A2L |
| | 098644-01-711 | FT WEATHERSTRIP-SCREEN, BLACK - EXCEL | 171-016965 |
| | 098644-01-713 | EA CLIP-SPRING, BLACK PLASTIC - EXCEL | 226-016966 |
| | 103658-09-705 | EA SCREEN ASSEMBLY - EXCEL | 410-018973L |
| | 112795-01-700 | EA LATCH ASM, BLACK - EXCEL | DH287-CK |
| | 112795-01-701 | EA SLIDE-STOP - EXCEL | 132-019092 |
| | 112795-01-702 | FT PLUG-FILLER - EXCEL | 122-018737 |
| | 112795-01-703 | FT CHANNEL-RUN - EXCEL | 122-018736 |
| | 112898-04-703 | EA SASH LATCH KIT, RAISED - EXCEL | DH343-CK |
| | 113501-03-701 | EA GLASS-STATIONARY - EXCEL | 390-019397L |
| | 113501-03-702 | EA GLASS-SLIDE ASSEMBLY - EXCEL | DH405-A9L |

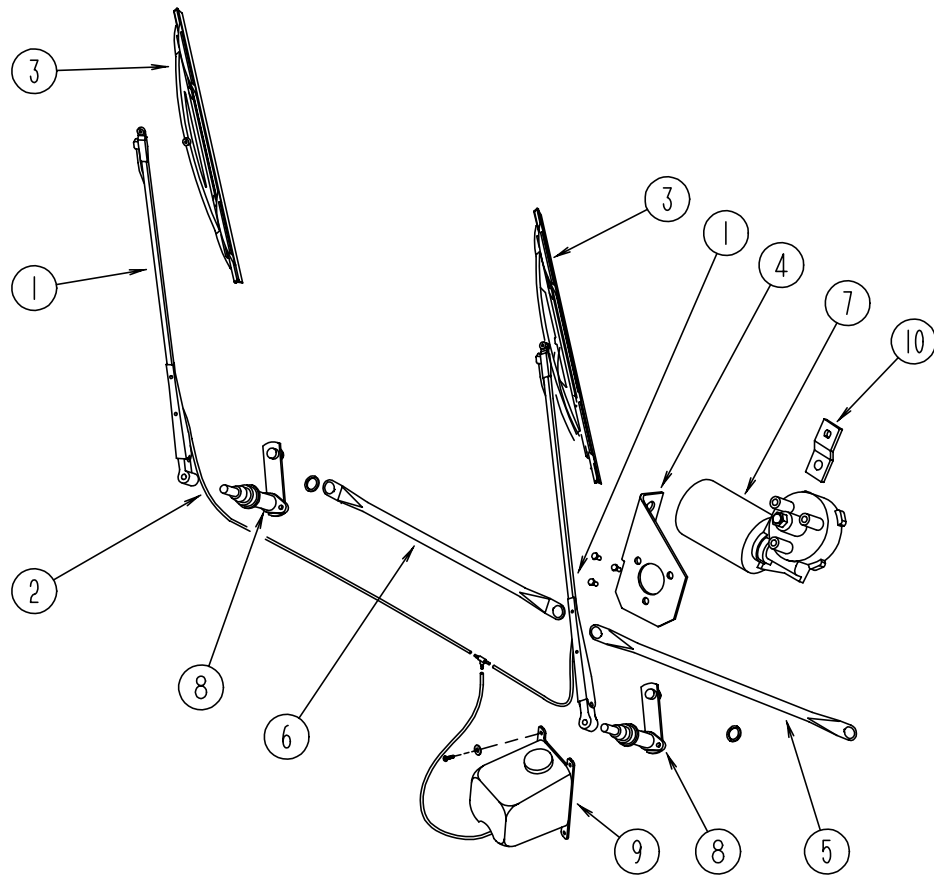
EXCEL CAB WINDOW - PASSENGER SIDE

| KEY | PART NUMBER | U/M DESCRIPTION | VENDOR NO. |
|-----|---------------|---|-------------------|
| | 103658-10-01A | EA WINDOW-CAB, SINGLE SLIDER - W/INSIDE FRAME - EXCEL | H405-A2B66R |
| | 098647-10-701 | EA FRAME-WINDOW, INSIDE - EXCEL | H37366R & H37376R |
| | 103658-10-700 | EA WINDOW ASM, W/O TRIM | H405-A2R |
| | 098644-01-700 | EA LATCH-REPAIR KIT (BLACK) | B801-CK |
| | 098644-01-706 | FT WEATHERSTRIP-GLASS | 171-010668 |
| | 098644-01-708 | FT CHANNEL-RUN, PIERCED | 122-016543 |
| | 098644-01-710 | FT TRACK-SCREEN SPACER, 12' | 132-017135 |
| | 098644-01-711 | FT WEATHERSTRIP-SCREEN, BLACK | 171-016965 |
| | 098644-01-713 | EA CLIP-SPRING, BLACK PLASTIC | 226-016966 |
| | 098644-01-716 | FT PLUG-FILLER | 132-014470 |
| | 098644-01-717 | FT SPLINE-SCREEN | 132-004716 |
| | 103658-09-700 | EA GLASS-STATIONARY, RT OR LT | 106-018971 |
| | 103658-10-703 | EA GLASS-SLIDING, W/SASH & LATCH | H405-A9R |
| | 103658-10-704 | EA SCREEN ASSEMBLY | 410-018973R |

EXCEL CAB WINDOW - PASSENGER SIDE - THERMOPANE WINDOW OPTION

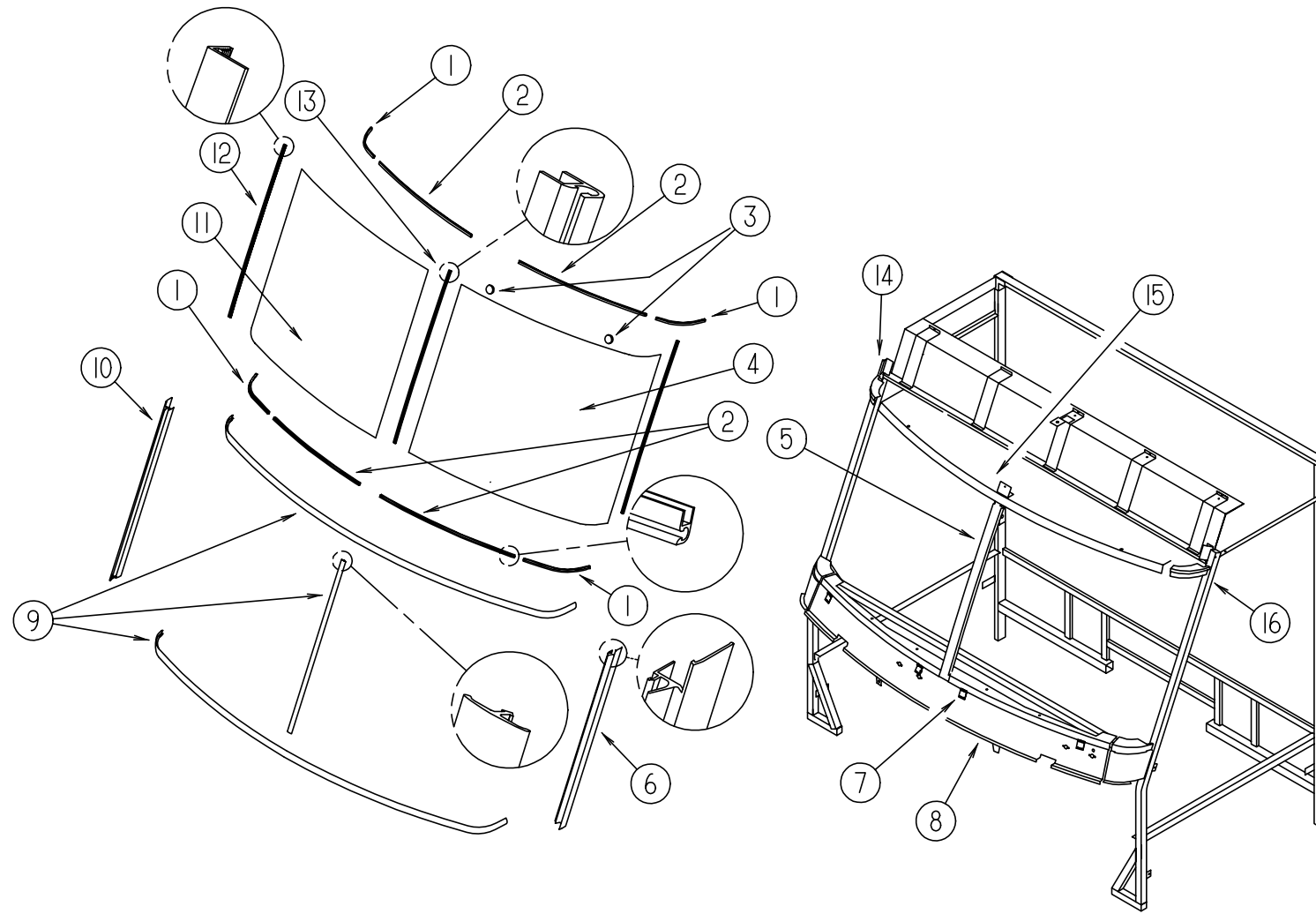
| KEY | PART NUMBER | U/M DESCRIPTION | VENDOR NO. |
|-----|---------------|---|-------------------|
| | 113501-04-01A | EA WINDOW-CAB, SINGLE SLIDER - W/INSIDE FRAME - EXCEL | DH405-A2B66 |
| | 103658-10-701 | EA FRAME-WINDOW, INSIDE - EXCEL | H37366R & H37376R |
| | 113501-04-700 | EA WINDOW-SINGLE SLIDER, W/O INSIDE FRAME - EXCEL | DH405-A2R |
| | 113501-04-701 | EA GLASS-STATIONARY - EXCEL | 390-019395R |
| | 113501-04-702 | EA GLASS-SLIDING, W/SASH & LATCH - EXCEL | DH405-A9R |
| | 103658-10-704 | EA SCREEN W/SPRING & WEATHERSTRIP - EXCEL | 410-018973R |
| | 098644-01-711 | FT WEATHERSTRIP-SCREEN, BLACK - EXCEL | 171-016965 |
| | 098644-01-713 | EA CLIP-SPRING, BLACK PLASTIC - EXCEL | 226-016966 |
| | 112795-01-700 | EA LATCH ASM., BLACK - EXCEL | DH287-CK |
| | 112795-01-701 | EA SLIDE-STOP - EXCEL | 132-019092 |
| | 112795-01-702 | FT PLUG-FILLER - EXCEL | 122-018737 |
| | 112795-01-703 | IN CHANNEL-RUN - EXCEL | 122-018736 |
| | 112898-04-703 | EA SASH LATCH KIT, RAISED - EXCEL | DH343-CK |

**WINDSHIELD & WIPER GROUP
WIPER COMPONENTS**



| KEY | PART NUMBER | U/M | DESCRIPTION |
|-----|---------------|-----|---|
| 1 | 103671-01-000 | EA | ARM-WIPER, PANTOGRAPH - 24" |
| | 096931-01-700 | FT | HOSE-WIPER, TO BLADE |
| | 096931-01-701 | EA | NOZZLE-HARDWARE KIT, INCLUDES NOZZEL, NUT, SHORT THREAD SCREW, LONG THREAD SCREW, AND PLASTIC CAP |
| 2 | 045794-01-000 | FT | HOSE-WASHER, WINDSHIELD - 5/32" ID - BLACK |
| 3 | 095964-01-000 | EA | BLADE-WIPER, 24" |
| | 095964-01-700 | EA | REFILL-WIPER BLADE, 24" - PAIR |
| 4 | 104549-01-000 | EA | BRACKET ASSEMBLY-WIPER MOTOR |
| 5 | 117008-01-000 | EA | LINK ASM - CONNECTING - DRIVERS SIDE |
| 6 | 117008-02-000 | EA | LINK ASM - CONNECTING - PASSENGERS SIDE |
| 7 | 104346-03-000 | EA | MOTOR-WIPER, FORD CHASSIS |
| | | | FROM: 00-00-00 THRU: 08-31-95 |
| 7 | 104346-05-000 | EA | MOTOR-WIPER, FORD CHASSIS |
| | | | FROM: 09-01-95 THRU: 99-99-99 |
| 7 | 104346-02-000 | EA | MOTOR-WIPER, CHEVY CHASSIS |
| | | | 110178-01-000 |
| 8 | 096505-05-000 | EA | HOUSING-WIPER MOTOR - UT 6237440-EC25WJ |
| 8 | 096505-06-000 | EA | PIVOT & SHAFT ASM-WIPER, PASSENGER WINDSHIELD |
| 8 | 096505-06-000 | EA | PIVOT & SHAFT ASM-WIPER, DRIVER WINDSHIELD |
| 9 | 117766-02-000 | EA | WASHER-WINDSHIELD, BOTTLE & PUMP - MCCORD 600328 |
| | 110605-01-000 | EA | TEE-BARBED, 1/8 X 1/8 X 3/16 - BAYLOCK 3799721 |
| | 117765-03-000 | EA | CONNECTOR - 5/32 W/SWSH - ITT H-BAYLOCK 116756 |
| 10 | 104347-01-000 | EA | ARM-DRIVE, WIPER MOTOR - 1.54" |
| | 061603-01-000 | EA | GROMMET-SNAP, 3/16 ID - 3/8 HOLE - PLASTIC - BLACK |
| | 067188-01-000 | EA | STUD-CRANK, WIPER |
| | 110742-01-000 | EA | GASKET-WIPER |
| | | | |

WINDSHIELD & WIPER GROUP (CONTINUED)
WINDSHIELD MOLDINGS & GLASS



| KEY | PART NUMBER | U/M | DESCRIPTION |
|-----|---------------|-----|---|
| 1 | 110268-01-000 | EA | CARRIER - REVEAL - 50.4" WINDSHIELD |
| 2 | 110268-01-000 | EA | CARRIER - REVEAL - 50.4" WINDSHIELD |
| 3 | 081914-01-000 | EA | BUMPER - RUBBER - ROUND - .43" DIAMETER - BLACK |
| 4 | 088793-04-000 | EA | GLASS-WINDSHIELD, DRIVER |
| 5 | 075710-03-000 | EA | FRAME-WINDSHIELD, CENTER DIVIDER - INNER |
| 6 | 103107-02-01A | EA | TRIM-WINDSHIELD, DRIVER SIDE - BLACK |
| 7 | 104449-01-000 | EA | BRACKET - WINDSHIELD SUPPORT |
| 8 | 077847-02-000 | EA | SUPPORT - WINDSHIELD - LOWER - W/O BRACKETS |
| 9 | 102936-01-000 | FT | MOLDING - REVEAL - WINDSHIELD |
| 10 | 103107-01-01A | EA | TRIM - WINDSHIELD - PASSENGER SIDE - BLACK |

| KEY | PART NUMBER | U/M | DESCRIPTION |
|-----|---------------|-----|---|
| 11 | 088793-03-000 | EA | GLASS-WINDSHIELD, PASSENGER |
| 12 | 098788-06-000 | EA | CHANNEL - 49" PVC, DRIVER OR PASSENGER SIDE |
| 13 | 110268-01-000 | EA | CARRIER - REVEAL - 50.4" WINDSHIELD |
| 14 | 077922-03-000 | EA | HEADER WINDSHIELD END - PASSENGER SIDE |
| 15 | 077922-05-000 | EA | HEADER WINDSHIELD - CENTER |
| 16 | 077922-04-000 | EA | HEADER WINDSHIELD END - DRIVER SIDE |
| | 002328-02-000 | EA | BLOCK-WINDSHIELD, .062" X .5" X .98" |