

**1996
ICF25RC**

G29

PEBBLE BEACH (BROWN)

G30

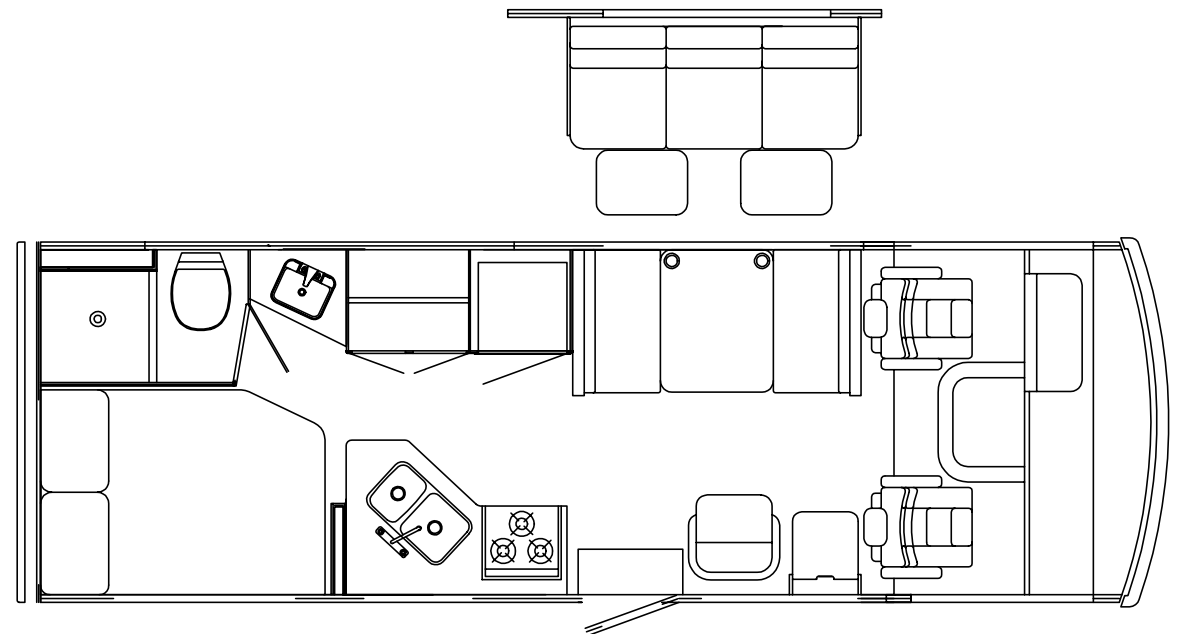
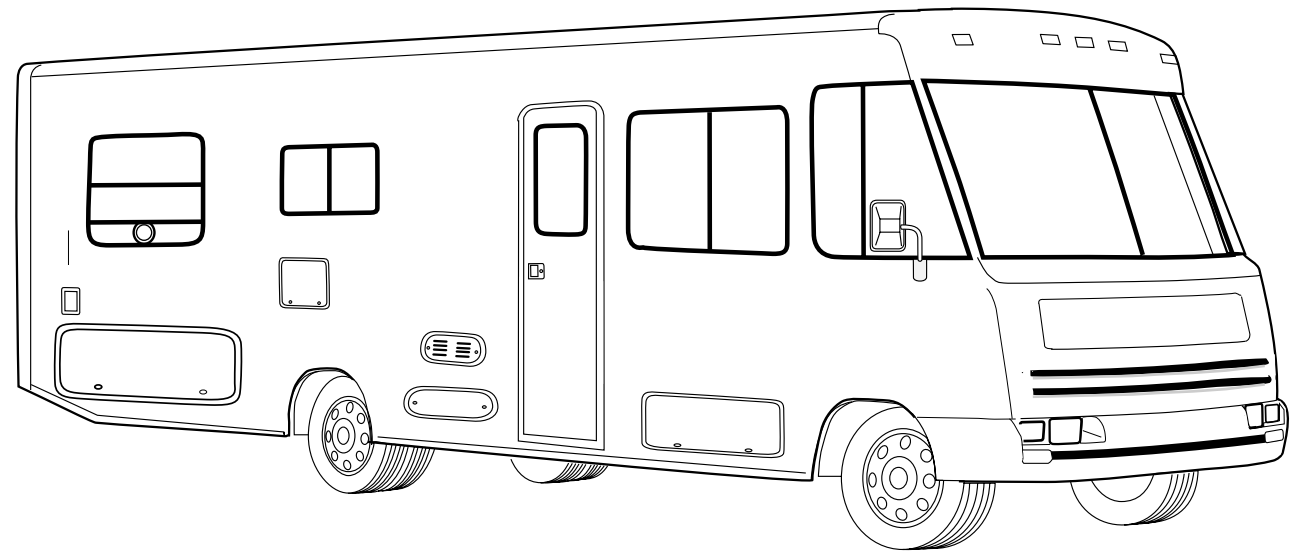
NEPTUNE (TEAL)

G31

GALAXY (BLUE)

G32

ROUTE 66



**ACCESSORIES GROUP
OPERATOR MANUAL**

KEY	PART NUMBER	U/M DESCRIPTION
	054185-E7-000	EA MANUAL-OPERATOR, 1996 SUNRISE
	092318-01-000	EA BINDER - 3 RING, MOTOR HOME MANUAL
	092319-01-000	EA POCKET PAGE - 3 RING BINDER, PLASTIC
	117907-01-000	DW TOP LEVEL DRAWING-F, 1996

**AUDIO VIDEO GROUP
PATIO ENTERTAINMENT CENTER**

KEY	PART NUMBER	U/M DESCRIPTION
	110469-01-000	EA SPEAKER - 4" X 6", OVAL - MAGNADYNE F46XB-12
	110470-01-01A	EA GRILLE-SPEAKER, OVAL - 4" X 6" - BLACK - MAGNADYNE G46WI
	077069-02-000	EA CABLE-ANTENNA, RADIO - EXTENSION 96" - ARA 6700667
	090944-01-000	EA ANTENNA-RADIO, 16" RUBBER
	109889-04-000	EA ANTENNA-SHAFT EXTENDER, 3" - MAGNADYNE RV71EX3
	087683-03-000	EA RADIO-AM/FM STEREO W/CASSETTE - AUDIOVOX RS-100
	108847-01-000	EA BRACKET-ANTENNA GROUND

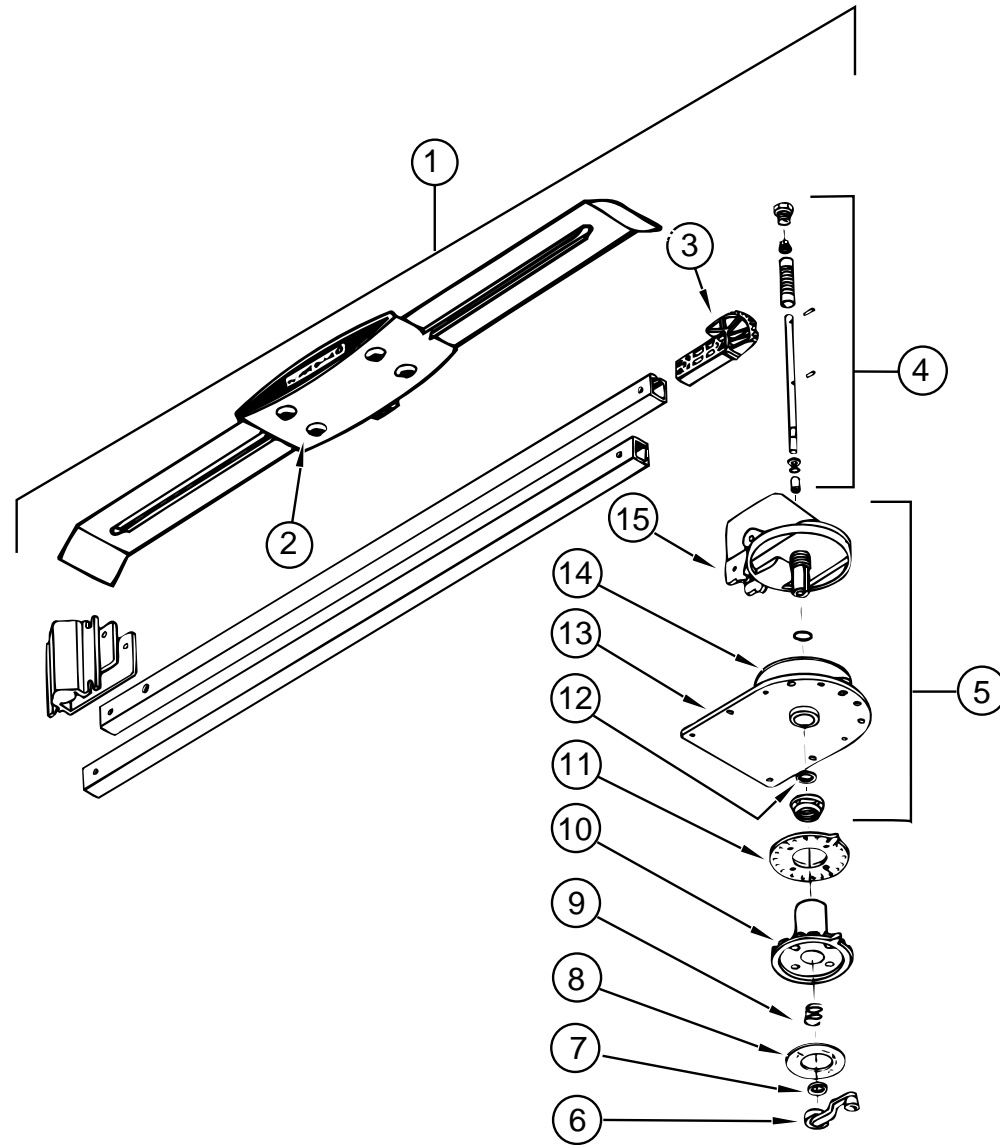
RADIO SYSTEM, CD PLAYER & ANTENNA

KEY	PART NUMBER	U/M DESCRIPTION
	110267-03-000	EA RADIO-AM/FM STEREO, CASSETTE - AUDIOVOX IM-400
	116148-02-000	EA RADIO-AM/FM STEREO, CD PLAYER - CLARION RDB515F
	077069-02-000	EA CABLE-ANTENNA, RADIO - EXTENSION 96" - ARA 6700667
	090944-01-000	EA ANTENNA-RADIO, 16" RUBBER
	081059-02-000	EA WIRE ASM - 9-PIN, RADIO - AUDIOVOX 112B-1761
	089340-02-000	EA GRILLE-SPEAKER, 6.5" SQUARE
	089340-03-000	EA SPACER-GRILLE, 6.5" SQUARE - TAN - MAGNADYNEG514
	094097-01-000	EA SPEAKER-RADIO, W/O GRILLE - 5.25" DIA - AUDIOVOX 110C3030
	110469-01-000	EA SPEAKER - 4" X 6", OVAL - MAGNADYNE F46XB-12
	110470-01-01A	EA GRILLE-SPEAKER, OVAL - 4" X 6" - BLACK - MAGNADYNE G46WI

CB ANTENNA

KEY	PART NUMBER	U/M DESCRIPTION
	105248-01-000	EA ANTENNA-CB, ADVANCE 8604
	115916-01-01B	EA BRACKET-ANTENNA MOUNT, STEP SHAPED - 3" X 6" - STEEL

AUDIO VIDEO GROUP (CONTINUED)



WINEGARD TV ANTENNA

KEY	PART NUMBER	U/M DESCRIPTION	VENDOR NO.
1	076319-18-000	EA ANTENNA-TV, ROOF MOUNT WI-0094	
2	076319-01-700	EA HEAD-ANTENNA, AMPLIFIED	RVSA U/V
3	076319-01-701	EA GEAR-ELEVATING, PLASTIC	2200046
4	076319-01-702	EA SHAFT ASM-ELEVATING	RVP-400A
5	076319-01-711	EA BASE & LIFT ASM	2762802
6	076319-01-706	EA CRANK-ELEVATING, W/SET SCREW	5755100
7	076319-01-705	EA GROMMET-NYLON, 7/8"ID	3200658
8	076319-01-708	EA CRANK COVER DECAL	5413002
9	076319-01-707	EA SPRING-HANDLE	5160800
10	076319-01-709	EA PLATE-DIRECTIONAL, FOR HEAD	3200644
11	076319-01-712	EA PLATE-CEILING	3200608
12	076319-01-704	EA BEARING-NYLON, 1.25"OD	3200657
13	076319-01-713	EA PLATE-BASE, STEEL	3100523
14	076319-01-703	EA BEARING-NYLON, 5"OD	3200656
15	076319-01-714	EA HOUSING, ROTATING GEAR	2200049

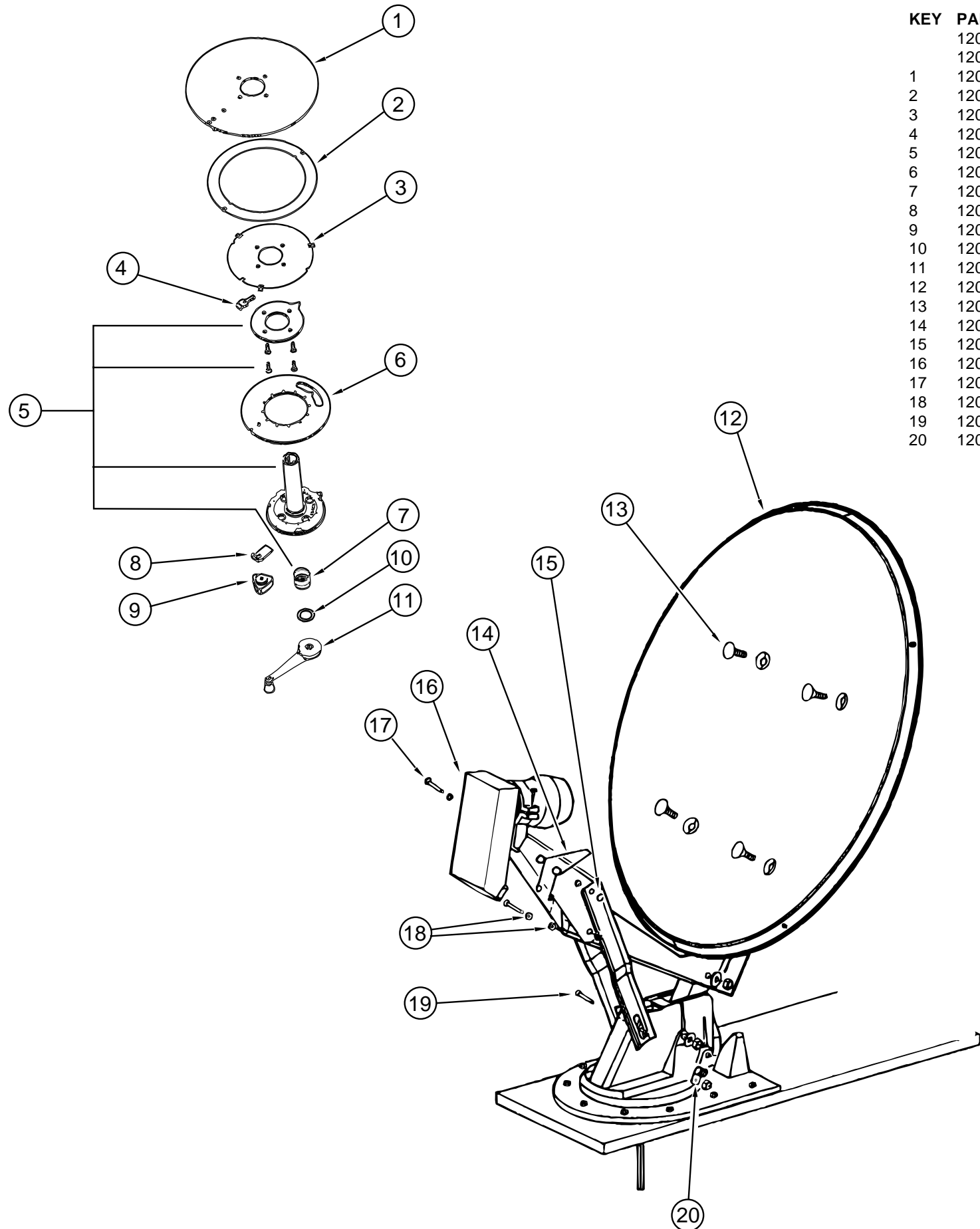
AUDIO VIDEO GROUP (CONTINUED)
TV CABLE, CONNECTORS, & WALLPLATES

KEY	PART NUMBER	U/M DESCRIPTION
	076319-03-000	FT CABLE-COAXIAL, 75 OHM
	076319-06-000	EA ADAPTER-CABLE ROOF PLATE, WINEGARD RPJ-1
	076319-08-000	EA WALLPLATE-CABLE RECEPTACLE, TV - SINGLE - IVORY - BEDROOM
	076319-09-000	EA WALLPLATE-CABLE RECEPTACLE, TV - SINGLE - BROWN - PATIO OPTION
	076319-12-000	EA CONNECTOR-COAXIAL, ONE PIECE
	082134-01-000	EA ADAPTER-TV, CABLE TO CABLE - WINEGARD F-81M
	086756-01-000	EA SPLITTER-TV, 2 WAY
	086777-01-000	EA PLATE-WALL, TV CABLE W/ANTENNA SWITCH - IVORY - WINEGARD RV-0710
	086777-05-000	EA PLATE-WALL, ANTENNA - 1 OUTPUT - IVORY - WINEGARD RV-0921
	093901-03-000	EA PLATE-COAXIAL CABLE, CABLE TV INPUT
	082136-01-000	EA NUT-HEX JAM, 3/8-32, WINEGARD
	114870-02-000	EA PLUG ASM - 3.5 MM AUDIO W/LEADS - OW - DONALD 35-P8

TV, VCR & CONTROL CENTER

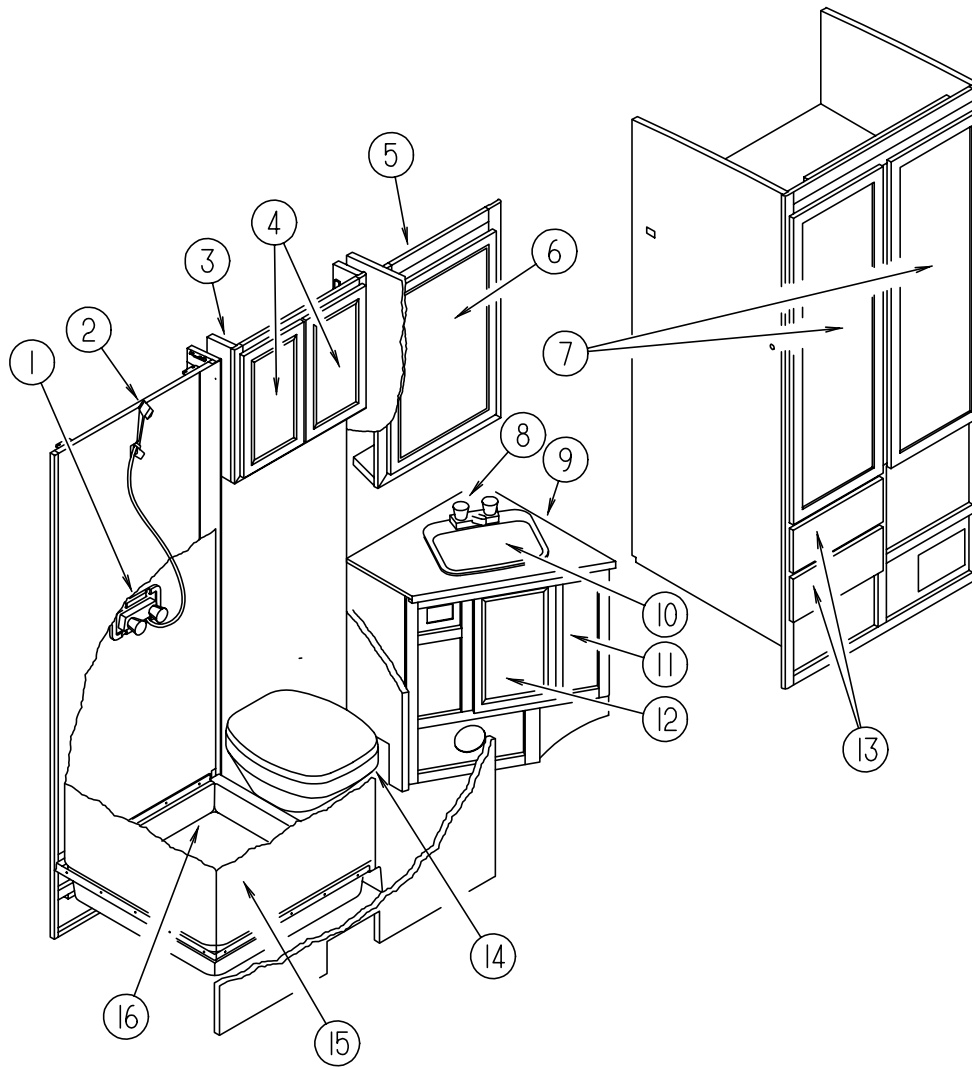
KEY	PART NUMBER	U/M DESCRIPTION	VENDOR NO.
	113684-01-000	EA TV - 19", COLOR - U.S. & CSA - AUDIOVOX AVT-1975	
	113684-01-700	EA REMOTE-TV, AUDIOVOX	8822345
	119120-01-000	EA VCR-VHS, CABLE READY - REMOTE - AUDIOVOX AVR-1075	
	119120-01-700	EA REMOTE F/MODEL #AVR-1075 - AUDIOVOX	8874570
	098819-01-000	EA SPEAKER - 2 WATT, 8 OHM - 4"	
	093214-01-02A	EA GRILLE-SPEAKER, 4" - BROWN	
	086757-03-000	EA CONTROL CENTER-SWITCH, VCR/TV - MAGNADYNE VCS-6	

AUDIO VIDEO GROUP (CONTINUED)
WINEGARD SATELLITE TV ANTENNA



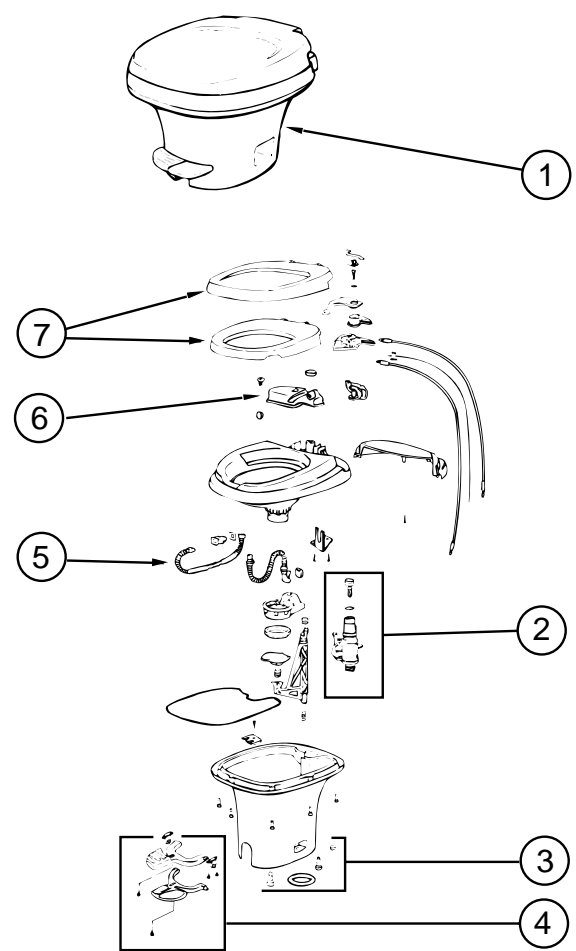
KEY	PART NUMBER	U/M	DESCRIPTION	VENDOR NO.
	120233-02-000	EA	ANTENNA-SATELLITE W/RECEIVER RD-1046	
	120233-01-000	EA	ANTENNA-SATELLITE DSS RD-4600	
1	120233-01-700	EA	PLATE-FIXED	3750821
2	120233-01-701	EA	DIAL-DIRECTIONAL	2745056
3	120233-01-702	EA	PIVOT-DIAL-DIRECTIONAL	2745058
4	120233-01-703	EA	STOP-ROTATION	3711281
5	120233-01-704	EA	PLATE-CEILING W/DIRECTIONAL HANDLE	RP-6300
6	120233-01-705	EA	PLATE-ROTATE	3750820
7	120233-01-706	EA	SPRING	RP-6822
8	120233-01-707	EA	CLAMP-ROTATE	3711280
9	120233-01-708	EA	KNOB-CLAMP	160822
10	120233-01-709	EA	WASHER-NYLON	RP-2658
11	120233-01-710	EA	HANDLE-CRANK	RP-6795
12	120233-01-711	EA	REFLECTOR - 46 CM	2745304
13	120233-01-712	EA	BOLT-FLAT HEAD	2160253
14	120233-01-713	EA	SPRING	2160820
15	120233-01-714	EA	CLIP-E	5160818
16	120233-01-715	EA	RCA LNB	278015
17	120233-01-716	EA	PIN	2160814
18	120233-01-717	EA	BEARING-NYLON	2200728
19	120233-01-718	EA	PIN	5160817
20	120233-01-719	EA	CLAMP-CABLE	2200060

BATH GROUP
BATHROOM CABINET & COMPONENTS



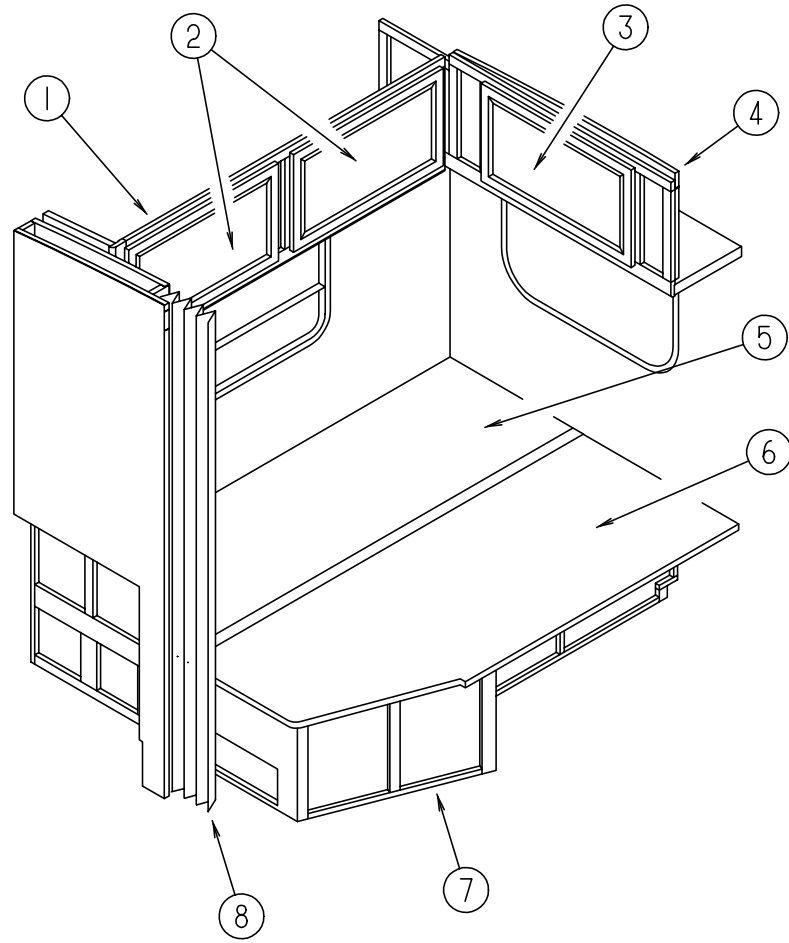
KEY	PART NUMBER	U/M	DESCRIPTION	VENDOR NO.
1	075241-05-000	EA	FAUCET-SHOWER, BONE	
	075606-01-000	EA	PANEL-FAUCET BACK, SHOWER - 5" X 9" - PLASTIC	
2	103092-01-000	EA	SHOWER HEAD-W/60 IN HOSE - U.S.	
	103092-02-000	EA	SHOWER HEAD-W/HOSE - CANADIAN	
	103092-01-700	EA	BRACKET ONLY-CLEAR, F/SHOWER HEAD - BPC	2328028
	103092-01-702	EA	SEALS-SPRAY HEAD	24466
	011048-03-700	EA	BRACKET/F SHOWER HEAD - BPC	2328029-3
3	102851-01-G09	EA	CABINET-STORAGE, BATH - W/O DOORS	
4	M06803-06-G09	EA	DOOR-W/MIRROR - W/O HARDWARE - 285 MM X 500 MM	
5	118964-01-G09	EA	CABINET-MEDICINE	
6	115237-01-G01	EA	DOOR-MIRRORED, 500 MM X 750 MM	
7	M06803-N1-G09	EA	DOOR-WARDROBE, W/O HARDWARE - 350 MM X 1370 MM	
8	075240-06-000	EA	FAUCET-LAVATORY, BONE	
	091253-01-000	EA	GASKET-FAUCET, LAVATORY/GALLEY	
9	118963-14-G29	EA	COUNTERTOP ASM (G29)	
9	118963-14-G30	EA	COUNTERTOP ASM (G30)	
9	118963-14-G31	EA	COUNTERTOP ASM (G31)	
9	118963-14-G09	EA	COUNTERTOP ASM (G32)	
10	096927-01-01A	EA	SINK-LAVATORY, RECTANGULAR - PLASTIC - BONE	
	096927-01-700	EA	SINK-STOPPER	
	096927-01-701	EA	TAILPIECE-SINK	
11	P18963-01-G29	EA	CABINET ASM-LAVATORY, W/O DOORS OR HARDWARE (G29)	
11	P18963-01-G30	EA	CABINET ASM-LAVATORY, W/O DOORS OR HARDWARE (G30)	
11	P18963-01-G31	EA	CABINET ASM-LAVATORY, W/O DOORS OR HARDWARE (G31)	
11	P18963-01-G09	EA	CABINET ASM-LAVATORY, W/O DOORS OR HARDWARE (G32)	
12	M06803-25-G09	EA	DOOR-W/O HARDWARE, 305 MM X 475 MM	
13	M05971-S1-G09	EA	DRAWER-CABINET, W/O HARDWARE	
14	067487-02-000	EA	TOILET-AQUA MAGIC IV, LOW	
15	102046-01-01A	EA	SURROUND-SHOWER - OFF WHITE	
	113714-02-01A	EA	RETAINER-SHELF, SHOWER 306 MM X 25 MM - PLASTIC - OFF WHITE	
16	M02429-10-000	EA	PAN-SHOWER	
	066436-01-000	EA	NUT-SLIP, TAILPIECE - 1.5"	
	057671-01-000	EA	COVER-SCREW, #8 - PLASTIC - OFF WHITE	
	075452-02-000	EA	HOLDER-TOILET TISSUE, BRASS	
	100357-01-000	EA	ROD-TOWEL, BRASS W/ENDS BENT FOR BACK OF BATH DOOR	
	102089-14-G09	EA	WOOD RAIL - TOWEL RACK - LEFT SIDE - 26" LONG	
	102089-13-G09	EA	WOOD RAIL - TOWEL RACK - RIGHT SIDE - 26" LONG	
	075454-02-000	EA	RING-TOWEL, W/MOUNTING HARDWARE - BRASS	
	M87868-10-G09	EA	DOOR-BATH	
	094485-03-01A	EA	KNOB-DOOR,BRASS - THUNADER L132PB	
	102920-01-01A	EA	HINGE-DOOR, SPRING LOADED - BRASS	

BATH GROUP (CONTINUED)
AQUA MAGIC IV - LOW - FOOT FLUSH TOILET



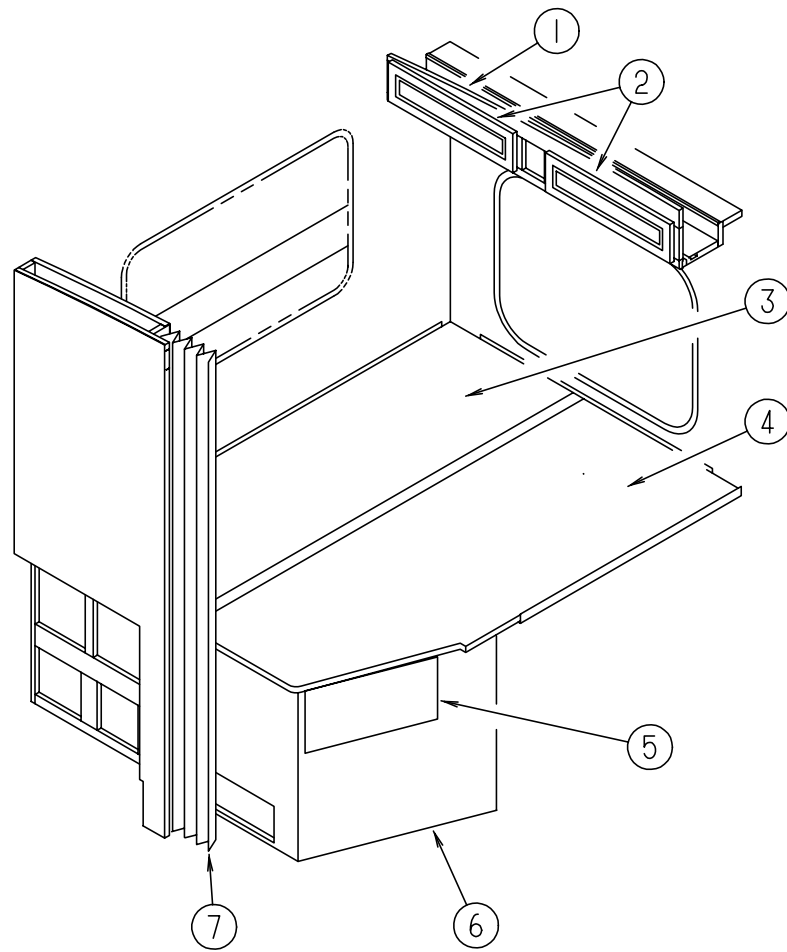
KEY	PART NUMBER	U/M DESCRIPTION	VENDOR NO.
1	067487-02-000	EA TOILET-AQUA MAGIC IV - LOW - FOOT FLUSH	
2	063740-01-714	EA VALVE ASM-WATER, THETFORD	12492
3	063740-01-706	EA BOLT PACKAGE-CLOSET, THETFORD	12524
4	067487-02-701	EA PEDAL PACKAGE (FOOT FLUSH) - THETFORD	20821
5	063740-01-717	EA TUBE-FLUSH, TOILET - THETFORD	12509
6	063740-02-701	EA RESERVOIR (TANK ASSEMBLY), THETFORD	24630
7	063740-02-700	EA SEAT & COVER, PARCHMENT - THETFORD	20829

BEDROOM GROUP
DOUBLE BEDROOM CABINETS



KEY	PART NUMBER	U/M	DESCRIPTION
1	116151-01-G09	EA	CABINET-OVERHEAD, W/O DOORS OR HARDWARE
2	M06803-02-G09	EA	DOOR-W/O HARDWARE - 400 MM X 710 MM
3	M06803-13-G09	EA	DOOR-W/O HARDWARE W/MIRROR - 400 MM X 710 MM
3	M06803-02-G09	EA	DOOR-W/O HARDWARE W/O MIRROR - 400 MM X 710 MM DECORATOR DOOR OPTION - FLAT PANEL
4	103273-01-G29	EA	CABINET-OVERHEAD, W/O DOOR OR HARDWARE (G29)
4	103273-01-G30	EA	CABINET-OVERHEAD, W/O DOOR OR HARDWARE (G30)
4	103273-01-G31	EA	CABINET-OVERHEAD, W/O DOOR OR HARDWARE (G31)
4	103273-01-G12	EA	CABINET-OVERHEAD, W/O DOOR OR HARDWARE (G32)
5	M04169-11-G29	EA	DOUBLE BED TOP (G29)
5	M04169-11-G30	EA	DOUBLE BED TOP (G30)
5	M04169-11-G31	EA	DOUBLE BED TOP (G31/G32)
6	M04169-12-000	EA	DOUBLE BED TOP
	089076-08-000	EA	SUPPORT-BED, H-CHANNEL - 1.96" X 72.7" - ALUMINUM - OFF WHITE
7	P18965-01-G09	EA	CABINET-DOUBLE BED W/O TOPS
8	042488-10-000	EA	DOOR-FOLDING, FABRIC - 37" X 75" - OFF WHITE
	080224-01-703	EA	HANDLE-LATCH & CATCH, ALMOND NE03505
	080224-01-705	EA	CATCH & LATCH ASM., ALMOND - DE25010 & DE25020
	094856-06-02A	EA	TRACK-FOLDING DOOR, 37.6" - OFF WHITE

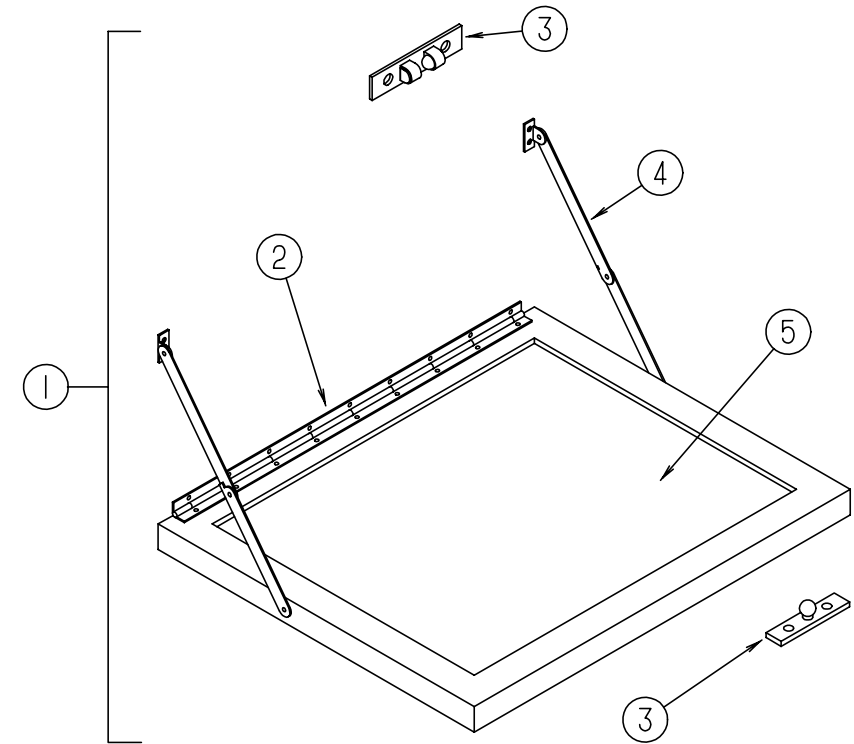
BEDROOM GROUP



DOUBLE BEDROOM CABINETRY - RAISED BED OPTION

KEY	PART NUMBER	U/M	DESCRIPTION
1	119485-01-G09	EA	CABINET-OVERHEAD, W/O DOORS OR HARDWARE
2	M05992-G3-G09	EA	DOOR-W/O HARDWARE - 160 MM X 590 MM
3	M04169-18-G29	EA	DOUBLE BED TOP - RAISED BED OPTION (G29)
3	M04169-18-G30	EA	DOUBLE BED TOP - RAISED BED OPTION (G30)
3	M04169-18-G31	EA	DOUBLE BED TOP - RAISED BED OPTION (G31)
3	M04169-18-G10	EA	DOUBLE BED TOP - RAISED BED OPTION (G32)
4	M04169-17-G29	EA	DOUBLE BED TOP - RAISED BED OPTION (G29)
4	M04169-17-G30	EA	DOUBLE BED TOP - RAISED BED OPTION (G30)
4	M04169-17-G31	EA	DOUBLE BED TOP - RAISED BED OPTION (G31)
4	M04169-17-G10	EA	DOUBLE BED TOP - RAISED BED OPTION (G32)
	089076-08-000	EA	SUPPORT-BED, H-CHANNEL - 1.96" X 72.7" - ALUMINUM - OFF WHITE
5	M06803-07-G09	EA	DOOR-W/O HARDWARE - 255 MM X 485 MM
6	P19360-01-G09	EA	CABINET-DOUBLE BED W/O TOPS - RAISED BED OPTION
7	042488-10-000	EA	DOOR-FOLDING, FABRIC - 37" X 75" - OFF WHITE
	080224-01-703	EA	HANDLE-LATCH & CATCH, ALMOND NE03505
	080224-01-705	EA	CATCH & LATCH ASM., ALMOND - DE25010 & DE25020
	094856-06-02A	EA	TRACK-FOLDING DOOR, 37.6" - OFF WHITE

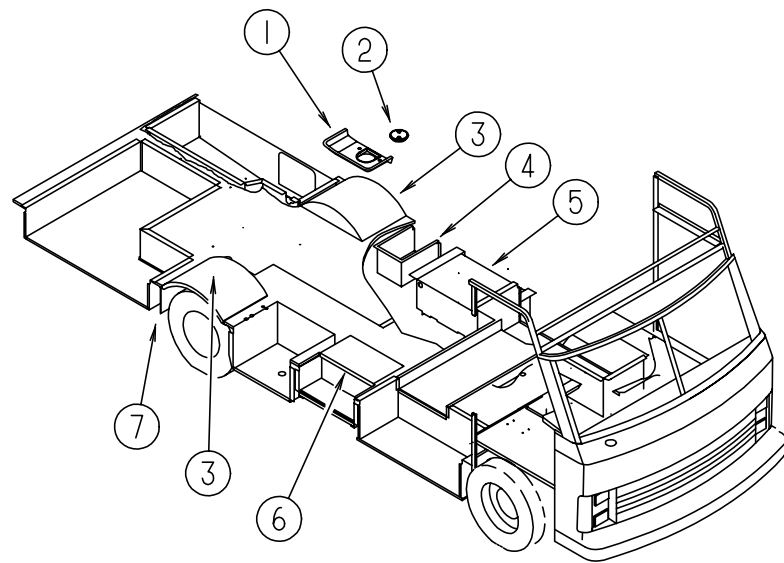
BEDROOM GROUP (CONTINUED)



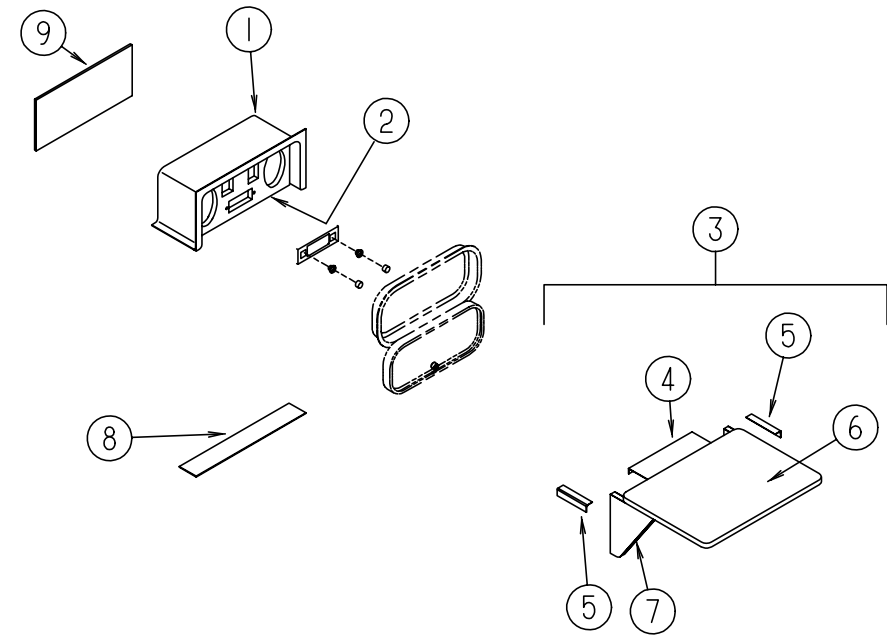
TV STAND

KEY	PART NUMBER	U/M	DESCRIPTION
1	084357-02-G09	EA	STAND-FOLD DOWN, TV - W/MIRROR FROM: 00-00-00 THRU: 08-20-95
1	084357-01-G04	EA	STAND-FOLD DOWN, TV - W/MIRROR FROM: 08-21-95 THRU: 99-99-99
2	084413-01-000	EA	HINGE-CONTINUOUS, W/HOLES
3	084451-01-000	EA	CATCH-TV SHELF, BRASS
4	084412-01-000	EA	SUPPORT-HINGED (PAIR)
5	084356-08-000	EA	INSERT-TV STAND, W/SUPPORT HINGE - METAL - OFF WHITE FROM: 00-00-00 THRU: 08-20-95
5	084356-07-000	EA	INSERT-TV STAND, W/SUPPORT HINGE - METAL - OFF WHITE FROM: 08-21-95 THRU: 99-99-99
5	058331-14-000	EA	MIRROR-GLASS, SAFETY - 14" X 12.7" FROM: 00-00-00 THRU: 08-20-95
5	058331-10-000	EA	MIRROR-GLASS, SAFETY - 14" X 17" FROM: 08-21-95 THRU: 99-99-99

CHASSIS GROUP



CHASSIS GROUP (CONTINUED)



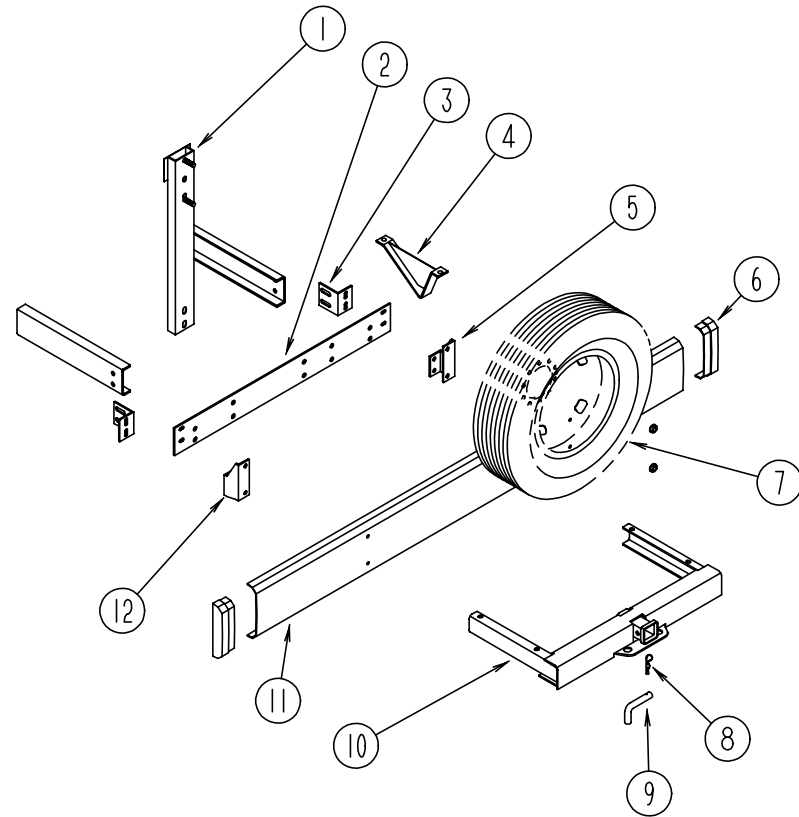
COMPARTMENTS & WHEELWELLS

KEY	PART NUMBER	U/M DESCRIPTION
1	119536-01-01A	EA COVER-VALVE, DRAINAGE - BLACK PLASTIC
2	092887-01-000	EA HATCH-COMPARTMENT, SEWER HOSE - 6"
	092887-04-000	EA CHAIN-TWIST CAP, 9"
3	102921-01-000	EA WHEELWELL-PLASTIC
	106208-01-01A	EA COMPARTMENT-EXTERIOR SHOWER, OFF WHITE PLASTIC
4	102979-04-000	EA BOX-POWER CORD
5	114072-01-02B	EA TRAY-STORAGE, 30.9" WIDE - E-COAT - MICROLITE GENERATOR PREP OPTION
5	114070-02-02B	EA SUPPORT-GENERATOR, LH - 490 MM LONG - STEEL - BLACK - MICROLITE ONLY
5	114071-02-02B	EA SUPPORT-GENERATOR, RH - 490 MM LONG - STEEL - BLACK - MICROLITE ONLY
6	077848-02-000	EA STEP-PULLOUT
	091176-01-000	EA SUPPORT-BASE-ENTRANCE STEP
	102569-04-000	EA MAT-ANTI SLIP, 178 MM X 610 MM
7	017516-01-000	EA FLAP-MUD, 14" X 18" - BLACK
7	020167-05-000	EA GUARD-DIRT, STEEL - 380 MM LONG
	056748-01-000	EA PLUG-CAP, 1.5" DIAMETER - BLACK
	115361-01-01A	EA PLUG-PLASTIC, .55" DIAMETER HOLE - CAPLUG W-5

PATIO ENTERTAINMENT CENTER

KEY	PART NUMBER	U/M DESCRIPTION
1	104897-03-02A	EA BOX-ENTERTAINMENT CENTER - BRIGHT WHITE
2	104899-01-C05	EA PLATE-RADIO MOUNTING
3	105230-01-F11	EA SHELF ASSEMBLY
4	105377-01-01A	EA BRACKET-TABLE HANGER, OFF WHITE
5	105376-01-02A	EA HINGE-CONTINUOUS, 2" X 140 MM - OFF WHITE
6	105230-11-E01	EA SHELF
7	105230-12-F11	EA SUPPORT-SHELF
8	104898-01-02A	EA PLATE-PLASTIC, BOTTOM - 19.38" X 3.1" - BRIGHT WHITE
9	104898-02-02A	EA PLATE-PLASTIC, REAR - 16.1" X 6.3" - BRIGHT WHITE

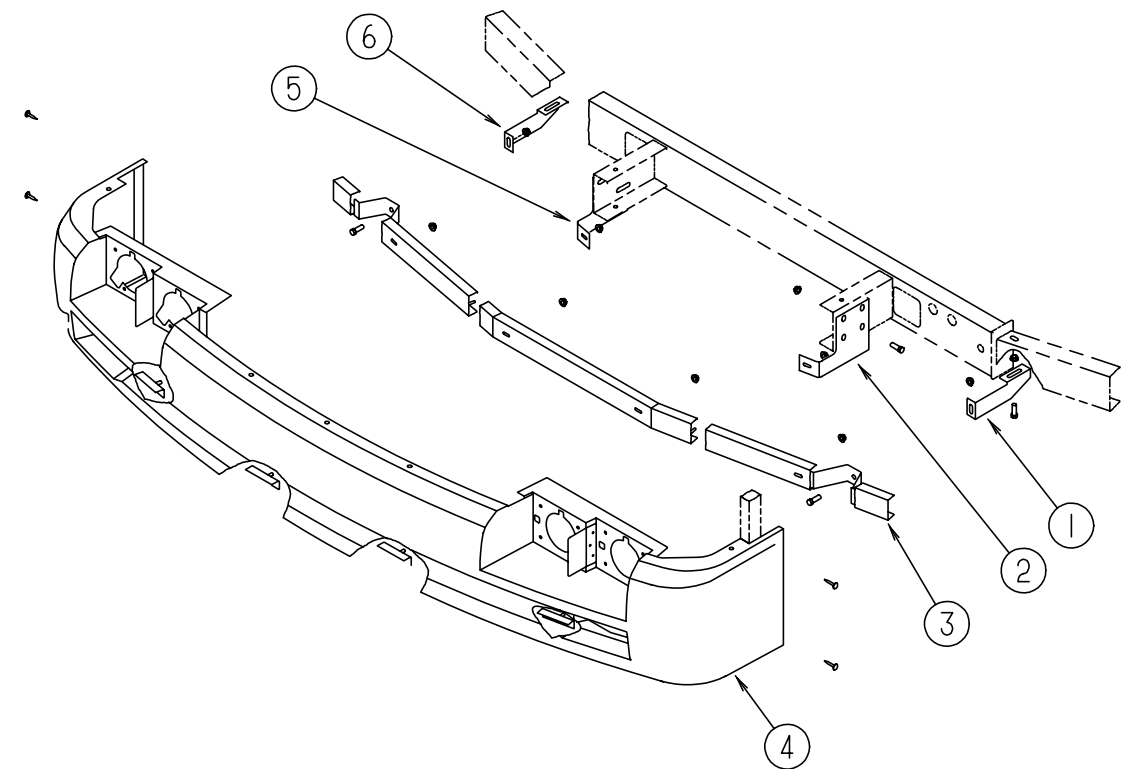
CHASSIS GROUP (CONTINUED)



REAR BUMPER, TRAILER HITCH & COMPONENTS

KEY	PART NUMBER	U/M DESCRIPTION
1	102944-05-000	EA BRACKET ASM-TIRE CARRIER, CHEVY
2	078678-02-000	EA PLATE-MOUNTING, BUMPER - REAR
3	078668-01-000	EA SUPPORT ANGLE-BUMPER, REAR
4	111742-01-000	EA PLATE ASM-SKID
5	117950-03-02B	EA BRACKET ASM-BUMPER, REAR - E-COAT
6	103228-01-06A	EA CAP-END, BUMPER - REAR - DRIVER OR PASSENGER SIDE - BRIGHT WHITE
7	091673-01-000	EA TIRE - 225/70R19.5 LRF - MICHELIN XZA - DIESEL
7	083425-07-000	EA TIRE - 7.50 X R16 LRD, MICHELIN XPS RIB
	051377-01-000	EA STEM-VALVE, TR 500 - DIESEL
	051377-03-000	EA STEM-VALVE, TRO 600HP
	077030-02-000	EA EXTENSION-VALVE STEM, 1.25"
	089359-03-000	EA WHEEL-STEEL, 16" X 6"K - 8 HOLE - PRIMED - GAS
8	034513-01-000	EA PIN-HITCH, 3/16" WIRE
9	034512-01-000	EA PIN-LOCKING, DRAWBAR
10	107707-09-000	EA HITCH ASM W/O DRAWBAR
11	103099-01-06A	EA BUMPER-REAR, BRIGHT WHITE
12	117950-04-02B	EA BRACKET ASM-BUMPER, REAR - E-COAT
	113589-02-000	EA CONNECTOR-SOCKET, TRAILER - GENERAL 433601
	113589-01-000	EA CONNECTOR-PLUG, TRAILER - GENERAL 433501

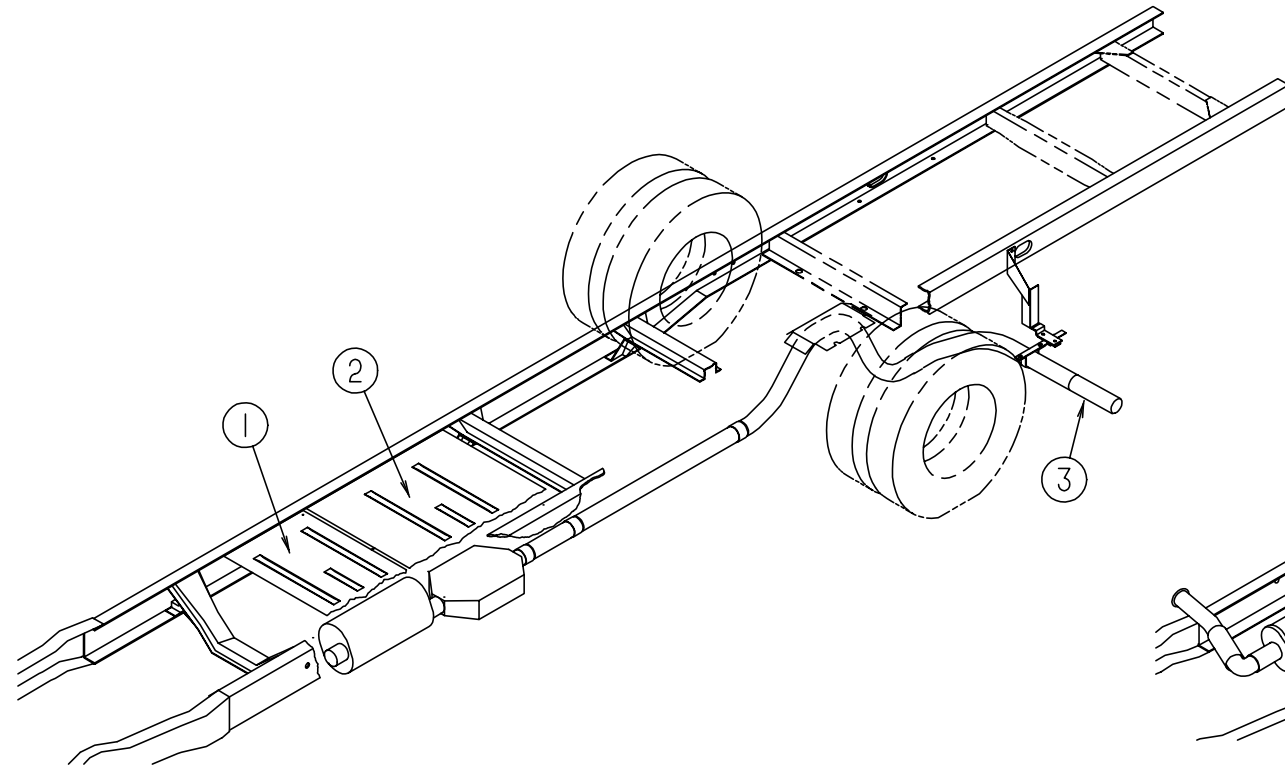
CHASSIS GROUP (CONTINUED)



FRONT BUMPER

KEY	PART NUMBER	U/M DESCRIPTION
1	118235-02-02B	EA SUPPORT-BUMPER, OUTER - LH
2	118234-02-02B	EA SUPPORT-BUMPER, INNER - LH
3	103512-01-000	EA CHANNEL ASM-BUMPER
4	118193-01-G13	EA BUMPER ASM-FRONT
5	118234-01-02B	EA SUPPORT-BUMPER, INNER - RH
6	118235-01-02B	EA SUPPORT-BUMPER, OUTER - RH

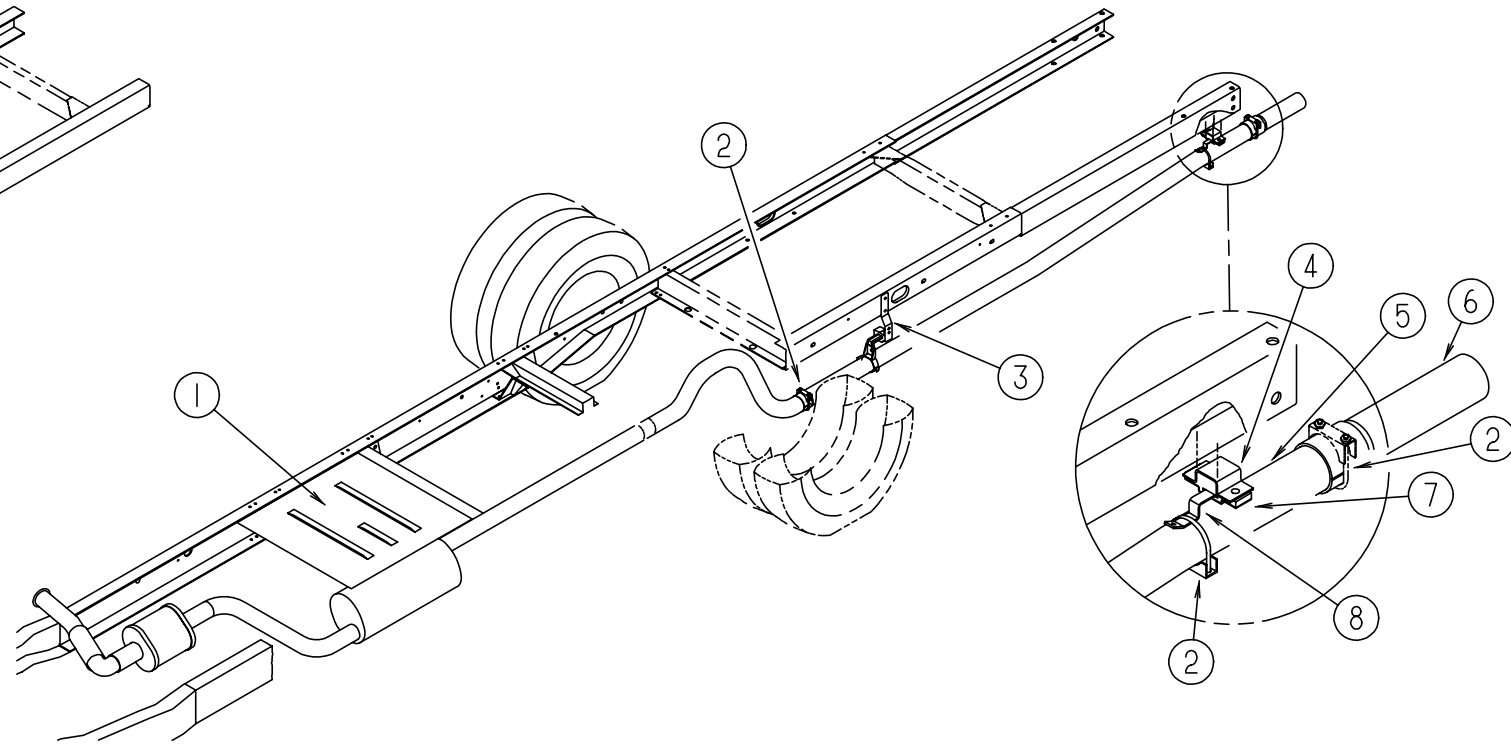
CHASSIS GROUP (CONTINUED)



EXHAUST SYSTEM - GAS

KEY	PART NUMBER	U/M	DESCRIPTION
1	101544-01-000	EA	SHIELD-HEAT, EXHAUST - 19.7" X 28.9" - STEEL
2	101544-02-000	EA	SHIELD-HEAT, EXHAUST - 30" X 28.9" - STEEL
3	098608-03-000	EA	EXTENSION-EXHAUST, TAIL - 3" OD - STAINLESS STEEL

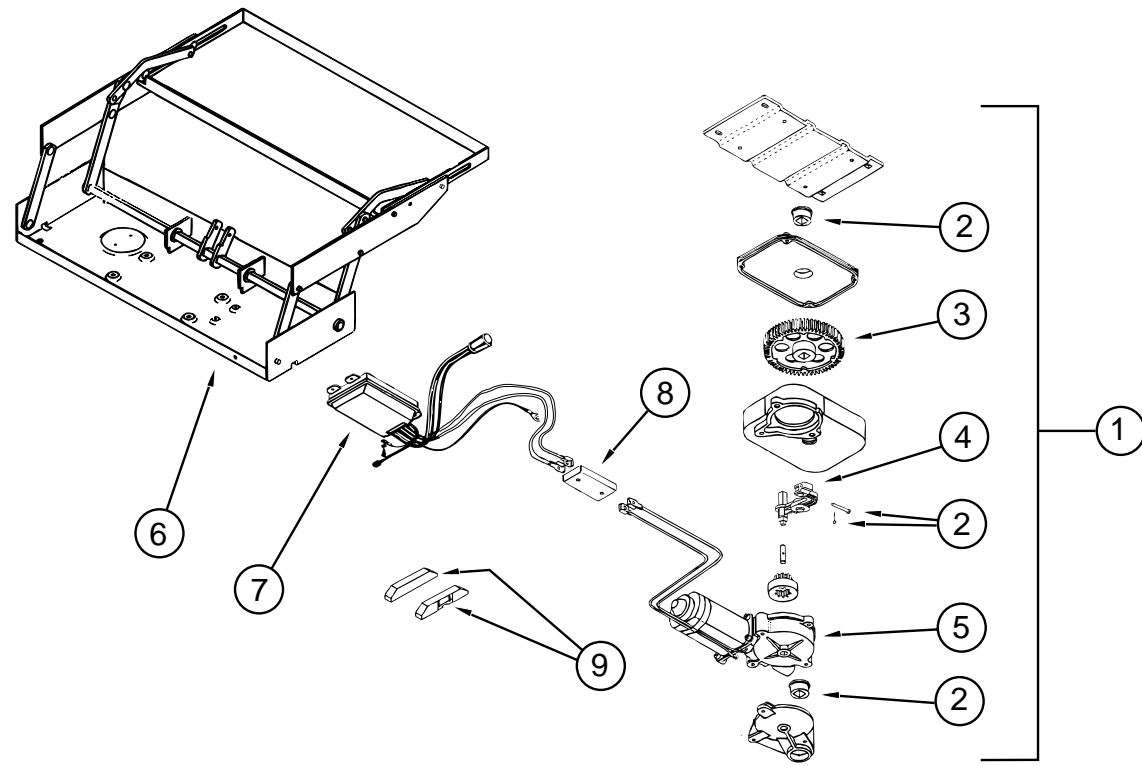
CHASSIS GROUP (CONTINUED)



EXHAUST SYSTEM - DIESEL

KEY	PART NUMBER	U/M	DESCRIPTION
1	101544-02-000	EA	SHIELD-HEAT, EXHAUST - 30" X 28.9" - STEEL
2	094918-01-000	EA	CLAMP-EXHAUST, 3" - GUILLOTINE STYLE
3	117029-01-02B	EA	HANGER-EXHAUST, 9.3" X 1.5" - STEEL
4	102116-02-000	EA	BRACKET-EXHAUST W/WELDNUTS, UPPER - 4" X 2"
5	117048-01-000	EA	PIPE-EXHAUST, TAIL - 3" ID X 74.4"
6	098762-05-000	EA	PIPE-EXHAUST, TAIL - 3" ID X 9.1"
7	095190-01-000	EA	HANGER-EXHAUST, 4" X 1.4"
8	096054-04-000	EA	HANGER-EXHAUST, 5" X .8"

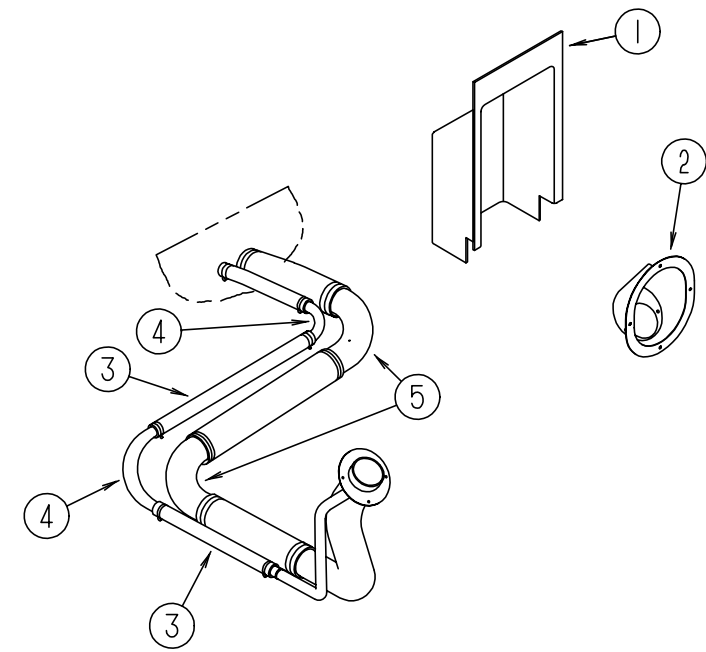
CHASSIS GROUP (CONTINUED)



KWIKIE ELECTRIC ENTRY STEP

KEY	PART NUMBER	U/M DESCRIPTION	VENDOR NO.
1	094708-01-01A	EA STEP-ENTRY DOOR, ELECTRIC - SINGLE - KWIKIE 2813	
2	094707-02-703	EA PARTS KIT, (BEARINGS & PINS)	9530
3	094707-02-702	EA GEAR KIT - KWIKIE	9525
4	094708-03-700	EA LINKAGE ASM F/28 SERIES	9522
5	094707-02-700	EA MOTOR REPLACEMENT KIT - MODELS 32 & 28	9520
6	088746-01-709	EA FRAME W/SINGLE STEP, 2800 SERIES	908028
7	094707-02-705	EA CONTROL UNIT, WHITE	909513
8	094707-02-704	EA CONNECTOR KIT-MOTOR	9537
	094707-02-707	EA TREAD-NON-SKID, BLACK - 6" X 21"	909333
9	116995-01-000	EA SWITCH/MAGNET-STEP, ELECTRIC - KWIKIE 905306	

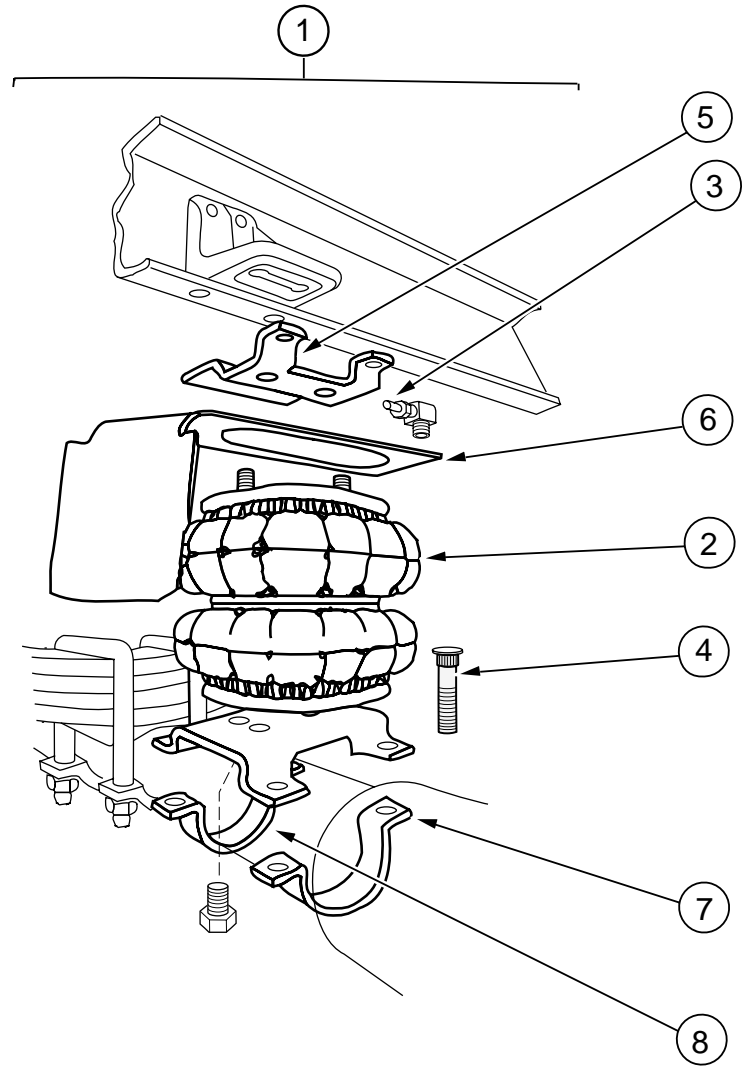
CHASSIS GROUP (CONTINUED)



FUEL SYSTEM

KEY	PART NUMBER	U/M DESCRIPTION
1	072447-09-000	EA SHROUD-FUEL FILL, UPPER - PLASTIC
2	095854-01-04A	EA SHROUD-FUEL FILL, BRIGHT WHITE
3	066732-01-000	FT HOSE-FUEL FILL, .62" ID
4	098806-01-000	EA PIPE-FILL VENT, 90 DEGREE BEND - .625" OD - STEEL
5	098803-02-000	EA PIPE-FUEL, FILL - 90 DEGREE BEND - 1.75" OD - STEEL
	084884-01-000	EA PLUG-BRASS, 3/8"
	007063-01-000	FT HOSE-GAS, 1/4" ID X 1/2" OD

CHASSIS GROUP (CONTINUED)
FIRESTONE REAR AXLE AIRSPRINGS



KEY	PART NUMBER	U/M	DESCRIPTION	VENDOR NO.
1	084086-04-000	EA	AIRSPRING-BELLOWS, REAR AXLE - FIRESTONE MHA224	
2	084086-04-702	EA	AIR BAG-ONLY	W217602064
3	084086-01-701	EA	TUBING-DOT 1/4" X 18'	21-0938
4	084086-01-702	EA	BOLT-RIBBED NECK, 3/8"-24 X 2.5"	21-0829
	084086-01-705	EA	TUBING PROTECTORS	21-0899
5	084086-01-706	EA	BRACKET-UPPER TO FRAME	21-0150
6	084086-01-711	EA	HEAT SHIELD-224 DOS SYSTEM	21-5042
7	084086-01-713	EA	AXLE STRAP BRACKET, AXLE TUBE - 3 USED	21-1163
8	084086-01-714	EA	AXLE STRAP BRACKET, DIFFERENTIAL - 1 USED	21-5038
	084086-04-700	EA	BRACKET-LOWER DRIVERS SIDE	21-5064
	084086-04-701	EA	BRACKET-LOWER PASSENGER SIDE	21-5065

CHASSIS GROUP (CONTINUED)
KAPER 19.5" CHEVY STAINLESS STEEL WHEEL LINERS

KEY	PART NUMBER	U/M DESCRIPTION	VENDOR NO.
	091209-01-000	EA LINER-WHEEL, 19.5" - STAINLESS STEEL - SET OF 4 - KAPER 1954-ION	
	091209-01-700	EA LINER-WHEEL, 19.5" FRONT - 10 LUG - CHEVY P-30	37N
	091209-01-701	EA LINER-WHEEL, 19.5" REAR - 10 LUG - CHEVY P-30	38N
	091209-01-702	EA COVER-AXLE, 19.5" FRONT - 10 LUG - CHEVY P-30	34N
	091209-01-703	EA COVER-AXLE, 19.5" REAR - 10 LUG - CHEVY P-30	35N
	091209-01-704	EA COVER-LUG NUT	36

DICOR 16" CHEVY WHEEL COVERS

KEY	PART NUMBER	U/M DESCRIPTION	VENDOR NO.
	109443-05-000	EA WHEEL COVER - 4/SET, 16" STAINLESS STEEL - DICOR SHFM16	
	098532-01-700	EA COVER-LUG NUT (CHROME)	SH-AU-LNC
	109443-05-700	EA COVER-WHEEL, 16"	SHFM16-CVR

KAPER II 16" CHEVY STAINLESS STEEL WHEEL LINERS

KEY	PART NUMBER	U/M DESCRIPTION	VENDOR NO.
	091209-05-000	EA LINER-WHEEL, SET OF 4 - 16" - STAINLESS STEEL - KAPER II 1604-88-UE	
	091209-03-702	EA COVER-AXLE, FRONT, 8 LUG	64UE
	091209-03-703	EA COVER-AXLE, REAR, 8 LUG	65UE
	091209-03-704	EA RING-SNAP	00
	091209-05-700	EA LINER-WHEEL, FRONT	57-88
	091209-05-701	EA LINER-WHEEL, REAR	58-88

BILSTEIN FRONT SHOCKS - CHEVY

KEY	PART NUMBER	U/M DESCRIPTION
	104993-01-000	EA SHOCK ABSORBER-GAS, P30 FRONT - BILSTEIN B46-1173

TIRE COVERS

KEY	PART NUMBER	U/M DESCRIPTION
	108163-01-01A	EA COVER-TIRE, 16" - CHROME - EXTERIOR TRIM OPTION
	108560-02-03A	EA INSERT-TIRE COVER, 16" - BRIGHT WHITE - EXTERIOR TRIM OPTION

LUG WRENCH & LEVERAGE BAR

KEY	PART NUMBER	U/M DESCRIPTION
	080208-01-000	EA LUG WRENCH, 1.06 X 1.00
	080208-02-000	EA BAR-LEVERAGE, LUG WRENCH

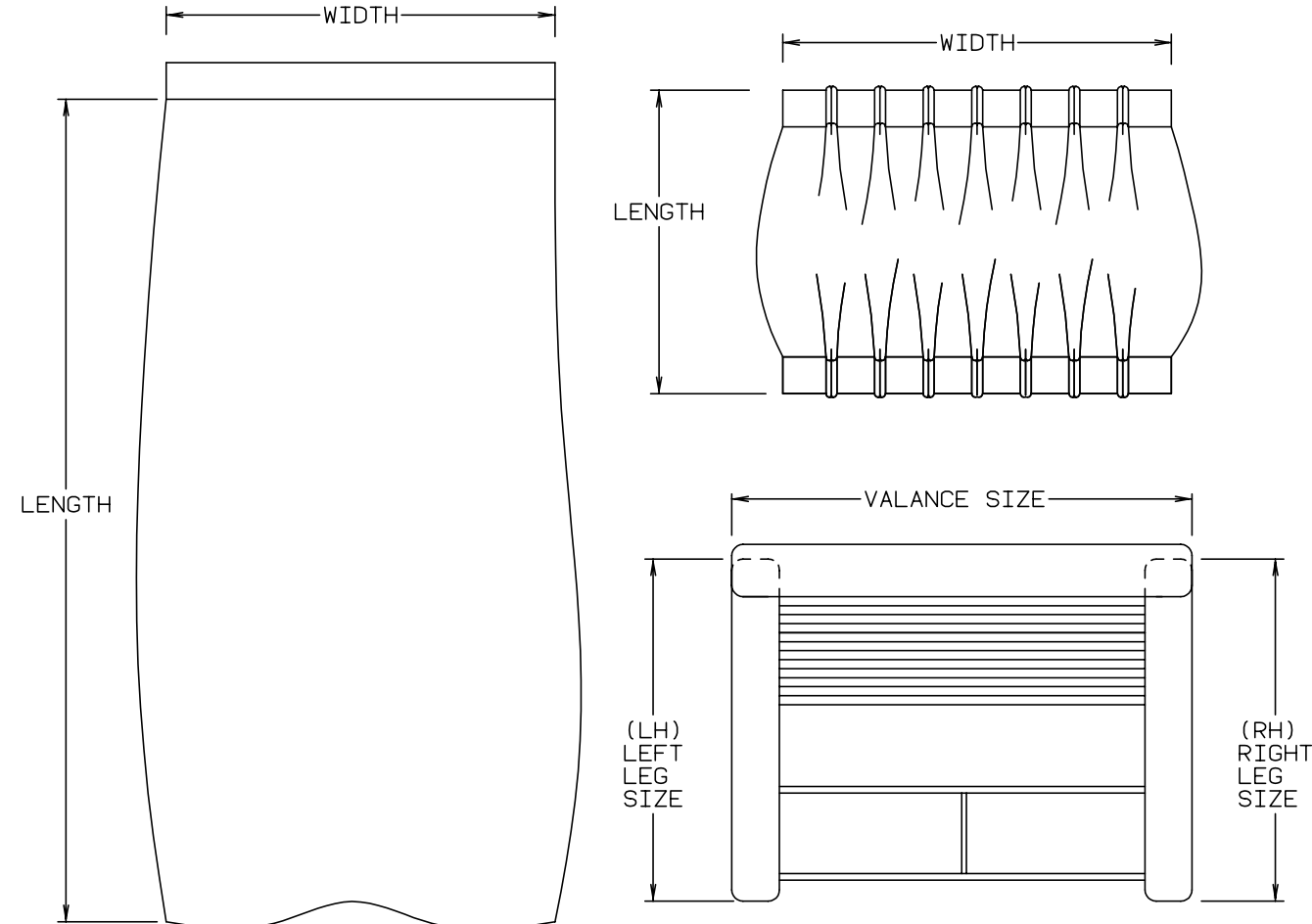
CHASSIS MISCELLANEOUS

KEY	PART NUMBER	U/M DESCRIPTION
	055278-51-259	EA TUBING-STEEL, .75" X 1.5" X 12.5"
	008042-01-000	FT TUBING-VINYL, .65" ID
	065450-05-000	EA TIEDOWN-BATTERY, 8.4" TUBE - STEEL
	119847-01-02B	EA SHIELD-A/C CONDENSER, E-COAT
	113875-01-000	EA HOSE-HUMP, 3" - GRIFFITH HH3 - DIESEL OPTION
	097494-02-000	EA TEE-BARB, 3/8" X 5/32 X 3/8" - BRASS - DIESEL OPTION
	087269-01-000	EA TEE-1/4" X 1/4" X 1/4", BRASS - DIESEL OPTION
	114254-01-000	EA ADAPTER - 1/4" SINGLE BARB X 1/8" MPT
	068382-06-000	EA BUSHING-BRASS, 3/8" MPT X 1/8" FPT
	104147-02-000	EA SHIELD ASM-SPLASH, RH - 494 MM X 408 MM - W/STUDS - E-COATED STEEL

CURTAIN & CUSHION GROUP
NOTICE

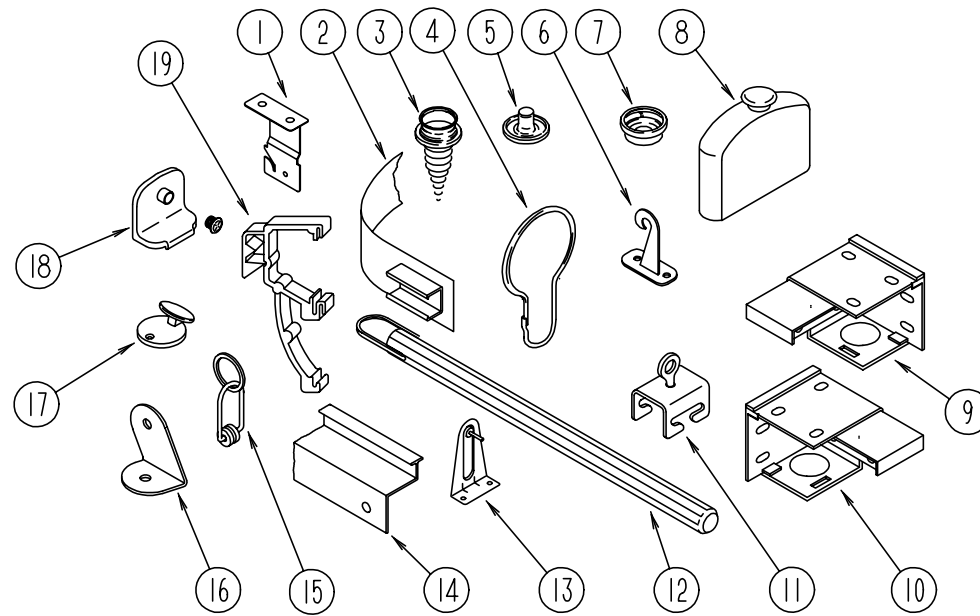
IN ORDER TO ASSIST OUR PARTS SALES DEPT. IN PROVIDING INTERIOR SOFTGOODS ITEMS, PLEASE INCLUDE THE SERIAL NUMBER AND THE COLOR CODE NUMBER FROM THE VEHICLE CERTIFICATION LABEL WHEN ORDERING. THIS LABEL IS LOCATED ON THE LEFT SIDEWALL AT THE END OF THE DASH (A-BODY), OR ON THE DRIVER'S DOOR LATCH PLATE (C-BODY).

AN EXAMPLE OF A COLOR CODE NUMBER IS B07, WHICH DESIGNATES AN OVERALL COLOR SCHEME OF A PARTICULAR UNIT. THE COLOR LISTED AFTER THE ITEM DESCRIPTION ON THE MICROFICHE, INDICATES THE OVERALL UNIT COLOR. ORDER THE ITEM YOU DESIRE ACCORDING TO UNIT COLOR CODE.



NOTE: USE THIS ILLUSTRATION WHEN DETERMINING LENGTH AND WIDTH MEASUREMENTS FOR CURTAINS. YOU WILL NOTE THE WIDTH MEASUREMENT IS TAKEN ON THE TOP OF THE CURTAIN WITH THE CURTAIN FULLY EXTENDED. THE LENGTH MEASUREMENT IS TAKEN FROM TOP TO BOTTOM. LEFT AND RIGHT WINDOW LEGS ARE DETERMINED WHEN FACING THE WINDOW.

CURTAIN & CUSHION GROUP (CONTINUED)
CURTAIN, BLIND HARDWARE & TRACKS



KEY	PART NUMBER	U/M	DESCRIPTION	KEY	PART NUMBER	U/M	DESCRIPTION
1	084434-01-000	EA	BRACKET-MOUNTING, ROLLER SHADE - 1 3/8"	15	102075-03-01A	EA	ROD-SHOWER CURTAIN, OFF WHITE - 749 MM LONG
	096843-01-000	EA	SPRING-REWIND, ROLLER SHADE	16	009701-01-000	EA	CARRIER-CURTAIN, L-ROD
	086276-01-000	EA	TAPE-DOUBLE SIDED, 1/2"	17	099205-02-02A	EA	BRACKET-WRAPAROUND CURTAIN TRACK, OFF WHITE
2	101031-01-000	YD	TAPE-GLIDE, CURTAIN - 4.25" SPACING	18	102555-01-000	EA	CLEAT-CORD, BLIND - OFF WHITE
3	029130-01-000	EA	SCREW-SNAP SOCKET, #8 PH X 5/8"	18	106544-01-000	EA	PULL-SHADE, BRASS
3	029130-03-000	EA	SCREW-SNAP SOCKET, #8 PH X 1"	18	106544-01-001	EA	SCREW-SHADE PULL, BRASS
4	009136-02-000	EA	HANGER-RING, PIN TYPE - CURTAIN - BRASS	19	109353-04-000	EA	CLIP-MOUNTING, VALANCE SLAT - CLEAR PLASTIC
	046867-01-000	EA	GROMMET-BRASS, 7/16" ID X 1" OD - SHOWER CURTAIN	056003-01-000	EA	BRACKET-RETAIN, CURTAIN - RH	
			FROM: 00-00-00 THRU: 10-01-95	056003-02-000	EA	BRACKET-RETAIN, CURTAIN - LH	
	046867-03-000	EA	GROMMET-HANDY BUTTON, #3 - SHOWER CURTAIN	048394-02-000	YD	VELCRO TAPE-HOOK, ADHESIVE BACK - .75" WIDE - BEIGE	
			FROM: 10-02-95 THRU: 99-99-99	088792-01-000	YD	VELCRO TAPE-HOOK, .75" WIDE - BEIGE	
5	029155-01-000	EA	CAP-SNAP, 5/32" O.D. OF PIN	088792-02-000	YD	VELCRO TAPE-LOOP, ADHESIVE BACKED - .75" WIDE - BEIGE	
6	109441-01-000	EA	HOLD DOWN-BLIND, HOOK	068716-01-001	EA	BRACE - 90 DEGREE L-ANGLE, 192" - EXTRUDED ALUMINUM	
	109441-02-000	EA	SPACER-HOLD DOWN, BLIND	075943-09-000	EA	BRACE-VALANCE, OFF WHITE - 8"	
7	029156-01-000	EA	SOCKET-SNAP, 9/16" O.D.	105648-01-02A	EA	BRACE-VALANCE, ANGLE - 1.5" X 1.5" X 14" - OFF WHITE	
8	093475-01-701	EA	END CAP-BLIND, W/STUD				
9	083170-01-000	EA	BRACKET-BLIND, RIGHT HAND				
10	083170-02-000	EA	BRACKET-BLIND, LEFT HAND				
11	009702-01-000	EA	END STOP-CURTAIN CARRIER, L ROD				
12	093475-01-700	EA	WAND-BLIND, W/METAL CLIP - 8" LONG				
13	095591-02-000	EA	BRACKET-HOLD DOWN, W/PIN - BLIND - METAL				
14	101589-02-C05	EA	TRACK ASM W/BRKTS-CURTAIN, RIGHT HAND WRAPAROUND - OFF WHITE - 10'				
			FROM: 00-00-00 THRU: 08-27-95				
14	101589-02-G29	EA	TRACK ASM W/BRKTS-CURTAIN, RIGHT HAND WRAPAROUND - QUICKSILVER - 10'				
			FROM: 08-28-95 THRU: 99-99-99				
14	105450-01-01A	EA	TRACK-CURTAIN, LEFT HAND WRAPAROUND - OFF WHITE - 30.8" LONG				
			FROM: 00-00-00 THRU: 08-27-95				
14	105450-01-03A	EA	TRACK-CURTAIN, LEFT HAND WRAPAROUND - QUICKSILVER - 30.8" LONG				
			FROM: 08-28-95 THRU: 99-99-99				
14	114641-03-E10	EA	TRACK ASM-CURTAIN, RIGHT HAND WRAPAROUND - O/W - 6.95' - TV OPTIONS				
			FROM: 00-00-00 THRU: 08-27-95				
14	114641-03-G29	EA	TRACK ASM-CURTAIN, RIGHT HAND WRAPAROUND - WILLOW - 6.95' - TV OPTIONS				
			FROM: 08-28-95 THRU: 09-23-95				
14	114641-07-G35	EA	TRACK ASM-CURTAIN, RIGHT HAND WRAPAROUND - WILLOW - 7.17' - TV OPTIONS				
			FROM: 09-24-95 THRU: 99-99-99				
14	114641-04-E10	EA	TRACK ASM-CURTAIN, LEFT HAND WRAPAROUND - O/W - 6.95' - TV OPTIONS				
			FROM: 00-00-00 THRU: 08-27-95				
14	114641-04-G29	EA	TRACK ASM-CURTAIN, LEFT HAND WRAPAROUND - WILLOW - 6.95' - TV OPTIONS				
			FROM: 08-28-95 THRU: 09-23-95				
14	114641-08-G35	EA	TRACK ASM-CURTAIN, LEFT HAND WRAPAROUND - WILLOW - 7.17' - TV OPTIONS				
			FROM: 09-24-95 THRU: 99-99-99				

CURTAIN & CUSHION GROUP (CONTINUED)

SUNRISE FABRIC

COLOR CODES	G29	G30	G31	G32
	PEBBLE BEACH (BROWN)	NEPTUNE (TEAL)	GALAXY (BLUE)	ROUTE 66
CEILING VINYL	089351-03-000	089351-03-000	089351-03-000	089351-03-000
OFF WHITE VINYL	106569-01-01A	106569-01-01A	106569-01-01A	106569-01-01A
QUICKSILVER VINYL	103907-01-05A	103907-01-05A	103907-01-05A	103907-01-05A
DRAPERY LINING	087272-03-000	087272-03-000	087272-03-000	087272-03-000
BUCKET SEATS	104233-14-000	108446-C5-000	098428-30-000	108446-55-000
DINETTE	108446-E1-000	108446-E2-000	108446-B1-000	108446-D3-000
DINETTE PADS	104233-14-000	108446-C5-000	108446-30-000	108446-55-000
SOFA	108446-E1-000	108446-E2-000	108446-B1-000	108446-D2-000
SOFA PILLOWS	108446-57-000	108446-C6-000	098428-30-000	108446-D3-000
SWIVEL CHAIR	108446-57-000	108446-C6-000	098428-30-000	108446-D3-000
LOUNGE WINDOWS	104233-14-000 108446-E1-000 108446-57-000	108446-C5-000 108446-C6-000 108446-E2-000	098428-30-000 108446-B1-000	108446-D4-000 108446-D2-000
BEDROOM WINDOW	105745-A1-000 105745-98-000	105745-45-000 105745-99-000	105745-61-000 105745-91-000	105745-D1-000 105745-D3-000
BEDSPREAD	105745-A1-000 105745-98-000	105745-45-000 105745-99-000	105745-61-000 105745-91-000	105745-D1-000
PILLOW SHAMS/ PILLOW CASES	105745-A1-000 105745-98-000	105745-45-000 105745-99-000	105745-61-000 105745-91-000	083272-03-000
BEDROOM PILLOWS	105745-A1-000 105745-98-000	105745-45-000 105745-99-000	105745-61-000 105745-91-000	105745-D3-000
FRONT WRAP AROUND	072333-90-000	072333-82-000	072333-82-000	072333-82-000
DIVIDER CURTAIN	072333-90-000	072333-82-000	072333-82-000	072333-82-000
MAP POCKETS	104233-14-000	108446-C5-000	098428-30-000	108446-55-000

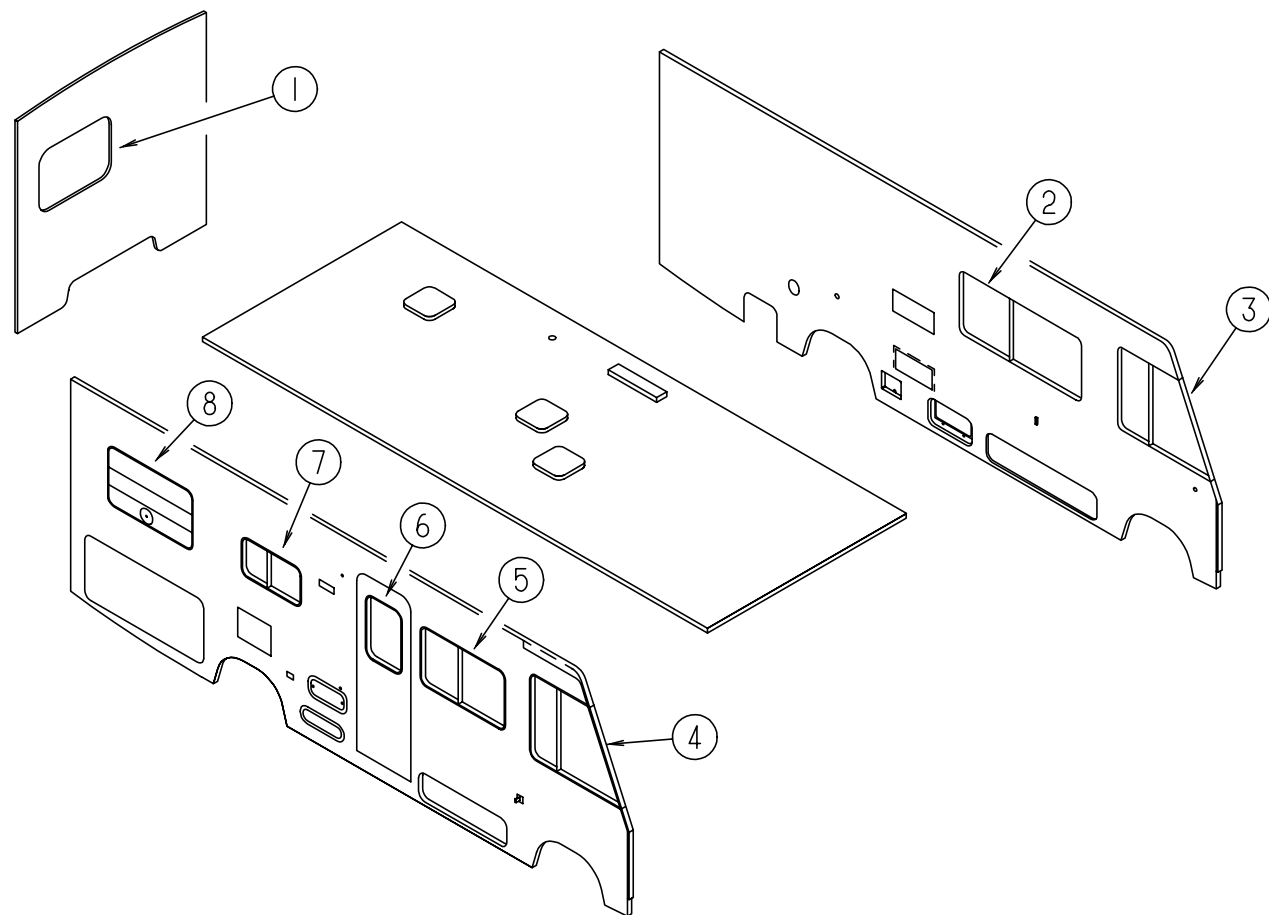
CURTAIN & CUSHION GROUP (CONTINUED)

BUTTON, TRIM, ASSIST HANDLE & SEAT BELT

KEY	PART NUMBER	U/M	DESCRIPTION
	079349-04-F01	YD	WELT ASM-NARROW, ACCENT (G29)
	079349-04-F08	YD	WELT ASM-NARROW, ACCENT (G30)
	079349-04-E04	YD	WELT ASM-NARROW, ACCENT (G31)
	079349-04-G32	YD	WELT ASM-NARROW, ACCENT (G32)
	057759-01-000	EA	WASHER BRACKET-SEAT BELT, 4" DIAMETER
	007021-01-000	EA	BELT-SEAT, 2" X 90" - BLACK
	056271-02-000	EA	BELT-SEAT, 2" X 72" - BLACK
	069178-02-000	EA	BRACKET-MOUNTING, ASSIST HANDLE - L ANGLE - W/HOLES - STEEL
	000C16-07-16B	EA	BOLT-CARRIAGE, ASSIST HANDLE - 7/16" - 14 X 1" ZN
	000D20-07-00B	EA	NUT-ACORN, ASSIST HANDLE - 7/16" X 14 ZN
	053552-02-AA8	EA	HANDLE-ASSIST, INTERIOR - ENTRY DOOR - VINYL - OFF WHITE
	057534-01-000	EA	TIEBACK/TIEDOWN-BED/CURTAIN/DOOR, 6" - PLASTIC - CLEAR

NOTE: FABRIC LISTED FIRST IN A BLOCK IS THE LARGEST QUANTITY OF FABRIC USED.

CURTAIN & CUSHION GROUP (CONTINUED)
WINDOW TREATMENT & SHOWER CURTAIN

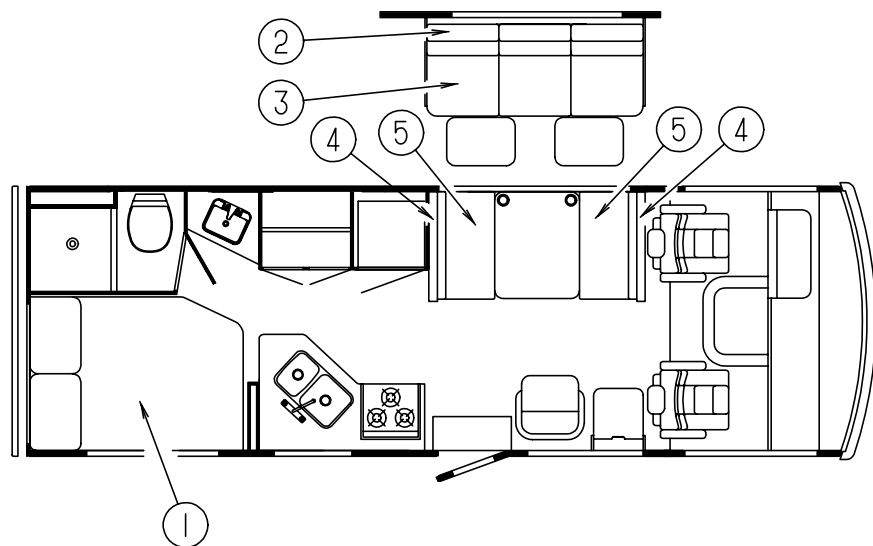


KEY	PART NUMBER	U/M	DESCRIPTION
1	112113-15-G29	EA	VALANCE - 40", VALERIE (G29)
1	112113-15-G30	EA	VALANCE - 40", VALERIE (G30)
1	112113-15-G31	EA	VALANCE - 40", VALERIE (G31)
1	119138-09-G32	EA	VALANCE - 40", BELLINI W/WELT (G32)
1	119138-26-G32	EA	VALANCE - 40", BELLINI W/WELT (G32) - THERMOPANE WINDOW OPTION
1	112986-11-G29	EA	CURTAIN - 27.5" X 6", PLEATED TOP - POCKET BOTTOM
1	112986-11-G30	EA	CURTAIN - 27.5" X 6", PLEATED TOP - POCKET BOTTOM
1	112986-11-G31	EA	CURTAIN - 27.5" X 6", PLEATED TOP - POCKET BOTTOM
1	119333-63-G12	EA	LEG - 25", RIGHT (G32)
1	119333-71-G32	EA	LEG - 25", RIGHT (G32) - THERMOPANE WINDOW OPTION
1	119333-64-G12	EA	LEG - 25", LEFT (G32)
1	119333-72-G32	EA	LEG - 25", LEFT (G32) - THERMOPANE WINDOW OPTION
1	093475-78-06A	EA	BLIND-MINI, 36" X 28" DROP (G29/G32)
1	093475-78-05A	EA	BLIND-MINI, 36" X 28" DROP (G30/G31)

KEY	PART NUMBER	U/M	DESCRIPTION
2	118537-01-G29	EA	VALANCE - 64.5", GALAXY
2	118537-01-G30	EA	VALANCE - 64.5", GALAXY
2	118537-02-G31	EA	VALANCE - 64.5", GALAXY
2	105923-46-G32	EA	VALANCE - 64.5", RODEWAY
2	119333-11-G29	EA	LEG - 25", RIGHT (G29)
2	119333-11-G30	EA	LEG - 25", RIGHT (G30)
2	119333-11-G31	EA	LEG - 25", RIGHT (G31)
2	119333-33-G12	EA	LEG - 25", RIGHT (G32)
2	119333-12-G29	EA	LEG - 25", LEFT (G29)
2	119333-12-G30	EA	LEG - 25", LEFT (G30)
2	119333-12-G31	EA	LEG - 25", LEFT (G31)
2	119333-34-G12	EA	LEG - 25", LEFT (G32)
2	093475-76-06A	EA	BLIND-MINI, 60" X 28.5" DROP (G29/G32)
2	093475-76-05A	EA	BLIND-MINI, 60" X 28.5" DROP (G30/G31)
3	101668-57-G09	EA	CURTAIN - 38" X 95", TAPE TOP - LEFT (G29/G32)
3	101668-57-G10	EA	CURTAIN - 38" X 95", TAPE TOP - LEFT (G30/G31)
3	101668-32-D09	EA	CURTAIN - 40" X 40", TAPE TOP (G29/G32) - FRONT BUNK OPTION
3	101668-32-D10	EA	CURTAIN - 40" X 40", TAPE TOP (G30/G31) - FRONT BUNK OPTION
4	101668-56-G09	EA	CURTAIN - 38" X 95", TAPE TOP - RIGHT (G29/G32)
4	101668-56-G10	EA	CURTAIN - 38" X 95", TAPE TOP - RIGHT (G30/G31)
4	101668-33-D09	EA	CURTAIN - 38" X 125", TAPE TOP (G29/G32) - FRONT BUNK OPTION
4	101668-33-D10	EA	CURTAIN - 38" X 125", TAPE TOP (G30/G31) - FRONT BUNK OPTION
	073260-42-D09	EA	TIEBACK - 6" X 18" (G29/G32)
	073260-42-D10	EA	TIEBACK - 6" X 18" (G30/G31)
5	118537-11-G29	EA	VALANCE - 45.5", GALAXY
5	118537-11-G30	EA	VALANCE - 45.5", GALAXY
5	118537-12-G31	EA	VALANCE - 45.5", GALAXY
5	105923-49-G32	EA	VALANCE - 45.5", RODEWAY
5	119333-11-G29	EA	LEG - 25", RIGHT (G29)
5	119333-11-G30	EA	LEG - 25", RIGHT (G30)
5	119333-11-G31	EA	LEG - 25", RIGHT (G31)
5	119333-33-G12	EA	LEG - 25", RIGHT (G32)
5	119333-12-G29	EA	LEG - 25", LEFT (G29)
5	119333-12-G30	EA	LEG - 25", LEFT (G30)
5	119333-12-G31	EA	LEG - 25", LEFT (G31)
5	119333-34-G12	EA	LEG - 25", LEFT (G32)
5	109041-37-01A	EA	BLIND-MINI, 41 X 26" DROP (G29/G32)
5	109041-37-02A	EA	BLIND-MINI, 41 X 26" DROP (G30/G31)
6	118537-18-G29	EA	VALANCE - 31", GALAXY (G29)
6	118537-18-G30	EA	VALANCE - 31", GALAXY (G30)
6	118537-19-G31	EA	VALANCE - 31", GALAXY (G31)
6	113268-13-F27	EA	VALANCE - 31.5" (G32)
6	084755-57-E07	EA	SHADE-PULL, 27.25" (G29/G30/G31/G32)
7	109353-07-02A	EA	VALANCE-SLAT, 31" (G29/G32)
7	109353-07-01A	EA	VALANCE-SLAT, 31" (G30/G31)
7	109041-20-02A	EA	BLIND-MINI, 31" X 18" DROP (G29/G32)
7	109041-20-01A	EA	BLIND-MINI, 31" X 18" DROP (G30/G31)
8	112113-11-G29	EA	VALANCE - 44", VALERIE (G29)
8	112113-11-G30	EA	VALANCE - 44", VALERIE (G30)
8	112113-11-G31	EA	VALANCE - 44", VALERIE (G31)
8	119138-24-G12	EA	VALANCE - 45", BELLINI (G32)
8	112986-11-G29	EA	CURTAIN - 27.5" X 6", PLEATED TOP - POCKET BOTTOM
8	112986-11-G30	EA	CURTAIN - 27.5" X 6", PLEATED TOP - POCKET BOTTOM
8	112986-11-G31	EA	CURTAIN - 27.5" X 6", PLEATED TOP - POCKET BOTTOM
8	119333-63-G12	EA	LEG - 25", RIGHT (G32)
8	119333-64-G12	EA	LEG - 25", LEFT (G32)
8	109041-37-01A	EA	BLIND-MINI, 41" X 26" DROP (G29/G32)
8	109041-37-02A	EA	BLIND-MINI, 41" X 26" DROP (G30/G31)
	084481-22-F05	EA	CURTAIN-SHOWER, 65" X 40" - GROMMET TOP (G29/G32)
	084481-22-C27	EA	CURTAIN-SHOWER, 65" X 40" - GROMMET TOP (G30)
	084481-22-C08	EA	CURTAIN-SHOWER, 65" X 40" - GROMMET TOP (G31)
	073260-54-E01	EA	TIEBACK-SHOWER CURTAIN, 3" X 16" (G29/G32)
	073260-54-C10	EA	TIEBACK-SHOWER CURTAIN, 3" X 16" (G30)
	073260-54-C30	EA	TIEBACK-SHOWER CURTAIN, 3" X 16" (G31)

CURTAIN & CUSHION GROUP (CONTINUED)

COUCH



KEY	PART NUMBER	U/M	DESCRIPTION
2	112104-01-G29	EA	COUCH-BACK, 74" W/O ARMS (G29)
2	112104-01-G30	EA	COUCH-BACK, 74" W/O ARMS (G30)
2	112104-01-F25	EA	COUCH-BACK, 74" W/O ARMS (G31)
2	112104-01-F27	EA	COUCH-BACK, 74" W/O ARMS (G32)
2	P12104-01-G29	EA	COVER-COUCH BACK (G29)
2	P12104-01-G30	EA	COVER-COUCH BACK (G30)
2	P12104-01-F25	EA	COVER-COUCH BACK (G31)
2	P12104-01-F27	EA	COVER-COUCH BACK (G32)
	101085-10-000	EA	FRAME-COUCH BACK, 74"
3	100032-43-G01	EA	COUCH-SEAT, 74" W/O ARMS (G29)
3	100032-43-G02	EA	COUCH-SEAT, 74" W/O ARMS (G30)
3	100032-43-F02	EA	COUCH-SEAT, 74" W/O ARMS (G31)
3	100032-43-F07	EA	COUCH-SEAT, 74" W/O ARMS (G32)
3	P00032-43-G01	EA	COVER-COUCH SEAT (G29)
3	P00032-43-G02	EA	COVER-COUCH SEAT (G30)
3	P00032-43-F02	EA	COVER-COUCH SEAT (G31)
3	P00032-43-F07	EA	COVER-COUCH SEAT (G32)
	101085-04-000	EA	FRAME-COUCH SEAT, 74"
	101085-06-000	EA	FRAME-COUCH BASE, 74"
	111637-02-F06	EA	PILLOW-THROW, 22" X 22" (G29)
	111637-02-F08	EA	PILLOW-THROW, 22" X 22" (G30)
	111637-02-E04	EA	PILLOW-THROW, 22" X 22" (G31)
	111637-02-F27	EA	PILLOW-THROW, 22" X 22" (G32)

NOTE: COUCH FRONT AND SIDE PANELS ARE FOUND IN THE LOUNGE GROUP

DOUBLE MATTRESS, BEDSPREADS & PILLOW SHAMS

KEY	PART NUMBER	U/M	DESCRIPTION
1	101123-03-000	EA	MATTRESS-DOUBLE, W/CUT CORNER - 53" X 74"
1	P01123-03-000	EA	COVER-MATTRESS, 53" X 74"
1	085365-23-G29	EA	BEDSPREAD-THROW, 54" (G29)
1	085365-23-G30	EA	BEDSPREAD-THROW, 54" (G30)
1	085365-23-F25	EA	BEDSPREAD-THROW, 54" (G31)
1	119141-09-G32	EA	BEDSPREAD-THROW, 54" (G32)
	111863-06-G29	EA	PILLOW SHAM-W/O FOAM (G29)
	111863-06-G30	EA	PILLOW SHAM-W/O FOAM (G30)
	111863-06-G31	EA	PILLOW SHAM-W/O FOAM (G31)
	119249-03-000	EA	PILLOW CASE (G32)
	111862-03-G29	EA	PILLOW-THROW, 15" X 15" (G29)
	111862-03-G30	EA	PILLOW-THROW, 15" X 15" (G30)
	111862-03-G31	EA	PILLOW-THROW, 15" X 15" (G31)
	109785-06-G12	EA	PILLOW-THROW, 15" X 15" (G32)

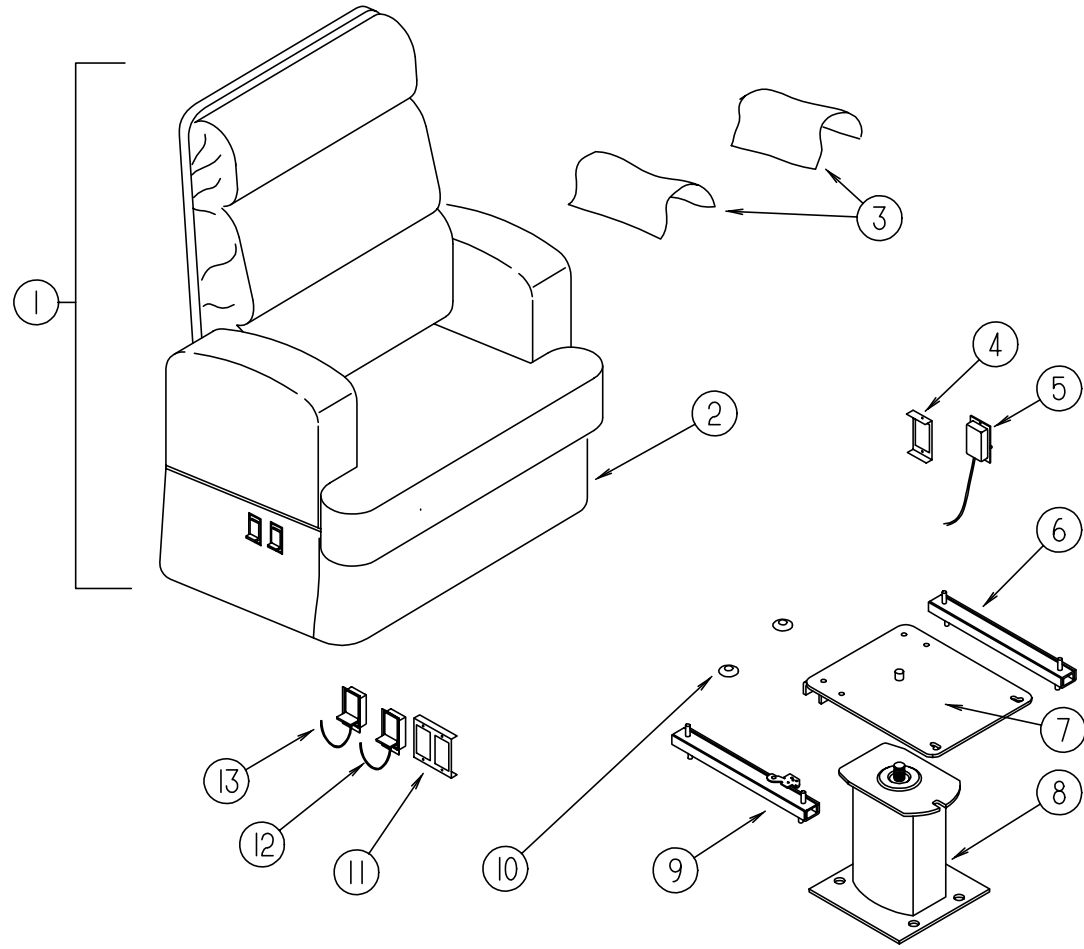
BUNK CUSHION

KEY	PART NUMBER	U/M	DESCRIPTION
	079145-06-000	EA	CUSHION-BUNK, 30" X 77" X 4"
	M79145-06-000	EA	COVER-CUSHION, BUNK

DINETTE CUSHIONS

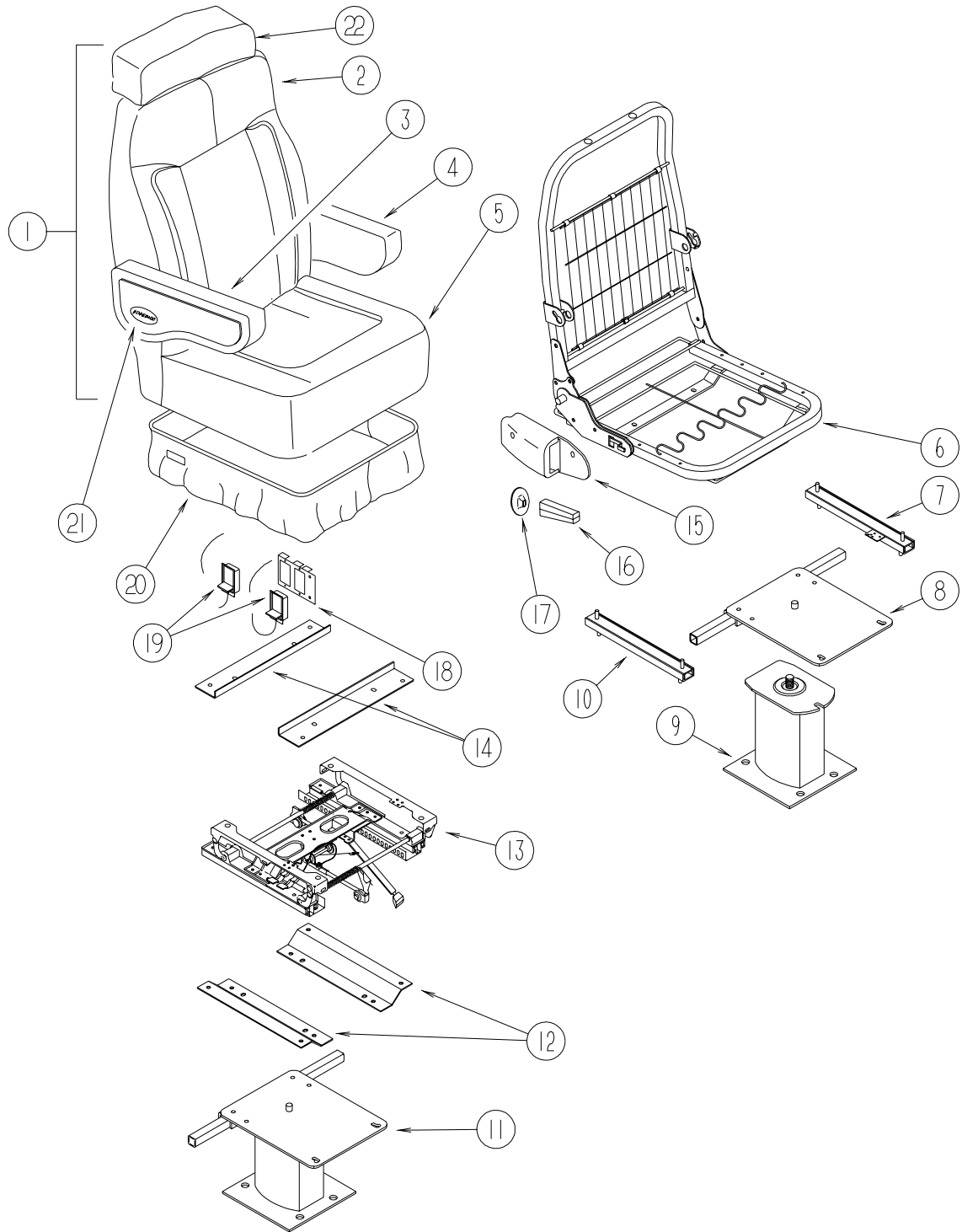
KEY	PART NUMBER	U/M	DESCRIPTION
4	111880-01-G29	EA	CUSHION-BACK, 13.5" X 38" X 5" (G29)
4	111880-01-G30	EA	CUSHION-BACK, 13.5" X 38" X 5" (G30)
4	111880-01-F25	EA	CUSHION-BACK, 13.5" X 38" X 5" (G31)
4	111897-04-F27	EA	CUSHION-BACK, 13.5" X 38" X 5" (G32)
4	P11880-01-G29	EA	COVER-BACK CUSHION, 13.5" X 38" X 5" (G29)
4	P11880-01-G30	EA	COVER-BACK CUSHION, 13.5" X 38" X 5" (G30)
4	P11880-01-F25	EA	COVER-BACK CUSHION, 13.5" X 38" X 5" (G31)
4	P11897-04-F27	EA	COVER-BACK CUSHION, 13.5" X 38" X 5" (G32)
	078155-01-000	EA	STRAP-SNAP, BACKREST CUSHION
5	088927-87-G01	EA	CUSHION-SEAT, 23" X 38" X 5" (G29)
5	088927-87-G02	EA	CUSHION-SEAT, 23" X 38" X 5" (G30)
5	088927-87-F02	EA	CUSHION-SEAT, 23" X 38" X 5" (G31)
5	088927-87-F27	EA	CUSHION-SEAT, 23" X 38" X 5" (G32)
5	M88927-87-G01	EA	COVER-SEAT CUSHION, 23" X 38" X 5" (G29)
5	M88927-87-G02	EA	COVER-SEAT CUSHION, 23" X 38" X 5" (G30)
5	M88927-87-F02	EA	COVER-SEAT CUSHION, 23" X 38" X 5" (G31)
5	M88927-87-F27	EA	COVER-SEAT CUSHION, 23" X 38" X 5" (G32)

CURTAIN & CUSHION GROUP (CONTINUED)
SWIVEL CHAIR



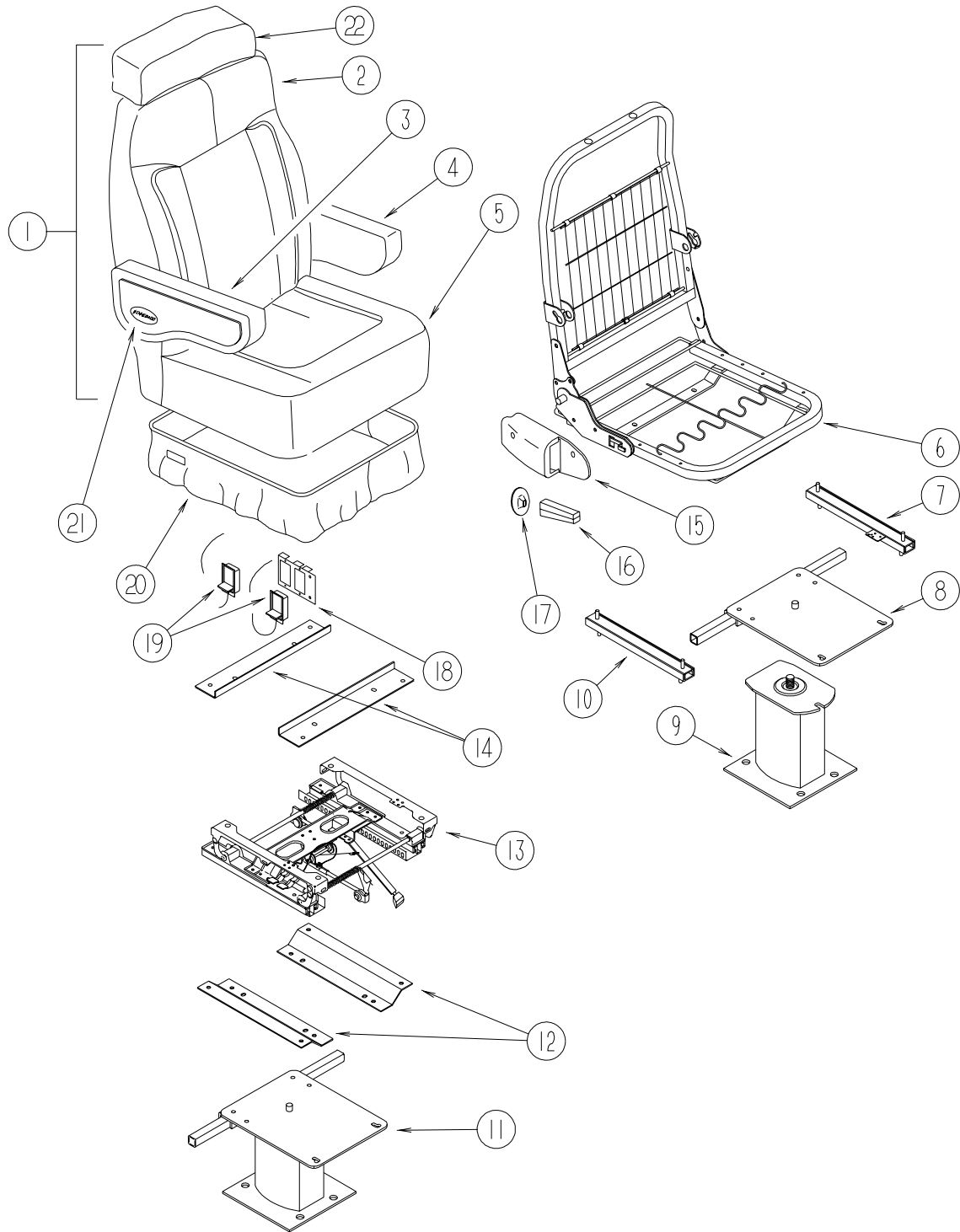
KEY	PART NUMBER	U/M	DESCRIPTION
1	118538-01-G29	EA	CHAIR-SWIVEL, W/O SKIRT
1	118538-01-G30	EA	CHAIR-SWIVEL, W/O SKIRT
1	118538-01-G31	EA	CHAIR-SWIVEL, W/O SKIRT
1	118538-01-G32	EA	CHAIR-SWIVEL, W/O SKIRT
	P18538-01-G29	EA	COVER-SWIVEL CHAIR
	P18538-01-G30	EA	COVER-SWIVEL CHAIR
	P18538-01-G31	EA	COVER-SWIVEL CHAIR
	P18538-01-G32	EA	COVER-SWIVEL CHAIR
2	118539-01-G29	EA	SKIRT-SWIVEL CHAIR
2	118539-01-G30	EA	SKIRT-SWIVEL CHAIR
2	118539-01-G31	EA	SKIRT-SWIVEL CHAIR
2	118539-01-G32	EA	SKIRT-SWIVEL CHAIR
3	P18538-27-G29	EA	COVER-ARM CAP, RIGHT HAND - SWIVEL CHAIR
3	P18538-27-G30	EA	COVER-ARM CAP, RIGHT HAND - SWIVEL CHAIR
3	P18538-27-G31	EA	COVER-ARM CAP, RIGHT HAND - SWIVEL CHAIR
3	P18538-27-G32	EA	COVER-ARM CAP, RIGHT HAND - SWIVEL CHAIR
3	P18538-28-G29	EA	COVER-ARM CAP, LEFT HAND - SWIVEL CHAIR
3	P18538-28-G30	EA	COVER-ARM CAP, LEFT HAND - SWIVEL CHAIR
3	P18538-28-G31	EA	COVER-ARM CAP, LEFT HAND - SWIVEL CHAIR
3	P18538-28-G32	EA	COVER-ARM CAP, LEFT HAND - SWIVEL CHAIR
4	097683-03-000	EA	BRACKET-REMOTE, SIDE MOUNT - SINGLE
5	108049-03-000	EA	CABLE W/SWITCH - 26", Z END CABLE - CMA
	108049-02-000	EA	CLIP-CABLE, PEDESTAL
6	119952-01-000	EA	SLIDE-SEAT W/O LOCK, HD - 2 STUDS - ATWOOD 83711
7	107921-08-000	EA	PLATE-TOP, W/O SEAT BELT BAR
	107921-06-000	EA	BEARING KIT-SEAT SWIVEL
8	107921-01-000	EA	PEDESTAL ASM-SEAT, 9 3/4" - FLEXSTEEL 3060 MSPD
9	119952-03-000	EA	SLIDE-SEAT W/LOCK, HD - 2 STUDS - ATWOOD 83775
10	007221-01-000	EA	SPACER-SEAT, ADJUSTER
11	097683-02-000	EA	BRACKET-REMOTE, SIDE MOUNT - DOUBLE
12	089368-05-000	EA	CABLE-RECLINER, W/SWITCH - BUCKET SEAT
13	108049-03-000	EA	CABLE W/SWITCH - 26", Z END CABLE - CMA
	108049-02-000	EA	CLIP-CABLE, PEDESTAL
	108445-02-000	EA	PLATE ASM-PEDESTAL, SEAT - 230 MM X 157 MM - W/WELDNUTS

CURTAIN & CUSHION GROUP (CONTINUED)
DRIVER & PASSENGER BUCKET SEATS



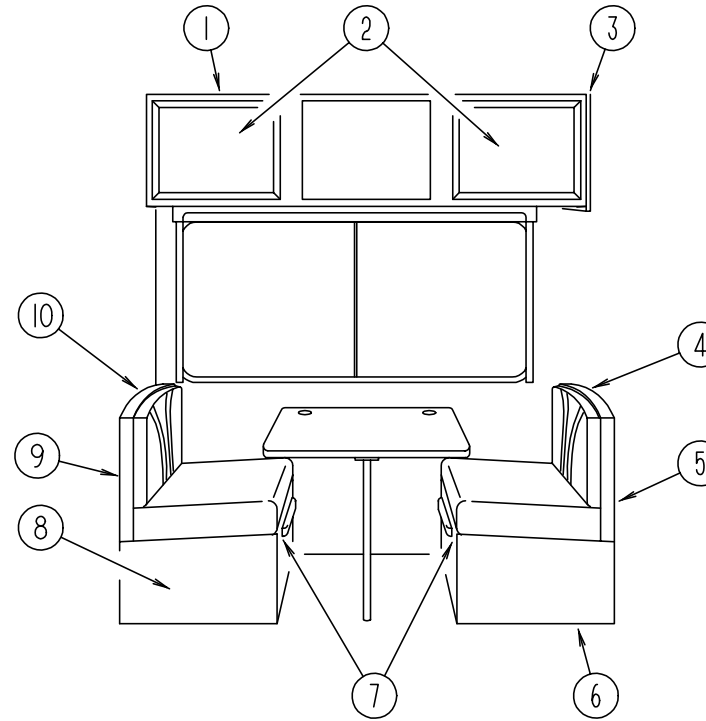
KEY	PART NUMBER	U/M	DESCRIPTION
1	119508-03-G29	EA	SEAT-BUCKET, W/ARMRESTS & HEADREST - W/O SKIRT
1	119508-01-G30	EA	SEAT-BUCKET, W/ARMRESTS & HEADREST - W/O SKIRT
1	119508-01-G31	EA	SEAT-BUCKET, W/ARMRESTS & HEADREST - W/O SKIRT
1	119508-03-G32	EA	SEAT-BUCKET, W/ARMRESTS & HEADREST - W/O SKIRT
2	M05962-29-G29	EA	COVER-BACK, BUCKET SEAT
2	M05962-29-G30	EA	COVER-BACK, BUCKET SEAT
2	M05962-29-G31	EA	COVER-BACK, BUCKET SEAT
2	M05962-29-G32	EA	COVER-BACK, BUCKET SEAT
3	111320-03-G29	EA	ARMREST-RIGHT, BUCKET SEAT (G29)
3	111320-03-G30	EA	ARMREST-RIGHT, BUCKET SEAT (G30)
3	111320-03-G31	EA	ARMREST-RIGHT, BUCKET SEAT (G31)
3	111320-03-G11	EA	ARMREST-RIGHT, BUCKET SEAT (G32)
	P11320-03-G29	EA	COVER-ARMREST, RIGHT (G29)
	P11320-03-G30	EA	COVER-ARMREST, RIGHT (G30)
	P11320-03-G31	EA	COVER-ARMREST, RIGHT (G31)
	P11320-03-G11	EA	COVER-ARMREST, RIGHT (G32)
4	111320-04-G29	EA	ARMREST-LEFT, BUCKET SEAT (G29)
4	111320-04-G30	EA	ARMREST-LEFT, BUCKET SEAT (G30)
4	111320-04-G31	EA	ARMREST-LEFT, BUCKET SEAT (G31)
4	111320-04-G11	EA	ARMREST-LEFT, BUCKET SEAT (G32)
	P11320-04-G29	EA	COVER-ARMREST, LEFT (G29)
	P11320-04-G30	EA	COVER-ARMREST, LEFT (G30)
	P11320-04-G31	EA	COVER-ARMREST, LEFT (G31)
	P11320-04-G11	EA	COVER-ARMREST, LEFT (G32)
5	M05962-06-G29	EA	COVER-SEAT, BUCKET SEAT (G29)
5	M05962-06-G30	EA	COVER-SEAT, BUCKET SEAT (G30)
5	M05962-06-G31	EA	COVER-SEAT, BUCKET SEAT (G31)
5	M05962-06-G32	EA	COVER-SEAT, BUCKET SEAT (G32)
6	M80906-12-000	EA	FRAME-SEAT, BACK & SPRING
7	119952-02-000	EA	SLIDE-SEAT W/O LOCK, HD - 4 STUDS - ATWOOD 83731
8	107921-05-000	EA	PLATE-TOP, W/SEAT BELT BAR
9	107921-01-000	EA	PLATE-SUB, FLOOR MOUNTED PEDESTAL - W/9.75" EXTENSION
	107921-06-000	EA	BEARING KIT-SEAT SWIVEL

CURTAIN & CUSHION GROUP (CONTINUED)
DRIVER & PASSENGER BUCKET SEATS (CONTINUED)



KEY	PART NUMBER	U/M	DESCRIPTION
10	119952-04-000	EA	SLIDE-SEAT W/LOCK, HD - 4 STUDS - ATWOOD 83785
	117125-01-02B	EA	BRACKET-CABLE MOUNT, ADJUSTER W/LOCK - STEEL - E-COAT
11	107921-14-000	EA	BASE-FLOOR MOUNTED PEDESTAL, 5.75" - MANUAL SEAT OPTION
12	116215-03-000	EA	PLATE-LOWER, MANUAL - 6-WAY MANUAL SEAT OPTION - ATWOOD 83835
13	116215-01-000	EA	SEAT-MANUAL, DRIVER - 6-WAY MANUAL SEAT OPTION - ATWOOD83805
14	116215-02-000	EA	PLATE-UPPER, 6-WAY MANUAL SEAT OPTION - ATWOOD 85118
15	080730-09-000	EA	SHIELD-RECLINER HANDLE
16	080730-08-000	EA	HANDLE-RECLINER, BLACK
17	080730-11-000	EA	SHIELD-RUBBER BOOT
	108049-02-000	EA	CLIP-CABLE, PEDESTAL
18	097683-02-000	EA	BRACKET-REMOTE, SIDE MOUNT - DOUBLE
19	108049-03-000	EA	CABLE W/SWITCH - 26", Z END CABLE - CMA
20	071126-43-F24	EA	SKIRT-BUCKET SEAT (G29)
20	071126-43-F11	EA	SKIRT-BUCKET SEAT (G30)
20	071126-43-F25	EA	SKIRT-BUCKET SEAT (G31)
20	071126-43-F06	EA	SKIRT-BUCKET SEAT (G32)
20	071126-54-F24	EA	SKIRT-BUCKET SEAT (G29) - MANUAL SEAT OPTION
20	071126-54-F11	EA	SKIRT-BUCKET SEAT (G30) - MANUAL SEAT OPTION
20	071126-54-F25	EA	SKIRT-BUCKET SEAT (G31) - MANUAL SEAT OPTION
20	071126-54-F06	EA	SKIRT-BUCKET SEAT (G32) - MANUAL SEAT OPTION
21	111169-01-000	EA	PLATE-BACK, ARMREST
21	111169-05-000	EA	INSERT-ARMREST, OVAL DECAL - ITASCA
22	119509-01-G29	EA	HEADREST ASM (G29)
22	119509-01-G30	EA	HEADREST ASM (G30)
22	119509-01-G31	EA	HEADREST ASM (G31)
22	119509-01-G11	EA	HEADREST ASM (G32)
	P19509-01-G29	EA	COVER ASM-HEADREST (G29)
	P19509-01-G30	EA	COVER ASM-HEADREST (G30)
	P19509-01-G31	EA	COVER ASM-HEADREST (G31)
	P19509-01-G11	EA	COVER ASM-HEADREST (G32)
	113977-12-000	EA	HEADREST INSERT, W/O LOCK - BLACK PLASTIC - FLEXSTEEL
	113977-13-000	EA	HEADREST INSERT, W/LOCK - BLACK PLASTIC - FLEXSTEEL
	007221-01-000	EA	SPACER-SEAT, ADJUSTER
	114889-01-000	EA	STOP BAR-UNIVERSAL, SHROCK

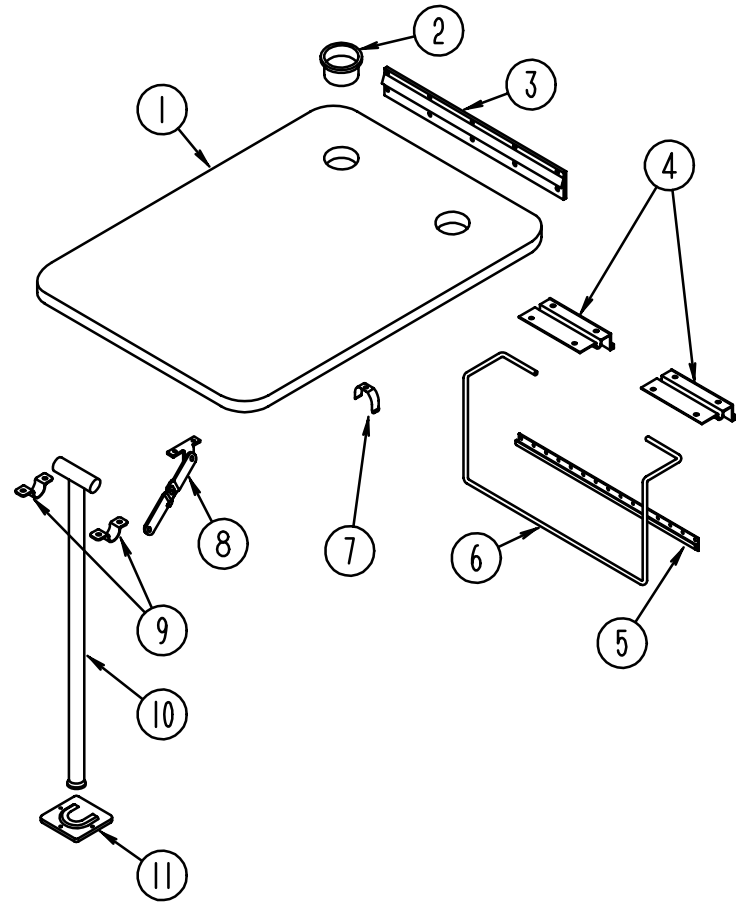
DINETTE GROUP
DINETTE CABINETRY



KEY	PART NUMBER	U/M	DESCRIPTION
1	117922-01-G11	EA	CABINET-OVERHEAD, W/O DOORS (G29)
1	117922-01-G30	EA	CABINET-OVERHEAD, W/O DOORS (G30)
1	117922-01-G31	EA	CABINET-OVERHEAD, W/O DOORS (G31)
1	117922-01-G12	EA	CABINET-OVERHEAD, W/O DOORS (G32)
1	117579-02-G11	EA	CABINET-OVERHEAD, W/O DOORS - COFFEEMAKER OPTION (G29)
1	117579-02-G30	EA	CABINET-OVERHEAD, W/O DOORS - COFFEEMAKER OPTION (G30)
1	117579-02-G31	EA	CABINET-OVERHEAD, W/O DOORS - COFFEEMAKER OPTION (G31)
1	117579-02-G32	EA	CABINET-OVERHEAD, W/O DOORS - COFFEEMAKER OPTION (G32)
2	M06803-13-G09	EA	DOOR-W/O HARDWARE W/MIRROR - 400 MM X 710 MM
2	M06803-02-G09	EA	DOOR-W/O HARDWARE W/O MIRROR - 400 MM X 710 MM
			DECORATOR DOOR OPTION - FLAT PANEL
3	103128-01-G09	EA	CAP-END, OVERHEAD CABINET - FRONT
4	104787-04-F24	EA	PAD-DINETTE (G29)
4	104787-04-F11	EA	PAD-DINETTE (G30)
4	104787-04-F25	EA	PAD-DINETTE (G31)
4	104787-04-F06	EA	PAD-DINETTE (G32)

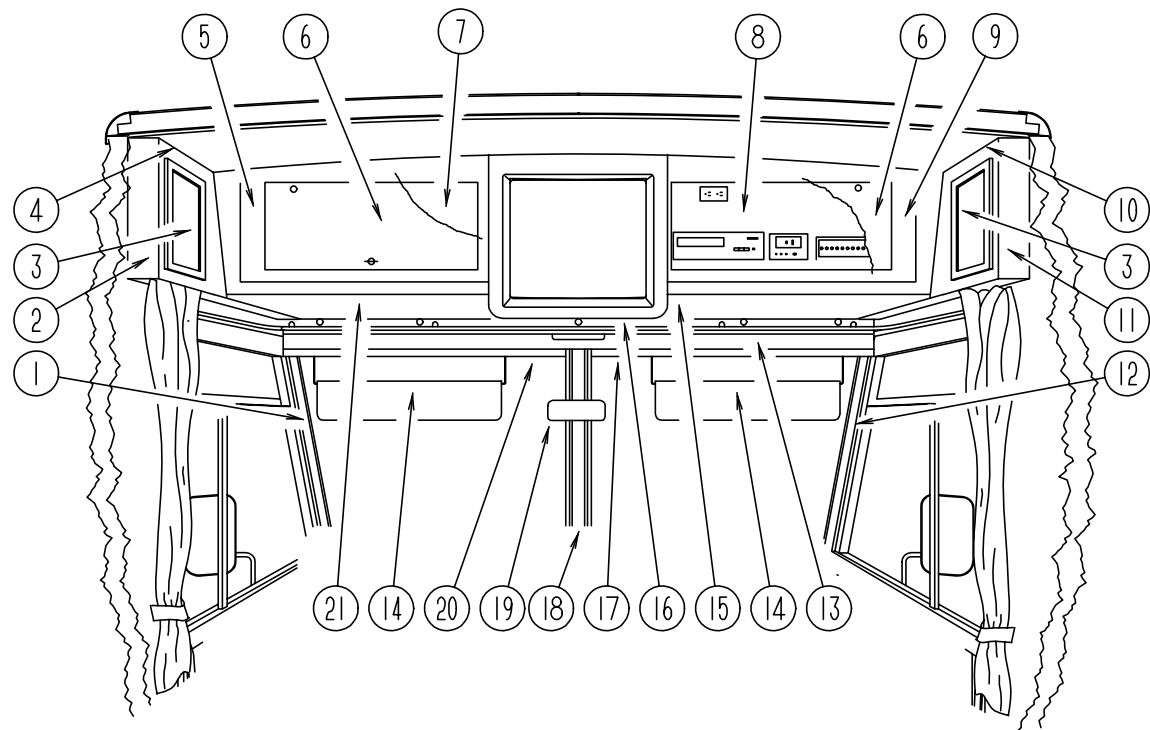
KEY	PART NUMBER	U/M	DESCRIPTION
5	M04174-79-G09	EA	CABINET-SEATBACK, FRONT - W/O DOOR
6	M04175-79-G09	EA	CABINET-SEATBASE, FRONT
7	081295-01-G01	EA	SUPPORT-BED, DINETTE - 28" LONG - WOOD
8	M04175-80-G09	EA	CABINET-SEATBASE, REAR
9	M04174-80-G09	EA	CABINET-SEATBACK, REAR
10	104787-04-F24	EA	PAD-DINETTE (G29)
10	104787-04-F11	EA	PAD-DINETTE (G30)
10	104787-04-F25	EA	PAD-DINETTE (G31)
10	104787-04-F06	EA	PAD-DINETTE (G32)
	058331-47-000	EA	MIRROR-GLASS, SAFETY - 562 MM X 384 MM
	105004-01-05A	EA	MOLDING-MIRROR, VINYL WRAPPED - WATERFORD OAK

DINETTE GROUP (CONTINUED)
DINETTE TABLE



KEY	PART NUMBER	U/M	DESCRIPTION
1	081322-01-G29	EA	TABLE-DINETTE, W/O HARDWARE OR CUPHOLDERS (G29)
1	081322-01-G30	EA	TABLE-DINETTE, W/O HARDWARE OR CUPHOLDERS (G30)
1	081322-05-G31	EA	TABLE-DINETTE, W/O HARDWARE OR CUPHOLDERS (G31)
1	081322-01-G09	EA	TABLE-DINETTE, W/O HARDWARE OR CUPHOLDERS (G32)
2	064781-06-000	EA	HOLDER-CUP, TWO STEP - OFF WHITE
3	053200-12-000	EA	SUPPORT-TABLE, 23.5" - OFF WHITE
4	088410-02-000	EA	BRACKET-LIFT, TABLE MOUNTED - OFF WHITE
5	024281-14-000	EA	BRACKET-LIFT ROD, LOWER WALL MOUNTED - 22.12" - OFF WHITE
6	024275-12-000	EA	ROD-TABLE LIFT, OFF WHITE
7	024283-01-000	EA	CLIP-LEG, 1" X 1.125" OD - BLACK
8	024282-01-000	EA	BRACE-TABLE LEG, HINGED
9	064050-05-000	EA	HINGE-TABLE LEG, OFF WHITE
10	024276-23-000	EA	LEG-TABLE, METAL - OFF WHITE
11	049493-12-000	EA	CATCH-LEG, FLOOR MOUNTED - 2.5" X 2.7" - METAL - OFF WHITE
11	049493-11-700	EA	CATCH-LEG, FLOOR MOUNTED - 2.5" X 2.7" - METAL - E-COAT

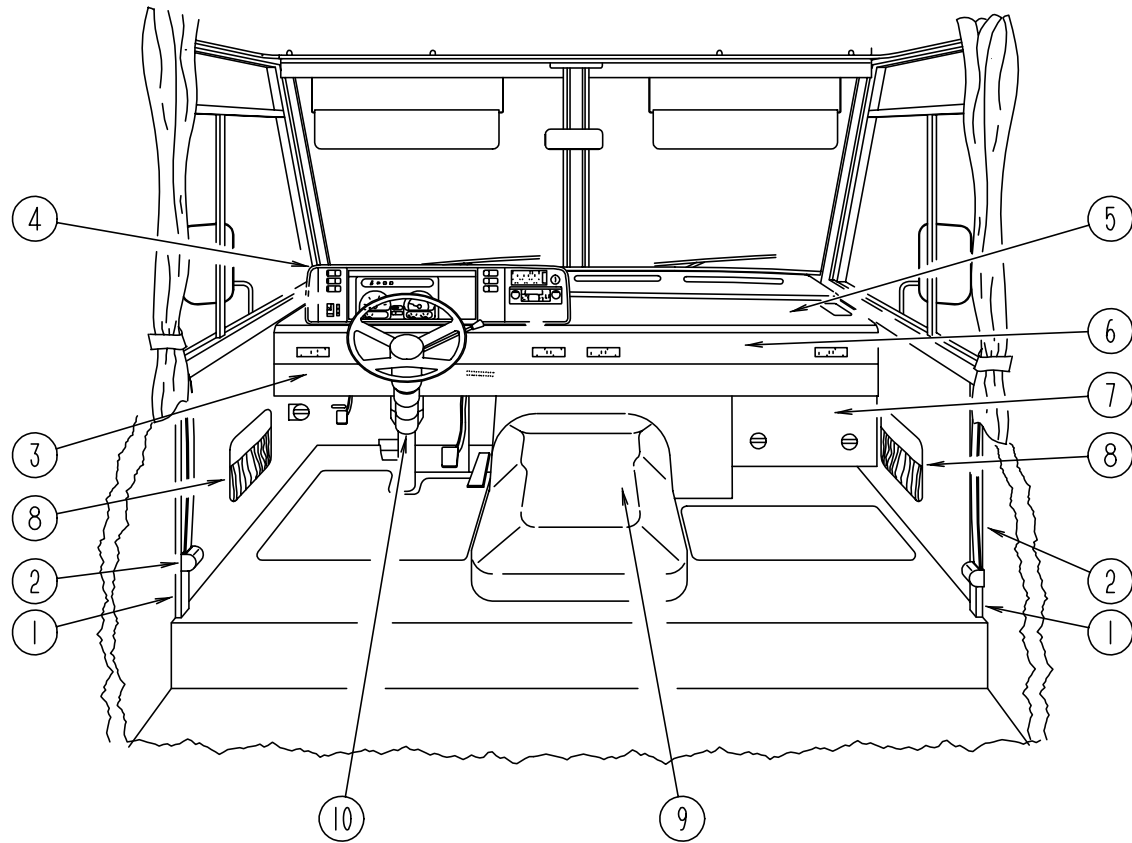
DRIVERS COMPARTMENT GROUP
DRIVERS COMPARTMENT - UPPER



KEY	PART NUMBER	U/M DESCRIPTION
1	103931-02-03A	EA COVER-INNER, A-PILLAR - DRIVERS - QUICK SILVER
2	103128-09-G09	EA CAP-END, FRONT OVERHEAD, DRIVERS SIDE
3	M06803-04-G09	EA DOOR-CABINET, W/O HARDWARE - 255 MM X 485 MM
4	109561-02-G29	EA CABINET-FRONT OVERHEAD W/O DOOR, DRIVERS SIDE
4	109561-02-G30	EA CABINET-FRONT OVERHEAD W/O DOOR, DRIVERS SIDE
4	109561-02-G31	EA CABINET-FRONT OVERHEAD W/O DOOR, DRIVERS SIDE
4	109561-02-G32	EA CABINET-FRONT OVERHEAD W/O DOOR, DRIVERS SIDE
	P09561-02-E07	EA BOTTOM-OFF WHITE VINYL COVERED, FRONT OVERHEAD - DRIVERS SIDE FROM: 00-00-00 THRU: 08-27-95
	P09561-02-G29	EA BOTTOM-QUICK SILVER VINYL COVERED, FRONT OVERHEAD - DRIVERS SIDE FROM: 08-28-95 THRU: 99-99-99
	104289-02-C05	EA PAD-VINYL COVERED, 769 MM X 245 MM - ANGLED - DRIVERS SIDE - OFF WHITE FROM: 00-00-00 THRU: 08-27-95
	104289-02-G29	EA PAD-VINYL COVERED, 769 MM X 245 MM - ANGLED - DRIVERS SIDE-QUICK SILVER FROM: 08-28-95 THRU: 99-99-99
	104289-04-D12	EA PAD-VINYL COVERED, 655 MM X 245 MM - ANGLED - DRIVERS SIDE - OFF WHITE TV OPTIONS FROM: 00-00-00 THRU: 08-27-95
	104289-04-G35	EA PAD-VINYL COVERED, 655 MM X 245 MM - ANGLED - DRIVERS SIDE-QUICK SILVER TV OPTIONS FROM: 08-28-95 THRU: 99-99-99
5	114612-02-G09	EA FACE-TV CABINET W/O DOORS, FRONT OVERHEAD - DRIVERS SIDE
	106699-01-01A	EA BRACKET-L-ANGLE, TV CABINET FACE - 5.1" LONG - OFF WHITE STEEL
6	100708-12-000	EA DOOR-GLASS, TV CABINET - W/O HARDWARE - 246 MM X 590 MM

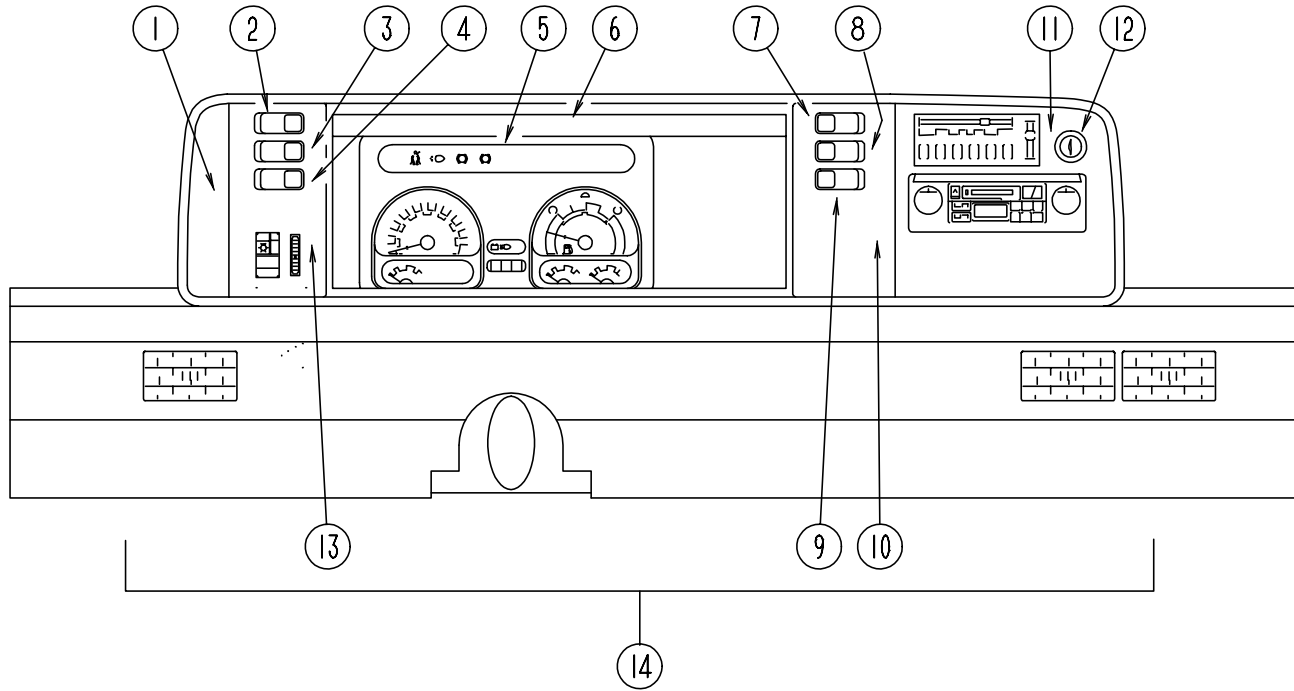
KEY	PART NUMBER	U/M DESCRIPTION
7	103040-01-G29	EA PANEL-HEADLINER FRONT OVERHEAD, RH & LH - STANDARD
7	114661-12-G35	EA PANEL-HEADLINER FRONT OVERHEAD, LH - TV OPTIONS
8	103040-01-G29	EA PANEL-HEADLINER FRONT OVERHEAD, RH & LH - STANDARD
8	114661-13-G35	EA PANEL-HEADLINER FRONT OVERHEAD, TV OPTIONS
8	114661-14-G35	EA PANEL-HEADLINER FRONT OVERHEAD, TV/VCR OPTIONS
8	114661-15-G35	EA PANEL-HEADLINER FRONT OVERHEAD, TV/VCR/INVERTER OPTION
8	114661-16-G35	EA PANEL-HEADLINER FRONT OVERHEAD, TV/INVERTER OPTION
	100676-02-000	EA STAND-VCR, STEEL
9	114612-01-G09	EA FACE-TV CABINET W/O DOORS, FRONT OVERHEAD - PASSENGERS SIDE
10	109561-01-G29	EA CABINET-FRONT OVERHEAD W/O DOOR, PASSENGERS SIDE
10	109561-01-G30	EA CABINET-FRONT OVERHEAD W/O DOOR, PASSENGERS SIDE
10	109561-01-G31	EA CABINET-FRONT OVERHEAD W/O DOOR, PASSENGERS SIDE
10	109561-01-G32	EA CABINET-FRONT OVERHEAD W/O DOOR, PASSENGERS SIDE
11	103128-08-G09	EA CAP-END, FRONT OVERHEAD, PASSENGERS SIDE
	P09561-01-E07	EA BOTTOM-OFF WHITE VINYL COVERED, FRONT OVERHEAD - PASSENGERS SIDE FROM: 00-00-00 THRU: 08-27-95
	P09561-01-G29	EA BOTTOM-QUICK SILVER VINYL COVERED, FRONT OVERHEAD - PASS SIDE FROM: 08-28-95 THRU: 99-99-99
	104289-01-C05	EA PAD-VINYL COVERED, 769 MM X 245 MM - ANGLED - PASS SIDE - OFF WHITE FROM: 00-00-00 THRU: 08-27-95
	104289-01-G29	EA PAD-VINYL COVERED, 769 MM X 245 MM - ANGLED - PASS SIDE - QUICK SILVER FROM: 08-28-95 THRU: 99-99-99
	104289-03-D12	EA PAD-VINYL COVERED, 655 MM X 245 MM - ANGLED - PASS SIDE - OFF WHITE TV OPTIONS FROM: 00-00-00 THRU: 08-27-95
	104289-03-G35	EA PAD-VINYL COVERED, 655 MM X 245 MM - ANGLED - PASSENGERS SIDE - WILLOW TV OPTIONS FROM: 08-28-95 THRU: 99-99-99
12	103931-01-03A	EA COVER-INNER, A-PILLAR - PASSENGERS - QUICK SILVER
13	078811-05-C29	EA PANEL-HEADER W/RECEPTACLE CUTOUTS - 90.2" LONG - VINYL COVERED
14	082286-18-GB1	EA SUNVISOR-DRIVER OR PASSENGER - W/O POCKET - OFF WHITE FROM: 00-00-00 THRU: 08-27-95
14	082286-18-G29	EA SUNVISOR-DRIVER OR PASSENGER - W/O POCKET - QUICK SILVER FROM: 08-28-95 THRU: 99-99-99
	102377-01-000	EA BRACKET-SUNVISOR, 1 PIECE - STEEL
	007211-01-000	EA HINGE-SUNVISOR
	074012-01-000	EA CLIP-SUNVISOR, SQUARE PINCH-ON
	081987-05-000	EA ROD-SUNVISOR, BLACK
15	P03077-07-G09	EA SHELF-CABINET, PASSENGERS SIDE - OFF WHITE VINYL COVERED FROM: 00-00-00 THRU: 08-27-95
15	P03077-07-G35	EA SHELF-CABINET, PASSENGERS SIDE - QUICK SILVER VINYL COVERED FROM: 08-28-95 THRU: 99-99-99
16	117974-01-02A	EA COVER-TV CABINET, FRONT FACE - QUICK SILVER
16	118022-01-G29	EA COVER ASM-TV CABINET, SIDES & BOTTOM (ASSEMBLED KIT)
17	078579-19-000	EA TRIM - WINDSHIELD - UPPER INNER - RIGHT - QUICKSILVER
18	079765-12-000	EA TRIM - WINDSHIELD - CENTER INNER - QUICKSILVER
19	040714-01-000	EA MIRROR-REAR VIEW, W/ARM MOUNT & SET SCREW - GM 911722
	067490-01-000	EA BUTTON-MIRROR, REAR VIEW - STANK S927H
20	078579-20-000	EA TRIM - WINDSHIELD - UPPER INNER - LEFT - QUICKSILVER
21	P03077-08-G09	EA SHELF-CABINET, DRIVERS SIDE - OFF WHITE VINYL COVERED FROM: 00-00-00 THRU: 08-27-95
21	P03077-08-G35	EA SHELF-CABINET, DRIVERS SIDE - QUICK SILVER VINYL COVERED FROM: 08-28-95 THRU: 99-99-99
	104417-01-G29	EA CABINET-BLANKET (STANDARD CABINET)

DRIVERS COMPARTMENT GROUP (CONTINUED)
DRIVERS COMPARTMENT - LOWER



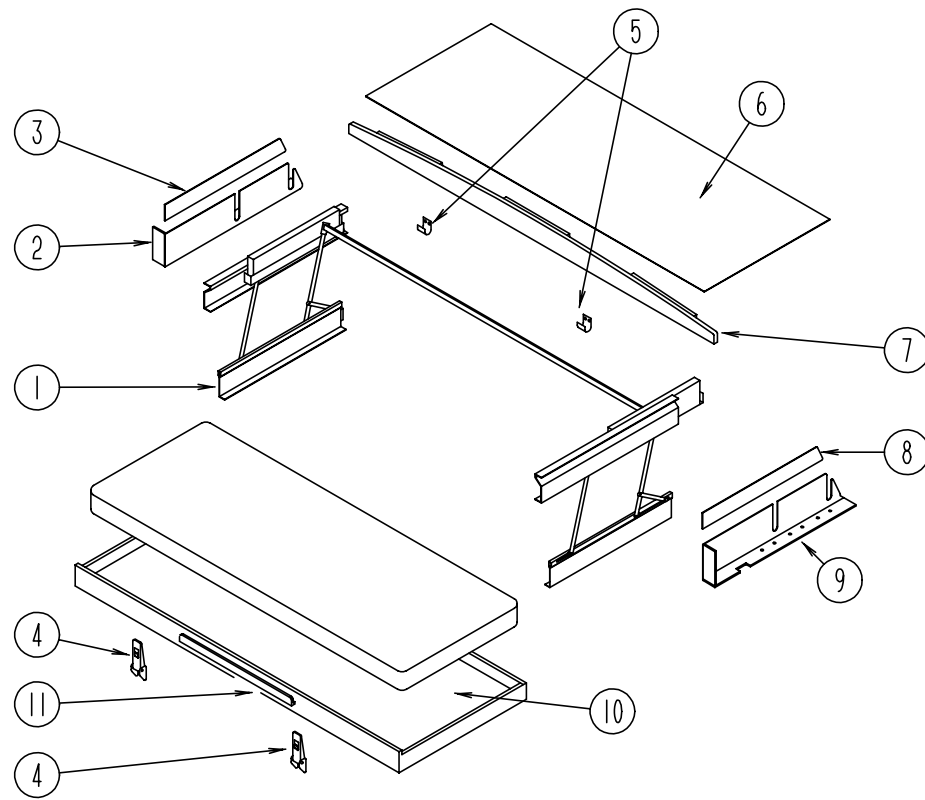
KEY	PART NUMBER	U/M	DESCRIPTION
1	024700-44-000	EA	COVER-SIDEWALL ROLL BAR, OFF WHITE - 53"
1	024700-45-000	EA	COVER-SIDEWALL ROLL BAR, OFF WHITE - 12.8"
	024700-47-000	EA	COVER-SIDEWALL ROLL BAR, OFF WHITE - 18.9" - DRIVER DOOR
	024700-48-000	EA	COVER-SIDEWALL ROLL BAR, OFF WHITE - 25" - DRIVER DOOR
2	091990-04-01A	EA	SEAT BELT-SHOULDER HARNESS - DRIVERS/PASSENGERS - BLACK
	091990-01-700	EA	BOLT COVER
	091990-01-701	EA	9" EXTENDER - F/A8408 3 POINT
	109146-01-000	EA	BOLT-SHOULDER, SEAT BELT
	103961-01-01A	EA	COVER-BRACKET, SEAT BELT - OFF WHITE
	103961-02-01A	EA	COVER-BRACKET, SEAT BELT - OFF WHITE - DRIVER DOOR
3	103812-06-05A	EA	TRIM-DASH, LOWER - 2299 MM LONG - QUICK SILVER
4	111499-01-05A	EA	POD-INSTRUMENT PANEL, QUICK SILVER PLASTIC
5	P03817-11-000	EA	DASH ASM, W/O VINYL
	106569-02-05A	YD	VINYL-LAMINATE, 26 OZ - 54" WIDE - QUICK SILVER
	105927-02-000	EA	PANEL-DASH TOP, STEEL
6	104354-01-05A	EA	APPLIQUE-LOWER DASH, 2300 MM LONG
7	095757-03-F04	EA	COVER-HEATER W/CARPET (G29)
7	095757-03-F26	EA	COVER-HEATER W/CARPET (G30)
7	095757-03-F25	EA	COVER-HEATER W/CARPET (G31)
7	095757-03-G36	EA	COVER-HEATER W/CARPET (G32)
8	086120-01-F24	EA	PAD-MAP POCKET, 12" X 16' (G29)
8	086120-01-G30	EA	PAD-MAP POCKET, 12" X 16' (G30)
8	086120-01-F25	EA	PAD-MAP POCKET, 12" X 16' (G31)
8	086120-01-F06	EA	PAD-MAP POCKET, 12" X 16' (G32)
9	115840-01-01A	EA	COVER-MOTOR, W/O CARPET
	115850-01-02B	EA	RETAINER-LATCH, MOTOR COVER
	116581-01-000	EA	LATCH-MOTOR COVER - SOUTHCO 2710074088
	115852-01-02B	EA	STRIKE ASM-MOTOR COVER, E-COAT
	116833-01-02B	EA	WRENCH-HEX, MOTOR COVER - E-COAT
	115860-01-01A	EA	TRIM-MOTOR COVER
	039623-01-000	FT	SEAL-MOTOR COVER, RUBBER BULB TYPE - BLACK
	111618-01-GB1	EA	TRAY ASM-BEVERAGE
	097872-04-000	EA	DOWEL-WOOD, 1" DIAMETER X 1.38" LONG - UNFINISHED
	111618-13-GB1	EA	LID-BEVERAGE TRAY ASM
	046886-03-000	EA	ASHTRAY-CHROME, W/COVER
10	103498-06-000	EA	BOOT-STEERING COLUMN, BLACK VINYL - CHEVY

DRIVERS COMPARTMENT GROUP (CONTINUED)
DASH, GAUGES & SWITCHES



KEY	PART NUMBER	U/M	DESCRIPTION
1	104056-01-01A	EA	APPLIQUE-BEZEL
2	108356-02-01A	EA	COVER-SWITCH W/DIMPLES, CARLING VVAZC00 BLA
2	108357-05-000	EA	SWITCH-ROCKER, SPDT ON/NONE/ON - RADIO POWER - CARLING V4D1000B-0
3	108356-02-01A	EA	COVER-SWITCH W/DIMPLES, CARLING VVAZC00 BLA
3	108357-09-000	EA	SWITCH-ROCKER, SPDT ON/NONE/MOM - DUAL BATTERY - CARLING V5D1000B-0
4	108356-02-01A	EA	COVER-SWITCH W/DIMPLES, CARLING VVAZC00 BLA
4	108357-06-000	EA	SWITCH-ROCKER, DPDT MOM/OFF/MOM - CARLING VLD1000B-0 BATTERY DISCONNECT SWITCH OPTION
4	096241-03-000	EA	SWITCH-BLANK
5	094796-07-000	EA	CLUSTER-INSTRUMENT PANEL, KILOMETERS - GAS - GM# 16167145
5	094796-08-000	EA	CLUSTER-INSTRUMENT PANEL, KILOMETERS - DIESEL - GM# 16164645
6	103662-01-01A	EA	BEZEL-INSTRUMENT PANEL
7	108356-04-01A	EA	COVER-SWITCH W/DIMPLES & LENS, CARLING VVAGC00
7	108357-10-000	EA	SWITCH-ROCKER, SPDT MOM/OFF/MOM - LIGHTED - CARLING V8D1160B-0 GENERATOR OPTION
7	096241-03-000	EA	SWITCH-BLANK
8	108356-02-01A	EA	COVER-SWITCH W/DIMPLES, CARLING VVAZC00 BLA
8	108357-03-000	EA	SWITCH-ROCKER, SPDT ON/OFF/ON - CARLING V6D1000B-0 REAR HEATER OPTION
8	096241-03-000	EA	SWITCH-BLANK
9	096241-03-000	EA	SWITCH-BLANK
10	104056-21-01A	EA	APPLIQUE-BEZEL
11	104056-06-01A	EA	APPLIQUE-BEZEL
12	089294-01-000	EA	LIGHTER ASM-CIGARETTE - CASCO C213275
13	104056-22-01A	EA	APPLIQUE-BEZEL
14	M05946-26-G29	EA	DASH POD ASSEMBLY - CHEVY
	100138-01-000	EA	MODULE-DAYTIME RUNNING LIGHT - CANADIAN
	077031-01-000	EA	FILM-BLACK, 1" X 1.75"
	077031-03-000	EA	FILM-WHITE, .75" X 1"
	103603-01-000	EA	BULB - 12V, #74 - .12A WEDGE - GE 22-25 - USED IN DASH
	077539-01-000	EA	BRACKET-MOUNTING, DASH PANEL - L/SHAPED - 2.5" X 1" X 1.5"

DRIVERS COMPARTMENT GROUP (CONTINUED)



FRONT BUNK

KEY	PART NUMBER	U/M DESCRIPTION
1	076760-02-000	EA BUNK HARDWARE (COMPLETE)
	076760-02-700	EA SPRING-GAS, BUNK HARDWARE
2	101499-06-C05	EA PANEL ASM - BOTTOM DRIVERS - PADDED - OFF WHITE FROM: 00-00-00 THRU: 08-27-95
2	101499-06-G29	EA PANEL ASM - BOTTOM DRIVERS - PADDED - QUICK SILVER FROM: 08-28-95 THRU: 99-99-99
3	101497-08-C05	EA PANEL ASM - UPPER DRIVERS - PADDED - OFF WHITE FROM: 00-00-00 THRU: 08-27-95
3	101497-08-G29	EA PANEL ASM - UPPER DRIVERS - PADDED - QUICK SILVER FROM: 08-28-95 THRU: 99-99-99
4	116975-01-01A	EA LATCH-W/O STRIKE, BLACK
5	042541-05-000	EA STRIKE-BRASS
6	103040-06-C05	EA PANEL-HEADLINER FRONT OVERHEAD, PADDED - OFF WHITE FROM: 00-00-00 THRU: 08-27-95
6	103040-06-G29	EA PANEL-HEADLINER FRONT OVERHEAD, PADDED - QUICK SILVER FROM: 08-28-95 THRU: 99-99-99
7	P03199-01-C05	EA BOARD ASM-TRIM, BUNK - CEILING MOUNTED
8	101497-07-C05	EA PANEL ASM - UPPER PASSENGERS - PADDED - OFF WHITE FROM: 00-00-00 THRU: 08-27-95
8	101497-07-G29	EA PANEL ASM - UPPER PASSENGERS - PADDED - QUICK SILVER FROM: 08-28-95 THRU: 99-99-99
9	101499-05-C05	EA PANEL ASM - BOTTOM PASSENGERS - PADDED - OFF WHITE FROM: 00-00-00 THRU: 08-27-95
9	101499-05-G29	EA PANEL ASM - BOTTOM PASSENGERS - PADDED - QUICK SILVER FROM: 08-28-95 THRU: 99-99-99
10	081717-03-G09	EA BED ASM-BUNK, FRONT
11	094658-01-G09	EA HANDLE-BUNK, OAK

ELECTRICAL GROUP CIRCUIT BREAKERS

KEY	PART NUMBER	U/M DESCRIPTION
	083209-01-000	EA CIRCUIT BREAKER - 15 AMP, 120V - BW G-15
	083209-02-000	EA CIRCUIT BREAKER - 15/15 AMP, 120V - BW H-15/15
	083209-03-000	EA CIRCUIT BREAKER - 15/20 AMP, 120V - BW O-15/20
	083209-04-000	EA CIRCUIT BREAKER - 30 AMP, 120V - BW L-30
	083209-05-000	EA CIRCUIT BREAKER - 20 AMP, 120V - BW J-20
	083209-06-000	EA CIRCUIT BREAKER - 30/15 AMP, 120V - BW D-30/15
	083209-07-000	EA CIRCUIT BREAKER - 20/20 AMP, 120V - BW K-20/20
	093655-03-000	EA CIRCUIT BREAKER - 40 AMP, 12V - USD 17440-4E03A2A
	097611-01-000	EA CIRCUIT BREAKER - 6 AMP, ATC - BLACK - FASCO VB3-A10-F57

WIRE ASSEMBLIES

KEY	PART NUMBER	U/M DESCRIPTION
	096449-01-000	EA WIRE ASM-WATER TANK TO MONITOR PANEL
	097618-01-000	EA WIRE ASM-MONITOR PANEL, W/3 WIRES & ORANGE RESISTOR-LVS
	102636-02-000	EA WIRE ASM-CLEARANCE LAMPS
	090986-01-000	EA WIRE ASM-ELECTRIC STEP, KWIKEE 9009
	104271-02-000	EA WIRE ASM-SPEAKER, TV
	108303-01-000	EA WIRE ASM-REAR AUTO HEATER
	110256-01-000	EA WIRE ASM-IP, GENERATOR
	111915-01-000	EA WIRE ASM-DAY RUN LAMPS, FUSE
	119459-01-000	EA WIRE ASM-IP, MAIN
	P03784-01-000	EA WIRE ASM-HEADLAMP

HOUSINGS, PINS & SOCKETS

KEY	PART NUMBER	U/M DESCRIPTION
	088473-01-000	EA HOUSING-PIN, 4 ROWS OF 3
	088473-02-000	EA HOUSING-PIN, 15 CAVITY - AMP 1-480710-0
	088473-03-000	EA HOUSING-PIN, 9 POSITION
	088473-05-000	EA HOUSING-PIN, 6 POSITION (SINGLE ROW)
	088473-06-000	EA HOUSING-PIN, 6 POSITION (TWO ROWS OF THREE)
	088473-08-000	EA HOUSING-PIN, 4 POSITION
	088473-09-000	EA HOUSING-PIN, 3 POSITION (SINGLE ROW)
	088473-10-000	EA HOUSING-PIN, 2 POSITION
	088474-01-000	EA HOUSING-SOCKET, 12 POSITIONS
	088474-02-000	EA HOUSING-SOCKET, 12 CAVITY - AMP 1-480711-0
	088474-03-000	EA HOUSING-SOCKET, 9 POSITION
	088474-06-000	EA SOCKET-HOUSING, 6 POSITION (2 ROWS OF THREE)
	088474-07-000	EA HOUSING-SOCKET, 5 CAVITY - AMP 1-480764-0
	088474-08-000	EA SOCKET-HOUSING, 4 POSITION (SINGLE ROW)
	088474-09-000	EA HOUSING-SOCKET, 3 POSITION
	088474-10-000	EA HOUSING-SOCKET, 2 POSITION
	088475-01-000	EA PIN-CONNECTOR, 14 TO 20 AWG
	088475-02-000	EA PIN-CONNECTOR, 10 TO 12 AWG
	088476-01-000	EA SOCKET-CONNECTOR, BRASS - PRE-TIN
	088476-02-000	EA SOCKET-CONNECTOR, 12-10 GA - PHOSPHATE BRONZE - PRE-TIN
	103608-01-000	EA SOCKET-WEDGE BASE W/LEADS, JKL 2944-6 OR EQUIVALENT
	104100-01-000	EA HOUSING - 1 POSITION, 75 AMP - AMP 53884-1
	106006-01-000	EA HOUSING - 1 POSITION, FEMALE - PACKARD 12015952
	108355-01-000	EA HOUSING-SWITCH, CARLING VCH
	113468-01-000	EA HOUSING - 2 POSITION, FEMALE - 56-SERIES - PACKARD 02965981 USED ON WIPER/WASHER WIRE ASM
	119248-02-000	EA HOUSING - 7 POSITION, FEMALE - METRI-PACK - PACKARD 12059472

ELECTRICAL GROUP (CONTINUED)
CONVERTER & INVERTER

KEY	PART NUMBER	U/M DESCRIPTION
	083208-01-000	EA CONVERTER-POWER, 32A - 120V/12V - BW 6332
	083208-02-000	EA CONVERTER-POWER, 45A - 120V/12V - BW 6345 - CANADIAN OPTION
	099048-02-000	EA INVERTER - 100 WATT

CONNECTORS

KEY	PART NUMBER	U/M DESCRIPTION
	008311-01-000	EA CONNECTOR-WIRE NUT, INSULATED - RED
	008312-01-000	EA CONNECTOR-WIRE NUT, INSULATED - BLUE
	008314-01-000	EA CONNECTOR-WIRE NUT, INSULATED - GRAY
	008355-01-000	EA CONNECTOR-CABLE CLAMPING, 3/4"
	008356-01-000	EA CONNECTOR-PLASTIC, 3/8" AVG
	041480-01-000	EA CONNECTOR-STRAIGHT, 1/2" FLEX CONDUIT
	082741-01-000	EA CONNECTOR BODY - 2 CONNECTOR - MALE - SERV ELEC 2P-FYL
	087695-03-000	EA CONNECTOR-ASSEMBLY - EURAMTEC RT10484802 FROM: 09-01-95 THRU: 99-99-99
	058028-01-000	EA CONNECTOR-ELECTRICAL PIGTAIL, NYLON - CLEAR
	007940-01-000	EA RECEPTACLE-SLIDE, 16 TO 12 AWG - FEMALE END
	007954-01-000	EA RECEPTACLE-HOUSING, 6 POSITION
	080015-02-000	EA RECEPTACLE-FLAG, .185 - 16/14 GA - AMP 3-520340-2

FUSES & FUSE HOUSINGS

KEY	PART NUMBER	U/M DESCRIPTION
	008234-01-000	EA FUSE - 10 AMPS, 12 VOLT
	062901-02-000	EA FUSE - 5 AMPS, AUTOMOTIVE
	062901-05-000	EA FUSE - 15 AMPS, AUTOMOTIVE
	062901-06-000	EA FUSE - 20 AMPS, AUTOMOTIVE
	062901-07-000	EA FUSE - 25 AMPS, AUTOMOTIVE
	062037-01-000	EA HOUSING-AUTO FUSE, NATURAL
	062037-02-000	EA HOUSING-AUTO FUSE, GREEN
	062037-03-000	EA HOUSING-AUTO FUSE, BLACK
	062037-04-000	EA HOUSING-AUTO FUSE, BLUE
	062037-06-000	EA HOUSING-AUTO FUSE, BROWN
	062037-07-000	EA HOUSING-AUTO FUSE, RED
	108669-01-000	EA HOUSING-AUTO FUSE HOLDER, PACKARD 12010105
	106655-02-000	EA TERMINAL-FUSE BLOCK,10-12AWG - PACKARD 12020400
	106656-01-000	EA FUSE BLOCK - 4 CAVITY AUTO FUSE - PACKARD 12004943

CONDUIT

KEY	PART NUMBER	U/M DESCRIPTION
	041953-01-000	FT CONDUIT-CONVOLUTE, SLIT - .5" ID
	041953-03-000	FT CONDUIT-CONVOLUTE, SLIT - 1" ID (CLOTHES ROD COVER)
	041953-04-000	FT CONDUIT-CONVOLUTE, SLIT - .50" ID
	041953-05-000	FT CONDUIT-CONVOLUTE, SOLID - .62" ID
	041953-06-000	FT CONDUIT-CONVOLUTE, SLIT - .375" ID
	041953-07-000	FT CONDUIT-CONVOLUTE, SLIT - .25" ID
	041953-08-000	FT CONDUIT-CONVOLUTE, SLIT - 1.50" ID
	041953-09-000	FT CONDUIT-CONVOLUTE, SLIT - .50" ID
	041953-12-000	FT CONDUIT-CONVOLUTE, NON SLIT - 1.1" ID

ELECTRICAL GROUP (CONTINUED)
TERMINALS

KEY	PART NUMBER	U/M DESCRIPTION
	008326-01-000	EA TERMINAL-RING, 16/14 WIRE - 3/8" STUD
	008328-01-000	EA TERMINAL-RING, 12/10 WIRE - #10 STUD FIT
	008331-01-000	EA TERMINAL-RING,TONGUE - #4 WIRE - 3/8" STUD - COPPER
	008348-01-000	EA TERMINAL-RING, 3/8" STUD - #2 WIRE
	035416-04-000	EA TERMINAL-RING #10 STUD FIT, INSULATED BARREL #16/14
	047443-01-000	EA TERMINAL - .250 RECEPTACLE FIT, INSULATED - 16/14 AWG
	047443-02-000	EA TERMINAL - .250 RECEPTACLE FIT, INSULATED - 12/10 AWG
	062036-01-000	EA TERMINAL-PACK-CON,12/10 AWG - PACKARD 12033817
	062036-02-000	EA TERMINAL-PACK-CON, 16/14 AWG
	088267-01-000	EA TERMINAL-FEMALE, 1/4 - PACKARD 2962573
	104100-02-000	EA TERMINAL - 75 AMP, AMP 53880-2 STRIP
	104100-03-000	EA TERMINAL - 75 AMP, AMP 53880-4 LOOSE
	106007-01-000	EA TERMINAL-FEMALE, 14-16 AWG - PACKARD 12015861-L
	106655-01-000	EA TERMINAL-FUSE BLOCK, 14-16 AWG - PACKARD 12020321
	113306-01-000	EA TERMINAL-FEMALE, METRI-PACK - PACKARD 12048451
	113307-01-000	EA TERMINAL-FEMALE, METRI-PACK - PACKARD 12048074
	113308-01-000	EA TERMINAL-FEMALE, METRI-PACK - 280, 14 - 16 - PACKARD 12077412

POWER CORDS

KEY	PART NUMBER	U/M DESCRIPTION
	008052-01-000	EA CORD-POWER, 10/3 - 30 AMP - 25' - CANADIAN
	008054-01-000	EA CORD-POWER, 10/3 - 30 AMP - 25' - US

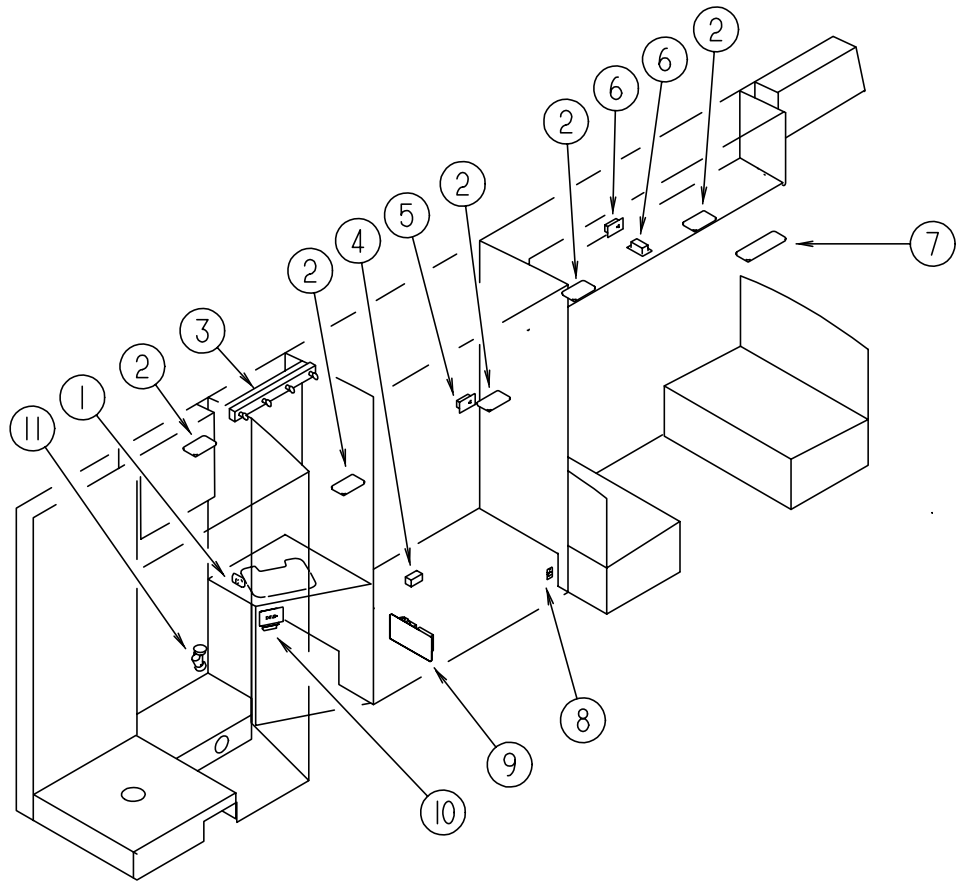
ELECTRIC BOXES & COVERS

KEY	PART NUMBER	U/M DESCRIPTION
	008289-01-000	EA BOX-ELECTRIC, STEEL - 1/2" AND 3/4" KNOCKOUTS - 4" X 4" - US
	008289-02-000	EA BOX-ELECTRIC, 4" X 4" - 1/2" & 3/4" KNOCKOUTS - CANADIAN
	091910-01-000	EA BOX-ELECTRIC, 3.75" X 3.5" X 1.75" - PLASTIC
	091910-02-000	EA BOX-ELECTRIC, 57 MM X 88 MM - PLASTIC
	008294-01-000	EA COVER-ELECTRICAL BOX, BLANK/STEEL - 4" X 4" - GRAY
	008294-02-000	EA COVER-ELECTRICAL BOX, BLANK STEEL - 4" X 4" - CANADIAN
	073626-04-000	EA COVER-ELECTRIC, 10.4" X 7.8" - BEIGE PLASTIC
	069238-01-000	EA COVER-ELECTRICAL BOX, W/HOLE - 4" X 4" - GRAY USED WITH 30 AMP RECEPTACLE
	091927-01-000	EA COVER-RECEPTACLE, DOUBLE - IVORY
	111510-01-000	EA DOOR-ELECTRICAL BOX, FRONT

MISCELLANEOUS ELECTRICAL COMPONENTS

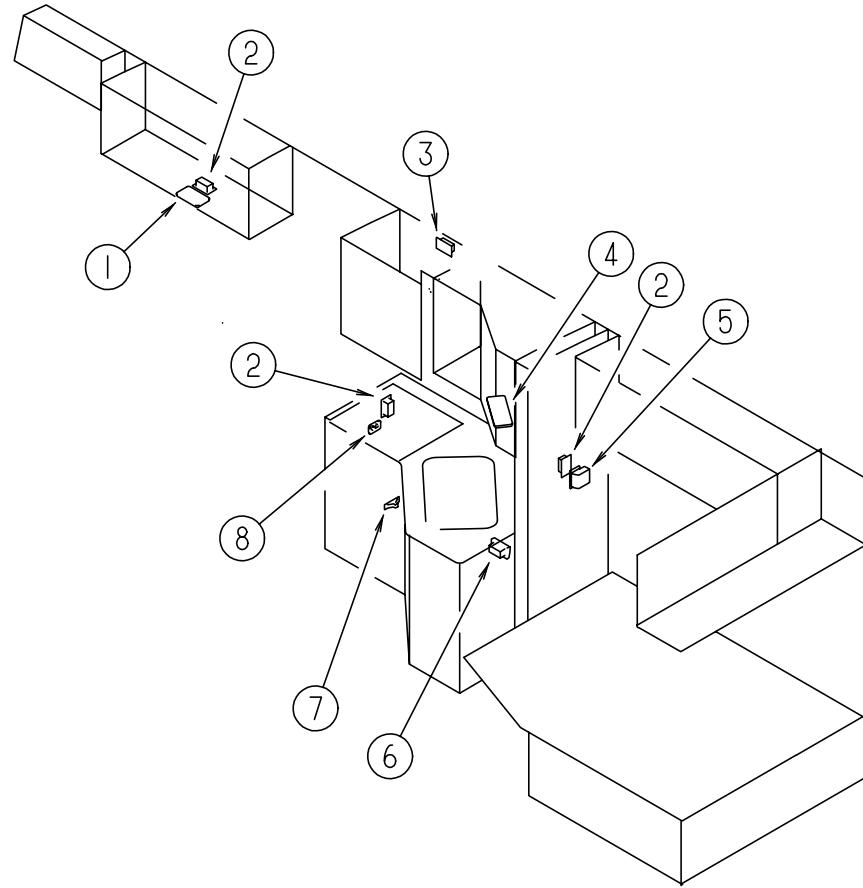
KEY	PART NUMBER	U/M DESCRIPTION
	007093-01-000	EA FLASHER-SIGNAL, STAT
	007956-05-000	EA INSULATOR-SHRINK, .25" ID X 1.50"
	008188-01-000	EA SOLENOID - 3 POST, BATTERY CHANGE OVER
	063910-01-000	EA HOUSING-RELAY, BOSCH 3 334 485 008
	063912-02-000	EA RELAY-CANISTER, SPDT - BOSCH 0332204101
	086233-01-000	EA STUD-ISOLATED, 3/8" X 7/8" LONG
	086273-01-000	EA RELAY-BATTERY DISCONNECT
	103987-02-000	EA SEAL-SOLENOID ACCESS
	073328-B4-000	EA CABLE ASSEMBLY-BATTERY, W/TERMINALS
	087225-01-000	FT SLEEVING - 1/2", TYPE H - VARFLEX
	077479-02-000	EA BOOT-BATTERY TERMINAL, SINGLE CABLE

ELECTRICAL GROUP (CONTINUED)
LIGHTS, RECEPTACLES & SWITCHES - DRIVER SIDE



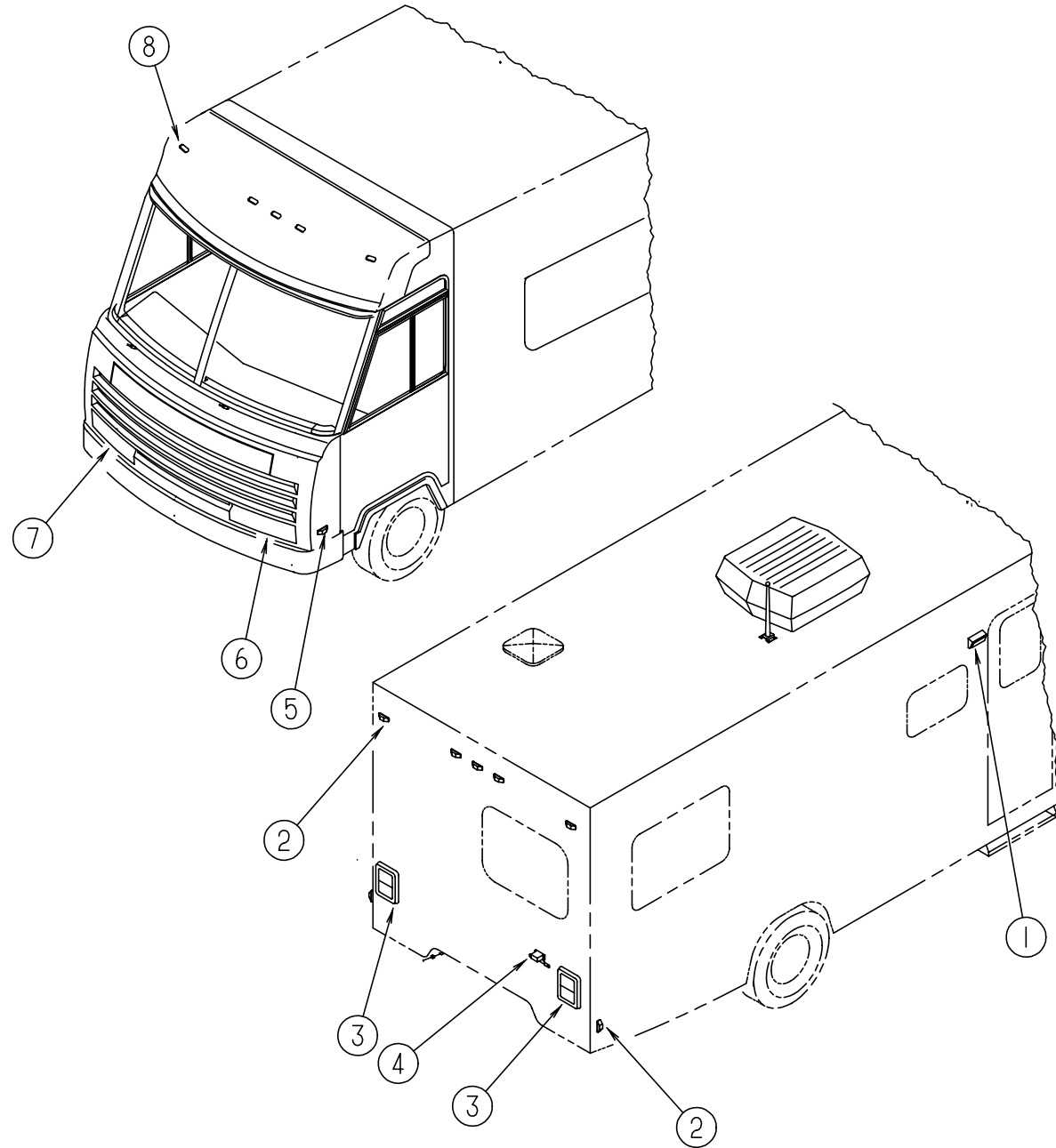
KEY	PART NUMBER	U/M	DESCRIPTION
1	098351-02-01A	EA	PLATE-SWITCH, 2 GANG - POLISHED BRASS - JENSEN - TOILET SIDE
1	098351-01-01A	EA	PLATE-SWITCH, 1 GANG - POLISHED BRASS - JENSEN - LAVATORY SIDE
1	079364-01-000	EA	SWITCH-ON/OFF ROCKER, 2 PRONGS - BROWN TOILET SIDE & LAVATORY SIDE
1	079364-03-000	EA	SWITCH-ON/OFF ROCKER, 3 PRONGS - BROWN - TOILET SIDE
1	095188-01-01A	EA	SPACER-SWITCH, 2.3" X 3.4" - PLASTIC - DARK BROWN TOILET SIDE & LAVATORY SIDE
2	098024-01-01A	EA	LIGHT-DOME, 1 BULB - US - IVORY
2	008218-01-000	EA	BULB-DOME LIGHT, 12V - NUMBER 1141
2	098024-01-700	EA	LENS-DOME LIGHT
3	110235-02-01A	EA	LIGHT-MAKE UP, BRASS - 4 BULB PANLESS - PD PD200-622
3	081633-01-700	EA	BULB-MAKE UP LIGHT, JENSEN
4	058707-02-000	EA	RECEPTACLE-BLANK, JUNCTION - WIRECON WDJ20BR
5	058707-01-000	EA	RECEPTACLE-ELECTRIC, SINGLE - BROWN
6	058708-01-000	EA	RECEPTACLE-ELECTRIC, DOUBLE - BROWN
6	058708-02-000	EA	RECEPTACLE-ELECTRIC, DOUBLE - IVORY
7	098024-03-01A	EA	LIGHT-DOME, 2 BULB - IVORY
7	008218-01-000	EA	BULB-DOME LIGHT, 12V - NUMBER 1141
7	098024-01-700	EA	LENS-DOME LIGHT
8	098351-01-01A	EA	PLATE-SWITCH, 1 GANG - POLISHED BRASS - JENSEN
8	079364-01-000	EA	SWITCH-ON/OFF ROCKER, 2 PRONGS - BROWN - LP DETECTOR
9	024924-02-000	EA	RECEPTACLE-POWER CORD, W/PARTIAL PLATE
10	084076-01-000	EA	RECEPTACLE-GFI, 15A - 125V - IVORY
10	084076-02-000	EA	RECEPTACLE-GFI, 15A - 125V - BROWN
10	097734-01-02A	EA	EXTENSION-RECEPTACLE, 3.2" X 5" X .7" - PLASTIC - BROWN - CANADIAN
11	104173-01-01A	EA	LIGHT-DESIGNER, BRASS - #81-905 - US
	104173-01-700	EA	BULB - 12 VOLT, 81900
11	104172-01-01A	EA	LIGHT-BULLET, BEIGE - #787 SERIES - CSA
	086280-01-000	EA	LIGHT-SURFACE MOUNT, 12V - JENSEN 1236
	086280-01-700	EA	BULB - 12 VOLT, 6 WATT
	087695-01-000	EA	SWITCH-HEATER, EXTERIOR MIRROR - EURAMTEC FROM: 00-00-00 THRU: 09-10-95
	087695-02-000	EA	SWITCH-HEATER, EXTERIOR MIRROR - EURAMTEC DAV4720-12 FROM: 09-11-95 THRU: 99-99-99
	088246-01-000	EA	SWITCH-REMOTE, EXTERIOR MIRROR - SQUARE PUSH - VELVAC 7471290
	108355-01-000	EA	HOUSING-SWITCH, CARLING VCH
	054250-01-000	EA	COVER-ANGLED, W/O HOLE - 3.6" X 4.5" - PLASTIC - BEIGE ELECTRICAL PLATE SUPPORT W/O HOLES
	054250-04-000	EA	COVER-ANGLED, W/O HOLE - 3.6" X 4.5" - PLASTIC - OFF WHITE ELECTRICAL PLATE SUPPORT
	077942-01-000	EA	SWITCH-DUMMY, BLACK

ELECTRICAL GROUP (CONTINUED)
LIGHTS, RECEPTACLES & SWITCHES - PASSENGER SIDE



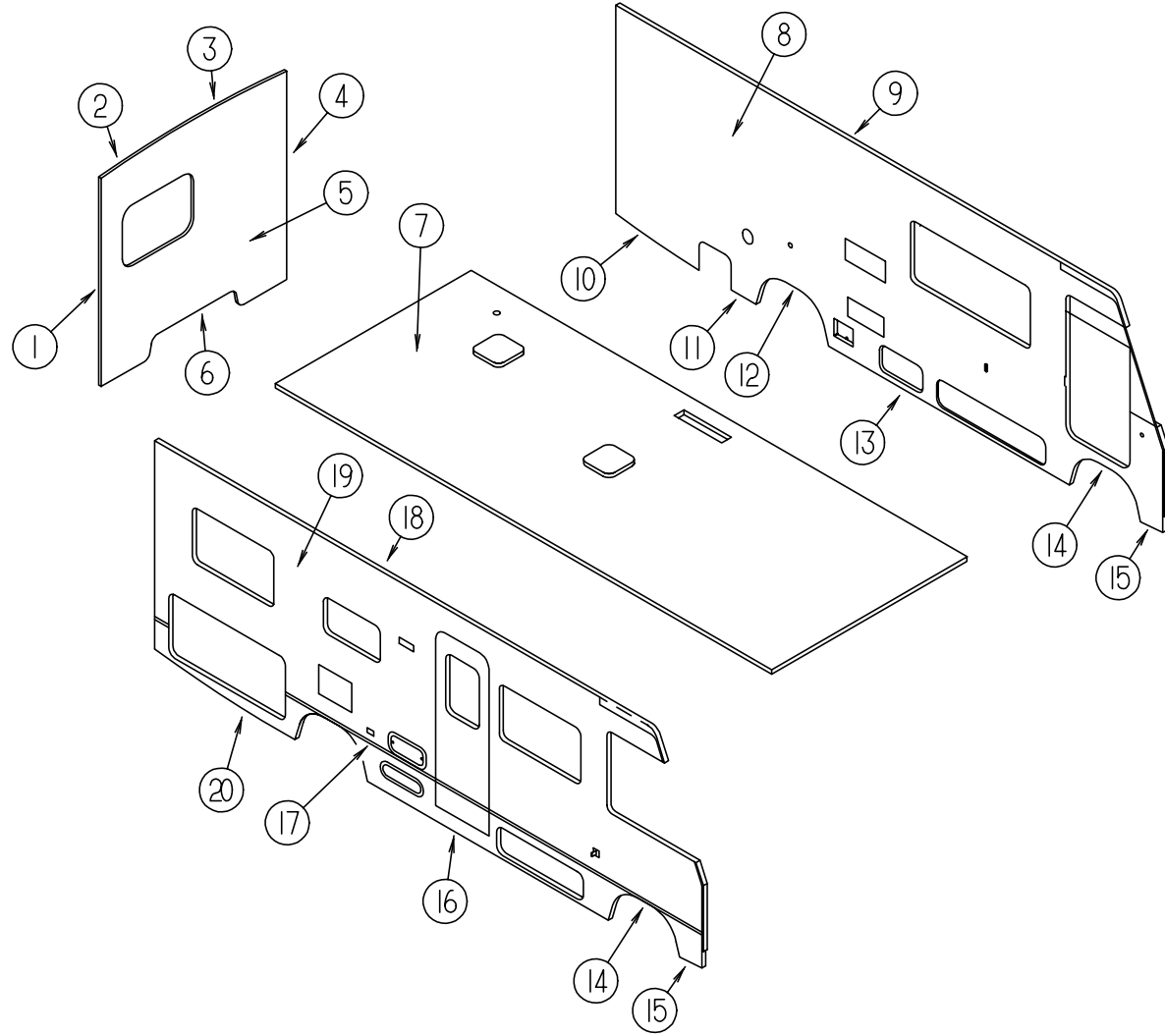
KEY	PART NUMBER	U/M	DESCRIPTION
1	098024-01-01A	EA	LIGHT-DOME, 1 BULB - US - IVORY
1	008218-01-000	EA	BULB-DOME LIGHT, 12V - NUMBER 1141
1	098024-01-700	EA	LENS-DOME LIGHT
2	058708-01-000	EA	RECEPTACLE-ELECTRIC, DOUBLE - BROWN
2	058708-02-000	EA	RECEPTACLE-ELECTRIC, DOUBLE - IVORY
3	058707-01-000	EA	RECEPTACLE-ELECTRIC, SINGLE - BROWN
4	098024-03-01A	EA	LIGHT-DOME, 2 BULB - IVORY
4	008218-01-000	EA	BULB-DOME LIGHT, 12V - NUMBER 1141
4	098024-01-700	EA	LENS-DOME LIGHT
5	084076-01-000	EA	RECEPTACLE-GFI, 15A - 125V - IVORY
5	084076-02-000	EA	RECEPTACLE-GFI, 15A - 125V - BROWN
5	097734-01-02A	EA	EXTENSION-RECEPTACLE, 3.2" X 5" X .7" - PLASTIC - BROWN - CANADIAN
6	112822-01-01A	EA	RECEPTACLE-EXTERIOR, DUPLEX - IVORY - WIRECON WDRU15IV
6	112824-01-03A	EA	COVER-EXTERIOR RECEPTACLE, OFF WHITE - P&S 3780-SC-WW
7	061424-01-000	EA	LIGHT-AISLE, 12V - RECTANGULAR
7	008103-01-000	EA	BULB-DASH/AISLE LIGHT, #53 - 12 V - .12 AMP
8	098351-05-01A	EA	PLATE-SWITCH, 3 GANG W/LABEL - POLISHED BRASS - JENSEN W/ELECTRIC STEP OPTION
8	098351-06-01A	EA	PLATE-SWITCH, 2 GANG W/LABEL - POLISHED BRASS - JENSEN W/O ELECTRIC STEP OPTION
8	095188-02-01A	EA	SPACER-SWITCH, 2.3" X 4.1" - PLASTIC - DARK BROWN W/ELECTRIC STEP OPTION
8	095188-01-01A	EA	SPACER-SWITCH, 2.3" X 3.4" - PLASTIC - DARK BROWN W/O ELECTRIC STEP OPTION
8	079364-01-000	EA	SWITCH-ON/OFF ROCKER, 2 PRONGS - BROWN
	086280-01-000	EA	LIGHT-SURFACE MOUNT, 12V - JENSEN 1236
	086280-01-700	EA	BULB - 12 VOLT, 6 WATT
	087695-01-000	EA	SWITCH-HEATER, EXTERIOR MIRROR - EURAMTEC FROM: 00-00-00 THRU: 09-10-95
	087695-02-000	EA	SWITCH-HEATER, EXTERIOR MIRROR - EURAMTEC DAV4720-12 FROM: 09-11-95 THRU: 99-99-99
	088246-01-000	EA	SWITCH-REMOTE, EXTERIOR MIRROR - SQUARE PUSH - VELVAC 7471290
	108355-01-000	EA	HOUSING-SWITCH, CARLING VCH

ELECTRICAL GROUP (CONTINUED)
EXTERIOR LIGHTS



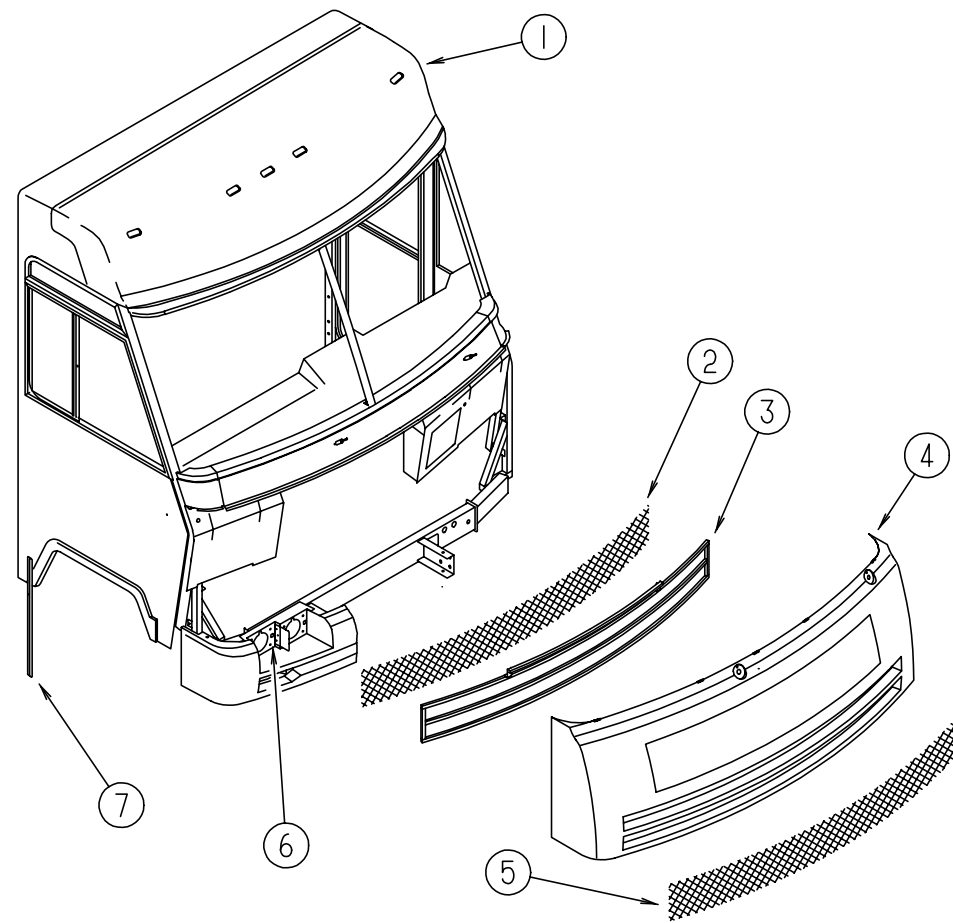
KEY	PART NUMBER	U/M DESCRIPTION	VENDOR NO.
1	097917-01-06A	EA LIGHT-PORCH, ENTRY DOOR - BRIGHT WHITE	
	008215-01-000	EA BULB - 12V, #1003 - .94 AMP	
	097917-01-700	EA LENS-LIGHT, PORCH	
2	111102-01-000	EA LAMP-MARKER, BASE - TRIPLEX 117XAS	
2	111102-03-000	EA LENS-MARKER LAMP, RED - TRIPLEX 117R	
	036196-01-000	EA BULB - 12V, #194 - .27 AMP - BAYONETTE	
3	081638-01-000	EA TAILLIGHT-DOUBLE, W/BLACK TRIM - DRIVER OR PASSENGER SIDE	
	037934-01-000	EA BULB - 12V, #1156 - 2.1 AMP - CLEAR GLASS	
	037935-01-000	EA BULB - 12V, #1157 OR #2057 - 2.1 AMP - CLEAR GLASS	
	081638-01-700	EA LENS-TAILLIGHT, RED - BARGMAN	30-84-010
	081638-01-701	EA LENS-TAILLIGHT, W/BACKUP - BARGMAN	30-84-700
	103355-01-05A	EA POD-TAILLIGHT, BRIGHT WHITE	
4	066432-02-000	EA LIGHT-LICENSE, BLACK	
	066432-03-000	EA BRACKET-LICENSE PLATE - BARGMAN 30-60-030	
5	111102-01-000	EA LAMP-MARKER, BASE - TRIPLEX 117XAS	
5	111102-02-000	EA LENS-MARKER LAMP, AMBER - TRIPLEX 118A	
	036196-01-000	EA BULB - 12V, #194 - .27 AMP - BAYONETTE	
6	049186-04-000	EA HEADLAMP ASM-DRIVER, HIGH/LOW BEAM - HALOGEN - KD 92749-201	
	049188-04-000	EA HEADLAMP ASM-DRIVER, HIGH BEAM - HALOGEN - KD 92750-201	
7	049185-04-000	EA HEADLAMP ASM-PASS, HIGH/LOW BEAM - HALOGEN - KD 92751-201	
	049187-04-000	EA HEADLAMP ASM-PASS, HIGH BEAM - HALOGEN - KD 92748-201	
	049359-01-000	EA SPRING-RETAINER, HEADLAMP - GM 496096	
8	102520-01-000	EA LIGHT-CLEARANCE, W/O SOCKET CONNECTIONS - AMBER	
	036196-01-000	EA BULB - 12V, #194 - .27 AMP - BAYONETTE	
	102540-01-000	EA SEAL-SCREW, ROUND - RUBBER	
	102541-01-000	EA GASKET-CLEARANCE LIGHT	
	112823-01-000	EA SPLICE-REDUCER, 16-14 TO 18-22 - ETC BA-631X	
	067789-02-000	EA SOCKET-LAMP	

EXTERIOR BODY GROUP
EXTERIOR BODY PANELS AND TRIM



KEY	PART NUMBER	U/M	DESCRIPTION
1	114874-05-12B	EA	TRIM-BACKWALL SIDE, RIGHT - BRIGHT WHITE - STEEL
1	104033-11-02A	EA	TRIM-J, BACKWALL - RIGHT - BRIGHT WHITE - ALUMINUM
2	114872-01-02A	EA	TRIM-BACKWALL, TOP W/O CLEARANCE LIGHTS - RIGHT - BRIGHT WHITE PLASTIC
3	114873-01-02A	EA	TRIM-BACKWALL, TOP W/O CLEARANCE LIGHTS - LEFT - BRIGHT WHITE PLASTIC
4	114874-06-12B	EA	TRIM-BACKWALL SIDE, LEFT - BRIGHT WHITE - STEEL
4	104033-12-02A	EA	TRIM-J, BACKWALL - LEFT - BRIGHT WHITE - ALUMINUM
5	P18642-01-G29	EA	BACKWALL-W/O WINDOW, LIGHTS, OR DECALS (G29)
5	P18642-01-G30	EA	BACKWALL-W/O WINDOW, LIGHTS, OR DECALS (G30)
5	P18642-01-G31	EA	BACKWALL-W/O WINDOW, LIGHTS, OR DECALS (G31/G32)
5	M07419-12-G29	EA	BACKWALL-W/O WINDOW, LIGHTS, OR DECALS - RAISED BED OPTION (G29)
5	M07419-12-G30	EA	BACKWALL-W/O WINDOW, LIGHTS, OR DECALS - RAISED BED OPTION (G30)
5	M07419-12-G31	EA	BACKWALL-W/O WINDOW, LIGHTS, OR DECALS - RAISED BED OPTION (G31/G32)
6	050406-24-000	EA	TRIM-BACKWALL, LOWER - DRIVER OR PASS SIDE - BRIGHT WHITE - ALUMINUM
7	P18800-01-G29	EA	ROOF-W/O VENTS
8	M05705-43-G29	EA	SIDEWALL ASM-DRIVER SIDE, W/O DOORS OR WINDOWS (G29)
8	M05705-43-G30	EA	SIDEWALL ASM-DRIVER SIDE, W/O DOORS OR WINDOWS (G30)
8	M05705-43-G31	EA	SIDEWALL ASM-DRIVER SIDE, W/O DOORS OR WINDOWS (G31/G32)
8	M05705-44-G29	EA	SIDEWALL ASM-DRIVER SIDE, W/O DOORS OR WINDOWS - DRIVER DOOR (G29)
8	M05705-44-G30	EA	SIDEWALL ASM-DRIVER SIDE, W/O DOORS OR WINDOWS - DRIVER DOOR (G30)
8	M05705-44-G31	EA	SIDEWALL ASM-DRIVER SIDE, W/O DOORS OR WINDOWS - DR DOOR (G31/G32)
9	103801-02-05A	EA	TRIM-ROOF, 16' LONG - W/O DRILLED HOLES - DRIVER SIDE
			FROM: 00-00-00 THRU: 09-23-95
9	120091-01-02A	EA	TRIM-ROOF, 16' LONG - W/O DRILLED HOLES - DRIVER SIDE - BRIGHT WHITE
			FROM: 09-24-95 THRU: 99-99-99
10	111108-10-02A	EA	TRIM-SIDEWALL, BOTTOM - DRIVER SIDE - BRIGHT WHITE
11	108038-34-02A	EA	TRIM-SIDEWALL, BOTTOM - DRIVER SIDE - BRIGHT WHITE
12	108070-01-04A	EA	TRIM-WHEELWELL, REAR - DRIVER OR PASSENGER SIDE - BRIGHT WHITE
13	108039-01-04A	EA	TRIM-SIDEWALL, BOTTOM - CENTER - 3066 MM LONG - BRIGHT WHITE
14	108069-04-03A	EA	TRIM-WHEELWELL, FRONT - DRIVER OR PASSENGER SIDE - BRIGHT WHITE
15	108109-02-02A	EA	TRIM-SIDEWALL, BOTTOM - FRONT - DRIVER OR PASS SIDE - BRIGHT WHITE
16	116800-55-005	EA	U-CHANNEL-EXTRUDED, 1.7" X 16' - BRIGHT WHITE
16	108039-01-04A	EA	TRIM-SIDEWALL, BOTTOM - 3066 MM LONG - BRIGHT WHITE
17	108688-01-03A	EA	STRIP-FEATURE, W/O INSERT OR END CAPS - 15' LONG - BRIGHT WHITE
	108651-01-01A	EA	END CAP-FEATURE STRIP
	105312-01-07A	FT	INSERT-FEATURE STRIP
18	103802-02-05A	EA	RAIL-AWNING, 16' LONG - W/O DRILLED HOLES - PASS SIDE - BRIGHT WHITE
			FROM: 00-00-00 THRU: 09-23-95
18	120092-01-02A	EA	RAIL-AWNING, 16' LONG - W/O DRILLED HOLES - PASS SIDE - BRIGHT WHITE
			FROM: 09-24-95 THRU: 99-99-99
19	P18593-01-G29	EA	SIDEWALL ASM-PASSENGER SIDE, W/O DOORS OR WINDOWS (G29)
19	P18593-01-G30	EA	SIDEWALL ASM-PASSENGER SIDE, W/O DOORS OR WINDOWS (G30)
19	P18593-01-G31	EA	SIDEWALL ASM-PASSENGER SIDE, W/O DOORS OR WINDOWS (G31/G32)
19	M05739-52-G29	EA	SIDEWALL ASM-PASSENGER SIDE, W/O DOORS OR WINDOWS (G29)
			RAISED BED OPTION
19	M05739-52-G30	EA	SIDEWALL ASM-PASSENGER SIDE, W/O DOORS OR WINDOWS (G30)
			RAISED BED OPTION
19	M05739-52-G31	EA	SIDEWALL ASM-PASSENGER SIDE, W/O DOORS OR WINDOWS (G31/G32)
			RAISED BED OPTION
20	108038-35-02A	EA	TRIM-SIDEWALL, BOTTOM - PASSENGER SIDE - BRIGHT WHITE
	084852-51-003	EA	ANGLE-EXTRUDED, 1.25" X .75" X 4600 MM - MILL ALUMINUM
	055278-51-259	EA	TUBING-STEEL, .75" X 1.5" X 12.5' LONG
	002726-01-001	EA	GARNISH-U-CHANNEL, 1.38" X 19' - SERRATED - MILL ALUMINUM
	069726-02-000	EA	BUMPER - .88" DIAMETER X .40", BLACK

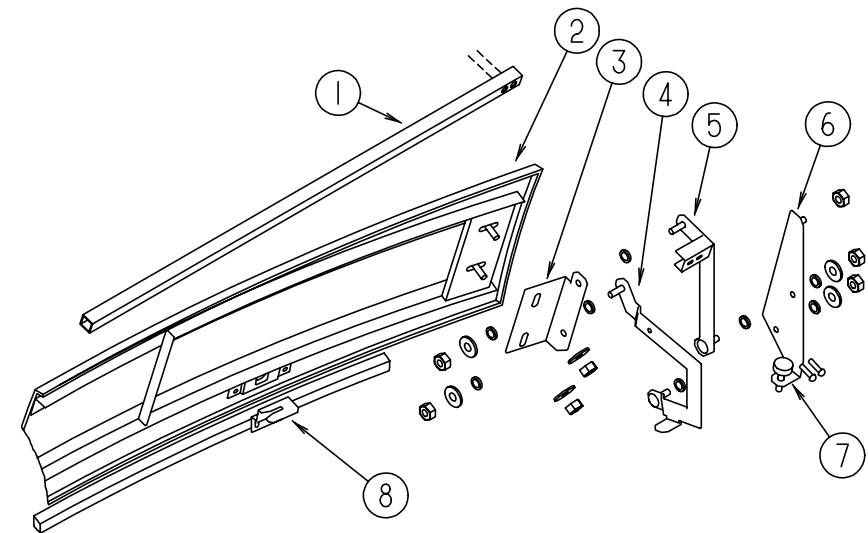
EXTERIOR BODY GROUP (CONTINUED)



FRONT CAP AND FRONT END COMPONENTS

KEY	PART NUMBER	U/M	DESCRIPTION
1	115042-01-02A	EA	PANEL-ROOF CAP, BRIGHT WHITE
	070579-06-000	EA	PLATE-ANCHOR, W/7/16 WELD NUT - 1.5" X 3.3"
	077001-01-000	EA	ANGLE-MOUNTING, ROOF PANEL - V ANGLE - 3" X 2.4" X 1.5"
2	115924-03-01A	EA	GRILLE-WOVEN WIRE
3	118182-01-G09	EA	GRILLE ASM-MESH
4	M07546-01-G29	EA	FRONT END ASM-W/O GRILLES, HOOD OR HOOD HINGES - BRIGHT WHITE
5	115924-04-01A	EA	GRILLE-WOVEN WIRE
6	118191-01-01A	EA	BEZEL-HEADLIGHT, PASSENGER SIDE - BLACK
	118191-02-01A	EA	BEZEL-HEADLIGHT, DRIVER SIDE - BLACK
7	089922-27-000	EA	TRIM-FRONT END/SIDEWALL, DRIVER OR PASSENGER SIDE - BRIGHT WHITE
	099418-01-000	FT	D-SECTION SEAL W/ADHESIVE BACK - .44" X .44" - BLACK RUBBER
	110691-01-01A	EA	BRACKET-SPRING, HEADLAMP - DRIVER OR PASSENGER SIDE - UNPAINTED
	119445-01-02B	EA	PLATE-W/HOLES, 38 MM X 26 MM - STAINLESS STEEL - BLACK

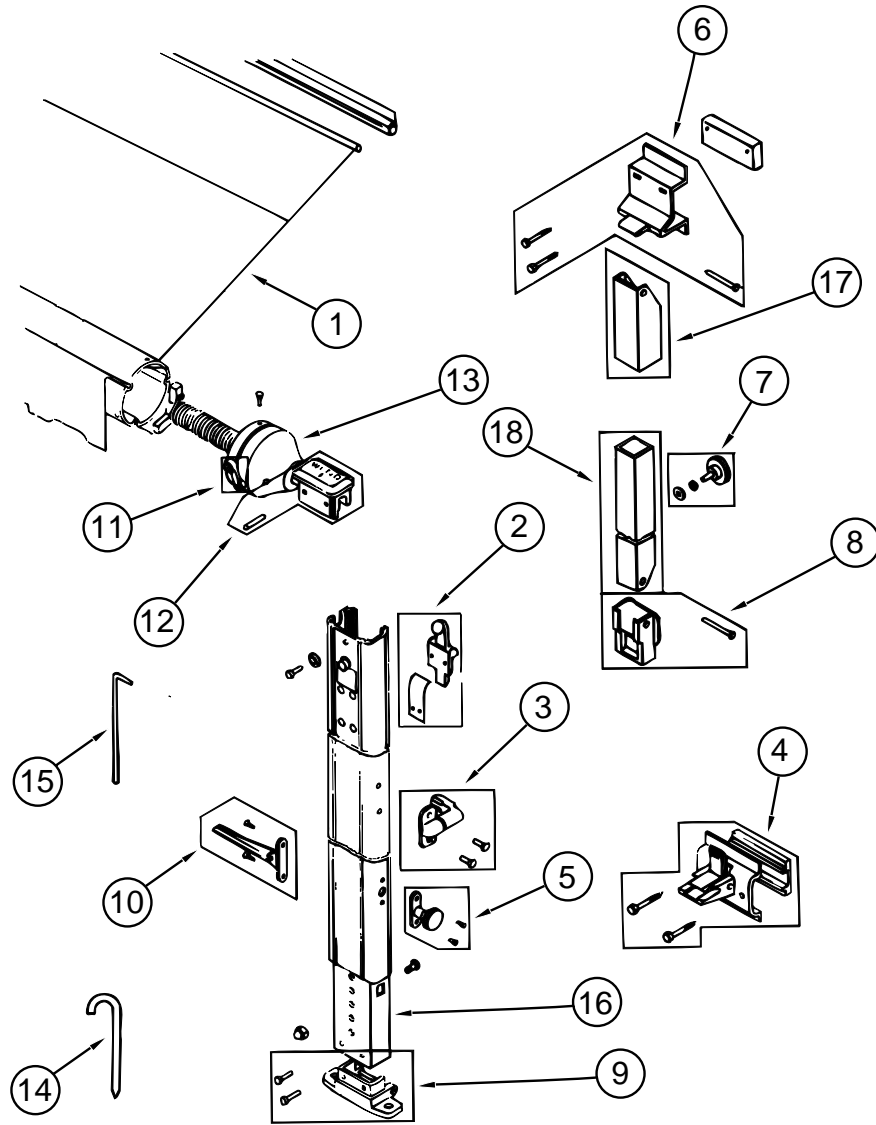
EXTERIOR BODY GROUP (CONTINUED)



HOOD AND FRONT END COMPONENTS

KEY	PART NUMBER	U/M	DESCRIPTION
1	105096-10-000	EA	TUBE-TIMING, HOOD HINGE
2	115976-02-G29	EA	PANEL ASM-HOOD, BRIGHT WHITE
3	109927-03-000	EA	ANGLE-LINK, HOOD - RH
3	109927-04-000	EA	ANGLE LINK, HOOD - LH
4	109930-07-000	EA	LINK ASM-HINGE, HOOD - LOWER - RH
4	109930-08-000	EA	LINK ASM-HINGE, HOOD - LOWER - LH
5	109929-03-000	EA	LINK ASM-HINGE, HOOD - UPPER - RH
5	109929-04-000	EA	LINK ASM-HINGE, HOOD - UPPER - LH
6	109926-07-000	EA	BRACKET ASM-LINK, HINGE, HOOD - RH
6	109926-08-000	EA	BRACKET ASM-LINK, HINGE, HOOD - LH
7	058786-01-000	EA	BOLT-ADJUSTING, HOOD - W/BLACK PAD - .31" #18 X 2"
8	106748-02-000	EA	LATCH-HOOD, FRONT END
	102330-02-000	EA	LOCK-SINGLE HOLE, VISE ACTION - SOUTHCOE 3-56-715-5
	102328-01-000	EA	KEY-BARREL, NICKEL PLATED - SOUTHCOE 3-26-715-19

EXTERIOR BODY GROUP (CONTINUED)



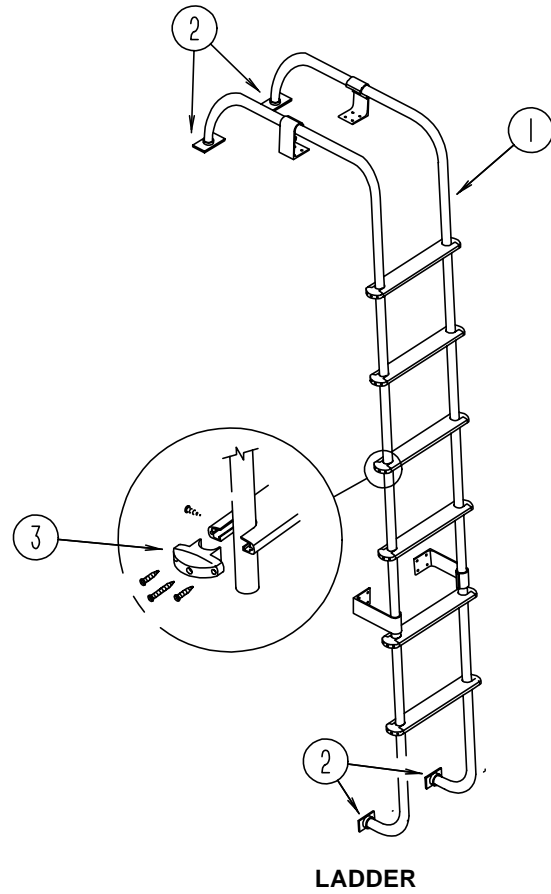
FAULKNER AWNING & HARDWARE

KEY	PART NUMBER	U/M DESCRIPTION	VENDOR NO.
1	110634-13-19A	EA AWNING-ROLLER ASSEMBLY, 13'	
	110634-02-04A	EA HARDWARE KIT-AWNING, BRIGHT WHITE	
2	110634-01-700	EA RAFTER LOCKING MECHANISM KIT	7605-0001
3	110634-01-701	EA SAFETY & LATCH KIT	7509-0001
4	110634-01-702	EA BOTTOM BRACKET KIT	7512-0001
5	110634-01-703	EA HEIGHT LOCK HANDLE KIT	7510-0001
6	110634-01-704	EA UPPER BRACKET KIT W/BOLTS	7505-0001
7	110634-01-705	EA ULTRA RAFTER KNOB KIT	7522-0001
8	110634-01-706	EA RAFTER SLIDE KIT	
9	110634-01-707	EA GROUND BRACKET KIT	7511-0001
10	110634-01-708	EA LIFT HANDLES W/RIVETS	7000-0001
11	110634-01-709	EA RATCHET HANDLE KIT	7507-0001
12	110634-01-710	EA ARM CAP KIT	7503-0001
13	110634-01-711	EA FRONT SPRING ASM	6598-0001
13	110634-01-712	EA REAR SPRING ASM	6599-0001
13	110634-01-713	EA REAR END CAP KIT	7504-0001
14	110634-01-714	EA STAKE - (4 PER BAG)	5208-0001
15	110634-01-715	EA WAND - PULL DOWN	7604-0001
16	110634-01-730	EA ARM-INNER, FRONT - BRIGHT WHITE	1002-0071
16	110634-01-731	EA ARM-INNER, REAR - BRIGHT WHITE	1003-0071
17	110634-01-732	EA RAFTER-OUTER, BRIGHT WHITE	1004-0071
18	110634-01-733	EA RAFTER-INNER, BRIGHT WHITE	1005-0071
	111037-01-01A	EA SPACER-AWNING, UPPER - BLACK	
	111038-01-01A	EA SPACER-AWNING, LOWER - BLACK	

EXTERIOR BODY GROUP (CONTINUED)
FIBERGLASS, STYROFOAM & INSULATION

KEY	PART NUMBER	U/M DESCRIPTION
	044487-01-001	EA ALUMINUM SHEET - .019" X 96" X 360" - MILL FINISH
	044487-01-002	EA ALUMINUM SHEET - .019" X 96" X 432" - MILL FINISH
	044487-51-001	EA ALUMINUM SHEET - .019" X 758 MM X 317 MM - MILL FINISH
	076054-T4-000	EA FIBERGLASS SHEET-FLAT, 96.7" X 279.3" - BRIGHT WHITE
	076054-P4-000	EA FIBERGLASS SHEET-FLAT, 2438 X 2463 - BRIGHT WHITE
	077517-62-000	EA FIBERGLASS SHEET-FLAT, 48" X 96" - BRIGHT WHITE
	108535-04-701	EA FIBERGLASS SHEET-FLAT, 104" X 396" - BRIGHT WHITE (ROOF COVERING)
	108535-04-705	EA FIBERGLASS SHEET-FLAT, 6" X 34' - BRIGHT WHITE
	100619-01-000	BF FOAM-EXPANDED POLYSTYRENE, 1.34" X 48" X 96"
	100619-04-000	BF FOAM-EXPANDED POLYSTYRENE, .5" X 48" X 96"
	100619-05-000	BF FOAM-EXPANDED POLYSTYRENE, .75" X 48" X 96"
	100619-10-000	BF FOAM-EXPANDED POLYSTYRENE, 1.5" X 48" X 96"
	100619-11-000	BF FOAM-EXPANDED POLYSTYRENE, 2" X 48" X 96"
	000870-08-000	SF STYROFOAM - .75" X 48" X 96" - PLANED - INCREMENTS OF 32 SF
	072877-03-000	EA INSULATION-SOUND BARRIER, LB-1 COMPOSITE EAR
	072878-01-000	EA INSULATION-SOUND BARRIER PAD, .058" X 33" X 58"
	105077-03-000	EA FOAM-PLUG, TUBE - 30.2 MM X 33.1 MM X 45 MM LONG - POLYSTYRENE FOAM FROM: 00-00-00 THRU: 09-23-95
	120107 03 000	EA FOAM-PLUG, TUBE - 29.6 MM X 54.5 MM X 45 MM LONG - POLYSTYRENE FOAM FROM: 09-24-95 THRU: 99-99-99
	105077-04-000	EA FOAM-COVE, ROOF - 100.6 MM X 2438 MM LONG - POLYSTYRENE FOAM FROM: 00-00-00 THRU: 09-23-95
	120107 01 000	EA FOAM-COVE, ROOF - 70.6 MM X 2438 MM LONG - POLYSTYRENE FOAM FROM: 09-24-95 THRU: 99-99-99
	105077-07-000	EA FOAM-PLUG, TUBE - 56.9 MM X 78.8 MM X 45 MM LONG - POLYSTYRENE FOAM FROM: 00-00-00 THRU: 09-23-95
	120107 02 000	EA FOAM-PLUG, TUBE - 57 MM X 74.3 MM X 45 MM LONG - POLYSTYRENE FOAM FROM: 09-24-95 THRU: 99-99-99

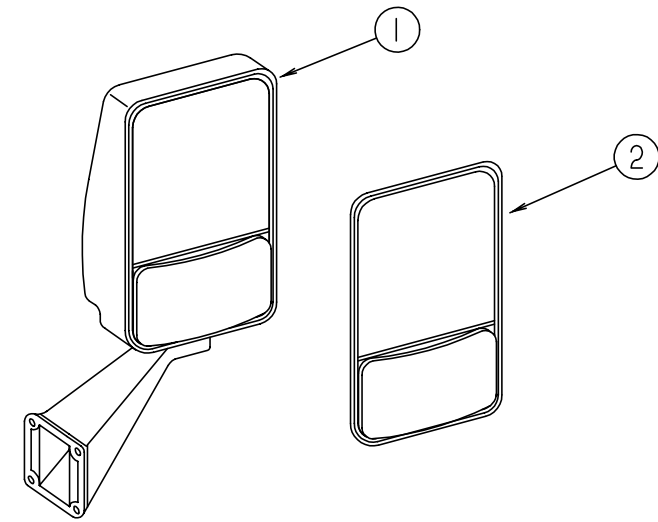
EXTERIOR BODY GROUP (CONTINUED)



LADDER

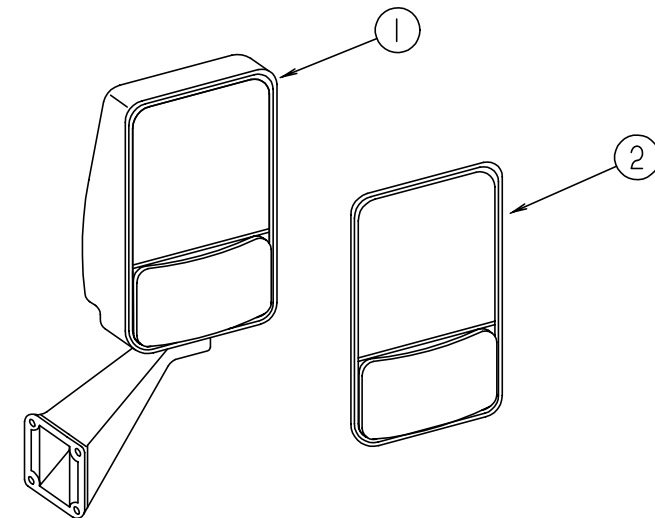
KEY	PART NUMBER	U/M DESCRIPTION
1	102953-16-G09	EA LADDER ASSEMBLY
2	067165-01-000	EA MOUNTING BRACKET-LADDER, LOWER
3	076980-02-000	EA END CAP-STEP, BLACK

EXTERIOR BODY GROUP (CONTINUED)



VELVAC HEATED EXTERIOR MIRRORS

KEY	PART NUMBER	U/M DESCRIPTION	VENDOR NO.
1	106015-05-01A	EA MIRROR ASM. - REMOTE/HEATED - W/O WIRING OR SWITCHES - PASS SIDE VELVAC 713170	
1	106015-06-01A	EA MIRROR ASM - REMOTE/HEATED - W/O WIRING OR SWITCHES - DRIVER SIDE VELVAC 713171	
2	086261-01-704	EA MIRROR KIT (BEZEL W/MIRRORS) PASSENGER SIDE	709268
2	086261-02-701	EA MIRROR KIT (BEZEL W/MIRRORS) DRIVER SIDE	709269
	087695-01-000	EA SWITCH-HEATER, EXTERIOR MIRROR - EURAMTEC FROM: 00-00-00 THRU: 09-10-95	
	087695-02-000	EA SWITCH-HEATER, EXTERIOR MIRROR - EURAMTEC DAV4720-12 FROM: 09-11-95 THRU: 99-99-99	
	088246-01-000	EA SWITCH-REMOTE, EXTERIOR MIRROR - SQUARE PUSH 7471290	

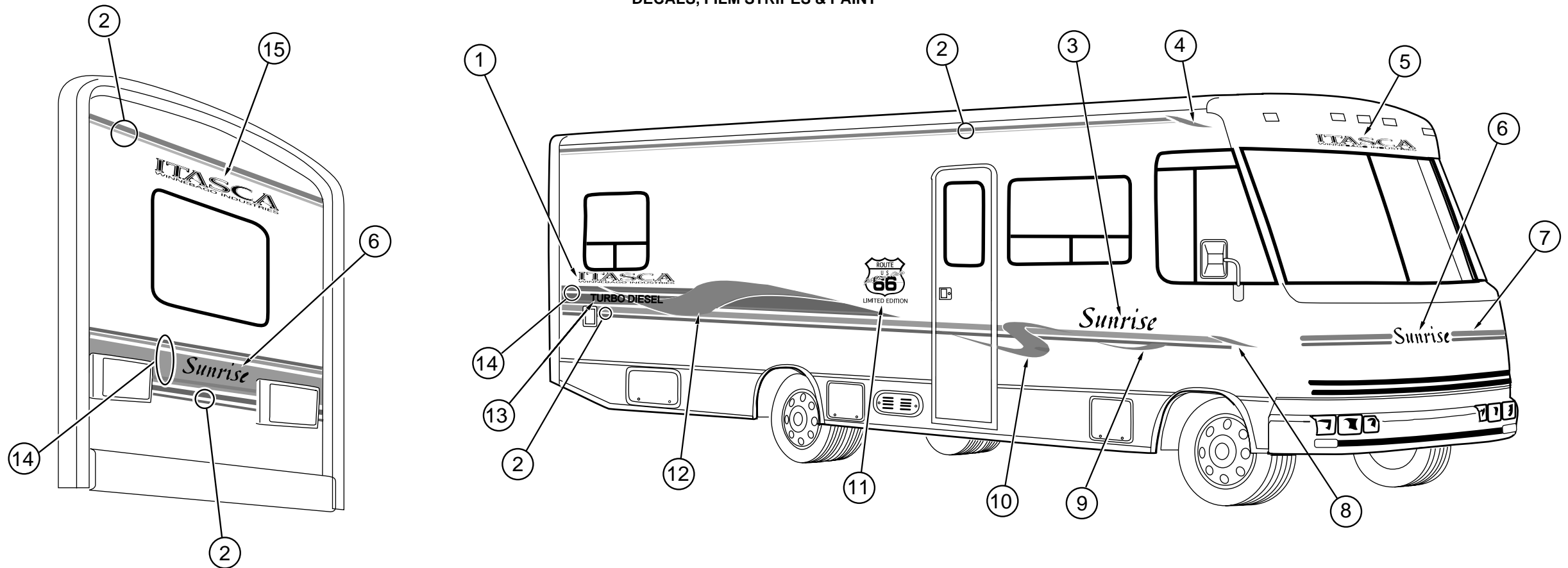


VELVAC EXTERIOR MIRRORS

KEY	PART NUMBER	U/M DESCRIPTION	VENDOR NO.
1	106015-09-01A	EA MIRROR ASM-EXTERIOR GLASS RIGHT - BLACK - VELVAC 713126	
1	106015-10-01A	EA MIRROR ASM-EXTERIOR ADJUST GLASS LEFT - BLACK - VELVAC 713125	
2	106015-01-703	EA MIRROR KIT (BEZEL W/MIRRORS) PASSENGER SIDE	709266
2	106015-02-702	EA MIRROR KIT (BEZEL W/MIRRORS) DRIVER SIDE	709267

EXTERIOR BODY GROUP (CONTINUED)

DECALS, FILM STRIPES & PAINT

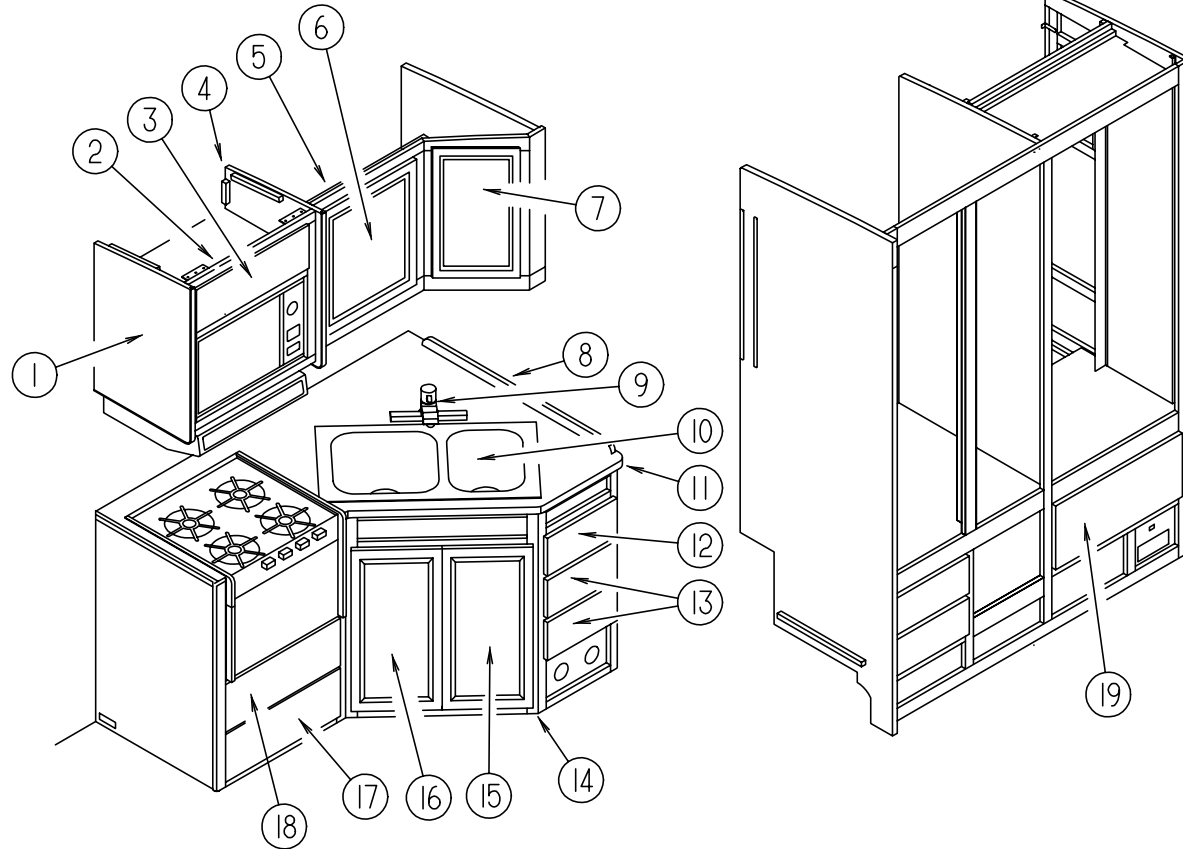


KEY	PART NUMBER	U/M	DESCRIPTION
1	116921-01-03A	EA	DECAL-LOGO, ITASCA WINN. IND. - MALIBU TEAL/MALIBU TEAL/MALIBU TEAL
2	105781-47-01A	FT	FILM-MULTISTRIFE, 82.5 MM WIDE - MEDIUM BLUE/SHADOW BLUE
3	118717-01-01A	EA	DECAL-LOGO, SUNRISE - LARGE - MEDIUM BLUE/SHADOW BLUE/BRIGHT WHITE
4	118715-01-01A	EA	DECAL-RIBBON, SMALL - RH - MALIBU TEAL/CHAMPAGNE/MEDIUM BLUE/WHITE
4	118715-02-01A	EA	DECAL-RIBBON, SMALL - LH - MALIBU TEAL/CHAMPAGNE/MEDIUM BLUE/WHITE
5	118312-01-02A	EA	DECAL-ITASCA, WINN. IND. - SWEEP - MALIBU TEAL/MALIBU TEAL/MALIBU TEAL
6	118717-02-01A	EA	DECAL-LOGO, SUNRISE - SMALL - MEDIUM BLUE/SHADOW BLUE/BRIGHT WHITE
7	118716-01-01A	EA	DECAL-HOOD - MEDIUM BLUE/SHADOW BLUE
8	118711-01-01A	EA	DECAL-RIBBON, #1 - RH - MALIBU TEAL/CHAMPAGNE STAR/MEDIUM BLUE/WHITE
8	118711-02-01A	EA	DECAL-RIBBON, #1 - LH - MALIBU TEAL/CHAMPAGNE STAR/MEDIUM BLUE/WHITE
9	118712-01-01A	EA	DECAL-RIBBON, #2 - RH - MALIBU TEAL/CHAMPAGNE STAR/MEDIUM BLUE/WHITE
9	118712-02-01A	EA	DECAL-RIBBON, #2 - LH - MALIBU TEAL/CHAMPAGNE STAR/MEDIUM BLUE/WHITE
10	118713-01-01A	EA	DECAL-RIBBON, #3 - RH - MALIBU TEAL/CHAMPAGNE STAR/MEDIUM BLUE/WHITE
10	118713-02-01A	EA	DECAL-RIBBON, #3 - LH - MALIBU TEAL/CHAMPAGNE STAR/MEDIUM BLUE/WHITE
11	116404-01-01A	EA	DECAL-ROUTE 66
12	118714-01-01A	EA	DECAL-RIBBON, #4 - RH - MALIBU TEAL/CHAMPAGNE STAR/MEDIUM BLUE/WHITE
12	118714-02-01A	EA	DECAL-RIBBON, #4 - LH - MALIBU TEAL/CHAMPAGNE STAR/MEDIUM BLUE/WHITE
13	111318-03-03A	EA	DECAL-TURBO DIESEL - BRIGHT WHITE
14	118710-01-01A	FT	FILM-MULTISTRIFE, 174.6 MM WIDE - SHADOW BLUE/AMETHYST FROST/ AMETHYST FROST/MEDIUM BLUE
15	116921-02-03A	EA	DECAL-LOGO, ITASCA WINN. IND. - MALIBU TEAL/MALIBU TEAL/MALIBU TEAL
	041561-03-000	EA	PAINT - 16 OZ SPRAY, OFF WHITE - ACRYLIC ENAMEL

DUPONT COLOR CODES

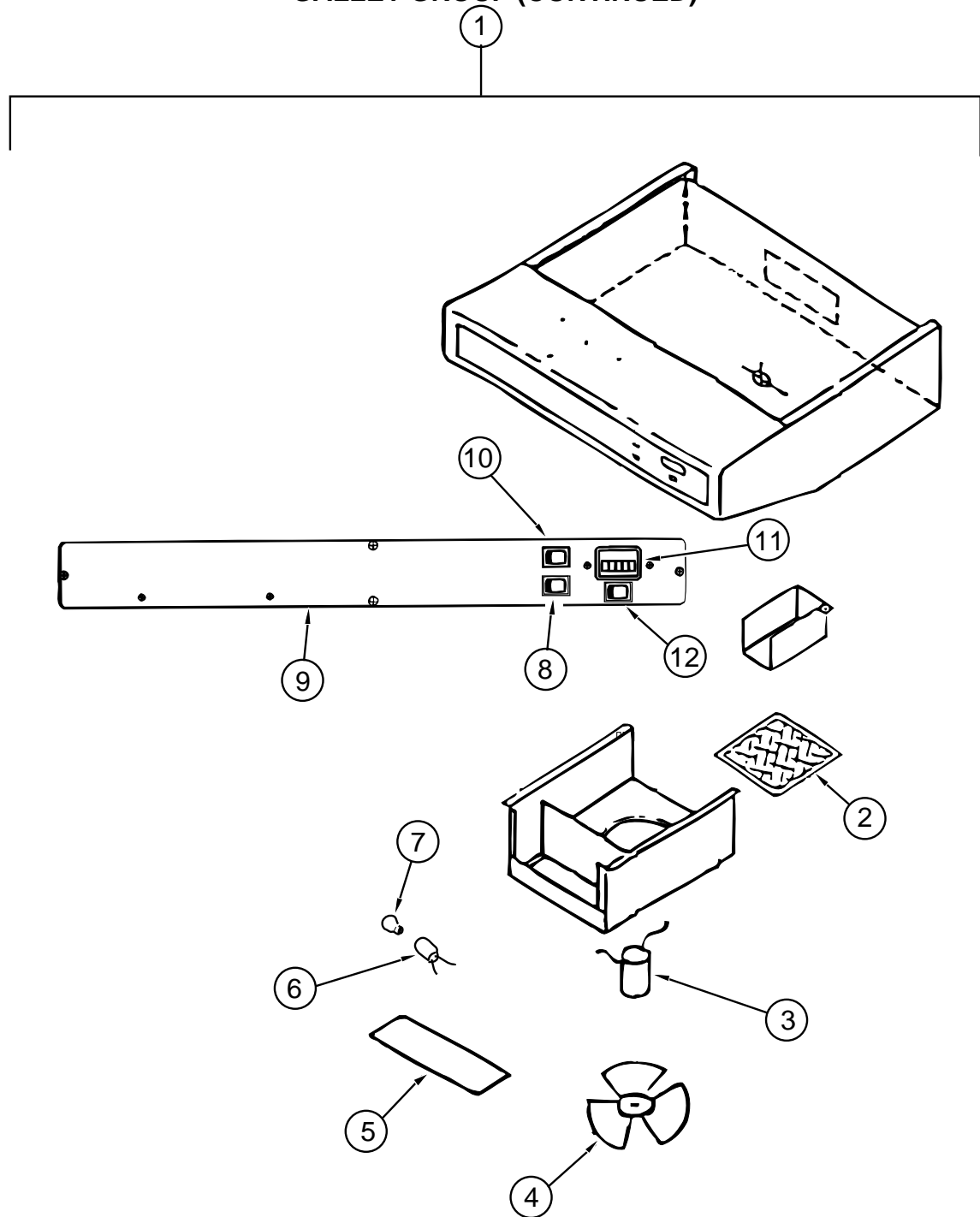
BRIGHT WHITE #B8951

GALLEY GROUP
GALLEY CABINETS



KEY	PART NUMBER	U/M	DESCRIPTION
1	081320-14-G09	EA	CAP-END, OVERHEAD - REAR
2	114390-07-G09	EA	CABINET-OVERHEAD, W/O DOOR
3	M05992-11-G09	EA	DOOR-CABINET, W/O HARDWARE - 240 MM X 555 MM
4	081320-16-G09	EA	CAP-END, OVERHEAD - FRONT
5	118943-01-G09	EA	CABINET-OVERHEAD, W/O DOORS
6	M06803-N3-G09	EA	DOOR-W/O HARDWARE - 450 MM X 555 MM
7	M06803-58-G09	EA	DOOR-W/O HARDWARE - 305 MM X 555 MM
8	098335-08-E08	EA	RAIL-GALLEY, 35.3" LONG (G29/G32)
8	098335-08-F11	EA	RAIL-GALLEY, 35.3" LONG (G30)
8	098335-08-F05	EA	RAIL-GALLEY, 35.3" LONG (G31)
9	104114-02-01A	EA	FAUCET-GALLEY, SINGLE CONTROL - CHROME - BPC 20PL1038-8"
10	103635-01-000	EA	FAUCET-SINGLE CONTROL, (WATER PURIFIER) EVERPURE 5435-00
10	110654-01-000	EA	SINK-DOUBLE, LARGE/SMALL BASINS - SST - DAYTON FR2917
	092303-01-000	EA	STRAINER-SINK
	108464-04-E08	EA	COVER-SINK (G29/G32)
	108464-04-F11	EA	COVER-SINK (G30)
	108464-04-E38	EA	COVER-SINK (G31)
	008380-01-000	EA	GROMMET-RUBBER, 5/8" HOLE X 1 1/2" DIAMETER
11	118798-18-G09	EA	COUNTERTOP-GALLEY CABINET (G29/G32)
11	118798-18-G30	EA	COUNTERTOP-GALLEY CABINET (G30)
11	118798-18-G31	EA	COUNTERTOP-GALLEY CABINET (G31)
	080812-04-G29	EA	EXTENSION ASM-GALLEY COUNTERTOP (G29)
	080812-04-G30	EA	EXTENSION ASM-GALLEY COUNTERTOP (G30)
	080812-04-G31	EA	EXTENSION ASM-GALLEY COUNTERTOP (G31)
	080812-04-G09	EA	EXTENSION ASM-GALLEY COUNTERTOP (G32)
12	M05971-42-G09	EA	DRAWER-CABINET, W/O HARDWARE
13	M05971-U5-G09	EA	DRAWER-CABINET, W/O HARDWARE
14	M07426-22-G29	EA	CABINET-GALLEY, W/COUNTERTOP - W/O DOORS OR DRAWERS (G29)
14	M07426-22-G30	EA	CABINET-GALLEY, W/COUNTERTOP - W/O DOORS OR DRAWERS (G30)
14	M07426-22-G31	EA	CABINET-GALLEY, W/COUNTERTOP - W/O DOORS OR DRAWERS (G31)
14	M07426-22-G32	EA	CABINET-GALLEY, W/COUNTERTOP - W/O DOORS OR DRAWERS (G31)
15	M06803-27-G09	EA	DOOR-CABINET, W/O HARDWARE - 305 MM X 660 MM
16	M06803-26-G09	EA	DOOR-CABINET, W/O HARDWARE - 305 MM X 660 MM
17	M05971-S3-G09	EA	DRAWER-CABINET, W/O HARDWARE
18	M05971-S4-G09	EA	DRAWER-CABINET, W/O HARDWARE
19	M05971-S2-G09	EA	DRAWER-CABINET, W/O HDW - REFRIGERATOR CABINET
	090329-01-000	FT	SEAL-T, REFRIGERATOR CABINET - .6" WIDE TOP X 2" TAIL

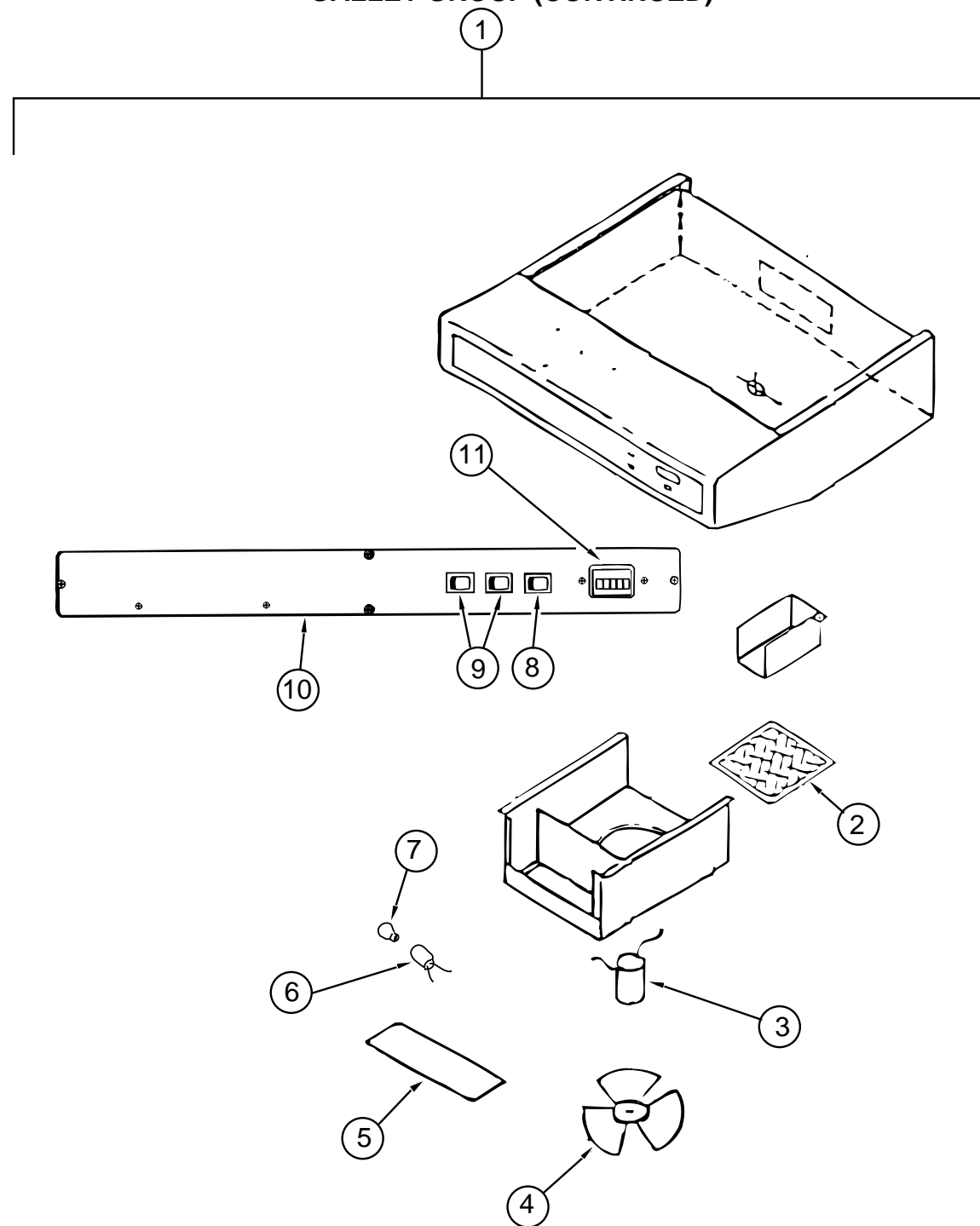
GALLEY GROUP (CONTINUED)



RANGE HOOD MODEL TCS 500-NBCLG - CANADIAN

KEY	PART NUMBER	U/M DESCRIPTION	VENDOR NO.
1	100258-17-04A	EA HOOD-RANGE, W/O MONITOR PANEL VENTLINE TCS 500-NBCLG	CC246
2	096983-01-707	EA FILTER-GREASE, 8" X 8" - LVS	CA508-1
3	090973-01-700	EA MOTOR - LVS	VA183-1
4	090973-01-702	EA BLADE-FAN, LVS	CC179
5	092696-02-701	EA LENS-LAMP, VENTLINE	CB267-2
6	092696-01-710	EA SOCKET-LIGHT, VENTLINE	VA415
7	092696-01-709	EA BULB - 912, VENTLINE	108
8	096983-01-700	EA SWITCH-ON/OFF, VENTLINE	CC428
9	100258-01-700	EA HOOD-NOSE LABEL	108
10	096983-01-700	EA SWITCH-ON/OFF, VENTLINE	L0775-00
11	100258-10-01A	EA METER-HOUR, SCREW ON - GENERATOR OPTIONS - VENTLINE 150	112
11	100258-10-701	EA METER-HOUR, CLIP ON - GENERATOR OPTIONS - VENTLINE	
12	096983-01-702	EA SWITCH-TWO WAY MOMENTARY, VENTLINE	

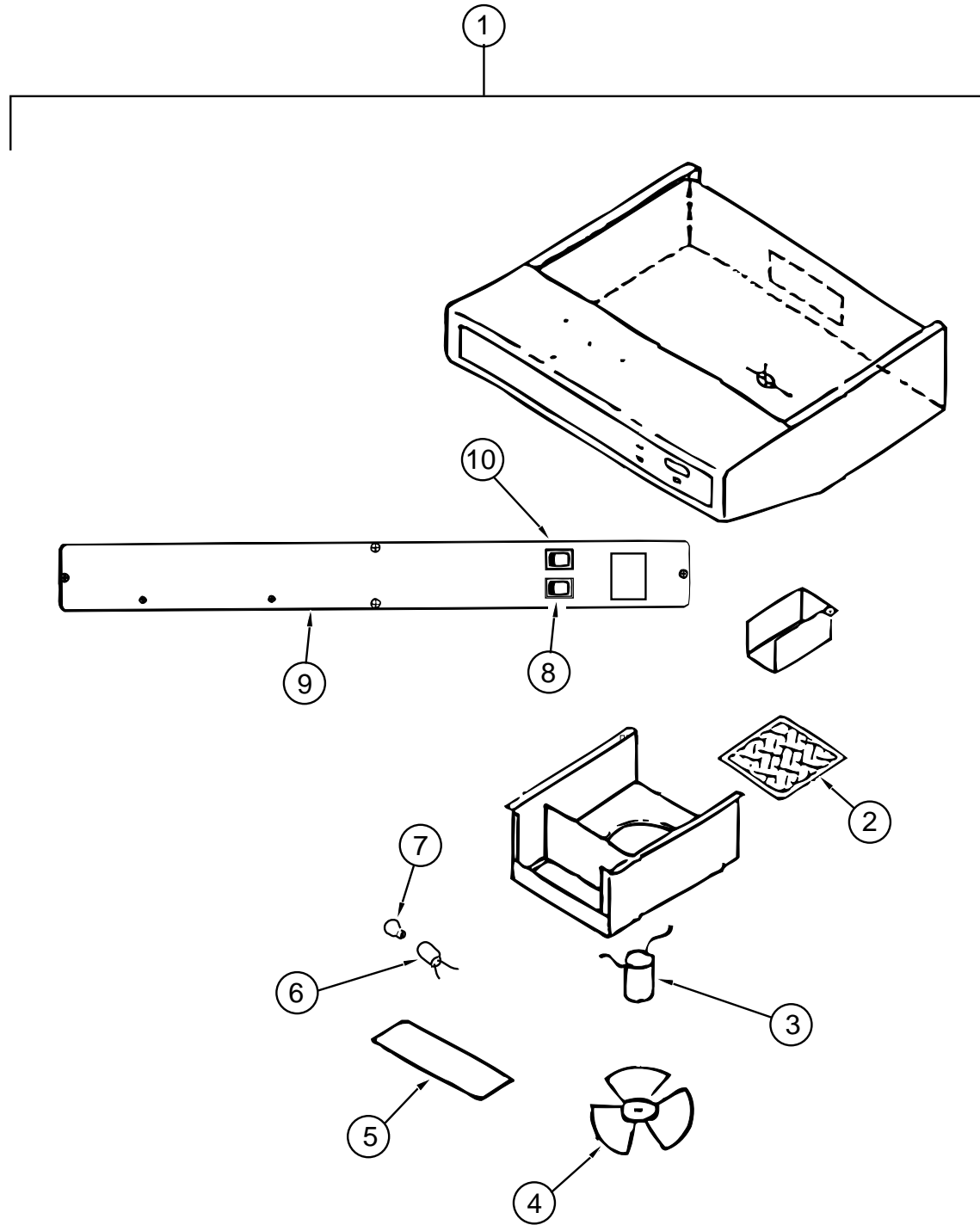
GALLEY GROUP (CONTINUED)



RANGE HOOD MODEL TP-55009-SBO-LG - US - GENERATOR OPTIONS

KEY	PART NUMBER	U/M DESCRIPTION	VENDOR NO.
1	100258-18-03A	EA HOOD-RANGE, W/O MONITOR PANEL - VENTLINE TP-55009-SBO-LG	CC246
2	096983-01-707	EA FILTER-GREASE, 8" X 8" - LVS	CA508-1
3	090973-01-700	EA MOTOR - LVS	VA183-1
4	090973-01-702	EA BLADE-FAN, LVS	CC179
5	092696-02-701	EA LENS-LAMP, VENTLINE	CB267-2
6	092696-01-710	EA SOCKET-LIGHT, VENTLINE	VA415
7	092696-01-709	EA BULB - 912, VENTLINE	108
8	096983-01-702	EA SWITCH-TWO WAY MOMENTARY, VENTLINE	112
9	096983-01-700	EA SWITCH-ON/OFF, VENTLINE	108
10	100258-01-700	EA HOOD-NOSE LABEL	CC428
11	100258-10-01A	EA METER-HOUR, SCREW ON - GENERATOR OPTIONS - VENTLINE 150	L0775-00
11	100258-10-701	EA METER-HOUR, CLIP ON - GENERATOR OPTIONS - VENTLINE	

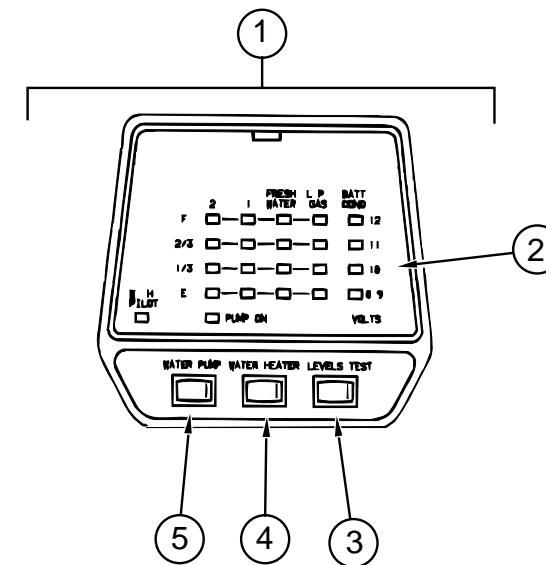
GALLEY GROUP (CONTINUED)



RANGE HOOD MODEL TCS-5008-NBDLG - US - STANDARD

KEY	PART NUMBER	U/M DESCRIPTION	VENDOR NO.
1	100258-16-04A	EA HOOD-RANGE, W/O MONITOR PANEL - VENTLINE TCS-5008-NBDLG	
2	096983-01-707	EA FILTER-GREASE, 8" X 8" - LVS	CC246
3	090973-01-700	EA MOTOR - LVS	CA508-1
4	090973-01-702	EA BLADE-FAN, LVS	VA183-1
5	092696-02-701	EA LENS-LAMP, VENTLINE	CC179
6	092696-01-710	EA SOCKET-LIGHT, VENTLINE	CB267-2
7	092696-01-709	EA BULB - 912, VENTLINE	VA415
8	096983-01-700	EA SWITCH-ON/OFF, VENTLINE	108
9	100258-01-700	EA HOOD-NOSE LABEL	CC428
10	096983-01-702	EA SWITCH-TWO WAY MOMENTARY, VENTLINE	112

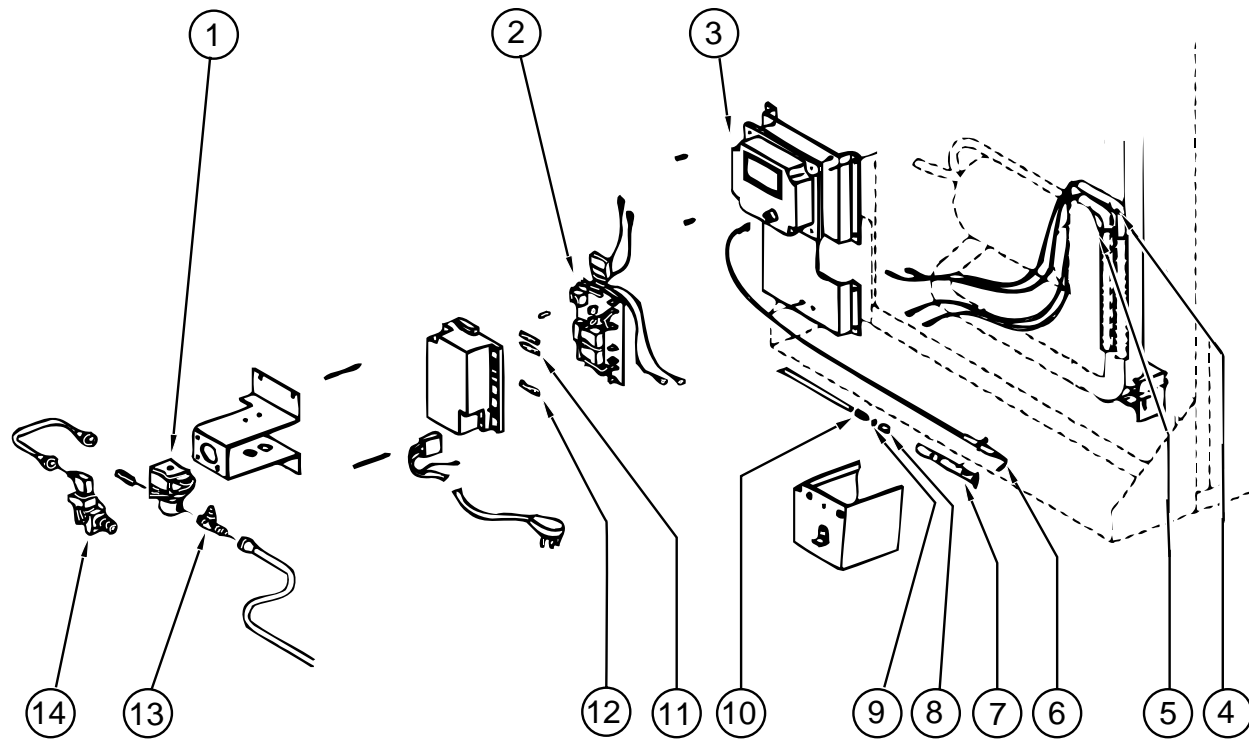
GALLEY GROUP (CONTINUED)



LVS MONITOR PANEL

KEY	PART NUMBER	U/M DESCRIPTION	VENDOR NO.
1	102765-04-01A	EA PANEL-MONITOR, W/PLUG - FOR 2 TANKS & WATER HEATER	
2	102765-04-700	EA BOARD-CIRCUIT, 2 HOLDING TANK	5076-11
3	097617-01-702	EA SWITCH (ALMOND)	107
4	097617-01-701	EA SWITCH-ON/OFF, ALMOND	106
5	102765-01-700	EA SWITCH-ON-ON, ALMOND	110-01

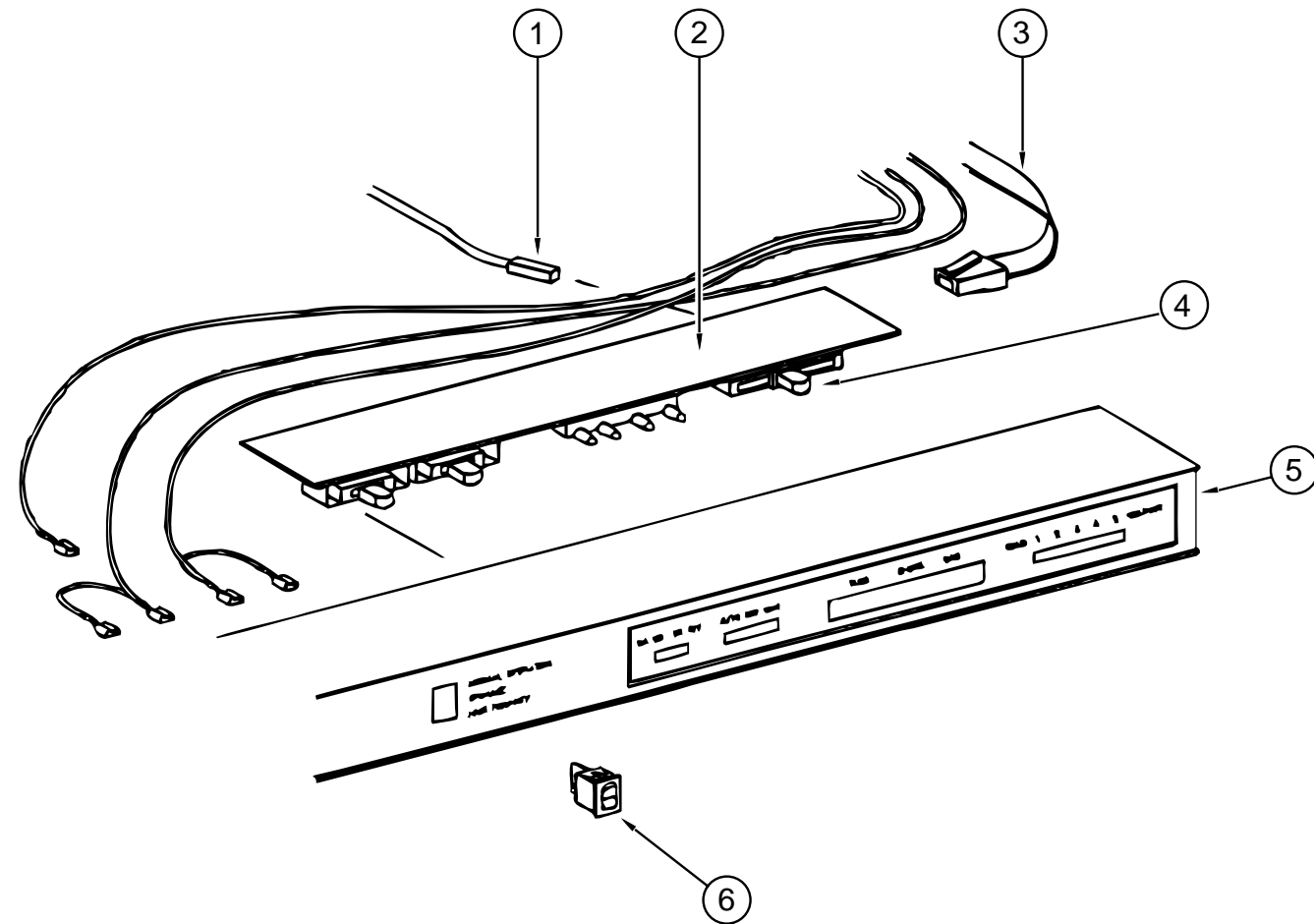
GALLEY GROUP (CONTINUED)



NORCOLD REFRIGERATOR MODEL 6162 CONTROL ASM

KEY	PART NUMBER	U/M DESCRIPTION	VENDOR NO.
1	084880-01-718	EA VALVE-GAS, NORCOLD	61551822
2	094039-04-702	EA POWER SUPPLY, (2 WAY) - NORCOLD	61647422
3	102621-01-702	EA IGNITION MODULE - NORCOLD	61688922
4	088248-01-710	EA HEATER-DC, (HORIZONTAL) - 3 WAY - NORCOLD	615628
5	088248-01-709	EA HEATER-AC, (HORIZONTAL) - NORCOLD	615627
6	104137-06-715	EA SPARK/SENSE ELECTRODE, (SINGLE) - NORCOLD	61692222
7	104137-06-714	EA BURNER ASSEMBLY, (5-SLOT) - NORCOLD	61705222
8	084880-01-705	EA ORIFICE - NORCOLD	614522
9	104137-06-713	EA ORIFICE GASKET - NORCOLD	61475122
10	104137-06-712	EA FITTING-GAS TUBE CONNECTION - NORCOLD	61692722
11	075217-01-734	EA FUSE, 3 AMP - NORCOLD	61538822
12	104137-06-711	EA FUSE, 5 AMP - NORCOLD	61611622
13	104137-06-710	EA PRESSURE TAP - NORCOLD	61594422
14	104137-06-709	EA VALVE, SHUT-OFF-MANUAL ASM - NORCOLD	61694922

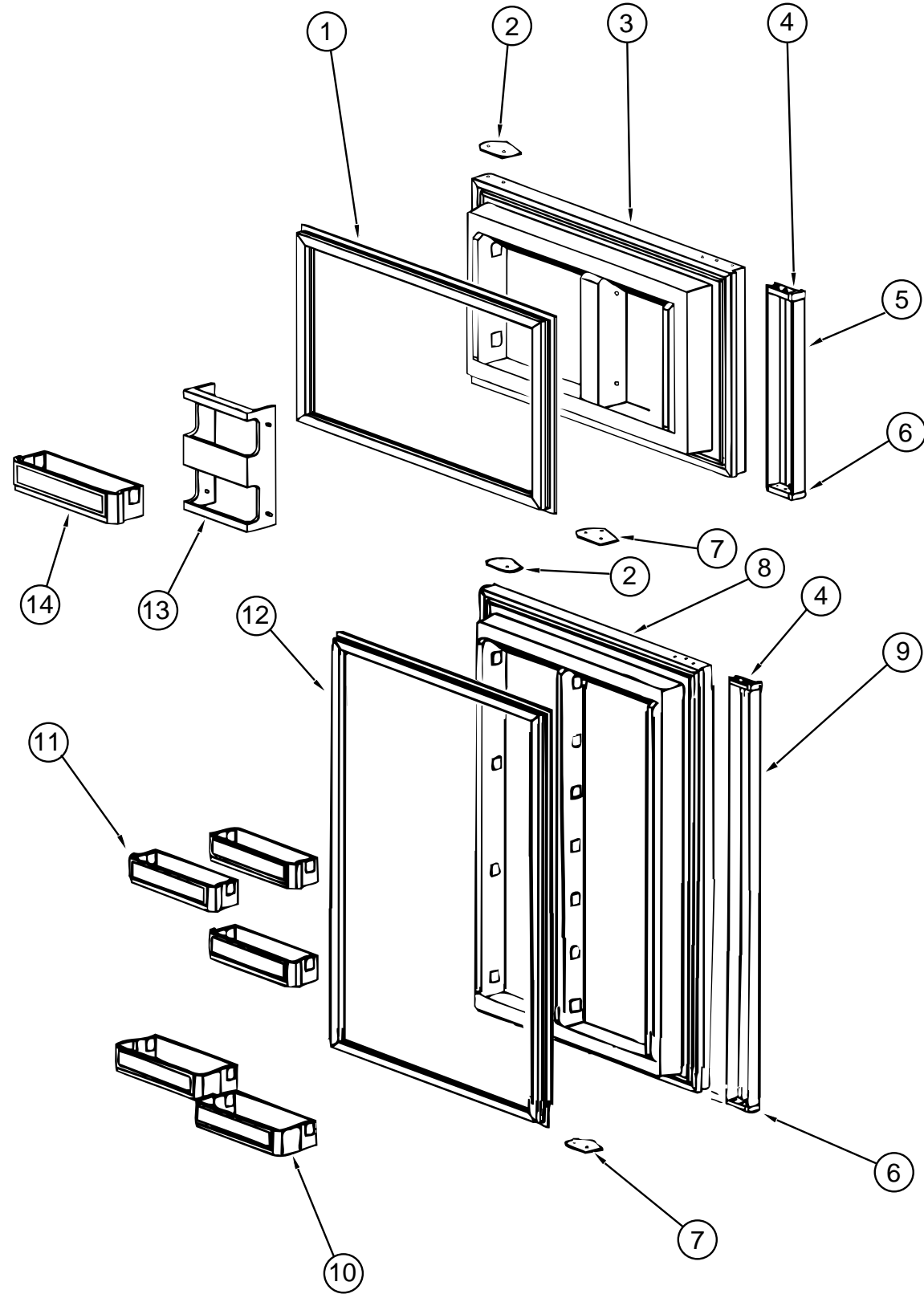
GALLEY GROUP (CONTINUED)



NORCOLD REFRIGERATOR MODEL 6162 EYEBROW ASM

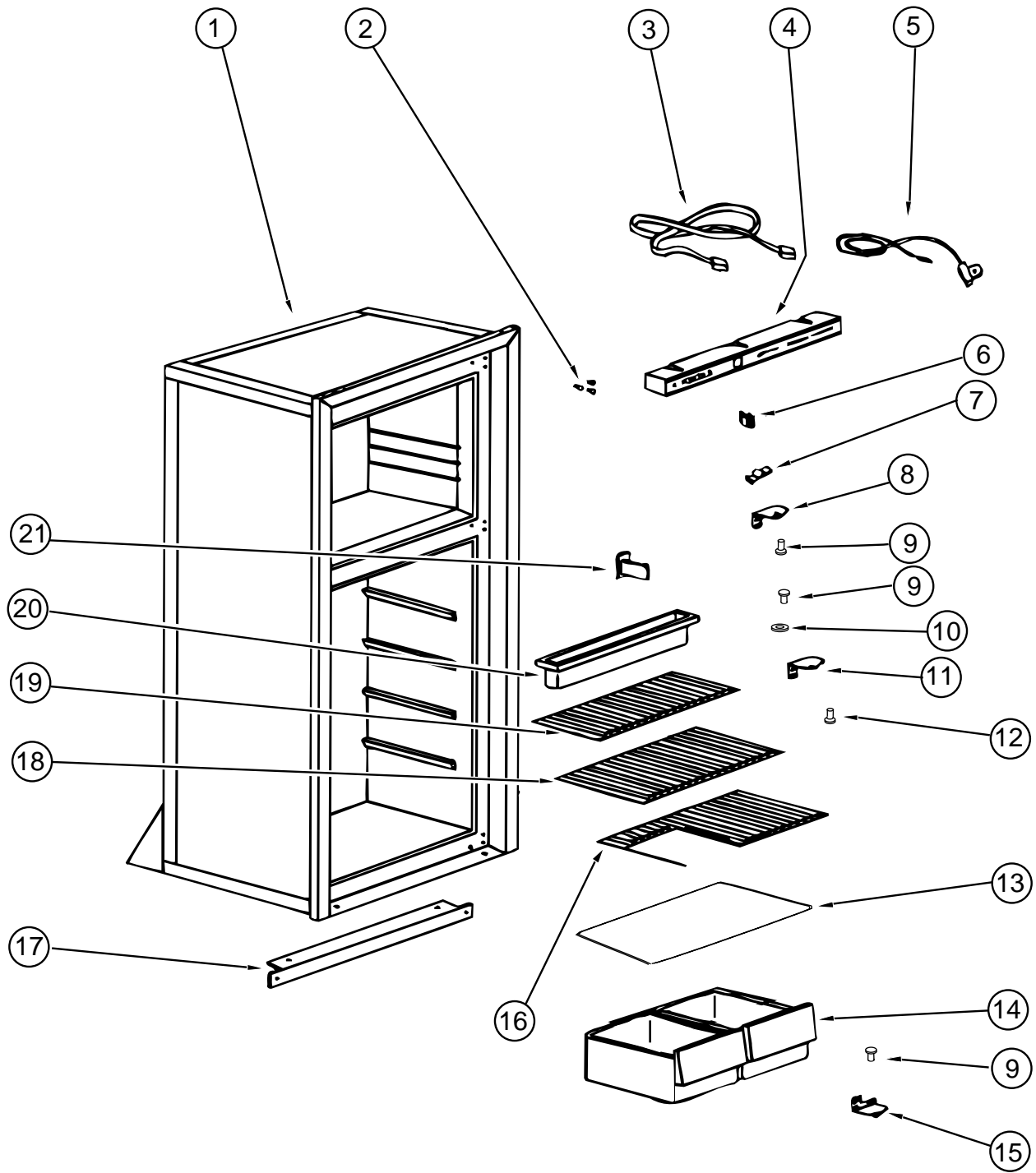
KEY	PART NUMBER	U/M DESCRIPTION	VENDOR NO.
1	084880-01-753	EA THERMISTER - 78" - NORCOLD	61693822
2	094039-04-700	EA BOARD-PRINTED CIRCUIT, 2 WAY, NORCOLD	61647322
3	084880-01-746	EA CABLE, NORCOLD	61571522
4	102621-01-703	EA THERMOSTAT BUTTON - NORCOLD	61587422
5	104137-06-700	EA EYEBROW SHELL, (2-WAY) - NORCOLD	61726622
6	075217-01-738	EA SWITCH-HUMIDITY, NORCOLD	61525922

GALLEY GROUP (CONTINUED)
NORCOLD REFRIGERATOR MODEL 6162 DOORS



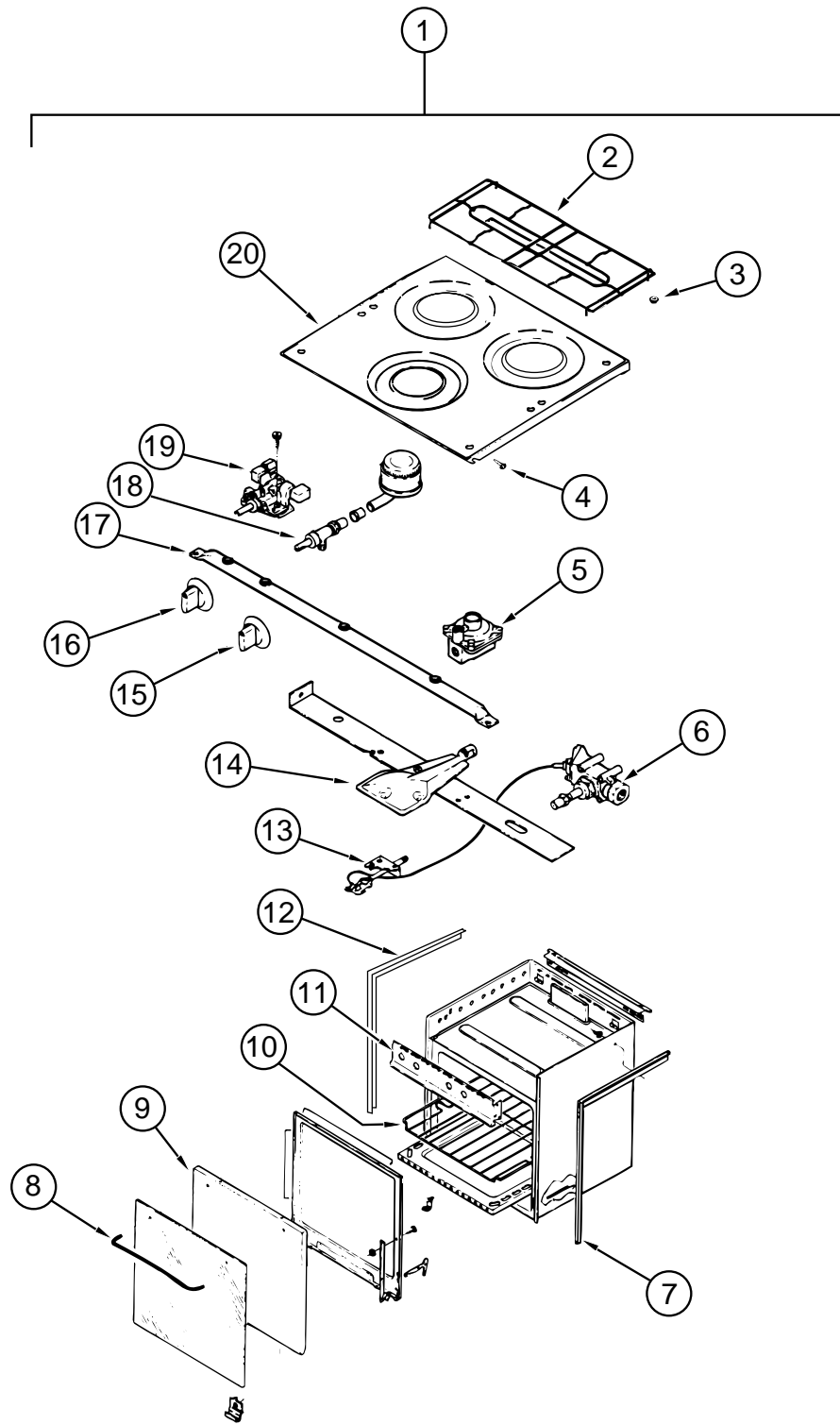
KEY	PART NUMBER	U/M	DESCRIPTION	VENDOR NO.
1	094039-01-702	EA	GASKET (GRAY) UPPER - NORCOLD	61567830
2	094039-01-710	EA	PLATE-HINGE, TOP RH - LH BOTTOM - BLACK - NORCOLD	61631330
3	094039-01-706	EA	UPPER DOOR LINER (WHITE) BLACK - NORCOLD	61581838-B
4	084880-01-761	EA	END CAP (SPRING CATCH) BLACK - NORCOLD	61593730
5	094039-01-708	EA	HANDLE-DOOR, UPPER - BLACK - NORCOLD	61650038
6	084880-01-740	EA	END CAP (STOP CATCH) - NORCOLD	61593830
7	094039-01-704	EA	PLATE-HINGE, BLACK - NORCOLD	61631430
8	094038-01-702	EA	LINER-DOOR, LOWER - BLACK/WHITE - NORCOLD	61581938-B
9	094038-01-704	EA	HANDLE-DOOR, LOWER - BLACK - NORCOLD	61650138
10	104137-06-704	EA	MILK BIN - WHITE - NORCOLD	61579425
11	104137-06-703	EA	BIN-DOOR SHELF, (WHITE) - NORCOLD	61564025
12	094038-01-700	EA	GASKET-LOWER, GRAY - NORCOLD	61567930
13	104137-06-702	EA	RACK-JUICE, WHITE - NORCOLD	61580525
14	104137-06-703	EA	BIN-DOOR SHELF, WHITE - NORCOLD	61564025
	084880-01-720	EA	SPRING (FOR DOOR HANDLE), NORCOLD	61558822

GALLEY GROUP (CONTINUED)
NORCOLD REFRIGERATOR MODEL 6162 CABINET ASM WITH TRAY, TIEDOWNS & LEVEL



KEY	PART NUMBER	U/M	DESCRIPTION	VENDOR NO.
	104138-05-01A	EA	REFRIGERATOR-DOUBLE DOOR, 2-WAY - NORCOLD 6162 LH BL	
1	104138-04-701	EA	FOAMED CAB ASM BLACK W/WHITE - NORCOLD	61725038
	084879-03-700	EA	COOLING UNIT - HORIZONTAL BURNER, NORCOLD	61687237
2	094039-01-722	EA	HOLE PLUG, (BLACK) HINGE HOLES - NORCOLD	61582030
3	084880-01-746	EA	CABLE-PRINTED CIRCUIT BOARD TO POWER SUPPLY - NORCOLD	61571522
4	104137-06-700	EA	EYEBROW SHELL (2-WAY) - NORCOLD	61726622
5	084880-01-753	EA	THERMISTER 78" - NORCOLD	61697822
6	075217-01-738	EA	SWITCH-HUMIDITY - NORCOLD	61525922
7	084880-01-760	EA	CLIP (THERMISTER) - NORCOLD	61689122
8	094039-01-723	EA	HINGE BRACKET, TOP RH-BOTTOM LH BLACK - NORCOLD	61580838
9	094039-01-725	EA	HINGE PIN, (BLACK) (MALE) - NORCOLD	61578130
10	084880-01-749	EA	HINGE BUSHING - NORCOLD	615807
11	094039-01-728	EA	HINGE BRACKET-CENTER HINGE, BLACK - NORCOLD	61566530
12	094039-01-730	EA	HINGE PIN SHAFT, (BLACK) CENTER HINGE - NORCOLD	61566730
13	084880-01-722	EA	CRISPER COVER - NORCOLD	615641
14	104137-06-707	EA	CRISPER (WHITE) - NORCOLD	61571325
15	094039-01-724	EA	BRACKET-HINGE, TOP LH - BOTTOM RH - BLACK - NORCOLD	61580938
16	094039-01-739	EA	BOTTOM SHELF W/CUT-OUT - NORCOLD	61646722
17	094039-01-732	EA	FRONT COVER, (BLACK) BOTTOM TRIM - NORCOLD	61622130
18	094039-01-733	EA	SHELF-WIRE, CENTER - NORCOLD	61563822
19	104137-06-728	EA	SHELF-WIRE, TOP W/RISER - WHITE	618062
20	094039-01-735	EA	INSIDE DRIP TRAY, (WHITE) - NORCOLD	61572830
21	084880-01-732	EA	LATCH, NORCOLD	61578522
	084880-03-702	EA	PIN-HINGE, TOP/BOTTOM - FEMALE - BLACK - NORCOLD	61580630
	104137-06-727	EA	FREEZER SHELF, WHITE	618057
	093646-01-000	EA	BRACKET-TIEDOWN, REFRIGERATOR - RH	
	093646-02-000	EA	BRACKET-TIEDOWN, REFRIGERATOR - LH	
	116751-01-01A	EA	TRAY-REFRIGERATOR, BLACK	
	065225-02-000	EA	PLATE-TIEDOWN, REFRIGERATOR	
	054450-01-000	EA	LEVEL-REFRIGERATOR	

GALLEY GROUP (CONTINUED)
MAGIC CHEF RANGE MODEL 16RB-3B49



KEY	PART NUMBER	U/M	DESCRIPTION	VENDOR NO.
1	112881-01-04A	EA	RANGE - 16", 3 BURNER - MAGIC CHEF 16RB-3B49	
2	102020-01-711	EA	GRATE-TOP, MAGIC CHEF	7518P012-60
3	102020-01-709	EA	BUMPER-GRATE, MAGIC CHEF	8007-P020-60
4	102020-01-724	EA	BUMPER-MAIN TOP, MAGIC CHEF	8003P008-60
5	102022-01-708	EA	REGULATOR-PRESSURE, 1/4 IN 1/2 OUT - MAGIC CHEF	7510P041-60
6	112881-01-702	EA	VALVE-MERCURY, SAFETY VALVE - MAGIC CHEF	7501-P121-60
7	112881-01-708	EA	TRIM-FLAT, RIGHT - BLACK - MAGIC CHEF	3608W036-70
8	102020-01-701	EA	HANDLE-DOOR, MAGIC CHEF	7701P092-60
9	112881-01-713	EA	DOOR-OVEN, TEXTURED - MAGIC CHEF	2401F079-70
10	102020-01-700	EA	SHELF-OVEN, MAGIC CHEF	7801-P027-60
11	112881-01-701	EA	MANIFOLD PANEL - MAGIC CHEF	2616F091-70
12	112881-01-707	EA	TRIM-FLAT, LEFT - BLACK - MAGIC CHEF	3608W035-70
13	112881-01-710	EA	PILOT-OVEN, MAGIC CHEF	7505P202-60
14	112881-01-711	EA	BURNER ASSEMBLY-OVEN, MAGIC CHEF	3404W025045
15	112881-01-705	EA	KNOB-TOP BURNER, MAGIC CHEF	7733P072-60
15	112881-01-718	EA	KNOB-HIGH OUTPUT, FLAME INDICATOR, MAGIC CHEF	7733P072-60
16	112881-01-704	EA	KNOB-THERMOSTAT, MAGIC CHEF	7731P067-60
16	112881-01-716	EA	KNOB-THERMOSTAT, REF. SER. # 3C - MAGIC CHEF	7731P107-60
17	112881-01-709	EA	PIPE-MANIFOLD, MAGIC CHEF	7513P097-60
18	102020-01-722	EA	VALVE-TOP BURNER, MAGIC CHEF	7502P181-60
18	112881-01-703	EA	VALVE-TOP BURNER, HI-OUTPUT - MAGIC CHEF	7502P180-60
19	112881-01-706	EA	THERMOSTAT - MAGIC CHEF	12400026
19	112881-01-715	EA	THERMOSTAT - REF. SER. # 3C - MAGIC CHEF	7515P037-60
20	112881-01-712	EA	TOP-MAIN, BLACK - MAGIC CHEF	740101486
	105458-03-000	EA	BRACKET-TIEDOWN, STOVE - RIGHT	
	105458-04-000	EA	BRACKET-TIEDOWN, STOVE - LEFT	

GALLEY GROUP (CONTINUED)
MCD MICROWAVE OVEN

KEY	PART NUMBER	U/M DESCRIPTION	VENDOR NO.
	115303-01-000	EA OVEN-MICROWAVE - MAGIC CHEF DM15K-7B	
	115303-01-700	EA TRIM F/VENT - TOP - MAGIC CHEF	2100309
	115401-01-01A	EA TRIM-MICROWAVE, LOWER - BLACK	
	094750-07-000	EA BRACKET-MICROWAVE, 89 DEGREE - STEEL	
	098916-14-01A	EA BRACE-MICROWAVE CABINET, LEFT - 8.9" X 7.5" - STEEL	
	098916-15-01A	EA BRACE-MICROWAVE CABINET, RIGHT - 8.9" X 7.5" - STEEL	

BLACK & DECKER COFFEE MAKER

KEY	PART NUMBER	U/M DESCRIPTION	VENDOR NO.
	103799-01-02A	EA COFFEE MAKER-GRAY W/GLASS POT - BLACK & DECKER	
	103799-01-700	EA CARAFE-GLASS POT - BLACK & DECKER	679420
	103799-01-701	EA BRACKETS-WHITE, PAIR - BLACK & DECKER	164734-06

GENERATOR GROUP
3,600 WATT ONAN MICROLITE - 110 VOLT - LP - DIESEL CHASSIS

KEY	PART NUMBER	U/M DESCRIPTION
	109982-04-000	EA GENERATOR - 3,600 WATT MICROLITE, ONAN KY-FA/26120B
	007125-04-000	EA CLAMP-MUFFLER, 1.1" DIAMETER
	105958-10-000	EA PIPE-EXHAUST, GENERATOR

4,000 WATT ONAN MICROLITE - GAS CHASSIS

KEY	PART NUMBER	U/M DESCRIPTION
	109982-03-000	EA GENERATOR - 4,000 WATT MICROLITE, ONAN KY-FA/26100B
	007125-04-000	EA CLAMP-MUFFLER, 1.1" DIAMETER
	105958-10-000	EA PIPE-EXHAUST, GENERATOR

**HEATING & AIR CONDITIONING GROUP
AUTO A/C & HEATER COMPONENTS**

KEY	PART NUMBER	U/M DESCRIPTION	VENDOR NO.
	007076-01-700	FT HOSE-FLEXIBLE PVC - 2" ID	
	007108-01-000	FT HOSE-HEATER, 5/8" ID	
	007281-01-000	EA HOSE-FLEXIBLE PVC, 2.5" ID X 50'	
	007281-01-700	FT HOSE-FLEXIBLE PVC, 2.5" ID	
	024990-05-000	EA OUTLET-DEFROSTER, W/SWIVEL - 2" DIAMETER - BLACK	
	077075-01-000	EA GASKET-INSTRUMENT PANEL TO DEFROSTER PLENUM - 1.8" X 12.5"	
	077075-03-000	EA GASKET-INSTRUMENT PANEL TO DEFROSTER PLENUM - 1.8" X 12.25"	
	103016-01-000	EA PLENUM-TRANSITION	
	103017-01-000	EA PLENUM-DEFROSTER	
	103558-01-06A	EA VENT-DEFROSTER, ABS - QUICK SILVER	
	103796-01-01A	EA LOUVER ASM-A/C CARY PROD - BLACK	
	056402-05-000	EA BRACKET-HEATER VENT, ROUND - W/BEND - BLACK	
	103930-05-000	EA MANUAL-OWNERS, HEATER-A/C - SCS 057-0049	

1995 CHEVY GAS CHASSIS

103930-17-000	EA HOSE KIT #10 GM-SANDEN COMPRESSOR - SCS 093-00076	
103930-01-708	EA BRACKET-VACUUM MOTOR, SCS	070-0113
103930-17-700	EA FITTING-PAD COMPRESSOR SUCTION SANDEN - SCS	050-0131
103930-17-701	EA FITTING #10.90 W/FERRULE/1342CP - SCS	050-0132
103930-17-702	EA GASKET OR SAE 015 #10 33-781, SCS	045-0127
103930-17-703	EA GASKET-SEAL, SANDEN COMPRESSOR 33-76 - SCS	045-0142
103930-17-704	EA HOSE #10 - SCS	085-0113

1996 CHEVY GAS CHASSIS

103930-28-000	EA HOSE KIT #10 GM - L-19 - SCS 093-00426	
103930-17-702	EA GASKET OR SAE 015 #10 33-781 SCS	045-0127
103930-28-700	EA HOSE ASM - #10 W/SELTEC COMPRESSOR - SCS	085-0347
103930-29-700	EA HOSE ASM - #10W/HARRISON COMPRESSOR - SCS	085-0348
103930-29-701	EA GASKET-GMLP SW 1996, SCS	045-0483

1995 CHEVY DIESEL CHASSIS

103930-18-000	EA HOSE KIT #10 GM-HARRISON COMPRESSOR - SCS 093-00077	
103930-17-701	EA FITTING #10.90 W/FERRULE/1342CP - SCS	050-0132
103930-17-702	EA GASKET OR SAE 015 #10 33-781, SCS	045-0127
103930-17-703	EA GASKET-SEAL, SANDEN COMPRESSOR 33-76 - SCS	045-0142
103930-18-700	EA FITTING-PAD COMPRESSOR SUCTION HARRISON - SCS	050-00133
103930-18-701	EA HOSE #10 - SCS	085-0114
103930-18-702	EA GASKET SEAL - HARRISON - SCS	045-0143
110279-01-708	EA HOSE-REFRIGERANT BARRIER #10 SAEJ51 - SCS	051-0008

1996 CHEVY DIESEL CHASSIS

103930-29-000	EA HOSE KIT #10 GM - L-29 & L-65 - SCS 093-00427	
103930-17-702	EA GASKET OR SAE 015 #10 33-781 SCS	045-0127
103930-29-700	EA HOSE ASM - #10W/HARRISON COMPRESSOR - SCS	085-0348
103930-29-701	EA GASKET-GMLP SW 1996, SCS	045-0483

**HEATING & AIR CONDITIONING GROUP (CONTINUED)
AUTO A/C & HEATER COMPONENTS (CONTINUED)**

1995 CHEVY GAS & CHEVY DIESEL CHASSIS

KEY	PART NUMBER	U/M DESCRIPTION	VENDOR NO.
	103930-04-000	EA CONTROL/PLENUM SET - SCS 093-00037	
	072341-06-700	EA SWITCH - 4 SPEED, FAN - ARA	0883502
	094831-01-709	EA CLAMPS-ROD, 3/16" - MOTIVAIR/SCS	ZGG14431
	103930-02-712	EA PANEL-CONTROL, BLACK BEZEL - SCS	032-0054
	103930-02-701	EA VALVE-CONTROL HEAD, SCS	034-0015
	103930-02-702	EA DECAL-FAN SWITCH, SCS	058-0008
	103930-02-703	EA HARNESS-WIRE CONTROL, SCS	036-0048
	103930-02-704	EA HARNESS-VACUUM CONTROL, SCS	036-0049
	103930-02-705	EA CABLE-CONTROL, BOWDEN - SCS	074-0011
	103930-02-706	EA CLIP-CABLE, CONTROL - SCS	022-0017
	103930-02-707	EA RELAY, SCS	031-0001
	103930-02-708	EA MOTOR-VACUUM SERVO, A/C - SCS	030-0002
	103930-02-710	EA CANISTER-VACUUM, SCS	054-0002
	103930-23-000	EA VALVE-WATER, 2 PORT - SCS 034-00014	

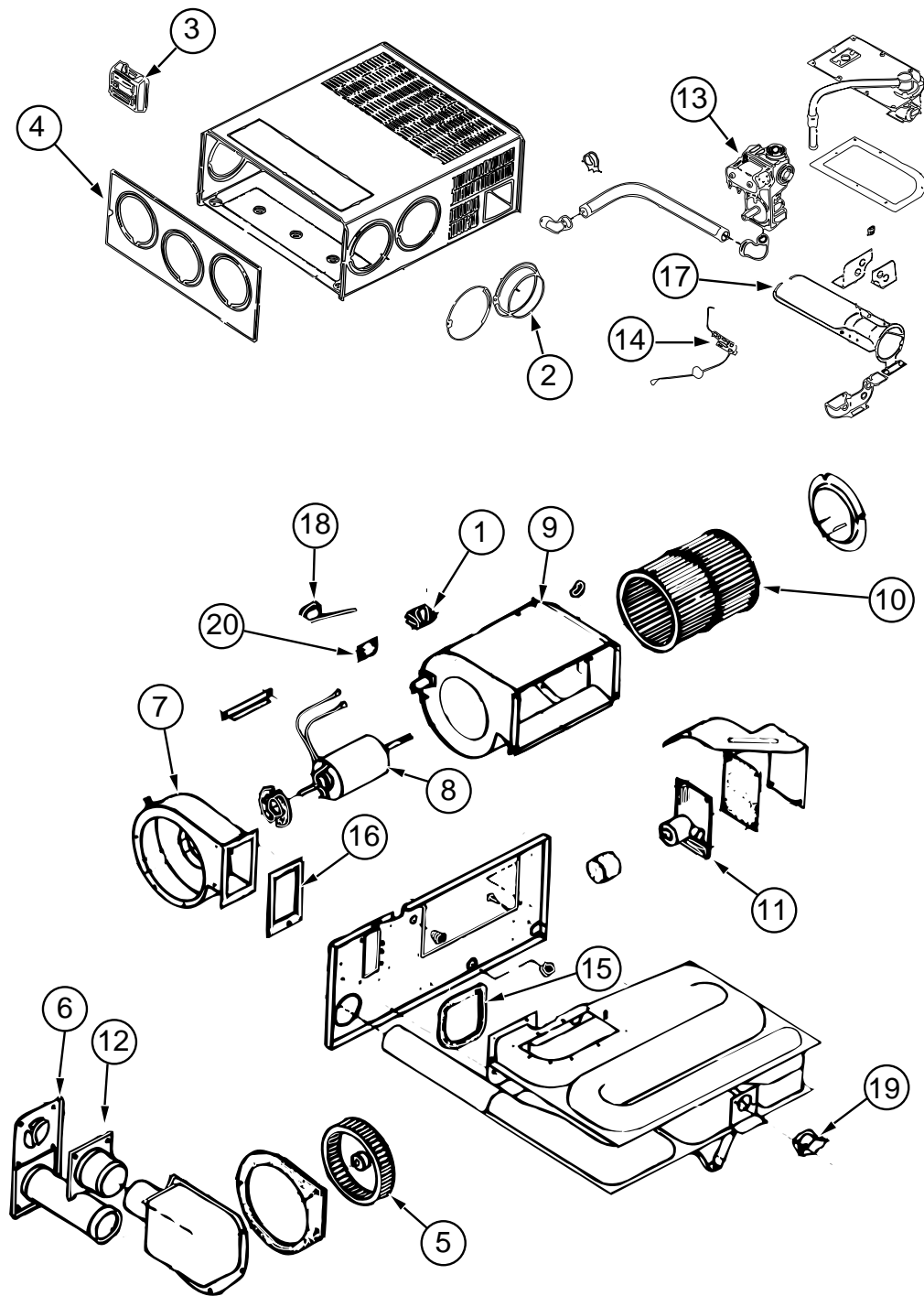
1996 CHEVY GAS & CHEVY DIESEL CHASSIS

103930-27-000	EA CONTROL/PLENUM SET - SCS 093-00430	
094831 01 709	EA CLAMPS-ROD, 3/16" - MOTIVAIR/SCS	ZGG14431
103930 01 724	EA CLIP-SPRING, S TYPE - SCS	022-00002
103930 02 701	EA SWITCH-CONTROL HEAD, SCS	034-0015
103930 02 702	EA DECAL-CONTROL SETTING, SCS	058-0009
103930 02 704	EA HARNESS-VACUUM CONTROL, SCS	036-0049
103930 02 705	EA CONTROL CABLE W/O LEVER, SHEATH 84 1/4" - CABLE 89" - SCS	074-0011
103930 02 707	EA RELAY, SCS	031-0001
103930 02 708	EA MOTOR-VACUUM SERVO, A/C - SCS	030-0002
103930 02 710	EA CANISTER-VACUUM, SCS	054-0002
103930 02 712	EA PANEL-CONTROL, A/C & HEAT - BLACK BEZEL, SCS	032-0054

EVANS REAR HEATER MODEL MPA 304055A & COMPONENTS

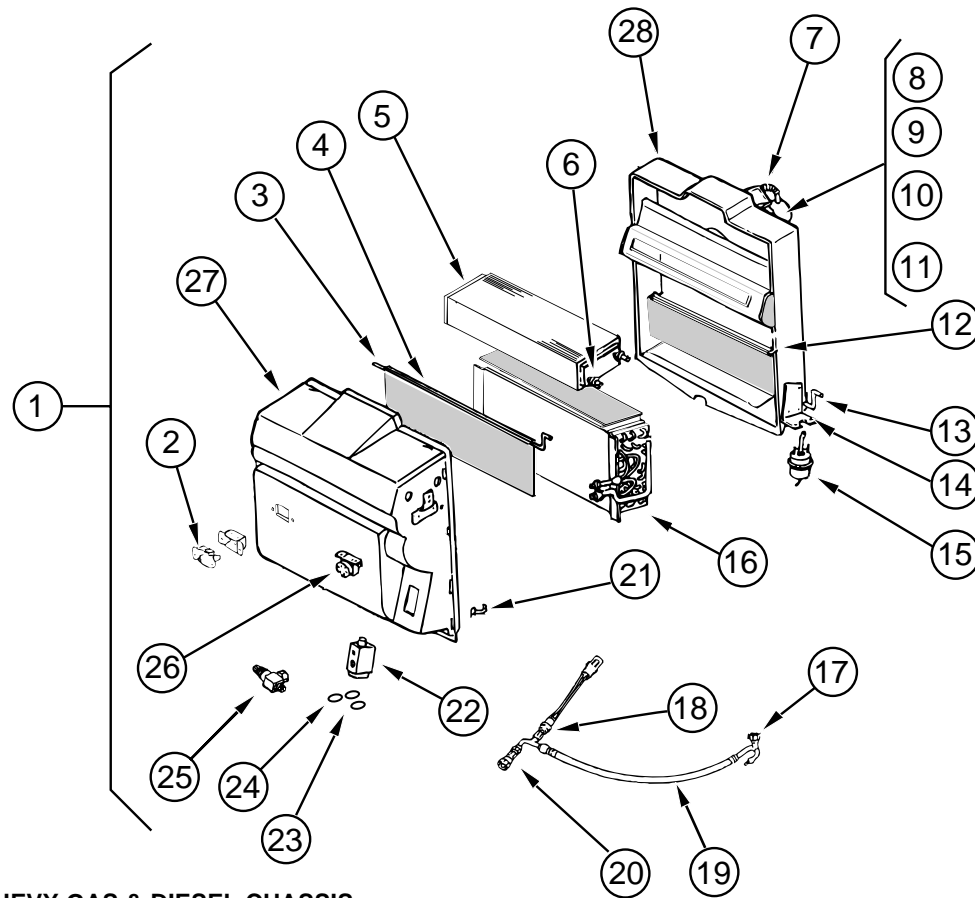
KEY	PART NUMBER	U/M DESCRIPTION	VENDOR NO.
	084405-01-000	EA HEATER ASM-REAR, DUCTED - W/MOTOR AID - EVANS	
	084405-01-700	EA HEATER CORE-EVANS	FT200229
	084405-01-701	EA FAN BLADES-EVANS	HV029931
	084405-01-702	EA MOTOR ASM - 12 V, EVANS	200146
	009198-01-000	FT DUCT-HEAT, FLEXIBLE - 4" ID - INCREMENTS OF 25'	
	009198-02-000	FT DUCT-HEAT, FLEXIBLE - 2" ID - INCREMENTS OF 25'	
	009200-01-000	EA TAPE-FURNACE, 1 1/2"	
	089367-02-000	EA TEE - 4" X 2" X 4"	
	007076-01-000	EA HOSE-FLEXIBLE PVC - 2" ID - INCREMENTS OF 50'	
	007108-01-000	FT HOSE-HEATER, 5/8" ID	
	008042-01-000	FT TUBING-VINYL, .65" ID	
	061673-01-000	EA BRACKET-MOTOR AID TUBES, 4" X 1.5" - STEEL	
	088753-01-000	FT TUBE-ALUMINIZED STEEL, 5/8" - 18 GAUGE	
	094600-05-01A	EA REGISTER-HEAT, W/O DAMPER - LIMA 41, DURA-BEIGE	

HEATING & AIR CONDITIONING GROUP (CONTINUED)
25,000 BTU SUBURBAN FURNACE & WALL THERMOSTAT



KEY	PART NUMBER	U/M DESCRIPTION	VENDOR NO.
	098668-19-000	EA FURNACE - 25,000 BTU, SUBURBAN SF25 2272	
1	074466-01-702	EA RELAY-TIME DELAY	230625
2	075696-02-703	EA COLLAR-DUCT	050715
3	115764-01-01A	EA THERMOSTAT - WALL, FURNACE 160902	
4	098668-01-700	EA CABINET-FRONT	101242
5	098668-01-706	EA WHEEL-COMBUSTION AIR	350122
6	098668-01-707	EA VENT ASSEMBLY-CAP AND TUBE	260193
7	098668-01-708	EA BLOWER ASSEMBLY-COMBUSTION AIR	390441
8	098668-01-709	EA MOTOR ASSEMBLY-F/SF-25, SF-30	231706
9	098668-01-710	EA BLOWER ASSEMBLY-ROOM AIR	390440
10	098668-01-711	EA WHEEL-ROOM AIR	350123
11	098668-01-712	EA BOARD-MODULE	231741
12	098668-01-713	EA INTAKE VENT TUBE ASSEMBLY	051044
13	098668-01-714	EA VALVE-GAS, (WHITE ROGERS	161070
14	098668-01-715	EA ELECTRODE ASSEMBLY-SINGLE PROBE	232166
15	098668-01-716	EA GASKET-FIREWALL, CHAMBER SIDE	232166
16	098668-01-717	EA GASKET-FIREWALL, BLOWER SIDE	070163
17	098668-01-703	EA BURNER ASSEMBLY	010762
18	098668-21-700	EA MICROSWITCH W/O FLAG 3 1/4"	232261
19	098668-21-701	EA LIMIT SWITCH	231799
20	101990-01-714	EA MICROSWITCH GASKET	230877
	090039-01-703	EA ORIFICE-MAIN BURNER	180193
	098668-23-000	EA DOOR-ACCESS, FURNACE - BRIGHT WHITE - SUBURBAN 520574	
	056464-10-000	EA REGISTER-HEAT/A/C, ROUND W/O DAMPER - 4" - DURA-BEIGE PLASTIC	
	093614-01-02A	EA GRILLE-RETURN AIR, FURNACE - 15.6" X 7.6" - BEIGE	

HEATING & AIR CONDITIONING GROUP (CONTINUED)



SCS EVAPORATOR/HEATER ASSEMBLY - 1995 CHEVY GAS & DIESEL CHASSIS

SCS EVAPORATOR/HEATER ASSEMBLY - 1996 CHEVY GAS & DIESEL CHASSIS

KEY	PART NUMBER	U/M	DESCRIPTION	VENDOR NO.	KEY	PART NUMBER	U/M	DESCRIPTION	VENDOR NO.
1	103930-20-000	EA	EVAPORATOR/HEATER ASSEMBLY - SCS 090-00083		1	103930-25-000	EA	EVAPORATOR/HEATER ASSEMBLY - SCS 090-00296	
2	103930-01-710	EA	RESISTOR-FUSED, SCS	035-0006	2	103930-01-710	EA	RESISTOR-FUSED, SCS	035-0006
3	103930-20-702	EA	ROD-AIR BLEND DOOR, SCS	073-0039	3	103930-20-702	EA	ROD-AIR BLEND DOOR, SCS	073-0039
4	103930-20-703	EA	DOOR-AIR BLEND, SCS	071-0212	4	103930-20-703	EA	DOOR-AIR BLEND, SCS	071-0212
5	103930-01-703	EA	COIL-HEATER, SCS	042-0010	5	103930-01-703	EA	COIL-HEATER, SCS	042-0010
6	110279-01-712	EA	FITTING-HEATER, SCS	050-0076	6	110279-01-712	EA	FITTING-HEATER, SCS	050-0076
7	110279-01-703	EA	MOTOR-BLOWER, SCS	051-0034	7	110279-01-703	EA	MOTOR-BLOWER, SCS	051-0034
8	103930-20-707	EA	HOUSING-BLOWER, SCS	062-0145	8	103930-20-707	EA	HOUSING-BLOWER, SCS	062-0145
9	103930-01-720	EA	MOTOR, SCS	030-0004	9	103930-01-720	EA	MOTOR, SCS	030-0004
10	103930-01-717	EA	WHEEL-CLOCK-WISE, SCS	062-0010	10	103930-01-717	EA	WHEEL-CLOCK-WISE, SCS	062-0010
11	103930-20-708	EA	CLIP F/MOTOR SHAFT, SCS	022-0001	11	103930-20-708	EA	CLIP F/MOTOR SHAFT, SCS	022-0001
12	103930-20-705	EA	DOOR-RECIRCULATING, SCS	071-0213	12	103930-20-705	EA	DOOR-RECIRCULATING, SCS	071-0213
13	103930-20-704	EA	ROD-RECIRCULATING DOOR, SCS	073-0018	13	103930-20-704	EA	ROD-RECIRCULATING DOOR, SCS	073-0018
14	103930-01-708	EA	BRACKET-VACUUM MOTOR, SCS	070-0113	14	103930-01-708	EA	BRACKET-VACUUM MOTOR, SCS	070-0113
15	103930-02-708	EA	MOTOR-VACUUM SERVO, A/C - SCS	030-0002	15	103930-02-708	EA	MOTOR-VACUUM SERVO, A/C - SCS	030-0002
16	103930-01-704	EA	COIL-EVAPORATOR, SCS	041-0017	16	103930-01-704	EA	COIL-EVAPORATOR, SCS	041-0017
17	103930-12-708	EA	SWITCH-BINARY, R-134A - SCS	032-0048	17	103930-12-708	EA	SWITCH-BINARY, R-134A - SCS	032-0048
18	103930-01-716	EA	SWITCH-PRESSURE, FAN - SCS	032-0036	18	103930-01-716	EA	SWITCH-PRESSURE, FAN - SCS	032-0036
19	103930-20-701	EA	HOSE ASM - #6, SCS	085-0138	19	103930-20-701	EA	HOSE ASM - #6, SCS	085-0138
20	103930-12-709	EA	FITTING-QUICK CONNECT - SCS	050-0120	20	103930-12-709	EA	FITTING-QUICK CONNECT - SCS	050-0120
21	103930-20-706	EA	CLIP-RETAINER, SCS	022-0057	21	103930-20-706	EA	CLIP-RETAINER, SCS	022-0057
22	103930-20-700	EA	VALVE-EXPANSION BLOCK, 2 TON - SCS	034-0032	22	103930-20-700	EA	VALVE-EXPANSION BLOCK, 2 TON - SCS	034-0032
23	103930-17-702	EA	GASKET OR SAE 015 #10 33-781, SCS	045-0127	23	103930-17-702	EA	GASKET OR SAE 015 #10 33-781, SCS	045-0127
24	113245-01-707	EA	GASKET #8, SCS	045-0126	24	113245-01-707	EA	GASKET #8, SCS	045-0126
25	103930-20-709	EA	SERVICE VALVE - SCS	050-159	25	103930-20-709	EA	SERVICE VALVE - SCS	050-159
26	103930-01-711	EA	THERMOSTAT, SCS	033-0003	26	103930-01-711	EA	THERMOSTAT, SCS	033-0003
27	103930-20-710	EA	CASE-FRONT, SUB-ASSEMBLY - SCS	062-0146	27	103930-20-710	EA	CASE-FRONT, SUB-ASSEMBLY - SCS	062-0146
28	103930-20-711	EA	CASE-BACK, SUB-ASSEMBLY - SCS	062-0147	28	103930-20-711	EA	CASE-BACK, SUB-ASSEMBLY - SCS	062-0147
						094831-01-709	EA	CLAMPS-ROD, 3/16" - MOTIVAIR/SCS	ZGG14431
						094831-01-746	EA	CLAMP-BLEND CABLE - MOTIVAIR/SCS	77000-00
						103930-25-700	EA	HOSE ASM - #6, SCS	085-0350
						103930-02-714	EA	CLAMP-CLUTCH, BARREL - SCS	022-0006
						103930-20-707	EA	HOUSING-BLOWER - SCS	062-0145
						110279-02-702	EA	GASKET - SCS	045-0125

HEATING & AIR CONDITIONING GROUP (CONTINUED)

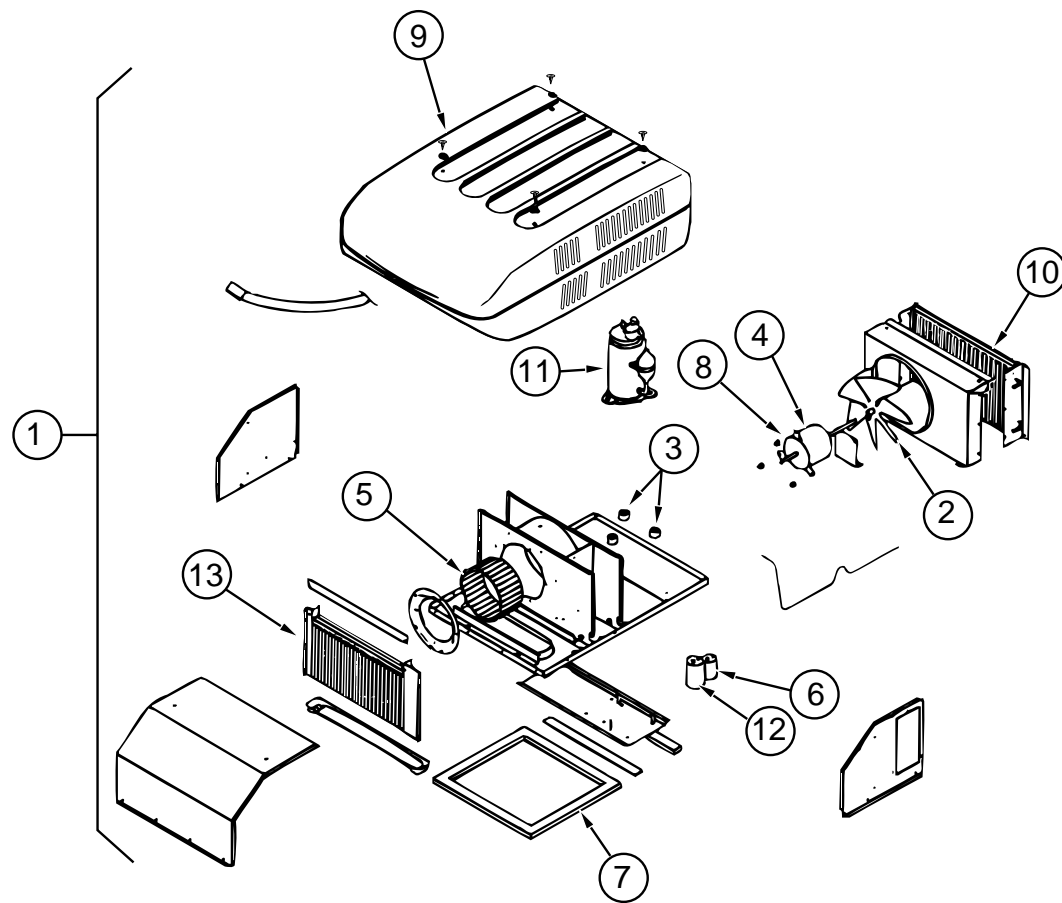
HEATING & AIR CONDITIONING GROUP (CONTINUED)

COLEMAN CEILING ASSEMBLY 14,800 BTU A/C

KEY	PART NUMBER	U/M DESCRIPTION	VENDOR NO.
	108892-01-01A	EA CEILING ASM-A/C DUCTED - COLEMAN 7330-730IV	
	108892-01-700	EA PLUG ASSEMBLY	7330-540
	108892-01-701	EA BOARD-TERMINAL	7330-3201
	108892-01-702	EA BOARD-PRINTED CIRCUIT	7330A3211
	108892-01-703	EA FILTER	6798A3761
	108892-01-704	EA GRILLE (PLASTIC)	6798-3041
	108892-01-705	EA SMALL PARTS PKG	7330A6101
	117238-01-01A	EA THERMOSTAT-A/C AND FURNACE - COLEMAN 7330-3371	
	056464-06-000	EA REGISTER-HEAT/A/C, ROUND W/O DAMPER - 4" - OFF WHITE PLASTIC FROM: 00-00-00 THRU: 11-05-95	
	120134-01-01A	EA REGISTER - 4"-5" DIAMETER W/DAMPER - OFF WHITE - D&W8840 FROM: 11-06-95 THRU: 99-99-99	

ROOF A/C COVER

KEY	PART NUMBER	U/M DESCRIPTION
	092633-02-02A	EA COVER-BLANK, ROOF A/C - 5.1" X 5.1" - PLASTIC - OFF WHITE



14,800 BTU COLEMAN ROOF A/C

KEY	PART NUMBER	U/M DESCRIPTION	VENDOR NO.
1	115219-01-03A	EA A/C-ROOF, 14,800 BTU - MACH 15 - BRIGHT WHITE - COLEMAN 7335B896	
2	093763-01-712	EA FAN BLADE-CONDENSER	6733-3221
3	105620-01-706	EA FOOT PACKAGE-COMPRESSOR, 3 PER PACKAGE	6759-3081
4	108889-01-705	EA MOTOR - 115V, 60HZ	1468-3049
5	108889-01-706	EA IMPELLOR	1472-1041
6	108889-01-708	EA CAPACITOR-FAN, (7.5MFD.370U)	1499-5461
	108889-01-710	EA FILLER PAD-COND AIR SEAL	6759A3971
7	108889-01-711	EA GASKET PACKAGE	6792-3301
8	108889-01-715	EA MOTOR MOUNT & SHAFT SEAL KIT	6792-3361
9	108889-05-700	EA SHROUD - BRIGHT WHITE W/O LOGOS	7333-4601
10	115219-01-700	EA CONDENSER COIL	1452-1321
11	115219-01-701	EA COMPRESSOR, PANASONIC	1450-2039
12	115219-01-702	EA CAPACITOR-RUN, COMPRESSOR	1499-5741
	115219-01-703	EA RELAY-START	1497-4151
13	115219-01-704	EA EVAPORATOR COIL	1452-1331
	115219-01-707	EA DISCHARGE LINE ASSEMBLY	7335A132
	115219-01-705	EA LINE-SUCTION, LOWER	7335-130
	115219-01-706	EA LINE-SUCTION, UPPER	7335-131
	093306-01-720	EA CAPACITOR-START	1497-3351
	093306-01-701	EA DECAL PACKAGE-LEFT & RIGHT	6798B3591
	102289-01-000	EA SPRING-SCREW, ROOF A/C GASKET - COLEMAN 6757-150	

**INTERIOR FINISH GROUP
BATT STRIPS**

KEY	PART NUMBER	U/M DESCRIPTION
	069733-83-000	EA BATT STRIP-WOODGRAIN, 8' - WATERFORD OAK
	088263-78-000	EA BATT STRIP-SHOWER, 8' - OFF WHITE FROM: 00-00-00 THRU: 01-14-96
	088263-E3-000	EA BATT STRIP-SHOWER, 8' - PEBBLE EMBOSS ANTIQUE FROM: 01-15-96 THRU: 99-99-99
	088263-C3-000	EA BATT STRIP-DECORATIVE, TRAVIS/PEBBLE - 8' LONG (G29) (MAIN WALL)
	088263-B3-000	EA BATT STRIP-DECORATIVE, ALLURE/MEADOW - 8' LONG (G30) (MAIN WALL)
	088263-B8-000	EA BATT STRIP-DECORATIVE, METRO/MIST - 8' LONG (G31/G32) (MAIN WALL)
	085284-B5-000	FT BATT STRIP-WOODGRAIN, ADHESIVE BACKED - WATERFORD OAK
	085284-76-000	FT BATT STRIP-SHOWER, ADHESIVE BACKED - OFF WHITE FROM: 00-00-00 THRU: 01-14-96
	085284-D6-000	FT BATT STRIP-SHOWER, ADHESIVE BACKED - PEBBLE EMBOSS ANTIQUE FROM: 01-15-96 THRU: 99-99-99
	085284-B6-000	FT BATT STRIP-DECORATIVE, ADHESIVE BACKED (G29) (MAIN WALL)
	085284-A4-000	FT BATT STRIP-DECORATIVE, ADHESIVE BACKED (G30) (MAIN WALL)
	085284-B1-000	FT BATT STRIP-DECORATIVE, ADHESIVE BACKED (G31/G32) (MAIN WALL)
	086229-13-000	EA BATTEN-CEILING, 1" WIDE - IVORY - 7.6'
	086229-01-000	EA RETAINER-BATTEN, CEILING - .75" WIDE - IVORY - 7.6'

PANELING, PLYWOOD & PARTICLE BOARD

KEY	PART NUMBER	U/M DESCRIPTION
	074497-28-000	SF PANELING-WOODGRAIN, 4' X 8' - INCREMENTS OF 32 SF
	088272-98-000	SF PANELING-SHOWER, OFF WHITE - 4' X 7' - INCREMENTS OF 28 SF FROM: 00-00-00 THRU: 01-14-96
	088272-G1-000	SF PANELING-SHOWER, PEBBLE EMBOSS ANTIQUE - 4' X 7' - INCREMENTS OF 28 SF FROM: 01-15-96 THRU: 99-99-99
	088272-E4-000	SF PANELING-DECORATIVE, TRAVIS/PEBBLE - 4' X 7' - INCREMENTS OF 28 SF (G29) (MAIN WALL)
	088272-D6-000	SF PANELING-DECORATIVE, ALLURE/MEADOW - 4' X 7' - INCREMENTS OF 28 SF (G30) (MAIN WALL)
	088272-E0-000	SF PANELING-DECORATIVE, METRO/MIST - 4' X 7' - INCREMENTS OF 28 SF (G31/G32) (MAIN WALL)
	080215-10-000	SF PANELING - 2 SIDED, WATERFORD OAK - 5 MM X 4' X 8' - INCREMENTS OF 32 SF
	074497-34-000	SF PANELING-BUNK, IMPACT PEARL - 4' X 8' - INCREMENTS OF 32 SF
	089297-01-000	SF PLYWOOD-LUAN, OVERLAY GRADE - 4' X 8' - INCREMENTS OF 32 SF
	000885-76-000	SF PARTICLE BOARD - 3/8" X 48" X 96" - WATERFORD OAK VINYL 1 SIDE
	000885-77-000	SF PARTICLE BOARD - 3/8" X 48" X 96" - WATERFORD OAK VINYL 2 SIDES
	000885-79-000	SF PARTICLE BOARD - 3/4" X 48" X 96" - WATERFORD OAK VINYL 2 SIDES

ANTISLIP & FLOOR MATS

KEY	PART NUMBER	U/M DESCRIPTION
	091261-01-000	FT SLIPNOT-ANTISLIP, 1' WIDE (100' ROLL)
	105924-01-F04	EA MAT-FLOOR, 18" X 27" (G29)
	105924-01-F11	EA MAT-FLOOR, 18" X 27" (G30)
	105924-01-F25	EA MAT-FLOOR, 18" X 27" (G31)
	105924-01-F04	EA MAT-FLOOR, 18" X 27" (G32)

**INTERIOR FINISH GROUP (CONTINUED)
CARPET**

KEY	PART NUMBER	U/M DESCRIPTION
	075233-01-000	SY PAD-CARPET, 3/8" X 6' ROLL
	047034-06-000	SF PLASTIC - CARPET - 2' WIDE - CLEAR POLY
	093486-01-000	SY CARPET - COMPARTMENT, 54" WIDE - DARK GRAY
	096060-95-000	SY CARPET - 12' ROLL, INCREMENTS OF 4 SY (G29/G32)
	096060-A2-000	SY CARPET - 12' ROLL, INCREMENTS OF 4 SY (G30)
	096060-A8-000	SY CARPET - 12' ROLL, INCREMENTS OF 4 SY (G31)

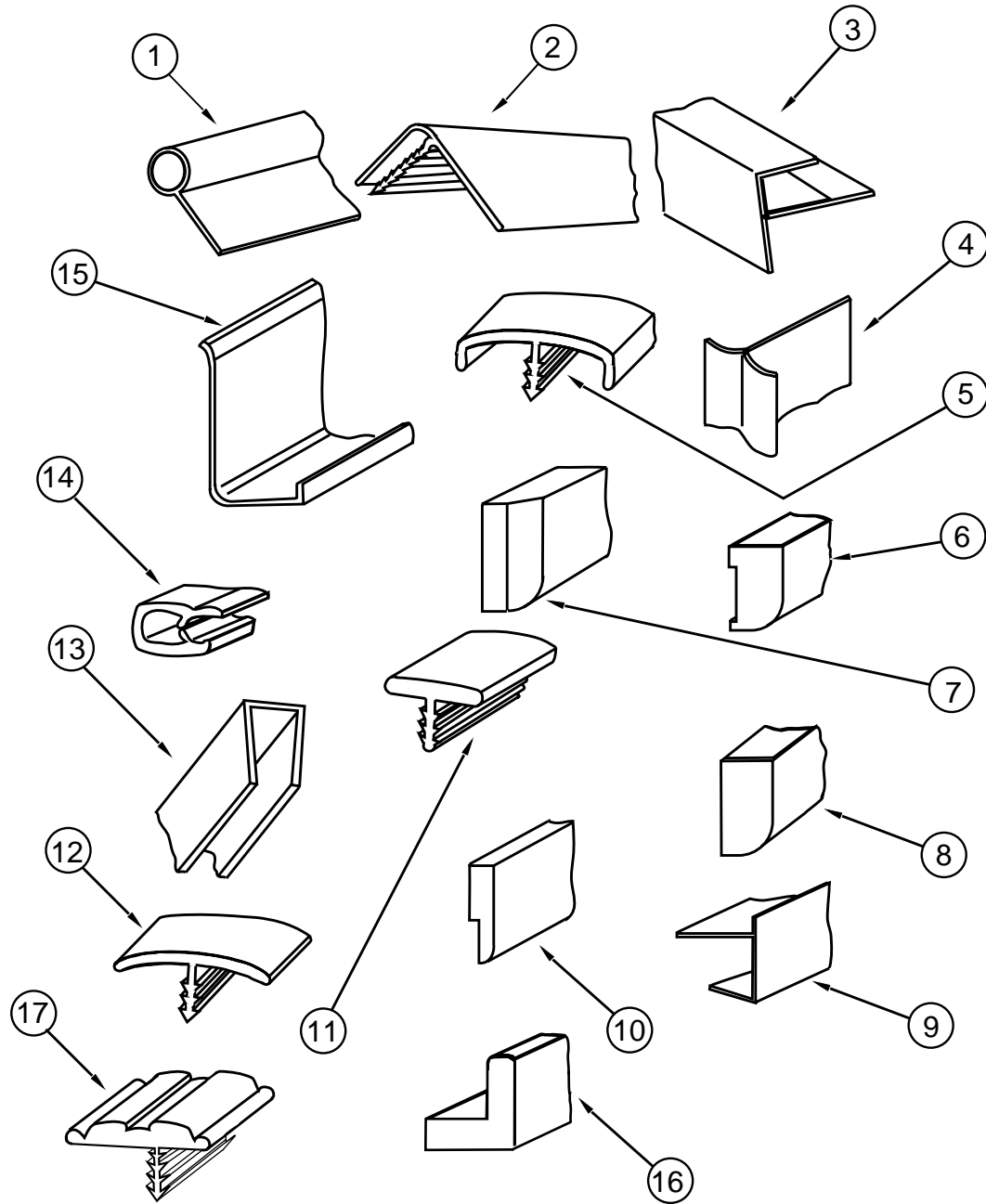
PLASTIC LAMINATE & EDGE BAND MOLDING

KEY	PART NUMBER	U/M DESCRIPTION
	074498-54-000	SF LAMINATE-PLASTIC, SAND SPEKTRUM - 5' X 8' - INCREMENTS OF 40 SF (G29/G32) (GALLEY, DINETTE, BATH & BEDROOM)
	074498-73-000	SF LAMINATE-PLASTIC, PEPPERMINT SANTOS - 5' X 8' - INCREMENTS OF 40 SF (G30) (GALLEY, DINETTE, BATH & BEDROOM)
	074498-62-000	SF LAMINATE-PLASTIC, GREY FINESSE - 5' X 8' - INCREMENTS OF 40 SF (G31) (GALLEY, DINETTE, BATH & BEDROOM)
	074498-67-000	SF LAMINATE-PLASTIC, ORCHID MIST - 5' X 8' - INCREMENTS OF 40 SF (PATIO ENTERTAINMENT CENTER TABLE)
	076325-34-000	FT MOLDING-EDGE BAND, 1233 ORCHID MIST - 1 5/16" X .030" X 600" (PATIO ENTERTAINMENT CENTER TABLE)
	076325-47-000	FT MOLDING-EDGE BAND, 1032 SAND - 1 5/16" X .030" X 600" (G29/G32) (DINETTE/BEDROOM)
	076325-65-000	FT MOLDING-EDGE BAND, 1179 PEPPERMINT - 1 5/16" X .030" X 600" (G30) (DINETTE/BEDROOM)
	076325-46-000	FT MOLDING-EDGE BAND, 1035 CLOUD - 1 5/16" X .030" X 600" (G31) (DINETTE/BEDROOM)
	076325-44-000	FT MOLDING-EDGE BAND, 1032 SAND - .875" X .024" X 600" (G29/G32) (DINETTE/BEDROOM)
	076325-66-000	FT MOLDING-EDGE BAND, 1179 PEPPERMINT - .875" X .024" X 600" (G30) (DINETTE/BEDROOM)
	076325-43-000	FT MOLDING-EDGE BAND, 1035 CLOUD - .875" X .024" X 600" (G31) (DINETTE/BEDROOM)
	074498-77-000	SF LAMINATE-PLASTIC, ART CAGIN OAK - 5' X 8' - INCREMENTS OF 40 SF (PULL OUT TABLE)
	076325-68-000	FT MOLDING-EDGE BAND, WATERFORD OAK - 1 5/16" X .038" X 600" (PULL OUT TABLE)

SMOKE DETECTOR, CO DETECTOR, FIRE EXTINGUISHER & CLOCK

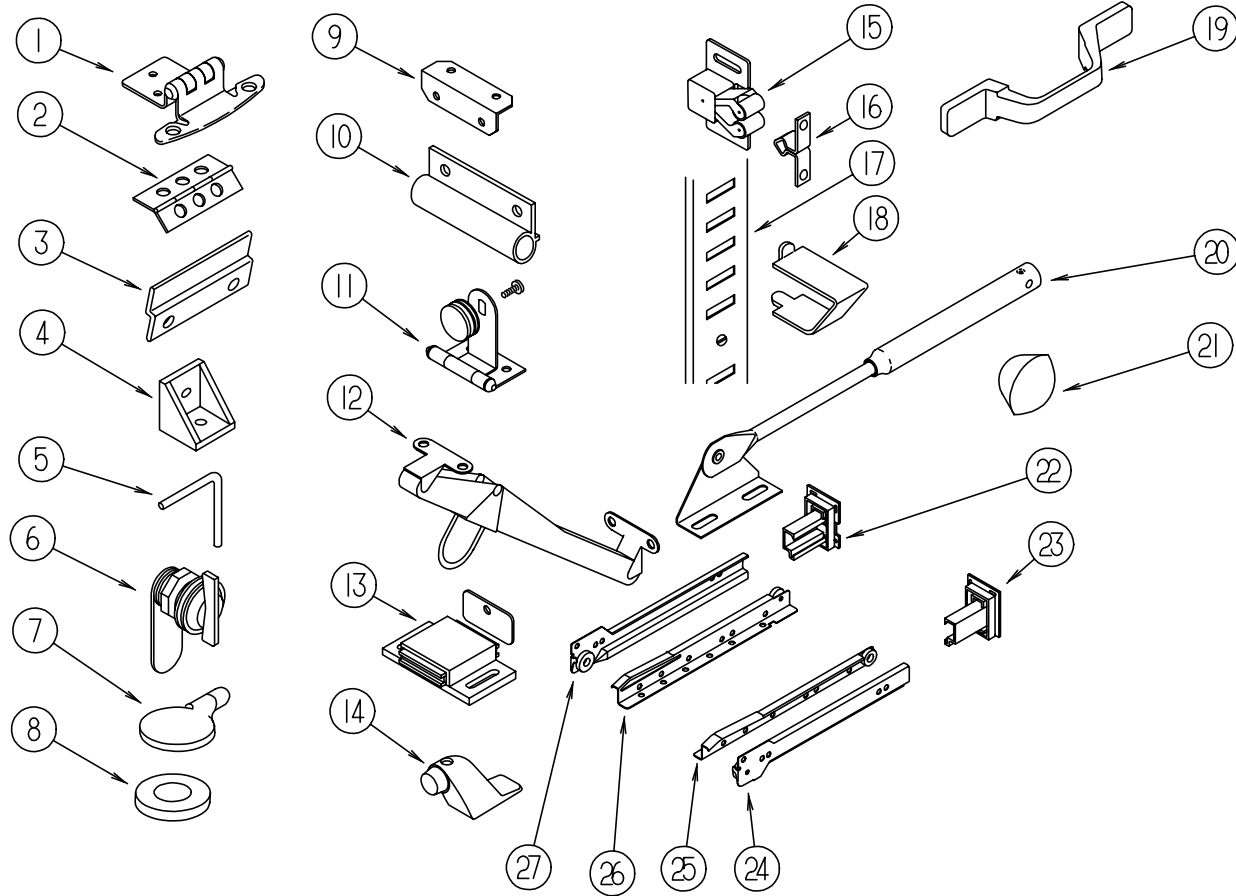
KEY	PART NUMBER	U/M DESCRIPTION
	072852-01-000	EA DETECTOR-SMOKE, W/9 VOLT BATTERY - US
	072852-02-000	EA DETECTOR-SMOKE, W/9 VOLT BATTERY - CANADIAN
	094499-01-000	EA EXTINGUISHER-FIRE, DRY W/MOUNTING BRACKET - 10 BC
	094499-01-700	EA BRACKET-MOUNTING, W/PLASTIC STRAP - FIRE EXTINGUISHER
	094499-02-000	EA EXTINGUISHER-FIRE, DRY - 1A10BC - CANADIAN
	112320-01-000	EA DETECTOR-CO GAS, MODEL 9B-I - COSTAR 940000000 FROM: 00-00-00 THRU: 09-03-95
	112320-02-000	EA BATTERY/SENSOR-CO GAS, COSTAR 940001000 FROM: 00-00-00 THRU: 09-03-95
	112320-03-000	EA DETECTOR-CO GAS, MODEL 9D-I - COSTAR 946000001 FROM: 09-04-95 THRU: 99-99-99
	112320-04-000	EA DETECTOR-CO SENSOR ASSEMBLY - COSTAR 946001001 FROM: 09-04-95 THRU: 99-99-99
	118081-01-01A	EA CLOCK-WALL, ROUND 8" - BRASS

INTERIOR FINISH GROUP (CONTINUED)
MOLDINGS & TRIM



KEY	PART NUMBER	U/M	DESCRIPTION
1	009767-12-000	FT	MOLDING-SIDEWALL TO CEILING/CABINET - WELTING - OFF WHITE
2	009809-28-000	EA	MOLDING-CORNER, OUTSIDE - 1" - PLASTIC - WATERFORD OAK
3	009812-24-000	EA	MOLDING-CORNER, OUTSIDE - .5" X 7' - PLASTIC - IVORY
3	009812-29-000	EA	MOLDING-CORNER, OUTSIDE - .5" X 7' - PLASTIC - WATERFORD OAK
4	022992-11-000	FT	MOLDING-REVERSE COVE, T-SHAPED - VINYL - IVORY
5	083620-12-000	FT	MOLDING-T, END CAP EDGE - W/EDGE LIPS - .75" - WATERFORD OAK
6	117268-D2-134	EA	MOLDING-VINYL WRAPPED, 18 MM X 40 MM X 2134 MM - WATERFORD OAK
6	117268-F2-134	EA	MOLDING-VINYL WRAPPED, 18 MM X 65 MM X 2134 MM - WATERFORD OAK
6	117268-F2-438	EA	MOLDING-VINYL WRAPPED, 18 MM X 65 MM X 2438 MM - WATERFORD OAK
7	100659-01-G09	EA	MOLDING-TRIM, VINYL FLOOR
8	100818-01-05A	EA	MOLDING-VINYL WRAPPED, 1.65" X .4" X 7' - WATERFORD OAK
9	103186-01-05A	FT	MOLDING-EDGE, SHELF - .78" WIDE - PLASTIC - WATERFORD OAK
9	103186-02-05A	FT	MOLDING-EDGE, SHELF - 1.3" WIDE - PLASTIC - WATERFORD OAK
10	105004-01-05A	EA	MOLDING-VINYL WRAPPED, 1" X 8' - WATERFORD OAK
11	104676-01-01A	FT	T-MOLDING, 5/16 - RIGID - GOLD
12	105709-01-000	FT	T-MOLDING, 1", IVORY
13	009778-22-000	FT	U-CHANNEL-PLASTIC, 1 1/4" WIDE X 8' INCREMENTS - WATERFORD OAK
13	070504-18-000	FT	U-CHANNEL-PLASTIC, .065" WIDE - IVORY - INCREMENTS OF 8'
13	070504-19-000	FT	U-CHANNEL-PLASTIC, .815" WIDE - BROWN - INCREMENTS OF 8'
13	070504-36-000	FT	U-CHANNEL-PLASTIC, 1.65" WIDE - WATERFORD OAK - INCREMENTS OF 8'
13	070504-37-000	FT	U-CHANNEL-PLASTIC, .815" WIDE - WATERFORD OAK - INCREMENTS OF 8'
14	072368-02-000	EA	TRIM-VINYL, EDGE - BLACK - GM 14004305
15	085746-01-000	FT	TRIM-J, CARPET - 1.2" X .5" ANGLE - 10' LONG - PVC - BEIGE
16	100819-01-05A	EA	MOLDING-VINYL WRAP, DOOR - WATERFORD OAK
17	109736-01-03A	FT	T-MOLDING, 1" WIDE- WATERFORD OAK - CRILLA PLASTIC
	093873-01-01A	EA	TRIM-CARPET, L-ANGLE - 1.1" X 1.3" X 12' - VINYL - GRAY
	117267-E2-438	EA	LUMBER-VINYL WRAPPED, 18 MM X 50.8 MM X 2438 MM - WATERFORD OAK
	117267-G2-438	EA	LUMBER-VINYL WRAPPED, 18 MM X 76 MM X 2438 MM - WATERFORD OAK

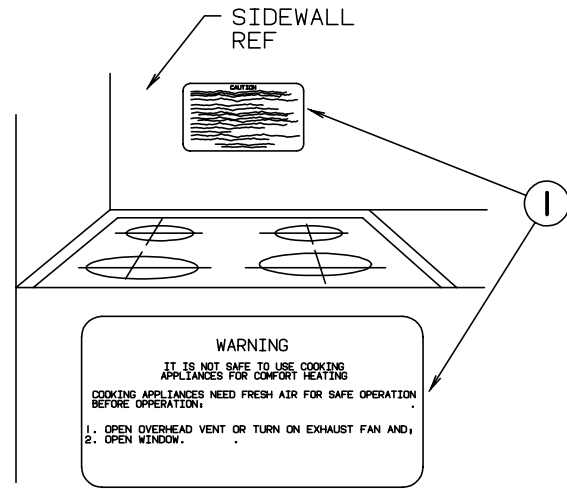
INTERIOR FINISH GROUP (CONTINUED)
CABINET HARDWARE



KEY	PART NUMBER	U/M	DESCRIPTION
1	108138-01-000	EA	HINGE-CABINET DOOR, BURNISHED BRASS
2	009059-01-000	EA	HINGE-DOOR, 2" X 1.4" - BRASS
2	009059-02-000	EA	HINGE-DOOR, 2" X 2.7" - BRASS
3	101272-01-000	EA	CATCH-DOOR, GLASS
4	065740-01-000	EA	BRACE-CABINET CORNER, PLASTIC
5	108487-02-01A	EA	SUPPORT-PROP ROD, OVERHEAD - BLACK
6	100710-01-01A	EA	LOCK-GLASS DOOR, TWIST TYPE - BRASS
7	101766-01-000	EA	PIN-SUPPORT, GLASS DOOR
8	100707-01-000	EA	SPACER-DOOR, GLASS - .8" DIA - .3" HOLE - PLASTIC
9	016604-01-000	EA	BRACE-CABINET, ANGLE - 2.5" - METAL - UNPAINTED
9	016604-05-000	EA	BRACE-CABINET, ANGLE - 2.5" - METAL - OFF WHITE
10	108486-01-01A	EA	BRACKET-PROP ROD, OVERHEAD - BLACK
11	100711-01-01A	EA	HINGE-DOOR, GLASS
12	104181-01-01A	EA	SUPPORT-LEAF, 5.3" - EXTENDS TO 7.5" - SAFTY RING - METAL
13	088254-01-000	EA	CATCH-MAGNETIC, 1.8" X .7"
14	103257-01-000	EA	STOP-DOOR
15	093586-06-000	EA	CATCH-SPRING, ROLLER
16	093586-05-000	EA	STRIKE-SPRING STEEL
17	098980-01-000	EA	PILASTER-ADJUSTABLE SHELF, 18" LONG
17	098980-02-000	EA	PILASTER-ADJUSTABLE SHELF, 12" LONG
17	098980-03-000	EA	PILASTER-ADJUSTABLE SHELF, 9" LONG
18	098979-01-000	EA	CLIP-ADJUSTABLE SHELF

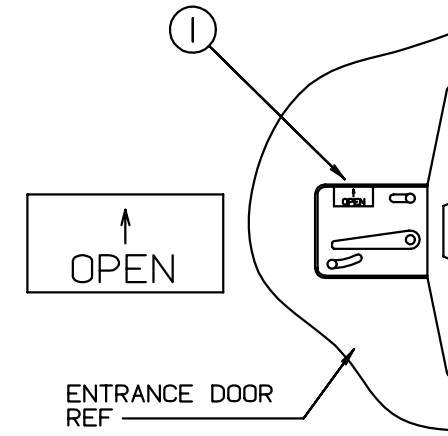
KEY	PART NUMBER	U/M	DESCRIPTION
19	117801-01-01A	EA	PULL-CABINET, BRASS
20	074493-02-000	EA	SUPPORT-PISTON SPRING, CABINET DOOR
21	042356-01-000	EA	PLUG-BUTTON, MAHOGANY - 3/8" DIAMETER - WOOD
22	114045-01-000	EA	BACKSOCKET-ADJUSTABLE, LEFT N/A ORDER KIT ACCORDING TO LENGTH OF DRAWER SLIDE 114031
23	114045-02-000	EA	BACKSOCKET-ADJUSTABLE, RIGHT N/A ORDER KIT ACCORDING TO LENGTH OF DRAWER SLIDE 114031
24	114031-02-000	EA	SLIDE-DRAWER, CABINET - RIGHT SIDE - 12" N/A ORDER #114031-01-700 SLIDE DRAWER KIT
24	114031-10-000	EA	SLIDE-DRAWER, CABINET - RIGHT SIDE - 16" N/A ORDER #114031-09-700 SLIDE DRAWER KIT
24	114031-14-000	EA	SLIDE-DRAWER, CABINET - RIGHT SIDE - 18" N/A ORDER #114031-13-700 SLIDE DRAWER KIT
24	114031-22-000	EA	SLIDE-DRAWER, CABINET - RIGHT SIDE - 22" N/A ORDER #114031-21-700 SLIDE DRAWER KIT
25	114031-04-000	EA	SLIDE-DRAWER, DRAWER MOUNT - RIGHT SIDE - 12" N/A ORDER #114031-01-700 SLIDE DRAWER KIT
25	114031-12-000	EA	SLIDE-DRAWER, DRAWER MOUNT - RIGHT SIDE - 16" N/A ORDER #114031-09-700 SLIDE DRAWER KIT
25	114031-16-000	EA	SLIDE-DRAWER, DRAWER MOUNT - RIGHT SIDE - 18" N/A ORDER #114031-13-700 SLIDE DRAWER KIT
25	114031-24-000	EA	SLIDE-DRAWER, DRAWER MOUNT - RIGHT SIDE - 22" N/A ORDER #114031-21-700 SLIDE DRAWER KIT
26	114031-03-000	EA	SLIDE-DRAWER, DRAWER MOUNT - LEFT SIDE - 12" N/A ORDER #114031-01-700 SLIDE DRAWER KIT
26	114031-11-000	EA	SLIDE-DRAWER, DRAWER MOUNT - LEFT SIDE - 16" N/A ORDER #114031-09-700 SLIDE DRAWER KIT
26	114031-15-000	EA	SLIDE-DRAWER, DRAWER MOUNT - LEFT SIDE - 18" N/A ORDER #114031-13-700 SLIDE DRAWER KIT
26	114031-23-000	EA	SLIDE-DRAWER, DRAWER MOUNT - LEFT SIDE - 22" N/A ORDER #114031-21-700 SLIDE DRAWER KIT
27	114031-01-000	EA	SLIDE-DRAWER, CABINET - LEFT SIDE - 12" N/A ORDER #114031-01-700 SLIDE DRAWER KIT
27	114031-09-000	EA	SLIDE-DRAWER, CABINET - LEFT SIDE - 16" N/A ORDER #114031-09-700 SLIDE DRAWER KIT
27	114031-16-000	EA	SLIDE-DRAWER, CABINET - LEFT SIDE - 18" N/A ORDER #114031-13-700 SLIDE DRAWER KIT
27	114031-21-000	EA	SLIDE-DRAWER, CABINET - LEFT SIDE - 22" N/A ORDER #114031-21-700 SLIDE DRAWER KIT
	004354-01-000	EA	BUMPER-RUBBER, .5" DIA - BROWN
	009112-01-000	EA	FLANGE - 1" ROD, CLOTHES - PLASTIC - OFF WHITE
	023320-01-000	EA	PAD-FELT, 3/8" DIAMETER - BROWN
	039984-01-000	EA	CAP-ROUND, VINYL - .28" ID X .62" LONG - BLACK
	042438-01-000	EA	DOWEL-WOOD, CLOTHES ROD - 1" DIAMETER X 4'
	042438-02-000	EA	DOWEL-WOOD, 2" X 2"

LABELS GROUP

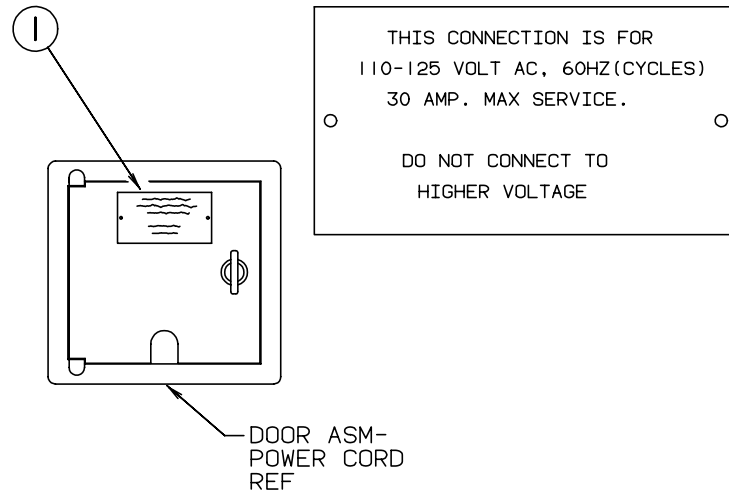


KEY	PART NUMBER	U/M DESCRIPTION
1	050225-01-000	EA LABEL-WARNING, STOVE VENT - US
1	050222-01-000	EA LABEL-WARNING, STOVE VENT - CANADIAN

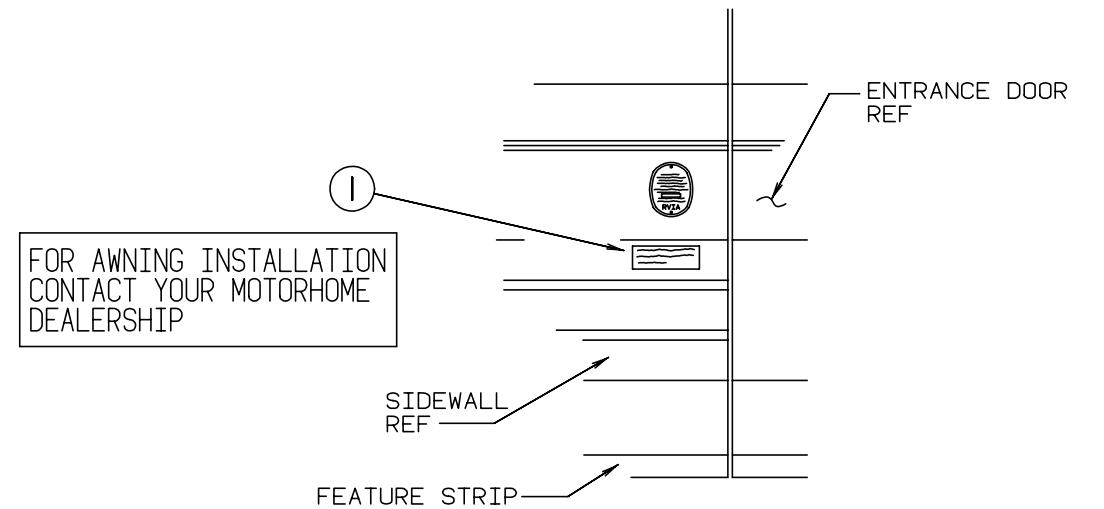
LABELS GROUP (CONTINUED)



KEY	PART NUMBER	U/M DESCRIPTION
1	040944-01-000	EA LABEL-ENTRANCE DOOR, "OPEN"

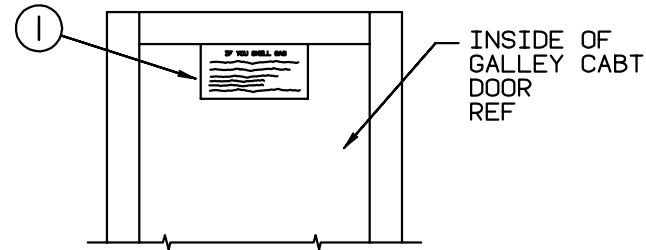


KEY	PART NUMBER	U/M DESCRIPTION
1	006062-01-000	EA LABEL-ELECTRIC, 110V CONNECTION



KEY	PART NUMBER	U/M DESCRIPTION
1	099509-01-000	EA LABEL-AWNING INSTALLATION

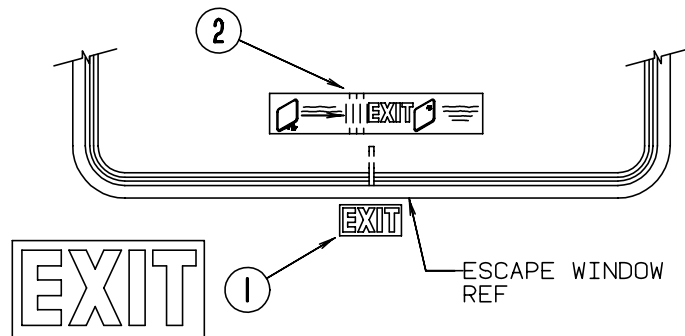
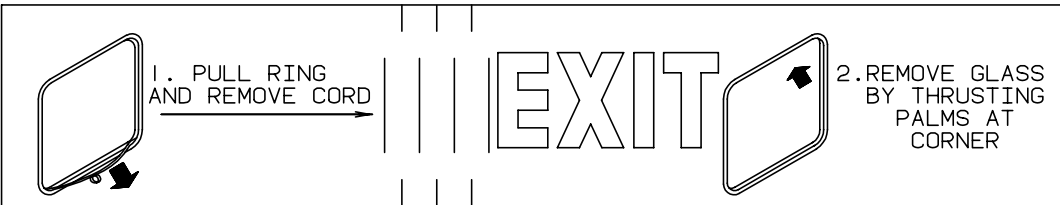
LABELS GROUP (CONTINUED)



IF YOU SMELL GAS

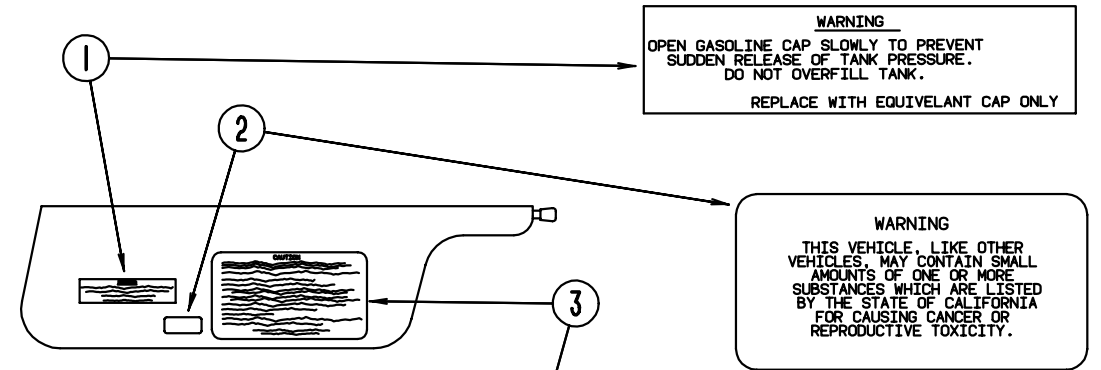
1. EXTINGUISH ANY OPEN FLAME, PILOT LIGHTS AND ALL SMOKING MATERIALS.
2. SHUT OFF THE GAS SUPPLY AT THE TANK VALVE(OR GAS SUPPLY CONNECTION.
3. OPEN DOORS AND OTHER VENTILATING OPENINGS.
4. DO NOT TOUCH ELECTRICAL SWITCHES.
5. LEAVE THE AREA UNTIL ODOR CLEARS.
6. HAVE THE GAS SYSTEM CHECKED AND LEAKAGE SOURCE CORRECTED BEFORE USING AGAIN.

KEY	PART NUMBER	U/M DESCRIPTION
1	073998-01-000	EA LABEL-LPG ODOR WARNING



KEY	PART NUMBER	U/M DESCRIPTION
1	039290-01-000	EA LABEL-WARNING, EXIT
2	107571-01-000	EA LABEL-ESCAPE EXIT, WINDOW

LABELS GROUP (CONTINUED)



WARNING
 OPEN GASOLINE CAP SLOWLY TO PREVENT SUDDEN RELEASE OF TANK PRESSURE. DO NOT OVERFILL TANK.
 REPLACE WITH EQUIVELANT CAP ONLY

WARNING
 THIS VEHICLE, LIKE OTHER VEHICLES, MAY CONTAIN SMALL AMOUNTS OF ONE OR MORE SUBSTANCES WHICH ARE LISTED BY THE STATE OF CALIFORNIA FOR CAUSING CANCER OR REPRODUCTIVE TOXICITY.

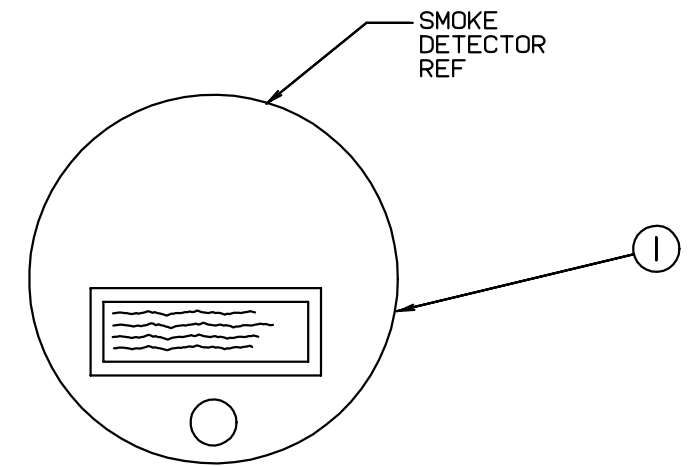
CAUTION

THIS MOTOR HOME HAS BEEN DESIGNED, MANUFACTURED AND TESTED WITH CONCERN FOR THE PROTECTION OF IT'S OCCUPANTS. WE RECOMMEND YOU PERFORM THE FOLLOWING INSPECTIONS FOR YOUR SAFETY AND THE SAFETY OF YOUR PASSENGERS BEFORE STARTING YOUR VEHICLE.

1. LP GAS SYSTEM- TURN OFF AT TANK FOR TRAVELING. TEST FOR LEAKS UPON ARRIVAL AT DESTINATION. BEFORE LIGHTING PILOTS.
2. WHEELS- INSPECT FOR DAMAGE AND CHECK LUG NUTS FOR TIGHTNESS.
3. TIRES- INSPECT FOR WEAR AND DAMAGE AND CHECK FOR RECOMMENDED AIR PRESSURE.
4. LIGHTING- TEST FOR PROPER OPERATION OF ALL INTERIOR AND EXTERIOR LIGHTS INCLUDING DASH LIGHTS, HEADLIGHTS, TAIL LIGHTS, BRAKE LIGHTS, CLEARANCE LIGHTS AND TURN SIGNALS.
5. EXITS- INSPECT RELEASE MECHANISM ON EMERGENCY EXIT WINDOW, TEST BOTH LOCKS ON MAIN ENTRANCE DOOR FOR EASE OF OPERATION AND INSTRUCT PASSENGERS HOW TO USE BOTH MEANS OF EXIT.
6. SEAT BELTS- DIRECT PASSENGERS TO DESIGNATED SEATS AND REQUIRE USE OF SEAT BELTS.
7. APPLIANCES- TURN OFF AND LATCH OR LOCK DOORS WHERE PROVIDED.
8. LOOSE PARCELS- STORE SECURELY.
9. UTILITY SUPPLY LINES- DISCONNECT ALL ELECTRIC, SEWER AND WATER LINES AND SECURE PROPERLY.
10. ENTRANCE DOOR STEP- PLACE IN RETRACTED POSITION FOR TRAVELING.

READ YOUR MOTOR HOME AND CHASSIS OWNER'S MANUAL FOR FURTHER PRECAUTIONS

KEY	PART NUMBER	U/M DESCRIPTION
1	087207-05-000	EA LABEL-FUEL CAP REMOVAL
2	099689-01-000	EA LABEL-WARNING, CANCER/TOXICITY
3	056259-01-000	EA LABEL-SAFETY CHECK LIST



WARNING: TEST SMOKE DETECTOR OPERATION AFTER VEHICLE HAS BEEN IN STORAGE. BEFORE EACH TRIP AND AT LEAST ONCE PER WEEK DURING USE.

KEY	PART NUMBER	U/M DESCRIPTION
1	077956-01-000	EA LABEL-WARNING, SMOKE DETECTOR

LABELS GROUP (CONTINUED)

NOTE: TUNE ANTENNA PER MANUFACTURER'S DIRECTIONS. FAILURE TO COMPLY COULD RESULT IN DAMAGE TO CB.

CB POWER PROVISION
 RED +12 V
 BLACK GROUND
 COAX ANTENNA
 (SEE REVERSE ALSO)

KEY PART NUMBER U/M DESCRIPTION
 1 104678-01-000 EA LABEL-CB PREP

WARNING
 MUST BE STOWED
 IN LATCHED POSITION
 WHILE VEHICLE IS IN MOTION

KEY PART NUMBER U/M DESCRIPTION
 1 079966-01-000 EA LABEL-WARNING, STOWED, MOTION

DO NOT USE HITCH BEFORE
 READING OWNERS MANUAL REGARDING
 VEHICLE LOADING AND TOWING

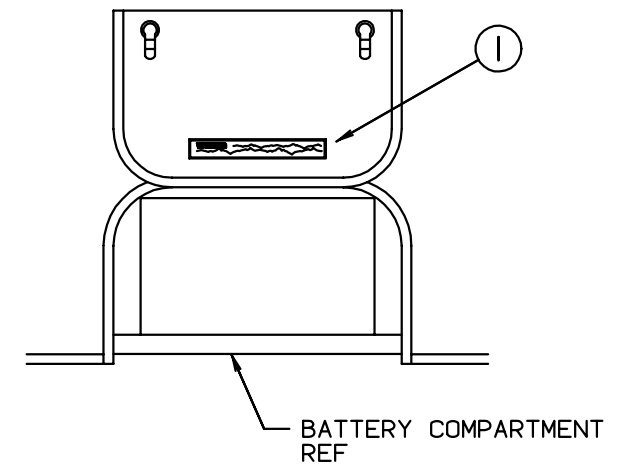
KEY PART NUMBER U/M DESCRIPTION
 1 111104-01-000 EA LABEL-HITCH, READ MANUAL

WIRE IDENTITY :
 YELLOW - LEFT TURN LAMP
 GREEN - RIGHT TURN LAMP
 RED - BRAKE LAMP
 BROWN - RUNNING LAMP
 BLACK - BACKUP LAMP

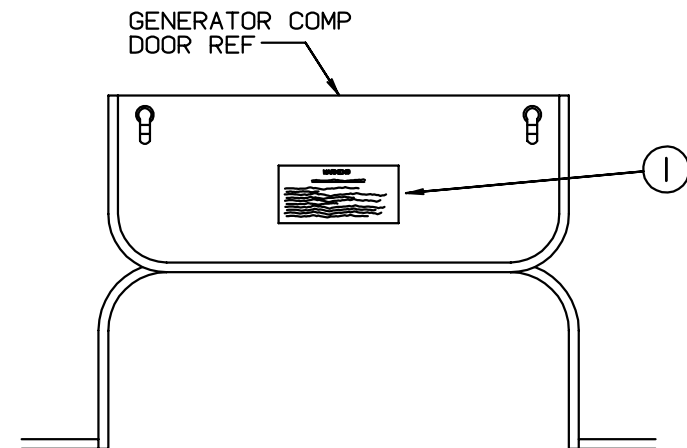
KEY PART NUMBER U/M DESCRIPTION
 1 091224-02-000 EA LABEL-TRAILER LIGHTING

LABELS GROUP (CONTINUED)

WARNING DISCONNECT BATTERIES BEFORE CONNECTING EXTERNAL CHARGING EQUIPMENT.



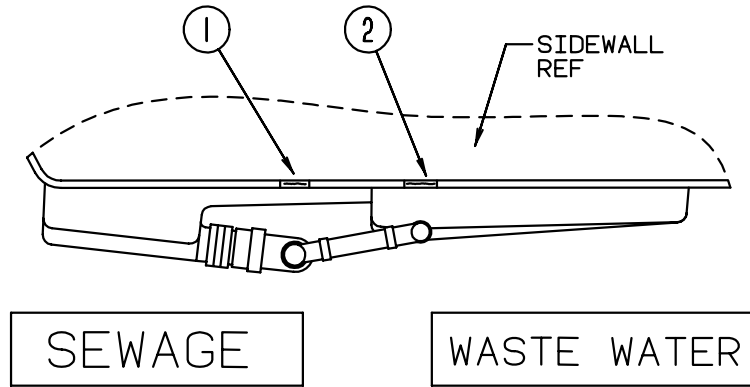
KEY PART NUMBER U/M DESCRIPTION
 1 065748-01-000 EA LABEL-CAUTION, BATTERY CHARGING



WARNING
 WHEN ADDING A GENERATOR SET:
 HIGH VOLTAGE-USE EXTREME CAUTION WHEN WORKING ON ELECTRICAL COMPONENTS.
 HAVE ALL ELECTRICAL INSTALLATION PERFORMED BY A QUALIFIED LICENSED ELECTRICIAN-FOLLOW ALL STATE AND LOCAL CODES.
 ONLY INSTALL GENERATOR SET APPROVED FOR R.V. APPLICATION. HAVE INSTALLED BY QUALIFIED TECHNICIAN.
 TO AVOID HEAT BUILD-UP AND TO GUARANTEE AN ADEQUATE AIR SUPPLY TO THE GENERATOR CARBURETOR, FOLLOW INSTALLATION INSTRUCTIONS.
 GENERATOR ENGINE EXHAUST GASES ARE TOXIC AND MUST NOT TERMINATE UNDER THE VEHICLE-DISCHARGE EXHAUST AWAY FROM VEHICLE.

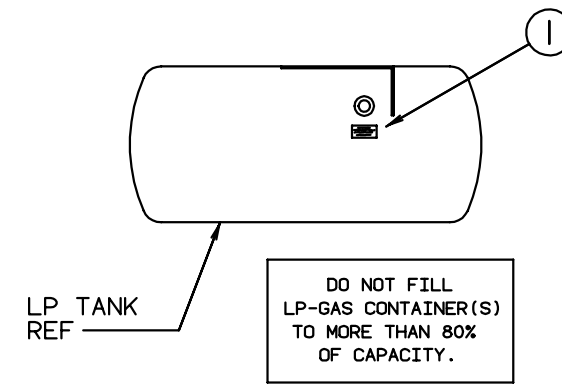
KEY PART NUMBER U/M DESCRIPTION
 1 077510-01-000 EA LABEL-GENERATOR PREP

LABELS GROUP (CONTINUED)



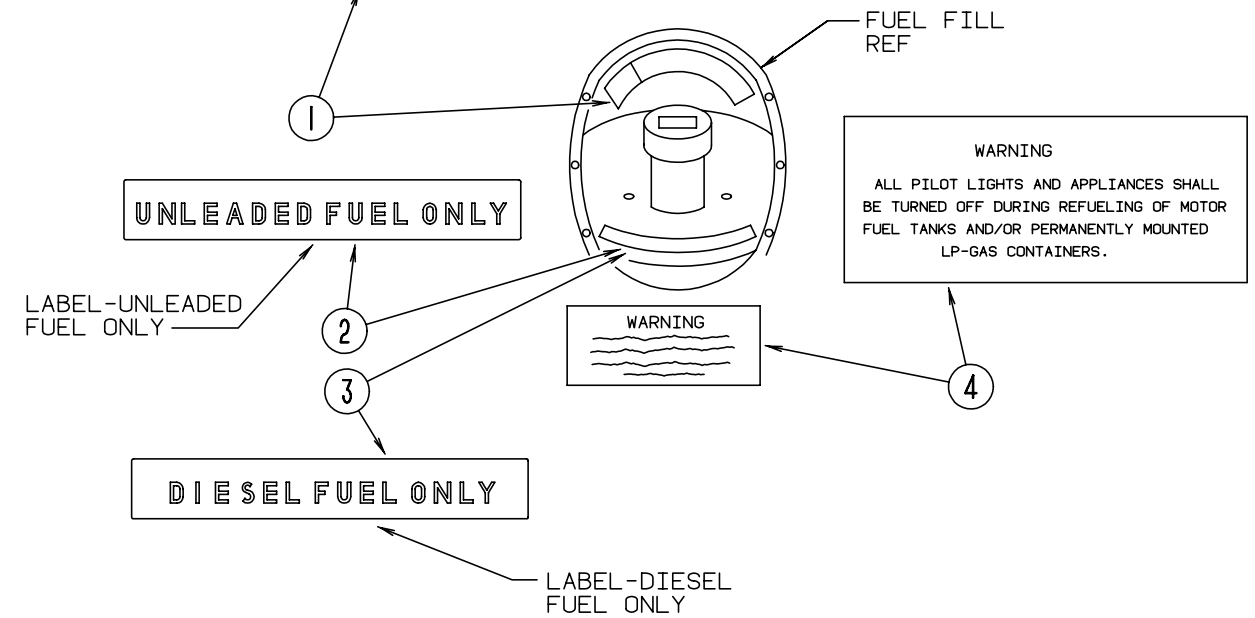
KEY	PART NUMBER	U/M DESCRIPTION
1	006187-01-000	EA LABEL-SEWAGE
2	006188-01-000	EA LABEL-WASTE WATER

LABELS GROUP (CONTINUED)

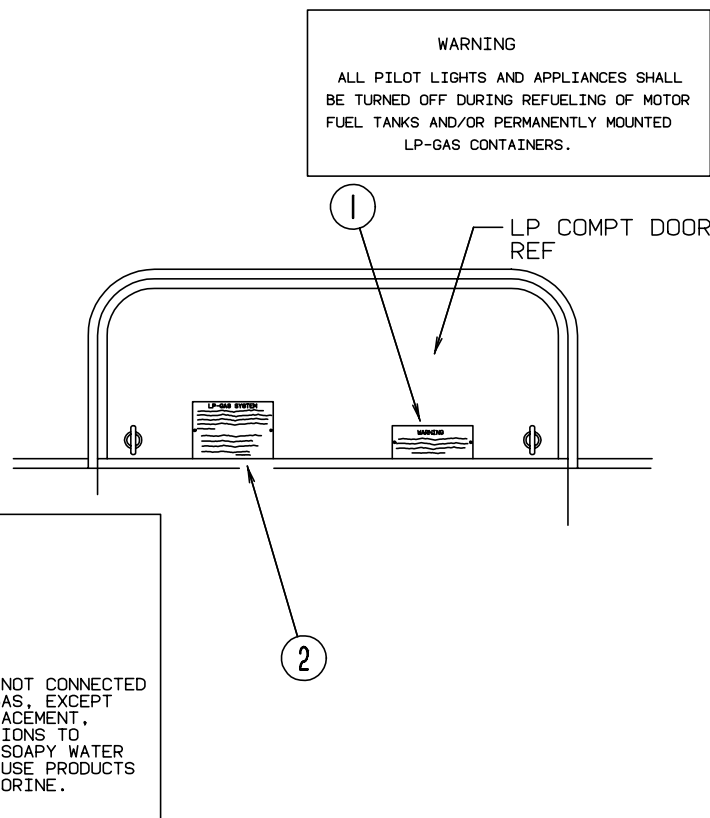


KEY	PART NUMBER	U/M DESCRIPTION
1	079965-01-000	EA LABEL-LPG, 80 LB CAPACITY

CAUTION	TO HELP AVOID PERSONAL INJURY DURING REMOVAL OF FUEL FILLER CAP, SLOWLY LOOSEN CAP 1/2 TURN TO ALLOW ANY FUEL PRESSURE TO BE RELIEVED BEFORE TURNING CAP FURTHER.
FUEL SPRAY MAY CAUSE PERSONAL INJURY	STOP ADDING FUEL AFTER FIRST SHUTOFF BY AUTOMATIC NOZZLE WHEN TANK IS NEARLY FULL. DO NOT OVERFILL FUEL TANK. SEE OWNERS MANUAL FOR ADDITIONAL INFORMATION.
	PRINTED IN U.S.A. MLC PT NO 15611763



KEY	PART NUMBER	U/M DESCRIPTION
1	087207-05-000	EA LABEL-FUEL CAP REMOVAL
2	062043-01-000	EA LABEL-FUEL, UNLEADED
3	068383-01-000	EA LABEL-DIESEL FUEL
4	006040-01-000	EA TAG-GAS REFUELING WARNING
4	006040-02-000	EA TAG-GAS REFUEL WARNING, CANADIAN



KEY	PART NUMBER	U/M DESCRIPTION
1	006040-01-000	EA TAG-GAS REFUELING WARNING
1	006040-02-000	EA TAG-GAS REFUEL WARNING, CANADIAN
2	054531-01-000	EA LABEL-LP GAS ONLY
2	023769-01-000	EA LABEL-WARNING, LPG - CANADIAN

LABELS GROUP (CONTINUED)

AIR CONDITIONING CIRCUIT.
THIS CONNECTION IS FOR
AIR CONDITIONERS RATED 110-
125 VOLT AC, 60 HZ, 16
AMPERES MAXIMUM. DO NOT
EXCEED CIRCUIT RATING.

1

KEY	PART NUMBER	U/M DESCRIPTION
	091243-01-000	EA LABEL-A/C COVER, "AIR CONDITIONING CIRCUIT. ETC."

1

ATTENTION
DEALER MUST INSTALL BATTERY AND
SENSOR IN CO DETECTOR WHEN THIS
MOTOR HOME IS PURCHASED. PARTS
ARE IN LOOSE PARTS BOX.

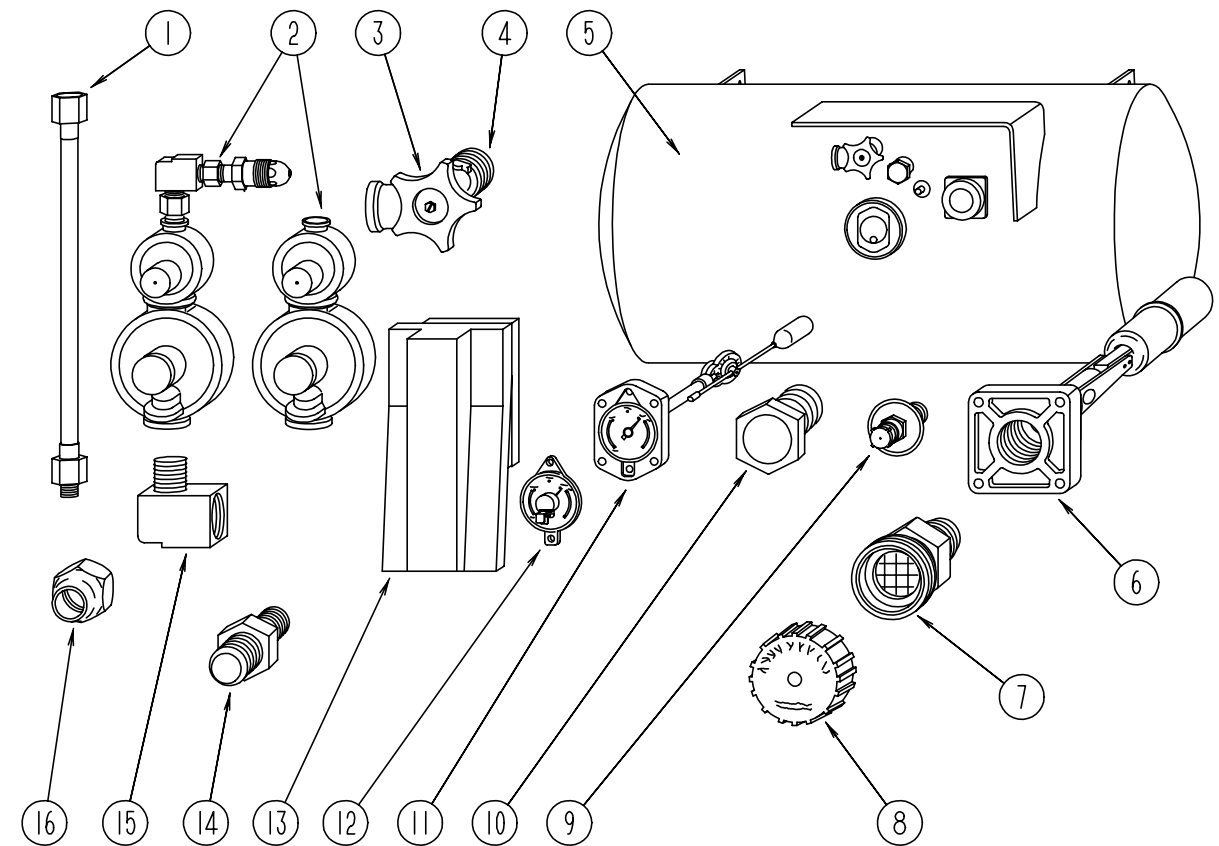
KEY	PART NUMBER	U/M DESCRIPTION
	112518-01-000	EA LABEL-HANG TAG, CO DETECTOR

FROM: 00-00-00 THRU: 09-10-95

MISCELLANEOUS LABELS

KEY	PART NUMBER	U/M DESCRIPTION
	006064-01-000	EA LABEL-SEAT W/O SEATBELT "NOT INTENDED FOR USE WHILE COACH INMOTION"
	087236-01-000	EA LABEL-CABLE, INPUT
	098379-04-000	EA LABEL-ELECTRICAL BOX, SIDE
	098641-01-000	EA LABEL-FUEL, UNLEADED - DASH
	111537-07-000	EA LABEL-FUSES
	111802-01-000	EA LABEL-CFC WARNING

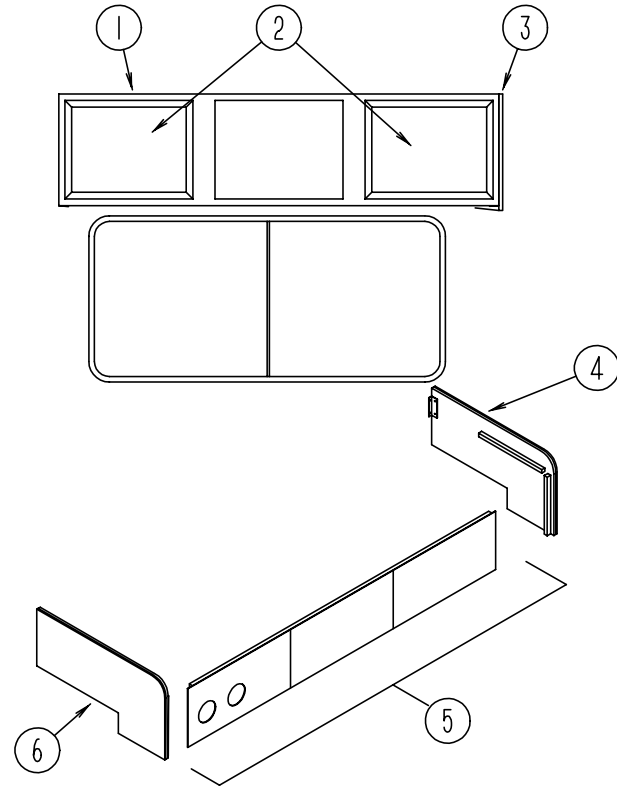
LP GROUP



BRUNNER LP TANK & COMPONENTS

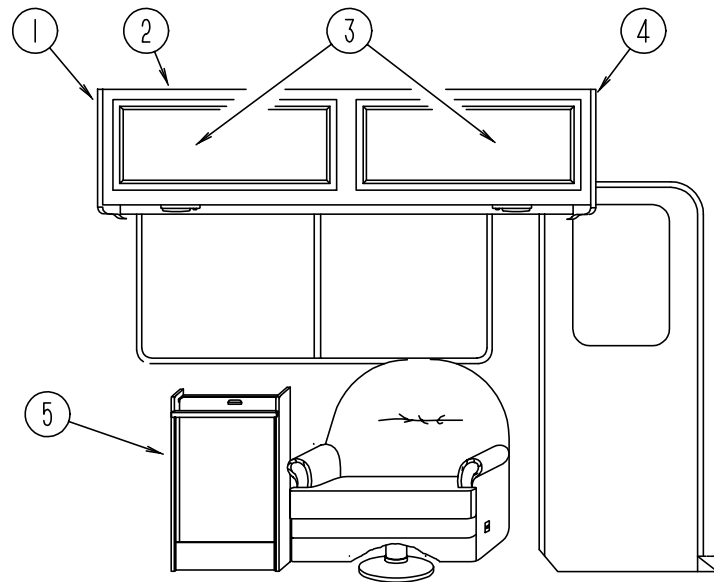
KEY	PART NUMBER	U/M DESCRIPTION	VENDOR NO.
1	045703-01-000	EA HOSE-LP, 3/8" ID X 24" - 3/8" MPT X 1/2" F SWIVEL - US	
1	045703-02-000	EA HOSE-LP, 3/8" ID X 24" - 3/8" MPT X 1/2" F SWIVEL - CANADIAN	
1	045703-09-000	EA HOSE-LP, 3/8" ID X 24" - 3/8" MPT X 3/8" F SWIVEL - DIESEL	
2	106150-01-000	EA REGULATOR-TWO STAGE	
2	106150-02-000	EA REGULATOR-TWO STAGE - EUROPEAN EXPORT OPTION	
3	040421-01-708	EA HANDWHEEL-VAPOR RELIEF VALVE, BRUNNER	G-1015-A
4	040421-01-712	EA VALVE-SERVICE W/O VAPOR RELIEF,	29000853
5	097821-02-000	EA TANK-LP, 60 LB BRUNNER - 14" X 30"	
6	040421-01-711	EA VALVE - 80% W/FLOAT, PLATE, BOLTS & GASKET - BRUNNER	
7	040421-01-701	EA VALVE-SHORT LP FILLER W/YELLOW CAP - BRUNNER	75478
8	040421-01-702	EA CAP-LP FILLER VALVE, PLASTIC - YELLOW - BRUNNER	G-1014-A
9	040421-01-700	EA GAUGE-LIQUID LEVEL, 20% LP - BRUNNER	G-1013
10	040421-01-713	EA PRESSURE RELIEF VALVE	
11	040421-01-707	EA GAUGE-FLOAT W/VISIBLE DIAL - BRUNNER	MA-9 6244-4
12	040440-02-000	EA TRANSMITTER-DIAL, 90 OHM	
13	105658-01-000	EA COMPARTMENT-LP REGULATOR	
14	010323-01-000	EA ADAPTER-BRASS, 3/8" F X 1/2" MPT	
15	065318-02-000	EA ELBOW - 90 DEGREE, 3/8" MPT TO 3/8" FPT	
16	010377-02-000	EA NUT-BRASS, 3/8 FEMALE - FORGED	
	008042-01-000	FT TUBING-VINYL, .65" ID	
	010326-01-000	EA ADAPTER-FLARE, W/CONE GASKET - 3/8" FEMALE X 1/2" MALE	
	024250-01-000	EA ADAPTER-BRASS, 3/8" F TO 1/2" FPT - DIESEL OPTION	
	071391-02-000	EA NIPPLE-HEX, 1/4 PIPE - 3325X4 WEATHERHEAD	
	095624-01-000	EA ELBOW-BRASS, 90 DEGREE - 1/4" FPT X 1/4" FPT	
	010252-01-000	EA ELBOW-BRASS, 90 DEGREE - 3/8" F X 1/2" MPT - JAPAN OPTION	
	103613-01-000	EA DETECTOR-LP GAS	

**LOUNGE GROUP
DRIVERS SIDE COUCH & TABLES**



KEY	PART NUMBER	U/M DESCRIPTION
1	117922-01-G11	EA CABINET-OVERHEAD, W/O DOORS (G29)
1	117922-01-G30	EA CABINET-OVERHEAD, W/O DOORS (G30)
1	117922-01-G31	EA CABINET-OVERHEAD, W/O DOORS (G31)
1	117922-01-G12	EA CABINET-OVERHEAD, W/O DOORS (G32)
1	117579-02-G11	EA CABINET-OVERHEAD, W/O DOORS - COFFEEMAKER OPTION (G29)
1	117579-02-G30	EA CABINET-OVERHEAD, W/O DOORS - COFFEEMAKER OPTION (G30)
1	117579-02-G31	EA CABINET-OVERHEAD, W/O DOORS - COFFEEMAKER OPTION (G31)
1	117579-02-G32	EA CABINET-OVERHEAD, W/O DOORS - COFFEEMAKER OPTION (G32)
2	M06803-13-G09	EA DOOR-W/O HARDWARE W/MIRROR - 400 MM X 710 MM
2	M06803-02-G09	EA DOOR-W/O HARDWARE W/O MIRROR - 400 MM X 710 MM DECORATOR DOOR OPTION - FLAT PANEL
3	103128-01-G09	EA CAP-END, OVERHEAD CABINET - FRONT
4	M06978-02-G29	EA PANEL-COUCH CABINET - LEFT SIDE - FABRIC COVERED (G29)
4	M06978-02-G30	EA PANEL-COUCH CABINET - LEFT SIDE - FABRIC COVERED (G30)
4	M06978-02-F25	EA PANEL-COUCH CABINET - LEFT SIDE - FABRIC COVERED (G31)
4	M06978-02-F27	EA PANEL-COUCH CABINET - LEFT SIDE - FABRIC COVERED (G32)
5	M06978-03-G29	EA PANEL-COUCH CABINET - FRONT - FABRIC COVERED (G29)
5	M06978-03-G30	EA PANEL-COUCH CABINET - FRONT - FABRIC COVERED (G30)
5	M06978-03-G31	EA PANEL-COUCH CABINET - FRONT - FABRIC COVERED (G31)
5	M06978-03-G12	EA PANEL-COUCH CABINET - FRONT - FABRIC COVERED (G32)
6	M06978-01-G29	EA PANEL-COUCH CABINET - RIGHT SIDE - W/FABRIC (G29)
6	M06978-01-G30	EA PANEL-COUCH CABINET - RIGHT SIDE - W/FABRIC (G30)
6	M06978-01-F25	EA PANEL-COUCH CABINET - RIGHT SIDE - W/FABRIC (G31)
6	M06978-01-F27	EA PANEL-COUCH CABINET - RIGHT SIDE - W/FABRIC (G32)
	105947-01-000	EA BRACKET-HOLD DOWN, COUCH - CANADIAN
	082525-01-000	EA BRACE-COUCH, FLOOR MOUNT - ANGLE 3" LONG - METAL
	083125-07-000	EA BRACE-ANGLE, COUCH - 2.5" - OFF WHITE
	081298-01-G01	EA TABLE-LOUNGE, 432 MM X 610 MM - W/O HARDWARE (G29)
	081298-01-G02	EA TABLE-LOUNGE, 432 MM X 610 MM - W/O HARDWARE (G30)
	081298-01-E04	EA TABLE-LOUNGE, 432 MM X 610 MM - W/O HARDWARE (G31)
	081298-01-E01	EA TABLE-LOUNGE, 432 MM X 610 MM - W/O HARDWARE (G32)
	009040-02-000	EA PEDESTAL TABLE LEG - 27.5" X 2.25" DIA - CHROME
	041194-01-000	EA BASE-TABLE, FLUSH - FLOOR MOUNTED
	009040-03-000	EA BASE-TABLE, RAISED - TABLE MOUNTED
	062046-01-000	EA CLIP-LEG, PEDESTAL - 1.7" X 2.2" - DIAMETER FROM 2" TO 2.5"
	076840-01-000	EA CORD-BUNGIE, 24"
	056093-01-F04	EA PLUG ASM-PEDESTAL TABLE (G29/G32)
	056093-01-F26	EA PLUG ASM-PEDESTAL TABLE (G30)
	056093-01-F25	EA PLUG ASM-PEDESTAL TABLE (G31)

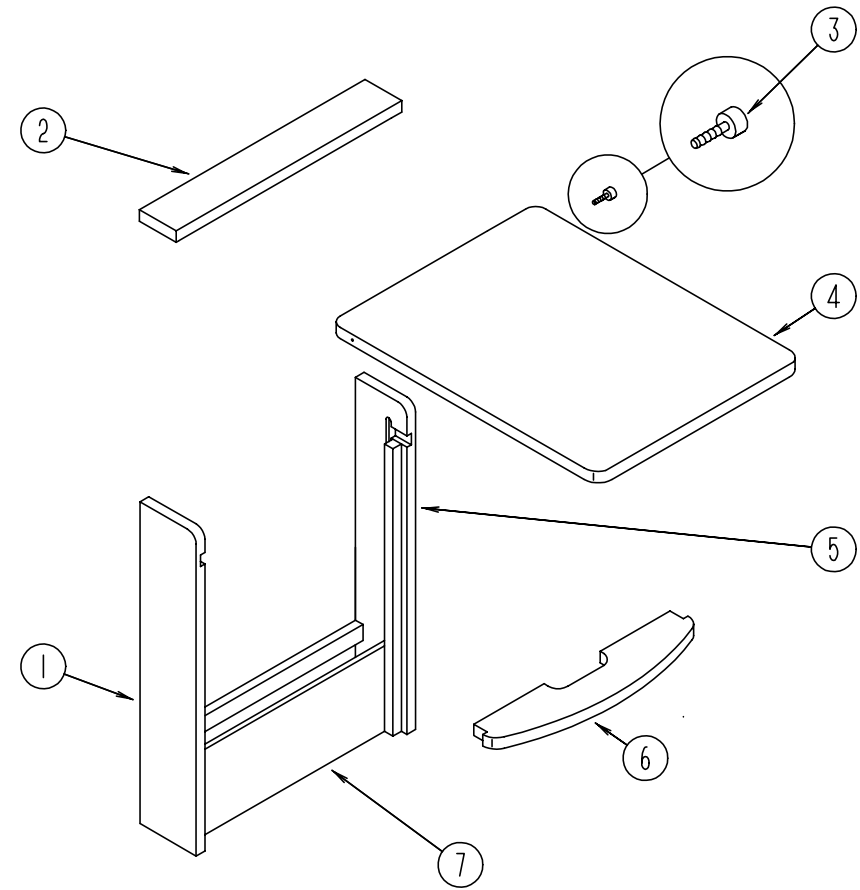
LOUNGE GROUP (CONTINUED)



PASSENGER SIDE SWIVEL CHAIRS & TABLE

KEY	PART NUMBER	U/M	DESCRIPTION
1	103128-07-G15	EA	CAP-END, OVERHEAD CABINET
2	118978-01-G09	EA	CABINET-OVERHEAD, W/O DOORS
3	M06803-M8-G09	EA	DOOR-W/O HARDWARE - 400 MM X 500 MM
4	103128-10-G15	EA	CAP-END, OVERHEAD CABINET
5	M96873-01-G01	EA	CABINET ASSEMBLY-TABLE, W/O PULLOUT TOP
	104006-01-C05	EA	LID-ENTRANCE STEP COMPARTMENT, W/O CARPET
	107941-01-02A	EA	SUPPORT-LID, ENTRANCE STEP - OFF WHITE
	101222-01-02A	EA	BRACKET-CATCH, LID - OFF WHITE
	116975-01-01A	EA	LATCH-W/O STRIKE, BLACK

LOUNGE GROUP (CONTINUED)



PULLOUT TABLE

KEY	PART NUMBER	U/M	DESCRIPTION
	M96873-01-G01	EA	TABLE ASM-PULLOUT
1	096873-14-G01	EA	SIDE END-TABLE, 28.7" X 5.7" - LEFT SIDE
2	096873-15-G01	EA	SHELF-SUPPORT, OVER PULL OUT TABLE TOP
3	079921-01-000	EA	NYLON ROLLER W/SHAFT
4	096873-11-G01	EA	TOP-PULLOUT
5	096873-13-G01	EA	SIDE END-TABLE, 28.7" X 5.7" - RIGHT SIDE
6	096873-12-G01	EA	SHELF-SUPPORT, UNDER PULL OUT TABLE TOP
7	096873-16-G01	EA	PANEL-TABLE, FRONT BOTTOM - 18.1" X 6.7"
	080736-01-000	EA	PULL-RECESSED, 1.25" X 4" - OAK

SEALANTS & FASTENERS GROUP

ADHESIVE

KEY	PART NUMBER	U/M DESCRIPTION
	004020-01-000	QT ADHESIVE-ABS CEMENT, QUART
	081377-01-700	EA ADHESIVE-CYANOACRYLATE, 10 GRAM TUBE
	087211-01-000	GL ADHESIVE-PROMOTER
	004005-02-000	EA ADHESIVE-SWIFTS, 1 GAL - W1333
	062917-03-000	EA ADHESIVE-LOCTITE 242
	067788-01-000	EA ADHESIVE-SPRAY, 19.5 OZ AEROSOL CAN 3M 74
	114311-01-000	GL ADHESIVE-GLUE - NATIONAL STARCH 72-7843

SEALERS

KEY	PART NUMBER	U/M DESCRIPTION
	069640-03-000	FT SEALER-RIBBON, 1/4" DIAMETER - INCREMENTS OF 30'
	069640-07-000	FT SEALER-RIBBON, 1/2" X 1/8" - INCREMENTS OF 60'
	069640-03-000	FT SEALER-RIBBON, 3/4" X 1/8" - INCREMENTS OF 60'
	069640-07-000	FT SEALER-RIBBON, 2" X 3/32" - INCREMENTS OF 30' OR 45'
	069640-09-000	FT SEALER-RIBBON, 1/32" X 2 1/2" - INCREMENTS OF 80'
	069640-11-000	FT SEALER-TAPE, 3/16" X 3/8", BLACK - INCREMENTS OF 40'
	069640-13-000	FT SEALER-TAPE, 3/32" X 2" - BLACK
	069640-14-000	FT SEALER-TAPE, 1/16" X 1" - GRAY - INCREMENTS OF 60'
	108353-03-000	FT SEAL-FOAM, 4.76 MM X 6.35 MM - LUNDELL
	900390-01-000	EA TIP - 2 1/2" X 1/8" ORIFICE, ELLSWORTH TS216
	900390-03-000	EA NOZZLES-SILICONE TUBE, CSL D10
	034552-02-000	EA SILICONE-TUBE, 300 ML - CLEAR - W/O NOZZLE
	034552-06-000	EA SILICONE-TUBE, 300 ML - OFF WHITE - W/O NOZZLE
	034552-15-000	EA SILICONE-TUBE, 300 ML - BRIGHT WHITE - W/O NOZZLE
	053766-02-000	EA BEDDING COMPOUND-TUBE, WHITE SCHNEE 5522
	053766-06-000	EA BEDDING COMPOUND-TUBE, CLEAR
	053766-08-000	EA BEDDING COMPOUND-TUBE, GRAY - SCHNEE 5522
	072889-01-000	EA SEALANT-URETHANE, BLACK - 1/10 - ESSEX 552.2
	072889-09-000	EA SEALANT-URETHANE, TUBE - BLACK - MANUS 75AM
	102352-01-000	EA SEALER-PUMPABLE, BLACK - COLORIMETRIC MS101
	106206-01-000	EA SEALER-PUMPABLE, BLACK - MANUS 30A
	107828-01-000	EA SEALANT-SB 190 EVERSEAL - SURE BOND INC
	108716-01-000	EA SILICONE-TUBE, OFF WHITE - SELF LEVELING - CSL 510

NUTS

KEY	PART NUMBER	U/M DESCRIPTION
	000D24-10-00B	EA NUT-HEX, SF/LK - 10-32 - ZINC
	000D29-05-00B	EA NUT-HEX, SELFLOCK - 5/16 - 18 - UNC
	000D15-06-00B	EA NUT-HEX, 3/8 - 24 - ZINC 5
	000D34-06-00B	EA NUT-HEX, LK - 3/8 - 16 GRADE C - ZINC - PREVAILING TORQUE
	000D39-04-00B	EA NUT-HEX, SER FLG LK - 1/4-20 - ZINC
	000D39-05-00B	EA NUT-HEX, SER FLG LK - 5/16-18 - ZINC
	000D39-06-00B	EA NUT-HEX, SER FLG LK - 3/8-16 - ZINC
	000D39-08-00B	EA NUT-HEX, SER FLG LK - 1/2-13 - ZINC
	000D44-07-00B	EA NUT-HEX, SER FLG LK - 7/16-20 - ZINC
	000D46-04-00A	EA NUT-HEX, WELD - 1/4-20 - PLAIN - SHORT PILOT
	000D60-05-00A	EA NUT-HEX, WELD, LOCK - 516-18 - UNC
	005081-01-000	EA NUT-SPEED, C TYPE - NO. 8 SCREW
	044364-02-000	EA NUT-SPEED, FLAT - ROUND
	063253-07-000	EA NUT-J, #8A - .120-.130 PANEL THICKNESS
	104369-01-000	EA NUT-HEX, HEAVY - 5/8-11 UNC
	040921-03-000	EA NUT-SPEED, U TYPE - NO 10
	040921-04-000	EA NUT-SPEED, U TYPE - NO 8 - .59" LENGTH X .44" WIDTH
	040921-09-000	EA NUT-SPEED, U TYPE - NO 8 - TINNERMAN C9812-8A
	087234-01-000	EA NUT-JACK, 1/4 X 20 THD, MOLLY - BRASS - ARDEN 8-L,JN MOUNTS LICENSE PLATES
	095094-01-000	EA NUT-ACORN, 1/4 X 20 - ALUMINUM

SEALANTS & FASTENERS GROUP (CONTINUED)

SCREWS

KEY	PART NUMBER	U/M DESCRIPTION
	000G11-05-08B	EA SCREW, 5-20 X 1/2 PPH - ZINC
	000G11-06-06B	EA SCREW, 6-20 X 3/8 PPH - ZINC
	000G11-06-08B	EA SCREW, 6-20 X 1/2 PPH - ZINC
	000G11-06-10J	EA SCREW, 6-20 X 5/8 PPH - BRASS
	000G11-06-10B	EA SCREW, 6-20 X 5/8 PPH - ZINC
	000G11-07-08B	EA SCREW, 7-19 X 1/2 PPH - ZINC
	000G11-08-06B	EA SCREW, 8-18 X 3/8 PPH - ZINC
	000G11-08-08B	EA SCREW, 8-18 X 1/2 PPH - ZINC
	000G11-08-08T	EA SCREW, 8-18 X 1/2 PPH - FLUROCARBON COATING
	000G11-08-12S	EA SCREW, 8-18 X 3/4 PPH - OFF WHITE
	000G11-08-12P	EA SCREW, 8-18 X 3/4 PPH - DARK BROWN
	000G11-08-12D	EA SCREW, 8-18 X 3/4 PPH - BLACK PHOS
	000G11-08-12B	EA SCREW, 8-18 X 3/4 PPH - ZINC
	000G11-08-12T	EA SCREW, 8-18 X 3/4 PPH - BLACK
	000G11-08-16S	EA SCREW, 8-18 X 1.00 PPH - OFF WHITE
	000G11-08-20B	EA SCREW, 8-18 X 1 1/4 PPH - ZINC
	000G11-10-24P	EA SCREW, 10-16 X 1 1/2" PPH - DARK BROWN
	000G11-10-40B	EA SCREW, 10-16 X 2 1/2 PPH CAD - 34927-01-000
	000G11-10-16B	EA SCREW, 10-16 X 1 - PPH - ZINC
	000G11-10-10X	EA SCREW, 10 - 16 X 5/8 PPH - GRAY
	000G12-06-08T	EA SCREW, 6-20 X .50 POH - BLACK
	000G12-08-16S	EA SCREW, 8-18 X 1.00 POH - OFF WHITE
	000G13-06-08B	EA SCREW, 6-20 X 1/2 PFH - ZINC
	000G13-06-08G	EA SCREW, 6-20 X 1/2 PFH - ANTIQUE BRASS
	000G13-06-10G	EA SCREW, 6-20 X 5/8 PFH - ANTIQUE BRASS
	000G13-06-16J	EA SCREW, 6-20 X 1.00 PFH - BRASS
	000G13-08-10B	EA SCREW, 8-18 X 5/8 PFH - ZINC
	000G13-08-16B	EA SCREW, 8-18 X 1 PFH - ZINC
	000G18-08-22B	EA SCREW-MACHINE, 8-32 X 1 3/8 PPH - ZINC
	000G19-10-20B	EA SCREW-MACHINE, 10-32 X 1 1/14 PPH - ZINC
	000G19-10-08B	EA SCREW-MACHINE, 10-32 X 1/2 PPH - ZINC
	000G32-10-06B	EA SCREW, 10-32 X 3/8" - PPH - ZINC
	000G39-06-10T	EA SCREW-SF/DR, 6-20 X 5/8 PPH - BLACK
	000G39-06-16T	EA SCREW-SF/DR, 6-20 X 1.00 PPH - BLACK
	000G39-08-08B	EA SCREW-SF/DR, 8-18 X 1/2 PPH - ZINC
	000G39-08-08S	EA SCREW-SF/DR, 8-18 X 1/2 PPH - OFF WHITE
	000G39-08-12B	EA SCREW-SF/DR, 8-18 X 3/4 PPH - ZINC
	000G39-08-12T	EA SCREW-SF/DR, 8-18 X 3/4 PPH - BLACK
	000G39-08-16B	EA SCREW-SF/DR, 8-18 X 1 PPH - ZINC
	000G39-08-16T	EA SCREW-SF/DR, 8-18 X 1 PPH - BLACK
	000G39-08-24B	EA SCREW-SF/DR, 8-18 X 1 1/2 PPH - ZINC
	000G39-08-32B	EA SCREW-SF/DR, 8-18 X 2 PPH - ZINC
	000G39-10-08B	EA SCREW-SF/DR, 10-16 X .50 PPH - ZINC
	000G39-10-12B	EA SCREW-SF/DR, 10-16 X .75 PPH - ZINC
	000G39-10-12D	EA SCREW-SF/DR, 10-16 X 3/4 PPH - BLACK
	000G39-10-129	EA SCREW-SF/DR, 10-16 X 3/4 PPH - FLUOROCARBON SILVER
	000G39-10-20B	EA SCREW-SF/DR, 10-16 X 1 1/4 PPH - ZINC
	000G39-10-209	EA SCREW-SF/DR, 10-16 X 1.25 PPH - FLUOROCARBON SILVER
	000G39-10-12R	EA SCREW-SF/DR, 10-16 X 3/4 PPH - BEIGE
	000G42-04-12B	EA SCREW-SF/DR, 1/4-14 X 3/4 HWH - ZINC
	000G43-06-24B	EA SCREW-MACHINE, 8-32 X 1.50 PFH - BLACK
	000G46-08-24T	EA SCREW-MACHINE, 8-32 X 1.50 PFH - BLACK
	000G50-04-12B	EA SCREW-MACHINE, 1/4-20 X 3/4 PPH - ZINC
	000G52-08-18B	EA SCREW-MACHINE, 8-32 X 11/8 PTH - ZINC
	000G53-04-06B	EA SCREW-MACHINE, 1/4-20 X 3/8 PPH - ZINC - UNDERCUT HEAD
	000G54-04-20B	EA SCREW, 1/4-20 X 1 1/4 PTH - TYPE 23 - ZINC PLATED
	000G55-08-12S	EA SCREW-SF/DR, 8-18 X .75 PWH - OFF WHITE

SEALANTS & FASTENERS GROUP (CONTINUED)
SCREWS (CONTINUED)

KEY	PART NUMBER	U/M DESCRIPTION
	000G56-12-48B	EA SCREW-WOOD, 12-11 X 3 POH - SPECIAL HARDENED
	000G60-10-28T	EA SCREW-SF/DR, 10-16 X 1.75 - BLACK
	000G67-10-08B	EA SCREW, 10-12 X 1/2 PPH - ZINC
	000G67-10-36T	EA SCREW, 10-12 X 2.25 PPH - BLACK - STALGAURD
	000G67-10-24B	EA SCREW, 10-12 X 1 1/2 PPH - ZINC
	000G67-10-20D	EA SCREW, 10-12 X 1 1/4 PPH - BLACK
	000G67-10-120	EA SCREW, 10-12 X .75" PPH - TAN
	000G67-10-16B	EA SCREW, 10-12 X 1 PPH - ZINC
	000G67-10-12B	EA SCREW, 10-12 X 3/4" PPH - ZINC
	000G67-10-12P	EA SCREW, 10-12 X 3/4" PPH - DARK BROWN
	000G67-10-10D	EA SCREW, 10-12 X 5/8 PPH - BLACK - TYPE A
	000G67-10-10B	EA SCREW, 10-12 X 5/8 PPH - ZINC - TYPE A
	000G68-06-10G	EA SCREW, 6-18 X 5/8 POH - ANTIQUE BRASS
	049465-01-000	EA SCREW, 10-16 W/WASHER PTH - DARK BROWN
	049465-03-000	EA SCREW, 10-16 X 1 POH W/WASHER - OFF WHITE
	049465-04-000	EA SCREW, 10-16 X 1 PTH W/WASHER - BEIGE
	049465-05-000	EA SCREW, 10-16 X 1 PTH W/WASHER - GRAY
	049465-17-000	EA SCREW, 10-16 X 1 POH W/WASHER - BRIGHT WHITE
	075908-01-000	EA SCREW, MACHINE, 10-32 X .56 PTH - ZINC - EXTERNAL TOOTH
	076790-01-000	EA SCREW, 6-20 X 1 1/4 PPH - BLACK
	086256-01-000	EA SCREW-SF/DR, 8 X .75 HWH LG
	087721-01-000	EA SCREW-FLAT HEAD, TAPPING - 1/4" X 1 1/4" LONG - ZINC
	097974-01-000	EA SCREW-PARTICLE BOARD, 7-9 X .75 PPH
	101618-01-000	EA SCREW, 1/4-20 X 3/4 HEX/TAPPING - STALGARD TYPE F
	116111-02-01A	EA SCREW-TAPTITE, 1/4-20 X 3/8 PPH - ZINC
	117322-01-000	EA SCREW - 1/4-28 UNF - 2A - TORX
	0G3908-08-170	EA SCREW-SF/DR, 8-16 X 1/2 PPH - BRIGHT WHITE

WASHERS

KEY	PART NUMBER	U/M DESCRIPTION
	000E11-07-00B	EA WASHER-LK, 7/16" MED SPLIT - ZINC
	000E13-14-00B	EA WASHER-FL, 1/4" WIDE - ZINC
	000E13-18-00B	EA WASHER-FL, 3/8" WIDE - ZINC
	000E13-20-00B	EA WASHER-FL, 7/16" WIDE - ZINC
	000E13-21-00B	EA WASHER-FL, W/2 NAR - ZINC
	000E14-10-00B	EA WASHER-LK, NO 10 EXT TOOTH - ZINC
	044533-01-000	EA WASHER-PLASTIC, 1 3/8" OD - FOR BUTTONS
	058716-02-000	EA WASHER-FLAT, NYLON - .406 X .750 X .060
	106649-01-000	EA WASHER-SEALING, 5/8" ID - GALVANIZED
	110794-01-000	EA WASHER-FL, 1" ID X 1 3/4" OD - C-TECH 36T1043187

BOLTS

KEY	PART NUMBER	U/M DESCRIPTION
	000C12-05-12B	EA BOLT-HEX, 5/16-18 X 3/4 - ZINC 5
	000C12-05-16B	EA BOLT-HEX, 5/16-18 X 1 - ZINC 5
	000C12-05-24B	EA BOLT-HEX, 5/16-18 X 1 1/2" - ZINC 5
	000C12-06-16B	EA BOLT-HEX, 3/8-16 X 1 - ZINC 5
	000C12-07-20B	EA BOLT-HEX, 7/16-14 X 1 1/4" - ZINC 5
	000C12-07-24B	EA BOLT-HEX, 7/16-14 X 1 1/2" - ZINC 5
	000C12-08-24B	EA BOLT-HEX, 1/2-13 X 1 1/2 - ZINC 5
	000C12-10-24B	EA BOLT-HEX, 5/8-11 X 1 1/2 - ZINC 5
	000C13-07-48B	EA BOLT-HEX, 7/16-20 X 3 - ZINC 5
	000C18-06-48B	EA BOLT-ELEV, 3/8-16 X 3 - ZINC 5
	000C26-04-10B	EA BOLT-HEX, SER FLG - 1/4-20 X 5/8 - ZINC
	000C26-04-14B	EA BOLT-HEX, SER FLG - 1/4-20 X 7/8 - ZINC
	000C26-04-18B	EA BOLT-HEX, SER FLG - 1/4-20 X 1 1/8 - ZINC
	000C26-05-12B	EA BOLT-HEX, SER FLG - 5/16-18 X 3/4 - ZINC
	000C26-05-16B	EA BOLT-HEX, SER FLG - 5/16-18 X 1 - ZINC
	000C26-06-12B	EA BOLT-HEX, SER FLG - 3/8-16 X 3/4 - ZINC
	000C27-10-32B	EA BOLT-CARRIAGE, 5/8-11 X 2.00
	051387-06-000	EA BOLT-CARRIAGE, W/O HOLE - 5/16-18 X 9.5 - ZINC
	102333-01-06A	EA BOLT-CARRIAGE, 7/16-14 SST CAP - BRIGHT WHITE BUMPER BOLT

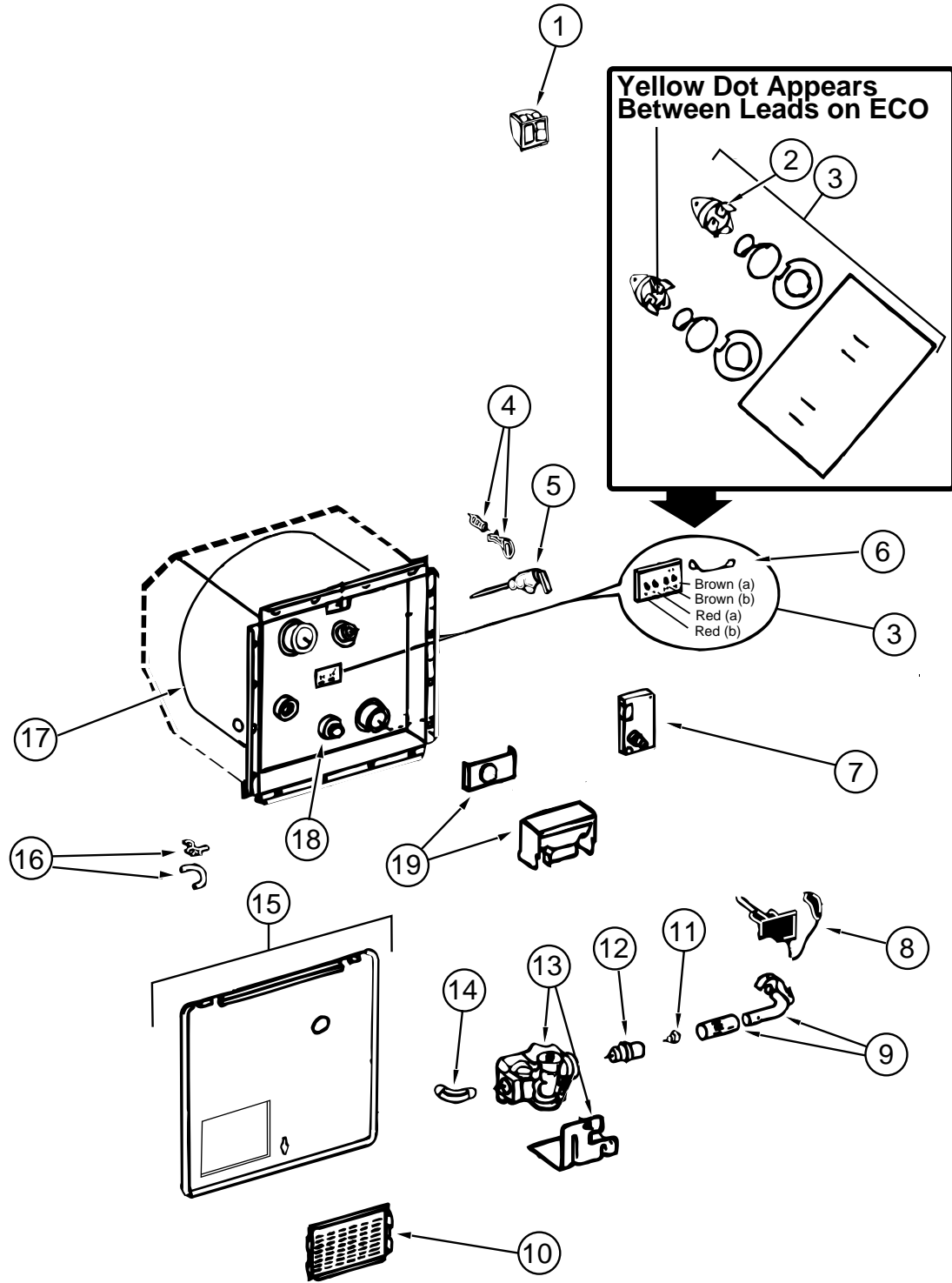
SEALANTS & FASTENERS GROUP (CONTINUED)
TAPES

KEY	PART NUMBER	U/M DESCRIPTION
	076314-02-000	FT TAPE-CARPET SEAM, HEAT-BOND - 4" WIDE
	076322-01-000	FT TAPE-FOAM, DOUBLE COATED ADHESIVE BACKED - .75" X 216'
	076322-02-000	FT TAPE-FOAM, DOUBLE COATED ADHESIVE BACKED - 1" X 108'
	076322-05-000	FT TAPE-FOAM, DOUBLE COATED - .025" X 1.5" X 108'
	076322-07-000	FT TAPE-FOAM, DOUBLE COATED - .045" X .50" X 200' - NORTON V2000
	110274-01-000	FT TAPE-FOAM, DOUBLE COATED - .045" X 1.00" - NORTON V-2800
	004363-01-000	FT TAPE-ADHESIVE FOAM, 1 SIDE - 3/16" X 1/2" - INCREMENTS OF 50 FT - GRAY
	002707-02-000	FT TAPE-SEALER, 5/16" X 1/2" - INCREMENTS OF 50 FT
	088479-01-000	FT TAPE-ALUMINUM, 3" - 3M

CLAMPS, GROMMETS AND MISCELLANEOUS FASTENERS

KEY	PART NUMBER	U/M DESCRIPTION
	000H16-06-10R	EA RIVET-POP, 3/16 X .501 - .625 - AL
	069592-02-000	EA RIVET-T, (POP) - 1/4 X .093 - .156
	007161-01-000	EA CLAMP-HOSE, SPRING TYPE - 1/2"
	010495-01-000	EA CLAMP-CABLE, 9/16"
	010497-01-000	EA CLAMP-CLOSED, 5/8" ID
	010497-03-000	EA CLAMP-CLOSED, 1" ID - CUSHIONED
	010497-05-000	EA CLAMP-CLOSED, 1/2" ID
	010499-01-000	EA CLAMP-CLOSED, 3/8" ID
	062401-01-000	EA CLAMP-HOSE, WORMGEAR .25" - 1"
	062401-02-000	EA CLAMP-HOSE, WORMGEAR 1.56" - 2.5"
	062401-03-000	EA CLAMP-HOSE, WORMGEAR .22" - 1"
	062401-04-000	EA CLAMP-HOSE, WORMGEAR .69" - 1.25"
	062401-06-000	EA CLAMP-HOSE, WORMGEAR .22" - .62"
	062401-09-000	EA CLAMP-HOSE, WORMGEAR 2.8" - 3.75"
	062401-11-000	EA CLAMP-HOSE, WORMGEAR 3.56" - 4.5"
	075148-02-000	EA CLAMP-GROUNDING, BRONZE SCREWS
	083609-01-000	EA CLAMP-WIRE, DUAL EQUAL - 5/8" DIAMETER
	083610-01-000	EA CLAMP-WIRE, DUAL - UNEQUAL DIAMETERS - .75" & 1.25"
	034141-02-000	EA PLUG-HOLE, 3/8" - NYLON - BLACK
	008380-01-000	EA GROMMET-RUBBER, 5/8" HOLE X 1 1/2" DIAMETER - BLACK
	016188-03-000	EA GROMMET-L/P LINE, 3/8" HOLE X 2 1/2" LONG - RUBBER
	016188-05-000	EA GROMMET-L/P LINE, 3/8" HOLE X 1 1/4" LONG - RUBBER
	023942-01-000	EA GROMMET-RUBBER, 2" OD
	071015-26-000	EA GROMMET-RUBBER, 1.5" ID X 2.12" OD W/.06" GROOVE
	077953-01-000	EA GROMMET-EDGE LINER, FITS 1"
	114208-02-000	EA GROMMET-EDGE LINER, FITS .625 - HEYCO 2073
	049176-01-000	EA HEDLOCK II - 3/4 DIAMETER, SCREW MOUNT
	056134-02-000	EA HOLDER-RING, 1.8" DIAMETER - METAL
	086285-01-000	EA SPACER-NYLON, .5" OD X .257" ID
	077955-01-000	EA J CLIP-VINYL COATED, 3/8" USED IN WIRING TO CLEARANCE LIGHTS
	029094-04-000	YD VELCRO TAPE-LOOP, 1" WIDE - BLACK
	029096-03-000	YD VELCRO TAPE-HOOK, 1" WIDE - BLACK
	085774-01-000	FT FASTENER-DUAL HOOK, 1" WIDE - ADHESIVE BACK - BLACK
	085774-02-000	FT FASTENER-DUAL LOOP, 1" WIDE - ADHESIVE BACK - BLACK
	008343-01-000	EA TIE-WIRE, 6"
	008343-02-000	EA TIE-WIRE, 14"
	108046-02-000	EA CABLE-TIE, SCREW MOUNT - 15"
	080211-03-000	EA CLIP-MOUNTING, XMAS TREE - DECORATIVE PADS
	091952-02-000	EA CLIP-GRIPPER, 3/4"
	094362-02-000	EA CLIP-XMAS TREE, FLAT HEAD

WATER & SEWAGE GROUP



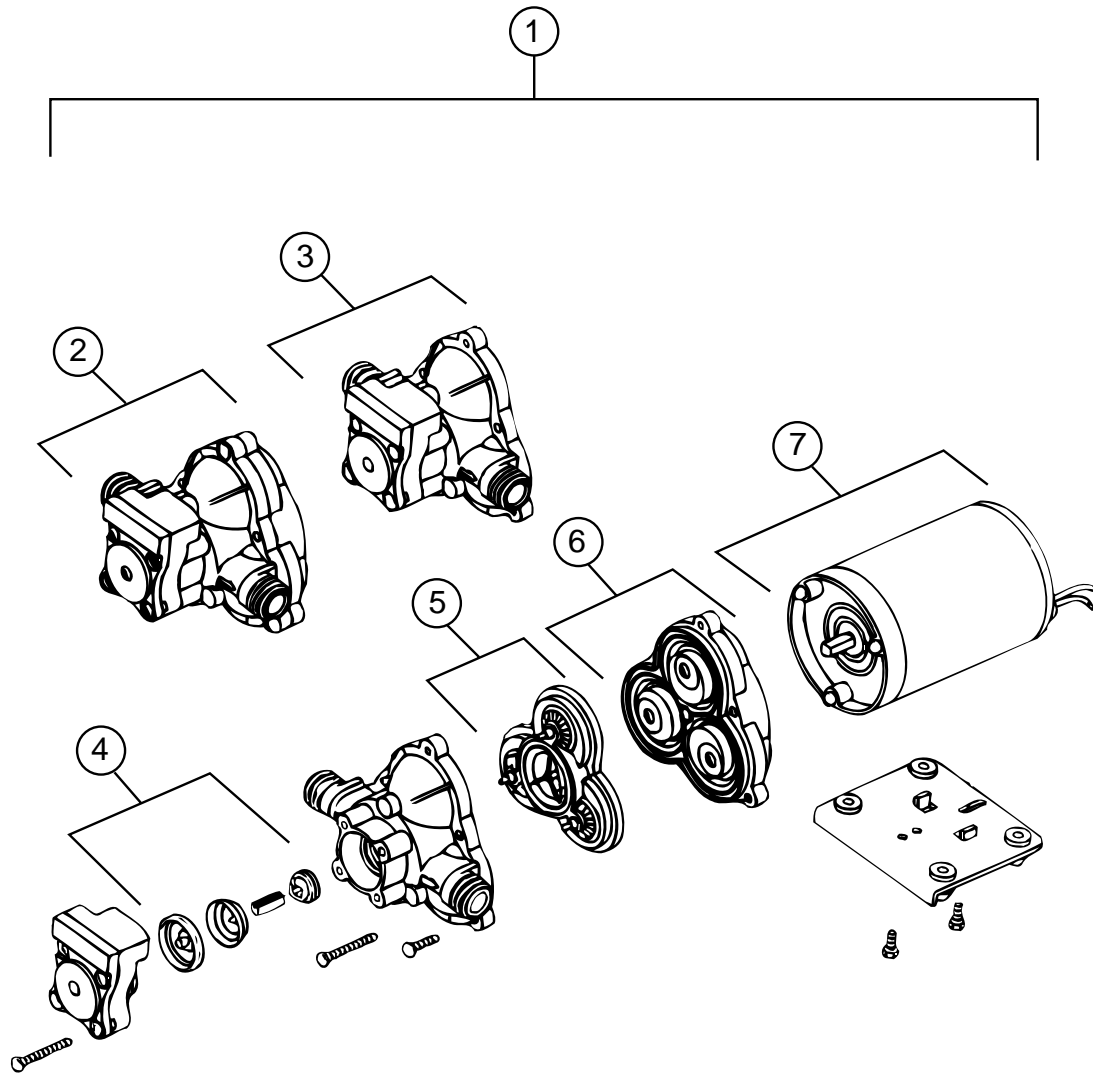
ATWOOD WATER HEATER W/MOTOR AID (MODEL GH6-7E)

KEY	PART NUMBER	U/M DESCRIPTION	VENDOR NO.
	051393-01-000	EA WATER HEATER-W/MOTOR AID, PILOTLESS IGNITION - ATWOOD GH6-7E	
1	051393-01-701	EA SWITCH PACKAGE - ATWOOD	91959
2	051391-04-701	EA THERMOSTAT 12 VDC - 120 PRESET, FRONT MOUNT - ATWOOD	91470
3	051393-01-721	EA ECO & THERMOSTAT ASM-FRONT MOUNT, 140 DEGREE - ATWOOD	91447
4	051391-01-705	EA FASTENER-CAMLOC, ATWOOD	92609
5	051391-01-704	EA VALVE-RELIEF, 1/2" FITTING - ATWOOD	91604
6	051393-01-723	EA SWITCH-THERMAL CUT-OFF 2/PKG, ATWOOD	93866
7	051393-01-724	EA CIRCUIT BOARD-SPADE TERMINAL, ATWOOD	93867
8	051393-01-725	EA ELECTRODE-SINGLE SPADE CONNECT - ATWOOD	93868
9	051391-04-703	EA BURNER-MAIN, ATWOOD	91638
10	051391-01-717	EA GRILLE ONLY - ATWOOD	92640
11	051391-01-710	EA ORIFICE-MAIN BURNER, ATWOOD	92742
12	051391-03-700	EA ORIFICE HOLDER - ATWOOD	91563
13	051393-01-726	EA SOLENOID VALVE AND BRACKET - ATWOOD	93870
14	051391-01-714	EA ELBOW - 45 DEGREE, 3/8" F X 3/8" MPT - ATWOOD	91044
15	052009-06-000	EA DOOR-WATER HEATER, BRIGHT WHITE - ATWOOD	
16	051391-01-700	EA HINGE KIT-W/CLIP, ATWOOD	92568 & 92559
17	051393-03-701	EA TANK-INNER - ATWOOD	91642
18	051391-01-715	EA DRAIN PLUG, ATWOOD	91561
19	051391-01-706	EA FLUE, & GASKET - ATWOOD	92787
	116424-01-000	EA PROTECTOR-WATER HEATER LATCH - ATWOOD 92611	
	114430-03-000	EA ADAPTER - 1/2" P X 1/2" MPT - FLAIR-IT 02842	
	101814-01-000	EA COUPLING-FEMALE, 1/2" X 1/2" FPT W/COMP. SLEEVE - GRAY	

ATWOOD WATER HEATER W/MOTOR AID (MODEL GH6-8E)

KEY	PART NUMBER	U/M DESCRIPTION	VENDOR NO.
	051393-01-000	EA WATER HEATER-W/MOTOR AID, PILOTLESS IGNITION - ATWOOD GH6-8E	
1	051393-01-701	EA SWITCH PACKAGE - ATWOOD	91959
2	051391-04-701	EA THERMOSTAT 12 VDC - 120 PRESET, FRONT MOUNT - ATWOOD	91470
3	051393-01-721	EA ECO & THERMOSTAT ASM-FRONT MOUNT, 140 DEGREE - ATWOOD	91447
4	051391-01-705	EA FASTENER-CAMLOC, ATWOOD	92609
5	051391-01-704	EA VALVE-RELIEF, 1/2" FITTING - ATWOOD	91604
6	051393-01-723	EA SWITCH-THERMAL CUT-OFF 2/PKG, ATWOOD	93866
7	051393-01-724	EA CIRCUIT BOARD-SPADE TERMINAL, ATWOOD	93867
8	051393-01-725	EA ELECTRODE-SINGLE SPADE CONNECT - ATWOOD	93868
9	051391-04-703	EA BURNER-MAIN, ATWOOD	91638
10	051391-01-717	EA GRILLE ONLY - ATWOOD	92640
11	051391-01-710	EA ORIFICE-MAIN BURNER, ATWOOD	92742
12	051391-03-700	EA ORIFICE HOLDER - ATWOOD	91563
13	051393-01-726	EA SOLENOID VALVE AND BRACKET - ATWOOD	93870
14	051391-01-714	EA ELBOW - 45 DEGREE, 3/8" F X 3/8" MPT - ATWOOD	91044
15	052009-06-000	EA DOOR-WATER HEATER, BRIGHT WHITE - ATWOOD	
16	051391-01-700	EA HINGE KIT-W/CLIP, ATWOOD	92568 & 92559
17	051391-04-704	EA TANK-INNER - ATWOOD	91642
18	051391-01-715	EA DRAIN PLUG, ATWOOD	91561
19	051391-04-707	EA FLUE, & GASKET - ATWOOD	90960
	111129-01-711	EA BRACKET-CORNER, SET OF FOUR	91928
	116424-01-000	EA PROTECTOR-WATER HEATER LATCH - ATWOOD 92611	
	114430-03-000	EA ADAPTER - 1/2" P X 1/2" MPT - FLAIR-IT 02842	
	101814-01-000	EA COUPLING-FEMALE, 1/2" X 1/2" FPT W/COMP. SLEEVE - GRAY	
	110438-01-000	EA VALVE-CHECK, BRASS - G784	

WATER & SEWAGE GROUP (CONTINUED)
SHURFLO WATER PUMP



KEY	PART NUMBER	U/M	DESCRIPTION	VENDOR NO.
1	098607-01-000	EA	PUMP-WATER, W/.5"MPT FITTING - FLOW 2.8 GPM - UL	
2	098607-01-700	EA	PUMPHEAD-REPLACEMENT, SHURFLO	94-236-08
3	098607-01-706	EA	UPPER HOUSING/SWITCH KIT, SHURFLO	94-231-20
4	098607-01-705	EA	CHECK VALVE-KIT, SHURFLO	94-237-00
5	098607-01-703	EA	VALVE ASM, SHURFLO	94-232-00
6	098607-01-702	EA	DIAPHRAGM KIT W/DRIVE, SHURFLO	94-238-04
7	098607-01-707	EA	MOTOR/BASEPLATE REPLACEMENT, SHURFLO	94-234-03

WATER & SEWAGE GROUP (CONTINUED)

WATER TANK

KEY	PART NUMBER	U/M DESCRIPTION
	118001-02-000	EA TANK ASSEMBLY-WATER 1719 MM X 762 MM X 380 MM - W/FITTINGS
	118001-01-000	EA TANK-WATER, 1719 MM X 762 MM X 380 MM - W/O FITTINGS
	039861-01-000	EA SENDING UNIT-W/SCREW, WASHER, WELL NUT & TERMINAL RING
	010219-01-000	EA ELBOW-1 1/4" MPT X 1 1/4" BARB, WATER FILL - PLASTIC
	035539-01-000	EA ELBOW-PLASTIC, 3/8"MPT X 3/8"BARB
	042989-03-000	EA FITTING-WATER TANK, SPINWELD - 1 1/4" NPT - PLASTIC - WHITE
	042989-04-000	EA FITTING-WATER TANK, SPINWELD - 3/8" FPT - PLASTIC - WHITE
	042989-05-000	EA FITTING-WATER TANK, SPINWELD - 1/2" FPT - PLASTIC - WHITE
	049032-01-000	EA PATCH-SPINWELD, 3/8" - PLASTIC
	114429-02-000	EA ELBOW - 1/2" P X 1/2" MPT - FLAIR-IT 02803
	074462-02-000	FT TUBING-VINYL, 3/8" ID X 20' - CLEAR
	077954-02-000	EA FILTER-WATER TANK, SCREEN IN TANK
	079381-01-000	FT TUBING-SMOOTH FLEXIBLE, 1 1/4" ID X 20'

WATER PURIFICATION SYSTEM

KEY	PART NUMBER	U/M DESCRIPTION	VENDOR NO.
	701069-01-000	EA WATER PURIFICATION SYSTEM - EVERPURE 9252	
	701069-03-700	EA CARTRIDGE-WATER FILTER, AC - EVERPURE	9601-11

WATER & SEWAGE GROUP (CONTINUED)

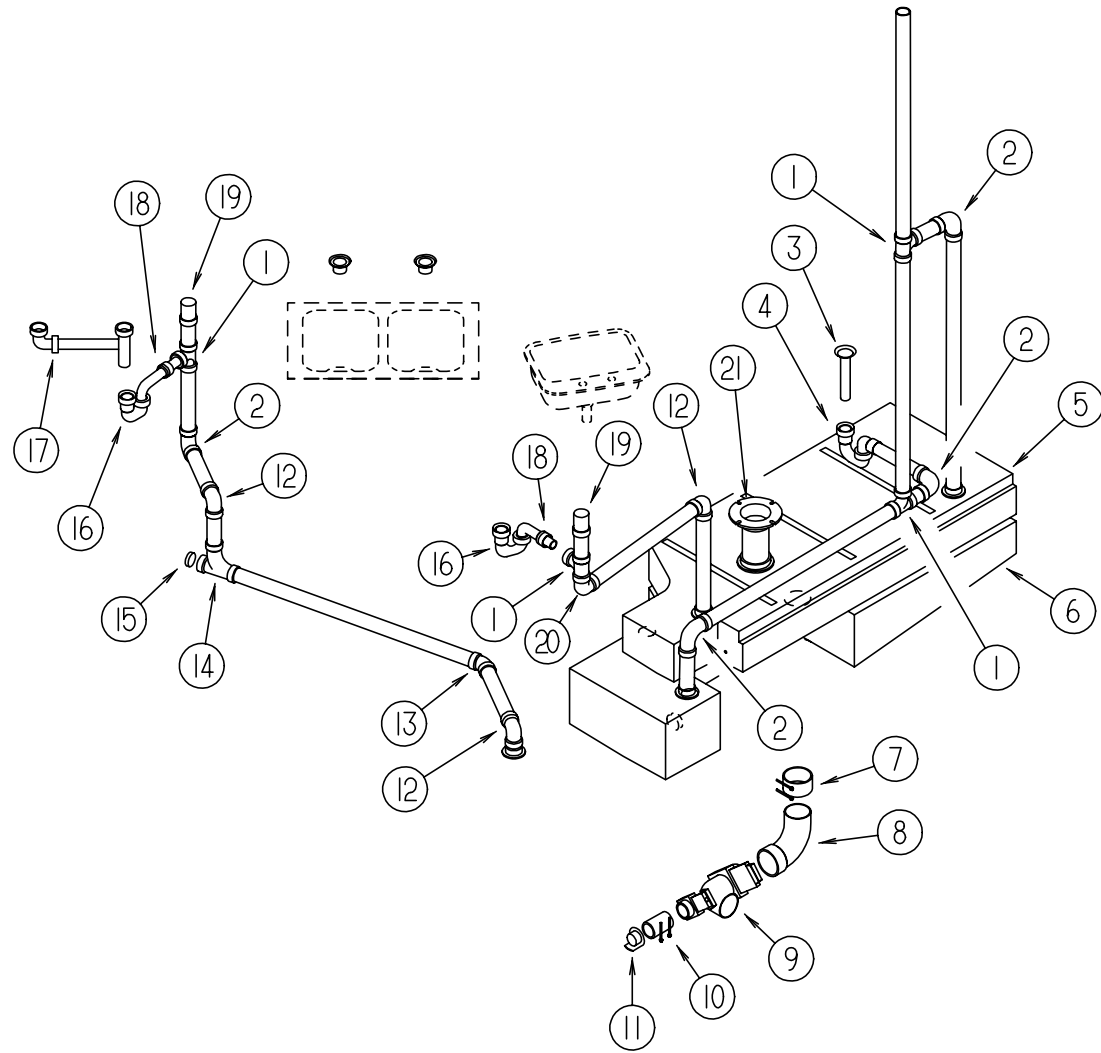
WATER SYSTEM

KEY	PART NUMBER	U/M DESCRIPTION
	039800-02-000	FT TUBING-POLYBUTYL, 5/8" OD - INCREMENTS OF 20' - BLACK
	039808-03-000	EA ELBOW - 1/2" MPT X 1/2" MPT, PLASTIC - KEVCO 17296
	091208-01-000	EA WASHER-RUBBER, .06" X .75" X .5"
	110915-01-01A	EA FILL-WATER, CITY - CHROME - KEVCO 64713
	114428-01-000	EA TEE - 1/2" P X 1/2" P X 1/2" P - FLAIR-IT 02820
	114429-01-000	EA ELBOW - 1/2" P X 1/2" P - FLAIR-IT 02800
	114429-02-000	EA ELBOW - 1/2" P X 1/2" MPT - FLAIR-IT 02803
	114429-03-000	EA ELBOW-SWIVEL, 1/2" P X 1/2" FPT - FLAIR-IT 02816
	114430-02-000	EA ADAPTER-SWIVEL, 1/2" P X 1/2" FPT - FLAIR-IT 02873
	114431-01-000	EA VALVE-LINE DRAIN, 1/2" P - FLAIR-IT 02914
	114431-02-000	EA VALVE - 1/2" P, BYPASS - FLAIR-IT 02910
	117089-01-000	FT HOSE - 1/2" ID, GARDEN - KEVCO 49154

EXTERIOR SHOWER

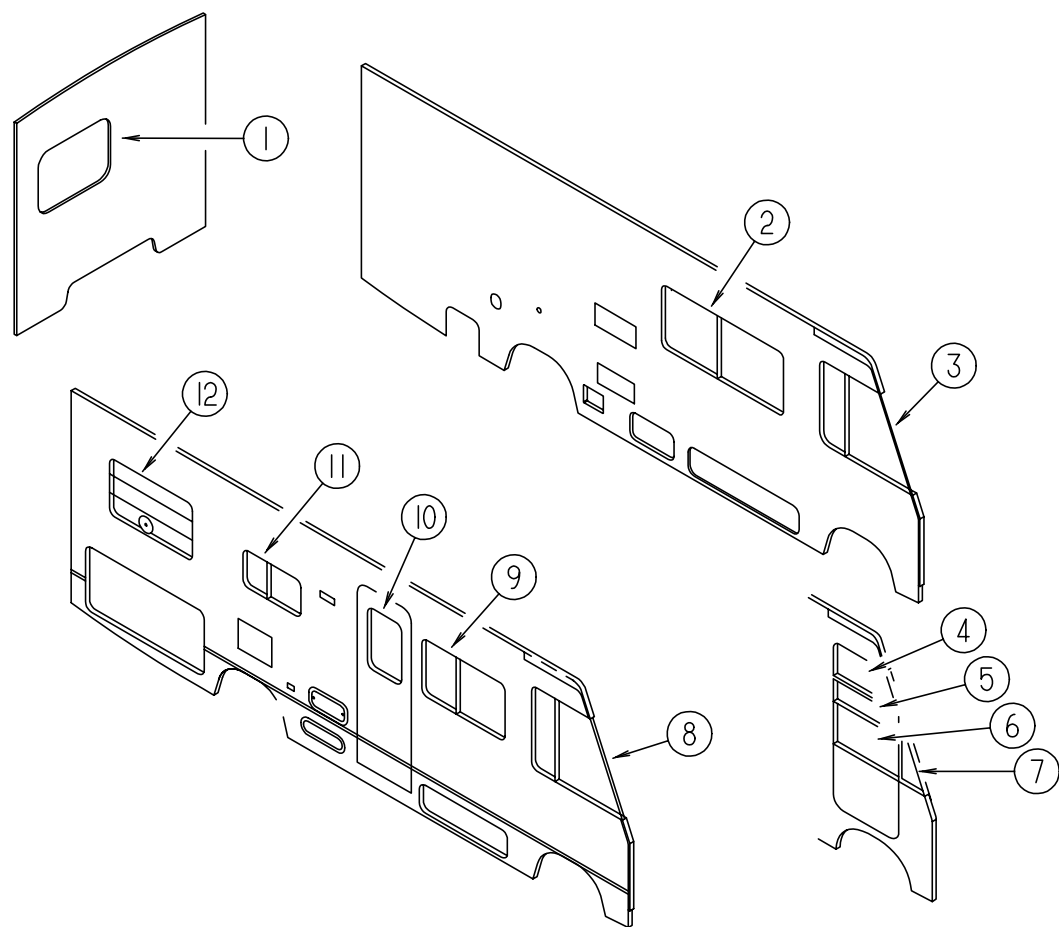
KEY	PART NUMBER	U/M DESCRIPTION	VENDOR NO.
	114429-01-000	EA ELBOW - 1/2" P X 1/2" P - FLAIR-IT 02800	
	114429-03-000	EA ELBOW-SWIVEL, 1/2" P X 1/2" FPT - FLAIR-IT 02816	
	046128-01-000	EA VALVE-DRAIN, PLASTIC - 1/2" FPT	
	075241-05-000	EA FAUCET-SHOWER, BONE	
	103092-01-000	EA SHOWER HEAD-W/60" HOSE - US	
	103092-02-000	EA SHOWER HEAD-W/60" HOSE - CANADIAN	
	103092-01-700	EA BRACKET ONLY-CLEAR, F/SHOWER HEAD - BPC	2328028
	103092-01-702	EA SEALS-SPRAY HEAD	24466
	011048-03-700	EA BRACKET/F SHOWER HEAD - BPC	2328029-3
	093527-02-000	EA BRACKET-SQUEEGEE/SHOWER HEAD	
	108356-02-01A	EA COVER-SWITCH W/DIMPLES, CARLING VVAZC00 BLA	
	108357-08-000	EA SWITCH-ROCKER, DPDT ON/NONE/ON - CARLING VDD1S00C-0	

WATER & SEWAGE GROUP (CONTINUED)
DRAINAGE SYSTEM



KEY	PART NUMBER	U/M	DESCRIPTION
1	010071-01-000	EA	TEE-SANITARY, 1 1/2" HUB X HUB X HUB - PLASTIC - BLACK
2	010008-01-000	EA	ELBOW - 90 DEGREE, 1/4 BEND - 1 1/2" HUB X HUB - PLASTIC - BLACK
3	011069-02-000	EA	TAILPIECE-TUB/SHOWER, 1 1/2" X 1 1/4" X 4" - BRASS
	066440-01-000	EA	STRAINER-SHOWER, W/RUBBER WASHER
	069735-01-000	EA	WASHER-STRAINER TO TAILPIECE PLASTIC, 1.5"
4	107538-01-000	EA	P TRAP-PLASTIC, 1 1/4" W/EXT ARM - US
	109571-01-000	EA	ADAPTER-P TRAP, 1 1/2" P X 1 1/4" MPT - US ONLY
4	011066-03-700	EA	P TRAP KIT-PLASTIC, 1 1/2" X 1 1/2" - CANADIAN
4	010121-01-000	EA	BUSHING-REDUCER, 1 1/2" SMOOTH X 1 1/4" HUB - BLACK PLASTIC - CANADIAN
4	011066-03-701	EA	P TRAP-PLASTIC - CANADIAN
4	011066-03-702	EA	ADAPTER-P TRAP, 1 1/2" - CANADIAN
5	117925-01-000	EA	TANK-HOLDING, 17 GALLON - 48" X 14.75" X 8.5"
	061607-01-000	EA	GROMMET-HOLDING TANK, 1 1/2" NPS
	061607-02-000	EA	GROMMET-HOLDING TANK, 3" NPS
	039861-01-000	EA	SENDING UNIT-W/SCREW, WASHER, WELL NUT & TERMINAL RING
6	117924-01-000	EA	TANK-HOLDING, 20 GALLON - 59.25" X 11.4" X 13.8"
	061607-01-000	EA	GROMMET-HOLDING TANK, 1 1/2" NPS
	039861-01-000	EA	SENDING UNIT-W/SCREW, WASHER, WELL NUT & TERMINAL RING
7	078406-01-000	EA	COUPLER-RUBBER, W/CLAMPS - 3" X 3"
8	031126-01-000	EA	ELBOW - 1/4 BEND, 3 X 90 XLT - PLASTIC - BLACK
9	070916-01-000	EA	VALVE-DUAL DUMP, W/CAP - 3" X 1 1/2" - PLASTIC - BLACK
	070916-01-700	EA	VALVE ONLY, 3"
	070916-01-701	EA	VALVE ONLY, 1 1/2"
	062415-01-000	EA	CAP-SEWER 3" DIAMETER
	062415-01-700	EA	STRING SEWER CAP
	062416-01-000	EA	ADAPTER-SEWER HOSE TO 3" PIPE
	010201-01-000	EA	HOSE-SEWER, 3" ID X 8'
10	089355-01-000	EA	COUPLER-RUBBER, 1 1/2" X 1 1/2"
11	102024-01-000	EA	NIPPLE - 1.5 X 2.62 TOE - PLASTIC
12	034250-01-000	EA	ELBOW - 90 DEGREE, LONG TURN - 1 1/2" HUB X HUB - ABS
13	010006-01-000	EA	ELBOW - 45 DEGREE, 1/8 BEND - 1 1/2" HUB X HUB - BLACK PLASTIC
14	031365-02-000	EA	TEE-EXTRA LONG TURN, 1 1/2" - PLASTIC - BLACK - NIBCO 5812-LR-11/2
15	010122-01-000	EA	BUSHING-REDUCER, 1 1/2" SMOOTH X 1 1/4" THREAD - PLASTIC - BLACK
15	010166-01-000	EA	PLUG-THREADED, 1 1/4" DIAMETER - PLASTIC - BLACK
16	107538-01-000	EA	P TRAP-PLASTIC, 1 1/4" W/EXT ARM - US
16	011071-01-000	EA	P TRAP, PLASTIC, 1 1/2" - CANADIAN
17	011091-02-000	EA	PIPE-DRAIN, DOUBLE SINK - BAFFLE TEE - 1 1/2" - US ONE PIPE W/TEE TO DRAIN BOTH SIDES OF SINK
17	011091-03-000	EA	PIPE-DRAIN, W/SEALS - DOUBLE SINK - EXTENDS 9" TO 16" - CANADIAN
18	109571-01-000	EA	ADAPTER-P TRAP, 1 1/2" P X 1 1/4" MPT - US ONLY
19	079968-01-000	EA	VENT-MECHANICAL TRAP ARM, ANTI-SIPHON - 2" DIA X 7.3" - PLASTIC
20	033761-01-000	EA	ELBOW-TURN, 1/4 BEND X 1.5" HUB X 1.5" SPIGOT - PLASTIC - BLACK
21	116644-01-000	EA	FLANGE-CLOSET, TOILET - 4" X 3" - SEALAND 345892

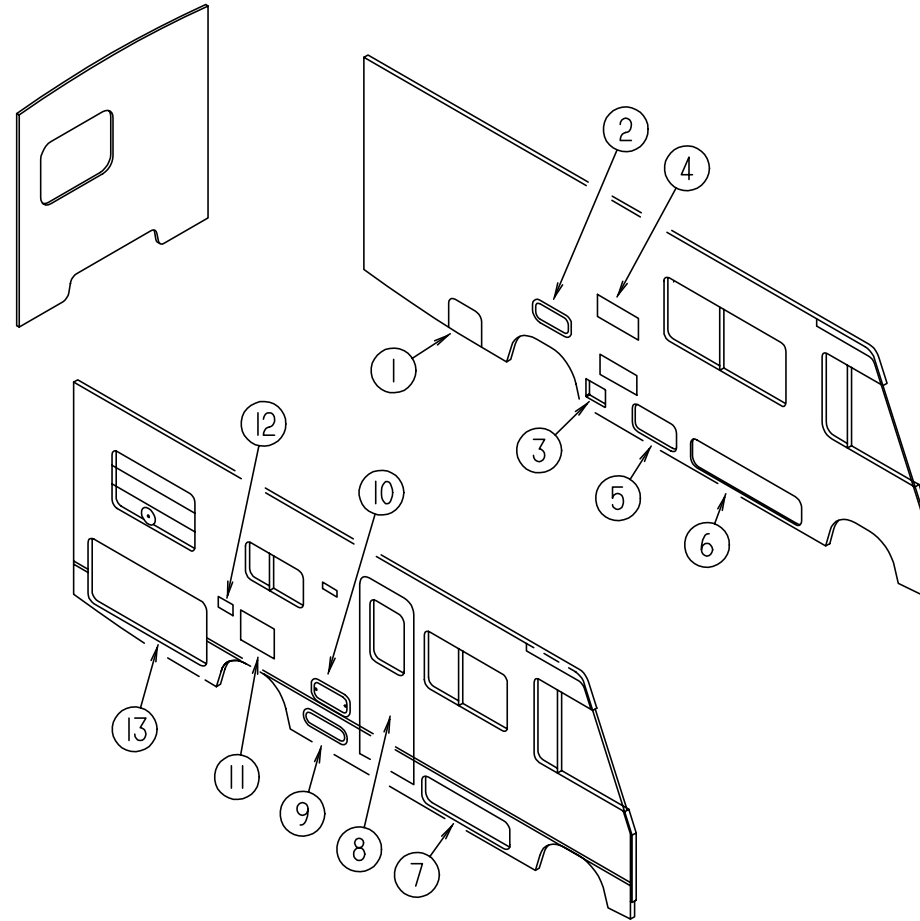
WINDOW, VENT & EXTERIOR DOOR GROUP
WINDOWS



KEY	PART NUMBER	U/M	DESCRIPTION	VENDOR NO.
1	078528-12-FB1	EA	WINDOW-ESCAPE, BACKWALL - W/O INSIDE FRAME	
1	113502-03-01A	EA	WINDOW-ESCAPE, BACKWALL - W/INSIDE FRAME - EXCEL DH437-G2W58 THERMOPANE WINDOW OPTION	
2	098647-22-01A	EA	WINDOW-SLIDING, W/INSIDE FRAME - EXCEL H287-G2W66L	
2	112795-15-01A	EA	WINDOW-SLIDING, W/INSIDE FRAME - EXCEL DH287-G2W66L THERMOPANE WINDOW OPTION	
3	103658-09-01A	EA	WINDOW-CAB, W/INSIDE FRAME - DRIVER SIDE - EXCELH373-ARL	
3	113501-03-01A	EA	WINDOW-CAB, W/INSIDE FRAME - DRIVER SIDE - EXCEL DH405-A2B66L THERMOPANE WINDOW OPTION	
4	106467-02-01A	EA	WINDOW-VISTA - DRIVER SIDE - EXCEL - DRIVER DOOR	
4	116000-05-01A	EA	WINDOW-VISTA - DRIVER SIDE - EXCEL - DRIVER DOOR THERMOPANE WINDOW OPTION	
5	106469-02-702	EA	WINDOW-DRIVER DOOR - STATIONARY GLASS - EXCEL DRIVER DOOR	106-041104
6	106469-01-704	EA	WINDOW-DRIVER DOOR - ROLL-UP GLASS - W/BACKET - EXCEL DRIVER DOOR	V103-65L
7	106468-02-01A	EA	WINDOW-FRONT SLANT - DRIVER SIDE - DRIVER DOOR - EXCEL DH383-A2B27L	
7	115999-02-01A	EA	WINDOW-FRONT SLANT - DRIVER SIDE - EXCEL - DRIVER DOOR THERMOPANE WINDOW OPTION	
8	103658-10-01A	EA	WINDOW-CAB, W/INSIDE FRAME - PASSENGER SIDE - EXCEL H373-ARR	
8	113501-04-01A	EA	WINDOW-CAB, W/INSIDE FRAME - PASSENGER SIDE - EXCEL DH405-A2B66R THERMOPANE WINDOW OPTION	
9	098647-41-01A	EA	WINDOW-SLIDING, W/INSIDE FRAME - EXCEL H172-G2W66R	
9	112795-21-01A	EA	WINDOW-SLIDING, W/INSIDE FRAME - EXCEL DC04-G2W66R THERMOPANE WINDOW OPTION	
10	117053-02-F36	EA	WINDOW-PICTURE, W/O INSIDE FRAME	
10	113733-01-01A	EA	WINDOW-PICTURE, W/INSIDE FRAME - EXCEL DH416-G2W66 THERMOPANE WINDOW OPTION	
11	098647-33-01A	EA	WINDOW-SLIDING, W/INSIDE FRAME - EXCEL H425-G2W66R	
11	112795-19-01A	EA	WINDOW-SLIDING, W/INSIDE FRAME - EXCEL DC29-G2W66R THERMOPANE WINDOW OPTION	
12	113500-01-01A	EA	WINDOW-TIPOUT, DOUBLE - W/INSIDE FRAME - EXCEL CH04-G2W59	
12	112795-21-01A	EA	WINDOW-SLIDING, W/INSIDE FRAME - EXCEL DC04-G2W66R THERMOPANE WINDOW OPTION	
	117046-02-000	EA	BUMPER-RUBBER, ROUND END - LAKEVIEW 22073	

WINDOW, VENT & EXTERIOR DOOR GROUP (CONTINUED)

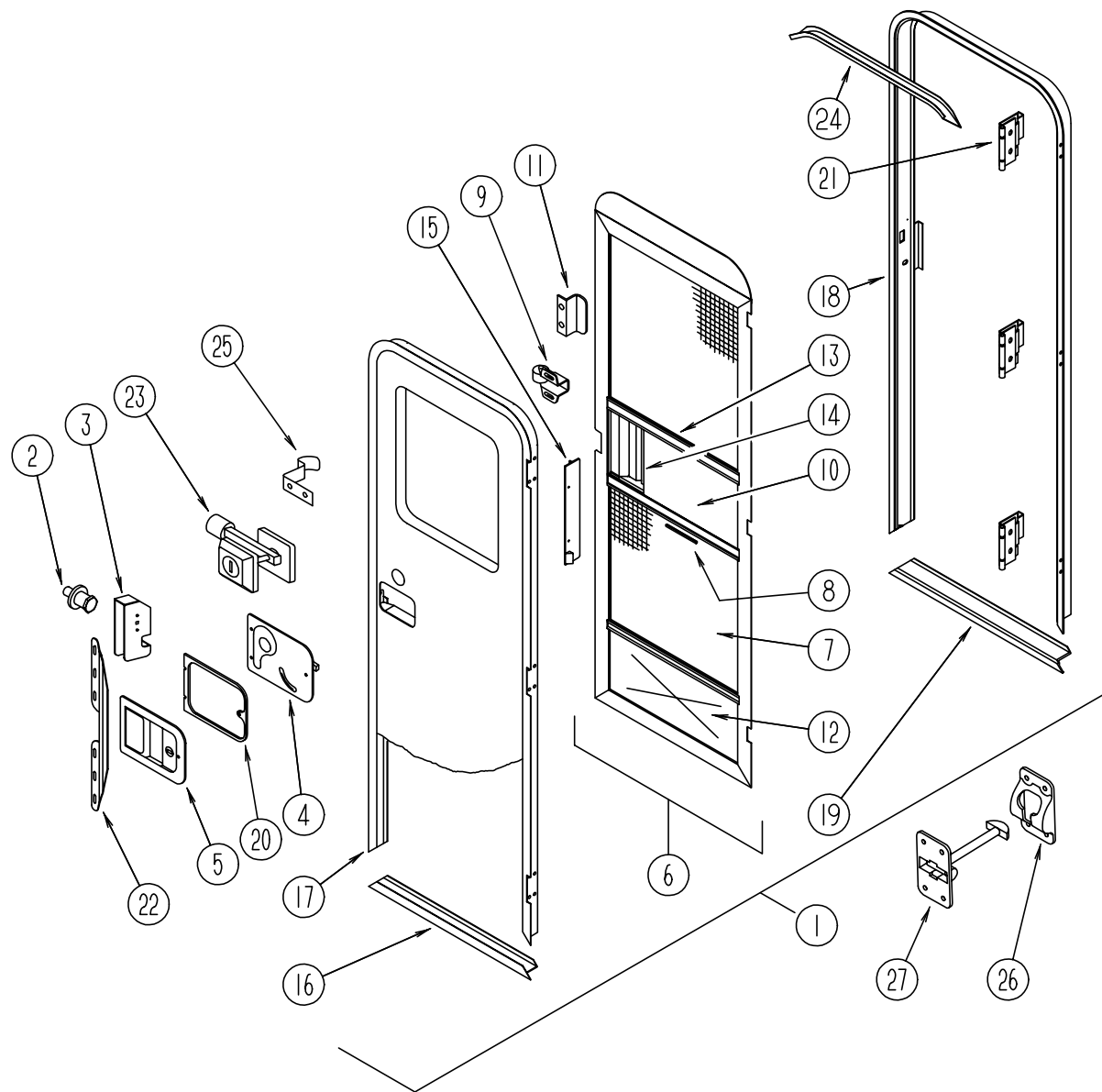
EXTERIOR DOORS



KEY	PART NUMBER	U/M	DESCRIPTION
1	111012-08-G29	EA	DOOR-STORAGE, BRIGHT WHITE - SEWER VALVE DOOR
2	111017-02-F24	EA	DOOR-EXTERIOR SHOWER, BRIGHT WHITE
3	088794-06-000	EA	DOOR-POWER CORD, W/HATCH - BRIGHT WHITE
4	084103-08-000	EA	DOOR-REFRIGERATOR, VENTED - W/O JAMB - BRIGHT WHITE
4	084104-08-000	EA	JAMB-DOOR, REFRIGERATOR - BRIGHT WHITE
	084104-01-700	EA	LOCK-MALE, FASTENER - REFRIGERATOR DOOR
	084104-01-701	EA	LOCK-FEMALE, FASTENER - REFRIGERATOR DOOR
5	111018-03-G29	EA	DOOR-GENERATOR/STORAGE, BRIGHT WHITE
6	111013-14-F24	EA	DOOR-STORAGE, BRIGHT WHITE
7	111013-13-F24	EA	DOOR-STORAGE, BRIGHT WHITE
8	115108-05-G29	EA	DOOR-ENTRY W/SCREEN DOOR & JAMB - W/O WINDOW (G29)
8	115108-05-G30	EA	DOOR-ENTRY W/SCREEN DOOR & JAMB - W/O WINDOW (G30)
8	115108-05-G31	EA	DOOR-ENTRY W/SCREEN DOOR & JAMB - W/O WINDOW (G31/G32)
9	111009-01-F24	EA	DOOR-COMPARTMENT, LP - 16.9" X 5.4" - BRIGHT WHITE
10	111017-01-F24	EA	DOOR-PATIO ENTERTAINMENT CENTER, 17.8" X 8.1" - BRIGHT WHITE
11	052009-06-000	EA	DOOR-WATER HEATER, BRIGHT WHITE - ATWOOD
12	081240-16-000	EA	DOOR-WATER FILL, LOCKABLE W/O LOCK, 4" X 4 5/8" - BRIGHT WHITE
13	111013-57-G29	EA	DOOR-STORAGE, BRIGHT WHITE
			FROM: 00-00-00 THRU: 09-16-95
13	111013-66-G29	EA	DOOR-STORAGE, BRIGHT WHITE
			FROM: 09-17-95 THRU: 99-99-99
13	115772-02-G29	EA	DOOR-STORAGE, BRIGHT WHITE - RAISED BED OPTION

WINDOW, VENT & EXTERIOR DOOR GROUP (CONTINUED)

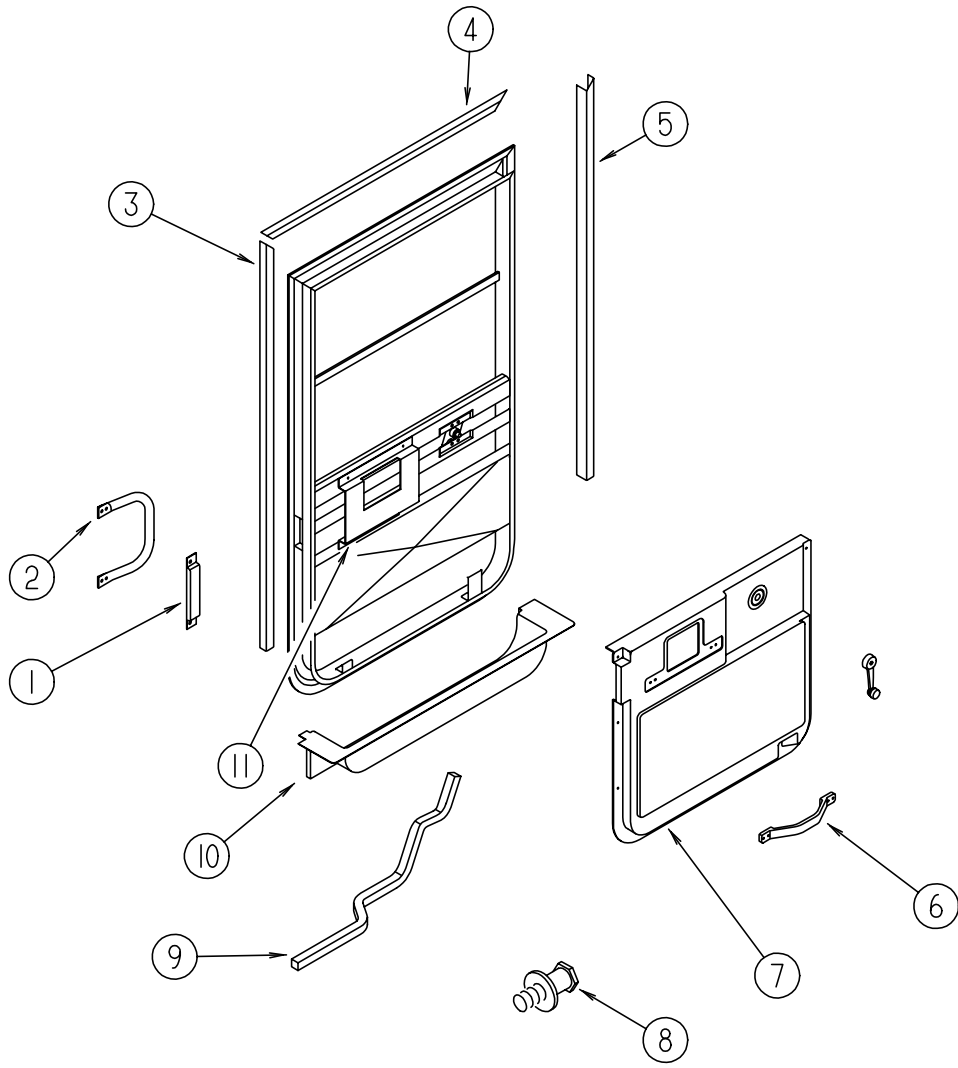
ENTRY DOOR



KEY	PART NUMBER	U/M	DESCRIPTION
1	115108-05-G29	EA	DOOR-ENTRY W/SCREEN DOOR & JAMB - W/O WINDOW (G29)
1	115108-05-G30	EA	DOOR-ENTRY W/SCREEN DOOR & JAMB - W/O WINDOW (G30)
1	115108-05-G31	EA	DOOR-ENTRY W/SCREEN DOOR & JAMB - W/O WINDOW (G31/G32)
2	039539-01-000	EA	STRIKE-LOCK, ENTRY DOOR - ROUND W/THREADED WASHER
3	039540-01-000	EA	LATCH MECHANISM-HOOK, ENTRY DOOR - INTERIOR
	039715-01-000	EA	NUT-SERT, 1/4" DIAMETER - 20 THREADS
4	039979-04-000	EA	COVER-INTERIOR LATCH, W/TRIP ARM - RIGHT - BLACK - TRI/MARK 11883-12 FROM: 00-00-00 THRU: 09-10-95
4	039979-06-000	EA	COVER-INTERIOR LATCH, W/TRIP ARM - RIGHT - BLACK - TRI/MARK 11883-01 FROM: 09-11-95 THRU: 99-99-99
	039984-01-000	EA	CAP-ROUND, VINYL - .28" ID X .62" LONG - BLACK
	041546-05-000	EA	BRACKET-DOOR ANGLE, 5" X 1.9" - OFF WHITE - METAL

KEY	PART NUMBER	U/M	DESCRIPTION	VENDOR NO.
5	045017-11-000	EA	LATCH-ENTRY DOOR, W/LOCK & KEY - BLACK - TRI/MARK 11896-12 FROM: 00-00-00 THRU: 09-10-95	
5	045017-13-000	EA	LATCH-ENTRY DOOR, W/LOCK & KEY - BLACK - TRI/MARK 11896-01 FROM: 09-11-95 THRU: 99-99-99	
	045017-11-701	EA	KEY BLANK	
	045017-11-703	EA	CYLINDER-LOCK ASSEMBLY W/KEYS - TRIMARK	81266-09
	063729-04-000	EA	RIVNUT, 10-32 UNF - .010-.080	
	075671-04-000	FT	SEAL-SPONGE, LAZY T SHAPE - W/ADHESIVE STRIPE - .5" WIDE	
6	079012-09-F24	EA	DOOR-SCREEN	
	075673-01-000	FT	SEAL-PILE, ADHESIVE BACK - GRAY	
7	002293-02-000	SF	SCREENING-WINDOW/DOOR, 26" - CHARCOAL	
8	002294-01-000	FT	SPLINE-SCREENING, .135" X .138" - BLACK	
9	109403-01-000	EA	CATCH-ASM-SINGLE ROLLER	
10	016454-01-000	EA	INSERT-CENTER, LEATHER GRAIN ALUMINUM - UNPAINTED	
10	001014-01-013	EA	INSERT-CENTER, 10.25" X 16.31" - UNPAINTED	
11	050712-06-000	EA	HANDLE-SCREEN DOOR, ALUMINUM - BRIGHT WHITE	
12	078552-03-000	EA	KICK PANEL-SCREEN DOOR, LOWER INSERT - UNPAINTED	
	078595-01-000	EA	TOP PLATE-SCREEN DOOR, CURVED TOP - 4.7" X 25.35"	
13	078777-01-000	EA	CHANNEL-SLIDE, SCREEN DOOR CENTER SLIDER COVER	
14	079086-03-000	EA	SLIDER-SCREEN DOOR, BRIGHT WHITE	
15	079087-03-000	EA	STRIKE-SLIDER, W/LIP FOR ELBOW CATCH - 1.5" X 8.6" - BRIGHT WHITE	
	081914-01-000	EA	BUMPER-RUBBER, ROUND - .43" DIAMETER - BLACK	
	104692-01-000	FT	SEAL - 3/4" X 3/4", ADHESIVE BACK	
16	089748-21-000	EA	FRAME-BOTTOM, ENTRY DOOR - 24.8" LONG - BRIGHT WHITE	
17	095276-07-03A	EA	FRAME-ENTRY DOOR, W/O BOTTOM - BRIGHT WHITE	
18	120310-05-01A	EA	JAMB-ENTRY DOOR, W/BOTTOM - BRIGHT WHITE	
19	051049-01-000	EA	JAMB-BOTTOM, ENTRY DOOR - 25.9" - UNPAINTED	
20	096810-01-01A	EA	PLATE-LATCH, ENTRY DOOR - PLASTIC - BLACK	
21	106719-01-01A	EA	HINGE-ENTRY DOOR, UNPAINTED	
22	098173-01-04A	EA	STIFFENER-ENTRY DOOR, SUPPORTS LATCH/STRIKE AREA - UNPAINTED	
	118929-01-01A	FT	SEAL-PILE, PUSH-ON - AMESBURY XC-964	
23	101145-01-01A	EA	DEADBOLT-ENTRY DOOR, W/2 KEYS W/O BACK SET BOLT OR SCREWS TRI/MARK 11840-12 FROM: 00-00-00 THRU: 09-10-95	
	101145-01-06A	EA	DEADBOLT ASM-BLACK TEXTURED - TRI/MARK 11840-02 FROM: 09-11-95 THRU: 99-99-99	
	095229-01-700	EA	KEY BLANK FOR DEADBOLT	
	101145-01-701	EA	CYLINDER-LOCK ASSEMBLY W/KEY - TRIMARK	81306-03
	101147-01-000	EA	BOLT-SECURITY, 4.12" BACKSET	
	102524-01-000	EA	BUMPER-RUBBER, FLAT - BLACK	
24	044582-44-000	EA	CAP-DRIP, ENTRY DOOR - JAMB MOUNTED - ALUMINUM - BRIGHT WHITE	
	115222-01-01A	EA	GARNISH-RADIUS, ENTRY DOOR - OFF WHITE	
	077461-03-000	EA	COVER-STRIKE, ENTRY DOOR - 6.5" X 2.5" - PLASTIC - WHITE	
25	100412-01-000	EA	CATCH-SCREEN DOOR, THUMB CLIP W/BLACK PLASTIC CAP	
26	104099-02-04A	EA	CATCH-DOOR HOLDER, RETAINER - BRIGHT WHITE	
27	104099-01-04A	EA	CATCH-DOOR HOLDER, STRIKE - BRIGHT WHITE	
	009126-02-000	EA	HANDLE-ASSIST, ENTRY DOOR - BLACK FROM: 00-00-00 THRU: 09-10-95	
	009126-03-000	EA	HANDLE-ASSIST, ENTRY DOOR - BLACK TEXTURED FROM: 09-11-95 THRU: 99-99-99	
	102248-01-000	EA	SHIM-DOOR	

WINDOW, VENT & EXTERIOR DOOR GROUP (CONTINUED)
EXCEL DRIVERS DOOR MODEL V130-01L

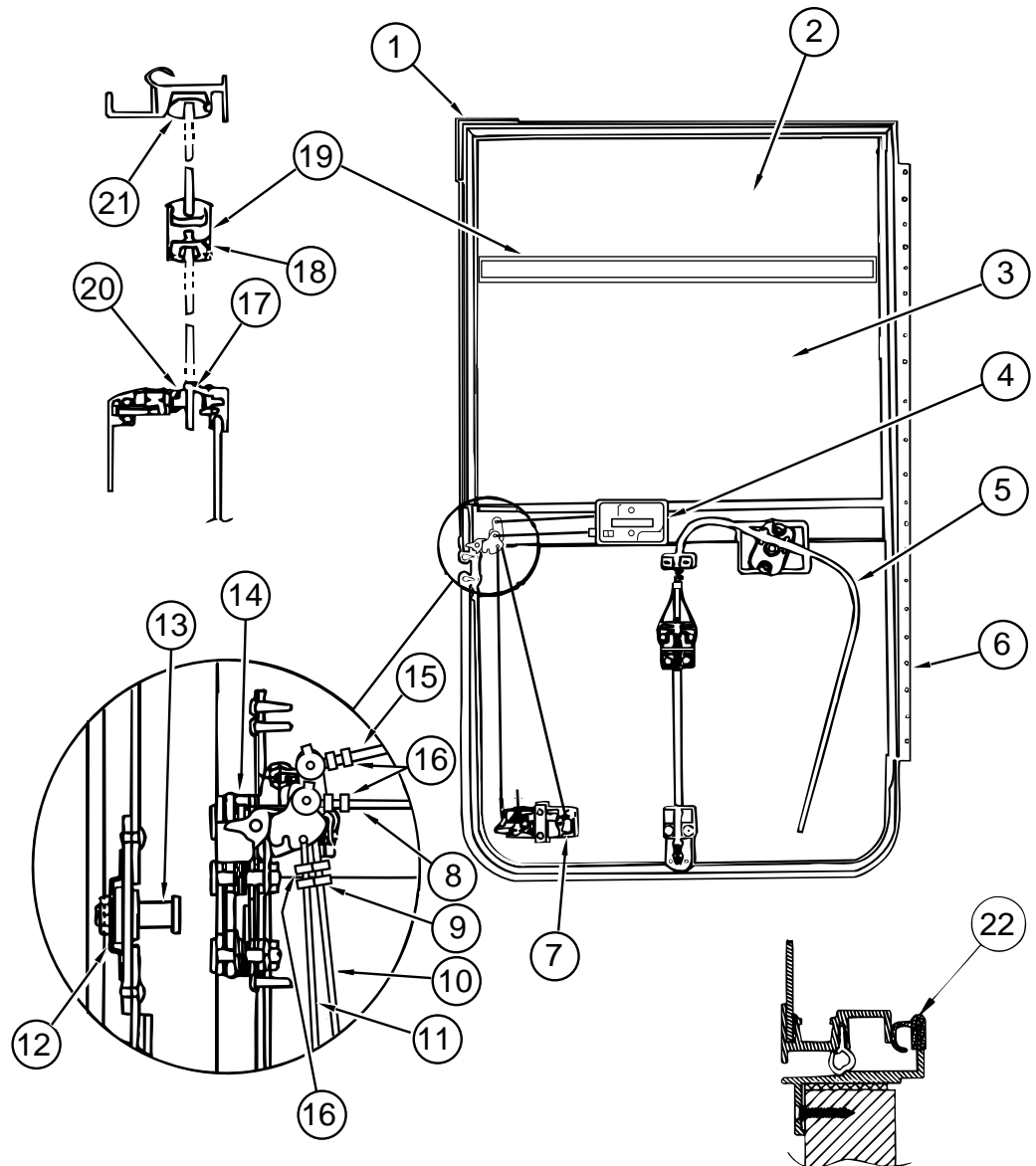


KEY	PART NUMBER	U/M	DESCRIPTION
	106469-07-01A	EA	DOOR - DRIVERS - BLACK - EXCEL V130-01L
1	108654-01-01A	EA	COVER - STRIKE - DRIVERS DOOR - BLACK
2	108832-01-02A	EA	HANDLE - ASSIST - DRIVERS DOOR - METAL - OFF WHITE
	108833-01-01A	EA	COVER - HANDLE - ASSIST - OFF WHITE
3	108129-02-02A	EA	GARNISH - DRIVERS DOOR - BLACK
4	108107-01-02A	EA	GARNISH - DRIVERS DOOR - BLACK
5	108108-04-02A	EA	GARNISH - DRIVERS DOOR - BLACK
6	110604-01-01A	EA	HANDLE - ASSIST - DRIVERS DOOR - 10.8" LONG - BLACK
7	114973-01-04A	EA	PANEL - DRIVER DOOR - INNER - BRIGHT WHITE - PLASTIC
8	106469-04-703	EA	STRIKER ASSEMBLY - (SUPPLIED W/DRIVERS DOOR) - EXCEL
9	063977-12-000	EA	STEP - DRIVER DOOR - LEFT - PAINTED BLACK
9	063977-11-000	EA	STEP - DRIVER DOOR - LEFT - UNPAINTED
10	107818-01-07A	EA	TRIM - STEP - DRIVERS DOOR - PLASTIC - QUICK SILVER
	102569-02-000	EA	MAT-ANTISLIP, 4" X 22"
11	115051-01-01B	EA	BRACKET - HANDLE - MOUNT
	108897-02-01A	EA	GARNISH - DOOR - DRIVERS - U-CHANNEL - BLACK
	109378-01-000	EA	STRAP - CHECK - DRIVERS DOOR - BLACK
	076725-06-000	EA	COVER - ACCESS, HINGE - BLACK
	109235-01-01A	FT	COVER - SCREW - MAT BLACK
	109235-01-05A	FT	COVER - SCREW - BRIGHT WHITE
	106746-01-000	EA	PANEL-STEPWELL, 789 MM LONG - STEEL
	106747-01-000	EA	PANEL-STEPWELL, RH END - STEEL
	106747-02-000	EA	PANEL-STEPWELL, LH END - STEEL

VENDOR NO.

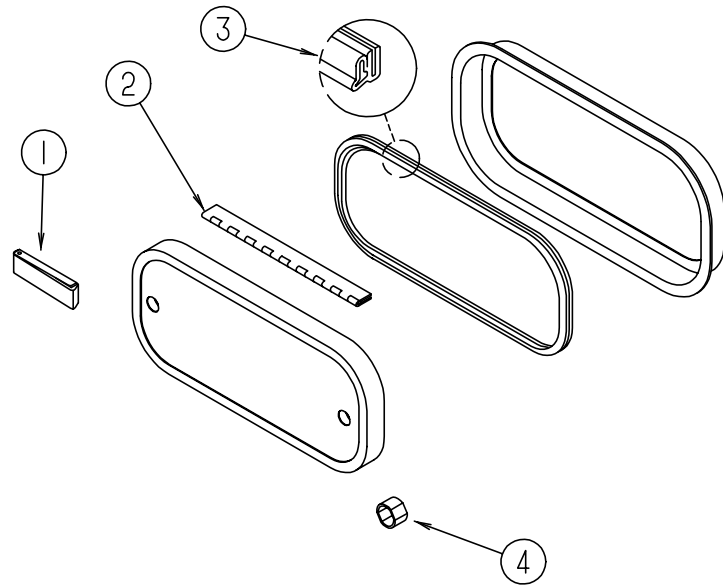
248-041152

WINDOW, VENT & EXTERIOR DOOR GROUP (CONTINUED)
EXCEL DRIVERS DOOR MODEL V130-01L (CONTINUED)



KEY	PART NUMBER	U/M	DESCRIPTION	VENDOR NO.
1	106469-01-702	EA	DOOR SEAL, EXCEL	122-040984
2	106469-02-702	EA	GLASS-STATIONARY, EXCEL	106-041104
3	106469-01-704	EA	ROLL-UP GLASS ASM W/BACKET, EXCEL	V103-65L
4	106469-04-712	EA	INNER HANDLE HARDWARE - LH, EXCEL	248-041148
5	106469-02-701	EA	REGULATOR ASSEMBLY, EXCEL	V108-90L
6	106469-05-702	EA	HINGE - 42", EXCEL	211-041194
7	106469-04-700	EA	PADDLE ASM. W/COLLAR, EXCEL	248-041237
	106469-04-701	EA	TUMBLER & KEYS (TRI-MARK), EXCEL	248-041179
	106469-04-715	EA	LATCH COMPLETE W/TUMBLER & KEYS, EXCEL	V123-15
	045017-11-701	EA	KEY-BLANK, TRIMARK	81312-02
8	106469-04-711	EA	LOCK ROD, HORIZONTAL, EXCEL	203-041137
9	106469-04-713	EA	ROD CLIP-LH, EXCEL	248-041154
10	106469-05-703	EA	LATCH ROD, VERTICAL ADJ, EXCEL	203-041239
11	106469-05-705	EA	LOCK ROD, VERTICAL ADJ, EXCEL	203-041279
12	106469-04-704	EA	CAGED NUT ASSEMBLY (STRIKER), EXCEL	248-041151
13	106469-04-703	EA	STRIKER BOLT (W/WASHER), EXCEL	248-041152
14	106469-05-706	EA	ROTARY LATCH & LINKAGE, EXCEL	248-041150
15	106469-04-705	EA	LATCH ROD-HORIZONTAL, EXCEL	203-041139
16	106469-04-714	EA	ROD CLIP-RH, EXCEL	248-041153
17	106469-02-703	EA	BELT-WEATHERSTRIP, EXTERIOR - ROLL-UP GLASS - EXCEL	V047-57
18	106469-01-705	FT	RUN-CHANNEL, EXCEL	122-010850
19	106469-01-719	EA	MULLION RAIL, EXCEL	V103-84
20	106469-01-709	FT	WEATHERSTRIP-FUZZY, EXCEL	171-040630
21	106469-02-705	EA	HORIZONTAL GLAZING VINYL, EXCEL	V108-87
22	106469-01-723	EA	BULB SEAL ASM-DRIVERS DOOR JAMB - PREFORMED - EXCEL	171-040985
	106469-02-704	EA	PARTS BAG (HANDLE WINDOW), EXCEL	V068-16
	106469-07-700	EA	MOUNTING FRAME ASSEMBLY, EXCEL	V130-30L

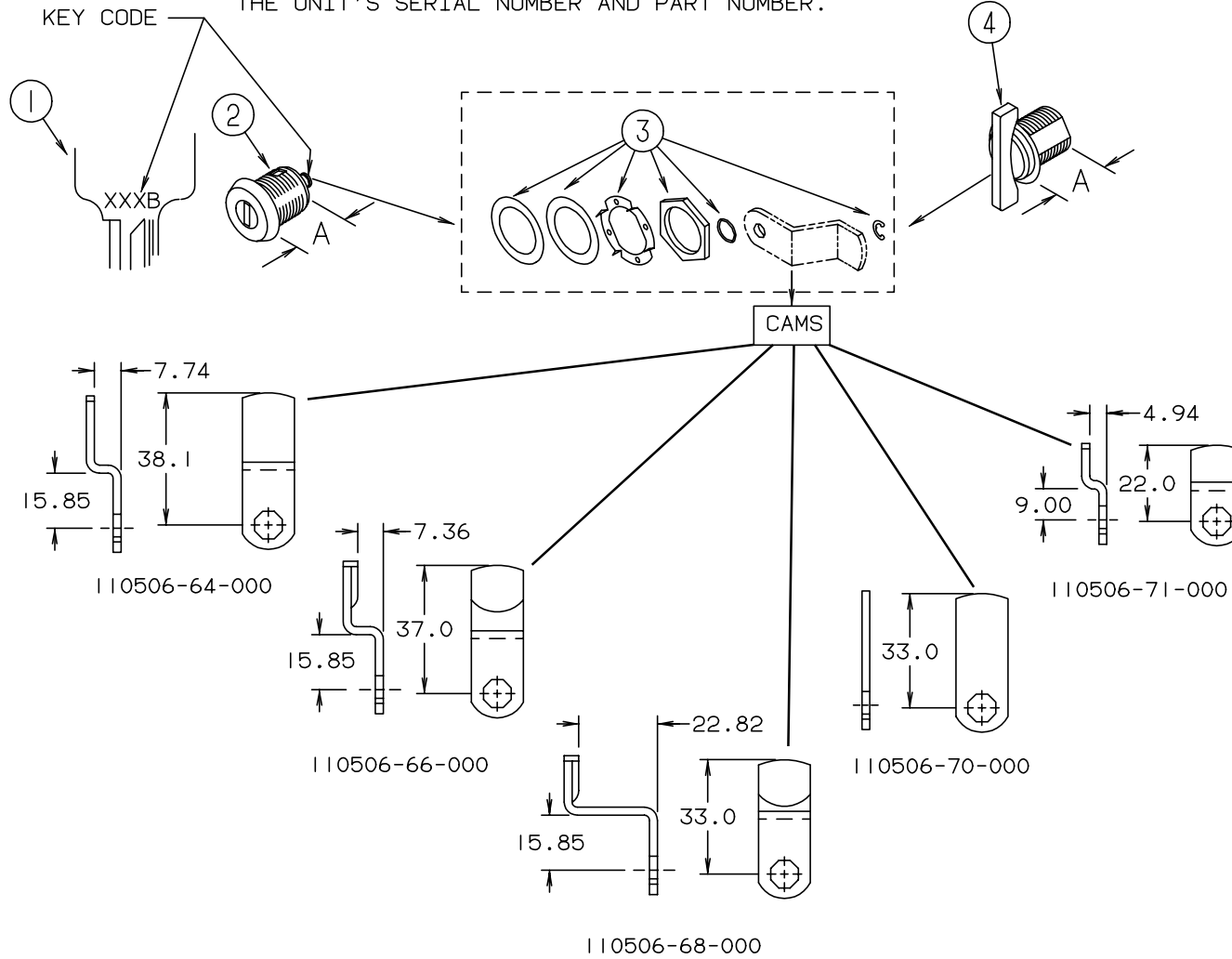
WINDOW, VENT & EXTERIOR DOOR GROUP (CONTINUED)
EXTERIOR DOOR COMPONENTS & HOLDER



KEY	PART NUMBER	U/M	DESCRIPTION
1	102768-01-000	EA	HOLDER-COMPARTMENT/ENTRY DOOR, METAL - MILL FINISH
2	081801-02-000	EA	HINGE - 2" X 96", OFF WHITE
2	034007-B3-000	EA	HINGE-PIANO, 1.5" X 96" - ALUMINUM - BRIGHT WHITE
2	009065-01-000	EA	HINGE-PIANO, 1.5" X 96" - ALUMINUM - UNPAINTED
3	064075-07-000	FT	SEAL-BULB, W/WIRED U CHANNEL - .3" X .5" CHANNEL - BLACK
4	107997-51-001	EA	SPACER - .86" X .6", ALUMINUM
	081914-01-000	EA	BUMPER-RUBBER, ROUND - .43" DIAMETER - BLACK
	104692-01-000	FT	SEAL - 3/4" X 3/4", ADHESIVE BACK
	081632-02-000	FT	SEAL-BULB, DOOR - W/WIRE CARRIER - .8" WIDE - RUBBER - BLACK
	115359-01-000	FT	SEAL-D SECTION, 10 X 12 - SPG RUB
	076767-04-000	EA	CABLE-SUPPORT, 5.9" - STAINLESS STEEL
	116424-01-000	EA	PROTECTOR-WATER HEATER LATCH - ATWOOD 92611
	057460-02-000	EA	STUD-BALL, GAS SPRING - 10MM - 5/16" - 18 - RAISED BED OPTION
	107796-10-000	EA	BRACKET-GAS SPRING, 90 DEGREE - RAISED BED OPTION
	108998-04-000	EA	SPRING-GAS - RAISED BED OPTION
	120620-02-01A	EA	CLIP-RETAINER, 14" X 1" - BLACK - RAISED BED OPTION
	121126-01-01A	EA	PULL-LOCK ASM, SOUTHCO E3-27-101-12 - RAISED BED OPTION

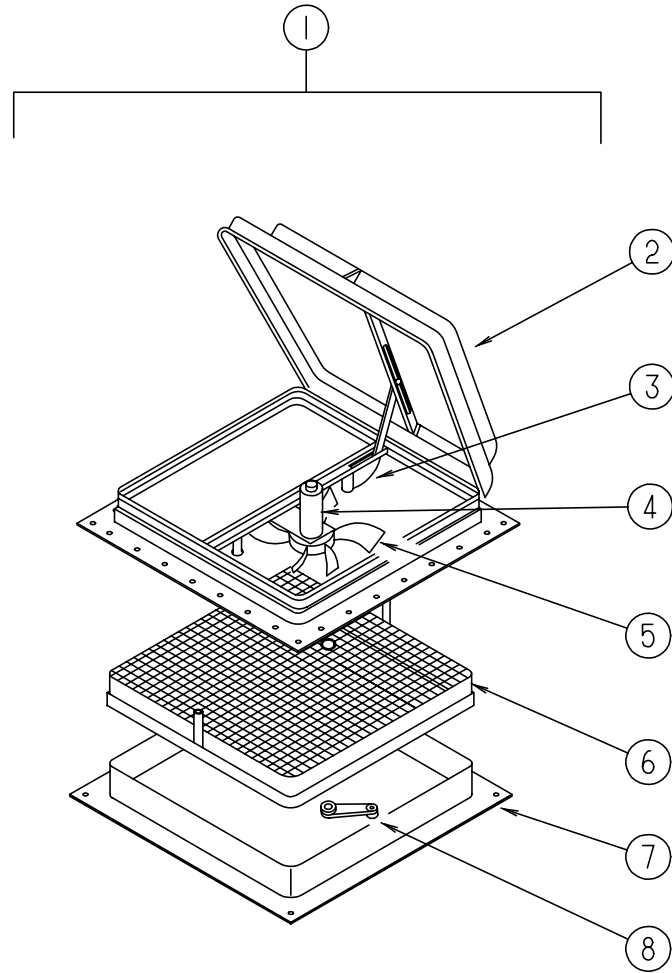
WINDOW, VENT & EXTERIOR DOOR GROUP (CONTINUED)
BRIGGS & STRATTON LOCKS & COMPONENTS

NOTE:
 WHEN ORDERING THE LOCK CASE, THE KEY CODE MUST MATCH THE LAST DIGIT OF THE UNIT'S SERIAL NUMBER AND PART NUMBER; WHEN ORDERING THE KEYS, THE THIRD DIGIT OF THE KEY CODE MUST MATCH THE LAST DIGIT OF THE UNIT'S SERIAL NUMBER AND PART NUMBER.



KEY	PART NUMBER	U/M	DESCRIPTION	VENDOR NO.
1	110506-59-000	EA	KEYS-SET OF 2	596720
2	110506-52-000	EA	CASE-LOCK, A=17MM	702370
2	110506-53-000	EA	CASE-LOCK, A=25MM	702380
1	110506-59-001	EA	KEYS-SET OF 2	596721
2	110506-52-001	EA	CASE-LOCK, A=17MM	702371
2	110506-53-001	EA	CASE-LOCK, A=25MM	702381
1	110506-59-002	EA	KEYS-SET OF 2	596722
2	110506-52-002	EA	CASE-LOCK, A=17MM	702372
2	110506-53-002	EA	CASE-LOCK, A=25MM	702382
1	110506-59-003	EA	KEYS-SET OF 2	596723
2	110506-52-003	EA	CASE-LOCK, A=17MM	702373
2	110506-53-003	EA	CASE-LOCK, A=25MM	702383
1	110506-59-004	EA	KEYS-SET OF 2	596724
2	110506-52-004	EA	CASE-LOCK, A=17MM	702374
2	110506-53-004	EA	CASE-LOCK, A=25MM	702384
1	110506-59-005	EA	KEYS-SET OF 2	596725
2	110506-52-005	EA	CASE-LOCK, A=17MM	702375
2	110506-53-005	EA	CASE-LOCK, A=25MM	702385
1	110506-59-006	EA	KEYS-SET OF 2	596726
2	110506-52-006	EA	CASE-LOCK, A=17MM	702376
2	110506-53-006	EA	CASE-LOCK, A=25MM	702386
1	110506-59-007	EA	KEYS-SET OF 2	596727
2	110506-52-007	EA	CASE-LOCK, A=17MM	702377
2	110506-53-007	EA	CASE-LOCK, A=25MM	702387
1	110506-59-008	EA	KEYS-SET OF 2	596728
2	110506-52-008	EA	CASE-LOCK, A=17MM	702378
2	110506-53-008	EA	CASE-LOCK, A=25MM	702388
1	110506-59-009	EA	KEYS-SET OF 2	596729
2	110506-52-009	EA	CASE-LOCK, A=17MM	702379
2	110506-53-009	EA	CASE-LOCK, A=25MM	702389
3	110506-40-700	EA	HARDWARE KIT-LOCK, W/GASKET, NUT, CLIP & WASHERS	
4	110506-50-000	EA	CASE-TWIST LOCK, A=17MM	596932
4	110506-51-000	EA	CASE-TWIST LOCK, A=25MM	596669
	110506-59-701	EA	KEY BLANK	

WINDOW, VENT & EXTERIOR DOOR GROUP (CONTINUED)



JENSEN POWERED ROOF VENT

KEY	PART NUMBER	U/M DESCRIPTION
1	110051-04-01A	EA VENT-ROOF, POWERED - 4" ROOF - JENSEN 7797 WHE
1	110051-06-01A	EA VENT-ROOF, POWERED - 4" ROOF - CSA - JENSEN C7797 WHE
2	064470-01-700	EA COVER-ROOF VENT, JENSEN
	064470-01-701	EA SLIDE BAR-VENT LID, JENSEN
3	110051-01-702	EA LIFT ASM-VENT LID W/O CRANK, JENSEN
4	048648-01-000	EA MOTOR-ROOF VENT, 1/8 SHAFT - 12V - JENSEN 42-472-01
5	048649-01-000	EA FAN-ROOF VENT, 6 BLADES - 6" - JENSEN RP-1002B
6	110051-01-704	EA SCREEN & FRAME - 4", JENSEN
7	110051-02-700	EA GARNISH-INTERIOR - 4", JENSEN
8	110051-01-703	EA CRANK, JENSEN

WINDOW, VENT & EXTERIOR DOOR GROUP (CONTINUED)

JENSEN NONPOWERED ROOF VENT

KEY	PART NUMBER	U/M DESCRIPTION	VENDOR NO.
	110051-02-01A	EA VENT-ROOF, NONPOWERED - 4" ROOF - JENSEN 7727 WHE	
	064470-01-700	EA COVER-ROOF VENT, JENSEN	7291
	064470-01-701	EA SLIDE BAR-VENT LID, JENSEN	JRP 1291B
	110051-01-702	EA LIFT ASM-VENT LID W/O CRANK, JENSEN	RP-1000B
	110051-01-703	EA CRANK, JENSEN	RP-1031-B
	110051-01-704	EA SCREEN & FRAME - 4", JENSEN	29-688-03
	110051-02-700	EA GARNISH-INTERIOR - 4", JENSEN	

VENTS, SHROUDS & ROOF COVERS

KEY	PART NUMBER	U/M DESCRIPTION
	083558-03-000	EA VENT-PLUMBING PIPE ROOF W/COVER - OFF WHITE
	084616-07-000	EA SHROUD-RANGE HOOD VENT, PLASTIC - BRIGHT WHITE
	084878-09-000	EA VENT-RANGE HOOD, SHORT - LVS
	084073-07-000	EA COVER-ROOF VENT, REFRIGERATOR - BRIGHT WHITE - NORCOLD
	084073-04-000	EA BASE-ROOF VENT, REFRIGERATOR - BLACK - NORCOLD
	105028-01-000	EA FLASHING ASM-VENT, REFRIGERATOR

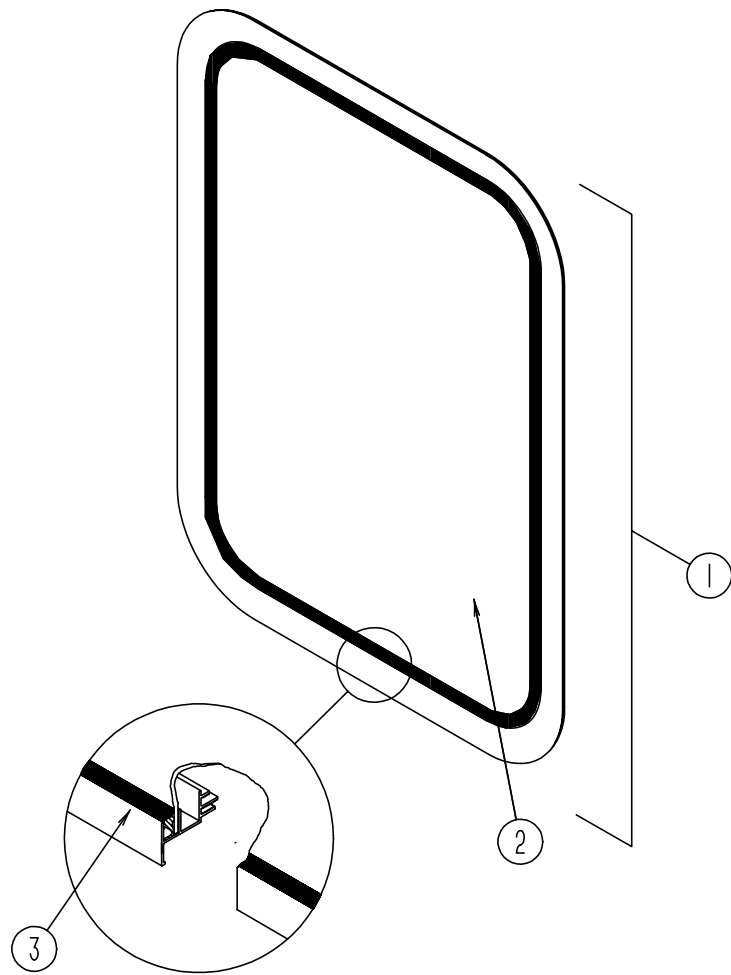
VENDOR NO.

7291
 JRP 1291B
 RP-1000B

 29-688-03

 RP-1031-B

WINDOW, VENT & EXTERIOR DOOR GROUP (CONTINUED)



ENTRANCE DOOR WINDOW

KEY	PART NUMBER	U/M DESCRIPTION
	117054-02-02A	EA FRAME-WINDOW, INSIDE - ENTRY DOOR - BRIGHT WHITE
1	117053-02-F36	EA WINDOW-PICTURE, W/O INSIDE FRAME
2	002181-25-000	EA GLASS-PICTURE WINDOW, 655 MM X 417 MM
3	087561-01-000	FT SEAL-GLASS, EXTERIOR - .5" WIDE - VINYL - BLACK

EXCEL ENTRANCE DOOR WINDOW - THERMOPANE WINDOW OPTION

KEY	PART NUMBER	U/M DESCRIPTION	VENDOR NO.
	113733-01-01A	EA WINDOW ASM-PICTURE, W/INSIDE FRAME - EXCEL DH416-G2W66	
	113733-01-700	EA WINDOW-PICTURE, W/O INSIDE FRAME - EXCEL	DH416-G2
	113733-01-701	EA FRAME-WINDOW, INSIDE - ENTRY DOOR - EXCEL	W41666
	113733-01-702	EA GLASS-STATIONARY - EXCEL	390-019187

WINDOW, VENT & EXTERIOR DOOR GROUP (CONTINUED)

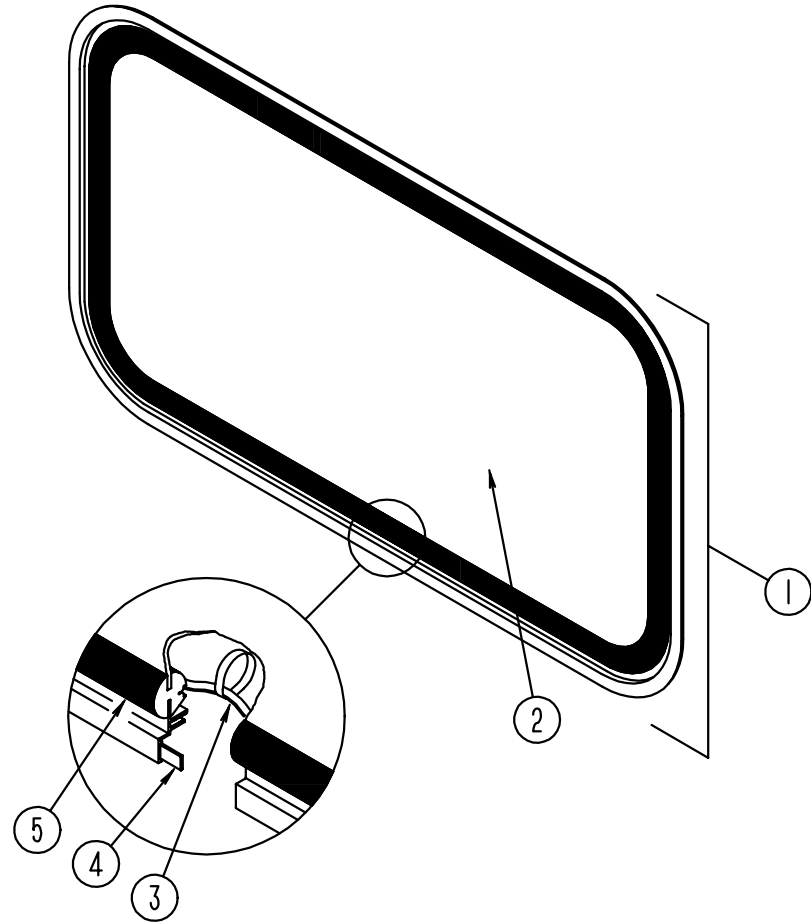
EXCEL BEDROOM DOUBLE TIPOUT WINDOW - PASSENGER SIDE

KEY	PART NUMBER	U/M DESCRIPTION	VENDOR NO.
	113500-01-01A	EA WINDOW-DOUBLE TIPOUT, W/OFF WHITE INSIDE FRAME - EXCEL CH04-G2W59	CH04-G2
	113500-01-701	EA WINDOW-DOUBLE TIPOUT, W/O INSIDE FRAME - EXCEL	CW0459
	113500-01-702	EA FRAME-INSIDE, OFF WHITE - EXCEL	132-014470
	098644-01-716	EA PLUG-FILLER, EXCEL	122-016071
	100322-01-701	FT SEAL-VENT, WINDOW - EXCEL	132-015976
	100322-01-702	EA WEATHERSTRIP-HORIZONTAL RAIL - EXCEL	132-010723
	100322-01-703	EA GLAZING STRIP-BUTYL, GLASS - EXCEL	154-016083
	100322-01-704	EA TAPE-BUTYL, WINDOW - EXCEL	245-015975
	100322-01-717	EA E-RING, WINDOW - EXCEL	410-016081
	100322-01-718	EA HANDLE-DIAL, WINDOW - EXCEL	410-016123
	112519-01-702	EA OPERATOR-VENT, EXCEL	410-016020
	113500-01-700	EA SCREEN W/SPRING & WEATHERSTRIP - EXCEL	106-015970
	113500-01-703	EA GLASS-TOP, STATIONARY - EXCEL	CH04-G7
	113500-01-704	EA GLASS-VENT, UPPER - EXCEL	CH04-G9
	113500-01-705	EA GLASS-VENT, LOWER - EXCEL	CH04-18
	113500-01-706	EA OPERATOR & BAR ASSEMBLY - EXCEL	132-015979
	113500-01-707	EA SUPPORT-TORQUE BAR - EXCEL	132-015978
	113500-01-708	EA SUPPORT-TORQUE BAR - EXCEL	

EXCEL BEDROOM HORIZONTAL SLIDER WINDOW - PASSENGER SIDE - THERMOPANE WINDOW OPTION

KEY	PART NUMBER	U/M DESCRIPTION	VENDOR NO.
	112795-21-01A	EA WINDOW-HORIZONTAL SLIDER, W/OFF WHITE INSIDE FRAME EXCEL DC04G2W66R	
	098647-29-701	EA FRAME-INSIDE, OFF WHITE - EXCEL	CW0466
	112795-21-700	EA WINDOW-HORIZONTAL SLIDER, W/O INSIDE FRAME - EXCEL DC04-G2R	
	112795-01-700	EA LATCH ASM-BLACK - EXCEL	DH287-CK
	112795-01-701	EA SLIDE-STOP - EXCEL	132-019092
	112795-01-702	FT FILLER PLUG - EXCEL	122-018737
	112795-01-703	IN RUN CHANNEL - EXCEL	122-018736
	112795-01-704	FT VINYL-GLAZING - EXCEL	132-018280
	112795-21-701	EA GLASS-STATIONARY - EXCEL	390-019132
	112795-21-702	EA GLASS-SLIDING, W/SASH & LATCH - EXCEL	DC04-G9
	098647-29-704	EA SCREEN W/SPRING & WEATHERSTRIP - EXCEL	410-018864
	098644-01-713	EA CLIP-SPRING, BLACK PLASTIC - EXCEL	226-016966
	112898-06-704	EA HANDLE-LATCH, RED - RH - EXCEL	182-11293
	112898-06-705	EA HANDLE-LATCH, RED - LH - EXCEL	182-11294

WINDOW, VENT & EXTERIOR DOOR GROUP (CONTINUED)



BACKWALL ESCAPE WINDOW

KEY	PART NUMBER	U/M DESCRIPTION
	074816-14-000	EA FRAME-WINDOW, INSIDE - ESCAPE - OFF WHITE
1	078528-12-FB1	EA WINDOW-ESCAPE, BACKWALL - W/O INSIDE FRAME
2	076337-17-000	EA GLASS-WINDOW, ESCAPE - 589 MM X 830 MM
3	002285-01-000	FT FILLER-WEATHER STRIP, RUBBER - BLACK
	077066-01-702	EA TAPE ASM-ESCAPE WINDOW, RED
4	069640-10-000	FT SEALER-RIBBON, 1/32" X 1 1/2" INCREMENTS OF 90'
5	002282-12-000	EA WEATHERSTRIP-WINDOW, .125" X 108.75" - BLACK
	074815-07-000	EA FRAME-WINDOW, MAIN - ESCAPE - BLACK

EXCEL BACKWALL ESCAPE WINDOW - THERMOPANE WINDOW OPTION

KEY	PART NUMBER	U/M DESCRIPTION	VENDOR NO.
	113502-03-01A	EA WINDOW-ESCAPE, BACKWALL - W/INSIDE FRAME - EXCEL DH437-G2W58	
	100322-01-703	FT STRIP-GLAZING, BUTYL - EXCEL	132-010723
	112898-06-704	EA LOCK-HANDLE, CAM - RED - RH - EXCEL	182-11293
	112898-06-705	EA LOCK-HANDLE, CAM - RED - LH - EXCEL	182-11294
	113502-03-700	EA WINDOW-ESCAPE, BACKWALL - W/O INSIDE FRAME - EXCEL DH437-G2	
	113502-03-701	EA FRAME-WINDOW, INSIDE - ESCAPE	W30658
	113502-03-702	EA GLASS-STATIONARY	390-019466

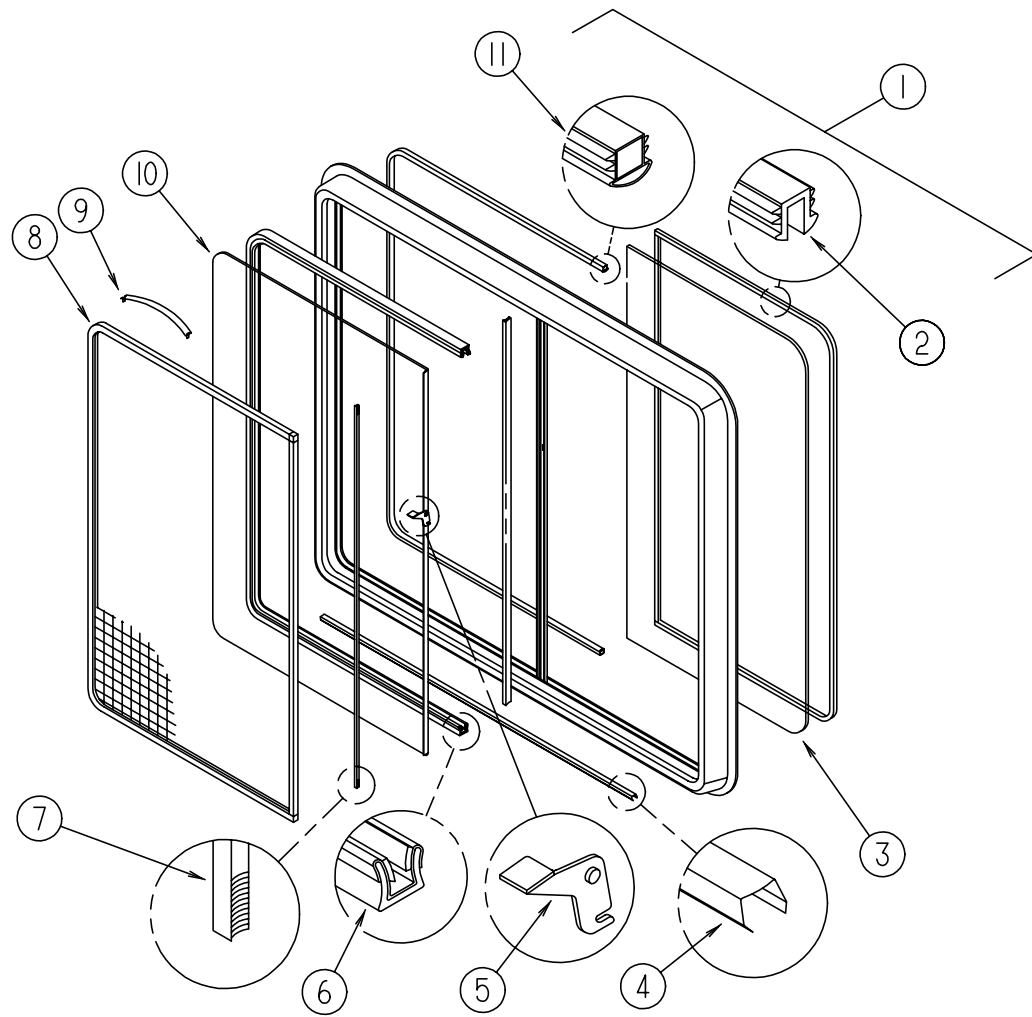
WINDOW, VENT & EXTERIOR DOOR GROUP (CONTINUED)
EXCEL DINETTE OR COUCH SINGLE SLIDING WINDOW - DRIVERS SIDE - THERMOPANE WINDOW OPTION

KEY	PART NUMBER	U/M DESCRIPTION	VENDOR NO.
	112795-15-01A	EA WINDOW-HORIZONTAL SLIDER, W/OFF WHITE INSIDE FRAME EXCEL DH287-G2W66	
	098647-23-702	EA FRAME-INSIDE, OFF WHITE - EXCEL	W28766
	112795-15-700	EA WINDOW-HORIZONTAL SLIDER, W/O INSIDE FRAME - EXCEL DH287-G2L	
	112795-01-700	EA LATCH ASM-BLACK - EXCEL	DH287-CK
	112795-01-701	EA SLIDE-STOP - EXCEL	132-019092
	112795-01-702	FT FILLER PLUG - EXCEL	122-018737
	112795-01-703	IN RUN CHANNEL - EXCEL	122-018736
	112795-01-704	FT VINYL-GLAZING - EXCEL	132-018280
	112795-15-701	EA GLASS-STATIONARY - EXCEL	390-019045
	112795-15-702	EA GLASS-SLIDING, W/SASH & LATCH - EXCEL	DH287-G9
	098647-23-704	EA SCREEN W/SPRING & WEATHERSTRIP - EXCEL	410-019066
	098644-01-713	EA CLIP-SPRING, BLACK PLASTIC - EXCEL	226-016966

EXCEL FRONT SLANT WINDOW - DRIVERS SIDE - DRIVER DOOR

KEY	PART NUMBER	U/M DESCRIPTION	VENDOR NO.
	106468-02-01A	EA WINDOW-FRONT SLANT, W/INSIDE FRAME - EXCEL H383-A2B27L	
	100322-01-703	FT STRIP-GLAZING, BUTYL - EXCEL	132-010723
	106468-02-701	EA FRAME-INSIDE - EXCEL	H383-27L
	106468-02-700	EA WINDOW-FRONT SLANT, W/O INSIDE FRAME - EXCEL	H383-A2L
	106468-02-702	EA GLASS-STATIONARY - EXCEL	106-018740

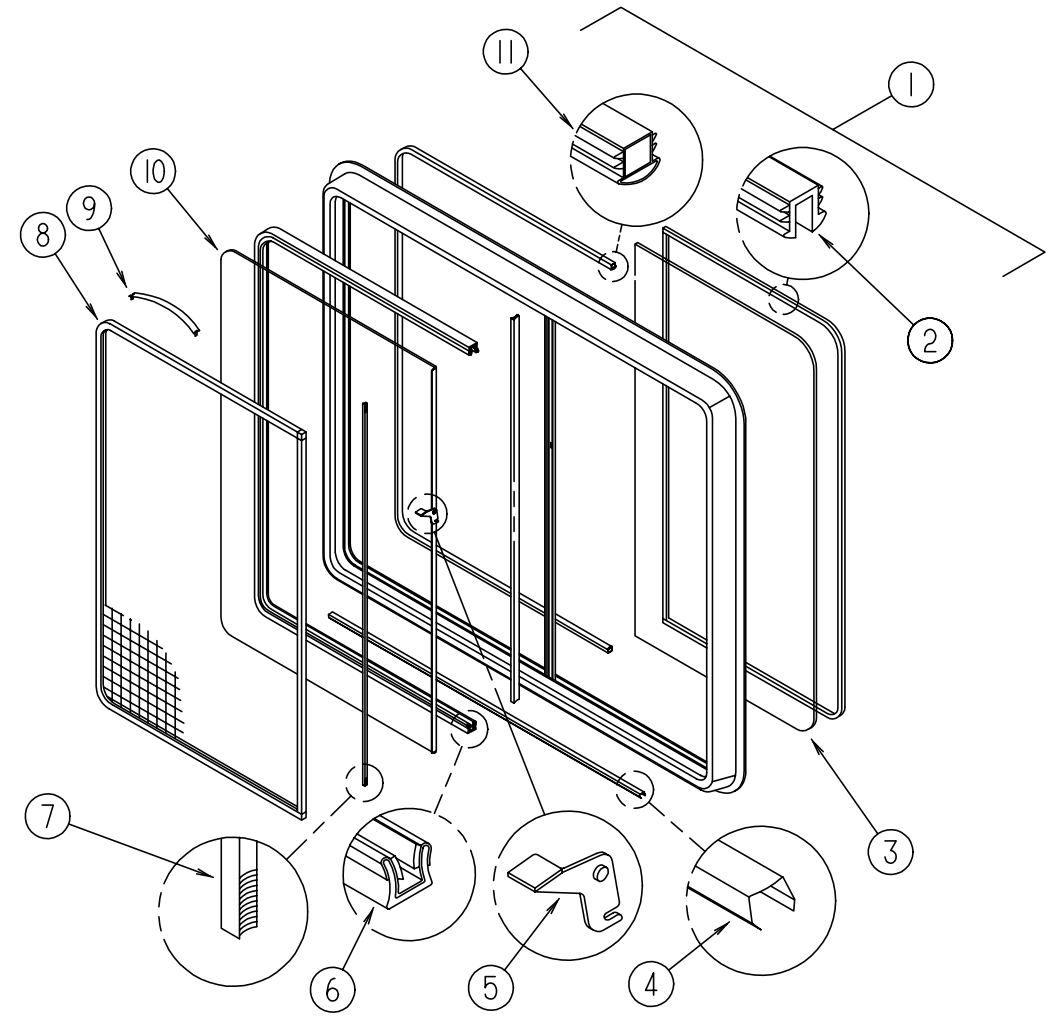
WINDOW, VENT & EXTERIOR DOOR GROUP (CONTINUED)



EXCEL DINETTE OR COUCH SINGLE SLIDING WINDOW - DRIVERS SIDE

KEY	PART NUMBER	U/M	DESCRIPTION	VENDOR NO.
	098647-22-01A	EA	WINDOW-HORIZONTAL SLIDER, W/OFF WHITE INSIDE FRAME EXCEL H287-G2W66L	
	098647-23-702	EA	FRAME-INSIDE, OFF WHITE - EXCEL	W28766
1	098647-22-700	EA	WINDOW-HORIZONTAL SLIDER, W/O INSIDE FRAME - EXCEL H287-G2L	132-010723
2	100322-01-703	FT	STRIP-GLAZING, BUTYL - EXCEL	106-017622
3	098647-23-703	EA	GLASS-STATIONARY - EXCEL	M401-31
4	098644-01-710	FT	TRACK-SCREEN SPACER, 12' LENGTH - EXCEL	B801-CK
5	098644-01-700	EA	LATCH-REPAIR KIT, EXCEL	122-016543
6	098644-01-708	FT	CHANNEL-PIERCED RUN, EXCEL	171-016965
7	098644-01-711	FT	WEATHERSTRIP-SCREEN BLACK - EXCEL	410-019066
8	098647-23-704	EA	SCREEN W/SPRING & WEATHERSTRIP - EXCEL	226-016966
9	098644-01-713	EA	SPRING-SCREEN FRAME (CLIP), PLASTIC - BLACK - EXCEL	H287-G9
10	098647-23-700	EA	GLASS-SLIDING, W/SASH & LATCH - EXCEL	171-010668
11	098644-01-706	FT	WEATHERSTRIP, EXCEL	132-014470
	098644-01-716	FT	PLUG-FILLER, EXCEL	132-004716
	098644-01-717	FT	SPLINE-SCREEN, EXCEL	

WINDOW, VENT & EXTERIOR DOOR GROUP (CONTINUED)



EXCEL GALLEY SINGLE SLIDING WINDOW - PASSENGERS SIDE

KEY	PART NUMBER	U/M	DESCRIPTION	VENDOR NO.
	098647-33-01A	EA	WINDOW-HORIZONTAL SLIDER, W/OFF WHITE INSIDE FRAME EXCEL H425-G2W66R	
	098647-31-701	EA	FRAME-INSIDE, OFF WHITE - EXCEL	CW2966
1	098647-33-700	EA	WINDOW-HORIZONTAL SLIDER, W/O INSIDE FRAME - EXCEL H425-G2R	132-010723
2	100322-01-703	FT	STRIP-GLAZING, BUTYL - EXCEL	106-019297
3	098647-33-702	EA	GLASS-STATIONARY - EXCEL	M401-31
4	098644-01-710	FT	TRACK-SCREEN SPACER, 12' LENGTH - EXCEL	B801-CK
5	098644-01-700	EA	LATCH-REPAIR KIT, EXCEL	122-016543
6	098644-01-708	FT	CHANNEL-PIERCED RUN, EXCEL	171-016965
7	098644-01-711	FT	WEATHERSTRIP-SCREEN BLACK - EXCEL	410-019134
8	098647-33-704	EA	SCREEN W/SPRING & WEATHERSTRIP - EXCEL	226-016966
9	098644-01-713	EA	SPRING-SCREEN FRAME (CLIP), PLASTIC - BLACK - EXCEL	H425-G9
10	098647-33-703	EA	GLASS-SLIDING, W/SASH & LATCH - EXCEL	171-010668
11	098644-01-706	FT	WEATHERSTRIP, EXCEL	132-014470
	098644-01-716	FT	PLUG-FILLER, EXCEL	132-004716
	098644-01-717	FT	SPLINE-SCREEN, EXCEL	

WINDOW, VENT & EXTERIOR DOOR GROUP (CONTINUED)**EXCEL GALLEY SINGLE SLIDING WINDOW - PASSENGERS SIDE - THERMOPANE WINDOW OPTION**

KEY	PART NUMBER	U/M DESCRIPTION	VENDOR NO.
	112795-19-01A	EA WINDOW-HORIZONTAL SLIDER, W/OFF WHITE INSIDE FRAME EXCEL DC29-G2W66R	
	098644-01-713	EA CLIP-SPRING, BLACK PLASTIC - EXCEL	226-016966
	098647-31-701	EA FRAME-WINDOW, INSIDE - OFF WHITE - EXCEL	CW2966
	098647-31-704	EA SCREEN ASM., W/SPRING CLIP - EXCEL	410-019128
	112795-01-700	EA LATCH ASM-BLACK - EXCEL	DH287-CK
	112795-01-701	FT SLIDE-STOP - EXCEL	132-019092
	112795-01-702	FT FILLER PLUG - EXCEL	122-018737
	112795-01-703	IN RUN CHANNEL - EXCEL	122-018736
	112795-01-704	FT VINYL-GLAZING - EXCEL	132-018280
	112795-19-700	EA WINDOW-SINGLE SLIDER, W/O INSIDE FRAME - EXCEL	DC29-G2R
	112795-19-701	EA GLASS-STATIONARY - EXCEL	390-019134
	112795-19-702	EA GLASS-SLIDING, W/SASH & LATCH - EXCEL	DC29-G9

EXCEL CAB WINDOW - DRIVER SIDE

KEY	PART NUMBER	U/M DESCRIPTION	VENDOR NO.
	103658-09-01A	EA WINDOW-CAB, SINGLE SLIDER - W/INSIDE FRAME - EXCEL	H405-A2B66L
	103658-09-702	EA FRAME-WINDOW, INSIDE - EXCEL	H37366L & H37376L
	103658-09-701	EA WINDOW ASM, W/O TRIM - EXCEL	H405-A2L
	098644-01-700	EA LATCH-REPAIR KIT (BLACK) - EXCEL	B801-CK
	098644-01-706	FT WEATHERSTRIP-GLASS - EXCEL	171-010668
	098644-01-708	FT CHANNEL-RUN, PIERCED - EXCEL	122-016543
	098644-01-710	FT TRACK-SCREEN SPACER, 12' - EXCEL	132-017135
	098644-01-711	FT WEATHERSTRIP-SCREEN, BLACK - EXCEL	171-016965
	098644-01-713	EA CLIP-SPRING, BLACK PLASTIC - EXCEL	226-016966
	098644-01-716	FT PLUG-FILLER - EXCEL	132-014470
	098644-01-717	FT SPLINE-SCREEN - EXCEL	132-004716
	103658-09-700	EA GLASS-STATIONARY, RT OR LT - EXCEL	106-018971
	103658-09-704	EA GLASS-SLIDING, W/SASH & LATCH - EXCEL	H405-A9L
	103658-09-705	EA SCREEN ASSEMBLY - EXCEL	410-018973L

EXCEL CAB WINDOW - DRIVER SIDE - THERMOPANE WINDOW OPTION

KEY	PART NUMBER	U/M DESCRIPTION	VENDOR NO.
	113501-03-01A	EA WINDOW-CAB, SINGLE SLIDER - W/INSIDE FRAME - EXCEL	DH405-A2B66
	103658-09-702	EA FRAME-WINDOW, INSIDE - EXCEL	H37366L & H37376L
	113501-03-700	EA WINDOW-SINGLE SLIDER, W/O INSIDE FRAME - EXCEL	DH405-A2L
	098644-01-711	FT WEATHERSTRIP-SCREEN, BLACK - EXCEL	171-016965
	098644-01-713	EA CLIP-SPRING, BLACK PLASTIC - EXCEL	226-016966
	103658-09-705	EA SCREEN ASSEMBLY - EXCEL	410-018973L
	112795-01-700	EA LATCH ASM-BLACK - EXCEL	DH287-CK
	112795-01-701	EA SLIDE-STOP - EXCEL	132-019092
	112795-01-702	FT FILLER PLUG - EXCEL	122-018737
	112795-01-703	IN RUN CHANNEL - EXCEL	122-018736
	112795-01-704	FT VINYL-GLAZING - EXCEL	132-018280
	112898-04-703	EA SASH LATCH KIT, RAISED - EXCEL	DH343-CK
	113501-03-701	EA GLASS-STATIONARY - EXCEL	390-019397L
	113501-03-702	EA GLASS-SLIDE ASSEMBLY - EXCEL	DH405-A9L

WINDOW, VENT & EXTERIOR DOOR GROUP (CONTINUED)**EXCEL SWIVEL CHAIR SINGLE SLIDING WINDOW - PASSENGERS SIDE**

KEY	PART NUMBER	U/M DESCRIPTION	VENDOR NO.
	098647-41-01A	EA WINDOW-HORIZONTAL SLIDER, W/OFF WHITE INSIDE FRAME EXCEL H172-G2W66R	
	098644-01-700	EA LATCH-REPAIR KIT, EXCEL	B801-CK
	098644-01-705	FT STRIP-GLAZING, BUTYL - EXCEL	132-010231
	098644-01-706	FT WEATHERSTRIP, EXCEL	171-010668
	098644-01-708	FT CHANNEL-PIERCED RUN, EXCEL	122-016543
	098644-01-710	FT TRACK-SCREEN SPACER, 12' LENGTH - EXCEL	M401-31
	098644-01-711	FT WEATHERSTRIP-SCREEN BLACK - EXCEL	171-016965
	098644-01-713	EA SPRING-SCREEN FRAME (CLIP), PLASTIC - BLACK - EXCEL	226-016966
	098644-01-716	FT PLUG-FILLER, EXCEL	132-014470
	098644-01-717	FT SPLINE-SCREEN, EXCEL	132-004716

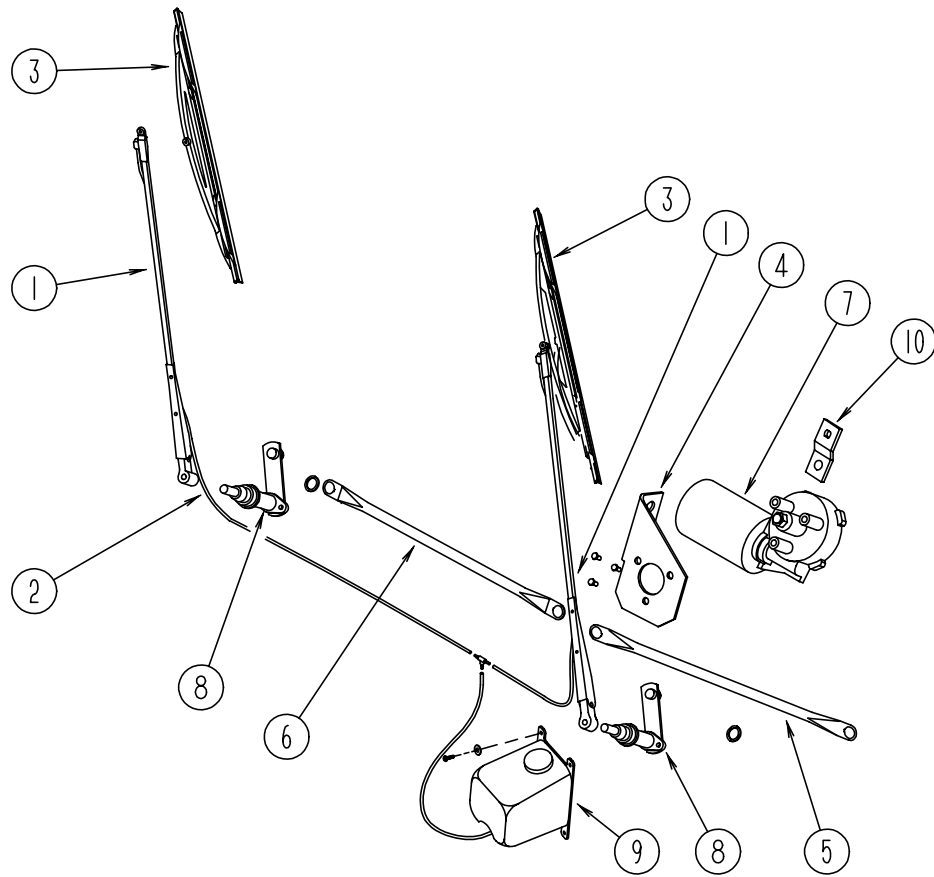
EXCEL CAB WINDOW - PASSENGER SIDE

KEY	PART NUMBER	U/M DESCRIPTION	VENDOR NO.
	103658-10-01A	EA WINDOW-CAB, SINGLE SLIDER - W/INSIDE FRAME - EXCEL	H405-A2B66R
	098647-10-701	EA FRAME-WINDOW, INSIDE - EXCEL	H37366R & H37376R
	103658-10-700	EA WINDOW ASM, W/O TRIM	H405-A2R
	098644-01-700	EA LATCH-REPAIR KIT (BLACK)	B801-CK
	098644-01-706	FT WEATHERSTRIP-GLASS	171-010668
	098644-01-708	FT CHANNEL-RUN, PIERCED	122-016543
	098644-01-710	FT TRACK-SCREEN SPACER, 12'	132-017135
	098644-01-711	FT WEATHERSTRIP-SCREEN, BLACK	171-016965
	098644-01-713	EA CLIP-SPRING, BLACK PLASTIC	226-016966
	098644-01-716	FT PLUG-FILLER	132-014470
	098644-01-717	FT SPLINE-SCREEN	132-004716
	103658-09-700	EA GLASS-STATIONARY, RT OR LT	106-018971
	103658-10-703	EA GLASS-SLIDING, W/SASH & LATCH	H405-A9R
	103658-10-704	EA SCREEN ASSEMBLY	410-018973R

EXCEL CAB WINDOW - PASSENGER SIDE - THERMOPANE WINDOW OPTION

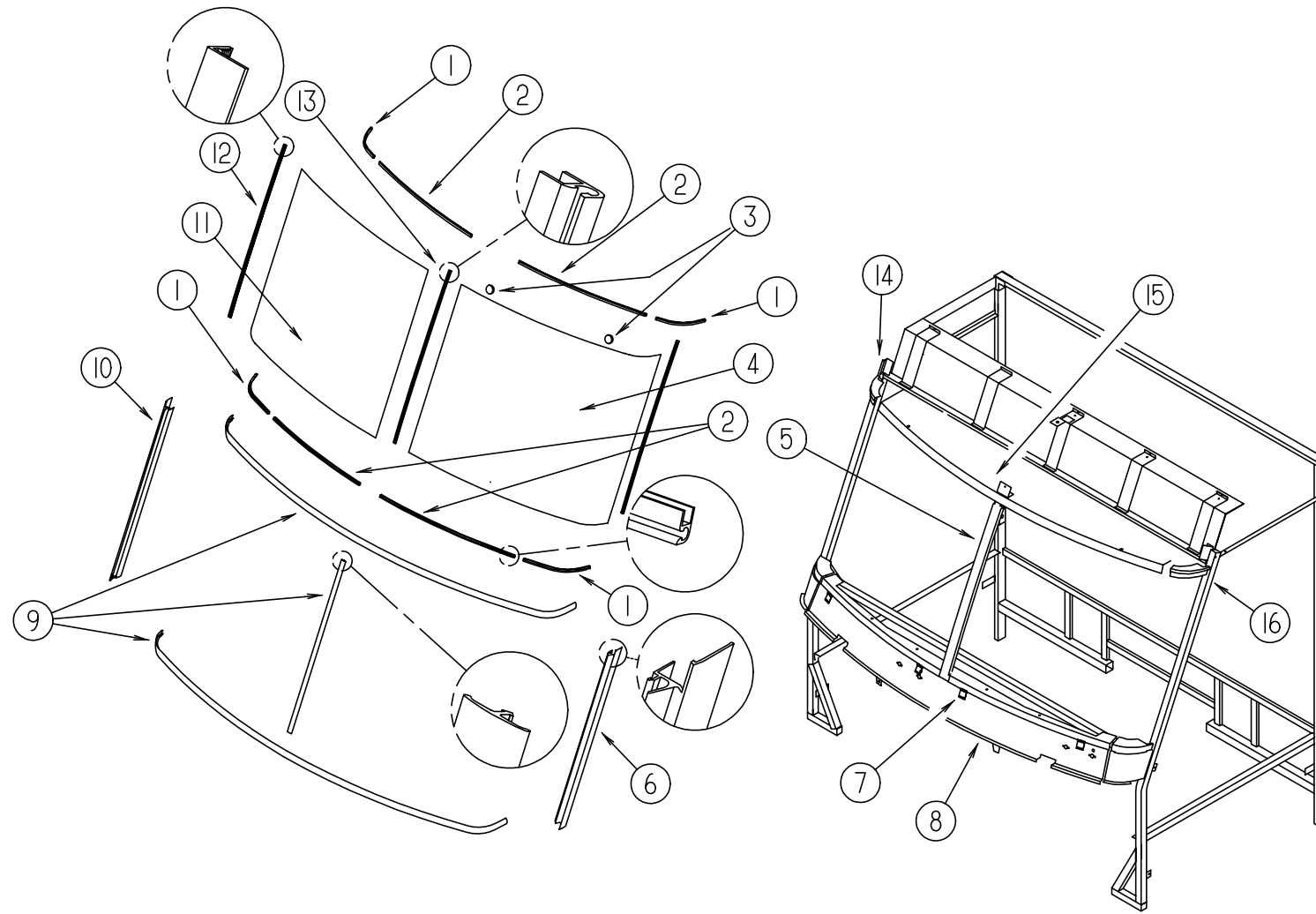
KEY	PART NUMBER	U/M DESCRIPTION	VENDOR NO.
	113501-04-01A	EA WINDOW-CAB, SINGLE SLIDER - W/INSIDE FRAME - EXCEL	DH405-A2B66
	103658-10-701	EA FRAME-WINDOW, INSIDE - EXCEL	H37366R & H37376R
	113501-04-700	EA WINDOW-SINGLE SLIDER, W/O INSIDE FRAME - EXCEL	DH405-A2R
	113501-04-701	EA GLASS-STATIONARY - EXCEL	390-019395R
	113501-04-702	EA GLASS-SLIDING, W/SASH & LATCH - EXCEL	DH405-A9R
	103658-10-704	EA SCREEN W/SPRING & WEATHERSTRIP - EXCEL	410-018973R
	098644-01-711	FT WEATHERSTRIP-SCREEN, BLACK - EXCEL	171-016965
	098644-01-713	EA CLIP-SPRING, BLACK PLASTIC - EXCEL	226-016966
	112795-01-700	EA LATCH ASM-BLACK - EXCEL	DH287-CK
	112795-01-701	EA SLIDE-STOP - EXCEL	132-019092
	112795-01-702	FT FILLER PLUG - EXCEL	122-018737
	112795-01-703	IN RUN CHANNEL - EXCEL	122-018736
	112795-01-704	FT VINYL-GLAZING - EXCEL	132-018280
	112898-04-703	EA SASH LATCH KIT, RAISED - EXCEL	DH343-CK

**WINDSHIELD & WIPER GROUP
WIPER COMPONENTS**



KEY	PART NUMBER	U/M	DESCRIPTION
1	103671-01-000	EA	ARM-WIPER, PANTOGRAPH - 24"
	096931-01-700	FT	HOSE-WIPER, TO BLADE
	096931-01-701	EA	NOZZLE-HARDWARE KIT, INCLUDES NOZZEL, NUT, SHORT THREAD SCREW, LONG THREAD SCREW, AND PLASTIC CAP
2	045794-01-000	FT	HOSE-WASHER, WINDSHIELD - 5/32" ID - BLACK
3	095964-01-000	EA	BLADE-WIPER, 24"
	095964-01-700	EA	REFILL-WIPER BLADE, 24" - PAIR
4	104549-01-000	EA	BRACKET ASSEMBLY-WIPER MOTOR
5	117008-01-000	EA	LINK ASM - CONNECTING - DRIVERS SIDE
6	117008-02-000	EA	LINK ASM - CONNECTING - PASSENGERS SIDE
7	104346-02-000	EA	MOTOR-WIPER - UT 63098-20-M012WJ
			FROM: 00-00-00 THRU: 11-19-95
7	104346-04-000	EA	MOTOR-WIPER - UT 65714M02025WJ
			FROM: 11-20-95 THRU: 99-99-99
	110178-01-000	EA	HOUSING-WIPER MOTOR - UT 6237440-EC25WJ
8	096505-05-000	EA	PIVOT & SHAFT ASM-WIPER, PASSENGER WINDSHIELD
8	096505-06-000	EA	PIVOT & SHAFT ASM-WIPER, DRIVER WINDSHIELD
9	117766-02-000	EA	WASHER-WINDSHIELD, BOTTLE & PUMP - MCCORD 600328
	110605-01-000	EA	TEE-BARBED, 1/8 X 1/8 X 3/16 - BAYLOCK 3799721
	117765-03-000	EA	CONNECTOR - 5/32 W/SWSH - ITT H-BAYLOCK 116756
10	104347-01-000	EA	ARM-DRIVE, WIPER MOTOR - 1.54"
	061603-01-000	EA	GROMMET-SNAP, 3/16 ID - 3/8 HOLE - PLASTIC - BLACK
	067188-01-000	EA	STUD-CRANK, WIPER
	110742-01-000	EA	GASKET-WIPER

WINDSHIELD & WIPER GROUP (CONTINUED)
WINDSHIELD MOLDINGS & GLASS



KEY	PART NUMBER	U/M DESCRIPTION
1	110268-01-000	EA CARRIER - REVEAL - 50.4" WINDSHIELD
2	110268-01-000	EA CARRIER - REVEAL - 50.4" WINDSHIELD
3	081914-01-000	EA BUMPER - RUBBER - ROUND - .43" DIAMETER - BLACK
4	088793-04-000	EA GLASS-WINDSHIELD, DRIVER
5	075710-03-000	EA FRAME-WINDSHIELD, CENTER DIVIDER - INNER
6	103107-02-01A	EA TRIM-WINDSHIELD, DRIVER SIDE - BLACK
7	104449-01-000	EA BRACKET - WINDSHIELD SUPPORT
8	077847-02-000	EA SUPPORT - WINDSHIELD - LOWER - W/O BRACKETS
9	102936-01-000	FT MOLDING - REVEAL - WINDSHIELD
10	103107-01-01A	EA TRIM - WINDSHIELD - PASSENGER SIDE - BLACK

KEY	PART NUMBER	U/M DESCRIPTION
11	088793-03-000	EA GLASS-WINDSHIELD, PASSENGER
12	098788-06-000	EA CHANNEL - 49" PVC, DRIVER OR PASSENGER SIDE
13	110268-01-000	EA CARRIER - REVEAL - 50.4" WINDSHIELD
14	077922-03-000	EA HEADER WINDSHIELD END - PASSENGER SIDE
15	077922-05-000	EA HEADER WINDSHIELD - CENTER
16	077922-04-000	EA HEADER WINDSHIELD END - DRIVER SIDE
	002328-02-000	EA BLOCK-WINDSHIELD, .062" X .5" X .98"