

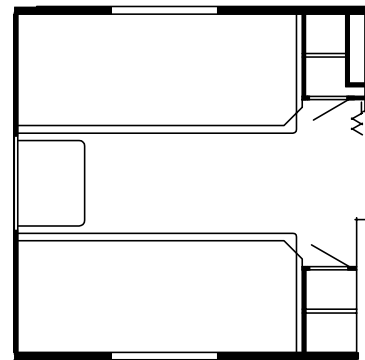
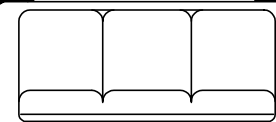
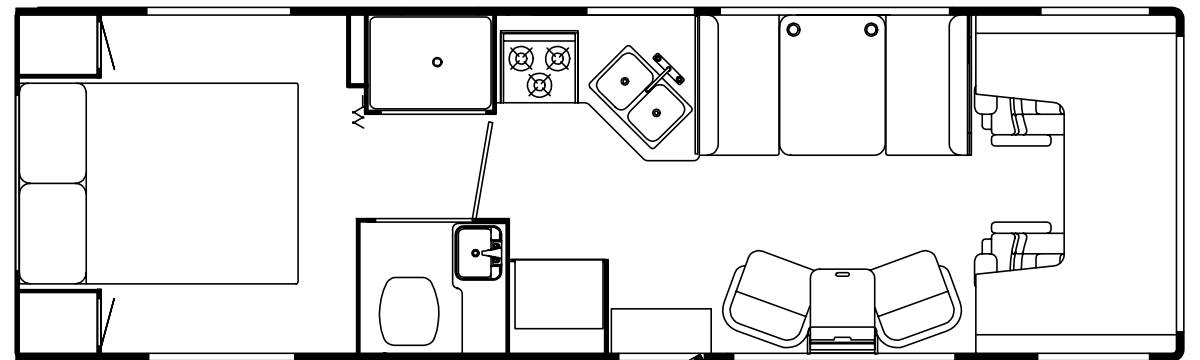
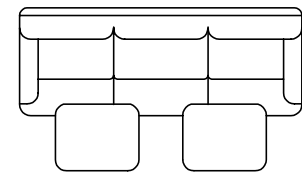
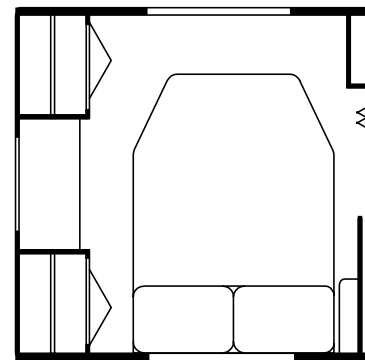
**1996
IF329RQ**

G21

SANDSCAPE (BROWN)

G22

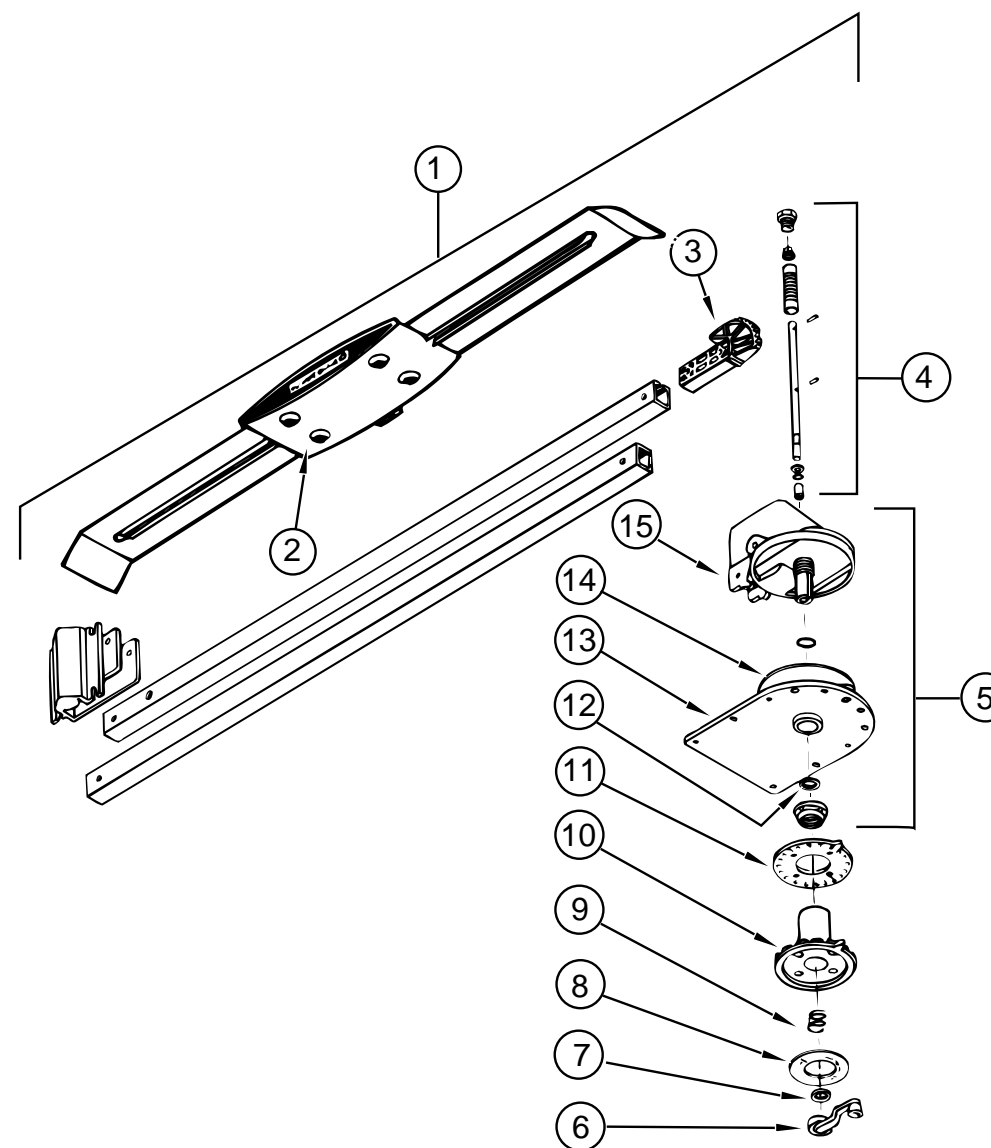
BATIK (BLUE)



**ACCESSORIES GROUP
OPERATORS MANUAL**

KEY	PART NUMBER	U/M DESCRIPTION
	054185-E4-000	EA MANUAL-OPERATOR, 1996 SPIRIT - 300 SERIES
	092318-01-000	EA BINDER - 3 RING, MOTOR HOME MANUAL
	092319-01-000	EA POCKET PAGE - 3 RING BINDER, PLASTIC
	117936-01-000	DW TOP LEVEL DRAWING - 1996 C BODY

AUDIO VIDEO GROUP



TV ANTENNA - WINEGARD - MODEL RVA W02

KEY	PART NUMBER	U/M DESCRIPTION	VENDOR NO,
1	076319-01-000	EA ANTENNA-TV, ROOF MOUNT - 44.5" MAST	
2	076319-01-700	EA HEAD-ANTENNA, AMPLIFIED	RVSA U/V
3	076319-01-701	EA GEAR-ELEVATING, PLASTIC	2200046
4	076319-01-702	EA SHAFT ASSEMBLY-ELEVATING	RVP-400A
5	076319-01-711	EA BASE & LIFT ASSEMBLY	2762802
6	076319-01-706	EA CRANK-ELEVATING, W/SET SCREW	5755100
7	076319-01-705	EA GROMMET-NYLON, 7/8" ID	200658
8	076319-01-708	EA DECAL-CRANK	5413002
9	076319-01-707	EA SPRING-HANDLE	5160800
10	076319-01-709	EA PLATE-DIRECTIONAL, FOR HEAD	3200644
11	076319-01-712	EA PLATE-CEILING	3200608
12	076319-01-704	EA BEARING-NYLON, 1.25" OD	3200657
13	076319-01-713	EA PLATE-BASE, STEEL	3100523
14	076319-01-703	EA BEARING-NYLON, 5" OD	3200656
15	076319-01-714	EA HOUSING, ROTATING GEAR	2200049

AUDIO VIDEO GROUP (CONTINUED)
RADIO SPEAKER

KEY	PART NUMBER	U/M DESCRIPTION
	074979-01-000	EA SHIELD-SPEAKER, BACK - MOLDED PLASTIC - 8" X 9" - BEIGE
	111177-01-01A	EA GRILLE-SPEAKER, OVAL 5" X 7" - GRAY - MAGNADYNE SB68
	108137-01-000	EA PLUG-ANTENNA HOLE, WARD PRODUCTS

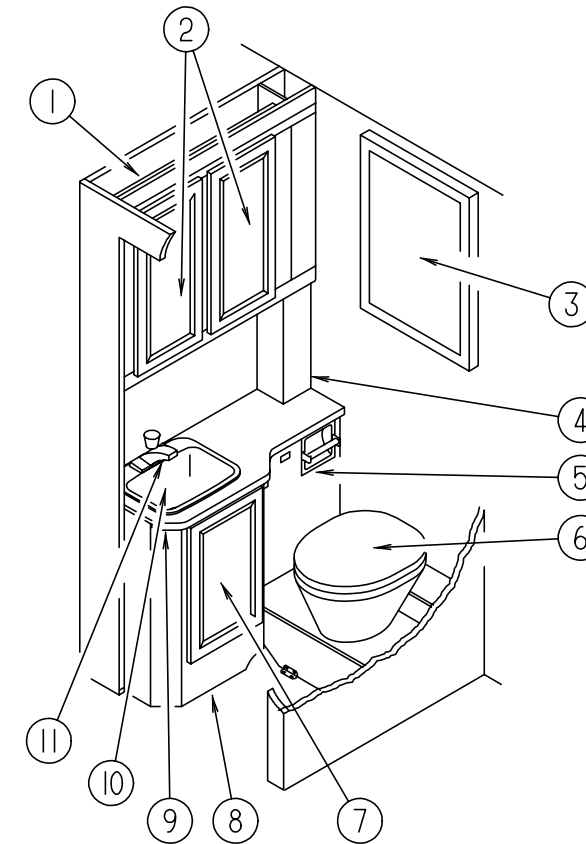
RADIO-PATIO ENTERTAINMENT CENTER

KEY	PART NUMBER	U/M DESCRIPTION
	087683-03-000	EA RADIO-AM/FM STEREO CASSETTE - AUDIOVOX RS-100
	090944-01-000	EA ANTENNA-RADIO, 16" RUBBER
	108847-01-000	EA BRACKET-ANTENNA GROUND
	077069-02-000	EA CABLE-ANTENNA, RADIO - EXTENSION 96" - ARA 6700667
	076319-03-000	FT CABLE-COAXIAL, 75 OHM
	076319-12-000	EA CONNECTOR-COAXIAL, ONE PIECE
	082134-01-000	EA ADAPTER-CABLE TO CABLE, WINEGARD F-81M
	086756-01-000	EA SPLITTER-TV, 2 WAY
	109889-01-000	EA EXTENDER-SHAFT, ANTENNA - 1" - MAGNADYNE RV71EX1
	110469-01-000	EA SPEAKER-OVAL, 4" X 6" - COAXIAL - MAGNADYNE F46XB-12
	110470-01-01A	EA GRILLE-SPEAKER, OVAL 4" X 6" - BLACK - MAGNADYNE G46WI

TV - VCR SYSTEMS

KEY	PART NUMBER	U/M DESCRIPTION	VENDOR NO.
	113684-01-000	EA TV-19" COLOR UL AND CSA - AUDIOVOX AVT-1975	
	113684-01-700	EA REMOTE	8822345
	098446-07-000	EA VCR-VHS, CABLE READY - REMOTE - MAGNAVOX VR9320	
		FROM: 00-00-00 THRU: 10-08-95	
	098446-09-000	EA VCR-VHS, CABLE READY - REMOTE - MAGNAVOX VRT222AT	
		FROM: 10-09-95 THRU: 99-99-99	
	098446-07-700	EA REMOTE-MODEL #VR9320	8874589
	086757-03-000	EA CONTROL CENTER-SWITCH, VCR/TV - AUDIOVOX AVCC-100	
	076319-08-000	EA WALLPLATE-CABLE RECEPTACLE, TV - SINGLE - IVORY	
	086777-02-000	EA WALLPLATE-TV CABLE, W/ANTENNA SWITCH - BROWN	
	086777-06-000	EA WALLPLATE-ANTENNA, 1 OUTPUT BROW - WINEGARD RV-0931	
	076319-03-000	FT CABLE-COAXIAL, 75 OHM	
	076319-12-000	EA CONNECTOR-COAXIAL, ONE PIECE	
	082134-01-000	EA ADAPTER-TV, CABLE TO CABLE - WINEGARD F-81M	
	086756-01-000	EA SPLITTER-TV, 2 WAY	
	082136-01-000	EA NUT-HEX JAM, 3/8-32, WINEGARD	

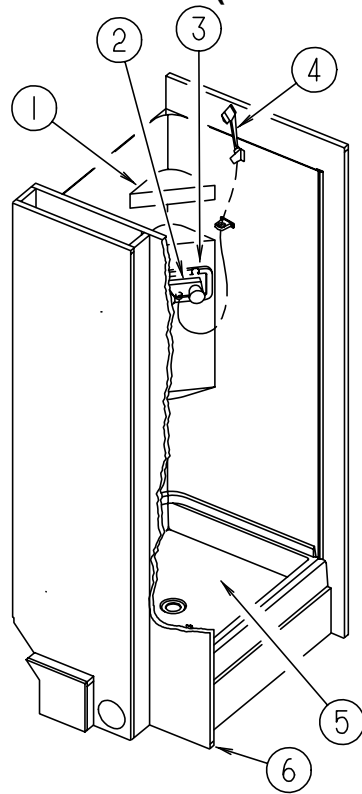
BATH GROUP



BATHROOM CABINETS & FIXTURES

KEY	PART NUMBER	U/M DESCRIPTION
1	114001-01-G01	EA CABINET-MEDICINE, W/O DOOR & HARDWARE
2	110140-31-G01	EA DOOR-CABINET, W/O HARDWARE - 305MM X 660MM
2	M06803-63-G01	EA DOOR-CABINET, W/O HARDWARE - 305MM X 660MM (DELUXE OPTION)
	058331-90-000	EA MIRROR-GLASS, SAFETY - 222MM X 577MM
3	058331-01-000	EA MIRROR-GLASS, SAFETY - 19" X 26"
4	109180-02-G21	EA CABINET-PIPE COVER
4	109180-02-G22	EA CABINET-PIPE COVER
5	075452-02-000	EA HOLDER-TOILET TISSUE, BRASS
6	067487-01-000	EA TOILET-12.37", IVORY - HAND FLUSH - THETFORD 150110
7	110140-33-G01	EA DOOR-CABINET, W/O HARDWARE - 305MM X 555MM
7	M06803-M6-G01	EA DOOR-CABINET, W/O HARDWARE - 305MM X 555MM (DELUXE OPTION)
8	P09063-01-G21	EA CABINET-LAVATORY, W/O DOOR & HARDWARE
8	P09063-01-G22	EA CABINET-LAVATORY, W/O DOOR & HARDWARE
8	M07460-03-G21	EA CABINET-LAVATORY, W/O DOOR & HARDWARE (DELUXE OPTION)
8	M07460-03-G22	EA CABINET-LAVATORY, W/O DOOR & HARDWARE (DELUXE OPTION)
9	109063-12-E01	EA COUNTERTOP-CABINET, LAVATORY (G21)
9	109063-12-G22	EA COUNTERTOP-CABINET, LAVATORY (G22)
10	096927-01-01A	EA SINK-LAVATORY, RECTANGULAR - PLASTIC - BONE
	096927-01-700	EA SINK-STOPPER
	096927-01-701	EA TAILPIECE-SINK
11	075240-06-000	EA FAUCET-LAVATORY, BONE
11	075240-05-000	EA FAUCET-LAVATORY, BRASS (DELUXE OPTION)
	091253-01-000	EA GASKET-FAUCET, LAVATORY/GALLEY
	075453-02-000	EA BAR-TOWEL, 18" BRASS

BATH GROUP (CONTINUED)



SHOWER CABINET & FIXTURES

KEY	PART NUMBER	U/M DESCRIPTION
	080507-01-000	EA PANEL-SKYLIGHT, OUTER - PLEXIGLASS - 23.25" X 20.3" (DELUXE OPTION)
	080508-01-000	EA PANEL-SKYLIGHT, INNER - PLEXIGLASS - 23.25" X 20.3" (DELUXE OPTION)
1	105707-01-01A	EA CADDY-SHOWER
2	075241-05-000	EA FAUCET-SHOWER, BONE
3	075606-01-000	EA PANEL-FAUCET BACK, SHOWER - 5" X 9" - PLASTIC
4	103092-01-000	EA SHOWER HEAD-W/60 IN. HOSE - US
4	103092-02-000	EA SHOWER HEAD-W/60 IN. HOSE - CANADIAN
	103092-01-700	EA BRACKET-SHOWER HEAD, CLEAR
	011048-03-700	EA BRACKET/F SHOWER HEAD 2328029-3
5	M02673-05-B13	EA PAN-SHOWER, 29.8" X 22.7" X 5.7" - OFF WHITE - PLASTIC
	066440-01-000	EA STRAINER-SHOWER, W/RUBBER WASHER
	069735-01-000	EA WASHER-STRAINER TO TAILPIECE PLASTIC, 1.5"
	011069-02-000	EA TAILPIECE-TUB/SHOWER, 1 1/2" X 1 1/4" X 4" - BRASS
	066436-01-000	EA NUT-SLIP, TAILPIECE - 1.5"
6	105629-01-01A	EA SURROUND-SHOWER OFF WHITE (DELUXE OPTION)
	057671-01-000	EA COVER-SCREW, #8 - PLASTIC - OFF WHITE

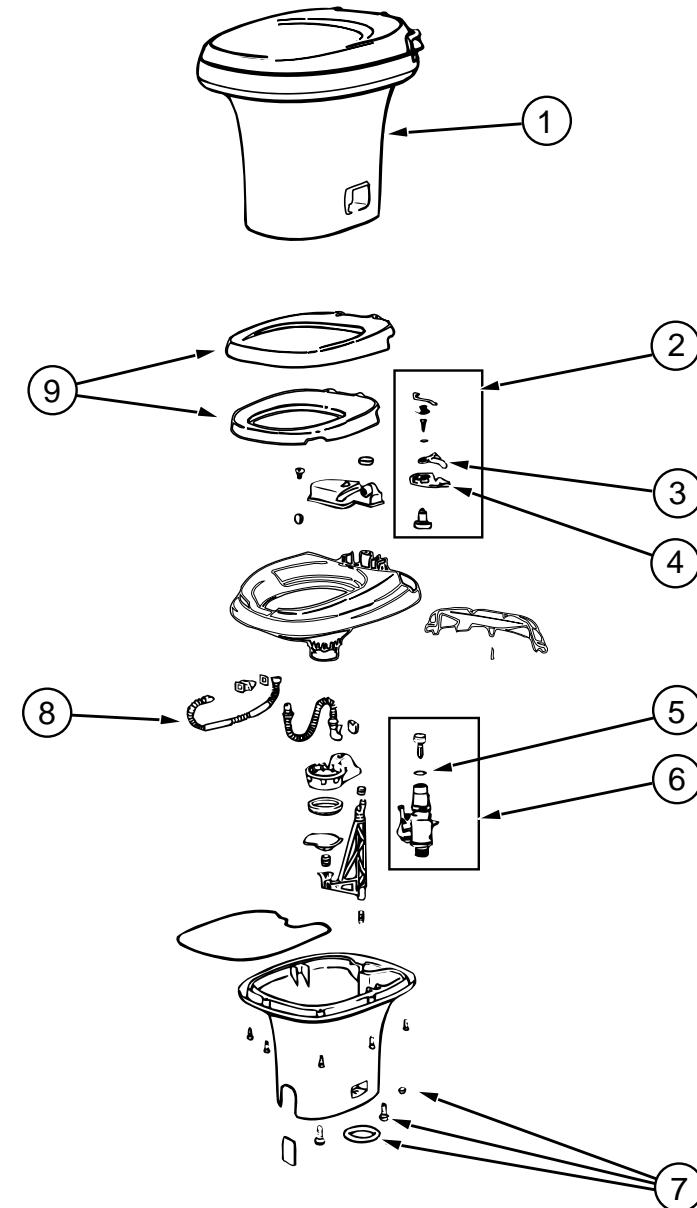
SHOWER DOOR

KEY	PART NUMBER	U/M DESCRIPTION
	117431-01-01A	EA DOOR-SHOWER, PLEATED FABRIC
	117431-01-700	EA TRACK-TOP, 39 3/8" - ALUMINUM INSERT - IVORY
	117431-01-701	EA TRACK-BOTTOM, 39 3/8"
	117431-01-702	EA RAIL-SIDE, 63"
	117431-01-703	EA RAIL-STATIONARY, 63"
	117431-01-704	EA RAIL-LEAD, 63"
	117431-01-705	EA GLIDE-IVORY, TRAVELER
	117431-01-706	EA GLIDE-IVORY LEAD, TRAVELER
	117431-01-707	EA LATCH
	117431-01-708	EA HANDLES & SCREWS
	117431-01-709	EA STRAP-SHOWER, VINYL

BATH PRIVACY DOOR

KEY	PART NUMBER	U/M DESCRIPTION
	100494-06-G01	EA DOOR ASM-BATH
	009151-01-000	EA GUARD-WARP, CABINET/PRIVACY DOOR - 48"
	058335-02-000	EA LATCH-SHOWER/BATH DOOR, W/O LOCK - PLASTIC - BROWN

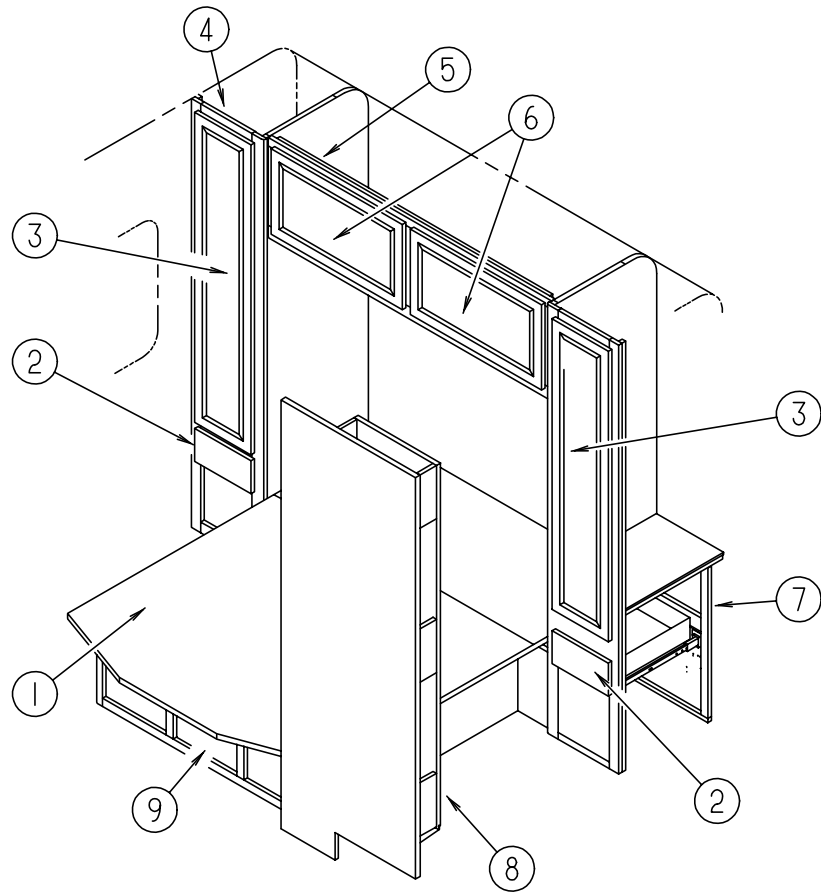
BATH GROUP (CONTINUED)



TOILET & COMPONENTS - THETFORD - AQUA MAGIC IV LOW

KEY	PART NUMBER	U/M DESCRIPTION	VENDOR NO.
1	067487-01-000	EA TOILET - 12.37", IVORY - HAND FLUSH 150110	
2	063740-01-700	EA LEVER-WATER	12514
3	063740-01-701	EA LEVER-FLUSH	12515
4	063740-01-713	EA SEAL-BALL VALVE TO BOWL	12502
5	063740-01-714	EA VALVE ASSEMBLY-WATER	12492
6	063740-01-706	EA BOLT PACKAGE-CLOSET	12524
7	063740-01-717	EA TUBE-FLUSH, TOILET	12509
8	067487-02-702	EA TANK-RESERVOIR	12507
9	063740-02-700	EA SEAT & COVER, PARCHMENT	2464157

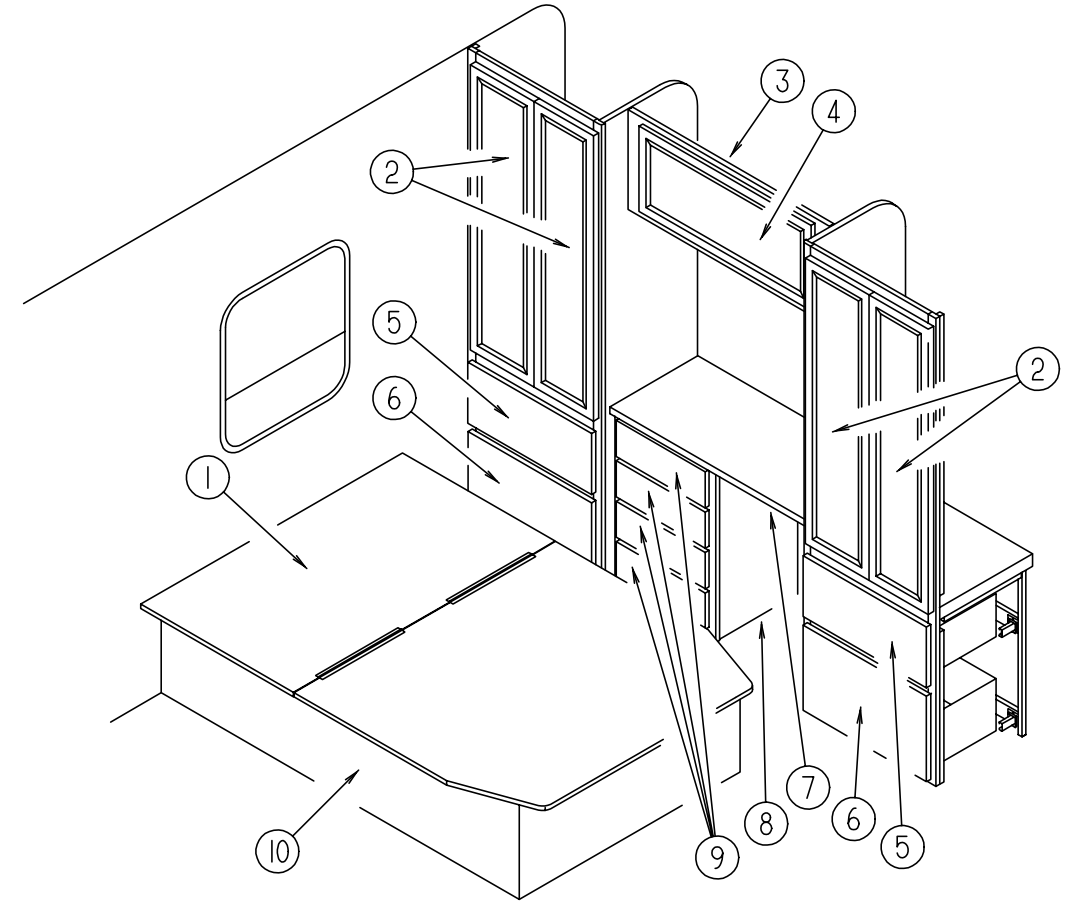
BEDROOM GROUP



QUEEN BEDROOM CABINETS

KEY	PART NUMBER	U/M	DESCRIPTION
1	M06959-01-F15	EA	CABINET-QUEEN BED TOP
	091261-01-000	FT	BACKING-NON-SKID, 12" X 100'
	105376-01-02A	EA	HINGE-CONTINUOUS, 2" X 140MM - OFF WHITE
2	P10163-H0-G01	EA	DRAWER-CABINET, W/O HARDWARE
2	M05971-11-G01	EA	DRAWER-CABINET, W/O HARDWARE (DELUXE OPTION)
3	110140-23-G01	EA	DOOR-CABINET, W/MIRROR - W/O HARDWARE - 305MM X 1220MM
3	M06803-R8-G01	EA	DOOR-CABINET, W/MIRROR - W/O HARDWARE - 305MM X 1220MM (DELUXE OPT.)
4	P14262-01-G01	EA	CABINET-WARDROBE, RIGHT
5	114000-01-G01	EA	CABINET-OVERHEAD, W/O DOORS OR HARDWARE
6	110140-18-G01	EA	DOOR-CABINET, W/O HARDWARE - 400MM X 710MM
6	110140-21-G01	EA	DOOR-CABINET, W/MIRROR - W/O HARDWARE - 400MM X 710MM
6	M06803-82-G01	EA	DOOR-CABINET, W/O HARDWARE - 400MM X 710MM (DELUXE OPTION)
6	M06803-13-G01	EA	DOOR-CABINET, W/MIRROR - W/O HARDWARE - 400MM X 710MM (DELUXE OPT.)
7	P14261-01-G01	EA	CABINET-WARDROBE, LEFT
8	115978-01-G01	EA	CABINET-PIPE COVER
9	P14435-01-G01	EA	CABINET ASM-BED,QUEEN
	107796-05-000	EA	BRACKET-GAS SPRING, FLAT
	107796-06-000	EA	SPRING-GAS, 20" LENGTH - 120 LB
	107796-07-000	EA	BRACKET-GAS SPRING

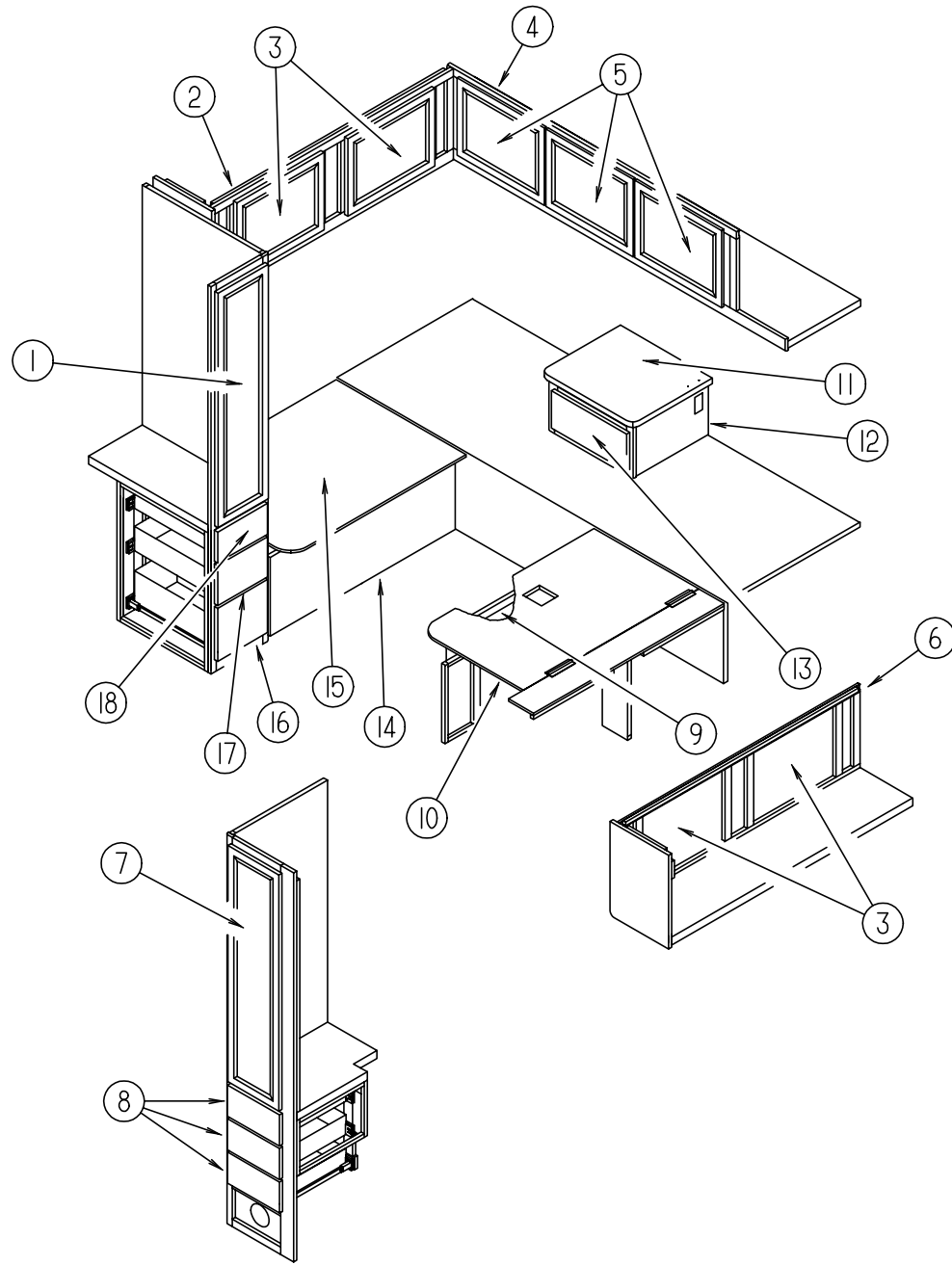
BEDROOM GROUP (CONTINUED)



DOUBLE BEDROOM CABINETS

KEY	PART NUMBER	U/M	DESCRIPTION
1	P19644-01-G01	EA	TOP-DOUBLE BED CABINET
	091261-01-000	FT	BACKING-NON-SKID, 12" X 100'
	041389-17-000	EA	HINGE-CONTINUOUS, 16" - OFF WHITE
2	110140-23-G01	EA	DOOR-BI-FOLD, W/MIRROR - W/O HARDWARE - 305MM X 1220MM
2	M06803-66-G01	EA	DOOR-BI-FOLD, W/MIRROR - W/O HARDWARE - 305MM X 1220MM (DELUXE OPT.)
3	117260-01-G01	EA	CABINET-OVERHEAD, W/O DOORS OR HARDWARE
4	110140-05-G01	EA	DOOR-CABINET, W/O HARDWARE - 365MM X 850MM
4	110140-65-G01	EA	DOOR-CABINET, W/MIRROR - W/O HARDWARE - 365MM X 850MM
4	M06803-L7-G01	EA	DOOR-CABINET, W/O HARDWARE - 365MM X 850MM (DELUXE OPTION)
4	M06803-P4-G01	EA	DOOR-CABINET, W/MIRROR - W/O HARDWARE - 365MM X 850MM (DELUXE OPT.)
5	P10163-M0-G01	EA	DRAWER-CABINET, W/O HARDWARE
5	M05971-T3-G01	EA	DRAWER-CABINET, W/O HARDWARE (DELUXE OPTION)
6	P10163-M1-G01	EA	DRAWER-CABINET, W/O HARDWARE
6	M05971-T4-G01	EA	DRAWER-CABINET, W/O HARDWARE (DELUXE OPTION)
7	117262-11-G21	EA	COUNTERTOP-VANITY
7	117262-11-G22	EA	COUNTERTOP-VANITY
8	P17262-01-G21	EA	CABINET-VANITY
8	P17262-01-G22	EA	CABINET-VANITY
9	P10163-M2-G01	EA	DRAWER-CABINET, W/O HARDWARE
9	M05971-T5-G01	EA	DRAWER-CABINET, W/O HARDWARE (DELUXE OPTION)
10	P19644-01-G01	EA	CABINET-DOUBLE BED
	107796-05-000	EA	BRACKET-GAS SPRING, FLAT
	107796-06-000	EA	SPRING-GAS, 20" LENGTH - 120 LB
	107796-07-000	EA	BRACKET-GAS SPRING

BEDROOM GROUP (CONTINUED)

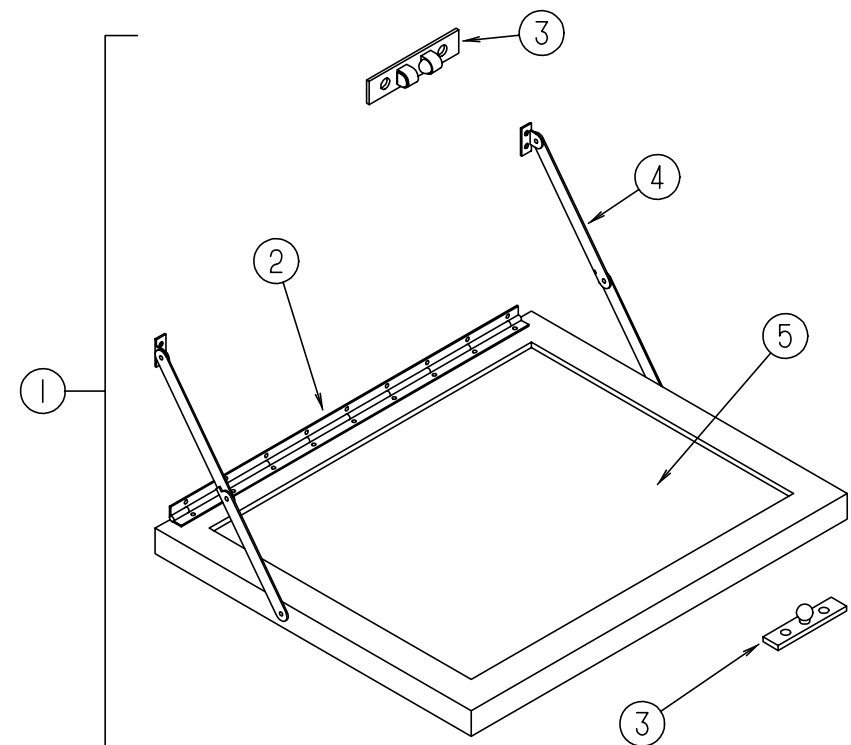


TWIN BEDROOM CABINETS

KEY	PART NUMBER	U/M DESCRIPTION
1	110140-22-G04	EA DOOR-CABINET, W/O HARDWARE - 305MM X 1220MM
1	M06803-E9-G01	EA DOOR-CABINET, W/O HARDWARE - 305MM X 1220MM (DELUXE OPTION)
2	117257-01-G01	EA CABINET-OVERHEAD, W/O DOORS OR HARDWARE
3	110140-27-G01	EA DOOR-CABINET, W/O HARDWARE - 400MM X 500MM
3	M06803-B1-G01	EA DOOR-CABINET, W/O HARDWARE - 400MM X 500MM (DELUXE OPTION)
4	117251-02-G01	EA CABINET-OVERHEAD, W/O DOORS OR HARDWARE
5	110140-27-G01	EA DOOR-CABINET, W/O HARDWARE - 400MM X 500MM
5	M06803-B1-G01	EA DOOR-CABINET, W/O HARDWARE - 400MM X 500MM (DELUXE OPTION)
5	110140-29-G01	EA DOOR-CABINET, W/MIRROR - W/O HARDWARE - 400MM X 500MM
5	M06803-03-G01	EA DOOR-CABINET, W/MIRROR - W/O HARDWARE - 400MM X 500MM (DELUXE OPT.)
6	117257-02-G01	EA CABINET-OVERHEAD, W/O DOORS OR HARDWARE
7	110140-22-G04	EA DOOR-CABINET, W/O HARDWARE - 305MM X 1220MM
7	M06803-E9-G01	EA DOOR-CABINET, W/O HARDWARE - 305MM X 1220MM (DELUXE OPTION)
8	P10163-P3-G01	EA DRAWER-CABINET, W/O HARDWARE
8	M05971-V0-G01	EA DRAWER-CABINET, W/O HARDWARE (DELUXE OPTION)
9	P14440-01-G01	EA CABINET-BED TWIN, LEFT

BEDROOM GROUP (CONTINUED) TWIN BEDROOM CABINETS (CONTINUED)

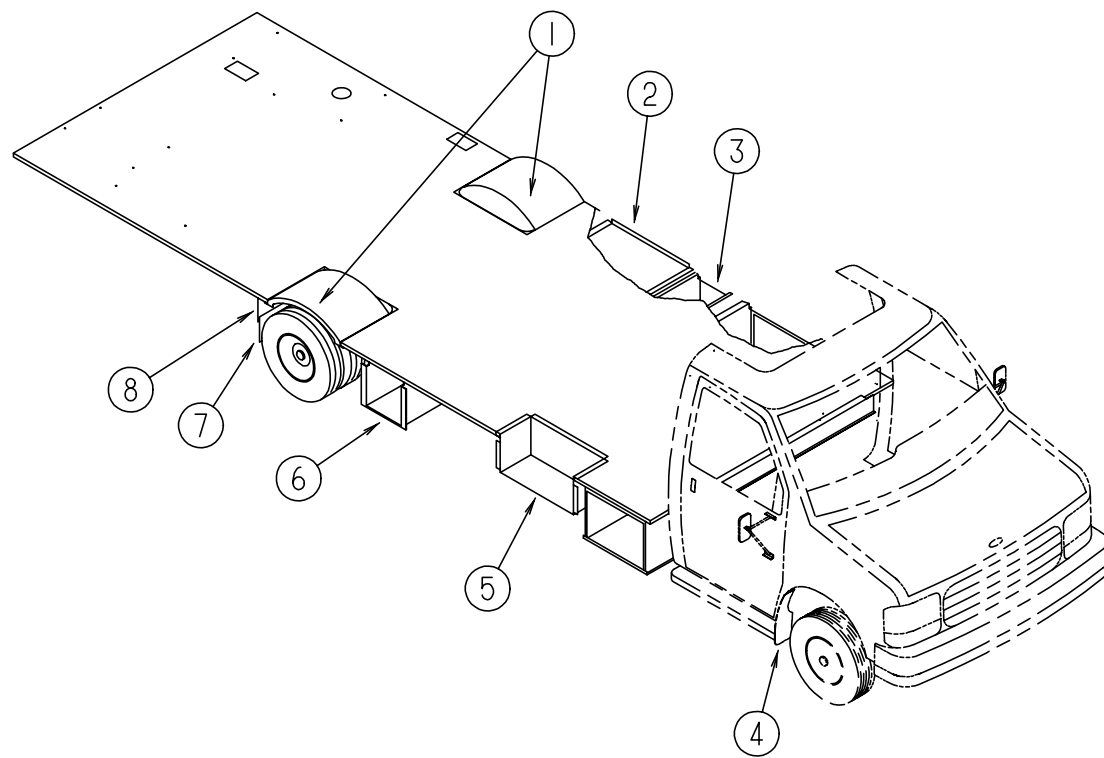
KEY	PART NUMBER	U/M DESCRIPTION
10	M06960-02-F15	EA TOP-TWIN BED CABINET, LEFT
11	116329-11-F01	EA COUNTERTOP-NIGHTSTAND (G21)
11	116329-11-G22	EA COUNTERTOP-NIGHTSTAND (G22)
12	P16329-01-G21	EA CABINET-NIGHTSTAND, W/O DRAWERS OR HARDWARE
12	P16329-01-G22	EA CABINET-NIGHTSTAND, W/O DRAWERS OR HARDWARE
13	P10163-H4-G01	EA DRAWER-CABINET, W/O HARDWARE
13	M05971-44-G01	EA DRAWER-CABINET, W/O HARDWARE (DELUXE OPTION)
14	P14439-01-G01	EA CABINET-BED TWIN, RIGHT
15	M06960-01-000	EA TOP-TWIN BED CABINET, RIGHT
16	P10163-P0-G01	EA DRAWER-CABINET, W/O HARDWARE
16	M05971-47-G01	EA DRAWER-CABINET, W/O HARDWARE (DELUXE OPTION)
17	P10163-P1-G01	EA DRAWER-CABINET, W/O HARDWARE
17	M05971-48-G01	EA DRAWER-CABINET, W/O HARDWARE (DELUXE OPTION)
18	P10163-P2-G01	EA DRAWER-CABINET, W/O HARDWARE
18	M05971-49-G01	EA DRAWER-CABINET, W/O HARDWARE (DELUXE OPTION)
	117090-01-G01	EA SHELF-OVERHEAD CABINET, USED W/BUNK BEDS
	107796-05-000	EA BRACKET-GAS SPRING, FLAT
	107796-12-000	EA SPRING-GAS 17" LENGTH, 120 LB
	107796-07-000	EA BRACKET-GAS SPRING



TV STAND

KEY	PART NUMBER	U/M DESCRIPTION
1	084357-02-G09	EA TV STAND ASM
2	084413-01-000	EA HINGE-CONTINUOUS, ALUMINUM - 1" X 72" - W/HOLES
3	088451-01-000	EA CATCH-TV SHELF, BRASS
4	084412-01-000	EA SUPPORT HINGE KIT, LEFT AND RIGHT
5	084356-08-000	EA INSERT-TV STAND, W/SUPPORT HINGE - METAL - OFF WHITE

CHASSIS GROUP



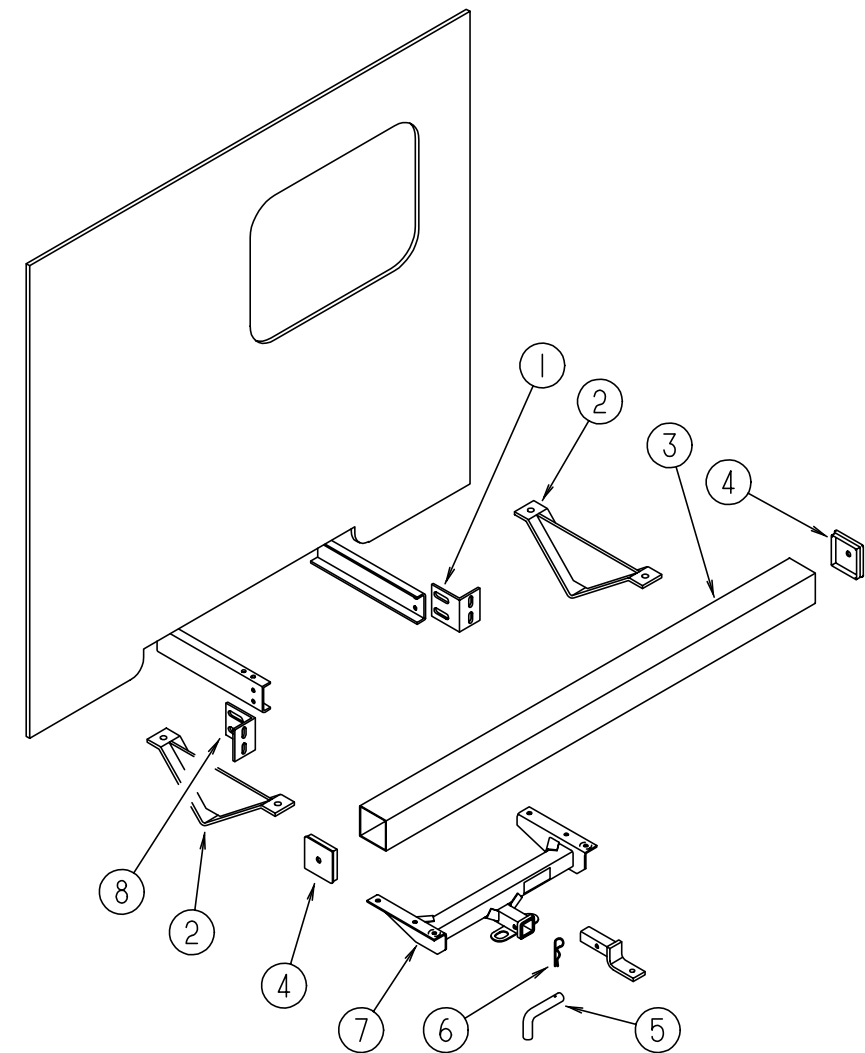
MISCELLANEOUS CHASSIS COMPONENTS

KEY	PART NUMBER	U/M DESCRIPTION
1	112435-02-000	EA WHEELWELL
2	114394-01-02B	EA COMPARTMENT ASM-GENERATOR, E-COAT
	061420-01-000	EA PLUG-PLASTIC, 1.75" - BROWN
	114070-02-02B	EA SUPPORT ASM-GENERATOR, LH - E-COAT
	114071-02-02B	EA SUPPORT ASM-GENERATOR, RH - E-COAT
3	102979-04-000	EA BOX-POWER CORD
4	072884-27-703	EA MUD FLAPS-W/HOLES, PAIR 99171
5	077848-02-000	EA STEP-PULLOUT
	102569-04-000	EA MAT-ANTI SLIP SAFETY TRACK 3100
	076241-13-000	EA SUPPORT ASSEMBLY-ENTRANCE STEP
	091176-01-000	EA SUPPORT-BASE-ENTRANCE STEP
6	105203-03-000	EA COMPARTMENT-BATTERY
	084993-01-000	EA STRAP ASSEMBLY-BATTERY, WEBBING & BUCKLE - 1100MM X 1" WIDE
	084993-02-000	EA STRAP ASSEMBLY-BATTERY, WEBBING & BUCKLE - 1400MM X 1" WIDE
7	017516-01-000	EA FLAP-MUD, 14" X 18" - BLACK
8	045731-06-000	EA GUARD-ROCK
	056746-01-000	EA PLUG-CAP, 1" DIAMETER
	056748-01-000	EA PLUG-CAP, 1.5" DIAMETER - BLACK
	061420-05-000	EA PLUG-PLASTIC, 1.8" DIAMETER
	115361-01-01A	EA PLUG-PLASTIC

ELECTRIC STEP - KWIKEE - MODEL 3218

KEY	PART NUMBER	U/M DESCRIPTION	VENDOR NO.
	094708-01-01A	EA STEP-ENTRANCE DOOR, ELECTRIC - SINGLE 2813	
	088746-01-709	EA FRAME W/SINGLE STEP, 2800 SERIES	908028
	094707-02-700	EA MOTOR-W/BEARINGS & PINS	909520
	094707-02-702	EA GEAR KIT-W/BEARINGS, PIN-CASE	909525
	094707-02-703	EA BEARING & PINS	909530
	094707-02-704	EA CONNECTOR-MOTOR W/PLATES	909537
	094707-02-705	EA CONTROL UNIT, WHITE	909513
	094707-02-707	EA TREAD-NON SKID, 6" X 21" - BLACK	909333
	094708-03-700	EA LINKAGE ASSEMBLY-SERIES 28	909533

CHASSIS GROUP (CONTINUED)



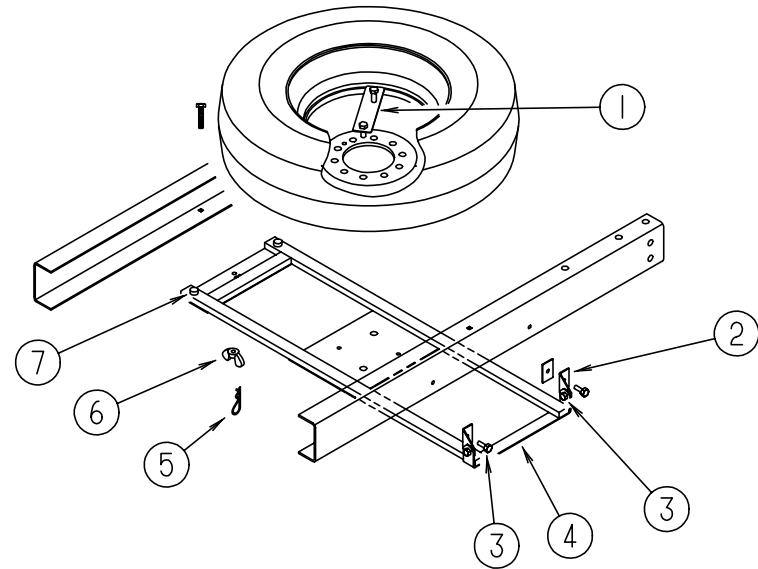
REAR BUMPER & HITCH

KEY	PART NUMBER	U/M DESCRIPTION
1	104420-01-000	EA SUPPORT-ANGLE, REAR BUMPER - RIGHT
2	083376-01-000	EA PLATE-SKID, 13.2" X 6" X 2" - STEEL
3	103422-02-02A	EA BUMPER-SQUARE, ALUMINUM - BRIGHT WHITE
4	039779-01-000	EA CAP-BUMPER, RUBBER - 4" X 4" - BLACK
5	034512-01-000	EA PIN-LOCKING, DRAWBAR
6	034513-01-000	EA PIN-HITCH, 3/16" WIRE
7	107707-08-000	EA HITCH-TRAILER, W/O DRAWBAR - 41.1" WIDE - STEEL - BLACK
8	104420-02-000	EA SUPPORT-ANGLE, BUMPER REAR - LEFT
	097744-02-000	EA HOUSING-TRAILER PIN, 48"
	097745-02-000	EA HOUSING-RECEPTACLE, TRAILER - 12" WIRE LENGTH
	113589-02-000	EA CONNECTOR-SOCKET, TRAILER - GENERAL 433601
	113589-01-000	EA CONNECTOR-PLUG, TRAILER - GENERAL 433501
	113634-01-000	EA WIRE ASSEMBLY-TRAILER, ADAPTER

DRIVESHAFT

KEY	PART NUMBER	U/M DESCRIPTION
	103653-10-000	EA DRIVESHAFT ASM-BALANCED PAIR, 190" WHEELBASE (158) (DIESEL)
	103653-16-000	EA DRIVESHAFT ASM-BALANCED PAIR, 190" WHEELBASE (158) (GAS)
	074833-01-000	EA SPACER-BEARING, DRIVESHAFT - 2" X 8" X .5" THICK
	085771-03-000	EA NUT-HEX, TORQUE - GRADE G DRIVE SHAFT
	088498-01-000	EA UNION-INVERTED FLARE, BRASS - 3/16 - 3/8 - 24 THREAD - BRAKE LINE
	115043-02-000	EA BUSHING-INCREASE, 2.5" OD - 3.5" OD NEAPCO FORD DIESEL

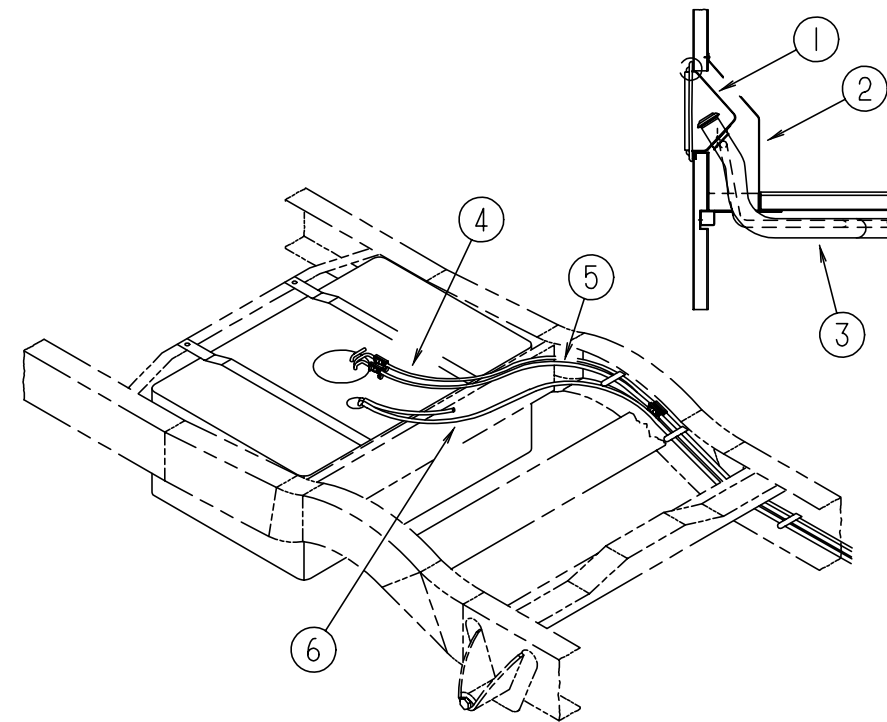
CHASSIS GROUP (CONTINUED)



SPARE TIRE INSTALLATION

KEY	PART NUMBER	U/M	DESCRIPTION
1	116338-02-02B	EA	BRACKET-CLAMP, SPARE TIRE - E-COAT
	000D39-08-00B	EA	NUT-HEX-SERRATED FLANGE LOCK, 1/2-13 - ZINC
2	116349-01-02B	EA	BRACKET-HINGE, SPARE TIRE - E-COAT
3	000C26-06-12B	EA	BOLT-HEX-SERRATED FLANGE, 3/8-16X3/4
	000D39-06-00B	EA	NUT-HEX-SERRATED FLANGE LOCK, 3/8-16 - ZINC
	000E13-17-00B	EA	WASHER-FLARE, 3/8 AR - ZINC
4	116348-01-02B	EA	CRADLE ASSEMBLY-SPARE TIRE, E-COAT
5	034513-01-000	EA	PIN-HITCH, 3/16 WIRE
6	064081-03-000	EA	NUT-WING, 3/8-16 - W/WELD NUT
7	069726-02-000	EA	BUMPER - .88 DIAMETER - 40 - BLACK
	112358-01-000	EA	WRENCH-LUG, 7/8 - L-SHAPE FORD F2UA-17035-CA

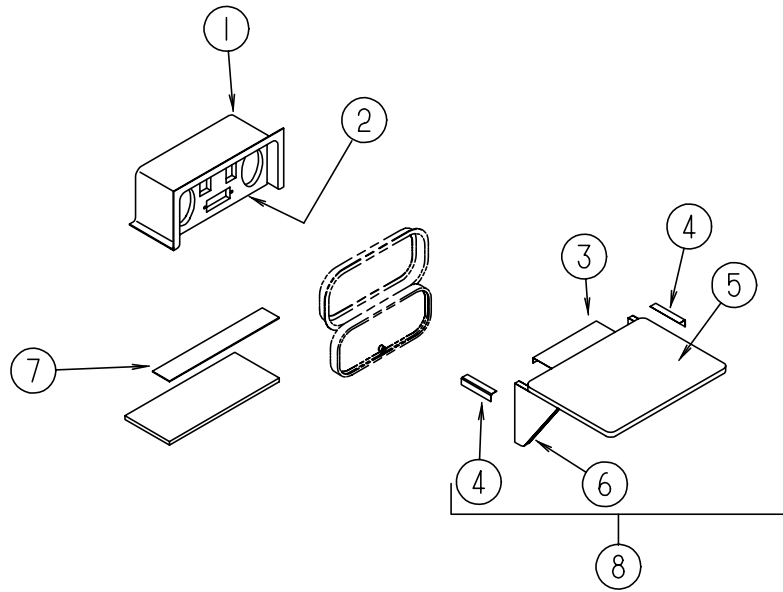
CHASSIS GROUP (CONTINUED)



FUEL SYSTEM COMPONENTS

KEY	PART NUMBER	U/M	DESCRIPTION
1	095854-01-04A	EA	SHROUD-FUEL FILL, PLASTIC - BRIGHT WHITE
2	078040-06-000	EA	SHROUD-FUEL FILL, UPPER - PLASTIC
3	108603-01-000	EA	NECK-FUEL FILL, MAIN - GAS
3	108603-02-000	EA	NECK-FUEL FILL, MAIN - DIESEL
	078200-01-000	EA	GASKET-FUEL FILL, 3.5" OD X 2" ID
4	106389-01-000	EA	FUEL LINE ASSEMBLY-FORD, 3/8 HP
5	106388-01-000	EA	FUEL LINE ASSEMBLY-FORD, 5/16 HP
	007063-01-000	FT	HOSE-GAS, 1/4" ID X 1/2" OD
6	044317-01-000	FT	HOSE-FUEL, 3/8" ID
	084884-01-000	EA	PLUG-BRASS, 3/8"
	083610-02-000	EA	CLAMP-WIRE, DUAL UNEQUAL DIAMETER
	088258-02-000	EA	CLIP-RETAINING, FUEL LINE - SINGLE

CHASSIS GROUP (CONTINUED)



EXTERIOR ENTERTAINMENT CENTER

KEY	PART NUMBER	U/M DESCRIPTION
1	104897-02-02A	EA BOX-ENTERTAINMENT CENTER, BRIGHT WHITE
2	104899-01-C05	EA PLATE-RADIO MOUNTING
3	105377-01-01A	EA BRACKET-TABLE HANGER, OFF WHITE
4	105376-01-02A	EA HINGE-CONTINUOUS, 2" X 140MM - OFF WHITE
5	105230-11-E01	EA SHELF ASM
6	105230-12-F11	EA SUPPORT-SHELF
7	104898-01-02A	EA PLATE-PLASTIC BOTTOM, BRIGHT WHITE
8	105230-01-F11	EA SHELF-EXTERIOR TV

WHEEL LINERS - DICOR

KEY	PART NUMBER	U/M DESCRIPTION	VENDOR NO.
	110435-02-000	EA LINER-WHEEL, SET OF 4	V160F2
	110435-02-700	EA LINER-WHEEL, FRONT	V160F2-FWC
	110435-02-701	EA LINER-WHEEL, REAR	V160F2-RWC
	110435-02-702	EA STUD EXTENSION	V160SD-STX
	110435-02-703	EA NUT-JAMB	V160SD-JNT
	110435-02-704	EA LUG NUT COVER	V160F0-LNC
	110435-02-705	EA TOOL-JAMB NUT, INSTALLATION	V160F0-TOL

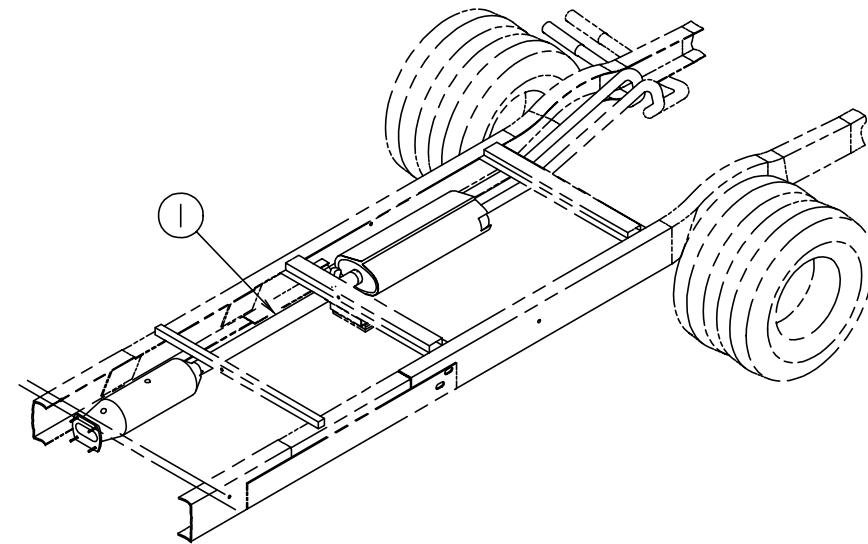
WHEEL COVERS - DICOR

KEY	PART NUMBER	U/M DESCRIPTION	VENDOR NO.
	109443-05-000	EA WHEEL COVER - 4/SET, 16" STAINLESS STEEL	SHFM16
	109443-05-700	EA COVER WHEEL - 16"	SHFM16-CVR
	098532-01-700	EA LUG NUT COVER - CHROME	SP-FM-CLN

TIRE & WHEEL

KEY	PART NUMBER	U/M DESCRIPTION
	083425-11-000	EA TIRE-LT225/75R16 LRD - MICHELIN LTX A/S
	083617-03-000	EA WHEEL-STEEL, 16.0 X 6 - ACCURIDE 28618
	095012-03-000	EA EXTENSION-VALVE STEM - DUAL WHEEL

CHASSIS GROUP (CONTINUED)



EXHAUST SYSTEM COMPONENTS

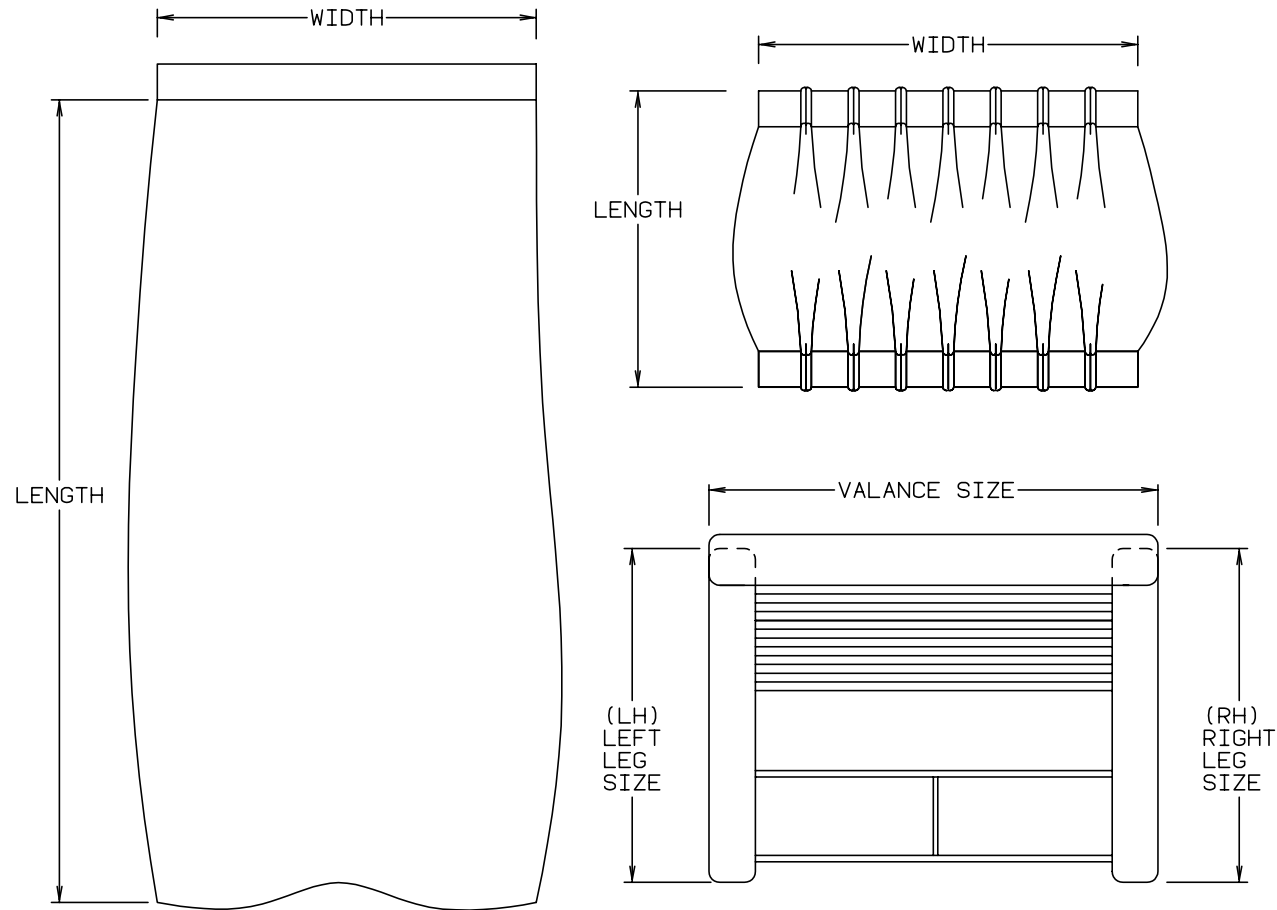
KEY	PART NUMBER	U/M DESCRIPTION
	091182-04-000	EA SHIELD-HEAT
1	098762-13-000	EA PIPE-EXHAUST, STRAIGHT - 3.5" - DIESEL
	094918-02-000	EA CLAMP-EXHAUST, 3.5" - GUILLOTINE STYLE
1	111478-02-000	EA PIPE-EXHAUST, DUAL EXHAUST - GAS
	094918-06-000	EA CLAMP-EXHAUST, 3" - HEAVY DUTY - HECO 24698

CURTAIN & CUSHION GROUP

NOTICE

IN ORDER TO ASSIST OUR PARTS SALES DEPT. IN PROVIDING INTERIOR SOFTWARE ITEMS, PLEASE INCLUDE THE SERIAL NUMBER AND THE COLOR CODE NUMBER FROM THE VEHICLE CERTIFICATION LABEL WHEN ORDERING. THIS LABEL IS LOCATED ON THE LEFT SIDEWALL AT THE END OF THE DASH (A-BODY), OR ON THE DRIVER'S DOOR LATCH PLATE (C-BODY).

AN EXAMPLE OF A COLOR CODE NUMBER IS B07, WHICH DESIGNATES AN OVERALL COLOR SCHEME OF A PARTICULAR UNIT. THE COLOR LISTED AFTER THE ITEM DESCRIPTION ON THE MICROFICHE, INDICATES THE OVERALL UNIT COLOR. ORDER THE ITEM YOU DESIRE ACCORDING TO UNIT COLOR CODE.



NOTE: USE THIS ILLUSTRATION WHEN DETERMINING LENGTH AND WIDTH MEASUREMENTS FOR CURTAINS. YOU WILL NOTE THE WIDTH MEASUREMENT IS TAKEN ON THE TOP OF THE CURTAIN WITH THE CURTAIN FULLY EXTENDED. THE LENGTH MEASUREMENT IS TAKEN FROM TOP TO BOTTOM. LEFT AND RIGHT WINDOW LEGS ARE DETERMINED WHEN FACING THE WINDOW.

CURTAIN & CUSHION GROUP (CONTINUED)

FABRICS

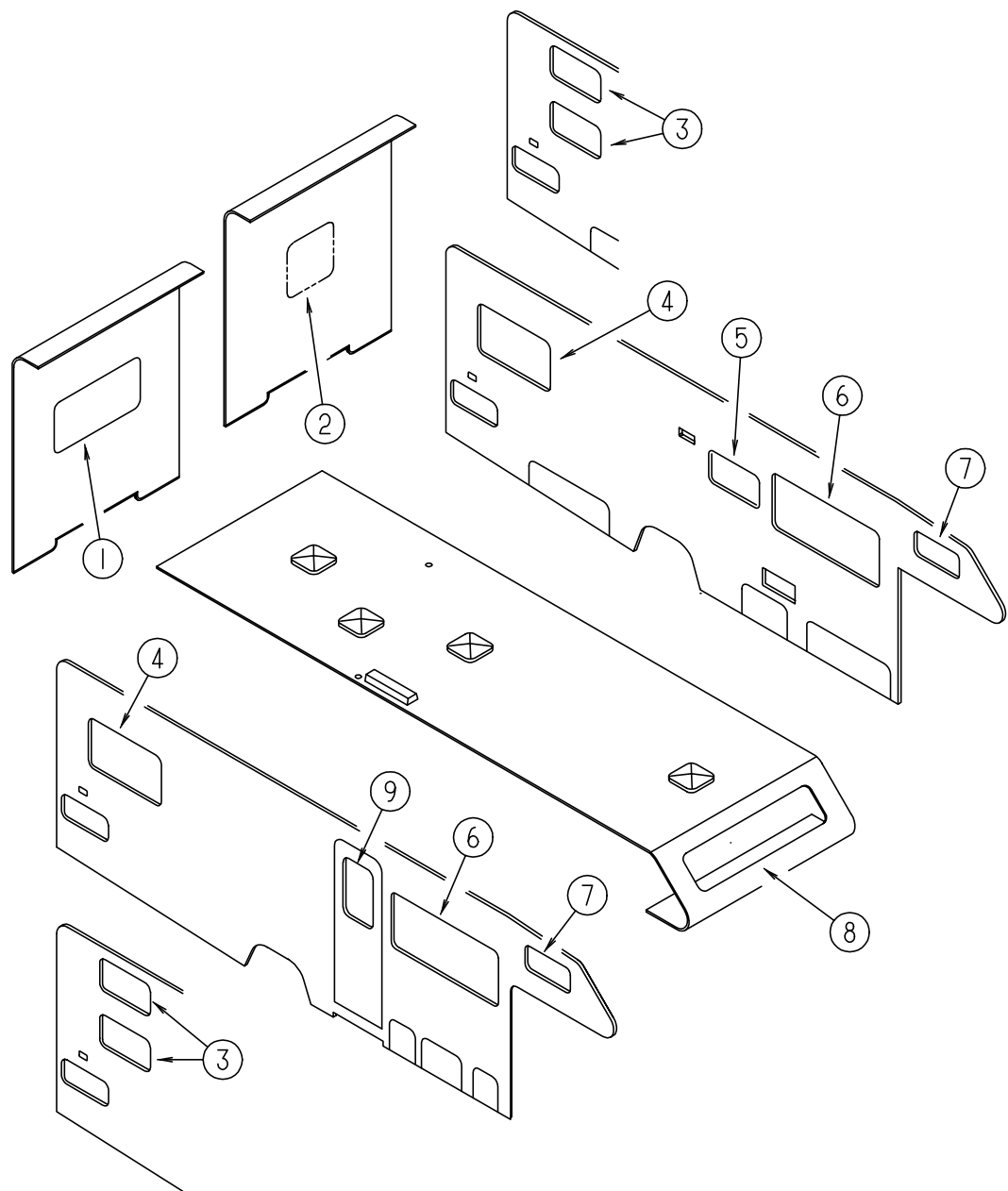
ITASCA 300's FABRIC		
Color Codes	G21	G22
	SANDSCAPE(BROWN)	BATIK (BLUE)
BUCKET SEATS DL	104233-59-000	108446-77-000
BUCKET SEATS	104233-59-000 108446-E3-000	108446-77-000 108446-G6-000
DINETTE CUSHIONS	108446-E4-000	108446-E5-000
DINETTE PADS	104233-59-000	108446-77-000
SOFA	108446-E4-000	108446-E5-000
SWIVEL CHAIR	108446-E3-000	108446-G6-000
LOUNGE/DINETTE VALANCE	108446-E3-000 108446-E4-000	108446-G6-000 108446-E5-000
LOUNGE/DINETTE LEG	108446-E3-000	108446-G6-000
BEDROOM VALANCE	105745-A7-000	105745-A3-000
BEDROOM CURTAIN	105745-A7-000	105745-A3-000
BEDSPREAD	105745-A7-000 105745-A9-000	105745-A3-000 105745-B4-000
PILLOW SHAMS	105745-A7-000 105745-A9-000	105745-A3-000 105745-B4-000
ENTRANCE DOOR VALANCE	108446-E3-000 108446-E4-000	108446-G6-000 108446-E5-000
BUNK CUSHIONS	108446-E3-000	108446-G6-000
OVERHEAD BUNK CURTAINS	105745-A7-000	105745-A3-000
BUNK PRIVACY	105745-A9-000	105745-B4-000
FRONT PRIVACY	105745-A9-000	105745-B4-000
BEDROOM PRIVACY	105745-A7-000 105745-A9-000	105745-A3-000 105745-B4-000
DRAPERY LINING	087272-03-000	087272-03-000
TIRE COVER	103907-05-000	103907-05-000
TIRE COVER LINER	069627-02-000	069627-02-000
HEADLINER	103907-01-01A	103907-01-01A
HEADLINER DL	113979-04-01A	113979-04-01A

NOTE: FABRIC LISTED FIRST IN A BLOCK IS THE LARGEST QUANTITY OF FABRIC USED

BUTTONS & WELT

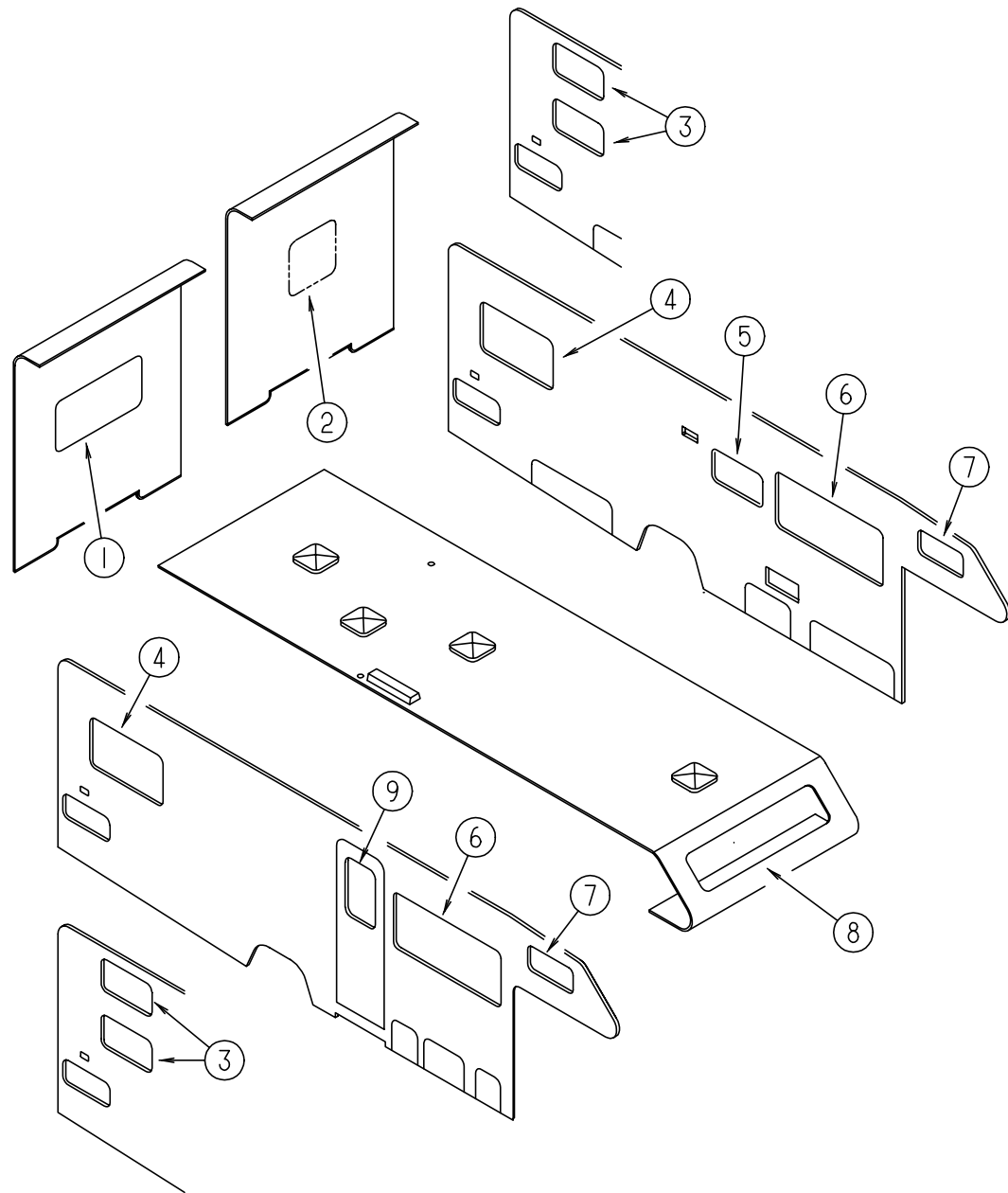
KEY	PART NUMBER	U/M DESCRIPTION
	070578-10-G21	EA BUTTON-SCREW STUD - #30
	070578-10-G22	EA BUTTON-SCREW STUD - #30
	079349-04-E08	EA WELT-NARROW ACCENT (G21)
	079349-04-E24	EA WELT-NARROW ACCENT (G22)

CURTAIN & CUSHION GROUP (CONTINUED)
CURTAINS & WINDOW TREATMENT



KEY	PART NUMBER	U/M DESCRIPTION
1	118064-01-G21	EA VALANCE-WINDOW, VALENCIA - 52" (QUEEN & TWIN BED)
1	118064-01-G22	EA VALANCE-WINDOW, VALENCIA - 52" (QUEEN & TWIN BED)
1	084755-92-F15	EA SHADE-PULL, 50.25" (QUEEN & TWIN BED) (G21/G22)
1	093475-55-03A	EA BLIND-MINI, 48" X 28" DROP (QUEEN & TWIN BED - DELUXE OPTION) (G21/G22)
1	111910-19-F09	EA BLIND-DAY/NIGHTER, 50" X 28" DROP - (QUEEN & TWIN BED) (G21)
1	111910-19-G22	EA BLIND-DAY/NIGHTER, 50" X 28" DROP - (QUEEN & TWIN BED) (G22)
2	118064-03-G21	EA VALANCE-WINDOW, VALENCIA - 29" (DOUBLE BED & TWIN W/BUNK)
2	118064-03-G22	EA VALANCE-WINDOW, VALENCIA - 29" (DOUBLE BED & TWIN W/BUNK)
2	101034-51-G21	EA CURTAIN-WINDOW, TAPE TOP - 29" X 20" (TWIN W/BUNK)
2	101034-51-G22	EA CURTAIN-WINDOW, TAPE TOP - 29" X 20" (TWIN W/BUNK)
2	084755-57-E07	EA SHADE-PULL, 27.25 - W/O TRIM (DOUBLE BED & TWIN W/BUNK) (G21/G22)
2	109041-39-02A	EA BLIND-MINI, 28" X 29.5" DROP (DOUBLE BED - DELUXE OPTION) (G21)
2	109041-39-01A	EA BLIND-MINI, 28" X 29.5" DROP (DOUBLE BED - DELUXE OPTION) (G22)
2	093475-28-07A	EA BLIND-MINI, 28" X 28" DROP (TWIN W/BUNK - DELUXE OPTION) (G21)
2	093475-28-06A	EA BLIND-MINI, 28" X 28" DROP (TWIN W/BUNK - DELUXE OPTION) (G22)
2	111910-20-F09	EA BLIND-DAY/NIGHTER, 28" X 28" DROP - (DOUBLE BED & TWIN W/BUNK) (G21)
2	111910-20-G22	EA BLIND-DAY/NIGHTER, 28" X 28" DROP - (DOUBLE BED & TWIN W/BUNK) (G22)
3	101034-49-G21	EA CURTAIN-WINDOW, DART TAPE TOP & BOTTOM - 19" X 19" - RH (TWIN W/BUNK)
3	101034-49-G22	EA CURTAIN-WINDOW, DART TAPE TOP & BOTTOM - 19" X 19" - RH (TWIN W/BUNK)
3	101034-50-G21	EA CURTAIN-WINDOW, DART TAPE TOP & BOTTOM - 19" X 19" - LH (TWIN W/BUNK)
3	101034-50-G22	EA CURTAIN-WINDOW, DART TAPE TOP & BOTTOM - 19" X 19" - LH (TWIN W/BUNK)
4	118064-02-G21	EA VALANCE-WINDOW, VALENCIA - 44" (QUEEN, DOUBLE & TWIN BED)
4	118064-02-G22	EA VALANCE-WINDOW, VALENCIA - 44" (QUEEN, DOUBLE & TWIN BED)
4	084755-93-F15	EA SHADE-PULL, 42.25" (QUEEN, DOUBLE & TWIN BED) (G21/G22)
4	093475-99-03A	EA BLIND-MINI, 41" X 28.5" DROP (QUEEN, DOUBLE & TWIN BED - DELUXEOPT.)(G21)
4	093475-99-02A	EA BLIND-MINI, 41" X 28.5" DROP (QUEEN, DOUBLE & TWIN BED - DELUXEOPT.)(G22)
4	111910-46-G01	EA BLIND-DAY/NIGHTER, 43" X 26" DROP (QUEEN, DOUBLE & TWIN BED) (G21)
4	111910-46-G22	EA BLIND-DAY/NIGHTER, 43" X 26" DROP (QUEEN, DOUBLE & TWIN BED) (G22)
5	109041-36-02A	EA BLIND-MINI, 31" X 18" DROP - BEIGE (G21)
	109353-08-02A	EA BLIND-SLAT, 28" BEIGE
5	109041-36-01A	EA BLIND-MINI, 31" X 18" DROP - PURE SILVER (G22)
	109353-08-01A	EA BLIND-SLAT, 28" PURE SILVER
	109353-04-000	EA CLIP-VALANCE SLAT MOUNTING, CLEAR PLASTIC
6	118078-01-G21	EA VALANCE-WINDOW, 64.5" QUEST
6	118078-01-G22	EA VALANCE-WINDOW, 64.5" QUEST
6	119333-01-G21	EA LEG-WINDOW, PLAIN W/O HOLE - 25" - 3.5" WOOD FACE - RH
6	119333-01-G22	EA LEG-WINDOW, PLAIN W/O HOLE - 25" - 3.5" WOOD FACE - RH
6	119333-02-G21	EA LEG-WINDOW, PLAIN W/O HOLE - 25" - 3.5" WOOD FACE - LH
6	119333-02-G22	EA LEG-WINDOW, PLAIN W/O HOLE - 25" - 3.5" WOOD FACE - LH
6	084755-96-G01	EA SHADE-PULL, W/O TRIM - 60.25" (G21/G22)
6	109041-38-02A	EA BLIND-MINI, 60" X 29.5" DROP - BEIGE (DELUXE OPTION) (G21)
6	109041-38-01A	EA BLIND-MINI, 60" X 29.5" DROP - PURE SILVER (DELUXE OPTION) (G22)
6	111910-22-F32	EA BLIND-DAY/NIGHTER, 60" X 28.5" DROP (G21)
6	111910-22-G22	EA BLIND-DAY/NIGHTER, 60" X 28.5" DROP (G22)

CURTAIN & CUSHION GROUP (CONTINUED)



CURTAINS & WINDOW TREATMENT (CONTINUED)

KEY	PART NUMBER	U/M DESCRIPTION
7	101034-51-G21	EA CURTAIN-TAPE TOP & BOTTOM, W/LINING - RH - 19" X 34"
7	101034-51-G22	EA CURTAIN-TAPE TOP & BOTTOM, W/LINING - RH - 19" X 34"
7	101034-52-G21	EA CURTAIN-TAPE TOP & BOTTOM, W/LINING - LH - 19" X 34"
7	101034-52-G22	EA CURTAIN-TAPE TOP & BOTTOM, W/LINING - LH - 19" X 34"
8	101034-33-G21	EA CURTAIN-TAPE TOP & BOTTOM, W/LINING - RH - 21" X 60"
8	101034-33-G22	EA CURTAIN-TAPE TOP & BOTTOM, W/LINING - RH - 21" X 60"
8	101034-34-G21	EA CURTAIN-TAPE TOP & BOTTOM, W/LINING - LH - 21" X 60"
8	101034-34-G22	EA CURTAIN-TAPE TOP & BOTTOM, W/LINING - LH - 21" X 60"
9	118078-04-G21	EA VALANCE-WINDOW, QUEST - 29"
9	118078-04-G22	EA VALANCE-WINDOW, QUEST - 29"
9	084755-57-E07	EA SHADE-PULL, W/O TRIM - 27.25" (G21/G22)

PRIVACY CURTAINS

KEY	PART NUMBER	U/M DESCRIPTION
	076892-20-G21	EA CURTAIN-BUNK PRIVACY, SNAP TOP - PLAIN - W/LINING - 50" X 78"
	076892-20-G22	EA CURTAIN-BUNK PRIVACY, SNAP TOP - PLAIN - W/LINING - 50" X 78"
	101668-39-G21	EA CURTAIN-BUNK PRIVACY, TAPE TOP - W/LINING - 35" X 50" - RIGHT
	101668-39-G22	EA CURTAIN-BUNK PRIVACY, TAPE TOP - W/LINING - 35" X 50" - RIGHT
	101668-40-G21	EA CURTAIN-BUNK PRIVACY, TAPE TOP - W/LINING - 35" X 50" - LEFT
	101668-40-G22	EA CURTAIN-BUNK PRIVACY, TAPE TOP - W/LINING - 35" X 50" - LEFT

BEDROOM PRIVACY CURTAIN

KEY	PART NUMBER	U/M DESCRIPTION
	101668-53-G21	EA CURTAIN-BEDROOM PRIVACY, TAPE TOP - W/LINING - 70" X 60"
	101668-53-G22	EA CURTAIN-BEDROOM PRIVACY, TAPE TOP - W/LINING - 70" X 60"

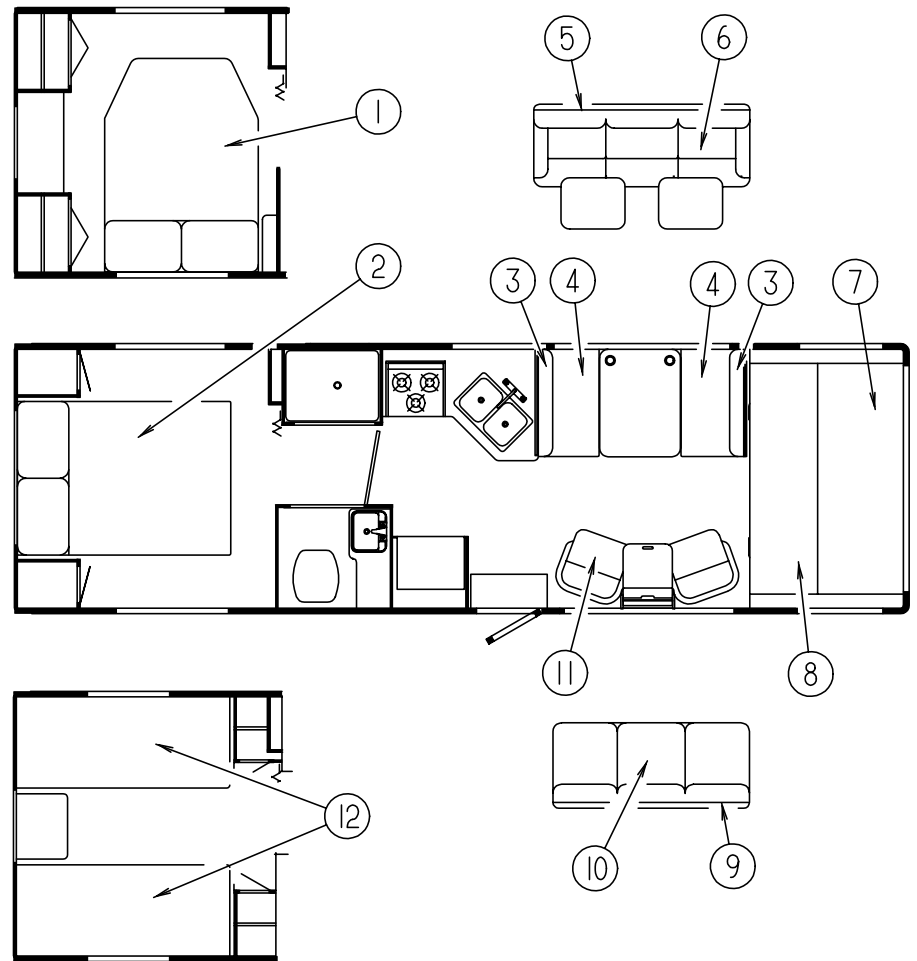
BEDROOM PRIVACY FOLDING DOOR (DELUXE OPTION)

KEY	PART NUMBER	U/M DESCRIPTION
	042488-10-000	EA DOOR-FOLDING, FABRIC - 37" X 75" - OFF WHITE
	094856-06-02A	EA TRACK-FOLDING DOOR, 955 MM - OFF WHITE
	080224-01-703	EA HANDLE-LATCH & CATCH, ALMOND
	080224-01-705	EA CATCH & LATCH ASSEMBLY, ALMOND

CURTAIN TIEBACKS

KEY	PART NUMBER	U/M DESCRIPTION
	073260-23-G21	EA TIEBACK-BUNK PRIVACY CURTAIN, 3" X 18"
	073260-23-G22	EA TIEBACK-BUNK PRIVACY CURTAIN, 3" X 18"
	073260-63-G21	EA TIEBACK-BEDROOM PRIVACY CURTAIN, 4" X 15"
	073260-63-G22	EA TIEBACK-BEDROOM PRIVACY CURTAIN, 4" X 15"
	057534-01-000	EA TIEBACK/TIEDOWN-BED/CURTAIN/DOOR - 6" - PLASTIC - CLEAR
	057534-06-000	EA TIEBACK/TIEDOWN-VINYL, 6" - BEIGE

CURTAIN & CUSHION GROUP (CONTINUED)



DOUBLE BEDSPREAD & MATTRESS

KEY	PART NUMBER	U/M DESCRIPTION
1	085365-37-G21	EA BEDSPREAD-THROW, W1/2" WELT - 54" X 59"
1	085365-37-G22	EA BEDSPREAD-THROW, W1/2" WELT - 54" X 59"
	104176-02-G21	EA SHAM-PILLOW, W1/2" WELT
	104176-02-G22	EA SHAM-PILLOW, W1/2" WELT
	101123-22-000	EA MATTRESS-COMPLETE, FOAM - 54" X 75" X 5"
	P01123-22-000	EA COVER-MATTRESS, 54" X 75" X 5"

QUEEN BEDSPREAD & MATTRESS

KEY	PART NUMBER	U/M DESCRIPTION
2	085365-36-G21	EA BEDSPREAD-THROW, W1/2" WELT - 60" X 75"
2	085365-36-G22	EA BEDSPREAD-THROW, W1/2" WELT - 60" X 75"
	104176-04-G21	EA SHAM-PILLOW, W1/2" WELT
	104176-04-G22	EA SHAM-PILLOW, W1/2" WELT
	101123-20-000	EA MATTRESS-COMPLETE, FOAM - 59" X 74" X 5"
	P01123-20-000	EA COVER-MATTRESS, 59" X 74" X 5"

**CURTAIN & CUSHION GROUP (CONTINUED)
DINETTE CUSHIONS**

KEY	PART NUMBER	U/M DESCRIPTION
3	116134-01-G21	EA CUSHION-BACKREST, 13" X 38" X 5"
3	116134-01-G22	EA CUSHION-BACKREST, 13" X 38" X 5"
	P16134-01-G21	EA COVER-CUSHION, BACKREST - 13" X 38" X 5"
	P16134-01-G22	EA COVER-CUSHION, BACKREST - 13" X 38" X 5"
	078155-01-000	EA STRAP-SNAP, BACKREST CUSHION
4	088927-87-G21	EA CUSHION-SEATBASE, 23" X 38" X 5"
4	088927-87-G22	EA CUSHION-SEATBASE, 23" X 38" X 5"
	M88927-87-G21	EA COVER-CUSHION, SEATBASE - 23" X 38" X 5"
	M88927-87-G22	EA COVER-CUSHION, SEATBASE - 23" X 38" X 5"

DRIVERS SIDE COUCH

KEY	PART NUMBER	U/M DESCRIPTION
5	100032-42-G21	EA BACKREST-COUCH, 74"
		FROM: 00-00-00 THRU: 07-23-95
5	120549-01-G21	EA BACKREST-COUCH, 74"
		FROM: 07-24-95 THRU: 99-99-99
5	100032-42-G22	EA BACKREST-COUCH, 74"
		FROM: 00-00-00 THRU: 07-23-95
5	120549-01-G22	EA BACKREST-COUCH, 74"
		FROM: 07-24-95 THRU: 99-99-99
	P00032-42-G21	EA COVER-BACKREST, 74"
		FROM: 00-00-00 THRU: 07-23-95
	P20549-01-G21	EA COVER-BACKREST, 74"
		FROM: 07-24-95 THRU: 99-99-99
	P00032-42-G22	EA COVER-BACKREST, 74"
		FROM: 00-00-00 THRU: 07-23-95
	P20549-01-G22	EA COVER-BACKREST, 74"
		FROM: 07-24-95 THRU: 99-99-99
	101085-10-000	EA FRAME-BACK, COUCH - 74.5" X 16"
6	100032-43-G21	EA SEAT-COUCH, W/O BACKREST - 74"
6	100032-43-G22	EA SEAT-COUCH, W/O BACKREST - 74"
	P00032-43-G21	EA COVER-SEAT, COUCH - 74"
	P00032-43-G22	EA COVER-SEAT, COUCH - 74"
	101085-04-000	EA FRAME-SEAT, COUCH - 74.75"
	101085-06-000	EA FRAME-BASE, COUCH - 74.75"
	105947-01-000	EA BRACKET-HOLD DOWN, COUCH - CANADIAN

NOTE: COUCH FRONT AND SIDE PANELS ARE FOUND IN LOUNGE GROUP

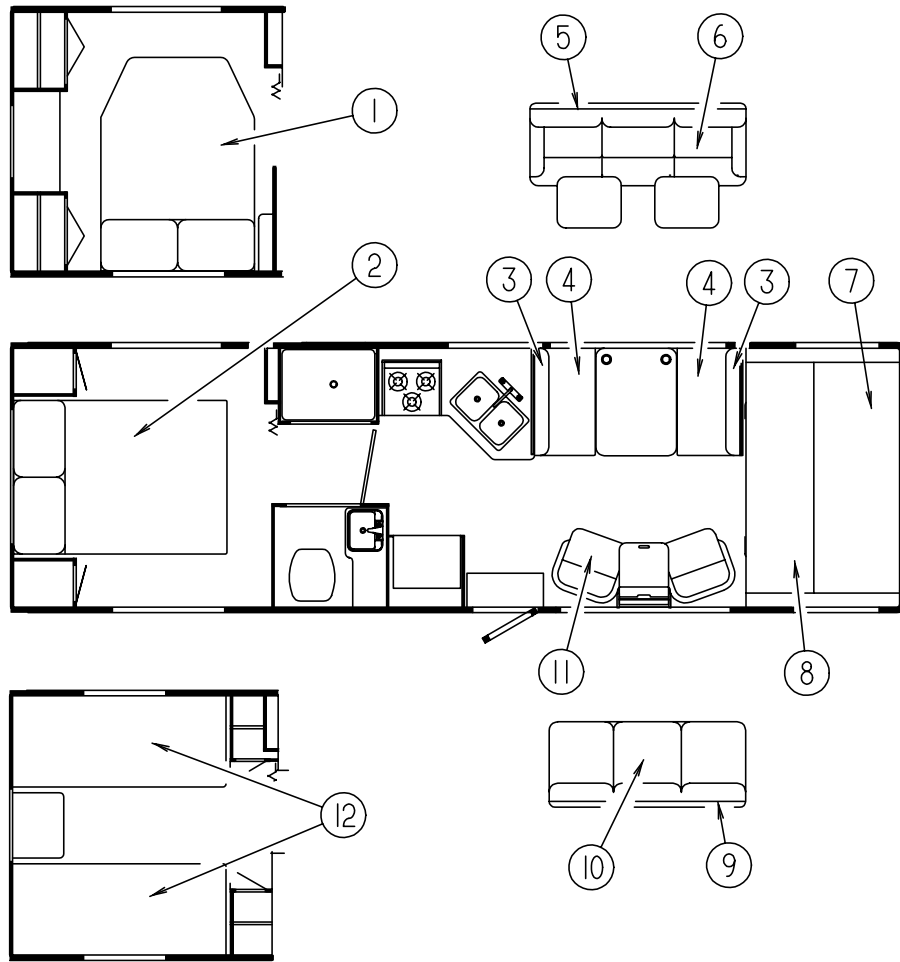
BUNK CUSHIONS

KEY	PART NUMBER	U/M DESCRIPTION
7	105573-09-G21	EA CUSHION-OVERHEAD BUNK, FRONT - DOUBLE ANGLED - 32.5" X 80" X 5"
7	105573-09-G22	EA CUSHION-OVERHEAD BUNK, FRONT - DOUBLE ANGLED - 32.5" X 80" X 5"
	P05573-09-G21	EA COVER-CUSHION, FRONT - DOUBLE ANGLED - 32.5" X 80" X 5"
	P05573-09-G22	EA COVER-CUSHION, FRONT - DOUBLE ANGLED - 32.5" X 80" X 5"
8	105573-10-G21	EA CUSHION-OVERHEAD BUNK, REAR - 27" X 23" X 80" X 5"
8	105573-10-G22	EA CUSHION-OVERHEAD BUNK, REAR - 27" X 23" X 80" X 5"
	P05573-10-G21	EA COVER-CUSHION, OVERHEAD BUNK - REAR - 27" X 23" X 80" X 5"
	P05573-10-G22	EA COVER-CUSHION, OVERHEAD BUNK - REAR - 27" X 23" X 80" X 5"

BUNK CUSHIONS-OVERHEAD ENTERTAINMENT CENTER

KEY	PART NUMBER	U/M DESCRIPTION
	079145-08-000	EA CUSHION-BUNK, 25" X 74" X 3.5"
	M79145-08-000	EA COVER-CUSHION, BUNK - 25" X 74" X 3.5"

CURTAIN & CUSHION GROUP (CONTINUED)



PASSENGER SIDE COUCH

KEY	PART NUMBER	U/M DESCRIPTION
9	100032-44-G21	EA BACKREST-COUCH, 66.5"
9	120549-02-G21	EA BACKREST-COUCH, 66.5"
9	100032-44-G22	EA BACKREST-COUCH, 66.5"
9	120549-02-G22	EA BACKREST-COUCH, 66.5"
	P00032-44-G21	EA COVER-BACKREST, 66.5"
	P20549-02-G21	EA COVER-BACKREST, 66.5"
	P00032-44-G22	EA COVER-BACKREST, 66.5"
	P20549-02-G22	EA COVER-BACKREST, 66.5"
	101085-09-000	EA FRAME-BACK, COUCH - 66.5" X 16"
10	100032-37-G21	EA SEAT-COUCH, W/O BACKREST - 66.5"
10	100032-37-G22	EA SEAT-COUCH, W/O BACKREST - 66.5"
	P00032-37-G21	EA COVER-SEAT, COUCH - 66.5"
	P00032-37-G22	EA COVER-SEAT, COUCH - 66.5"
	101085-01-000	EA FRAME-SEAT, COUCH - 66.5"
	101085-03-000	EA FRAME-BASE, COUCH - 66.5"
	105947-01-000	EA BRACKET-HOLD DOWN, COUCH - CANADIAN

NOTE: COUCH FRONT AND SIDE PANELS ARE FOUND IN LOUNGE GROUP

CURTAIN & CUSHION GROUP (CONTINUED)
CHAIR - SEIRRA

KEY	PART NUMBER	U/M DESCRIPTION
11	115470-01-G21	EA CHAIR-SEIRRA, W/SKIRT
11	115470-01-G22	EA CHAIR-SEIRRA, W/SKIRT

TWIN BEDSPREAD & MATTRESS

KEY	PART NUMBER	U/M DESCRIPTION
12	085365-38-G21	EA BEDSPREAD-THROW, W/1/2" WELT - 33"
12	085365-38-G22	EA BEDSPREAD-THROW, W/1/2" WELT - 33"
	101123-19-000	EA MATTRESS-COMPLETE, FOAM - 32" X 74" X 5"
	P01123-19-000	EA COVER-MATTRESS, 32" X 74" X 5"

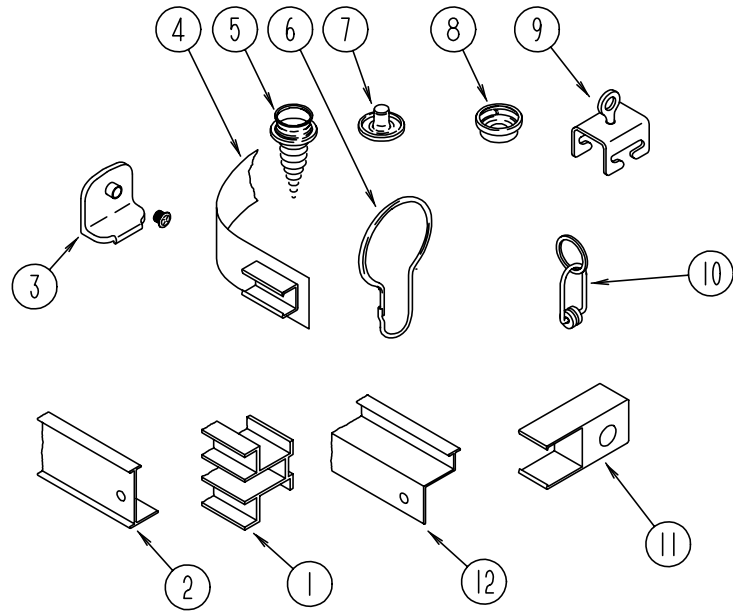
BUNK COVER & MATTRESS

KEY	PART NUMBER	U/M DESCRIPTION
12	117067-01-G21	EA COVER-FITTED, RH. - 30" X 76" X 4"
12	117067-01-G22	EA COVER-FITTED, RH. - 30" X 76" X 4"
12	117067-02-G21	EA COVER-FITTED, LH. - 30" X 76" X 4"
12	117067-02-G22	EA COVER-FITTED, LH. - 30" X 76" X 4"
	117067-03-G21	EA COVER-FITTED, UNIVERSAL - 5"
	117067-03-G22	EA COVER-FITTED, UNIVERSAL - 5"
	101123-23-000	EA MATTRESS-COMPLETE, FOAM - 30" X 76" X 4" - RIGHT
	P01123-23-000	EA COVER-MATTRESS, 30" X 76" X 4"
	101123-24-000	EA MATTRESS-COMPLETE, FOAM - 30" X 76" X 4" - LEFT
	P01123-24-000	EA COVER-MATTRESS, 30" X 76" X 4"

ASSIST HANDLE & SEATBELTS

KEY	PART NUMBER	U/M DESCRIPTION
	053552-02-AA8	EA HANDLE-ASSIST, INTERIOR - ENTRY DOOR - VINYL - OFF WHITE
	069178-02-000	EA BRACKET-MOUNTING, ASSIST HANDLE - L ANGLE - W/HOLES - STEEL
	000C16-07-16B	EA BOLT-CARRIAGE, ASSIST HANDLE - 7/16" - 14 X 1" - ZINC
	000D20-07-00B	EA NUT-ACORN, ASSIST HANDLE - 7/16" X 14 - ZINC
	057759-01-000	EA WASHER BRACKET-SEAT BELT, 4" DIAMETER
	007021-01-000	EA BELT-SEAT, 2" X 90" - BLACK - DINETTE SEATS & COUCH
	056271-01-000	EA BELT-SEAT, 2" X 102" - BLACK - SWIVEL CHAIR

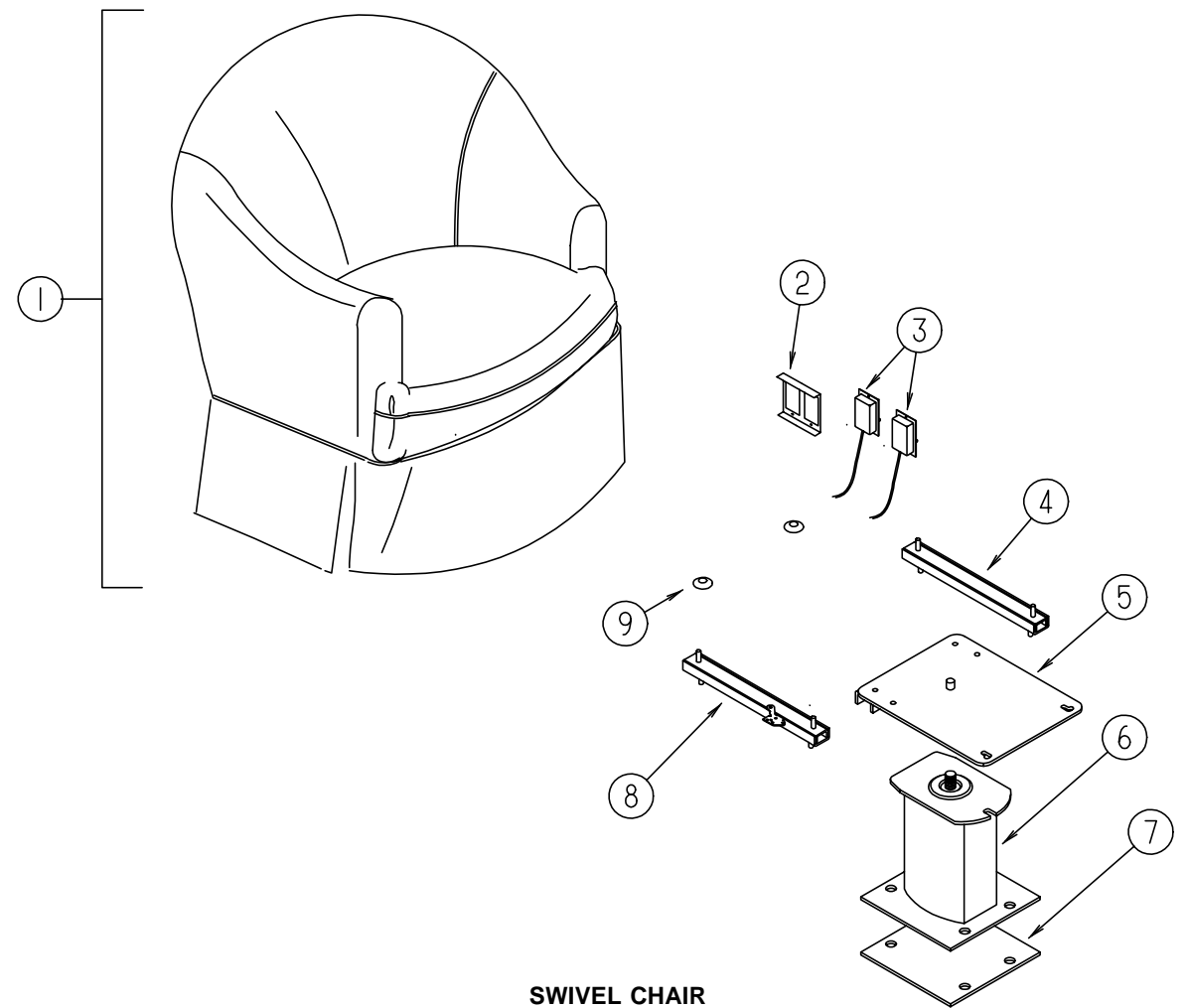
CURTAIN & CUSHION GROUP (CONTINUED)



CURTAIN & BLIND HARDWARE

KEY	PART NUMBER	U/M DESCRIPTION
1	101033-03-000	FT TRACK-WALL, WHITE - CT225 - SHAPCO
2	009700-04-002	EA TRACK, L-SHAPED - 195.2" - OFF WHITE
3	106544-01-000	EA PULL-SHADE, BRASS
	106544-01-001	EA SCREW-BRASS, PULL SHADE
4	101031-01-000	YD TAPE-GLIDE, CURTAIN - 4.25" SPACING
5	029130-01-000	EA SCREW-SNAP SOCKET, 8 PH X 5/8"
6	009136-02-000	EA HANGER-RING, PIN TYPE - CURTAIN - BRASS
7	029155-01-000	EA CAP-SNAP, NICKEL
8	029156-01-000	EA SOCKET-SNAP FASTENER, NICKEL
9	009702-01-000	EA END STOP-CURTAIN CARRIER, L ROD
10	009701-01-000	EA CARRIER-CURTAIN, L ROD
	009702-01-000	EA END STOP-CURTAIN CARRIER, L ROD
11	101033-02-000	EA END CAP-TRACK, CLEAR
12	105450-01-01A	EA TRACK-CURTAIN, 30.8" LONG - ALUMINUM - OFF WHITE
12	105450-06-01A	EA TRACK-CURTAIN, 88" LONG - ALUMINUM - OFF WHITE
12	105450-08-01A	EA TRACK-CURTAIN, 38" LONG - ALUMINUM - OFF WHITE
	046867-01-000	EA GROMMET-BRASS, 7/16" ID X 1" OD
	048394-02-000	YD VELCRO TAPE-HOOK, ADHESIVE BACK - .75" WIDE - BEIGE
	075943-10-000	EA BRACE-WINDOW VALANCE, 20" - ALUMINUM - OFF WHITE
	084433-05-000	EA SHADE-ROLLER, 72.25"
	084434-01-000	FT BRACKET-MOUNTING, ROLLER SHADE - 1 3/8"
	086276-01-000	FT TAPE-DOUBLE SIDED, 1/2" - ROLLER SHADE
	088792-01-000	YD VELCRO-HOOK, .75" WIDE - BEIGE
	088792-02-000	YD VELCRO TAPE-LOOP, ADHESIVE BACKED - .75" WIDE - BEIGE
	088792-06-000	YD VELCRO - 3/4" NON-ADH., LOOP BUF MED
	096843-01-000	EA SPRING-REWIND, ROLLER SHADE
	093475-01-701	EA CAP-END, WITH INVERTED STUD
	093475-01-700	EA WAND-BLIND W/METAL CLIP, 8"
	076827-02-000	EA BRACKET-LEG, 2.9" X 1.8" TRIANGLE
	083170-01-000	EA BRACKET-BLIND, LEFT SIDE WHEN FACING WINDOW
	083170-02-000	EA BRACKET-BLIND, RIGHT SIDE WHEN FACING WINDOW
	109441-01-000	EA HOLD DOWN-BLIND, HOOK
	117237-01-000	EA BRACKET-MOUNTING, 2.5" X .75" - CLEAR ACRYLIC
	094896-02-000	EA GROMMET-CORD, PLEATED BLIND - NYLON - GRAY
	097593-02-000	EA CORD-PLEATED BLIND, DAWN GRAY (G21/G22)
	094907-02-000	EA HARDWARE-END CAP, TOP
	094907-04-000	EA HARDWARE-END CAP, BOTTOM - PULL TYPE
	117237-01-000	EA BRACKET-MOUNTING, 2.5" X .75" - CLEAR ACRYLIC
	097564-01-000	EA HANDLE-T, E-Z LIFT SHADE
	097591-01-000	EA SPRING-EXTENSION, PLEATED BLIND
	097592-01-000	EA SPOOL-CORD, ELEVATED BLIND HOLDUP - CLEAR PLASTIC
	110943-01-000	EA FELT STRIP, SOFT ADHESIVE - 3/8"

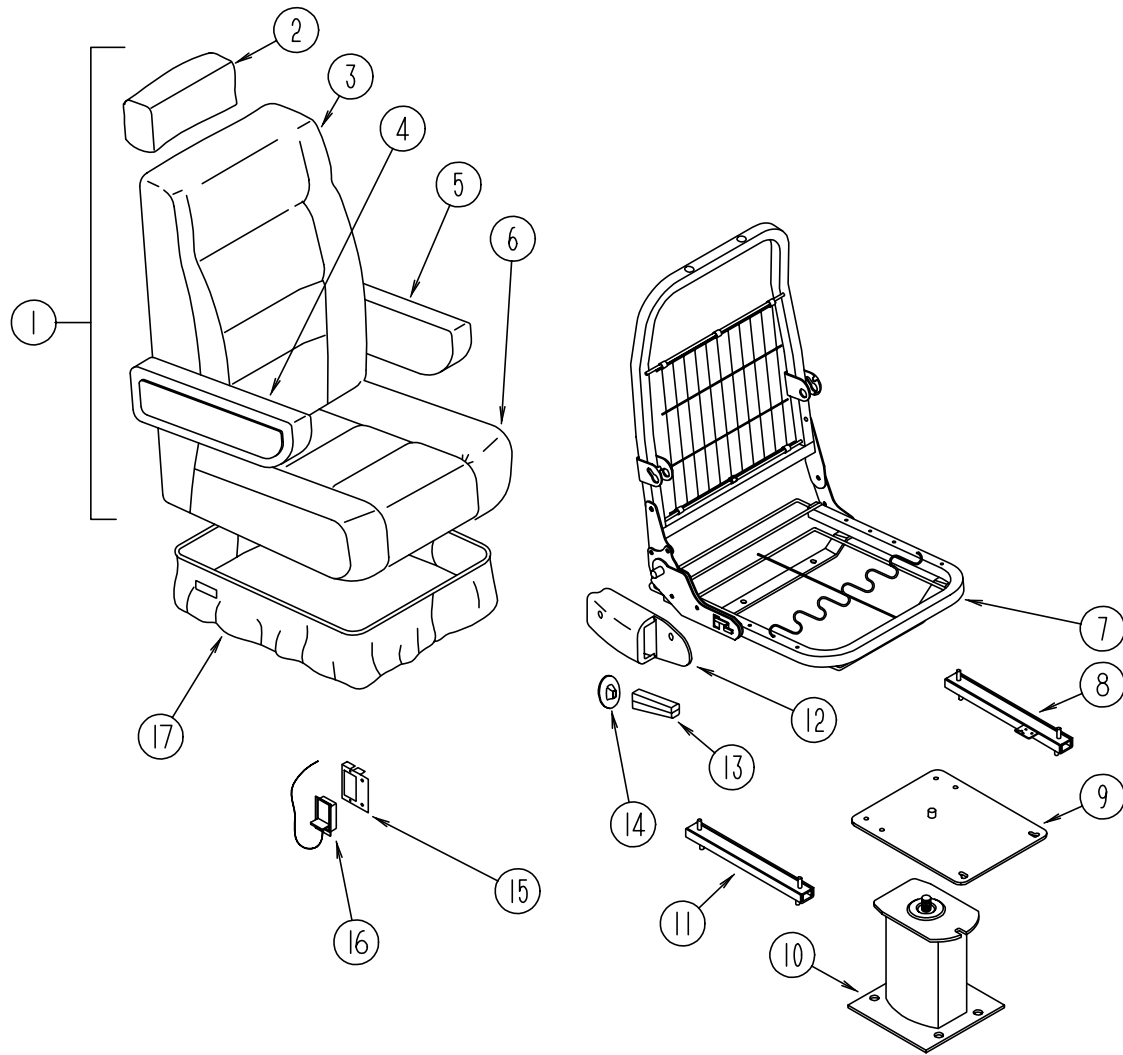
CURTAIN & CUSHION GROUP (CONTINUED)



SWIVEL CHAIR

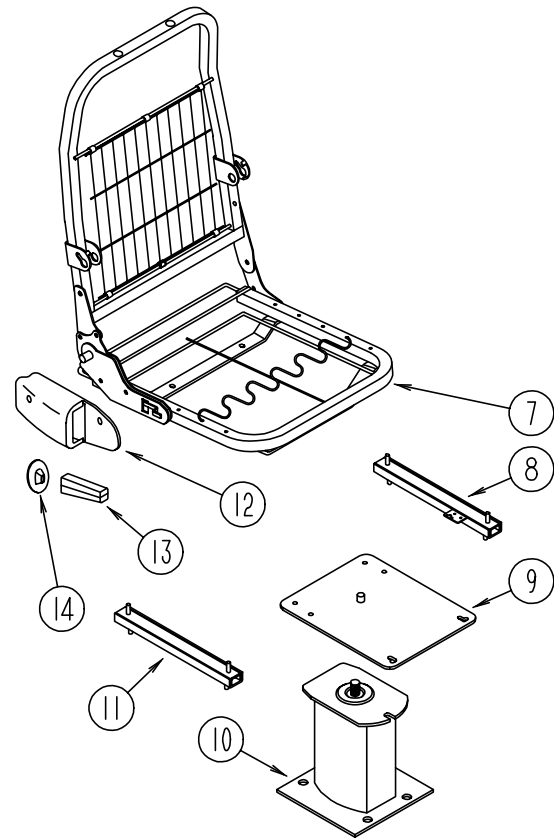
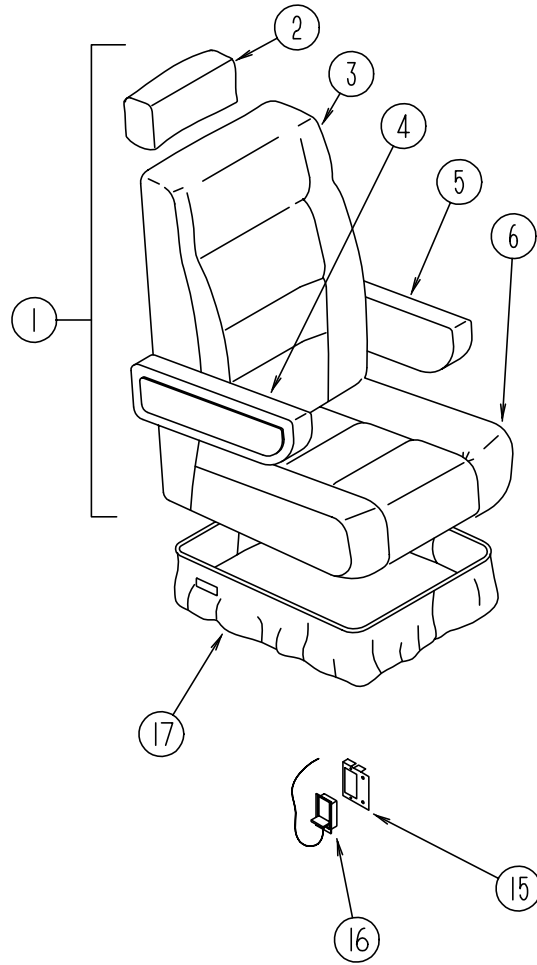
KEY	PART NUMBER	U/M DESCRIPTION
1	115470-01-G21	EA CHAIR-SEIRRA, W/SKIRT
1	115470-01-G22	EA CHAIR-SEIRRA, W/SKIRT
	P15470-01-G21	EA COVER-CHAIR, SEIRRA
	P15470-01-G22	EA COVER-CHAIR, SEIRRA
2	097683-02-000	EA BRACKET- MOUNT, REMOTE
3	108049-03-000	EA CABLE - 26", Z END CABLE
	108049-02-000	EA CLIP-CABLE, PEDESTAL - FLEXSTEEL 2592-CA
	117125-01-02B	EA BRACKET-CABLE HOLDER, E COAT
4	119952-01-000	EA SLIDE-SEAT, HD - NON-LOCKING - 2 STUDS - ATWOOD 83711
5	107921-08-000	EA TOP PLATE-W/O SEAT BELT BAR, FLEXSTEEL 2759PDTP
	107921-06-000	EA BEARING KIT-FLEXSTEEL
6	107921-01-000	EA BASE-PEDESTAL, W/9.75" EXTENSION - FLEXSTEEL 3060 MSPD
7	108445-02-000	EA SUB-PLATE, PEDESTAL - FLOOR MOUNTED
8	119952-03-000	EA SLIDE-SEAT, HD - LOCKING - 2 STUDS - ATWOOD 83775
9	007221-01-000	EA SPACER-SEAT ADJUSTER

CURTAIN & CUSHION GROUP (CONTINUED)
DRIVER & PASSENGER BUCKET SEAT - ECONOMIZER III



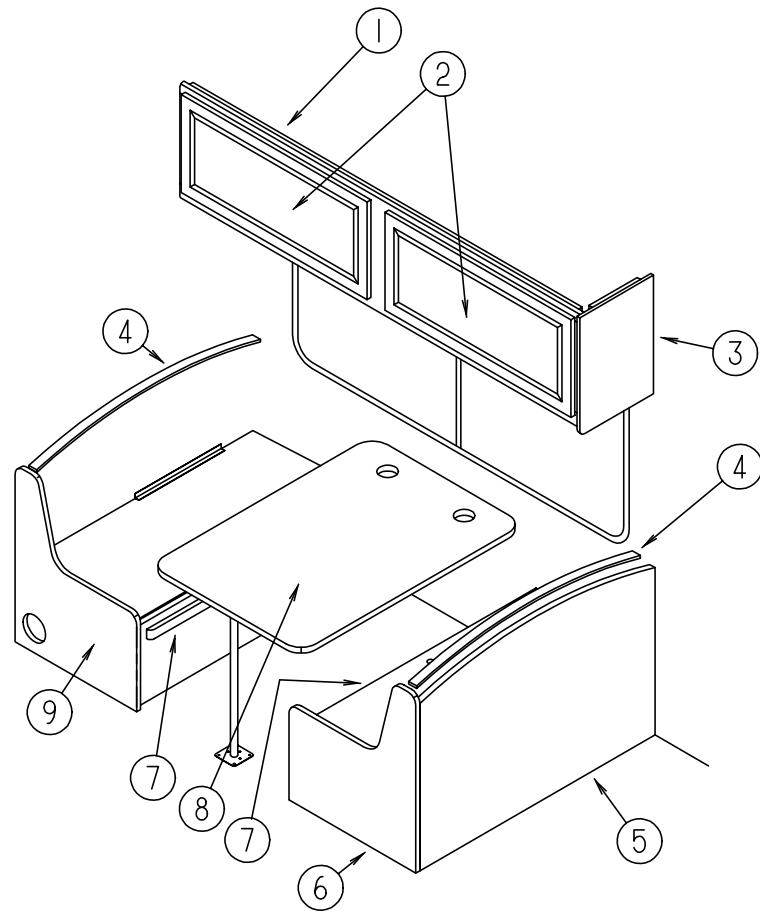
KEY	PART NUMBER	U/M DESCRIPTION
1	110148-07-G21	EA SEAT-ECONOMIZER III, HEADREST - PASSENGER OR DRIVERSIDE
1	110148-07-G22	EA SEAT-ECONOMIZER III, HEADREST - PASSENGER OR DRIVERSIDE
2	119698-01-G21	EA HEADREST-BUCKET SEAT, STRATON II
2	119698-01-G22	EA HEADREST-BUCKET SEAT, STRATON II
	P19698-01-G21	EA COVER-HEADREST, STRATON II
	P19698-01-G22	EA COVER-HEADREST, STRATON II
	113977-12-000	EA INSERT-HEADREST, W/O LOCK - FLEXSTEEL
	113977-13-000	EA INSERT-HEADREST, W/LOCK - FLEXSTEEL
3	M05962-17-G21	EA COVER-BACK, ECONOMIZER II
3	M05962-17-G22	EA COVER-BACK, ECONOMIZER II
4	115520-01-F86	EA ARMREST-RIGHT HAND (G21)
4	115520-01-G22	EA ARMREST-RIGHT HAND (G22)
	115617-01-000	EA BRACKET-ARMREST, RIGHT HAND - MOLDED PLYFOAM
	P15520-01-F86	EA COVER-ARMREST, RIGHT HAND (G21)
	P15520-01-G22	EA COVER-ARMREST, RIGHT HAND (G22)
5	115520-02-F86	EA ARMREST-LEFT HAND (G21)
5	115520-02-G22	EA ARMREST-LEFT HAND (G22)
	115617-02-000	EA BRACKET-ARMREST, LEFT HAND - MOLDED PLYFOAM
	P15520-02-F86	EA COVER-ARMREST, LEFT HAND (G21)
	P15520-02-G22	EA COVER-ARMREST, LEFT HAND (G22)
6	M05962-18-G21	EA COVER-SEAT, ECONOMIZER II
6	M05962-18-G22	EA COVER-SEAT, ECONOMIZER II
7	M80906-12-000	EA FRAME-SEAT, BACK & SPRING
	117125-01-02B	EA BRACKET-CABLE HOLDER, E-COAT
8	119952-04-000	EA ADJUSTER ASSEMBLY-LOCKING, 4 STUDS
9	107921-08-000	EA TOP PLATE-PEDESTAL
10	107921-09-000	EA PEDESTAL-FLOOR MOUNTED, RIGHT OR LEFT SIDE
	107921-06-000	EA BEARING KIT-PEDESTAL, FLEXSTEEL
	114889-01-000	EA STOP BAR-UNIVERSAL, ADJUSTER SIDE
11	119952-02-000	EA ADJUSTER ASSEMBLY-NONLOCK, 4 STUDS
12	080730-09-000	EA SHIELD-RECLINER HANDLE
13	080730-08-000	EA HANDLE-RECLINER, BLACK
14	080730-11-000	EA SHIELD-RUBBER BOOT
15	097683-02-000	EA BRACKET-REMOTE, SIDE MOUNT - SINGLE
16	108049-03-000	EA CABLE - 20", Z END - FLEXSTEEL PEDESTAL
	108049-02-000	EA CLIP-CABLE
17	071126-42-E24	EA SKIRT-SINGLE, 7" - W/SLIT (G21)
17	071126-42-F21	EA SKIRT-SINGLE, 7" - W/SLIT (G22)

CURTAIN & CUSHION GROUP (CONTINUED)
DRIVER & PASSENGER BUCKET SEAT - NEWPORT (DELUXE OPTION)



KEY	PART NUMBER	U/M DESCRIPTION
1	115390-05-G21	EA SEAT-NEWPORT, HEADREST - PASSENGER OR DRIVERSIDE (G21)
1	115390-05-G16	EA SEAT-NEWPORT, HEADREST - PASSENGER OR DRIVERSIDE (G22)
2	119698-01-G21	EA HEADREST-BUCKET SEAT, STRATON II (G21)
2	119698-01-G16	EA HEADREST-BUCKET SEAT, STRATON II (G22)
	P19698-01-G21	EA COVER-HEADREST, STRATON II (G21)
	P19698-01-G16	EA COVER-HEADREST, STRATON II (G22)
	113977-12-000	EA INSERT-HEADREST, W/O LOCK - FLEXSTEEL
	113977-13-000	EA INSERT-HEADREST, W/LOCK - FLEXSTEEL
3	M05962-13-G21	EA COVER-BACK, NEWPORT (G21)
3	M05962-13-G16	EA COVER-BACK, NEWPORT (G22)
4	114929-01-G21	EA ARMREST-RIGHT HAND (G21)
4	114929-01-G16	EA ARMREST-RIGHT HAND (G22)
	116701-01-000	EA BRACKET-ARMREST, RIGHT HAND
	P14929-01-G21	EA COVER-ARMREST, RIGHT HAND (G21)
	P14929-01-G16	EA COVER-ARMREST, RIGHT HAND (G22)
5	114929-02-G21	EA ARMREST-LEFT HAND (G21)
5	114929-02-G16	EA ARMREST-LEFT HAND (G22)
	116701-02-000	EA BRACKET-ARMREST, LEFT HAND
	P14929-02-G21	EA COVER-ARMREST, LEFT HAND (G21)
	P14929-02-G16	EA COVER-ARMREST, LEFT HAND (G22)
6	M05962-14-G21	EA COVER-SEAT, NEWPORT (G21)
6	M05962-14-G16	EA COVER-SEAT, NEWPORT (G22)
7	M80906-12-000	EA FRAME-SEAT, BACK & SPRING
	117125-01-02B	EA BRACKET-CABLE HOLDER, E-COAT
8	119952-04-000	EA ADJUSTER ASSEMBLY-LOCKING, 4 STUDS
9	107921-08-000	EA TOP PLATE-PEDESTAL
10	107921-09-000	EA PEDESTAL-FLOOR MOUNTED, RIGHT OR LEFT SIDE
	107921-06-000	EA BEARING KIT-PEDESTAL, FLEXSTEEL
	114889-01-000	EA STOP BAR-UNIVERSAL, ADJUSTER SIDE
11	119952-02-000	EA ADJUSTER ASSEMBLY-NONLOCK, 4 STUDS
12	080730-09-000	EA SHIELD-RECLINER HANDLE
13	080730-08-000	EA HANDLE-RECLINER, BLACK
14	080730-11-000	EA SHIELD-RUBBER BOOT
15	097683-02-000	EA BRACKET-REMOTE, SIDE MOUNT - SINGLE
16	108049-03-000	EA CABLE - 20", Z END - FLEXSTEEL PEDESTAL
	108049-02-000	EA CLIP-CABLE
17	071126-42-E24	EA SKIRT-SINGLE, 7" - W/SLIT (G21)
17	071126-42-F21	EA SKIRT-SINGLE, 7" - W/SLIT (G22)

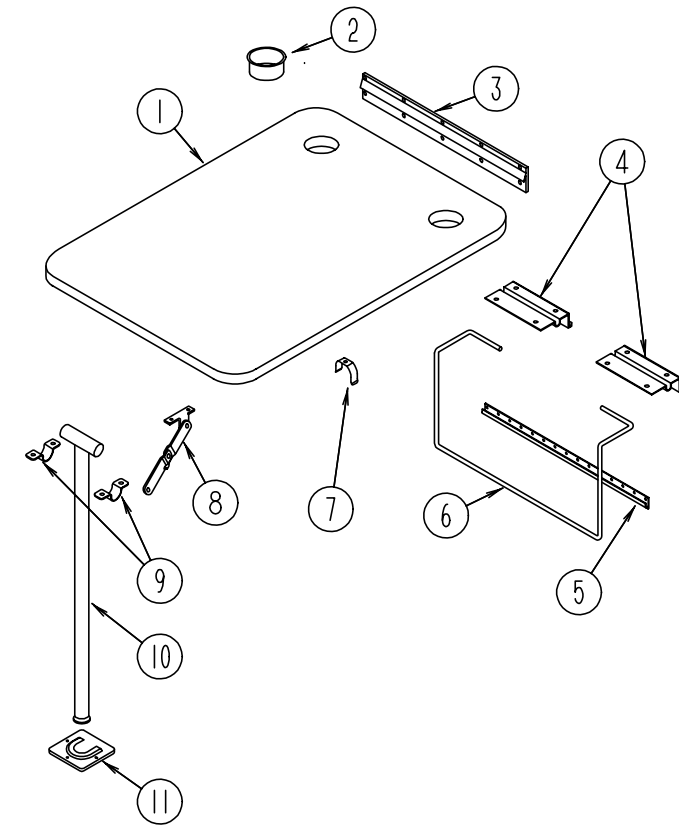
DINETTE GROUP



DINETTE CABINETS, PADS & TABLE

KEY	PART NUMBER	U/M DESCRIPTION
1	114006-01-G01	EA CABINET-OVERHEAD, DINETTE - W/O DOORS OR HARDWARE
2	110140-05-G01	EA DOOR-CABINET, W/O HARDWARE - 365MM X 850MM
2	M06803-L7-G01	EA DOOR-CABINET, W/O HARDWARE - 365MM X 850MM (DELUXE OPTION)
2	110140-65-G01	EA DOOR-CABINET, W/MIRROR - W/O HARDWARE - 365MM X 850MM
2	M06803-P4-G01	EA DOOR-CABINET, W/MIRROR - W/O HARDWARE - 365MM X 850MM (DELUXE OPT.)
3	109908-15-G01	EA END CAP-CABINET
4	111338-09-G21	EA PAD ASM-DINETTE
4	111338-09-G22	EA PAD ASM-DINETTE
5	M06836-07-G01	EA CABINET-SEATBACK, RH
6	M06837-07-G01	EA CABINET-SEATBASE, RH
7	081295-01-G01	EA SUPPORT-BED, DINETTE
8	083122-01-G09	EA TABLE-DINETTE, W/O HARDWARE (G21)
8	083122-01-G10	EA TABLE-DINETTE, W/O HARDWARE (G22)
9	M06885-18-G01	EA CABINET-SEATBASE, LH

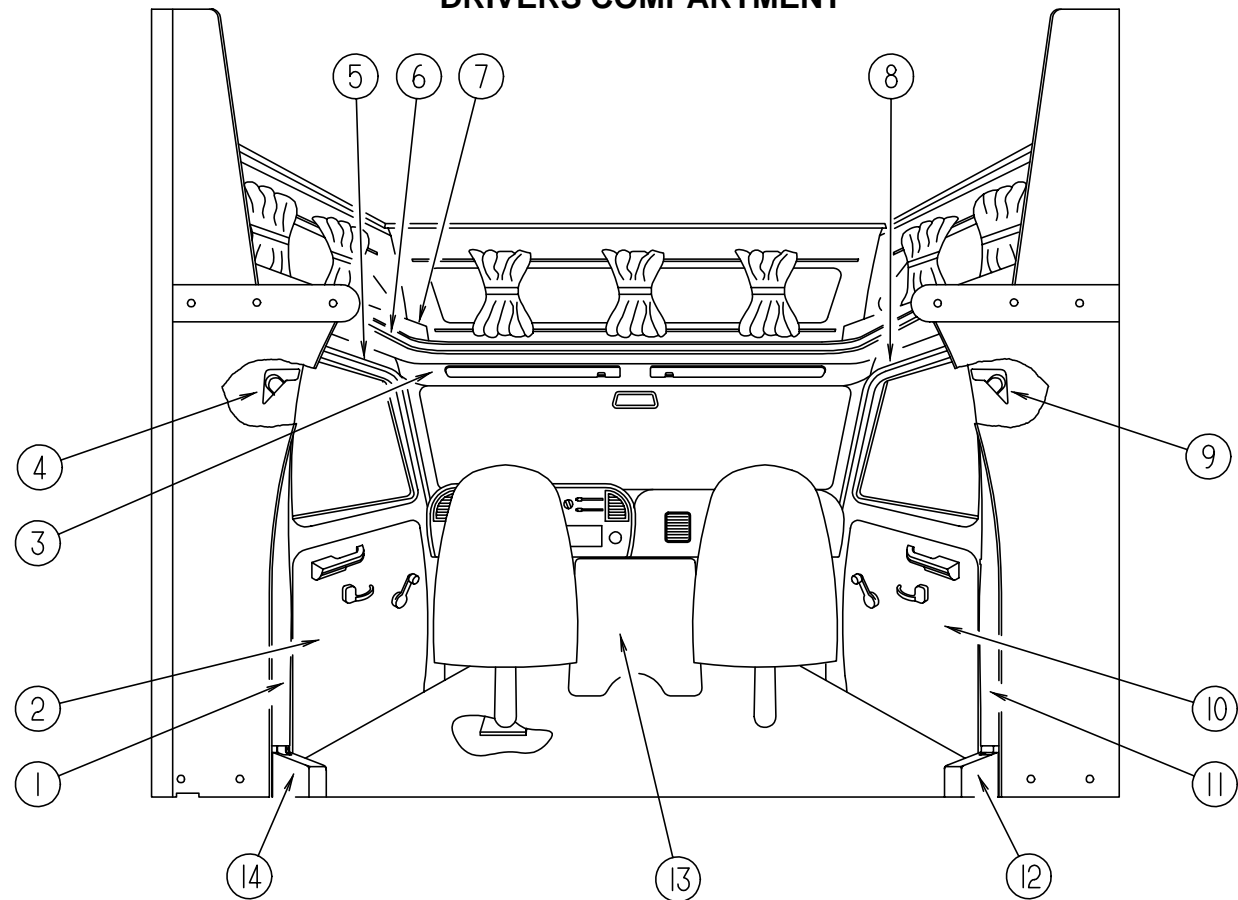
DINETTE GROUP (CONTINUED)



DINETTE TABLE & HARDWARE

KEY	PART NUMBER	U/M DESCRIPTION
1	081322-01-G09	EA TABLE-DINETTE, W/O HARDWARE (G21)
1	081322-01-G10	EA TABLE-DINETTE, W/O HARDWARE (G22)
2	064781-06-000	EA HOLDER-CUP, TWO STAGE - OFF WHITE
3	053200-12-000	EA BRACKET-TABLE SUPPORT - UPPER WALL MOUNTED - 23.5" - OFF WHITE
4	088410-02-000	EA BRACKET-LIFT, TABLE MOUNTED - OFF WHITE
5	024281-14-000	EA BRACKET-LIFT ROD, LOWER WALL MOUNTED - 22.12" - OFF WHITE
6	024275-12-000	EA ROD-TABLE LIFT, OFF WHITE
7	024283-01-000	EA CLIP-LEG, 1" X 1.125" OD - BLACK
8	024282-01-000	EA BRACE-TABLE LEG, HINGED
9	064050-05-000	EA HINGE-TABLE LEG, OFF WHITE
10	024276-23-000	EA LEG-TABLE, METAL - OFF WHITE
11	049493-11-700	EA CATCH-LEG, FLOOR MOUNTED - 2.5" X 2.7" - METAL - E-COAT
	049493-12-000	EA CATCH-TABLE LEG, OFF WHITE

DRIVERS COMPARTMENT



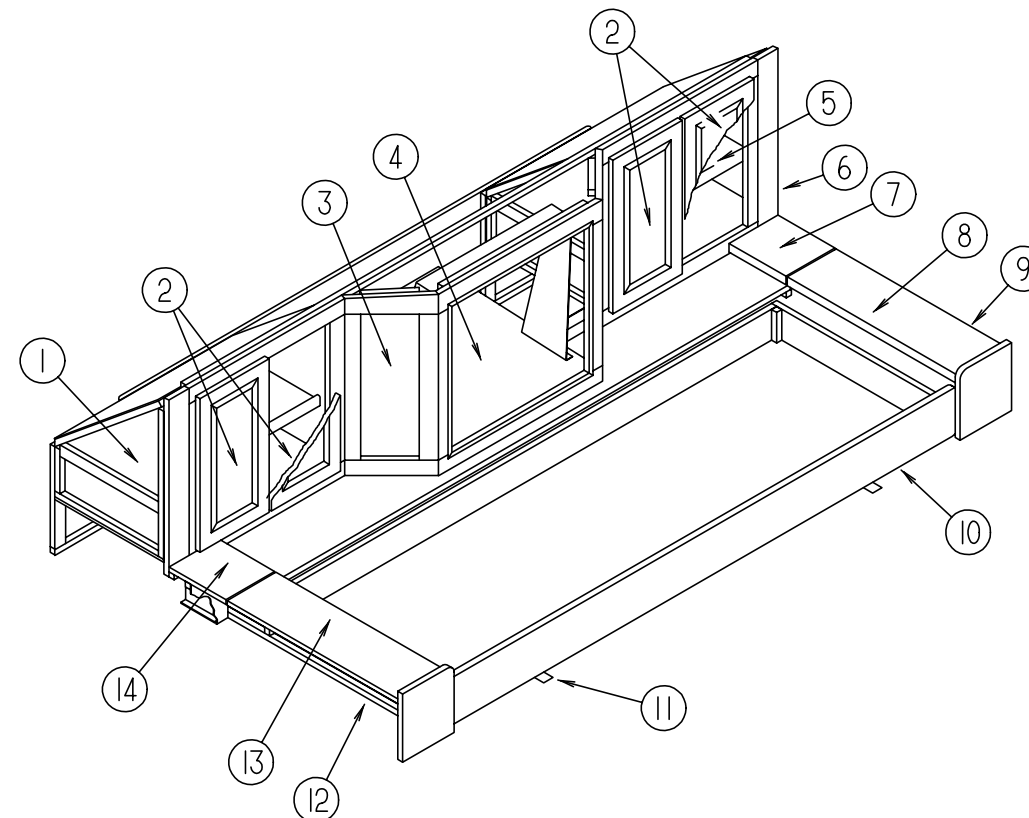
DRIVERS COMPARTMENT

KEY	PART NUMBER	U/M DESCRIPTION
1	106446-02-C03	EA TRIM ASSEMBLY-CAB, B-PILLAR - LEFT HAND
	106445-02-C03	EA TRIM ASSEMBLY-WINGWALL WRAP, BETWEEN CAB STEEL & B PILLAR TRIM
2	109573-02-G21	EA PANEL-DOOR, DRIVER SIDE (DELUXE OPTION)
2	109573-02-G22	EA PANEL-DOOR, DRIVER SIDE (DELUXE OPTION)
3	106448-01-C03	EA HEADLINER-VINYL COVERED, FRONT - OFF WHITE
4	115038-02-01A	EA COVER-SEAT BELT, UPPER - LH - OFF WHITE
5	106447-02-C03	EA TRIM ASSEMBLY-CAB DOOR, UPPER - LEFT
6	079800-07-000	EA TRIM-SLEEPERBOARD, INNER - OFF WHITE
	080742-03-000	FT INSERT-TRIM, SLEEPER BOARD - VINYL - OFF WHITE
7	109894-01-G21	EA CABINET ASSEMBLY-HAMPER, FRONT
7	109894-01-G22	EA CABINET ASSEMBLY-HAMPER, FRONT
8	106447-01-C03	EA TRIM ASSEMBLY-CAB DOOR, UPPER - RIGHT
9	115038-01-01A	EA COVER-SEAT BELT, UPPER - RH - OFF WHITE
10	109573-01-G21	EA PANEL-DOOR, DRIVER SIDE (DELUXE OPTION)
10	109573-01-G22	EA PANEL-DOOR, DRIVER SIDE (DELUXE OPTION)
11	106446-01-C03	EA TRIM ASSEMBLY-CAB, B-PILLAR - RIGHT
	106445-01-C03	EA TRIM ASSEMBLY-WINGWALL WRAP, BETWEEN CAB STEEL & B PILLAR TRIM
12	106431-01-01A	EA COVER-SEATBELT RECOIL, RIGHT - OFF WHITE
13	069885-23-G21	EA COVER-MOTOR, W/POCKET (DELUXE OPTION) (G21)
13	069885-23-F09	EA COVER-MOTOR, W/POCKET (DELUXE OPTION) (G22)
13	112185-02-G01	EA TRAY ASM-BEVERAGE (DELUXE OPTION)
14	106431-02-01A	EA COVER-SEATBELT RECOIL, LEFT - OFF WHITE

INSTRUMENT CLUSTERS

KEY	PART NUMBER	U/M DESCRIPTION
	094795-09-000	EA CLUSTER-INSTRUMENT PANEL, KM - 95E350 GAS/DIESEL FORD F5UZ-10849-B
	100138-01-000	EA MODULE-DAYTIME RUNNING LIGHT
	108357-06-000	EA ROCKER SWITCH, DPDT MOM/OFF/MOM - CARLING VLD1000B-0
	108357-09-000	EA SWITCH-AUXILIARY, SPDT ON/NONE/MOM - CARLING V5D1000B-0
	108356-07-01A	EA ACTUATOR-SWITCH DIMPLE II, CARLING VVAZCXX-XW
	081994-07-000	EA PLATE-SWITCH, AUXILIARY START
	081994-06-000	EA PLATE-SWITCH, AUXILIARY START

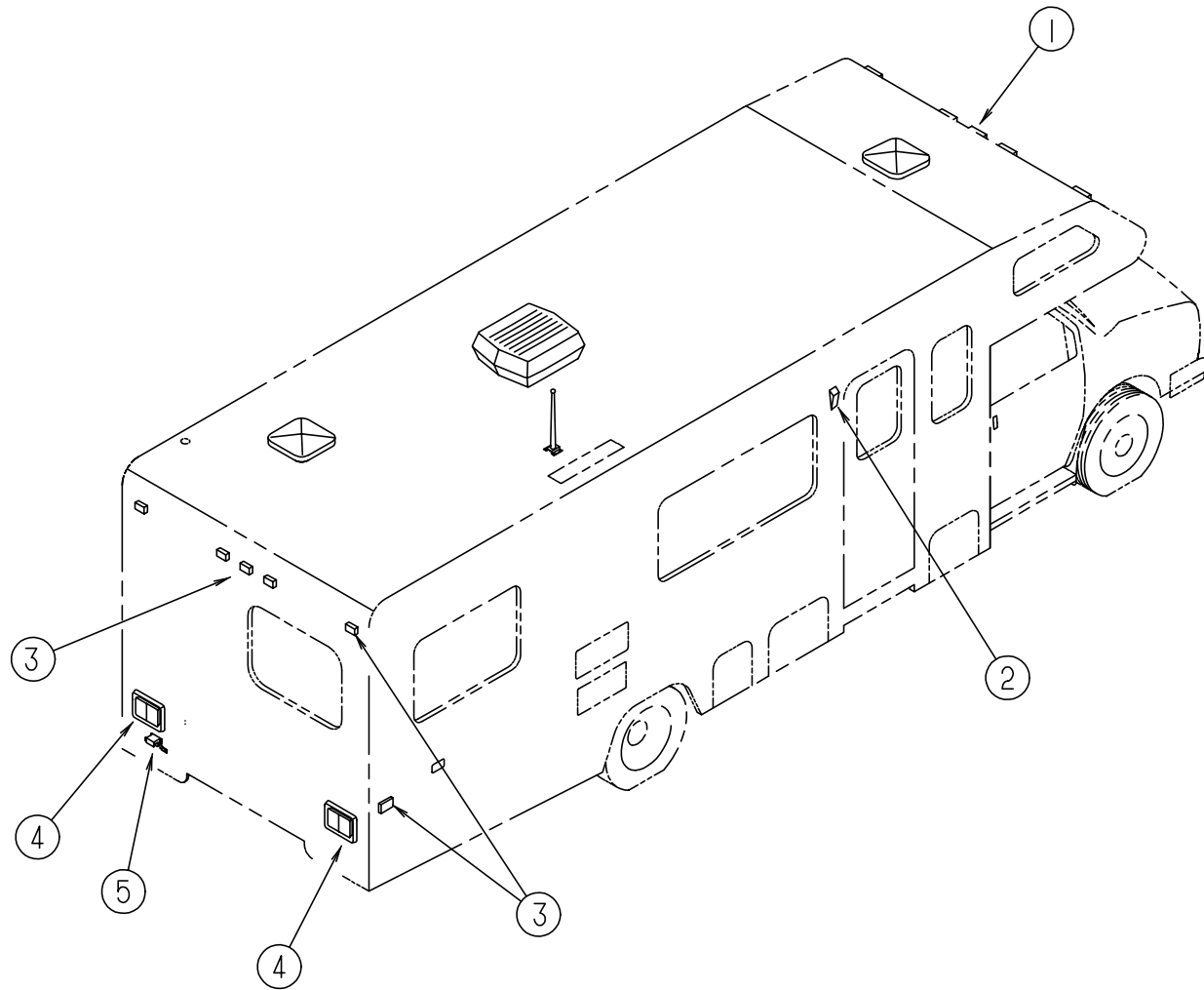
DRIVERS COMPARTMENT (CONTINUED)



FRONT ENTERTAINMENT CENTER

KEY	PART NUMBER	U/M DESCRIPTION
1	110796-02-G01	EA SHELF-ENTERTAINMENT CENTER CABINET
2	110140-25-G01	EA DOOR-CABINET, W/O HARDWARE - 270MM X 505MM
2	M06803-72-G01	EA DOOR-CABINET, W/O HARDWARE - 270MM X 505MM (DELUXE OPTION)
3	110795-11-G21	EA PANEL INSERT-CABINET, FABRIC COVERED - RIGHT & LEFT SIDE
3	110795-11-G22	EA PANEL INSERT-CABINET, FABRIC COVERED - RIGHT & LEFT SIDE
4	111356-01-G01	EA SHELF-TV
5	110796-01-G01	EA SHELF-ENTERTAINMENT CENTER CABINET
6	110795-01-G01	EA CABINET FACE-ENTERTAINMENT CENTER
7	110797-11-E01	EA COUNTERTOP-CABINET (G21)
7	110797-11-F09	EA COUNTERTOP-CABINET (G22)
8	110797-12-E01	EA COUNTERTOP-CABINET, HINGED (G21)
8	110797-12-F09	EA COUNTERTOP-CABINET, HINGED (G22)
9	110797-01-G21	EA STORAGE CABINET-ENTERTAINMENT CENTER
9	110797-01-G22	EA STORAGE CABINET-ENTERTAINMENT CENTER
10	100847-01-G01	EA DRAWER-ENTERTAINMENT CENTER CABINET (G21)
10	100847-01-G22	EA DRAWER-ENTERTAINMENT CENTER CABINET (G22)
11	093673-01-01A	FT MOLDING-BODY, 1.4" WIDE X 8' LONG - OFF WHITE - PLASTIC
12	110797-02-G21	EA STORAGE CABINET-ENTERTAINMENT CENTER
12	110797-02-G22	EA STORAGE CABINET-ENTERTAINMENT CENTER
13	110797-23-E01	EA COUNTERTOP-CABINET, HINGED (G21)
13	110797-23-F09	EA COUNTERTOP-CABINET, HINGED (G22)
14	110797-21-E01	EA COUNTERTOP-CABINET (G21)
14	110797-21-F09	EA COUNTERTOP-CABINET (G22)
	110790-02-000	EA BRACKET-TIEDOWN, TV
	106699-01-01A	EA BRACKET-CABINET, OVERHEAD TV - OFF WHITE

ELECTRICAL GROUP



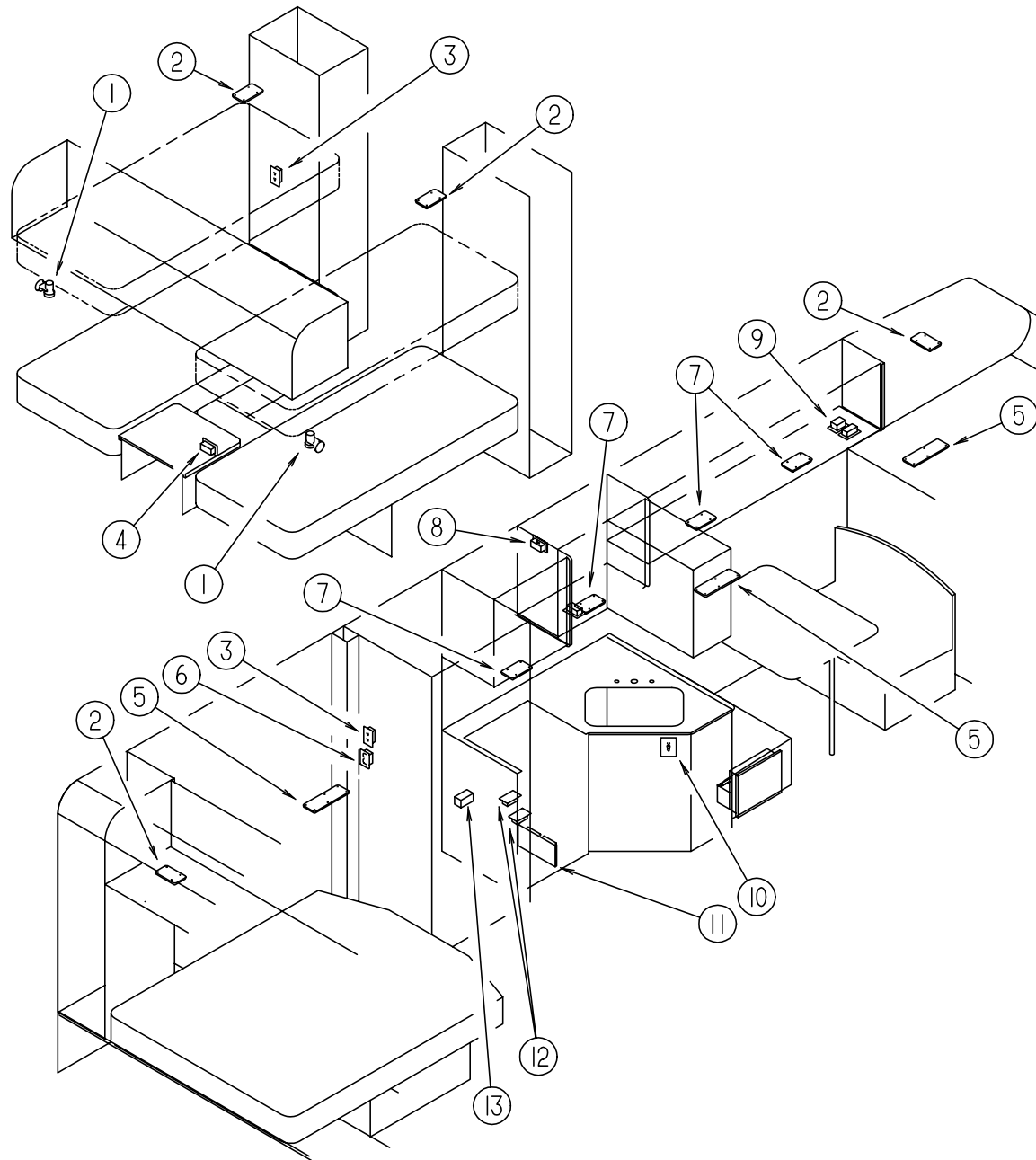
ELECTRICAL GROUP (CONTINUED) WIRING ASSEMBLIES

KEY	PART NUMBER	U/M DESCRIPTION
	090986-01-000	EA WIRE ASSEMBLY-ELECTRIC STEP, KWIKEE 9009
	096449-01-000	EA WIRE ASSEMBLY-WATER TANK TO MONITOR PANEL
	097618-01-000	EA WIRE ASSEMBLY-MONITOR PANEL, W/3 WIRES & ORANGE RESISTOR- LVS ORANGE RESISTOR W/3 (ORANGE-GREEN-BLUE) WIRES
	103328-06-000	EA WIRE ASSEMBLY-PUMP, EXTERIOR SHOWER
	105321-02-000	EA WIRE ASSEMBLY-ELECTRIC STEP
	106851-01-000	EA WIRE ASSEMBLY-DAY RUN LAMP, FUSE
	116894-01-000	EA WIRE ASSEMBLY-SPEED SENSOR EXTEND, JFB L-322B

EXTERIOR LIGHTS

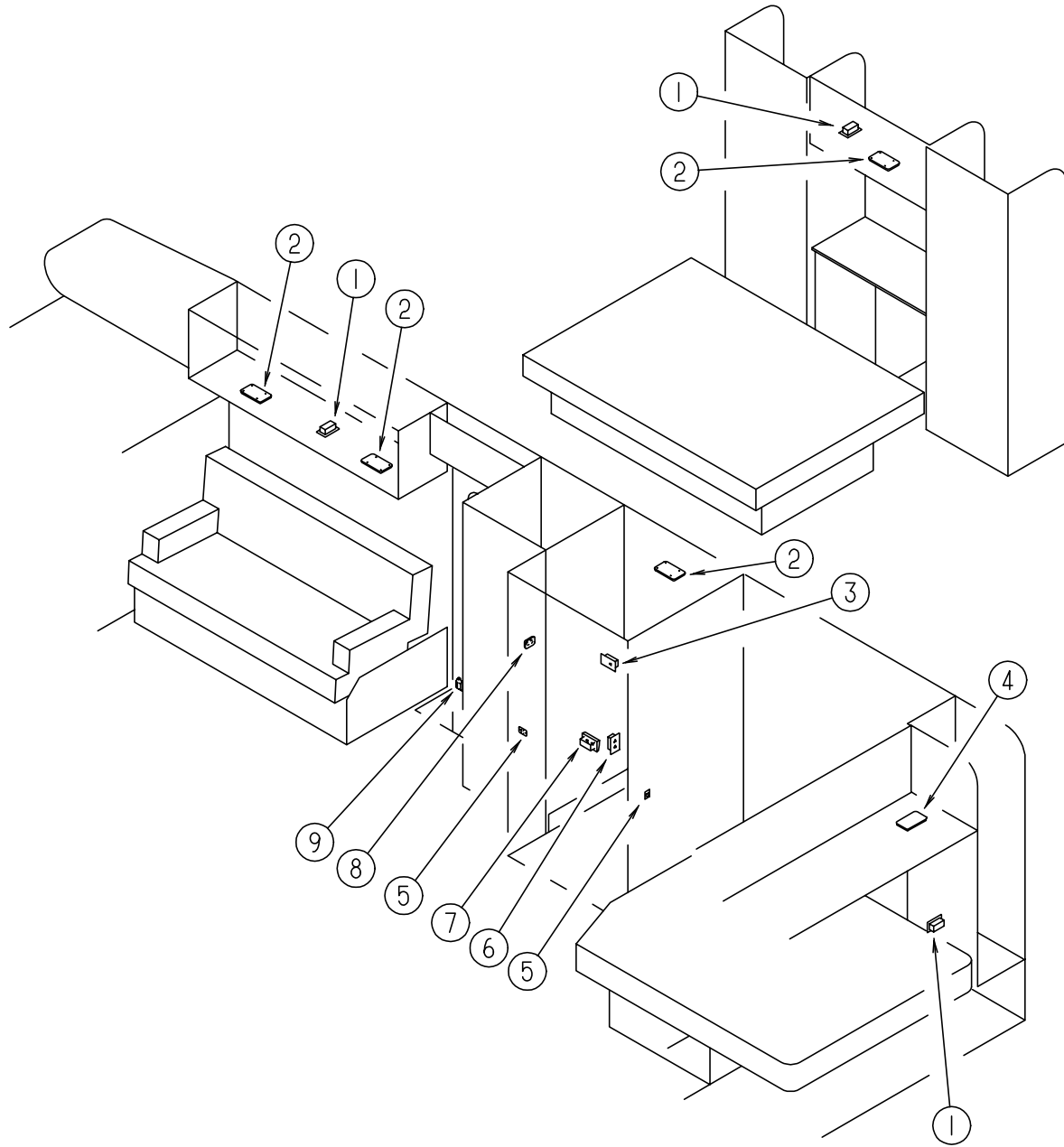
KEY	PART NUMBER	U/M DESCRIPTION
1	111102-02-000	EA LENS-MARKER LAMP, AMBER - TRIPLEX 118A
	111102-01-000	EA LAMP-MARKER, BASE - TRIPLE X 117 X AS
	091983-01-000	EA GASKET-CLEARANCE/SIDEMARKER LIGHT
	036196-01-000	EA BULB - 12V, #194 - .27AMP - BAYONETTE
	112823-01-000	EA SPLICE-REDUCER, 16-14T018-22 ETC BA-631X
2	097917-01-01A	EA LIGHT-PORCH, ENTRY DOOR - OFF WHITE
2	097917-01-06A	EA LIGHT-PORCH, ENTRY DOOR - BRIGHT WHITE
	008215-01-000	EA BULB - 12V, #1003 - .94AMP
	097917-01-700	EA LENS-LIGHT, PORCH
3	111102-03-000	EA LENS-MARKER LAMP, RED - TRIPLEX 117R
	111102-01-000	EA LAMP-MARKER, BASE - TRIPLEX 117XAS
	091983-01-000	EA GASKET-CLEARANCE/SIDEMARKER LIGHT
	036196-01-000	EA BULB - 12V, #194 - .27AMP - BAYONETTE
	112823-01-000	EA SPLICE-REDUCER, 16-14T018-22 ETC BA-631X
4	103355-01-01A	EA POD-TAILLIGHT, OFF WHITE
4	103355-01-05A	EA POD-TAILLIGHT, BRIGHT WHITE
	081638-01-000	EA TAILLIGHT-DOUBLE, W/BLACK TRIM - DRIVER & PASSENGER SIDE
	037934-01-000	EA BULB - 12V, #1156 - 2.1AMP - CLEAR GLASS - BACK UP & TURN SIGNAL BULB
	037935-01-000	EA BULB - 12V, #1157 OR #2057 - 2.1AMP - CLEAR GLASS - BRAKE LIGHT
	081638-01-700	EA LENS-TAILLIGHT, RED - BARGMAN 30-84-010
	081638-01-701	EA LENS-TAILLIGHT, W/BACKUP - BARGMAN 30-84-700
5	066432-02-000	EA LIGHT-LICENSE PLATE
	066432-03-000	EA BRACKET-LICENSE PLATE LIGHT

ELECTRICAL GROUP (CONTINUED)
LIGHTS, SWITCHES & RECEPTACLES - DRIVER SIDE & TWIN BEDS



KEY	PART NUMBER	U/M DESCRIPTION
1	104173-02-01A	EA LIGHT-DESIGNER, BLACK - #81-903 - U.S.
1	104172-01-01A	EA LIGHT-BULLET, BEIGE - #787 SERIES - CANADIAN
1	104173-01-01A	EA LIGHT-DESIGNER, BRASS - #81-905 (DELUXE OPTION) U.S.
	117806-01-000	EA BULB - 12V, NO.912 - 1.0 AMPS
2	098024-01-01A	EA LIGHT-DOME, 1 BULB - IVORY - U.S.
	008218-01-000	EA BULB-DOME LIGHT, 12V - NUMBER 1141
	098024-01-700	EA LENS-LIGHT 807877
2	104172-01-01A	EA LIGHT-BULLET, BEIGE - #787 SERIES - CANADIAN
2	104173-01-01A	EA LIGHT-DESIGNER, BRASS - #81-905 (DELUXE OPTION) U.S.
	117806-01-000	EA BULB - 12V, NO.912 - 1.0 AMPS
3	058708-01-000	EA RECEPTACLE-ELECTRIC, DOUBLE - BROWN
4	058708-02-000	EA RECEPTACLE-ELECTRIC, DOUBLE - IVORY
5	098024-03-01A	EA LIGHT-DOME, 2 BULB - IVORY
	008218-01-000	EA BULB-DOME LIGHT, 12V - NUMBER 1141
	098024-01-700	EA LENS-LIGHT 807877
6	086777-02-000	EA WALLPLATE-TV CABLE, W/ANTENNA SWITCH - BROWN
7	098024-01-01A	EA LIGHT-DOME, 1 BULB - US - IVORY
	008218-01-000	EA BULB-DOME LIGHT, 12V - NUMBER 1141
	098024-01-700	EA LENS-LIGHT 807877
8	058708-05-000	EA RECEPTACLE-ELECTRIC, SINGLE - BROWN
9	086777-02-000	EA WALLPLATE-TV CABLE, W/ANTENNA SWITCH - W/O FRONT CONTROL SWITCHING
9	086777-06-000	EA WALLPLATE-ANTENNA, 1 OUTPUT - W/FRONT CONTROL SWITCHING
10	084076-02-000	EA RECEPTACLE-GFI, 15A - 125V - BROWN
	097734-01-01A	EA EXTENSION-RECEPTACLE, 3.2" X 5" X .7" - PLASTIC - IVORY - CANADIAN
11	024924-02-000	EA RECEPTACLE-POWER CORD, W/PARTIAL PLATE
12	058707-02-000	EA RECEPTACLE-BLANK, JUNCTION - WIRECON WDJ20BR
13	108357-08-000	EA ROCKER SWITCH, DPDT ON/NONE/ON - EXTERIOR SHOWER
13	108356-11-01A	EA ACTUATOR-SWITCH GROOVES III, CARLING VVCZCXX-SW1
13	108356-02-01A	EA ACTUATOR-SWITCH, DIMPLE II - CARLING CCAZC00

ELECTRICAL GROUP (CONTINUED)
LIGHTS, SWITCHES & RECEPTACLES - PASSENGER SIDE & QUEEN BED



KEY	PART NUMBER	U/M	DESCRIPTION
1	058708-02-000	EA	RECEPTACLE-ELECTRIC, DOUBLE - IVORY
2	098024-01-01A	EA	LIGHT-DOME, 1 BULB - US - IVORY
	008218-01-000	EA	BULB-DOME LIGHT, 12V - NUMBER 1141
	098024-01-700	EA	LENS-LIGHT 807877
3	058707-01-000	EA	RECEPTACLE-ELECTRIC, SINGLE - BROWN
4	098024-01-01A	EA	LIGHT-DOME, 1 BULB - US - IVORY
	008218-01-000	EA	BULB-DOME LIGHT, 12V - NUMBER 1141
	098024-01-700	EA	LENS-LIGHT 807877
4	104173-01-01A	EA	LIGHT-DESIGNER, BRASS - #81-905 (DELUXE OPTION)
4	104172-01-01A	EA	LIGHT-BULLET, BEIGE - #787 SERIES - CANADIAN
	117806-01-000	EA	BULB - 12V, NO.912 - 1.0 AMPS
5	098351-01-01A	EA	PLATE-SWITCH, 1 GANG - POLISHED BRASS - JENSEN
5	079364-01-000	EA	SWITCH-ON/OFF ROCKER, 2 PRONGS - BROWN
5	095188-01-01A	EA	SPACER-SWITCH, 2.3" X 3.4" - PLASTIC - DARK BROWN
6	098351-07-01A	EA	PLATE-SWITCH, GENERATOR SWITCH - POLISHED BRASS - JENSEN
6	108357-06-000	EA	ROCKER SWITCH, DPDT MOM/OFFMOM - CARLING VLD1000B-0
6	108356-11-01A	EA	ACTUATOR-SWITCH GROOVES III, CARLING VVCZCXX-SW1
7	112822-01-01A	EA	RECEPTACLE-DUPLEX, IVORY - WIRECON WDRU15IV
7	112824-01-03A	EA	COVER-EXTERIOR DUPLEX RECEPTACLE, WHITE - P&S 3780-SC-WH
7	058708-02-000	EA	RECEPTACLE-ELECTRIC, DOUBLE - EXTERIOR ENTERTAINMENT CENTER
7	076319-09-000	EA	WALLPLATE-CABLE RECEPTACLE, TV - SINGLE - BROWN
8	098351-06-01A	EA	PLATE-SWITCH, 2 GANG - W/LABEL - POLISHED BRASS - JENSEN
8	079364-01-000	EA	SWITCH-ON/OFF ROCKER, 2 PRONGS - BROWN
8	095188-01-01A	EA	SPACER-SWITCH, 2.3" X 3.4" - PLASTIC - DARK BROWN
8	098351-05-01A	EA	PLATE-SWITCH, 3 GANG - POLISHED BRASS - JENSEN - ELECTRIC STEP
8	095188-02-01A	EA	SPACER-SWITCH, 2.3" X 4.1" - PLASTIC - DARK BROWN
8	077942-02-000	EA	SWITCH-DUMMY, BROWN - M'QUARDT203.010.01
9	116995-01-000	EA	SWITCH/MAGNET-ELECTRIC STEP, KWIKEE 905306
	086280-01-000	EA	LIGHT-SURFACE MOUNT, 12V - JENSEN 1236 - FRONT CAB
	086280-01-700	EA	BULB - 12V-6W ARP1089

ELECTRICAL GROUP (CONTINUED)
FUSES & CIRCUIT BREAKERS

KEY	PART NUMBER	U/M DESCRIPTION
	008235-01-000	EA FUSE-AUTOMOTIVE, 12V - 15AMP
	062901-02-000	EA FUSE-AUTOMOTIVE, 5 AMPS
	062901-05-000	EA FUSE-AUTOMOTIVE, 15 AMPS
	100341-01-000	EA FUSE HOLDER-IN LINE TYPE, WESCO 8931-92020
	083209-02-000	EA CIRCUIT BREAKER - 15/15 AMPS, 120V - BW H-15/15
	083209-03-000	EA CIRCUIT BREAKER - 15/20 AMPS, 120V - BW 0-15/20
	083209-04-000	EA CIRCUIT BREAKER - 30 AMPS, 120V - BW L-30
	083209-06-000	EA CIRCUIT BREAKER - 30/15 AMPS, 120V - BW D-30/15
	083209-08-000	EA CIRCUIT BREAKER-BLANK, BW
	093654-01-000	EA CIRCUIT BREAKER - 6 AMPS, 12V - USD 17406-4E12A2A
	093654-03-000	EA CIRCUIT BREAKER - 20 AMPS, 12V - USD 17420-4E12A2A
	093655-01-000	EA CIRCUIT BREAKER - 25 AMPS, 12V - USD 17425-4E03A2A
	093655-02-000	EA CIRCUIT BREAKER - 30 AMPS, 12V - USD 17430-4E03A2A
	094810-01-000	EA CIRCUIT BREAKER - 30 AMPS, 120V - GE THQL2130
	094811-01-000	EA CIRCUIT BREAKER - 20/20 AMPS, 120V - GE THQL2120

ELECTRIC BOXES, COVERS & POWER CORDS

KEY	PART NUMBER	U/M DESCRIPTION
	008052-01-000	EA CORD-POWER, 10/3 - 30 AMPS - 25' - CANADIAN
	008054-01-000	EA CORD-POWER, 10/3 - 30 AMPS - 25'
	008289-01-000	EA BOX-ELECTRIC, STEEL - 1/2" AND 3/4" KNOCKOUTS - 4" X 4"
	008289-02-000	EA BOX-ELECTRICAL, 4" X 4" - 1/2" & 3/4" KNOCKOUTS - CANADIAN
	008294-02-000	EA COVER-ELECTRICAL BOX, BLANK STEEL - 4" X 4" - CANADIAN
	069238-01-000	EA COVER-ELECTRICAL BOX, W/HOLE - 4" X 4" - GRAY USED WITH 30 AMP RECEPTACLE
	091910-02-000	EA BOX-ELECTRICAL, PLASTIC - 57 X 88 MM
	093603-01-000	EA BOX-ELECTRIC, 4" X 2 1/8" X 2 1/8" - STEEL
	107165-01-01A	EA BOX-CIRCUIT BREAKER MOUNT, 14.6" X 4" - BLACK PLASTIC

CONDUIT

KEY	PART NUMBER	U/M DESCRIPTION
	041953-01-000	FT CONDUIT-CONVOLUTE, SLIT - .5" ID
	041953-01-000	FT CONDUIT-CONVOLUTE, SLIT - .5" ID
	041953-03-000	FT CONDUIT-CONVOLUTE, SLIT - 1" ID (CLOTHES ROD COVER)
	041953-05-000	FT CONDUIT-CONVOLUTE, SOLID - .62" ID
	041953-06-000	FT CONDUIT-CONVOLUTE, SLIT - .375" ID
	041953-07-000	FT CONDUIT-CONVOLUTE, SLIT - .25" ID
	041953-09-000	FT CONDUIT-CONVOLUTE, SLIT - .50" ID
	041953-10-000	FT CONDUIT-CONVOLUTE, SLIT - .75" ID
	041953-12-000	FT CONDUIT-CONVOLUTE, NON SLIT - 1.1" ID

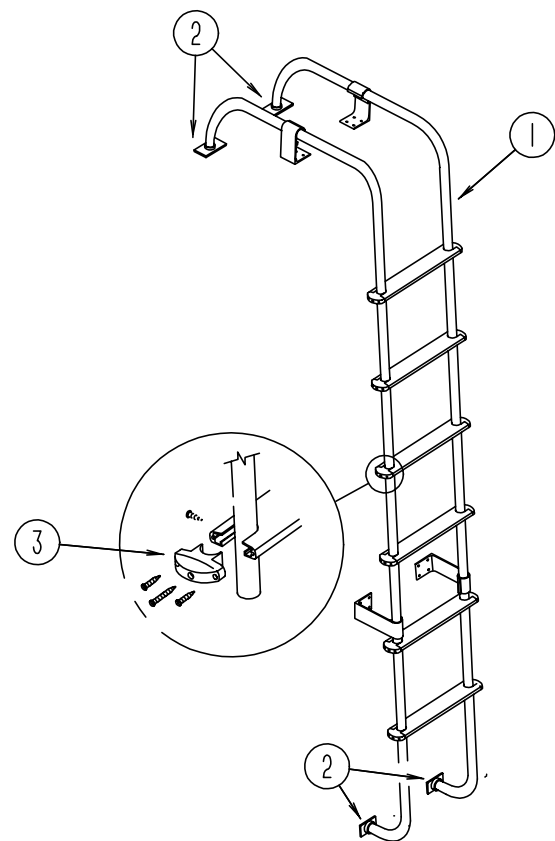
POWER CONVERTER & INVERTER

KEY	PART NUMBER	U/M DESCRIPTION
	051912-01-000	EA TRANSFORMER-DRY CONT, 1.5 KVA - GE 9T51B511
	083208-01-000	EA CONVERTOR-POWER, 32A - 120V/12V - BW 6332
	092615-01-000	EA CONVERTER - 40 AMP, W/CHARGER - B-W 32400P
	092615-01-700	EA DOOR-ACCESS, FUSES - 91500075
	094809-01-000	EA CENTER-LOAD, 240V - 125A - TPL412CT
	099048-02-000	EA INVERTER-W/EXTRA SURGE CAPACITY, 100 WATT

ELECTRICAL GROUP (CONTINUED)
CONNECTORS, HOUSINGS, & TERMINALS

KEY	PART NUMBER	U/M DESCRIPTION
	008311-01-000	EA CONNECTOR-WIRE NUT, INSULATED - RED
	008314-01-000	EA CONNECTOR-WIRE NUT, INSULATED - GRAY
	008355-01-000	EA CONNECTOR-CABLE CLAMPING, 3/4"
	008356-01-000	EA CONNECTOR-PLASTIC, 3/8" AVG
	058028-01-000	EA CONNECTOR-ELECTRICAL PIGTAIL, NYLON - CLEAR
	008326-01-000	EA TERMINAL-RING, 16/14 WIRE - 3/8" STUD
	008328-01-000	EA TERMINAL-RING, 12/10 WIRE - #10 STUD FIT
	008331-01-000	EA TERMINAL-RING, TONGUE - #4 WIRE - 3/8" STUD - COPPER
	008348-01-000	EA TERMINAL-RING, 3/8" STUD - #2 WIRE
	035416-04-000	EA TERMINAL-RING, #10 STUD FIT, INSULATED BARREL #16/14
	047443-01-000	EA TERMINAL - .250 RECEPTACLE FIT, INSULATED - 16/14 AWG
	102777-02-000	EA TERMINAL-RING, #6 STUD - 10 AWG
	088473-03-000	EA HOUSING-PIN, 9 CAVITY - AMP 1-480706-0
	088473-05-000	EA HOUSING-PIN, 6 CAVITY - AMP 640585-1
	088473-06-000	EA HOUSING-PIN, 6 CAVITY - AMP 1-480704-0
	088473-08-000	EA HOUSING-PIN, 4 CAVITY - AMP 1-480702-0
	088473-09-000	EA HOUSING-PIN, 3 CAVITY - AMP 1-480700-0
	088473-10-000	EA HOUSING-PIN, 2 CAVITY - AMP 1-480698-0
	088474-03-000	EA HOUSING-SOCKET, 9 CAVITY - AMP 1-480707-0
	088474-06-000	EA HOUSING-SOCKET, 6 CAVITY - AMP 1-480705-0
	088474-07-000	EA HOUSING-SOCKET, 5 CAVITY - AMP 1-480764-0
	088474-08-000	EA HOUSING-SOCKET, 4 CAVITY - AMP 1-480703-0
	088474-09-000	EA HOUSING-SOCKET, 3 CAVITY - AMP 1-480701-0
	088474-10-000	EA HOUSING-SOCKET, 2 CAVITY - AMP 1-480699-0
	088475-01-000	EA PIN-CONNECTOR, 14 TO 20 AWG
	088475-02-000	EA PIN-CONNECTOR, 10 TO 12 AWG
	088476-01-000	EA SOCKET-CONNECTOR, BRASS - PRE-TIN
	088476-02-000	EA SOCKET-CONNECTOR, 12-10 GA - PHOS. BRZ - PRE-TIN
	077479-01-000	EA BOOT-BATTERY TERMINAL, DOUBLE CABLE
	077479-02-000	EA BOOT-BATTERY TERMINAL, SINGLE CABLE
	080015-02-000	EA RECEPTACLE-FLAG, .185 - 16/14 GA - AMP 3
	080015-03-000	EA RECEPTACLE-FLAG, .250 - 14/16 GA
	087949-01-000	EA BUSS BAR - 2 POSITION, .6" X 1.5" - ALUMINUM
	007940-01-000	EA RECEPTACLE-SLIDE, 16 TO 12 AWG - FEMALE END
	007956-05-000	EA INSULATOR-SHRINK, .25 ID X 1.50 - BLACK
	008188-01-000	EA SOLENOID-3 POST, BATTERY CHANGE OVER
	063910-01-000	EA HOUSING-RELAY, BOSCH 3 334 485 008
	086273-01-000	EA RELAY-BATTERY DISCONNECT

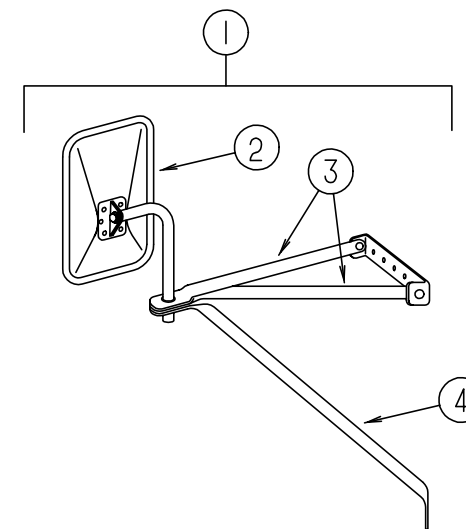
EXTERIOR BODY GROUP



LADDER

KEY	PART NUMBER	U/M DESCRIPTION
1	102953-10-F15	EA LADDER ASSEMBLY
2	067165-01-000	EA MOUNTING BRACKET-LADDER, LOWER
3	076980-02-000	EA END CAP-STEP, BLACK
	000G39-06-10T	EA SCREW-SF/DR - 6-20 X 5/8 PPH - BLACK
	000G68-10-36T	EA SCREW - 10-12 X 2.25 POH - BLACK

EXTERIOR BODY GROUP (CONTINUED)



EXTERIOR MIRRORS

KEY	PART NUMBER	U/M DESCRIPTION
1	106860-01-02A	EA MIRROR-EXTERIOR, LOW MOUNT - PAIR - BRIGHT WHITE
2	106860-01-707	EA MIRROR-HEAD, EXTERIOR - BRIGHT WHITE
3	106860-01-708	EA ARM-MIRROR - BRIGHT WHITE
4	106860-01-709	EA BRACE LOWER FORWARD - DRIVER - BRIGHT WHITE
4	106860-01-710	EA BRACE LOWER FORWARD - PASSENGER - BRIGHT WHITE
	106860-01-702	EA HARDWARE PACKAGE
	106860-01-711	EA MIRROR ASSEMBLY-LEFT SIDE COMPLETE - BRIGHT WHITE
	106860-01-712	EA MIRROR ASSEMBLY-RIGHT SIDE COMPLETE - BRIGHT WHITE
	117051-01-700	EA MIRROR-AUXILIARY, CONVEX - VELVAC 723068-4

EXTERIOR MIRRORS - PLATE MOUNT - VELVAC

KEY	PART NUMBER	U/M DESCRIPTION	VENDOR NO.
	117051-01-01A	EA MIRROR-EXTERIOR, PASSENGER - BLACK	713438
			FROM: 00-00-00 THRU: 08-13-95
	117051-02-01A	EA MIRROR-EXTERIOR, DRIVER - BLACK	713439
			FROM: 00-00-00 THRU: 08-13-95
	117051-01-700	EA MIRROR-CONVEX	723068-4
			FROM: 00-00-00 THRU: 08-13-95
	106860-02-702	EA GLASS-FLAT, REPLACEMENT - LH & RH - STAR	702086-8
			FROM: 00-00-00 THRU: 08-13-95
	120269-01-01A	EA MIRROR-EXTERIOR, PASSENGER - BLACK	713672-7
			FROM: 08-14-95 THRU: 99-99-99
	120269-02-01A	EA MIRROR-EXTERIOR, DRIVER - BLACK	713671-7
			FROM: 08-14-95 THRU: 99-99-99

EXTERIOR BODY GROUP (CONTINUED)
FIBERGLASS, ALUMINUM, STYROFOAM, PLYWOOD & CHANNEL

KEY	PART NUMBER	U/M DESCRIPTION
	076054-N3-000	EA FIBERGLASS-SHEET - 102" X 233.8" - BRIGHT WHITE
	076054-N9-000	EA FIBERGLASS-SHEET - 96" X 102" - BRIGHT WHITE
	076054-P9-000	EA FIBERGLASS-SHEET - 37.4" X 99.25" - BRIGHT WHITE
	076054-R1-000	EA FIBERGLASS-SHEET - 24" X 65.9" - BRIGHT WHITE
	076054-R2-000	EA FIBERGLASS-SHEET - 19.4" X 65.9" - BRIGHT WHITE
	077517-62-000	EA FIBERGLASS-SHEET, FLAT - 48" X 96" - BRIGHT WHITE
	083574-03-000	SF STYROFOAM - 3/4" X 48" X 96"
	000870-08-000	SF STYROFOAM - .75" X 48" X 96" - PLANED
	100619-01-000	BF FOAM-EXPANDED, SHEET - 48" X 96" X 1.34"
	100619-04-000	BF FOAM-EXPANDED POLYSTYRENE, 48" X 96" X .5"
	100619-05-000	BF FOAM-EXPANDED POLYSTYRENE, 48" X 96" X .75"
	089297-01-000	SF PLYWOOD-LUAN, OVERLAY GRADE - 4' X 8'
	044487-01-001	EA ALUMINUM-SHEET, .019" X 96" X 360" - MILL FINISH
	044487-01-002	EA ALUMINUM-SHEET, .019" X 14.014" X 30.199" - MILL FINISH
	002726-01-001	EA GARNISH-U CHANNEL, 1.38" X 19' - SERRATED - MILL ALUMINUM
	055278-51-259	EA TUBING-STEEL, .75" X 1.5" X 12.5'

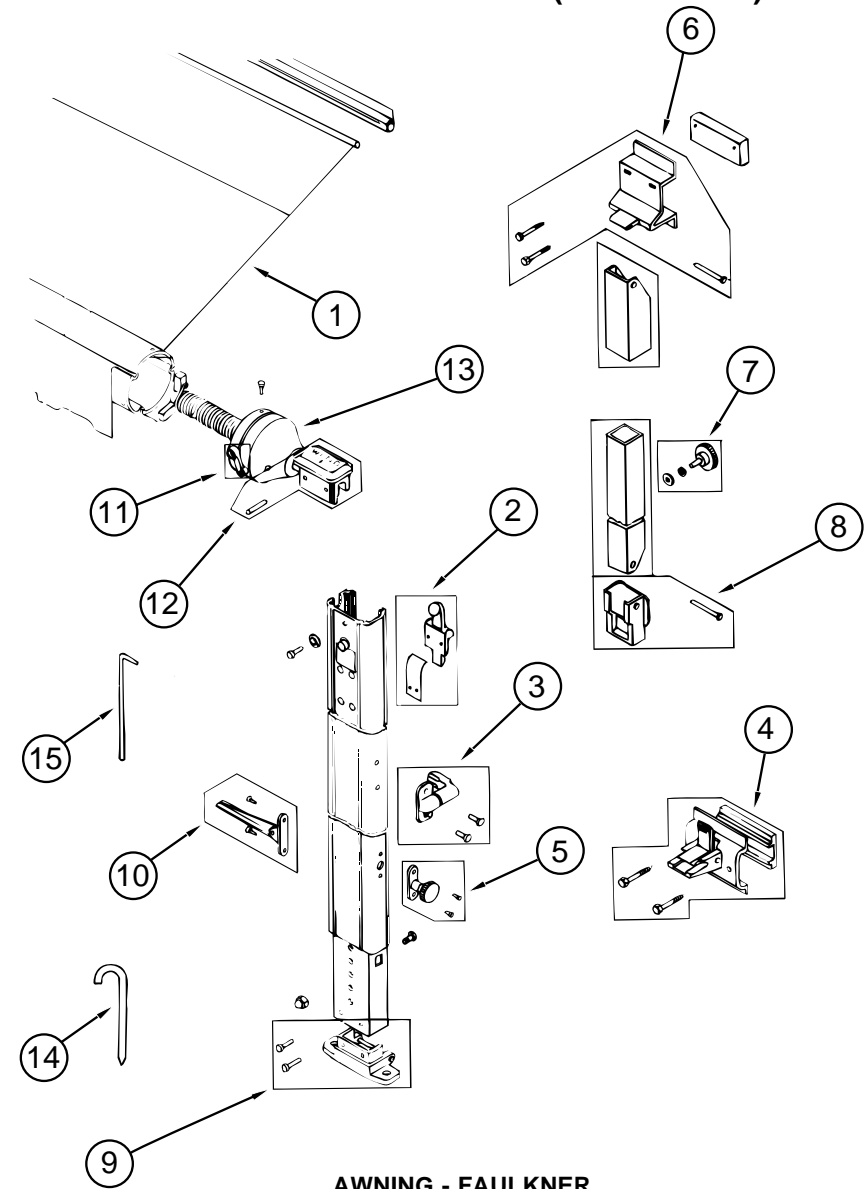
RUNNING BOARDS

KEY	PART NUMBER	U/M DESCRIPTION	VENDOR NO.
	072884-27-000	EA RUNNING BOARD, 39.00 - FORD	KEM K12 15539
	072884-27-700	EA BRACKET SET - 12"	RB2BRK/M
	072884-27-701	EA RUNNING BOARD, 39" - FORD - DRIVERS OR PASSENGER	
	072884-27-702	FT TREAD TAPE	RB9202
	072884-27-703	EA MUD FLAP-W/HOLES, 1EA=PAIR	99171
	072884-27-704	EA CAP-ENDS, 1EA=PAIR	99148

RUNNING BOARDS (DELUXE OPTION)

KEY	PART NUMBER	U/M DESCRIPTION	VENDOR NO.
	106461-06-01A	EA RUNNING BOARD-FORD, RH - BRIGHT WHITE	RB-1102ZC
	106461-07-01A	EA RUNNING BOARD-FORD, LH - BRIGHT WHITE	RB-1102Z
	106461-03-000	EA HARDWARE-KIT, RUNNING BOARD - QUALITY	
	106461-04-000	EA TRIM-RUNNING BOARD, FORD - QUALITY SET/2	
	106461-05-000	EA NON SKID STRIP-RUNNING BOARD, QUALITY SET/6	

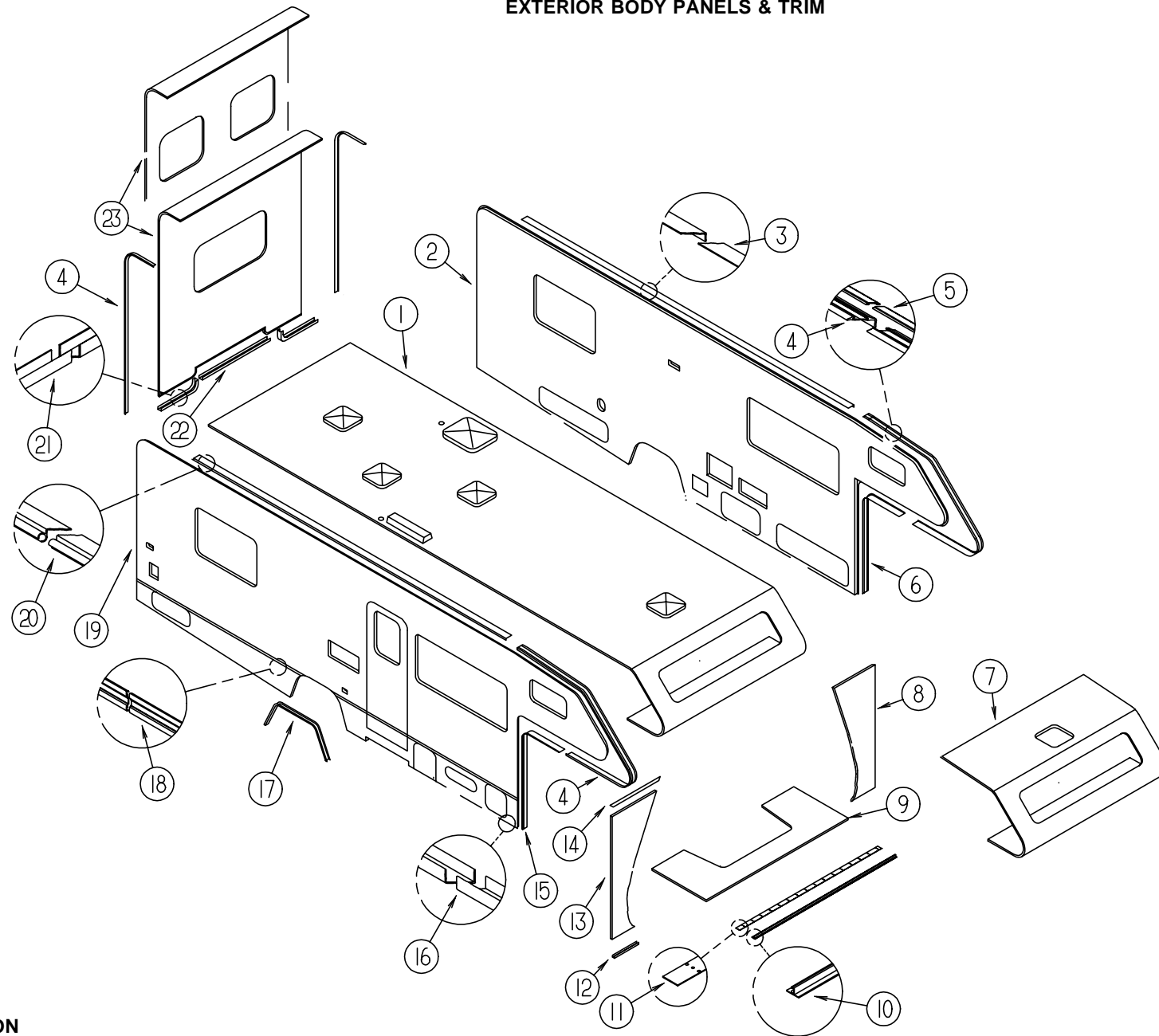
EXTERIOR BODY GROUP (CONTINUED)



AWNING - FAULKNER

KEY	PART NUMBER	U/M DESCRIPTION	VENDOR NO.
1	110634-08-14A	EA AWNING-ROLLER ASSEMBLY, 14'	
	110634-02-04A	EA AWNING-HARDWARE KIT, BRIGHT WHITE	
	111037-01-01A	EA SPACER-AWNING, UPPER - BLACK	
	111038-01-01A	EA SPACER-AWNING, LOWER - BLACK	
2	110634-01-700	EA KIT-RAFTER LOCKING MECHANISM	7605-0001
3	110634-01-701	EA KIT-SAFETY & LATCH	7509-0001
4	110634-01-702	EA KIT-BOTTOM BRACKET	7512-0001
5	110634-01-703	EA KIT-HEIGHT LOCK HANDLE	7510-0001
6	110634-01-704	EA KIT-UPPER BRACKET, W/BOLTS	7505-0001
7	110634-01-705	EA KIT-ULTRA RAFTER KNOB	7522-0001
8	110634-01-706	EA KIT-RAFTER SLIDE	
9	110634-01-707	EA KIT-GROUND BRACKET	7511-0001
10	110634-01-708	EA LIFT HANDLES-W/RIVETS	7000-0001
11	110634-01-709	EA KIT-RATCHET HANDLE	7507-0001
12	110634-01-710	EA KIT-ARM CAP	7503-0001
13	110634-01-711	EA SPRING ASSEMBLY-FRONT	6598-0001
13	110634-01-712	EA SPRING ASSEMBLY-REAR	6599-0001
13	110634-01-713	EA KIT-REAR END CAP	7504-0001
14	110634-01-714	EA STAKE - 4 PER BAG	5208-0001
15	110634-01-715	EA PULL DOWN WAND	7604-0001
	110634-01-730	EA ARM-INNER, FRONT - BRIGHT WHITE	1002-0071
	110634-01-731	EA ARM-INNER, REAR - BRIGHT WHITE	1003-0071
	110634-01-732	EA RAFTER-OUTER, BRIGHT WHITE	1004-0071
	110634-01-733	EA RAFTER-INNER, BRIGHT WHITE	1005-0071

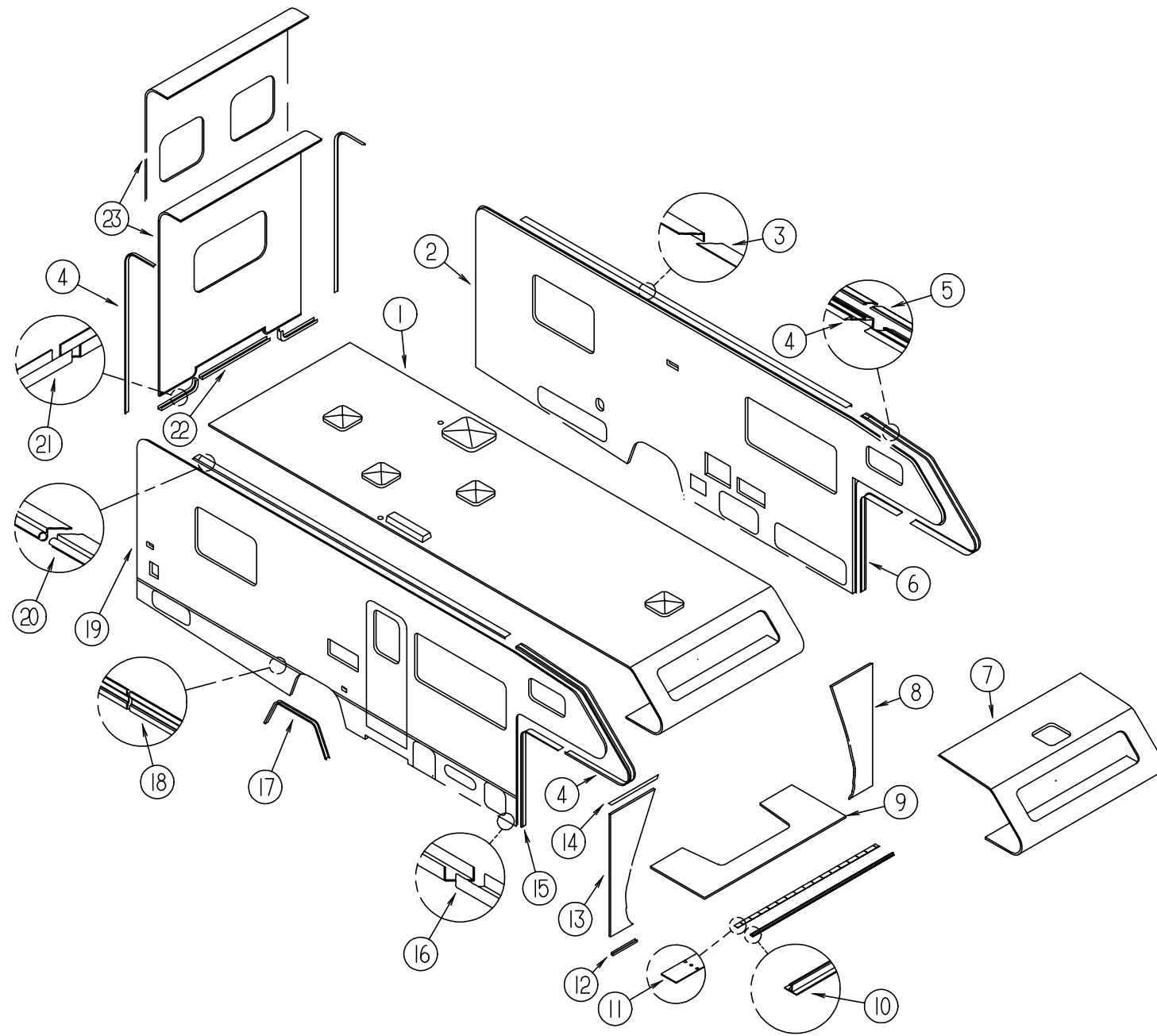
EXTERIOR BODY GROUP (CONTINUED)
EXTERIOR BODY PANELS & TRIM



KEY	PART NUMBER	U/M DESCRIPTION
1	M07533-01-G01	EA ROOF-W/BASES, W/O VENTS - QUEEN BED - DOUBLE BED
1	M07533-03-G01	EA ROOF-W/BASES, W/O VENTS - QUEEN BED - DOUBLE BED (DELUXE OPTION)
1	M07533-02-G01	EA ROOF-W/BASES, W/O VENTS - TWIN BED - TWIN BED W/BUNK
1	M07533-04-G01	EA ROOF-W/BASES, W/O VENTS - TWIN BED - TWIN BED W/BUNK (DELUXE OPT.)
2	M07534-01-G21	EA SIDEWALL-LEFT, W/O WINDOWS OR LIGHTS - QUEEN BED
2	M07534-01-G22	EA SIDEWALL-LEFT, W/O WINDOWS OR LIGHTS - QUEEN BED
2	M07534-02-G21	EA SIDEWALL-LEFT, W/O WINDOWS OR LIGHTS - DOUBLE BED
2	M07534-02-G22	EA SIDEWALL-LEFT, W/O WINDOWS OR LIGHTS - DOUBLE BED
2	M07534-03-G21	EA SIDEWALL-LEFT, W/O WINDOWS OR LIGHTS - TWIN BED
2	M07534-03-G22	EA SIDEWALL-LEFT, W/O WINDOWS OR LIGHTS - TWIN BED
2	M07534-04-G21	EA SIDEWALL-LEFT, W/O WINDOWS OR LIGHTS - TWIN BED/BUNK BED
2	M07534-04-G22	EA SIDEWALL-LEFT, W/O WINDOWS OR LIGHTS - TWIN BED/BUNK BED
	064675-54-004	EA STEEL-ANGLE, ROOF JOINT - 545MM - OFF WHITE
	069362-06-000	EA TUBE-SUPPORT, FLOOR TO VALANCE PANEL - 17"
3	096864-03-01A	EA TRIM-CONTOUR, ROOF TO SIDEWALL - 120" - BRIGHT WHITE
3	096864-02-02A	EA TRIM-CONTOUR, ROOF TO SIDEWALL - 133.8" - BRIGHT WHITE
4	096854-01-02A	EA TRIM-CONTOUR, W/O VINYL INSERT - 108" - BRIGHT WHITE
5	105312-01-07A	FT INSERT-TRIM, VINYL - BRIGHT WHITE

KEY	PART NUMBER	U/M DESCRIPTION
6	104479-06-02A	EA TRIM-CONTOUR, FRONT - BRIGHT WHITE
7	M76177-01-700	EA CAP-FRONT, OVERHEAD CAB TO FIRST SEAM OF ROOF
8	M07423-06-F15	EA WINGWALL-DRIVER SIDE, BRIGHT WHITE
9	M07422-01-G01	EA SLEEPERBOARD ASSEMBLY-BRIGHT WHITE
10	100086-04-01A	EA TRIM-SLEEPERBOARD, 2" X 90.7" - BRIGHT WHITE
11	100085-03-01A	EA TRIM-SLEEPERBOARD, FLAT - 2.5" X 87.5" - OFF WHITE
12	002365-03-006	EA U CHANNEL-EXTRUDED, 1.00 X 192.00 6063T5 - BRIGHT WHITE
13	M07423-05-F15	EA WINGWALL-PASSENGER SIDE, BRIGHT WHITE
14	022992-14-000	FT MOLDING-REVERSE COVE, BRIGHT WHITE
15	104479-05-02A	EA TRIM-CONTOUR, FRONT - BRIGHT WHITE
16	098072-55-004	EA TRIM SIDEWALL-LOWER, 2900 MM - BRIGHT WHITE
	105025-10-F15	EA TRIM-SIDEWALL, UNDER ENTRANCE DOOR - ALUMINUM - BRIGHT WHITE
17	105100-02-02A	EA TRIM-WHEELWELL, ALUMINUM - BRIGHT WHITE
18	108688-01-03A	EA STRIP-FEATURE, BRIGHT WHITE
	105312-01-07A	EA INSERT-TRIM, 17' LONG - VINYL - BRIGHT WHITE
	108651-01-01A	EA CAP-FEATURE STRIP, MILL
	108651-01-02A	EA CAP-FEATURE STRIP, TITANIUM (DELUXE OPTION)

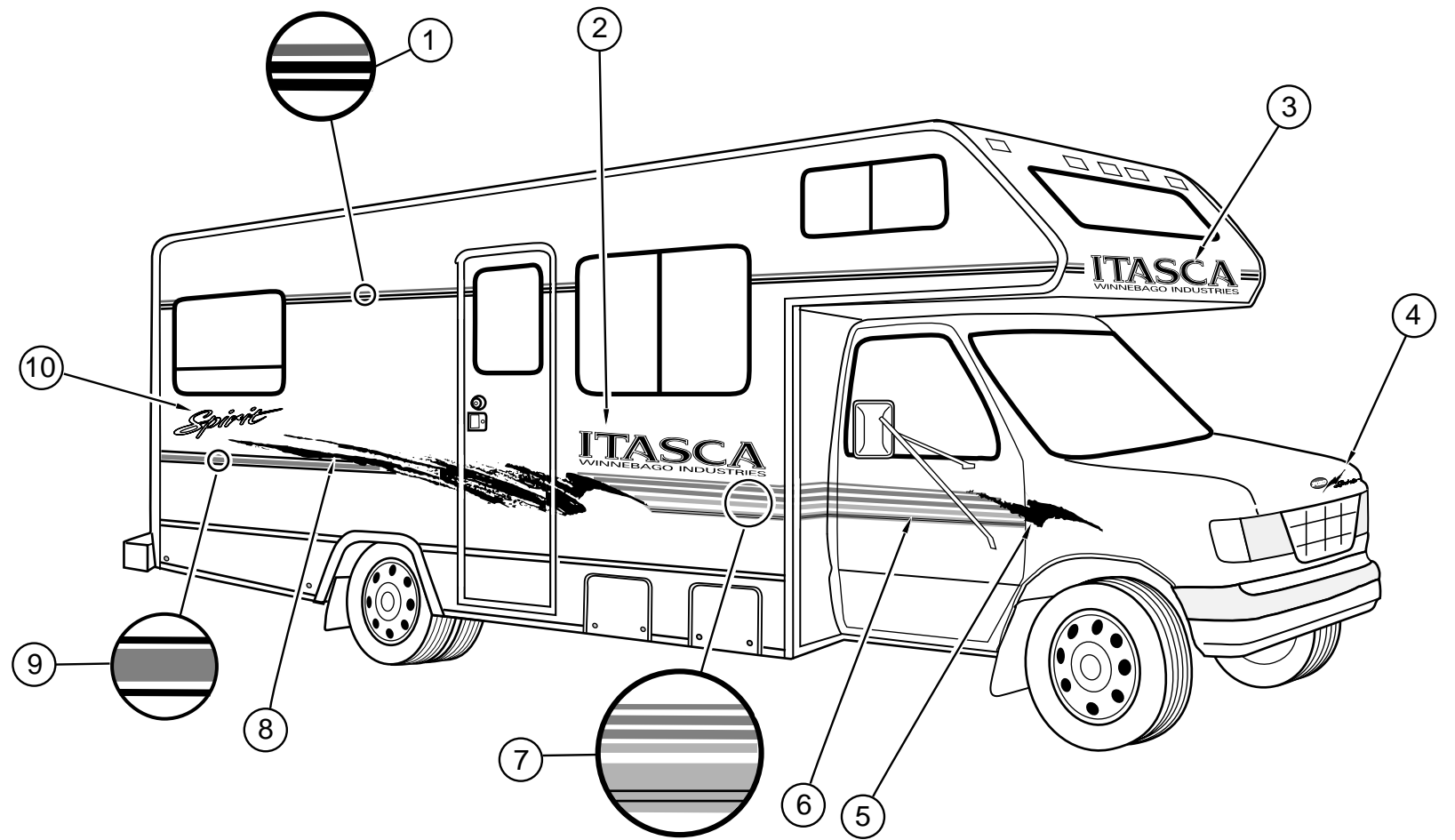
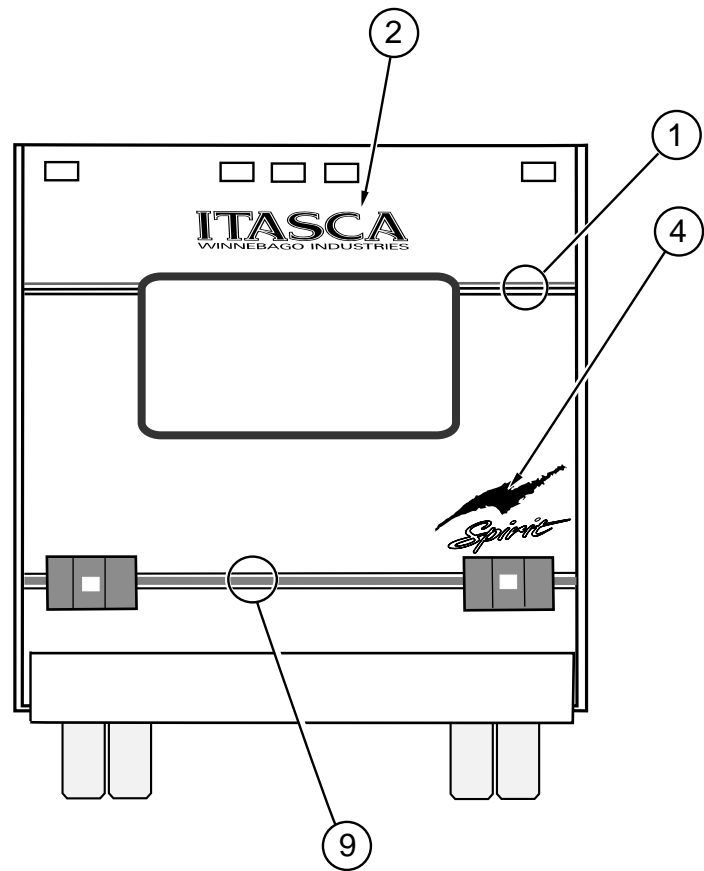
EXTERIOR BODY GROUP (CONTINUED)
EXTERIOR BODY PANELS & TRIM (CONTINUED)



KEY	PART NUMBER	U/M DESCRIPTION
19	M07534-05-G21	EA SIDEWALL-RIGHT, W/O WINDOWS, LIGHTS OR DOORS - QUEEN BED
19	M07534-05-G22	EA SIDEWALL-RIGHT, W/O WINDOWS, LIGHTS OR DOORS - QUEEN BED
19	M07534-06-G21	EA SIDEWALL-RIGHT, W/O WINDOWS, LIGHTS OR DOORS - DOUBLE BED
19	M07534-06-G22	EA SIDEWALL-RIGHT, W/O WINDOWS, LIGHTS OR DOORS - DOUBLE BED
19	M07534-07-G21	EA SIDEWALL-RIGHT, W/O WINDOWS, LIGHTS OR DOORS - TWIN BED
19	M07534-07-G22	EA SIDEWALL-RIGHT, W/O WINDOWS, LIGHTS OR DOORS - TWIN BED
19	M07534-08-G21	EA SIDEWALL-RIGHT, W/O WINDOWS, LIGHTS OR DOORS - TWIN BED W/BUNK
19	M07534-08-G22	EA SIDEWALL-RIGHT, W/O WINDOWS, LIGHTS OR DOORS - TWIN BED W/BUNK
20	100483-02-02A	EA TRIM-CONTOUR, ROOF - 3400 MM - BRIGHT WHITE
20	100483-03-01A	EA TRIM-CONTOUR, ROOF - 3196 MM - BRIGHT WHITE
	099583-55-004	EA RAIL-AWNING, 3400MM - BRIGHT WHITE
	064675-54-003	EA ANGLE ROOF JOINT-STEEL, OFF WHITE - TWIN BED
21	103334-02-02A	EA TRIM-BACKWALL, LOWER - LEFT OR RIGHT - BRIGHT WHITE
22	103335-02-02A	EA TRIM-BACKWALL, LOWER - CENTER - BRIGHT WHITE

KEY	PART NUMBER	U/M DESCRIPTION
23	M07529-01-G21	EA BACKWALL-QUEEN BED
23	M07529-01-G22	EA BACKWALL-QUEEN BED
	116821-02-02A	EA ANGLE-SLIDEOUT, BACKWALL
23	M07529-02-G21	EA BACKWALL-DOUBLE BED
23	M07529-02-G22	EA BACKWALL-DOUBLE BED
23	M07529-03-G21	EA BACKWALL-TWIN BED
23	M07529-03-G22	EA BACKWALL-TWIN BED
23	M07529-04-G21	EA BACKWALL-TWIN BED W/BUNK
23	M07529-04-G22	EA BACKWALL-TWIN BED W/BUNK

EXTERIOR BODY GROUP (CONTINUED)
DECALS, STRIPES & PAINT

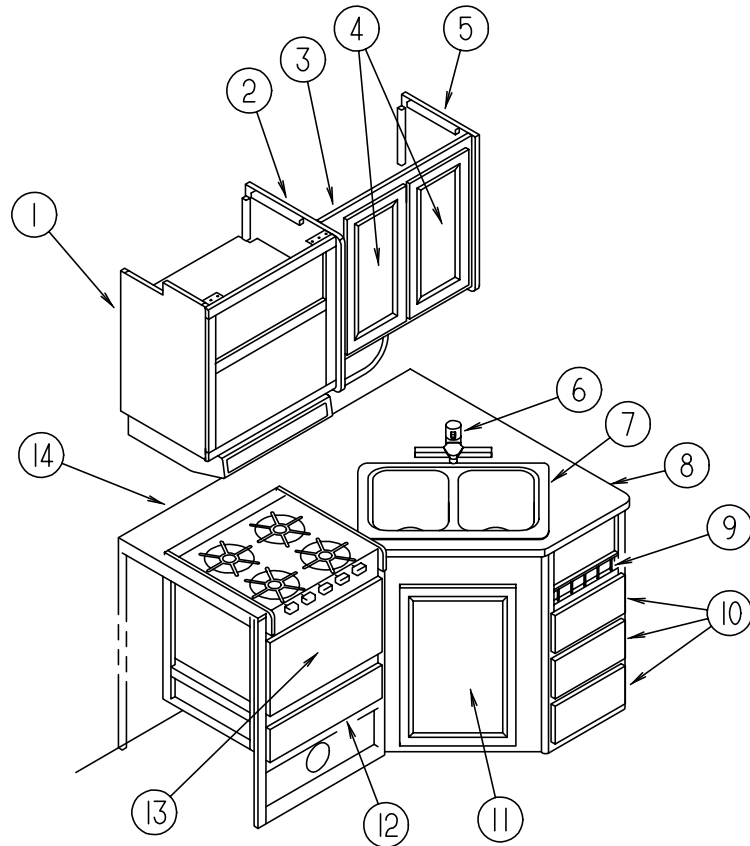


KEY	PART NUMBER	U/M DESCRIPTION
1	094443-31-01A	FT FILM-MULTISTRIPE, 69.9MM - OLYMPIC TEAL/PURPLE/HOT REGAL RED
2	116921-02-01A	EA DECAL-LOGO, ITASCA - WINN IND - SMALL - OLYMPIC TEAL/OLYMPIC TEAL/OLYMPIC TEAL
3	116921-01-01A	EA DECAL-LOGO, ITASCA - WINN IND - LARGE - OLYMPIC TEAL/OLYMPIC TEAL/OLYMPIC TEAL
4	116922-01-01A	EA DECAL-BRUSHSTROKE, W/SPIRIT - VIOLET/BRIGHT WHITE/OLYMPIC TEAL/HOT REGAL RED
5	116918-01-01A	EA DECAL-CAB DOOR, BRUSHSTROKE - RH - BRIGHT WHITE/OLYMPIC TEAL/VIOLET/HOT REGAL RED
5	116918-02-01A	EA DECAL-CAB DOOR, BRUSHSTROKE - LH - BRIGHT WHITE/OLYMPIC TEAL/VIOLET/HOT REGAL RED
6	117751-01-01A	EA DECAL-CAB DOOR, STRIPES - RH - PURPLE/OLYMPIC TEAL/VIOLET/REGAL RED
6	117751-02-01A	EA DECAL-CAB DOOR, STRIPES - LH - PURPLE/OLYMPIC TEAL/VIOLET/REGAL RED
7	116920-01-01A	FT FILM-MULTI,OVER, 215.9MM - PURPLE/OLYMPIC TEAL/VIOLET/HOT REGAL RED
8	116919-01-01A	EA DECAL-BRUSHSTROKE, RH - BRIGHT WHITE/OLYMPIC TEAL/VIOLET/HOT REGAL RED
8	116919-02-01A	EA DECAL-BRUSHSTROKE, LH - BRIGHT WHITE/OLYMPIC TEAL/VIOLET/HOT REGAL RED
9	094443-32-01A	FT FILM-MULTISTRIPE, 50.8MM - PURPLE/OLYMPIC TEAL/PURPLE
10	115130-02-01A	EA DECAL-LOGO, SPIRIT - OLYMPIC TEAL

DUPONT PAINT COLOR CODES

BRIGHT WHITE	DUPONT B8951U
VIOLET METALLIC	DUPONT F0900U
PURPLE	DUPONT F0740

GALLEY GROUP

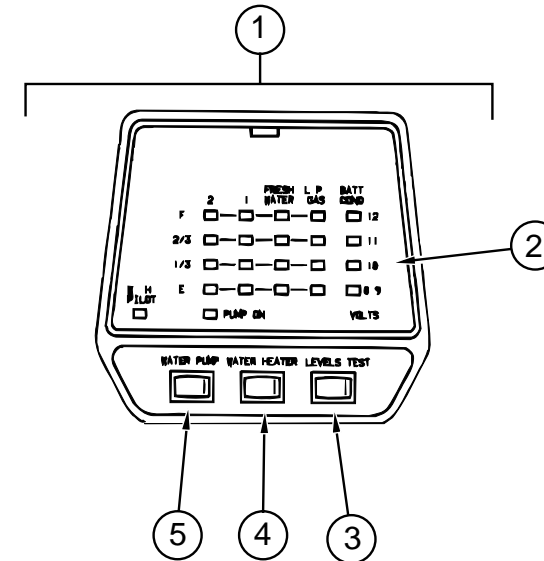


GALLEY CABINETS & FIXTURES

KEY	PART NUMBER	U/M DESCRIPTION
1	114009-01-G01	EA CABINET-OVERHEAD, MICROWAVE
2	109908-13-G01	EA END CAP-CABINET, OVERHEAD
3	114007-01-G01	EA CABINET-OVERHEAD, GALLEY - W/O DOORS OR HARDWARE
4	110140-11-G01	EA DOOR-CABINET, W/O HARDWARE - 340MM X 555MM
4	M06803-G6-G01	EA DOOR-CABINET, W/O HARDWARE - 340MM X 555MM (DELUXE OPTION)
5	109908-13-G01	EA END CAP-CABINET, OVERHEAD
6	103243-01-000	EA FAUCET-GALLEY, DUAL CONTROL
6	104114-02-01A	EA FAUCET-GALLEY, SINGLE CONTROL (DELUXE OPTION)
7	104113-01-000	EA SINK-DOUBLE, STAINLESS STEEL
	092303-01-000	EA STRAINER-SINK
	103610-01-E01	EA COVER-SINK, LAMINATE TOP (G21)
	103610-01-F09	EA COVER-SINK, LAMINATE TOP (G22)
8	114008-12-F01	EA COUNTERTOP-GALLEY (G21)
8	114008-12-F09	EA COUNTERTOP-GALLEY (G22)
9	114008-14-G01	EA SPICE RACK-GALLEY CABINET
	111775-01-04A	EA RAIL-DECORATIVE, WATERFORD OAK
10	P10163-H1-G01	EA DRAWER-CABINET, W/O HARDWARE
10	M05971-47-G01	EA DRAWER-CABINET, W/O HARDWARE (DELUXE OPTION)
11	110140-15-G01	EA DOOR-CABINET, W/O HARDWARE - 390MM X 650MM
11	M06803-P6-G01	EA DOOR-CABINET, W/O HARDWARE - 390MM X 650MM (DELUXE OPTION)
12	P10163-H2-G01	EA DRAWER-CABINET, W/O HARDWARE
12	M05971-48-G01	EA DRAWER-CABINET, W/O HARDWARE (DELUXE OPTION)
13	110140-06-G01	EA DOOR-CABINET, W/O HARDWARE - 280MM X 555MM
13	M06803-D4-G01	EA DOOR-CABINET, W/O HARDWARE - 280MM X 555MM (DELUXE OPTION)

GALLEY GROUP (CONTINUED) GALLEY CABINETS & FIXTURES (CONTINUED)

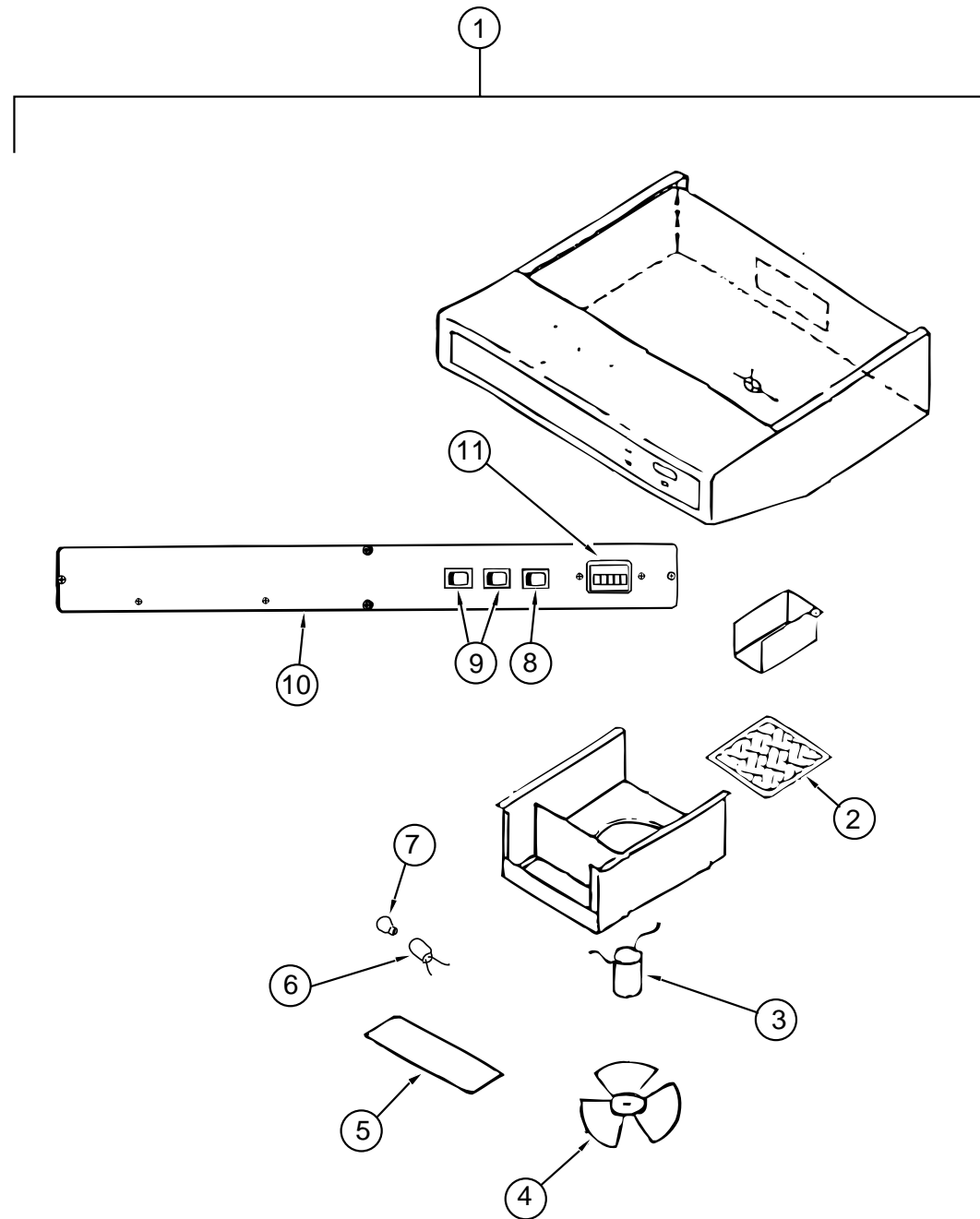
KEY	PART NUMBER	U/M DESCRIPTION
14	M06957-01-G21	EA CABINET-GALLEY, W/DINETTE - W/RANGE TOP - W/O DOORS OR HARDWARE
14	M06957-01-G22	EA CABINET-GALLEY, W/DINETTE - W/RANGE TOP - W/O DOORS OR HARDWARE
14	M06957-02-G21	EA CABINET-GALLEY, W/COUCH - W/RANGE TOP - W/O DOORS OR HARDWARE
14	M06957-02-G22	EA CABINET-GALLEY, W/COUCH - W/RANGE TOP - W/O DOORS OR HARDWARE
14	M06957-03-G21	EA CABINET-GALLEY, W/DINETTE - W/OVEN - W/O DOORS OR HARDWARE
14	M06957-03-G22	EA CABINET-GALLEY, W/DINETTE - W/OVEN - W/O DOORS OR HARDWARE
14	M06957-04-G21	EA CABINET-GALLEY, W/COUCH - W/OVEN - W/O DOORS OR HARDWARE
14	M06957-04-G22	EA CABINET-GALLEY, W/COUCH - W/OVEN - W/O DOORS OR HARDWARE
14	M06957-07-G21	EA CABINET-GALLEY, W/DINETTE - W/OVEN - W/O DOORS OR HARDWARE (DELUXE OPT.)
14	M06957-07-G22	EA CABINET-GALLEY, W/DINETTE - W/OVEN - W/O DOORS OR HARDWARE (DELUXE OPT.)
	110140-16-G01	EA DOOR-REFRIGERATOR CABINET, W/O HARDWARE - 380MM X 555MM
	M06803-R4-G01	EA DOOR-REFRIGERATOR CABINET, W/O HARDWARE - 380MM X 555MM (DELUXE OPT.)
	090329-01-000	FT SEAL-T, REFRIGERATOR CABINET - .6" WIDE TOP X 2" TAIL



MONITOR PANEL - LVS

KEY	PART NUMBER	U/M DESCRIPTION	VENDOR NO.
1	102765-04-01A	EA PANEL-MONITOR, W/PLUG - FOR 2 TANKS & WATER HEATER	
2	102765-04-700	EA BOARD-CIRCUIT, 2 HOLDING TANK	5076-11
3	097617-01-702	EA SWITCH (ALMOND)	107
4	097617-01-701	EA SWITCH-ON/OFF, ALMOND	106
5	102765-01-700	EA SWITCH-ON-ON, ALMOND	110-01

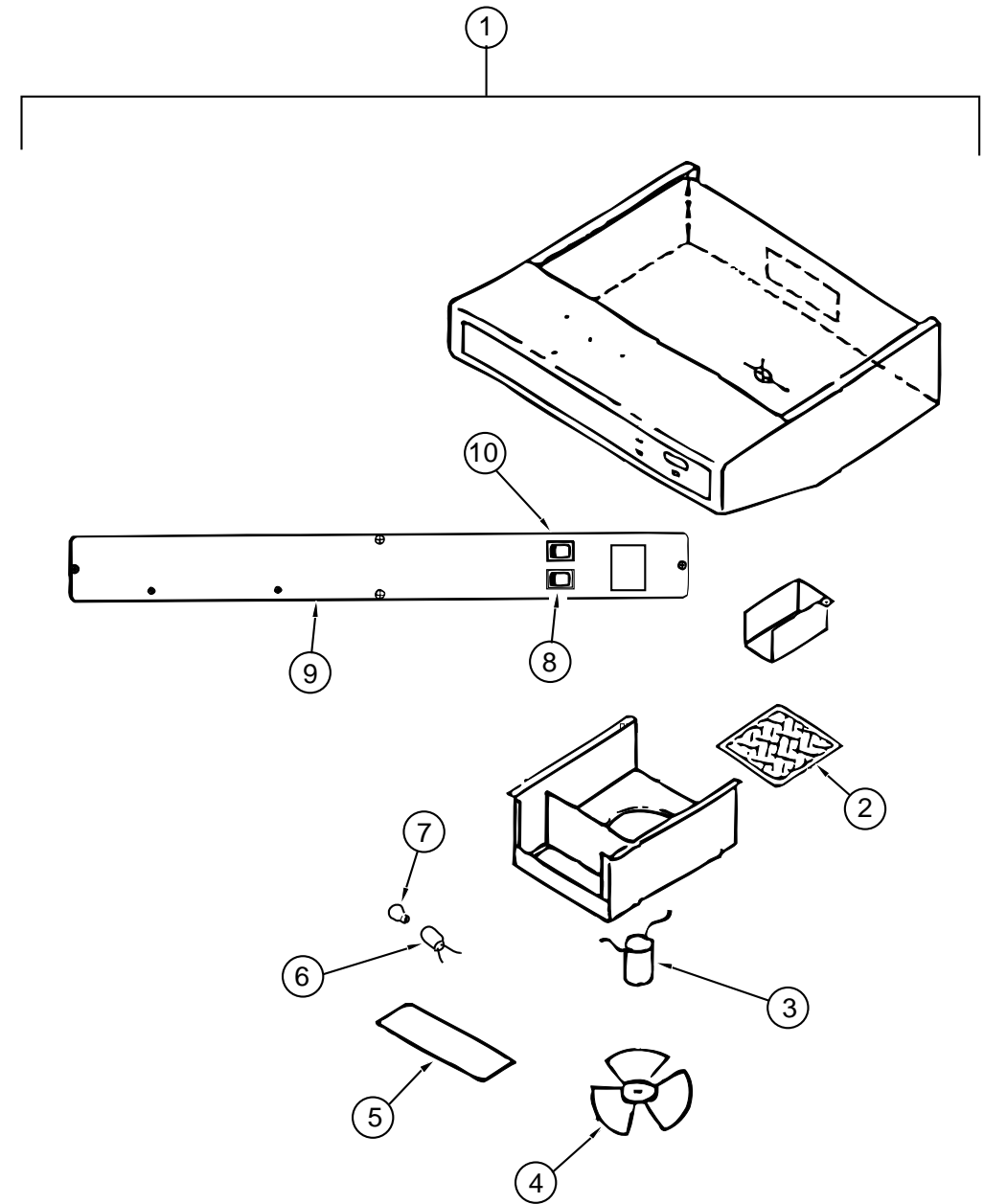
GALLEY GROUP (CONTINUED)



RANGE HOOD W/O MONITOR PANEL - U.S. - MODEL TPS-5009-SADLG

KEY	PART NUMBER	U/M DESCRIPTION	VENDOR NO.
1	100258-18-02A	EA HOOD-RANGE, W/O MONITOR PANEL - TEXTURED - VENTLINE	
2	096983-01-707	EA FILTER-GREASE, 8" X 8" - LVS	CC246
3	090973-01-700	EA MOTOR - LVS	CA508-1
4	090973-01-702	EA BLADE-FAN, LVS	VA183-1
5	092696-02-701	EA LENS-LAMP, LVS	CC179-2
6	092696-01-710	EA SOCKET-LIGHT, VENTLINE	CB267-2
7	117806-01-000	EA BULB - 12V NO.912 1.0 AMPS	
8	096983-01-702	EA SWITCH-TWO WAY MOMENTARY, VENTLINE	112
9	096983-01-700	EA SWITCH-ON/OFF, VENTLINE	108
10	100258-01-700	EA HOOD-NOSE LABEL,	CC428
11	100258-10-01A	EA GAUGE-HOUR METER, W/SWITCH - SCREW ON 150	
11	100258-10-701	EA GAUGE-HOUR METER, CLIP ON	L0775-00

GALLEY GROUP (CONTINUED)

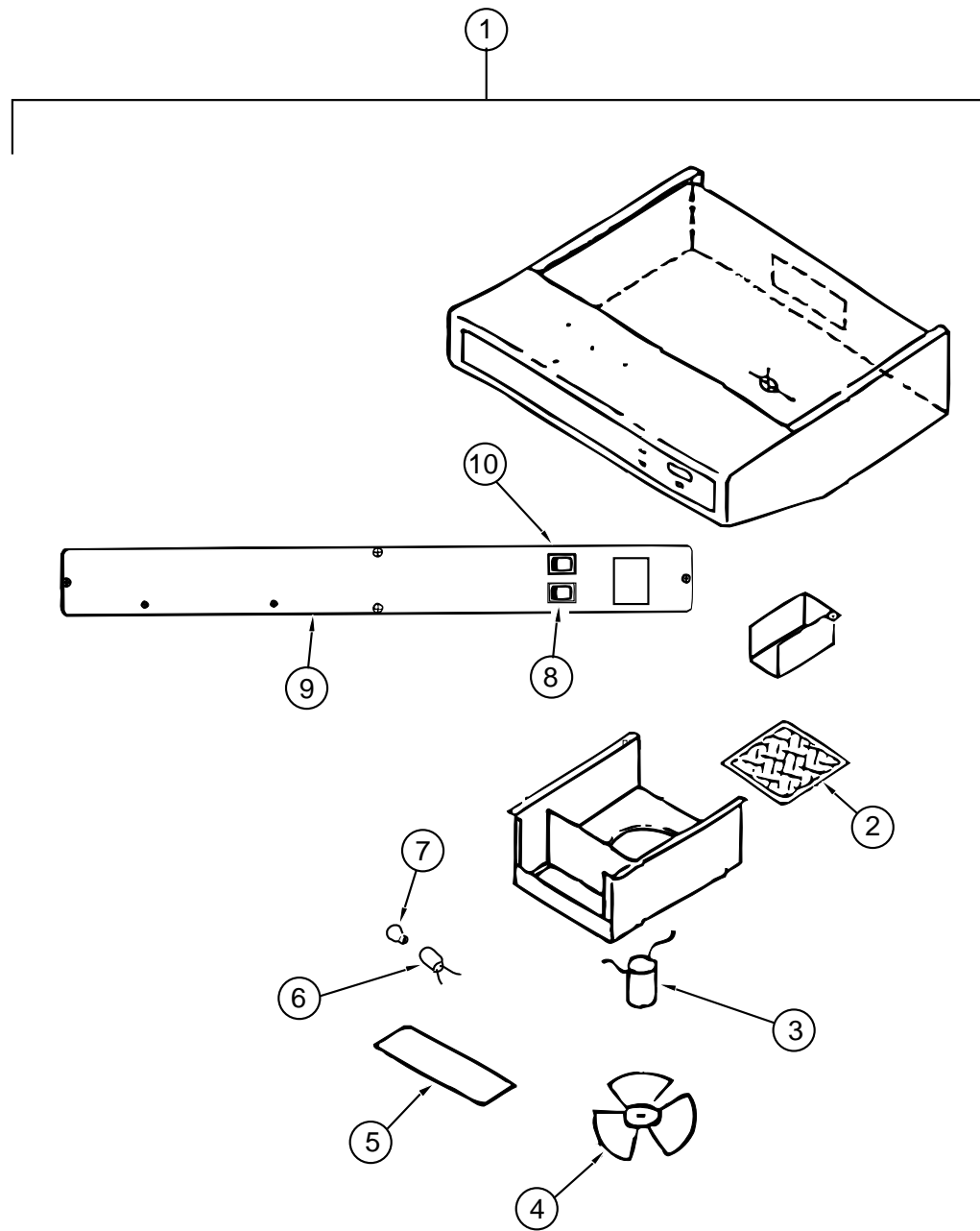


RANGE HOOD W/O MONITOR PANEL - U.S. - MODEL TCS-5008-NADL

KEY	PART NUMBER	U/M DESCRIPTION	VENDOR NO.
1	100258-16-03A	EA HOOD-RANGE, W/O MONITOR PANEL -TEXTURED - VENTLINE	
2	096983-01-707	EA FILTER-GREASE, 8" X 8" - LVS	CC246
3	090973-01-700	EA MOTOR - LVS	CA508-1
4	090973-01-702	EA BLADE-FAN, LVS	VA183-1
5	092696-02-701	EA LENS-LAMP, LVS	CC179-2
6	092696-01-710	EA SOCKET-LIGHT, VENTLINE	CB267-2
7	117806-01-000	EA BULB - 12V NO.912 1.0 AMPS	
8	096983-01-700	EA SWITCH-ON/OFF, VENTLINE	108
9	100258-01-700	EA HOOD-NOSE LABEL	CC428
10	096983-01-702	EA SWITCH-TWO WAY MOMENTARY, VENTLINE	112
10	100258-10-01A	EA GAUGE-HOUR METER, W/SWITCH - SCREW ON 150 - OPTIONAL	
10	100258-10-701	EA GAUGE-HOUR METER, CLIP ON L0775-00 - OPTIONAL	

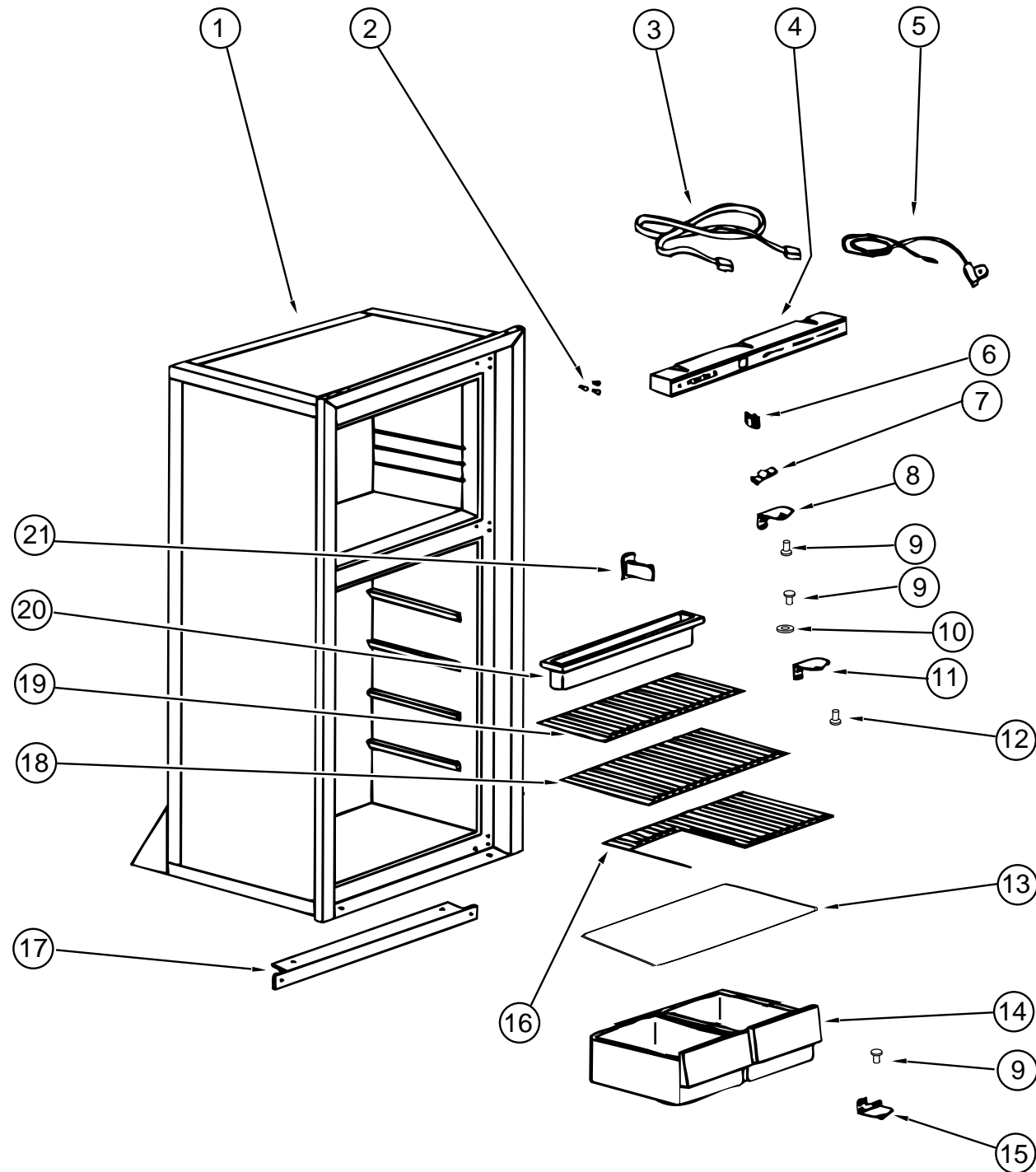
GALLEY GROUP (CONTINUED)

RANGE HOOD W/O MONITOR PANEL - CANADIAN - MODEL TCS-5008-NACL



KEY	PART NUMBER	U/M DESCRIPTION	VENDOR NO.
1	100258-17-03A	EA HOOD-RANGE, W/O MONITOR PANEL - TEXTURED - VENTLINE	
2	096983-01-707	EA FILTER-GREASE, 8" X 8" - LVS	CC246
3	090973-01-700	EA MOTOR - LVS	CA508-1
4	090973-01-702	EA BLADE-FAN, LVS	VA183-1
5	092696-02-701	EA LENS-LAMP, LVS	CC179-2
6	092696-01-710	EA SOCKET-LIGHT, VENTLINE	CB267-2
7	117806-01-000	EA BULB - 12V NO.912 1.0 AMPS	
8	096983-01-700	EA SWITCH-ON/OFF, VENTLINE	108
9	100258-01-700	EA HOOD-NOSE LABEL	CC428
10	096983-01-702	EA SWITCH-TWO WAY MOMENTARY, VENTLINE	112
	100258-10-01A	EA GAUGE-HOUR METER, W/SWITCH - SCREW ON 150 - OPTIONAL	
	100258-10-701	EA GAUGE-HOUR METER, CLIP ON L0775-00 - OPTIONAL	

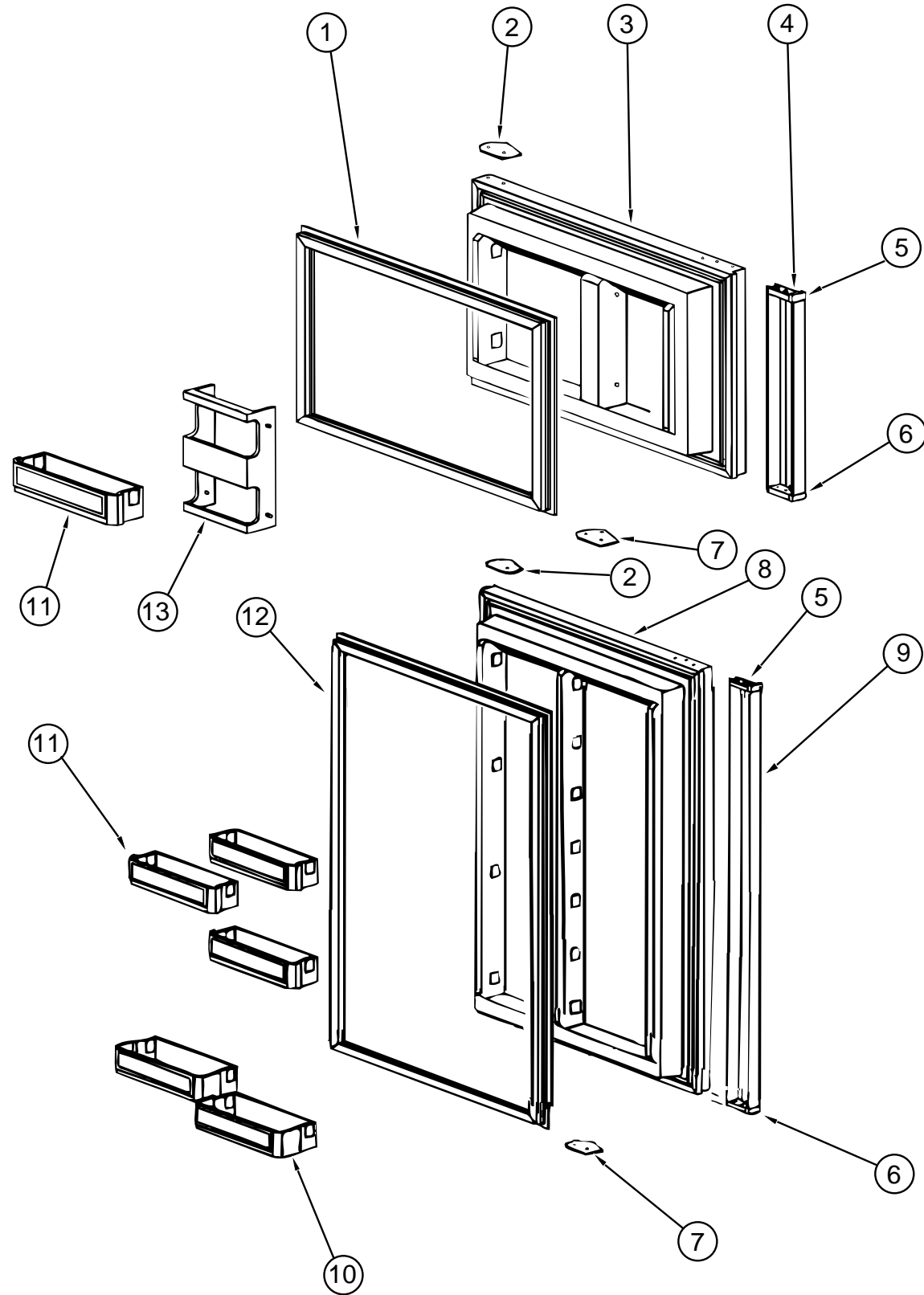
GALLEY GROUP (CONTINUED)
NORCOLD REFRIGERATOR CABINET ASSEMBLY - MODEL 6162 RH



KEY	PART NUMBER	U/M	DESCRIPTION	VENDOR NO.
	104138-04-01A	EA	REFRIGERATOR, SMALL DOUBLE DOOR - 2-WAY - RH	
1	104138-04-701	EA	FOAMED CABINET ASSEMBLY-BLACK W/WHITE	61725038
2	094039-01-722	EA	HOLE PLUG-BLACK HINGE HOLES	61582030
2	084880-01-747	EA	PLUG-HOLE	61582022
3	084880-01-746	EA	CABLE-NORCOLD	61571522
4	094039-04-701	EA	EYEBROW SHELL, 2-WAY - W/O HUMIDITY SWITCH HOLE	61669822
4	104137-06-700	EA	EYEBROW SHELL, 2-WAY - W/HUMIDITY SWITCH HOLE	61726622
5	084880-01-753	EA	THERMISTER 78"	61693822
6	075217-01-738	EA	SWITCH-HUMIDITY	61525922
7	084880-01-760	EA	CLIP-THERMISTER	61689122
8	094039-01-723	EA	BRACKET-HINGE, TOP RH - BOTTOM LH - BLACK	61580838
9	094039-01-725	EA	HINGE PIN-MALE, BLACK	61578130
	084880-03-702	EA	HINGE PIN-TOP/BOTTOM FEMALE	61580630
10	084880-01-749	EA	BUSHING-HINGE	61580722
11	094039-01-728	EA	BRACKET-HINGE, CENTER - BLACK	61566530
12	094039-01-730	EA	HINGE PIN SHAFT-CENTER HINGE, BLACK	61566730
13	084880-01-722	EA	COVER-CRISPER	61564122
14	104137-06-707	EA	CRISPER, WHITE	61571325
15	094039-01-724	EA	BRACKET-HINGE, TOP LH - BOTTOM RH - BLACK	61580938
16	104137-06-730	EA	SHELF-CUTOUT	618055
17	094039-01-732	EA	COVER-FRONT, BLACK BOTTOM TRIM	61622130
18	104137-06-729	EA	WIRE SHELF-MIDDLE	618052
19	104137-06-728	EA	WIRE SHELF-TOP W/RISER	618062
20	094039-01-735	EA	DRIP TRAY-INSIDE, WHITE	61572830
21	084880-01-732	EA	LATCH-NORCOLD	61578522
	104137-06-727	EA	SHELF-FREEZER EVAPORATOR	618057
	104137-06-725	EA	WIRE SHELF-SHORT, W/O RISER	618059
	084879-03-700	EA	COOLING UNIT-HORIZONTAL BURNER	61687237
	054450-01-000	EA	LEVEL-REFRIGERATOR	
	065225-02-000	EA	PLATE-TIEDOWN, REFRIGERATOR	
	093646-01-000	EA	BRACKET-TIEDOWN, REFRIGERATOR	
	093646-02-000	EA	BRACKET-TIEDOWN, REFRIGERATOR	
	116751-01-01A	EA	TRAY-DRIP, REFRIGERATOR - 24.6" X 6.3" - PLASTIC - BLACK	

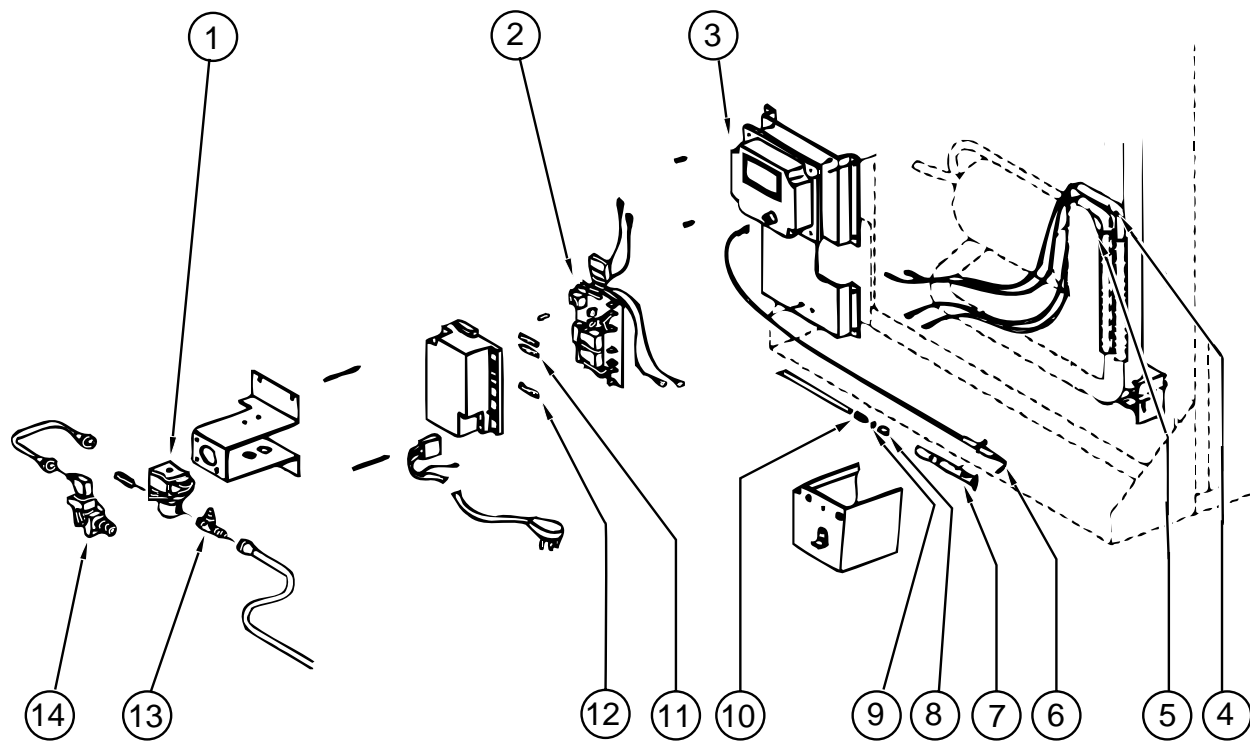
GALLEY GROUP (CONTINUED)

NORCOLD 6162 REFRIGERATOR DOORS



KEY	PART NUMBER	U/M DESCRIPTION	VENDOR NO.
1	094039-01-702	EA GASKET-UPPER, GRAY	61567830
2	094039-01-710	EA PLATE-HINGE, BLACK	61631330
2	094039-01-703	EA PLATE-HINGE, LH - BROWN	61631422
3	094039-01-706	EA LINER-UPPER DOOR, WHITE/BLACK	61581838-B
3	094039-01-705	EA LINER-UPPER DOOR, BROWN/WHITE	61581837-B
4	094039-01-708	EA HANDLE-DOOR, UPPER - BLACK	61650038
4	084880-03-704	EA HANDLE-DOOR, UPPER - BROWN	61592937
5	084880-01-761	EA END CAP-SPRING CATCH, UPPER - BLACK	61593730
5	084880-01-739	EA END CAP-SPRING CATCH, UPPER - BROWN	61593722
	084880-01-720	EA SPRING-DOOR HANDLE	61558822
6	084880-01-740	EA END CAP-STOP CATCH	61593830
7	094039-01-704	EA PLATE-HINGE, BLACK	61631430
7	094039-01-709	EA PLATE-HINGE, BROWN	61631322
8	094038-01-702	EA LINER-DOOR, LOWER - BLACK/WHITE	61581938-B
8	094038-01-701	EA LINER-DOOR, LOWER - BROWN/WHITE	61581937-B
9	094038-01-704	EA HANDLE-DOOR, LOWER - BLACK	61650138
9	094038-01-703	EA HANDLE-DOOR, LOWER - BROWN	61650137
10	104137-06-703	EA BIN-MILK, WHITE	61579425
11	104137-06-704	EA BIN-DOOR SHELF, WHITE	61564025
12	094038-01-700	EA GASKET-LOWER, GRAY	61567930
13	104137-06-702	EA RACK-JUICE, WHITE	61580525

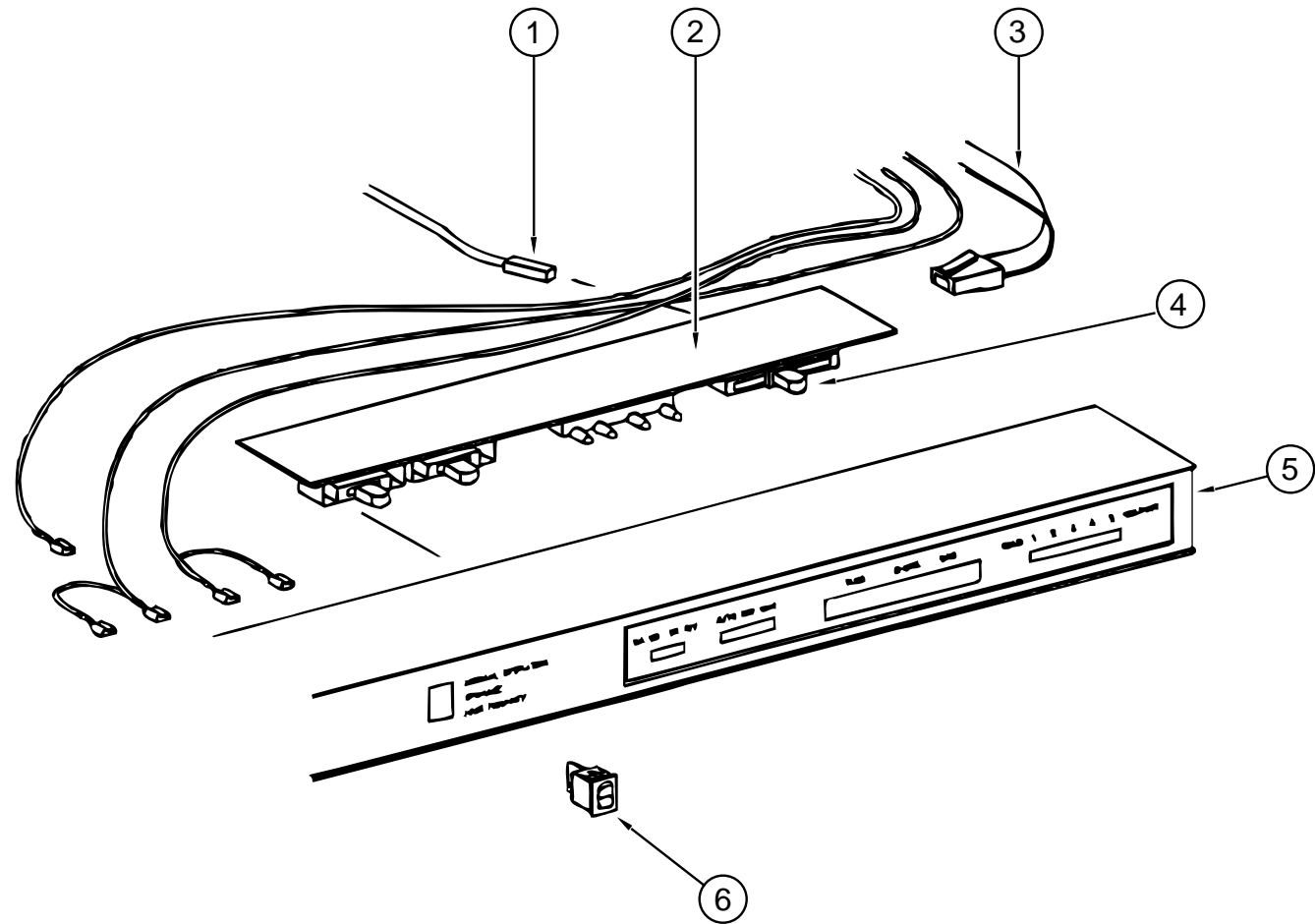
GALLEY GROUP (CONTINUED)



NORCOLD 6162 REFRIGERATOR CONTROL ASSEMBLY

KEY	PART NUMBER	U/M	DESCRIPTION	VENDOR NO.
1	084880-01-718	EA	VALVE-GAS	61551822
2	094039-04-702	EA	POWER SUPPLY - 2 WAY	61647422
3	102621-01-702	EA	MODULE-IGNITION	61688922
4	088248-01-710	EA	HEATER-DC, HORIZONTAL - 3 WAY	61562822
5	088248-01-709	EA	HEATER-AC, HORIZONTAL	61562722
6	104137-06-715	EA	SPARK/SENSE ELECTRODE-SINGLE	61692222
7	104137-06-714	EA	BURNER ASSEMBLY - 5-SLOT	61705222
8	084880-01-705	EA	ORIFICE	61452222
9	104137-06-713	EA	GASKET-ORIFICE	61475122
10	104137-06-712	EA	FITTING-GAS TUBE CONNECTION	61692722
11	075217-01-734	EA	FUSE - 3 AMP	61538822
12	104137-06-711	EA	FUSE - 5 AMP	61611622
13	104137-06-710	EA	PRESSURE TAP	61594422
14	104137-06-709	EA	VALVE-SHUT OFF, MANUAL	61694922

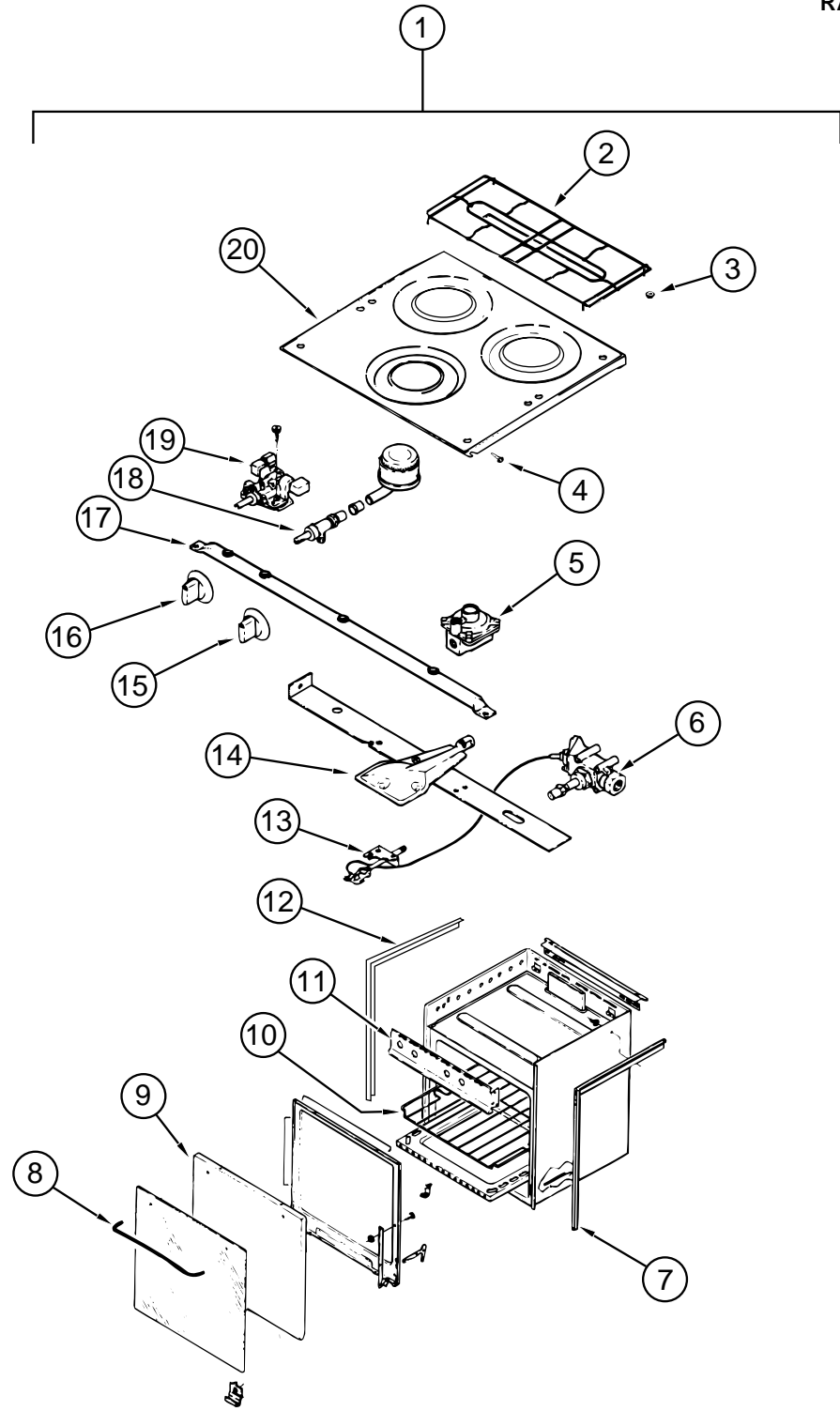
GALLEY GROUP (CONTINUED)



NORCOLD 6162 REFRIGERATOR EYEBROW ASSEMBLY

KEY	PART NUMBER	U/M	DESCRIPTION	VENDOR NO.
1	084880-01-753	EA	THERMISTER 78"	61693822
	084880-01-760	EA	CLIP-THERMISTER	61689122
2	094039-04-700	EA	PRINTED CIRCUIT BOARD - 2 WAY	61647322
3	084880-01-746	EA	CABLE-NORCOLD	61571522
4	102621-01-703	EA	BUTTON-THERMOSTAT, ADJUSTABLE	61587422
5	094039-04-701	EA	EYEBROW SHELL, 2-WAY - W/O HUMIDITY SWITCH HOLE	61669822
5	104137-06-700	EA	EYEBROW SHELL, 2-WAY - W/HUMIDITY SWITCH HOLE	61726622
6	075217-01-738	EA	SWITCH-HUMIDITY	61525922

GALLEY GROUP (CONTINUED)
RANGE W/OVEN - MAGIC CHEF - MODEL 16RA-3B49



KEY	PART NUMBER	U/M	DESCRIPTION	VENDOR NO.
1	112881-01-03A	EA	RANGE - 16", 3 BURNER - ALMOND DOOR	
2	102020-01-711	EA	GRATE-TOP	7518P012-60
3	102020-01-709	EA	BUMPER-GRATE	8007P018-60
4	102020-01-724	EA	BUMPER-MAIN TOP	8003P008-60
5	102022-01-708	EA	REGULATOR-PRESSURE, 1/4 IN - 1/2 OUT	7510P041-60
6	112881-01-702	EA	VALVE-MERCURY, SAFETY VALVE	7501-P121-60
7	112881-01-708	EA	TRIM-FLAT, RIGHT - BLACK	3608W036-70
8	102020-01-701	EA	HANDLE-DOOR	7701P092-60
9	112881-01-713	EA	DOOR-OVEN, TEXTURED	2401F126-70
	055282-04-700	EA	PANEL-OVEN DOOR, ALMOND	50-26577-2A
10	102020-01-700	EA	SHELF-OVEN	7801-P027-60
11	112881-01-701	EA	PANEL-MANIFOLD	2616F091-70
12	112881-01-707	EA	TRIM-FLAT, LEFT - BLACK	3608W035-70
13	112881-01-710	EA	PILOT-OVEN	7505P202-60
14	112881-01-711	EA	BURNER-OVEN	3404W025045
15	112881-01-705	EA	KNOB-TOP BURNER	7733P072-60
16	112881-01-704	EA	KNOB-THERMOSTAT	7731P067-60
16	112881-01-716	EA	KNOB-THERMOSTAT, SER. #3C	7731P107-60
17	112881-01-709	EA	PIPE-MANIFOLD	7513P097-60
18	102020-01-722	EA	VALVE-TOP BURNER	7502P095-60
18	112881-01-703	EA	VALVE-TOP BURNER, HI-OUTPUT	7502P180-60
19	112881-01-706	EA	THERMOSTAT	12400026
19	112881-01-715	EA	THERMOSTAT-SER. #3C	7515P037-60
20	112881-01-700	EA	TOP-MAIN, ALMOND	2001F110-84
	105458-01-000	EA	TIEDOWN BRACKET - STOVE - RH	
	105458-02-000	EA	TIEDOWN BRACKET - STOVE - LH	

GALLEY GROUP (CONTINUED)
RANGE W/O OVEN - MAGIC CHEF - MODEL 85RA-3B

KEY	PART NUMBER	U/M DESCRIPTION	VENDOR NO.
	114030-01-01A	EA RANGE - 3 BURNER, W/O OVEN - ALMOND	
	102019-01-705	EA TRIM-REAR, BLACK	3608F009-70
	102022-01-708	EA REGULATOR-PRESSURE, 1/4 IN - 1/2 OUT	7510P041-60
	102020-01-709	EA BUMPER-GRATE	8007-P020-60
	102020-01-710	EA FILTER-PILOT	7507P046-60
	102020-01-711	EA GRATE-TOP	7518P012-60
	102020-01-721	EA VALVE-SHUT OFF	7506P096-60
	102020-01-722	EA VALVE-TOP BURNER	7502P181-60
	102020-01-724	EA BUMPER-MAIN TOP	8003P008-60
	112881-01-700	EA TOP-MAIN, ALMOND	2001F110-84
	112881-01-703	EA VALVE-TOP BURNER, HI-OUTPUT	7502P180-60
	112881-01-705	EA KNOB-TOP BURNER	7733P072-60
	112881-01-709	EA PIPE-MANIFOLD	7513P097-60
	114030-01-700	EA PILOT-BURNER	7505P147-60
	114030-01-701	EA PANEL-MANIFOLD	2616F078-70
	114030-01-702	EA TRIM-RIGHT, BLACK	3608W040-70
	114030-01-703	EA TRIM-LEFT, BLACK	3608W039-70
	081587-01-000	EA BRACKET-TIEDOWN, RANGE	
	081587-02-000	EA BRACKET-TIEDOWN, RANGE	
	063752-01-000	EA SHROUD-RANGE, 18.5" X 20.6" X 16.2" - METAL - OFF WHITE	

MICROWAVE OVEN

KEY	PART NUMBER	U/M DESCRIPTION	VENDOR NO.
	115303-01-000	EA OVEN-MICROWAVE MCD-DM15K-7B	
	115303-01-700	EA TRIM F/VENT, TOP	2100309
	115401-01-01A	EA TRIM-MICROWAVE, BLACK	
	098916-08-01A	EA BRACE-MICROWAVE CABINET, LEFT - STEEL	
	098916-09-01A	EA BRACE-MICROWAVE CABINET, RIGHT - STEEL	
	094750-07-000	EA BRACKET-MICROWAVE, 89 DEGREE	
	094750-01-000	EA BRACKET-MICROWAVE, 90 DEGREE	

GENERATOR GROUP
3.6 KW ONAN GENERATOR - U.S. LP

KEY	PART NUMBER	U/M DESCRIPTION
	109982-04-000	EA GENERATOR - 3.6 MICROLITE, ONAN KY-FA/26120 B
	105958-10-000	EA PIPE-EXHAUST, GENERATOR
	007125-03-000	EA CLAMP-MUFFLER, 1.5" DIAMETER
	007067-01-000	SF INSULATION-FIBERGLASS, 1" THICK X 4' - INCREMENTS OF 4 SF

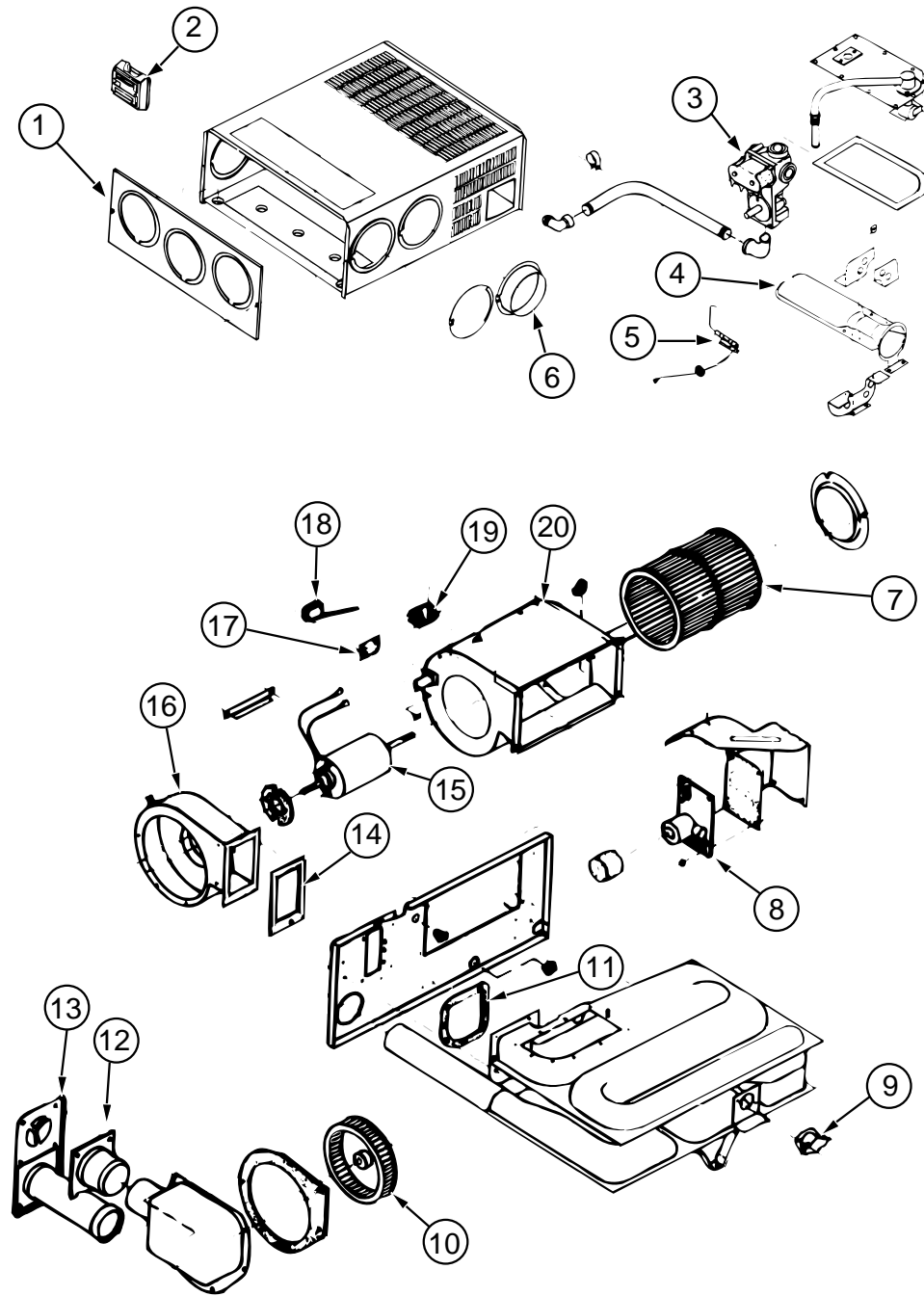
4.0 KW ONAN GENERATOR - U.S. & EXPORT

KEY	PART NUMBER	U/M DESCRIPTION
	109982-03-000	EA GENERATOR - 4.0 MICROLITE, ONAN KY-FR/26100 B
	105958-10-000	EA PIPE-EXHAUST, GENERATOR
	007125-03-000	EA CLAMP-MUFFLER, 1.5" DIAMETER
	007067-01-000	SF INSULATION-FIBERGLASS, 1" THICK X 4' - INCREMENTS OF 4 SF

3.3 KW ONAN GENERATOR - EXPORT LP

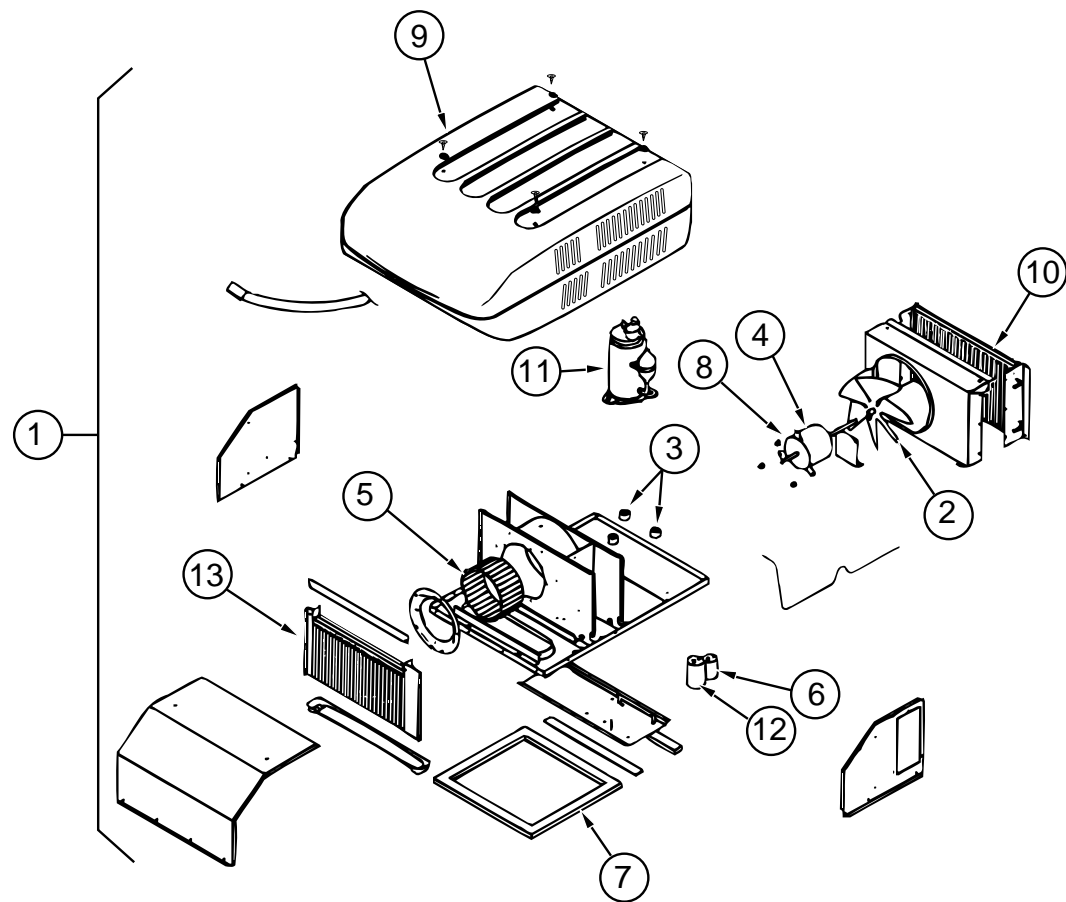
KEY	PART NUMBER	U/M DESCRIPTION
	109982-05-000	EA GENERATOR - 3.3 MICROLITE, ONAN KY-FR/26119 B
	105958-10-000	EA PIPE-EXHAUST, GENERATOR
	007125-03-000	EA CLAMP-MUFFLER, 1.5" DIAMETER
	007067-01-000	SF INSULATION-FIBERGLASS, 1" THICK X 4' - INCREMENTS OF 4 SF

HEATING & AIR CONDITIONING GROUP
FURNACE - 25,000 BTU - SUBURBAN - MODEL SF-30



KEY	PART NUMBER	U/M DESCRIPTION	VENDOR NO.
	098668-20-000	EA FURNACE - 30,000 BTU SF-30 2273	
1	098668-01-700	EA CABINET FRONT	101242
2	115764-01-01A	EA THERMOSTAT-FURNACE 160902	
3	098668-01-714	EA VALVE-GAS	161070
4	098668-02-700	EA BURNER ASSEMBLY-COMplete	010745
5	098668-01-715	EA ELECTRODE ASSEMBLY-SINGLE PROBE	232166
6	075696-02-703	EA COLLAR-DUCT	050715
7	098668-01-711	EA WHEEL-ROOM AIR	350123
8	098668-01-712	EA BOARD-MODULE	231741
9	098668-21-701	EA SWITCH-LIMIT	231799
10	098668-01-706	EA WHEEL-COMBUSTION AIR	350122
11	098668-01-716	EA GASKET-FIREWALL, CHAMBER SIDE	070808
12	098668-01-713	EA TUBE ASM-INTAKE VENT	051248
13	098668-01-707	EA VENT CAP & EXHAUST TUBE ASSEMBLY	260193
14	098668-01-717	EA GASKET FIREWALL-BLOWER SIDE	070809
15	098668-01-709	EA MOTOR ASSEMBLY	231706
16	098668-01-708	EA BLOWER ASSEMBLY-COMBUSTION AIR	390441
17	101990-01-714	EA GASKET-MICROSWITCH	230877
18	098668-21-700	EA MICROSWITCH-W/O FLAG, 3 1/4"	232261
19	074466-01-702	EA RELAY-TIME DELAY	230625
20	098668-01-710	EA BLOWER ASSEMBLY-ROOM AIR	390440
	092300-02-701	EA ORIFICE-MAIN BURNER	180214
	098668-23-000	EA DOOR-ACCESS, FURNACE - BRIGHT WHITE 520574	
	069636-02-000	EA CONNECTOR-DUCT, 4" ID 050715	
	093614-01-02A	EA GRILLE-RETURN AIR, FURNACE - BEIGE	
	056464-10-000	EA REGISTER-PLASTIC, W/O DAMPER - 4" DIAMETER	
	009198-01-000	FT DUCT-HEAT, FLEXIBLE - 4" ID X 25 FT	
	009200-01-000	EA TAPE-FURNACE, 1 1/2"	

HEATING & AIR CONDITIONING GROUP (CONTINUED)



ROOF A/C - 13,500 BTU - COLEMAN - MODEL - TSR HO

KEY	PART NUMBER	U/M DESCRIPTION	VENDOR NO.
1	108889-01-05A	EA A/C-ROOF, 13,500 - BRIGHT WHITE 7333A886	
	102289-01-000	EA SPRING-SCREW, ROOF A/C GASKET 6757-150	
2	093763-01-712	EA FAN BLADE-CONDENSER	6733-3221
3	105620-01-706	EA FOOT PACKAGE-COMPRESSOR, 3 PER PKG	6759-3081
4	108889-01-705	EA MOTOR - 115, 60HZ)	1468-3049
5	108889-01-706	EA IMPELLOR	1472-1041
6	093763-01-704	EA FAN CAPACITOR	1499-3461
	108889-01-710	EA FILLER PAD-CONDENSOR AIR SEAL	6759A3971
7	108889-01-711	EA GASKET PACKAGE	6792-3301
8	108889-01-715	EA MOTOR MOUNT & SHAFT SEAL KIT	6792-3361
9	063903-01-700	EA SHROUD-IVORY/IVORY, LESS/LOGO	6759-4601
	108889-05-700	EA SHROUD-A/C, LESS LOGO - BRIGHT WHITE	7333-4601
10	108889-01-703	EA CONDENSER COIL	1452A1301
11	105620-01-704	EA COMPRESSOR, RH & LH	1450-2009
12	108889-01-707	EA RUN CAPACITOR-COMPRESSOR, 25MFD/370	1499-5661
	091225-01-709	EA START RELAY	1497-4131
13	108889-01-709	EA EVAPORATOR COIL	1452A1311
	093306-01-701	EA DECAL PACKAGE, LEFT & RIGHT	6798B3591
	108889-01-704	EA OVERLOAD (MRA#98693)	6749-3541
	108889-01-712	EA SUCTION LINE REDUCER - 3/8 X 1/2	1215-2161
	108889-01-713	EA SUCTION LINE - 3/8 OD X .032 WALL	6792-130
	108889-01-714	EA DISCHARGE LINE ASSEMBLY	6792-531

HEATING & AIR CONDITIONING GROUP (CONTINUED)

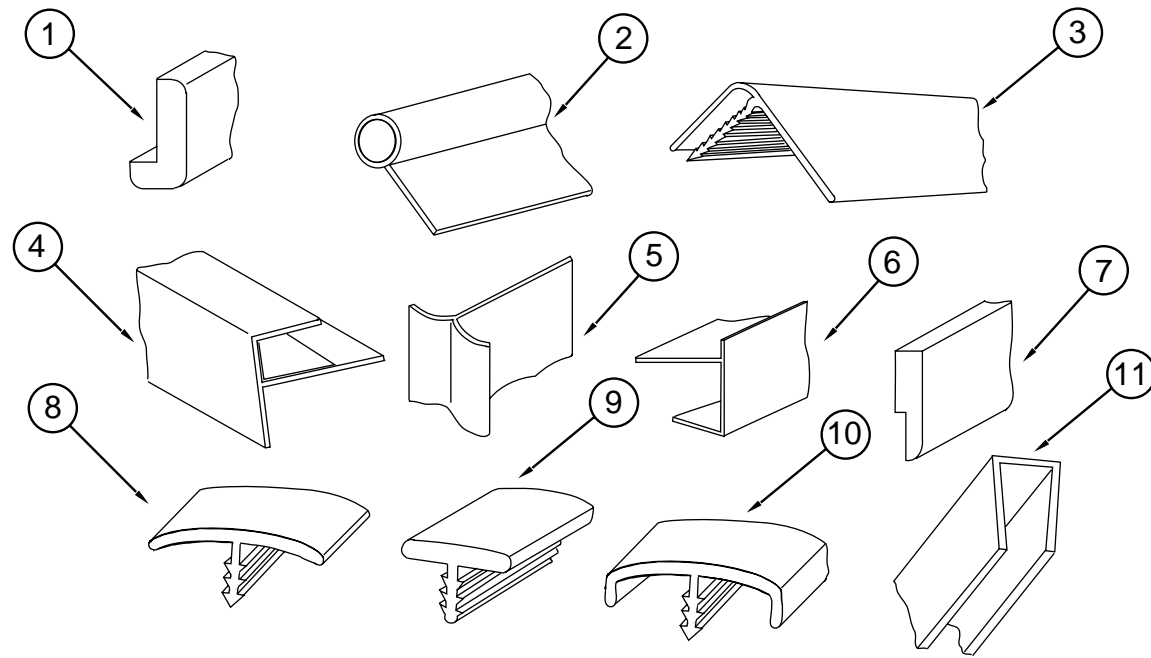
A/C-13,500 BTU-EUROPE - COLEMAN - MODEL TSR 220

KEY	PART NUMBER	U/M DESCRIPTION
	108889-02-01A	EA A/C-ROOF, 13,500 TSR 220 IVORY 7373-597

CEILING A/C - COLEMAN

KEY	PART NUMBER	U/M DESCRIPTION	VENDOR NO.
	108891-01-01A	EA CEILING ASSEMBLY-A/C COOL TSR HO 7330-714 IV	6701-3401
	042204-01-709	EA THERMOSTAT-IN 64 OUT 58	6759-3251
	073742-01-701	EA SELECTOR SWITCH - 5 TERMINAL	6759C3431
	073742-01-702	EA DECAL COOL ONLY	6769-5061
	081606-01-712	EA CEILING SHROUD-IVORY	6701-3351
	091225-01-713	EA KNOB - 2 PER PACKAGE	6799A3441
	091225-01-717	EA DECAL-THERMOSTAT, COOL ONLY	6799-3971
	093766-02-701	EA DECAL-LEFT SIDE	6792-5991
	108891-01-700	EA SINGLE PARTS PACKAGE-KNOBS & NUTS	6799-3141
	108891-01-701	EA RETAINER CLIPS-FILTER, 6 PER	6799-3141
	108891-01-701	EA RETAINER CLIPS-FILTER, 6 PER	6799-3141
	076303-01-717	EA FILTER	
	022756-03-000	EA COVER-A/C PLASTIC, OFF WHITE	
	022756-02-000	EA COVER-PROTECTIVE, 5.5" ENDS X 8.2" - PLASTIC - OFF WHITE	
	084077-03-000	EA COVER-BLANK, ROOF A/C - 5.2" X 3.5" - IVORY	

INTERIOR FINISH GROUP



MOLDINGS & TRIMS

KEY	PART NUMBER	U/M DESCRIPTION
1	077840-01-G01	EA MOLDING-WALL CAP, 2438
2	009767-12-000	FT MOLDING-SIDEWALL TO CEILING/CABINET - WELTING - OFF WHITE
3	009809-23-000	EA MOLDING-CORNER, OUTSIDE - 1" - PLASTIC - IVORY
3	009809-28-000	EA MOLDING-CORNER, OUTSIDE - 1" - WATERFORD OAK
4	009812-29-000	EA MOLDING-CORNER, OUTSIDE - 1/2" - WATERFORD OAK
5	022992-11-000	FT MOLDING-REVERSE COVE, T-SHAPED - VINYL - IVORY
6	103186-01-05A	FT MOLDING-PLASTIC, SHELF - 19.9 MM - WATERFORD OAK
7	105004-01-05A	EA MOLDING-VINYL WRAP - WATERFORD OAK
8	009815-09-000	FT MOLDING-T, .75" - IVORY
9	104676-01-01A	FT MOLDING-T, 5/16" RIGID - GOLD
10	104676-02-04A	FT MOLDING-T, 1/2" X 10' - WATERFORD OAK
10	104676-02-01A	FT MOLDING-T, 1/2" X 7'
10	083620-07-000	FT MOLDING-T, END CAP EDGE - W/EDGE LIPS - .75" - THOR PECAN
10	083620-09-000	FT MOLDING-T, 3/4 - W/EDGE LIPS - MODERN IVORY
10	083620-12-000	FT MOLDING-T, 3/4 - W/EDGE LIPS - WATERFORD OAK
10	119520-01-01A	FT MOLDING-T, 1" - W/EDGE LIPS
11	009778-21-000	FT U-CHANNEL - 1", WATERFORD OAK
11	070504-36-000	FT EXTRUSION-U CHANNEL, 1.65 - WATERFORD OAK
11	070504-37-000	FT EXTRUSION-U-CHANNEL, 20.70 - WATERFORD OAK
	117268-D2-134	EA MOLDING-VINYL WRAPPED, 018 X 040 X 2134 MM - WATERFORD OAK
	117268-F2-134	EA MOLDING-VINYL WRAPPED, 018 X 065 X 2134 MM - WATERFORD OAK
	009767-15-000	FT WELTING-WATERFORD OAK
	076325-37-000	FT MOLDING-EDGEBAND, 1 5/16 - ORCHID MIST
	076325-47-000	FT MOLDING-EDGEBAND, 1 5/16 - SAND (G21)
	076325-49-000	FT MOLDING-EDGEBAND, 1 5/16 - NEUTRAL (G22)
	076325-44-000	FT MOLDING-EDGEBAND, .875 - SAND (G21)
	076325-40-000	FT MOLDING-EDGEBAND, .875 - NEUTRAL (G22)
	076325-68-000	FT MOLDING-EDGEBAND, WATERFORD - 1 5/16 X .038
	075249-01-000	EA RAILING-OAK, 72" - UNFINISHED
	112198-01-000	FT MOLDING-J, #90227 - CRILA PLASTICS
	112198-02-000	FT MOLDING-J, #90066 - CRILA PLASTICS
	100659-01-G09	EA MOLDING-TRIM, VINYL FLOOR

INTERIOR FINISH GROUP (CONTINUED) PANELING, LAMINATES & PLASTIC

KEY	PART NUMBER	U/M DESCRIPTION
	074497-34-000	SF PANELING-CEILING, 3MM X 48" X 8" - PEARL
	074497-28-000	SF PANELING - 48" X 96", WATERFORD OAK
	080215-10-000	SF PANELING - 2 SIDED, 5MM X 48" X 96" - WATERFORD OAK
	088272-E2-000	SF PANELING-MAIN, TRAVERTINE (G21)
	088272-E6-000	SF PANELING-MAIN, MIDNIGHT (G22)
	088272-98-000	SF PANELING-SHOWER, OFF WHITE - 4' X 7'
	074498-54-000	SF LAMINATE-PLASTIC, SAND (G21)
	074498-71-000	SF LAMINATE-PLASTIC, NEUTRAL (G22)
	074498-77-000	SF LAMINATE-PLASTIC, CABIN OAK
	074498-67-000	SF LAMINATE-PLASTIC, ORCHID MIST
	093743-02-01A	SF PLASTIC-ABS, 20" WIDE ROLL - OFF WHITE
	000885-76-000	SF PARTICLE BOARD-VINYL 1 SIDE, 3/8" X 48" X 96" - WATERFORD OAK
	000885-77-000	SF PARTICLE BOARD-VINYL 2 SIDES, 3/8" X 48" X 96" - WATERFORD OAK
	000885-78-000	SF PARTICLE BOARD-VINYL 2 SIDES, 1/2" X 48" X 96" - WATERFORD OAK
	000885-79-000	SF PARTICLE BOARD-VINYL 2 SIDES, 3/4" X 48" X 96" - WATERFORD OAK

CARPETING & FLOOR MATS

KEY	PART NUMBER	U/M DESCRIPTION
	096060-95-000	SY CARPET-JUBILATION, DOESKIN (G21)
	096060-97-000	SY CARPET-JUBILATION, LAPIS BLUE (G22)
	093486-01-000	SY CARPET-COMPARTMENT, 54" WIDE - DARK GRAY
	106884-03-000	EA MAT-FLOOR, PASSENGER - "I" LOGO - FORD
	106884-04-000	EA MAT-FLOOR, DRIVER - "I" LOGO - FORD
	102569-04-000	EA MAT-ANTI SLIP

BATT STRIPS

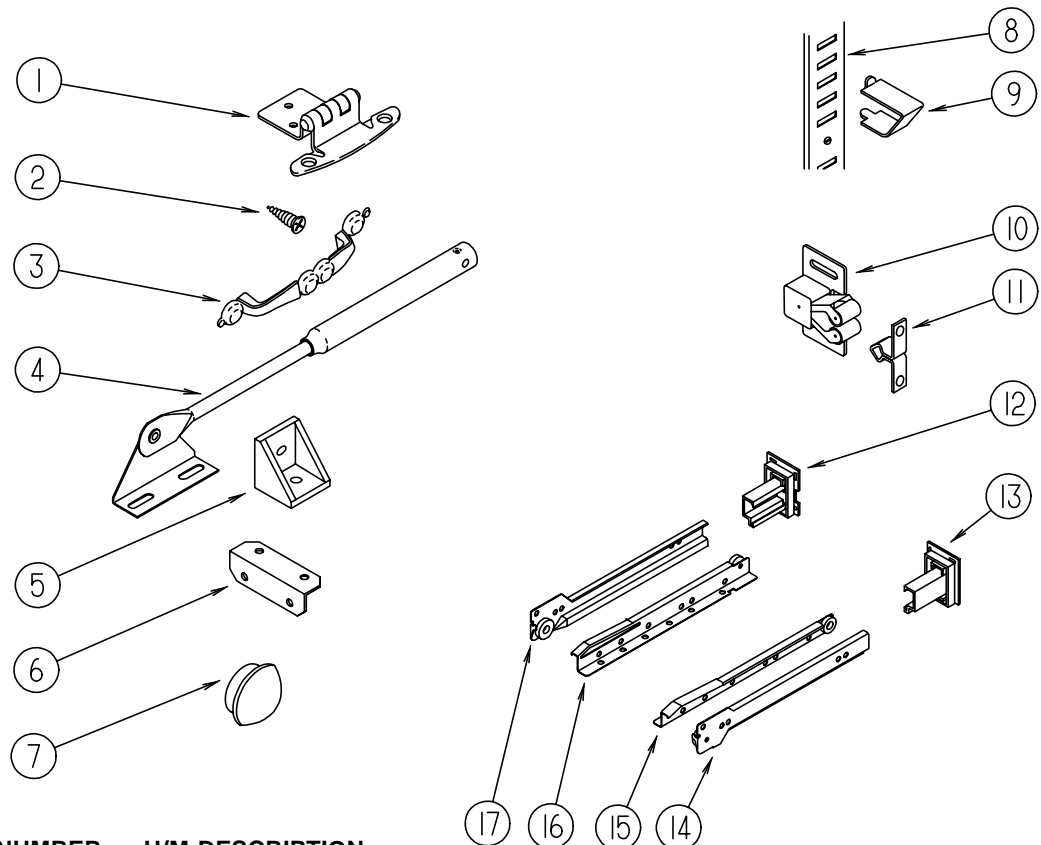
KEY	PART NUMBER	U/M DESCRIPTION
	088263-C1-000	EA BATT-STRIP, MAIN - TRAVERTINE (G21)
	088263-C5-000	EA BATT-STRIP, MAIN - MIDNIGHT (G22)
	088263-D6-000	EA BATT-STRIP, CEILING - IMPACT PEARL
	088263-78-000	EA BATT STRIP-SHOWER, ANTIQUE WHITE
	069733-83-000	EA BATT-STRIP, WATERFORD OAK
	085284-B5-000	FT TAPE-BATT STRIP, WATERFORD OAK
	085284-B3-000	FT TAPE-BATT STRIP, MAIN - TRAVERTINE (G21)
	085284-B8-000	FT TAPE-BATT STRIP, MAIN - MIDNIGHT (G22)
	085284-C9-000	FT TAPE-BATT STRIP, CEILING - IMPACT PEARL
	085284-76-000	FT TAPE-BATT STRIP, SHOWER - ANTIQUE WHITE
	086229-13-000	EA BATTEN-CEILING, 1" - MODERN IVORY
	086229-01-000	EA RETAINER-BATTEN, CEILING - .75" WIDE X 7.6'

FIRE EXTINGUISHER & DETECTORS

KEY	PART NUMBER	U/M DESCRIPTION
	072852-02-000	EA DETECTOR-SMOKE, W/9 VOLT BATTERY - CANADIAN
	094499-02-000	EA EXTINGUISHER-FIRE, DRY - 1A10BC - CANADIAN
	094499-01-700	EA BRACKET-MOUNTING, W/PLASTIC STRAP - FIRE EXTINGUISHER
	072852-01-000	EA DETECTOR-SMOKE, W/9 VOLT BATTERY - US
	094499-01-000	EA EXTINGUISHER-FIRE, DRY W/MOUNTING BRACKET - 10 BC
	094499-01-700	EA BRACKET-MOUNTING, W/PLASTIC STRAP - FIRE EXTINGUISHER
	112320-01-000	EA DETECTOR-CO GAS, MODEL 9B-I - COSTAR 940000000 FROM: 00-00-00 THRU: 09-03-95
	112320-03-000	EA DETECTOR-CO GAS MODEL 9D-I COSTAR 946000001 FROM: 09-04-95 THRU: 99-99-99
	112320-02-000	EA BATTERY/SENSOR-CO GAS, COSTAR 940001000
	112320-04-000	EA DETECTOR-CO SENSOR ASSEMBLY COSTAR 946001001 FROM: 00-00-00 THRU: 09-03-95 FROM: 09-04-95 THRU: 99-99-99

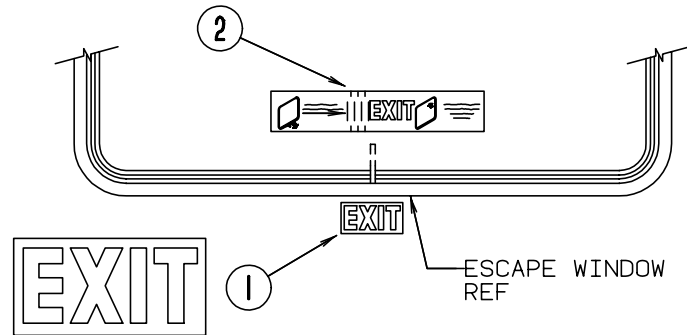
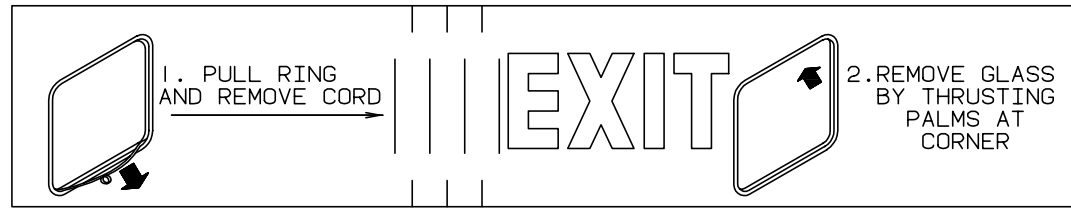
INTERIOR FINISH GROUP (CONTINUED)

CABINET & TABLE HARDWARE

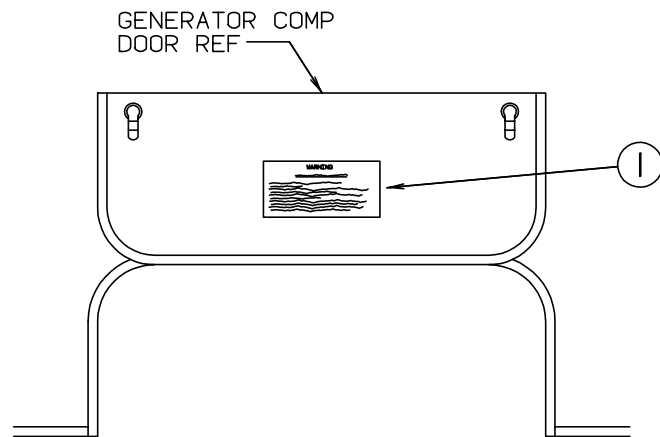


KEY	PART NUMBER	U/M DESCRIPTION
1	108138-01-000	EA HINGE-DOOR, CABINET - BURNISHED BRASS
2	000G13-06-08G	EA SCREW - 6-20 X 5/8 PFH - ANTIQUE BRASS
3	112146-01-000	EA PULL-CABINET, BRASS - AMEROCK D-1180-3
4	074493-02-000	EA SUPPORT-PISTON SPRING, CABINET DOOR
5	065740-01-000	EA BRACE-CABINET CORNER, PLASTIC
6	016604-01-000	EA BRACE-CABINET, ANGLE - 2.5" - METAL - UNPAINTED
6	016604-03-000	EA BRACE-CABINET, ANGLE - 2.5" - METAL - BEIGE
6	016604-05-000	EA BRACE-CABINET, L ANGLE - 2.5" - METAL - OFF WHITE
7	042356-01-000	EA PLUG-BUTTON, MAHOGANY - 3/8" DIAMETER - WOOD
7	074045-08-000	EA PLUG-OAK, 1/2" DIAMETER
8	098980-01-000	EA PILASTER-ADJUSTABLE SHELF, 18" LONG - WOODGRAIN APPEARANCE
9	098979-01-000	EA CLIP-ADJUSTABLE SHELF
10	093586-06-000	EA CATCH-SPRING, ROLLER - FASTEC C411-AC
11	093586-05-000	EA STRIKE-SPRING, STEEL - FASTEC S411-AC
12	114045-01-000	EA BACKSOCKET-ADJUSTABLE, LEFT - HOUCK 751-1 N/A USE KIT NUMBER ACCORDING TO DRAWER SLIDE LENGTH
13	114045-02-000	EA BACKSOCKET-ADJUSTABLE, RIGHT - HOUCK 751-2 N/A USE KIT NUMBER ACCORDING TO DRAWER SLIDE LENGTH
14	114031-02-000	EA SLIDE-DRAWER, CABINET MOUNTED - RIGHT SIDE - 12" N/A ORDER #114031-01-700 SLIDE DRAWER KIT
14	114031-06-000	EA SLIDE-DRAWER, CABINET MOUNTED - RIGHT SIDE - 14" N/A ORDER #114031-05-700 SLIDE DRAWER KIT
14	114031-10-000	EA SLIDE-DRAWER, CABINET MOUNTED - RIGHT SIDE - 16" N/A ORDER #114031-09-700 SLIDE DRAWER KIT
14	114031-14-000	EA SLIDE-DRAWER, CABINET MOUNTED - RIGHT SIDE - 18" N/A ORDER #114031-13-700 SLIDE DRAWER KIT
14	114031-18-000	EA SLIDE-DRAWER, CABINET MOUNTED - RIGHT SIDE - 20" N/A ORDER #114031-17-700 SLIDE DRAWER KIT
14	114031-21-000	EA SLIDE-DRAWER, CABINET MOUNTED - RIGHT SIDE - 22" N/A ORDER #114031-21-700 SLIDE DRAWER KIT
15	114031-04-000	EA SLIDE-DRAWER, DRAWER MOUNTED - RIGHT SIDE - 12" N/A ORDER #114031-01-700 SLIDE DRAWER KIT
15	114031-08-000	EA SLIDE-DRAWER, DRAWER MOUNTED - RIGHT SIDE - 14" N/A ORDER #114031-05-700 SLIDE DRAWER KIT
15	114031-12-000	EA SLIDE-DRAWER, DRAWER MOUNTED - RIGHT SIDE - 16" N/A ORDER #114031-09-700 SLIDE DRAWER KIT
15	114031-16-000	EA SLIDE-DRAWER, DRAWER MOUNTED - RIGHT SIDE - 18" N/A ORDER #114031-13-700 SLIDE DRAWER KIT
15	114031-20-000	EA SLIDE-DRAWER, DRAWER MOUNTED - RIGHT SIDE - 20" N/A ORDER #114031-17-700 SLIDE DRAWER KIT
15	114031-24-000	EA SLIDE-DRAWER, DRAWER MOUNTED - RIGHT SIDE - 22" N/A ORDER #114031-21-700 SLIDE DRAWER KIT
16	114031-03-000	EA SLIDE-DRAWER, DRAWER MOUNTED - LEFT SIDE - 12" N/A ORDER #114031-01-700 SLIDE DRAWER KIT
16	114031-07-000	EA SLIDE-DRAWER, DRAWER MOUNTED - LEFT SIDE - 14" N/A ORDER #114031-05-700 SLIDE DRAWER KIT
16	114031-11-000	EA SLIDE-DRAWER, DRAWER MOUNTED - LEFT SIDE - 16" N/A ORDER #114031-09-700 SLIDE DRAWER KIT
16	114031-15-000	EA SLIDE-DRAWER, DRAWER MOUNTED - LEFT SIDE - 18" N/A ORDER #114031-13-700 SLIDE DRAWER KIT
16	114031-19-000	EA SLIDE-DRAWER, DRAWER MOUNTED - LEFT SIDE - 20" N/A ORDER #114031-17-700 SLIDE DRAWER KIT
17	114031-23-000	EA SLIDE-DRAWER, DRAWER MOUNTED - LEFT SIDE - 22" N/A ORDER #114031-21-700 SLIDE DRAWER KIT
17	114031-01-000	EA SLIDE-DRAWER, CABINET MOUNTED - LEFT SIDE - 12" N/A ORDER #114031-01-700 SLIDE DRAWER KIT
17	114031-05-000	EA SLIDE-DRAWER, CABINET MOUNTED - LEFT SIDE - 14" N/A ORDER #114031-05-700 SLIDE DRAWER KIT
17	114031-09-000	EA SLIDE-DRAWER, CABINET MOUNTED - LEFT SIDE - 16" N/A ORDER #114031-09-700 SLIDE DRAWER KIT
17	114031-13-000	EA SLIDE-DRAWER, CABINET MOUNTED - LEFT SIDE - 18" N/A ORDER #114031-13-700 SLIDE DRAWER KIT
17	114031-17-000	EA SLIDE-DRAWER, CABINET MOUNTED - LEFT SIDE - 20" N/A ORDER #114031-17-700 SLIDE DRAWER KIT
17	114031-22-000	EA SLIDE-DRAWER, CABINET MOUNTED - LEFT SIDE - 22" N/A ORDER #114031-21-700 SLIDE DRAWER KIT
	041389-25-000	EA HINGE-PIANO, 1.50 X 1397.0 - MILL
	076790-01-000	EA SCREW - 6-20 X 1 1/4 PPH - BLACK
	069726-02-000	EA BUMPER - .88" DIAMETER X .40", BLACK
	004354-01-000	EA BUMPER-RUBBER, .5" DIAMETER - BROWN
	081914-01-000	EA BUMPER-RUBBER, ROUND - .43" DIAMETER - BLACK
	117046-01-000	EA BUMPER-RUBBER, ROUND END - LAKEVIEW #22134 FROM: 00-00-00 THRU: 07-23-95
	117046-02-000	EA BUMPER-RUBBER, ROUND END - LAKEVIEW #22073 FROM: 07-24-95 THRU: 99-99-99
	023320-01-000	EA PAD-FELT, 3/8" DIAMETER - BROWN
	009112-01-000	EA FLANGE - 1" CLOTHES ROD - PLASTIC - OFF WHITE
	000G13-06-10G	EA SCREW - 6-20 X 5/8 PFH - ANTIQUE BRASS
	103256-01-000	EA LATCH-SLIDE
	113374-01-01A	EA LATCH-MEDICINE CABINET, JENSEN RP1096B
	047034-06-000	EA POLY-CLEAR, ROLL SIZE - 2FT
	105037-01-000	EA FASTENER-WOOD, CORNER - METAL - .5" X .5"
	008042-01-000	FT TUBING-VINYL, .65" ID
	009013-01-000	EA CATCH-MALE & FEMALE BULLDOG, ANTIQUE COPPER
	076790-05-000	EA SCREW-WOOD, 6-20 X 1/2 PPH - THREAD CUTTING - BLACK
	079921-01-000	EA ROLLER-NYLON, W/STEEL SHAFT - BARBED
	084451-01-000	EA CATCH-TV SHELF, BRASS
	102194-01-000	EA GUIDE-PLASTIC
	039984-01-000	EA CAP-ROUND, VINYL - .28" ID X .62" LONG - BLACK
	046886-03-000	EA ASHTRAY-CHROME, W/COVER
	071391-02-000	EA NIPPLE-HEX, 1/4 PIPE - 3325 X 4 WEATHERHEAD
	091261-01-000	FT SLIPNOT-ANTISLIP, 1' WIDE (100' ROLL)
	093673-01-01A	FT TRIM-ENTRANCE DOOR, 1.4" WIDE X 8' LONG- OFF WHITE PLASTIC
	097872-04-000	EA DOWEL-WOOD, 1.00 DIAMETER X 1.38 LONG - UNFINISHED
	109403-01-000	EA CATCH-SINGLE ROLLER, SCREEN DOOR

LABELS GROUP



KEY	PART NUMBER	U/M DESCRIPTION
1	006199-01-000	EA LABEL-EXIT-ESCAPE WINDOW
2	039290-01-000	EA LABEL-WARNING-EXIT



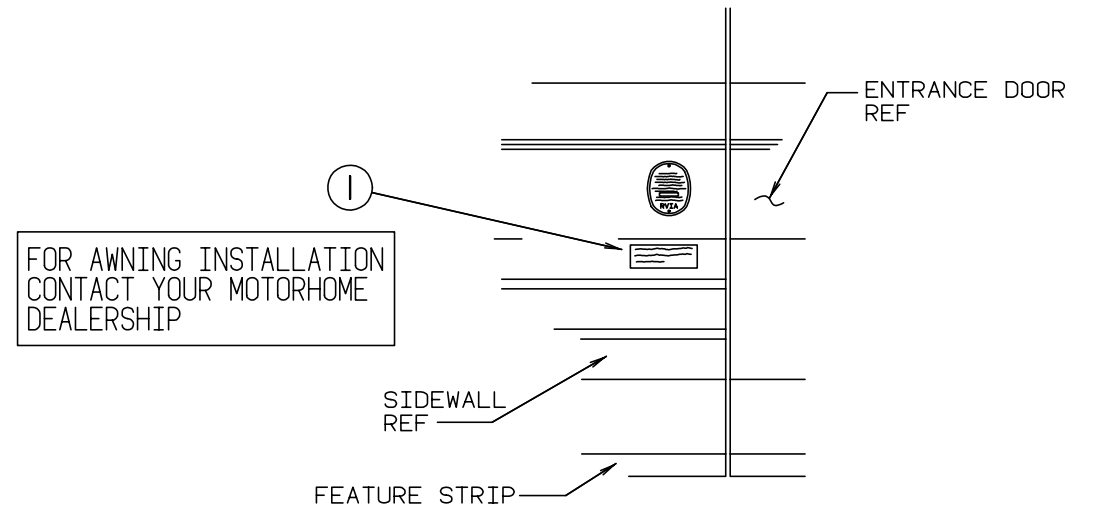
WARNING

WHEN ADDING A GENERATOR SET:

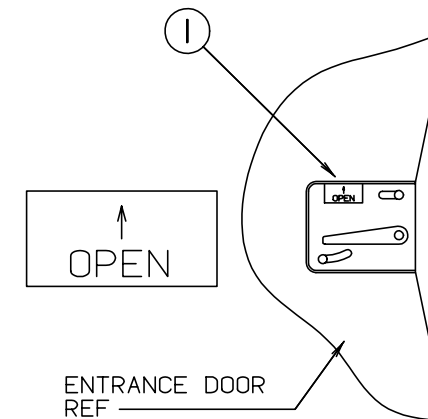
HIGH VOLTAGE-USE EXTREME CAUTION WHEN WORKING ON ELECTRICAL COMPONENTS.
 HAVE ALL ELECTRICAL INSTALLATION PERFORMED BY A QUALIFIED LICENSED ELECTRICIAN-FOLLOW ALL STATE AND LOCAL CODES.
 ONLY INSTALL GENERATOR SET APPROVED FOR R.V. APPLICATION. HAVE INSTALLED BY QUALIFIED TECHNICIAN.
 TO AVOID HEAT BUILD-UP AND TO GUARANTEE AN ADEQUATE AIR SUPPLY TO THE GENERATOR CARBURETOR, FOLLOW INSTALLATION INSTRUCTIONS.
 GENERATOR ENGINE EXHAUST GASES ARE TOXIC AND MUST NOT TERMINATE UNDER THE VEHICLE-DISCHARGE EXHAUST AWAY FROM VEHICLE.

KEY	PART NUMBER	U/M DESCRIPTION
1	077510-01-000	EA LABEL-GENERATOR PREP

LABELS GROUP (CONTINUED)



KEY	PART NUMBER	U/M DESCRIPTION
1	099509-01-000	EA LABEL-AWNING INSTALLATION

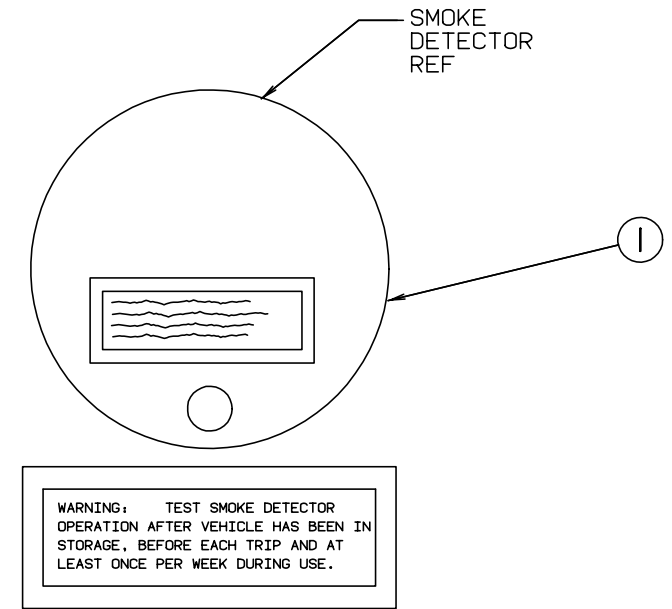


KEY	PART NUMBER	U/M DESCRIPTION
1	040944-01-000	EA LABEL-ENTRANCE DOOR - "OPEN"

LABELS GROUP (CONTINUED)
MISCELLANEOUS LABELS

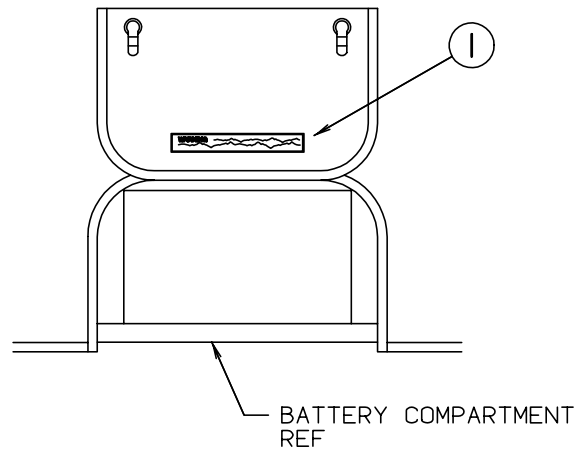
KEY	PART NUMBER	U/M DESCRIPTION
	104236-01-000	EA LABEL-GENERATOR CIRCUIT
	006064-01-000	EA LABEL-SEAT W/O SEATBELT - US
	006064-02-000	EA LABEL-SEAT W/O SEATBELT - CSA NOT INTENDED FOR USE WHILE COACH IN MOTION
	091224-02-000	EA LABEL-TRAILER LIGHTING
	091243-01-000	EA LABEL-A/C COVER, "AIR CONDITIONING CIRCUIT. ETC."
	091243-02-000	EA LABEL-COVER, "MICROWAVE CIRCUIT. ETC."
	093236-08-000	EA LABEL-CIRCUIT BREAKER
	098641-01-000	EA LABEL-FUEL, UNLEADED - DASH
	073998-01-000	EA LABEL-LPG ODOR WARNING
	087236-01-000	EA LABEL-CABLE, INPUT
	061417-01-000	EA LABEL-FUEL, ON FUEL FILL DOOR
	062043-01-000	EA LABEL-FUEL, UNLEADED
	111104-01-000	EA LABEL-HITCH, READ MANUAL
	006040-01-000	EA TAG-GAS REFUELING WARNING - US
	006040-02-000	EA TAG-GAS REFUEL WARNING - CANADIAN
	112518-01-000	EA LABEL-HANG TAG, CO DETECTOR
	087207-06-000	EA LABEL-GAS OVERFILL
	111802-01-000	EA LABEL-CFC WARNING

LABELS GROUP (CONTINUED)

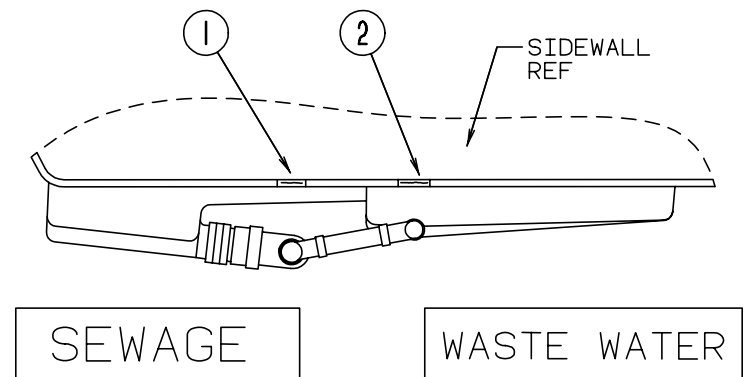


KEY	PART NUMBER	U/M DESCRIPTION
1	077956-01-000	EA LABEL-WARNING-SMOKE DETECTOR

WARNING DISCONNECT BATTERIES BEFORE CONNECTING EXTERNAL CHARGING EQUIPMENT.

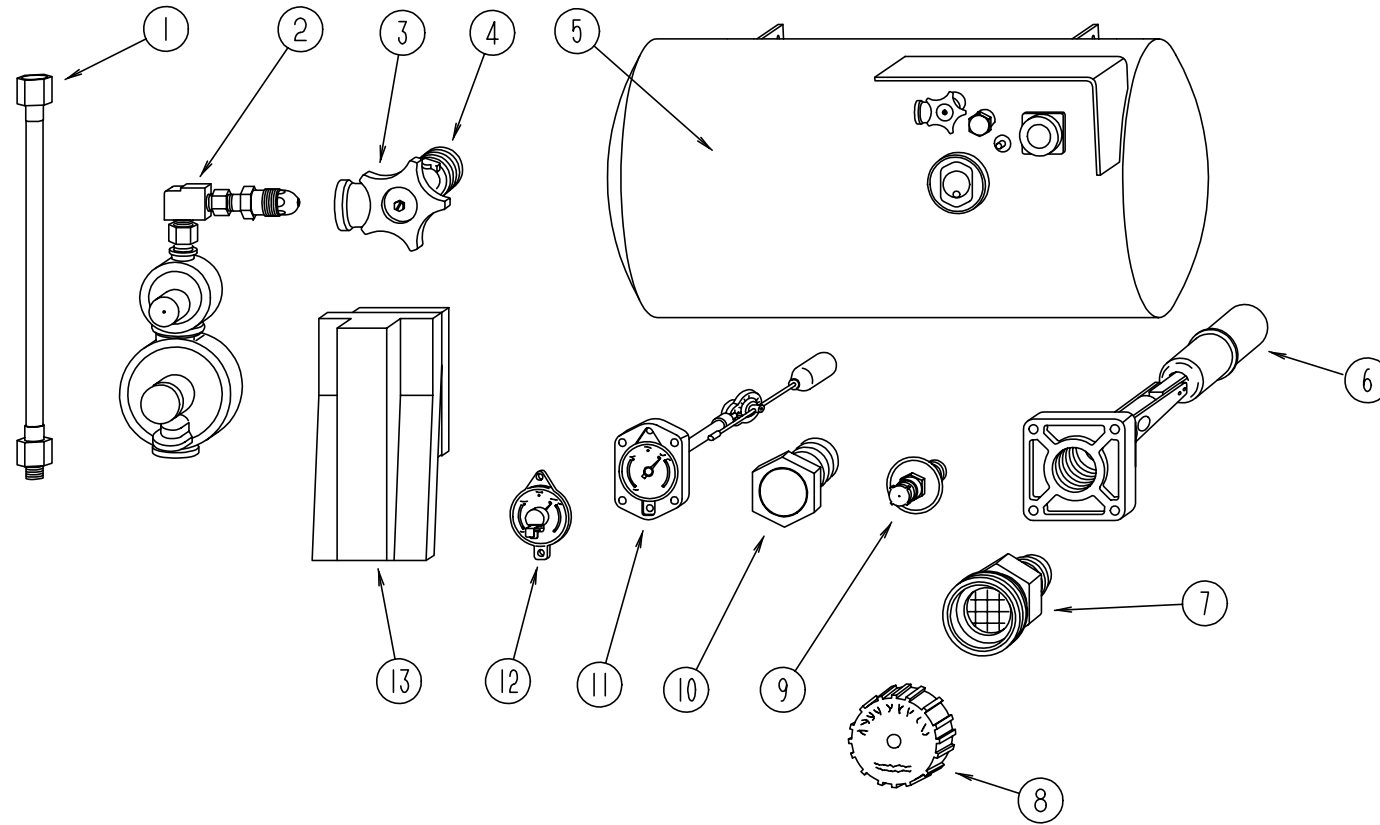


KEY	PART NUMBER	U/M DESCRIPTION
1	065748-01-000	EA LABEL-CAUTION-BATTERY CHARGING



KEY	PART NUMBER	U/M DESCRIPTION
1	006187-01-000	EA LABEL-SEWAGE
2	006188-01-000	EA LABEL-WASTE WATER

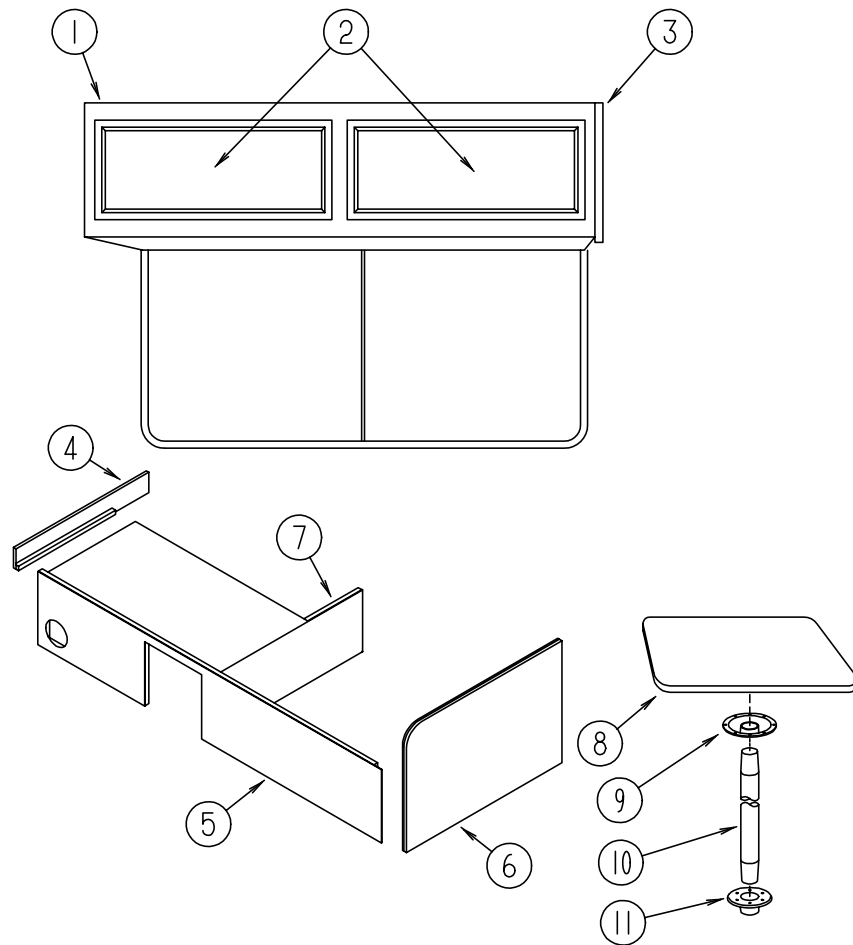
LP GROUP
LP SYSTEM



KEY	PART NUMBER	U/M DESCRIPTION	VENDOR NO.
1	045703-09-000	EA HOSE-LP, 3/8" ID X 24" - 3/8" MPT X 3/8" F SWIVEL - US & EXPORT	
1	045703-05-000	EA HOSE-LP, 3/8" ID X 28" - 3/8" MPT X 1/2" F SWIVEL - US	
1	045703-06-000	EA HOSE-LP, 3/8" ID X 28" - 3/8" MPT X 1/2" F SWIVEL - CANADA	
2	106150-01-000	EA REGULATOR-TWO STAGE, M'BRASS 293-303	
2	106150-02-000	EA REGULATOR-TWO STAGE, M'BRASS - EXPORT 293-00	
3	040421-01-708	EA HANDWHEEL-SERVICE VALVE, BRUNNER	G-1015-A
4	040421-01-712	EA VALVE-SERVICE, W/O VAPOR RELIEF	29000853
5	080450-01-000	EA TANK-LP, 42 LB - 13" DIAMETER X 24" LONG	
6	040421-01-711	EA VALVE - 80%, W/FLOAT, PLATE, BOLTS & GASKET - BRUNNER	
7	040421-01-701	EA VALVE-SHORT, LP FILLER W/YELLOW CAP - BRUNNER	75478
8	040421-01-702	EA CAP-LP FILLER VALVE, PLASTIC - YELLOW - BRUNNER	G-1014-A
9	040421-01-700	EA VALVE-LIQUID LEVEL, 20% LP - BRUNNER	G-1013
10	040421-01-713	EA VALVE-VAPOR ONLY, 29000587	
11	074142-01-700	EA FLOAT GAUGE-SCREW ON-MACHINE	13C-SCR
	074142-01-701	EA FLOAT ASSEMBLY-BOLT ON	
12	040421-01-706	EA DIAL-LP TANK VOLUME, VISIBLE FACE (5-1789) - BRUNNER MA-8	
12	040440-02-000	EA TRANSMITTER-DIAL, 0-90 OHM (USED W/MONITOR PANEL)	
13	105658-01-000	EA COMPARTMENT-LP REGULATOR	

KEY	PART NUMBER	U/M DESCRIPTION
	010323-01-000	EA ADAPTER-BRASS, 3/8" F X 1/2" MPT
	057042-01-000	EA ADAPTER-CROSS, 1/2" PIPE
	010377-02-000	EA NUT-BRASS, 3/8" FEMALE - FORGED
	065318-02-000	EA ELBOW - 90 DEGREE - 3/8" MPT TO 3/8" FPT
	010265-01-000	EA ELBOW-BRASS, 90 DEGREE - 3/8" F TO 1/2" FPT
	095624-01-000	EA ELBOW - 90 DEGREE, 1/4" FPT X 1/4" FPT - BRASS
	010252-01-000	EA ELBOW-BRASS, 90 DEGREE 3/8" F X 1/2" MPT
	071391-02-000	EA NIPPLE-HEX , 1/4" PIPE - 3325 X 4 WEATHERHEAD
	075148-02-000	EA CLAMP-GROUNDING, BRONZE SCREWS
	010499-01-000	EA CLAMP-CLOSED, 3/8" ID
	103613-01-000	EA DETECTOR-LEAK, LP GAS

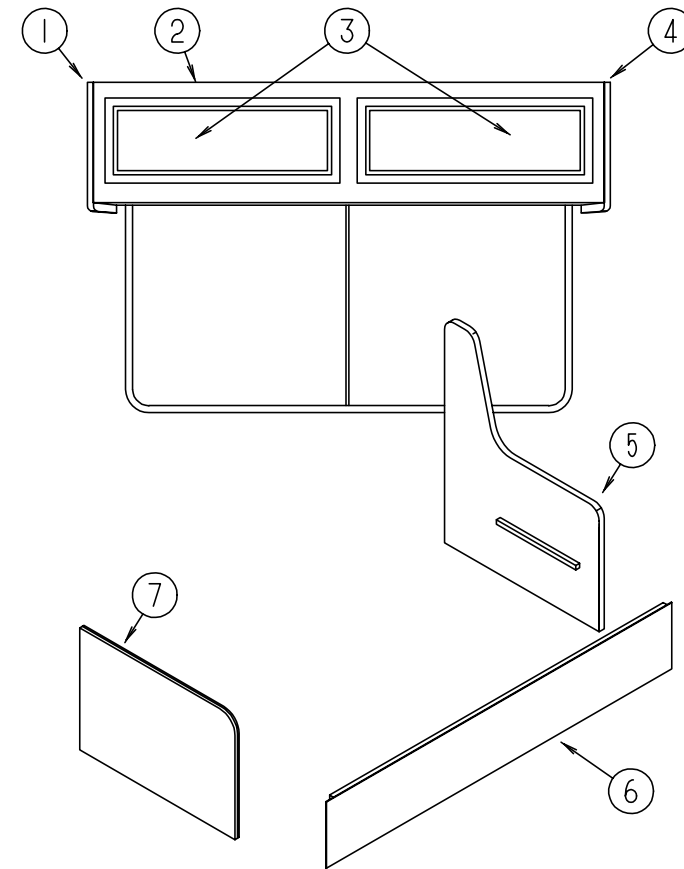
LOUNGE GROUP



DRIVER SIDE COUCH CABINETS & TABLES

KEY	PART NUMBER	U/M DESCRIPTION
1	114006-01-G01	EA CABINET-OVERHEAD, W/O DOORS OR HARDWARE
2	110140-05-G01	EA DOOR-CABINET, W/O HARDWARE - 365MM X 850MM
2	M06803-L7-G01	EA DOOR-CABINET, W/O HARDWARE - 365MM X 850MM (DELUXE OPTION)
2	110140-65-G01	EA DOOR-CABINET, W/MIRROR - W/O HARDWARE - 365MM X 850MM
2	M06803-P4-G01	EA DOOR-CABINET, W/MIRROR - W/O HARDWARE - 365MM X 850MM (DELUXE OPT.)
3	109908-15-G01	EA END CAP-CABINET
4	M04187-68-G21	EA CABINET-COUCH, W/FABRIC
4	M04187-68-G22	EA CABINET-COUCH, W/FABRIC
5	M04187-66-G21	EA CABINET-COUCH, W/FABRIC
5	M04187-66-G22	EA CABINET-COUCH, W/FABRIC
6	M04187-67-G21	EA CABINET-COUCH, W/FABRIC
6	M04187-67-G22	EA CABINET-COUCH, W/FABRIC
7	M04187-70-G01	EA CABINET-COUCH
	082525-01-000	EA BRACE-COUCH, FLOOR MOUNT - ANGLE 3" LONG - METAL
	083125-07-000	EA BRACE-ANGLE, COUCH - OFF WHITE
	105947-01-000	EA BRACKET-HOLD DOWN, COUCH CSA UNITS
8	081298-01-E01	EA TABLE-PEDESTAL (G21)
8	081298-01-F09	EA TABLE-PEDESTAL (G22)
9	009040-03-000	EA BASE-TABLE, RAISED - TABLE MOUNTED
10	009040-02-000	EA PEDESTAL TABLE LEG - 27.5" X 2.25" DIAMETER - CHROME
11	041194-01-000	EA BASE-TABLE, FLUSH - FLOOR MOUNTED
	062046-01-000	EA CLIP-LEG, PEDESTAL - 1.7" X 2.2" - DIAMETER FROM 2" TO 2.5"
	042438-02-000	EA DOWEL-WOOD, 2" X 2"

LOUNGE GROUP (CONTINUED)



PASSENGER SIDE COUCH CABINETS

KEY	PART NUMBER	U/M DESCRIPTION
1	109908-16-G01	EA END CAP-CABINET
2	114002-01-G01	EA CABINET-OVERHEAD, W/O DOORS OR HARDWARE
3	110140-59-G01	EA DOOR-CABINET, W/O HARDWARE - 365MM X 680MM
3	M06803-B2-G01	EA DOOR-CABINET, W/O HARDWARE - 365MM X 680MM (DELUXE OPTION)
4	109908-15-G01	EA END CAP-CABINET
5	M04187-65-G21	EA CABINET-COUCH, W/FABRIC
5	M04187-65-G22	EA CABINET-COUCH, W/FABRIC
6	M04187-63-G21	EA CABINET-COUCH, W/FABRIC
6	M04187-63-G22	EA CABINET-COUCH, W/FABRIC
7	M04187-64-G21	EA CABINET-COUCH, W/FABRIC
7	M04187-64-G22	EA CABINET-COUCH, W/FABRIC
	082525-01-000	EA BRACE-COUCH, FLOOR MOUNT - ANGLE 3" LONG - METAL
	083125-07-000	EA BRACE-ANGLE, COUCH - OFF WHITE
	105947-01-000	EA BRACKET-HOLD DOWN, COUCH CSA UNITS

PULLOUT TABLE

KEY	PART NUMBER	U/M DESCRIPTION
	M96873-01-G01	EA TABLE-PULLOUT, W/O TOP
	096873-12-G01	EA SUPPORT-TABLE, UNDER PULL OUT TABLE TOP
	096873-13-G01	EA END-TABLE, RIGHT
	096873-14-G01	EA END-TABLE, LEFT
	096873-15-G01	EA SUPPORT-TABLE, OVER PULL OUT TABLE TOP
	096873-16-G01	EA PANEL-TABLE, FRONT BOTTOM - 18.1" X 6.7"
	096873-11-G01	EA TOP-TABLE, PULLOUT
	080736-01-000	EA PULL-RECESSED, 1.25" X 4" - OAK

**SEALANTS & FASTENERS GROUP
ADHESIVES AND SEALERS**

KEY	PART NUMBER	U/M DESCRIPTION
	087211-01-000	GL PROMOTER-ADHESIVE
	102352-01-000	EA SEALER-PUMPABLE, BLACK - COLORIMETRIC MS101
	106206-01-000	EA SEALER-PUMPABLE, MANUS 30ABLACK
	002707-02-000	FT TAPE-SEALER, 5/16" X 1/2" - INCREMENTS OF 50 FT
	063642-01-000	FT TAPE-ADHESIVE, 10 MIL. X 1.5" WIDE X 180"
	069640-11-000	FT SEALER-TAPE, 3/16" X 3/8", BLACK - MANUS
	069640-01-000	FT SEALER-RIBBON, 1/4" DIAMETER - INCREMENTS OF 30'
	069640-02-000	FT SEALER-RIBBON, 1/2" X 1/8" - INCREMENTS OF 60'
	069640-03-000	FT SEALER-RIBBON, 3/4" X 1/8" - INCREMENTS OF 60'
	069640-07-000	FT SEALER-RIBBON, 2" X 3/32" - INCREMENTS OF 45'
	069640-10-000	FT SEALER-RIBBON, 1/32" X 1 1/2" INCREMENTS OF 90'
	076322-01-000	FT TAPE-FOAM, DOUBLE COATED ADHESIVE BACKED - .75" X 216'
	076322-03-000	FT TAPE-FOAM, DOUBLE COATED ADHESIVE BACKED - .5" X 108'
	076322-05-000	FT TAPE-FOAM, DOUBLE COATED - .045" X .75" X 108'
	076322-07-000	FT TAPE-FOAM, DOUBLE COATED - .045" X .50" - NORT V2000
	120534-01-01A	FT TAPE-SCOTCH 3M 1/2" FINE LINE *#471 GREEN
	091255-02-000	FT SEAL-ADHESIVE BACKED FOAM, .18" THICK X 1.5" WIDE
	108716-01-000	EA SILICONE-TUBE, OFF WHITE - SELF LEVELING - CSL 510
	120074-01-01A	EA SILICONE TUBE - OFF WHITE W/O NOZZLE
	034552-02-000	EA SILICONE-TUBE, 300 ML - CLEAR - W/O NOZZLE
	034552-06-000	EA SILICONE-TUBE, 300 ML - OFF WHITE - W/O NOZZLE
	034552-15-000	EA SILICONE-TUBE, 300 ML - BRIGHT WHITE - W/O NOZZLE
	053766-02-000	EA BEDDING COMPOUND-TUBE, WHITE - SCHNEE #5522
	053766-06-000	EA BEDDING COMPOUND-TUBE, CLEAR
	053766-08-000	EA BEDDING COMPOUND-TUBE, GRAY - SCHNEE #5522
	120534-01-01A	FT TAPE-SCOTCH, 1/2" FINE LINE - 3M #471 GREEN
	900390-01-000	EA TIP - 2 1/2" X 1/8" ORIFICE, ELLSWORTH #TS216
	900390-03-000	EA NOZZLES-SILICONE TUBE, CSL #D10
	085774-01-000	FT FASTENER-DUAL HOOK, 1" WIDE - ADHESIVE BACK - BLACK
	085774-02-000	FT FASTENER-DUAL LOOP, 1" WIDE - ADHESIVE BACK - BLACK

WASHERS

KEY	PART NUMBER	U/M DESCRIPTION
	000E11-07-00B	EA WASHER-LOCK, 7/16" MED SPLIT - ZINC
	000E11-08-00B	EA WASHER-LOCK, 1/2" MED SPLIT - ZINC
	000E13-14-00B	EA WASHER-FLAT, 1/4" WIDE - ZINC
	000E13-17-00B	EA WASHER-FLAT, 3/8" AR - ZINC
	000E13-18-00B	EA WASHER-FLAT, 3/8" WIDE - ZINC
	000E13-20-00B	EA WASHER-FLAT, 7/16" WIDE - ZINC
	000E13-21-00B	EA WASHER-FLAT, W/2 NAR - ZINC
	041322-01-000	EA WASHER-FLAT, 15/32" ID X 2 3/8" OD - FOR SEAT BELT MOUNT
	044533-01-000	EA WASHER-PLASTIC, 1 3/8" OD - FOR BUTTONS

BOLTS

KEY	PART NUMBER	U/M DESCRIPTION
	0MC31K-08-020	EA BOLT-HEX, SERRATED FLANGE - M8 X 020
	000C12-05-16B	EA BOLT-HEX, 5/16-18 X 1 - ZINC 5
	000C12-06-16B	EA BOLT-HEX, 3/8-16 X 1LG - ZINC 5
	000C12-07-24B	EA BOLT-HEX, 7/16-14 X 1.50 - ZINC 5 - MC-90
	000C12-08-24B	EA BOLT-HEX, 1/2-13 X 1 1/2 - ZINC 5
	000C12-09-20B	EA BOLT-HEX, 9/16-12 X 1 1/4 - ZINC 5
	000C12-10-24B	EA BOLT-HEX, 5/8-11 X 1 1/2 - ZINC 5
	000C13-07-48B	EA BOLT-HEX, 7/16-20 X 3 - ZINC 5
	000C18-05-40A	EA BOLT-ELEV, 5/16-18 X 2 1/2 PL
	000C18-06-48B	EA BOLT-ELEV, 3/8-16 X 3 - ZINC - GDE 5
	000C26-04-10B	EA BOLT-HEX, SERRATED FLANGE - 1/4-20 X 5/8 - ZINC
	000C26-04-14B	EA BOLT-HEX, SERRATED FLANGE - 1/4-20 X 7/8 - ZINC
	000C26-05-16B	EA BOLT-HEX, SERRATED FLANGE - 5/16-18 X 1 - ZINC
	000C26-05-12B	EA BOLT-HEX, SERRATED FLANGE - 5/16-18 X 3/4 - ZINC
	000C26-06-12B	EA BOLT-HEX, SERRATED FLANGE - 3/8-16 X 3/4 - ZINC

**SEALANTS & FASTENERS GROUP (CONTINUED)
NUTS AND RIVETS**

KEY	PART NUMBER	U/M DESCRIPTION
	000D24-10-00B	EA NUT-HEX, SELF LOCK - 10-32 - ZINC
	000D29-09-00B	EA NUT-HEX, SELF LOCK - 9/16-12 - ZINC
	000D34-06-00B	EA NUT-HEX, LOCK - 3/8-16 GRADE C - ZINC - PREVAILING TORQUE
	000D39-04-00B	EA NUT-HEX, SERRATED FLANGE LOCK - 1/4-20 - ZINC
	000D39-05-00B	EA NUT-HEX, SERRATED FLANGE LOCK - 5/16-18 - ZINC
	000D39-06-00B	EA NUT-HEX, SERRATED FLANGE LOCK - 3/8-16 - ZINC
	000D39-08-00B	EA NUT-HEX, SERRATED FLANGE LOCK - 1/2-13 - ZINC
	000D44-07-00B	EA NUT-HEX, SERRATED FLANGE LOCK - 7/16-20 - ZINC
	000D46-04-00A	EA NUT-HEX, WELD - 1/4-20 - PLAIN - SHORT PILOT
	000H16-04-06R	EA RIVET-POP, AL 1/8 X .313-.375
	069592-02-000	EA RIVET-T, POP - 1/4 X .093-.156

CLAMPS AND TIES

KEY	PART NUMBER	U/M DESCRIPTION
	007161-01-000	EA CLAMP-HOSE, SPRING TYPE - 1/2"
	010495-01-000	EA CLAMP-CABLE, 9/16"
	010497-01-000	EA CLAMP-CLOSED, 5/8" ID
	010497-03-000	EA CLAMP-CLOSED, 1" ID - CUSHIONED
	010497-04-000	EA CLAMP-CLOSED, 1.62" ID - ADEL 945-2717
	010499-01-000	EA CLAMP-CLOSED, 3/8" ID
	056134-01-000	EA HOLDER-RING, 3.6" DIAMETER - METAL
	056134-02-000	EA HOLDER-RING, 1.8" DIAMETER - METAL
	062401-01-000	EA CLAMP-HOSE, WORMGEAR .25" - 1"
	062401-03-000	EA CLAMP-HOSE, WORMGEAR - .22" - 1"
	062401-04-000	EA CLAMP-HOSE, WORMGEAR - .69" - 1.25"
	062401-06-000	EA CLAMP-HOSE, WORMGEAR - .22" - .62"
	062401-11-000	EA CLAMP-HOSE, WORMGEAR - 3.56" - 4.5"
	080734-02-000	EA CLIP-WIRE, NYLON
	083609-01-000	EA CLAMP-WIRE, DUAL - EQUAL 5/8" DIAMETER
	083610-01-000	EA CLAMP-WIRE, DUAL - UNEQUAL DIAMETERS .75" & 1.25"
	083610-02-000	EA CLAMP-WIRE, DUAL - UNEQUAL DIAMETER
	075148-02-000	EA CLAMP-GROUNDING, BRONZE SCREWS
	091952-01-000	EA CLIP-GRIPPER, 1"
	091952-02-000	EA CLIP-GRIPPER, 3/4"
	101447-01-000	EA CLIP-U TYPE, HOLDS SHOWER SURROUND TOGETHER - TINNERMAN
	008343-01-000	EA TIE-WIRE, 6"
	008343-02-000	EA TIE-WIRE, 14"
	008343-03-000	EA TIE-WIRE, 7.5" - BLACK - DENNISON 10003
	108046-01-000	EA CABLE TIE-SCREW MOUNT, 8" - DENNISON 08415
	108046-02-000	EA CABLE TIE-SCREW MOUNT, 15" - DENNISON 10035

GROMMETS

KEY	PART NUMBER	U/M DESCRIPTION
	071015-11-000	EA GROMMET - 1.00" ID, FITS .12' MATERIAL - MINOR RUBBER Z-3065
	071015-26-000	EA GROMMET-RUBBER, 1.5" ID X 2.12" OD W/.06" GROOVE - BLACK
	016188-03-000	EA GROMMET-L P LINE, 3/8" HOLE X 2 1/2" LONG - RUBBER
	023942-01-000	EA GROMMET-RUBBER, 2" OD

SEALANTS & FASTENERS GROUP (CONTINUED)

SCREWS

KEY	PART NUMBER	U/M DESCRIPTION
	0G1108-12-170	EA SCREW, 8-18 X .75 PPH - BRIGHT WHITE
	0G3908-08-170	EA SCREW-SF/DR, 8-18 X 1/2 PPH - BRIGHT WHITE
	0G3908-16-170	EA SCREW-SF/DR, 8-18 X 1.00 PPH - BRIGHT WHITE
	0G3908-24-170	EA SCREW-SF/DR, 8-18 X 1.50 PPH - BRIGHT WHITE
	0G3910-12-170	EA SCREW-SF/DR, 10-16 X .75 PPH - BRIGHT WHITE
	0G6008-16-170	EA SCREW-SF/DR, 8-18 X 1.00 POH - BRIGHT WHITE
	0G6710-08-170	EA SCREW, 10-12 X 1/2 PPH - BRIGHT WHITE - TYPE A
	000G11-05-08B	EA SCREW, 5-20 X 1/2 PPH - ZINC
	000G11-06-08B	EA SCREW, 6-20 X 1/2 PPH - ZINC
	000G11-06-06B	EA SCREW, 6-20 X 3/8 PPH - ZINC
	000G11-06-10J	EA SCREW, 6-20 X 5/8 PPH - BRASS
	000G11-07-08B	EA SCREW, 7-19 X 1/2 PPH - ZINC
	000G11-08-08B	EA SCREW, 8-18 X 1/2 PPH - ZINC
	000G11-08-06B	EA SCREW, 8-18 X 3/8 PPH - ZINC
	000G11-08-20B	EA SCREW, 8-18 X 11/4 PPH - ZINC
	000G11-08-16S	EA SCREW, 8-18 X 1.00 PPH - OFF WHITE
	000G11-08-12T	EA SCREW, 8-18 X 3/4 PPH - BLACK
	000G11-08-12S	EA SCREW, 8-18 X 3/4 PPH - OFF WHITE
	000G11-08-12S	EA SCREW, 8-18 X 3/4 PPH - OFF WHITE
	000G11-08-12P	EA SCREW, 8-18 X .75 PPH - DARK BROWN
	000G11-08-12E	EA SCREW, 8-18 X .75 PPH - CHROME
	000G11-08-12B	EA SCREW, 8-18 X 3/4 PPH - ZINC
	000G11-10-12S	EA SCREW, 10-16 X .75 PPH - OFF WHITE
	000G11-10-10X	EA SCREW, 10-16 X 5/8 PPH - GRAY
	000G12-06-14A	EA SCREW, 6-20 X .87 POH PLAIN
	000G12-06-08T	EA SCREW, 6-20 X .50 POH - BLACK
	000G12-08-12S	EA SCREW, 8-18 X 3/4 POH - OFF WHITE
	000G13-05-16S	EA SCREW, 5-20 X 1 PFH - OFF WHITE
	000G13-05-10B	EA SCREW, 5-12 X 5/8 PFH - ZINC
	000G13-06-08B	EA SCREW, 6-20 X 1/2 PFH - ZINC
	000G13-06-24J	EA SCREW, 6-20 X 1.50 PFH - BRASS
	000G13-06-16J	EA SCREW, 6-20 X 1.00 PFH - BRASS
	000G13-07-10H	EA SCREW, 7-19 X 5/8 PFH - BLACK
	000G13-07-12B	EA SCREW, 7-19 X 3/4 PFH - ZINC
	000G13-08-10B	EA SCREW, 8-18 X 5/8 PFH - ZINC
	000G32-10-06B	EA SCREW, 10-32 X 3/8 PPH - ZINC
	000G39-06-08B	EA SCREW-DR, 6-18 X 1/2 - ZINC
	000G39-06-16T	EA SCREW-SF/DR, 6-20 X 1 PPH - BLACK
	000G39-06-10T	EA SCREW-SF/DR, 6-20 X 5/8 PPH - BLACK
	000G39-08-08S	EA SCREW-SF/DR, 8-18 X 1/2 PPH - OFF WHITE
	000G39-08-08B	EA SCREW-SF/DR, 8-18 X 1/2 PPH - ZINC
	000G39-08-24B	EA SCREW-SF/DR, 8-18 X 1 1/2 PPH - ZINC
	000G39-08-16S	EA SCREW-SF/DR, 8-18 X 1.00 PPH - OFF WHITE
	000G39-08-16B	EA SCREW-SF/DR, 8-18 X 1 PPH - ZINC
	000G39-08-12B	EA SCREW-SF/DR, 8-18 X 3/4 PPH - ZINC
	000G39-10-32B	EA SCREW-SF/DR, 10-16 X 2.00 PPH - ZINC
	000G39-10-20B	EA SCREW-SF/DR, 10-16 X 1 1/4 PPH - ZINC
	000G39-10-12R	EA SCREW-SF/DR, 10-16 X 3/4 PPH - BEIGE
	000G39-10-12D	EA SCREW-SF/DR, 10-16 X 3/4 PPH - BLACK
	000G39-10-12B	EA SCREW-SF/DR, 10-16 X .75 PPH - ZINC
	000G39-10-08B	EA SCREW-SF/DR, 10-16 X .50 PH - ZINC
	000G39-12-12E	EA SCREW-SF/DR, 12 - 14 X 3/4 PPH - CHROME
	000G42-04-12B	EA SCREW-SF/DR, 1/4-14 X 3/4 HWH - ZINC
	000G42-04-16B	EA SCREW-SF/DR, 1/4-14 X 1 HWH - ZINC
	000G46-08-24T	EA SCREW-MACHINE, 8-32 X 1.50 IN PFH - BLACK

SEALANTS & FASTENERS GROUP (CONTINUED)

SCREWS (CONTINUED)

KEY	PART NUMBER	U/M DESCRIPTION
	000G50-04-12B	EA SCREW-MACHINE, 1/4-20 X 3/4 PPH - ZINC
	000G52-08-18B	EA SCREW-MACHINE, 8-32 X 11/8 PTH - ZINC
	000G67-10-36T	EA SCREW, 10-12 X 2.25 PPH - BLACK - STALGARD
	000G67-10-32B	EA SCREW, 10-12 X 2 PPH - ZINC
	000G67-10-24B	EA SCREW, 10-12 X 1 1/2 PPH - ZINC
	000G67-10-20D	EA SCREW, 10-12 X 1 1/4 PPH - BLACK
	000G67-10-16B	EA SCREW, 10-12 X 1 PPH - ZINC
	000G67-10-120	EA SCREW, 10-12 X .75 PPH - TAN
	000G67-10-120	EA SCREW, 10-12 X .75 PPH - TAN
	000G67-10-12R	EA SCREW, 10-12 X .75 PPH - BEIGE
	000G67-10-12P	EA SCREW, 10-12 X .75 PPH - DARK BROWN
	000G67-10-12B	EA SCREW, 10-12 X 3/4 PPH - ZINC
	000G67-10-10S	EA SCREW, 10-12 X 5/8 PPH - OFF WHITE
	000G67-10-10D	EA SCREW, 10-12 X 5/8 PPH - BLACK - TYPE A
	000G67-10-10B	EA SCREW, 10-12 X 5/8 PPH - ZINC - TYPE A
	000G67-10-08R	EA SCREW, 10-12 X 1/2 PPH - BEIGE - TYPE A
	000G67-10-08B	EA SCREW, 10-12 X 1/2 PPH - ZINC
	000G68-06-10G	EA SCREW, 6-18 X 5/8 POH - ANTIQUE BRASS
	074046-01-000	EA SCREW, 8-18 X 1 1/2 PFH - BRONZE - G13-08-24B
	075908-01-000	EA SCREW-MACHINE, 10-32 X .56 PTH - ZINC EXTERNAL TOOTH
	087721-01-000	EA SCREW-FLAT HEAD, TAPPING - 1/4 X 1 1/4 LAG - ZINC
	097974-01-000	EA SCREW-PARTICLE BOARD, 7-9 X .75 PPH - FHM 0543 PLAIN
	101618-01-000	EA SCREW-HEX/TAPPING, 1/4-20 X 3/4 - STALGARD TYPE F
	116111-02-01A	EA SCREW-TAPTITE, 1/4-20 X 3/8 PPH - ZINC

WATER & SEWAGE GROUP
FRESH WATER TANK

KEY	PART NUMBER	U/M DESCRIPTION
	064214-13-000	EA TANK-WATER, 31 GALLON - W/FITTINGS - QUEEN BED
	064214-10-000	EA TANK-WATER, 31 GALLON - W/FITTINGS - TWIN & DOUBLE BED
	064214-01-000	EA TANK-WATER, 31 GALLON - W/O FITTINGS - 24" X 12.75" X 30"
	039861-01-000	EA SENDING UNIT-W/SCREW, WASHER, WELL NUT & TERMINAL RING
	010224-01-000	EA ADAPTER-HOSE TO PIPE, 3/8" MPT X 3/8" BARB - BLACK PLASTIC
	044927-01-000	EA ADAPTER-HOSE TO PIPE, 1 1/4" MPT X 1 1/4" BARB - BLACK PLASTIC
	042989-03-000	EA FITTING-WATER TANK, SPINWELD - 1 1/4" NPT - PLASTIC - WHITE
	042989-04-000	EA FITTING-WATER TANK, SPINWELD - 3/8" FPT - PLASTIC - WHITE
	042989-05-000	EA FITTING-WATER TANK, SPINWELD - 1/2" FPT - PLASTIC - WHITE
	049032-01-000	EA PATCH-SPINWELD, 3/8" - PLASTIC
	077954-02-000	EA FILTER-WATER TANK, SCREEN IN TANK

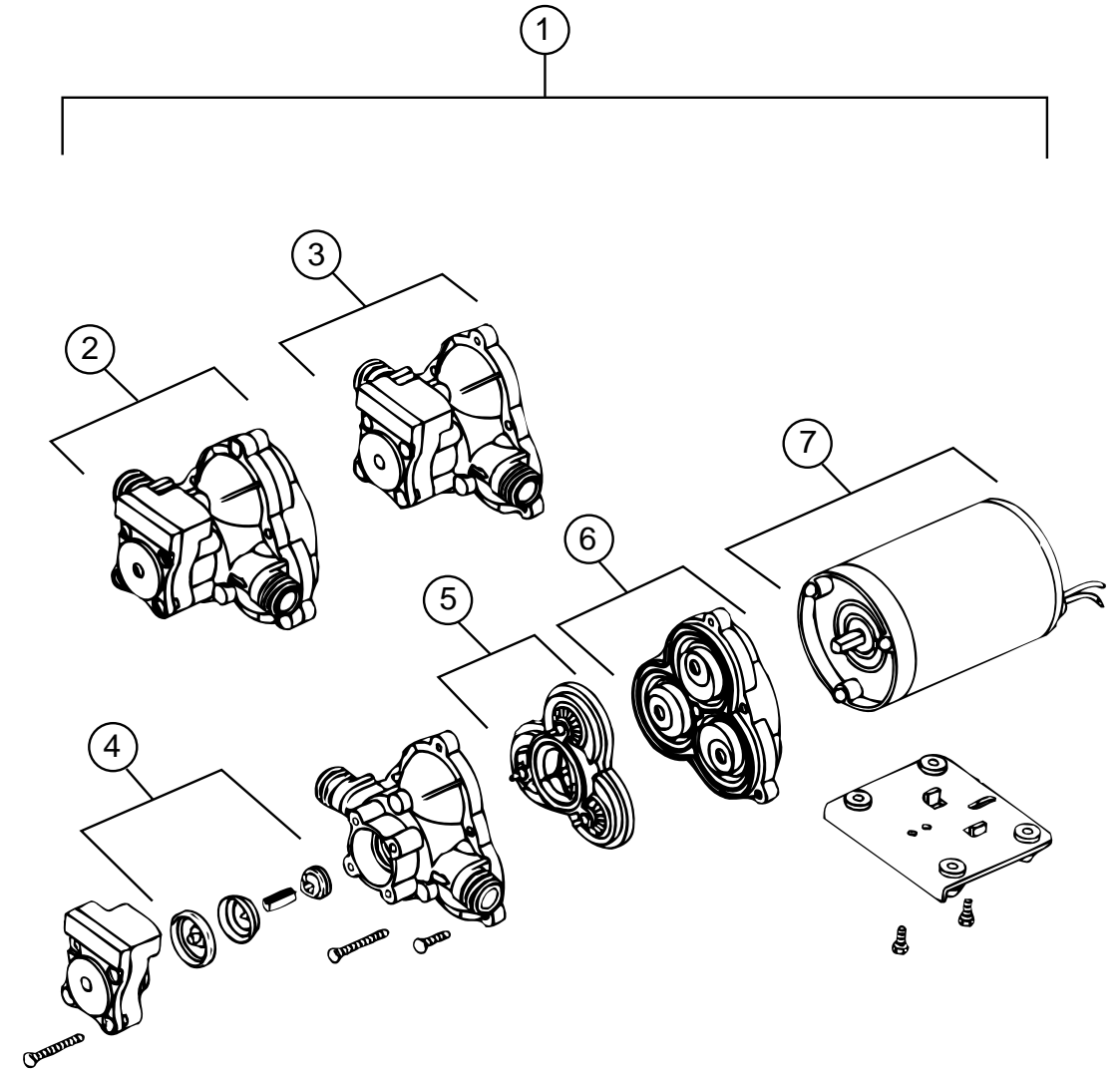
WATER SYSTEM

KEY	PART NUMBER	U/M DESCRIPTION
	039800-02-000	FT TUBING-POLYBUTYL, 5/8" OD - INCREMENTS OF 20' - BLACK
	079381-01-000	FT TUBING-SMOOTH FLEXIBLE, 1 1/4" ID X 20'
	074462-02-000	FT TUBING-VINYL, 3/8" ID - CLEAR
	110915-01-01A	EA FILL-WATER, CITY - CHROME - KEVCO 64713
	113698-01-000	EA VALVE-LINE DRAIN, 3/8" P - FLAIR-IT 02902
	091208-01-000	EA WASHER-RUBBER, .06" X .75" X .5"
	114431-01-000	EA VALVE-LINE DRAIN, 1/2" P - FLAIR-IT 02914
	114428-01-000	EA TEE - 1/2 P X 1/2 P X 1/2 P FLAIR-IT 02820
	114428-03-000	EA TEE - 1/2 P X 1/2 P X 1/2 MPT FLAIR-IT 02822
	114429-01-000	EA ELBOW - 1/2 P X 1/2 P FLAIR-IT 02800
	114429-02-000	EA ELBOW - 1/2 P X 1/2 MPT FLAIR-IT 02803
	114429-03-000	EA ADAPTER-SWIVEL, 1/2 P X 1/2 FPT FLAIR-IT 02816
	114430-02-000	EA ADAPTER-SWIVEL, 1/2 P X 1/2 FPT FLAIR-IT -02873
	114430-03-000	EA ADAPTER - 1/2 P X 1/2 MPT FLAIR-IT 02842
	114431-01-000	EA VALVE-LINE DRAIN 1/2 P FLAIR-IT 02914
	114431-03-000	EA VALVE - 1/2 P X 1.2 P FLAIR-IT 02884
	117089-01-000	FT HOSE-GARDEN, 1/2" ID - KEVCO 49154
	114431-03-000	EA VALVE - 1/2 P X 1.2 P FLAIR-IT 02884
	052961-01-700	EA TEE - 3/8" P X 3/8" P X 3/8" P
	052961-01-701	EA ADAPTER-TEE, 3/8" P X 1/2" MPT

EXTERIOR SHOWER

KEY	PART NUMBER	U/M DESCRIPTION
	106208-01-01A	EA COMPARTMENT-EXTERIOR SHOWER, OFF WHITE PLASTIC
	103092-02-000	EA SHOWER HEAD-W/HOSE, CANADIAN
	103092-01-000	EA SHOWER HEAD-W/60" HOSE
	093527-02-000	EA BRACKET-SQUEEGEE/SHOWER HEAD
	091952-02-000	EA CLIP-3/4" GRIPPER
	075241-05-000	EA FAUCET-SHOWER, BONE
	114428-01-000	EA TEE - 1/2 P X 1/2 P X 1/2 P FLAIR-IT 02820
	114429-03-000	EA ELBOW - 1/2 P X 1/2 FPT FLAIR-IT 02816
	046128-01-000	EA VALVE-DRAIN, PLASTIC - 1/2" FPT
	052959-02-000	EA CONNECTOR, 1/2" F X 1/2" MPT - PLASTIC - GRAY
	114430-02-000	EA ADAPTER-SWIVEL, 1/2 P X 1/2 FPT FLAIR-IT 02873

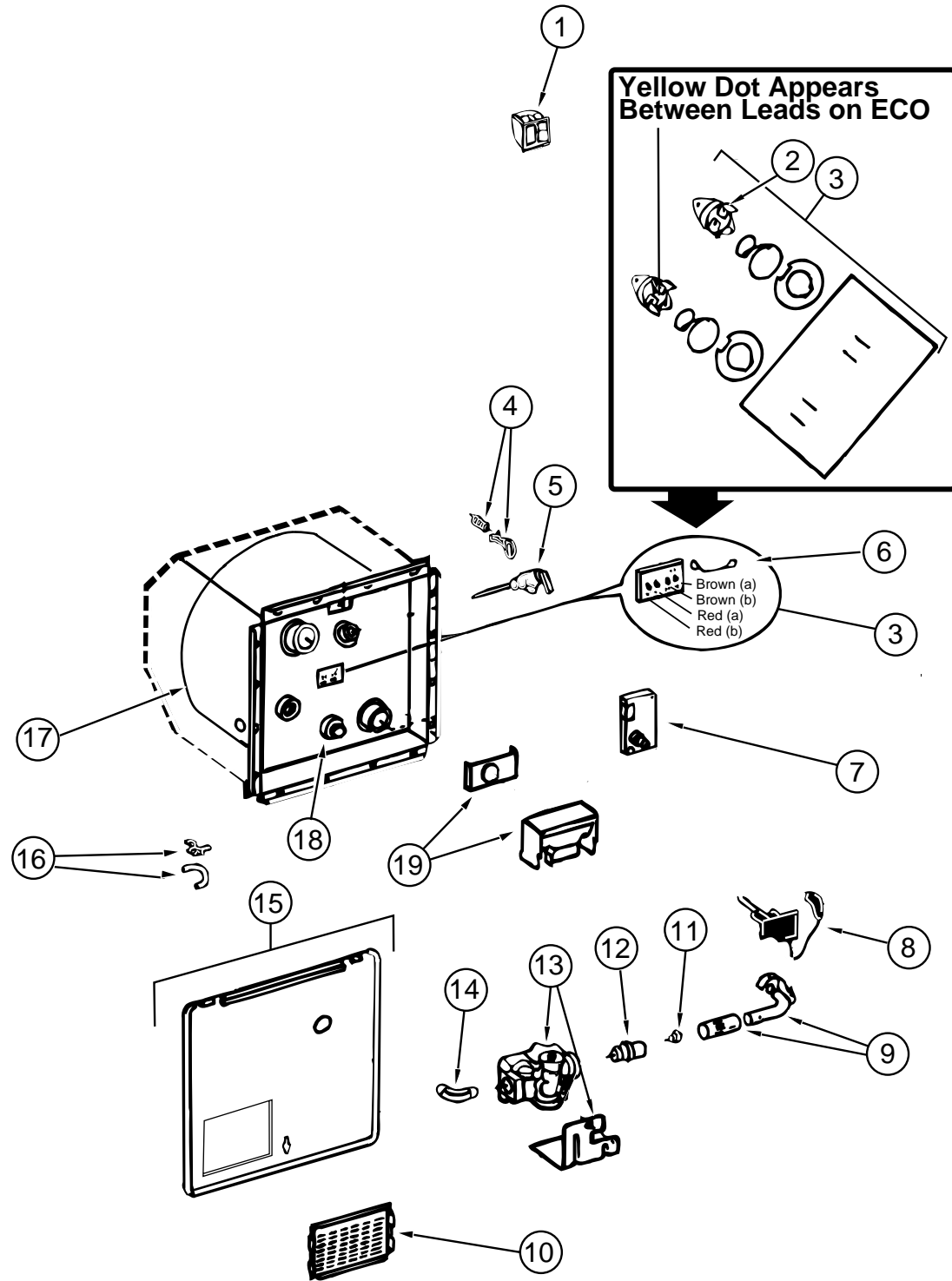
WATER & SEWAGE GROUP (CONTINUED)



WATER PUMP-SHURFLO

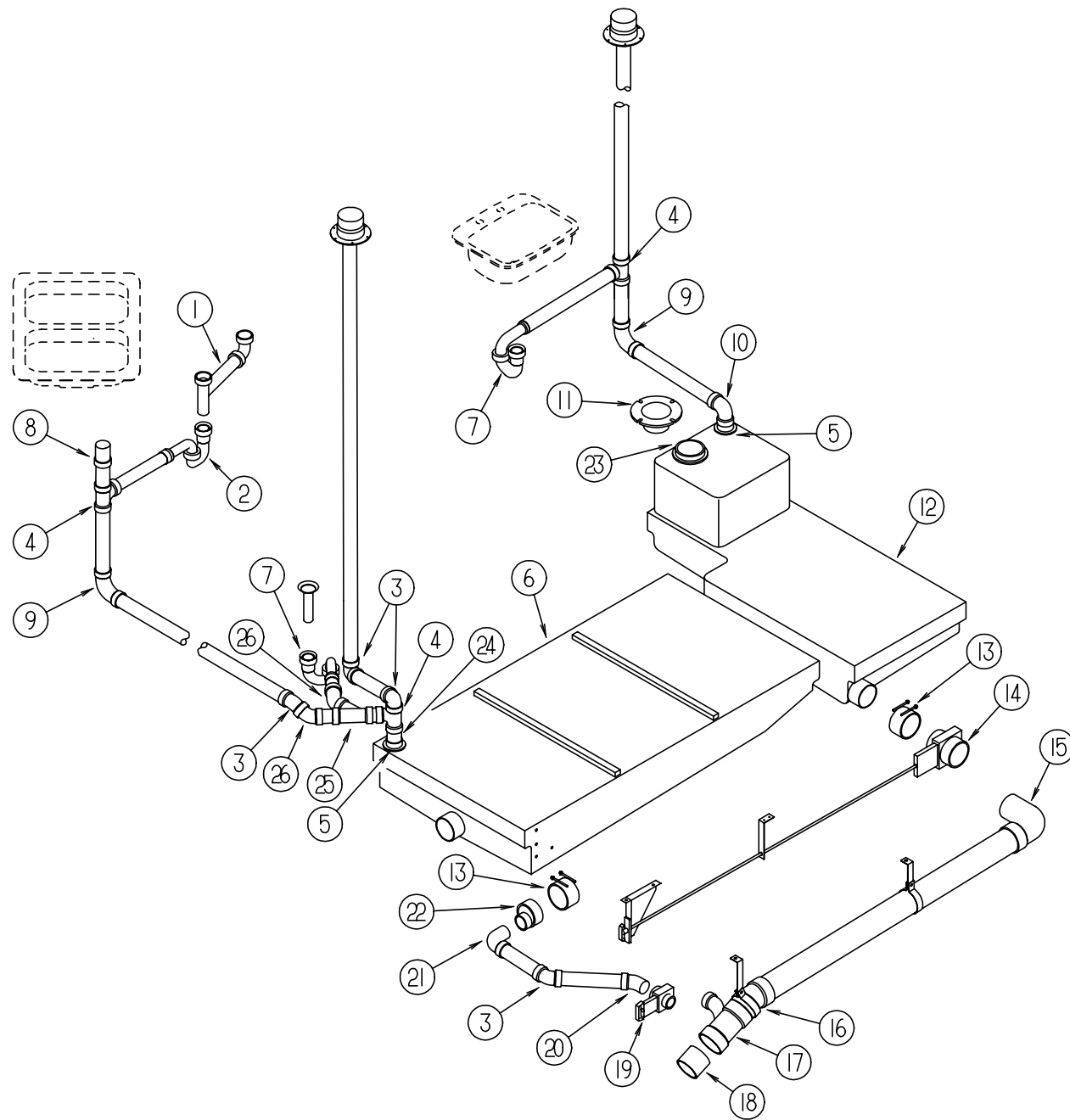
KEY	PART NUMBER	U/M DESCRIPTION	VENDOR NO.
1	098607-01-000	EA PUMP - WATER - W/.5" MPT FITTING - FLOW 2.8 GPM - UL	
2	098607-01-700	EA PUMPHEAD-REPLACEMENT	94-236-08
3	098607-01-706	EA UPPER HOUSING/SWITCH-KIT	94-231-20
4	098607-01-705	EA CHECK VALVE-KIT	94-237-00
5	098607-01-703	EA VALVE ASM	94-232-00
6	098607-01-702	EA DIAPHRAGM-KIT	94-238-04
7	098607-01-707	EA MOTOR/ BASEPLATE REPLACEMENT	S94-235-03

WATER & SEWAGE GROUP (CONTINUED)
WATER HEATER W/ELECTRIC IGNITION - MODEL G6A-3E



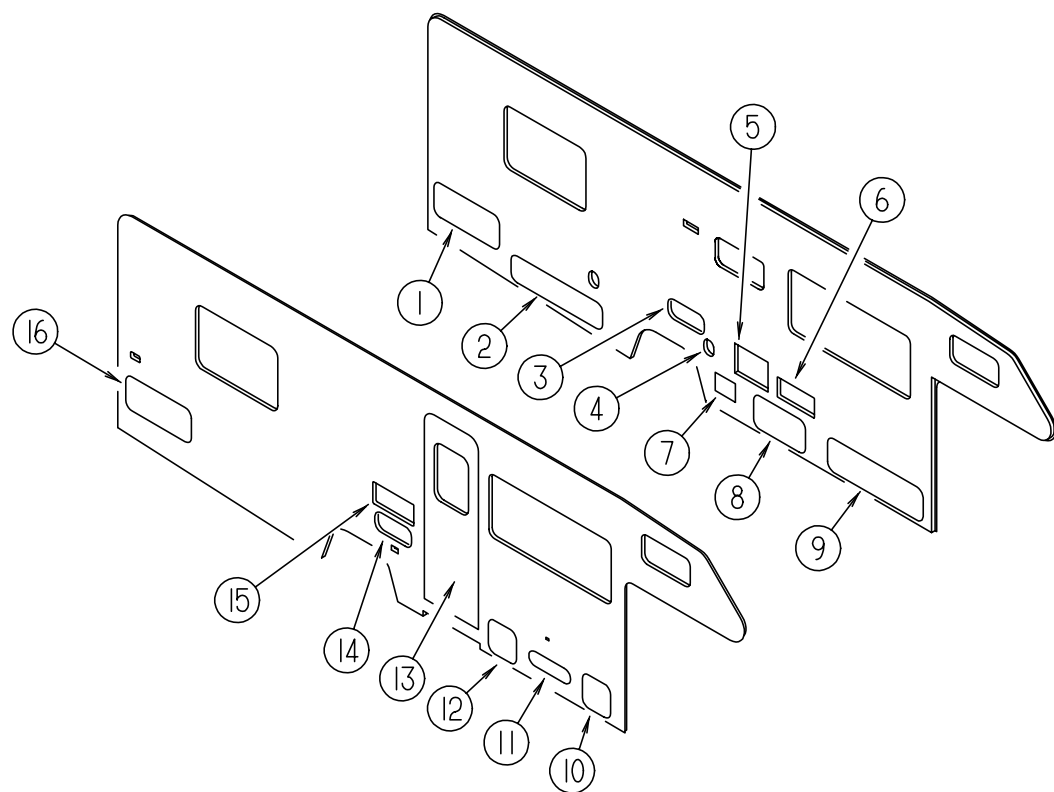
KEY	PART NUMBER	U/M	DESCRIPTION	VENDOR NO.
	051391-03-000	EA	HEATER-WATER, W/ELECTRIC IGNITION	
1	097967-01-000	EA	SWITCH-WATER HEATER, REMOTE W/LIGHT 91959	
2	051391-04-701	EA	THERMOSTAT - 12 VDC-120 PRESET, ATWOOD	91470
3	051393-01-721	EA	ECO & THERMOSTAT-FRONT MOUNT, 140 DEGREE	91447
4	051391-01-705	EA	FASTENER-CAMLOC	92609
5	051391-01-704	EA	VALVE-RELIEF, 1/2" FITTING	91604
6	051393-01-723	EA	SWITCH-THERMAL CUT OFF, 2/PACKAGE	93866
7	051393-01-724	EA	CIRCUIT BOARD-SPADE TERMINAL, ELECTRIC IGNITION	93867
8	051393-01-725	EA	ELECTRODE-SINGLE SPADE CONNECTOR, SPARK PROBE	93868
9	051391-04-703	EA	BURNER-MAIN	91638
10	051391-01-717	EA	GRILLE ONLY-GOES ON THE DOOR	92640
11	051391-01-710	EA	ORIFICE-MAIN BURNER	92742
12	051391-03-700	EA	ORIFICE-HOLDER	91563
13	051393-01-726	EA	SOLENOID VALVE AND BRACKET, WHITE ROGERS	93870
14	051391-01-714	EA	ELBOW - 45 DEGREE, 3/8" F X 3/8" MPT	91044
15	052009-01-000	EA	DOOR-WATER HEATER, OFF WHITE 5576-27	
	116424-01-000	EA	PROTECTOR-WATER HEATER LATCH 92611	
16	051391-01-700	EA	HINGE KIT-W/CLIP	92568 & 92559
17	051391-04-706	EA	TANK-INNER, FRONT MOUNT	91642
18	051391-01-715	EA	DRAIN PLUG	91561
19	051391-04-707	EA	KIT-GRILLE, FLUE & GASKET	90960

WATER & SEWAGE GROUP (CONTINUED)
DRAINAGE SYSTEM



KEY	PART NUMBER	U/M	DESCRIPTION
1	011091-02-000	EA	PIPE-DRAIN, W/SEALS - DOUBLE SINK - EXTENDS 9" TO 16" - U.S.
1	011091-03-000	EA	PIPE-DRAIN, W/SEALS - DOUBLE SINK - EXTENDS 9" TO 16" - CANADIAN
2	107538-01-000	EA	P TRAP-PLASTIC, 1 1/4" W/EXT ARM - U.S.
	107537-01-000	EA	ADAPTER-P TRAP, 1 1/4" SLIP - U.S.
	109571-01-000	EA	ADAPTER-P TRAP, 1.5" P X 1 1/4" MPT
2	011071-01-000	EA	P TRAP, 1.5" - PLASTIC - CANADIAN
	109571-01-000	EA	ADAPTER-P TRAP, 1.5" P X 1 1/4" MPT
3	010006-01-000	EA	ELBOW - 45 DEGREE, 1/8 BEND - 1.5" HUB X HUB - BLACK PLASTIC
4	010071-01-000	EA	TEE-SANITARY, 1.5" HUB X HUB X HUB - PLASTIC - BLACK
5	061607-01-000	EA	GROMMET-HOLDING TANK, 1.5" NPS
6	102762-01-000	EA	TANK-HOLDING, GRAY WATER - 42 GALLON - 57.4" X 8.4" X 29"
7	107538-01-000	EA	P TRAP-PLASTIC, 1 1/4" W/EXTENSION ARM - U.S.
7	011066-03-700	EA	P TRAP, 1 1/4" HUB X SLIP JOINT - W/UNION - ABS - CANADIAN
	109571-01-000	EA	ADAPTER-P TRAP, 1.5" P X 1 1/4" MPT
8	079968-01-000	EA	VENT-MECHANICAL TRAP ARM, ANTI-SIPHON - 2" DIAMETER X 7.3" - PLASTIC
9	010008-01-000	EA	ELBOW - 90 DEGREE, 1/4 BEND - 1.5" HUB X HUB - BLACK PLASTIC
10	034250-01-000	EA	ELBOW - 90 DEGREE, LONG TURN - 1.5" HUB X HUB - ABS
11	063641-01-000	EA	FLANGE-TOILET
12	108593-01-000	EA	TANK-HOLDING, BLACK WATER - 27 GALLON
13	078406-01-000	EA	COUPLER-RUBBER, W/CLAMPS - 3" X 3"
14	062418-02-000	EA	VALVE-DUMP, 3" - W/O HANDLE
	062419-04-000	EA	HANDLE-EXTENSION, W/TAPPED END - KEVCO 1046UP
	062419-05-000	EA	BRACKET-VALVE, LOCKING
	062419-06-000	EA	HANDLE-T, KEVCO CT1003-6
15	041956-01-000	EA	ELBOW-STREET, PLASTIC - 1/4" BD 3 X 90 XLT
16	010023-01-000	EA	ELBOW-PLASTIC, ST 1/16 BD 3 X 22.5' - NIBCO 5808-3
17	031365-01-000	EA	TEE-PLASTIC, 3" X 3" X 1.5" EXTRA LONG TURN - NICO 5812-LR-3-3-2
18	109450-01-000	EA	ADAPTER-PLASTIC HOSE, SEWER - KEVCO 40738
	062416-01-000	EA	ADAPTER-SEWER HOSE, 3"
	010201-01-000	EA	HOSE-SEWER, 3" ID X 8'
	062415-01-000	EA	CAP-SEWER, 3" DIAMETER
	062415-01-700	EA	STRING-SEWER CAP, SV7 STRAP
19	062421-01-000	EA	VALVE-DUMP, 1.5" - W/HANDLE
	070916-01-000	EA	VALVE-DUAL DUMP, W/CAP - 3" X 1 1/2" - PLASTIC - BLACK
	070916-01-700	EA	VALVE ONLY - 3"
	070916-01-701	EA	VALVE ONLY - 1.5"
20	010051-01-000	EA	ELBOW - 45 DEGREE BEND, 1.5" SPIGOT AND HUB - PLASTIC - BLACK
21	033761-01-000	EA	ELBOW-TURN, 1/4 BEND X 1.5" HUB X 1.5" SPIGOT - BLACK PLASTIC
22	062422-01-000	EA	ADAPTER-OFFSET REDUCER, 3" X 1 1/2" - PLASTIC - BLACK
23	061607-02-000	EA	GROMMET-HOLDING TANK, 3" NPS
24	010115-01-000	EA	COUPLING - 1 1/2" HUB X HUB, PLASTIC
25	010073-01-000	EA	WYE - 45 DEGREE, 1 1/2" HUB X HUB X HUB - PLASTIC - BLACK
26	010051-01-000	EA	ELBOW - 45 DEGREE BEND, 1.5" SPIGOT AND HUB - PLASTIC - BLACK

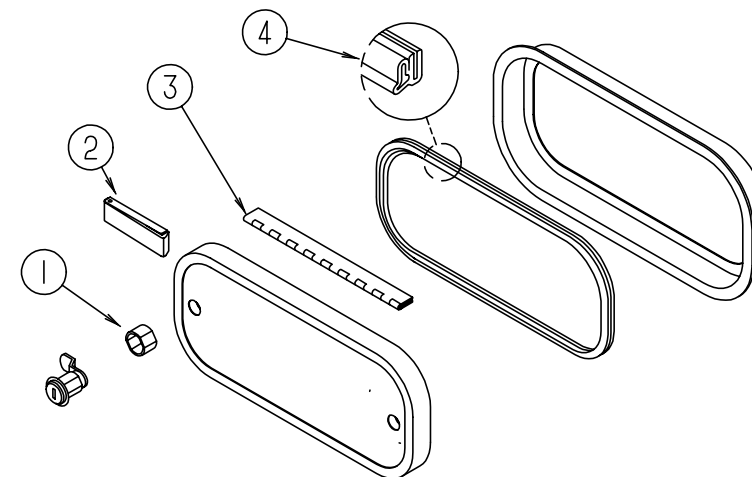
WINDOW, VENT & EXTERIOR DOOR GROUP



EXTERIOR DOORS

KEY	PART NUMBER	U/M DESCRIPTION
1	104558-18-F16	EA DOOR-STORAGE, BRIGHT WHITE
2	104558-16-F16	EA DOOR-STORAGE, BRIGHT WHITE
2	104558-16-G01	EA DOOR-STORAGE, TITANIUM (DELUXE OPTION)
3	111017-02-E01	EA DOOR-EXTERIOR SHOWER, BRIGHT WHITE
4	081240-16-000	EA FILL-WATER, LOCKABLE W/O LOCK - BRIGHT WHITE
5	052009-06-000	EA DOOR-WATER HEATER, BRIGHT WHITE - ATWOOD
6	098668-23-000	EA DOOR-ACCESS, FURNACE - BRIGHT WHITE - SUBURBAN
7	088794-06-000	EA DOOR-POWER CORD, W/HATCH - 11" X 9.2" - BRIGHT WHITE
8	104558-12-F16	EA DOOR-STORAGE, BRIGHT WHITE
8	104558-12-G01	EA DOOR-STORAGE, TITANIUM (DELUXE OPTION)
9	104558-13-F16	EA DOOR-STORAGE, BRIGHT WHITE
9	104558-13-G01	EA DOOR-STORAGE, TITANIUM (DELUXE OPTION)
10	104558-14-F16	EA DOOR-STORAGE, BRIGHT WHITE
10	104558-14-G01	EA DOOR-STORAGE, TITANIUM (DELUXE OPTION)
11	111009-01-F24	EA DOOR-COMPARTMENT, LP - 16.9" X 5.4" - ALUMINUM - BRIGHT WHITE
11	111009-01-G35	EA DOOR-COMPARTMENT, LP - 16.9" X 5.4" - ALUMINUM - TITANIUM (DELUXEOPTION)
12	104558-14-F16	EA DOOR-STORAGE, BRIGHT WHITE
12	104558-14-G01	EA DOOR-STORAGE, TITANIUM (DELUXE OPTION)
13	115108-01-G21	EA DOOR-ENTRANCE, W/SCREEN - W/O WINDOW - BRIGHT WHITE
13	115108-01-G22	EA DOOR-ENTRANCE, W/SCREEN - W/O WINDOW - BRIGHT WHITE
14	111017-01-F24	EA DOOR-EXTERIOR ENTERTAINMENT CENTER, BRIGHT WHITE
15	084103-08-000	EA DOOR-REFRIGERATOR, VENTED - W/O JAMB - BRIGHT WHITE
	084104-08-000	EA JAMB-DOOR, REFRIGERATOR - BRIGHT WHITE
	084104-01-700	EA LOCK-MALE FASTENER, REFRIGERATOR DOOR
	084104-01-701	EA LOCK-FEMALE FASTENER, REFRIGERATOR DOOR
16	104558-18-F16	EA DOOR-STORAGE, BRIGHT WHITE

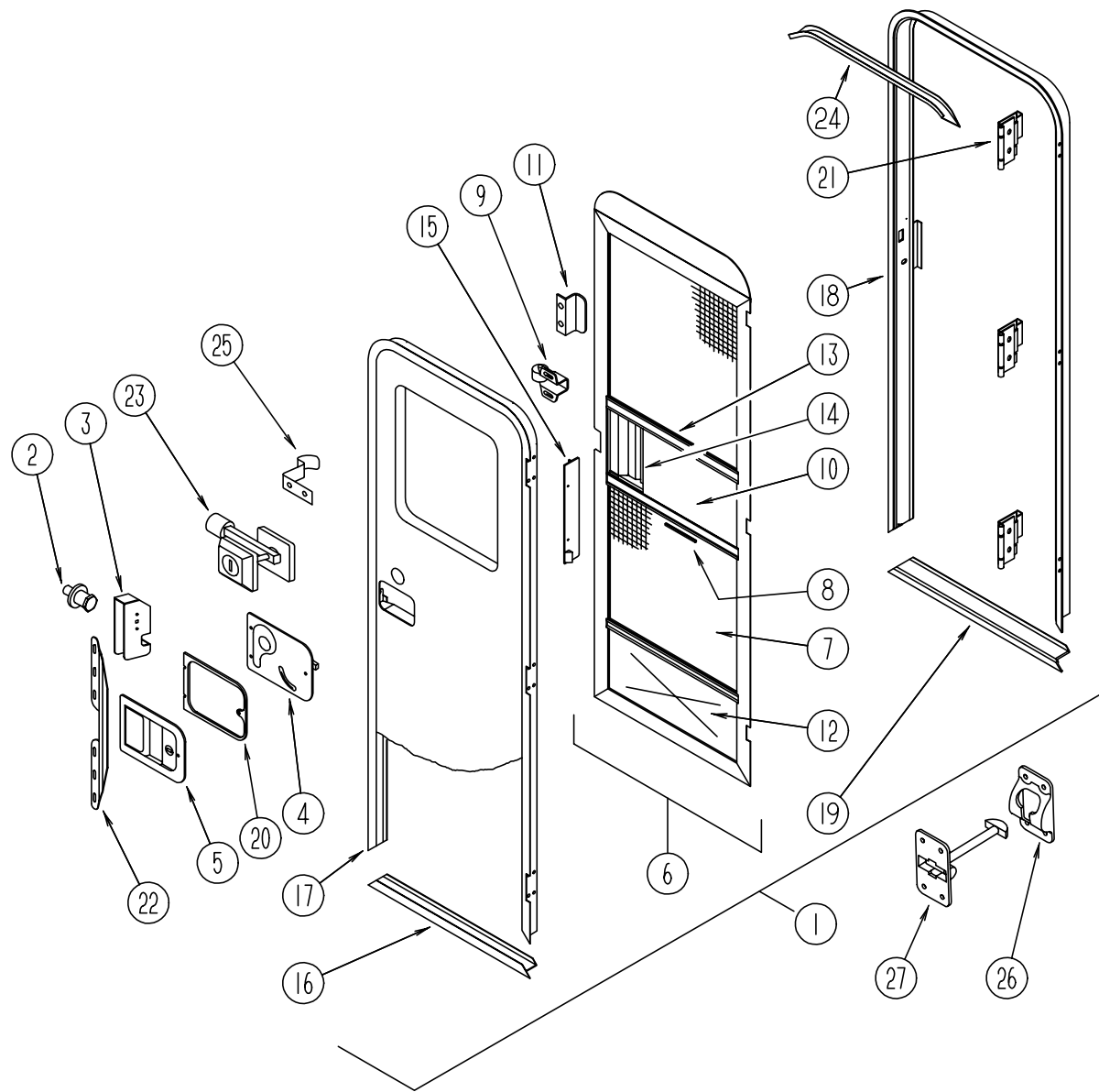
WINDOW, VENT & EXTERIOR DOOR GROUP (CONTINUED)



EXTERIOR DOOR COMPONENTS

KEY	PART NUMBER	U/M DESCRIPTION
1	107997-51-001	EA SPACER - .86" X .6", ALUMINUM
2	102768-01-000	EA HOLDER-COMPARTMENT/ENTRY DOOR, METAL - MILL FINISH
3	081801-V3-000	EA HINGE - 2" X 96", BRIGHT WHITE
3	034007-B3-000	EA HINGE-ALUMINUM, 1 1/2" X 96" - BRIGHT WHITE
	009065-01-000	EA HINGE-ALUMINUM, 1 1/2" X 96" - UNPAINTED
4	064075-07-000	FT SEAL-BULB, W/WIRED U CHANNEL - .3" X .5" CHANNEL - BLACK
	106850-01-000	FT SEAL-E, 11 X 19 - SPONGE RUBBER
	099418-01-000	FT D-SECTION SEAL W/ADHESIVE BACK, .44" X .44" - BLACK
	002707-02-000	FT SEAL - 5/16" X 1/2"
	096217-55-006	EA U-CHANNEL, 5353 MM - BRIGHT WHITE
	091876-01-000	EA RETAINER-DOOR, 1.9" X .8" - METAL

WINDOW, VENT & EXTERIOR DOOR GROUP (CONTINUED)
ENTRANCE DOOR

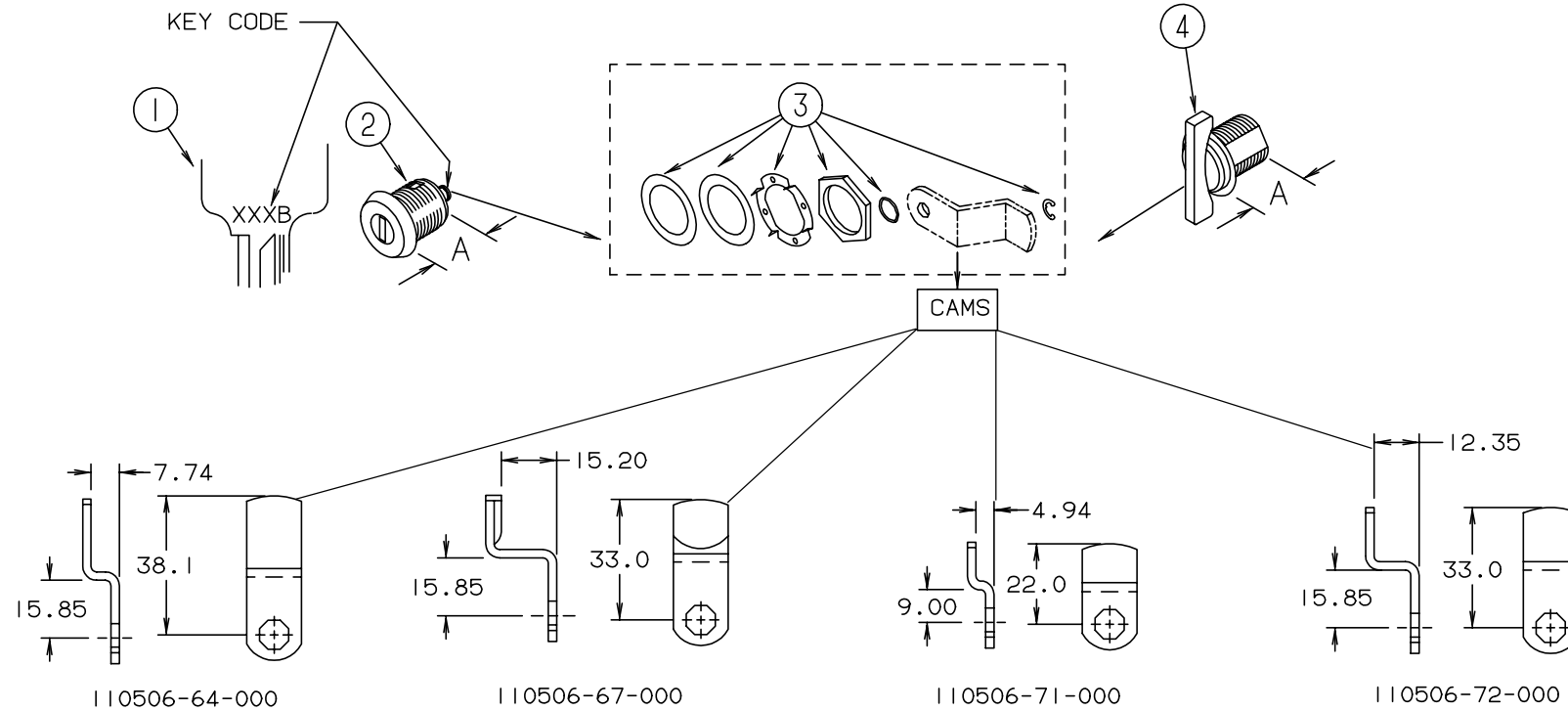


KEY	PART NUMBER	U/M DESCRIPTION
1	115108-01-G21	EA DOOR-ENTRANCE, W/O WINDOW - W/SCREEN DOOR - BRIGHT WHITE
1	115108-01-G22	EA DOOR-ENTRANCE, W/O WINDOW - W/SCREEN DOOR - BRIGHT WHITE
2	039539-01-000	EA STRIKE-LOCK, ENTRANCE DOOR - ROUND/THREADED WASHER
	077461-05-000	EA COVER-STRIKE, ENTRANCE DOOR - 6.5" X 2.5" - PLASTIC - BRIGHT WHITE
3	039540-01-000	EA LATCH MECHANISM-HOOK, ENTRANCE DOOR - INTERIOR
	039715-01-000	EA NUT-SERT, 1/4" DIAMETER - 20 THREADS
4	039979-04-000	EA COVER-INTERIOR LATCH, W/TRIP ARM - RIGHT - BLACK
		FROM: 00-00-00 THRU: 09-10-95
4	039979-06-000	EA COVER-INTERIOR LATCH, RIGHT - BLACK TEXTURED
		FROM: 09-11-95 THRU: 99-99-99
	039984-01-000	EA CAP-ROUND, VINYL - .28" ID X .62" LONG - BLACK
	041546-05-000	EA BRACKET-DOOR ANGLE, OFF WHITE
		FROM: 00-00-00 THRU: 10-22-95
	041546-07-000	EA BRACKET-DOOR ANGLE, OFF WHITE
		FROM: 10-23-95 THRU: 99-99-99
5	045017-11-000	EA LATCH-ENTRANCE DOOR, MECHANISM W/LOCK & KEY - BLACK
		FROM: 00-00-00 THRU: 09-10-95
5	045017-13-000	EA LATCH-ENTRANCE DOOR, MECHANISM - BLACK TEXTURED
		FROM: 09-11-95 THRU: 99-99-99

KEY	PART NUMBER	U/M DESCRIPTION
	045017-11-701	EA KEY-BLANK, ROUND TOP - SILVER - TRI/MARK
	063729-04-000	EA RIVNUT, 10-32 UNF - .010-.080
	039715-01-000	EA NUT-SERT, 1/4" DIAMETER - 20 THREADS
	075671-04-000	FT SEAL-SPONGE, LAZY T SHAPE - W/ADHESIVE STRIP - .5" WIDE
6	079012-09-F24	EA DOOR-SCREEN
7	002293-02-000	SF SCREENING-WINDOW/DOOR, 26" - CHARCOAL
8	002294-01-000	FT SPLINE-SCREENING, .135" X .138" - BLACK
9	109403-01-000	EA CATCH-SINGLE ROLLER, SCREEN DOOR
10	016454-01-000	EA INSERT-CENTER, LEATHER GRAIN ALUMINUM - UNPAINTED
10	001014-01-013	EA INSERT-CENTER, 10.25" X 16.31" - UNPAINTED
11	050712-06-000	EA HANDLE-SCREEN DOOR, ALUMINUM
12	078552-03-000	EA KICK PANEL-SCREEN DOOR, LOWER INSERT - UNPAINTED
	078595-01-000	EA TOP PLATE-SCREEN DOOR, CURVED TOP - 4.7" X 25.35"
13	078777-01-000	EA CHANNEL-SLIDE, SCREEN DOOR CENTER SLIDER COVER - 17.4"
14	079086-03-000	EA SLIDER-SCREEN DOOR, BRIGHT WHITE
15	079087-03-000	EA STRIKE-SLIDER, W/LIP FOR ELBOW CATCH - 1.5" X 8.6"
	081914-01-000	EA BUMPER-RUBBER, ROUND - .43" DIAMETER - BLACK
16	089748-21-000	EA FRAME-ENTRANCE DOOR, BOTTOM - BRIGHT WHITE
	090340-01-000	FT SEAL-FOAM, CLOSED CELL - 1/4" X 1/2" X 50'
17	095276-07-03A	EA FRAME-ENTRANCE DOOR, TOP & SIDES - BRIGHT WHITE
18	095277-08-03A	EA JAMB-ENTRANCE DOOR, 25.9" X 74.5" W/BOTTOM - BRIGHT WHITE
		FROM: 00-00-00 THRU: 07-30-95
18	120310-04-01A	EA JAMB-ENTRANCE DOOR, 25.9" X 78.5" - BRIGHT WHITE
		FROM: 07-31-95 THRU: 99-99-99
19	051049-01-000	EA JAMB-ENTRANCE DOOR, BOTTOM - 25.9 - UNPAINTED
20	096810-01-01A	EA SPACER-DOOR LOCK, PLASTIC - BLACK
21	106719-01-01A	EA HINGE-ENTRANCE DOOR, UNPAINTED
22	098173-01-04A	EA STIFFENER-ENTRANCE DOOR, SUPPORTS LATCH/STRIKE AREA - UNPAINTED
	100128-02-000	FT SEAL-FOAM, ADHESIVE BACK - .37" W X .37" THICK
		FROM: 00-00-00 THRU: 07-30-95
	118929-01-01A	FT SEAL-PILE, PUSH-ON - AMESBURY XC-964
		FROM: 07-31-95 THRU: 99-99-99
23	101145-01-01A	EA DEADBOLT-ENTRANCE DOOR, W/2 KEYS W/O BACK SET BOLT OR SCREWS
		FROM: 00-00-00 THRU: 09-10-95
23	101145-01-06A	EA DEADBOLT-ENTRANCE DOOR, BLACK TEXTURED
		FROM: 09-11-95 THRU: 99-99-99
	101145-01-701	EA CYLINDER-LOCK ASM., W/KEY 81306-03
	095229-01-700	EA KEY-BLANK
	101147-01-000	EA BOLT-SECURITY, 4.12" BACKSET
	102524-01-000	EA BUMPER-RUBBER, FLAT - BLACK
24	044582-44-000	EA CAP-DRIP, DOOR JAMB MOUNTED - BRIGHT WHITE
	115222-04-02A	EA GARNISH-ENTRANCE DOOR, BRIGHT WHITE
25	100412-01-000	EA CATCH-SCREEN DOOR, THUMB CLIP
26	104099-02-04A	EA CATCH-DOOR HOLDER, RETAINER - PLASTIC - BRIGHT WHITE
27	104099-01-04A	EA CATCH-DOOR HOLDER, STRIKE - PLASTIC - BRIGHT WHITE
	009126-02-000	EA HANDLE-ASSIST, ENTRANCE DOOR - BLACK
		FROM: 00-00-00 THRU: 09-10-95
	009126-03-000	EA HANDLE-ASSIST, ENTRANCE DOOR - BLACK TEXTURED
		FROM: 09-11-95 THRU: 99-99-99
	102248-01-000	EA SHIM-DOOR
	104692-01-000	FT SEAL - 3/4" X 3/4", ADHESIVE BACK FOAM SEAL
	086285-05-000	EA SPACER-NYLON, 17.80 OD X 14.3

WINDOW, VENT & EXTERIOR DOOR GROUP (CONTINUED)
BRIGGS & STRATTON LOCKS & COMPONENTS

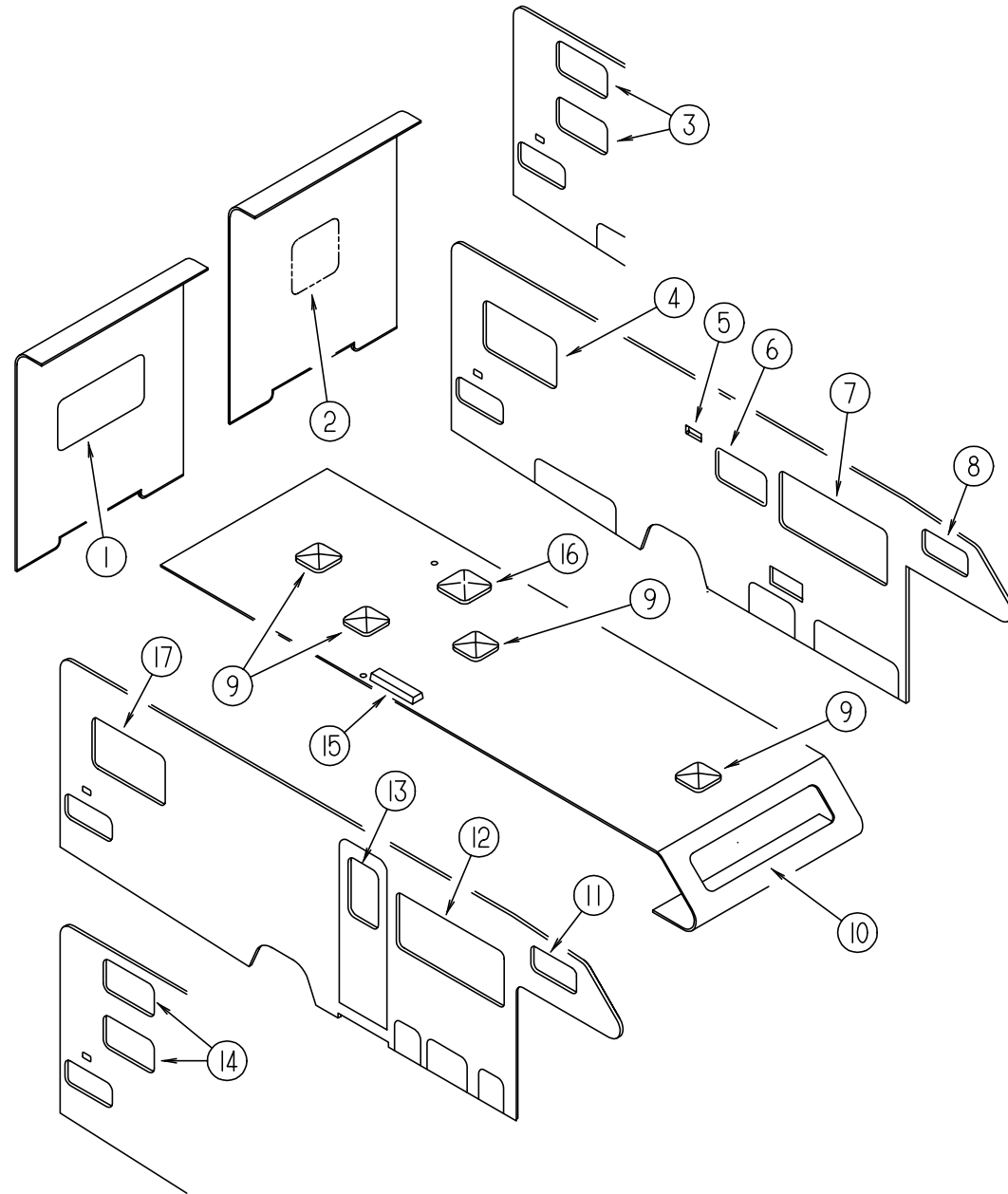
NOTE:
 WHEN ORDERING THE LOCK CASE, THE KEY CODE MUST
 MATCH THE LAST DIGIT OF THE VEHICLE'S SERIAL NUMBER
 AND PART NUMBER; WHEN ORDERING THE KEYS, THE THIRD
 DIGIT OF THE KEY CODE MUST MATCH THE LAST DIGIT OF
 THE VEHICLE'S SERIAL NUMBER AND PART NUMBER



KEY	PART NUMBER	U/M	DESCRIPTION	VENDOR NO.	KEY	PART NUMBER	U/M	DESCRIPTION	VENDOR NO.
1	110506-59-000	EA	KEYS-SET OF TWO	596720	1	110506-59-007	EA	KEYS-SET OF TWO	596727
2	110506-52-000	EA	CASE-LOCK, A = 17 MM	702370	2	110506-52-007	EA	CASE-LOCK, A = 17 MM	702377
2	110506-53-000	EA	CASE-LOCK, A = 25 MM	702380	2	110506-53-007	EA	CASE-LOCK, A = 25 MM	702387
1	110506-59-001	EA	KEYS-SET OF TWO	596721	1	110506-59-008	EA	KEYS-SET OF TWO	596728
2	110506-52-001	EA	CASE-LOCK, A = 17 MM	702371	2	110506-52-008	EA	CASE-LOCK, A = 17 MM	702378
2	110506-53-001	EA	CASE-LOCK, A = 25 MM	702381	2	110506-53-008	EA	CASE-LOCK, A = 25 MM	702388
1	110506-59-002	EA	KEYS-SET OF TWO	596722	1	110506-59-009	EA	KEYS-SET OF TWO	596729
2	110506-52-002	EA	CASE-LOCK, A = 17 MM	702372	2	110506-52-009	EA	CASE-LOCK - A = 17 MM	702379
2	110506-53-002	EA	CASE-LOCK, A = 25 MM	702382	2	110506-53-009	EA	CASE-LOCK - A = 25 MM	702389
1	110506-59-003	EA	KEYS-SET OF TWO	596723	3	110506-40-700	EA	HARDWARE KIT	
2	110506-52-003	EA	CASE-LOCK, A = 17 MM	702373	4	110506-50-000	EA	CASE-TWIST LOCK, A = 17 MM	596952
2	110506-53-003	EA	CASE-LOCK, A = 25 MM	702383	4	110506-51-000	EA	CASE-TWIST LOCK, A = 25 MM	596669
1	110506-59-004	EA	KEYS-SET OF TWO	596724		110506-40-000	EA	CLIP-E LOCK ASSEMBLY	93981
2	110506-52-004	EA	CASE-LOCK, A = 17 MM	702374		110506-64-000	EA	CAM-LOCK	322280
2	110506-53-004	EA	CASE-LOCK, A = 25 MM	702384		110506-67-000	EA	CAM-LOCK	322283
1	110506-59-005	EA	KEYS-SET OF TWO	596725		110506-71-000	EA	CAM-LOCK	322287
2	110506-52-005	EA	CASE-LOCK, A = 17 MM	702375		110506-72-000	EA	CAM-LOCK	322354
2	110506-53-005	EA	CASE-LOCK, A = 25 MM	702385		110506-59-701	EA	KEY-BLANK, GOLD	
1	110506-59-006	EA	KEYS-SET OF TWO	596726					
2	110506-52-006	EA	CASE-LOCK, A = 17 MM	702376					
2	110506-53-006	EA	CASE-LOCK, A = 25 MM	702386					

WINDOW, VENT & EXTERIOR DOOR GROUP (CONTINUED)

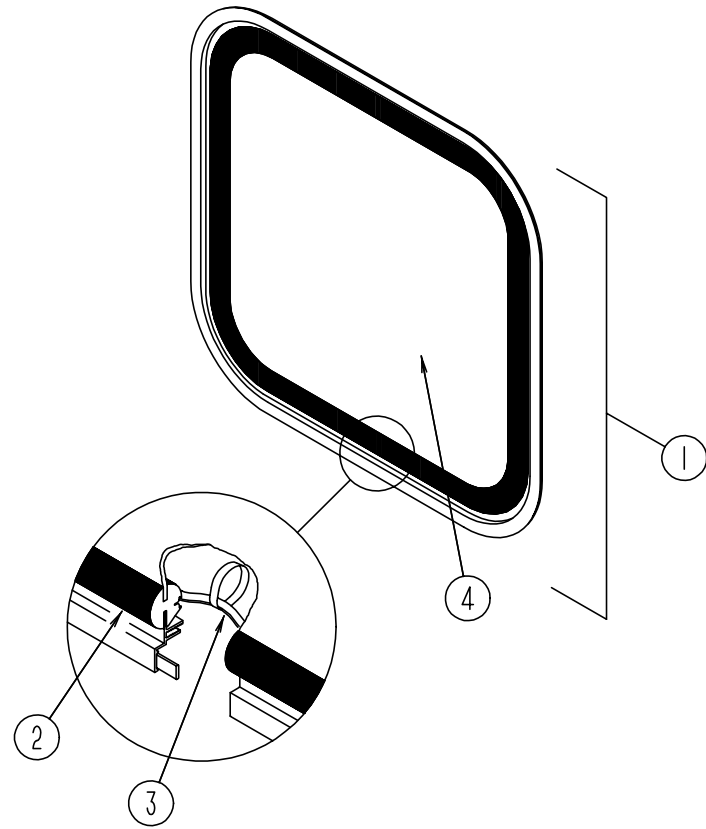
WINDOWS & VENTS



KEY	PART NUMBER	U/M DESCRIPTION
8	098647-32-01A	EA WINDOW-SLIDER, HORIZONTAL - CLEAR H425-C1W66L
8	098647-22-01A	EA WINDOW-SLIDER, HORIZONTAL (DELUXE OPTION) H287-G2W66L
8	112795-19-01A	EA WINDOW-SLIDER, HORIZONTAL - THERMO & DELUXE OPTION DC29-G2W66R
9	110051-01-01A	EA VENT-ROOF, NONPOWERED - 2" ROOF
10	103313-03-F15	EA WINDOW-PICTURE
10	115630-01-01A	EA WINDOW-PICTURE, THERMO DH438-G2W59
11	098647-31-01A	EA WINDOW-SLIDER, HORIZONTAL - CLEAR H425-C1W66R
11	098647-33-01A	EA WINDOW-SLIDER, HORIZONTAL (DELUXE OPTION) H425-G2W66R
11	112795-20-01A	EA WINDOW-SLIDER, HORIZONTAL - THERMO & DELUXE OPTION DC29-G2W66L
12	098647-27-01A	EA WINDOW-SLIDER, HORIZONTAL - CLEAR H287-C1W66R
12	098647-23-01A	EA WINDOW-SLIDER, HORIZONTAL (DELUXE OPTION) H287-G2W66R
12	112795-16-01A	EA WINDOW-SLIDER, HORIZONTAL - THERMO & DELUXE OPTION DH287-G2W66R
13	117053-04-FB1	EA WINDOW-ENTRY DOOR
13	117053-02-F36	EA WINDOW-ENTRY DOOR (DELUXE OPTION)
13	113733-01-01A	EA WINDOW-ENTRY DOOR, THERMO & DELUXE OPTION DH416-G2W66
14	098647-31-01A	EA WINDOW-SLIDER, HORIZONTAL, TWIN W/BUNK BED - CLEAR H425-C1W66R
14	098647-33-01A	EA WINDOW-SLIDER, HORIZONTAL, TWIN W/BUNK BED (DELUXE OPTION)
14	112795-20-01A	EA WINDOW-SLIDER, HORIZONTAL, TWIN W/BUNK BED - THERMO & DELUXE OPTION
15	084073-07-000	EA COVER-ROOF VENT, REFRIGERATOR - BRIGHT WHITE - NORCOLD
16	080507-01-000	EA PANEL-SKYLIGHT, OUTER - PLEXIGLASS - 23.25" X 20.3" (DELUXE OPTION)
17	098647-29-01A	EA WINDOW-SLIDER, QUEEN, TWIN & DOUBLE BED - CLEAR H172-C1W66R
17	113500-01-01A	EA WINDOW-TIPOUT, DOUBLE - QUEEN, TWIN & DOUBLE BED (DELUXE OPTION)
17	112795-21-01A	EA WINDOW-SLIDER, QUEEN, TWIN & DOUBLE BED - THERMO & DELUXE OPTION

KEY	PART NUMBER	U/M DESCRIPTION
1	078528-07-F15	EA WINDOW-REAR ESCAPE, CLEAR - QUEEN & TWIN BED
1	078528-06-E10	EA WINDOW-REAR ESCAPE, QUEEN & TWIN BED (DELUXE OPTION)
1	113502-01-01A	EA WINDOW-REAR ESCAPE, QUEEN & TWIN BED - THERMO & DELUXE OPTION
2	116976-01-01A	EA WINDOW-ESCAPE, TWIN W/BUNK & DOUBLE BED H386-C1W53
2	116976-04-01A	EA WINDOW-ESCAPE, TWIN W/BUNK & DOUBLE BED (DELUXE OPTION) H400-G2W60
2	113502-04-01A	EA WINDOW-ESCAPE, TWIN W/BUNK & DOUBLE BED - THERMO & DELUXE OPTION
3	098647-32-01A	EA WINDOW-SLIDER, TWIN W/BUNK BED H425-C1W66L
3	098647-34-01A	EA WINDOW-SLIDER, TWIN W/BUNK BED (DELUXE OPTION) H425-G2W66L
3	112795-19-01A	EA WINDOW-SLIDER, TWIN W/BUNK BED - THERMO & DELUXE OPTION
4	098647-30-01A	EA WINDOW-SLIDER, CLEAR - QUEEN, TWIN & DOUBLE BED H172-C1W66L
4	113500-01-01A	EA WINDOW-TIPOUT, DOUBLE - QUEEN, TWIN & DOUBLE BED (DELUXE OPTION)
4	112795-23-01A	EA WINDOW-SLIDER, QUEEN, TWIN & DOUBLE BED - THERMO & DELUXE OPTION
5	084878-09-000	EA VENT-RANGE HOOD - SHORT, LVS - OFF WHITE
6	098647-32-01A	EA WINDOW-SLIDER, HORIZONTAL - CLEAR H425-C1W66L
6	098647-34-01A	EA WINDOW-SLIDER, HORIZONTAL (DELUXE OPTION) H425-G2W66L
6	112795-19-01A	EA WINDOW-SLIDER, HORIZONTAL - THERMO & DELUXE OPTION DC29-G2W66R
7	098647-28-01A	EA WINDOW-SLIDER, HORIZONTAL - CLEAR H287-C1W66L
7	098647-22-01A	EA WINDOW-SLIDER, HORIZONTAL (DELUXE OPTION) H287-G2W66L
7	112795-15-01A	EA WINDOW-SLIDER, HORIZONTAL - THERMO & DELUXE OPTION DH287-G2W66L

WINDOW, VENT & EXTERIOR DOOR GROUP (CONTINUED)



BACKWALL ESCAPE WINDOW - TWIN W/BUNK & DOUBLE BED -EXCEL

KEY	PART NUMBER	U/M DESCRIPTION	VENDOR NO.
1	116976-01-01A	EA WINDOW-ESCAPE, SINGLE H386-C1W53	
	116976-01-701	EA FRAME-INSIDE WINDOW	W38653
2	100322-01-701	FT SEAL-VENT, WINDOW	122-016071
3	116976-01-702	FT FILLER-WEATHER STRIP	132-016065
4	116976-01-700	EA GLASS	096-018786
	112898-06-704	EA HANDLE-LATCH, RED - RH	182-11293
	112898-06-705	EA HANDLE-LATCH, RED - LH	182-11294
	116976-01-702	FT FILLER PLUG	132-016065

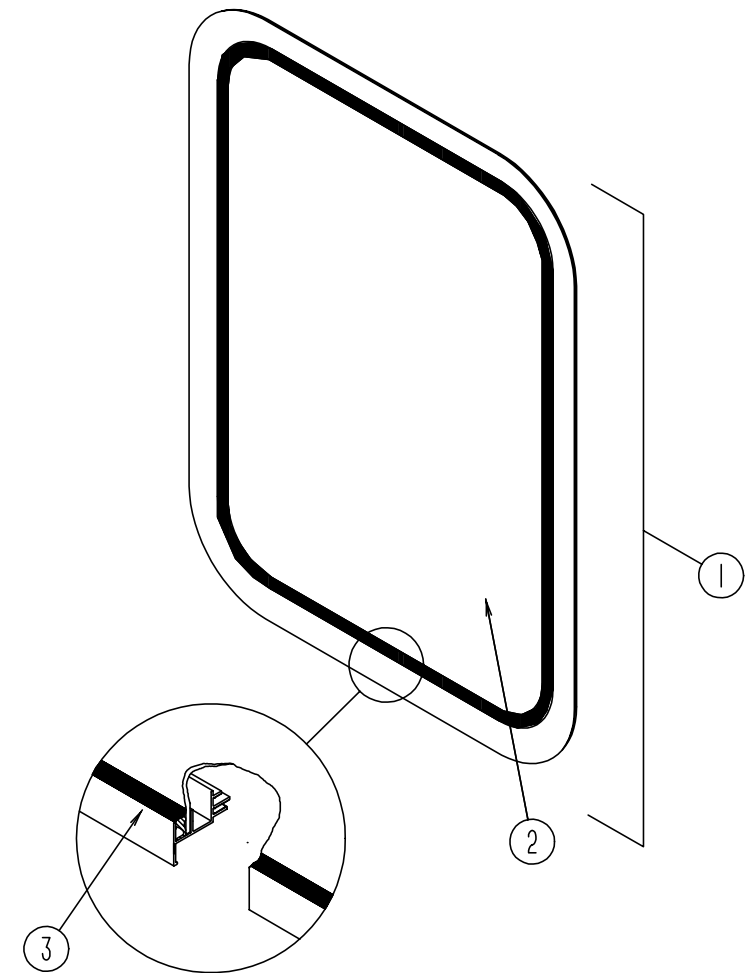
BACKWALL ESCAPE WINDOW - QUEEN & TWIN BED

KEY	PART NUMBER	U/M DESCRIPTION
	074816-11-000	EA FRAME-ESCAPE WINDOW, INSIDE - OFF WHITE
1	078528-07-F15	EA WINDOW-ESCAPE, CLEAR
2	002282-09-000	EA WEATHER STRIP-WINDOW, .125 BLACK - 130.53 VULCANIZED
3	002285-01-000	FT FILLER-WEATHER STRIP, RUBBER - BLACK
4	076337-13-000	EA GLASS-EGRESS, 1157MM X 548MM - CLEAR
	077066-01-702	EA TAPE-ESCAPE WINDOW, RED

BACKWALL ESCAPE WINDOW - QUEEN & TWIN BED (DELUXE OPTION)

KEY	PART NUMBER	U/M DESCRIPTION
	074816-11-000	EA FRAME-ESCAPE WINDOW, INSIDE - OFF WHITE
1	078528-06-E10	EA WINDOW-ESCAPE
2	002282-09-000	EA WEATHER STRIP-WINDOW, .125 BLACK - 130.53 VULCANIZED
3	002285-01-000	FT FILLER-WEATHER STRIP, RUBBER - BLACK
4	076337-12-000	EA GLASS-EGRESS, 1157.4MM X 548.1MM
	077066-01-702	EA TAPE-ESCAPE WINDOW, RED

WINDOW, VENT & EXTERIOR DOOR GROUP (CONTINUED)



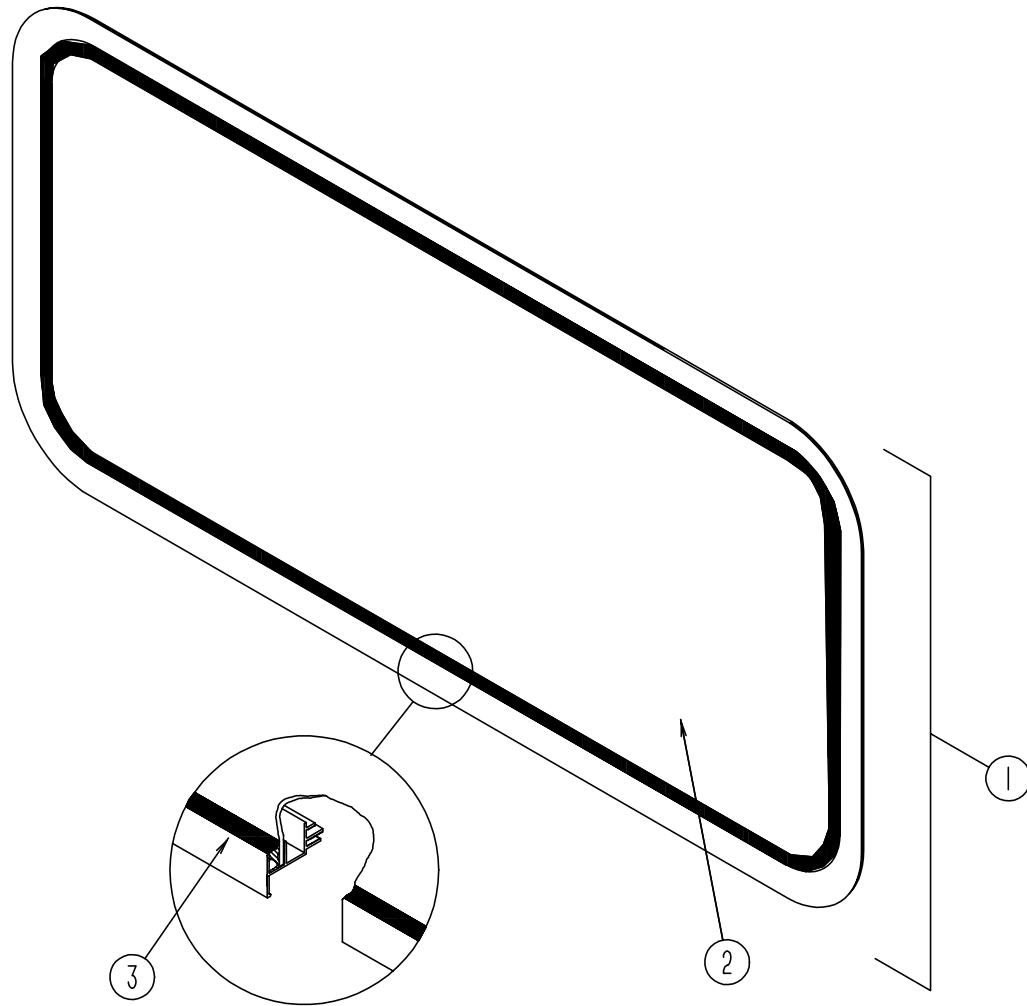
ENTRANCE DOOR WINDOW

KEY	PART NUMBER	U/M DESCRIPTION
1	117053-04-FB1	EA WINDOW-STATIONARY
2	002181-27-000	EA GLASS-PICTURE, 25.8" X 16.4" - CLEAR 90%
3	087561-01-000	FT SEAL-GLASS, EXTERIOR - .5" WIDE - VINYL - BLACK
	117054-02-02A	EA FRAME-INSIDE WINDOW, BRIGHT WHITE

ENTRANCE DOOR WINDOW (DELUXE OPTION)

KEY	PART NUMBER	U/M DESCRIPTION
1	117053-02-F36	EA WINDOW-STATIONARY
2	002181-25-000	EA GLASS-PICTURE, 25.8" X 16.4" - GRAY 60%
3	087561-01-000	FT SEAL-GLASS, EXTERIOR - .5" WIDE - VINYL - BLACK
	117055-02-01A	EA FRAME-INSIDE WINDOW, BLACK

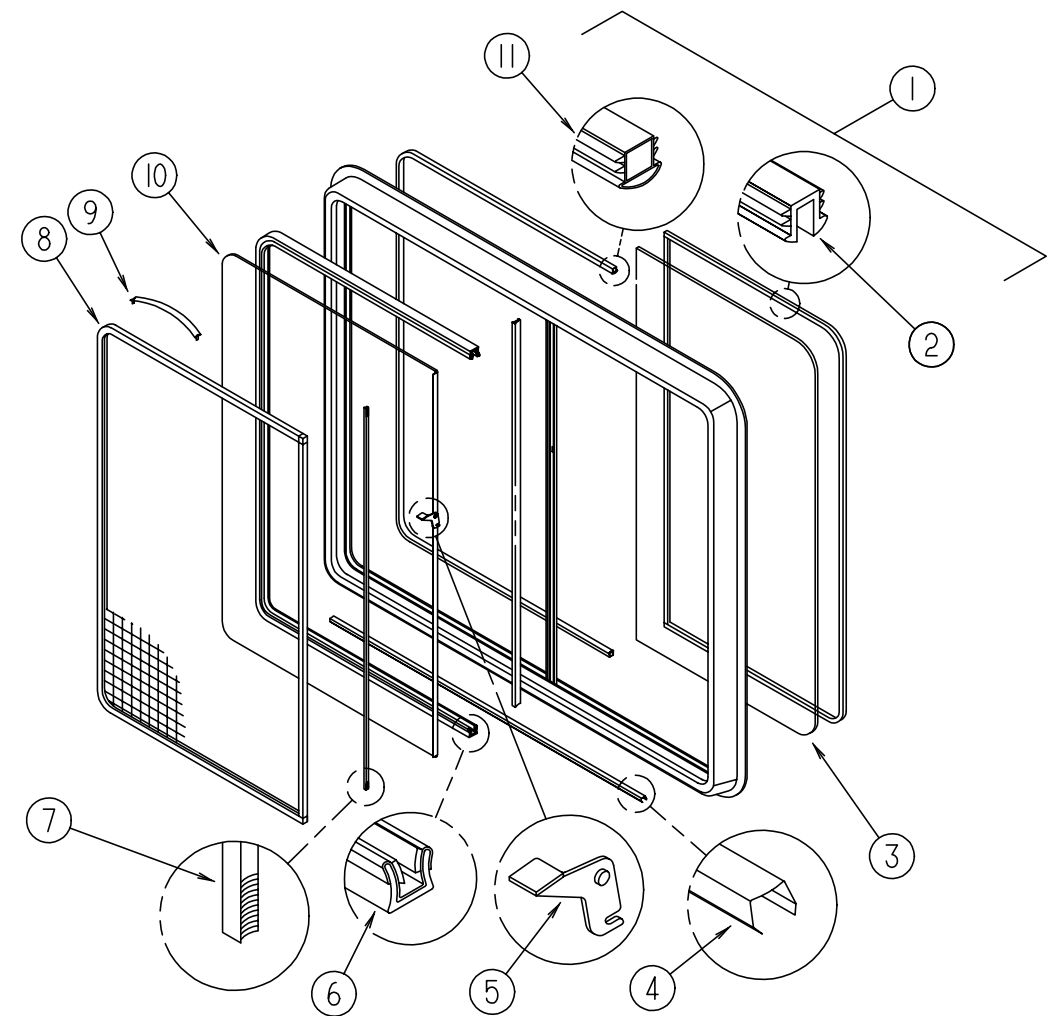
WINDOW, VENT & EXTERIOR DOOR GROUP (CONTINUED)



FRONT OVERHEAD BUNK WINDOW

KEY	PART NUMBER	U/M	DESCRIPTION
	117054-01-01A	EA	FRAME-INSIDE WINDOW, WHITE
1	103313-03-F15	EA	WINDOW-PICTURE, W/O INSIDE FRAME
2	002181-29-000	EA	GLASS-PICTURE, GRAY 31%
3	099154-01-000	FT	CHANNEL-GLAZING, STATIONARY GLASS - .62" X .45" - BLACK

WINDOW, VENT & EXTERIOR DOOR GROUP (CONTINUED)



DRIVER SIDE BEDROOM SLIDER WINDOW - QUEEN, TWIN & DOUBLE BED - EXCEL

KEY	PART NUMBER	U/M	DESCRIPTION	VENDOR NO.
	098647-30-01A	EA	WINDOW-SLIDER, HORIZONTAL - CLEAR	H172-C1W66L
1	098647-30-700	EA	WINDOW-W/O FRAME	H172-C1L
	098647-29-701	EA	FRAME-WINDOW	CW0466
2	100322-01-703	FT	STRIP-GLAZING, BUTYL	132-010723
3	098647-29-702	EA	GLASS-STATIONARY	096-019295
4	098644-01-710	FT	TRACK-SCREEN SPACER, 12' LENGTH	M401-31
5	098644-01-700	EA	LATCH-REPAIR KIT	B801-CK
6	098644-01-708	FT	CHANNEL-PIERCED RUN, EXCEL	122-016543
7	098644-01-711	FT	WEATHERSTRIP-SCREEN, BLACK	171-016965
8	098647-29-704	EA	SCREEN-W/SPRING & WEATHERSTRIP	410-018864
9	098644-01-713	EA	SPRING-SCREEN FRAME, CLIP - PLASTIC - BLACK	226-016966
10	098647-29-703	EA	GLASS-SLIDING, W/SASH & LATCH	H172-C8
11	098644-01-706	FT	WEATHERSTRIP	171-010668
	098644-01-716	FT	PLUG-FILLER	132-014470
	098644-01-717	FT	SPLINE-SCREEN	132-004716

WINDOW, VENT & EXTERIOR DOOR GROUP (CONTINUED)

WINDOW, VENT & EXTERIOR DOOR GROUP (CONTINUED)

SINGLE SLIDER WINDOW - LOUNGE - PASSENGER SIDE - EXCEL

KEY	PART NUMBER	U/M DESCRIPTION	VENDOR NO.
	098647-27-01A	EA WINDOW-SLIDER, HORIZONTAL - CLEAR H287-C1W66R	
1	098647-27-700	EA WINDOW-W/O FRAME	H287-C1R
	098647-27-701	EA FRAME-WINDOW	W28766
2	100322-01-703	FT STRIP-GLAZING, BUTYL	132-010723
3	098647-27-702	EA GLASS-STATIONARY	096-017868
4	098644-01-710	FT TRACK-SCREEN SPACER, 12' LENGTH	M401-31
5	098644-01-700	EA LATCH-REPAIR KIT	B801-CK
6	098644-01-708	FT CHANNEL-PIERCED RUN	122-016543
7	098644-01-711	FT WEATHERSTRIP-SCREEN, BLACK	171-016965
8	098647-23-704	EA SCREEN-W/SPRING & WEATHERSTRIP	410-019066
9	098644-01-713	EA SPRING-SCREEN FRAME, CLIP - PLASTIC - BLACK	226-016966
10	098647-27-703	EA GLASS-SLIDING, W/SASH & LATCH	H287-C8
11	098644-01-706	FT WEATHERSTRIP	171-010668
	098644-01-716	FT PLUG-FILLER	132-014470
	098644-01-717	FT SPLINE-SCREEN	132-004716

SLIDER WINDOWS - OVERHEAD BUNK & TWIN W/BUNK - PASSENGER SIDE - EXCEL

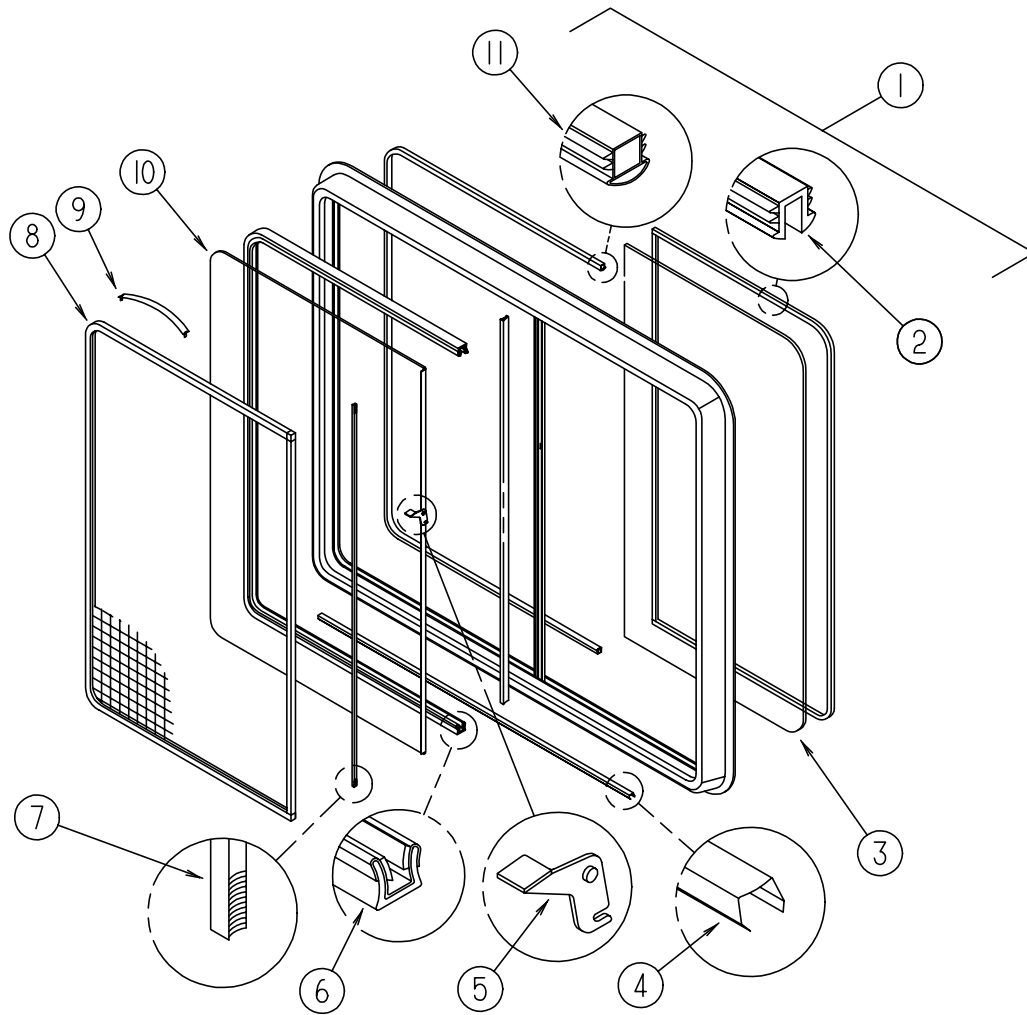
KEY	PART NUMBER	U/M DESCRIPTION	VENDOR NO.
	098647-31-01A	EA WINDOW-SLIDER, HORIZONTAL - CLEAR H425-C1W66R	
1	098647-31-700	EA WINDOW-W/O FRAME	H425-C1R
	098647-31-701	EA FRAME-WINDOW	CW2966
2	100322-01-703	FT STRIP-GLAZING, BUTYL	132-010723
3	098647-31-702	EA GLASS-STATIONARY	096-019299
4	098644-01-710	FT TRACK-SCREEN SPACER, 12' LENGTH	M401-31
5	098644-01-700	EA LATCH-REPAIR KIT	B801-CK
6	098644-01-708	FT CHANNEL-PIERCED RUN	122-016543
7	098644-01-711	FT WEATHERSTRIP-SCREEN, BLACK	171-016965
8	098647-31-704	EA SCREEN-W/SPRING & WEATHERSTRIP	410-019128
9	098644-01-713	EA SPRING-SCREEN FRAME, CLIP - PLASTIC - BLACK	226-016966
10	098647-31-703	EA GLASS-SLIDING, W/SASH & LATCH	H425-C8
11	098644-01-706	FT WEATHERSTRIP	171-010668
	098644-01-716	FT PLUG-FILLER	132-014470
	098644-01-717	FT SPLINE-SCREEN	132-004716

SLIDER WINDOWS - OVERHEAD BUNK, GALLEY & TWIN W/BUNK - DRIVER SIDE - EXCEL

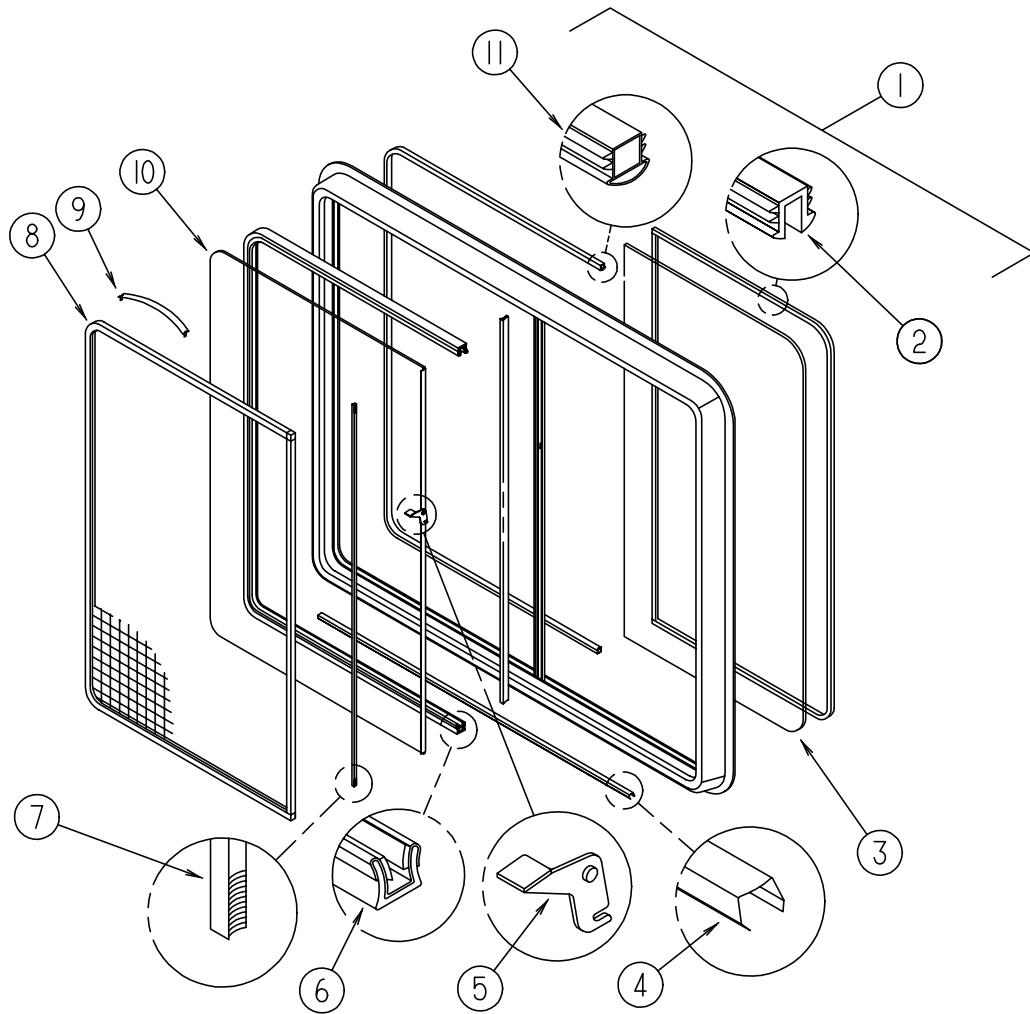
KEY	PART NUMBER	U/M DESCRIPTION	VENDOR NO.
	098647-32-01A	EA WINDOW-SLIDER, HORIZONTAL - CLEAR H425-C1W66L	
1	098647-32-700	EA WINDOW-W/O FRAME	H425-C1L
	098647-31-701	EA FRAME-WINDOW	CW2966
2	100322-01-703	FT STRIP-GLAZING, BUTYL	132-010723
3	098647-31-702	EA GLASS-STATIONARY	096-019299
4	098644-01-710	FT TRACK-SCREEN SPACER, 12' LENGTH	M401-31
5	098644-01-700	EA LATCH-REPAIR KIT	B801-CK
6	098644-01-708	FT CHANNEL-PIERCED RUN	122-016543
7	098644-01-711	FT WEATHERSTRIP-SCREEN, BLACK	171-016965
8	098647-31-704	EA SCREEN-W/SPRING & WEATHERSTRIP	410-019128
9	098644-01-713	EA SPRING-SCREEN FRAME, CLIP - PLASTIC - BLACK	226-016966
10	098647-31-703	EA GLASS-SLIDING, W/SASH & LATCH	H425-C8
11	098644-01-706	FT WEATHERSTRIP	171-010668
	098644-01-716	FT PLUG-FILLER	132-014470
	098644-01-717	FT SPLINE-SCREEN	132-004716

PASSENGER SIDE BEDROOM SLIDER WINDOW - QUEEN, TWIN & DOUBLE BED - EXCEL

KEY	PART NUMBER	U/M DESCRIPTION	VENDOR NO.
	098647-29-01A	EA WINDOW-SLIDER, HORIZONTAL - CLEAR H172-C1W66R	
1	098647-29-700	EA WINDOW-W/O FRAME	H172-C1R
	098647-29-701	EA FRAME-WINDOW	CW0466
2	100322-01-703	FT STRIP-GLAZING, BUTYL	132-010723
3	098647-29-702	EA GLASS-STATIONARY	096-019295
4	098644-01-710	FT TRACK-SCREEN SPACER, 12' LENGTH	M401-31
5	098644-01-700	EA LATCH-REPAIR KIT	B801-CK
6	098644-01-708	FT CHANNEL-PIERCED RUN	122-016543
7	098644-01-711	FT WEATHERSTRIP-SCREEN, BLACK	171-016965
8	098647-29-704	EA SCREEN-W/SPRING & WEATHERSTRIP	410-018864
9	098644-01-713	EA SPRING-SCREEN FRAME, CLIP - PLASTIC - BLACK	226-016966
10	098647-29-703	EA GLASS-SLIDING, W/SASH & LATCH	H172-C8
11	098644-01-706	FT WEATHERSTRIP	171-010668
	098644-01-716	FT PLUG-FILLER	132-014470
	098644-01-717	FT SPLINE-SCREEN	132-004716



WINDOW, VENT & EXTERIOR DOOR GROUP (CONTINUED)



SINGLE SLIDER WINDOW - DINETTE - DRIVER SIDE - EXCEL

KEY	PART NUMBER	U/M DESCRIPTION	VENDOR NO.
	098647-28-01A	EA WINDOW-SLIDER, HORIZONTAL - CLEAR	H287-C1W66L
1	098647-28-700	EA WINDOW-W/O FRAME	H287-C1L
	098647-27-701	EA FRAME-WINDOW	W28766
2	100322-01-703	FT STRIP-GLAZING, BUTYL	132-010723
3	098647-27-702	EA GLASS-STATIONARY	096-017868
4	098644-01-710	FT TRACK-SCREEN SPACER, 12' LENGTH	M401-31
5	098644-01-700	EA LATCH-REPAIR KIT	B801-CK
6	098644-01-708	FT CHANNEL-PIERCED RUN	122-016543
7	098644-01-711	FT WEATHERSTRIP-SCREEN, BLACK	171-016965
8	098647-23-704	EA SCREEN-W/SPRING & WEATHERSTRIP	410-019066
9	098644-01-713	EA CLIP-SPRING, BLACK PLASTIC	226-016966
10	098647-27-703	EA GLASS-SLIDING, W/SASH & LATCH	H287-C8
11	098644-01-706	FT WEATHERSTRIP	171-010668
	098644-01-716	FT PLUG-FILLER	132-014470
	098644-01-717	FT SPLINE-SCREEN	132-004716

WINDOW, VENT & EXTERIOR DOOR GROUP (CONTINUED)
SINGLE SLIDER WINDOW - DINETTE - DRIVER SIDE - EXCEL (DELUXE OPTION)

KEY	PART NUMBER	U/M DESCRIPTION	VENDOR NO.
	098647-22-01A	EA WINDOW-SLIDER, HORIZONTAL	H287-G2W66L
1	098647-22-700	EA WINDOW-SLIDER	H287-G2L
	098647-23-702	EA FRAME-WINDOW , WHITE	W28766
2	100322-01-703	FT STRIP-GLAZING, BUTYL	132-010723
3	098647-23-703	EA GLASS-STATIONARY	106-017622
4	098644-01-710	FT TRACK-SCREEN SPACER, 12'	132-017135
5	098644-01-700	EA LATCH-REPAIR KIT, BLACK	B801-CK
6	098644-01-708	FT CHANNEL-RUN, PIERCED	122-016543
7	098644-01-711	FT WEATHERSTRIP-SCREEN, BLACK	171-016965
8	098647-23-704	EA SCREEN-W/SPRING CLIP	410-019066
9	098644-01-713	EA CLIP-SPRING, BLACK PLASTIC	226-016966
10	098647-23-700	EA GLASS SLIDING, W/SASH & LATCH	H287-G9
11	098644-01-706	FT WEATHERSTRIP-GLASS	171-010668
	098644-01-716	FT PLUG-FILLER	132-014470
	098644-01-717	FT SPLINE-SCREEN	132-004716

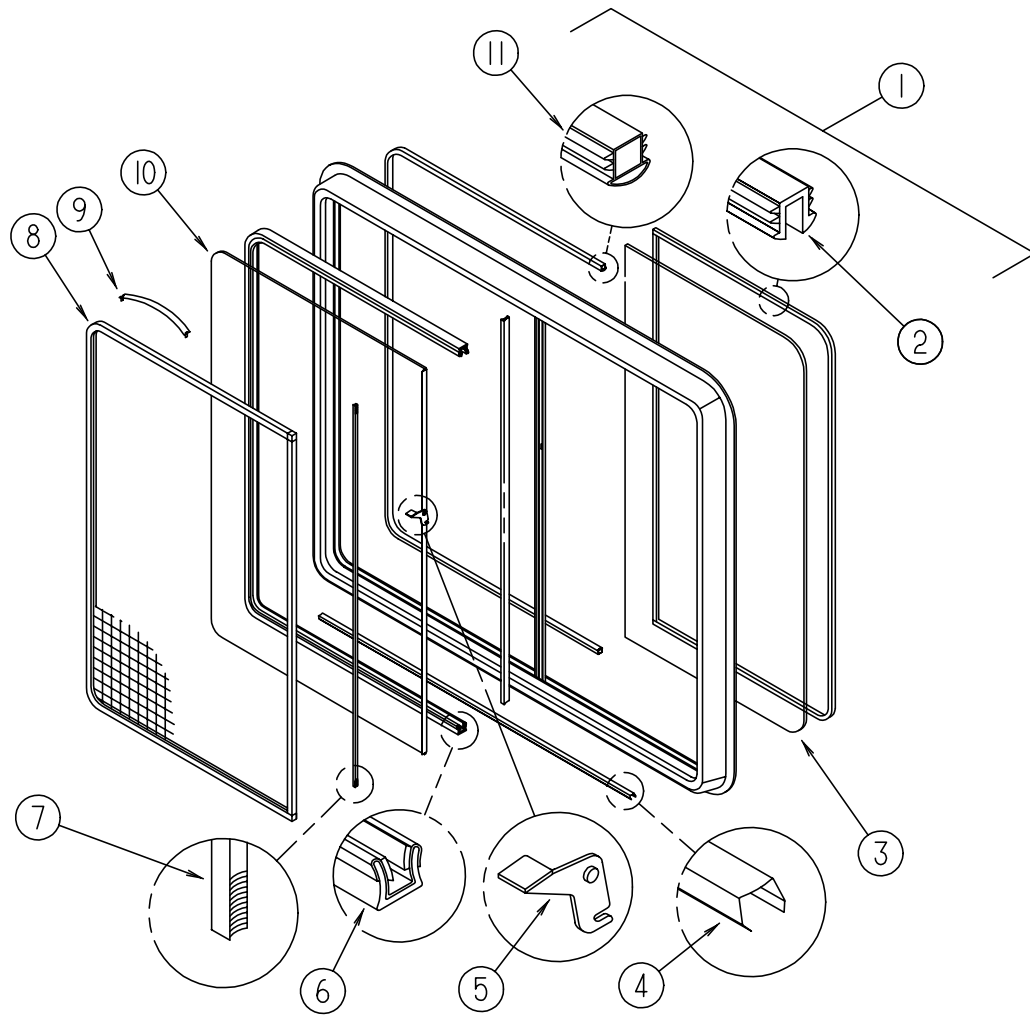
SINGLE SLIDER WINDOW - LOUNGE - PASSENGER SIDE - EXCEL (DELUXE OPTION)

KEY	PART NUMBER	U/M DESCRIPTION	VENDOR NO.
	098647-23-01A	EA WINDOW-SLIDER, HORIZONTAL	H287-G2W66R
1	098647-23-701	EA WINDOW-SLIDER	H287-G2R
	098647-23-702	EA FRAME-WINDOW , WHITE	W28766
2	100322-01-703	FT STRIP-GLAZING, BUTYL	132-010723
3	098647-23-703	EA GLASS-STATIONARY	106-017622
4	098644-01-710	FT TRACK-SCREEN SPACER, 12'	132-017135
5	098644-01-700	EA LATCH-REPAIR KIT, BLACK	B801-CK
6	098644-01-708	FT CHANNEL-RUN, PIERCED	122-016543
7	098644-01-711	FT WEATHERSTRIP-SCREEN, BLACK	171-016965
8	098647-23-704	EA SCREEN-W/SPRING CLIP	410-019066
9	098644-01-713	EA CLIP-SPRING, BLACK PLASTIC	226-016966
10	098647-23-700	EA GLASS SLIDING, W/SASH & LATCH	H287-G9
11	098644-01-706	FT WEATHERSTRIP-GLASS	171-010668
	098644-01-716	FT PLUG-FILLER	132-014470
	098644-01-717	FT SPLINE-SCREEN	132-004716

SINGLE SLIDER WINDOW - OVERHEAD BUNK & TWIN BED W/BUNK - PASSENGER SIDE - EXCEL (DELUXE OPT.)

KEY	PART NUMBER	U/M DESCRIPTION	VENDOR NO.
	098647-33-01A	EA WINDOW-SLIDER, HORIZONTAL	H425-G2W66R
1	098647-33-700	EA WINDOW-SLIDER	H425-G2R
	098647-31-701	EA FRAME-WINDOW , WHITE	CW2966
2	100322-01-703	FT STRIP-GLAZING, BUTYL	132-010723
3	098647-33-702	EA GLASS-STATIONARY	106-019297
4	098644-01-710	FT TRACK-SCREEN SPACER, 12'	132-017135
5	098644-01-700	EA LATCH-REPAIR KIT, BLACK	B801-CK
6	098644-01-708	FT CHANNEL-RUN, PIERCED	122-016543
7	098644-01-711	FT WEATHERSTRIP-SCREEN, BLACK	171-016965
8	098647-33-704	EA SCREEN-W/SPRING CLIP	410-019134
9	098644-01-713	EA CLIP-SPRING, BLACK PLASTIC	226-016966
10	098647-33-703	EA GLASS-SLIDING, W/SASH & LATCH	H425-G9
11	098644-01-706	FT WEATHERSTRIP-GLASS	171-010668
	098644-01-716	FT PLUG-FILLER	132-014470
	098644-01-717	FT SPLINE-SCREEN	132-004716

WINDOW, VENT & EXTERIOR DOOR GROUP (CONTINUED)



SINGLE SLIDER WINDOW - GALLEY, OVERHEAD BUNK & TWIN BED W/BUNK -DRIVER SIDE (DELUXE OPT.)

KEY	PART NUMBER	U/M DESCRIPTION	VENDOR NO.
	098647-34-01A	EA WINDOW-SLIDER, HORIZONTAL H425-G2W66L EXCEL	
1	098647-34-700	EA WINDOW-SLIDER	H425-G2L
	098647-31-701	EA FRAME-WINDOW , WHITE	CW2966
2	100322-01-703	FT STRIP-GLAZING, BUTYL	132-010723
3	098647-33-702	EA GLASS-STATIONARY	106-019297
4	098644-01-710	FT TRACK-SCREEN SPACER, 12'	132-017135
5	098644-01-700	EA LATCH-REPAIR KIT, BLACK	B801-CK
6	098644-01-708	FT CHANNEL-RUN, PIERCED	122-016543
7	098644-01-711	FT WEATHERSTRIP-SCREEN, BLACK	171-016965
8	098647-33-704	EA SCREEN-W/SPRING CLIP	410-019134
9	098644-01-713	EA CLIP-SPRING, BLACK PLASTIC	226-016966
10	098647-33-703	EA GLASS-SLIDING, W/SASH & LATCH	H425-G9
11	098644-01-706	FT WEATHERSTRIP-GLASS	171-010668
	098644-01-716	FT PLUG-FILLER	132-014470
	098644-01-717	FT SPLINE-SCREEN	132-004716

WINDOW, VENT & EXTERIOR DOOR GROUP (CONTINUED)
BEDROOM WINDOW - REAR ESCAPE - TWIN W/BUNK & DOUBLE BED - THERMO & DELUXE OPTION

KEY	PART NUMBER	U/M DESCRIPTION	VENDOR NO.
	113502-04-01A	EA WINDOW-REAR ESCAPE DH449-G2W58 EXCEL	
	113502-04-700	EA WINDOW-W/O FRAME	DH449-G2
	113502-04-701	EA FRAME-WINDOW	W44958
	113502-04-702	EA GLASS-STATIONARY	390-019460
	100322-01-703	FT STRIP-GLAZING, BUTYL	132-010723
	112898-06-704	EA HANDLE-LATCH, RED - RH	182-11293
	112898-06-705	EA HANDLE-LATCH, RED - LH	182-11294

EXCEL SLIDER WINDOWS - THERMO & DELUXE OPTION - DINETTE - EXCEL

KEY	PART NUMBER	U/M DESCRIPTION	VENDOR NO.
	112795-15-01A	EA WINDOW-SLIDER, HORIZONTAL DH287-G2W66L	
	112795-15-700	EA WINDOW-W/O FRAME	DH287-G2L
	098647-23-702	EA FRAME-WINDOW	W28766
	098644-01-713	EA SPRING-SCREEN FRAME (CLIP), PLASTIC - BLACK	
	098647-23-704	EA SCREEN-W/SPRING & WEATHERSTRIP	410-019066
	112795-01-700	EA LATCH ASSEMBLY - BLACK	DH287-CK
	112795-01-701	EA SLIDE-STOP	132-019092
	112795-01-702	FT FILLER PLUG	122-018737
	112795-01-703	FT RUN CHANNEL	122-018736
	112795-01-704	FT VINYL-GLAZING	132-018280
	112795-15-701	EA GLASS-STATIONARY	390-019045
	112795-15-702	EA GLASS-SLIDING, W/SASH & LATCH	DH287-G9

EXCEL SLIDER WINDOWS - THERMO & DELUXE OPTION - LOUNGE - EXCEL

KEY	PART NUMBER	U/M DESCRIPTION	VENDOR NO.
	112795-16-01A	EA WINDOW-SLIDER, HORIZONTAL DH287-G2W66R	
	112795-16-700	EA WINDOW-W/O FRAME	DH287-G2R
	098647-23-702	EA FRAME-WINDOW	W28766
	098644-01-713	EA SPRING-SCREEN FRAME (CLIP), PLASTIC - BLACK	
	098647-23-704	EA SCREEN-W/SPRING & WEATHERSTRIP	410-019066
	112795-01-700	EA LATCH ASSEMBLY - BLACK	DH287-CK
	112795-01-701	EA SLIDE-STOP	132-019092
	112795-01-702	FT FILLER PLUG	122-018737
	112795-01-703	FT RUN CHANNEL	122-018736
	112795-01-704	FT VINYL-GLAZING	132-018280
	112795-15-701	EA GLASS-STATIONARY	390-019045
	112795-15-702	EA GLASS-SLIDING, W/SASH & LATCH	DH287-G9

WINDOW, VENT & EXTERIOR DOOR GROUP (CONTINUED)**BEDROOM WINDOW - PASSENGER SIDE - QUEEN, TWIN & DOUBLE - THERMO & DELUXE OPTION**

KEY	PART NUMBER	U/M DESCRIPTION	VENDOR NO.
	112795-21-01A	EA WINDOW-SLIDER, HORIZONTAL DC04-G2W66R	EXCEL
	112795-21-700	EA WINDOW-W/O FRAME	DC04-G2R
	098647-29-701	EA FRAME-WINDOW	CW0466
	098644-01-713	EA SPRING-SCREEN FRAME (CLIP), PLASTIC - BLACK	
	098647-29-704	EA SCREEN-W/SPRING & WEATHERSTRIP	410-018864
	112795-01-700	EA LATCH ASSEMBLY - BLACK	DH287-CK
	112795-01-701	EA SLIDE-STOP	132-019092
	112795-01-702	FT FILLER PLUG	122-018737
	112795-01-703	FT RUN CHANNEL	122-018736
	112795-01-704	FT VINYL-GLAZING	132-018280
	112795-21-701	EA GLASS-STATIONARY	390-019132
	112795-21-702	EA GLASS-SLIDING, W/SASH & LATCH	DC04-G9

BEDROOM WINDOW - DRIVER SIDE - QUEEN, TWIN & DOUBLE - THERMO & DELUXE OPTION

KEY	PART NUMBER	U/M DESCRIPTION	VENDOR NO.
	112795-23-01A	EA WINDOW-SLIDER, HORIZONTAL DC04-G2W66L	EXCEL
	112795-23-700	EA WINDOW-W/O FRAME	DC04-G2L
	098647-29-701	EA FRAME-WINDOW	CW0466
	098644-01-713	EA SPRING-SCREEN FRAME (CLIP), PLASTIC - BLACK	
	098647-29-704	EA SCREEN W/SPRING & WEATHERSTRIP	410-018864
	112795-01-700	EA LATCH ASSEMBLY - BLACK	DH287-CK
	112795-01-701	EA SLIDE-STOP	132-019092
	112795-01-702	FT FILLER PLUG	122-018737
	112795-01-703	FT RUN CHANNEL	122-018736
	112795-01-704	FT VINYL-GLAZING	132-018280
	112795-21-701	EA GLASS-STATIONARY	390-019132
	112795-21-702	EA GLASS-SLIDING, W/SASH & LATCH	DC04-G9

BEDROOM WINDOW - REAR ESCAPE - QUEEN & TWIN BED - THERMO & DELUXE OPTION

KEY	PART NUMBER	U/M DESCRIPTION	VENDOR NO.
	113502-01-01A	EA WINDOW-REAR ESCAPE DH153-G2W60	EXCEL
	100322-01-703	FT STRIP-GLAZING, BUTYL	132-010723
	112898-06-704	EA HANDLE-LATCH, RED - RH	182-11293
	112898-06-705	EA HANDLE-LATCH, RED - LH	182-11294

DRIVER SIDE SLIDER WINDOWS -GALLEY, OVERHEAD BUNK & TWIN W/BUNK - THERMO & DELUXE OPTION

KEY	PART NUMBER	U/M DESCRIPTION	VENDOR NO.
	112795-19-01A	EA WINDOW-SLIDER, HORIZONTAL DC29-G2W66R	EXCEL
	112795-19-700	EA WINDOW-W/O FRAME	DC29-G2R
	098647-31-701	EA FRAME-WINDOW	CW2966
	098644-01-713	EA SPRING-SCREEN FRAME (CLIP), PLASTIC - BLACK	
	098647-31-704	EA SCREEN-W/SPRING & WEATHERSTRIP	410-019128
	112795-01-700	EA LATCH ASSEMBLY - BLACK	DH287-CK
	112795-01-701	EA SLIDE-STOP	132-019092
	112795-01-702	FT FILLER PLUG	122-018737
	112795-01-703	FT RUN CHANNEL	122-018736
	112795-01-704	FT VINYL-GLAZING	132-018280
	112795-19-701	EA GLASS-STATIONARY	390-019134
	112795-19-702	EA GLASS-SLIDING, W/SASH & LATCH	DC29-G9

WINDOW, VENT & EXTERIOR DOOR GROUP (CONTINUED)**SLIDER WINDOW -TWIN W/BUNK & OVERHEAD BUNK - PASSENGER SIDE - THERMO & DELUXE OPTION**

KEY	PART NUMBER	U/M DESCRIPTION	VENDOR NO.
	112795-20-01A	EA WINDOW-SLIDER, HORIZONTAL DC29-G2W66L	EXCEL
	112795-20-700	EA WINDOW-W/O FRAME	DC29-G2L
	098647-31-701	EA FRAME-WINDOW	CW2966
	098644-01-713	EA SPRING-SCREEN FRAME (CLIP), PLASTIC - BLACK	
	098647-31-704	EA SCREEN-W/SPRING & WEATHERSTRIP	410-019128
	112795-01-700	EA LATCH ASSEMBLY - BLACK	DH287-CK
	112795-01-701	EA SLIDE-STOP	132-019092
	112795-01-702	FT FILLER PLUG	122-018737
	112795-01-703	FT RUN CHANNEL	122-018736
	112795-01-704	FT VINYL-GLAZING	132-018280
	112795-19-701	EA GLASS-STATIONARY	390-019134
	112795-19-702	EA GLASS-SLIDING, W/SASH & LATCH	DC29-G9

FRONT WINDOW - OVERHEAD BUNK - THERMO - EXCEL

KEY	PART NUMBER	U/M DESCRIPTION	VENDOR NO.
	115630-01-01A	EA WINDOW-STATIONARY, BUTYL DH438-G2W59	
	115630-01-700	EA WINDOW-W/O FRAME	DH438-G2
	115630-01-701	EA FRAME-WINDOW	W43858
	115630-01-702	EA GLASS-STATIONARY	390-019467
	100322-01-703	FT STRIP-GLAZING, BUTYL	132-010723

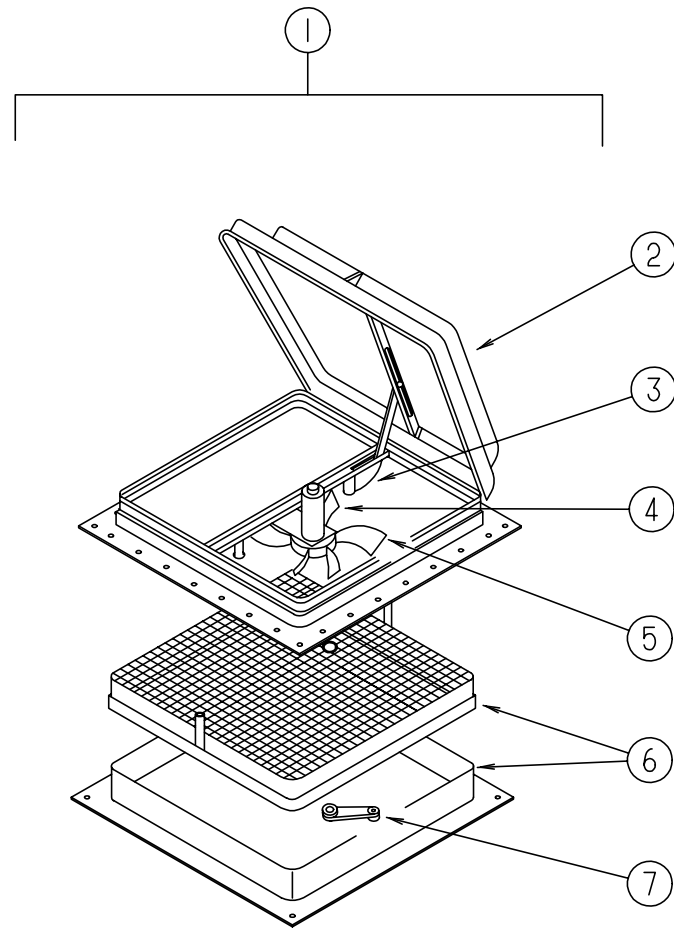
ENTRY DOOR WINDOW - THERMO - EXCEL

KEY	PART NUMBER	U/M DESCRIPTION	VENDOR NO.
	113733-01-01A	EA WINDOW-STATIONARY DH416-G2W66	
	113733-01-700	EA WINDOW-W/O FRAME	DH416-G2
	113733-01-701	EA FRAME-WINDOW	W41666
	113733-01-702	EA GLASS-STATIONARY	390-019187

BEDROOM SIDE WINDOWS - DOUBLE TIPOUT - QUEEN, TWIN & DOUBLE BED (DELUXE OPTION)

KEY	PART NUMBER	U/M DESCRIPTION	VENDOR NO.
	113500-01-01A	EA WINDOW-TIPOUT, DOUBLE CH04-G2W59	EXCEL
	100322-01-703	FT STRIP-GLAZING, BUTYL	132-010723
	098644-01-716	FT PLUG-FILLER	132-014470
	100322-01-701	FT SEAL-VENT	122-016071
	100322-01-702	EA WEATHERSTRIP-HORIZONTAL RAIL	132-015976
	100322-01-703	FT STRIP-GLAZING, BUTYL	132-010723
	100322-01-704	FT TAPE-BUTYL	154-016083
	100322-01-717	EA E-RING	245-015975
	100322-01-718	EA HANDLE-DIAL	410-016081
	112519-01-702	EA OPERATOR-VENT	410-016123
	113500-01-700	EA SCREEN ASSEMBLY	410-016020
	113500-01-701	EA WINDOW W/O TRIM	CH04-G2
	113500-01-702	EA TRIM-WINDOW	CW0459
	113500-01-703	EA GLASS-TOP STATIONARY	106-015970
	113500-01-704	EA GLASS-UPPER VENT ASSEMBLY	CH04-G7
	113500-01-705	EA GLASS-LOWER VENT ASSEMBLY	CH04-G9
	113500-01-706	EA OPERATOR & BAR ASSEMBLY	CH04-18
	113500-01-707	EA SUPPORT-TORQUE BAR, RH	130-015979
	113500-01-708	EA SUPPORT-TORQUE BAR, LH	130-015978
	002181-25-000	EA GLASS-PICTURE, 655MM X 417MM - GRAY 60%	
	087561-01-000	FT SEAL-GLASS, EXTERIOR - .5" WIDE - VINYL - BLACK	

WINDOW, VENT & EXTERIOR DOOR GROUP (CONTINUED)



WINDOW, VENT & EXTERIOR DOOR GROUP (CONTINUED)

NONPOWERED ROOF VENT - JENSEN - MODEL 7724 WHE

KEY	PART NUMBER	U/M DESCRIPTION	VENDOR NO.
	110051-01-01A	EA VENT-ROOF, NONPOWERED - 2" ROOF	
	064470-01-700	EA COVER-ROOF VENT	7291
	110051-01-701	EA GARNISH W/SCREEN & FRAME - 2" FITS 1" AND 2" THICK ROOFS	29-800-01
	110051-01-702	EA LIFT-VENT LID W/O CRANK	RP-1000B
	110051-01-703	EA CRANK HANDLE-ROOF VENT	RP-1031-B

VENTS, SHROUDS AND ROOF COVERS

KEY	PART NUMBER	U/M DESCRIPTION
	084073-07-000	EA COVER-ROOF VENT, REFRIGERATOR - BRIGHT WHITE - NORCOLD
	084073-04-000	EA BASE-ROOF VENT, REFRIGERATOR - BLACK - NORCOLD
	084616-07-000	EA SHROUD-RANGE HOOD VENT, BRIGHT WHITE
	084878-09-000	EA VENT-RANGE HOOD - SHORT, LVS - OFF WHITE
	083558-07-000	EA VENT-PLUMBING PIPE ROOF W/COVER, BRIGHT WHITE

POWERED ROOF VENT - JENSEN - US - MODEL 7757 WHE

KEY	PART NUMBER	U/M DESCRIPTION	VENDOR NO.
1	110051-03-01A	EA VENT-ROOF, POWERED - 2" ROOF	
2	064470-01-700	EA COVER-ROOF VENT, W/O WITHOUT SLIDE BAR	7291
	064470-01-701	EA SLIDE BAR	
3	110051-01-702	EA LIFT ASSEMBLY-VENT LID W/O CRANK,	RP-1000B
4	048648-01-000	EA MOTOR-ROOF VENT, 1/8 SHAFT - 12V	
5	048649-01-000	EA FAN-ROOF VENT, 6 BLADES - 6"	
6	110051-01-700	EA ROOF VENT SCREEN-MANUAL CRANK ASSEMBLIES	
7	110051-01-703	EA CRANK HANDLE-ROOF VENT	RP-1031-B

POWERED ROOF VENT - JENSEN - CANADIAN - MODEL C7757 WHE

KEY	PART NUMBER	U/M DESCRIPTION	VENDOR NO.
1	110051-05-01A	EA VENT-ROOF, POWERED - 2" ROOF - CSA	
2	064470-01-700	EA COVER-ROOF VENT, W/O WITHOUT SLIDE BAR	7291
	064470-01-701	EA SLIDE BAR	
3	110051-01-702	EA LIFT ASSEMBLY-VENT LID W/O CRANK	RP-1000B
4	048648-01-000	EA MOTOR-ROOF VENT, 1/8 SHAFT - 12V	
5	048649-01-000	EA FAN-ROOF VENT, 6 BLADES - 6"	
6	110051-01-700	EA ROOF VENT SCREEN-MANUAL CRANK ASSEMBLIES	
7	110051-01-703	EA CRANK HANDLE-ROOF VENT	RP-1031-B