

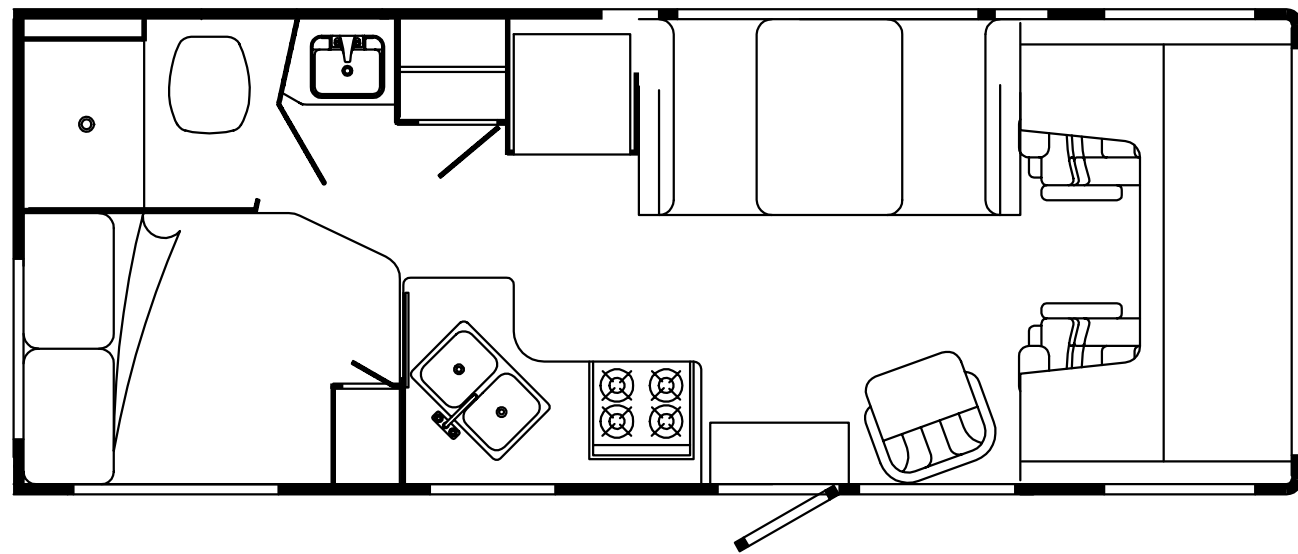
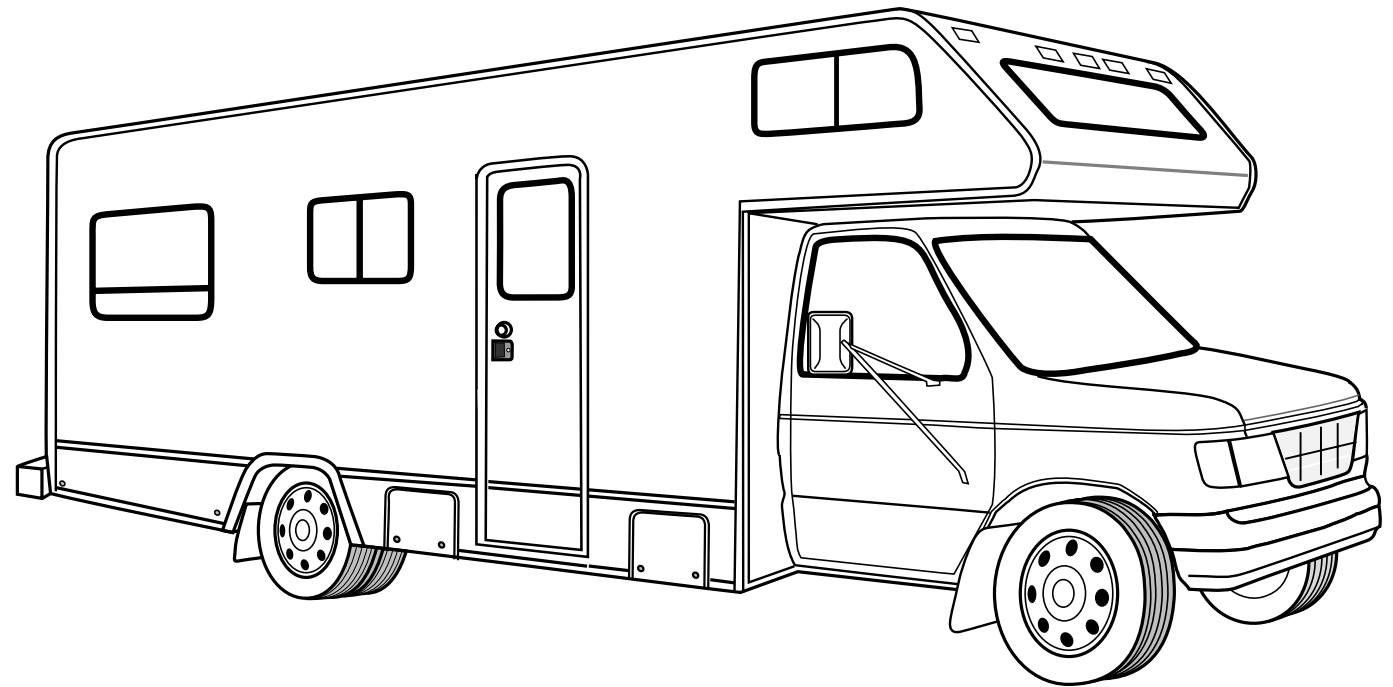
**1996
IF324RC**

G21

SANDSCAPE (BROWN)

G22

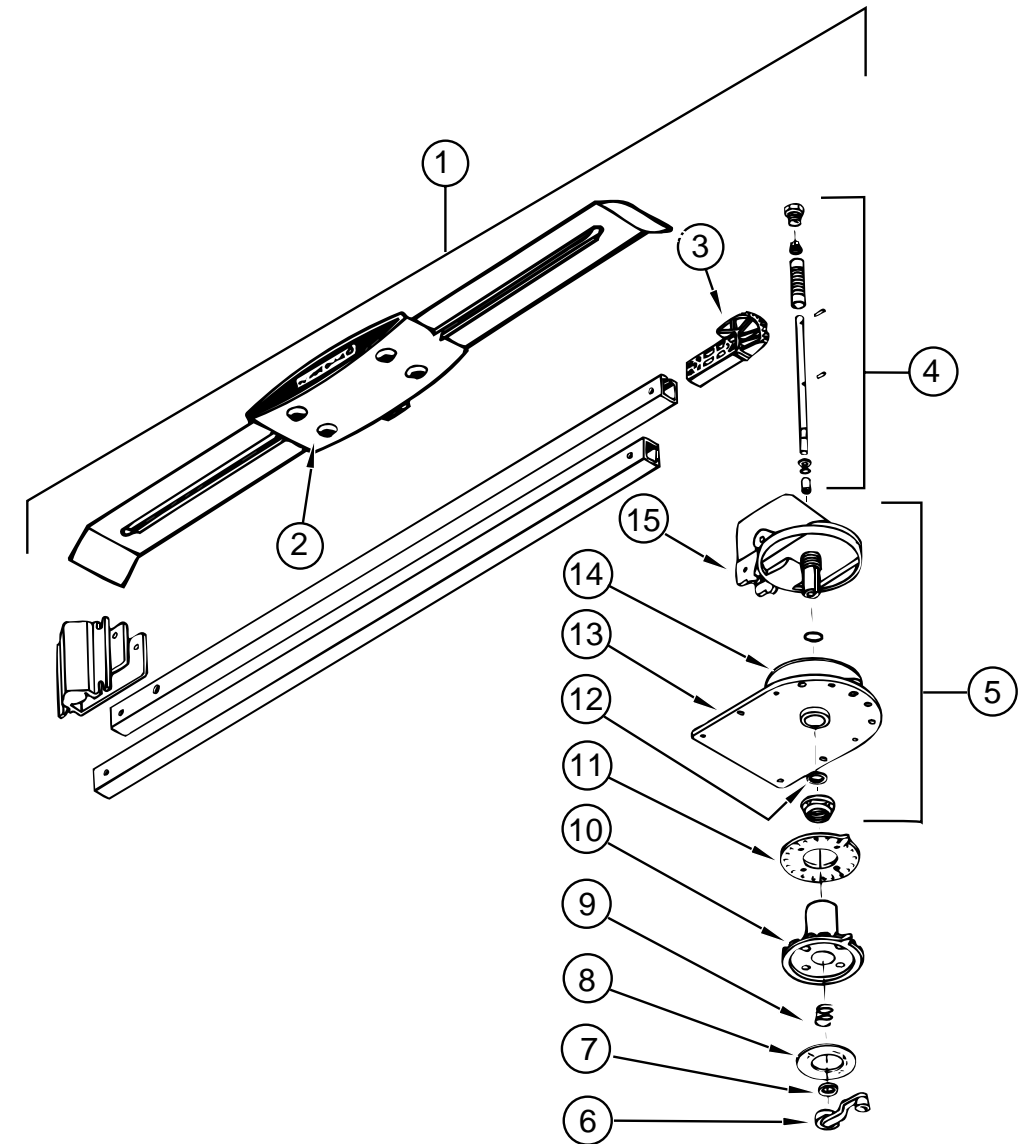
BATIK (BLUE)



**ACCESSORIES GROUP
OPERATORS MANUAL**

KEY	PART NUMBER	U/M	DESCRIPTION
	054185-E4-000	EA	MANUAL-OPERATOR, 1996 SPIRIT - 300 SERIES
	092318-01-000	EA	BINDER - 3 RING, MOTOR HOME MANUAL
	092319-01-000	EA	POCKET PAGE - 3 RING BINDER, PLASTIC
	117936-01-000	DW	TOP LEVEL DRAWING - 1996 C BODY

AUDIO VIDEO GROUP



TV ANTENNA - WINEGARD - MODEL RVA W02

KEY	PART NUMBER	U/M	DESCRIPTION	VENDOR NO.
1	076319-01-000	EA	ANTENNA-TV, ROOF MOUNT - 44.5" MAST	RVSA U/V
2	076319-01-700	EA	HEAD-ANTENNA, AMPLIFIED	2200046
3	076319-01-701	EA	GEAR-ELEVATING, PLASTIC	RVP-400A
4	076319-01-702	EA	SHAFT ASSEMBLY-ELEVATING	2762802
5	076319-01-711	EA	BASE & LIFT ASSEMBLY	5755100
6	076319-01-706	EA	CRANK-ELEVATING, W/SET SCREW	200658
7	076319-01-705	EA	GROMMET-NYLON, 7/8" ID	5413002
8	076319-01-708	EA	DECAL-CRANK	5160800
9	076319-01-707	EA	SPRING-HANDLE	3200644
10	076319-01-709	EA	PLATE-DIRECTIONAL, FOR HEAD	3200608
11	076319-01-712	EA	PLATE-CEILING	3200657
12	076319-01-704	EA	BEARING-NYLON, 1.25" OD	3100523
13	076319-01-713	EA	PLATE-BASE, STEEL	3200656
14	076319-01-703	EA	BEARING-NYLON, 5" OD	2200049
15	076319-01-714	EA	HOUSING, ROTATING GEAR	

AUDIO VIDEO GROUP (CONTINUED)
RADIO SPEAKER GRILLE

KEY	PART NUMBER	U/M	DESCRIPTION
	111177-01-01A	EA	GRILLE-SPEAKER, OVAL - 5" X 7" - GRAY - MAGNADYNE SB68
	108137-01-000	EA	PLUG-ANTENNA HOLE

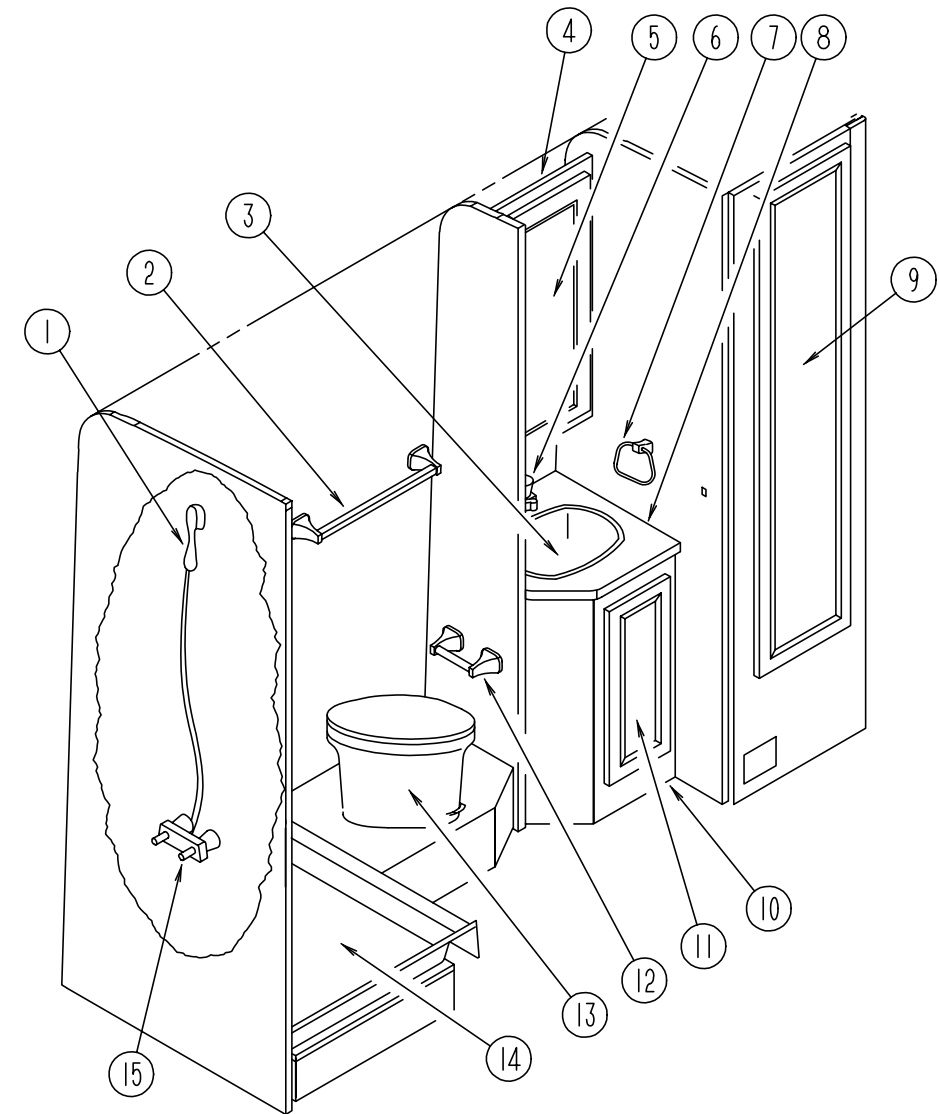
RADIO-PATIO ENTERTAINMENT CENTER

KEY	PART NUMBER	U/M	DESCRIPTION
	087683-03-000	EA	RADIO-AM/FM STEREO CASSETTE - AUDIOVOX RS-100
	090944-01-000	EA	ANTENNA-RADIO, 16" RUBBER
	108847-01-000	EA	BRACKET-ANTENNA GROUND
	077069-02-000	EA	CABLE-ANTENNA, RADIO - EXTENSION 96" - ARA 6700667
	076319-03-000	FT	CABLE-COAXIAL, 75 OHM
	076319-12-000	EA	CONNECTOR-COAXIAL, ONE PIECE
	082134-01-000	EA	ADAPTER-CABLE TO CABLE, WINEGARD F-81M
	086756-01-000	EA	SPLITTER-TV, 2 WAY
	109889-01-000	EA	EXTENDER-SHAFT, ANTENNA - 1" - MAGNADYNE RV71EX1
	110469-01-000	EA	SPEAKER-OVAL, 4" X 6" - COAXIAL - MAGNADYNE F46XB-12
	110470-01-01A	EA	GRILLE-SPEAKER, OVAL 4" X 6" - BLACK - MAGNADYNE G46WI

TV - VCR SYSTEMS

KEY	PART NUMBER	U/M	DESCRIPTION	VENDOR NO.
	113684-01-000	EA	TV - 19" COLOR, UL AND CSA - AUDIOVOX AVT-1975	
	113684-01-700	EA	REMOTE	8822345
	098446-07-000	EA	VCR-VHS, CABLE READY - REMOTE - MAGNAVOX VR9320	
	098446-07-700	EA	REMOTE-VCR/VHS	8874589
	086757-03-000	EA	CONTROL CENTER-SWITCH, VCR/TV - AUDIOVOX AVCC-100	
	082134-01-000	EA	ADAPTER-TV, CABLE TO CABLE - WINEGARD F-81M	
	076319-06-000	EA	ADAPTOR-CABLE ROOF PLATE, WINEGARD RPJ-1	
	082134-01-000	EA	ADAPTER-TV, CABLE TO CABLE - WINEGARD F-81M	
	086777-02-000	EA	WALLPLATE-TV CABLE, W/ANTENNA SWITCH - BROWN	
	086777-06-000	EA	WALLPLATE-ANTENNA, 1 OUTPUT BROW - WINEGARD RV-0931	
	076319-03-000	FT	CABLE-COAXIAL, 75 OHM	
	076319-12-000	EA	CONNECTOR-COAXIAL, ONE PIECE	
	082136-01-000	EA	NUT-HEX JAM 3/8-32, WINEGARD	

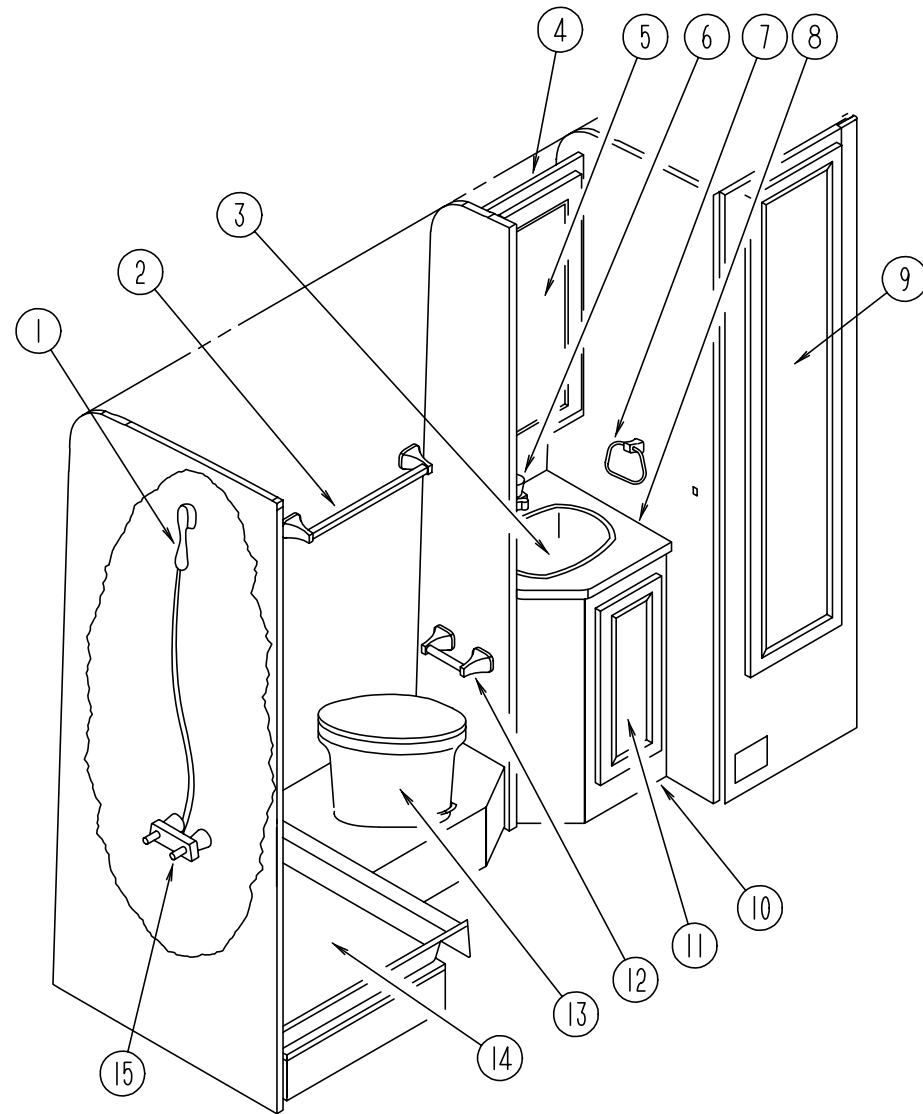
BATH GROUP



BATHROOM CABINETS & FIXTURES

KEY	PART NUMBER	U/M	DESCRIPTION
1	103092-02-000	EA	SHOWER HEAD-W/HOSE ONDINE 23213NYLON B
1	103092-01-000	EA	SHOWER HEAD-W/60" HOSE
	103092-01-700	EA	BRACKET-SHOWER HEAD, CLEAR 2328028
	011048-03-700	EA	BRACKET/F SHOWER HEAD 2328029-3
2	075453-02-000	EA	BAR-TOWEL, 18" BRASS
3	096927-01-01A	EA	SINK-LAVATORY, RECTANGULAR - PLASTIC - BONE
	096927-01-700	EA	SINK-STOPPER
	096927-01-701	EA	TAILPIECE-SINK
4	116863-01-G01	EA	CABINET-MEDICINE, W/O DOOR & HARDWARE
5	115237-04-G01	EA	DOOR-MEDICINE CABINET, W/MIRROR - W/O HARDWARE
	093606-03-000	EA	MIRROR-DOOR, MEDICINE CABINET
6	075240-06-000	EA	FAUCET-LAVATORY, BONE
	091253-01-000	EA	GASKET-FAUCET
7	075454-02-000	EA	RING-TOWEL, W/MOUNTING HARDWARE - BRASS
8	116862-11-G21	EA	COUNTERTOP-CABINET, LAVATORY (G21)
8	116862-11-F09	EA	COUNTERTOP-CABINET, LAVATORY (G22)

BATH GROUP (CONTINUED)



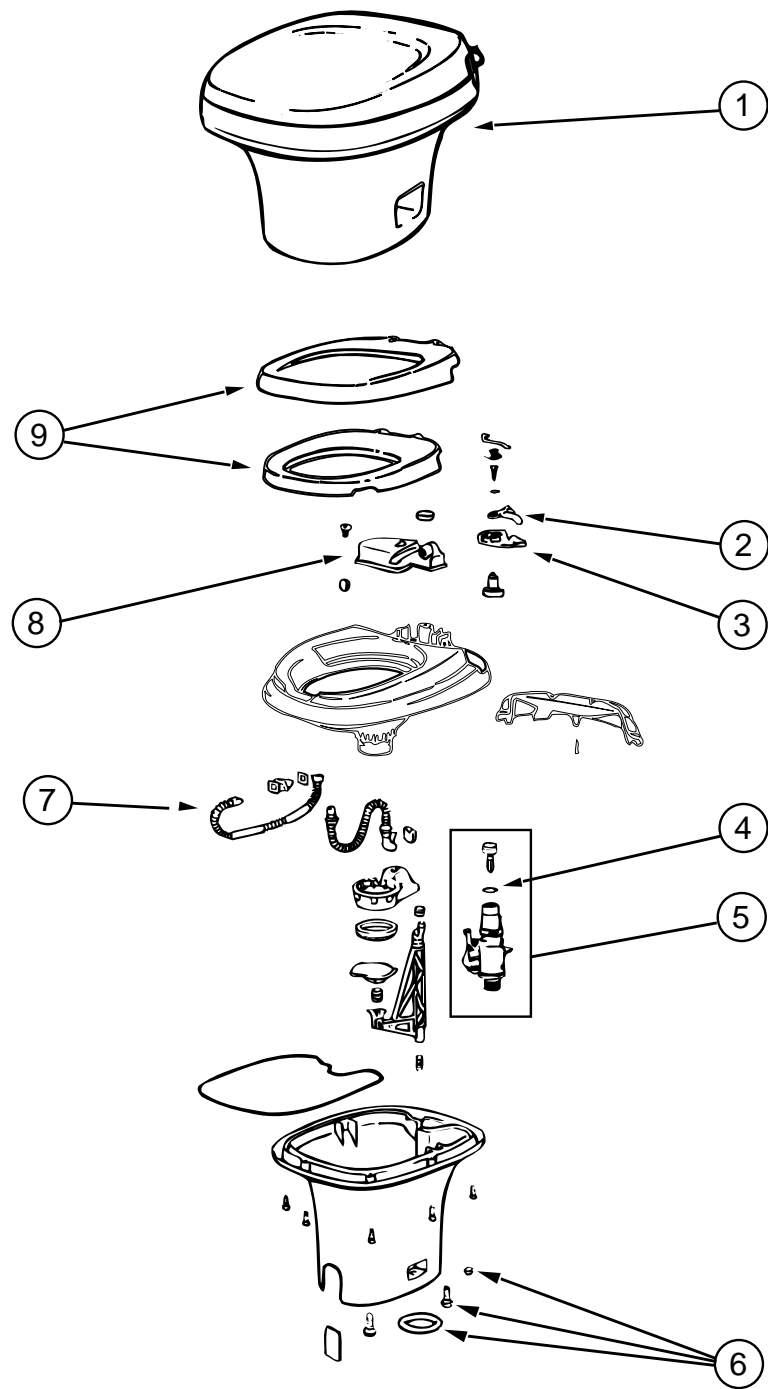
BATH GROUP (CONTINUED) BATHROOM CABINETS & FIXTURES (CONTINUED)

KEY	PART NUMBER	U/M	DESCRIPTION
9	110140-30-G01	EA	DOOR-CABINET, W/MIRROR - 395MM X 1155MM
	009112-01-000	EA	FLANGE - 1" ROD, CLOTHES - PLASTIC - OFF WHITE
	042438-01-000	EA	DOWEL-WOOD, CLOTHES ROD - 1" X 4' LONG
10	P16862-01-G21	EA	CABINET-LAVATORY, W/O DOOR & HARDWARE
10	P16862-01-G22	EA	CABINET-LAVATORY, W/O DOOR & HARDWARE
11	110140-09-G01	EA	DOOR-CABINET, W/O HARDWARE - 280MM X 555MM
12	075452-02-000	EA	HOLDER-TOILET TISSUE, BRASS
13	067487-01-000	EA	TOILET - 12.37", IVORY - HAND FLUSH - THETFORD 150110
14	M02673-05-B13	EA	PAN-SHOWER, OFF WHITE
	066436-01-000	EA	NUT-SLIP, TAILPIECE - 1.5"
	066440-01-000	EA	STRAINER-SHOWER, W/RUBBER WASHER
	069735-01-000	EA	WASHER-STRAINER TO TAILPIECE PLASTIC, 1.5"
15	075241-05-000	EA	FAUCET-SHOWER, BONE
	075606-01-000	EA	PANEL-FAUCET BACK, SHOWER - 5" X 9" - PLASTIC
	057671-01-000	EA	COVER-SCREW, #8 - PLASTIC - OFF WHITE

BATH PRIVACY DOOR

KEY	PART NUMBER	U/M	DESCRIPTION
	100494-09-G01	EA	DOOR-PRIVACY, BATH, W/O HARDWARE
	009151-01-000	EA	GUARD-WARP, CABINET/PRIVACY DOOR - 48"
	058335-02-000	EA	LATCH-SHOWER/BATH DOOR, W/O LOCK - PLASTIC - BROWN

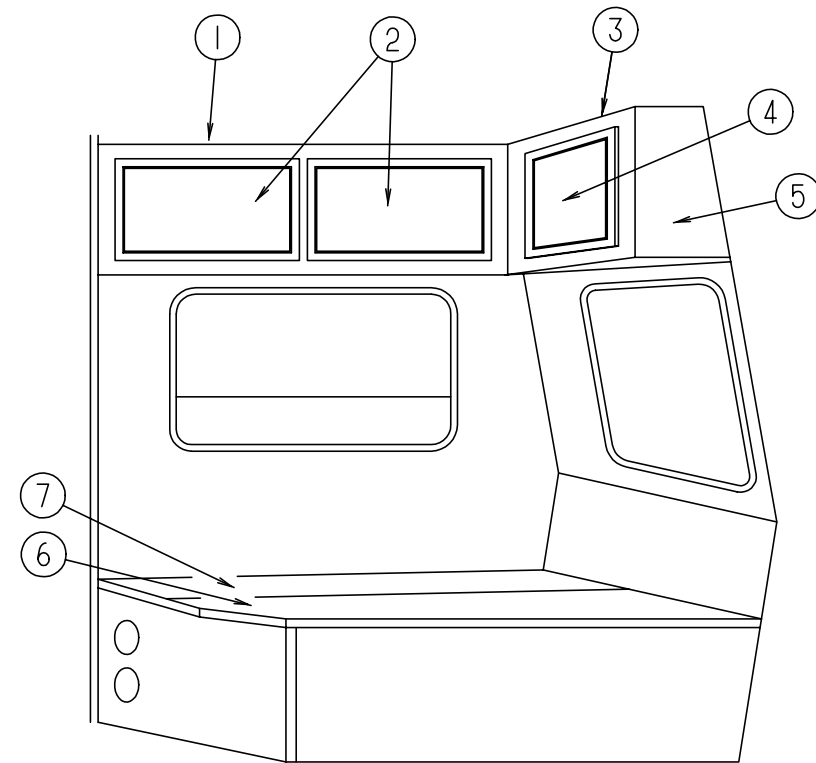
BATH GROUP (CONTINUED)



TOILET & COMPONENTS - MODEL AQUA MAGIC IV LOW

KEY	PART NUMBER	U/M	DESCRIPTION	VENDOR NO.
1	067487-01-000	EA	TOILET - 12.37", IVORY - HAND FLUSH 150110	
2	063740-01-700	EA	LEVER-WATER	12514
3	063740-01-701	EA	LEVER-FLUSH	12515
4	063740-01-713	EA	SEAL-BALL VALVE TO BOWL	12502
5	063740-01-714	EA	VALVE ASSEMBLY-WATER	12492
6	063740-01-706	EA	BOLT PACKAGE-CLOSET	12524
7	063740-01-717	EA	TUBE-FLUSH, TOILET	12509
8	067487-02-702	EA	TANK-RESERVOIR	12507
9	063740-02-700	EA	SEAT & COVER, PARCHMENT	2464157

BEDROOM GROUP



BEDROOM CABINETS

KEY	PART NUMBER	U/M	DESCRIPTION
1	115846-01-G01	EA	CABINET-OVERHEAD, PASSENGER SIDE
2	110140-18-G01	EA	DOOR-CABINET, W/O HARDWARE - 400MM X 710MM
3	115845-01-G01	EA	CABINET-OVERHEAD, REAR
4	110140-21-G01	EA	DOOR-CABINET, W/MIRROR - 400MM X 710MM
4	110140-18-G01	EA	DOOR-CABINET, W/O HARDWARE - 400MM X 710MM
5	109908-26-G01	EA	END CAP-CABINET
6	M07448-02-G01	EA	TOP-CABINET, DOUBLE BED - PASSENGER SIDE
7	M07448-01-000	EA	TOP-CABINET, DOUBLE BED - W/CUT CORNER - DRIVER SIDE
	057205-03-000	EA	ANGLE-SUPPORT, BED - 1" X 1.5" X 74" - METAL - OFF WHITE
	089076-03-000	EA	SUPPORT-BED, H-CHANNEL - 1.96" X 72.7" - ALUMINUM - BEIGE

**CHASSIS GROUP
WHEEL LINERS - DICOR**

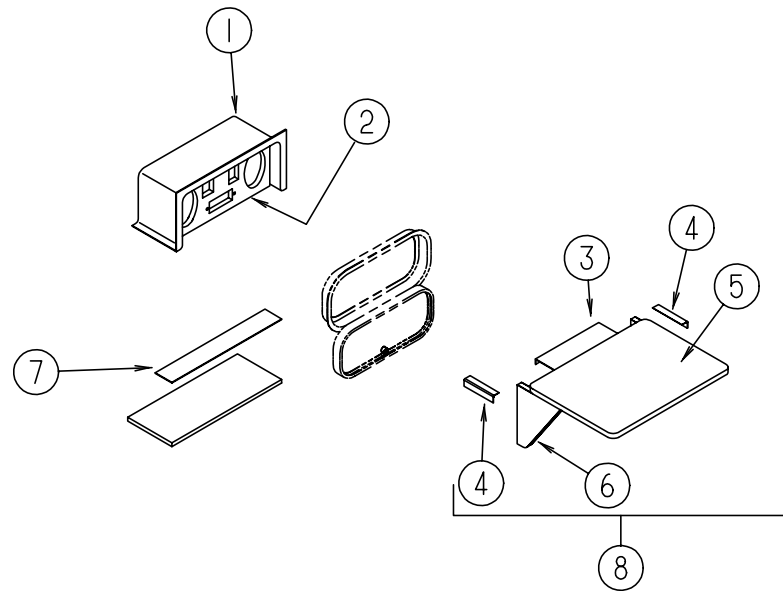
KEY	PART NUMBER	U/M	DESCRIPTION	VENDOR NO.
	110435-02-000	EA	LINER-WHEEL, SET 4 V160F2	
	110435-02-700	EA	LINER-WHEEL, FRONT	V160F2-FWC
	110435-02-701	EA	LINER-WHEEL, REAR	V160F2-RWC
	110435-02-702	EA	STUD EXTENSION	V160SD-STX
	110435-02-703	EA	NUT-JAMB	V160SD-JNT
	110435-02-704	EA	LUG NUT COVER	V160F0-LNC
	110435-02-705	EA	TOOL-JAMB NUT, INSTALLATION	V160F0-TOL

WHEEL COVERS

KEY	PART NUMBER	U/M	DESCRIPTION
	109443-05-000	EA	WHEEL COVER - 4/SET, 16" - STAINLESS STEEL - DICOR SHFM16
	109443-05-700	EA	COVER-WHEEL, 16" SHFM16-CVR
	098532-01-700	EA	COVER-LUG NUT, ABS PLATED

TIRE & WHEEL

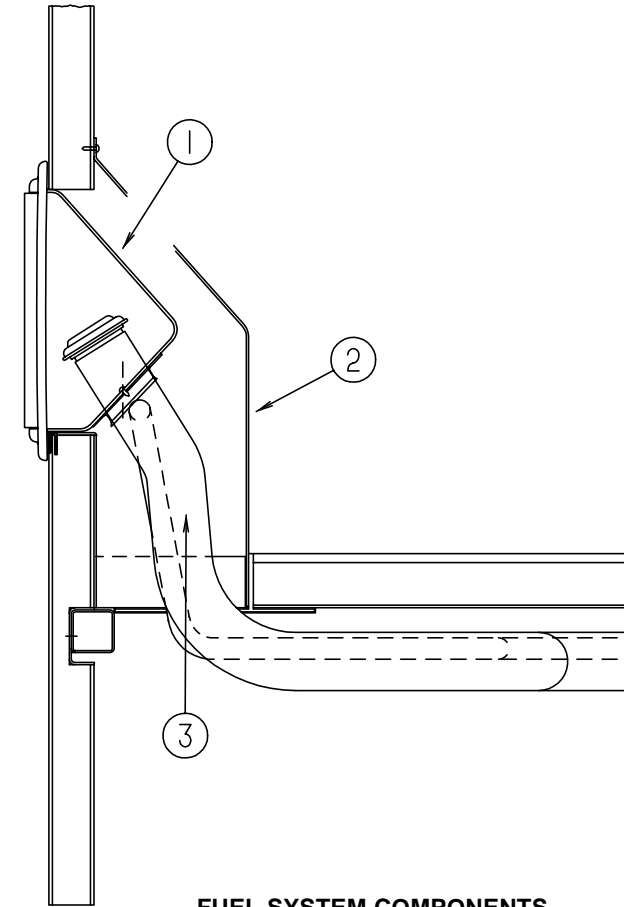
KEY	PART NUMBER	U/M	DESCRIPTION
	083425-11-000	EA	TIRE-LT225/75R16 LRD - MICHELIN - LTX A/S
	083617-03-000	EA	WHEEL-STEEL, 16.0 X 6 - ACCURIDE 28618
	095012-03-000	EA	EXTENSION-VALVE STEM, DUAL WHEEL
	112358-01-000	EA	WRENCH-LUG, 7/8 - L-SHAPE FORD F2UA-17035-CA



EXTERIOR ENTERTAINMENT CENTER

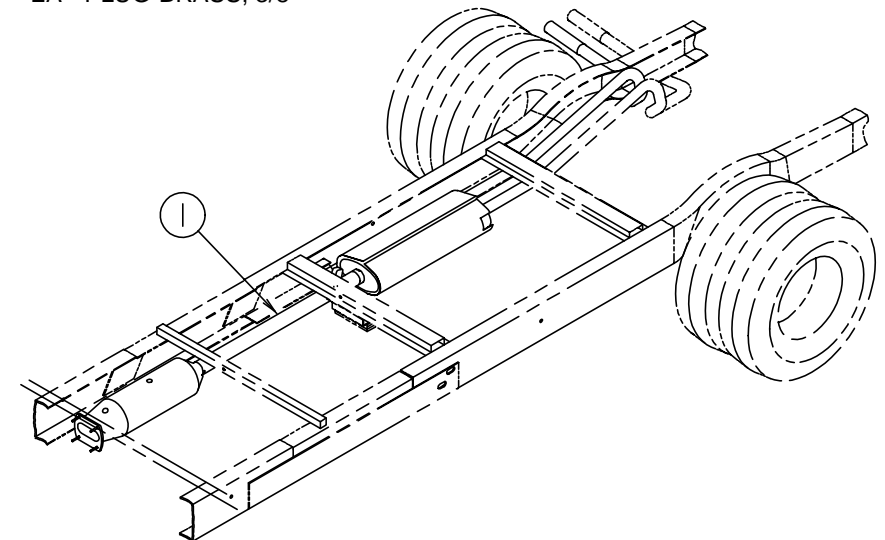
KEY	PART NUMBER	U/M	DESCRIPTION
1	104897-02-02A	EA	BOX-ENTERTAINMENT CENTER, BRIGHT WHITE
2	104899-01-C05	EA	PLATE-RADIO MOUNTING
3	105377-01-01A	EA	BRACKET-TABLE HANGER, OFF WHITE
4	105376-01-02A	EA	HINGE-CONTINUOUS, 2" X 140MM - OFF WHITE
5	105230-11-E01	EA	SHELF ASM
6	105230-12-F11	EA	SUPPORT-SHELF
7	104898-01-02A	EA	PLATE-PLASTIC BOTTOM, BRIGHT WHITE
8	105230-01-F11	EA	SHELF-EXTERIOR TV

CHASSIS GROUP (CONTINUED)



FUEL SYSTEM COMPONENTS

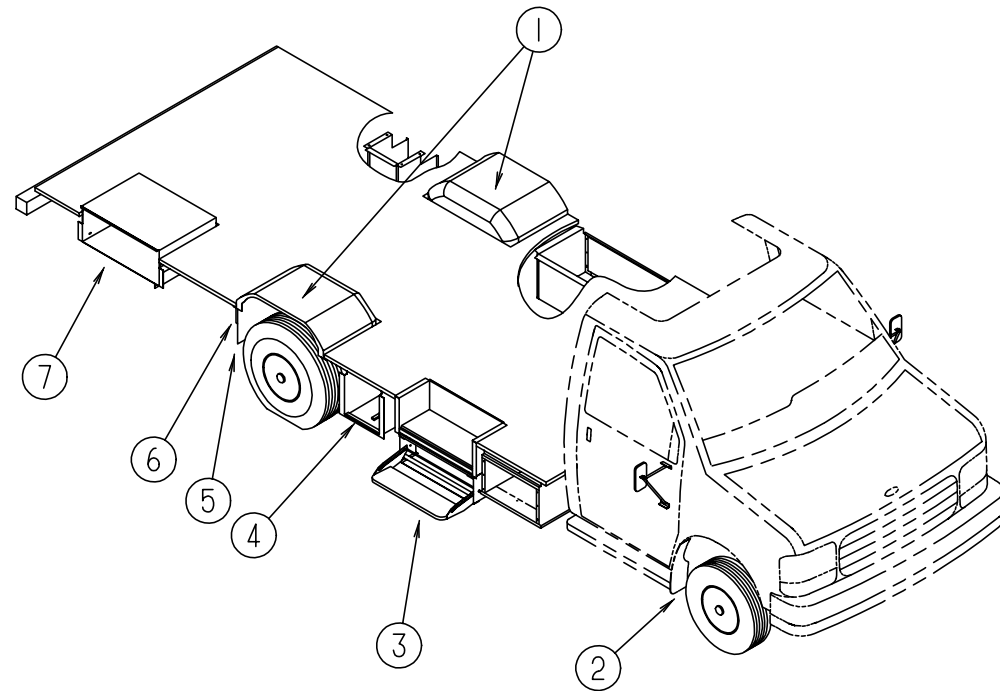
KEY	PART NUMBER	U/M	DESCRIPTION
1	095854-01-04A	EA	SHROUD-FUEL FILL, PLASTIC - BRIGHT WHITE
2	078040-05-000	EA	SHROUD-FUEL FILL, UPPER
3	116043-01-000	EA	NECK-FUEL FILL, MAIN - GAS
3	116043-02-000	EA	NECK-FUEL FILL, MAIN - DIESEL
	007063-01-000	FT	HOSE-GAS, 1/4" ID X 1/2" OD
	084884-01-000	EA	PLUG-BRASS, 3/8"



EXHAUST SYSTEM & HEAT SHIELD

KEY	PART NUMBER	U/M	DESCRIPTION
	091182-01-000	EA	SHIELD-HEAT, 27.2" X 11" - STEEL
1	098762-13-000	EA	PIPE-EXHAUST, STRAIGHT - 3.5" - DIESEL
	094918-02-000	EA	CLAMP-EXHAUST, 3.5" - GUILLOTINE STYLE
1	111478-02-000	EA	PIPE-EXHAUST, DUAL EXHAUST - GAS
	094918-06-000	EA	CLAMP-EXHAUST, 3" - HEAVY DUTY - HECO 24698

CHASSIS GROUP (CONTINUED)



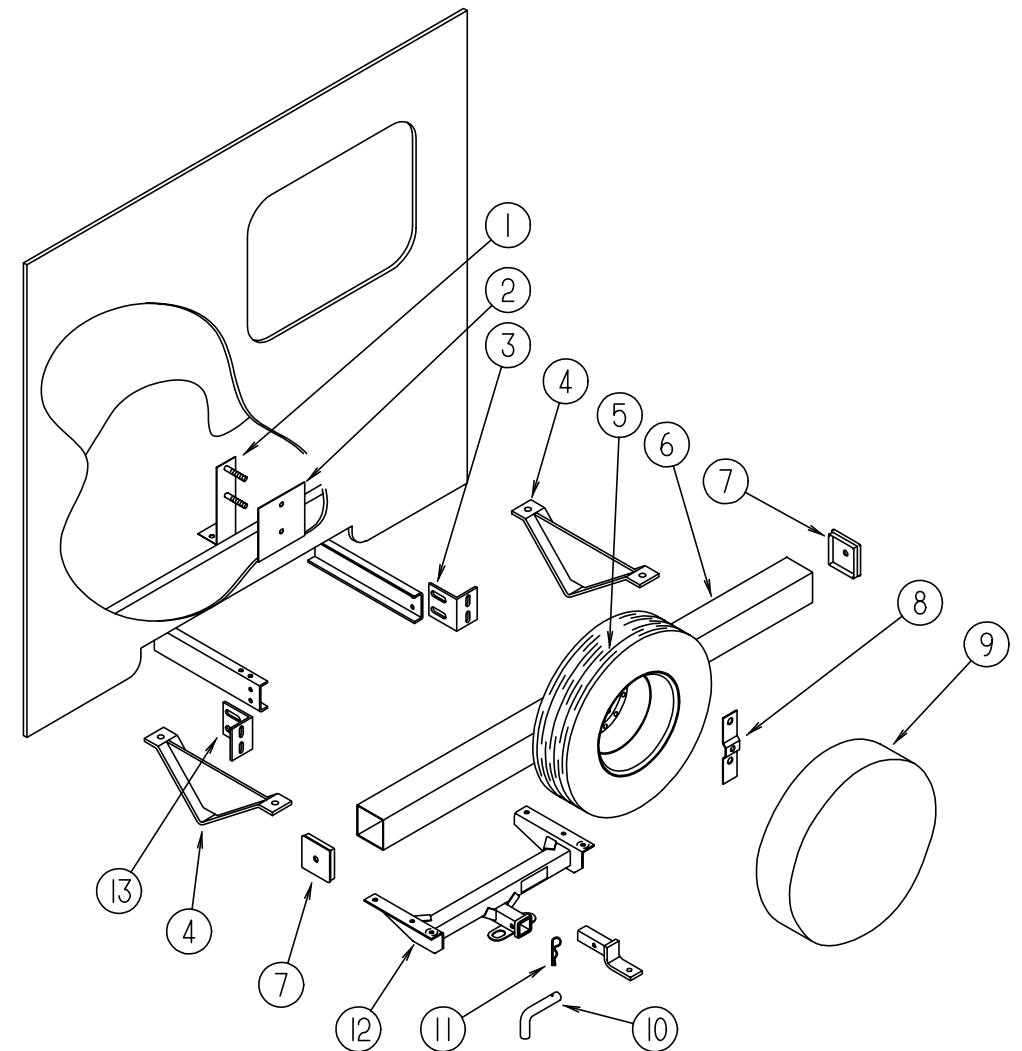
MISCELLANEOUS CHASSIS COMPONENTS

KEY	PART NUMBER	U/M	DESCRIPTION
1	096322-01-000	EA	WHEELWELL-PLASTIC
2	072884-27-703	EA	FLAP-MUD, FRONT - W/HOLES - SET OF 2 - RUBBER - BLACK
3	077848-02-000	EA	STEP-PULLOUT
	102569-04-000	EA	MAT-ANTI SLIP SAFETY TRACK 3100
	076241-14-000	EA	SUPPORT-STEP, ENTRY DOOR
	091176-01-000	EA	SUPPORT-BASE, ENTRANCE STEP
4	105203-02-000	EA	COMPARTMENT-BATTERY
	084993-01-000	EA	STRAP ASSEMBLY-BATTERY, WEBBING & BUCKLE - 1100MM X 1" WIDE
	084993-02-000	EA	STRAP ASSEMBLY-BATTERY, WEBBING & BUCKLE - 1400MM X 1" WIDE
5	017516-01-000	EA	FLAP-MUD, 14" X 18" - BLACK - REAR
6	045731-05-000	EA	GUARD-ROCK
7	115775-01-02B	EA	COMPARTMENT ASM-GENERATOR, E-COAT
	114070-02-02B	EA	SUPPORT ASM-GENERATOR, E-COAT
	114071-02-02B	EA	SUPPORT ASM-GENERATOR, RT - E-COAT
	056748-01-000	EA	PLUG-CAP, 1.5" DIAMETER - BLACK
	115361-01-01A	EA	PLUG-PLASTIC, CAPPLUG NO.W5
	061420-01-000	EA	PLUG-PLASTIC, 1.75" - BROWN
	061420-05-000	EA	PLUG-PLASTIC, 1.8" DIAMETER

DRIVESHAFT

KEY	PART NUMBER	U/M	DESCRIPTION
	103653-10-000	EA	DRIVESHAFT ASM-BALANCED PAIR, 190" WHEELBASE (158) (DIESEL)
	115043-02-000	EA	BUSHING-INCREASE 2.5 OD - 3.5 OD - NEAPCO - FORD DIESEL
	103653-16-000	EA	DRIVESHAFT ASM-BALANCED PAIR, 190" WHEELBASE (158) (GAS)

CHASSIS GROUP (CONTINUED)



REAR BUMPER, HITCH & SPARE TIRE CARRIER

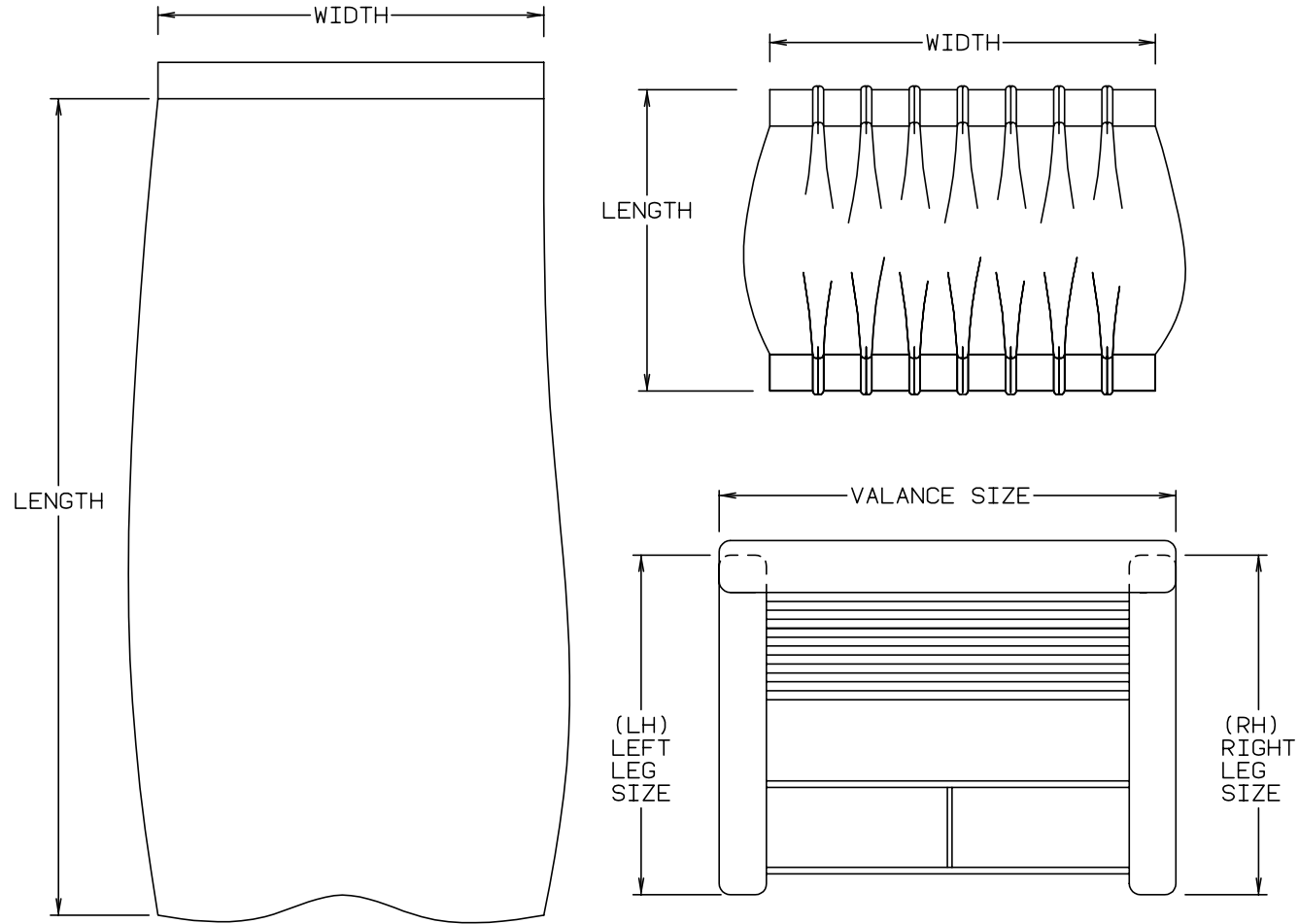
KEY	PART NUMBER	U/M	DESCRIPTION
1	105209-06-C52	EA	BRACKET ASSEMBLY-SPARE TIRE
2	105208-01-000	EA	PLATE-SPARE TIRE
3	104420-01-000	EA	SUPPORT-ANGLE, BUMPER REAR - RIGHT
4	083376-01-000	EA	PLATE-SKID, 13.2" X 6" X 2" - STEEL
5	083425-11-000	EA	TIRE - LT225/75R16 LRD, MICHELIN LTX A/S - FORD
6	103422-02-02A	EA	BUMPER-SQUARE, ALUMINUM - BRIGHT WHITE
7	039779-01-000	EA	CAP-BUMPER, RUBBER - 4" X 4" - BLACK
8	105531-02-000	EA	RETAINER ASSEMBLY-SPARE TIRE, FORD ONLY
9	073322-07-F15	EA	COVER-TIRE, 31"
	073322-50-000	EA	COVER-UNIVERSAL LINER
10	034512-01-000	EA	PIN-LOCKING, DRAWBAR
11	034513-01-000	EA	PIN-HITCH, 3/16" WIRE
12	107707-08-000	EA	HITCH-TRAILER, W/O DRAWBAR
13	104420-02-000	EA	SUPPORT-ANGLE, BUMPER REAR - LEFT
	097745-02-000	EA	HOUSING-RECEPTACLE, TRAILER - 48" WIRE LENGTH
	097744-02-000	EA	HOUSING-TRAILER PIN, 48"
	113589-01-000	EA	CONNECTOR-PLUG, TRAILER - GENERAL 433501
	113589-02-000	EA	CONNECTOR-SOCKET, TRAILER - GENERAL 433601
	113634-01-000	EA	WIRE ASSEMBLY-TRAILER, ADAPTER

CURTAIN & CUSHION GROUP

NOTICE

IN ORDER TO ASSIST OUR PARTS SALES DEPT. IN PROVIDING INTERIOR SOFTWARE ITEMS, PLEASE INCLUDE THE SERIAL NUMBER AND THE COLOR CODE NUMBER FROM THE VEHICLE CERTIFICATION LABEL WHEN ORDERING. THIS LABEL IS LOCATED ON THE LEFT SIDEWALL AT THE END OF THE DASH (A-BODY), OR ON THE DRIVER'S DOOR LATCH PLATE (C-BODY).

AN EXAMPLE OF A COLOR CODE NUMBER IS B07, WHICH DESIGNATES AN OVERALL COLOR SCHEME OF A PARTICULAR UNIT. THE COLOR LISTED AFTER THE ITEM DESCRIPTION ON THE MICROFICHE, INDICATES THE OVERALL UNIT COLOR. ORDER THE ITEM YOU DESIRE ACCORDING TO UNIT COLOR CODE.



NOTE: USE THIS ILLUSTRATION WHEN DETERMINING LENGTH AND WIDTH MEASUREMENTS FOR CURTAINS. YOU WILL NOTE THE WIDTH MEASUREMENT IS TAKEN ON THE TOP OF THE CURTAIN WITH THE CURTAIN FULLY EXTENDED. THE LENGTH MEASUREMENT IS TAKEN FROM TOP TO BOTTOM. LEFT AND RIGHT WINDOW LEGS ARE DETERMINED WHEN FACING THE WINDOW.

CURTAIN & CUSHION GROUP (CONTINUED) FABRICS

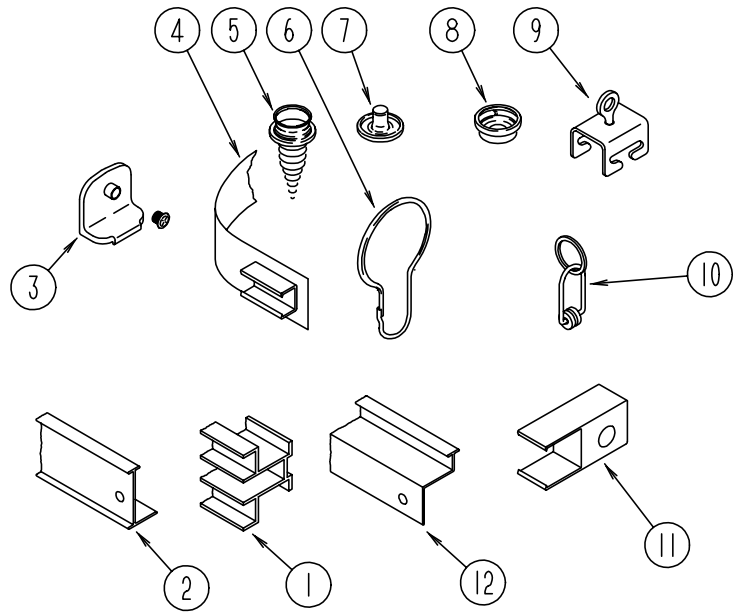
ITASCA 300's FABRIC		
Color Codes	G21	G22
	SANDSCAPE(BROWN)	BATIK (BLUE)
BUCKET SEATS DL	104233-59-000	108446-77-000
BUCKET SEATS	104233-59-000 108446-E3-000	108446-77-000 108446-G6-000
DINETTE CUSHIONS	108446-E4-000	108446-E5-000
DINETTE PADS	104233-59-000	108446-77-000
SOFA	108446-E4-000	108446-E5-000
SWIVEL CHAIR	108446-E3-000	108446-G6-000
LOUNGE/DINETTE VALANCE	108446-E3-000 108446-E4-000	108446-G6-000 108446-E5-000
LOUNGE/DINETTE LEG	108446-E3-000	108446-G6-000
BEDROOM VALANCE	105745-A7-000	105745-A3-000
BEDROOM CURTAIN	105745-A7-000	105745-A3-000
BEDSPREAD	105745-A7-000 105745-A9-000	105745-A3-000 105745-B4-000
PILLOW SHAMS	105745-A7-000 105745-A9-000	105745-A3-000 105745-B4-000
ENTRANCE DOOR VALANCE	108446-E3-000 108446-E4-000	108446-G6-000 108446-E5-000
BUNK CUSHIONS	108446-E3-000	108446-G6-000
OVERHEAD BUNK CURTAINS	105745-A7-000	105745-A3-000
BUNK PRIVACY	105745-A9-000	105745-B4-000
FRONT PRIVACY	105745-A9-000	105745-B4-000
BEDROOM PRIVACY	105745-A7-000 105745-A9-000	105745-A3-000 105745-B4-000
DRAPERY LINING	087272-03-000	087272-03-000
TIRE COVER	103907-05-000	103907-05-000
TIRE COVER LINER	069627-02-000	069627-02-000
HEADLINER	103907-01-01A	103907-01-01A
HEADLINER DL	113979-04-01A	113979-04-01A

NOTE: FABRIC LISTED FIRST IN A BLOCK IS THE LARGEST QUANTITY OF FABRIC USED

BUTTONS & WELT

KEY	PART NUMBER	U/M	DESCRIPTION
	070578-10-G21	EA	BUTTON-SCREW STUD - #30
	070578-10-G22	EA	BUTTON-SCREW STUD - #30
	079349-04-E08	EA	WELT-NARROW ACCENT (G21)
	079349-04-E24	EA	WELT-NARROW ACCENT (G22)

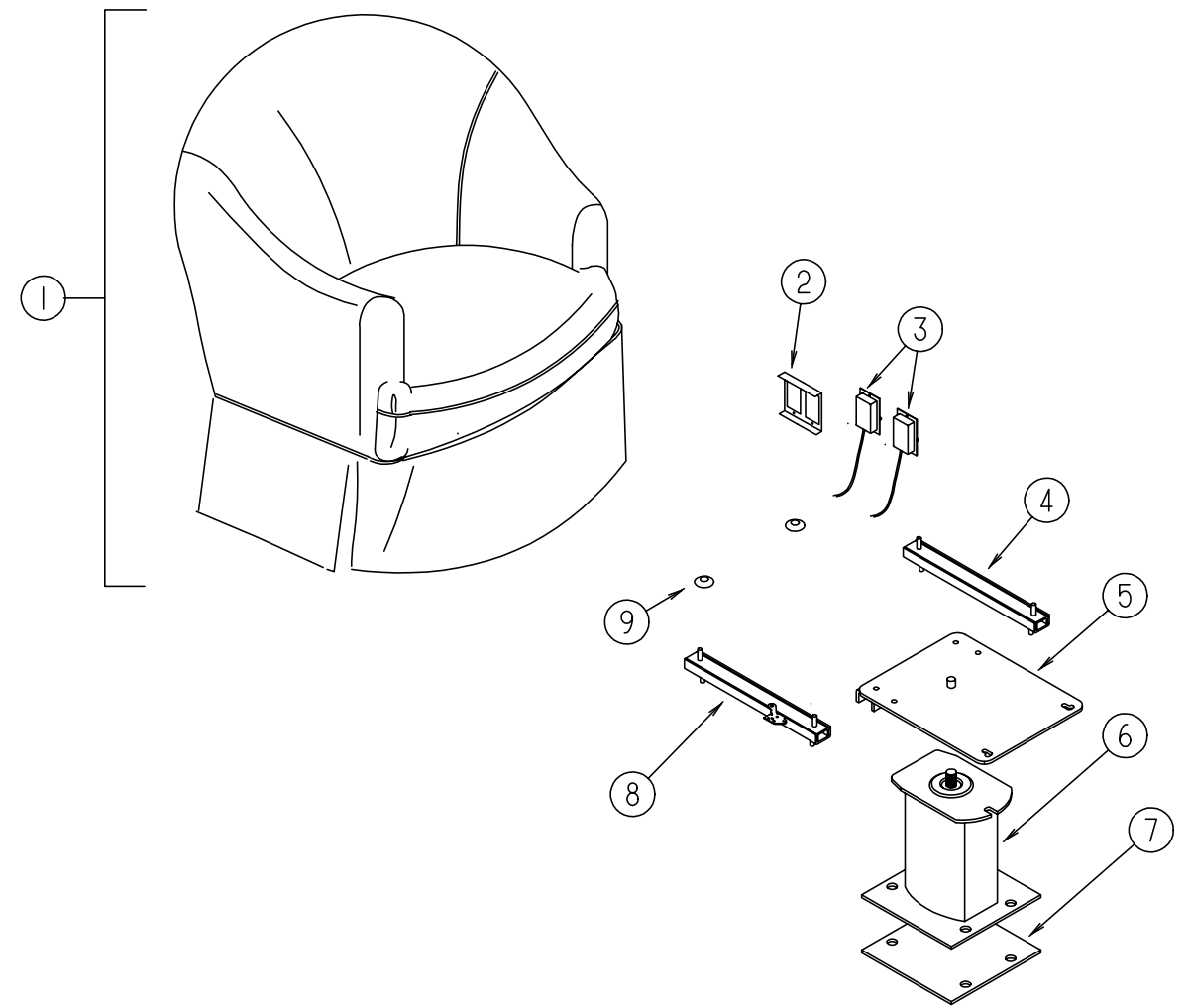
CURTAIN & CUSHION GROUP (CONTINUED)



CURTAIN & BLIND HARDWARE

KEY	PART NUMBER	U/M	DESCRIPTION
1	101033-03-000	FT	TRACK-WALL, WHITE - CT225 - SHAPCO
2	009700-04-002	EA	TRACK, L-SHAPED - 195.2" - OFF WHITE
3	106544-01-000	EA	PULL-SHADE, BRASS
	106544-01-001	EA	SCREW-BRASS, PULL SHADE
4	101031-01-000	YD	TAPE-GLIDE, CURTAIN - 4.25" SPACING
5	029130-01-000	EA	SCREW-SNAP SOCKET, 8 PH X 5/8"
6	009136-02-000	EA	HANGER-RING, PIN TYPE - CURTAIN - BRASS
7	029155-01-000	EA	CAP-SNAP, NICKEL
8	029156-01-000	EA	SOCKET-SNAP FASTENER, NICKEL
9	009702-01-000	EA	END STOP-CURTAIN CARRIER, L ROD
10	009701-01-000	EA	CARRIER-CURTAIN, L ROD
	009702-01-000	EA	END STOP-CURTAIN CARRIER, L ROD
11	101033-02-000	EA	END CAP-TRACK, CLEAR
12	105450-01-01A	EA	TRACK-CURTAIN, 30.8" LONG - ALUMINUM - OFF WHITE
12	105450-06-01A	EA	TRACK-CURTAIN, 88" LONG - ALUMINUM - OFF WHITE
12	105450-08-01A	EA	TRACK-CURTAIN, 38" LONG - ALUMINUM - OFF WHITE
	046867-01-000	EA	GROMMET-BRASS, 7/16" ID X 1" OD
	048394-02-000	YD	VELCRO TAPE-HOOK, ADHESIVE BACK - .75" WIDE - BEIGE
	075943-10-000	EA	BRACE-WINDOW VALANCE, 20" - ALUMINUM - OFF WHITE
	084433-05-000	EA	SHADE-ROLLER, 72.25"
	084434-01-000	FT	BRACKET-MOUNTING, ROLLER SHADE - 1 3/8"
	086276-01-000	FT	TAPE-DOUBLE SIDED, 1/2" - ROLLER SHADE
	088792-01-000	YD	VELCRO-HOOK, .75" WIDE - BEIGE
	088792-02-000	YD	VELCRO TAPE-LOOP, ADHESIVE BACKED - .75" WIDE - BEIGE
	088792-06-000	YD	VELCRO-3/4" NON-ADH., LOOP BUF MED
	096843-01-000	EA	SPRING-REWIND, ROLLER SHADE
	093475-01-701	EA	CAP-END, WITH INVERTED STUD
	093475-01-700	EA	WAND-BLIND W/METAL CLIP, 8"
	076827-02-000	EA	BRACKET-LEG, 2.9" X 1.8" TRIANGLE
	083170-01-000	EA	BRACKET-BLIND, LEFT SIDE WHEN FACING WINDOW
	083170-02-000	EA	BRACKET-BLIND, RIGHT SIDE WHEN FACING WINDOW
	109441-01-000	EA	HOLD DOWN-BLIND, HOOK
	117237-01-000	EA	BRACKET-MOUNTING, 2.5" X .75" - CLEAR ACRYLIC
	094896-02-000	EA	GROMMET-CORD, PLEATED BLIND - NYLON - GRAY
	097593-02-000	EA	CORD-PLEATED BLIND, DAWN GRAY (G21/G22)
	094907-02-000	EA	HARDWARE-END CAP, TOP
	094907-04-000	EA	HARDWARE-END CAP, BOTTOM - PULL TYPE
	117237-01-000	EA	BRACKET-MOUNTING, 2.5" X .75" - CLEAR ACRYLIC
	097564-01-000	EA	HANDLE-T, E-Z LIFT SHADE
	097591-01-000	EA	SPRING-EXTENSION, PLEATED BLIND
	097592-01-000	EA	SPOOL-CORD, ELEVATED BLIND HOLDUP - CLEAR PLASTIC
	110943-01-000	EA	FELT STRIP, SOFT ADHESIVE - 3/8"

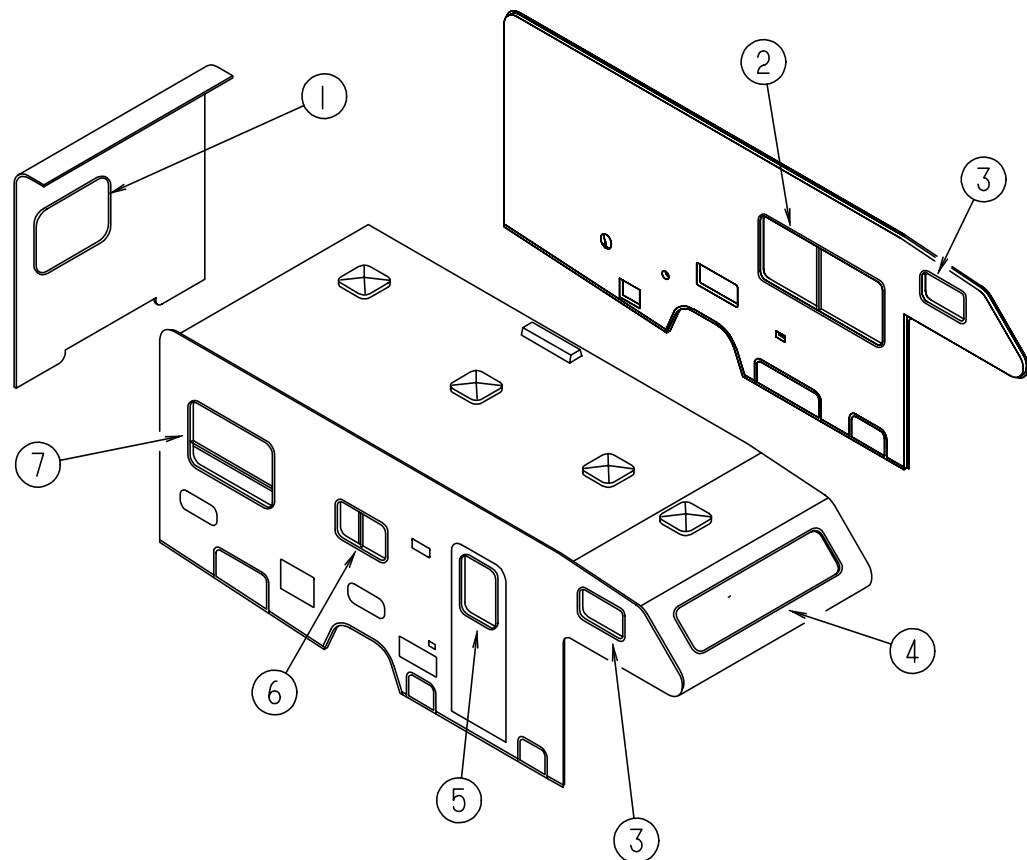
CURTAIN & CUSHION GROUP (CONTINUED)



SWIVEL CHAIR

KEY	PART NUMBER	U/M	DESCRIPTION
1	115470-01-G21	EA	CHAIR-SEIRRA, W/SKIRT
1	115470-01-G22	EA	CHAIR-SEIRRA, W/SKIRT
	P15470-01-G21	EA	COVER-CHAIR, SEIRRA
	P15470-01-G22	EA	COVER-CHAIR, SEIRRA
2	097683-02-000	EA	BRACKET-MOUNT, REMOTE
3	108049-03-000	EA	CABLE - 26", Z END CABLE
	108049-02-000	EA	CLIP-CABLE, PEDESTAL - FLEXSTEEL 2592-CA
	117125-01-02B	EA	BRACKET-CABLE HOLDER, E COAT
4	119952-01-000	EA	SLIDE-SEAT, HD - NON-LOCKING - 2 STUDS - ATWOOD 83711
5	107921-08-000	EA	TOP PLATE-W/O SEAT BELT BAR, FLEXSTEEL 2759PDTP
	107921-06-000	EA	BEARING KIT-FLEXSTEEL
6	107921-01-000	EA	BASE-PEDESTAL, W/9.75" EXTENSION - FLEXSTEEL 3060 MSPD
7	108445-02-000	EA	SUB-PLATE, PEDESTAL - FLOOR MOUNTED
8	119952-03-000	EA	SLIDE-SEAT, HD - LOCKING - 2 STUDS - ATWOOD 83775
9	007221-01-000	EA	SPACER-SEAT ADJUSTER

CURTAIN & CUSHION GROUP (CONTINUED)



CURTAINS & WINDOW TREATMENT

KEY	PART NUMBER	U/M	DESCRIPTION
1	118064-01-G21	EA	VALANCE-WINDOW, VALENCIA - 52"
1	118064-01-G22	EA	VALANCE-WINDOW, VALENCIA - 52"
1	084755-92-F15	EA	SHADE-PULL, 50.25" (G21/G22)
1	111910-19-F09	EA	BLIND-DAY/NIGHTER, 50" X 28" DROP (G21)
1	111910-19-G22	EA	BLIND-DAY/NIGHTER, 50" X 28" DROP (G22)
2	118078-01-G21	EA	VALANCE-WINDOW, QUEST - 64.5"
2	118078-01-G22	EA	VALANCE-WINDOW, QUEST - 64.5"
2	119333-01-G21	EA	LEG-WINDOW, 25" - PLAIN - W/O HOLE - W/3.5" WOOD FACE - RH
2	119333-01-G22	EA	LEG-WINDOW, 25" - PLAIN - W/O HOLE - W/3.5" WOOD FACE - RH
2	119333-02-G21	EA	LEG-WINDOW, 25" - PLAIN - W/O HOLE - W/3.5" WOOD FACE - LH
2	119333-02-G22	EA	LEG-WINDOW, 25" - PLAIN - W/O HOLE - W/3.5" WOOD FACE - LH
2	084755-96-G01	EA	SHADE-PULL, 60.25" - W/O TRIM (G21/G22)
2	111910-22-F32	EA	BLIND-DAY/NIGHTER, 60" X 28.5" DROP (G21)
2	111910-22-G22	EA	BLIND-DAY/NIGHTER, 60" X 28.5" DROP (G22)
3	101034-51-G21	EA	CURTAIN-WINDOW, DARTED TAPE TOP - W/LINING - 19" X 34" - RH
3	101034-51-G22	EA	CURTAIN-WINDOW, DARTED TAPE TOP - W/LINING - 19" X 34" - RH
3	101034-52-G21	EA	CURTAIN-WINDOW, DARTED TAPE TOP - W/LINING - 19" X 34" - LH
3	101034-52-G22	EA	CURTAIN-WINDOW, DARTED TAPE TOP - W/LINING - 19" X 34" - LH

CURTAIN & CUSHION GROUP (CONTINUED)

CURTAINS & WINDOW TREATMENT (CONTINUED)

KEY	PART NUMBER	U/M	DESCRIPTION
4	101034-33-G21	EA	CURTAIN-WINDOW, DART TAPE TOP & BOTTOM - 21" X 60" - RH
4	101034-33-G22	EA	CURTAIN-WINDOW, DART TAPE TOP & BOTTOM - 21" X 60" - RH
4	101034-34-G21	EA	CURTAIN-WINDOW, DART TAPE TOP & BOTTOM - 21" X 60" - LH
4	101034-34-G22	EA	CURTAIN-WINDOW, DART TAPE TOP & BOTTOM - 21" X 60" - LH
5	118071-04-G21	EA	VALANCE-WINDOW, QUEST - 29" L X 6" W
5	118071-04-G22	EA	VALANCE-WINDOW, QUEST - 29" L X 6" W
5	084755-57-E07	EA	SHADE-PULL, 27.25" - W/O TRIM (G21/G22)
6	109041-20-02A	EA	BLIND-MINI, 31" X 18" DROP - BEIGE (G21)
	109353-07-02A	EA	VALANCE-BLIND, 31" SLAT - BEIGE (G21)
6	109041-20-01A	EA	BLIND-MINI, 31" X 18" DROP - PURE SILVER (G22)
	109353-07-01A	EA	VALANCE-BLIND, 31" SLAT - PURE SILVER (G22)
	109353-04-000	EA	CLIP-VALANCE SLAT MOUNTING, CLEAR PLASTIC
7	118064-01-G21	EA	VALANCE-WINDOW, SUNDANCE - 52"
7	118064-01-G22	EA	VALANCE-WINDOW, SUNDANCE - 52"
7	084755-92-F15	EA	SHADE-PULL, 50.25" (G21/G22)
7	111910-19-F09	EA	BLIND-DAY/NIGHTER, 50" X 28" DROP (G21)
7	111910-19-G22	EA	BLIND-DAY/NIGHTER, 50" X 28" DROP (G22)

PRIVACY CURTAINS

KEY	PART NUMBER	U/M	DESCRIPTION
	076892-20-G21	EA	CURTAIN-BUNK PRIVACY, SNAP TOP - PLAIN - W/LINING - 50" X 78"
	076892-20-G22	EA	CURTAIN-BUNK PRIVACY, SNAP TOP - PLAIN - W/LINING - 50" X 78"
	101668-39-G21	EA	CURTAIN-BUNK PRIVACY, TAPE TOP - W/LINING - 35" X 50" - RIGHT
	101668-40-G21	EA	CURTAIN-BUNK PRIVACY, TAPE TOP - W/LINING - 35" X 50" - LEFT
	101668-39-G22	EA	CURTAIN-BUNK PRIVACY, TAPE TOP - W/LINING - 35" X 50" - RIGHT
	101668-40-G22	EA	CURTAIN-BUNK PRIVACY, TAPE TOP - W/LINING - 35" X 50" - LEFT
	101668-53-G21	EA	CURTAIN-BEDROOM PRIVACY, TAPE TOP - W/LINING - 70" X 60"
	101668-53-G22	EA	CURTAIN-BEDROOM PRIVACY, TAPE TOP - W/LINING - 70" X 60"

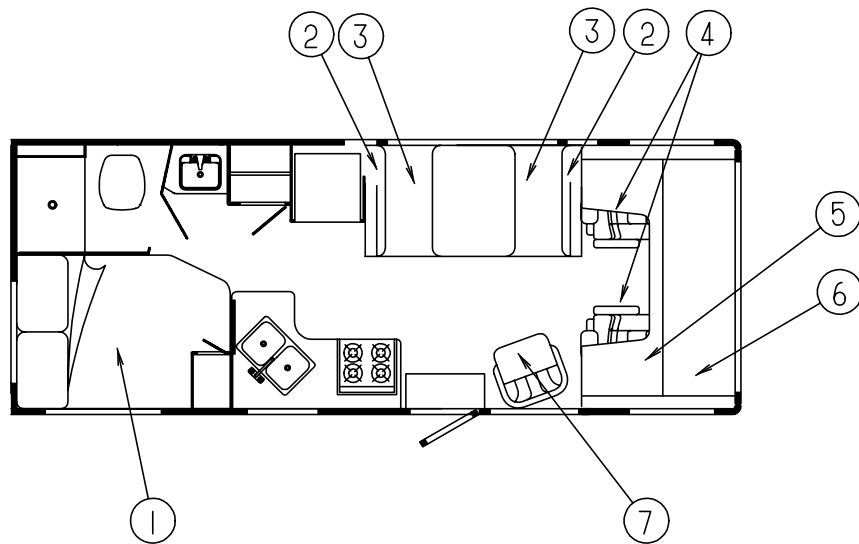
SHOWER CURTAINS

KEY	PART NUMBER	U/M	DESCRIPTION
	084481-24-G21	EA	CURTAIN-SHOWER, GROMMET TOP - 72" X 42" (G21)
	084481-24-E01	EA	CURTAIN-SHOWER, GROMMET TOP - 72" X 42" (G22)

CURTAIN TIEBACKS

KEY	PART NUMBER	U/M	DESCRIPTION
	073260-54-G21	EA	TIEBACK-SHOWER CURTAIN, 3" X 16" (G21)
	073260-54-E01	EA	TIEBACK-SHOWER CURTAIN, 3" X 16" (G22)
	073260-63-G21	EA	TIEBACK-ROOM DIVIDER CURTAIN, 4" X 15"
	073260-63-G22	EA	TIEBACK-ROOM DIVIDER CURTAIN, 4" X 15"
	073260-23-G21	EA	TIEBACK-BUNK PRIVACY CURTAIN, 3" X 18"
	073260-23-G22	EA	TIEBACK-BUNK PRIVACY CURTAIN, 3" X 18"
	057534-01-000	EA	TIEBACK/TIEDOWN-BED/CURTAIN/DOOR, 6" - PLASTIC - CLEAR

CURTAIN & CUSHION GROUP (CONTINUED)



DOUBLE BEDSPREAD, PILLOW & MATTRESS

KEY	PART NUMBER	U/M	DESCRIPTION
1	085365-37-G21	EA	BEDSPREAD-THROW, W/1/2" WELT - 54"
1	085365-37-G22	EA	BEDSPREAD-THROW, W/1/2" WELT - 54"
	104176-02-G21	EA	SHAM-PILLOW, W/1/2" WELT
	104176-02-G22	EA	SHAM-PILLOW, W/1/2" WELT
	101123-16-000	EA	MATTRESS-FOAM, 54" X 74" - CUT CORNER
	P01123-16-000	EA	COVER-MATTRESS, 54" X 74" - CUT CORNER

DINETTE CUSHIONS

KEY	PART NUMBER	U/M	DESCRIPTION
2	116134-01-G21	EA	CUSHION-BACKREST, 13" X 38" X 5"
2	116134-01-G22	EA	CUSHION-BACKREST, 13" X 38" X 5"
	P16134-01-G21	EA	COVER-CUSHION, BACKREST - 13.5" X 37.5" X 5"
	P16134-01-G22	EA	COVER-CUSHION, BACKREST - 13.5" X 37.5" X 5"
	078155-01-000	EA	STRAP-SNAP, BACKREST CUSHION
3	088927-87-G21	EA	CUSHION-SEATBASE, 23" X 38" X 5"
3	088927-87-G22	EA	CUSHION-SEATBASE, 23" X 38" X 5"
	M88927-87-G21	EA	COVER-CUSHION, SEATBASE - 23" X 38" X 5"
	M88927-87-G22	EA	COVER-CUSHION, SEATBASE - 23" X 38" X 5"

BUCKET SEATS

KEY	PART NUMBER	U/M	DESCRIPTION
4	110148-07-G21	EA	SEAT-ECONOMIZER III, HEADREST - PASSENGER OR DRIVERSIDE
4	110148-07-G22	EA	SEAT-ECONOMIZER III, HEADREST - PASSENGER OR DRIVERSIDE

CURTAIN & CUSHION GROUP (CONTINUED)

BUNK CUSHIONS

KEY	PART NUMBER	U/M	DESCRIPTION
5	105573-10-G21	EA	CUSHION-OVERHEAD BUNK, REAR - 27" X 23" X 80" X 5"
5	105573-10-G22	EA	CUSHION-OVERHEAD BUNK, REAR - 27" X 23" X 80" X 5"
	P05573-10-G21	EA	COVER-CUSHION, OVERHEAD BUNK - REAR - 27" X 23" X 80" X 5"
	P05573-10-G22	EA	COVER-CUSHION, OVERHEAD BUNK - REAR - 27" X 23" X 80" X 5"
6	105573-09-G21	EA	CUSHION-OVERHEAD BUNK, FRONT - DOUBLE ANGLED - 32.5" X 80" X 5"
6	105573-09-G22	EA	CUSHION-OVERHEAD BUNK, FRONT - DOUBLE ANGLED - 32.5" X 80" X 5"
	P05573-09-G21	EA	COVER-CUSHION, FRONT - DOUBLE ANGLED - 32.5" X 80" X 5"
	P05573-09-G22	EA	COVER-CUSHION, FRONT - DOUBLE ANGLED - 32.5" X 80" X 5"

BUNK CUSHIONS-OVERHEAD ENTERTAINMENT CENTER

KEY	PART NUMBER	U/M	DESCRIPTION
	079145-08-000	EA	CUSHION-BUNK, 25" X 74" X 3.5"
	M79145-08-000	EA	COVER-CUSHION, BUNK - 25" X 74" X 3.5"

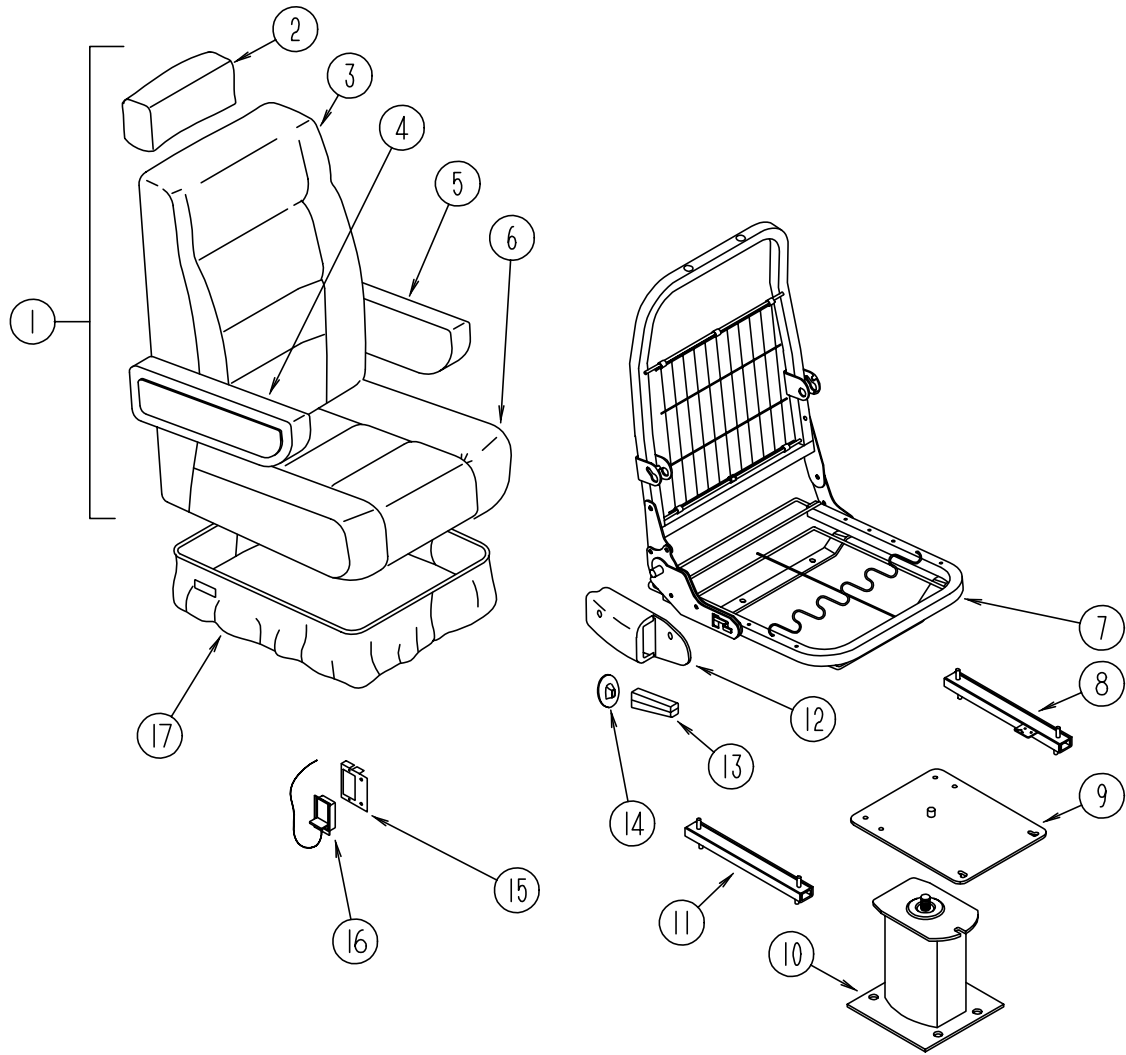
SWIVEL CHAIR

KEY	PART NUMBER	U/M	DESCRIPTION
7	115470-01-G21	EA	CHAIR-SEIRRA, W/SKIRT
7	115470-01-G22	EA	CHAIR-SEIRRA, W/SKIRT

ASSIST HANDLE & SEATBELTS

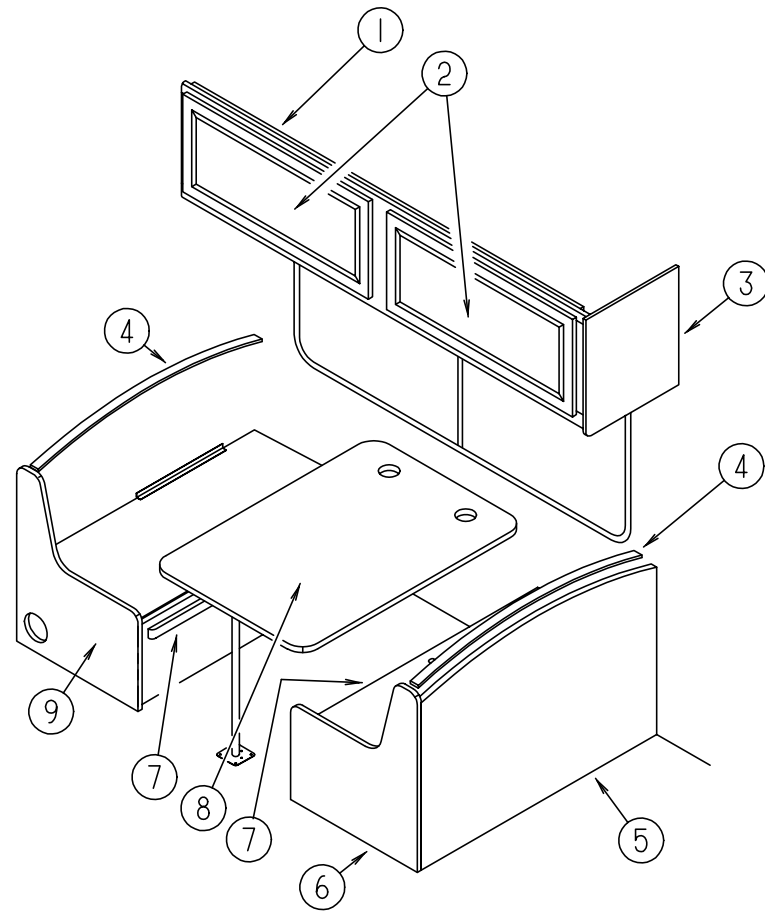
KEY	PART NUMBER	U/M	DESCRIPTION
	053552-02-AA8	EA	HANDLE-ASSIST, INTERIOR - ENTRY DOOR - VINYL - OFF WHITE
	069178-02-000	EA	BRACKET-MOUNTING, ASSIST HANDLE - L ANGLE - W/HOLES - STEEL
	000C16-07-16B	EA	BOLT-CARRIAGE, ASSIST HANDLE - 7/16" - 14 X 1" - ZINC
	000D20-07-00B	EA	NUT-ACORN, ASSIST HANDLE - 7/16" X 14 - ZINC
	057759-01-000	EA	WASHER BRACKET-SEAT BELT, 4" DIAMETER
	007021-01-000	EA	BELT-SEAT, 2" X 90" - BLACK
	056271-01-000	EA	BELT-SEAT, 2" X 102" - BLACK

CURTAIN & CUSHION GROUP (CONTINUED)
DRIVER & PASSENGER BUCKET SEAT



KEY	PART NUMBER	U/M	DESCRIPTION
1	110148-07-G21	EA	SEAT-ECONOMIZER III, HEADREST - PASSENGER OR DRIVERSIDE
1	110148-07-G22	EA	SEAT-ECONOMIZER III, HEADREST - PASSENGER OR DRIVERSIDE
2	119698-01-G21	EA	HEADREST-BUCKET SEAT, STRATON II
2	119698-01-G22	EA	HEADREST-BUCKET SEAT, STRATON II
	P19698-01-G21	EA	COVER-HEADREST, STRATON II
	P19698-01-G22	EA	COVER-HEADREST, STRATON II
	113977-12-000	EA	INSERT-HEADREST, W/O LOCK - FLEXSTEEL
	113977-13-000	EA	INSERT-HEADREST, W/LOCK - FLEXSTEEL
3	M05962-17-G21	EA	COVER-BACK, ECONOMIZER II
3	M05962-17-G22	EA	COVER-BACK, ECONOMIZER II
4	115520-01-F86	EA	ARMREST-RIGHT HAND (G21)
4	115520-01-G22	EA	ARMREST-RIGHT HAND (G22)
4	P15520-01-F86	EA	COVER-ARMREST, RIGHT HAND (G21)
4	P15520-01-G22	EA	COVER-ARMREST, RIGHT HAND (G22)
5	115520-02-F86	EA	ARMREST-LEFT HAND (G21)
5	115520-02-G22	EA	ARMREST-LEFT HAND (G22)
5	P15520-02-F86	EA	COVER-ARMREST, LEFT HAND (G21)
5	P15520-02-G22	EA	COVER-ARMREST, LEFT HAND (G22)
6	M05962-18-G21	EA	COVER-SEAT, ECONOMIZER II
6	M05962-18-G22	EA	COVER-SEAT, ECONOMIZER II
7	M80906-12-000	EA	FRAME-SEAT, BACK & SPRING
8	119952-04-000	EA	ADJUSTER ASSEMBLY-LOCKING, 4 STUDS
	117125-01-02B	EA	BRACKET-CABLE HOLDER, E-COAT
9	107921-08-000	EA	TOP PLATE-PEDESTAL
10	107921-09-000	EA	PEDESTAL-FLOOR MOUNTED, RIGHT OR LEFT SIDE
	107921-06-000	EA	BEARING KIT-PEDESTAL, FLEXSTEEL
	114889-01-000	EA	STOP BAR-UNIVERSAL, ADJUSTER SIDE
11	119952-02-000	EA	ADJUSTER ASSEMBLY-NONLOCK, 4 STUDS
12	080730-09-000	EA	SHIELD-RECLINER HANDLE
13	080730-08-000	EA	HANDLE-RECLINER, BLACK
14	080730-11-000	EA	SHIELD-RUBBER BOOT
15	097683-02-000	EA	BRACKET-REMOTE, SIDE MOUNT - SINGLE
16	108049-03-000	EA	CABLE - 20", Z END - FLEXSTEEL PEDESTAL
	108049-02-000	EA	CLIP-CABLE
17	071126-42-E24	EA	SKIRT-SINGLE, 7" - W/SLIT (G21)
17	071126-42-F21	EA	SKIRT-SINGLE, 7" - W/SLIT (G22)

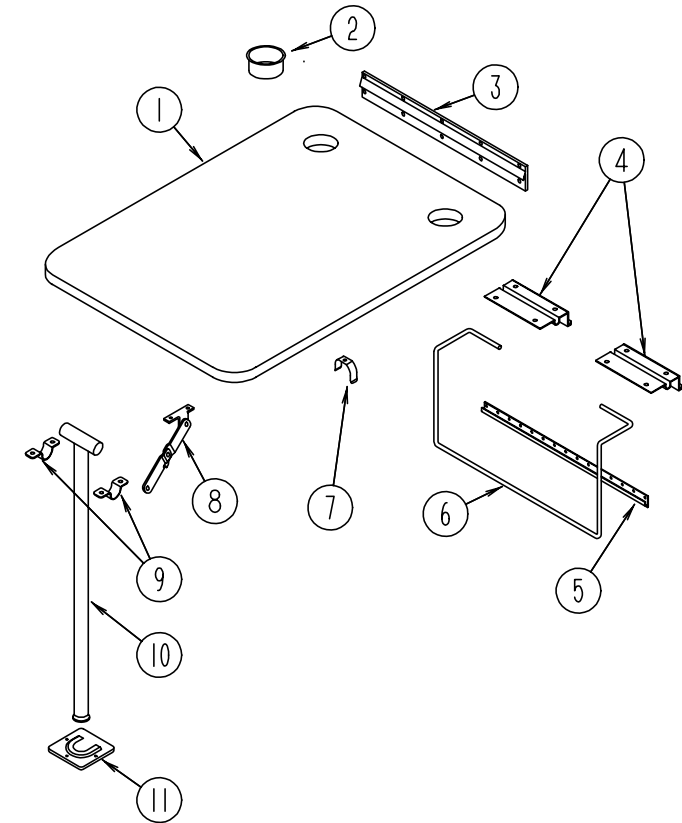
DINETTE GROUP



DINETTE CABINETS, PADS & TABLE

KEY	PART NUMBER	U/M	DESCRIPTION
1	114604-01-G01	EA	CABINET-OVERHEAD, DINETTE - W/O DOORS OR HARDWARE
2	110140-65-G01	EA	DOOR-CABINET, W/MIRROR - W/O HARDWARE - 365MM X 850MM
2	110140-05-G01	EA	DOOR-CABINET, W/O HARDWARE - 365MM X 850MM - EXPORT
3	109908-25-G01	EA	END CAP-CABINET
4	111338-09-G21	EA	PAD-DINETTE
4	111338-09-G22	EA	PAD-DINETTE
5	M06836-09-G01	EA	CABINET-SEATBACK, RH
6	M06837-09-G01	EA	CABINET-SEATBASE, RH
7	081295-01-G01	EA	SUPPORT-BED, DINETTE
8	081322-01-G09	EA	TABLE-DINETTE, W/O HARDWARE (G21)
8	081322-01-G10	EA	TABLE-DINETTE, W/O HARDWARE (G22)
9	M06885-22-G01	EA	CABINET-SEATBASE, LH
	M06884-10-G01	EA	CABINET-SEATBACK, LH

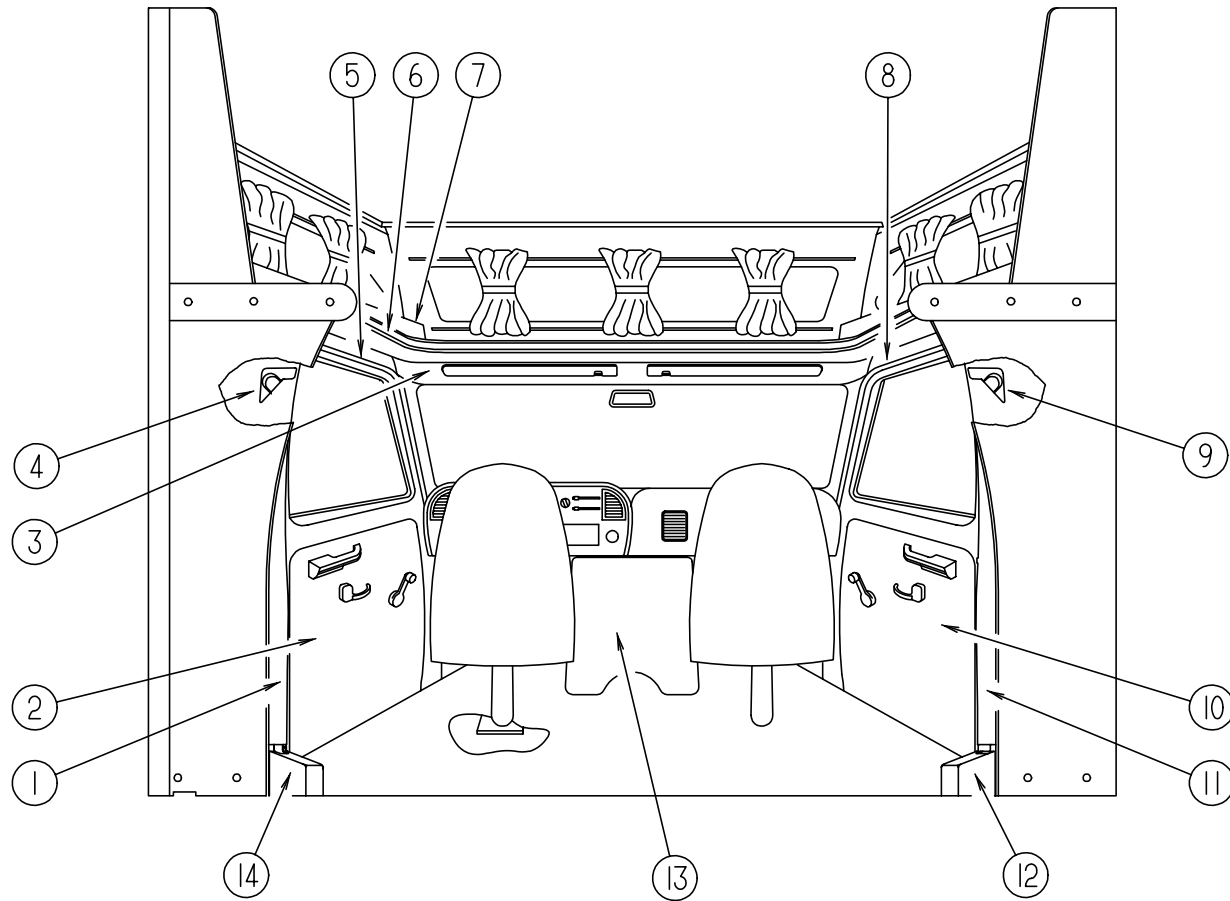
DINETTE GROUP (CONTINUED)



DINETTE TABLE & HARDWARE

KEY	PART NUMBER	U/M	DESCRIPTION
1	081322-01-G09	EA	TABLE-DINETTE, W/O HARDWARE (G21)
1	081322-01-G10	EA	TABLE-DINETTE, W/O HARDWARE (G22)
2	064781-06-000	EA	HOLDER-CUP, TWO STEP - OFF WHITE
3	053200-12-000	EA	SUPPORT-TABLE, UPPER WALL MOUNTED - 23.5" - OFF WHITE
4	088410-02-000	EA	BRACKET-LIFT, TABLE MOUNTED - OFF WHITE
5	024281-14-000	EA	BRACKET-LIFT ROD, LOWER WALL MOUNTED - 22.12" - OFF WHITE
6	024275-12-000	EA	ROD-TABLE LIFT, OFF WHITE
7	024283-01-000	EA	CLIP-LEG, 1" - 1.125" OD - BLACK
8	024282-01-000	EA	BRACE-TABLE LEG, HINGED
9	064050-05-000	EA	HINGE-TABLE LEG, OFF WHITE
10	024276-23-000	EA	LEG-TABLE, OFF WHITE
11	049493-12-000	EA	CATCH-TABLE LEG, 18.50" - OFF WHITE
	049493-11-700	EA	CATCH-LEG, FLOOR MOUNTED - 2.5" X 2.7" - METAL - E COAT

DRIVERS COMPARTMENT GROUP



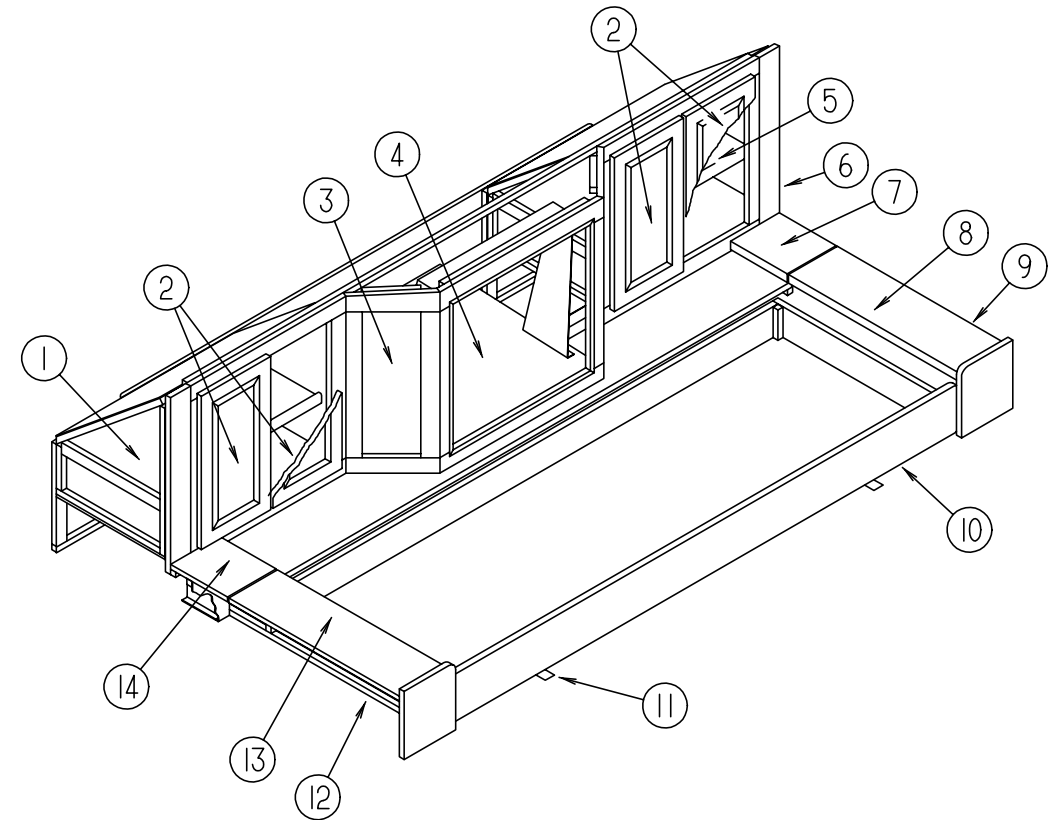
FORD DRIVERS COMPARTMENT

KEY	PART NUMBER	U/M	DESCRIPTION
1	106446-02-C03	EA	TRIM ASSEMBLY-CAB, B-PILLAR - LEFT HAND
	106445-02-C03	EA	TRIM ASSEMBLY-WINGWALL WRAP, BETWEEN CAB STEEL & B PILLAR TRIM
2	N/A	EA	CHASSIS SUPPLIED
3	106448-01-C03	EA	HEADLINER-VINYL COVERED, FRONT - OFF WHITE
4	115038-02-01A	EA	COVER-SEAT BELT, UPPER - LH - OFF WHITE
5	106447-02-C03	EA	TRIM ASSEMBLY-CAB DOOR, UPPER - LEFT
6	079800-07-000	EA	TRIM-SLEEPERBOARD, INNER - OFF WHITE
	080742-03-000	FT	INSERT-TRIM, SLEEPER BOARD - VINYL - OFF WHITE
7	109894-01-G21	EA	CABINET ASSEMBLY-HAMPER, FRONT
7	109894-01-G22	EA	CABINET ASSEMBLY-HAMPER, FRONT
8	106447-01-C03	EA	TRIM ASSEMBLY-CAB DOOR, UPPER - RIGHT
9	115038-01-01A	EA	COVER-SEAT BELT, UPPER - RH - OFF WHITE
10	N/A	EA	CHASSIS SUPPLIED
11	106446-01-C03	EA	TRIM ASSEMBLY-CAB, B-PILLAR - RIGHT
	106445-01-C03	EA	TRIM ASSEMBLY-WINGWALL WRAP, BETWEEN CAB STEEL & B PILLAR TRIM
12	106431-01-01A	EA	COVER-SEATBELT RECOIL, RIGHT - OFF WHITE
13	N/A	EA	CHASSIS SUPPLIED
14	106431-02-01A	EA	COVER-SEATBELT RECOIL, LEFT - OFF WHITE

INSTRUMENT CLUSTERS

KEY	PART NUMBER	U/M	DESCRIPTION
	094795-09-000	EA	CLUSTER-INSTRUMENT PANEL, KM - GAS/DIESEL - FORD F5UZ-10849-B
	094797-07-000	EA	CLUSTER-INSTRUMENT PANEL, KM - GAS - GM-16194765
	108357-06-000	EA	ROCKER SWITCH, DPDT MOM/OFF/MOM - CARLING VLD1000B-0
	108357-09-000	EA	SWITCH-AUXILIARY START, SPDT ON/NONE/MOM - CARLING V5D1000B-0
	108356-07-01A	EA	ACTUATOR-SWITCH DIMPLE II, CARLING VVAZCXX-XW
	081994-07-000	EA	PLATE-SWITCH, AUXILIARY START
	100138-01-000	EA	MODULE-DAYTIME RUNNING LIGHT

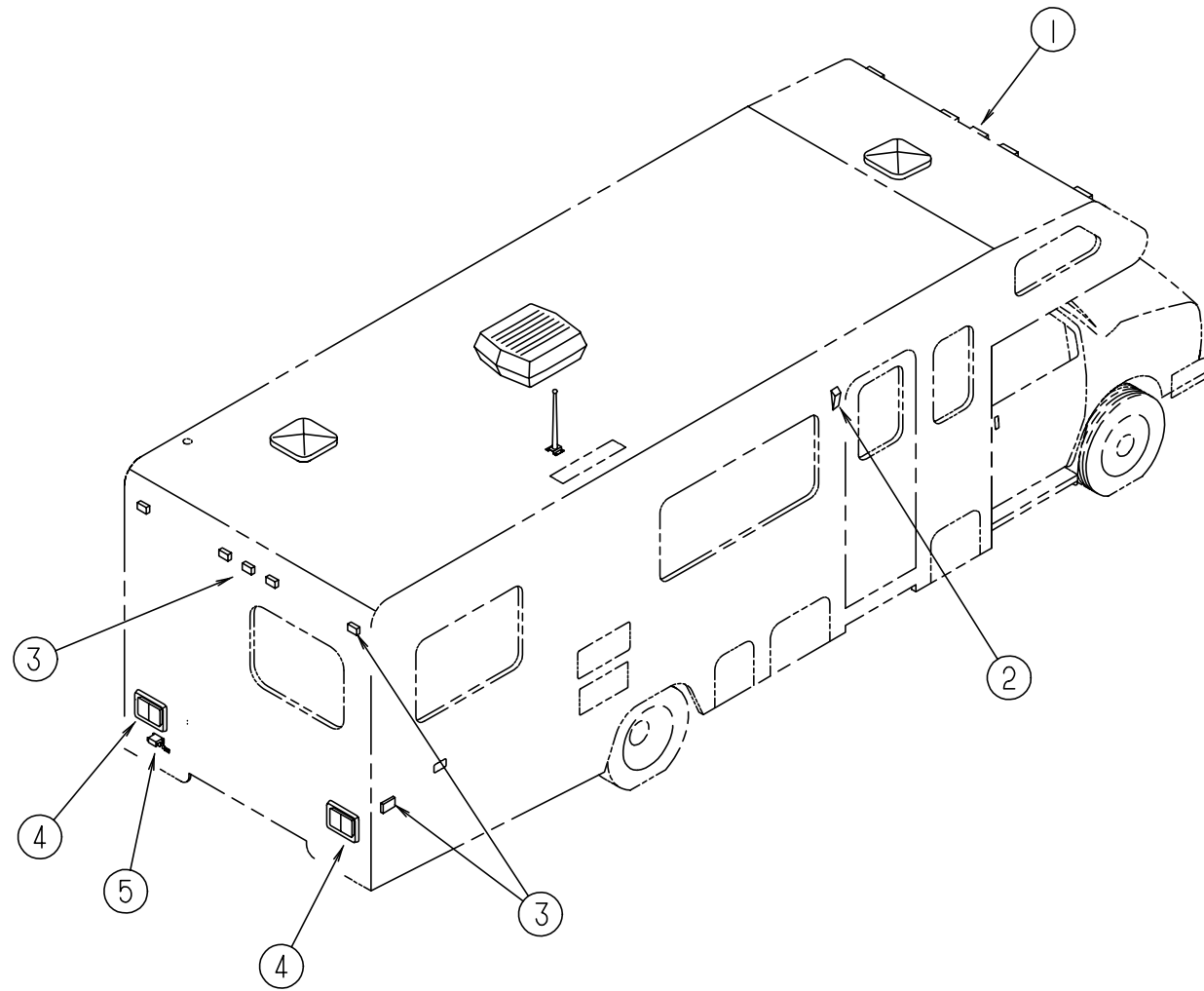
DRIVERS COMPARTMENT GROUP (CONTINUED)



FRONT ENTERTAINMENT CENTER

KEY	PART NUMBER	U/M	DESCRIPTION
1	110796-02-G01	EA	SHELF-ENTERTAINMENT CENTER CABINET
2	110140-25-G01	EA	DOOR-CABINET, W/O HARDWARE - 270MM X 505MM
2	M06803-72-G01	EA	DOOR-CABINET, W/O HARDWARE - 270MM X 505MM - DL
3	110795-11-G21	EA	PANEL INSERT-CABINET, FABRIC COVERED - RIGHT & LEFT SIDE
3	110795-11-G22	EA	PANEL INSERT-CABINET, FABRIC COVERED - RIGHT & LEFT SIDE
4	111356-01-G01	EA	SHELF-TV
5	110796-01-G01	EA	SHELF-ENTERTAINMENT CENTER CABINET
6	110795-01-G01	EA	CABINET FACE-ENTERTAINMENT CENTER
7	110797-11-E01	EA	COUNTERTOP-CABINET (G21)
7	110797-11-F09	EA	COUNTERTOP-CABINET (G22)
8	110797-12-E01	EA	COUNTERTOP-CABINET, HINGED (G21)
8	110797-12-F09	EA	COUNTERTOP-CABINET, HINGED (G22)
9	110797-01-G21	EA	STORAGE CABINET-ENTERTAINMENT CENTER
9	110797-01-G22	EA	STORAGE CABINET-ENTERTAINMENT CENTER
10	100847-01-G01	EA	DRAWER-ENTERTAINMENT CENTER CABINET (G21)
10	100847-01-G22	EA	DRAWER-ENTERTAINMENT CENTER CABINET (G22)
11	093673-01-01A	FT	MOLDING-BODY, 1.4" WIDE X 8' LONG - OFF WHITE - PLASTIC
12	110797-02-G21	EA	STORAGE CABINET-ENTERTAINMENT CENTER
12	110797-02-G22	EA	STORAGE CABINET-ENTERTAINMENT CENTER
13	110797-23-E01	EA	COUNTERTOP-CABINET, HINGED (G21)
13	110797-23-F09	EA	COUNTERTOP-CABINET, HINGED (G22)
14	110797-21-E01	EA	COUNTERTOP-CABINET (G21)
14	110797-21-F09	EA	COUNTERTOP-CABINET (G22)
	110790-02-000	EA	BRACKET-TIEDOWN, TV
	106699-01-01A	EA	BRACKET-CABINET, OVERHEAD TV - OFF WHITE

ELECTRICAL GROUP



EXTERIOR LIGHTS

KEY	PART NUMBER	U/M	DESCRIPTION
1	111102-02-000	EA	LENS-MARKER LAMP, AMBER - TRIPLEX 118A
	111102-01-000	EA	LAMP-MARKER, BASE - TRIPLE X 117 X AS
	091983-01-000	EA	GASKET-CLEARANCE/SIDEMARKER LIGHT
	036196-01-000	EA	BULB - 12V, #194 - .27AMP - BAYONETTE
	112823-01-000	EA	SPLICE-REDUCER, 16-14T018-22 ETC BA-631X
2	097917-01-06A	EA	LIGHT-PORCH, ENTRY DOOR - BRIGHT WHITE
	008215-01-000	EA	BULB - 12V, #1003 - .94AMP
	097917-01-700	EA	LENS-LIGHT, PORCH
	111102-03-000	EA	LENS-MARKER LAMP, RED - TRIPLEX 117R
3	111102-01-000	EA	LAMP-MARKER, BASE - TRIPLEX 117XAS
	091983-01-000	EA	GASKET-CLEARANCE/SIDEMARKER LIGHT
	036196-01-000	EA	BULB - 12V, #194 - .27AMP - BAYONETTE
	112823-01-000	EA	SPLICE-REDUCER, 16-14T018-22 ETC BA-631X
	4	103355-01-05A	EA
081638-01-000		EA	TAILLIGHT-DOUBLE, W/BLACK TRIM - DRIVER & PASSENGER SIDE
037934-01-000		EA	BULB - 12V, #1156 - 2.1AMP - CLEAR GLASS - BACK UP & TURN SIGNAL BULB
037935-01-000		EA	BULB - 12V, #1157 OR #2057 - 2.1AMP - CLEAR GLASS - BRAKE LIGHT
081638-01-700		EA	LENS-TAILLIGHT, RED - BARGMAN 30-84-010
081638-01-701		EA	LENS-TAILLIGHT, W/BACKUP - BARGMAN 30-84-700
5		066432-02-000	EA
	066432-03-000	EA	BRACKET-LICENSE PLATE LIGHT

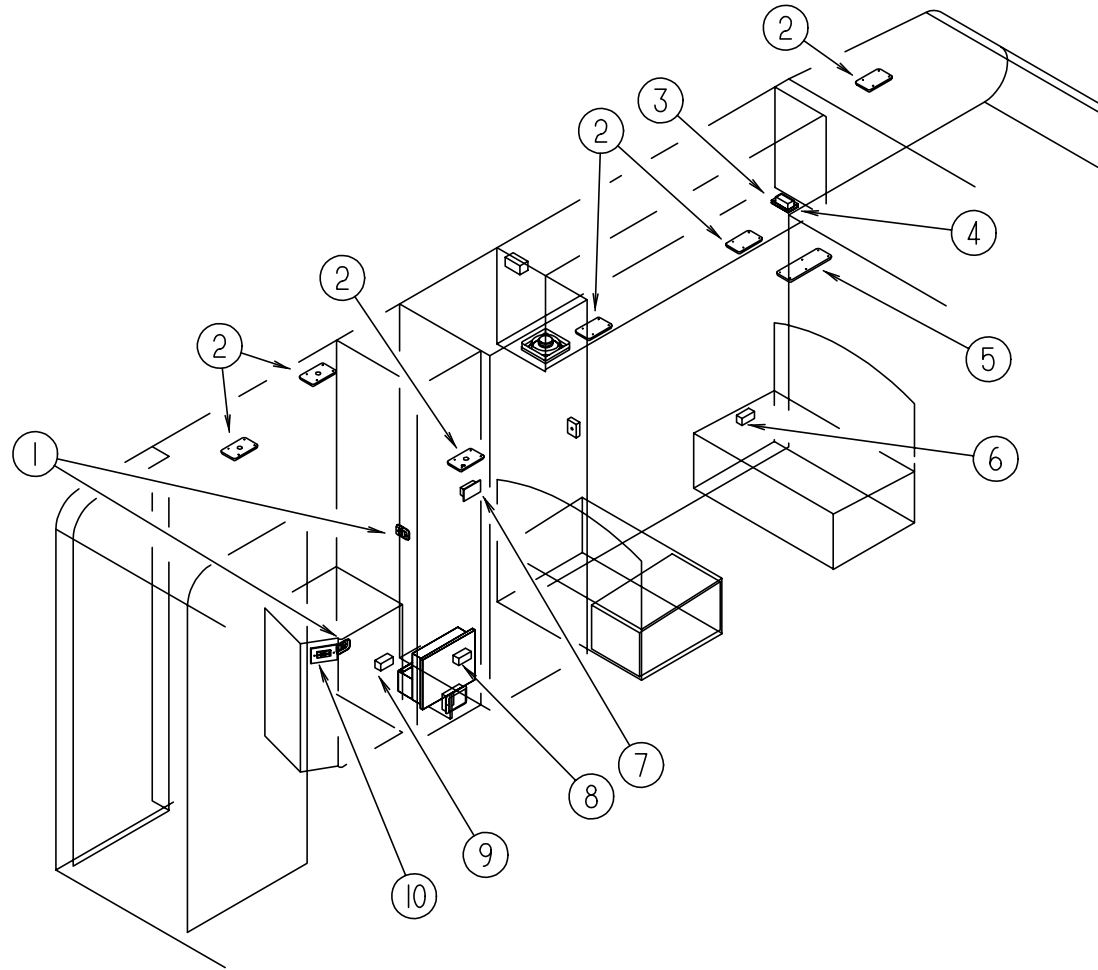
ELECTRICAL GROUP (CONTINUED) POWER CONVERTER & INVERTER

KEY	PART NUMBER	U/M	DESCRIPTION
	083208-01-000	EA	CONVERTOR-POWER, 32A - 120V/12V - BW 6332
	099048-02-000	EA	INVERTER - 100 WATT, W/EXTRA SURGE CAPACITY
	051912-01-000	EA	TRANSFORMER-DRY CONTROL
	094809-01-000	EA	LOAD CENTER - 240V - 125A - TPL412CT

WIRING ASSEMBLIES

KEY	PART NUMBER	U/M	DESCRIPTION
	106851-01-000	EA	WIRE ASM-DAYTIME RUNNING LIGHTS - W/FUSE
	097618-01-000	EA	WIRE ASM-MONITOR PANEL, W/4 WIRES & BLACK RESISTOR - LVS
	096449-01-000	EA	WIRE ASSEMBLY-WATER TANK TO MONITOR PANEL
	103328-06-000	EA	WIRE ASSEMBLY-PUMP, EXTERIOR SHOWER

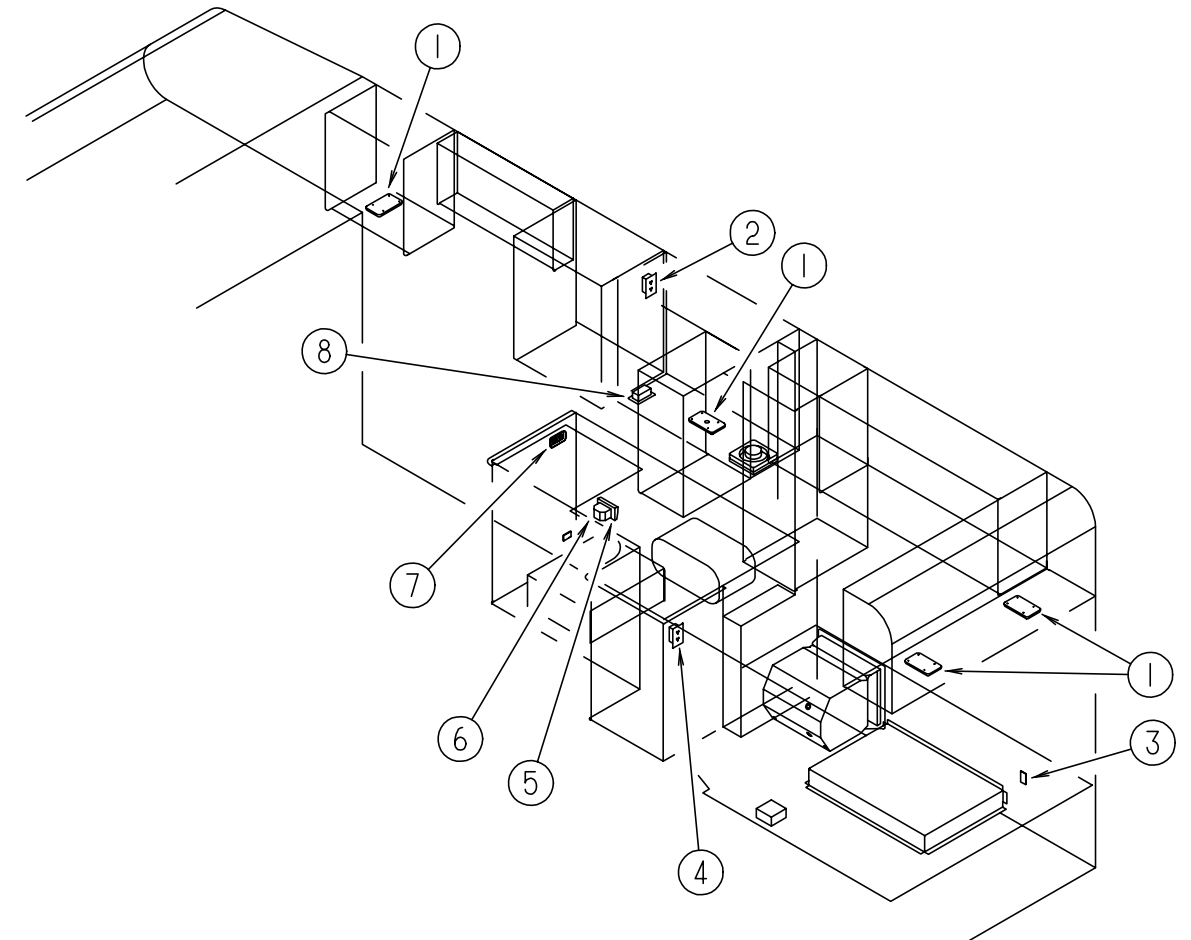
ELECTRICAL GROUP (CONTINUED)



LIGHTS, SWITCHES & RECEPTACLES - DRIVER SIDE

KEY	PART NUMBER	U/M	DESCRIPTION
1	098351-01-01A	EA	PLATE-SWITCH, 1 GANG - POLISHED BRASS - JENSEN
	079364-01-000	EA	SWITCH-ON/OFF ROCKER, 2 PRONGS - BROWN
	095188-01-01A	EA	SPACER-SWITCH, 2.3" X 3.4" - PLASTIC - DARK BROWN
2	098024-01-01A	EA	LIGHT-DOME, 1 BULB - US - IVORY
	008218-01-000	EA	BULB-DOME LIGHT, 12V - NUMBER 1141
	098024-01-700	EA	LENS-DOME LIGHT
3	086777-02-000	EA	WALLPLATE-TV CABLE, W/ANTENNA SWITCH - BROWN
3	086777-06-000	EA	WALLPLATE-ANTENNA, 1 OUTPUT - BROWN - WINEGARD RV-0931
4	058708-01-000	EA	RECEPTACLE-ELECTRIC, DOUBLE - BROWN
5	098024-03-01A	EA	LIGHT-DOME, 2 BULB - IVORY
	008218-01-000	EA	BULB-DOME LIGHT, 12V - NUMBER 1141
	098024-01-700	EA	LENS-DOME LIGHT
6	084077-03-000	EA	COVER-BLANK, ROOF A/C - 5.2" X 3.5" - IVORY
7	058707-01-000	EA	RECEPTACLE-ELECTRIC, SINGLE - BROWN
8	024924-02-000	EA	RECEPTACLE-POWER CORD, W/PARTIAL PLATE
9	058707-02-000	EA	RECEPTACLE-BLANK, JUNCTION - WIRECON WDJ20BR - CANADIAN
10	084076-02-000	EA	RECEPTACLE-GFI, 15A - 125V - BROWN
	097734-01-01A	EA	EXTENSION-RECEPTACLE, 3.2" X 5" X .7" - PLASTIC - IVORY - CANADIAN

ELECTRICAL GROUP (CONTINUED)



LIGHTS, SWITCHES & RECEPTACLES - PASSENGER SIDE

KEY	PART NUMBER	U/M	DESCRIPTION
1	098024-01-01A	EA	LIGHT-DOME, 1 BULB - US - IVORY
	008218-01-000	EA	BULB-DOME LIGHT, 12V - NUMBER 1141
	098024-01-700	EA	LENS-DOME LIGHT
2	058708-05-000	EA	RECEPTACLE-SINGLE, BROWN - WIRECON WDR15BRS
3	108357-08-000	EA	ROCKER SWITCH, EXTERIOR SHOWER - DPDT ON/NONE/ON
	108356-02-01A	EA	ACTUATOR-SWITCH DIMPLE II, EXTERIOR SHOWER - CARLING VVAZC00-BLA
	081994-02-000	EA	PLATE-SWITCH, EXTERIOR SHOWER
4	058708-01-000	EA	RECEPTACLE-ELECTRIC, DOUBLE - BROWN
5	098351-07-01A	EA	PLATE-SWITCH, GENERATOR SWITCH - POLISHED BRASS - JENSEN
	108356-07-01A	EA	COVER-SWITCH, W/ 2 DIMPLES - CARLING VVAZCXX-XWB
6	112822-01-01A	EA	RECEPTACLE-DUPLEX, IVORY - WIRECON WDRU15IV
	112824-01-03A	EA	COVER-EXTERIOR DUPLEX RECEPTACLE, WHITE - P&S 3780-SC-WH
6	058707-02-000	EA	RECEPTACLE-DUPLEX, IVORY - EXTERIOR ENTERTAINMENT CENTER
6	076319-09-000	EA	WALLPLATE-CABLE RECEPTACLE, TV - SINGLE - BROWN
6	108356-11-01A	EA	ACTUATOR-SWITCH GROOVES III, CARLING VVCZCXX-SW1
7	098351-06-01A	EA	PLATE-SWITCH, 2 GANG W/LABEL - POLISHED BRASS - JENSEN
	079364-01-000	EA	SWITCH-ON/OFF ROCKER, 2 PRONGS - BROWN
8	058708-02-000	EA	RECEPTACLE-ELECTRIC, DOUBLE - IVORY
	086280-01-000	EA	LIGHT-SURFACE MOUNT, CAB - 12V - JENSEN 1236
	086280-01-700	EA	BULB - 12V, 6 WATT
	102568-01-GB1	EA	SPACER-RECEPTACLE, SIDEWALL

ELECTRICAL GROUP (CONTINUED)
FUSES & CIRCUIT BREAKERS

KEY	PART NUMBER	U/M	DESCRIPTION
	008235-01-000	EA	FUSE-AUTOMOTIVE, 12V - 15AMP
	062901-02-000	EA	FUSE-AUTOMOTIVE, 5 AMPS
	062901-05-000	EA	FUSE-AUTOMOTIVE, 15 AMPS
	100341-01-000	EA	FUSE HOLDER-IN LINE TYPE, WESCO 8931-92020
	083209-01-000	EA	CIRCUIT BREAKER - 15 AMP, 120V - BW G-15 - CANADIAN
	083209-02-000	EA	CIRCUIT BREAKER - 15/15 AMP, 120V - BW H-15/15
	083209-03-000	EA	CIRCUIT BREAKER - 15/20 AMP, 120V - BW 0-15/20
	083209-04-000	EA	CIRCUIT BREAKER - 30 AMP, 120V - BW L-30
	083209-06-000	EA	CIRCUIT BREAKER - 30/15 AMP, 120V - BW D-30/15
	093654-01-000	EA	CIRCUIT BREAKER - 6 AMP, 12V - USD 17406-4E12A2A
	093654-03-000	EA	CIRCUIT BREAKER - 20 AMP, 12V - USD 17420-4E12A2A
	093655-02-000	EA	CIRCUIT BREAKER - 30 AMP, 12V - USD 17430-4E03A2A

ELECTRIC BOXES, COVERS & POWER CORDS

KEY	PART NUMBER	U/M	DESCRIPTION
	008289-01-000	EA	BOX-ELECTRIC, STEEL - 1/2" AND 3/4" KNOCKOUTS - 4" X 4"
	008289-02-000	EA	BOX-ELECTRIC, 4" X 4" - 1/2" & 3/4" KNOCKOUTS - CANADIAN
	008294-01-000	EA	COVER-ELECTRIC BOX, BLANK/STEEL - 4" X 4" - GRAY
	008294-02-000	EA	COVER-ELECTRIC BOX, BLANK STEEL - 4" X 4" - CANADIAN
	069238-01-000	EA	COVER-ELECTRIC BOX, W/HOLE - 4" X 4" - GRAY USED WITH 30 AMP RECEPTACLE
	091910-01-000	EA	BOX-ELECTRIC, 3.75" X 3.5" X 1.75" - PLASTIC
	091910-02-000	EA	BOX-ELECTRIC, PLASTIC - 57 X 88 MM
	093603-01-000	EA	BOX-ELECTRIC, 4" X 2 1/8" X 2 1/8" - STEEL
	107165-01-01A	EA	BOX-CIRCUIT BREAKER MOUNT, 14.6" X 4" - BLACK PLASTIC
	008052-01-000	EA	CORD-POWER, 10/3 - 30 AMP - 25' - CANADIAN
	008054-01-000	EA	CORD-POWER, 10/3 - 30 AMP - 25'

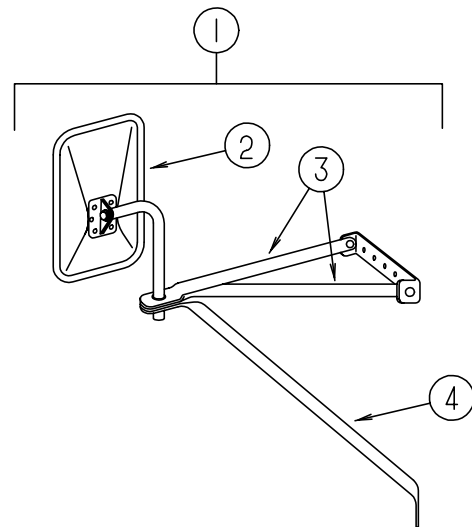
CONDUIT

KEY	PART NUMBER	U/M	DESCRIPTION
	041953-01-000	FT	CONDUIT-CONVOLUTE, SLIT - .5" ID
	041953-03-000	FT	CONDUIT-CONVOLUTE, SLIT - 1" ID (CLOTHES ROD COVER)
	041953-04-000	FT	CONDUIT-CONVOLUTE, SLIT - .50" ID
	041953-06-000	FT	CONDUIT-CONVOLUTE, SLIT - .375" ID
	041953-07-000	FT	CONDUIT-CONVOLUTE, SLIT - .25" ID
	041953-08-000	FT	CONDUIT-CONVOLUTE, SLIT - 1.50" ID
	041953-09-000	FT	CONDUIT-CONVOLUTE, SLIT - .50" ID

ELECTRICAL GROUP (CONTINUED)
CONNECTORS, HOUSINGS, & TERMINALS

KEY	PART NUMBER	U/M	DESCRIPTION
	008311-01-000	EA	CONNECTOR-WIRE NUT, INSULATED - RED
	008312-01-000	EA	CONNECTOR-WIRE NUT, INSULATED - BLUE
	008314-01-000	EA	CONNECTOR-WIRE NUT, INSULATED - GRAY
	008355-01-000	EA	CONNECTOR-CABLE CLAMPING, 3/4"
	008356-01-000	EA	CONNECTOR-PLASTIC, 3/8" AVG
	058028-01-000	EA	CONNECTOR-ELECTRICAL PIGTAIL, NYLON - CLEAR
	088476-01-000	EA	CONNECTOR-SOCKET, BRASS - PRE-TIN
	088476-02-000	EA	CONNECTOR-SOCKET, 12-10 GA - PHOS. BRZ - PRE-TIN
	088475-01-000	EA	CONNECTOR-PIN, 14 TO 20 AWG
	088475-02-000	EA	CONNECTOR-PIN, 10 TO 12 AWG
	088473-05-000	EA	HOUSING-PIN, 6 CAVITY - AMP 640585-1
	088473-06-000	EA	HOUSING-PIN, 6 CAVITY - AMP 1-480704-0
	088473-08-000	EA	HOUSING-PIN, 4 CAVITY - AMP 1-480702-0
	088473-09-000	EA	HOUSING-PIN, 3 CAVITY - AMP 1-480700-0
	088473-10-000	EA	HOUSING-PIN, 2 CAVITY - AMP 1-480698-0
	088474-06-000	EA	HOUSING-SOCKET, 6 CAVITY - AMP 1-480705-0
	088474-07-000	EA	HOUSING-SOCKET, 5 CAVITY - AMP 1-480764-0
	088474-08-000	EA	HOUSING-SOCKET, 4 CAVITY - AMP 1-480703-0
	088474-09-000	EA	HOUSING-SOCKET, 3 CAVITY - AMP 1-480701-0
	088474-10-000	EA	HOUSING-SOCKET, 2 CAVITY - AMP 1-480699-0
	063910-01-000	EA	HOUSING-RELAY, BOSCH 3 334 485 008
	108355-01-000	EA	HOUSING-SWITCH
	086273-01-000	EA	RELAY-BATTERY DISCONNECT
	008326-01-000	EA	TERMINAL-RING, 16/14 WIRE - 3/8" STUD
	008328-01-000	EA	TERMINAL-RING, 12/10 WIRE - #10 STUD FIT
	008331-01-000	EA	TERMINAL-RING, TONGUE - #4 WIRE - 3/8" STUD - COPPER
	008348-01-000	EA	TERMINAL-RING, 3/8" STUD - #2 WIRE
	035416-04-000	EA	TERMINAL-RING, #10 STUD FIT - INSULATED BARREL #16/14
	047443-01-000	EA	TERMINAL - .250 RECEPTACLE FIT, INSULATED - 16/14 AWG
	102777-02-000	EA	TERMINAL-RING, #6 STUD, 10 AWG
	077479-01-000	EA	BOOT-BATTERY TERMINAL, DOUBLE CABLE
	077479-02-000	EA	BOOT-BATTERY TERMINAL, SINGLE CABLE
	080015-02-000	EA	RECEPTACLE-FLAG, .185 - 16/14 GA - AMP 3
	080015-03-000	EA	RECEPTACLE-FLAG, .250 - 14/16 GA
	087225-01-000	FT	SLEEVING - 1/2", TYPE H - VARFLEX
	087949-01-000	EA	BUSS BAR - 2 POSITION, .6' X 1.5" - ALUMINUM
	007942-01-000	EA	TAB-WIRE, 18 TO 14 AWG
	007956-05-000	EA	INSULATOR-SHRINK, .25 ID X 1.50 - BLACK
	007940-01-000	EA	RECEPTACLE-SLIDE, 16 TO 12 AWG - FEMALE END
	008188-01-000	EA	SOLENOID - 3 POST, BATTERY CHANGE OVER

EXTERIOR BODY GROUP



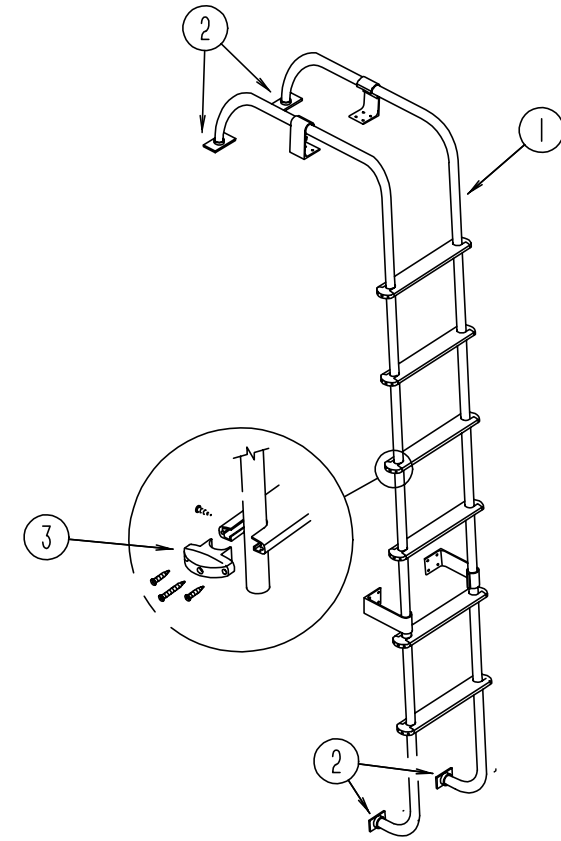
EXTERIOR MIRRORS - FORD

KEY	PART NUMBER	U/M	DESCRIPTION	VENDOR NO.
1	106860-01-02A	EA	MIRROR-EXTERIOR, LOW MOUNT - PAIR - BRIGHT WHITE	
2	106860-01-707	EA	MIRROR-HEAD, EXTERIOR - BRIGHT WHITE	7092760
3	106860-01-708	EA	ARM-MIRROR, BRIGHT WHITE	L7805210
4	106860-01-709	EA	BRACE-LOWER FORWARD, DRIVER - BRIGHT WHITE	L7809910
4	106860-01-710	EA	BRACE-LOWER FORWARD, PASSENGER - BRIGHT WHITE	L7809920
	106860-01-702	EA	HARDWARE PACKAGE	748230
	106860-01-711	EA	MIRROR ASSEMBLY-COMPLETE, LH - BRIGHT WHITE	713363
	106860-01-712	EA	MIRROR ASSEMBLY-COMPLETE, RH - BRIGHT WHITE	713364
	117051-01-700	EA	MIRROR-AUXILIARY, CONVEX - VELVAC	723068-4

EXTERIOR MIRRORS - PLATE MOUNT - VELVAC

KEY	PART NUMBER	U/M	DESCRIPTION	VENDOR NO.
	117051-01-01A	EA	MIRROR-EXTERIOR, PASSENGER - BLACK	713438
			FROM: 00-00-00 THRU: 08-13-95	
	117051-02-01A	EA	MIRROR-EXTERIOR, DRIVER - BLACK	713439
			FROM: 00-00-00 THRU: 08-13-95	
	117051-01-700	EA	MIRROR-CONVEX	723068-4
			FROM: 00-00-00 THRU: 08-13-95	
	106860-02-702	EA	GLASS-FLAT, REPLACEMENT - LH & RH - STAR	702086-8
			FROM: 00-00-00 THRU: 08-13-95	
	120269-01-01A	EA	MIRROR-EXTERIOR, PASSENGER - BLACK	713672-7
			FROM: 08-14-95 THRU: 99-99-99	
	120269-02-01A	EA	MIRROR-EXTERIOR, DRIVER - BLACK	713671-7
			FROM: 08-14-95 THRU: 99-99-99	

EXTERIOR BODY GROUP (CONTINUED)



LADDER

KEY	PART NUMBER	U/M	DESCRIPTION
1	102953-10-F15	EA	LADDER ASSEMBLY
2	067165-01-000	EA	MOUNTING BRACKET-LADDER, LOWER
3	076980-02-000	EA	END CAP-STEP, BLACK
	000G39-06-10T	EA	SCREW-SF/DR, 6-20 X 5/8 PPH - BLACK
	000G68-10-36T	EA	SCREW - 10-12 X 2.25 POH - BLACK

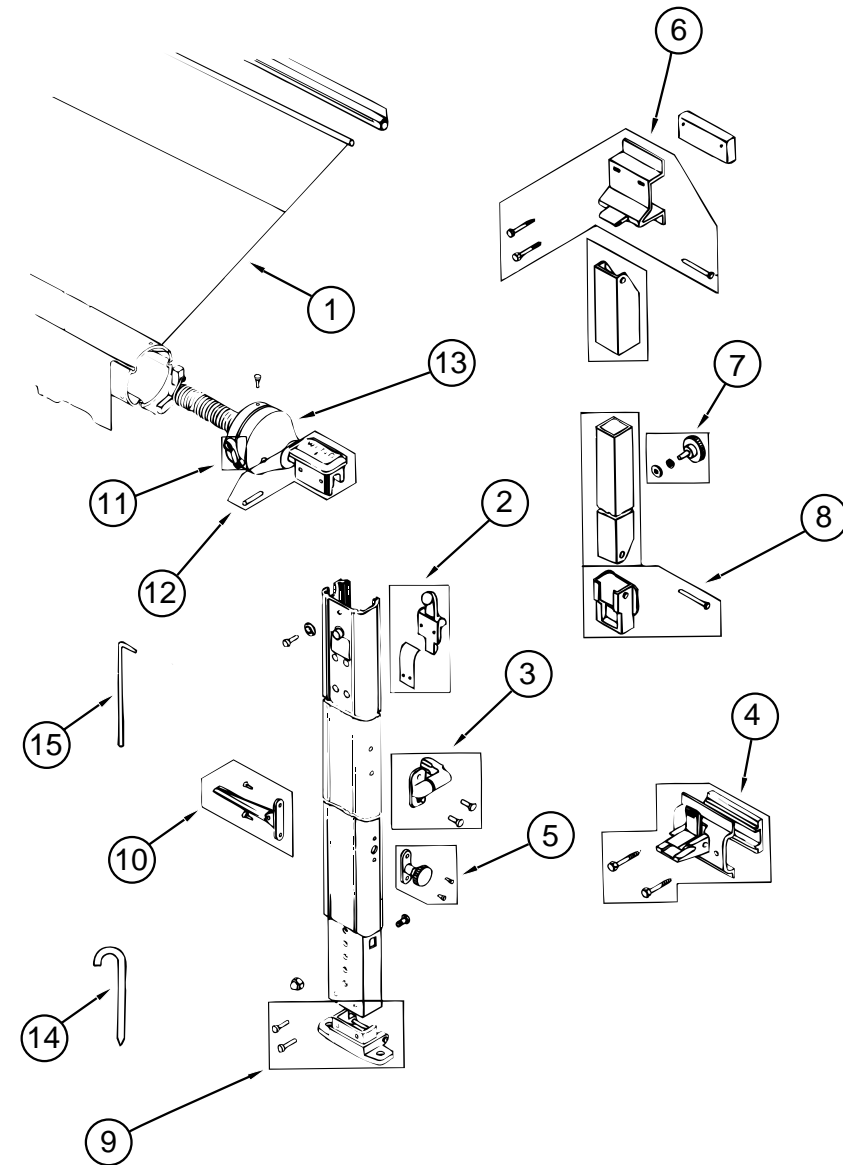
EXTERIOR BODY GROUP (CONTINUED)
FIBERGLASS, ALUMINUM, STYROFOAM & CHANNEL

KEY	PART NUMBER	U/M	DESCRIPTION
	076054-N3-000	EA	FIBERGLASS-SHEET - 102" X 233.8" - BRIGHT WHITE
	076054-N9-000	EA	FIBERGLASS-SHEET - 96" X 102" - BRIGHT WHITE
	076054-P9-000	EA	FIBERGLASS-SHEET - 37.4" X 99.25" - BRIGHT WHITE
	076054-R1-000	EA	FIBERGLASS-SHEET - 24" X 65.9" - BRIGHT WHITE
	076054-R2-000	EA	FIBERGLASS-SHEET - 19.4" X 65.9" - BRIGHT WHITE
	077517-62-000	EA	FIBERGLASS-SHEET, FLAT - 48" X 96" - BRIGHT WHITE
	083574-03-000	SF	STYROFOAM - 3/4" X 48" X 96"
	000870-08-000	SF	STYROFOAM - .75" X 48" X 96" - PLANED
	100619-01-000	BF	FOAM-EXPANDED, SHEET - 48" X 96" X 1.34"
	100619-04-000	BF	FOAM-EXPANDED POLYSTYRENE, 48" X 96" X .5"
	100619-05-000	BF	FOAM-EXPANDED POLYSTYRENE, 48" X 96" X .75"
	089297-01-000	SF	PLYWOOD-LUAN, OVERLAY GRADE - 4' X 8'
	044487-01-001	EA	ALUMINUM-SHEET, .019" X 96" X 360" - MILL FINISH
	044487-01-002	EA	ALUMINUM-SHEET, .019" X 14.014" X 30.199" - MILL FINISH
	002726-01-001	EA	GARNISH-U CHANNEL, 1.38" X 19' - SERRATED - MILL ALUMINUM
	055278-51-259	EA	TUBING-STEEL, .75" X 1.5" X 12.5'

RUNNING BOARDS

KEY	PART NUMBER	U/M	DESCRIPTION	VENDOR NO.
	072884-27-000	EA	RUNNING BOARD-FORD 39.00	KEM K12 15539
	072884-27-700	EA	BRACKET SET 12"-FORD, RB2BRK/M	
	072884-27-701	EA	UNIVERSAL RUNNING BOARD, 39" - DRIVERS OR PASSENGER	
	072884-27-702	FT	TREAD TAPE	RB9202
	072884-27-703	EA	MUD FLAPS-PAIR, W/HOLES	99171
	072884-27-704	EA	END CAPS-PAIR	99148

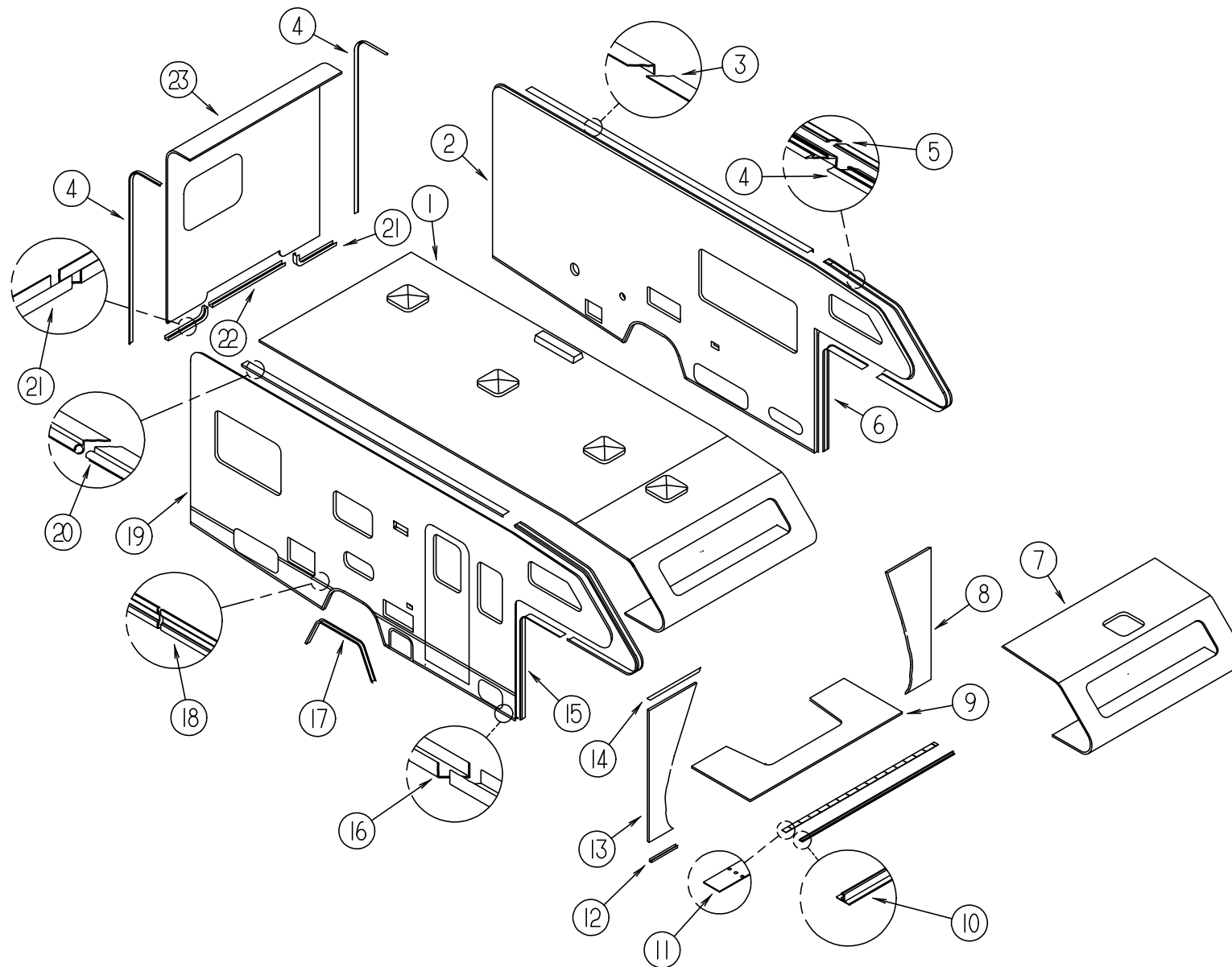
EXTERIOR BODY GROUP (CONTINUED)



AWNING - FAULKNER

KEY	PART NUMBER	U/M	DESCRIPTION	VENDOR NO.
1	110634-14-14A	EA	ROLLER ASSEMBLY-AWNING, 11.5'	
2	110634-01-700	EA	RAFTER LOCKING MECHANISM KIT	7605-0001
3	110634-01-701	EA	SAFETY & LATCH KIT	7509-0001
4	110634-01-702	EA	BOTTOM BRACKET KIT	7512-0001
5	110634-01-703	EA	HEIGHT LOCK HANDLE KIT	7510-0001
6	110634-01-704	EA	UPPER BRACKET KIT W/BOLTS	7505-0001
7	110634-01-705	EA	ULTRA RAFTER KNOB KIT	7522-0001
8	110634-01-706	EA	RAFTER SLIDE KIT	
9	110634-01-707	EA	GROUND BRACKET KIT	7511-0001
10	110634-01-708	EA	LIFT HANDLES-W/RIVETS	7000-0001
11	110634-01-709	EA	RATCHET HANDLE KIT	7507-0001
12	110634-01-710	EA	ARM CAP KIT	7503-0001
13	110634-01-711	EA	FRONT SPRING ASSEMBLY	6598-0001
13	110634-01-712	EA	REAR SPRING ASSEMBLY	6599-0001
13	110634-01-713	EA	REAR END CAP KIT	7504-0001
14	110634-01-714	EA	STAKE - 4 PER BAG	5208-0001
15	110634-01-715	EA	PULL DOWN WAND	7604-0001
	111037-01-01A	EA	SPACER-AWNING, UPPER - BLACK	
	111038-01-01A	EA	SPACER-AWNING, LOWER - BLACK	
	110634-02-04A	EA	AWNING-HARDWARE KIT, BRIGHT WHITE	

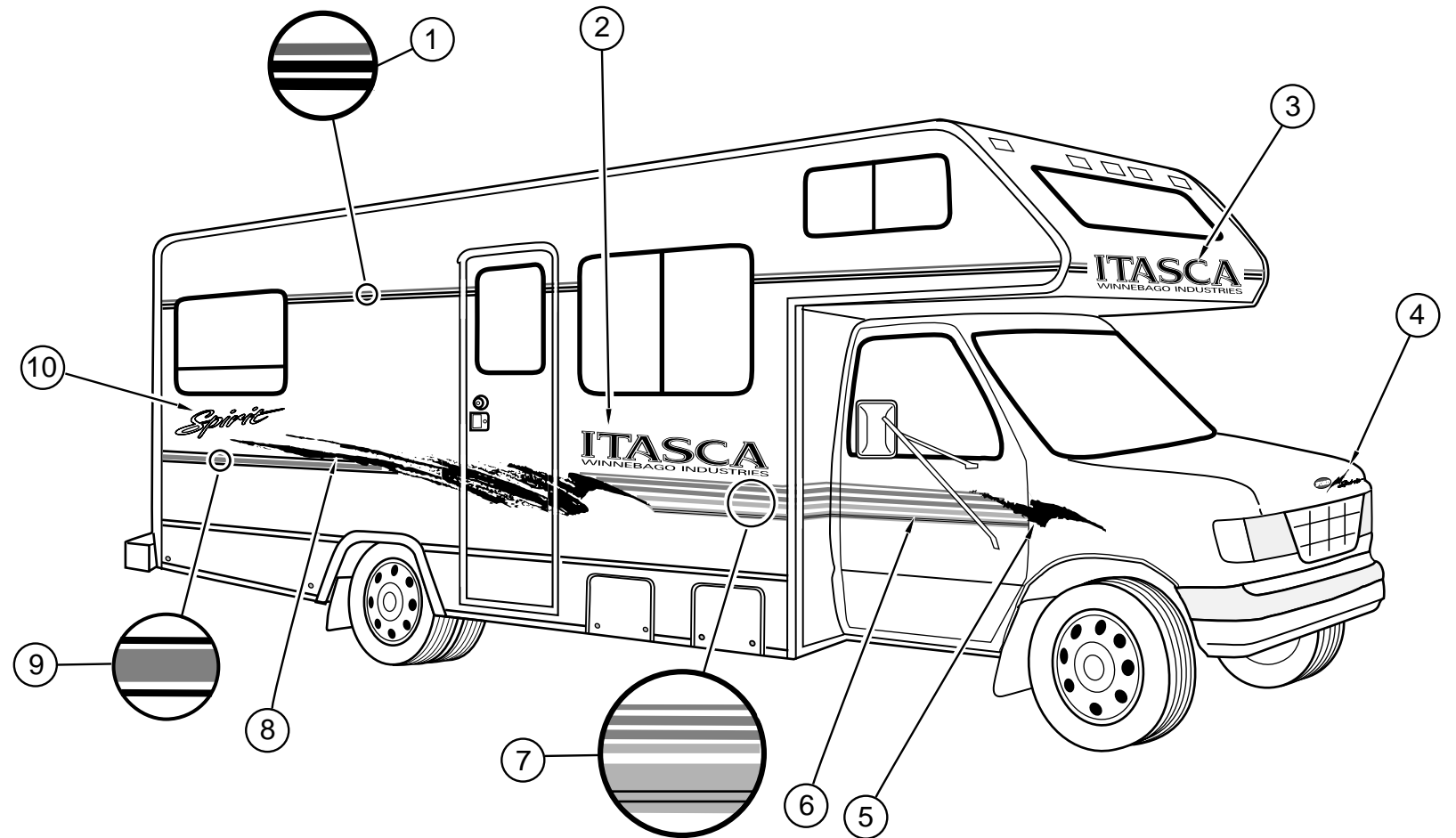
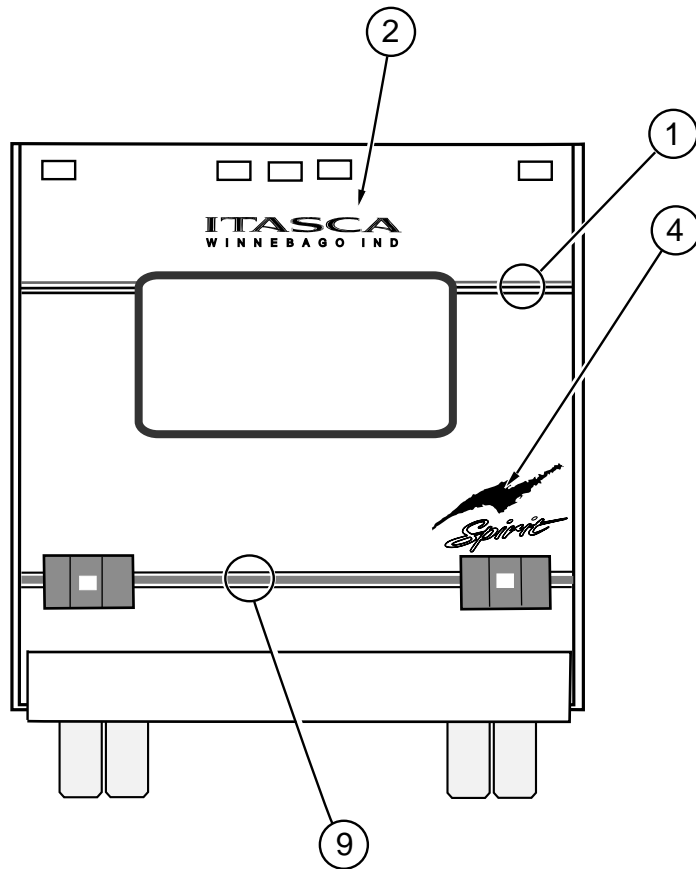
EXTERIOR BODY GROUP (CONTINUED)
EXTERIOR BODY PANELS



KEY	PART NUMBER	U/M	DESCRIPTION
1	M07431-03-G01	EA	ROOF ASSEMBLY-W/BASES, W/O VENTS - BRIGHT WHITE
2	M07421-08-G21	EA	SIDEWALL-DRIVER SIDE, W/O WINDOWS OR LIGHTS - BRIGHT WHITE
2	M07421-08-G22	EA	SIDEWALL-DRIVER SIDE, W/O WINDOWS OR LIGHTS - BRIGHT WHITE
	064675-54-004	EA	STEEL-ANGLE, ROOF JOINT - OFF WHITE
3	096864-01-02A	EA	TRIM-CONTOUR, ROOF TO SIDEWALL - 120" - BRIGHT WHITE
4	096854-01-02A	EA	TRIM-CONTOUR, W/O VINYL INSERT - 108" - BRIGHT WHITE
5	105312-01-07A	FT	INSERT-TRIM, 17' LONG - VINYL - BRIGHT WHITE
6	104479-06-02A	EA	TRIM-CONTOUR, FRONT - BRIGHT WHITE
7	M76177-01-700	EA	CAP-FRONT, OVERHEAD CAB TO FIRST SEAM OF ROOF - OFF WHITE
8	M07423-04-F15	EA	WINGWALL-DRIVER SIDE, BRIGHT WHITE
9	M07422-01-G01	EA	SLEEPERBOARD ASSEMBLY-BRIGHT WHITE
10	100086-04-01A	EA	TRIM-SLEEPERBOARD, 2" X 96.6" - BRIGHT WHITE
11	078580-01-000	EA	TRIM-ROOF TO BACKWALL/FRONT CAP - MILL FINISH
12	002365-03-006	EA	U CHANNEL-EXTRUDED, 1.00 X 192.00 6063T5 - BRIGHT WHITE

KEY	PART NUMBER	U/M	DESCRIPTION
13	M07423-03-F15	EA	WINGWALL-PASSENGER SIDE, BRIGHT WHITE
14	022992-14-000	FT	MOLDING-REVERSE COVE, BRIGHT WHITE
15	104479-05-02A	EA	TRIM-CONTOUR, FRONT - BRIGHT WHITE
16	098072-55-003	EA	TRIM-SIDEWALLS, LOWER - ALUMINUM - BRIGHT WHITE
17	105100-02-02A	EA	TRIM-WHEELWELL, BRIGHT WHITE
18	108688-01-03A	EA	STRIP-FEATURE, BRIGHT WHITE
	108651-01-01A	EA	CAP-FEATURE STRIP, MILL
	105312-01-07A	EA	INSERT-TRIM, 17' LONG - VINYL - BRIGHT WHITE
19	M07421-09-G21	EA	SIDEWALL-PASSENGER, W/O WINDOWS, LIGHTS OR DOORS - BRIGHT WHITE
19	M07421-09-G22	EA	SIDEWALL-PASSENGER, W/O WINDOWS, LIGHTS OR DOORS - BRIGHT WHITE
20	099583-55-003	EA	RAIL-AWNING, 3048MM - BRIGHT WHITE
21	103334-02-02A	EA	TRIM-BACKWALL, LOWER - LEFT OR RIGHT - BRIGHT WHITE
22	103335-02-02A	EA	TRIM-BACKWALL, LOWER - BRIGHT WHITE
23	M07432-02-G21	EA	BACKWALL-BRIGHT WHITE
23	M07432-02-G22	EA	BACKWALL-BRIGHT WHITE

EXTERIOR BODY GROUP (CONTINUED)
DECALS, STRIPES & PAINT

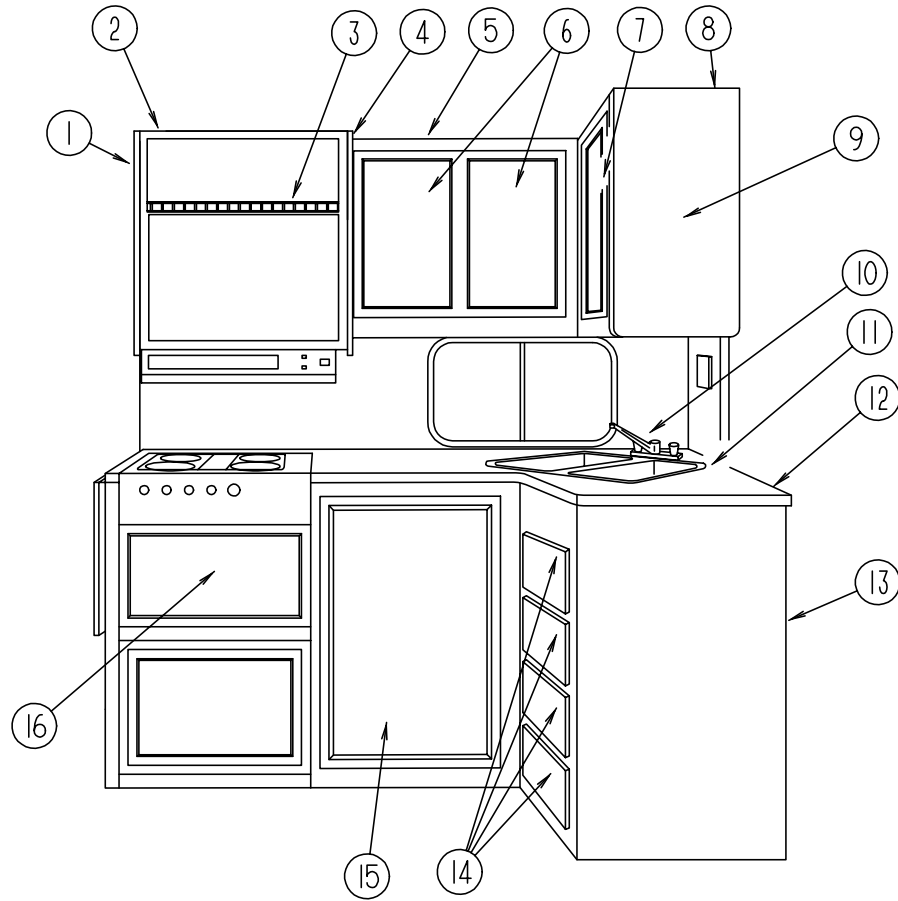


KEY	PART NUMBER	U/M	DESCRIPTION
1	094443-31-01A	FT	FILM-MULTISTRIPE, 69.9MM - OLYMPIC TEAL/PURPLE/HOT REGAL RED
2	116921-02-01A	EA	DECAL-LOGO, ITASCA - WINN IND - SMALL - OLYMPIC TEAL/OLYMPIC TEAL/OLYMPIC TEAL
3	116921-01-01A	EA	DECAL-LOGO, ITASCA - WINN IND - LARGE - OLYMPIC TEAL/OLYMPIC TEAL/OLYMPIC TEAL
4	116922-01-01A	EA	DECAL-BRUSHSTROKE, W/SPIRIT - VIOLET/BRIGHT WHITE/OLYMPIC TEAL/HOT REGAL RED
5	116918-01-01A	EA	DECAL-CAB DOOR, BRUSHSTROKE - RH - BRIGHT WHITE/OLYMPIC TEAL/VIOLET/HOT REGAL RED
5	116918-02-01A	EA	DECAL-CAB DOOR, BRUSHSTROKE - LH - BRIGHT WHITE/OLYMPIC TEAL/VIOLET/HOT REGAL RED
6	117751-01-01A	EA	DECAL-CAB DOOR, STRIPES - RH - PURPLE/OLYMPIC TEAL/VIOLET/REGAL RED
6	117751-02-01A	EA	DECAL-CAB DOOR, STRIPES - LH - PURPLE/OLYMPIC TEAL/VIOLET/REGAL RED
7	116920-01-01A	FT	FILM-MULTI,OVER, 215.9MM - PURPLE/OLYMPIC TEAL/VIOLET/HOT REGAL RED
8	116919-01-01A	EA	DECAL-BRUSHSTROKE, RH - BRIGHT WHITE/OLYMPIC TEAL/VIOLET/HOT REGAL RED
8	116919-02-01A	EA	DECAL-BRUSHSTROKE, LH - BRIGHT WHITE/OLYMPIC TEAL/VIOLET/HOT REGAL RED
9	094443-32-01A	FT	FILM-MULTISTRIPE, 50.8MM - PURPLE/OLYMPIC TEAL/PURPLE
10	115130-02-01A	EA	DECAL-LOGO, SPIRIT - OLYMPIC TEAL

DUPONT PAINT COLOR CODES

BRIGHT WHITE	DUPONT B8951U
VIOLET METALLIC	DUPONT F0900U
PURPLE	DUPONT F0740

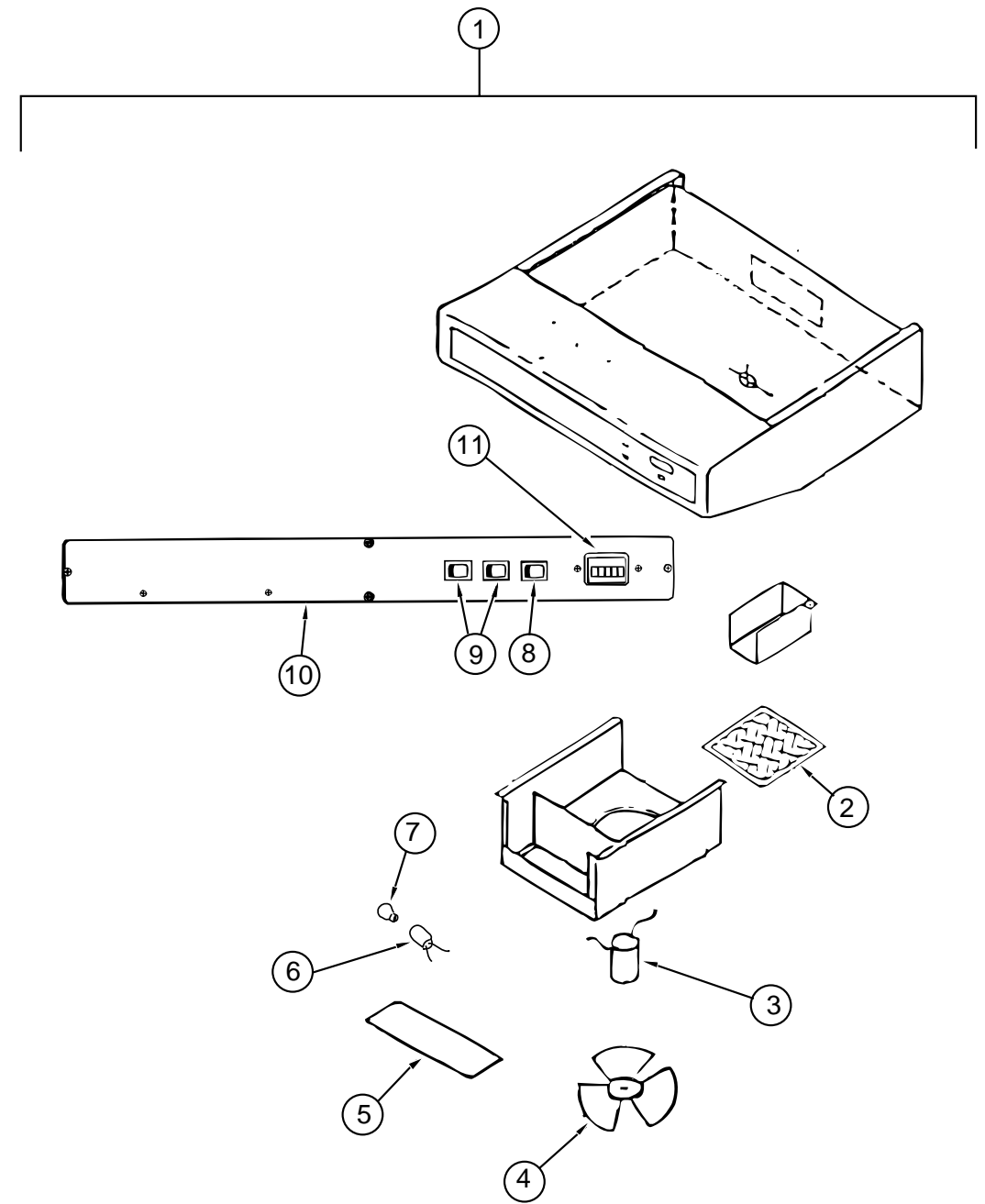
GALLEY GROUP



GALLEY CABINETS & FIXTURES

KEY	PART NUMBER	U/M	DESCRIPTION
1	109908-24-G01	EA	END CAP-CABINET, OVERHEAD
2	114774-03-G01	EA	CABINET-OVERHEAD, MICROWAVE
3	075249-01-000	EA	RAIL-GALLERY, 72" - WATERFORD OAK
4	109908-19-G01	EA	END CAP-CABINET, OVERHEAD
5	115783-01-G01	EA	CABINET-OVERHEAD, W/O DOORS OR HARDWARE
	115783-11-G01	EA	SHELF-CABINET
6	110140-44-G01	EA	DOOR-CABINET, W/O HARDWARE - 255MM X 640MM
7	110140-19-G01	EA	DOOR-CABINET, W/O HARDWARE - 255MM X 640MM
8	115782-01-G01	EA	CABINET-OVERHEAD, W/O DOORS OR HARDWARE
	115782-11-G01	EA	SHELF-CABINET
9	100604-03-G01	EA	END CAP-CABINET, OVERHEAD
10	103243-01-000	EA	FAUCET-GALLEY, SINGLE CONTROL
11	104113-01-000	EA	SINK-DOUBLE, STAINLESS STEEL
	092303-01-000	EA	STRAINER-SINK, GALLEY W/BASKET
	103610-01-E01	EA	COVER-SINK (G21)
	103610-01-F09	EA	COVER-SINK (G22)
12	115847-13-G21	EA	COUNTERTOP-GALLEY CABINET
12	115847-13-G22	EA	COUNTERTOP-GALLEY CABINET
13	P15847-01-G21	EA	CABINET-GALLEY, W/RANGE TOP - W/O DOORS OR HARDWARE
13	P15847-01-G22	EA	CABINET-GALLEY, W/RANGE TOP - W/O DOORS OR HARDWARE
13	M07460-02-G21	EA	CABINET-GALLEY, W/OVEN - W/O DOORS OR HARDWARE
13	M07460-02-G22	EA	CABINET-GALLEY, W/OVEN - W/O DOORS OR HARDWARE
14	P10163-K9-G01	EA	DRAWER-CABINET, W/O HARDWARE
15	110140-45-G01	EA	DOOR-CABINET, W/O HARDWARE - 400MM X 710MM
16	110140-06-G01	EA	DOOR-CABINET, W/O HARDWARE - 555MM X 280MM
	110140-01-G01	EA	DOOR-REFRIGERATOR CABINET, W/O HARDWARE - 255MM X 640MM
	090329-01-000	FT	SEAL T-REFRIGERATOR CABINET, .6" WIDE TOP X 2" TAIL

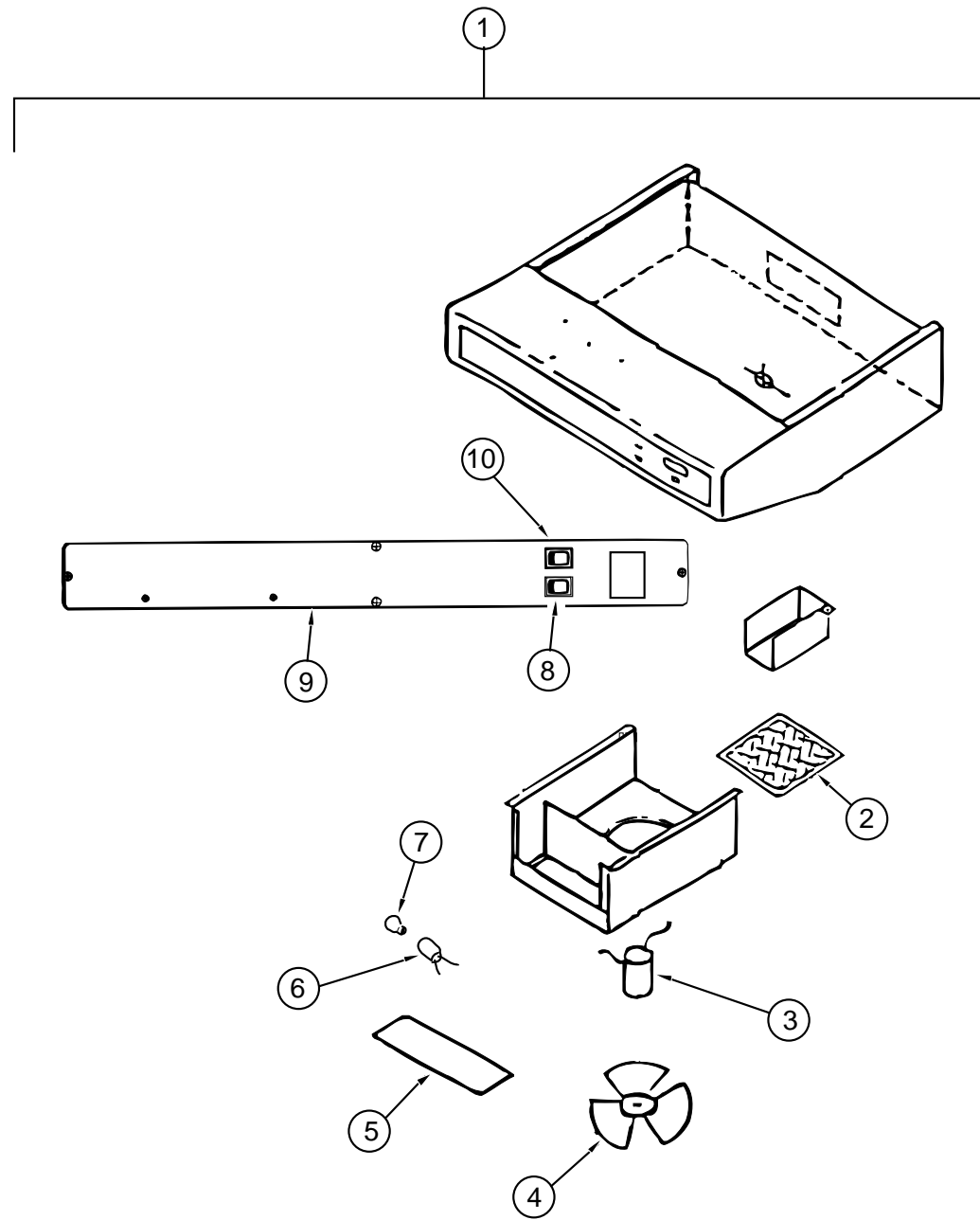
GALLEY GROUP (CONTINUED)



RANGE HOOD W/O MONITOR PANEL - U.S. - MODEL TPS-5009-SADLG

KEY	PART NUMBER	U/M	DESCRIPTION	VENDOR NO.
1	100258-18-02A	EA	HOOD-RANGE, W/O MONITOR PANEL - TEXTURED - VENTLINE	
2	096983-01-707	EA	FILTER-GREASE, 8" X 8" - LVS	CC246
3	090973-01-700	EA	MOTOR - LVS	CA508-1
4	090973-01-702	EA	BLADE-FAN, LVS	VA183-1
5	092696-02-701	EA	LENS-LAMP, LVS	CC179-2
6	092696-01-710	EA	SOCKET-LIGHT, VENTLINE	CB267-2
7	117806-01-000	EA	BULB - 12V NO.912 1.0 AMPS	
8	096983-01-702	EA	SWITCH-TWO WAY MOMENTARY, VENTLINE	112
9	096983-01-700	EA	SWITCH-ON/OFF, VENTLINE	108
10	100258-01-700	EA	HOOD-NOSE LABEL,	CC428
11	100258-10-01A	EA	GAUGE-HOUR METER, W/SWITCH - SCREW ON 150	
11	100258-10-701	EA	GAUGE-HOUR METER, CLIP ON	L0775-00

GALLEY GROUP (CONTINUED)



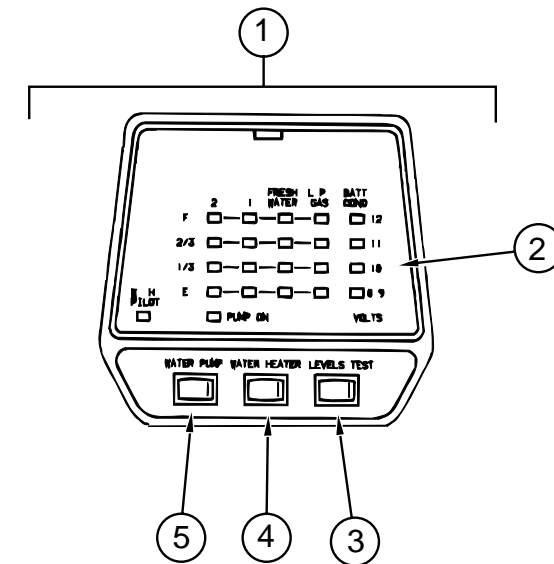
RANGE HOOD W/O MONITOR PANEL - U.S. - MODEL TCS-5008-NADL

KEY	PART NUMBER	U/M	DESCRIPTION	VENDOR NO.
1	100258-16-03A	EA	HOOD-RANGE, W/O MONITOR PANEL -TEXTURED - VENTLINE	
2	096983-01-707	EA	FILTER-GREASE, 8" X 8" - LVS	CC246
3	090973-01-700	EA	MOTOR - LVS	CA508-1
4	090973-01-702	EA	BLADE-FAN, LVS	VA183-1
5	092696-02-701	EA	LENS-LAMP, LVS	CC179-2
6	092696-01-710	EA	SOCKET-LIGHT, VENTLINE	CB267-2
7	117806-01-000	EA	BULB - 12V NO.912 1.0 AMPS	
8	096983-01-700	EA	SWITCH-ON/OFF, VENTLINE	108
9	100258-01-700	EA	HOOD-NOSE LABEL	CC428
10	096983-01-702	EA	SWITCH-TWO WAY MOMENTARY, VENTLINE	112
	100258-10-01A	EA	GAUGE-HOUR METER, W/SWITCH - SCREW ON 150 - OPTIONAL	
	100258-10-701	EA	GAUGE-HOUR METER, CLIP ON L0775-00 - OPTIONAL	

GALLEY GROUP (CONTINUED)

RANGE HOOD W/O MONITOR PANEL - CANADIAN - MODEL TCS-5008-NACL

KEY	PART NUMBER	U/M	DESCRIPTION	VENDOR NO.
1	100258-17-03A	EA	HOOD-RANGE, W/O MONITOR PANEL - TEXTURED - VENTLINE	
2	096983-01-707	EA	FILTER-GREASE, 8" X 8" - LVS	CC246
3	090973-01-700	EA	MOTOR - LVS	CA508-1
4	090973-01-702	EA	BLADE-FAN, LVS	VA183-1
5	092696-02-701	EA	LENS-LAMP, LVS	CC179-2
6	092696-01-710	EA	SOCKET-LIGHT, VENTLINE	CB267-2
7	117806-01-000	EA	BULB - 12V NO.912 1.0 AMPS	
8	096983-01-700	EA	SWITCH-ON/OFF, VENTLINE	108
9	100258-01-700	EA	HOOD-NOSE LABEL	CC428
10	096983-01-702	EA	SWITCH-TWO WAY MOMENTARY, VENTLINE	112
	100258-10-01A	EA	GAUGE-HOUR METER, W/SWITCH - SCREW ON 150 - OPTIONAL	
	100258-10-701	EA	GAUGE-HOUR METER, CLIP ON L0775-00 - OPTIONAL	

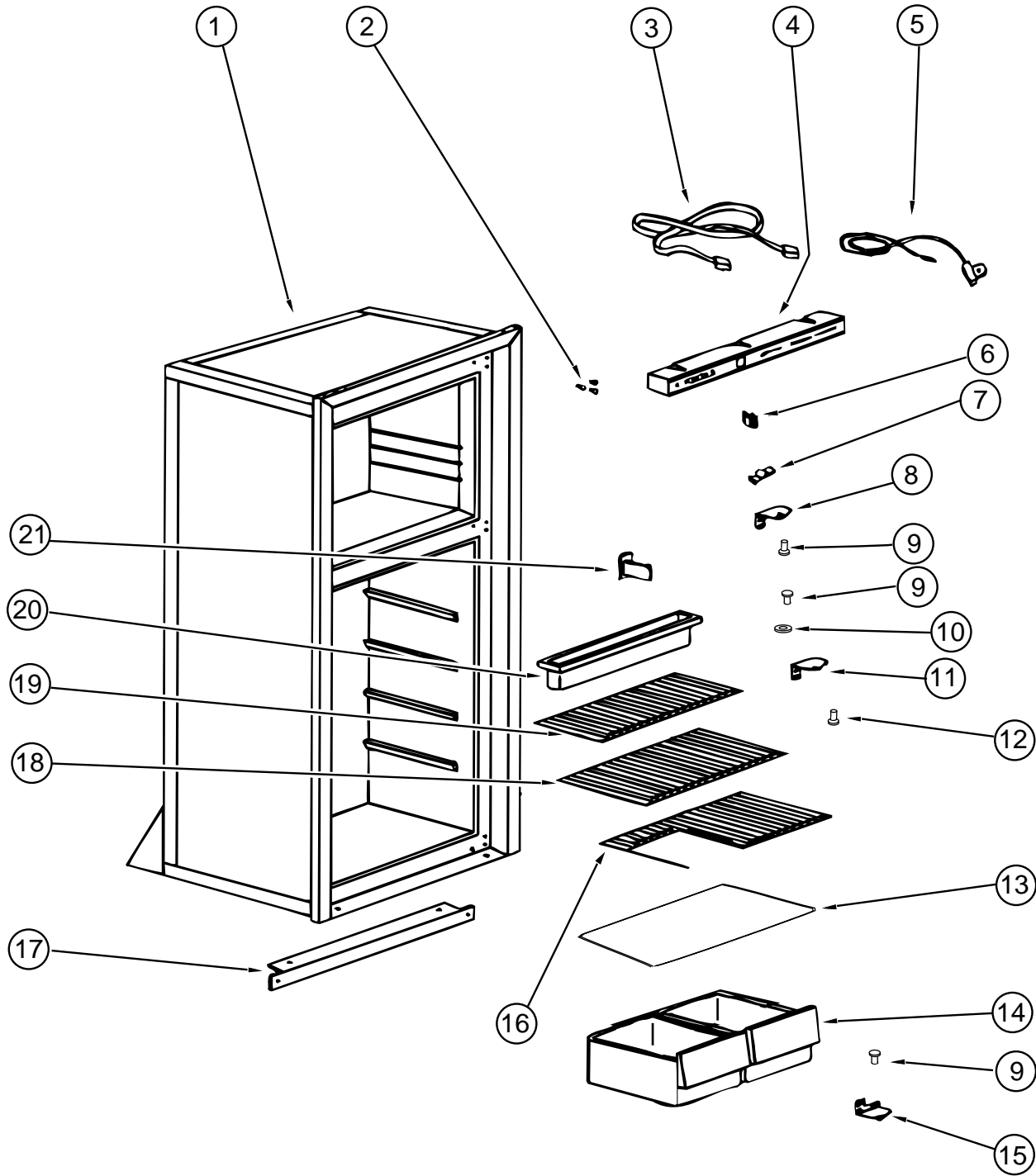


MONITOR PANEL - LVS

KEY	PART NUMBER	U/M	DESCRIPTION	VENDOR NO.
1	102765-04-01A	EA	PANEL-MONITOR, W/PLUG - FOR 2 TANKS & WATER HEATER	
2	102765-04-700	EA	BOARD-CIRCUIT, 2 HOLDING TANK	5076-11
3	097617-01-702	EA	SWITCH (ALMOND)	107
4	097617-01-701	EA	SWITCH-ON/OFF, ALMOND	106
5	102765-01-700	EA	SWITCH-ON-ON, ALMOND	110-01

GALLEY GROUP (CONTINUED)

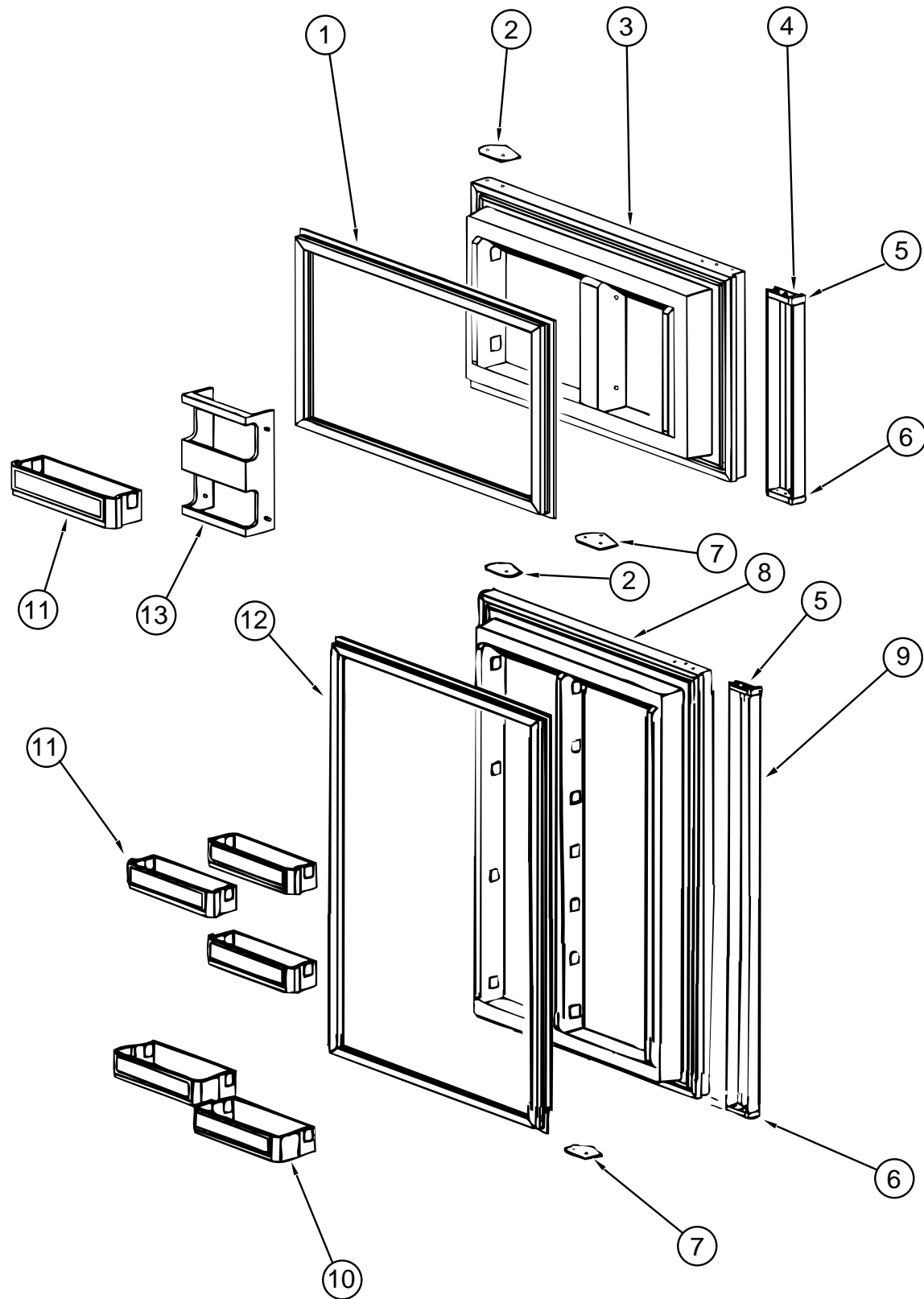
NORCOLD REFRIGERATOR SMALL DOUBLE DOOR - MODEL 6162 LH B



KEY	PART NUMBER	U/M	DESCRIPTION	VENDOR NO.
	104138-05-01A	EA	REFRIGERATOR, SMALL DOUBLE DOOR - 2-WAY - LH	
1	104138-04-701	EA	FOAMED CABINET ASSEMBLY-BLACK W/WHITE	61725038
2	094039-01-722	EA	HOLE PLUG-BLACK HINGE HOLES	61582030
2	084880-01-747	EA	PLUG-HOLE	61582022
3	084880-01-746	EA	CABLE-NORCOLD	61571522
4	094039-04-701	EA	EYEBROW SHELL, 2-WAY - W/O HUMIDITY SWITCH HOLE	61669822
4	104137-06-700	EA	EYEBROW SHELL, 2-WAY - W/HUMIDITY SWITCH HOLE	61726622
5	084880-01-753	EA	THERMISTER 78"	61693822
6	075217-01-738	EA	SWITCH-HUMIDITY	61525922
7	084880-01-760	EA	CLIP-THERMISTER	61689122
8	094039-01-723	EA	BRACKET-HINGE, TOP RH - BOTTOM LH - BLACK	61580838
9	094039-01-725	EA	HINGE PIN-MALE, BLACK	61578130
	084880-03-702	EA	HINGE PIN-TOP/BOTTOM FEMALE	61580630
10	084880-01-749	EA	BUSHING-HINGE	61580722
11	094039-01-728	EA	BRACKET-HINGE, CENTER - BLACK	61566530
12	094039-01-730	EA	HINGE PIN SHAFT-CENTER HINGE, BLACK	61566730
13	084880-01-722	EA	COVER-CRISPER	61564122
14	104137-06-707	EA	CRISPER, WHITE	61571325
15	094039-01-724	EA	BRACKET-HINGE, TOP LH - BOTTOM RH - BLACK	61580938
16	094039-01-739	EA	SHELF-CUTOUT	61646722
17	094039-01-732	EA	COVER-FRONT, BLACK BOTTOM TRIM	61622130
18	094039-01-733	EA	WIRE SHELF-MIDDLE	61563822
19	094039-01-734	EA	WIRE SHELF-TOP W/RISER	61563722
20	094039-01-735	EA	DRIP TRAY-INSIDE, WHITE	61572830
21	084880-01-732	EA	LATCH-NORCOLD	61578522
	094039-01-726	EA	SHELF-FREEZER EVAPORATOR	61523622
	084879-03-700	EA	COOLING UNIT-HORIZONTAL BURNER	61687237
	104137-06-706	EA	WIRE SHELF-SHORT	61718222
	054450-01-000	EA	LEVEL-REFRIGERATOR	
	065225-02-000	EA	PLATE-TIEDOWN, REFRIGERATOR	
	093646-01-000	EA	BRACKET-TIEDOWN, REFRIGERATOR	
	093646-02-000	EA	BRACKET-TIEDOWN, REFRIGERATOR	
	116751-01-01A	EA	TRAY-DRIP, REFRIGERATOR - 24.6" X 6.3" - PLASTIC - BLACK	

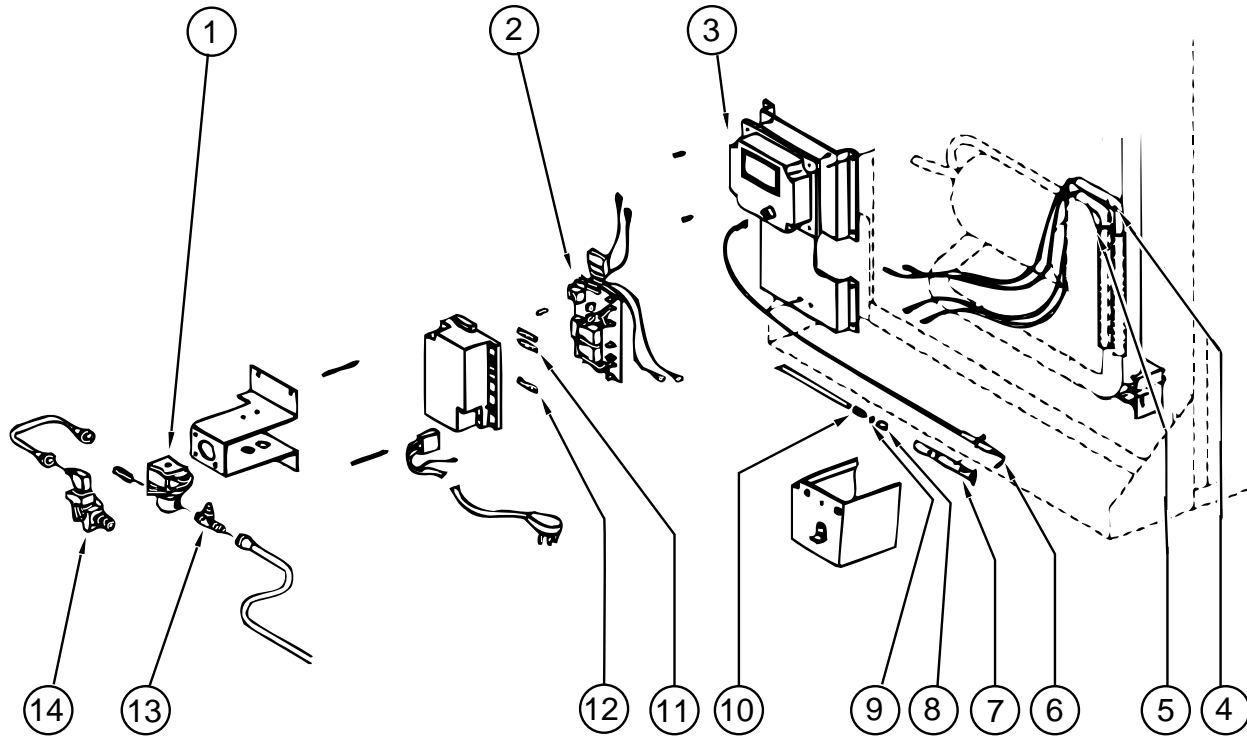
GALLEY GROUP (CONTINUED)

NORCOLD 6162 LH REFRIGERATOR SMALL DOUBLE DOOR



KEY	PART NUMBER	U/M	DESCRIPTION	VENDOR NO.
1	094039-01-702	EA	GASKET-UPPER, GRAY	61567830
2	094039-01-710	EA	PLATE-HINGE, BLACK	61631330
3	094039-01-706	EA	LINER-UPPER DOOR, WHITE/BLACK	61581838-B
4	094039-01-708	EA	HANDLE-DOOR, UPPER - BLACK	61650038
5	084880-01-761	EA	END CAP-SPRING CATCH, UPPER - BLACK	61593730
	084880-01-720	EA	SPRING-DOOR HANDLE	61558822
6	084880-01-740	EA	END CAP-STOP CATCH	61593830
7	094039-01-704	EA	PLATE-HINGE, BLACK	61631430
8	094038-01-702	EA	LINER-DOOR, LOWER - BLACK/WHITE	61581938-B
9	094038-01-704	EA	HANDLE-DOOR, LOWER - BLACK	61650138
10	104137-06-703	EA	BIN-MILK, WHITE	61579425
11	104137-06-704	EA	BIN-DOOR SHELF, WHITE	61564025
12	094038-01-700	EA	GASKET-LOWER, GRAY	61567930
13	104137-06-702	EA	RACK-JUICE, WHITE	61580525

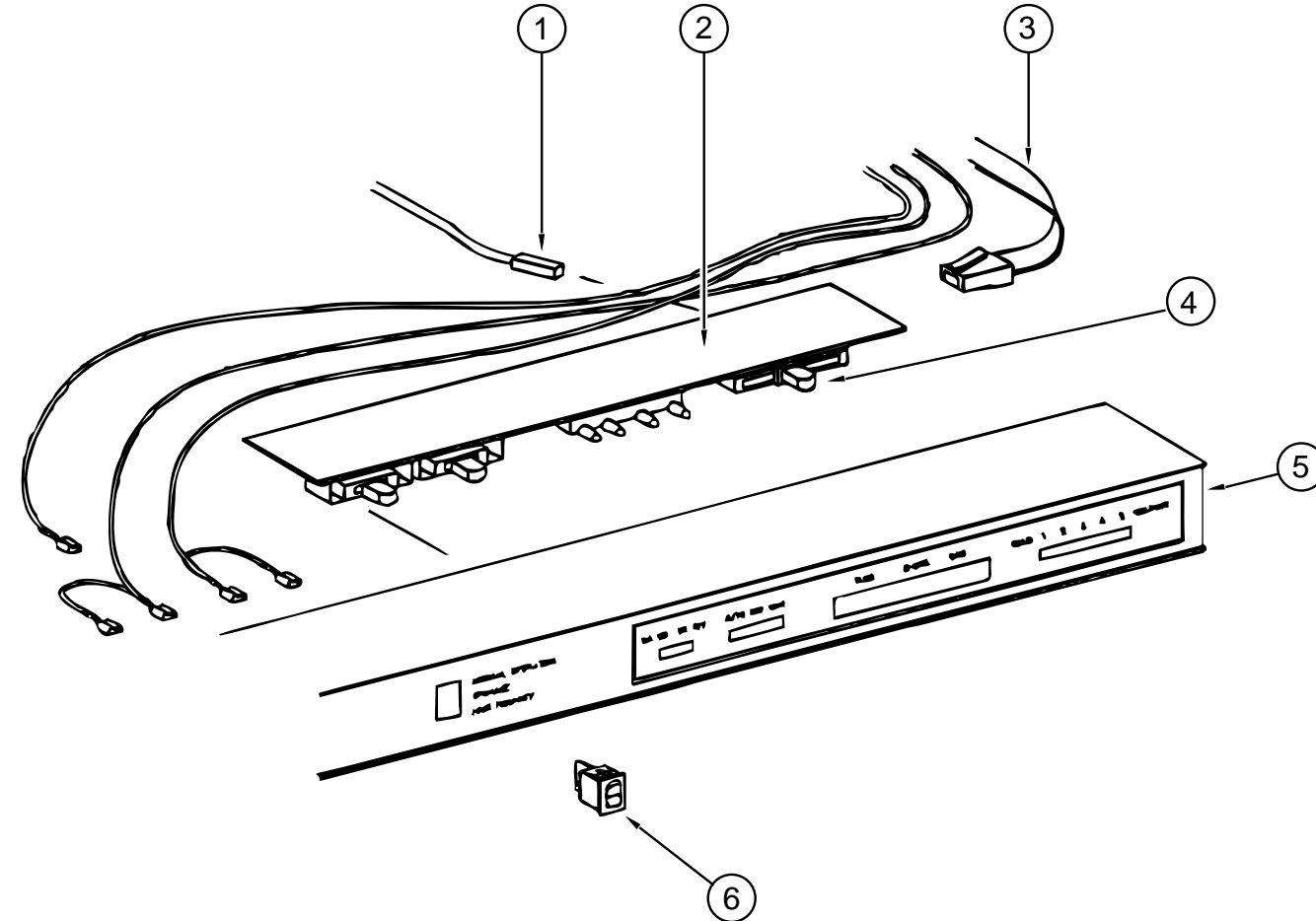
GALLEY GROUP (CONTINUED)



NORCOLD 6162 REFRIGERATOR CONTROL ASSEMBLY

KEY	PART NUMBER	U/M	DESCRIPTION	VENDOR NO.
1	084880-01-718	EA	VALVE-GAS	61551822
2	094039-04-702	EA	POWER SUPPLY - 2 WAY	61647422
3	102621-01-702	EA	MODULE-IGNITION	61688922
4	088248-01-710	EA	HEATER-DC, HORIZONTAL - 3 WAY	61562822
5	088248-01-709	EA	HEATER-AC, HORIZONTAL	61562722
6	104137-06-715	EA	SPARK/SENSE ELECTRODE-SINGLE	61692222
7	104137-06-714	EA	BURNER ASSEMBLY - 5-SLOT	61705222
8	084880-01-705	EA	ORIFICE	61452222
9	104137-06-713	EA	GASKET-ORIFICE	61475122
10	104137-06-712	EA	FITTING-GAS TUBE CONNECTION	61692722
11	075217-01-734	EA	FUSE - 3 AMP	61538822
12	104137-06-711	EA	FUSE - 5 AMP	61611622
13	104137-06-710	EA	PRESSURE TAP	61594422
14	104137-06-709	EA	VALVE-SHUT OFF, MANUAL	61694922
	084880-01-713	EA	CONNECTOR-MALE, INLET FITTING - NORCOLD	615256

GALLEY GROUP (CONTINUED)

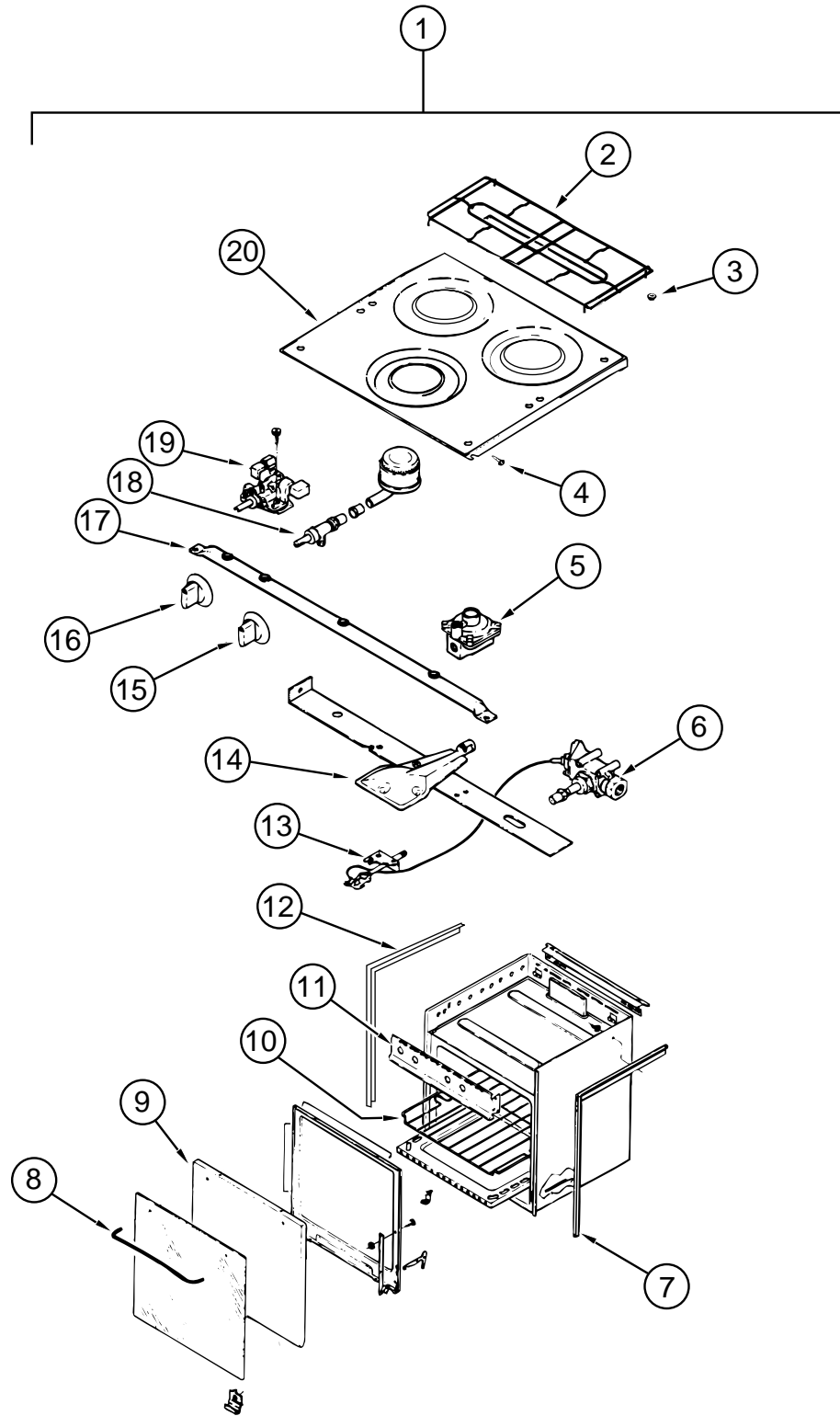


NORCOLD 6162 REFRIGERATOR EYEBROW ASSEMBLY

KEY	PART NUMBER	U/M	DESCRIPTION	VENDOR NO.
1	084880-01-753	EA	THERMISTER 78"	61693822
	084880-01-760	EA	CLIP-THERMISTER	61689122
2	094039-04-700	EA	PRINTED CIRCUIT BOARD - 2 WAY	61647322
3	084880-01-746	EA	CABLE-NORCOLD	61571522
4	102621-01-703	EA	BUTTON-THERMOSTAT, ADJUSTABLE	61587422
5	094039-04-701	EA	EYEBROW SHELL, 2-WAY - W/O HUMIDITY SWITCH HOLE	61669822
5	104137-06-700	EA	EYEBROW SHELL, 2-WAY - W/HUMIDITY SWITCH HOLE	61726622
6	075217-01-738	EA	SWITCH-HUMIDITY	61525922

GALLEY GROUP (CONTINUED)

RANGE - 3 BURNER W/OVEN - MAGIC CHEF - MODEL 16RA-3B49



KEY	PART NUMBER	U/M	DESCRIPTION	VENDOR NO.
1	112881-01-03A	EA	RANGE - 16", 3 BURNER - ALMOND DOOR	
2	102020-01-711	EA	GRATE-TOP	7518P012-60
3	102020-01-709	EA	BUMPER-GRATE	8007P018-60
4	102020-01-724	EA	BUMPER-MAIN TOP	8003P008-60
5	102022-01-708	EA	REGULATOR-PRESSURE, 1/4 IN - 1/2 OUT	7510P041-60
6	112881-01-702	EA	VALVE-MERCURY, SAFETY VALVE	7501-P121-60
7	112881-01-708	EA	TRIM-FLAT, RIGHT - BLACK	3608W036-70
8	102020-01-701	EA	HANDLE-DOOR	7701P092-60
9	112881-01-713	EA	DOOR-OVEN, TEXTURED	2401F126-70
10	055282-04-700	EA	PANEL-OVEN DOOR, ALMOND	50-26577-2A
10	102020-01-700	EA	SHELF-OVEN	7801-P027-60
11	112881-01-701	EA	PANEL-MANIFOLD	2616F091-70
12	112881-01-707	EA	TRIM-FLAT, LEFT - BLACK	3608W035-70
13	112881-01-710	EA	PILOT-OVEN	7505P202-60
14	112881-01-711	EA	BURNER-OVEN	3404W025045
15	112881-01-705	EA	KNOB-TOP BURNER	7733P072-60
16	112881-01-704	EA	KNOB-THERMOSTAT	7731P067-60
16	112881-01-716	EA	KNOB-THERMOSTAT	7731P107-60
17	112881-01-709	EA	PIPE-MANIFOLD	7513P097-60
18	102020-01-722	EA	VALVE-TOP BURNER	7502P095-60
18	112881-01-703	EA	VALVE-TOP BURNER, HI-OUTPUT	7502P180-60
19	112881-01-706	EA	THERMOSTAT	12400026
19	112881-01-715	EA	THERMOSTAT	7515P037-60
20	112881-01-700	EA	TOP-MAIN, ALMOND	2001F110-84
	105458-03-000	EA	BRACKET-TIEDOWN, STOVE - RIGHT	
	105458-04-000	EA	BRACKET-TIEDOWN, STOVE - LEFT	

GALLEY GROUP (CONTINUED)
RANGE - 3 BURNER - MAGIC CHEF - MODEL 15RA-3B

KEY	PART NUMBER	U/M	DESCRIPTION	VENDOR NO.
	114030-01-01A	EA	RANGE-W/O OVEN, 3 BURNER - ALMOND	
	102019-01-705	EA	TRIM-REAR, BLACK - MAGIC CHEF	3608F009-70
	102020-01-709	EA	BUMPER-GRATE, MAGIC CHEF	8007P018-60
	102020-01-710	EA	FILTER-PILOT, MAGIC CHEF	7507P046-60
	102020-01-711	EA	GRATE-TOP, MAGIC CHEF	7518P012-60
	102020-01-721	EA	VALVE-SHUT OFF, MAGIC CHEF	7506F096-60
	102020-01-722	EA	VALVE-TOP BURNER, MAGIC CHEF	7502P095-60
	102020-01-724	EA	BUMPER-MAIN TOP, MAGIC CHEF	8003P008-60
	102022-01-708	EA	REGULATOR-PRESSURE, 1/4 IN - 1/2 OUT	7510P041-60
	112881-01-700	EA	TOP-MAIN, ALMOND	2001F110-84
	112881-01-703	EA	VALVE-TOP BURNER, HI-OUTPUT	7502P180-60
	112881-01-705	EA	KNOB-TOP BURNER	7733P072-60
	112881-01-709	EA	PIPE-MANIFOLD	7513P097-60
	114030-01-700	EA	PILOT-BURNER	7505P147-60
	114030-01-701	EA	PANEL-MANIFOLD	2616F078-70
	114030-01-702	EA	TRIM-RIGHT, BLACK	3608W040-70
	114030-01-703	EA	TRIM-LEFT, BLACK	3608W039-70
	081587-03-000	EA	BRACKET-TIEDOWN, RANGE - RH	
	081587-04-000	EA	BRACKET-TIEDOWN, RANGE - LH	

MICROWAVE OVEN

KEY	PART NUMBER	U/M	DESCRIPTION	VENDOR NO.
	115303-01-000	EA	OVEN-MICROWAVE MCD-DM15K-7B	
	115303-01-700	EA	TRIMF/VENT, TOP	2100309
	115401-01-01A	EA	TRIM-MICROWAVE, BLACK	
	098916-12-01A	EA	BRACE-MICROWAVE CABINET, LEFT - STEEL	
	098916-13-01A	EA	BRACE-MICROWAVE CABINET, RIGHT - STEEL	
	094750-07-000	EA	BRACKET-MICROWAVE, 89 DEGREE	

GENERATOR GROUP
3.6 KW ONAN GENERATOR - LP

KEY	PART NUMBER	U/M	DESCRIPTION
	109982-04-000	EA	GENERATOR - 3.6 MICROLITE, ONAN KY-FA/26120 B
	007125-04-000	EA	CLAMP-MUFFLER, 1.12" DIAMETER
	105958-10-000	EA	PIPE-EXHAUST, GENERATOR
	007067-01-000	SF	INSULATION-FIBERGLASS, 1" THICK X 4' - INCREMENTS OF 4 SF

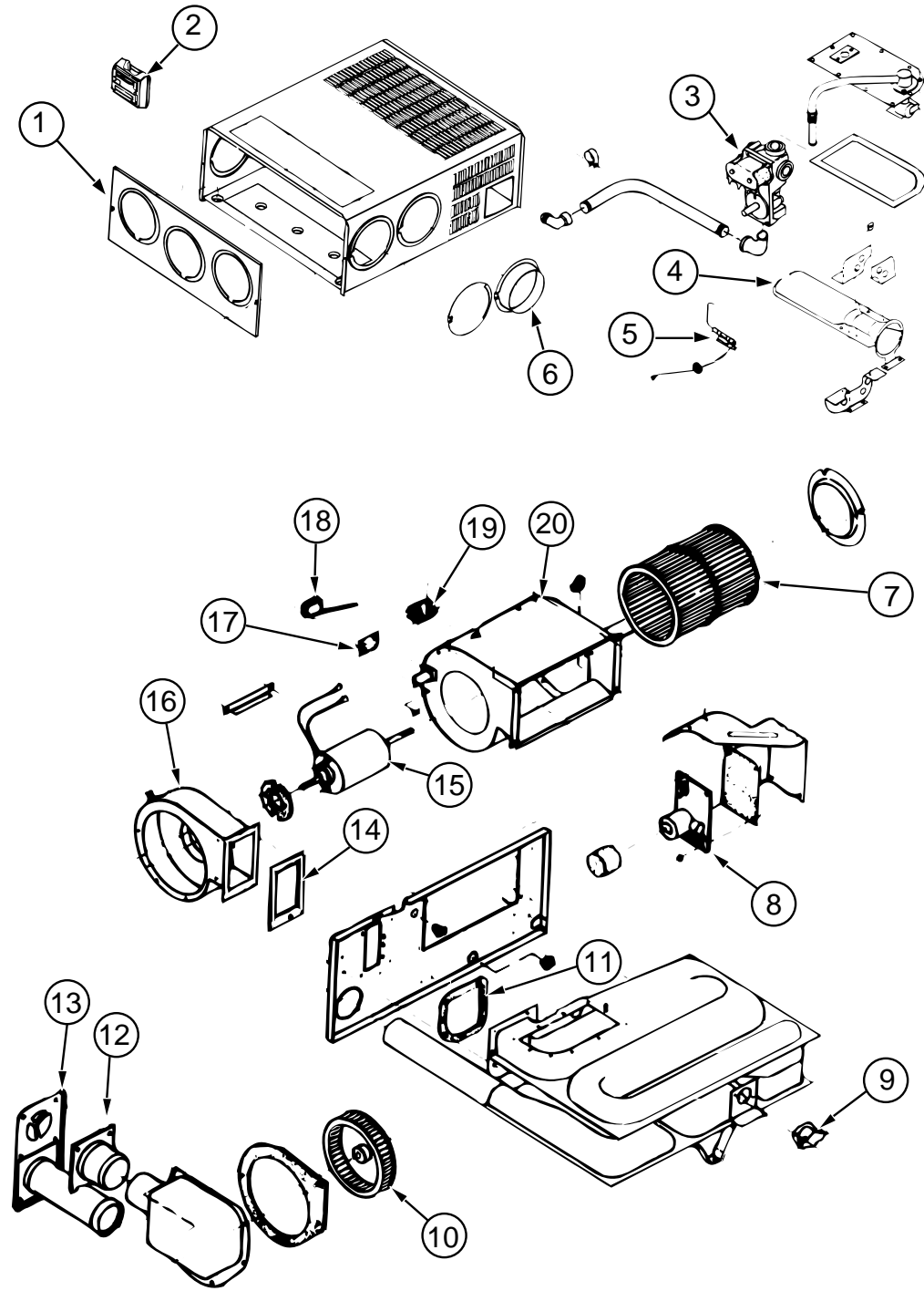
4.0 KW ONAN GENERATOR

KEY	PART NUMBER	U/M	DESCRIPTION
	109982-03-000	EA	GENERATOR - 4.0 MICROLITE, ONAN KY-FA/26100 B
	007125-04-000	EA	CLAMP-MUFFLER, 1.12" DIAMETER
	105958-10-000	EA	PIPE-EXHAUST, GENERATOR
	007067-01-000	SF	INSULATION-FIBERGLASS, 1" THICK X 4' - INCREMENTS OF 4 SF

3.3 KW ONAN GENERATOR - EXPORT

KEY	PART NUMBER	U/M	DESCRIPTION
	109982-05-000	EA	GENERATOR - 3.3 MICROLITE, ONAN KY-FR/26119 B
	007125-04-000	EA	CLAMP-MUFFLER, 1.12" DIAMETER
	105958-10-000	EA	PIPE-EXHAUST, GENERATOR
	007067-01-000	SF	INSULATION-FIBERGLASS, 1" THICK X 4' - INCREMENTS OF 4 SF

HEATING & AIR CONDITIONING GROUP
FURNACE - 25,000 BTU - SUBURBAN - MODEL SF-25



KEY	PART NUMBER	U/M	DESCRIPTION	VENDOR NO.
	098668-19-000	EA	FURNACE - 25,000 BTU - 2272	
1	098668-01-700	EA	CABINET FRONT	101242
2	115764-01-01A	EA	THERMOSTAT-FURNACE 160902	
3	098668-01-714	EA	VALVE-GAS	161070
4	098668-01-703	EA	BURNER ASSEMBLY-COMplete	010762
5	098668-01-715	EA	ELECTRODE ASSEMBLY-SINGLE PROBE	232166
6	075696-02-703	EA	COLLAR-DUCT	050715
7	098668-01-711	EA	WHEEL-ROOM AIR	350123
8	098668-01-712	EA	BOARD-MODULE	231741
9	098668-21-701	EA	SWITCH-LIMIT	231799
10	098668-01-706	EA	WHEEL-COMBUSTION AIR	350122
11	098668-01-716	EA	GASKET-FIREWALL, CHAMBER SIDE	070808
12	098668-01-713	EA	TUBE ASSEMBLY-INTAKE VENT	051248
13	098668-01-707	EA	VENT CAP & EXHAUST TUBE ASSEMBLY	260193
14	098668-01-717	EA	GASKET-FIREWALL, BLOWER SIDE	070809
15	098668-01-709	EA	MOTOR ASSEMBLY	231706
16	098668-01-708	EA	BLOWER ASSEMBLY-COMBUSTION AIR	390441
17	101990-01-714	EA	GASKET-MICROSWITCH	230877
18	098668-21-700	EA	MICROSWITCH-W/O FLAG, 3 1/4"	232261
19	074466-01-702	EA	RELAY-TIME DELAY	230625
20	098668-01-710	EA	BLOWER ASSEMBLY-ROOM AIR	390440
	090039-01-703	EA	ORIFICE-MAIN BURNER	180193
	092300-02-701	EA	ORIFICE-MAIN BURNER, SUBURBAN	180214
	098668-23-000	EA	DOOR-ACCESS, FURNACE - BRIGHT WHITE 520574	
	069636-02-000	EA	CONNECTOR-DUCT, 4" ID - SUBURBAN 050715	
	093614-01-02A	EA	GRILLE-RETURN AIR, FURNACE - BEIGE	
	056464-10-000	EA	REGISTER-PLASTIC, W/O DAMPER - 4" DIAMETER	
	009198-01-000	FT	DUCT-HEAT, FLEXIBLE - 4" ID X 25 FT	
	009200-01-000	EA	TAPE-FURNACE, 1 1/2"	

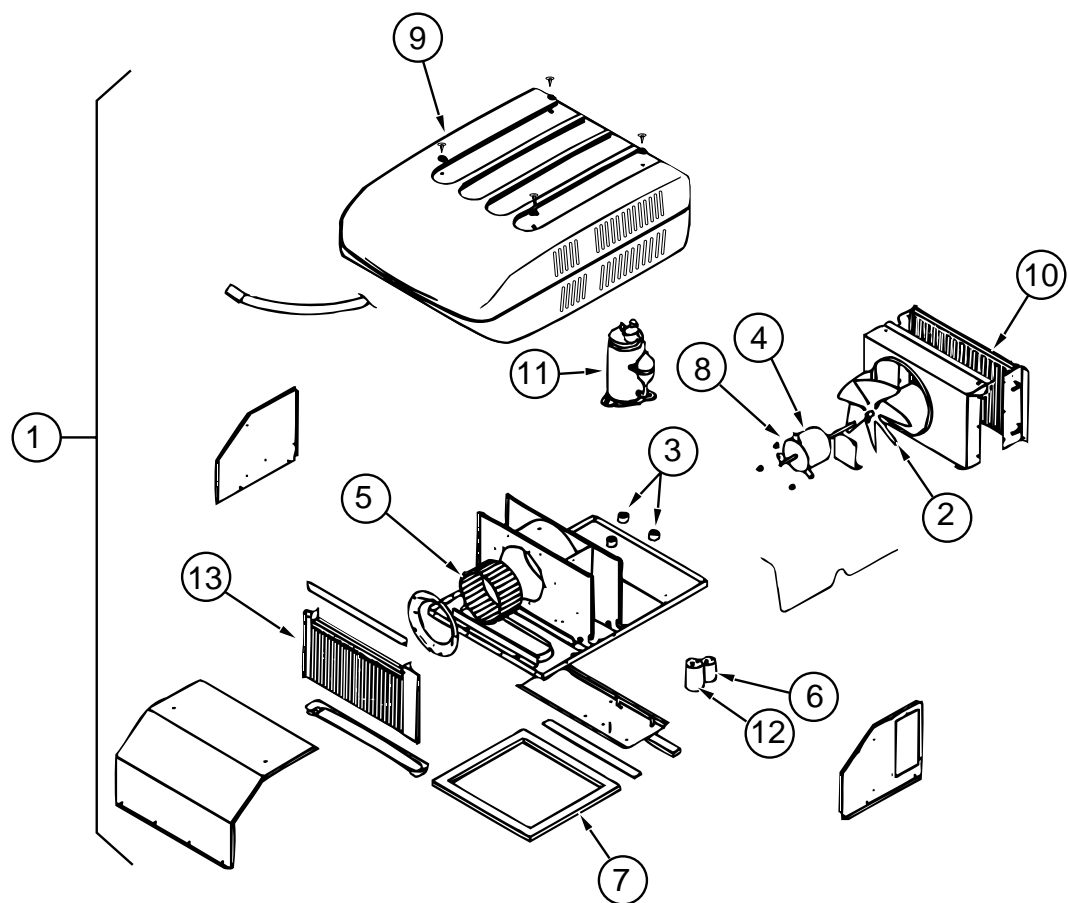
HEATING & AIR CONDITIONING GROUP (CONTINUED)

ROOF A/C-13,500 BTU-EUROPE - COLEMAN - MODEL TSR 220

KEY	PART NUMBER	U/M	DESCRIPTION
	108889-02-03A	EA	A/C-ROOF, 13,500 - BRIGHT WHITE 7373A891

CEILING A/C - COLEMAN - U.S. & EUROPE

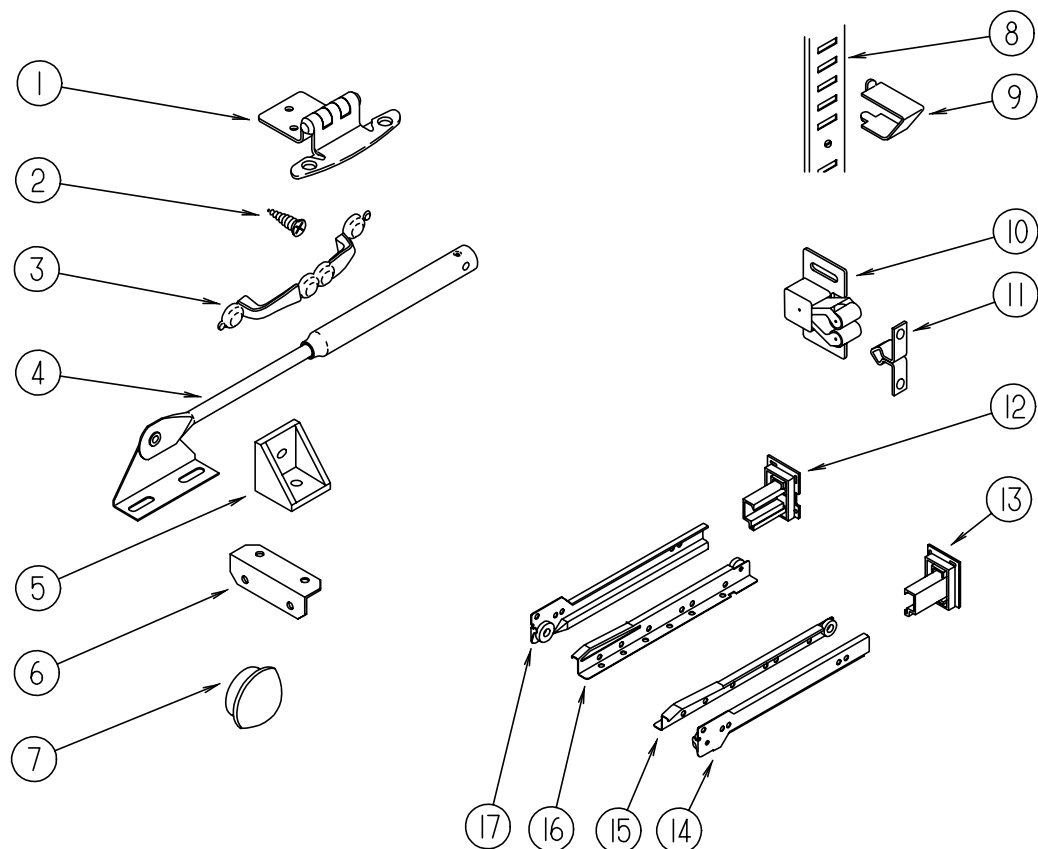
KEY	PART NUMBER	U/M	DESCRIPTION	VENDOR NO.
	108891-01-01A	EA	CEILING ASSEMBLY-A/C COOL TSR HO	7330-714 IV
	042204-01-709	EA	THERMOSTAT-IN 64 OUT 58	6701-3401
	073742-01-701	EA	SELECTOR SWITCH - 5 TERMINAL	6759-3251
	073742-01-702	EA	DECAL COOL ONLY	6759C3431
	081606-01-712	EA	CEILING SHROUD-IVORY	6769-5061
	091225-01-713	EA	KNOB - 2 PER PACKAGE	6701-3351
	091225-01-717	EA	DECAL-THERMOSTAT, COOL ONLY	6799A3441
	093766-02-701	EA	DECAL-LEFT SIDE	6799-3971
	108891-01-700	EA	SINGLE PARTS PACKAGE-KNOBS & NUTS	6792-5991
	108891-01-701	EA	RETAINER CLIPS-FILTER, 6 PER	6799-3141
	076303-01-717	EA	FILTER	
	084077-03-000	EA	COVER-BLANK, ROOF A/C - 5.2" X 3.5" - IVORY	



ROOF AIR CONDITIONER - COLEMAN - MODEL TSR HO

KEY	PART NUMBER	U/M	DESCRIPTION	VENDOR NO.
1	108889-01-05A	EA	A/C-ROOF, 13,500 - BRIGHT WHITE 7333A886	
2	093763-01-712	EA	FAN BLADE-CONDENSER, COLEMAN	6733-3221
3	105620-01-706	EA	FOOT PACKAGE-COMPRESSOR, 3 PER PKG	6759-3081
4	108889-01-705	EA	MOTOR - 115, 60HZ	1468-3049
5	108889-01-706	EA	IMPELLOR	1472-1041
6	093763-01-704	EA	CAPACITOR-FAN, COLEMAN	1499-3461
	108889-01-710	EA	FILLER PAD-CONDITIONER AIR SEAL	6759A3971
7	108889-01-711	EA	GASKET PACKAGE	6792-3301
8	108889-01-715	EA	SEAL KIT-MOTOR MOUNT & SHAFT	6792-3361
9	108889-01-701	EA	SHROUD-LESS LOGO, IVORY/IVORY	6759-4601
9	108889-05-700	EA	SHROUD-LESS LOGO, BRIGHT WHITE	7333-4601
10	108889-01-703	EA	CONDENSER COIL	1452A1301
11	105620-01-704	EA	COMPRESSOR-RH & LH - COLEMAN	1450-2009
12	108889-01-707	EA	RUN CAPACITOR-COMPRESSOR, 25MFD/370	1499-5661
	091225-01-709	EA	START RELAY, COLEMAN	1497-4131
13	108889-01-709	EA	EVAPORATOR COIL	1452A1311
	102289-01-000	EA	SPRING-SCREW, ROOF A/C GASKET - COLEMAN	6757-150
	093306-01-701	EA	DECAL PACKAGE, LEFT & RIGHT - COLEMAN	6798B3591
	108889-01-704	EA	OVERLOAD-MRA #98693	6749-3541
	108889-01-712	EA	SUCTION LINE REDUCER - 3/8" X 1/2"	1215-2161
	108889-01-713	EA	SUCTION LINE - 3/8" OD X .032" WALL	6792-130
	108889-01-714	EA	DISCHARGE LINE ASSEMBLY	6792-531

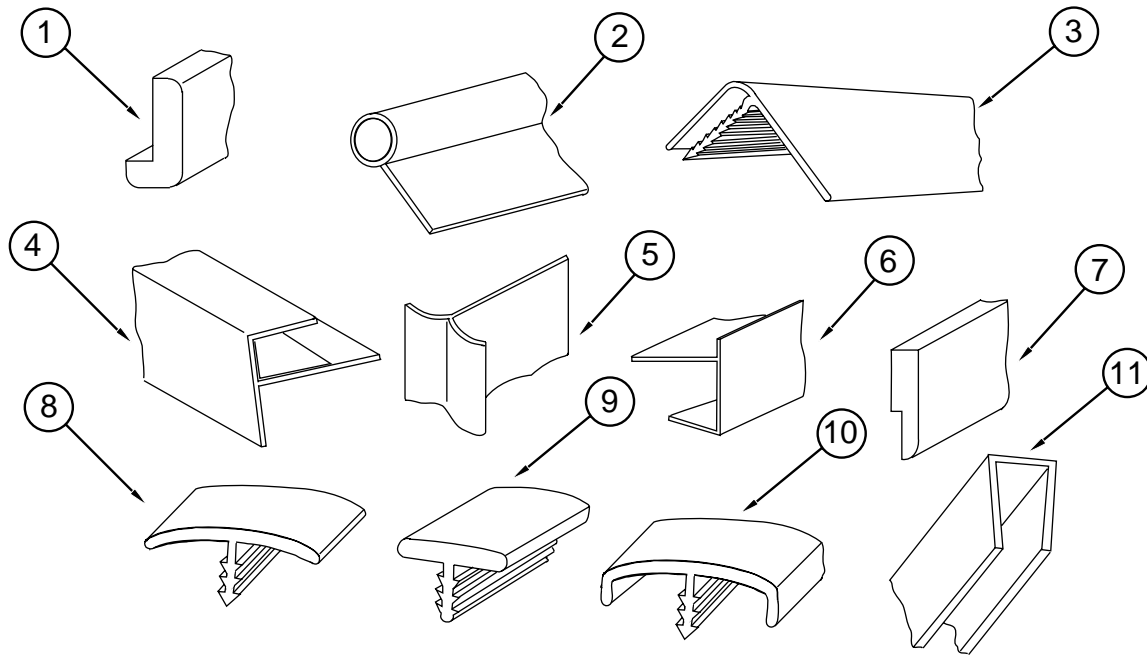
**INTERIOR FINISH GROUP
CABINET & TABLE HARDWARE**



KEY	PART NUMBER	U/M	DESCRIPTION
	009112-01-000	EA	FLANGE-ROD, 1" - COTHES ROD - PLASTIC - OFF WHITE
	042438-01-000	EA	DOWEL-WOOD, CLOTHES ROD - 1" DIAMETER X 4'
	009065-01-000	EA	HINGE-CONTINUOUS, 1 1/2" X 96" - UNPAINTED
	076790-01-000	EA	SCREW - 6-20 X 1 1/4 PPH - BLACK
	004354-01-000	EA	BUMPER-RUBBER, .5" DIAMETER - BROWN
	069726-02-000	EA	BUMPER -.88" DIAMETER X .40" - BLACK
	023320-01-000	EA	PAD-FELT, 3/8" DIAMETER - BROWN
	103256-01-000	EA	LATCH-SLIDE
	008042-01-000	FT	TUBING-VINYL, .65" ID
	039984-01-000	EA	CAP-ROUND, VINYL - .28" ID X .62" LONG - BLACK
	071391-02-000	EA	NIPPLE-HEX, 1/4 PIPE - 3325 X 4 WEATHERHEAD
	081914-01-000	EA	BUMPER-RUBBER, ROUND - .43" DIAMETER - BLACK
	097872-04-000	EA	DOWEL-WOOD, 1.00 DIAMETER X 1.38 LONG - UNFINISHED
	109403-01-000	EA	CATCH-SINGLE ROLLER
	102194-01-000	EA	GUIDE-PLASTIC

KEY	PART NUMBER	U/M	DESCRIPTION
1	108138-01-000	EA	HINGE-DOOR, CABINET - BURNISHED BRASS
2	000G13-06-08G	EA	SCREW - 6-20 X 5/8 PFH - ANTIQUE BRASS
3	112146-01-000	EA	PULL-CABINET, BRASS - AMEROCK D-1180-3
4	074493-02-000	EA	SUPPORT-PISTON SPRING, CABINET DOOR
5	065740-01-000	EA	BRACE-CABINET CORNER, PLASTIC
6	016604-01-000	EA	BRACE-CABINET, ANGLE - 2.5" - METAL - UNPAINTED
6	016604-03-000	EA	BRACE-CABINET, ANGLE - 2.5" - METAL - BEIGE
6	016604-05-000	EA	BRACE-CABINET, L ANGLE - 2.5" - METAL - OFF WHITE
7	042356-01-000	EA	PLUG-BUTTON, MAHOGANY - 3/8" DIAMETER - WOOD
7	074045-08-000	EA	PLUG-OAK, 1/2" DIA - SALEM CHERRY
8	098980-01-000	EA	PILASTER-ADJUSTABLE SHELF, 18" LONG - WOODGRAIN APPEARANCE
9	098979-01-000	EA	CLIP-ADJUSTABLE SHELF
10	093586-06-000	EA	CATCH-SPRING, ROLLER - FASTEC C411-AC
11	093586-05-000	EA	STRIKE-SPRING, STEEL - FASTEC S411-AC
12	114045-01-000	EA	BACKSOCKET-ADJUSTABLE, LEFT - HOUCK 751-1 N/A ORDER #114031-13-700 SLIDE DRAWER KIT
13	114045-02-000	EA	BACKSOCKET-ADJUSTABLE, RIGHT - HOUCK 751-2 N/A ORDER #114031-13-700 SLIDE DRAWER KIT
14	114031-14-000	EA	SLIDE-DRAWER, CABINET MOUNTED - RIGHT SIDE - 18" N/A ORDER #114031-13-700 SLIDE DRAWER KIT
15	114031-16-000	EA	SLIDE-DRAWER, DRAWER MOUNTED - RIGHT SIDE - 18" N/A ORDER #114031-13-700 SLIDE DRAWER KIT
16	114031-15-000	EA	SLIDE-DRAWER, DRAWER MOUNTED - LEFT SIDE - 18" N/A ORDER #114031-13-700 SLIDE DRAWER KIT
17	114031-13-000	EA	SLIDE-DRAWER, CABINET MOUNTED - LEFT SIDE - 18" N/A ORDER #114031-13-700 SLIDE DRAWER KIT

INTERIOR FINISH GROUP (CONTINUED)



MOLDINGS & TRIMS

KEY	PART NUMBER	U/M	DESCRIPTION
1	077840-01-G01	EA	MOLDING-WALL CAP, 2438
2	009767-12-000	FT	MOLDING-SIDEWALL TO CEILING/CABINET - WELTING - OFF WHITE
3	009809-23-000	EA	MOLDING-CORNER, OUTSIDE - 1" - PLASTIC - IVORY
3	009809-28-000	EA	MOLDING-CORNER, OUTSIDE - 1" - WATERFORD OAK
4	009812-29-000	EA	MOLDING-CORNER, OUTSIDE - 1/2" - WATERFORD OAK
5	022992-11-000	FT	MOLDING-REVERSE COVE, T-SHAPED - VINYL - IVORY
6	103186-01-05A	FT	MOLDING-PLASTIC, SHELF - 19.9 MM - WATERFORD OAK
7	105004-01-05A	EA	MOLDING-VINYL WRAP - WATERFORD OAK
8	009815-09-000	FT	MOLDING-T, .75" - IVORY
9	104676-01-01A	FT	MOLDING-T, 5/16" RIGID - GOLD
10	104676-02-04A	FT	MOLDING-T, 1/2" X 10' - WATERFORD OAK
10	104676-02-01A	FT	MOLDING-T, 1/2" X 7'
10	083620-07-000	FT	MOLDING-T, END CAP EDGE - W/EDGE LIPS - .75" - THOR PECAN
10	083620-09-000	FT	MOLDING-T, 3/4 - W/EDGE LIPS - MODERN IVORY
10	083620-12-000	FT	MOLDING-T, 3/4 - W/EDGE LIPS - WATERFORD OAK
10	119520-01-01A	FT	MOLDING-T, 1" - W/EDGE LIPS
11	009778-21-000	FT	U-CHANNEL - 1", WATERFORD OAK
11	070504-36-000	FT	EXTRUSION-U CHANNEL, 1.65 - WATERFORD OAK
11	070504-37-000	FT	EXTRUSION-U-CHANNEL, 20.70 - WATERFORD OAK
	117268-D2-134	EA	MOLDING-VINYL WRAPPED, 018 X 040 X 2134 MM - WATERFORD OAK
	117268-F2-134	EA	MOLDING-VINYL WRAPPED, 018 X 065 X 2134 MM - WATERFORD OAK
	009767-15-000	FT	WELTING-WATERFORD OAK
	076325-37-000	FT	MOLDING-EDGEBAND, 1 5/16 - ORCHID MIST
	076325-47-000	FT	MOLDING-EDGEBAND, 1 5/16 - SAND (G21)
	076325-49-000	FT	MOLDING-EDGEBAND, 1 5/16 - NEUTRAL (G22)
	076325-44-000	FT	MOLDING-EDGEBAND, .875 - SAND (G21)
	076325-40-000	FT	MOLDING-EDGEBAND, .875 - NEUTRAL (G22)
	076325-68-000	FT	MOLDING-EDGEBAND, WATERFORD - 1 5/16 X .038
	075249-01-000	EA	RAILING-OAK, 72" - UNFINISHED
	112198-01-000	FT	MOLDING-J, #90227 - CRILA PLASTICS
	112198-02-000	FT	MOLDING-J, #90066 - CRILA PLASTICS
	100659-01-G09	EA	MOLDING-TRIM, VINYL FLOOR

INTERIOR FINISH GROUP (CONTINUED) PANELING, LAMINATES & PLASTIC

KEY	PART NUMBER	U/M	DESCRIPTION
	074497-34-000	SF	PANELING-CEILING, 3MM X 48" X 8" - PEARL
	074497-28-000	SF	PANELING - 48" X 96", WATERFORD OAK
	080215-10-000	SF	PANELING - 2 SIDED, 5MM X 48" X 96" - WATERFORD OAK
	088272-E2-000	SF	PANELING-MAIN, TRAVERTINE (G21)
	088272-E6-000	SF	PANELING-MAIN, MIDNIGHT (G22)
	088272-98-000	SF	PANELING-SHOWER, OFF WHITE - 4' X 7'
	074498-54-000	SF	LAMINATE-PLASTIC, SAND (G21)
	074498-71-000	SF	LAMINATE-PLASTIC, NEUTRAL (G22)
	074498-77-000	SF	LAMINATE-PLASTIC, CABIN OAK
	074498-67-000	SF	LAMINATE-PLASTIC, ORCHID MIST
	093743-02-01A	SF	PLASTIC-ABS, 20" WIDE ROLL - OFF WHITE
	000885-76-000	SF	PARTICLE BOARD-VINYL 1 SIDE, 3/8" X 48" X 96" - WATERFORD OAK
	000885-77-000	SF	PARTICLE BOARD-VINYL 2 SIDES, 3/8" X 48" X 96" - WATERFORD OAK
	000885-78-000	SF	PARTICLE BOARD-VINYL 2 SIDES, 1/2" X 48" X 96" - WATERFORD OAK
	000885-79-000	SF	PARTICLE BOARD-VINYL 2 SIDES, 3/4" X 48" X 96" - WATERFORD OAK

CARPETING & FLOOR MATS

KEY	PART NUMBER	U/M	DESCRIPTION
	096060-95-000	SY	CARPET-JUBILATION, DOESKIN (G21)
	096060-97-000	SY	CARPET-JUBILATION, LAPIS BLUE (G22)
	093486-01-000	SY	CARPET-COMPARTMENT, 54" WIDE - DARK GRAY
	106884-01-000	EA	MAT-FLOOR, PASSENGER - W/"W" LOGO - FORD
	106884-02-000	EA	MAT-FLOOR, DRIVER - W/"W" LOGO - FORD

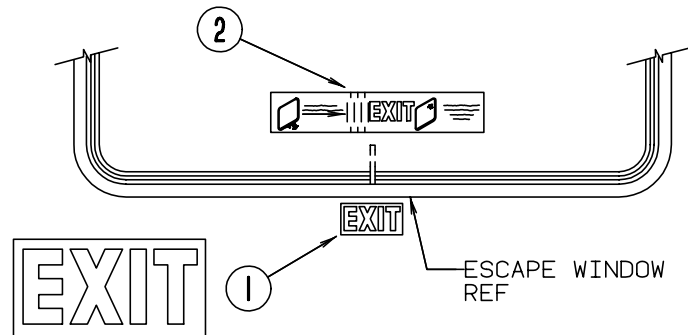
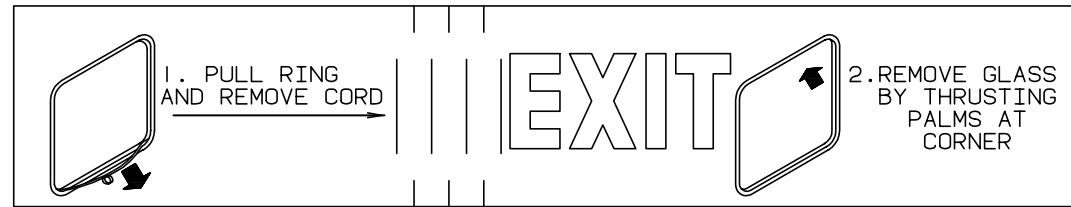
BATT STRIPS

KEY	PART NUMBER	U/M	DESCRIPTION
	088263-C1-000	EA	BATT-STRIP, MAIN - TRAVERTINE (G21)
	088263-C5-000	EA	BATT-STRIP, MAIN - MIDNIGHT (G22)
	088263-D6-000	EA	BATT-STRIP, CEILING - IMPACT PEARL
	088263-78-000	FT	BATT STRIP-SHOWER, ANTIQUE WHITE
	069733-83-000	EA	BATT-STRIP, WATERFORD OAK
	085284-B5-000	FT	TAPE-BATT STRIP, WATERFORD OAK
	085284-B3-000	FT	TAPE-BATT STRIP, MAIN - TRAVERTINE (G21)
	085284-B8-000	FT	TAPE-BATT STRIP, MAIN - MIDNIGHT (G22)
	085284-C9-000	FT	TAPE-BATT STRIP, CEILING - IMPACT PEARL
	085284-76-000	FT	TAPE-BATT STRIP, SHOWER - ANTIQUE WHITE
	086229-13-000	EA	BATTEN-CEILING, 1" - MODERN IVORY
	086229-01-000	EA	RETAINER-BATTEN, CEILING - .75" WIDE - 7.6'

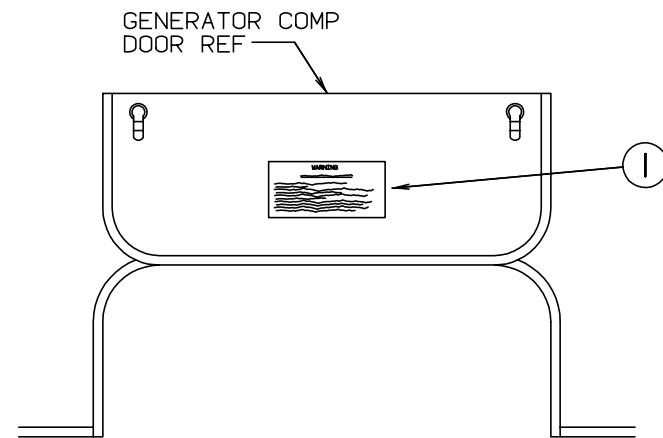
FIRE EXTINGUISHER, CLOCK & DETECTORS

KEY	PART NUMBER	U/M	DESCRIPTION
	072852-02-000	EA	DETECTOR-SMOKE, W/9 VOLT BATTERY - CANADIAN
	094499-02-000	EA	EXTINGUISHER-FIRE, DRY - 1A10BC - CANADIAN
	094499-01-700	EA	BRACKET-MOUNTING, W/PLASTIC STRAP - FIRE EXTINGUISHER
	072852-01-000	EA	DETECTOR-SMOKE, W/9 VOLT BATTERY - US
	094499-01-000	EA	EXTINGUISHER-FIRE, DRY W/MOUNTING BRACKET - 10 BC
	094499-01-700	EA	BRACKET-MOUNTING, W/PLASTIC STRAP - FIRE EXTINGUISHER
	112320-01-000	EA	DETECTOR-CO GAS, MODEL 9B-I - COSTAR 940000000 FROM: 00-00-00 THRU: 09-03-95
	112320-03-000	EA	DETECTOR-CO GAS MODEL 9D-I COSTAR 946000001 FROM: 09-04-95 THRU: 99-99-99
	112320-02-000	EA	BATTERY/SENSOR-CO GAS, COSTAR 940001000 FROM: 00-00-00 THRU: 09-03-95
	112320-04-000	EA	DETECTOR-CO SENSOR ASSEMBLY COSTAR 946001001 FROM: 09-04-95 THRU: 99-99-99

LABELS GROUP



KEY	PART NUMBER	U/M	DESCRIPTION
1	039290-01-000	EA	LABEL-WARNING, EXIT
2	107571-01-000	EA	LABEL-EXIT, ESCAPE WINDOW



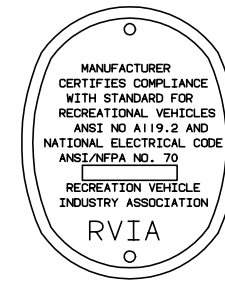
WARNING

WHEN ADDING A GENERATOR SET:

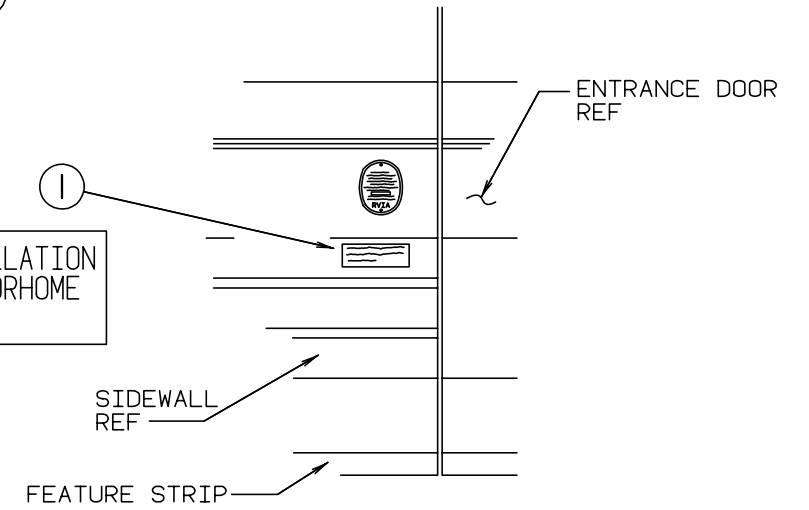
HIGH VOLTAGE-USE EXTREME CAUTION WHEN WORKING ON ELECTRICAL COMPONENTS.
 HAVE ALL ELECTRICAL INSTALLATION PERFORMED BY A QUALIFIED LICENSED ELECTRICIAN-FOLLOW ALL STATE AND LOCAL CODES.
 ONLY INSTALL GENERATOR SET APPROVED FOR R.V. APPLICATION. HAVE INSTALLED BY QUALIFIED TECHNICIAN.
 TO AVOID HEAT BUILD-UP AND TO GUARANTEE AN ADEQUATE AIR SUPPLY TO THE GENERATOR CARBURETOR, FOLLOW INSTALLATION INSTRUCTIONS.
 GENERATOR ENGINE EXHAUST GASES ARE TOXIC AND MUST NOT TERMINATE UNDER THE VEHICLE-DISCHARGE EXHAUST AWAY FROM VEHICLE.

KEY	PART NUMBER	U/M	DESCRIPTION
1	077510-01-000	EA	LABEL-GENERATOR PREP

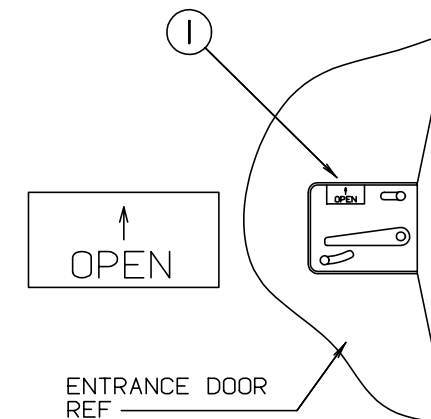
LABELS GROUP (CONTINUED)



FOR AWNING INSTALLATION CONTACT YOUR MOTORHOME DEALERSHIP



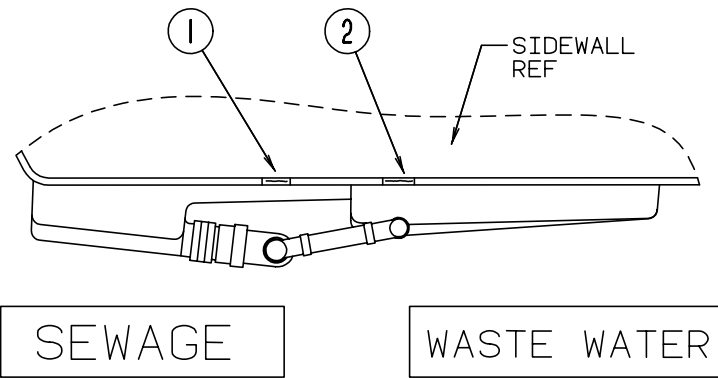
KEY	PART NUMBER	U/M	DESCRIPTION
1	099509-01-000	EA	LABEL-AWNING INSTALLATION



KEY	PART NUMBER	U/M	DESCRIPTION
1	040944-01-000	EA	LABEL-ENTRANCE DOOR, "OPEN"

LABELS GROUP (CONTINUED)
MISCELLANEOUS LABELS

KEY	PART NUMBER	U/M	DESCRIPTION
	006064-01-000	EA	LABEL-SEAT W/O SEATBELT (US)
	006064-02-000	EA	LABEL-SEAT W/O SEATBELT (CSA) NOT INTENDED FOR USE WHILE COACH IN MOTION
	091224-02-000	EA	LABEL-TRAILER LIGHTING
	091243-01-000	EA	LABEL-A/C COVER, "AIR CONDITIONING CIRCUIT. ETC."
	091243-02-000	EA	LABEL-COVER, "MICROWAVE CIRCUIT. ETC."
	093236-08-000	EA	LABEL-CIRCUIT BREAKER
	098641-01-000	EA	LABEL-FUEL, UNLEADED - DASH
	073998-01-000	EA	LABEL-LPG ODOR WARNING
	087236-01-000	EA	LABEL-CABLE, INPUT
	061417-01-000	EA	LABEL-FUEL, ON FUEL FILL DOOR
	006040-01-000	EA	TAG-GAS REFUELING WARNING (US)
	006040-02-000	EA	TAG-GAS REFUEL WARNING (CANADIAN)
	023769-01-000	EA	LABEL-WARNING, LPG - CANADIAN
	054531-01-000	EA	LABEL-LP GAS ONLY REPLACES 6061
	111104-01-000	EA	LABEL-HITCH, READ MANUAL
	112518-01-000	EA	LABEL-HANG TAG, CO DETECTOR
	087207-06-000	EA	LABEL-GAS OVERFILL
	111802-01-000	EA	LABEL-CFC WARNING

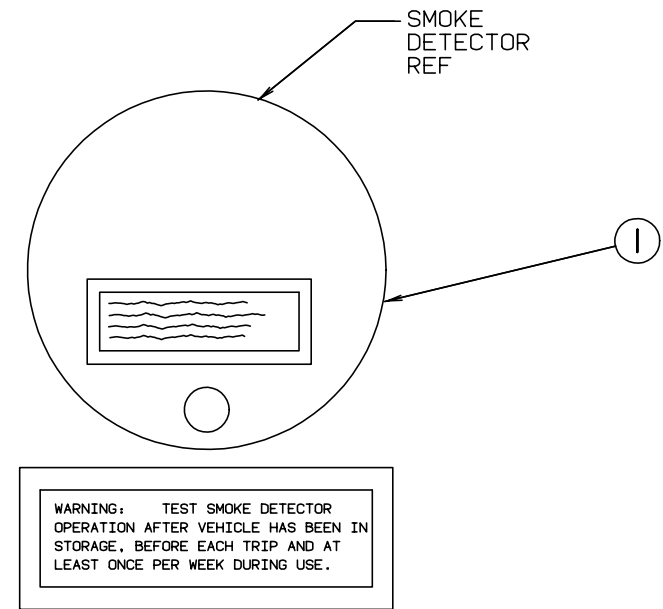


SEWAGE

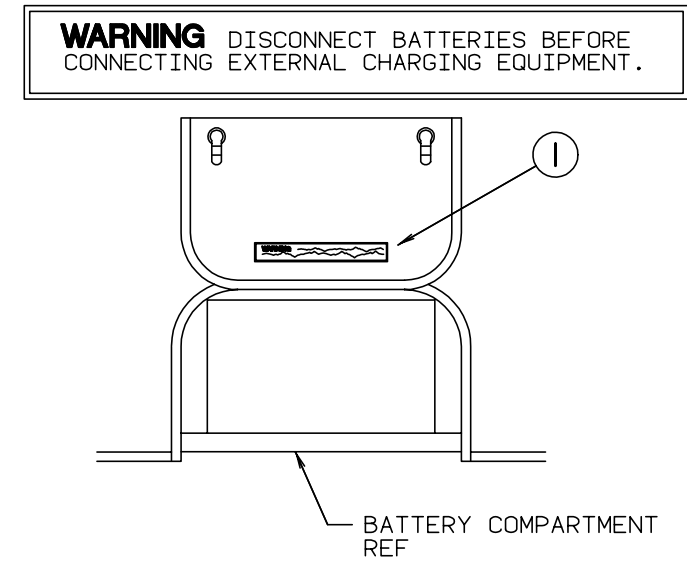
WASTE WATER

KEY	PART NUMBER	U/M	DESCRIPTION
1	006187-01-000	EA	LABEL-SEWAGE
2	006188-01-000	EA	LABEL-WASTE WATER

LABELS GROUP (CONTINUED)

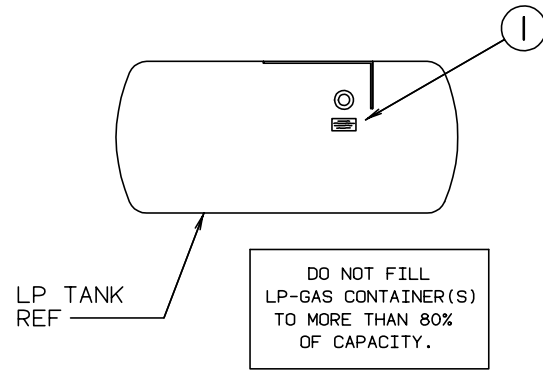


KEY	PART NUMBER	U/M	DESCRIPTION
1	077956-01-000	EA	LABEL-WARNING, SMOKE DETECTOR



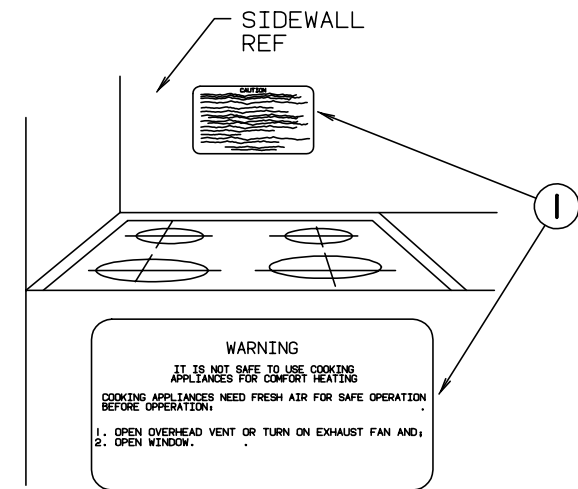
KEY	PART NUMBER	U/M	DESCRIPTION
1	065748-01-000	EA	LABEL-CAUTION-BATTERY CHARGING

LABELS GROUP (CONTINUED)

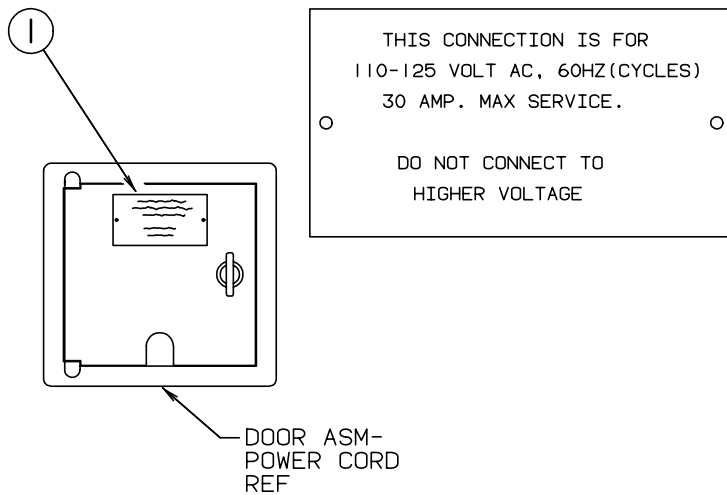


KEY	PART NUMBER	U/M DESCRIPTION
1	079965-01-000	EA LABEL-LPG, 80% CAPACITY

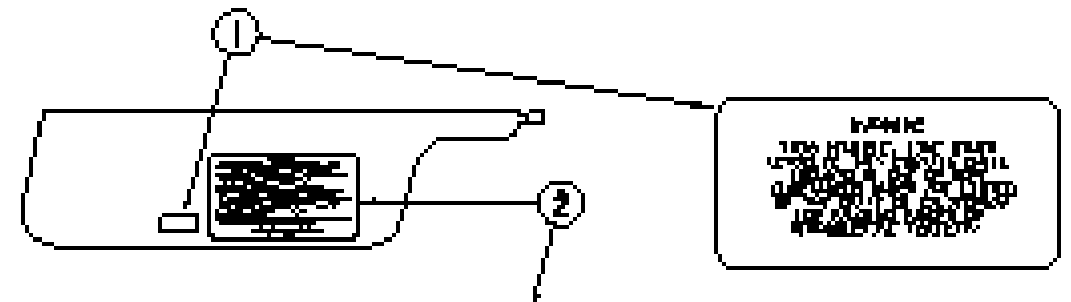
LABELS GROUP (CONTINUED)



KEY	PART NUMBER	U/M DESCRIPTION
1	050225-01-000	EA LABEL-WARNING, STOVE VENT - US



KEY	PART NUMBER	U/M DESCRIPTION
1	006062-01-000	EA TAG-ELECTRIC, 110V CONNECTION



CAUTION

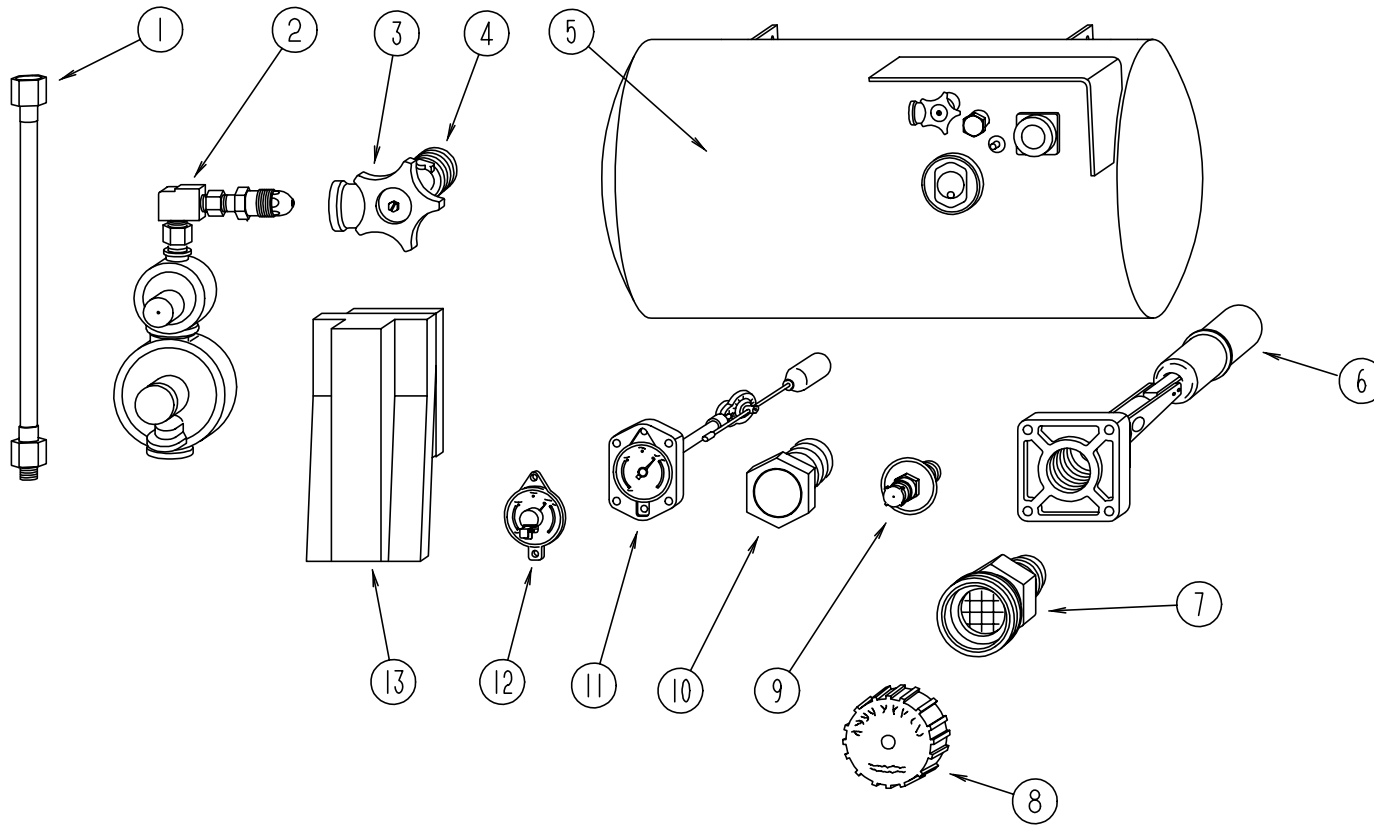
THIS APPLIANCE HAS BEEN DESIGNED TO BE USED WITH THE TYPES OF GAS SUPPLY SYSTEMS AND VENTING SYSTEMS SPECIFIED IN THE INSTALLATION INSTRUCTIONS. IT IS NOT SAFE TO USE COOKING APPLIANCES FOR COMFORT HEATING. COOKING APPLIANCES NEED FRESH AIR FOR SAFE OPERATION BEFORE OPERATION.

1. LP GAS SYSTEMS: THIS IS A HIGH PRESSURE GAS SYSTEM. DO NOT USE THIS APPLIANCE WITH ANY OTHER TYPE OF GAS SYSTEM.
2. VENTING: NEVER USE THIS APPLIANCE UNLESS IT IS VENTED TO THE OUTSIDE.
3. INSTALLATION: ALWAYS USE THE INSTALLATION INSTRUCTIONS AND THE INSTALLATION INSTRUCTIONS FOR THE APPLIANCE.
4. CHECK: ALWAYS CHECK THE GAS SUPPLY SYSTEM FOR LEAKS BEFORE USING THE APPLIANCE. ALWAYS CHECK THE VENTING SYSTEM FOR LEAKS BEFORE USING THE APPLIANCE.
5. AIR FLOW: ALWAYS MAKE SURE THERE IS ENOUGH FRESH AIR TO BURN THE GAS. ALWAYS OPEN A WINDOW OR DOOR TO PROVIDE FRESH AIR TO THE APPLIANCE.
6. ELECTRICAL: ALWAYS MAKE SURE THE APPLIANCE IS PROPERLY GROUNDED AND PROTECTED BY A GFCI.
7. MAINTENANCE: ALWAYS MAKE SURE THE APPLIANCE IS MAINTAINED PROPERLY.
8. LABELS: ALWAYS MAKE SURE THE APPLIANCE HAS ALL THE LABELS AND INSTRUCTIONS.
9. SAFETY: ALWAYS MAKE SURE THE APPLIANCE IS USED SAFELY.
10. SERVICE: ALWAYS MAKE SURE THE APPLIANCE IS SERVICED BY A QUALIFIED SERVICE PERSONNEL.

READ THE INSTALLATION AND OPERATING INSTRUCTIONS CAREFULLY FOR PROPER INSTALLATION.

KEY	PART NUMBER	U/M DESCRIPTION
1	111802-01-000	EA LABEL-CFC WARNING
2	099689-01-000	EA LABEL-WARNING, CANCER/TOXICITY

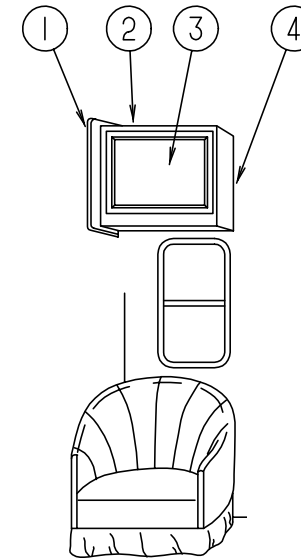
LP GROUP



LP TANK & COMPONENTS

KEY	PART NUMBER	U/M	DESCRIPTION	VENDOR NO.
1	045703-01-000	EA	HOSE-LP, 3/8" ID X 24" - 3/8" MPT X 1/2" F - SWIVEL (U.S.)	
1	045703-02-000	EA	HOSE-LP, 3/8" ID X 24" - 3/8" MPT X 1/2" F - SWIVEL (CANADA)	
1	045703-09-000	EA	HOSE-LP, 3/8" ID X 24" - 3/8" F X 3/8" F - SWIVEL	
2	106150-01-000	EA	REGULATOR-TWO STAGE M'BRASS 293-303	
3	040421-01-708	EA	HANDWHEEL-SERVICE VALVE - BRUNNER	G-1015-A
4	040421-01-712	EA	VALVE-SERVICE, W/O VAPOR RELIEF	29000853
5	080450-01-000	EA	TANK-LP, 42 LB - 13" DIAMETER X 24" LONG	
6	040421-01-711	EA	VALVE - 80% W/FLOAT PLATE, BOLTS & GASKET - BRUNNER	
7	040421-01-701	EA	VALVE-SHORT, LP FILLER W/YELLOW CAP - BRUNNER	75478
8	040421-01-702	EA	CAP-LP FILLER VALVE, PLASTIC - YELLOW - BRUNNER	G-1014-A
9	040421-01-700	EA	VALVE-LIQUID LEVEL, 20% LP - BRUNNER	G-1013
10	040421-01-713	EA	VALVE-VAPOR ONLY	29000587
11	074142-01-700	EA	FLOAT GUAGE-SCREW ON, MACHINE	13C-SCR
12	040440-02-000	EA	TRANSMITTER-DIAL, 0-90 OHM - USE W/MONITOR PANEL	
12	040421-01-706	EA	DIAL-LP TANK VOLUME, VISIBLE FACE - USE W/MONITOR PANEL	
13	105658-01-000	EA	COMPARTMENT-LP REGULATOR	
	010323-01-000	EA	ADAPTER-BRASS, 3/8" F X 1/2" MPT	
	010377-02-000	EA	NUT-BRASS, 3/8" FEMALE - FORGED	
	010329-01-000	EA	ADAPTER-BRASS, 1/2" F X 1/2" MPT	
	065318-02-000	EA	ELBOW - 90 DEGREE, 3/8" MPT TO 3/8" FPT	
	095624-01-000	EA	ELBOW - 90 DEGREE, 1/4" FPT X 1/4" FPT - BRASS	
	071391-02-000	EA	NIPPLE-HEX, 1/4" PIPE - 3325 X 4 WEATHERHEAD	
	008042-01-000	FT	TUBING-VINYL, .65" ID	
	103613-01-000	EA	DETECTOR-LEAK, LP GAS	
	010265-01-000	EA	ELBOW-BRASS - 90 DEGREE, 3/8" F X 1/2" FPT	
	010252-01-000	EA	ELBOW-BRASS - 90 DEGREE, 3/8" F X 1/2" MPT	
	057042-01-000	EA	ADAPTER-CROSS, 1/2" PIPE	

LOUNGE GROUP



PASSENGER SIDE LOUNGE CABINETS

KEY	PART NUMBER	U/M	DESCRIPTION
1	109908-26-G01	EA	END CAP-CABINET, OVERHEAD
2	115836-01-G01	EA	CABINET-OVERHEAD, LOUNGE - W/O DOORS & HARDWARE
3	110140-27-G01	EA	DOOR-CABINET, W/O HARDWARE - 400MM X 520MM
4	109908-25-G01	EA	END CAP-CABINET, OVERHEAD

**SEALANTS & FASTENERS GROUP
ADHESIVES AND SEALERS**

KEY	PART NUMBER	U/M DESCRIPTION
	004020-01-000	QT ADHESIVE-ABS CEMENT, QUART
	106206-01-000	EA SEALER-PUMPABLE MANUS 30ABLACK
	069640-01-000	FT SEALER-RIBBON, 1/4" DIAMETER X 30'
	069640-02-000	FT SEALER-RIBBON, 1/2" X 1/8" X 60'
	069640-03-000	FT SEALER-RIBBON, 3/4" X 1/8" X 60'
	069640-10-000	FT SEALER-RIBBON, 1/32" X 1 1/2" X 90'
	072889-09-000	EA SEALER-TAPE, 3/16" X 3/8", BLACK - MANUS
	120534-01-01A	EA SEALANT-URETHANE, TUBE - BLACK MANUS 75AM
	076322-01-000	FT TAPE-SCOTCH 3M 1/2" FINE LINE *#471 GREEN
	076322-05-000	FT TAPE-FOAM, DOUBLE COATED - ADHESIVE BACKED - .75" X 216'
	002707-02-000	FT TAPE-FOAM, DOUBLE COATED - .045" X .75" X 108'
	063642-01-000	FT TAPE-SEALER, 5/16" X 1/2" - INCREMENTS OF 50 FT
	091255-02-000	FT TAPE-ADHESIVE, 10 MIL. X 1.5" WIDE X 180"
	108716-01-000	FT SEAL-FOAM, ADHESIVE BACKED - .18" THICK X 1.5" WIDE
	120074-01-01A	EA SILICONE-TUBE, OFF WHITE - SELF LEVELING - CSL 510
	034552-02-000	EA SILICONE-TUBE, OFF WHITE
	034552-06-000	EA SILICONE-TUBE, 300 ML - CLEAR - W/O NOZZLE
	034552-15-000	EA SILICONE-TUBE, 300 ML - OFF WHITE - W/O NOZZLE
	053766-02-000	EA SILICONE-TUBE 300 ML BRIGHT WHITE - W/O NOZZLE
	053766-08-000	EA BEDDING COMPOUND-TUBE, WHITE SCHNEE# 5522
	900390-01-000	EA BEDDING COMPOUND-TUBE, GRAY - SCHNEE# 5522
	900390-03-000	EA TIP - 2 1/2" X 1/8" ORIFICE, ELLSWORTH #TS216
	085774-01-000	EA NOZZLES-SILICONE TUBE, CSL #D10
	085774-02-000	FT FASTENER-DUAL HOOK, 1" WIDE - ADHESIVE BACK - BLACK
		FT FASTENER-DUAL LOOP, 1" WIDE - ADHESIVE BACK - BLACK

WASHERS

KEY	PART NUMBER	U/M DESCRIPTION
	000E11-07-00B	EA WASHER-LOCK, 7/16 MED SPLIT - ZINC
	000E11-08-00B	EA WASHER-LOCK, 1/2 MED SPLIT - ZINC
	000E13-17-00B	EA WASHER-FLAT, 3/8" AR - ZINC
	000E13-18-00B	EA WASHER-FLAT, 3/8 WIDE - ZINC
	000E13-20-00B	EA WASHER-FLAT, 7/16" WIDE - ZINC
	000E13-21-00B	EA WASHER-FLAT, W/2 NAR - ZINC
	044533-01-000	EA WASHER-PLASTIC, 1 3/8" OD - FOR BUTTONS

BOLTS

KEY	PART NUMBER	U/M DESCRIPTION
	0MC31K-08-020	EA BOLT-HEX, SERRATED FLANGE - M8 X 020
	000C12-05-16B	EA BOLT-HEX, 5/16-18 X 1 - ZINC 5
	000C12-06-16B	EA BOLT-HEX, 3/8-16 X 1 LAG - ZINC
	000C12-07-20B	EA BOLT-HEX, 7/16-14 X 1 1/4" - ZINC
	000C12-08-24B	EA BOLT-HEX, 1/2-13 X 1 1/2 - ZINC
	000C12-10-64B	EA BOLT-HEX, 5/8-11 X 4.0 - ZINC
	000C13-07-48B	EA BOLT-HEX, 7/16-20 X 3 - ZINC
	000C18-05-40A	EA BOLT-ELEV, 5/16-18 X 2 1/2 PL
	000C18-06-48B	EA BOLT-ELEV, 3/8-16 X 3 - ZINC - GDE 5
	000C26-04-10B	EA BOLT-HEX, SERRATED FLANGE - 1/4-20 X 5/8 - ZINC
	000C26-05-16B	EA BOLT-HEX, SERRATED FLANGE - 5/16-18 X 1 - ZINC
	000C26-05-12B	EA BOLT-HEX, SERRATED FLANGE - 5/16-18 X 3/4 - ZINC
	000C26-06-12B	EA BOLT-HEX, SERRATED FLANGE - 3/8-16 X 3/4 - ZINC

**SEALANTS & FASTENERS GROUP (CONTINUED)
NUTS AND RIVETS**

KEY	PART NUMBER	U/M DESCRIPTION
	000D24-10-00B	EA NUT-HEX, SELF LOCK - 10-32 - ZINC
	000D29-09-00B	EA NUT-HEX, SELF LOCK - 9/16-12 - ZINC
	000D39-04-00B	EA NUT-HEX, SERRATED FLANGE LOCK - 1/4-20 - ZINC
	000D39-05-00B	EA NUT-HEX, SERRATED FLANGE LOCK - 5/16-18 - ZINC
	000D39-06-00B	EA NUT-HEX, SERRATED FLANGE LOCK - 3/8-16 - ZINC
	000D39-08-00B	EA NUT-HEX, SERRATED FLANGE LOCK - 1/2-13 - ZINC
	000D44-07-00B	EA NUT-HEX, SERRATED FLANGE LOCK - 7/16-20 - ZINC
	000D46-04-00A	EA NUT-HEX, WELD - 1/4-20 - PLAIN - SHORT PILOT
	000H16-04-06R	EA RIVET-POP, ALUMINUM 1/8 X .313 - .375
	069592-02-000	EA RIVET-T, POP - 1/4 X .093 - .156

CLAMPS AND TIES

KEY	PART NUMBER	U/M DESCRIPTION
	007161-01-000	EA CLAMP-HOSE, SPRING TYPE - 1/2"
	010495-01-000	EA CLAMP-CABLE, 9/16"
	010495-02-000	EA CLAMP-CABLE, 3/8"
	010497-01-000	EA CLAMP-CLOSED, 5/8" ID
	010497-03-000	EA CLAMP-CLOSED, 1" ID - CUSHIONED
	010499-01-000	EA CLAMP-CLOSED, 3/8" ID
	056134-02-000	EA HOLDER-RING, 1.8" DIAMETER - METAL
	062401-01-000	EA CLAMP-HOSE, WORMGEAR - .25" - 1"
	062401-02-000	EA CLAMP-HOSE, WORMGEAR - 1.56" - 2.5"
	062401-03-000	EA CLAMP-HOSE, WORMGEAR - .22" - 1"
	062401-06-000	EA CLAMP-HOSE, WORMGEAR - .22"-.62"
	062401-11-000	EA CLAMP-HOSE, WORMGEAR - 3.56"- 4.5"
	075148-02-000	EA CLAMP-GROUNDING, BRONZE SCREWS
	080211-05-000	EA CLIP-XMAS TREE, 36MM - FASNAP 09-280297
	083609-01-000	EA CLAMP-WIRE, DUAL EQUAL - 5/8" DIAMETER
	008343-01-000	EA TIE-WIRE, 6"
	008343-02-000	EA TIE-WIRE, 14"
	108046-02-000	EA CABLE TIE-SCREW MOUNT 15", DENNISON 10035

GROMMETS

KEY	PART NUMBER	U/M DESCRIPTION
	016188-03-000	EA GROMMET-L P LINE, 3/8" HOLE X 2 1/2" LONG - RUBBER
	023942-01-000	EA GROMMET-RUBBER, 2" OD
	071015-11-000	EA GROMMET - 1.00 ID, FITS .12 MATERIAL - MINOR RUBBER Z-3065
	071015-26-000	EA GROMMET-RUBBER, 1.5" ID X 2.12" OD W/.06" GROOVE - BLACK
	114208-02-000	EA GROMMET-EDGE LINER, FITS .625 - HEYCO 2073

SEALANTS & FASTENERS GROUP (CONTINUED)

SCREWS

KEY	PART NUMBER	U/M DESCRIPTION
	0G3908-08-170	EA SCREW-SF/DR, 8-18 X 1/2 PPH - BRIGHT WHITE
	0G3908-16-170	EA SCREW-SF/DR, 8-18 X 1.00 PPH - BRIGHT WHITE
	0G3908-24-170	EA SCREW-SF/DR, 8-18 X 1.50 PPH - BRIGHT WHITE
	0G3910-12-170	EA SCREW-SF/DR, 10-16 X .75 PPH - BRIGHT WHITE
	0G6008-16-170	EA SCREW-SF/DR, 8-18 X 1.00 POH - BRIGHT WHITE
	0G6710-08-170	EA SCREW, 10-12 X 1/2 PPH - BRIGHT WHITE
	000G11-05-08B	EA SCREW, 5-20 X 1/2 PPH - ZINC
	000G11-06-10B	EA SCREW, 6-20 X 5/8 PPH - ZINC
	000G11-06-08B	EA SCREW, 6-20 X 1/2 PPH - ZINC
	000G11-06-06B	EA SCREW, 6-20 X 3/8 PPH - ZINC
	000G11-06-10J	EA SCREW, 6-20 X 5/8 PPH - BRASS
	000G11-07-08B	EA SCREW, 7-19 X 1/2 PPH - ZINC
	000G11-08-12B	EA SCREW, 8-18 X 3/4 PPH - ZINC
	000G11-08-08B	EA SCREW, 8-18 X 1/2 PPH - ZINC
	000G11-08-20B	EA SCREW, 8-18 X 1 1/4 PPH - ZINC
	000G11-08-16S	EA SCREW, 8-18 X 1.00 PPH - OFF WHITE
	000G11-08-12T	EA SCREW, 8-18 X 3/4 PPH - BLACK
	000G11-08-12S	EA SCREW, 8-18 X 3/4 PPH - OFF WHITE
	000G11-08-12P	EA SCREW, 8-18 X .75 PPH - DARK BROWN
	000G11-08-12E	EA SCREW, 8-18 X .75 PPH - CHROME
	000G11-08-12D	EA SCREW, 8-18 X 3/4 PPH - BLACK
	000G11-10-12D	EA SCREW, 10-16 X 3/4 PPH - BLACK
	000G11-10-24P	EA SCREW, 10-16 X 1 1/2 PPH - DARK BROWN
	000G11-10-16B	EA SCREW, 10-16 X 1 PPH - ZINC
	000G12-06-08T	EA SCREW, 6-20 X .50 POH - BLACK
	000G12-08-12S	EA SCREW, 8-18 X 3/4 POH - OFF WHITE
	000G13-06-08G	EA SCREW, 6-20 X 1/2 PFH - ANTIQUE BRASS
	000G13-06-08B	EA SCREW, 6-20 X 1/2 PFH - ZINC
	000G13-07-10H	EA SCREW, 7-19 X 5/8 PFH - BLACK
	000G13-07-12B	EA SCREW, 7-19 X 3/4 PFH - ZINC
	000G13-08-10B	EA SCREW, 8-18 X 5/8 PFH - ZINC
	000G32-10-06B	EA SCREW, 10-32 X 3/8" - PPH - ZINC
	000G39-06-10T	EA SCREW-SF/DR, 6-20 X 5/8 PPH - BLACK
	000G39-06-10T	EA SCREW-SF/DR, 6-20 X 5/8 PPH - BLACK
	000G39-08-24S	EA SCREW-SF/DR, 8-18 X 1.50 - OFF WHITE
	000G39-08-24B	EA SCREW-SF/DR, 8-18 X 1 1/2 PPH - ZINC
	000G39-08-16S	EA SCREW-SF/DR, 8-18 X 1.00 PPH, OFF WHITE
	000G39-08-16B	EA SCREW-SF/DR, 8-18 X 1 PPH - ZINC
	000G39-08-12B	EA SCREW-SF/DR, 8-18 X 3/4 PPH - ZINC
	000G39-08-08S	EA SCREW-SF/DR, 8-18 X 1/2 PPH - OFF WHITE
	000G39-08-08B	EA SCREW-SF/DR, 8-18 X 1/2 PPH - ZINC
	000G39-10-12B	EA SCREW-SF/DR, 10-16 X .75 PPH - ZINC
	000G39-10-209	EA SCREW-SF/DR, 10-16 X 1.25 PPH - FLUOROCARBON SILVER
	000G39-10-20B	EA SCREW-SF/DR, 10-16 X 1 1/4 PPH - ZINC
	000G39-10-129	EA SCREW-SF/DR, 10-16 X 3/4 PPH - FLUOROCARBON SILVER
	000G39-10-12D	EA SCREW-SF/DR, 10-16 X 3/4 PPH - BLACK
	000G39-12-12E	EA SCREW-SF/DR, 12 - 14 X 3/4 PPH - CHROME
	000G42-04-16B	EA SCREW-SF/DR, 1/4-14 X 1 HWH - ZINC
	000G42-04-12B	EA SCREW-SF/DR, 1/4-14 X 3/4 HWH - ZINC
	000G46-08-24T	EA SCREW-MACHINE, 8-32 X 1.50 PFH - BLACK
	000G50-04-12B	EA SCREW-MACHINE, 1/4-20 X 3/4 PPH - ZINC
	000G52-08-18B	EA SCREW-MACHINE, 8-32 X 1 1/8 PTH - ZINC
	000G54-04-20B	EA SCREW, 1/4-20 X 1 1/4 PTH - TYPE 23 - ZINC PLATED
	000G55-08-12S	EA SCREW-SF/DR, 8-18 X .75 PWH - OFF WHITE
	000G56-12-48B	EA SCREW-WOOD, 12-11 X 3 POH - SPECIAL HARDENED
	000G60-10-28T	EA SCREW-SF/DR, 10-16 X 1.75 - BLACK

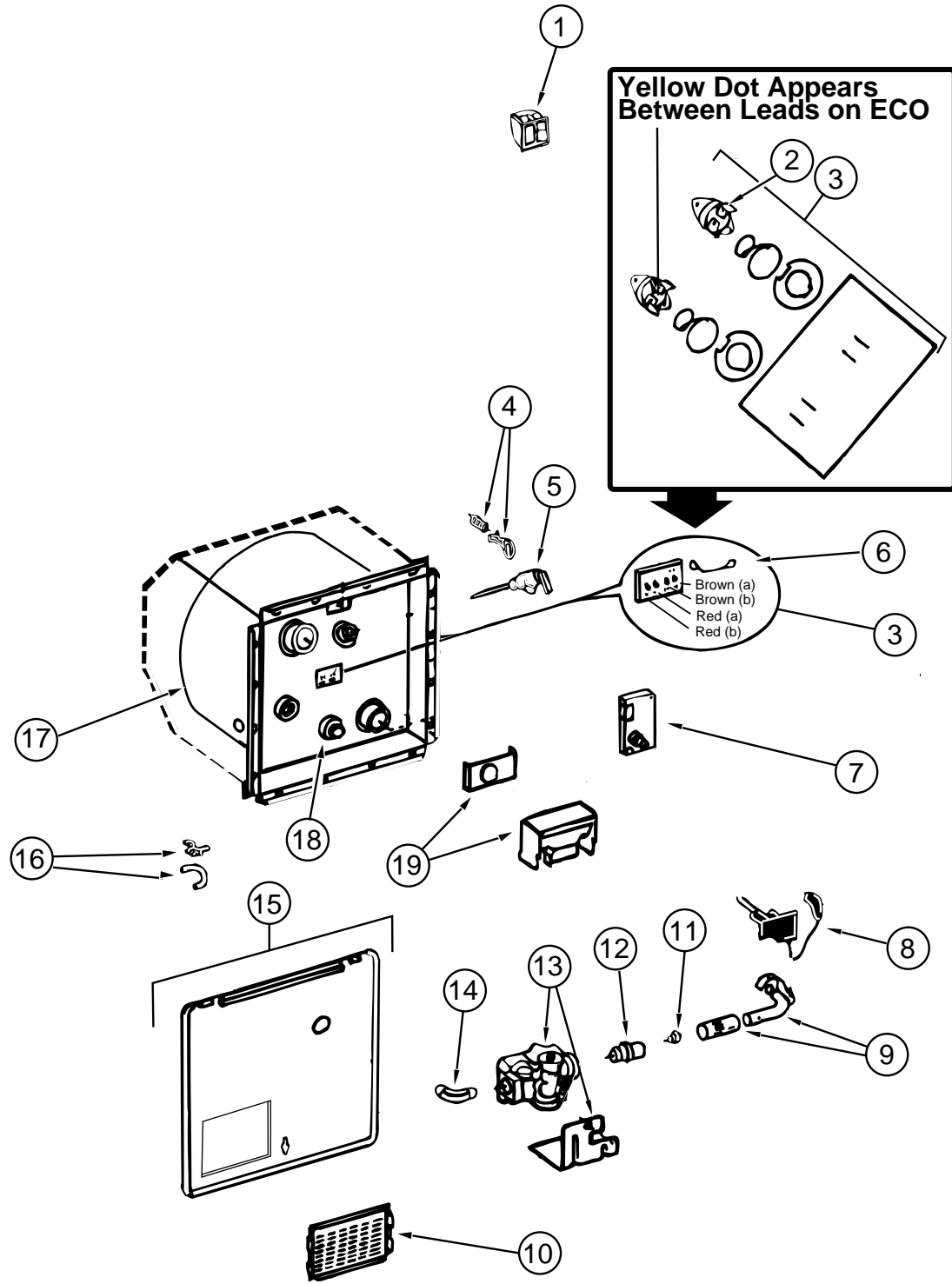
SEALANTS & FASTENERS GROUP (CONTINUED)

SCREWS (CONTINUED)

KEY	PART NUMBER	U/M DESCRIPTION
	0G1108-12-170	EA SCREW, 8-18 X .75 PPH - BRIGHT WHITE
	000G67-10-08B	EA SCREW, 10-12 X 1/2 PPH - ZINC
	000G67-10-10D	EA SCREW, 10-12 X 5/8 PPH - BLACK - TYPE A
	000G67-10-10B	EA SCREW, 10-12 X 5/8 PPH - ZINC - TYPE A
	000G67-10-08R	EA SCREW, 10-12 X 1/2 PPH - BEIGE - TYPE A
	000G67-10-36T	EA SCREW, 10-12 X 2.25 PPH - BLACK
	000G67-10-32B	EA SCREW, 10-12 X 2 PPH - ZINC
	000G67-10-24B	EA SCREW, 10-12 X 1 1/2 PPH - ZINC
	000G67-10-16B	EA SCREW, 10-12 X 1 PPH - ZINC
	000G67-10-120	EA SCREW, 10-12 X .75 PPH - TAN
	000G67-10-12S	EA SCREW, 10-12 X .75 PPH - OFF WHITE
	000G67-10-12R	EA SCREW, 10-12 X .75 PPH - BEIGE
	000G67-10-12P	EA SCREW, 10-12 X .75 - PPH - DARK BROWN
	000G67-10-12B	EA SCREW, 10-12 X 3/4 PPH - ZINC
	000G67-10-10S	EA SCREW, 10-12 X 5/8 - PPH - OFF WHITE
	000G68-06-10G	EA SCREW, 6-18 X 5/8 POH - ANTIQUE BRASS
	049465-04-000	EA SCREW, 10-16 X 1 PTH - W/WASHER - BEIGE
	075908-01-000	EA SCREW-MACHINE, 10-32 X .56 PTH - ZINC EXTERNAL TOOTH
	087721-01-000	EA SCREW-FLAT HEAD, TAPPING - 1/4 X 1 1/4 LAG - TYPE A - ZINC
	101618-01-000	EA SCREW-HEX/TAPPING, 1/4-20 X 3/4 - STALGARD TYPE F
	116111-02-01A	EA SCREW-TAPTITE, 1/4-20 X 3/8 PPH - ZINC

WATER & SEWAGE GROUP

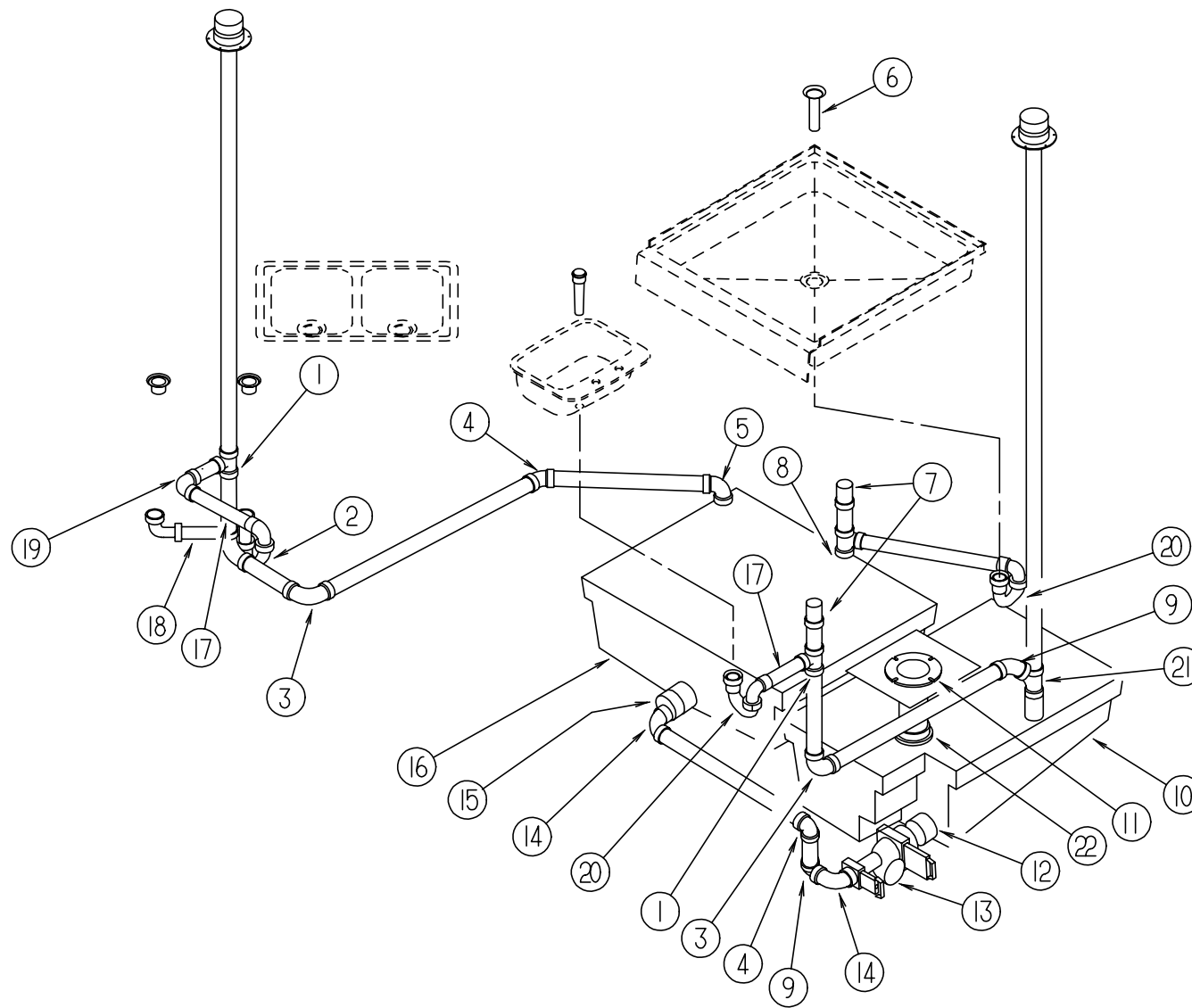
WATER HEATER W/ELECTRIC IGNITION - ATWOOD - MODEL G6A-3E



KEY	PART NUMBER	U/M	DESCRIPTION	VENDOR NO.
	051391-03-000	EA	HEATER-WATER, W/ELECTRIC IGNITION	
1	097967-01-000	EA	SWITCH-WATER HEATER, REMOTE W/LIGHT 91959	
2	051391-04-701	EA	THERMOSTAT - 12 VDC-120 PRESET, ATWOOD	91470
3	051393-01-721	EA	ECO & THERMOSTAT-FRONT MOUNT, 140 DEGREE	91447
4	051391-01-705	EA	FASTENER-CAMLOC, ATWOOD	92609
5	051391-01-704	EA	VALVE-RELIEF, 1/2" FITTING - ATWOOD	91604
6	051393-01-723	EA	SWITCH-THERMAL CUT OFF, 2/PACKAGE	93866
7	051393-01-724	EA	CIRCUIT BOARD-SPADE TERMINAL, ELECTRIC IGNITION	93867
8	051393-01-725	EA	ELECTRODE-SINGLE SPADE CONNECTOR, SPARK PROBE	93868
9	051391-04-703	EA	BURNER-MAIN, ATWOOD	91638
10	051391-01-717	EA	GRILLE ONLY-GOES ON THE DOOR	92640
11	051391-01-710	EA	ORIFICE-MAIN BURNER, ATWOOD	92742
12	051391-03-700	EA	ORIFICE-HOLDER	91563
13	051393-01-726	EA	SOLENOID VALVE AND BRACKET, WHITE ROGERS	93870
14	051391-01-714	EA	ELBOW - 45 DEGREE, 3/8" F X 3/8" MPT - ATWOOD	91044
15	052009-01-000	EA	DOOR-WATER HEATER, OFF WHITE - ATWOOD 5576-27	
	116424-01-000	EA	PROTECTOR-WATER HEATER LATCH ATWOOD 92611	
16	051391-01-700	EA	HINGE KIT-W/CLIP, ATWOOD	92568 & 92559
17	051391-04-706	EA	TANK-INNER, FRONT MOUNT - ATWOOD	91642
18	051391-01-715	EA	DRAIN PLUG, ATWOOD	91561
19	051391-04-707	EA	KIT-GRILLE, FLUE & GASKET - ATWOOD	90960

WATER & SEWAGE GROUP (CONTINUED)

DRAINAGE SYSTEM



KEY	PART NUMBER	U/M	DESCRIPTION
1	010071-01-000	EA	TEE-SANITARY, 1 1/2" HUB X HUB X HUB - PLASTIC - BLACK
2	107538-01-000	EA	P TRAP-PLASTIC, 1 1/4" W/EXT ARM
3	010008-01-000	EA	ELBOW - 90 DEGREE, 1/4 BEND - 1 1/2" HUB X HUB - BLACK PLASTIC
4	010006-01-000	EA	ELBOW - 45 DEGREE, 1/8 BEND - 1 1/2" HUB X HUB - BLACK PLASTIC
5	034250-01-000	EA	ELBOW - 90 DEGREE, LONG TURN - 1 1/2" HUB X HUB- ABS
6	011069-02-000	EA	TAILPIECE-TUB/SHOWER, 1 1/2" X 1 1/4" X 4" - BRASS
	069735-01-000	EA	WASHER-STRAINER TO TAILPIECE, PLASTIC - 1.5"
7	079968-01-000	EA	VENT-MECHICAL TRAP ARM, ANTI-SIPHON - 2" DIAMETER X 7.3" - PLASTIC
8	010071-01-000	EA	TEE-PLASTIC, 1 1/2" H X H X H - NIBCO 5811-11/2
8	010115-01-000	EA	COUPLING - 1 1/2" HUB X HUB - PLASTIC
8	061607-01-000	EA	GROMMET-HOLDING TANK, 1 1/2" NPS
9	010051-01-000	EA	ELBOW - 45 DEGREE BEND, 1 1/2" SPIGOT AND HUB - PLASTIC - BLACK
10	074870-01-000	EA	TANK-HOLDING, MAIN - W/O GROMMETS - 30 GAL - 36.5" X 13.3" X 23"
11	116644-01-000	EA	FLANGE-CLOSET, 4" X 3" SEALAND 345892
12	078406-01-000	EA	COUPLER-RUBBER, W/CLAMPS - 3" X 3"
13	070916-01-000	EA	VALVE-DUAL DUMP, W/CAP - 3" X 1 1/2" - PLASTIC - BLACK
	070916-01-700	EA	VALVE ONLY - 3"
	070916-01-701	EA	VALVE ONLY - 1 1/2"
	010201-01-000	EA	HOSE-SEWER, 3" ID X 8'
	062416-01-000	EA	ADAPTER-SEWER HOSE TO 3" PIPE
14	033761-01-000	EA	ELBOW-TURN, 1/4 BEND X 1.5"HUB X 1.5" SPIGOT - BLACK PLASTIC

KEY	PART NUMBER	U/M	DESCRIPTION
15	062422-01-000	EA	ADAPTER-OFFSET REDUCER - 3" X 1 1/2" - PLASTIC - BLACK
16	074861-01-000	EA	TANK-HOLDING, AUXILIARY - W/O GROMMETS - 35 GALLON - 35" X 11" X 27"
	061607-01-000	EA	GROMMET-HOLDING TANK, 1 1/2" NPS
17	109571-01-000	EA	ADAPTER-P TRAP, 1 1/2" P X 1 1/4" MPT
18	011091-02-000	EA	PIPE-DRAIN, DOUBLE SINK - BAFFLE TEE - 1 1/2"
18	011091-03-000	EA	PIPE-DRAIN, W/SEALS - DOUBLE SINK - EXTENDS 9" TO 16"(CANADIAN)
19	010008-01-000	EA	ELBOW - 90 DEGREE, 1/4 BEND - 1 1/2" HUB X HUB - BLACK PLASTIC
20	107538-01-000	EA	P TRAP-PLASTIC, 1 1/4" W/EXT ARM
20	011066-03-700	EA	P TRAP KIT 1 1/2" X 1 1/2" P-TRAP W/1 1/2 TO 1 1/4 REDUCER (CANADIAN)
	010166-01-000	EA	PLUG-THREADED, 1 1/4" DIAMETER - PLASTIC - BLACK
21	010071-01-000	EA	TEE-PLASTIC, 1 1/2" H X H X H - NIBCO 5811-11/2
21	010115-01-000	EA	COUPLING - 1 1/2" HUB X HUB, PLASTIC
22	061607-02-000	EA	GROMMET-HOLDING TANK, 3" NPS

WATER & SEWAGE GROUP (CONTINUED)
FRESH WATER TANK

KEY	PART NUMBER	U/M	DESCRIPTION
	074510-08-000	EA	TANK-WATER, W/FITTINGS - 16 GALLON - 33.4" X 11.4" X 10.6"
	074510-01-000	EA	TANK-WATER, W/O FITTINGS - 16 GALLON - 33.4" X 11.4" X 10.
	053520-10-000	EA	TANK-WATER, W/FITTINGS - 18 GALLON - 27" X 17.2" X 10"
	053520-01-000	EA	TANK-WATER, W/O FITTINGS - 18 GALLON - 17.2" X 27" X 10"
	039861-01-000	EA	SENDING UNIT-W/SCREW, WASHER, WELL NUT & TERMINAL RING
	042989-03-000	EA	FITTING-WATER TANK, SPINWELD - 1 1/4" NPT - PLASTIC - WHITE
	042989-04-000	EA	FITTING-WATER TANK, SPINWELD - 3/8" FPT - PLASTIC - WHITE
	042989-05-000	EA	FITTING-WATER TANK, SPINWELD - 1/2" FPT - PLASTIC - WHITE
	049032-01-000	EA	PATCH-SPINWELD, 3/8" - PLASTIC
	077954-02-000	EA	FILTER-WATER TANK, SCREEN IN TANK

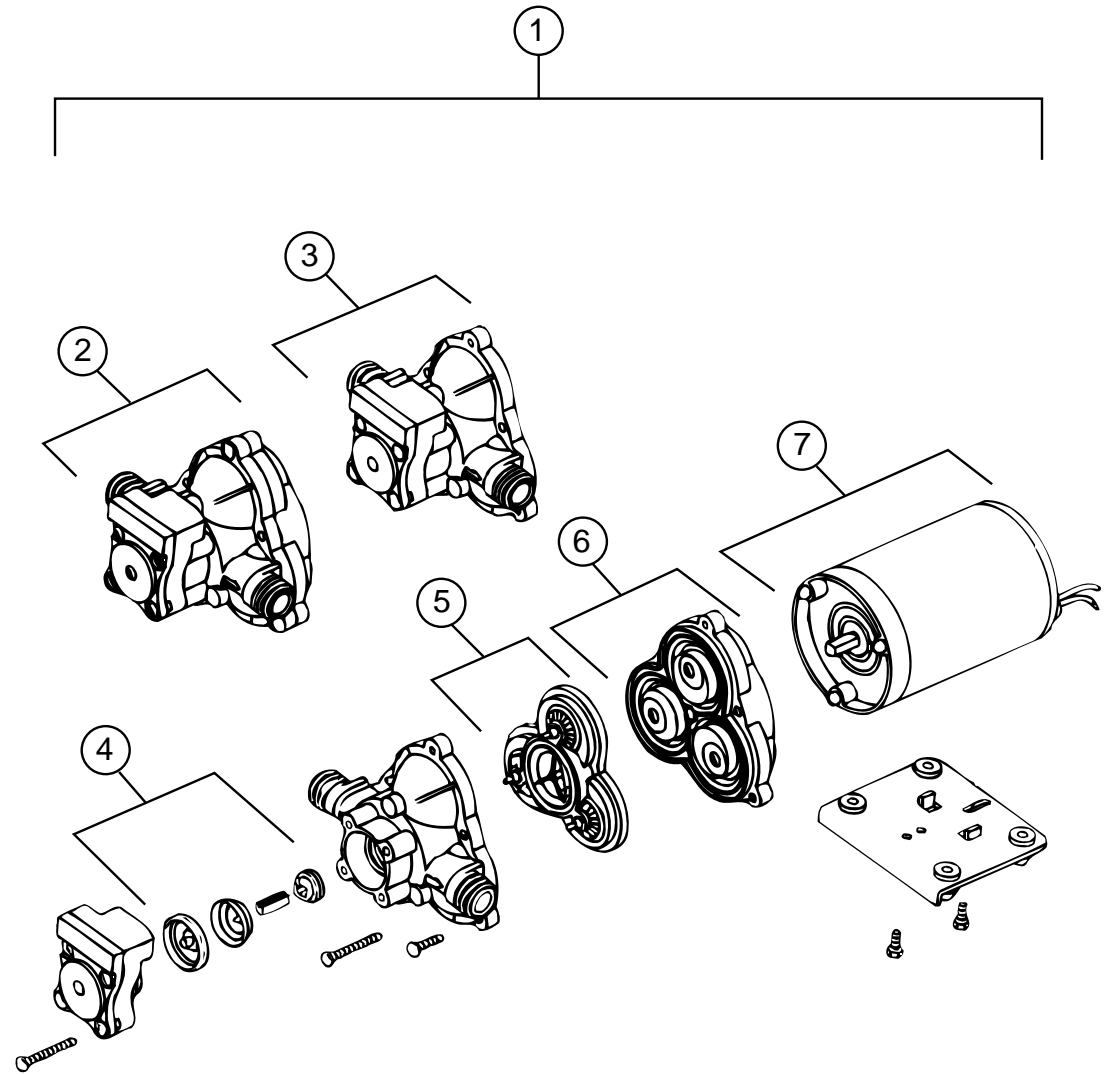
WATER SYSTEM

KEY	PART NUMBER	U/M	DESCRIPTION
	117089-01-000	FT	HOSE-GARDEN, 1/2" ID - KEVCO 49154
	074462-02-000	FT	TUBING-VINYL, 3/8" ID - CLEAR
	079381-01-000	FT	TUBING-SMOOTH FLEXIBLE, 1 1/4" ID X 20'
	039800-02-000	FT	TUBING-POLYBUTYL, 5/8" OD - INCREMENTS OF 20' - BLACK
	010219-01-000	EA	ELBOW - 1 1/4" MPT X 1 1/4" BARB, WATER FILL - PLASTIC
	035539-01-000	EA	ELBOW-PLASTIC, 3/8" MPT X 3/8" BARB
	114429-01-000	EA	ELBOW - 1/2 P X 1/2 P FLAIR-IT 02800
	114429-02-000	EA	ELBOW - 1/2 P X 1/2 MPT FLAIR-IT 02803
	114429-03-000	EA	ELBOW-SWIVEL, 1/2 P X 1/2 FPT FLAIR-IT 02816
	023441-01-000	EA	TEE-BARB, 3/8" - PLASTIC
	114428-03-000	EA	TEE - 1/2 P X 1/2 P X 1/2 MPT FLAIR-IT 02822
	114428-01-000	EA	TEE - 1/2 P X 1/2 P X 1/2 P FLAIR-IT 02820
	114430-03-000	EA	ADAPTER - 1/2 P X 1/2 MPT FLAIR-IT 02842
	114430-02-000	EA	ADAPTER-SWIVEL, 1/2 P X 1/2 FPT FLAIR-IT 02873
	114431-01-000	EA	VALVE-WATER, 3 POSITION - "DRAIN VALVE"
	114431-03-000	EA	VALVE-WATER, 90 DEGREE ELBOW - "WATER DRAIN VALVE"
	091208-01-000	EA	WASHER-RUBBER, .06" X .75" X .5"
	110915-01-01A	EA	FILL-WATER, CITY - CHROME - KEVCO 64713

EXTERIOR SHOWER

KEY	PART NUMBER	U/M	DESCRIPTION
	M06849-04-G01	EA	CABINET-EXTERIOR SHOWER, W/FAUCET (G21)
	M06849-04-G22	EA	CABINET-EXTERIOR SHOWER, W/FAUCET (G22)
	075241-05-000	EA	FAUCET-SHOWER, BONE
	103092-02-000	EA	SHOWER HEAD-W/HOSE, CANADIAN
	103092-01-000	EA	SHOWER HEAD-W/60" HOSE
	091952-02-000	EA	CLIP-GRIPPER, 3/4" - SQUEEGEE/SHOWER HEAD - GIBSON TOOL 225-HL
	114428-01-000	EA	TEE - 1/2 P X 1/2 P X 1/2 P FLAIR-IT 02820
	114429-03-000	EA	ELBOW-SWIVEL, 1/2 P X 1/2 FPT FLAIR-IT 02816

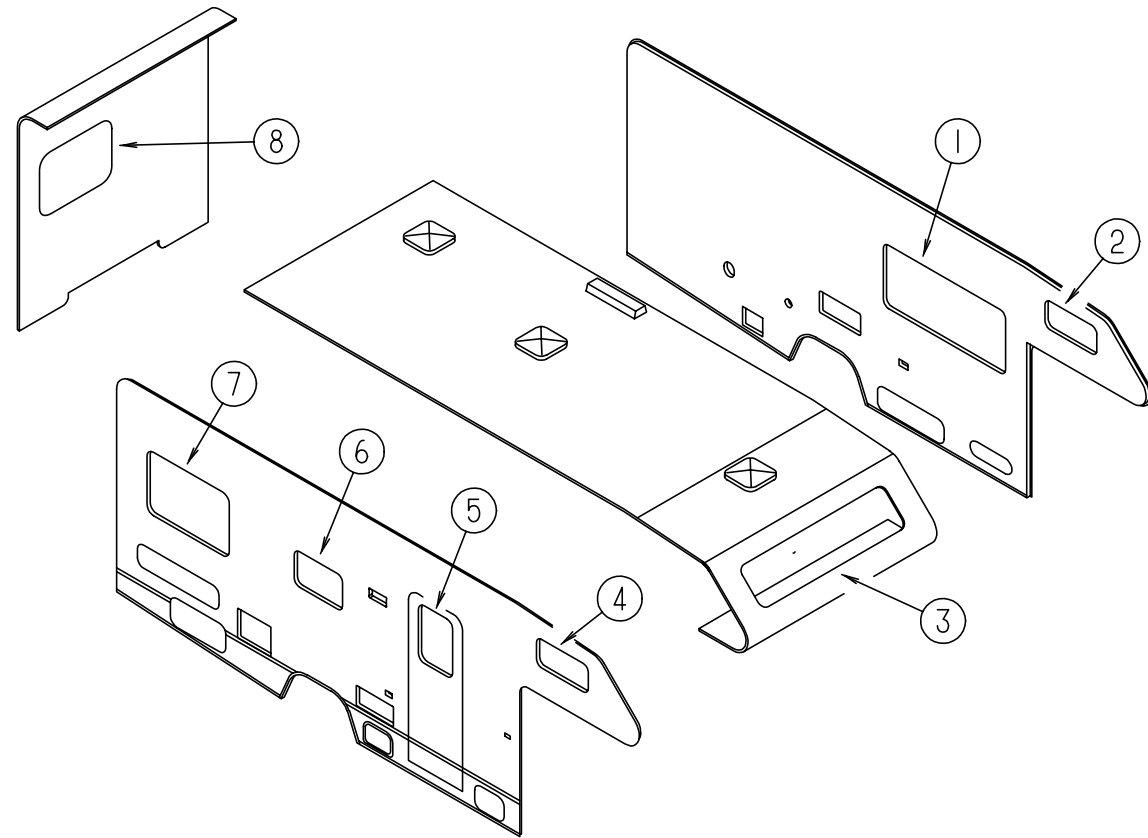
WATER & SEWAGE GROUP (CONTINUED)



WATER PUMP-SHURFLO

KEY	PART NUMBER	U/M	DESCRIPTION	VENDOR NO.
1	098607-01-000	EA	PUMP-WATER, W/.5" MPT FITTING - FLOW 2.8 GPM - UL	
2	098607-01-700	EA	PUMPHEAD-REPLACEMENT	94-236-08
3	098607-01-706	EA	UPPER HOUSING/SWITCH-KIT	94-231-20
4	098607-01-705	EA	CHECK VALVE-KIT	94-237-00
5	098607-01-703	EA	VALVE ASSEMBLY	94-232-00
6	098607-01-702	EA	DIAPHRAGM-KIT	94-238-04
7	098607-01-707	EA	MOTOR/ BASEPLATE REPLACEMENT	94-235-03

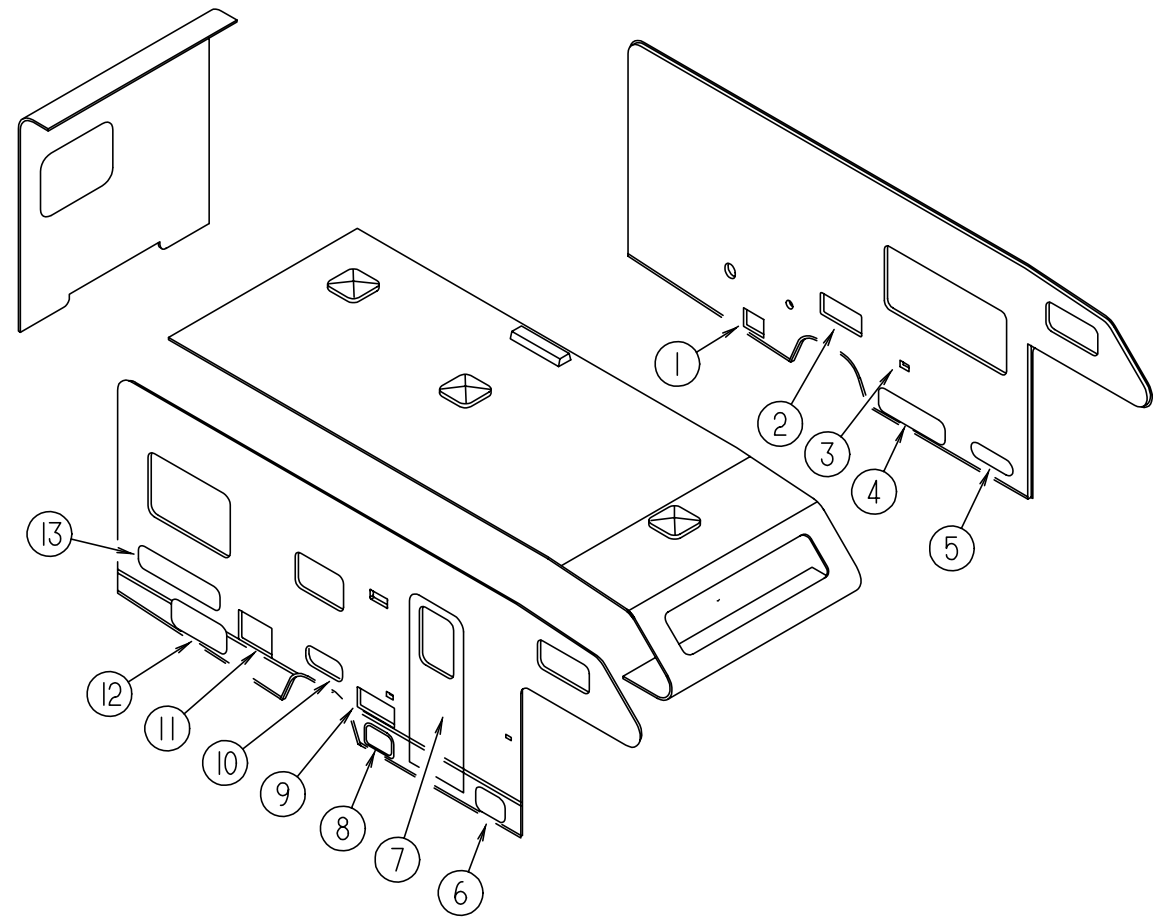
WINDOW, VENT & EXTERIOR DOOR GROUP



WINDOWS

KEY	PART NUMBER	U/M	DESCRIPTION
1	098647-28-01A	EA	WINDOW-SLIDER, HORIZONTAL - CLEAR - EXCEL H287-C1W66L
1	112795-15-01A	EA	WINDOW-SLIDER, HORIZONTAL - THERMO - EXCEL DH287-G2W66L
2	098647-32-01A	EA	WINDOW-SLIDER, HORIZONTAL - CLEAR - EXCEL H425-C1W66L
2	112795-20-01A	EA	WINDOW-SLIDER, HORIZONTAL - THERMO - EXCEL DC29-G2W66L
3	103313-03-F15	EA	WINDOW-PICTURE, W/O INSIDE FRAME
3	115630-01-01A	EA	WINDOW-PICTURE, EXCEL DH438-G2W59
4	098647-31-01A	EA	WINDOW-SLIDER, HORIZONTAL - CLEAR - EXCEL H425-C1W66R
4	112795-19-01A	EA	WINDOW-SLIDER, HORIZONTAL - THERMO - EXCEL DC29-G2W66R
5	117053-04-FB1	EA	WINDOW-STATIONARY
5	113733-01-01A	EA	WINDOW-ENTRY DOOR, THERMO - EXCEL DH416-G2W66
6	098647-31-01A	EA	WINDOW-SLIDER, HORIZONTAL - CLEAR - EXCEL H425-C1W66R
6	112795-19-01A	EA	WINDOW-SLIDER, HORIZONTAL - THERMO - EXCEL DC29-G2W66R
7	098647-38-01A	EA	WINDOW-SLIDER, HORIZONTAL - CLEAR - EXCEL H320-C1W66R
7	112795-22-01A	EA	WINDOW-SLIDER, HORIZONTAL - THERMO - EXCEL DC48-G2W66R
8	078528-07-F15	EA	WINDOW-ESCAPE, CLEAR
8	113502-01-01A	EA	WINDOW-ESCAPE, THERMO - BLACK/OFF WHITE - EXCEL DH153-G2W66

WINDOW, VENT & EXTERIOR DOOR GROUP (CONTINUED)

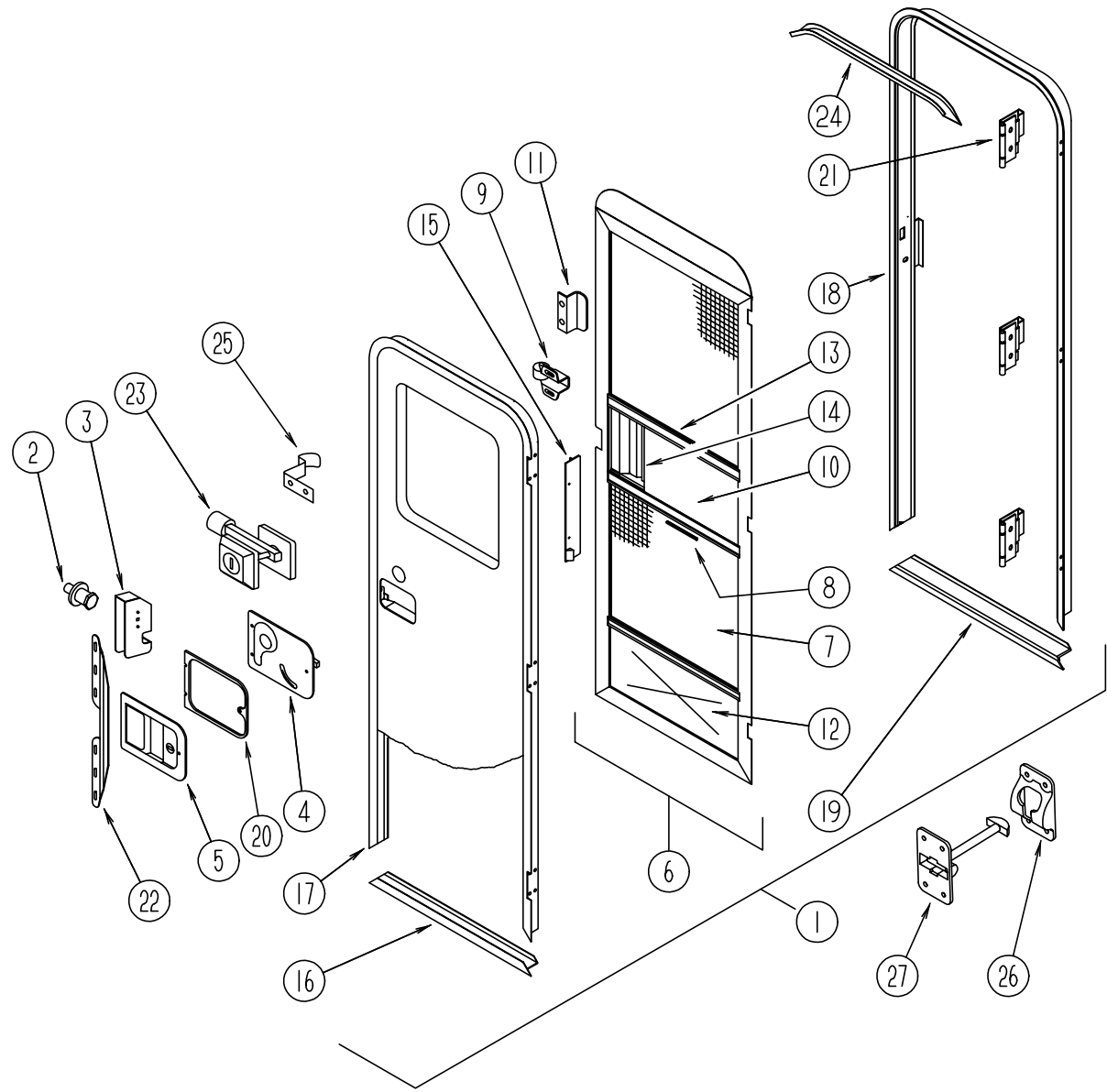


EXTERIOR DOORS

KEY	PART NUMBER	U/M	DESCRIPTION
1	088794-06-000	EA	DOOR-POWER CORD, W/HATCH - 11" X 9.2" - BRIGHT WHITE
2	084103-08-000	EA	DOOR-REFRIGERATOR, VENTED - W/O JAMB - BRIGHT WHITE
	084104-08-000	EA	JAMB-DOOR, REFRIGERATOR - BRIGHT WHITE
	084104-01-700	EA	LOCK-MALE FASTENER, REFRIGERATOR DOOR
	084104-01-701	EA	LOCK-FEMALE FASTENER, REFRIGERATOR DOOR
3	081240-16-000	EA	FILL-WATER, LOCKABLE W/O LOCK - BRIGHT WHITE
4	104558-20-F16	EA	DOOR-STORAGE, BRIGHT WHITE
5	111009-01-F24	EA	DOOR-COMPARTMENT, LP - 16.9" X 5.4" - ALUMINUM - BRIGHT WHITE
6	104558-21-F16	EA	DOOR-STORAGE, BRIGHT WHITE
7	115108-01-G21	EA	DOOR-ENTRANCE, W/SCREEN - W/O WINDOW - BRIGHT WHITE
7	115108-01-G22	EA	DOOR-ENTRANCE, W/SCREEN - W/O WINDOW - BRIGHT WHITE
8	111014-15-F15	EA	DOOR-STORAGE, LOWER FRONT - BRIGHT WHITE
9	098668-23-000	EA	DOOR-ACCESS, FURNACE - BRIGHT WHITE - SUBURBAN
10	111017-01-E07	EA	DOOR-EXTERIOR ENTERTAINMENT CENTER, BRIGHT WHITE
11	052009-06-000	EA	DOOR-WATER HEATER, BRIGHT WHITE - ATWOOD
12	104558-34-F16	EA	DOOR-STORAGE, BRIGHT WHITE
13	104558-22-F16	EA	DOOR-STORAGE, BRIGHT WHITE

WINDOW, VENT & EXTERIOR DOOR GROUP (CONTINUED)

ENTRANCE DOOR

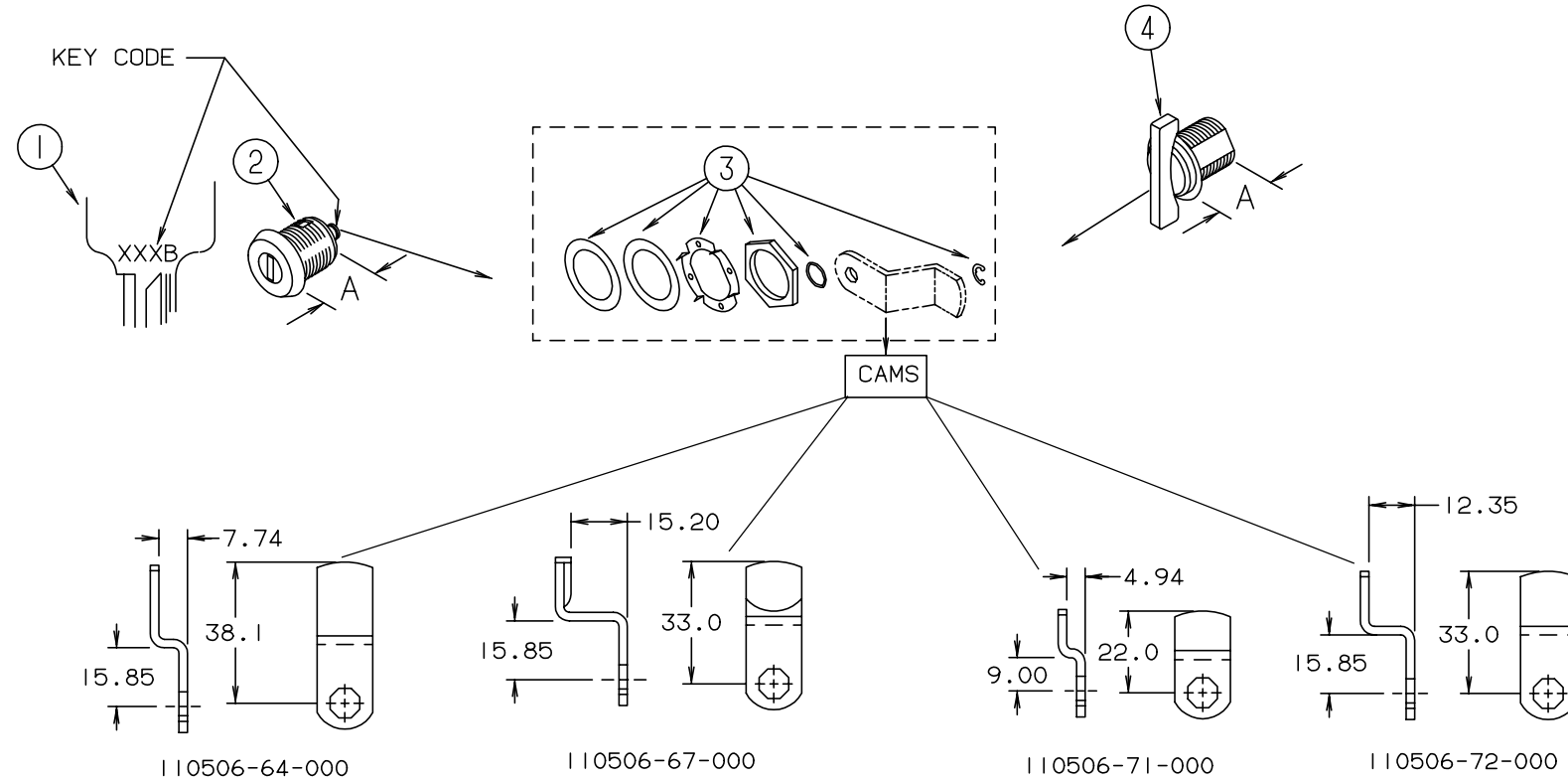


KEY	PART NUMBER	U/M	DESCRIPTION
1	115108-01-G21	EA	DOOR-ENTRANCE, W/O WINDOW - W/SCREEN DOOR - BRIGHT WHITE
1	115108-01-G22	EA	DOOR-ENTRANCE, W/O WINDOW - W/SCREEN DOOR - BRIGHT WHITE
2	039539-01-000	EA	STRIKE-LOCK, ENTRANCE DOOR - ROUND/THREADED WASHER
	077461-05-000	EA	COVER-STRIKE, ENTRANCE DOOR - 6.5" X 2.5" - PLASTIC - BRIGHT WHITE
3	039540-01-000	EA	LATCH MECHANISM-HOOK, ENTRANCE DOOR - INTERIOR
	039715-01-000	EA	NUT-SERT, 1/4" DIAMETER - 20 THREADS
4	039979-04-000	EA	COVER-INTERIOR LATCH, W/TRIP ARM - RIGHT - BLACK
			FROM: 00-00-00 THRU: 09-10-95
4	039979-06-000	EA	COVER-INTERIOR LATCH, RIGHT - BLACK TEXTURED
			FROM: 09-11-95 THRU: 99-99-99
	039984-01-000	EA	CAP-ROUND, VINYL - .28" ID X .62" LONG - BLACK
	041546-05-000	EA	BRACKET-DOOR ANGLE, OFF WHITE
			FROM: 00-00-00 THRU: 10-22-95
	041546-07-000	EA	BRACKET-DOOR ANGLE, OFF WHITE
			FROM: 10-23-95 THRU: 99-99-99
5	045017-11-000	EA	LATCH-ENTRANCE DOOR, MECHANISM W/LOCK & KEY - BLACK
			FROM: 00-00-00 THRU: 09-10-95
5	045017-13-000	EA	LATCH-ENTRANCE DOOR, MECHANISM - BLACK TEXTURED
			FROM: 09-11-95 THRU: 99-99-99

KEY	PART NUMBER	U/M	DESCRIPTION
	045017-11-701	EA	KEY-BLANK, ROUND TOP - SILVER - TRI/MARK
	063729-04-000	EA	RIVNUT, 10-32 UNF - .010-.080
	039715-01-000	EA	NUT-SERT, 1/4" DIAMETER - 20 THREADS
	075671-04-000	FT	SEAL-SPONGE, LAZY T SHAPE - W/ADHESIVE STRIP - .5" WIDE
6	079012-09-F24	EA	DOOR-SCREEN
7	002293-02-000	SF	SCREENING-WINDOW/DOOR, 26" - CHARCOAL
8	002294-01-000	FT	SPLINE-SCREENING, .135" X .138" - BLACK
9	100412-01-000	EA	CATCH-SCREEN DOOR
10	016454-01-000	EA	INSERT-CENTER, LEATHER GRAIN ALUMINUM - UNPAINTED
10	001014-01-013	EA	INSERT-CENTER, 10.25" X 16.31" - UNPAINTED
11	050712-06-000	EA	HANDLE-SCREEN DOOR, ALUMINUM
12	078552-03-000	EA	KICK PANEL-SCREEN DOOR, LOWER INSERT - UNPAINTED
	078595-01-000	EA	TOP PLATE-SCREEN DOOR, CURVED TOP - 4.7" X 25.35"
13	078777-01-000	EA	CHANNEL-SLIDE, SCREEN DOOR CENTER SLIDER COVER - 17.4"
14	079086-03-000	EA	SLIDER-SCREEN DOOR, BRIGHT WHITE
15	079087-03-000	EA	STRIKE-SLIDER, W/LIP FOR ELBOW CATCH - 1.5" X 8.6"
	081914-01-000	EA	BUMPER-RUBBER, ROUND - .43" DIAMETER - BLACK
16	089748-21-000	EA	FRAME-ENTRANCE DOOR, BOTTOM - BRIGHT WHITE
	090340-01-000	FT	SEAL-FOAM, CLOSED CELL - 1/4" X 1/2" X 50'
17	095276-07-03A	EA	FRAME-ENTRANCE DOOR, TOP & SIDES - BRIGHT WHITE
18	095277-08-03A	EA	JAMB-ENTRANCE DOOR, 25.9" X 74.5" W/BOTTOM - BRIGHT WHITE
			FROM: 00-00-00 THRU: 07-30-95
18	120310-04-01A	EA	JAMB-ENTRANCE DOOR, 25.9" X 78.5" - BRIGHT WHITE
			FROM: 07-31-95 THRU: 99-99-99
19	051049-01-000	EA	JAMB-ENTRANCE DOOR, BOTTOM - 25.9 - UNPAINTED
20	096810-01-01A	EA	SPACER-DOOR LOCK, PLASTIC - BLACK
21	106719-01-01A	EA	HINGE-ENTRANCE DOOR, UNPAINTED
22	098173-01-04A	EA	STIFFENER-ENTRANCE DOOR, SUPPORTS LATCH/STRIKE AREA - UNPAINTED
	100128-02-000	FT	SEAL-FOAM, ADHESIVE BACK - .37" W X .37" THICK
			FROM: 00-00-00 THRU: 07-30-95
	118929-01-01A	FT	SEAL-PILE, PUSH-ON - AMESBURY XC-964
			FROM: 07-31-95 THRU: 99-99-99
23	101145-01-01A	EA	DEADBOLT-ENTRANCE DOOR, W/2 KEYS W/O BACK SET BOLT OR SCREWS
			FROM: 00-00-00 THRU: 09-10-95
23	101145-01-06A	EA	DEADBOLT-ENTRANCE DOOR, BLACK TEXTURED
			FROM: 09-11-95 THRU: 99-99-99
	101145-01-701	EA	CYLINDER-LOCK ASM., W/KEY 81306-03
	095229-01-700	EA	KEY-BLANK
	101147-01-000	EA	BOLT-SECURITY, 4.12" BACKSET
	102524-01-000	EA	BUMPER-RUBBER, FLAT - BLACK
24	044582-44-000	EA	CAP-DRIP, DOOR JAMB MOUNTED - BRIGHT WHITE
	115222-04-02A	EA	GARNISH-ENTRANCE DOOR, BRIGHT WHITE
25	100412-01-000	EA	CATCH-SCREEN DOOR, THUMB CLIP
26	104099-02-04A	EA	CATCH-DOOR HOLDER, RETAINER - PLASTIC - BRIGHT WHITE
27	104099-01-04A	EA	CATCH-DOOR HOLDER, STRIKE - PLASTIC - BRIGHT WHITE
	009126-02-000	EA	HANDLE-ASSIST, ENTRANCE DOOR - BLACK
			FROM: 00-00-00 THRU: 09-10-95
	009126-03-000	EA	HANDLE-ASSIST, ENTRANCE DOOR - BLACK TEXTURED
			FROM: 09-11-95 THRU: 99-99-99
	102248-01-000	EA	SHIM-DOOR
	104692-01-000	FT	SEAL-3/4" X 3/4", ADHESIVE BACK FOAM SEAL

WINDOW, VENT & EXTERIOR DOOR GROUP (CONTINUED)
BRIGGS & STRATTON LOCKS & COMPONENTS

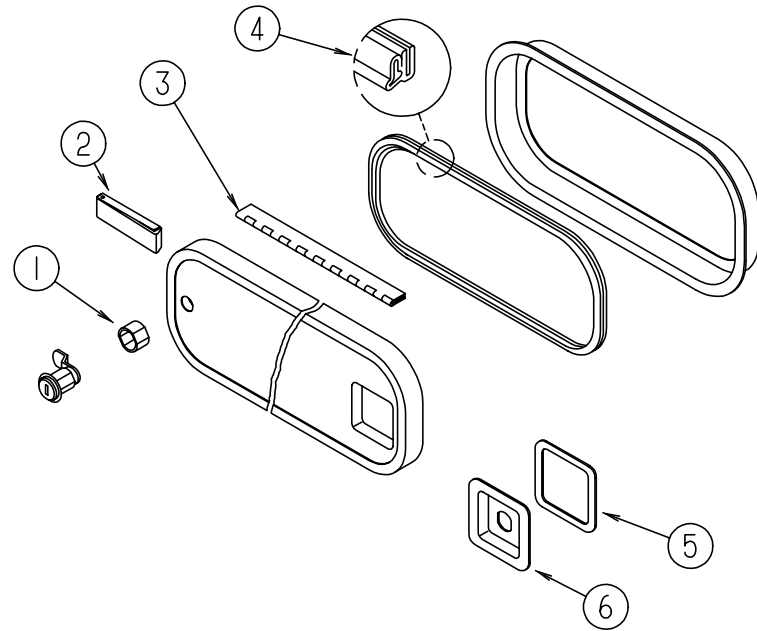
NOTE:
 WHEN ORDERING THE LOCK CASE, THE KEY CODE MUST MATCH THE LAST DIGIT OF THE VEHICLE'S SERIAL NUMBER AND PART NUMBER; WHEN ORDERING THE KEYS, THE THIRD DIGIT OF THE KEY CODE MUST MATCH THE LAST DIGIT OF THE VEHICLE'S SERIAL NUMBER AND PART NUMBER



KEY	PART NUMBER	U/M	DESCRIPTION	VENDOR NO.
1	110506-59-000	EA	KEYS-SET OF TWO	596720
2	110506-52-000	EA	CASE-LOCK, A = 17 MM	702370
2	110506-53-000	EA	CASE-LOCK, A = 25 MM	702380
1	110506-59-001	EA	KEYS-SET OF TWO	596721
2	110506-52-001	EA	CASE-LOCK, A = 17 MM	702371
2	110506-53-001	EA	CASE-LOCK, A = 25 MM	702381
1	110506-59-002	EA	KEYS-SET OF TWO	596722
2	110506-52-002	EA	CASE-LOCK, A = 17 MM	702372
2	110506-53-002	EA	CASE-LOCK, A = 25 MM	702382
1	110506-59-003	EA	KEYS-SET OF TWO	596723
2	110506-52-003	EA	CASE-LOCK, A = 17 MM	702373
2	110506-53-003	EA	CASE-LOCK, A = 25 MM	702383
1	110506-59-004	EA	KEYS-SET OF TWO	596724
2	110506-52-004	EA	CASE-LOCK, A = 17 MM	702374
2	110506-53-004	EA	CASE-LOCK, A = 25 MM	702384
1	110506-59-005	EA	KEYS-SET OF TWO	596725
2	110506-52-005	EA	CASE-LOCK, A = 17 MM	702375
2	110506-53-005	EA	CASE-LOCK, A = 25 MM	702385
1	110506-59-006	EA	KEYS-SET OF TWO	596726
2	110506-52-006	EA	CASE-LOCK, A = 17 MM	702376
2	110506-53-006	EA	CASE-LOCK, A = 25 MM	702386

KEY	PART NUMBER	U/M	DESCRIPTION	VENDOR NO.
1	110506-59-007	EA	KEYS-SET OF TWO	596727
2	110506-52-007	EA	CASE-LOCK, A = 17 MM	702377
2	110506-53-007	EA	CASE-LOCK, A = 25 MM	702387
1	110506-59-008	EA	KEYS-SET OF TWO	596728
2	110506-52-008	EA	CASE-LOCK, A = 17 MM	702378
2	110506-53-008	EA	CASE-LOCK, A = 25 MM	702388
1	110506-59-009	EA	KEYS-SET OF TWO	596729
2	110506-52-009	EA	CASE-LOCK - A = 17 MM	702379
2	110506-53-009	EA	CASE-LOCK - A = 25 MM	702389
3	110506-40-700	EA	HARDWARE KIT	
4	110506-50-000	EA	CASE-TWIST LOCK, A = 17 MM	596952
4	110506-51-000	EA	CASE-TWIST LOCK, A = 25 MM	596669
	110506-40-000	EA	CLIP-E LOCK ASSEMBLY	93981
	110506-64-000	EA	CAM-LOCK	322280
	110506-67-000	EA	CAM-LOCK	322283
	110506-71-000	EA	CAM-LOCK	322287
	110506-72-000	EA	CAM-LOCK	322354
	110506-59-701	EA	KEY-BLANK, GOLD	

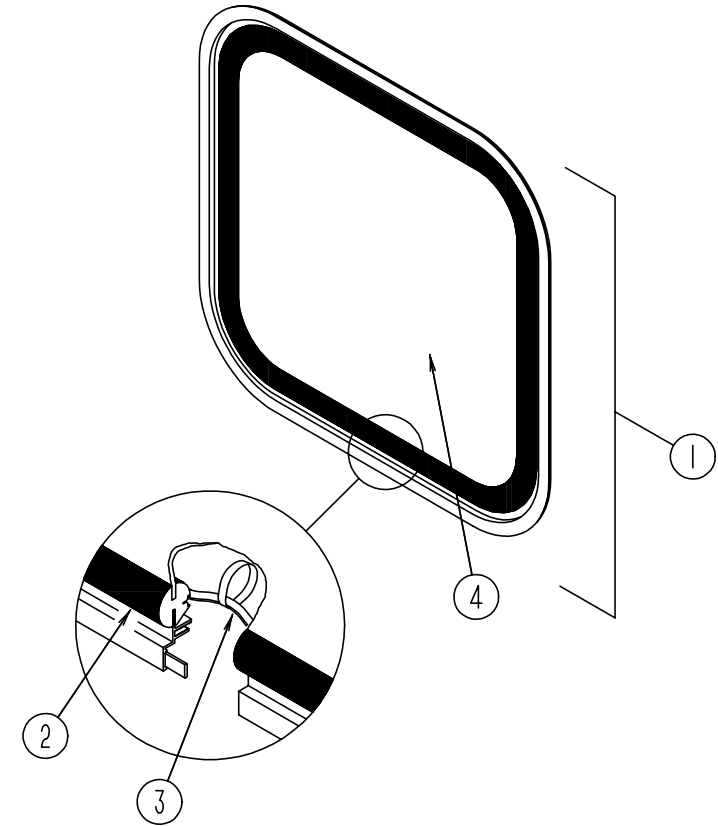
WINDOW, VENT & EXTERIOR DOOR GROUP (CONTINUED)



EXTERIOR DOOR HARDWARE

KEY	PART NUMBER	U/M	DESCRIPTION
1	107997-51-001	EA	SPACER - .86" X .6" - ALUMINUM
2	102768-01-000	EA	HOLDER-COMPARTMENT/ENTRY DOOR, METAL - MILL FINISH
3	081801-02-000	EA	HINGE-PIANO, 2" X 96" - ALUMINUM
4	064075-07-000	FT	SEAL-BULB, W/WIRED U CHANNEL - .3" X .5" CHANNEL - BLACK
5	098338-01-000	EA	GASKET-LOCK POCKET
6	097111-01-04A	EA	POCKET-LOCK VALANCE, BRIGHT WHITE
	096217-55-006	EA	U CHANNEL, 17.5' - BRIGHT WHITE

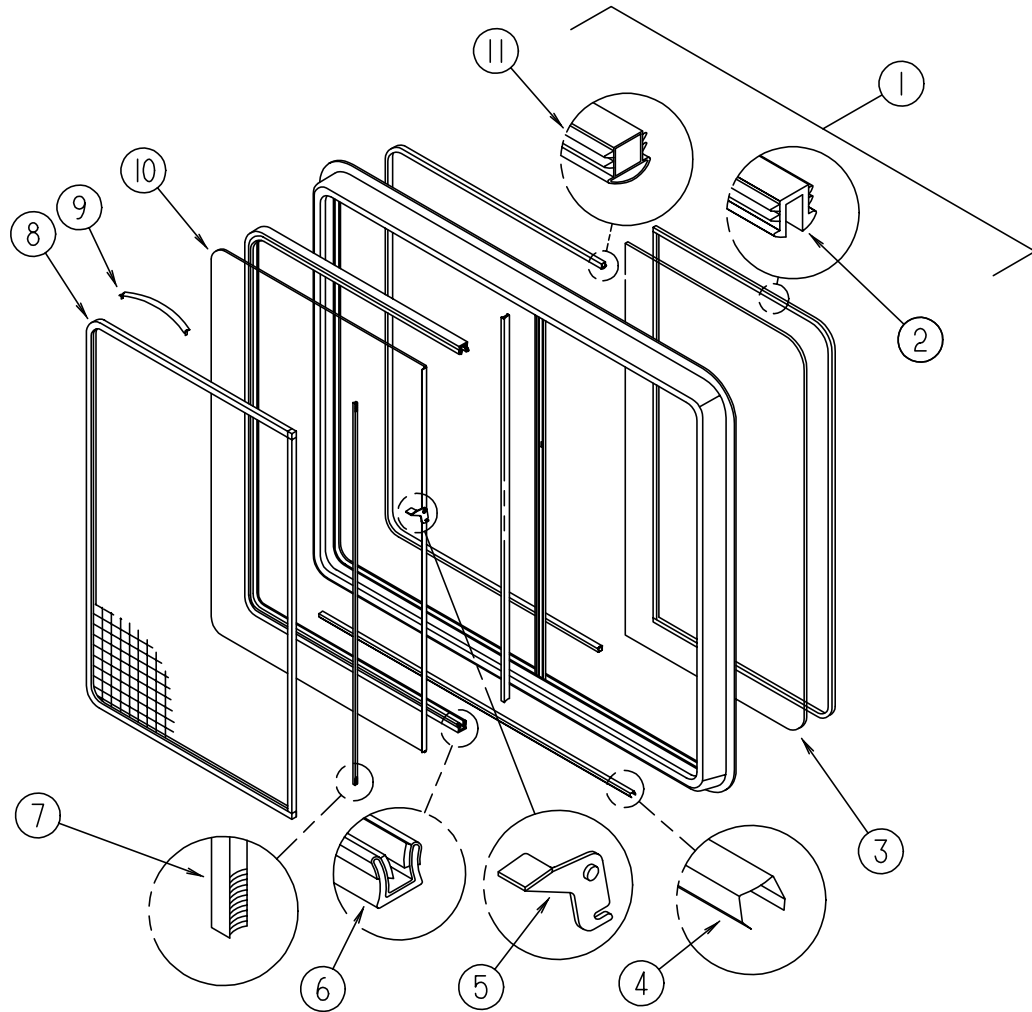
WINDOW, VENT & EXTERIOR DOOR GROUP (CONTINUED)



BACKWALL ESCAPE WINDOW

KEY	PART NUMBER	U/M	DESCRIPTION
	074816-11-000	EA	FRAME-INSIDE, ESCAPE WINDOW - OFF WHITE
1	078528-07-F15	EA	WINDOW-ESCAPE, REAR
2	002282-09-000	EA	WEATHERSTRIP - .125" X 130.53" - BLACK
3	002285-01-000	FT	FILLER-WEATHER STRIP, RUBBER - BLACK
4	076337-13-000	EA	GLASS-WINDOW, ESCAPE

WINDOW, VENT & EXTERIOR DOOR GROUP (CONTINUED)



SINGLE SLIDER WINDOW - DINETTE - EXCEL

KEY	PART NUMBER	U/M	DESCRIPTION	VENDOR NO.
	098647-28-01A	EA	WINDOW-SLIDER, HORIZONTAL - CLEAR - H287-C1W66L	
1	098647-28-700	EA	WINDOW-W/OFRAME	H287-C1L
	098647-27-701	EA	FRAME-WINDOW	W28766
2	100322-01-703	FT	STRIP-GLAZING, BUTYL	132-010723
3	098647-27-702	EA	GLASS-STATIONARY	096-017868
4	098644-01-710	FT	TRACK-SCREEN SPACER, 12' LENGTH	M401-31
5	098644-01-700	EA	LATCH-REPAIR KIT	B801-CK
6	098644-01-708	FT	CHANNEL-PIERCED RUN	122-016543
7	098644-01-711	FT	WEATHERSTRIP-SCREEN, BLACK	171-016965
8	098647-23-704	EA	SCREEN-W/SPRING & WEATHERSTRIP	410-019066
9	098644-01-713	EA	SPRING-SCREEN FRAME, CLIP - PLASTIC	226-016966
10	098647-27-703	EA	GLASS-SLIDING, W/SASH & LATCH	H287-C8
11	098644-01-706	FT	WEATHERSTRIP	171-010668
	098644-01-716	FT	PLUG-FILLER	132-014470
	098644-01-717	FT	SPLINE-SCREEN	132-004716

WINDOW, VENT & EXTERIOR DOOR GROUP (CONTINUED)
SINGLE SLIDER WINDOW - OVERHEAD BUNK - DRIVER SIDE - EXCEL

KEY	PART NUMBER	U/M	DESCRIPTION	VENDOR NO.
	098647-32-01A	EA	WINDOW-SLIDER, HORIZONTAL - CLEAR - H425-C1W66L	
1	098647-32-700	EA	WINDOW-W/OFRAME	H425-C1L
	098647-31-701	EA	FRAME-WINDOW	CW2966
2	100322-01-703	FT	STRIP-GLAZING, BUTYL	132-010723
3	098647-31-702	EA	GLASS-STATIONARY	096-019299
4	098644-01-710	FT	TRACK-SCREEN SPACER, 12' LENGTH	M401-31
5	098644-01-700	EA	LATCH-REPAIR KIT	B801-CK
6	098644-01-708	FT	CHANNEL-PIERCED RUN	122-016543
7	098644-01-711	FT	WEATHERSTRIP-SCREEN, BLACK	171-016965
8	098647-31-704	EA	SCREEN-W/SPRING & WEATHERSTRIP	410-019128
9	098644-01-713	EA	SPRING-SCREEN FRAME, CLIP - PLASTIC	226-016966
10	098647-31-703	EA	GLASS-SLIDING, W/SASH & LATCH	H425-C8
11	098644-01-706	FT	WEATHERSTRIP	171-010668
	098644-01-716	FT	PLUG-FILLER	132-014470
	098644-01-717	FT	SPLINE-SCREEN	132-004716

SINGLE SLIDER WINDOW - GALLEY & OVERHEAD BUNK - PASSENGER SIDE - EXCEL

KEY	PART NUMBER	U/M	DESCRIPTION	VENDOR NO.
	098647-31-01A	EA	WINDOW-SLIDER, HORIZONTAL - CLEAR - H425-C1W66R	
1	098647-31-700	EA	WINDOW-W/OFRAME	H425-C1R
	098647-31-701	EA	FRAME-WINDOW	CW2966
2	100322-01-703	FT	STRIP-GLAZING, BUTYL	132-010723
3	098647-31-702	EA	GLASS-STATIONARY	096-019299
4	098644-01-710	FT	TRACK-SCREEN SPACER, 12' LENGTH	M401-31
5	098644-01-700	EA	LATCH-REPAIR KIT	B801-CK
6	098644-01-708	FT	CHANNEL-PIERCED RUN	122-016543
7	098644-01-711	FT	WEATHERSTRIP-SCREEN, BLACK	171-016965
8	098647-31-704	EA	SCREEN-W/SPRING & WEATHERSTRIP	410-019128
9	098644-01-713	EA	SPRING-SCREEN FRAME, CLIP - PLASTIC	226-016966
10	098647-31-703	EA	GLASS-SLIDING, W/SASH & LATCH	H425-C8
11	098644-01-706	FT	WEATHERSTRIP	171-010668
	098644-01-716	FT	PLUG-FILLER	132-014470
	098644-01-717	FT	SPLINE-SCREEN	132-004716

SINGLE SLIDER WINDOW - BEDROOM - EXCEL

KEY	PART NUMBER	U/M	DESCRIPTION	VENDOR NO.
	098647-38-01A	EA	WINDOW-SLIDER, HORIZONTAL - CLEAR - H320-C1W66R	
1	098647-38-700	EA	WINDOW-W/OFRAME	H320-C1R
	098647-38-701	EA	FRAME-WINDOW	W30366
2	100322-01-703	FT	STRIP-GLAZING, BUTYL	132-010723
3	098647-38-702	EA	GLASS-STATIONARY	096-017854
4	098644-01-710	FT	TRACK-SCREEN SPACER, 12' LENGTH	M401-31
5	098644-01-700	EA	LATCH-REPAIR KIT	B801-CK
6	098644-01-708	FT	CHANNEL-PIERCED RUN	122-016543
7	098644-01-711	FT	WEATHERSTRIP-SCREEN, BLACK	171-016965
8	098647-38-704	EA	SCREEN-W/SPRING & WEATHERSTRIP	410-019063
9	098644-01-713	EA	SPRING-SCREEN FRAME, CLIP - PLASTIC	226-016966
10	098647-38-703	EA	GLASS-SLIDING, W/SASH & LATCH	H320-C8
11	098644-01-706	FT	WEATHERSTRIP	171-010668
	098644-01-716	FT	PLUG-FILLER	132-014470
	098644-01-717	FT	SPLINE-SCREEN	132-004716

WINDOW, VENT & EXTERIOR DOOR GROUP (CONTINUED)
SINGLE SLIDER WINDOW - DINETTE - THERMO - EXCEL

KEY	PART NUMBER	U/M	DESCRIPTION	VENDOR NO.
	112795-15-01A	EA	WINDOW-SLIDER, HORIZONTAL - DH287-G2W66L	
	098647-23-702	EA	FRAME-INSIDE	W28766
	098647-23-704	EA	SCREEN-W/SPRING & WEATHERSTRIP	410-019066
	112795-01-700	EA	LATCH ASSEMBLY - BLACK	DH287-CK
	112795-01-701	EA	SLIDE-STOP	132-019092
	112795-01-702	FT	PLUG-FILLER	122-018737
	112795-01-703	FT	RUN CHANNEL	122-018736
	112795-01-704	FT	VINYL-GLAZING	132-018280
	112795-15-700	EA	WINDOW-W/OFRAME	DH287-G2L
	112795-15-701	EA	GLASS-STATIONARY	390-019045
	112795-15-702	EA	GLASS-SLIDING, W/SASH & LATCH	DH287-G9
	098644-01-713	EA	SPRING-SCREEN FRAME (CLIP), PLASTIC - BLACK	

SINGLE SLIDER WINDOW - GALLEY & OVERHEAD BUNK - PASSENGER SIDE - THERMO - EXCEL

KEY	PART NUMBER	U/M	DESCRIPTION	VENDOR NO.
	112795-19-01A	EA	WINDOW-SLIDER, HORIZONTAL - DC29-G2W66R	
	098647-31-701	EA	FRAME-INSIDE	CW2966
	098647-31-704	EA	SCREEN W/SPRING & WEATHERSTRIP	410-019128
	112795-01-700	EA	LATCH ASSEMBLY - BLACK	DH287-CK
	112795-01-701	EA	SLIDE-STOP	132-019092
	112795-01-702	FT	PLUG-FILLER	122-018737
	112795-01-703	FT	RUN CHANNEL	122-018736
	112795-01-704	FT	VINYL-GLAZING	132-018280
	112795-19-700	EA	WINDOW-W/OFRAME	DC29-G2R
	112795-19-701	EA	GLASS-STATIONARY	390-019134
	112795-19-702	EA	GLASS-SLIDING, W/SASH & LATCH	DC29-G9
	098644-01-713	EA	SPRING-SCREEN FRAME (CLIP), PLASTIC - BLACK	

SINGLE SLIDER WINDOW - OVERHEAD BUNK - DRIVER SIDE - THERMO - EXCEL

KEY	PART NUMBER	U/M	DESCRIPTION	VENDOR NO.
	112795-20-01A	EA	WINDOW-SLIDER, HORIZONTAL - DC29-G2W66L	
	098647-31-701	EA	FRAME-INSIDE	CW2966
	098647-31-704	EA	SCREEN-W/SPRING & WEATHERSTRIP	410-019128
	112795-01-700	EA	LATCH ASSEMBLY - BLACK	DH287-CK
	112795-01-701	EA	SLIDE-STOP	132-019092
	112795-01-702	FT	PLUG-FILLER	122-018737
	112795-01-703	FT	RUN CHANNEL	122-018736
	112795-01-704	FT	VINYL-GLAZING	132-018280
	112795-19-701	EA	GLASS-STATIONARY	390-019134
	112795-19-702	EA	GLASS-SLIDING, W/SASH & LATCH	DC29-G9
	112795-20-700	EA	WINDOW-W/OFRAME	DC29-G2L
	098644-01-713	EA	SPRING-SCREEN FRAME (CLIP), PLASTIC - BLACK	

SINGLE SLIDER WINDOW - BEDROOM - THERMO - EXCEL

KEY	PART NUMBER	U/M	DESCRIPTION	VENDOR NO.
	112795-22-01A	EA	WINDOW-SLIDER, HORIZONTAL - DC48-G2W66R	
	112795-22-701	EA	FRAME-INSIDE	W30366
	098647-23-704	EA	SCREEN-W/SPRING & WEATHERSTRIP	410-019066
	112795-01-700	EA	LATCH ASSEMBLY - BLACK	DH287-CK
	112795-01-701	EA	SLIDE-STOP	132-019092
	112795-01-702	FT	PLUG-FILLER	122-018737
	112795-01-703	FT	RUN CHANNEL	122-018736
	112795-01-704	FT	VINYL-GLAZING	132-018280
	112795-22-700	EA	WINDOW-W/OFRAME	DC48-G2R
	112795-22-702	EA	GLASS-STATIONARY	390-019039
	112795-22-703	EA	GLASS-SLIDING, W/SASH & LATCH	DC48-G9
	098644-01-713	EA	SPRING-SCREEN FRAME (CLIP), PLASTIC - BLACK	

WINDOW, VENT & EXTERIOR DOOR GROUP (CONTINUED)
FRONT WINDOW - OVERHEAD BUNK - THERMO - EXCEL

KEY	PART NUMBER	U/M	DESCRIPTION	VENDOR NO.
	115630-01-01A	EA	WINDOW-STATIONARY, EXCEL - DH438-G2W59	
	115630-01-700	EA	WINDOW-W/OFRAME	DH438-G2
	115630-01-701	EA	FRAME-INSIDE	W43858
	115630-01-702	EA	GLASS-STATIONARY	390-019467

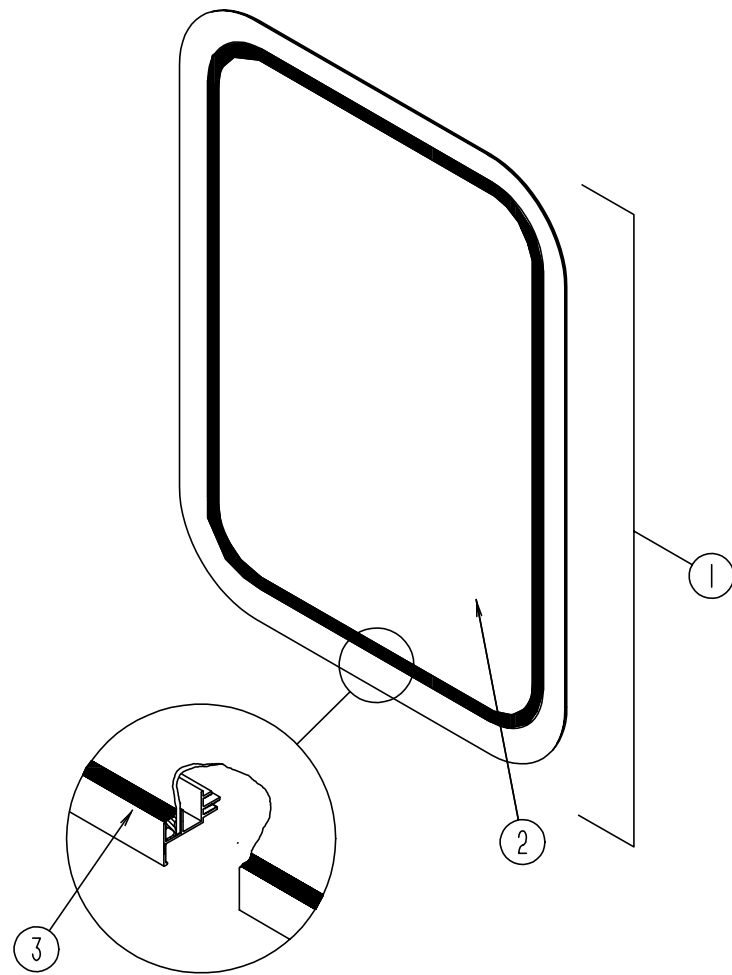
ENTRANCE DOOR WINDOW - THERMO

KEY	PART NUMBER	U/M	DESCRIPTION
	113733-01-01A	EA	WINDOW-ENTRY DOOR, THERMO - W/O INSIDE FRAME
	113733-01-701	EA	FRAME-INSIDE WINDOW
	113733-01-700	EA	WINDOW-W/O TRIM
	113733-01-702	EA	GLASS-STATIONARY
	100322-01-703	FT	STRIP-GLAZING, BUTYL 132-010723

BEDROOM WINDOW - REAR ESCAPE - THERMO - EXCEL

KEY	PART NUMBER	U/M	DESCRIPTION	VENDOR NUMBERS
	113502-01-01A	EA	WINDOW-REAR ESCAPE DH153-G2W60	
	100322-01-703	FT	STRIP-GLAZING, BUTYL	132-010723
	112898-06-704	EA	HANDLE-LATCH, RED - RH	182-11293
	112898-06-705	EA	HANDLE-LATCH, RED - LH	182-11294

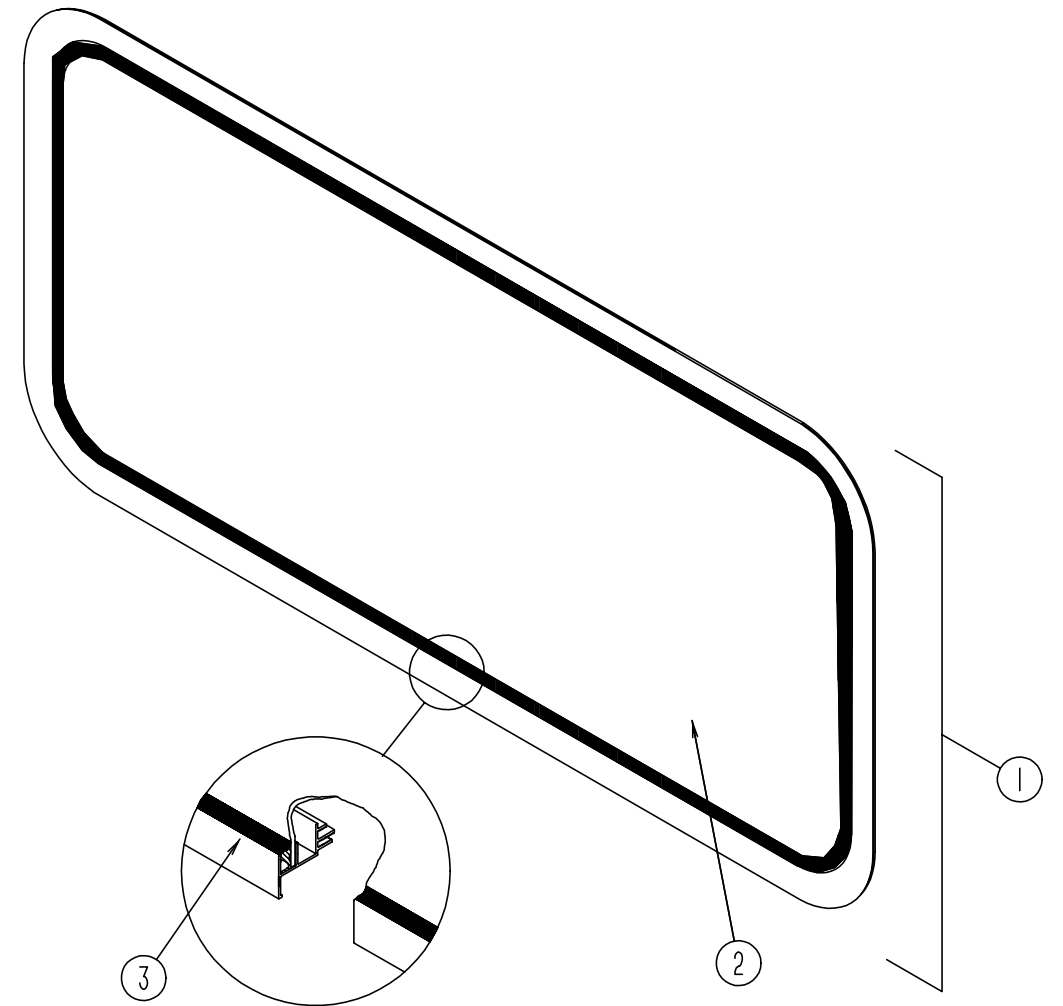
WINDOW, VENT & EXTERIOR DOOR GROUP (CONTINUED)



ENTRANCE DOOR WINDOW

KEY	PART NUMBER	U/M	DESCRIPTION
	117054-02-02A	EA	FRAME-INSIDE WINDOW, BRIGHT WHITE
1	117053-04-FB1	EA	WINDOW-STATIONARY
2	002181-27-000	EA	GLASS-PICTURE, 25.8" X 16.4" - CLEAR 90%
3	087561-01-000	FT	SEAL-GLASS, EXTERIOR - .5" WIDE - VINYL - BLACK

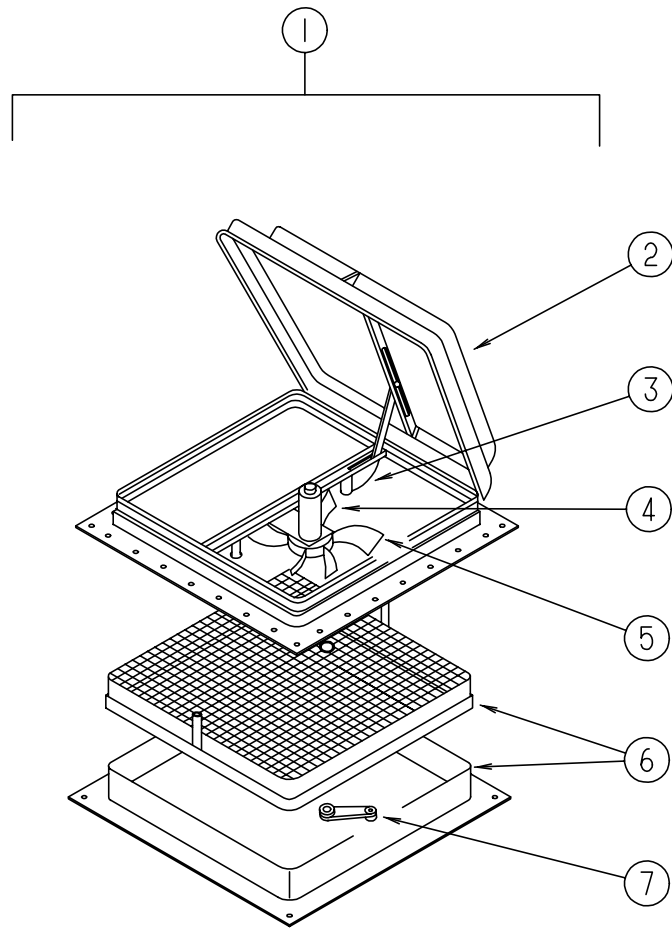
WINDOW, VENT & EXTERIOR DOOR GROUP (CONTINUED)



FRONT OVERHEAD BUNK WINDOW

KEY	PART NUMBER	U/M	DESCRIPTION
	117054-01-01A	EA	FRAME-WINDOW, INSIDE - WHITE
1	103313-03-F15	EA	WINDOW-PICTURE
2	002181-29-000	EA	GLASS-PICTURE, 71.2" X 16.4" - GRAY
3	099154-01-000	FT	CHANNEL-GLAZING, STATIONARY GLASS - .62" X .45" - BLACK

WINDOW, VENT & EXTERIOR DOOR GROUP (CONTINUED)



WINDOW, VENT & EXTERIOR DOOR GROUP (CONTINUED)

NONPOWERED ROOF VENT - JENSEN - MODEL 7724 WHE

KEY	PART NUMBER	U/M	DESCRIPTION	VENDOR NO.
	110051-01-01A	EA	VENT-ROOF, NONPOWERED - 2" ROOF - JENSEN	
	064470-01-700	EA	COVER-ROOF VENT, WITHOUT SLIDE BAR - JENSEN7291	
	064470-01-701	EA	SLIDE BAR	1111-492-01
	110051-01-700	EA	ROOF VENT SCREEN-MANUAL CRANK ASSEMBLIES	29-800-02
	110051-01-702	EA	LIFT ASSEMBLY-VENT LID W/O CRANK, JENSEN	RP-1000B
	110051-01-703	EA	CRANK HANDLE-ROOF VENT, JENSEN	RP-1031-B

VENTS, SHROUDS AND ROOF COVERS

KEY	PART NUMBER	U/M	DESCRIPTION
	084073-07-000	EA	COVER-ROOF VENT, REFRIGERATOR - BRIGHT WHITE - NORCOLD
	084073-04-000	EA	BASE-ROOF VENT, REFRIGERATOR - BLACK - NORCOLD
	084616-07-000	EA	SHROUD-RANGE HOOD VENT, BRIGHT WHITE
	083558-07-000	EA	VENT-PLUMBING PIPE ROOF W/COVER, BRIGHT WHITE

POWERED ROOF VENT - JENSEN - US - MODEL 7757 WHE

KEY	PART NUMBER	U/M	DESCRIPTION	VENDOR NO.
1	110051-03-01A	EA	VENT-ROOF, POWERED - 2" ROOF - JENSEN	
2	064470-01-700	EA	COVER-ROOF VENT, W/O WITHOUT SLIDE BAR	7291
	064470-01-701	EA	SLIDE BAR	1111-492-01
3	110051-01-702	EA	LIFT ASSEMBLY-VENT LID W/O CRANK, JENSEN	RP-1000B
4	048648-01-000	EA	MOTOR-ROOF VENT, 1/8 SHAFT - 12V - JENSEN	
5	048649-01-000	EA	FAN-ROOF VENT, 6 BLADES - 6" - JENSEN	
6	110051-01-700	EA	ROOF VENT SCREEN-MANUAL CRANK ASSEMBLIES	29-800-02
7	110051-01-703	EA	CRANK HANDLE-ROOF VENT, JENSEN	RP-1031-B

POWERED ROOF VENT - JENSEN - CANADIAN - C7757 WHE

KEY	PART NUMBER	U/M	DESCRIPTION	VENDOR NO.
1	110051-05-01A	EA	VENT-ROOF, POWERED - 2" ROOF - CSA	
2	064470-01-700	EA	COVER-ROOF VENT, W/O WITHOUT SLIDE BAR - JENSEN	7291
	064470-01-701	EA	SLIDE BAR	1111-492-01
3	110051-01-702	EA	LIFT ASSEMBLY-VENT LID W/O CRANK, JENSEN	RP-1000B
4	048648-01-000	EA	MOTOR-ROOF VENT, 1/8 SHAFT - 12V - JENSEN	
5	048649-01-000	EA	FAN-ROOF VENT, 6 BLADES - 6" - JENSEN	
6	110051-01-700	EA	ROOF VENT SCREEN-MANUAL CRANK ASSEMBLIES	29-800-02
7	110051-01-703	EA	CRANK HANDLE-ROOF VENT, JENSEN	RP-1031-B