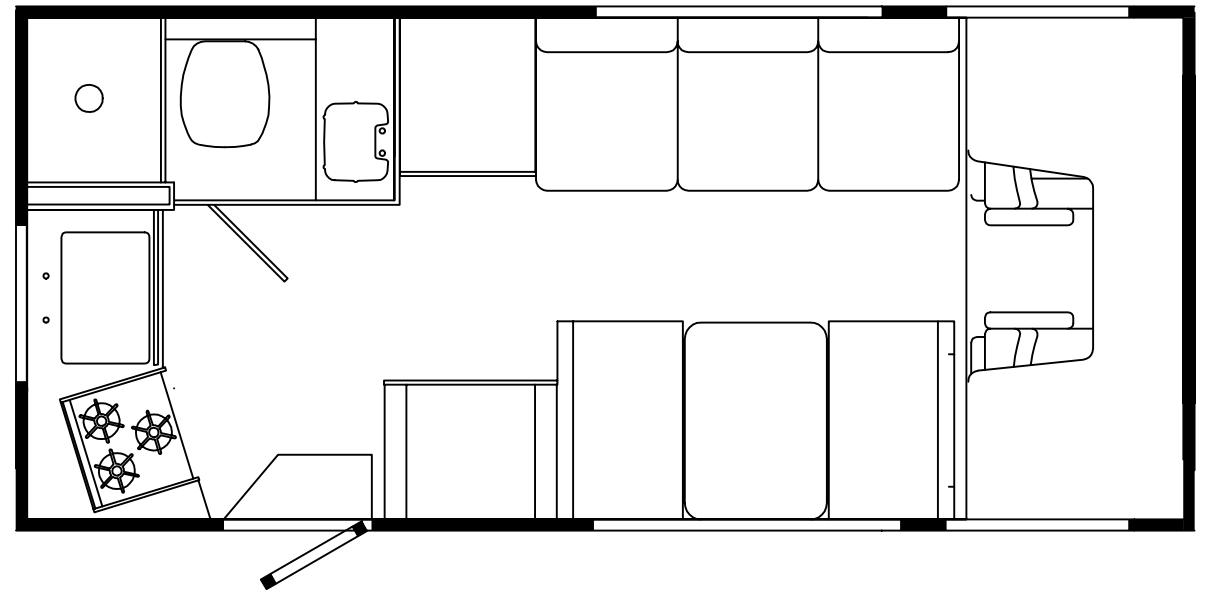
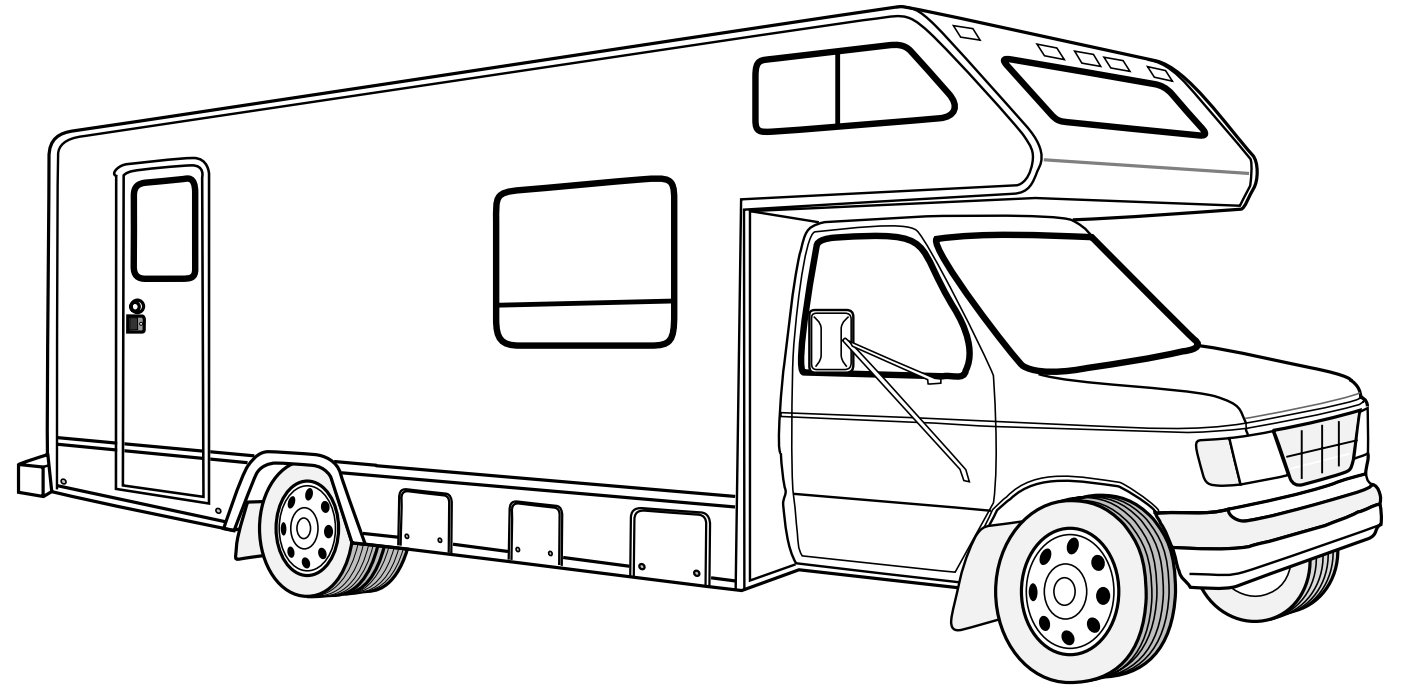


**1996
IC321RK**

**G21
SANDSCAPE (BROWN)**

**G22
BATIK (BLUE)**



**ACCESSORIES GROUP
OPERATORS MANUAL**

| KEY | PART NUMBER | U/M | DESCRIPTION |
|-----|---------------|-----|---|
| | 054185-E4-000 | EA | MANUAL-OPERATOR, 1996 SPIRIT - 300 SERIES |
| | 092318-01-000 | EA | BINDER - 3 RING, MOTOR HOME MANUAL |
| | 092319-01-000 | EA | POCKET PAGE - 3 RING BINDER, PLASTIC |
| | 117936-01-000 | DW | TOP LEVEL DRAWING - 1996 C BODY |

**AUDIO VIDEO GROUP
RADIO SYSTEM & ANTENNA**

| KEY | PART NUMBER | U/M | DESCRIPTION |
|-----|---------------|-----|--|
| | 007004-01-000 | EA | ANTENNA-AUTO |
| | 115305-02-000 | EA | RADIO-AM/FM CASSETTE, ELECTRON - AUDIOVOX GMA-100 |
| | 115306-01-000 | EA | RADIO-MOUNTING KIT, GM - AUDIOVOX GMA 94-CH |
| | 115307-01-000 | EA | RADIO-WIRING, REAR SPEAKER - GM ASA 1700030 |
| | 094097-01-000 | EA | SPEAKER-RADIO, W/O GRILLE - 5.25" DIA. - AUDIOVOX 110C3030 |
| | 111177-01-01A | EA | GRILLE-SPEAKER, OVAL - 5" X 7' - GRAY - MAGNADYNE SB68 |
| | 108137-01-000 | EA | PLUG-ANTENNA HOLE |

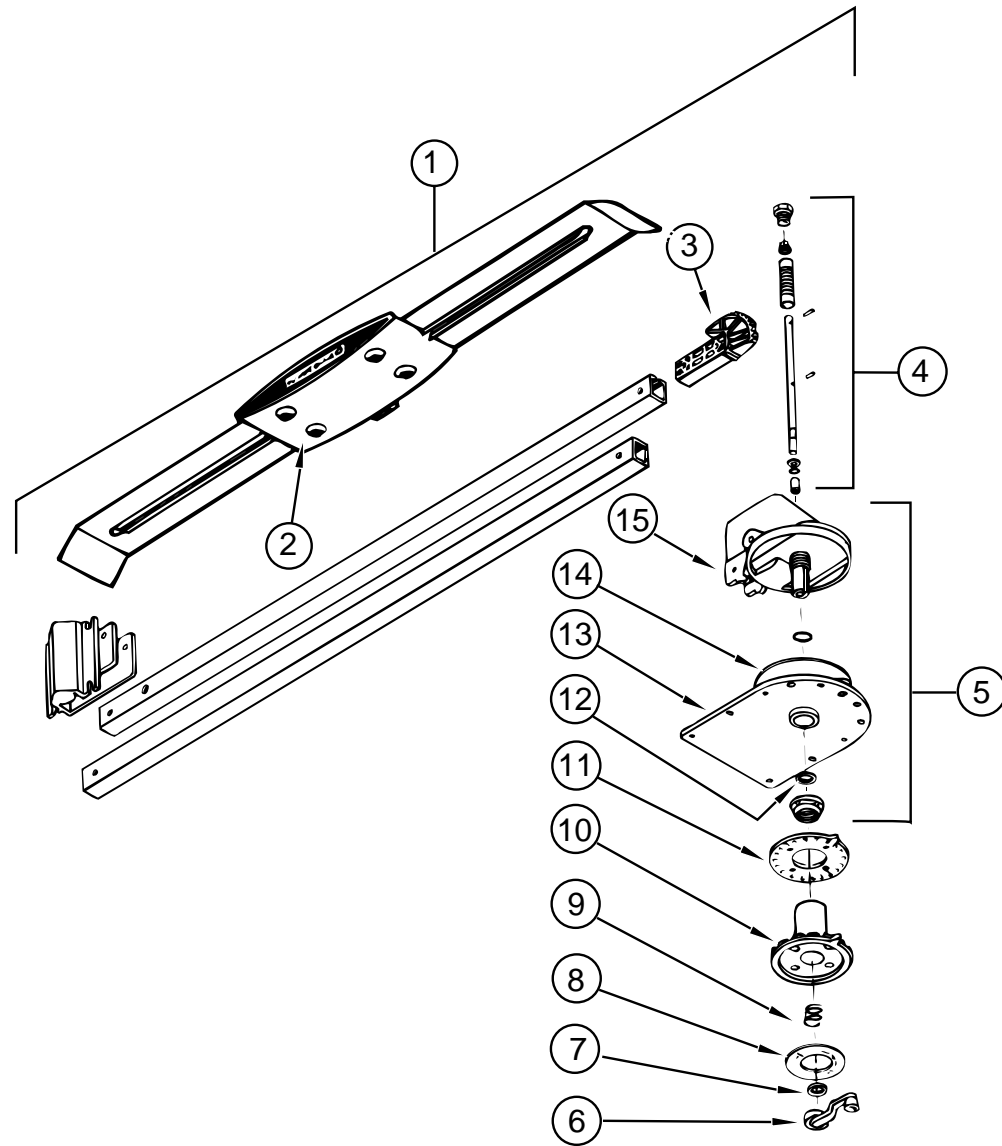
RADIO-PATIO ENTERTAINMENT CENTER

| KEY | PART NUMBER | U/M | DESCRIPTION |
|-----|---------------|-----|--|
| | 087683-03-000 | EA | RADIO-AM/FM STEREO CASSETTE - AUDIOVOX RS-100 |
| | 090944-01-000 | EA | ANTENNA-RADIO, 16" RUBBER |
| | 108847-01-000 | EA | BRACKET-ANTENNA GROUND |
| | 077069-02-000 | EA | CABLE-ANTENNA, RADIO - EXTENSION 96" - ARA 6700667 |
| | 076319-03-000 | FT | CABLE-COAXIAL, 75 OHM |
| | 076319-12-000 | EA | CONNECTOR-COAXIAL, ONE PIECE |
| | 082134-01-000 | EA | ADAPTER-CABLE TO CABLE, WINEGARD F-81M |
| | 086756-01-000 | EA | SPLITTER-TV, 2 WAY |
| | 109889-01-000 | EA | EXTENDER-SHAFT, ANTENNA - 1" - MAGNADYNE RV71EX1 |
| | 110469-01-000 | EA | SPEAKER-OVAL, 4" X 6" - COAXIAL - MAGNADYNE F46XB-12 |
| | 110470-01-01A | EA | GRILLE-SPEAKER, OVAL 4" X 6" - BLACK - MAGNADYNE G46WI |

TV INSTALLATION COMPONENTS

| KEY | PART NUMBER | U/M | DESCRIPTION |
|-----|---------------|-----|--|
| | 076319-03-000 | FT | CABLE-COAXIAL, 75 OHM |
| | 076319-12-000 | EA | CONNECTOR-COAXIAL, ONE PIECE |
| | 076319-06-000 | EA | ADAPTOR-CABLE ROOF PLATE, WINEGARD RPJ-1 |
| | 082134-01-000 | EA | ADAPTER-TV, CABLE TO CABLE - WINEGARD F-81M |
| | 082136-01-000 | EA | NUT-HEX JAM 3/8-32, WINEGARD |
| | 086777-02-000 | EA | WALLPLATE-TV CABLE, W/ANTENNA SWITCH - BROWN |

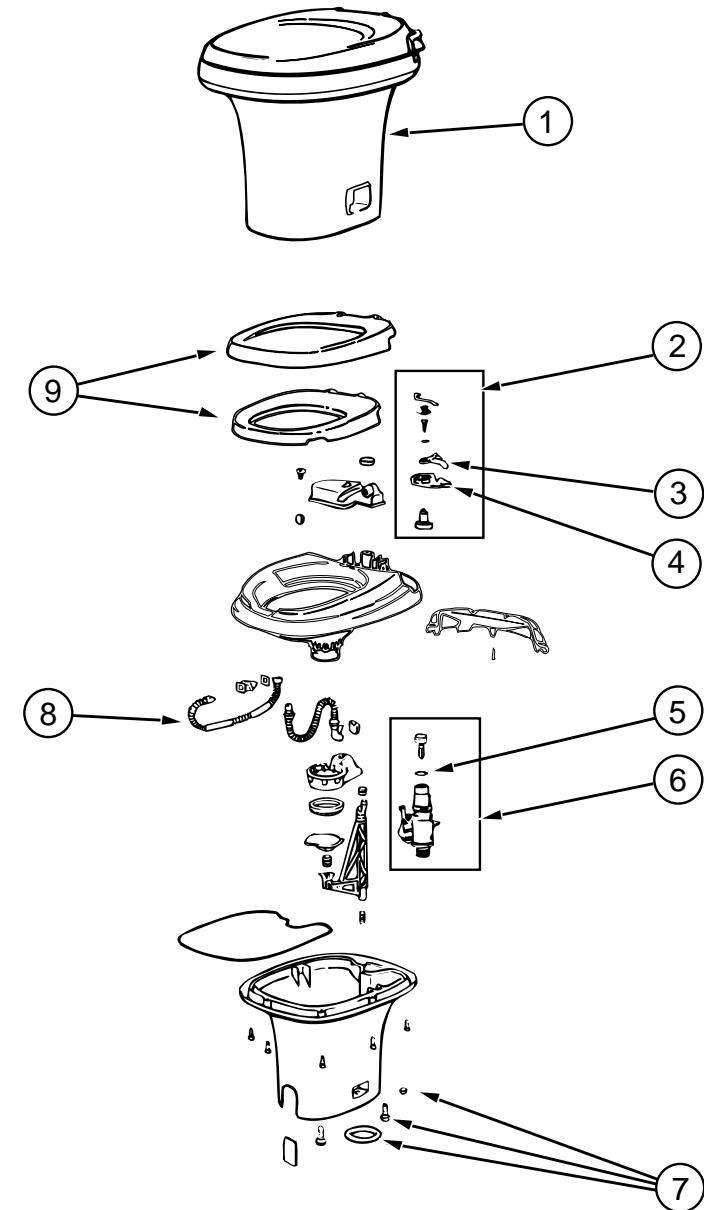
AUDIO VIDEO GROUP (CONTINUED)



TV ANTENNA - WINEGARD - MODEL RVA W02

| KEY | PART NUMBER | U/M | DESCRIPTION | VENDOR NO. |
|-----|---------------|-----|-------------------------------------|------------|
| 1 | 076319-01-000 | EA | ANTENNA-TV, ROOF MOUNT - 44.5" MAST | |
| 2 | 076319-01-700 | EA | HEAD-ANTENNA, AMPLIFIED | RVSA U/V |
| 3 | 076319-01-701 | EA | GEAR-ELEVATING, PLASTIC | 2200046 |
| 4 | 076319-01-702 | EA | SHAFT ASSEMBLY-ELEVATING | RVP-400A |
| 5 | 076319-01-711 | EA | BASE & LIFT ASSEMBLY | 2762802 |
| 6 | 076319-01-706 | EA | CRANK-ELEVATING, W/SET SCREW | 5755100 |
| 7 | 076319-01-705 | EA | GROMMET-NYLON, 7/8" ID | 200658 |
| 8 | 076319-01-708 | EA | DECAL-CRANK | 5413002 |
| 9 | 076319-01-707 | EA | SPRING-HANDLE | 5160800 |
| 10 | 076319-01-709 | EA | PLATE-DIRECTIONAL, FOR HEAD | 3200644 |
| 11 | 076319-01-712 | EA | PLATE-CEILING | 3200608 |
| 12 | 076319-01-704 | EA | BEARING-NYLON, 1.25" OD | 3200657 |
| 13 | 076319-01-713 | EA | PLATE-BASE, STEEL | 3100523 |
| 14 | 076319-01-703 | EA | BEARING-NYLON, 5" OD | 3200656 |
| 15 | 076319-01-714 | EA | HOUSING, ROTATING GEAR | 2200049 |

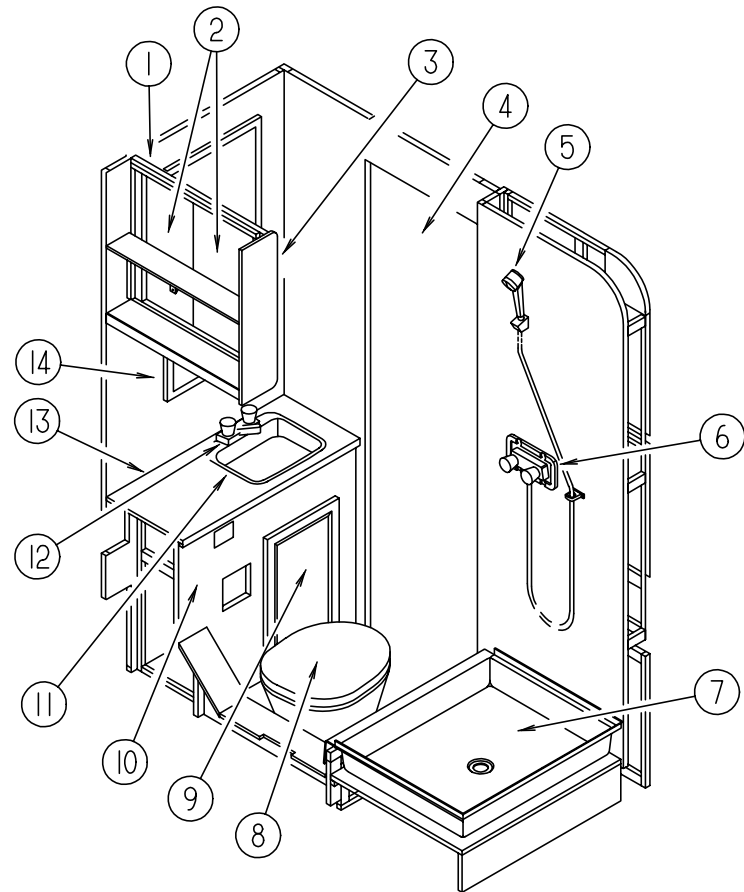
BATH GROUP



TOILET & COMPONENTS - THETFORD - MODEL AQUA MAGIC IV - HIGH 209-20

| KEY | PART NUMBER | U/M | DESCRIPTION | VENDOR NO. |
|-----|---------------|-----|--------------------------------|------------|
| 1 | 063740-01-000 | EA | TOILET-HIGH, HAND FLUSH 150120 | |
| 2 | 063740-01-720 | EA | LEVER-KIT, WATER-FLUSH-BEARING | 24629 |
| 3 | 063740-01-700 | EA | LEVER-WATER | 12514 |
| 4 | 063740-01-701 | EA | LEVER-FLUSH | 12515 |
| 5 | 063740-01-713 | EA | SEAL-BALL VALVE TO BOWL | 12502 |
| 6 | 063740-01-714 | EA | VALVE ASSEMBLY-WATER | 12492 |
| 7 | 063740-01-706 | EA | BOLT PACKAGE-CLOSET | 12524 |
| 8 | 063740-01-717 | EA | TUBE-FLUSH, TOILET | 12509 |
| 9 | 063740-02-700 | EA | SEAT & COVER, PARCHMENT | 20829 |

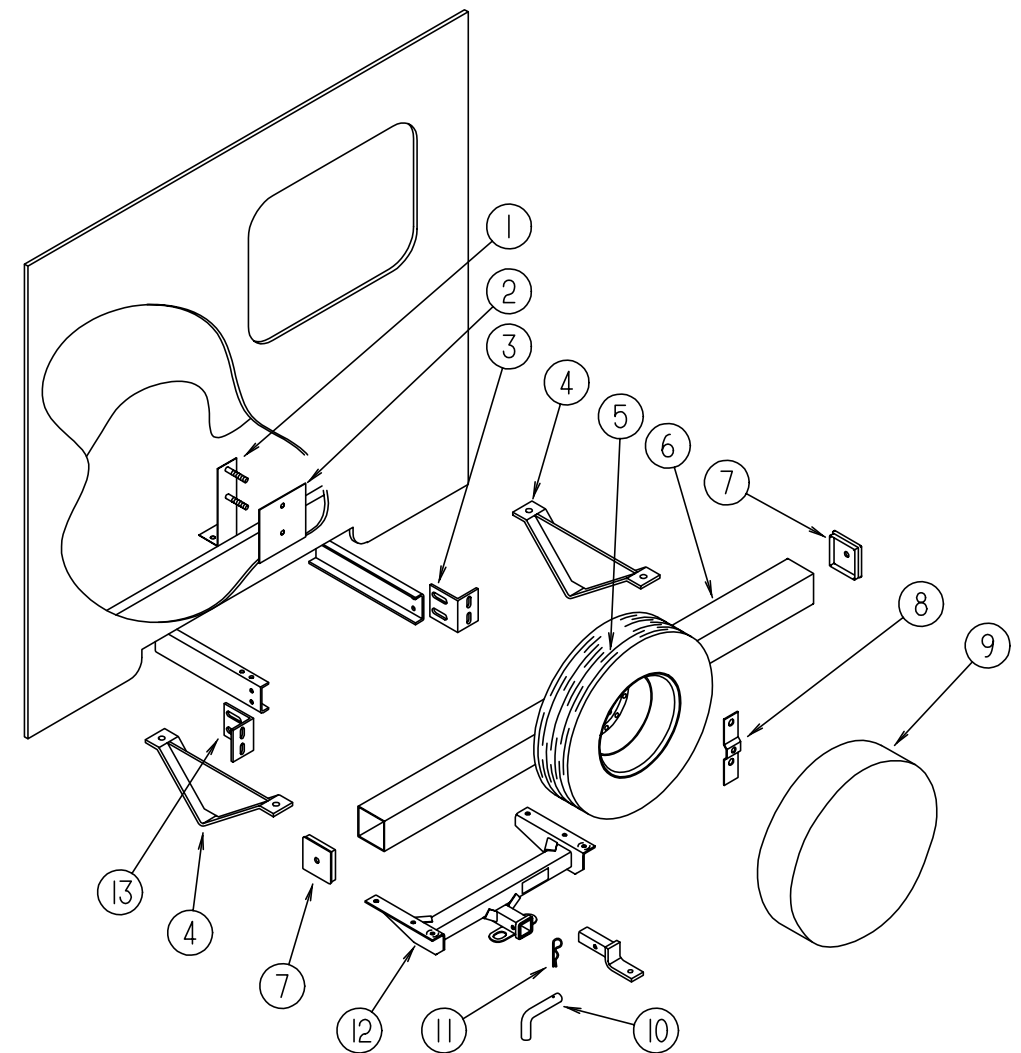
BATH GROUP (CONTINUED)



BATHROOM CABINETS & FIXTURES

| KEY | PART NUMBER | U/M | DESCRIPTION |
|-----|---------------|-----|--|
| 1 | 116893-01-G01 | EA | CABINET-MEDICINE |
| 2 | 110140-26-E01 | EA | DOOR-MEDICINE CABINET, 280MM X 555MM |
| 3 | 109908-29-G01 | EA | END CAP-MEDICINE CABINET |
| 4 | 100494-10-G01 | EA | DOOR-BATH PRIVACY |
| | 009151-01-000 | EA | GUARD-WARP, CABINET/PRIVACY DOOR - 48" |
| | 058335-02-000 | EA | LATCH-SHOWER/BATH DOOR, W/O LOCK - PLASTIC - BROWN |
| 5 | 103092-02-000 | EA | SHOWER HEAD-W/HOSE, CANADIAN |
| 5 | 103092-01-000 | EA | SHOWER HEAD-W/60" HOSE |
| | 103092-01-700 | EA | BRACKET ONLY-CLEAR, SHOWER HEAD - 2328028 |
| | 011048-03-700 | EA | BRACKET ONLY-BONE, SHOWER HEAD 2328029 |
| 6 | 075241-05-000 | EA | FAUCET-SHOWER, BONE |
| 7 | M02673-05-B13 | EA | PAN-SHOWER, 29.8" X 22.7" X 5.7" - OFF WHITE - PLASTIC |
| | 066436-01-000 | EA | NUT-SLIP, TAILPIECE - 1.5" |
| | 066440-01-000 | EA | STRAINER-SHOWER, W/RUBBER WASHER |
| | 069735-01-000 | EA | WASHER-STRAINER TO TAILPIECE PLASTIC, 1.5" |
| | 057671-01-000 | EA | COVER-SCREW, #8 - PLASTIC - OFF WHITE |
| 8 | 063740-01-000 | EA | TOILET-HIGH, HAND FLUSH - THETFORD 150120 |
| 9 | 110140-09-G01 | EA | DOOR-LAVATORY CABINET |
| 10 | P17068-01-G21 | EA | CABINET-LAVATORY, W/O DOORS OR HARDWARE |
| 10 | P17068-01-G22 | EA | CABINET-LAVATORY, W/O DOORS OR HARDWARE |
| 11 | 096927-01-01A | EA | SINK-LAVATORY, RECTANGULAR - PLASTIC - BONE |
| | 096927-01-700 | EA | SINK-STOPPER |
| | 096927-01-701 | EA | TAILPIECE-SINK |
| 12 | 075240-06-000 | EA | FAUCET-LAVATORY, BONE |
| | 091253-01-000 | EA | GASKET-FAUCET, LAVATORY/GALLEY |
| 13 | 117068-11-G21 | EA | COUNTERTOP-LAVATORY CABINET |
| 13 | 117068-11-G22 | EA | COUNTERTOP-LAVATORY CABINET |
| 14 | 058331-01-000 | EA | MIRROR-GLASS, SAFETY - 19" X 26" |
| | 075453-02-000 | EA | BAR-TOWEL, 18" BRASS |
| | 075454-02-000 | EA | RING-TOWEL, W/MOUNTING HARDWARE - BRASS |
| | 085278-01-000 | EA | HOLDER-TOILET PAPER, RECESSED - BRASS |

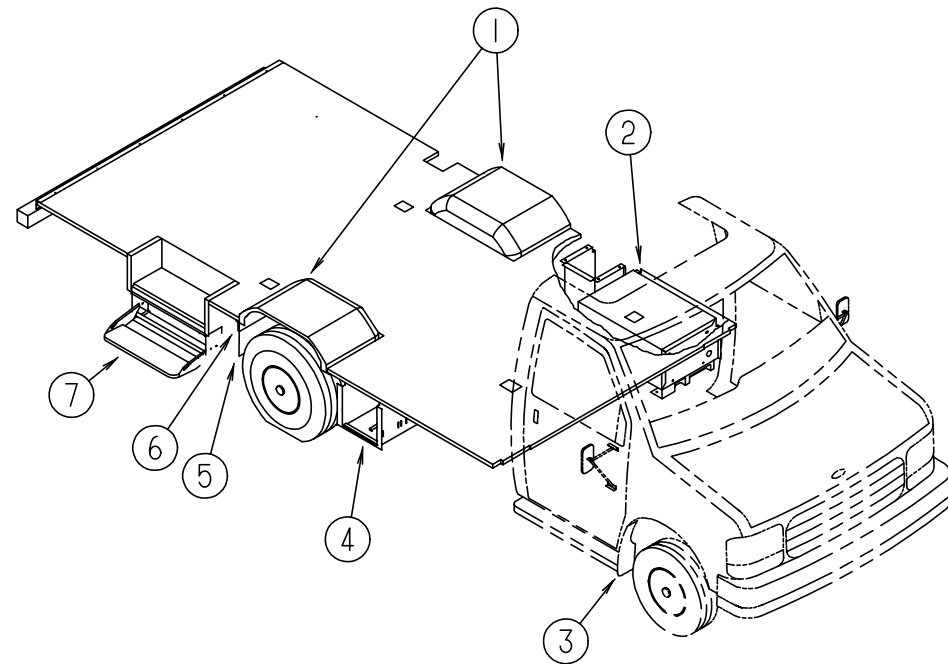
CHASSIS GROUP



REAR BUMPER, HITCH & SPARE TIRE CARRIER

| KEY | PART NUMBER | U/M | DESCRIPTION |
|-----|---------------|-----|---|
| 1 | 105209-04-C52 | EA | BRACKET ASSEMBLY-SPARE TIRE, CHEVY |
| 1 | 105209-06-C52 | EA | BRACKET ASSEMBLY-SPARE TIRE, FORD |
| 2 | 105208-01-000 | EA | PLATE-SPARE TIRE |
| 3 | 104420-01-000 | EA | SUPPORT-ANGLE, BUMPER REAR - RIGHT |
| 4 | 083376-01-000 | EA | PLATE-SKID, 13.2" X 6" X 2" - STEEL |
| 5 | 083425-09-000 | EA | TIRE - LT225/75R16 LRD, MICHELIN XCH4 - CHEVY |
| 5 | 083425-11-000 | EA | TIRE - LT225/75R16 LRD, MICHELIN LTX A/S - FORD |
| 6 | 103422-02-02A | EA | BUMPER-SQUARE, ALUMINUM - BRIGHT WHITE |
| 7 | 039779-01-000 | EA | CAP-BUMPER, RUBBER - 4" X 4" - BLACK |
| 8 | 105531-02-000 | EA | RETAINER ASSEMBLY-SPARE TIRE, FORD ONLY |
| 9 | 073322-07-F15 | EA | COVER-TIRE, 31" |
| | 073322-50-000 | EA | COVER-UNIVERSAL LINER |
| 10 | 034512-01-000 | EA | PIN-LOCKING, DRAWBAR |
| 11 | 034513-01-000 | EA | PIN-HITCH, 3/16" WIRE |
| 12 | 107707-08-000 | EA | HITCH-TRAILER, W/O DRAWBAR |
| 13 | 104420-02-000 | EA | SUPPORT-ANGLE, BUMPER REAR - LEFT |
| | 097745-02-000 | EA | HOUSING-RECEPTACLE, TRAILER - 48" WIRE LENGTH |
| | 097744-02-000 | EA | HOUSING-TRAILER PIN, 48" |
| | 113589-01-000 | EA | CONNECTOR-PLUG, TRAILER - GENERAL 433501 |
| | 113589-02-000 | EA | CONNECTOR-SOCKET, TRAILER - GENERAL 433601 |
| | 113634-01-000 | EA | WIRE ASSEMBLY-TRAILER, ADAPTER |

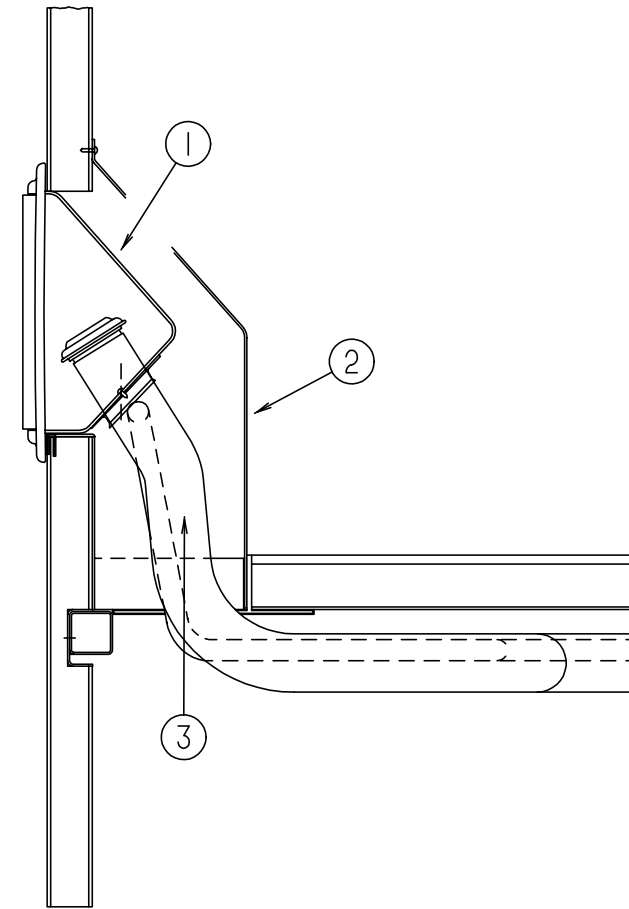
CHASSIS GROUP (CONTINUED)



COMPARTMENTS, PLUGS & SEALS

| KEY | PART NUMBER | U/M | DESCRIPTION |
|-----|---------------|-----|---|
| 1 | 096322-01-000 | EA | WHEELWELL-REAR, DRIVER OR PASSENGER - PLASTIC |
| 2 | 114394-01-02B | EA | COMPARTMENT-GENERATOR, E-COAT |
| | 114070-02-02B | EA | SUPPORT ASM-GENERATOR, LH - E-COAT |
| | 114071-02-02B | EA | SUPPORT ASM-GENERATOR, RH - E-COAT |
| | 061420-01-000 | EA | PLUG-PLASTIC, 1.75" - BROWN |
| 3 | 072884-27-703 | EA | MUD FLAP-W/HOLES, PAIR |
| 4 | 105203-04-000 | EA | COMPARTMENT-BATTERY |
| | 084993-01-000 | EA | STRAP ASSEMBLY-BATTERY, WEBBING & BUCKLE - 1100MM X 1" WIDE |
| | 084993-02-000 | EA | STRAP ASSEMBLY-BATTERY, WEBBING & BUCKLE - 1400MM X 1" WIDE |
| 5 | 017516-01-000 | EA | FLAP-MUD, 14" X 18" - BLACK |
| 6 | 045731-05-000 | EA | GUARD-ROCK |
| 7 | 091176-01-000 | EA | SUPPORT-BASE, ENTRANCE STEP |
| | 077848-02-000 | EA | STEP-PULLOUT |
| | 102569-04-000 | EA | MAT-ANTI SLIP SAFETY TRACK 3100 |
| | 115361-01-01A | EA | PLUG-PLASTIC, CAPLUG NO.W5 |

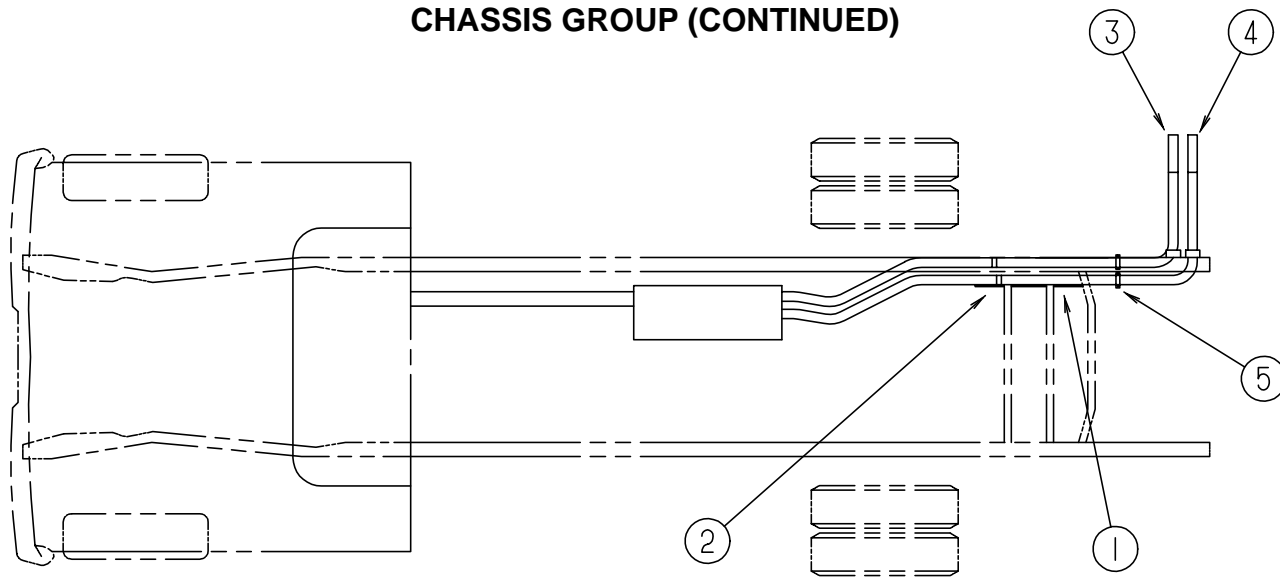
CHASSIS GROUP (CONTINUED)



FUEL SYSTEM COMPONENTS

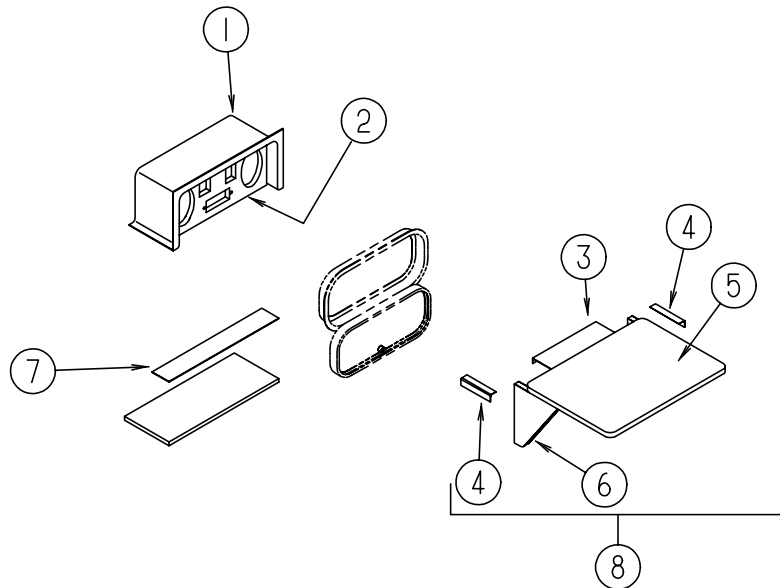
| KEY | PART NUMBER | U/M | DESCRIPTION |
|-----|---------------|-----|--|
| 1 | 095854-01-04A | EA | SHROUD-FUEL FILL, PLASTIC - BRIGHT WHITE |
| 2 | 078040-05-000 | EA | SHROUD-FUEL FILL, UPPER - PLASTIC |
| 3 | 106413-01-000 | EA | NECK-FUEL FILL, MAIN - GAS - FORD |
| 3 | 106413-02-000 | EA | NECK-FUEL FILL, MAIN - DIESEL - FORD |
| | 078200-01-000 | EA | GASKET-FUEL FILL, 3.5" OD X 2" ID |
| | 007063-01-000 | FT | HOSE-GAS, 1/4" ID X 1/2" OD |
| | 084884-01-000 | EA | PLUG-BRASS, 3/8" |
| | 087269-01-000 | EA | TEE - 1/4" X 1/4" X 1/4" - BRASS |

CHASSIS GROUP (CONTINUED)



EXHAUST SYSTEM COMPONENTS

| KEY | PART NUMBER | U/M | DESCRIPTION |
|-----|---------------|-----|---|
| 1 | 111848-02-02B | EA | SHIELD-HEAT, EXHAUST - FORD |
| 2 | 111848-01-02B | EA | SHIELD-HEAT, EXHAUST - FORD |
| 3 | 111836-01-000 | EA | PIPE-EXHAUST, TAIL - FORD - DUAL |
| 4 | 111836-02-000 | EA | PIPE-EXHAUST, TAIL - FORD - DUAL |
| 5 | 007125-05-000 | EA | CLAMP-MUFFLER, 2.00" DIAMETER - GAS |
| | 007131 01 000 | EA | HANGER-TAILPIPE, 6 SLOTS |
| | 101884-04-000 | EA | PIPE-EXHAUST, TAIL - FORD REAR - DIESEL |
| | 007125-11-000 | EA | CLAMP-MUFFLER, 2.75" DIAMETER - USED W/DIESEL |
| | 007125-07-000 | EA | CLAMP-MUFFLER, 2.50" DIAMETER - USED W/DIESEL |
| | 016379-02-000 | EA | STRAP-HANGER EXTENSION, 2" X 1" - STEEL |



EXTERIOR ENTERTAINMENT CENTER

| KEY | PART NUMBER | U/M | DESCRIPTION |
|-----|---------------|-----|--|
| 1 | 104897-02-02A | EA | BOX-ENTERTAINMENT CENTER, BRIGHT WHITE |
| 2 | 104899-01-C05 | EA | PLATE-RADIO MOUNTING |
| 3 | 105377-01-01A | EA | BRACKET-TABLE HANGER, OFF WHITE |
| 4 | 105376-01-02A | EA | HINGE-CONTINUOUS, 2" X 140MM - OFF WHITE |
| 5 | 105230-11-E01 | EA | SHELF ASM |
| 6 | 105230-12-F11 | EA | SUPPORT-SHELF |
| 7 | 104898-01-02A | EA | PLATE-PLASTIC BOTTOM, BRIGHT WHITE |
| 8 | 105230-01-F11 | EA | SHELF-EXTERIOR TV |

CHASSIS GROUP (CONTINUED) WHEEL LINERS & COVERS - DICOR - FORD

| KEY | PART NUMBER | U/M | DESCRIPTION | VENDOR NO. |
|-----|---------------|-----|----------------------------|--------------|
| | 110435-02-000 | EA | LINER-WHEEL, SET 4 V160F2 | |
| | 110435-02-700 | EA | WHEEL COVER-FRONT | V160F2-FWC |
| | 110435-02-701 | EA | WHEEL COVER-REAR | V160F2-RWC |
| | 110435-02-702 | EA | STUD EXTENSION | V160SD - STX |
| | 110435-02-703 | EA | NUT-JAMB | V160SD - JNT |
| | 110435-02-704 | EA | COVER-LUG NUT | V160F0 - LNC |
| | 110435-02-705 | EA | TOOL-JAMB NUT INSTALLATION | V160F0-TOL |

WHEEL - FORD

| KEY | PART NUMBER | U/M | DESCRIPTION |
|-----|---------------|-----|---|
| | 083617-03-000 | EA | WHEEL-STEEL, 16.0 X 6 - ACCURIDE 28618 - FORD |
| | 095012-03-000 | EA | EXTENSION-VALVE STEM, DUAL WHEEL |

WHEEL COVERS - DICOR - CHEVY

| KEY | PART NUMBER | U/M | DESCRIPTION |
|-----|---------------|-----|--------------------------------------|
| | 109443-05-000 | EA | WHEEL COVER - 4/ SET, 16" SS, SHFM16 |
| | 109443-05-700 | EA | COVER WHEEL - 16", SHFM16 |
| | 098532-01-700 | EA | COVER-LUG NUT, ABS PLATED |
| | 051377-03-000 | EA | STEM-VALVE, TR 600 - CHEVY |

LUG WRENCH

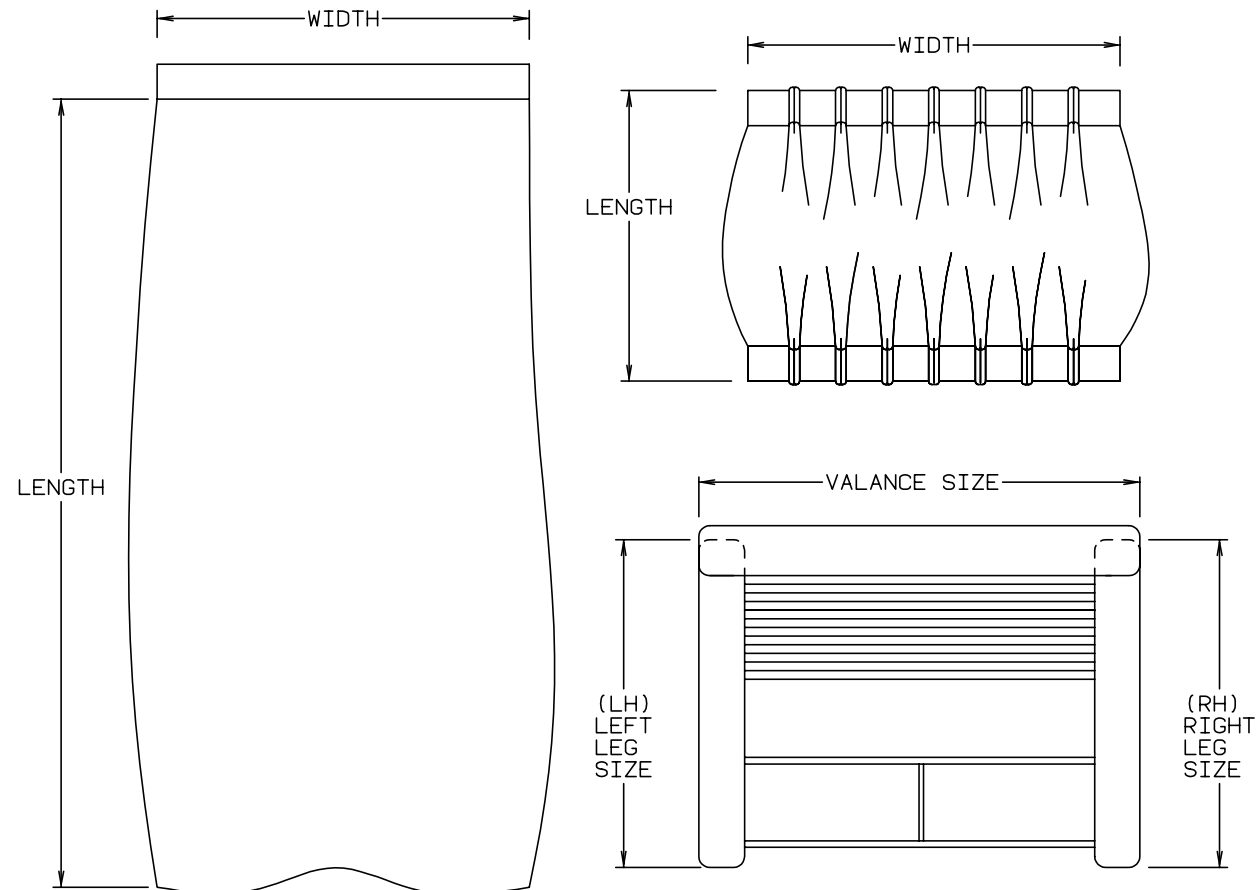
| KEY | PART NUMBER | U/M | DESCRIPTION |
|-----|---------------|-----|----------------------------------|
| | 080208-01-000 | EA | WRENCH-LUG, 1.06 X 1.00 - CHEVY |
| | 080208-02-000 | EA | BAR-LEVERAGE, LUG WRENCH - CHEVY |
| | 112358-01-000 | EA | WRENCH-LUG, 7/8 - L-SHAPE - FORD |

CURTAIN & CUSHION GROUP

NOTICE

IN ORDER TO ASSIST OUR PARTS SALES DEPT. IN PROVIDING INTERIOR SOFTWARE ITEMS, PLEASE INCLUDE THE SERIAL NUMBER AND THE COLOR CODE NUMBER FROM THE VEHICLE CERTIFICATION LABEL WHEN ORDERING. THIS LABEL IS LOCATED ON THE LEFT SIDEWALL AT THE END OF THE DASH (A-BODY), OR ON THE DRIVER'S DOOR LATCH PLATE (C-BODY).

AN EXAMPLE OF A COLOR CODE NUMBER IS B07, WHICH DESIGNATES AN OVERALL COLOR SCHEME OF A PARTICULAR UNIT. THE COLOR LISTED AFTER THE ITEM DESCRIPTION ON THE MICROFICHE, INDICATES THE OVERALL UNIT COLOR. ORDER THE ITEM YOU DESIRE ACCORDING TO UNIT COLOR CODE.



NOTE: USE THIS ILLUSTRATION WHEN DETERMINING LENGTH AND WIDTH MEASUREMENTS FOR CURTAINS. YOU WILL NOTE THE WIDTH MEASUREMENT IS TAKEN ON THE TOP OF THE CURTAIN WITH THE CURTAIN FULLY EXTENDED. THE LENGTH MEASUREMENT IS TAKEN FROM TOP TO BOTTOM. LEFT AND RIGHT WINDOW LEGS ARE DETERMINED WHEN FACING THE WINDOW.

CURTAIN & CUSHION GROUP (CONTINUED) FABRICS

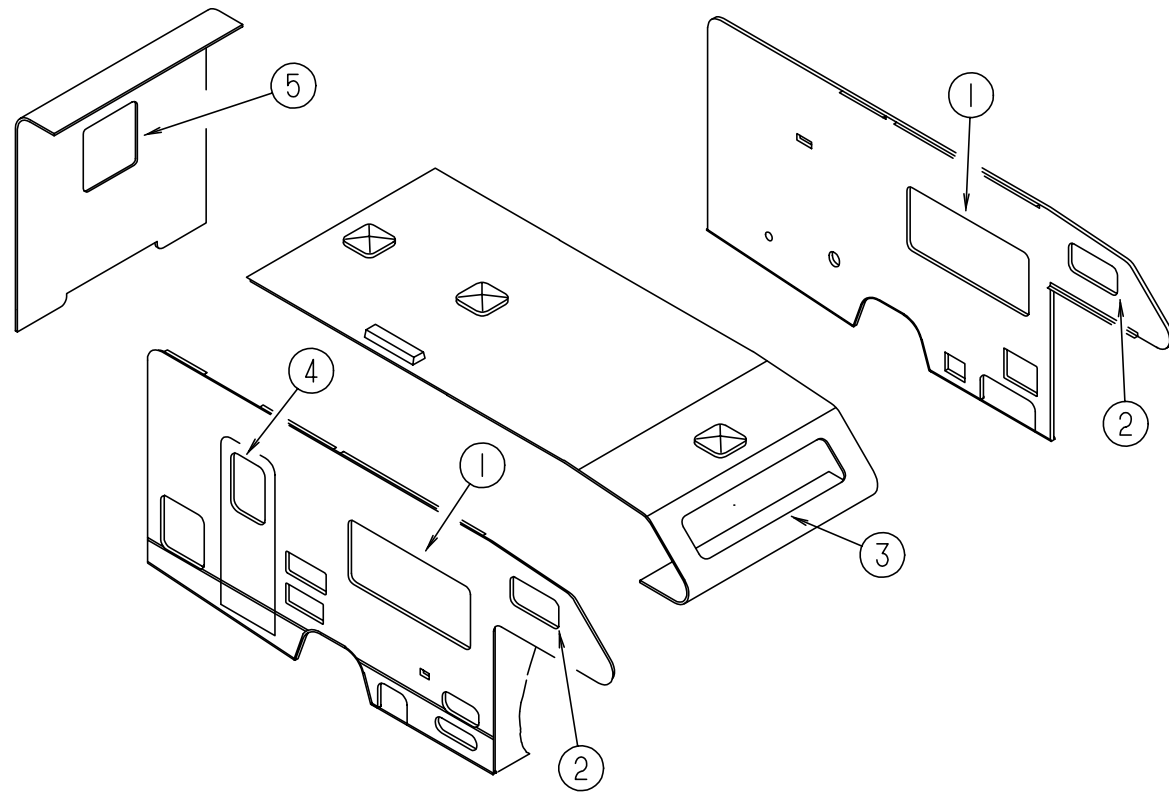
| ITASCA 300's FABRIC | | |
|------------------------|--------------------------------|--------------------------------|
| Color Codes | G21 | G22 |
| | SANDSCAPE(BROWN) | BATIK (BLUE) |
| BUCKET SEATS DL | 104233-59-000 | 108446-77-000 |
| BUCKET SEATS | 104233-59-000 108446-E3-000 | 108446-77-000 108446-G6-000 |
| DINETTE CUSHIONS | 108446-E4-000 | 108446-E5-000 |
| DINETTE PADS | 104233-59-000 | 108446-77-000 |
| SOFA | 108446-E4-000 | 108446-E5-000 |
| SWIVEL CHAIR | 108446-E3-000 | 108446-G6-000 |
| LOUNGE/DINETTE VALANCE | 108446-E3-000 108446-E4-000 | 108446-G6-000 108446-E5-000 |
| LOUNGE/DINETTE LEG | 108446-E3-000 | 108446-G6-000 |
| BEDROOM VALANCE | 105745-A7-000 | 105745-A3-000 |
| BEDROOM CURTAIN | 105745-A7-000 | 105745-A3-000 |
| BEDSPREAD | 105745-A7-000 105745-A9-000 | 105745-A3-000 105745-B4-000 |
| PILLOW SHAMS | 105745-A7-000 105745-A9-000 | 105745-A3-000 105745-B4-000 |
| ENTRANCE DOOR VALANCE | 108446-E3-000 108446-E4-000 | 108446-G6-000 108446-E5-000 |
| BUNK CUSHIONS | 108446-E3-000 | 108446-G6-000 |
| OVERHEAD BUNK CURTAINS | 105745-A7-000 | 105745-A3-000 |
| BUNK PRIVACY | 105745-A9-000 | 105745-B4-000 |
| FRONT PRIVACY | 105745-A9-000 | 105745-B4-000 |
| BEDROOM PRIVACY | 105745-A7-000 105745-A9-000 | 105745-A3-000 105745-B4-000 |
| DRAPERY LINING | 087272-03-000 | 087272-03-000 |
| TIRE COVER | 103907-05-000 | 103907-05-000 |
| TIRE COVER LINER | 069627-02-000 | 069627-02-000 |
| HEADLINER | 103907-01-01A | 103907-01-01A |
| HEADLINER DL | 113979-04-01A | 113979-04-01A |

NOTE: FABRIC LISTED FIRST IN A BLOCK IS THE LARGEST QUANTITY OF FABRIC USED

BUTTONS & WELT

| KEY | PART NUMBER | U/M DESCRIPTION |
|-----|---------------|-----------------------------|
| | 070578-10-G21 | EA BUTTON-SCREW STUD - #30 |
| | 070578-10-G22 | EA BUTTON-SCREW STUD - #30 |
| | 079349-04-E08 | EA WELT-NARROW ACCENT (G21) |
| | 079349-04-E24 | EA WELT-NARROW ACCENT (G22) |

CURTAIN & CUSHION GROUP (CONTINUED)



CURTAINS & WINDOW TREATMENT

| KEY | PART NUMBER | U/M DESCRIPTION |
|-----|---------------|--|
| 1 | 118078-01-G21 | EA VALANCE-WINDOW, QUEST - 64.5" |
| 1 | 118078-01-G22 | EA VALANCE-WINDOW, QUEST - 64.5" |
| 1 | 119333-01-G21 | EA LEG-WINDOW, 25" - PLAIN - W/O HOLE - W/3.5" WOOD FACE - RH |
| 1 | 119333-01-G22 | EA LEG-WINDOW, 25" - PLAIN - W/O HOLE - W/3.5" WOOD FACE - RH |
| 1 | 119333-02-G21 | EA LEG-WINDOW, 25" - PLAIN - W/O HOLE - W/3.5" WOOD FACE - LH |
| 1 | 119333-02-G22 | EA LEG-WINDOW, 25" - PLAIN - W/O HOLE - W/3.5" WOOD FACE - LH |
| 1 | 084755-96-G01 | EA SHADE-PULL, 62.25" - W/O TRIM (G21/G22) |
| 1 | 111910-22-F32 | EA BLIND-DAY/NIGHTER, 60" X 28.5" DROP (G21) |
| 1 | 111910-22-G22 | EA BLIND-DAY/NIGHTER, 60" X 28.5" DROP (G22) |
| 2 | 101034-51-G21 | EA CURTAIN-WINDOW, DARTED TAPE TOP - W/LINING - 19" X 34" - RH |
| 2 | 101034-51-G22 | EA CURTAIN-WINDOW, DARTED TAPE TOP - W/LINING - 19" X 34" - RH |
| 2 | 101034-52-G21 | EA CURTAIN-WINDOW, DARTED TAPE TOP - W/LINING - 19" X 34" - LH |
| 2 | 101034-52-G22 | EA CURTAIN-WINDOW, DARTED TAPE TOP - W/LINING - 19" X 34" - LH |
| 3 | 101034-33-G21 | EA CURTAIN-WINDOW, DART TAPE TOP & BOTTOM - 21" X 60" - RH |
| 3 | 101034-33-G22 | EA CURTAIN-WINDOW, DART TAPE TOP & BOTTOM - 21" X 60" - RH |
| 3 | 101034-34-G21 | EA CURTAIN-WINDOW, DART TAPE TOP & BOTTOM - 21" X 60" - LH |
| 3 | 101034-34-G22 | EA CURTAIN-WINDOW, DART TAPE TOP & BOTTOM - 21" X 60" - LH |
| 4 | 118071-07-G21 | EA VALANCE-WINDOW, SUNDANCE - 29" L X 6"W - W/2" RETURN |
| 4 | 118071-07-G22 | EA VALANCE-WINDOW, SUNDANCE - 29" L X 6"W - W/2" RETURN |
| 4 | 084755-57-E07 | EA SHADE-PULL, 27.25" - W/O TRIM (G21/G22) |
| 5 | 109041-35-02A | EA BLIND-MINI, 28.5" X 19" DROP - BEIGE (G21) |
| 5 | 109353-08-02A | EA VALANCE-BLIND, 28" SLAT - BEIGE (G21) |
| 5 | 109041-35-01A | EA BLIND-MINI, 28.5" X 19" DROP - PURE SILVER (G22) |
| 5 | 109353-08-01A | EA VALANCE-BLIND, 28" SLAT - PURE SILVER (G22) |
| 5 | 109353-04-000 | EA CLIP-VALANCE SLAT MOUNTING, CLEAR PLASTIC |

CURTAIN & CUSHION GROUP (CONTINUED)
PRIVACY CURTAINS

| KEY | PART NUMBER | U/M DESCRIPTION |
|-----|---------------|--|
| | 076892-20-G21 | EA CURTAIN-BUNK PRIVACY, SNAP TOP - PLAIN - W/LINING - 50" X 78" |
| | 076892-20-G22 | EA CURTAIN-BUNK PRIVACY, SNAP TOP - PLAIN - W/LINING - 50" X 78" |
| | 101668-39-G21 | EA CURTAIN-BUNK PRIVACY, TAPE TOP - W/LINING - 35" X 50" - RIGHT |
| | 101668-40-G21 | EA CURTAIN-BUNK PRIVACY, TAPE TOP - W/LINING - 35" X 50" - LEFT |
| | 101668-39-G22 | EA CURTAIN-BUNK PRIVACY, TAPE TOP - W/LINING - 35" X 50" - RIGHT |
| | 101668-40-G22 | EA CURTAIN-BUNK PRIVACY, TAPE TOP - W/LINING - 35" X 50" - LEFT |

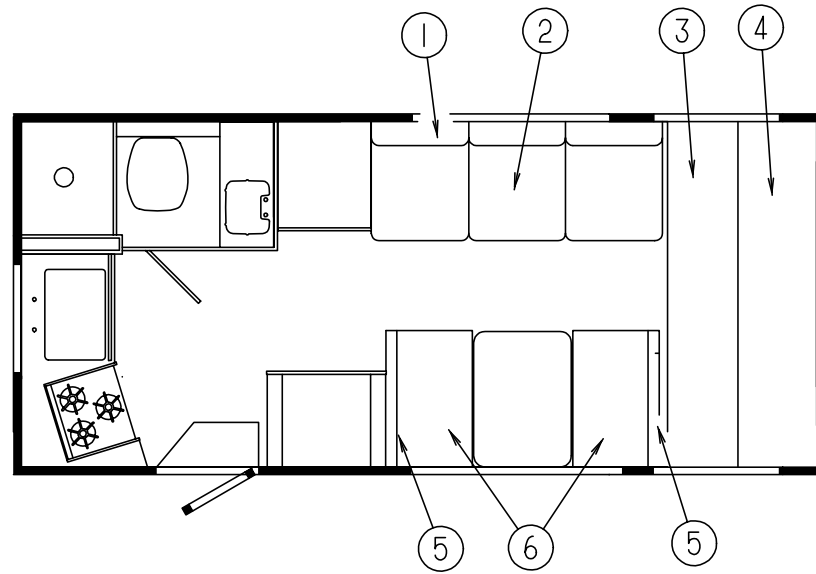
SHOWER CURTAINS

| KEY | PART NUMBER | U/M DESCRIPTION |
|-----|---------------|--|
| | 084481-24-G21 | EA CURTAIN-SHOWER, GROMMET TOP - 72" X 42" (G21) |
| | 084481-24-E01 | EA CURTAIN-SHOWER, GROMMET TOP - 72" X 42" (G22) |

CURTAIN TIEBACKS

| KEY | PART NUMBER | U/M DESCRIPTION |
|-----|---------------|---|
| | 073260-54-G21 | EA TIEBACK-SHOWER CURTAIN, 3" X 16" (G21) |
| | 073260-54-E01 | EA TIEBACK-SHOWER CURTAIN, 3" X 16" (G22) |
| | 073260-63-G21 | EA TIEBACK-ROOM DIVIDER CURTAIN, 4" X 15" |
| | 073260-63-G22 | EA TIEBACK-ROOM DIVIDER CURTAIN, 4" X 15" |
| | 073260-23-G21 | EA TIEBACK-BUNK PRIVACY CURTAIN, 3" X 18" |
| | 073260-23-G22 | EA TIEBACK-BUNK PRIVACY CURTAIN, 3" X 18" |
| | 057534-01-000 | EA TIEBACK/TIEDOWN-BED/CURTAIN/DOOR, 6" - PLASTIC - CLEAR |

CURTAIN & CUSHION GROUP (CONTINUED)



OVERHEAD BUNK CUSHIONS

| KEY | PART NUMBER | U/M | DESCRIPTION |
|-----|---------------|-----|---|
| 3 | 105573-10-G21 | EA | CUSHION-OVERHEAD BUNK, REAR - 27" X 23" X 80" X 5" |
| 3 | 105573-10-G22 | EA | CUSHION-OVERHEAD BUNK, REAR - 27" X 23" X 80" X 5" |
| | P05573-10-G21 | EA | COVER-CUSHION, OVERHEAD BUNK - REAR - 27" X 23" X 80" X 5" |
| | P05573-10-G22 | EA | COVER-CUSHION, OVERHEAD BUNK - REAR - 27" X 23" X 80" X 5" |
| 4 | 105573-09-G21 | EA | CUSHION-OVERHEAD BUNK, FRONT - DOUBLE ANGLED - 32.5" X 80" X 5" |
| 4 | 105573-09-G22 | EA | CUSHION-OVERHEAD BUNK, FRONT - DOUBLE ANGLED - 32.5" X 80" X 5" |
| | P05573-09-G21 | EA | COVER-CUSHION, FRONT - DOUBLE ANGLED - 32.5" X 80" X 5" |
| | P05573-09-G22 | EA | COVER-CUSHION, FRONT - DOUBLE ANGLED - 32.5" X 80" X 5" |

DINETTE CUSHIONS

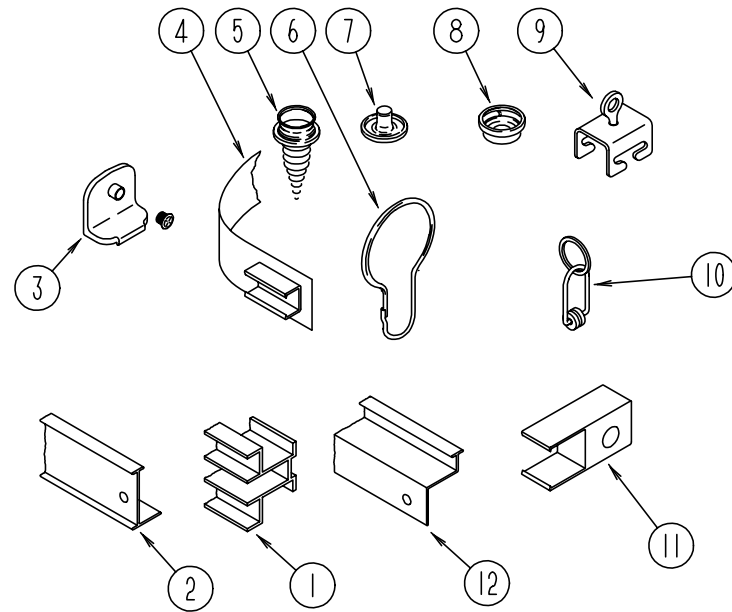
| KEY | PART NUMBER | U/M | DESCRIPTION |
|-----|---------------|-----|--|
| 5 | 116134-01-G21 | EA | CUSHION-BACKREST, 13" X 38" X 5" |
| 5 | 116134-01-G22 | EA | CUSHION-BACKREST, 13" X 38" X 5" |
| | P16134-01-G21 | EA | COVER-CUSHION, BACKREST - 13.5" X 37.5" X 5" |
| | P16134-01-G22 | EA | COVER-CUSHION, BACKREST - 13.5" X 37.5" X 5" |
| | 078155-01-000 | EA | STRAP-SNAP, BACKREST CUSHION |
| 6 | 088927-86-G21 | EA | CUSHION-SEATBASE, 21" X 38" X 5" |
| 6 | 088927-86-G22 | EA | CUSHION-SEATBASE, 21" X 38" X 5" |
| | M88927-86-G21 | EA | COVER-CUSHION, SEATBASE - 21" X 38" X 5" |
| | M88927-86-G22 | EA | COVER-CUSHION, SEATBASE - 21" X 38" X 5" |

COUCH

| KEY | PART NUMBER | U/M | DESCRIPTION |
|-----|---------------|-----|-------------------------------------|
| 1 | 100032-42-G21 | EA | BACKREST-COUCH, 74" |
| | | | FROM: 00-00-00 THRU: 07-23-95 |
| 1 | 100032-42-G22 | EA | BACKREST-COUCH, 74" |
| | | | FROM: 00-00-00 THRU: 07-23-95 |
| | P00032-42-G21 | EA | COVER-BACKREST, 74" |
| | | | FROM: 00-00-00 THRU: 07-23-95 |
| | P00032-42-G22 | EA | COVER-BACKREST, 74" |
| | | | FROM: 00-00-00 THRU: 07-23-95 |
| 1 | 120549-01-G21 | EA | BACKREST-COUCH, 74" |
| | | | FROM: 07-24-95 THRU: 99-99-99 |
| 1 | 120549-01-G22 | EA | BACKREST-COUCH, 74" |
| | | | FROM: 07-24-95 THRU: 99-99-99 |
| | P20549-01-G21 | EA | COVER-BACKREST, 74" |
| | | | FROM: 07-24-95 THRU: 99-99-99 |
| | P20549-01-G22 | EA | COVER-BACKREST, 74" |
| | | | FROM: 07-24-95 THRU: 99-99-99 |
| 2 | 100032-43-G21 | EA | SEAT-COUCH, W/O BACKREST - 74" |
| 2 | 100032-43-G22 | EA | SEAT-COUCH, W/O BACKREST - 74" |
| | P00032-43-G21 | EA | COVER-SEAT, COUCH - 74" |
| | P00032-43-G22 | EA | COVER-SEAT, COUCH - 74" |
| | 101085-04-000 | EA | FRAME-SEAT, COUCH - 74.75" |
| | 101085-10-000 | EA | FRAME-BACK, COUCH - 74.5" X 16" |
| | 101085-06-000 | EA | FRAME-BASE, COUCH - 74.75" |
| | 105947-01-000 | EA | BRACKET-HOLD DOWN, COUCH - CANADIAN |

NOTE: COUCH FRONT AND SIDE PANELS ARE FOUND IN LOUNGE GROUP

CURTAIN & CUSHION GROUP (CONTINUED)



CURTAIN & BLIND HARDWARE

| KEY | PART NUMBER | U/M DESCRIPTION |
|-----|---------------|---|
| 1 | 101033-03-000 | FT TRACK-WALL, WHITE - CT225 - SHAPCO |
| 2 | 009700-04-002 | EA TRACK, L-SHAPED - 195.2" - OFF WHITE |
| 3 | 106544-01-000 | EA PULL-SHADE, BRASS |
| | 106544-01-001 | EA SCREW-BRASS, PULL SHADE |
| 4 | 101031-01-000 | YD TAPE-GLIDE, CURTAIN - 4.25" SPACING |
| 5 | 029130-01-000 | EA SCREW-SNAP SOCKET, 8 PH X 5/8" |
| 6 | 009136-02-000 | EA HANGER-RING, PIN TYPE - CURTAIN - BRASS |
| 7 | 029155-01-000 | EA CAP-SNAP, NICKEL |
| 8 | 029156-01-000 | EA SOCKET-SNAP FASTENER, NICKEL |
| 9 | 009702-01-000 | EA END STOP-CURTAIN CARRIER, L ROD |
| 10 | 009701-01-000 | EA CARRIER-CURTAIN, L ROD |
| | 009702-01-000 | EA END STOP-CURTAIN CARRIER, L ROD |
| 11 | 101033-02-000 | EA END CAP-TRACK, CLEAR |
| 12 | 105450-01-01A | EA TRACK-CURTAIN, 30.8" LONG - ALUMINUM - OFF WHITE |
| 12 | 105450-06-01A | EA TRACK-CURTAIN, 88" LONG - ALUMINUM - OFF WHITE |
| 12 | 105450-08-01A | EA TRACK-CURTAIN, 38" LONG - ALUMINUM - OFF WHITE |

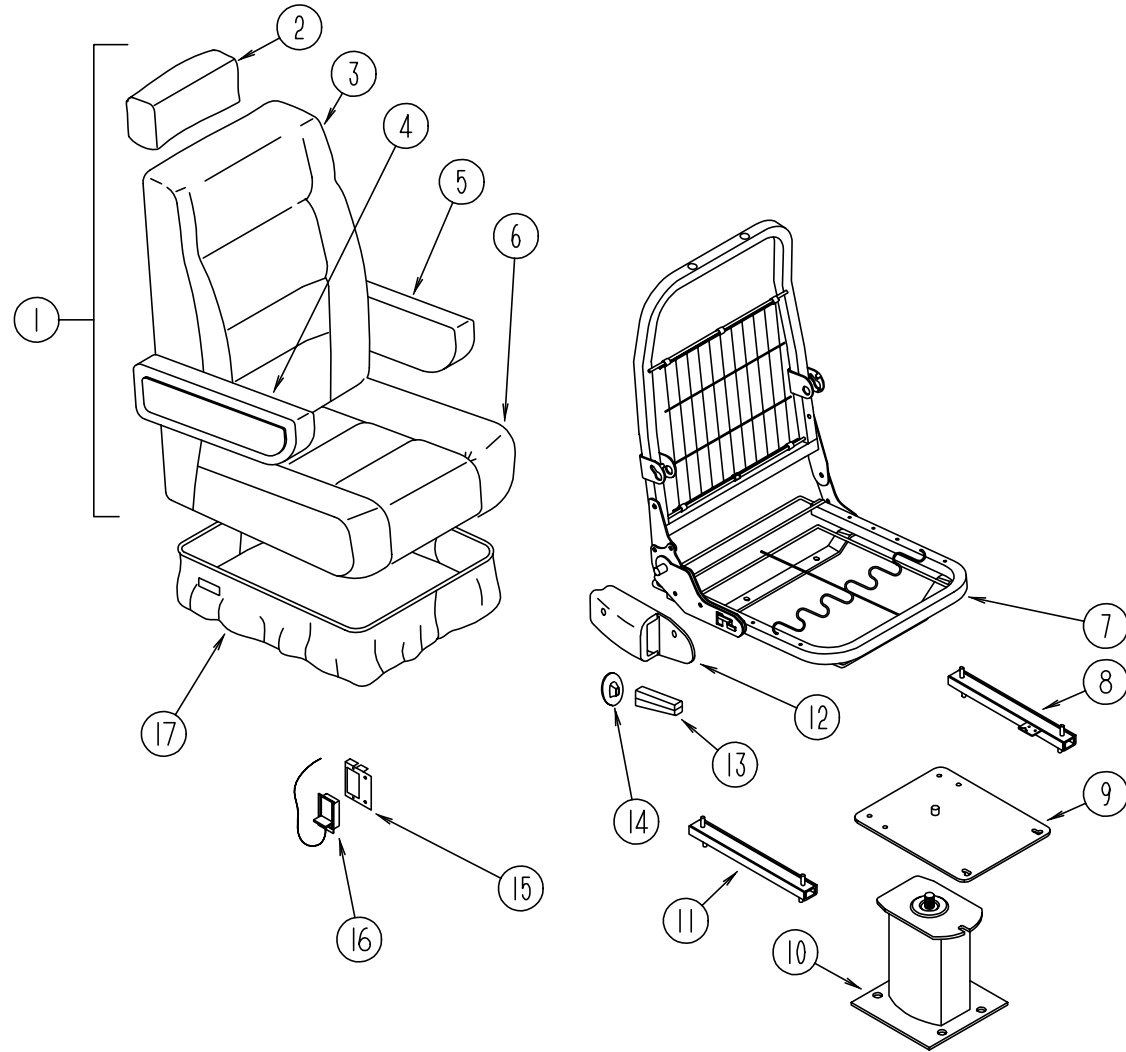
CURTAIN & CUSHION GROUP (CONTINUED)
CURTAIN & BLIND HARDWARE (CONTINUED)

| KEY | PART NUMBER | U/M DESCRIPTION |
|-----|---------------|--|
| | 046867-01-000 | EA GROMMET-BRASS, 7/16" ID X 1" OD |
| | 048394-02-000 | YD VELCRO TAPE-HOOK, ADHESIVE BACK - .75" WIDE - BEIGE |
| | 075943-10-000 | EA BRACE-WINDOW VALANCE, 20" - ALUMINUM - OFF WHITE |
| | 084433-05-000 | EA SHADE-ROLLER, 72.25" |
| | 084434-01-000 | FT BRACKET-MOUNTING, ROLLER SHADE - 1 3/8" |
| | 086276-01-000 | FT TAPE-DOUBLE SIDED, 1/2" - ROLLER SHADE |
| | 088792-01-000 | YD VELCRO-HOOK, .75" WIDE - BEIGE |
| | 088792-02-000 | YD VELCRO TAPE-LOOP, ADHESIVE BACKED - .75" WIDE - BEIGE |
| | 088792-06-000 | YD VELCRO-3/4" NON-ADH., LOOP BUF MED |
| | 096843-01-000 | EA SPRING-REWIND, ROLLER SHADE |
| | 093475-01-701 | EA CAP-END, WITH INVERTED STUD |
| | 093475-01-700 | EA WAND-BLIND W/METAL CLIP, 8" |
| | 076827-02-000 | EA BRACKET-LEG, 2.9" X 1.8" TRIANGLE |
| | 083170-01-000 | EA BRACKET-BLIND, LEFT SIDE WHEN FACING WINDOW |
| | 083170-02-000 | EA BRACKET-BLIND, RIGHT SIDE WHEN FACING WINDOW |
| | 109441-01-000 | EA HOLD DOWN-BLIND, HOOK |
| | 117237-01-000 | EA BRACKET-MOUNTING, 2.5" X .75" - CLEAR ACRYLIC |
| | 094896-02-000 | EA GROMMET-CORD, PLEATED BLIND - NYLON - GRAY |
| | 097593-02-000 | EA CORD-PLEATED BLIND, DAWN GRAY (G21/G22) |
| | 094907-02-000 | EA HARDWARE-END CAP, TOP |
| | 094907-04-000 | EA HARDWARE-END CAP, BOTTOM - PULL TYPE |
| | 117237-01-000 | EA BRACKET-MOUNTING, 2.5" X .75" - CLEAR ACRYLIC |
| | 097564-01-000 | EA HANDLE-T, E-Z LIFT SHADE |
| | 097591-01-000 | EA SPRING-EXTENSION, PLEATED BLIND |
| | 097592-01-000 | EA SPOOL-CORD, ELEVATED BLIND HOLDUP - CLEAR PLASTIC |
| | 110943-01-000 | EA FELT STRIP, SOFT ADHESIVE - 3/8" |

ASSIST HANDLE & SEATBELTS

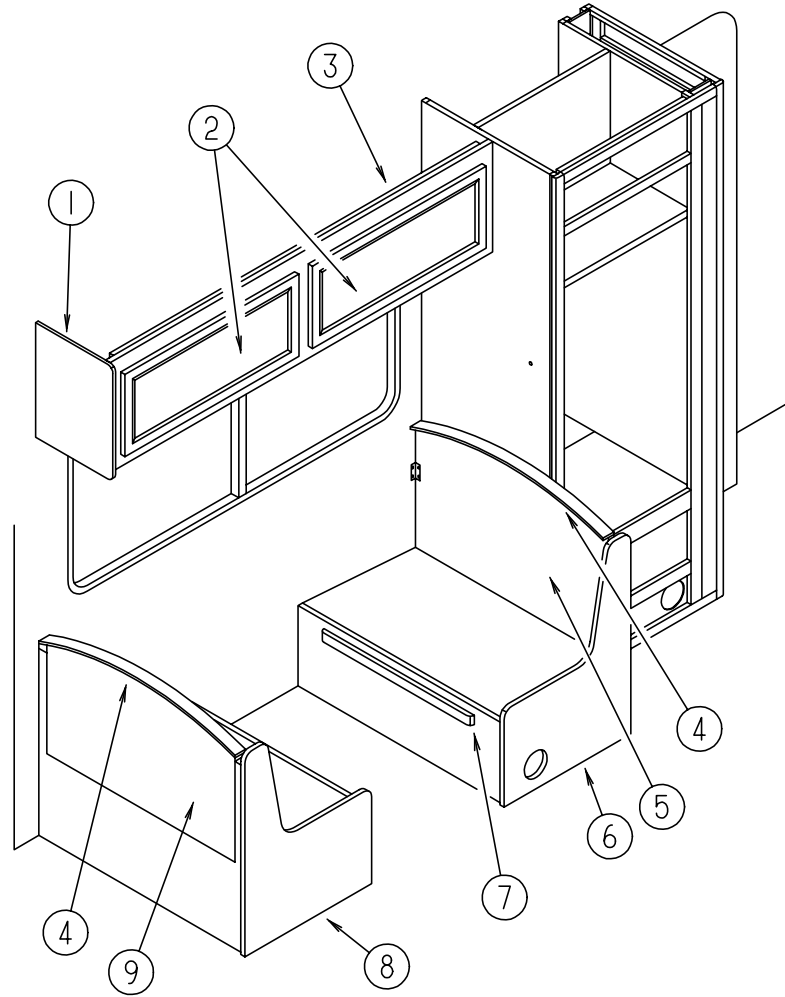
| KEY | PART NUMBER | U/M DESCRIPTION |
|-----|---------------|--|
| | 053552-02-AA8 | EA HANDLE-ASSIST, INTERIOR - ENTRY DOOR - VINYL - OFF WHITE |
| | 069178-02-000 | EA BRACKET-MOUNTING, ASSIST HANDLE - L ANGLE - W/HOLES - STEEL |
| | 000C16-07-16B | EA BOLT-CARRIAGE, ASSIST HANDLE - 7/16" - 14 X 1" - ZINC |
| | 000D20-07-00B | EA NUT-ACORN, ASSIST HANDLE - 7/16" X 14 - ZINC |
| | 057759-01-000 | EA WASHER BRACKET-SEAT BELT, 4" DIAMETER |
| | 007021-01-000 | EA BELT-SEAT, 2" X 90" - BLACK |
| | 056271-01-000 | EA BELT-SEAT, 2" X 102" - BLACK |

CURTAIN & CUSHION GROUP (CONTINUED)
BUCKET SEAT



| KEY | PART NUMBER | U/M | DESCRIPTION |
|-----|---------------|-----|---|
| 1 | 110148-07-G21 | EA | SEAT-ECONOMIZER III, HEADREST - PASSENGER OR DRIVERSIDE |
| 1 | 110148-07-G22 | EA | SEAT-ECONOMIZER III, HEADREST - PASSENGER OR DRIVERSIDE |
| 2 | 119698-01-G21 | EA | HEADREST-BUCKET SEAT, STRATON II |
| 2 | 119698-01-G22 | EA | HEADREST-BUCKET SEAT, STRATON II |
| | P19698-01-G21 | EA | COVER-HEADREST, STRATON II |
| | P19698-01-G22 | EA | COVER-HEADREST, STRATON II |
| | 113977-12-000 | EA | INSERT-HEADREST, W/O LOCK - FLEXSTEEL |
| | 113977-13-000 | EA | INSERT-HEADREST, W/LOCK - FLEXSTEEL |
| 3 | M05962-17-G21 | EA | COVER-BACK, ECONOMIZER II |
| 3 | M05962-17-G22 | EA | COVER-BACK, ECONOMIZER II |
| 4 | 115520-01-F86 | EA | ARMREST-RIGHT HAND (G21) |
| 4 | 115520-01-G22 | EA | ARMREST-RIGHT HAND (G22) |
| | 115617-01-000 | EA | BRACKET-ARMREST, RIGHT HAND - MOLDED PLYFOAM |
| 4 | P15520-01-G21 | EA | COVER-ARMREST, RIGHT HAND |
| 4 | P15520-01-G22 | EA | COVER-ARMREST, RIGHT HAND |
| 5 | 115520-02-G21 | EA | ARMREST-LEFT HAND |
| 5 | 115520-02-G22 | EA | ARMREST-LEFT HAND |
| | 115617-02-000 | EA | BRACKET-ARMREST, LEFT HAND - MOLDED PLYFOAM |
| 5 | P15520-02-F86 | EA | COVER-ARMREST, LEFT HAND (G21) |
| 5 | P15520-02-G22 | EA | COVER-ARMREST, LEFT HAND (G22) |
| 6 | M05962-18-G21 | EA | COVER-SEAT, ECONOMIZER II |
| 6 | M05962-18-G22 | EA | COVER-SEAT, ECONOMIZER II |
| 7 | M80906-12-000 | EA | FRAME-SEAT, BACK & SPRING |
| 8 | 119952-04-000 | EA | ADJUSTER ASSEMBLY-LOCKING, 4 STUDS |
| | 117125-01-02B | EA | BRACKET-CABLE HOLDER, E-COAT |
| 9 | 107921-08-000 | EA | TOP PLATE-PEDESTAL |
| 10 | 107921-09-000 | EA | PEDESTAL-FLOOR MOUNTED, RIGHT OR LEFT SIDE - FORD |
| 10 | 107921-10-000 | EA | PEDESTAL-FLOOR MOUNTED, LEFT SIDE - CHEVY |
| 10 | 107921-11-000 | EA | PEDESTAL-FLOOR MOUNTED, RIGHT SIDE - CHEVY |
| | 107921-06-000 | EA | BEARING KIT-PEDESTAL, FLEXSTEEL |
| | 114889-01-000 | EA | STOP BAR-UNIVERSAL, ADJUSTER SIDE |
| 11 | 119952-02-000 | EA | ADJUSTER ASSEMBLY-NONLOCK, 4 STUDS |
| 12 | 080730-09-000 | EA | SHIELD-RECLINER HANDLE |
| 13 | 080730-08-000 | EA | HANDLE-RECLINER, BLACK |
| 14 | 080730-11-000 | EA | SHIELD-RUBBER BOOT |
| 15 | 097683-02-000 | EA | BRACKET-REMOTE, SIDE MOUNT - SINGLE |
| 16 | 108049-03-000 | EA | CABLE - 20", Z END - FLEXSTEEL PEDESTAL |
| | 108049-02-000 | EA | CLIP-CABLE |
| 17 | 071126-42-E24 | EA | SKIRT-SINGLE, 7" - W/SLIT - FORD (G21) |
| 17 | 071126-42-F21 | EA | SKIRT-SINGLE, 7" - W/SLIT - FORD (G22) |
| 17 | 071126-41-G21 | EA | SKIRT-SINGLE, 7" - W/SLIT - CHEVY |
| 17 | 071126-41-G22 | EA | SKIRT-SINGLE, 7" - W/SLIT - CHEVY |

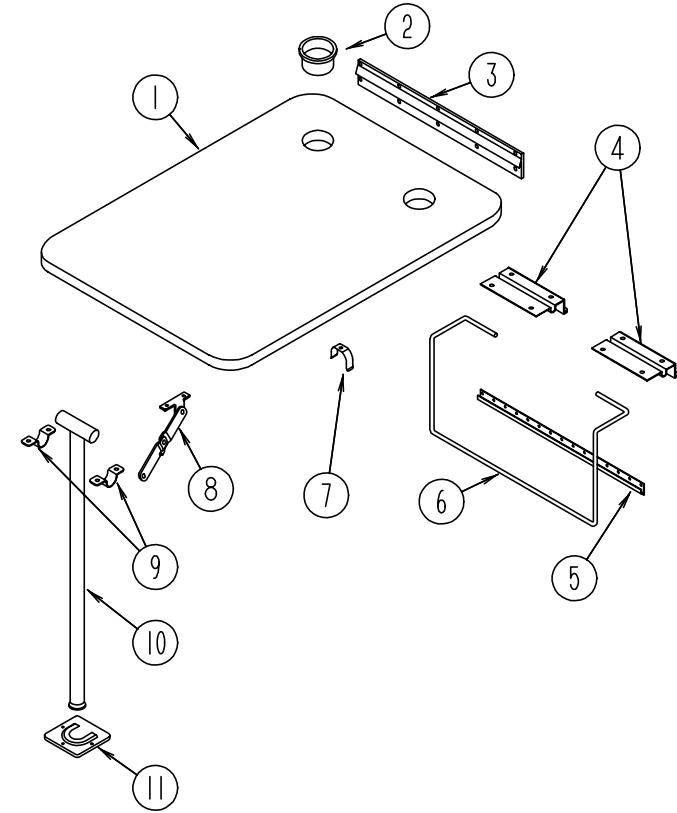
DINETTE GROUP



DINETTE CABINETS

| KEY | PART NUMBER | U/M | DESCRIPTION | |
|-----|---------------|-----|---|-------------------------------|
| 1 | 109908-26-G01 | EA | END CAP-CABINET | |
| 2 | 110140-05-G01 | EA | DOOR-MITERED, VINYL WRAP - W/O HARDWARE - 365MM X 850MM | |
| 3 | 116803-01-G01 | EA | CABINET-OVERHEAD, DINETTE - W/O DOORS OR HARDWARE | |
| 4 | 111338-09-F01 | EA | PAD-DINETTE CABINET (G01) | |
| 4 | 111338-09-G02 | EA | PAD-DINETTE CABINET (G02) | |
| 5 | M06884-11-G01 | EA | CABINET-SEATBACK, RIGHT | |
| 5 | M06884-14-G01 | EA | CABINET-SEATBACK, RIGHT | FROM: 00-00-00 THRU: 10-01-95 |
| 6 | M06885-23-G01 | EA | CABINET-SEATBASE, RIGHT | FROM: 10-02-95 THRU: 99-99-99 |
| 6 | M06885-27-G01 | EA | CABINET-SEATBASE, RIGHT | FROM: 00-00-00 THRU: 10-01-95 |
| 7 | 081295-01-G01 | EA | SUPPORT-BED, DINETTE | FROM: 10-02-95 THRU: 99-99-99 |
| 7 | 081295-01-G01 | EA | SUPPORT-BED, DINETTE | |
| 8 | M06837-10-G01 | EA | CABINET-SEATBASE, LEFT | |
| 8 | M06837-12-G01 | EA | CABINET-SEATBASE, LEFT | FROM: 00-00-00 THRU: 10-01-95 |
| 9 | M06836-07-G01 | EA | CABINET-SEATBACK, LEFT | FROM: 10-02-95 THRU: 99-99-99 |

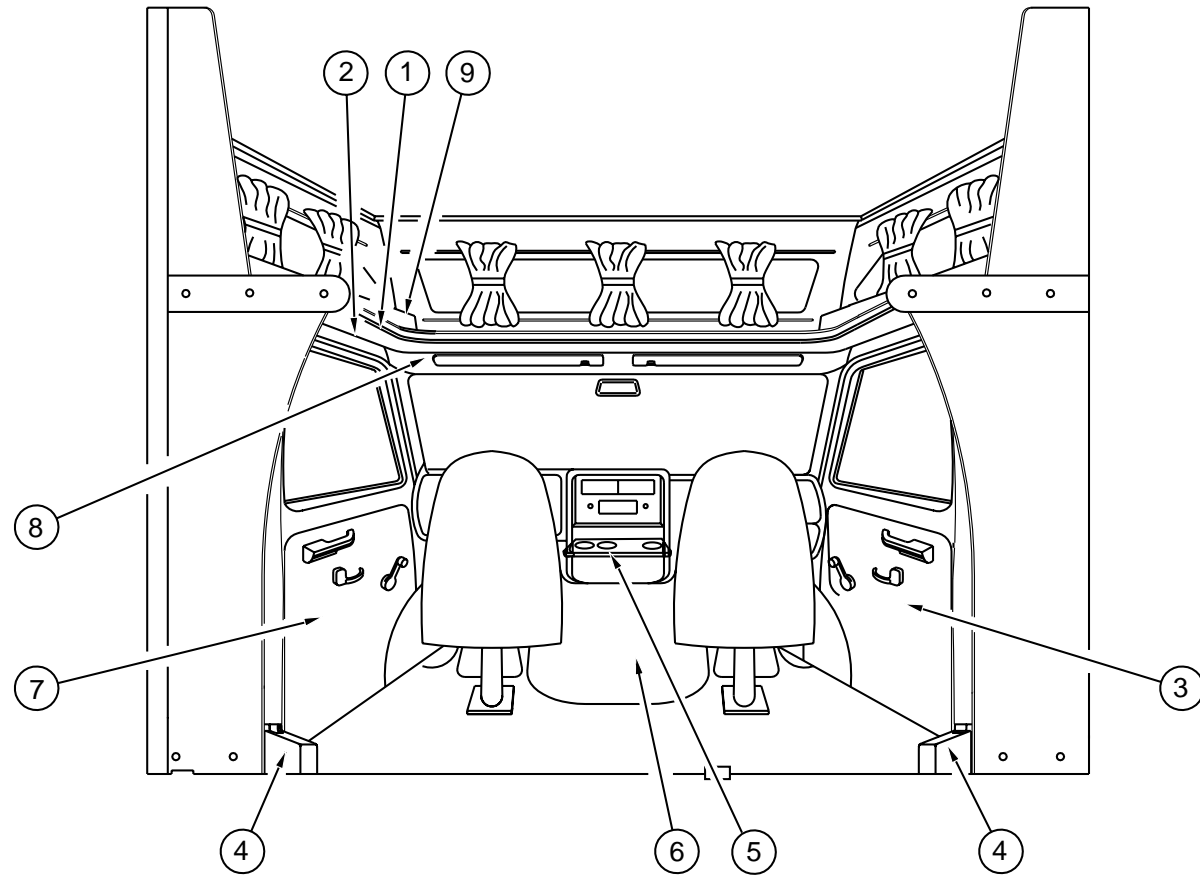
DINETTE GROUP (CONTINUED)



DINETTE TABLE & HARDWARE

| KEY | PART NUMBER | U/M | DESCRIPTION |
|-----|---------------|-----|---|
| 1 | M81299-07-E08 | EA | TABLE-DINETTE, W/O HARDWARE (G21) |
| 1 | M81299-07-G22 | EA | TABLE-DINETTE, W/O HARDWARE (G22) |
| 2 | 064781-06-000 | EA | HOLDER-CUP, TWO STEP - OFF WHITE |
| 3 | 053200-12-000 | EA | SUPPORT-TABLE, UPPER WALL MOUNTED - 23.5" - OFF WHITE |
| 4 | 088410-02-000 | EA | BRACKET-LIFT, TABLE MOUNTED - OFF WHITE |
| 5 | 024281-15-000 | EA | BRACKET-LIFT ROD, LOWER WALL MOUNTED - 22.12" - OFF WHITE |
| 6 | 024275-13-000 | EA | ROD-TABLE LIFT, OFF WHITE |
| 7 | 024283-01-000 | EA | CLIP-LEG, 1" - 1.125" OD - BLACK |
| 8 | 024282-01-000 | EA | BRACE-TABLE LEG, HINGED |
| 9 | 064050-05-000 | EA | HINGE-TABLE LEG, OFF WHITE |
| 10 | 024276-23-000 | EA | LEG-TABLE, OFF WHITE |
| 11 | 053200-13-000 | EA | CATCH-TABLE LEG, 18.50" - OFF WHITE |
| | 049493-11-700 | EA | CATCH-LEG, FLOOR MOUNTED - 2.5" X 2.7" - METAL - E COAT |

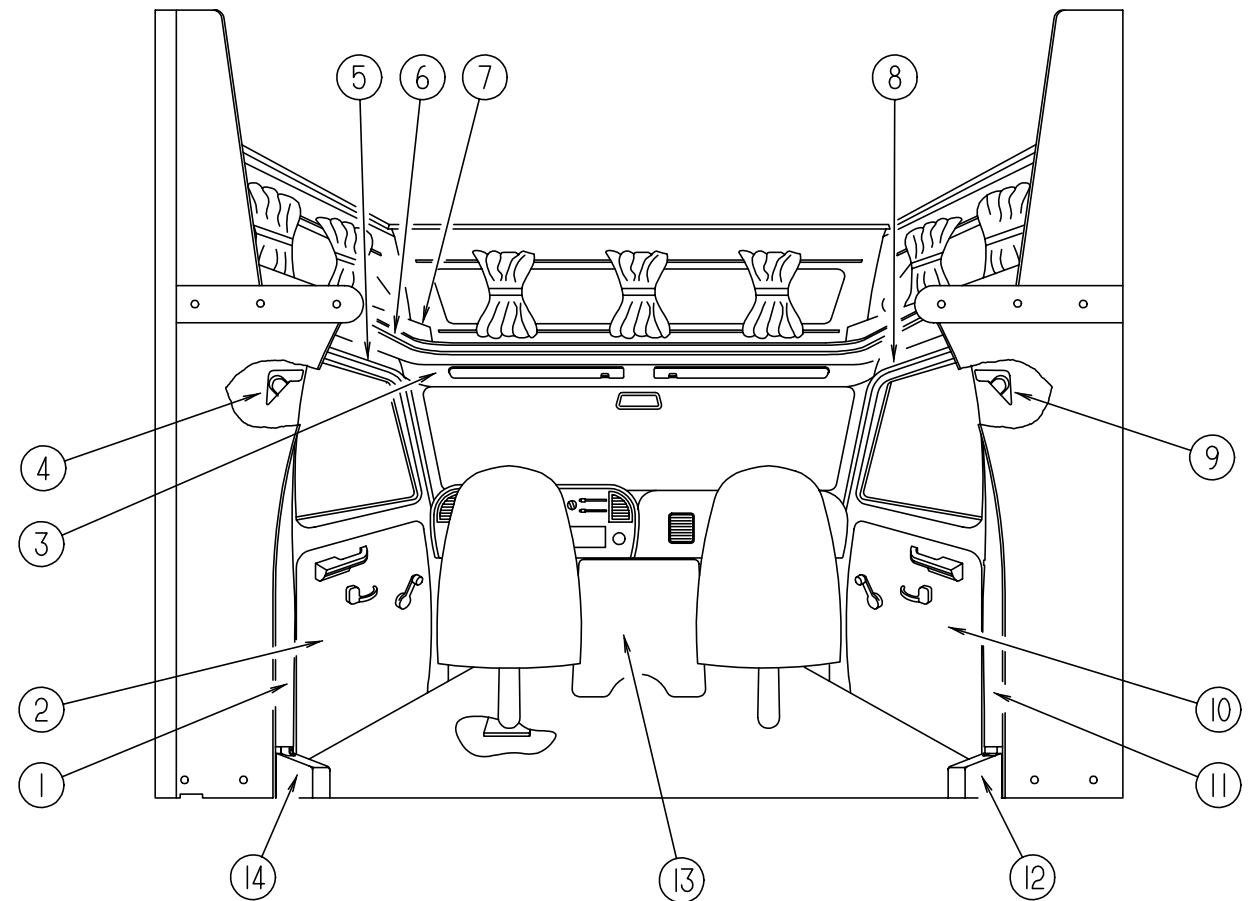
DRIVERS COMPARTMENT GROUP



CHEVY DRIVERS COMPARTMENT

| KEY | PART NUMBER | U/M | DESCRIPTION |
|-----|---------------|-----|---|
| 1 | 119520-01-01A | FT | T-MOLDING, .1" - W/EDGE LIPS |
| 2 | 091829-01-B05 | EA | HEADLINER-VINYL COVERED, FRONT - OFF WHITE |
| 3 | 059491-01-G21 | EA | PANEL-SIDE, DOOR - RIGHT |
| 3 | 059491-01-G22 | EA | PANEL-SIDE, DOOR - RIGHT |
| 4 | 076302-03-000 | EA | BELT-SEAT, DRIVER AND PASSENGER |
| 4 | 087932-03-000 | EA | BRACKET ASM-SHOULDER HARNESS, ANGLE W/WELD NUT & GUSSET - LEFT |
| 4 | 087932-04-000 | EA | BRACKET ASM-SHOULDER HARNESS, ANGLE W/WELD NUT & GUSSET - RIGHT |
| 5 | 100516-01-G01 | EA | TRAY-BEVERAGE |
| 5 | M04194-01-G01 | EA | TRAY ASM-BEVERAGE, UNSTAINED |
| 6 | 074891-07-G21 | EA | COVER-MOTOR |
| 6 | 074891-07-G22 | EA | COVER-MOTOR |
| 7 | 059492-01-G21 | EA | PANEL-SIDE, DOOR - LEFT |
| 7 | 059492-01-G22 | EA | PANEL-SIDE, DOOR - LEFT |
| 8 | 091825-02-AA5 | EA | HEADLINER-VINYL COVERED, SIDE - 2 USED - OFF WHITE |
| 9 | 109894-02-G21 | EA | CABINET-HAMPER, FRONT |
| 9 | 109894-02-G22 | EA | CABINET-HAMPER, FRONT |

DRIVERS COMPARTMENT GROUP (CONTINUED)



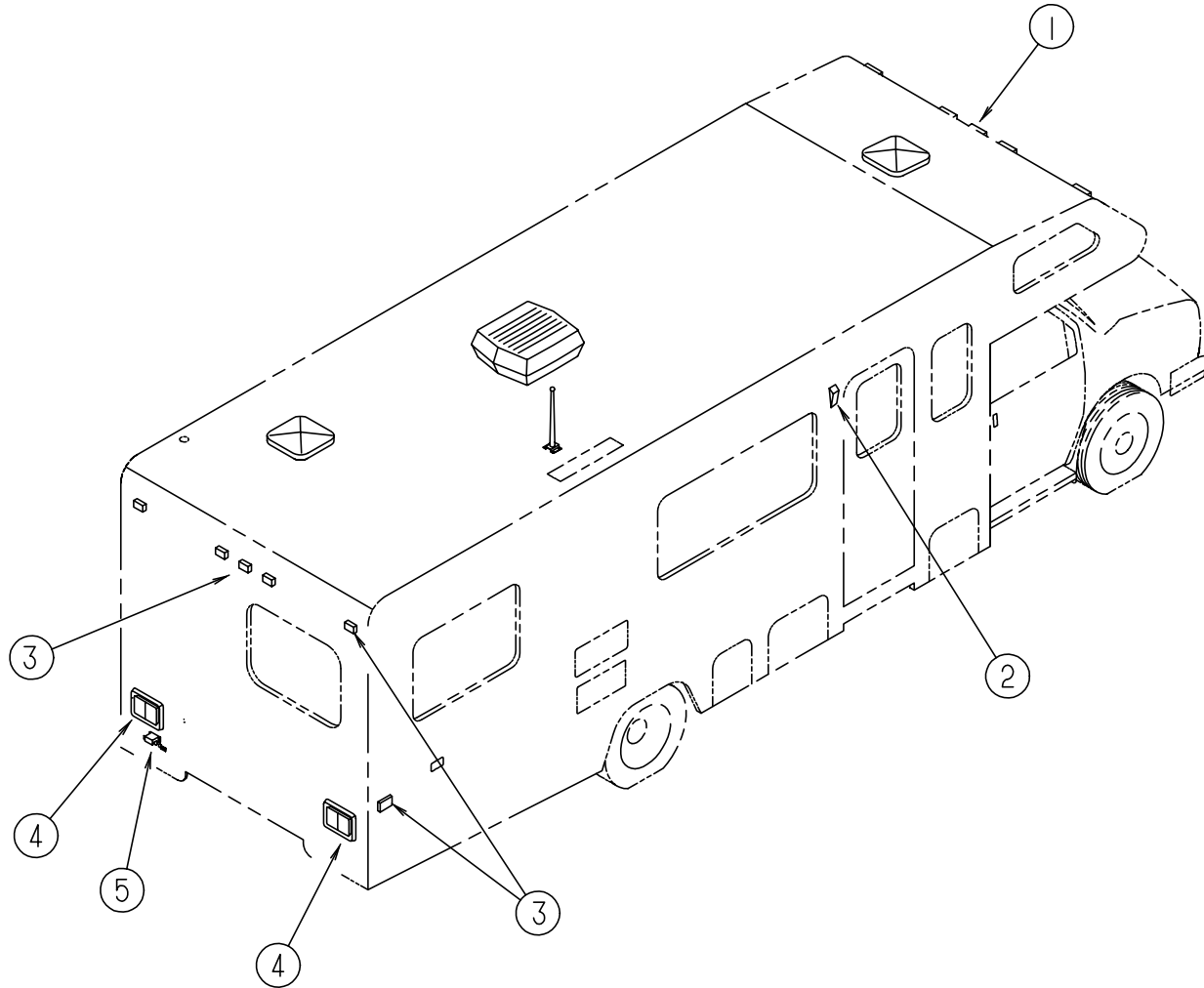
FORD DRIVERS COMPARTMENT

| KEY | PART NUMBER | U/M | DESCRIPTION |
|-----|---------------|-----|--|
| 1 | 106446-02-C03 | EA | TRIM ASSEMBLY-CAB, B-PILLAR - LEFT HAND |
| 1 | 106445-02-C03 | EA | TRIM ASSEMBLY-WINGWALL WRAP, BETWEEN CAB STEEL & B PILLAR TRIM |
| 2 | N/A | EA | PANEL-SIDE, DOOR - LEFT - CHASSIS SUPPLIED |
| 3 | 106448-01-C03 | EA | HEADLINER-VINYL COVERED, FRONT - OFF WHITE |
| 4 | 115038-02-01A | EA | COVER-SEAT BELT, UPPER - LH - OFF WHITE |
| 5 | 106447-02-C03 | EA | TRIM ASSEMBLY-CAB DOOR, UPPER - LEFT |
| 6 | 079800-07-000 | EA | TRIM-SLEEPERBOARD, INNER - OFF WHITE |
| 6 | 080742-03-000 | FT | INSERT-TRIM, SLEEPER BOARD - VINYL - OFF WHITE |
| 7 | 109894-01-G21 | EA | CABINET ASSEMBLY-HAMPER, FRONT |
| 7 | 109894-01-G22 | EA | CABINET ASSEMBLY-HAMPER, FRONT |
| 8 | 106447-01-C03 | EA | TRIM ASSEMBLY-CAB DOOR, UPPER - RIGHT |
| 9 | 115038-01-01A | EA | COVER-SEAT BELT, UPPER - RH - OFF WHITE |
| 10 | N/A | EA | PANEL-SIDE, DOOR - RIGHT - CHASSIS SUPPLIED |
| 11 | 106446-01-C03 | EA | TRIM ASSEMBLY-CAB, B-PILLAR - RIGHT |
| 11 | 106445-01-C03 | EA | TRIM ASSEMBLY-WINGWALL WRAP, BETWEEN CAB STEEL & B PILLAR TRIM |
| 12 | 106431-01-01A | EA | COVER-SEATBELT RECOIL, RIGHT - OFF WHITE |
| 13 | N/A | EA | CHASSIS SUPPLIED |
| 14 | 106431-02-01A | EA | COVER-SEATBELT RECOIL, LEFT - OFF WHITE |

INSTRUMENT CLUSTERS

| KEY | PART NUMBER | U/M | DESCRIPTION |
|-----|---------------|-----|---|
| | 094795-09-000 | EA | CLUSTER-INSTRUMENT PANEL, KM - GAS/DIESEL - FORD F5UZ-10849-B |
| | 094797-07-000 | EA | CLUSTER-INSTRUMENT PANEL, KM - GAS - GM-16194765 |
| | 108357-06-000 | EA | ROCKER SWITCH, DPDT MOM/OFF/MOM - CARLING VLD1000B-0 |
| | 108357-09-000 | EA | SWITCH-AUXILIARY, SPDT ON/NONE/MOM - CARLING V5D1000B-0 |
| | 108356-07-01A | EA | ACTUATOR-SWITCH DIMPLE II, CARLING VVAZCXX-XW |
| | 081994-07-000 | EA | PLATE-SWITCH, AUXILIARY START |
| | 100138-01-000 | EA | MODULE-DAYTIME RUNNING LIGHT |

ELECTRICAL GROUP



EXTERIOR LIGHTS

| KEY | PART NUMBER | U/M DESCRIPTION |
|-----|---------------|---|
| 1 | 111102-01-000 | EA LAMP-MARKER, BASE - TRIPLEX 117XAS |
| 1 | 111102-02-000 | EA LAMP-MARKER, LENS - AMBER - TRIPLEX 118A |
| | 036196-01-000 | EA BULB - 12V, #194 - .27 AMP - BAYONETTE |
| | 112823-01-000 | EA SPLICE-REDUCER, 16-14T018-22 ETC BA-631X |
| 2 | 097917-01-06A | EA LIGHT-PORCH, ENTRY DOOR - BRIGHT WHITE |
| 2 | 097917-01-700 | EA LENS-LIGHT, PORCH |
| 2 | 008215-01-000 | EA BULB - 12V, #1003 - .94 AMP |
| 3 | 111102-01-000 | EA LAMP-MARKER, BASE - TRIPLEX 117XAS |
| 3 | 111102-03-000 | EA LENS-MARKER LAMP, RED - TRIPLEX 117R |
| | 036196-01-000 | EA BULB - 12V, #194 - .27 AMP - BAYONETTE |
| | 112823-01-000 | EA SPLICE-REDUCER, 16-14T018-22 ETC BA-631X |
| 4 | 081638-01-000 | EA TAILLIGHT-DOUBLE, W/BLACK TRIM - DRIVER & PASSENGER SIDE |
| | 037934-01-000 | EA BULB-BACK UP & TURN SIGNAL, # 1156 |
| | 037935-01-000 | EA BULB-BRAKE LIGHT, # 2057 OR #1157 |
| 4 | 081638-01-700 | EA LENS-TAILLIGHT, RED - BARGMAN 30-84-010 |
| 4 | 081638-01-701 | EA LENS-TAILLIGHT, W/BACKUP - BARGMAN 30-84-700 |
| | 103355-01-05A | EA POD-TAILLIGHT, BRIGHT WHITE |
| 5 | 066432-02-000 | EA LIGHT-LICENSE, BLACK |
| | 066432-03-000 | EA BRACKET-LICENSE PLATE, BARGMAN 30-60-030 |

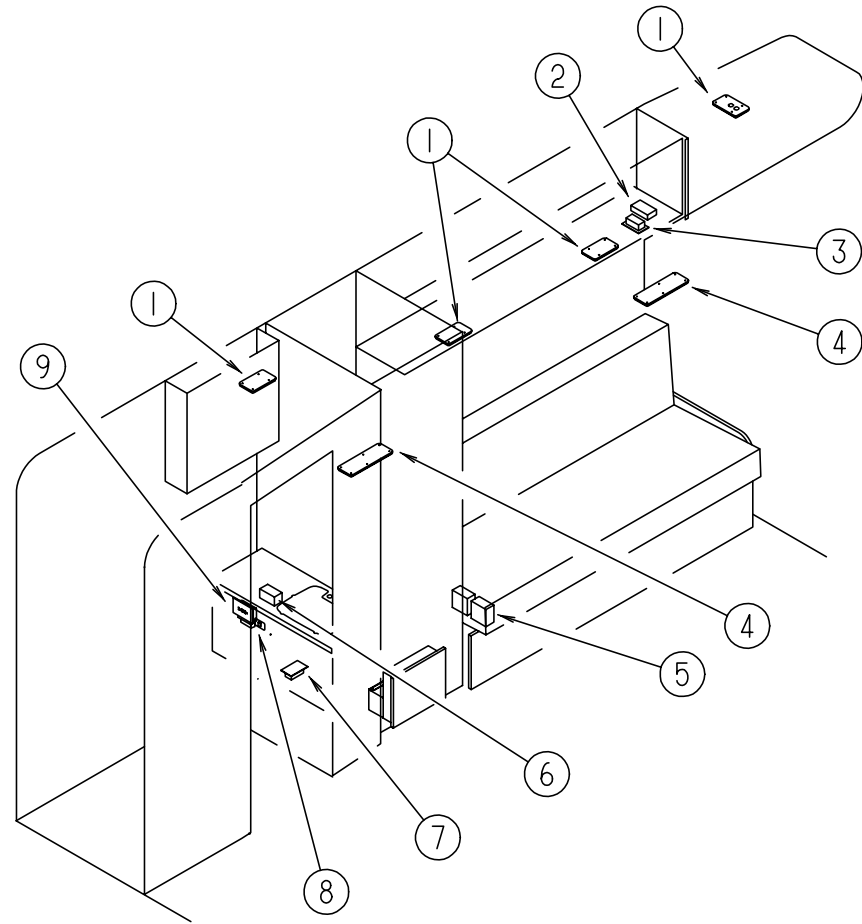
ELECTRICAL GROUP (CONTINUED) POWER CONVERTER

| KEY | PART NUMBER | U/M DESCRIPTION |
|-----|---------------|--|
| | 083208-01-000 | EA CONVERTER-POWER, 32A - 120V/12V - BW 6332 |

WIRING ASSEMBLIES

| KEY | PART NUMBER | U/M DESCRIPTION |
|-----|---------------|--|
| | 106851-01-000 | EA WIRE ASSEMBLY-DAYTIME RUNNING LIGHTS, W/FUSE |
| | 097618-01-000 | EA WIRE ASSEMBLY-MONITOR PANEL, W/4 WIRES & BLACK RESISTOR - LVS |
| | 096449-01-000 | EA WIRE ASSEMBLY-WATER TANK TO MONITOR PANEL |

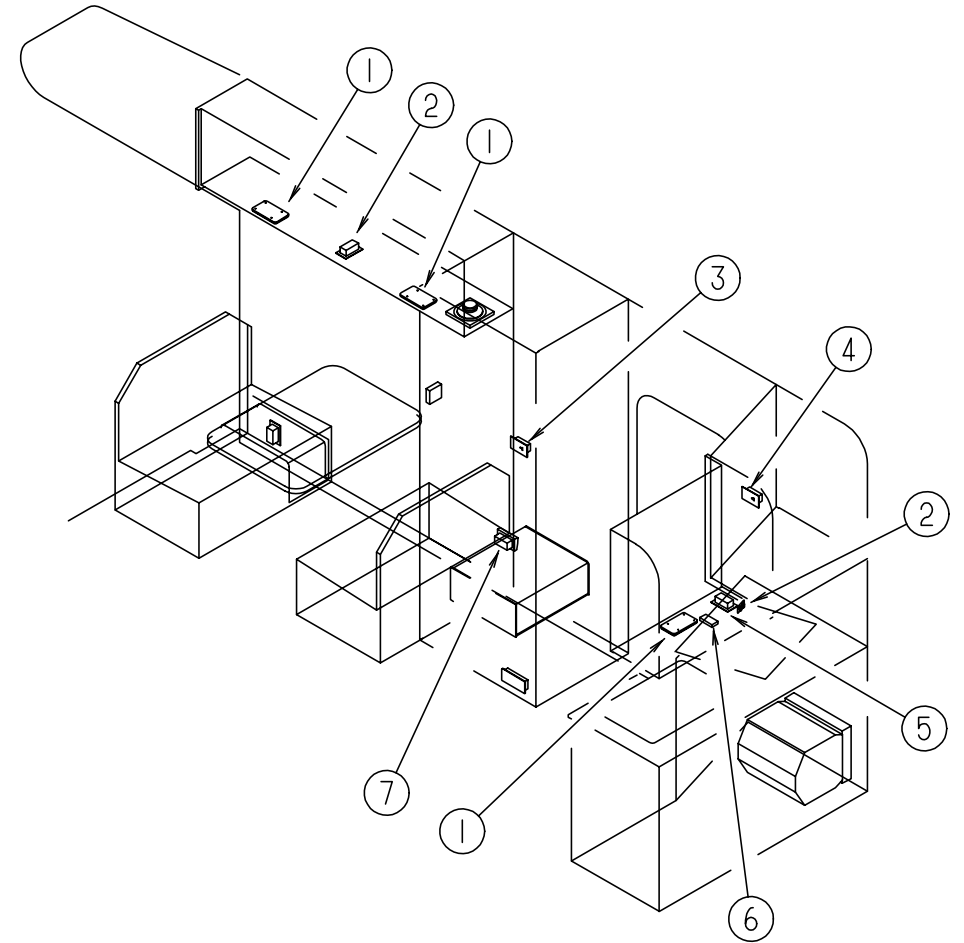
ELECTRICAL GROUP (CONTINUED)



LIGHTS, SWITCHES & RECEPTACLES - DRIVER SIDE

| KEY | PART NUMBER | U/M | DESCRIPTION |
|-----|---------------|-----|--|
| 1 | 098024-01-01A | EA | LIGHT-DOME, 1 BULB - US - IVORY |
| | 008218-01-000 | EA | BULB-DOME LIGHT, 12V - NUMBER 1141 |
| | 098024-01-700 | EA | LENS-DOME LIGHT |
| 2 | 086777-02-000 | EA | WALLPLATE-TV CABLE, W/ANTENNA SWITCH - BROWN |
| 3 | 058708-01-000 | EA | RECEPTACLE-ELECTRIC, DOUBLE - BROWN |
| 4 | 098024-03-01A | EA | LIGHT-DOME, 2 BULB - IVORY |
| | 086280-01-000 | EA | LIGHT-SURFACE MOUNT, 12V - JENSEN 1236 |
| | 086280-01-700 | EA | BULB - 12V, 6 WATT |
| 5 | 024924-02-000 | EA | RECEPTACLE-POWER CORD, W/PARTIAL PLATE |
| 6 | 108357-08-000 | EA | SWITCH-ROCKER, DPDT ON/NONE/ON - CARLING VDD1S00C-0 |
| 6 | 108356-02-01A | EA | SWITCH COVER-W/2 DIMPLES, CARLING CCAZC00 |
| | 081994-02-000 | EA | PLATE-SWITCH, EXTERIOR SHOWER |
| 7 | 058707-02-000 | EA | RECEPTACLE-BLANK, JUNCTION - WIRECON WDJ20BR |
| 7 | 098351-01-01A | EA | PLATE-SWITCH, 1 GANG - POLISHED BRASS - JENSEN |
| 8 | 079364-01-000 | EA | SWITCH-ON/OFF ROCKER, 2 PRONGS - BROWN |
| 9 | 084076-02-000 | EA | RECEPTACLE-GFI, 15A - 125V - BROWN |
| 9 | 097734-01-01A | EA | EXTENSION-RECEPTACLE, 3.2" X 5" X .7" - PLASTIC - IVORY - CANADIAN |

ELECTRICAL GROUP (CONTINUED)



LIGHTS, SWITCHES & RECEPTACLES - PASSENGER SIDE

| KEY | PART NUMBER | U/M | DESCRIPTION |
|-----|---------------|-----|--|
| 1 | 098024-01-01A | EA | LIGHT-DOME, 1 BULB - US - IVORY |
| | 008218-01-000 | EA | BULB-DOME LIGHT, 12V - NUMBER 1141 |
| | 098024-01-700 | EA | LENS-DOME LIGHT |
| 2 | 058708-01-000 | EA | RECEPTACLE-ELECTRIC, DOUBLE - BROWN |
| 3 | 058707-01-000 | EA | RECEPTACLE-ELECTRIC, SINGLE - BROWN |
| 4 | 058708-05-000 | EA | RECEPTACLE-SINGLE, BROWN - WIRECON WDR15BRS |
| 5 | 098351-06-01A | EA | PLATE-SWITCH, 2 GANG W/LABEL - POLISHED BRASS - JENSEN |
| 5 | 079364-01-000 | EA | SWITCH-ON/OFF ROCKER, 2 PRONGS - BROWN |
| 6 | 098351-07-01A | EA | PLATE-SWITCH, GENERATOR SWITCH - POLISHED BRASS - JENSEN |
| 6 | 081994-06-000 | EA | PLATE-SWITCH, AUXILIARY START - FORD |
| 6 | 108356-11-01A | EA | ACTUATOR-SWITCH GROOVES III, CARLING VVCZCXX-SW1 |
| 7 | 112822-01-01A | EA | RECEPTACLE-DUPLEX, IVORY - WIRECON WDRU15IV |
| 7 | 112824-01-03A | EA | COVER-EXTERIOR DUPLEX RECEPTACLE, WHITE - P&S 3780-SC-WH |
| 7 | 058708-02-000 | EA | RECEPTACLE-DUPLEX, IVORY - EXTERIOR ENTERTAINMENT CENTER |
| 7 | 076319-09-000 | EA | WALLPLATE-CABLE RECEPTACLE, TV - SINGLE - BROWN |

ELECTRICAL GROUP (CONTINUED)
FUSES & CIRCUIT BREAKERS

| KEY | PART NUMBER | U/M | DESCRIPTION |
|-----|---------------|-----|--|
| | 008235-01-000 | EA | FUSE-AUTOMOTIVE, 12V - 15 AMP |
| | 062901-02-000 | EA | FUSE-AUTOMOTIVE, 5 AMPS |
| | 062901-05-000 | EA | FUSE-AUTOMOTIVE, 15 AMPS |
| | 100341-01-000 | EA | FUSE HOLDER-IN LINE TYPE, WESCO 8931-92020 |
| | 062037-01-000 | EA | HOUSING-AUTO FUSE, NATURAL |
| | 083209-02-000 | EA | CIRCUIT BREAKER - 15/15 AMP, 120V - BW H-15/15 |
| | 083209-03-000 | EA | CIRCUIT BREAKER - 15/20 AMP, 120V - BW 0-15/20 |
| | 083209-05-000 | EA | CIRCUIT BREAKER - 20A/120V, BW J-20 |
| | 083209-06-000 | EA | CIRCUIT BREAKER - 30/15 AMP, 120V - BW D-30/15 |
| | 083209-07-000 | EA | CIRCUIT BREAKER - 20/20A, 120V - BW K-20/20 |
| | 093654-01-000 | EA | CIRCUIT BREAKER - 6A/12V, USD 17406-4E12A2A |
| | 093655-02-000 | EA | CIRCUIT BREAKER - 30A/12V, USD 17430-4E03A2A |

ELECTRIC BOXES, COVERS & POWER CORDS

| KEY | PART NUMBER | U/M | DESCRIPTION |
|-----|---------------|-----|--|
| | 008052-01-000 | EA | CORD-POWER, 10/3 - 30 AMP - 25' - CANADIAN |
| | 008054-01-000 | EA | CORD-POWER, 10/3 - 30 AMP - 25' - US |
| | 008289-01-000 | EA | BOX-ELECTRIC, STEEL - 1/2" AND 3/4" KNOCKOUTS - 4" X 4" |
| | 008294-01-000 | EA | COVER-ELECTRICAL BOX, BLANK/STEEL - 4" X 4" - GRAY |
| | 069238-01-000 | EA | COVER-ELECTRICAL BOX, W/HOLE - 4" X 4" - GRAY USED WITH 30 AMP RECEPTACLE |
| | 091910-02-000 | EA | BOX-ELECTRICAL, PLASTIC - 57 X 88MM |
| | 093603-01-000 | EA | BOX-ELECTRIC, 4" X 2 1/8" X 2 1/8" - STEEL |
| | 107165-01-01A | EA | BOX-CIRCUIT BREAKER MOUNT, 14.6" X 4" - BLACK PLASTIC |

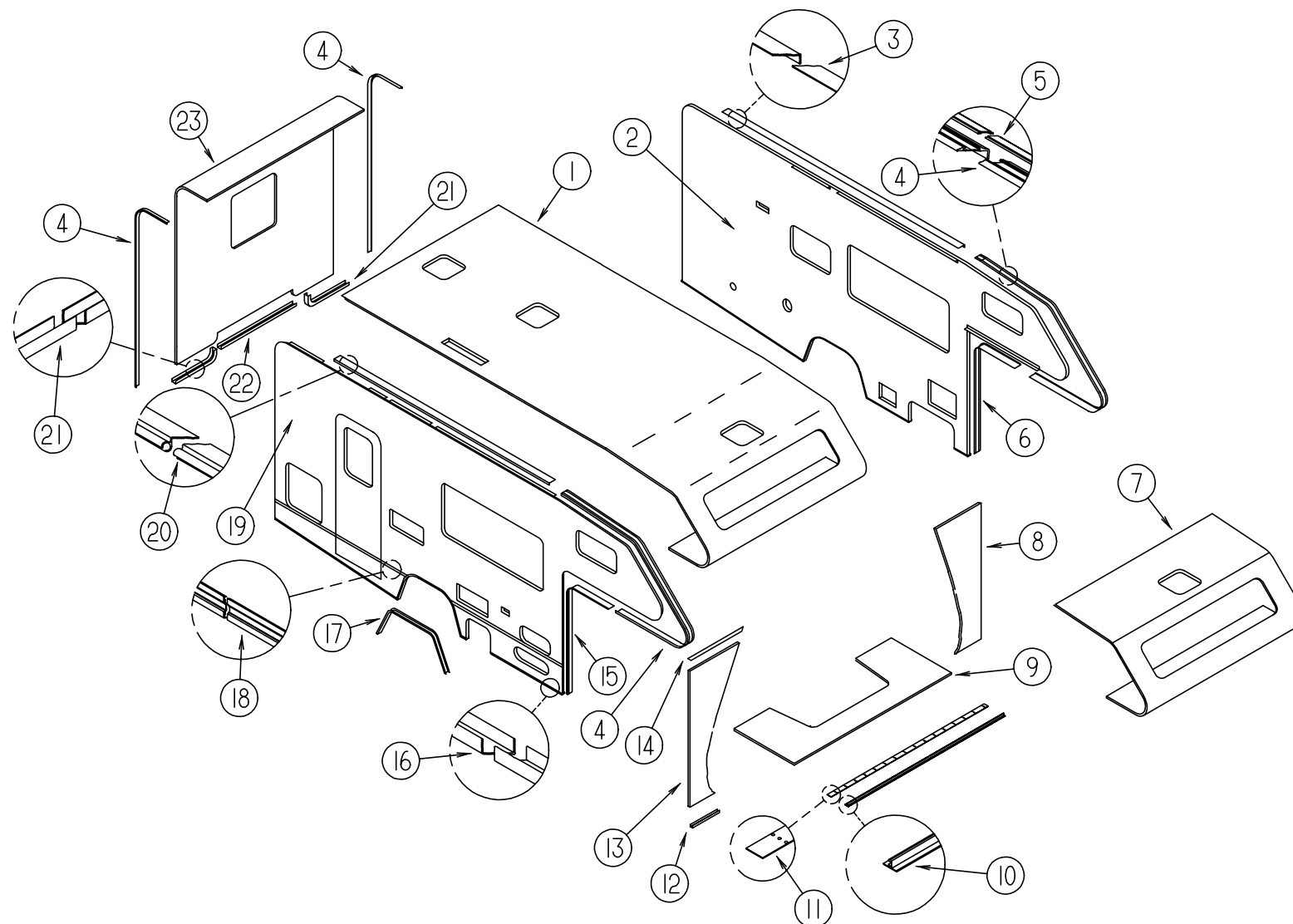
CONDUIT & SOLENOID

| KEY | PART NUMBER | U/M | DESCRIPTION |
|-----|---------------|-----|---|
| | 041953-01-000 | FT | CONDUIT-CONVOLUTE, SLIT - .5" ID |
| | 041953-03-000 | FT | CONDUIT-CONVOLUTE, SLIT - 1" ID (CLOTHES ROD COVER) |
| | 041953-05-000 | FT | CONDUIT-CONVOLUTE, NON SLIT - .62" ID |
| | 041953-06-000 | FT | CONDUIT-CONVOLUTE, SLIT - .375" ID |
| | 041953-07-000 | FT | CONDUIT-CONVOLUTE, SLIT - .25" ID |
| | 041953-08-000 | FT | CONDUIT-CONVOLUTE, SLIT - 1.50" ID |
| | 041953-09-000 | FT | CONDUIT-CONVOLUTE, SLIT - .50" ID |
| | 041953-10-000 | FT | CONDUIT-CONVOLUTE, SLIT - .75" ID |
| | 041953-12-000 | FT | CONDUIT-CONVOLUTE, NON SLIT - 1.1" ID |
| | 008188-01-000 | EA | SOLENOID - 3 POST, BATTERY CHANGE OVER |

ELECTRICAL GROUP (CONTINUED)
CONNECTORS, HOUSINGS, & TERMINALS

| KEY | PART NUMBER | U/M | DESCRIPTION |
|-----|---------------|-----|---|
| | 008326-01-000 | EA | TERMINAL-RING, 16/14 WIRE - 3/8" STUD |
| | 008328-01-000 | EA | TERMINAL-RING, 12/10 WIRE - #10 STUD FIT |
| | 008331-01-000 | EA | TERMINAL-RING, TONGUE - #4 WIRE - 3/8" STUD - COPPER |
| | 008348-01-000 | EA | TERMINAL-RING, 3/8" STUD - #2 WIRE |
| | 035416-04-000 | EA | TERMINAL-RING, #10 STUD FIT, INSULATED BARREL #16/14 |
| | 047443-01-000 | EA | TERMINAL - .250 RECEPTACLE FIT, INSULATED - 16/14 AWG |
| | 047443-02-000 | EA | TERMINAL - .250 RECEPTACLE FIT, INSULATED - 12/10 AWG |
| | 062036-02-000 | EA | TERMINAL-PACK CON, 16/14 AWG - PACKARD 08917021 |
| | 008311-01-000 | EA | CONNECTOR-WIRE NUT, INSULATED - RED |
| | 008314-01-000 | EA | CONNECTOR-WIRE NUT, INSULATED - GRAY |
| | 008355-01-000 | EA | CONNECTOR-CABLE CLAMPING, 3/4" |
| | 008356-01-000 | EA | CONNECTOR-PLASTIC, 3/8" AVG |
| | 041480-01-000 | EA | CONNECTOR-STRAIGHT, 1/2" FLEX CONDUIT |
| | 058028-01-000 | EA | CONNECTOR-ELECTRICAL PIGTAIL, NYLON - CLEAR |
| | 077479-01-000 | EA | BOOT-BATTERY TERMINAL, DOUBLE CABLE |
| | 077479-02-000 | EA | BOOT-BATTERY TERMINAL, SINGLE CABLE |
| | 080015-02-000 | EA | RECEPTACLE-FLAG, .185 - 16/14 GA - AMP 3 |
| | 080015-03-000 | EA | RECEPTACLE-FLAG, .250 - 14/16 GA |
| | 007940-01-000 | EA | RECEPTACLE-SLIDE, 16 TO 12 AWG - FEMALE END |
| | 087225-01-000 | FT | SLEEVING - 1/2", TYPE H - VARFLEX |
| | 087949-01-000 | EA | BUSS BAR - 2 POSITION, .6' X 1.5" - ALUMINUM |
| | 088473-03-000 | EA | HOUSING-PIN, 9 CAVITY - AMP 1-480706-0 |
| | 088473-05-000 | EA | HOUSING-PIN, 6 CAVITY - AMP 640585-1 |
| | 088473-06-000 | EA | HOUSING-PIN, 6 CAVITY - AMP 1-480704-0 |
| | 088473-08-000 | EA | HOUSING-PIN, 4 CAVITY - AMP 1-480702-0 |
| | 088473-09-000 | EA | HOUSING-PIN, 3 CAVITY - AMP 1-480700-0 |
| | 088473-10-000 | EA | HOUSING-PIN, 2 CAVITY - AMP 1-480698-0 |
| | 088474-02-000 | EA | HOUSING-SOCKET, 12 CAVITY - AMP 1-480711-0 |
| | 088474-03-000 | EA | HOUSING-SOCKET, 9 CAVITY - AMP 1-480707-0 |
| | 088474-06-000 | EA | HOUSING-SOCKET, 6 CAVITY - AMP 1-480705-0 |
| | 088474-07-000 | EA | HOUSING-SOCKET, 5 CAVITY - AMP 1-480764-0 |
| | 088474-08-000 | EA | HOUSING-SOCKET, 4 CAVITY - AMP 1-480703-0 |
| | 088474-09-000 | EA | HOUSING-SOCKET, 3 CAVITY - AMP 1-480701-0 |
| | 088474-10-000 | EA | HOUSING-SOCKET, 2 CAVITY - AMP 1-480699-0 |
| | 063910-01-000 | EA | HOUSING-RELAY, BOSCH 3 334 485 008 |
| | 088475-01-000 | EA | PIN-CONNECTOR, 14 TO 20 AWG |
| | 088476-01-000 | EA | SOCKET-CONNECTOR, BRASS - PRE-TIN |
| | 088476-02-000 | EA | SOCKET-CONNECTOR, 12-10 GA - PRE-TIN |
| | 007956-05-000 | EA | INSULATOR-SHRINK, .25 ID X 1.50 - BLACK |
| | 086273-01-000 | EA | RELAY-BATTERY DISCONNECT |

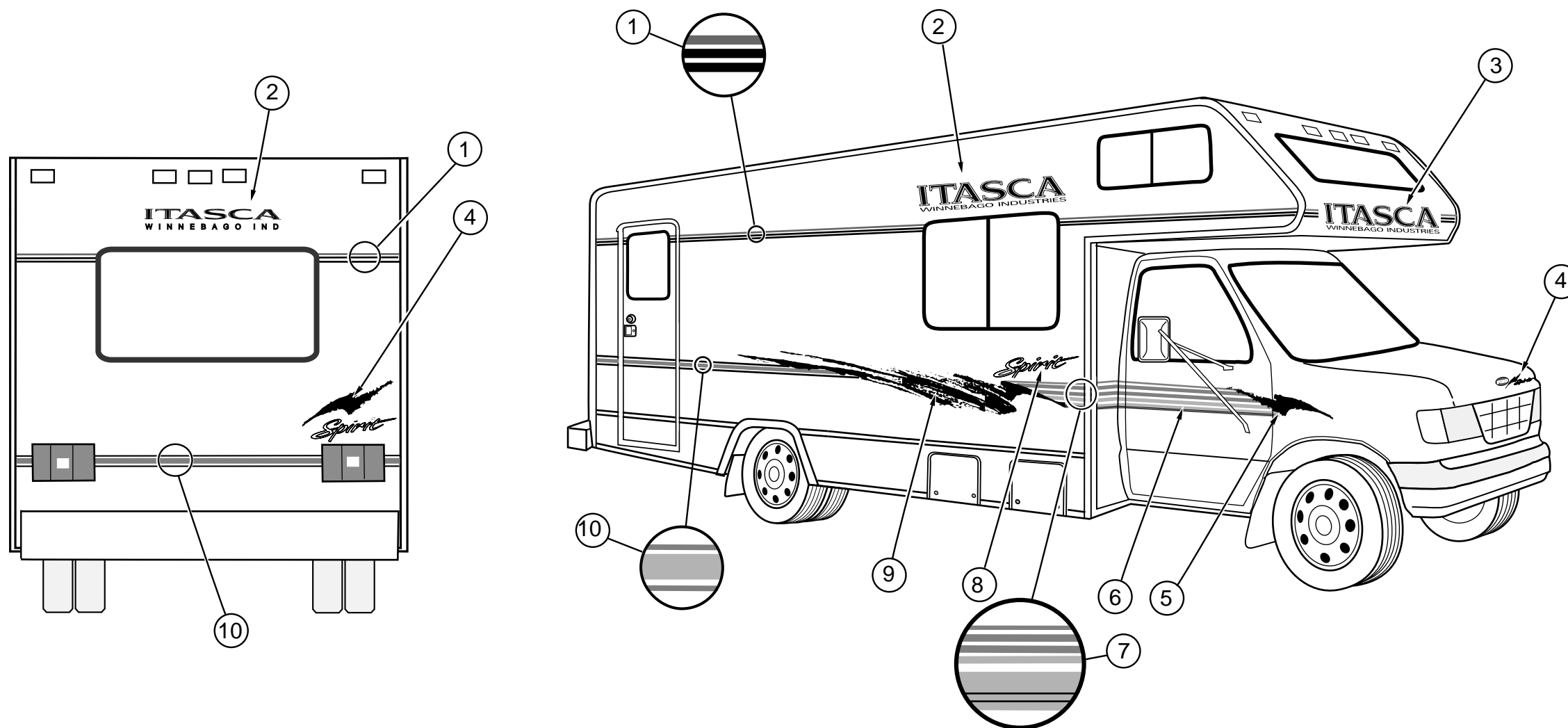
EXTERIOR BODY GROUP
EXTERIOR BODY PANELS



| KEY | PART NUMBER | U/M | DESCRIPTION |
|-----|---------------|-----|--|
| 1 | M06976-07-G21 | EA | ROOF ASSEMBLY-BRIGHT WHITE |
| 2 | P16419-01-G21 | EA | SIDEWALL ASSEMBLY-DRIVER SIDE, BRIGHT WHITE |
| 2 | P16419-01-G22 | EA | SIDEWALL ASSEMBLY-DRIVER SIDE, BRIGHT WHITE |
| 3 | 096864-01-02A | EA | TRIM-CONTOUR, ROOF TO SIDEWALL - 120" - BRIGHT WHITE |
| 4 | 096854-01-02A | EA | TRIM-CONTOUR, W/O VINYL INSERT - 108" - BRIGHT WHITE |
| 5 | 105312-01-07A | FT | INSERT-TRIM, VINYL - BRIGHT WHITE |
| 6 | 104479-06-02A | EA | TRIM-CONTOUR, FRONT - BRIGHT WHITE |
| 7 | M76177-01-700 | EA | ROOF SECTION-FRONT, UNIVERSAL |
| 8 | M07423-02-F15 | EA | WINGWALL-DRIVER SIDE, CHEVY - BRIGHT WHITE |
| 8 | M07423-04-F15 | EA | WINGWALL-DRIVER SIDE, FORD - BRIGHT WHITE |
| 9 | M07422-01-G01 | EA | SLEEPERBOARD-BRIGHT WHITE |
| 10 | 100086-04-01A | EA | TRIM-SLEEPERBOARD, 2" X 96.6" - BRIGHT WHITE |
| 11 | 100085-03-01A | EA | TRIM-SLEEPERBOARD, FLAT - 2.5" X 87.5" |
| 12 | 002365-03-006 | EA | U CHANNEL-EXTRUDED, 1.00 X 192.00 6063T5 - BRIGHT WHITE |
| 13 | M07423-01-F15 | EA | WINGWALL-PASSENGER SIDE, CHEVY - BRIGHT WHITE |
| 13 | M07423-03-F15 | EA | WINGWALL-PASSENGER SIDE, FORD - BRIGHT WHITE |
| 14 | 022992-14-000 | FT | MOLDING-REVERSE COVE, T-SHAPED - BRIGHT WHITE |
| | 089334-02-000 | FT | VINYL-EXTERIOR, BETWEEN WINGWALL & CAB SEAL - BRIGHT WHITE |
| | 096945-01-01A | EA | TRIM-L ANGLED, PASSENGERS WINGWALL |

| KEY | PART NUMBER | U/M | DESCRIPTION |
|-----|---------------|-----|---|
| 15 | 104479-05-02A | EA | TRIM-CONTOUR, FRONT - BRIGHT WHITE |
| 16 | 098072-55-003 | EA | TRIM-LOWER, U CHANNEL-EXTRUDED - 4877 MM - BRIGHT WHITE |
| 17 | 105100-02-02A | EA | TRIM-WHEELWELL, BRIGHT WHITE |
| 18 | 108688-01-03A | EA | FEATURE STRIP-BRIGHT WHITE |
| | 108651-01-01A | EA | CAP-FEATURE STRIP, MILL |
| | 105312-01-07A | FT | INSERT-FEATURE STRIP, VINYL - BRIGHT WHITE |
| 19 | P16683-01-G21 | EA | SIDEWALL ASSEMBLY-PASSENGER SIDE, BRIGHT WHITE |
| 19 | P16683-01-G22 | EA | SIDEWALL ASSEMBLY-PASSENGER SIDE, BRIGHT WHITE |
| | 064675-54-004 | EA | STEEL-ANGLE ROOF JOINT, 545 MM |
| | 064675-54-005 | EA | STEEL-ANGLE ROOF JOINT, 1575 MM |
| 20 | 099583-55-003 | EA | RAIL-AWNING, 10' - BRIGHT WHITE |
| 21 | 103334-02-02A | EA | TRIM-BACKWALL, LOWER - BRIGHT WHITE |
| 22 | 103335-02-02A | EA | TRIM-BACKWALL, LOWER - BRIGHT WHITE |
| 23 | M06975-08-G21 | EA | BACKWALL ASSEMBLY-BRIGHT WHITE |
| 23 | M06975-08-G22 | EA | BACKWALL ASSEMBLY-BRIGHT WHITE |

EXTERIOR BODY GROUP (CONTINUED)
DECALS, STRIPES & PAINT

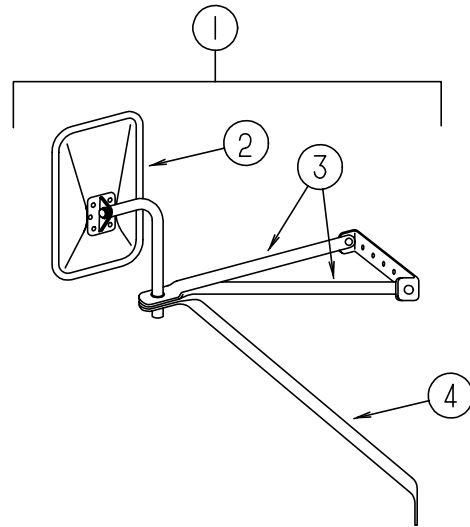


| KEY | PART NUMBER | U/M | DESCRIPTION |
|-----|---------------|-----|---|
| 1 | 094443-31-01A | FT | FILM-MULTISTRIPE, 69.9MM - OLYMPIC TEAL/PURPLE/HOT REGAL RED |
| 2 | 116921-02-01A | EA | DECAL-LOGO, ITASCA - WINN IND - SMALL - OLYMPIC TEAL/OLYMPIC TEAL/OLYMPIC TEAL |
| 3 | 116921-01-01A | EA | DECAL-LOGO, ITASCA - WINN IND - LARGE - OLYMPIC TEAL/OLYMPIC TEAL/OLYMPIC TEAL |
| 4 | 116922-01-01A | EA | DECAL-BRUSHSTROKE, W/SPIRIT - VIOLET/BRIGHT WHITE/OLYMPIC TEAL/HOT REGAL RED |
| 5 | 116918-01-01A | EA | DECAL-CAB DOOR, BRUSHSTROKE - RH - BRIGHT WHITE/OLYMPIC TEAL/VIOLET/HOT REGAL RED |
| 5 | 116918-02-01A | EA | DECAL-CAB DOOR, BRUSHSTROKE - LH - BRIGHT WHITE/OLYMPIC TEAL/VIOLET/HOT REGAL RED |
| 6 | 117751-01-01A | EA | DECAL-CAB DOOR, STRIPES - RH - PURPLE/OLYMPIC TEAL/VIOLET/REGAL RED |
| 6 | 117751-02-01A | EA | DECAL-CAB DOOR, STRIPES - LH - PURPLE/OLYMPIC TEAL/VIOLET/REGAL RED |
| 7 | 116920-01-01A | FT | FILM-MULTI,OVER, 215.9MM - PURPLE/OLYMPIC TEAL/VIOLET/HOT REGAL RED |
| 8 | 115130-02-01A | EA | DECAL-LOGO, SPIRIT - OLYMPIC TEAL |
| 9 | 116919-01-01A | EA | DECAL-BRUSHSTROKE, RH - BRIGHT WHITE/OLYMPIC TEAL/VIOLET/HOT REGAL RED |
| 9 | 116919-02-01A | EA | DECAL-BRUSHSTROKE, LH - BRIGHT WHITE/OLYMPIC TEAL/VIOLET/HOT REGAL RED |
| 10 | 094443-32-01A | FT | FILM-MULTISTRIPE, 50.8MM - PURPLE/OLYMPIC TEAL/PURPLE |

DUPONT PAINT COLOR CODES

| | |
|-----------------|---------------|
| BRIGHT WHITE | DUPONT B8951U |
| VIOLET METALLIC | DUPONT F0900U |
| PURPLE | DUPONT F0740 |

EXTERIOR BODY GROUP (CONTINUED)



EXTERIOR MIRRORS - FORD

| KEY | PART NUMBER | U/M | DESCRIPTION | VENDOR NO. |
|-----|---------------|-----|--|------------|
| 1 | 106860-01-02A | EA | MIRROR-EXTERIOR, LOW MOUNT - PAIR - BRIGHT WHITE | 7092760 |
| 2 | 106860-01-707 | EA | MIRROR-HEAD, EXTERIOR - BRIGHT WHITE | L7805210 |
| 3 | 106860-01-708 | EA | ARM-MIRROR, BRIGHT WHITE | L7809910 |
| 4 | 106860-01-709 | EA | BRACE-LOWER FORWARD, DRIVER - BRIGHT WHITE | L7809920 |
| 4 | 106860-01-710 | EA | BRACE-LOWER FORWARD, PASSENGER - BRIGHT WHITE | L7809920 |
| | 106860-01-702 | EA | HARDWARE PACKAGE | 748230 |
| | 106860-01-711 | EA | MIRROR ASSEMBLY-LH COMPLETE, BRIGHT WHITE | 713363 |
| | 106860-01-712 | EA | MIRROR ASSEMBLY-RH, BRIGHT WHITE | 713364 |
| | 117051-01-700 | EA | MIRROR-AUXILIARY, CONVEX - VELVAC | 723068-4 |

EXTERIOR BODY GROUP (CONTINUED)
EXTERIOR MIRRORS - PLATE MOUNT - VELVAC

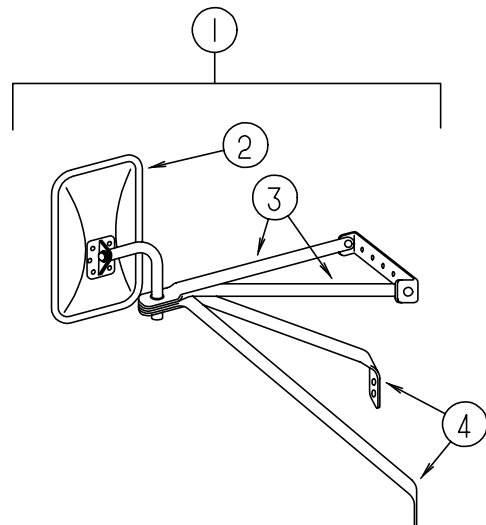
| KEY | PART NUMBER | U/M | DESCRIPTION | VENDOR NO. |
|-----|---------------|-----|--|------------|
| | 117051-01-01A | EA | MIRROR-EXTERIOR, PASSENGER - BLACK 713438 FROM: 00-00-00 THRU: 08-13-95 | |
| | 117051-02-01A | EA | MIRROR-EXTERIOR, DRIVER - BLACK 713439 FROM: 00-00-00 THRU: 08-13-95 | |
| | 117051-01-700 | EA | MIRROR-CONVEX FROM: 00-00-00 THRU: 08-13-95 | 723068-4 |
| | 106860-02-702 | EA | GLASS-FLAT, REPLACEMENT - LH & RH - STAR FROM: 00-00-00 THRU: 08-13-95 | 702086-8 |
| | 120269-01-01A | EA | MIRROR-EXTERIOR, PASSENGER - BLACK 713672-7 FROM: 08-14-95 THRU: 99-99-99 | |
| | 120269-02-01A | EA | MIRROR-EXTERIOR, DRIVER - BLACK 713671-7 FROM: 08-14-95 THRU: 99-99-99 | |

RUNNING BOARDS - FORD

| KEY | PART NUMBER | U/M | DESCRIPTION | VENDOR NO. |
|-----|---------------|-----|--|------------|
| | 072884-27-000 | EA | RUNNING BOARD - 39" KEM K12 15539 | |
| | 072884-27-700 | EA | BRACKET SET - 12" | RB2BRK/M |
| | 072884-27-701 | EA | UNIVERSAL RUNNING BOARD ONLY-39", LH/RH - 1 ONLY | |
| | 072884-27-702 | FT | TAPE-TREAD | RB9202 |
| | 072884-27-703 | EA | MUD FLAPS-W/HOLES, PAIR | 99171 |
| | 072884-27-704 | EA | END CAPS-PAIR | 99148 |

RUNNING BOARDS - CHEVY

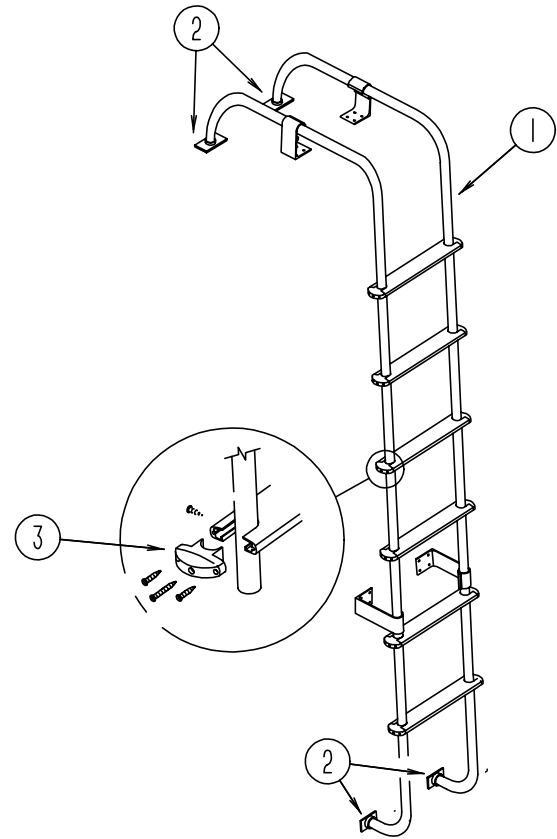
| KEY | PART NUMBER | U/M | DESCRIPTION | VENDOR NO. |
|-----|---------------|-----|--|------------|
| | 072884-26-000 | EA | RUNNING BOARD - 27" KEM K12 15527 | |
| | 072884-26-700 | EA | UNIVERSAL RUNNING BOARD ONLY - 27", LH/RH - 1 ONLY | |
| | 072884-27-700 | EA | BRACKET SET - 12" | RB2BRK/M |
| | 072884-27-702 | FT | TREAD-TAPE | RB9202 |
| | 072884-27-703 | EA | MUD FLAPS-W/HOLES, PAIR | 99171 |
| | 072884-27-704 | EA | END CAPS-PAIR | 99148 |



EXTERIOR MIRRORS - CHEVROLET - VELVAC

| KEY | PART NUMBER | U/M | DESCRIPTION | VENDOR NO. |
|-----|---------------|-----|--|------------|
| 1 | 106860-03-02A | EA | MIRROR-REGULAR HEAD, LOW MOUNT 712620 | 7090040 |
| 2 | 106860-03-706 | EA | MIRROR HEAD, 7.5 X 10.0 | W7805210 |
| 3 | 106860-03-707 | EA | ARM-BENT | W7806920 |
| 4 | 106860-03-708 | EA | BRACE-UPPER FORWARD RH & UPPER-REAR LH | W7806930 |
| 4 | 106860-03-709 | EA | BRACE-UPPER-REAR RH & UPPER FORWARD LH | W7806930 |

EXTERIOR BODY GROUP (CONTINUED)



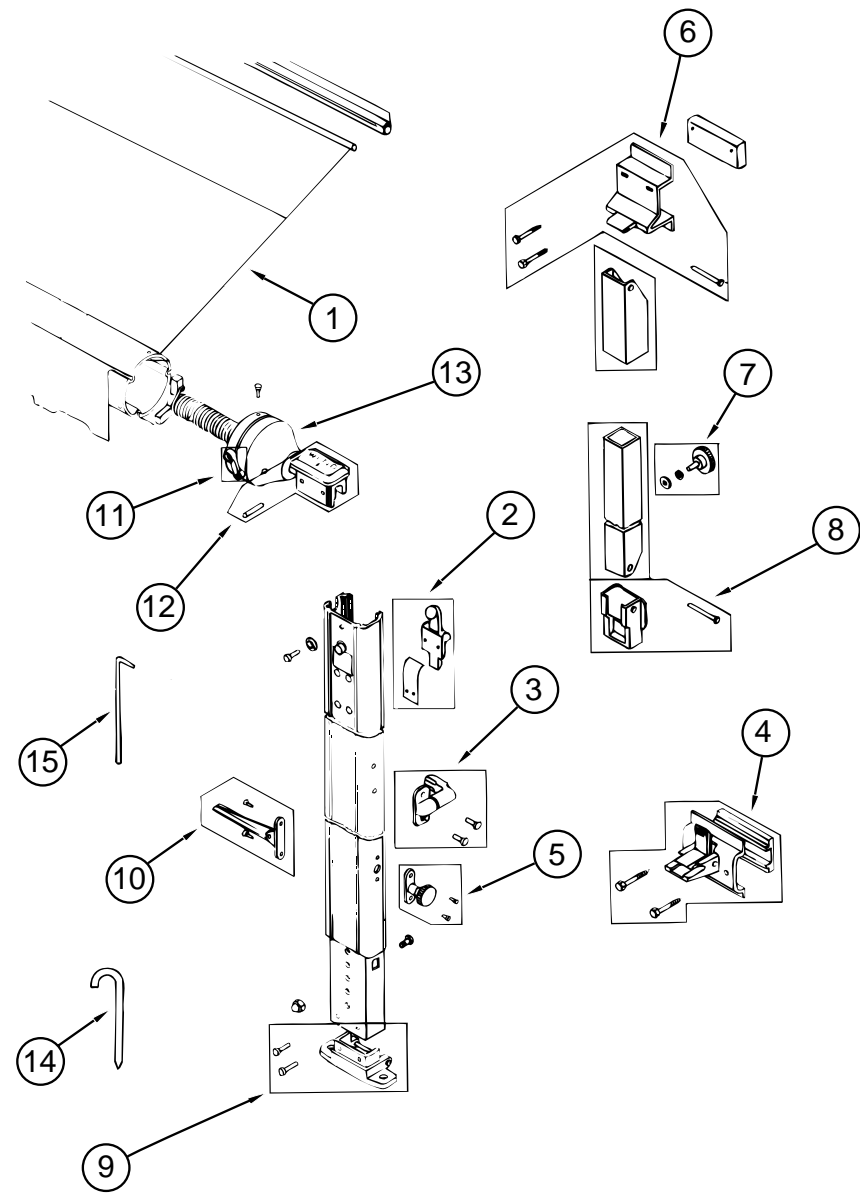
LADDER

| KEY | PART NUMBER | U/M | DESCRIPTION |
|-----|---------------|-----|-------------------------------------|
| 1 | 102953-10-F15 | EA | LADDER ASSEMBLY |
| 2 | 067165-01-000 | EA | MOUNTING BRACKET-LADDER, LOWER |
| 3 | 076980-02-000 | EA | END CAP-STEP, BLACK |
| | 000G39-06-10T | EA | SCREW-SF/DR - 6-20 X 5/8 PPH, BLACK |
| | 000G68-10-36T | EA | SCREW - 10-12 X 2.25 POH, BLACK |

FIBERGLASS, STYROFOAM, ALUMINUM, PLYWOOD, CHANNEL & STEEL TUBES

| KEY | PART NUMBER | U/M | DESCRIPTION |
|-----|---------------|-----|---|
| | 076054-N3-000 | EA | FIBERGLASS-SHEET - 102" X 233.8" - BRIGHT WHITE |
| | 076054-N9-000 | EA | FIBERGLASS-SHEET - 96" X 102" - BRIGHT WHITE |
| | 076054-P9-000 | EA | FIBERGLASS-SHEET - 37.4" X 99.25" - BRIGHT WHITE |
| | 076054-R1-000 | EA | FIBERGLASS-SHEET - 24" X 65.9" - BRIGHT WHITE |
| | 076054-R2-000 | EA | FIBERGLASS-SHEET - 19.4" X 65.9" - BRIGHT WHITE |
| | 077517-62-000 | EA | FIBERGLASS-SHEET, FLAT - 48" X 96" - BRIGHT WHITE |
| | 083574-03-000 | SF | STYROFOAM - 3/4" X 48" X 96" |
| | 000870-08-000 | SF | STYROFOAM - .75" X 48" X 96" - PLANED |
| | 100619-01-000 | BF | FOAM-EXPANDED, SHEET - 48" X 96" X 1.34" |
| | 100619-04-000 | BF | FOAM-EXPANDED POLYSTYRENE, 48" X 96" X .5" |
| | 100619-05-000 | BF | FOAM-EXPANDED POLYSTYRENE, 48" X 96" X .75" |
| | 089297-01-000 | SF | PLYWOOD-LUAN, OVERLAY GRADE - 4' X 8' |
| | 044487-01-001 | EA | ALUMINUM-SHEET, .019" X 96" X 360" - MILL FINISH |
| | 044487-01-002 | EA | ALUMINUM-SHEET, .019" X 14.014" X 30.199" - MILL FINISH |
| | 002726-01-001 | EA | GARNISH-U CHANNEL, 1.38" X 19' - SERRATED - MILL ALUMINUM |
| | 055278-51-259 | EA | TUBING-STEEL, .75" X 1.5" X 12.5' |

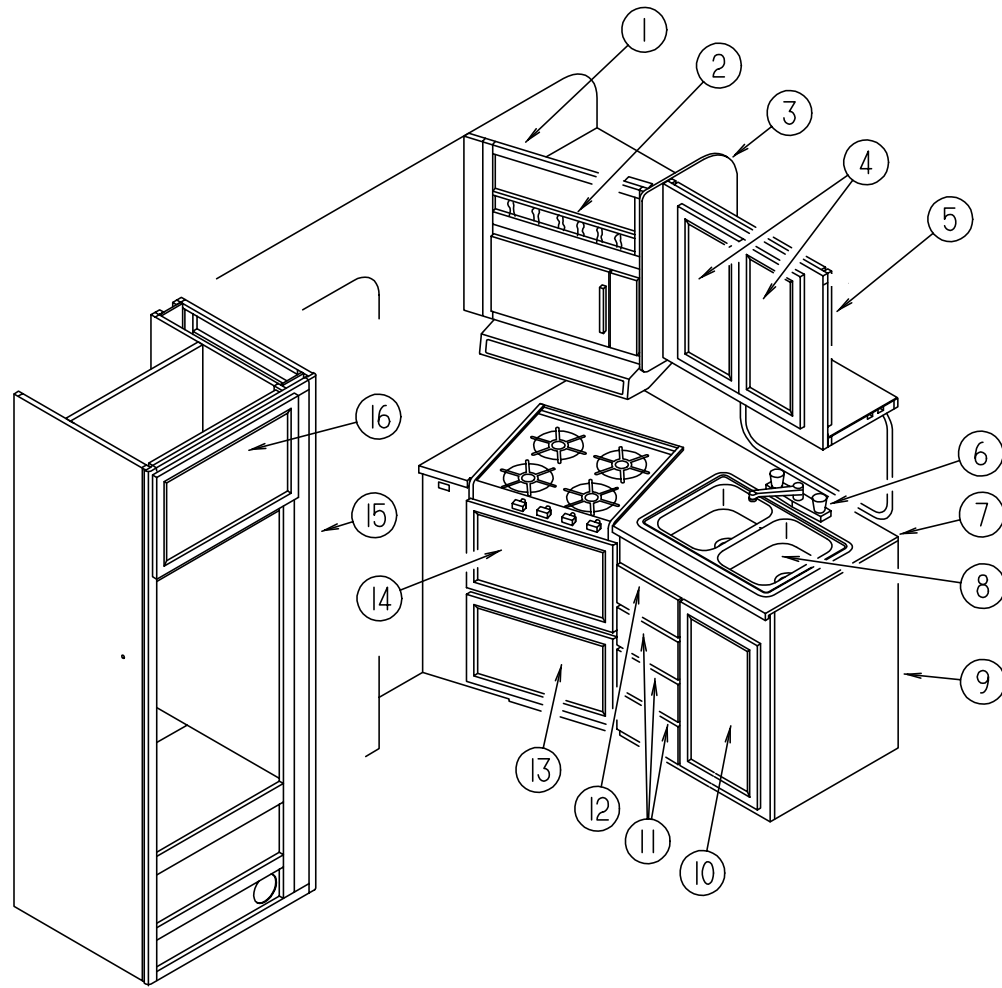
EXTERIOR BODY GROUP (CONTINUED)



AWNING - FAULKNER

| KEY | PART NUMBER | U/M | DESCRIPTION | VENDOR NO. |
|-----|---------------|-----|-----------------------------------|------------|
| 1 | 110634-14-14A | EA | ROLLER ASSEMBLY-AWNING, 11.5' | |
| | 111037-01-01A | EA | SPACER-AWNING, UPPER - BLACK | |
| | 111038-01-01A | EA | SPACER-AWNING, LOWER - BLACK | |
| | 110634-02-04A | EA | AWNING-HARDWARE KIT, BRIGHT WHITE | |
| 2 | 110634-01-700 | EA | RAFTER LOCKING MECHANISM KIT | 7605-0001 |
| 3 | 110634-01-701 | EA | SAFETY & LATCH KIT | 7509-0001 |
| 4 | 110634-01-702 | EA | BOTTOM BRACKET KIT | 7512-0001 |
| 5 | 110634-01-703 | EA | HEIGHT LOCK HANDLE KIT | 7510-0001 |
| 6 | 110634-01-704 | EA | UPPER BRACKET KIT W/BOLTS | 7505-0001 |
| 7 | 110634-01-705 | EA | ULTRA RAFTER KNOB KIT | 7522-0001 |
| 8 | 110634-01-706 | EA | RAFTER SLIDE KIT | |
| 9 | 110634-01-707 | EA | GROUND BRACKET KIT | 7511-0001 |
| 10 | 110634-01-708 | EA | LIFT HANDLES-W/RIVETS | 7000-0001 |
| 11 | 110634-01-709 | EA | RATCHET HANDLE KIT | 7507-0001 |
| 12 | 110634-01-710 | EA | ARM CAP KIT | 7503-0001 |
| 13 | 110634-01-711 | EA | FRONT SPRING ASSEMBLY | 6598-0001 |
| 13 | 110634-01-712 | EA | REAR SPRING ASSEMBLY | 6599-0001 |
| 13 | 110634-01-713 | EA | REAR END CAP KIT | 7504-0001 |
| 14 | 110634-01-714 | EA | STAKE - 4 PER BAG | 5208-0001 |
| 15 | 110634-01-715 | EA | PULL DOWN WAND | 7604-0001 |

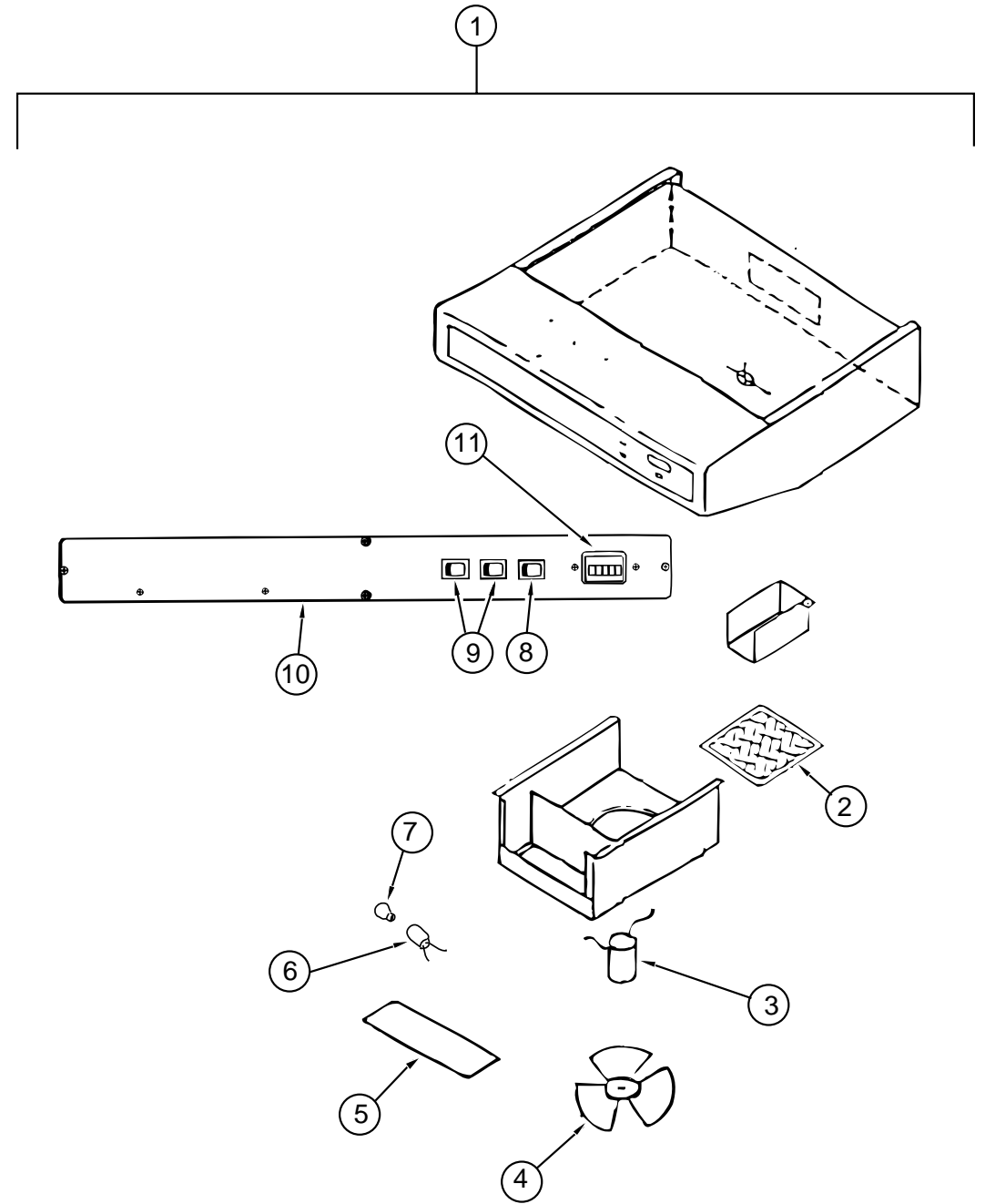
GALLEY GROUP



GALLEY CABINETS & FIXTURES

| KEY | PART NUMBER | U/M | DESCRIPTION |
|-----|---------------|-----|---|
| 1 | 116844-01-G01 | EA | CABINET-OVERHEAD, MICROWAVE |
| 2 | 075249-01-000 | EA | RAIL-GALLERY, 72" - WATERFORD OAK |
| 3 | 116844-13-G01 | EA | END CAP-MICROWAVE CABINET |
| 4 | 110140-34-G01 | EA | DOOR-CABINET, W/O HARDWARE - 330 X 660 MM |
| 5 | 116852-01-G01 | EA | CABINET-OVERHEAD, GALLEY - W/O DOORS OR HARDWARE |
| 6 | 103243-01-000 | EA | FAUCET-GALLEY, DUAL CONTROL - 8" CENTER SET |
| 7 | 116858-11-G21 | EA | COUNTERTOP-GALLEY CABINET |
| 7 | 116858-11-G22 | EA | COUNTERTOP-GALLEY CABINET |
| 8 | 102551-01-000 | EA | SINK-STAINLESS STEEL, DOUBLE - 17" X 25" |
| | 066437-01-000 | EA | STRAINER-SINK, W/BASKET |
| | 110012-02-G01 | EA | COVER-SINK (G21) |
| | 110012-02-G22 | EA | COVER-SINK (G22) |
| 9 | M07496-01-G21 | EA | CABINET-GALLEY, W/RANGE TOP |
| 9 | M07496-01-G22 | EA | CABINET-GALLEY, W/RANGE TOP |
| 9 | M07496-02-G21 | EA | CABINET- GALLEY, W/OVEN |
| 9 | M07496-02-G22 | EA | CABINET- GALLEY, W/OVEN |
| 10 | 110140-42-GB1 | EA | DOOR-CABINET, W/O HARDWARE - 365MM X 680MM |
| 11 | P10163-M8-G01 | EA | DRAWER-CABINET, W/O HARDWARE |
| 12 | P10163-M9-G01 | EA | DRAWER-CABINET, W/O HARDWARE |
| 13 | 110140-16-G01 | EA | DOOR-CABINET, W/O HARDWARE - 555MM X 380MM |
| 14 | 110140-06-G01 | EA | DOOR-CABINET, W/O HARDWARE - 555MM X 280MM |
| 15 | 110140-71-G01 | EA | DOOR-REFRIGERATOR CABINET SIDE STORAGE, W/O HARDWARE - 525MM X 1220MM |
| 16 | 110140-01-E01 | EA | DOOR-REFRIGERATOR, W/O HARDWARE - 255MM X 640MM |
| | 090329-01-000 | FT | SEAL-T, REFRIGERATOR CABINET - .6" WIDE TOP X 2" TAIL |

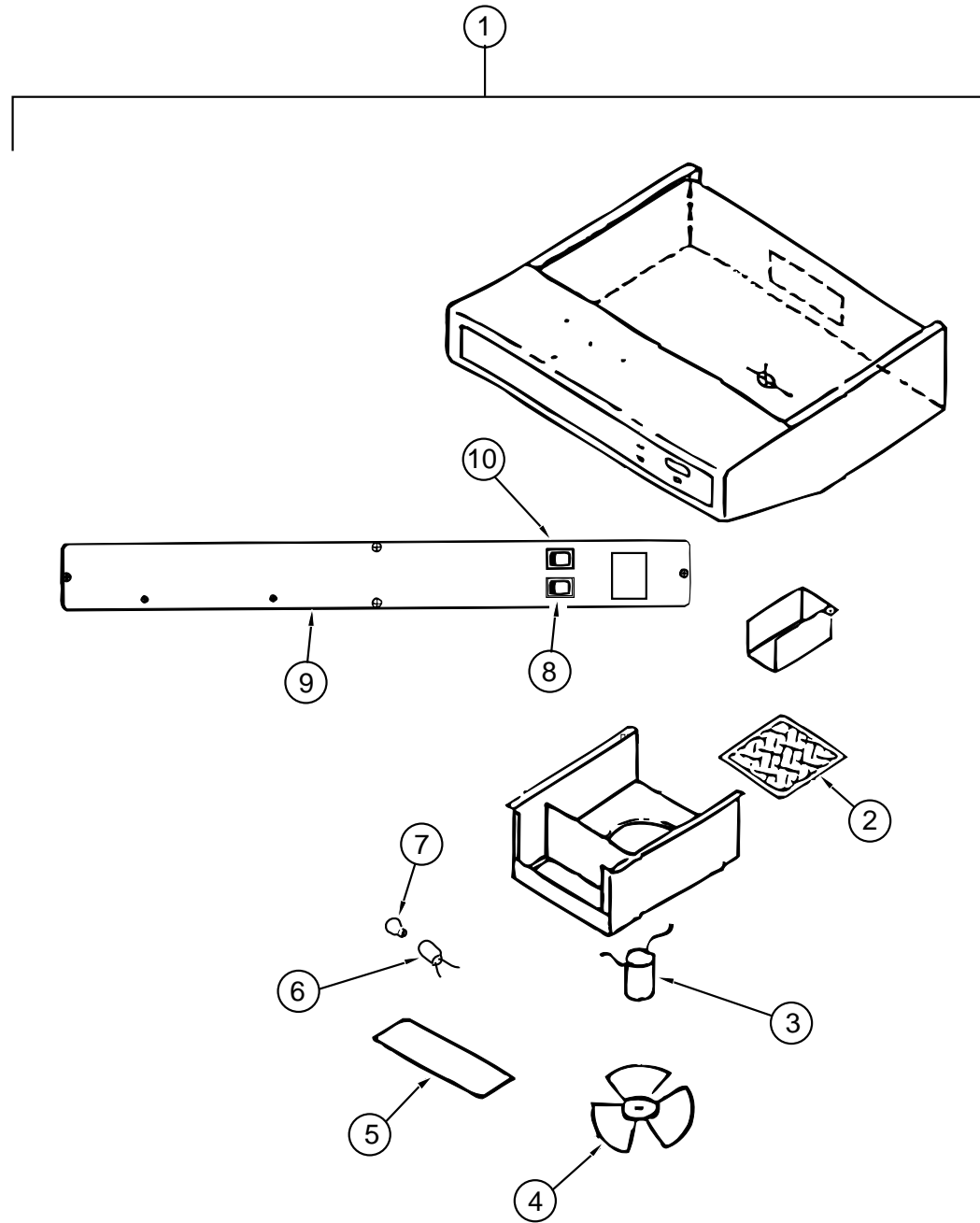
GALLEY GROUP (CONTINUED)



RANGE HOOD W/O MONITOR PANEL - U.S. - MODEL TPR-5042-NADLG

| KEY | PART NUMBER | U/M | DESCRIPTION | VENDOR NO. |
|-----|---------------|-----|---|------------|
| 1 | 100258-33-01A | EA | HOOD-RANGE, W/O MONITOR PANEL - TEXTURED - VENTLINE | |
| 2 | 096983-01-707 | EA | FILTER-CHARCOAL, 8" X 8" - LVS | CC248 |
| 3 | 090973-01-700 | EA | MOTOR - LVS | CA508-1 |
| 4 | 090973-01-702 | EA | BLADE-FAN, LVS | VA183-1 |
| 5 | 092696-02-701 | EA | LENS-LAMP, LVS | CC179-2 |
| 6 | 092696-01-710 | EA | SOCKET-LIGHT, VENTLINE | CB267-2 |
| 7 | 117806-01-000 | EA | BULB - 12V NO.912 1.0 AMPS | |
| 8 | 096983-01-700 | EA | SWITCH-ON/OFF, VENTLINE | 108 |
| 9 | 096983-01-702 | EA | SWITCH-TWO WAY MOMENTARY, VENTLINE | 112 |
| 10 | 100258-01-700 | EA | HOOD-NOSE LABEL, | CC428 |
| 11 | 100258-10-01A | EA | GAUGE-HOUR METER, W/SWITCH - SCREW ON | 150 |
| 11 | 100258-10-701 | EA | GAUGE-HOUR METER, CLIP ON | L0775-00 |
| | 097944-03-700 | EA | PLATE-COVER, HOUR METER - VENTLINE | L6052 |

GALLEY GROUP (CONTINUED)



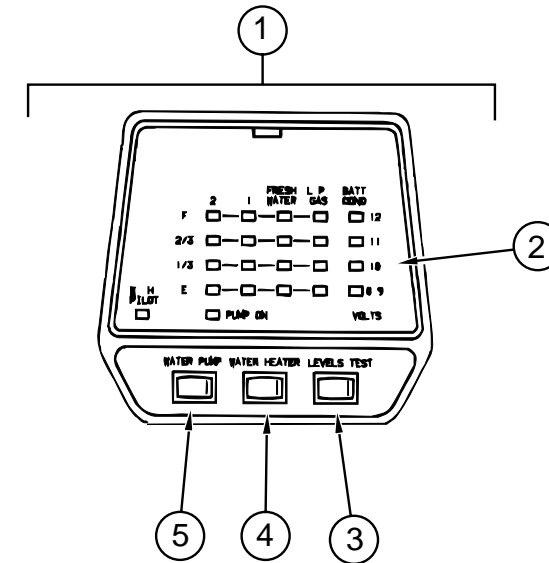
RANGE HOOD - MODEL TCR 5041 NADLG - US

| KEY | PART NUMBER | U/M | DESCRIPTION | VENDOR NO. |
|-----|---------------|-----|--|------------|
| 1 | 100258-31-01A | EA | HOOD-RANGE, 22 - W/O MONITOR PANEL - TEXTURED - VENTLINE | |
| 2 | 100258-05-700 | EA | FILTER-CHARCOAL | |
| 3 | 090973-01-700 | EA | MOTOR - LVS | CA508-1 |
| 4 | 090973-01-702 | EA | BLADE-FAN, LVS | VA183-1 |
| 5 | 092696-02-701 | EA | LENS-LAMP, LVS | CC179-2 |
| 6 | 092696-01-710 | EA | SOCKET-LIGHT, VENTLINE | CB267-2 |
| 7 | 117806-01-000 | EA | BULB - 12V NO.912 1.0 AMPS | |
| 8 | 096983-01-700 | EA | SWITCH-ON/OFF, VENTLINE | 108 |
| 9 | 100258-01-700 | EA | HOOD-NOSE LABEL | CC428 |
| 10 | 096983-01-702 | EA | SWITCH-TWO WAY MOMENTARY, VENTLINE | 112 |
| | 100258-10-01A | EA | GAUGE-HOUR METER, W/SWITCH - SCREW ON 150 - OPTIONAL | |
| | 100258-10-701 | EA | GAUGE-HOUR METER, CLIP ON L0775-00 - OPTIONAL | |

GALLEY GROUP (CONTINUED)

RANGE HOOD - HOUR METER W/SWITCH - MODEL CR 5041 NACL - CANADIAN

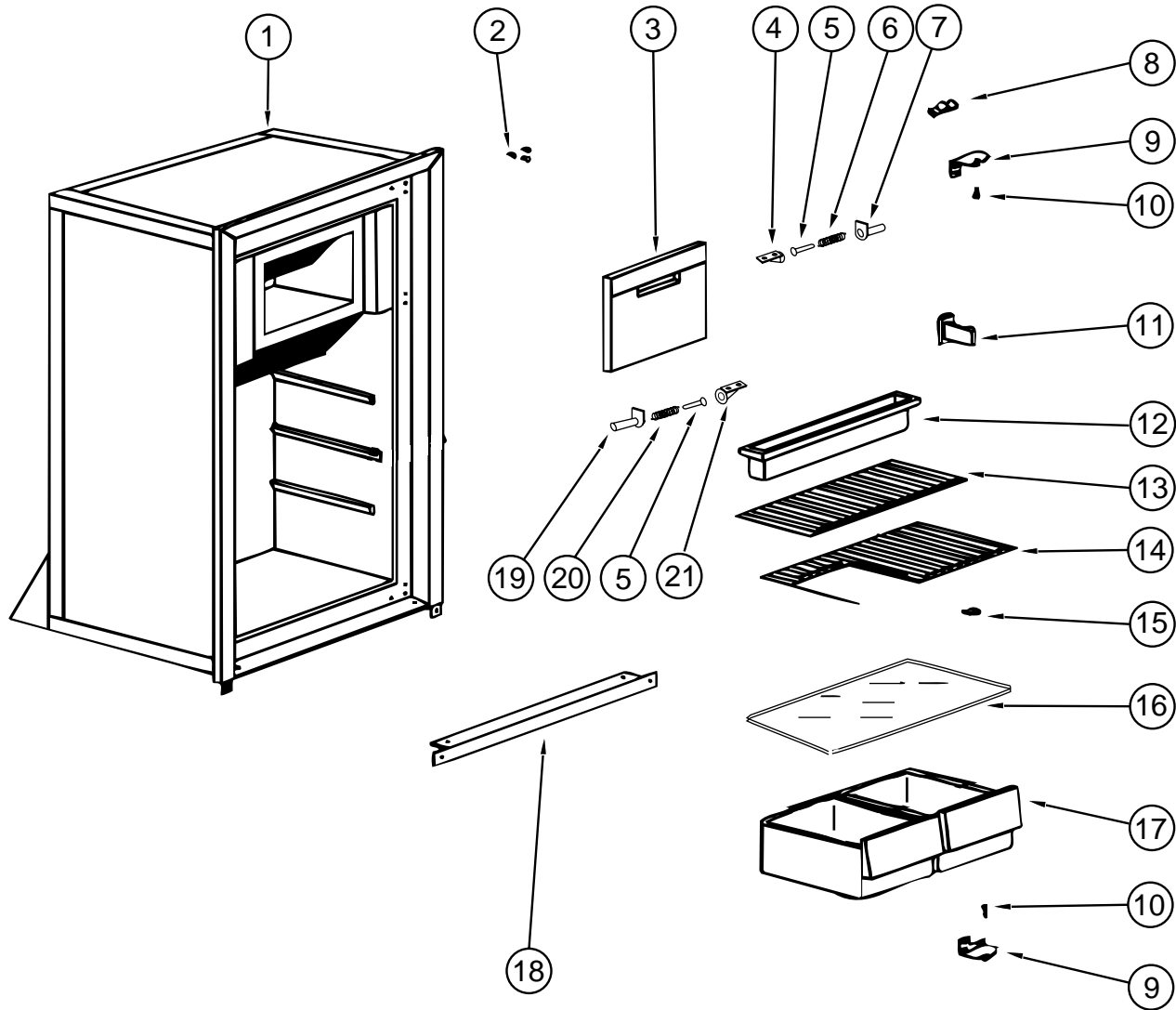
| KEY | PART NUMBER | U/M | DESCRIPTION | VENDOR NO. |
|-----|---------------|-----|--|------------|
| 1 | 100258-32-01A | EA | HOOD-RANGE, 22 - W/O MONITOR PANEL - TEXTURED - VENTLINE | |
| 2 | 100258-05-700 | EA | FILTER-CHARCOAL | |
| 3 | 090973-01-700 | EA | MOTOR - LVS | CA508-1 |
| 4 | 090973-01-702 | EA | BLADE-FAN, LVS | VA183-1 |
| 5 | 092696-02-701 | EA | LENS-LAMP, LVS | CC179-2 |
| 6 | 092696-01-710 | EA | SOCKET-LIGHT, VENTLINE | CB267-2 |
| 7 | 117806-01-000 | EA | BULB - 12V NO.912 1.0 AMPS | |
| 8 | 096983-01-700 | EA | SWITCH-ON/OFF, VENTLINE | 108 |
| 9 | 100258-01-700 | EA | HOOD-NOSE LABEL | CC428 |
| 10 | 096983-01-702 | EA | SWITCH-TWO WAY MOMENTARY, VENTLINE | 112 |
| | 100258-10-01A | EA | GAUGE-HOUR METER, W/SWITCH - SCREW ON 150 - OPTIONAL | |
| | 100258-10-701 | EA | GAUGE-HOUR METER, CLIP ON L0775-00 - OPTIONAL | |



MONITOR PANEL - LVS

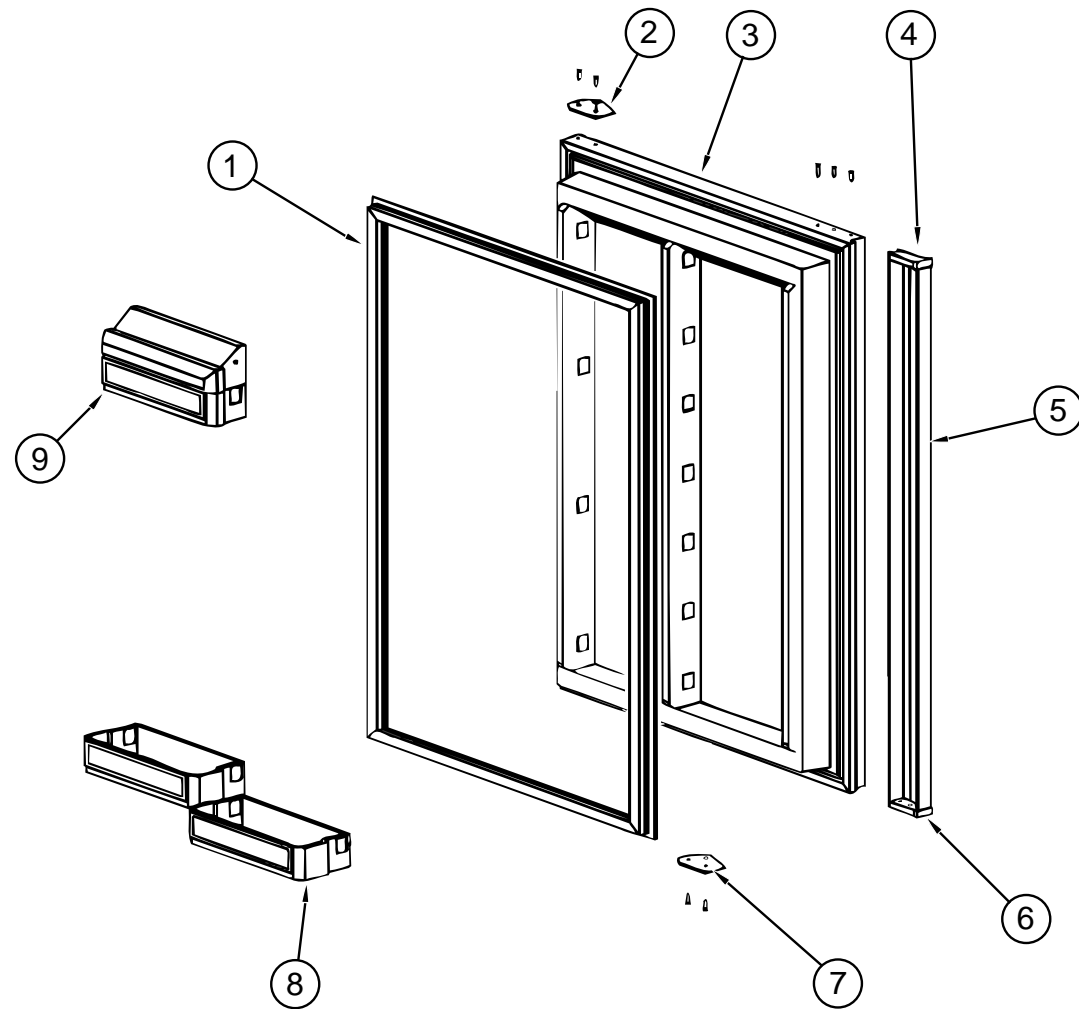
| KEY | PART NUMBER | U/M | DESCRIPTION | VENDOR NO. |
|-----|---------------|-----|--|------------|
| 1 | 102765-04-01A | EA | PANEL-MONITOR, W/PLUG - FOR 2 TANKS & WATER HEATER | |
| 2 | 102765-04-700 | EA | BOARD-CIRCUIT, 2 HOLDING TANK | 5076-11 |
| 3 | 097617-01-702 | EA | SWITCH (ALMOND) | 107 |
| 4 | 097617-01-701 | EA | SWITCH-ON/OFF, ALMOND | 106 |
| 5 | 102765-01-700 | EA | SWITCH-ON-ON, ALMOND | 110-01 |

GALLEY GROUP (CONTINUED)
NORCOLD SINGLE DOOR REFRIGERATOR - 2-WAY - MODEL 6052 RH



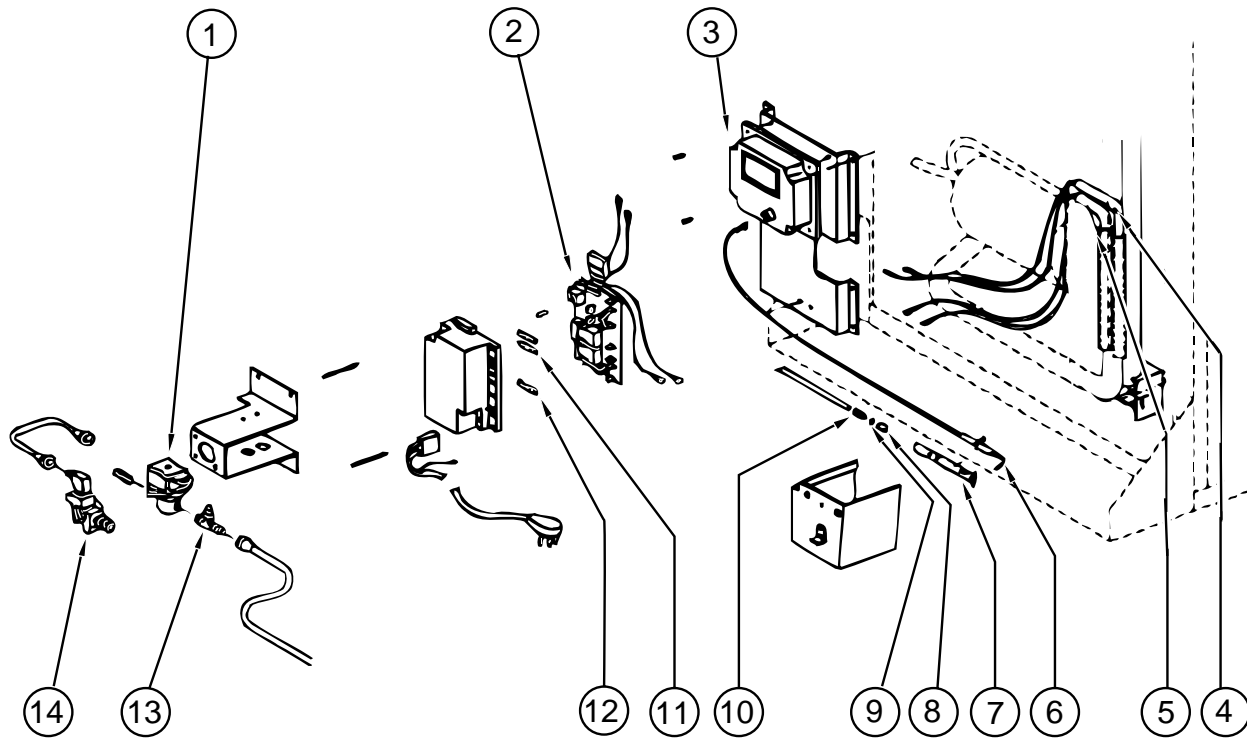
| KEY | PART NUMBER | U/M | DESCRIPTION | VENDOR NO. |
|-----|---------------|-----|--|------------|
| | 102621-04-01A | EA | REFRIGERATOR-LARGE SINGLE DOOR, 2-WAY | 61620238 |
| 1 | 102621-01-701 | EA | CABINET-FOAMED, BLACK | 61582030 |
| 2 | 094039-01-722 | EA | HOLE PLUG-HINGE HOLES, BLACK | 61620738 |
| 3 | 102621-01-700 | EA | DOOR-EVAPORATOR ASM | 61632930 |
| 4 | 102621-04-709 | EA | CLIP-MOUNTING, EVAPORATOR DOOR - RH - WHITE | 61632622 |
| 5 | 102621-04-710 | EA | SPRING-PIN | 61633222 |
| 6 | 102621-04-711 | EA | SPRING TORSION-EVAPORATOR DOOR, RH | 61632830 |
| 7 | 102621-04-703 | EA | HOLDER-SPRING, RH - WHITE | 61689122 |
| 8 | 084880-01-760 | EA | CLIP-THERMISTER | 61580838 |
| 9 | 094039-01-723 | EA | BRACKET-HINGE, TOP RH - BOTTOM LH - BLACK | 61580938 |
| 9 | 094039-01-724 | EA | BRACKET-HINGE, TOP LH - BOTTOM RH - BLACK | 61578130 |
| 10 | 094039-01-725 | EA | PIN-HINGE, MALE - BLACK | 61580630 |
| | 084880-03-702 | EA | PIN-HINGE, TOP/BOTTOM - FEMALE | 61578522 |
| 11 | 084880-01-732 | EA | LATCH | 61619930 |
| 12 | 102621-04-704 | EA | TRAY-DRIP, WHITE | 61718222 |
| 13 | 104137-06-706 | EA | WIRE SHELF-SHORT | 61646722 |
| 14 | 094039-01-739 | EA | SHELF-CUTOUT | 61580322 |
| 15 | 102621-04-705 | EA | RETAINER-GLASS SHELF | 61564122 |
| 16 | 084880-01-722 | EA | COVER-CRISPER | 61571325 |
| 17 | 104137-06-707 | EA | CRISPER-WHITE | 61622130 |
| 18 | 094039-01-732 | EA | FRONT COVER-BOTTOM TRIM, BLACK | 61632730 |
| 19 | 102621-04-707 | EA | HOLDER-SPRING, EVAPORATOR DOOR - LH | 61633122 |
| 20 | 102621-04-706 | EA | SPRING-EVAPORATOR DOOR, TORSION - LH | 61633030 |
| 21 | 102621-04-708 | EA | CLIP-MOUNTING, EVAPORATOR DOOR - LH | |
| | 093646-01-000 | EA | BRACKET-TIEDOWN, REFRIGERATOR | |
| | 093646-05-000 | EA | BRACKET-TIEDOWN, REFRIGERATOR | |
| | 065225-02-000 | EA | PLATE-TIEDOWN, REFRIGERATOR | |
| | 054450-01-000 | EA | LEVEL-REFRIGERATOR | |
| | 116751-01-01A | EA | TRAY-DRIP, REFRIGERATOR - 24.6" X 6.3" - PLASTIC - BLACK | |

GALLEY GROUP (CONTINUED)
NORCOLD SINGLE DOOR REFRIGERATOR - 2-WAY - MODEL 6052 RH



| KEY | PART NUMBER | U/M | DESCRIPTION | VENDOR NO. |
|-----|---------------|-----|--|------------|
| 1 | 094039-01-713 | EA | DOOR GASKET-LOWER, GRAY | 61568030 |
| 2 | 094039-01-710 | EA | PLATE-HINGE, BLACK | 61631330 |
| 3 | 094039-01-715 | EA | LINER-LOWER DOOR, FOAMED - BLACK/WHITE | 61581738-B |
| 4 | 084880-01-761 | EA | END CAP-SPRING CATCH, UPPER - BLACK | 61593730 |
| 5 | 094039-01-717 | EA | HANDLE-W/CAP & SPRING, BLACK | 61649938 |
| 6 | 084880-01-720 | EA | SPRING-DOOR HANDLE | 61558822 |
| 7 | 094039-01-704 | EA | PLATE-HINGE, BLACK | 61593830 |
| 8 | 104137-06-703 | EA | BIN-DOOR SHELF, WHITE | 61631430 |
| 9 | 104137-06-704 | EA | BIN-MILK, WHITE | 61564025 |
| | | | | 61579425 |

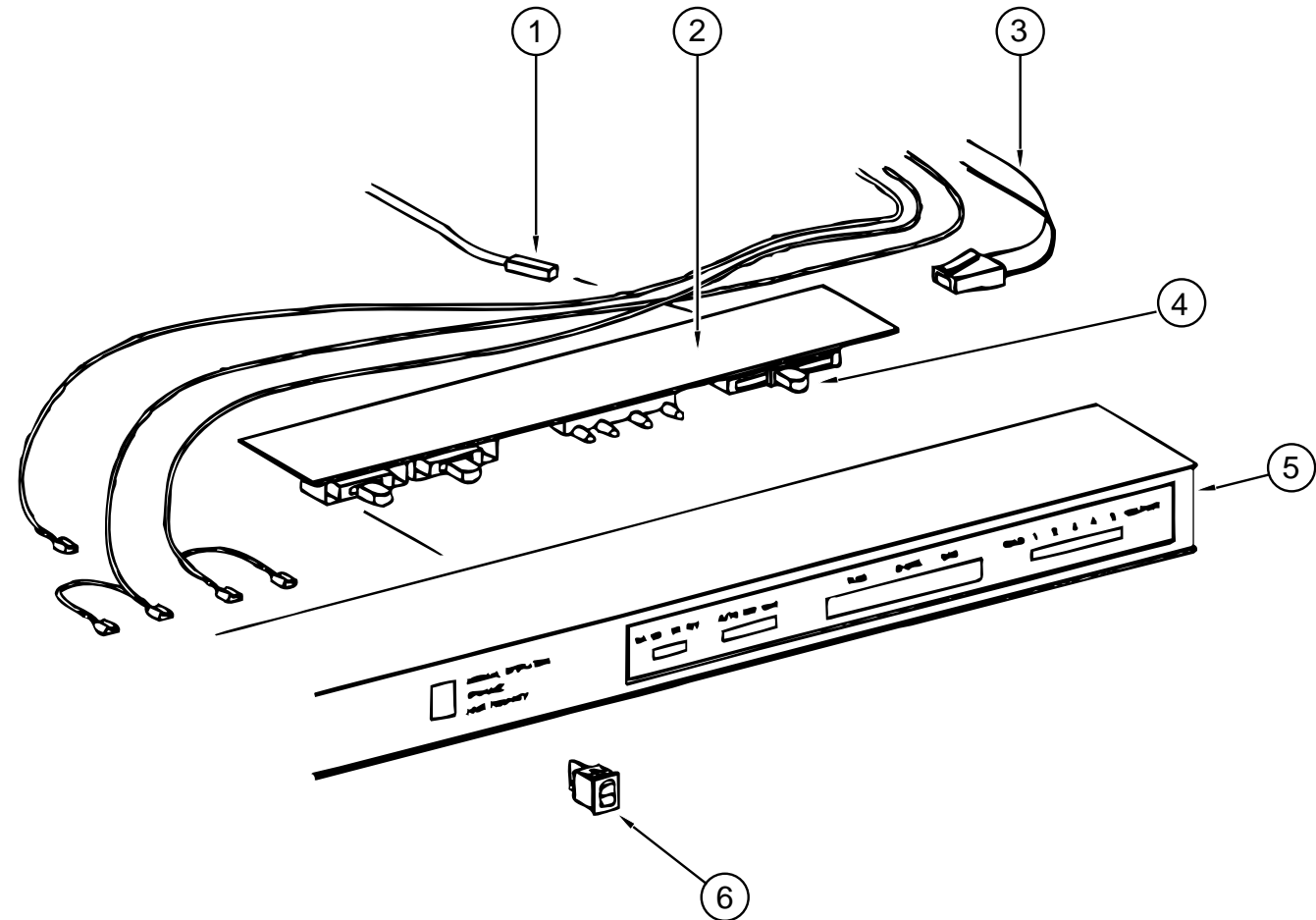
GALLEY GROUP (CONTINUED)



NORCOLD 6052 REFRIGERATOR CONTROL ASSEMBLY

| KEY | PART NUMBER | U/M | DESCRIPTION | VENDOR NO. |
|-----|---------------|-----|-----------------------------------|------------|
| 1 | 084880-01-718 | EA | VALVE-GAS | 61551822 |
| 2 | 094039-04-702 | EA | POWER SUPPLY - 2 WAY | 61647422 |
| 3 | 102621-01-702 | EA | MODULE-IGNITION | 61688922 |
| | 104137-02-700 | EA | MODULE-CONTROL, CHANNEL - NORCOLD | 61717037 |
| 4 | 102621-04-712 | EA | HEATER-DC, HORIZONTAL BURNER | 61562622 |
| 5 | 064473-03-701 | EA | HEATER-AC, HORIZONTAL BURNER | 61562522 |
| 6 | 104137-06-715 | EA | SPARK/SENSE ELECTRODE-SINGLE | 61692222 |
| 7 | 104137-06-714 | EA | BURNER ASSEMBLY - 5-SLOT | 61705222 |
| 8 | 064473-01-702 | EA | ORIFICE - 6EG-2 | 61452122 |
| 9 | 104137-06-713 | EA | GASKET-ORIFICE | 61475122 |
| 10 | 104137-06-712 | EA | FITTING-GAS TUBE CONNECTION | 61692722 |
| 11 | 075217-01-734 | EA | FUSE - 3 AMP | 61538822 |
| 12 | 104137-06-711 | EA | FUSE - 5 AMP | 61611622 |
| 13 | 104137-06-710 | EA | PRESSURE TAP | 61594422 |
| 14 | 104137-06-709 | EA | VALVE-SHUT OFF, MANUAL | 61694922 |

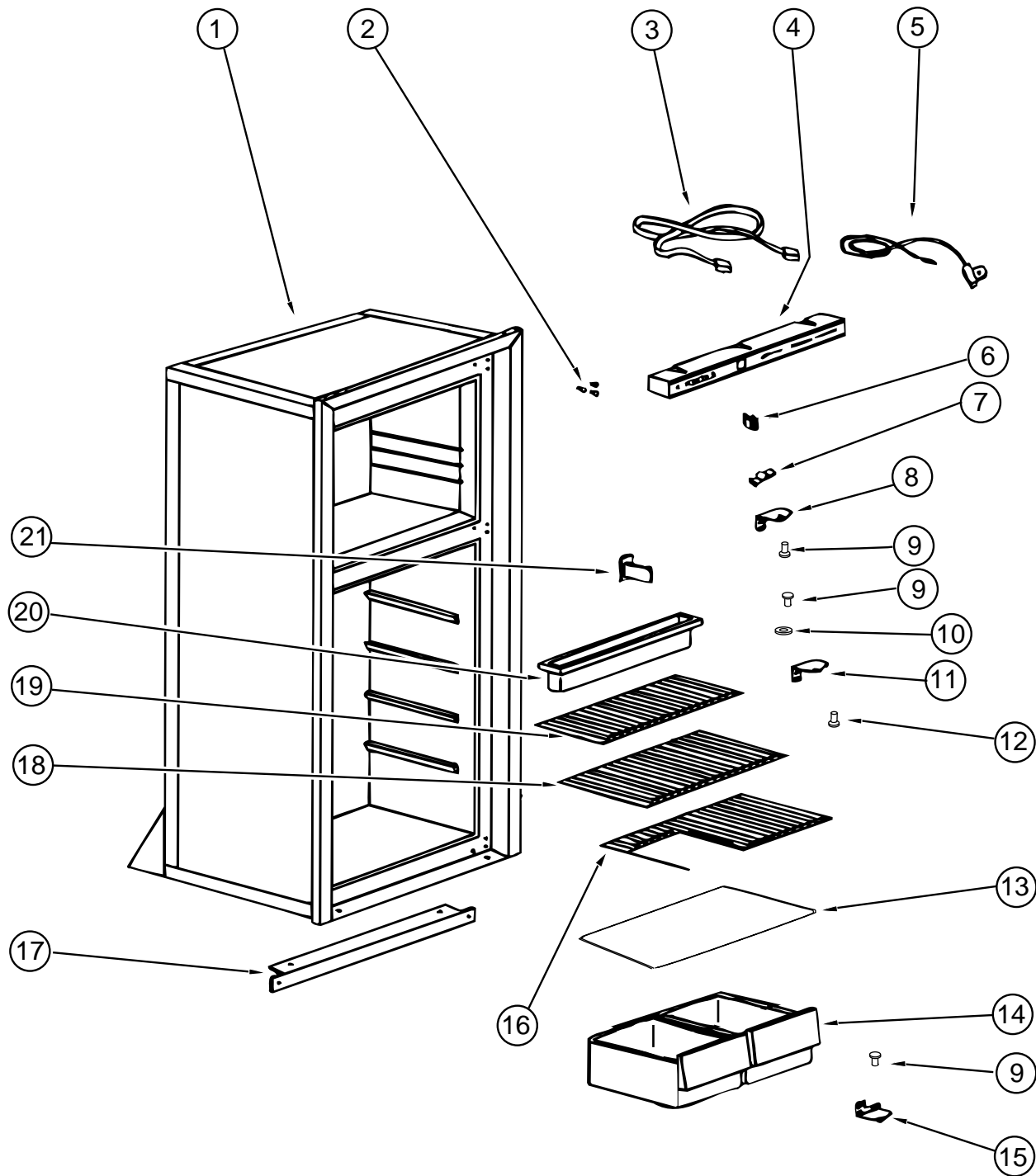
GALLEY GROUP (CONTINUED)



NORCOLD 6052 REFRIGERATOR EYEBROW ASSEMBLY

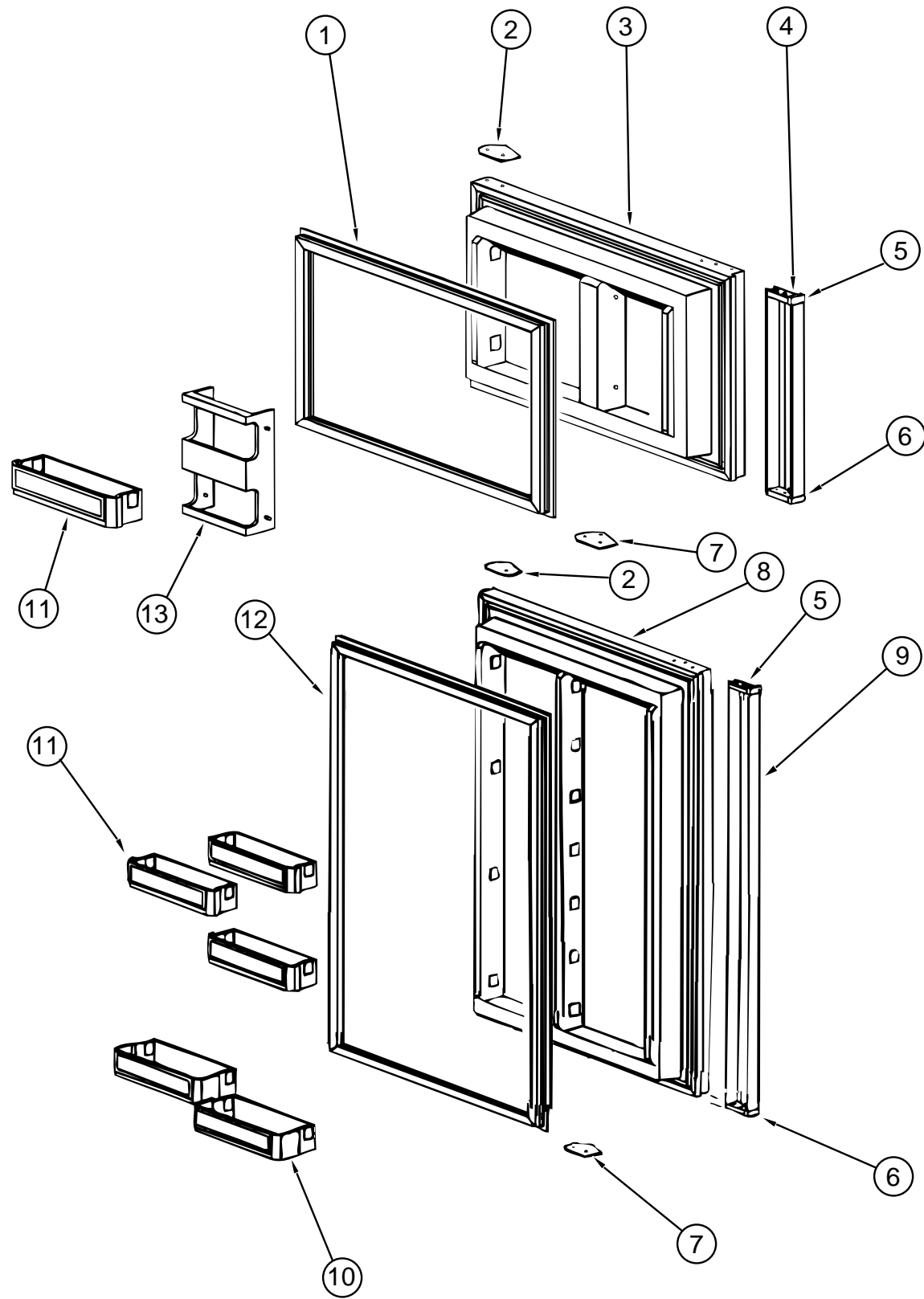
| KEY | PART NUMBER | U/M | DESCRIPTION | VENDOR NO. |
|-----|---------------|-----|---|------------|
| 1 | 084880-01-753 | EA | THERMISTER - 78" | 61693822 |
| | 084880-01-760 | EA | CLIP-THERMISTER | 61689122 |
| 2 | 094039-04-700 | EA | PRINTED CIRCUIT BOARD - 2 WAY | 61647322 |
| 3 | 084880-01-746 | EA | CABLE-NORCOLD | 61571522 |
| 4 | 102621-01-703 | EA | BUTTON-THERMOSTAT, ADJUSTABLE | 61587422 |
| 5 | 094039-04-701 | EA | EYEBROW SHELL, 2-WAY - W/O HUMIDITY SWITCH HOLE | 61669822 |
| 5 | 104137-06-700 | EA | EYEBROW SHELL, 2-WAY - W/HUMIDITY SWITCH HOLE | 61726622 |
| 6 | 075217-01-738 | EA | SWITCH-HUMIDITY | 61525922 |

GALLEY GROUP (CONTINUED)
NORCOLD REFRIGERATOR SMALL DOUBLE DOOR - MODEL 6162 LH B



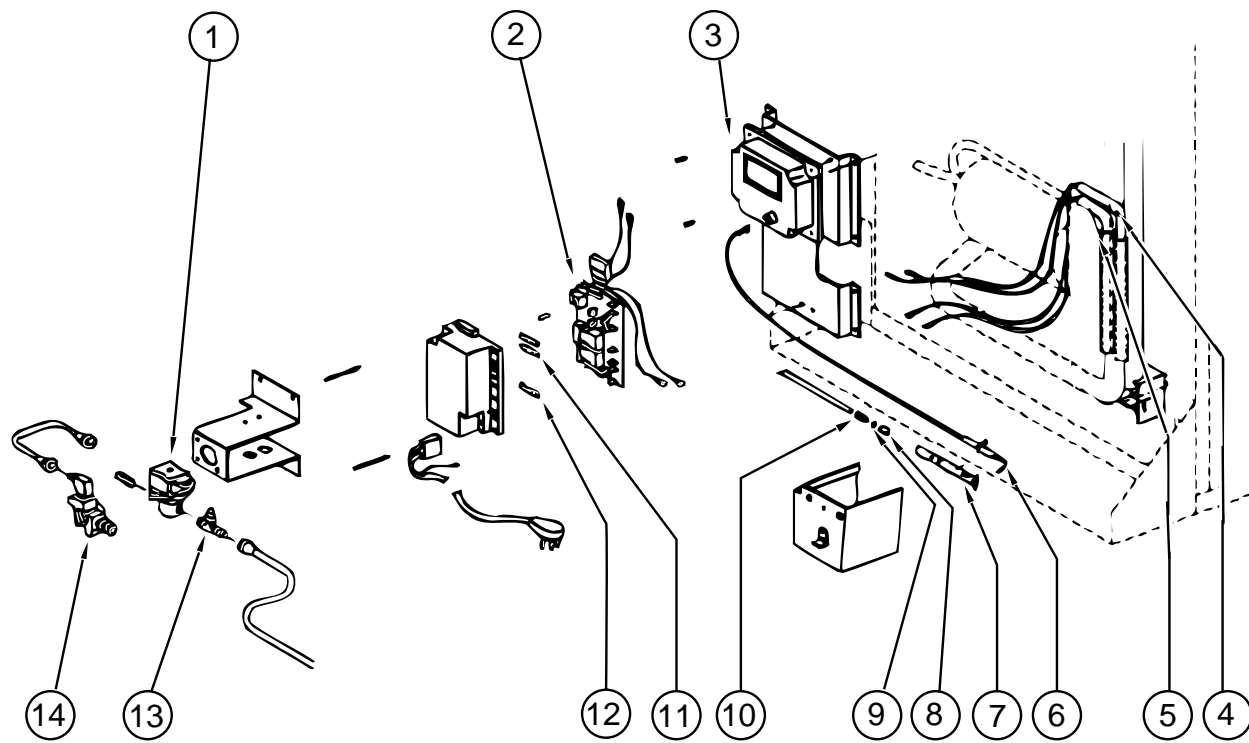
| KEY | PART NUMBER | U/M | DESCRIPTION | VENDOR NO. |
|-----|---------------|-----|--|------------|
| | 104138-05-01A | EA | REFRIGERATOR, SMALL DOUBLE DOOR - 2-WAY - LH | |
| 1 | 104138-04-701 | EA | CABINET ASSEMBLY, FOAMED -BLACK W/WHITE | 61725038 |
| 2 | 094039-01-722 | EA | HOLE PLUG-BLACK HINGE HOLES | 61582030 |
| 2 | 084880-01-747 | EA | PLUG-HOLE | 61582022 |
| 3 | 084880-01-746 | EA | CABLE-NORCOLD | 61571522 |
| 4 | 094039-04-701 | EA | EYEBROW SHELL, 2-WAY - W/O HUMIDITY SWITCH HOLE | 61669822 |
| 4 | 104137-06-700 | EA | EYEBROW SHELL, 2-WAY - W/HUMIDITY SWITCH HOLE | 61726622 |
| 5 | 084880-01-753 | EA | THERMISTER 78" | 61693822 |
| 6 | 075217-01-738 | EA | SWITCH-HUMIDITY | 61525922 |
| 7 | 084880-01-760 | EA | CLIP-THERMISTER | 61689122 |
| 8 | 094039-01-723 | EA | BRACKET-HINGE, TOP RH - BOTTOM LH - BLACK | 61580838 |
| 9 | 094039-01-725 | EA | HINGE PIN-MALE, BLACK | 61578130 |
| | 084880-03-702 | EA | HINGE PIN-TOP/BOTTOM FEMALE | 61580630 |
| 10 | 084880-01-749 | EA | BUSHING-HINGE | 61580722 |
| 11 | 094039-01-728 | EA | BRACKET-HINGE, CENTER - BLACK | 61566530 |
| 12 | 094039-01-730 | EA | HINGE PIN SHAFT-CENTER HINGE, BLACK | 61566730 |
| 13 | 084880-01-722 | EA | COVER-CRISPER | 61564122 |
| 14 | 104137-06-707 | EA | CRISPER-WHITE | 61571325 |
| 15 | 094039-01-724 | EA | BRACKET-HINGE, TOP LH - BOTTOM RH - BLACK | 61580938 |
| 16 | 094039-01-739 | EA | SHELF-CUTOUT | 61646722 |
| 17 | 094039-01-732 | EA | COVER-FRONT, BLACK BOTTOM TRIM | 61622130 |
| 18 | 094039-01-733 | EA | WIRE SHELF-MIDDLE | 61563822 |
| 19 | 094039-01-734 | EA | WIRE SHELF-TOP W/RISER | 61563722 |
| 20 | 094039-01-735 | EA | DRIP TRAY-INSIDE, WHITE | 61572830 |
| 21 | 084880-01-732 | EA | LATCH-NORCOLD | 61578522 |
| | 094039-01-726 | EA | SHELF-FREEZER EVAPORATOR | 61523622 |
| | 084879-03-700 | EA | COOLING UNIT-HORIZONTAL BURNER | 61687237 |
| | 104137-06-706 | EA | WIRE SHELF-SHORT | 61718222 |
| | 054450-01-000 | EA | LEVEL-REFRIGERATOR | |
| | 065225-02-000 | EA | PLATE-TIEDOWN, REFRIGERATOR | |
| | 093646-05-000 | EA | BRACKET-TIEDOWN, REFRIGERATOR | |
| | 116751-01-01A | EA | TRAY-DRIP, REFRIGERATOR - 24.6" X 6.3" - PLASTIC - BLACK | |

GALLEY GROUP (CONTINUED)
NORCOLD 6162 REFRIGERATOR DOORS



| KEY | PART NUMBER | U/M | DESCRIPTION | VENDOR NO. |
|-----|---------------|-----|-------------------------------------|------------|
| 1 | 094039-01-702 | EA | GASKET-UPPER, GRAY | 61567830 |
| 2 | 094039-01-710 | EA | PLATE-HINGE, BLACK | 61631330 |
| 3 | 094039-01-706 | EA | LINER-UPPER DOOR, WHITE/BLACK | 61581838-B |
| 4 | 094039-01-708 | EA | HANDLE-DOOR, UPPER - BLACK | 61650038 |
| 5 | 084880-01-761 | EA | END CAP-SPRING CATCH, UPPER - BLACK | 61593730 |
| | 084880-01-720 | EA | SPRING-DOOR HANDLE | 61558822 |
| 6 | 084880-01-740 | EA | END CAP-STOP CATCH | 61593830 |
| 7 | 094039-01-704 | EA | PLATE-HINGE, BLACK | 61631430 |
| 8 | 094038-01-702 | EA | LINER-DOOR, LOWER - BLACK/WHITE | 61581938-B |
| 9 | 094038-01-704 | EA | HANDLE-DOOR, LOWER - BLACK | 61650138 |
| 9 | 094038-01-703 | EA | HANDLE-DOOR, LOWER - BROWN | 61650137 |
| 10 | 104137-06-703 | EA | BIN-MILK, WHITE | 61579425 |
| 11 | 104137-06-704 | EA | BIN-DOOR SHELF, WHITE | 61564025 |
| 12 | 094038-01-700 | EA | GASKET-LOWER, GRAY | 61567930 |
| 13 | 104137-06-702 | EA | RACK-JUICE, WHITE | 61580525 |

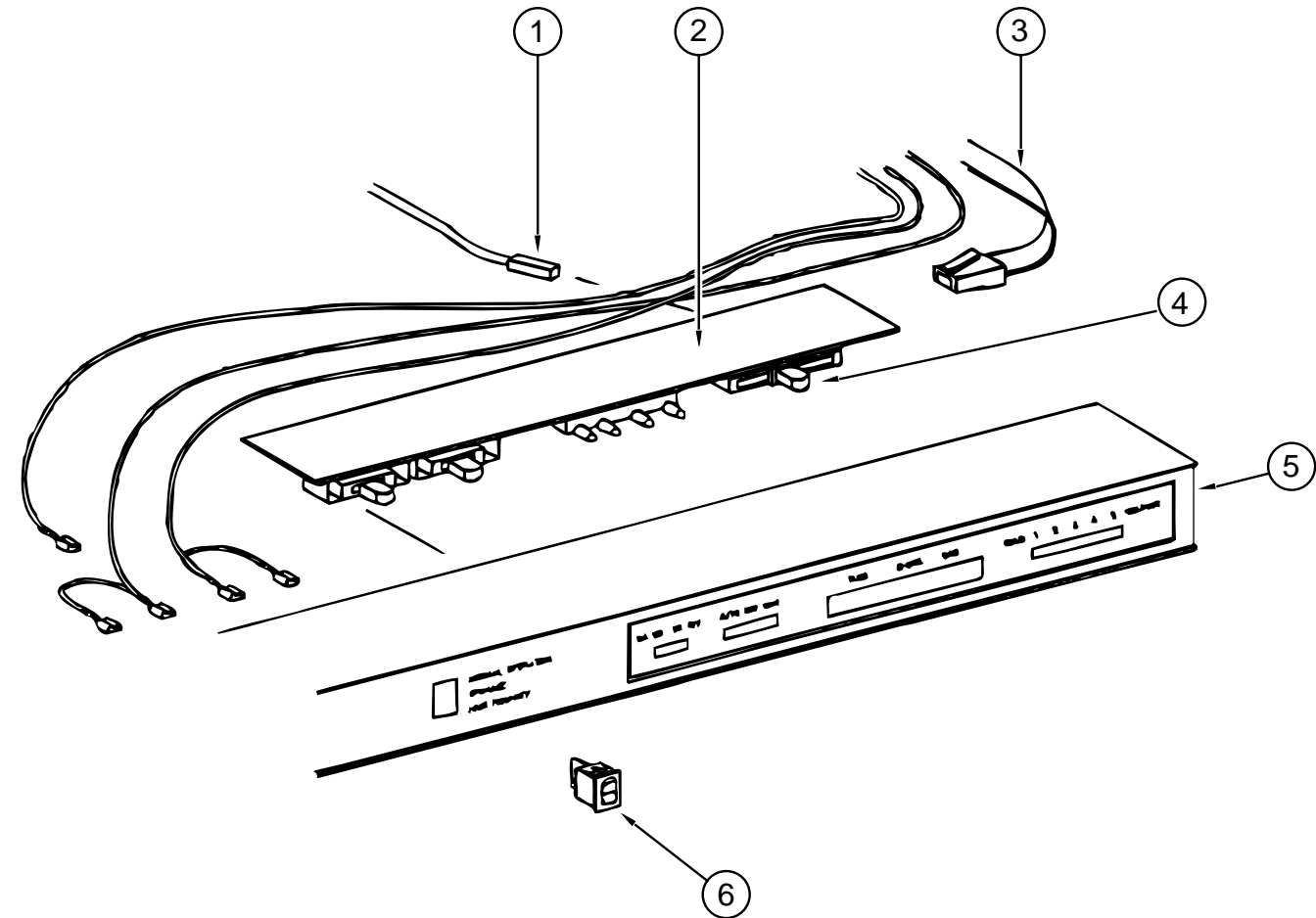
GALLEY GROUP (CONTINUED)



NORCOLD 6162 REFRIGERATOR CONTROL ASSEMBLY

| KEY | PART NUMBER | U/M | DESCRIPTION | VENDOR NO. |
|-----|---------------|-----|---|------------|
| 1 | 084880-01-718 | EA | VALVE-GAS | 61551822 |
| 2 | 094039-04-702 | EA | POWER SUPPLY - 2 WAY | 61647422 |
| 3 | 102621-01-702 | EA | MODULE-IGNITION | 61688922 |
| 4 | 088248-01-710 | EA | HEATER-DC, HORIZONTAL - 3 WAY | 61562822 |
| 5 | 088248-01-709 | EA | HEATER-AC, HORIZONTAL | 61562722 |
| 6 | 104137-06-715 | EA | SPARK/SENSE ELECTRODE-SINGLE | 61692222 |
| 7 | 104137-06-714 | EA | BURNER ASSEMBLY - 5-SLOT | 61705222 |
| 8 | 084880-01-705 | EA | ORIFICE | 61452222 |
| 9 | 104137-06-713 | EA | GASKET-ORIFICE | 61475122 |
| 10 | 104137-06-712 | EA | FITTING-GAS TUBE CONNECTION | 61692722 |
| 11 | 075217-01-734 | EA | FUSE - 3 AMP | 61538822 |
| 12 | 104137-06-711 | EA | FUSE - 5 AMP | 61611622 |
| 13 | 104137-06-710 | EA | PRESSURE TAP | 61594422 |
| 14 | 104137-06-709 | EA | VALVE-SHUT OFF, MANUAL | 61694922 |
| | 084880-01-713 | EA | CONNECTOR-MALE, INLET FITTING - NORCOLD | 615256 |

GALLEY GROUP (CONTINUED)



NORCOLD 6162 REFRIGERATOR EYEBROW ASSEMBLY

| KEY | PART NUMBER | U/M | DESCRIPTION | VENDOR NO. |
|-----|---------------|-----|---|------------|
| 1 | 084880-01-753 | EA | THERMISTER 78" | 61693822 |
| | 084880-01-760 | EA | CLIP-THERMISTER | 61689122 |
| 2 | 094039-04-700 | EA | PRINTED CIRCUIT BOARD - 2 WAY | 61647322 |
| 3 | 084880-01-746 | EA | CABLE-NORCOLD | 61571522 |
| 4 | 102621-01-703 | EA | BUTTON-THERMOSTAT, ADJUSTABLE | 61587422 |
| 5 | 094039-04-701 | EA | EYEBROW SHELL, 2-WAY - W/O HUMIDITY SWITCH HOLE | 61669822 |
| 5 | 104137-06-700 | EA | EYEBROW SHELL, 2-WAY - W/HUMIDITY SWITCH HOLE | 61726622 |
| 6 | 075217-01-738 | EA | SWITCH-HUMIDITY | 61525922 |

GALLEY GROUP (CONTINUED)
RANGE - 3 BURNER - MAGIC CHEF - MODEL 15RA-3B

| KEY | PART NUMBER | U/M | DESCRIPTION | VENDOR NO. |
|-----|---------------|-----|--------------------------------------|-------------|
| | 114030-01-01A | EA | RANGE-W/O OVEN, 3 BURNER - ALMOND | |
| | 102019-01-705 | EA | TRIM-REAR, BLACK - MAGIC CHEF | 3608F009-70 |
| | 102020-01-709 | EA | BUMPER-GRATE, MAGIC CHEF | 8007P018-60 |
| | 102020-01-710 | EA | FILTER-PILOT, MAGIC CHEF | 7507P046-60 |
| | 102020-01-711 | EA | GRATE-TOP, MAGIC CHEF | 7518P012-60 |
| | 102020-01-721 | EA | VALVE-SHUT OFF, MAGIC CHEF | 7506F096-60 |
| | 102020-01-722 | EA | VALVE-TOP BURNER, MAGIC CHEF | 7502P095-60 |
| | 102020-01-724 | EA | BUMPER-MAIN TOP, MAGIC CHEF | 8003P008-60 |
| | 102022-01-708 | EA | REGULATOR-PRESSURE, 1/4 IN - 1/2 OUT | 7510P041-60 |
| | 112881-01-700 | EA | TOP-MAIN, ALMOND | 2001F110-84 |
| | 112881-01-703 | EA | VALVE-TOP BURNER, HI-OUTPUT | 7502P180-60 |
| | 112881-01-705 | EA | KNOB-TOP BURNER | 7733P072-60 |
| | 112881-01-709 | EA | PIPE-MANIFOLD | 7513P097-60 |
| | 114030-01-700 | EA | PILOT-BURNER | 7505P147-60 |
| | 114030-01-701 | EA | PANEL-MANIFOLD | 2616F078-70 |
| | 114030-01-702 | EA | TRIM-RIGHT, BLACK | 3608W040-70 |
| | 114030-01-703 | EA | TRIM-LEFT, BLACK | 3608W039-70 |
| | 081587-03-000 | EA | BRACKET-TIEDOWN, RANGE - RH | |
| | 081587-04-000 | EA | BRACKET-TIEDOWN, RANGE - LH | |

MICROWAVE

| KEY | PART NUMBER | U/M | DESCRIPTION | VENDOR NO. |
|-----|---------------|-----|--------------------------------------|------------|
| | 115303-01-000 | EA | OVEN-MICROWAVE MCD-DM15K-7B | |
| | 115303-01-700 | EA | TRIM-VENT TOP OR GRILL | 2100309 |
| | 115401-01-01A | EA | TRIM-MICROWAVE, BLACK | |
| | 098916-12-01A | EA | BRACE-MICROWAVE CABINET, LH - E-COAT | |
| | 098916-13-01A | EA | BRACE-MICROWAVE CABINET, RH - E-COAT | |

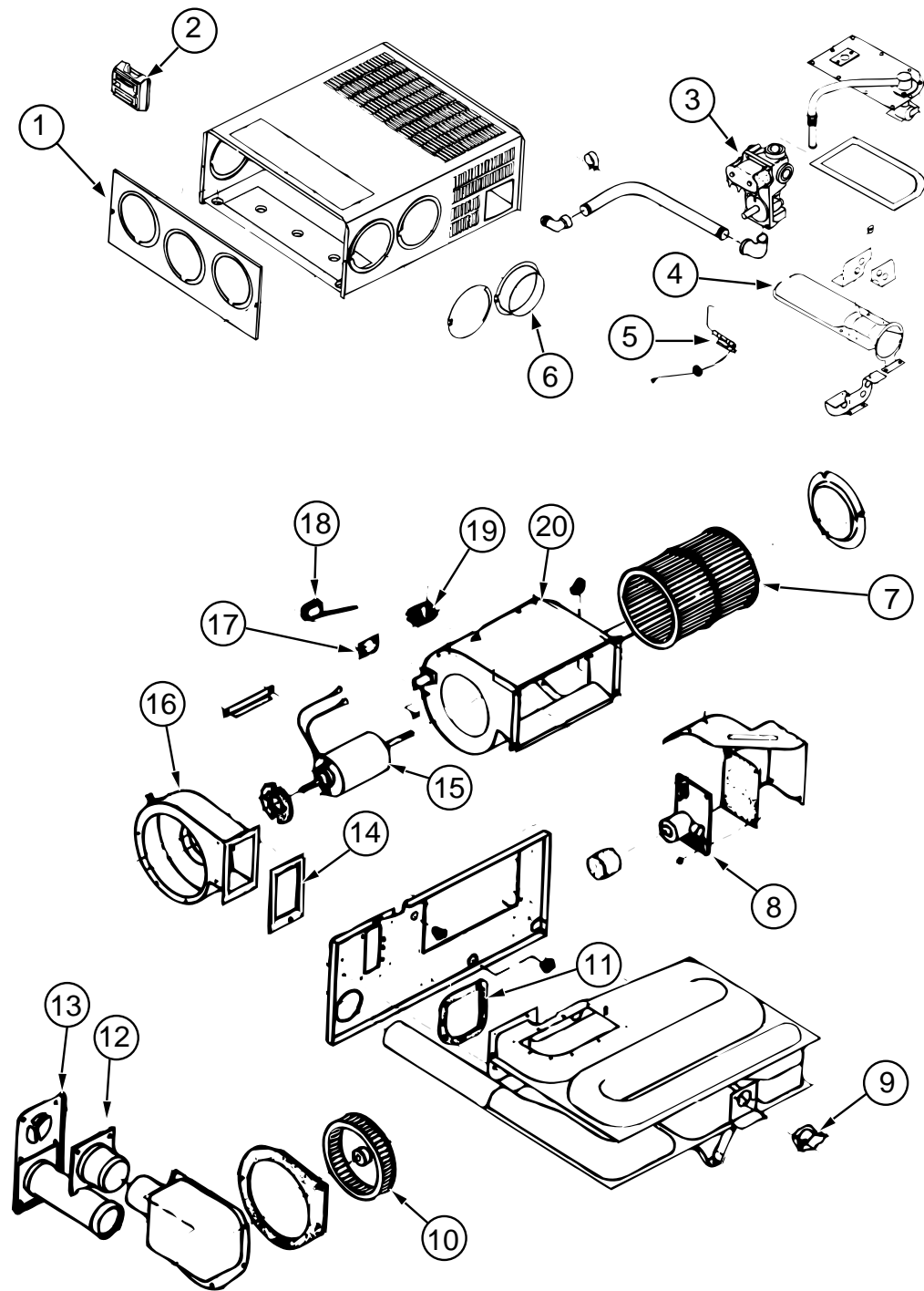
GENERATOR GROUP
3.3 KW ONAN GENERATOR - EXPORT

| KEY | PART NUMBER | U/M | DESCRIPTION |
|-----|---------------|-----|---|
| | 109982-05-000 | EA | GENERATOR - 3.3 MICROLITE, ONAN KY-FR/26119 B |
| | 007067-01-000 | SF | INSULATION-FIBERGLASS, 1" THICK X 4' - INCREMENTS OF 4 SF |
| | 007131-01-000 | EA | HANGER-TAILPIPE, 6 SLOTS |
| | 007125-03-000 | EA | CLAMP-MUFFLER, 1.5" DIAMETER |
| | 007125-04-000 | EA | CLAMP-MUFFLER, 1.1" DIAMETER |
| | 105958-10-000 | EA | PIPE-EXHAUST, GENERATOR |

4.0 KW ONAN GENERATOR - US & CANADIAN

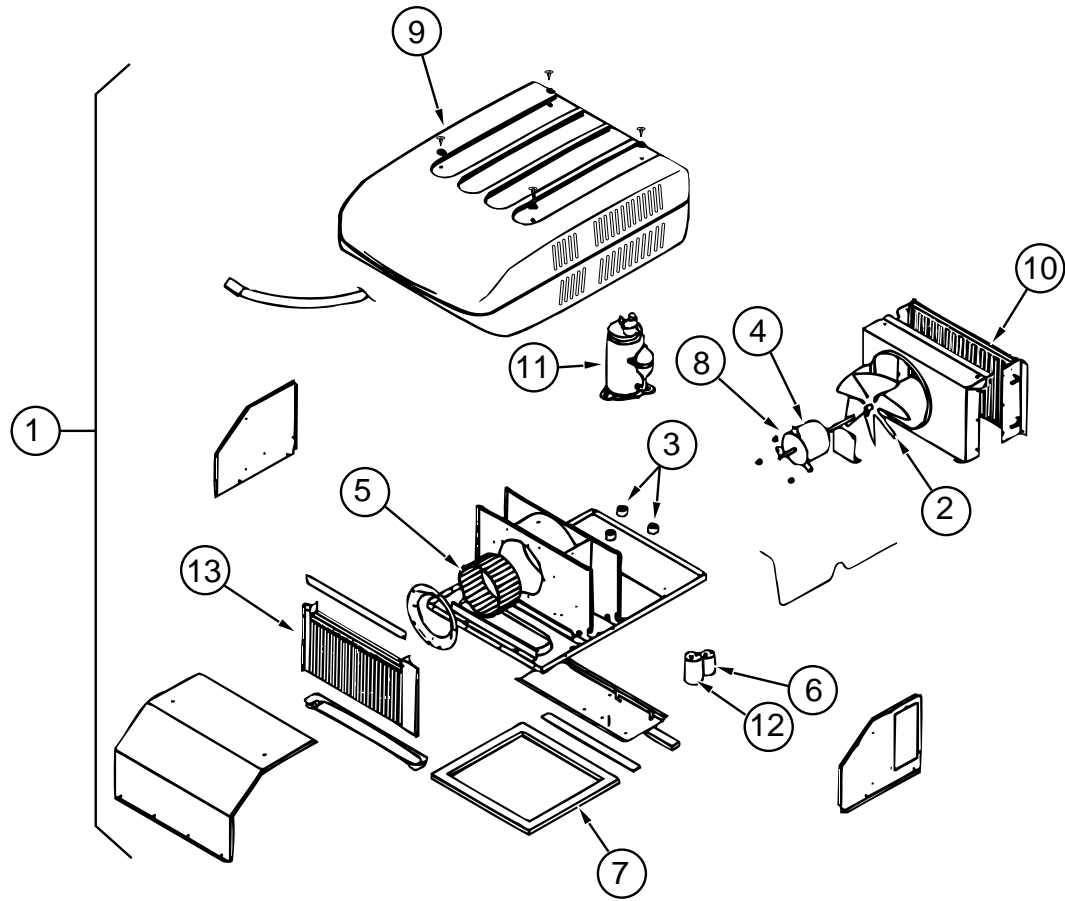
| KEY | PART NUMBER | U/M | DESCRIPTION |
|-----|---------------|-----|---|
| | 109982-03-000 | EA | GENERATOR - 4.0 MICROLITE, ONAN KY-FA/26100 B |
| | 007067-01-000 | SF | INSULATION-FIBERGLASS, 1" THICK X 4' - INCREMENTS OF 4 SF |
| | 007125-03-000 | EA | CLAMP-MUFFLER, 1.5" DIAMETER |
| | 007125-04-000 | EA | CLAMP-MUFFLER, 1.1" DIAMETER |
| | 105958-10-000 | EA | PIPE-EXHAUST, GENERATOR |

HEATING & AIR CONDITIONING GROUP (CONTINUED)
FURNACE - 25,000 BTU - SUBURBAN



| KEY | PART NUMBER | U/M | DESCRIPTION | VENDOR NUMBERS |
|-----|---------------|-----|---|----------------|
| | 098668-19-000 | EA | FURNACE - 25,000 BTU SUBURBAN | SF-25 2272 |
| 1 | 098668-01-700 | EA | CABINET FRONT, SUBURBAN | 101242 |
| 2 | 115764-01-01A | EA | THERMOSTAT-FURNACE SUBURBAN | 160902 |
| 3 | 098668-01-714 | EA | VALVE-GAS | 161070 |
| 4 | 098668-01-703 | EA | BURNER ASSEMBLY-COMplete | 010762 |
| 5 | 098668-01-715 | EA | ELECTRODE ASSEMBLY-SINGLE PROBE | 232166 |
| 6 | 075696-02-703 | EA | COLLAR-DUCT, SUBURBAN | 050715 |
| 7 | 098668-01-711 | EA | WHEEL-ROOM AIR, SUBURBAN | 350123 |
| 8 | 098668-01-712 | EA | BOARD-MODULE, SUBURBAN | 231741 |
| 9 | 098668-21-701 | EA | SWITCH-LIMIT | 231799 |
| 10 | 098668-01-706 | EA | WHEEL-COMBUSTION AIR, SUBURBAN | 350122 |
| 11 | 098668-01-716 | EA | GASKET-FIREWALL, CHAMBER SIDE | 070808 |
| 12 | 098668-01-713 | EA | TUBE ASSEMBLY-INTAKE VENT | 051248 |
| 13 | 098668-01-707 | EA | VENT CAP & EXHAUST TUBE ASSEMBLY | 260193 |
| 14 | 098668-01-717 | EA | GASKET-FIREWALL, BLOWER SIDE | 070809 |
| 15 | 098668-01-709 | EA | MOTOR ASSEMBLY | 231706 |
| 16 | 098668-01-708 | EA | BLOWER ASSEMBLY-COMBUSTION AIR | 390441 |
| 17 | 101990-01-714 | EA | GASKET-MICROSWITCH, SUBURBAN | 230877 |
| 18 | 098668-21-700 | EA | MICROSWITCH-W/O FLAG, 3 1/4" | 232261 |
| 19 | 074466-01-702 | EA | RELAY-TIME DELAY, SUBURBAN | 230625 |
| 20 | 098668-01-710 | EA | BLOWER ASSEMBLY-ROOM AIR | 390440 |
| | 090039-01-703 | EA | ORIFICE-MAIN BURNER | 180193 |
| | 098668-06-000 | EA | DOOR-ACCESS, FURNACE - OFF WHITE | 520574 |
| | 098668-23-000 | EA | DOOR-ACCESS, FURNACE - BRIGHT WHITE | 520574 |
| | 069636-02-000 | EA | CONNECTOR-DUCT, 4" ID 050715 | |
| | 093614-01-01A | EA | GRILLE-RETURN AIR, FURNACE - 15.6" X 7.6" - BROWN | |
| | | | FROM: 00-00-00 THRU: 04-16-95 | |
| | 093614-01-02A | EA | GRILLE-RETURN AIR, FURNACE - BEIGE | |
| | | | FROM: 04-17-95 THRU: 99-99-99 | |
| | 056464-05-000 | EA | REGISTER-PLASTIC, W/O DAMPER - 4" DIAMETER - GOLDEN | |
| | | | FROM: 00-00-00 THRU: 04-16-95 | |
| | 056464-10-000 | EA | REGISTER-PLASTIC, W/O DAMPER - 4" DIAMETER | |
| | | | FROM: 04-17-95 THRU: 99-99-99 | |
| | 009198-01-000 | FT | DUCT-HEAT, FLEXIBLE - 4" ID X 25 FT | |
| | 009200-01-000 | EA | TAPE-FURNACE, 1 1/2" | |

HEATING & AIR CONDITIONING GROUP (CONTINUED)



ROOF AIR CONDITIONER - COLEMAN - MODEL TSR-HO

| KEY | PART NUMBER | U/M | DESCRIPTION | VENDOR NO. |
|-----|---------------|-----|--|------------|
| 1 | 108889-01-05A | EA | A/C-ROOF, 13,500 - TSR HO - BRIGHT WHITE | 7333A886 |
| 2 | 093763-01-712 | EA | FAN BLADE-CONDENSER, COLEMAN | 6733-3221 |
| 3 | 105620-01-706 | EA | FOOT PACKAGE-COMPRESSOR, 3 PER PKG | 6759-3081 |
| 4 | 108889-01-705 | EA | MOTOR - 115, 60HZ | 1468-3049 |
| 5 | 108889-01-706 | EA | IMPELLOR | 1472-1041 |
| 6 | 093763-01-704 | EA | CAPACITOR-FAN, COLEMAN | 1499-3461 |
| | 108889-01-710 | EA | FILLER PAD-CONDITIONER AIR SEAL | 6759A3971 |
| 7 | 108889-01-711 | EA | GASKET PACKAGE | 6792-3301 |
| 8 | 108889-01-715 | EA | SEAL KIT-MOTOR MOUNT & SHAFT | 6792-3361 |
| 9 | 108889-05-700 | EA | SHROUD-LESS LOGO, BRIGHT WHITE | 7333-4601 |
| 10 | 108889-01-703 | EA | CONDENSER COIL | 1452A1301 |
| 11 | 105620-01-704 | EA | COMPRESSOR-RH & LH - COLEMAN | 1450-2009 |
| 12 | 108889-01-707 | EA | RUN CAPACITOR-COMPRESSOR, 25MFD/370 | 1499-5661 |
| | 091225-01-709 | EA | START RELAY, COLEMAN | 1497-4131 |
| 13 | 108889-01-709 | EA | EVAPORATOR COIL | 1452A1311 |
| | 102289-01-000 | EA | SPRING-SCREW, ROOF A/C GASKET - COLEMAN | 6757-150 |
| | 093306-01-701 | EA | DECAL PACKAGE, LEFT & RIGHT - COLEMAN | 6798B3591 |
| | 108889-01-704 | EA | OVERLOAD-MRA #98693 | 6749-3541 |
| | 108889-01-712 | EA | SUCTION LINE REDUCER - 3/8" X 1/2" | 1215-2161 |
| | 108889-01-713 | EA | SUCTION LINE - 3/8" OD X .032" WALL | 6792-130 |
| | 108889-01-714 | EA | DISCHARGE LINE ASSEMBLY | 6792-531 |

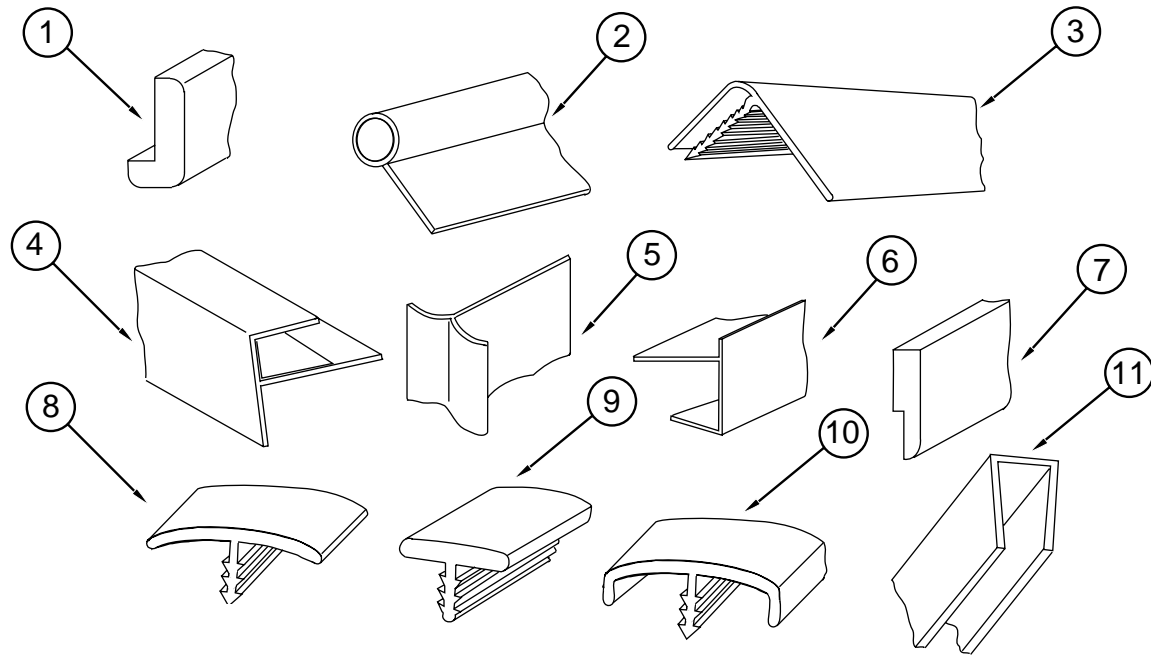
ROOF AIR CONDITIONER - COLEMAN - MODEL TSR 220 - EUROPEAN

| KEY | PART NUMBER | U/M | DESCRIPTION | VENDOR NO. |
|-----|---------------|-----|---------------------------------------|------------|
| | 108889-02-03A | EA | A/C-ROOF, 13,500 TSR 220 BRIGHT WHITE | 7373A891 |

CEILING AIR CONDITIONER - COLEMAN

| KEY | PART NUMBER | U/M | DESCRIPTION | VENDOR NO. |
|-----|---------------|-----|--|-------------|
| | 108891-01-01A | EA | CEILING ASM-A/C COOL TSR HO - COLEMAN | 7330-714 IV |
| | 042204-01-709 | EA | THERMOSTAT-IN 64 OUT 58 | 6701-3401 |
| | 073742-01-701 | EA | SWITCH-SELECTOR, 5 TERMINAL | 6759-3251 |
| | 073742-01-702 | EA | DECAL-COOL | 6759C3431 |
| | 081606-01-712 | EA | SHROUD-CEILING, IVORY | 6769-5061 |
| | 091225-01-713 | EA | KNOB | 6701-3351 |
| | 091225-01-717 | EA | DECAL-THERMOSTAT, COOL ONLY | 6799A3441 |
| | 093766-02-701 | EA | DECAL-LEFT | 6799-3971 |
| | 108891-01-700 | EA | PARTS PACKAGE - SINGLE KNOBS & NUTS | 6792-5991 |
| | 108891-01-701 | EA | CLIP-RETAINER, FILTERS - 6 PER | 6799-3141 |
| | 022756-03-000 | EA | COVER-A/C PLASTIC, OFF WHITE | |
| | 022756-02-000 | EA | COVER-PROTECTIVE, 5.5" ENDS X 8.2" - PLASTIC - OFF WHITE | |
| | 084077-03-000 | EA | COVER-BLANK, ROOF A/C - 5.2" X 3.5" - IVORY | |

INTERIOR FINISH GROUP



MOLDINGS & TRIMS

| KEY | PART NUMBER | U/M DESCRIPTION |
|-----|---------------|---|
| 1 | 077840-01-G01 | EA MOLDING-WALL CAP, 2438 |
| 2 | 009767-12-000 | FT MOLDING-SIDEWALL TO CEILING/CABINET - WELTING - OFF WHITE |
| 3 | 009809-23-000 | EA MOLDING-CORNER, OUTSIDE - 1" - PLASTIC - IVORY |
| 3 | 009809-28-000 | EA MOLDING-CORNER, OUTSIDE - 1" - WATERFORD OAK |
| 4 | 009812-29-000 | EA MOLDING-CORNER, OUTSIDE - 1/2" - WATERFORD OAK |
| 5 | 022992-11-000 | FT MOLDING-REVERSE COVE, T-SHAPED - VINYL - IVORY |
| 6 | 103186-01-05A | FT MOLDING-PLASTIC, SHELF - 19.9 MM - WATERFORD OAK |
| 7 | 105004-01-05A | EA MOLDING-VINYL WRAP - WATERFORD OAK |
| 8 | 009815-09-000 | FT MOLDING-T, .75" - IVORY |
| 9 | 104676-01-01A | FT MOLDING-T, 5/16" RIGID - GOLD |
| 10 | 104676-02-04A | FT MOLDING-T, 1/2" X 10' - WATERFORD OAK |
| 10 | 104676-02-01A | FT MOLDING-T, 1/2" X 7' |
| 10 | 083620-07-000 | FT MOLDING-T, END CAP EDGE - W/EDGE LIPS - .75" - THOR PECAN |
| 10 | 083620-09-000 | FT MOLDING-T, 3/4 - W/EDGE LIPS - MODERN IVORY |
| 10 | 083620-12-000 | FT MOLDING-T, 3/4 - W/EDGE LIPS - WATERFORD OAK |
| 10 | 119520-01-01A | FT MOLDING-T, 1" - W/EDGE LIPS |
| 11 | 009778-21-000 | FT U-CHANNEL - 1", WATERFORD OAK |
| 11 | 070504-36-000 | FT EXTRUSION-U CHANNEL, 1.65 - WATERFORD OAK |
| 11 | 070504-37-000 | FT EXTRUSION-U-CHANNEL, 20.70 - WATERFORD OAK |
| | 117268-D2-134 | EA MOLDING-VINYL WRAPPED, 018 X 040 X 2134 MM - WATERFORD OAK |
| | 117268-F2-134 | EA MOLDING-VINYL WRAPPED, 018 X 065 X 2134 MM - WATERFORD OAK |
| | 009767-15-000 | FT WELTING-WATERFORD OAK |
| | 076325-37-000 | FT MOLDING-EDGEBAND, 1 5/16 - ORCHID MIST |
| | 076325-47-000 | FT MOLDING-EDGEBAND, 1 5/16 - SAND (G21) |
| | 076325-49-000 | FT MOLDING-EDGEBAND, 1 5/16 - NEUTRAL (G22) |
| | 076325-44-000 | FT MOLDING-EDGEBAND, .875 - SAND (G21) |
| | 076325-40-000 | FT MOLDING-EDGEBAND, .875 - NEUTRAL (G22) |
| | 076325-68-000 | FT MOLDING-EDGEBAND, WATERFORD - 1 5/16 X .038 |
| | 075249-01-000 | EA RAILING-OAK, 72" - UNFINISHED |
| | 112198-01-000 | FT MOLDING-J, #90227 - CRILA PLASTICS |
| | 112198-02-000 | FT MOLDING-J, #90066 - CRILA PLASTICS |
| | 100659-01-G09 | EA MOLDING-TRIM, VINYL FLOOR |

INTERIOR FINISH GROUP (CONTINUED) PANELING, LAMINATES & PLASTIC

| KEY | PART NUMBER | U/M DESCRIPTION |
|-----|---------------|---|
| | 074497-34-000 | SF PANELING-CEILING, 3MM X 48" X 8" - PEARL |
| | 074497-28-000 | SF PANELING - 48" X 96", WATERFORD OAK |
| | 080215-10-000 | SF PANELING - 2 SIDED, 5MM X 48" X 96" - WATERFORD OAK |
| | 088272-E2-000 | SF PANELING-MAIN, TRAVERTINE (G21) |
| | 088272-E6-000 | SF PANELING-MAIN, MIDNIGHT (G22) |
| | 088272-98-000 | SF PANELING-SHOWER, OFF WHITE - 4' X 7' |
| | 074498-54-000 | SF LAMINATE-PLASTIC, SAND (G21) |
| | 074498-71-000 | SF LAMINATE-PLASTIC, NEUTRAL (G22) |
| | 074498-77-000 | SF LAMINATE-PLASTIC, CABIN OAK |
| | 074498-67-000 | SF LAMINATE-PLASTIC, ORCHID MIST |
| | 093743-02-01A | SF PLASTIC-ABS, 20" WIDE ROLL - OFF WHITE |
| | 000885-76-000 | SF PARTICLE BOARD-VINYL 1 SIDE, 3/8" X 48" X 96" - WATERFORD OAK |
| | 000885-77-000 | SF PARTICLE BOARD-VINYL 2 SIDES, 3/8" X 48" X 96" - WATERFORD OAK |
| | 000885-78-000 | SF PARTICLE BOARD-VINYL 2 SIDES, 1/2" X 48" X 96" - WATERFORD OAK |
| | 000885-79-000 | SF PARTICLE BOARD-VINYL 2 SIDES, 3/4" X 48" X 96" - WATERFORD OAK |

CARPETING & FLOOR MATS

| KEY | PART NUMBER | U/M DESCRIPTION |
|-----|---------------|---|
| | 096060-95-000 | SY CARPET-JUBILATION, DOESKIN (G21) |
| | 096060-97-000 | SY CARPET-JUBILATION, LAPIS BLUE (G22) |
| | 093486-01-000 | SY CARPET-COMPARTMENT, 54" WIDE - DARK GRAY |
| | 106884-01-000 | EA MAT-FLOOR, PASSENGER - W/"W" LOGO - FORD |
| | 106884-02-000 | EA MAT-FLOOR, DRIVER - W/"W" LOGO - FORD |
| | 102569-04-000 | EA MAT-ANTI SLIP |

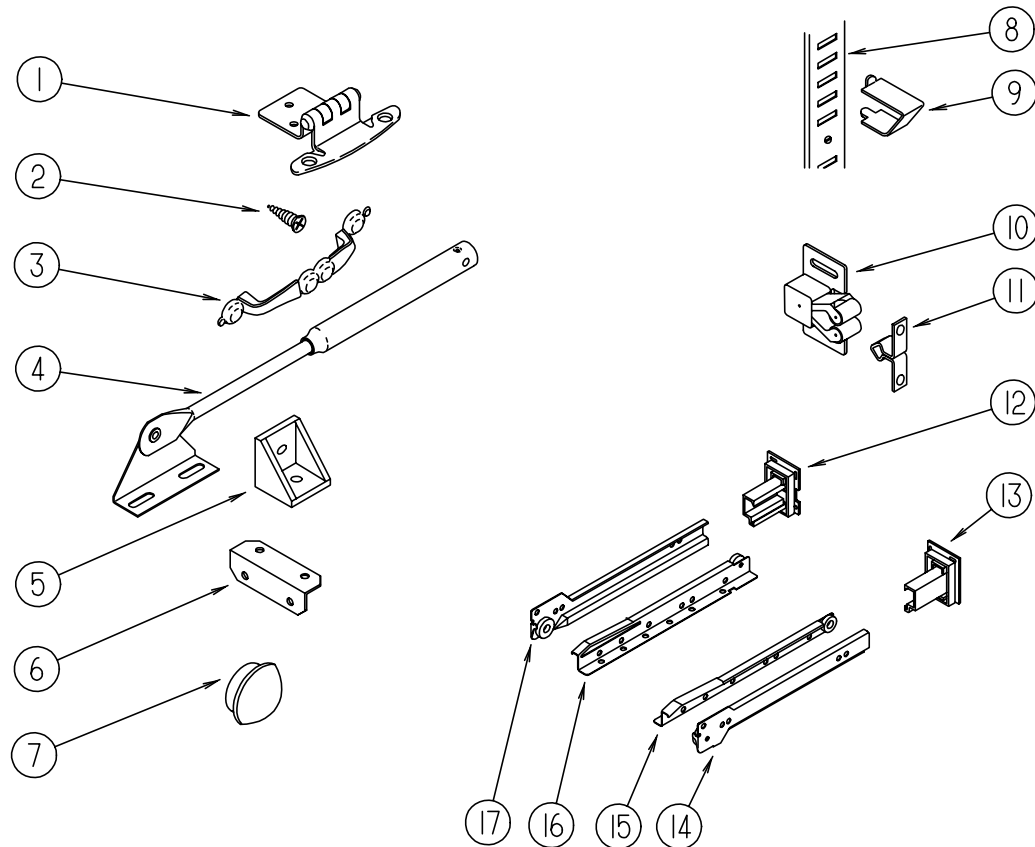
BATT STRIPS

| KEY | PART NUMBER | U/M DESCRIPTION |
|-----|---------------|--|
| | 088263-C1-000 | EA BATT-STRIP, MAIN - TRAVERTINE (G21) |
| | 088263-C5-000 | EA BATT-STRIP, MAIN - MIDNIGHT (G22) |
| | 088263-D6-000 | EA BATT-STRIP, CEILING - IMPACT PEARL |
| | 088263-78-000 | FT BATT STRIP-SHOWER, ANTIQUE WHITE |
| | 069733-83-000 | EA BATT-STRIP, WATERFORD OAK |
| | 085284-B5-000 | FT TAPE-BATT STRIP, WATERFORD OAK |
| | 085284-B3-000 | FT TAPE-BATT STRIP, MAIN - TRAVERTINE (G21) |
| | 085284-B8-000 | FT TAPE-BATT STRIP, MAIN - MIDNIGHT (G22) |
| | 085284-C9-000 | FT TAPE-BATT STRIP, CEILING - IMPACT PEARL |
| | 085284-76-000 | FT TAPE-BATT STRIP, SHOWER - ANTIQUE WHITE |
| | 086229-13-000 | EA BATTEN-CEILING, 1" - MODERN IVORY |
| | 086229-01-000 | EA RETAINER-BATTEN, CEILING - .75" WIDE X 7.6' |

FIRE EXTINGUISHER & DETECTORS

| KEY | PART NUMBER | U/M DESCRIPTION |
|-----|---------------|---|
| | 072852-02-000 | EA DETECTOR-SMOKE, W/9 VOLT BATTERY - CANADIAN |
| | 094499-02-000 | EA EXTINGUISHER-FIRE, DRY - 1A10BC - CANADIAN |
| | 094499-01-700 | EA BRACKET-MOUNTING, W/PLASTIC STRAP - FIRE EXTINGUISHER |
| | 072852-01-000 | EA DETECTOR-SMOKE, W/9 VOLT BATTERY - US |
| | 094499-01-000 | EA EXTINGUISHER-FIRE, DRY W/MOUNTING BRACKET - 10 BC |
| | 094499-01-700 | EA BRACKET-MOUNTING, W/PLASTIC STRAP - FIRE EXTINGUISHER |
| | 112320-01-000 | EA DETECTOR-CO GAS, MODEL 9B-I - COSTAR 940000000 FROM: 00-00-00 THRU: 09-03-95 |
| | 112320-03-000 | EA DETECTOR-CO GAS MODEL 9D-I COSTAR 946000001 FROM: 09-04-95 THRU: 99-99-99 |
| | 112320-02-000 | EA BATTERY/SENSOR-CO GAS, COSTAR 940001000 |
| | 112320-04-000 | EA DETECTOR-CO SENSOR ASSEMBLY COSTAR 946001001 FROM: 00-00-00 THRU: 09-03-95 FROM: 09-04-95 THRU: 99-99-99 |

INTERIOR FINISH GROUP (CONTINUED)



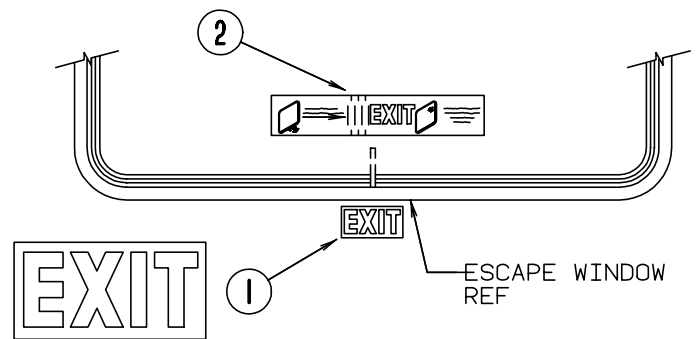
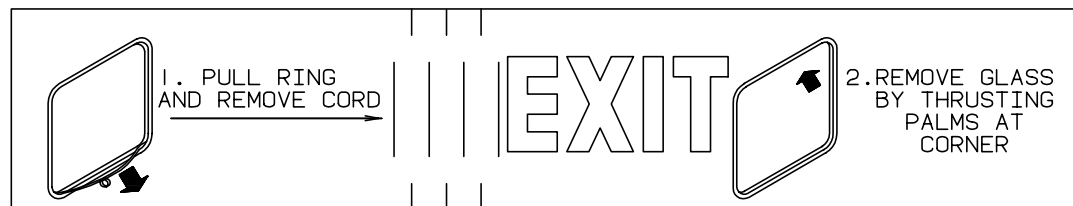
CABINET HARDWARE

| KEY | PART NUMBER | U/M DESCRIPTION |
|-----|---------------|---|
| 1 | 108138-01-000 | EA HINGE-DOOR, CABINET - BURNISHED BRASS |
| 2 | 000G13-06-08G | EA SCREW - 6-20 X 5/8 PFH - ANTIQUE BRASS |
| 3 | 112146-01-000 | EA PULL-CABINET, BRASS - AMEROCK D-1180-3 |
| 4 | 074493-02-000 | EA SUPPORT-PISTON SPRING, CABINET DOOR |
| 5 | 065740-01-000 | EA BRACE-CABINET CORNER, PLASTIC |
| 6 | 016604-01-000 | EA BRACE-CABINET, ANGLE - 2.5" - METAL - UNPAINTED |
| 6 | 016604-03-000 | EA BRACE-CABINET, ANGLE - 2.5" - METAL - BEIGE |
| 6 | 016604-05-000 | EA BRACE-CABINET, L ANGLE - 2.5" - METAL - OFF WHITE |
| 7 | 042356-01-000 | EA PLUG-BUTTON, MAHOGANY - 3/8" DIAMETER - WOOD |
| 7 | 074045-08-000 | EA PLUG-OAK, 1/2" DIA - SALEM CHERRY |
| 8 | 098980-01-000 | EA PILASTER-ADJUSTABLE SHELF, 18" LONG - WOODGRAIN APPEARANCE |
| 9 | 098979-01-000 | EA CLIP-ADJUSTABLE SHELF |
| 10 | 093586-06-000 | EA CATCH-SPRING, ROLLER - FASTEC C411-AC |
| 11 | 093586-05-000 | EA STRIKE-SPRING, STEEL - FASTEC S411-AC |
| 12 | 114045-01-000 | EA BACKSOCKET-ADJUSTABLE, LEFT - HOUCK 751-1 N/A USE KIT #114031-13-700 |
| 13 | 114045-02-000 | EA BACKSOCKET-ADJUSTABLE, RIGHT - HOUCK 751-2 N/A USE KIT #114031-13-700 |
| 14 | 114031-14-000 | EA SLIDE-DRAWER, 18" - RIGHT - CABINET MOUNTED HOUCK 7200-RV-2 N/A ORDER #114031-13-700 SLIDE DRAWER KIT |
| 15 | 114031-16-000 | EA SLIDE-DRAWER, 18" - RIGHT - DRAWER MOUNTED HOUCK 7200-RV-4 N/A ORDER #114031-13-700 SLIDE DRAWER KIT |
| 16 | 114031-15-000 | EA SLIDE-DRAWER, 18" - LEFT - DRAWER MOUNTED HOUCK 7200-RV-3 N/A ORDER #114031-13-700 SLIDE DRAWER KIT |
| 17 | 114031-13-000 | EA SLIDE-DRAWER, 18" - LEFT - CABINET MOUNTED HOUCK 7200-RV-1 N/A ORDER #114031-13-700 SLIDE DRAWER KIT |

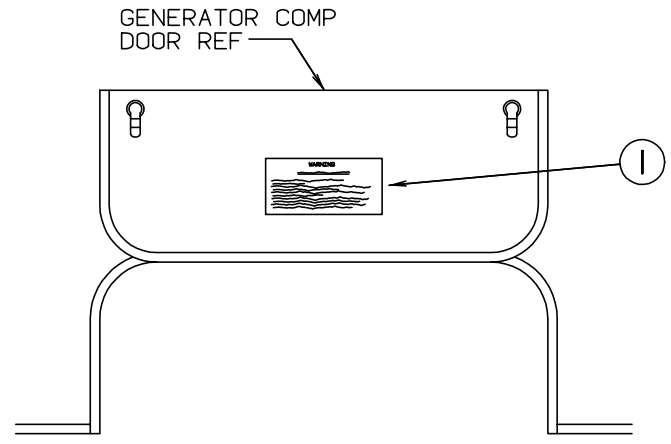
INTERIOR FINISH GROUP (CONTINUED) CABINET HARDWARE (CONTINUED)

| KEY | PART NUMBER | U/M DESCRIPTION |
|-----|---------------|---|
| | 009112-01-000 | EA FLANGE-ROD, 1" - COTHES ROD - PLASTIC - OFF WHITE |
| | 042438-01-000 | EA DOWEL-WOOD, CLOTHES ROD - 1" DIAMETER X 4' |
| | 009065-01-000 | EA HINGE-CONTINUOUS, 1 1/2" X 96" - UNPAINTED |
| | 076790-01-000 | EA SCREW - 6-20 X 1 1/4 PPH - BLACK |
| | 004354-01-000 | EA BUMPER-RUBBER, .5" DIAMETER - BROWN |
| | 069726-02-000 | EA BUMPER - .88" DIAMETER X .40" - BLACK |
| | 023320-01-000 | EA PAD-FELT, 3/8" DIAMETER - BROWN |
| | 103256-01-000 | EA LATCH-SLIDE |
| | 008042-01-000 | FT TUBING-VINYL, .65" ID |
| | 039984-01-000 | EA CAP-ROUND, VINYL - .28" ID X .62" LONG - BLACK |
| | 071391-02-000 | EA NIPPLE-HEX, 1/4 PIPE - 3325 X 4 WEATHERHEAD |
| | 081914-01-000 | EA BUMPER-RUBBER, ROUND - .43" DIAMETER - BLACK |
| | 097872-04-000 | EA DOWEL-WOOD, 1.00 DIAMETER X 1.38 LONG - UNFINISHED |
| | 109403-01-000 | EA CATCH-SINGLE ROLLER |

LABELS GROUP



| KEY | PART NUMBER | U/M DESCRIPTION |
|-----|---------------|------------------------------|
| 1 | 039290-01-000 | EA LABEL-WARNING, EXIT |
| 2 | 107571-01-000 | EA LABEL-EXIT, ESCAPE WINDOW |



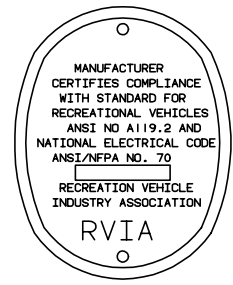
WARNING

WHEN ADDING A GENERATOR SET:

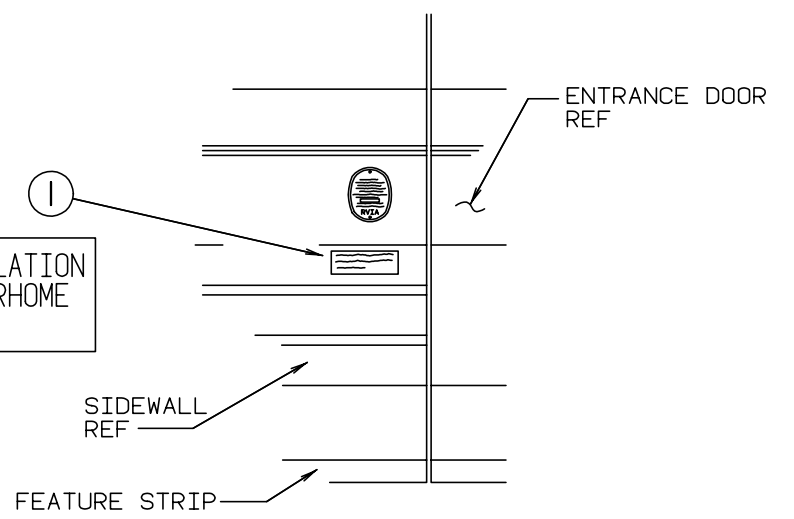
HIGH VOLTAGE-USE EXTREME CAUTION WHEN WORKING ON ELECTRICAL COMPONENTS.
 HAVE ALL ELECTRICAL INSTALLATION PERFORMED BY A QUALIFIED LICENSED ELECTRICIAN-FOLLOW ALL STATE AND LOCAL CODES.
 ONLY INSTALL GENERATOR SET APPROVED FOR R.V. APPLICATION. HAVE INSTALLED BY QUALIFIED TECHNICIAN.
 TO AVOID HEAT BUILD-UP AND TO GUARANTEE AN ADEQUATE AIR SUPPLY TO THE GENERATOR CARBURETOR, FOLLOW INSTALLATION INSTRUCTIONS.
 GENERATOR ENGINE EXHAUST GASES ARE TOXIC AND MUST NOT TERMINATE UNDER THE VEHICLE-DISCHARGE EXHAUST AWAY FROM VEHICLE.

| KEY | PART NUMBER | U/M DESCRIPTION |
|-----|---------------|-------------------------|
| 1 | 077510-01-000 | EA LABEL-GENERATOR PREP |

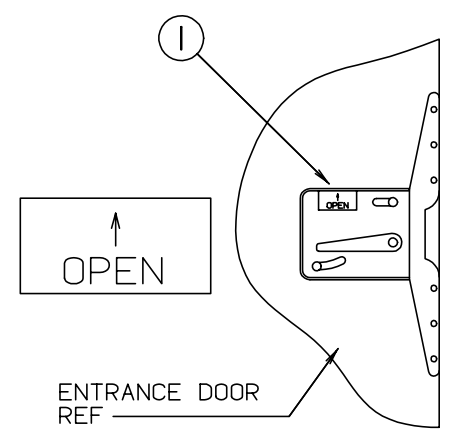
LABELS GROUP (CONTINUED)



FOR AWNING INSTALLATION CONTACT YOUR MOTORHOME DEALERSHIP

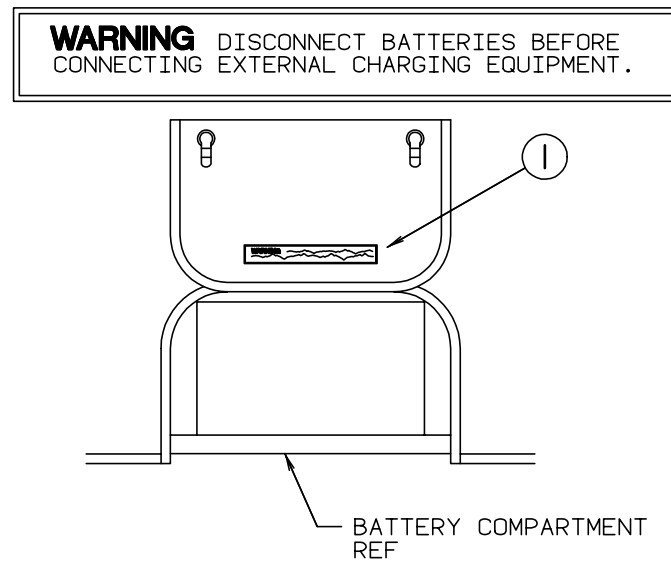


| KEY | PART NUMBER | U/M DESCRIPTION |
|-----|---------------|------------------------------|
| 1 | 099509-01-000 | EA LABEL-AWNING INSTALLATION |



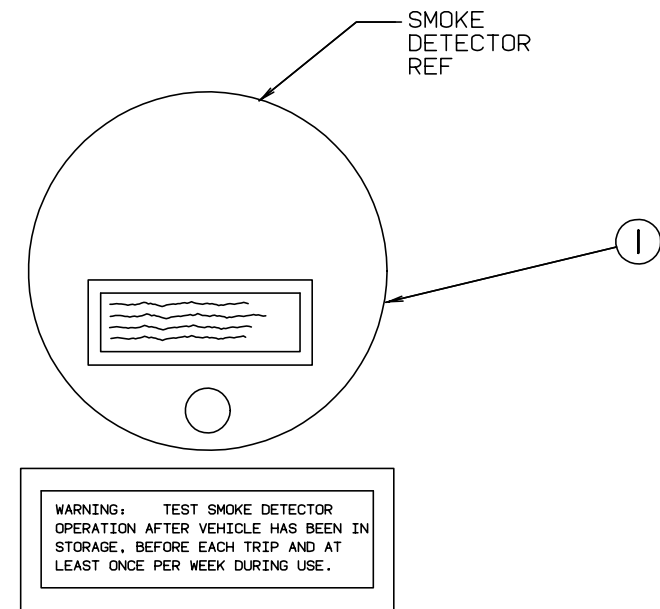
| KEY | PART NUMBER | U/M DESCRIPTION |
|-----|---------------|--------------------------------|
| 1 | 040944-01-000 | EA LABEL-ENTRANCE DOOR, "OPEN" |

LABELS GROUP (CONTINUED)

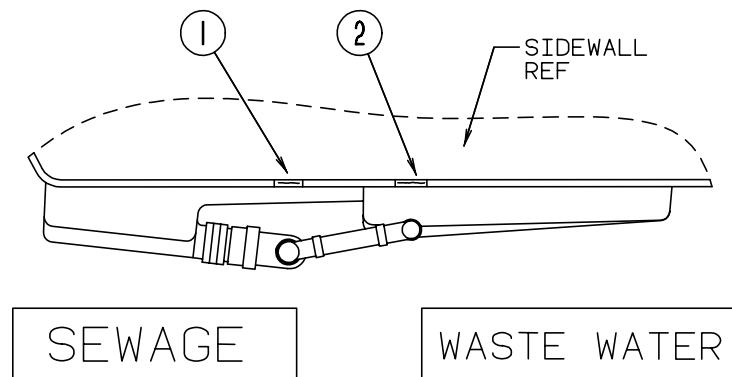


| KEY | PART NUMBER | U/M | DESCRIPTION |
|-----|---------------|-----|---------------------------------|
| 1 | 065748-01-000 | EA | LABEL-CAUTION, BATTERY CHARGING |

LABELS GROUP (CONTINUED)

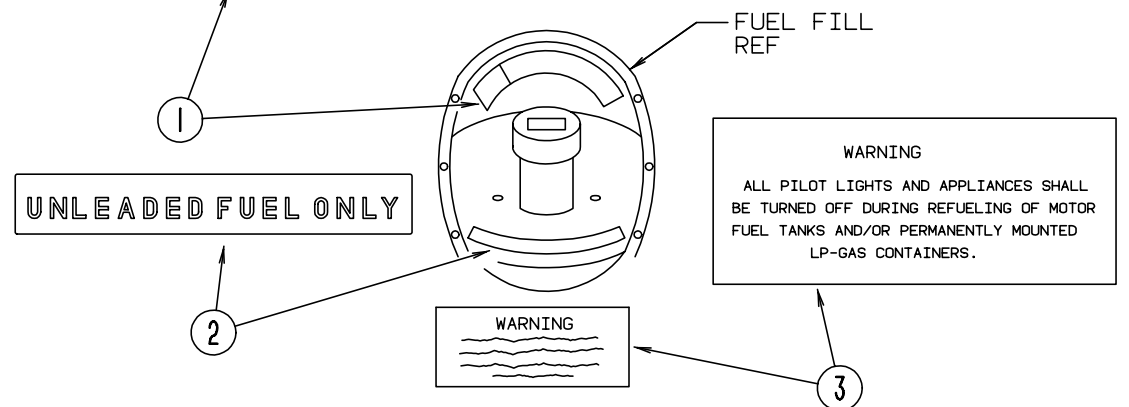


| KEY | PART NUMBER | U/M | DESCRIPTION |
|-----|---------------|-----|-------------------------------|
| 1 | 077956-01-000 | EA | LABEL-WARNING, SMOKE DETECTOR |



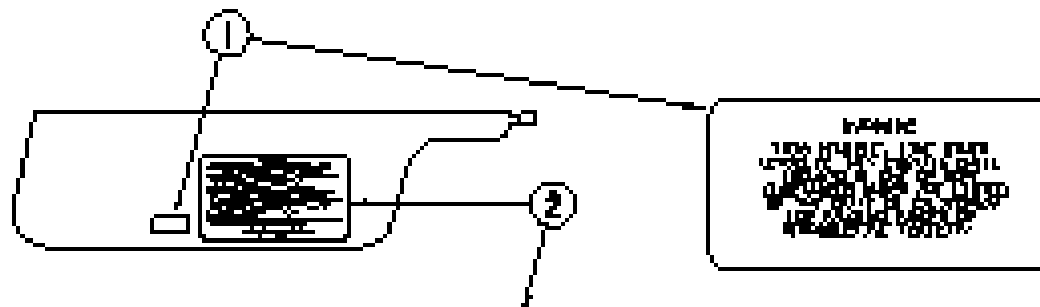
| KEY | PART NUMBER | U/M | DESCRIPTION |
|-----|---------------|-----|-------------------|
| 1 | 006187-01-000 | EA | LABEL-SEWAGE |
| 2 | 006188-01-000 | EA | LABEL-WASTE WATER |

| | |
|--------------------------------------|---|
| CAUTION | TO HELP AVOID PERSONAL INJURY DURING REMOVAL OF FUEL FILLER CAP, SLOWLY LOOSEN CAP 1/2 TURN TO ALLOW ANY FUEL PRESSURE TO BE RELIEVED BEFORE TURNING CAP FURTHER. |
| FUEL SPRAY MAY CAUSE PERSONAL INJURY | STOP ADDING FUEL AFTER FIRST SHUTOFF BY AUTOMATIC NOZZLE WHEN TANK IS NEARLY FULL. DO NOT OVERFILL FUEL TANK. SEE OWNERS MANUAL FOR ADDITIONAL INFORMATION. |
| | PRINTED IN U.S.A. MLC PT NO 15611763 |



| KEY | PART NUMBER | U/M | DESCRIPTION |
|-----|---------------|-----|--------------------------------------|
| 1 | 087207-05-000 | EA | LABEL-FUEL CAP REMOVAL |
| 2 | 062043-01-000 | EA | LABEL-FUEL, UNLEADED |
| 3 | 006040-01-000 | EA | TAG-GAS REFUELING WARNING |
| 3 | 006040-02-000 | EA | TAG-GAS REFUELING WARNING - CANADIAN |

LABELS GROUP (CONTINUED)



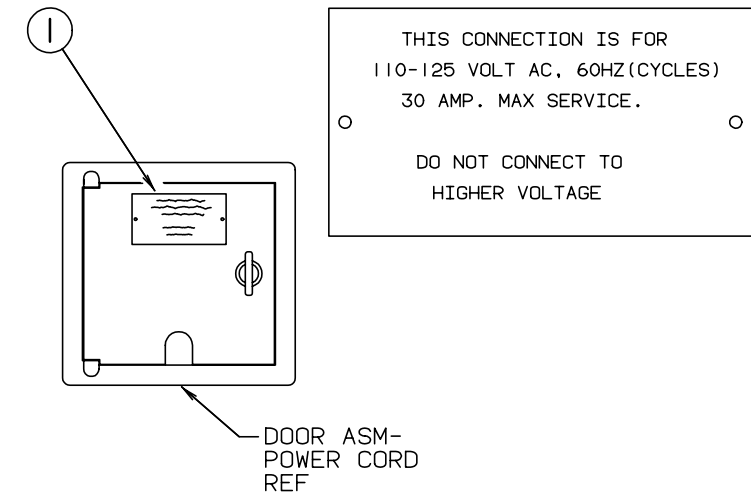
CAUTION

THIS LABEL MUST BE ATTACHED TO THE POWER CORD ASSEMBLY WITH THE TAG ATTACHED TO THE END OF THE CORD. THE TAG MUST BE ATTACHED TO THE CORD IN THE MANNER SHOWN IN THE FOLLOWING PHOTOGRAPH FOR YOUR OWN AND THE SAFETY OF YOUR PASSENGERS BEFORE YOU USE THE CORD.

1. LABEL POSITIONING: TAG IS TO BE ATTACHED TO THE CORD WITH THE TAG ATTACHED TO THE END OF THE CORD.
2. TAG POSITION: TAG MUST BE ATTACHED TO THE CORD WITH THE TAG ATTACHED TO THE END OF THE CORD.
3. LABEL POSITION: TAG MUST BE ATTACHED TO THE CORD WITH THE TAG ATTACHED TO THE END OF THE CORD.
4. LABEL POSITION: TAG MUST BE ATTACHED TO THE CORD WITH THE TAG ATTACHED TO THE END OF THE CORD.
5. LABEL POSITION: TAG MUST BE ATTACHED TO THE CORD WITH THE TAG ATTACHED TO THE END OF THE CORD.
6. LABEL POSITION: TAG MUST BE ATTACHED TO THE CORD WITH THE TAG ATTACHED TO THE END OF THE CORD.
7. LABEL POSITION: TAG MUST BE ATTACHED TO THE CORD WITH THE TAG ATTACHED TO THE END OF THE CORD.
8. LABEL POSITION: TAG MUST BE ATTACHED TO THE CORD WITH THE TAG ATTACHED TO THE END OF THE CORD.
9. LABEL POSITION: TAG MUST BE ATTACHED TO THE CORD WITH THE TAG ATTACHED TO THE END OF THE CORD.
10. LABEL POSITION: TAG MUST BE ATTACHED TO THE CORD WITH THE TAG ATTACHED TO THE END OF THE CORD.

READ THE WARNING LABEL CAREFULLY BEFORE YOU USE THE CORD.

LABELS GROUP (CONTINUED)



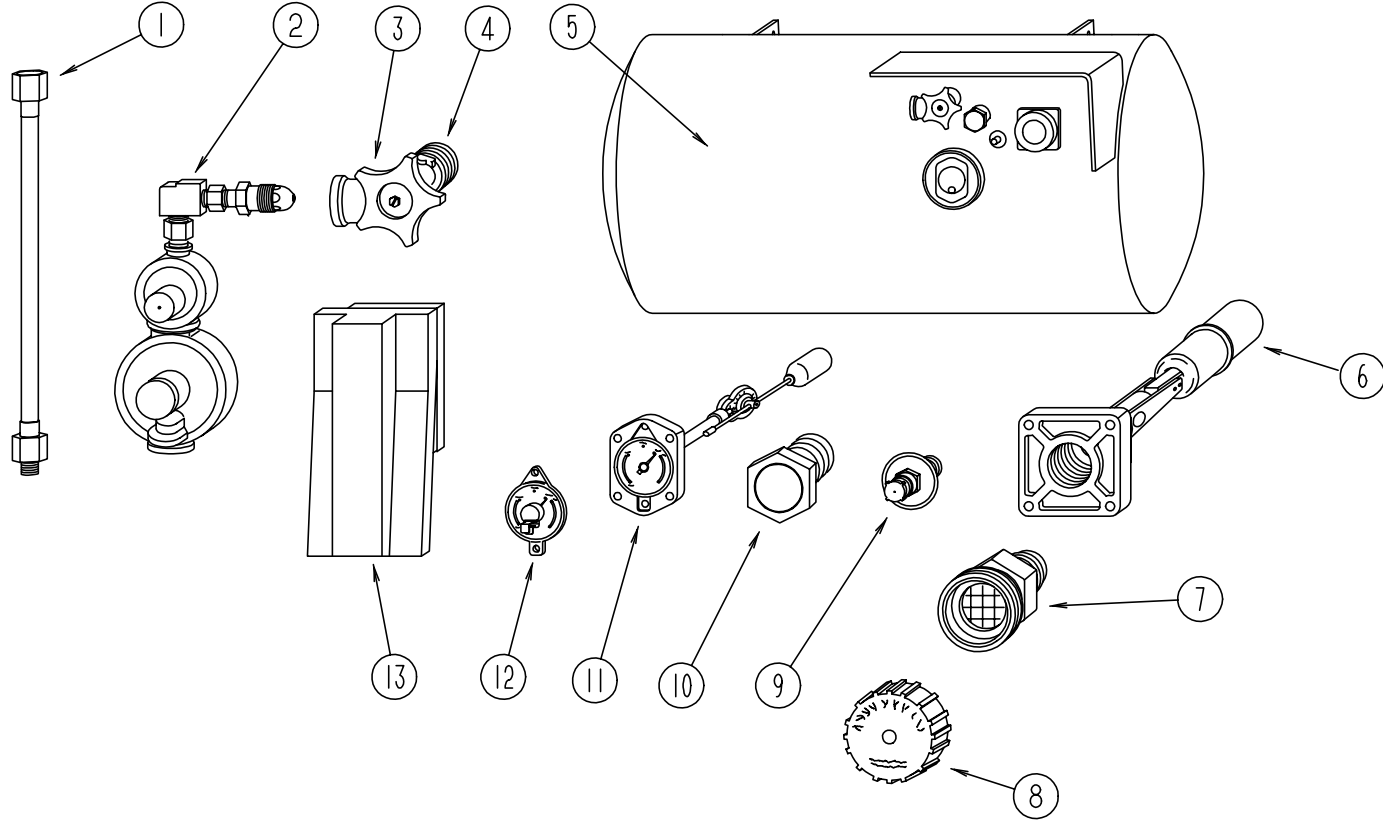
KEY PART NUMBER U/M DESCRIPTION
 1 006062-01-000 EA TAG-ELECTRIC, 110V CONNECTION

KEY PART NUMBER U/M DESCRIPTION
 1 111802-01-000 EA LABEL-CFC WARNING
 2 099689-01-000 EA LABEL-WARNING, CANCER/TOXICITY

MISCELLANEOUS LABELS

KEY PART NUMBER U/M DESCRIPTION
 104236-01-000 EA LABEL-GENERATOR CIRCUIT
 006064-01-000 EA LABEL-SEAT W/O SEATBELT, US
 NOT INTENDED FOR USE WHILE COACH IN MOTION
 091224-02-000 EA LABEL-TRAILER LIGHTING
 091243-01-000 EA LABEL-A/C COVER, "AIR CONDITIONING CIRCUIT. ETC."
 093236-08-000 EA LABEL-CIRCUIT BREAKER
 098641-01-000 EA LABEL-FUEL, UNLEADED - DASH
 073998-01-000 EA LABEL-LPG ODOR WARNING
 087236-01-000 EA LABEL-CABLE, INPUT
 061417-01-000 EA LABEL-FUEL, ON FUEL FILL DOOR
 023769-01-000 EA LABEL-WARNING, LPG - CANADIAN
 111104-01-000 EA LABEL-HITCH, READ MANUAL
 054531-01-000 EA LABEL-LP GAS ONLY
 087207-06-000 EA LABEL-GAS OVERFILL
 112518-01-000 EA LABEL-HANG TAG, CO DETECTOR
 056259-01-000 EA LABEL- SAFETY CHECK LIST
 111802-01-000 EA LABEL-CFC WARNING

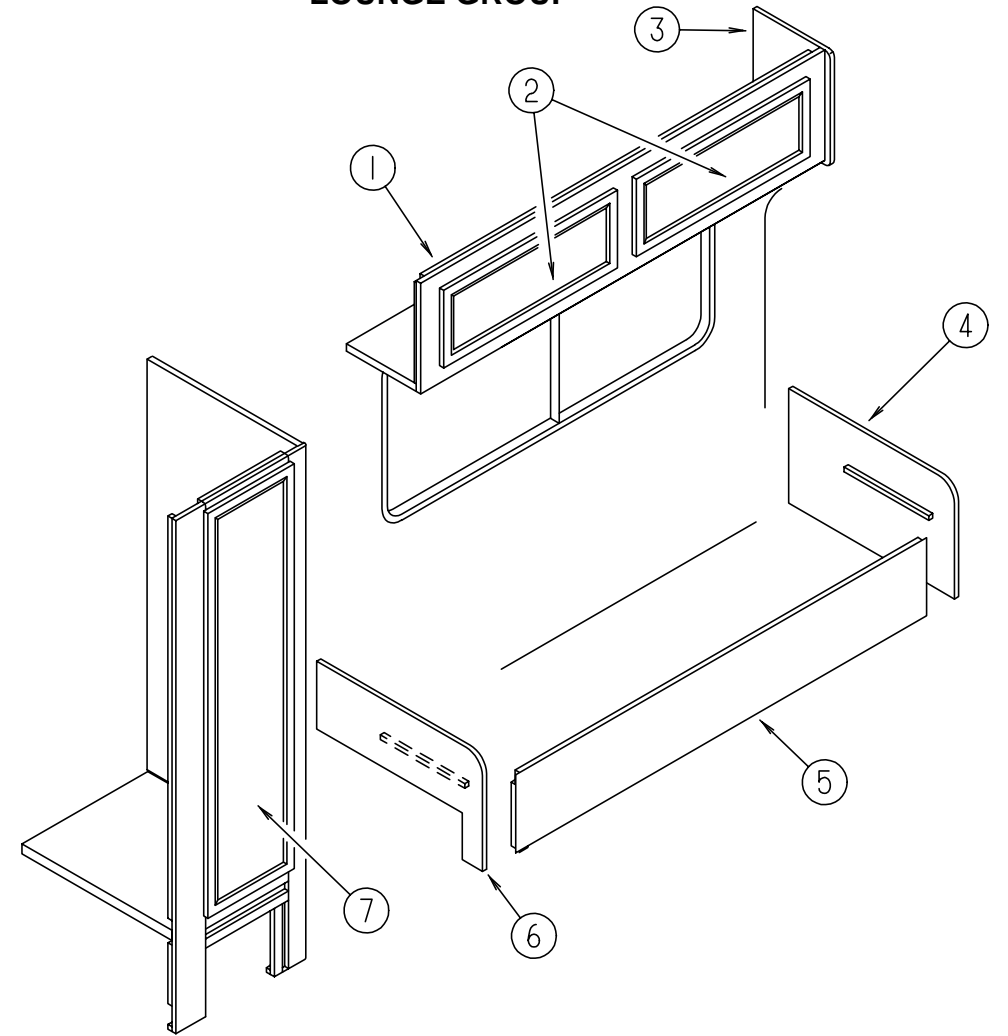
LP GROUP



LP TANK & COMPONENTS

| KEY | PART NUMBER | U/M | DESCRIPTION | VENDOR NO. |
|-----|---------------|-----|--|------------|
| 1 | 045703-01-000 | EA | HOSE-LP, 3/8" ID X 24" - 3/8 MPT X 1/2 F SWIVEL U.S. | |
| 1 | 045703-02-000 | EA | HOSE-LP, 3/8" ID X 24" - 3/8" MPT X 1/2" F SWIVEL CANADA | |
| 1 | 045703-09-000 | EA | HOSE-LP, 3/8" ID X 24" - 3/8" F X 3/8" F - SWIVEL | |
| 2 | 106150-01-000 | EA | REGULATOR-TWO STAGE, M'BRASS 293-00 | |
| 3 | 040421-01-708 | EA | HANDWHEEL-SERVICE VALVE, BRUNNER | G-1015-A |
| 4 | 040421-01-712 | EA | VALVE-SERVICE, W/O VAPOR RELIEF | 29000853 |
| 5 | 080450-01-000 | EA | TANK-LP, 42 LB - 13" DIAMETER X 24" LONG | |
| 6 | 040421-01-711 | EA | VALVE - 80% W/FLOAT, PLATE - BOLTS & GASKET - BRUNNER | |
| 7 | 040421-01-701 | EA | VALVE-SHORT, LP FILLER W/YELLOW CAP - BRUNNER | 75478 |
| 8 | 040421-01-702 | EA | CAP-LP FILLER VALVE, PLASTIC - YELLOW - BRUNNER | G-1014-A |
| 9 | 040421-01-700 | EA | VALVE-LIQUID LEVEL, 20% LP - BRUNNER | G-1013 |
| 10 | 040421-01-713 | EA | VALVE-VAPOR ONLY | 29000587 |
| 11 | 074142-01-700 | EA | FLOAT GAUGE, SCREW ON - MACHINE | 13C-SCR |
| | 074142-01-701 | EA | FLOAT ASSEMBLY-BOLT ON | 13C-BLT |
| 12 | 040440-02-000 | EA | TRANSMITTER-DIAL, 0 - 90 OHM - USED W/MONITOR PANEL | |
| 12 | 040421-01-706 | EA | DIAL-LP TANK VOLUME, VISIBLE FACE (5-1789) - BRUNNER | MA-8 |
| 13 | 105658-01-000 | EA | COMPARTMENT-LP REGULATOR | |
| | 010323-01-000 | EA | ADAPTER-BRASS, 3/8" F X 1/2" MPT | |
| | 010329-01-000 | EA | ADAPTER-BRASS, 1/2" F X 1/2" MPT | |
| | 010377-02-000 | EA | NUT-BRASS, 3/8" FEMALE - FORGED | |
| | 010380-02-000 | EA | NUT-BRASS, 1/2" FEMALE - FORGED | |
| | 010265-01-000 | EA | ELBOW-BRASS, 90 DEGREE - 3/8" F X 1/2" FPT | |
| | 010252-01-000 | EA | ELBOW - 90 DEGREE - 3/8" F X 1/2" MPT - BRASS | |
| | 065318-02-000 | EA | ELBOW - 90 DEGREE, 3/8" MPT TO 3/8" FPT | |
| | 095624-01-000 | EA | ELBOW - 90 DEGREE, 1/4" FPT X 1/4" FPT - BRASS | |
| | 103613-01-000 | EA | DETECTOR-LEAK, LP GAS | |
| | 071391-02-000 | EA | NIPPLE-HEX, 1/4 PIPE | |

LOUNGE GROUP



DRIVER SIDE LOUNGE CABINETS

| KEY | PART NUMBER | U/M | DESCRIPTION |
|-----|---------------|-----|---|
| 1 | 114604-01-G01 | EA | CABINET-OVERHEAD, LOUNGE - W/O DOORS & HARDWARE |
| 2 | 110140-65-G01 | EA | DOOR-CABINET, W/MIRROR - W/O HARDWARE - 365MM X 850MM |
| 2 | 110140-05-G01 | EA | DOOR-CABINET, W/O HARDWARE - 365MM X 850MM - EXPORT |
| 3 | 109908-25-G01 | EA | END CAP-CABINET, OVERHEAD |
| 4 | M06963-09-G21 | EA | CABINET-COUCH, SIDE |
| 4 | M06963-09-G22 | EA | CABINET-COUCH, SIDE |
| 5 | M06963-11-G21 | EA | CABINET-COUCH, FRONT |
| 5 | M06963-11-G22 | EA | CABINET-COUCH, FRONT |
| 6 | M06963-10-G21 | EA | CABINET-COUCH, SIDE |
| 6 | M06963-10-G22 | EA | CABINET-COUCH, SIDE |
| | 083125-07-000 | EA | BRACE-COUCH, OFF WHITE |
| | 082525-01-000 | EA | BRACE-COUCH, FLOOR MOUNT - ANGLE 3" LONG - METAL |
| | 105947-01-000 | EA | BRACKET-HOLD DOWN, COUCH - CANADIAN |
| 7 | 110140-52-G01 | EA | DOOR-WARDROBE CABINET, W/MIRROR - W/O HARDWARE - 410MM X 1660MM |

**SEALANTS & FASTENERS GROUP
ADHESIVES**

| KEY | PART NUMBER | U/M | DESCRIPTION |
|-----|---------------|-----|--|
| | 004020-01-000 | QT | ADHESIVE-ABS CEMENT, QUART |
| | 102352-01-000 | EA | SEALER-PUMPABLE, BLACK - COLORIMETRIC MS101 |
| | 106206-01-000 | EA | SEALER-PUMPABLE, BLACK |
| | 069640-01-000 | FT | SEALER-RIBBON, 1/4" DIAMETER - INCREMENTS OF 30' |
| | 069640-02-000 | FT | SEALER-RIBBON, 1/2" X 1/8" X 60' |
| | 069640-03-000 | FT | SEALER-RIBBON, 3/4" X 1/8" X 60' |
| | 069640-07-000 | FT | SEALER-RIBBON, 2" X 3/32" X 45' |
| | 069640-10-000 | FT | SEALER-RIBBON, 1/32" X 1 1/2" X 90' |
| | 002707-02-000 | FT | TAPE-SEALER, 5/16" X 1/2" X 50' |
| | 063642-01-000 | FT | TAPE-ADHESIVE, 10 MIL. X 1.5" WIDE X 180" |
| | 120534-01-01A | FT | TAPE-SCOTCH 3M 1/2" FINE LINE *#471 GREEN |
| | 076314-02-000 | FT | TAPE-CARPET SEAM, HEAT-BOND - 4" WIDE |
| | 076322-01-000 | FT | TAPE-FOAM, DOUBLE COATED ADHESIVE BACKED - .75" X 216' |
| | 091255-02-000 | FT | SEAL-ADHESIVE BACKED FOAM, .18" THICK X 1.5" WIDE |
| | 053766-08-000 | EA | BEDDING COMPOUND-TUBE, GRAY - SCHNEE# 5522 |
| | 108716-01-000 | EA | SILICONE-TUBE, OFF WHITE - SELF LEVELING - CSL 510 |
| | 120074-01-01A | EA | SILICONE-OFF WHITE, W/O NOZZLE - CSL 343 |
| | 034552-02-000 | EA | SILICONE-TUBE, 300 ML - CLEAR - W/O NOZZLE |
| | 034552-06-000 | EA | SILICONE-TUBE, 300 ML - OFF WHITE - W/O NOZZLE |
| | 034552-15-000 | EA | SILICONE-TUBE, 300 ML - BRIGHT WHITE - W/O NOZZLE |
| | 900390-01-000 | EA | TIP - 2 1/2" X 1/8" ORIFICE, ELLSWORTH #TS216 |
| | 900390-03-000 | EA | NOZZLES-SILICONE TUBE, CSL# D10 |

BOLTS, NUTS & RIVETS

| KEY | PART NUMBER | U/M | DESCRIPTION |
|-----|---------------|-----|---|
| | 000G45-05-16B | EA | BOLT-LAG, 5/16-9 X 1 - ZINC |
| | 000C12-05-16B | EA | BOLT-HEX, 5/16-18 X 1 - ZINC |
| | 000C12-06-16B | EA | BOLT-HEX, 3/8-16 X 1 - LAG - ZINC |
| | 000C12-07-24B | EA | BOLT-HEX, 7/16-14 X 1 .50 - ZINC |
| | 000C12-08-24B | EA | BOLT-HEX, 1/2-13 X 1 1/2 - ZINC |
| | 000C12-10-24B | EA | BOLT-HEX, 5/8-11 X 1 1/2 - ZINC |
| | 000C12-10-64B | EA | BOLT-HEX, 5/8-11 X 4.0 - ZINC |
| | 000C13-07-48B | EA | BOLT-HEX, 7/16-20 X 3 - ZINC |
| | 000C18-05-40A | EA | BOLT-ELEV, 5/16-18 X 2 1/2 PL |
| | 000C18-06-48B | EA | BOLT-ELEV, 3/8-16 X 3 - ZINC |
| | 000C26-04-14B | EA | BOLT-HEX, SERRATED FLANGE - 1/4-20 X 7/8 - ZINC |
| | 000C26-04-10B | EA | BOLT-HEX, SERRATED FLANGE - 1/4-20 X 5/8 - ZINC |
| | 000C26-05-12B | EA | BOLT-HEX, SERRATED FLANGE - 5/16-18 X 3/4 - ZINC |
| | 000D24-10-00B | EA | NUT-HEX, SELF LOCK - 10-32 - ZINC |
| | 000D29-05-00B | EA | NUT-SELFLOCK, 5/16-18 UNC - NYLON WASHER INSERT |
| | 000D29-06-00B | EA | NUT-HEX W/NYLON LOCK 3/8-16 - ZINC |
| | 000D29-09-00B | EA | NUT-HEX SELF LOCK 9/16-12 - ZINC |
| | 000D39-04-00B | EA | NUT-HEX, SERRATED FLANGE LOCK - 1/4-20 - ZINC |
| | 000D39-05-00B | EA | NUT-HEX, SERRATED FLANGE LOCK - 5/16-18 - ZINC |
| | 000D39-06-00B | EA | NUT-HEX, SERRATED FLANGE LOCK - 3/8-16 - ZINC |
| | 000D39-08-00B | EA | NUT-HEX, SERRATED FLANGE LOCK - 1/2-13 - ZINC |
| | 000D44-07-00B | EA | NUT-HEX, SERRATED FLANGE LOCK - 7/16-20 - ZINC |
| | 000D46-04-00A | EA | NUT-HEX, WELD - 1/4-20 - PLAIN - SHORT PILOT |
| | 104369-01-000 | EA | NUT-HEX, HEAVY - 5/8-11 UNC - SPARE TIRE INSTALLATION |
| | 000H16-04-06R | EA | RIVET-POP, AL 1/8 X .313-.375 |

**SEALANTS & FASTENERS GROUP (CONTINUED)
CLAMPS, CLIPS & HOLDERS**

| KEY | PART NUMBER | U/M | DESCRIPTION |
|-----|---------------|-----|---|
| | 007161-01-000 | EA | CLAMP-HOSE, SPRING TYPE - 1/2" |
| | 010495-01-000 | EA | CLAMP-CABLE, 9/16" |
| | 010497-01-000 | EA | CLAMP-CLOSED, 5/8" ID |
| | 010497-01-000 | EA | CLAMP-CLOSED, 5/8" ID |
| | 010497-03-000 | EA | CLAMP-CLOSED, 1" ID - CUSHIONED |
| | 010497-04-000 | EA | CLAMP-CLOSED, 1.62 ID |
| | 010499-01-000 | EA | CLAMP-CLOSED, 3/8" ID |
| | 062401-01-000 | EA | CLAMP-HOSE, WORMGEAR - .25" - 1" |
| | 062401-02-000 | EA | CLAMP-HOSE, WORMGEAR - 1.56" - 2.5" |
| | 062401-03-000 | EA | CLAMP-HOSE, WORMGEAR - .22" - 1" |
| | 062401-06-000 | EA | CLAMP-HOSE, WORMGEAR - .22" - .62" |
| | 062401-11-000 | EA | CLAMP-HOSE, WORMGEAR - 3.56" - 4.5" |
| | 075148-02-000 | EA | CLAMP-GROUNDING, BRONZE SCREWS |
| | 080211-05-000 | EA | CLIP-XMAS TREE, 36MM - FASNAP 09-280297 |
| | 080734-02-000 | EA | CLIP-WIRE, NYLON |
| | 083609-01-000 | EA | CLAMP-WIRE, DUAL EQUAL - 5/8" DIAMETER |
| | 083610-01-000 | EA | CLAMP-WIRE, DUAL - UNEQUAL DIAMETERS - .75" & 1.25" |
| | 008343-01-000 | EA | TIE-WIRE, 6" |
| | 008343-02-000 | EA | TIE-WIRE, 14" |
| | 085774-01-000 | FT | FASTENER-DUAL HOOK, 1" WIDE - ADHESIVE BACK - BLACK |
| | 085774-02-000 | FT | FASTENER-DUAL LOOP, 1" WIDE - ADHESIVE BACK - BLACK |
| | 108046-02-000 | EA | CABLE TIE-SCREW MOUNT 15" DENNISON 10035 |

GROMMETS

| KEY | PART NUMBER | U/M | DESCRIPTION |
|-----|---------------|-----|--|
| | 114208-02-000 | EA | GROMMET-EDGE LINER, FITS .625 HEYCO 2073 |
| | 016188-03-000 | EA | GROMMET-L P LINE, 3/8" HOLE X 2 1/2" LONG - RUBBER |
| | 016188-05-000 | EA | GROMMET-L P LINE, 3/8" HOLE X 1 1/4" LONG - RUBBER |
| | 023942-01-000 | EA | GROMMET-RUBBER, 2" OD |
| | 071015-26-000 | EA | GROMMET-RUBBER, 1.5" ID X 2.12" OD W/.06" GROOVE - BLACK |

WASHERS

| KEY | PART NUMBER | U/M | DESCRIPTION |
|-----|---------------|-----|---|
| | 000E11-07-00B | EA | WASHER-LOCK, 7/16 MED SPLIT - ZINC |
| | 000E11-08-00B | EA | WASHER-LOCK, 1/2 MED SPLIT - ZINC |
| | 000E13-17-00B | EA | WASHER-FLAT, 3/8 AR - ZINC |
| | 000E13-18-00B | EA | WASHER-FLAT, 3/8 WIDE - ZINC |
| | 000E13-20-00B | EA | WASHER-FLAT, 7/16 WIDE - ZINC |
| | 000E13-21-00B | EA | WASHER-FLAT, W/2 NAR - ZINC |
| | 000E14-10-00B | EA | WASHER-LOCK, NO 10 EXT TOOTH - ZINC |
| | 044533-01-000 | EA | WASHER-PLASTIC, 1 3/8" OD - FOR BUTTONS |

SEALANTS & FASTENERS GROUP (CONTINUED)

SCREWS

| KEY | PART NUMBER | U/M | DESCRIPTION |
|-----|---------------|-----|--|
| | 0G1108-12-170 | EA | SCREW, 8-18 X .75 PPH - BRIGHT WHITE |
| | 0G1208-12-170 | EA | SCREW, 8-18 X .75 POH - BRIGHT WHITE |
| | 0G3908-08-170 | EA | SCREW-SF/DR, 8-18 X 1/2 PPH - BRIGHT WHITE |
| | 0G3908-16-170 | EA | SCREW-SF/DR, 8,18 X 1.00 PPH - BRIGHT WHITE |
| | 0G3908-24-170 | EA | SCREW-SF/DR, 8-18 X 1.50 PPH - BRIGHT WHITE |
| | 0G3910-12-170 | EA | SCREW-SF/DR, 10-16 X .75 PPH - BRIGHT WHITE |
| | 0G6008-16-170 | EA | SCREW-SF/DR, 8-18 X 1.00 POH - BRIGHT WHITE |
| | 0G6710-08-170 | EA | SCREW, 10-12 X 1/2 PPH - BRIGHT WHITE |
| | 000G11-04-10B | EA | SCREW, 4-24 X 5/8 PPH - ZINC |
| | 000G11-05-08B | EA | SCREW, 5-20 X 1/2 PPH - ZINC |
| | 000G11-06-10J | EA | SCREW, 6-20 X 5/8 PPH - BRASS |
| | 000G11-06-06B | EA | SCREW, 6-20 X 3/8 PPH - ZINC |
| | 000G11-08-08B | EA | SCREW, 8-18 X 1/2 PPH - ZINC |
| | 000G11-08-06B | EA | SCREW, 8-18 X 3/8 PPH - ZINC |
| | 000G11-08-20B | EA | SCREW, 8-18 X 11/4 PPH - ZINC |
| | 000G11-08-16S | EA | SCREW, 8-18 X 1.00 PPH - OFF WHITE |
| | 000G11-08-12T | EA | SCREW, 8-18 X 3/4 PPH - BLACK |
| | 000G11-08-12S | EA | SCREW, 8-18 X 3/4 PPH - OFF WHITE |
| | 000G11-08-12E | EA | SCREW, 8-18 X .75 PPH - CHROME |
| | 000G11-08-12D | EA | SCREW, 8-18 X 3/4 PPH - BLACK |
| | 000G11-08-12B | EA | SCREW, 8-18 X 3/4 PPH - ZINC |
| | 000G11-10-12S | EA | SCREW, 10-16 X .75 PPH - OFF WHITE |
| | 000G11-10-16B | EA | SCREW, 10-16 X 1 PPH - ZINC |
| | 000G12-06-08T | EA | SCREW, 6-20 X .50 POH - BLACK |
| | 000G12-08-12S | EA | SCREW, 8-18 X 3/4 POH - OFF WHITE |
| | 000G13-06-24J | EA | SCREW, 6-20 X 1.50 PFH - BRASS |
| | 000G13-06-16J | EA | SCREW, 6-20 X 1.00 PFH - BRASS |
| | 000G13-07-12B | EA | SCREW, 7-19 X 3/4 PFH - ZINC |
| | 000G13-07-10H | EA | SCREW-, 7-19 X 5/8 PFH - BLACK |
| | 000G32-10-06B | EA | SCREW, 10-32 X 3/8 - PPH - ZINC |
| | 000G39-06-10T | EA | SCREW-SF/DR, 6-20 X 5/8 PPH - BLACK |
| | 000G39-08-08S | EA | SCREW-SF/DR, 8-18 X 1/2 PPH - OFF WHITE |
| | 000G39-08-08B | EA | SCREW-SF/DR, 8-18 X 1/2 PPH - ZINC |
| | 000G39-08-24B | EA | SCREW-SF/DR, 8-18 X 1 1/2 PPH - ZINC |
| | 000G39-08-16S | EA | SCREW-SF/DR, 8-18 X 1.00 PPH - OFF WHITE |
| | 000G39-08-16B | EA | SCREW-SF/DR, 8-18 X 1 PPH - ZINC |
| | 000G39-08-12B | EA | SCREW-SF/DR, 8-18 X 3/4 PPH - ZINC |
| | 000G39-10-20B | EA | SCREW-SF/DR, 10-16 X 1 1/4 PPH - ZINC |
| | 000G39-10-12D | EA | SCREW-SF/DR, 10-16 X 3/4 PPH - BLACK |
| | 000G39-10-12B | EA | SCREW-SF/DR,10-16 X .75 PPH - ZINC |
| | 000G39-10-10S | EA | SCREW-SF/DR, 10-16 X .62" - PPH - OFF WHITE |
| | 000G39-10-209 | EA | SCREW-SF/DR,10-16 X 1.25 PPH - FLUOROCARBON SILVER |
| | 000G39-12-12E | EA | SCREW-SF/DR, 12 - 14 X 3/4 PPH - CHROME |
| | 000G42-04-16B | EA | SCREW-SF/DR, 1/4-14 X 1 HWH - ZINC |
| | 000G42-04-12B | EA | SCREW-SF/DR 1/4-14 X 3/4 HWH - ZINC |
| | 000G46-08-24T | EA | SCREW-MACHINE, 8-32 X 1.50 PFH - BLACK |
| | 000G50-04-12B | EA | SCREW-MACHINE, 1/4-20 X 3/4 PPH - ZINC |
| | 000G52-08-18B | EA | SCREW-MACHINE, 8-32 X 11/8 PTH - ZINC |
| | 000G54-04-20B | EA | SCREW, 1/4-20 X 1 1/4 PTH - TYPE 23 - ZINC PLATED |

SEALANTS & FASTENERS GROUP (CONTINUED)

SCREWS (CONTINUED)

| KEY | PART NUMBER | U/M | DESCRIPTION |
|-----|---------------|-----|--|
| | 000G55-08-12S | EA | SCREW-SF/DR, 8-18 X .75 PWH - OFF WHITE |
| | 000G60-10-28T | EA | SCREW-SF/DR, 10-16 X 1.75 - BLACK |
| | 000G67-08-32B | EA | SCREW, 8-15 X 2 PPH - ZINC |
| | 000G67-10-10S | EA | SCREW, 10-12 X 5/8 PPH - OFF WHITE |
| | 000G67-10-10B | EA | SCREW, 10-12 X 5/8 PPH - ZINC |
| | 000G67-10-08R | EA | SCREW, 10-12 X 1/2 PPH - BEIGE - TYPE A |
| | 000G67-10-08B | EA | SCREW, 10-12 X 1/2 PPH - ZINC |
| | 000G67-10-36T | EA | SCREW, 10-12 X 2.25 PPH - BLACK - STALGARD |
| | 000G67-10-32B | EA | SCREW, 10-12 X 2 PPH - ZINC |
| | 000G67-10-24B | EA | SCREW, 10-12 X 1 1/2 PPH - ZINC |
| | 000G67-10-20D | EA | SCREW, 10-12 X 1 1/4 PPH - BLACK |
| | 000G67-10-16B | EA | SCREW, 10-12 X 1 PPH - ZINC |
| | 000G67-10-120 | EA | SCREW, 10-12 X .75 PPH - TAN |
| | 000G67-10-12S | EA | SCREW, 10-12 X .75 PPH - OFFWHITE |
| | 000G67-10-12P | EA | SCREW, 10-12 X .75 PPH - DARK BROWN |
| | 000G67-10-12B | EA | SCREW, 10-12 X 3/4 PPH - ZINC |
| | 000G68-06-10G | EA | SCREW, 6-18 X 5/8 POH - ANTIQUE BRASS |
| | 000G68-10-36T | EA | SCREW, 10-12 X 2.25 POH - BLACK |
| | 049465-04-000 | EA | SCREW, 10-16 X 1 PTH - W/WASHER - BEIGE |
| | 074046-01-000 | EA | SCREW, 8-18 X 1 1/2 PFH - BRONZE |
| | 075908-01-000 | EA | SCREW-MACHINE, 10-32 X .56 PTH - ZINC EXTERNAL TOOTH |
| | 087721-01-000 | EA | SCREW-FLAT HEAD, TAPPING - 1/4 X 1 1/4 LAG - ZINC |
| | 101618-01-000 | EA | SCREW-HEX/TAPPING, 1/4-20 X 3/4 - STALGARD TYPE F |
| | 116111-02-01A | EA | SCREW-TAPTITE, 1/4-20 X 3/8 PPH - ZINC |

WATER & SEWAGE GROUP
FRESH WATER TANK & WATER SYSTEM

| KEY | PART NUMBER | U/M | DESCRIPTION |
|-----|---------------|-----|---|
| | 109606-01-000 | EA | TANK-WATER, 30 GAL |
| | 077954-02-000 | EA | FILTER-WATER TANK, SCREEN IN TANK |
| | 042989-03-000 | EA | FITTING-WATER TANK, SPINWELD - 1 1/4" NPT - PLASTIC - WHITE |
| | 042989-04-000 | EA | FITTING-WATER TANK, SPINWELD - 3/8" FPT - PLASTIC - WHITE |
| | 042989-05-000 | EA | FITTING-WATER TANK, SPINWELD - 1/2" FPT - PLASTIC - WHITE |
| | 049032-01-000 | EA | PATCH-SPINWELD, 3/8" - PLASTIC |
| | 039861-01-000 | EA | SENDING UNIT-W/SCREW, WASHER, WELL NUT & TERMINAL RING |

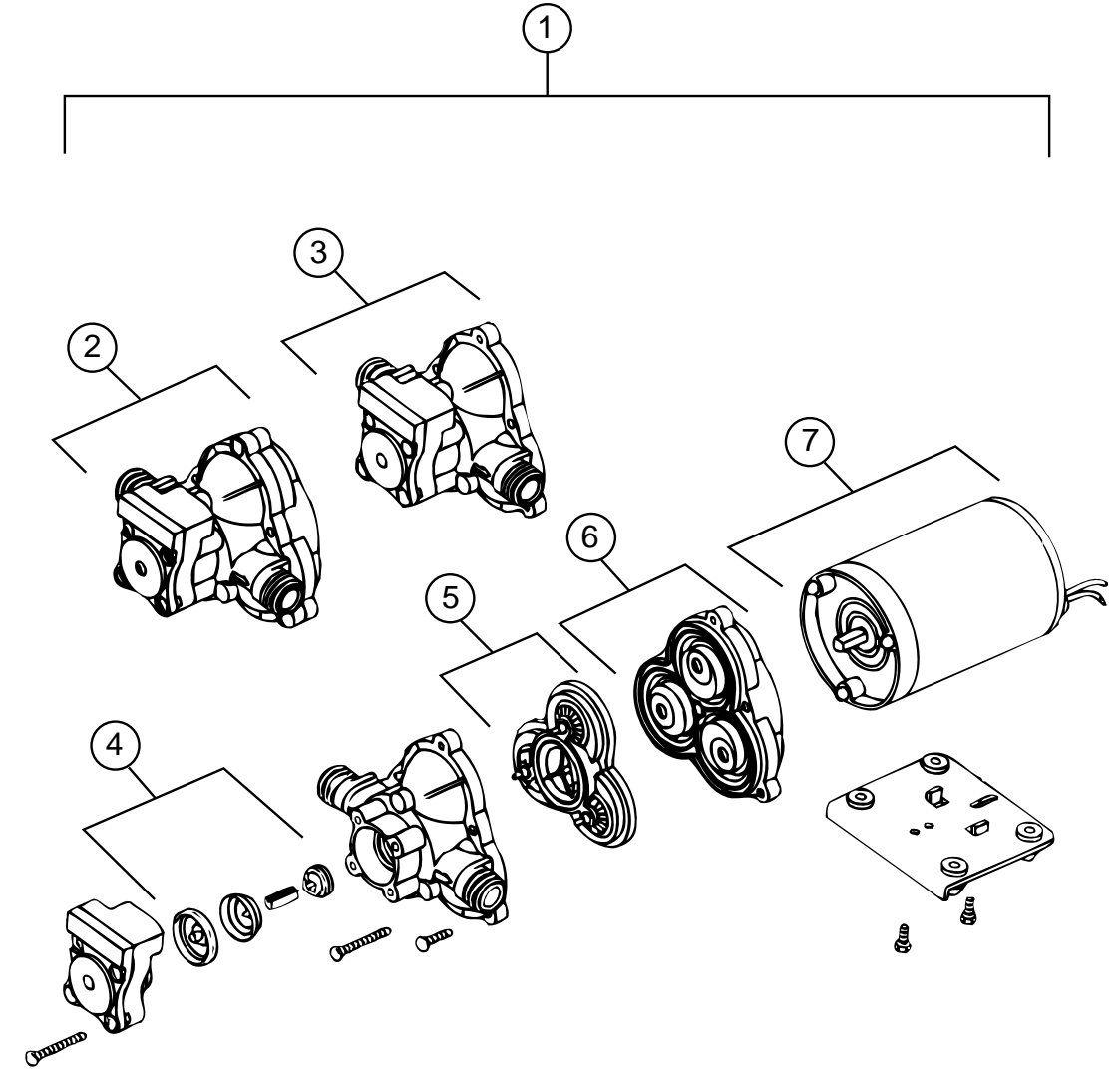
WATER SYSTEM COMPONENTS

| KEY | PART NUMBER | U/M | DESCRIPTION |
|-----|---------------|-----|--|
| | 010224-01-000 | EA | ADAPTER-HOSE TO PIPE, 3/8" MPT X 3/8" BARB - BLACK PLASTIC |
| | 044927-01-000 | EA | ADAPTER-HOSE TO PIPE, 1 1/4" MPT X 1 1/4" BARB - BLACK PLASTIC |
| | 074462-02-000 | FT | TUBING-VINYL, 3/8" ID - CLEAR |
| | 039800-02-000 | FT | TUBING-POLYBUTYL, 5/8" OD - INCREMENTS OF 20' - BLACK |
| | 079381-01-000 | FT | TUBING-SMOOTH FLEXIBLE, 1 1/4" ID X 20' |
| | 114428-01-000 | EA | TEE - 1/2P X 1/2 P X 1/2 P FLAIR-IT 02820 |
| | 114428-02-000 | EA | TEE-SWIVEL, 1/2 P X 1/2 P X 1/2 FPT FLAIR-IT 02821 |
| | 114429-01-000 | EA | ELBOW - 1/2 P X 1/2 P FLAIR-IT 02800 |
| | 114429-02-000 | EA | ELBOW - 1/2P X 1/2 MPT FLAIR-IT 02803 |
| | 114429-03-000 | EA | ELBOW-SWIVEL, 1/2 P X 1/2 FPT FLAIR-IT 02816 |
| | 114430-02-000 | EA | ADAPTER-SWIVEL, 1/2 P X 1/2 FPT FLAIR-IT -02873 |
| | 114430-03-000 | EA | ADAPTER - 1/2 P X 1/2 MPT FLAIR-IT 02842 |
| | 114431-01-000 | EA | VALVE-WATER, 3 POSITION - "DRAIN VALVE" |
| | 114431-03-000 | EA | VALVE-WATER, 90 DEGREE ELBOW - "WATER DRAIN VALVE" |
| | 091208-01-000 | EA | WASHER-RUBBER, .06" X .75" X .5" |
| | 110915-01-01A | EA | FILL-WATER, CITY - CHROME - KEVCO 64713 |
| | 117089-01-000 | FT | HOSE - 1/2 ID, GARDEN KEVCO 49154 |

EXTERIOR SHOWER

| KEY | PART NUMBER | U/M | DESCRIPTION |
|-----|---------------|-----|--|
| | 106208-01-01A | EA | COMPARTMENT-EXTERIOR SHOWER, OFF WHITE PLASTIC |
| | 103092-02-000 | EA | SHOWER HEAD-W/HOSE, CANADIAN |
| | 103092-01-000 | EA | SHOWER HEAD-W/60" HOSE |
| | 093527-02-000 | EA | BRACKET-SQUEEGEE/SHOWER HEAD |
| | 075241-05-000 | EA | FAUCET-SHOWER, BONE |
| | 091952-02-000 | EA | CLIP-GRIPPER, 3/4" - GIBSON TOOL 225-HL |
| | 114428-01-000 | EA | TEE - 1/2 P X 1/2 P X 1/2 P FLAIR-IT 02820 |
| | 114429-03-000 | EA | ELBOW - 1/2 P X 1/2 FPT FLAIR-IT 02816 |
| | 046128-01-000 | EA | VALVE-DRAIN, PLASTIC - 1/2" FPT |
| | 052959-02-000 | EA | CONNECTOR, 1/2" F X 1/2" MPT - PLASTIC - GRAY |
| | 057457-01-000 | EA | ELBOW-UNION, 1/2" X 1/2" FLARE - KEVCO |
| | 114430-02-000 | EA | ADAPTER-SWIVEL, 1/2 P X 1/2 FPT FLAIR-IT 02873 |

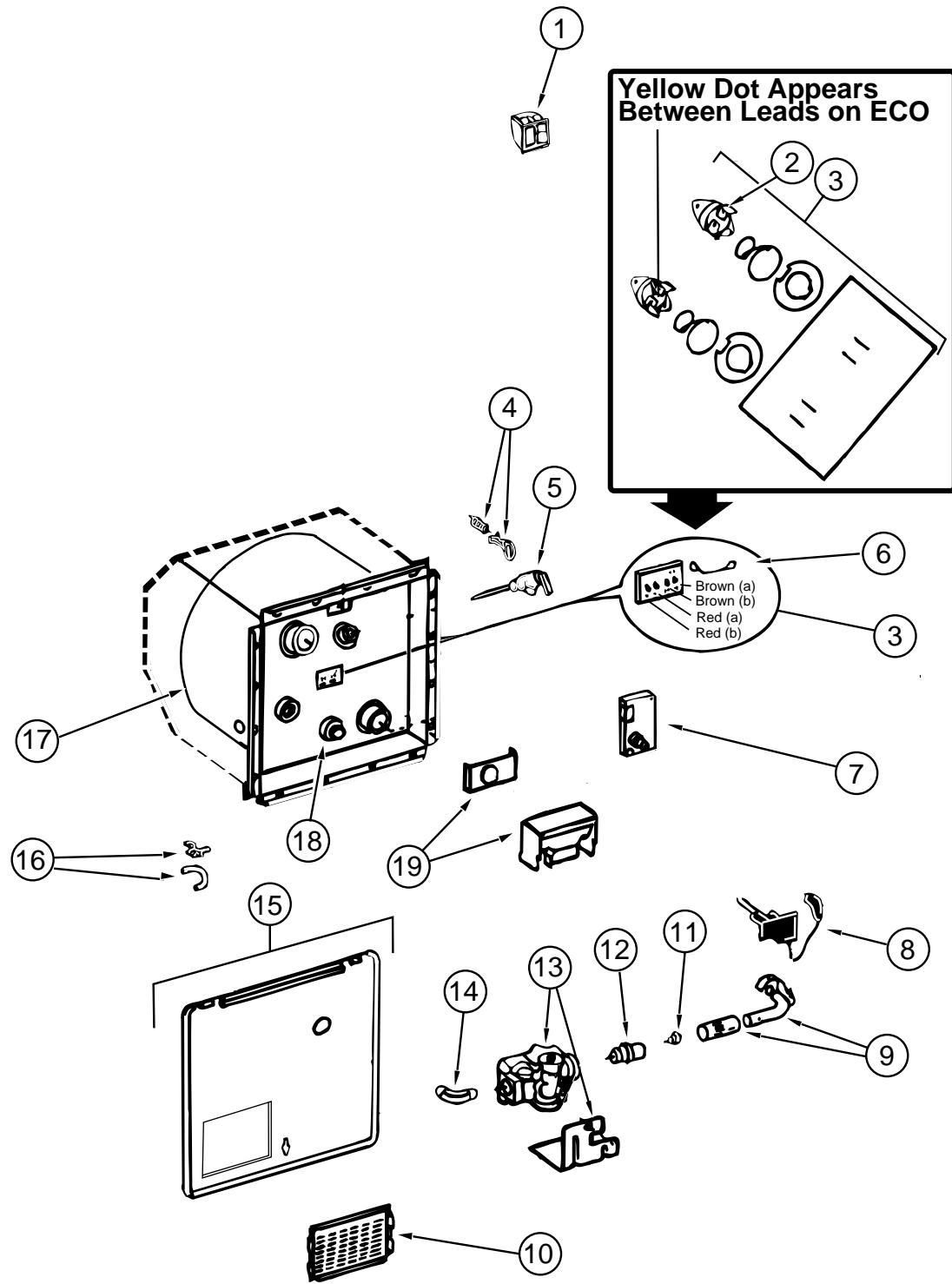
WATER & SEWAGE GROUP (CONTINUED)



WATER PUMP-SHURFLO

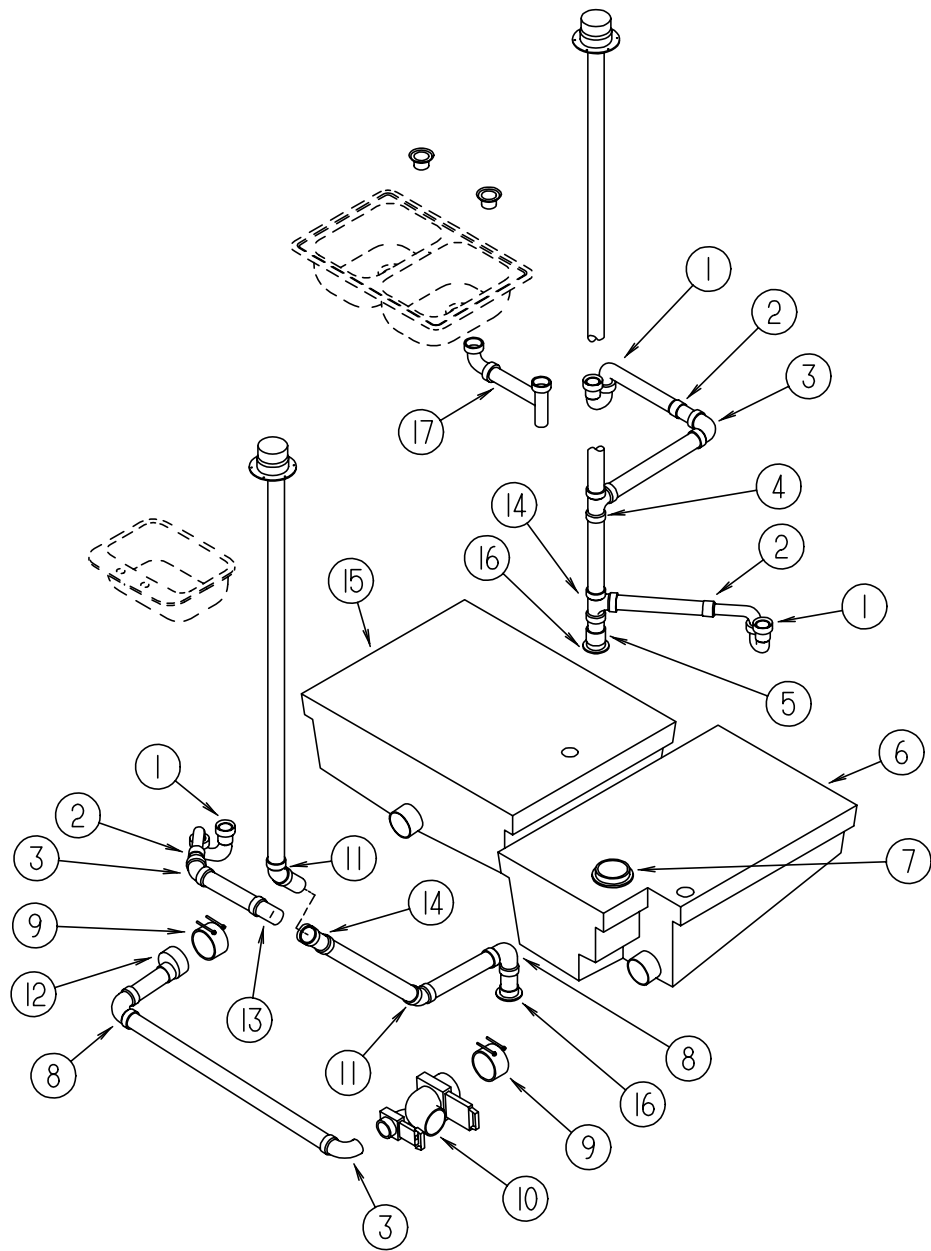
| KEY | PART NUMBER | U/M | DESCRIPTION | VENDOR NO. |
|-----|---------------|-----|--|------------|
| 1 | 098607-01-000 | EA | PUMP - WATER - W/.5" MPT FITTING - FLOW 2.8 GPM - UL | |
| 2 | 098607-01-700 | EA | PUMPHEAD-REPLACEMENT | 94-236-08 |
| 3 | 098607-01-706 | EA | UPPER HOUSING/SWITCH-KIT | 94-231-20 |
| 4 | 098607-01-705 | EA | CHECK VALVE-KIT | 94-237-00 |
| 5 | 098607-01-703 | EA | VALVE ASM | 94-232-00 |
| 6 | 098607-01-702 | EA | DIAPHRAGM-KIT | 94-238-04 |
| 7 | 098607-01-707 | EA | MOTOR/ BASEPLATE REPLACEMENT | 94-235-03 |

WATER & SEWAGE GROUP (CONTINUED)
WATER HEATER W/O MOTOR AID - ATWOOD - MODEL G6A-3E



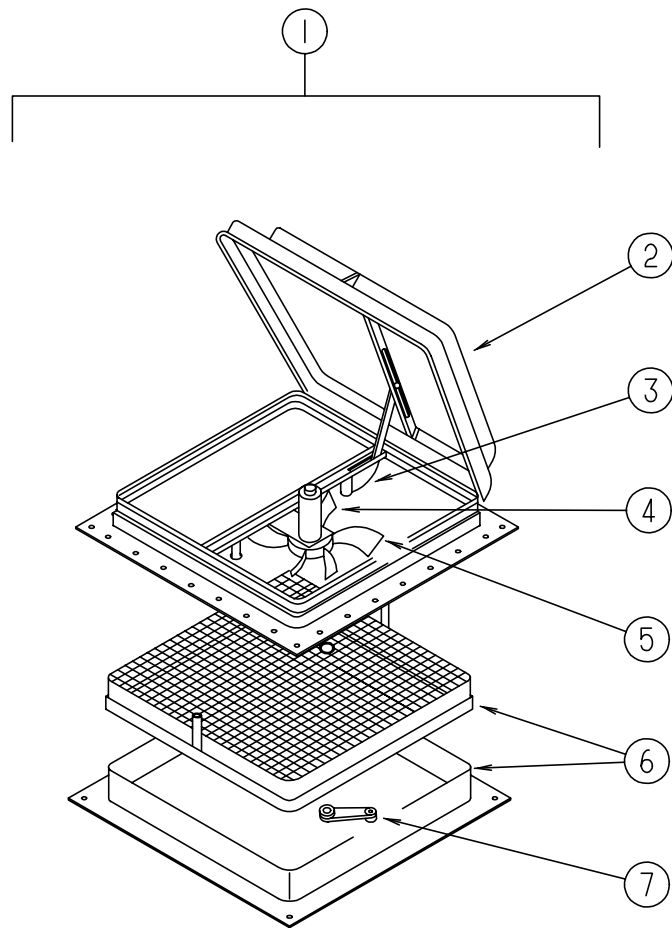
| KEY | PART NUMBER | U/M | DESCRIPTION | VENDOR NO. |
|-----|---------------|-----|---|---------------|
| | 051391-03-000 | EA | HEATER-WATER, W/ELECTRIC IGNITION G6A-3E | |
| 1 | 097967-01-000 | EA | SWITCH-WATER HEATER, REMOTE W/LIGHT 91959 | |
| 2 | 051391-04-701 | EA | THERMOSTAT - 12 VDC-120 PRESET, ATWOOD | 91470 |
| 3 | 051393-01-721 | EA | ECO & THERMOSTAT-FRONT MOUNT, 140 DEGREE | 91447 |
| 4 | 051391-01-705 | EA | FASTENER-CAMLOC, ATWOOD | 92609 |
| 5 | 051391-01-704 | EA | VALVE-RELIEF, 1/2" FITTING - ATWOOD | 91604 |
| 6 | 051393-01-723 | EA | SWITCH-THERMAL CUT OFF, 2/PACKAGE | 93866 |
| 7 | 051393-01-724 | EA | CIRCUIT BOARD-SPADE TERMINAL, ELECTRIC IGNITION | 93867 |
| 8 | 051393-01-725 | EA | ELECTRODE-SINGLE SPADE CONNECTOR, SPARK PROBE | 93868 |
| 9 | 051391-04-703 | EA | BURNER-MAIN, ATWOOD | 91638 |
| 10 | 051391-01-717 | EA | GRILLE ONLY-GOES ON THE DOOR | 92640 |
| 11 | 051391-01-710 | EA | ORIFICE-MAIN BURNER, ATWOOD | 92742 |
| 12 | 051391-03-700 | EA | ORIFICE-HOLDER | 91563 |
| 13 | 051393-01-726 | EA | SOLENOID VALVE AND BRACKET, WHITE ROGERS | 93870 |
| 14 | 051391-01-714 | EA | ELBOW - 45 DEGREE, 3/8" F X 3/8" MPT - ATWOOD | 91044 |
| 15 | 052009-01-000 | EA | DOOR-WATER HEATER, OFF WHITE - ATWOOD 5576-27 | |
| | 116424-01-000 | EA | PROTECTOR-WATER HEATER LATCH, ATWOOD 92611 | |
| 16 | 051391-01-700 | EA | HINGE KIT-W/CLIP, ATWOOD | 92568 & 92559 |
| 17 | 051391-04-706 | EA | TANK-INNER, FRONT MOUNT - ATWOOD | 91642 |
| 18 | 051391-01-715 | EA | DRAIN PLUG, ATWOOD | 91561 |
| 19 | 051391-04-707 | EA | KIT-GRILLE, FLUE & GASKET - ATWOOD | 90960 |

WATER & SEWAGE GROUP (CONTINUED)
DRAINAGE SYSTEM



| KEY | PART NUMBER | U/M | DESCRIPTION |
|-----|---------------|-----|--|
| 1 | 107538-01-000 | EA | P TRAP-PLASTIC, 1 1/4" W/EXTENDED ARM KEVCO P814 1-1/4" |
| 1 | 011066-03-700 | EA | P TRAP KIT, 1 1/2" X 1 1/2" P TRAP W/1 1/2 TO 1 1/4 REDUCER - CANADIAN |
| 2 | 109571-01-000 | EA | ADAPTER-P TRAP, 1 1/2" P X 1 1/4" MPT |
| 3 | 033761-01-000 | EA | ELBOW-TURN, 1/4 BEND X 1.5" HUB X 1.5" SPIGOT - BLACK PLASTIC |
| 4 | 010071-02-000 | EA | TEE-PLASTIC, 1 1/2 W/BAFFLE - H X H X H KEVCO 3927-7 |
| 5 | 010115-01-000 | EA | COUPLING - 1 1/2" HUB X HUB, PLASTIC |
| 6 | 074870-01-000 | EA | TANK-HOLDING, MAIN - W/O GROMMETS - 30 GAL - 36.5" X 13.3" X 23" |
| 7 | 061607-02-000 | EA | GROMMET-HOLDING TANK, 3" NPS |
| 8 | 010008-01-000 | EA | ELBOW - 90 DEGREE, 1/4 BEND - 1 1/2" HUB X HUB - BLACK PLASTIC |
| 9 | 078406-01-000 | EA | COUPLER-RUBBER, W/CLAMPS - 3" X 3" |
| 10 | 070916-01-000 | EA | VALVE-DUAL DUMP, W/CAP - 3" X 1 1/2" - PLASTIC - BLACK |
| | 062415-01-000 | EA | CAP-SEWER, 3" DIAMETER |
| | 062415-01-700 | EA | STRING-SEWER CAP, SV7 STRAP |
| | 070916-01-700 | EA | VALVE ONLY, 3" |
| | 070916-01-701 | EA | VALVE ONLY, 1 1/2" |
| | 062419-05-000 | EA | BRACKET-VALVE, LOCKING KEVCO T1003-UC |
| | 062419-06-000 | EA | HANDLE-T KEVCO CT1003-6 |
| | 062416-01-000 | EA | ADAPTER-SEWER HOSE TO 3" PIPE |
| | 010201-01-000 | EA | HOSE-SEWER, 3" ID X 8' |
| 11 | 010006-01-000 | EA | ELBOW - 45 DEGREE, 1/8 BEND - 1 1/2" HUB X HUB - BLACK PLASTIC |
| 12 | 062422-01-000 | EA | ADAPTER-OFFSET REDUCER, 3" X 1 1/2" - PLASTIC - BLACK |
| 13 | 010051-01-000 | EA | ELBOW-TURN, 45 DEGREE BEND X 1.5" SPIGOT AND HUB - BLACK PLASTIC |
| 14 | 010071-01-000 | EA | TEE-SANITARY, 1 1/2" HUB X HUB X HUB - PLASTIC - BLACK |
| 15 | 074861-01-000 | EA | TANK-HOLDING, AUXILIARY - W/O GROMMETS - 36 GALLON - 35" X 11" X 27" |
| 16 | 061607-01-000 | EA | GROMMET-HOLDING TANK, 1 1/2" NPS |
| 17 | 011091-02-000 | EA | PIPE-DRAIN, DOUBLE SINK - BAFFLE TEE - 1 1/2" ONE PIPE W/TEE TO DRAIN BOTH SIDES OF SINK |
| 17 | 011091-03-000 | EA | PIPE-DRAIN, W/SEALS - DOUBLE SINK - EXTENDS 9" TO 16" - CANADIAN |
| | 116644-01-000 | EA | FLANGE-CLOSET, 4" X 3" SEALAND 345892 |

WINDOW, VENT & EXTERIOR DOOR GROUP



POWERED ROOF VENT - JENSEN - US - MODEL 7757 WHE

| KEY | PART NUMBER | U/M | DESCRIPTION | VENDOR NO. |
|-----|---------------|-----|--|-------------|
| 1 | 110051-03-01A | EA | VENT-ROOF, POWERED - 2" ROOF - JENSEN 7757 WHE | |
| 2 | 064470-01-700 | EA | COVER-ROOF VENT, W/O WITHOUT SLIDE BAR | 7291 |
| | 064470-01-701 | EA | SLIDE BAR | 1111-492-01 |
| 3 | 110051-01-702 | EA | LIFT ASSEMBLY-VENT LID W/O CRANK, JENSEN | RP-1000B |
| 4 | 048648-01-000 | EA | MOTOR-ROOF VENT, 1/8 SHAFT - 12V - JENSEN | |
| 5 | 048649-01-000 | EA | FAN-ROOF VENT, 6 BLADES - 6" - JENSEN | |
| 6 | 110051-01-700 | EA | ROOF VENT SCREEN-MANUAL CRANK ASSEMBLIES | 29-800-02 |
| 7 | 110051-01-703 | EA | CRANK HANDLE-ROOF VENT, JENSEN | RP-1031-B |

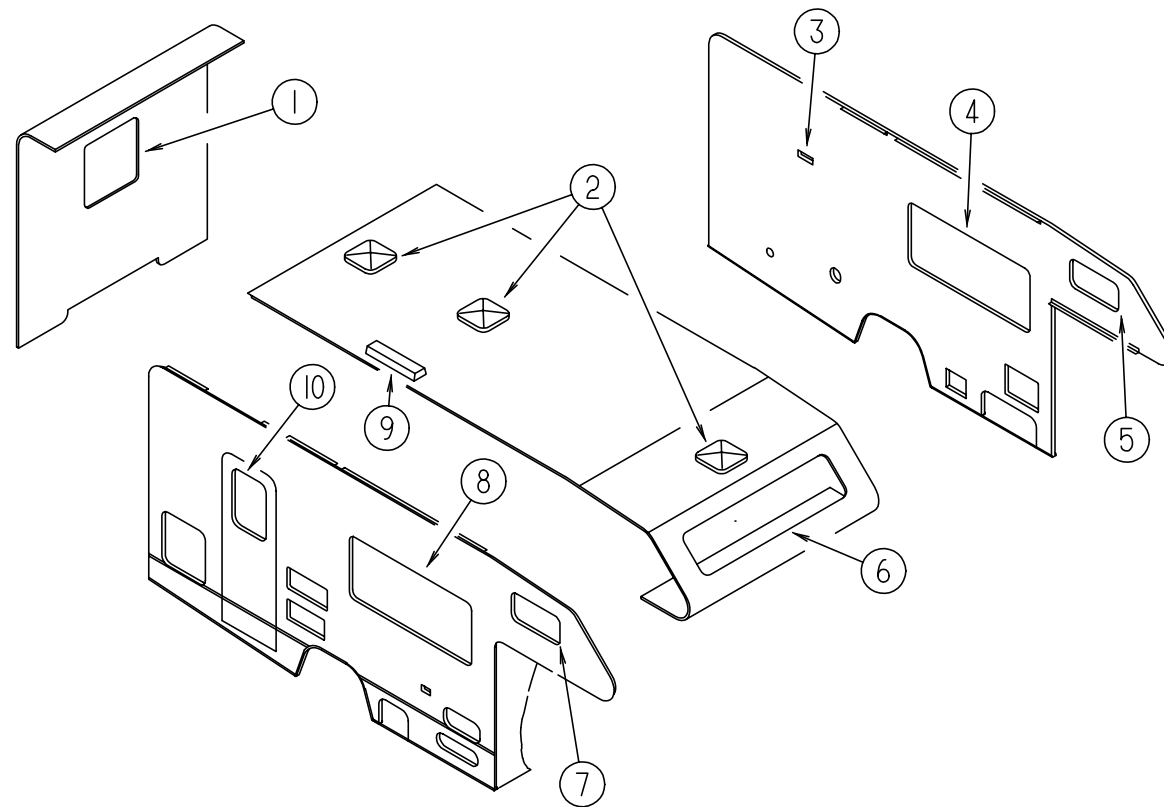
POWERED ROOF VENT - JENSEN - CANADIAN - MODEL C7757 WHE

| KEY | PART NUMBER | U/M | DESCRIPTION | VENDOR NO. |
|-----|---------------|-----|---|-------------|
| 1 | 110051-05-01A | EA | VENT-ROOF, POWERED - 2" ROOF - CSA C7757 WHE | |
| 2 | 064470-01-700 | EA | COVER-ROOF VENT, W/O WITHOUT SLIDE BAR - JENSEN | 7291 |
| | 064470-01-701 | EA | SLIDE BAR | 1111-492-01 |
| 3 | 110051-01-702 | EA | LIFT ASSEMBLY-VENT LID W/O CRANK, JENSEN | RP-1000B |
| 4 | 048648-01-000 | EA | MOTOR-ROOF VENT, 1/8 SHAFT - 12V - JENSEN | |
| 5 | 048649-01-000 | EA | FAN-ROOF VENT, 6 BLADES - 6" - JENSEN | |
| 6 | 110051-01-700 | EA | ROOF VENT SCREEN-MANUAL CRANK ASSEMBLIES | 29-800-02 |
| 7 | 110051-01-703 | EA | CRANK HANDLE-ROOF VENT, JENSEN | RP-1031-B |

NONPOWERED ROOF VENT - MODEL 7724 WHE

| KEY | PART NUMBER | U/M | DESCRIPTION | VENDOR NO. |
|-----|---------------|-----|--|-------------|
| | 110051-01-01A | EA | VENT-ROOF, NONPOWERED - 2" ROOF 7724 WHE | |
| | 064470-01-700 | EA | COVER-ROOF VENT, WITHOUT SLIDE BAR | 7291 |
| | 064470-01-701 | EA | SLIDE BAR | 1111-492-01 |
| | 110051-01-700 | EA | ROOF VENT SCREEN-MANUAL CRANK ASSEMBLIES | 29-800-02 |
| | 110051-01-702 | EA | LIFT ASSEMBLY-VENT LID W/O CRANK | RP-1000B |
| | 110051-01-703 | EA | CRANK HANDLE-ROOF VENT | RP-1031-B |

WINDOW, VENT & EXTERIOR DOOR GROUP (CONTINUED)

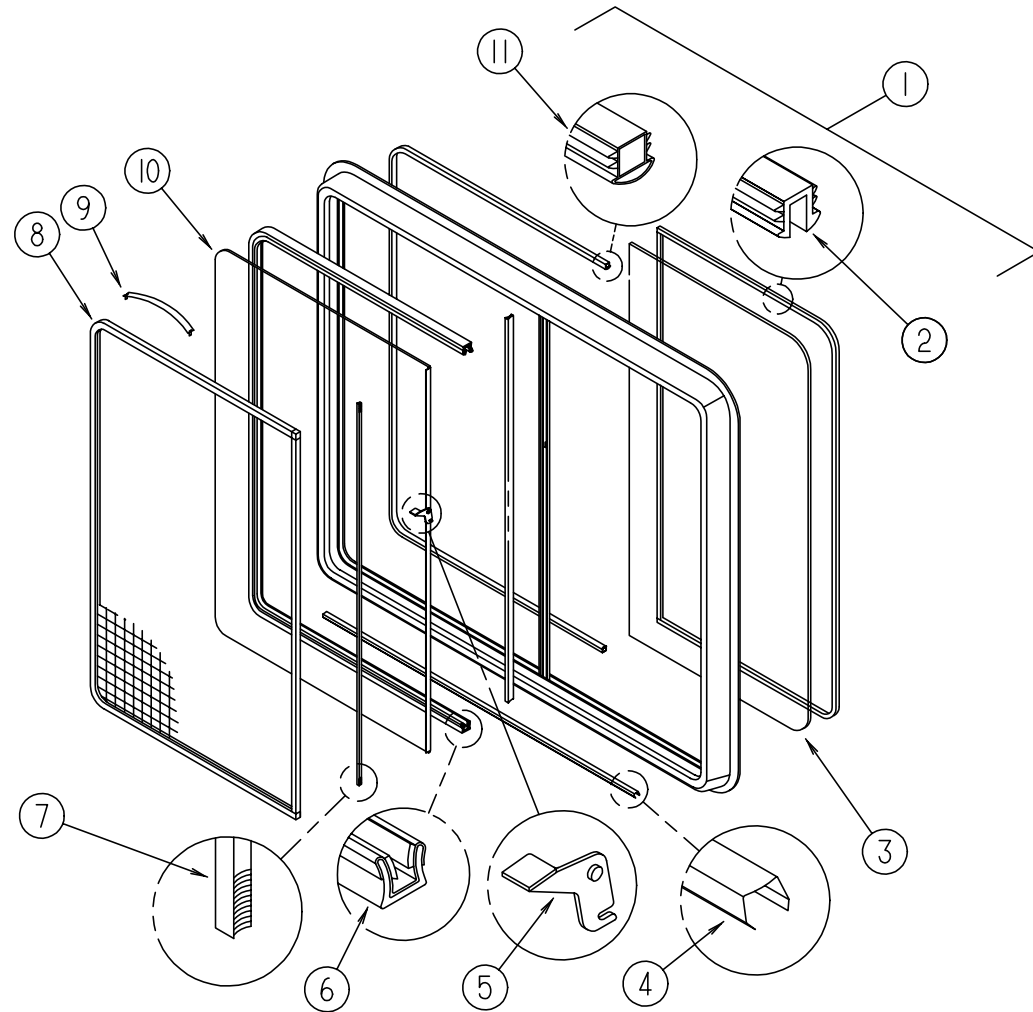


WINDOWS & VENTS

| KEY | PART NUMBER | U/M | DESCRIPTION |
|-----|---------------|-----|---|
| 1 | 117053-04-FB1 | EA | WINDOW-STATIONARY |
| 1 | 113733-05-01A | EA | WINDOW-STATIONARY, THERMO - EXCEL DH455-G2W59 |
| 2 | 110051-01-01A | EA | VENT-ROOF, NONPOWERED - 2" ROOF - JENSEN |
| 2 | 110051-03-01A | EA | VENT-ROOF, POWERED - US |
| 2 | 110051-05-01A | EA | VENT-ROOF, POWERED - CANADIAN |
| 3 | 084878-09-000 | EA | VENT-RANGE HOOD, SHORT - LVS |
| 4 | 098647-28-01A | EA | WINDOW-SLIDER, HORIZONTAL - CLEAR - EXCEL H287-C1W66L |
| 4 | 112795-15-01A | EA | WINDOW-SLIDER, HORIZONTAL - THERMO - EXCEL DH287-G2W66L |
| 5 | 098647-32-01A | EA | WINDOW-SLIDER, HORIZONTAL - CLEAR - EXCEL H425-C1W66L |
| 5 | 112795-20-01A | EA | WINDOW-SLIDER, HORIZONTAL - THERMO - EXCEL DC29-G2W66L |
| 6 | 103313-03-F15 | EA | WINDOW-STATIONARY |
| 6 | 115630-01-01A | EA | WINDOW-STATIONARY, THERMO - EXCEL DH438-G2W59 |
| 7 | 098647-31-01A | EA | WINDOW-SLIDER, HORIZONTAL - CLEAR - EXCEL H425-C1W66R |
| 7 | 112795-19-01A | EA | WINDOW-SLIDER, HORIZONTAL - THERMO - EXCEL DC29-G2W66R |
| 8 | 098647 27 01A | EA | WINDOW-SLIDER, HORIZONTAL - CLEAR - EXCEL H287-C1W66R |
| 8 | 112795-16-01A | EA | WINDOW-SLIDER, HORIZONTAL - THERMO - EXCEL DH287-G2W66R |
| 9 | 084073-07-000 | EA | COVER-ROOF VENT, REFRIGERATOR - BRIGHT WHITE - NORCOLD |
| | 084073-04-000 | EA | BASE-ROOF VENT, REFRIGERATOR - BLACK - NORCOLD |
| 10 | 117053-04-FB1 | EA | WINDOW-STATIONARY |
| 10 | 113733-01-01A | EA | WINDOW-STATIONARY, THERMO - EXCEL DH455-G2W59 |
| | 083558-07-000 | EA | VENT-PLUMBING PIPE ROOF, W/COVER - BRIGHT WHITE |
| | 084616-07-000 | EA | SHROUD-VENT, RANGE HOOD - BRIGHT WHITE |

WINDOW , VENT & EXTERIOR DOOR GROUP (CONTINUED)

WINDOW , VENT & EXTERIOR DOOR GROUP (CONTINUED)
SINGLE SLIDER WINDOW - DINETTE



| KEY | PART NUMBER | U/M | DESCRIPTION | VENDOR NO. |
|-----|---------------|-----|---|------------|
| | 098647-27-01A | EA | WINDOW-SLIDER, HORIZONTAL - CLEAR H287-C1W66R | |
| 1 | 098647-27-700 | EA | WINDOW-W/O FRAME | H287-C1R |
| | 098647-27-701 | EA | FRAME-WINDOW | W28766 |
| 2 | 100322-01-703 | FT | STRIP-GLAZING, BUTYL | 132-010723 |
| 3 | 098647-27-702 | EA | GLASS-STATIONARY | 096-017868 |
| 4 | 098644-01-710 | FT | TRACK-SCREEN SPACER, 12' LENGTH | M401-31 |
| 5 | 098644-01-700 | EA | LATCH-REPAIR KIT | B801-CK |
| 6 | 098644-01-708 | FT | CHANNEL-PIERCED RUN | 122-016543 |
| 7 | 098644-01-711 | FT | WEATHERSTRIP-SCREEN, BLACK | 171-016965 |
| 8 | 098647-23-704 | EA | SCREEN-W/SPRING & WEATHERSTRIP | 410-019066 |
| 9 | 098644-01-713 | EA | SPRING-SCREEN FRAME, CLIP - PLASTIC | 226-016966 |
| 10 | 098647-27-703 | EA | GLASS-SLIDING, W/SASH & LATCH | H287-C8 |
| 11 | 098644-01-706 | FT | WEATHERSTRIP | 171-010668 |
| | 098644-01-716 | FT | PLUG-FILLER | 132-014470 |
| | 098644-01-717 | FT | SPLINE-SCREEN | 132-004716 |

SINGLE SLIDER WINDOW - OVERHEAD BUNK - DRIVER SIDE

| KEY | PART NUMBER | U/M | DESCRIPTION | VENDOR NO. |
|-----|---------------|-----|---|------------|
| | 098647-32-01A | EA | WINDOW-SLIDER, HORIZONTAL - CLEAR H425-C1W66L | |
| 1 | 098647-32-700 | EA | WINDOW-W/O FRAME | H425-C1L |
| | 098647-31-701 | EA | FRAME-WINDOW | CW2966 |
| 2 | 100322-01-703 | FT | STRIP-GLAZING, BUTYL | 132-010723 |
| 3 | 098647-31-702 | EA | GLASS-STATIONARY | 096-019299 |
| 4 | 098644-01-710 | FT | TRACK-SCREEN SPACER, 12' LENGTH | M401-31 |
| 5 | 098644-01-700 | EA | LATCH-REPAIR KIT | B801-CK |
| 6 | 098644-01-708 | FT | CHANNEL-PIERCED RUN | 122-016543 |
| 7 | 098644-01-711 | FT | WEATHERSTRIP-SCREEN, BLACK | 171-016965 |
| 8 | 098647-31-704 | EA | SCREEN-W/SPRING & WEATHERSTRIP | 410-019128 |
| 9 | 098644-01-713 | EA | SPRING-SCREEN FRAME, CLIP - PLASTIC | 226-016966 |
| 10 | 098647-31-703 | EA | GLASS-SLIDING, W/SASH & LATCH | H425-C8 |
| 11 | 098644-01-706 | FT | WEATHERSTRIP | 171-010668 |
| | 098644-01-716 | FT | PLUG-FILLER | 132-014470 |
| | 098644-01-717 | FT | SPLINE-SCREEN | 132-004716 |

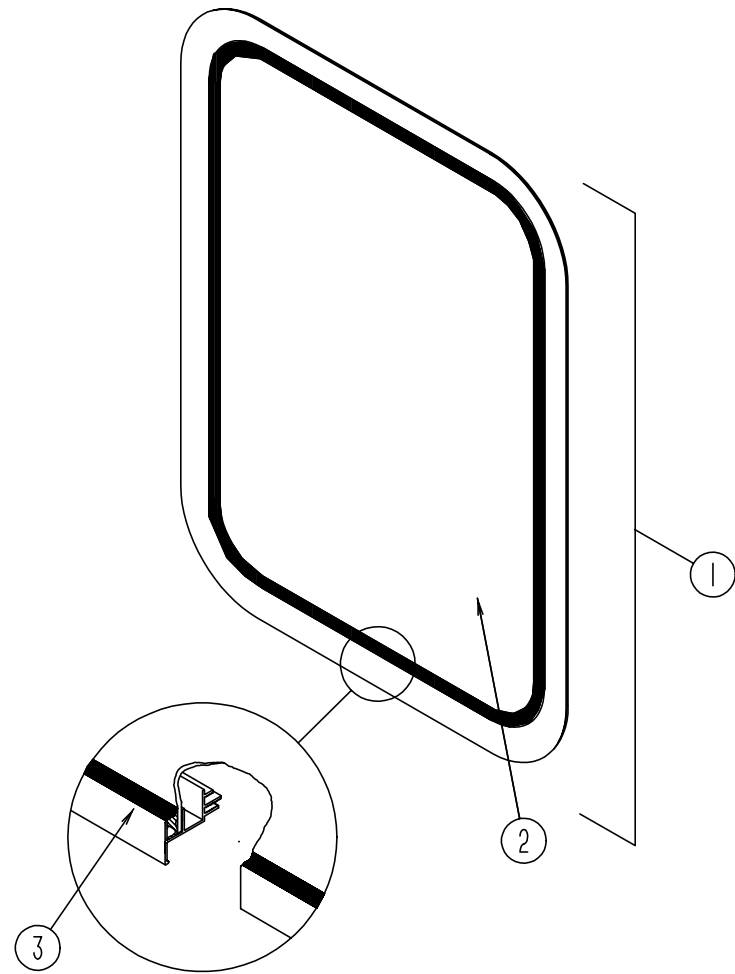
SINGLE SLIDER WINDOW - OVERHEAD BUNK - PASSENGER SIDE

| KEY | PART NUMBER | U/M | DESCRIPTION | VENDOR NO. |
|-----|---------------|-----|---|------------|
| | 098647-31-01A | EA | WINDOW-SLIDER, HORIZONTAL - CLEAR H425-C1W66R | |
| 1 | 098647-31-700 | EA | WINDOW-W/O FRAME | H425-C1R |
| | 098647-31-701 | EA | FRAME-WINDOW | CW2966 |
| 2 | 100322-01-703 | FT | STRIP-GLAZING, BUTYL | 132-010723 |
| 3 | 098647-31-702 | EA | GLASS-STATIONARY | 096-019299 |
| 4 | 098644-01-710 | FT | TRACK-SCREEN SPACER, 12' LENGTH | M401-31 |
| 5 | 098644-01-700 | EA | LATCH-REPAIR KIT | B801-CK |
| 6 | 098644-01-708 | FT | CHANNEL-PIERCED RUN | 122-016543 |
| 7 | 098644-01-711 | FT | WEATHERSTRIP-SCREEN, BLACK | 171-016965 |
| 8 | 098647-31-704 | EA | SCREEN-W/SPRING & WEATHERSTRIP | 410-019128 |
| 9 | 098644-01-713 | EA | SPRING-SCREEN FRAME, CLIP - PLASTIC | 226-016966 |
| 10 | 098647-31-703 | EA | GLASS-SLIDING, W/SASH & LATCH | H425-C8 |
| 11 | 098644-01-706 | FT | WEATHERSTRIP | 171-010668 |
| | 098644-01-716 | FT | PLUG-FILLER | 132-014470 |
| | 098644-01-717 | FT | SPLINE-SCREEN | 132-004716 |

SINGLE SLIDER WINDOW - LOUNGE

| KEY | PART NUMBER | U/M | DESCRIPTION | VENDOR NO. |
|-----|---------------|-----|---|------------|
| | 098647-28-01A | EA | WINDOW-SLIDER, HORIZONTAL - CLEAR H287-C1W66L | |
| 1 | 098647-28-700 | EA | WINDOW-W/O FRAME | H287-C1L |
| | 098647-27-701 | EA | FRAME-WINDOW | W28766 |
| 2 | 100322-01-703 | FT | STRIP-GLAZING, BUTYL | 132-010723 |
| 3 | 098647-27-702 | EA | GLASS-STATIONARY | 096-017868 |
| 4 | 098644-01-710 | FT | TRACK-SCREEN SPACER, 12' LENGTH | M401-31 |
| 5 | 098644-01-700 | EA | LATCH-REPAIR KIT | B801-CK |
| 6 | 098644-01-708 | FT | CHANNEL-PIERCED RUN | 122-016543 |
| 7 | 098644-01-711 | FT | WEATHERSTRIP-SCREEN, BLACK | 171-016965 |
| 8 | 098647-23-704 | EA | SCREEN-W/SPRING & WEATHERSTRIP | 410-019066 |
| 9 | 098644-01-713 | EA | SPRING-SCREEN FRAME, CLIP - PLASTIC | 226-016966 |
| 10 | 098647-27-703 | EA | GLASS-SLIDING, W/SASH & LATCH | H287-C8 |
| 11 | 098644-01-706 | FT | WEATHERSTRIP | 171-010668 |
| | 098644-01-716 | FT | PLUG-FILLER | 132-014470 |
| | 098644-01-717 | FT | SPLINE-SCREEN | 132-004716 |

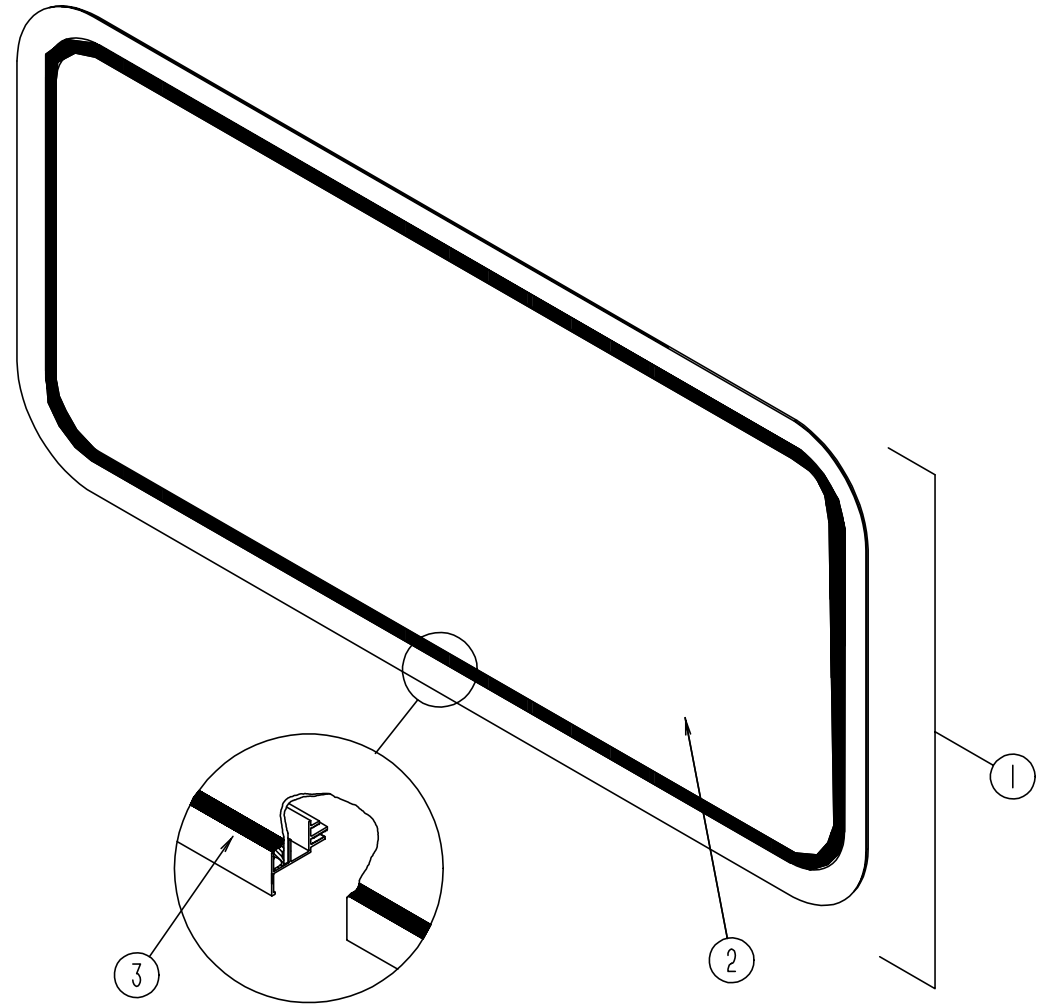
WINDOW, VENT & EXTERIOR DOOR GROUP (CONTINUED)



ENTRY DOOR & BACKWALL WINDOW

| KEY | PART NUMBER | U/M | DESCRIPTION |
|-----|---------------|-----|---|
| 1 | 117053-04-FB1 | EA | WINDOW-STATIONARY |
| 2 | 002181-27-000 | EA | GLASS-PICTURE, 25.8" X 16.4" |
| | 117054-02-01A | EA | FRAME-WINDOW, INSIDE - WHITE |
| 3 | 087561-01-000 | FT | SEAL-GLASS, EXTERIOR - .5" WIDE - VINYL - BLACK |

WINDOW, VENT & EXTERIOR DOOR GROUP (CONTINUED)



OVERHEAD BUNK FRONT WINDOW

| KEY | PART NUMBER | U/M | DESCRIPTION |
|-----|---------------|-----|---|
| 1 | 103313-03-F15 | EA | WINDOW-PICTURE |
| | 117054-01-01A | EA | FRAME-WINDOW, INSIDE WHITE |
| 2 | 002181-29-000 | EA | GLASS-PICTURE, 71.2" X 16.4" - GRAY |
| 3 | 099154-01-000 | FT | CHANNEL-GLAZING, STATIONARY GLASS - .62" X .45" - BLACK |

WINDOW, VENT & EXTERIOR DOOR GROUP (CONTINUED)
ENTRY DOOR WINDOW - THERMO - EXCEL

| KEY | PART NUMBER | U/M | DESCRIPTION | VENDOR NO. |
|-----|---------------|-----|---|------------|
| | 113733-01-01A | EA | WINDOW-STATIONARY, THERMO - DH416-G2W66 | |
| | 113733-01-700 | EA | WINDOW-W/O FRAME | DH416-G2 |
| | 113733-01-701 | EA | FRAME-INSIDE | W41666 |
| | 113733-01-702 | EA | GLASS-STATIONARY | 390-019187 |

SINGLE SLIDER WINDOW - LOUNGE - THERMO - EXCEL

| KEY | PART NUMBER | U/M | DESCRIPTION | VENDOR NO. |
|-----|---------------|-----|---|------------|
| | 112795-15-01A | EA | WINDOW-SLIDER, HORIZONTAL - DH287-G2W66L | |
| | 098647-23-702 | EA | FRAME-INSIDE | W28766 |
| | 098647-23-704 | EA | SCREEN-W/SPRING & WEATHERSTRIP | 410-019066 |
| | 112795-01-700 | EA | LATCH ASSEMBLY - BLACK | DH287-CK |
| | 112795-01-701 | EA | SLIDE-STOP | 132-019092 |
| | 112795-01-702 | FT | PLUG-FILLER | 122-018737 |
| | 112795-01-703 | FT | RUN CHANNEL | 122-018736 |
| | 112795-01-704 | FT | VINYL-GLAZING | 132-018280 |
| | 112795-15-700 | EA | WINDOW-W/O FRAME | DH287-G2L |
| | 112795-15-701 | EA | GLASS-STATIONARY | 390-019045 |
| | 112795-15-702 | EA | GLASS-SLIDING, W/SASH & LATCH | DH287-G9 |
| | 098644-01-713 | EA | SPRING-SCREEN FRAME (CLIP), PLASTIC - BLACK | |

SINGLE SLIDER WINDOW - DINETTE - THERMO - EXCEL

| KEY | PART NUMBER | U/M | DESCRIPTION | VENDOR NO. |
|-----|---------------|-----|---|------------|
| | 112795-16-01A | EA | WINDOW-SLIDER, HORIZONTAL - DH287-G2W66R | |
| | 098647-23-702 | EA | FRAME-INSIDE | W28766 |
| | 098647-23-704 | EA | SCREEN W/SPRING & WEATHERSTRIP | 410-019066 |
| | 112795-01-700 | EA | LATCH ASSEMBLY - BLACK | DH287-CK |
| | 112795-01-701 | EA | SLIDE-STOP | 132-019092 |
| | 112795-01-702 | FT | PLUG-FILLER | 122-018737 |
| | 112795-01-703 | FT | RUN CHANNEL | 122-018736 |
| | 112795-01-704 | FT | VINYL-GLAZING | 132-018280 |
| | 112795-15-701 | EA | GLASS-STATIONARY | 390-019045 |
| | 112795-15-702 | EA | GLASS-SLIDING, W/SASH & LATCH | DH287-G9 |
| | 112795-16-700 | EA | WINDOW-W/O FRAME | DH287-G2R |
| | 098644-01-713 | EA | SPRING-SCREEN FRAME (CLIP), PLASTIC - BLACK | |

SINGLE SLIDER WINDOW - OVERHEAD BUNK - PASSENGER SIDE - THERMO - EXCEL

| KEY | PART NUMBER | U/M | DESCRIPTION | VENDOR NO. |
|-----|---------------|-----|---|------------|
| | 112795-19-01A | EA | WINDOW-SLIDER, HORIZONTAL - DC29-G2W66R | |
| | 098647-31-701 | EA | FRAME-INSIDE | CW2966 |
| | 098647-31-704 | EA | SCREEN W/SPRING & WEATHERSTRIP | 410-019128 |
| | 112795-01-700 | EA | LATCH ASSEMBLY - BLACK | DH287-CK |
| | 112795-01-701 | EA | SLIDE-STOP | 132-019092 |
| | 112795-01-702 | FT | PLUG-FILLER | 122-018737 |
| | 112795-01-703 | FT | RUN CHANNEL | 122-018736 |
| | 112795-01-704 | FT | VINYL-GLAZING | 132-018280 |
| | 112795-19-700 | EA | WINDOW-W/O FRAME | DC29-G2R |
| | 112795-19-701 | EA | GLASS-STATIONARY | 390-019134 |
| | 112795-19-702 | EA | GLASS-SLIDING, W/SASH & LATCH | DC29-G9 |
| | 098644-01-713 | EA | SPRING-SCREEN FRAME (CLIP), PLASTIC - BLACK | |

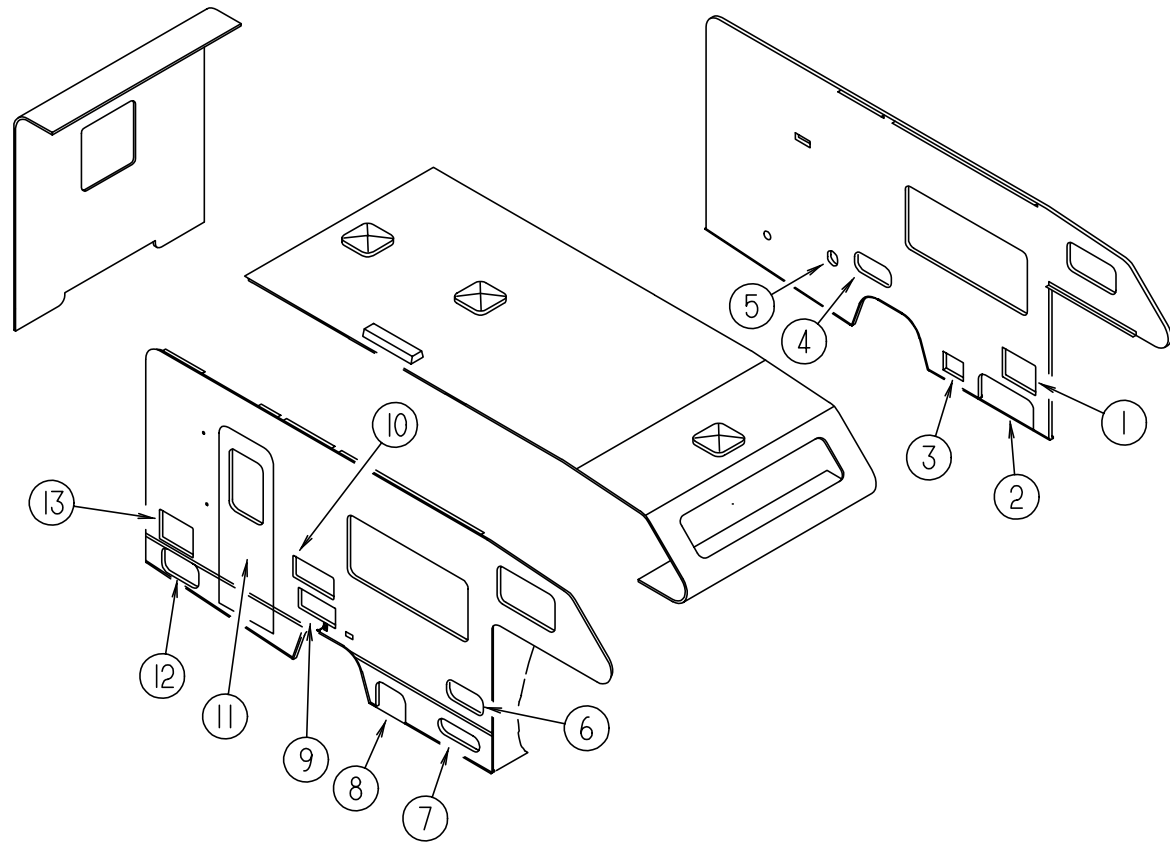
WINDOW, VENT & EXTERIOR DOOR GROUP (CONTINUED)
SINGLE SLIDER WINDOW - GALLEY & OVERHEAD BUNK - DRIVER SIDE - THERMO - EXCEL

| KEY | PART NUMBER | U/M | DESCRIPTION | VENDOR NO. |
|-----|---------------|-----|---|------------|
| | 112795-20-01A | EA | WINDOW-SLIDER, HORIZONTAL - DC29-G2W66L | |
| | 098647-31-701 | EA | FRAME-INSIDE | CW2966 |
| | 098647-31-704 | EA | SCREEN-W/SPRING & WEATHERSTRIP | 410-019128 |
| | 112795-01-700 | EA | LATCH ASSEMBLY - BLACK | DH287-CK |
| | 112795-01-701 | EA | SLIDE-STOP | 132-019092 |
| | 112795-01-702 | FT | PLUG-FILLER | 122-018737 |
| | 112795-01-703 | FT | RUN CHANNEL | 122-018736 |
| | 112795-01-704 | FT | VINYL-GLAZING | 132-018280 |
| | 112795-19-701 | EA | GLASS-STATIONARY | 390-019134 |
| | 112795-19-702 | EA | GLASS-SLIDING, W/SASH & LATCH | DC29-G9 |
| | 112795-20-700 | EA | WINDOW-W/O FRAME | DC29-G2L |
| | 098644-01-713 | EA | SPRING-SCREEN FRAME (CLIP), PLASTIC - BLACK | |

FRONT WINDOW - OVERHEAD BUNK - THERMO - EXCEL

| KEY | PART NUMBER | U/M | DESCRIPTION | VENDOR NO. |
|-----|---------------|-----|-------------------------------------|------------|
| | 115630-01-01A | EA | WINDOW-STATIONARY, EXCEL H438-G2W59 | |
| | 115630-01-700 | EA | WINDOW-W/O FRAME | DH438-G2 |
| | 115630-01-701 | EA | FRAME-INSIDE | W43858 |
| | 115630-01-702 | EA | GLASS-STATIONARY | 390-019467 |

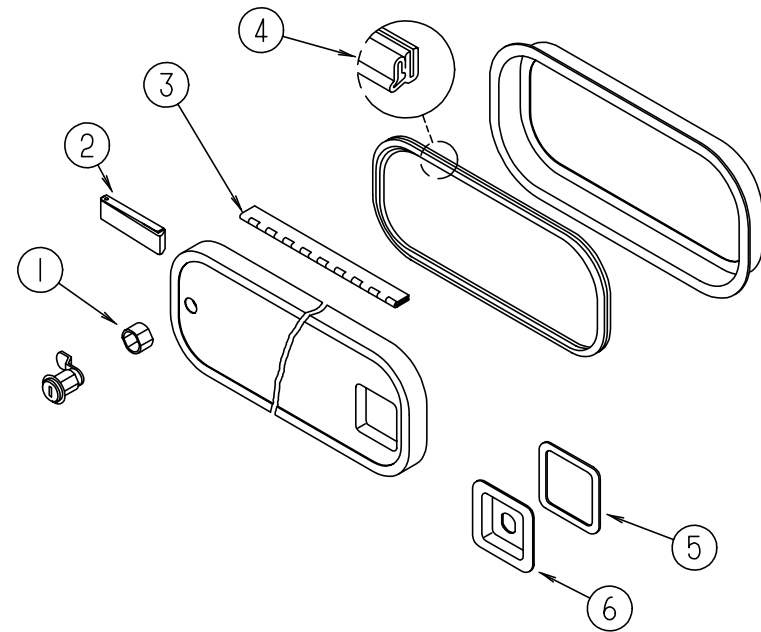
WINDOW, VENT & EXTERIOR DOOR GROUP (CONTINUED)



EXTERIOR DOORS

| KEY | PART NUMBER | U/M | DESCRIPTION |
|-----|---------------|-----|---|
| 1 | 104558-18-F16 | EA | DOOR-STORAGE, BRIGHT WHITE |
| 2 | 111014-16-F15 | EA | DOOR-STORAGE, LOWER FRONT - BRIGHT WHITE |
| 3 | 088794-06-000 | EA | DOOR-POWER CORD, W/HATCH - 11" X 9.2" - BRIGHT WHITE |
| 4 | 111017-02-F24 | EA | DOOR-EXTERIOR SHOWER - BRIGHT WHITE |
| 5 | 081240-16-000 | EA | FILL-WATER, LOCKABLE W/O LOCK - BRIGHT WHITE |
| 6 | 111017-01-F24 | EA | DOOR-EXTERIOR ENTERTAINMENT CENTER - BRIGHT WHITE |
| 7 | 111009-01-F24 | EA | DOOR-COMPARTMENT, LP - 16.9" X 5.4" - ALUMINUM - BRIGHT WHITE |
| 8 | 111014-15-F15 | EA | DOOR-STORAGE, LOWER FRONT - BRIGHT WHITE |
| 9 | 098668-23-000 | EA | DOOR-ACCESS, FURNACE - SUBURBAN 520574 - BRIGHT WHITE |
| 10 | 084103-08-000 | EA | DOOR-REFRIGERATOR, VENTED - W/O JAMB - BRIGHT WHITE |
| | 084104-08-000 | EA | JAMB-DOOR, REFRIGERATOR - BRIGHT WHITE |
| | 084104-01-700 | EA | LOCK-MALE, FASTENER - REFRIGERATOR DOOR |
| | 084104-01-701 | EA | LOCK-FEMALE, FASTENER - REFRIGERATOR DOOR |
| 11 | 115108-01-G21 | EA | DOOR-ENTRANCE, W/O WINDOW - W/SCREEN DOOR - BRIGHT WHITE |
| 11 | 115108-01-G22 | EA | DOOR-ENTRANCE, W/O WINDOW - W/SCREEN DOOR - BRIGHT WHITE |
| 12 | 104558-28-F15 | EA | DOOR-STORAGE, BRIGHT WHITE |
| 13 | 052009-06-000 | EA | DOOR-WATER HEATER, BRIGHT WHITE - ATWOOD 5576-27 |

WINDOW, VENT & EXTERIOR DOOR GROUP (CONTINUED)

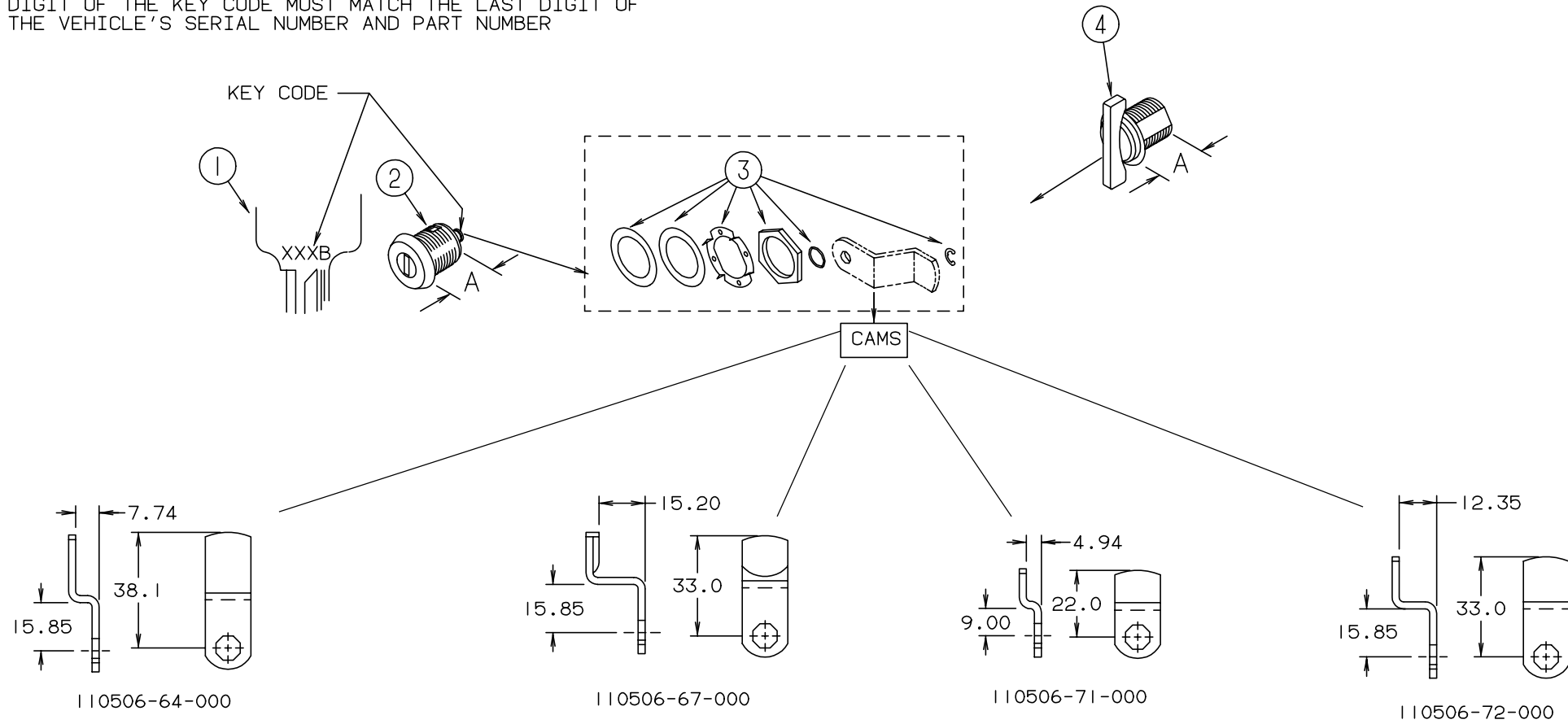


EXTERIOR COMPARTMENT DOOR COMPONENTS

| KEY | PART NUMBER | U/M | DESCRIPTION |
|-----|---------------|-----|--|
| 1 | 107997-51-001 | EA | SPACER - .86" X .6" - ALUMINUM |
| 2 | 102768-01-000 | EA | HOLDER-COMPARTMENT/ENTRY DOOR, METAL - MILL FINISH |
| 3 | 081801-02-000 | EA | HINGE-PIANO, 2" X 96" - ALUMINUM |
| 4 | 064075-07-000 | FT | SEAL-BULB, W/WIRED U CHANNEL - .3" X .5" CHANNEL - BLACK |
| 5 | 098338-01-000 | EA | GASKET-LOCK POCKET |
| 6 | 097111-01-04A | EA | POCKET-LOCK VALANCE, BRIGHT WHITE |
| | 096217-55-006 | EA | U CHANNEL, 17.5' - BRIGHT WHITE |

WINDOW, VENT & EXTERIOR DOOR GROUP (CONTINUED)
BRIGGS & STRATTON LOCKS & COMPONENTS

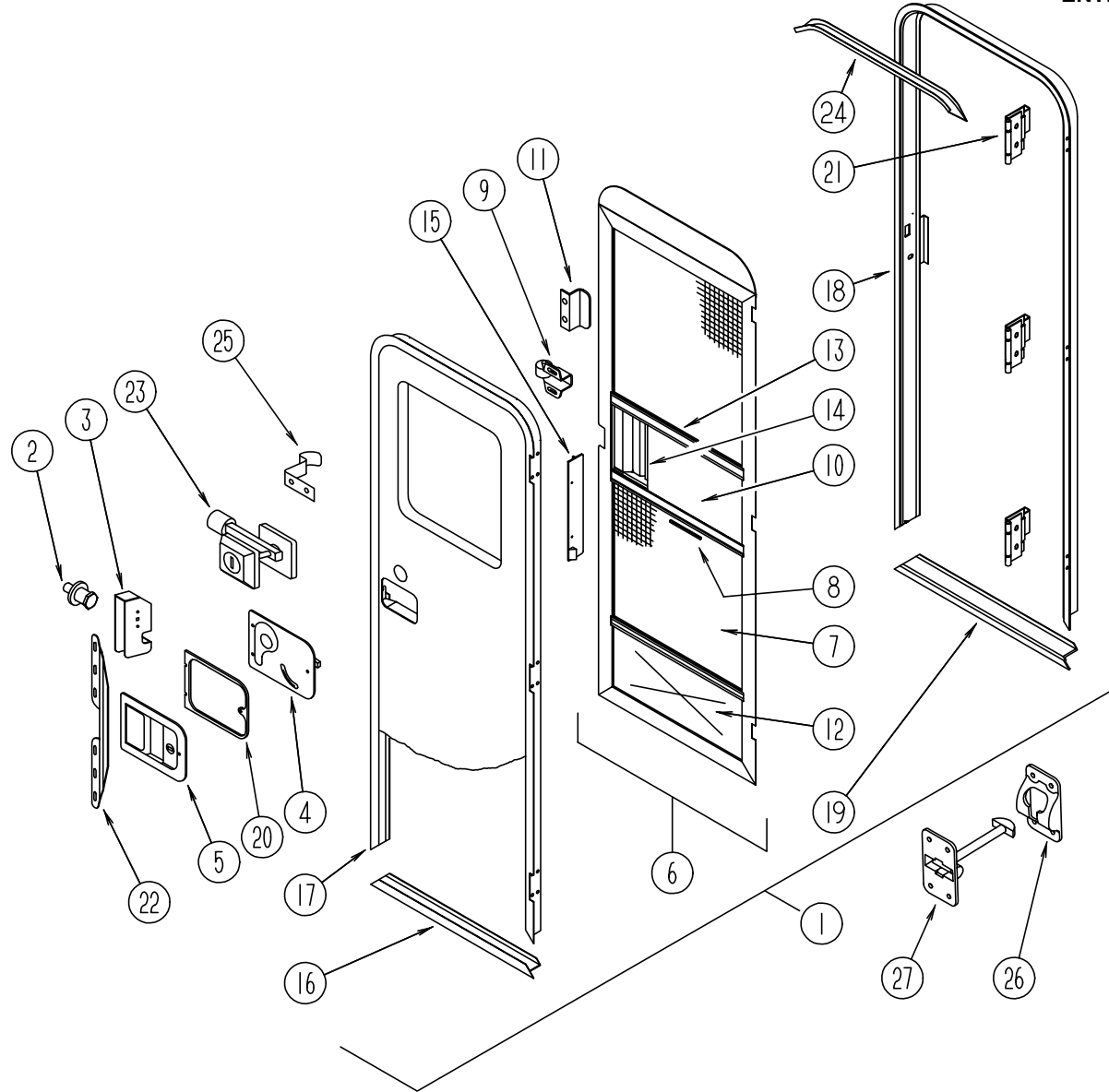
NOTE:
 WHEN ORDERING THE LOCK CASE, THE KEY CODE MUST MATCH THE LAST DIGIT OF THE VEHICLE'S SERIAL NUMBER AND PART NUMBER; WHEN ORDERING THE KEYS, THE THIRD DIGIT OF THE KEY CODE MUST MATCH THE LAST DIGIT OF THE VEHICLE'S SERIAL NUMBER AND PART NUMBER



| KEY | PART NUMBER | U/M | DESCRIPTION | VENDOR NO. |
|-----|---------------|-----|----------------------|------------|
| 1 | 110506-59-000 | EA | KEYS-SET OF TWO | 596720 |
| 2 | 110506-52-000 | EA | CASE-LOCK, A = 17 MM | 702370 |
| 2 | 110506-53-000 | EA | CASE-LOCK, A = 25 MM | 702380 |
| 1 | 110506-59-001 | EA | KEYS-SET OF TWO | 596721 |
| 2 | 110506-52-001 | EA | CASE-LOCK, A = 17 MM | 702371 |
| 2 | 110506-53-001 | EA | CASE-LOCK, A = 25 MM | 702381 |
| 1 | 110506-59-002 | EA | KEYS-SET OF TWO | 596722 |
| 2 | 110506-52-002 | EA | CASE-LOCK, A = 17 MM | 702372 |
| 2 | 110506-53-002 | EA | CASE-LOCK, A = 25 MM | 702382 |
| 1 | 110506-59-003 | EA | KEYS-SET OF TWO | 596723 |
| 2 | 110506-52-003 | EA | CASE-LOCK, A = 17 MM | 702373 |
| 2 | 110506-53-003 | EA | CASE-LOCK, A = 25 MM | 702383 |
| 1 | 110506-59-004 | EA | KEYS-SET OF TWO | 596724 |
| 2 | 110506-52-004 | EA | CASE-LOCK, A = 17 MM | 702374 |
| 2 | 110506-53-004 | EA | CASE-LOCK, A = 25 MM | 702384 |
| 1 | 110506-59-005 | EA | KEYS-SET OF TWO | 596725 |
| 2 | 110506-52-005 | EA | CASE-LOCK, A = 17 MM | 702375 |
| 2 | 110506-53-005 | EA | CASE-LOCK, A = 25 MM | 702385 |
| 1 | 110506-59-006 | EA | KEYS-SET OF TWO | 596726 |
| 2 | 110506-52-006 | EA | CASE-LOCK, A = 17 MM | 702376 |
| 2 | 110506-53-006 | EA | CASE-LOCK, A = 25 MM | 702386 |

| KEY | PART NUMBER | U/M | DESCRIPTION | VENDOR NO. |
|-----|---------------|-----|----------------------------|------------|
| 1 | 110506-59-007 | EA | KEYS-SET OF TWO | 596727 |
| 2 | 110506-52-007 | EA | CASE-LOCK, A = 17 MM | 702377 |
| 2 | 110506-53-007 | EA | CASE-LOCK, A = 25 MM | 702387 |
| 1 | 110506-59-008 | EA | KEYS-SET OF TWO | 596728 |
| 2 | 110506-52-008 | EA | CASE-LOCK, A = 17 MM | 702378 |
| 2 | 110506-53-008 | EA | CASE-LOCK, A = 25 MM | 702388 |
| 1 | 110506-59-009 | EA | KEYS-SET OF TWO | 596729 |
| 2 | 110506-52-009 | EA | CASE-LOCK - A = 17 MM | 702379 |
| 2 | 110506-53-009 | EA | CASE-LOCK - A = 25 MM | 702389 |
| 3 | 110506-40-700 | EA | HARDWARE KIT | |
| 4 | 110506-50-000 | EA | CASE-TWIST LOCK, A = 17 MM | 596952 |
| 4 | 110506-51-000 | EA | CASE-TWIST LOCK, A = 25 MM | 596669 |
| | 110506-40-000 | EA | CLIP-E LOCK ASSEMBLY | 93981 |
| | 110506-64-000 | EA | CAM-LOCK | 322280 |
| | 110506-67-000 | EA | CAM-LOCK | 322283 |
| | 110506-71-000 | EA | CAM-LOCK | 322287 |
| | 110506-72-000 | EA | CAM-LOCK | 322354 |
| | 110506-59-701 | EA | KEY-BLANK, GOLD | |

WINDOW, VENT & EXTERIOR DOOR GROUP (CONTINUED)
ENTRY DOOR W/O WINDOW



| KEY | PART NUMBER | U/M | DESCRIPTION |
|-----|---------------|-----|--|
| 1 | 115108-01-G21 | EA | DOOR-ENTRANCE, W/O WINDOW - W/SCREEN DOOR - BRIGHT WHITE |
| 1 | 115108-01-G22 | EA | DOOR-ENTRANCE, W/O WINDOW - W/SCREEN DOOR - BRIGHT WHITE |
| 2 | 039539-01-000 | EA | STRIKE-LOCK, ENTRANCE DOOR - ROUND/THREADED WASHER |
| | 077461-05-000 | EA | COVER-STRIKE, ENTRANCE DOOR - 6.5" X 2.5" - PLASTIC - BRIGHT WHITE |
| 3 | 039540-01-000 | EA | LATCH MECHANISM-HOOK, ENTRANCE DOOR - INTERIOR |
| | 039715-01-000 | EA | NUT-SERT, 1/4" DIAMETER - 20 THREADS |
| 4 | 039979-04-000 | EA | COVER-INTERIOR LATCH, W/TRIP ARM - RIGHT - BLACK |
| | | | FROM: 00-00-00 THRU: 09-10-95 |
| 4 | 039979-06-000 | EA | COVER-INTERIOR LATCH, RIGHT - BLACK TEXTURED |
| | | | FROM: 09-11-95 THRU: 99-99-99 |
| | 039984-01-000 | EA | CAP-ROUND, VINYL - .28" ID X .62" LONG - BLACK |
| | 041546-05-000 | EA | BRACKET-DOOR ANGLE, OFF WHITE |
| | | | FROM: 00-00-00 THRU: 10-22-95 |
| | 041546-07-000 | EA | BRACKET-DOOR ANGLE, OFF WHITE |
| | | | FROM: 10-23-95 THRU: 99-99-99 |
| 5 | 045017-11-000 | EA | LATCH-ENTRANCE DOOR, MECHANISM W/LOCK & KEY - BLACK |
| | | | FROM: 00-00-00 THRU: 09-10-95 |
| 5 | 045017-13-000 | EA | LATCH-ENTRANCE DOOR, MECHANISM - BLACK TEXTURED |
| | | | FROM: 09-11-95 THRU: 99-99-99 |
| | 045017-11-701 | EA | KEY-BLANK, ROUND TOP - SILVER - TRI/MARK |

| KEY | PART NUMBER | U/M | DESCRIPTION |
|-----|---------------|-----|---|
| | 063729-04-000 | EA | RIVNUT, 10-32 UNF - .010-.080 |
| | 039715-01-000 | EA | NUT-SERT, 1/4" DIAMETER - 20 THREADS |
| | 075671-04-000 | FT | SEAL-SPONGE, LAZY T SHAPE - W/ADHESIVE STRIP - .5" WIDE |
| 6 | 079012-09-F24 | EA | DOOR-SCREEN |
| 7 | 002293-02-000 | SF | SCREENING-WINDOW/DOOR, 26" - CHARCOAL |
| 8 | 002294-01-000 | FT | SPLINE-SCREENING, .135" X .138" - BLACK |
| 9 | 100412-01-000 | EA | CATCH-SCREEN DOOR |
| 10 | 016454-01-000 | EA | INSERT-CENTER, LEATHER GRAIN ALUMINUM - UNPAINTED |
| 10 | 001014-01-013 | EA | INSERT-CENTER, 10.25" X 16.31" - UNPAINTED |
| 11 | 050712-06-000 | EA | HANDLE-SCREEN DOOR, ALUMINUM |
| 12 | 078552-03-000 | EA | KICK PANEL-SCREEN DOOR, LOWER INSERT - UNPAINTED |
| | 078595-01-000 | EA | TOP PLATE-SCREEN DOOR, CURVED TOP - 4.7" X 25.35" |
| 13 | 078777-01-000 | EA | CHANNEL-SLIDE, SCREEN DOOR CENTER SLIDER COVER - 17.4" |
| 14 | 079086-03-000 | EA | SLIDER-SCREEN DOOR, BRIGHT WHITE |
| 15 | 079087-03-000 | EA | STRIKE-SLIDER, W/LIP FOR ELBOW CATCH - 1.5" X 8.6" |
| | 081914-01-000 | EA | BUMPER-RUBBER, ROUND - .43" DIAMETER - BLACK |
| 16 | 089748-21-000 | EA | FRAME-DOOR, ENTRANCE - BOTTOM - BRIGHT WHITE |
| | 090340-01-000 | FT | SEAL-FOAM, CLOSED CELL - 1/4" X 1/2" X 50' |
| 17 | 095276-07-03A | EA | FRAME-ENTRANCE DOOR, TOP & SIDES - BRIGHT WHITE |
| 18 | 095277-08-03A | EA | JAMB-ENTRANCE DOOR, 25.9" X 74.5" W/BOTTOM - BRIGHT WHITE |
| | | | FROM: 00-00-00 THRU: 07-30-95 |
| 18 | 120310-04-01A | EA | JAMB-ENTRANCE DOOR, 25.9" X 78.5" - BRIGHT WHITE |
| | | | FROM: 07-31-95 THRU: 99-99-99 |
| 19 | 051049-01-000 | EA | JAMB-ENTRANCE DOOR, BOTTOM - 25.9 - UNPAINTED |
| 20 | 096810-01-01A | EA | SPACER-DOOR LOCK, PLASTIC - BLACK |
| 21 | 106719-01-01A | EA | HINGE-ENTRY DOOR, UNPAINTED |
| 22 | 098173-01-04A | EA | STIFFENER-ENTRANCE DOOR, SUPPORTS LATCH/STRIKE AREA - UNPAINTED |
| | 100128-02-000 | FT | SEAL-FOAM, ADHESIVE BACK - .37" W X .37" THICK |
| | | | FROM: 00-00-00 THRU: 07-30-95 |
| | 118929-01-01A | FT | SEAL-PILE, PUSH-ON - AMESBURY XC-964 |
| | | | FROM: 07-31-95 THRU: 99-99-99 |
| 23 | 101145-01-01A | EA | DEADBOLT-ENTRANCE DOOR, W/2 KEYS W/O BACK SET BOLT OR SCREWS |
| | | | FROM: 00-00-00 THRU: 09-10-95 |
| 23 | 101145-01-06A | EA | DEADBOLT-ENTRANCE DOOR, BLACK TEXTURED |
| | | | FROM: 09-11-95 THRU: 99-99-99 |
| | 101145-01-701 | EA | CYLINDER-LOCK ASM., W/KEY 81306-03 |
| | 095229-01-700 | EA | KEY-BLANK |
| | 101147-01-000 | EA | BOLT-SECURITY, 4.12" BACKSET |
| | 102524-01-000 | EA | BUMPER-RUBBER, FLAT - BLACK |
| 24 | 044582-44-000 | EA | CAP-DRIP, DOOR JAMB MOUNTED - BRIGHT WHITE |
| | 115222-04-02A | EA | GARNISH-ENTRANCE DOOR, BRIGHT WHITE |
| 25 | 100412-01-000 | EA | CATCH-SCREEN DOOR, THUMB CLIP |
| 26 | 104099-02-04A | EA | CATCH-DOOR HOLDER, RETAINER - PLASTIC - BRIGHT WHITE |
| 27 | 104099-01-04A | EA | CATCH-DOOR HOLDER, STRIKE - PLASTIC - BRIGHT WHITE |
| | 009126-02-000 | EA | HANDLE-ASSIST, ENTRY DOOR - BLACK |
| | | | FROM: 00-00-00 THRU: 09-10-95 |
| | 009126-03-000 | EA | HANDLE-ASSIST, ENTRY DOOR - BLACK TEXTURED |
| | | | FROM: 09-11-95 THRU: 99-99-99 |
| | 102248-01-000 | EA | SHIM-DOOR |
| | 104692-01-000 | FT | SEAL-3/4" X 3/4", ADHESIVE BACK FOAM SEAL |