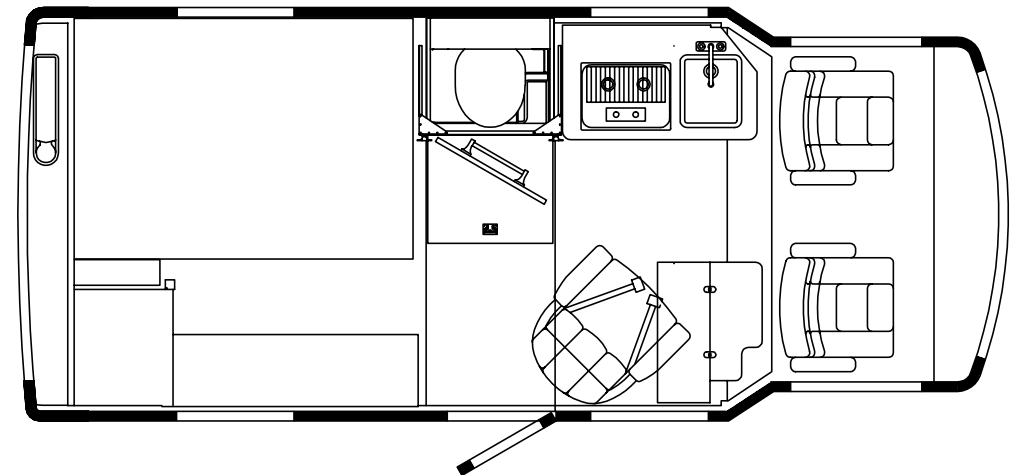
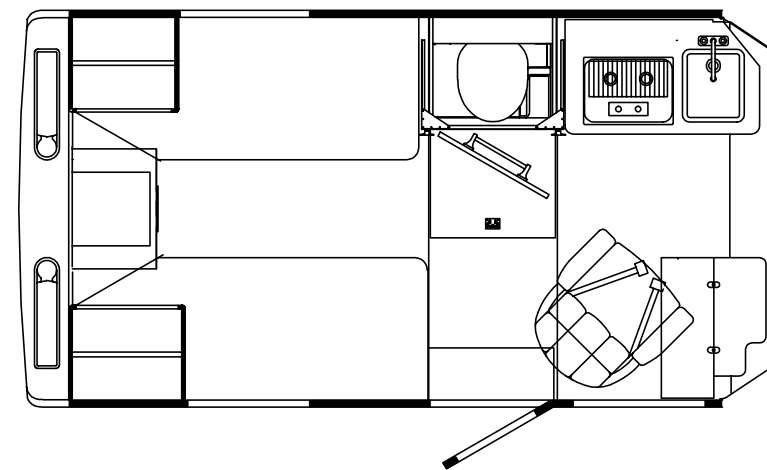
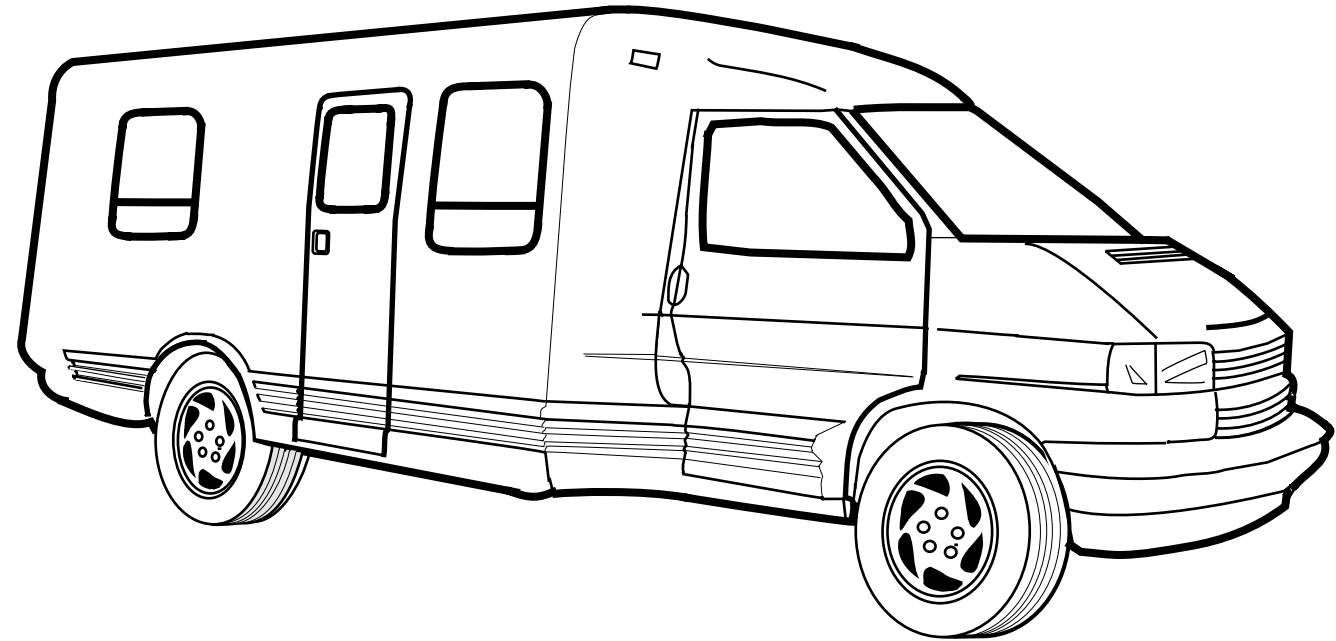


**1996**  
**WV221RC**

**G46**  
**BAHAUS**  
**G47**  
**GRANITE**



**ACCESSORIES GROUP  
OPERATORS MANUAL & BINDER**

KEY	PART NUMBER	U/M DESCRIPTION
	054185-D5-000	EA MANUAL-OPERATOR, 1996 RIALTA
	120779-01-000	EA MANUAL-MAINTENANCE, 1996 USA/CANADA
	120781-01-000	EA MANUAL-OWNER'S, 1996 EUROVAN
	120782-01-000	EA MANUAL-PROTECTION LAW, USA
	092318-01-000	EA BINDER - 3 RING, MOTOR HOME MANUAL
	092319-01-000	EA POCKET PAGE - 3 RING BINDER, PLASTIC
	119878-01-000	DW TOP LEVEL DRAWING FOR 1996 RIALTA

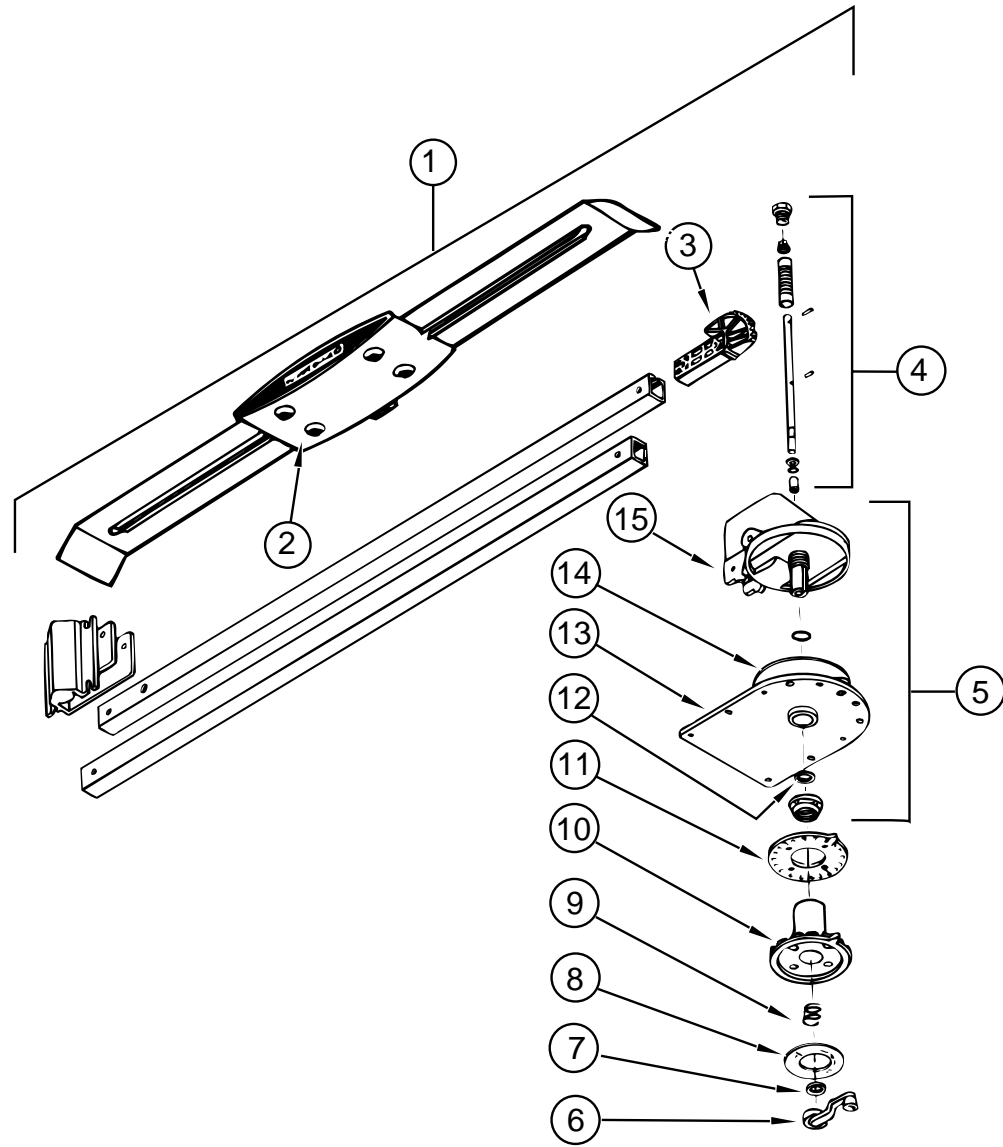
**AUDIO VIDEO GROUP  
RADIO SYSTEM COMPONENTS**

KEY	PART NUMBER	U/M DESCRIPTION
	089340-02-000	EA GRILLE-SPEAKER, 6.5" SQUARE - TAN - MAGNADYNE G514WI
	089340-03-000	EA SPACER-GRILLE, 6.5" SQUARE - TAN - MAGNADYNE G514
	074979-01-000	EA SHIELD-SPEAKER, BACK - MOLDED PLASTIC - 8" X 9" - BEIGE
	094097-01-000	EA SPEAKER-RADIO, W/O GRILLE - 5.25" DIA - AUDIOVOX 110C3030
	114365-01-000	EA ADAPTOR-RADIO, POWER - SPEAKERS - RIVERPARK
	114366-01-000	EA ADAPTOR-RADIO, ANTENNA - RIVERPARK
	097460-08-000	EA RADIO-AM/FM STEREO, CASSETTE - SONY XR-1700
	116148-02-000	EA RADIO-AM/FM STEREO, CD PLAYER - CLARION RDB515B

**TV CABLE, CONNECTORS, & WALLPLATES**

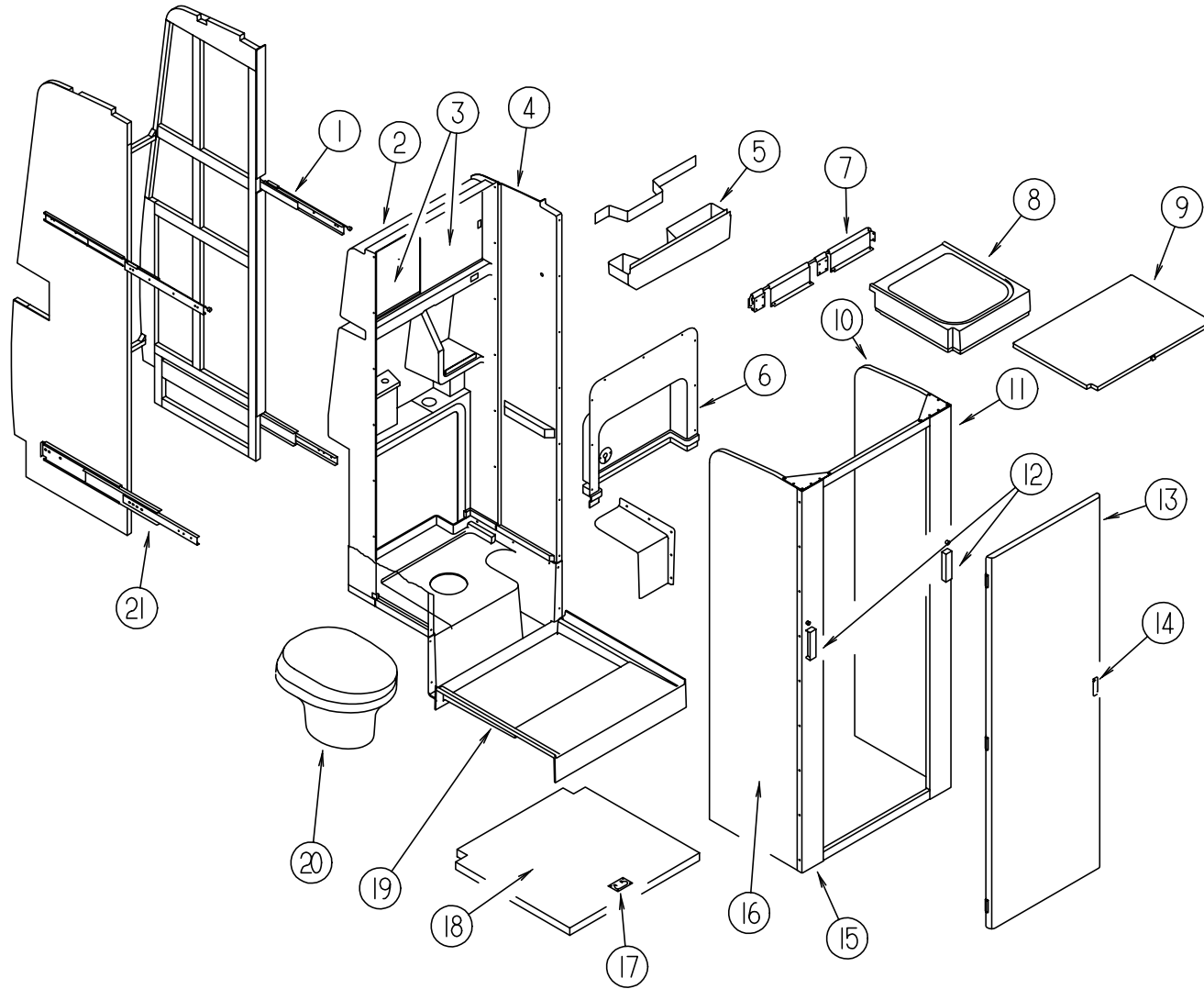
KEY	PART NUMBER	U/M DESCRIPTION
	082134-01-000	EA ADAPTER-TV, CABLE TO CABLE - WINEGARD F-81M
	093901-03-000	EA PLATE-CABLE TV ADAPTER, 45 MM X 64 MM - STEEL - BLACK
	076319-03-000	FT CABLE-COAXIAL, 75 OHM
	076319-06-000	EA ADAPTOR-CABLE ROOF PLATE, WINEGARD RPJ-1
	076319-12-000	EA CONNECTOR-COAXIAL, ONE PIECE
	082136-01-000	EA NUT-HEX JAM, 3/8 - 32 - WINEGARD
	086777-01-000	EA WALLPLATE-TV CABLE, W/ANTENNA SWITCH - IVORY

**AUDIO VIDEO GROUP (CONTINUED)**  
**WINEGARD TV ANTENNA**



KEY	PART NUMBER	U/M DESCRIPTION	VENDOR NO.
1	076319-02-000	EA ANTENNA-TV, ROOF MOUNT - 23.5" MAST - WINEGARD RVA-W01	
2	076319-01-700	EA HEAD-ANTENNA, AMPLIFIED	RVSA U/V
3	076319-01-701	EA GEAR-ELEVATING, PLASTIC	2200046
4	076319-01-702	EA SHAFT ASM-ELEVATING	RVP-400A
5	076319-01-711	EA BASE & LIFT ASM	2762802
6	076319-01-706	EA CRANK-ELEVATING, W/SET SCREW	5755100
7	076319-01-705	EA GROMMET-NYLON, 7/8" ID	3200658
8	076319-01-708	EA DECAL-CRANK	5413002
9	076319-01-707	EA SPRING-HANDLE	5160800
10	076319-01-709	EA PLATE-DIRECTIONAL, FOR HEAD	3200644
11	076319-01-712	EA PLATE-CEILING, DIRECTIONAL	3200608
12	076319-01-704	EA BEARING-NYLON, 1.25" OD	3200657
13	076319-01-713	EA PLATE-BASE, STEEL - WINEGARD	3100523
14	076319-01-703	EA BEARING-NYLON, 5" OD	3200656
15	076319-01-714	EA HOUSING-ROTATING GEAR	2200049
	082136-01-000	EA NUT-HEX JAM 3/8-32 - WINEGARD	

**BATH GROUP**  
**BATH & SHOWER CABINETS**

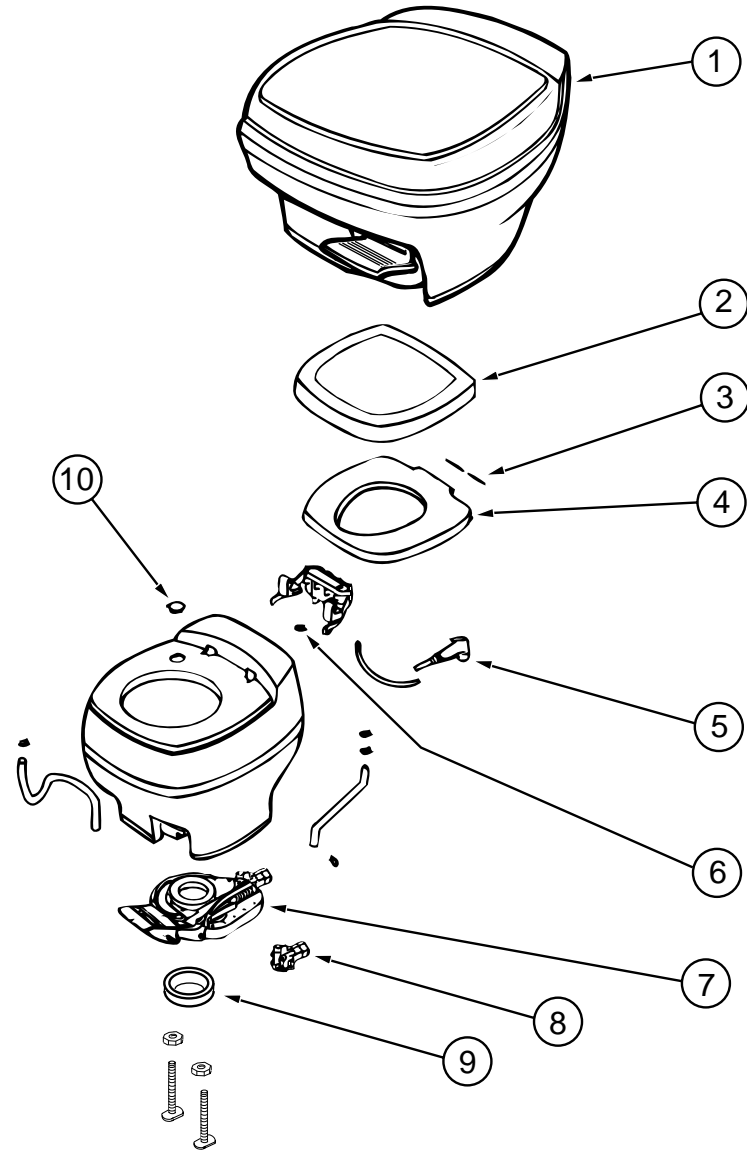


KEY	PART NUMBER	U/M DESCRIPTION	VENDOR NO.
1	116173-01-000	EA SLIDE-PULLOUT, BATH CABINET - RH - W/LOCK	
1	116173-02-000	EA SLIDE-PULLOUT, BATH CABINET - LH - W/LOCK	
2	111950-01-01A	EA SURROUND-SHOWER, BACK - PLASTIC - OFF WHITE	
3	058331-B0-000	EA MIRROR-GLASS, SAFETY - 320 MM X 320 MM	
	074383-01-000	EA TRACK-SLIDING MIRRORS, LOWER - OFF WHITE	
	002324-02-000	FT CHANNEL-PILE, FLEX - LOWER TRACK	
4	111986-01-01A	EA SURROUND-SHOWER, SIDE - RH - OFF WHITE PLASTIC	
	111986-02-01A	EA SURROUND-SHOWER, SIDE - LH - OFF WHITE PLASTIC	
5	P12114-01-01A	EA BASIN ASM-CATCH, LAVATORY W/STRAINER - OFF WHITE PLASTIC	
	106116-01-01A	EA STRAINER-SINK, W/STOPPER TAILPIECE GASKET & NUT - PLASTIC	
	066436-01-000	EA NUT-SLIP, TAILPIECE - 1.5"	
	112114-01-01A	EA BASIN-CATCH, LAVATORY - OFF WHITE PLASTIC	
6	112151-01-01A	EA COVER-ACCESS, DRAINAGE - OFF WHITE PLASTIC	
	057671-01-000	EA COVER-SCREW, #8 - PLASTIC - OFF WHITE	
7	113982-01-F45	EA HINGE ASM-FOLD UP SINK & DOOR PANEL	
	086235-03-000	EA BEARING-SNAP IN, 5/16" ID X 5/16" - THOMPSON 5L5-F	
8	112244-01-F45	EA SINK ASM-FOLD UP - OFF WHITE PLASTIC	
	057534-02-000	EA TIEBACK-SINK, 3" - PLASTIC - CLEAR	
9	113183-01-F45	EA PANEL ASM-DOOR W/LATCH - OFF WHITE PLASTIC	
	074453-01-000	EA LATCH-PADDLE, SINK & MEDICINE CABINET - METAL	
	057898-01-000	EA LATCH-HIDDEN W/STRIKER, PLASTIC - BLACK	
10	113929-01-F45	EA WALL-BATH, SLIDING - RH	
11	116246-01-01A	EA CORNER-BATH, RH - VW TAUPE	
12	074762-01-000	EA PULL-CABINET, 4.8" X .9" - PLASTIC - BLACK	
13	113756-01-F45	EA DOOR-BATH, W/O HARDWARE	
14	058335-03-000	EA LATCH-SHOWER/BATH DOOR, W/O LOCK - PLASTIC - BLACK	
	075453-02-000	EA BAR-TOWEL, 18" - BRASS	
	075452-02-000	EA HOLDER-TOILET TISSUE, BRASS	
15	116246-02-01A	EA CORNER-BATH, LH - VW TAUPE	
16	113929-02-F45	EA WALL-BATH, SLIDING - LH	
	116044-01-000	EA BUMPER-MOLDED, 1/2" DIAMETER - RUBBER	
17	072871-01-000	EA PULL-FLUSH, CHROME	
18	113092-02-F45	EA COVER-SHOWER PAN, CARPETED	
	069735-01-000	EA WASHER-STRAINER TO TAILPIECE, 1.5" - PLASTIC	
19	118605-01-01A	EA SHOWER PAN, OFF WHITE PLASTIC	
20	064076-01-000	EA TOILET - 11.25" TALL, IVORY - THETFORD 50	
21	116174-01-000	EA SLIDE-PULLOUT, BATH CABINET - RH OR LH - FULL EXTENSION	
	103092-01-000	EA SHOWER HEAD - W/60" HOSE - US	
	103092-02-000	EA SHOWER HEAD - W/60" HOSE - CSA	
	103092-01-700	EA BRACKET-SHOWER HEAD, CLEAR	
	103092-01-702	EA SEALS-SPRAY HEAD	
	011048-03-700	EA BRACKET ONLY F/SHOW HEAD	
	115000-01-01A	EA FAUCET-LAVATORY & SHOWER, PARCHMENT - BPC 20173P03	

VENDOR NO.

2328028  
24466  
2328029-3

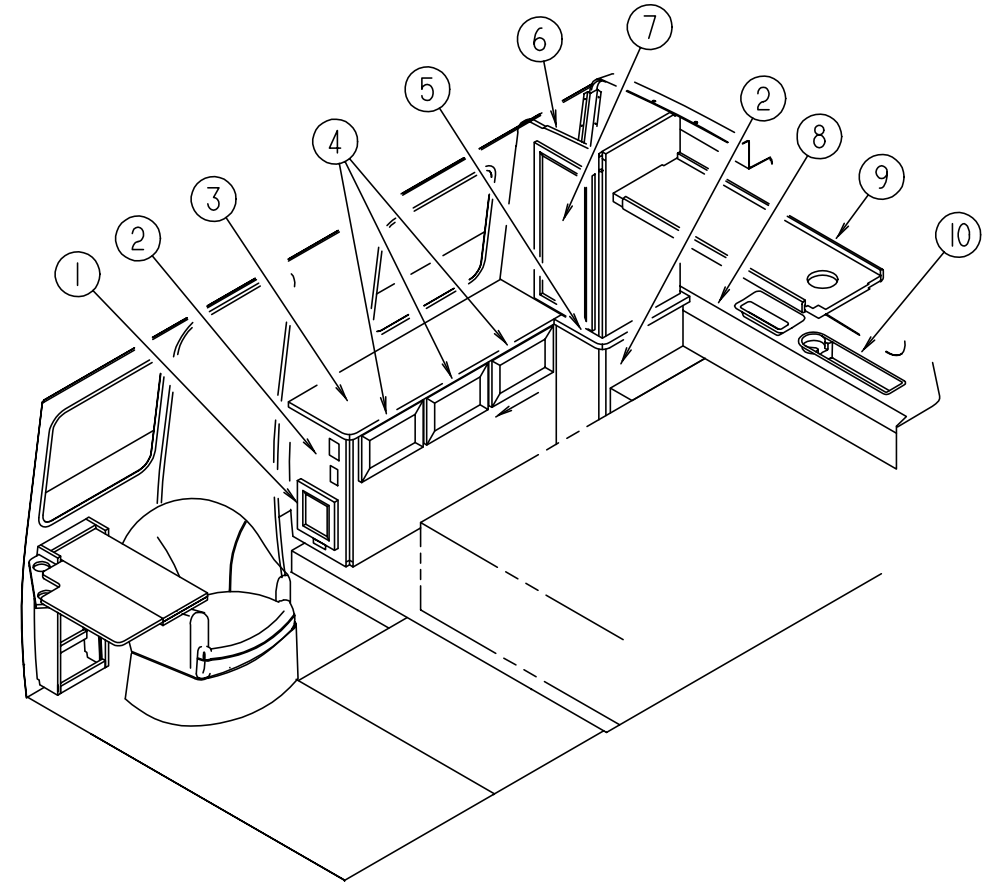
## BATH GROUP (CONTINUED)



STARLITE LOW TOILET

KEY	PART NUMBER	U/M	DESCRIPTION
1	064076-01-000	EA	TOILET - 11.25" TALL, IVORY - THETFORD 50
2	039341-02-700	EA	COVER-SEAT, TOILET - IVORY
3	039341-02-707	EA	PIN-HINGE
4	039341-02-704	EA	SEAT/COVER SET, NEW STYLE IV
5	067487-01-701	EA	WATER SAVER PACKAGE
6	067487-01-702	EA	CLAMP
7	064076-01-701	EA	MECHANISM-FLUSHING
8	064076-01-705	EA	VALVE-BALL, REPLACEMENT PACKAGE
9	039341-02-705	EA	FLANGE-FLOOR, W/SEAL & BOLTS
10	039341-02-703	EA	PLUG-HOLE, TOILET - IVORY

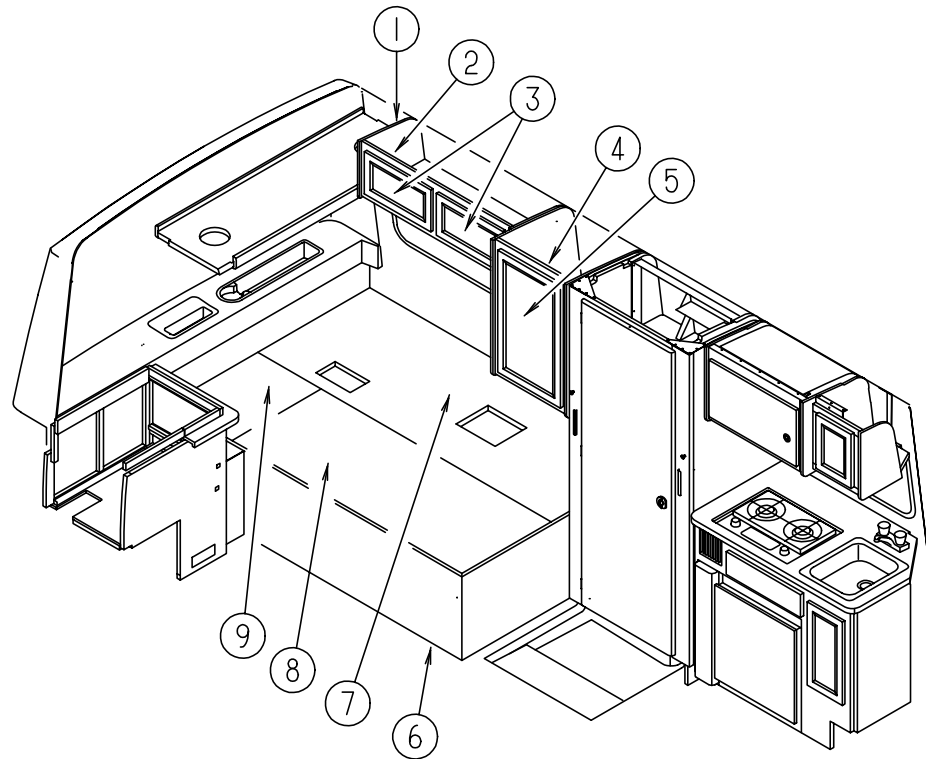
## BEDROOM GROUP



DOUBLE BEDROOM CABINERY (PASSENGER SIDE)

VENDOR NO.	KEY	PART NUMBER	U/M	DESCRIPTION
	1	M06804-69-F45	EA	DOOR-CABINET, W/O HARDWARE - 280 MM X 280 MM
037151	2	119093-01-F45	EA	CABINET-VANITY, W/ 2 COUNTERTOPS W/O DRAWERS
12986	3	119093-11-F45	EA	COUNTERTOP-VANITY, 1374 MM X 386 MM
08855	4	M05970-S9-F45	EA	DRAWER-VANITY CABINET, W/O HARDWARE - 255 MM X 390 MM FACE SIZE
08993	5	119093-12-F45	EA	COUNTERTOP-VANITY, 551 MM X 304 MM
03752	6	119094-01-F45	EA	CABINET-SHIRT CLOSET, W/O DOOR OR HARDWARE - RH
14622	7	M06804-P1-F45	EA	DOOR-CABINET, W/O HARDWARE - 365 MM X 850 MM
09868		009112-01-000	EA	FLANGE - 1" ROD, CLOTHES - PLASTIC - OFF WHITE
08975 A.M.		042438-01-000	EA	DOWEL-WOOD, CLOTHES ROD - 1" DIAMETER X 4'
03895-10	8	112807-04-F45	EA	PANEL ASM-BACKWALL, UPPER - INNER - PLASTIC - VW TAUPE
	9	119096-01-G46	EA	CABINET-BLANKET SHELF, OVERHEAD
	9	119096-01-G47	EA	CABINET-BLANKET SHELF, OVERHEAD
	10	112731-01-01A	EA	TRAY-BACKWALL, VW WHITE

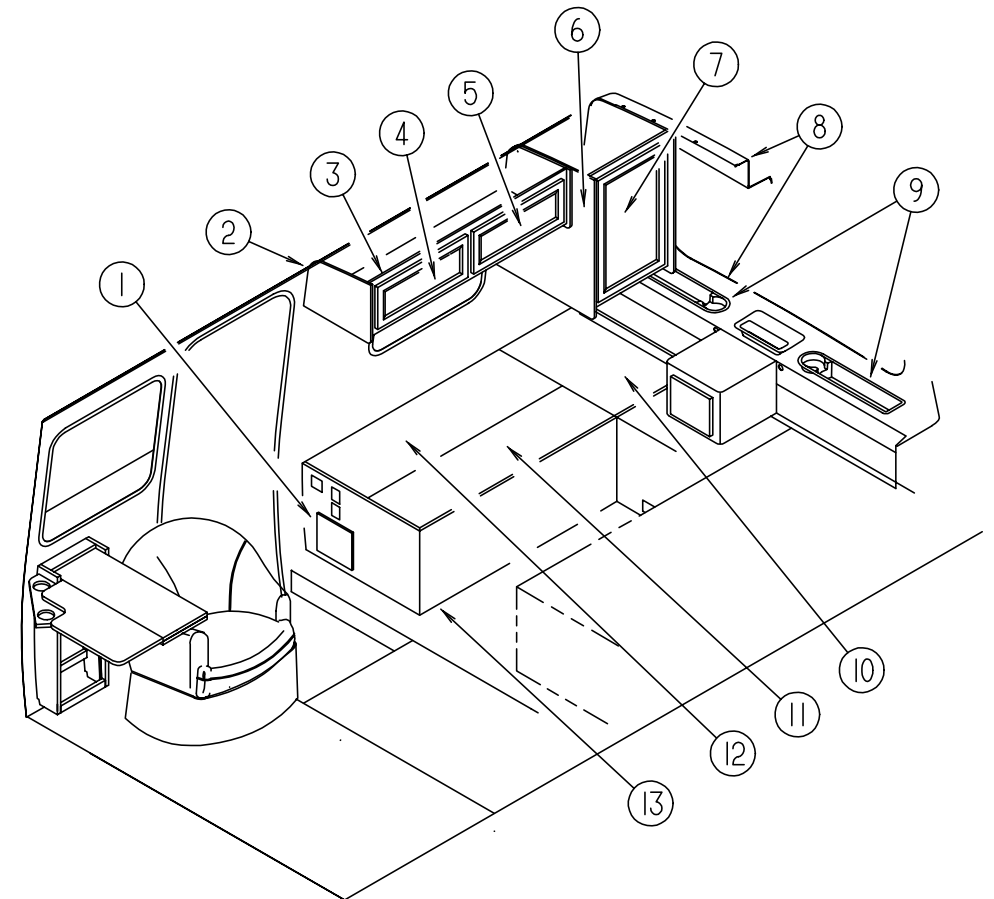
## BEDROOM GROUP (CONTINUED)



### DOUBLE BEDROOM CABINETRY (DRIVER SIDE)

KEY	PART NUMBER	U/M	DESCRIPTION
1	119132-02-F45	EA	CAP-END, OVERHEAD CABINET - PICKLED ASH
2	119097-01-F45	EA	CABINET-OVERHEAD, W/END CAP - W/O DOORS
3	M06804-P2-F45	EA	DOOR-CABINET, W/O HARDWARE - 255 MM X 400 MM
4	119095-01-F45	EA	CABINET-SHIRT CLOSET, W/O DOOR OR HARDWARE - LH
5	M06804-P3-F45	EA	DOOR-CABINET, W/O HARDWARE - 390 MM X 650 MM
6	P19092-01-F45	EA	CABINET-DOUBLE BED W/O TOPS
7	M07592-03-000	EA	TOP-DOUBLE BED
8	M07592-02-F45	EA	TOP-DOUBLE BED W/HINGE
9	M07592-01-000	EA	TOP-DOUBLE BED
	089025-01-000	EA	SUPPORT-SPRING, TO BED - ANGLE 1.5" X 11.8" LONG - STEEL FROM: 00-00-00 THRU: 09-03-95
	057460-02-000	EA	STUD-BALL, GAS SPRING - 10MM - 5/16" - 18 FROM: 00-00-00 THRU: 09-03-95
	107796-07-000	EA	BRACKET-GAS SPRING, TO BED - SPDI SPD-1080 FROM: 09-04-95 THRU: 99-99-99
	107796-08-000	EA	SPRING-GAS, 17" LENGTH - 60 LB - SPDI SPD-5200-60
	107796-05-000	EA	BRACKET-GAS SPRING, FLAT - SPDI SPD-1020
	097872-04-000	EA	DOWEL-WOOD, 1.00" DIAMETER X 1.38" LONG - UNFINISHED
	119479-01-01A	EA	COVER-PIPE, 354 MM LONG - VW/TAUPE - PLASTIC
	113844-04-F45	EA	PANEL ASM-TRIM, 140 MM X 75 MM TAPERED - LOWER - DRIVER SIDE (G46/G47)

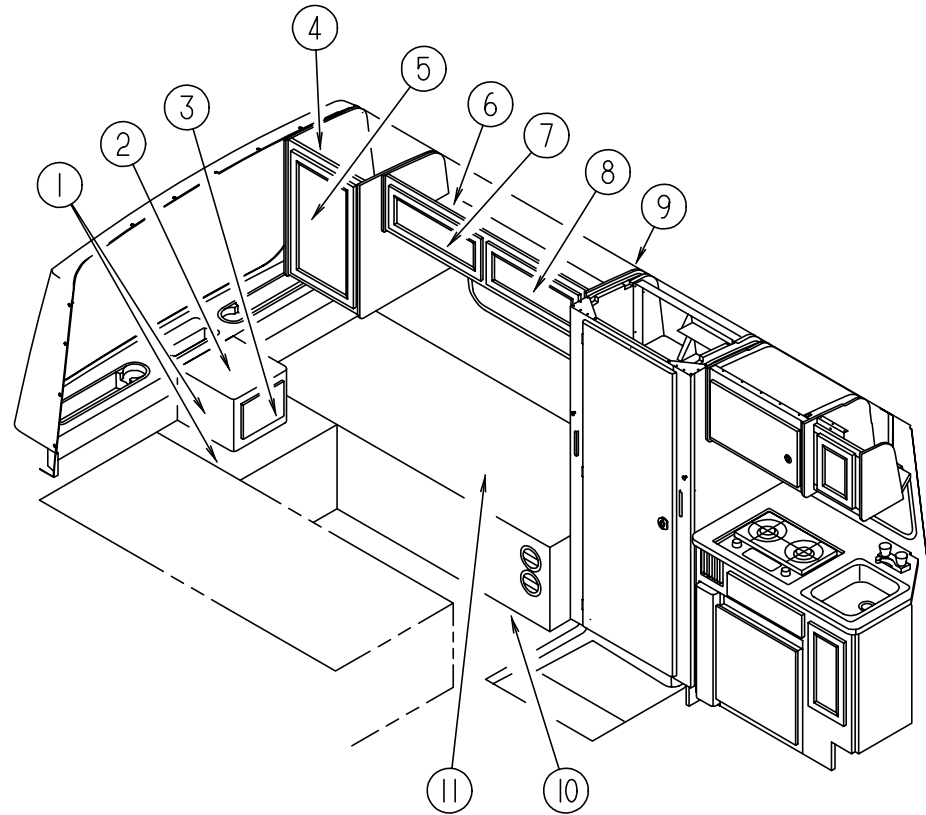
## BEDROOM GROUP (CONTINUED)



### TWIN BEDROOM CABINETRY (PASSENGER SIDE)

KEY	PART NUMBER	U/M	DESCRIPTION
1	M06804-69-F45	EA	DOOR-CABINET, W/O HARDWARE - 280 MM X 280 MM
2	119132-02-F45	EA	CAP-END, OVERHEAD CABINET - PICKLED ASH
3	119587-01-F45	EA	CABINET-OVERHEAD, W/END CAP - W/O DOORS
4	M06804-01-F45	EA	DOOR-CABINET, W/O HARDWARE - 255 MM X 640 MM
5	M06804-04-F45	EA	DOOR-CABINET, W/O HARDWARE - 255 MM X 485 MM
6	119589-01-F45	EA	CABINET-SHIRT CLOSET, W/O DOOR OR HARDWARE - RH
	009112-01-000	EA	FLANGE - 1" ROD, CLOTHES - PLASTIC - OFF WHITE
	042438-01-000	EA	DOWEL-WOOD, CLOTHES ROD - 1" DIAMETER X 4'
7	M06804-P3-F45	EA	DOOR-CABINET, W/O HARDWARE - 390 MM X 650 MM
8	112807-05-F45	EA	PANEL ASM-BACKWALL, UPPER - INNER - PLASTIC - VW TAUPE
9	112731-01-01A	EA	TRAY-BACKWALL, DRIVER OR PASSENGER SIDE - VW WHITE
10	M07592-05-000	EA	TOP-TWIN BED
11	M07592-06-F45	EA	TOP-TWIN BED W/HINGE
12	M07592-07-000	EA	TOP-TWIN BED
13	P19591-01-F45	EA	CABINET-TWIN BED W/O TOPS, PASSENGER SIDE
	107796-03-000	EA	BRACKET-GAS SPRING, SMALL - SPDI SPD-1015 FROM: 00-00-00 THRU: 09-03-95
	107796-07-000	EA	BRACKET-GAS SPRING, TO BED - SPDI SPD-1080 FROM: 09-04-95 THRU: 99-99-99
	107796-16-000	EA	SPRING-GAS, 9.5" - 65 LB - SPDI SPD-6600
	107796-05-000	EA	BRACKET-GAS SPRING, FLAT - SPDI SPD-1020
	097872-04-000	EA	DOWEL-WOOD, 1.00" DIAMETER X 1.38" LONG - UNFINISHED
	113844-03-F45	EA	PANEL ASM-TRIM, 140 MM X 75 MM TAPERED - LOWER - PASS SIDE (G46/G47)

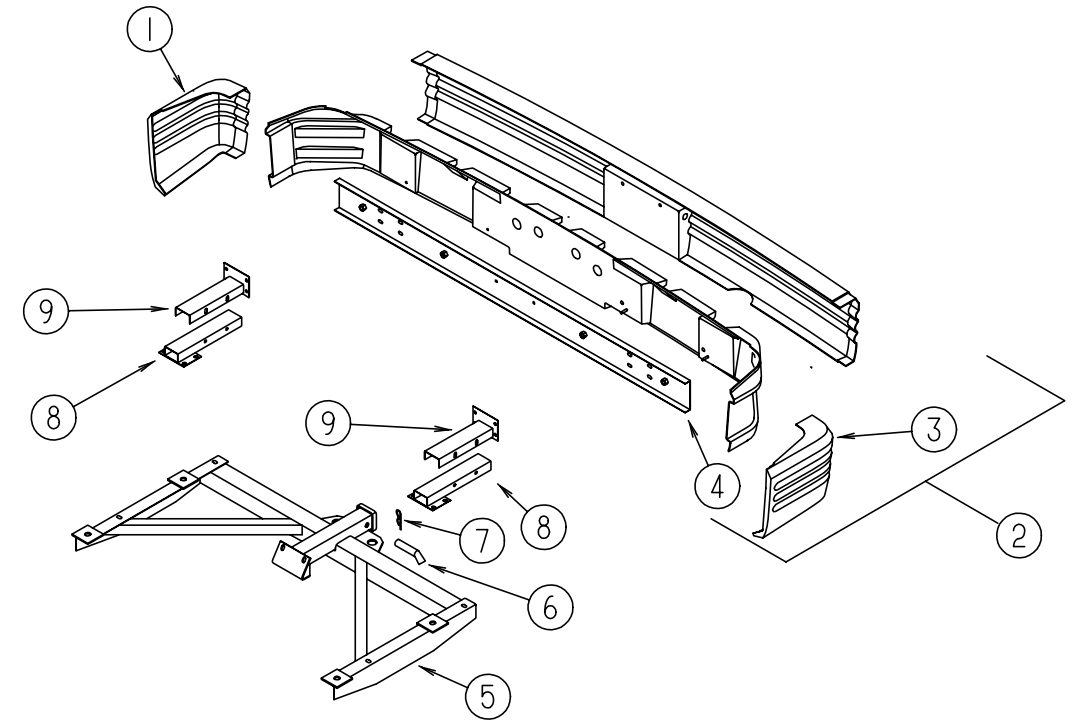
## BEDROOM GROUP (CONTINUED)



### TWIN BEDROOM CABINETRY (DRIVER SIDE)

KEY	PART NUMBER	U/M	DESCRIPTION
1	119114-01-F45	EA	CABINET-NIGHTSTAND W/COUNTERTOP
2	119114-11-F45	EA	COUNTERTOP-NIGHTSTAND
3	M05970-T6-F45	EA	DRAWER-VANITY CABINET, W/O HARDWARE - 210 MM X 250 MM FACE SIZE
4	119590-01-F45	EA	CABINET-SHIRT CLOSET, W/O DOOR OR HARDWARE - LH
5	M06804-P3-F45	EA	DOOR-CABINET, W/O HARDWARE - 390 MM X 650 MM
	009112-01-000	EA	FLANGE - 1" ROD, CLOTHES - PLASTIC - OFF WHITE
	042438-01-000	EA	DOWEL-WOOD, CLOTHES ROD - 1" DIAMETER X 4'
6	119588-01-F45	EA	CABINET-OVERHEAD, W/END CAP - W/O DOORS
7	M06804-04-F45	EA	DOOR-CABINET, W/O HARDWARE - 255 MM X 485 MM
8	M06804-01-F45	EA	DOOR-CABINET, W/O HARDWARE - 255 MM X 640 MM
9	119132-02-F45	EA	CAP-END, OVERHEAD CABINET - PICKLED ASH
10	P19592-01-F45	EA	CABINET-TWIN BED W/REAR SUPPORT ASM W/O TOP, DRIVER SIDE
11	M07592-04-000	EA	TOP-TWIN BED
	113844-04-F45	EA	PANEL ASM-TRIM, 140 MM X 75 MM TAPERED - LOWER - DRIVER SIDE (G46/G47)
	119690-01-01A	EA	COVER-PIPE, VW/TAUPE - PLASTIC
	081298-06-F45	EA	TABLE-PEDESTAL, W/O LEG OR BASES
	041194-01-000	EA	BASE-TABLE, FLUSH - FLOOR MOUNTED
	042438-02-000	EA	DOWEL-WOOD, 2" X 2"
	009040-03-000	EA	BASE-TABLE, RAISED - TABLE MOUNTED
	009040-09-000	EA	LEG-PEDESTAL TABLE, 33" LONG - 2.25" OD - CHROME
	062046-01-000	EA	CLIP-LEG, PEDESTAL - 1.7" X 2.2" - DIA. FROM 2" TO 2.5"
	077968-01-000	EA	RETAINER-NYLON, .5" X 1.6"
	076840-04-000	EA	HOLD DOWN CORD-BUNGEE 10"

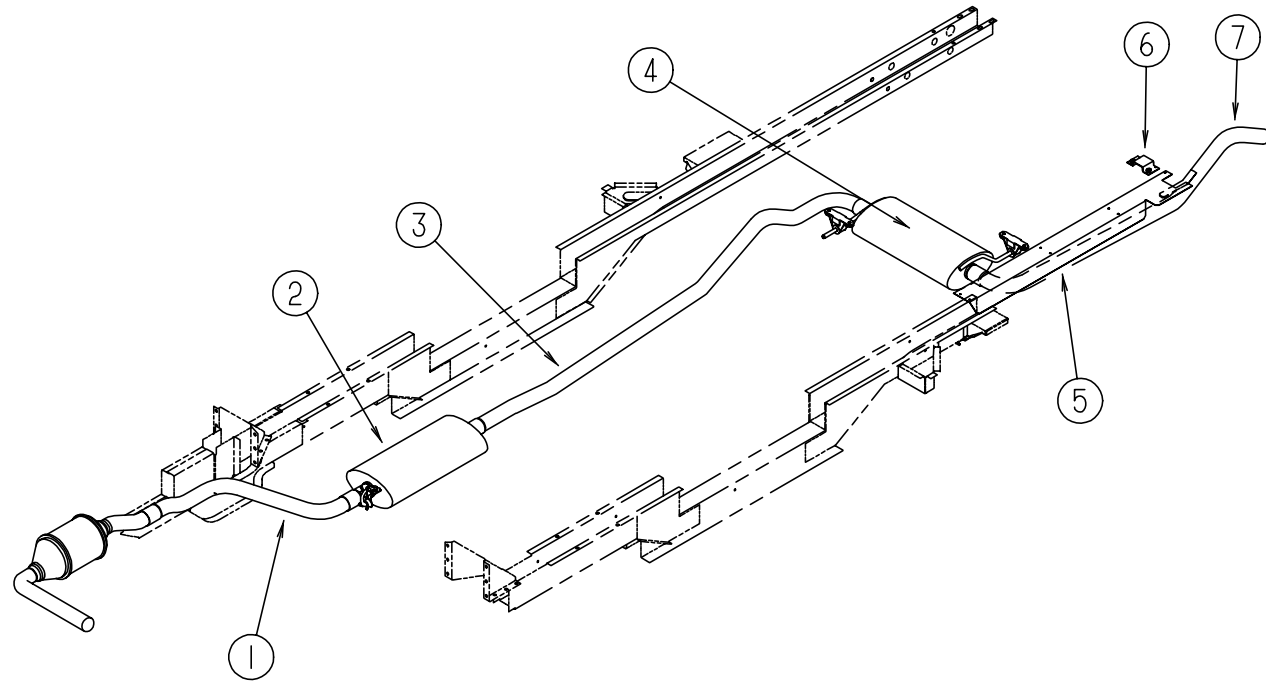
## CHASSIS GROUP



### REAR BUMPER, TRAILER HITCH & COMPONENTS

KEY	PART NUMBER	U/M	DESCRIPTION
1	113481-01-01A	EA	BUMPER-CORNER, REAR - RH - VW WHITE
2	113477-01-F45	EA	BUMPER ASM-REAR W/CORNERS, LIGHTS & INNER SUPPORT - VW WHITE
3	113481-02-01A	EA	BUMPER-CORNER, REAR - LH - VW WHITE
4	087108-01-000	EA	SUPPORT-INNER, REAR BUMPER
5	112600-01-04B	EA	HITCH-TRAILER, CLASS 1 - BLACK
6	034512-01-000	EA	PIN-LOCKING, DRAWBAR
7	034513-01-000	EA	PIN-HITCH, 3/16" WIRE
8	115947-01-02B	EA	SUPPORT ASM-REAR BUMPER, LOWER - E-COAT
9	115944-01-02B	EA	SUPPORT ASM-REAR BUMPER, UPPER - E-COAT
	113589-01-000	EA	CONNECTOR-PLUG, TRAILER - GENERAL 433501
	113589-02-000	EA	CONNECTOR-SOCKET, TRAILER - GENERAL 433601

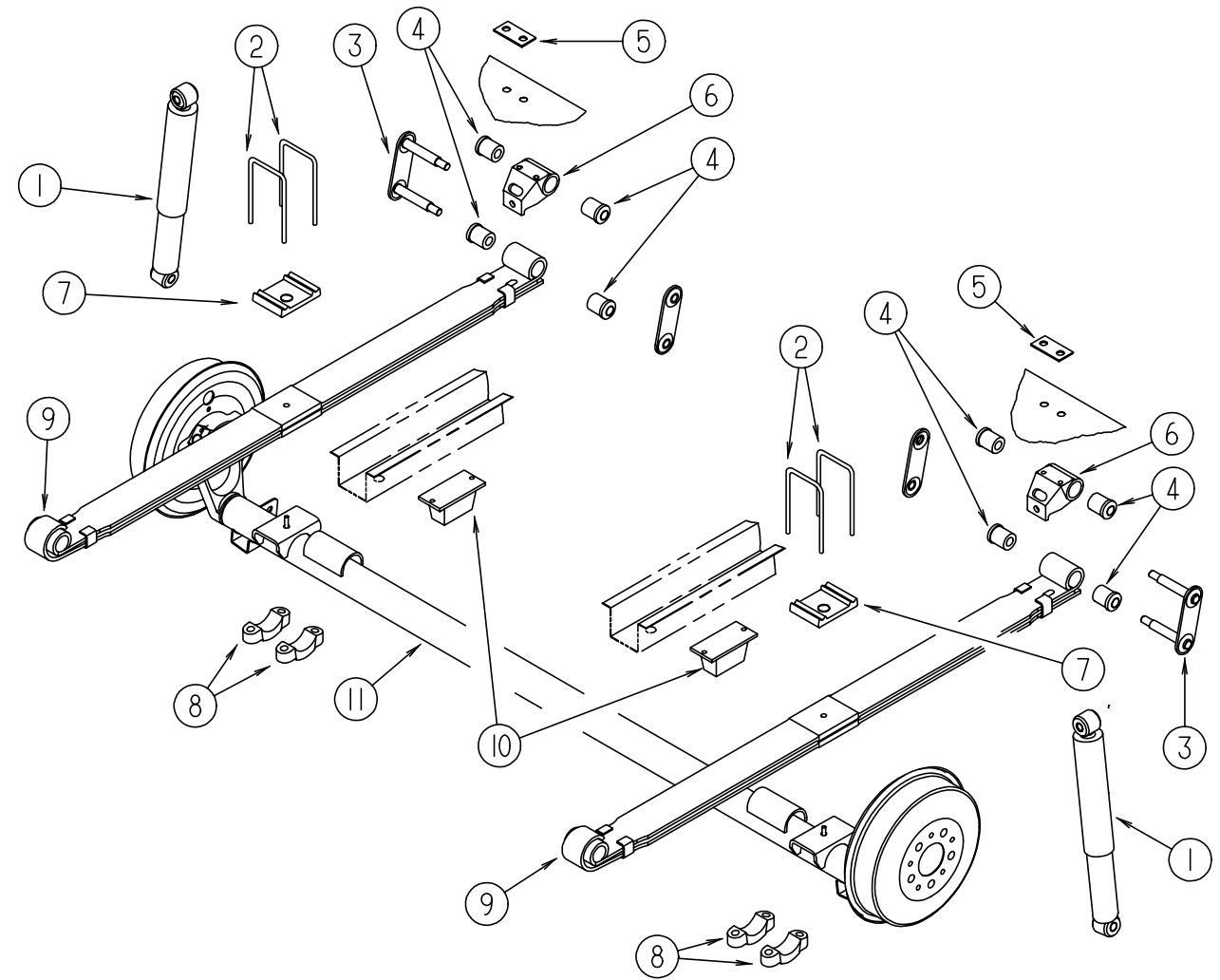
## CHASSIS GROUP (CONTINUED)



### EXHAUST SYSTEM COMPONENTS

KEY	PART NUMBER	U/M	DESCRIPTION
1	113098-01-000	EA	PIPE-EXHAUST, FRONT
2	115680-01-000	EA	MUFFLER-FRONT
3	113099-01-000	EA	PIPE-EXHAUST, MIDDLE
4	113237-01-000	EA	MUFFLER-REAR
5	115396-01-09B	EA	SHIELD-EXHAUST PIPE, GALVANIZED
6	095190-01-000	EA	HANGER-EXHAUST, 4" X 1.4"
7	113097-01-000	EA	PIPE-EXHAUST, TAIL
	082716-01-000	EA	CLAMP-EXHAUST, 50.8 MM - AMC--8952002512

## CHASSIS GROUP (CONTINUED)

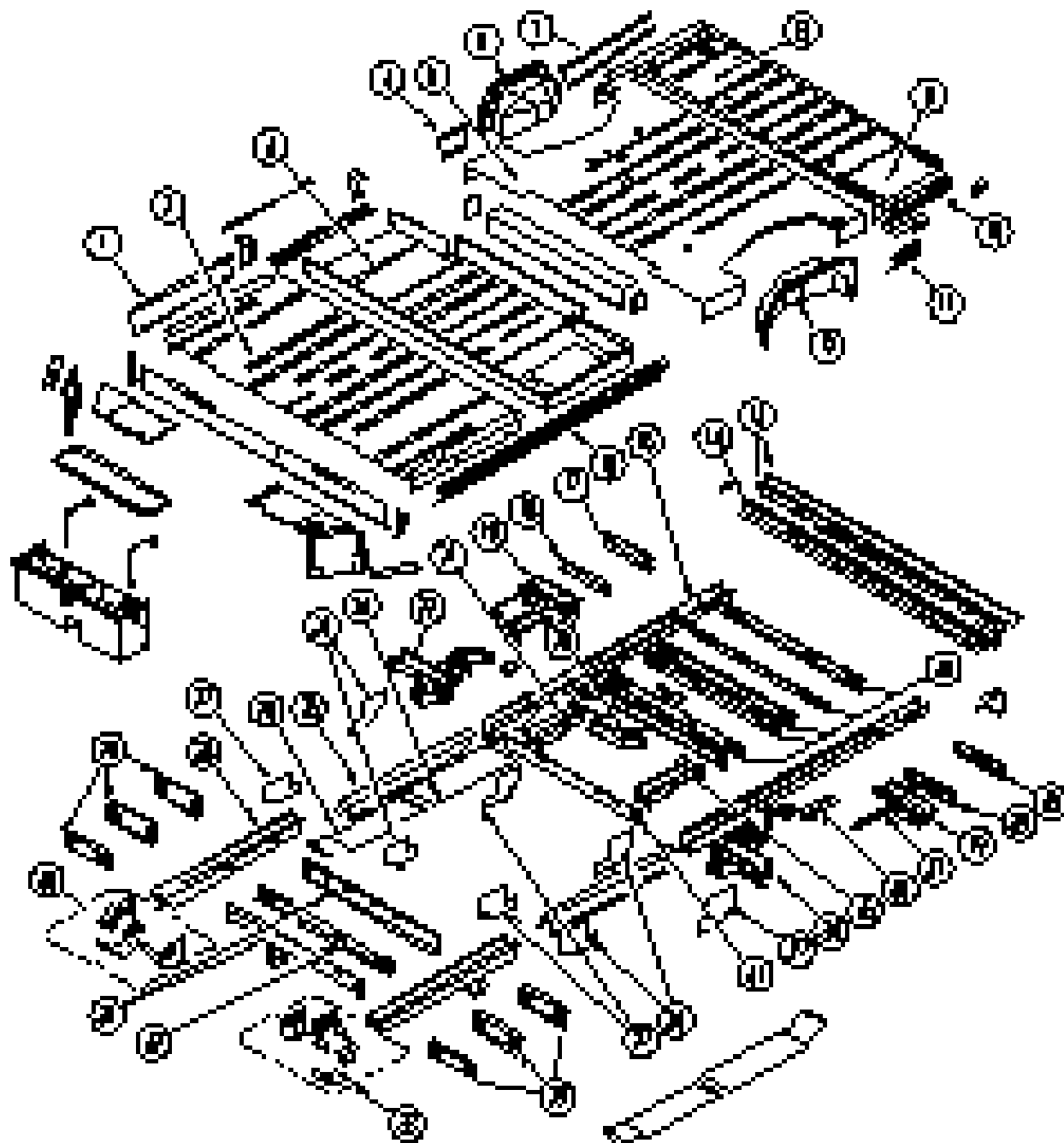


### SUSPENSION COMPONENTS

KEY	PART NUMBER	U/M	DESCRIPTION
1	112033-02-700	EA	SHOCK ABSORBER-REAR, DRIVER AND PASSENGER SIDE (PAIR)
2	112410-01-000	EA	BOLT-U, REAR SPRING
3	112560-01-000	EA	SHACKLE-SPRING, REAR
4	112503-01-000	EA	BUSHING-SPRING, REAR
5	071231-01-000	EA	PLATE-FLOOR DOUBLER
6	112415-01-000	EA	SUPPORT-SHACKLE, REAR
7	112414-01-000	EA	PLATE-SPRING CLAMP, DRIVER OR PASSENGER SIDE
8	112413-01-000	EA	BRACKET-U BOLT, REAR SUSPENSION
9	112032-01-000	EA	SPRING ASM-REAR W/FRONT SHACKLE BUSHING, DRIVER OR PASSENGER SIDE
	116712-01-000	EA	BUSHING-SPRING, FRONT
10	113876-01-000	EA	PAD-JOUNCE, REAR SPRING - METALASTIK 151437
11	112030-01-02B	EA	AXLE ASM-REAR
	112030-03-000	EA	HOUSING-WHEEL BEARING, REAR AXLE



**CHASSIS GROUP (CONTINUED)**  
**FLOOR COMPONENTS**



KEY	PART NUMBER	U/M DESCRIPTION
1	113600-01-01B	EA ROCKER ASM-FRONT, PASSENGER SIDE - MILL - STEEL
2	110695-01-000	EA PANEL-FLOOR, FRONT - STEEL
3	112883-01-01B	EA PANEL-FLOOR, LOWER - MILL - STEEL
4	113601-01-01B	EA ROCKER ASM-CENTER, PASSENGER SIDE - MILL - STEEL
5	112222-01-000	EA PANEL-FLOOR, BETWEEN REAR WHEELS - MILL - STEEL
6	112345-01-000	EA WHEELHOUSE ASM W/SHOCK MOUNT-REAR, PASSENGER SIDE - STEEL
7	071434-05-000	EA ROCKER ASM-REAR, PASSENGER SIDE - MILL - STEEL
8	112758-01-01B	EA PANEL-FLOOR, REAR - MILL - STEEL
9	112818-01-02B	EA TRAY-LUGGAGE, REAR - DRIVER SIDE - E-COAT - W/O GENERATOR OPTION
10	112808-01-02B	EA ROCKER ASM-REAR, DRIVER SIDE - E-COAT - STEEL
10	112808-02-02B	EA ROCKER ASM-REAR, DRIVER SIDE - E-COAT - STEEL - EUROPEAN OPTION
11	113005-01-01B	EA ROCKER ASM-CENTER, DRIVER SIDE - MILL - STEEL
12	112345-02-000	EA WHEELHOUSE ASM W/SHOCK MOUNT-REAR, DRIVER SIDE - STEEL
13	112004-01-000	EA EXTENSION ASM-FLOOR, REAR - MILL - STEEL
14	072382-01-000	EA CROSSMEMBER ASM-REAR, STEEL
15	071220-01-000	EA RAIL-FRAME, REAR - DRIVER OR PASSENGER SIDE - STEEL
16	071366-01-000	EA ROCKER ASM-FRONT, DRIVER SIDE - MILL - STEEL
17	071232-02-000	EA OUTRIGGER-PASSENGER SIDE, LH REAR - 15.5" - STEEL
18	071232-01-000	EA OUTRIGGER-PASSENGER SIDE, RH REAR - 15.5" - STEEL
19	071162-01-000	EA STRUT-SPRING MOUNTING, DRIVER OR PASSENGER SIDE - STEEL
20	112550-01-01B	EA CROSSMEMBER-MOUNT, SWAY BAR - MILL - STEEL
21	072778-01-000	EA BRACKET-SWAY BAR MOUNTING, PASSENGER SIDE - STEEL
22	071188-01-000	EA BRACKET-SPRING MOUNT, FRONT - PASSENGER SIDE - STEEL
23	071729-01-000	EA PLATE-RAIL, LOWER - REAR - DRIVER OR PASSENGER SIDE - STEEL
24	071223-02-000	EA GUSSET-FRAME, LOWER - LH - STEEL
25	071200-01-000	EA RAIL-FRAME, LOWER - DRIVER OR PASSENGER SIDE - STEEL
26	071212-01-000	EA PLATE-RAIL, LOWER - FRONT - DRIVER OR PASSENGER SIDE - STEEL
27	071223-01-000	EA GUSSET-FRAME, LOWER - RH - STEEL
28	117865-03-01B	EA RAIL-FRAME, FRONT - PASSENGER SIDE - STEEL
	117865-04-01B	EA RAIL-FRAME, FRONT - DRIVER SIDE - STEEL
29	071225-01-000	EA OUTRIGGER-FRONT, DRIVER OR PASSENGER SIDE - STEEL
30	117866-01-01B	EA BRACKET-FRAME, PASSENGER SIDE - STEEL
31	071226-01-000	EA CROSSMEMBER-STEEL
32	071774-01-000	EA CROSSMEMBER-STEEL
33	117866-02-01B	EA BRACKET-FRAME, DRIVER SIDE - STEEL
34	071188-02-000	EA BRACKET-SPRING MOUNT, FRONT - DRIVER SIDE - STEEL
35	072778-02-000	EA BRACKET-SWAY BAR MOUNTING, DRIVER SIDE - STEEL
36	112315-01-000	EA OUTRIGGER-WHEELHOUSE, REAR - DRIVER OR PASSENGER SIDE - STEEL
37	112314-01-000	EA REINFORCEMENT-WHEELHOUSE, DRIVER OR PASSENGER SIDE - STEEL
38	112726-04-01B	EA OUTRIGGER ASM-DRIVER SIDE, LH REAR - MILL - STEEL
39	112726-03-01B	EA OUTRIGGER ASM-DRIVER SIDE, RH REAR - MILL - STEEL
40	071229-01-000	EA CROSSMEMBER-REAR, CENTER - 45" LONG - STEEL
	065450-08-000	EA TIEDOWN-BATTERY
	R77030-74-150	EA PLUG, RNO 7703074150
	056748-01-000	EA PLUG-CAP, 1.5" DIAMETER - BLACK
	061420-04-000	EA PLUG-CAP, 1.25" DIAMETER - CAPLUG BP1.25
	061420-05-000	EA PLUG-CAP, 1.8" DIAMETER - BLACK PLASTIC

**CHASSIS GROUP (CONTINUED)**  
**FUEL SYSTEM COMPONENTS**

KEY	PART NUMBER	U/M DESCRIPTION
	007063-01-000	FT HOSE-GAS, 1/4" ID X 1/2" OD
	084884-01-000	EA PLUG-BRASS, 3/8"
	088258-01-000	EA CLIP-RETAINING, FUEL LINE - DOUBLE - FORD N802769
	088258-02-000	EA CLIP-RETAINING, FUEL LINE - SINGLE - MC-90
	113378-01-000	EA FUEL LINE-GENERATOR, FRONT
	113378-02-000	EA FUEL LINE-GENERATOR, REAR
	113378-03-000	EA FUEL LINE-GENERATOR, MIDDLE
	114253-01-000	EA ELBOW - 1/4" SINGLE BARB X 1/8" MPT - WEATHERHEAD 1582

**DICOR 15" WHEEL COVERS**

KEY	PART NUMBER	U/M DESCRIPTION	VENDOR NO.
	114193-01-000	EA COVER-WHEEL, 15" - SET OF 4 - DICOR PC9054-15	
	114193-01-700	EA COVER-WHEEL, 15" - 1 ONLY - DICOR	PC9054-15-COV
	077030-02-000	EA EXTENSION-VALVE STEM, 1.25"	

**FRONT & REAR MUDFLAP & RETAINER BRACKET**

KEY	PART NUMBER	U/M DESCRIPTION
	073905-02-000	EA MUDFLAP-FRONT, 12.2" X 9.3"
	073905-01-000	EA MUDFLAP-REAR, 10.1" X 9.3"
	073913-01-000	EA RETAINER-MUDFLAP, METAL
	120293-01-02B	EA RETAINER-MUDFLAP, E-COAT - 1" X 14" - HOLDING TANK
	120299-01-01A	EA MUDGUARD - 14" X 5", RUBBER - HOLDING TANK

**LUG WRENCH , TIRE JACK & HANDLE**

KEY	PART NUMBER	U/M DESCRIPTION
	116029-01-000	EA WRENCH-LUG, 19 MM
	114387-01-000	EA JACK-SCREW, 4,000 LB - AUSCO 95-55900
	114387-02-000	EA HANDLE-SCREW JACK, 1 PIECE - AUSCO 1-55872

**CHASSIS GROUP (CONTINUED)**  
**REAR AIR BAGS**

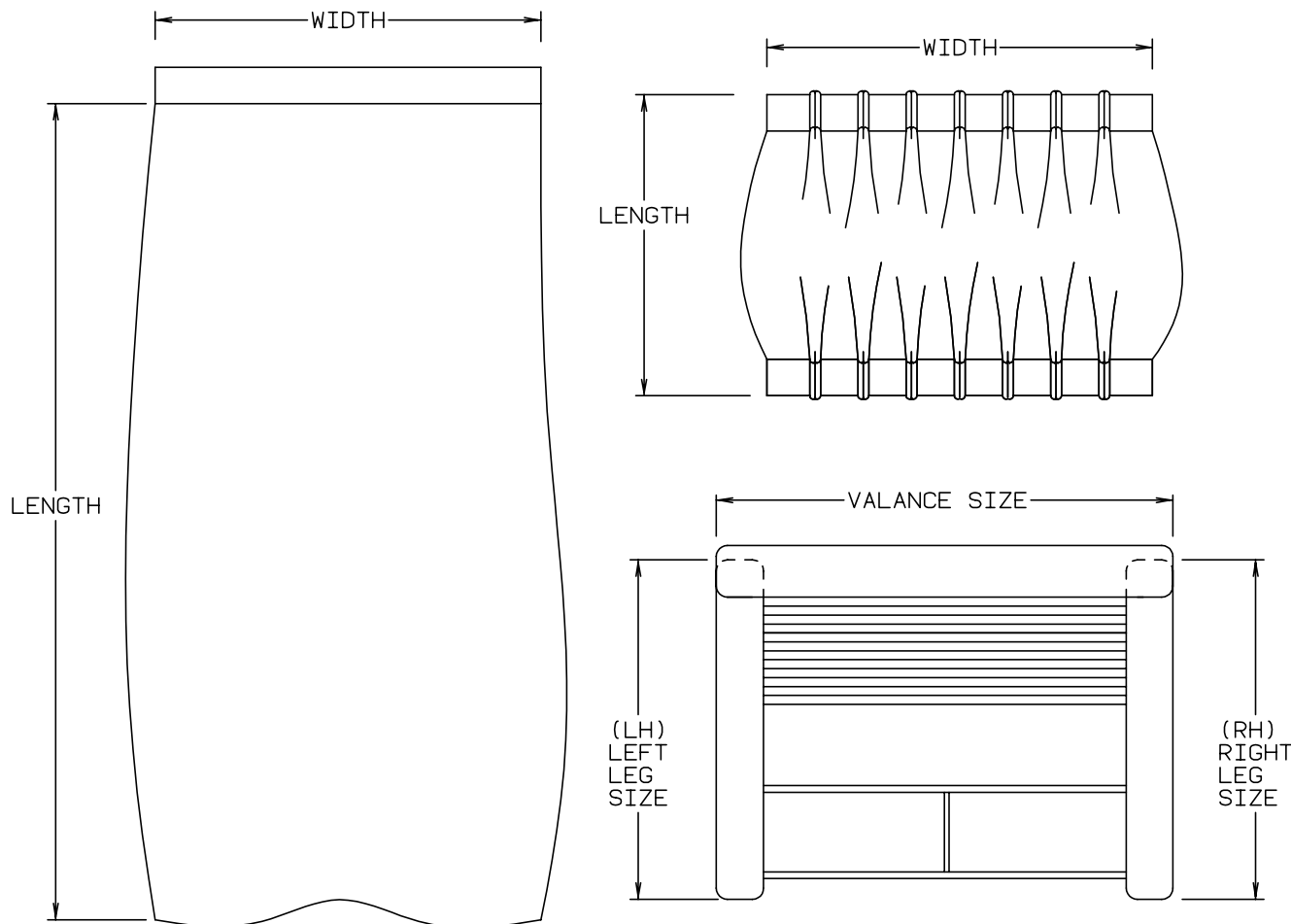
KEY	PART NUMBER	U/M DESCRIPTION
	701390-04-700	EA AIR BAG COMPLETE KIT - VW H-BODY, LEFT HAND & RIGHT HAND
	100293-03-700	EA AIR BAG REPAIR KIT - VW H-BODY, LEFT HAND KIT CONTAINS: (1) AIR BAG, (1) ELBOW FITTING, (1) ELBOW FILL VALVE, (1) 3' 1/4" AIR LINE, (1) INSTRUCTIONS
	100293-03-701	EA AIR BAG REPAIR KIT - VW H-BODY, RIGHT HAND KIT CONTAINS: (1) AIR BAG, (1) ELBOW FITTING, (1) ELBOW FILL VALVE, (1) 3' 1/4" AIR LINE, (1) INSTRUCTIONS

**MISCELLANEOUS CHASSIS COMPONENTS**

KEY	PART NUMBER	U/M DESCRIPTION
	112638-01-000	EA HOSE ASM-BRAKE LINE, REAR - CONTINENTAL HOSE# 4106
	112638-02-000	EA CLIP-SPRING, BRAKE HOSE - CONTINENTAL HOSE# 20A790
	100424-01-000	EA ANGLE-BRAKE CABLE - MC-90
	114254-01-000	EA ADAPTER - 1/4" SINGLE BARB X 1/8" MPT - WEATHERHEAD 1537
	114255-01-000	EA COUPLING - 5/8" THD X 1/8" FPT - PARKER 207ACBH-2
	076776-02-000	EA TEE-BEADED, 3/4" X 3/4" X 3/4"
	075243-01-000	EA UNION - M10 X 1, FLARE/FLARE - WHITEHEAD 112-06187
	111420-07-000	EA PLATE-SUPPORT, CAB ROOF - 30 MM X 30 MM - STEEL
	112081-02-000	EA ANGLE-CAB ROOF SUPPORT, CENTER - 38 MM X 19 MM X 518.2 MM - STEEL
	112538-01-000	EA PILLAR ASM - B, RH - STEEL
	112538-02-000	EA PILLAR ASM - B, LH - STEEL
	086235-08-000	EA BEARING-SNAPIN, 3/4" ID - FOR PARKING BRAKE CABLE FROM: 00-00-00 THRU: 11-05-95
	121406-01-01A	EA BUSHING-THREADED, 2 PC - NYLON FROM: 11-06-95 THRU: 99-99-99

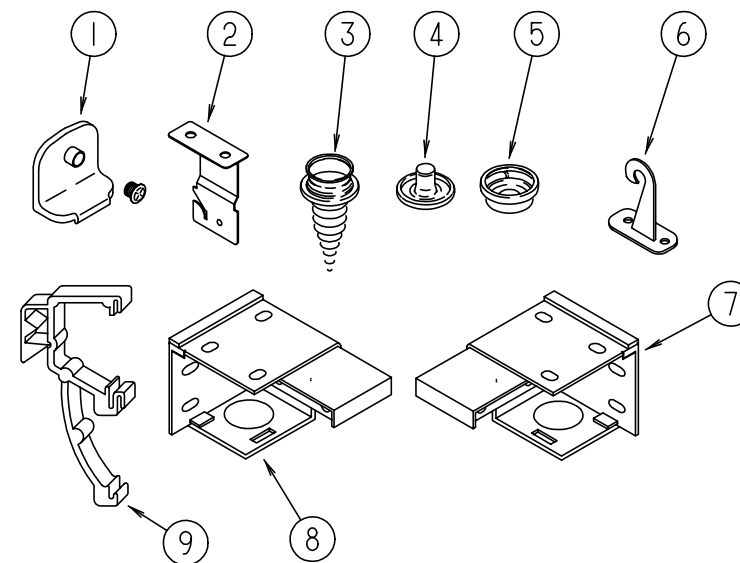
**CURTAIN & CUSHION GROUP  
NOTICE**

PLEASE INCLUDE THE SERIAL NUMBER AND THE COLOR CODE NUMBER FROM THE VEHICLE CERTIFICATION LABEL WHEN ORDERING. THIS LABEL IS LOCATED ON THE LEFT SIDEWALL AT THE END OF THE DASH (A-BODY), OR ON THE DRIVER'S DOOR LATCH PLATE (C-BODY). IN ORDER TO ASSIST OUR PARTS SALES DEPT. IN PROVIDING INTERIOR SOFTGOODS ITEMS, AN EXAMPLE OF A COLOR CODE NUMBER IS B07, WHICH DESIGNATES AN OVERALL COLOR SCHEME OF A PARTICULAR UNIT. THE COLOR LISTED AFTER THE ITEM DESCRIPTION ON THE MICROFICHE, INDICATES THE OVERALL UNIT COLOR. ORDER THE ITEM YOU DESIRE ACCORDING TO UNIT COLOR CODE.



NOTE: USE THIS ILLUSTRATION WHEN DETERMINING LENGTH AND WIDTH MEASUREMENTS FOR CURTAINS. YOU WILL NOTE THE WIDTH MEASUREMENT IS TAKEN ON THE TOP OF THE CURTAIN WITH THE CURTAIN FULLY EXTENDED. THE LENGTH MEASUREMENT IS TAKEN FROM TOP TO BOTTOM. LEFT AND RIGHT WINDOW LEGS ARE DETERMINED WHEN FACING THE WINDOW.

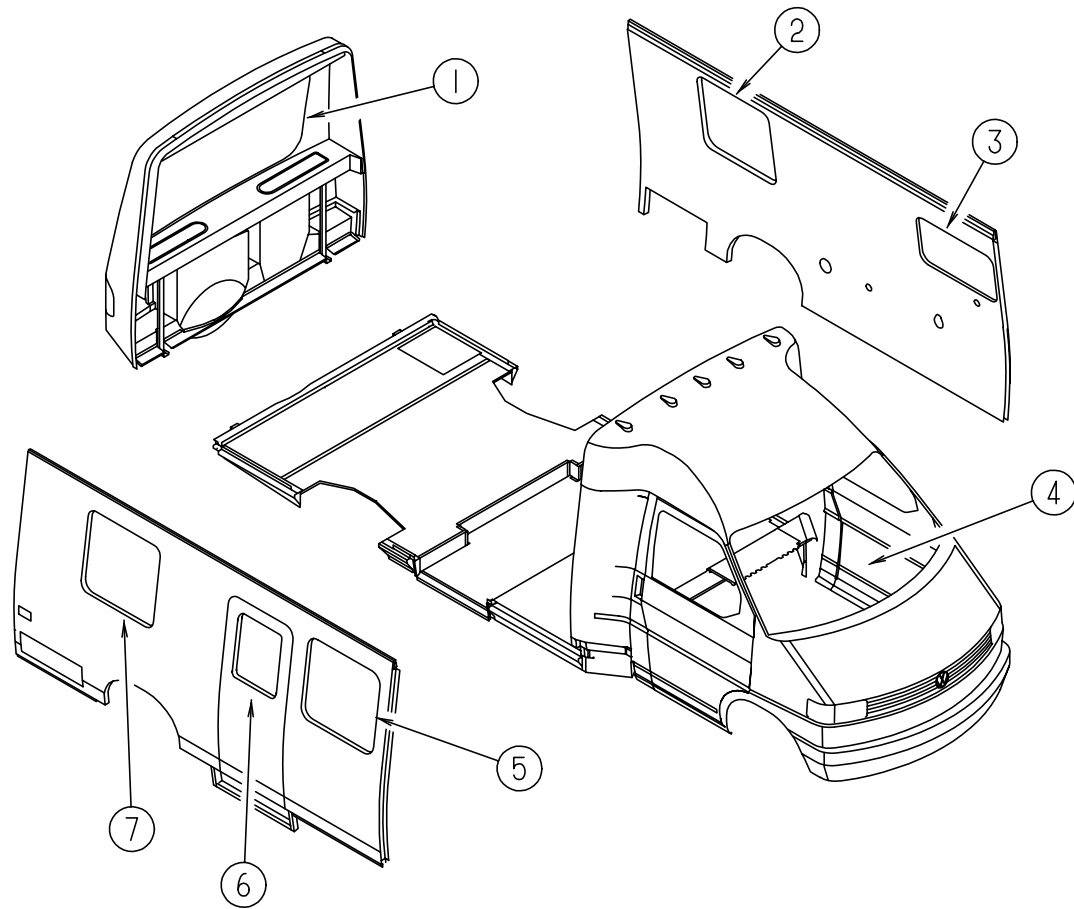
**CURTAIN & CUSHION GROUP (CONTINUED)**



**CURTAIN, BLIND & SHADE HARDWARE**

KEY	PART NUMBER	U/M	DESCRIPTION
1	106544-01-000	EA	PULL-SHADE, BRASS
1	106544-01-001	EA	SCREW-SHADE PULL, BRASS
2	084434-01-000	EA	BRACKET-MOUNTING, ROLLER SHADE - 1 3/8"
	096843-01-000	EA	SPRING-REWIND, ROLLER SHADE
3	029130-01-000	EA	SCREW-SNAP SOCKET, #8 PH X 5/8"
3	029130-03-000	EA	SCREW-SNAP SOCKET, #8 PH X 1"
3	029130-04-000	EA	SCREW-SNAP SOCKET, 8-16 X 5/8" PFH
4	029155-01-000	EA	CAP-SNAP, NICKEL
5	029156-01-000	EA	SOCKET-SNAP FASTENER, NICKEL
5	029156-02-000	EA	SOCKET-SNAP, 27/64" O.D.
6	109441-01-000	EA	HOLD DOWN-BLIND, HOOK
			FROM: 00-00-00 THRU: 01-31-96
6	109441-03-000	EA	HOLD DOWN-BLIND, HOOK
			FROM: 02-01-96 THRU: 99-99-99
7	083170-01-000	EA	BRACKET-MINI BLIND, LEFT SIDE WHEN FACING WINDOW
8	083170-02-000	EA	BRACKET-MINI BLIND, RIGHT SIDE WHEN FACING WINDOW
9	109353-04-000	EA	CLIP-VALANCE SLAT MOUNTING, CLEAR PLASTIC - PAR
	094896-02-000	EA	GROMMET-CORD, PLEATED BLIND - NYLON - GRAY
	094907-05-000	EA	END CAP-BOTTOM, PLEATED BLIND - PLASTIC
	094907-06-000	EA	END CAP-TOP, PLEATED BLIND - PLASTIC
	094908-03-000	FT	RIDGED PVC
	097564-01-000	EA	HANDLE-T, EZ LIFT SHADE
	097565-02-000	EA	BRACKET-MOUNTING, EZ LIFT SHADE
	097591-01-000	EA	SPRING-EXTENSION, PLEATED BLIND
	097592-01-000	EA	SPOOL-CORD, ELEVATED BLIND HOLDUP - CLEAR PLASTIC
	097593-02-000	FT	CORD-BLIND, PLEATED - GRAY
	048394-02-000	YD	VELCRO TAPE-HOOK, ADHESIVE BACK - .75" WIDE - BEIGE
	103242-01-000	EA	VELCRO-VEL-STICK, HOOK - BEIGE - #195368-55/64"
	088792-06-000	YD	VELCRO - 3/4" NON-ADHESIVE, LOOP - BUF MED
	110943-01-000	FT	FELTSTRIP - 3/8", W/ADHESIVE
	086276-01-000	EA	TAPE-DOUBLE SIDED, 1/2"

**CURTAIN & CUSHION GROUP (CONTINUED)**  
**WINDOW TREATMENT & SHOWER CURTAIN**



KEY	PART NUMBER	U/M	DESCRIPTION
1	119405-06-F45	EA	BLIND-PLEATED, 61" X 32" DROP (F45/F46)
2	113637-16-G46	EA	VALANCE - 30", ROSEANNE
2	113637-16-G47	EA	VALANCE - 30", ROSEANNE
2	119405-04-F45	EA	BLIND-PLEATED, 29" X 28.5" DROP (G46/G47)
3	109353-07-03A	EA	VALANCE-SLAT, 31" (G46/G47)
			FROM: 00-00-00 THRU: 10-15-95
3	109353-09-01A	EA	VALANCE-SLAT, 21" (G46/G47)
			FROM: 10-16-95 THRU: 99-99-99
3	111861-07-01A	EA	BLIND-MICRO MINI, 31" X 18" DROP (G46/G47)
			FROM: 00-00-00 THRU: 10-15-95
3	111861-08-01A	EA	BLIND-MICRO MINI, 21" X 18.5" DROP (G46/G47)
			FROM: 10-16-95 THRU: 99-99-99
4	077591-14-F45	EA	CURTAIN-VELCRO TOP, 26" X 114" (G46/G47)
5	113637-15-G46	EA	VALANCE - 64.75", ROSEANNE
5	113637-15-G47	EA	VALANCE - 64.75", ROSEANNE
5	113637-17-G46	EA	VALANCE - 60.75", ROSEANNE - TWIN BED OPTION
			FROM: 00-00-00 THRU: 12-03-95
5	113637-17-G47	EA	VALANCE - 60.75", ROSEANNE - TWIN BED OPTION
			FROM: 00-00-00 THRU: 12-03-95
5	113637-25-G46	EA	VALANCE - 60.75", ROSEANNE - TWIN BED OPTION
			FROM: 12-04-95 THRU: 99-99-99
5	113637-25-G47	EA	VALANCE - 60.75", ROSEANNE - TWIN BED OPTION
			FROM: 12-04-95 THRU: 99-99-99
5	119405-05-F45	EA	BLIND-PLEATED, 29" X 33" DROP (G46/G47)
6	084755-39-E01	EA	SHADE-PULL, 27.25" (G46/G47)
7	113637-14-G46	EA	VALANCE - 49", ROSEANNE
7	113637-14-G47	EA	VALANCE - 49", ROSEANNE
7	113637-16-G46	EA	VALANCE - 30", ROSEANNE - TWIN BED OPTION
7	113637-16-G47	EA	VALANCE - 30", ROSEANNE - TWIN BED OPTION
7	119405-05-F45	EA	BLIND-PLEATED, 29" X 33" DROP (G46/G47)
7	119405-04-F45	EA	BLIND-PLEATED, 29" X 28.5" DROP (G46/G47) - TWIN BED OPTION
	117640-01-G46	EA	CURTAIN-SHOWER, RH - SNAP TOP - 70" X 36.75" - VINYL
	117640-02-G46	EA	CURTAIN-SHOWER, LH - SNAP TOP - 70" X 36.75" - VINYL
	117640-01-G47	EA	CURTAIN-SHOWER, RH - SNAP TOP - 70" X 36.75" - VINYL
	117640-02-G47	EA	CURTAIN-SHOWER, LH - SNAP TOP - 70" X 36.75" - VINYL

**CURTAIN & CUSHION GROUP (CONTINUED)**

**RIALTA FABRICS**

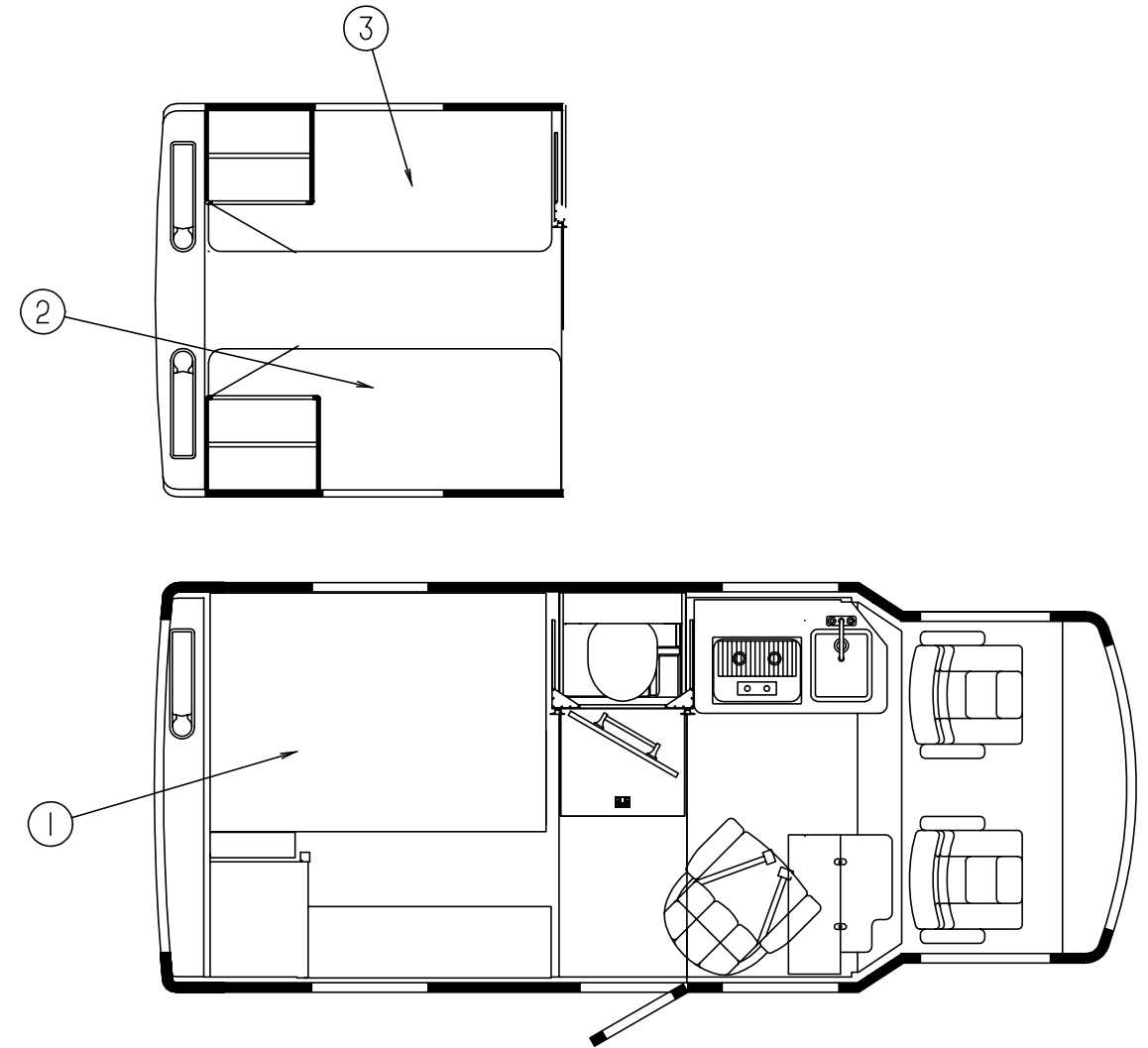
COLOR CODES	G46	G47
	<b>BAHAUS</b>	<b>GRANITE</b>
<b>CEILING VINYL</b>	113979-03-01A 113979-02-01A	113979-03-01A 113979-02-01A
<b>VINYL</b>	079680-19-000	079680-19-000
<b>DRAPERY LINING</b>	087272-03-000	087272-03-000
<b>BUCKET SEATS</b>	108446-K1-000	108446-K2-000
<b>DINETTE</b>	108446-K1-000	108446-K2-000
<b>DINETTE WINDOWS</b>	108446-K1-000	108446-K2-000
<b>COMPANION SEATS</b>	108446-K1-000	108446-K2-000
<b>COMPANION SEAT WINDOWS</b>	108446-K1-000	108446-K2-000
<b>SWIVEL CHAIR</b>	108446-K1-000	108446-K2-000
<b>SWIVEL CHAIR WINDOWS</b>	108446-K1-000	108446-K2-000
<b>ENTRY DOOR WINDOW</b>	108446-K1-000	108446-K2-000
<b>FITTED SHEET</b>	108446-K1-000	108446-K2-000
<b>PILLOW SHAMS</b>	108446-K1-000	108446-K2-000
<b>FRONT WRAP AROUND</b>	072333-85-000	072333-85-000

**NOTE:** FABRIC LISTED FIRST, IN A BLOCK, IS THE LARGEST QUANTITY OF FABRIC USED.

**SEATBELTS**

KEY	PART NUMBER	U/M DESCRIPTION
	114099-01-000	EA CABLE ASM-RECEIVER, SEAT BELT - DRIVER OR PASSENGER SEAT
	114258-01-01A	EA BELT ASM - 2" X 90" - SWIVEL CHAIR - BLACK I-90ER-02
	056271-02-000	EA BELT-SEAT, 2" X 72" - BLACK

**CURTAIN & CUSHION GROUP (CONTINUED)**



**DOUBLE MATTRESS, FITTED SHEETS & PILLOW SHAMS**

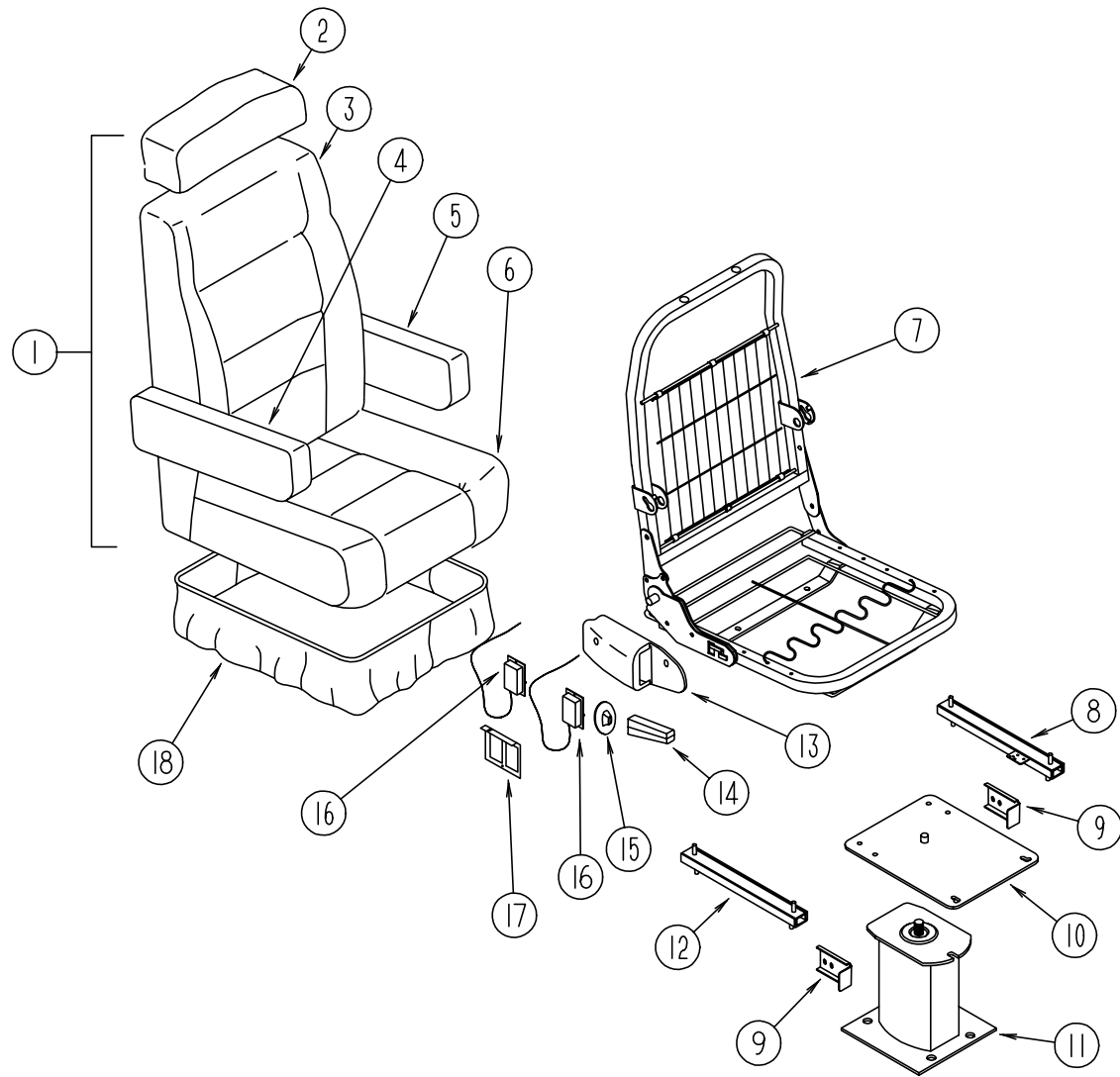
KEY	PART NUMBER	U/M DESCRIPTION
1	101123-28-000	EA MATTRESS-DOUBLE W/COVER, 54" X 72" X 5"
1	P01123-28-000	EA COVER-MATTRESS, 54" X 72" X 5"
1	117067-04-G46	EA FITTED SHEET-QUILTED, 54" X 72" X 5"
1	117067-04-G47	EA FITTED SHEET-QUILTED, 54" X 72" X 5"
	111863-08-G46	EA PILLOW SHAM-W/O FOAM
	111863-08-G47	EA PILLOW SHAM-W/O FOAM

**TWIN MATTRESSES, FITTED SHEETS & PILLOW SHAMS**

KEY	PART NUMBER	U/M DESCRIPTION
2	101123-19-000	EA MATTRESS-TWIN W/COVER, 32" X 74" X 5"
2	P01123-19-000	EA COVER-MATTRESS, 32" X 74" X 5"
2	117067-06-G46	EA FITTED SHEET - 32" X 75" X 5"
2	117067-06-G47	EA FITTED SHEET - 32" X 75" X 5"
3	101123-27-000	EA MATTRESS-TWIN W/COVER, 32" X 72" X 5"
3	P01123-27-000	EA COVER-MATTRESS, 32" X 72" X 5"
3	117067-07-G46	EA FITTED SHEET - 32" X 72" X 5"
3	117067-07-G47	EA FITTED SHEET - 32" X 72" X 5"
	111863-10-G46	EA PILLOW SHAM-W/O FOAM
	111863-10-G47	EA PILLOW SHAM-W/O FOAM

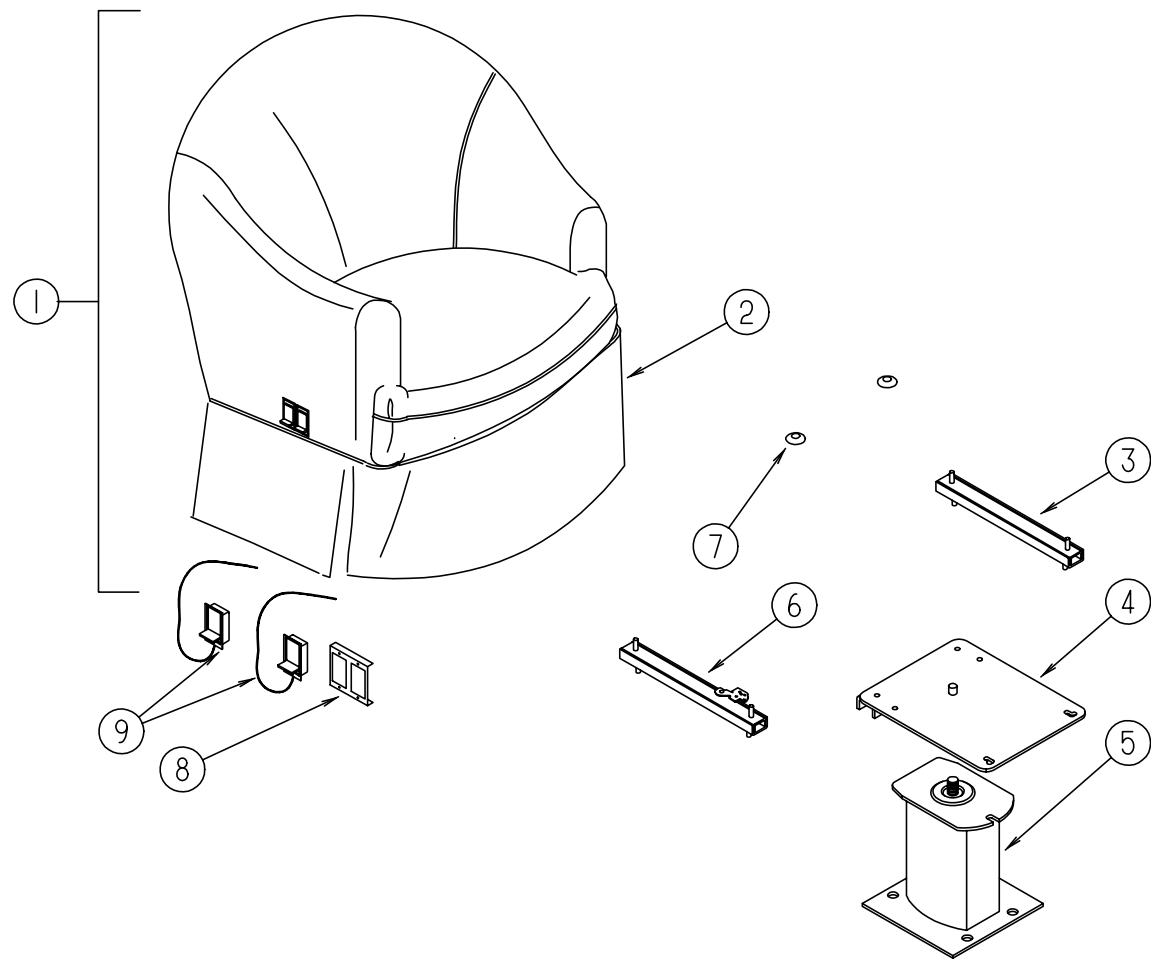
## CURTAIN & CUSHION GROUP (CONTINUED)

### DRIVER & PASSENGER BUCKET SEATS



KEY	PART NUMBER	U/M	DESCRIPTION
1	118807-05-G46	EA	SEAT-BUCKET, WARMRESTS & HEADREST - W/O SKIRT
1	118807-05-G47	EA	SEAT-BUCKET, WARMRESTS & HEADREST - W/O SKIRT
2	119626-03-G46	EA	HEADREST W/COVER-BUCKET SEAT
2	119626-03-G47	EA	HEADREST W/COVER-BUCKET SEAT
2	P19626-03-G46	EA	COVER-HEADREST, BUCKET SEAT
2	P19626-03-G47	EA	COVER-HEADREST, BUCKET SEAT
3	M05962-31-G46	EA	COVER-BACKREST, BUCKET SEAT
3	M05962-31-G47	EA	COVER-BACKREST, BUCKET SEAT
4	119627-01-G46	EA	ARMREST W/COVER-BUCKET SEAT, RH
4	119627-01-G47	EA	ARMREST W/COVER-BUCKET SEAT, RH
4	P19627-01-G46	EA	COVER-ARMREST, BUCKET SEAT - RH
4	P19627-01-G47	EA	COVER-ARMREST, BUCKET SEAT - RH
	115617-01-000	EA	BRACKET-ARM, RH - MOLDED - PLYFOAM
5	119627-02-G46	EA	ARMREST W/COVER-BUCKET SEAT, LH
5	119627-02-G47	EA	ARMREST W/COVER-BUCKET SEAT, LH
5	P19627-02-G46	EA	COVER-ARMREST, BUCKET SEAT -LH
5	P19627-02-G47	EA	COVER-ARMREST, BUCKET SEAT -LH
	115617-02-000	EA	BRACKET-ARM, LH - MOLDED - PLYFOAM
6	M05962-32-G46	EA	COVER-SEAT, BUCKET SEAT
6	M05962-32-G47	EA	COVER-SEAT, BUCKET SEAT
7	M80906-12-000	EA	FRAME-SEAT, BACK & SPRING
8	119952-02-000	EA	SLIDE-SEAT, HD - NONLOCKING - 4 STUDS - ATWOOD 83731
9	114889-01-000	EA	STOP BAR-UNIVERSAL, SHROCK
10	107921-08-000	EA	TOP PLATE-W/O SEAT BELT BAR - FLEXSTEEL 2759PDTP
	107921-06-000	EA	BEARING KIT-PEDESTAL, FLEXSTEEL
11	107921-12-000	EA	PEDESTAL-SEAT, 6 INCH - PASSENGER - FLEXSTEEL 3108PDLB
11	107921-13-000	EA	PEDESTAL-SEAT, 6 INCH - DRIVER - FLEXSTEEL 3107PDLB
12	119952-04-000	EA	SLIDE-SEAT, HD - LOCKING - 4 STUDS - ATWOOD 83785
	117125-01-02B	EA	BRACKET-CABLE MOUNT, ADJUSTER W/LOCK - STEEL - E-COAT
13	080730-09-000	EA	SHIELD-RECLINER HANDLE
14	080730-08-000	EA	HANDLE-RECLINER, BLACK
15	080730-11-000	EA	BOOT-RUBBER
16	108049-03-000	EA	CABLE-REMOTE, 26" W/Z END-SWITCH LEVER
17	097683-02-000	EA	BRACKET-REMOTE, SIDE MOUNT - DOUBLE
18	071126-51-F45	EA	SKIRT-BUCKET SEAT (G46/G47)

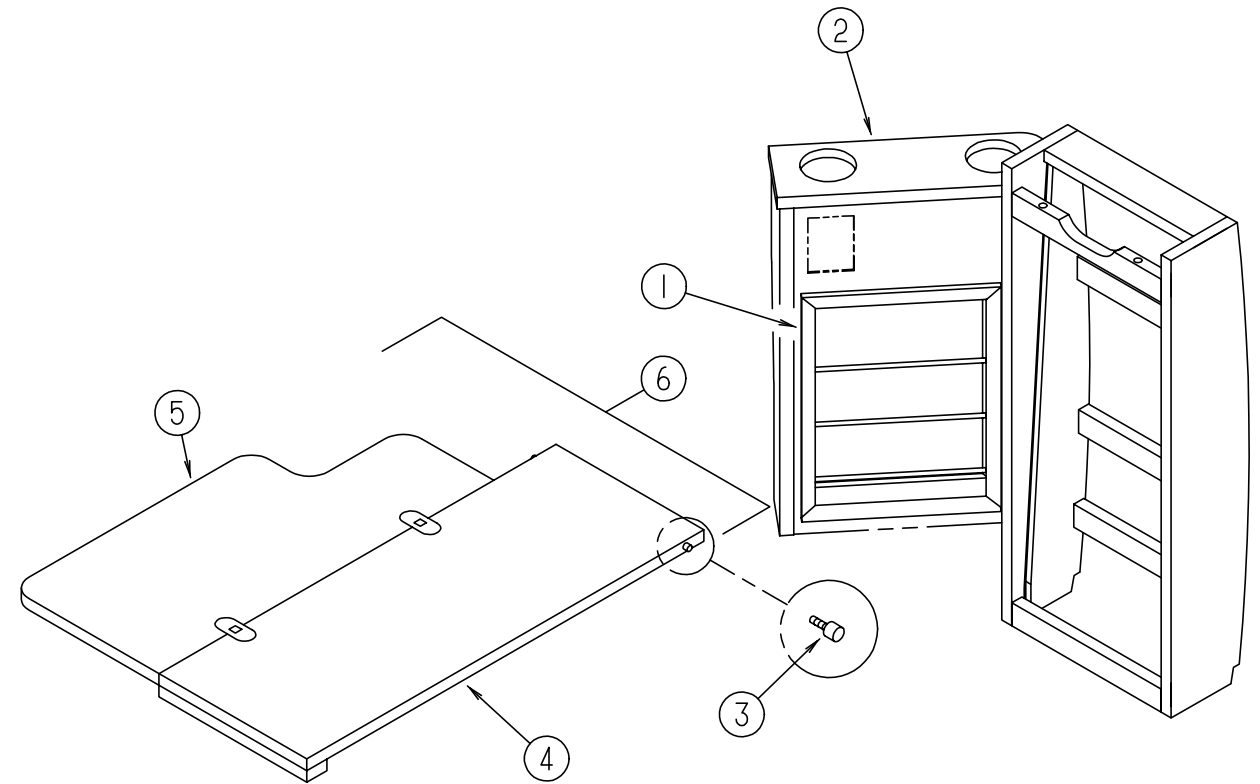
## CURTAIN & CUSHION GROUP (CONTINUED)



### SWIVEL CHAIR

KEY	PART NUMBER	U/M DESCRIPTION
1	115470-02-G46	EA CHAIR-SWIVEL, W/O SKIRT
1	115470-02-G47	EA CHAIR-SWIVEL, W/O SKIRT
	P15470-02-G46	EA COVER-SWIVEL CHAIR
	P15470-02-G47	EA COVER-SWIVEL CHAIR
2	P07977-03-G46	EA SKIRT-SWIVEL CHAIR
2	P07977-03-G47	EA SKIRT-SWIVEL CHAIR
3	119952-01-000	EA ADJUSTER-SWIVEL CHAIR, FORWARD & BACK
4	107921-08-000	EA PLATE-TOP, W/O SEAT BELT BAR
	107921-06-000	EA BEARING KIT-SEAT SWIVEL
5	107921-15-000	EA PLATE-SUB, FLOOR MOUNTED PEDESTAL - W/9.75" EXTENSION
6	119952-03-000	EA ADJUSTER-SWIVEL CHAIR W/LOCK, REMOTE - FORWARD & BACK
	117125-01-02B	EA BRACKET-CABLE MOUNT, ADJUSTER W/LOCK - STEEL - E-COAT
7	007221-01-000	EA SPACER-SEAT, ADJUSTER
8	097683-02-000	EA BRACKET-MOUNT, REMOTE
9	108049-03-000	EA 26" CONTROL CABLE - Z END W/SWITCH LEVER

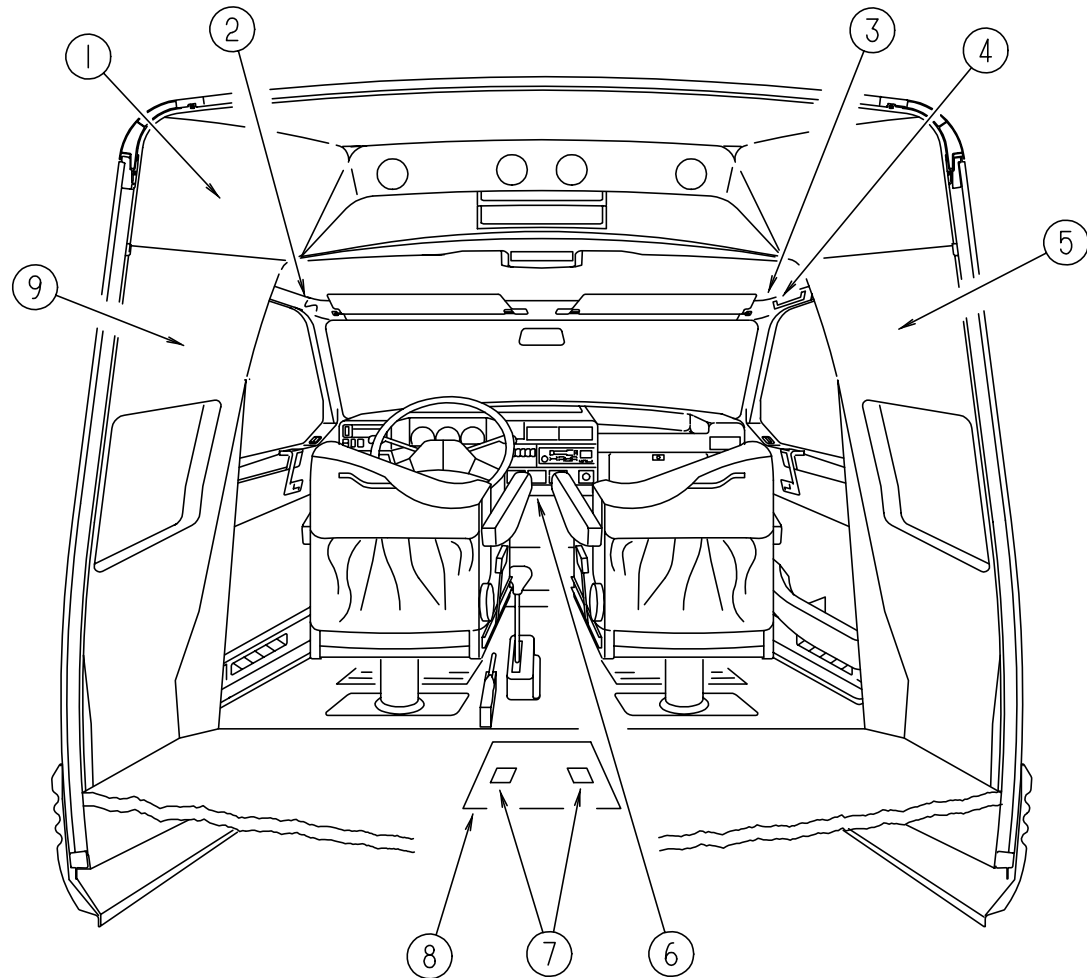
## DINETTE GROUP



### DINETTE TABLE

KEY	PART NUMBER	U/M DESCRIPTION
1	119113-16-F45	EA MAGAZINE RACK ASM
	084071-20-000	EA ROD-BRASS, 250 MM LONG
	P19113-01-F45	EA CABINET ASM-DINETTE TABLE, W/CUPHOLDER W/O MAGAZINE RACK OR TOPS
2	P19113-14-F45	EA CUPHOLDER W/STAIN
	119113-14-F45	EA CUPHOLDER, UNFINISHED
3	079921-01-000	EA NYLON ROLLER W/SHAFT
4	119113-19-G46	EA TOP-DINETTE TABLE
5	119113-18-G46	EA TOP-DINETTE TABLE
6	119113-17-G46	EA TOP ASM-DINETTE TABLE
	111535-01-000	EA HINGE-TABLE, FOLDING - HAFELE 341.32.100
	117047-01-000	EA BUMPER-RUBBER, WASHER INSERT - LAKEVIEW #21094

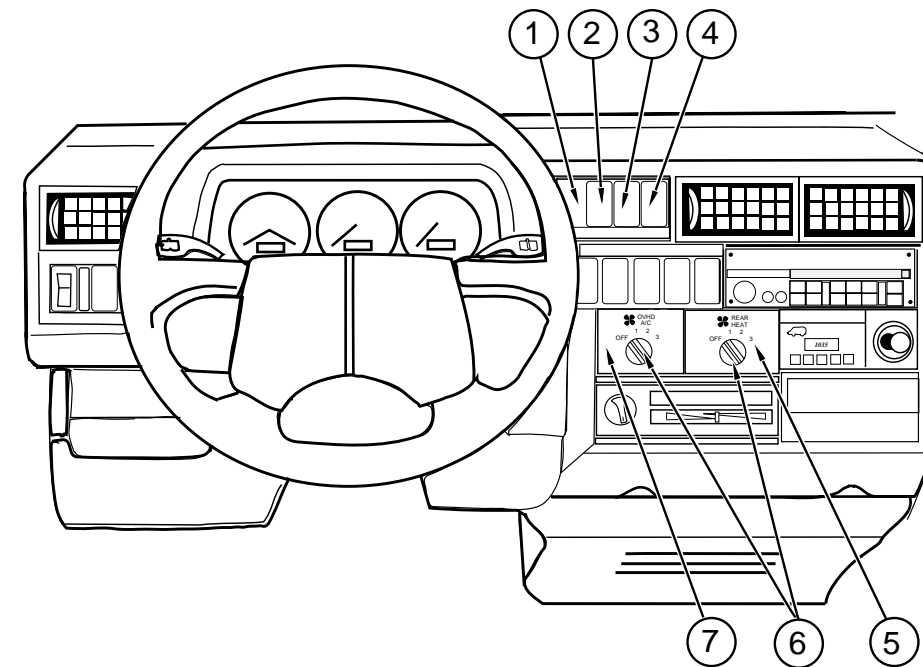
## DRIVERS COMPARTMENT GROUP



### DRIVERS COMPARTMENT

KEY	PART NUMBER	U/M	DESCRIPTION
1	117256-01-01A	EA	HEADLINER-FRONT, PLASTIC - VW TAUPE
	100128-02-000	FT	SEAL-FOAM, ADHESIVE BACK - .37" X .37" - PLASTIC TRANSITION PANELS
	086285-03-000	EA	SPACER-NYLON - PLASTIC HEADLINER
	103242-01-000	EA	VELCRO-VEL, STICK - HOOK - BEIGE - #195368-55/64" - PLASTIC HEADLINER
2	115447-02-01A	EA	A-PILLAR COVER - DRIVER SIDE - TAUPE
3	115447-01-01A	EA	A-PILLAR COVER - PASSENGER SIDE - TAUPE
	115452-01-000	EA	SCREW-SET
	115453-01-01A	EA	COVER-SCREW, TAUPE
4	115449-01-01A	EA	HANDLE-GRAB, RH - VW 705 857 607 9VW
	115451-01-000	EA	SCREW-HANDLE - VW N904 345 01
5	116454-03-01A	EA	PANEL-TRANSITION, INNER - RH - PLASTIC
	117555-03-G46	EA	PAD-DECORATIVE, TRANSITION PANEL - RH - FABRIC
	117555-03-G47	EA	PAD-DECORATIVE, TRANSITION PANEL - RH - FABRIC
6	118445-01-G46	EA	TRAY ASM-BEVERAGE
	119822-01-01A	EA	HOLDER-CUP, BEVERAGE TRAY - INNOCORP MODEL100
7	097111-02-04A	EA	POCKET-LOCK, BATTERY DOOR, BLACK
7	102330-01-000	EA	LATCH-SINGLE HOLE, VISE ACTION - SOUTHCOE3-55-715-50
	102328-01-000	EA	KEY-BARREL, NICKEL PLATED - SOUTHCOE 3-26-715-19
	064075-07-000	EA	SEAL-BULB, W/WIRED U CHANNEL - .3" X .5" CHANNEL - BLACK
8	P18892-01-F45	EA	LID ASM-BATTERY COMPARTMENT W/CARPET, POCKETS & LATCHES
9	116454-04-01A	EA	PANEL-TRANSITION, INNER - LH - PLASTIC
	117555-02-F45	EA	PAD-DECORATIVE, TRANSITION PANEL - LH - VINYL

## DRIVERS COMPARTMENT GROUP (CONTINUED)

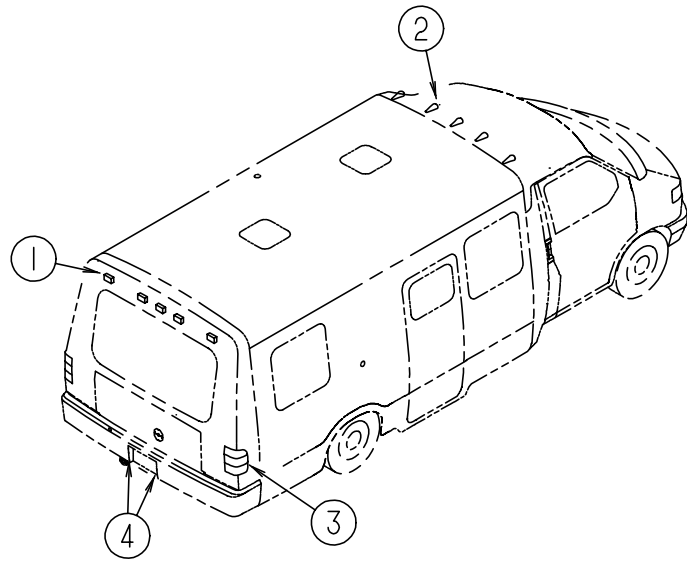


### DASH KNOBS, SWITCHES & LABELS

KEY	PART NUMBER	U/M	DESCRIPTION
1	114444-01-000	EA	APPLIQUE-BEZEL
2	108356-09-01A	EA	COVER-SWITCH W/DIMPLES & LENS, CARLING VVAACXX-XGO
2	108357-13-000	EA	SWITCH-ROCKER, DPDT MOM/ON/OFF - REAR WIPER/WASHER OPTION CARLING VMD17HNB-0
2	096241-03-000	EA	SWITCH-BLANK
3	108356-08-01A	EA	COVER-SWITCH W/DIMPLES & LENS, CARLING VVAACXX-XWB
3	108357-12-000	EA	SWITCH-ROCKER, DPST OFF/NONE/MOM - REAR DEFOGGER OPTION CARLING VMD17HNB-0
3	096241-03-000	EA	SWITCH-BLANK
4	108356-07-01A	EA	COVER-SWITCH W/DIMPLES & LENS, CARLING VVAACXX-XWB
4	108357-09-000	EA	SWITCH-ROCKER, SPDT ON/NONE/MOM - AUXILIARY START CARLING V5D1000B-0
5	114332-01-000	EA	LABEL-FAN SWITCH, REAR HEAT
6	087202-02-000	EA	SWITCH - 4 POSITION, W/O KNOB
6	090977-01-000	EA	KNOB-SWITCH, ROTARY - ROGAN NK-2-WL
7	114332-02-000	EA	LABEL-FAN SWITCH, OVERHEAD A/C
	117038-01-000	EA	SPEEDOMETER-ELECTRIC, METRIC - VW - CANADIAN
	100138-01-000	EA	MODULE-DAYTIME RUNNING LIGHT - CANADIAN



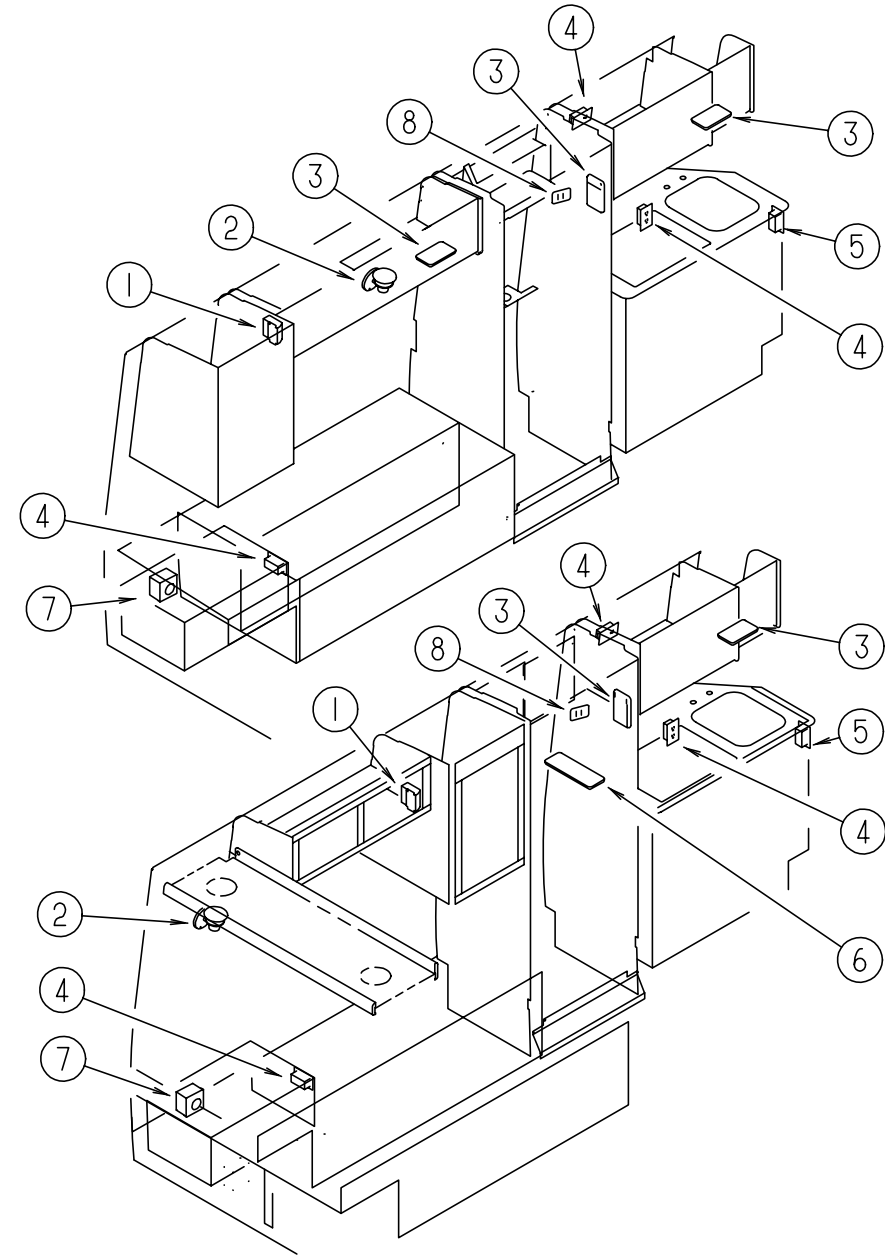
## ELECTRICAL GROUP



### EXTERIOR LIGHTS

KEY	PART NUMBER	U/M DESCRIPTION
1	102520-02-000	EA LIGHT-CLEARANCE, W/O SOCKET CONNECTIONS - RED
1	102520-02-000	EA LIGHT-CLEARANCE, W/O SOCKET CONNECTIONS - RED - EUROPEAN FROM: 00-00-00 THRU: 01-07-96
1	121685-02-000	EA LAMP ASM-CLEARANCE, RED - HELLA 2SA006717001 - EUROPEAN FROM: 01-08-96 THRU: 99-99-99
	036196-01-000	EA BULB - 12V, #194 - .27AMP - BAYONETTE
	067789-02-000	EA SOCKET-LAMP
	102582-01-000	EA BRACKET-LIGHT, CLEARANCE - L-SHAPED METAL - 2.2" X 4.7"
	102540-01-000	EA SEAL-SCREW, ROUND - RUBBER
	102540-01-000	EA SEAL-SCREW, ROUND - RUBBER - EUROPEAN FROM: 00-00-00 THRU: 01-07-96
	102541-01-000	EA GASKET-CLEARANCE LIGHT
	102541-01-000	EA GASKET-CLEARANCE LIGHT - EUROPEAN FROM: 00-00-00 THRU: 01-07-96
2	113709-01-000	EA LIGHT-CLEARANCE, AMBER - KD 500-0-1-888
2	113709-01-000	EA LIGHT-CLEARANCE, AMBER - KD 500-0-1-888 - EUROPEAN FROM: 00-00-00 THRU: 01-07-96
	121683-01-000	EA LAMP ASM-CLEARANCE, CLEAR - HELLA 2PF006679007 FROM: 01-08-96 THRU: 99-99-99
	102582-01-000	EA BRACKET-LIGHT, CLEARANCE - L-SHAPED METAL - 2.2" X 4.7"
3	112126-01-000	EA TAILLIGHT-REAR, PASSENGER SIDE - FORD F37Z-13404-A
	112126-02-000	EA TAILLIGHT-REAR, DRIVER SIDE - FORD F37Z-13405-A
3	120742-01-000	EA TAILLIGHT-REAR, DRIVER OR PASS SIDE - HELLA 2SK004460-037 - EUROPEAN
	112707-01-000	EA BULB - 12 V - #3156 - 2.10 AMP - SYLVANIA 3156
	112708-01-000	EA BULB - 12 V - #3157 - 0.59/2.10 AMP - SYLVANIA 3157
	112709-01-000	EA SOCKET-LAMP, S8 WEDGE SF - ZANXX ZX-88372
	112709-02-000	EA SOCKET-LAMP, S8 WEDGE SF - ZANXX ZX-90445
	112709-03-000	EA SOCKET-LAMP, S8 WEDGE DF - ZANXX ZX-88371
4	087201-01-000	EA LIGHT-HALF ROUND, 1" X 1.7" - PLASTIC - BLACK

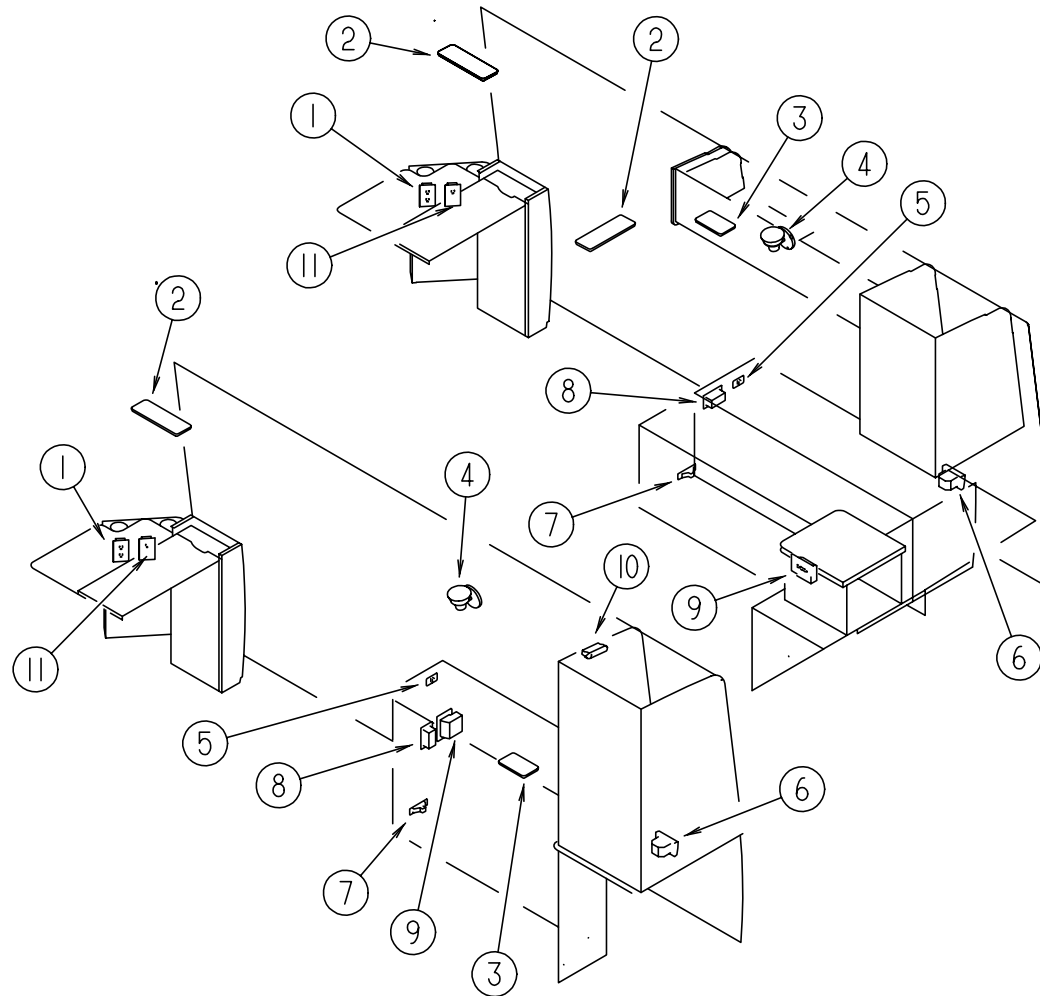
## ELECTRICAL GROUP (CONTINUED)



### LIGHTS, RECEPTACLES & SWITCHES - DRIVER SIDE

KEY	PART NUMBER	U/M DESCRIPTION
1	091927-01-000	EA COVER-RECEPTACLE, DOUBLE - IVORY
2	065202-37-000	EA LAMP-WALL, BRASS - SHORT - UL/CSA - GUSTAFSON SP542SW-2
	117806-01-000	EA BULB - 12V, NO.912 - 1.0 AMPS
	117805-01-000	EA BULB - 12V, NO.921F - 1.4 AMPS
3	098024-01-01A	EA LIGHT-DOME, 1 BULB - IVORY
3	098024-01-700	EA LENS-DOME LIGHT
3	008218-01-000	EA BULB-DOME LIGHT, 12V - #1141
4	058707-01-000	EA RECEPTACLE-ELECTRIC, SINGLE - BROWN
4	112590-01-000	EA RECEPTACLE - 16A, 240V - 2 POLE W/GROUND - EUROPEAN OPTION
5	058708-02-000	EA RECEPTACLE-ELECTRIC, DOUBLE - IVORY
6	098024-03-01A	EA LIGHT-DOME, 2 BULB - IVORY
6	098024-01-700	EA LENS-DOME LIGHT
6	008218-01-000	EA BULB-DOME LIGHT, 12V - #1141
7	024924-02-000	EA RECEPTACLE-POWER CORD, W/PARTIAL PLATE
8	108356-10-01A	EA COVER-SWITCH W/DIMPLES & LENS, CARLING VVAJCSX-X - SUMP PUMP
8	108357-14-000	EA SWITCH-ROCKER, SPST - ON/OFF - CARLING VIDIA60C-0 - SUMP PUMP
	115450-01-01A	EA LIGHT-CAB, DELUXE - VW 357 947 105B 5YX

## ELECTRICAL GROUP (CONTINUED)



### LIGHTS, RECEPTACLES & SWITCHES - PASSENGER SIDE

KEY	PART NUMBER	U/M DESCRIPTION
1	058708-02-000	EA RECEPTACLE-ELECTRIC, DOUBLE - IVORY
2	098024-03-01A	EA LIGHT-DOME, 2 BULB - IVORY
2	098024-01-700	EA LENS-DOME LIGHT
2	008218-01-000	EA BULB-DOME LIGHT, 12V - #1141
3	098024-01-01A	EA LIGHT-DOME, 1 BULB - IVORY
3	098024-01-700	EA LENS-DOME LIGHT
3	008218-01-000	EA BULB-DOME LIGHT, 12V - #1141
4	065202-37-000	EA LAMP-WALL, BRASS - SHORT - UL/CSA - GUSTAFSON SP542SW-2
4	117806-01-000	EA BULB - 12V, NO.912 - 1.0 AMPS
4	117805-01-000	EA BULB - 12V, NO.921F - 1.4 AMPS
5	079364-01-000	EA SWITCH-ON/OFF, ROCKER, 2 PRONGS - BROWN
5	079364-04-000	EA SWITCH-ON/OFF, ROCKER - BLACK
5	098351-01-01A	EA PLATE-SWITCH, 1 GANG - POLISHED BRASS - JENSEN
6	112822-01-01A	EA RECEPTACLE-DUPLEX, EXTERIOR - IVORY - WIRECON WDRU15IV
6	112824-01-03A	EA COVER-EXTERIOR DUPLEX RECEPTACLE, WHITE - P&S 3780-SC-WH
7	061424-01-000	EA LIGHT-DASH/AISLE, 12V - RECTANGULAR
7	008103-01-000	EA BULB-DASH/AISLE LIGHT, #53 - 12 V - .12 AMP
8	084420-01-000	EA SWITCH-TOGGLE, 15A - 120V - BROWN - T&B WDS151
9	084076-01-000	EA RECEPTACLE-GFI, 15A - 125V - IVORY
9	084076-02-000	EA RECEPTACLE-GFI, 15A - 125V - BROWN
10	087694-01-000	EA LIGHT-WARDROBE/CLOSET, W/SWITCH
10	087694-01-700	EA BULB-WARDROBE/CLOSET LIGHT, GE
11	111414-01-000	EA RECEPTACLE - 12V W/O BIMETAL, INTERTEK
	115450-01-01A	EA LIGHT-CAB, DELUXE - VW 357 947 105B 5YX
	108355-01-000	EA HOUSING-SWITCH - CARLING VCH

## ELECTRICAL GROUP (CONTINUED)

### CIRCUIT BREAKERS & FUSES

KEY	PART NUMBER	U/M DESCRIPTION
	008233-01-000	EA FUSE - 6 AMPS, 12V
	062901-02-000	EA FUSE - 5 AMPS, AUTOMOTIVE
	062901-05-000	EA FUSE - 15 AMPS, AUTOMOTIVE
	062901-06-000	EA FUSE - 20 AMPS, AUTOMOTIVE
	062901-07-000	EA FUSE - 25 AMPS, AUTOMOTIVE
	106656-01-000	EA FUSE BLOCK - 4 CAVITY AUTOFUSE - PACKARD 12004943
	108669-01-000	EA HOUSING-AUTO FUSE HOLDER - PACKARD 12010105
	111683-01-000	EA FUSE HOLDER-GLASS, 1/4 X 1 1/4 - BUSS HTB-86I
	083209-02-000	EA CIRCUIT BREAKER - 15/15 AMP, 120 V - BW H-15/15
	083209-03-000	EA CIRCUIT BREAKER - 15/20 AMP, 120 V - BW 0-15/20
	083209-04-000	EA CIRCUIT BREAKER - 30 AMP, 120V - BW L-30
	083209-06-000	EA CIRCUIT BREAKER - 30/15 AMP, 120 V - BW D-30/15
	083209-07-000	EA CIRCUIT BREAKER - 20/20 AMP, 120 V - BW K-20/20
	093654-01-000	EA CIRCUIT BREAKER - 6 AMP, 12 V - USD 17406-4E12A2A
	093654-02-000	EA CIRCUIT BREAKER - 15 AMP, 12 V - USD 17415-4E12A2A
	093654-03-000	EA CIRCUIT BREAKER - 20 AMP, 12V - USD 17420-4E12A2A
	097611-01-000	EA CIRCUIT BREAKER - 10 AMP, 12 V - VB3-A10-F57
	108567-01-000	EA CIRCUIT BREAKER - 40 AMP, 12 V - FASCO 17414063

### BOXES, CONDUIT & COVERS

KEY	PART NUMBER	U/M DESCRIPTION
	008289-01-000	EA BOX-ELECTRIC, STEEL - 1/2" AND 3/4" KNOCKOUTS - 4" X 4"
	008289-02-000	EA BOX-ELECTRICAL, 4" X 4" - 1/2" & 3/4" KNOCKOUTS - CANADIAN
	091910-01-000	EA BOX-ELECTRICAL, 3.75" X 3.5" X 1.75" - PLASTIC
	091910-02-000	EA BOX-ELECTRICAL, PLASTIC - 57 X 88 MM
	093257-02-000	EA BOX-ELECTRIC, CIRCUIT BREAKER - B&W RV80-9
	041953-01-000	FT CONDUIT-CONVOLUTE SLIT, .5" ID - POLYETHYLENE - BLACK
	041953-03-000	FT CONDUIT-CONVOLUTE SLIT, 1" ID - POLYETHYLENE - BLACK
	041953-06-000	FT CONDUIT-CONVOLUTE SLIT, .375" ID - POLYETHYLENE - BLACK
	041953-07-000	FT CONDUIT-CONVOLUTE SLIT, .25" ID - POLYETHYLENE - BLACK
	041953-08-000	FT CONDUIT-CONVOLUTE SLIT, 1.50" ID - POLYETHYLENE - BLACK
	041953-09-000	FT CONDUIT-CONVOLUTE SLIT, .50" ID - NYLON - BLACK W/GRAY STRIPE
	008294-01-000	EA COVER-ELECTRICAL BOX, BLANK/STEEL - 4" X 4" - GRAY
	069238-01-000	EA COVER-ELECTRICAL BOX, W/HOLE - 4" X 4" - GRAY USED WITH 30 AMP RECEPTACLE

### SOLENOID, RELAYS, POWER CONVERTER, POWER CORDS & CABLE

KEY	PART NUMBER	U/M DESCRIPTION
	008188-01-000	EA SOLENOID - 3 POST, BATTERY CHANGE OVER
	063912-02-000	EA RELAY-CANISTER, SPDT - BOSCH 0332204101
	114965-01-000	EA RELAY - 12V, 2A - DELAY OFF 10MIN - AMPERITE 12DP10MHLIC
	109171-01-000	EA CONVERTER - 40 AMP, ELECTRONIC - MAGNETEK 7240X
	109677-01-000	EA LOAD CENTER - 120V, 40 AMP - WESCO TT120FLGNM
	008052-01-000	EA CORD-POWER, 10/3 - 30 AMP - 25' - CANADIAN
	008054-02-000	EA CORD-POWER, 10-3 - 30 AMP - 33'

### WIRE ASSEMBLIES

KEY	PART NUMBER	U/M DESCRIPTION
	093057-04-000	EA WIRE ASM-POWER LOCK ENTRANCE
	096449-01-000	EA WIRE ASM-WATER TANK TO MONITOR PANEL
	097618-01-000	EA WIRE ASM-MONITOR PANEL, W/3 WIRES & ORANGE RESISTOR - LVS ORANGE RESISTOR W/3 (ORANGE-GREEN-BLUE) WIRES

## ELECTRICAL GROUP (CONTINUED)

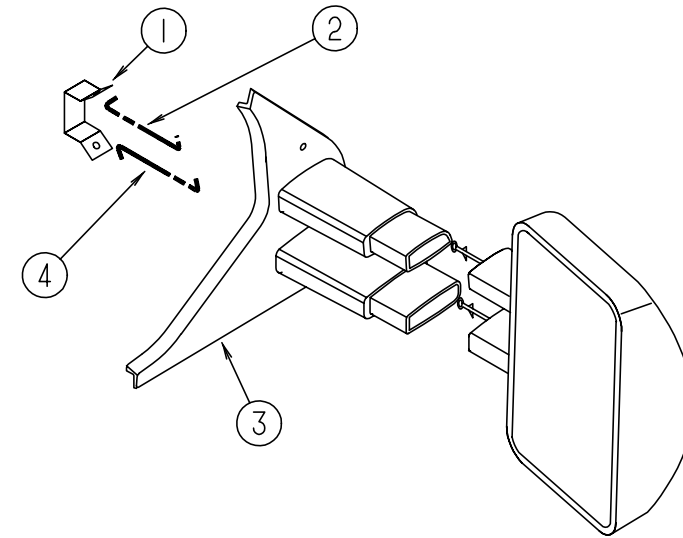
### ELECTRICAL CONNECTORS

KEY	PART NUMBER	U/M DESCRIPTION
	007940-01-000	EA RECEPTACLE-SLIDE, 16 TO 12 AWG - FEMALE END
	008311-01-000	EA CONNECTOR-WIRE NUT, INSULATED - RED
	008314-01-000	EA CONNECTOR-WIRE NUT, INSULATED - GRAY
	008355-01-000	EA CONNECTOR-CABLE CLAMPING, 3/4"
	008356-01-000	EA CONNECTOR-PLASTIC, 3/8" AVG
	088475-02-000	EA PIN-CONNECTOR, 10 TO 12 AWG
	112721-01-000	EA CONNECTOR - 3 PIN W/12" LEADS, COLE-HERSEE 11173-0
	058028-01-000	EA CONNECTOR-ELECTRICAL PIGTAIL, NYLON - CLEAR
	113638-02-000	EA CONNECTOR-ELECTRIC, ACTUATOR - EURAMETEC ST2-01
	007942-01-000	EA TAB-WIRE, 18 TO 14 AWG
	008326-01-000	EA TERMINAL-RING, 16/14 WIRE - 3/8" STUD
	008328-01-000	EA TERMINAL-RING, 12/10 WIRE - #10 STUD FIT
	008331-01-000	EA TERMINAL-RING, TONGUE - #4 WIRE - 3/8" STUD - COPPER
	008348-01-000	EA TERMINAL-RING, 3/8" STUD - #2 WIRE
		CONNECTS CABLE TO DISCONNECT RELAY AND BATTERY
	035416-04-000	EA TERMINAL-RING #10 STUD FIT, INSULATED BARREL #16/14
	047443-01-000	EA TERMINAL - .250 RECEPTACLE FIT, INSULATED - 16/14 AWG
	047443-02-000	EA TERMINAL - .250 RECEPTACLE FIT, INSULATED - 12/10 AWG
	088267-01-000	EA TERMINAL-FEMALE, 1/4
	102777-02-000	EA TERMINAL-RING, #6 STUD - 10 AWG
	106655-01-000	EA TERMINAL-FUSE BLOCK, 14-16AWG - PACKARD 12020321
	106655-02-000	EA TERMINAL-FUSE BLOCK, 10-12AWG - PACKARD 12020400
	113074-01-000	EA TERMINAL-TAILLAMP - AUGAT 101395
	098262-01-000	EA SEAL-CONNECTOR,WEATHER PACK PACKARD 12010293
	063910-01-000	EA HOUSING-RELAY, BOSCH 3-334-485-008
	088473-03-000	EA HOUSING-PIN, 9 CAVITY - AMP 1-480706-0
	088473-06-000	EA HOUSING-PIN, 6 CAVITY - AMP 1-480704-0
	088473-08-000	EA HOUSING-PIN, 4 CAVITY - AMP 1-480702-0
	088473-09-000	EA HOUSING-PIN, 3 CAVITY - AMP 1-480700-0
	088473-10-000	EA HOUSING-PIN, 2 CAVITY - AMP 1-480698-0
	088474-02-000	EA HOUSING-SOCKET, 12 CAVITY - AMP 1-480711-0
	088474-03-000	EA HOUSING-SOCKET, 9 CAVITY - AMP 1-480707-0
	088474-06-000	EA HOUSING-SOCKET, 6 CAVITY - AMP 1-480705-0
	088474-08-000	EA HOUSING-SOCKET, 4 CAVITY - AMP 1-480703-0
	088474-09-000	EA HOUSING-SOCKET, 3 CAVITY - AMP 1-480701-0
	088474-10-000	EA HOUSING-SOCKET, 2 CAVITY - AMP 1-480699-0
	098264-01-000	EA HOUSING - 2 PIN, WEATHER PACK M - PACKARD 12015792
	098264-02-000	EA HOUSING - 2 PIN, WEATHER PACK F - PACKARD-12010973
	113072-01-000	EA HOUSING-TAILLAMP, TURN - ZANXX ZX-88389
	113072-02-000	EA HOUSING-TAILLAMP, BACKUP - ZANXX ZX-90441
	113072-03-000	EA HOUSING-TAILLAMP, STOP/MARKER - ZANXX ZX-88390
	113073-01-000	EA WEDGELOCK-HOUSING, TAILLAMP - ZANXX ZX-88389-3
	113073-02-000	EA WEDGELOCK-HOUSING, TAILLAMP - ZANXX ZX-90424
	110178-01-000	EA HOUSING-WIPER MOTOR - UT6237440-EC25WJ
	113468-01-000	EA HOUSING - 2 POSITION, FEMALE - 56-SERIES - PACKARD 02965981 USED ON WIPER/WASHER WIRE ASM
	088475-01-000	EA PIN-CONNECTOR, 14 TO 20 AWG
	098265-02-000	EA PIN-CONNECTOR, WEATHER PACK - PACKARD 12089305
	088476-01-000	EA SOCKET-CONNECTOR, BRASS - PRE-TIN
	088476-02-000	EA SOCKET-CONNECTOR, 12-10 GA - PHOS. BRZ - PRE-TIN
	098261-02-000	EA SOCKET-CONNECTOR, WEATHERPACK - PACKARD 12124580

### ELECTRICAL MISCELANEOUS

KEY	PART NUMBER	U/M DESCRIPTION
	007956-05-000	EA INSULATOR-SHRINK, .25 ID X 1.50 - BLACK
	054250-01-000	EA COVER-ANGLED, W/O HOLE - 3.6" X 4.5" - PLASTIC - BEIGE ELECTRICAL PLATE SUPPORT W/O HOLES
	054250-04-000	EA COVER-ANGLED, W/O HOLE - 3.6" X 4.5" - PLASTIC - OFF WHITE ELECTRICAL PLATE SUPPORT
	087225-01-000	FT SLEEVING - 1/2", TYPE H - VARFLEX
	092786-01-000	EA BUSS BAR - 2.1" LONG
	112593-01-000	FT CABLE - 3 WIRE, 16A - FLEX RUBBER - EUROPEAN OPTION
	112593-02-000	FT CABLE - 3 WIRE, 25A - FLEX RUBBER - EUROPEAN OPTION
	112594-01-000	FT INLET - 16A, 240V - 2 POLE W/GROUND - EUROPEAN OPTION

## EXTERIOR BODY GROUP



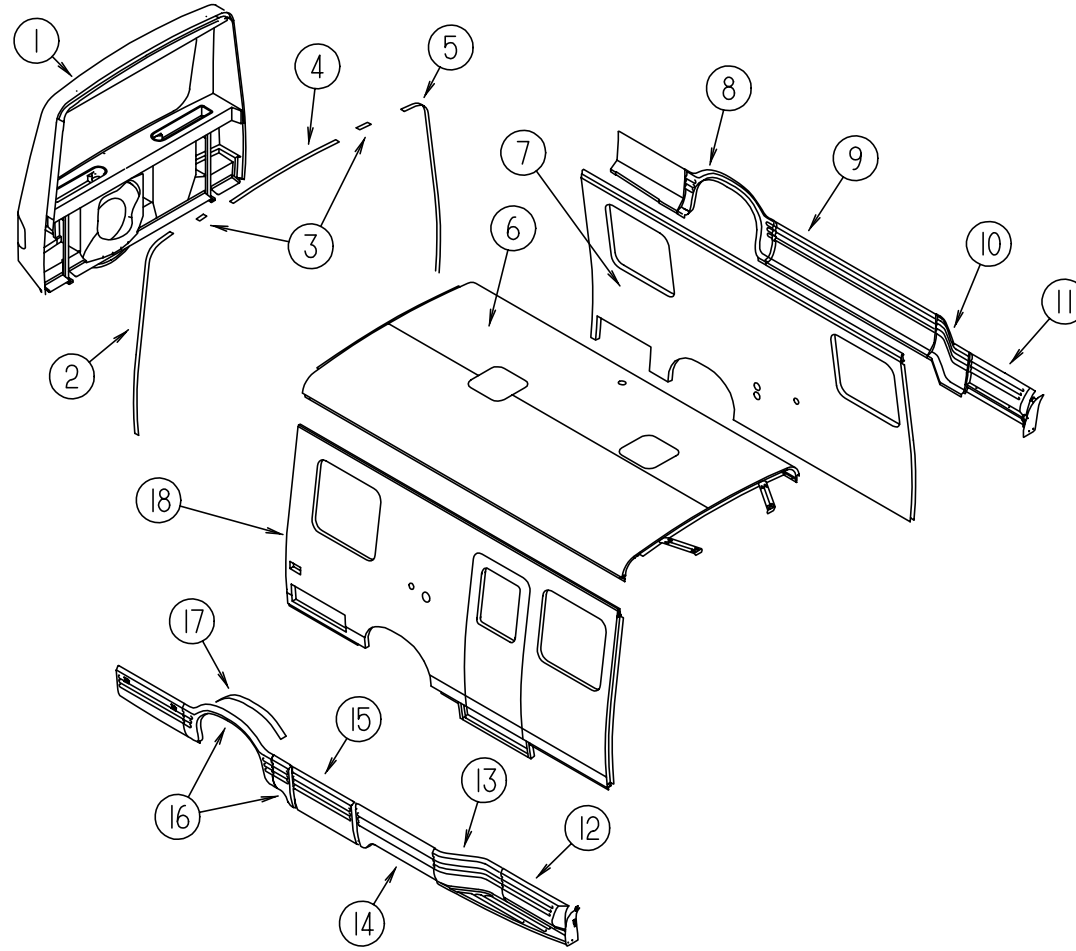
### MIRROR BRACKETS FOR VW EXTERIOR MIRRORS

KEY	PART NUMBER	U/M DESCRIPTION
1	115334-01-02B	EA BRACKET-MIRROR, E-COAT
2	115752-02-01A	EA MIRROR ROD - 3.3" LONG
3	114494-01-02A	EA BRACKET-MIRROR, RH - BLACK - LESUER INCORPORATED
	114494-02-02A	EA BRACKET-MIRROR, LH - BLACK - LESUER INCORPORATED
4	115752-01-01A	EA MIRROR ROD - 3.9"

### ALUMINUM & STYROFOAM

KEY	PART NUMBER	U/M DESCRIPTION
	112695-01-700	EA SHEET-ALUMINUM, (ROOF) - .024" X 42.25" X 135.8" - VW WHITE
	112696-01-700	EA SHEET-ALUMINUM, (SIDEWALL) - .032" X 58" X 136.2" - VW WHITE
	044487-01-001	EA ALUMINUM SHEET - .019" X 96" X 360" - MILL FINISH
	058804-01-000	EA ALUMINUM SHEET - .032" X 36" X 64" - 1/4 HEX - PERFORATED .79 OPEN
	000870-08-000	SF STYROFOAM - 3/4" X 48" X 96" - PLANED
	100619-01-000	BF FOAM-EXPANDED POLYSTYRENE, 1.34" X 48" X 96"
	100619-04-000	BF FOAM-EXPANDED POLYSTYRENE, .5" X 48" X 96"
	100619-06-000	EA FOAM-EXPANDED POLYSTYRENE, .875" X 20.35" X 63.35"
	100619-07-000	EA FOAM-EXPANDED POLYSTYRENE, .630" X 48" X 96"
	100619-10-000	BF FOAM-EXPANDED POLYSTYRENE, 1.5" X 48" X 96"

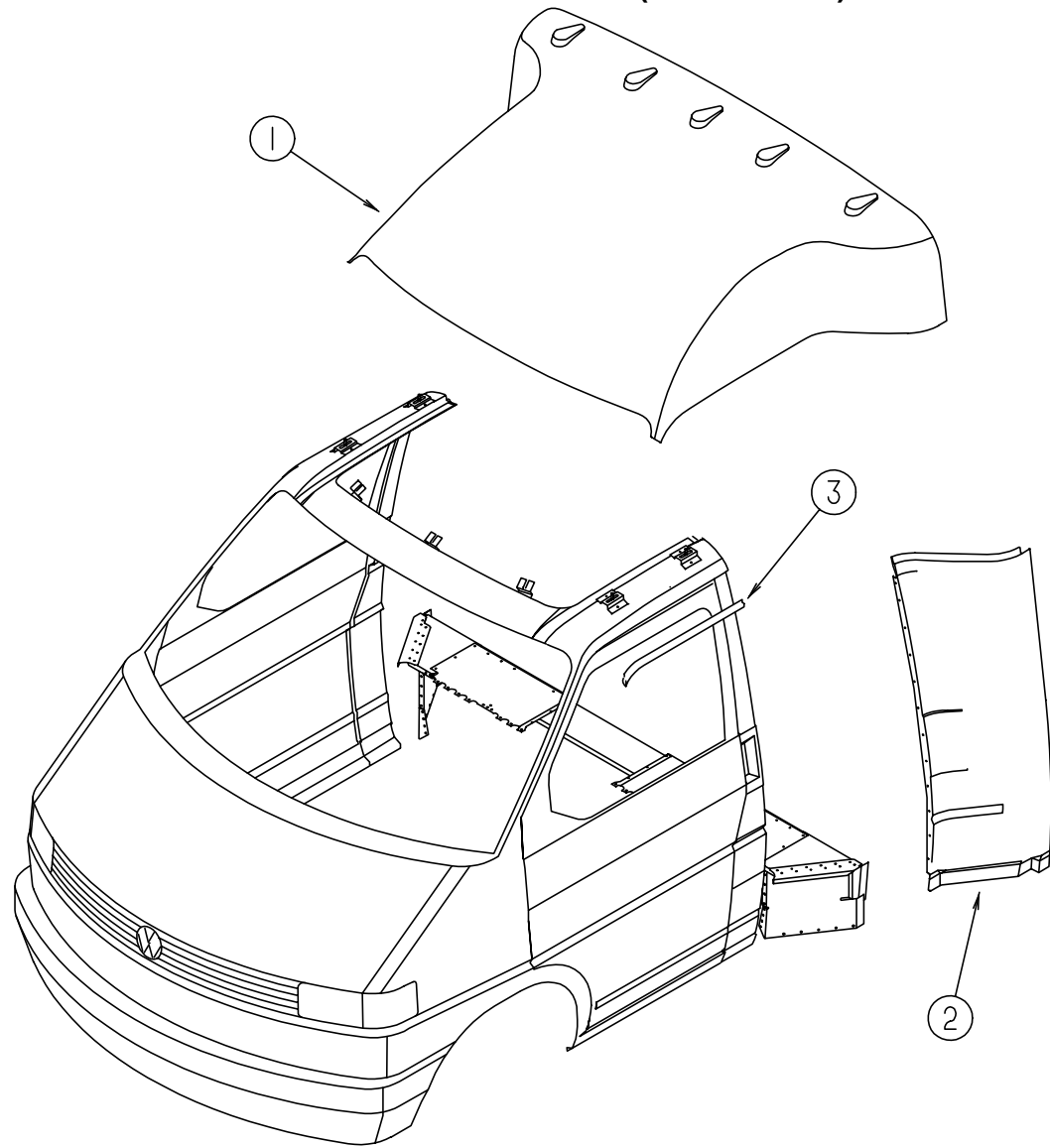
**EXTERIOR BODY GROUP (CONTINUED)**  
**EXTERIOR BODY PANELS & TRIM**



KEY	PART NUMBER	U/M	DESCRIPTION
1	P16924-01-700	EA	CAP ASM - REAR W/DOORS, VW WHITE - US & CANADA
1	P16924-02-700	EA	CAP ASM - REAR W/DOORS, VW WHITE - EUROPE
	112049-01-01A	EA	CAP-REAR, LOWER - VW WHITE - US ONLY
	116915-03-02B	EA	SUPPORT-BACKWALL, 81.8" LONG - METAL
2	112544-01-01A	EA	TRIM-SIDEWALL TO REAR CAP, RH - VW WHITE
3	086754-10-000	EA	CAP-TRIM, VW WHITE
4	112548-01-01A	EA	TRIM-ROOF TO REAR CAP, VW WHITE
5	112544-02-01A	EA	TRIM-SIDEWALL TO REAR CAP, LH - VW WHITE
6	P19076-01-F45	EA	ROOF ASSEMBLY-W/O VENTS
6	P19744-01-F45	EA	ROOF ASSEMBLY-W/O VENTS - TWIN BEDS OPTION
7	P19039-01-F45	EA	SIDEWALL-DRIVER SIDE, W/O DOORS OR WINDOWS
8	112024-03-F45	EA	PANEL-VALANCE, WHEEL LIP - DRIVER SIDE - PLASTIC - VW WHITE
9	112022-02-F45	EA	PANEL-VALANCE, FRONT - DRIVER SIDE - PLASTIC - VW WHITE
10	112020-03-F45	EA	PANEL-VALANCE, TRANSITION - DRIVER SIDE - PLASTIC - VW WHITE
11	112019-03-F45	EA	PANEL-VALANCE, CAB DOOR - DRIVER SIDE - PLASTIC - VW WHITE
	069726-02-000	EA	BUMPER - .88" DIAMETER X .40", BLACK
	081914-01-000	FT	BUMPER-RUBBER, ROUND - .43" DIAMETER - BLACK

KEY	PART NUMBER	U/M	DESCRIPTION
12	112019-04-F45	EA	PANEL-VALANCE, CAB DOOR - PASSENGER SIDE - PLASTIC - VW WHITE
13	112020-04-F45	EA	PANEL-VALANCE, TRANSITION - PASSENGER SIDE - PLASTIC - VW WHITE
14	112021-02-F45	EA	PANEL-VALANCE, FRONT - PASSENGER SIDE - PLASTIC - VW WHITE
15	112026-02-F45	EA	PANEL-VALANCE, ENTRY DOOR - PLASTIC - VW WHITE
16	M08029-01-F45	EA	PANEL-VALANCE, WHEEL LIP/CENTER - PASSENGER SIDE - PLASTIC - VW WHITE
17	113012-01-01A	EA	TRIM-WHEELWELL, REAR - MILL FINISH - DRIVER OR PASSENGER SIDE
18	P19040-01-F45	EA	SIDEWALL-PASSENGER SIDE, W/O DOORS OR WINDOWS
	055278-51-259	EA	TUBING-STEEL, .75" X 1.5" X 12.5'
	099418-01-000	FT	SEAL-D, W/SIDE ADHESIVE - .4" X .10" - SPONGE RUBBER - BLACK
	100128-02-000	FT	SEAL-FOAM, ADHESIVE BACK - .37" W X .37" THICK
	073050-03-000	EA	CLIP-MOUNTING, VALANCE PANELS - 4 MM HOOK
			FROM: 12-15-95 THRU: 99-99-99
	073050-04-000	EA	CLIP-MOUNTING, VALANCE PANELS - 1.5 MM HOOK
	002726-01-001	EA	GARNISH-U-CHANNEL, 1.38" X 19' - SERRATED - MILL ALUMINUM
	068938-03-000	EA	BEARING-SNAP IN, .38" ID - TYPE 7 - NYLINER 6L1-FF
			FROM: 12-04-95 THRU: 99-99-99

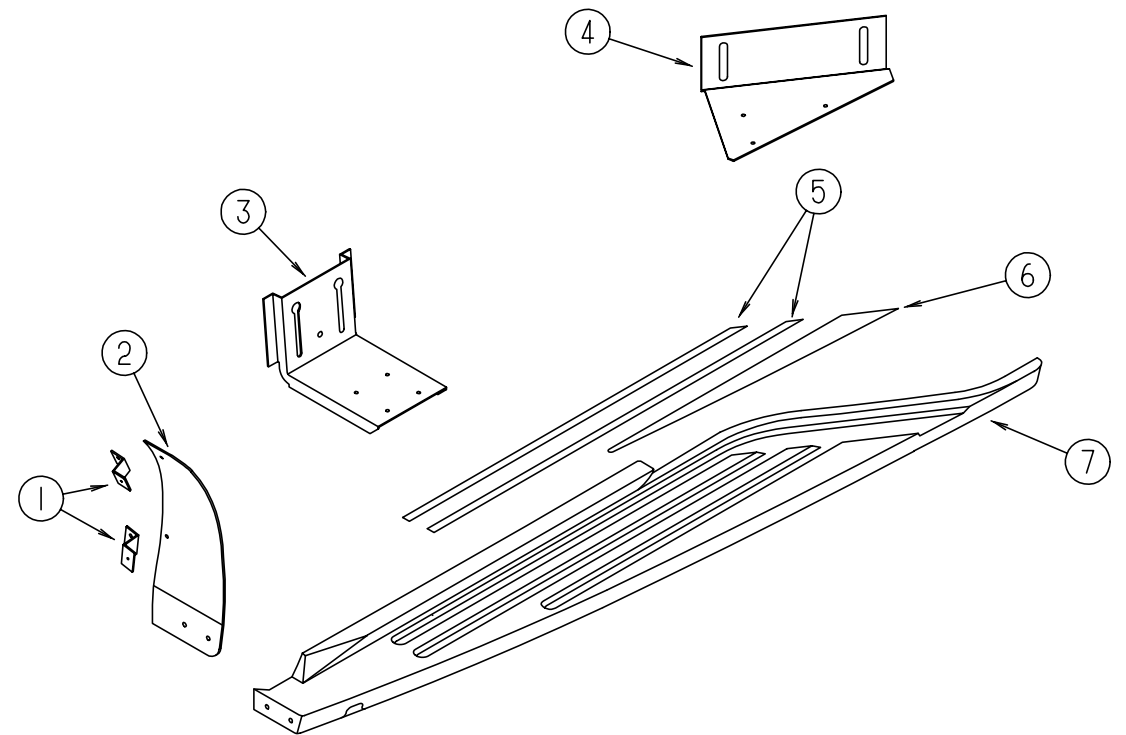
**EXTERIOR BODY GROUP (CONTINUED)**



**FRONT CAP & TRANSITION PANELS**

KEY	PART NUMBER	U/M	DESCRIPTION
1	111207-02-G46	EA	CAP ASM-FRONT W/CLEARANCE LIGHTS, VW WHITE
1	111207-03-G46	EA	CAP ASM-FRONT W/CLEARANCE LIGHTS, VW WHITE - EUROPEAN OPTION
	112127-01-000	FT	MOLDING-REVEAL, FRONT CAP TO WINDSHIELD
	070579-06-000	EA	PLATE-ANCHOR, W/7/16 WELD NUT - 1.5" X 3.3"
2	111276-04-F45	EA	PANEL-TRANSITION, DRIVER SIDE - STEEL & FIBERGLASS - VW WHITE
	111276-03-F45	EA	PANEL-TRANSITION, PASSENGER SIDE - STEEL & FIBERGLASS - VW WHITE
3	115022-02-01A	EA	RAIL-DRIP, DRIVER SIDE - VW WHITE
	115022-01-01A	EA	RAIL-DRIP, PASSENGER SIDE - VW WHITE

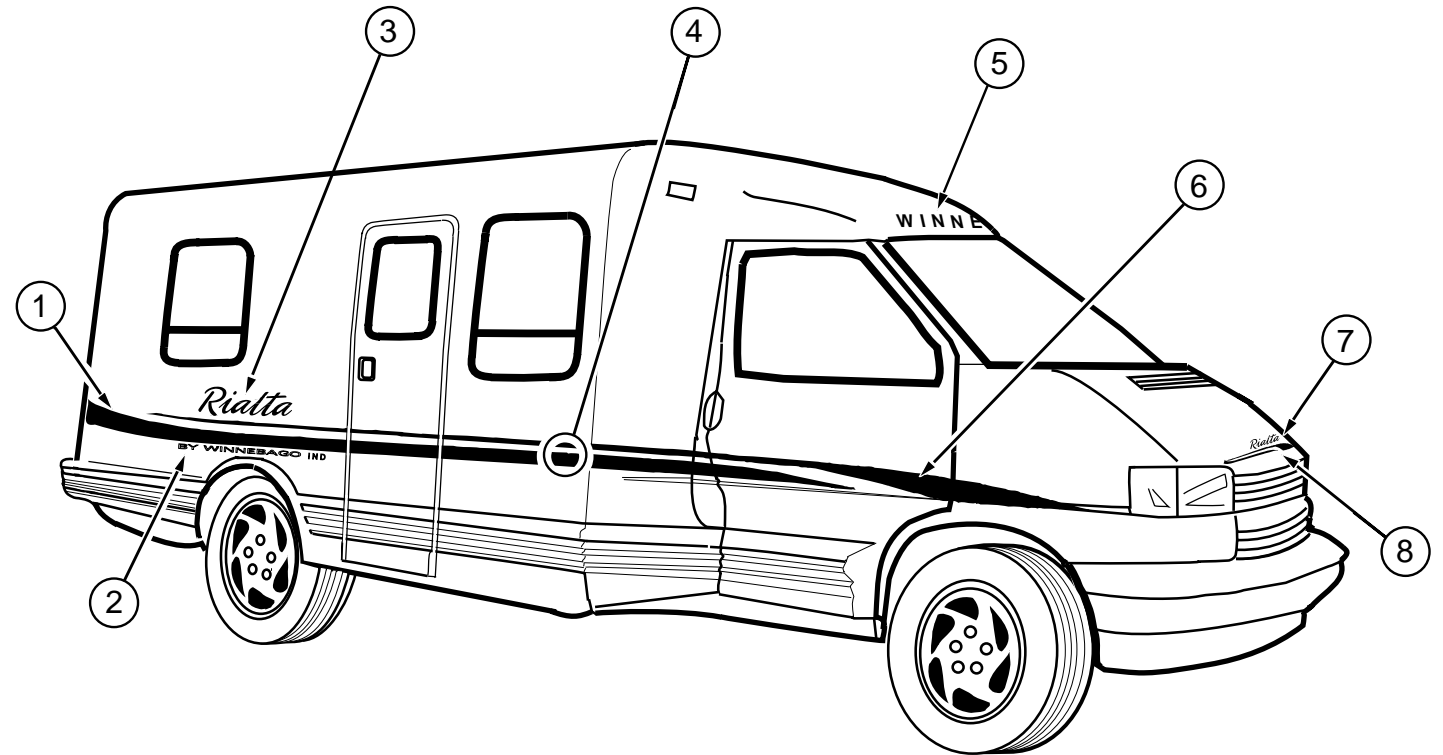
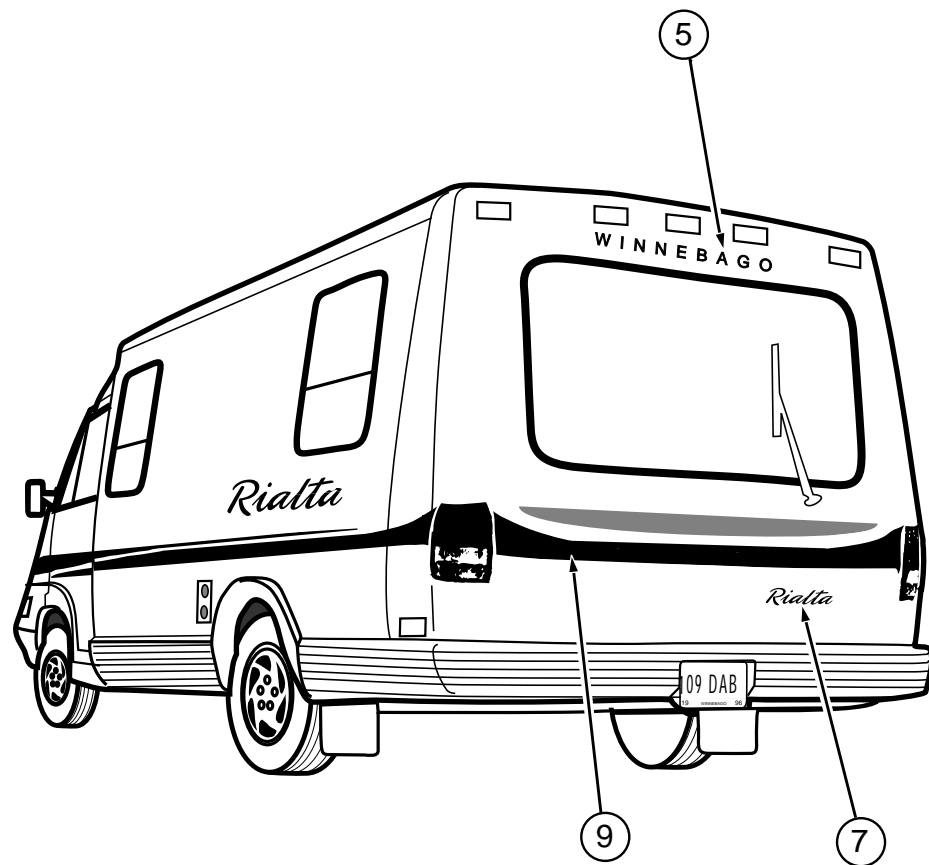
**EXTERIOR BODY GROUP (CONTINUED)**



**RUNNING BOARDS**

KEY	PART NUMBER	U/M	DESCRIPTION
1	112507-01-02B	EA	BRACKET-MUD FLAP, SUPPORT - FRONT - E-COAT
2	112242-01-02A	EA	SUPPORT-MUD FLAP, FRONT LH - VW WHITE
	112242-02-02A	EA	SUPPORT-MUD FLAP, FRONT RH - VW WHITE
3	112230-02-02B	EA	BRACKET ASM-RUNNING BOARD, FRONT LH OR RH - E-COAT
4	112231-01-000	EA	BRACKET-RUNNING BOARD, REAR - LH
	112231-02-000	EA	BRACKET-RUNNING BOARD, REAR - RH
5	038327-03-000	EA	TAPE-ANTI SLIP, 1/2" X 60 FT
6	102570-04-000	EA	MAT-ANTI SLIP, OUTER - LH - SAFETY TRACK #310
	102570-03-000	EA	MAT-ANTI SLIP, OUTER - RH - SAFETY TRACK #310
7	112233-03-F45	EA	RUNNING BOARD-LH W/TAPE & MAT, VW WHITE
	112233-04-F45	EA	RUNNING BOARD-RH W/TAPE & MAT, VW WHITE
	115003-01-01A	EA	MOLDING-REVERSE COVE, VW WHITE

**EXTERIOR BODY GROUP (CONTINUED)**  
DECALS, STRIPES & PAINT



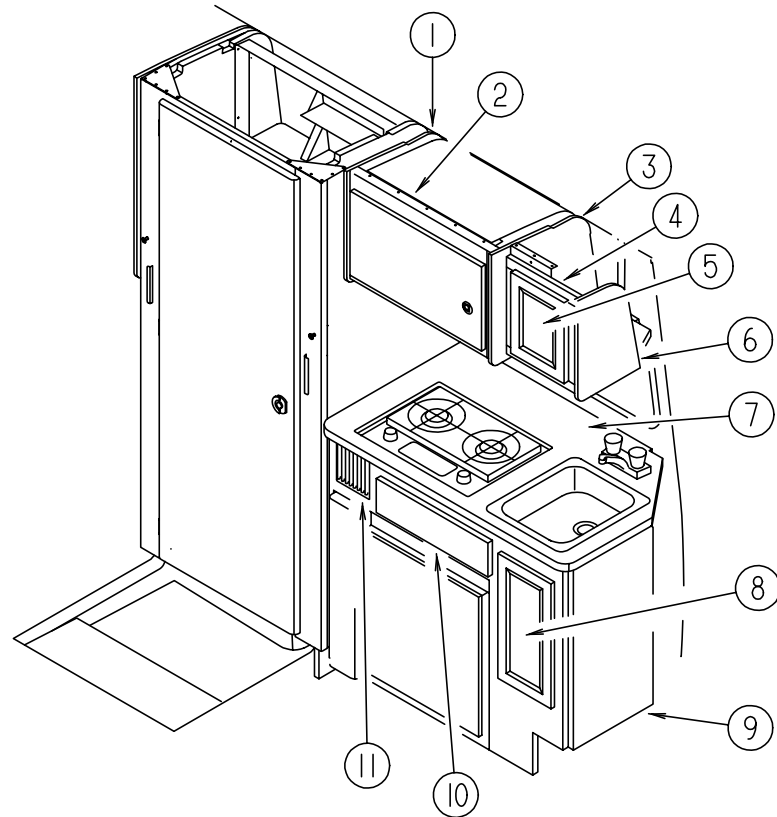
KEY	PART NUMBER	U/M	DESCRIPTION
1	117111-01-01A	EA	DECAL-SWEEPS, REAR - RH - TURQUOISE/BLUE-GREEN/BOYSENBERRY
	117111-02-01A	EA	DECAL-SWEEPS, REAR - LH - TURQUOISE/BLUE-GREEN/BOYSENBERRY
2	084075-09-000	EA	DECAL-"BY WINNEBAGO IND" - BLUE-GREEN
3	115045-01-02A	EA	DECAL-RIALTA, LARGE - BLUE-GREEN
4	094423-06-01A	FT	FILM-MULTISTRIFE, OVERLAY - 4 STRIPES - 133.4 MM TURQUOISE/BLUE-GREEN/BOYSENBERRY
5	110889-04-01A	EA	DECAL-LOGO, WINNEBAGO - BLUE-GREEN
6	117112-01-01A	EA	DECAL-SWEEPS, FRONT - RH - TURQUOISE/BLUE-GREEN/BOYSENBERRY
6	117112-02-01A	EA	DECAL-SWEEPS, FRONT - LH - TURQUOISE/BLUE-GREEN/BOYSENBERRY
7	115045-02-02A	EA	DECAL-LOGO, RIALTA - SMALL - BLUE-GREEN
8	117113-01-01A	EA	DECAL-HOOD - TURQUOISE/BLUE-GREEN/BOYSENBERRY
9	117114-01-01A	EA	DECAL-BACK - TURQUOISE/BLUE-GREEN/BOYSENBERRY
	034618-84-700	EA	PAINT-SPRAY, VW WHITE - RAABE 46055

**DUPONT COLOR CODES**

VW WHITE

W9670

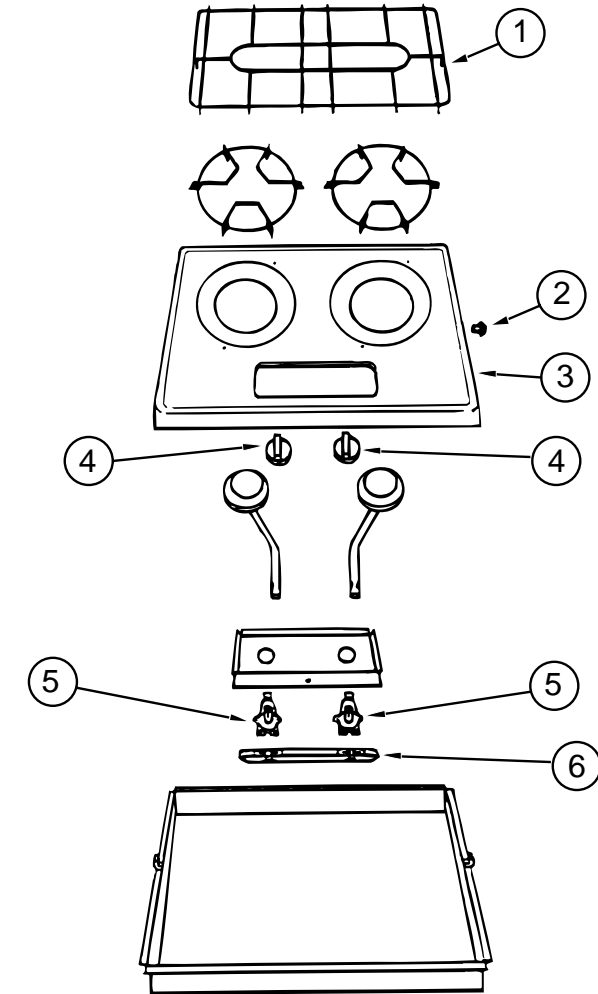
## GALLEY GROUP



### GALLEY CABINETS & COMPONENTS

KEY	PART NUMBER	U/M	DESCRIPTION
1	119132-04-F45	EA	CAP-END, MICROWAVE CABINET - PICKLED ASH
2	112943-02-04B	EA	FRAME ASM-MICROWAVE, E-COATED
3	119132-01-F45	EA	CAP-END, MICROWAVE CABINET - PICKLED ASH
			FROM: 00-00-00 THRU: 10-15-95
3	119132-06-G46	EA	CAP-END, MICROWAVE CABINET - PICKLED ASH
			FROM: 10-16-95 THRU: 99-99-99
4	119213-01-F45	EA	CABINET-OVERHEAD, W/END CAP - W/O DOOR
5	M06804-P0-F45	EA	DOOR-CABINET, W/O HARDWARE - 250 MM X 330 MM
6	119132-03-F45	EA	CAP-END, OVERHEAD CABINET - PICKLED ASH
7	119128-13-F45	EA	COUNTERTOP-GALLEY CABINET
	113782-01-F45	EA	COVER-SINK
	011029-01-000	EA	SINK-SINGLE, STAINLESS STEEL - W/BOLTS
	066437-01-000	EA	STRAINER-SINK, GALLEY W/BASKET
	066437-01-700	EA	BASKET-STRAINER, GALLEY SINK
	066436-01-000	EA	NUT-SLIP, TAILPIECE - 1.5"
	069735-01-000	EA	WASHER-STRAINER TO TAILPIECE, 1.5" - PLASTIC
	113798-01-01A	EA	FAUCET-GALLEY, SINGLE CONTROL - BPC 20PA805BH
8	M06804-04-F45	EA	DOOR-CABINET, W/O HARDWARE - 255 MM X 485 MM
9	P19128-01-G46	EA	CABINET-GALLEY W/COUNTERTOP, W/O DOOR, DRAWER OR HARDWARE
10	M05970-T0-F45	EA	DRAWER-CABINET
			FROM: 00-00-00 THRU: 10-09-95
	M05970-X0-G46	EA	DRAWER-CABINET
			FROM: 10-09-95 THRU: 99-99-99
11	109918-02-02A	EA	VENT-RETURN AIR, 157 MM X 139 MM - VW TAUPE
	114495-02-02A	EA	PANEL-SKYLITE, INNER
	114496-02-02A	EA	PANEL-SKYLITE, OUTER

## GALLEY GROUP (CONTINUED)



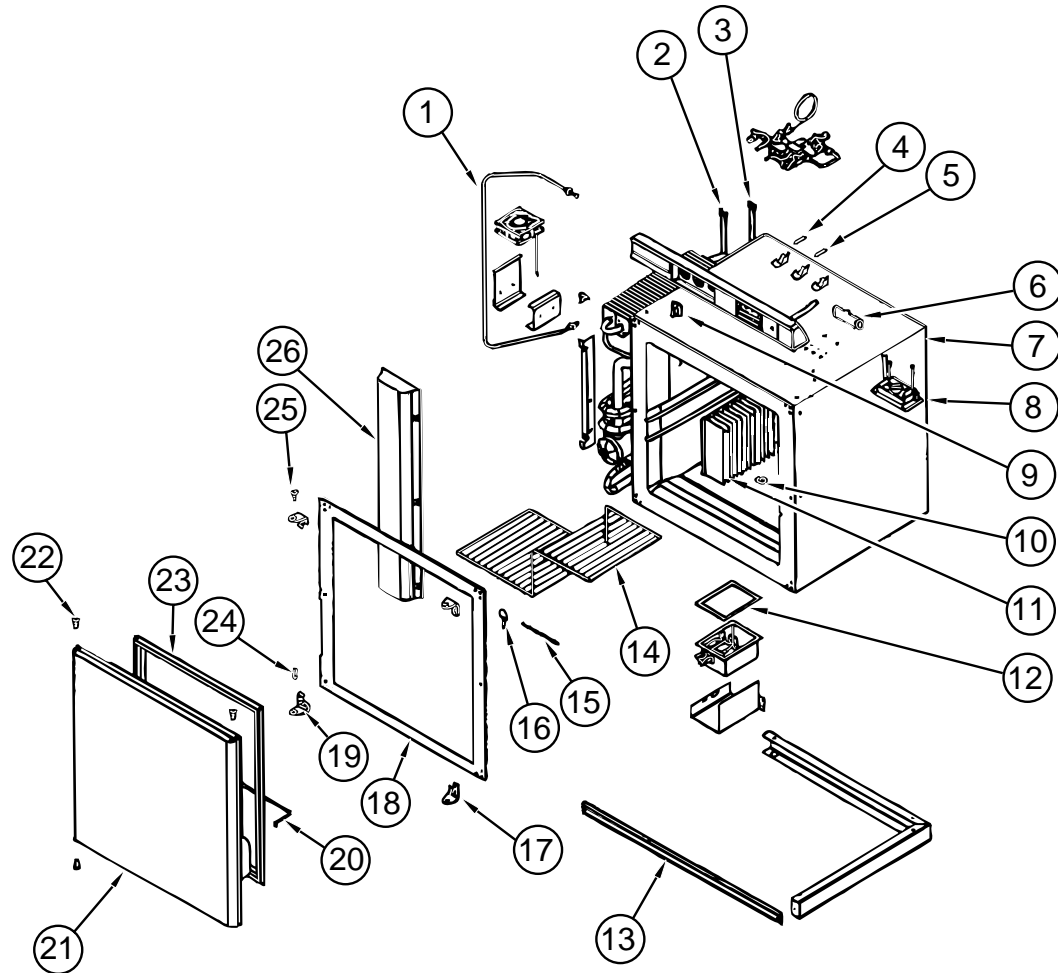
### ATWOOD RANGE

KEY	PART NUMBER	U/M	DESCRIPTION	VENDOR NO.
	113947-01-01A	EA	RANGE - 2 BURNER, W/O OVEN - ATWOOD 53359	
1	101593-01-700	EA	GRATE, DESIGNER STYLE	53304
2	101593-01-701	EA	THUMB SCREW	52537
3	113947-01-704	EA	TOP-STOVE, STAINLESS STEEL	52452
4	101593-01-703	EA	BURNER KNOB	53000
5	101593-01-704	EA	BURNER VALVE	52506
6	101593-01-705	EA	MANIFOLD	52503
	107323-01-711	EA	CUSHION-GRATE, RUBBER	53008
	107323-01-716	EA	CLIP-GRATE, GREEN	50005
	106689-01-704	EA	REGULATOR	52154
	106693-01-700	EA	BUMPER-RUBBER, 1/4"	53016
	113947-01-701	EA	ANTIRATTLE MOLDING - LONG	52452
	113947-01-702	EA	ANTIRATTLE MOLDING - SHORT	52454
	113947-01-705	EA	DECAL-KNOB	52436
	113947-01-706	EA	GROMMET-STOVE COVER	91439
	113947-01-707	EA	COVER-STOVE TOP W/GROMMET & ANTIRATTLE	52446

### MICROWAVE OVEN & TRIM

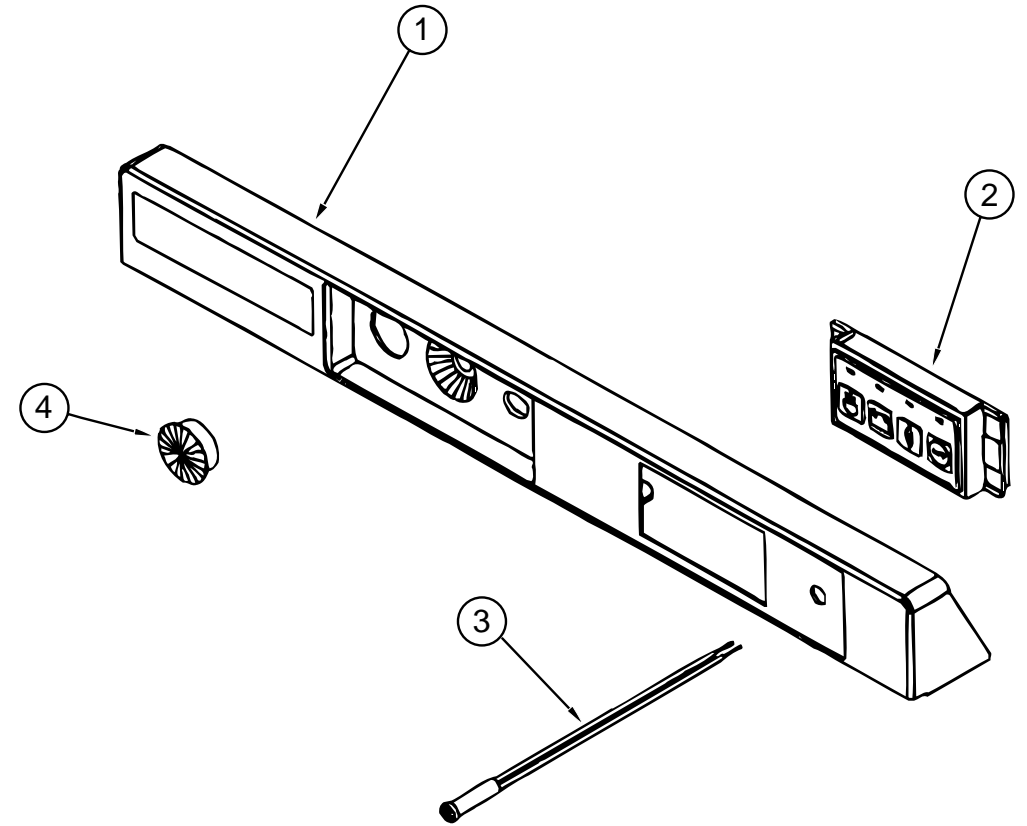
KEY	PART NUMBER	U/M	DESCRIPTION	VENDOR NO.
	115303-01-000	EA	OVEN-MICROWAVE - MCD-DM15K-7B	
	115303-01-700	EA	TRIM F/VENT, TOP - MCD	2100309
	115401-01-01A	EA	TRIM-MICROWAVE, BLACK	

**GALLEY GROUP (CONTINUED)**



**NORCOLD REFRIGERATOR CABINET ASM & DOOR**

**GALLEY GROUP (CONTINUED)**



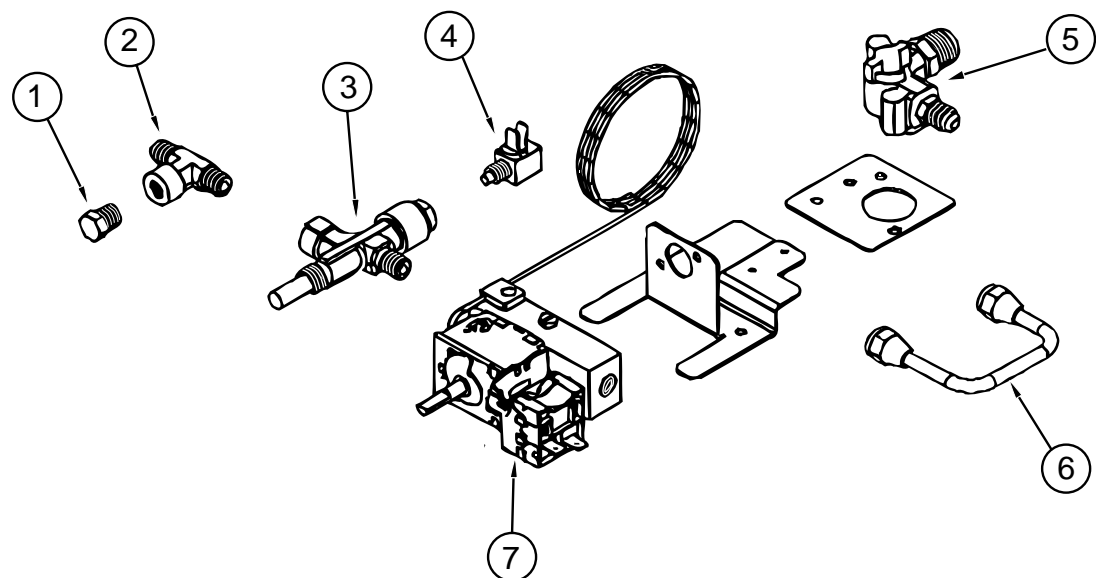
**NORCOLD REFRIGERATOR CONTROL PANEL & COMPONENTS**

KEY	PART NUMBER	U/M	DESCRIPTION	VENDOR NO.
	113737-01-02A	EA	REFRIGERATOR - 3 WAY, 2.3 CU FT - NORCOLD	
1	113737-01-746	EA	TUBE-BURNER	617989
2	113737-01-722	EA	HEATER - DC (3-WAY)	61745422
3	113737-01-721	EA	HEATER - AC	61745322
4	113737-01-714	EA	FUSE 20 AMP (3-WAY)	61440522
5	113737-01-720	EA	FUSE 3 AMP - 32 V OR LESS	61654622
6	113737-01-731	EA	BLOCK - TERMINAL	617979
7	113737-01-707	EA	CABINET-COOLING UNIT (FOAMED)	617993
8	113737-01-728	EA	RELIGHTER	617964
9	113737-01-740	EA	KNOB-THERMOSTAT	617971
10	113737-01-705	EA	FIN CLIP	61728722
11	113737-01-706	EA	FIN ASSEMBLY	61721122
	113737-01-741	EA	SCREW, #10 X 1/2"	61554022
12	113737-01-748	EA	GASKET-BURNER BOX	617977
13	113737-01-734	EA	GRILLE (AIR INLET BLACK)	617938
14	113737-01-711	EA	SHELF L-SHAPED (WHITE)	618063
15	113737-01-752	EA	CHAIN (TRAVEL LATCH)	618047
16	113737-01-753	EA	PIN (TRAVEL LATCH)	618046
17	113737-01-724	EA	HINGE (RH BOTTOM & LH TOP)	61748722
18	113737-01-712	EA	BREAKER (BLACK TRIM)	617912
19	113737-01-725	EA	HINGE (LH BOTTOM & RH TOP)	61748822
20	113737-01-733	EA	DOOR RAIL - WHITE POWDER	618064
21	113737-01-737	EA	DOOR ASSEMBLY (TAUPE)	617914
	113737-01-742	EA	LINER-DOOR, FOAMED TAUPE	61800
22	113737-01-701	EA	BUSHING-HINGE	61742022
23	113737-01-704	EA	GASKET-DOOR, GRAY	617906
24	113737-01-710	EA	PIN-HINGE, BOTTOM	61550722
25	113737-01-708	EA	PIN-HINGE, TOP	61114600
26	113737-01-739	EA	COVER-SYSTEM, TAUPE	617905

KEY	PART NUMBER	U/M	DESCRIPTION	VENDOR NO.
	113737-01-02A	EA	REFRIGERATOR - 3 WAY, 2.3 CU FT - NORCOLD	
1	113737-01-723	EA	PANEL-CONTROL	617913
2	113737-01-729	EA	SWITCH (PUSH BUTTON)	617945
3	113737-01-703	EA	LIGHT-FLAME INDICATORGRN RED	61609022
4	113737-01-713	EA	PLUG-HOLE, 1" BLACK	617981



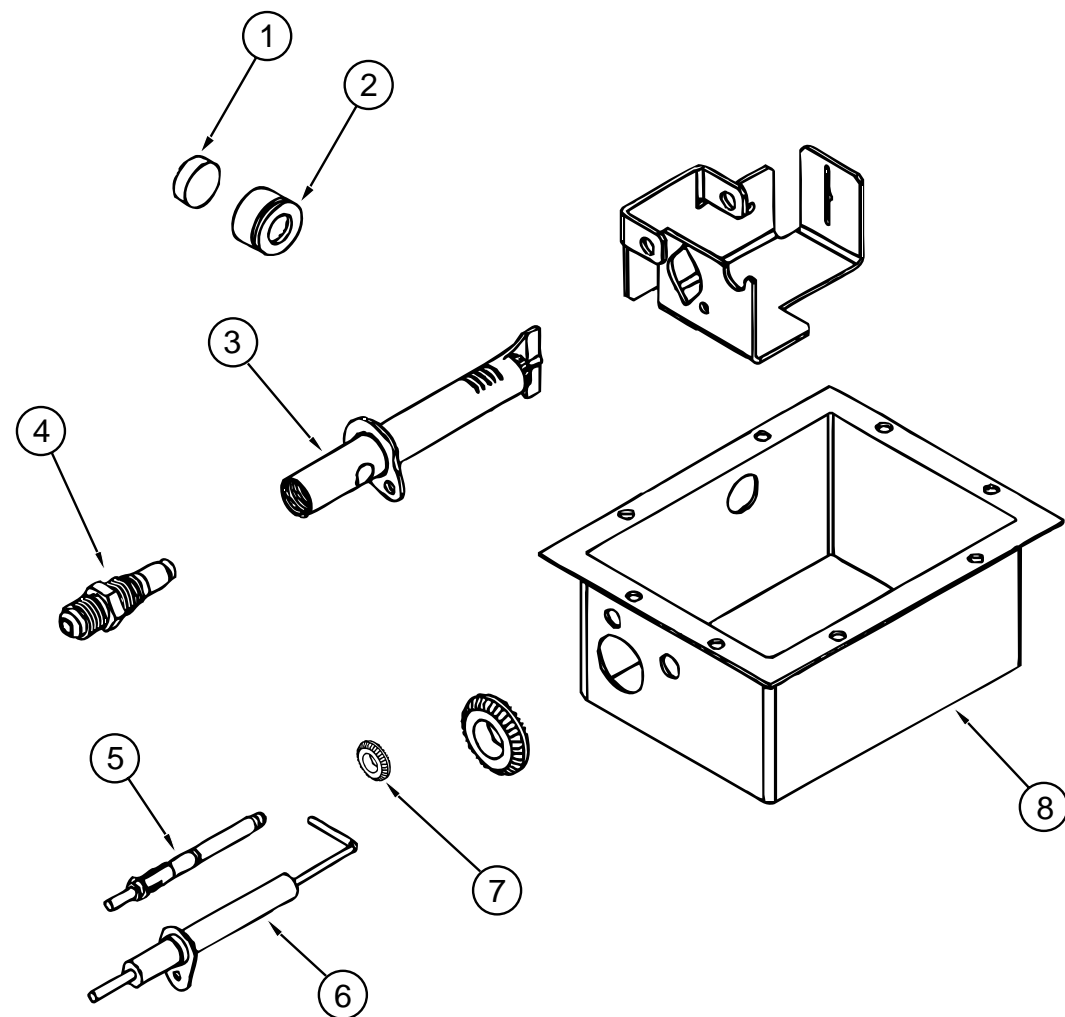
**GALLEY GROUP (CONTINUED)**



**NORCOLD REFRIGERATOR THERMOSTAT & COMPONENTS**

KEY	PART NUMBER	U/M DESCRIPTION	VENDOR NO.
	113737-01-02A	EA REFRIGERATOR - 3 WAY, 2.3 CU FT - NORCOLD	
1	113737-01-702	EA PLUG - 1/8" F/PRESSURE TAP	61445322
2	113737-01-716	EA TAP-PRESSURE	61594422
3	113737-01-730	EA VALVE-SAFETY	617965
4	113737-01-709	EA INTERRUPTER	61750522
5	113737-01-719	EA VALVE-SHUT-OFF-MANUAL	617976
6	113737-01-750	EA TUBE-UNION	61694622
7	113737-01-735	EA THERMOSTAT-GAS VALVE	617944

**GALLEY GROUP (CONTINUED)**



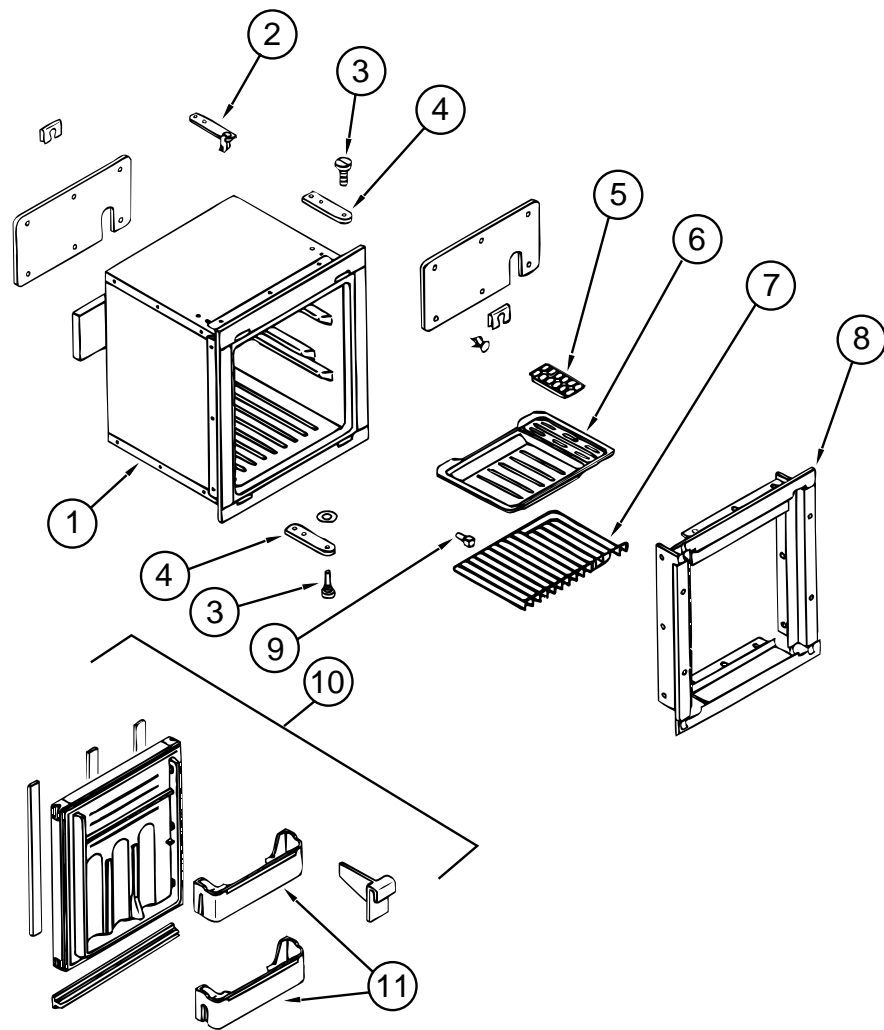
**NORCOLD REFRIGERATOR BURNER ASM & COMPONENTS**

KEY	PART NUMBER	U/M DESCRIPTION	VENDOR NO.
	113737-01-02A	EA REFRIGERATOR - 3 WAY, 2.3 CU FT - NORCOLD	
1	113737-01-732	EA GLASS-SIGHT	617995
2	113737-01-751	EA GROMMET F/SIGHT GLASS	617933
3	113737-01-726	EA BURNER ASSEMBLY	617936
4	113737-01-727	EA ORIFICE ADAPTER ASSEMBLY	61753137
5	113737-01-717	EA THERMOCOUPLE	617983
6	113737-01-715	EA ELECTRODE-SPARK	617966
7	113737-01-755	EA GROMMET-THERMOCOUPLE	617997
8	113737-01-747	EA BOX-BOTTOM F/BURNER	617925

**REFRIGERATOR LEVEL, GRILLE & TIEDOWN BRACKETS**

KEY	PART NUMBER	U/M DESCRIPTION
	054450-01-000	EA LEVEL-REFRIGERATOR
	086297-02-000	EA GRILLE-REFRIGERATOR VENT
	119159-01-02B	EA BRACKET-TIEDOWN, REFRIGERATOR - RH - E-COAT
	119159-02-02B	EA BRACKET-TIEDOWN, REFRIGERATOR - LH - E-COAT

**GALLEY GROUP (CONTINUED)**

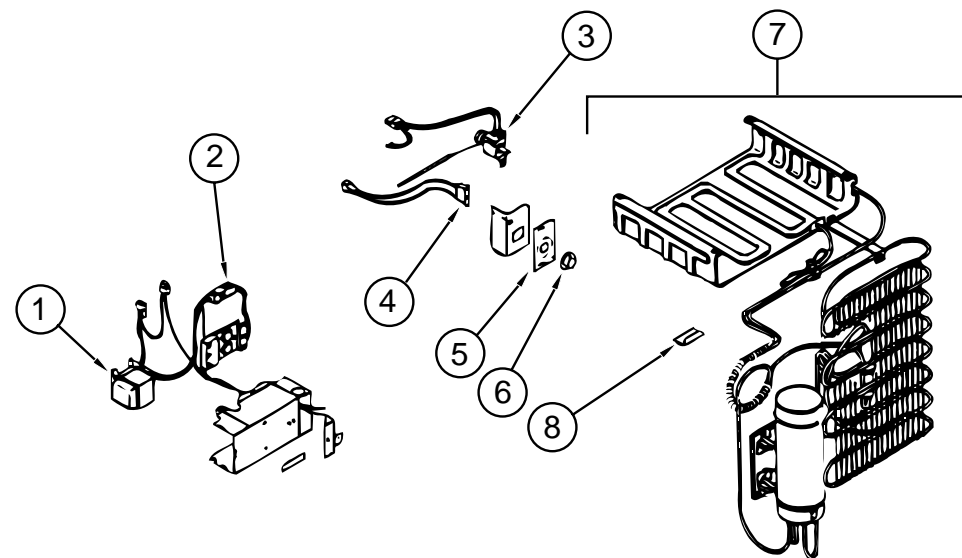


**NORCOLD REFRIGERATOR CABINET ASM & DOOR - EUROPEAN**

KEY	PART NUMBER	U/M DESCRIPTION
	118162-01-01A	EA REFRIGERATOR - 12 VOLT, NORCOLD DC-351D
1	118162-01-700	EA CABINET ASSEMBLY - W/FRAME
2	118162-01-701	EA HOLDER ASSEMBLY - DOOR
3	118162-01-702	EA PIN - HINGE
4	118162-01-703	EA HINGE
5	118162-01-706	EA TRAY - ICE CUBE
6	118162-01-707	EA PAN - DRAINAGE
7	118162-01-708	EA SHELF
8	118162-01-704	EA FRAME ASSEMBLY
9	118162-01-709	EA HOLDER - SHELF
10	118162-01-718	EA DOOR ASSEMBLY - BLACK
11	118162-01-719	EA POCKET - DOOR - NORCOLD
	118162-01-705	EA COVER-HOLE, BRACKET - PLASTIC

VENDOR NO.
1600-290-20
1609-243-00
5055-023-30
3041-110-00
1602-030-00
4330-014-01
5230-032-10
1609-258-00
6451-094-00
1600-276-00
4225-088-00
4221-078-00

**GALLEY GROUP (CONTINUED)**



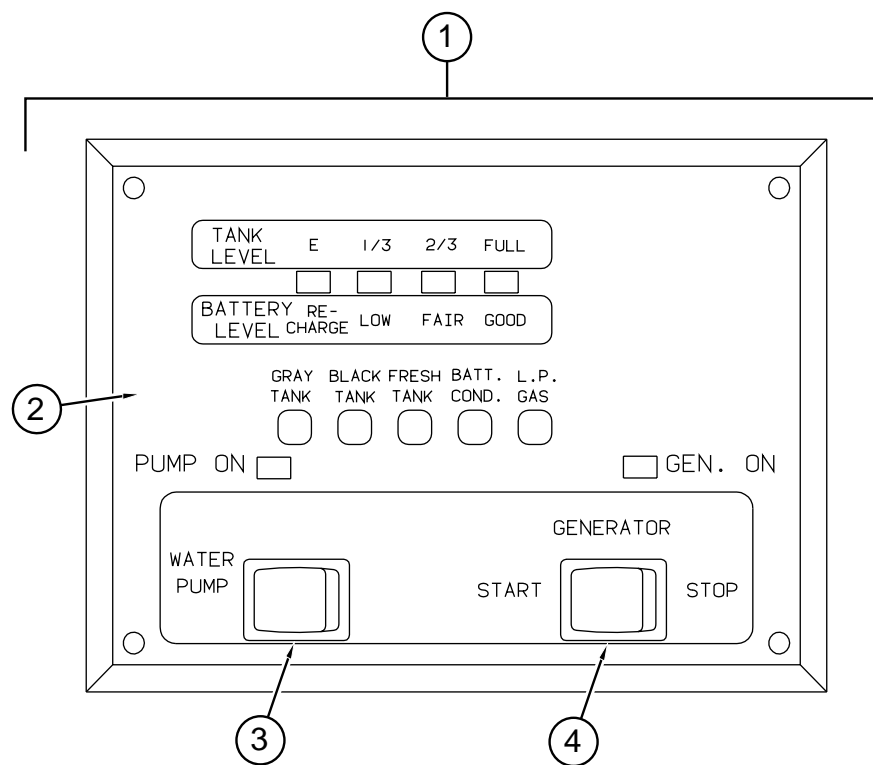
**NORCOLD REFRIGERATOR COOLING COIL & COMPONENTS - EUROPEAN**

KEY	PART NUMBER	U/M DESCRIPTION	VENDOR NO.
	118162-01-01A	EA REFRIGERATOR - 12 VOLT, NORCOLD DC-351D	
1	118162-01-714	EA TRANSFORMER ASSEMBLY	1960-087-20
2	118162-01-715	EA OSCILLATOR ASSEMBLY	1630-085-00
3	118162-01-710	EA THERMOSTAT	6032-009-21
4	118162-01-711	EA BREAKER - CIRCUIT	6036-040-00
5	118162-01-712	EA PLATE - MARKING, THERMOSTAT	5450-207-30
6	118162-01-713	EA DIAL-THERMOSTAT	1602-032-00
7	118162-01-716	EA COIL - COOLING, HFC 134A	1610-082-20
8	118162-01-717	EA HOLDER - THERMOSTAT	3202-000-01

**REFRIGERATOR TIEDOWN BRACKETS - EUROPEAN**

KEY	PART NUMBER	U/M DESCRIPTION
	118652-01-02B	EA BRACKET-TIEDOWN, REFRIGERATOR - RH - E-COAT STEEL
	118652-02-02B	EA BRACKET-TIEDOWN, REFRIGERATOR - LH - E-COAT STEEL

## GALLEY GROUP (CONTINUED)



## VENTLINE MONITOR PANEL

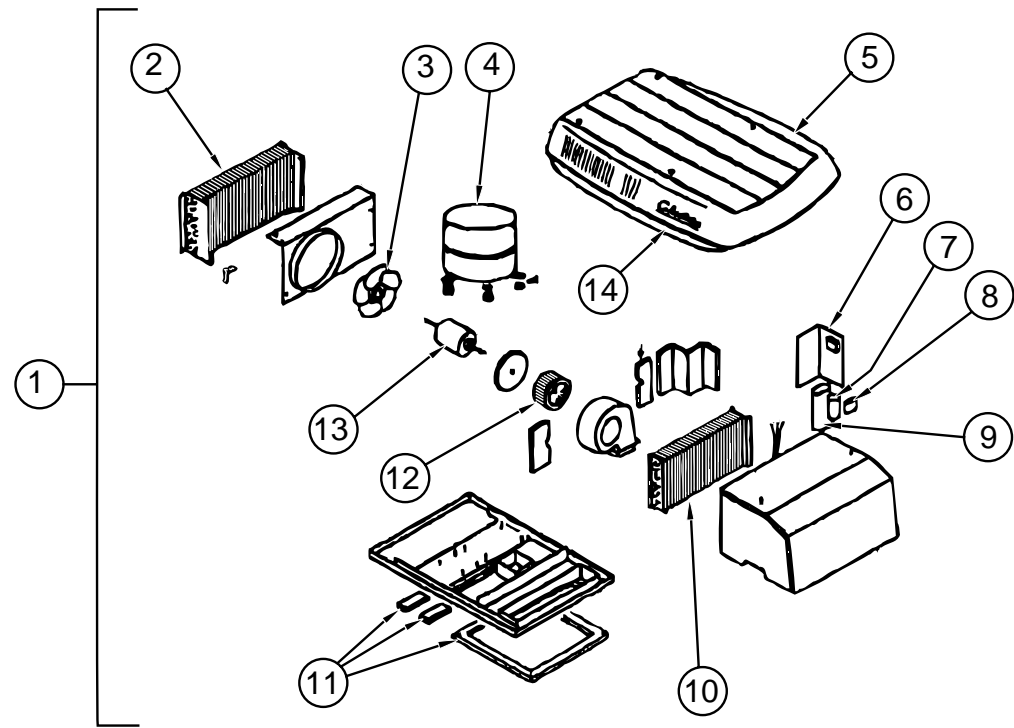
KEY	PART NUMBER	U/M DESCRIPTION	VENDOR NO.
1	114014-01-01A	EA PANEL-MONITOR, VENTLINE L9151	
		FROM: 00-00-00 THRU: 10-01-95	
1	114014-02-01A	EA PANEL-MONITOR, VENTLINE L9189	
		FROM: 10-02-95 THRU: 99-99-99	
2	114014-01-700	EA OVERLAY-SILKSCREEN	CD212
3	096983-01-700	EA SWITCH-ON/OFF	108
		FROM: 00-00-00 THRU: 10-01-95	
3	096983-01-703	EA SWITCH-ON/ON	115
		FROM: 10-02-95 THRU: 99-99-99	
4	096983-01-702	EA SWITCH-MOM/OFF/MOM, 3 TERM	112
	113566-01-701	EA RESISTOR-TANK HARNESS	7306
	114014-01-701	EA BOARD-CIRCUIT	5070-6

## GENERATOR GROUP

### 3,000 WATT GENERAC GENERATOR

KEY	PART NUMBER	U/M DESCRIPTION
	113458-01-000	EA GENERATOR - 3,000 WATT, GENERAC NP30G, 9557-0
	007067-01-000	SF INSULATION-FIBERGLASS, 1" THICK X 4' - INCREMENTS OF 4 SF
	007125-03-000	EA CLAMP-MUFFLER, 1.5" DIA
	007125-04-000	EA CLAMP-MUFFLER, 1.1" DIA
	007131-01-000	EA HANGER-TAILPIPE, 6 SLOTS
	113841-01-000	EA PIPE-EXHAUST, GENERATOR
	115112-01-02B	EA BRACKET-MOUNT, GENERATOR - RH - E-COAT
	115112-02-02B	EA BRACKET-MOUNT, GENERATOR - LH - E-COAT

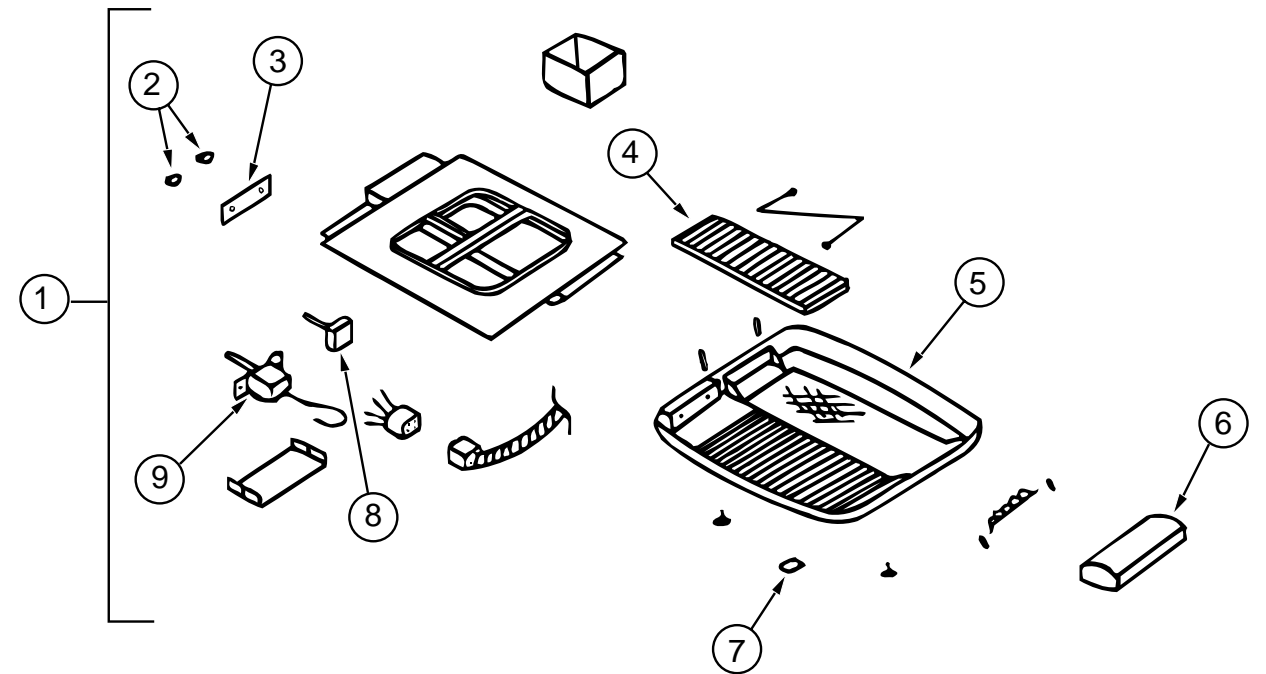
## HEATING & AIR CONDITIONING GROUP



7,100 BTU COLEMAN ROOF A/C

KEY	PART NUMBER	U/M DESCRIPTION	VENDOR NO.
1	093306-01-02A	EA A/C ROOF - 7,100 BTU, ROTARY - WHITE - COLEMAN 6727-736	
2	093306-01-711	EA COIL-CONDENSER	14520701
3	093306-01-703	EA FAN - 4 BLADE, 9" DIAMETER	67073321
4	093306-01-717	EA COMPRESSOR-PANASONIC	1450-2019
	093306-01-719	EA OVERLOAD	1450A0011
5	093306-01-722	EA SHROUD, ARTIC WHITE NO LOGO	6727-5761
6	093306-01-721	EA RELAY-START	1497-5051
7	093306-01-720	EA CAPACITOR-START, 21-25 MFD/33 - COLEMAN	1497-3351
8	093306-01-718	EA CAPACITOR-FAN, 5MFD/370V	1499-5421
9	108889-01-707	EA CAPACITOR-RUN, COMPRESSOR-25MFD/370	1499-5661
10	093306-01-713	EA COIL-EVAPORATOR	14520601
11	037648-01-714	EA GASKET PACKAGE	6759-3281
12	093306-01-706	EA WHEEL-BLOWER, 6 5/16" X 2 7/8"	67073281
13	093306-01-705	EA MOTOR - (115V1 6A60H2-RPM)	67273119
14	093306-01-701	EA DECAL PACKAGE, LEFT & RIGHT	6798B3591

## HEATING & AIR CONDITIONING GROUP (CONTINUED)



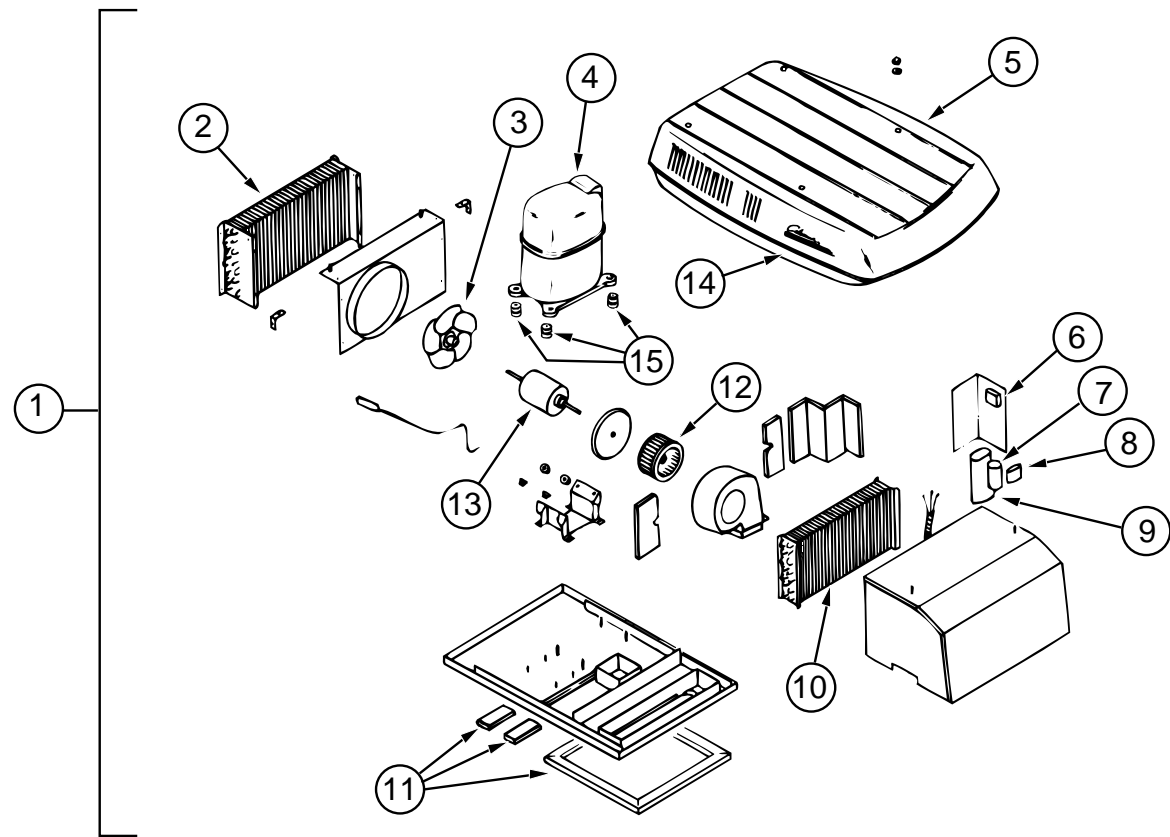
COLEMAN CEILING ASSEMBLY

KEY	PART NUMBER	U/M DESCRIPTION	VENDOR NO.
1	093307-01-000	EA CEILING ASM-A/C COOL, IVORY - COLEMAN 6727D714	
2	076303-01-701	EA KNOB-CONTROL	6733A3241
3	093306-01-709	EA DECAL-SELECTOR, THERMOSTAT	6727A3341
4	093766-02-702	EA FILTER-PACKAGE OF 2 - 6 X 14.5 X 1/8	67033303
5	093306-01-710	EA SHROUD-CEILING, IVORY-DECAL	67273511
6	076303-01-708	EA KNOB & BOLT PACKAGE	67275841
7	093307-01-700	EA DECAL PACKAGE	6733A3331
8	093306-01-714	EA SWITCH-SELECTOR	67273251
9	076303-01-710	EA THERMOSTAT	67333411
	102289-01-000	EA SPRING-SCREW, ROOF A/C GASKET - COLEMAN 6757-150	

ROOF A/C COVER		
KEY	PART NUMBER	U/M DESCRIPTION
	022756-03-000	EA COVER-A/C, OFF WHITE - PLASTIC
	022756-02-000	EA COVER-PROTECTIVE, 5.5" ENDS X 8.2" - PLASTIC - OFF WHITE

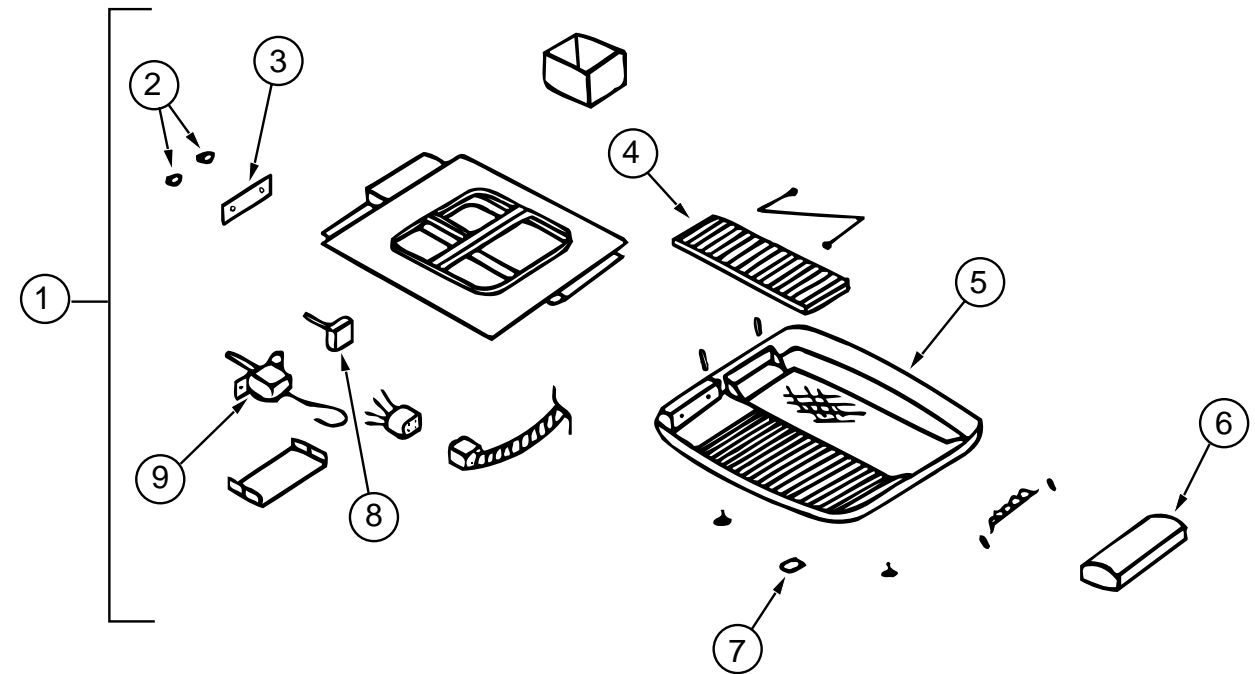
HEATING & AIR CONDITIONING GROUP (CONTINUED)



7,100 BTU COLEMAN ROOF A/C - EUROPEAN

KEY	PART NUMBER	U/M	DESCRIPTION	VENDOR NO.
1	093306-02-01A	EA	A/C ROOF - 7,100 BTU, 220V - WHITE - COLEMAN 6727-856	
2	093306-01-711	EA	COIL-CONDENSER	14520701
3	093306-01-703	EA	FAN - 4 BLADE, 9" DIAMETER	67073321
4	093306-02-701	EA	COMPRESSOR (TEC #AK 5483E)	6727-3679
	093306-02-700	EA	OVERLOAD (MRA #8903-114)	6727-3961
5	093306-01-722	EA	SHROUD, ARTIC WHITE NO LOGO	6727-5761
6	093306-02-702	EA	RELAY-START	1497-5151
7	093306-01-720	EA	CAPACITOR-START, 21-25 MFD/33 - COLEMAN	1497-3351
8	108889-01-708	EA	CAPACITOR-FAN, 7.5 MFD. 370U	1499-5461
9	093306-02-703	EA	CAPACITOR-RUN, (COMPRESSOR-15MFD)	1499-5621
10	093306-01-713	EA	COIL-EVAPORATOR	14520601
11	037648-01-714	EA	GASKET PACKAGE	6759-3281
12	093306-01-706	EA	WHEEL-BLOWER, 6 5/16" X 2 7/8"	67073281
13	093306-02-704	EA	MOTOR - FAN	6713-3119
14	093306-01-701	EA	DECAL PACKAGE, LEFT & RIGHT	6798B3591
15	108890-01-703	EA	FOOT PACKAGE (4 PER PACKAGE)	6240B3031

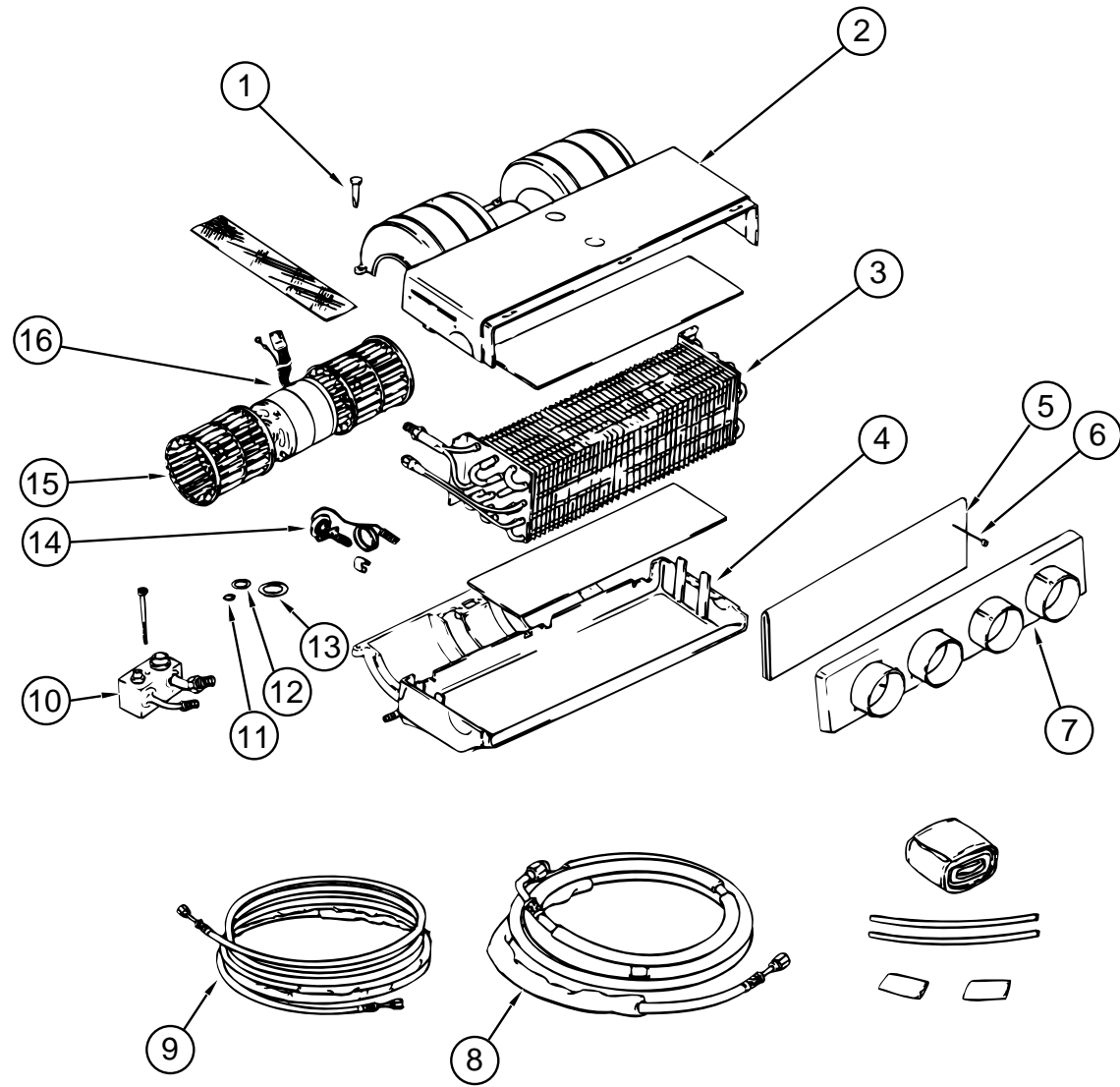
HEATING & AIR CONDITIONING GROUP (CONTINUED)



COLEMAN CEILING ASSEMBLY - EUROPEAN

KEY	PART NUMBER	U/M	DESCRIPTION	VENDOR NO.
1	093307-01-000	EA	CEILING ASM-A/C COOL, IVORY - COLEMAN 6727D714	
2	076303-01-701	EA	KNOB-CONTROL	6733A3241
3	093306-01-709	EA	DECAL-SELECTOR, THERMOSTAT	6727A3341
4	093766-02-702	EA	FILTER-PACKAGE OF 2 - 6 X 14.5 X 1/8	67033303
5	093306-01-710	EA	SHROUD-CEILING, IVORY-DECAL	67273511
6	076303-01-708	EA	KNOB & BOLT PACKAGE	67275841
7	093307-01-700	EA	DECAL PACKAGE	6733A3331
8	093306-01-714	EA	SWITCH-SELECTOR	67273251
9	076303-01-710	EA	THERMOSTAT	67333411
	102289-01-000	EA	SPRING-SCREW, ROOF A/C GASKET - COLEMAN 6757-150	

**HEATING & AIR CONDITIONING GROUP (CONTINUED)**  
**SCS AUTO A/C & COMPONENTS**



KEY	PART NUMBER	U/M	DESCRIPTION
	113245-01-000	EA	EVAPORATOR/AC, OVERHEAD R134A - SCS090-00075
1	113245-01-701	EA	PIN-PLASTIC
	113245-01-702	EA	COVER-SLOT
2	113245-01-717	EA	CASE, TOP ONLY
3	113245-01-705	EA	COIL-EVAPORATOR
4	113245-01-716	EA	CASE, BOTTOM ONLY
5	113245-01-713	EA	SCREEN-CONDENSATION
6	113245-01-714	EA	PIN-SCREEN RETAINER
7	113245-01-703	EA	BEZEL-W/4 OUTLETS
8	113245-01-709	EA	HOSE ASSEMBLY, #10
9	113245-01-708	EA	HOSE ASSEMBLY, #6 - EVAP-DRIER
10	113245-01-712	EA	FITTING BLOCK
11	113245-01-711	EA	GASKET - #6
12	103930-17-702	EA	GASKET OR SAE 015:#10 33-781
13	113245-01-710	EA	GASKET, #12
14	113245-01-706	EA	VALVE-EXPANSION, 134 A I 5 TON
15	113245-01-700	EA	WHEEL-BLOWER W/CLIP
16	113245-01-704	EA	MOTOR-BLOWER, 12V3SP, DBL
	113245-01-707	EA	GASKET, #8
	007281-01-000	EA	HOSE-FLEXIBLE, PVC - 2.5"ID X 50' - ATCOFLEX A-182-355
	109918-01-05A	EA	VENT-RETURN AIR, BLACK - 314 MM X 139 MM - CARY 760
	109918-03-01A	EA	VENT-RETURN AIR, BLACK - 314 MM X 70 MM - CARY 761
	113244-01-01A	EA	LOUVER ASM-BALL, 3" - BLACK - CARY 10.370.04

VENDOR NO.
062-0027
062-0141
062-0139
041-0034
062-0140
045-0173
062-0164
062-0142
085-0116
085-0115
050-0129
045-0129
045-0127
045-0128
034-0026
062-0028
030-0028
045-0126

## HEATING & AIR CONDITIONING GROUP (CONTINUED)

### EVANS REAR HEATER

KEY	PART NUMBER	U/M DESCRIPTION	VENDOR NO.
	084405-01-000	EA HEATER ASM-REAR, DUCTED - W/MOTOR AID - EVANS	
	084405-01-700	EA CORE-HEATER	FT200229
	084405-01-701	EA FAN BLADES	HV029931
	084405-01-702	EA MOTOR ASSEMBLY, 12 VOLT	R0200180

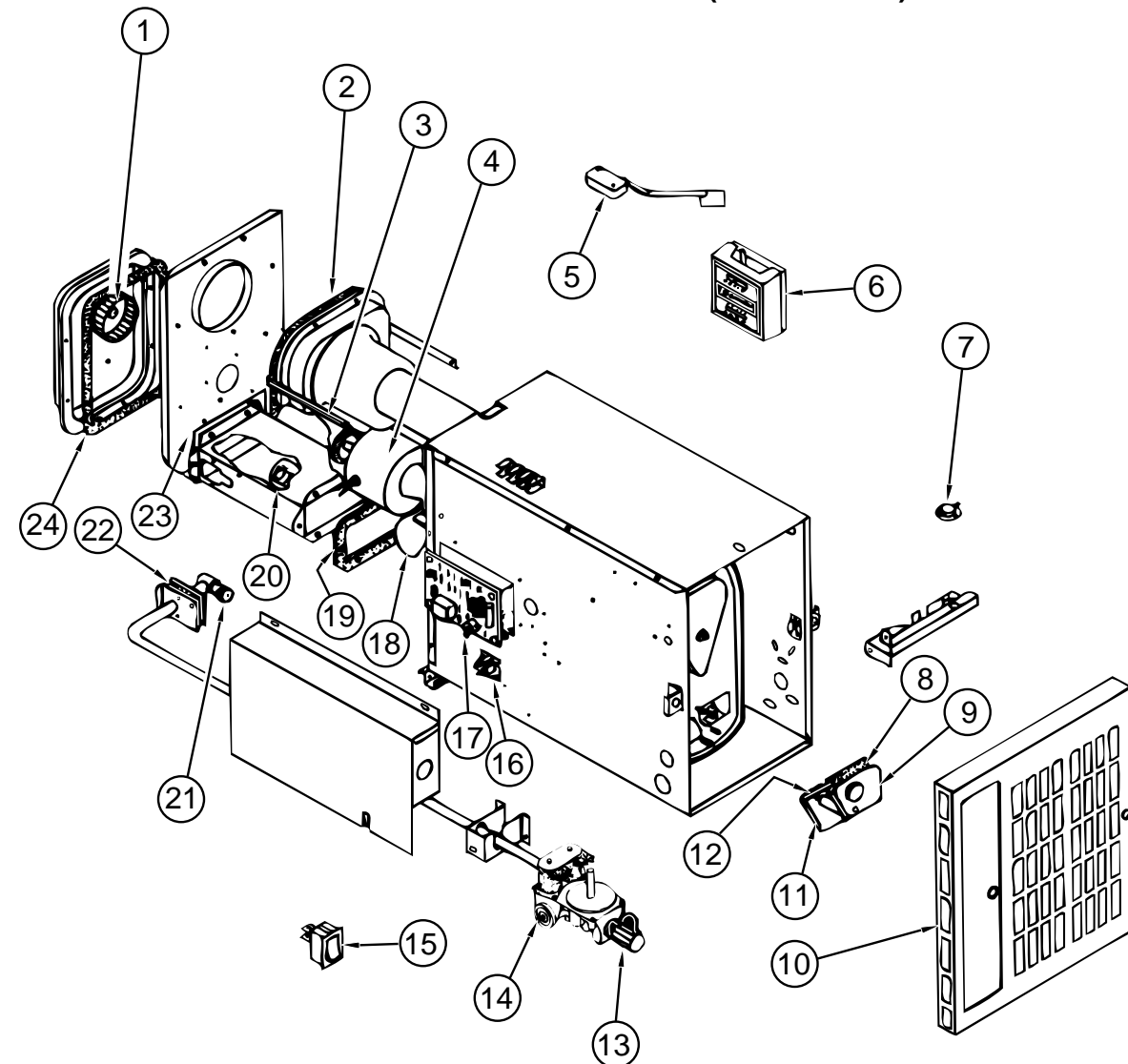
### MOTOR AID COMPONENTS

KEY	PART NUMBER	U/M DESCRIPTION
	083081-01-000	EA HOSE-FORMED, 90 DEGREES - 5/8" ID
	007108-01-000	FT HOSE-HEATER, 5/8" ID - HI-TEMP - FORD ESE-M2D192-A
	007108-02-000	FT HOSE-HEATER, 3/4" ID - HI-TEMP - FORD ESE-M2D192-A
	079059-02-000	EA HOSE - 90 DEGREE, .61" I.D. X 4" X 6"
	084190-01-000	EA GUARD-MOTOR AID, 5.9" X 5.7" X 5.3" - ANGLED GALVANIZED STEEL
	088753-01-000	FT TUBE-ALUMINIZED STEEL, 5/8" - 18 GAUGE

### HEATING SYSTEM COMPONENTS

KEY	PART NUMBER	U/M DESCRIPTION
	009198-01-000	FT DUCT-HEAT, FLEXIBLE - 4" ID X 25 FT
	009200-01-000	EA TAPE-FURNACE, 1 1/2"
	069636-02-000	EA CONNECTOR-DUCT, 4" ID - SUBURBAN 050715
	101990-03-000	EA VENT-FURNACE, OUTSIDE - 6" - 9" - SUBURBAN 260199 FROM: 00-00-00 THRU: 10-05-95
	101990-02-000	EA VENT-FURNACE, OUTSIDE - 4" - 6" - SUBURBAN 260198 FROM: 10-06-95 THRU: 99-99-99
	056464-09-000	EA REGISTER - 4" DIAMETER, PLASTIC - W/DAMPER - DURA-BEIGE
	056464-10-000	EA REGISTER - 4" DIAMETER, PLASTIC - W/O DAMPER - DURA-BEIGE
	093614-02-02A	EA GRILL-RETURN AIR, DURA-BEIGE - LIMA,19H-8X8BR-RAG

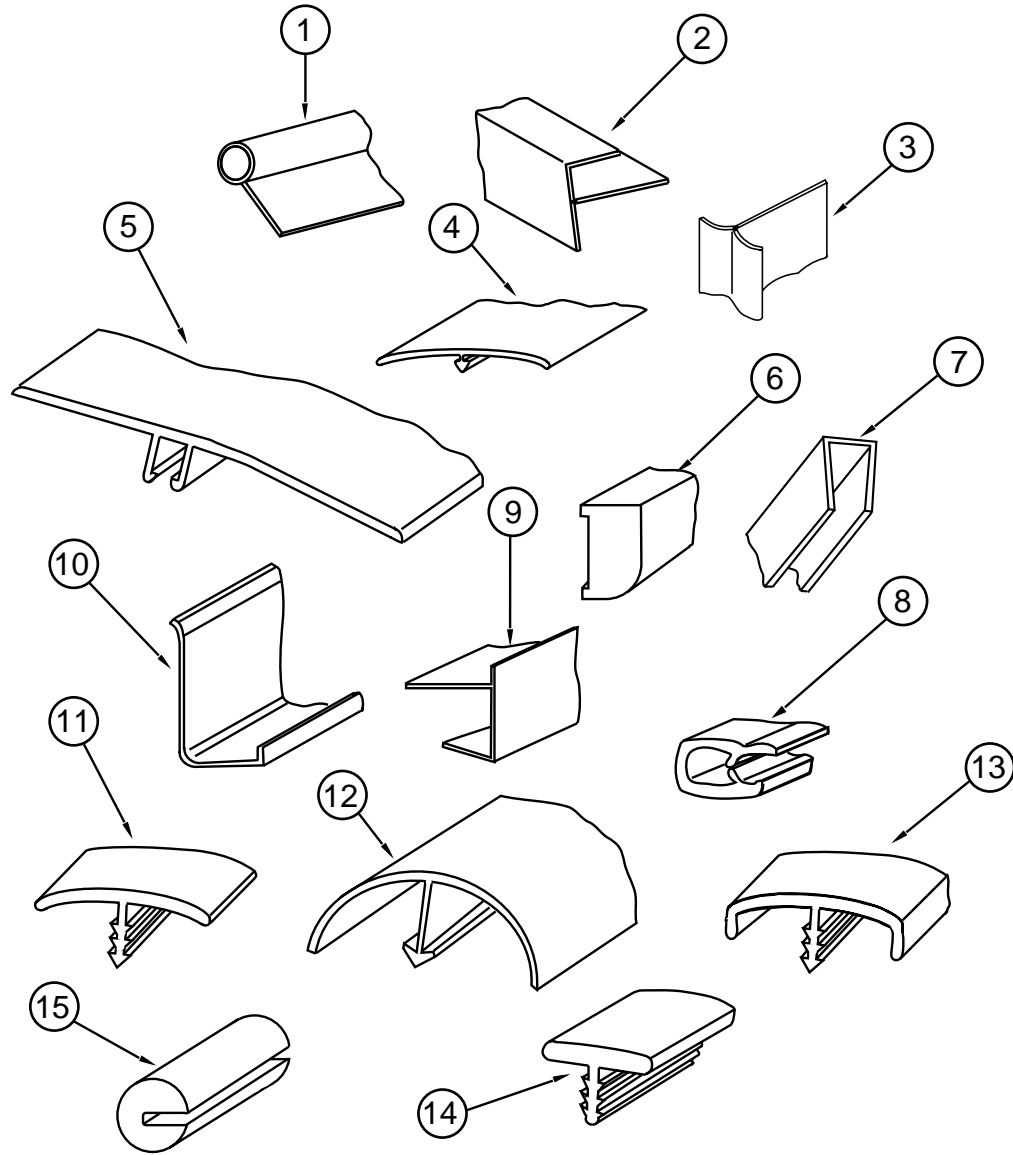
## HEATING & AIR CONDITIONING GROUP (CONTINUED)



SUBURBAN FURNACE & COMPONENTS

KEY	PART NUMBER	U/M DESCRIPTION	VENDOR NO.
	101990-05-000	EA FURNACE - 17,000 BTU, DUCTED - SUBURBAN DD-17DSIW	
1	101990-01-701	EA WHEEL-COMBUSTION AIR	350126
2	101990-05-700	EA GASKET-COMBUSTION AIR, FRONT	070862
3	101990-01-713	EA GASKET-MOTOR	070849
4	101990-05-702	EA MOTOR	231916
5	101990-01-720	EA SWITCH-SAIL, NEW STYLE W/BEND	231930
6	115764-01-01A	EA THERMOSTAT-WALL, FURNACE - SUBURBAN 160902	
7	101990-01-710	EA SWITCH-LIMIT	231768
8	101990-01-718	EA GASKET-BURNER DOOR, ACCESS	070850
9	101990-05-708	EA DOOR, BURNER ACCESS	030767
10	101990-05-707	EA GRILLE ASSEMBLY	030966
11	101990-05-706	EA ELECTRODE	231934
12	101990-01-721	EA GASKET-ELECTRODE	070851
13	092300-01-718	EA ELBOW - 90'	170374
14	101990-05-705	EA VALVE	161071
15	101990-05-704	EA SWITCH, ON/OFF	23251
16	101990-01-705	EA RELAY-TIME DELAY	231769
17	098668-01-712	EA BOARD-MODULE	520741
18	101990-01-703	EA WHEEL-ROOM AIR	350125
19	101990-05-703	EA GASKET, BURNER TUNNEL-END	070848
20	101990-01-702	EA BURNER	010763
21	101990-01-711	EA ORIFICE	530415
22	101990-01-717	EA GASKET-MANIFOLD	070847
23	101990-01-722	EA GASKET-BURNER TUNNEL	070859
24	101990-05-701	EA GASKET-COMBUSTION AIR, REAR	070906

**INTERIOR FINISH GROUP**



**MOLDINGS & TRIMS**

KEY	PART NUMBER	U/M DESCRIPTION
1	009767-12-000	FT MOLDING-SIDEWALL TO CEILING/CABINET - WELTING - OFF WHITE
2	009812-27-000	EA MOLDING-CORNER, OUTSIDE - PLASTIC - PICKLED ASH
3	022992-12-000	FT MOLDING-REVERSE COVE, T-SHAPED - VINYL - VW TAUPE
4	086229-13-000	EA BATTEN - 1" WIDE X 99.6" LONG - IVORY - W&B RN323
5	099571-02-01A	EA TRIM-COVE, INTERIOR - 2.9" WIDE X 11.3' LONG - PLASTIC - SMOKEY WHITE
6	111135-D2-134	EA MOLDING - 18 MM X 40 MM X 2134 MM, VINYL WRAPPED - PICKLED ASH
6	111135-F2-134	EA MOLDING - 18 MM X 65 MM X 2134 MM, VINYL WRAPPED - PICKLED ASH
7	070504-29-000	FT U-CHANNEL-PLASTIC, .815" WIDE - PICKLED ASH
8	072368-02-000	EA TRIM-VINYL, EDGE - BLACK - GM 14004305
9	103186-01-03A	FT MOLDING-PLASTIC, SHELF - PICKLED ASH
10	085746-03-000	FT TRIM-J, CARPET - 1.2" X .5" ANGLE - 12' LONG - GRAY
11	105709-01-000	FT T-MOLDING, 1" - MODERN IVORY
12	042357-18-000	EA MOLDING-CORNER, RADIUS - PLASTIC - PICKLED ASH
	081521-02-007	EA MOUNT-METAL MOLDING, FOR RADIUS CORNER MOLDING - 12.5' EA
13	104676-02-02A	FT T-MOLDING, 1/2" - PICKLED ASH
14	104676-01-01A	FT T-MOLDING, 5/16" RIGID - GOLD
15	115870-01-000	FT SEAL-TRIM, EDGE - TRIM LOK X1002
	111133-D2-438	EA LUMBER - 18 MM X 38 MM X 2438 MM, VINYL WRAPPED - PICKLED ASH
	111133-E2-438	EA LUMBER - 18 MM X 50.8 MM X 2438 MM, VINYL WRAPPED - PICKLED ASH
	111133-G2-438	EA LUMBER - 18 MM X 76 MM X 2438 MM, VINYL WRAPPED - PICKLED ASH

**INTERIOR FINISH GROUP (CONTINUED)**  
**FIRE EXTINGUISHER, SMOKE DETECTOR & CO DETECTOR**

KEY	PART NUMBER	U/M DESCRIPTION
	094499-01-000	EA EXTINGUISHER-FIRE, DRY W/MOUNTING BRACKET - 10 BC
	094499-01-700	EA BRACKET-MOUNTING, W/PLASTIC STRAP - FIRE EXTINGUISHER
	094499-02-000	EA EXTINGUISHER-FIRE, DRY - 1A10BC - CANADIAN
	072852-01-000	EA DETECTOR-SMOKE, W/9 VOLT BATTERY
	072852-02-000	EA DETECTOR-SMOKE, W/9 VOLT BATTERY - CANADIAN
	112320-01-000	EA DETECTOR-CO GAS, MODEL 9B-I - COSTAR 940000000 FROM: 00-00-00 THRU: 09-03-95
	112320-02-000	EA BATTERY/SENSOR-CO GAS, COSTAR 940001000 FROM: 00-00-00 THRU: 09-03-95
	112320-03-000	EA DETECTOR-CO GAS, MODEL 9D-I - COSTAR 946000001 FROM: 09-04-95 THRU: 99-99-99
	112320-04-000	EA DETECTOR-CO SENSOR ASSEMBLY - COSTAR 946001001 FROM: 09-04-95 THRU: 99-99-99

**PANELING & LAMINATES**

KEY	PART NUMBER	U/M DESCRIPTION
	074498-57-000	SF LAMINATE-PLASTIC, PICKLED ASH - 5' X 8' - INCREMENTS OF 40 SF
	074498-66-000	SF LAMINATE-PLASTIC, GRAY - 5' X 8' - INCREMENTS OF 40 SF
	076325-49-000	FT MOLDING-EDGEBAND, PICKLED ASH - 1 5/16" X .030"
	076325-63-000	FT MOLDING-EDGEBAND, 1161 TAUPE - 1 5/16" X .030"
	088272-D2-000	SF PANELING-SIDEWALLS, 4' X 7' - INCREMENTS OF 28 SF
	074497-22-000	SF PANELING-CABINETRY, PICKLED ASH - 4' X 8' - INCREMENTS OF 32 SF
	080215-08-000	SF PANELING - 2 SIDED, PICKLED ASH - 5 MM X 4' X 8' - INCREMENTS OF 32 SF
	088272-98-000	SF PANELING-SHOWER, OFF WHITE - 4' X 7' - INCREMENTS OF 28 SF FROM: 00-00-00 THRU: 01-14-96
	088272-G1-000	SF PANELING-SHOWER, PEBBLE EMBOSS - 4' X 7' - INCREMENTS OF 28 SF FROM: 01-15-96 THRU: 99-99-99
	095688-01-000	SF VENEER-UNFINISHED, 3.6 MM X 4' X 8' - INCREMENTS OF 32 SF
	089297-01-000	SF PLYWOOD-LUAN, OVERLAY GRADE - 4' X 8'

**BATT STRIPS**

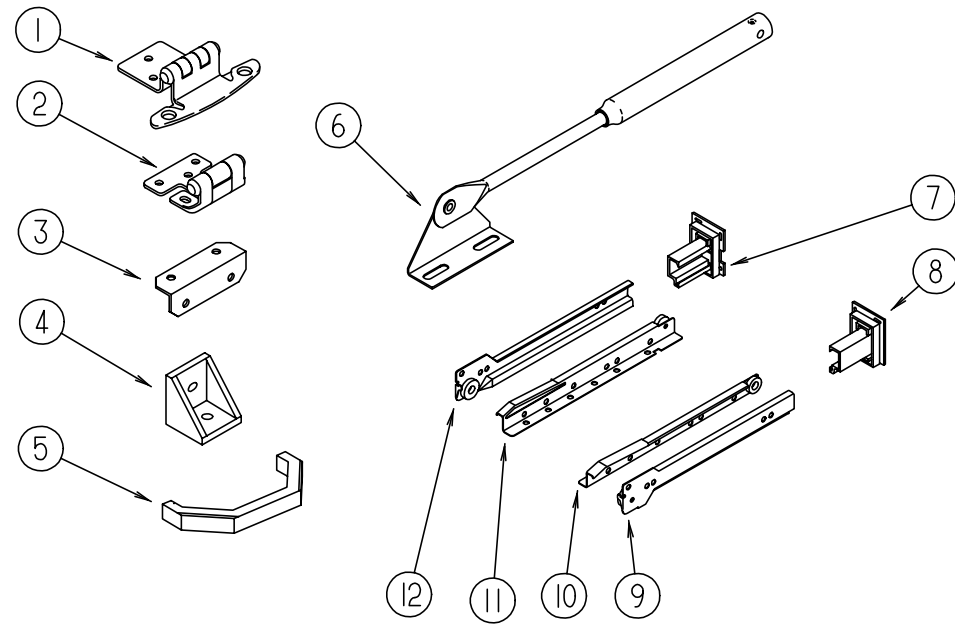
KEY	PART NUMBER	U/M DESCRIPTION
	085284-A1-000	FT BATT STRIP-DECORATIVE, ADHESIVE BACKED
	085284-76-000	FT BATT STRIP-SHOWER, ADHESIVE BACKED - OFF WHITE FROM: 00-00-00 THRU: 01-14-96
	085284-D6-000	FT BATT STRIP-SHOWER, ADHESIVE BACKED - PEBBLE EMBOSS FROM: 01-15-96 THRU: 99-99-99
	088263-A9-000	EA BATT STRIP-DECORATIVE, 8' LONG
	088263-78-000	EA BATT STRIP-SHOWER, 8' LONG - OFF WHITE FROM: 00-00-00 THRU: 01-14-96
	088263-E3-000	EA BATT STRIP-SHOWER, 8' LONG - PEBBLE EMBOSS FROM: 01-15-96 THRU: 99-99-99

**CARPETING & FLOOR MATS**

KEY	PART NUMBER	U/M DESCRIPTION
	096060-B0-000	SY CARPET - 12' ROLL, INCREMENTS OF 4 SY (G46/G47)
	117477-01-F45	EA CARPET ASM-CAB AREA (G46/G47)
	047034-06-000	SF PLASTIC - CARPET - 2' WIDE - CLEAR POLY
	105924-02-F45	EA MAT-FLOOR, CARPET - ENTRY DOOR (G46/G47)
	091261-01-000	FT SLIPNOT-ANTISLIP, 1' WIDE (100' ROLL)
	115381-01-01A	EA MAT-FLOOR, DRIVER - BROWN/BLACK (G46/G47)
	115381-02-01A	EA MAT-FLOOR, PASSENGER - BROWN/BLACK (G46/G47)

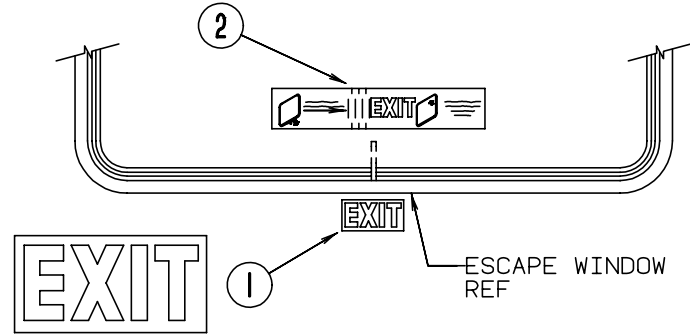
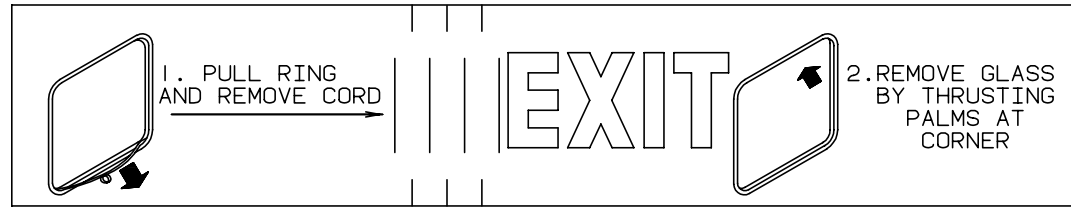


**INTERIOR FINISH GROUP (CONTINUED)**  
**CABINET DOOR & DRAWER HARDWARE**

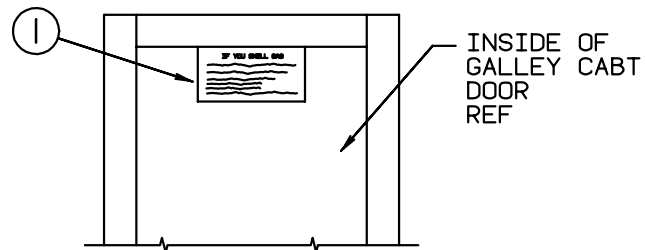


KEY	PART NUMBER	U/M	DESCRIPTION
1	108138-01-000	EA	HINGE-DOOR, CABINET - BURNISHED BRASS
2	113676-01-01A	EA	HINGE-OVERLAY, VARIABLE - BURNISHED BRASS
3	016604-01-000	EA	BRACE-CABINET, ANGLE - 2.5" - METAL - UNPAINTED
3	016604-05-000	EA	BRACE-CABINET, ANGLE - 2.5" - METAL - OFF WHITE
4	065740-01-000	EA	BRACE-CABINET CORNER, PLASTIC
5	112146-01-000	EA	PULL-CABINET, BRASS - AMEROCK D-1180-3
6	074493-02-000	EA	SUPPORT-PISTON SPRING, CABINET DOOR
7	114045-02-000	EA	BACKSOCKET-ADJUSTABLE, RIGHT - HOUCK 751-2
			N/A ORDER SLIDE KIT ACCORDING TO LENGTH - SEE NUMERICAL LISTING OF #114031-??-700 IN THE \$ FICHE F/DESIRED LENGTH
8	114045-01-000	EA	BACKSOCKET-ADJUSTABLE, LEFT - HOUCK 751-1
			N/A ORDER SLIDE KIT ACCORDING TO LENGTH - SEE NUMERICAL LISTING OF #114031-??-700 IN THE \$ FICHE F/DESIRED LENGTH
9	114031-06-000	EA	SLIDE-DRAWER, CABINET - RIGHT SIDE - 14"
			N/A ORDER #114031-05-700 SLIDE DRAWER KIT
9	114031-18-000	EA	SLIDE-DRAWER, CABINET - RIGHT SIDE - 20"
			N/A ORDER #114031-17-700 SLIDE DRAWER KIT
9	114031-22-000	EA	SLIDE-DRAWER, CABINET - RIGHT SIDE - 22"
			N/A ORDER #114031-21-700 SLIDE DRAWER KIT
10	114031-08-000	EA	SLIDE-DRAWER, DRAWER MOUNT - RIGHT SIDE - 14"
			N/A ORDER #114031-05-700 SLIDE DRAWER KIT
10	114031-20-000	EA	SLIDE-DRAWER, DRAWER MOUNT - RIGHT SIDE - 20"
			N/A ORDER #114031-17-700 SLIDE DRAWER KIT
10	114031-24-000	EA	SLIDE-DRAWER, DRAWER MOUNT - RIGHT SIDE - 22"
			N/A ORDER #114031-21-700 SLIDE DRAWER KIT
11	114031-07-000	EA	SLIDE-DRAWER, DRAWER MOUNT - LEFT SIDE - 14"
			N/A ORDER #114031-05-700 SLIDE DRAWER KIT
11	114031-19-000	EA	SLIDE-DRAWER, DRAWER MOUNT - LEFT SIDE - 20"
			N/A ORDER #114031-17-700 SLIDE DRAWER KIT
11	114031-23-000	EA	SLIDE-DRAWER, DRAWER MOUNT - LEFT SIDE - 22"
			N/A ORDER #114031-21-700 SLIDE DRAWER KIT
12	114031-05-000	EA	SLIDE-DRAWER, CABINET - LEFT SIDE - 14"
			N/A ORDER #114031-05-700 SLIDE DRAWER KIT
12	114031-17-000	EA	SLIDE-DRAWER, CABINET - LEFT SIDE - 20"
			N/A ORDER #114031-17-700 SLIDE DRAWER KIT
12	114031-21-000	EA	SLIDE-DRAWER, CABINET - LEFT SIDE - 22"
			N/A ORDER #114031-21-700 SLIDE DRAWER KIT
	023320-01-000	EA	PAD-FELT, 3/8" DIAMETER - BROWN

## LABELS GROUP



KEY	PART NUMBER	U/M DESCRIPTION
1	039290-01-000	EA LABEL-WARNING, EXIT
2	107571-01-000	EA LABEL-ESCAPE/EXIT WINDOW

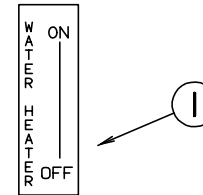


### IF YOU SMELL GAS

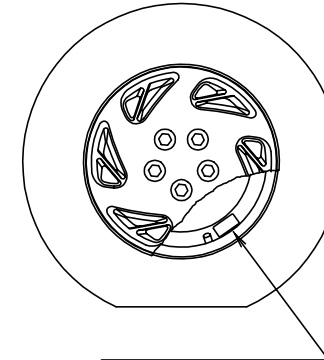
1. EXTINGUISH ANY OPEN FLAME, PILOT LIGHTS AND ALL SMOKING MATERIALS.
2. SHUT OFF THE GAS SUPPLY AT THE TANK VALVE( OR GAS SUPPLY CONNECTION.
3. OPEN DOORS AND OTHER VENTILATING OPENINGS.
4. DO NOT TOUCH ELECTRICAL SWITCHES.
5. LEAVE THE AREA UNTIL ODOR CLEARS.
6. HAVE THE GAS SYSTEM CHECKED AND LEAKAGE SOURCE CORRECTED BEFORE USING AGAIN.

KEY	PART NUMBER	U/M DESCRIPTION
1	073998-01-000	EA LABEL-LPG ODOR WARNING

## LABELS GROUP (CONTINUED)



KEY	PART NUMBER	U/M DESCRIPTION
1	083588-01-000	EA LABEL-ON/OFF, WATER HEATER



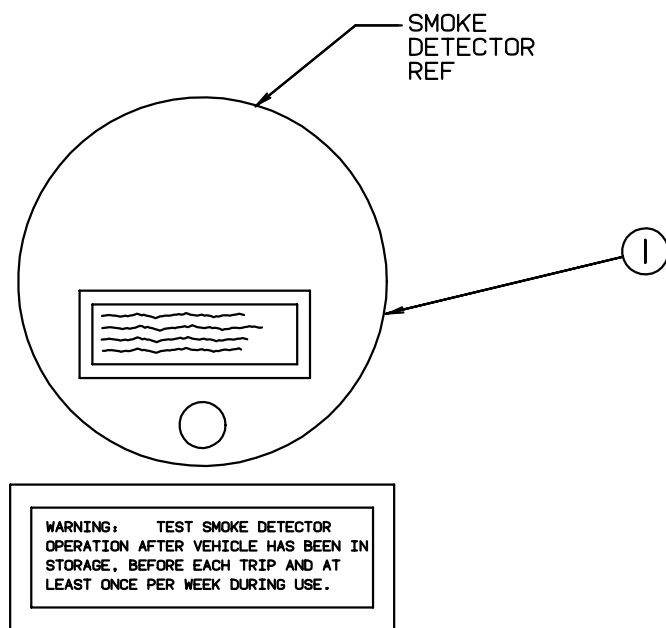
WARNING: REPLACE TIRE ONLY WITH ONE OF EXACTLY SAME TYPE AND RATING. DO NOT REPLACE WITH PASSENGER CAR TIRE. SEE OPERATOR'S MANUAL FOR DETAILS. FOR MORE INFORMATION CALL WINNEBAGO OWNER RELATIONS AT 1-800-537-1885.

(ATTACH TO ALL WHEELS, INCLUDING SPARE, NEAR VALVE STEM)

KEY	PART NUMBER	U/M DESCRIPTION
1	115869-01-000	EA LABEL-WARNING, TIRE

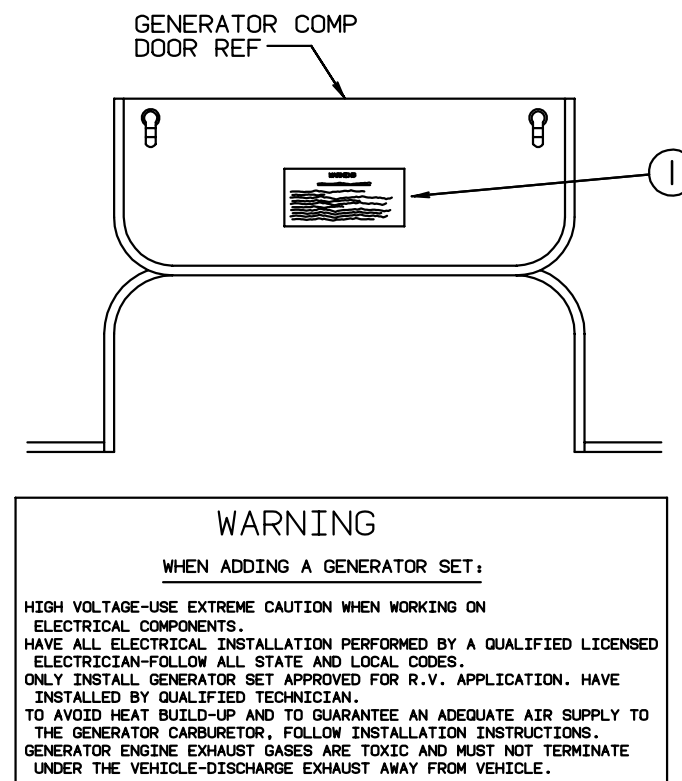


**LABELS GROUP (CONTINUED)**



**KEY PART NUMBER U/M DESCRIPTION**  
 1 077956-01-000 EA LABEL-WARNING, SMOKE DETECTOR

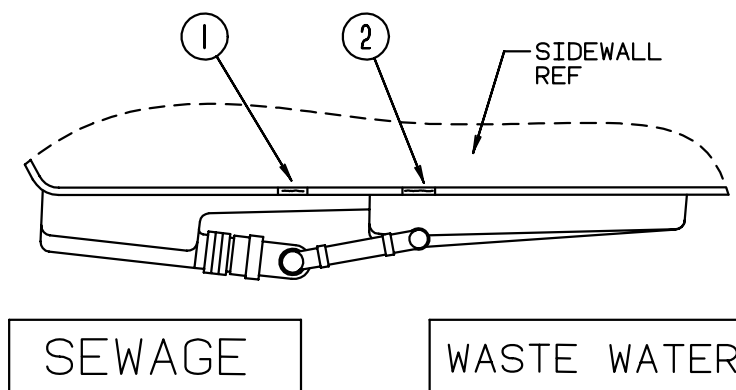
**LABELS GROUP (CONTINUED)**



**KEY PART NUMBER U/M DESCRIPTION**  
 1 077510-01-000 EA LABEL-GENERATOR PREP

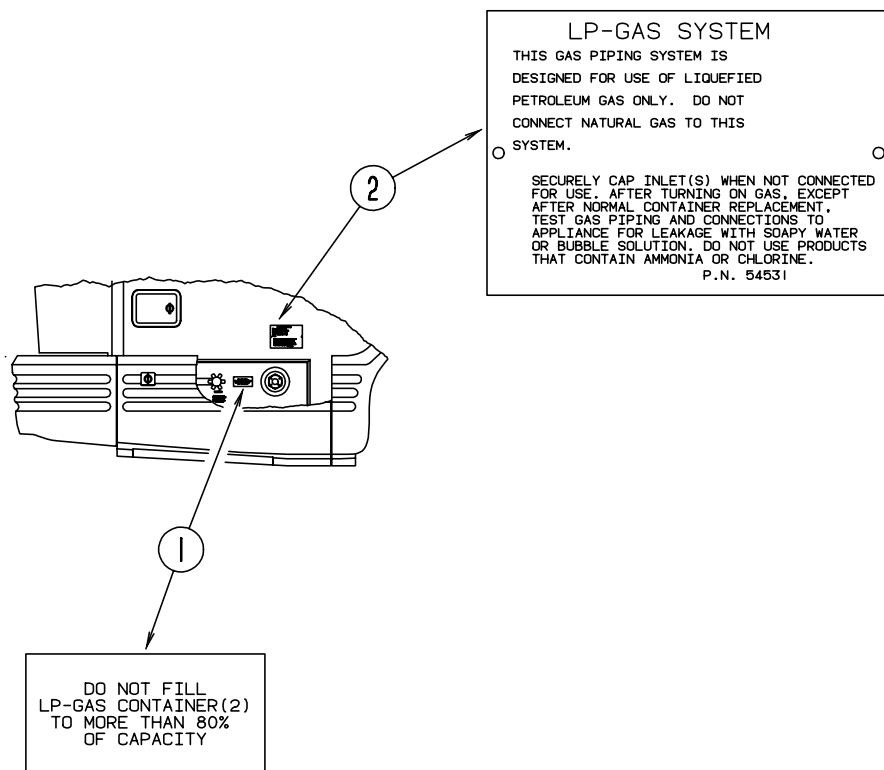
EMMISSION CONTROL INFORMATION			
ENGINE FAMILY: SWB2.5A7GFFA ENGINE CID: 150.0 EXHAUST EMISSION CONTROL TYPE: MFI-AIR-EGR-TWC EVAPORATION FAMILY: SWB1095BYPOT.		THIS HEAVY-DUTY VEHICLE CONFORMS TO U.S. EPA REGULATIONS APPLICABLE TO 1995 MODEL YEAR LIGHT-DUTY TRUCKS UNDER THE SPECIAL PROVISION OF 40 CFR 86.090-1(b), AND IS CERTIFIED FOR SALE IN THE STATE OF CALIFORNIA.	
CATALYST		ENGINE TUNE-UP AND ADJUSTMENTS AT NORMAL ENGINE OPERATING TEMPERATURE AND ALL ACCESSORIES OFF.	
COMPLIANCE DEMONSTRATED ALTITUDE <input type="checkbox"/> OVER 4000 FT <input type="checkbox"/> UNDER 4000 FT	SPECIFICATIONS	AUTOMATIC	INSTRUCTIONS
SEE OWNER AND SERVICE MANUAL FOR SCHEDULED MAINTENANCE INSTRUCTIONS.	1. TIMING SETTING (DWELL NOT ADJUSTABLE)	6 ±2° BTDC AT 2250 ± 250 RPM, ECT DISCONNECTED OR IN ADJUSTMENT MODE.	PROPER MAINTENANCE AND ADJUSTMENTS ARE NECESSARY FOR CONTINUED EFFECTIVENESS  THIS VEHICLE IS EQUIPPED WITH AN ELECTRONIC ENGINE CONTROL SYSTEM
SPARK PLUG TYPE NGK BKREKU SPARK PLUG GAP: 0.028 IN.	2. IDLE SPEED (AT RPM)	NOT ADJUSTABLE	
	3. FAST IDLE SPEED	NOT ADJUSTABLE	
	4. IDLE MIXTURE CO(%)	NOT ADJUSTABLE	
OBD I CERTIFIED	RECONNECT ALL CONNECTIONS. SEE SERVICE MANUAL AND SCHEDULED MAINTENANCE FOR ADDITIONAL INFORMATION.		
114943-01-000 A	WINNEBAGO INDUSTRIES, INC.		

**KEY PART NUMBER U/M DESCRIPTION**  
 1 114943-01-000 EA LABEL-EMISSION CONTROL



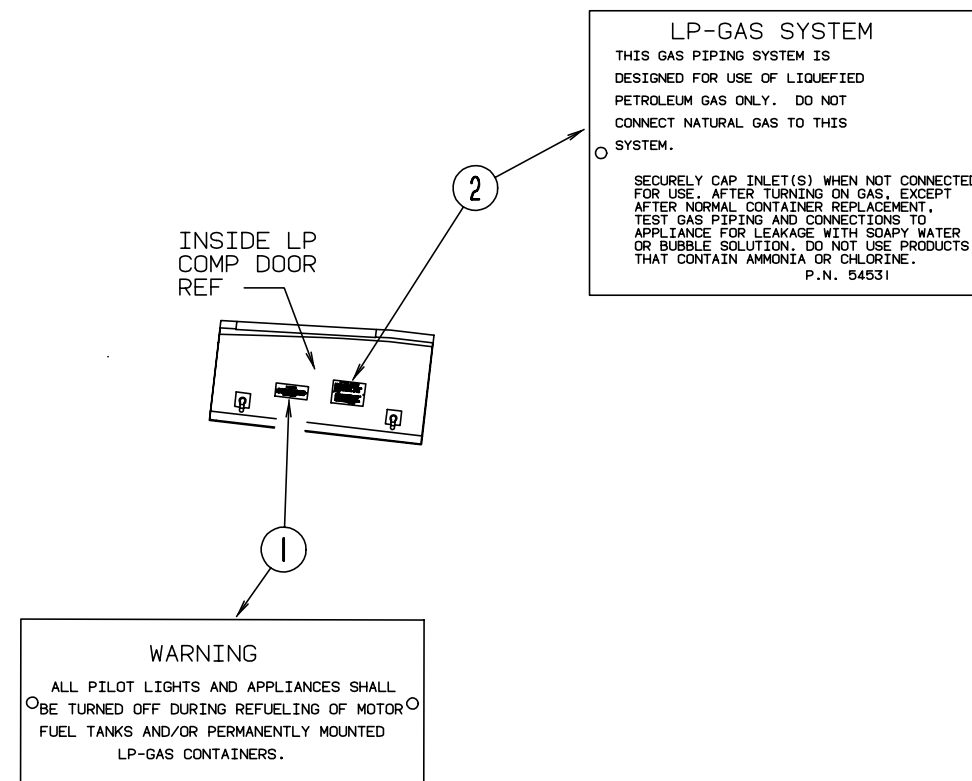
**KEY PART NUMBER U/M DESCRIPTION**  
 1 006187-01-000 EA LABEL-SEWAGE  
 2 006188-01-000 EA LABEL-WASTE WATER

**LABELS GROUP (CONTINUED)**

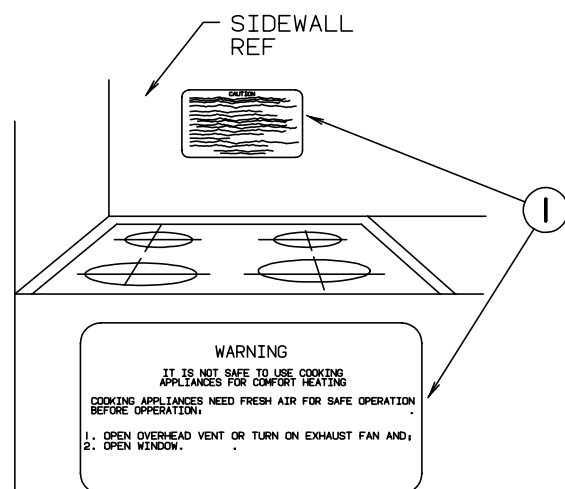


KEY	PART NUMBER	U/M DESCRIPTION
1	079965-01-000	EA LABEL-LPG, 80% CAPACITY
2	054531-01-000	EA LABEL-LP GAS ONLY

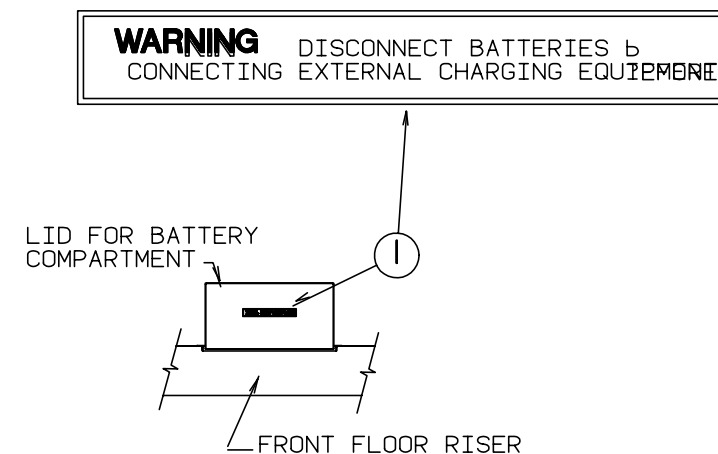
**LABELS GROUP (CONTINUED)**



KEY	PART NUMBER	U/M DESCRIPTION
1	006040-01-000	EA TAG-GAS REFUELING WARNING, US
1	006040-02-000	EA TAG-GAS REFUEL WARNING, CANADIAN
2	023769-01-000	EA LABEL-WARNING, LPG - CANADIAN

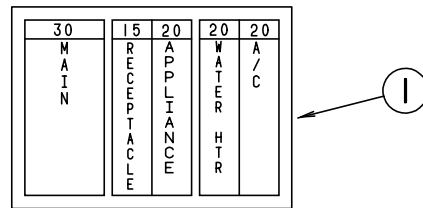


KEY	PART NUMBER	U/M DESCRIPTION
1	050225-01-000	EA LABEL-WARNING, STOVE VENT - US
1	050222-01-000	EA LABEL-WARNING, STOVE VENT - CANADIAN

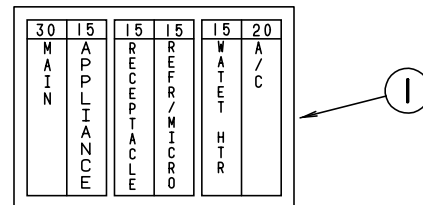


KEY	PART NUMBER	U/M DESCRIPTION
1	065748-01-000	EA LABEL-CAUTION, BATTERY CHARGING

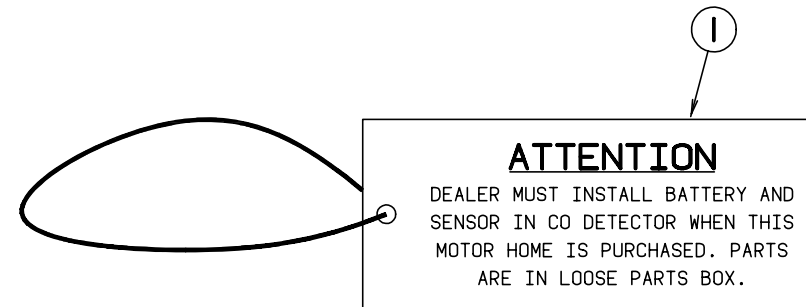
**LABELS GROUP (CONTINUED)**



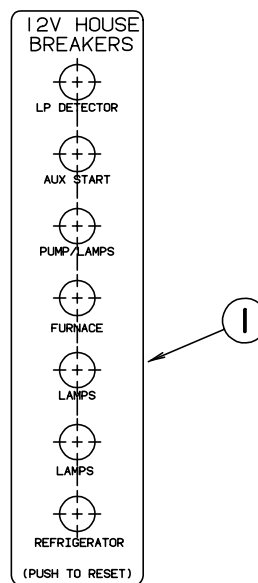
**KEY PART NUMBER U/M DESCRIPTION**  
 1 095721-15-000 EA LABEL-CONTROL CENTER, 30 A - US



**KEY PART NUMBER U/M DESCRIPTION**  
 1 095721-16-000 EA LABEL-CONTROL CENTER, 30 A - CANADIAN

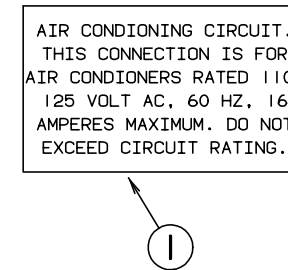


**KEY PART NUMBER U/M DESCRIPTION**  
 1 112518-01-000 EA LABEL-HANG TAG, CO DETECTOR



**KEY PART NUMBER U/M DESCRIPTION**  
 1 092547-05-000 EA LABEL-CIRCUIT BREAKER

**LABELS GROUP (CONTINUED)**

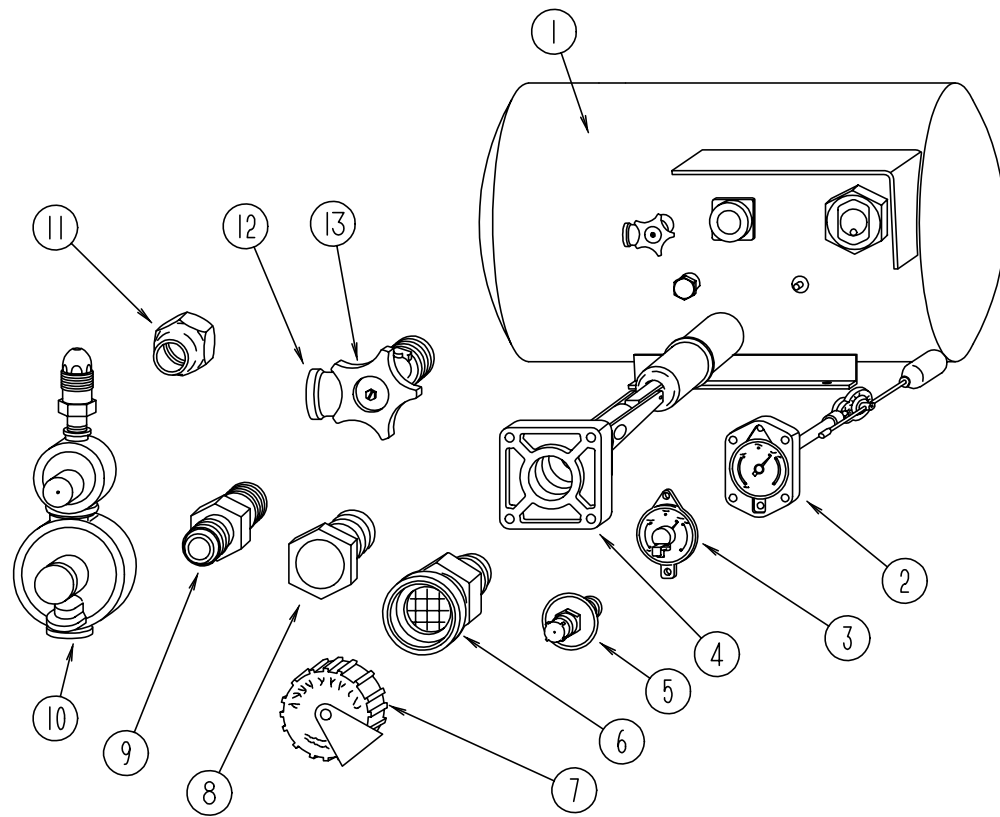


**KEY PART NUMBER U/M DESCRIPTION**  
 1 091243-01-000 EA LABEL-A/C COVER

**MISCELLANEOUS LABELS**

**KEY PART NUMBER U/M DESCRIPTION**  
 087236-01-000 EA LABEL-CABLE, INPUT

## LP GROUP



### LP TANK & COMPONENTS

KEY	PART NUMBER	U/M DESCRIPTION	VENDOR NO.
1	074039-04-000	EA TANK-LP, 28 LB - BOTTOM MOUNT - 10" DIA X 23" LONG	
2	074039-01-700	EA FLOAT ASM. (SIGHT GAUGE) BOLT	10C
3	040440-02-000	EA DIAL-TRANSMITTER, 0-90 OHM	
4	074039-04-700	EA VALVE-80% FILL W/AUTO STOP	LVTL290C9010
5	040421-01-700	EA VALVE-LIQUID LEVEL, 20%	G-1013
6	040421-01-701	EA VALVE-FILL-SHORT, LP	75478
7	040421-01-702	EA CAP-FILL VALVE, PLASTIC	G-1014-A
8	040421-01-713	EA VALVE-VAPOR ONLY	29000587
9	010323-01-000	EA ADAPTER-BRASS, 3/8" F X 1/2" MPT	
9	010329-01-000	EA ADAPTER-BRASS, 1/2" F X 1/2" MPT	
10	106150-03-000	EA REGULATOR-TWO STAGE LPG, M'BRASS 295-00	
11	010377-02-000	EA NUT-BRASS, 3/8" FEMALE - FORGED	
12	040421-01-712	EA VALVE, SERV. W/O VAPOR RELIEF	29000853
13	040421-01-708	EA HANDWHEEL-SERVICE VALVE	G-1015-A
	103613-01-000	EA DETECTOR-LP GAS	
	010252-01-000	EA ELBOW-BRASS, 90 DEGREE - 3/8" F X 1/2" MPT	
	010265-01-000	EA ELBOW-BRASS, 90 DEGREE - 3/8" F X 1/2" FPT	
	010281-01-000	EA TEE-BRASS, 3/8" F	
	010380-02-000	EA NUT-BRASS, 1/2" FLARE - FORGED	
	024250-01-000	EA ADAPTER-BRASS, 3/8" F X 1/2" FPT	
	008042-01-000	FT TUBING-VINYL, .65" ID	

## SEALANTS & FASTENERS GROUP SCREWS

KEY	PART NUMBER	U/M DESCRIPTION
	000G11-06-10B	EA SCREW, 6-20 X 5/8 PPH - ZINC
	000G11-06-10J	EA SCREW, 7-19 X 1/2 PPH - ZINC
	000G11-06-24B	EA SCREW, 6-20 X 1.5 PPH - ZINC
	000G11-07-08B	EA SCREW, 7-19 X 1/2 PPH - ZINC
	000G11-08-08B	EA SCREW, 8-18 X 1/2 PPH - ZINC
	000G11-08-08T	EA SCREW, 8-18 X 1/2 PPH - FLUOROCARBON COATING
	000G11-08-10B	EA SCREW, 8-18 X 5/8 PPH - ZINC
	000G11-08-12B	EA SCREW, 8-18 X 3/4 PPH - ZINC
	000G11-08-12D	EA SCREW, 8-18 X 3/4 PPH - BLACK
	000G11-08-12P	EA SCREW, 8-18 X 3/4 PPH - DARK BROWN
	000G11-08-12S	EA SCREW, 8-18 X .75 PPH - OFF WHITE
	000G11-08-20B	EA SCREW, 8-18 X 1 1/4 PPH - ZINC
	000G11-10-10X	EA SCREW, 10-16 X 5/8 PPH - GRAY
	000G11-10-12D	EA SCREW, 10-16 X 3/4 PPH - BLACK
	000G11-10-12S	EA SCREW, 10-16 X .75 PPH - OFF WHITE
	000G12-06-08T	EA SCREW, 6-20 X .50 POH - BLACK
	000G13-06-08G	EA SCREW, 6-20 X 1/2 PPH - ANTIQUE BRASS
	000G13-06-10G	EA SCREW, 6-20 X 5/8 PPH - ANTIQUE BRASS
	000G13-06-12B	EA SCREW, 6-20 X .75 PFH - ZINC
	000G13-06-16E	EA SCREW, 6-20 X 1.00 PFH - CHROME
	000G13-07-10H	EA SCREW, 7-19 X 5/8 PFH - BLACK
	000G13-07-12B	EA SCREW, 7-19 X 3/4 PFH - ZINC
	000G13-08-10B	EA SCREW, 8-18 X 5/8 PFH - ZINC
	000G13-08-10S	EA SCREW, 8-18 X 5/8 PFH - OFF WHITE
	000G13-08-16B	EA SCREW, 8-18 X 1 PFH - ZINC
	000G13-10-12B	EA SCREW, 10-16 X 3/4 PFH - ZINC
	000G38-04-229	EA SCREW-MACH, 1/4-20 X 1.38 PFH - STALGARD
	000G39-06-08B	EA SCREW-DR, 6-18 X 1/2 - ZINC
	000G39-06-10T	EA SCREW-SF/DR, 6-20 X 5/8 PPH - BLACK
	000G39-08-06B	EA SCREW-SF/DR, 8-18 X 3/8 PPH - ZINC
	000G39-08-08B	EA SCREW-SF/DR, 8-18 X 1/2 PPH - ZINC
	000G39-08-08S	EA SCREW-SF/DR, 8-18 X 1/2 PPH - OFF WHITE
	000G39-08-08T	EA SCREW-SF/DR, 8-18 X .50 PPH - BLACK
	000G39-08-12B	EA SCREW-SF/DR, 8-18 X 3/4 PPH - ZINC
	000G39-08-16B	EA SCREW-SF/DR, 8-18 X 1.00 PPH - ZINC
	000G39-08-16R	EA SCREW-SF/DR, 8-18 X 1.00 PPH - BEIGE
	000G39-08-16T	EA SCREW-SF/DR, 8-18 X 1.00 PPH - BLACK
	000G39-08-24B	EA SCREW-SF/DR, 8-18 X 1 1/2 PPH - ZINC
	000G39-10-08B	EA SCREW-SF/DR, 10-16 X 1/2 P&H - ZINC

**SEALANTS & FASTENERS GROUP (CONTINUED)**

**SCREWS (CONTINUED)**

KEY	PART NUMBER	U/M DESCRIPTION
	000G39-10-10B	EA SCREW-SF/DR, 10-16 X .625 - ZINC
	000G39-10-10S	EA SCREW-SF/DR, 10-16 X .62" - PPH - OFF WHITE
	000G39-10-12B	EA SCREW-SF/DR, 10-16 X .75 PPH - ZINC
	000G39-10-12D	EA SCREW-SF/DR, 10-16 X 3/4 PPH - BLACK
	000G39-10-20B	EA SCREW-SF/DR, 10-16 X 1 1/4 PPH - ZINC
	000G39-10-32B	EA SCREW-SF/DR, 10-16 X 2.00 PPH - ZINC
	000G39-10-32I	EA SCREW-SF/DR, 10-16 X 2.00 PPH
	000G39-10-088	EA SCREW-SF/DR, 10-16 X .50 P&H - FLUOROCARBON
	000G39-10-129	EA SCREW-SF/DR, 10-16 X 3/4 PPH - FLUOROCARBON SILVER
	000G42-04-12B	EA SCREW-SF/DR, 1/4-14 X 3/4 HWH - ZINC
	000G42-04-16B	EA SCREW-SF/DR, 1/4-14 X 1 HWH - ZINC
	000G42-04-20B	EA SCREW-SF/DR, 1/4-14 X 1 1/4 - ZINC
	000G50-04-08B	EA SCREW-MACH, 1/4-20 X 1/2 PTH - ZINC
	000G50-04-12B	EA SCREW-MACH, 1/4-20 X 3/4 PPH - ZINC
	000G52-08-18B	EA SCREW-MACH, 8-32 X 1 1/8 PTH - ZINC
	000G55-08-12S	EA SCREW-SF/DR, 8-18 X .75 PWH - OFF WHITE
	000G57-05-16J	EA SCREW, 5-20 X 1 PFH - BRASS
	000G67-10-08B	EA SCREW, 10-12 X 1/2 PPH - ZINC
	000G67-10-10B	EA SCREW, 10-12 X 5/8 PPH - ZINC - TYPE A
	000G67-10-10D	EA SCREW, 10-12 X 5/8 PPH - BLACK - TYPE A
	000G67-10-10S	EA SCREW, 10-12 X 5/8" PPH - OFF WHITE
	000G67-10-12B	EA SCREW, 10-12 X 3/4 PPH - ZINC
	000G67-10-16B	EA SCREW, 10-12 X 1 PPH - ZINC
	000G68-06-10G	EA SCREW, 6-18 X 5/8 POH - ANTIQUE BRASS
	0G1106-08-130	EA SCREW, 6-20 X 1/2 PPH - TAUPE
	0G1108-08-130	EA SCREW, 8-18 X 1/2 PPH - VW TAUPE
	0G1108-12-130	EA SCREW, 8-18 X .75 PPH - VW TAUPE
	0G1110-12-130	EA SCREW, 10-16 X .75 PPH - VW TAUPE
	0G3908-16-130	EA SCREW-SF/DR, 8-18 X 1.00 PPH - VW TAUPE
	0G5508-08-130	EA SCREW-SF/DR, 8-18 X .5 PWH - VW TAUPE
	0G5508-12-130	EA SCREW-SF/DR, 8-18 X .75 PWH - VW TAUPE
	0G6710-08-130	EA SCREW, 10-12 X 1/2 PPH - VW TAUPE
	049465-03-000	EA SCREW, 10-16 X 1 POH W/WASHER - OFF WHITE
	076790-01-000	EA SCREW, 6-20 X 1 1/4 PPH - BLACK
	086256-01-000	EA SCREW-SF/DR, 8 X .75 HWH LG - PL BODY PNL MT
	090033-01-000	EA SCREW, 1/4-20 X 5/8" - ROUND WASHER HEAD - BEIGE - W/ADHESIVE
	101618-01-000	EA SCREW, 1/4-20 X 3/4 HEX/TAPPING - STALGARD TYPE F
	113563-01-01A	EA SCREW, 8 X .62LG SHOULD/WASH HD - HWH TEKS SCREW
	116111-02-01A	EA SCREW-TAPTITE, 1/4-20 X 3/8 PPH - ZINC
	057671-09-000	EA COVER-SCREW, TAUPE - NO 8 - PRO-DEC PRODUCT

**SEALANTS & FASTENERS GROUP (CONTINUED)**

**NUTS, BOLTS AND WASHERS**

KEY	PART NUMBER	U/M DESCRIPTION
	044364-02-000	EA NUT-SPEED, FLAT - ROUND
	087234-01-000	EA NUT-JACK, 1/4" X 20 THREADS, MOLLY - ARDEN 8-L,JN BRASS
		MOUNTS LICENSE PLATES TO REAR BUMPER
	063729-01-000	EA RIVNUT, 1/4 X 20 UNC - .030 - .125
		MOUNTS LICENSE PLATES TO FRONT BUMPER
	0MD16K-10-000	EA NUT-HEX PREV TORQUE, M10 X 1.50 - CLASS 8
	0MD39K-12-000	EA NUT-HEX W/NYLON LOK, M12 X 1,75 - RNO--7703034095
	0MD40K-14-000	EA NUT-HEX W/NYLON LOK, M14 X 2,00 - RNO--7703034104
	000D24-10-00B	EA NUT-HEX, SF/LK - 10-32 - ZINC
	000D34-04-00B	EA NUT-HEX, LK 1/4 - 20 - ZINC
	000D39-04-00B	EA NUT-HEX, SER FLG LK 1/4 - 20 - ZINC
	000D39-05-00B	EA NUT-HEX, SER FLG LK - 5/16 - 18 - ZINC
	000D39-06-00B	EA NUT-HEX, SER FLG LK - 3/8-16 - ZINC
	000D39-08-00B	EA NUT-HEX, SER FLG LK - 1/2-13 - ZINC
	000D44-07-00B	EA NUT-HEX, SER FLG LK - 7/16-20 - ZINC
	000D46-04-00A	EA NUT-HEX, WELD - 1/4-20 - PLAIN - SHORT PILOT
	084406-01-000	EA NUT-CAPPED, CROSS RECESS - BLACK - 1/4 - 20 THD
	0MC05K-08-055	EA BOLT-HEX, M08 X 1,25 X 055
	0MC13K-14-070	EA BOLT-HEX, M14 X 2.00 X 070
	0MC31K-08-020	EA BOLT-HEX, SER FLANGE - M8 X 020
	0MC32K-10-030	EA BOLT-HEX, SER FLANGE - M10 X 1,50 9
	000C12-04-12A	EA BOLT-HEX, 1/4-20 X .75 - PLAIN 5
	000C12-05-16B	EA BOLT-HEX, 5/16-18 X 1 - ZINC 5
	000C12-05-64B	EA BOLT-HEX, 5/16-18 X 4
	000C12-06-16B	EA BOLT-HEX, 3/8-16 X 1LG - ZINC 5
	000C12-08-24B	EA BOLT-HEX, 1/2-13 X 1 1/2 - ZINC 5
	000C26-04-10B	EA BOLT-HEX, 1/4-20 X 5/8 - SERRATED FLANGE - ZINC
	000C26-05-12B	EA BOLT-HEX, 5/16-18 X 3/4 - SERRATED FLANGE - ZINC
	000C26-06-12B	EA BOLT-HEX, 3/8-16 X 3/4 - SERRATED FLANGE - ZINC
	000C27-05-16B	EA BOLT-CARRIAGE, 5/16-18 X 1.0 - ZINC
	051387-06-000	EA BOLT-CARRIAGE, W/O HOLE - 5/16-18 X 9.5 - ZINC
	087718-01-000	EA MONOBOLT-STEEL, 3/16" DIA - AVDEL 2771-0613
	113985-01-000	EA BOLT-FLANGE, M10-1.5 X 40 CL10.9 - ZINC & CL
	113985-02-000	EA BOLT-FLANGE, M10-1.5 X 30 CL10.9 - ZINC & CL
	0ME06K-14-280	EA WASHER-FLAT, 14 ID X 28,0 OD
	000E11-05-00B	EA WASHER-LK, 5/16 MED SPLIT - ZINC
	000E11-08-00B	EA WASHER-LK, 1/2 MED SPLIT - ZINC
	000E13-14-00B	EA WASHER-FL, 1/4 WIDE - ZINC
	000E13-17-00B	EA WASHER-FL, 3/8" AR - ZINC
	000E13-18-00B	EA WASHER-FL, 3/8" WIDE - ZINC
	000E13-18-00K	EA WASHER-FL, 3/8" WIDE - YELLOW CHROMATE
	000E13-20-00B	EA WASHER-FL, 7/16" WIDE - ZINC
	000E14-10-00B	EA WASHER-LK , NO 10 - EXT TOOTH - ZINC
		FROM: 12-15-95 THRU: 99-99-99
	041322-01-000	EA WASHER-FL, 15/32" ID X 2 3/8" OD



**SEALANTS & FASTENERS GROUP (CONTINUED)**

**ADHESIVE AND SEALANTS**

KEY	PART NUMBER	U/M	DESCRIPTION
	004001-05-000	EA	EPOXY ADHESIVE - CLEAR - DP-100
	004020-01-000	QT	ADHESIVE-ABS CEMENT - QUART
	112902-01-000	EA	NOZZLE-ELEMENT, 3/8 X 24
	900390-03-000	EA	NOZZLES-SILICONE TUBE, CSL# D10
	034552-14-000	EA	SILICONE-TUBE, 300 ML - VW WHITE
	120074-01-01A	EA	SILICONE TUBE - OFF WHITE W/O NOZZLE
	063642-01-000	FT	SEALER-ADHESIVE, 10 MM X 15" WIDE
	069640-02-000	FT	SEALER-RIBBON, 1/2" X 1/8" - INCREMENTS OF 60'
	069640-03-000	FT	SEALER-RIBBON, 3/4" X 1/8" - INCREMENTS OF 60'
	076322-01-000	FT	TAPE-FOAM, DOUBLE COATED ADHESIVE BACKED - .75" X 216'
	076322-02-000	FT	TAPE-FOAM, DOUBLE COATED ADHESIVE BACKED - 1" X 108'
	076322-03-000	FT	TAPE-FOAM, DOUBLE COATED ADHESIVE BACKED - .5" X 108'
	076322-05-000	FT	TAPE-FOAM, DOUBLE COATED - .025" X 1.5"
	076322-07-000	FT	TAPE-FOAM, DOUBLE COATED - .045" X .50" - NORT V2000
	087211-01-000	GL	PROMOTER-ADHESIVE
	091255-02-000	FT	SEAL-ADHESIVE BACKED FOAM, .18" THICK X 1.5" WIDE
	102352-01-000	EA	SEALER-PUMPABLE, BLACK
	103202-02-000	FT	TAPE-FOAM ADHESIVE, ONE SIDE GRAY - NORTON V412 5/8 IN
	107828-01-000	EA	SEALANT-SB 190 - EVERSEAL - SURE BOND INC
	108353-01-000	FT	SEAL-FOAM, 5/16" X 1/2" - ADHESIVE BACK - LUNDELL #4773/1129
	112901-01-000	EA	ADHESIVE-PLEXUS MA 330 - 400 ML - P33000
	112901-02-000	EA	ADHESIVE-PLEXUS MA 330 - 50 ML - P33500

**SEALANTS & FASTENERS GROUP (CONTINUED)**

**MISCELLANEOUS FASTENERS**

KEY	PART NUMBER	U/M	DESCRIPTION
	008384-01-000	EA	GROMMET-SNAP, 3/4" DIAMETER - NYLON
	008386-01-000	EA	GROMMET-SNAP, 3/8"
	016188-03-000	EA	GROMMET-L/P LINE, 3/8" HOLE X 2 1/2" LONG - RUBBER
	016188-05-000	EA	GROMMET-L/P LINE, 3/8" HOLE X 1 1/4" LONG - RUBBER
	023942-01-000	EA	GROMMET-RUBBER, 2" OD
	071015-13-000	EA	GROMMET-RUBBER, .62" ID X 1" OD W/.09" GROOVE - BLACK
	071015-22-000	EA	GROMMET-RUBBER, .62" ID X 1.12" OD W/.19" GROOVE - BLACK
	071015-31-000	EA	GROMMET-RUBBER, .69" ID X 1.31" OD W/.12" GROOVE - BLACK
	071015-32-000	EA	GROMMET-RUBBER, .75" ID X 1.375" OD W/.187" GROOVE - BLACK
	077953-01-000	EA	GROMMET-EDGE LINER, FITS 1"
			FROM: 00-00-00 THRU: 01-09-96
	114208-01-000	EA	GROMMET-EDGE LINER, FITS 1.75" - HEYCO 2300
	114208-03-000	EA	GROMMET-EDGE LINER, FITS 2.50" - HEYCO 2420
	000H14-04-08R	EA	RIVET-MANDREL BLIND, 4/32" - AL - CHERRY BSP-48
	000H16-06-10R	EA	RIVET-POP, AL - 3/16" X .501 - .625
	069592-02-000	EA	RIVET-T, (POP) - 1/4" X .093 - .156
	007161-01-000	EA	CLAMP-HOSE, SPRING TYPE - 1/2"
	010495-01-000	EA	CLAMP-CABLE, 9/16"
	010495-02-000	EA	CLAMP-CABLE, 3/8"
	010497-01-000	EA	CLAMP-CLOSED, 5/8" ID
	010497-04-000	EA	CLAMP-CLOSED, 1.62 ID - ADEL,945-2717
	010497-05-000	EA	CLAMP-CLOSED, 1/2" ID
	010497-07-000	EA	CLAMP-CLOSED, 3/8" ID
	062401-01-000	EA	CLAMP-HOSE, WORMGEAR .25" - 1"
	062401-03-000	EA	CLAMP-HOSE, WORMGEAR .22" - 1"
	062401-04-000	EA	CLAMP-HOSE, WORMGEAR .69" - 1.25"
	062401-06-000	EA	CLAMP-HOSE, WORMGEAR .22" - .62"
	062401-11-000	EA	CLAMP-HOSE, WORMGEAR 3.56"- 4.5"
	075148-02-000	EA	CLAMP-GROUNDING, BRONZE SCREWS
	077955-01-000	EA	CLIP-J, VINYL COATED - 3/8"
	083610-01-000	EA	CLAMP-WIRE, DUAL - UNEQUAL DIAMETERS - .75" & 1.25"
	080211-03-000	EA	CLIP-MOUNTING, (CHRISTMAS TREE)
	080734-02-000	EA	CLIP-WIRE, NYLON
	091952-01-000	EA	CLIP-GRIPPER, 1"
	091952-02-000	EA	CLIP-GRIPPER, 3/4"
	008343-01-000	EA	TIE-WIRE, 6"
	108046-01-000	EA	CABLE TIE-SCREW MOUNT, 8"
	034141-02-000	EA	PLUG-HOLE, 3/8" - NYLON - BLACK
	061420-04-000	EA	PLUG-PLASTIC, 1.25" DIAMETER - CAPLUG BP1.25
	061420-07-000	EA	PLUG-PLASTIC, 1.8" DIAMETER - CAPLUG BP-1.8

**WATER & SEWAGE GROUP**

**FRESH WATER TANK**

KEY	PART NUMBER	U/M	DESCRIPTION
	074510-07-000	EA	TANK ASM-WATER, 16 GAL - W/FITTINGS - 850 MM X 290 MM X 270 MM
	074510-01-000	EA	TANK ASM-WATER, 16 GAL - W/O FITTINGS - 850 MM X 290 MM X 270 MM
	077954-02-000	EA	FILTER-WATER TANK, SCREEN IN TANK
	079381-01-000	FT	TUBING-SMOOTH, FLEXIBLE - 1 1/4" ID
	042989-03-000	EA	FITTING-WATER TANK, SPINWELD - 1 1/4" NPT - PLASTIC - WHITE
	042989-04-000	EA	FITTING-WATER TANK, SPINWELD - 3/8" FPT - PLASTIC - WHITE
	042989-05-000	EA	FITTING-WATER TANK, SPINWELD - 1/2" FPT - PLASTIC - WHITE
	049032-01-000	EA	PATCH-SPINWELD, 3/8" - PLASTIC
	039861-01-000	EA	SENDING UNIT W/SCREW, WASHER, WELL NUT AND TERMINAL RING
	010219-01-000	EA	ELBOW - 1 1/4" MPT X 1 1/4" BARB, WATER FILL - PLASTIC
	035539-01-000	EA	ELBOW-PLASTIC, 3/8" MPT X 3/8" BARB
	039798-01-000	EA	TEE - 1/2" MPT X 1/2" MPT X 1/2" MPT, PLASTIC
	074462-02-000	FT	TUBING-VINYL, 3/8" ID - CLEAR

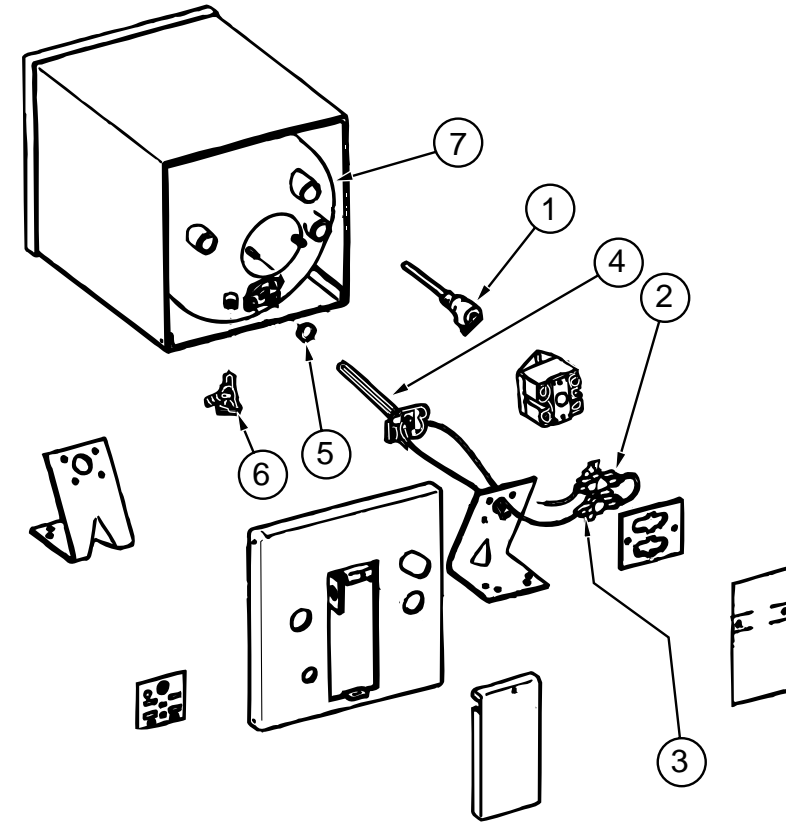
**WATER SYSTEM**

KEY	PART NUMBER	U/M	DESCRIPTION
	110915-01-01A	EA	FILL-WATER, CITY - CHROME - KEVCO 64713
	046128-01-000	EA	VALVE-DRAIN, PLASTIC - 1/2" FPT
	090338-03-000	EA	FITTING-HOSE, 3/4" ID - 2" LENGTH - BRASS
	114428-01-000	EA	TEE - 1/2" P X 1/2" P X 1/2" P - FLAIR-IT 02820
	114428-02-000	EA	TEE-SWIVEL, 1/2" P X 1/2" P X 1/2" P - FLAIR-IT 02821
	114428-03-000	EA	TEE - 1/2" P X 1/2" P X 1/2" MPT - FLAIR-IT 02822
	114429-01-000	EA	ELBOW - 1/2" P X 1/2" P - FLAIR-IT 02800
	114429-03-000	EA	ELBOW - 1/2" P X 1/2" FPT - FLAIR-IT 02816
	114429-05-000	EA	ELBOW - 1/2" P X 3/4" MPT - FLAIR-IT 02812
	114430-01-000	EA	ADAPTER - 1/2" P X 1/2" P - FLAIR-IT 02840
	114430-02-000	EA	ADAPTER-SWIVEL, 1/2" P X 1/2" FPT - FLAIR-IT 02873
	114431-01-000	EA	VALVE-LINE DRAIN, 1/2" P - FLAIR-IT 02914
	114431-03-000	EA	VALVE - 1/2" P X 1/2" P - FLAIR-IT 02884
	114431-04-000	EA	VALVE-WATER - STRAIGHT THRU - "SHUT OFF VALVE"
	039800-02-000	FT	TUBING-POLYBUTYL, 5/8" OD - INCREMENTS OF 20' - BLACK

**EXTERIOR SHOWER**

KEY	PART NUMBER	U/M	DESCRIPTION
	079563-04-01A	EA	FAUCET-SHOWER - P442SVB
	103092-01-000	EA	SHOWER HEAD - W/60" HOSE
	103092-02-000	EA	SHOWER HEAD - W/60" HOSE - CSA
	103092-01-700	EA	BRACKET ONLY-CLEAR, F/SHOW HEAD
	103092-01-702	EA	SEALS-SPRAY HEAD
	011048-03-700	EA	BRACKET/F SHOWER HEAD - BPC
	093527-02-000	EA	BRACKET-SQUEEGEE/SHOWER HEAD
	108356-02-01A	EA	COVER-SWITCH W/DIMPLES, CARLING VVAZC00 BLA
	108357-05-000	EA	ROCKER SWITCH, SPDT ON/NONE/ON - CARLING V4D1000B-0
	121473-01-01A	EA	COMPARTMENT-EXTERIOR SHOWER, OFF WHITE PLASTIC

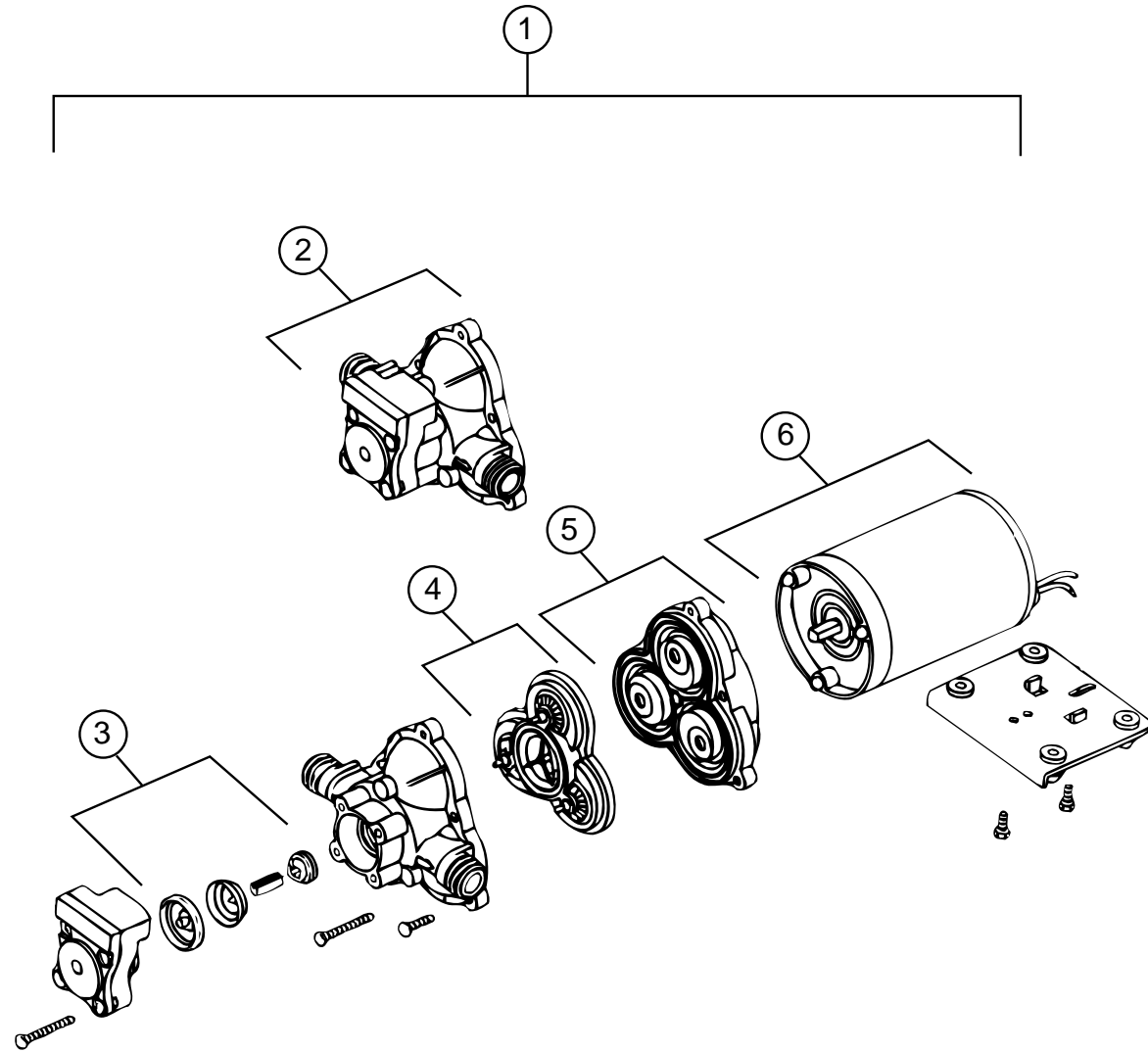
**WATER & SEWAGE GROUP (CONTINUED)**



**ATWOOD ELECTRIC WATER HEATER**

VENDOR NO.	KEY	PART NUMBER	U/M	DESCRIPTION	VENDOR NO.
		113122-01-000	EA	WATER HEATER-ELECTRIC, 4 GL - ATWOOD EHM4-SM	
		113122-02-000	EA	WATER HEATER-ELECTRIC, 4 GL - ATWOOD EHM4-220 - EUROPEAN OPTION	
	1	051391-01-704	EA	VALVE-RELIEF, 1/2" FITTING	91604
2328028	2	074034-01-700	EA	SWITCH	92942
24466	2	113122-02-700	EA	SWITCH, ECO 220 V - EUROPEAN OPTION	91740
2328029-3	3	074034-01-701	EA	THERMOSTAT	92943
	4	074034-01-702	EA	ELEMENT-IMMERSION, 1500 W	93089
	4	113122-02-701	EA	ELEMENT-HEATING, 220 V - EUROPEAN OPTION	91097
	5	074034-01-703	EA	GASKET	92679
	5	113122-02-702	EA	GASKET (220 V) - EUROPEAN OPTION	91098
	6	074034-01-704	EA	VALVE-DRAIN, PETCOCK - NADA	93755
	7	113122-01-700	EA	TANK-INNER	92245

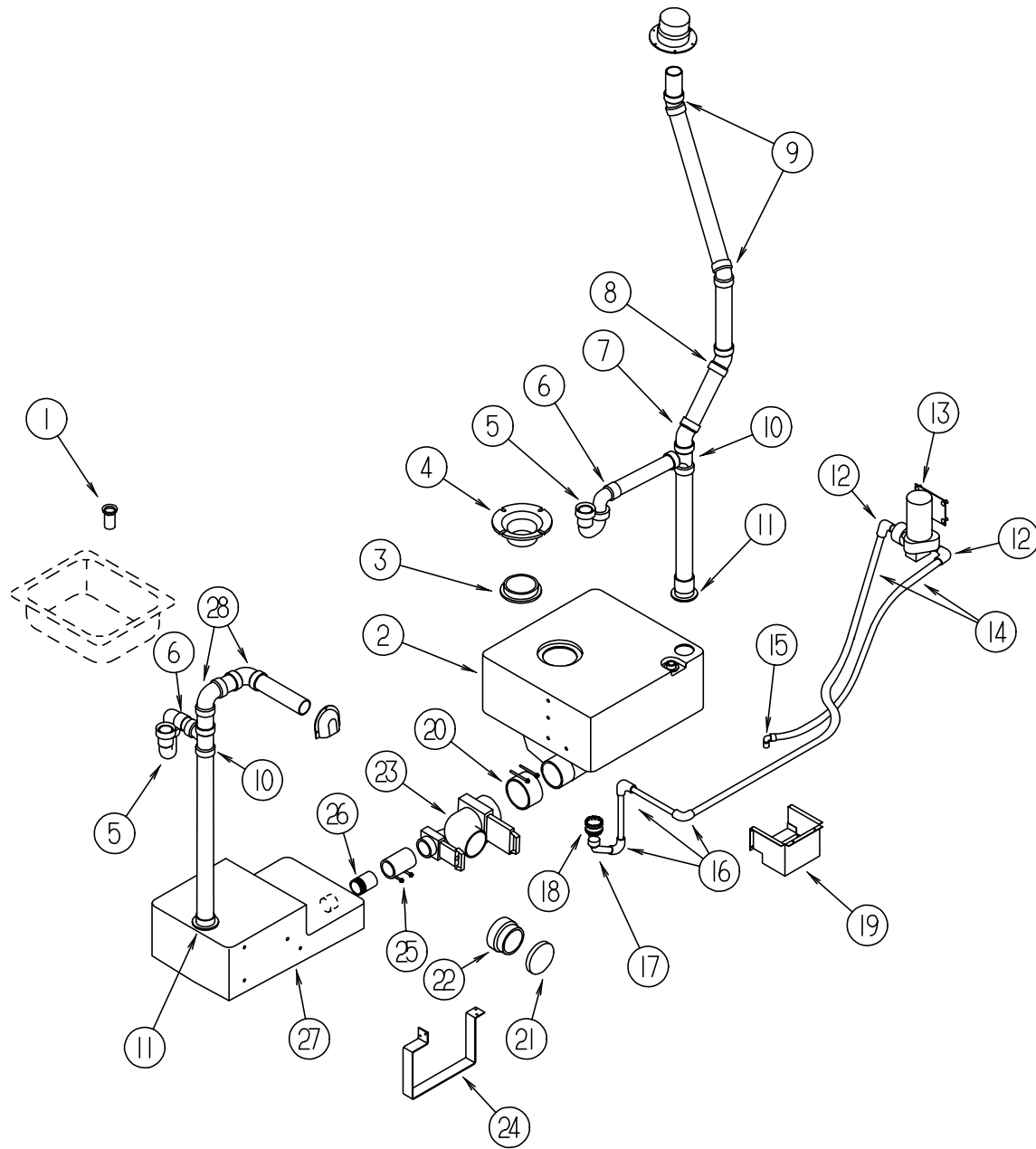
**WATER & SEWAGE GROUP (CONTINUED)**  
**SHURFLO WATER PUMP OR SUMP PUMP & COMPONENTS**



KEY	PART NUMBER	U/M	DESCRIPTION
1	098607-01-000	EA	PUMP-WATER/SUMP, W/.5" MPT FITTING - FLOW 2.8 GPM - UL
2	098607-01-706	EA	HOUSING W/SWITCH ONLY
3	098607-01-705	EA	VALVE-CHECK, KIT
4	098607-01-703	EA	VALVE KIT
5	098607-01-702	EA	DIAPHRAGM/DRIVE ASSEMBLY KIT
6	098607-01-707	EA	MOTOR W/BASEPLATE

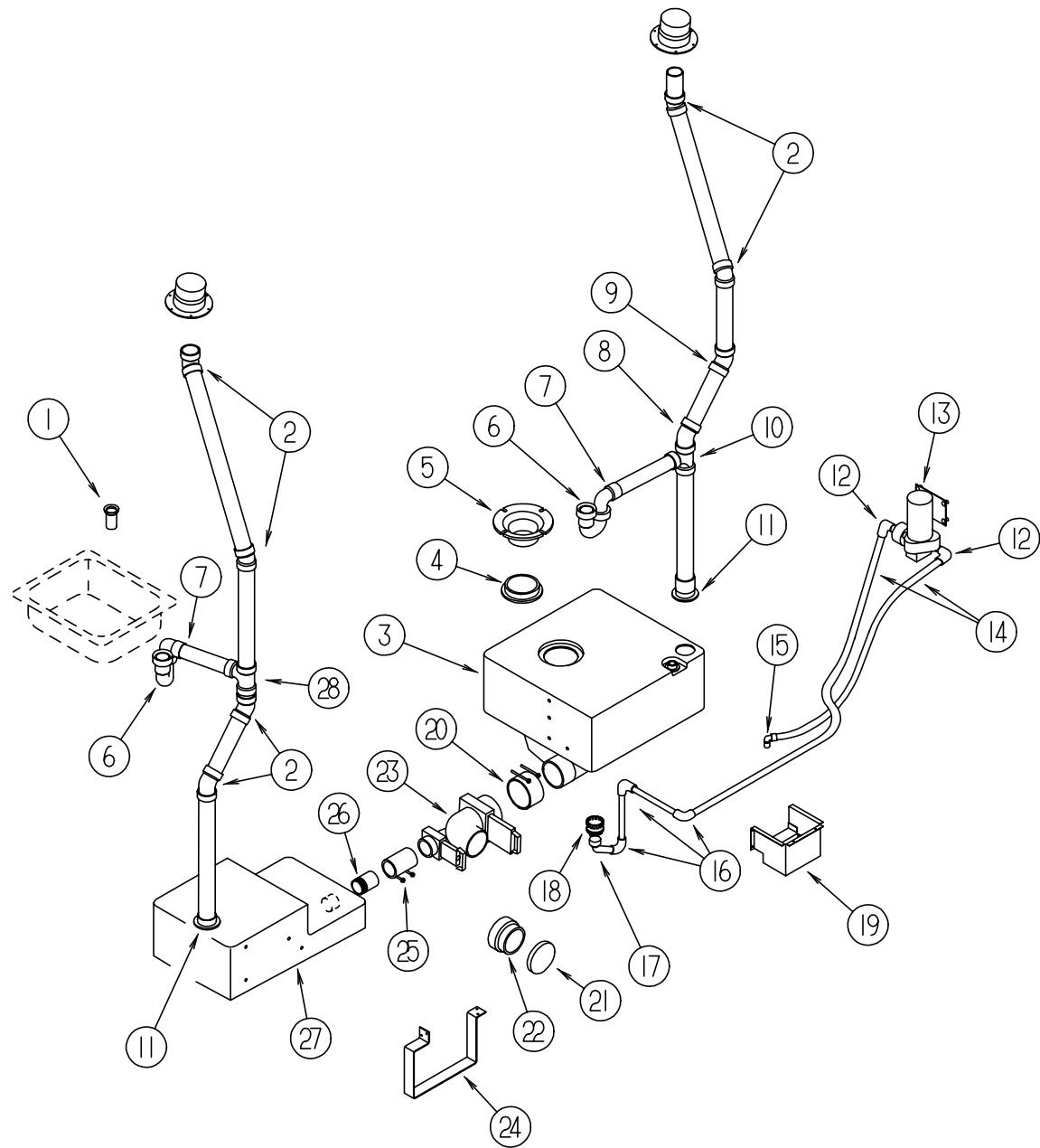
VENDOR NO.
94-231-20
94-237-00
94-232-00
94-238-04
94-234-03

**WATER & SEWAGE GROUP (CONTINUED)**  
**DRAINAGE SYSTEM (FROM: 00-00-00 THRU: 10-08-96)**



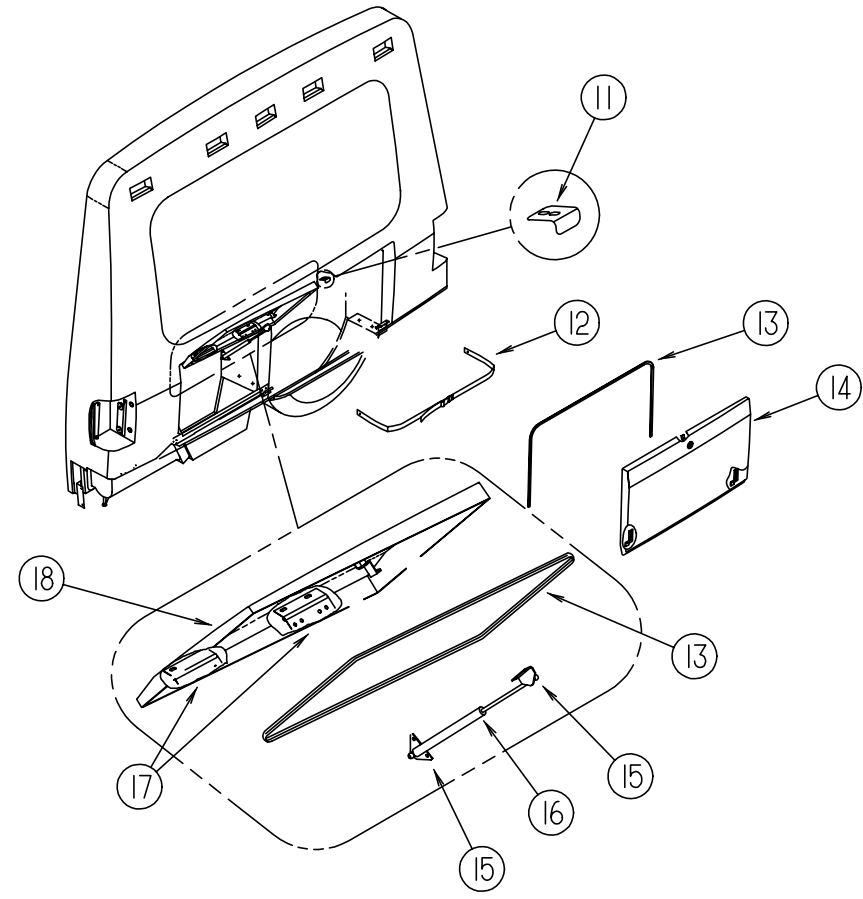
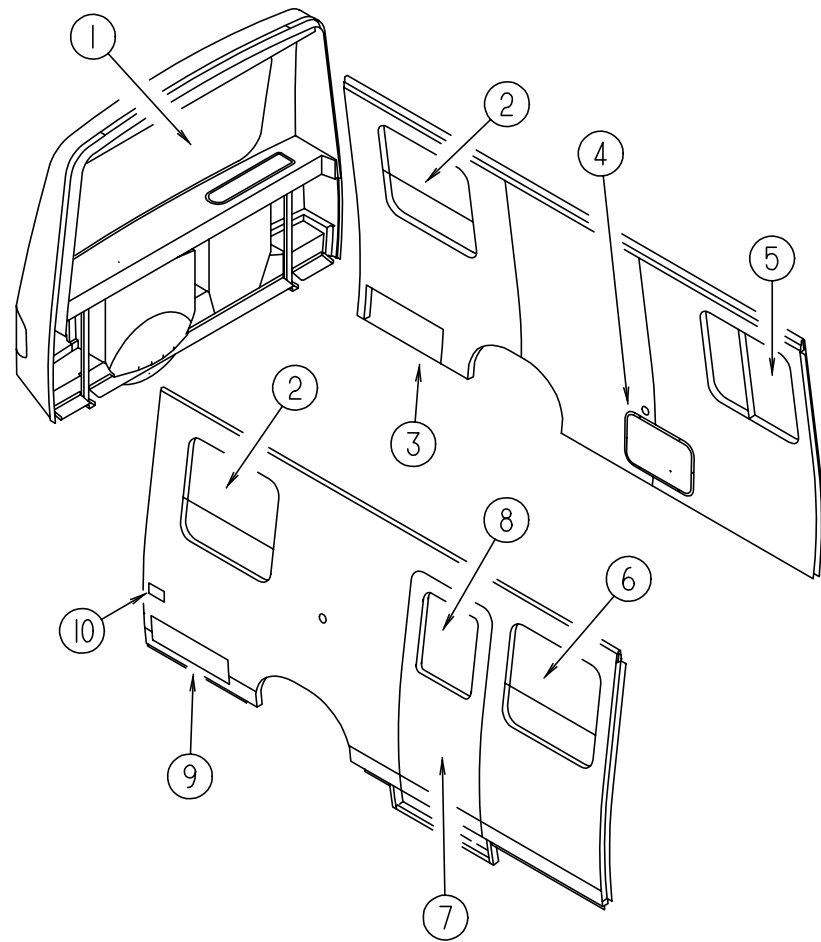
KEY	PART NUMBER	U/M	DESCRIPTION
1	011069-03-000	EA	TAILPIECE - 1 1/2" X 1 3/4", PLASTIC
2	111884-01-000	EA	TANK-HOLDING, 13 GAL - 486 MM X 466 MM X 330 MM
	061607-01-000	EA	GROMMET-HOLDING TANK, 1 1/2" NPS
3	061607-02-000	EA	GROMMET-HOLDING TANK, 3" NPS
	039861-01-000	EA	SENDING UNIT W/SCREW, WASHER, WELL NUT AND TERMINAL RING
4	063641-01-000	EA	FLANGE-CLOSET, 4" X 3"
5	107538-01-000	EA	P-TRAP-PLASTIC, 1 1/4" W/EXT ARM - US
5	011066-03-700	EA	P-TRAP KIT - 1 1/2" X 1 1/4" P-TRAP W/1 1/2 TO 1 1/4 REDUCER - CANADIAN
6	109571-01-000	EA	ADAPTER-P TRAP, 1 1/2" P X 1 1/4" MPT
7	010051-01-000	EA	ELBOW - 45 DEGREE BEND, 1 1/2" SPIGOT AND HUB - PLASTIC - BLACK
8	010006-01-000	EA	ELBOW - 45 DEGREE , 1/8 BEND - 1 1/2" HUB X HUB - BLACK PLASTIC
9	010005-01-000	EA	ELBOW - 22 1/2 DEGREE, 1/16 BEND - 1 1/2" HUB X HUB - PLASTIC - BLACK
10	010071-02-000	EA	TEE-SANITARY W/BAFFLE, 1 1/2" HUB X HUB X HUB - PLASTIC - BLACK
11	010115-01-000	EA	COUPLING - 1 1/2" HUB X HUB, PLASTIC
12	114429-03-000	EA	ELBOW-SWIVEL, 1/2" P X 1/2" FPT - FLAIR-IT 02816 - SHOWER OPTION
	114966-01-000	EA	FILTER-IN LINE, TWIST ON - 1/2" - SHURFLO #170-061-09 - SHOWER OPTION
13	098607-01-000	EA	PUMP-SUMP, W/.5" MPT FITTING - FLOW 2.8 GPM - UL - SHOWER OPTION
14	039800-02-000	FT	TUBING-POLYBUTYL, 5/8" OD - INCREMENTS OF 20' - BLACK
15	114429-02-000	EA	ELBOW - 1/2" P X 1/2" MPT - FLAIR-IT 02803
16	114429-01-000	EA	ELBOW - 1/2" P X 1/2" P - FLAIR-IT 02800 - SHOWER OPTION
17	114429-06-000	EA	ELBOW-SWIVEL, 1/2" P X 3/4" FPT - FLAIR-IT 02811
18	114974-01-000	EA	CONNECTOR-HULL, W/STRAINER - ATTWOOD 3886-1
19	114987-01-09B	EA	PANEL-COVER, SUMP - BOTTOM - 144.4 MM X 130.9 MM X 54 MM - GALV STEEL
19	114988-01-09B	EA	PANEL-COVER, SUMP - 173.4 MM X 146.4 MM X 114 MM - GALVANIZED STEEL
20	078406-01-000	EA	COUPLER-RUBBER, W/CLAMPS - 3" X 3"
21	062415-01-000	EA	CAP-SEWER, 3" DIAMETER
	062415-01-700	EA	STRING SEWER CAP
	010201-01-000	EA	HOSE-SEWER, 3" ID X 8'
22	062416-01-000	EA	ADAPTER-SEWER HOSE TO 3" PIPE
23	070916-01-000	EA	VALVE-DUAL DUMP, W/CAP - 3" X 1 1/2" - PLASTIC - BLACK
	070916-01-700	EA	VALVE ONLY, 3"
	070916-01-701	EA	VALVE ONLY, 1 1/2"
	109450-01-000	EA	ADAPTER-HOSE, SEWER - PLASTIC - KEVCO 40738
24	117271-01-02B	EA	SHROUD-DRAINAGE, E-COAT - 304.1 MM X 210.7 MM X 38.1 MM - STEEL
25	089355-01-000	EA	COUPLER-RUBBER, 1 1/2" X 1 1/2"
26	102024-01-000	EA	NIPPLE-PLASTIC, 1.5" X 2.62" TOE
27	118979-01-000	EA	TANK-HOLDING, 6.4 GAL - 580 MM X 336 MM X 217 MM
	061607-01-000	EA	GROMMET-HOLDING TANK, 1 1/2" NPS
	039861-01-000	EA	SENDING UNIT W/SCREW, WASHER, WELL NUT AND TERMINAL RING
28	037101-01-000	EA	ELBOW-PLASTIC, 1/4 BEND VENT 11/2" H - SLOANE 2201
	092321-01-000	FT	INSULATION-FIBERGLASS, W/ALUMINUM FOIL
	114427-02-000	EA	PLUG - 1/2" P - FLAIR-IT 02863

**WATER & SEWAGE GROUP (CONTINUED)**  
**DRAINAGE SYSTEM (FROM: 10-09-96 THRU: 99-99-99)**



KEY	PART NUMBER	U/M	DESCRIPTION
1	011069-03-000	EA	TAILPIECE - 1 1/2" X 1 3/4", PLASTIC
2	010005-01-000	EA	ELBOW - 22 1/2 DEGREE, 1/16 BEND - 1 1/2" HUB X HUB - PLASTIC - BLACK
3	111884-01-000	EA	TANK-HOLDING, 13 GAL - 486 MM X 466 MM X 330 MM
	039861-01-000	EA	SENDING UNIT W/SCREW, WASHER, WELL NUT AND TERMINAL RING
	061607-01-000	EA	GROMMET-HOLDING TANK, 1 1/2" NPS
4	061607-02-000	EA	GROMMET-HOLDING TANK, 3" NPS
5	063641-01-000	EA	FLANGE-CLOSET, 4" X 3"
6	107538-01-000	EA	P-TRAP-PLASTIC, 1 1/4" W/EXT ARM - US
6	011066-03-700	EA	P-TRAP KIT - 1 1/2" X 1 1/4" P-TRAP W/1 1/2 TO 1 1/4 REDUCER - CANADIAN
7	109571-01-000	EA	ADAPTER-P TRAP, 1 1/2" P X 1 1/4" MPT
8	010051-01-000	EA	ELBOW - 45 DEGREE BEND, 1 1/2" SPIGOT AND HUB - PLASTIC - BLACK
9	010006-01-000	EA	ELBOW - 45 DEGREE , 1/8 BEND - 1 1/2" HUB X HUB - BLACK PLASTIC
10	010071-02-000	EA	TEE-SANITARY W/BAFFLE, 1 1/2" HUB X HUB X HUB - PLASTIC - BLACK
11	010115-01-000	EA	COUPLING - 1 1/2" HUB X HUB, PLASTIC
12	114429-03-000	EA	ELBOW-SWIVEL, 1/2" P X 1/2" FPT - FLAIR-IT 02816 - SHOWER OPTION
	114966-01-000	EA	FILTER-IN LINE, TWIST ON - 1/2" - SHURFLO #170-061-09 - SHOWER OPTION
13	098607-01-000	EA	PUMP-SUMP, W/.5" MPT FITTING - FLOW 2.8 GPM - UL - SHOWER OPTION
14	039800-02-000	FT	TUBING-POLYBUTYL, 5/8" OD - INCREMENTS OF 20' - BLACK
15	114429-02-000	EA	ELBOW - 1/2" P X 1/2" MPT - FLAIR-IT 02803
16	114429-01-000	EA	ELBOW - 1/2" P X 1/2" P - FLAIR-IT 02800 - SHOWER OPTION
17	114429-06-000	EA	ELBOW-SWIVEL, 1/2" P X 3/4" FPT - FLAIR-IT 02811
18	114974-01-000	EA	CONNECTOR-HULL, W/STRAINER - ATTWOOD 3886-1
19	114987-01-09B	EA	PANEL-COVER, SUMP - BOTTOM - 144.4 MM X 130.9 MM X 54 MM - GALV STEEL
19	114988-01-09B	EA	PANEL-COVER, SUMP - 173.4 MM X 146.4 MM X 114 MM - GALVANIZED STEEL
20	078406-01-000	EA	COUPLER-RUBBER, W/CLAMPS - 3" X 3"
21	062415-01-000	EA	CAP-SEWER, 3" DIAMETER
	062415-01-700	EA	STRING SEWER CAP
	010201-01-000	EA	HOSE-SEWER, 3" ID X 8'
22	062416-01-000	EA	ADAPTER-SEWER HOSE TO 3" PIPE
23	070916-01-000	EA	VALVE-DUAL DUMP, W/CAP - 3" X 1 1/2" - PLASTIC - BLACK
	070916-01-700	EA	VALVE ONLY, 3"
	070916-01-701	EA	VALVE ONLY, 1 1/2"
	109450-01-000	EA	ADAPTER-HOSE, SEWER - PLASTIC - KEVCO 40738
24	117271-01-02B	EA	SHROUD-DRAINAGE, E-COAT - 304.1 MM X 210.7 MM X 38.1 MM - STEEL
25	089355-01-000	EA	COUPLER-RUBBER, 1 1/2" X 1 1/2"
26	102024-01-000	EA	NIPPLE-PLASTIC, 1.5" X 2.62" TOE
27	118979-01-000	EA	TANK-HOLDING, 6.4 GAL - 580 MM X 336 MM X 217 MM
	061607-01-000	EA	GROMMET-HOLDING TANK, 1 1/2" NPS
	039861-01-000	EA	SENDING UNIT W/SCREW, WASHER, WELL NUT AND TERMINAL RING
28	010071-01-000	EA	TEE-SANITARY, 1 1/2" HUB X HUB X HUB - PLASTIC - BLACK
	092321-01-000	FT	INSULATION-FIBERGLASS, W/ALUMINUM FOIL
	114427-02-000	EA	PLUG - 1/2" P - FLAIR-IT 02863

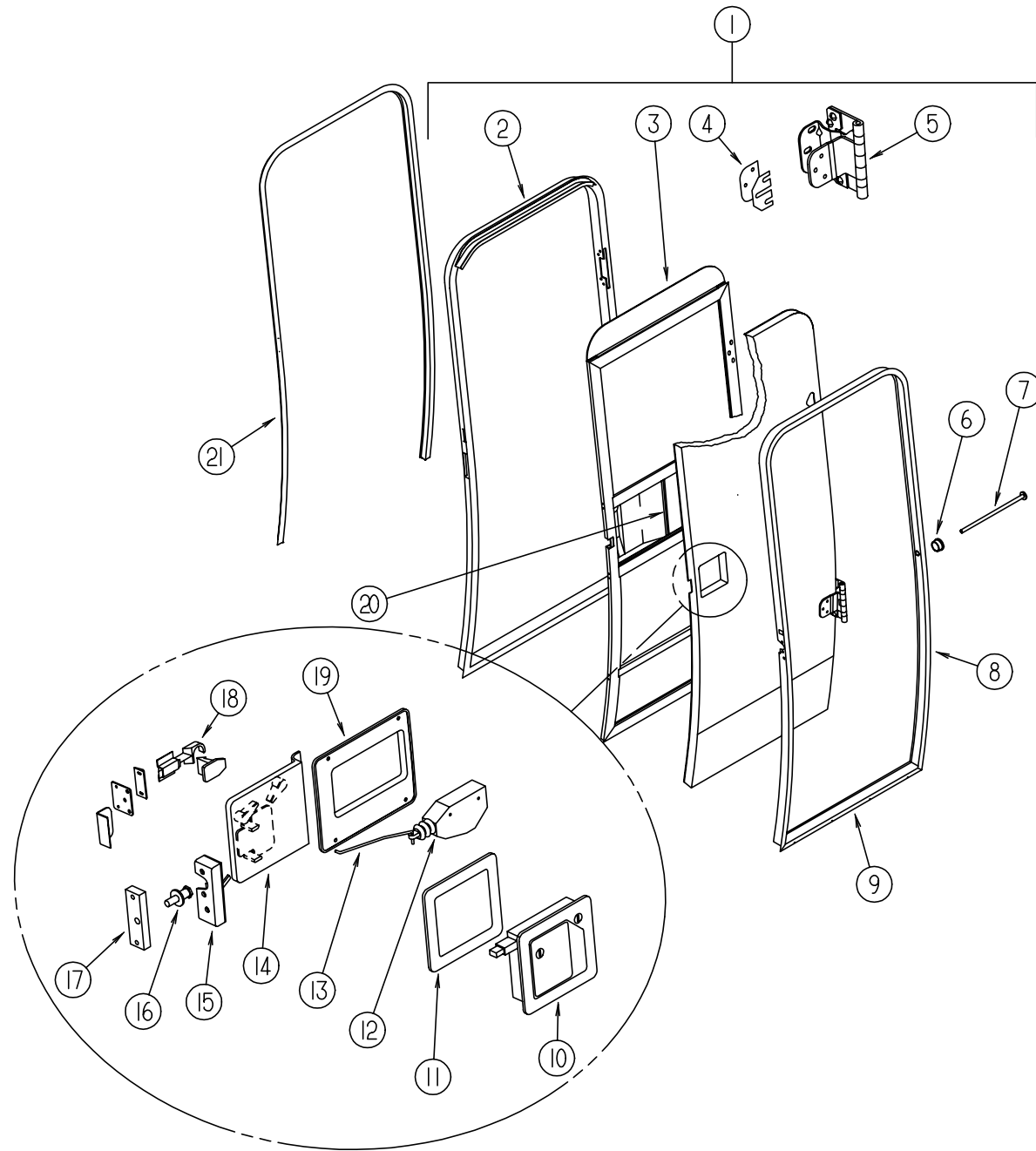
**WINDOW, VENT & EXTERIOR DOOR GROUP**  
WINDOWS & DOORS



KEY	PART NUMBER	U/M	DESCRIPTION
1	084886-04-000	EA	GLASS-WINDOW, REAR ESCAPE
1	084886-05-000	EA	GLASS-WINDOW, REAR ESCAPE - HEATED
1	002285-01-000	FT	FILLER-WEATHER STRIP, RUBBER - BLACK
1	084423-03-000	EA	WEATHERSTRIP-VULCANIZED, 1.2" W/LIP X 14' - RUBBER - BLACK
1	077066-01-702	EA	TAPE ASM-ESCAPE WINDOW
2	104691-07-01A	EA	WINDOW-TIPOUT, OFF WHITE - EXCEL CH78-G1W59
2	112898-12-01A	EA	WINDOW-VERTICAL SLIDER, THERMOPANE - EXCEL DC78-EG2W66 - EUROPEAN
3	112027-02-F45	EA	DOOR-GENERATOR, REAR - LH - VW WHITE
3	112027-03-F45	EA	DOOR-LUGGAGE, REAR - LH - VW WHITE
4	111017-05-G46	EA	DOOR-EXTERIOR SHOWER, VW WHITE
5	098647-42-01A	EA	WINDOW-SLIDER, HORIZONTAL - EXCEL H425-G166L
			FROM: 00-00-00 THRU: 10-08-95
5	098647-46-01A	EA	WINDOW-SLIDER, HORIZONTAL - EXCEL B809-G2W66L
			FROM: 10-09-95 THRU: 99-99-99
5	112795-55-01A	EA	WINDOW-SLIDER, HORIZONTAL - THERMOPANE - EXCEL DB809-EG2W66L
			EUROPEAN
6	098644-10-01A	EA	WINDOW-VERTICAL SLIDER, EXCEL H464-G1W66
6	112898-12-01A	EA	WINDOW-VERTICAL SLIDER, THERMOPANE - EXCEL DC78-EG2W66 - EUROPEAN
7	113594-01-F45	EA	DOOR-ENTRANCE, W/O WINDOW - W/SCREEN DOOR - W/POWER LOCK
8	079733-04-T03	EA	WINDOW-ENTRY DOOR, 17" X 25" - W/O INSIDE FRAME
			FROM: 00-00-00 THRU: 01-08-95
8	117053-01-F45	EA	WINDOW-ENTRY DOOR, 17" X 25" - W/O INSIDE FRAME
			FROM: 01-09-95 THRU: 99-99-99
8	113733-04-01A	EA	WINDOW-ENTRY DOOR, THERMOPANE - EXCEL DH456-EG2W66 - EUROPEAN
9	112027-01-F45	EA	DOOR-LP, REAR - RH - VW WHITE
10	081240-14-000	EA	FILL-WATER, LOCKABLE - VW WHITE

KEY	PART NUMBER	U/M	DESCRIPTION
11	113745-01-02B	EA	STRIKE-SPARE TIRE DOOR, E-COATED
12	099717-04-000	EA	TIEDOWN ASM-STRAP W/BUCKLE
13	112160-01-000	FT	SEAL-D SECTION, 6 MM X 10 MM - 256M ADHESIVE - BLACK - LAUREN 1153
14	113694-01-F45	EA	DOOR-SPARE TIRE ACCESS, VW WHITE
	113763-01-02B	EA	RETAINER-DOOR, 20 MM X 96 MM W/SLOTS - STEEL - E-COATED
15	107796-03-000	EA	BRACKET-GAS SPRING, SMALL - SPDI SPD-1015
16	108998-01-000	EA	SPRING-GAS - SPD-5300-30
17	116291-01-01A	EA	HINGE-POWER CORD ACCESS DOOR, 360 MM LONG - VW WHITE
18	113693-01-F45	EA	DOOR-POWER CORD ACCESS, VW WHITE
	009426-01-000	EA	HATCH-POWER CORD, WHITE

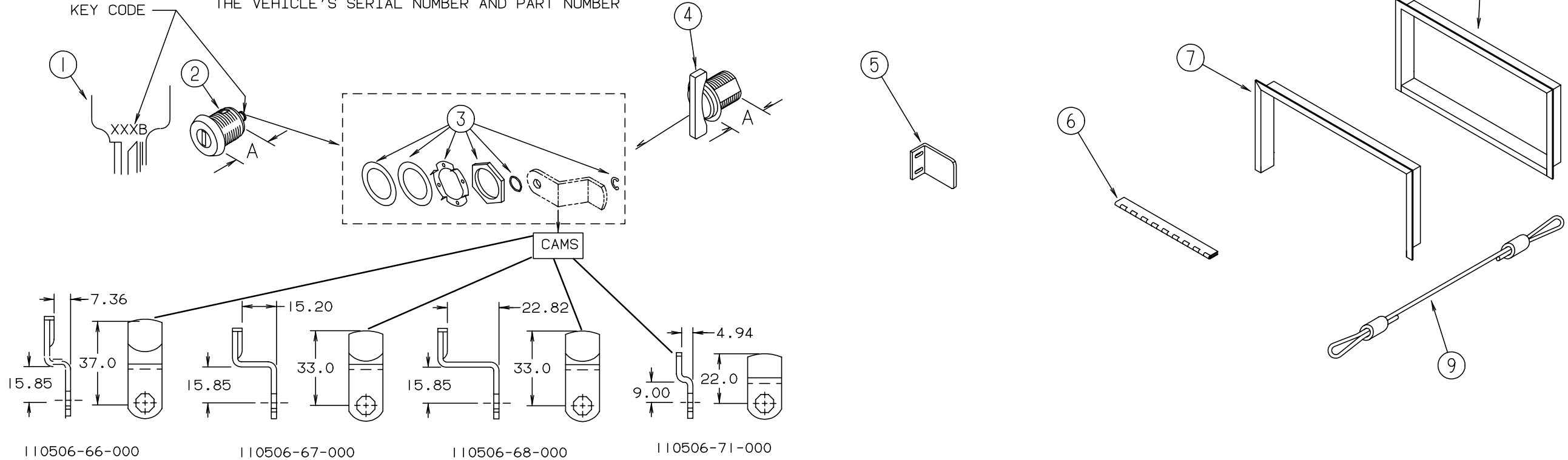
**WINDOW, VENT & EXTERIOR DOOR GROUP (CONTINUED)**  
**ENTRANCE DOOR**



KEY	PART NUMBER	U/M	DESCRIPTION
1	113594-01-F45	EA	DOOR-ENTRANCE, W/O WINDOW - W/SCREEN DOOR - W/POWER LOCK
2	113642-01-F45	EA	JAMB ASSEMBLY-ENTRANCE DOOR W/DRIP CAP & BOTTOM
	112160-01-000	FT	SEAL-D SECTION, 6 MM X 10 MM - 256M ADHESIVE - BLACK - LAUREN 1153 MOUNTED TO ENTRANCE DOOR JAMB ASSEMBLY
	058806-01-000	EA	PLUG-TAPERED, PLASTIC - .94" DIA - RED
	063729-01-000	EA	RIVNUT - 1/4" X 20 UNC - .030 - .125
3	113621-01-01A	EA	DOOR-SCREEN, OFF WHITE
	002293-02-000	SF	SCREENING-WINDOW/DOOR, 26" - CHARCOAL
	002294-01-000	FT	SPLINE-SCREENING, .135" X .138" - BLACK
	075673-01-000	FT	SEAL-PILE, ADHESIVE BACK - GRAY - .27" X .45" - AMESBURY 71345-270
	075673-04-000	FT	SEAL-PILE, .27" X .80" - 80027082GYWP
	113616-01-01A	FT	EXTR-VINYL, SEAL TRACK - GRAY
	116485-01-03B	EA	BRACKET-SCREEN DOOR, Z - 76 MM X 56 MM X 31 MM - OFF WHITE
4	113668-01-01A	EA	GASKET-HINGE, UPPER OR LOWER - BLACK
5	113460-01-01A	EA	HINGE-ENTRANCE DOOR, UPPER - MILL
	113461-01-01A	EA	HINGE-ENTRANCE DOOR, LOWER - MILL
	113680-01-01A	EA	COVER-ACCESS, HINGE - INTERIOR - DOOR - PLASTIC - OFF WHITE
6	008384-01-000	EA	GROMMET-SNAP, 3/4" DIAMETER - NYLON
7	077222-01-000	EA	SPRING-WIRE GUARD, ENTRY DOOR - GM 08905080 W/POWER LOCK
8	113376-01-01A	EA	TRIM-ENTRANCE DOOR, UPPER W/O BOTTOM - VW WHITE
	111536-01-000	FT	SEAL-ENTRANCE DOOR TRIM, W/ADHESIVE - BLACK - LAUREN 17 MM X 20 MM MOUNTED TO ENTRANCE DOOR UPPER TRIM
9	113395-01-01A	EA	TRIM-ENTRANCE DOOR, BOTTOM - VW WHITE
	112160-02-000	FT	SEAL-D SECTION, 6 MM X 10 MM - 3M HATS ADHESIVE - BLACK - LAUREN 1153 MOUNTED TO ENTRANCE DOOR BOTTOM TRIM
10	113636-01-01A	EA	LATCH ASM-ROTARY, OFF WHITE - TRIMARK 12150-37
	045017-11-701	EA	KEY-BLANK, SILVER - TRI/MARK
	113636-01-700	EA	KEY-BLANK, DEADBOLT
11	113669-01-01A	EA	GASKET-LATCH, DOOR - FOAM - GRAY
12	117050-01-000	EA	ACTUATOR-LOCK, ELECTRIC - VW 701959783 - W/POWER LOCK
13	113834-01-01A	EA	ROD-DOOR LATCH - TRIMARK W/POWER LOCK
	114209-01-01A	EA	PUSHNUT-CAP, 1/8" - WHITE - ARDEN KPS125105 W/POWER LOCK
14	113636-02-01A	EA	PLATE-INSIDE, W/DEADBOLT - BLACK - TRIMARK 12880-01
	113636-06-01A	EA	SCREWS-MOUNTING, INSIDE PLATE - MILL FINISH - TRIMARK 81599-15
15	113636-03-01A	EA	LATCH-SINGLE ROTOR, MILL FINISH - TRIMARK 12159-16
16	092927-03-000	EA	STRIKER-ROUND, JAMB MOUNTED - TRIMARK 10335-16
17	113636-05-01A	EA	NUT ASM-CAGED, MILL FINISH - TRIMARK 11920-16
18	110529-01-000	EA	LATCH-BULLET, SCREEN DOOR - PHILIPS-D4234
	113750-01-04B	EA	PLATE-LATCH STRIKER, BLACK
19	113960-01-01A	EA	COVER-ACTUATOR, OFF WHITE
20	079086-02-000	EA	SLIDER-SCREEN DOOR, OFF WHITE
	079087-02-000	EA	STRIKE-SLIDER, SCREEN DOOR - 1.5" X 8.6" - OFF WHITE
21	113658-01-01A	EA	GARNISH-ENTRANCE DOOR, OFF WHITE
	115750-01-02B	EA	BRACKET-LATCH, DOOR - E-COAT
	117046-02-000	EA	BUMPER-RUBBER, ROUND END - 1" DIAMETER X 1.5"
	090340-01-000	FT	SEAL-FOAM, CLOSED CELL - 1/4" X 1/2" X 50'

**WINDOW, VENT & EXTERIOR DOOR GROUP (CONTINUED)**  
**BRIGGS & STRATTON LOCKS & EXTERIOR DOOR COMPONENTS**

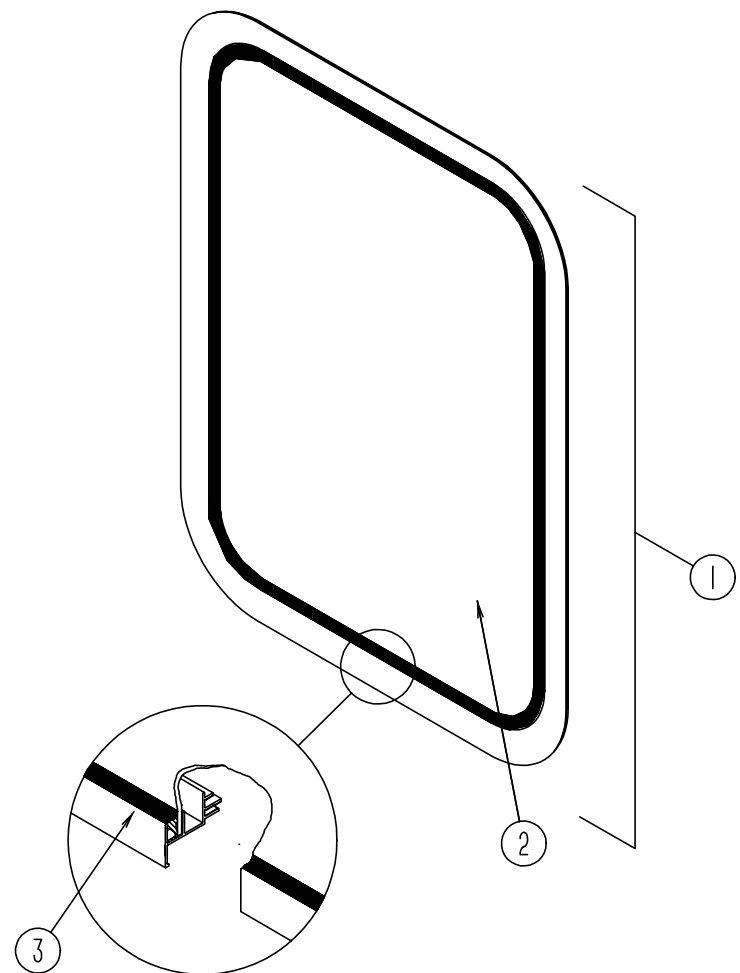
NOTE:  
 WHEN ORDERING THE LOCK CASE, THE KEY CODE MUST MATCH THE LAST DIGIT OF THE VEHICLE'S SERIAL NUMBER AND PART NUMBER; WHEN ORDERING THE KEYS, THE THIRD DIGIT OF THE KEY CODE MUST MATCH THE LAST DIGIT OF THE VEHICLE'S SERIAL NUMBER AND PART NUMBER



KEY	PART NUMBER	U/M	DESCRIPTION	VENDOR NO.	KEY	PART NUMBER	U/M	DESCRIPTION
1	110506-59-000	EA	KEYS-SET OF 2	596720	3	110506-40-700	EA	HARDWARE KIT-LOCK, W/GASKET, NUT, CLIP & WASHERS
2	110506-52-000	EA	CASE-LOCK, A=17MM	702370		110506-59-700	EA	SET-KEYS W/RING, 0 - 9 (FOR DEALER USE ONLY. DO NOT RETAIL.)
2	110506-53-000	EA	CASE-LOCK, A=25MM	702380		110506-59-701	EA	KEY BLANK
1	110506-59-001	EA	KEYS-SET OF 2	596721	4	110506-51-000	EA	CASE-TWIST LOCK, A = 25 MM 596669
2	110506-52-001	EA	CASE-LOCK, A=17MM	702371	5	112245-01-000	EA	BRACKET-CATCH, LOCK
2	110506-53-001	EA	CASE-LOCK, A=25MM	702381	6	112246-01-01A	EA	HINGE - 2" X 16.3", VW WHITE
1	110506-59-002	EA	KEYS-SET OF 2	596722	6	081801-AF-000	EA	HINGE - 2" X 12.3", VW WHITE
2	110506-52-002	EA	CASE-LOCK, A=17MM	702372	7	113752-01-01A	EA	JAMB ASM-TRIM, GENERATOR DOOR - VW WHITE
2	110506-53-002	EA	CASE-LOCK, A=25MM	702382	8	113752-03-01A	EA	JAMB ASM-TRIM, LUGGAGE DOOR - VW WHITE
1	110506-59-003	EA	KEYS-SET OF 2	596723	8	113753-01-01A	EA	JAMB ASM-TRIM, LP DOOR - VW WHITE
2	110506-52-003	EA	CASE-LOCK, A=17MM	702373	9	076767-05-000	EA	CABLE-DOOR SUPPORT, 1/16" X 15.5" - STAINLESS STEEL
2	110506-53-003	EA	CASE-LOCK, A=25MM	702383				
1	110506-59-004	EA	KEYS-SET OF 2	596724				
2	110506-52-004	EA	CASE-LOCK, A=17MM	702374				
2	110506-53-004	EA	CASE-LOCK, A=25MM	702384				
1	110506-59-005	EA	KEYS-SET OF 2	596725				
2	110506-52-005	EA	CASE-LOCK, A=17MM	702375				
2	110506-53-005	EA	CASE-LOCK, A=25MM	702385				
1	110506-59-006	EA	KEYS-SET OF 2	596726				
2	110506-52-006	EA	CASE-LOCK, A=17MM	702376				
2	110506-53-006	EA	CASE-LOCK, A=25MM	702386				
1	110506-59-007	EA	KEYS-SET OF 2	596727				
2	110506-52-007	EA	CASE-LOCK, A=17MM	702377				
2	110506-53-007	EA	CASE-LOCK, A=25MM	702387				
1	110506-59-008	EA	KEYS-SET OF 2	596728				
2	110506-52-008	EA	CASE-LOCK, A=17MM	702378				
2	110506-53-008	EA	CASE-LOCK, A=25MM	702388				
1	110506-59-009	EA	KEYS-SET OF 2	596729				
2	110506-52-009	EA	CASE-LOCK, A=17MM	702379				
2	110506-53-009	EA	CASE-LOCK, A=25MM	702389				



**WINDOW, VENT & EXTERIOR DOOR GROUP (CONTINUED)**



**ENTRANCE DOOR WINDOW**

KEY	PART NUMBER	U/M DESCRIPTION
	114507-01-01A	EA FRAME-WINDOW, ENTRY DOOR - OFF WHITE FROM: 00-00-00 THRU: 01-08-95
	114507-02-01A	EA FRAME-WINDOW, ENTRY DOOR - OFF WHITE FROM: 01-09-95 THRU: 99-99-99
1	079733-04-T03	EA WINDOW-ENTRY DOOR, 17" X 25" - W/O INSIDE FRAME FROM: 00-00-00 THRU: 01-08-95
1	117053-01-F45	EA WINDOW-ENTRY DOOR, 17" X 25" - W/O INSIDE FRAME FROM: 01-09-95 THRU: 99-99-99
2	002181-06-000	EA GLASS-PICTURE WINDOW, .115" X 16.25" X 24"
2	002181-28-000	EA GLASS-WINDOW, .115" X 609 MM X 412 MM
3	087561-01-000	FT SEAL-GLASS, EXTERIOR - .5" WIDE - VINYL - BLACK

**ENTRANCE DOOR WINDOW - EUROPEAN WINDOW OPTION**

KEY	PART NUMBER	U/M DESCRIPTION
	113733-04-01A	EA WINDOW-ENTRY DOOR W/INSIDE FRAME - EXCEL DH456-EG2W66

**WINDOW, VENT & EXTERIOR DOOR GROUP (CONTINUED)**

**EXCEL BEDROOM TIPOUT WINDOWS**

KEY	PART NUMBER	U/M DESCRIPTION	VENDOR NO.
	104691-07-01A	EA WINDOW-TIPOUT, OFF WHITE - EXCEL CH78-G1W59	
	100322-01-703	FT STRIP-GLAZING, BUTYL - EXCEL	132-010723
	100322-01-718	EA HANDLE-DIAL - EXCEL	410-016081
	104691-07-700	EA GLASS-VENT ASM, TIPOUT - LOWER - EXCEL	CH78-D9
	104691-07-701	EA GLASS-STATIONARY - EXCEL	106-018753
	104691-07-702	EA SCREEN ASM W/WEATHERSTRIPING - EXCEL	410-018744

**EXCEL VERTICAL SLIDER WINDOW**

KEY	PART NUMBER	U/M DESCRIPTION	VENDOR NO.
	098644-10-01A	EA WINDOW-VERTICAL SLIDER, EXCEL H464-G1W66	
	098644-01-719	FT STOP-SLIDER GLASS, EXCEL	132-014203

**EXCEL VERTICAL SLIDER WINDOWS - EUROPEAN WINDOW OPTION**

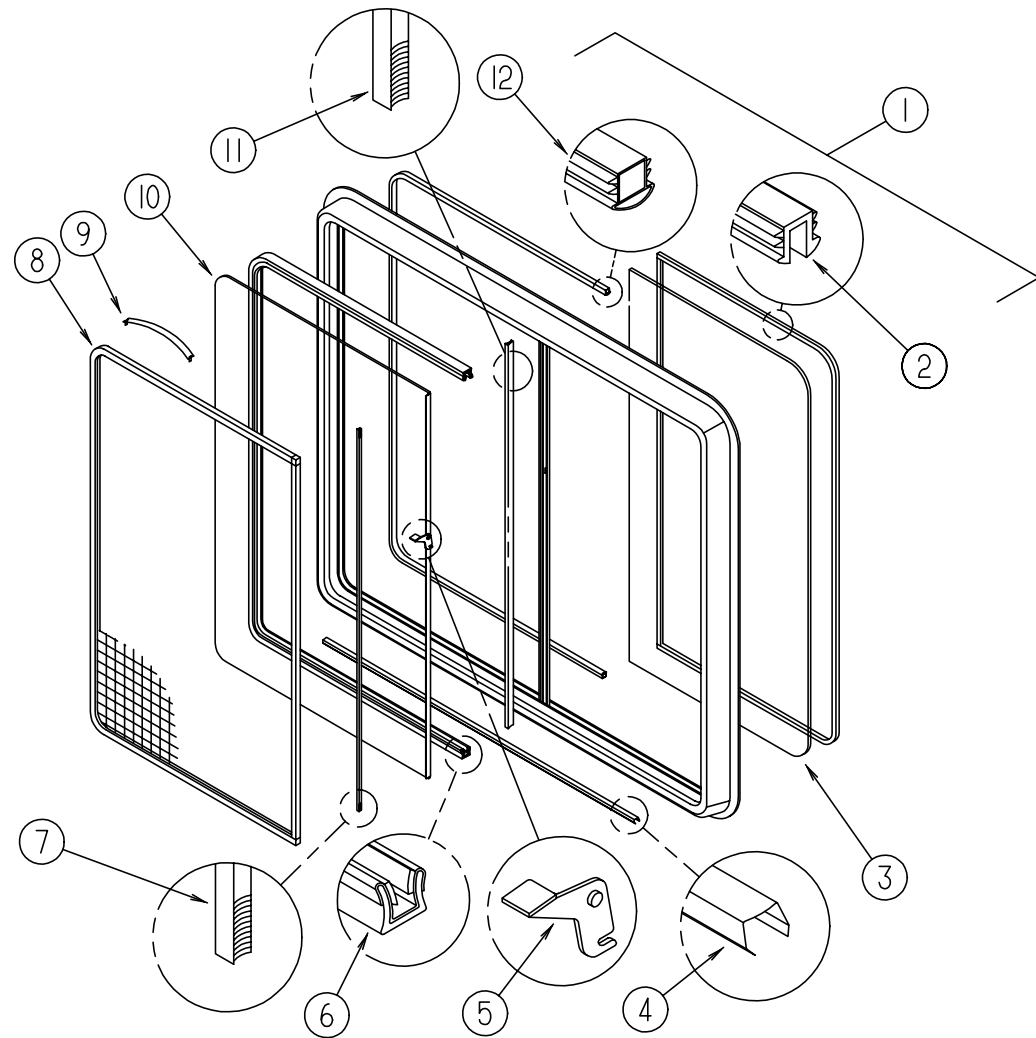
KEY	PART NUMBER	U/M DESCRIPTION	VENDOR NO.
	112898-12-01A	EA WINDOW-VERTICAL SLIDER, THERMOPANE - EXCEL DC78-EG2W66	
	112795-01-700	EA LATCH ASM-BLACK - EXCEL	DH287-CK

**EXCEL GALLEY SINGLE SLIDING WINDOW - EUROPEAN WINDOW OPTION**

KEY	PART NUMBER	U/M DESCRIPTION	VENDOR NO.
	112795-55-01A	EA WINDOW-SLIDER, HORIZONTAL - THERMOPANE - EXCEL DB809-EG2W66L	
	112795-01-700	EA LATCH ASM-BLACK - EXCEL	DH287-CK
	112795-01-701	FT SLIDE-STOP - EXCEL	132-019092
	112795-01-702	FT FILLER PLUG - EXCEL	122-018737
	112795-01-703	IN RUN CHANNEL - EXCEL	122-018736
	112795-01-704	FT VINYL-GLAZING - EXCEL	132-018280

## WINDOW, VENT & EXTERIOR DOOR GROUP (CONTINUED)

### EXCEL GALLEY SINGLE SLIDING WINDOW (FROM: 00-00-00 THRU: 10-08-95)

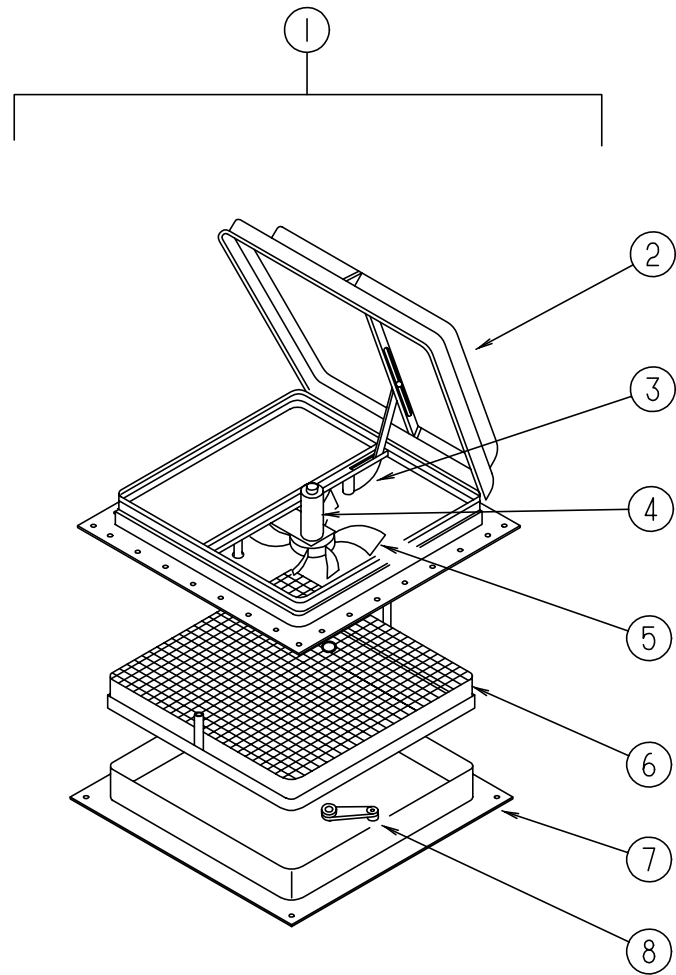


KEY	PART NUMBER	U/M DESCRIPTION	VENDOR NO.
1	098647-42-01A	EA WINDOW-SLIDER W/RETAINER-TRIM, HORIZONTAL - EXCEL H425-G166L	
	098647-31-701	EA RETAINER-TRIM, WHITE - EXCEL	CW2966
2	098644-01-705	FT GLAZING-STRIP - EXCEL	132-010231
3	098647-42-700	EA GLASS-STATIONARY - EXCEL	106-025012
4	098644-01-710	FT TRACK-SCREEN SPACER, 12' LENGTH - EXCEL	M401-31
5	098644-01-700	EA LATCH-REPAIR KIT, EXCEL	B801-CK
6	098644-01-708	FT CHANNEL-PIERCED RUN, EXCEL	122-016543
7	098644-01-711	FT WEATHERSTRIP-SCREEN BLACK - EXCEL	171-016965
8	098647-31-704	EA SCREEN ASM, W/SPRING CLIP - EXCEL	410-019128
9	098644-01-713	EA SPRING-SCREEN FRAME (CLIP), PLASTIC - BLACK - EXCEL	226-016966
10	098647-42-702	EA GLASS-SLIDING, W/SASH & LATCH - EXCEL	H425-GB
11	098644-01-706	FT WEATHERSTRIP, EXCEL	171-010668
12	098644-01-716	FT PLUG-FILLER, EXCEL	132-014470
	098644-01-717	FT SPLINE-SCREEN, EXCEL	132-004716
	098644-01-719	FT STOP-SLIDER GLASS, EXCEL	132-014203

### EXCEL GALLEY SINGLE SLIDING WINDOW (FROM: 10-09-95 THRU: 99-99-99)

KEY	PART NUMBER	U/M DESCRIPTION	VENDOR NO.
1	098647-46-01A	EA WINDOW-SLIDER W/RETAINER-TRIM, HORIZONTAL - EXCEL B809-G2W66L	
	098647-46-703	EA RETAINER-TRIM - EXCEL	V40966
2	098644-01-705	FT GLAZING-STRIP - EXCEL	132-010231
3	098647-46-700	EA GLASS-STATIONARY - EXCEL	106-011181
4	098644-01-710	FT TRACK-SCREEN SPACER, 12' LENGTH - EXCEL	M401-31
5	098644-01-700	EA LATCH-REPAIR KIT, EXCEL	B801-CK
6	098644-01-708	FT CHANNEL-PIERCED RUN, EXCEL	122-016543
7	098644-01-711	FT WEATHERSTRIP-SCREEN BLACK - EXCEL	171-016965
8	098647-46-702	EA SCREEN ASM, W/SPRING CLIP - EXCEL	410-025286
9	098644-01-713	EA SPRING-SCREEN FRAME (CLIP), PLASTIC - BLACK - EXCEL	226-016966
10	098647-46-701	EA GLASS-SLIDING, W/SASH & LATCH - EXCEL	B809-69
11	098644-01-706	FT WEATHERSTRIP, EXCEL	171-010668
12	098644-01-716	FT PLUG-FILLER, EXCEL	132-014470
	098644-01-717	FT SPLINE-SCREEN, EXCEL	132-004716
	098644-01-719	FT STOP-SLIDER GLASS, EXCEL	132-014203

**WINDOW, VENT & EXTERIOR DOOR GROUP (CONTINUED)**



**JENSEN POWERED ROOF VENT**

KEY	PART NUMBER	U/M DESCRIPTION	VENDOR NO.
1	110051-03-01A	EA VENT-ROOF, POWERED - 2" ROOF - JENSEN 7757 WHE	
2	064470-01-700	EA COVER-ROOF VENT, W/O (SLIDE BAR)	7291
3	110051-01-702	EA ARM LIFT ASSEMBLY W/O HANDLE	RP-1000B
4	048648-01-000	EA MOTOR-ROOF VENT, 1/8 SHAFT - 12V - JENSEN	
5	048649-01-000	EA FAN-ROOF VENT, 6 BLADES - 6" - JENSEN	
6	110051-01-700	EA SCREEN & FRAME - 2", JENSEN	29-800-02
7	110051-01-706	EA GARNISH-INTERIOR, 2"	
8	110051-01-703	EA HANDLE-CRANK	RP-1031-B
	064470-01-701	EA SLIDE BAR, (VENT-LID)	JRP1291B

**JENSEN NONPOWERED ROOF VENT**

KEY	PART NUMBER	U/M DESCRIPTION	VENDOR NO.
	110051-01-01A	EA VENT-ROOF, NONPOWERED - 2" ROOF - JENSEN 7724 WHE	
	064470-01-700	EA COVER-ROOF VENT, W/O (SLIDE BAR)	7291
	064470-01-701	EA SLIDE BAR, VENT-LID	JRP1291B
	110051-01-700	EA SCREEN & FRAME - 2", JENSEN	29-800-02
	110051-01-702	EA ARM LIFT ASSEMBLY W/O HANDLE	RP-1000B
	110051-01-703	EA HANDLE-CRANK	RP-1031-B
	110051-01-706	EA GARNISH-INTERIOR, 2"	

**WINDOW, VENT & EXTERIOR DOOR GROUP (CONTINUED)**

**FANTASTIC VENT - US**

KEY	PART NUMBER	U/M DESCRIPTION	VENDOR NO.
	084079-03-000	EA VENT-CEILING, POWERED EXHAUST - OFF WHITE - FANTASTIC VENT	
	084079-01-700	EA COVER - VENT, W/HINGE & SLIDE	1020-19
	084079-01-703	EA KNOB-LIFT, W/EXT. AND SCREW	1140K-00
	084079-01-704	EA BLADE-FAN	1070-00
	084079-01-705	EA MOTOR	1080-00
	084079-01-707	EA SWITCH-SAFETY	1120.00
	084079-01-709	EA SWITCH-MAIN, 3 SPEED	1100.00
	084079-01-711	EA H-MOLDING, MOTOR MOUNT	
	084079-01-712	EA GARNISH-INTERIOR, 1 7/8" - OFF WHITE	

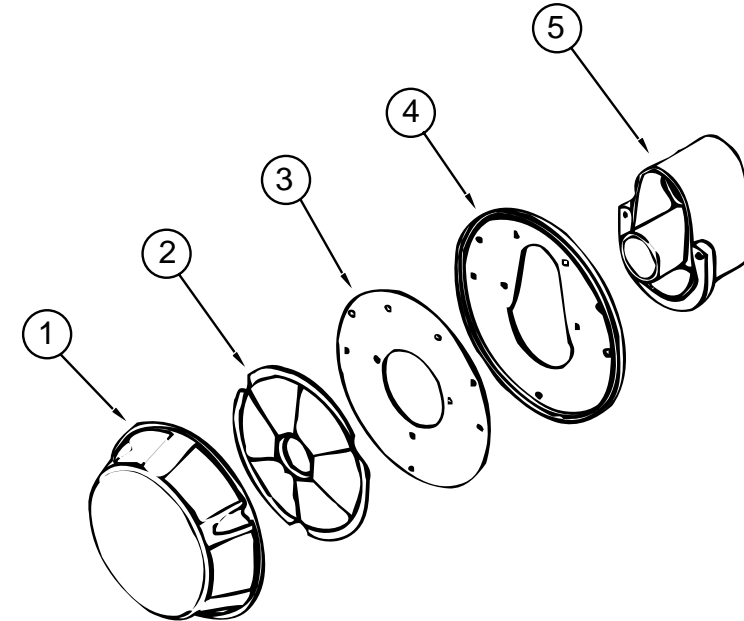
**FANTASTIC VENT - CANADIAN**

KEY	PART NUMBER	U/M DESCRIPTION	VENDOR NO.
	084079-08-000	EA VENT-CEILING, POWERED EXHAUST - OFF WHITE - FANTASTIC VENT	
	084079-01-700	EA COVER - VENT, W/HINGE & SLIDE	1020-19
	084079-01-703	EA KNOB-LIFT, W/EXT. AND SCREW	1140K-00
	084079-01-704	EA BLADE-FAN	1070-00
	084079-01-707	EA SWITCH-SAFETY	1120.00
	084079-01-709	EA SWITCH-MAIN, 3 SPEED	1100.00
	084079-01-711	EA H-MOLDING, MOTOR MOUNT	
	084079-01-712	EA GARNISH-INTERIOR, 1 7/8" - OFF WHITE	
	084079-08-700	EA MOTOR-THIN ROOF	101703

**PLUMBING VENTS**

KEY	PART NUMBER	U/M DESCRIPTION
	083558-06-000	EA VENT-PLUMBING PIPE ROOF W/COVER - VW WHITE
	111222-01-01A	EA COVER-VENT, DRAINAGE - SIDEWALL - KEVCO R1007

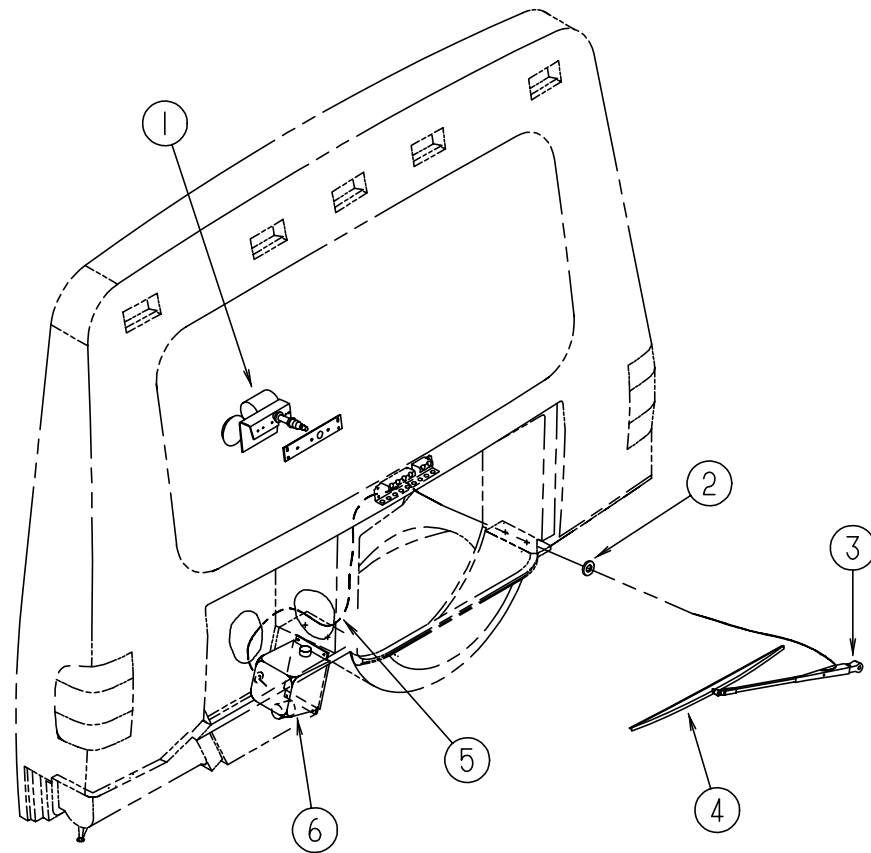
FROM: 00-00-00 THRU: 10-08-95



**NORCOLD REFRIGERATOR VENT**

KEY	PART NUMBER	U/M DESCRIPTION	VENDOR NO.
	113736-02-01A	EA VENT KIT-REFRIGERATOR, NORCOLD	
1	113736-01-700	EA COVER-VENT	617920
2	113736-01-701	EA DISK-EXHAUST	617921
3	113736-01-702	EA PLATE-BACKING	617922
4	113736-01-703	EA GASKET-VENT TERMINAL	617924
5	113736-01-704	EA HOUSING-VENT TERMINAL	617923

**WIPER & WASHER (REAR) GROUP**  
**REAR WIPER & WASHER**



KEY	PART NUMBER	U/M	DESCRIPTION	VENDOR NO.
1	085721-02-000	EA	MOTOR ASM-WIPER, 108 DEGREE - UT 19227-25-M012WC	
2	061603-01-000	EA	GROMMET-SNAP, 3/16"ID - 3/8" HOLE - PLASTIC - BLACK	
3	096931-01-000	EA	ARM-WIPER, 20"	
	096931-01-700	FT	HOSE-WIPER, TO BLADE	
	096931-01-701	EA	NOZZLE-HARDWARE KIT, INCLUDES NOZZEL, NUT, SHORT THREAD SCREW, LONG THREAD SCREW, AND PLASTIC CAP	
	096931-01-702	EA	NUT	52695-40-NT27WC
	096931-01-703	EA	SHORT SCREW	52696-40-SC27WC
	096931-01-704	EA	LONG SCREW	52697-40-SC27WC
4	096931-01-705	EA	PLASTIC CAP	52699-40-CP27WC
	096931-01-706	EA	SPRAY NOZZLE	52698-40-NZ27WC
	097978-01-000	EA	BLADE-WIPER, FLEX - 22" - UT 51916-20BD27WC	
5	045794-01-000	FT	HOSE-WASHER, WINDSHIELD - 5/32" ID - BLACK	
6	056000-05-000	EA	WASHER ASM-WINDSHIELD WIPER - MCCORD 600367	
			FROM: 00-00-00 THRU: 09-19-95	
	117766-02-000	EA	RESERVOIR/PUMP ASM - MCCORD 600328	
			FROM: 09-20-95 THRU: 99-99-99	
	117765-04-000	EA	CONNECTOR - 1/8" X 3/16" W/SWSH - MCCORD 102815	
	116272-01-01A	EA	COVER-REAR WIPER MOTOR, TAUPE PLASTIC	