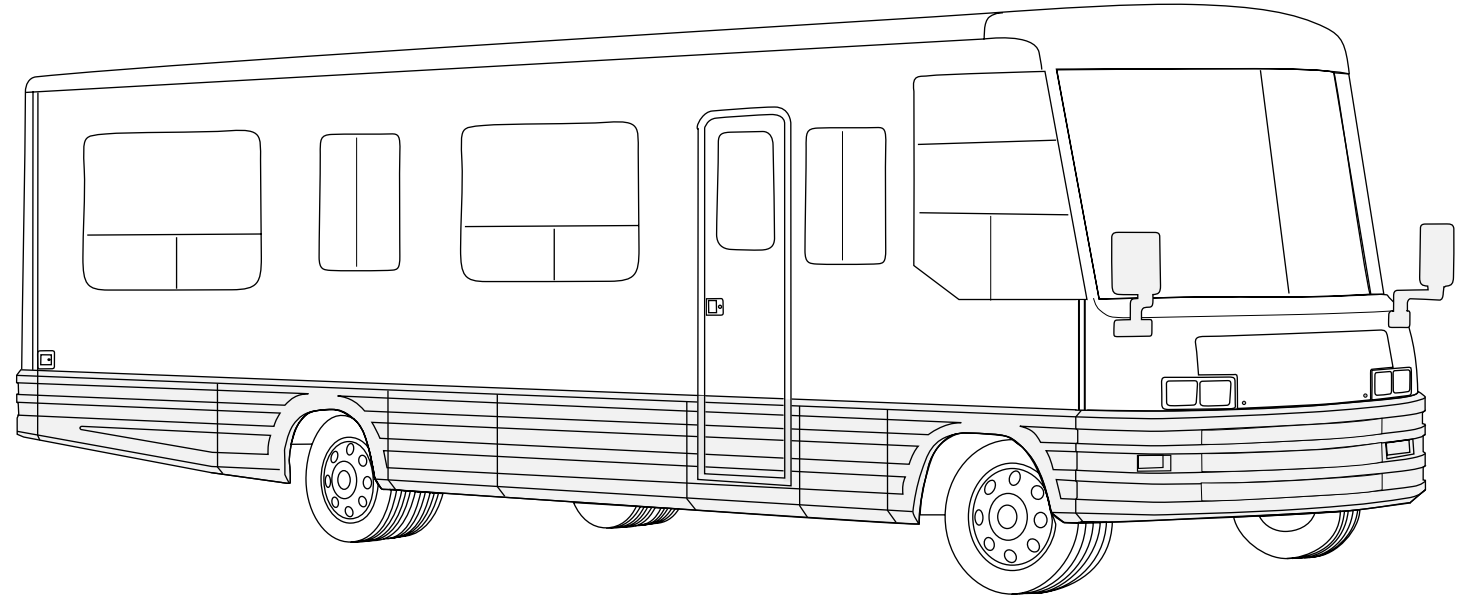
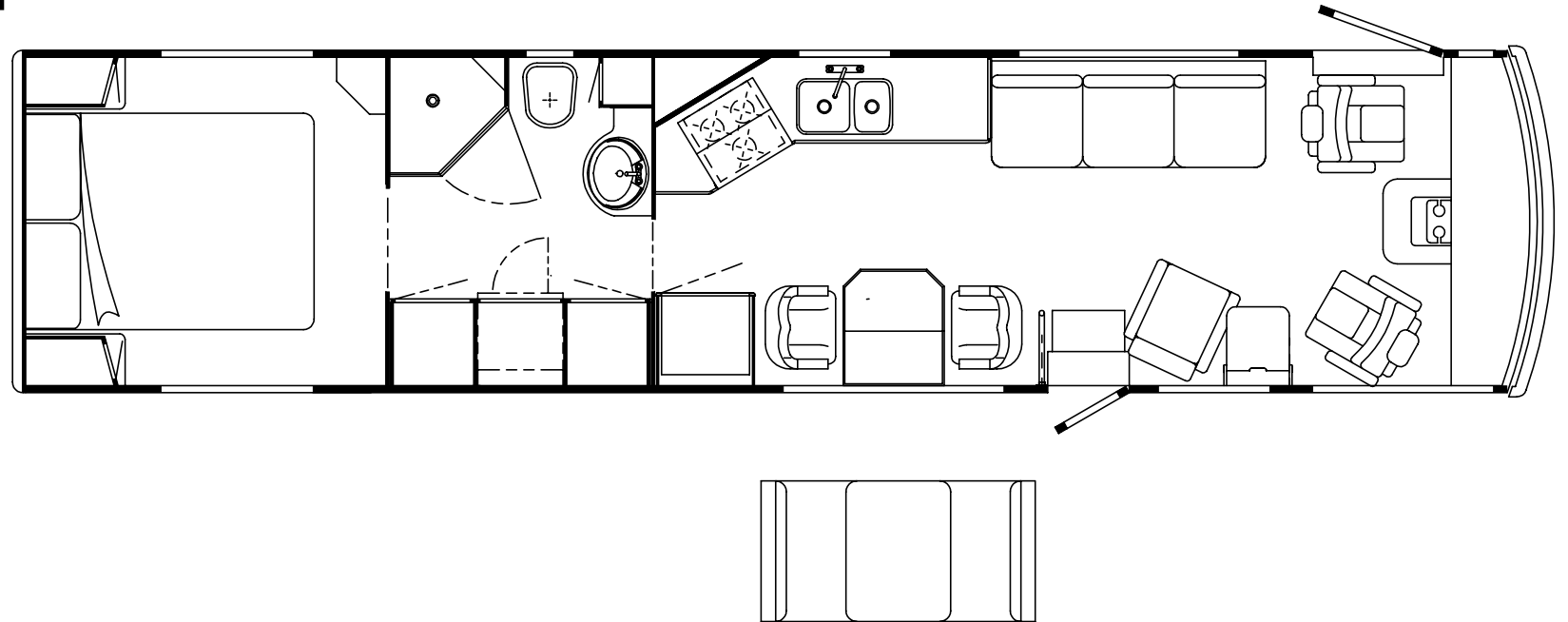


**1995
WCM34RA**



**F36, F38, F40
PICKLED ASH**

**F37, F39, F41
SALEM CHERRY**



ACCESSORIES GROUP

OPERATORS MANUAL

KEY	PART NUMBER	U/M DESCRIPTION
	054185-C7-000	EA MANUAL, OPERATOR, 95 VECTRA - M SERIES
	092318-01-000	EA BINDER-3 RING, MOTOR HOME MANUAL
	092319-01-000	EA POCKET PAGE-3 RING BINDER, PLASTIC
		DW TOP LEVEL DRAWING NUMBER FOR 1995 M SERIES

VACUUM CLEANER

KEY	PART NUMBER	U/M DESCRIPTION
	108186-01-000	EA VACUUM CLEANER-BUILT IN, HP 19-1 DELUXE
	092304-01-700	EA BAGS-VACUUM CLEANER, 6 IN BAG - HP-4908
	092304-02-704	EA MOTOR-VACUUM CLEANER, VACUFLO HP-5098
	108186-02-000	EA VACUUM CLEANING TOOL SET, HP W/30' HOSE
	092304-02-701	EA TOOL-DUSTING, VACUUM CLEANER - VACUFLO HP 1142
	092304-02-702	EA TOOL-RUG, VACUUM CLEANER - VACUFLO HP 4982
	092304-02-703	EA TOOL-CREVICE, VACUUM CLEANER - VACUFLO HP 1141
	092304-02-707	EA TOOL-UPHOLSTERY, VACUFLO 7029
	092304-02-708	EA WAND, VACUFLO 4978
	092304-02-709	EA HOSE ONLY, 30' - VACUFLO 6452-02

AUDIO VIDEO GROUP

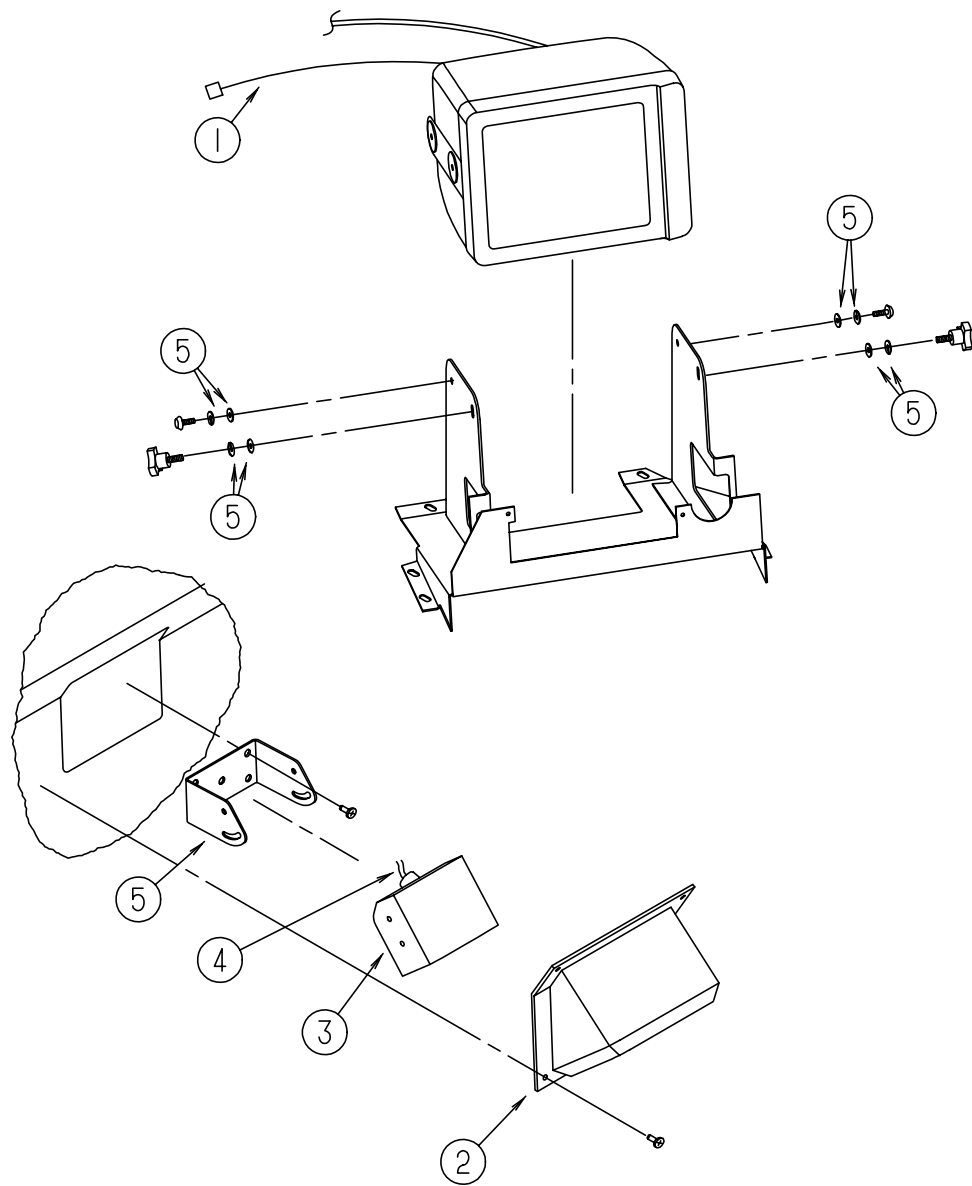
RADIO & CD SYSTEM

KEY	PART NUMBER	U/M DESCRIPTION
	097460-05-000	EA RADIO-AM/FM STEREO, CASSETTE - SONY XR-3320 (DASH)
	115077-01-000	EA RADIO-AM/FM STEREO, CD PLAYER - SONEY CSX-507 0 (DELUXE DASH OPTION)
	109053-02-000	EA RADIO-WALL MOUNT AM/FM CASSETTE, AWM-300 AUDIOVOX (REAR STEREO)
	087683-02-000	EA RADIO-AM/FM STEREO CASSETTE, AUDIOVOX P-1A (EXT. ENTERTAINMENT) FROM: 00-00-00 THRU: 07-17-94
	087683-03-000	EA RADIO-AM/FM STEREO CASSETTE, AUDIOVOX RS-100(ENTERTAINMENT) FROM: 07-18-94 THRU: 99-99-99
	112468-01-000	EA CD/RADIO-COMBINATION PACKAGE, SONY XCP-U770
	112468-01-700	EA RADIO AM/FM CASSETTE, W/UNILINK - SONY XR-U110W
	112468-01-701	EA CD PLAYER, SONY CDX-U70
	081059-02-000	EA WIRE ASM-9-PIN, RADIO - AUDIOVOX 112B-1761 (DASH)
	110469-01-000	EA SPEAKER-OVAL, 4" X 6" - MAGNADYNE F46XB-12 (DASH & EXTERIOR ENTERTAINMENT)
	110470-01-01A	EA GRILLE-SPEAKER, OVAL - 4" X 6" - BLACK - MAGNADYNE G46W (DASH & EXTERIOR ENTERTAINMENT)
	089340-02-000	EA GRILLE-SPEAKER, 6.5" SQUARE (REAR STEREO & OVERHEAD CABINETS)
	094097-01-000	EA SPEAKER-RADIO, W/O GRILLE - 5.25" DIA - AUDIOVOX 110C3030 (REAR STEREO)
	074979-15-000	EA COVER-SPEAKER, W/CUTOUT - PLASTIC - LIGHT OAK
	074979-08-000	EA COVER-SPEAKER, PLASTIC - LIGHT OAK
	074979-16-000	EA COVER-SPEAKER, W/CUTOUT - PLASTIC - OFF WHITE
	074979-12-000	EA COVER-SPEAKER, PLASTIC - OFF WHITE
	090944-01-000	EA ANTENNA-RADIO, 16" RUBBER
	104498-02-000	EA BRACKET-ANTENNA MOUNT
	108847-01-000	EA BRACKET-ANTENNA GROUND (REAR STEREO & EXTERIOR ENTERTAINMENT)
	109889-03-000	EA EXTENDER-SHAFT, ANTENNA - 4" (EXTERIOR ENTERTAINMENT)
	077069-02-000	EA CABLE-ANTENNA, RADIO - EXTENSION 96" - ARA 6700667
	105248-01-000	EA ANTENNA-CB, ADVANCE 8604

TELEPHONE SYSTEM

KEY	PART NUMBER	U/M DESCRIPTION
	093253-01-01A	EA PLATE-WALL, TELEPHONE - BEIGE - CAC625F2-4-50
	093254-01-000	EA HOUSING-TELEPHONE

AUDIO VIDEO GROUP (CONTINUED)



REAR MONITOR SYSTEM

KEY	PART NUMBER	U/M DESCRIPTION
1	096717-03-000	EA WIRE ASM-REAR MONITOR, UPPER
	093040-06-000	EA WIRE ASM-MONITOR, SONY SM-HRN7
2	107852-01-01A	EA SHROUD-CAMERA, OUTER - BUFF
	108529-01-01A	EA SHROUD-CAMERA, INNER - BLACK
	093040-05-000	EA TELEVISION SYSTEM-REAR VIEW, 7" - SONY YM-RVF7AM
3	093040-04-700	EA CAMERA, BRACKET & WIRING
	093040-05-700	EA MONITOR-7", W/POWER HARNESS
4	093041-01-000	EA CABLE-MONITOR/CAMERA, INTERNAL USE
	093041-02-000	EA CABLE-MONITOR/CAMERA, EXTERNAL USE
5	N/A	PARTS ARE INCLUDED W/TELEVISION SYSTEM - SONY

AUDIO VIDEO GROUP (CONTINUED)

TV & VCR SYSTEMS

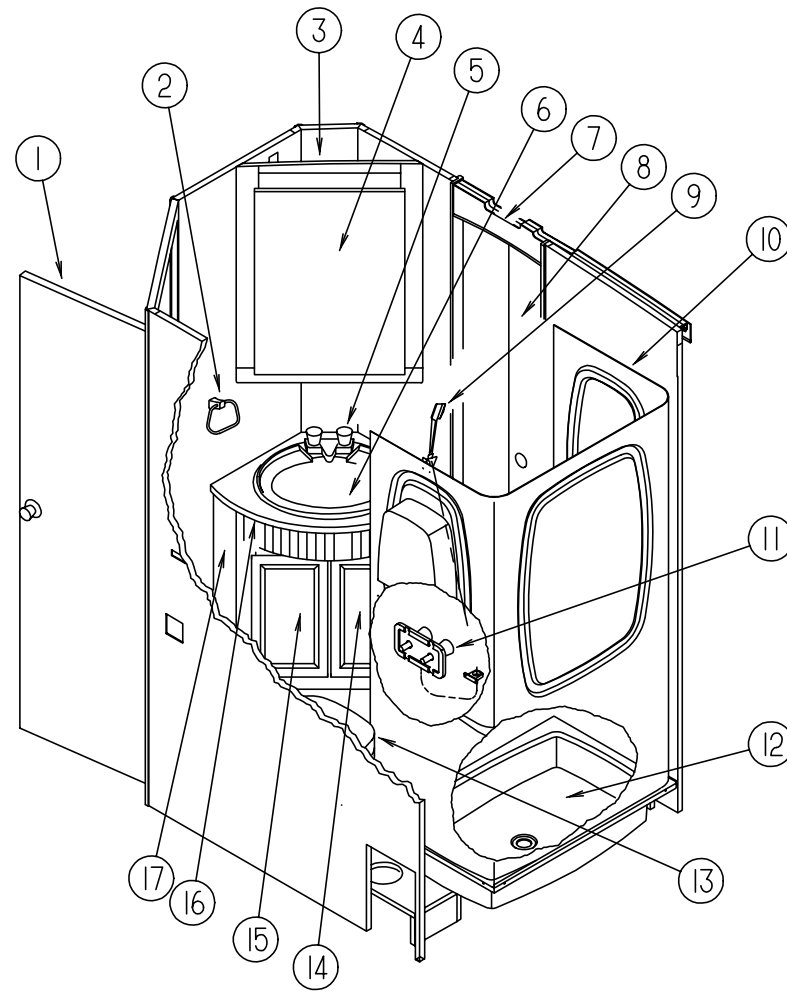
KEY	PART NUMBER	U/M DESCRIPTION
	108096-05-000	EA TV-19" COLOR WITH JACK, UL - MAGNAVOX RR-1933W (CAB)
	108096-05-700	EA REMOTE, MAGNAVOX 0822344
	108096-06-000	EA TV-19" COLOR WITH JACK - CSA - MAGNAVOX XR-1933W (CAB)
	108096-06-700	EA REMOTE FOR MODEL #1933 - MAGNAVOX 0822340
	098447-09-000	EA TV-13" COLOR W/SPEAKER - USA (BEDROOM)
		FROM: 00-00-00 THRU: 08-21-94
	098447-13-000	EA TV-13" COLOR W/SPEAKER - USA (BEDROOM)
		FROM: 08-22-94 THRU: 99-99-99
	098447-07-700	EA REMOTE-TV, MAGNAVOX RR1342C - USA
	098447-10-000	EA TV-13" COLOR W/SPEAKER - CANADIAN (BEDROOM)
		FROM: 00-00-00 THRU: 08-21-94
	098447-14-000	EA TV-13" COLOR W/SPEAKER - CANADIAN (BEDROOM)
		FROM: 08-22-94 THRU: 99-99-99
	098447-08-700	EA REMOTE-TV, MAGNAVOX XR1333C - CANADIAN
	086757-03-000	EA CONTROL CENTER-SWITCH, VCR/TV - MAGNADYNE VCS-6 (CAB)
	098446-06-000	EA VCR-VHS, CABLE READY - REMOTE - MAGNAVOX VR9210 (CAB)
	098446-06-700	EA REMOTE FOR MODEL #9210 - MAGNAVOX 0974584
	115539-01-000	EA RELAY-RADIO/TV SPEAKER, SWITCH - ASA A1780100 (CAB)
	115540-01-000	EA AMPLIFIER-TV SPEAKERS, O W DONALD AMP 3 (CAB)
	099717-01-000	EA TIEDOWN-TV, STRAP ON FEMALE END IS 22.8" LONG
	086756-01-000	EA SPLITTER-TV, 2 WAY
	093901-03-000	EA PLATE-COAXIAL CABLE
	086777-02-000	EA WALLPLATE-TV CABLE, W/ANTENNA SWITCH - BROWN
	086777-06-000	EA WALLPLATE-TV CABLE, W/ANTENNA SWITCH - BROWN
	076319-09-000	EA WALLPLATE-CABLE RECEPTACLE, TV - SINGLE - BROWN
	076319-03-000	FT CABLE-COAXIAL, 75 OHM
	076319-12-000	EA CONNECTOR-COAXIAL, ONE PIECE
	082134-01-000	EA ADAPTER-TV, CABLE TO CABLE - WINEGARD F-81M
	082136-01-000	EA NUT-HEX JAM 3/8-32, WINEGARD

TV ANTENNA

KEY	PART NUMBER	U/M DESCRIPTION
	076319-16-000	EA ANTENNA-TV ROOF MOUNT
	076319-01-700	EA HEAD-ANTENNA, AMPLIFIED - WINEGARD RVSA U/V
	076319-01-701	EA GEAR-ELEVATING, PLASTIC - WINEGARD 2200046
	076319-01-702	EA SHAFT ASM-ELEVATING, WINEGARD RVP-400A
	076319-01-703	EA BEARING-NYLON, 5"OD - WINEGARD 3200656
	076319-01-705	EA GROMMET-NYLON, 7/8"ID - WINEGARD 3200658
	076319-01-706	EA CRANK-ELEVATING, W/SET SCREW - WINEGARD 5755100
	076319-01-707	EA SPRING-HANDLE, WINEGARD 5160800
	076319-01-708	EA DECAL-CRANK, WINEGARD 413002
	076319-01-709	EA PLATE-DIRECTIONAL, FOR HEAD - WINEGARD 3200644
	076319-01-711	EA BASE & LIFT ASM, WINEGARD 2762802

BATH GROUP

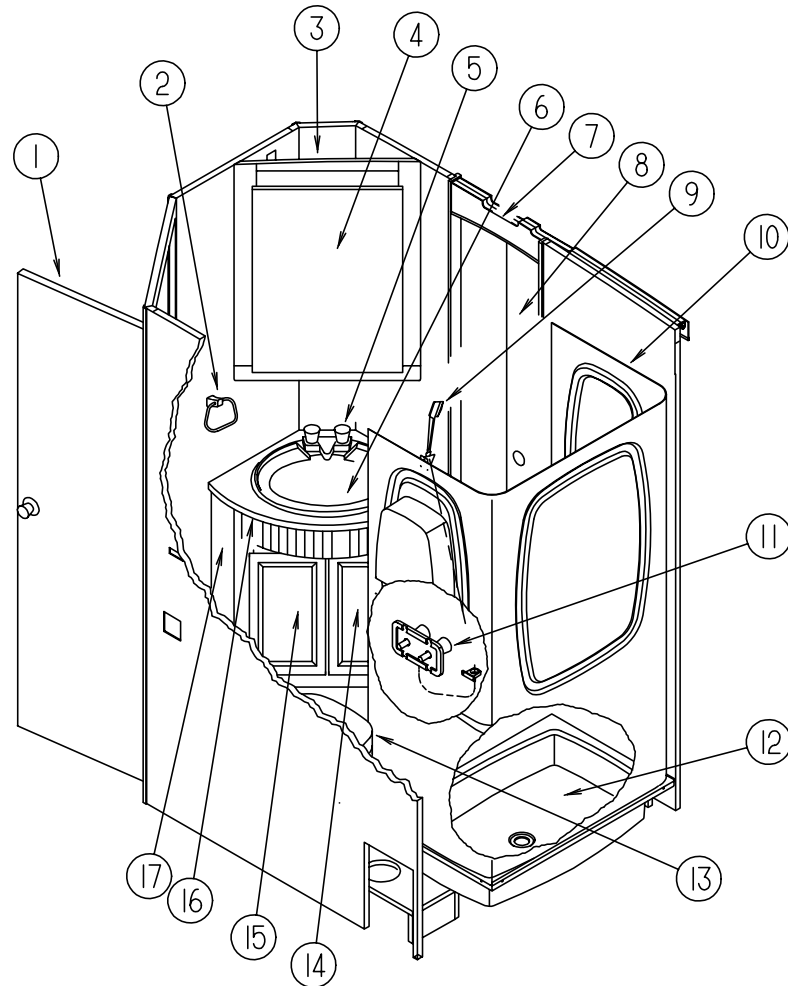
BATH CABINETS, FIXTURES & PRIVACY DOORS



KEY	PART NUMBER	U/M	DESCRIPTION
1	M87868-20-E37	EA	DOOR-PRIVACY, BATH - W/O HARDWARE (PICKLED ASH)
1	M87868-20-E41	EA	DOOR-PRIVACY, BATH - W/O HARDWARE (SALEM CHERRY)
	111155-01-01A	EA	LOCK-PRIVACY, POLISHED BRASS
	102920-01-01A	EA	HINGE-DOOR, SPRING LOADED - BRASS - 1 USED
	110496-01-01A	EA	HINGE-DOOR, BRASS - STOCKER - 2 USED
	100357-01-000	EA	ROD-TOWEL, BRASS W/ENDS BENT FOR BACK OF BATH DOOR
	102089-13-E37	EA	WOOD RAIL - TOWEL RACK - RIGHT SIDE - 26" LONG (PICKLED ASH)
	102089-13-E41	EA	WOOD RAIL - TOWEL RACK - RIGHT SIDE - 26" LONG (SALEM CHERRY)
	102089-14-E37	EA	WOOD RAIL - TOWEL RACK - LEFT SIDE - 26" LONG (PICKLED ASH)
	102089-14-E41	EA	WOOD RAIL - TOWEL RACK - LEFT SIDE - 26" LONG (SALEM CHERRY)
2	075454-02-000	EA	RING-TOWEL, W/MOUNTING HARDWARE - BRASS
3	109873-01-E37	EA	CABINET-MEDICINE, W/O DOOR & HARDWARE (PICKLED ASH)
3	109873-01-E41	EA	CABINET-MEDICINE, W/O DOOR & HARDWARE (SALEM CHERRY)
4	102326-04-000	EA	DOOR-CABINET, MIRRORED W/O HARDWARE - 305 X 555MM FROM: 00-00-00 THRU: 07-17-94
4	115237-01-E37	EA	DOOR-CABINET, MIRRORED W/O HARDWARE - 305 X 555MM FROM: 07-18-94 THRU: 99-99-99
5	075240-05-000	EA	FAUCET-LAVATORY, BRASS
	091253-01-000	EA	GASKET-FAUCET, LAVATORY/GALLEY
	105218-01-01A	EA	SPACER-FAUCET, LAVATORY SINK - 2" X 5.9" - ABS PLASTIC O/W
6	105921-01-01A	EA	SINK-LAVATORY, LARGE OVAL - 17" X 20" - PLASTIC - OFF WHITE
	106116-01-01A	EA	STRAINER-SINK, W/STOPPER TAILPIECE GASKET & NUT - PLASTIC
7	110418-04-E37	EA	HEADER-SLIDING DOOR (PICKLED ASH)
7	110418-04-E41	EA	HEADER-SLIDING DOOR (SALEM CHERRY)
	103868-07-01A	EA	TRACK-DOOR, 1066MM LONG - OFF WHITE
	103874-01-000	EA	HANGER-SLIDING DOOR
8	104013-04-E39	EA	DOOR-SLIDING, BETWEEN BEDROOM & BATH (PICKLED ASH)
8	104013-04-E41	EA	DOOR-SLIDING, BETWEEN BEDROOM & BATH (SALEM CHERRY)
	098410-01-01A	EA	PULL-FINGER, OVAL - BRASS
	064467-01-000	EA	GUIDE-POCKET, SLIDING DOOR
	107872-01-01A	EA	CHANNEL-SHOWER DOOR, SIDE - OFF WHITE
9	103092-01-000	EA	SHOWER HEAD-W/60" HOSE (U.S.)
9	103092-02-000	EA	SHOWER HEAD-W/60" HOSE (CANADIAN)
	103092-01-700	EA	BRACKET-SHOWER HEAD, CLEAR - 2328028
	103092-01-701	EA	BRACKET-SHOWER HEAD, BONE - 2328028
10	110541-01-01A	EA	SURROUND-SHOWER, 3 SIDED - PLASTIC - OFF WHITE
	110542-01-01A	EA	CAP-SHOWER, PLASTIC - OFF WHITE
	110689-01-01A	EA	COVER-SKYLIGHT, INSIDE - PLASTIC
	110688-01-01A	EA	COVER-SKYLIGHT, WHITE
11	075242-03-000	EA	FAUCET-SHOWER, BRASS
	075606-01-000	EA	PANEL-FAUCET BACK, SHOWER - 5" X 9" - PLASTIC
12	M02630-25-E37	EA	SHOWER PAN
	066729-01-000	EA	STRAINER-SHOWER, W/RUBBER WASHER
	069735-01-000	EA	WASHER-STRAINER TO TAILPIECE PLASTIC, 1.5"
	011069-02-000	EA	TAILPIECE, 1 1/2 X 1 1/4 X 4 - BRASS
	057671-01-000	EA	COVER-SCREW, #8 - PLASTIC - OFF WHITE

BATH GROUP CONTINUED)

BATH CABINETS, FIXTURES & PRIVACY DOORS (CONTINUED)



KEY	PART NUMBER	U/M	DESCRIPTION
13	085330-02-000	EA	TOILET-CHINA, STANDARD - BONE - SEALAND ML 510 (HIGH OPTION)
	085330-01-701	EA	KIT-VACUUM BREAKER, SEALAND 385318065
	085330-01-702	EA	TUBE-FLUSH, SEALAND 385315902
	085330-01-703	EA	RING & HALF CLAMPS ASM-BONE, SEALAND 385310048
	085330-01-704	EA	TEFLON & RUBBER SEALS, SEALAND 385316140
	085330-01-705	EA	SUPPORT-SEAL, PLASTIC - SEALAND 390346405
	085330-01-706	EA	BALL, SHAFT, & CARTRIDGE, SEALAND 385318162
	085330-01-707	EA	CARTRIDGE-SPRING, SEALAND 381236096
	085330-01-708	EA	KIT-VALVE COVER W/SCREWS, SEALAND 385310073
	085330-01-709	EA	VALVE-WATER, SEALAND 385314349
	085330-01-710	EA	PLUG-DRAIN, & CAP - W/SEAL - SEALAND# 385316142
	085330-01-713	EA	SHROUD-BONE, SEALAND 390340124
	085330-01-714	EA	SEAL-FLANGE, FLOOR - SEALAND 390343892
	085330-01-716	EA	FLANGE-FLOOR, 3" MPT - SEALAND 390346056
	085330-01-717	EA	BOLT MOUNTING PACKAGE-SEALAND 385310064
	085330-01-718	EA	SEAL-BASE & MOUNTING HARDWARE, SEALAND 385310063
	085330-02-703	EA	PEDAL COVER KIT, BONE - SEALAND 310115
	085330-04-707	EA	SEAT ASM, BONE - SEALAND 340816
	063641-01-000	EA	FLANGE-CLOSET, 4" X 3"
	024676-01-000	EA	FLANGE-CLOSET, TOILET - 4" X 3" - RED
	024676-02-000	EA	FLANGE-CLOSET, TOILET - 4" X 3" - RED (CANADIAN)
	075452-02-000	EA	HOLDER-TOILET TISSUE, BRASS
	093606-13-000	EA	MIRROR-PANEL, BEVELED - 1/8" THICK - 340 X 940MM (BEHIND TOILET)
14	M05992-05-E37	EA	DOOR-CABINET, W/O HARDWARE - 255 X 485MM (PICKLED ASH)
14	M05992-05-E41	EA	DOOR-CABINET, W/O HARDWARE - 255 X 485MM (SALEM CHERRY)
15	M05992-06-E37	EA	DOOR-CABINET, W/O HARDWARE - 255 X 485MM (PICKLED ASH)
15	M05992-06-E41	EA	DOOR-CABINET, W/O HARDWARE - 255 X 485MM (SALEM CHERRY)
16	109872-11-E38	EA	COUNTERTOP-CABINET, LAVATORY (F36, F37)
16	109872-11-E39	EA	COUNTERTOP-CABINET, LAVATORY (F38, F39)
16	109872-11-F40	EA	COUNTERTOP-CABINET, LAVATORY (F40, F41)
17	P09872-01-E38	EA	CABINET-LAVATORY, W/O DOORS OR HARDWARE (F36)
17	P09872-01-E42	EA	CABINET-LAVATORY, W/O DOORS OR HARDWARE (F37)
17	P09872-01-E39	EA	CABINET-LAVATORY, W/O DOORS OR HARDWARE (F38)
17	P09872-01-E43	EA	CABINET-LAVATORY, W/O DOORS OR HARDWARE (F39)
17	P09872-01-F40	EA	CABINET-LAVATORY, W/O DOORS OR HARDWARE (F40)
17	P09872-01-F41	EA	CABINET-LAVATORY, W/O DOORS OR HARDWARE (F41)

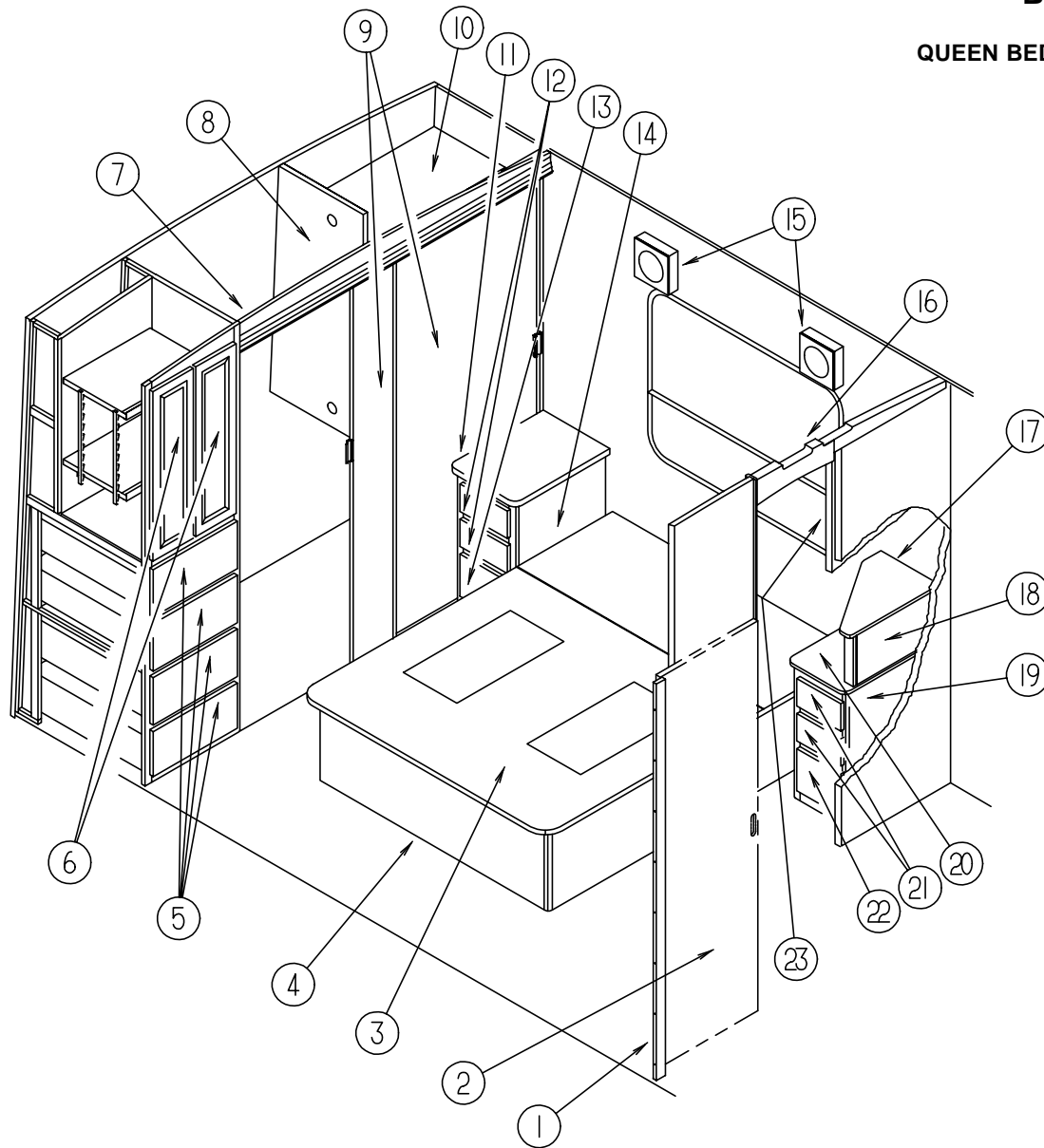
KEY	PART NUMBER	U/M	DESCRIPTION
13	085330-06-000	EA	TOILET-CHINA, STANDARD W/SPRAYER - BONE - SEALAND 591003 (STANDARD)
	085330-01-703	EA	RING & HALF CLAMPS ASM-BONE, SEALAND 385310048
	085330-01-704	EA	TEFLON & RUBBER SEALS, SEALAND 385316140
	085330-01-706	EA	BALL, SHAFT, & CARTRIDGE, SEALAND 385318162
	085330-01-707	EA	CARTRIDGE-SPRING, SEALAND 381236096
	085330-01-709	EA	VALVE-WATER, SEALAND 385314349
	085330-01-710	EA	PLUG-DRAIN, & CAP - W/SEAL - SEALAND# 385316142
	085330-01-716	EA	FLANGE-FLOOR, 3" MPT - SEALAND 390346056
	085330-01-717	EA	BOLT MOUNTING PACKAGE-SEALAND 385310064
	085330-01-718	EA	SEAL-BASE & MOUNTING HARDWARE, SEALAND 385310063
	085330-02-700	EA	BASE ASM
	085330-02-701	EA	FLUSH-LEVER W/COVER BONE
	085330-02-702	EA	PEDESTAL COVER KIT BONE 510
	085330-02-703	EA	PEDAL CVR. KIT BONE NEW STYL
	085330-04-700	EA	VACUUM BREAKER FOR HANDSPRAY
	085330-04-706	EA	VACUUM BREAKER W/HAND SPRAY
	085330-04-707	EA	SEAT ASM, BONE - SEALAND 340816

SHOWER DOOR

KEY	PART NUMBER	U/M	DESCRIPTION
	115011-01-01A	EA	DOOR-SHOWER, BYPASS - KEVCO

BEDROOM GROUP

QUEEN BEDROOM CABINETS & FIXTURES

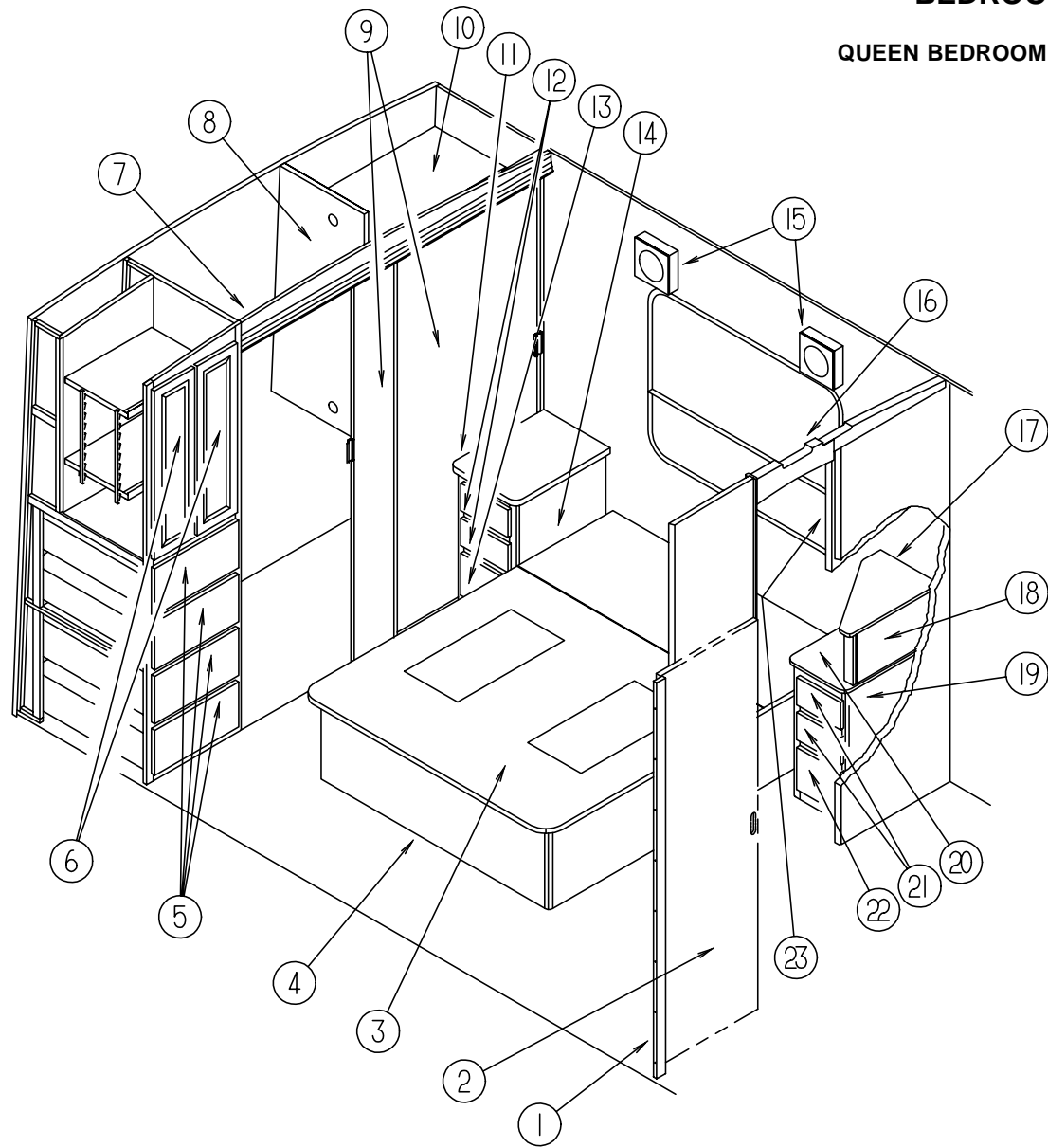


KEY	PART NUMBER	U/M	DESCRIPTION
1	091144-01-E37	EA	SUPPORT-HINGE, DRILLED LUMBER (PICKLED ASH)
1	091144-01-E41	EA	SUPPORT-HINGE, DRILLED LUMBER (SALEM CHERRY)
2	104014-02-E37	EA	DOOR-BEDROOM PRIVACY (PICKLED ASH)
2	104014-02-F37	EA	DOOR-BEDROOM PRIVACY (SALEM CHERRY)
	102920-01-01A	EA	HINGE-DOOR, SPRING LOADED - BRASS
	080728-01-000	EA	HANDLE-PULL, 1.3" X 4.4" - PLASTIC - BROWN
3	M05087-15-D18	EA	TOP-CABINET, FOOT SECTION OF QUEEN BED
	041389-11-000	EA	HINGE-PIANO, 55" LONG - BEIGE
	091261-01-000	FT	BACKING-NON-SKID, 12" WIDE
3	M05087-16-D18	EA	TOP-CABINET, HEAD SECTION OF QUEEN BED
4	P07738-01-E37	EA	CABINET-QUEEN BED, W/O TOP (PICKLED ASH)
4	P07738-01-E41	EA	CABINET-QUEEN BED, W/O TOP (SALEM CHERRY)
	057460-02-000	EA	STUD-BALL, GAS SPRING - 10MM - 5/16" - 18
	057460-04-000	EA	SPRING-GAS
	089025-01-000	EA	SUPPORT-SPRING, TO BED - ANGLE 1.5" X 11.8" LONG - STEEL
	109645-01-000	EA	BRACKET-SUPPORT, FLOOR TO BED - F/GAS SPRING
5	M05971-15-E37	EA	DRAWER-CABINET, W/O HARDWARE - 4 USED (PICKLED ASH)
5	M05971-15-E41	EA	DRAWER-CABINET, W/O HARDWARE - 4 USED (SALEM CHERRY)
6	M05992-01-E37	EA	DOOR-CABINET, W/O HARDWARE - 250 X 850MM - 2 USED (PICKLED ASH)
6	M05992-01-E41	EA	DOOR-CABINET, W/O HARDWARE - 250 X 850MM - 2 USED (SALEM CHERRY)

KEY	PART NUMBER	U/M	DESCRIPTION
	115718-11-F36	EA	SHELF-CABINET, WARDROBE (PICKLED ASH)
	115718-11-F37	EA	SHELF-CABINET, WARDROBE (SALEM CHERRY)
	115718-12-F36	EA	SHELF-CABINET, WARDROBE (PICKLED ASH)
	115718-12-F37	EA	SHELF-CABINET, WARDROBE (SALEM CHERRY)
7	108964-01-E37	EA	HEADER-WARDROBE, REAR (PICKLED ASH)
7	108964-01-E41	EA	HEADER-WARDROBE, REAR (SALEM CHERRY)
8	108577-01-E37	EA	CABINET-DIVIDER, WARDROBE (PICKLED ASH)
8	108577-01-E41	EA	CABINET-DIVIDER, WARDROBE (SALEM CHERRY)
9	107403-04-E37	EA	DOOR-SLIDING MIRROR, COMPLETE W/2 MIRRORS & TRACK - W/O LATCH ASM.
	058331-89-000	EA	MIRROR-GLASS, SAFETY - 902 X 1889MM
	107386-04-01A	EA	STILE-DOOR, W/PULL - 1892 - STANLEY 4057-78GD C
	107387-04-01A	EA	RAIL-DOOR, BY-PASS - 864 - STANLEY 4058-38GD C
	107388-04-01A	EA	TRACK-BOTTOM, BY-PASS - 1765 - STANLEY 4044-71GD C
	107389-04-01A	EA	TRACK-TOP, BY-PASS - 1765 - STANLEY 4002-70GD C
	107390-02-000	EA	HANGER-CORNER CONN, DOUBLE - RIGHT & LEFT - STANLEY 4050-2W BLACK
	107391-01-000	EA	GUIDE-BOTTOM, BY-PASS - STANLEY 4053 (PAIR)
	110106-01-D18	EA	LATCH ASM-DOOR, SLIDING MIRROR - W/PULL, LATCH & SPRING
	110107-01-01A	EA	PULL-DOOR, BLACK
	110108-01-01A	EA	LATCH-DOOR BLACK
	111564-01-000	EA	SPRING-LATCH, FLAT
	113007-03-000	EA	PIN-SPRING, .188 X .50 IN
	110109-01-01A	EA	CATCH-DOOR, BLACK
10	108576-01-E37	EA	CABINET-SHELF, WARDROBE (PICKLED ASH)
10	108576-01-E41	EA	CABINET-SHELF, WARDROBE (SALEM CHERRY)
	009112-01-000	EA	FLANGE-1" ROD, CLOTHES - PLASTIC - OFF WHITE
	042438-01-000	EA	DOWEL-WOOD, CLOTHES ROD - 1" DIAMETER X 4'
11	107735-11-E38	EA	COUNTERTOP-CABINET, NIGHTSTAND (F36, F37)
11	107735-11-E39	EA	COUNTERTOP-CABINET, NIGHTSTAND (F38,F39)
11	107735-11-F40	EA	COUNTERTOP-CABINET, NIGHTSTAND (F40,F41)
12	M05971-18-E37	EA	DRAWER-CABINET, W/O HARDWARE - 2 USED (PICKLED ASH)
12	M05971-18-E41	EA	DRAWER-CABINET, W/O HARDWARE - 2 USED (SALEM CHERRY)
13	M05971-19-E37	EA	DRAWER-CABINET, W/O HARDWARE (PICKLED ASH)
13	M05971-19-E41	EA	DRAWER-CABINET, W/O HARDWARE (SALEM CHERRY)
14	P07735-01-E38	EA	CABINET-NIGHTSTAND, W/O DRAWER & HARDWARE (F36)
14	P07735-01-E42	EA	CABINET-NIGHTSTAND, W/O DRAWER & HARDWARE (F37)
14	P07735-01-E39	EA	CABINET-NIGHTSTAND, W/O DRAWER & HARDWARE (F38)
14	P07735-01-E43	EA	CABINET-NIGHTSTAND, W/O DRAWER & HARDWARE (F39)
14	P07735-01-F40	EA	CABINET-NIGHTSTAND, W/O DRAWER & HARDWARE (F40)
14	P07735-01-F41	EA	CABINET-NIGHTSTAND, W/O DRAWER & HARDWARE (F41)
15	108495-01-E37	EA	CABINET, SPEAKER (PICKLED ASH)
15	108495-01-E41	EA	CABINET, SPEAKER (SALEM CHERRY)
16	110418-04-E37	EA	HEADER-SLIDING DOOR (PICKLED ASH)
16	110418-04-E41	EA	HEADER-SLIDING DOOR (SALEM CHERRY)
	103874-01-000	EA	HANGER-SLIDING DOOR
17	109958-11-E38	EA	COUNTERTOP-CABINET, RADIO (F36,F37)
17	109958-11-E39	EA	COUNTERTOP-CABINET, RADIO (F38,F39)
17	109958-11-F40	EA	COUNTERTOP-CABINET, RADIO (F40,F41)
18	109958-01-E38	EA	CABINET-RADIO (F36)
18	109958-01-E42	EA	CABINET-RADIO (F37)
18	109958-01-E39	EA	CABINET-RADIO (F38)
18	109958-01-E43	EA	CABINET-RADIO (F39)
18	109958-01-F40	EA	CABINET-RADIO (F40)
18	109958-01-F41	EA	CABINET-RADIO (F41)

BEDROOM GROUP (CONTINUED)

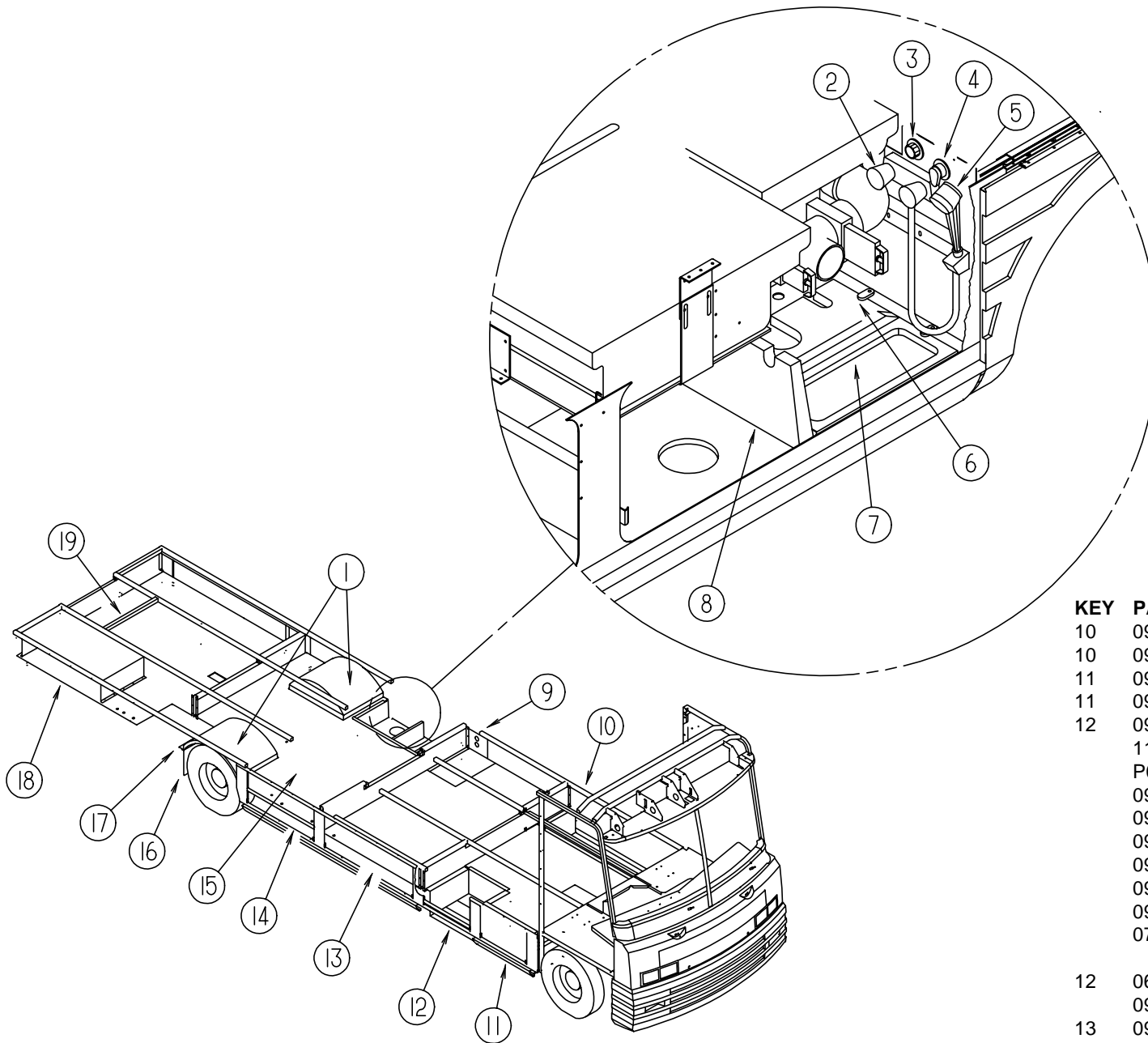
QUEEN BEDROOM CABINETS & FIXTURES (CONTINUED)



KEY	PART NUMBER	U/M	DESCRIPTION
19	P09957-01-E38	EA	CABINET-NIGHTSTAND, W/O DRAWER & HARDWARE (F36)
19	P09957-01-E42	EA	CABINET-NIGHTSTAND, W/O DRAWER & HARDWARE (F37)
19	P09957-01-E39	EA	CABINET-NIGHTSTAND, W/O DRAWER & HARDWARE (F38)
19	P09957-01-E43	EA	CABINET-NIGHTSTAND, W/O DRAWER & HARDWARE (F39)
19	P09957-01-F40	EA	CABINET-NIGHTSTAND, W/O DRAWER & HARDWARE (F40)
19	P09957-01-F41	EA	CABINET-NIGHTSTAND, W/O DRAWER & HARDWARE (F41)
20	109957-11-E38	EA	COUNTERTOP-CABINET, NIGHTSTAND (F36, F37)
20	109957-11-E39	EA	COUNTERTOP-CABINET, NIGHTSTAND (F38,F39)
20	109957-11-F40	EA	COUNTERTOP-CABINET, NIGHTSTAND (F40, F41)
21	M05971-16-E37	EA	DRAWER-CABINET, W/O HARDWARE - 2 USED (PICKLED ASH)
21	M05971-16-E41	EA	DRAWER-CABINET, W/O HARDWARE - 2 USED (SALEM CHERRY)
22	M05971-17-E37	EA	DRAWER-CABINET, W/O HARDWARE (PICKLED ASH)
22	M05971-17-E41	EA	DRAWER-CABINET, W/O HARDWARE (SALEM CHERRY)
23	104013-04-E37	EA	DOOR-SLIDING, BETWEEN BEDROOM & BATH (PICKLED ASH)
23	104013-04-E41	EA	DOOR-SLIDING, BETWEEN BEDROOM & BATH (SALEM CHERRY)
	098410-01-01A	EA	PULL-FINGER, OVAL - BRASS
	064467-01-000	EA	GUIDE-POCKET, SLIDING DOOR
	112515-01-02A	EA	PICTURE-DECORATIVE, 12" X16"

CHASSIS GROUP

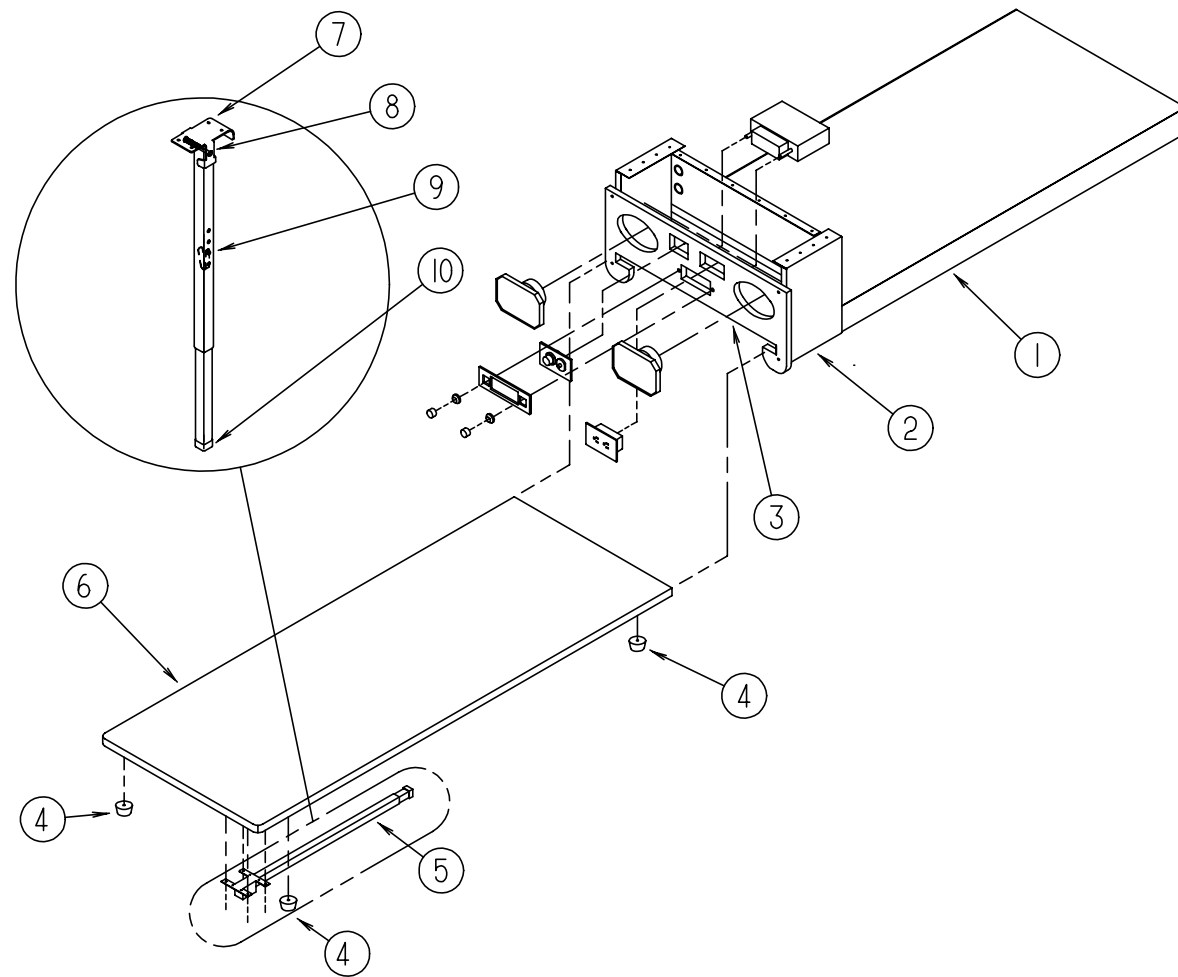
COMPARTMENTS, WHEEL WELLS & MUD FLAPS



KEY	PART NUMBER	U/M DESCRIPTION
1	055374-01-000	EA WHEELWELL-PLASTIC, DUALS
2	075241-05-000	EA FAUCET-SHOWER, BONE
3	010230-05-000	EA FILL-CITY WATER
4	114431-02-000	EA VALVE-BYPASS, PLASTIC - 1/2P - WATER
5	103092-01-000	EA SHOWER HEAD-W/60 IN HOSE - U.S.
5	103092-02-000	EA SHOWER HEAD-W/60 IN HOSE - CANADIAN
6	114677-01-01A	EA RETAINER-HATCH
7	114680-01-01A	EA HATCH-COMPARTMENT, SEWER HOSE - PLASTIC - BLACK
8	114679-02-01A	EA COMPARTMENT-STORAGE, SEWER - W/O HATCH - PLASTIC
	092887-01-000	EA CAP-TWIST HATCH, ROUND 6" ID - BLACK (ON 1ST FEW COACHES ONLY)
	092887-03-000	EA CAP-TWIST HATCH, ROUND 4" ID - BLACK (ON 1ST FEW COACHES ONLY)
	092887-04-000	EA CHAIN-TWIST CAP, 9" (ON 1ST FEW COACHES ONLY)
9	092263-03-000	EA PANEL-EXHAUST, FURNACE

KEY	PART NUMBER	U/M DESCRIPTION
10	093395-01-000	EA BRACKET-ANGLE, FOR CARGO NET
10	093287-09-01A	EA NET-CARGO
11	093395-01-000	EA BRACKET-ANGLE, FOR CARGO NET
11	093287-07-01A	EA NET-CARGO
12	094707-01-01A	EA STEP-DOUBLE, ELECTRIC W/ORANGE CONTROL BOX - KWIKEE 3218
	113285-01-01A	EA SEAL-ENTRY STEP SWITCH, ROUND FOAM RUBBER - BLACK
	P01713-01-000	EA SWITCH-SEALED, IN DOOR JAMB - METAL - CHROME
	094707-02-700	EA MOTOR REPLACEMENT KIT - MODELS 32 & 28 - KWIKEE 9520
	094707-02-701	EA LINKAGE ASM - MODEL 32 - KWIKEE 9523
	094707-02-702	EA GEAR KIT - KWIKEE 9525
	094707-02-703	EA PARTS KIT, (BEARINGS & PINS) - KWIKEE 9530
	094707-02-704	EA CONNECTOR KIT-MOTOR, KWIKEE 9537
	094707-02-705	EA CONTROL UNIT, (ORANGE) - KWIKEE 9513
	075723-02-000	EA SPACER-SWITCH, W/HOLE - .2" X .9" X 2" - METAL - OFF WHITE FOR ELECTRIC STEP DOOR JAMB SWITCH
12	065450-05-000	EA TIEDOWN-BATTERY, 8.4" TUBE
	093395-02-000	EA BRACKET-ANGLE, PART OF ENTRANCE STEP BOX
13	093395-01-000	EA BRACKET-ANGLE, FOR CARGO NET
13	093287-07-01A	EA NET-CARGO
13	112384-01-000	EA SPONGE-BRACKET, RACK & LADDER
13	091952-01-000	EA CLIP-LOWER LADDER
13	108986-01-000	EA TUBE-SUPPORT, LOWER LADDER - TO STORE LADDER
13	115392-01-01A	EA STRAP ASM-VELCRO, LUG WRENCH HOLDER
14	107717-01-000	EA COMPARTMENT ASM-LP
15	109778-01-000	EA SHIELD-TANK, LP
15	107723-01-01A	EA COVER-COMPARTMENT PANEL, PLASTIC - BLACK
16	017516-01-000	EA FLAP-MUD, 14" X 18" - BLACK
17	020167-05-000	EA GUARD-DIRT
18	106152-01-000	EA PANEL-COMPARTMENT, GENERATOR
19	078513-01-000	EA CHANNEL-FRAME, REAR
	107719-01-01A	EA STRIKE-DOOR
	115361-01-01A	EA PLUG-PLASTIC, # W5

CHASSIS GROUP (CONTINUED)



ENTERTAINMENT COMPARTMENT

KEY	PART NUMBER	U/M DESCRIPTION
1	108534-02-E37	EA FRAME-ENTERTAINMENT CENTER
2	108508-03-000	EA BRACKET-ENTERTAINMENT CENTER - 2 USED
3	108506-01-F36	EA PLATE-RADIO MOUNTING
4	069726-02-000	EA BUMPER-RUBBER, .88" DIAMETER X .40", BLACK
5	110381-01-D18	EA LEG-TABLE, ENTERTAINMENT W/FASTENERS & SPRING
6	P08515-02-F36	EA TABLE-ENTERTAINMENT CENTER
7	110287-01-000	EA BRACKET-LEG, EXTERIOR TABLE
8	074630-03-000	EA FASTENER-PUSH ON, .250 ROUND - TRW PZ001880PG
8	110459-01-000	EA SPRING-COMPRESSION, .300 X 1.50" - LEE SG LC-030D-12-M
9	110439-01-000	EA FASTENER-SNAP BUTTON, VALCO 0135-25
10	110550-01-000	EA CAP-TUBE, TABLE LEG

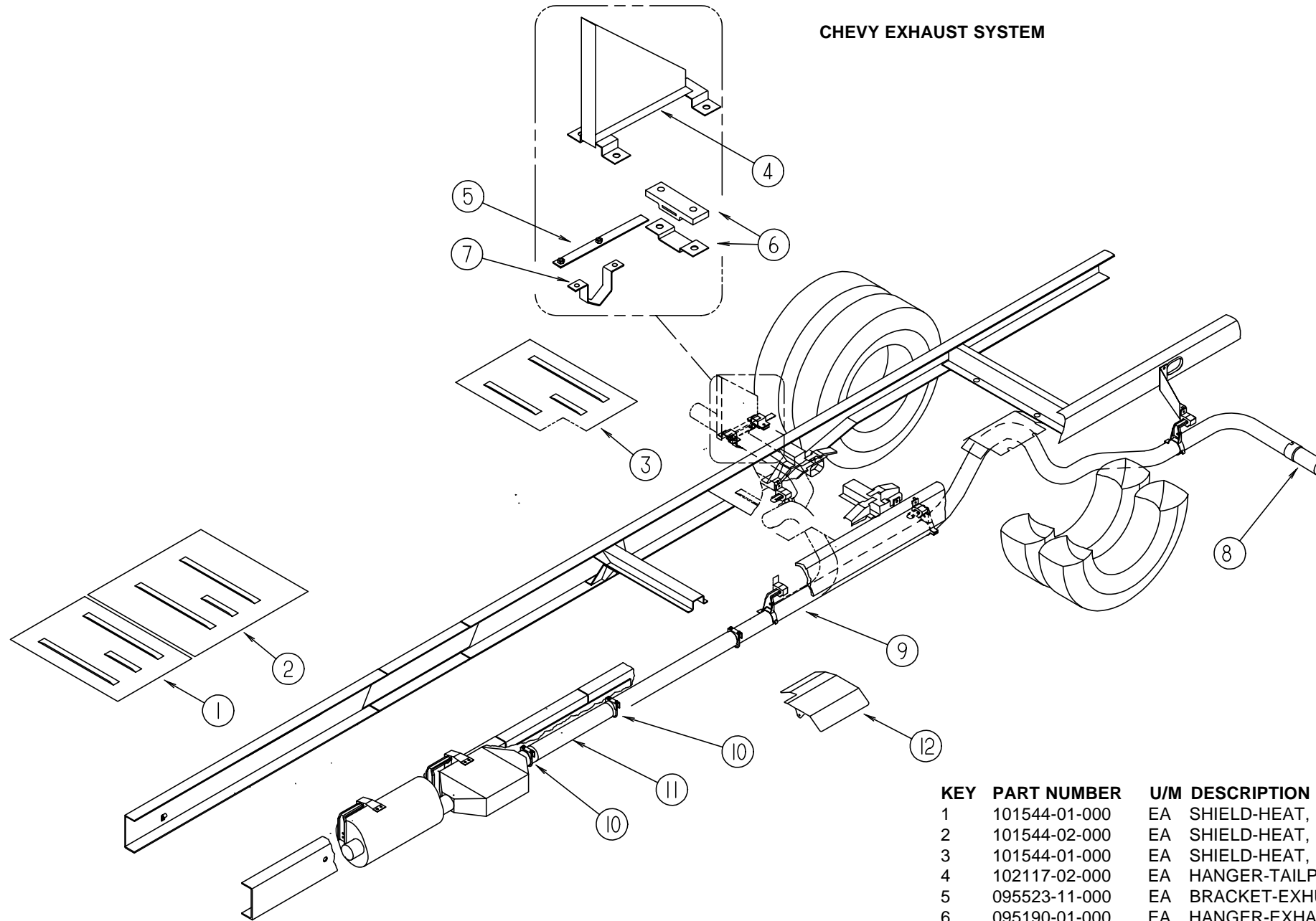
CHASSIS GROUP (CONTINUED)

DRIVESHAFT & BRAKE LINES

KEY	PART NUMBER	U/M DESCRIPTION
	075302-09-000	EA DRIVESHAFT ASM-YOKE/YOKE, 50" - BEARING - DANA 1410 (CHEVY)
	075302-25-000	EA DRIVESHAFT ASM-BALANCED PAIR OF 20 & 21, CHEVY 228" 3S RR 91 (CHEVY)
	107212-01-000	EA CROSSMEMBER-REAR, CENTER - USED W/3 DRIVESHAFTS
	074833-04-000	EA SPACER-BEARING, DRIVESHAFT - 8" X 2" - STEEL (CHEVY)
	074833-01-000	EA SPACER-BEARING, DRIVESHAFT - 2" X 8" X .5" THICK (CHEVY)
	085771-03-000	EA NUT-HEX, FL. PREV. TORQUE - GRADE G - DRIVESHAFT
	113007-01-000	EA PIN-SPRING, .375 X 3" - FOR EXTENDED PARK BRAKE
	088497-02-000	EA UNION-INVERTED FLARE, BRASS - 1/4" (CHEVY)
	088498-01-000	EA UNION-INVERTED FLARE, BRASS - 3/16 - 3/8 - 24 THD - BRAKE LINE (FORD)

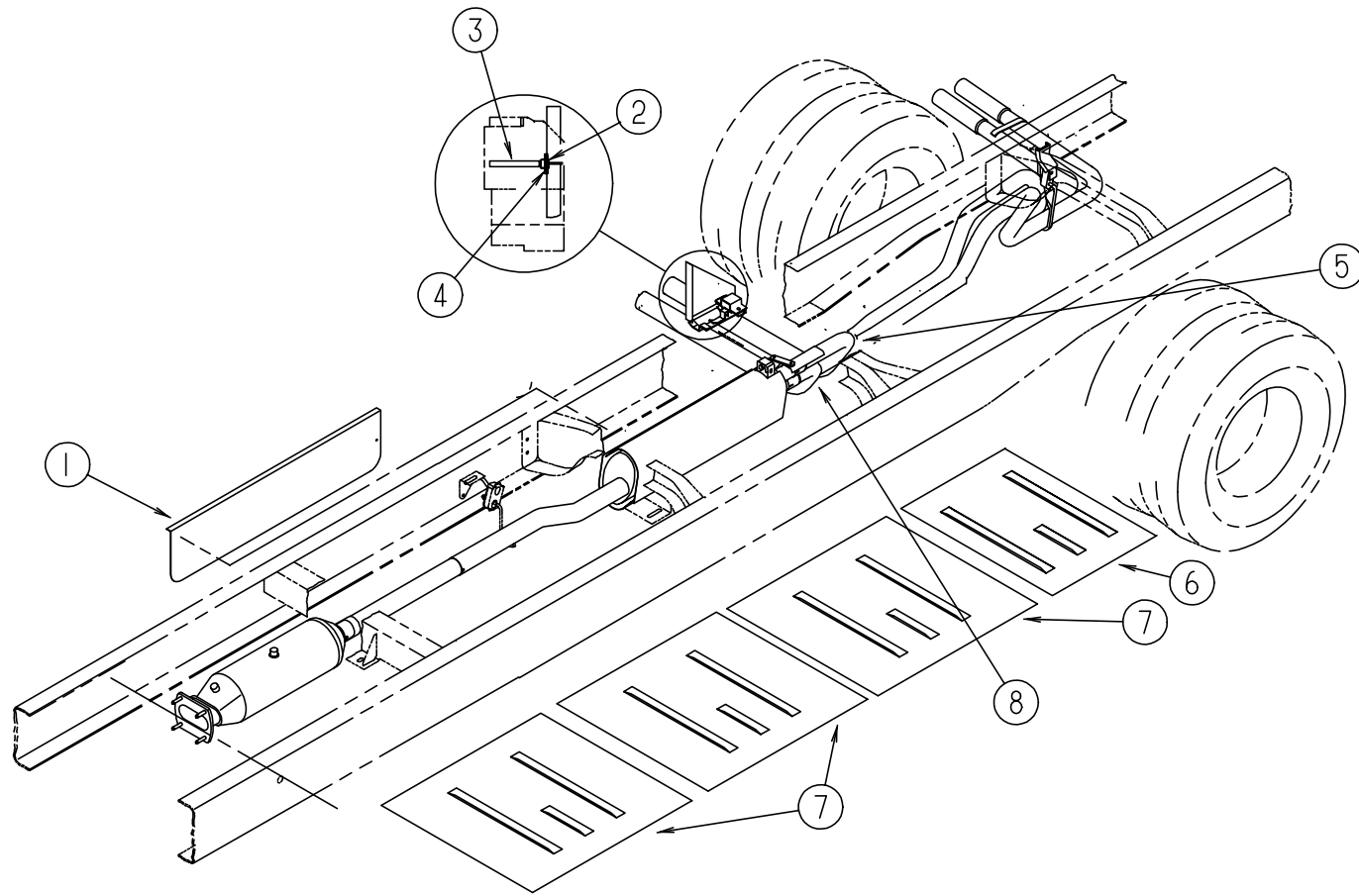
CHASSIS GROUP (CONTINUED)

CHEVY EXHAUST SYSTEM



KEY	PART NUMBER	U/M	DESCRIPTION
1	101544-01-000	EA	SHIELD-HEAT, EXHAUST - 19.7" X 28.9" - STEEL
2	101544-02-000	EA	SHIELD-HEAT, EXHAUST - 30" X 28.9" - STEEL
3	101544-01-000	EA	SHIELD-HEAT, EXHAUST - 19.7" X 28.9" - STEEL
4	102117-02-000	EA	HANGER-TAILPIPE (JET AIR SUSPENSION & LEVELING OPTION)
5	095523-11-000	EA	BRACKET-EXHUST, UPPER
6	095190-01-000	EA	HANGER-EXHAUST, 4" X 1.4" (JET AIR SUSPENSION & LEVELING OPTION)
7	095223-03-000	EA	BRACKET-EXHAUST, LOWER (JET AIR SUSPENSION & LEVELING OPTION)
8	098762-05-000	EA	PIPE-EXHAUST, TAIL
9	107754-01-000	EA	PIPE-EXHAUST, TAIL (JET AIR SUSPENSION & LEVELING OPTION)
10	094918-01-000	EA	CLAMP-EXHAUST, 3" - GUILLOTINE STYLE
11	098762-06-000	EA	PIPE-EXHAUST, STRAIGHT - EXTENSION - 560MM
12	085000-01-000	EA	SHIELD-A/C, 6.8" X 3.1" - STEEL
	096055-05-000	EA	SUPPORT-EXHAUST PIPE, BENT - 2.6" X .8" - STEEL (JET AIR OPTION)

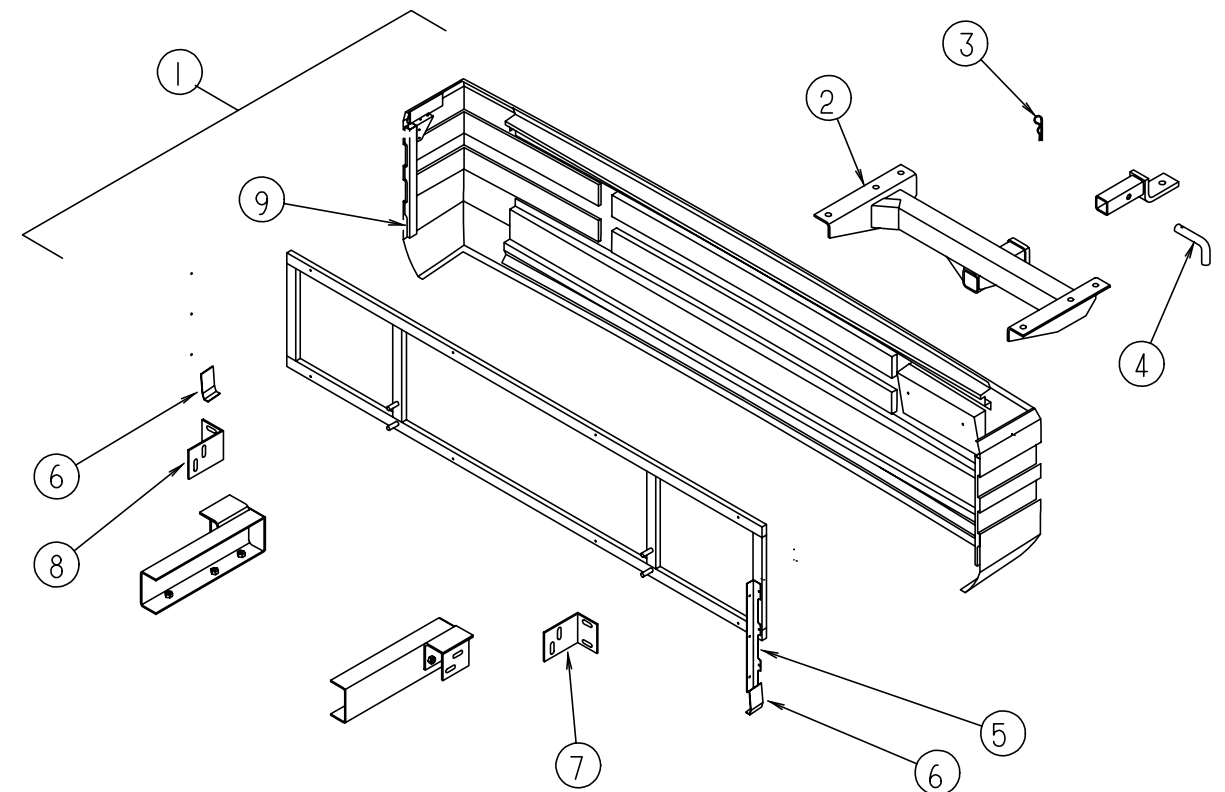
CHASSIS GROUP (CONTINUED)



FORD EXHAUST SYSTEM

KEY	PART NUMBER	U/M	DESCRIPTION
1	075307-03-000	EA	SHIELD-HEAT,LP
2	096055-05-000	EA	SUPPORT-EXHAUST PIPE, BENT - 2.6" X .8" - STEEL (JET AIR RIDE OPTION ONLY)
3	102117-06-000	EA	HANGER ASM-TAILPIPE (JET AIR RIDE OPTION ONLY)
4	095190-01-000	EA	HANGER-EXHAUST, 4" X 1.4" (JET AIR RIDE OPTION ONLY)
5	112166-01-000	EA	PIPE-EXHAUST, TAIL - FORD - REAR
6	101544-01-000	EA	SHIELD-HEAT, EXHAUST - 19.7" X 28.9" - STEEL
7	101544-06-000	EA	SHIELD-HEAT, EXHAUST - FORD
8	112165-01-000	EA	PIPE-EXHAUST, TAIL - FORD - FRONT
	007125-05-000	EA	CLAMP-MUFFLER, 2.00" DIAMETER
	007125-07-000	EA	CLAMP-MUFFLER, 2.50" DIAMETER

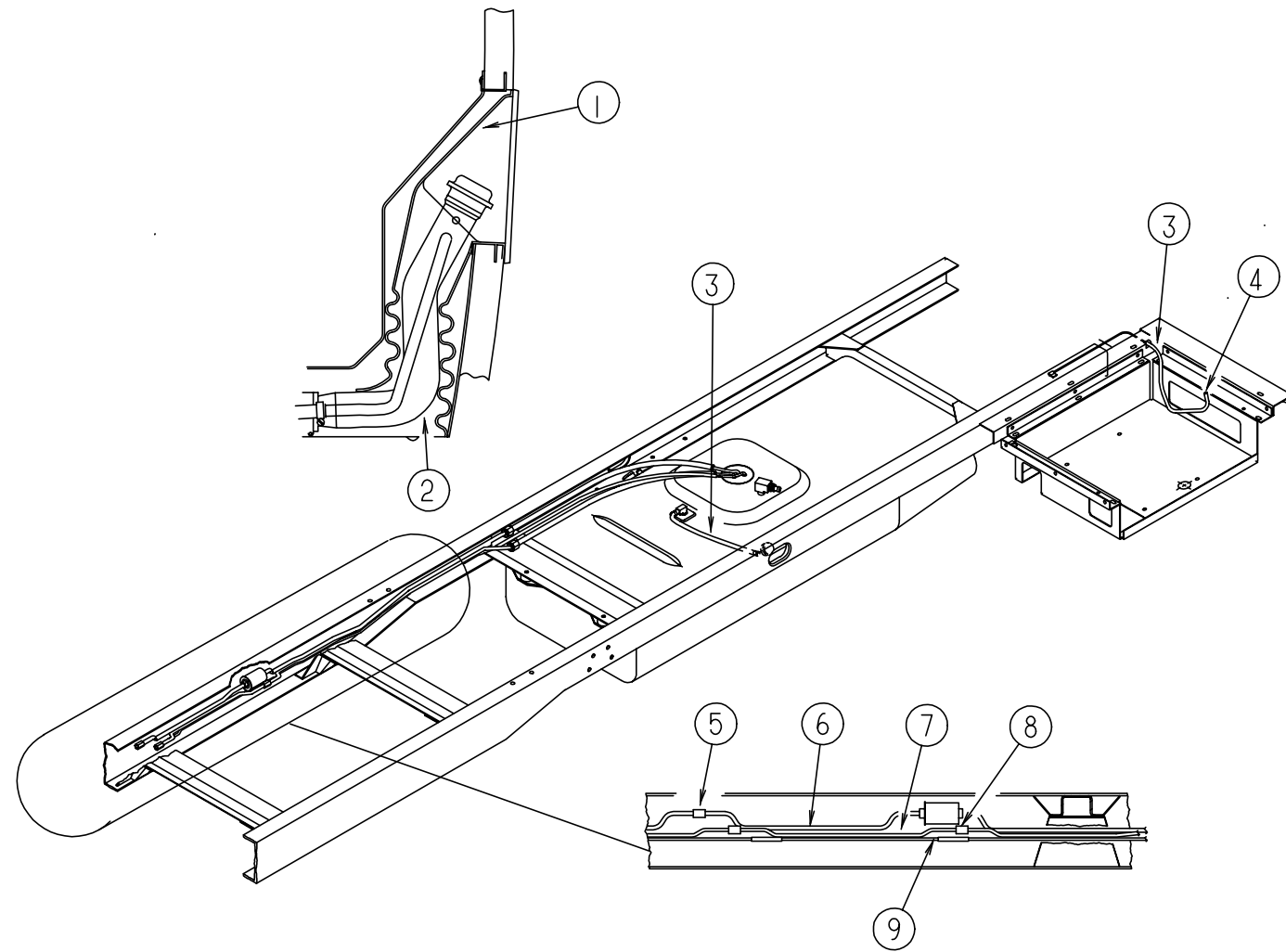
CHASSIS GROUP (CONTINUED)



REAR BUMPER & TRAILER HITCH

KEY	PART NUMBER	U/M	DESCRIPTION
1	M05811-01-D18	EA	BUMPER-REAR, W/FRAME
2	107707-01-000	EA	DRAWBAR ASM-HITCH, CLASS II
3	034513-01-000	EA	PIN-HITCH, 3/16" WIRE
4	034512-01-000	EA	PIN-LOCKING, DRAWBAR
5	107487-01-000	EA	ANGLE-ATTACHMENT, REAR
6	107665-01-000	EA	ANGLE-FORMED, BUMPER - LOWER (2 USED)
7	107524-02-000	EA	ANGLE-BUMPER, INNER - LEFT
8	107524-01-000	EA	ANGLE-BUMPER, INNER - RIGHT
9	108453-04-000	EA	CAP ASM-END, REAR - RIGHT - W/UPPER ANGLE
	108453-03-000	EA	CAP ASM-END, REAR - LEFT - W/UPPER ANGLE
	087234-01-000	EA	NUT-JACK, 1/4 X 20 THD - MOLLY - MOUNTS LICENSE PLATE
	113589-01-000	EA	CONNECTOR-PLUG, TRAILER - GENERAL 433501
	113589-02-000	EA	CONNECTOR-SOCKET, TAILER - GENERAL 433601

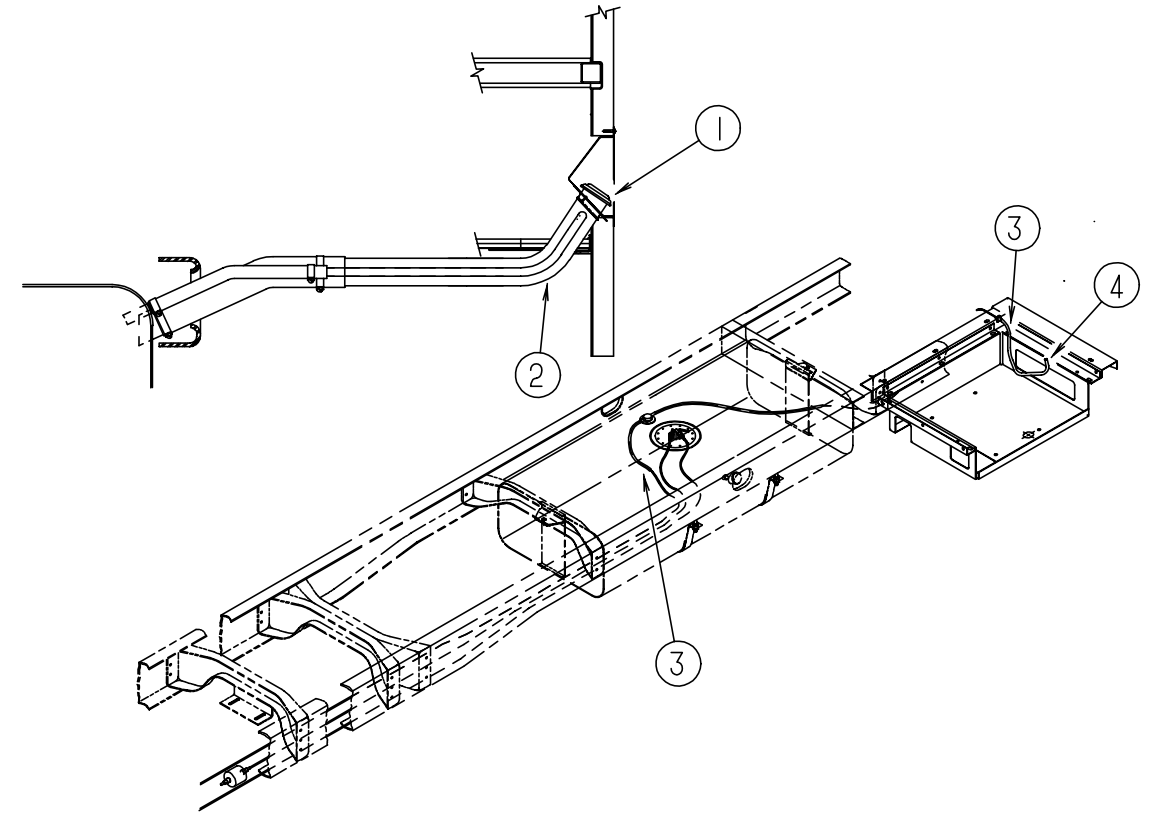
CHASSIS GROUP (CONTINUED)



CHEVY FUEL SYSTEM

KEY	PART NUMBER	U/M	DESCRIPTION
1	073220-02-000	EA	CAP-FUEL FILL, CHEVY
2	087256-02-000	EA	NECK-FUEL FILL, CHEVY
3	007063-01-000	FT	HOSE-GAS 1/4"ID X 1/2"OD
4	084884-01-000	EA	PLUG-BRASS, 3/8"
5	098779-02-000	EA	COUPLER-FUEL LINE, CHEVY
6	098759-02-000	EA	LINE ASM-FUEL, SUPPLY - CHEVY
7	098758-02-000	EA	LINE ASM-FUEL, RETURN - CHEVY
8	098779-01-000	EA	COUPLER-FUEL LINE, CHEVY
9	074800-18-000	EA	TUBE-EXTENSION, VAPOR - CHEVY
	075466-01-000	EA	UNION-INVERTED FLARE TUBE, 1/4"
	044317-01-000	FT	HOSE-FUEL, 3/8" ID

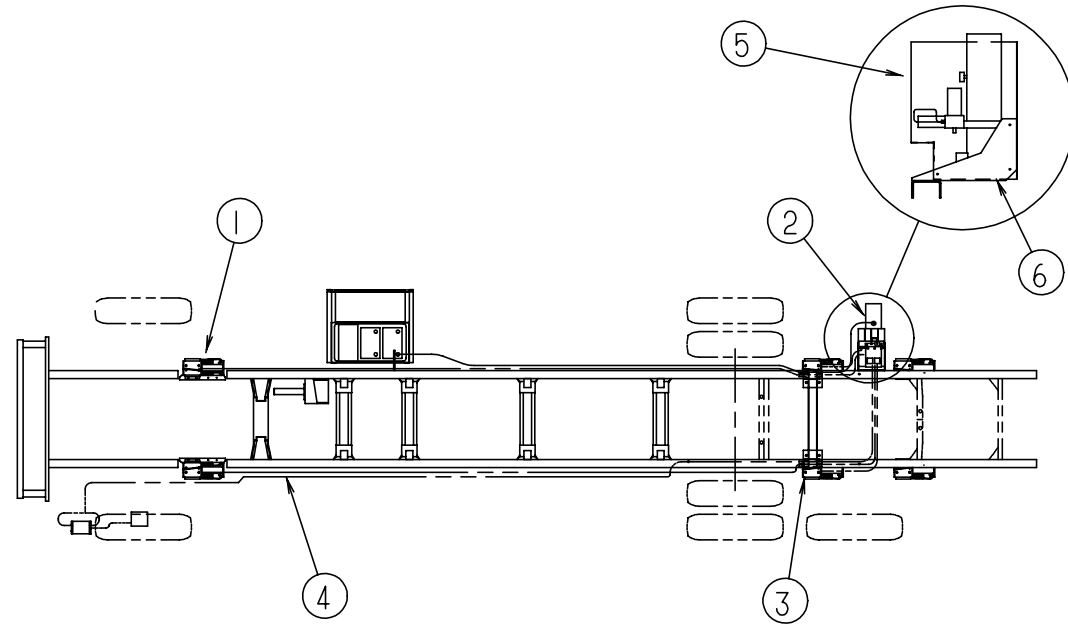
CHASSIS GROUP (CONTINUED)



FORD FUEL SYSTEM

KEY	PART NUMBER	U/M	DESCRIPTION
1	089310-01-000	EA	CAP-FUEL FILL, FORD
2	095607-01-000	EA	NECK-FUEL FILL, FORD
3	007063-01-000	FT	HOSE-GAS 1/4"ID X 1/2"OD
4	084884-01-000	EA	PLUG-BRASS, 3/8"
	075466-01-000	EA	UNION-INVERTED FLARE TUBE, 1/4"
	044317-01-000	FT	HOSE-FUEL, 3/8" ID

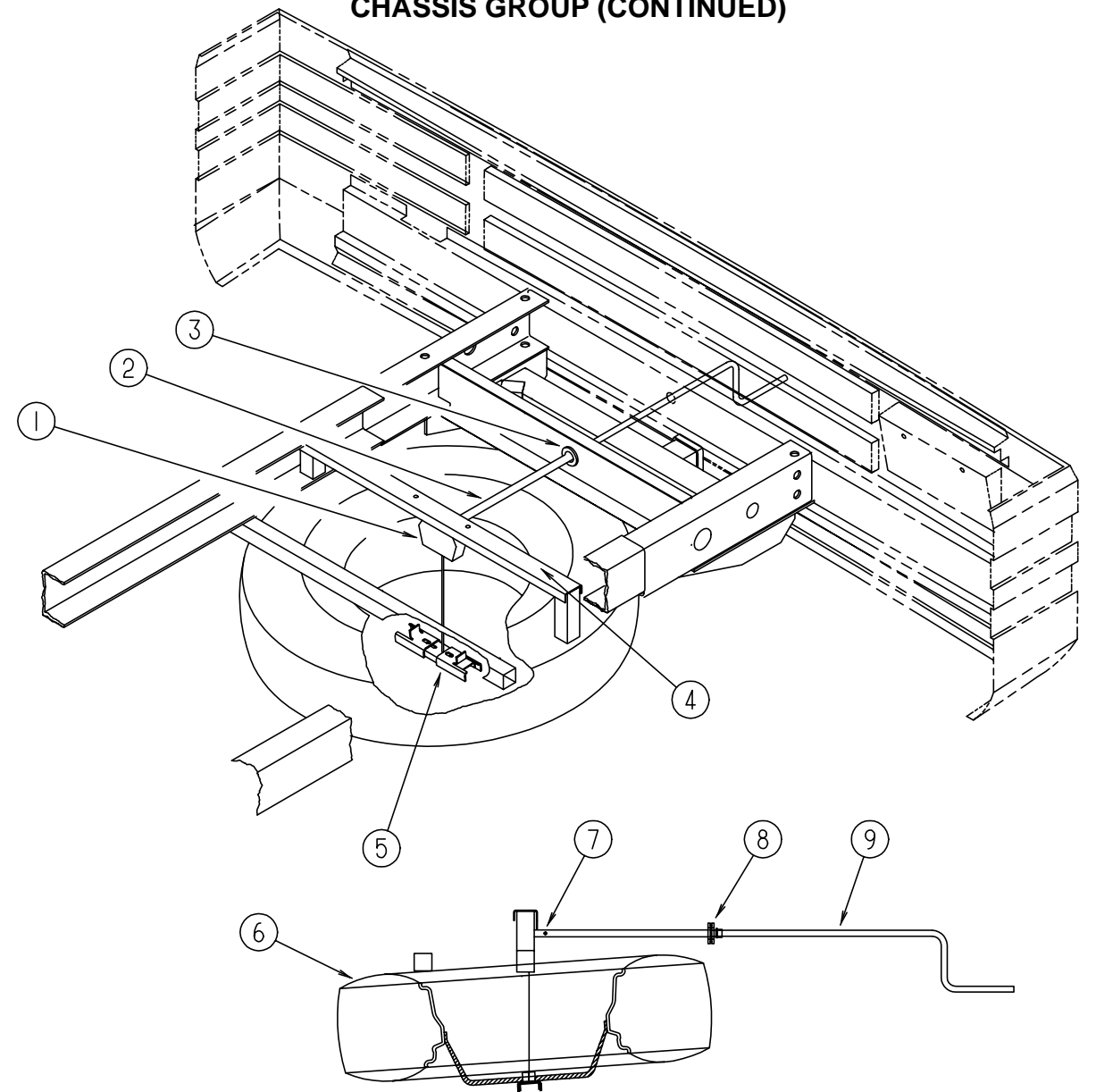
CHASSIS GROUP (CONTINUED)



FRONT & REAR HWH HYDRAULIC LEVELING SYSTEM - FORD ONLY

KEY	PART NUMBER	U/M	DESCRIPTION
1	100533-06-000	EA	BRACKETS-FRONT LEVELING JACK, HWH AP7160 (FORD)
	107889-02-000	EA	PANEL-CONTROL, TOUCH KIT
	107889-02-700	EA	TOUCH PANEL ONLY
2	100532-09-000	EA	LEVELING SYSTEM-HYDRAULIC - HWH AP1017
	100532-01-704	EA	SWITCH-MERCURY, FOR 6K & 9K JACK - RAP1010
	100532-01-705	EA	SPRING KIT-9K JACK, HWH R1171
	100532-02-701	EA	SPRING KIT-6K JACK, R6824
	100532-02-704	EA	ACTIVATOR CABLE-6K JACK, RAP7194
	100532-03-705	EA	PUMP-.75 STONE - 3" WATT MOTOR - RAP0002
	100532-03-710	EA	SENSING UNIT, 21' MTA - RAP6798
	100532-03-715	EA	CAP-BREATHER, RAP7876
	100532-03-716	EA	RELAY ESSEX, RAP7505
	100532-03-717	EA	VALVE-SHUTTLE, RAP7964
	100532-03-726	EA	SWITCH-PRESSURE - RAP8003
	100532-09-700	EA	PANEL ASM.-TOUCH CONTROL - RAP1002
	100532-09-701	EA	CONTROL BOX ASM - RAP0984
	100532-09-702	EA	CABLE-MODULAR 5' - RAP1020
	100532-09-703	EA	MANIFOLD ASM.-COMPLETE - RAP0959
	100532-09-704	EA	VALVE-SOLENOID, 2 WIRE - RAP0642
	100532-09-705	EA	SWITCH-PRESSURE W/HEAD-3000# - RAP0993
	100532-09-706	EA	JACK ASM. 9K TALL - RAP0980
	100532-09-707	EA	ACTUATOR ASM.-9K - RAP0547
	100532-09-708	EA	JACK ASM.-6K TALL W/SWITCH - RAP0992
100532-09-709	EA	ACTUATOR ASM.-6K - RAP0448	
100532-09-710	EA	SOLENOID-4 POST INT. DUTY - RAP0533	
100532-09-711	EA	VALVE ASM.-POWER UNIT - RAP0978	
100532-09-712	EA	HARNESS HYDRAULIC PUMP 35.8' - RAP1024	
100532-09-713	EA	HARNESS WARN. PRESS. 35.11' - RAP1025	
3	100534-06-000	EA	BRACKETS-REAR LEVELING JACK, HWH AP6957 (FORD)
4	100536-09-000	EA	HOSE KIT- LEVELING JACKS - HWH AP9447
5	108629-01-000	EA	SHIELD-PUMP
6	107938-01-000	EA	BRACKET ASM-PUMP
	108643-01-000	EA	BRACKET-MOUNT, JACKS CONTROL
	107890-01-000	EA	ELBOW-STEEL, 90D 1/4 X 3/7D - FLARE - PARKER 4-C6X-S
	071390-04-000	FT	TUBING-AIR BRAKE, 1/4" OD - BLACK - NT10004-BK WEATHERHEAD

CHASSIS GROUP (CONTINUED)

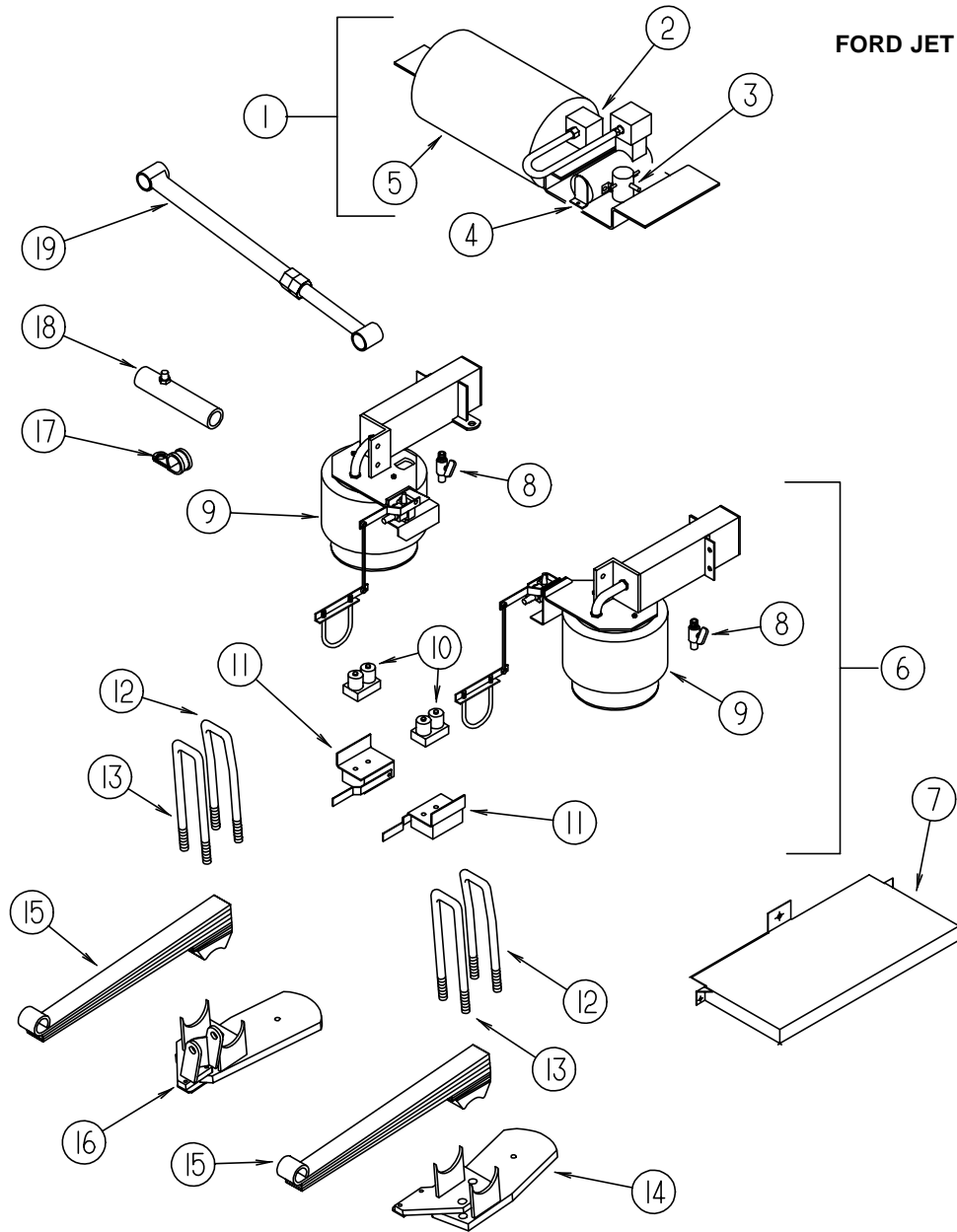


SPARE TIRE HOIST

KEY	PART NUMBER	U/M	DESCRIPTION
1	093267-02-000	EA	HOIST-SPARE TIRE, W/BRACKET
1	093267-01-000	EA	HOIST-SPARE TIRE, W/O BRACKET
2	093375-09-000	EA	EXTENSION-TIRE HOIST
3	071015-11-000	EA	GROMMET
4	093362-06-000	EA	CHANNEL-TIRE HOIST
5	105499-01-000	EA	BRACKET-TIRE HOIST
6	064963-01-000	EA	WHEEL-STEEL, 19.5" X 6" - GM 14005758 (CHEVY)
6	095853-02-000	EA	WHEEL-STEEL, 16" X 6K - F2TA - 1015 - NA - ACCURIDE 28513-7 (FORD ONLY)
6	077043-03-000	EA	NUT-WHEEL 9/16-18 2 PC F53 (FORD)
6	007324-04-000	EA	TIRE-8R19.5 LRD, MICHELIN XZA (CHEVY)
6	083425-05-000	EA	TIRE-MICHELIN, LT235/85R16 LRE - XPS RIB (FORD)
6	077030-02-000	EA	EXTENSION-VALVE STEM, 1.25"
6	051377-05-000	EA	STEM-VALVE, VS938
6	051377-01-000	EA	STEM-VALVE, TR500
6	095012-03-000	EA	EXTENSION-VALVE STEM, DUAL WHEEL (FORD)
6	095012-04-000	EA	STABILIZER-VALVE EXTENSION
7	000F10-06-32B	EA	PIN-COTTER, 3/16 X 2.00 - ZN
8	114376-01-000	EA	PIN-DRIVE, .156 X .75 - TYPE E - TIRE HOIST
9	093376-02-000	EA	HANDLE-CRANK, TIRE HOIST
	080208-01-000	EA	LUG WRENCH, 1.06 X 1.00
	080208-02-000	EA	BAR-LEVERAGE, LUG WRENCH

CHASSIS GROUP (CONTINUED)

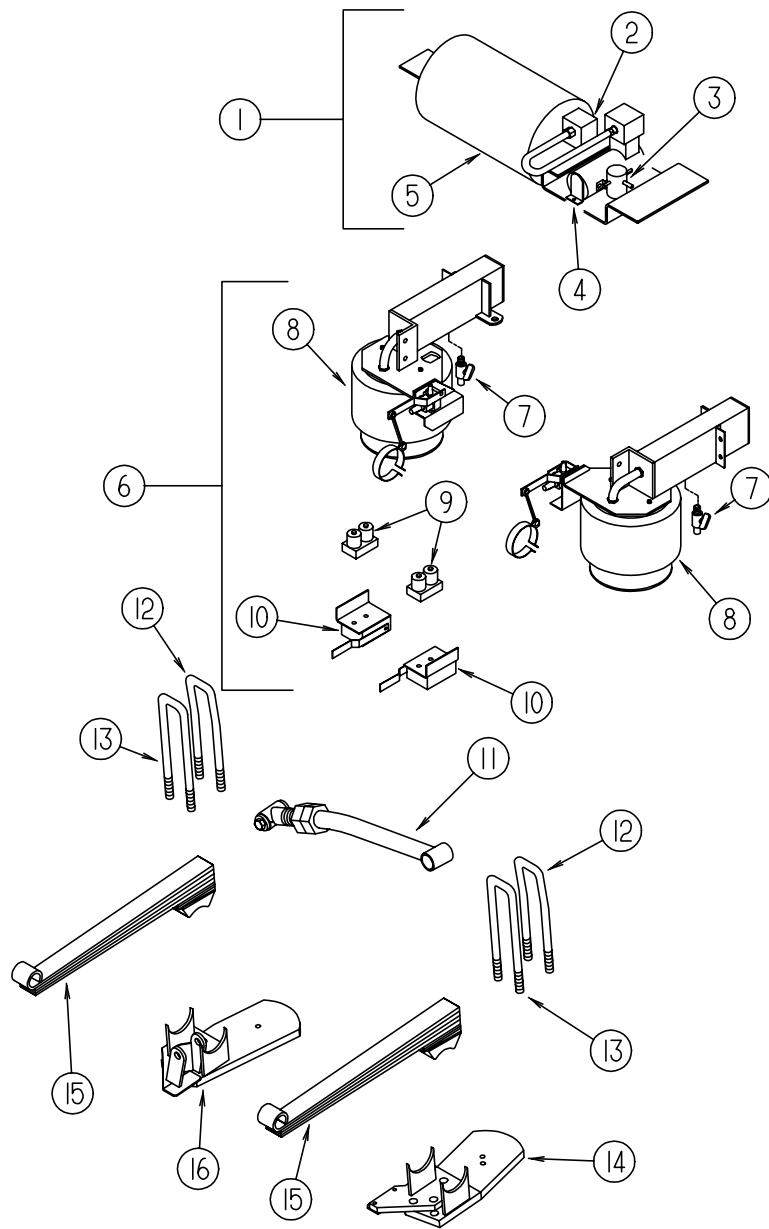
FORD JET AIR SUSPENSION W/PARK & LEVEL



KEY	PART NUMBER	U/M DESCRIPTION
1	090436-35-000	EA COMPRESSOR-TANK, W/O WIRING - JET 60703
2	090436-07-701	EA SWITCH-AIR PRESSURE - JET 50732
3	090436-07-704	EA SOLENOID-ELECTRONIC - JET 50702
4	090436-07-700	EA COMPRESSOR (ONLY) - JET 50701
5	090436-07-702	EA TANK ONLY ALL MODELS - JET 50703
	090436-40-000	EA FILTER-AIR INTAKE, COMPRESSOR - JET 50822
6	090436-71-000	EA MOUNT-AIRSPRING, UPPER DRIVER - JET 61752
6	090436-72-000	EA MOUNT-AIRSPRING, UPPER PASSENGER - JET 61753
7	090436-28-000	EA SHIELD-HEAT, FUEL TANK - JET 40360
8	090436-36-700	EA PET COCK-AIR TANK F/SPRING - JET 50720
9	090436-15-704	EA AIR SPRING - JET 50774
10	090436-15-710	EA ELECTRONIC VALVE-RH - JET 50786
10	090436-15-709	EA ELECTRONIC VALVE-LH - JET 50785
11	090436-15-712	EA HEIGHT CONTROL BOX R.H. W/LIGHT - JET 50872
11	090436-15-711	EA HEIGHT CONTROL BOX L.H. W/LIGHT - JET 50871
	090436-15-714	EA KIT (LOCK-OUT)
	090436-15-713	EA WIRE LOOM F/AXLE POS. LIGHT - JET 50875
12	090436-25-000	EA U-BOLT, 1-14 X 4" X 15" - W/NUTS - JET 60759-1
13	090436-22-000	EA U-BOLT, 1-14 X 4" X 14" - W/NUTS - JET 60759
14	090436-20-000	EA MOUNT-SPRING/AXLE, LOWER DRIVER - JET 60753
15	M90436-23-000	EA SPRING-LEAF, SEMI - FORD - JET 60762
16	090436-21-000	EA MOUNT-SPRING/AXLE, LOWER PASSENGER - JET 60754
17	090436-29-000	EA BRACKET-BRAKE HOSE/FRAME, JET 60696
18	090436-30-000	EA BRACKET-BRAKE HOSE/CALIPER, JET 60695
19	090436-31-000	EA BAR-TRACK, W/BOLTS & BRACKETS
	090436-79-000	EA STABILIZER BUSHING KIT, FOR FRONT & REAR BARS
	031045-05-000	EA ADAPTER-1/4" ID BARB X 1/8" MPT
	071374-04-000	EA FITTING-BULKHEAD, 1/8" X 1/8"FNPT
	111643-01-000	EA WIRE ASM-PARK & LEVEL, WARNING
	090436-67-000	EA WIRING-ELECTRONIC, JET 55864

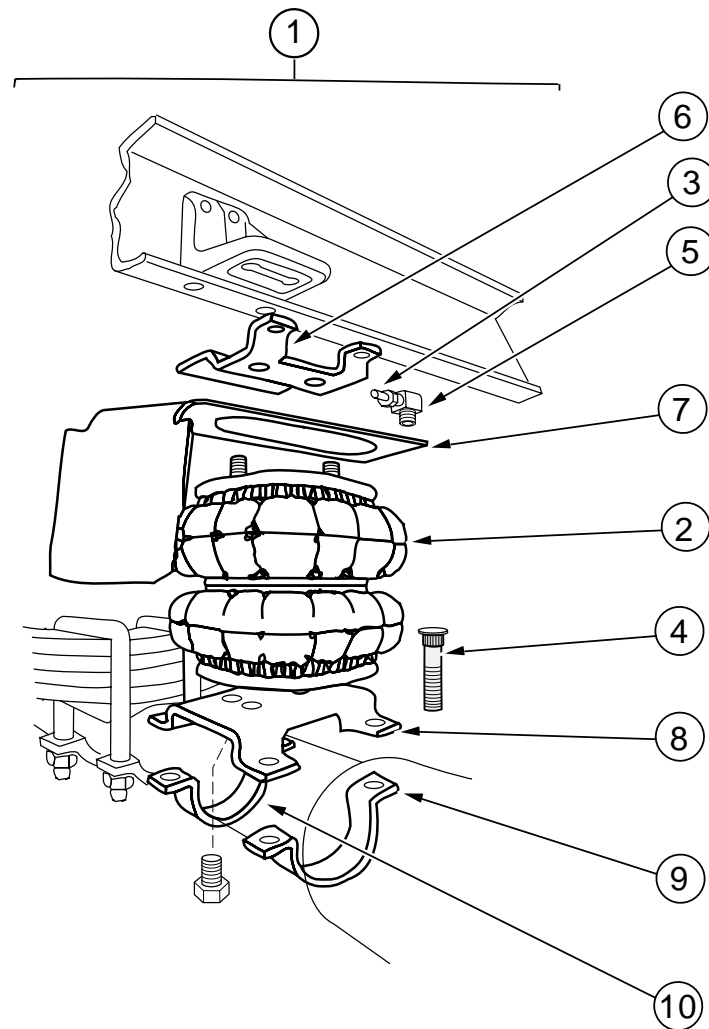
CHASSIS GROUP (CONTINUED)

CHEVY JET AIR SUSPENSION W/PARK & LEVEL



KEY	PART NUMBER	U/M DESCRIPTION
1	090436-35-000	EA COMPRESSOR-TANK, W/O WIRING - JET 60703
2	090436-07-701	EA SWITCH-AIR PRESSURE - JET 50732
3	090436-07-704	EA SOLENOID-ELECTRONIC - JET 50702
4	090436-07-700	EA COMPRESSOR (ONLY) - JET 50701
5	090436-07-702	EA TANK ONLY ALL MODELS - JET 50703
	090436-40-000	EA FILTER-AIR INTAKE, COMPRESSOR - JET 50822
6	090436-70-000	EA MOUNT-SPRING, CHEVY - RIGHT - UPPER - JET 51753
6	090436-69-000	EA MOUNT-SPRING, CHEVY - LEFT - UPPER - JET 51752
7	090436-36-700	EA PET COCK-AIR TANK F/SPRING - JET 50720
8	090436-15-704	EA AIR SPRING - JET 50774
9	090436-15-710	EA ELECTRONIC VALVE-RH - JET 55786
9	090436-15-709	EA ELECTRONIC VALVE-LH - JET 55785
10	090436-15-712	EA HEIGHT CONTROL BOX R.H. W/LIGHT - JET 50872
10	090436-15-711	EA HEIGHT CONTROL BOX L.H. W/LIGHT - JET 50871
	090436-15-713	EA WIRE LOOM F/AXLE POS. LIGHT - JET 50875
11	090436-47-000	EA BAR-TRACK, W/PIVOT BOLTS CHEVY - JET 55765
	090436-52-000	EA BRACKET-TRACK BAR, STANDARD - JET 51354
12	090436-12-000	EA U-BOLT-STRAIGHT, 7/8" - JET 55759
13	090436-13-000	EA U-BOLT-BENT, 7/8" - JET 55759-1
14	090436-10-000	EA MOUNT-SPRING/AXLE, LOWER LEFT - JET 55753
15	M90436-41-000	EA SPRING-LEAF, SEMI 16,000 GVW - JET 51793
16	090436-46-000	EA MOUNT-SPRING/AXLE, LOWER RIGHT - JET 51755
	091250-03-000	EA BUSHING-SWAY BAR, 1.75" CUT - HELLWIG PB 732
	110114-01-000	EA PLATE-BEEFUP, JET RIDE SUSPENSION
	110115-01-000	EA PLATE-BEEFUP, JET RIDE SUSPENSION
	071374-04-000	EA FITTING-BULKHEAD, 1/8" X 1/8"FNPT
	111643-01-000	EA WIRE ASM-PARK & LEVEL, WARNING
	090436-67-000	EA WIRING-ELECTRONIC, JET 55864

CHASSIS GROUP (CONTINUED)



CHEVY FIRESTONE RIDE RITE REAR AIRSPRINGS

KEY	PART NUMBER	U/M DESCRIPTION
1	084086-01-000	EA AIRSPRING-BELLOWS, REAR AXLE - FIRESTONE MHA224
2	084086-04-702	EA AIR BAG-ONLY, FIRESTONE W217602064
3	084086-01-701	EA TUBING-DOT 1/4" X 18' - FIRESTONE 21-0938
4	084086-01-702	EA BOLT-RIBBED NECK, 3/8"-24 X 2.5" FIRESTONE 21-0829
	084086-01-703	EA INFLATING VALVE-DOT 1/4" TUBING, FIRESTONE 21-0931
5	084086-01-704	EA ELBOW CONNECTOR, FIRESTONE 21-0935
	084086-01-705	EA TUBING PROTECTORS, FIRESTONE 21-0899
6	084086-01-706	EA BRACKET-UPPER TO FRAME, FIRESTONE 21-0150
	084086-01-708	EA AIRLINE SERVICE KIT, FIRESTONE W21-760-2012
	084086-01-709	EA HEAT SHIELD, FIRESTONE 21-1004
	084086-01-710	EA BOLT PACKAGE, FIRESTONE 2135823002
7	084086-01-711	EA HEAT SHIELD-224 DOS SYSTEM, FIRESTONE 21-5042
8	084086-01-707	EA BRACKET-LOWER, TOP - PASSENGER SIDE - FIRESTONE 21-1162
8	084086-01-712	EA BRACKET-LOWER, TOP - DRIVER SIDE - FIRESTONE 21-5037
9	084086-01-713	EA AXLE STRAP BRACKET, AXLE TUBE - 3 USED - FIRESTONE 21-1163
10	084086-01-714	EA AXLE STRAP BRACKET, DIFFERENTIAL - 1 USED - FIRESTONE 21-5038
	084086-03-000	EA BRACKET-AXLE, FIRESTONE W21-760-2044

CHASSIS GROUP (CONTINUED)

CHEVY FRONT SHOCKS

KEY	PART NUMBER	U/M DESCRIPTION
	104993-01-000	EA SHOCK ABSORBER-GAS, P30 FRONT - BILSTEIN B46-1173

WHEEL COVERS

KEY	PART NUMBER	U/M DESCRIPTION
	109443-01-000	EA COVER-WHEEL, 4/SET 19.5 W/HARDWARE - DICOR SHAG95 (CHEVY)
	109443-01-700	EA COVER-WHEEL, 19.5 - FRONT OR REAR - 1 ONLY - SHAG95 DICOR (CHEVY)
	109443-01-701	EA SET-BRACKET, 1 FRONT WHEEL - SHAG95-FBS DICOR (CHEVY)
	109443-01-702	EA SET-BRACKET, 1 REAR WHEEL - SHAG95-RBS DICOR (CHEVY)
	109443-01-703	EA CAP-CENTER, HUB - DICOR SP-AUCAP (CHEVY)
	098532-01-000	EA COVER-WHEEL, FORD - 16" - SET OF 4 - DICOR SH-SD-16
	098532-01-700	EA COVER-LUG NUT, FORD - CHROME - DICOR SP-FM-CLN
	098532-01-701	EA COVER-WHEEL, FORD - 16" - 1 ONLY

WHEEL LINERS

KEY	PART NUMBER	U/M DESCRIPTION
	091209-01-000	EA LINER-WHEEL, 19.5" - SST - SET OF 4 - KAPER 1954-ION (CHEVY)
	091209-01-700	EA LINER-WHEEL, 19.5" FRONT - 10 LUG - CHEVY P-30
	091209-01-701	EA LINER-WHEEL, 19.5" REAR - 10 LUG - CHEVY P-30
	091209-01-702	EA COVER-AXLE, 19.5" FRONT - 10 LUG - CHEVY P-30
	091209-01-703	EA COVER-AXLE, 19.5" REAR - 10 LUG - CHEVY P-30
	091209-01-704	EA COVER-LUG NUT (CHEVY)
	091209-08-000	EA WHEEL LINER SET W/FRONT HUB COVER 16" SET OF 4 (FORD) (2) FRONTS - (2) REARS
	091209-08-700	EA LINER-WHEEL, 16" FRONT W/AXLE COVER - 10 LUG - FORD
	091209-08-701	EA LINER-WHEEL, 16" REAR - 10 LUG - FORD
	091209-08-702	EA COVER-AXLE, 16" REAR - FORD
	091209-11-702	EA JAMB NUT, LONG - REAR DUALS ONLY
	091209-01-704	EA COVER-LUG NUT (FORD)

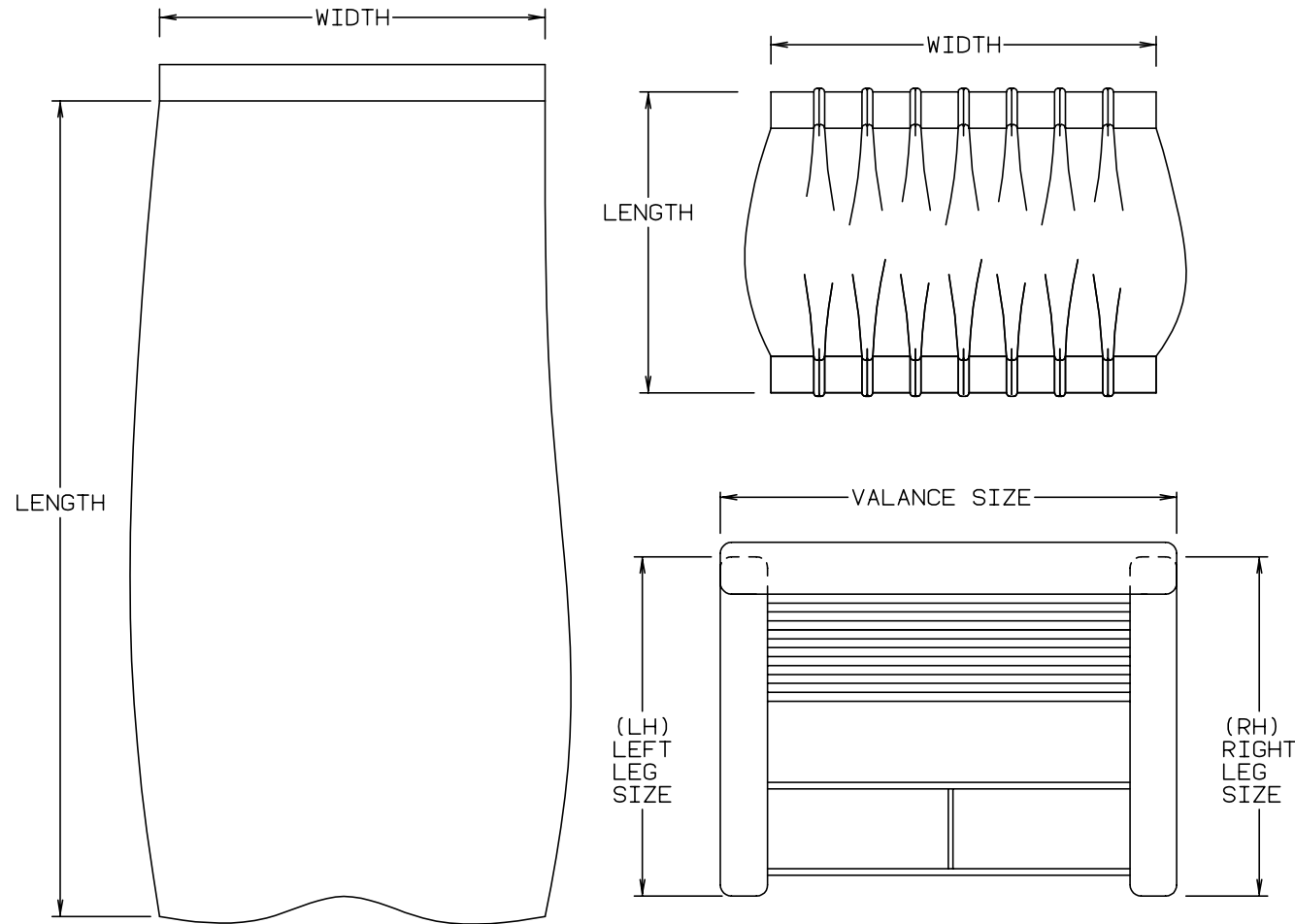
RADIATOR BAFFLE, AIR BRAKE TUBING, PUSHNUT & HOSE

KEY	PART NUMBER	U/M DESCRIPTION
	076310-01-000	EA BAFFLE-RADIATOR, .12" X 15" X 62" - RUBBER (CHEVY)
	071390-04-000	FT TUBING-AIR BRAKE, 1/4" OD - BLACK - WEATHERHEAD (BRAKES & HORN)
	113007-01-000	EA PIN-SPRING, .375 X 3" - EXTENDED EMERGENCY BRAKE (FORD)
	083163-06-000	EA PUSHNUT-FLAT TYPE, 3/8 STUD - FORD ONLY TO RETAIN AIR BAFFLE ON THE OIL DIPSTICK TUBE
	113875-01-000	EA HOSE-HUMP, 3" - DIESEL ENGINE ONLY

**CURTAIN & CUSHION GROUP
NOTICE**

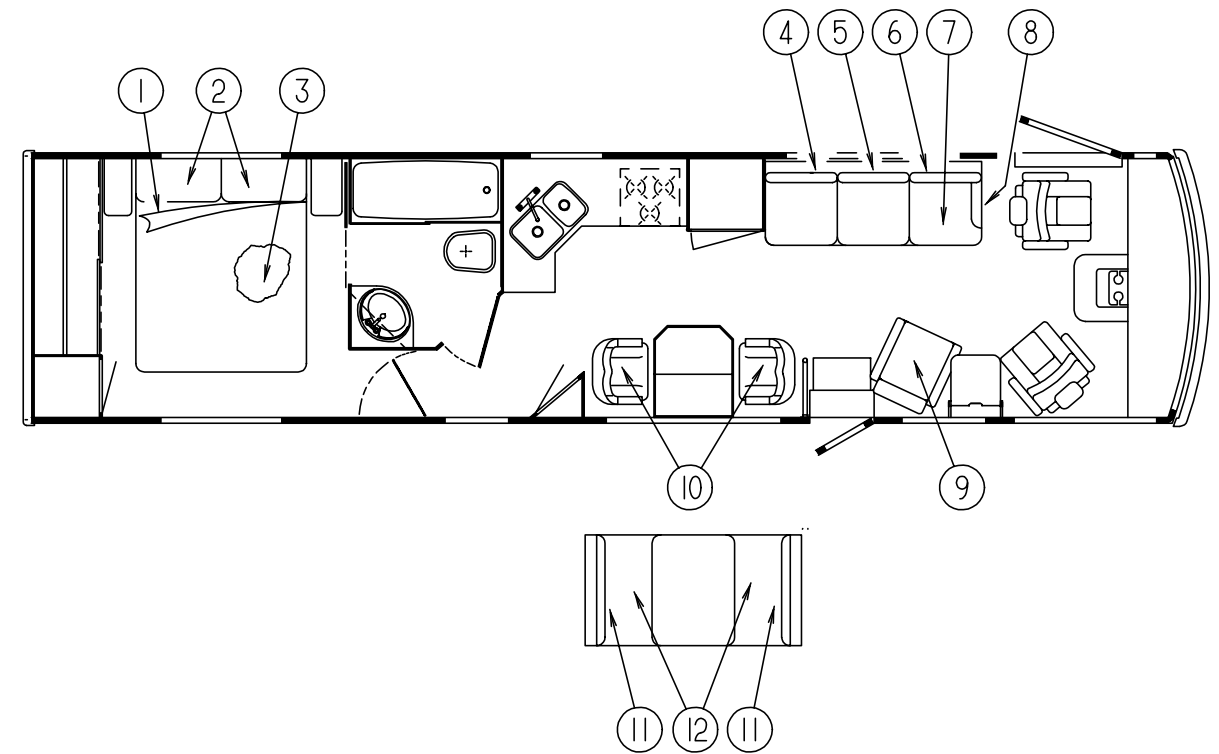
IN ORDER TO ASSIST OUR PARTS SALES DEPT. IN PROVIDING INTERIOR SOFTWARE ITEMS, PLEASE INCLUDE THE SERIAL NUMBER AND THE COLOR CODE NUMBER FROM THE VEHICLE CERTIFICATION LABEL WHEN ORDERING. THIS LABEL IS LOCATED ON THE LEFT SIDEWALL AT THE END OF THE DASH (A-BODY), OR ON THE DRIVER'S DOOR LATCH PLATE (C-BODY).

AN EXAMPLE OF A COLOR CODE NUMBER IS B07, WHICH DESIGNATES AN OVERALL COLOR SCHEME OF A PARTICULAR UNIT. THE COLOR LISTED AFTER THE ITEM DESCRIPTION ON THE MICROFICHE, INDICATES THE OVERALL UNIT COLOR. ORDER THE ITEM YOU DESIRE ACCORDING TO UNIT COLOR CODE.



NOTE: USE THIS ILLUSTRATION WHEN DETERMINING LENGTH AND WIDTH MEASUREMENTS FOR CURTAINS. YOU WILL NOTE THE WIDTH MEASUREMENT IS TAKEN ON THE TOP OF THE CURTAIN WITH THE CURTAIN FULLY EXTENDED. THE LENGTH MEASUREMENT IS TAKEN FROM TOP TO BOTTOM. LEFT AND RIGHT WINDOW LEGS ARE DETERMINED WHEN FACING THE WINDOW.

CURTAIN & CUSHION GROUP (CONTINUED)



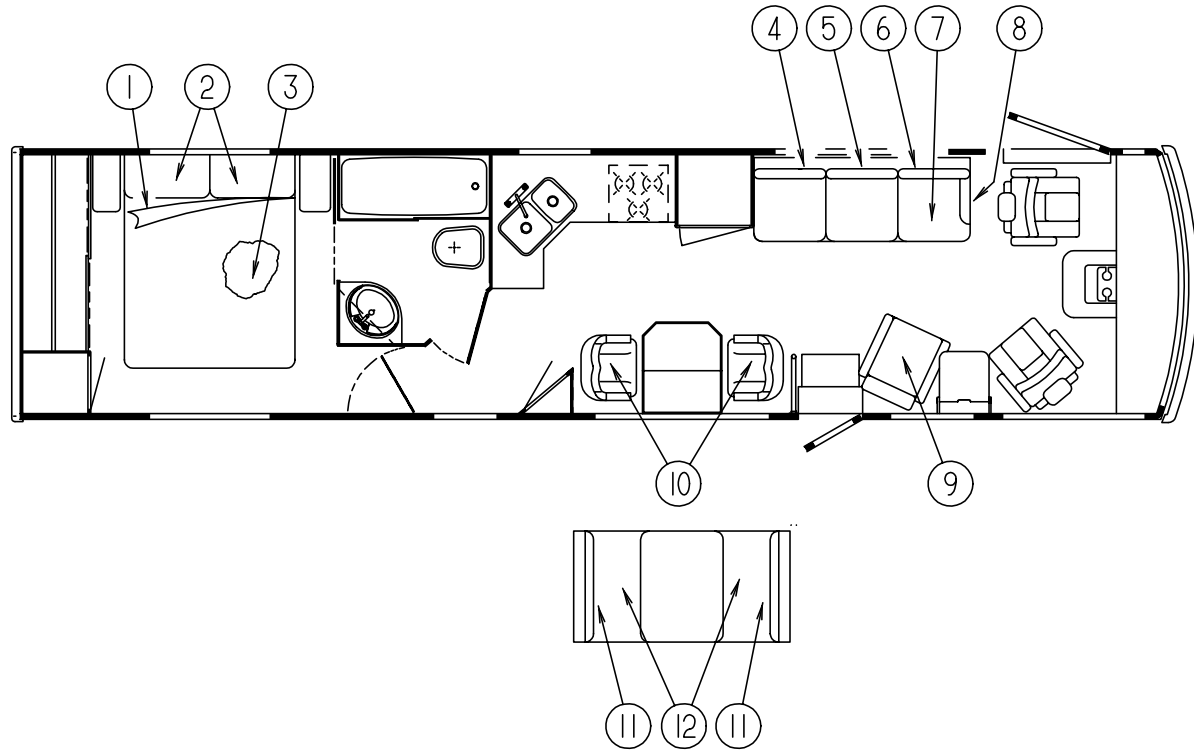
MATTRESS, PILLOWS & BEDSPREAD

KEY	PART NUMBER	U/M	DESCRIPTION
1	106725-03-F36	EA	BEDSPREAD-QUEEN, 60" X 75" (F36, F37)
1	106725-03-E39	EA	BEDSPREAD-QUEEN, 60" X 75" (F38, F39)
1	106725-03-F40	EA	BEDSPREAD-QUEEN, 60" X 75" (F40, F41)
2	081997-14-F36	EA	COVER-PILLOW SHAM, W/RUFFLE (F36, F37)
2	081997-14-E39	EA	COVER-PILLOW SHAM, W/RUFFLE (F38, F39)
2	081997-14-F40	EA	COVER-PILLOW SHAM, W/RUFFLE (F40, F41)
	104259-07-F36	EA	PILLOW-THROW, 15" X 15" - W/RUFFLE (F36, F37)
	104259-07-E39	EA	PILLOW-THROW, 15" X 15" - W/RUFFLE (F38, F39)
	104259-07-F40	EA	PILLOW-THROW, 15" X 15" - W/RUFFLE (F40, F41)
3	098176-04-000	EA	MATTRESS-QUEEN, INNERSPRING - 59" X 74" - SEALY

LOUNGE THROW PILLOWS

KEY	PART NUMBER	U/M	DESCRIPTION
	103669-08-F36	EA	PILLOW-THROW, 15" X 15" - W/FRINGE (F36, F37)
	103669-08-F38	EA	PILLOW-THROW, 15" X 15" - W/FRINGE (F38, F39)
	103669-08-F40	EA	PILLOW-THROW, 15" X 15" - W/FRINGE (F40, F41)

CURTAIN & CUSHION GROUP (CONTINUED)



COUCH

KEY	PART NUMBER	U/M	DESCRIPTION
4	104654-04-F36	EA	CUSHION-BACKREST, RIGHT SIDE (F36, F37)
	P04654-04-F36	EA	COVER-CUSHION, BACKREST - RIGHT SIDE (F36, F37)
4	104654-04-E39	EA	CUSHION-BACKREST, RIGHT SIDE (F38, F39)
	P04654-04-E39	EA	COVER-CUSHION, BACKREST - RIGHT SIDE (F38, F39)
4	104655-02-F40	EA	CUSHION-BACKREST, COUCH - 3 USED (F40, F41)
	P04655-02-F40	EA	COVER-CUSHION, BACKREST (F40, F41)
5	104654-06-F36	EA	CUSHION-BACKREST, CENTER (F36, F37)
	P04654-06-F36	EA	COVER-CUSHION, BACKREST - CENTER (F36, F37)
5	104654-06-E39	EA	CUSHION-BACKREST, CENTER (F38, F39)
	P04654-06-E39	EA	COVER-CUSHION, BACKREST - CENTER (F38, F39)
5	104655-02-F40	EA	CUSHION-BACKREST, COUCH - 3 USED (F40, F41)
	P04655-02-F40	EA	COVER-CUSHION, BACKREST (F40, F41)
6	104654-05-F36	EA	CUSHION-BACKREST, LEFT SIDE (F36, F37)
	P04654-05-F36	EA	COVER-CUSHION, BACKREST - LEFT SIDE (F36, F37)
6	104654-05-E39	EA	CUSHION-BACKREST, LEFT SIDE (F38, F39)
	P04654-05-E39	EA	COVER-CUSHION, BACKREST - LEFT SIDE (F38, F39)
6	104655-02-F40	EA	CUSHION-BACKREST, COUCH - 3 USED (F40, F41)
	P04655-02-F40	EA	COVER-CUSHION, BACKREST (F40, F41)
7	104652-05-F36	EA	COUCH, 66" - W/O BACKREST CUSHIONS & ARMREST (F36, F37)
	P04652-05-F36	EA	COVER-COUCH, 66" - W/O BACKREST CUSHIONS (F36, F37)
7	104652-05-E39	EA	COUCH, 66" - W/O BACKREST CUSHIONS & ARMREST (F38, F39)
	P04652-05-E39	EA	COVER-COUCH, 66" - W/O BACKREST CUSHIONS (F38, F39)
7	104652-04-F40	EA	COUCH, 66" - W/O BACKREST CUSHIONS & ARMREST (F40, F41)
	P04652-04-F40	EA	COVER-COUCH, 66" - W/O BACKREST CUSHIONS (F40, F41)

COUCH (CONTINUED)

KEY	PART NUMBER	U/M	DESCRIPTION
	110266-01-000	EA	FRAME-COUCH, 66" (F36, F37, F38, F39)
	105433-02-000	EA	FRAME-COUCH, 66" (F40, F41)
	102874-01-000	EA	CATCH-COUCH, W/BRACKET & SPRING - STEEL - CANADIAN
8	111909-02-F36	EA	ARMREST-COUCH, LEFT (F36, F37)
8	111909-02-E72	EA	ARMREST-COUCH, LEFT (F38, F39)
8	111905-02-F40	EA	ARMREST-COUCH, LEFT (F40, F41)
	P11909-02-F36	EA	COVER-ARMREST, COUCH - LEFT (F36, F37)
	P11909-02-E39	EA	COVER-ARMREST, COUCH - LEFT (F38, F39)
	P11905-02-F40	EA	COVER-ARMREST, COUCH - LEFT (F40, F41)

SWIVEL CHAIR

KEY	PART NUMBER	U/M	DESCRIPTION
9	115393-01-F36	EA	CHAIR-SWIVEL, W/O SEAT CUSHION & PEDESTAL (F36, F37)
9	115393-01-F38	EA	CHAIR-SWIVEL, W/O SEAT CUSHION & PEDESTAL (F38, F39)
9	115393-01-F40	EA	CHAIR-SWIVEL, W/O SEAT CUSHION & PEDESTAL (F40, F41)

DINETTE CHAIRS

KEY	PART NUMBER	U/M	DESCRIPTION
10	116058-01-000	EA	CHAIR-SWIVEL, DINETTE - FLEXSTEEL (F36, F37)
10	116058-02-000	EA	CHAIR-SWIVEL, DINETTE - FLEXSTEEL (F38, F39)
10	116058-03-000	EA	CHAIR-SWIVEL, DINETTE - FLEXSTEEL (F40, F41)
	116080-01-F36	EA	COVER-LEG, WOOD (PICKLED ASH)
	116080-01-F37	EA	COVER-LEG, WOOD (SALEM CHERRY)
	101866-98-01A	EA	PLUG-LEG, TO MOUNT CHAIR TO FLOOR (PICKLED ASH)
	101866-98-02A	EA	PLUG-LEG, TO MOUNT CHAIR TO FLOOR (SALEM CHERRY)

DINETTE CUSHIONS

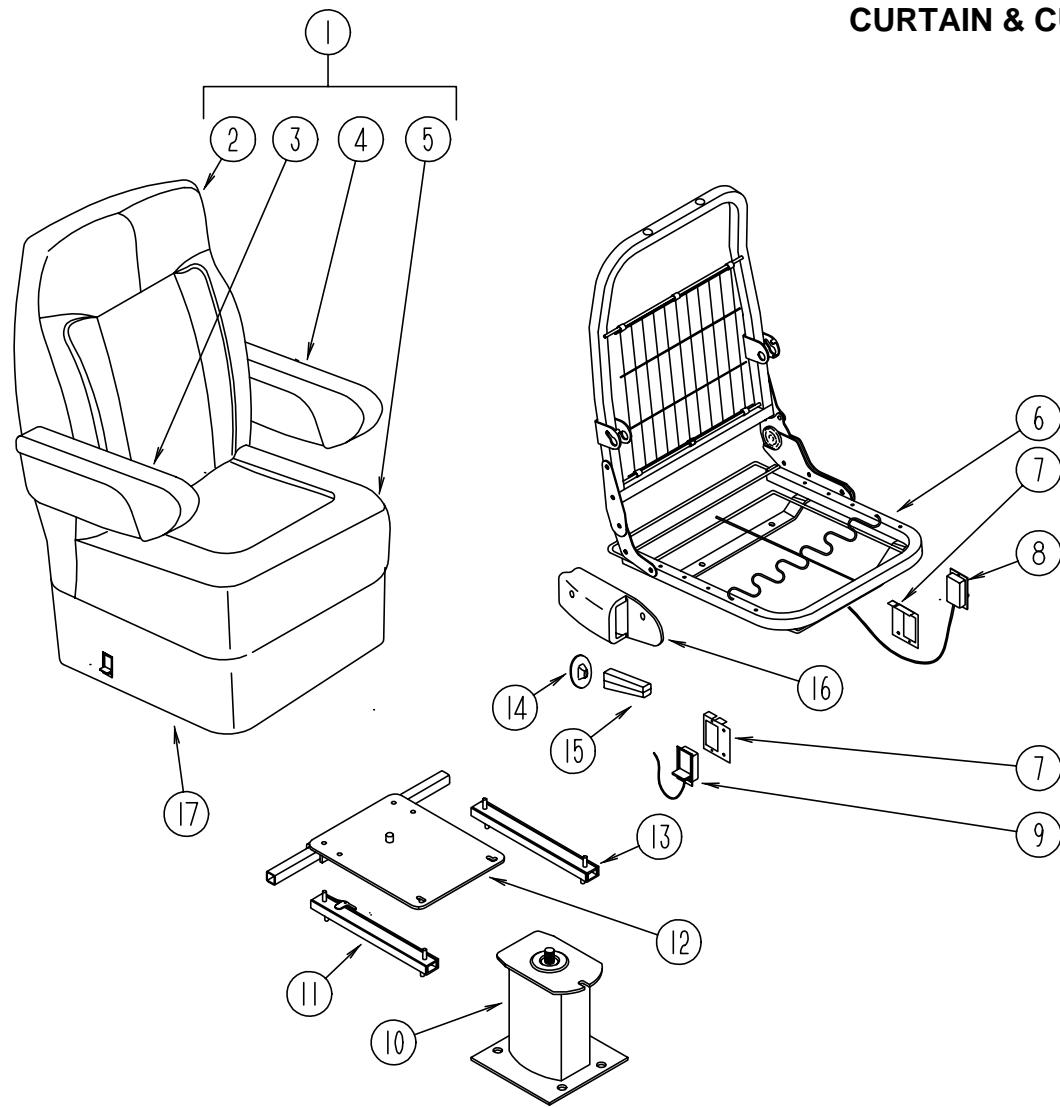
KEY	PART NUMBER	U/M	DESCRIPTION
11	111880-04-F36	EA	CUSHION-BACKREST, 13.5" X 30' X 5" (F36, F37)
11	111880-04-F38	EA	CUSHION-BACKREST, 13.5" X 30' X 5" (F38, F39)
11	111880-04-F40	EA	CUSHION-BACKREST, 13.5" X 30' X 5" (F40, F41)
	P11880-04-F36	EA	COVER-CUSHION, BACKREST (F36, F37)
	P11880-04-F38	EA	COVER-CUSHION, BACKREST (F38, F39)
	P11880-04-F40	EA	COVER-CUSHION, BACKREST (F40, F41)
	078155-01-000	EA	STRAP-SNAP, BACKREST CUSHION
12	105603-17-F36	EA	CUSHION-SEAT, 23" X 38" X 5" (F36, F37)
12	105603-17-F38	EA	CUSHION-SEAT, 23" X 38" X 5" (F38, F39)
12	105603-17-F40	EA	CUSHION-SEAT, 23" X 38" X 5" (F40, F41)
	M05603-17-F36	EA	COVER-CUSHION, SEAT (F36, F37)
	M05603-17-F38	EA	COVER-CUSHION, SEAT (F38, F39)
	M05603-17-F40	EA	COVER-CUSHION, SEAT (F40, F41)

FOLDING CHAIRS

KEY	PART NUMBER	U/M	DESCRIPTION
	101604-01-01A	EA	CHAIR-FOLDING, STACKMORE - W/O MATCHING FABRIC - OAK (PICKLED ASH)
	101604-01-02A	EA	CHAIR-FOLDING, STACKMORE - W/O MATCHING FABRIC - OAK (SALEM CHERRY)

CURTAIN & CUSHION GROUP (CONTINUED)

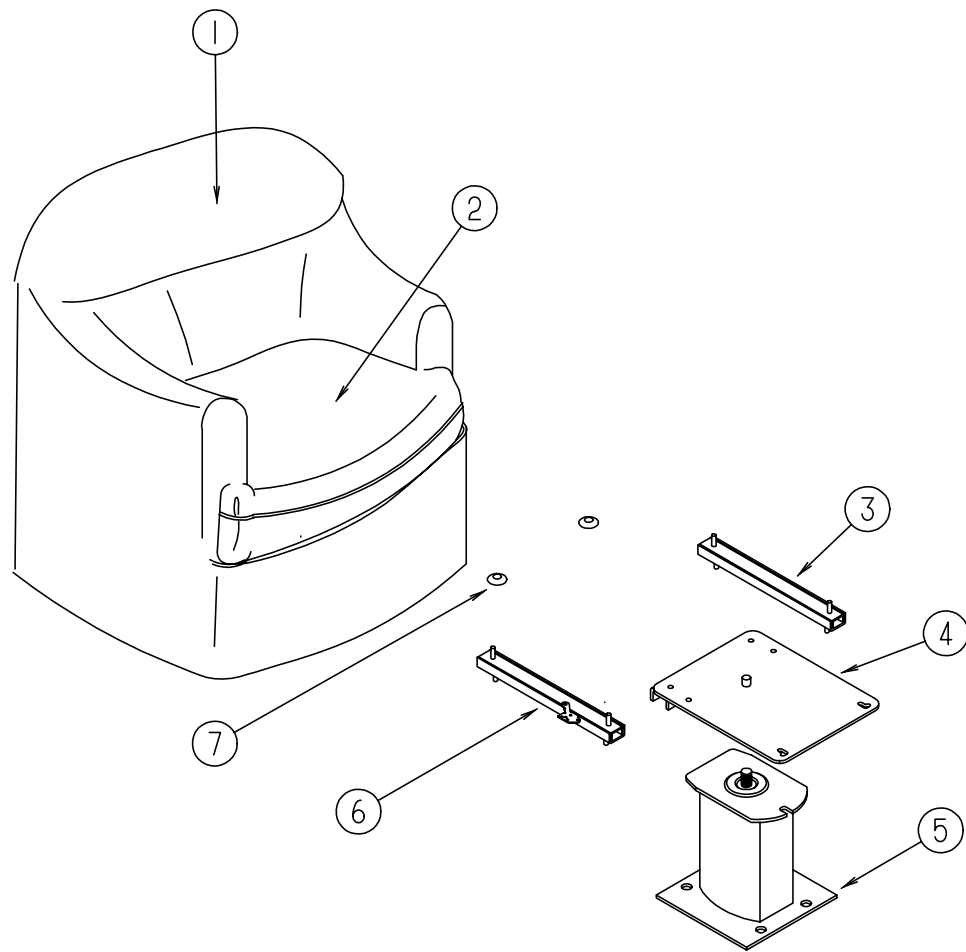
BUCKET SEATS



KEY	PART NUMBER	U/M DESCRIPTION
1	115390-01-F36	EA SEAT-BUCKET, PASSENGER - W/O SKIRT & PEDESTAL (F36, F37)
1	115390-01-F38	EA SEAT-BUCKET, PASSENGER - W/O SKIRT & PEDESTAL (F38, F39)
1	115390-01-F40	EA SEAT-BUCKET, PASSENGER - W/O SKIRT & PEDESTAL (F40, F41)
1	115390-03-F36	EA SEAT-BUCKET, DRIVER - W/O SKIRT & PEDESTAL (F36, F37)
1	115390-03-F38	EA SEAT-BUCKET, DRIVER - W/O SKIRT & PEDESTAL (F38, F39)
1	115390-03-F40	EA SEAT-BUCKET, DRIVER - W/O SKIRT & PEDESTAL (F40, F41)
1	115390-02-F36	EA SEAT-BUCKET, PASS - W/O SKIRT & PEDESTAL - LUXURY LEATHER (F36, F37)
1	115390-02-F38	EA SEAT-BUCKET, PASS - W/O SKIRT & PEDESTAL - LUXURY LEATHER (F38, F39)
1	115390-02-F40	EA SEAT-BUCKET, PASS - W/O SKIRT & PEDESTAL - LUXURY LEATHER (F40, F41)
1	115390-04-F36	EA SEAT-BUCKET, DR - W/O SKIRT & PEDESTAL - LUXURY LEATHER (F36, F37)
1	115390-04-F38	EA SEAT-BUCKET, DR - W/O SKIRT & PEDESTAL - LUXURY LEATHER (F38, F39)
1	115390-04-F40	EA SEAT-BUCKET, DR - W/O SKIRT & PEDESTAL - LUXURY LEATHER (F40, F41)
2	M05962-13-F36	EA COVER-BACKREST, BUCKET SEAT (F36, F37)
2	M05962-13-F38	EA COVER-BACKREST, BUCKET SEAT (F38, F39)
2	M05962-13-F40	EA COVER-BACKREST, BUCKET SEAT (F40, F41)
2	M05962-15-F36	EA COVER-BACKREST, BUCKET SEAT - LUXURY LEATHER (F36, F37)
2	M05962-15-F38	EA COVER-BACKREST, BUCKET SEAT - LUXURY LEATHER (F38, F39)
2	M05962-15-F40	EA COVER-BACKREST, BUCKET SEAT - LUXURY LEATHER (F40, F41)
3	114929-01-F36	EA ARMREST-RIGHT (F36, F37)
3	114929-01-F38	EA ARMREST-RIGHT (F38, F39)
3	114929-01-F40	EA ARMREST-RIGHT (F40, F41)
3	114929-03-F36	EA ARMREST-RIGHT (LUXURY LEATHER) (F36, F37, F38, F39, F40, F41)
	081268-01-000	EA ROD & CHANNEL-ARMREST, RIGHT - METAL
	081361-01-000	EA ROD-ARMREST, METAL - RIGHT OR LEFT HAND
	P14929-01-F36	EA COVER-ARMREST, RIGHT (F36, F37)
	P14929-01-F38	EA COVER-ARMREST, RIGHT (F38, F39)
	P14929-01-F40	EA COVER-ARMREST, RIGHT (F40, F41)
	P14929-03-F36	EA COVER-ARMREST, RIGHT (LUXURY LEATHER) (F36, F37, F38, F39, F40, F41)

KEY	PART NUMBER	U/M DESCRIPTION
4	114929-02-F36	EA ARMREST-LEFT (F36, F37)
4	114929-02-F38	EA ARMREST-LEFT (F38, F39)
4	114929-02-F40	EA ARMREST-LEFT (F40, F41)
4	114929-04-F36	EA ARMREST-LEFT (LUXURY LEATHER) (F36, F37, F38, F39, F40, F41)
	081268-02-000	EA ROD & CHANNEL-ARMREST, LEFT - METAL
	081361-01-000	EA ROD-ARMREST, METAL - RIGHT OR LEFT HAND
	P14929-02-F36	EA COVER-ARMREST, LEFT (F36, F37)
	P14929-02-F38	EA COVER-ARMREST, LEFT (F38, F39)
	P14929-02-F40	EA COVER-ARMREST, LEFT (F40, F41)
	P14929-04-F36	EA COVER-ARMREST, LEFT (LUXURY LEATHER) (F36, F37, F38, F39, F40, F41)
5	M05962-14-F36	EA COVER-SEAT, BUCKET (F36, F37)
5	M05962-14-F38	EA COVER-SEAT, BUCKET (F38, F39)
5	M05962-14-F40	EA COVER-SEAT, BUCKET (F40, F41)
5	M05962-16-F36	EA COVER-SEAT, BUCKET - LUXURY LEATHER (F36, F37)
5	M05962-16-F38	EA COVER-SEAT, BUCKET - LUXURY LEATHER (F38, F39)
5	M05962-16-F40	EA COVER-SEAT, BUCKET - LUXURY LEATHER (F40, F41)
6	M80906-11-000	EA FRAME-SEAT & BACK & SPRING, RECLINING
7	097683-03-000	EA BRACKET-REMOTE, SIDE MOUNT - SINGLE
8	089368-04-000	EA CABLE-SLIDE, W/SWITCH - BUCKET SEAT
9	108049-01-000	EA CABLE-28", W/SWIVEL SWITCH - FLEXSTEEL PEDESTAL 23602
	108049-02-000	EA CLIP-PEDESTAL CABLE, FLEXSTEEL 2592-CA
10	107921-01-000	EA PEDESTAL-LOWER, PASSENGER W/SUB PLATE - 9.75" - STEEL
10	107921-07-000	EA PEDESTAL-LOWER, DRIVER W/SUB PLATE - 9.75" - STEEL
10	107921-07-000	EA PEDESTAL-LOWER, W/SUB PLATE - 4.5" - STEEL - W/POWER SEAT OPTION
11	069246-05-000	EA ADJUSTER-SEAT/CHAIR, W/REMOTE - FORWARD & BACK
	069246-05-700	EA SPRING-ADJUSTER, FOR REMOTE
	069246-05-701	EA CLIP-CABLE, FOR REMOTE
12	107921-05-000	EA TOP PLATE-PEDESTAL, PASSENGER - W/O SEATBELT BAR
	107921-06-000	EA BEARING KIT-PEDESTAL, PASSENGER
	116215-02-000	EA PLATE-UPPER, MANUAL, 6-WAY - DRIVER (NOT SHOWN)
	116215-01-000	EA SEAT-MANUAL, 6-WAY - DRIVER SEAT (NOT SHOWN)
	116215-03-000	EA PLATE-LOWER, MANUAL - 6-WAY - DRIVER (NOT SHOWN)
13	069246-02-000	EA ADJUSTER-SEAT/CHAIR, W/O LOCK - FORWARD & BACK
	007221-01-000	EA SPACER-SEAT, ADJUSTER
	081373-03-000	EA POWER PACK-6-WAY, DRIVERS POWERED SEAT
	081373-01-700	EA BRACKET-L F/CONTROL SWITCH - H-171
	081373-02-700	EA ESCUTCHEON & SWITCH ASM PKG - 22063234
	081373-02-701	EA HARNESS ASM L.H. PKG - 22063235
	081373-02-702	EA HARNESS ASM R.H. PKG - 20063236
	081373-02-703	EA HORIZONTAL ADJUSTING MOTOR PKG - 22063237
	081373-02-704	EA VERTICAL ADJUSTING MOTOR PKG - 22063238
14	080730-11-000	EA SHIELD-RUBBER BOOT
15	080730-08-000	EA HANDLE, FLEXSTEEL 30179907
16	080730-09-000	EA SHIELD-FLEXSTEEL
17	071126-43-F05	EA SKIRT-BUCKET SEAT, PASSENGER (F36, F37)
17	071126-43-E39	EA SKIRT-BUCKET SEAT, PASSENGER (F38, F39)
17	071126-43-F06	EA SKIRT-BUCKET SEAT, PASSENGER (F40, F41)
17	071126-54-F36	EA SKIRT-BUCKET SEAT, DRIVER (F36, F37)
17	071126-54-F38	EA SKIRT-BUCKET SEAT, DRIVER (F38, F39)
17	071126-54-F40	EA SKIRT-BUCKET SEAT, DRIVER (F40, F41)
17	071126-26-F36	EA SKIRT-BUCKET SEAT (POWER SEAT OPTION) (F36, F37)
17	071126-26-E39	EA SKIRT-BUCKET SEAT (POWER SEAT OPTION) (F38, F39)
17	071126-26-F38	EA SKIRT-BUCKET SEAT (POWER SEAT OPTION) (F40, F41)
17	071126-52-F36	EA SKIRT-BUCKET SEAT, PASSENGER (LEATHER SEAT OPTION)
17	071126-55-F36	EA SKIRT-BUCKET SEAT, DRIVER (LEATHER SEAT OPTION)
	111169-04-000	EA INSERT-OVAL, VECTRA

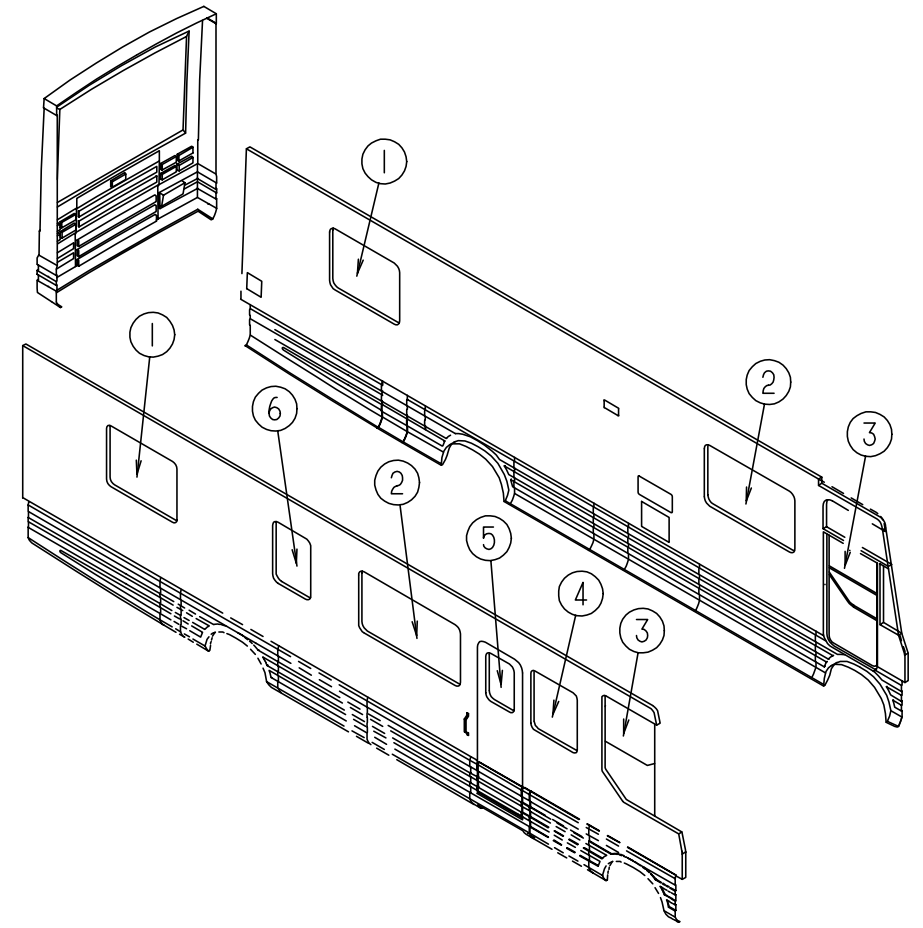
CURTAIN & CUSHION GROUP (CONTINUED)



SWIVEL CHAIR

KEY	PART NUMBER	U/M DESCRIPTION
1	115393-01-F36	EA CHAIR-SWIVEL, W/O SEAT CUSHION & PEDESTAL (F36, F37)
1	115393-01-F38	EA CHAIR-SWIVEL, W/O SEAT CUSHION & PEDESTAL (F38, F39)
1	115393-01-F40	EA CHAIR-SWIVEL, W/O SEAT CUSHION & PEDESTAL (F40, F41)
	P15393-01-F36	EA COVER-SWIVEL CHAIR, W/O SEAT CUSHION & PEDESTAL (F36, F37)
	P15393-01-F38	EA COVER-SWIVEL CHAIR, W/O SEAT CUSHION & PEDESTAL (F38, F39)
	P15393-01-F36	EA COVER-SWIVEL CHAIR, W/O SEAT CUSHION & PEDESTAL (F40, F41)
2	115393-10-F40	EA SEAT ASM-CHAIR (F36, F37)
2	115393-10-F38	EA SEAT ASM-CHAIR (F38, F39)
2	115393-10-F40	EA SEAT ASM-CHAIR (F40, F41)
	P15393-10-F36	EA COVER-SEAT ASM, CHAIR (F36, F37)
	P15393-10-F38	EA COVER-SEAT ASM, CHAIR (F38, F39)
	P15393-10-F40	EA COVER-SEAT ASM, CHAIR (F40, F41)
	P01178-27-F36	EA COVER-ROCKER ARM CAP, RIGHT (F36, F37)
	P01178-27-F38	EA COVER-ROCKER ARM CAP, RIGHT (F38, F39)
	P01178-27-F40	EA COVER-ROCKER ARM CAP, RIGHT (F40, F41)
	P01178-28-F36	EA COVER-ROCKER ARM CAP, LEFT (F36, F37)
	P01178-28-F38	EA COVER-ROCKER ARM CAP, LEFT (F38, F39)
	P01178-28-F40	EA COVER-ROCKER ARM CAP, LEFT (F40, F41)
	112436-03-000	EA TRIM-#8 RING FLEX
3	069246-02-000	EA ADJUSTER-SEAT/CHAIR, W/O LOCK - FORWARD & BACK
4	107921-08-000	EA TOP PLATE-W/O SEAT BELT BAR - FLEXSTEEL 2759PDTP
	107921-06-000	EA BEARING KIT-PEDESTAL
5	107921-02-000	EA PEDESTAL ASM-SEAT, 6.5" - FLEXSTEEL 3059 MSPD
	108445-02-000	EA PLATE-PEDESTAL, MOUNTS TO FLOOR
6	069246-05-000	EA ADJUSTER-SEAT/CHAIR, W/REMOTE - FORWARD & BACK
	069246-05-700	EA SPRING-ADJUSTER, FOR REMOTE
	069246-05-701	EA CLIP-CABLE, FOR REMOTE
7	007221-01-000	EA SPACER-SEAT, ADJUSTER - 4 USED PER SWIVEL CHAIR

CURTAIN & CUSHION GROUP (CONTINUED)

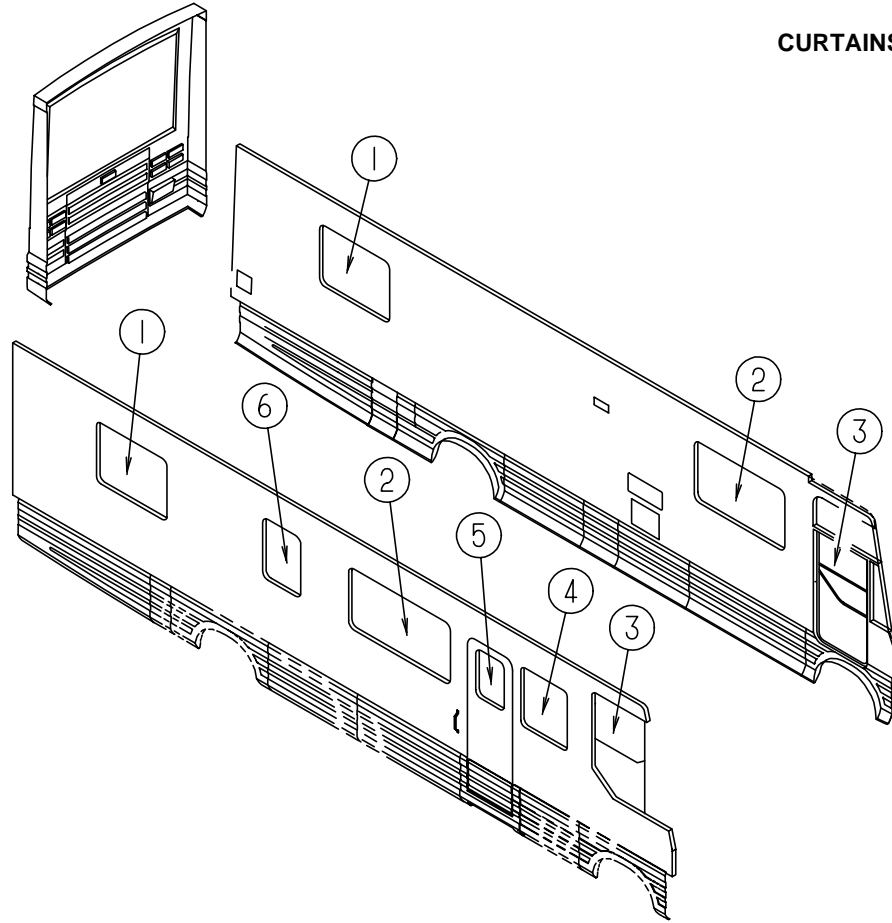


CURTAINS & WINDOW TREATMENT

KEY	PART NUMBER	U/M DESCRIPTION
1	115397-04-F36	EA VALANCE-WINDOW, EMPIRE - 45.5" (F36, F37)
1	115397-04-F38	EA VALANCE-WINDOW, EMPIRE - 45.5" (F38, F39)
1	115398-04-F40	EA VALANCE-WINDOW, LAMBREQUIN - 45.5" (F40, F41)
1	111910-14-F36	EA BLIND-DAY/NIGHTER, 43.5" X 32" - E-Z LIFT (F36)
1	111910-14-F36	EA BLIND-DAY/NIGHTER, 43.5" X 32" - E-Z LIFT (F37)
1	111910-14-F38	EA BLIND-DAY/NIGHTER, 43.5" X 32" - E-Z LIFT (F38)
1	111910-14-F39	EA BLIND-DAY/NIGHTER, 43.5" X 32" - E-Z LIFT (F39)
1	111910-14-F40	EA BLIND-DAY/NIGHTER, 43.5" X 32" - E-Z LIFT (F40, F41)

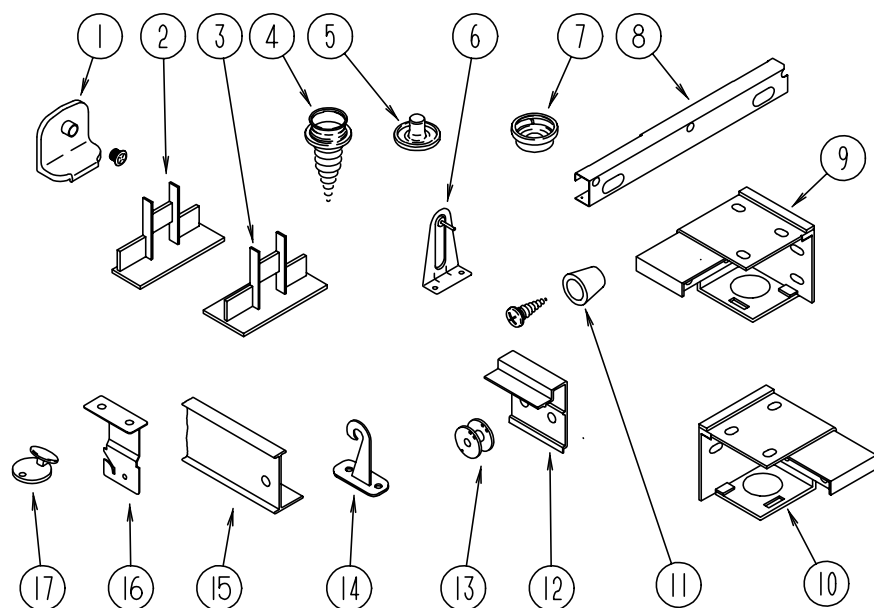
CURTAIN & CUSHION GROUP (CONTINUED)

CURTAINS & WINDOW TREATMENT (CONTINUED)



KEY	PART NUMBER	U/M	DESCRIPTION
2	115391-01-F36	EA	VALANCE-WINDOW, LAMBREQUIN - 61.5" (F36, F37)
2	115391-01-F38	EA	VALANCE-WINDOW, LAMBREQUIN - 61.5" (F38, F39)
2	111858-22-F40	EA	VALANCE-WINDOW, LAMBREQUIN - 61.5" (F40, F41)
2	111910-15-F36	EA	BLIND-DAY/NIGHTER, 60" X 32" - E-Z LIFT (F36)
2	111910-15-F37	EA	BLIND-DAY/NIGHTER, 60" X 32" - E-Z LIFT (F37)
2	111910-15-F38	EA	BLIND-DAY/NIGHTER, 60" X 32" - E-Z LIFT (F38)
2	111910-15-F39	EA	BLIND-DAY/NIGHTER, 60" X 32" - E-Z LIFT (F39)
2	111910-15-F40	EA	BLIND-DAY/NIGHTER, 60" X 32" - E-Z LIFT (F40, F41)
3	084755-90-000	EA	SHADE-PULL, 28.25" X 60" - SUNSCREEN
4	115391-02-F36	EA	VALANCE-WINDOW, LAMBREQUIN - 31.5" (F36, F37)
4	115391-02-F38	EA	VALANCE-WINDOW, LAMBREQUIN - 31.5" (F38, F39)
4	111858-23-F40	EA	VALANCE-WINDOW, LAMBREQUIN - 31" (F40, F41)
4	111910-28-F36	EA	BLIND-DAY/NIGHTER, 27" X 31" - E-Z LIFT (F36, F37)
4	111910-28-F38	EA	BLIND-DAY/NIGHTER, 27" X 31" - E-Z LIFT (F38, F39)
4	111910-28-F40	EA	BLIND-DAY/NIGHTER, 27" X 31" - E-Z LIFT (F40, F41)
5	084755-57-E07	EA	SHADE-PULL, 27.25"
6	115391-03-F36	EA	VALANCE-WINDOW, LAMBREQUIN - 29.5" (F36, F37)
6	115391-03-F38	EA	VALANCE-WINDOW, LAMBREQUIN - 29.5" (F38, F39)
6	111858-24-F40	EA	VALANCE-WINDOW, LAMBREQUIN - 29.5" (F40, F41)
6	111910-27-F36	EA	BLIND-DAY/NIGHTER, 28" X 32" - E-Z LIFT (F36)
6	111910-27-F37	EA	BLIND-DAY/NIGHTER, 28" X 32" - E-Z LIFT (F37)
6	111910-27-F38	EA	BLIND-DAY/NIGHTER, 28" X 32" - E-Z LIFT (F38)
6	111910-27-F39	EA	BLIND-DAY/NIGHTER, 28" X 32" - E-Z LIFT (F39)
6	111910-27-F40	EA	BLIND-DAY/NIGHTER, 28" X 32" - E-Z LIFT (F40, F41)
	093487-08-03A	EA	CURTAIN-WINDSHIELD PRIVACY, 51" X 100" - DRIVER - ALABASTER PEARL
	093487-07-03A	EA	CURTAIN-WINDSHIELD PRIVACY, 51" X 100" - PASSENGER - ALABASTER PEARL

CURTAIN & CUSHION GROUP (CONTINUED)



CURTAIN HARDWARE

KEY	PART NUMBER	U/M	DESCRIPTION
1	106544-01-000	EA	PULL-SHADE, BRASS - EDI
	106544-01-001	EA	SCREW-SHADE PULL, BRASS - EDI
	084432-06-000	FT	SLAT-ROLLER SHADE, PLASTIC
	096843-01-000	EA	SPRING-REWIND, ROLLER SHADE
2	094907-02-000	EA	END CAP-TOP, PLEATED BLIND - PLASTIC - GRAY
3	094907-04-000	EA	HARDWARE-END CAP, BOTTOM - PULL TYPE - SPECIALITY WINDOW
	097591-01-000	EA	SPRING-EXTENSION, PLEATED BLIND
	097593-02-000	FT	CORD-BLIND, GRAY
	097593-10-000	FT	CORD-BLIND, VANILLA
	097593-11-000	FT	CORD-BLIND, CORNFLOWER
	094896-02-000	EA	GROMMET-CORD, PLEATED BLIND - NYLON - GRAY
4	029130-01-000	EA	SCREW-SNAP SOCKET, #8 PH X 5/8"
5	029155-01-000	EA	CAP-SNAP, 5/32" O.D. OF PIN
6	095591-02-000	EA	BRACKET-HOLD DOWN, W/PIN - BLIND - METAL
7	029156-01-000	EA	SOCKET-SNAP, 9/16" O.D.
8	110597-01-000	EA	BRACKET-SHADE, RIGHT SIDE
8	110597-02-000	EA	BRACKET-SHADE, LEFT SIDE
9	083170-01-000	EA	BRACKET-BLIND, LEFT SIDE WHEN FACING WINDOW
10	083170-02-000	EA	BRACKET-BLIND, RIGHT SIDE WHEN FACING WINDOW
11	097564-01-000	EA	HANDLE-T, EZ LIFT SHADE
12	097565-01-000	EA	BRACKET-MOUNTING, PLEATED BLIND
13	097592-01-000	EA	SPOOL-CORD, ELEVATED BLIND HOLDUP - CLEAR PLASTIC
14	109441-01-000	EA	HOLD DOWN-BLIND, HOOK
	109441-02-000	EA	HOLD DOWN-SPACER
15	009700-04-002	EA	TRACK, L-SHAPED 195.2" - OFF WHITE
15	108235-01-01A	EA	TRACK-CURTAIN, LEFT - WINDSHIELD PRIVACY - OFF WHITE
15	108236-01-01A	EA	TRACK-CURTAIN, RIGHT - WINDSHIELD PRIVACY - OFF WHITE
16	084434-01-000	EA	BRACKET-MOUNTING, ROLLER SHADE - 1 3/8"
17	102555-01-000	EA	CLEAT-CORD, BLIND - OFF WHITE
	103986-01-000	FT	TRIM-VALANCE, U-CHANNEL - .75" WIDE - BRASS
	110943-01-000	FT	FELTSTRIP, 3/8" - ADHESIVE BACK
	102075-08-01A	EA	ROD-CURTAIN, SHOWER - OFF WHITE
	046867-01-000	EA	GROMMET-BRASS - 7/16" ID X 1" OD
	048394-02-000	YD	VELCRO TAPE-HOOK, ADHESIVE BACK - .75" WIDE - BEIGE
	088792-02-000	YD	VELCRO TAPE-LOOP, ADHESIVE BACKED - .75" WIDE - BEIGE
	095567-01-000	EA	TACK-STRIP, .5" X 625' ROLL

CURTAIN & CUSHION GROUP (CONTINUED)

FABRIC TRIMS, BUTTONS, SEATBELTS & ASSIST HANDLE

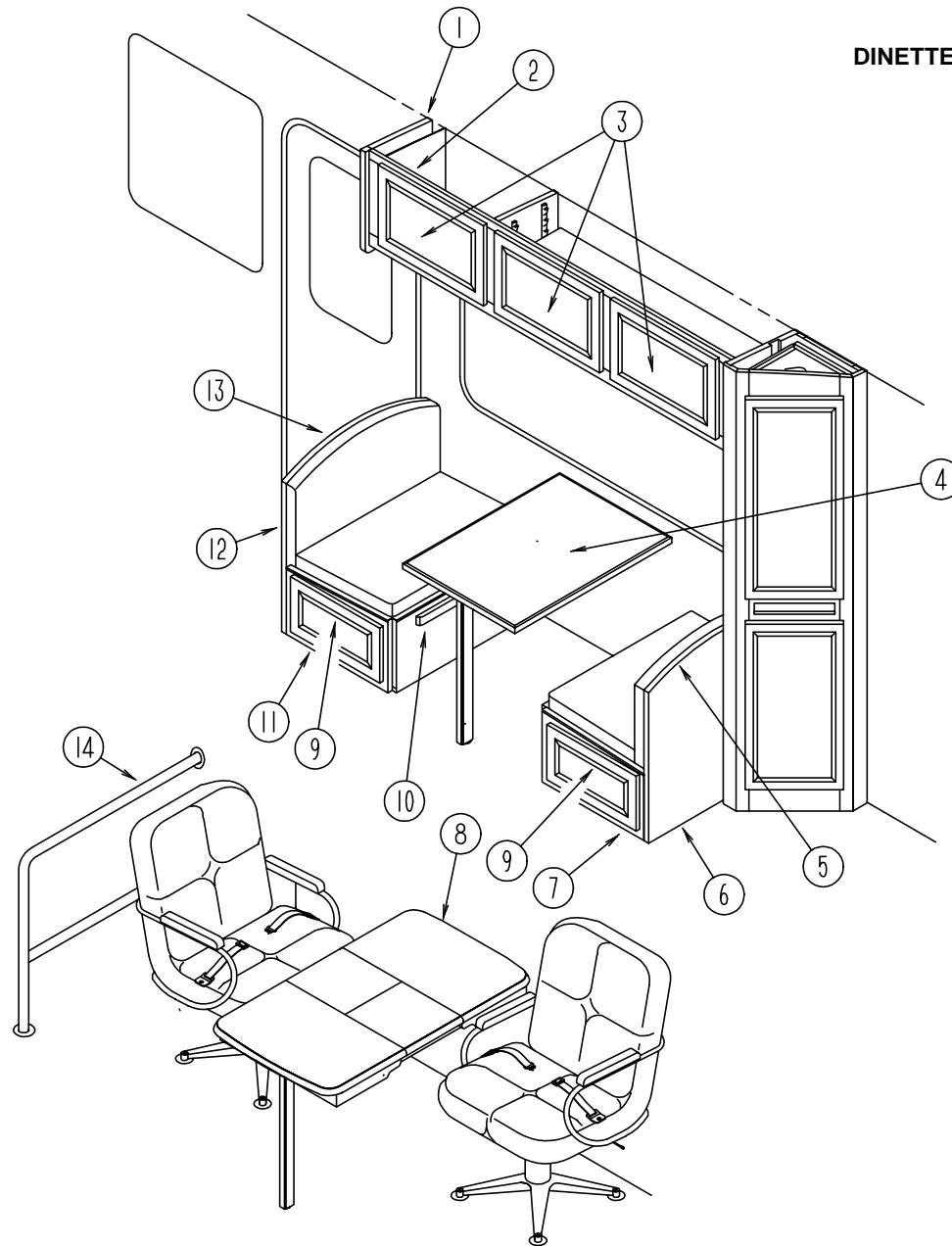
KEY	PART NUMBER	U/M	DESCRIPTION
	079349-01-F36	YD	WELT ASM-ACCENT, FABRIC - POWER BUCKET SEAT SKIRT (F36, F37)
	079349-01-E39	YD	WELT ASM-ACCENT, FABRIC - SEAT SKIRT (F38, F39)
	079349-01-E40	YD	WELT ASM-ACCENT, FABRIC - SEAT SKIRT (F40, F41)
	084415-64-000	YD	TRIM-BRAID, W/FRINGE - THROW PILLOWS (F36, F37)
	084415-55-000	YD	TRIM-BRAID, W/FRINGE - THROW PILLOWS (F38, F39)
	084415-60-000	YD	TRIM-BRAID, W/FRINGE - THROW PILLOWS (F38, F39)
	070578-02-E37	EA	BUTTON-SCREW STUD, #30 VINYL
	057759-01-000	EA	WASHER BRACKET-SEAT BELT, 4" DIAMETER
	007021-01-000	EA	BELT-SEAT, 2" X 90" - BLACK
	069178-02-000	EA	BRACKET-MOUNTING, ASSIST HANDLE - L ANGLE - W/HOLES - STEEL
	000D20-07-00B	EA	NUT-ACORN, ASSIST HANDLE - 7/16" X 14 ZN
	000C16-07-16B	EA	BOLT-CARRIAGE, ASSIST HANDLE - 7/16" - 14 X 1"
	053552-02-AA8	EA	HANDLE-ASSIST, INTERIOR - ENTRY DOOR - VINYL - OFF WHITE
	057534-01-000	EA	TIEBACK/TIEDOWN-BED/CURTAIN/DOOR, 6" - PLASTIC - CLEAR

FABRICS

KEY	PART NUMBER	U/M	DESCRIPTION
	089351-03-000	YD	VINYL-CEILING, DIAMOND DESIGN - 54"
	103907-01-03A	YD	VINYL-EXPANDED, MADRID WILLOW - 54"
	103907-01-01A	YD	FABRIC-VINYL, 54" WIDE - OFF WHITE
	105745-94-000	YD	FABRIC-BEDSPREAD, MAIN PATTERN - 54" - BLUE/BEIGE (F36, F37)
	105745-57-000	YD	FABRIC-BEDSPREAD, MAIN PATTERN - 54" - GREEN/BROWN/WINE (F38, F39)
	105745-89-000	YD	FABRIC-BEDSPREAD, MAIN PATTERN - 54" - GRAY/BEIGE (F40, F41)
	105745-95-000	YD	FABRIC-BEDSPREAD, ACCENT STRIPE PATTERN - 54" - BLUE/BEIGE (F36, F37)
	105745-58-000	YD	FABRIC-BEDSPREAD, ACCENT PATTERN - 54" - WINE/BROWN (F38, F39)
	105745-04-000	YD	FABRIC-BEDSPREAD, ACCENT PLAIN - 54" - TAN (F40, F41)
	108446-C2-000	YD	FABRIC-UPHOLSTERY, MAIN PATTERN VELOUR - 54" - BLUE/BEIGE (F36, F37)
	108446-64-000	YD	FABRIC-UPHOLSTERY, PATTERN WEAVE - 54" - BEIGE/GREEN/WINE (F38, F39)
	108446-C1-000	YD	FABRIC-UPHOLSTERY, MAIN PATTERN WEAVE - 54" - CREAM/TAN/BLUE (F40, F41)
	096008-85-000	YD	FABRIC-UPHOLSTERY, PLAIN VELOUR - 54" - BLUE (F36, F37)
	108446-65-000	YD	FABRIC-UPHOLSTERY, PLAIN VELOUR - 54" - BURGUNDY (F38, F39)
	108446-55-000	YD	FABRIC-UPHOLSTERY, PLAIN VELOUR - 54" - LIGHT TAN (F40, F41)
	108446-D1-000	YD	FABRIC-UPHOLSTERY, SINGLE PATTERN VELOUR - BLUE/BEIGE (F36, F37)
	108446-66-000	YD	FABRIC-UPHOLSTERY, STRIPE WEAVE - 54" - GREEN/WINE/BEIGE (F38, F39)
	108446-C3-000	YD	FABRIC-UPHOLSTERY, WEAVE - 54" - BEIGE/CREAM (F40, F41)

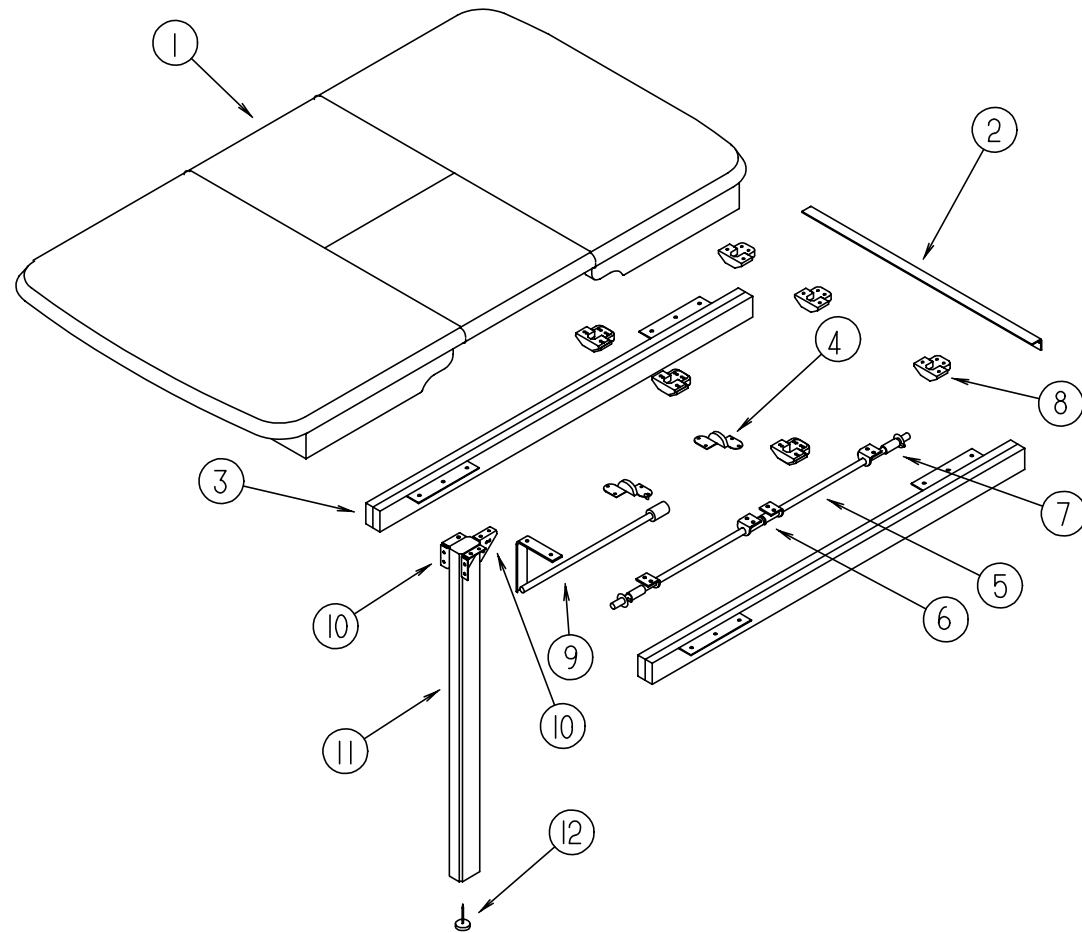
DINETTE GROUP

DINETTE CABINETS WITH SWIVEL CHAIRS



KEY	PART NUMBER	U/M	DESCRIPTION
1	107494-01-E37	EA	END CAP-CABINET, OVERHEAD - LEFT SIDE (PICKLED ASH)
1	107494-01-E41	EA	END CAP-CABINET, OVERHEAD - LEFT SIDE (SALEM CHERRY)
2	114865-03-F36	EA	CABINET-OVERHEAD, W/O DOORS & HARDWARE (PICKLED ASH)
2	114865-03-F37	EA	CABINET-OVERHEAD, W/O DOORS & HARDWARE (SALEM CHERRY)
3	M05990-03-E37	EA	DOOR-CABINET, W/O HARDWARE - 555 X 240MM (PICKLED ASH)
3	M05990-03-E41	EA	DOOR-CABINET, W/O HARDWARE - 555 X 240MM (SALEM CHERRY)
4	M92743-24-E38	EA	TABLE-DINETTE, W/O HARDWARE (F36)
4	M92743-24-E42	EA	TABLE-DINETTE, W/O HARDWARE (F37)
4	M92743-24-E39	EA	TABLE-DINETTE, W/O HARDWARE (F38)
4	M92743-24-E43	EA	TABLE-DINETTE, W/O HARDWARE (F39)
4	M92743-24-F40	EA	TABLE-DINETTE, W/O HARDWARE (F40)
4	M92743-24-F41	EA	TABLE-DINETTE, W/O HARDWARE (F41)
5	105476-09-F36	EA	PAD-BACKREST, TOP - RIGHT SIDE (F36, F37)
5	105476-09-E39	EA	PAD-BACKREST, TOP - RIGHT SIDE (F38, F39)
5	105476-09-E40	EA	PAD-BACKREST, TOP - RIGHT SIDE (F40, F41)
6	M04174-53-E37	EA	CABINET-BACKREST, RIGHT SIDE (PICKLED ASH)
6	M04174-53-E41	EA	CABINET-BACKREST, RIGHT SIDE (SALEM CHERRY)
7	M04175-55-E37	EA	CABINET-SEATBASE, RIGHT SIDE (PICKLED ASH)
7	M04175-55-E41	EA	CABINET-SEATBASE, RIGHT SIDE (SALEM CHERRY)
8	P08449-01-E37	EA	TABLE-PULLOUT (PICKLED ASH)
8	P08449-01-E41	EA	TABLE-PULLOUT (SALEM CHERRY)
9	M05971-35-E37	EA	DRAWER-CABINET, W/O HARDWARE (PICKLED ASH)
9	M05971-35-E41	EA	DRAWER-CABINET, W/O HARDWARE (SALEM CHERRY)
10	081295-09-E37	EA	SUPPORT-BED, DINETTE, 712MM LONG (PICKLED ASH)
10	081295-09-E41	EA	SUPPORT-BED, DINETTE, 712MM LONG (SALEM CHERRY)
11	M04175-56-E37	EA	CABINET-SEATBASE, LEFT SIDE (PICKLED ASH)
11	M04175-56-E41	EA	CABINET-SEATBASE, LEFT SIDE (SALEM CHERRY)
12	M04174-54-E37	EA	CABINET-BACKREST, LEFT SIDE (PICKLED ASH)
12	M04174-54-E41	EA	CABINET-BACKREST, LEFT SIDE (SALEM CHERRY)
	P02786-03-E37	EA	HANDRAIL ASM-ENTRANCE DOOR - ON DINETTE BACKREST (PICKLED ASH)
	P02786-03-E41	EA	HANDRAIL ASM-ENTRANCE DOOR - ON DINETTE BACKREST (SALEM CHERRY)
	099682-01-01A	EA	BRACKET-MOUNTING, HANDRAIL - BRASS
13	105476-10-F36	EA	PAD-BACKREST, TOP - LEFT SIDE (F36, F37)
13	105476-10-E39	EA	PAD-BACKREST, TOP - LEFT SIDE (F38, F39)
13	105476-10-E40	EA	PAD-BACKREST, TOP - LEFT SIDE (F40, F41)
14	108808-01-01A	EA	HANDRAIL-STEP, ENTRANCE BRASS - TRANSFER FLOW

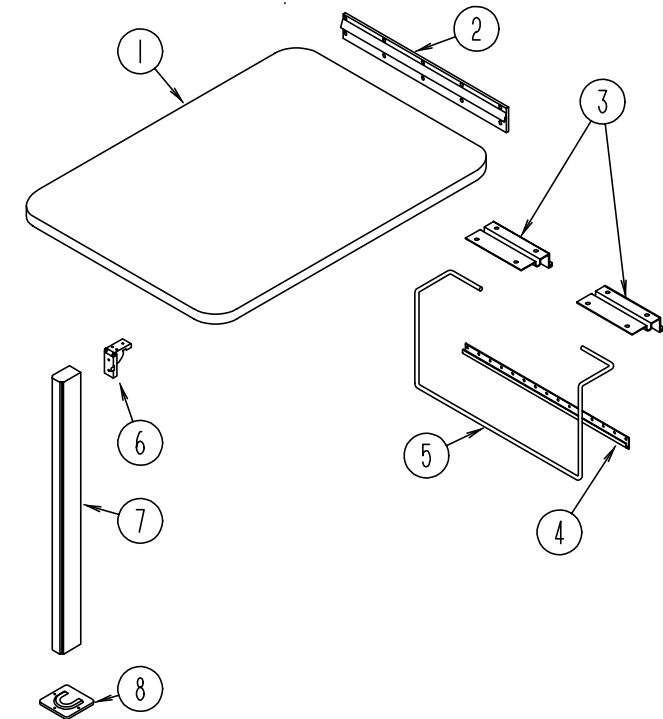
DINETTE GROUP (CONTINUED)



DINETTE PULLOUT TABLE

KEY	PART NUMBER	U/M	DESCRIPTION
	P08449-01-E37	EA	TABLE-PULLOUT (PICKLED ASH)
	P08449-01-E41	EA	TABLE-PULLOUT (SALEM CHERRY)
1	108449-11-E37	EA	TOP-TABLE, ONLY (PICKLED ASH)
1	108449-11-E41	EA	TOP-TABLE, ONLY (SALEM CHERRY)
2	009063-01-000	EA	HINGE-CONTINUOUS, 1 1/2" X 72" - UNPAINTED
3	110749-01-000	EA	SLIDE-TABLE - 19.75" LONG - 2 USED
4	108663-01-000	EA	HINGE-LEAF, FOLDING - HAFELE 341.30.526 - 2 USED
5	108932-01-000	EA	ROD-TABLE
	000F10-04-16B	EA	PIN-COTTER, 1/8" X 1" - ZINC
6	108874-01-000	EA	BRACKET-HINGE, 4 USED
7	108664-01-000	EA	SPRING-COMPRESSION, 13 X 50MM - 4 USED
8	009050-02-000	EA	LEVELER-TABLE TOP, FEMALE & MALE ENDS W/4 SCREWS - PLASTIC - 6 USED
9	108905-01-000	EA	SUPPORT ASSEMBLY-TABLE
10	102810-01-02A	EA	BRACE-LEG, TABLE - OFF WHITE - 3 USED
	102810-01-03A	EA	BRACE-LEG, TABLE - MILL FINISHED
11	092708-12-E37	EA	LEG-TABLE (PICKLED ASH)
	092707-07-02A	EA	MOLDING-WOOD, TABLE LEG - 27" (PICKLED ASH)
11	092708-12-E41	EA	LEG-TABLE (SALEM CHERRY)
12	102194-01-000	EA	GUIDE-PLASTIC

DINETTE GROUP (CONTINUED)

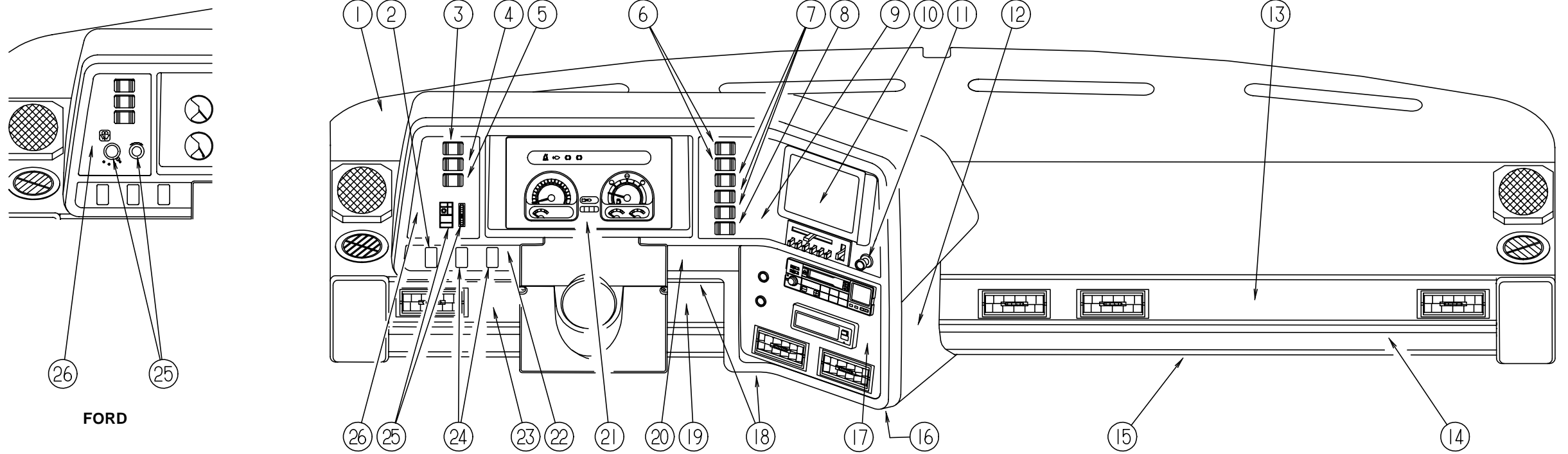


DINETTE TABLE

KEY	PART NUMBER	U/M	DESCRIPTION
1	M92743-24-E38	EA	TABLE-DINETTE, W/O HARDWARE (F36)
1	M92743-24-E42	EA	TABLE-DINETTE, W/O HARDWARE (F37)
1	M92743-24-E39	EA	TABLE-DINETTE, W/O HARDWARE (F38)
1	M92743-24-E43	EA	TABLE-DINETTE, W/O HARDWARE (F39)
1	M92743-24-F40	EA	TABLE-DINETTE, W/O HARDWARE (F40)
1	M92743-24-F41	EA	TABLE-DINETTE, W/O HARDWARE (F41)
	064781-06-000	EA	HOLDER-CUP, TWO STEM - OFF WHITE
2	053200-12-000	EA	SUPPORT-TABLE, 23.5" - OFF WHITE
3	088410-02-000	EA	HANGER-TABLE, OFF WHITE
4	024281-14-000	EA	BRACKET-TABLE LEFT, 22.12" - OFF WHITE
5	024275-12-000	EA	ROD-TABLE LIFT, OFF WHITE
6	093550-01-000	EA	BRACKET-HINGE, MOUNTS TO LEG & TABLE TOP - 1.7" X 2.6"
7	092708-11-E37	EA	LEG-TABLE, WOOD (PICKLED ASH)
	092707-04-03A	EA	MOLDING-WOOD, TABLE LEG (PICKLED ASH)
7	092708-11-E41	EA	LEG-TABLE, WOOD (SALEM CHERRY)
	092707-04-04A	EA	MOLDING-WOOD, TABLE LEG (SALEM CHERRY)
8	049493-12-000	EA	CATCH-TABLE LEG, OFF WHITE
	049493-11-700	EA	CATCH-LEG, FLOOR MOUNTED - 2.5" X 2.7" - METAL - E-COAT

DRIVERS COMPARTMENT GROUP

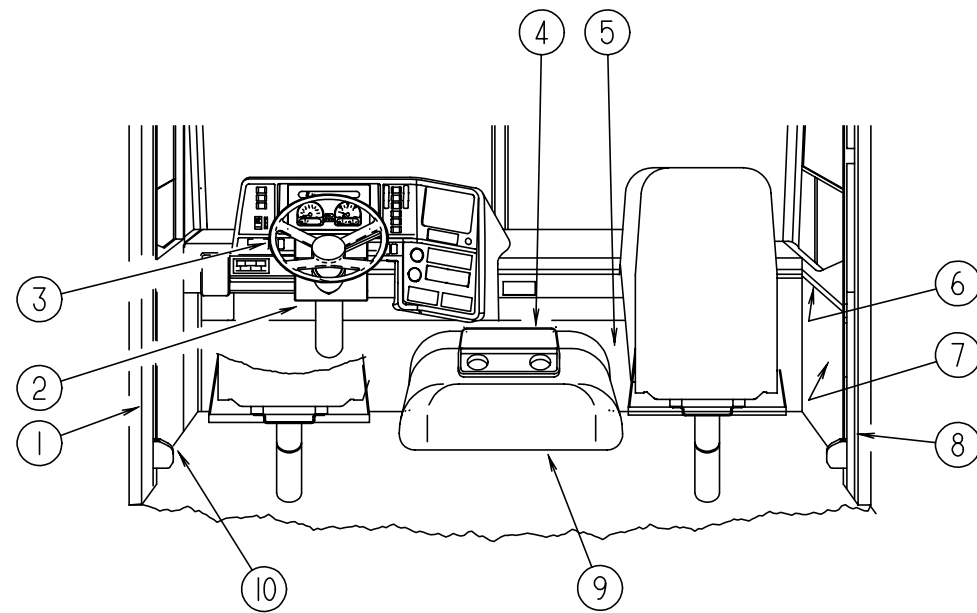
DASH



KEY	PART NUMBER	U/M DESCRIPTION
1	112804-02-02B	EA PANEL-DASH, TOP W/O VINYL COVERING - METAL
	106569-03-01A	EA VINYL-LAMINATE MADRID WILLOW, 1/4" THICK X 16" X 96"
	077539-01-000	EA BRACKET-MOUNTING, DASH PANEL - L/SHAPED - 2.5" X 1" X 1.5"
	107263-01-01A	EA POD-COVER, UPPER DASH - COVERS INSTRUMENTS - W/VINYL
2	108356-01-01A	EA ACTUATOR-SWITCH GROOVES III, CARLING VVCZC00 BLA
2	108357-05-000	EA SWITCH-ROCKER, SPDT ON/NONE/ON - CARLING V4D1000B-0
3	108356-01-01A	EA ACTUATOR-SWITCH GROOVES III, CARLING VVCZC00 BLA
3	108357-05-000	EA SWITCH-ROCKER, SPDT ON/NONE/ON - CARLING V4D1000B-0
4	108356-01-01A	EA ACTUATOR-SWITCH GROOVES III, CARLING VVCZC00 BLA
4	108357-09-000	EA SWITCH-ROCKER, SPDT ON/NONE/MOM - CARLING V5D1000B-0
5	108356-01-01A	EA ACTUATOR-SWITCH GROOVES III, CARLING VVCZC00 BLA
5	108357-06-000	EA SWITCH-ROCKER, DPDT MOM/OFFMOM - CARLING VLD1000B-0
6	096241-03-000	EA SWITCH-BLANK
6	108356-01-01A	EA ACTUATOR-SWITCH GROOVES III, CARLING VVCZC00 BLA
6	108357-03-000	EA SWITCH-ROCKER, SPDT ON/OFF/ON - CARLING V6D1000B-0
7	096241-03-000	EA SWITCH-BLANK
7	108356-01-01A	EA ACTUATOR-SWITCH GROOVES III, CARLING VVCZC00 BLA
7	108357-01-000	EA SWITCH-ROCKER, SPST ON/OFF - CARLING V1D1000B-0
8	108356-03-01A	EA ACTUATOR-SWITCH GROOVES LENS, CARLING VVCGC00
8	108357-10-000	EA SWITCH-ROCKER, SPDT MOM/OFFMOM - CARLING V8D1160B-0
9	104056-20-01A	EA APPLIQUE-BEZEL UPPER RIGHT, 6 SWITCH - BLACK VELVET
10	111337-01-01A	EA POCKET-INSTRUMENT PANEL, RIGHT - UPPER - BLACK
10	096776-02-000	EA BOX-CASSETTE, 4 - TAPE - FISHER 21507 04 03
11	089294-01-000	EA LIGHTER ASM-CIGARETTE, CASCO C213275
12	107085-01-01A	EA POD-DASH, LOWER - W/VINYL
13	107859-01-01A	EA TRIM-DASH, LOWER
14	111745-01-01A	EA APPLIQUE-LOWER DASH, RIGHT - BURLWOOD TU18134G2
15	105926-05-000	EA PANEL-DASH, BOTTOM RIGHT - METAL
16	107857-02-000	EA PANEL-DASH, BOTTOM LEFT - METAL

KEY	PART NUMBER	U/M DESCRIPTION
17	104056-14-01A	EA APPLIQUE-BEZEL, LOWER RIGHT WING - BLACK VELVET
18	107031-01-01A	EA BEZEL-INSTRUMENT PANEL (CHEVY)
18	107031-04-01A	EA BEZEL-INSTRUMENT PANEL (FORD)
19	107859-03-01A	EA TRIM-DASH, LOWER - 170MM LONG (CHEVY)
19	107859-06-01A	EA TRIM-DASH, LOWER (FORD)
	111745-02-01A	EA APPLIQUE-LOWER DASH, BURLWOOD TU18134G2
20	104056-11-01A	EA APPLIQUE-BEZEL, LOWER - RIGHT - BLACK VELVET
20	104056-28-01A	EA APPLIQUE-BEZEL, LOWER - RIGHT - BLACK VELVET (PARK & LEVEL)
21		STANDARD INSTRUMENT CLUSTERS ARE CHASSIS SUPPLIED
21	094796-07-000	EA CLUSTER-INSTRUMENT PANEL, KILOMETERS - GAS - GM #16156355
21	094794-04-000	EA CLUSTER-INSTRUMENT, KILOMETER - FORD F3TD-10849-BA
	100138-01-000	EA MODULE-DAYTIME RUNNING LIGHT
22	104056-09-01A	EA APPLIQUE-BEZEL, LOWER - LEFT - BLACK VELVET
22	104056-10-01A	EA APPLIQUE-BEZEL, LOWER LEFT - BLACK VELVET (PARK & LEVEL)
23	107860-02-01A	EA TRIM-DASH, LOWER (CHEVY)
23	107859-05-01A	EA TRIM-DASH, LOWER (FORD)
	111745-03-01A	EA APPLIQUE-LOWER DASH, BURLWOOD TU18134G2
24	108356-01-01A	EA ACTUATOR-SWITCH GROOVES III, CARLING VVCZC00 BLA
24	108357-07-000	EA SWITCH-ROCKER, SPDT MOM/OFFMOM - CARLING V8D1000B-0
25		HEADLIGHT & DIMMER SWITCHES ARE CHASSIS SUPPLIED
26	104056-25-01A	EA APPLIQUE-BEZEL, LEFT - BLACK VELVET (CHEVY)
26	104056-27-01A	EA APPLIQUE-BEZEL, LEFT - BLACK VELVET (FORD)
	108355-01-000	EA HOUSING-SWITCH, CARLING VCH
	098641-01-000	EA LABEL-FUEL, UNLEADED - DASH
	077031-01-000	EA FILM-BLACK, 1" X 1.75"
	077031-03-000	EA FILM-WHITE .75" X 1"
	103603-01-000	EA BULB-12V, NO.74 0.12A WEDGE - GE 22-25
	105615-01-000	FT FILM-PROTECTIVE, CLEAR - 313-34" X 1500' ROLL

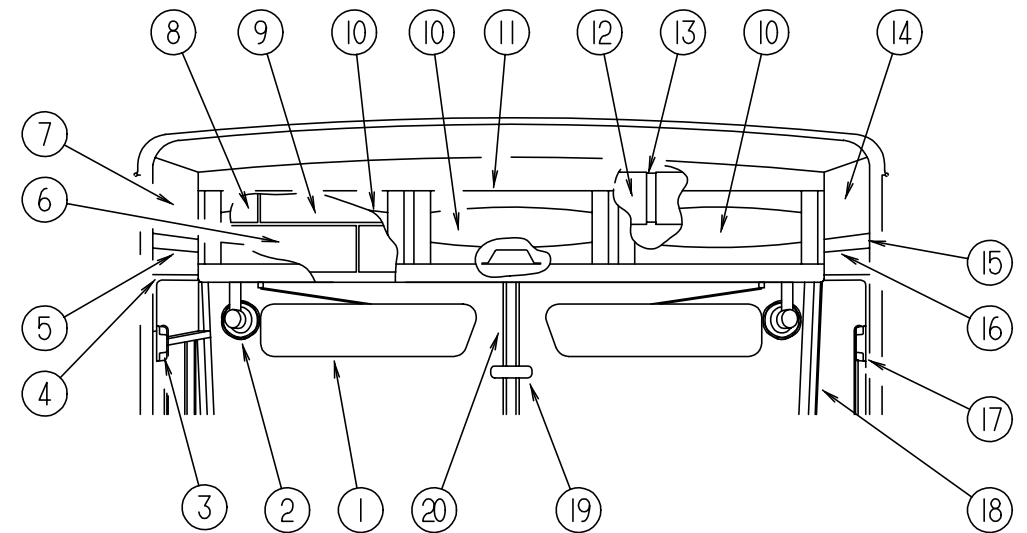
DRIVERS COMPARTMENT GROUP (CONTINUED)



LOWER DRIVERS COMPARTMENT

KEY	PART NUMBER	U/M DESCRIPTION
1	024700-47-000	EA COVER-ROLL BAR, PLASTIC U-CHANNEL - BOTTOM - OFF WHITE - 18.9" LONG
1	024700-48-000	EA COVER-ROLL BAR, PLASTIC U-CHANNEL - MIDDLE - OFF WHITE - 25" LONG
2	109832-01-01A	EA COVER-STEERING COLUMN, PLASTIC - WILLOW (CHEVY)
	103498-06-000	EA BOOT-COLUMN, VINYL - BLACK (CHEVY)
	112833-01-01A	EA COVER-STEERING COLUMN, UPPER - BLACK (FORD)
	112832-01-01A	EA COVER-STEERING COLUMN, LOWER - BLACK (FORD)
	110002-01-000	EA PATCH-STEERING COLUMN, VINYL
3	112355-02-01A	EA WHEEL-STEERING, CHEVY LEATHER - WILLOW
4	M06889-01-E37	EA TRAY-BEVERAGE, PLASTIC - WILLOW
4	M06840-01-E37	EA BEVERAGE TRAY, W/O HARDWARE (PICKLED ASH)
4	M06840-01-E41	EA BEVERAGE TRAY, W/O HARDWARE (SALEM CHERRY)
4	111300-01-E37	EA INSERT-TRAY, BEVERAGE - CUP HOLDER (PICKLED ASH)
4	111300-01-E41	EA INSERT-TRAY, BEVERAGE - CUP HOLDER (SALEM CHERRY)
5	095757-04-F36	EA COVER-HEATER (F36, F37)
5	095757-04-E39	EA COVER-HEATER (F38, F39, F40, F41)
6	106105-02-000	EA CLIP-TRIM, 11.8" X 1.87" - METAL
	046886-03-000	EA ASHTRAY-CHROME, W/COVER
7	107793-01-01A	EA PANEL-INNER, CAB - RIGHT - PLASTIC PANEL ONLY
8	024700-44-000	EA COVER-SIDEWALL ROLL BAR, PLASTIC U-CHANNEL - OFF WHITE - 53" LONG
9	097552-01-000	EA COVER-MOTOR, W/O CARPET
9	114512-01-01A	EA COVER-MOTOR, W/O CARPET (DIESEL ENGINE ONLY)
	113828-02-01A	EA TRIM-MOTOR COVER, ALUMINUM
	114519-01-E07	EA TRIM-MOTOR COVER, ALUMINUM (DIESEL ENGINE ONLY)
	075564-01-000	EA BRACKET-MOUNTING, MOTOR COVER
	039623-01-000	FT SEAL-MOTOR COVER, RUBBER BULB TYPE - BLACK
10	P08813-01-D18	EA PANEL-TOEKICK, CAB - LEFT SIDE - COMPLETE W/INSERT
10	107792-01-01A	EA PANEL-TOEKICK, CAB - LEFT SIDE - W/O INSERT
10	107792-02-01A	EA INSERT-PANEL, TOEKICK - LEFT SIDE

DRIVERS COMPARTMENT GROUP (CONTINUED)

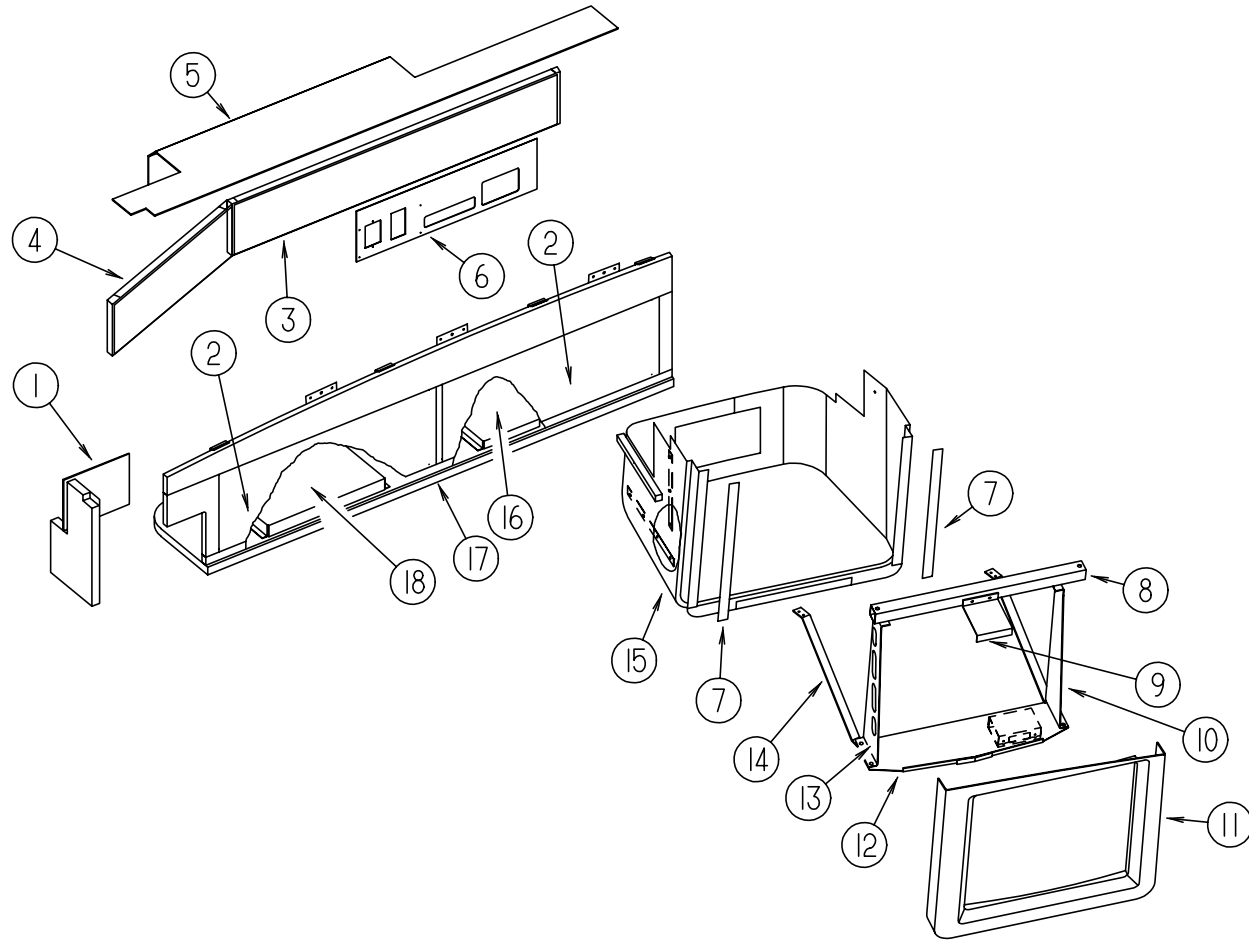


UPPER DRIVERS COMPARTMENT

KEY	PART NUMBER	U/M DESCRIPTION
1	108170-01-000	EA SUNVISOR ASM, PREMIER PLASTIC
	108170-01-700	EA SHADE-VISOR, ONLY - W/O HARDWARE - 9" X 18" X 1/8"
2	036420-02-000	EA FAN-DEFROSTER, 2 SPEED - 6" DIAMETER
3	103961-02-01A	EA COVER-BRACKET, SEATBELT - W/DRIVER DOOR - OFF WHITE
4	024700-38-000	EA COVER-SIDEWALL ROLL BAR, PLASTIC U-CHANNEL - OFF WHITE - 15.25" LONG
5	108792-02-D18	EA PANEL-HEADLINER, LEFT - 45 X 1113MM - VINYL COVERED
6	107805-04-D18	EA PANEL-SIDE, VINYL COVERED
7	P08612-01-D18	EA CABINET-OVERHEAD, VINYL COVERED
7	110603-02-E37	EA CABINET-OVERHEAD, VINYL COVERED (W/SUNSCREEN SHADE)
8	107805-01-D18	EA PANEL-END, VINYL COVERED
9	107804-01-D18	EA PANEL-TOP, VINYL COVERED
10	M05990-10-E37	EA DOOR-CABINET, W/O HARDWARE - 305 X 660MM (PICKLED ASH)
10	M05990-10-E41	EA DOOR-CABINET, W/O HARDWARE - 305 X 660MM (SALEM CHERRY)
11	108526-01-E37	EA CABINET-OVHD, VINYL BOTTOM - W/O DOORS & HDW (PICKLED ASH)
11	108526-01-E41	EA CABINET-OVHD, VINYL BOTTOM - W/O DOORS & HDW (SALEM CHERRY)
12	107805-06-D18	EA PANEL-SIDE, VINYL COVERED
13	110648-01-E37	EA PANEL-VINYL COVERED
14	110603-01-E37	EA CABINET-OVERHEAD, W/O DOORS & HARDWARE (W/SUNSCREEN SHADE)
15	024700-38-000	EA COVER-SIDEWALL ROLL BAR, PLASTIC U-CHANNEL - 15.25" LONG - OFF WHITE
16	108792-01-D18	EA PANEL-HEADLINER, RIGHT - 45 X 1113MM - VINYL COVERED
17	103961-01-01A	EA COVER-BRACKET, SEATBELT - PLASTIC - OFF WHITE
	091990-04-01A	EA SEAT BELT-3 POINT, BLACK
	091990-01-700	EA COVER-BOLT, SEATBELT - BLACK
	109146-01-000	EA BOLT-SHOULDER, SEAT BELT
18	107942-01-01A	EA COVER-INTERIOR, A-PILLAR - RIGHT - PLASTIC
	107942-02-01A	EA COVER-INTERIOR, A-PILLAR - LEFT - PLASTIC
19	040714-01-000	EA MIRROR-REAR VIEW, W/ARM MOUNT & SET SCREW - GM # 911722
	067490-01-000	EA BUTTON-MIRROR, REAR VIEW
	109541-01-000	EA SPACER-MIRROR, REAR VIEW
20	106568-01-01A	EA TRIM-CENTER, WINDSHIELD

DRIVERS COMPARTMENT GROUP (CONTINUED)

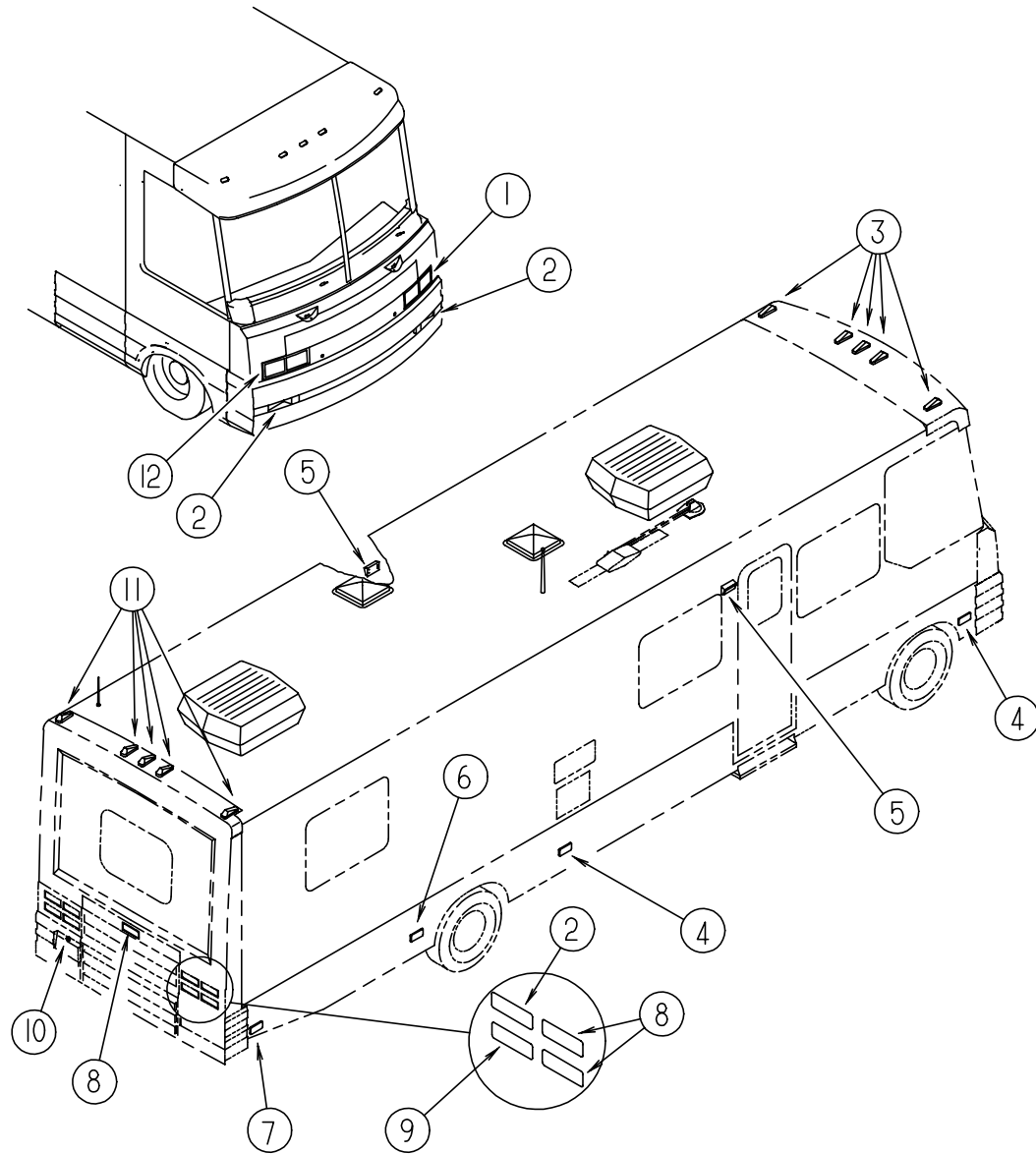
OVERHEAD TV & VCR CABINETS



KEY	PART NUMBER	U/M	DESCRIPTION
1	107805-01-D18	EA	PANEL-SIDE, VINYL COVERED
2	100708-08-000	EA	DOOR-GLASS, TV CABINET - 246 X 687MM - OPG INDUSTRIES
	100710-01-01A	EA	LOCK-GLASS DOOR, TWIST TYPE - BRASS
	100711-01-01A	EA	HINGE-DOOR, GLASS
	101272-01-000	EA	CATCH-DOOR, GLASS
	101766-01-000	EA	PIN-SUPPORT, GLASS DOOR
	100707-01-000	EA	SPACER-DOOR, GLASS - .8" DIA - .3" HOLE - PLASTIC
3	107805-03-D18	EA	PANEL-SIDE, VINYL COVERED
4	107805-04-D18	EA	PANEL-SIDE, VINYL COVERED
5	107804-01-D18	EA	PANEL-TOP, VINYL COVERED
6	107803-01-D18	EA	PANEL-BACK, VINYL COVERED - W/O BOX OR INVERTER CUTOUTS
6	107803-04-D18	EA	PANEL-BACK, VINYL COVERED - W/INVERTER CUTOUTS
7	085774-01-000	FT	FASTENER-DUAL HOOK, 1" WIDE - ADHESIVE BACK - BLACK
7	085774-02-000	FT	FASTENER-DUAL LOOP, 1" WIDE - ADHESIVE BACK - BLACK
8	107319-02-000	EA	MOUNT ASM-TV
9	107316-02-000	EA	MOUNT-TV
10	107280-01-000	EA	BRACKET-MOUNTING,TV - RIGHT (CAB)
11	111060-02-01A	EA	COVER-TV, OVERHEADFRONT - PLASTIC - WILLOW
12	111942-01-000	EA	MOUNT ASM-TV
13	107281-01-000	EA	BRACKET-MOUNTING,TV - LEFT (CAB)
14	111907-02-000	EA	SUPPORT, TV
15	M06860-01-E37	EA	COVER-TV, PLASTIC
16	100676-03-000	EA	STAND-VCR, CENTER - METAL
17	107365-01-E37	EA	CABINET-OVERHEAD, W/O DOORS & HARDWARE (PICKLED ASH)
17	107365-01-E41	EA	CABINET-OVERHEAD, W/O DOORS & HARDWARE (SALEM CHERRY)
	P07365-01-D18	EA	BOTTOM-CABINET, W/VINYL
18	100676-04-000	EA	STAND-CD, LEFT SIDE - METAL
	065747-01-000	SF	INSULATION-MICROFOAM, .5"
	099717-01-000	EA	TIEDOWN-TV, STRAP ON FEMALE END IS 28.7" LONG

ELECTRICAL GROUP

EXTERIOR LIGHTS



KEY	PART NUMBER	U/M	DESCRIPTION
1	049186-01-000	EA	HEADLAMP CAPSULE-DRIVER, HIGH/LOW BEAM
1	049188-01-000	EA	HEADLAMP CAPSULE-DRIVER, HIGH BEAM
	050030-02-000	EA	HOUSING-HEADLAMP WIRING, HIGH BEAM
	063749-01-000	EA	HOUSING-HEADLAMP WIRING, LOW BEAM
	074048-01-000	EA	INSERT-KNURLED, BRASS - #8 - 32 (FOR HEADLAMP SCREWS)
	110750-01-000	EA	SCREW ASM-HEADLAMP ADJUSTING
	106687-02-000	EA	SOCKET ASM-LIGHT, 3-WIRE - TRIPLEX 376
2	106688-02-000	EA	LIGHT ASM-TURN, AMBER - TRIPLEX 146-W
	037934-01-000	EA	BULB-12V, #1156 - 2.1AMP - CLEAR GLASS - BACK UP & TURN SIGNAL
	076345-02-000	EA	SOCKET-PARK/TURN LAMP
3	107749-01-000	EA	LIGHT ASM-CAB MARKER, AMBER - KD 509-0-1
	036196-01-000	EA	BULB-12V, #194 - .27AMP - BAYONETTE
	067789-02-000	EA	SOCKET-CAB MARKER
4	089362-01-000	EA	LIGHT-SIDEMARKER, AMBER LENS & BASE - W/O BULB
	036196-01-000	EA	BULB-12V, #194 - .27AMP - BAYONETTE
	067789-02-000	EA	SOCKET-SIDEMARKER
5	097917-01-04A	EA	LIGHT-PORCH, ENTRY DOOR - BUFF
	008215-01-000	EA	BULB-12V, #1003 - .94AMP
	097917-01-700	EA	LENS-LIGHT, PORCH
6	106688-04-000	EA	LIGHT ASM-AUXILIARY, CLEAR - TRIPLEX 147W
	037934-01-000	EA	BULB-12V, #1156 - 2.1AMP - CLEAR GLASS - BACK UP & TURN SIGNAL
	106687-01-000	EA	SOCKET ASM-LIGHT, 2-WIRE - TRIPLEX 375X
7	089362-02-000	EA	LAMP-SIDE MARKER, RED - TRIPLEX 403-99
	089362-03-000	EA	GASKET-MARKER LIGHT - TRIPLEX 403-2
	036196-01-000	EA	BULB-12V, #194 - .27AMP - BAYONETTE
	067789-02-000	EA	SOCKET-SIDEMARKER
8	106688-03-000	EA	LIGHT ASM-STOP/TURN, RED - TRIPLEX 141-W
	037935-01-000	EA	BULB-12V, #1157 OR #2057 - 2.1AMP - CLEAR GLASS - BRAKE LIGHT
	106687-01-000	EA	SOCKET ASM-LIGHT, 2-WIRE - TRIPLEX 375X
	107221-06-01A	EA	SHIELD-BACK, HIGH BRAKE LIGHT - PLASTIC - BLACK
9	106688-01-000	EA	LIGHT ASM-BACKUP, WHITE - TRIPLEX 147-DW
	037934-01-000	EA	BULB-12V, #1156 - 2.1AMP - CLEAR GLASS - BACK UP & TURN SIGNAL
	076345-02-000	EA	SOCKET-PARK/TURN LAMP
	107256-01-03A	EA	COVER-INSIDE SHIELD, BEHIND 4 TAIL LIGHTS ON EACH SIDE - BUFF PLASTIC
10	087201-01-000	EA	LIGHT-HALF ROUND, 1" X 1.7" - PLASTIC - BLACK
11	107749-02-000	EA	LIGHT ASM-CAB MARKER, RED - KD 509-0-6
	036196-01-000	EA	BULB-12V, #194 - .27AMP - BAYONETTE
	067789-02-000	EA	SOCKET-CAB MARKER
12	049185-01-000	EA	HEADLAMP CAPSULE-PASS, HIGH/LOW BEAM
12	049187-01-000	EA	HEADLAMP CAPSULE-PASS, HIGH BEAM
	050030-02-000	EA	HOUSING-HEADLAMP WIRING, HIGH BEAM
	063749-01-000	EA	HOUSING-HEADLAMP WIRING, LOW BEAM
	096674-01-000	EA	NUT-HEADLAMP, BLACK
	074048-01-000	EA	INSERT-KNURLED, BRASS - #8 - 32 (FOR HEADLAMP SCREWS)
	088747-03-000	EA	LAMP-FOG, CLEAR LENS - PER LUX 550 SERIES
	088747-03-700	EA	COVER-LIGHT, FOG - PER LUX 050-005835
	088747-03-701	EA	BEZEL-LIGHT, FOG - PER LUX 050-005001
	110177-01-000	EA	LENS-REFLECTOR, RED - TRIPLEX 403-R
	110177-02-000	EA	GASKET-LENS, REFLECTOR - TRIPLEX 402-22
	106687-02-000	EA	SOCKET ASM-LIGHT, 3-WIRE - TRIPLEX 376

ELECTRICAL GROUP (CONTINUED)

INTERIOR LIGHTS & BULBS

KEY	PART NUMBER	U/M DESCRIPTION
	065202-34-000	EA LAMP-WALL, BRASS - RECX507-7 - R B GUSTAFSON
	065202-35-000	EA LAMP-WALL, BRASS - RECX507-7CSA - R B GUSTAFSON (CANADIAN)
	065201-12-000	EA SHADE-LAMP, FABRIC - WHITE SWIRL (F36, F37, F40, F41)
	065201-17-000	EA SHADE-LAMP, FABRIC - SAHARA SUNRISE (F38, F39)
	067479-01-000	EA BULB-12V, NUMBER 1076
	093575-06-01A	EA LIGHT-CEILING, RECTANGULAR - GLASS & BRASS (U.S.)
	093575-07-01A	EA LIGHT-CEILING, RECTANGULAR - GLASS & BRASS (CANADIAN)
	008218-01-000	EA BULB-DOME LIGHT, 12V - NUMBER 1141
	104172-01-01A	EA LIGHT-BULLET, BEIGE - #787 SERIES
	008215-01-000	EA BULB-12V, #1003 - .94AMP
	091937-04-000	EA LIGHT-FLUORESCENT, 12 V/30 WATT - 20.75" LONG - THIN LITE
	091937-05-000	EA LIGHT-FLUORESCENT, 12V/16 WATT - 15" LONG - THIN LITE 732
	110235-02-01A	EA LIGHT-MAKE UP, 4 BULB - PANLESS - PD PD200-622 BRASS
	081633-01-700	EA BULB-MAKE UP LIGHT, ONLY
	098024-03-01A	EA LIGHT-DOME, 2 BULB - IVORY
	098024-01-01A	EA LIGHT-DOME, 1 BULB - US - IVORY
	008218-01-000	EA BULB-DOME LIGHT, 12V - NUMBER 1141
	098024-01-700	EA LENS-DOME LIGHT
	104173-01-01A	EA LIGHT-DESIGNER, BRASS - #81-905 - BULB #93 12V
	108354-01-01A	EA LIGHT-COURTESY - ITC 81395-B
	108354-01-700	EA BULB-COURTESY LIGHT
	072353-14-000	EA LIGHT-READING, SWIVEL - ROUND

CIRCUIT BREAKERS & FUSES

KEY	PART NUMBER	U/M DESCRIPTION
	083209-01-000	EA CIRCUIT BREAKER-15 AMP, 120V - BW G-15 - CANADIAN
	083209-02-000	EA CIRCUIT BREAKER-15/15AMP, 120V - BW H-15/15
	083209-03-000	EA CIRCUIT BREAKER-15/20AMP, 120V - BW 0-15/20
	083209-04-000	EA CIRCUIT BREAKER-30A, 120V - BW L-30
	083209-05-000	EA CIRCUIT BREAKER-20A, 120V - BW J-20
	083209-06-000	EA CIRCUIT BREAKER-30/15 AMP, 120V - BW D-30/15
	083209-07-000	EA CIRCUIT BREAKER-20/20A, 120V - BW K-20/20
	093654-01-000	EA CIRCUIT BREAKER-6 AMP, USD 17406-4E12A2A
	093654-02-000	EA CIRCUIT BREAKER-15 AMP, USD 17415-4E12A2A
	093655-01-000	EA CIRCUIT BREAKER-25 AMP, USD 17425-4E03A2A
	093655-02-000	EA CIRCUIT BREAKER-30 AMP, USD 17430-4E03A2A
	093655-03-000	EA CIRCUIT BREAKER-40 AMP, USD 17440-4E03A2A
	097611-01-000	EA CIRCUIT BREAKER-6AMP, ATC - BLACK
	108916-01-000	EA CIRCUIT BREAKER-50A, 2 POLE - WESTINGHOUSE BR250
	093674-01-000	EA PLATE-CIRCUIT BREAKER, HOUSE - 8.4" X 4.1" - STEEL
	008235-01-000	EA FUSE-AUTOMOTIVE, 12V - 15AMP
	062037-01-000	EA HOUSING-AUTO FUSE, NATURAL
	062037-02-000	EA HOUSING-AUTO FUSE, GREEN
	062037-03-000	EA HOUSING-AUTO FUSE, BLACK
	062037-04-000	EA HOUSING-AUTO FUSE, BLUE
	062037-05-000	EA HOUSING-AUTO FUSE, GRAY
	062037-06-000	EA HOUSING-AUTO FUSE, BROWN
	062901-05-000	EA FUSE-AUTOMOTIVE, 15 AMPS
	062901-07-000	EA FUSE-AUTOMOTIVE, 25 AMPS
	062901-08-000	EA FUSE-AUTOMOTIVE, 30 AMPS
	100341-01-000	EA FUSE HOLDER-IN LINE TYPE, WESCO 8931-92020
	108669-01-000	EA HOUSING-AUTOFUSE HOLDER, PACKARD 12010105
	111683-01-000	EA HOLDER-FUSE, GLASS - 1/4" X 1 1/4" - BUSS HTB-861

ELECTRICAL GROUP (CONTINUED)

CONVERTERS, INVERTER & LOAD CENTERS

KEY	PART NUMBER	U/M DESCRIPTION
	099048-01-000	EA INVERTER-100 WATT
	108915-01-000	EA LOAD CENTER-120/240V, 125A - WESTINGHOUSE S816CG
	109171-01-000	EA CONVERTER-40 AMP ELECTRONIC - MAGNETEK 7240X
	109677-01-000	EA LOAD CENTER-120V, 40A - WESCO TT120FLGNM
	113132-01-000	EA LOAD CENTER-120V/240V, 60A - WESCO 2460SGNM

RECEPTACLES

KEY	PART NUMBER	U/M DESCRIPTION
	058707-01-000	EA RECEPTACLE-ELECTRIC, SINGLE - BROWN
	058707-02-000	EA RECEPTACLE-BLANK, JUNCTION - WIRECON WDJ20BR
	058708-01-000	EA RECEPTACLE-ELECTRIC, DOUBLE - BROWN
	058708-02-000	EA RECEPTACLE-ELECTRIC, DOUBLE - IVORY
	102568-01-E37	EA SPACER-RECEPTACLE, BETWEEN SIDEWALL & PLATE (PICKLED ASH)
	102568-01-E41	EA SPACER-RECEPTACLE, BETWEEN SIDEWALL & PLATE (SALEM CHERRY)
	084076-01-000	EA RECEPTACLE-GFI, 15A - 125V - IVORY
	084076-02-000	EA RECEPTACLE-GFI, 15A - 125V - BROWN
	112822-01-01A	EA RECEPTACLE-DUPLEX, IVORY - WIRECON WDRU15IV
	112824-01-01A	EA RECEPTACLE COVER-EXTERIOR, DUPLEX - GRAY - P&S 3780-SC-CW
	112824-01-02A	EA RECEPTACLE COVER-EXTERIOR, DUPLEX - OFF WHITE - P&S 3780-SC-CW

SWITCHES

KEY	PART NUMBER	U/M DESCRIPTION
	075723-02-000	EA SPACER-SWITCH, W/HOLE - .2" X .9" X 2" - METAL - OFF WHITE FOR ELECTRIC STEP DOOR JAMB SWITCH
	079364-01-000	EA SWITCH-ON/OFF ROCKER, 2 PRONGS - BROWN
	079364-03-000	EA SWITCH-ON/OFF ROCKER, 3 PRONGS - BROWN
	079364-02-000	EA SWITCH-ON/OFF ROCKER, BROWN
	079364-04-000	EA SWITCH-ON/OFF ROCKER, BLACK
	093132-01-000	EA SWITCH-ROCKER, 5 TERMINAL W/ARROW GRAPHICS - TORRIX 1737
	093132-02-000	EA SWITCH-ROCKER, 5 TERMINAL W/KEY LOCK & ARROW GRAPHICS
	094086-01-01A	EA PLATE-SWITCH, SINGLE GANG - 1.8" X 3" - PLASTIC - BLACK
	095188-01-01A	EA SPACER-SWITCH, 2.3" X 3.4" - PLASTIC - DARK BROWN
	095188-02-01A	EA SPACER-SWITCH, 2.3" X 4.1" - PLASTIC - DARK BROWN
	096241-03-000	EA SWITCH-BLANK
	098351-01-01A	EA PLATE-SWITCH, 1 GANG - POLISHED BRASS
	098351-02-01A	EA PLATE-SWITCH, 2 GANG - POLISHED BRASS
	098351-03-01A	EA PLATE-SWITCH, 3 GANG - POLISHED BRASS
	098351-05-01A	EA PLATE-SWITCH, 3 GANG - POLISHED BRASS - JENSEN
	098351-07-01A	EA PLATE-SWITCH, SINGLE GANG - LARGE SWITCH - BRASS
	098351-09-01A	EA PLATE-SWITCH, SPEAKER SELECT - BRASS
	099982-01-02A	EA PLATE-SWITCH, MILL
	099982-02-01A	EA PLATE ASM-SWITCH, BLACK
	101894-01-01A	EA SWITCH-3 WAY BROWN (110 V), BRYANT CS320B
	101911-01-01A	EA WALL PLATE-SWITCH (1 GANG) BROWN, LEVITON 80701 OR E
	103473-07-01A	EA PLATE-DOUBLE SWITCH, W/WELD STUD - SIDE BY SIDE - WINDOW LOCK - RH
	103473-08-01A	EA PLATE-SINGLE SWITCH, W/WELD STUD - BLACK
	103473-09-01B	EA PLATE-TRIPLE SWITCH, W/O WELD STUD - WINDOW - LEFT - MILL
	103473-10-04B	EA PLATE-TRIPLE SWITCH, W/WELD STUD - WINDOW - LEFT - BLACK
	103473-11-01A	EA PLATE-DOUBLE SWITCH, W/O WELD STUD - WINDOW LOCK - LEFT - MILL
	103473-12-01A	EA PLATE-DOUBLE SWITCH, W/WELD STUD - WINDOW - LEFT - MILL
	103473-14-01A	EA PLATE-SINGLE SWITCH, W/WELD STUD - WINDOW - LEFT - MILL
	106071-01-000	EA SWITCH-AUTOMATIC TRANSFER, MAGNETEK ATS 30
	106071-02-000	EA SWITCH-AUTOMATIC TRANSFER, MAGNETEK ATS100
	108355-01-000	EA HOUSING-SWITCH, CARLING VCH
	108356-01-01A	EA COVER-SWITCH W/GROOVES, CARLING VVCZC00 BLA
	108356-02-01A	EA COVER-SWITCH W/DIMPLES, CARLING VVAZC00 BLA
	108356-03-01A	EA COVER-SWITCH W/GROOVES & LENS, CARLING VVCGC00
	108356-05-01A	EA COVER-GENERATOR SET SWITCH W/GROOVES & LENS, VVLGCXX-XWB

ELECTRICAL GROUP (CONTINUED)**SWITCHES (CONTINUED)**

KEY	PART NUMBER	U/M DESCRIPTION
	108357-01-000	EA SWITCH-ROCKER, SPST ON/OFF - CARLING V1D1000B-0
	108357-03-000	EA SWITCH-ROCKER, SPDT ON/OFF/ON - CARLING V6D1000B-0
	108357-04-000	EA SWITCH-ROCKER, SPDT ON/OFF/MOM - CARLING V7D1000B-0
	108357-05-000	EA SWITCH-ROCKER, SPDT ON/NONE/ON - CARLING V4D1000B-0
	108357-06-000	EA SWITCH-ROCKER, DPDT MOM/OFF/MOM - CARLING VLD1000B-0
	108357-07-000	EA SWITCH-ROCKER, SPDT MOM/OFF/MOM - CARLING V8D1000B-0
	108357-08-000	EA SWITCH-ROCKER, DPDT ON/NONE/ON - CARLING VDD1S00C-0
	108357-09-000	EA SWITCH-ROCKER, SPDT ON/NONE/MOM - CARLING V5D1000B-0
	108357-10-000	EA SWITCH-ROCKER, SPDT MOM/OFF/MOM - CARLING V8D1160B-0 - LIGHTED
	108531-01-000	EA SWITCH-LIGHT DIMMER, INTEL TEC 00-002630
	109294-01-01A	EA SWITCH PANEL ASM-VENT FAN, JRV J8948BR BRASS

ELECTRIC BOXES & CORDS

KEY	PART NUMBER	U/M DESCRIPTION
	008052-01-000	EA CORD-POWER, 10/3 - 30 AMP - 25' - CANADIAN
	008054-01-000	EA CORD-POWER, 10/3 - 30 AMP - 25'
	008054-02-000	EA CORD-POWER, 10/3 - 30 AMP - 33'
	108934-01-000	EA CORD-POWER, 50A - 4-WIRE - 36' - WESCO K3536 - U.S.
	113096-01-000	EA CORD-POWER, 50A - 4 WIRE - 36' - CANADIAN
	008289-01-000	EA BOX-ELECTRIC, STEEL - 1/2" AND 3/4" KNOCKOUTS - 4" X 4"
	008289-02-000	EA BOX-ELECTRICAL, 4" X 4" - 1/2" & 3/4" KNOCKOUTS - CANADIAN
	091910-01-000	EA BOX-ELECTRIC, 3.75" X 3.5" X 1.75" - PLASTIC
	091910-02-000	EA BOX-ELECTRIC, 57 X 88MM - PLASTIC
	008294-01-000	EA COVER-ELECTRICAL BOX, BLANK/STEEL - 4" X 4" - GRAY (U.S.)
	008294-02-000	EA COVER-ELECTRICAL BOX, BLANK/STEEL - 4" X 4" - GRAY (CANADIAN)
	103756-04-000	EA DOOR-ELECTRICAL BOX
	098196-01-000	EA LATCH-1/4 TURN, T-BAR
	103873-01-000	EA SEAL-ELECTRICAL BOX/BULKHEAD, ALFA III(215X215)

WIRE ASSEMBLIES

KEY	PART NUMBER	U/M DESCRIPTION
	073328-B4-000	EA CABLE ASSEMBLY-BATTERY, W/TERMINALS
	090986-01-000	EA WIRE ASM-ELECTRIC STEP
	097618-01-000	EA WIRE ASM-MONITOR PANEL, W/4 WIRES & BLACK RESISTOR - LVS
	107306-01-000	EA WIRE ASM-INSTRUMENT PANEL, DOCKING LAMPS
	108029-01-000	EA WIRE ASM-POWER DRIVER SEAT
	108030-01-000	EA WIRE ASM-FOG LAMP/AIR HORN
	108303-01-000	EA WIRE ASM-REAR AUTO HEATER
	108304-01-000	EA WIRE ASM-IP, AUX FANS
	096449-01-000	EA WIRE ASM-WATER TANK TO MONITOR PANEL
	111914-01-000	EA WIRE ASM-DAY RUN LAMPS, FUSE

CONNECTORS & CONDUIT

KEY	PART NUMBER	U/M DESCRIPTION
	007940-01-000	EA RECEPTACLE-SLIDE, 16 TO 12 AWG - FEMALE END
	007954-01-000	EA RECEPTACLE-HOUSING, 6 POSITION
	008311-01-000	EA CONNECTOR-WIRE NUT, INSULATED - RED
	008312-01-000	EA CONNECTOR-WIRE NUT, INSULATED - BLUE
	008314-01-000	EA CONNECTOR-WIRE NUT, INSULATED - GRAY
	008326-01-000	EA TERMINAL-RING, 16/14 WIRE - 3/8" STUD
	008328-01-000	EA TERMINAL-RING, 12/10 WIRE - #10 STUD FIT
	008331-01-000	EA TERMINAL-RING,TONGUE - #4 WIRE - 3/8" STUD - COPPER
	008348-01-000	EA TERMINAL-RING, 3/8" STUD - #2 WIRE CONNECTS CABLE TO DISCONNECT RELAY AND BATTERY

ELECTRICAL GROUP (CONTINUED)**CONNECTORS & CONDUIT (CONTINUED)**

KEY	PART NUMBER	U/M DESCRIPTION
	008355-01-000	EA CONNECTOR-CABLE CLAMPING, 3/4"
	008356-01-000	EA CONNECTOR-PLASTIC, 3/8" AVG
	035416-04-000	EA TERMINAL-RING #10 STUD FIT, INSULATED BARREL #16/14
	041480-01-000	EA CONNECTOR-STRAIGHT, 1/2" FLEX CONDUIT
	041953-01-000	FT CONDUIT-CONVOLUTE SLIT, .5"ID
	041953-03-000	FT CONDUIT-CONVOLUTE, SLIT - 1" ID (CLOTHES ROD COVER)
	041953-05-000	FT CONDUIT-CONVOLUTE, SOLID - .62" ID
	041953-06-000	FT CONDUIT-CONVOLUTE, SLIT - .375"ID
	041953-07-000	FT CONDUIT-CONVOLUTE, SLIT - .25" ID
	041953-08-000	FT CONDUIT-CONVOLUTE, SLIT - 1.50"ID
	041953-09-000	FT CONDUIT-CONVOLUTE, SLIT - .50"ID
	041953-10-000	FT CONDUIT-CONVOLUTE, SLIT - .75" ID
	041953-11-000	FT CONDUIT-CONVOLUTE, SLIT- 1.06" ID
	047443-01-000	EA TERMINAL-.250 RECEPTACLE FIT, INSULATED - 16/14 AWG
	047443-02-000	EA TERMINAL-.250 RECEPTACLE FIT, INSULATED - 12/10 AWG
	058028-01-000	EA CONNECTOR-ELECTRICAL PIGTAIL, NYLON - CLEAR
	062036-01-000	EA TERMINAL-PACK-CON, 12/10 AWG
	062036-02-000	EA TERMINAL-PACK-CON, 16/14 AWG
	074017-02-000	EA HOUSING-5 POSITION, RIGHT ANGLED
	077479-01-000	EA BOOT-BATTERY TERMINAL, DOUBLE CABLE
	077479-02-000	EA BOOT-BATTERY TERMINAL, SINGLE CABLE
	080015-02-000	EA RECEPTACLE-FLAG, .185 - 16/14 GA - AMP 3
	080015-03-000	EA RECEPTACLE-FLAG, .250 - 14/16 GA
	082109-01-000	EA HOUSING-CONNECTOR, PACKARD
	082741-01-000	EA CONNECTOR BODY-2 CNCT MALE
	087225-01-000	FT SLEEVING-1/2", TYPE H - VARFLEX
	087225-02-000	FT SLEEVING-5/8", TYPE H - VARFLEX
	087949-01-000	EA BUSS BAR-2 POSITION, .6" X 1.5" - ALUMINUM
	087949-02-000	EA BUSS BAR-3 POSITION
	087949-03-000	EA BUSS BAR-4 POSITION
	088473-01-000	EA HOUSING-PIN, 12 CAVITY - AMP 1-480708-0
	088473-02-000	EA HOUSING-PIN, 15 CAVITY - AMP 1-480710-0
	088473-03-000	EA HOUSING-PIN, 9 CAVITY - AMP 1-480706-0
	088473-05-000	EA HOUSING-PIN, 6 CAVITY - AMP 640585-1
	088473-06-000	EA HOUSING-PIN, 6 CAVITY - AMP 1-480704-0
	088473-07-000	EA HOUSING-PIN, 5 CAVITY - AMP 1-480763-0
	088473-08-000	EA HOUSING-PIN, 4 CAVITY - AMP 1-480702-0
	088473-09-000	EA HOUSING-PIN, 3 CAVITY - AMP 1-480700-0
	088473-10-000	EA HOUSING-PIN, 2 CAVITY - AMP 1-480698-0
	088474-01-000	EA HOUSING-SOCKET, 12 CAVITY - AMP 1-480709-0
	088474-02-000	EA HOUSING-SOCKET, 12 CAVITY - AMP 1-480711-0
	088474-03-000	EA HOUSING-SOCKET, 9 CAVITY - AMP 1-480707-0
	088474-06-000	EA HOUSING-SOCKET, 6 CAVITY - AMP 1-480705-0
	088474-07-000	EA HOUSING-SOCKET, 5 CAVITY - AMP 1-480764-0
	088474-08-000	EA HOUSING-SOCKET, 4 CAVITY - AMP 1-480703-0
	088474-09-000	EA HOUSING-SOCKET, 3 CAVITY - AMP 1-480701-0
	088474-10-000	EA HOUSING-SOCKET, 2 CAVITY - AMP 1-480699-0
	088475-01-000	EA PIN-CONNECTOR, 14 TO 20 AWG
	088475-02-000	EA PIN-CONNECTOR, 10 TO 12 AWG
	088476-01-000	EA SOCKET-CONNECTOR, BRASS - PRE-TIN
	088476-02-000	EA SOCKET-CONNECTOR, 12-10 GA - PHOS. BRZ - PRE-TIN
	092786-02-000	EA BUSS BAR-3.3" LONG
	092786-03-000	EA BUSS BAR-6.9" LONG
	098261-02-000	EA SOCKET-CONNECTOR, WEATHERPACK PACKARD 12124580
	098262-01-000	EA SEAL-CONNECTOR, WEATHER PACK PACKARD 12010293
	098264-01-000	EA HOUSING-2 PIN, WEATHER PACK PACKARD 12015792
	098265-02-000	EA PIN-CONNECTOR, WEATHER PACK PACKARD12089305
	100690-01-000	EA HOUSING-5 PIN, WEATHER PACK
	101571-01-000	EA HOUSING-2 POSITION, MALE
	101751-01-000	EA HOUSING-1 PIN, WEATHER PACK
	101751-02-000	EA HOUSING-1 PIN, WEATHER PACK

ELECTRICAL GROUP (CONTINUED)

CONNECTORS & CONDUIT (CONTINUED)

KEY	PART NUMBER	U/M	DESCRIPTION
	102777-02-000	EA	TERMINAL-RING #6 STUD, 10 AWG
	103608-01-000	EA	SOCKET-WEDGE BASE, L/LEADS
	104100-01-000	EA	HOUSING-1 POSITION, 75 AMP - AMP 53884-1
	104100-03-000	EA	TERMINAL-75 AMP - AMP 53880-4 LOOSE
	106006-01-000	EA	HOUSING-1 POSITION, FEMALE - PACKARD 12015952
	106655-01-000	EA	TERMINAL-FUSE BLOCK, 14 - 16 AWG - PACKARD 12020321
	113131-01-000	EA	HOUSING-3 PIN, METRI-PACK - F - PACKARD 12020397
	113306-01-000	EA	TERMINAL-FEMALE, METRI-PACK PACKARD12048451
	113307-01-000	EA	TERMINAL-FEMALE, METRI-PACK PACKARD12048074
	113468-01-000	EA	HOUSING-2 POSITION, FEMALE - 56-SERIES - PACKARD 02965981 USED ON WIPER/WASHER WIRE ASM
	113538-01-000	EA	HOUSING-6 POSITION, FEMALE - YAZAKI 7123-2262
	115556-01-000	EA	HOUSING-3 POSITION, FEMALE - 59 SERIES
	115556-02-000	EA	HOUSING-2 POSITION, FEMALE - 59 SERIES

FLASHER, SOLENOID, DIODE & RELAYS

KEY	PART NUMBER	U/M	DESCRIPTION
	007093-01-000	EA	FLASHER-SIGNAL, STAT
	008188-01-000	EA	SOLENOID-3 POST, BATTERY CHANGE OVER
	063910-01-000	EA	HOUSING-RELAY, BOSCH 3 334 485 008
	063912-02-000	EA	RELAY-CANISTER, SPDT - BOSCH 0332204101
	086273-01-000	EA	RELAY-BATTERY DISCONNECT
	103608-01-000	EA	SOCKET-WEDGE BASE W/LEADS - JKL 2944-6 OR EQUIVILENT

BATTERY BOOT & STUD

KEY	PART NUMBER	U/M	DESCRIPTION
	077479-01-000	EA	BOOT-BATTERY TERMINAL, DOUBLE CABLE
	077479-02-000	EA	BOOT-BATTERY TERMINAL, SINGLE CABLE
	086233-01-000	EA	STUD-ISOLATED, 3/8" X 7/8" LONG

SOLAR PANEL

KEY	PART NUMBER	U/M	DESCRIPTION
	115504-01-000	EA	PANEL-SOLAR, 10 WATT -MAGY TJN-2SW
	115505-01-000	EA	MONITOR-SOLAR CHARGER, MAGY IL-1W

EXTERIOR BODY GROUP

AIR HORNS

KEY	PART NUMBER	U/M	DESCRIPTION
	077497-02-000	EA	HOSE-AUXILIARY AIR HORN, MIDLAND 89ID INCLUDES 50' COILED HOSE, AIR CHUCK, NEEDLE, NOZZLE & CARRIER
	077497-03-000	EA	FITTING KIT-HOSE, AUXILIARY AIR HORN, PRESSURE GAUGE & HOSE FITTINGS
	077497-01-710	EA	GAUGE-PRESSURE, AIR HORN
	077497-05-000	EA	COMPRESSOR/TANK/SOLENOID KIT, HADLEY 852EB
	077497-01-700	EA	SOLENOID-AIR TANK, HADLEY 748NS
	077497-01-703	EA	TANK-AIR, HADLEY 751-N
	077497-01-704	EA	COMPRESSOR W/SWITCH, HADLEY 852EC
	077497-01-706	EA	VALVE & HEAD REPAIR, HADLEY H00852HV
	077497-01-707	EA	BELT & SCREW COVER FOR COMPRESSOR, HADLEY H00852BR
	077497-01-708	EA	FILTER & MOUNTING HARDWARE FOR COMPRESSOR, HADLEY H00852FM
	077497-01-709	EA	PLUNGER & SPRING FOR SOLENOID, HADLEY H136215
	077497-08-000	EA	HORN KIT-AIR, BLACK - TWIN SHORTY - HADLEY H00640S
	077497-01-701	EA	SWITCH-COMPRESSOR, HADLEY 13940-S
	077497-01-702	EA	SWITCH-TOGGLE, W/WIRE - HADLEY 12949-S
	081404-01-000	EA	BRACKET-MOUNTING, COMPRESSOR - L SHAPED - 4" X 7.5" - STEEL
	108114-01-000	EA	BRACKET-TANK, AIR

SQUEEGEE & RUBBER BUMPER

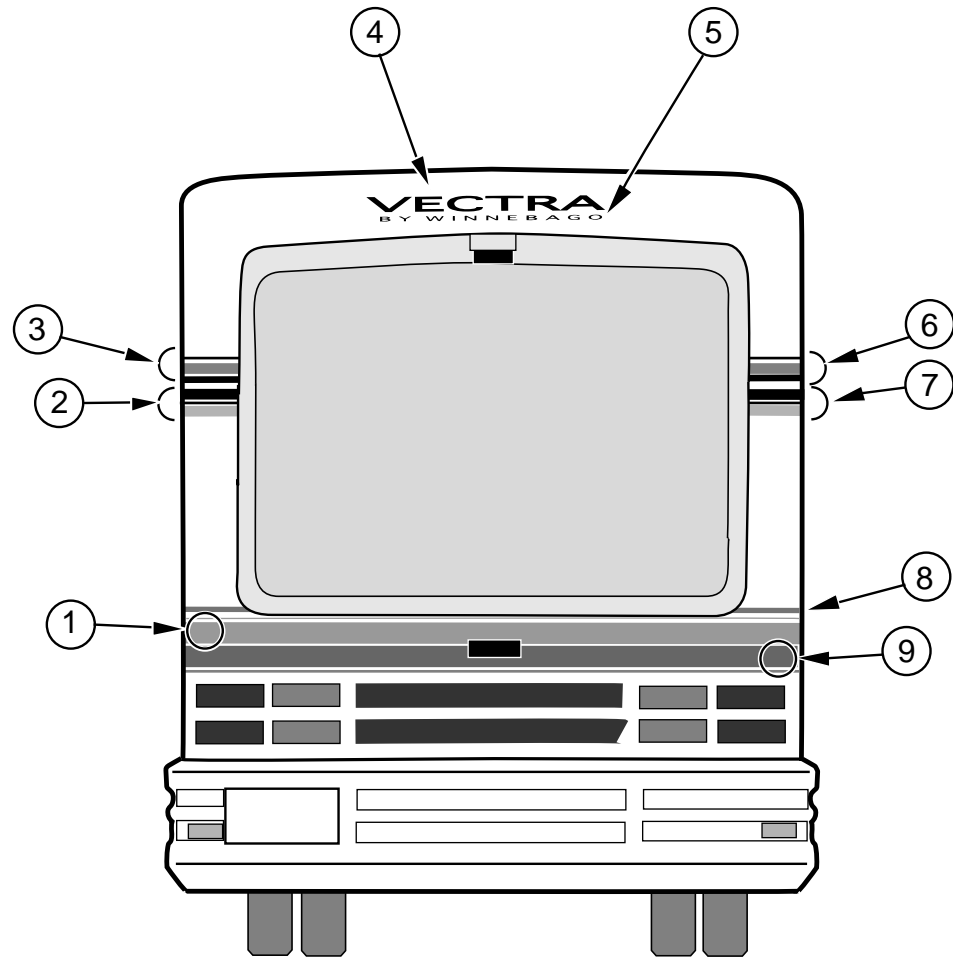
KEY	PART NUMBER	U/M	DESCRIPTION
	069726-02-000	EA	BUMPER-.88" DIAMETER X .40", BLACK
	091952-02-000	EA	CLIP-GRIPPER, 3/4"
	091955-02-000	EA	SQUEEGEE-EXTEND HANDLE
	110429-03-D18	EA	BRACKET ASM-SQUEEGEE, PAINTED
	110429-01-01A	EA	BRACKET-SQUEEGEE, UNPAINTED

FIBERGLASS, STYROFOAM & STEEL CHANNEL

KEY	PART NUMBER	U/M	DESCRIPTION
	000870-06-000	SF	STYROFOAM,1.34" X 48" X 96" - PLANED
	000870-08-000	SF	STYROFOAM, .75" X 48" X 96" - PLANED
	044487-01-001	EA	SHEET-ALUMINUM, .19" X 96" X 300" - MILL FINISHED
	044487-01-002	EA	SHEET-ALUMINUM, .019" X 96" X 432" - MILL FINISHED
	108535-02-700	SF	SHEET-FIBERGLASS, FLAT - 104" X 348" - BUFF
	083574-02-000	SF	STYROFOAM, DOW TYPE SM - 1.5" X 24" X 90.5"
	083574-03-000	SF	STYROFOAM,3/4" X 48" X 96"
	083574-05-000	SF	STYROFOAM,2" X 48" X 96"
	089297-01-000	SF	PLYWOOD-LUAN, OVERLAY GRADE - 4' X 8'
	105077-03-000	EA	FOAM-PLUG, SIDEWALL TUBE
	115301-01-000	EA	STYROFOAM,.34 X 48 X 600"
	077517-59-000	EA	SHEET-FIBERGLASS, 2019 X 2438MM - BUFF
	076054-H6-000	EA	SHEET-FIBERGLASS, 2016 X 9785MM - BUFF
	076054-K5-000	EA	SHEET-FIBERGLASS, 2016 X 10345MM - BUFF
	002726-01-001	EA	GARNISH-U-CHANNEL, 1.38" X 19' - SERRATED - MILL ALUMINUM
	002754-01-001	EA	ANGLE-EXTRUDED, .75" X .75" X 18' - MILL ALUMINUM
	068716-01-001	EA	ANGLE-EXTRUDED, 90 DEGREE - 192" LONG
	058267-01-000	EA	CHANNEL-STEEL, W/HOLES - SIDEWALL STIFFENER - 2" X 20'
	055278-01-001	FT	TUBING-STEEL, .75" X 1.5" X 288"
	033381-17-001	FT	TUBE-STEEL, 16GA - 1.5 X 1.5 X 288
	065747-01-000	SF	INSULATION-MICROFOAM, .5" THICK X 72" X 112' ROLL

EXTERIOR BODY GROUP (CONTINUED)

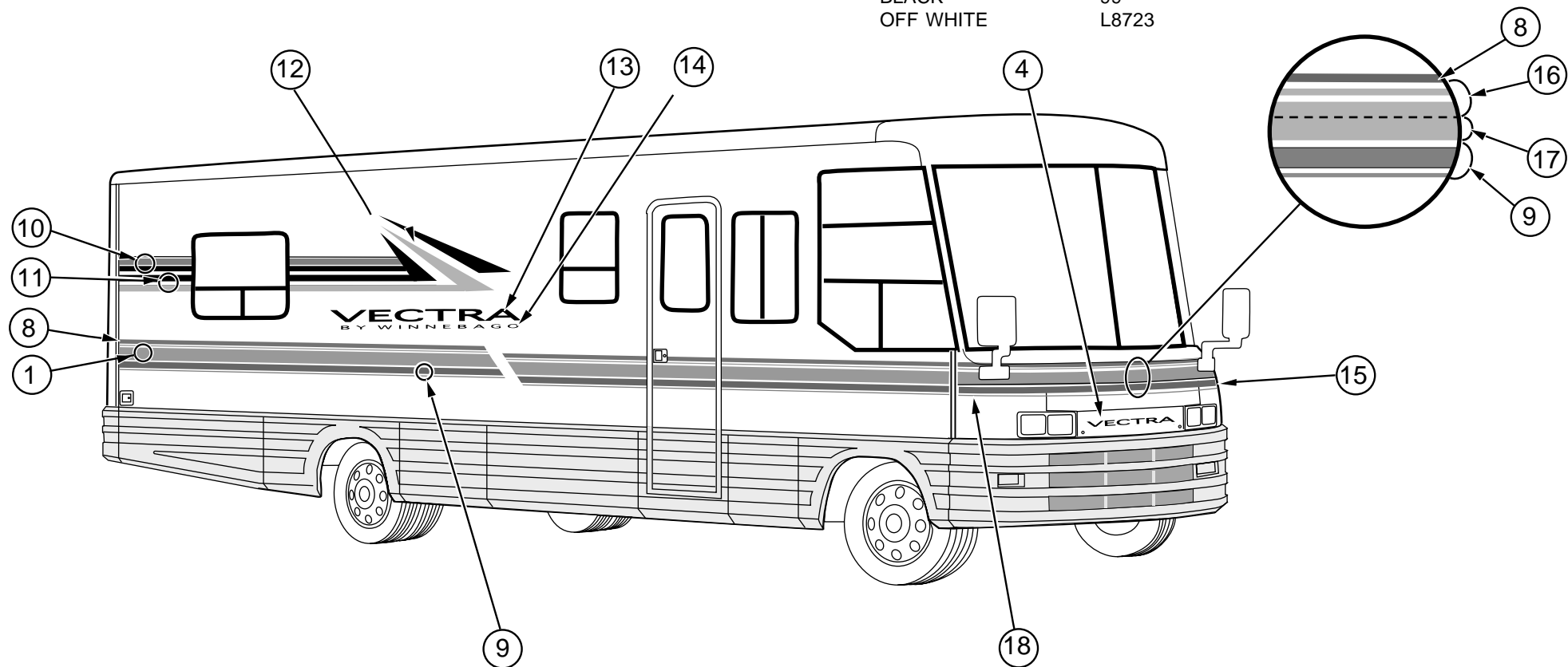
DECALS & STRIPES



KEY	PART NUMBER	U/M DESCRIPTION
1	093681-45-01A	FT STRIPE, 1 LINE - 139 WIDE - STRATOS BLUE
1	093681-47-01A	FT FILM-OVERLAY, 1 LINES - REFLECTIVE WHITE
2	115339-04-01A	EA DECAL-REAR, UPPER - 2 - LEFT - ORCHID/ORCHID/STRATOS BLUE
3	115339-02-01A	EA DECAL-REAR, UPPER - 1 - LEFT - STRATOS BLUE/STRATOS BLUE/SEAMIST
4	115337-02-01A	EA DECAL-VECTRA, 3D - SMALL - DOMED - ORCHID/STRATOS BLUE
5	115344-02-01A	EA DECAL-LOGO,B Y WINNEBAGO - ORCHID
6	115339-01-01A	EA DECAL-REAR, UPPER - 1 - RIGHT - STRATOS BLUE/STRATOS BLUE/SEAMIST
7	115339-03-01A	EA DECAL-REAR, UPPER - 2 - RIGHT - ORCHID/ORCHID/STRATOS BLUE
8	093681-42-01A	FT STRIPE, 1 LINE - 19.1MM WIDE - ORCHID
9	105781-11-09A	FT MULTISTRIPE, 2 LINES - 50.8MM WIDE - SEAMIST/SEAMIST
10	094443-27-01A	FT MULTISTRIPE, 3 LINES - 114.3MM WIDE - 2 LINES STRATOS BLUE/SEAMIST
11	094443-28-01A	FT MULTISTRIPE, 3 LINES - 127MM WIDE - ORCHID/ORCHID/STRATOS BLUE
12	115338-01-01A	EA DECAL-POINTS, RIGHT - SEAMIST/STRATOS BLUE/ORCHID
	115338-02-01A	EA DECAL-POINTS, LEFT - SEAMIST/STRATOS BLUE/ORCHID
13	115337-01-01A	EA DECAL-VECTRA, 3D - DOMED - ORCHID/STRATOS BLUE
14	115344-01-01A	EA DECAL-LOGO, BY WINNEBAGO - ORCHID
15	115336-02-01A	EA DECAL-CORNER, LEFT - STRATOS BLUE
16	093681-40-04A	FT STRIPE, 1 LINE - 50.8 WIDE - STRATOS BLUE
16	093681-47-01A	FT FILM-OVERLAY, 1 LINES - REFLECTIVE WHITE
17	093681-43-01A	FT STRIPE- 1 LINE - 79.4 WIDE - STRATOS BLUE
18	115336-01-01A	EA DECAL-CORNER, RIGHT - STRATOS BLUE
	107567-02-01A	EA DECAL-VECTRA, 3D - SMALL - WILLOW (ON DASH)
	106149-02-01A	EA DECAL-VINYL STRIPING 3"
	106149-02-01A	EA DECAL-VINYL STRIPING, 3" WIDE - BLACK (QUEEN BED W/REAR DOOR)

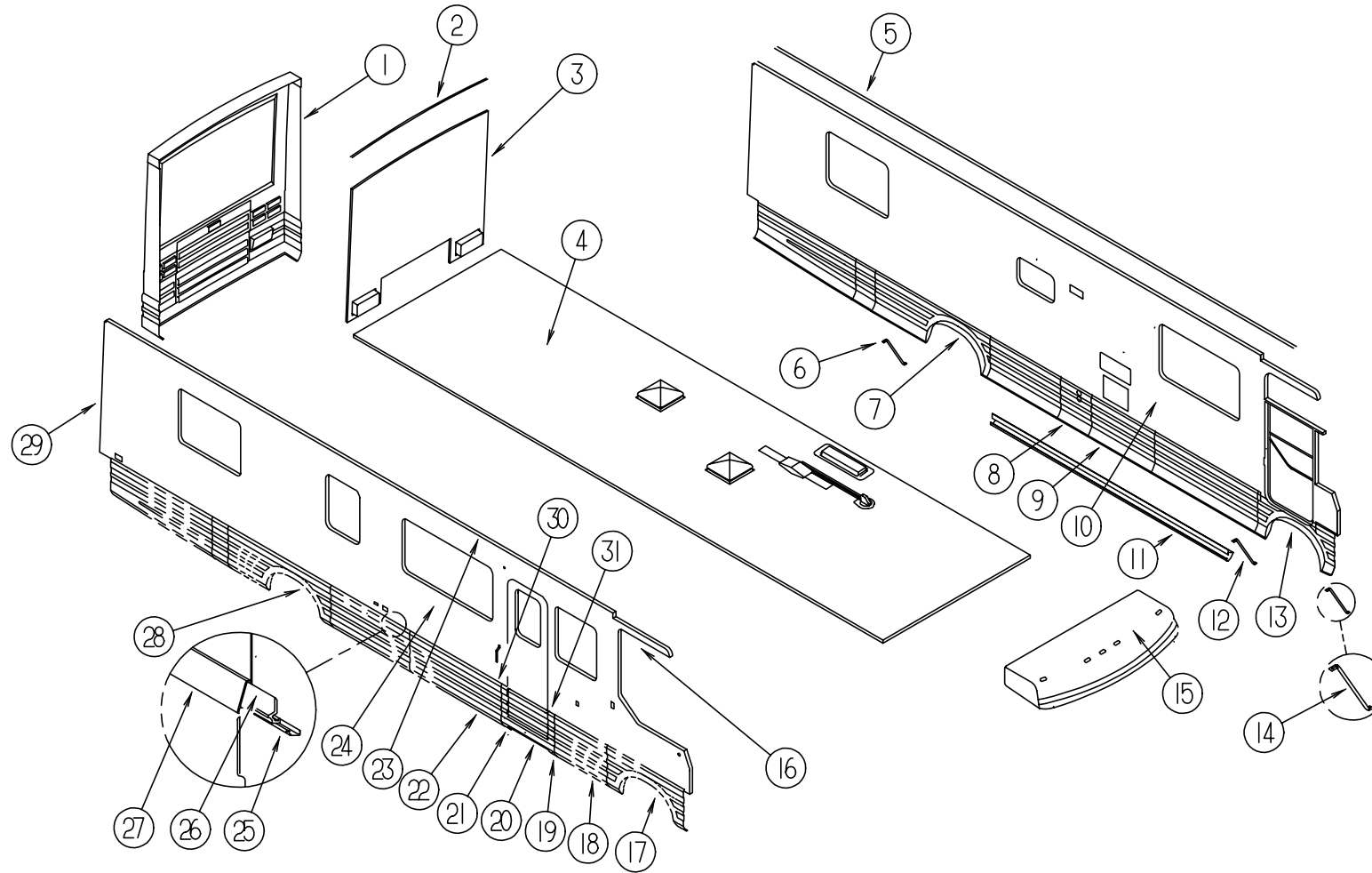
DUPONT PAINT & COLOR CODES

KEY	PART NUMBER	U/M DESCRIPTION
	041561-03-000	EA PAINT-LOW BAKE, 16 OUNCE SPRAY CAN - OFF WHITE
	044486-03-000	EA PAINT-LOW BAKE, 16 OUNCE SPRAY CAN - BEIGE
	VIOLET METALLIC	L9119
	BUFF	G9692
	AZTEC SILVER	45406
	BLACK	99
	OFF WHITE	L8723



EXTERIOR BODY GROUP (CONTINUED)

BODY PANELS & TRIM

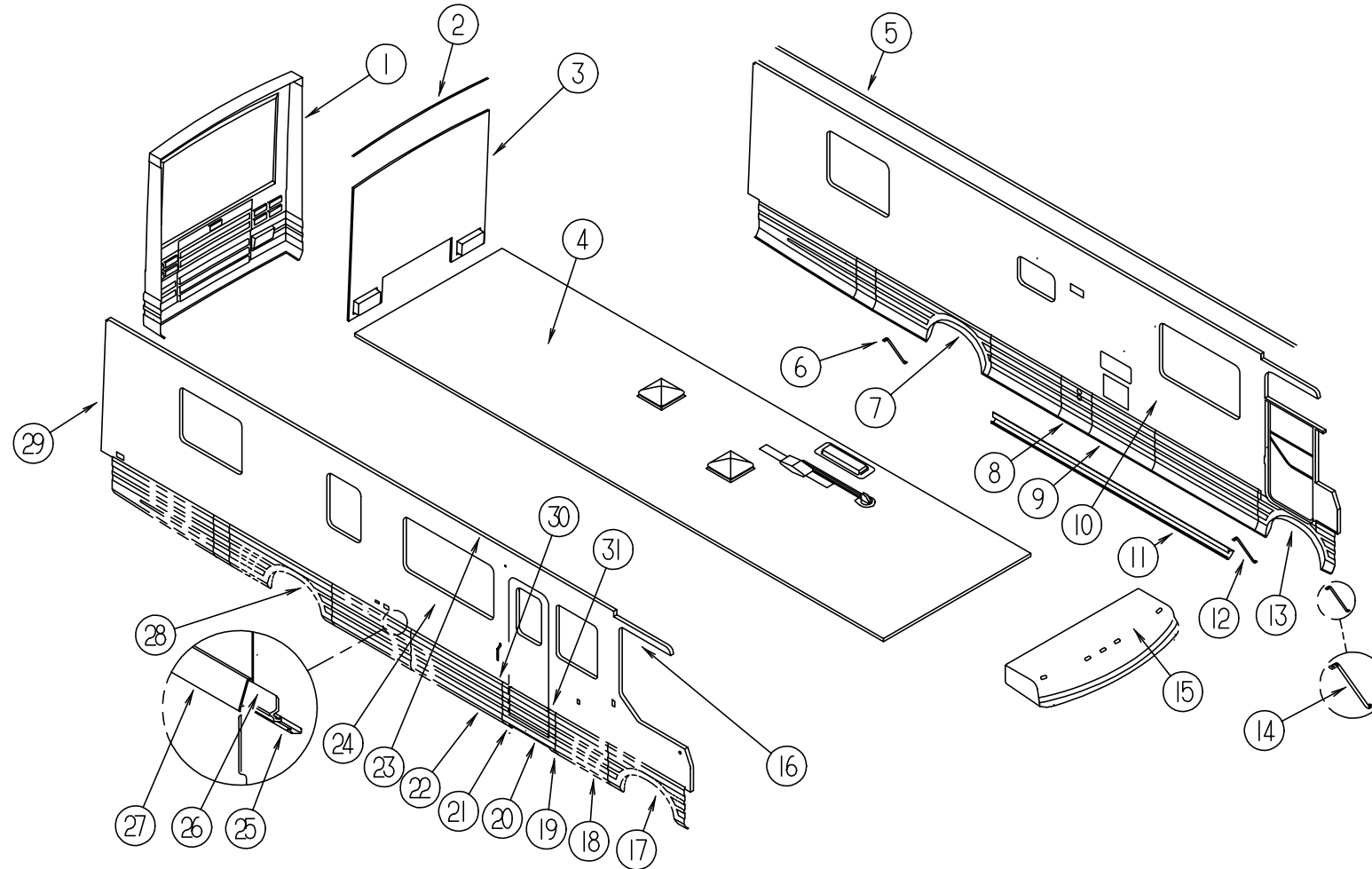


KEY	PART NUMBER	U/M DESCRIPTION
1	114564-01-01A	EA REAR CAP-FIBERGLASS, W/O LIGHTS
2	083805-19-000	EA TRIM-CAP, REAR CAP TO ROOF - 2202MM LONG - BUFF
3	P09973-01-F36	EA BACKWALL (F36, F37)
3	P09973-01-F38	EA BACKWALL (F38)
3	P09973-01-E39	EA BACKWALL (F39, F40)
3	P09973-01-F41	EA BACKWALL (F41)
4	P15179-01-F36	EA ROOF
5	103801-02-04A	EA TRIM-ROOF TO SIDEWALL, W/O DRAIN HOLES - 4877MM LONG - BUFF
6	107865-05-000	EA ROD-SUPPORT, W/BENT ENDS - VALANCE PANEL - 231.5MM LONG
7	P12931-02-E37	EA WHEEL LIP ASM-DRIVER SIDE
	107895-05-000	EA HINGE ASM-DOUBLE PIVOT , W/O SPRING & U-CHANNEL - 90 DEGREE
	112107-01-01A	EA POCKET-LIGHT, DOCKING - BLACK
8	109176-01-D18	EA PANEL-VALANCE, FURNACE - BUFF
	109177-01-01A	EA PANEL-VALANCE, FURNACE - PRIMED
	107895-01-000	EA HINGE-DOUBLE PIVOT, W/U-CHANNEL - 254MM LONG
	092263-03-000	EA PANEL-EXHAUST, FURNACE

KEY	PART NUMBER	U/M DESCRIPTION
9	109155-01-D18	EA PANEL-VALANCE, A/C
	107895-05-000	EA HINGE ASM-DOUBLE PIVOT , W/SPRING & U-CHANNEL - 90 DEGREE
	102378-01-02A	EA WASHER-BLACK
	102330-01-000	EA LATCH-SINGLE HOLE, VISE ACTION
	107221-01-01A	FT SEAL-ACCESS DOOR
10	P14546-01-F36	EA SIDEWALL-DRIVER (F36)
10	P14546-01-F37	EA SIDEWALL-DRIVER (F37)
10	P14546-01-F38	EA SIDEWALL-DRIVER (F38, F39)
10	P14546-01-F40	EA SIDEWALL-DRIVER (F40)
10	P14546-01-F41	EA SIDEWALL-DRIVER (F41)
11	109279-03-D18	EA PANEL-ROCKER
12	107865-06-000	EA ROD-SUPPORT, STRAIGHT - VALANCE PANEL - 382.5MM LONG
13	107482-01-D18	EA PANEL ASM-WHEELWELL, FRONT - DRIVER SIDE - ASH GRAY
14	107865-07-000	EA ROD-SUPPORT, W/BENT ENDS - VALANCE PANEL - 365MM LONG
15	M05794-01-D18	EA CAP ASM-FRONT, W/LIGHTS - BUFF
16	108274-01-01A	EA RAIL-DRIP, FRONT END - RIGHT SIDE - BUFF
	108274-02-01A	EA RAIL-DRIP, FRONT END - LEFT SIDE - BUFF
	107225-01-000	EA BRACKET-VALANCE, FRONT WHEEL LIP TO BUMPER

EXTERIOR BODY GROUP (CONTINUED)

BODY PANELS & TRIM (CONTINUED)

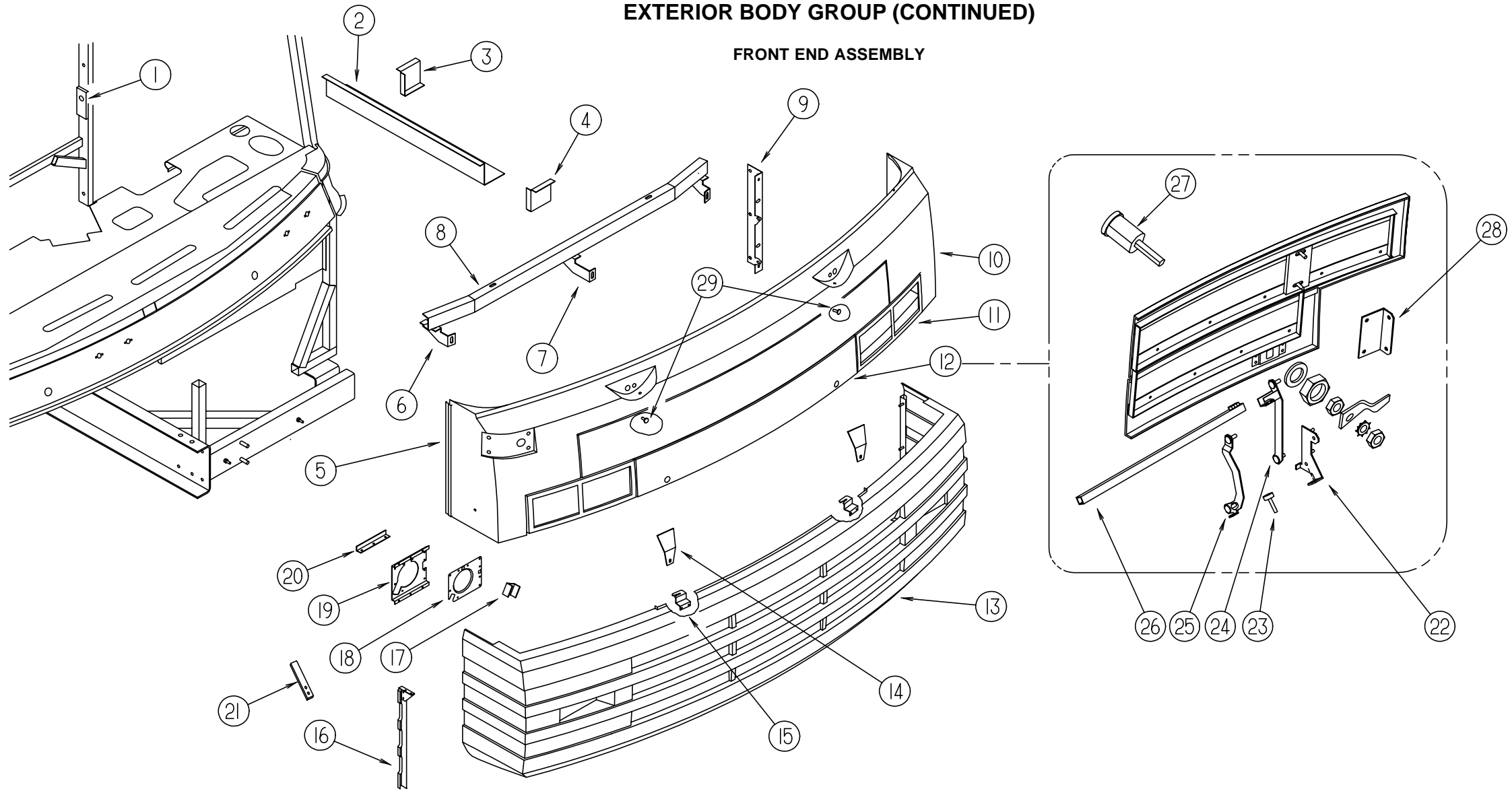


KEY	PART NUMBER	U/M DESCRIPTION
17	107483-01-D18	EA PANEL ASM-WHEELWELL, FRONT - PASSENGER SIDE - ASH GRAY
18	109279-06-D18	EA PANEL-ROCKER
19	109619-05-02A	EA CAP-ROCKER, BLACK
20	M05859-01-D18	EA PANEL-VALANCE, ENTRY DOOR - ON DOOR - ASH GRAY
20	M05820-03-D18	EA PANEL-VALANCE, ENTRY DOOR - BELOW DOOR - ASH GRAY
21	109619-06-02A	EA CAP-ROCKER, BLACK
22	109279-07-D18	EA PANEL-ROCKER
23	103802-02-04A	EA RAIL-AWNING, BUFF
24	P14547-01-F36	EA SIDEWALL-PASSENGER
24	P14547-01-F37	EA SIDEWALL-PASSENGER
24	P14547-01-F38	EA SIDEWALL-PASSENGER
24	P14547-01-F39	EA SIDEWALL-PASSENGER
24	P14547-01-F40	EA SIDEWALL-PASSENGER
24	P14547-01-F41	EA SIDEWALL-PASSENGER
25	107370-01-000	EA RETAINER-TRIM, SIDEWALL - 305MM LONG - EXTRUDED ALUMINUM
26	107368-01-000	EA HANGER-VALANCE

KEY	PART NUMBER	U/M DESCRIPTION
27	107369-01-01A	EA COVER-TRIM, 4623MM LONG - SILVER
28	P12931-01-E37	EA WHEEL LIP ASM-PASSENGER SIDE
	107895-05-000	EA HINGE ASM-DOUBLE PIVOT , W/SPRING & U-CHANNEL - 90 DEGREE
	112107-01-01A	EA POCKET-LIGHT, DOCKING - BLACK
29	092041-02-01A	EA TRIM-REAR CAP TO SIDEWALL, BUFF
	091985-01-04A	FT INSERT-TRIM, REAR CAP TO SIDEWALL - BUFF
30	108497-02-01A	EA END CAP-COVER TRIM, LEFT - LIGHT GRAY
31	108497-01-01A	EA END CAP-COVER TRIM, RIGHT - LIGHT GRAY

EXTERIOR BODY GROUP (CONTINUED)

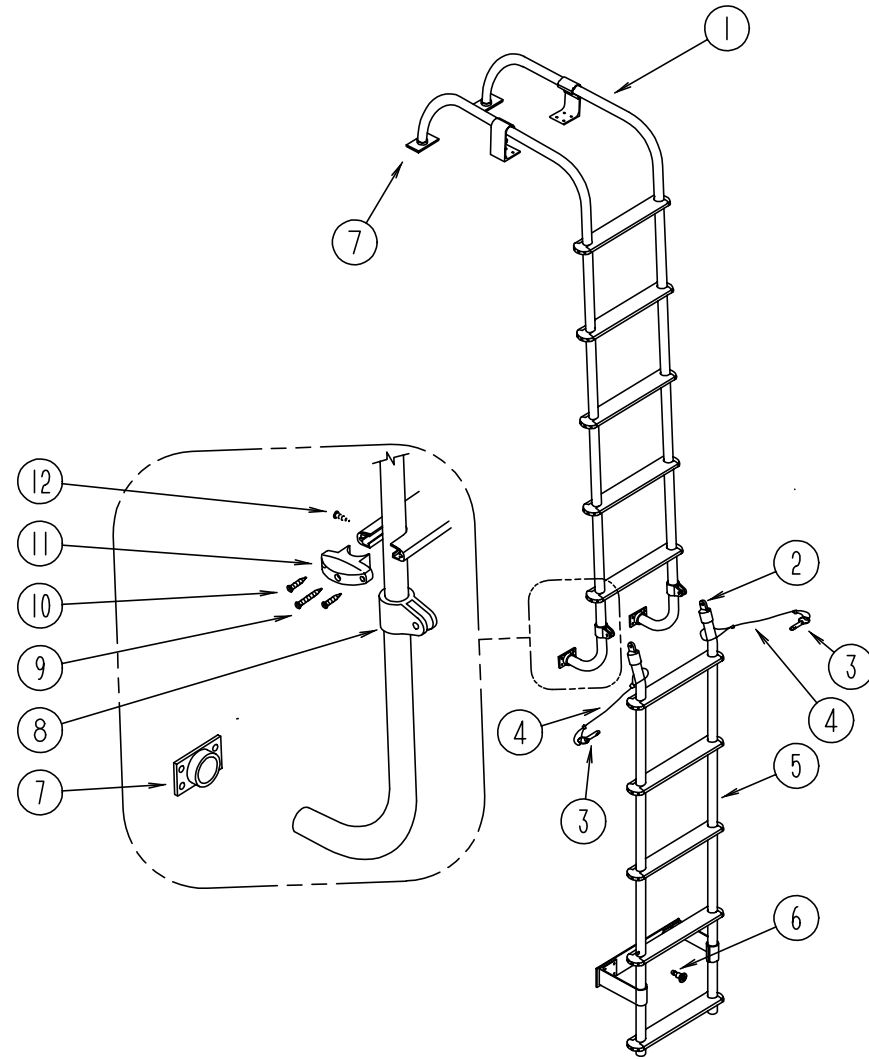
FRONT END ASSEMBLY



KEY	PART NUMBER	U/M DESCRIPTION
1	070579-06-000	EA PLATE-ANCHOR, W/7/16 WELD NUT - 1.5" X 3.3"
2	106746-01-000	EA PANEL-STEPWELL
3	106747-01-000	EA PANEL-STEPWELL, END - RIGHT
4	106747-02-000	EA PANEL-STEPWELL, END - LEFT
5	089922-15-000	EA TRIM-FRONT END TO SIDEWALL, 31.5 X 566MM - METAL - BUFF
6	107411-01-000	EA BRACKET-SUPPORT, PASSENGER SIDE - BUMPER GRILLE
	107411-02-000	EA BRACKET-SUPPORT, DRIVER SIDE - BUMPER GRILLE
7	107410-01-000	EA BRACKET-SUPPORT, CENTER - BUMPER GRILLE
8	P07408-01-000	EA CHANNEL-BUMPER, FRONT - E-COAT
9	107225-01-000	EA BRACKET-SUPPORT, FRONT BUMPER PANEL TO WHEEL PANEL - W/LIP
10	M05746-01-D18	EA FRONT END-FIBERGLASS, W/HEADLAMPS - BUFF - CHEVY
10	M05746-02-D18	EA FRONT END-FIBERGLASS, W/HEADLAMPS - BUFF - FORD
	077071-01-000	EA WASHER-FENDER, 3/16" ID X 1" OD
11	106540-02-01A	EA BEZEL-HEADLAMP, DRIVER -BUFF
	106540-01-01A	EA BEZEL-HEADLAMP, PASSENGER - BUFF
	007157-05-000	EA NUT-WELL, HEADLIGHT BEZEL
12	106538-01-D18	EA PANEL ASM-HOOD, W/LATCH & PLATES
13	107416-01-D18	EA BUMPER-FRONT, W/O FOG LAMP
13	107416-02-D18	EA BUMPER-FRONT, W/FOG LAMP
	107230-02-D18	EA GRILLE ASM-MESH
14	106765-01-000	EA SUPPORT-BOLT, HOOD ADJUSTING

KEY	PART NUMBER	U/M DESCRIPTION
15	106748-01-000	EA LATCH-HOOD
16	108453-01-000	EA END CAP-BUMPER, FRONT W/ANGLE - PASSENGER SIDE
	108453-02-000	EA END CAP-BUMPER, FRONT W/ANGLE - DRIVER SIDE
	110690-01-D18	EA PLATE ASM-HEADLAMP, PASS SIDE - PLATE & BRACKETS (ITEMS 12,13 &14)
17	110691-01-01A	EA BRACKET-SPRING, HEADLAMP - MILL FINISH
18	110692-01-01A	EA PLATE-HEADLAMP, PASSENGER SIDE - MILL FINISH
	110692-02-01A	EA PLATE-HEADLAMP, DRIVER SIDE - MILL FINISH
19	110783-01-01A	EA BRACKET-HEADLAMP, PASSENGER SIDE - MILL FINISH
	110783-02-01A	EA BRACKET-HEADLAMP, DRIVER SIDE - MILL FINISH
20	110782-01-000	EA ANGLE-SUPPORT, HEADLAMP
21	115384-01-01A	EA STRAP-BUMPER TO WHEELWELL, BLACK
22	106613-03-000	EA BRACKET-LINK, HINGE - HOOD PANEL - RIGHT SIDE
	106613-04-000	EA BRACKET-LINK, HINGE - HOOD PANEL - LEFT SIDE
23	058786-02-000	EA BOLT-ADJUSTING, HOOD - W/BLACK PAD - 5/16" #18 X 1.25"
24	106618-01-000	EA LINK-HINGE, UPPER - HOOD PANEL - RIGHT SIDE
	106618-02-000	EA LINK-HINGE, UPPER - HOOD PANEL - LEFT SIDE
25	106612-03-000	EA LINK-HINGE, LOWER - HOOD PANEL - RIGHT SIDE
	106612-04-000	EA LINK-HINGE, LOWER - HOOD PANEL - LEFT SIDE
26	105096-04-000	EA TUBE-TIMING, W/NUTS - HOOD PANEL
	105096-03-000	EA TUBE-TIMING, W/O NUTS - HOOD PANEL
27	102330-01-000	EA LATCH-SINGLE HOLE, VISE ACTION
	102328-01-000	EA KEY-LATCH
28	106749-01-000	EA ANGLE-LINK, HOOD PANEL - RIGHT SIDE
	106749-02-000	EA ANGLE-LINK, HOOD PANEL - LEFT SIDE

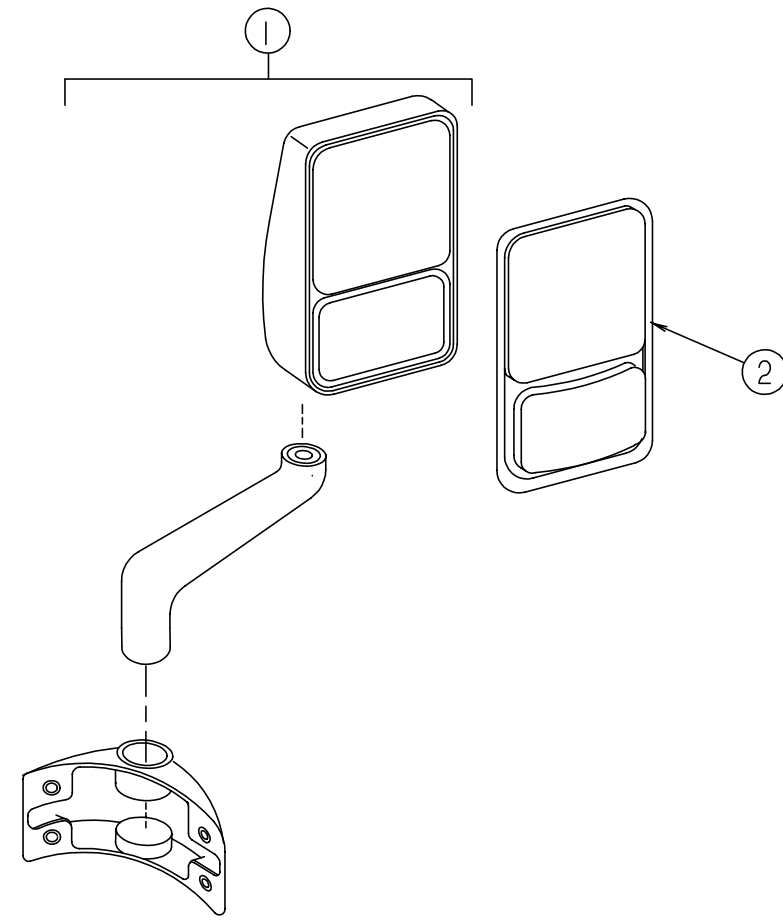
EXTERIOR BODY GROUP (CONTINUED)



RACK & LADDER

KEY	PART NUMBER	U/M	DESCRIPTION
1	116008-01-F36	EA	LADDER-UPPER
2	081115-01-000	EA	CAP-TOP, 1 INCH
3	114834-01-000	EA	PIN-QUICK RELEASE, FASPIN C4-6R 303
4	076767-11-000	EA	CABLE ASM, 1/16 ST
5	108402-01-D18	EA	LADDER-LOWER
	081055-01-000	EA	SPRING GRIP-INTERNAL TOOTH - LADDER
6	081056-01-000	EA	PIN-QUICK RELEASE, SINGLE ACTION - LADDER
7	067165-01-000	EA	MOUNTING BRACKET-LADDER, LOWER
8	081116-01-000	EA	SLIDE-TOP, RACK & LADDER - 1"
9	000G67-10-36T	EA	SCREW-10-12 X 2.25 PPH, BLACK
10	000G39-06-10U	EA	SCREW-SF/DR, 6-20 X 5/8 PPH
11	076980-02-000	EA	END CAP-STEP, BLACK
12	000G39-10-16U	EA	SCREW-SF/DR, 10-16 X 1.00 PPH

EXTERIOR BODY GROUP (CONTINUED)



EXTERIOR MIRRORS

KEY	PART NUMBER	U/M	DESCRIPTION
1	108699-01-01A	EA	MIRROR-EXTERIOR, ADJUSTABLE - PASS W/ARM & MOUNT - VELVAC 713224-7
2	106015-01-703	EA	KIT-EXTERIOR MIRROR, W/BEZEL, FLAT & CONVEX GLASS - PASSENGER
1	108699-02-01A	EA	MIRROR-EXTERIOR, ADJUSTABLE - DR W/ARM & MOUNT - VELVAC 713225-7
2	106015-02-702	EA	KIT-EXTERIOR MIRROR, W/BEZEL, FLAT & CONVEX GLASS - DRIVER
1	108699-03-01A	EA	MIRROR-EXTERIOR, REMOTE/HEAT - PASS W/ARM & MOUNT - VELVAC 713222-7
2	086261-01-704	EA	KIT-EXTERIOR MIRROR, W/BEZEL, FLAT & CONVEX GLASS - PASSENGER
1	108699-04-01A	EA	MIRROR-EXTERIOR, REMOTE/HEAT - DR W/ARM & MOUNT - VELVAC 713223-7
2	086261-02-701	EA	KIT-EXTERIOR MIRROR, W/BEZEL, FLAT & CONVEX GLASS - DRIVER
	087695-01-000	EA	SWITCH-HEATER, EXTERIOR MIRROR
	088246-01-000	EA	SWITCH-REMOTE, EXTERIOR MIRROR - SQUARE PUSH - VELVAC 7471290
	099982-02-01A	EA	PLATE-SWITCH, BLACK
	108825-01-000	EA	GASKET-MIRROR, INDUSTRIAL PRODUCTS

GALLEY GROUP

LARGE NORCOLD 682 REFRIGERATOR W/ICE MAKER

KEY	PART NUMBER	U/M	DESCRIPTION
	104137-04-01A	EA	REFRIGERATOR-LARGE DOUBLE DOOR, W/ICE MAKER - NORCOLD 682-MI RHBL
	064473-01-702	EA	ORIFICE-NORCOLD 61452122
	084880-01-715	EA	VALVE-SHUT OFF, MANUAL - NORCOLD 61697922
	075217-01-734	EA	FUSE-3 AMP, NORCOLD 61538822
	075217-01-738	EA	SWITCH-HUMIDITY, NORCOLD 61525922
	084880-01-713	EA	CONNECTOR-MALE, INLET FITTING - NORCOLD 615256
	084880-01-715	EA	VALVE-SHUT OFF, MANUAL - NORCOLD 61697922
	084880-01-718	EA	VALVE-GAS, NORCOLD 61551822
	084880-01-722	EA	CRISPER COVER - NORCOLD 615641
	084880-01-726	EA	HINGE BRACKET (CENTER HINGE), NORCOLD 61566523
	084880-01-731	EA	HINGE PIN, NORCOLD 61578123
	084880-01-732	EA	LATCH, NORCOLD 61578522
	084880-01-734	EA	BRACKET-HINGE, TOP RIGHT - BOTTOM LEFT - BROWN NORCOLD 61580837
	084880-01-735	EA	HINGE BRKT, TOP LEFT - BOTTOM RIGHT - BROWN - NORCOLD 61580937
	084880-01-739	EA	END CAP (SPRING CATCH) BROWN, NORCOLD 61593722
	084880-01-740	EA	END CAP (STOP CATCH), NORCOLD 61593830
	084880-01-744	EA	HINGE PIN SHAFT (CENTER HINGE), NORCOLD 61566723
	084880-01-746	EA	CABLE, NORCOLD 61571522
	084880-01-747	EA	PLUG-HOLE, NORCOLD 61582022
	084880-01-749	EA	HINGE BUSHING - NORCOLD 615807
	084880-01-753	EA	THERMISTER 78" W/CLIP - NORCOLD 61693822
	084880-01-761	EA	END CAP (SPRING CATCH) BLACK 61593730
	084880-02-700	EA	LOWER FLANGE 8663 & 8683, NORCOLD 61622123
	084880-03-701	EA	COOLING UNIT (HORIZONTAL BURNER) - NORCOLD 61687337
	084880-03-705	EA	BRACKET FOR INTERIOR LIGHT - NORCOLD 61629722
	084880-03-706	EA	LAMP (BULB) - NORCOLD 61628922
	084880-03-707	EA	COVER FOR LAMP OR BULB - NORCOLD 61627922
	088248-01-706	EA	BURNER-HORIZONTAL, NORCOLD 61588122
	088248-01-707	EA	ELECTRODE-SENSOR, (HORIZONTAL), NORCOLD 61573322
	088248-01-708	EA	ELECTRODE-IGNITION, (HORIZONTAL) - NORCOLD 61573222
	088248-01-709	EA	HEATER-AC, (HORIZONTAL) - NORCOLD 615627
	094039-01-700	EA	PRINTED CIRCUIT BOARD-3-WAY, NORCOLD 61647522
	094039-01-701	EA	EYEBROW-SHELL, 3-WAY - BLACK - PLASTIC - NORCOLD 61669922
	094039-01-703	EA	PLATE-HINGE, LEFT - BROWN - NORCOLD 61631422
	094039-01-704	EA	PLATE-HINGE, BLACK - NORCOLD 61631430
	094039-01-709	EA	PLATE-HINGE, TOP RIGHT - LEFT BOTTOM - BROWN - NORCOLD 61631322
	094039-01-710	EA	PLATE-HINGE, BLACK - NORCOLD 61631330
	104137-06-721	EA	DOOR BIN (WHITE) BLUE BORDER - NORCOLD 617759
	094039-01-713	EA	DOOR GASKET (LOWER) GRAY - NORCOLD 61568030
	094039-01-714	EA	LOWER DOOR LINER (BROWN/WHITE) - NORCOLD 61581737-B
	094039-01-715	EA	LOWER DOOR LINER (BLACK/WHITE) - NORCOLD 61581738-B
	094039-01-716	EA	LOWER DOOR HANDLE ASM. (BROWN) - NORCOLD 61649937
	094039-01-717	EA	LOWER DOOR HANDLE ASM. (BLACK) - NORCOLD 61649938
	104137-06-719	EA	MILK BIN (WHITE) W/BLUE TRIM - NORCOLD 617757
	104137-06-722	EA	DAIRY KEEPER (WHITE) BLUE TRIM, NORCOLD 617760
	094039-01-720	EA	CAB ASSEMBLY (BROWN FRAME/WHITE LINER) - NORCOLD 61663237
	094039-01-721	EA	CAB ASM.(BLACK FRAME/WHITE LINER) - NORCOLD 61663238
	094039-01-722	EA	HOLE PLUG (BLACK) HINGE HOLES - NORCOLD 61582030
	094039-01-723	EA	HINGE BRKT, TOP RIGHT - BOTTOM LEFT - BLACK - NORCOLD 61580838
	094039-01-724	EA	BRACKET-HINGE, TOP LEFT - BOTTOM RIGHT - BLACK - NORCOLD 61580938
	094039-01-725	EA	HINGE PIN (BLACK) (MALE) - NORCOLD 61578130
	094039-01-726	EA	SHELF-FREEZER EVAPORATOR, NORCOLD 615236
	094039-01-730	EA	HINGE PIN SHAFT(BLACK) CENTER HINGE - NORCOLD 61566730

GALLEY GROUP (CONTINUED)

LARGE NORCOLD 682 REFRIGERATOR W/ICE MAKER (CONTINUED)

KEY	PART NUMBER	U/M	DESCRIPTION
	104137-06-720	EA	CRISPER (WHITE) BLUE TRIM - NORCOLD 617758
	094039-01-732	EA	FRONT COVER (BLACK) BOTTOM TRIM - NORCOLD 61622130
	094039-01-733	EA	WIRE SHELF (MIDDLE) - NORCOLD 61563822
	094039-01-734	EA	WIRE SHELF (TOP) W/RISER - NORCOLD 61563722
	094039-01-735	EA	INSIDE DRIP TRAY (WHITE), NORCOLD 61572830
	094039-01-736	EA	SWITCH-LIGHT, BLACK - NORCOLD 615810
	104137-06-718	EA	SHELF (CUTOUT), WHITE W/BLUE TRIM - NORCOLD 617756
	094039-01-742	EA	TRAY-F/CUTOUT SHELF, NORCOLD 61680922
	094039-04-700	EA	PRINTED CIRCUIT BOARD-2 WAY, NORCOLD 61647322
	094039-04-702	EA	POWER SUPPLY (2 WAY) - NORCOLD 61647422
	094039-07-700	EA	ICE MAKER, NORCOLD 61684937
	104137-06-723	EA	BIN-ICE CUBE, WHITE W/BLUE TRIM - NORCOLD 617761
	094039-07-702	EA	SHELF-WIRE, FREEZER - TALL - NORCOLD 61667722
	094039-07-703	EA	SHELF-WIRE, FREEZER - SHORT - NORCOLD 61674122
	094039-07-704	EA	VALVE-WATER FILL, NORCOLD 61657022

LARGE NORCOLD 682 REFRIGERATOR

KEY	PART NUMBER	U/M	DESCRIPTION
	054450-01-000	EA	LEVEL-REFRIGERATOR
	093646-01-000	EA	BRACKET ASM-TIEDOWN, RIGHT SIDE WHEN FACING REFRIGERATOR
	093646-02-000	EA	BRACKET ASM-TIEDOWN, LEFT SIDE WHEN FACING REFRIGERATOR
	065225-02-000	EA	PLATE-TIEDOWN, REFRIGERATOR
	104137-02-01A	EA	REFRIGERATOR-LARGE DOUBLE DOOR 2-WAY - NORCOLD 682 RH BLACK
	064473-01-702	EA	ORIFICE-NORCOLD 61452122
	084880-01-715	EA	VALVE-SHUT OFF, MANUAL - NORCOLD 61697922
	075217-01-734	EA	FUSE-3 AMP, NORCOLD 61538822
	075217-01-738	EA	SWITCH-HUMIDITY, NORCOLD 61525922
	084880-01-713	EA	CONNECTOR-MALE, INLET FITTING - NORCOLD 615256
	084880-01-715	EA	VALVE-SHUT OFF, MANUAL - NORCOLD 61697922
	084880-01-718	EA	VALVE-GAS, NORCOLD 61551822
	084880-01-722	EA	CRISPER COVER - NORCOLD 615641
	084880-01-726	EA	HINGE BRACKET (CENTER HINGE), NORCOLD 61566523
	084880-01-731	EA	HINGE PIN, NORCOLD 61578123
	084880-01-732	EA	LATCH, NORCOLD 61578522
	084880-01-734	EA	BRACKET-HINGE, TOP RIGHT - BOTTOM LEFT - BROWN NORCOLD 61580837
	084880-01-735	EA	HINGE BRACKET, TOP LEFT - BOTTOM RIGHT - BROWN - NORCOLD 61580937
	084880-01-739	EA	END CAP (SPRING CATCH) BROWN, NORCOLD 61593722
	084880-01-740	EA	END CAP (STOP CATCH), NORCOLD 61593830
	084880-01-744	EA	HINGE PIN SHAFT (CENTER HINGE), NORCOLD 61566723
	084880-01-746	EA	CABLE, NORCOLD 61571522
	084880-01-747	EA	PLUG-HOLE, NORCOLD 61582022
	084880-01-749	EA	HINGE BUSHING - NORCOLD 615807
	084880-01-753	EA	THERMISTER 78" W/CLIP - NORCOLD 61693822
	084880-01-761	EA	END CAP (SPRING CATCH) BLACK, NORCOLD 61593730
	084880-02-700	EA	LOWER FLANGE 8663&8683, NORCOLD 61622123
	084880-03-701	EA	COOLING UNIT (HORIZONTAL BURNER) - NORCOLD 61687337
	084880-03-705	EA	BRACKET FOR INTERIOR LIGHT - NORCOLD 61629722
	084880-03-706	EA	LAMP (BULB) - NORCOLD 61628922
	084880-03-707	EA	COVER F/LAMP OR BULB - NORCOLD 61627922
	088248-01-706	EA	BURNER-HORIZONTAL, NORCOLD 61588122
	088248-01-707	EA	ELECTRODE-SENSOR, (HORIZONTAL), NORCOLD 61573322
	088248-01-708	EA	ELECTRODE-IGNITION, (HORIZONTAL) - NORCOLD 61573222
	088248-01-709	EA	HEATER-AC, (HORIZONTAL) - NORCOLD 615627
	094039-01-700	EA	PRINTED CIRCUIT BOARD-3-WAY, NORCOLD 61647522
	094039-01-701	EA	EYEBROW-SHELL, 3-WAY - BLACK - PLASTIC - NORCOLD 61669922

GALLEY GROUP (CONTINUED)

LARGE NORCOLD 682 REFRIGERATOR (CONTINUED)

KEY	PART NUMBER	U/M	DESCRIPTION
	094039-01-703	EA	PLATE-HINGE, LEFT - BROWN - NORCOLD 61631422
	094039-01-704	EA	PLATE-HINGE, BLACK - NORCOLD 61631430
	094039-01-709	EA	PLATE-HINGE, TOP RIGHT - LEFT BOTTOM - BROWN - NORCOLD 61631322
	094039-01-710	EA	PLATE-HINGE, BLACK - NORCOLD 61631330
	104137-06-721	EA	DOOR BIN (WHITE) BLUE BORDER - NORCOLD 617759
	094039-01-713	EA	DOOR GASKET (LOWER) GRAY - NORCOLD 61568030
	094039-01-714	EA	LOWER DOOR LINER (BROWN/WHITE) - NORCOLD 61581737-B
	094039-01-715	EA	LOWER DOOR LINER (BLACK/WHITE) - NORCOLD 61581738-B
	094039-01-716	EA	LOWER DOOR HANDLE ASSY (BROWN) - NORCOLD 61649937
	094039-01-717	EA	LOWER DOOR HANDLE ASSY (BLACK) - NORCOLD 61649938
	104137-06-719	EA	MILK BIN (WHITE) W/BBLUE TRIM - NORCOLD 617757
	104137-06-722	EA	DAIRY KEEPER (WHITE) BLUE TRIM, NORCOLD 617760
	094039-01-720	EA	CAB ASSEMBLY (BROWN FRAME/WHITE LINER) - NORCOLD 61663237
	094039-01-721	EA	CAB ASM. (BLACK FRAME/WHITE LINER) - NORCOLD 61663238
	094039-01-722	EA	HOLE PLUG (BLACK) HINGE HOLES - NORCOLD 61582030
	094039-01-723	EA	HINGE BRACKET, TOP RIGHT - BOTTON LEFT - BLACK - NORCOLD 61580838
	094039-01-724	EA	BRACKET-HINGE, TOP LEFT - BOTTOM RIGHT - BLACK - NORCOLD 61580938
	094039-01-725	EA	HINGE PIN (BLACK) (MALE) - NORCOLD 61578130
	094039-01-726	EA	SHELF-FREEZER EVAPORATOR, NORCOLD 615236
	094039-01-730	EA	HINGE PIN SHAFT (BLACK) CENTER HINGE - NORCOLD 61566730
	104137-06-720	EA	CRISPER (WHITE) BLUE TRIM - NORCOLD 617758
	094039-01-732	EA	FRONT COVER (BLACK) BOTTOM TRIM - NORCOLD 61622130
	094039-01-733	EA	WIRE SHELF (MIDDLE) - NORCOLD 61563822
	094039-01-734	EA	WIRE SHELF (TOP) W/RISER - NORCOLD 61563722
	094039-01-735	EA	INSIDE DRIP TRAY (WHITE), NORCOLD 61572830
	094039-01-736	EA	SWITCH-LIGHT, BLACK - NORCOLD 615810
	094039-01-739	EA	SHELF (CUTOUT), NORCOLD 61646722
	104137-06-718	EA	SHELF (CUTOUT), WHITE W/BBLUE TRIM - NORCOLD 617756
	094039-01-742	EA	TRAY-FOR CUTOUT SHELF, NORCOLD 61680922
	094039-04-700	EA	PRINTED CIRCUIT BOARD-2 WAY, NORCOLD 61647322
	094039-04-702	EA	POWER SUPPLY (2 WAY) - NORCOLD 61647422

ATWOOD RANGE TOP

KEY	PART NUMBER	U/M	DESCRIPTION
	106936-11-01A	EA	BRACKET-TIEDOWN, STOVE - RIGHT SIDE - BLACK
	106936-12-01A	EA	BRACKET-TIEDOWN, STOVE - LEFT SIDE - BLACK
	106689-01-01A	EA	TOP-RANGE, 3 BURNER - BLACK - ATWOOD 53764
	101593-01-703	EA	BURNER KNOB, ATWOOD 53000
	106689-01-700	EA	MANIFOLD COVER, 3 BURNER - ATWOOD 53074
	106689-01-701	EA	SPARK-INGNITOR ASM-HIGH OUTPUT, ATWOOD 53078
	106689-01-702	EA	PIEZO PUSH BUTTON, ATWOOD 52279
	106689-01-703	EA	VALVE-HIGH OUTPUT, ATWOOD 53047
	106689-01-704	EA	REGULATOR W/EXTREME PRESSURE, ATWOOD 52154
	106689-01-705	EA	VALVE-BURNER, ATWOOD 52123
	106689-01-706	EA	TRIM-RIGHT HAND TOP & SIDE, BLACK - ATWOOD 53020
	106689-01-707	EA	TRIM-LEFT HAND TOP & SIDE, BLACK - ATWOOD 53019
	107246-01-700	EA	RANGE TOP (BLACK), ATWOOD 53083
	107246-01-701	EA	GRATE, ATWOOD 53050
	107323-01-705	EA	TRIM VENT, ATWOOD 53525
	107323-01-710	EA	GRATE CLIP, ATWOOD 53301
	107323-01-711	EA	RUBBER GRATE CUSHION, ATWOOD 53008

GALLEY GROUP (CONTINUED)

ATWOOD RANGE W/OVEN & STOVE COVERS

KEY	PART NUMBER	U/M	DESCRIPTION
	107109-16-01A	EA	BRACKET ASM-TIEDOWN, RIGHT SIDE - BLACK (RANGE W/OVEN)
	107109-17-01A	EA	BRACKET ASM-TIEDOWN, LEFT SIDE - BLACK (RANGE W/OVEN)
	107246-01-01A	EA	RANGE-W/OVEN, BLACK - ATWOOD R-2136BG
	101593-01-703	EA	BURNER KNOB, ATWOOD 3000
	106689-01-701	EA	SPARK-INGNITOR ASM, HIGHOUTPUT - ATWOOD 53078
	106689-01-702	EA	PIEZO PUSH BUTTON, ATWOOD 52279
	106689-01-703	EA	VALVE-HIGH OUTPUT, ATWOOD 53047
	106689-01-704	EA	REGULATOR W/EXTREME PRESSURE, ATWOOD 52154
	106689-01-705	EA	VALVE-BURNER, ATWOOD 52123
	107246-01-700	EA	RANGE TOP (BLACK), ATWOOD 53083
	107246-01-701	EA	GRATE, ATWOOD 53050
	107246-01-702	EA	MANIFOLD COVER, ATWOOD 53072
	107246-01-703	EA	THERMOSTAT, ATWOOD 52122
	107246-01-704	EA	RACK-OVEN, ATWOOD 51069
	107246-01-705	EA	BURNER-OVEN, ATWOOD 52018
	107246-01-706	EA	PILOT ASSEMBLY-OVEN, ATWOOD 52242
	107246-01-707	EA	VALVE-SAFETY, ATWOOD 51177
	107246-01-708	EA	SHELF-OVEN, BOTTOM, ATWOOD 51657
	107246-01-709	EA	TRIM-BOTTOM, BLACK, ATWOOD 53526D
	107323-01-702	EA	TRIM-LEFT, ATWOOD 53023
	107323-01-703	EA	TRIM-RIGHT, ATWOOD 53024
	107323-01-705	EA	TRIM VENT, ATWOOD 53525
	107323-01-707	EA	INSERT BLACKGLASS-NO HOLE, ATWOOD 53426
	107323-01-708	EA	HANDLE ROD-NO HOLE, ATWOOD 53085
	107323-01-710	EA	GRATE CLIP, ATWOOD 53301
	107323-01-711	EA	RUBBER GRATE CUSHION, ATWOOD 53008
	107323-01-713	EA	BLACKGLASS INSERT-W/HOLE, ATWOOD 53426
	107323-01-714	EA	HANDLE FOR W/HOLE GLASS, ATWOOD 51112
	M05904-01-E13	EA	COVER ASM-STOVE, W/FLUSH MOUNT COVER (F36, F37)
	M05904-01-F38	EA	COVER ASM-STOVE, W/FLUSH MOUNT COVER (F38, F39)
	M05904-01-F40	EA	COVER ASM-STOVE, W/FLUSH MOUNT COVER (F40, F41)
	106693-02-01A	EA	COVER-FLUSH MOUNT, THIN TOP - ATWOOD 53455

RANGE HOODS

KEY	PART NUMBER	U/M	DESCRIPTION
	100258-21-01A	EA	HOOD-RANGE, W/MONITOR PANEL - BLACK - TMR5021SBD (U.S.) FROM: 00-00-00 THRU: 07-31-94
	100258-21-02A	EA	HOOD-RANGE, W/MONITOR PANEL - TEXTURED BLK - TMS-5011-SBP (U.S.) FROM: 08-01-94 THRU: 99-99-99
	100258-24-01A	EA	HOOD-RANGE, W/MONITOR PANEL - BLACK - TMR5021SBC (CSA) FROM: 00-00-00 THRU: 08-28-94
	100258-24-02A	EA	HOOD-RANGE, W/MONITOR PANEL - TEXTURED BLK - TMS-5011-SBC (CSA) FROM: 08-29-94 THRU: 99-99-99
	075470-01-703	EA	SWITCH-ON/OFF, JENSEN RP1016
	090973-01-700	EA	MOTOR - LVS CA508-1
	090973-01-702	EA	BLADE-FAN, LVS VA183-1
	092696-01-701	EA	KNOB-LEVER, CABLE - PLASTIC - BLACK - VENTLINE CC225
	092696-01-709	EA	BULB-912, VENTLINE VA415
	096983-01-700	EA	SWITCH-ON/OFF, VENTLINE 108
	096983-01-702	EA	SWITCH-TWO WAY MOMENTARY, VENTLINE 112
	096983-01-703	EA	SWITCH-ON/ON - JENSEN 115
	096983-01-707	EA	FILTER-GREASE, 8" X 8" - LVS CC246
	092696-02-701	EA	LENS-LAMP, VENTLINE CC179
	096983-01-709	EA	SWITCH & LEVER MODULE, 17 1/2 - VENTLINE CB547-4
	100258-04-702	EA	SWITCH-LEVER, W/CABLE - VENTLINE CB547-1
	100258-08-701	EA	SWITCH-FAN, 2 SPEED - VENTLINE 122
	100258-10-700	EA	METER-HOUR, VENTLINE 150
	100258-11-700	EA	CIRCUIT BOARD, VENTLINE 5097-01
	100258-11-701	EA	PANEL ASM, VENTLINE 9080

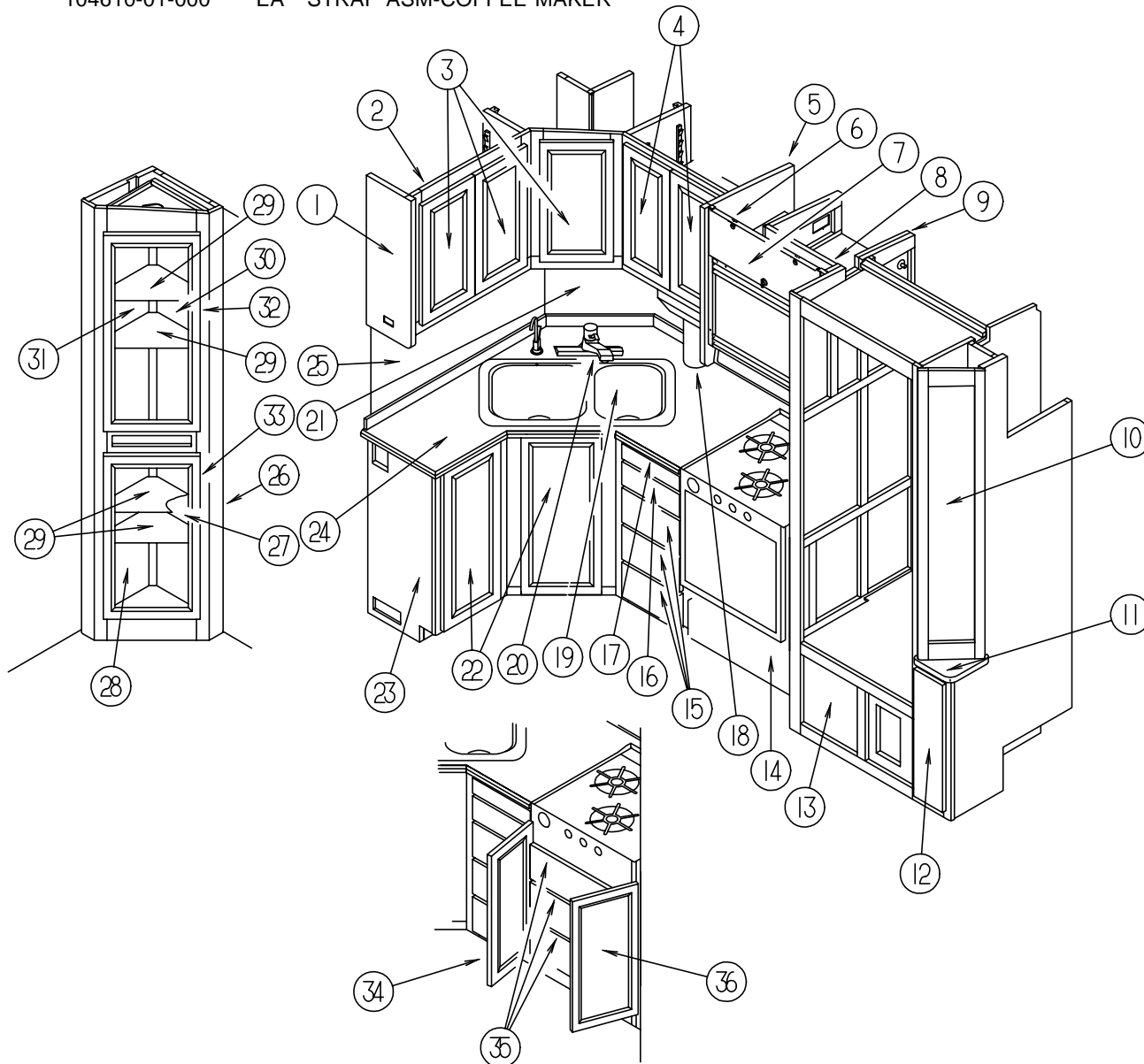
GALLEY GROUP (CONTINUED)

MICROWAVE OVEN

KEY	PART NUMBER	U/M	DESCRIPTION
	102479-02-000	EA	OVEN-MICROWAVE, PANASONIC NN6500
	102479-01-000	EA	OVEN-MICROWAVE, CONVECTION - PANASONIC NN8500
	102479-01-700	EA	COOKBOOK-MICROWAVE
	102456-04-000	EA	BAFFLE ASM-MICROWAVE
	102842-02-000	EA	BRACKET-BAFFLE, 22.1" X 2.5" - STEEL
	094756-02-01A	EA	BRACKET-L, MICROWAVE - 154 X 100MM - STEEL - TAN
	094756-01-02A	EA	BRACKET-L, MICROWAVE - 116 X 100MM - STEEL - TAN
	102482-02-C11	EA	FRAME ASSEMBLY-MICROWAVE
	102481-04-01A	EA	ANGLE-TRIM, METAL - BLACK

COFFEE MAKER

KEY	PART NUMBER	U/M	DESCRIPTION
	103799-01-02A	EA	MAKER-COFFEE, GRAY - W/GLASS POT - BLACK & DECKER
	104610-01-000	EA	STRAP ASM-COFFEE MAKER



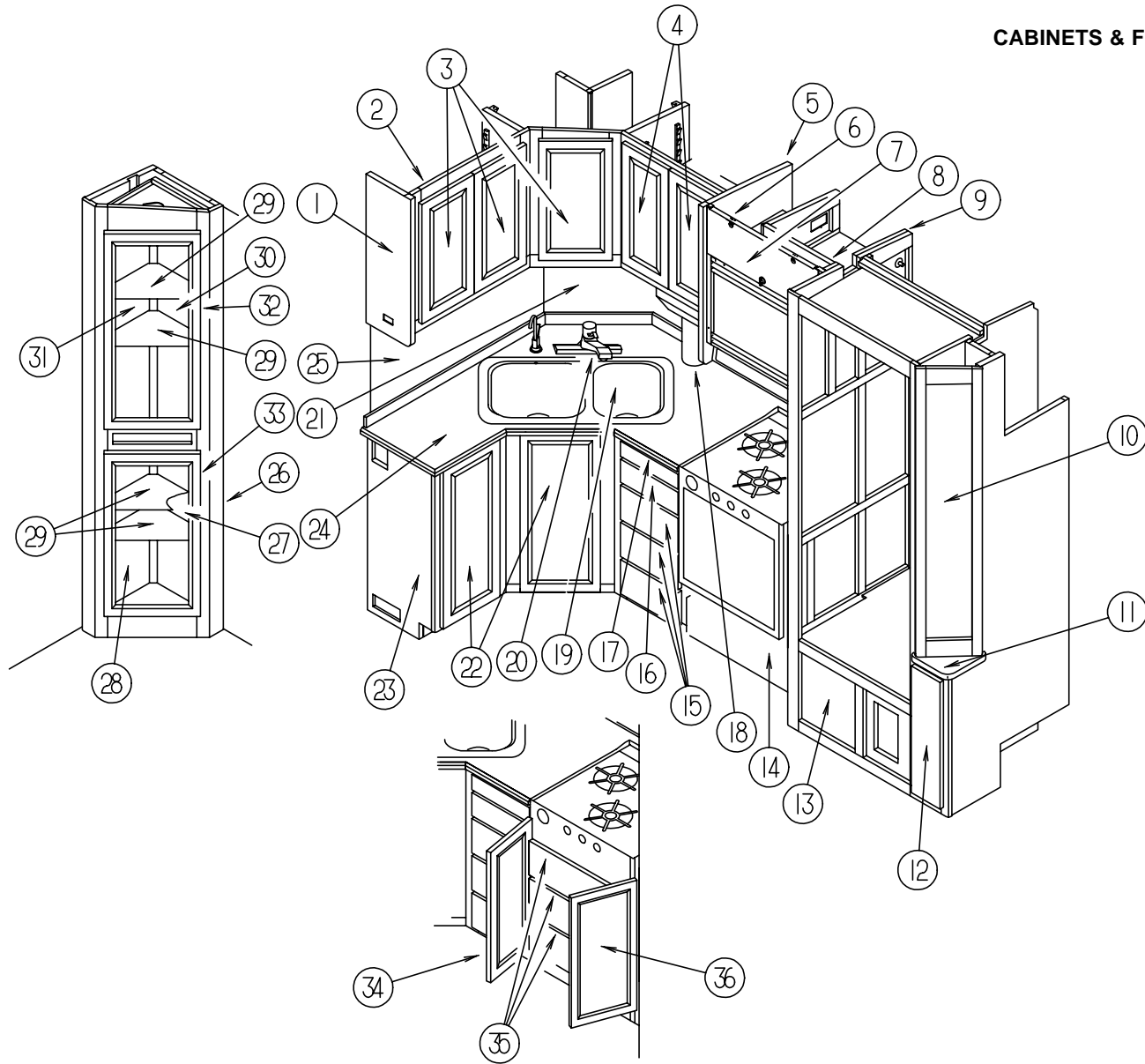
GALLEY GROUP (CONTINUED)

CABINETS & FIXTURES

KEY	PART NUMBER	U/M	DESCRIPTION
1	107494-15-E37	EA	END CAP-CABINET, OVERHEAD GALLEY (PICKLED ASH)
1	107494-15-E41	EA	END CAP-CABINET, OVERHEAD GALLEY (SALEM CHERRY)
2	P15720-01-F36	EA	CABINET-OVERHEAD, GALLEY - W/O DOORS & HARDWARE (PICKLED ASH)
2	P15720-01-F37	EA	CABINET-OVERHEAD, GALLEY - W/O DOORS & HARDWARE (SALEM CHERRY)
	115720-14-F36	EA	SHELF-CABINET, OVERHEAD RIGHT SIDE (PICKLED ASH)
	115720-14-F37	EA	SHELF-CABINET, OVERHEAD RIGHT SIDE (SALEM CHERRY)
	115720-15-F36	EA	SHELF-CABINET, OVERHEAD LEFT SIDE (PICKLED ASH)
	115720-15-F37	EA	SHELF-CABINET, OVERHEAD LEFT SIDE (SALEM CHERRY)
3	M05990-06-E37	EA	DOOR-CABINET, W/O HDW - 555 X 280MM - 3 USED (PICKLED ASH)
3	M05990-06-E41	EA	DOOR-CABINET, W/O HDW - 555 X 280MM - 3 USED (SALEM CHERRY)
4	M05990-05-E37	EA	DOOR-CABINET, W/O HDW - 555 X 250MM - 2 USED (PICKLED ASH)
4	M05990-05-E41	EA	DOOR-CABINET, W/O HDW - 555 X 250MM - 2 USED (SALEM CHERRY)
5	114717-02-F36	EA	END CAP-CABINET, OVERHEAD - LEFT (PICKLED ASH)
5	114717-02-F37	EA	END CAP-CABINET, OVERHEAD - LEFT (SALEM CHERRY)
6	P14716-02-F36	EA	CABINET-OVERHEAD, MICROWAVE - W/O DOOR & HARDWARE (PICKLED ASH)
6	P14716-02-F37	EA	CABINET-OVERHEAD, MICROWAVE - W/O DOOR & HARDWARE (SALEM CHERRY)
7	100708-11-000	EA	DOOR-GLASS, BLACK - 216 X 596MM
	100710-01-01A	EA	LOCK-GLASS DOOR, TWIST TYPE - BRASS
	100711-01-01A	EA	HINGE-DOOR, GLASS
	101272-01-000	EA	CATCH-DOOR, GLASS
	101766-01-000	EA	PIN-SUPPORT, GLASS DOOR
	100707-01-000	EA	SPACER-DOOR, GLASS - .8" DIA - .3" HOLE - PLASTIC
	102483-07-E37	EA	SHELF-CABINET, MICROWAVE (PICKLED ASH)
	102483-07-E41	EA	SHELF-CABINET, MICROWAVE (SALEM CHERRY)
8	110561-01-E37	EA	CABINET-FUSE PANEL, W/O HARDWARE (PICKLED ASH)
8	110561-01-E41	EA	CABINET-FUSE PANEL, W/O HARDWARE (SALEM CHERRY)
9	107764-01-E37	EA	END CAP-CABINET, OVERHEAD - RIGHT (PICKLED ASH)
9	107764-01-E41	EA	END CAP-CABINET, OVERHEAD - RIGHT (SALEM CHERRY)
	090329-01-000	FT	SEAL-T, REFRIGERATOR CABINET - .6" WIDE TOP X 2" TAIL
	103251-02-01A	EA	INSERT-ACRYLIC BLACK, 19.53" X 16.06"
	103251-04-01A	EA	INSERT-ACRYLIC BLACK, 19.53" X 39.20"
10	M06893-01-E37	EA	DOOR-CABINET, W/O HARDWARE - 260 X 1279MM (PICKLED ASH)
10	M06893-01-E41	EA	DOOR-CABINET, W/O HARDWARE - 260 X 1279MM (SALEM CHERRY)
	088742-13-000	EA	MIRROR-BEVELED, SAFETY GLASS
11	109962-15-E37	EA	COUNTERTOP-CABINET, REFRIGERATOR (PICKLED ASH)
11	109962-15-E41	EA	COUNTERTOP-CABINET, REFRIGERATOR (SALEM CHERRY)
12	M05992-68-E37	EA	DOOR-CABINET, W/O HARDWARE - 130 X 590MM (PICKLED ASH)
12	M05992-68-E41	EA	DOOR-CABINET, W/O HARDWARE - 130 X 590MM (SALEM CHERRY)
13	111141-01-E37	EA	DOOR-CABINET ACCESS, W/O HARDWARE (PICKLED ASH)
13	111141-01-E41	EA	DOOR-CABINET ACCESS, W/O HARDWARE (SALEM CHERRY)
14	M05971-13-E37	EA	DRAWER-CABINET, W/O HDW (W/RANGE & OVEN) (PICKLED ASH)
14	M05971-13-E41	EA	DRAWER-CABINET, W/O HDW (W/RANGE & OVEN) (SALEM CHERRY)
15	M05971-11-E37	EA	DRAWER-CABINET, W/O HDW - 3 USED (PICKLED ASH)
15	M05971-11-E41	EA	DRAWER-CABINET, W/O HDW - 3 USED (SALEM CHERRY)
16	M05971-12-E37	EA	DRAWER-CABINET, W/O HDW (PICKLED ASH)
16	M05971-12-E41	EA	DRAWER-CABINET, W/O HDW (SALEM CHERRY)
	100081-01-01A	EA	TRAY-SILVERWARE, 9" X 13.3" - PLASTIC - ALMOND - RUBBERMAID

GALLEY GROUP (CONTINUED)

CABINETS & FIXTURES (CONTINUED)



KEY	PART NUMBER	U/M	DESCRIPTION
17	M05976-01-E37	EA	DRAWER-CABINET, W/O HDW - CUTTING BOARD (PICKLED ASH)
17	M05976-01-E41	EA	DRAWER-CABINET, W/O HDW - CUTTING BOARD (SALEM CHERRY)
	102778-03-000	EA	BOARD-CUTTING, MAPLE
18	103799-01-02A	EA	MAKER-COFFEE, GRAY - W/GLASS POT - BLACK & DECKER
18	104610-01-000	EA	STRAP ASM-COFFEE MAKER
19	110654-01-000	EA	SINK-DOUBLE, STAINLESS STEEL
	092303-01-000	EA	STRAINER-SINK
	108464-03-E38	EA	COVER-SINK, 380 X 280MM (F36, F37)
	108464-03-E39	EA	COVER-SINK, 380 X 280MM (F38, F39)
	108464-03-F40	EA	COVER-SINK, 380 X 280MM (F40, F41)
	108464-04-E38	EA	COVER-SINK, 380 X 380MM (F36, F37)
	108464-04-E39	EA	COVER-SINK, 380 X 380MM (F38, F39)
	108464-04-F40	EA	COVER-SINK, 380 X 380MM (F40, F41)
20	064952-01-000	EA	FAUCET-GALLEY, SINGLE CONTROL
20	103635-01-000	EA	FAUCET-SINGLE CONTROL, EVERPURE 5435-00
21	093606-16-000	EA	MIRROR-PANEL, BEVELED - 1/8" X 410 X 464MM
21	P09965-01-000	EA	CABINET-PIPE COVER
22	M05992-02-E37	EA	DOOR-CABINET, W/O HDW - 305 X 740MM - 2 USED (PICKLED ASH)
22	M05992-02-E41	EA	DOOR-CABINET, W/O HDW - 305 X 740MM - 2 USED (SALEM CHERRY)
23	M06807-02-F36	EA	CABINET-GALLEY, W/O DOORS & HDW (USED W/RANGE TOP) (F36)
23	M06807-02-F37	EA	CABINET-GALLEY, W/O DOORS & HDW (USED W/RANGE TOP) (F37)
23	M06807-02-F38	EA	CABINET-GALLEY, W/O DOORS & HDW (USED W/RANGE TOP) (F38)
23	M06807-02-F39	EA	CABINET-GALLEY, W/O DOORS & HDW (USED W/RANGE TOP) (F39)
23	M06807-02-F40	EA	CABINET-GALLEY, W/O DOORS & HDW (USED W/RANGE TOP) (F40)
23	M06807-02-F41	EA	CABINET-GALLEY, W/O DOORS & HDW (USED W/RANGE TOP) (F41)
23	M06807-01-E38	EA	CABINET-GALLEY, W/O DOORS & HDW (USED W/RANGE & OVEN) (F36)
23	M06807-01-E42	EA	CABINET-GALLEY, W/O DOORS & HDW (USED W/RANGE & OVEN) (F37)
23	M06807-01-F38	EA	CABINET-GALLEY, W/O DOORS & HDW (USED W/RANGE & OVEN) (F38)
23	M06807-01-F39	EA	CABINET-GALLEY, W/O DOORS & HDW (USED W/RANGE & OVEN) (F39)
23	M06807-01-F40	EA	CABINET-GALLEY, W/O DOORS & HDW (USED W/RANGE & OVEN) (F40)
23	M06807-01-F41	EA	CABINET-GALLEY, W/O DOORS & HDW (USED W/RANGE & OVEN) (F41)
24	109963-11-E38	EA	COUNTERTOP-CABINET, GALLEY (F36)
24	109963-11-E42	EA	COUNTERTOP-CABINET, GALLEY (F37)
24	109963-11-F38	EA	COUNTERTOP-CABINET, GALLEY (F38)
24	109963-11-F39	EA	COUNTERTOP-CABINET, GALLEY (F39)
24	109963-11-F40	EA	COUNTERTOP-CABINET, GALLEY (F40)
24	109963-11-F41	EA	COUNTERTOP-CABINET, GALLEY (F41)
	058334-01-000	EA	WASTE BASKET, 9 3/4" X 7" X 10" - WHITE - RUBBERMAID
	093605-02-01A	EA	RACK-TOWEL, WIRE - ALMOND
25	093606-15-000	EA	MIRROR-PANEL, BEVELED - 1/8" X 464 X 910MM
26	115719-01-F36	EA	CABINET-HUTCH, W/O DOORS & HARDWARE (PICKLED ASH)
26	115719-01-F37	EA	CABINET-HUTCH, W/O DOORS & HARDWARE (SALEM CHERRY)
27	058331-99-000	EA	MIRROR-GLASS, SAFETY - 270 X 750MM
28	058331-97-000	EA	MIRROR-GLASS, SAFETY - 310 X 750MM
29	115719-21-000	EA	SHELF-ACRYLIC PLASTIC, HUTCH CABINET
	093609-01-000	EA	SHEET-ACRYLIC, 3/8" X 4' X 8'
	101766-01-000	EA	PIN-SUPPORT, ACRYLIC SHELF
30	058331-98-000	EA	MIRROR-GLASS, SAFETY - 270 X 940MM
31	058331-96-000	EA	MIRROR-GLASS, SAFETY - 310 X 940MM
32	M06823-01-E37	EA	DOOR-CABINET, W/O HDW - 355 X 925MM - UPPER (PICKLED ASH)
32	M06823-01-E41	EA	DOOR-CABINET, W/O HDW - 355 X 925MM - UPPER (SALEM CHERRY)
	111835-01-000	EA	GLASS-CLEAR TEMPERED, CABINET DOOR
33	M06823-02-E37	EA	DOOR-CABINET, W/O HDW - 355 X 755MM - LOWER (PICKLED ASH)
33	M06823-02-E41	EA	DOOR-CABINET, W/O HDW - 355 X 755MM - LOWER (SALEM CHERRY)
	111835-02-000	EA	GLASS-CLEAR TEMPERED, CABINET DOOR
34	M05992-04-E37	EA	DOOR-CABINET, W/O HDW - 275 X 605MM (W/RANGE TOP) (PICKLED ASH)
34	M05992-04-E41	EA	DOOR-CABINET, W/O HDW - 275 X 605MM (W/RANGE TOP) (SALEM CHERRY)
35	M05971-14-E37	EA	DRAWER-CABINET, W/O HDW - 3 USED (W/RANGE TOP) (PICKLED ASH)
35	M05971-14-E41	EA	DRAWER-CABINET, W/O HDW - 3 USED (W/RANGE TOP) (SALEM CHERRY)
36	M05992-03-E37	EA	DOOR-CABINET, W/O HDW - 275 X 605MM (W/RANGE TOP) (PICKLED ASH)
36	M05992-03-E41	EA	DOOR-CABINET, W/O HDW - 275 X 605MM (W/RANGE TOP) (SALEM CHERRY)

GENERATOR GROUP

GAS 7 KW ONAN MARQUIS GENERATOR

KEY	PART NUMBER	U/M	DESCRIPTION
	105559-03-000	EA	GENERATOR-7KW MARQUIS - W/MUFFLER - ONAN NHM FA/26105 WITH ONAN TRAY #403-2893
	106235-01-000	EA	ADAPTOR-EXHAUST,GENERATOR
	008401-01-000	EA	STRAP-CONDUIT, 3/4" - 1 HOLE - GALVANIZED STEEL
	007125-03-000	EA	CLAMP-MUFFLER - 1.5" DIA
	007131-01-000	EA	HANGER-TAILPIPE, 6 SLOTS
	112365-04-000	EA	BREAKER-20AMP, GENERATOR - ONAN 320-1683
	108357-10-000	EA	SWITCH-ROCKER, SPDT - MOM/OFF/MOM - CARLING V8D1160B-0
	108356-03-01A	EA	COVER-SWITCH W/GROOVES & LENS, CARLING VVCGC00

GAS 7 KW ONAN MARQUIS GENERATOR - 50 AMP

KEY	PART NUMBER	U/M	DESCRIPTION
	105559-03-000	EA	GENERATOR-7KW MARQUIS - W/MUFFLER - ONAN NHM FA/26105 WITH ONAN TRAY #403-2893
	106235-01-000	EA	ADAPTOR-EXHAUST, GENERATOR
	007125-03-000	EA	CLAMP-MUFFLER - 1.5" DIA
	008401-01-000	EA	STRAP-CONDUIT, 3/4" - 1 HOLE - GALVANIZED STEEL
	108357-10-000	EA	SWITCH-ROCKER, SPDT - MOM/OFF/MOM - CARLING V8D1160B-0
	108356-03-01A	EA	COVER-SWITCH W/GROOVES & LENS, CARLING VVCGC00

DIESEL 6.5 KW ONAN MARQUIS GENERATOR

KEY	PART NUMBER	U/M	DESCRIPTION
	010251-02-000	EA	ELBOW-BRASS, 90 - 3/8F X 1/4MPT
	007125-03-000	EA	CLAMP-MUFFLER - 1.5" DIA
	065820-09-000	EA	HOSE ASM-HIGH PRESSURE, 28"
	105559-03-000	EA	GENERATOR-6.5KW LP LIQUID 30/30, W/MUFFLER LP FUELED - NHM FA/26115 WITH ONAN TRAY #403-2893
	106235-01-000	EA	ADAPTOR-EXHAUST, GENERATOR
	112365-04-000	EA	BREAKER-20AMP, GENERATOR - ONAN 320-1683
	008401-01-000	EA	STRAP-CONDUIT, 3/4" - 1 HOLE - GALVANIZED STEEL
	108357-10-000	EA	SWITCH-ROCKER, SPDT - MOM/OFF/MOM - CARLING V8D1160B-0
	108356-03-01A	EA	COVER-SWITCH W/GROOVES & LENS, CARLING VVCGC00

HEATING & AIR CONDITIONING GROUP

AUTO A/C & HEAT SYSTEM

KEY	PART NUMBER	U/M	DESCRIPTION
	007076-01-000	EA	HOSE-FLEXIBLE PVC - 2" ID - INCREMENTS OF 10'
	007281-01-000	EA	HOSE-FLEXIBLE PVC, 2.5"ID X 50' - ATCOFLEX A-182-355
	024990-05-000	EA	OUTLET-DEFROSTER, W/SWIVEL - 2" DIAMETER - BLACK
	024990-06-000	EA	OUTLET-DEFROSTER, W/SWIVEL - 2" DIAMETER - WILLOW
	056402-05-000	EA	BRACKET-HEATER VENT, ROUND - W/BEND - BLACK
	056402-06-000	EA	BRACKET-HEATER VENT, ROUND - BLACK
	077075-01-000	EA	GASKET-INSTRUMENT PANEL TO DEFROSTER PLENUM - .6" X 11.3" (CENTER TWO OPENINGS)
	077075-03-000	EA	GASKET-IINSTRUMENT PANEL TO DEFROSTER PLENUM (OUTER TWO OPENINGS)
	085000-01-000	EA	SHIELD-A/C, 6.8" X 3.1" - STEEL
	103016-01-000	EA	PLENUM-TRANSITION
	103017-01-000	EA	PLENUM-DEFROSTER
	103558-01-03A	EA	VENT-DEFROSTER, ABS PLASTIC - WILLOW
	103796-01-01A	EA	LOUVER ASM-A/C, CARY PROD BLACK 268-3B,100-2-4-8

EVAPORATOR/HEATER ASSEMBLY

KEY	PART NUMBER	U/M	DESCRIPTION
	103930-20-000	EA	EVAPORATOR/HEATER ASSEMBLY, SCS 090-00083 (CHEVY)
	103930-21-000	EA	EVAPORATOR/HEATER ASSEMBLY, SCS 090-00084 (FORD)
	088227-02-701	EA	BRACKET-BOWDEN CABLE MOUNTING, ARA 0409417
	094831-01-709	EA	CLAMPS-ROD, 3/16" - MOTIVAIR/SCS ZGG14431
	094831-01-746	EA	CLAMP-BLEND CABLE, MOTIVAIR/SCS 77000-00
	103930-01-700	EA	ROD-AIR BLEND DOOR, SCS 073-0017
	103930-01-701	EA	PANEL-DOOR, FOR AIR BLEND - SCS 071-0123
	103930-01-702	EA	GASKET-DOOR, FOR AIR BLEND - SCS 045-0080
	103930-01-703	EA	COIL-HEATER, SCS 042-0010
	103930-01-704	EA	COIL EVAPORATER 041-0017
	103930-01-708	EA	BRACKET-VACUUM MOTOR, SCS 070-0113
	103930-01-710	EA	RESISTOR-FUSED, SCS 035-0006
	103930-01-711	EA	THERMOSTAT, SCS 033-0003
	103930-01-716	EA	SWITCH-PRESSURE, FAN - SCS 032-0029 (CHEVY)
	103930-01-717	EA	WHEEL-CLOCK-WISE, SCS 062-0010
	103930-01-720	EA	MOTOR, SCS 030-0004
	103930-02-708	EA	MOTOR-VACUUM SERVO, A/C - SCS 030-0002
	103930-12-708	EA	SWITCH, BINARY - R-134A - SCS 032-0048 (FORD)
	103930-15-701	EA	SERVICE VALVE #10X10 - 050-0152 (FORD)
	103930-12-709	EA	FITTING, QUICK - CONNECT - SCS 050-0120 (CHEVY)
	103930-01-713	EA	FITTING-QUICK CONNECT, #4 - SCS 050-003 (FORD)
	103930-17-702	EA	GASKET OR SAE 015 - #10 - 33-781 - SCS 045-0127
	103930-20-700	EA	VALVE EXPANSION BLOCK (2 TON) - 034-0032
	103930-20-701	EA	HOSE ASSY #6 WINN GM - 085-0138 (CHEVY)
	103930-21-700	EA	HOSE ASSY #6 WINN FORD - 085-0139 (FORD)
	103930-21-701	EA	HOSE ASSY #10 WINN FORD - 085-0140 (FORD)
	110279-01-703	EA	HOSE VENT MOTOR BLOWER, SCS 051-0034
	103930-12-706	EA	FITTING, #6 - 90 DEGREE - METRIC - SCS 050-0140 (CHEVY)
	110279-01-712	EA	HEATER FITTING - 050-0076 (CHEVY)
	110279-01-709	EA	FITTING - #10 90 FOR W/FERRULE - 050-0001 (FORD)
	110279-02-702	EA	GASKET - 045-0125
	113245-01-707	EA	GASKET (#8) - 045-0126
	113245-01-711	EA	GASKET (#6) - 045-0129 (FORD)
	094831-08-000	EA	WIRE ASSEMBLY-AC COMPRESSOR ADAPTER - SCS 036-0054
	103930-05-000	EA	MANUAL-OWNERS, HEATER-A/C - SCS 057-0049

HEATING & AIR CONDITIONING GROUP (CONTINUED)

AUTO A/C HOSE KIT FOR GAS ENGINE

KEY	PART NUMBER	U/M DESCRIPTION
	103930-17-000	EA HOSE KIT #10GM - SANDEN COMPRESSOR
	103930-01-708	EA BRACKET-VACUUM MOTOR, SCS 070-0113
	103930-17-700	EA FITTING, PAD COMPRESSOR SUCTION - SCS 050-0131
	103930-17-701	EA FITTING, #10 - 90 - W/FERRULE - 1342CP - SCS 050-0132
	103930-17-702	EA GASKET OR SAE 015 - #10 - 33-781 - SCS 045-0127
	103930-17-703	EA GASKET-SEAL, SANDEN COMPRESSOR - 33-76 - SCS 045-0142
	103930-17-704	EA HOSE ASSY, #10 - SCS 085-0113

AUTO A/C HOSE KIT FOR DIESEL ENGINE

KEY	PART NUMBER	U/M DESCRIPTION
	103930-18-000	EA HOSE KIT #10 GM-HARRISON COM SCS 093-00077
	103930-18-700	EA FITTING, PAD - COMP SUCTION HARRIS 050-00133
	103930-18-701	EA HOSE ASSY #10, 085-0114
	103930-18-702	EA GASKET SEAL HARRISON, 045-0143

AUTO A/C CONTROL PLENUM

KEY	PART NUMBER	U/M DESCRIPTION
	103930-08-000	EA CONTROL/PLENUM SET FOR M-BODY, SCS 093-00045
	072341-06-700	EA SWITCH-4 SPEED, FAN - ARA 0883502
	103930-02-700	EA PANEL-CONTROL, SCS 032-0018
	103930-02-701	EA VALVE-CONTROL HEAD, SCS 034-0015
	103930-02-702	EA DECAL-FAN SWITCH, WINNEBAGO "N", SCS 058-0008
	103930-02-703	EA HARNESS-WIRE CONTROL, SCS 036-0048
	103930-02-704	EA HARNESS-VACUUM CONTROL, SCS 036-0049
	103930-02-705	EA CABLE-CONTROL, BOWDEN - SCS 074-0011
	103930-02-706	EA CLIP-CABLE, CONTROL - SCS 022-0017
	103930-02-707	EA RELAY, SCS 031-0001
	103930-02-710	EA CANISTER-VACUUM, SCS 054-0002
	103930-02-711	EA VALVE-WATER, SCS 034-00114

HEATING & AIR CONDITIONING GROUP (CONTINUED)

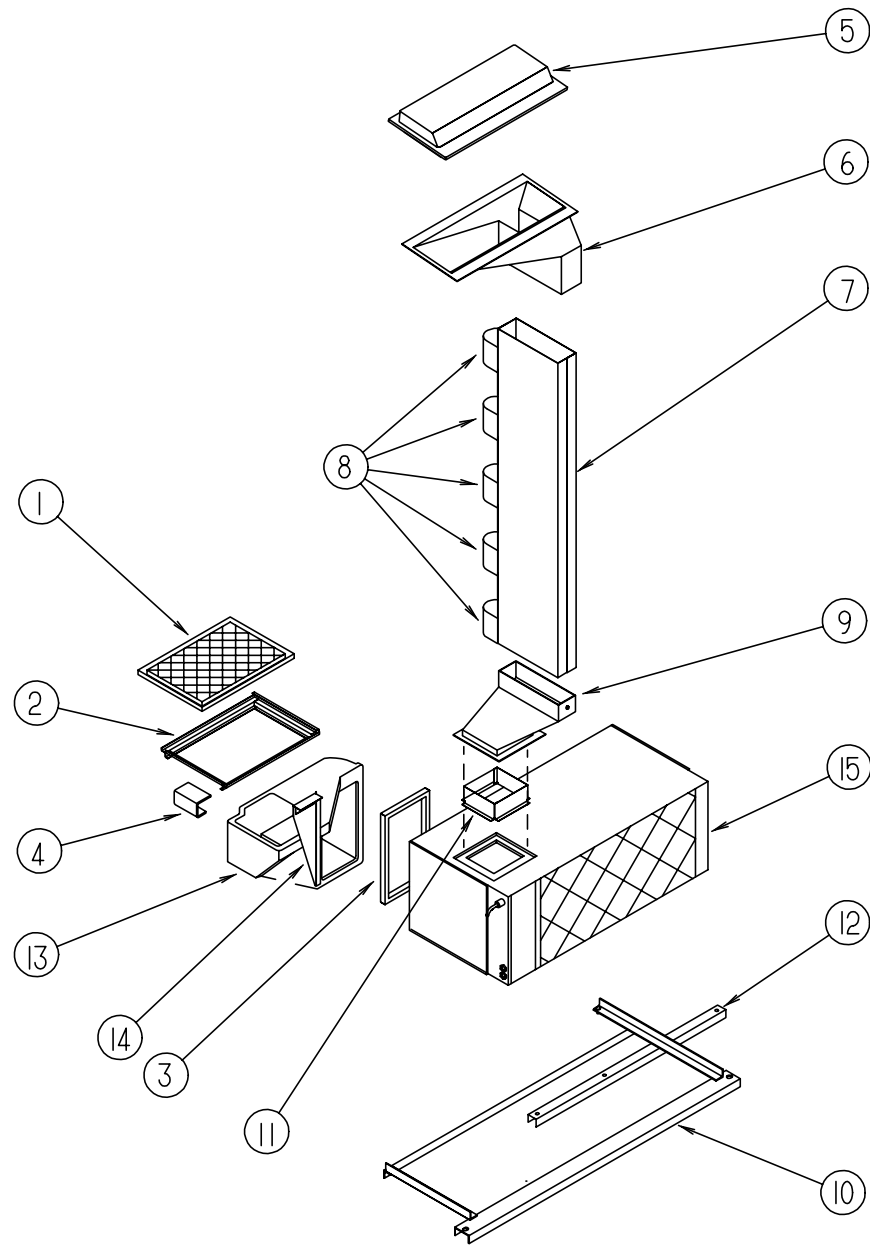
FURNACE SYSTEM

KEY	PART NUMBER	U/M DESCRIPTION
	093365-01-000	EA THERMOSTAT-WALL, FURNACE - SUBURBAN 0160902
	098668-13-000	EA GASKET-FIBERGLASS, .5" X 16.37" X 17.56" - SUBURBAN 070977
	098668-14-000	EA GASKET-FIBERGLASS, .5" X 18" X 18" - SUBURBAN 070975
	098668-12-000	EA DOOR-ACCESS, FURNACE - BUFF - SUBURBAN 520732BU
	098668-22-000	EA FURNACE-40000 BTU, SUBURBAN SF-42 2275
	074466-01-702	EA RELAY-TIME DELAY, SUBURBAN# 230625
	098668-01-700	EA CABINET FRONT, SUBURBAN 101242
	098668-01-705	EA SWITCH-LIMIT, SUBURBAN 231630
	098668-01-707	EA VENT CAP & EXHAUST TUBE ASM, SUBURBAN 260193
	098668-01-708	EA BLOWER ASM (COMBUSTION AIR), SUBURBAN 390441
	098668-01-712	EA BOARD-MODULE, SUBURBAN 231741
	098668-01-713	EA INTAKE VENT TUBE ASM, SUBURBAN 051044
	098668-01-714	EA GAS VALVE (WHITE ROGERS), SUBURBAN 161070
	098668-11-700	EA ORFICE-MAIN BURNER SF-42F, SUBURBAN 180216
	098668-11-701	EA BURNER ASM (SF-42F), SUBURBAN 010799
	098668-11-702	EA MOTOR ASM (SF-42F), SUBURBAN 232212
	098668-11-703	EA SWITCH-SAIL (ASM) (SF-42F), SUBURBAN 232216
	098668-11-704	EA BLOWER ASM-ROOM AIR (SF-42F), SUBURBAN 390698
	098668-11-705	EA WHEEL-ROOF AIR (SF-42F), SUBURBAN 350129
	098668-11-706	EA LIMIT SWITCH (SF-42F), SUBURBAN 232231
	101990-01-714	EA MICROSWITCH GASKET, SUBURBAN 230877
	024990-05-000	EA OUTLET-DEFROSTER, W/SWIVEL - 2" DIAMETER - BLACK
	009198-01-000	FT DUCT-HEAT- FLEXIBLE - 4" ID X 25 FT
	094600-01-02A	EA REGISTER-HEAT, W/O DAMPER - 3.6" X 11.2" - BROWN
	094600-02-02A	EA REGISTER-HEAT, W/DAMPER - 3.6" X 11.2" - BROWN
	093614-01-01A	EA GRILLE-RETURN AIR- FURNACE - 15.6" X 7.6" - BROWN
	009200-01-000	EA TAPE-FURNACE, 1 1/2"
	056464-06-000	EA REGISTER-HEAT/A/C, ROUND W/O DAMPER - 4" - PLASTIC - OFF WHITE
	023146-01-000	EA CLAMP-SCREW TYPE - 4"

REAR HEATER SYSTEM

KEY	PART NUMBER	U/M DESCRIPTION
	084405-01-000	EA HEATER ASM-REAR, DUCTED - W/MOTOR AID - EVANS
	084405-01-700	EA HEATER CORE, EVANS FT200229
	084405-01-701	EA FAN BLADES, EVANS HV029931
	084405-01-702	EA MOTOR ASM, 12 V, EVANS 200146
	007076-01-000	EA HOSE-FLEXIBLE PVC, 2" ID
	079059-01-000	EA HOSE-90 DEGREE- 5/8"ID X 4" X 36"
	007108-01-000	FT HOSE-HEATER- 5/8" ID - HI-TEMP - FORD ESE-M2D192-A
	088753-01-000	FT TUBE-ALUMINIZED STEEL, 5/8" - 18 GAUGE
	061673-01-000	EA BRACKET-MOTOR AID TUBES, 4" X 1.5" - STEEL
	010227-01-000	EA TEE-PLASTIC, BARB 5/8" OR 3/4" HOSE

HEATING & AIR CONDITIONING GROUP (CONTINUED)



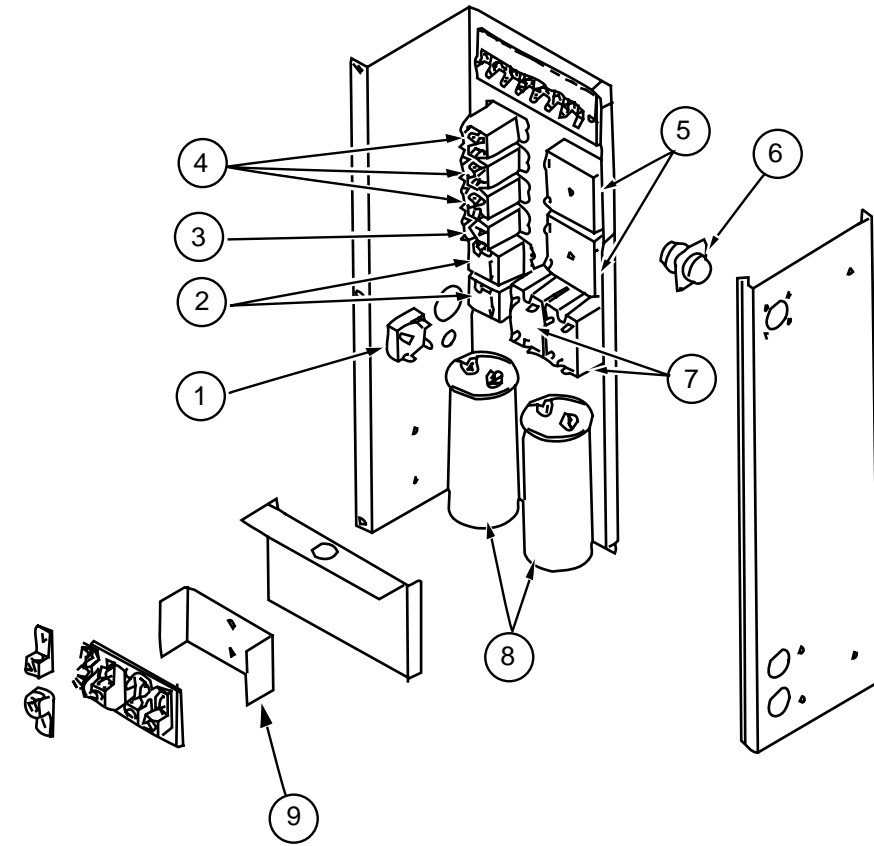
CENTRAL A/C & HEATING SYSTEM

KEY	PART NUMBER	U/M	DESCRIPTION
1	109050-02-000	EA	FILTER-FIBERGLASS, 1" X 14" X 20"
2	109859-01-000	EA	FRAME-FILTER, A/C
3	104692-02-000	FT	SEAL-3/4" X 1", ADHESIVE ON ONE SIDE
	104692-01-000	FT	SEAL-3/4" X 3/4", ADHESIVE ON ONE SIDE
4	109752-01-000	EA	CHANNEL-SUPPORT, A/C
5	109009-01-000	EA	DEFLECTOR-A/C, ROOF
6	P09011-01-000	EA	PLENUM-A/C, SUPPLY - UPPER - W/FOAM
7	109017-01-000	EA	PLENUM ASM-A/C, SUPPLY
8	109085-01-000	EA	FOAM-SUPPORT, PLENUM - A/C
9	P09010-01-000	EA	PLENUM-A/C, SUPPLY - LOWER - W/FOAM
10	109182-01-000	EA	CRADLE ASM-A/C
11	109019-01-000	EA	COLLAR ASM-SUPPLY, A/C
12	109520-01-000	EA	CHANNEL-FORMED, A/C
13	109291-01-000	EA	DUCT-CENTRAL AIR, PLASTIC
14	109575-01-000	EA	REINFORCEMENT-DUCT, RETURN - METAL
	105620-06-000	EA	THERMOSTAT-A/C AND FURNACE, COLEMAN 6795B6651665

HEATING & AIR CONDITIONING GROUP (CONTINUED)

CENTRAL A/C & HEATING SYSTEM (CONTINUED)

KEY	PART NUMBER	U/M	DESCRIPTION
15	105620-05-000	EA	A/C-CENTRAL, PACKAGE UNIT - COLEMAN LEFT 6795B832
	105620-07-000	EA	WIRE ASSEMBLY-THERMOSTAT, COLEMAN 6795A4351
	108975-01-000	EA	BRACKET-A/C SUPPORT, RIGHT - TRIANGLE - 80 X 116MM - STEEL
	108975-02-000	EA	BRACKET-A/C SUPPORT, LEFT - TRIANGLE - 80 X 116MM - STEEL
	056464-06-000	EA	REGISTER-HEAT/A/C, ROUND W/O DAMPER - 4" - PLASTIC - OFF WHITE
	022756-03-000	EA	COVER-A/C PLASTIC, OFF WHITE
	022756-02-000	EA	COVER-PROTECTIVE, 5.5" ENDS X 8.2" - PLASTIC - OFF WHITE

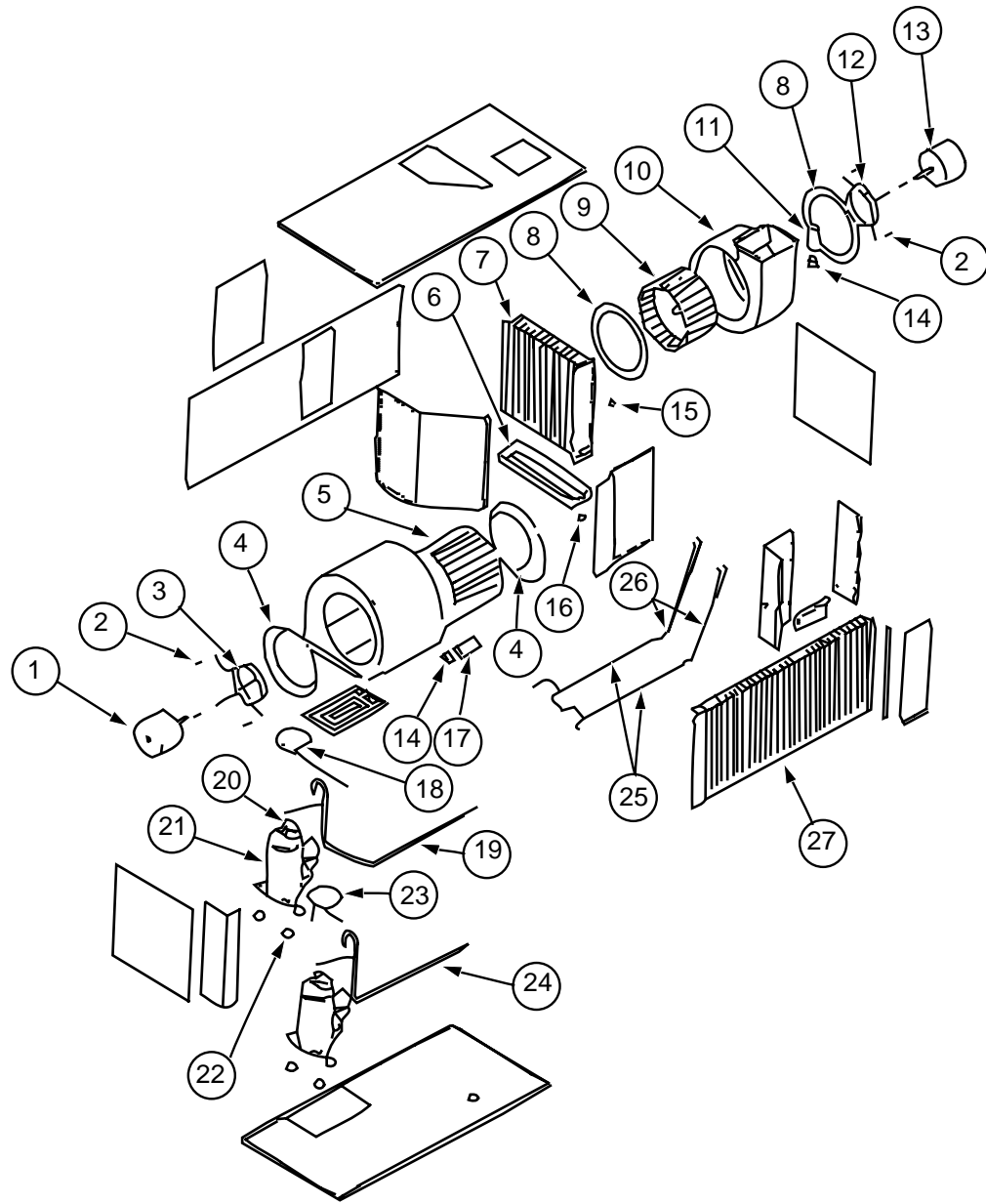


CENTRAL A/C & HEATING SYSTEM (CONTINUED)

KEY	PART NUMBER	U/M	DESCRIPTION
	105620-05-700	EA	PRINTED CIRCUIT BOARD, INCLUDES KEYS 1 THRU 6
1	N/A	EA	AC/DC BRIDGE - COLEMAN 1460-350 (N/A SEPERATELY)
2	N/A	EA	RELAY-BLOWER - COLEMAN 6799-3491 (N/A SEPERATELY)
3	N/A	EA	RELAY-EXCLUSION - COLEMAN 1460-103 (N/A SEPERATELY)
4	N/A	EA	RELAY-CONTROL - COLEMAN 6799-246 (N/A SEPERATELY)
5	N/A	EA	DELAY-TIME, COMPRESSOR - COLEMAN 1460-300 (N/A SEPERATELY)
6	N/A	EA	RECEPTACLE ASM., W/CAP - COLEMAN 6795-324 (N/A SEPERATELY)
7	105620-01-729	EA	RELAY-COMPRESSOR - COLEMAN 1460-1-1
8	108889-01-707	EA	RUN CAPACITOR (COMPRESSOR) - COLEMAN 14995661
9	105620-01-733	EA	ISOLATOR-HIGH VOLTAGE - COLEMAN 6795-117

HEATING & AIR CONDITIONING GROUP (CONTINUED)

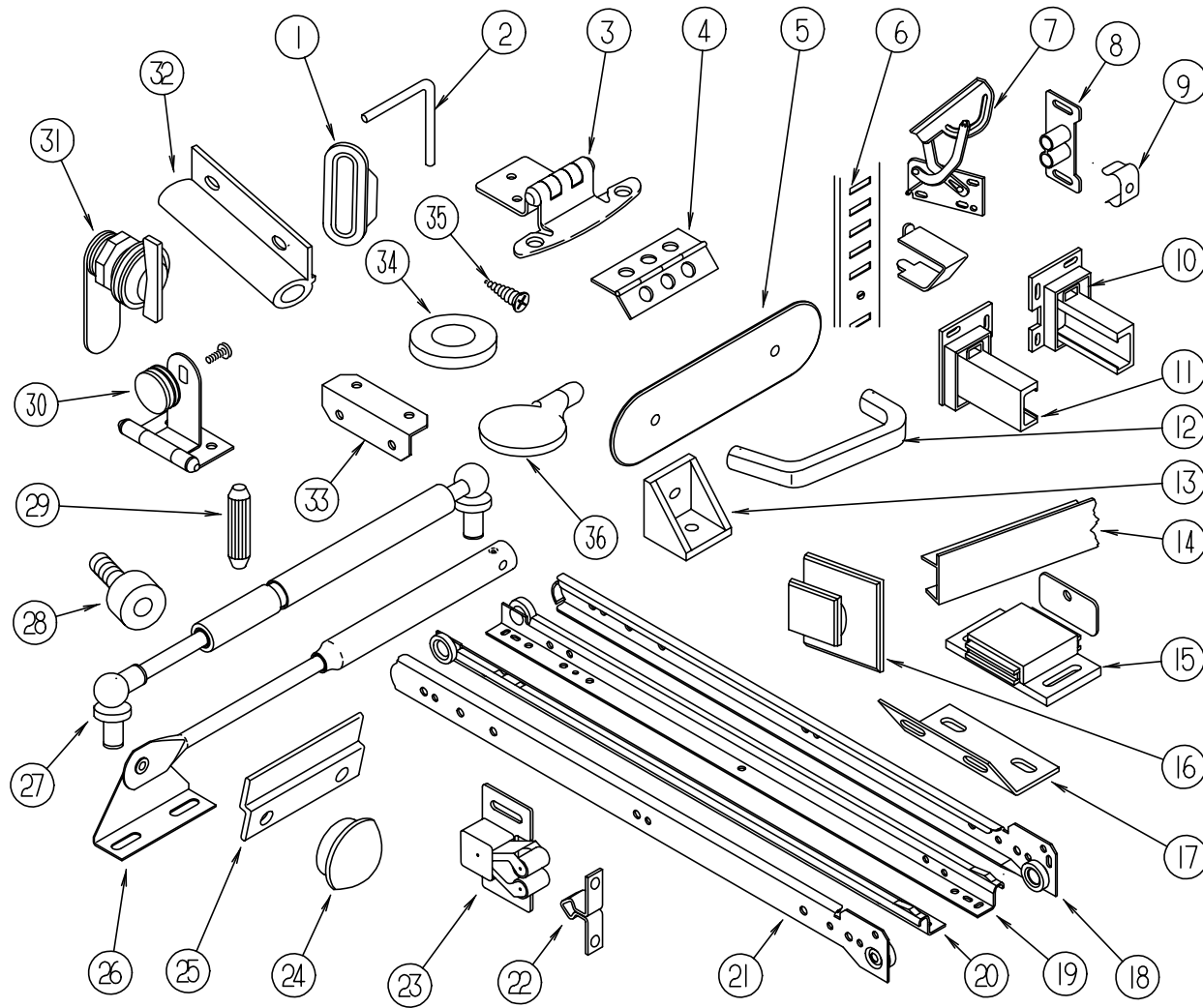
CENTRAL A/C & HEATING SYSTEM (CONTINUED)



KEY	PART NUMBER	U/M	DESCRIPTION
1	105620-01-717	EA	MOTOR-BLOWER, O.D. - COLEMAN 1468-302
2	105620-01-716	EA	PKG-SLEEVE & GROMMET, 4 PER PKG - COLEMAN 6795-3031
3	105620-01-715	EA	MOUNT-BLOWER, O.D. - COLEMAN 6795-301
4	105620-01-714	EA	VENTURI-BLOWER, O.D. - COLEMAN 6795-150
5	105620-01-713	EA	WHEEL-BLOWER, O.D. - COLEMAN 1472-101
6	105620-02-702	EA	PAN-DRAIN, LH - COLEMAN 6795-225
7	105620-02-701	EA	COIL-EVAPORATOR, LEFT - COLEMAN 1452-143
8	105620-01-722	EA	VENTURI-BLOWER, I.D. - COLEMAN 6795-151
9	105620-02-709	EA	WHEEL-BLOWER, I.D. - COLEMAN 1472-102
10	105620-02-708	EA	HOUSING-BLOWER, I.D. - COLEMAN 6795-519
11	108889-01-708	EA	CAPACITOR-FAN, COLEMAN 1499-5461
12	105620-01-723	EA	MOUNT-MOTOR, BLOWER I.D. - COLEMAN 6795-302
13	105620-01-724	EA	MOTOR-BLOWER, I.D. REVERSIBLE - COLEMAN 1468-312
14	105620-01-719	EA	BOOT-CAPACITOR, RUBBER - COLEMAN 1499-950
15	105620-01-726	EA	SWITCH-FREEZE, COLEMAN 6795A330
16	105620-01-703	EA	DRAIN VALVE, COLEMAN 6795-300
17	105620-01-718	EA	O.D. BLOWER CAPACITOR (12.5), COLEMAN 1499-4631
18	105620-02-704	EA	LINE-DISCHARGE, 2 - LEFT - COLEMAN 6795-233
19	105620-02-703	EA	LINE ASM-SUCTION, 2 - LEFT - COLEMAN 6795-507
20	105620-01-705	EA	OVERLOAD PROTECTOR (RH & LH), COLEMAN 6759-3791
21	105620-01-704	EA	COMPRESSOR, TECUMSEH RK157 AT-010A4
22	105620-01-706	EA	COMPRESSOR MOUNTING PKG. (3/PKG), COLEMAN 6759-3081
23	105620-02-706	EA	LINE ASM-SUCTION, 1 - LEFT - COLEMAN 6795-234
23	105620-01-710	EA	LINE ASM-SUCTION, 1 - RIGHT - COLEMAN 6795-134
24	105620-02-705	EA	LINE ASM-SUCTION, 1 - LEFT - COLEMAN 6795-508
25	105620-02-707	EA	LINE ASM-LIQUID, COMPRESSOR - RIGHT - COLEMAN 6795-503
26	105620-01-712	EA	CAP TUBE ASM-DISTRIBUTOR, RIGHT & LEFT - COLEMAN 6795-514
27	105620-02-700	EA	CONDENSER COIL (LH), COLEMAN 1452-142
	105620-07-000	EA	WIRE ASSEMBLY-THERMOSTAT, COLEMAN 6795A4351
	056464-06-000	EA	REGISTER-HEAT/A/C, ROUND W/O DAMPER - 4" - PLASTIC - OFF WHITE

INTERIOR FINISH GROUP

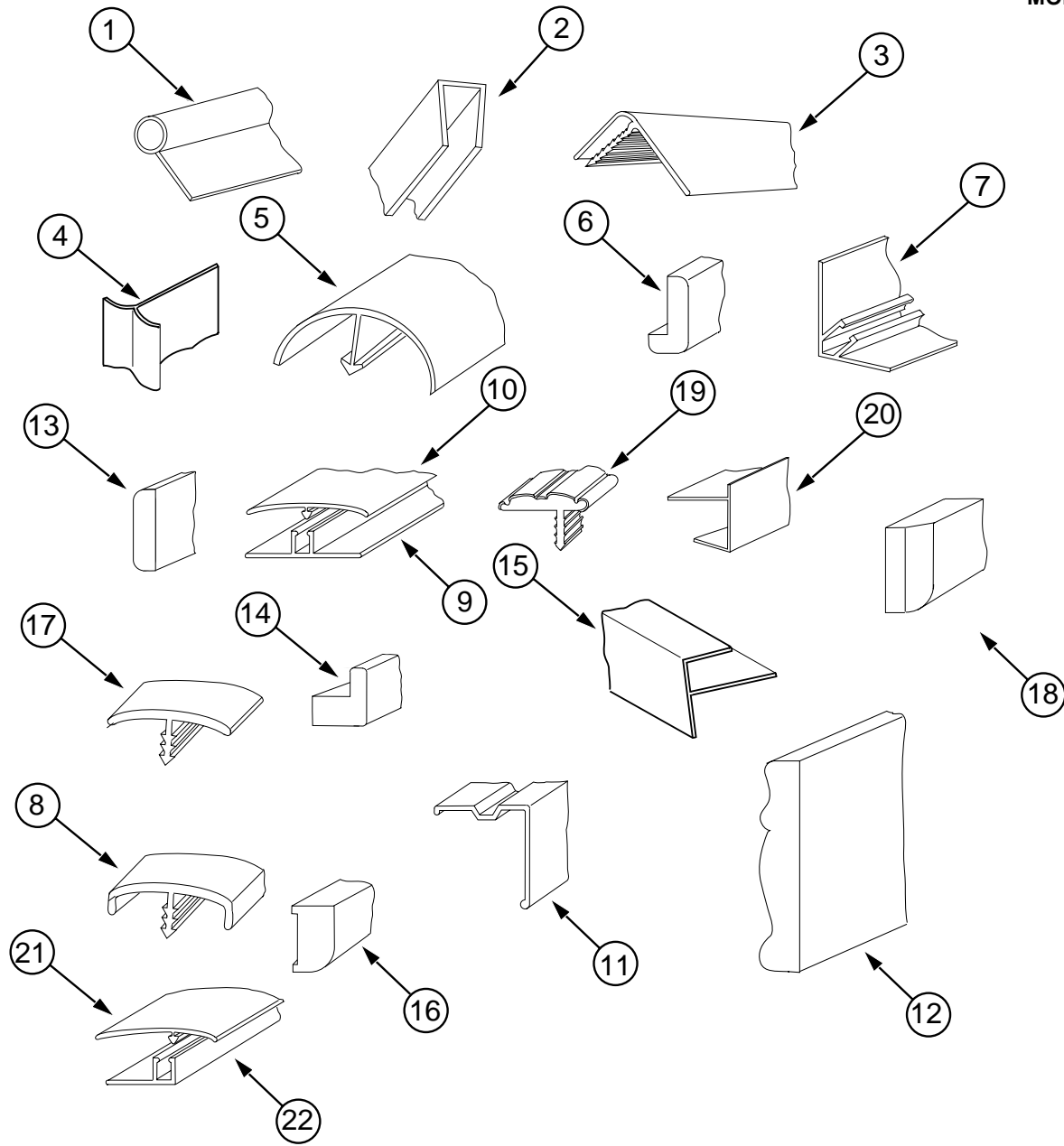
CABINET HARDWARE



KEY	PART NUMBER	U/M DESCRIPTION
1	098410-01-01A	EA PULL-FINGER, OVAL - BRASS
2	108487-02-01A	EA SUPPORT-PROP ROD, OVERHEAD - BLACK
3	108138-01-000	EA HINGE-DOOR, CABINET - BURNISHED BRASS
4	009059-01-000	EA HINGE-DOOR, 2" X 1.4" - BRASS
4	009059-02-000	EA HINGE-DOOR, 2" X 2.7" - BRASS
4	009063-01-000	EA HINGE-CONTINUOUS, 1 1/2" X 72" - UNPAINTED
5	081376-01-000	EA BACKPLATE-DOOR PULL, BRASS - .8" X 4.25"
6	098980-01-000	EA PILASTER-ADJUSTABLE SHELF, 18" LONG
6	098980-02-000	EA PILASTER-ADJUSTABLE SHELF, 12" LONG
6	098979-01-000	EA CLIP-PILASTER, ADJUSTABLE SHELF
7	108126-01-000	EA HINGE SET-TRAY, TIPOUT - 2 PER SET
8	009021-01-000	EA CATCH-GRILL, NYLON
9	009021-02-000	EA STRIKE-SPRING STEEL
10	114045-02-000	EA BACKSOCKET-ADJUSTABLE, RIGHT
11	114045-01-000	EA BACKSOCKET-ADJUSTABLE, LEFT
12	111093-01-000	EA PULL-CABINET, BRASS - AMEROCK CM1940AU
13	065740-01-000	EA BRACE-CABINET CORNER, PLASTIC
14	103186-01-03A	FT MOLDING-PLASTIC, 9.5MM SHELF EDGING - PICKLED ASH
14	103186-02-03A	FT MOLDING-PLASTIC, 25.4MM SHELF EDGING - SALEM CHERRY
15	088254-01-000	EA CATCH-MAGNETIC, 1.8" X .7"
16	102327-01-01A	EA PULL-MIRROR, SQUARE
17	111886-01-01A	EA BRACE-SEAT, ANGLE
18	114031-02-000	EA SLIDE-DRAWER, 12" - RIGHT - CABINET MOUNTED
18	114031-14-000	EA SLIDE-DRAWER, 18" - RIGHT - CABINET MOUNTED
18	114031-22-000	EA SLIDE-DRAWER, 22" - RIGHT - CABINET MOUNTED
19	114031-04-000	EA SLIDE-DRAWER, 12" - RIGHT - DRAWER MOUNTED
19	114031-16-000	EA SLIDE-DRAWER, 18" - RIGHT - DRAWER MOUNTED
19	114031-24-000	EA SLIDE-DRAWER, 22" - RIGHT - DRAWER MOUNTED
20	114031-03-000	EA SLIDE-DRAWER, 12" - LEFT - DRAWER MOUNTED
20	114031-15-000	EA SLIDE-DRAWER, 18" - LEFT - DRAWER MOUNTED
20	114031-23-000	EA SLIDE-DRAWER, 22" - LEFT - DRAWER MOUNTED
21	114031-01-000	EA SLIDE-DRAWER, 12" - LEFT - CABINET MOUNTED
21	114031-13-000	EA SLIDE-DRAWER, 18" - LEFT - CABINET MOUNTED
21	114031-21-000	EA SLIDE-DRAWER, 22" - LEFT - CABINET MOUNTED
22	093586-04-000	EA STRIKE-SPRING STEEL
23	093586-03-000	EA CATCH-SPRING, ROLLER
24	074045-08-000	EA PLUG-OAK, 1/2" DIAMETER - SALEM CHERRY STAIN
24	074045-09-000	EA PLUG-OAK, 1/2" DIAMETER - PICKLED ASH STAIN
24	042356-01-000	EA PLUG-BUTTON, MAHOGANY - 3/8" DIAMETER - WOOD
25	101272-01-000	EA CATCH-DOOR, GLASS
26	074493-02-000	EA SUPPORT-PISTON SPRING, CABINET DOOR
27	057460-04-000	EA SPRING-GAS, QUEEN BED TOP
28	079921-01-000	EA ROLLER-NYLON, W/STEEL SHAFT - BARBED
29	110072-01-000	EA DOWEL-5/16" X 1 3/16", BIRCH
30	100711-01-01A	EA HINGE-DOOR, GLASS
31	100710-01-01A	EA LOCK-GLASS DOOR, TWIST TYPE - BRASS
32	108486-01-01A	EA BRACKET-PROP ROD, OVERHEAD - BLACK
33	016604-01-000	EA BRACE-CABINET, ANGLE - 2.5" - METAL - UNPAINTED
33	016604-03-000	EA BRACE-CABINET, ANGLE - 2.5" - METAL - BEIGE
34	100707-01-000	EA SPACER-DOOR, GLASS - .8" DIA - .3" HOLE - PLASTIC
35	000G13-06-08G	EA SCREW-6-20 X 5/8 PFH, ANTIQUE BRASS
36	101766-02-000	EA PIN-SUPPORT, GLASS DOOR
	111866-01-01A	EA BRACE-SEAT, ANGLE
	083204-03-000	EA BUTTON-RETAINING, MIRROR - 5/16" TIP - WALNUT
	023320-01-000	EA PAD-FELT, 3/8" DIAMETER - BROWN
	076790-01-000	EA SCREW, 6-20 X 1 1/4 PPH - BLACK
	009112-01-000	EA FLANGE-1" ROD, CLOTHES - PLASTIC - OFF WHITE
	004354-01-000	EA BUMPER-RUBBER, .5" DIA - BROWN
	042438-01-000	EA DOWEL-WOOD, CLOTHES ROD - 1" DIAMETER X 4'
	042438-06-000	EA DOWEL-WOOD, 1.5" DIAMETER X 26"

INTERIOR FINISH GROUP (CONTINUED)

MOLDINGS & TRIMS



KEY	PART NUMBER	U/M DESCRIPTION
1	009767-12-000	FT MOLDING-SIDEWALL TO CEILING/CABINET - WELTING - OFF WHITE
2	009778-16-000	FT U-CHANNEL-PLASTIC, 1" - PICKLED ASH
2	009778-18-000	FT U-CHANNEL-PLASTIC, 1" - SALEM CHERRY
2	070504-28-000	FT U-CHANNEL-PLASTIC, 1.65" - PICKLED ASH
2	070504-30-000	FT U-CHANNEL-PLASTIC, 1.65" - SALEM CHERRY
2	070504-29-000	FT U-CHANNEL-PLASTIC, 20.7" - PICKLED ASH
2	070504-31-000	FT U-CHANNEL-PLASTIC, 20.7" - SALEM CHERRY
3	009809-26-000	EA MOLDING-CORNER, OUTSIDE - 1" - PICKLED ASH
3	009809-27-000	EA MOLDING-CORNER, OUTSIDE - 1" - SALEM CHERRY

KEY	PART NUMBER	U/M DESCRIPTION
4	022992-11-000	FT MOLDING-REVERSE COVE, T-SHAPED - VINYL - IVORY
5	042357-18-000	EA MOLDING-CORNER, RADIUS - 1.5" X 7' - PLASTIC - PICKLED ASH
5	042357-19-000	EA MOLDING-CORNER, RADIUS - 1.5" X 7' - PLASTIC - SALEM CHERRY
	080176-05-000	EA CAP-TOP, RADIUS CORNER MOLDING - PLASTIC - PICKLED ASH
	080176-06-000	EA CAP-TOP, RADIUS CORNER MOLDING - PLASTIC - SALEM CHERRY
6	077840-01-E37	EA MOLDING-WALL CAP, 36MM X 8' LONG - L-SHAPED WOOD - PICKLED ASH
6	077840-01-E41	EA MOLDING-WALL CAP, 36MM X 8' LONG - L-SHAPED WOOD - SALEM CHERRY
6	077840-40-E37	EA MOLDING-WALL CAP, 31MM X 8' LONG - L-SHAPED WOOD - PICKLED ASH
6	077840-40-E41	EA MOLDING-WALL CAP, 31MM X 8' LONG - L-SHAPED WOOD - SALEM CHERRY
7	081521-02-007	EA MOUNT-METAL MOLDING, FOR RADIUS CORNER MOLDING - 12.5' LONG
8	083620-10-000	FT MOLDING-T, END CAP EDGE - W/EDGE LIPS - .75" - PICKLED ASH
8	083620-11-000	FT MOLDING-T, END CAP EDGE - W/EDGE LIPS - .75" - SALEM CHERRY
	085284-B2-000	FT BATT STRIP-DECORATIVE, PATTERNED - ADHESIVE BACKED (F36, F37)
	085284-94-000	FT BATT STRIP-DECORATIVE, PATTERNED - ADHESIVE BACKED (F38, F39)
	085284-B3-000	FT BATT STRIP-DECORATIVE, PATTERNED - ADHESIVE BACKED (F40, F41)
	085284-96-000	FT BATT STRIP-WOODGRAIN, ADHESIVE BACKED - PICKLED ASH
	085284-97-000	FT BATT STRIP-WOODGRAIN, ADHESIVE BACKED - SALEM CHERRY
9	086229-01-000	EA RETAINER-BATTEN, CEILING - .75" WIDE - 7.6' LONG
10	086229-04-000	EA BATTEN-CEILING, 1" WIDE - IVORY - 7.6' LONG
	088263-B9-000	EA BATT STRIP-DECORATIVE, PATTERNED - 8' LONG (F36, F37)
	088263-A5-000	EA BATT STRIP-DECORATIVE, PATTERNED - 8' LONG (F38, F39)
	088263-C1-000	EA BATT STRIP-DECORATIVE, PATTERNED - 8' LONG (F40, F41)
	079653-27-000	EA BATT STRIP-KERFED, PATTERNED - IN SHOWER (F36, F37)
	079653-24-000	EA BATT STRIP-KERFED, PATTERNED - IN SHOWER (F38, F39)
	079653-26-000	EA BATT STRIP-KERFED, PATTERNED - IN SHOWER (F40, F41)
11	093873-01-01A	EA TRIM-CARPET, L-ANGLE - 1.1" X 1.3" X 12' - VINYL
12	100182-10-E37	EA TRIM-CHAIR RAIL, WOOD - PICKLED ASH
12	100182-10-E41	EA TRIM-CHAIR RAIL, WOOD - SALEM CHERRY
13	100818-01-03A	EA TRIM-MOLDING, FLAT VINYL WRAP - 42 WIDE X 2134MM LONG - PICKLED ASH
13	100818-01-04A	EA TRIM-MOLDING, FLAT VINYL WRAP - 42 WIDE X 2134MM LONG - SALEM CHERRY
14	100819-01-03A	EA TRIM-CORNER, VINYL WRAP - 38MM WIDE X 2134MM LONG - PICKLED ASH
14	100819-01-04A	EA TRIM-CORNER, VINYL WRAP - 38MM WIDE X 2134MM LONG - SALEM CHERRY
15	009812-24-000	EA MOLDING-CORNER, OUTSIDE - .5" - PLASTIC - IVORY
15	009812-27-000	EA MOLDING-CORNER, OUTSIDE - .5" - PLASTIC - PICKLED ASH
15	009812-26-000	EA MOLDING-CORNER, OUTSIDE - .5" - PLASTIC - SALEM CHERRY
16	111135-D2-134	EA MOLDING-TRIM, VINYL WRAP - ROUNDED EDGE - 40 X 2134MM - PICKLED ASH
16	111136-D2-134	EA MOLDING-TRIM, VINYL WRAP - ROUNDED EDGE - 40 X 2134MM - SALEM CHERRY
16	111135-D2-012	EA MOLDING-TRIM, VINYL WRAP - ROUNDED EDGE - 38 X 2012MM - PICKLED ASH
16	111136-D2-012	EA MOLDING-TRIM, VINYL WRAP - ROUNDED EDGE - 38 X 2012MM - SALEM CHERRY
16	111135-D2-016	EA MOLDING-TRIM, VINYL WRAP - ROUNDED EDGE - 38 X 2016MM - PICKLED ASH
16	111136-D2-016	EA MOLDING-TRIM, VINYL WRAP - ROUNDED EDGE - 38 X 2016MM - SALEM CHERRY
16	111135-F2-134	EA MOLDING-TRIM, VINYL WRAP - ROUNDED EDGE - 65 X 2134MM - PICKLED ASH
16	111136-F2-134	EA MOLDING-TRIM, VINYL WRAP - ROUNDED EDGE - 65 X 2134MM - SALEM CHERRY
16	111135-F2-310	EA MOLDING-TRIM, VINYL WRAP - ROUNDED EDGE - 65 X 2310MM - PICKLED ASH
15	111136-F2-310	EA MOLDING-TRIM, VINYL WRAP - ROUNDED EDGE - 65 X 2310MM - SALEM CHERRY
16	111135-F2-438	EA MOLDING-TRIM, VINYL WRAP - ROUNDED EDGE - 65 X 2438MM - PICKLED ASH
16	111136-F2-438	EA MOLDING-TRIM, VINYL WRAP - ROUNDED EDGE - 65 X 2438MM - SALEM CHERRY
17	105709-01-000	FT T-MOLDING, 1" WIDE - MODERN IVORY
18	100659-17-E37	EA TRIM-MOLDING, WOOD FLOORING - PICKLED ASH
18	100659-17-E41	EA TRIM-MOLDING, WOOD FLOORING - SALEM CHERRY
19	109736-01-01A	FT T-MOLDING, 1" WIDE - OFF SET - BRASS/BLACK
20	103186-01-03A	FT MOLDING-PLASTIC, 9.5MM SHELF EDGING - PICKLED ASH
20	103186-01-04A	FT MOLDING-PLASTIC, 9.5MM SHELF EDGING - SALEM CHERRY
20	103186-02-03A	FT MOLDING-PLASTIC, 25.4MM SHELF EDGING - PICKLED ASH
20	103186-02-04A	FT MOLDING-PLASTIC, 25.4MM SHELF EDGING - SALEM CHERRY
21	086229-09-000	EA RETAINER-BATTEN, CEILING - OFFSET
22	086229-10-000	EA BATTEN-CEILING, 1.5" OFFSET - IVORY

INTERIOR FINISH GROUP (CONTINUED)

PANELING, LAMINATES & PLASTIC

KEY	PART NUMBER	U/M DESCRIPTION
	057882-04-000	SF TAMBOUR-DOOR, 47" X 95" SHEET
	065747-01-000	SF INSULATION-MICROFOAM, .5" THICK X 72" X 112' ROLL
	074497-22-000	SF PANELING-WOODGRAIN, 48" X 96" - PICKLED ASH
	074497-23-000	SF PANELING-WOODGRAIN, 48" X 96" - SALEM CHERRY
	074498-70-000	SF LAMINATE-PLASTIC, 5' X 8' - GRAY FINESSE - STOVE TOP COVER (F36, F37)
	074498-62-000	SF LAMINATE-PLASTIC, 5' X 8' - GRAY FINESSE (F36, F37)
	074498-59-000	SF LAMINATE-PLASTIC, 5' X 8' - SAND CHROMATEX (F38, F39)
	074498-71-000	SF LAMINATE-PLASTIC, 5' X 8' - NEUTRAL SANTOS (F40, F41)
	074498-71-000	SF LAMINATE-PLASTIC, 5' X 8' - NEUTRAL SANTOS - EXTERIOR ENTERTAINMENT
	074498-57-000	SF LAMINATE-PLASTIC, 5' X 8' - PICKLED ASH
	074498-58-000	SF LAMINATE-PLASTIC, 5' X 8' - SALEM CHERRY
	076325-43-000	FT MOLDING-EDGE BAND, .875" WIDE - CLOUD (F36, F37)
	076325-54-000	FT MOLDING-EDGE BAND, .875" WIDE - NEUTRA (F38, F39)
	076325-40-000	FT MOLDING-EDGE BAND, .875" WIDE (F40, F41)
	076325-49-000	FT MOLDING-EDGE BAND, .875" WIDE - PICKLED ASH
	076325-50-000	FT MOLDING-EDGE BAND, .875" WIDE - SALEM CHERRY
	088272-E1-000	SF PANELING-DECORATIVE, PATTERNED - 4' X 7' (F36, F37)
	088272-C7-000	SF PANELING-DECORATIVE, PATTERNED - 4' X 7' (F38, F39)
	088272-E2-000	SF PANELING-DECORATIVE, PATTERNED - 4' X 7' (F40, F41)
	088272-98-000	SF PANELING-SHOWER, OFF WHITE - 4' X 7'
	106069-01-000	SF TAMBOUR-BRASSTONE, 4" X 6" - ALUMINUM COVERED HARDBOARD
	111133-E2-438	EA LUMBER-VINYL WRAPPED, 50.8 X 2438MM - PICKLED ASH
	111134-E2-438	EA LUMBER-VINYL WRAPPED, 50.8 X 2438MM - SALEM CHERRY
	111133-G2-438	EA LUMBER-VINYL WRAPPED, 76 X 2438MM - PICKLED ASH
	111134-G2-438	EA LUMBER-VINYL WRAPPED, 76 X 2438MM - SALEM CHERRY
	093609-01-000	SF ACRYLIC-SHEET, 3/8" X 4' X 8'
	111441-01-01A	EA LOUVERED DOOR, 350 X 590MM - PICKLED ASH
	111441-01-02A	EA LOUVERED DOOR, 350 X 590MM - SALEM CHERRY

INTERIOR FINISH GROUP (CONTINUED)

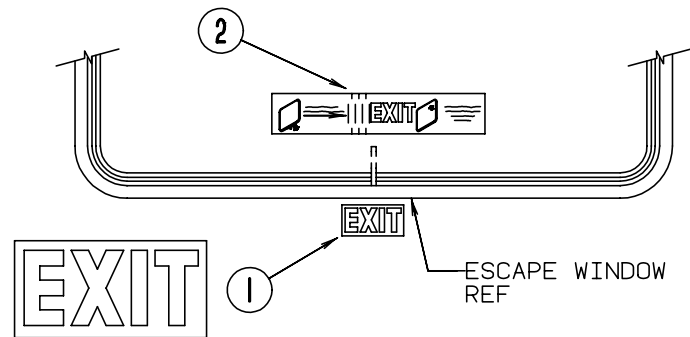
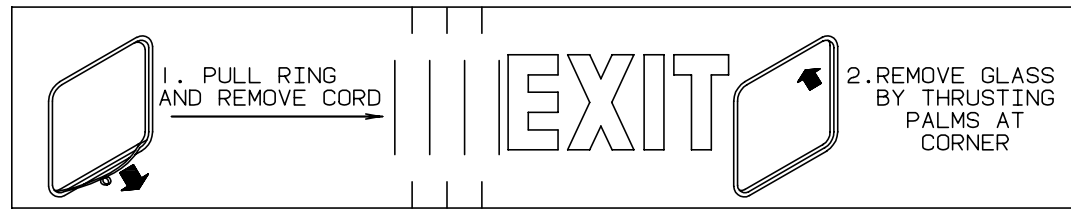
FIRE EXTINGUISHER, DETECTORS, CLOCK & HANDRAIL

KEY	PART NUMBER	U/M DESCRIPTION
	094499-01-000	EA EXTINGUISHER-FIRE, DRY W/MOUNTING BRACKET - 10 BC
	094499-01-700	EA BRACKET-MOUNTING, W/PLASTIC STRAP - FIRE EXTINGUISHER
	094499-02-000	EA EXTINGUISHER-FIRE, DRY W/MOUNTING BRACKET - 1A10 BC (CANADIAN)
	072852-01-000	EA DETECTOR-SMOKE, W/9 VOLT BATTERY
	072852-02-000	EA DETECTOR-SMOKE, W/9 VOLT BATTERY - CANADIAN
	100793-02-01A	EA CLOCK-WALL, ROUND - 11" - BOLDEN 9988
	112320-01-000	EA DETECTOR-CO GAS, MODEL 9B-I - COSTAR 940000000
	112320-02-000	EA BATTERY/SENSOR-CO GAS, COSTAR 940001000
	108808-01-01A	EA HANDRAIL-STEP, ENTRANCE BRASS - TRANSFER FLOW

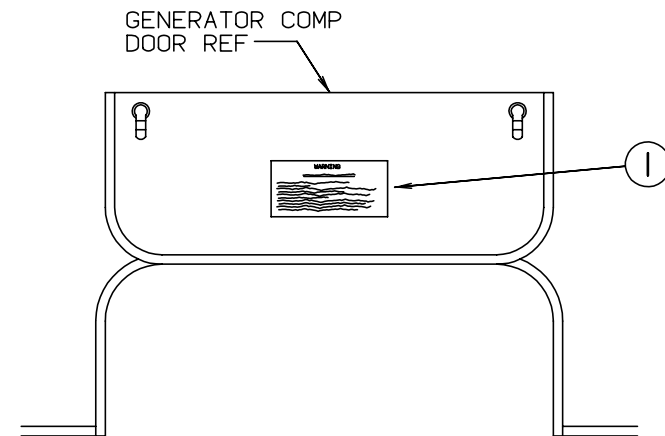
FLOOR COVERINGS & MATS

KEY	PART NUMBER	U/M DESCRIPTION
	093486-01-000	SY CARPET-COMPARTMENT, 54" WIDE - DARK GRAY
	096060-A3-000	SY CARPET-12' ROLL, LARKSPUR BLUE (F36, F37)
	096060-72-000	SY CARPET-12' ROLL, BARLEY (F38, F39, F40, F41)
	075233-01-000	SY PAD-CARPET, 3/8" X 6' ROLL
	047034-02-000	SF PLASTIC-CARPET, 4' WIDE - CLEAR POLY
	105829-03-01A	SF TILE-FLOOR, WOOD PLANK - PICKLED ASH
	105829-03-02A	SF TILE-FLOOR, WOOD PLANK - SALEM CHERRY
	105829-01-700	EA TILE-FLOOR, WOOD PLANK - 36" X 4.5' X 3/8" THICK
	108151-01-000	EA MAT-FLOOR, ENTRANCE - PLASTICOLOR
	108152-01-000	EA MAT-FLOOR, PASSENGER SIDE - PLASTICOLOR
	108152-02-000	EA MAT-FLOOR, DRIVER SIDE - PLASTICOLOR

LABELS GROUP



KEY	PART NUMBER	U/M DESCRIPTION
1	039290-01-000	EA LABEL-WARNING, EXIT
2	107571-01-000	EA LABEL-ESCAPE EXIT, WINDOW



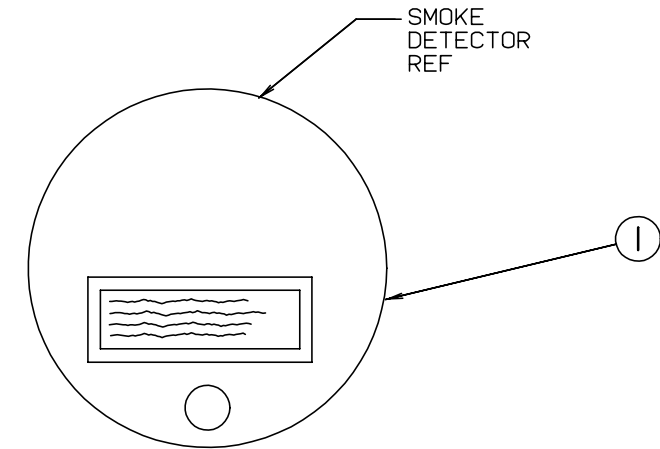
WARNING

WHEN ADDING A GENERATOR SET:

HIGH VOLTAGE-USE EXTREME CAUTION WHEN WORKING ON ELECTRICAL COMPONENTS.
 HAVE ALL ELECTRICAL INSTALLATION PERFORMED BY A QUALIFIED LICENSED ELECTRICIAN-FOLLOW ALL STATE AND LOCAL CODES.
 ONLY INSTALL GENERATOR SET APPROVED FOR R.V. APPLICATION. HAVE INSTALLED BY QUALIFIED TECHNICIAN.
 TO AVOID HEAT BUILD-UP AND TO GUARANTEE AN ADEQUATE AIR SUPPLY TO THE GENERATOR CARBURETOR, FOLLOW INSTALLATION INSTRUCTIONS.
 GENERATOR ENGINE EXHAUST GASES ARE TOXIC AND MUST NOT TERMINATE UNDER THE VEHICLE-DISCHARGE EXHAUST AWAY FROM VEHICLE.

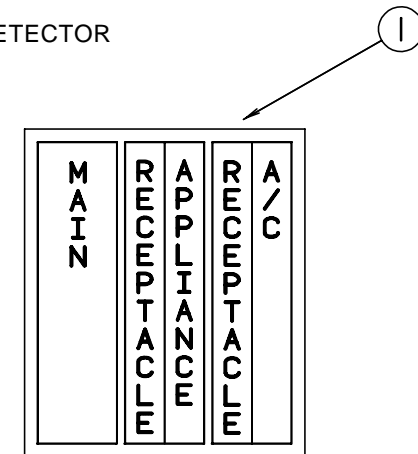
KEY	PART NUMBER	U/M DESCRIPTION
1	077510-01-000	EA LABEL-GENERATOR PREP

LABELS GROUP (CONTINUED)



WARNING: TEST SMOKE DETECTOR OPERATION AFTER VEHICLE HAS BEEN IN STORAGE, BEFORE EACH TRIP AND AT LEAST ONCE PER WEEK DURING USE.

KEY	PART NUMBER	U/M DESCRIPTION
1	077956-01-000	EA LABEL-WARNING, SMOKE DETECTOR

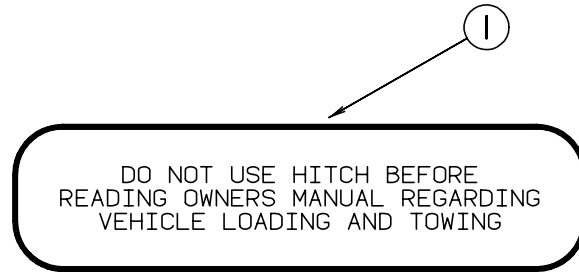


KEY	PART NUMBER	U/M DESCRIPTION
1	095721-07-000	EA LABEL-CONTROL CENTER - FRONT - W/SWITCH LOCATIONS

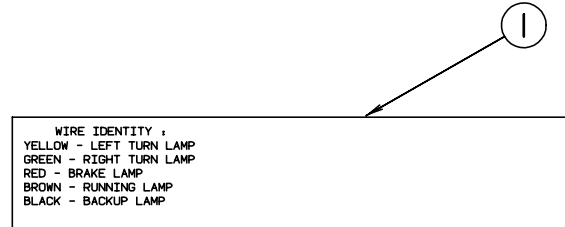
MAIN	REFRIG/MICRO A/C CIRCUIT 1
MAIN	A/C CIRCUIT 2 GENERAL RECPS
GFI # 1	WASHER/DRYER
GFI # 2	
CONVERTER/ GENERAL RECPS DISHWASHER	CONVERTER/ GENERAL RECPS

KEY	PART NUMBER	U/M DESCRIPTION
1	095721-09-000	EA LABEL-CONTROL CENTER (50A)

LABELS GROUP (CONTINUED)

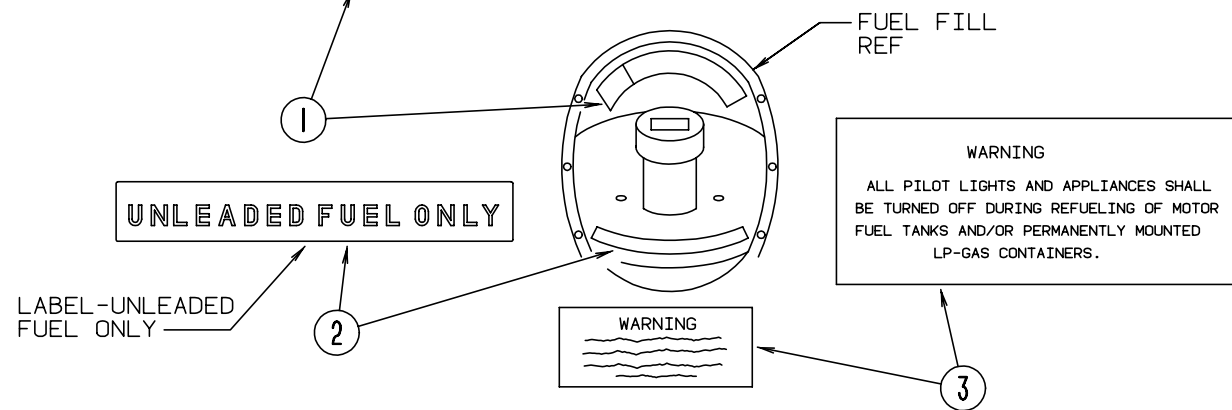


KEY	PART NUMBER	U/M	DESCRIPTION
1	111104-01-000	EA	LABEL-HITCH, READ MANUAL



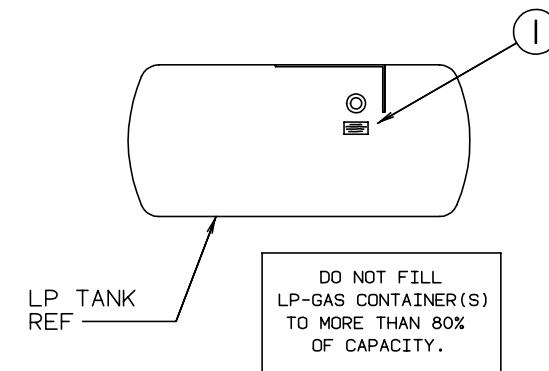
KEY	PART NUMBER	U/M	DESCRIPTION
1	091224-02-000	EA	LABEL-TRAILER LIGHTING

CAUTION	TO HELP AVOID PERSONAL INJURY DURING REMOVAL OF FUEL FILLER CAP, SLOWLY LOOSEN CAP 1/2 TURN TO ALLOW ANY FUEL PRESSURE TO BE RELIEVED BEFORE TURNING CAP FURTHER.
FUEL SPRAY MAY CAUSE PERSONAL INJURY	STOP ADDING FUEL AFTER FIRST SHUTOFF BY AUTOMATIC NOZZLE WHEN TANK IS NEARLY FULL. DO NOT OVERFILL FUEL TANK. SEE OWNERS MANUAL FOR ADDITIONAL INFORMATION.
	PRINTED IN U.S.A. MLC PT NO 15611763



KEY	PART NUMBER	U/M	DESCRIPTION
1	087207-05-000	EA	LABEL-FUEL CAP REMOVAL
2	062043-01-000	EA	LABEL-FUEL, UNLEADED
3	006040-01-000	EA	TAG-GAS REFUELING WARNING
3	006040-02-000	EA	TAG-GAS REFUEL WARNING, CANADIAN

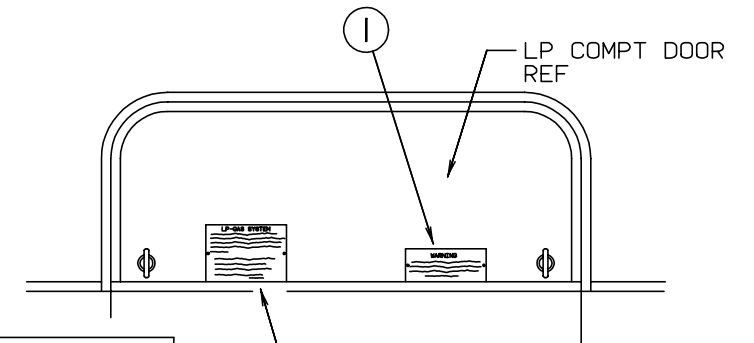
LABELS GROUP (CONTINUED)



KEY	PART NUMBER	U/M	DESCRIPTION
1	079965-01-000	EA	LABEL-LPG 80 CAPACITY

WARNING

ALL PILOT LIGHTS AND APPLIANCES SHALL BE TURNED OFF DURING REFUELING OF MOTOR FUEL TANKS AND/OR PERMANENTLY MOUNTED LP-GAS CONTAINERS.



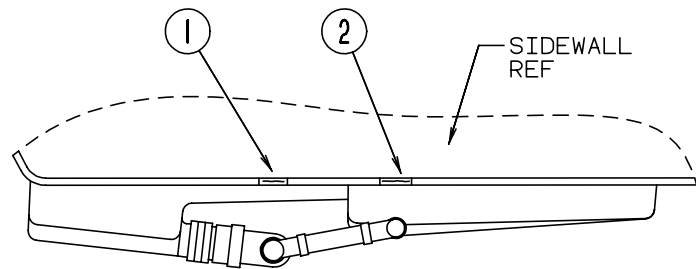
LP-GAS SYSTEM

THIS GAS PIPING SYSTEM IS DESIGNED FOR USE OF LIQUEFIED PETROLEUM GAS ONLY. DO NOT CONNECT NATURAL GAS TO THIS SYSTEM.

SECURELY CAP INLET(S) WHEN NOT CONNECTED FOR USE. AFTER TURNING ON GAS, EXCEPT AFTER NORMAL CONTAINER REPLACEMENT, TEST GAS PIPING AND CONNECTIONS TO APPLIANCE FOR LEAKAGE WITH SOAPY WATER OR BUBBLE SOLUTION. DO NOT USE PRODUCTS THAT CONTAIN AMMONIA OR CHLORINE.
P.N. 54531

KEY	PART NUMBER	U/M	DESCRIPTION
1	006040-01-000	EA	TAG-GAS REFUELING WARNING
1	006040-02-000	EA	TAG-GAS REFUEL WARNING, CANADIAN
2	054531-01-000	EA	LABEL-WARNING, LPG - US
2	023769-01-000	EA	LABEL-WARNING, LPG - CANADIAN

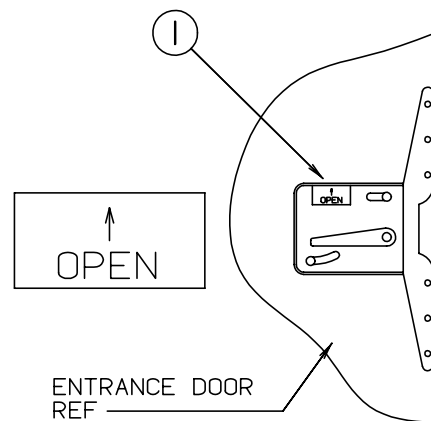
LABELS GROUP (CONTINUED)



SEWAGE

WASTE WATER

KEY	PART NUMBER	U/M DESCRIPTION
1	006187-01-000	EA LABEL-SEWAGE
2	006188-01-000	EA LABEL-WASTE WATER



KEY	PART NUMBER	U/M DESCRIPTION
1	040944-01-000	EA LABEL-ENTRANCE DOOR, "OPEN"

NOTE: TUNE ANTENNA PER MANUFACTURER'S DIRECTIONS. FAILURE TO COMPLY COULD RESULT IN DAMAGE TO CB.

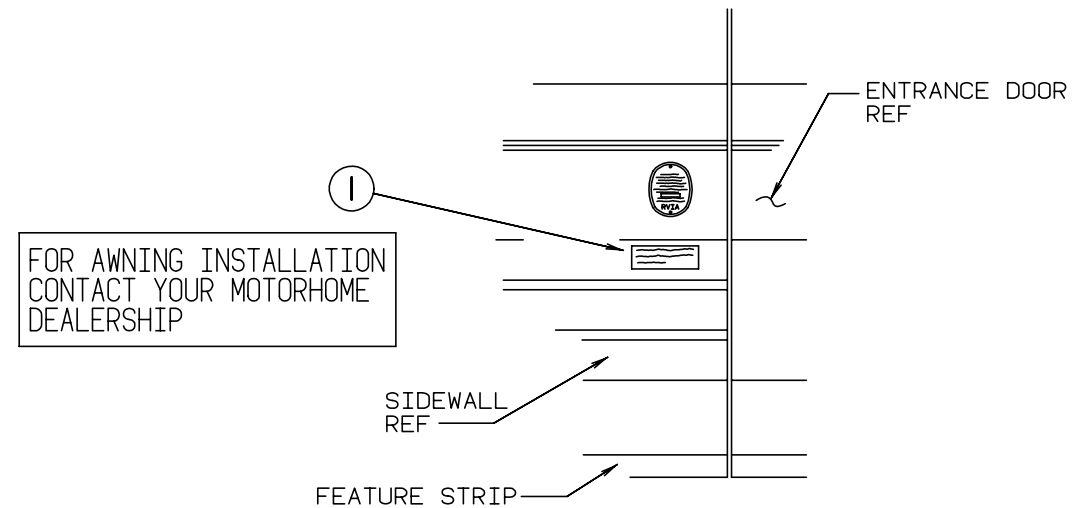
CB POWER PROVISION
 RED +12 V
 BLACK GROUND
 COAX ANTENNA
 (SEE REVERSE ALSO)

KEY	PART NUMBER	U/M DESCRIPTION
1	104678-01-000	EA LABEL-CB PREP

WARNING
 MUST BE STOWED
 IN LATCHED POSITION
 WHILE VEHICLE IS IN MOTION

KEY	PART NUMBER	U/M DESCRIPTION
1	079966-01-000	EA LABEL-WARNING, STOWED - MOTION

LABELS GROUP (CONTINUED)



KEY	PART NUMBER	U/M DESCRIPTION
1	099509-01-000	EA LABEL-AWNING INSTALLATION

CAUTION

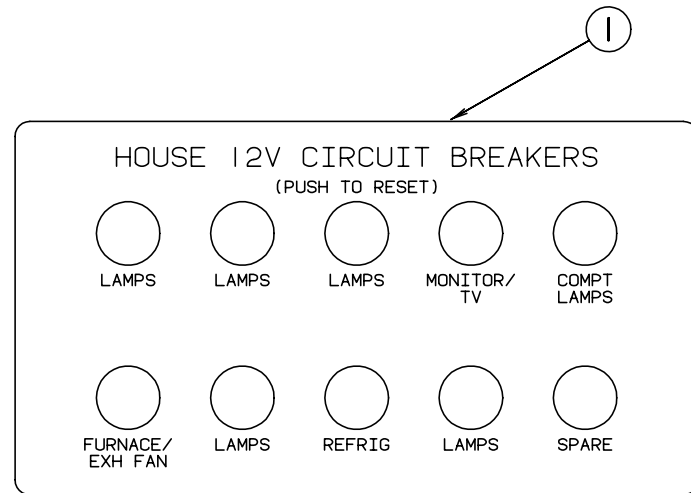
THIS MOTOR HOME HAS BEEN DESIGNED, MANUFACTURED AND TESTED WITH CONCERN FOR THE PROTECTION OF IT'S OCCUPANTS. WE RECOMMEND YOU PERFORM THE FOLLOWING INSPECTIONS FOR YOUR SAFETY AND THE SAFETY OF YOUR PASSENGERS BEFORE STARTING YOUR VEHICLE.

1. LP GAS SYSTEM- TURN OFF AT TANK FOR TRAVELING. TEST FOR LEAKS UPON ARRIVAL AT DESTINATION. BEFORE LIGHTING PILOTS.
2. WHEELS- INSPECT FOR DAMAGE AND CHECK LUG NUTS FOR TIGHTNESS.
3. TIRES- INSPECT FOR WEAR AND DAMAGE AND CHECK FOR RECOMMENDED AIR PRESSURE.
4. LIGHTING- TEST FOR PROPER OPERATION OF ALL INTERIOR AND EXTERIOR LIGHTS INCLUDING DASH LIGHTS, HEADLIGHTS, TAIL LIGHTS, BRAKE LIGHTS, CLEARANCE LIGHTS AND TURN SIGNALS.
5. EXITS- INSPECT RELEASE MECHANISM ON EMERGENCY EXIT WINDOW, TEST BOTH LOCKS ON MAIN ENTRANCE DOOR FOR EASE OF OPERATION AND INSTRUCT PASSENGERS HOW TO USE BOTH MEANS OF EXIT.
6. SEAT BELTS- DIRECT PASSENGERS TO DESIGNATED SEATS AND REQUIRE USE OF SEAT BELTS.
7. APPLIANCES- TURN OFF AND LATCH OR LOCK DOORS WHERE PROVIDED.
8. LOOSE PARCELS- STORE SECURELY.
9. UTILITY SUPPLY LINES- DISCONNECT ALL ELECTRIC, SEWER AND WATER LINES AND SECURE PROPERLY.
10. ENTRANCE DOOR STEP- PLACE IN RETRACTED POSITION FOR TRAVELING.

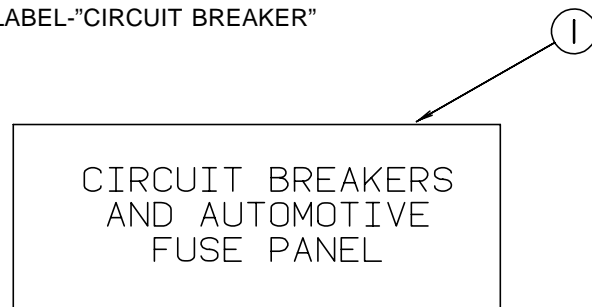
READ YOUR MOTOR HOME AND CHASSIS OWNER'S MANUAL FOR FURTHER PRECAUTIONS

KEY	PART NUMBER	U/M DESCRIPTION
	056259-01-000	EA LABEL-SAFETY CHECK LIST

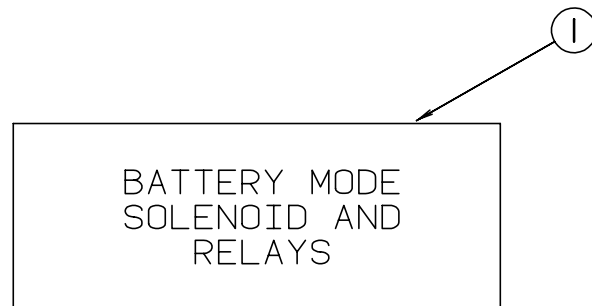
LABELS GROUP (CONTINUED)



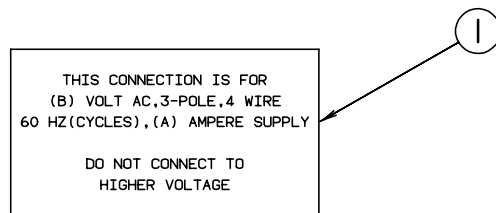
KEY PART NUMBER U/M DESCRIPTION
1 092547-04-000 EA LABEL-"CIRCUIT BREAKER"



KEY PART NUMBER U/M DESCRIPTION
1 098379-03-000 EA LABEL-ELECTRICAL BOX, FRONT

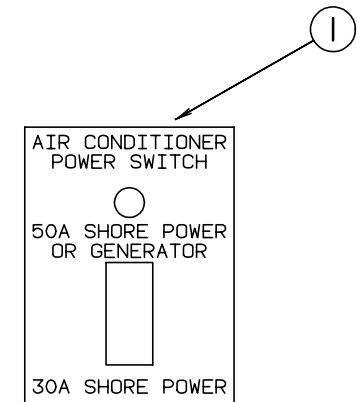


KEY PART NUMBER U/M DESCRIPTION
1 098379-04-000 EA LABEL-ELECTRICAL BOX, SIDE

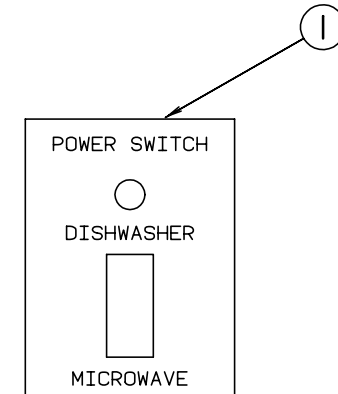


KEY PART NUMBER U/M DESCRIPTION
1 006062-04-000 EA LABEL-ELECTRIC, 120/240V SERVICE

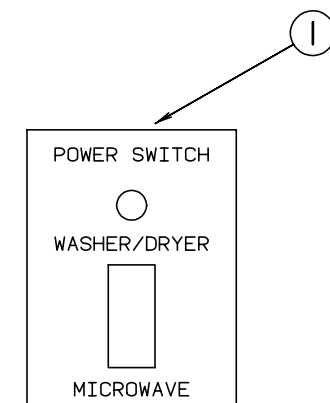
LABELS GROUP (CONTINUED)



KEY PART NUMBER U/M DESCRIPTION
1 109051-01-000 EA LABEL-SWITCH, 50A POWER (SHORE)

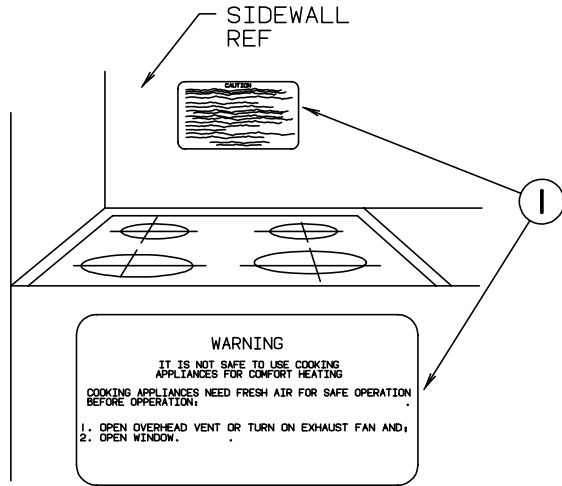


KEY PART NUMBER U/M DESCRIPTION
1 109051-02-000 EA LABEL-SWITCH, 50A POWER (DISHWASHER)

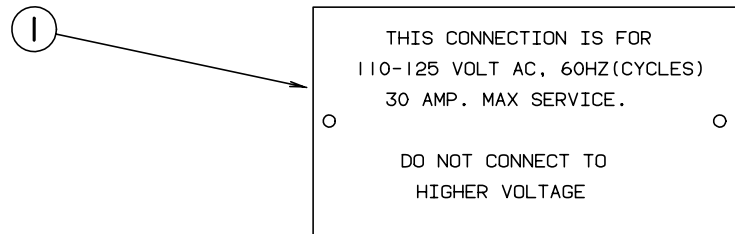


KEY PART NUMBER U/M DESCRIPTION
1 109051-03-000 EA LABEL-SWITCH, 50A POWER (WASHER/DRYER)

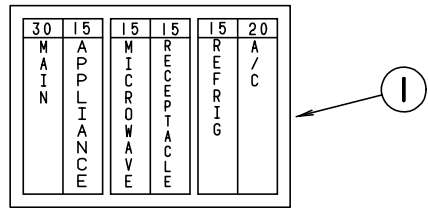
LABELS GROUP (CONTINUED)



KEY	PART NUMBER	U/M DESCRIPTION
1	050225-01-000	EA LABEL-WARNING, STOVE VENT - US
1	050222-01-000	EA LABEL-WARNING, STOVE VENT - CANADIAN



KEY	PART NUMBER	U/M DESCRIPTION
1	006062-01-000	EA TAG-ELECTRIC, 110V CONNECTION

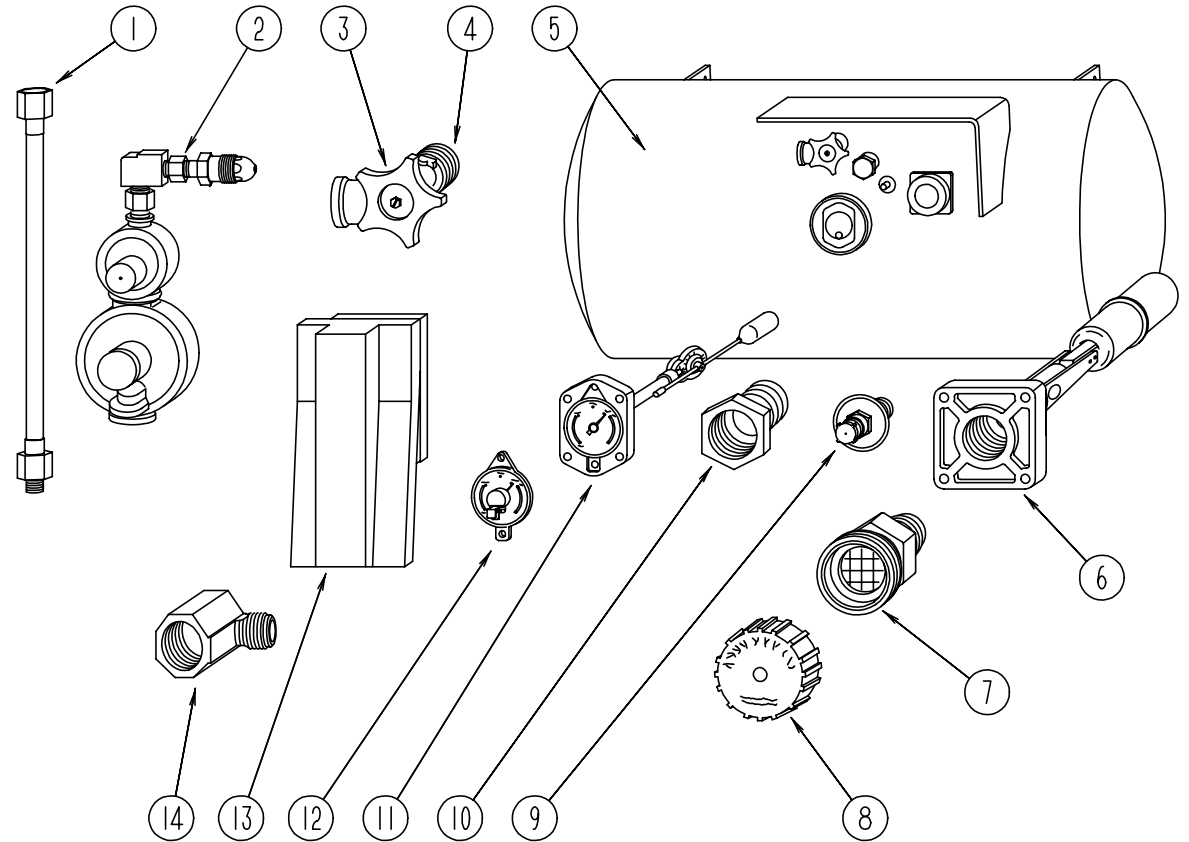


KEY	PART NUMBER	U/M DESCRIPTION
1	095721-10-000	EA LABEL-CONTOL CENTER (30A)

MISCELLANEOUS LABELS

KEY	PART NUMBER	U/M DESCRIPTION
	073998-01-000	EA LABEL-LPG ODOR WARNING
	091243-01-000	EA LABEL-A/C COVER, "AIR CONDITIONING CIRCUIT. ETC."
	098641-01-000	EA LABEL-FUEL, UNLEADED - DASH
	099689-01-000	EA LABEL-WARNING, CANCER/TOXICITY
	104236-01-000	EA LABEL-GENERATOR CIRCUIT

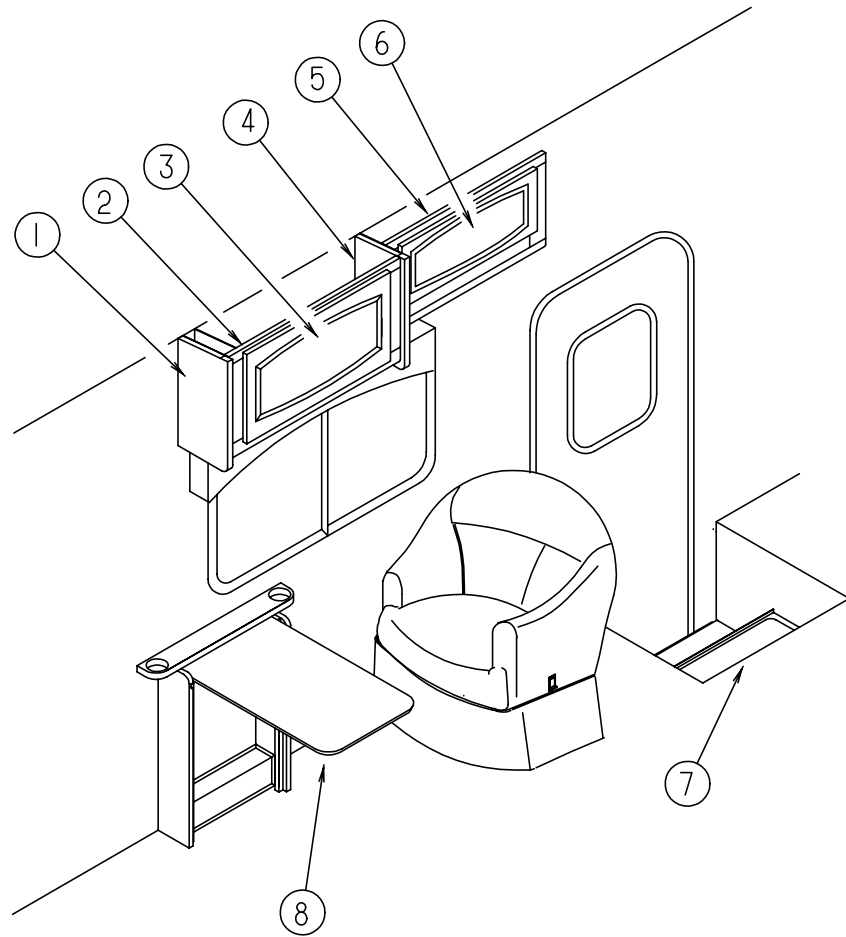
LP GROUP



LP TANK & COMPONENTS

KEY	PART NUMBER	U/M DESCRIPTION
1	045703-01-000	EA HOSE-LP, 3/8" ID X 24" US - 3/8 MPT X 1/2 F SWIVEL
1	045703-02-000	EA HOSE-LP, 3/8"ID X 24" - 3/8"MPT X 1/2"F SWIVEL - CANADA
2	106150-01-000	EA REGULATOR-TWO STAGE
3	040421-01-708	EA HANDWHEEL-VAPOR RELIEF VALVE, BRUNNER G-1015-A
4	040421-01-712	EA VALVE-SERVICE W/HANDWHEEL - W/O VAPOR RELIEF - BRUNNER 29000853
	P04998-03-000	EA MOUNT-LP TANK
5	088253-03-000	EA TANK-LP, 100 LB - 16" D X 36" - SPL
6	040421-01-711	EA VALVE-80% W/FLOAT, PLATE, BOLTS & GASKET - BRUNNER
7	040421-01-701	EA VALVE-SHORT LP FILLER W/YELLOW CAP - BRUNNER 75478
8	040421-01-702	EA CAP-LP FILLER VALVE, PLASTIC - YELLOW - BRUNNER G-1014-A
9	040421-01-700	EA GAUGE-LIQUID LEVEL, 20% LP - BRUNNER G-1013
10	040421-01-713	EA PRESSURE RELIEF VALVE
11	040421-01-707	EA GAUGE-FLOAT W/VISIBLE DIAL - BRUNNER MA-9 6244-4
	040421-01-706	EA DIAL-LP TANK VOLUME, VISIBLE FACE (5-1789)
12	040440-02-000	EA TRANSMITTER-DIAL, 90 OHM
13	105658-01-000	EA COMPARTMENT-LP REGULATOR
14	065318-02-000	EA ELBOW-90 DEGREE, 3/8" MPT TO 3/8" FPT
	010323-01-000	EA ADAPTER-BRASS, 3/8F X 1/2MPT
	010329-01-000	EA ADAPTER-BRASS, 1/2F X 1/2MPT
	010377-02-000	EA NUT-BRASS, 3/8 FEMALE - FORGED
	010380-02-000	EA NUT-BRASS, 1/2 FEMALE - FORGED
	103613-01-000	EA DETECTOR-LP GAS

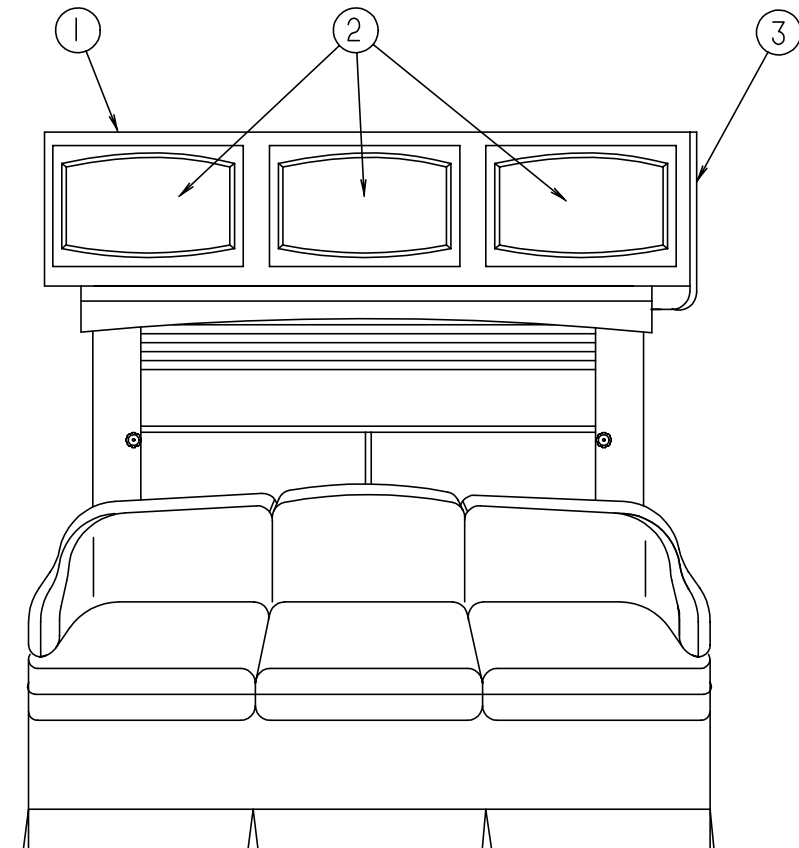
LOUNGE GROUP



PASSENGER SIDE CABINETS & TABLE

KEY	PART NUMBER	U/M	DESCRIPTION
1	107494-13-E37	EA	END CAP-CABINET, OVERHEAD (PICKLED ASH)
1	107494-13-E41	EA	END CAP-CABINET, OVERHEAD (SALEM CHERRY)
2	M05960-08-E37	EA	CABINET-OVERHEAD, W/O DOOR OR HARDWARE (PICKLED ASH)
2	M05960-08-E41	EA	CABINET-OVERHEAD, W/O DOOR OR HARDWARE (SALEM CHERRY)
3	M05990-01-E37	EA	DOOR-CABINET, W/O HARDWARE - 365 X 680MM (PICKLED ASH)
3	M05990-01-E41	EA	DOOR-CABINET, W/O HARDWARE - 365 X 680MM (SALEM CHERRY)
4	107494-12-E37	EA	END CAP-CABINET, OVERHEAD (PICKLED ASH)
4	107494-12-E41	EA	END CAP-CABINET, OVERHEAD (SALEM CHERRY)
5	M05960-07-E37	EA	CABINET-OVERHEAD, W/O DOOR & HARDWARE (PICKLED ASH)
5	M05960-07-E41	EA	CABINET-OVERHEAD, W/O DOOR & HARDWARE (SALEM CHERRY)
6	M05990-02-E37	EA	DOOR-CABINET, W/O HARDWARE - 255 X 750MM (PICKLED ASH)
6	M05990-02-E41	EA	DOOR-CABINET, W/O HARDWARE - 255 X 750MM (SALEM CHERRY)
7	104006-01-C05	EA	CABINET-LID, ENTRANCE STEP
	101222-01-02A	EA	BRACKET-CATCH, LID - OFF WHITE
	107941-01-02A	EA	SUPPORT-LID, ENTRY STEP - OFF WHITE
8	P11431-01-E37	EA	CABINET-PULLOUT TABLE (PICKLED ASH)
8	P11431-01-E41	EA	CABINET-PULLOUT TABLE (SALEM CHERRY)
	112556-01-01A	EA	HINGE-BRASS, 1 1/2"

LOUNGE GROUP (CONTINUED)



DRIVER SIDE CABINETS

KEY	PART NUMBER	U/M	DESCRIPTION
1	P15721-01-F36	EA	CABINET-OVERHEAD, W/O DOOR & HARDWARE (PICKLED ASH)
1	P15721-01-F37	EA	CABINET-OVERHEAD, W/O DOOR & HARDWARE (SALEM CHERRY)
2	M05990-04-E37	EA	DOOR-CABINET, W/O HARDWARE - 365 X 455MM (PICKLED ASH)
2	M05990-04-E41	EA	DOOR-CABINET, W/O HARDWARE - 365 X 455MM (SALEM CHERRY)
3	107494-14-E37	EA	END CAP-CABINET, OVERHEAD (PICKLED ASH)
3	107494-14-E41	EA	END CAP-CABINET, OVERHEAD (SALEM CHERRY)
	083125-05-000	EA	BRACE-ANGLE, COUCH - 2.5" - BEIGE

SEALANTS & FASTENERS GROUP

SEALANTS & ADHESIVES

KEY	PART NUMBER	U/M	DESCRIPTION
	004363-01-000	FT	TAPE-ADHESIVE FOAM, 1 SIDE - 3/16" X 1/2" X 50' - GRAY
	034552-02-000	EA	SILICONE-TUBE, 300 ML - CLEAR
	034552-12-000	EA	SILICONE-TUBE, 300 ML - BUFF
	053766-02-000	EA	BEDDING COMPOUND-TUBE, WHITE - SCHNEE# 5522
	053766-08-000	EA	BEDDING COMPOUND-TUBE, GRAY - SCHNEE# 5522
	062917-03-000	EA	ADHESIVE-LOCTITE 242, LOCTITE 242,SIDE 41
	067788-01-000	EA	ADHESIVE-SPRAY, 3M 74 - 19.5 OUNCE CAN
	069640-01-000	FT	SEALER-RIBBON, 1/4" DIAMETER - INCREMENTS OF 30'
	069640-03-000	FT	SEALER-RIBBON, 3/4" X 1/8" - INCREMENTS OF 60'
	069640-07-000	FT	SEALER-RIBBON, 2" X 3/32" - INCREMENTS OF 30' OR 45'
	069640-09-000	FT	SEALER-RIBBON, 2 1/2" X 1/32" - INCREMENTS OF 80'
	069640-11-000	FT	SEALER-TAPE, 3/16" X 3/8", BLACK - MANUS
	069640-14-000	FT	SEALER-RIBBON, 1" X 1/16" - GRAY - INCREMENTS OF 30' OR 45'
	072889-01-000	EA	SEALANT-URETHANE, BLACK - 1/10 - ESSEX 552.2
	076322-02-000	FT	TAPE-FOAM, DOUBLE COATED ADHESIVE BACKED - 1" X 108'
	076322-03-000	FT	TAPE-FOAM, DOUBLE COATED ADHESIVE BACKED - .5" X 108'
	076322-05-000	FT	TAPE-FOAM, DOUBLE COATED - .025" X 1.5" X 108'
	076322-07-000	FT	TAPE-FOAM, DOUBLE COATED, .045 X .50 - 3M 4949 VHB
	076322-08-000	FT	TAPE-FOAM, DOUBLE COATED, .045 X .50 - 3M 4952 VHB
	087211-01-000	GL	PROMOTER-ADHESIVE
	088479-01-000	EA	TAPE-ALUMINUM, 3" - 3M
	091255-02-000	EA	SEAL-ADHESIVE BACKED FOAM, .18" X THICK X 1.5" X 4.8"
	094401-01-000	EA	SEALER-BODY SEAM SEALER, 3M FLEXICLEAR
	106206-01-000	EA	SEAL-PUMPABLE, TUBE - MANUS 30A BLACK
	107828-01-000	EA	SEALANT-SB 190 EVERSEAL, SURE BOND INC
	108353-03-000	FT	SEAL-FOAM, 4.76 X 6.35MM - LUNDELL
	108716-02-000	EA	SILICONE, (TUBE) - BUFF LEVEL - CSL 510
	110274-01-000	FT	TAPE-FOAM, DOUBLE COATED - .045 X 1.0 - NORTON V-2800
	114311-01-000	GL	ADHESIVE-GLUE, #72-7843 NATIONAL STARCH
	900390-01-000	EA	TIP-2 1/2" X 1/8" ORIFICE
	900390-02-000	EA	TIP-6"LN, 1/16" X 1/4" ORIFICE
	900390-03-000	EA	NOZZLES-CSL D10

BOLTS, NUTS & WASHERS

KEY	PART NUMBER	U/M	DESCRIPTION
	000C12-05-12B	EA	BOLT-HEX, 5/16 - 18 X 3/4 - ZINC
	000C12-05-16B	EA	BOLT-HEX, 5/16 - 18 X 1 - ZINC
	000C12-06-16B	EA	BOLT-HEX, 3/8 - 16 X 1 - ZINC
	000C12-06-20B	EA	BOLT-HEX, 3/8 - 16 X 1 1/4 - ZINC
	000C12-06-32B	EA	BOLT-HEX, 3/8 - 16 X 2 LG - ZINC
	000C12-07-20B	EA	BOLT-HEX, 7/16 - 14 X 1 1/4 - ZINC
	000C12-08-24B	EA	BOLT-HEX, 1/2-13 X 1 1/2 - ZINC
	000C13-07-32B	EA	BOLT-HEX, 7/16 - 20 X 2 - ZINC
	000C13-07-48B	EA	BOLT-HEX, 7/16 - 20 X 3 - ZINC
	000C14-06-32B	EA	BOLT-HEX, 3/8 - 16 X 2.00 GD 8 - ZINC
	000C26-04-10B	EA	BOLT-HEX, SER FLG - 1/4-20 X 5/8 ZINC
	000C26-04-14B	EA	BOLT-HEX, SER FLG - 1/4-20 X 7/8 ZINC
	000C26-05-12B	EA	BOLT-HEX-SER FLG 5/16-18X3/4 ZINC
	000C26-05-20B	EA	BOLT-HEX-SER FLG 5/16-18X1 1/4 ZINC
	000C26-06-12B	EA	BOLT-HEX, SER FLG 3/8 - 16 X 3/4 - ZINC
	000C26-06-20B	EA	BOLT-HEX, SER FLG 3/8 - 16 X 1 1/4 - ZINC
	000C26-06-28B	EA	BOLT-HEX, SER FLG 3/8-16X13/4 ZINC
	051387-05-000	EA	BOLT-CARRIAGE, W/O HOLE - 5/16 - 18 X 8.5 - ZINC
	051387-06-000	EA	BOLT-CARRIAGE, W/O HOLE - 5/16 - 18 X 9.5 - ZINC
	106956-03-000	EA	BOLT-HEX TAP, 1/2 - 13NC X 3 - GR5 - FULL THREAD ZINC

SEALANTS & FASTENERS GROUP (CONTINUED)

BOLTS, NUTS & WASHERS (CONTINUED)

KEY	PART NUMBER	U/M	DESCRIPTION
	000D14-04-00B	EA	NUT-HEX, 1/4 - 20 ZINC
	000D24-10-00B	EA	NUT-HEX, SF/LK - 10-32 ZINC
	000D29-06-00B	EA	NUT-HEX, W/NYLON LOCK - 3/8-16 ZINC
	000D34-06-00B	EA	NUT-HEX, LK - 3/8 - 16 GRADE C ZINC - PREVAILING TORQUE
	000D39-04-00B	EA	NUT-HEX, SER FLG LK 1/4 - 20 ZINC
	000D39-05-00B	EA	NUT-HEX, SER FLG LK - 5/16 - 18 ZINC
	000D39-06-00B	EA	NUT-HEX, SER FLG LK - 3/8-16 ZINC
	000D39-08-00B	EA	NUT-HEX, SER FLG LK - 1/2-13 ZINC
	000D44-07-00B	EA	NUT-HEX, SER FLG LK - 7/16-20 ZINC
	000D46-04-00A	EA	NUT-HEX, WELD - 1/4-20 - PLAIN - SHORT PILOT
	040921-03-000	EA	NUT-SPEED, U TYPE - NO 10
	040921-05-000	EA	NUT-SPEED, U TYPE - NO 8 - .67" LENGTH X .44" WIDTH
	044364-02-000	EA	NUT-SPEED, FLAT - ROUND
	063253-07-000	EA	NUT-J, #8A .120- .130 PNL THK
	077049-01-000	EA	NUT-ACORN, 10-32 ALUMINUM
	087234-01-000	EA	NUT-JACK, 1/4 X 20 THREAD - MOLLOY - BRASS
	000E11-05-00B	EA	WASHER-LK, 5/16 MED SPLIT ZINC
	000E11-07-00B	EA	WASHER-LK, 1/4 WIDE ZINC
	000E11-08-00B	EA	WASHER-LK, 1/2 MED SPLIT ZINC
	000E13-11-00B	EA	WASHER-FL, 3/16" WIDE - ZINC
	000E13-14-00B	EA	WASHER-FL, 1/4" WIDE ZINC
	000E13-17-00B	EA	WASHER-FLARE, 3/8" AR ZINC
	000E13-20-00B	EA	WASHER-FL, 7/16" WIDE - ZINC
	000E13-21-00B	EA	WASHER-FL, W/2 NARROW - ZINC
	000E14-10-00B	EA	WASHER-LK - NO 10 EXT TOOTH - ZINC
	041322-01-000	EA	WASHER-FL, 15/32 ID X 2 3/8 OD - FOR SEAT BELT MOUNT
	058716-02-000	EA	WASHER-FLAT NYLON - .406 X .75 X .06
	102378-01-02A	EA	WASHER-BLACK, COMPARTMENT DOORS
	107397-01-000	EA	WASHER-FENDER, 6.8"ID X 32.0"OD

SCREWS

KEY	PART NUMBER	U/M	DESCRIPTION
	000C20-06-20T	EA	SCREW, 3/8-16X1 1/4,FLAT SOC
	000G11-06-08B	EA	SCREW, 6-20X1/2 PPH ZINC
	000G11-06-06B	EA	SCREW, 6-20X3/8 PPH ZN
	000G11-06-10B	EA	SCREW, 6-20 X 5/8 PPH ZINC
	000G11-06-10J	EA	SCREW, 6-20 X 5/8 PPH - BRASS
	000G11-07-08B	EA	SCREW, 7-19 X 1/2 PPH - ZINC
	000G11-08-06B	EA	SCREW, 8-18 X 3/8 PPH ZINC
	000G11-08-08B	EA	SCREW, 8-18 X 1/2 PPH - ZINC
	000G11-08-08T	EA	SCREW, 8-18 X 1/2 PPH
	000G11-08-12B	EA	SCREW, 8-18 X 3/4 PPH ZINC
	000G11-08-12D	EA	SCREW, 8-18 X 3/4 PPH - BLACK
	000G11-08-12P	EA	SCREW, 8-18 X .75 PPH - DARK BROWN
	000G11-08-12R	EA	SCREW, 8-18 X 3/4 PPH - BEIGE
	000G11-08-12S	EA	SCREW, 8-18 X 3/4 PPH - OFF WHITE
	000G11-08-12T	EA	SCREW, 8-18 X 3/4 PPH - BLACK
	000G11-08-20B	EA	SCREW, 8-18X11/4 PPH ZINC
	000G11-08-16S	EA	SCREW, 8-18 X 1.00 PPH - OFF WHITE
	000G11-10-12D	EA	SCREW, 10-16 X 3/4 PPH - BLACK
	000G11-10-12S	EA	SCREW, 10-16X.75 PPH OFF WHT
	000G11-10-16B	EA	SCREW, 10-16 X 1 - PPH ZINC
	000G11-10-40B	EA	SCREW, 10-16 X 2 1/2 PPH CAD
	000G12-06-08T	EA	SCREW, 6-20 X .50 POH - BLACK
	000G12-06-14A	EA	SCREW, 6-20X.87 POH PLAIN
	000G13-06-06B	EA	SCREW, 6-20X3/8 PFH ZINC
	000G13-06-08G	EA	SCREW, 6-20 X 1/2 PFH - ANTIQUE BRASS
	000G13-06-16J	EA	SCREW, 6-20 X 1.00 PFH - BRASS
	000G13-06-24J	EA	SCREW, 6-20X1.50 PFH BRASS

SEALANTS & FASTENERS GROUP (CONTINUED)

SCREWS (CONTINUED)

KEY	PART NUMBER	U/M DESCRIPTION
	000G13-07-12B	EA SCREW, 7-19 X 3/4 PFH ZINC
	000G13-08-10B	EA SCREW, 8-18 X 5/8 PFH - ZINC
	000G13-08-16B	EA SCREW, 8-18 X 1 PFH - ZINC
	000G16-04-24B	EA SCREW-MACHINE, 1/4 - 20 X 1-1/2 PPH
	000G18-08-16B	EA SCREW-MACHINE, 8 X 32 X 1, PPH ZINC
	000G18-08-22B	EA SCREW-MACHINE, 8-32 X 1 3/8 PPH ZINC
	000G19-10-08B	EA SCREW-MACHINE, 10-32 X 1/2 PPH ZINC
	000G19-10-10B	EA SCREW-MACHINE, 10-32 X 5/8 - PPH - ZINC
	000G19-10-20B	EA SCREW-MACHINE, 10-32 X 1 1/14 PPH ZINC
	000G32-10-06B	EA SCREW-10-32 X 3/8" - PPH - ZINC
	000G32-10-06D	EA SCREW-10 - 32 X 3/8 PPH TYPE1 BLACK
	000G39-06-10T	EA SCREW-SF/DR, 6-20 X 5/8 PPH - BLACK
	000G39-06-16T	EA SCREW-SF/DR, 6-20 X 1 PPH - BLACK
	000G39-08-06B	EA SCREW-SF/DR, 8-18 X 3/8 PPH ZINC
	000G39-08-08B	EA SCREW-SF/DR, 8-18 X 1/2 PPH ZINC
	000G39-08-08R	EA SCREW-SF/DR, 8-18 X 1/2 PPH - BEIGE
	000G39-08-08S	EA SCREW-SF/DR, 8-18 X 1/2 PPH - OFF WHITE
	000G39-08-08T	EA SCREW-SF/DR, 8-18 X .5 PPH
	000G39-08-083	EA SCREW-SF/DR, 8-18 X 1/2 PAH - BUFF
	000G39-08-12B	EA SCREW-SF/DR, 8-18 X 3/4 PPH ZINC
	000G39-08-16B	EA SCREW-SF/DR, 8-18 X 1 PPH ZINC
	000G39-08-16S	EA SCREW-SF/DR, 8-18 X 1 PPH OFF WHITE
	000G39-08-16T	EA SCREW-SF/DR, 8-18 X 1 PPH - BLACK
	000G39-08-24B	EA SCREW-SF/DR, 8-18 X 1 1/2 PPH ZINC
	000G39-08-32B	EA SCREW-SF/DR, 8-18 X 2 PPH - ZINC
	000G39-10-088	EA SCREW-SF/DR 10-16 X .50 P&H - DRILL-FLEX F'CARBON
	000G39-10-10B	EA SCREW-SF/DR,10-16 X .625 PPH ZN
	000G39-10-12B	EA SCREW-SF/DR,10-16 X .75 PPH ZN
	000G39-10-129	EA SCREW-SF/DR, 10-16 X 3/4 PPH - FLUOROCARBON SILVER
	000G39-10-12D	EA SCREW-SF/DR, 10-16 X 3/4 PPH - BLACK
	000G39-10-20B	EA SCREW-SF/DR, 10-16 X 1 1/4 PPH ZINC
	000G39-10-209	EA SCREW-SF/DR, 10-16 X 1.25 PPH - FLUOROCARBON SILVER
	000G39-10-32B	EA SCREW-SF/DR, 10- 6 X 2.00 PPH - ZINC
	000G42-04-12B	EA SCREW-SF/DR, 1/4-14 X 3/4 HWH ZINC
	000G42-04-16B	EA SCREW-SF/DR, 1/4-14 X 1 HWH - ZINC
	000G46-08-24T	EA SCREW-MACHINE, 8-32 - 1.50 IN PFH - BLACK
	000G50-04-08B	EA SCREW-MACHINE, 1/4-20X1/2 PTH 2N
	000G50-04-12B	EA SCREW-MACHINE, 1/4-20 X 3/4 PPH ZINC
	000G51-08-08B	EA SCREW-8-18 X 1/2 PTH ZINC
	000G52-08-06B	EA SCREW-MACHINE, 8-32 X 3/8 PTH ZINC
	000G52-08-18B	EA SCREW-MACHINE, 8-32X11/8 PTH ZN
	000G53-04-06B	EA SCREW-MACHINE, 1/4-20 X 3/8 PPH ZINC - UNDERCUT HEAD
	000G54-04-20B	EA SCREW, 1/4-20 X 1 1/4 PTH - TYPE 23 - ZINC PLATED
	000G55-08-125	EA SCREW-SF/DR, 8-18 X .75 PWH
	000G55-08-162	EA SCREW-SF/DR, 8-18 X 1.00 - BEIGE
	000G56-10-24J	EA SCREW-WOOD, 10-13X1.5 POH - BRIGHT BRASS
	000G56-12-48B	EA SCREW, WOOD, 12 - 11 X 3 POH - SPECIAL HARDENED
	000G57-05-16J	EA SCREW, 5-20 X 1 PFH - BRASS
	000G60-08-163	EA SCREW-SF/DR, 8-18 X 1.00 POH - BUFF
	000G60-10-16J	EA SCREW-SF.DR, 10-16 X 1 POH - BRIGHT BRASS
	000G67-08-32B	EA SCREW-8-15X2 PPH ZINC
	000G67-10-08B	EA SCREW, 10-12 X 1/2 PPH ZINC
	000G67-10-08R	EA SCREW, 10-12 X 1/2 PPH - BEIGE - TYPE A
	000G67-10-10B	EA SCREW, 10-12 X 5/8 PPH ZINC - TYPE A
	000G67-10-10D	EA SCREW, 10-12 X 5/8 PPH - BLACK - TYPE A
	000G67-10-10R	EA SCREW, 10-12 X 5/8 PPH - TYPE A - BEIGE
	000G67-10-12B	EA SCREW, 10-12 X 3/4" PPH - ZINC
	000G67-10-16B	EA SCREW, 10-12 X 1 PPH - ZINC
	000G67-10-32B	EA SCREW, 10-12 X 2 PPH - ZINC
	000G67-10-20D	EA SCREW, 10-12 X 1 1/4 PPH - ZINC
	000G67-10-36T	EA SCREW-10-12 X 2.25 PPH - BLACK - STALGAURD
	000G67-10-48B	EA SCREW-10-12 X 3 PPH ZINC

SEALANTS & FASTENERS GROUP (CONTINUED)

SCREWS (CONTINUED)

KEY	PART NUMBER	U/M DESCRIPTION
	000G68-06-10G	EA SCREW, 6-18 X 5/8 POH - ANTIQUE BRASS
	049465-01-000	EA SCREW, 10-16 W/WASHER PTH - DARK BROWN
	075908-01-000	EA SCREW-MACHINE, 10-32 X .56 PTH - ZINC EXTERNAL TOOTH
	086256-01-000	EA SCREW ASM-SF/DR 8 X .75 HWH - LG
	087721-01-000	EA SCREW-FLAT HEAD, TAPPING - 1/4" X 1 1/4" LG ZINC
	091230-03-000	EA SCREW-MACHINE, 8-32 X 3/4 POH SS - BUFF
	101289-01-01A	EA SCREW-MACHINE, 8-32 X 4 - POH - BRASS - FOR EXTENDED KNOB
	101618-01-000	EA SCREW, 1/4-20 X 3/4 - HEX/TAPPING - STALGARD TYPE F
	109152-01-000	EA SCREW, 3/8-16 X1 1/4 - FLAT SOC - DORRLEMATE COATED

RIVETS, CLAMPS, GROMMETS & CLIPS

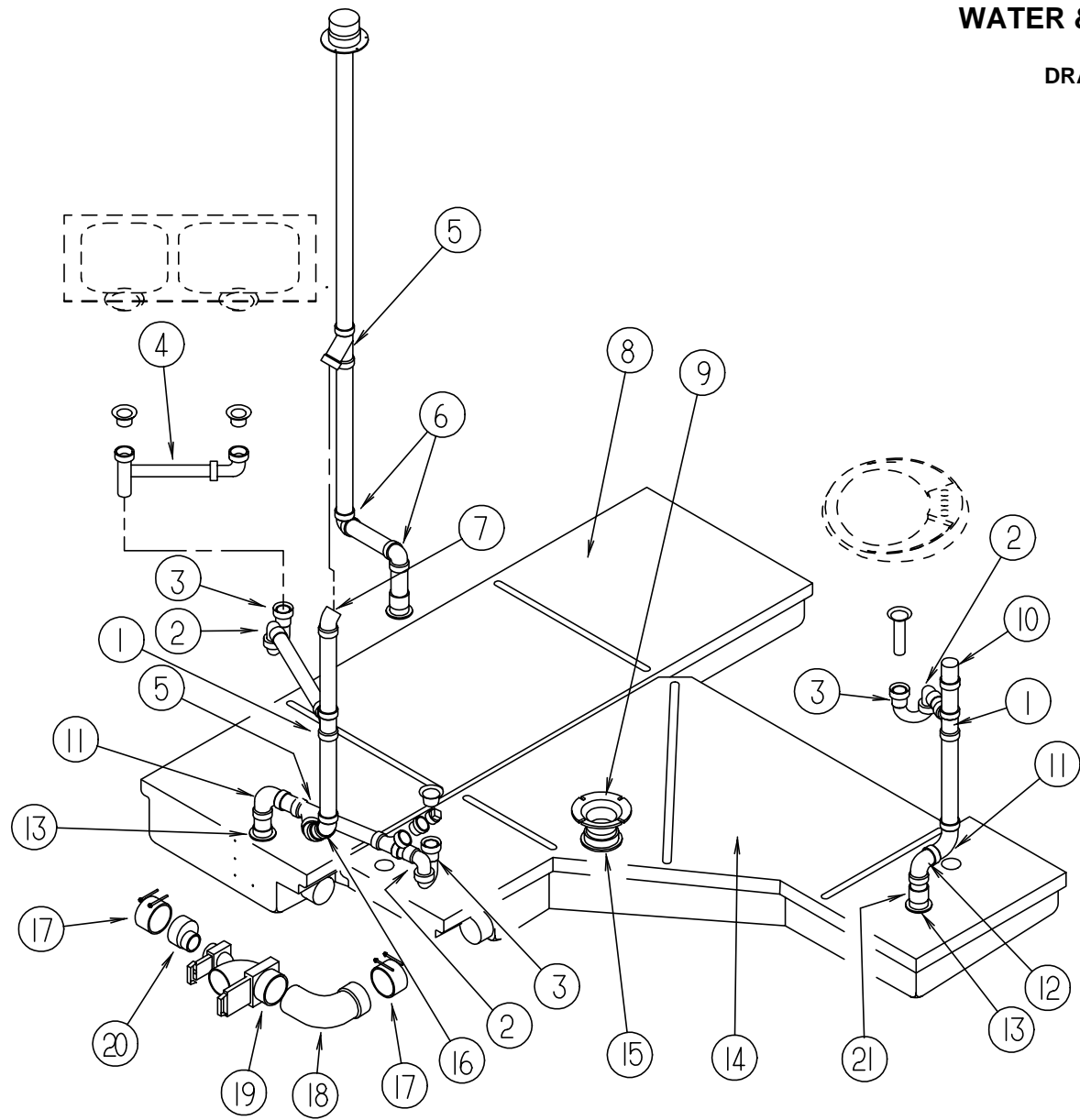
KEY	PART NUMBER	U/M DESCRIPTION
	000H14-06-14R	EA RIVET-MANDREL BLIND, 3/16"
	000H16-04-06R	EA RIVET-POP, AL 1/8 X .313-.375
	010495-01-000	EA CLAMP-CABLE, 9/16"
	010497-01-000	EA CLAMP-CLOSED, 5/8" ID
	010497-03-000	EA CLAMP-CLOSED, 1" ID - CUSHIONED
	010497-05-000	EA CLAMP-CLOSED, 1/2" ID
	010499-01-000	EA CLAMP-CLOSED, 3/8" ID
	062401-01-000	EA CLAMP-HOSE, WORMGEAR .25" - 1"
	062401-02-000	EA CLAMP-HOSE, WORMGEAR - 1.56" - 2.5"
	062401-04-000	EA CLAMP-HOSE, WORMGEAR .69"- 1.25"
	062401-05-000	EA CLAMP-HOSE, WORMGEAR 2"- 3"
	062401-06-000	EA CLAMP-HOSE, WORMGEAR .22"-.62"
	062401-11-000	EA CLAMP-HOSE, WORMGEAR 3.56"- 4.5"
	075148-02-000	EA CLAMP-GROUNDING, BRONZE SCREWS
	083609-01-000	EA CLAMP-WIRE, DUAL EQUAL - 5/8" DIAMETER
	083610-01-000	EA CLAMP-WIRE, DUAL - UNEQUAL DIAMETERS - .75" & 1.25"
	083610-02-000	EA CLAMP-WIRE, DUAL UNEQUAL DIA
	008380-01-000	EA GROMMET-RUBBER, 5/8" HOLE X 1 1/2" DIAMETER - BLACK
	071015-19-000	EA GROMMET-.38ID, FITS .06 MATERIAL - MINOR RUBBER Z-3065
	071015-11-000	EA GROMMET-1.00ID, FITS .12 MATERIAL - MINOR RUBBER Z-3065
	071015-29-000	EA GROMMET-.25ID, 1.25"OD W/.12" GROOVE - RUBBER - BLACK
	016188-03-000	EA GROMMET-L/P LINE, 3/8" HOLE X 2 1/2" LONG - RUBBER
	016188-05-000	EA GROMMET-L/P LINE, 3/8" HOLE X 1 1/4" LONG - RUBBER
	023942-01-000	EA GROMMET-RUBBER, 2" OD
	071015-21-000	EA GROMMET-RUBBER, .5" ID X 1.06" OD W/.19" GROOVE - BLACK
	077953-01-000	EA GROMMET-EDGE LINER, FITS 1"
	075312-02-000	EA CLIP-J, VINYL COATED - 3/8"
	077955-01-000	EA CLIP-J,VINYL COATED, 3/8" - USED TO SUPPORT WIRING TO LIGHTS
	080211-03-000	EA CLIP-MOUNTING, XMAS TREE - DECORATIVE WALL PADS
	091952-01-000	EA CLIP-GRIPPER, 1"
	091952-02-000	EA CLIP-GRIPPER, 3/4"
	094362-02-000	EA CLIP-CHRISTMAS TREE, FLAT HEAD - .5" X .95"
	101447-01-000	EA CLIP-U TYPE, TINNERMAN - HOLDS SHOWER SURROUND TOGETHER

MISCELLANEOUS FASTENERS

KEY	PART NUMBER	U/M DESCRIPTION
	008343-02-000	EA TIE-WIRE, 14"
	029094-04-000	YD VELCRO TAPE-LOOP, 1" WIDE - BLACK
	029094-03-000	YD VELCRO TAPE-HOOK, 1" WIDE - BLACK
	029094-06-000	YD VELCRO TAPE-LOOP, 2" WIDE - BLACK
	029096-03-000	YD VELCRO TAPE-HOOK, 1" WIDE - BLACK
	081211-04-000	EA PLUG-PLASTIC, .46" DIAMETER - BLACK
	085774-01-000	FT FASTENER-DUAL HOOK, 1" WIDE - ADHESIVE BACK - BLACK
	085774-02-000	FT FASTENER-DUAL LOOP, 1" WIDE - ADHESIVE BACK - BLACK
	086285-01-000	EA SPACER-NYLON, .5" OD X .257" ID

WATER & SEWAGE GROUP

DRAINAGE SYSTEM



KEY	PART NUMBER	U/M	DESCRIPTION
1	010071-01-000	EA	TEE-SANITARY, 1 1/2" HUB X HUB X HUB - PLASTIC - BLACK
2	109571-01-000	EA	ADAPTER-P TRAP, 1 1/2" P X 1 1/4" MPT
3	107538-01-000	EA	P TRAP-PLASTIC, 1 1/4" W/EXT ARM - US
3	011066-02-000	EA	P TRAP-1 1/4" HUB X SLIP JOINT, W/UNION - ABS - CANADIAN
4	011091-02-000	EA	PIPE-DRAIN, DOUBLE SINK - BAFFLE TEE - 1 1/2" - U.S. ONE PIPE W/TEE TO DRAIN BOTH SIDES OF SINK
4	011091-03-000	EA	PIPE-DRAIN, W/SEALS - DOUBLE SINK - EXTENDS 9" TO 16" - CANADIAN
5	010073-01-000	EA	WYE-45 DEGREE, 1 1/2" HUB X HUB X HUB - PLASTIC - BLACK
6	010006-01-000	EA	ELBOW-45 DEGREE, 1/8 BEND - 1 1/2" HUB X HUB - BLACK PLASTIC
7	010051-01-000	EA	ELBOW-45 DEGREE BEND, 1 1/2" SPIGOT AND HUB - PLASTIC - BLACK
8	104352-01-000	EA	TANK-HOLDING, 50 GALLON - W/O FITTINGS
9	063641-01-000	EA	FLANGE-CLOSET, 4" X 3"
	024676-01-000	EA	FLANGE-CLOSET, TOILET - 4" X 3" - RED
	024676-02-000	EA	FLANGE-CLOSET, TOILET - 4" X 3" - RED (CANADIAN)
10	079968-01-000	EA	VENT-MECHANICAL TRAP ARM, ANTI-SIPHON - 2" DIA X 7.3" - PLASTIC
11	010008-01-000	EA	ELBOW-90 DEGREE, 1/4 BEND - 1 1/2" HUB X HUB - BLACK PLASTIC
12	010009-01-000	EA	ELBOW-90 DEGREE, 1/4 BEND - 1 1/2" - PLASTIC
13	061607-01-000	EA	GROMMET-HOLDING TANK, 1 1/2" NPS
14	104350-01-000	EA	TANK-HOLDING, 69 GALLON
15	061607-02-000	EA	GROMMET-HOLDING TANK, 3" NPS
16	033761-01-000	EA	ELBOW-TURN, 1/4 BEND X 1.5"HUB X 1.5"SPIGOT - BLK PLASTIC
17	078406-01-000	EA	COUPLER-RUBBER, W/CLAMPS - 3" X 3"
18	041956-01-000	EA	ELBOW-STREET, PLASTIC - 1/4" BD 3 X 90 XLT
19	070916-01-000	EA	VALVE-DUAL DUMP, W/CAP - 3" X 1 1/2" - PLASTIC - BLACK
	070916-01-700	EA	VALVE ONLY, 3"
	070916-01-701	EA	VALVE ONLY, 1 1/2"
20	062422-01-000	EA	ADAPTER-OFFSET REDUCER, 3" X 1 1/2" - PLASTIC - BLACK
21	010115-01-000	EA	COUPLING-1 1/2" HUB X HUB, PLASTIC
	062416-01-000	EA	ADAPTER-SEWER HOSE TO 3" PIPE
	010079-01-000	EA	TEE-SANITARY, 1 1/2" HUB X HUB X HUB - PLASTIC - BLACK
	103354-01-000	EA	CONNECTOR-HOSE, SEWER
	010201-01-000	EA	HOSE-SEWER, 3" ID X 8'
	010166-01-000	EA	PLUG-THREADED, 1 1/4" DIAMETER - PLASTIC - BLACK

WATER & SEWAGE GROUP (CONTINUED)

FRESH WATER TANK & WATER SYSTEM

KEY	PART NUMBER	U/M	DESCRIPTION
	109392-03-000	EA	TANK-WATER, W/FITTINGS - 80 GALLON
	109392-01-000	EA	TANK-WATER, W/O FITTINGS - 80 GALLONS
	042989-03-000	EA	FITTING-WATER TANK, SPINWELD - 1 1/4"NPT - PLASTIC - WHITE
	042989-05-000	EA	FITTING-WATER TANK, SPINWELD - 1/2" FPT - PLASTIC - WHITE
	042989-06-000	EA	FITTING-SPINWELD, PLASTIC - 3/4 FPT
	049032-01-000	EA	PATCH-SPINWELD, 3/8" - PLASTIC
	114428-03-000	EA	TEE-SWIVEL,1/2P X 1/2P X 1/2MPT - FLAIR-IT 02822
	010219-01-000	EA	ELBOW-1 1/4" MPT X 1 1/4" BARB, WATER FILL - PLASTIC
	114429-02-000	EA	ELBOW-SWIVEL,1/2P X 1/2MPT - FLAIR-IT 02803
	114429-04-000	EA	ELBOW-SWIVEL,1/2P X 3/8MPT - FLAIR-IT 02810
	077954-02-000	EA	FILTER-WATER TANK, SCREEN IN TANK
	079381-01-000	FT	TUBING-SMOOTH FLEXIBLE, 1 1/4" ID X 20'
	096449-01-000	EA	WIRE ASSEMBLY-WATER TANK TO MONITOR PANEL
	039861-01-000	EA	SENDING UNIT-W/SCREW, WASHER, WELL NUT & TERMINAL RING
	114429-01-000	EA	ELBOW-1/2P X 1/2P - FLAIR-IT 02800
	114429-02-000	EA	ELBOW-1/2P X 1/2MPT - FLAIR-IT 02803
	114429-03-000	EA	ELBOW-SWIVEL,1/2P X 1/2FPT - FLAIR-IT 02816
	101814-01-000	EA	COUPLING-FEMALE, 1/2" X 1/2" FPT
	010230-05-000	EA	FILL-CITY WATER, SURF. - SILVER - M'BRASS 324-00
	039800-02-000	FT	TUBING-POLYBUTY, 5/8" OD - INCREMENTS OF 20' - BLACK
	039800-04-000	FT	TUBING-POLYBUTY-1/4OD X 20FT
	039808-03-000	EA	ELBOW-PLASTIC, 1/2 MPT X 1/2 MPT - KEVCO 17296
	077054-01-000	EA	VALVE-PLASTIC, 1/2" M X 1/2" M - 1/4" COMP
	101814-01-000	EA	COUPLING-FEMAL, 1/2" X 1/2"FPT - W/COMP. SLEEVE - GRAY
	114428-01-000	EA	TEE-1/2P X 1/2P X 1/2P - FLAIR-IT 02820
	114431-01-000	EA	VALVE-LINE DRAIN 1/2P - FLAIR-IT 02914
	114431-02-000	EA	VALVE-1/2P, BYPASS - FLAIR-IT 02910
	114430-02-000	EA	ADAPTER-SWIVEL, 1/2P X 1/2FPT - FLAIR-IT -02873
	114430-03-000	EA	ADAPTER-1/2P X 1/2MPT - FLAIR-IT 02842
	111888-01-000	EA	FERRULE-PLASTIC

EXTERIOR SHOWER COMPONENTS

KEY	PART NUMBER	U/M	DESCRIPTION
	103092-01-000	EA	SHOWER HEAD-W/60" HOSE
	103092-01-700	EA	BRACKET-SHOWER HEAD, CLEAR - 2328028
	103092-01-701	EA	BRACKET-SHOWER HEAD, BONE - 2328029
	075241-05-000	EA	FAUCET-SHOWER, BONE
	104044-01-000	EA	BRACKET-SUPPORT, FAUCET
	091952-02-000	EA	CLIP-GRIPPER, 3/4" (EXTERIOR SHOWER)

WATER HEATER BYPASS KIT & PURIFICATION SYSTEM

KEY	PART NUMBER	U/M	DESCRIPTION
	110438-01-000	EA	VALVE-CHECK, BRASS - G784 WATER PURIFICATION
	701069-01-000	EA	WATER PURIFICATION SYSTEM, 9252
	701069-03-700	EA	CARTRIDGE-WATER FILTER, AC, EVERPURE 9601-11
	103798-01-000	EA	CONNECTOR-1/4"OD X 3/8"MPT (WATER FILTER)

WATER & SEWAGE GROUP (CONTINUED)

WATER HEATER W/MOTOR AID & REAR HEATER

KEY	PART NUMBER	U/M	DESCRIPTION
	110438-01-000	EA	VALVE-CHECK, BRASS - G784
	051393-01-000	EA	HEATER-WATER-W/MOTOR AID-ATWOOD GH6-3E,GH6-4E,OR GH6-6E
	051391-01-700	EA	HINGE KIT-W/CLIP, ATWOOD 92568 & 92559
	051391-01-704	EA	VALVE-RELIEF, 1/2" FITTING - ATWOOD 91604
	051391-01-705	EA	FASTENER-CAMLOC, ATWOOD 92609
	051391-04-707	EA	GRILLE-EXHAUST, KIT W/FLUE & GASKET - ATWOOD 90960
	051391-01-708	EA	BURNER-MAIN, 3E ONLY - ATWOOD 92615
	051391-01-710	EA	ORIFICE-MAIN BURNER, ATWOOD 92742
	051391-01-714	EA	ELBOW-45 DEGREE, 3/8"F X 3/8"MPT - ATWOOD 91044
	051391-01-715	EA	DRAIN PLUG, ATWOOD 91561
	051391-04-701	EA	THERMOSTAT 12 VDC-120 PRESET, ATWOOD 91470
	051391-04-704	EA	TANK-INNER, FRONT MOUNT - GH6-4E & 6E - ATWOOD 91642
	051393-01-700	EA	TANK-INNER, 3E FRONT MOUNT - ATWOOD 91023
	051393-01-702	EA	SWITCH-ENERGY CUT-OFF, REMOTE W/LIGHT - ATWOOD 91959
	097967-01-000	EA	SWITCH-WATER HEATER, ATWOOD 91951
	051393-01-703	EA	THERMOSTAT-REAR MOUNT, ATWOOD 91952
	051393-01-704	EA	CIRCUIT BOARD-W/BLACK BOX, ATWOOD 91420
	051393-01-705	EA	ORIFICE HOLDER-ATWOOD 91925
	051393-01-714	EA	TANK-INNER (GH6-3E),REAR MOUNT - ATWOOD 91408
	051393-01-716	EA	SPARK & PROBE ASM, ATWOOD 91606
	051393-01-726	EA	VALVE-DUAL SOLENOID, ATWOOD 91605
	051393-01-721	EA	ECO&THERMOSTAT ASM-FRONT MOUNT, 140 DEGREE - ATWOOD 91447

WATER PUMP

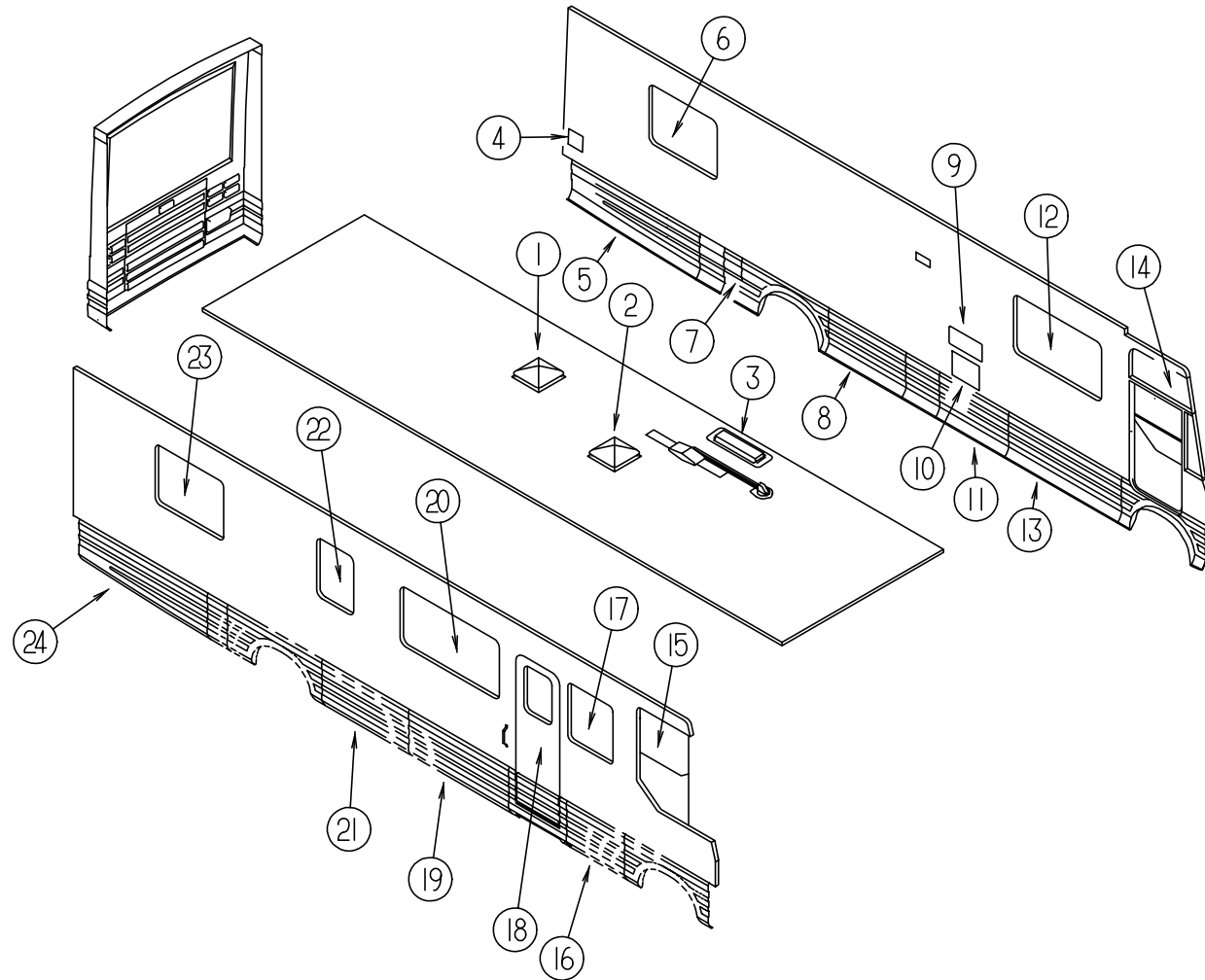
KEY	PART NUMBER	U/M	DESCRIPTION
	098607-01-000	EA	PUMP-WATER, W/.5"MPT FITTING - FLOW 2.8 GPM - UL
	098607-01-700	EA	PUMPHEAD-REPLACEMENT, FLOW 94-236-08
	098607-01-701	EA	DRIVE ASSEMBLY, FLOW 94-234-03
	098607-01-702	EA	DIAPHRAGM KIT, FLOW 94-233-10
	098607-01-703	EA	VALVE ASSEMBLY, FLOW 94-232-00
	098607-01-706	EA	SWITCH ASM-COMPLETE, SHURFLO 94-230-00
	098607-01-705	EA	CHECK VALVE KIT, FLOW 94-237-00
	098607-01-707	EA	MOTOR/BASEPLATE REPLACEMENT, FLOW 94-235-03

WATER HEATER W/O MOTOR AID

KEY	PART NUMBER	U/M	DESCRIPTION
	051391-03-000	EA	HEATER-WATER, W/ELECTRIC IGNITION - ATWOOD G6A-3E
	051391-01-700	EA	HINGE KIT-W/CLIP, ATWOOD 92568 & 92559
	051391-01-704	EA	VALVE-RELIEF, 1/2" FITTING - ATWOOD 91604
	051391-01-705	EA	FASTENER-CAMLOC, ATWOOD 92609
	051391-04-707	EA	GRILLE-EXHAUST, KIT W/FLUE & GASKET - ATWOOD 90960
	051391-01-708	EA	BURNER-MAIN, 3E ONLY - ATWOOD 92615
	051391-01-710	EA	ORIFICE-MAIN BURNER, ATWOOD 92742
	051391-01-715	EA	DRAIN PLUG, ATWOOD 91561
	051391-04-700	EA	TANK-INNER (G6A-3E), FRT MT - ATWOOD 91608
	051391-04-701	EA	THERMOSTAT 12 VDC-120 PRESET, ATWOOD 91470
	051391-04-706	EA	TANK-INNER, G6A-4E & 6E - FRONT MOUNT - ATWOOD 91641
	097967-01-000	EA	SWITCH-WATER HEATER, REMOTE W/LIGHT - ATWOOD 91959
	051393-01-702	EA	SWITCH-ENERGY CUT-OFF, ATWOOD 91951
	051393-01-703	EA	THERMOSTAT-REAR MOUNT, ATWOOD 91952
	051393-01-704	EA	CIRCUIT BOARD-W/BLACK BOX, ATWOOD 91420
	051393-01-705	EA	ORIFICE HOLDER-ATWOOD 91925
	051393-01-716	EA	SPARK & PROBE ASM, ATWOOD 91606
	051393-01-726	EA	VALVE-DUAL SOLENOID, ATWOOD 91605
	051393-01-721	EA	ECO&THERMOSTAT ASM-FRONT MOUNT, 140 DEGREE - ATWOOD 91447
	051393-03-700	EA	TANK-INNER (G6A-3E), REAR MT - ATWOOD 91409

WINDOW, VENT & EXTERIOR DOOR GROUP

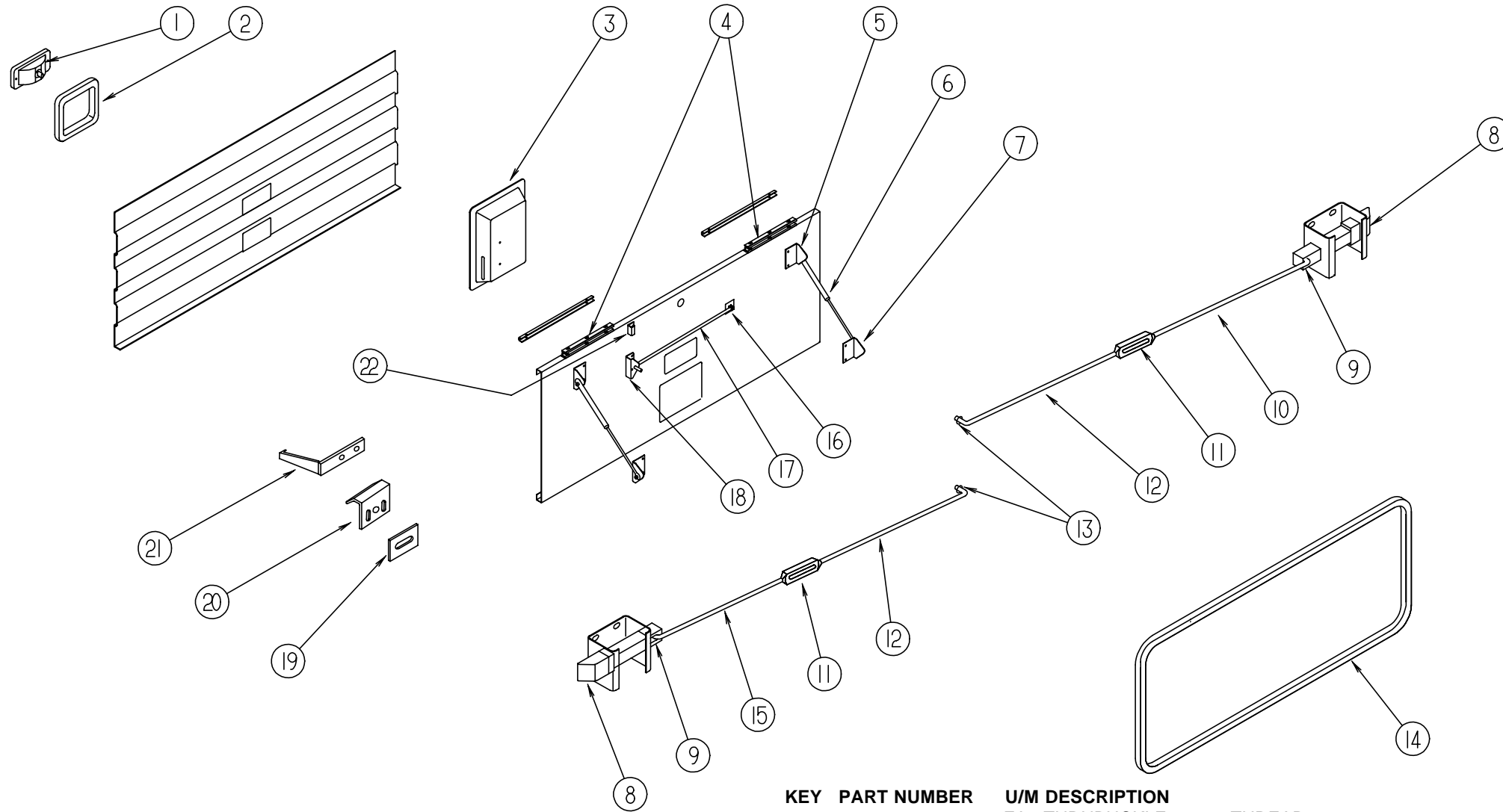
WINDOWS & DOORS



KEY	PART NUMBER	U/M	DESCRIPTION
1	110051-02-01A	EA	VENT-ROOF, W/O POWER LIFT FOR 4" ROOF - JENSEN 7727 (U.S.)
1	110051-10-01A	EA	VENT-ROOF, W/POWER LIFT FOR 4" ROOF - JENSEN CX7258 (CSA)
2	110051-08-01A	EA	VENT-ROOF, W/POWER LIFT FOR 4" ROOF - JENSEN 7727 (U.S.)
2	084079-07-000	EA	VENT-CEILING, POWER EXHAUST - FANTASTIC (US)
2	084079-10-000	EA	VENT-CEILING, POWER EXHAUST - FANTASTIC (CANADIAN)
3	084073-04-000	EA	BASE-ROOF VENT, REFRIGERATOR - BLACK - NORCOLD
3	084073-05-000	EA	COVER-ROOF VENT, REFRIGERATOR - BUFF - NORCOLD
4	M06815-01-E37	EA	DOOR-WATER FILL, LOCKABLE - BUFF
	081240-12-000	EA	FILL-WATER, LOCKABLE - BUFF
5	109712-10-E37	EA	DOOR-COMPARTMENT, REAR TAPERED - W/HARDWARE & LATCHES
6	113500-04-01A	EA	WINDOW-TIPOUT, DOUBLE - W/INSIDE FRAME - EXCEL CH93-G1W59
7	M05854-04-E37	EA	DOOR-FUEL FILL
	107895-03-000	EA	HINGE-DOUBLE PIVOT
8	109404-09-D18	EA	DOOR-COMPARTMENT, W/HARDWARE & LATCHES
9	084104-06-000	EA	JAMB-DOOR, REFRIGERATOR - BUFF
9	084103-06-000	EA	DOOR-REFRIGERATOR, VENTED - W/O JAMB - BUFF
	084104-01-700	EA	LOCK-MALE, FASTENER - REFRIGERATOR DOOR
	084104-01-701	EA	LOCK-FEMALE, FASTENER - REFRIGERATOR DOOR
10	052009-04-000	EA	DOOR-WATER HEATER, 18" X 14.6" - METAL - BUFF
	116424-01-000	EA	PROTECTOR-WATER HEATER LATCH
11	109155-01-D18	EA	PANEL-ACCESS, A/C
	107895-05-000	EA	HINGE ASM-DOUBLE PIVOT , W/SPRING & U-CHANNEL - 90 DEGREE
	102378-01-02A	EA	WASHER-BLACK
	102330-01-000	EA	LATCH-SINGLE HOLE, VISE ACTION
	102328-01-000	EA	KEY-BARREL, NICKLE PLATED - SOUTHCO E3-26-715-19
	107221-01-01A	FT	SEAL-ACCESS DOOR
12	115360-01-01A	EA	WINDOW-DOUBLE TIPOUT, W/INSIDE FRAME - EXCEL CH90-G1W59
13	109404-10-D18	EA	DOOR-COMPARTMENT, W/HARDWARE & LATCHES
14	106467-01-01A	EA	WINDOW-VISTA, LEFT - W/INSIDE FRAME - EXCEL
15	106466-01-01A	EA	WINDOW-CAB, PASSENGER - W/INSIDE FRAME - EXCEL &MRQ1482
16	109404-03-D18	EA	DOOR-COMPARTMENT, W/HARDWARE & LATCHES
17	099480-03-000	EA	WINDOW-SLIDER, RIGHT - EXCEL H150-MRR
18	M06977-31-F38	EA	DOOR-ENTRY W/SCREEN DOOR & JAMB (F36, F37)
18	M06977-31-F38	EA	DOOR-ENTRY W/SCREEN DOOR & JAMB (F38, F39)
18	M06977-31-F38	EA	DOOR-ENTRY W/SCREEN DOOR & JAMB (F40, F41)
19	109404-01-D18	EA	DOOR-COMPARTMENT, W/HARDWARE & LATCHES
20	115360-01-01A	EA	WINDOW-DOUBLE TIPOUT, W/INSIDE FRAME - EXCEL CH90-G1W59
21	109404-06-D18	EA	DOOR-COMPARTMENT, W/HARDWARE & LATCHES
22	104691-15-01A	EA	WINDOW-SINGLE TIPOUT, W/INSIDE FRAME - EXCEL CH56-G1W59
23	113500-02-01A	EA	WINDOW-TIPOUT, DOUBLE - W/INSIDE FRAME - EXCEL CH92-G1W59
24	109712-09-E37	EA	DOOR-COMPARTMENT, REAR TAPERED - W/HARDWARE & LATCHES

WINDOW, VENT & EXTERIOR DOOR GROUP (CONTINUED)

EXTERIOR DOOR COMPONENTS & HOLDER

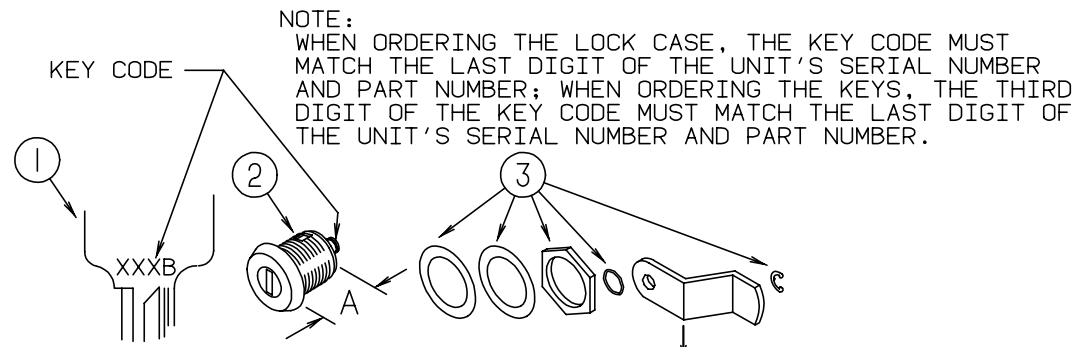


KEY	PART NUMBER	U/M DESCRIPTION
1	101355-03-01A	EA LATCH-PADDLE, W/O KEY LOCK - GRAY
1	101355-01-01A	EA LATCH-PADDLE, 2 POINT - W/KEY LOCK - PLASTIC - GRAY
	045017-01-701	EA KEY BLANK
2	108678-01-000	EA GASKET-LATCH, INDUSTRIAL PRODUCTS
	108615-01-000	EA LATCH-PLATE, COMPARTMENT DOOR
3	107221-01-01A	EA COVER-LATCH, VALANCE DOOR - 181 X 229MM - PLASTIC - BLACK
3	107221-02-01A	EA COVER-LATCH, VALANCE DOOR - 300 X 229MM - PLASTIC - BLACK
4	107895-01-000	EA HINGE-DOUBLE PIVOT, W/U-CHANNEL - 254MM LONG
4	107895-04-000	EA HINGE-DOUBLE PIVOT, W/U-CHANNEL - 254MM LONG (REAR SIDE DOOR ONLY)
4	107895-05-000	EA HINGE-DOUBLE PIVOT, W/U-CHANNEL - 254MM LONG (WATER FILL)
	108757-01-01A	EA ANGLE-COMPARTMENT DOOR, UPPER - BLACK
5	107796-02-000	EA BRACKET-GAS SPRING, LARGE - SPDI SPD-1060
6	107796-01-000	EA SPRING-GAS, SPDI SPD-5200-40
7	107796-03-000	EA BRACKET-GAS SPRING, SMALL - SPDI SPD-1015
8	101348-01-000	EA BOLT-SLIDE, LATCH - NYLON - W/SPRING & BRACKET
9	102266-01-000	EA PUSHNUT-RING, RETAINING - 5/32 - TRVARC
10	108562-02-000	EA ROD-LATCH, LEFT THREADED - 121MM LONG
10	108562-06-000	EA ROD-LATCH, LEFT THREADED - 288MM LONG
10	108562-11-000	EA ROD-LATCH, LEFT THREADED - 278MM LONG
10	108562-16-000	EA ROD-LATCH, RIGHT THREADED - 288MM LONG (REAR TAPERED DOORS)
10	108562-17-000	EA ROD-LATCH, LEFT THREADED - 261MM LONG

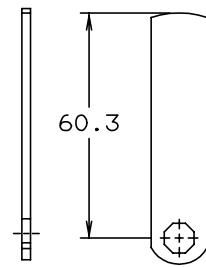
KEY	PART NUMBER	U/M DESCRIPTION
11	108561-01-000	EA TURNBUCKLE, 10-24 THREAD
12	108562-01-000	EA ROD-LATCH, RIGHT THREADED - 121MM LONG
12	108562-05-000	EA ROD-LATCH, RIGHT THREADED - 288MM LONG
12	108562-10-000	EA ROD-LATCH, LEFT THREADED - 458MM LONG (REAR TAPERED DOORS)
13	102265-01-000	EA CLIP-ROD END, 5/32" - PLASTIC - BLACK
14	107721-01-000	FT SEAL-ACCESS DOOR, D BULB W/ADHESIVE ON FLAT SIDE
15	108562-02-000	EA ROD-LATCH, LEFT THREADED - 121MM LONG
15	108562-06-000	EA ROD-LATCH, LEFT THREADED - 288MM LONG
15	108562-11-000	EA ROD-LATCH, LEFT THREADED - 278MM LONG
15	108562-15-000	EA ROD-LATCH, LEFT THREADED - 261MM
15	108562-16-000	EA ROD-LATCH, RIGHT THREADED - 288MM LONG (REAR TAPERED DOORS)
16	089329-01-000	EA CLIP-SPRING, 3/8" - METAL
17	108755-02-000	EA ROD-PROP, VALANCE DOOR
18	108754-01-000	EA CHANNEL-VALANCE DOOR, CENTER
19	110415-01-01A	EA SHIM-LATCH, VALANCE DOOR - BLACK
20	107719-01-01A	EA STRIKE-COMPARTMENT DOOR
	104491-02-03A	EA ANGLE-STRIKER, BLACK
21	102768-01-000	EA HOLDER-COMPARTMENT/ENTRY DOOR, METAL - MILL FINISH
	091876-01-000	EA RETAINER-DOOR, 1/9" X .8" - METAL
22	108757-01-01A	EA ANGLE-VALANCE DOOR, UPPER - BLACK
	104692-02-000	FT SEAL-3/4" X 1", PRESSURE SENSITIVE ADHESIVE ONE SIDE
	104692-01-000	FT SEAL-3/4" X 3/4", PRESSURE SENSITIVE ADHESIVE ONE SIDE

WINDOW, VENT & EXTERIOR DOOR GROUP (CONTINUED)

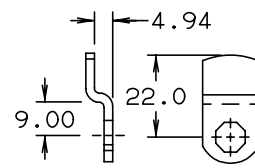
FUEL FILL & WATER FILL LOCKS



NOTE:
WHEN ORDERING THE LOCK CASE, THE KEY CODE MUST MATCH THE LAST DIGIT OF THE UNIT'S SERIAL NUMBER AND PART NUMBER; WHEN ORDERING THE KEYS, THE THIRD DIGIT OF THE KEY CODE MUST MATCH THE LAST DIGIT OF THE UNIT'S SERIAL NUMBER AND PART NUMBER.



110506-60-000

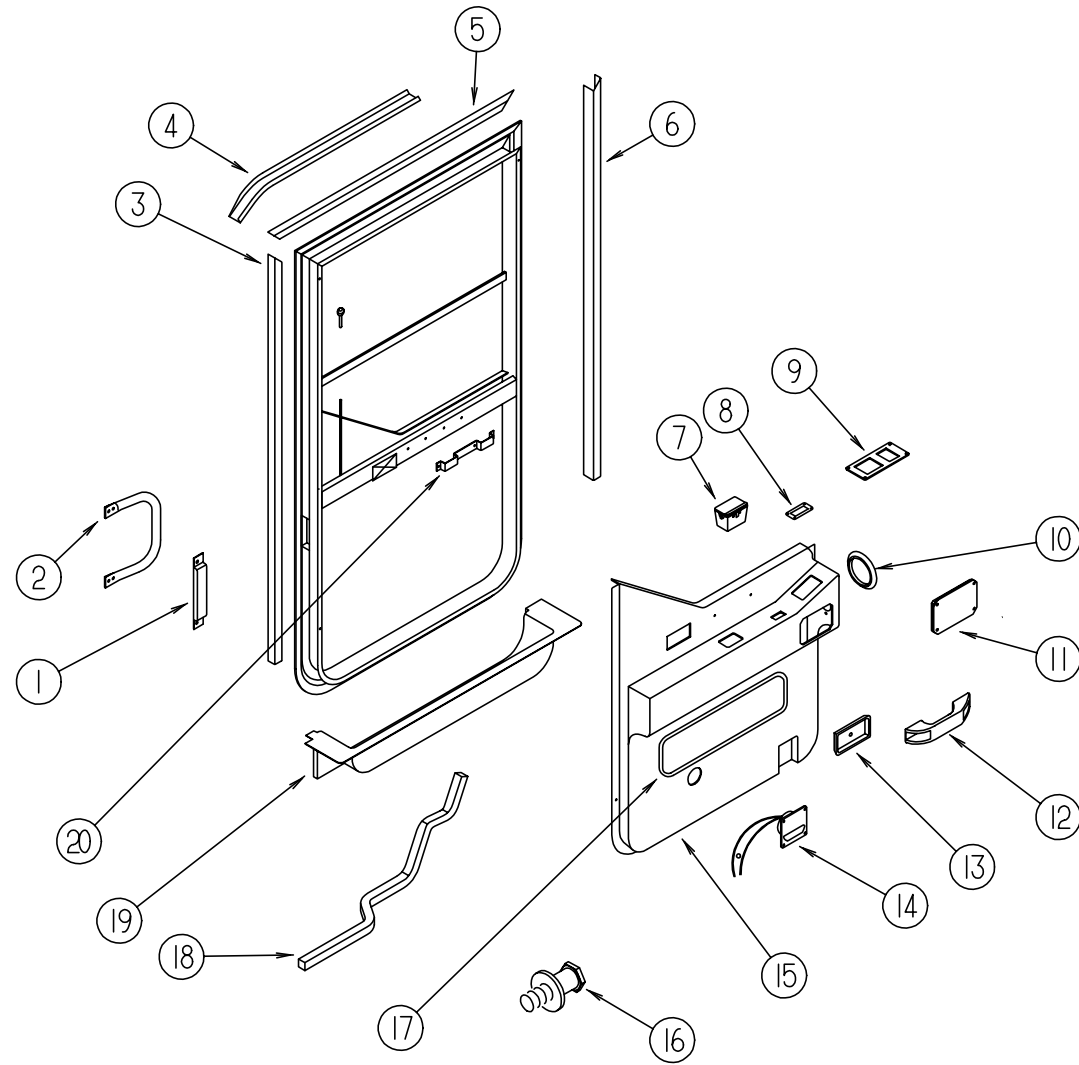


110506-71-000

KEY	PART NUMBER	U/M DESCRIPTION
1	110506-59-000	EA KEYS-SET OF 2 - BRIGGS & STRATTON 596720 (SERIAL # ENDS IN 0)
2	110506-52-000	EA CASE-LOCK, A=17MM - STRATTON 702370 (KEY CODE #0) (WATER FILL)
2	110506-53-000	EA CASE-LOCK, A=25MM - BRIGGS & STRATTON 702380 (KEY CODE #0) (FUEL FILL)
1	110506-59-001	EA KEYS-SET OF 2 - BRIGGS & STRATTON 596721 (SERIAL # ENDS IN 1)
2	110506-52-001	EA CASE-LOCK, A=17MM - STRATTON 702371 (KEY CODE #1) (WATER FILL)
2	110506-53-001	EA CASE-LOCK, A=25MM - BRIGGS & STRATTON 702381 (KEY CODE #1) (FUEL FILL)
1	110506-59-002	EA KEYS-SET OF 2 - BRIGGS & STRATTON 596722 (SERIAL # ENDS IN 2)
2	110506-52-002	EA CASE-LOCK, A=17MM - STRATTON 702372 (KEY CODE #2) (WATER FILL)
2	110506-53-002	EA CASE-LOCK, A=25MM - BRIGGS & STRATTON 702382 (KEY CODE #2) (FUEL FILL)
1	110506-59-003	EA KEYS-SET OF 2 - BRIGGS & STRATTON 596723 (SERIAL # ENDS IN 3)
2	110506-52-003	EA CASE-LOCK, A=17MM - STRATTON 702373 (KEY CODE #3) (WATER FILL)
2	110506-53-003	EA CASE-LOCK, A=25MM - BRIGGS & STRATTON 702383 (KEY CODE #3) (FUEL FILL)
1	110506-59-004	EA KEYS-SET OF 2 - BRIGGS & STRATTON 596724 (SERIAL # ENDS IN 4)
2	110506-52-004	EA CASE-LOCK, A=17MM - STRATTON 702374 (KEY CODE #4) (WATER FILL)
2	110506-53-004	EA CASE-LOCK, A=25MM - BRIGGS & STRATTON 702384 (KEY CODE #4) (FUEL FILL)
1	110506-59-005	EA KEYS-SET OF 2 - BRIGGS & STRATTON 596725 (SERIAL # ENDS IN 5)
2	110506-52-005	EA CASE-LOCK, A=17MM - STRATTON 702375 (KEY CODE #5) (WATER FILL)
2	110506-53-005	EA CASE-LOCK, A=25MM - BRIGGS & STRATTON 702385 (KEY CODE #5) (FUEL FILL)
1	110506-59-006	EA KEYS-SET OF 2 - BRIGGS & STRATTON 596726 (SERIAL # ENDS IN 6)
2	110506-52-006	EA CASE-LOCK, A=17MM - STRATTON 702376 (KEY CODE #6) (WATER FILL)
2	110506-53-006	EA CASE-LOCK, A=25MM - BRIGGS & STRATTON 702386 (KEY CODE #6) (FUEL FILL)
1	110506-59-007	EA KEYS-SET OF 2 - BRIGGS & STRATTON 596727 (SERIAL # ENDS IN 7)
2	110506-52-007	EA CASE-LOCK, A=17MM - STRATTON 702377 (KEY CODE #7) (WATER FILL)
2	110506-53-007	EA CASE-LOCK, A=25MM - BRIGGS & STRATTON 702387 (KEY CODE #7) (FUEL FILL)
1	110506-59-008	EA KEYS-SET OF 2 - BRIGGS & STRATTON 596728 (SERIAL # ENDS IN 8)
2	110506-52-008	EA CASE-LOCK, A=17MM - STRATTON 702378 (KEY CODE #8) (WATER FILL)
2	110506-53-008	EA CASE-LOCK, A=25MM - BRIGGS & STRATTON 702388 (KEY CODE #8) (FUEL FILL)
1	110506-59-009	EA KEYS-SET OF 2 - BRIGGS & STRATTON 596729 (SERIAL # ENDS IN 9)
2	110506-52-009	EA CASE-LOCK, A=17MM - STRATTON 702379 (KEY CODE #9) (WATER FILL)
2	110506-53-009	EA CASE-LOCK, A=25MM - BRIGGS & STRATTON 702389 (KEY CODE #9) (FUEL FILL)
	110506-59-701-	EA KEY BLANK (GOLD)
3	110506-40-700	EA HARDWARE KIT, INCLUDES GASKET, WASHERS, NUT & CLIP
	110506-60-000	EA CAM-LOCK, BRIGGS & STRATTON 322276 (FUEL FILL)
	110506-71-000	EA CAM-LOCK, BRIGGS & STRATTON 322287 (WATER FILL)

WINDOW, VENT & EXTERIOR DOOR GROUP (CONTINUED)

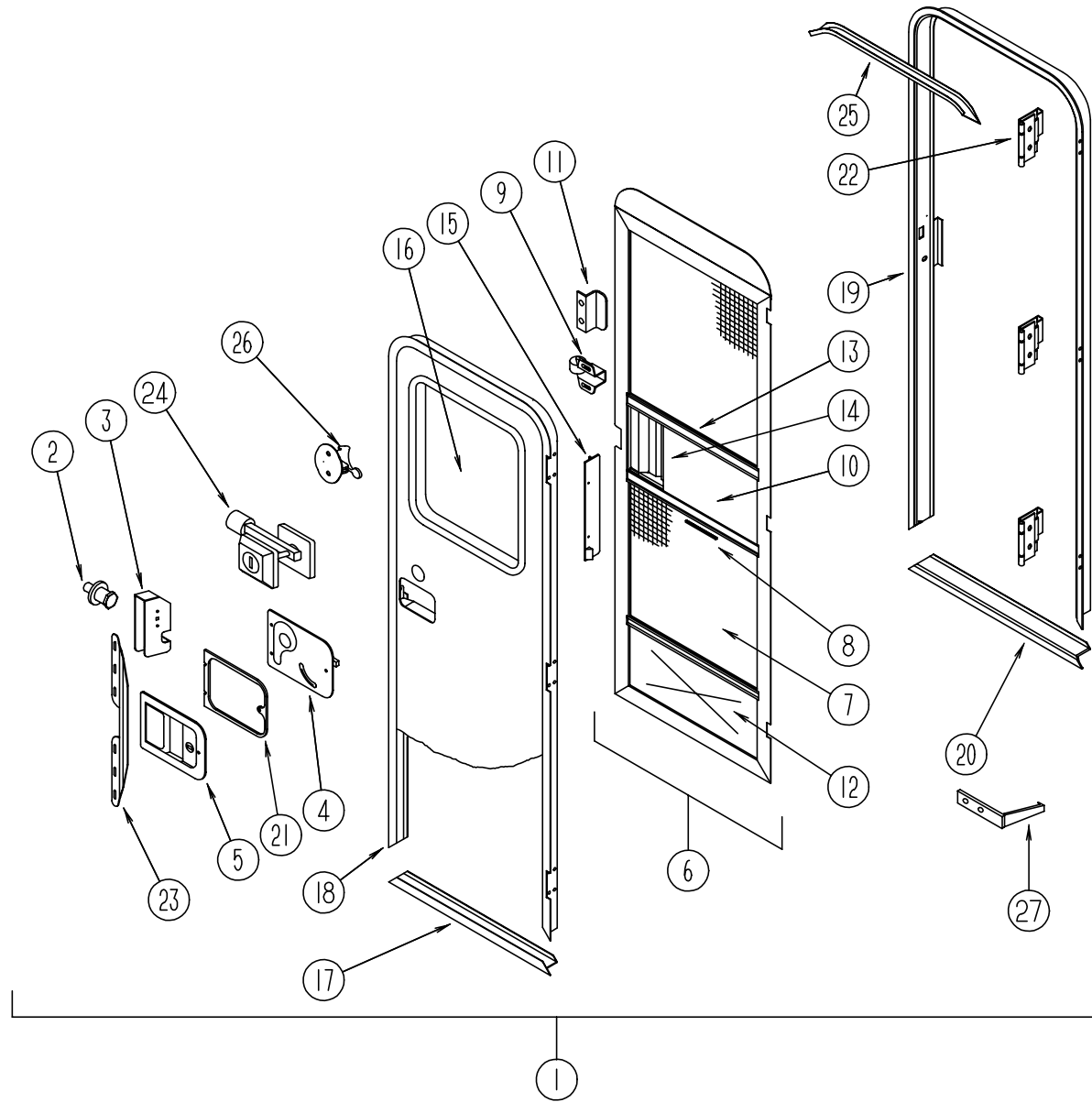
DRIVERS DOOR



KEY	PART NUMBER	U/M	DESCRIPTION
1	108654-01-01A	EA	COVER-STRIKE, DRIVERS DOOR - BLACK
2	108832-01-02A	EA	HANDLE-ASSIST, DRIVERS DOOR - METAL - OFF WHITE
2	108832-01-01A	EA	HANDLE-ASSIST, DRIVERS DOOR - METAL - MILL FINISHED
	108833-01-01A	EA	COVER-HANDLE, ASSIST - OFF WHITE
	108119-03-F36	EA	GARNISH ASM-DRIVERS DOOR, 2 SIDES & TOP CONSISTS OF ITEM 3, 5 & 6
3	108129-01-01A	EA	GARNISH-DRIVERS DOOR - MILL
4	108275-51-001	EA	RAIL-DRIP, EXTRUDED - 4877MM LONG
5	108107-01-01A	EA	GARNISH-DRIVERS DOOR - MILL
6	108108-03-01A	EA	GARNISH-DRIVERS DOOR - MILL
7	115948-01-01A	EA	ASHTRAY-CHROME, SIDE MOUNT - FLUSH
8	093132-01-000	EA	SWITCH-ROCKER, 5 TERMINAL W/ARROW GRAPHICS - TORRIX 1737
8	103473-14-01A	EA	PLATE-SWITCH, LOCK - SINGLE - BLACK
9	087695-01-000	EA	SWITCH-HEATER, EXTERIOR MIRROR
9	088246-01-000	EA	SWITCH-REMOTE, EXTERIOR MIRROR - SQUARE PUSH - VELVAC 7471290
10	093148-01-000	EA	SEAL-WIRE, CAB DOOR - GM 15592070
	093144-01-000	EA	CONDUIT-WIRE, GM# 15592046
	093145-01-000	EA	SLEEVE-WIRE, 10" LONG - PLASTIC - BLACK - GM #15590724
	093146-01-000	EA	GROMMET-WIRE, 1.7" X 3.1" - OVAL SHAPED - PLASTIC - BLK
11	107889-02-000	EA	PANEL-CONTROL, TOUCH KIT - HWH AP1016
12	102710-01-01A	EA	HANDLE-ASSIST, DRIVERS DOOR - 6.6" LONG - BLACK
13	106469-01-707	EA	COVER-LATCH, DOOR (SUPPLIED W/DRIVERS DOOR) - EXCEL 130-081310
14	108354-01-01A	EA	LIGHT-COURTESY - ITC 81395-B
15	114689-04-01A	EA	PANEL-DOOR, INNER - DRIVERS - FOR HYDRAULIC JACKS/MIRROR - PLASTIC
15	114689-02-01A	EA	PANEL-DOOR, INNER - DRIVERS - FOR HYDRAULIC JACKS - PLASTIC
15	114689-03-01A	EA	PANEL-DOOR, INNER - DRIVERS - FOR POWERED MIRROR - PLASTIC
15	114689-01-01A	EA	PANEL-DOOR, INNER - DRIVERS - W/O CUTOUTS - PLASTIC
	102756-01-000	EA	SYSTEM-REMOTE KEYLESS ENTRY, COMPLETE W/REMOTE & WIRING ACTIVATES DOOR LOCKS & PORCH LIGHT SPECIFIC CRUISE SYSTEMS - 101-1661 SCS
	102756-01-700	EA	REMOTE ONLY-KEYLESS, ENTRY - SPECIFIC CRUISE SYSTEM 412-1016-011
	102756-01-701	EA	BATTERY, 12 VOLT - F/TRANSMITTER - SPECIFIC CRUISE SYSTEM 402-1004
	102756-01-702	EA	MODULE, SPECIFIC CRUISE SYSTEM 202-2476
	102756-01-703	EA	TRANSMITTER, SPECIFIC CRUISE SYSTEM 412-1016-011
16	106469-01-715	EA	STRIKER ASSEMBLY, (SUPPLIED W/DRIVERS DOOR) - EXCEL 248-081003
17	108633-01-F36	EA	PAD-DOOR, FABRIC (F36, F37)
17	108633-01-E39	EA	PAD-DOOR, FABRIC (F38, F39)
17	108633-01-F40	EA	PAD-DOOR, FABRIC (F40, F41)
18	063977-12-000	EA	STEP-DRIVER DOOR, LEFT - PAINTED
18	063977-11-000	EA	STEP-DRIVER DOOR, LEFT - UNPAINTED
19	107818-01-01A	EA	TRIM-STEP, DRIVERS DOOR - PLASTIC - WILLOW
	102569-02-000	EA	MAT-ANTI SLIP, LOWER
	109506-01-000	EA	FILM-URETHANE, PROTECTANT - 107.9 X 679.4MM
	108897-01-01A	EA	GARNISH-DOOR, DRIVERS - U-CHANNEL
20	108533-01-000	EA	BRACKET-HANDLE, MOUNT
	109378-01-000	EA	STRAP-CHECK, DRIVERS DOOR - BLACK
	064219-01-000	EA	RETAINER-CHECK STRAP, DRIVER DOOR
	109235-01-01A	FT	COVER-SCREW, MAT BLACK - DAWN 132-081046
	099982-01-02A	EA	PLATE-SWITCH, MILL FINISHED - ELECTRIC MIRRORS

WINDOW, VENT & EXTERIOR DOOR GROUP (CONTINUED)

ENTRY DOOR



KEY	PART NUMBER	U/M DESCRIPTION
1	M06977-03-F36	EA DOOR-ENTRY W/SCREEN DOOR & JAMB (F36, F37)
1	M06977-03-F38	EA DOOR-ENTRY W/SCREEN DOOR & JAMB (F38, F39)
1	M06977-03-F40	EA DOOR-ENTRY W/SCREEN DOOR & JAMB (F40, F41)
2	039539-01-000	EA STRIKE-LOCK, ENTRY DOOR - ROUND W/THREADED WASHER
3	039540-01-000	EA LATCH MECHANISM-HOOK, ENTRY DOOR - INTERIOR
	039715-01-000	EA NUT-SERT, 1/4" DIAMETER - 20 THREADS
4	039979-04-000	EA COVER-INTERIOR LATCH, W/TRIP ARM - RIGHT - BLACK
	039984-01-000	EA CAP-ROUND, VINYL - .28" ID X .62" LONG - BLACK
	041546-05-000	EA BRACKET-DOOR ANGLE, 5" X 1.9" - OFF WHITE - METAL

KEY	PART NUMBER	U/M DESCRIPTION
5	045017-11-000	EA LATCH-ENTRY DOOR, MECHANISM W/LOCK & KEY - BLACK
	045017-11-701	EA KEY BLANK
	056746-01-000	EA PLUG-CAP, 1" DIAMETER
	063729-04-000	EA RIVNUT, 10-32 UNF - .010-.080
	075671-04-000	FT SEAL-SPONGE, LAZY T SHAPE - W/ADHESIVE STRIPE - .5" WIDE
6	079012-05-B10	EA DOOR-SCREEN
7	002293-02-000	SF SCREENING-WINDOW/DOOR, 26" - CHARCOAL
8	002294-01-000	FT SPLINE-SCREENING, .135" X .138" - BLACK
9	109403-01-000	EA CATCH-ASM-SINGLE ROLLER
10	016454-01-000	EA INSERT-CENTER, LEATHER GRAIN ALUMINUM - UNPAINTED
10	001014-01-013	EA INSERT-CENTER, 10.25" X 16.31" - UNPAINTED
11	050712-04-000	EA HANDLE-SCREEN DOOR, ALUMINUM - OFF WHITE
12	078552-03-000	EA KICK PANEL-SCREEN DOOR, LOWER INSERT - UNPAINTED
	078595-01-000	EA TOP PLATE-SCREEN DOOR, CURVED TOP - 4.7" X 25.35"
13	078777-01-000	EA CHANNEL-SLIDE, SCREEN DOOR CENTER SLIDER COVER
14	079086-02-000	EA SLIDER-SCREEN DOOR, OFF WHITE
15	079087-02-000	EA STRIKE-SLIDER, W/LIP FOR ELBOW CATCH - 1.5" X 8.6" - OFF WHITE
16	079733-16-F04	EA WINDOW-PICTURE, W/O INSIDE FRAME - 687.4 X 449.4
	002181-23-000	EA GLASS-WINDOW
	067609-38-000	EA FRAME-INSIDE, WINDOW - OFF WHITE
	087561-01-000	FT SEAL-VINYL, EXTERIOR WINDOW
	081914-01-000	EA BUMPER-RUBBER, ROUND - .43" DIAMETER - BLACK
17	089748-09-000	EA FRAME-BOTTOM, ENTRY DOOR - 24.8" LONG - OFF WHITE
	090340-02-000	FT SEAL-FOAM, CLOSED CELL - 3/8" X 1/2" X 50'
18	095276-03-05A	EA FRAME-ENTRY DOOR, W/O BOTTOM - OFF WHITE
19	095277-04-05A	EA JAMB-ENTRY DOOR, W/BOTTOM - 25.9" X 74.5" - OFF WHITE
20	051049-01-000	EA JAMB-BOTTOM, ENTRY DOOR - 25.9" - UNPAINTED
21	096810-01-01A	EA PLATE-LATCH, ENTRY DOOR - PLASTIC - BLACK
22	106719-01-01A	EA HINGE-ENTRY DOOR, UNPAINTED
23	098173-01-04A	EA STIFFENER-ENTRY DOOR, SUPPORTS LATCH/STRIKE AREA - UNPAINTED
	100128-02-000	FT SEAL-PILE, ADHESIVE BACK - 9.5 X 9.5MM - SCREEN DOOR - GRAY
24	101145-01-01A	EA DEADBOLT-ENTRY DOOR, W/2 KEYS W/O BACK SET BOLT OR SCREWS
	095229-01-700	EA KEY BLANK FOR DEADBOLT
	101147-01-000	EA BOLT-SECURITY, 4.12" BACKSET
	102524-01-000	EA BUMPER-RUBBER, FLAT - BLACK
25	044582-33-000	EA CAP-DRIP, ENTRY DOOR - JAMB MOUNTED - ALUMINUM - OFF WHITE
	115222-02-01A	EA GARNISH-RADIUS, ENTRY DOOR - OFF WHITE
	076725-02-000	EA COVER-HINGE, ENTRY DOOR - 6" X 3.2" - PLASTIC - OFF WHITE
26	100412-01-000	EA CATCH-SCREEN DOOR, THUMB CLIP W/BLACK PLASTIC CAP
	009126-02-000	EA HANDLE-ASSIST, ENTRY DOOR - BLACK
27	102768-01-000	EA HOLDER-COMPARTMENT/ENTRY DOOR, METAL - MILL FINISH
	091876-01-000	EA RETAINER-DOOR, 1.9" X .8" - METAL
	113638-02-000	EA CONNECTOR-ELECTRIC, ACTUATOR - POWER LOCKS
	102756-01-000	EA SYSTEM-REMOTE KEYLESS ENTRY, COMPLETE W/REMOTE & WIRING
		ACTIVATES DOOR LOCKS & PORCH LIGHT
		SPECIFIC CRUISE SYSTEMS - 101-1661 SCS
	102756-01-700	EA REMOTE ONLY-KEYLESS, ENTRY - SPECIFIC CRUISE SYSTEM 412-1016-011
	102756-01-701	EA BATTERY, 12 VOLT - F/TRANSMITTER - SPECIFIC CRUISE SYSTEM 402-1004
	102756-01-702	EA MODULE, SPECIFIC CRUISE SYSTEM 202-2476
	102756-01-703	EA TRANSMITTER, SPECIFIC CRUISE SYSTEM 412-1016-011
	100128-01-000	FT SEAL-PILE, ADHESIVE BACK - 9.5 X 5MM - GRAY

WINDOW, VENT & EXTERIOR DOOR GROUP (CONTINUED)

JENSEN ROOF VENT W/O POWER LIFT

KEY	PART NUMBER	U/M DESCRIPTION
	110051-02-01A	EA VENT-ROOF, W/O POWER LIFT FOR 4" ROOF - JENSEN 7727 (U.S.)
	064470-01-700	EA COVER ROOF VENT, JENSEN 7291
	110051-01-700	EA SCREEN-ROOF VENT
	110051-01-702	EA CRANK ASM.-HANDLE, ROOF VENT
	110051-01-703	EA CRANK ONLY

JENSEN ROOF VENT W/POWER LIFT

KEY	PART NUMBER	U/M DESCRIPTION
	110051-08-01A	EA VENT-ROOF, W/POWER LIFT FOR 4" ROOF - JENSEN 7727 (U.S.)
	110051-10-01A	EA VENT-ROOF, W/POWER LIFT FOR 4" ROOF - JENSEN CX7258 (CSA)
	048648-01-000	EA MOTOR-12V NONVENTED 1/8 SFT
	048649-01-000	EA FAN-PLASTIC, 6" - 6 BLADED
	064469-03-707	EA MOTOR-LIFT, JENSEN RP-1023
	064469-03-708	EA GEAR - DRIVE - JENSEN RP-1024
	064469-03-709	EA GEAR-MOTOR PINION - JENSEN RP-1025
	064470-01-700	EA COVER ROOF VENT - JENSEN 7291
	110051-01-700	EA SCREEN-FRAME, GARNISH - JENSEN 29-800-02

FANTASTIC ROOF VENTILATOR

KEY	PART NUMBER	U/M DESCRIPTION
	084079-07-000	EA VENT-CEILING, POWER EXHAUST - FANTASTIC (US)
	084079-10-000	EA VENT-CEILING, POWER EXHAUST - FANTASTIC (CANADIAN)
	084079-01-700	EA VENT COVER - FANTASTIC 1020-19
	084079-01-701	EA SCREEN ASM WHITE - FANTASTIC 1030-80
	084079-01-703	EA CRANK-EXTERIOR, FANTASTIC 1060-09
	084079-01-704	EA BLADE-FAN, FANTASTIC 1070-00
	084079-01-705	EA MOTOR, FANTASTIC 1080-00
	084079-01-707	EA SWITCH-SAFETY, FANTASTIC 1120.00
	084079-01-709	EA SWITCH-ON & OFF, MAIN POWER - FANTASTIC 1100.00
	084079-01-711	EA H-MOLDING, MOTOR MOUNT - PLASTIC - FANTASTIC

PLUMBING, RANGE HOOD & REFRIGERATOR ROOF VENTS

KEY	PART NUMBER	U/M DESCRIPTION
	092698-03-04A	EA VENT-RANGE HOOD, EXTERIOR - W/DOOR & SOLENOID - BUFF
	092698-02-700	EA FASTENER-PUSH, EXTERIOR RANGE HOOD VENT - VB430
	092698-02-701	EA CLAMP-CONDUIT, EXTERIOR RANGE HOOD VENT - VB334
	092698-03-706	EA SOLENOID-RANGE HOOD, VENTLINE UB530
	083558-04-000	EA VENT-PLUMBING PIPE ROOF, W/COVER - BUFF
	084073-04-000	EA BASE-ROOF VENT, REFRIGERATOR - BLACK - NORCOLD
	084073-05-000	EA COVER-ROOF VENT, REFRIGERATOR - BUFF - NORCOLD

WINDOW, VENT & EXTERIOR DOOR GROUP (CONTINUED)

VISTA WINDOW OVER DRIVERS DOOR

KEY	PART NUMBER	U/M DESCRIPTION
	106467-01-01A	EA WINDOW-VISTA, LEFT - W/INSIDE FRAME - EXCEL
	106467-01-700	EA FRAME-INSIDE, BLACK - EXCEL H359-27L
	106467-01-701	EA STATIONARY GLASS, EXCEL 106-018272

PASSENGER SIDE LOUNGE WINDOW

KEY	PART NUMBER	U/M DESCRIPTION
	099480-03-000	EA WINDOW-SLIDER, W/INSIDE TRIM - RIGHT - EXCEL H150-MRR
	099480-03-700	EA TRIM-INSIDE, WHITE - EXCEL W150-67
	099480-03-701	EA GLASS-STATIONARY, EXCEL 106-018291
	099480-03-702	EA SLIDE ASSEMBLY, EXCEL H150-G8
	099480-03-703	EA SCREEN ASM
	099480-01-700	EA LATCH REPAIR KIT, EXCEL B801-CK

PASSENGER SIDE CAB WINDOW

KEY	PART NUMBER	U/M DESCRIPTION
	106466-01-01A	EA WINDOW-CAB, PASSENGER - W/INSIDE TRIM - EXCEL &MRQ1482
	106466-01-700	EA TRIM-FRONT, STRAIGHT RAIL - BLACK - EXCEL H357-77 FRT RAIL
	106466-01-701	EA TRIM-CURVED, BLACK - EXCEL H357-67 CURVED
	106466-01-702	EA GLASS-STATIONARY, UPPER - EXCEL 106-018267
	106466-01-703	EA GLASS-STATIONARY, LOWER - EXCEL 106-018269
	106466-01-704	EA SLIDE ASSEMBLY, EXCEL H357-A9R
	106466-01-705	EA SCREEN ASSEMBLY, EXCEL H357-03R
	106466-01-706	EA GLASS-STATIONARY, MIDDLE - EXCEL 106-018268

PASSENGER SIDE SIDE AISLE WINDOW

KEY	PART NUMBER	U/M DESCRIPTION
	104691-15-01A	EA WINDOW-SINGLE TIPOUT, W/INSIDE FRAME - EXCEL CH56-G1W59

DRIVER SIDE BEDROOM WINDOW

KEY	PART NUMBER	U/M DESCRIPTION
	113500-04-01A	EA WINDOW-TIPOUT, DOUBLE - W/INSIDE FRAME - EXCEL CH93-G1W59

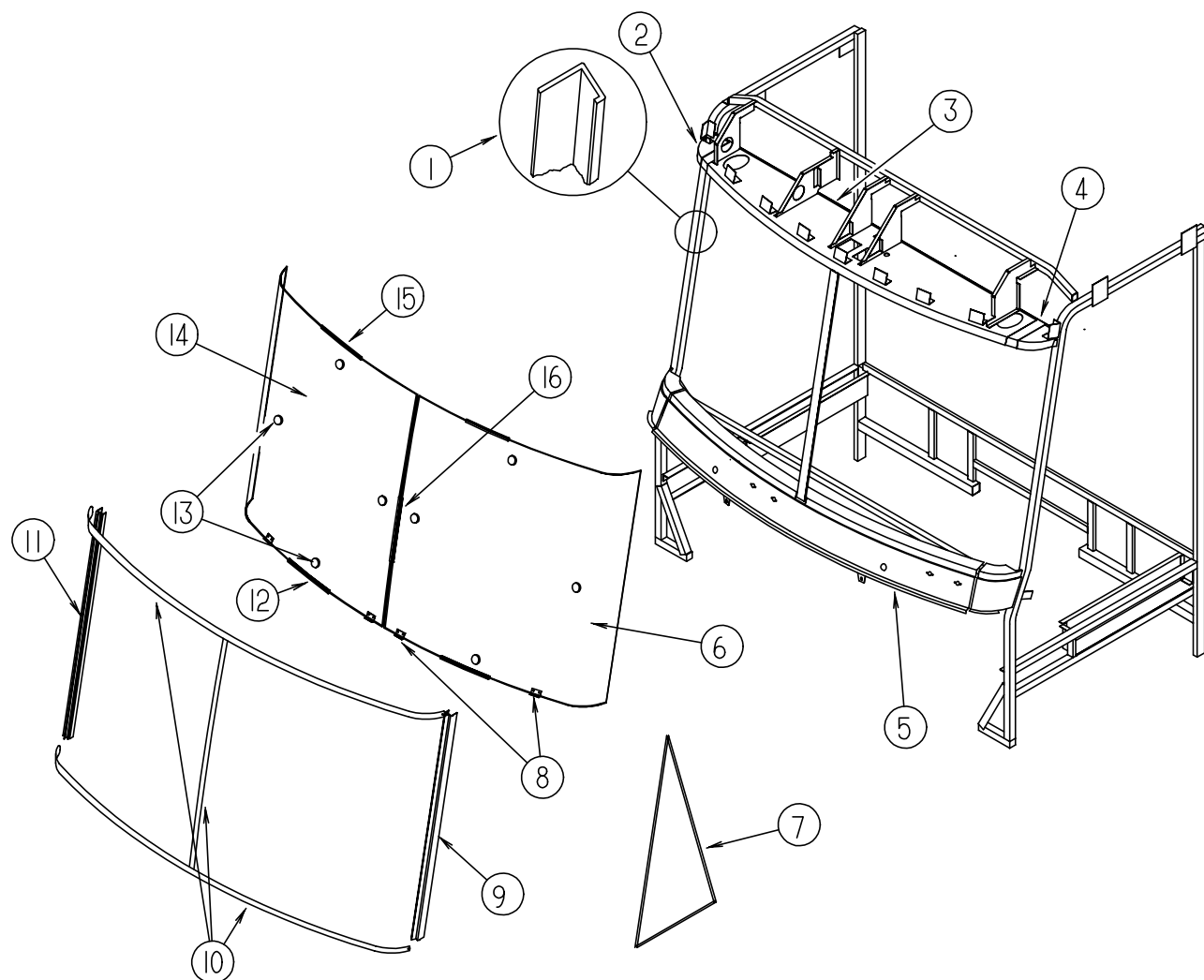
DRIVER & PASSENGER SIDE LOUNGE WINDOW

KEY	PART NUMBER	U/M DESCRIPTION
	115360-01-01A	EA WINDOW-DOUBLE TIPOUT, W/INSIDE FRAME - EXCEL CH90-G1W59

PASSENGER SIDE BEDROOM WINDOWS

KEY	PART NUMBER	U/M DESCRIPTION
	113500-02-01A	EA WINDOW-TIPOUT, DOUBLE - W/INSIDE FRAME - EXCEL CH92-G1W59

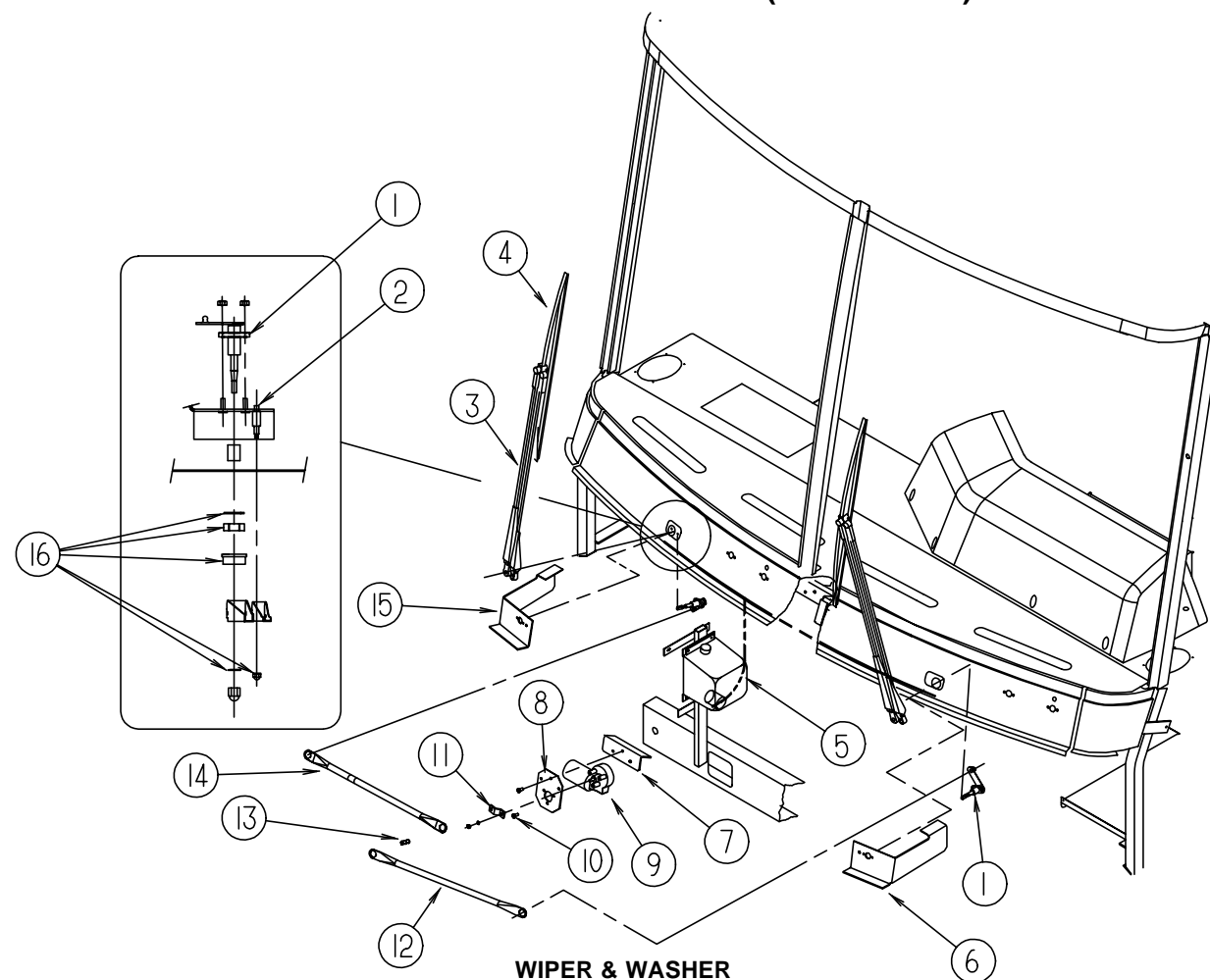
WINDSHIELD & WIPER GROUP



WINDSHIELD & VENT WINDOWS

KEY	PART NUMBER	U/M DESCRIPTION
1	098788-06-000	EA CHANNEL-RIGID, 1243 LONG
2	077922-03-000	EA HEADER-WINDSHIELD, RIGHT END
3	077922-05-000	EA HEADER-WINDSHIELD, CENTER
4	077922-04-000	EA HEADER-WINDSHIELD, LEFT END
5	077847-02-000	EA SUPPORT-WINDSHIELD, LOWER - W/O BRACKETS
6	105036-04-000	EA GLASS-WINDSHIELD, DRIVER
7	106468-01-01A	EA WINDOW-FRONT, SLANT - DRIVER SIDE - EXCEL
8	107285-01-000	EA BRACKET-WINDSHIELD, SUPPORT
	102935-01-000	EA CARRIER-REVEAL, 50" LONG - 50MM PIECES USED AT CORNERS
9	103107-06-01A	EA TRIM-WINDSHIELD, SIDE - BLACK
10	102936-01-000	FT MOLDING-REVEAL, WINDSHIELD
11	103107-05-01A	EA TRIM-WINDSHIELD, SIDE - BLACK
12	111771-01-000	EA CARRIER-REVEAL, WINDSHIELD - 1070MM LONG - 4 USED
13	081914-01-000	EA BUMPER-RUBBER, ROUND - .43" DIAMETER - BLACK
14	105036-03-000	EA GLASS-WINDSHIELD, PASSENGER
15	111771-02-000	EA CARRIER-REVEAL, WINDSHIELD - 1070MM LONG - 4 USED
16	111771-01-000	EA CARRIER-REVEAL, WINDSHIELD - CENTER - 1243MM LONG

WINDSHIELD & WIPER GROUP (CONTINUED)



WIPER & WASHER

KEY	PART NUMBER	U/M DESCRIPTION
1	108168-01-000	EA PIVOT SHAFT ASM, SPRAGUE GS-3683
	077049-01-000	EA NUT-ACORN, 10-32 ALUMINUM
2	077048-02-000	EA SHAFT-ADAPTER, WIPER PANTOGRAPH ARM - ANCO 52818
3	108165-01-000	EA ARM-WIPER, PANTOGRAPH - 28.0" - SPRAGUE 9280-00-BWS
	096931-01-700	EA HOSE-WASHER, WIPER ARM
	108165-01-704	EA KIT-WASHER NOZZLE, W/NOZZLE, SCREW & NUT
	110742-01-000	EA GASKET-WIPER
4	108166-01-000	EA BLADE-WINDSHIELD WIPER, 24" - SPRAGUE C-1755
		FROM: 00-00-00 THRU: 09-04-94
4	108166-02-000	EA BLADE-WINDSHIELD WIPER, PASSENGER - 24" - SPRAGUE 9280-00-R
		FROM: 09-05-94 THRU: 99-99-99
4	108166-03-000	EA BLADE-WINDSHIELD WIPER, DRIVER - 24" - SPRAGUE 9280-00-L
		FROM: 09-05-94 THRU: 99-99-99
5	056000-04-000	EA WASHER-WINDSHIELD, BOTTLE & PUMP
6	106680-02-000	EA BRACKET-MOUNT, WIPER PIVOT
7	106604-01-000	EA PLATE-WIPER, MOTOR MOUNT
8	103935-01-000	EA PLATE-MOUNTING, WIPER MOTOR (FORD & SPARTAN)
8	103935-02-000	EA PLATE-MOUNTING, WIPER MOTOR (CHEVY)
9	108164-02-000	EA MOTOR-WIPER, W/CRANK ARM - E-006-093
	108164-01-700	EA WIPER MOTOR ONLY, SPRAGUE 403.878
10	096526-01-000	EA SCREW-HEX, 1/4 - 28 UNF
11	108164-01-701	EA CRANK-MOTOR, W/DOUBLE CRANK STUD - SPRAGUE GS-2508
12	108167-02-000	EA LINK-CONNECTING, 22.00" - SPRAGUE L1-3D3-3
13	067188-01-000	EA STUD-CRANK, WIPER
14	108167-01-000	EA LINK-CONNECTING, 22.00" - SPRAGUE L1-3B4-3
15	106680-01-000	EA BRACKET-MOUNT, WIPER PIVOT
16	108169-01-000	EA HARDWARE-PIVOT SHAFT ASM, SPRAGUE GS-3706
	061603-01-000	EA GROMMET-SNAP, 3/16" ID - 3/8" HOLE - PLASTIC
	096931-01-700	EA HOSE-WIPER, TO BLADE
	045794-01-000	FT HOSE-WASHER, WINDSHIELD - 5/32" ID - BLACK
	056000-01-700	FT HOSE-WIPER, VACUUM - 7/64" - 5/32"