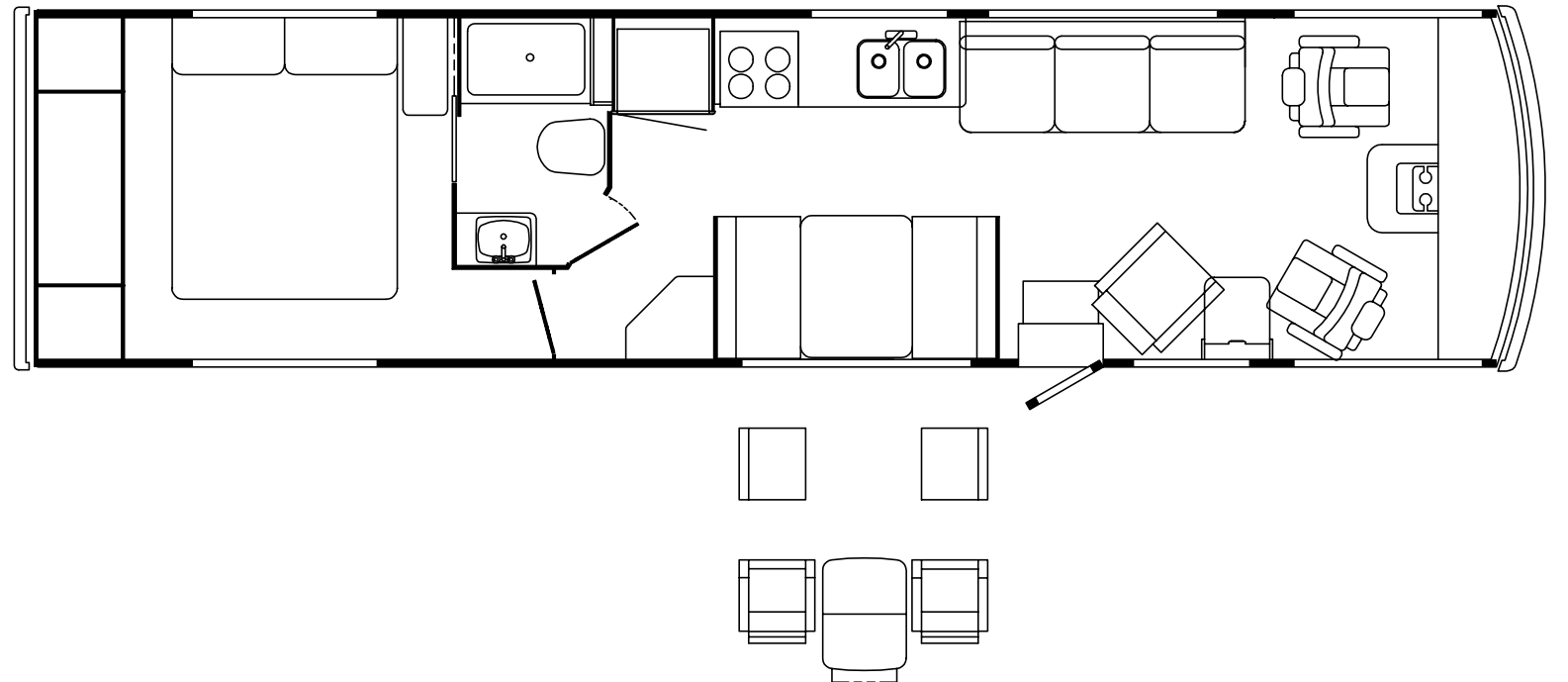
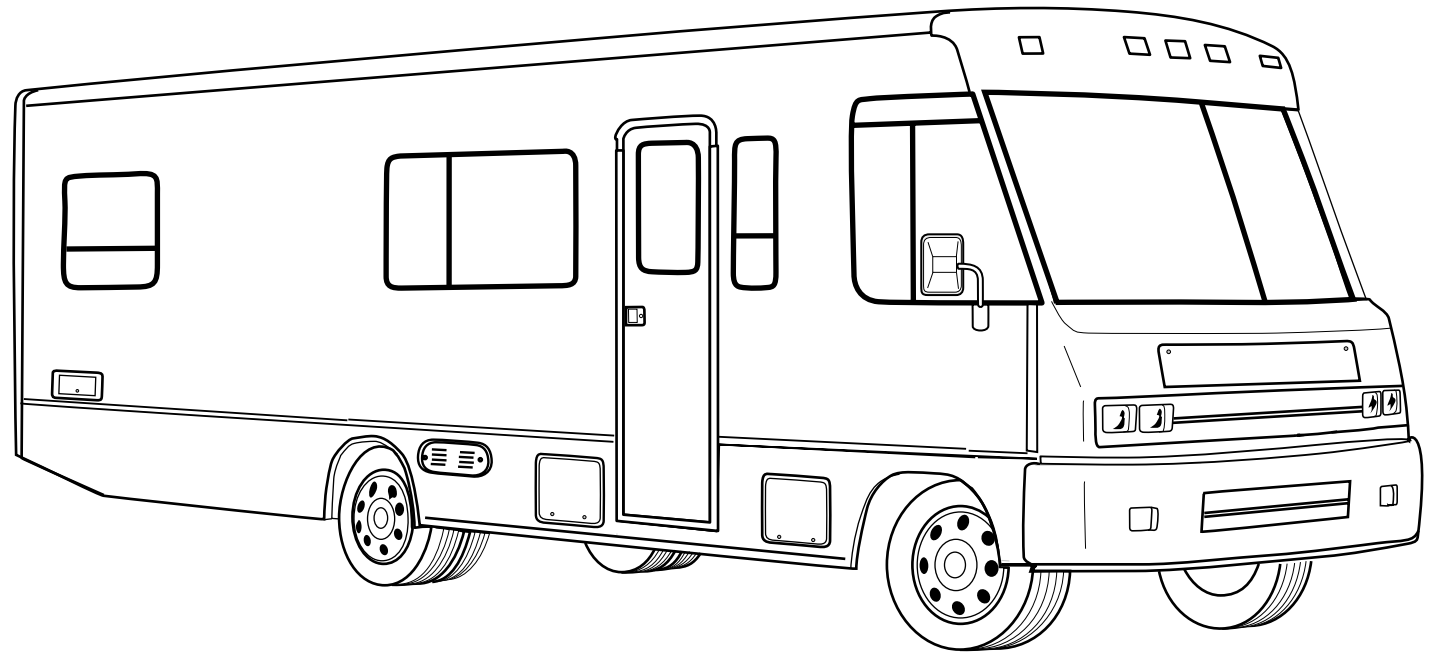


**1995**  
**WCG34WA**

**F11**

**F12**



## ACCESSORIES GROUP

### OPERATOR MANUAL

KEY	PART NUMBER	U/M DESCRIPTION
	054185-C6-000	EA MANUAL-OPERATOR 95 ADVENTURE G-SERIES
	092318-01-000	EA BINDER - 3 RING - MOTOR HOME MANUAL
	092319-01-000	EA POCKET PAGE - 3 RING BINDER - PLASTIC
	114399-01-000	EA TOP LEVEL DRAWING NUMBER

## AUDIO VIDEO GROUP

### RADIO SYSTEMS & ANTENNA

KEY	PART NUMBER	U/M DESCRIPTION
	087683-03-000	EA RADIO - AM/ FM STEREO CASSETTE AUDIOVOX RS-100
	087683-02-000	EA RADIO - AM/ FM STEREO CASSETTE AUDIOVOX P-1A
	110267-03-000	EA RADIO - AM/ FM STEREO CD COMPAT AUDIOVOX IM-400
	077069-02-000	EA CABLE - ANTENNA - RADIO - EXTENSION 96" - ARA 6700667
	110469-01-000	EA SPEAKER - OVAL - 4" X 6" - BLACK
	110470-01-01A	EA GRILLE - SPEAKER - OVAL - 4" X 6" - BLACK
	081059-02-000	EA WIRE ASM - 9-PIN - RADIO - AUDIOVOX 112B-1761
	110267-01-000	EA RADIO - AM/FM STEREO - AUDIOVOX IM-200
	105248-01-000	EA ANTENNA - CB - ADVANCE 8604
	087683-03-000	EA RADIO - AM/ FM STEREO CASSETTE AUDIOVOX RS-100
	090944-01-000	EA ANTENNA - RADIO - 16" RUBBER
	108847-01-000	EA BRACKET - ANTENNA GROUND
	115916-01-01B	EA BRACKET - ANTENNA MOUNT
	074979-08-000	EA SHIELD - SPEAKER - BACK - MOLDED PLASTIC - LIGHT OAK
	089340-02-000	EA GRILLE - SPEAKER - 6.5" SQUARE
	089340-03-000	EA SPACER - GRILLE - 6.5" SQUARE - TAN - MAGNADYNE G514
	094097-01-000	EA SPEAKER - RADIO - W/O GRILLE - 5.25" DIA - AUDIOVOX 110C3030

### REAR MONITOR SYSTEM

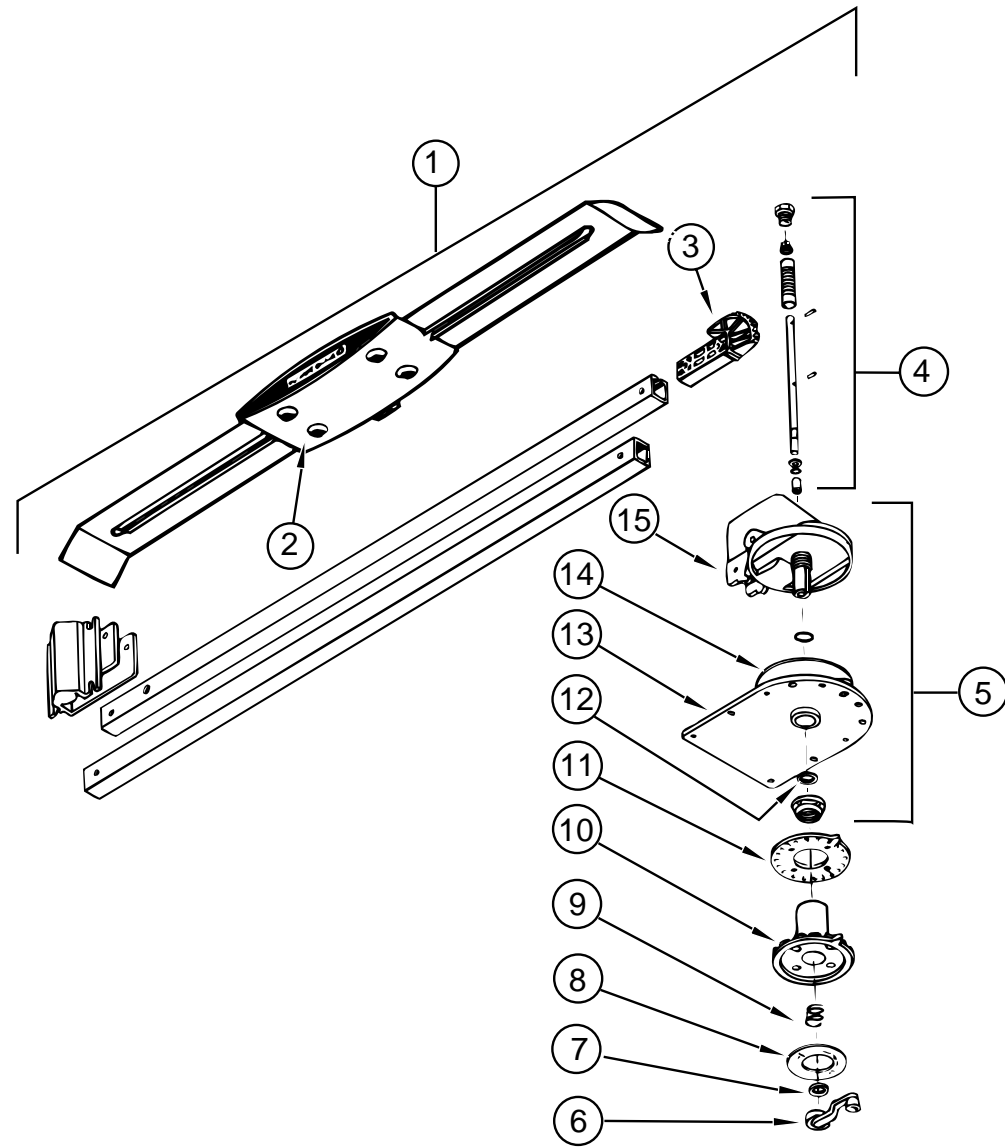
KEY	PART NUMBER	U/M DESCRIPTION
	093040-05-000	EA TELEVISION SYSTEM - REAR VIEW 7" - SONY YM-RVF7AM
	093040-04-700	EA CAMERA - W/BRACKET & WIRING - REAR VIEW - SSC-520AM
	093040-05-700	EA MONITOR - 7" W/POWER HARNESS - SSM721AM
	093040-06-000	EA WIRE ASM. - MONITOR - SONY SM-HRN7
	093041-01-000	EA CABLE - MONITOR/ CAMERA - INTERNAL USE
	093041-02-000	EA CABLE - MONITOR/ CAMERA - EXTERNAL USE
	093041-03-000	EA CABLE - MONITOR/ CAMERA - SONY UK121A
	096717-03-000	EA WIRE ASM. - REAR MONITOR - UPPER
	108885-01-000	EA WIRE ASM. - INSTRUMENT PANEL - REAR MONITOR (CHEVY)

### PATIO ENTERTAINMENT CENTER

KEY	PART NUMBER	U/M DESCRIPTION
	110469-01-000	EA SPEAKER - OVAL - 4" X 6" - BLACK
	110470-01-01A	EA GRILLE - SPEAKER - OVAL - 4" X 6" - BLACK
	077069-02-000	EA CABLE - ANTENNA - RADIO - EXTENSION 96" - ARA 6700667
	087683-03-000	EA RADIO - AM/ FM STEREO W/ CASSETTE - AUDIOVOX
	090944-01-000	EA ANTENNA - RADIO - 16" RUBBER
	108847-01-000	EA BRACKET - ANTENNA GROUND
	109889-02-000	EA ANTENNA - 2" SHAFT EXTENDER - MAGNADYNE RV71EX2

# AUDIO VIDEO GROUP (CONTINUED)

## TV ANTENNA



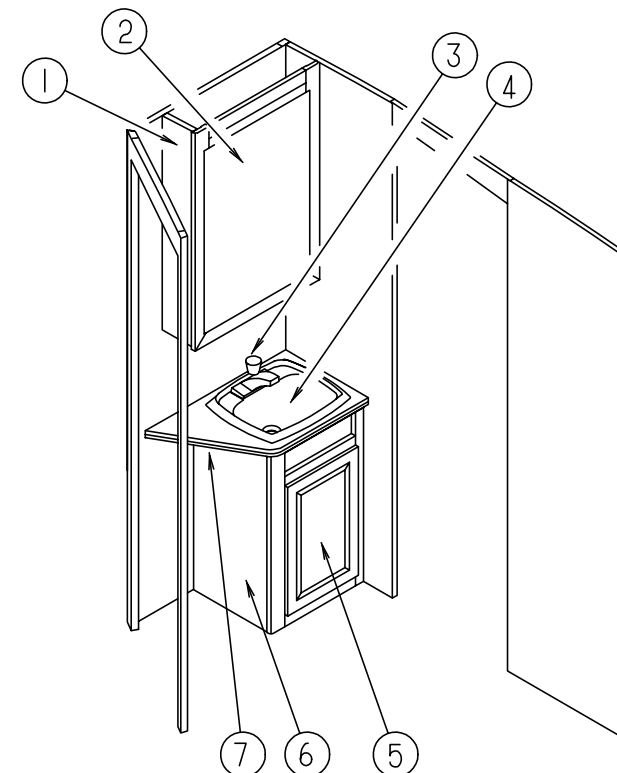
KEY	PART NUMBER	U/M	DESCRIPTION
1	076319-18-000	EA	ANTENNA - TV - ROOF MOUNT
2	076319-01-700	EA	HEAD - ANTENNA - AMPLIFIED - WINEGARD - RVSA U/V
3	076319-01-701	EA	GEAR - ELEVATING - PLASTIC - WINEGARD - 2200046
4	076319-01-702	EA	SHAFT ASM - ELEVATING - WINEGARD - RVP-400A
5	076319-01-711	EA	BASE & LIFT ASM - WINEGARD - 2762802
6	076319-01-706	EA	CRANK - ELEVATING - W/ SET SCREW - WINEGARD - 5755100
7	076319-01-705	EA	BEARING - NYLON - 7/8"ID - WINEGARD - 3200658
8	076319-01-708	EA	CRANK COVER DECAL - WINEGARD - 5413002
9	076319-01-707	EA	SPRING - HANDLE - WINEGARD - 5160822
10	076319-01-709	EA	PLATE - DIRECTIONAL - FOR HEAD - WINEGARD - 3200644
11	076319-01-712	EA	CEILING PLATE - WINEGARD - 3200608
12	076319-01-704	EA	BEARING - NYLON - 1.5"OD - WINEGARD - 3200657
13	076319-01-713	EA	BASE PLATE - WINEGARD - 3100523
14	076319-01-703	EA	BEARING - NYLON - 5"OD - WINEGARD - 3200656
15	076319-01-714	EA	HOUSING - ROTATING GEAR 2200049

## AUDIO VIDEO GROUP (CONTINUED)

### TV - VCR SYSTEMS

KEY	PART NUMBER	U/M DESCRIPTION
	082134-01-000	EA ADAPTER - TV - CABLE TO CABLE - WINEGARD F-81M
	086756-01-000	EA SPLITTER - TV - 2 WAY
	076319-03-000	FT CABLE - COAXIAL - 75 OHM
	076319-12-000	EA CONNECTOR - COAXIAL - ONE PIECE
	086757-03-000	EA CONTROL CENTER - SWITCH - VCR/TV - MAGNADYNE VCS-6
	098446-06-000	EA VCR - VHS - CABLE READY - REMOTE - MAGNAVOX VR9210 FROM: 00-00-00 THRU: 10-02-94
	098446-06-700	EA REMOTE F/ MODEL #9210 - 0974584
	098446-07-000	EA VCR - VHS - CABLE READY - REMOTE MAGNAVOX VR9320 FROM: 10-03-94 THRU: 99-99-99
	098446-07-700	EA REMOTE F/MODEL#VR9320 8874589
	113684-01-000	EA TV - 19" COLOR UL AND CSA - AUDIOVOX AVT-1975
	113684-01-700	EA REMOTE - 8822345
	092310-02-000	EA TV - COLOR - 9"- AC/DC - W/REMOTE - MAGNAVOX RD0945 (REAR TV)
	092310-02-700	EA REMOTE - F/TV MAGNAVOX RD0945 - 0822334
	098819-01-000	EA SPEAKER - 2 WATT - 8 OHM - 4"
	093214-01-02A	EA GRILL - SPEAKER, 4" BROWN
	099717-01-000	EA TIEDOWN - TV STRAP - 22.8" LONG
	109889-04-000	EA EXTENDER - SHAFT - ANTENNA 3" MAGNADYNE RV71EX3
	082136-01-000	EA JAM NUT - HEX 3/8-32 - WINEGARD
	076319-08-000	EA WALLPLATE - CABLE RECEPTACLE - TV - SINGLE - IVORY
	076319-09-000	EA WALLPLATE - CABLE RECEPTACLE - TV - SINGLE - BROWN
	086777-01-000	EA WALLPLATE - TV CABLE - W/ ANTENNA SWITCH - IVORY
	086777-03-000	EA WALLPLATE - CABLE - W/ TV ANTENNA SWITCH & BOOSTER - IVORY

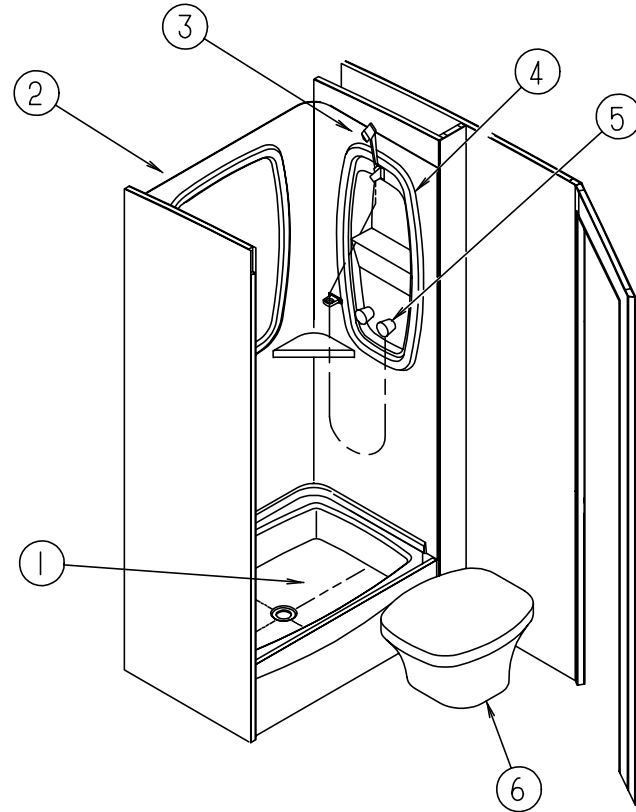
## BATH GROUP



### BATH CABINETS & PRIVACY DOOR

KEY	PART NUMBER	U/M DESCRIPTION
1	P04650-01-C27	EA CABINET ASM - MEDICINE
2	115237-01-E10	EA DOOR ASM - MIRROR - MEDICINE CABINET
	075454-02-000	EA RING - TOWEL - W/ MOUNTING HARDWARE - BRASS
3	075240-06-000	EA FAUCET - LAVATORY - BONE
	091253-01-000	EA GASKET - FAUCET
4	096927-01-01A	EA SINK - LAVATORY - RECTANGULAR - PLASTIC - BONE
	096927-01-700	EA SINK STOPPER
	096927-01-701	EA TAILPIECE - SINK
5	M06803-78-E10	EA DOOR ASM - W/O HARDWARE - LAVATORY 0365 X 0555
6	P04634-01-F11	EA CABINET ASM - LAVATORY
6	P04634-01-F12	EA CABINET ASM - LAVATORY
7	104634-11-F11	EA COUNTERTOP ASM
7	104634-11-F12	EA COUNTERTOP ASM
	104013-07-F11	EA DOOR ASM - SLIDING (REAR BATH)
	104013-07-F12	EA DOOR ASM - SLIDING (REAR BATH)
	103874-01-000	EA HANGER - SLIDING DOOR
	064467-01-000	EA GUIDE - POCKET - SLIDING DOOR - WALL MOUNTED
	075452-02-000	EA HOLDER - TOILET TISSUE - BRASS
	100494-02-E33	EA DOOR ASM - BATH (FRONT BATH)
	108138-01-000	EA HINGE-BURNISHED BRASS
	009151-01-000	EA GUARD - WARP - CABINET/ PRIVACY DOOR - 48"
	058335-01-000	EA LATCH - BATH DOOR (FRONT BATH) BROWN PLASTIC
	100357-01-000	EA ROD - TOWEL - BRASS W/ENDS BENT FOR BACK OF BATH DOOR
	102089-11-E10	EA MOUNT-TOWEL ROD RIGHT SIDE - 53.5" LONG - WOOD
	102089-12-E10	EA MOUNT-TOWEL ROD LEFT SIDE - 53.5" LONG - WOOD
	104014-03-F11	EA DOOR ASM - BATH (SIDE AISLE)
	080728-01-000	EA HANDLE - RECESSED - PLASTIC - BROWN
	009059-02-000	EA HINGE-2 IN-BRASS
	102920-01-01A	EA HINGE - DOOR - SPRING LOADED - BRASS

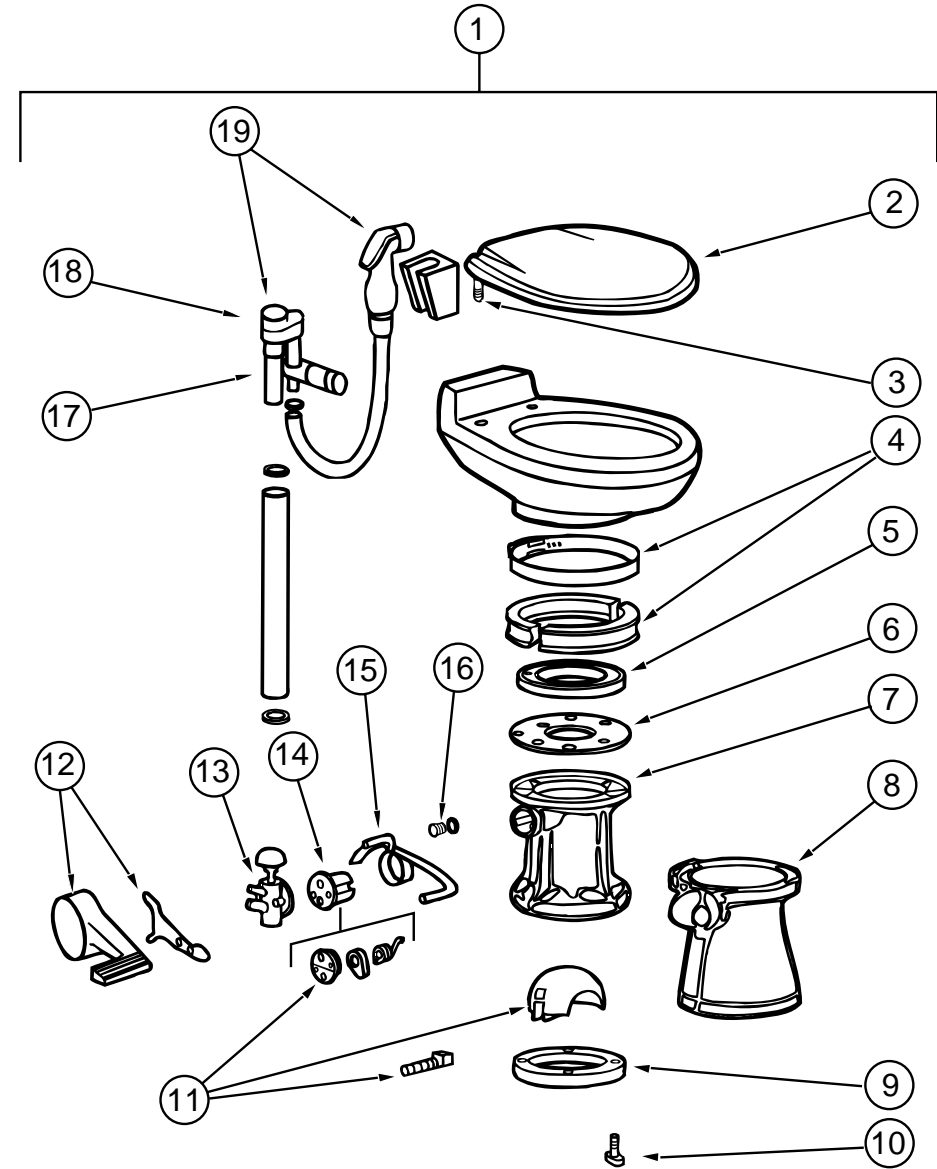
## BATH GROUP (CONTINUED)



**SHOWER COMPONENTS**

KEY	PART NUMBER	U/M	DESCRIPTION
1	M02630-22-C07	EA	SHOWER PAN ASM
	066440-01-000	EA	STRAINER - SHOWER - W/ RUBBER WASHER
	069735-01-000	EA	WASHER - STRAINER TO TAILPIECE PLASTIC - 1.5"
2	104464-01-01A	EA	SURROUND - SHOWER - OFF WHITE
3	103092-01-000	EA	SHOWER HEAD - W/60" HOSE
	103092-02-000	EA	SHOWER HEAD - W/ HOSE - CSA
	103092-01-700	EA	BRACKET ONLY - CLEAR - F/ SHOWER HEAD
	011048-03-700	EA	BRACKET ONLY (BONE) F/ SHOW HEAD
	057671-01-000	EA	COVER - SCREW - #8 - PLASTIC - OFF WHITE
4	104462-01-01A	EA	CADDY - SHOWER - OFF WHITE
5	075241-05-000	EA	FAUCET - SHOWER - BONE
	113714-02-01A	EA	RETAINER - SHELF - SHOWER OFF WHITE
6	085330-06-000	EA	TOILET - CHINA -STD W/ SPRAYER SEALAND 591003 - BONE

## BATH GROUP (CONTINUED)

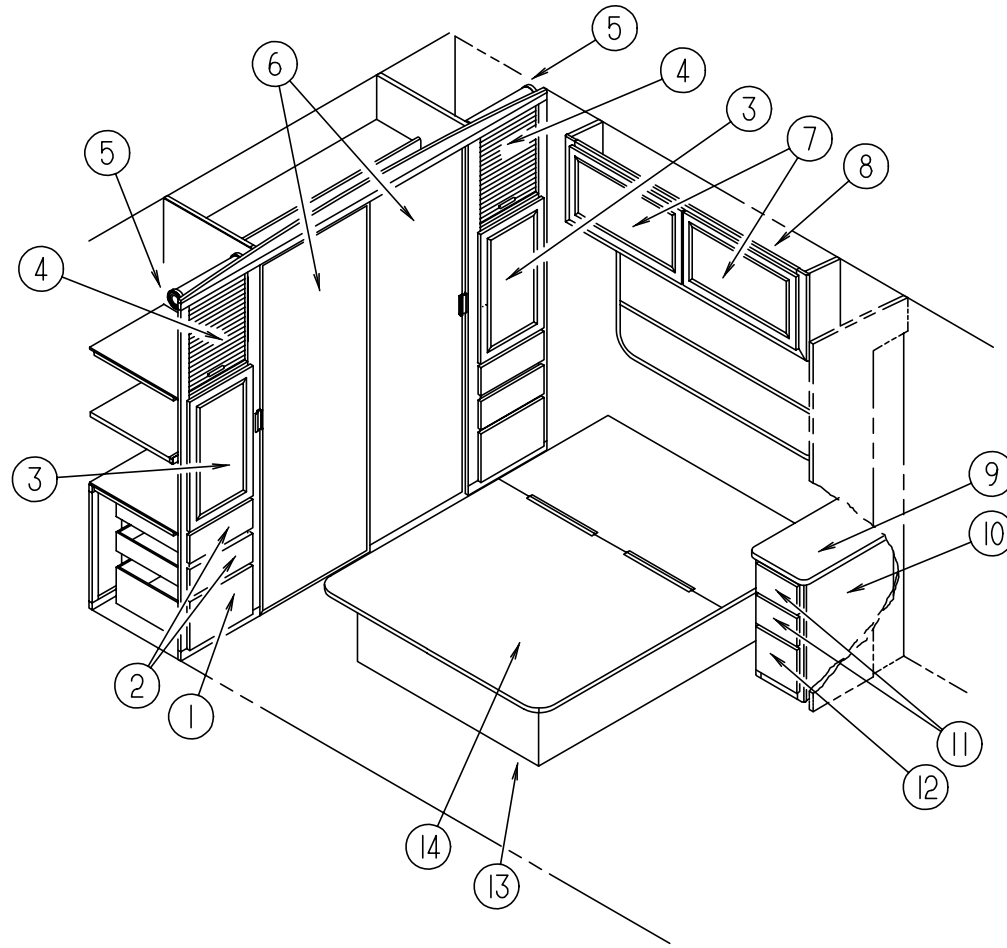


**TOILET (SEALAND)**

KEY	PART NUMBER	U/M	DESCRIPTION
1	085330-06-000	EA	TOILET-CHINA - STANDARD W/ SPRAYER 591003 (BONE) MODEL 910 W/SPRAY
2	085330-06-700	EA	SEAT ASSEMBLY (BONE) 340591
3	085330-06-702	EA	HINGE HARDWARE (BONE) SET - 342131
4	085330-01-703	EA	RING & HALF CLAMPS ASM (BONE) 385310048
5	085330-01-704	EA	TEFLON & RUBBER SEALS - 385316140
6	085330-01-705	EA	SUPPORT - SEAL - PLASTIC - 390346405
7	085330-02-700	EA	BASE ASM - 310121
8	085330-02-702	EA	PEDESTAL COVER KIT (BONE) 510 - 310112
9	085330-01-714	EA	SEAL - FLANGE - FLOOR - 390343892
10	085330-01-717	EA	BOLT MOUNTING PACKAGE - 385310064
	085330-01-718	EA	SEAL & BOLT MOUNTING PACKAGE - 385310063
11	085330-01-706	EA	BALL - SHAFT & CARTRIDGE - 385318162
12	085330-02-703	EA	PEDAL COVER KIT (BONE) NEW STYLE - 310115
13	085330-01-709	EA	VALVE - WATER - 385314349
14	085330-01-707	EA	CARTRIDGE - SPRING - 381236096
15	085330-06-703	EA	FLUSH LEVER - 340873
16	085330-01-710	EA	PLUG - DRAIN - & CAP - W/ SEAL - 385316142
17	085330-06-701	EA	VALVE W/ DIVERTER (VACUUM BREAKER) 230335
18	085330-06-704	EA	VACUUM BREAKER KIT - 316906
19	085330-04-706	EA	BREAKER - VACUUM - W/ HAND SPRAY - 385319055
	085330-04-701	EA	HAND SPRAY W/HOSE

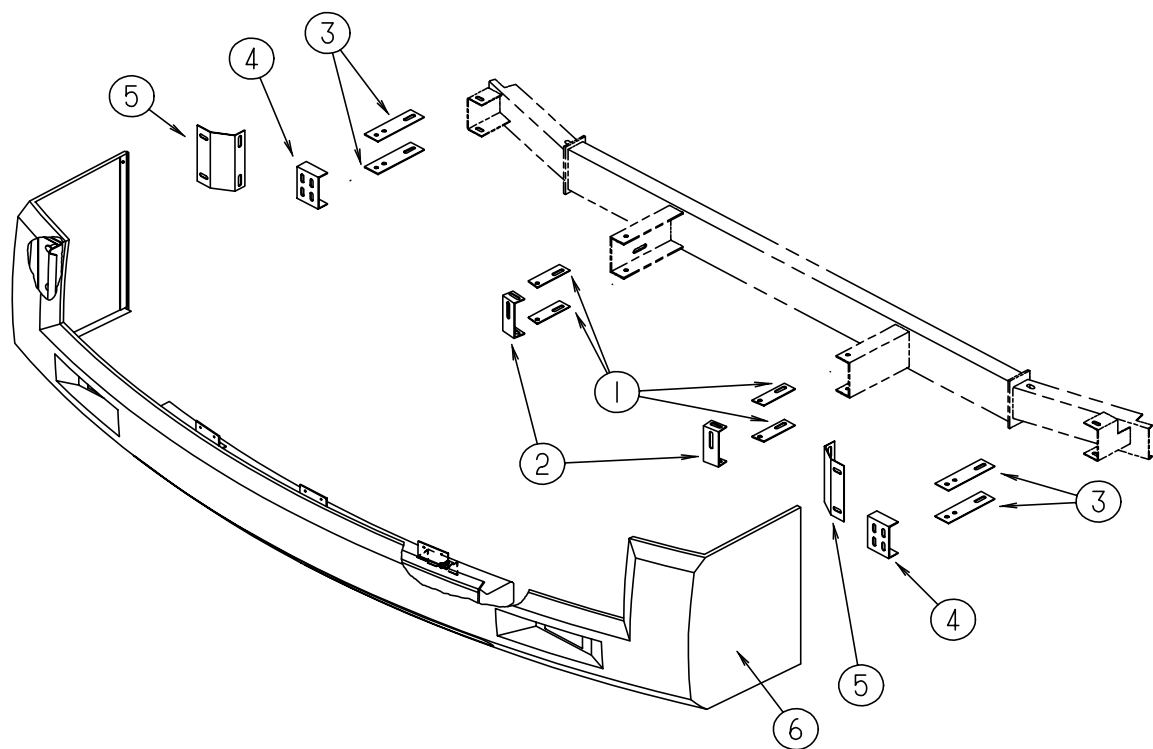
## BEDROOM GROUP

### BEDROOM CABINETRY



KEY	PART NUMBER	U/M	DESCRIPTION
1	M05971-98-E10	EA	DRAWER ASM.
2	M05971-99-E10	EA	DRAWER ASM.
3	M06803-79-E10	EA	DOOR ASM - W/O HARDWARE - 400 X 710
4	115650-20-F11	EA	DOOR TAMBOUR
	057882-04-000	SF	TAMBOUR - FOR DOORS
	M97191-01-E37	EA	HANDLE - DOOR - TAMBOUR
5	097141-02-700	EA	TRACK - SPIRAL - TAMBOUR DOOR KIT (1 LEFT & 1 RIGHT)
6	114149-06-F11	EA	DOOR COMPLETE - WARDROBE - MIRRORED
6	107387-02-01A	EA	RAIL - DOOR - BY-PASS 635
6	107389-02-01A	EA	TRACK - TOP - BY-PASS 1320
6	107390-01-000	EA	HANGER - CORNER CONNECTION
6	107391-01-000	EA	GUIDE BOTTOM - BY-PASS
7	M06803-13-E10	EA	DOOR ASM - W/O HARDWARE - 400 X 710
8	115784-01-F11	EA	CABINET ASM - OVERHEAD - REAR - LH
9	104639-11-F11	EA	COUNTERTOP ASM
9	104639-11-F12	EA	COUNTERTOP ASM
10	104639-01-F11	EA	CABINET ASM. - NIGHTSTAND
10	104639-01-F12	EA	CABINET ASM. - NIGHTSTAND
11	M05971-97-E10	EA	DRAWER ASM. - SLIDE - UPPER
12	M05971-72-E10	EA	DRAWER ASM. - SLIDE - LOWER
13	P15694-01-F11	EA	CABINET ASM - BED - QUEEN
	091261-01-000	FT	BACKING - NON-SKID - 12" X 100' - QUEEN BED
14	M05905-08-F11	EA	TOP ASM. - BED - QUEEN
	107796-06-000	EA	SPRING - GAS
	089025-01-000	EA	SUPPORT - SPRING-TO BED - ANGLE 1.5" X 11.8" LONG - STEEL

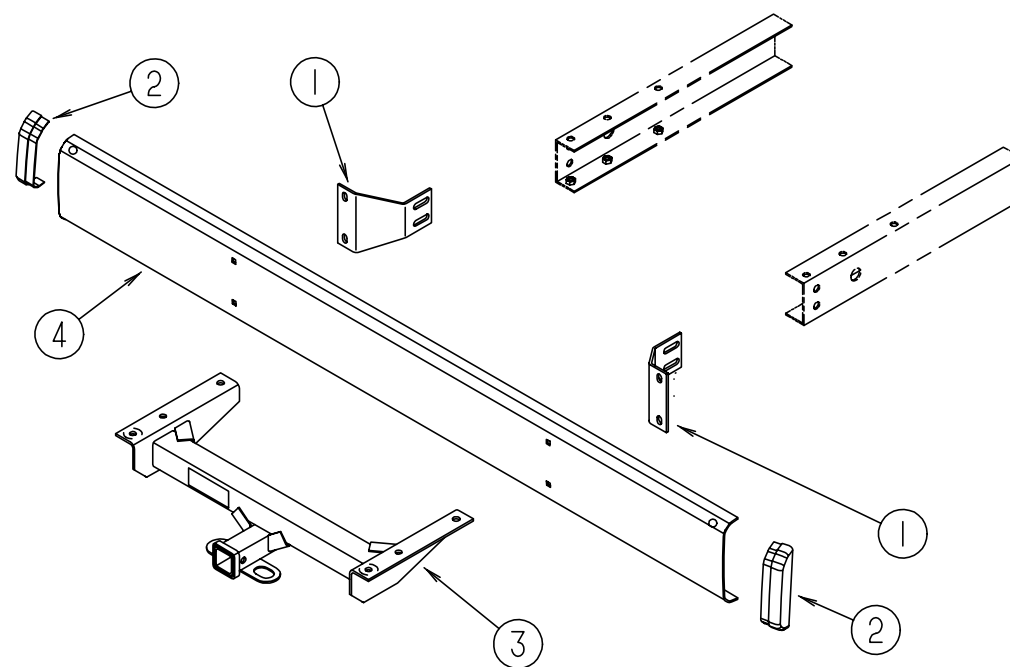
### CHASSIS GROUP



### FRONT BUMPER

KEY	PART NUMBER	U/M	DESCRIPTION
1	112527-02-02B	EA	STRAP-BRACE,BUMPER FRT,E-COAT
2	112526-02-02B	EA	CHANNEL-BRACE,BUMPER,RH,E-COAT
3	112527-03-02B	EA	STRAP-BRACE,BUMPER,FRT,E-COAT
4	112526-04-02B	EA	CHANNEL-BRACE,BUMPER FRT,E-COAT
5	116068-01-02B	EA	BRACKET-FRT END/BUMPER,E-COAT
6	115970-01-F11	EA	BUMPER PANNEL ASM - FRONT
	112827-02-01A	EA	STRAP-GRILLE,FRONT,MILL
	115924-01-02A	EA	GRILLE-WOVEN WIRE FLAT BLK

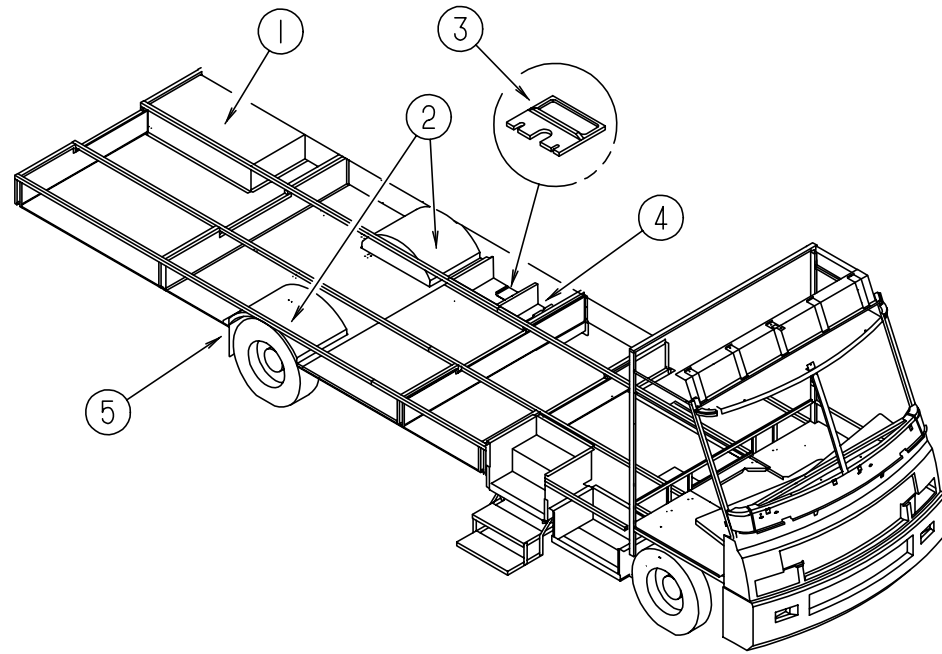
### CHASSIS GROUP (CONTINUED)



### REAR BUMPER

KEY	PART NUMBER	U/M	DESCRIPTION
1	104418-07-000	EA	ANGLE - SUPPORT - BUMPER REAR
2	103228-01-05A	EA	END CAP - BUMPER REAR - BLACK
3	107707-01-000	EA	HITCH ASM - CLASS II
4	103099-04-01A	EA	REAR BUMPER - BUFF
	094362-02-000	EA	CLIP-XMAS TREE,FLAT HEAD
	102333-01-02A	EA	BOLT - 7/16"
	034512-01-000	EA	PIN
	034513-01-000	EA	PIN - 3/16" WIRE
	113589-01-000	EA	CONNECTOR - PLUG - TRAILER
	113589-02-000	EA	CONNECTOR - SOCKET - TRAILER

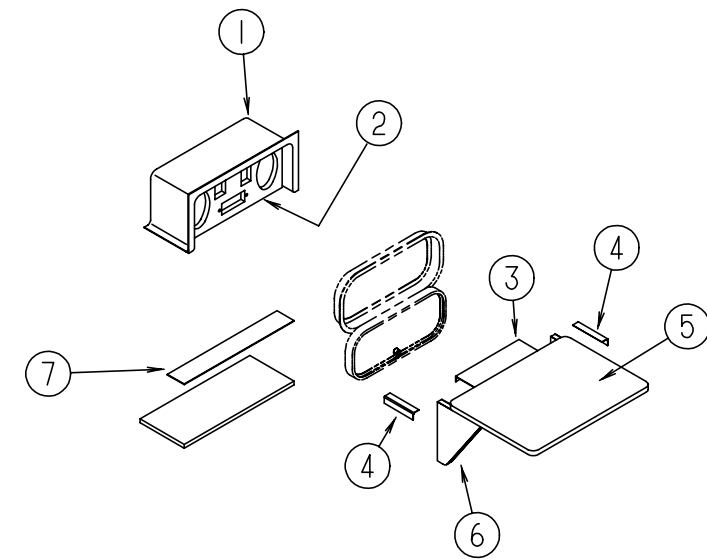
## CHASSIS GROUP (CONTINUED)



### COMPARTMENTS & TRAYS

KEY	PART NUMBER	U/M	DESCRIPTION
1	094657-02-000	EA	TRAY - GENERATOR - 22.5" X 30.4" X 6.9" W/ANGLE & NUTS
2	055374-03-000	EA	REAR WHEELWELL - PLASTIC
3	M06991-03-F36	EA	HATCH ASM - W/ FOAM
	114677-01-01A	EA	RETAINER - HATCH - SEWER HOSE
4	114679-01-01A	EA	COMPARTMENT-STORAGE
5	020167-05-000	EA	GUARD - DIRT
	017516-01-000	EA	FLAP - MUD - 14" X 18" - BLACK
	093287-07-01A	EA	NET - CARGO - 254 MM X 865 MM
	093287-09-01A	EA	NET - CARGO - 254 MM X 1510 MM
	093287-11-01A	EA	NET - CARGO - 254 MM X 1646 MM
	065450-05-000	EA	TIEDOWN - BATTERY - 8.4" TUBE

## CHASSIS GROUP (CONTINUED)



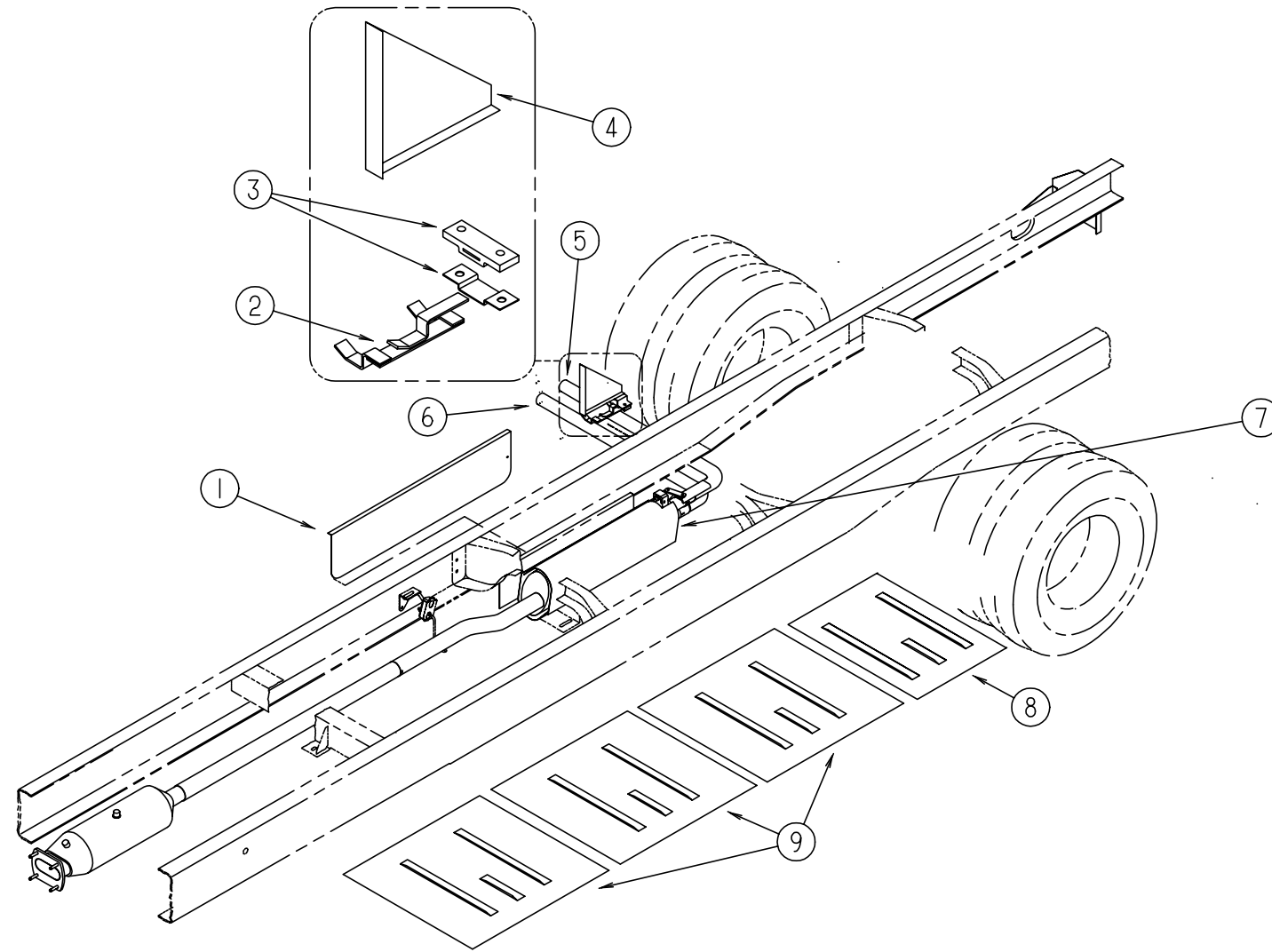
### COMPARTMENT (ENTERTAINMENT CENTER)

KEY	PART NUMBER	U/M	DESCRIPTION
1	104897-03-01A	EA	BOX - ENTERTAINMENT CENTER - OFF WHITE
2	104899-01-C05	EA	PLATE - RADIO MOUNTING
3	105377-01-01A	EA	BRACKET - TABLE HANGER OFF WHITE
4	105376-01-02A	EA	HINGE - CONTINUED - 2"X140MM OFF WHITE
5	105230-11-E01	EA	SHELF ASM.
6	105230-12-F11	EA	SUPPORT ASM.
	105230-01-F11	EA	SHELF & SUPPORT ASM.
7	104898-01-01A	EA	PLATE - PLASTIC BOTTOM - OFF WHITE (CSA)
7	104898-02-01A	EA	PLATE - PLASTIC BOTTOM - OFF WHITE (US)



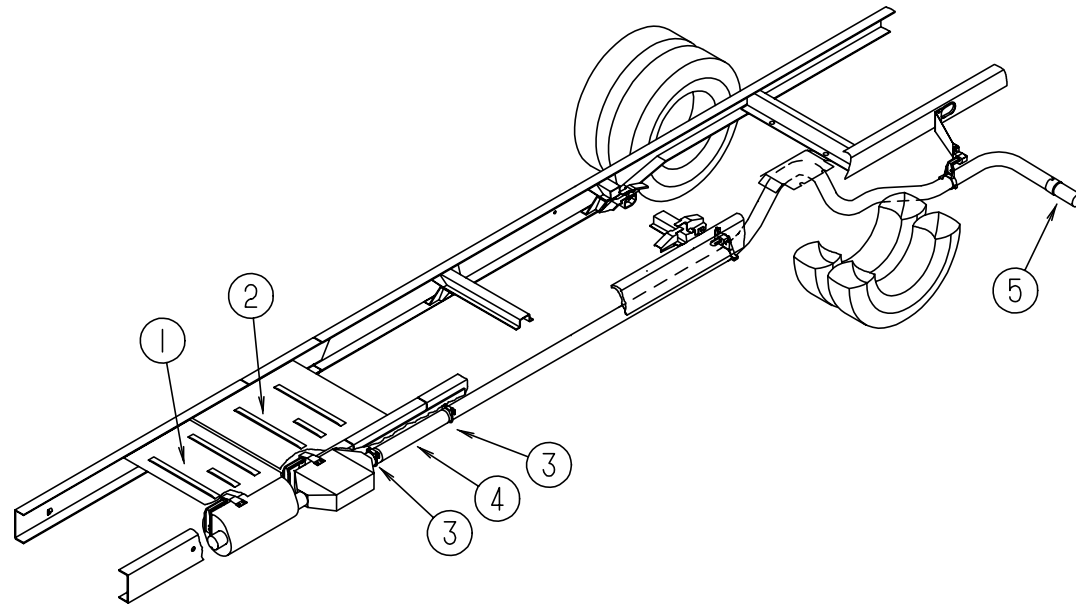
## CHASSIS GROUP (CONTINUED)

### EXHAUST SYSTEM (FORD)



KEY	PART NUMBER	U/M DESCRIPTION
1	075307-03-000	EA SHIELD - HEAT - LP
2	096055-05-000	EA SUPPORT - EXHAUST PIPE
3	095190-01-000	EA HANGER ASM - EXHAUST
4	102117-06-000	EA HANGER ASM - TAILPIPE
5	112166-01-000	EA TAIL PIPE - EXHAUST
6	112165-01-000	EA TAIL PIPE - EXHAUST
	007125-07-000	EA CLAMP - MUFFLER - 2.50" DIAMETER
7	007125-05-000	EA CLAMP - MUFFLER - 2" DIAMETER
8	101544-06-000	EA SHIELD - EXHAUST
9	101544-01-000	EA SHIELD - EXHAUST

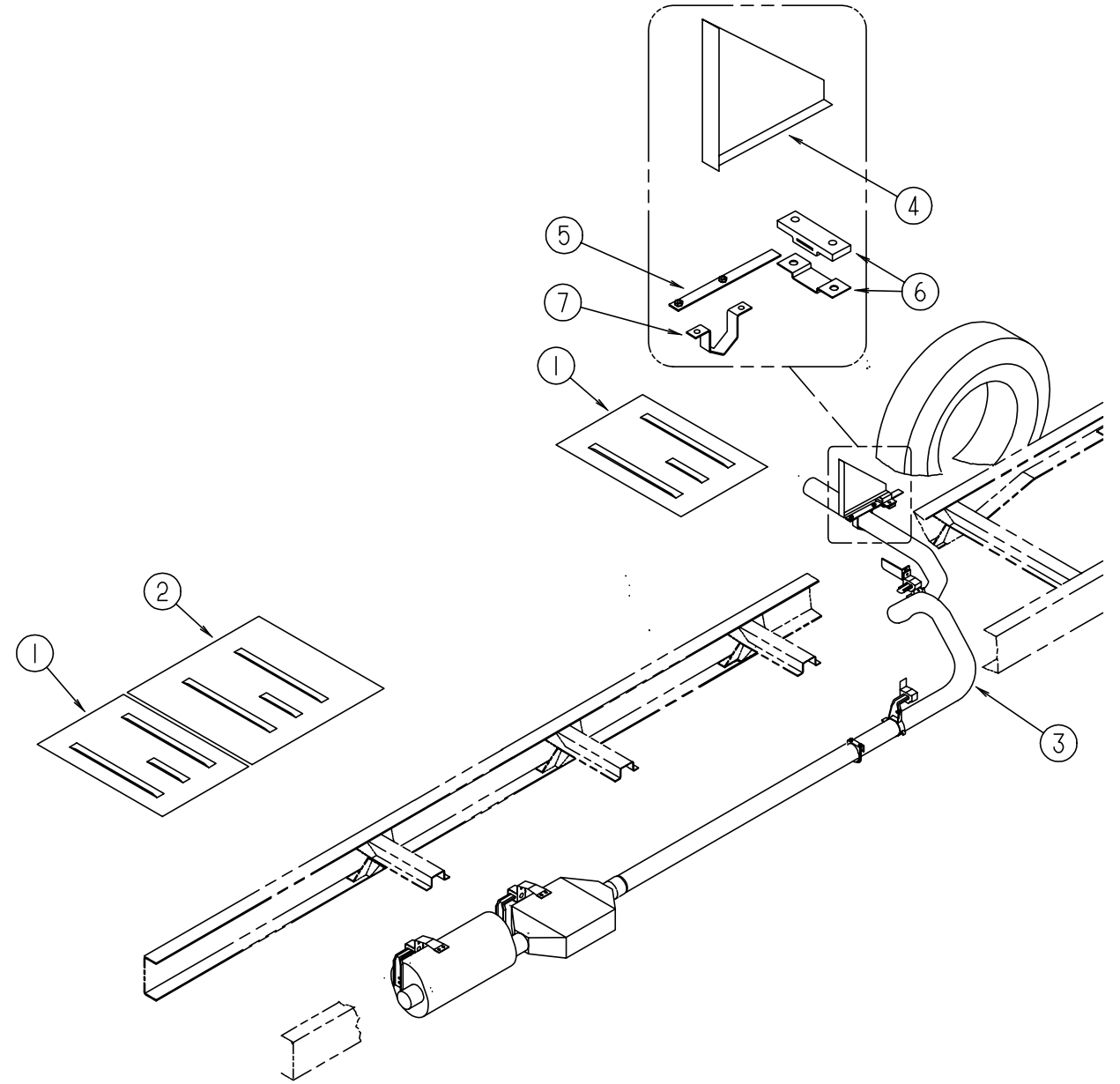
### CHASSIS GROUP (CONTINUED)



EXHAUST SYSTEM (CHEVY)

KEY	PART NUMBER	U/M DESCRIPTION
1	101544-01-000	EA SHIELD - HEAT - EXHAUST - 19.7" X 28.9" - STEEL
2	101544-02-000	EA SHIELD - HEAT - EXHAUST - 30" X 28.9" - STEEL
3	094918-01-000	EA CLAMP - EXHAUST - 3"
4	098762-06-000	EA PIPE - EXHAUST - STRAIGHT - 3.0" X 22"
5	098762-11-000	EA PIPE - EXHAUST - STRAIGHT - 3.0"

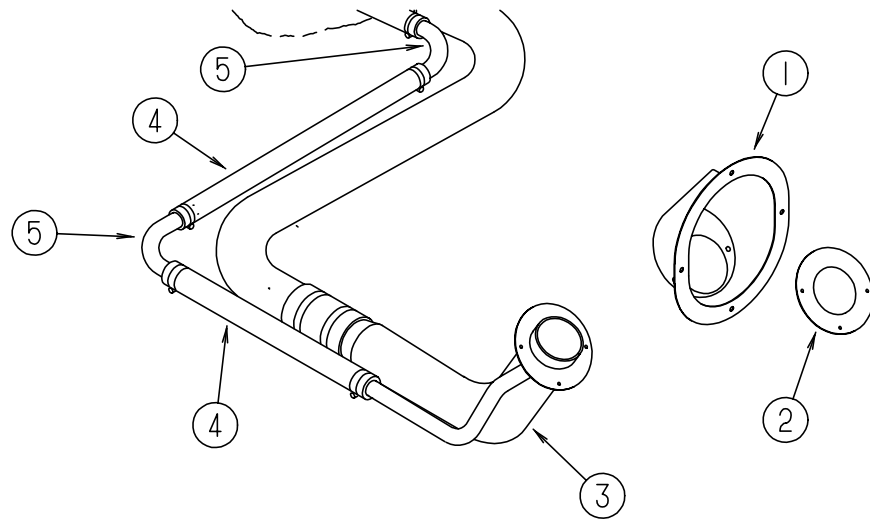
### CHASSIS GROUP (CONTINUED)



EXHAUST SYSTEM (CHEVY W/ LEVELING JACKS)

KEY	PART NUMBER	U/M DESCRIPTION
1	101544-01-000	EA SHIELD - HEAT - EXHAUST - 19.7" X 28.9" - STEEL
2	101544-02-000	EA SHIELD - HEAT - EXHAUST - 30" X 28.9" - STEEL
3	107754-02-000	EA PIPE - EXHAUST - TAIL - STAINLESS STEEL
4	102117-02-000	EA HANGER - TAILPIPE - STEEL
5	095523-11-000	EA BRACKET - EXHAUST - UPPER W/ WELDNUTS - STEEL
6	095190-01-000	EA HANGER - EXHAUST - 4" X 1.4"
7	095223-03-000	EA BRACKET - EXHAUST - LOWER - STEEL

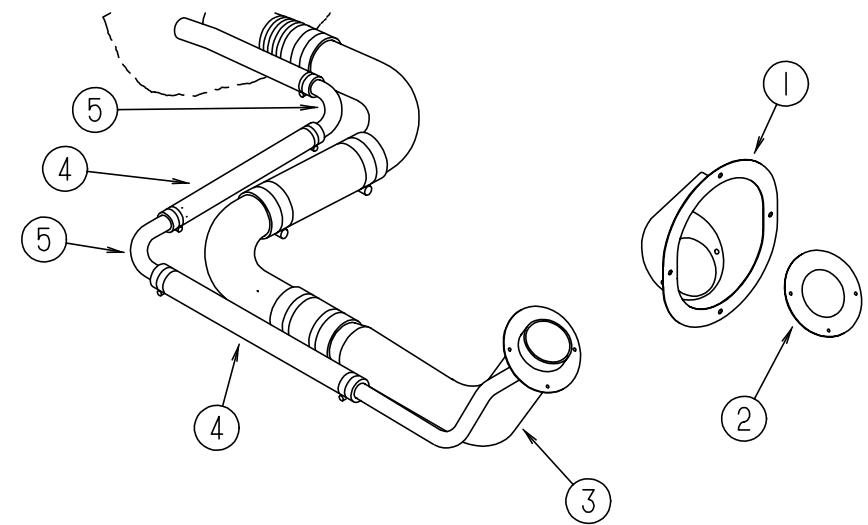
### CHASSIS GROUP (CONTINUED)



#### FUEL SYSTEM (FORD)

KEY	PART NUMBER	U/M DESCRIPTION
1	095854-01-01A	EA SHROUD - FUEL FILL
2	078200-01-000	EA GASKET - FUEL FILL - 3.5"OD X 2"ID
3	087256-07-000	EA NECK ASM - FUEL FILL
4	066732-01-000	FT HOSE - FUEL FILL - .62" ID
5	098806-01-000	EA PIPE - FILL VENT - 90 DEGREE BEND - .625" OD - STEEL
	007063-01-000	FT HOSE - GAS 1/4"ID X 1/2"OD
	084884-01-000	EA PLUG - BRASS - 3/8"
	007111-02-000	EA HOSE - FUEL FILL - 2" ID - IN 3FT LENGTHS

### CHASSIS GROUP (CONTINUED)



#### FUEL SYSTEM (CHEVY)

KEY	PART NUMBER	U/M DESCRIPTION
1	095854-01-01A	EA SHROUD - FUEL FILL
2	078200-01-000	EA GASKET - FUEL FILL - 3.5"OD X 2"ID
3	087256-06-000	EA NECK ASM. - FUEL FILL
4	066732-01-000	FT HOSE - FUEL FILL - .62" ID
5	098806-01-000	EA PIPE - FILL VENT - 90 DEGREE BEND - .625" OD - STEEL
6	098779-01-000	EA COUPLER - FUEL LINE M14 X 1.5-6H - GM 15550219
7	098758-02-000	EA FUEL LINE ASM - RETURN - 5/16 - 508 LONG
8	098759-02-000	EA FUEL LINE ASM - SUPPLY - 3/8 - 508 LONG
9	098779-02-000	EA COUPLER - FUEL LINE M16 X 1.5-6H
10	074800-18-000	EA TUBE - EXTENSION - MAIN FUEL - 208 TO 228 LONG
11	007063-01-000	FT HOSE - GAS 1/4"ID X 1/2"OD
	098807-01-000	EA PIPE - FUEL FILL - 90 DEGREE BEND - 6.6" - 1 3/4" OD - STEEL
	075466-01-000	EA UNION - INVERTED FLARE TUBE - 1/4"
	084884-01-000	EA PLUG - BRASS - 3/8"

## CHASSIS GROUP (CONTINUED)

### TIRE & WHEEL HARDWARE (FORD)

KEY	PART NUMBER	U/M DESCRIPTION
	077030-02-000	EA EXTENSION - VALVE STEM - 1.25"
	091209-14-000	EA WHEEL LINER SET W/FRONT HUB COVER 16" (SET OF 4)
	091209-08-700	EA LINER - WHEEL - 16" FRONT W/AXLE COVER - 10 LUG
	091209-14-700	EA LINER - WHEEL - 16" REAR - 10 LUG
	091209-08-702	EA COVER - AXLE - 16" REAR
	091209-01-704	EA LUG NUT COVER (WHEEL LINER)
	091209-11-702	EA JAMB NUT (LONG) REAR WHEEL
	091209-08-706	EA FLAT NUT .500 - 9/16 STUD
	095012-03-000	EA EXTENSION - VALVE STEM - DUAL WHEEL
	095012-04-000	EA STABILIZER - VALVE EXTENSION
	M00080-60-000	EA FORD TIRE & WHEEL
	051377-05-000	EA VALVE STEM ASM - VS938
	083425-05-000	EA TIRE - MICHELIN - LT235/85R16 LRE - XPS RIB
	095853-02-000	EA WHEEL - STEEL - 16" X 6K - F2TA- 1015 - NA
	098532-01-000	EA COVER - WHEEL - FORD - 16" - SET OF 4
	098532-01-700	EA COVER - LUG NUT - CHROME
	098532-01-701	EA COVER - WHEEL - 16"

### TIRE & WHEEL HARDWARE (CHEVY)

KEY	PART NUMBER	U/M DESCRIPTION
	091209-01-000	EA LINER - WHEEL - 19.5" - SST - SET OF 4 - KAPER 1954-ION
	091209-01-700	EA LINER - WHEEL - 19.5" FRONT - 10 LUG - CHEVY P-30
	091209-01-701	EA LINER - WHEEL - 19.5" REAR - 10 LUG - CHEVY P-30
	091209-01-702	EA COVER - AXLE - 19.5" FRONT - 10 LUG - CHEVY P-30
	091209-01-703	EA COVER - AXLE - 19.5" REAR - 10 LUG - CHEVY P-30
	091209-01-704	EA COVER - LUG NUT
	077030-02-000	EA EXTENSION - VALVE STEM - 1.25"
	095012-03-000	EA EXTENSION - VALVE STEM - DUAL WHEEL
	095012-04-000	EA STABILIZER - VALVE EXTENSION - DICOR AG-STA-2
	109443-01-000	EA WHEEL - COVER 4/SET 19.5 W/HDW
	109443-01-700	EA WHEEL - COVER 19.5 - FRONT & REAR - SHAG95 LONLY DICOR
	109443-01-701	EA SET - BRACKET - 1 FRONT WHEEL - SHAG95-FBS DICOR
	109443-01-702	EA SET - BRACKET - 1 REAR WHEEL - SHAG95-RBS DICOR
	109443-01-703	EA CAP - CENTER - HUB DICOR
	M00080-38-000	EA TIRE & VALVE STEM
	007324-03-000	EA TIRE - 8R19.8 LRF - MICHELIN XZA
	051377-01-000	EA STEM - VALVE - TR 500
	080208-01-000	EA LUG WRENCH - 1.06 X 1.00
	080208-02-000	EA BAR - LEVERAGE - LUG WRENCH

## CHASSIS GROUP (CONTINUED)

### HYDRAULIC LEVELING SYSTEM (CHEVY,FORD)

KEY	PART NUMBER	U/M DESCRIPTION
	100532-08-000	EA LEVELING SYSTEM - HYDRAULIC - JOYSTICK HWH AP0758
	100532-01-704	EA SWITCH - MERCURY F/ 6K & 9K JACK RAP1010
	100532-01-705	EA SPRING KIT - 9K JACK R1171
	100532-02-700	EA 6K TALL JACK ASM RAP7164
	100532-02-701	EA SPRING KIT - 6K JACK R6824
	100532-02-704	EA ACTIVATOR CABLE - 6K JACK RAP7194
	100532-02-705	EA PUMP/ RESERVOIR ASM - MONARCH RAP8178
	100532-03-710	EA SENSING UNIT 21' MTA RAP6798
	100532-03-715	EA CAP - BREATHER RAP7876
	100532-08-700	EA POWER UNIT ASM. RAP0595
	100532-08-701	EA BI-AXIS CONTROL - 200 SYSTEM RAP0612
	100532-08-702	EA VALVE - BI-AXIS RAP9589
	100532-08-703	EA PANEL ASM. - 200 BI - AXIS SYS. RAP9755
	100532-08-704	EA JACK ASM. - 9K TALL 200 SYS. RAP7002
	100532-09-707	EA ACTUATOR ASM. - 9K - REAR JACKS RAP0547
	100532-09-709	EA ACTUATOR ASM. - 6K - FRONT JACKS RAP0448
	100532-09-710	EA SOLENOID - 4 POST RAP0533
	100533-05-000	EA BRACKETS - FRONT LEVELING JACKS - HWH AP7107 (GM)
	100533-06-000	EA BRACKETS - FRONT LEVELING JACKS - HWH AP7160 (FORD)
	100534 12 000	EA BRACKETS - REAR LEVELING JACKS - HWH AP0921 (GM)
	100534-06-000	EA BRACKETS - REAR LEVELING JACKS - HWH# AP6957 (FORD)
	100536-10-000	EA HOSE KIT - HWH #AP0012
	107890-01-000	EA ELBOW - STEEL 90D 1/4 X 37D FLARE PARKER 4-C6X-S
	112236-01-E10	EA BEZEL - MONITOR - UNDER DASH - LEFT SIDE

### DRIVESHAFT & BRAKE LINE

KEY	PART NUMBER	U/M DESCRIPTION
	088498-01-000	EA UNION - INVERTED FLARE - BRASS - 3/16 - 3/8 - 24 THREAD - BRAKE LINE
	074833-01-000	EA SPACER - BEARING - DRIVESHAFT - 2" X 8" X .5" THICK
	074833-04-000	EA SPACER - BEARING - DRIVESHAFT - 8" X 2" - STEEL
	075302-09-000	EA DRIVESHAFT ASM. - YOKE/ YOKE - 50"
	075302-25-000	EA DRIVESHAFT ASM. - BAL.PR-20/21
	075302-20-000	EA DRIVESHAFT ASM. - YOKE/ BEARING/ SPLINE
	075302-21-000	EA DRIVESHAFT ASM. - SLIP - YOKE/ YOKE
	107212-01-000	EA CROSSMEMBER ASM. - BREARING SUPPORT CHEVY 228 3 SHAFT
	088497-02-000	EA NUT - INVERTED FLARE - 1/4"
	085771-03-000	EA NUT - HEX - FL. PREV. TORQUE - GRADE G DRIVE SHAFT

### STEP ASSEMBLIES & PANELS

KEY	PART NUMBER	U/M DESCRIPTION
	094707-01-01A	EA STEP - DOUBLE - ELECTRIC - KWIKEE 3218
	094707-02-700	EA MOTOR REPLACEMENT KIT - MODELS 32 & 28 - KWIKEE 9520
	094707-02-701	EA LINKAGE ASM - MODEL 32 - KWIKEE 9523
	094707-02-702	EA GEAR KIT - KWIKEE 9525
	094707-02-703	EA PARTS KIT (BEARINGS & PINS) - KWIKEE 9530
	094707-02-704	EA CONNECTOR KIT - MOTOR - KWIKEE 9537
	094707-02-705	EA CONTROL UNIT (WHITE) - KWIKEE 9513
	P01713 01 000	EA SWITCH ASM - ELECT STEP W/ SEAL
		FROM: 00-00-00 THRU: 10-23-94
	116995 01 000	EA SWITCH/ MAGNET - STEP - ELECTRIC
		FROM: 10-24-94 THRU: 99-99-99
	113285-01-01A	EA SEAL - STEP - SWITCH - BLACK
	094707-02-707	EA NON -SKID TREAD - BLACK. 6" X 21"

### SHOCK ABSORBER (CHEVY)

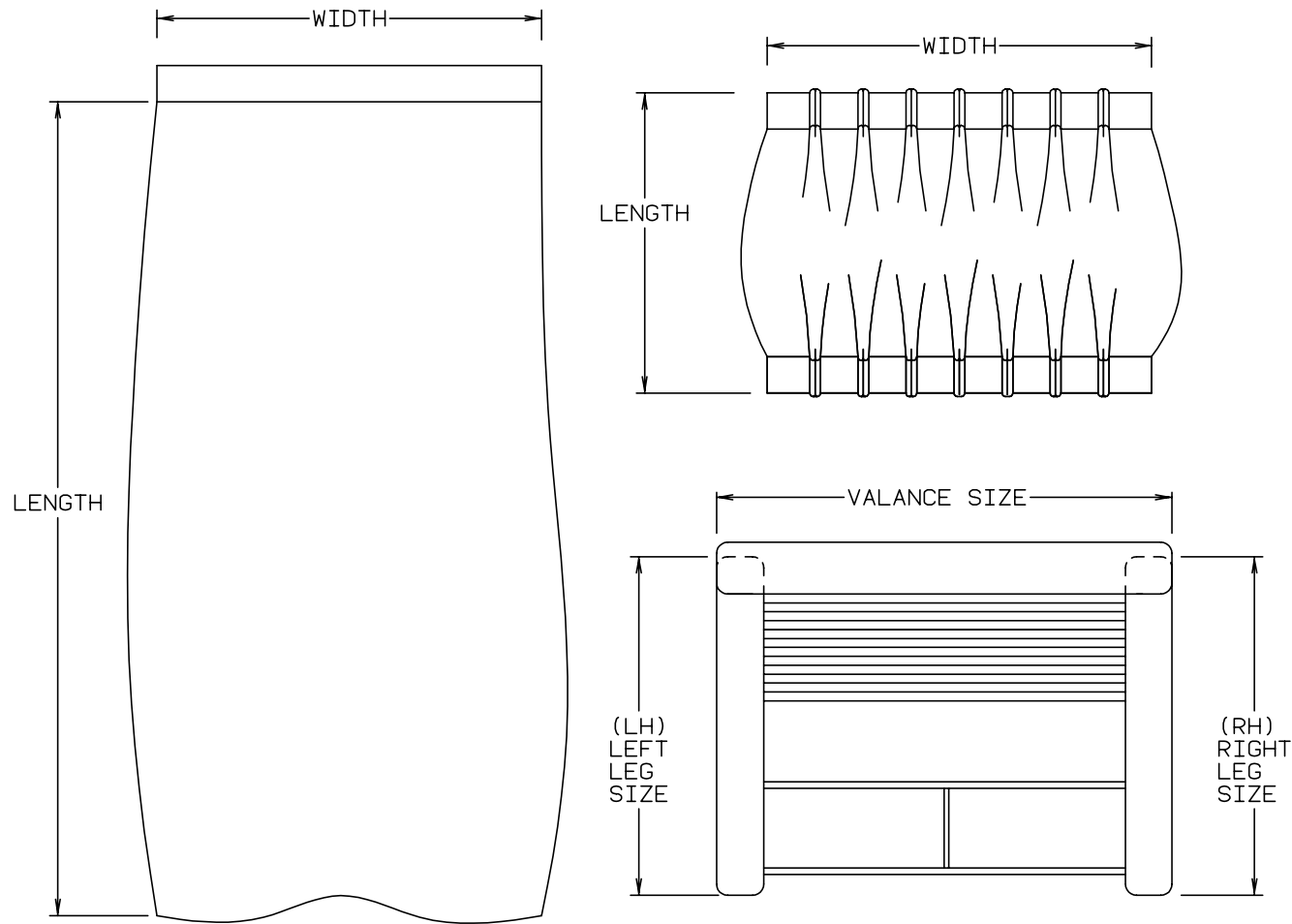
KEY	PART NUMBER	U/M DESCRIPTION
	104993-01-000	EA SHOCK ABSORBER - GAS - P30 FRONT

## CURTAIN & CUSHION GROUP

### NOTICE

IN ORDER TO ASSIST OUR PARTS SALES DEPT. IN PROVIDING INTERIOR SOFTGOODS ITEMS, PLEASE INCLUDE THE SERIAL NUMBER AND THE COLOR CODE NUMBER FROM THE VEHICLE CERTIFICATION LABEL WHEN ORDERING. THIS LABEL IS LOCATED ON THE LEFT SIDEWALL AT THE END OF THE DASH (A-BODY),OR ON THE DRIVER'S DOOR LATCH PLATE (C-BODY).

AN EXAMPLE OF A COLOR CODE NUMBER IS B07, WHICH DESIGNATES AN OVERALL COLOR SCHEME OF A PARTICULAR UNIT. THE COLOR LISTED AFTER THE ITEM DESCRIPTION ON THE MICROFICHE, INDICATES THE OVERALL UNIT COLOR. ORDER THE ITEM YOU DESIRE ACCORDING TO UNIT COLOR CODE.



NOTE: USE THIS ILLUSTRATION WHEN DETERMINING LENGTH AND WIDTH MEASUREMENTS FOR CURTAINS. YOU WILL NOTE THE WIDTH MEASUREMENT IS TAKEN ON THE TOP OF THE CURTAIN WITH THE CURTAIN FULLY EXTENDED. THE LENGTH MEASUREMENT IS TAKEN FROM TOP TO BOTTOM. LEFT AND RIGHT WINDOW LEGS ARE DETERMINED WHEN FACING THE WINDOW.

## CURTAIN & CUSHION GROUP (CONTINUED)

### FABRIC & TRIMS

KEY	PART NUMBER	U/M	DESCRIPTION
	072333-85-000	YD	FABRIC-CURTAIN, TEXTURED PLAIN - 54" - MUSHROOM
	079680-07-000	YD	FABRIC-VINYL, 54" WIDE - BEIGE
	087272-03-000	YD	DRAPERY LINING-54" IVORY ROCKLAND MILLS
	089351-03-000	YD	VINYL-CEILING, DIAMOND DESIGN - 54" WIDE
	094911-31-000	YD	FABRIC-OPAQUE,OCEAN SPRAY UNITED SHADE (F11)
	103907-01-01A	YD	FABRIC-VINYL, 54" WIDE - OFF WHITE
	105745-45-000	YD	FABRIC-BEDSPREAD,RADIANCE,GREEN DESIGNCRAFT (F11)
	105745-90-000	YD	FABRIC-BEDSPREAD,LANINA #14 TEAL COVINGTON (F11)
	105745-50-000	YD	FABRIC-BEDSPREAD,INCOGNITO,ALABA (F12)
	106569-01-01A	YD	VINYL-LAMINATE MADRID O/W **26OZ 54" X ROLL
	108446-C4-000	YD	FABRIC-MAIN FABRIC ,FLORIBUNDA,AQUA JOAN (F11)
	108446-69-000	YD	FABRIC-MAIN FABRIC ,JOAN/ SOMMERVILLE - PARCHMENT (F12)
	108446-C5-000	YD	FABRIC-PLAIN ACCENT FABRICS, STARLIGHT,AQUA FR JOAN (F11)
	108446-77-000	YD	FABRIC-PLAIN ACCENT FABRICS, JOAN/ STARLIGHT - PARCHMENT (F12)
	108446-C6-000	YD	FABRIC-PATTERN ACCENT FABRICS, CHARISMA,CELADON JOAN (F11)
	108446-78-000	YD	FABRIC-PATTERN ACCENT FABRICS, R/DRAMA,ALABASTER (F12)
	094911-31-000	YD	FABRIC-OPAQUE,OCEAN SPRAY BLIND (F11)
	094911-30-000	YD	FABRIC-OPAQUE,LINEN BEIGE BLIND (F12)

### ASSIST HANDLE & BUTTONS

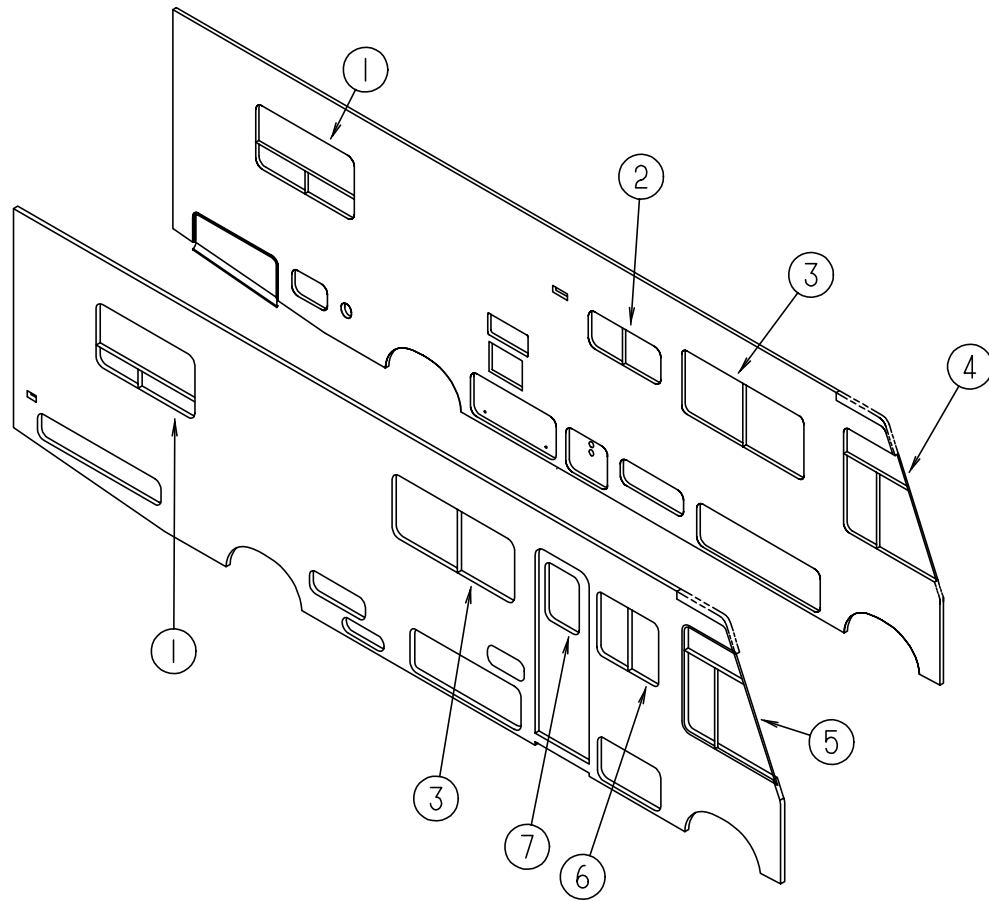
KEY	PART NUMBER	U/M	DESCRIPTION
	079349-04-F11	YD	WELT ASM-NARROW,ACCENT
	057759-01-000	EA	WASHER BRACKET-SEAT BELT, 4" DIAMETER
	007021-01-000	EA	BELT-SEAT, 2" X 90" - BLACK
			FROM: 00-00-00 THRU: 09-29-94
	056271-01-000	EA	BELT-SEAT, 2" X 102" - BLACK
			FROM: 09-30-94 THRU: 99-99-99
	069178-02-000	EA	BRACKET-MOUNTING, ASSIST HANDLE - L ANGLE - W/HOLES - ST
	070578-02-B29	EA	BUTTON-SCREW, STUD - #30 - VINYL
	000C16-07-16B	EA	BOLT-CARRIAGE, ASSIST HANDLE - 7/16" - 14 X 1" ZN
	000D20-07-00B	EA	NUT-ACORN,ASSIST HANDLE - 7/16" X 14 ZN
	053552-02-AA8	EA	HANDLE-ASSIST, INTERIOR - ENTRY DOOR - VINYL - OFF WHITE

### SWIVEL CHAIR

KEY	PART NUMBER	U/M	DESCRIPTION
	115470 01 F11	EA	CHAIR ASM-SIERRA
	115470 01 F09	EA	CHAIR ASM-SIERRA (F12)
	P15470-01-F11	EA	COVER-CHAIR,SIERRA
	P15470-01-F09	EA	COVER-CHAIR,SIERRA (F12)
	P07977-01-F11	EA	COVER-SKIRT,CHAIR,DIPLOMAT
	P07977-01-E24	EA	COVER-SKIRT,CHAIR,DIPLOMAT (F12)
	007221-01-000	EA	SPACER-SEAT-ADJUSTER
	010495-01-000	EA	CLAMP-CABLE,9/16
	097683-02-000	EA	BRACKET-MOUNT, REMOTE

## CURTAIN & CUSHION GROUP (CONTINUED)

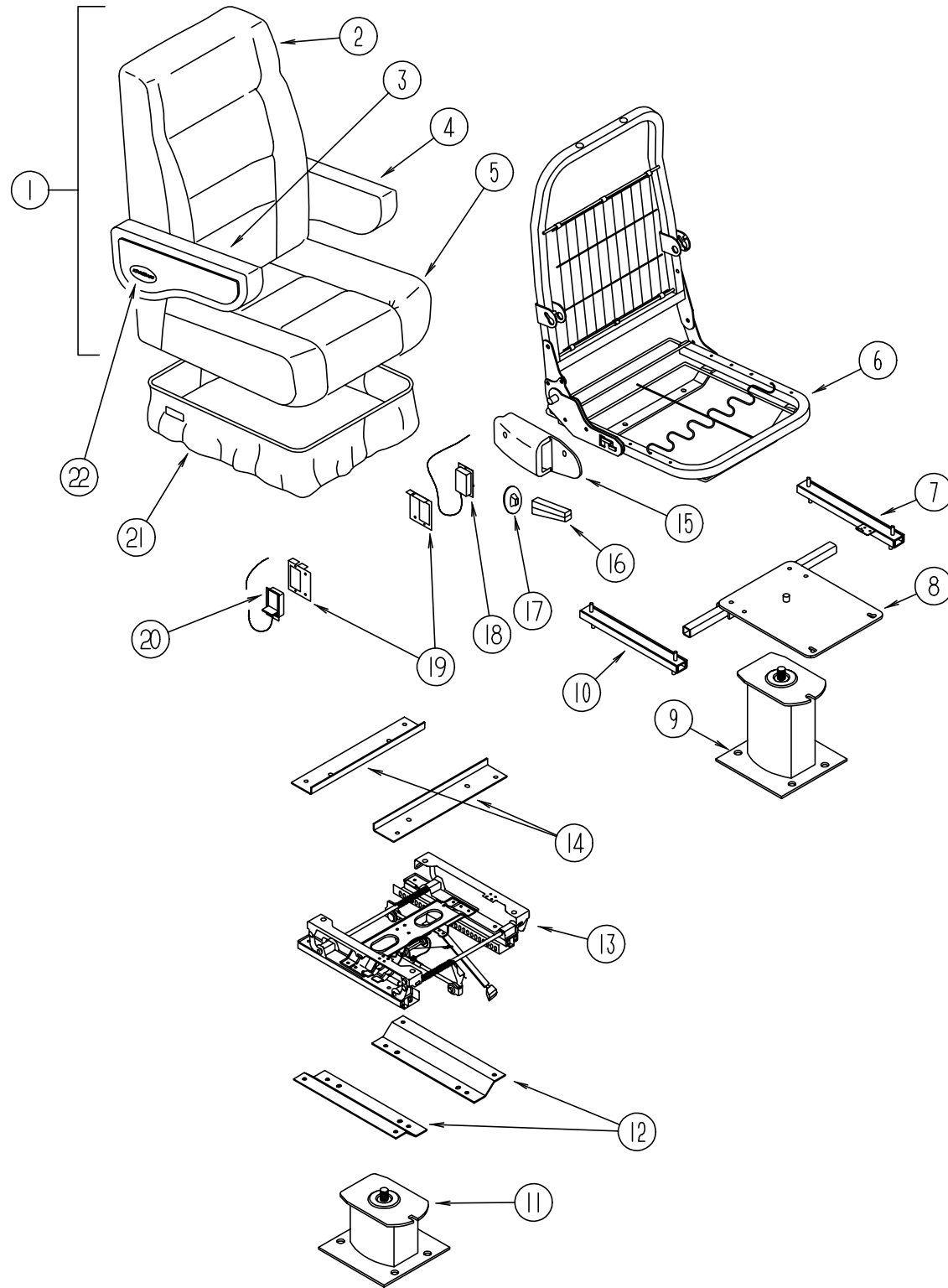
### CURTAINS & WINDOW TREATMENT



KEY	PART NUMBER	U/M	DESCRIPTION
1	104657-20-F11	EA	VALANCE ASM. - GEORGETOWN 52" - W/HEADER
1	104657-20-F12	EA	VALANCE-GEORGETOWN,52" - W/HEADER
1	104657-21-F11	EA	VALANCE ASM. - GEORGETOWN 52" - W/O HEADER
1	104657-21-F12	EA	VALANCE-GEORGETOWN,52" - W/O HEADER
1	112986-02-F11	EA	CURTAIN ASM. - 29.5 X 9, PENCIL PLEATED TOP / POCKET BOTTOM
1	112986-03-F11	EA	CURTAIN ASM. - 31.5 X 9 PNCL PLT,PCT.BT.
1	112986-02-F12	EA	CURTAIN ASM. - 29.5 X 9 PCL.PLT.T.PCKT B
1	112986-03-F12	EA	CURTAIN ASM. - 31.5 X 9 PNCL PLT,PCT.BT.
1	1109802-13-F11	EA	BLIND ASM-PLEATED,47.5 X 29
1	1109802-13-E24	EA	BLIND ASM-PLEATED,47.5 X 29 (F12)
2	109041-20-01A	EA	MINI BLIND - 31" X 18" DROP
2	109353-07-01A	EA	BLIND-SLAT,31"
3	112094-18-F11	EA	VALANCE ASM. - 63.5" VICTORIA
3	112094-18-F12	EA	VALANCE ASM. - 63.5" VICTORIA
3	109234-29-F11	EA	LEG - RIGHT - 27" PLAIN-N/HOLE
3	109234-29-F09	EA	LEG - RIGHT - 27" PLAIN-N/HOLE (F12)
3	109234-30-F11	EA	LEG - LEFT - 27" PLAIN-N/HOLE
3	109234-30-F09	EA	LEG - LEFT - 27" PLAIN-N/HOLE (F12)
3	109802-10-F11	EA	BLIND - PLEATED - 60 X 28.5
3	109802-10-E05	EA	BLIND - PLEATED - 60 X 28.5 (F12)
4	101668-46-E91	EA	CURTAIN ASM. - 48" X 95" - DRIVER SIDE - TAPE TOP (F11, F12)
4	073260-42-C18	EA	TIEBACK ASM. - 6" X 18" (F11, F12)
5	101668-45-E91	EA	CURTAIN ASM. - 48" X 95" - PASSENGER SIDE - TAPE TOP (F11, F12)
5	073260-42-C18	EA	TIEBACK ASM. - 6" X 18" (F11, F12)
6	112094-07-F11	EA	VALANCE ASM. - 33.5" VICTORIA
6	112094-07-F12	EA	VALANCE ASM. - 33.5" VICTORIA
6	109234-29-F11	EA	LEG - RIGHT - 27" PLAIN-N/HOLE
6	109234-29-F09	EA	LEG - RIGHT - 27" PLAIN-N/HOLE (F12)
6	109234-30-F11	EA	LEG - LEFT - 27" PLAIN-N/HOLE
6	109234-30-F09	EA	LEG - LEFT - 27" PLAIN-N/HOLE (F12)
6	109802-11-F11	EA	BLIND - PLEATED - 29" X 28.5"
6	109802-11-F12	EA	BLIND - PLEATED - 29" X 28.5"
7	084755-57-E07	EA	PULL SHADE - 27.25"
7	113268-24-F11	EA	VALANCE ASM. - FLAT - 30"
7	113268-24-F12	EA	VALANCE ASM. - FLAT - 30"

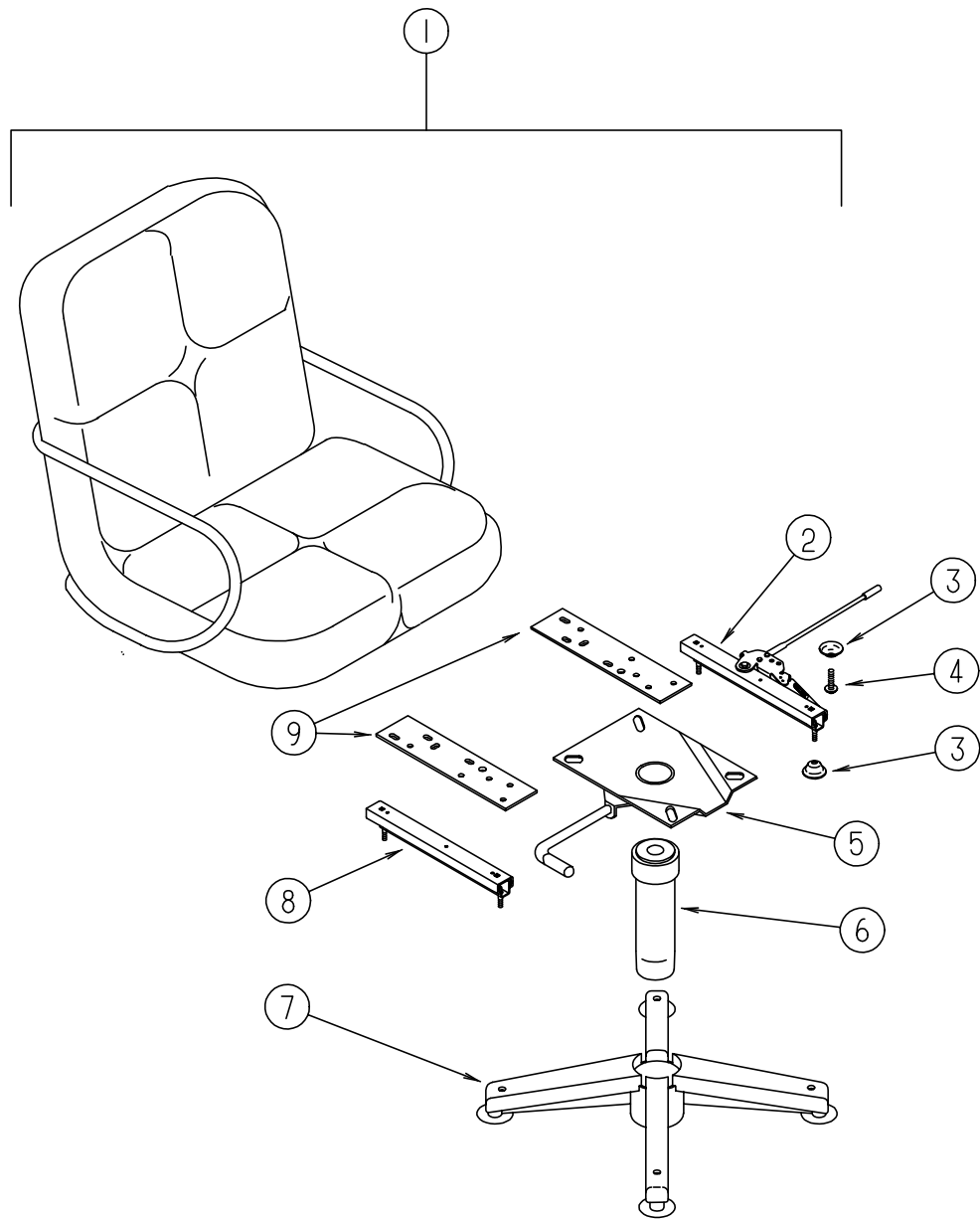
## CURTAIN & CUSHION GROUP (CONTINUED)

### BUCKET SEAT



KEY	PART NUMBER	U/M	DESCRIPTION
1	111855-03-F11	EA	WINDSOR MANUAL RECLINER - W/ EXECUTIVE ARMRESTS
1	111855-03-E24	EA	WINDSOR MANUAL RECLINER - W/ EXECUTIVE ARMRESTS (F12)
2	M05962-03-F11	EA	COVER ASM. - BACK - WINDSOR
2	M05962-03-E24	EA	COVER ASM. - BACK - WINDSOR (F12)
3	111320-03-F11	EA	ARMREST ASM. - RIGHT HAND
3	111320-03-E24	EA	ARMREST ASM. - RIGHT HAND (F12)
3	P11320-03-F11	EA	COVER ASM. - ARMREST W/ PAD - RIGHT HAND
3	P11320-03-E24	EA	COVER ASM. - ARMREST W/ PAD - RIGHT HAND (F12)
4	111320-04-F11	EA	ARMREST ASM. - LEFT HAND
4	111320-04-E24	EA	ARMREST ASM. - LEFT HAND (F12)
4	P11320-04-F11	EA	COVER ASM. - ARMREST W/ PAD - LEFT HAND
4	P11320-04-E24	EA	COVER ASM. - ARMREST W/ PAD - LEFT HAND (F12)
5	M05962-04-F11	EA	COVER ASM. - SEAT - WINDSOR
5	M05962-04-E24	EA	COVER ASM. - SEAT - WINDSOR (F12)
6	M80906-11-000	EA	FRAME - SEAT - BACK & SPRING
7	069246-05-000	EA	ADJUSTER SIDE - W/ LOCK - FORWARD & BACK
			FROM: 00-00-00 THRU: 10-16-94
	069246-05-700	EA	SPRING - ADJUSTER - FOR REMOTE
	069246-05-701	EA	CLIP - CABLE - FOR REMOTE
7	069246-14-000	EA	ADJUSTER SIDE - W/ LOCK - FORWARD & BACK, 4STUDS
			FROM: 10-17-94 THRU: 99-99-99
8	107921-05-000	EA	TOP PLATE - PEDESTAL - W/ SEATBELT BAR
	113983-91-000	EA	TOP PLATE-CO-PILOT, 27"
9	107921-01-000	EA	FLOOR MOUNTED PEDESTAL - W/ 9.75" EXTENSION
	107921-06-000	EA	BEARING KIT - PEDESTAL
10	069246-02-000	EA	ADJUSTER SIDE - W/ O LOCK - FORWARD & BACK
			FROM: 00-00-00 THRU: 10-16-94
10	069246-15-000	EA	ADJUSTER SIDE - W/ O LOCK - FORWARD & BACK, 4STUDS
			FROM: 10-17-94 THRU: 99-99-99
11	107921-01-000	EA	PEDESTAL ASM-SEAT - FLOOR MOUNTED - 9 3/4"
12	116215-03-000	EA	LOWER PLATE - 6 WAY MANUAL CONTROL
13	116215-01-000	EA	6 WAY MANUAL CONTROL
14	116215-02-000	EA	UPPER PLATE - 6 WAY MANUAL CONTROL
15	080730-09-000	EA	SHIELD - RECLINER HANDLE
	080730-10-000	EA	SCREW - RECLINER HANDLE SHIELD
16	080730-08-000	EA	HANDLE - RECLINER - BLACK
17	080730-11-000	EA	SHIELD - RUBBER BOOT
18	089368-04-000	EA	REMOTE & CABLE - SWIVEL/SLIDE
19	097683-03-000	EA	BRACKET - REMOTE - SIDE MOUNT - SINGLE
20	108049-01-000	EA	REMOTE & CABLE - 28" - FLEXSTEEL PEDESTAL
	108049-02-000	EA	CABLE CLIP
21	071126-43-F11	EA	SKIRT ASM - SINGLE - 10.5" - W/ OPEN BACK
21	071126-43-E33	EA	SKIRT ASM - SINGLE - 10.5" - W/ OPEN BACK (F12)
21	071126-54-F11	EA	SKIRT ASM - SINGLE - 10.5" - W/ OPEN BACK (W/ 6 WAY MANUAL CONTROL)
21	071126-54-F12	EA	SKIRT ASM - SINGLE - 10.5" - W/ OPEN BACK (W/ 6 WAY MANUAL CONTROL)
	071126-53-F11	EA	SKIRT ASM - CO-PILOT - 10.5"
	071126-53-F12	EA	SKIRT ASM - CO-PILOT - 10.5"
22	111169-01-000	EA	BACK PLATE - WINNEBAGO EMBLEM
22	111169-02-000	EA	EMBLEM - "WINNEBAGO"

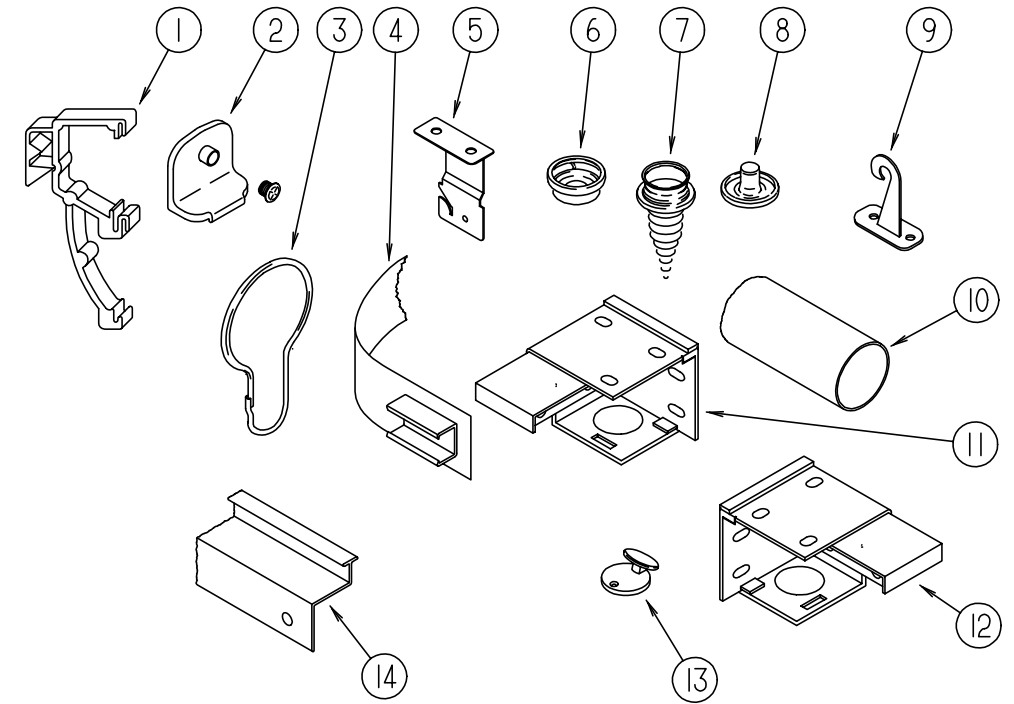
**CURTAIN & CUSHION GROUP (CONTINUED)**



**CHROME CRAFT CHAIRS**

KEY	PART NUMBER	U/M DESCRIPTION
1	109379-02-F11	EA CHAIR ASM - CHROME CRAFT II
1	109379-02-E33	EA CHAIR ASM - CHROME CRAFT II (F12)
2	069246-16-000	EA ADJUSTER SLIDE - SWIVEL CHAIR - W/ LOCKING ARM - FORWARD & BACK
3	007221-01-000	EA SPACER - SEAT ADJUSTER
4	000G16-04-24B	EA BOLT - MACHINE - 1/4-20 X 1-1/2 PPH
	029127-01-000	EA NUT - T-1/4
5	088245-03-000	EA TOP PLATE - SWIVEL W/O TILT - W/ LOCK
6	105799-01-006	EA STEM UPRIGHT - LOCKOUT
7	105799-01-003	EA LEG - WOOD COVER BASE (CHAIR)
8	069246-13-000	EA ADJUSTER SLIDE - SWIVEL CHAIR - W/O LOCK - FORWARD & BACK
9	069705-02-000	EA BAR - 2.5 X 12.75 (ADAPTER PLATE)

**CURTAIN & CUSHION GROUP (CONTINUED)**

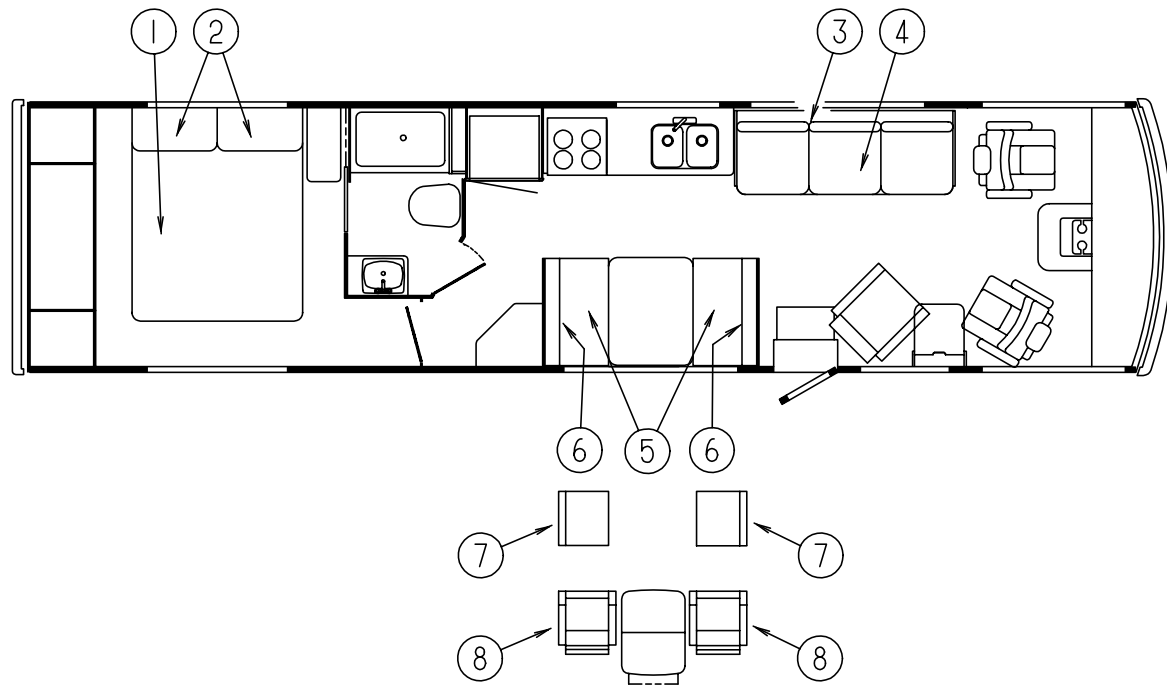


**CURTAIN & BLIND HARDWARE**

KEY	PART NUMBER	U/M DESCRIPTION
1	109353-04-000	EA CLIP - VALANCE SLAT MOUNTING - CLEAR PLASTIC - PAR
2	106544-01-000	EA SHADE PULL - BRASS
	106544-01-001	EA SCREW - SHADE PULL - BRASS
3	009136-02-000	EA HANGER - RING - PIN TYPE - CURTAIN - BRASS
4	101031-01-000	YD TAPE - GLIDE - CURTAIN - 4.25" SPACING
5	084434-01-000	EA BRACKET - MOUNTING - ROLLER SHADE - 1 3/8"
	096843-01-000	EA SPRING - REWIND - ROLLER SHADE
6	029156-01-000	EA SOCKET - SNAP - 9/16" O.D
7	029130-01-000	EA SCREW - SNAP SOCKET - 8 PH X 5/8"
8	029155-01-000	EA CAP - SNAP - 5/32" O.D. OF PIN
	046867-01-000	EA GROMMET - BRASS - 7/16" ID X 1" OD
9	109441-01-000	EA HOLD DOWN - BLIND, HOOK
10	102075-06-01A	EA SHOWER ROD
	009136-02-000	EA BRASS SHOWER RINGS
	009112-01-000	EA FLANGE - SHOWER ROD
11	083170-02-000	EA BRACKET - BLIND - LEFT SIDE
12	083170-01-000	EA BRACKET - BLIND - RIGHT SIDE
13	102555-01-000	EA CLEAT - CORD - BLIND - OFF WHITE
14	114641-07-F11	EA TRACK - WRAPAROUND CURTAIN - (PASSENGER SIDE)
	114641-08-F11	EA TRACK - WRAPAROUND CURTAIN - (DRIVER SIDE)
	048394-02-000	YD VELCRO TAPE - HOOK - ADHESIVE BACK - .75" WIDE - BEIGE
	088792-02-000	YD VELCRO TAPE - LOOP - ADHESIVE BACKED - .75" WIDE - BEIGE
	068716-01-001	EA BRACKET - 90 DEGREE L-ANGLE - 192" - EXTRUDED ALUMINUM
	075943-01-000	EA BRACE - WINDOW VALANCE - 1" X 1.5" X 20" - ALUMINUM - BEIGE
	094896-02-000	EA GROMMET - CORD - PLEATED BLIND - NYLON - GRAY
	094907-02-000	EA END CAP - TOP - PLEATED BLIND - PLASTIC - GRAY
	094907-04-000	EA END CAP - BOTTOM - PULL TYPE SPECIALITY WINDOW
	097564-01-000	EA T-HANDLE - EZ LIFT SHADE
	097565-01-000	EA BRACKET - MOUNTING - PLEATED BLIND
	097591-01-000	EA SPRING - EXTENSION - PLEATED BLIND
	097592-01-000	EA SPOOL - CORD - ELEVATED BLIND HOLDUP - CLEAR PLASTIC
	097593-11-000	FT CORD - .9MM 633 CORNFLOWER



## CURTAIN & CUSHION GROUP (CONTINUED)



### QUEEN BED

KEY	PART NUMBER	U/M DESCRIPTION
1	101123-06-000	EA MATTRESS - QUEEN - FOAM 60 X 80
1	085365-21-F11	EA BEDSPREAD W/ 1" GATHERED WELT - 60" X 80"
1	085365-19-E24	EA BEDSPREAD W/ 1" GATHERED WELT - 60" X 80" (F12)
2	102161-29-F11	EA SHAM ASM - W/1/2"GATH.WELT
2	102161-29-F12	EA SHAM ASM - W/1/2"GATH.WELT
2	111862-04-F11	EA PILLOW-15 X 15,W/.5"GATH. WELT
2	111862-04-F09	EA PILLOW-15 X 15,W/.5"GATH. WELT (F12)

### JACK KNIFE SOFA BED

KEY	PART NUMBER	U/M DESCRIPTION
3	100032-43-F11	EA SOFA BED - 74"CHANNEL J.K. - SEAT - N/ARMS
3	100032-43-E24	EA SOFA BED - 74"CHANNEL J.K. - SEAT - N/ARMS
3	P00032-43-F11	EA COVER-SOFA BED - CHANNEL J.K. SEAT - 74" - N/ARM
3	P00032-43-E24	EA COVER-SOFA BED - CHANNEL J.K. SEAT - 74" - N/ARM (F12)
4	112104-01-F11	EA SOFA BED - 74"CHANNEL J.K. BACK
4	112104-01-E24	EA SOFA BED - 74"CHANNEL J.K. BACK
4	P12104-01-F11	EA COVER-SOFA BED - CHANNEL J.K. BACK- 74
4	P12104-01-E24	EA COVER-SOFA BED - CHANNEL J.K. BACK- 74 (F12)
	111637-02-F11	EA PILLOW ASM - 22" X 22" W/ WELT
	111637-02-E24	EA PILLOW ASM - 22" X 22" W/ WELT (F12)
	101085-10-000	EA FRAME-74.5 X 16 BACK FRAME

NOTE: COUCH FRONT AND SIDE PANELS ARE FOUND IN THE LOUNGE GROUP.

### DINETTE CUSHIONS

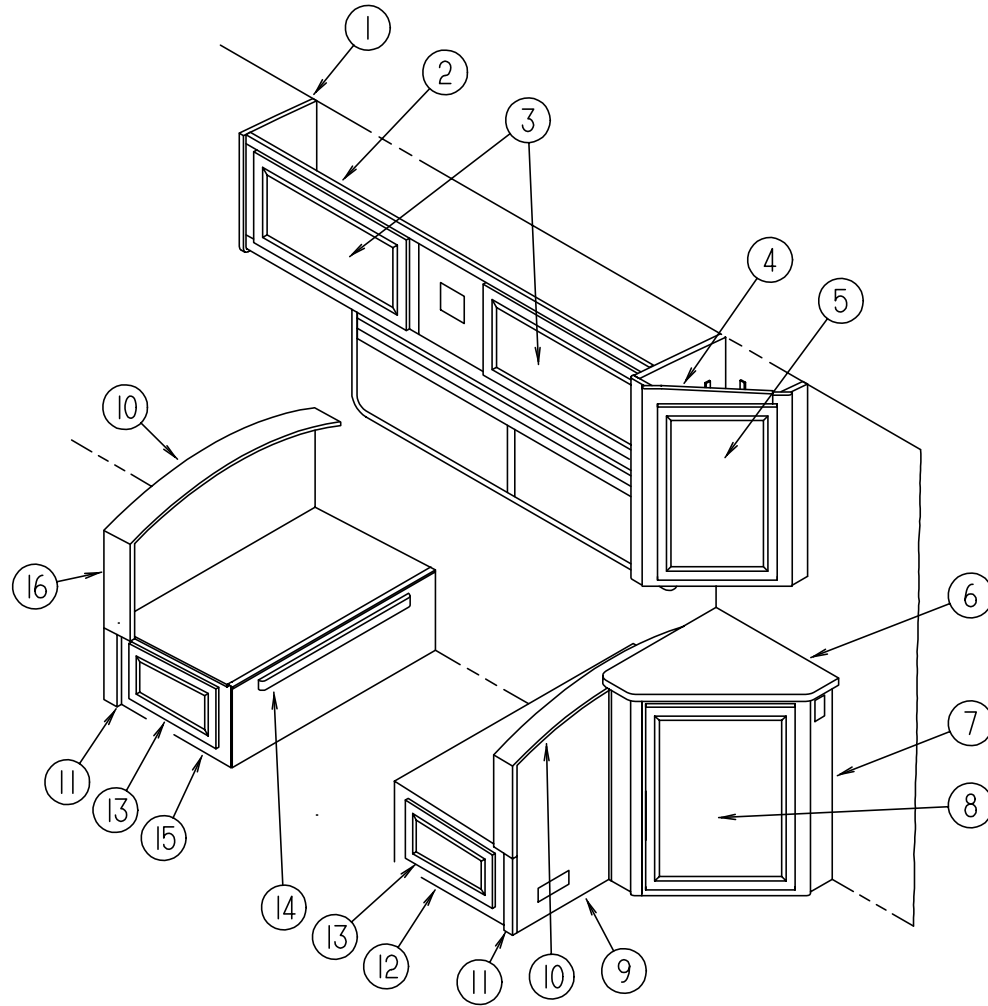
KEY	PART NUMBER	U/M DESCRIPTION
5	088927-87-F11	EA CUSHION ASM. - 23" X 38" X 5" - DINETTE SEAT FROM: 00-00-00 THRU: 12-11-94
5	105603-15-F08	EA CUSHION ASM. - 23" X 42" X 5" - DINETTE SEAT FROM: 12-12-94 THRU: 99-99-99
5	088927-87-E24	EA CUSHION ASM. - 23" X 38" X 5" - DINETTE SEAT (F12) FROM: 00-00-00 THRU: 12-11-94
5	105603-15-F09	EA CUSHION ASM. - 23" X 42" X 5" - DINETTE SEAT (F12) FROM: 12-12-94 THRU: 99-99-99
5	M88927-87-F11	EA COVER - CUSHION - 23" X 38" X 5" - DINETTE SEAT FROM: 00-00-00 THRU: 12-11-94
5	P05603-15-F08	EA COVER - CUSHION - 23" X 42" X 5" - DINETTE SEAT FROM: 12-12-94 THRU: 99-99-99
5	M88927-87-E24	EA COVER - CUSHION - 23" X 38" X 5" - DINETTE SEAT (F12) FROM: 00-00-00 THRU: 12-11-94
5	P05603-15-F09	EA COVER - CUSHION - 23" X 42" X 5" - DINETTE SEAT FROM: 12-12-94 THRU: 99-99-99
6	111880-01-F11	EA CUSHION ASM. - CHANNEL STYLE BACK - W/ STRAP - 13.5" X 38" X 5" FROM: 00-00-00 THRU: 12-11-94
6	111880-05-F08	EA CUSHION ASM. - CHANNEL STYLE BACK - W/ STRAP - 13.5" X 42" X 5" FROM: 12-12-94 THRU: 99-99-99
6	111880-01-E24	EA CUSHION ASM. - CHANNEL STYLE BACK - W/ STRAP - 13.5" X 38" X 5" (F12) FROM: 00-00-00 THRU: 12-11-94
6	111880-05-F09	EA CUSHION ASM. - CHANNEL STYLE BACK - W/ STRAP - 13.5" X 42" X 5" (F12) FROM: 12-12-94 THRU: 99-99-99
6	P11880-01-F11	EA COVER - CHANNEL STYLE BACK - W/ STRAP FROM: 00-00-00 THRU: 12-11-94
6	P11880-05-F08	EA COVER - CHANNEL STYLE BACK - W/ STRAP (F11) FROM: 12-12-94 THRU: 99-99-99
6	P11880-01-E24	EA COVER - CHANNEL STYLE BACK - W/ STRAP (F12) FROM: 00-00-00 THRU: 12-11-94
6	P11880-05-F09	EA COVER - CHANNEL STYLE BACK - W/ STRAP (F12) FROM: 12-12-94 THRU: 99-99-99

### DINETTE OPTION

KEY	PART NUMBER	U/M DESCRIPTION
7	101604-01-01A	EA CHAIR - FOLDING - DINETTE - OAK
8	109379-02-F11	EA CHAIR ASM - CHROME CRAFT II
8	109379-02-E33	EA CHAIR ASM - CHROME CRAFT II (F12)

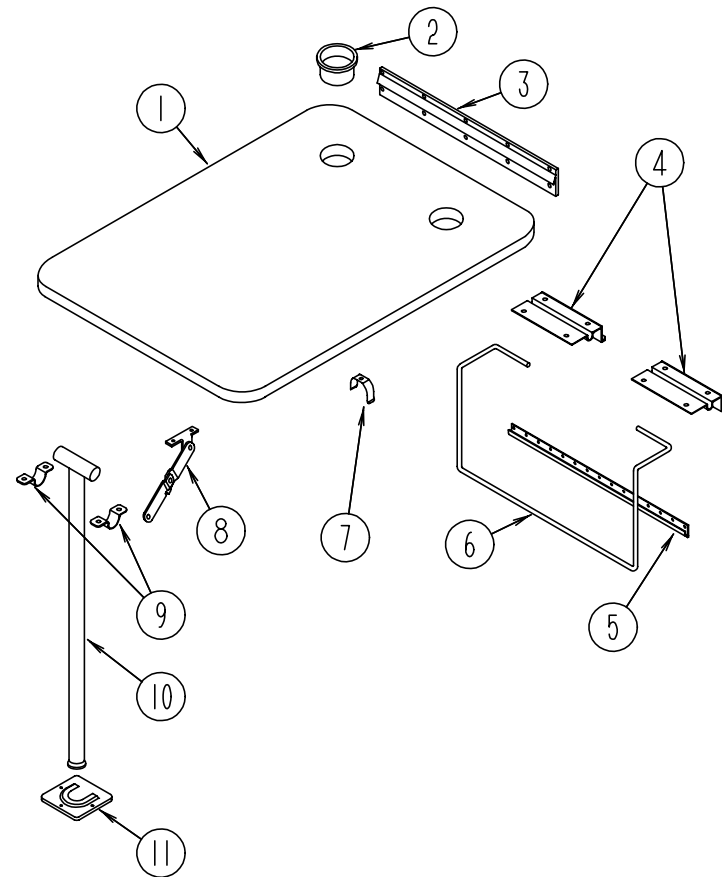
# DINETTE GROUP

## DINETTE & OVERHEAD CABINERY



KEY	PART NUMBER	U/M	DESCRIPTION	
1	103128-02-F11	EA	CAP ASM - END - DINETTE OVERHEAD	
2	M06838-09-F11	EA	CABINET ASM. - DINETTE OVERHEAD - W/O DOORS OR HARDWARE	
2	M06839-09-F12	EA	CABINET ASM. - DINETTE OVERHEAD - W/O DOORS OR HARDWARE	
3	M06803-30-E10	EA	DOOR ASM - DINETTE OVERHEAD - W/O HARDWARE	
4	P15833-01-F11	EA	CABINET ASM - HUTCH - UPPER	
5	M06803-13-E10	EA	DOOR ASM - UPPER HUTCH - W/O HARDWARE 0400 X 0710	
6	104635-11-F11	EA	COUNTERTOP ASM - HUTCH	
6	104635-11-F12	EA	COUNTERTOP ASM - HUTCH	
7	104635-01-F11	EA	CABINET ASM - HUTCH - LOWER	
7	104635-01-F12	EA	CABINET ASM - HUTCH - LOWER	
	104635-12-E10	EA	SHELF ASM - HUTCH - LOWER	
8	M06803-77-E10	EA	DOOR ASM - LOWER HUTCH - W/O HARDWARE 0500 X 0750	
9	M04174-63-E10	EA	CABINET-SEATBACK RIGHT	FROM: 00-00-00 THRU: 12-18-94
9	M07514-05-F11	EA	CABINET-SEATBACK RIGHT	FROM: 12-19-94 THRU: 99-99-99
10	104787-01-F11	EA	PAD ASM. - DINETTE	FROM: 00-00-00 THRU: 12-18-94
10	104787-08-F11	EA	PAD ASM. - DINETTE	FROM: 12-19-94 THRU: 99-99-99
10	104787-01-E33	EA	PAD ASM. - DINETTE (F12)	FROM: 00-00-00 THRU: 12-18-94
10	104787-08-F12	EA	PAD ASM. - DINETTE	FROM: 12-19-94 THRU: 99-99-99
11	111338-10-F11	EA	PAD ASM. - DINETTE	FROM: 12-19-94 THRU: 99-99-99
11	111338-10-F12	EA	PAD ASM. - DINETTE (F12)	FROM: 12-19-94 THRU: 99-99-99
12	M04175-63-E10	EA	CABINET - SEATBASE RIGHT	FROM: 00-00-00 THRU: 12-18-94
12	M07515-05-F11	EA	CABINET - SEATBASE RIGHT	FROM: 12-19-94 THRU: 99-99-99
13	M05971-35-E10	EA	DRAWER ASM. - W/O HARDWARE	
14	081295-01-AA8	EA	SUPPORT - BED - DINETTE - 712 LONG	
15	M04175-62-E10	EA	CABINET - SEATBASE LEFT	FROM: 00-00-00 THRU: 12-18-94
15	M07515-04-F11	EA	CABINET - SEATBASE LEFT	FROM: 12-19-94 THRU: 99-99-99
16	M04174-62-E10	EA	CABINET - SEATBACK LEFT	FROM: 00-00-00 THRU: 12-18-94
16	M07514-04-F11	EA	CABINET - SEATBACK LEFT	FROM: 12-19-94 THRU: 99-99-99

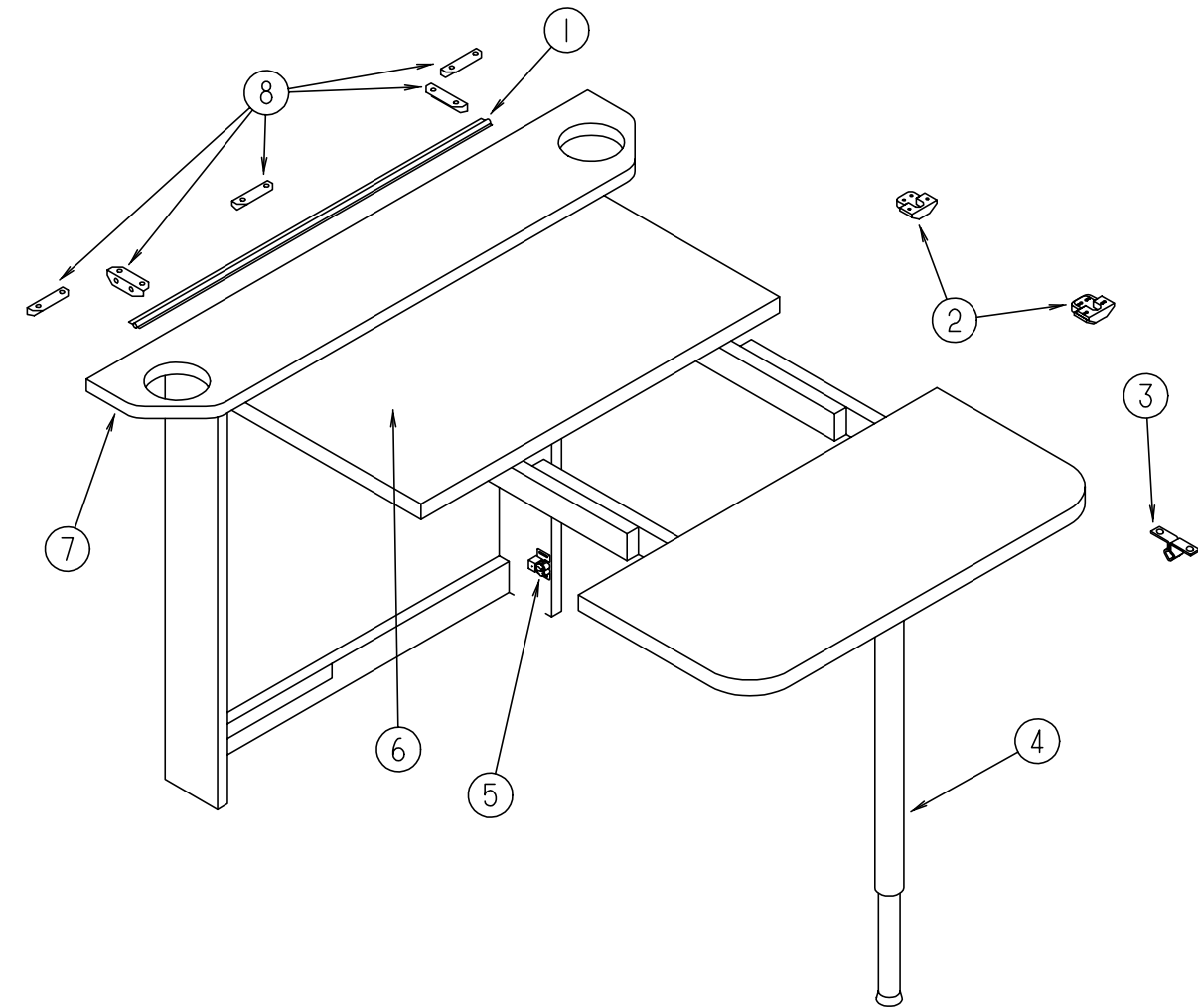
**DINETTE GROUP (CONTINUED)**



**DINETTE TABLE ASM.**

KEY	PART NUMBER	U/M	DESCRIPTION
1	M02115-09-F11	EA	DINETTE TABLE
			FROM: 00-00-00 THRU: 12-18-94
1	M02115-09-F12	EA	DINETTE TABLE
			FROM: 00-00-00 THRU: 12-18-94
1	M81299-16-F11	EA	DINETTE TABLE
			FROM: 12-19-94 THRU: 01-08-95
1	M81299-16-F12	EA	DINETTE TABLE
			FROM: 12-19-94 THRU: 01-08-95
1	081322-12-F08	EA	DINETTE TABLE (F11)
			FROM: 01-09-95 THRU: 99-99-99
1	081322-12-F09	EA	DINETTE TABLE (F12)
			FROM: 01-09-95 THRU: 99-99-99
2	064781-06-000	EA	CUP HOLDER - 2 STEP
3	053200-12-000	EA	BRACKET - TABLE SUPPORT - UPPER WALL MOUNTED - 23.5" - OFF WHITE
4	088410-02-000	EA	BRACKET - TABLE MOUNTED - OFF WHITE
5	024281-14-000	EA	BRACKET - LIFT ROD - LOWER WALL MOUNTED - 22.12" - OFF WHITE
6	024275-12-000	EA	ROD - TABLE LIFT - 8" X 23.5" - OFF WHITE
7	024283-01-000	EA	CLIP - LEG - 1" - 1.125" OD - BLACK
8	024282-01-000	EA	BRACE - TABLE LEG - HINGED
9	064050-05-000	EA	CLAMP - SADDLE - LEG HINGE - OFF WHITE
10	024276-23-000	EA	TABLE LEG - METAL - OFF WHITE
11	049493-12-000	EA	LEG CATCH - FLOOR MOUNTED - 2.5" X 2.7" - METAL - E-COAT

**DINETTE GROUP (CONTINUED)**

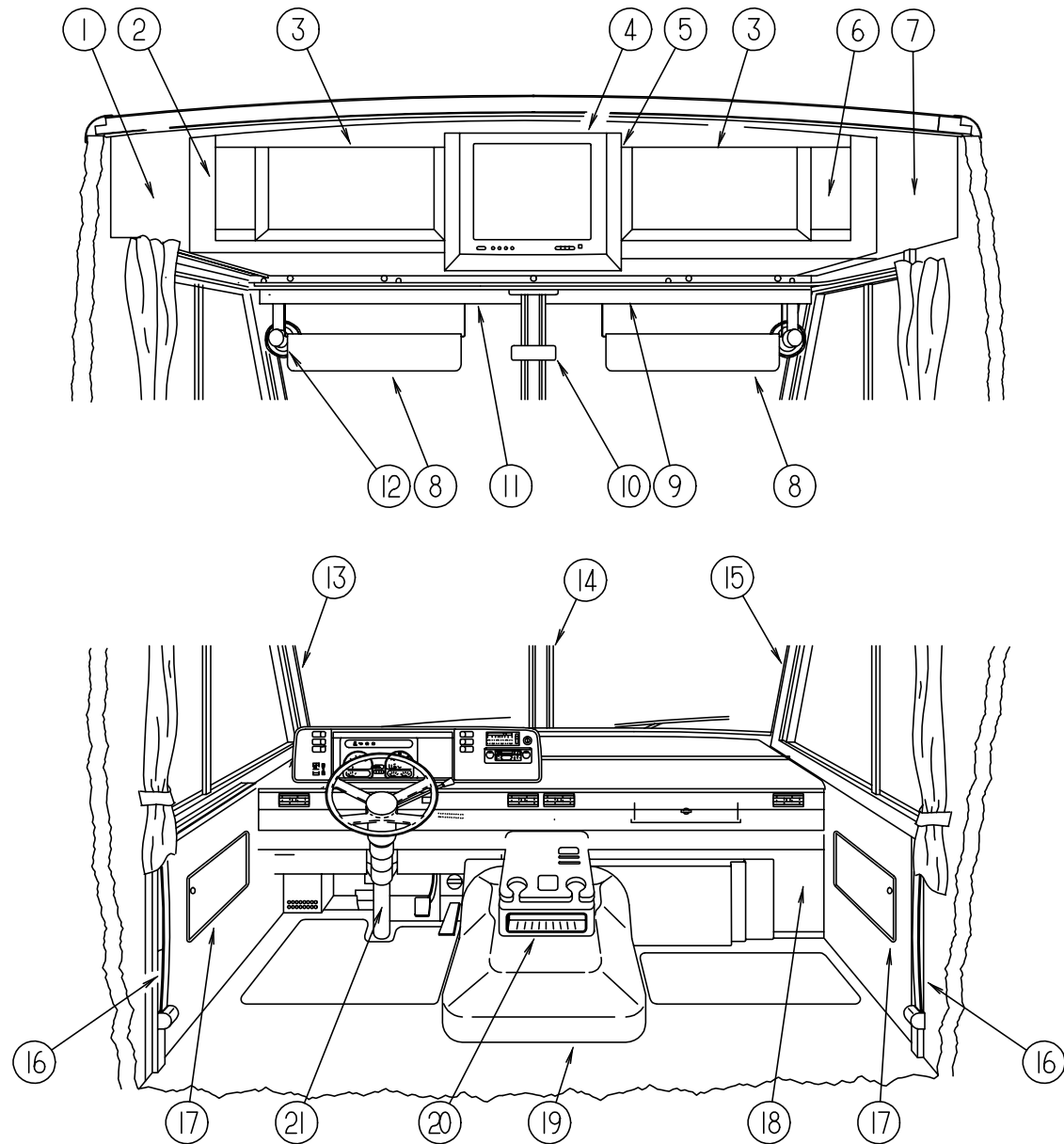


**FOLDOUT TABLE**

KEY	PART NUMBER	U/M	DESCRIPTION
	117607-01-F11	EA	TABLE ASM-FOLDOUT,W/LEG (F11, F12)
1	113109-01-01A	EA	HINGE-TABLE,FOLDOUT O/W
2	009050-02-000	EA	LEVELER-TABLE TOP - MALE
2	009050-03-000	EA	LEVELER-TABLE TOP - FEMALE
3	110749-01-000	EA	SLIDE-TABLE 19 3/4 LONG
4	093586-05-000	EA	STRIKE-SPRING STEEL
5	108483-01-000	EA	LEG-TABLE - ADJUST 597 TO 902
6	093586-06-000	EA	CATCH-SPRING, ROLLER
	000G11-10-10B	EA	SCREW-10-16X5/8 PPH ZN
7	117607-11-F11	EA	COUNTERTOP ASM - FOLDOUT (F11, F12)
7	117607-11-F12	EA	COUNTERTOP ASM - FOLDOUT (F11, F12)
8	117607-12-F11	EA	COUNTERTOP ASM - CUP HOLDER (F11, F12)
8	117607-12-F12	EA	COUNTERTOP ASM - CUP HOLDER (F11, F12)
9	016604-05-000	EA	BRACE-SEAT, OFF/WHITE
	117607-13-F11	EA	END-TABLE (F11, F12)
	085774-01-000	FT	FASTENER-DUAL LOCK,1"WIDE

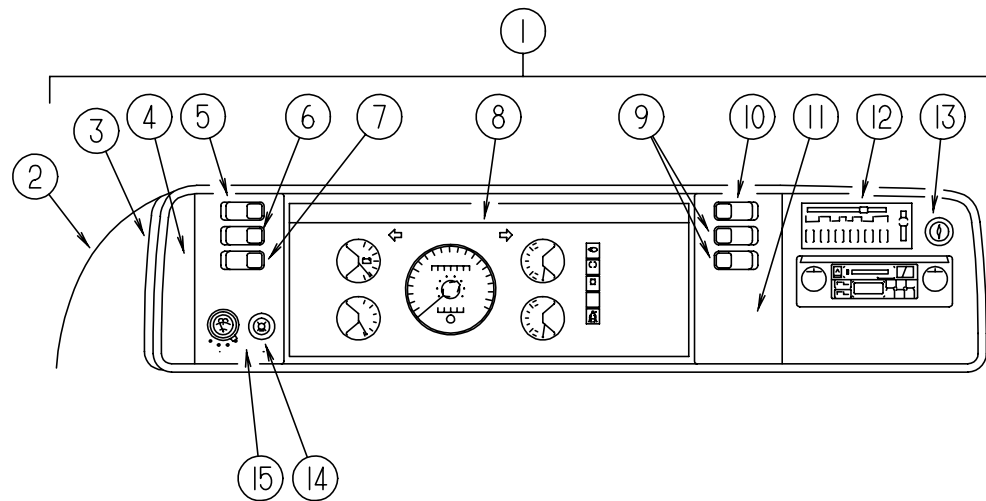
# DRIVERS COMPARTMENT GROUP

## UPPER & LOWER DRIVER COMPARTMENT



KEY	PART NUMBER	U/M DESCRIPTION
1	104289-04-D12	EA PANEL - SIDE - DRIVER OVERHEAD VINYL
	106699-01-01A	EA BRACKET - CABINET - OVERHEAD TV - OFF WHITE
2	114612-04-F11	EA CABINET ASM - FACE - DRIVER OVERHEAD (19 TV)
2	P03077-05-F11	EA SHELF - BASE - CABINET - DRIVER OVERHEAD
2	114661-11-F11	EA PANEL ASM - LINER DRIVER OVERHEAD 19" TV
	078811-09-F11	EA PANEL - TRIM - HEADER - LOWER - 19" TV - BETWEEN OVERHEAD AND W/S TRIM
3	100708-13-000	EA DOOR - GLASS - 19" TV CABINET 246 X 658
	100710-01-01A	EA LOCK ASM - TWIST TYPE BRASS
	100711-01-01A	EA HINGE - DOOR - GLASS
	100707- 01-000	EA SPACER - DOOR - GLASS - .8" DIA - .3" HOLE - PLASTIC
	101272-01-000	EA CATCH-GLASS DOOR - OVHD TV
	101766-01-000	EA PIN - SUPPORT - GLASS DOOR
	100676-02-000	EA STAND - VCR
4	M06803-C1-E10	EA DOOR ASM. - FOR 19" TV OVERHEAD 0425X0460
5	116791-01-F31	EA CABINET ASM - FRAME - 19" TV
5	114615-04-F11	EA COVER ASM - 19" TV - WITH VINYL
		FROM: 00-00-00 THRU: 11-27-94
5	114615-02-E10	EA COVER ASM - 19" TV - WITH VINYL
		FROM: 11-28-94 THRU: 99-99-99
6	114612-03-F11	EA CABINET ASM - FACE - PASSENGER OVERHEAD (19" TV )
6	P03077-06-F11	EA SHELF - BASE - CABINET - PASSENGER OVERHEAD
6	114661-07-F11	EA PANEL ASM - LINER PASSENGER OVERHEAD W/O 19" TV
6	114661-08-F11	EA PANEL ASM - LINER PASSENGER OVERHEAD W/ 19" TV
7	104289-03-D12	EA PANEL - SIDE - PASSENGER OVERHEAD VINYL
8	082286-19-D12	EA SUNVISOR ASM
	007211-01-000	EA HINGE - SUNVISOR - 25.5" X 1.5" - METAL
	074012-01-000	EA CLIP - SUNVISOR - SQUARE - PINCH ON
	102377-01-000	EA BRACKET SUNVISOR - 1 PIECE - STEEL
	046886-03-000	EA ASHTRAY - CHROME - W/ COVER
	024700-44-000	EA COVER - ROLL BAR - OFF WHITE 53"
	024700-46-000	EA COVER - ROLL BAR - OFF WHITE 21.2"
	024700-47-000	EA COVER - SIDEWALL ROLL BAR - OFF WHITE - 18.9"
	024700-48-000	EA COVER - SIDEWALL ROLL BAR - OFF WHITE - 25"
	103961-01-01A	EA COVER - BRACKET - SEATBELT - OFF WHITE
	103961-02-01A	EA COVER - BRACKET - SEATBELT - OFF WHITE (W/DRIVER DOOR)
	R77030-53-447	EA FLAT WASHER
9	078579-17-000	EA TRIM - WINDSHIELD - UPPER INNER - RH - WILLOW
10	040714-01-000	EA MIRROR - REAR VIEW - W/ARM MOUNT & SET SCREW
	067490-01-000	EA BUTTON - MIRROR - REAR VIEW
11	078579-18-000	EA TRIM - WINDSHIELD - UPPER INNER - LH - WILLOW
12	036420-02-000	EA FAN - DEFROSTER - 2 SPEED - 6" DIAMETER
13	103931-04-03A	EA INTERIOR COVER - A-PILLAR - DRIVER SIDE - WILLOW
14	079765-11-000	EA TRIM - WINDSHIELD - CENTER - WILLOW
15	103931-03-03A	EA INTERIOR COVER - A-PILLAR - PASSENGER SIDE - WILLOW
16	091990-04-01A	EA SEAT BELT & SHOULDER HARNESS - DRIVER/ PASSENGER SIDE
	109146-01-000	EA BOLT - SHOULDER - SEAT BELT
17	086120-10-F11	EA PAD - MAP POCKET - 12" X 16"
17	086120-10-E33	EA PAD - MAP POCKET - 12" X 16" (F12)
18	095757-04-F11	EA COVER ASM - HEATER
18	095757-04-F12	EA COVER ASM - HEATER
19	115840-01-01A	EA MOTOR COVER - W/O CARPET
	116581-01-000	EA LATCH-MOTOR COVER
	115850-01-02B	EA RETAINER ASM - LAT, MOTOR COVER
	115860-01-01A	EA TRIM - MOTOR COVER - MILL
	039623-01-000	FT SEAL - MOTOR COVER - RUBBER BULB TYPE - BLACK
20	111618-01-E10	EA BEVERAGE TRAY ASM.
	111618-13-E07	EA LID ASM.
21	103498-06-000	EA BOOT - COLUMN - UNIVERSAL
	111521-01-04A	EA COVER - STEERING COLUMN - BLACK (FORD)
	112634-01-01A	EA TRIM - STEERING COLUMN - RH BLACK (FORD)
	112634-02-01A	EA TRIM - STEERING COLUMN - LH BLACK (FORD)
	105924-01-F11	EA MAT-FLOOR 18 X 27
	105924-01-F12	EA MAT-FLOOR 18 X 27

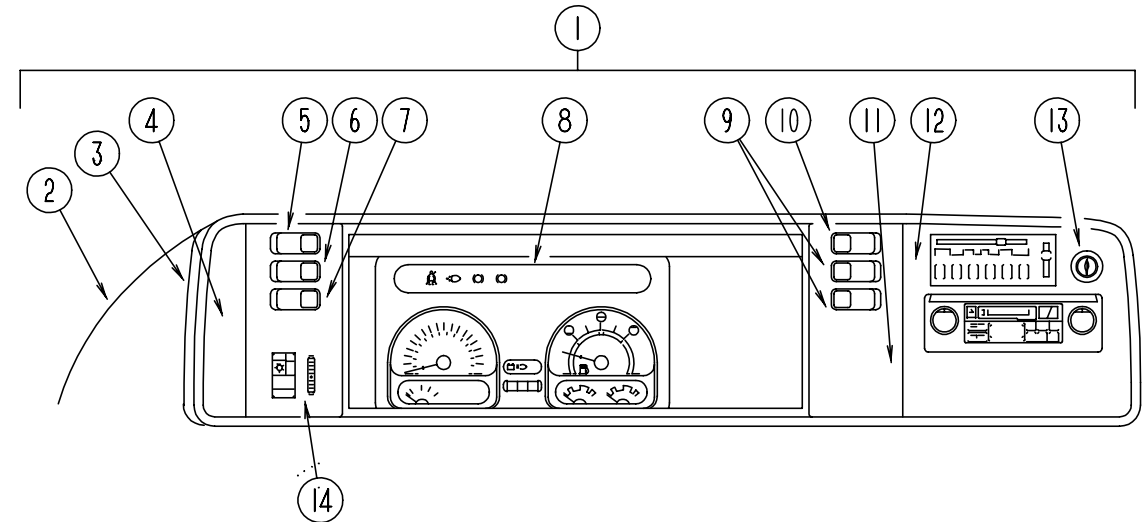
## DRIVERS COMPARTMENT GROUP (CONTINUED)



DASH, GAUGES & SWITCHES (FORD)

KEY	PART NUMBER	U/M	DESCRIPTION
1	M05946-22-F11	EA	DASH POD ASM.
2	111499-01-03A	EA	POD - INSTRUMENT PANEL - WILLOW
3	103662-04-01A	EA	BEZEL - INSTRUMENT PANEL
4	104056-01-02A	EA	APPLIQUE - BEZEL - LEFT - DRESS UP
5	108357-05-000	EA	SWITCH - ROCKER - SPDT ON/ NONE/ ON
5	108356-02-01A	EA	SWITCH COVER - W/ DIMPLES - CARLING VVAZC00 BLA
6	108357-09-000	EA	SWITCH - ROCKER - SPDT ON/ NONE/ MOM
6	108356-02-01A	EA	SWITCH COVER - W/ DIMPLES - CARLING VVAZC00 BLA
7	108357-06-000	EA	SWITCH - ROCKER - DPDT MOM/ OFF/ MOM
7	108356-02-01A	EA	SWITCH COVER - W/ DIMPLES - CARLING VVAZC00 BLA
8	094794-03-000	EA	CLUSTER - INSTRUMENT PANEL- MILES (US)
8	094794-07-000	EA	CLUSTER - INSTRUMENT PANEL- KILOMETER - GAS (CSA)
	098641-01-000	EA	LABEL - FUEL, UNLEADED, I.P.
9	108357-03-000	EA	SWITCH - ROCKER - SPDT ON/ OFF/ ON
9	108356-02-01A	EA	SWITCH COVER - W/ DIMPLES - CARLING VVAZC00 BLA
10	108357-10-000	EA	SWITCH - ROCKER - SPDT MOM/ OFF/ MOM
10	108356-04-01A	EA	SWITCH COVER - W/ DIMPLES & LENS - CARLING VVAGC00
	096241-03-000	EA	SWITCH - BLANK
11	104056-21-01A	EA	APPLIQUE - BEZEL - SWITCH RIGHT
12	104056-06-02A	EA	APPLIQUE - BEZEL - RIGHT DRESS UP
13	089294-01-000	EA	LIGHTER ASM. - CIGARETTE
14	096675-01-000	EA	KNOB - HEADLAMP SWITCH - W/SHAFT
	096674-01-000	EA	NUT - HEADLAMP SWITCH - BLACK
15	104056-24-01A	EA	APPLIQUE - BEZEL - SWITCH LEFT
	P14614-02-F11	EA	DASH ASM - LOWER - W/O VINYL - FORD
	106569-07-01A	EA	PADDED VINYL - LAMINATE MADRID - WILLOW - 1/4"X16"X96" - 2LB
	100138-01-000	EA	MODULE - DAYTIME RUNNING LIGHT (CSA)
	077031-01-000	EA	FILM - BLACK - 1" X 1.75"
	077031-03-000	EA	FILM - WHITE .75" X 1"
	104354-01-02A	EA	APPLIQUE - LOWER DASH - FORD
	112288-02-02B	EA	PANEL ASM - DASH - TOP
			FROM: 00-00-00 THRU: 10-09-94
112288-04-02B		EA	PANEL ASM - DASH - TOP
			FROM: 10-10-94 THRU: 99-99-99
112235-01-01A		EA	BEZEL - MONITOR - LEVELING JACK - WILLOW
111528-03-02A		EA	TRIM - DASH - LOWER - RIGHT HAND - WILLOW
111528-04-02A		EA	TRIM - DASH - LOWER - LEFT HAND - WILLOW

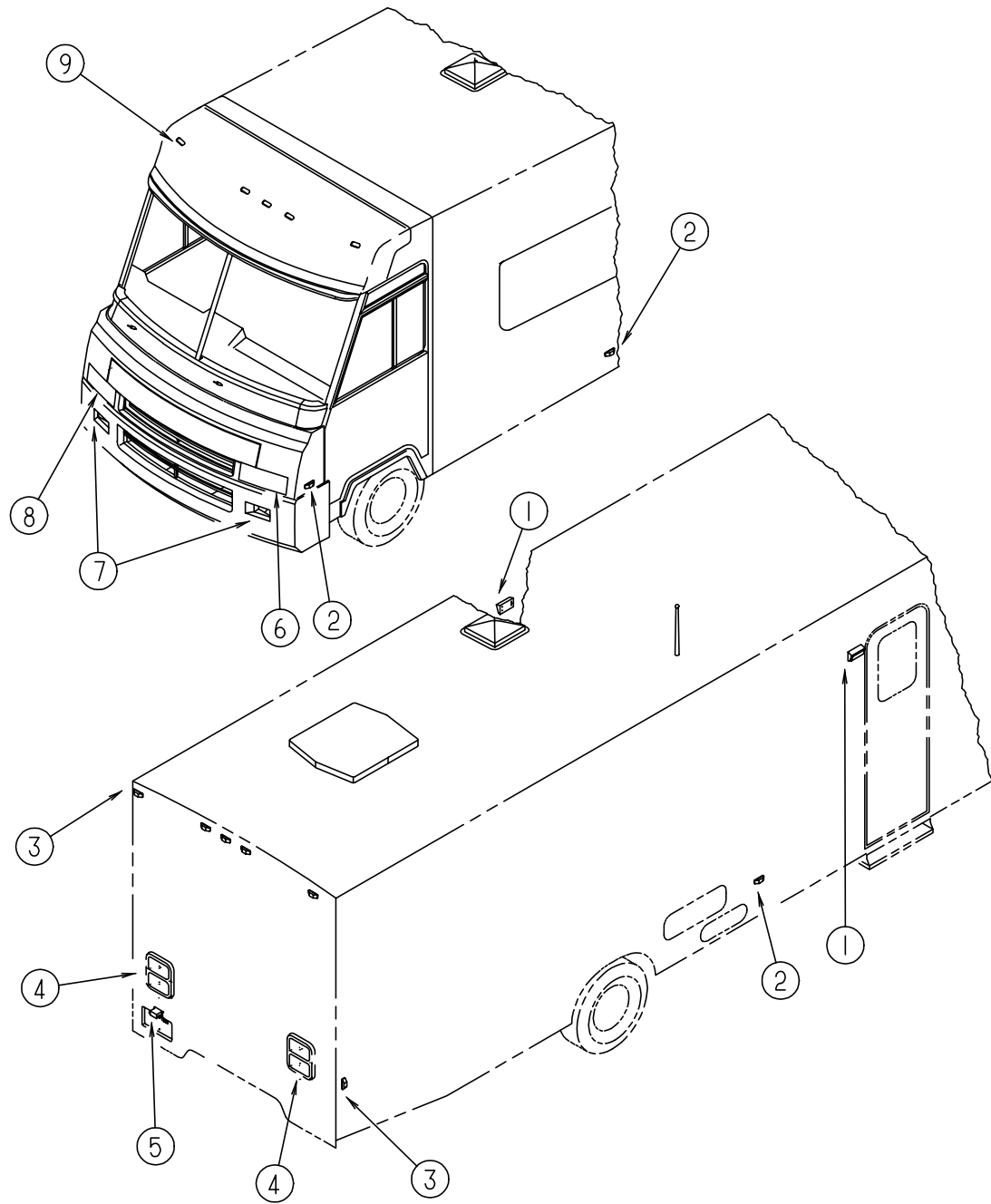
## DRIVERS COMPARTMENT GROUP (CONTINUED)



DASH, GAUGES & SWITCHES (CHEVY)

KEY	PART NUMBER	U/M	DESCRIPTION
1	M05946-21-F11	EA	DASH POD ASM.
2	111499-01-03A	EA	POD - INSTRUMENT PANEL - WILLOW
3	103662-01-01A	EA	BEZEL - INSTRUMENT PANEL
4	104056-01-02A	EA	APPLIQUE - BEZEL - LEFT - DRESS UP
5	108357-05-000	EA	SWITCH - ROCKER - SPDT ON/ NONE/ ON
5	108356-02-01A	EA	SWITCH COVER - W/ DIMPLES - CARLING VVAZC00 BLA
6	108357-09-000	EA	SWITCH - ROCKER - SPDT ON/ NONE/ MOM
6	108356-02-01A	EA	SWITCH COVER - W/ DIMPLES - CARLING VVAZC00 BLA
7	108357-06-000	EA	SWITCH - ROCKER - DPDT MOM/ OFF/ MOM
7	108356-02-01A	EA	SWITCH COVER - W/ DIMPLES - CARLING VVAZC00 BLA
8	094796-07-000	EA	CLUSTER - INSTRUMENT PANEL - KILOMETER (CSA)
9	108357-03-000	EA	SWITCH - ROCKER - SPDT ON/ OFF/ ON
9	108356-02-01A	EA	SWITCH COVER - W/ DIMPLES - CARLING VVAZC00 BLA
10	108357-10-000	EA	SWITCH - ROCKER - SPDT MOM/ OFF/ MOM
10	108356-04-01A	EA	SWITCH COVER - W/ DIMPLES & LENS - CARLING VVAGC00
	096241-03-000	EA	SWITCH - BLANK
11	104056-21-01A	EA	APPLIQUE - BEZEL - SWITCH RIGHT
12	104056-06-02A	EA	APPLIQUE - BEZEL - RIGHT DRESS UP
13	089294-01-000	EA	LIGHTER ASM. - CIGARETTE
14	104056-22-01A	EA	APPLIQUE - BEZEL - SWITCH LEFT
	P14614-01-F11	EA	DASH ASM - LOWER - W/O VINYL - GM
	106569-07-01A	EA	PADDED VINYL - LAMINATE MADRID - WILLOW - 1/4"X16"X96" - 2LB
	077031-01-000	EA	FILM - BLACK - 1" X 1.75"
	077031-03-000	EA	FILM - WHITE .75" X 1"
	105615-01-000	FT	FILM - PROTECTIVE - CLEAR
	114620-01-01A	EA	TRIM - DASH - LOWER - WILLOW
	104354-08-01A	EA	APPLIQUE - LOWER DASH
	100138-01-000	EA	MODULE - DAYTIME RUNNING LIGHT (CSA)
	112288-02-02B	EA	PANEL ASM - DASH - TOP
			FROM: 00-00-00 THRU: 10-09-94
112288-04-02B		EA	PANEL ASM - DASH - TOP
			FROM: 10-10-94 THRU: 99-99-99
077539-01-000		EA	BRACKET - MOUNTING - DASH PANEL - L/SHAPED
112235-01-01A		EA	BEZEL - MONITOR - LEVELING JACK - WILLOW
111528-03-02A		EA	TRIM - DASH - LOWER - RIGHT HAND - WILLOW
111528-04-02A		EA	TRIM - DASH - LOWER - LEFT HAND - WILLOW

## ELECTRICAL GROUP



### EXTERIOR LIGHTS

KEY	PART NUMBER	U/M	DESCRIPTION
1	097917-01-04A	EA	LIGHT - PORCH - ENTRY DOOR - QFF WHITE
1	008215-01-000	EA	BULB
1	097917-01-700	EA	LENS - LIGHT - PORCH
2	111102-01-000	EA	LAMP - MARKER - BASE - TRIPLEX - 117XAS
2	036196-01-000	EA	BULB
2	111102-02-000	EA	LENS - MARKER LAMP - AMBER - TRIPLEX - 118A
2	112823-01-000	EA	SPLICE - REDUCER
3	111102-01-000	EA	LAMP - MARKER - BASE - TRIPLEX - 117XAS
3	036196-01-000	EA	BULB
3	111102-03-000	EA	LENS - MARKER LAMP - RED - TRIPLEX - 117R
3	112823-01-000	EA	SPLICE - REDUCER
4	115632-01-02A	EA	LIGHT ASM-STOP/TURN/TAIL RED
4	115632-02-02A	EA	LIGHT ASM-TURN,AMBER
4	115632-03-02A	EA	LIGHT ASM-STOP/TAIL/BACKUP
4	115632-04-02A	EA	LIGHT ASM-STOP/TAIL/BACKUP/LICENSE
4	117379-01-01A	EA	TRIM-TAIL LIGHT,REAR,BUFF
4	037934-01-000	EA	BULB #1156 (BACK UP & TURN SIGNAL)
4	037935-01-000	EA	BULB #2057 OR #1157 (BRAKE LIGHT)
5	066432-02-000	EA	LIGHT ASM. - LICENSE PLATE
5	066432-03-000	EA	BRACKET - LICENSE PLATE
6	070907-01-000	EA	HEADLAMP CAPSULE ASM-RECT
6	115951-01-02B	EA	PLATE ASM-HEADLAMP, DUAL,RIGHT
6	115951-02-02B	EA	PLATE ASM-HEADLAMP, DUAL,LEFT
7	106688-02-000	EA	LIGHT ASM-TURN,AMBER
7	037934-01-000	EA	BULB-12V NO1156 2.10AMP
8	070907-01-000	EA	HEADLAMP CAPSULE ASM-RECT
8	049359-01-000	EA	SPRING - RETAINER - HEADLAMP
8	110750-01-000	EA	SCREW - ADJUSTING - HEADLAMP
9	102520-01-000	EA	CLEARANCE LIGHT ASM. - W/O SOCKET CONNECTIONS - AMBER
9	036196-01-000	EA	BULB
9	102540-01-000	EA	SEAL - SCREW - ROUND - RUBBER
9	102541-01-000	EA	GASKET - CLEARANCE LIGHT
9	067789-02-000	EA	SOCKET - LAMP - PACKARD 8919426
9	088474-09-000	EA	HOUSING - SOCKET - 3 CAVITY - AMP 1-480701-0
9	088476-01-000	EA	SOCKET - CONNECTOR - BRASS - PRE-TIN

### INTERIOR LIGHTS

KEY	PART NUMBER	U/M	DESCRIPTION
	098024-01-01A	EA	DOME LIGHT - 1 BULB - US - IVORY
	098024-03-01A	EA	DOME LIGHT - 2 BULB - IVORY
	008218-01-000	EA	BULB - DOME LIGHT
	098024-01-700	EA	LENS - DOME LIGHT
	065202-22-000	EA	LAMP - WALL, BRASS UL/CSA
	067479-01-000	EA	BULB - 12 VOLT - #1076
	065201-09-000	EA	SHADE - LAMP - FABRIC - PARCHMENT
	110235-02-01A	EA	LIGHT - MAKE UP - 4 BULB - PANLESS
	081633-01-700	EA	BULB - MAKE-UP
	086280-01-000	EA	LIGHT - SURFACE MOUNT - 12V - JENSEN 1236
	086280-01-700	EA	BULB - SURFACE MOUNT - 12 VOLT - 6 WATT
	087694-01-000	EA	LIGHT - WARDROBE/CLOSET - W/SWITCH
	087694-01-700	EA	BULB - GE561 - WARDROBE/ CLOSET
	113371-03-000	EA	LIGHT-FLUORESCENT 42",STRIP

## ELECTRIC COMPONENTS

KEY	PART NUMBER	U/M	DESCRIPTION
	007940-01-000	EA	RECEPTACLE-SLIDE, 16 TO 12 AWG - FEMALE END
	007954-01-000	EA	RECEPTACLE-HSG-6 POSITION
	008311-01-000	EA	CONNECTOR-WIRE NUT, INSULATED - RED
	008312-01-000	EA	CONNECTOR-WIRE NUT, INSULATED - BLUE
	008314-01-000	EA	CONNECTOR-WIRE NUT, INSULATED - GRAY
	008326-01-000	EA	TERMINAL-RING, 16/14 WIRE - 3/8" STUD
	008328-01-000	EA	TERMINAL-RING, 12/10 WIRE - #10 STUD FIT
	008331-01-000	EA	TERMINAL-RING,TONGUE - #4 WIRE - 3/8" STUD - COPPER
	008348-01-000	EA	TERMINAL-RING, 3/8" STUD - #2 WIRE
	008355-01-000	EA	CONNECTOR-CABLE CLAMPING, 3/4"
	008356-01-000	EA	CONNECTOR-PLASTIC, 3/8" AVG
	035416-04-000	EA	TERMINAL-RING #10 STUD FIT, INSULATED BARREL #16/14
	041480-01-000	EA	CONNECTOR-STRAIGHT, 1/2" FLEX CONDUIT
	041953-01-000	FT	CONDUIT-CONVOLUTE SLIT, .5"ID
	041953-01-000	FT	CONDUIT-CONVOLUTE SLIT, .5"ID
	041953-03-000	FT	CONDUIT-CONVOLUTE SLIT, 1" ID (CLOTHES ROD COVER)
	041953-04-000	FT	CONDUIT-CONVOLUTE,SLIT .50"ID
	041953-05-000	FT	CONDUIT-CONVOLUTE SOLID, .62" ID
	041953-06-000	FT	CONDUIT-CONVOLUTE,SLIT .375"ID
	041953-07-000	FT	CONDUIT-CONVOLUTE, SLIT - .25" ID
	041953-08-000	FT	CONDUIT-CONVOLUTE,SLIT,1.50"ID
	041953-09-000	FT	CONDUIT-CONVOLUTE,SLIT .50"ID
	041953-10-000	FT	CONDUIT-CONVOLUTE, SLIT - .75" ID
	041953-11-000	FT	CONDUIT-CONVOLUTE, SLIT- 1.06" ID
	041953-12-000	FT	CONDUIT-CONVOLUTE, NON SLIT 1.1" ID
	047443-01-000	EA	TERMINAL-.250 RECEPTACLE FIT, INSULATED - 16/14 AWG
	058028-01-000	EA	CONNECTOR-ELECTRICAL PIGTAIL, NYLON - CLEAR
	062036-02-000	EA	TERMINAL-PACK-CON, 16/14 AWG - PACKARD 08917021
	077479-01-000	EA	BOOT-BATTERY TERMINAL, DOUBLE CABLE
	077479-02-000	EA	BOOT-BATTERY TERMINAL, SINGLE CABLE
	080015-02-000	EA	RECEPTACLE-FLAG, .185 - 16/14 GA - AMP 3
	082741-01-000	EA	CONNECTOR BODY-2 CNCT MALE SERV ELEC 2P-FYL
	087225-01-000	FT	SLEEVING-1/2",TYPE H VARFLEX
	087225-02-000	FT	SLEEVING-5/8",TYPE H VARFLEX VARGLAS
	087949-01-000	EA	BUSS BAR-2 POSITION, .6' X 1.5" - ALUMINUM
	087949-02-000	EA	BUS BAR-3 POSITION - .6" 2.4" - ALUMINUM
	088473-01-000	EA	HOUSING-PIN, 12 CAVITY - AMP 1-480708-0
	088473-02-000	EA	HOUSING-PIN, 15 CAVITY - AMP 1-480710-0
	088473-03-000	EA	HOUSING-PIN, 9 CAVITY - AMP 1-480706-0
	088473-05-000	EA	HOUSING-PIN, 6 CAVITY - AMP 640585-1
	088473-06-000	EA	HOUSING-PIN, 6 CAVITY - AMP 1-480704-0
	088473-08-000	EA	HOUSING-PIN, 4 CAVITY - AMP 1-480702-0
	088473-09-000	EA	HOUSING-PIN, 3 CAVITY - AMP 1-480700-0
	088473-10-000	EA	HOUSING-PIN, 2 CAVITY - AMP 1-480698-0
	088474-01-000	EA	HOUSING-SOCKET, 12 CAVITY - AMP 1-480709-0
	088474-02-000	EA	HOUSING-SOCKET, 12 CAVITY - AMP 1-480711-0
	088474-03-000	EA	HOUSING-SOCKET, 9 CAVITY - AMP 1-480707-0
	088474-06-000	EA	HOUSING-SOCKET, 6 CAVITY - AMP 1-480705-0
	088474-07-000	EA	HOUSING-SOCKET, 5 CAVITY - AMP 1-480764-0
	088474-08-000	EA	HOUSING-SOCKET, 4 CAVITY - AMP 1-480703-0
	088474-09-000	EA	HOUSING-SOCKET, 3 CAVITY - AMP 1-480701-0
	088474-10-000	EA	HOUSING-SOCKET, 2 CAVITY - AMP 1-480699-0
	088475-01-000	EA	PIN-CONNECTOR, 14 TO 20 AWG
	088476-01-000	EA	SOCKET-CONNECTOR, BRASS - PRE-TIN
	088476-02-000	EA	SOCKET-CONNECTOR, 12-10 GA - PHOS. BRZ - PRE-TIN
	098261-02-000	EA	SOCKET-CONNECTOR,WEATHERPACK PACKARD 12124580
	098262-01-000	EA	SEAL-CONNECTOR,WEATHER PACK PACKARD 12010293
	098264-01-000	EA	HOUSING-2 PIN,WEATHER PACK,M PACKARD 12015792
	101571-01-000	EA	HOUSING-2 POSITION, MALE
	103608-01-000	EA	SOCKET-WEDGE BASE W/LEADS JKL 2944-6 OR EQUIV
	103987-02-000	EA	SEAL-SOLENOID ACCESS
	104016-01-000	EA	WIRE ASM-AUX FANS
	104100-01-000	EA	HOUSING-1 POSITION, 75 AMP AMP 53884-1

## ELECTRIC COMPONENTS (CONTINUED)

KEY	PART NUMBER	U/M	DESCRIPTION
	104100-03-000	EA	TERMINAL-75 AMP AMP 53880-4 LOOSE
	106006-01-000	EA	HOUSING-1 POSITION, FEMALE - PACKARD 12015952
	106655-01-000	EA	TERMINAL-FUSE BLOCK,14-16AWG PACKARD 12020321
	113306-01-000	EA	TERMINAL-FEMALE,METRI-PACK PACKARD12048451
	113307-01-000	EA	TERMINAL-FEMALE,METRI-PACK PACKARD12048074
	113468-01-000	EA	HOUSING-2 POSITION, FEMALE - 56-SERIES - PACKARD 02965981 USED ON WIPER/WASHER WIRE ASM
	115556-01-000	EA	HOUSING-3POSN,FEM,59-SERIES PACKARD 02965810
	007093-01-000	EA	FLASHER-SIGNAL, STAT
	008188-01-000	EA	SOLENOID-3 POST, BATTERY CHANGE OVER
	063910-01-000	EA	HOUSING-RELAY, BOSCH 3 334 485 008
	063912-02-000	EA	RELAY-CANISTER, SPDT - BOSCH 0332204101
	086233-01-000	EA	STUD-ISOLATED, 3/8" X 7/8" LONG
	086273-01-000	EA	RELAY-BATTERY DISCONNECT
	115504-01-000	EA	PANEL-SOLAR 10 WATT NAGY TJN-2SW
	115505-01-000	EA	MONITOR-SOLAR CHARGER NAGY IL-1W
	087225-01-000	FT	SLEEVING - 1/2" - TYPE H
	087225-02-000	FT	SLEEVING - 5/8" - TYPE H

## WIRE ASSEMBLIES

KEY	PART NUMBER	U/M	DESCRIPTION
	073328-B4-000	EA	CABLE ASSEMBLY-BATTERY, W/TERMINALS
	090986-01-000	EA	WIRE ASM-ELECTRIC STEP KWIKEE 9009
	096449-01-000	EA	WIRE ASSEMBLY-WATER TANK TO MONITOR PANEL
	097618-01-000	EA	WIRE ASM-MONITOR PANEL, W/3 WIRES & ORANGE RESISTOR- LVS ORANGE RESISTOR W/3 (ORANGE-GREEN-BLUE) WIRES
	108303-01-000	EA	WIRE ASM-REAR AUTO HEATER
	111915-01-000	EA	WIRE ASM-DAY RUN LAMPS,FUSE
	111915-03-000	EA	WIRE ASM-DAY RUN LAMPS,FUSE
	115928-01-000	EA	WIRE ASM-HEADLAMP(CHEVY)
	115928-02-000	EA	WIRE ASM-HEADLAMP(FORD)
	108304-01-000	EA	WIRE ASM-IP,AUX FANS

## SOLAR PANEL

KEY	PART NUMBER	U/M	DESCRIPTION
	007093-01-000	EA	FLASHER-SIGNAL, STAT
	008188-01-000	EA	SOLENOID-3 POST, BATTERY CHANGE OVER
	063910-01-000	EA	HOUSING-RELAY, BOSCH 3 334 485 008
	063912-02-000	EA	RELAY-CANISTER, SPDT - BOSCH 0332204101
	086233-01-000	EA	STUD-ISOLATED, 3/8" X 7/8" LONG
	086273-01-000	EA	RELAY-BATTERY DISCONNECT
	115504-01-000	EA	PANEL-SOLAR 10 WATT NAGY TJN-2SW
	115505-01-000	EA	MONITOR-SOLAR CHARGER NAGY IL-1W

## CIRCUIT BREAKERS &amp; FUSES

KEY	PART NUMBER	U/M	DESCRIPTION
	097611-01-000	EA	CIRCUIT BREAKER - 6AMP - ATC - BLACK
	093655-03-000	EA	CIRCUIT BREAKER - 40 AMP USD 17440-4E03A2A
	083209-02-000	EA	CIRCUIT BREAKER - 15/15AMP - 120V - BW H - 15/15
	083209-03-000	EA	CIRCUIT BREAKER - 15/20AMP - 120V - BW - 0-15/20
	083209-04-000	EA	CIRCUIT BREAKER - 30A - 120V - BW L - 30
	083209-06-000	EA	CIRCUIT BREAKER - 30/15 AMP - 120V - BW D - 30/15
	083209-07-000	EA	CIRCUIT BREAKER - 20/20A - 120V - BW K - 20/20
	083209-08-000	EA	CIRCUIT BREAKER - BLANK - BW
	062901-02-000	EA	FUSE - 5 AMP - AUTOMOTIVE
	062901-05-000	EA	FUSE - 15 AMPS - AUTOMOTIVE
	062901-07-000	EA	FUSE - AUTOMOTIVE - 25 AMPS
	062901-08-000	EA	FUSE - 30 AMPS - AUTOMOTIVE
	106656-01-000	EA	FUSE BLOCK - 4 CAVITY AUTOFUSE
	108669-01-000	EA	HOUSING - AUTO FUSE HOLDER
	062037-01-000	EA	HOUSING - AUTO FUSE - NATURAL
	062037-03-000	EA	HOUSING - AUTO FUSE - BLACK
	062037-04-000	EA	HOUSING - AUTO FUSE - BLUE
	062037-06-000	EA	HOUSING - AUTO FUSE - BROWN

**ELECTRICAL GROUP (CONTINUED)**  
**ELECTRICAL HOUSINGS**

KEY	PART NUMBER	U/M	DESCRIPTION
	088473-01-000	EA	PIN HOUSING - 12 POSITION
	088473-02-000	EA	PIN HOUSING - 15 POSITION
	088473-03-000	EA	PIN HOUSING - 9 POSITION
	088473-05-000	EA	PIN HOUSING - 6 POSITION (SINGLE ROW)
	088473-06-000	EA	PIN HOUSING - 6 POSITION (TWO ROWS OF THREE)
	088473-08-000	EA	PIN HOUSING - 4 POSITION
	088473-09-000	EA	PIN HOUSING - 3 POSITION (SINGLE ROW)
	088473-10-000	EA	PIN HOUSING - 2 POSITION
	088474-01-000	EA	HOUSING - SOCKET - 12 POSITIONS
	088474-02-000	EA	HOUSING - SOCKET - 15 POSITION (3 ROWS OF 5)
	088474-03-000	EA	HOUSING - SOCKET - 9 POSITION
	088474-06-000	EA	HOUSING - SOCKET - 6 POSITION (2 ROWS OF THREE)
	088474-07-000	EA	HOUSING - SOCKET - 5 POSITION
	088474-08-000	EA	HOUSING - SOCKET - 4 POSITION (SINGLE ROW)
	088474-09-000	EA	HOUSING - SOCKET - 3 POSITION
	088474-10-000	EA	HOUSING - SOCKET - 2 POSITION
	101571-01-000	EA	HOUSING - 2 POSITION - MALE
	104100-01-000	EA	HOUSING - 1 POSITION - 75 AMP - AMP 53884-1
	106006-01-000	EA	HOUSING - 1 POSITION - FEMALE - PACKARD 12015952
	113468-01-000	EA	HOUSING - 2 POSITION - FEMALE (WIPER/WASHER WIRE ASM)
	108355-01-000	EA	HOUSING - SWITCH - CARLING VCH

**SWITCHES, RECEPTACLES & COVERS**

KEY	PART NUMBER	U/M	DESCRIPTION
	108357-05-000	EA	SWITCH - ROCKER - SPDT ON/ NONE/ ON
	108356-02-01A	EA	SWITCH COVER - W/ DIMPLES - CARLING VVAZC00 BLA
	108357-09-000	EA	SWITCH - ROCKER - SPDT ON/ NONE/ MOM
	108356-02-01A	EA	SWITCH COVER - W/ DIMPLES - CARLING VVAZC00 BLA
	108357-06-000	EA	SWITCH - ROCKER - DPDT MOM/ OFF/ MOM
	108356-02-01A	EA	SWITCH COVER - W/ DIMPLES - CARLING VVAZC00 BLA
	108357-03-000	EA	SWITCH - ROCKER - SPDT ON/ OFF/ ON
	108356-02-01A	EA	SWITCH COVER - W/ DIMPLES - CARLING VVAZC00 BLA
	108357-10-000	EA	SWITCH - ROCKER - SPDT MOM/ OFF/ MOM
	108356-04-01A	EA	SWITCH COVER - W/ DIMPLES & LENS - CARLING VVAGC00
	096241-03-000	EA	SWITCH - BLANK
	077942-01-000	EA	SWITCH - DUMMY - BLACK
	079364-01-000	EA	SWITCH - ON/OFF - ROCKER - 2 PRONGS - BROWN
	079364-03-000	EA	SWITCH - ON/OFF - ROCKER - 3 PRONGS - BROWN
	098351-01-01A	EA	PLATE - SWITCH - 1 GANG - POLISHED BRASS
	098351-02-01A	EA	PLATE - SWITCH - 2 GANG - POLISHED BRASS
	098351-05-01A	EA	PLATE - SWITCH - 3 GANG - POLISH BRASS - JENSEN
	080015-02-000	EA	RECEPTACLE - FLAG - .185 - 16/14 GA - AMP 3
	084076-02-000	EA	RECEPTACLE - GFI - 15A - 125V - BROWN
	058707-01-000	EA	RECEPTACLE - ELECTRIC - SINGLE - BROWN
	058707-02-000	EA	RECEPTACLE - BLANK - JUNCTION WIRECON
	058708-01-000	EA	RECEPTACLE - ELECTRIC - DOUBLE - BROWN
	058708-02-000	EA	RECEPTACLE - ELECTRIC - DOUBLE - IVORY
	007940-01-000	EA	RECEPTACLE - SLIDE - 16 TO 12 AWG - FEMALE END
	007954-01-000	EA	RECEPTACLE - HSG - 6 POSITION
	024924-02-000	EA	RECEPTACLE - POWER CORD - W/PARTIAL PLATE
	091927-01-000	EA	COVER - RECEPTACLE - DOUBLE - IVORY
	102568-01-E90	EA	SPACER - RECEPTACLE - SIDEWALL
	112822-01-01A	EA	RECEPTACLE - DUPLEX - IVORY
	112824-01-02A	EA	COVER - EXTERIOR DUPLEX RECEPTACLE - OFF WHITE
	054250-04-000	EA	COVER-ANGLED, W/O HOLE - 3.6" X 4.5" - PLASTIC - OFF WHITE ELECTRICAL PLATE SUPPORT
	073626-04-000	EA	COVER-ELECTRIC, 10.4" X 7.8" - BEIGE PLASTIC
	075723-02-000	EA	SPACER-SWITCH, W/HOLE - .2" X .9" X 2" - METAL - OFF WHITE FOR ELECTRIC STEP DOOR JAMB SWITCH
	079364-01-000	EA	SWITCH-ON/OFF ROCKER, 2 PRONGS - BROWN
	079364-02-000	EA	SWITCH-ON/OFF, ROCKER - BROWN
	095188-01-01A	EA	SPACER-SWITCH, 2.3" X 3.4" - PLASTIC - DARK BROWN
	095188-02-01A	EA	SPACER-SWITCH, 2.3" X 4.1" - PLASTIC - DARK BROWN
	096241-03-000	EA	SWITCH-BLANK

**ELECTRICAL GROUP (CONTINUED)**  
**SWITCHES, RECEPTACLES & COVERS**

KEY	PART NUMBER	U/M	DESCRIPTION
	098351-01-01A	EA	PLATE-SWITCH, 1 GANG - POLISHED BRASS - JENSEN
	098351-02-01A	EA	PLATE-SWITCH, 2 GANG - POLISHED BRASS - JENSEN
	098351-05-01A	EA	PLATE-SWITCH, 3 GANG - POLISH BRASS - W/LABEL - JENSEN
	108355-01-000	EA	HOUSING-SWITCH CARLING VCH
	108356-01-01A	EA	SWITCH COVER W/ 3 GROOVES - CARLIN VVCZC00
	108356-02-01A	EA	SWITCH COVER W/ 2 DIMPLES - CARLING CCAZC00
	108356-04-01A	EA	SWITCH COVER W/DIMPLES-LIGHTED-CARLING VVAGC00
	108357-05-000	EA	ROCKER SWITCH, SPDT ON/NONE/ON - CARLING V4D1000B-0
	108357-08-000	EA	ROCKER SWITCH, DPDT ON/NONE/ON - CARLING VDD1S00C-0
	108357-10-000	EA	ROCKER SWITCH, SPDT MOM/OFF/MOM - CARLING V8D1160B-0 LIGHTED

**ELECTRICAL WIRING & BOXES**

KEY	PART NUMBER	U/M	DESCRIPTION
	008052-01-000	EA	CORD-POWER, 10/3 - 30 AMP - 25' - CANADIAN
	008054-01-000	EA	CORD-POWER, 10/3 - 30 AMP - 25'
	008289-01-000	EA	BOX-ELECTRIC, STEEL - 1/2" AND 3/4" KNOCKOUTS - 4" X 4"
	008289-02-000	EA	BOX-ELECTRICAL, 4" X 4" - 1/2" & 3/4" KNOCKOUTS - CANADIAN
	008294-01-000	EA	COVER-ELECTRICAL BOX, BLANK/STEEL - 4" X 4" - GRAY
	008294-02-000	EA	COVER-ELECTRICAL BOX, BLANK STEEL - 4" X 4" - CANADIAN
	069238-01-000	EA	COVER-ELECTRICAL BOX, W/HOLE - 4" X 4" - GRAY USED WITH 30 AMP RECEPTACLE
	074890-01-000	EA	BOX-EXTENSION, STEEL - OPEN SIDES - 4" X 4" X 1 1/2"
	074897-01-000	EA	COVER-ELECTRIC BOX, 1 LARGE & 2 SMALL HOLES - 4" X 4"
	091910-01-000	EA	BOX-ELECTRIC, 3.75" X 3.5" X 1.75" - PLASTIC
	091910-02-000	EA	BOX-ELECTRICAL, PLASTIC - 57 X 88MM
	111510-01-000	EA	DOOR-ELECTRICAL BOX,FRONT

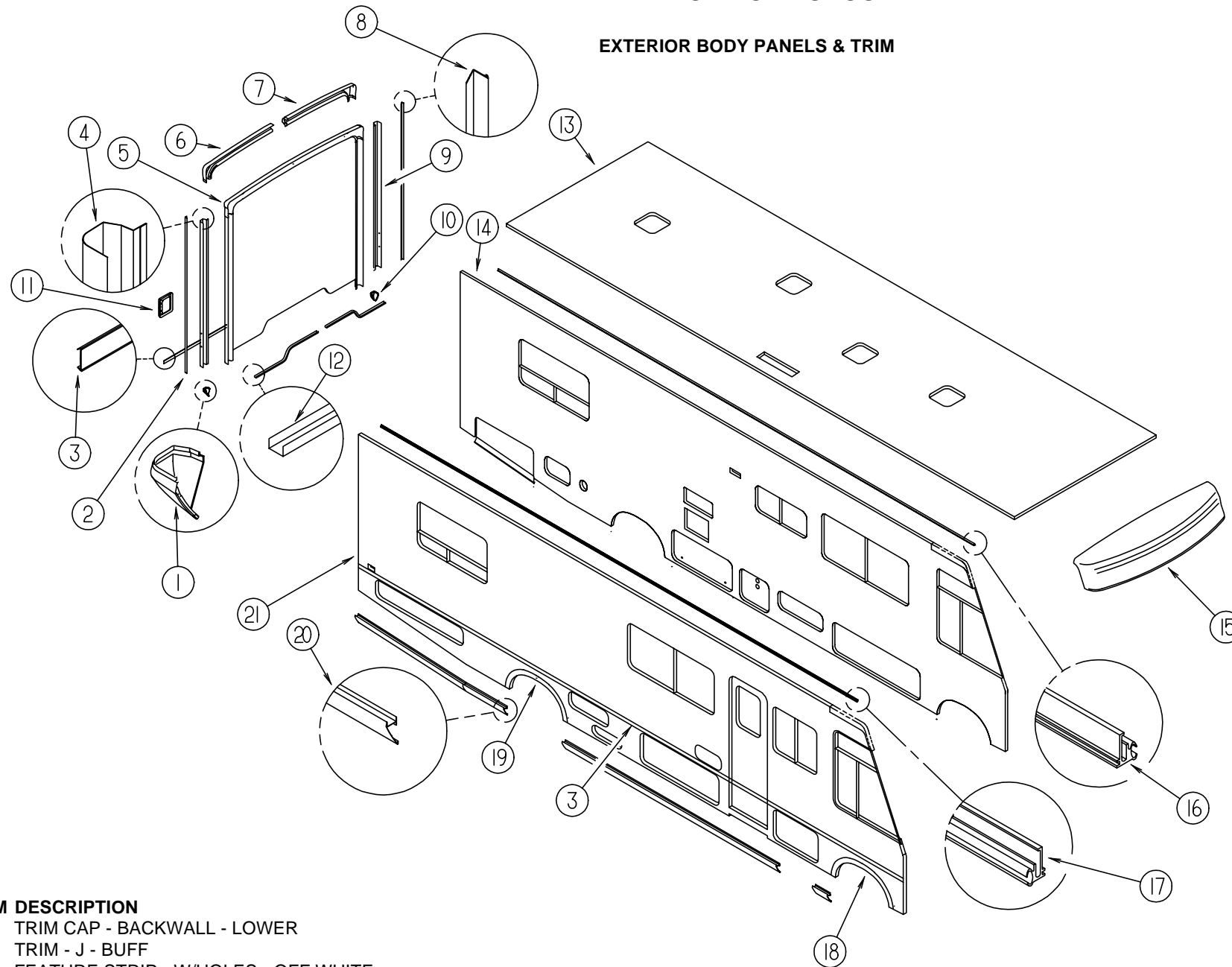
**ELECTRICAL CONNECTORS & CONDUIT**

KEY	PART NUMBER	U/M	DESCRIPTION
	041953-01-000	FT	CONDUIT - CONVOLUTE - SLIT - .5"ID
	041953-03-000	FT	CONDUIT - CONVOLUTE - SLIT - 1" ID (CLOTHES ROD COVER)
	041953-05-000	FT	CONDUIT - CONVOLUTE - SOLID - .62" ID
	041953-06-000	FT	CONDUIT - CONVOLUTE - SLIT .375"ID
	041953-07-000	FT	CONDUIT - CONVOLUTE - SLIT - .25" ID
	041953-08-000	FT	CONDUIT - CONVOLUTE - SLIT - 1.50"ID
	041953-09-000	FT	CONDUIT - CONVOLUTE - SLIT .50"ID
	041953-10-000	FT	CONDUIT - CONVOLUTE - SLIT - .75" ID
	041953-11-000	FT	CONDUIT - CONVOLUTE - SLIT - 1.06" ID
	041953-12-000	FT	CONDUIT - CONVOLUTE - NON SLIT 1.1" ID
	008311-01-000	EA	CONNECTOR - WIRE NUT - INSULATED - RED
	008312-01-000	EA	CONNECTOR - WIRE NUT - INSULATED - BLUE
	008314-01-000	EA	CONNECTOR - WIRE NUT - INSULATED - GRAY
	008355-01-000	EA	CONNECTOR - CABLE CLAMPING - 3/4"
	008356-01-000	EA	CONNECTOR - PLASTIC - 3/8" AVG
	082741-01-000	EA	CONNECTOR - BODY - 2 CONNECTOR - MALE
	058028-01-000	EA	CONNECTOR - ELECTRICAL PIGTAIL - NYLON - CLEAR
	041480-01-000	EA	CONNECTOR - STRAIGHT - 1/2" FLEX CONDUIT
	088475-01-000	EA	PIN-CONNECTOR - 14 TO 20 AWG
	088476-01-000	EA	SOCKET - CONNECTOR - BRASS - PRE - TIN
	088476-02-000	EA	SOCKET - CONNECTOR - 12-10 GA - PHOS. BRZ - PRE - TIN



# EXTERIOR BODY GROUP

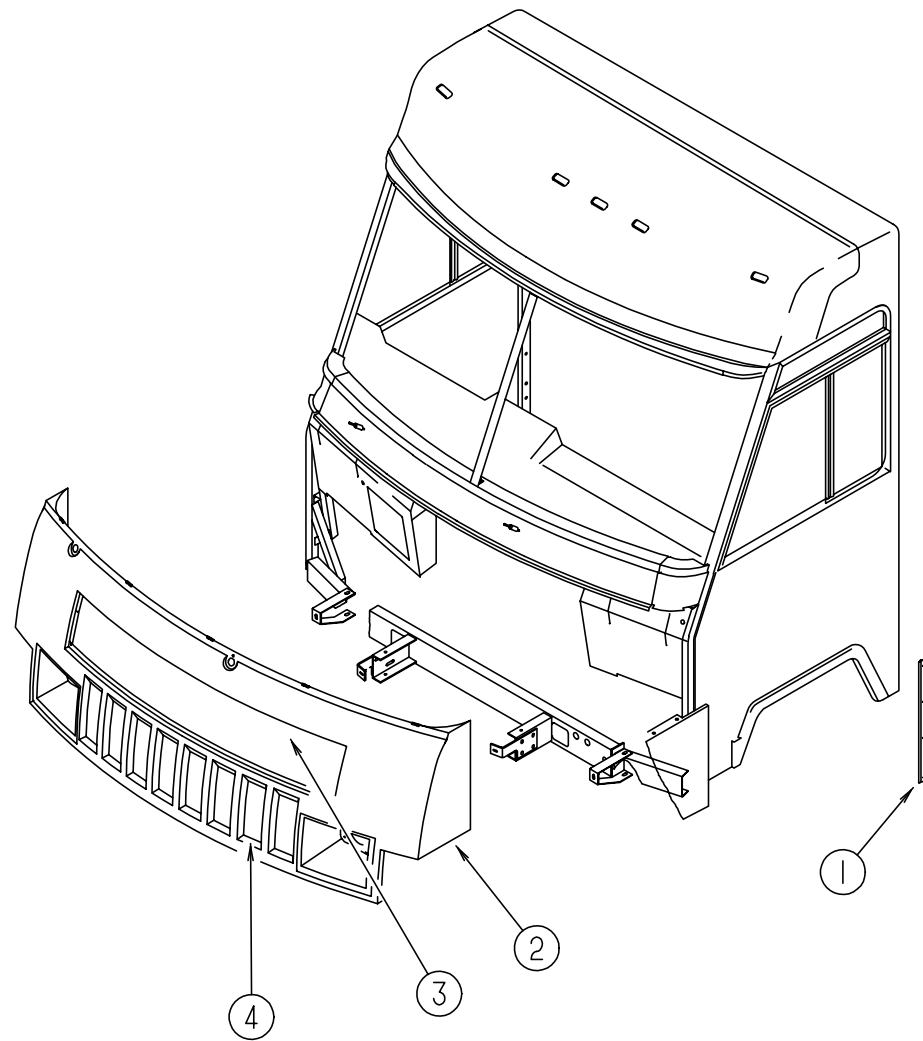
## EXTERIOR BODY PANELS & TRIM



KEY	PART NUMBER	U/M	DESCRIPTION
1	115848-01-01A	EA	TRIM CAP - BACKWALL - LOWER
2	104033-05-04A	EA	TRIM - J - BUFF
3	108688-01-01A	EA	FEATURE STRIP - W/HOLES - OFF WHITE
	108688-01-01A	FT	INSERT - FEATURE STRIP - OFF WHITE
	108651-01-02A	EA	END CAP - FEATURE STRIP
4	114874-01-07B	EA	TRIM - BACKWALL - BUFF(PASSENGER SIDE)
5	M06886-07-F11	EA	BACKWALL ASM - QUEEN BED (CHEVY)
5	M06886-07-F12	EA	BACKWALL ASM - QUEEN BED (CHEVY)
5	M06887-07-F11	EA	BACKWALL ASM - QUEEN BED (FORD)
5	M06887-07-F12	EA	BACKWALL ASM - QUEEN BED (FORD)
5	M06886-08-F11	EA	BACKWALL ASM - TWIN BED (CHEVY)
5	M06886-08-F12	EA	BACKWALL ASM - TWIN BED (CHEVY)
5	M06887-08-F11	EA	BACKWALL ASM - TWIN BED (FORD)
5	M06887-08-F12	EA	BACKWALL ASM - TWIN BED (FORD)
6	114872-02-01A	EA	TRIM - BACKWALL - TOP - BUFF (PASSENGER SIDE)
7	114873-02-01A	EA	TRIM - BACKWALL - TOP - BUFF (DRIVER SIDE)
8	104033-05-04A	EA	TRIM - J - BUFF
9	114874-02-07B	EA	TRIM - BACKWALL - BUFF (DRIVER SIDE)
10	115848-02-01A	EA	TRIM CAP - BACKWALL - LOWER
11	117379-01-01A	EA	TRIM-TAIL LIGHT,REAR,BUFF
12	050406-20-000	EA	TRIM - BACKWALL - LOWER LEFT OR RIGHT SIDE - BUFF
13	P16153-01-F11	EA	ROOF ASM. (F11, F12)
14	M07438-04-F11	EA	SIDEWALL ASM - QUEEN BED (DRIVER SIDE) (W/ DRIVER DOOR)
14	M07438-04-F12	EA	SIDEWALL ASM - QUEEN BED (DRIVER SIDE) (W/ DRIVER DOOR)

KEY	PART NUMBER	U/M	DESCRIPTION
14	M07438-03-F11	EA	SIDEWALL ASM - QUEEN BED (DRIVER SIDE) (W/O DRIVER DOOR)
14	M07438-03-F12	EA	SIDEWALL ASM - QUEEN BED (DRIVER SIDE) (W/O DRIVER DOOR)
15	M05145-08-F11	EA	CAP ASM - FRONT - W/O TRIM - BUFF
16	103801-01-04A	EA	TRIM - ROOF - BUFF
17	103802-02-04A	EA	RAIL - AWNING - BUFF
18	116048-01-01A	EA	TRIM - WHEELWELL - FRONT - BUFF - (PASSENGER SIDE) - (DRIVER SIDE)
	109140-55-001	EA	ROCKER PANEL 192" BUFF
19	116048-02-01A	EA	TRIM - WHEELWELL - REAR (DRIVER OR PASSENGER SIDE)
20	115471-13-F11	EA	PANEL ASM-ROCKER, RIGHT REAR - (PASSENGER SIDE)
	115471-10-F11	EA	PANEL ASM-ROCKER, LEFT REAR - (DRIVER SIDE)
21	P16026-01-F11	EA	SIDEWALL ASM - QUEEN BED (PASSENGER SIDE)
21	P16026-01-F12	EA	SIDEWALL ASM - QUEEN BED (PASSENGER SIDE)

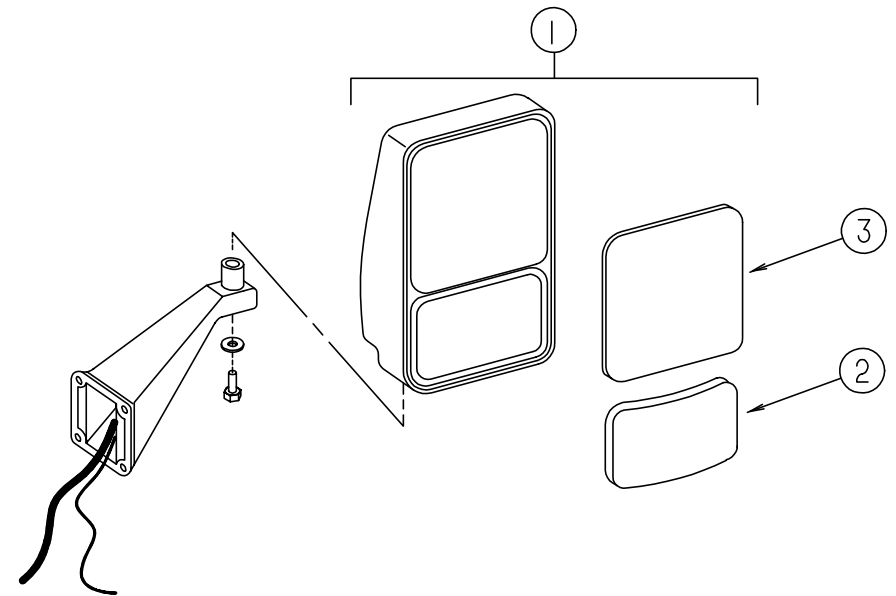
**EXTERIOR BODY GROUP (CONTINUED)**



**FRONT END ASM**

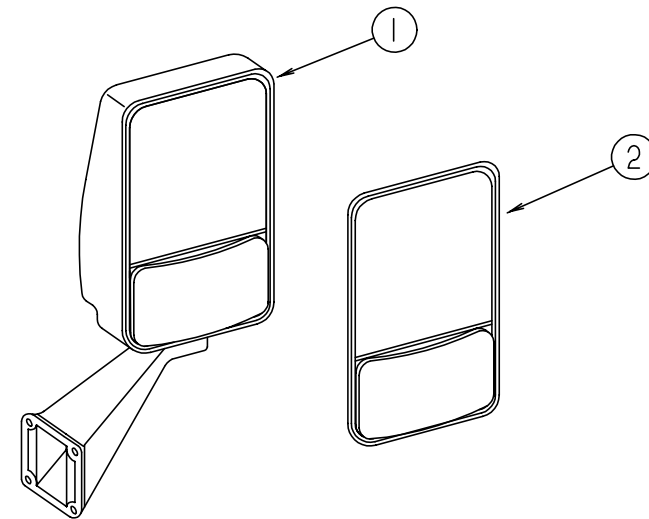
KEY	PART NUMBER	U/M DESCRIPTION
1	089922-15-000	EA TRIM - FIBERGLASS - BUFF
2	115973-01-F11	EA PANEL - FRONT - LOWER - BUFF
3	115976-01-F11	EA PANEL ASM. - HOOD - BUFF
4	115924-01-02A	EA GRILLE ASM. - MESH WIRE, FLAT BLACK - FACIA
	058786-01-000	EA BOLT - ADJUSTING - HOOD - W/ BLACK PAD - 5/16" #18 X 2"
	058786-02-000	EA BOLT - ADJUSTING - HOOD - W/ BLACK PAD - 5/16" #18 X 1.25"
	105096-10-000	EA TUBE ASM-TIMING,HOOD HINGE
	106748-02-000	EA LATCH-HOOD,FRONT END
	109926-07-000	EA BRACKET ASM-LINK,HINGE, RIGHT
	109926-08-000	EA BRACKET ASM-LINK,HINGE, LEFT
	109927-03-000	EA ANGLE-LINK,HOOD, RIGHT
	109927-04-000	EA ANGLE LINK,HOOD, LEFT
	109929-03-000	EA LINK ASM-HINGE, HOOD,UPPER, RIGHT
	109929-04-000	EA LINK ASM-HINGE, HOOD,UPPER, LEFT
	109930-07-000	EA LINK ASM-HINGE, HOOD,LOWER, RIGHT
	109930-08-000	EA LINK ASM-HINGE, HOOD,LOWER, LEFT
	110691-01-01A	EA BRACKET-SPRING - HEADLAMP - MILL

**EXTERIOR BODY GROUP (CONTINUED)**



**EXTERIOR MIRRORS (REMOTE & HEAT)**

KEY	PART NUMBER	U/M DESCRIPTION
1	106015-05-01A	EA MIRROR ASM - EXTERIOR REMOTE & HEAT - PASSENGER SIDE
1	106015-06-01A	EA MIRROR ASM - EXTERIOR REMOTE & HEAT - DRIVER SIDE
2	086261-02-700	EA CONVEX REPLACEMENT - INNER HOUSING & BEZEL - DRIVER SIDE
2	086261-01-703	EA CONVEX REPLACEMENT - INNER HOUSING & BEZEL - PASSENGER SIDE
3	086261-01-702	EA GLASS - FLAT - HEATED - W/ BEZEL
	087695-01-000	EA SWITCH - HEATER - EXTERIOR MIRROR
	088246-01-000	EA SWITCH - REMOTE - EXT. MIRROR - SQUARE PUSH
	086261-02-701	EA KIT - EXTERIOR. MIRROR - W/BEZEL - FLAT & CONVEX GLASS - DRIVER SIDE
		KIT INCLUDES: BEZEL - CONVEX GLASS - HEATED FLAT GLASS

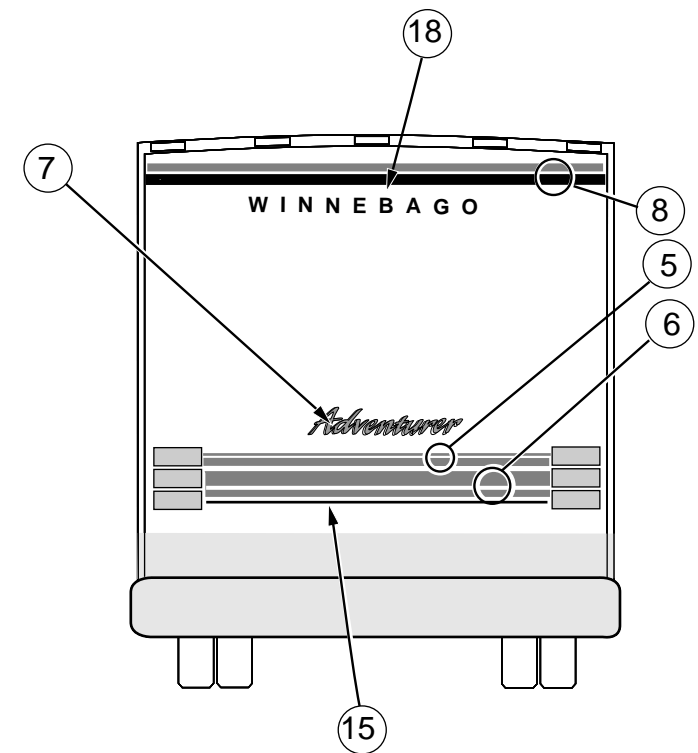
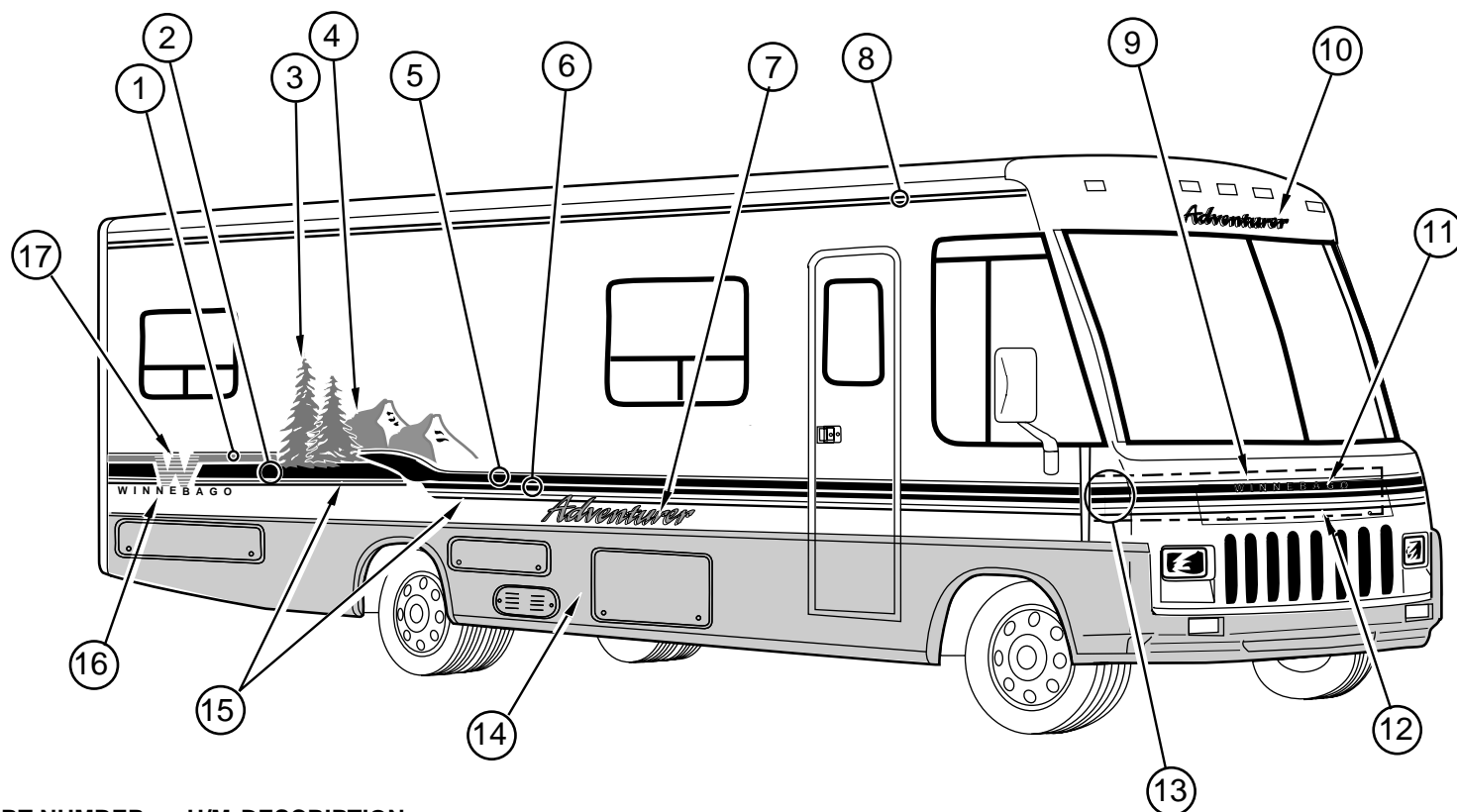


**EXTERIOR MIRROR OPTION**

KEY	PART NUMBER	U/M DESCRIPTION
1	106015-09-01A	EA MIRROR ASM - PASSENGER SIDE
1	106015-10-01A	EA MIRROR ASM - DRIVER SIDE
2	106015-01-703	EA MIRROR KIT (BEZEL W/MIRRORS) PASSENGER SIDE
2	106015-02-702	EA MIRROR KIT (BEZEL W/MIRRORS) DRIVER SIDE

## EXTERIOR BODY GROUP (CONTINUED)

### DECALS, FILM STRIPES & PAINT



KEY	PART NUMBER	U/M DESCRIPTION
1	105781-39-01A	FT FILM-MULTISTRIPE 50.8MMX150 - COBALT/COBALT (F11, F12)
2	093681-46-01A	FT FILM-114.3MM X 150FT - AQUAMARINE (F11, F12)
2	093681-47-01A	FT FILM-6.4MM X 150FT - WHITE REFLECTIVE (F11, F12)
3	115758-03-01A	EA DECAL-TREES,PASS. SIDE - BLULAGON/AQUAMAR (F11, F12)
3	115758-04-01A	EA DECAL-TREES,DRIVER SIDE - BLULAGON/AQUAMAR (F11, F12)
4	115758-01-01A	EA DECAL-MOUNTAIN SCENE,PASS. SIDE - MSWED/COBALT (F11, F12)
4	115758-02-01A	EA DECAL-MOUNTAIN SCENE,DRIVER SIDE - MSWED/COBALT (F11, F12)
5	105781-32-02A	FT FILM-MULTISTRIPE 114.3MMX150 - COBALT/COBALT (F11, F12)
6	093681-40-05A	FT FILM-50.8MM X 150FT - AQUAMARINE (F11, F12)
6	093681-47-01A	FT FILM-6.4MM X 150FT - WHITE REFLECTIVE (F11, F12)
7	108181-02-01A	EA DECAL-ADVENTURER COBALT/AQUAM/BUFF (F11, F12)
8	105781-37-01A	FT FILM-MULTISTRIPE 88.9MMX150' - COBALT/AQUAMARINE
9	115759-01-01A	EA DECAL-HOOD,UPPR - COBALT/COBALT
10	108181-02-01A	EA DECAL-"ADVENTURER" COBALT/AQUAM/BUFF (F11, F12)
11	110889-03-02A	EA DECAL-LOGO "WINNEBAGO" - BUFF
12	115760-01-01A	EA DECAL-HOOD,LOWER - AQUUM/MEDSWEDBL (F11, F12)
12	093681-47-01A	FT FILM-6.4MM X 150FT - WHITE REFLECTIVE (F11, F12)
13	115761-01-01A	EA DECAL-CORNER, FRONT,UPPER,PASSENGERS - COBALT/COBALT (F11, F12)
	115761-02-01A	EA DECAL-CORNER, FRONT,UPPER,DRIVERS - COBALT/COBALT (F11, F12)
13	115762 01 01A	EA DECAL-CORNER, FRONT,LOWER,PASSENGERS - AQUUM/MEDSWEDBL (F11, F12)
	115762 02 01A	EA DECAL-CORNER, FRONT,LOWER,DRIVERS - AQUUM/MEDSWEDBL (F11, F12)
13	093681-42-02A	FT FILM-19.1MM X 150FT - MED SWEDISH BLUE (F11, F12)
13	093681-47-01A	FT FILM-6.4MM X 150FT - WHITE REFLECTIVE (F11, F12)
14	N / P	PAINT - GRAPHITE METALIC (DUPONT H8235)
15	093681-42-02A	FT FILM-19.1MM X 150FT - MED SWEDISH BLUE (F11, F12)
16	110889-03-01A	EA DECAL-LOGO,"WINNEBAGO" - AQUAMARINE (F11, F12)
17	110207-02-01A	EA DECAL -"W" - LASER (F11, F12)
18	110889-03-01A	EA DECAL-LOGO,"WINNEBAGO" - AQUAMARINE (F11, F12)

#### DUPONT PAINT COLOR CODES

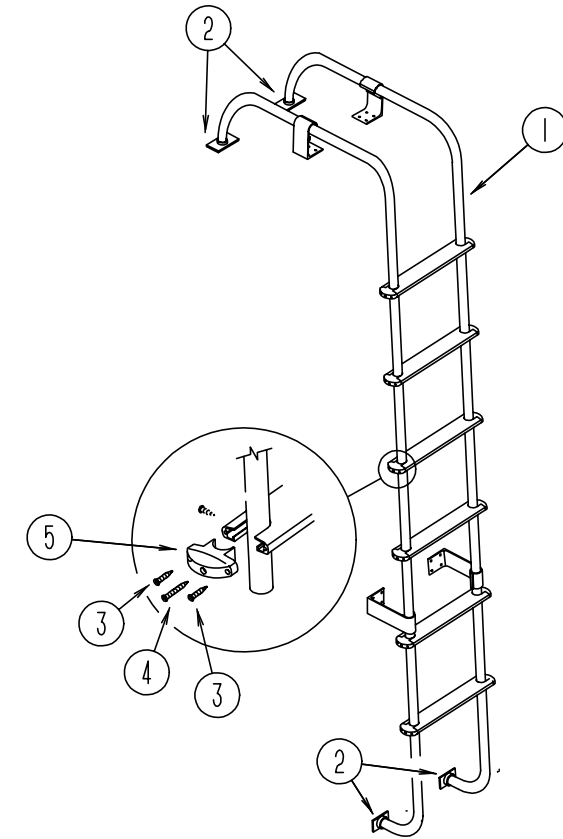
GRAPHITE METALIC      DUPONT H8235

**EXTERIOR BODY GROUP (CONTINUED)**

**STYROFOAM & FIBERGLASS SHEETING**

KEY	PART NUMBER	U/M	DESCRIPTION
	000870-06-000	SF	STYROFOAM-1.34 X 48 X 96-PLANED
	000870-08-000	SF	STYROFOAM-.75 X 48 X 96-PLANED
	002726-01-001	EA	GARNISH-U-CHANNEL, 1.38" X 19' - SERRATED - MILL ALUMINUM
	002754-01-001	EA	ANGLE-EXTRUDED, .75" X .75" X 18' - MILL ALUMINUM
	033381-17-001	FT	STL-TUBE 16GA 1.5 X 1.5 X 192.00 HOT FORMED ASTM A50
	034073-27-011	EA	PLAS-ABS.200 X 28.00 X 068.00 IN ANY BLK 0/MIL SM/SM
	044487-01-000	LB	ALUMINUM .019 X 97.00 X COIL MILL FINISH WT .353LB/SF
	044487-01-001	EA	ALUMINUM .019" X 96" X 300"
	044487-01-002	EA	ALUMINUM .019" X 96" X 432"
	055278-01-001	FT	TUBING-STEEL .75" X 1.5" X 288"
	055278-51-259	EA	TUBING-STEEL .75" X 1.5" X 12.5' LONG
	058267-01-000	FT	CHANNEL-STEEL, W/HOLES - SIDEWALL STIFFENER - 2" X 20'
	065747-01-000	SF	INSULATION-MICROFOAM, .5" THICK X 72" X 112' ROLL
	068716-01-001	EA	BRACE-90 DEGREE L-ANGLE, 192" - EXTRUDED ALUMINUM
	076054-J7-000	EA	FIBERGLASS SHEET 2590 X 9785 BUFF
	076054-P8-000	EA	FIBERGLASS-SHEET 2572 X 2591 BUFF
	077517-24-000	EA	SHEET-FIBERGLASS, FLAT - 48" X 96" - OFF WHITE
	077517-59-000	EA	FIBERGLASS SHEET - 48" X 96" - BUFF
	108535-03-700	EA	FIBERGLASS SHEET FLAT 110" X 396" BUFF PAINTING IS REQUIRED WHEN USED ON OLDER COACHES
	083574-03-000	SF	STYROFOAM - 3/4" X 48" X 96"
	083574-05-000	SF	STYROFOAM - 2.0 X 48 X 96.00 DOW TYPE SM
	076054-D3-700	EA	STYROFOAM - COMPRESSED 4 X 8 F/REPAIR
	089297-01-000	SF	PLYWOOD-LUAN, OVERLAY GRADE - 4' X 8'
	089297-02-000	SF	PLYWOOD-LUAN GRADE CC LFE 2.7MM X 48 X 108
	100619-01-000	BF	FOAM-EXPANDED POLYSTYRENE 48" X 96" X 1.34"
	100619-04-000	BF	FOAM-EXPANDED POLYSTYRENE EPS 48" X 96" X .5
	100619-05-000	BF	FOAM-EXPANDED POLYSTYRENE 48" X 96" X .75"
	100619-09-000	BF	FOAM-EXPANDED POLYSTYRENE 3.0" X 48" X 92.50"
	105077-03-000	EA	FOAM-PLUG,SIDEWALL TUBE WISCONSIN EPS
	105077-04-000	EA	FOAM-COVE,ROOF

**EXTERIOR BODY GROUP (CONTINUED)**



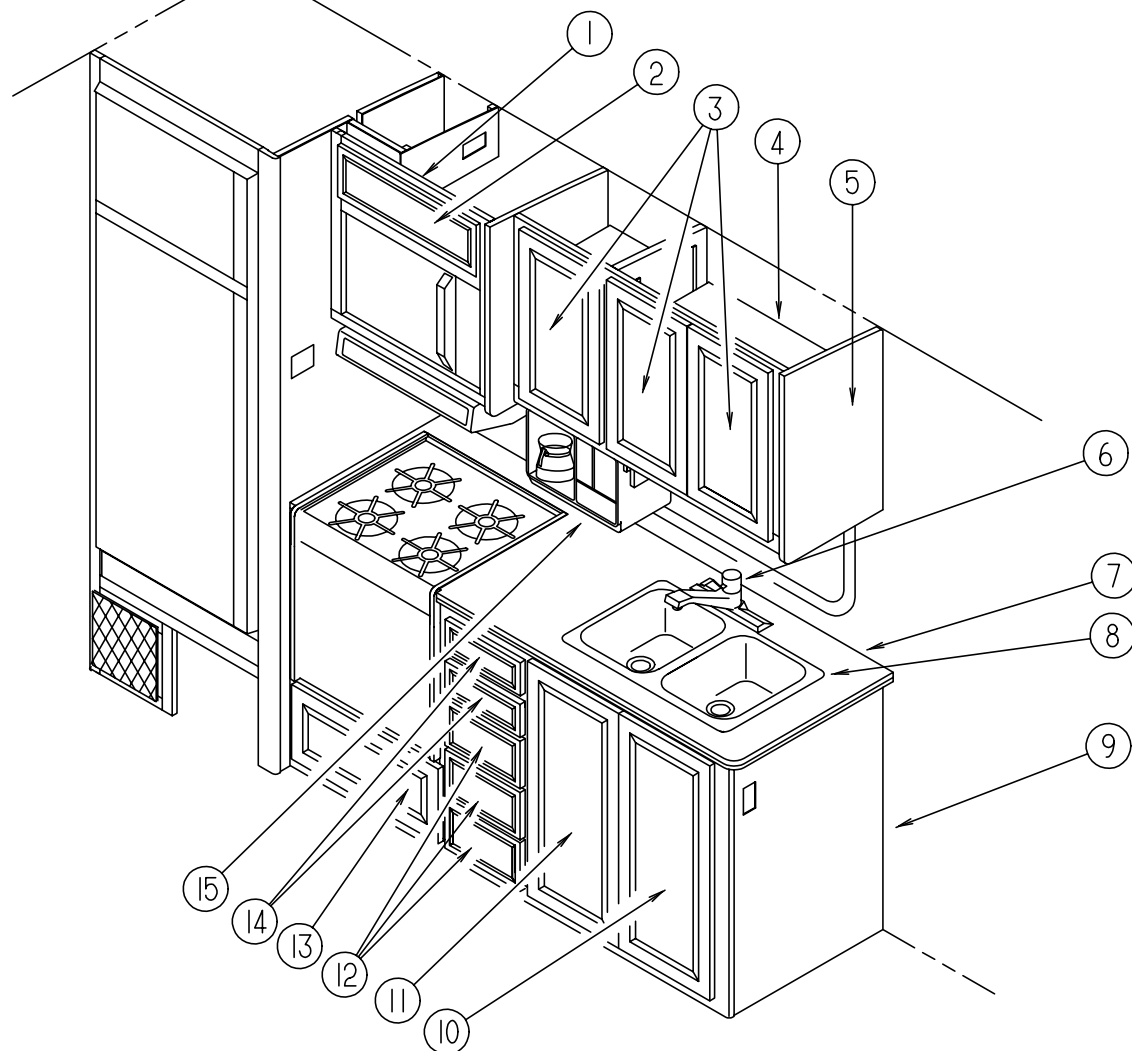
**LADDER**

KEY	PART NUMBER	U/M	DESCRIPTION
1	102953-11-F31	EA	LADDER ASM
2	067165-01-000	EA	MOUNTING BRACKET - LADDER - LOWER
3	000G39-06-10T	EA	SCREW-SF/ DR - 6 - 20 X 5/8 PPH - BLACK
4	000G68-10-36T	EA	SCREW - 10 - 12 X 2.25 POH BLACK
5	076980-02-000	EA	END CAP - STEP - BLACK
	038327-01-000	FT	TAPE - ANTI SLIP - 2" X 60FT

**AWNING**

KEY	PART NUMBER	U/M	DESCRIPTION
	110634-02-01A	EA	AWNING-HARDWARE KIT,BUFF ADVENTURER/VECTOR
	110634-07-12A	EA	AWNING-ROLLER ASM,19'
	110634-01-700	EA	RAFTER LOCKING MECH KIT 7605-0001
	110634-01-701	EA	SAFETY & LATCH KIT 7509-0001
	110634-01-702	EA	BOTTOM BRACKET KIT 7512-0001
	110634-01-703	EA	HEIGHT LOCK HANDLE KIT 7510-0001
	110634-01-704	EA	UPPER BRACKET KIT W/BOLTS 7505-0001
	110634-01-705	EA	ULTRA RAFTER KNOB KIT 7508-0001
	110634-01-706	EA	RAFTER SLIDE KIT
	110634-01-707	EA	GROUND BRACKET KIT 7511-0001
	110634-01-708	EA	LIFT HANDLES W/RIVETS 7000-0001
	110634-01-709	EA	RATCHET HANDLE KIT 7507-0001
	110634-01-710	EA	ARM CAP KIT 7503-0001
	110634-01-711	EA	FRONT SPRING ASM 6598-0001
	110634-01-712	EA	REAR SPRING ASM 6599-0001
	110634-01-713	EA	REAR END CAP KIT 7504-0001
	110634-01-714	EA	STAKE-(4 PER BAG) 5208-0001
	110634-01-715	EA	PULL DOWN WAND 7604-0001
	111037-01-01A	EA	SPACER-AWNING,UPPER BLACK
	111038-01-01A	EA	SPACER-AWNING,LOWER BLACK

## GALLEY GROUP



**GALLEY CABINETRY & FIXTURES**

KEY	PART NUMBER	U/M	DESCRIPTION
1	114390-01-F04	EA	CABINET ASM - MICROWAVE OVERHEAD
	116592-01-F11	EA	CABINET ASM - A/C SWITCH
2	M05992-11-E07	EA	DOOR ASM - RAIL - W/O HARDWARE 240 X 555
3	M06803-29-E10	EA	DOOR ASM - W/O HARDWARE - 305 X 555
4	P15842-02-F11	EA	CABINET ASM - OVERHEAD - GALLEY
5	081319-17-C27	EA	END CAP ASM. - OVERHEAD - GALLEY
6	103243-01-000	EA	FAUCET-GALLEY - DUAL CONTROL
6	091253-01-000	EA	GASKET-FAUCET,LAVATORY
7	116628-12-F11	EA	COUNTERTOP ASM.
7	116628-12-F12	EA	COUNTERTOP ASM.
	108464-04-F11	EA	COVER - SINK
	108464-04-F40	EA	COVER - SINK
8	110654-01-000	EA	SINK - STAINLESS STEEL LARGE/ SMALL BASIN - DOUBLE
	092303-01-000	EA	STRAINER - SINK
9	M07474-01-F11	EA	GALLEY CABINET ASM. - W/ COUNTERTOP
9	M07474-01-F12	EA	GALLEY CABINET ASM. - W/ COUNTERTOP
10	M06803-33-E10	EA	DOOR ASM - W/O HARDWARE 0345 X 0770
11	M06803-32-E10	EA	DOOR ASM - W/O HARDWARE 0345 X 0770
12	M05971-11-E07	EA	DRAWER ASM. - W/O HARDWARE
13	M05971-A1-F11	EA	DRAWER ASM. - W/O HARDWARE
14	M05971-68-E10	EA	DRAWER ASM. - W/O HARDWARE
15	103799-01-02A	EA	COFFEE MAKER - GRAY
	103799-01-700	EA	CARAFE GLASS POT
	103799-01-701	EA	BRACKETS - WHITE PAIR - COFFEE MAKER
	104610-01-000	EA	STRAP ASM - COFFEE MAKER
	090329-01-000	FT	T-SEAL - REFRIGERATOR CABINET - .6" WIDE TOP X 2" TAIL

## GALLEY GROUP (CONTINUED)

### REFRIGERATOR (NORCOLD 6182)

KEY	PART NUMBER	U/M	DESCRIPTION
	104137-02-01A	EA	REFRIG-LARGE DBL DOOR 2-WAY *NORCOLD 6182 LH
	075217-01-734	EA	FUSE-3 AMP, NORCOLD# 61538822
	075217-01-738	EA	SWITCH-HUMIDITY, NORCOLD 61525922
	084880-01-705	EA	ORIFICE - NORCOLD# 614522
	084880-01-718	EA	VALVE-GAS, NORCOLD 61551822
	084880-01-720	EA	SPRING (FOR DOOR HANDLE) 61558822
	084880-01-722	EA	CRISPER COVER - NORCOLD 615641
	084880-01-732	EA	LATCH, NORCOLD 61578522
	084880-01-740	EA	END CAP (STOP CATCH) 61593830
	084880-01-746	EA	CABLE, NORCOLD 61571522
	084880-01-749	EA	HINGE BUSHING - NORCOLD 615807
	084880-01-753	EA	THERMISTER 78" - NORCOLD 61693822
	084880-01-760	EA	CLIP (THERMISTER) 61689122
	084880-01-761	EA	END CAP (SPRING CATCH) BLACK 61593730
	084880-03-701	EA	COOLING UNIT (HORIZ BURNER) - NORCOLD 61687337
	084880-03-702	EA	HINGE PIN TOP/BTM FEMALE 61580630
	088248-01-709	EA	HEATER-AC, (HORIZONTAL) - NORCOLD# 615627
	088248-01-710	EA	HEATER-DC, (HORIZONTAL) - 3 WAY - NORCOLD# 615628
	094039-01-702	EA	GASKET (GRAY) UPPER - NORCOLD 61567830
	094039-01-704	EA	PLATE-HINGE, BLACK - NORCOLD 61631430
	094039-01-706	EA	UPPER DOOR LINER (WHITE) BLK - NORCOLD 61581838-B
	094039-01-708	EA	HANDLE-DOOR, UPPER - BLACK - NORCOLD 61650038
	094039-01-710	EA	PLATE-HINGE, BLACK - NORCOLD 61631330
	094039-01-713	EA	DOOR GASKET(LOWER) GRAY - NORCOLD 61568030
	094039-01-715	EA	LOWER DOOR LINER (BLK/WHT) - NORCOLD 61581738-B
	094039-01-717	EA	LOWER DOOR HANDLE ASSY (BLK) - NORCOLD 61649938
	094039-01-722	EA	HOLE PLUG (BLK) HINGE HOLES - NORCOLD 61582030
	094039-01-723	EA	HINGE BRKT, TOP RH-BTM LH BLK - NORCOLD 61580838
	094039-01-724	EA	BRACKET-HINGE, TOP LH - BOTTOM RH - BLK - NORCOLD 61580938
	094039-01-725	EA	HINGE PIN (BLACK)(MALE) - NORCOLD 61578130
	094039-01-730	EA	HINGE PIN SHAFT(BLK) CTR HGE - NORCOLD 61566730
	094039-01-732	EA	FRONT COVER(BLK) BTM TRIM - NORCOLD 61622130
	094039-01-733	EA	WIRE SHELF (MIDDLE) - NORCOLD 61563822
	094039-01-735	EA	INSIDE DRIP TRAY (WHITE) 61572830
	094039-01-739	EA	SHELF (CUTOUT) 61646722
	094039-04-700	EA	PC BOARD-2 WAY, NORCOLD# 61647322
	094039-04-702	EA	POWER SUPPLY (2 WAY) - NORCOLD 61647422
	104137-02-700	EA	MODULE-CONTROL, CHANNEL - NORCOLD 61717037
	104137-06-700	EA	EYEBROW SHELL (2-WAY) 61726622
	094039-01-708	EA	HANDLE-DOOR, UPPER - BLACK - NORCOLD 61650038
	104137-06-702	EA	RACK-JUICE (WHITE) 61580525
	104137-06-703	EA	BIN-DOOR SHELF (WHITE) 61564025
	104137-06-706	EA	WIRE SHELF (SHORT) 61718222
	104137-06-707	EA	CRISPER (WHITE) 61571325
	104137-06-708	EA	FOAMED CAB ASM(BLK W/WHITE) 61725138
	104137-06-709	EA	VALVE SHUT-OFF-MANUAL ASM 61694922
	104137-06-710	EA	PRESSURE TAP 61594422
	104137-06-711	EA	FUSE 5 AMP 61611622
	104137-06-712	EA	FITTING-GAS TUBE CONNECTION 61692722
	104137-06-713	EA	ORFICE GASKET 61475122
	104137-06-714	EA	BURNER ASSEMBLY (5-SLOT) 61705222
	104137-06-715	EA	SPARK/SENSE ELECTRODE(SGL) 61692222
	104137-08-01A	EA	LIGHT KIT-REFRIG,6182 *NORCOLD 61771022
	104137-09-01A	EA	FREEZER-SHELF,6182 *NORCOLD 61710622

**GALLEY GROUP (CONTINUED)**

**WEDGEWOOD RANGE, 4 BURNER (BLACK) 21"**

KEY	PART NUMBER	U/M	DESCRIPTION
	107314-01-01A	EA	RANGE COVER-BIFOLD 21" BLK WEDGEWOODBFC5B
	107323-01-01A	EA	RANGE-21", 4-BURNER - BLACK - WEDGEWOOD R2145BG
	101593-01-703	EA	KNOB-BURNER, WEDGEWOOD 53000
	106689-01-701	EA	SPARK-IGNITOR ASM HIGH OUTPU 53078
	106689-01-702	EA	PIEZO PUSH BUTTON 52279
	106689-01-703	EA	VALVE-HIGH OUTPUT 53047
	106689-01-704	EA	REGULATOR W/EXTREME PRESSURE 52154
	106689-01-705	EA	VALVE-BURNER 52123
	107246-01-701	EA	GRATE 53050
	107323-01-700	EA	RANGE TOP 4 BURNER (BLK) 53513
	107323-01-702	EA	TRIM LEFT 53023
	107323-01-703	EA	TRIM RIGHT 53024
	107323-01-704	EA	MANIFOLD COVER 53556
	107323-01-705	EA	TRIM VENT 53525
	107323-01-706	EA	TRIM BOTTOM 53526
	107323-01-709	EA	HANDLE END CAP-N/HOLE 53424
	107323-01-710	EA	GRATE CLIP 53301
	107323-01-711	EA	RUBBER GRATE CUSHION 53008
	107246-01-703	EA	THERMOSTAT ROBERT SHAW 52122
	107323-01-713	EA	BLACKGLASS INSERT-W/HOLE 53426
	107323-01-714	EA	HANDLE ASM. DESIGNER STYLE 51112
	107323-01-715	EA	SAFETY VALVE (HARPER WYMAN) 51136
	107323-01-716	EA	GRATE CLIP-GREEN 50005
	107323-01-717	EA	BURNER,OVEN 52244
	105458-03-000	EA	BRACKET-TIEDOWN, STOVE - RIGHT
	105458-04-000	EA	BRACKET-TIEDOWN, STOVE - LEFT

**MICROWAVE OVEN**

KEY	PART NUMBER	U/M	DESCRIPTION
	115303-01-000	EA	OVEN - MICROWAVE
	098916-14-01A	EA	BRACE - MICROWAVE CABINET - LEFT
	098916-15-01A	EA	BRACE - MICROWAVE CABINET - RIGHT
	115401-01-01A	EA	TRIM - MICROWAVE - BLACK
	094756-02-01A	EA	BRACKET - MICROWAVE - 6.1" LONG X 3.9" WIDE - STEEL - TAN
	094756-01-02A	EA	BRACKET - ANGLE - W/ HOLES - MILL

**COFFEEMAKER**

KEY	PART NUMBER	U/M	DESCRIPTION
	103799-01-02A	EA	COFFEEMAKER - GRAY - W/GLASS POT
	104610-01-000	EA	STRAP ASM-COFFEE MAKER
	103799 01 700	EA	CARAFE GLASS POT
	103799 01 701	EA	BRACKETS, WHITE PAIR

**GALLEY GROUP (CONTINUED)**

**RANGE HOOD , W/O HOUR METER - VENTLINE (CANADIAN)**

KEY	PART NUMBER	U/M	DESCRIPTION
	100258-17-04A	EA	HOOD - RANGE - W/O MONITOR PANEL VENT-TCS 500-NBCLG
	090973-01-700	EA	MOTOR - LVS - CA508-1
	090973-01-702	EA	BLADE - FAN - LVS - VA183-1
	092696-01-709	EA	BULB - 912 - VA415
	092696-01-710	EA	SOCKET - LIGHT - CB267-2
	096983-01-700	EA	SWITCH - ON/OFF - 108
	096983-01-702	EA	SWITCH - TWO WAY MOMENTARY - 112
	096983-01-707	EA	FILTER - GREASE - 8" X 8" - LVS - CC246
	092696-02-701	EA	LENS - LAMP - CC179
	100258-01-700	EA	HOOD NOSE LABEL - CC428

**RANGE HOOD , W/O HOUR METER - VENTLINE (USA)**

KEY	PART NUMBER	U/M	DESCRIPTION
	100258-16-04A	EA	HOOD - RANGE - W/O MONITOR PANEL
	102765-04-01A	EA	PANEL-MONITOR, W/PLUG - FOR 2 TANKS & WATER HEATER - LVS
	090973-01-700	EA	MOTOR - LVS - CA508-1
	090973-01-702	EA	BLADE - FAN - LVS - VA183-1
	092696-01-709	EA	BULB - 912 - VA415
	092696-01-710	EA	SOCKET - LIGHT - CB267-2
	096983-01-700	EA	SWITCH - ON/OFF - 108
	075470-01-703	EA	SWITCH-ON/MOMENTARY, JENSEN AND VENTLINE
	102765-04-700	EA	CIRCUIT BOARD, LVS 5076-11
	096983-01-707	EA	FILTER - GREASE - 8" X 8" - LVS - CC246
	092696-02-701	EA	LENS - LAMP - CC179
	100258-01-700	EA	HOOD NOSE LABEL - CC428

**RANGE HOOD , W/HOUR METER - VENTLINE (USA)**

KEY	PART NUMBER	U/M	DESCRIPTION
	100258-18-03A	EA	HOOD - RANGE 22W W/O MONITOR PANEL
	090973-01-700	EA	MOTOR - LVS - CA508-1
	090973-01-702	EA	BLADE - FAN - LVS - VA183-1
	092696-01-709	EA	BULB - 912 - VA415
	092696-01-710	EA	SOCKET - LIGHT - CB267-2
	096983-01-700	EA	SWITCH - ON/OFF - 108
	096983-01-702	EA	SWITCH - TWO WAY MOMENTARY - 112
	096983-01-707	EA	FILTER - GREASE - 8" X 8" - LVS - CC246
	092696-02-701	EA	LENS - LAMP - CC179
	100258-01-700	EA	HOOD NOSE LABEL - CC428
	100258-10-01A	EA	METER - HOUR - 150

**MONITOR PANEL (2 WATER TANKS & WATER HEATER)**

KEY	PART NUMBER	U/M	DESCRIPTION
	102765-04-01A	EA	PANEL - MONITOR - W/PLUG - FOR 2 TANKS & WATER HEATER - LVS
	075470-01-703	EA	SWITCH/ON-MOMENTARY
	096983-01-700	EA	SWITCH-ON-OFF
	102765-04-700	EA	CIRCUIT BOARD H-T(2)

## GENERATOR GROUP

### ONAN GENERATOR, 5.0 KW EMERALD PLUS (US, CSA)

KEY	PART NUMBER	U/M DESCRIPTION
	109303-01-000	EA GENERATOR - 5.0 KW EMERALD PLUS
	007125-03-000	EA CLAMP - MUFFLER - 1.5" DIA
	007125-04-000	EA CLAMP - MUFFLER - 1.1" DIA
	082272-01-000	EA MUFFLER
	079654-05-000	EA PIPE - EXHAUST - ANGLED - W/ FLANGE - 2" ID - ONAN# 154-2539
	105958-03-000	EA PIPE - EXHAUST - 90° TURN
	094059-01-000	EA SPACER

### ONAN GENERATOR, 6.5 KW EMERALD PLUS (NHE-FA/26100G) (US, CSA)

KEY	PART NUMBER	U/M DESCRIPTION
	100975-01-000	EA GENERATOR - 6.5 KW EMERALD PLUS
	105958-03-000	EA PIPE - EXHAUST - GENERATOR
	007125-03-000	EA CLAMP - MUFFLER - 1.5" DIA
	007125-04-000	EA CLAMP - MUFFLER - 1.1" DIA
	079654-05-000	EA PIPE - EXHAUST - ANGLED - W/FLANGE - 2" ID - ONAN# 154-2539
	082272-01-000	EA MUFFLER
	094059-01-000	EA SPACER

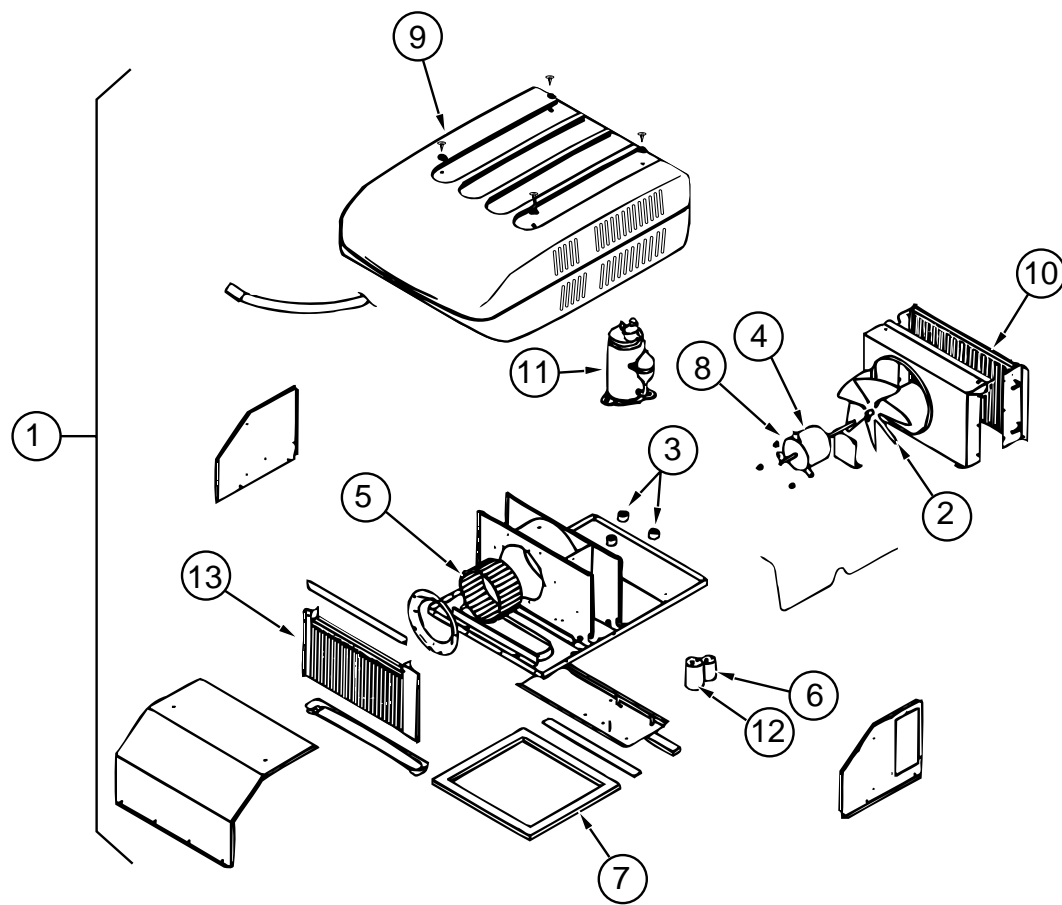
## HEATING & AIR CONDITIONING GROUP

### REAR HEATER W/MOTOR AID (EVANS)

KEY	PART NUMBER	U/M DESCRIPTION
	084405-01-000	EA HEATER ASM - REAR - DUCTED - W/MOTOR AID
	084405-01-700	EA HEATER CORE - FT200229
	084405-01-701	EA FAN BLADES - HV029931
	084405-01-702	EA MOTOR ASM - 12 V - 200146
	061673-01-000	EA BRACKET - MOTOR AID TUBES - 4" X 1.5" - STEEL
	088753-01-000	FT TUBE - ALUMINIZED STEEL - 5/8" - 18 GAUGE
	007076-01-000	EA HOSE - FLEXIBLE PVC - 2" ID X 50'
	007108-01-000	FT HOSE - HEATER, 5/8" ID - HI-TEMP - ESE-M2D192-A
	079059-01-000	EA HOSE - 90 DEGREE - 5/8"ID X 4" X 36"
	079059-02-000	EA HOSE - 90 DEGREE - .61"ID X 4" X 6"
	079059-03-000	EA HOSE - 90 DEGREE - .61"ID X 4" X 18"

## HEATING & AIR CONDITIONING GROUP (CONTINUED)

### COLEMAN ROOF AIR 13,500 BTU (US, CSA)

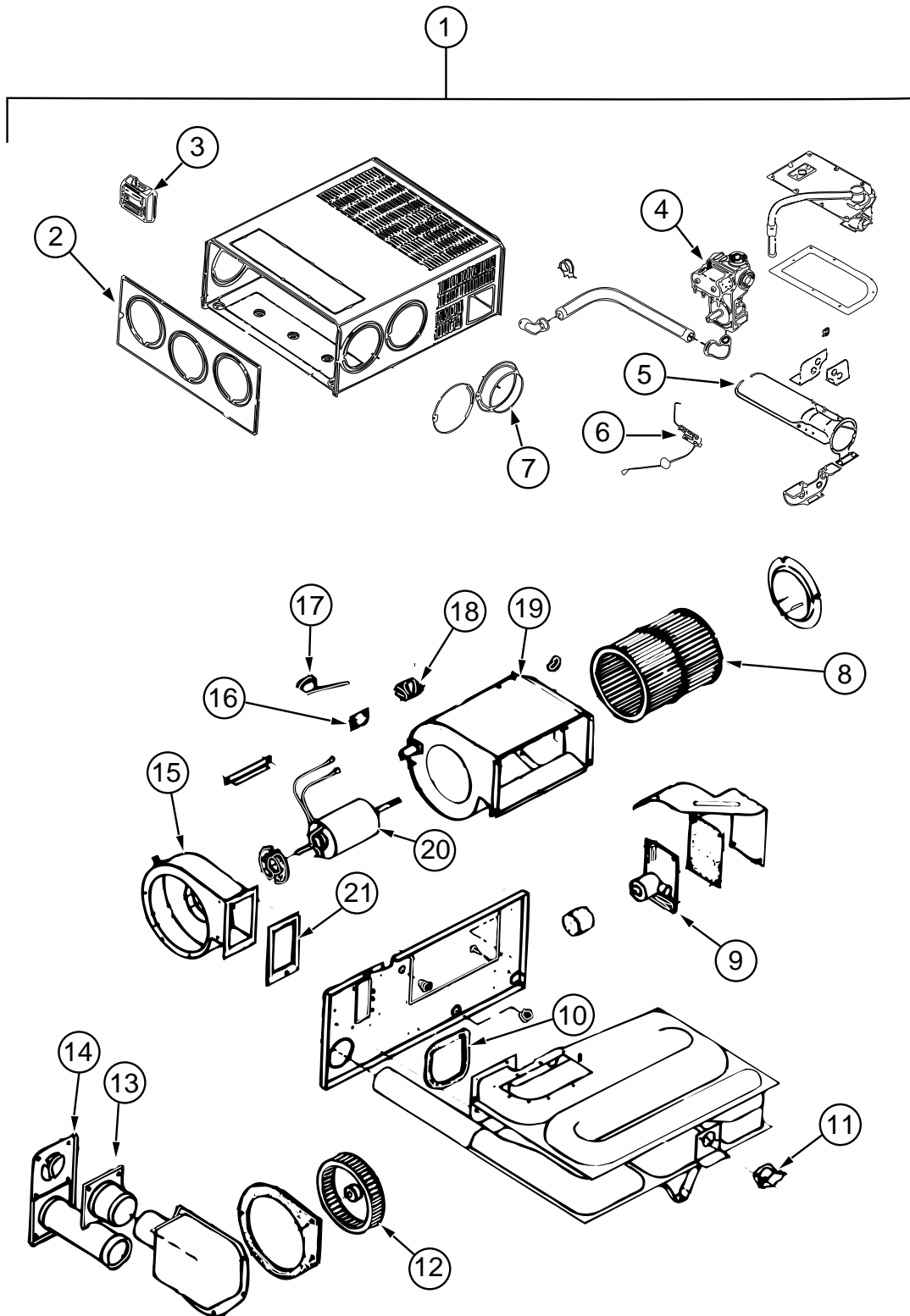


KEY	PART NUMBER	U/M	DESCRIPTION
1	108889-01-03A	EA	A/C-ROOF - 13,500 TSR HO BUFF - 7333-888
2	093763-01-712	EA	FAN BLADE - CONDENSER - 6733-3221
3	105620-01-706	EA	FOOT PKG - COMPRESSOR - 3 PER PKG - 6759-3081
4	108889-01-705	EA	MOTOR (115 - 60HZ) 1468-3049
5	108889-01-706	EA	IMPELLOR - 1472-1041
6	108889-01-708	EA	FAN CAPACITOR (7.5MFD.370U) 1499-5461
7	108889-01-711	EA	GASKET PKG - 6792-3301
8	108889-01-715	EA	MOTOR MOUNT & SHAFT SEAL KIT - 6792-3361
9	108889-01-702	EA	SHROUD (BUFF/BUFF) LESS/ LOGO - 6759-6411
10	108889-01-703	EA	CONDENSER COIL - 1452A1301
11	105620-01-704	EA	COMPRESSOR - RH & LH - 1450-2009
	108889-01-704	EA	OVERLOAD (MRA#98693) 6749-3541
12	108889-01-707	EA	RUN CAPACITOR (COMP-25MFD/370) 1499-5661
13	108889-01-709	EA	EVAPORATOR COIL - 1452A1311
	108889-01-710	EA	FILLER PAD - COND AIR SEAL - 6759A3971
	108889-01-712	EA	SUCTION LINE REDUCER(3/8 X 1/2) 1215-2161
	108889-01-713	EA	SUCTION LINE (3/8OD X .032 WALL - 6792-130
	108889-01-714	EA	DISCHARGE LINE ASM - 6792-531
	108892-01-01A	EA	CEILING ASM - A/C DUCTED - 7330-730 IV
	108892-01-700	EA	PLUG ASSEMBLY - 7330-540
	108892-01-701	EA	TERMINAL BOARD - 7330-3201
	108892-01-702	EA	PIC. BOARD - 7330-3211
	108892-01-703	EA	FILTER - 6798A3761
	108892-01-704	EA	GRILLE (PLASTIC) - 6798-3041
	091225-01-709	EA	START RELAY - 1497-4131
	091225-01-710	EA	START CAPACITOR - 1497-0881
	093306-01-701	EA	DECAL PKG - LEFT & RIGHT - 6798B3591
	108892-01-705	EA	SMALL PARTS PKG - 7330A6101
	108893-01-01A	EA	THERMOSTAT - A/C & FURNACE BGE - 6799B6951
	108893-02-01A	EA	LABEL - THERMOSTAT A/C ONLY - 6798-391 BK
	110403-01-F31	EA	SPACER ASM - RETURN AIR - OAK
	073937-03-000	EA	SWITCH - ROTARY SELECTOR - 3 DECK - A/C - CA20-USA892
	088238-01-000	EA	COVER - SWITCH - A/C SELECTOR - FRONT TO REAR A/C
	103930-20-702	EA	ROD F/ BLEND AIR DOOR - 073-0039
	103930-20-703	EA	DOOR - BLEND AIR - 071-0212
	103930-20-704	EA	ROD-DOOR - RECIRCULATING - 073-0018
	103930-20-705	EA	DOOR PANEL - RECIRCULATING - 071-0213
	103930-20-706	EA	CLIP - RETAINER - 022-0057
	103930-20-707	EA	BLOWER HOUSING - 062-0145
	103930-20-708	EA	CLIP F/ MOTOR SHAFT - 022-0001
	103930-20-709	EA	SERVICE VALVE - 050-0159
	022756-03-000	EA	COVER - A/C PLASTIC - OFF WHITE
	022756-02-000	EA	COVER - PROTECTIVE - 5.5" ENDS X 8.2" - PLASTIC - OFF WHITE
	088238-02-000	EA	COVER - SWITCH - A/C SELECTOR FOR FRONT OR REAR
	092633-02-02A	EA	COVER - BLANK - ROOF A/C - 5.1" X 5.1" - PLASTIC - OFF WHITE



# HEATING & AIR CONDITIONING GROUP (CONTINUED)

## FURNACE HEATER SYSTEM (CONTINUED)



KEY	PART NUMBER	U/M	DESCRIPTION	
1	098668-22-000	EA	FURNACE - 40,000 BTU	
2	098668-01-700	EA	CABINET FRONT	101242
3	115764-01-01A	EA	THERMOSTAT - WALL - FURNACE	160902
4	098668-01-714	EA	GAS VALVE (WHITE ROGERS)	161070
5	098668-11-701	EA	BURNER ASM COMP (SF-42F)	010799
	098668-11-700	EA	ORIFICE - MAIN BURNER SF-42F	180216
6	098668-01-715	EA	ELECTRODE ASM. (SGL PROBE)	232166
7	075696-02-703	EA	DUCT COLLAR	050715
8	098668-01-711	EA	WHEEL - ROOM AIR	350123
9	098668-01-712	EA	BOARD - MODULE	231741
10	098668-01-716	EA	GASKET FIREWALL (CHAMBER SIDE)	070808
11	098668-11-706	EA	LIMIT SWITCH (SF-42F)	232231
12	098668-22-702	EA	WHEEL COMB. AIR	350183
13	098668-01-713	EA	INTAKE VENT TUBE ASM	051044
14	098668-01-707	EA	VENT CAP & EXHAUST TUBE ASM	260193
15	098668-01-708	EA	BLOWER ASM (COMBUSTION AIR)	390441
16	101990-01-714	EA	MICROSWITCH GASKET	230877
17	098668-11-703	EA	SWITCH - SAIL ASM (SF-42F)	232216
18	074466-01-702	EA	RELAY - TIME DELAY	230625
19	098668-11-704	EA	BLOWER ASM ROOM AIR (SF-42F)	390698
20	098668-11-702	EA	MOTOR ASM COMP (SF-42F)	232212
21	098668-01-717	EA	GASKET FIREWALL(BLOWER SIDE)	070809
	009198-01-000	FT	DUCT - HEAT - FLEXIBLE - 4" ID X 25 FT	
	009200-01-000	EA	TAPE - FURNACE - 1 1/2"	
	069636-02-000	EA	CONNECTOR - DUCT - 4" ID	050715
	093741-01-000	EA	BOX - BOOT - FLOOR REGISTER	
	009198-01-000	FT	DUCT - HEAT - FLEXIBLE - 4" ID X 25 FT	
	098668-13-000	EA	GASKET - FIBERGLASS - .5" X 16.37" X 17.56"	070977
	098668-14-000	EA	GASKET - FIBERGLASS - .5" X 18" X 18"	070976
	098668-06-000	EA	DOOR - ACCESS - FURNACE - OFF WHITE	520574BU
	056464-05-000	EA	REGISTER - PLASTIC W/O DAMPER - 4" DIAMETER - GOLDEN	
	093614-04-01A	EA	GRILLE - RETURN AIR - BROWN - 221 X 245 MM	
	093614-03-01A	EA	GRILLE - RETURN AIR - BROWN - 372 X 244 MM	
	094600-01-02A	EA	HEAT REGISTER - W/O DAMPER - 3.6" X 11.2" - BROWN	
	094600-02-02A	EA	HEAT REGISTER - W/ DAMPER - 3.6" X 11.2" - BROWN	

## HEATING & AIR CONDITIONING GROUP (CONTINUED)

### AUTOMOTIVE AIR CONDITIONING (FORD)

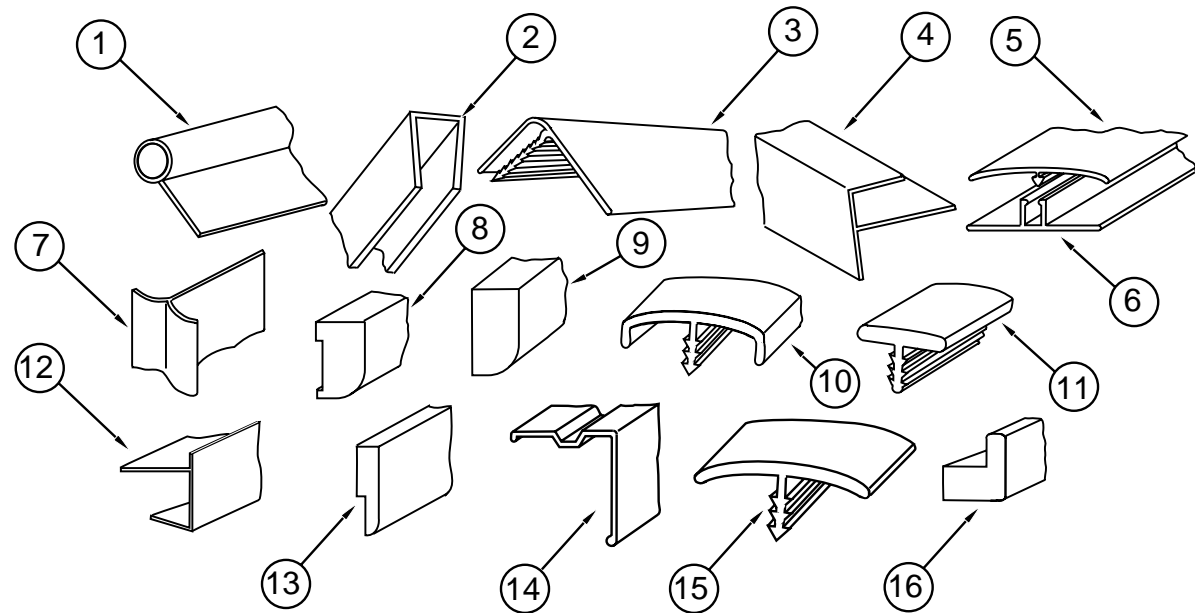
KEY	PART NUMBER	U/M	DESCRIPTION
	007281-01-000	EA	HOSE - FLEXIBLE PVC - 2.5"ID X 50' - ATCOFLEX A-182-355
	056402-05-000	EA	BRACKET - HEATER VENT - ROUND - W/BEND - BLACK
	077075-01-000	EA	GASKET - INSTRUMENT PANEL TO DEFROSTER PLENUM - .6" X 11.3"
	077075-03-000	EA	GASKET - INSTRUMENT TO DEFROSTER PLENUM - SPL
	072341-06-700	EA	SWITCH - 4 SPEED - FAN - ARA 0883502
	024990-05-000	EA	4" DIAMETER OUTLET - W/ SWIVEL DEFLECTORS
	103016-01-000	EA	PLENUM - TRANSITION
	103017-01-000	EA	PLENUM - DEFROSTER
	103558-01-02A	EA	VENT - DEFROSTER - ABS LIGHT GRAY
	103796-01-01A	EA	LOUVER ASM - A/C CARY PROD BLACK
	103930-21-000	EA	EVAPORATOR/HEATER ASSEMBLY - SCS 090-00084
	110279-01-703	EA	HOSE - VENT - MOTOR BLOWER - SCS70510034
	110279-01-712	EA	HEATER FITTING
	113245-01-707	EA	GASKET - 045-0126
	094831-01-709	EA	CLAMPS - ROD - 3/16" - MOTIVAIR - SCS ZGG14431
	103930-01-703	EA	COIL - HEATER - SCS 042-0010
	103930-01-704	EA	COIL EVAPORATOR - 041-0017
	103930-01-708	EA	BRACKET - VACUUM MOTOR - SCS 070-0113
	103930-01-710	EA	RESISTOR - FUSED - SCS 035-0006
	103930-01-711	EA	THERMOSTAT - SCS 033-0003
	103930-01-713	EA	FITTING - QUICK CONNECT - #4 - SCS 050-003
	103930-01-717	EA	WHEEL - CLOCKWISE - SCS 062-0010
	103930-01-720	EA	MOTOR - SCS 030-0004
	103930-02-700	EA	PANEL - CONTROL - W/O FACE DECAL - SCS #032-0018
	103930-02-701	EA	VALVE - CONTROL HEAD - SCS 034-0015
	103930-02-702	EA	DECAL - FAN SWITCH - SCS 058-0008
	103930-02-703	EA	HARNESS - WIRE CONTROL - SCS 036-0048
	103930-02-704	EA	HARNESS - VACUUM CONTROL - SCS 036-0049
	103930-02-705	EA	CABLE - CONTROL - BOWDEN - SCS 074-0011
	103930-02-706	EA	CLIP - CABLE - CONTROL - SCS 022-0017
	103930-02-707	EA	RELAY - SCS 031-0001
	103930-02-708	EA	MOTOR - VACUUM SERVO - A/C - SCS 030-0002
	103930-02-710	EA	CANISTER - VACUUM - SCS 054-0002
	103930-02-711	EA	VALVE - WATER - SCS 034-00114
	103930-01-708	EA	BRACKET - VACUUM MOTOR - SCS 070-0113
	103930-12-708	EA	SWITCH - BINARY - R-134A - SCS 032-0048
	103930-13-702	EA	SERVICE VALVE W/O C.P. - 050-152
	103930-17-000	EA	HOSE KIT #10 SANDEN COMP - SCS 093-00076
	103930-17-700	EA	FTG. PAD COMP. SUCTION SAN - 050-0131
	103930-17-701	EA	FTG #10.90 W/ FERRULE/ 1342CP - 050-0132
	103930-17-702	EA	GASKET OR SAE 015 #10 33-781 - SCS 045-0127
	103930-17-703	EA	GASKET - SEAL - SANDEW COMP 33-76 - 045-0142
	103930-17-704	EA	HOSE ASM. - #10 - 085-0113
	103930-20-700	EA	VALVE EXP. BLOCK (2 TON) - 034-0032
	103930-21-700	EA	HOSE ASM. - #6 WINN FORD - 085-0139
	103930-21-701	EA	HOSE ASM. - #10 WINN FORD - 085-0140

## HEATING & AIR CONDITIONING GROUP (CONTINUED)

### AUTOMOTIVE AIR CONDITIONING (CHEVY)

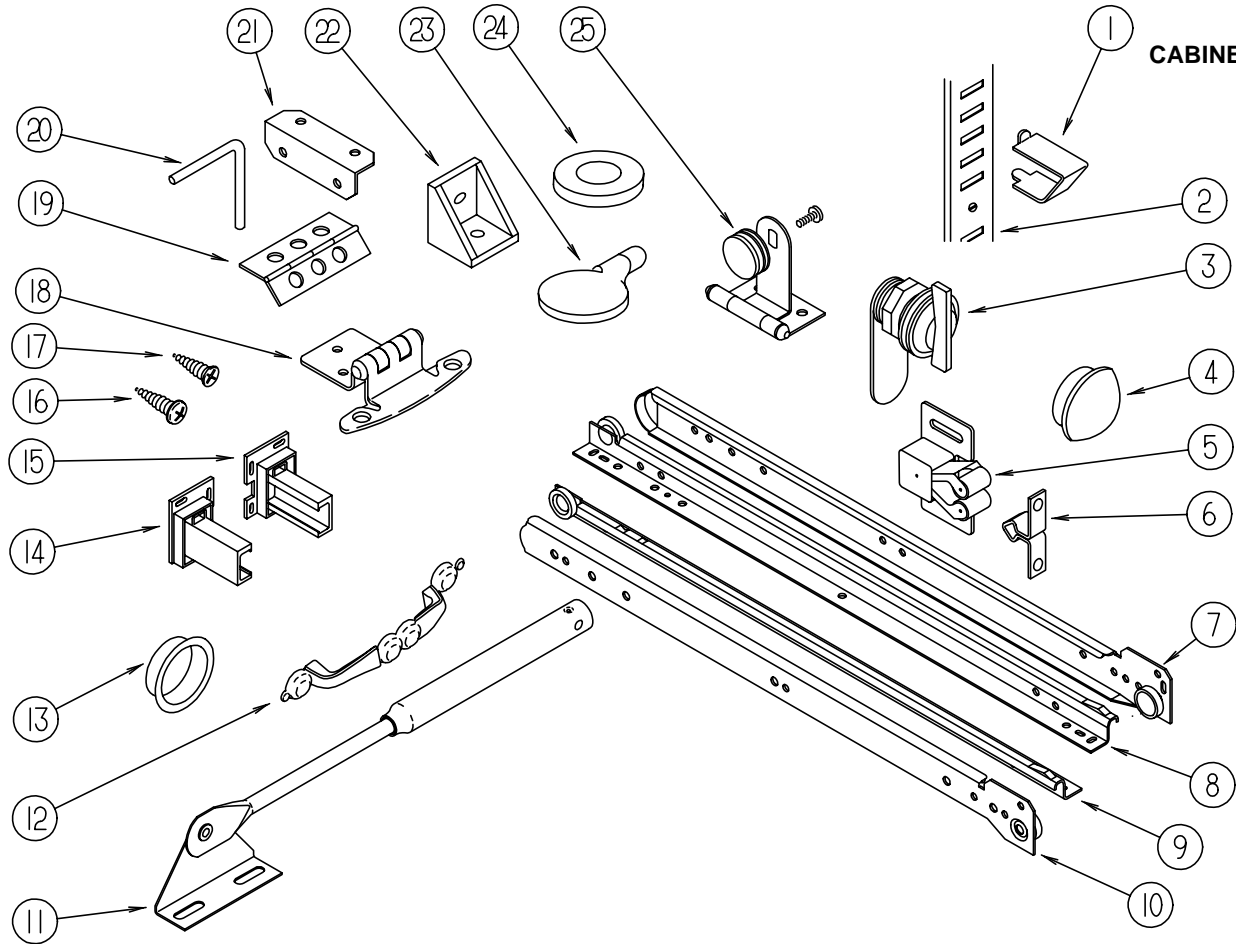
KEY	PART NUMBER	U/M	DESCRIPTION
	007281-01-000	EA	HOSE - FLEXIBLE PVC - 2.5"ID X 50' - ATCOFLEX A-182-355
	056402-05-000	EA	BRACKET - HEATER VENT - ROUND - W/ BEND - BLACK
	077075-01-000	EA	GASKET - INSTRUMENT PANEL TO DEFROSTER PLENUM - .6" X 11.3"
	072341-06-700	EA	SWITCH - 4 SPEED - FAN - ARA 0883502
	077075-03-000	EA	GASKET - INSTRUMENT PANEL TO DEFROSTER PLENUM
	024990-05-000	EA	4" DIAMETER OUTLET - W/ SWIVEL DEFLECTORS
	103016-01-000	EA	PLENUM - TRANSITION
	103017-01-000	EA	PLENUM - DEFROSTER
	103558-01-02A	EA	VENT - DEFROSTER - ABS LIGHT GRAY
	103796-01-01A	EA	LOUVER ASM - A/C CARY PROD BLACK
	103930-20-000	EA	EVAPORATOR/ HEATER CHEV R134A BLOCK - SCS 090-00083
	103930-01-703	EA	COIL - HEATER - SCS 042-0010
	103930-01-704	EA	COIL EVAPORATOR - 041-0017
	103930-01-708	EA	BRACKET - VACUUM MOTOR - SCS 070-0113
	103930-01-710	EA	RESISTOR - FUSED - SCS 035-0006
	103930-01-711	EA	THERMOSTAT - SCS 033-0003
	103930-01-716	EA	SWITCH - PRESSURE - FAN - SCS 032-0029
	103930-01-717	EA	WHEEL - CLOCKWISE - SCS 062-0010
	103930-01-720	EA	MOTOR - SCS 030-0004
	103930-02-700	EA	PANEL - CONTROL - SCS 032-0018
	103930-02-701	EA	VALVE - CONTROL HEAD - SCS 034-0015
	103930-02-702	EA	DECAL - FAN SWITCH - SCS 058-0008
	103930-02-703	EA	HARNESS - WIRE CONTROL - SCS 036-0048
	103930-02-704	EA	HARNESS - VACUUM CONTROLSCS 036-0049
	103930-02-705	EA	CABLE - CONTROL - BOWDEN - SCS 074-0011 <u>SHEATH / 84 1/4" CABLE/ 89"</u>
	103930-02-706	EA	CLIP - CABLE - CONTROL - SCS 022-0017
	103930-02-707	EA	RELAY - SCS 031-0001
	103930-02-708	EA	MOTOR - VACUUM SERVO - A/C - SCS 030-0002
	103930-02-710	EA	CANISTER - VACUUM - SCS 054-0002
	103930-02-711	EA	VALVE - WATER - SCS 034-00114
	103930-12-708	EA	SWITCH - BINARY - R-134A - SCS 032-0048
	103930-12-709	EA	FITTING - QUICK CONNECT - SCS 050-0120
	103930-17-702	EA	GASKET OR SAE 015 #10 33-781 - SCS 045-0127
	110279-01-703	EA	HOSE - VENT - MOTOR BLOWER - SCS 051-0034
	103930-05-000	EA	MANUAL - OWNERS - HEATER-A/C - SCS 057-0049
	103930-20-700	EA	VALVE - EXPANSION - BLOCK (2 TON) - 034-0032
	103930-20-701	EA	HOSE ASM. - #6 WINN GM - 085-0138
	110279-01-712	EA	HEATER FITTING - 050-0076

**INTERIOR FINISH GROUP**  
**INTERIOR TRIM, BATT STRIPS & MOLDINGS**



KEY	PART NUMBER	U/M	DESCRIPTION
1	009767-12-000	FT	MOLDING-SIDEWALL TO CEILING/CABINET - WELTING - OFF WHITE
2	009778-12-000	FT	U CHANNEL-PLASTIC, 1" WIDE X 8' INCREMENTS - WOODGRAIN
2	070504-23-000	FT	EXTRUSION-U CHANNEL,22.56 *COUNTRY FOREST
2	070504-28-000	FT	EXTRUSION-U CHANNEL,1.65 *PICKLED ASH
2	070504-29-000	FT	EXTRUSION-U CHANNEL,20.70 *PICKLED ASH
3	009809-21-000	EA	MOLDING-CORNER, OUTSIDE - 1" - PLASTIC - WOODGRAIN
3	009809-23-000	EA	MOLDING-CORNER, OUTSIDE - 1" - PLASTIC - IVORY
4	009812-22-000	EA	MOLDING-CORNER, OUTSIDE - .5" X 7' - PLASTIC - BROWN
4	052372-02-000	BF	LUMBER-CLASS II,1 X 4 X RL CONSTRUCTION GRADE
4	069733-80-000	EA	BATT STRIP-WOODGRAIN, 8' - WINNI OAK
4	085284-67-000	FT	STRIP-TAPE,541 WINNI OAK PLUSWOOD
4	085284-A4-000	FT	STRIP-TAPE,ALLURE-MEADOW - MAIN WALL - NEWCO/ROBERT WEED (F11)
4	085284-A1-000	FT	STRIP-TAPE,AMADEUS-GLOW - MAIN WALL - NEWCO/ROBERT WEED (F12)
4	088263-B3-000	EA	BATT-STRIP,ALLURE,MEADOW-MAIN WALL-NEWCO/ROBERT WEED (F11)
4	088263-A9-000	EA	BATT-STRIP,AMADEUS-GLOW - MAIN WALL-NEWCO/ROBERT WEED (F12)
4	086229-04-000	EA	BATTEN-CEILING, 1" WIDE - IVORY - 7.6'
5	086229-15-000	EA	BATTEN-1" CEILING,MOD IVORY RN 323-W
5	086229-16-000	EA	RETAINER-3/4" CEILING BATTEN-1"
6	086229-01-000	EA	RETAINER-BATTEN, CEILING - .75" WIDE - 7.6'
6	100040-01-000	EA	LUMBER-VINYL WRAPPED, .71" X 1.5" X 8' - RAMBLING OAK
6	100040-03-000	EA	LUMBER-VINYL WRAPPED, .71" X 2" X 8' - RAMBLING OAK
6	100040-06-000	EA	LUMBER-VINYL WRAPPED RAMBLING OAK
6	100040-07-000	EA	LUMBER-VINYL WRAPPED RAMBLING OAK
7	022992-11-000	FT	MOLDING-REVERSE COVE, T-SHAPED - VINYL - IVORY
8	100041-01-000	EA	MOLDING-VINYL WRAPPED, .7" X 1.57" X 84.02" - RAMBLING OAK
8	100041-02-000	EA	MOLDING-VINYL WRAPPED, .7" X 2.5" X 84" - RAMBLING OAK
9	100818-01-02A	EA	MOLDING-VINYL WRAPPED, 1.65" X .4" X 7' - RAMBLING OAK
9	076325-32-000	FT	MOLDING-EDGEBAND, 1 5/16" FROM: 00-00-00 THRU: 01-02-94
9	076325-34-000	FT	MOLDING-EDGE BAND, 1 5/16" WIDE FROM: 01-03-94 THRU: 99-99-99
10	083620-07-000	FT	MOLDING-T, END CAP EDGE - W/EDGE LIPS - .75" - THOR PECAN
10	083620-10-000	FT	T-MOLDING,3/4 W/EDGE LIPS *PICKLED ASH
11	104676-01-01A	FT	T-MOLDING,5/16 RIGID *GOLD FROM: 11-14-94 THRU: 99-99-99
12	103186-01-01A	FT	MOLDING-EDGE, SHELF - .78" WIDE - PLASTIC - RAMBLING OAK
12	103186-02-01A	FT	MOLDING-EDGE, SHELF - 1.3" WIDE - PLASTIC - RAMBLING OAK
13	105004-01-02A	EA	MOLDING-VINYL WRAP *RAMBLING OAK
14	093873-01-01A	EA	TRIM-CARPET, L-ANGLE - 1.1" X 1.3" X 12' - VINYL - GRAY
15	105709-01-000	FT	T-MOLDING-1", MODERN IVORY
16	100819-01-02A	EA	MOLDING-VINYL WRAPPED, L-SHAPED, 1.5" X 1.5" X 7' - OAK
16	112198-01-000	FT	MOLDING-#90227 J-MOLDING CRILA PLASTICS
16	086229-16-000	EA	RETAINER-3/4" RN 391-X

## INTERIOR FINISH GROUP (CONTINUED)



### CABINET HARDWARE

KEY	PART NUMBER	U/M DESCRIPTION
1	098979-01-000	EA CLIP - ADJUSTABLE SHELF
2	098980-01-000	EA PILASTER - ADJUSTABLE SHELF - 18" LONG
2	098980-02-000	EA PILASTER - ADJUSTABLE SHELF - 12" LONG
2	098980-06-000	EA PILASTER - ADJUSTABLE SHELF - 24" LONG
3	100710-01-01A	EA LOCK - GLASS DOOR - TWIST TYPE - BRASS
	101272-01-000	EA CATCH - DOOR - GLASS
4	042356-01-000	EA PLUG - MAHOGANY - 3/8" DIAMETER - WOOD
5	093586-01-000	EA CATCH - SPRING - ROLLER
6	093586-02-000	EA STRIKE - SPRING STEEL
7	114031-02-000	EA SLIDE - DRAWER - 12" - CABINET - RIGHT SIDE - HOUCK
7	114031-14-000	EA SLIDE - DRAWER - 18" - CABINET - RIGHT SIDE - HOUCK
7	114031-18-000	EA SLIDE - DRAWER - 20" - CABINET - RIGHT SIDE - HOUCK
7	114031-22-000	EA SLIDE - DRAWER - 22" - CABINET - RIGHT SIDE - HOUCK
7	106913-04-000	EA SLIDE - DRAWER - 12" - CABINET - RIGHT SIDE - TRANSFER FLOW
7	106913-20-000	EA SLIDE - DRAWER - 22" - CABINET - RIGHT SIDE - TRANSFER FLOW
7	106913-24-000	EA SLIDE - DRAWER - 24" - CABINET - RIGHT SIDE - TRANSFER FLOW
8	114031-04-000	EA SLIDE - DRAWER - 12" - RIGHT SIDE - HOUCK
8	114031-16-000	EA SLIDE - DRAWER - 18" - RIGHT SIDE - HOUCK
8	114031-20-000	EA SLIDE - DRAWER - 20" - RIGHT SIDE - HOUCK
8	114031-24-000	EA SLIDE - DRAWER - 22" - RIGHT SIDE - HOUCK
8	106913-08-000	EA SLIDE - DRAWER - 18" - RIGHT SIDE - TRANSFER FLOW
9	114031-03-000	EA SLIDE - DRAWER - 12" - LEFT SIDE - HOUCK
9	114031-15-000	EA SLIDE - DRAWER - 18" - LEFT SIDE - HOUCK
9	114031-19-000	EA SLIDE - DRAWER - 20" - LEFT SIDE - HOUCK
9	114031-23-000	EA SLIDE - DRAWER - 22" - LEFT SIDE - HOUCK
9	106913-07-000	EA SLIDE - DRAWER - 18" - LEFT SIDE - TRANSFER FLOW
10	114031-01-000	EA SLIDE - DRAWER - 12" - CABINET - LEFT SIDE - HOUCK
10	114031-13-000	EA SLIDE - DRAWER - 18" - CABINET - LEFT SIDE - HOUCK
10	114031-17-000	EA SLIDE - DRAWER - 20" - CABINET - LEFT SIDE - HOUCK
10	114031-21-000	EA SLIDE - DRAWER - 22" - CABINET - LEFT SIDE - HOUCK
10	106913-03-000	EA SLIDE - DRAWER - 12" CABINET - LEFT SIDE - TRANSFER FLOW

KEY	PART NUMBER	U/M DESCRIPTION
10	106913-19-000	EA SLIDE - DRAWER - 22" CABINET - LEFT SIDE - TRANSFER FLOW
10	106913-23-000	EA SLIDE - DRAWER - 24" CABINET - LEFT SIDE - TRANSFER FLOW
11	074493-02-000	EA SUPPORT - PISTON SPRING - CABINET DOOR
12	111765-01-000	EA CABINET DOOR PULL - BRASS
13	098410-01-01A	EA PULL - FINGER - OVAL - BRASS
14	114045-01-000	EA BACKSOCKET - ADJUSTABLE - LEFT
15	114045-02-000	EA BACKSOCKET - ADJUSTABLE - RIGHT
16	000G68-06-10G	EA SCREW - 6-18 X 5/8" - PHILLIP OVAL HEAD - ANTIQUE BRASS
17	000G13-06-10G	EA SCREW - 6-20 X.5/8" - PHILLIP FLAT HEAD - ANTIQUE BRASS
18	108138-01-000	EA HINGE - DOOR - CABINET - BURNISHED BRASS
19	009059-01-000	EA HINGE-DOOR, 2" X 1.4" - BRASS
19	009059-02-000	EA HINGE - DOOR - 2" X 2.7" - BRASS
20	108487-02-01A	EA PROP ROD - OVERHEAD GLASS DOOR SUPPORT - BLACK
	108486-01-01A	EA BRACKET - PROP ROD - OVHD - BLACK
21	016604-01-000	EA BRACE-CABINET, ANGLE - 2.5" - METAL - UNPAINTED
21	016604-03-000	EA BRACE - CABINET - ANGLE - 2.5" - METAL - BEIGE
21	016604-05-000	EA BRACE-CABINET, L ANGLE - 2.5" - METAL - OFF WHITE
22	065740-01-000	EA BRACE - CABINET CORNER - PLASTIC
23	101766-01-000	EA PIN - SUPPORT - GLASS DOOR
24	100707-01-000	EA SPACER - DOOR - GLASS - PLASTIC
25	100711-01-01A	EA HINGE - DOOR - GLASS
	084451-01-000	EA CATCH-TV SHELF, BRASS
	009112-01-000	EA FLANGE-ROD, 1" - COTHES ROD - PLASTIC - OFF WHITE
	042438-01-000	EA DOWEL-WOOD, CLOTHES ROD - 1" DIAMETER X 4'
	042541-04-000	EA LATCH-BRASS, W/O STRIKE - HASP TYPE - BRASS
	042541-05-000	EA BRASS STRIKE
	103874-01-000	EA HANGER-SLIDING DOOR
	064467-01-000	EA GUIDE-POCKET, SLIDING DOOR - WALL MOUNTED
	079921-01-000	EA ROLLER-NYLON, W/STEEL SHAFT - BARBED
	P02786-04-E10	EA HANDRAIL - ENTRANCE DOOR
	099682-01-01A	EA BRACKET - MOUNTING - HAND RAIL - BRASS
	009063-01-000	EA HINGE - CONTINUOUS - 1 1/2" X 72" - UNPAINTED
	041389-25-000	EA HINGE-PIANO, 1.50 X 1397.0 MILL *STOCKER HINGE
	009066-01-000	EA HINGE - ALUMINUM - NO HOLES - 1 1/16" X 6' - UNPAINTED
	004354-01-000	EA BUMPER - RUBBER - .5" DIA - BROWN
	116975-01-01A	EA LATCH ASM-UNDERCENTER, BLACK *SOUTHCO 91-522-69
	072871-01-000	EA PULL-FLUSH, CHROME FOR HI-LOW TABLE
	099856-06-000	EA STRAP ASM-TIEDOWN FOR HI-LOW TABLE
	108808-02-02A	EA HANDRAIL-STEP, ENTRANCE - OFF-WHITE

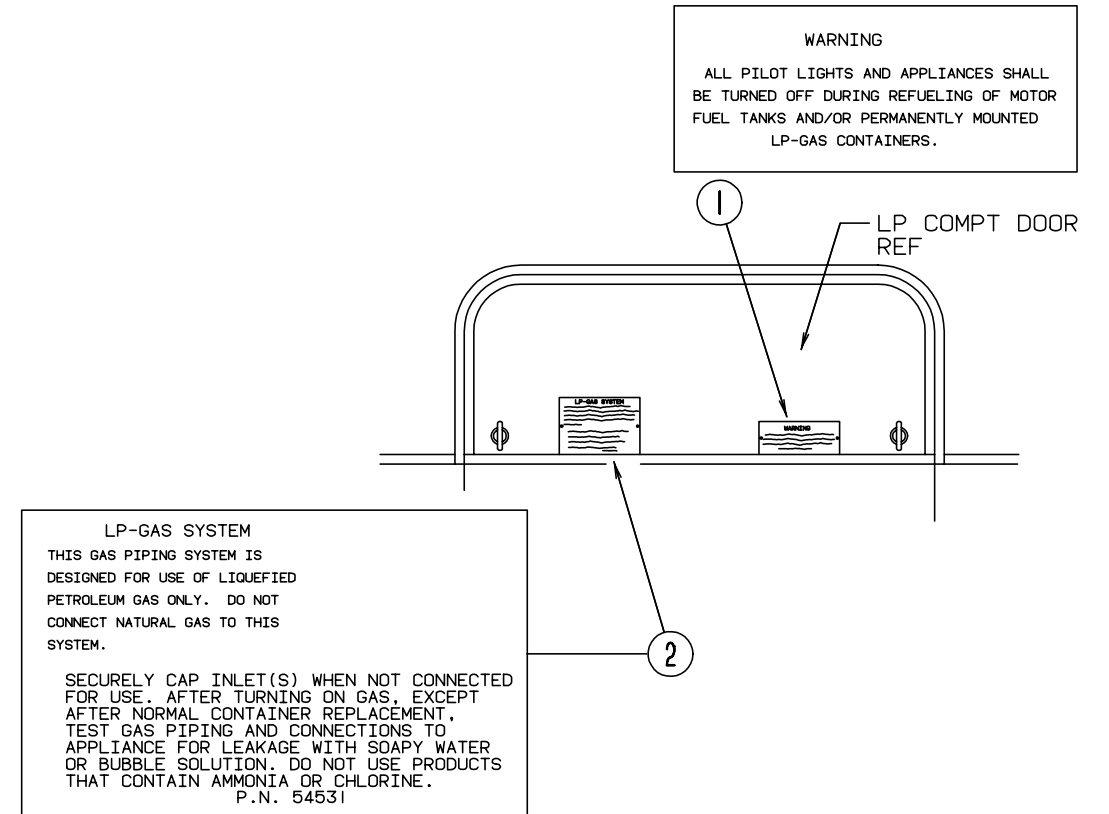
**INTERIOR FINISH GROUP (CONTINUED)**  
**PANELING, PLASTIC LAMINATE & CARPET**

KEY	PART NUMBER	U/M	DESCRIPTION
	000885-56-000	SF	PART BD-3/8 X 48 X 96 WINNI OAK VINYL 1 SIDE
	000885-61-000	SF	PART BD-3/4 X 48 X 96 WINNI OAK VINYL 2 SIDES
	074497-21-000	SF	PANELING-WOODGRAIN, 4' X 8' - INCREMENTS OF 32 SF
	074498-34-000	SF	LAMINATE-PLASTIC, 5' X 8' - INCREMENTS OF 40 SF
	074498-46-000	SF	LAMINATE-PLASTIC, 5' X 8' - INCREMENTS OF 40 SF
			FROM: 00-00-00 THRU: 01-02-94
	074498-67-000	SF	LAMINATE-PLASTIC, ORCHID MIST (ALL)
	074498-73-000	SF	LAMINATE-PLASTIC, PEPPERMINT SANTOS AV691 PIONIT (F11)
	074498-71-000	SF	LAMINATE-PLASTIC, NEUTRAL SANTOS (F12)
	076325-65-000	FT	MOLDING-EDGEBAND,1179-PEPPER 1 5/16 X .030 X 900
	088272-D6-000	SF	PANELING-MAIN WALL- ALLURE-MEADOW ROBERT WEED (F11)
	088272-D2-000	SF	PANELING-MAIN WALL- AMADEUS-GLOW ROBERT WEED ( F12)
	088272-98-000	SF	PANELING-SHOWER, OFF WHITE - 4' X 7' - INC OF 28 SQ FT
	095688-01-000	SF	VENEER-FLAT LUANA 48 X 96
	105924-01-F11	EA	MAT-FLOOR 18 X 27, (DRIVERS COMPARTMENT)
	105924-01-F12	EA	MAT-FLOOR 18 X 27, (DRIVERS COMPARTMENT)
	047034-06-000	SF	POLY-CLEAR ROLL SIZE 2FT .010
	075233-01-000	SY	PAD - CARPET - 3/8" X 6' ROLL
	075233-05-000	SY	PAD - CARPET - 3/8" X 4' ROLL
	075233-06-000	SY	PAD - CARPET - 3/8" X 2' ROLL
	093486-01-000	SY	CARPET-COMPARTMENT, 54" WIDE - DARK GRAY
	096060-A2-000	SY	CARPET-JUBILATION,NEW MEADOW CARRIAGE (F11)
	096060-99-000	SY	CARPET-JUBILATION,PARCHMENT (F12)

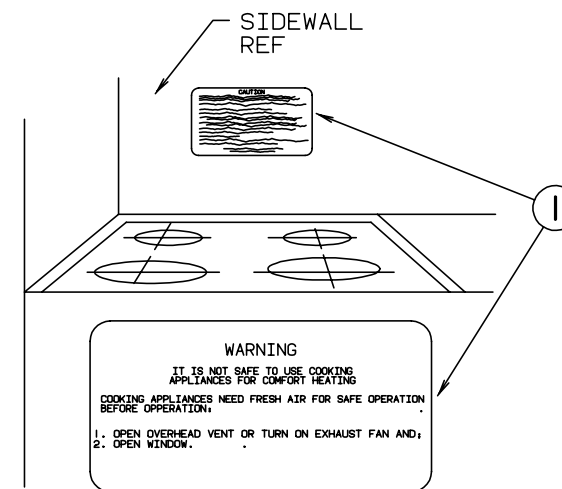
**FIRE EXTINGUISHER, DETECTORS & WALL CLOCK**

KEY	PART NUMBER	U/M	DESCRIPTION
	072852-01-000	EA	DETECTOR - SMOKE - W/9 VOLT BATTERY
	072852-02-000	EA	DETECTOR - SMOKE - W/9 VOLT BATTERY - CANADIAN
	112320-01-000	EA	DETECTOR (CO GAS) MODEL 9B-I - COSTAR 940000000
	112320-02-000	EA	BATTERY/ SENSOR (CO GAS) COSTAR 940001000
	094499-01-000	EA	FIRE EXTINGUISHER - DRY W/MOUNTING BRACKET - 10 BC
	094499-02-000	EA	EXTINGUISHER-FIRE, DRY - 1A10BC - CANADIAN
	094499-01-700	EA	BRACKET - MOUNTING - W/PLASTIC STRAP - FIRE EXTINGUISHER
	094499-02-000	EA	FIRE EXTINGUISHER - DRY - 1A10BC - CANADIAN
	100793-02-01A	EA	WALL CLOCK - 11" DIAMETER - BOLDEN 9988

**LABELS GROUP**

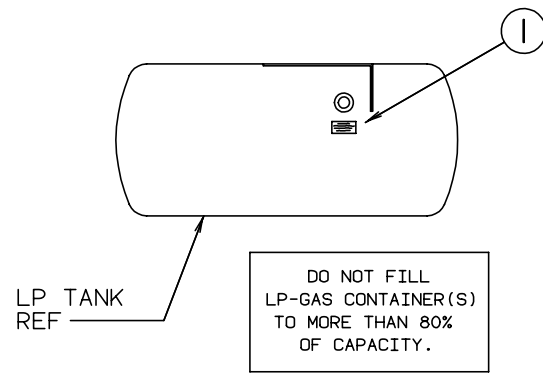


KEY	PART NUMBER	U/M	DESCRIPTION
1	006040-01-000	EA	TAG - GAS REFUELING WARNING
1	006040-02-000	EA	TAG - GAS REFUELING WARNING (CANADIAN)
2	054531-01-000	EA	LABEL - LP GAS ONLY
2	023769-01-000	EA	LABEL - WARNING-LPG (CANADIAN)

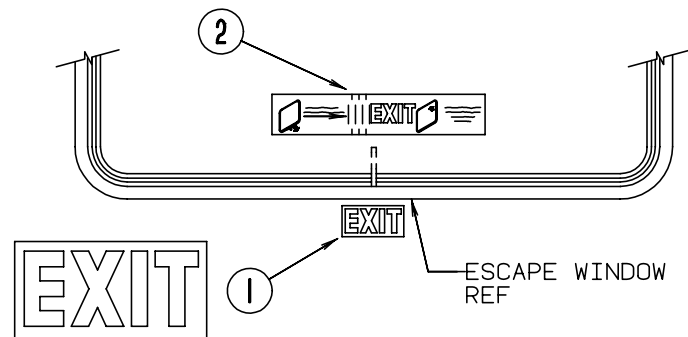
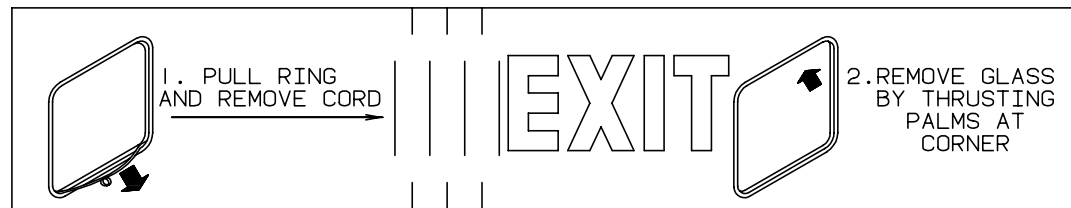


KEY	PART NUMBER	U/M	DESCRIPTION
1	050225-01-000	EA	LABEL - WARNING - STOVE VENT - US
1	050222-01-000	EA	LABEL - WARNING - STOVE VENT - CSA

**LABELS GROUP (CONTINUED)**



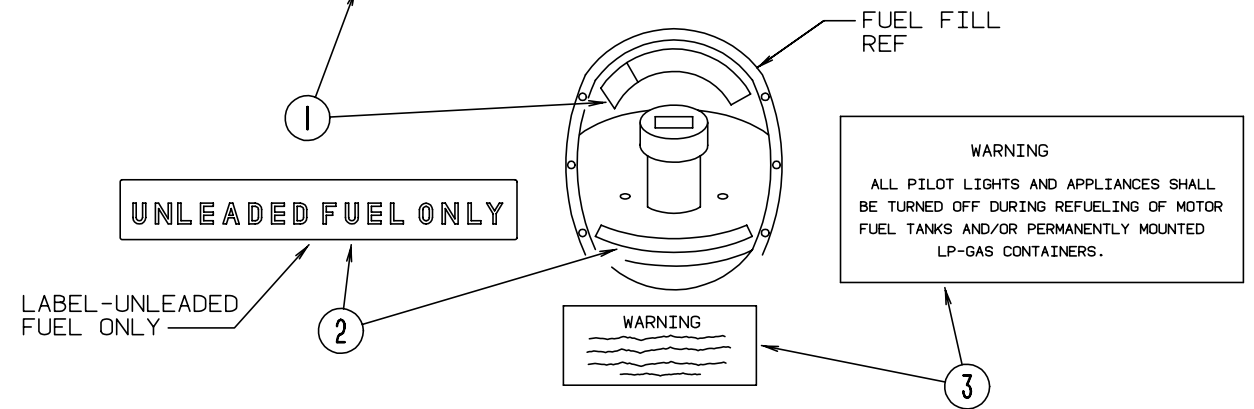
KEY	PART NUMBER	U/M DESCRIPTION
1	079965-01-000	EA LABEL - LPG - 80% CAPACITY



KEY	PART NUMBER	U/M DESCRIPTION
1	107571-01-000	EA LABEL - EXIT/ESCAPE WINDOW
2	039290-01-000	EA LABEL - EXIT WARNING

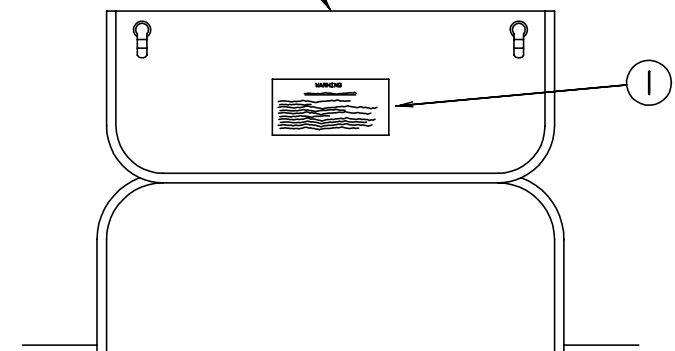
**LABELS GROUP (CONTINUED)**

<b>CAUTION</b>	TO HELP AVOID PERSONAL INJURY DURING REMOVAL OF FUEL FILLER CAP, SLOWLY LOOSEN CAP 1/2 TURN TO ALLOW ANY FUEL PRESSURE TO BE RELIEVED BEFORE TURNING CAP FURTHER.
<b>FUEL SPRAY MAY CAUSE PERSONAL INJURY</b>	STOP ADDING FUEL AFTER FIRST SHUTOFF BY AUTOMATIC NOZZLE WHEN TANK IS NEARLY FULL. DO NOT OVERFILL FUEL TANK. SEE OWNERS MANUAL FOR ADDITIONAL INFORMATION.
	PRINTED IN U.S.A. <span style="float: right;">MLC PT NO 15611763</span>



KEY	PART NUMBER	U/M DESCRIPTION
1	087207-05-000	EA LABEL - FUEL CAP REMOVAL
2	062043-01-000	EA LABEL - FUEL - UNLEADED
3	006040-01-000	EA TAG - GAS REFUELING WARNING
3	006040-02-000	EA TAG - GAS REFUELING WARNING (CANADIAN)

GENERATOR COMP  
DOOR REF



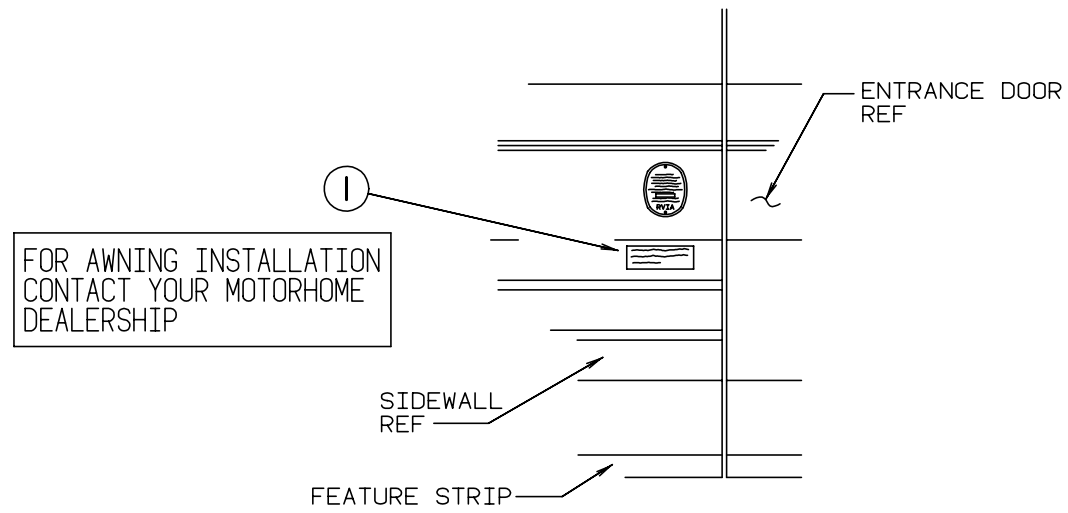
**WARNING**

WHEN ADDING A GENERATOR SET:

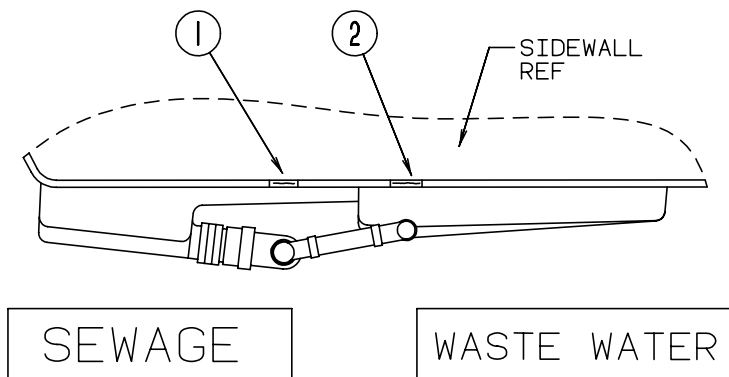
HIGH VOLTAGE-USE EXTREME CAUTION WHEN WORKING ON ELECTRICAL COMPONENTS. HAVE ALL ELECTRICAL INSTALLATION PERFORMED BY A QUALIFIED LICENSED ELECTRICIAN-FOLLOW ALL STATE AND LOCAL CODES. ONLY INSTALL GENERATOR SET APPROVED FOR R.V. APPLICATION. HAVE INSTALLED BY QUALIFIED TECHNICIAN. TO AVOID HEAT BUILD-UP AND TO GUARANTEE AN ADEQUATE AIR SUPPLY TO THE GENERATOR CARBURETOR, FOLLOW INSTALLATION INSTRUCTIONS. GENERATOR ENGINE EXHAUST GASES ARE TOXIC AND MUST NOT TERMINATE UNDER THE VEHICLE-DISCHARGE EXHAUST AWAY FROM VEHICLE.

KEY	PART NUMBER	U/M DESCRIPTION
1	077510-01-000	EA LABEL - GENERATOR PREP

**LABELS GROUP (CONTINUED)**

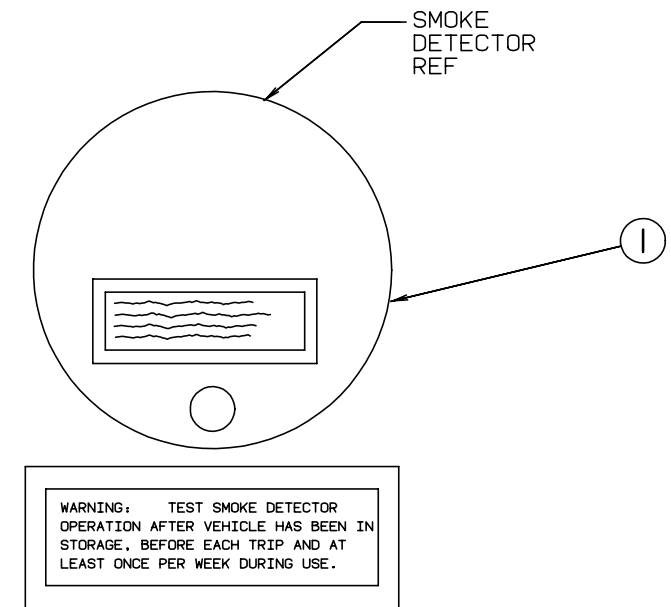


KEY	PART NUMBER	U/M DESCRIPTION
1	099509-01-000	EA LABEL - AWNING INSTALLATION

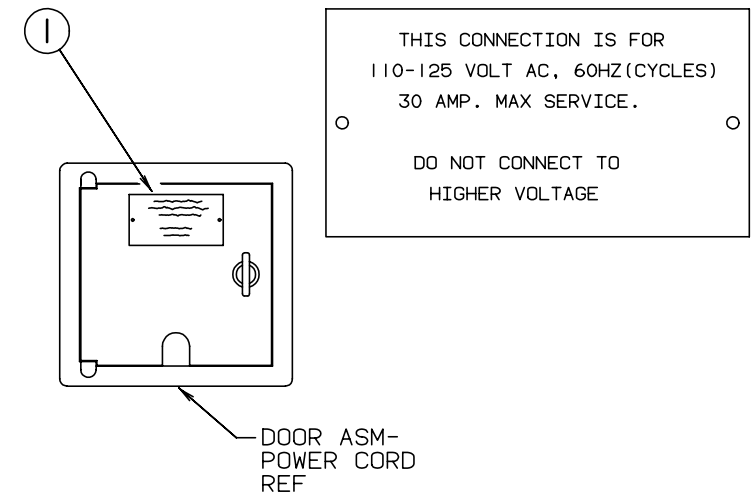


KEY	PART NUMBER	U/M DESCRIPTION
1	006187-01-000	EA LABEL - SEWAGE
2	006188-01-000	EA LABEL - WASTE WATER

**LABELS GROUP (CONTINUED)**

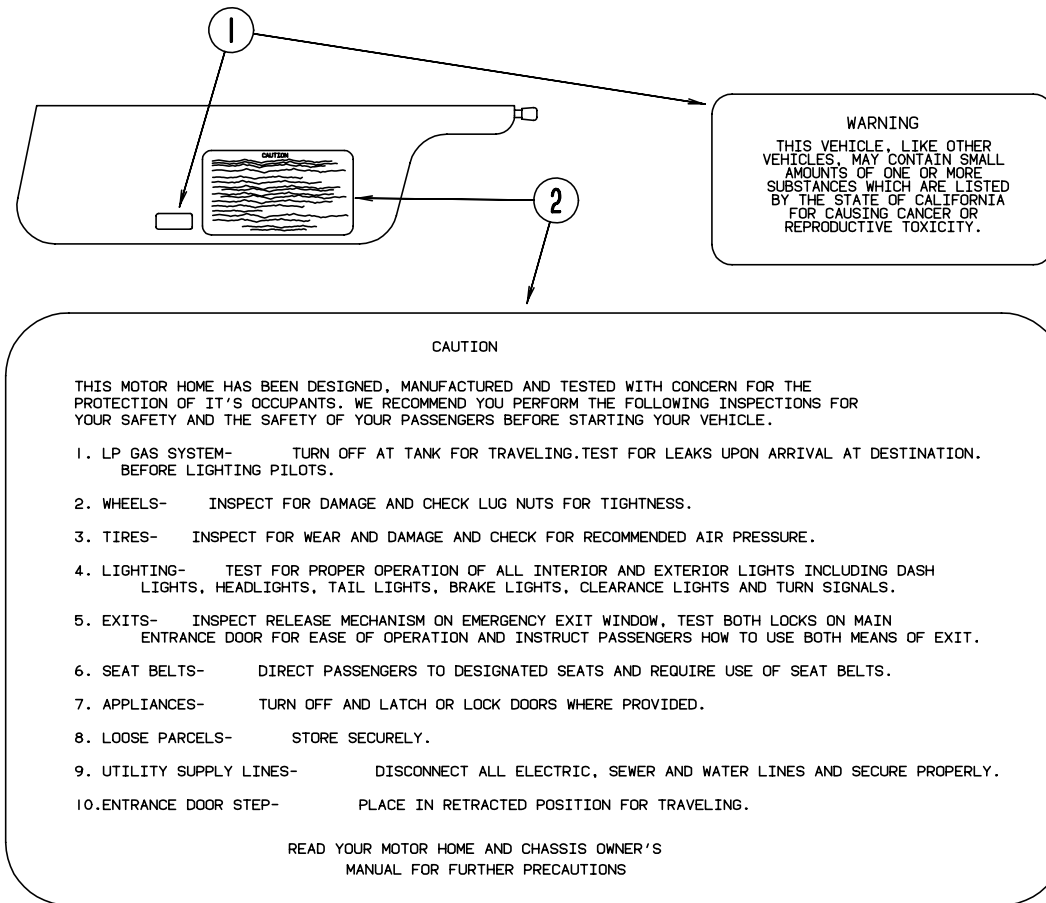


KEY	PART NUMBER	U/M DESCRIPTION
1	077956-01-000	EA LABEL - WARNING - SMOKE DETECTOR



KEY	PART NUMBER	U/M DESCRIPTION
1	006062-01-000	EA TAG - ELECTRIC - 110V CONNECTION

## LABELS GROUP (CONTINUED)

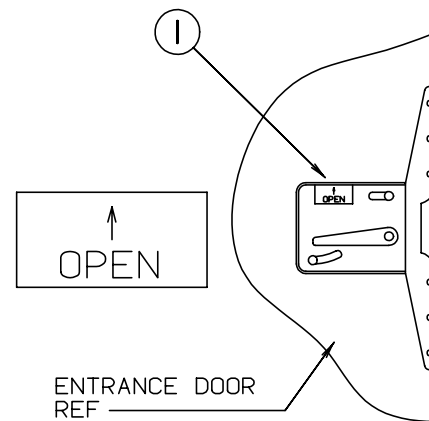


## LABELS GROUP (CONTINUED)

### MISCELLANEOUS LABELS

KEY	PART NUMBER	U/M DESCRIPTION
	050222-01-000	EA LABEL - STOVE VENT - CANADIAN
	094675-01-000	EA LABEL - EXTERIOR LIGHT - SERVICE
	073998-01-000	EA LABEL - LPG ODOR WARNING
	079966-01-000	EA LABEL - WARNING - STOWED - MOTION
	091224-02-000	EA LABEL - TRAILER LIGHTING
	091243-01-000	EA LABEL - A/C COVER - "AIR CONDITIONING CIRCUIT. ETC."
	098379-04-000	EA LABEL - ELECTRICAL BOX SIDE
	098641-01-000	EA LABEL - FUEL - UNLEADED - DASH
	104678-01-000	EA LABEL - CB PREP
	111104-01-000	EA LABEL - HITCH - READ MANUAL
	111537-01-000	EA LABEL - FUSES
	111537-05-000	EA LABEL - SLIDEOUT CONTROLS
	111802-01-000	EA LABEL - CFC WARNING

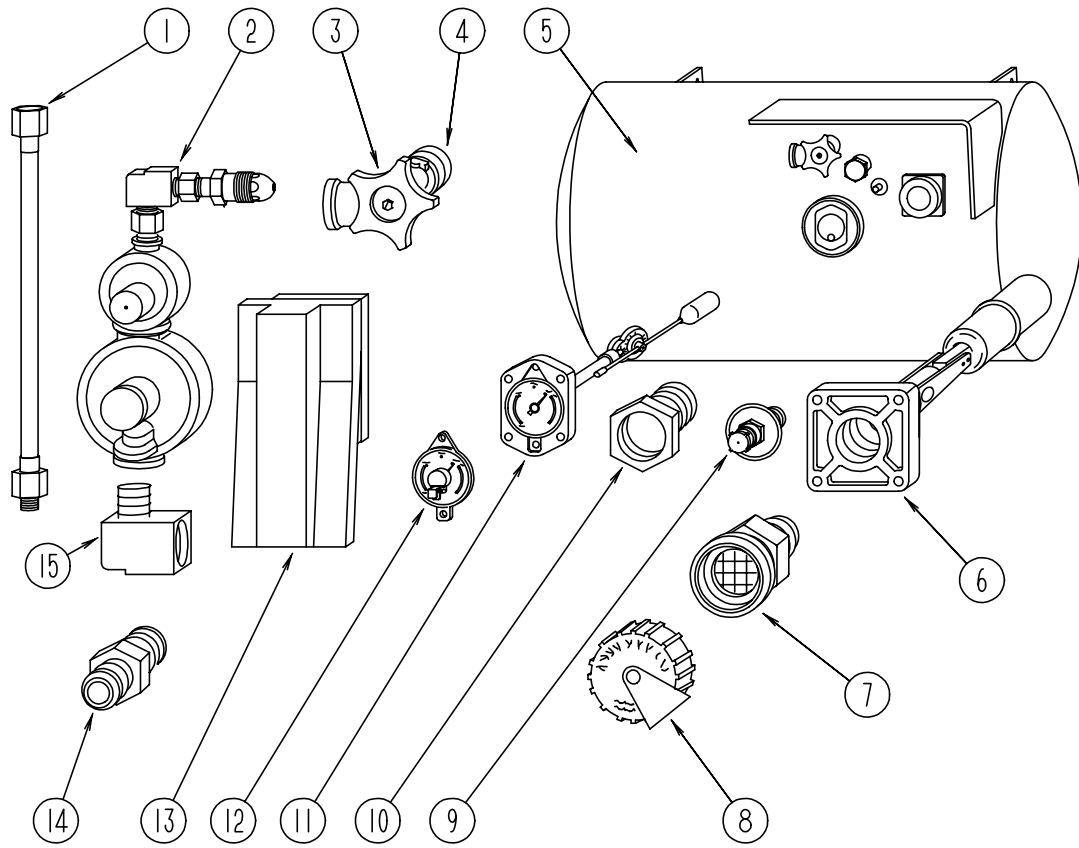
KEY	PART NUMBER	U/M DESCRIPTION
1	099689-01-000	EA LABEL - WARNING - CANCER/TOXICITY
2	056259-01-000	EA LABEL - SAFETY CHECK LIST



KEY	PART NUMBER	U/M DESCRIPTION
1	040944-01-000	EA LABEL - ENTRANCE DOOR - "OPEN"



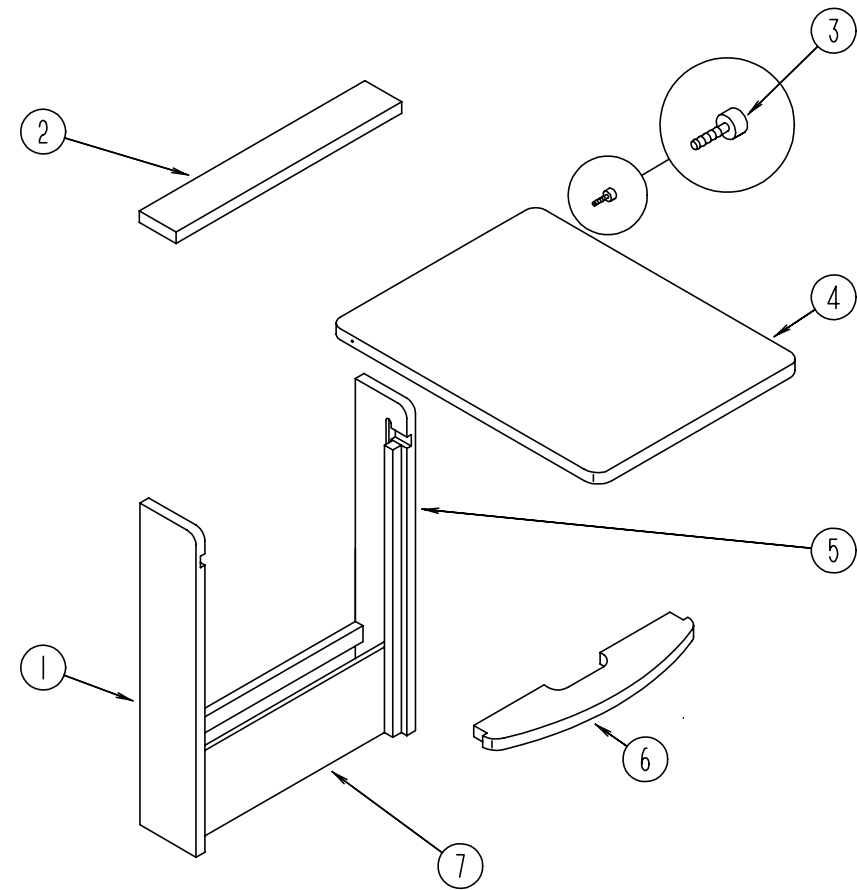
## LP GROUP



### LP TANK & COMPONENTS

KEY	PART NUMBER	U/M	DESCRIPTION
1	045703-05-000	EA	HOSE - LP - 3/8" ID X 28" - 3/8" MPT X 1/2" F SWIVEL - US
1	045703-06-000	EA	HOSE - LP - 3/8" ID X 28" - 3/8" MPT X 1/2" F SWIVEL - CANADA
2	106150-01-000	EA	REGULATOR - TWO STAGE
3	040421-01-708	EA	HANDWHEEL - VAPOR RELIEF VALVE - BRUNNER G-1015-A
4	040421-01-712	EA	VALVE - SERVICE W/HANDWHEEL
5	088253-03-000	EA	TANK - LP - 100 LB - 16"D X 36" - SPL
6	040421-01-711	EA	VALVE - 80% W/FLOAT - PLATE - BOLTS & GASKET - BRUNNER
7	040421-01-701	EA	VALVE - SHORT LP FILLER W/YELLOW CAP - BRUNNER 75478
8	040421-01-702	EA	CAP - LP FILLER VALVE - PLASTIC - YELLOW - BRUNNER G-1014-A
9	040421-01-700	EA	GAUGE - LIQUID LEVEL - 20% LP - BRUNNER G-1013
10	040421-01-713	EA	PRESSURE RELIEF VALVE
11	088253-01-700	EA	L.P. FLOAT GAUGE - 4 MACHINE SCREW STYLE
12	040440-02-000	EA	TRANSMITTER - DIAL - 90 OHM
13	105658-01-000	EA	COMPARTMENT - LP REGULATOR
14	010252-01-000	EA	ELBOW - BRASS - 90 DEGREE - 3/8" F X 1/2" MPT
	010265-01-000	EA	ELBOW - BRASS - 90 DEGREE - 3/8" F X 1/2" FPT
15	065318-01-000	EA	ELBOW - 90 DEGREE - 1/4" MPT TO 1/4" FPT
	103613-01-000	EA	DETECTOR - LP GAS

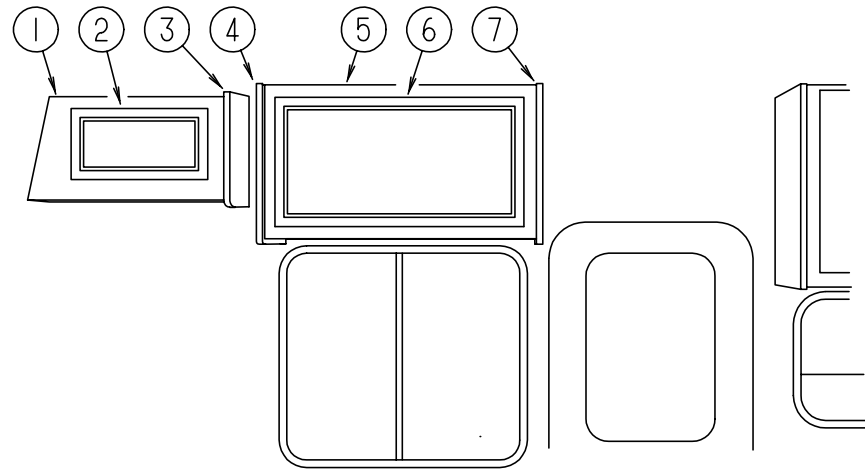
## LOUNGE GROUP



### PULLOUT TABLE

KEY	PART NUMBER	U/M	DESCRIPTION
	M96873-01-E07	EA	CABINET ASM. - TABLE - W/O PULLOUT TOP
1	096873-14-B87	EA	SIDE END - TABLE - 28.7" X 5.7" - LEFT SIDE
2	096873-15-B87	EA	SHELF - SUPPORT - OVER PULL OUT TABLE TOP
3	079921-01-000	EA	NYLON ROLLER W/SHAFT
4	096873-11-E01	EA	PULLOUT TOP
5	096873-13-B87	EA	SIDE END - TABLE - 28.7" X 5.7" - RIGHT SIDE
6	096873-12-B87	EA	SHELF - SUPPORT - UNDER PULL OUT TABLE TOP
7	096873-16-B87	EA	PANEL - TABLE - FRONT BOTTOM - 18.1" X 6.7"
	080736-01-000	EA	PULL - RECESSED - 1.25" X 4" - OAK

**LOUNGE GROUP (CONTINUED)**



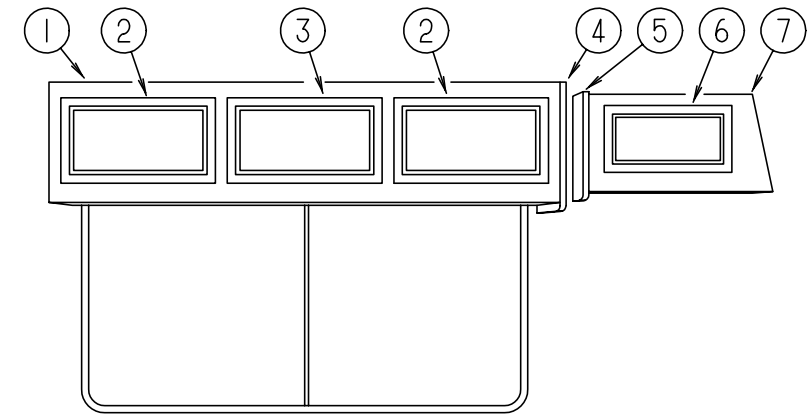
**FRONT OVERHEAD CABINET (PASSENGER SIDE)**

KEY	PART NUMBER	U/M	DESCRIPTION
1	M06838-01-F11	EA	CABINET ASM. - FRONT OVERHEAD - PASSENGER SIDE
2	M06803-04-E07	EA	DOOR ASM - RAIL - W/O HARDWARE
3	103128-08-F11	EA	END CAP ASM. (FRONT OVERHEAD)
4	103128-07-E10	EA	END CAP ASM. - LEFT HAND
5	M06838-08-E10	EA	CABINET ASM. - OVERHEAD
6	M06803-30-E10	EA	DOOR ASM - W/O HARDWARE
7	103128-10-E10	EA	END CAP ASM. - RIGHT HAND
	104414-12-E10	EA	SHELF ASM.

**ENTRANCE STEP LID COMPONENTS**

KEY	PART NUMBER	U/M	DESCRIPTION
	101222-01-02A	EA	BRACKET-CATCH,LID, O/WHT
	107941-02-03B	EA	SUPPORT-LID,ENT STEP,O/WHT
	107941-02-01B	EA	SUPPORT-LID,ENT STEP,MILL
	P14437-01-000	EA	CABT ASM-LID,W/O CARPT

**LOUNGE GROUP (CONTINUED)**



**FRONT OVERHEAD CABINET (DRIVER SIDE)**

KEY	PART NUMBER	U/M	DESCRIPTION
1	M06838-22-F11	EA	CABINET ASM. - OVERHEAD - DRIVER SIDE
2	M06803-03-E10	EA	DOOR ASM. - RAIL - W/O HARDWARE
2	108536-03-04A	EA	MIRROR - CABINET DOOR
3	M06803-13-E10	EA	DOOR ASM. - RAIL - W/O HARDWARE - W/ MIRROR
3	108536-04-04A	EA	MIRROR - CABINET DOOR
4	103128-01-E10	EA	END CAP ASM. - RIGHT HAND
5	103128-09-F11	EA	END CAP ASM. (FRONT OVERHEAD)
6	M06803-04-E07	EA	DOOR ASM - W/O HARDWARE
7	M06838-02-F11	EA	CABINET ASM. - FRONT OVERHEAD - DRIVER SIDE

**FRONT COUCH CABINET (DRIVER SIDE)**

KEY	PART NUMBER	U/M	DESCRIPTION
	M04187-34-F11	EA	CABINET ASM.-COUCH - FRONT
	M04187-34-E33	EA	CABINET ASM.-COUCH - FRONT (F12)
	M04187-36-F11	EA	CABINET ASM.-COUCH - REAR
	M04187-36-E33	EA	CABINET ASM.-COUCH - REAR (F12)
	M04187-37-F11	EA	CABINET ASM.-COUCH DOOR
	M04187-37-F12	EA	CABINET ASM.-COUCH DOOR
	082525-01-000	EA	BRACE-COUCH, FLOOR MOUNT - ANGLE 3" LONG - METAL
	083125-05-000	EA	BRACE-ANGLE, COUCH - 2.5" - BEIGE
	105947-01-000	EA	BRACKET-HOLD DOWN,COUCH CSA UNITS

## SEALANTS & FASTENERS GROUP

### ADHESIVE AND BOLTS

KEY	PART NUMBER	U/M	DESCRIPTION
	004020-01-000	QT	ADHESIVE - ABS CEMENT - QUART
	081377-01-700	EA	ADHESIVE - CYANOACRYLATE - 10 GRAM TUBE
	004006-04-700	EA	ADHESIVE - PIERCE - 1 GAL - J9270-X-1
	087211-01-000	GL	ADHESIVE - PROMOTER
	004005-02-000	EA	ADHESIVE - SWIFTS - 1 GAL - W1333
	099039-01-000	EA	ADHESIVE - WEATHERSTRIP - 8 OZ.
	053766-02-000	EA	BEDDING COMPOUND - TUBE - WHITE
	102333-01-02A	EA	BOLT - CARRIAGE - 7/16 - 14
	051387-06-000	EA	BOLT - CARRIAGE - W/O HOLE - 5/16-18 X 9.5 ZN
	000C12-08-24B	EA	BOLT - HEX - 1/2-13 X 1 1/2 - ZN 5
	000C12-05-16B	EA	BOLT - HEX - 5/16-18 X 1 - ZINC 5
	000C12-10-24B	EA	BOLT - HEX - 5/8-11 X 1 1/2 ZN - 5
	000C12-07-20B	EA	BOLT - HEX - 7/16 - 14 X 1 1/4" - ZN5
	000C13-07-48B	EA	BOLT - HEX - 7/16 - 20 X 3 - ZN 5
	000C26-04-10B	EA	BOLT - HEX - SER FLG - 1/4-20 X 5/8 ZINC
	000C26-05-20B	EA	BOLT - HEX - SER FLG 5/16-18 X 1 1/4" - ZINC
	000C12-05-24B	EA	BOLT - HEX - 5/16-18 X 11/2 ZN 5

### CLAMPS - GROMMETS AND FASTENERS

KEY	PART NUMBER	U/M	DESCRIPTION
	010495-01-000	EA	CLAMP - CABLE - 9/16"
	010497-06-000	EA	CLAMP - CLOSED - 11/16" ID
	010497-03-000	EA	CLAMP - CLOSED - 1" ID - CUSHIONED
	010499-01-000	EA	CLAMP - CLOSED - 3/8" ID
	010497-01-000	EA	CLAMP - CLOSED - 5/8"ID
	010497-08-000	EA	CLAMP - CLOSED - .125"
	075148-02-000	EA	CLAMP - GROUNDING - BRONZE SCREWS
	062401-02-000	EA	CLAMP - HOSE - WORMGEAR - 1.56" - 2.5"
	062401-10-000	EA	CLAMP - HOSE - WORMGEAR 1.06" - 2"
	073194-02-000	EA	CLAMP - HOSE - WORMGEAR 32-50 MM
	062401-07-000	EA	CLAMP - HOSE - WORMGEAR 5" - 7"
	062401-06-000	EA	CLAMP - HOSE - WORMGEAR .22"-.62"
	062401-01-000	EA	CLAMP - HOSE - WORMGEAR .25" - 1"
	062401-04-000	EA	CLAMP - HOSE - WORMGEAR .69" - 1.25"
	062401-03-000	EA	CLAMP - HOSE - WORMGEAR - .22" - 1"
	083609-01-000	EA	CLAMP - WIRE -DUAL - EQUAL 5/8" DIAMETER
	094362-02-000	EA	CLIP - CHRISTMAS TREE - FLAT HEAD
	077953-01-000	EA	GROMMET - EDGE LINER - FITS 1"
	023942-01-000	EA	GROMMET - RUBBER - 2" OD
	071015-21-000	EA	GROMMET - .50"ID - FITS .19" MATERIAL - RUBBER - SPLIT
	009066-01-000	EA	HINGE - ALUMINUM - NO HOLES - 11/16" X 72" - UNPAINTED
	056134-02-000	EA	HOLDER - RING - 1.5" ID PIPE SIZE - STEEL
	092321-01-000	FT	INSULATION - FIBERGLASS - W/ALUMINUM FOIL
	077955-01-000	EA	J CLIP - VINYL COATED - 3/8" USED IN WIRING TO CLEARANCE LIGHTS
	008401-01-000	EA	STRAP - CONDUIT - 3/4" - 1 HOLE - GALVANIZED STEEL
	016604-01-000	EA	BRACE - CABINET - ANGLED METAL - 2.5"

### NUTS & RIVETS

KEY	PART NUMBER	U/M	DESCRIPTION
	072893-01-000	EA	NUTSERT - M5 X 0 - 8
	077049-01-000	EA	NUT - ACORN - 10-32 ALUMINUM
	095094-01-000	EA	NUT - ACORN - 1/4 - 20 ALUMINUM
	000D14-05-00B	EA	NUT - HEX - 5/16-18 - ZN 5
	000D34-04-00B	EA	NUT - HEX - LK 1/4 - 20 ZN
	000D39-04-00B	EA	NUT - HEX - SER FLG LK 1/4 - 20 ZN
	000D39-08-00B	EA	NUT - HEX - SER FLG LK - 1/2-13 ZN
	000D39-06-00B	EA	NUT - HEX - SER FLG LK - 3/8-16 ZN
	000D39-05-00B	EA	NUT - HEX - SER FLG LK - 5/16 - 18 ZN
	000D24-10-00B	EA	NUT - HEX - SF/LK - 10-32 ZN
	000D34-06-00B	EA	NUT - HEX LK-3/8-16 GRADE C ZN
	075467-01-000	EA	NUT - INVERTED FLARE - 1/4"
	088497-02-000	EA	NUT - INVERTED FLARE - 1/4"
	063253-07-000	EA	NUT - J - #8A .120- .130 PNL THK

## SEALANTS & FASTENERS GROUP (CONTINUED)

### NUTS & RIVETS (CONTINUED)

KEY	PART NUMBER	U/M	DESCRIPTION
	044364-02-000	EA	NUT - SPEED - FLAT - ROUND
	040921-06-000	EA	NUT - SPEED - U TYPE - NO. 8
	040921-04-000	EA	NUT - SPEED - U TYPE - NO. 8
	040921-05-000	EA	NUT - SPEED - U TYPE - NO.8
	044364-01-000	EA	NUT - SPEED -FLAT
	064081-01-000	EA	NUT - WING - 3/8" X 16 THREAD
	084884-01-000	EA	PLUG - BRASS - 3/8"
	000H16-04-06R	EA	RIVET - POP - AL 1/8 X .313-.375
	069592-02-000	EA	RIVET - T (POP) 1/4 X .093-.156
	063729-04-000	EA	RIVNUT - 10-32 UNF - .010-.080
	063729-01-000	EA	RIVNUT - 1/4 X 20 UNC - .030-.125

### SCREWS

KEY	PART NUMBER	U/M	DESCRIPTION
	000G67-10-24B	EA	SCREW - 10-12 X 1 1/2 PPH - ZN
	000G67-10-16P	EA	SCREW - 10-12 X 1 PPH - DARK BROWN
	000G67-10-16B	EA	SCREW - 10-12 X 1 PPH - ZN
	000G67-10-08B	EA	SCREW - 10-12 X 1/2 PPH ZN
	000G67-10-08R	EA	SCREW - 10-12 X 1/2 PPH - BEIGE - TYPE A
	000G67-10-12B	EA	SCREW - 10-12 X 3/4 - PPH ZN
	000G67-10-10B	EA	SCREW - 10-12 X 5/8 PPH ZN - TYPE A
	000G67-10-10R	EA	SCREW - 10-12 X 5/8 PPH - TYPE A - BEIGE
	000G67-10-12P	EA	SCREW - 10-12 X .75 PPH - DARK BROWN
	049465-01-000	EA	SCREW - 10-16 W/WASHER PTH - DARK BROWN
	049465-04-000	EA	SCREW - 10-16 X 1 PTH W/WASHER - BEIGE
	000G11-10-16B	EA	SCREW - 10-16 X 1 - PPH ZN
	000G11-10-12R	EA	SCREW - 10-16 X 3/4 PPH - BEIGE
	000G11-10-12D	EA	SCREW - 10-16 X 3/4 PPH - BLACK
	000G68-06-10G	EA	SCREW - 6-18 X 5/8 POH - ANTIQUE BRASS
	076790-01-000	EA	SCREW - 6-20 X 1 1/4 PPH - BLACK
	000G13-06-16R	EA	SCREW - 6-20 X 1 PFH - BEIGE
	000G13-06-08B	EA	SCREW - 6-20 X 1/2 PFH ZN
	000G13-06-10G	EA	SCREW - 6-20 X 5/8 PFH - ANTIQUE BRASS
	000G11-06-10B	EA	SCREW - 6-20 X 5/8 PPH ZN
	000G11-06-10J	EA	SCREW - 6-20 X 5/8 PPH - BRASS
	000G11-07-08B	EA	SCREW - 7-19 X 1/2 PPH - ZN
	000G13-07-12B	EA	SCREW - 7-19 X 3/4 PFH ZN
	000G13-08-16B	EA	SCREW - 8-18 X 1 PFH - ZN
	000G11-08-08T	EA	SCREW - 8-18 X 1/2 PPH
	000G11-08-08B	EA	SCREW - 8-18 X 1/2 PPH ZN
	000G11-08-12B	EA	SCREW - 8-18 X 3/4 PPH ZN
	000G11-08-12R	EA	SCREW - 8-18 X 3/4 PPH - BEIGE
	000G11-08-12D	EA	SCREW - 8-18 X 3/4 PPH - BLACK
	000G55-08-12W	EA	SCREW - 8-18 X.75 - SF/DT - PWH
	000G11-08-16R	EA	SCREW - 8-18 X 1.00 PPH - BEIGE
	000G67-10-32B	EA	SCREW - 10-12 X 2 PPH ZN
	000G67-10-12R	EA	SCREW - 10-12 X .75 PPH BEIGE
	000G67-10-120	EA	SCREW - 10-12 X .75 PPH TAN
	049465-03-000	EA	SCREW - 10-16 X 1 POH W/WASHER
	000G11-10-12S	EA	SCREW - 10-16 X.75 PPH OFF WHITE
	000G54-04-20B	EA	SCREW - 1/4-20 X 11/4 PTH TYP 23
	000G57-05-16J	EA	SCREW - 5-20 X 1 PFH BRASS
	000G12-06-08T	EA	SCREW - 6-20 X .50 POH - BLACK
	000G13-06-16J	EA	SCREW - 6-20 X 1.00 PFH BRASS
	000G11-08-12P	EA	SCREW - 8- 18 X .75.DARK BROWN
	085318-01-000	EA	SCREW - 8-08B X 1/2 -CRIMPTITE HD
	000G67-08-32B	EA	SCREW - 8-15 X 2 PPH ZN
	000G12-08-16S	EA	SCREW - 8-18 X 1" POH - OFF WHITE•
	000G11-08-16S	EA	SCREW - 8-18 X 1.00 PPH OFF WHITE
	009439-07-000	EA	SCREW - 8-32 X 1 1/4 POH -BLACK
	087721-01-000	EA	SCREW - FLAT HEAD - TAPPING - 1/4 X 1 1/4 LG ZN
	086763-01-000	EA	SCREW - MACH - 10 - 32 X 1/4 PTH
	000G19-10-08B	EA	SCREW - MACH - 10-32 X 1/2 PPH ZN
	000G19-10-10B	EA	SCREW - MACH - 10-32 X 5/8 - PPH - ZINC

**SEALANTS & FASTENERS GROUP (CONTINUED)**

**SCREWS (CONTINUED)**

KEY	PART NUMBER	U/M	DESCRIPTION
	000G50-04-12B	EA	SCREW - MACHINE - 1/4-20 X 3/4 PPH ZN
	081908-01-000	EA	SCREW - MACHINE - 6-32 X .62 W/ NYLOCK
	089371-01-000	EA	SCREW - MACHINE - 8-32 X 3 5/16.ZN
	000G19-10-20B	EA	SCREW - MACHINE - 10-32 X 1 1/14 PPH ZINK
	000G18-08-16B	EA	SCREW - MACHINE - 8-32 X 1 - PPH ZN
	075908-01-000	EA	SCREW - MACHINE - 10-32 X .56PTH(SEMS)
	000G53-04-06B	EA	SCREW - MACHINE - 1/4-20 X 3/8 PPH 2N
	000G18-08-22B	EA	SCREW - MACHINE - 8-32 X 1 3/8 PPH ZN
	000G39-10-20B	EA	SCREW - SF/DR - 10-16 X 1 1/4 PPH ZN
	000G39-10-12R	EA	SCREW - SF/DR - 10-16 X 3/4 PPH - BEIGE
	000G39-10-12D	EA	SCREW - SF/DR - 10-16 X 3/4 PPH - BLACK
	000G39-06-16T	EA	SCREW - SF/DR - 6-20 X 1 PPH - BLACK
	000G39-06-10T	EA	SCREW - SF/DR - 6-20 X 5/8 PPH - BLACK
	000G39-08-24B	EA	SCREW - SF/DR - 8-18 X 1 1/2 PPH ZN
	000G39-08-16E	EA	SCREW - SF/DR - 8-18 X 1 PPH CHROME
	000G39-08-16B	EA	SCREW - SF/DR - 8-18 X 1 PPH ZN
	000G39-08-16T	EA	SCREW - SF/DR - 8-18 X 1 PPH - BLACK
	000G55-08-16Z	EA	SCREW - SF/DR - 8-18 X 1.00 - BEIGE
	000G39-08-08B	EA	SCREW - SF/DR - 8-18 X 1/2 PPH ZN
	000G39-08-32B	EA	SCREW - SF/DR - 8-18 X 2 PPH - ZINC
	000G39-08-12B	EA	SCREW - SF/DR - 8-18 X 3/4 PPH ZN
	000G39-08-12T	EA	SCREW - SF/DR - 8-18 X 3/4 PPH - BLACK
	000G39-08-06B	EA	SCREW - SF/DR - 8-18 X 3/8 PPH ZN
	000G60-10-28T	EA	SCREW - SF/DR -10-16 X 1.75
	000G39-08-16R	EA	SCREW - SF/DR - 8-18 X 1.00 PPH BEIGE
	000G39-08-08R	EA	SCREW - SF/DT - 8-18 X 1/2 PPH
	079382-01-000	EA	SCREW - SOCKET - 8-18 X 1" - BLACK

**SEALERS**

KEY	PART NUMBER	U/M	DESCRIPTION
	106205 01 000	EA	SEALER - PUMPABLE
	069640-02-000	FT	SEALER - RIBBON - 1/2" X 1/8"- INCREMENTS OF 30'
	069640-09-000	FT	SEALER - RIBBON - 1/32" X 2 1/2"
	069640-01-000	FT	SEALER - RIBBON - 1/4" DIAMETER - INCREMENTS OF 20'
	069640-03-000	FT	SEALER - RIBBON - 3/4" X 1/8" - INCREMENTS OF 60'
	069640-06-000	FT	SEALER - RIBBON - 5/16" DIAMETER - INCREMENTS OF 25'
	091255-03-000	FT	SEAL - FOAM - 1/4 X 3/16 ROLL
	091255-01-000	FT	SEAL - FOAM - 3.2MM X 4.8MM
	090340-01-000	FT	SEAL - FOAM - CLOSED CELL - 1/4" X 1/2" X 50'
	053752-01-000	GL	SEAM SEALER - 5 GAL -ALUMINUM
	034552-04-000	EA	SILICONE - TUBE - 300 ML - BEIGE - W/ O NOZZLE
	034552-02-000	EA	SILICONE - TUBE - 300 ML - CLEAR - W/ O NOZZLE
	900390-03-000	EA	NOZZLE -SILICONE TUBE

**SEALANTS & FASTENERS GROUP (CONTINUED)**

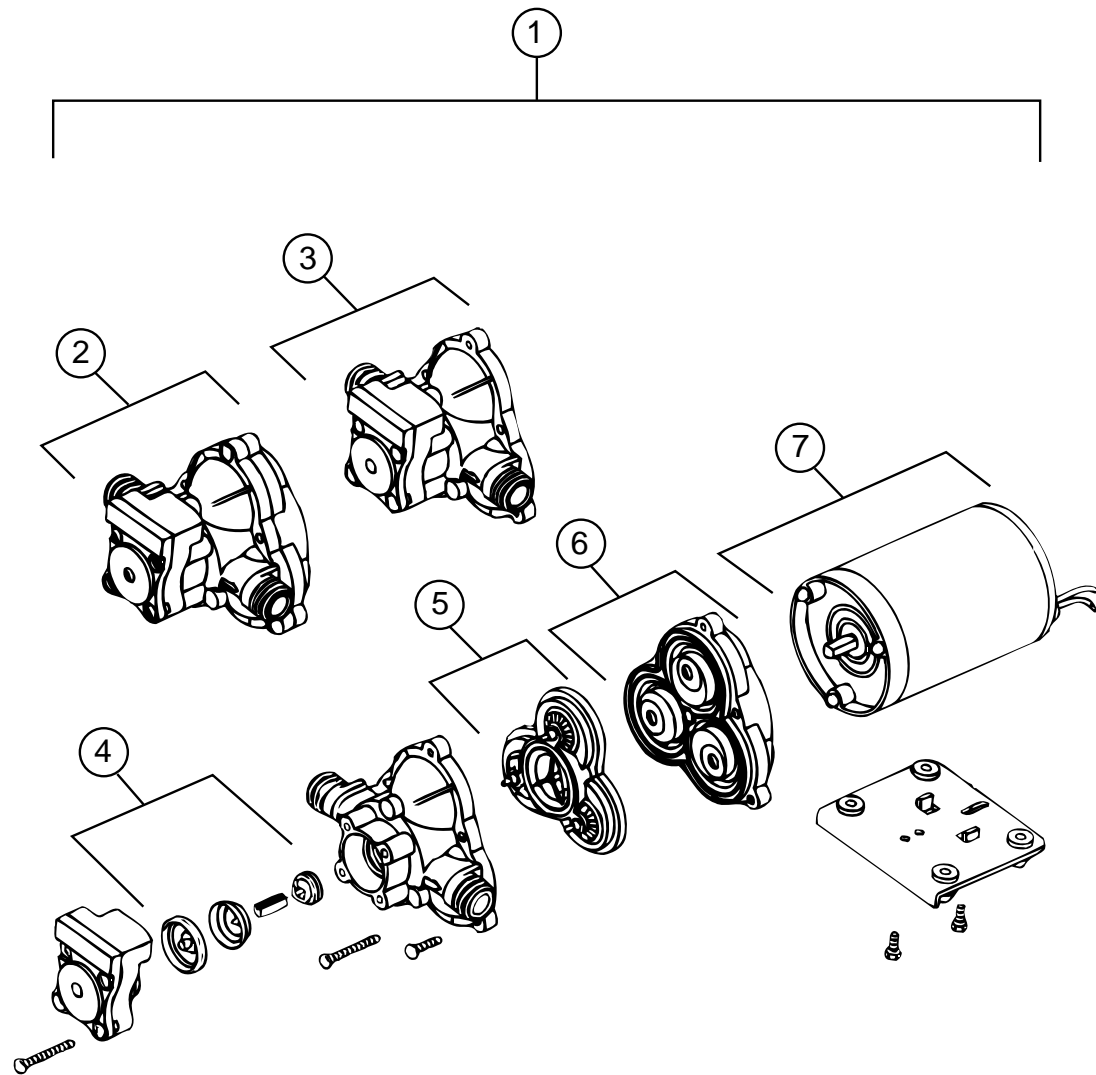
**TAPES AND TIES**

KEY	PART NUMBER	U/M	DESCRIPTION
	100028-01-000	FT	TAPE - ADHESIVE - .031" X .75" WIDE
	004363-01-000	FT	TAPE - ADHESIVE FOAM - 1 SIDE - 3/16" X 1/2" - GRAY
	093071-01-000	FT	TAPE - BONDING - DOUBLE SIDED - 1/64" X 2"
	093071-01-000	FT	TAPE - BONDING - DOUBLE SIDED - 1/64" X 2"
	076322-03-000	FT	TAPE - FOAM - DOUBLE COATED - .045" X .5"
	088244-01-000	FT	TAPE - FOAM - VINYL COATED - 2" WIDE - INCREMENTS OF 108 FT
	009200-01-000	EA	TAPE - FURNACE - 1 1/2"
	087691-01-000	EA	TAPE - MASKING - WEATHER RESISTANT
	008343-02-000	EA	TIE - WIRE - 14"
	008343-01-000	EA	TIE - WIRE - 6"

**WASHERS**

KEY	PART NUMBER	U/M	DESCRIPTION
	077071-01-000	EA	WASHER - FENDER - 3/16" ID X 1" OD
	000E13-14-00B	EA	WASHER - FLAT - 1/4" WIDE ZN
	000E13-11-00B	EA	WASHER - FLAT - 3/16" WIDE ZN
	000E13-17-00B	EA	WASHER - FLAT - 3/8 AR ZN

## WATER & SEWAGE GROUP



**WATER PUMP (SHURFLOW)**

KEY	PART NUMBER	U/M DESCRIPTION	VENDER NO.
1	098607-01-000	EA PUMP - WATER - W/.5"MPT FITTING - FLOW 2.8 GPM - UL	
	098607-01-701	EA DRIVE ASSEMBLY	94-234-03
	098607-01-704	EA HOUSING-UPPER	94-231-01
2	098607-01-700	EA PUMPHEAD - REPLACEMENT	94-236-08
3	098607-01-706	EA UPPER HOUSING/ SWITCH KIT	94-231-20
4	098607-01-705	EA CHECK VALVE - KIT	94-237-00
5	098607-01-703	EA VALVE ASM	94-232-00
6	098607-01-702	EA DIAPHRAGM KIT W/DRIVE	94-238-04
7	098607-01-707	EA MOTOR/ BASEPLATE REPLACEMENT	94-235-03

## WATER & SEWAGE GROUP (CONTINUED)

### WATER SYSTEM COMPONENTS

KEY	PART NUMBER	U/M DESCRIPTION
	079381-01-000	FT TUBING - SMOOTH FLEXIBLE - 1.38" ID
	039800-02-000	FT TUBING - POLYBUTYL - 5/8" OD
	010219-01-000	EA ELBOW - 1 1/4" MPT X 1 1/4" BARB - WATER FILL - PLASTIC
	039798-01-000	EA TEE - 1/2" MPT X 1/2" MPT X 1/2" MPT - PLASTIC
	101814-01-000	EA COUPLING - FEMALE - 1/2" X 1/2" FPT
	110915-01-01A	EA WATER FILL - CITY - CHROME - KEVCO 64713

### WATER SYSTEM COMPONENTS (FLAIR-IT)

KEY	PART NUMBER	U/M DESCRIPTION
	114427-01-000	EA CAP - 1/2P - 02860
	114427-02-000	EA PLUG - 1/2P - 02863
	114428-01-000	EA TEE - 1/2P X 1/2P X 1/2P - 02820
	114428-02-000	EA TEE - SWIVEL - 1/2P X 1/2P X 1/2FPT - 02821
	114428-03-000	EA TEE - 1/2P X 1/2P X 1/2MPT - 02822
	114429-01-000	EA ELBOW - 1/2P X 1/2P - 02800
	114429-02-000	EA ELBOW - 1/2P X 1/2MPT - 02803
	114429-03-000	EA ELBOW - SWIVEL - 1/2P X 1/2FPT - 02816
	114429-04-000	EA ELBOW - 1/2P X 3/8MPT - 02810
	114429-05-000	EA ELBOW - 1/2P X 3/4MPT - 02812
	114429-06-000	EA ELBOW - SWIVEL - 1/2P X 3/4FPT - 02811
	114430-01-000	EA ADAPTER - 1/2P X 1/2P - 02840
	114430-02-000	EA ADAPTER - SWIVEL - 1/2P X 1/2FPT - 02873
	114430-03-000	EA ADAPTER - 1/2P X 1/2MPT - 02842
	114431-01-000	EA VALVE - LINE DRAIN 1/2P - 02914
	114431-02-000	EA VALVE - 1/2P - BYPASS - 02910
	114431-03-000	EA VALVE - 1/2P X 1/2P - 02884
	114431-04-000	EA VALVE - STOP - 1/2P X 1/2P - 02880

### FRESH WATER TANK

KEY	PART NUMBER	U/M DESCRIPTION
	104363-04-000	EA TANK ASM - WATER - 100 GAL
	042989-05-000	EA FITTING - SPINWELD - PLASTIC 1/2FPT
	042989-03-000	EA FITTING - SPINWELD - PLASTIC - 11/4" FPT
	049032-01-000	EA PATCH - SPINWELD - 3/8" - PLASTIC
	039861-01-000	EA SENDING UNIT W/SCREW - WASHER
	091208-01-000	EA WASHER - RUBBER - .06" X .75" X .5"
	077954-02-000	EA FILTER - WATER TANK - SCREEN IN TANK

### EXTERIOR SHOWER COMPONENTS

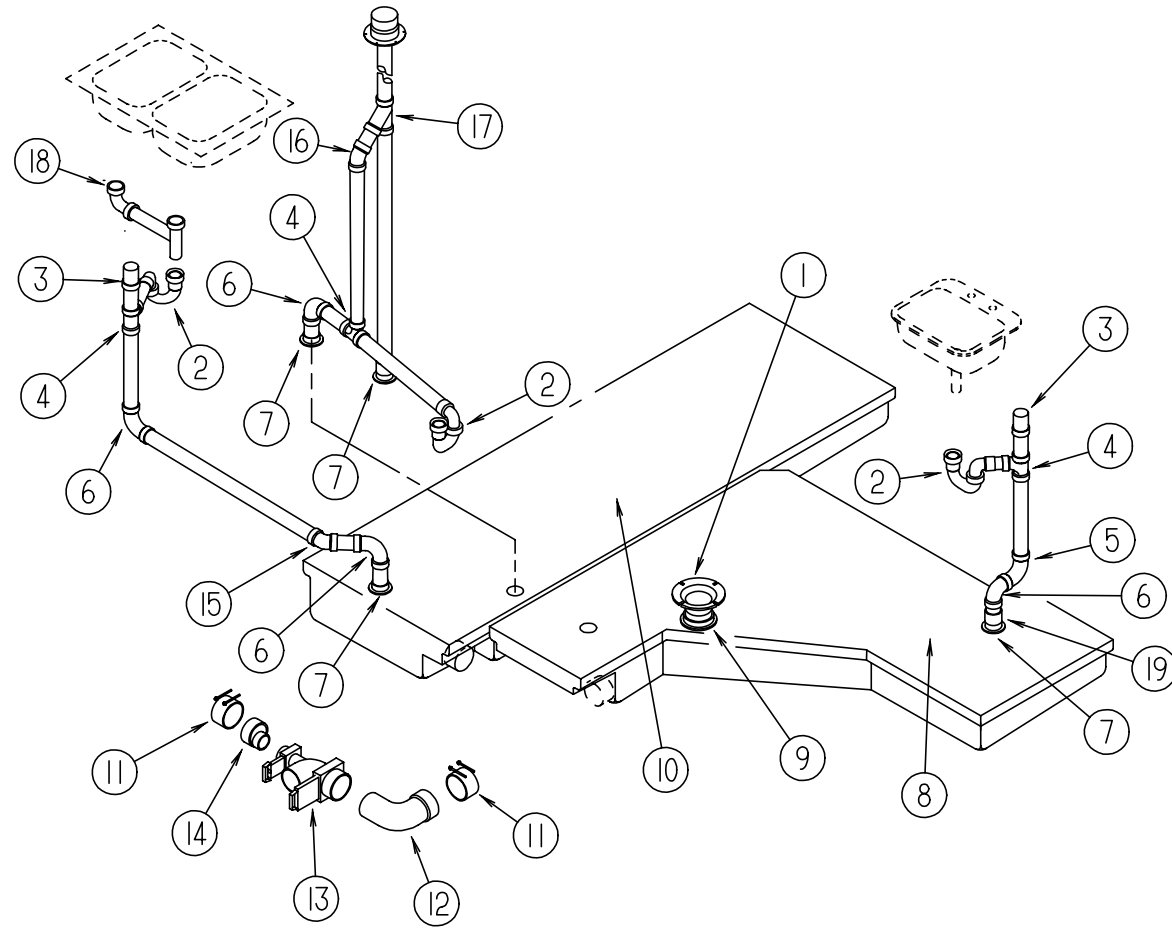
KEY	PART NUMBER	U/M DESCRIPTION
	103092-01-000	EA SHOWER HEAD - W/60" HOSE (US)
	103092-02-000	EA SHOWER HEAD - W/HOSE (CSA)
	104044-01-000	EA BRACKET - SUPPORT - FAUCET
	103092-01-700	EA BRACKET (FOR SHOWER HEAD) CLEAR
	103092-01-701	EA BRACKET (FOR SHOWER HEAD) BONE
	075241-05-000	EA FAUCET - SHOWER - BONE

### WATER PURIFICATION COMPONENTS

KEY	PART NUMBER	U/M DESCRIPTION
	701069-01-000	EA WATER PURIFICATION SYSTEM 9252
	701069-03-700	EA CARTRIDGE-WATER FILTER,AC EVERPURE 9601-11

# WATER & SEWAGE GROUP (CONTINUED)

## DRAINAGE SYSTEM



KEY	PART NUMBER	U/M	DESCRIPTION
1	063641-01-000	EA	FLANGE - CLOSET - 4" X 3"
2	107537-01-000	EA	P-TRAP ADAPTER - 1 1/4" SLIP
2	107538-01-000	EA	P-TRAP - PLASTIC - 1 1/4" W/ EXTENTION ARM
	061607-01-000	EA	GROMMET - HOLDING TANK - 1 1/2" NPS
3	079968-01-000	EA	VENT - MECHANICAL TRAP ARM - ANTI-SIPHON - 2" DIA. X 7.3" - PLASTIC
4	010071-01-000	EA	TEE - SANITARY - 1 1/2" HUB X HUB X HUB
5	010009-01-000	EA	ELBOW - 90° - 1/4 BEND - 1 1/2" - PLASTIC
6	010008-01-000	EA	ELBOW - 90° - 1/4 BEND - 1 1/2" HUB X HUB - BLACK PLASTIC
7	061607-01-000	EA	GROMMET - HOLDING TANK - 1 1/2" NPS
8	104350-01-000	EA	TANK - HOLDING - 69 GAL (BLACK)
9	061607-02-000	EA	GROMMET - HOLDING TANK - 3" NPS
10	104352-01-000	EA	TANK - HOLDING - 50 GAL (GRAY)
11	078406-01-000	EA	COUPLER - RUBBER - W/ CLAMPS - 3" X 3"
12	041956-01-000	EA	ELBOW - STREET - 1/4" BEND - 3" X 90° XLT
13	070916-01-000	EA	VALVE - DUAL DUMP - W/ CAP - 3" X 1 1/2" - PLASTIC - BLACK
	070916-01-700	EA	VALVE ONLY - 3"
	070916-01-701	EA	VALVE ONLY - 1 1/2"
14	062422-01-000	EA	ADAPTER - OFFSET REDUCER - 3" X 1 1/2" - PLASTIC - BLACK
	010201-01-000	EA	HOSE - SEWER - 3" ID X 8 FEET
	062416-01-000	EA	ADAPTER - SEWER HOSE TO 3" PIPE
	062416-01-000	EA	ADAPTER - SEWER HOSE TO 3" PIPE
15	010006-01-000	EA	ELBOW - 45° - 1/8 BEND - 1 1/2" HUB X HUB - BLACK PLASTIC
16	010051-01-000	EA	ELBOW - 45° BEND - 1 1/2" SPIGOT AND HUB - PLASTIC - BLACK
17	010073-01-000	EA	WYE - 45 DEGREE - 1 1/2" HUB X HUB X HUB - PLASTIC - BLACK
18	011091-03-000	EA	PIPE - DRAIN - W/SEALS - DOUBLE SINK - EXTENDS 9" TO 16"
18	011091-02-000	EA	PIPE - DRAIN - DOUBLE SINK - BAFFLE TEE - 1 1/2"
19	010115-01-000	EA	COUPLING - 1 1/2" HUB X HUB - PLASTIC

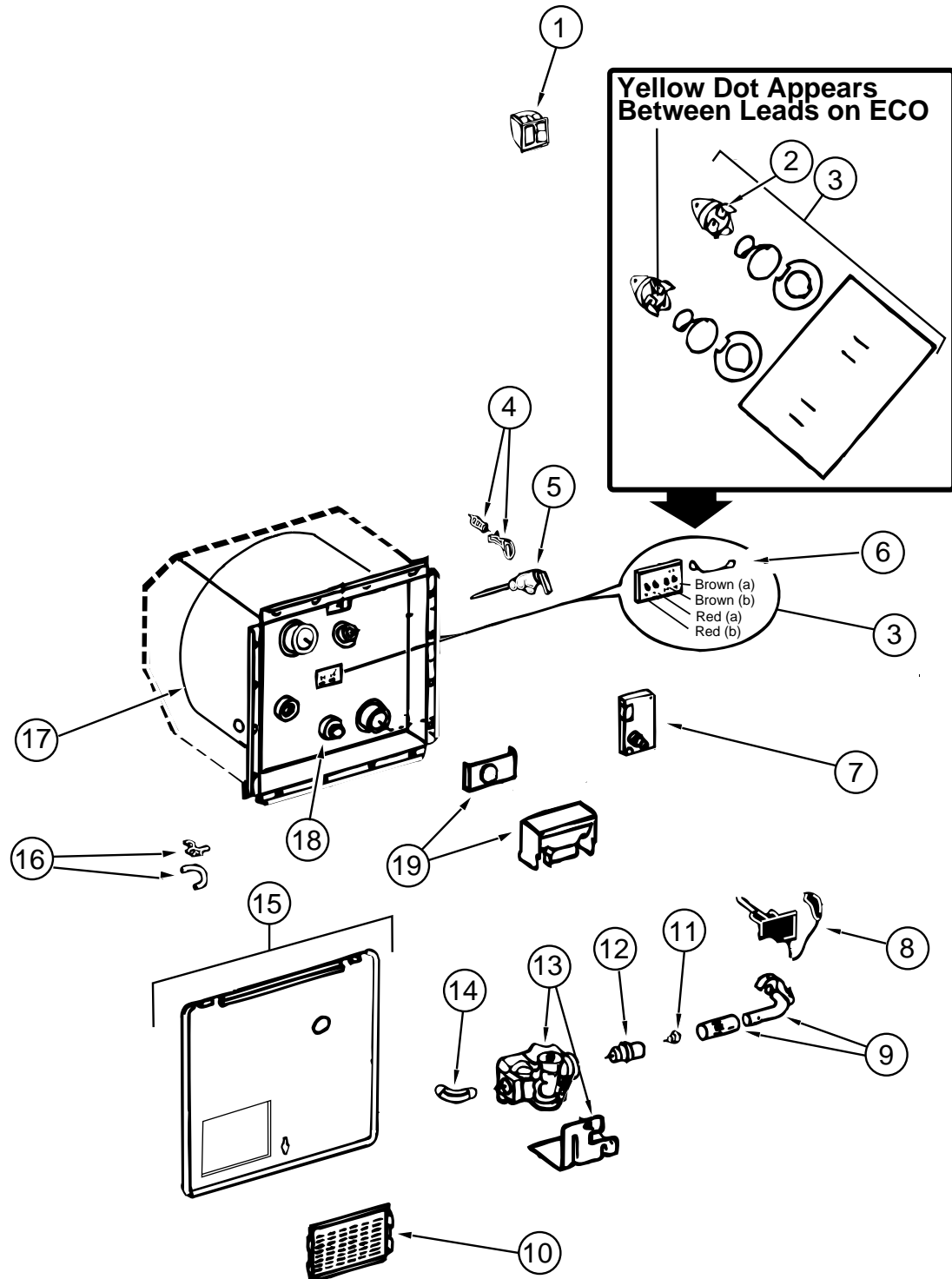
## WATER & SEWAGE GROUP (CONTINUED)

### WATER HEATER W/MOTOR AID ATWOOD (GH6-7E)

KEY	PART NUMBER	U/M DESCRIPTION
	051393-01-000	EA WATER HEATER - W/MOTOR AID - PILOTLESS IGNITION
1	051393-01-701	EA SWITCH PACKAGE - 91959
2	051391-04-701	EA THERMOSTAT 12 VDC-120 PRESET - 91470
3	051393-01-721	EA ECO & THERMOSTAT ASM - FRONT MOUNT - 140° - 91447
4	051391-01-705	EA FASTENER - CAMLOC - 92609
5	051391-01-704	EA VALVE - RELIEF - 1/2" FITTING - 91604
6	051393-01-723	EA SWITCH - ENERGY CUT-OFF - 93866
7	051393-01-724	EA CIRCUIT BOARD - W/ SPADE TERMINAL - 93867
8	051393-01-725	EA ELECTRODE - SINGLE SPADE CONNECTION - 93868
9	051391-04-703	EA BURNER - MAIN - 91638
10	051391-01-717	EA GRILL - 92640
11	051391-01-710	EA ORIFICE - MAIN BURNER - 92742
12	051391-03-700	EA ORIFICE HOLDER - 91563
13	051393-01-726	EA SOLENOID VALVE & BRACKET - 93870
14	051391-01-714	EA ELBOW - 45 DEGREE - 3/8" F X 3/8" MPT - 91044
15	052009-01-000	EA DOOR - WATER HEATER - OFF WHITE
16	051391-01-700	EA HINGE KIT - W/CLIP - 92568 & 92559
17	051393-03-701	EA TANK - INNER - 91642
18	051391-01-715	EA DRAIN PLUG - 91857
19	051391-04-706	EA FLUE & GASKET - 92787
	116424-01-000	EA PROTECTOR - ROUND VINYL - WATER HEATER LATCH

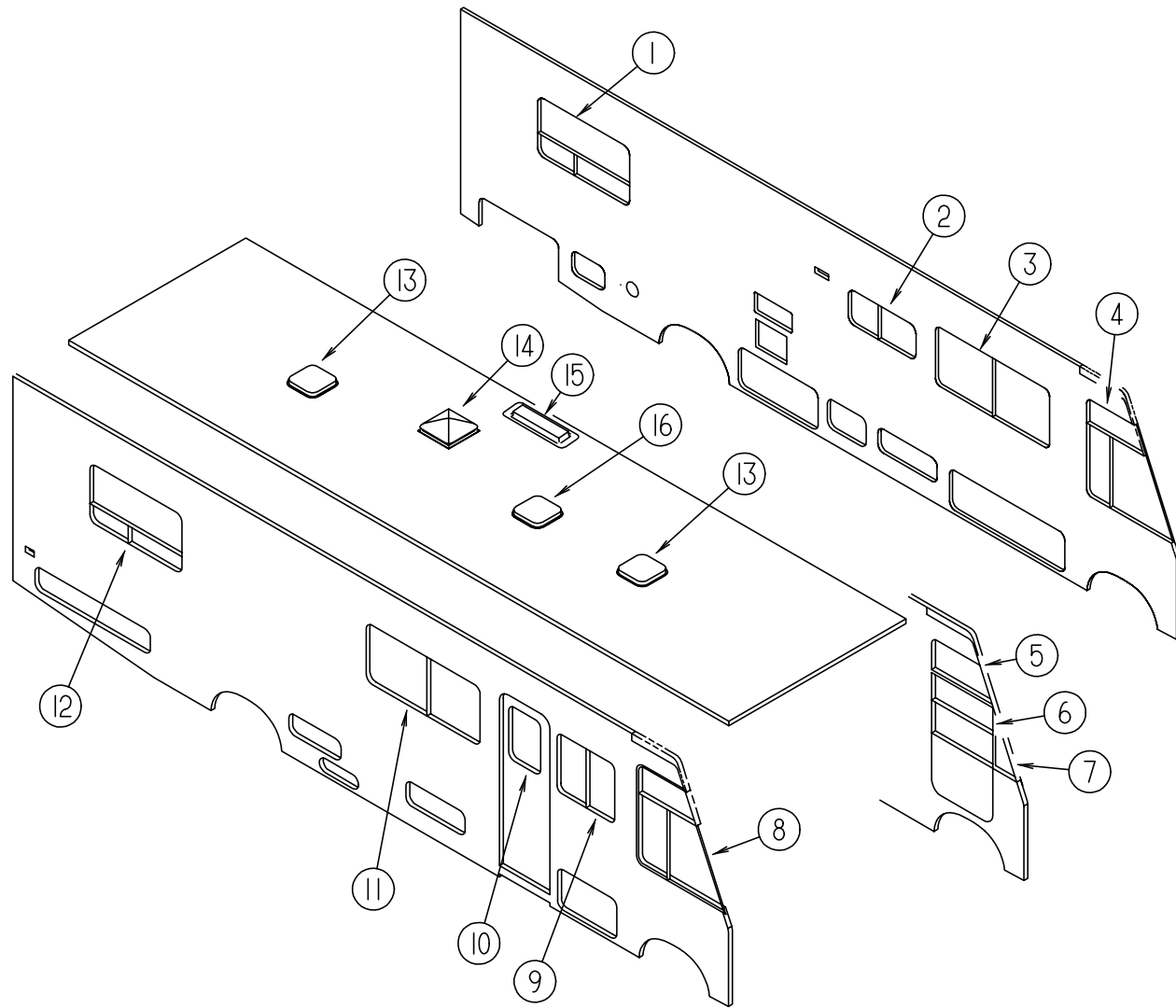
### WATER HEATER W/MOTOR AID ATWOOD (G6A-7E)

KEY	PART NUMBER	U/M DESCRIPTION
	051391-03-000	EA WATER HEATER - W/ ELECTRIC IGNITION
1	051393-01-701	EA SWITCH PACKAGE - 91959
2	051391-04-701	EA THERMOSTAT 12 VDC-120 PRESET - 91470
3	051393-01-721	EA ECO & THERMOSTAT ASM - FRONT MOUNT - 140° - 91447
4	051391-01-705	EA FASTENER - CAMLOC - 92609
5	051391-01-704	EA VALVE - RELIEF - 1/2" FITTING - 91604
6	051393-01-723	EA SWITCH - ENERGY CUT-OFF - 93866
7	051393-01-724	EA CIRCUIT BOARD - W/ SPADE TERMINAL - 93867
8	051393-01-725	EA ELECTRODE - SINGLE SPADE CONNECTION - 93868
9	051391-04-703	EA BURNER - MAIN - 91638
10	051391-01-717	EA GRILL - 92640
11	051391-01-710	EA ORIFICE - MAIN BURNER - 92742
12	051391-03-700	EA ORIFICE HOLDER - 91563
13	051393-01-726	EA SOLENOID VALVE & BRACKET - 93870
14	051391-01-714	EA ELBOW - 45 DEGREE - 3/8" F X 3/8" MPT - 91044
15	052009-01-000	EA DOOR - WATER HEATER - OFF WHITE
16	051391-01-700	EA HINGE KIT - W/CLIP - 92568 & 92559
17	051391-04-706	EA TANK - INNER - 91641
18	051391-01-715	EA DRAIN PLUG - 91857
19	051391-04-706	EA FLUE & GASKET - 92787
	116424-01-000	EA PROTECTOR - ROUND VINYL - WATER HEATER LATCH



# WINDOW, VENT & EXTERIOR DOOR GROUP

## WINDOWS & VENTS



KEY	PART NUMBER	U/M DESCRIPTION
1	104691-14-01A	EA WINDOW ASM. - TIPOUT ESCAPE
1	112795 24 01A	EA WINDOW ASM. - ESCAPE - THERMO INSULATED - W/ INSIDE FRAME (OPTION)
2	098647-34-01A	EA WINDOW ASM. - SLIDER - W/ INSIDE TRIM (OFF-WHITE)
2	112795-20-01A	EA WINDOW ASM. - SLIDER - THERMO INSULATED - W/ INSIDE FRAME (OPTION)
3	098647-22-01A	EA WINDOW ASM. - SLIDER - W/ INSIDE TRIM (OFF-WHITE)
3	112795-15-01A	EA WINDOW ASM. - SLIDER - THERMO INSULATED - W/ INSIDE FRAME (OPTION)
4	103658-07-01A	EA WINDOW ASM. - CAB - DRIVER SIDE
4	113501-01-01A	EA WINDOW ASM. - CAB - THERMO INSULATED - W/ INSIDE FRAME (OPTION)
5	106467-03-01A	EA WINDOW ASM. - VISTA - DRIVER SIDE
5	116000-02-01A	EA WINDOW ASM. - VISTA - THERMO INSULATED - W/ INSIDE FRAME (OPTION)
6	106469-01-704	EA WINDOW - DRIVER DOOR - ROLL-UP GLASS ASM. - W/ BRACKET
7	106468-02-01A	EA WINDOW ASM. - FRONT SLANT- DRIVER SIDE
7	115999-02-01A	EA WINDOW ASM. - FRONT SLANT - THERMO INSULATED - DRIVER SIDE (OPTION)
8	103658-08-01A	EA WINDOW ASM. - CAB - PASSENGER SIDE
8	113501-02-01A	EA WINDOW ASM. - SLIDER - THERMO INSULATED - W/ INSIDE FRAME (OPTION)
9	098647-25-01A	EA WINDOW ASM. - SLIDER - W/ INSIDE TRIM (OFF-WHITE)
9	112795-18-01A	EA WINDOW ASM. - SLIDER - THERMO INSULATED - W/ INSIDE FRAME (OPTION)
10	079733-15-F04	EA WINDOW ASM. - ENTRANCE DOOR - W/O INSIDE FRAME
10	113733 01 01A	EA WINDOW ASM. - STATIONARY - THERMO INSULATED - W/ INSIDE FRAME (OPTION)
11	098647-23-01A	EA WINDOW ASM. - SLIDER - W/ INSIDE TRIM (OFF-WHITE)
11	112795-16-01A	EA WINDOW ASM. - SLIDER - THERMO INSULATED - W/ INSIDE FRAME (OPTION)
12	104691-13-01A	EA WINDOW ASM. - TIPOUT OFF WHITE
12	112795-22-01A	EA WINDOW ASM. - SLIDER - THERMO INSULATED - W/ INSIDE FRAME (OPTION)
13	110051-02-01A	EA VENT - ROOF - NON POWERED
14	110051-04-01A	EA VENT - ROOF - POWERED
15	084073-04-000	EA BASE-ROOF VENT, REFRIGERATOR - BLACK - NORCOLD
15	084073-05-000	EA COVER-ROOF VENT, REFRIGERATOR - BUFF - NORCOLD
16	084079-14-000	EA VENT - EXHAUST - POWERED - OFF WHITE (US)
16	084079-15-000	EA VENT - EXHAUST - POWERED - OFF WHITE (CSA)



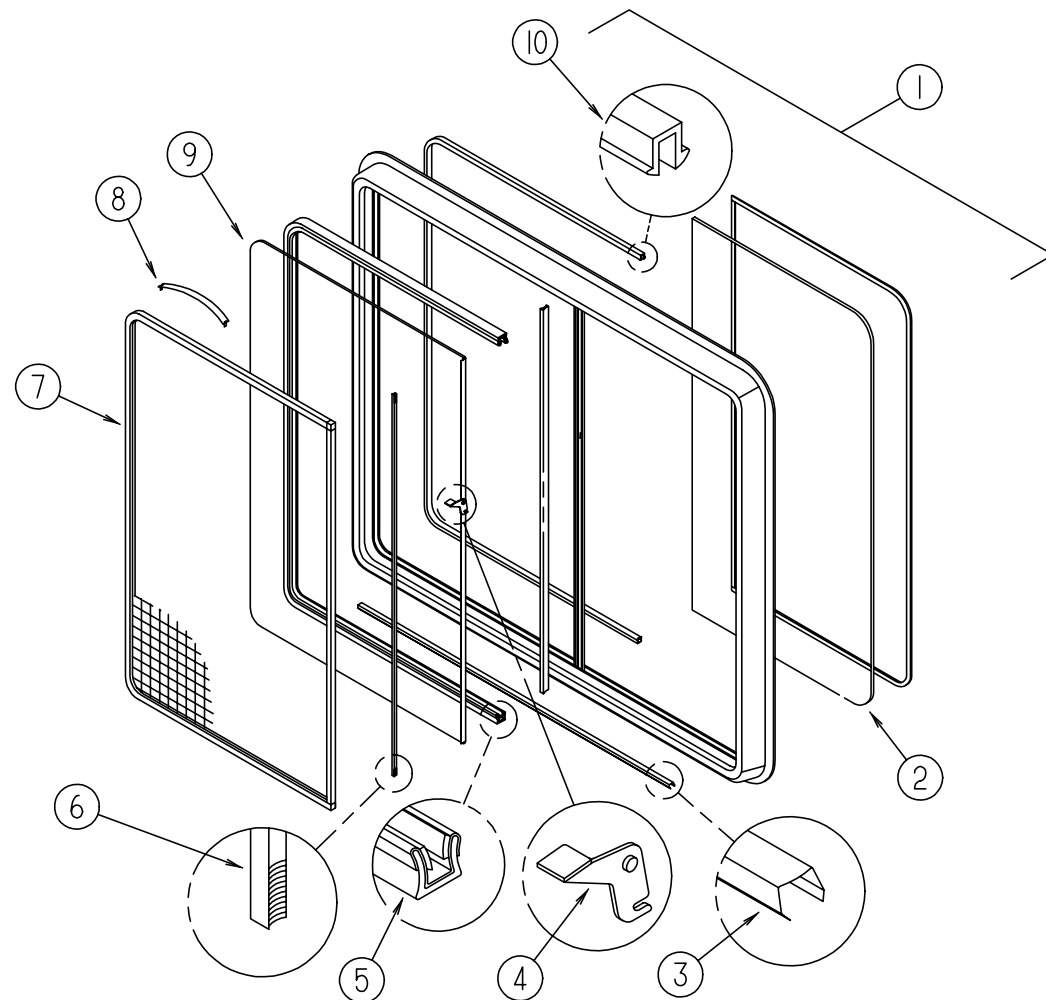
## WINDOW, VENT & EXTERIOR DOOR GROUP (CONTINUED)

### SINGLE SLIDER WINDOW (EXCEL) (PASSENGER SIDE, LOUNGE)

KEY	PART NUMBER	U/M	DESCRIPTION
	098647-25-01A	EA	WINDOW ASM - SLIDER - W/ INSIDE FRAME (OFF WHITE)
1	098647-25-700	EA	WINDOW ASM - SLIDER - W/O INSIDE FRAME
	098647-25-701	EA	FRAME - INSIDE (OFF WHITE)
2	098647-25-702	EA	GLASS - STATIONARY
3	098644-01-710	FT	TRACK - SCREEN SPACER - 12' LENGTH
4	098644-01-700	EA	LATCH - REPAIR KIT
5	098644-01-708	FT	CHANNEL - PIERCED RUN
6	098644-01-711	FT	WEATHERSTRIP - SCREEN - BLACK
7	098647-25-704	EA	SCREEN ASM. - W/ SPRINGS & WEATHERSTRIP
8	098644-01-713	EA	SPRING - SCREEN FRAME (CLIP)
9	098647-25-703	EA	GLASS - SLIDING - W/ SASH & LATCH
10	098644-01-706	FT	WEATHERSTRIP
	098644-01-716	FT	PLUG - FILLER
	098644-01-717	FT	SPLINE - SCREEN

### SINGLE SLIDER WINDOW (EXCEL) (GALLEY)

KEY	PART NUMBER	U/M	DESCRIPTION
	098647-34-01A	EA	WINDOW ASM - SLIDER - W/ INSIDE FRAME (OFF WHITE)
1	098647-34-700	EA	WINDOW ASM - SLIDER - W/O INSIDE FRAME
	098647-33-701	EA	FRAME - INSIDE (OFF WHITE)
2	098647-33-702	EA	GLASS - STATIONARY
3	098644-01-710	FT	TRACK - SCREEN SPACER - 12' LENGTH
4	098644-01-700	EA	LATCH - REPAIR KIT
5	098644-01-708	FT	CHANNEL - PIERCED RUN
6	098644-01-711	FT	WEATHERSTRIP - SCREEN - BLACK
7	098647-33-704	EA	SCREEN ASM. - W/ SPRINGS & WEATHERSTRIP
8	098644-01-713	EA	SPRING - SCREEN FRAME (CLIP)
9	098647-33-703	EA	GLASS - SLIDING - W/ SASH & LATCH
10	098644-01-706	FT	WEATHERSTRIP
	098644-01-716	FT	PLUG - FILLER
	098644-01-717	FT	SPLINE - SCREEN



### SINGLE SLIDER WINDOW (EXCEL) (LOUNGE)

KEY	PART NUMBER	U/M	DESCRIPTION
	098647-22-01A	EA	WINDOW ASM - SLIDER - W/ INSIDE FRAME (OFF WHITE)
1	098647-22-700	EA	WINDOW ASM - SLIDER - W/O INSIDE FRAME
	098647-23-702	EA	FRAME - INSIDE (OFF WHITE)
2	098647-23-703	EA	GLASS - STATIONARY
3	098644-01-710	FT	TRACK - SCREEN SPACER - 12' LENGTH
4	098644-01-700	EA	LATCH - REPAIR KIT
5	098644-01-708	FT	CHANNEL - PIERCED RUN
6	098644-01-711	FT	WEATHERSTRIP - SCREEN - BLACK
7	098647-23-704	EA	SCREEN ASM. - W/ SPRINGS & WEATHERSTRIP
8	098644-01-713	EA	SPRING - SCREEN FRAME (CLIP)
9	098647-23-700	EA	GLASS - SLIDING - W/ SASH & LATCH
10	098644-01-706	FT	WEATHERSTRIP
	098644-01-716	FT	PLUG - FILLER
	098644-01-717	FT	SPLINE - SCREEN

**WINDOW, VENT & EXTERIOR DOOR GROUP (CONTINUED)**

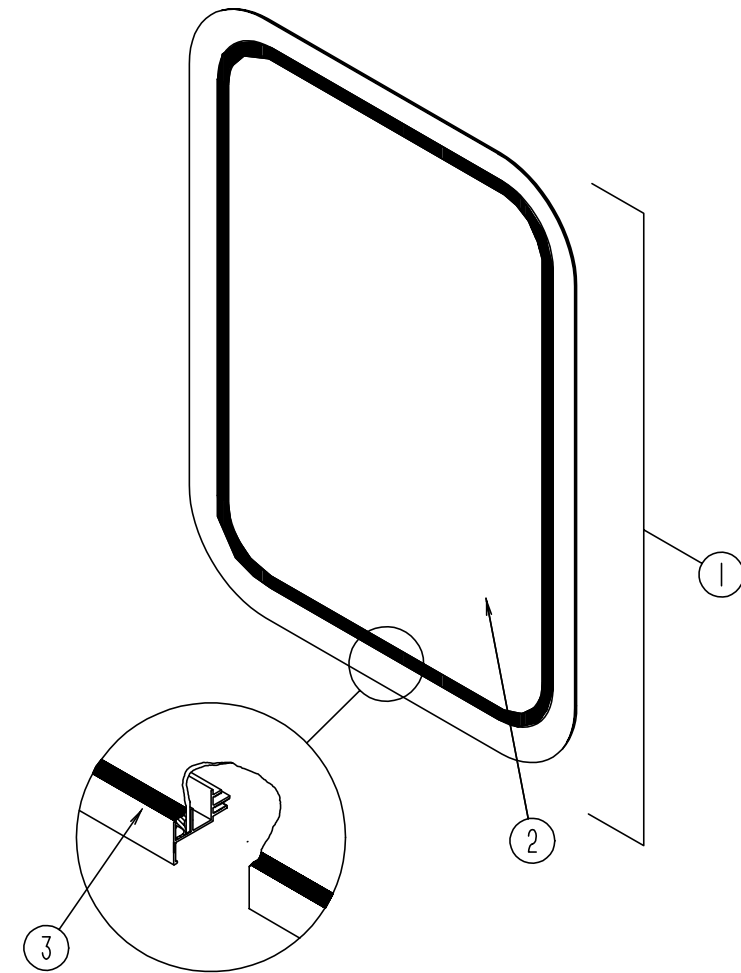
**BEDROOM WINDOW (ESCAPE) (DRIVER SIDE)**

KEY	PART NUMBER	U/M DESCRIPTION
	104691-14-01A	EA WINDOW ASM. - DOUBLE TIPOUT- EXCEL - W/ INSIDE FRAME
	104691-14-700	EA WINDOW W/O TRIM - CH88-G2
	104691-14-701	EA TRIM - CW8859
	104691-14-702	EA GLASS-STATIONARY - 106-019117
	104691-14-703	EA VENT ASSEMBLY - CH88-G9
	104691-14-704	EA OPERATOR & BAR ASSEMBLY - CH88-18
	104691-14-705	EA SCREEN ASSEMBLY - 410-019120

**BEDROOM WINDOW (PASSENGER SIDE)**

KEY	PART NUMBER	U/M DESCRIPTION
	104691-13-01A	EA WINDOW ASM. - DOUBLE TIPOUT- EXCEL - W/ INSIDE FRAME
	104691-13-700	EA WINDOW W/O TRIM - CH37-G2
	104691-13-701	EA TRIM - W30359
	104691-13-702	EA GLASS - STATIONARY - 106-017670
	104691-13-703	EA VENT ASSEMBLY - CH37-G9
	104691-13-704	EA OPERATOR & BAR ASSEMBLY - CH36-18
	104691-13-705	EA SCREEN ASSEMBLY - 410-017763

**WINDOW, VENT & EXTERIOR DOOR GROUP (CONTINUED)**

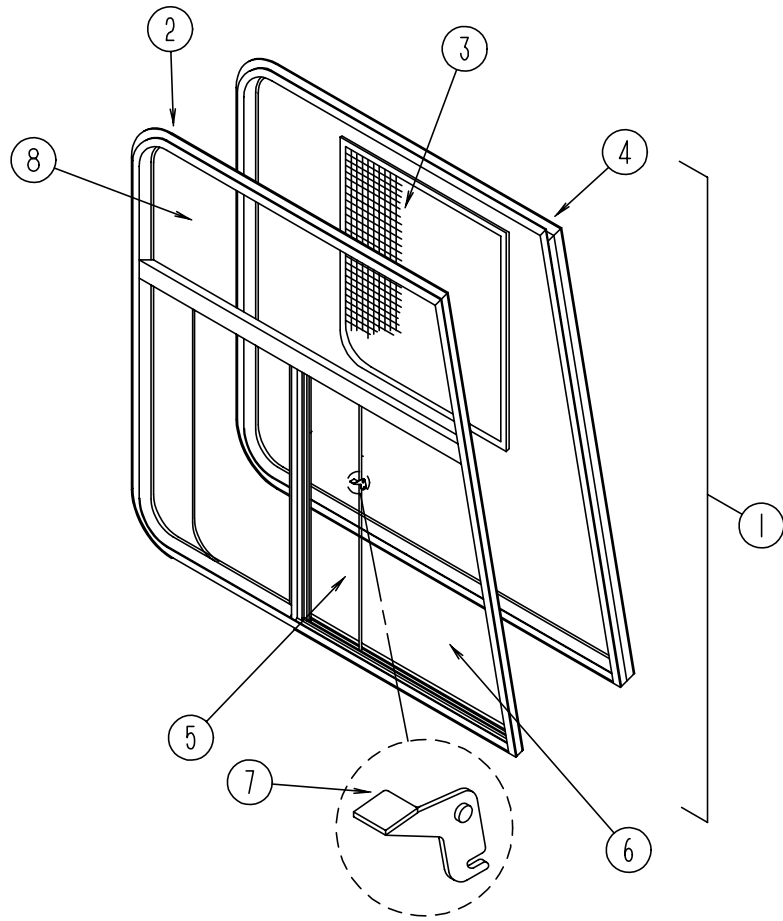


**ENTRY DOOR**

KEY	PART NUMBER	U/M DESCRIPTION
1	079733-15-F04	EA WINDOW ASM. - ENTRANCE DOOR - W/O INSIDE FRAME
	067609-38-000	EA INSIDE FRAME - OFF WHITE
2	002181-24-000	EA GLASS - PICTURE 687.4 X 449.4
3	087561-01-000	FT SEAL - GLASS - EXTERIOR - .5" WIDE - VINYL - BLACK

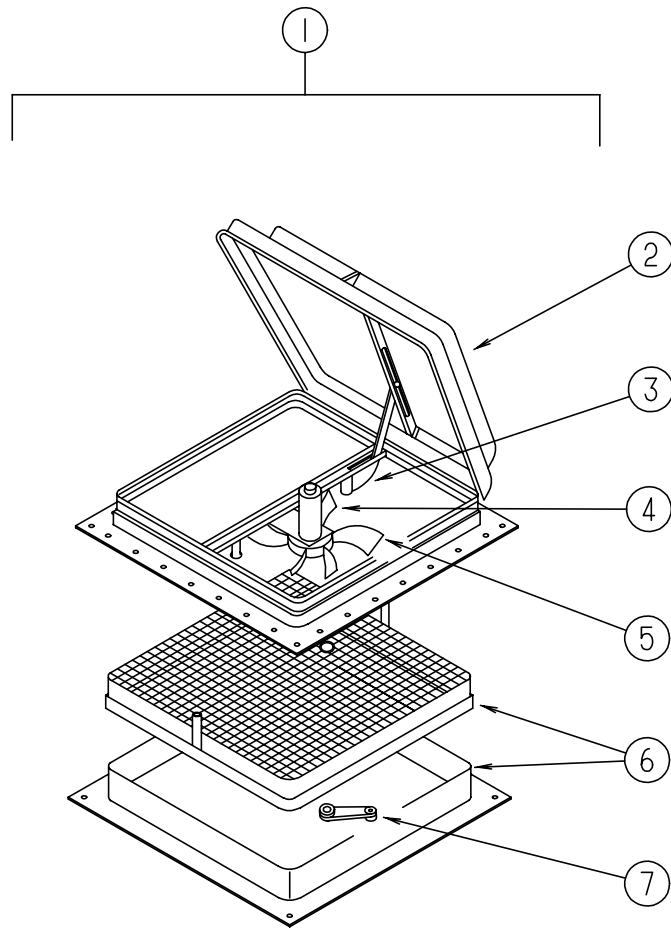
## WINDOW, VENT & EXTERIOR DOOR GROUP (CONTINUED)

### FRONT CAB WINDOWS (EXCEL)



KEY	PART NUMBER	U/M	DESCRIPTION
1	103658-07-01A	EA	WINDOW ASM. - CAB - W/ INSIDE FRAME - DRIVER SIDE
1	103658-08-01A	EA	WINDOW ASM. - CAB - W/ INSIDE FRAME - PASSENGER SIDE
2	103658-08-700	EA	WINDOW ASM. - SLIDER - W/O INSIDE FRAME - PASSENGER SIDE
2	103658-07-704	EA	WINDOW ASM. - SLIDER - W/O INSIDE FRAME - DRIVER SIDE
3	103658-01-700	EA	SCREEN ASM. - WINDOW - DRIVER SIDE
3	103658-02-700	EA	SCREEN ASM. - WINDOW - PASSENGER SIDE
	098644-01-717	FT	SCREEN SPLINE
	098644-01-713	EA	SCREEN CLIPS (METAL)(BLACK)
	098644-01-710	FT	TRACK - SPACER - FOR SCREEN 12'
	098644-01-711	FT	WEATHERSTRIP - SCREEN - BLACK
4	103658-08-701	EA	INSIDE FRAME - PASSENGER SIDE
4	103658-07-700	EA	INSIDE FRAME - DRIVER SIDE
5	103658-01-703	EA	GLASS - SLIDING - W/SASH & LATCH - DRIVER SIDE
5	103658-02-701	EA	GLASS - SLIDING - W/SASH & LATCH - PASSENGER SIDE
6	103658-01-702	EA	GLASS - STATIONARY - BOTTOM - DRIVER OR PASSENGER SIDE
7	098644-01-700	EA	LATCH - REPAIR KIT
8	103658-07-701	EA	GLASS - STATIONARY - TOP - DRIVER OR PASSENGER SIDE
	098644-01-708	FT	CHANNEL - PIERCED RUN
	098644-01-706	FT	WEATHERSTRIP - GLASS
	098644-01-716	FT	PLUG - FILLER

**WINDOW, VENT & EXTERIOR DOOR GROUP (CONTINUED)**



**POWERED ROOF VENT (US)**

KEY	PART NUMBER	U/M DESCRIPTION
1	110051-04-01A	EA VENT ASM. - ROOF - POWERED
2	064470-01-700	EA COVER - ROOF VENT
3	110051-01-702	EA GEAR-ARM-LIFT ASM.
4	048648-01-000	EA MOTOR - 12V NONVENTED 1/8 SHAFT
5	048649-01-000	EA FAN - PLASTIC - 6 IN - 6 BLADED
6	110051-01-704	EA W/ SCREEN & FRAME
7	110051-01-703	EA CRANK HANDLE

**POWERED ROOF VENT (CANADIAN)**

KEY	PART NUMBER	U/M DESCRIPTION
1	110051-06-01A	EA VENT ASM. - ROOF - POWERED
2	064470-01-700	EA COVER - ROOF VENT
3	110051-01-702	EA GEAR-ARM-LIFT ASM.
4	048648-01-000	EA MOTOR - 12V NONVENTED 1/8 SHAFT
5	048649-01-000	EA FAN - PLASTIC - 6 IN - 6 BLADED
6	110051-01-704	EA W/ SCREEN & FRAME
7	110051-01-703	EA CRANK HANDLE

**WINDOW, VENT & EXTERIOR DOOR GROUP (CONTINUED)**

**NON POWERED ROOF VENT**

KEY	PART NUMBER	U/M DESCRIPTION
	110051-02-01A	EA ROOF VENT - W/SCREEN
	064470-01-700	EA COVER - ROOF VENT
	110051-01-702	EA GEAR-ARM-LIFT ASM.
	110051-01-703	EA CRANK HANDLE - ROOF VENT
	110051-01-704	EA SCREEN & FRAME ASM.

**POWERED ROOF VENT (FANTASTIC) (US)**

KEY	PART NUMBER	U/M DESCRIPTION
	084079-14-000	EA VENT - EXHAUST - POWERED - OFF WHITE
	084079-01-700	EA VENT COVER - 1020-19
	084079-01-701	EA SCREEN ASM. - WHITE - 1030-80
	084079-01-703	EA CRANK - EXTERIOR - 1060-09
	084079-01-704	EA BLADE - FAN - 1070-00
	084079-01-705	EA MOTOR - 1080-00
	084079-01-707	EA SWITCH - SAFETY - 1120-00
	084079-01-709	EA SWITCH - ON & OFF - MAIN POWER - 1100-00
	084079-01-711	EA H-MOLDING - MOTOR MOUNT - PLASTIC
	084079-01-712	EA GARNISH - INTERIOR - 1 7/8" - OFF WHITE

**POWERED ROOF VENT (FANTASTIC) (CSA)**

KEY	PART NUMBER	U/M DESCRIPTION
	084079-15-000	EA VENT - EXHAUST - POWERED - OFF WHITE
	084079-01-700	EA VENT COVER - 1020-19
	084079-01-701	EA SCREEN ASM. - OFF WHITE - 1030-80
	084079-01-703	EA CRANK - EXTERIOR - 1060-09
	084079-01-704	EA BLADE - FAN - 1070-00
	084079-01-705	EA MOTOR - 1080-00
	084079-01-707	EA SWITCH - SAFETY - 1120-00
	084079-01-709	EA SWITCH - ON & OFF - MAIN POWER - 1100-00
	084079-01-711	EA H-MOLDING - MOTOR MOUNT - PLASTIC
	084079-01-712	EA GARNISH - INTERIOR - 1 7/8" - OFF WHITE

**ROOF VENTS**

KEY	PART NUMBER	U/M DESCRIPTION
	083558-03-000	EA VENT COVER - PLUMBING PIPE - ROOF
	084073-03-000	EA COVER - ROOF VENT - NORCOLD REFRIGERATOR - OFF WHITE
	084073-04-000	EA BASE - ROOF VENT - NORCOLD REFRIGERATOR - BLACK

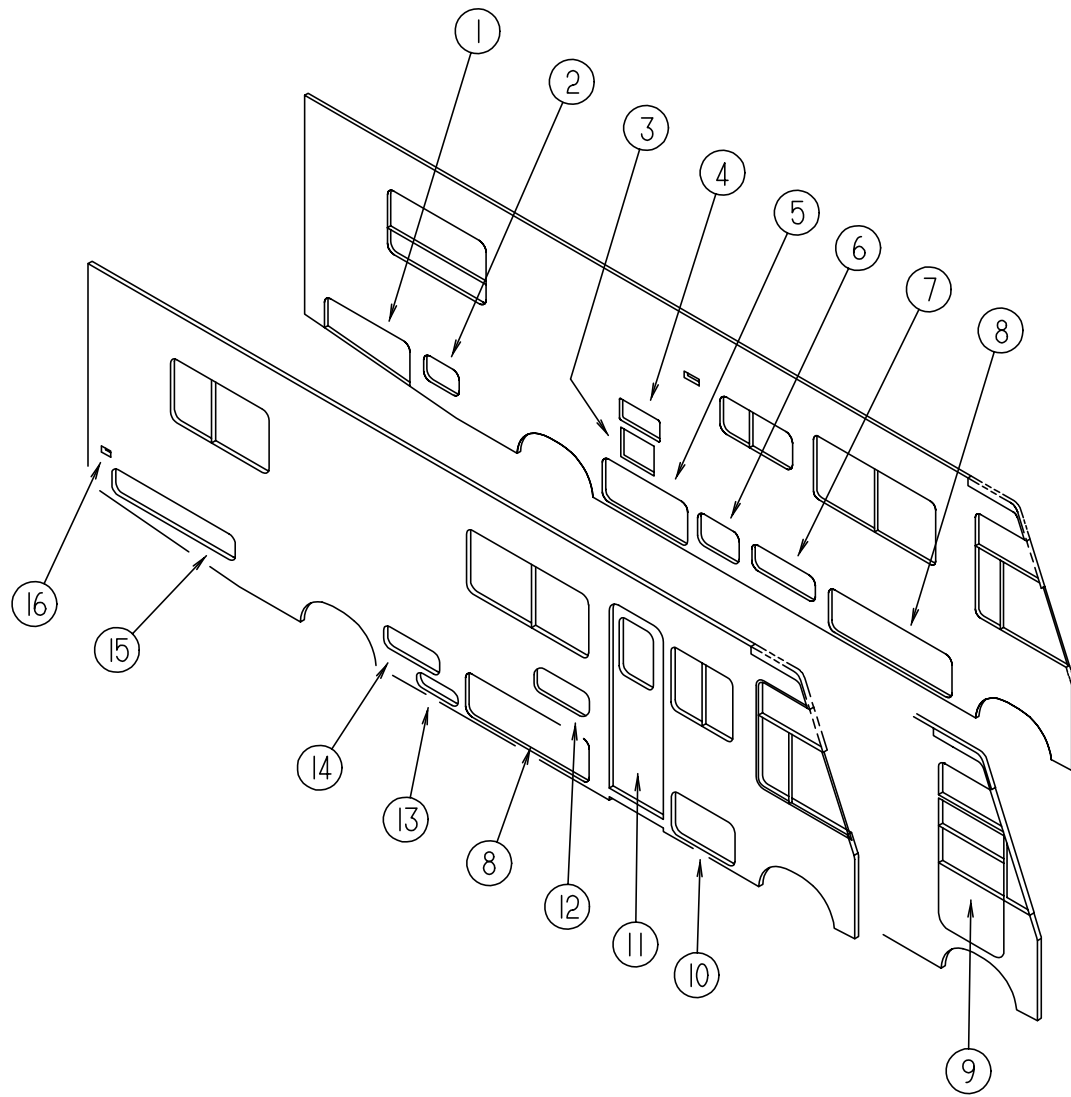
**SIDEWALL VENTS**

KEY	PART NUMBER	U/M DESCRIPTION
	084616-01-000	EA SHROUD - RANGE HOOD VENT - OFF WHITE
	084878-09-000	EA VENT - RANGE HOOD - SHORT - LVS

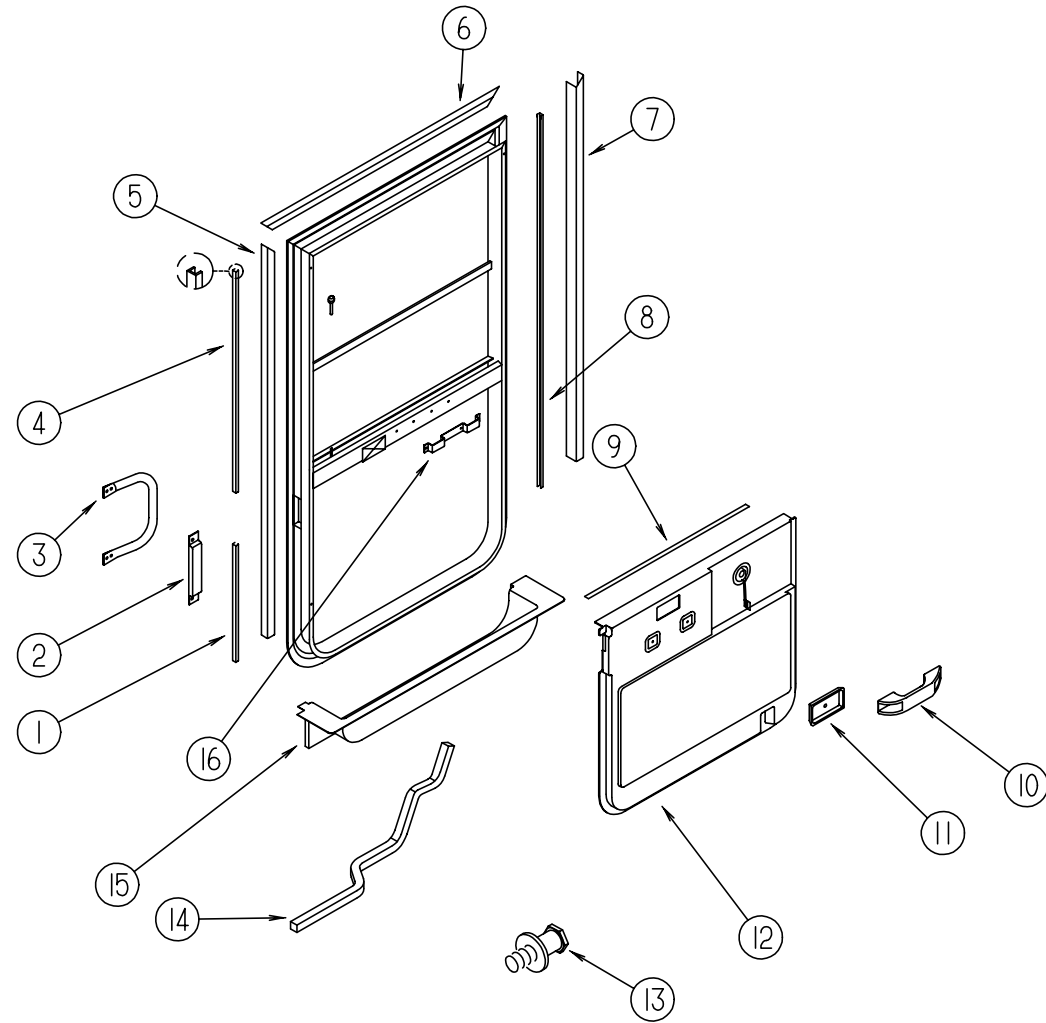
## WINDOW, VENT & EXTERIOR DOOR GROUP (CONTINUED)

### EXTERIOR DOORS

KEY	PART NUMBER	U/M	DESCRIPTION
1	111012-06-F11	EA	DOOR ASM - GENERATOR
2	111013-18-F11	EA	DOOR ASM - ACCESS
3	052009-04-000	EA	DOOR - WATER HEATER - BUFF
4	084103-06-000	EA	DOOR - REFRIGERATOR - VENTED - JAMB - BUFF
4	084104-06-000	EA	JAMB - REFRIGERATOR - BUFF
5	111013-21-F11	EA	DOOR ASM - STORAGE
6	098668-12-000	EA	DOOR ASM - FURNACE - EXTERIOR
7	111013-18-F11	EA	DOOR ASM - STORAGE
8	111013-17-F11	EA	DOOR ASM - STORAGE
9	106469-02-01A	EA	DOOR ASM - DRIVERS - BLACK
10	111013-16-F11	EA	DOOR ASM - STORAGE
11	115108-02-F11	EA	DOOR - ENTRY - W/ SCREEN DOOR - W/O WINDOW
11	115108-02-F12	EA	DOOR - ENTRY - W/ SCREEN DOOR - W/O WINDOW
12	111017-01-E10	EA	DOOR ASM - ACCESS - EXTERIOR RADIO
13	111009-01-F11	EA	DOOR - LP COMPARTMENT - 16.9" X 5.4" - ALUMINUM
14	111013-20-F11	EA	DOOR ASM - ACCESS
15	111013-19-F11	EA	DOOR ASM - ACCESS - EXTERIOR SHOWER
16	081240-12-000	EA	DOOR - WATER FILL - LOCKABLE W/O LOCK - 4" X 4 5/8" - BUFF



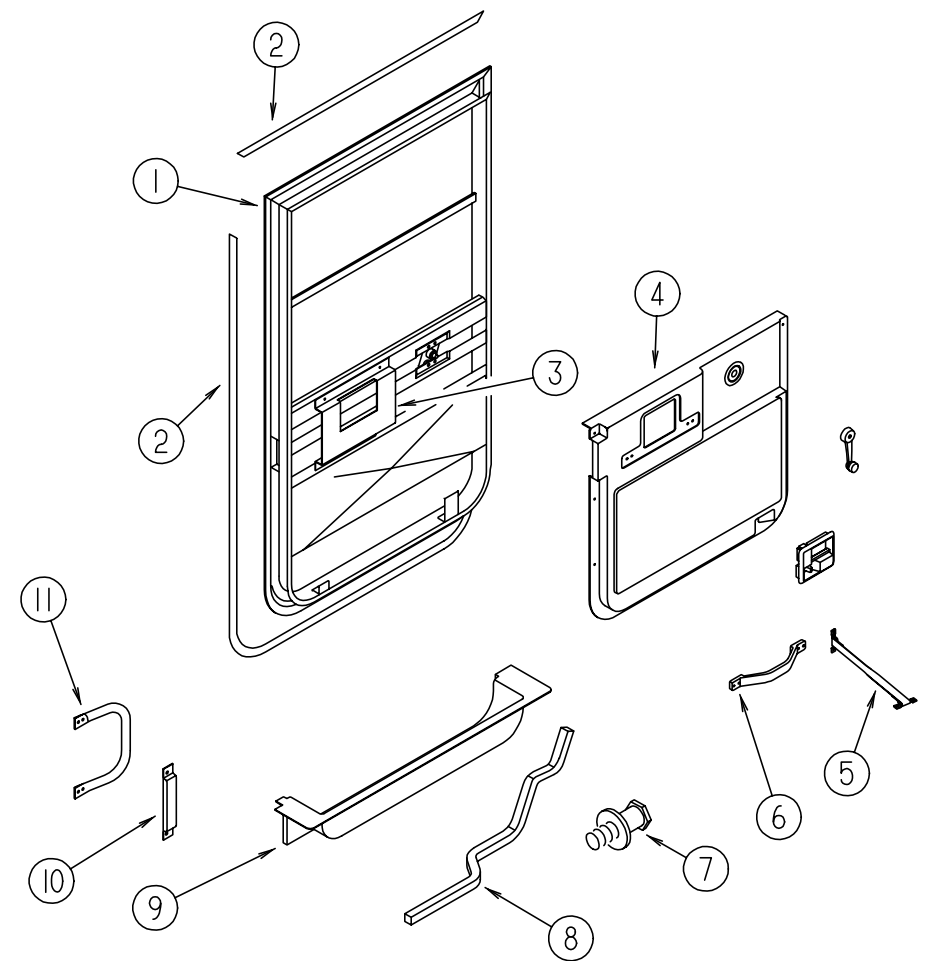
**WINDOW, VENT & EXTERIOR DOOR GROUP (CONTINUED)**



**DRIVER DOOR (EXCEL) (FROM: 00-00-00 THRU: 11-13-94)**

KEY	PART NUMBER	U/M DESCRIPTION
	106469-02-01A	EA DOOR - DRIVERS - BLACK - V108-01L
1	108642-03-01A	EA TRIM - DOOR - DRIVERS - BLACK
2	108654-01-01A	EA COVER - STRIKE - DRIVERS DOOR - BLACK
3	108832-01-02A	EA HANDLE - ASSIST - DRIVERS DOOR - METAL - OFF WHITE
3	108832-01-01A	EA HANDLE - ASSIST - DRIVERS DOOR - METAL - MILL FINISHED
	108833-01-01A	EA COVER - HANDLE - ASSIST - OFF WHITE
4	108642-05-01A	EA TRIM - DOOR - DRIVERS - BLACK
5	108129-02-02A	EA GARNISH - DRIVERS DOOR - BLACK
6	108107-01-02A	EA GARNISH - DRIVERS DOOR - BLACK
7	108108-02-02A	EA GARNISH - DRIVERS DOOR - BLACK
8	108642-04-01A	EA TRIM - DOOR - DRIVERS - BLACK
9	109644-01-000	FT TRIM - EDGE - RUBBER
10	102710-01-01A	EA HANDLE - ASSIST - DRIVERS DOOR - 6.6" LONG - BLACK
11	106469-01-707	EA BEZEL - LATCH - INTERIOR (SUPPLIED W/DRIVERS DOOR) 130-081310
12	111816-01-01A	EA PANEL - DRIVER DOOR - INNER - OFF WHITE - PLASTIC
13	106469-01-715	EA STRIKER ASSEMBLY - (SUPPLIED W/DRIVERS DOOR) 248-081003
14	063977-12-000	EA STEP - DRIVER DOOR - LEFT - PAINTED
14	063977-11-000	EA STEP - DRIVER DOOR - LEFT - UNPAINTED
15	107818-01-01A	EA TRIM - STEP - DRIVERS DOOR - PLASTIC - WILLOW
16	108533-01-000	EA BRACKET - HANDLE - MOUNT
	102569-02-000	EA MAT - ANTI SLIP - LOWER
	041250 01 000	EA SWITCH - PUSH BUTTON - IN DOOR JAMB - METAL CHROME
	108897-01-01A	EA GARNISH - DOOR - DRIVERS - U-CHANNEL - BLACK
	109378-01-000	EA STRAP - CHECK - DRIVERS DOOR - BLACK
	109235-01-01A	FT COVER - SCREW - MAT BLACK - DAWN 132-081046

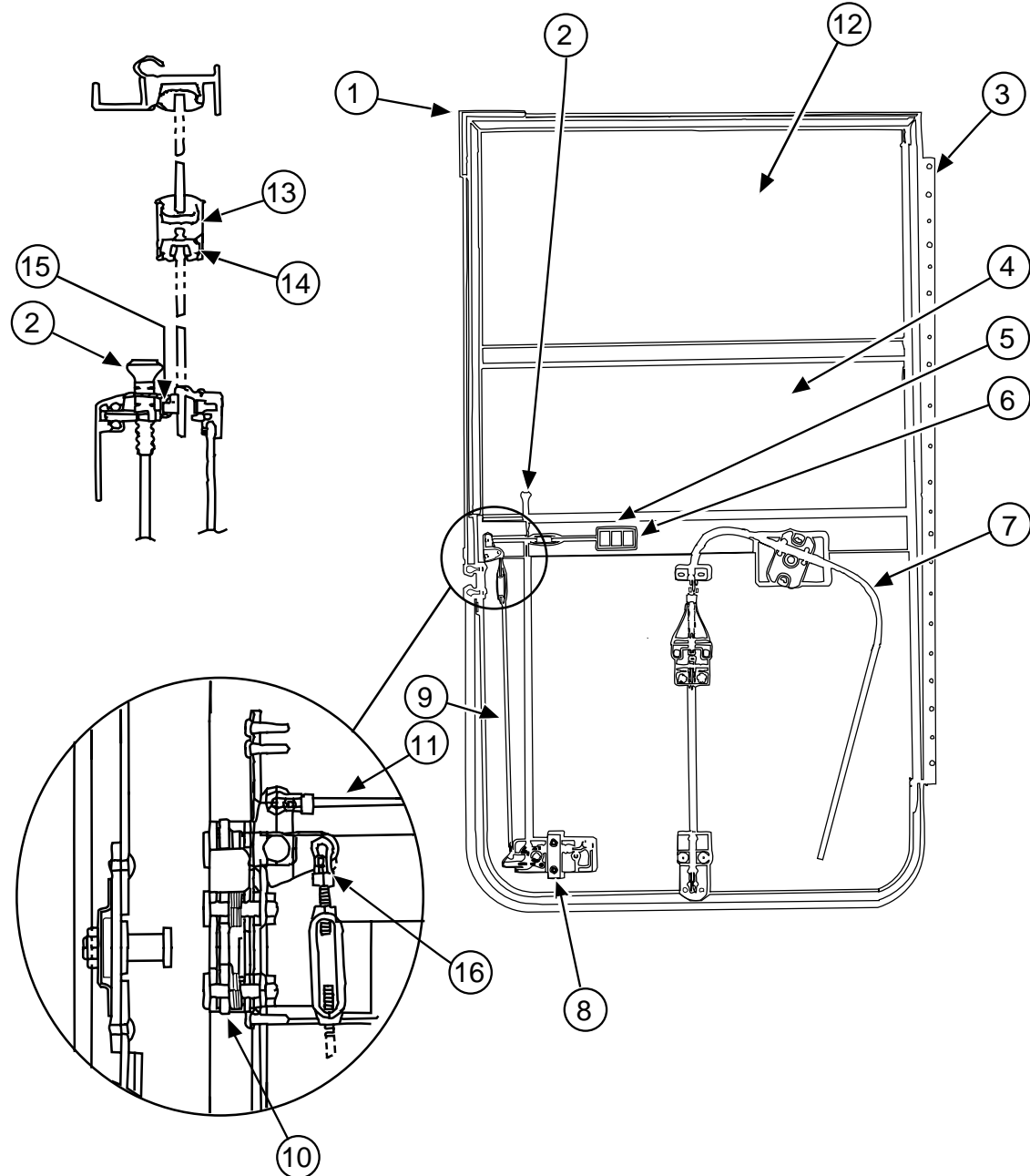
**WINDOW, VENT & EXTERIOR DOOR GROUP (CONTINUED)**



**DRIVER DOOR (EXCEL) (FROM: 11-14-94 THRU: 99-99-99)**

KEY	PART NUMBER	U/M DESCRIPTION
1	106469-07-01A	EA DOOR - DRIVERS - BLACK - V130-01L
2	109235-01-01A	FT COVER - SCREW - MAT BLACK - DAWN 132-081046
3	115051-01-01B	EA CHANNEL - HAT - MILL
4	114973-01-02A	EA PANEL - DRIVER DOOR - INNER - LIGHT WILLOW - PLASTIC
5	109378-01-000	EA STRAP - CHECK - DRIVERS DOOR - BLACK
	064219-01-000	EA RETAINER - CHECK STRAP - DRIVERS DOOR - BLACK
6	110604-01-01A	EA HANDLE - ASSIST - DRIVERS DOOR
7	106469-01-715	EA STRIKER ASSEMBLY - (SUPPLIED W/ DRIVERS DOOR) 248-081003
8	063977-12-000	EA STEP - DRIVER DOOR - LEFT - PAINTED
8	063977-11-000	EA STEP - DRIVER DOOR - LEFT - UNPAINTED
9	107818-01-01A	EA TRIM - STEP - DRIVERS DOOR - PLASTIC - WILLOW
	102569-02-000	EA MAT - ANTI SLIP - LOWER
10	108654-01-01A	EA COVER - STRIKE - DRIVERS DOOR - BLACK
11	108832-01-02A	EA HANDLE - ASSIST - DRIVERS DOOR - METAL - OFF WHITE
11	108832-01-01A	EA HANDLE - ASSIST - DRIVERS DOOR - METAL - MILL FINISHED
	108833-01-01A	EA* COVER - HANDLE - ASSIST - OFF WHITE
	041250 01 000	EA SWITCH - PUSH BUTTON - IN DOOR JAMB - METAL CHROME

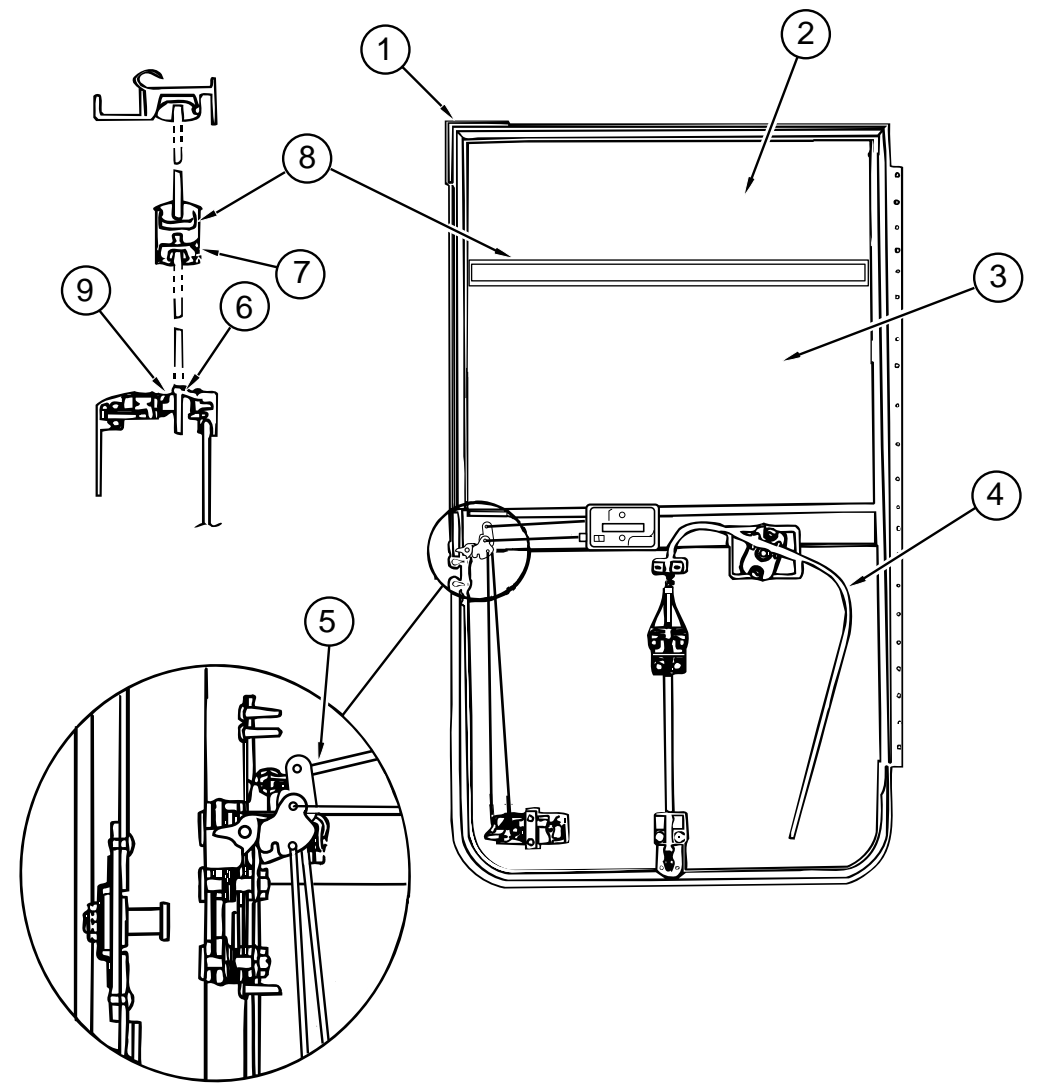
**WINDOW, VENT & EXTERIOR DOOR GROUP (CONTINUED)**



**DRIVER DOOR (EXCEL) (FROM: 00-00-00 THRU: 11-13-94)**

KEY	PART NUMBER	U/M DESCRIPTION
1	106469-01-702	EA DOOR SEAL - 122-040984
2	106469-01-708	EA BUTTON - LOCK - BLACK PLASTIC - 130-081313
3	106469-01-716	EA HINGE - 21" - 211080807
4	106469-01-704	EA GLASS ASM - ROLL-UP W/ BRACKET - V103-65L
5	106469-01-707	EA BEZEL - LATCH - INTERIOR - BLACK PLASTIC - 130-08131
6	106469-01-717	EA HANDLE - INTERIOR - 248-081308
7	106469-02-701	EA REGULATOR ASSEMBLY - V108-90L
8	106469-01-711	EA HANDLE - EXTERIOR - 410-081036
	106469-01-701	EA TUMBLER & 2 KEYS - 248-040557
	106469-01-718	EA KEY - BLANK (2) - 248-040558
9	106469-01-712	EA LATCH ROD ASSEMBLY - VERTICAL - V103-49
10	106469-01-710	EA LATCH - ROTARY - 248-081311
11	106469-01-714	EA LATCH - ROD - HORIZONTAL - 203-081015
12	106469-02-702	EA GLASS-STATIONARY - 106-041104
13	106469-01-719	EA MULLION RAIL - V103-84
14	106469-01-705	FT RUN - CHANNEL - 122-010850
15	106469-01-709	FT WEATHERSTRIP - FUZZY - 171-040630
16	106469-01-706	EA FASTENER - ROD END - 130-040593
	106469-02-700	EA JAMB - DRIVER DOOR - V108-30L

**WINDOW, VENT & EXTERIOR DOOR GROUP (CONTINUED)**



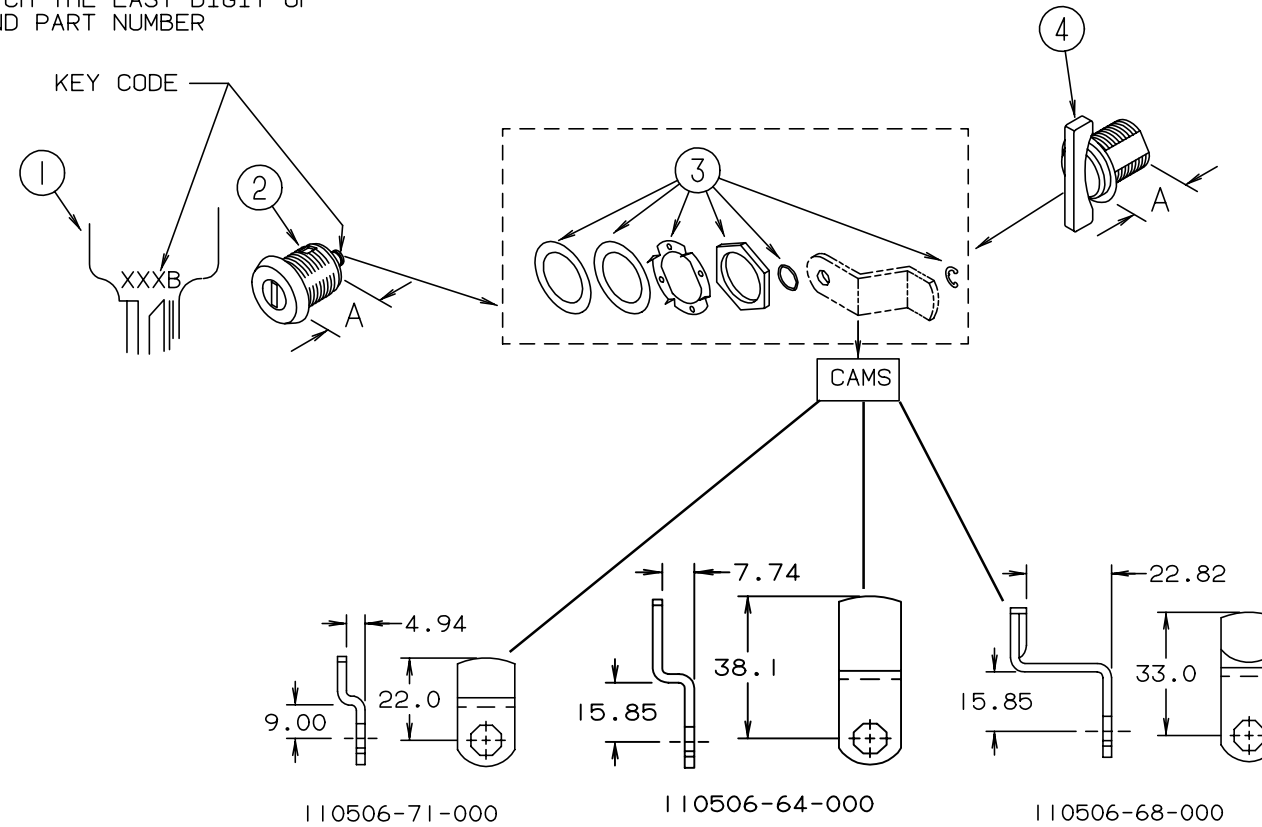
**DRIVER DOOR (EXCEL) (FROM: 11-14-94 THRU: 99-99-99)**

KEY	PART NUMBER	U/M DESCRIPTION
1	106469-01-702	EA DOOR SEAL - 122-040984
2	106469-02-702	EA GLASS-STATIONARY - 106-041104
3	106469-01-704	EA GLASS ASM - ROLL-UP W/ BRACKET - V103-65L
4	106469-02-701	EA REGULATOR ASSEMBLY - V108-90L
5	106469-01-706	EA FASTENER - ROD END - 130-040593
6	106469-01-721	FT BELT - WEATHERSTRIP - VO47-57
7	106469-01-705	FT RUN - CHANNEL - 122-010850
8	106469-01-719	EA MULLION RAIL - V103-84
9	106469-01-709	FT WEATHERSTRIP - FUZZY - 171-040630
	106469-02-700	EA JAMB - DRIVER DOOR - V108-30L

## WINDOW, VENT & EXTERIOR DOOR GROUP (CONTINUED)

### BRIGGS & STRATTON LOCKS & COMPONENTS

NOTE:  
 WHEN ORDERING THE LOCK CASE, THE KEY CODE MUST MATCH THE LAST DIGIT OF THE VEHICLE'S SERIAL NUMBER AND PART NUMBER; WHEN ORDERING THE KEYS, THE THIRD DIGIT OF THE KEY CODE MUST MATCH THE LAST DIGIT OF THE VEHICLE'S SERIAL NUMBER AND PART NUMBER



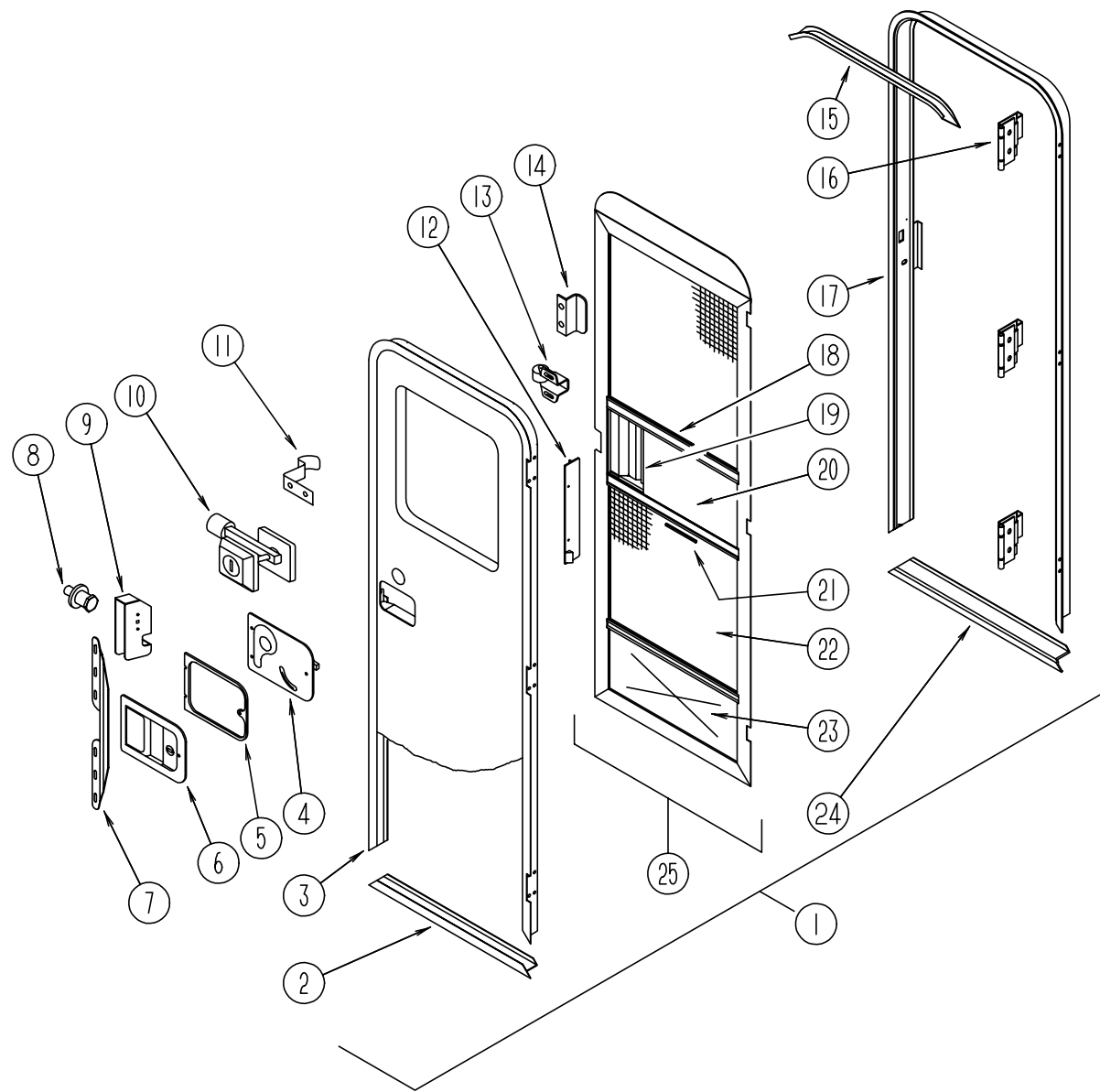
KEY	PART NUMBER	U/M	DESCRIPTION
1	110506-59-000	EA	KEYS - SET OF TWO - 596720
2	110506-52-000	EA	CASE - LOCK - A= 17 MM - 702370
2	110506-53-000	EA	CASE - LOCK - A= 25 MM - 702380
1	110506-59-001	EA	KEYS - SET OF TWO - 596721
2	110506-52-001	EA	CASE - LOCK - A= 17 MM - 702371
2	110506-53-001	EA	CASE - LOCK - A= 25 MM - 702381
1	110506-59-002	EA	KEYS - SET OF TWO - 596722
2	110506-52-002	EA	CASE - LOCK - A= 17 MM - 702372
2	110506-53-002	EA	CASE - LOCK - A= 25 MM - 702382
1	110506-59-003	EA	KEYS - SET OF TWO - 596723
2	110506-52-003	EA	CASE - LOCK - A= 17 MM - 702373
2	110506-53-003	EA	CASE - LOCK - A= 25 MM - 702383
1	110506-59-004	EA	KEYS - SET OF TWO - 596724
2	110506-52-004	EA	CASE - LOCK - A= 17 MM - 702374
2	110506-53-004	EA	CASE - LOCK - A= 25 MM - 702384
1	110506-59-005	EA	KEYS - SET OF TWO - 596725
2	110506-52-005	EA	CASE - LOCK - A= 17 MM - 702375
2	110506-53-005	EA	CASE - LOCK - A= 25 MM - 702385
1	110506-59-006	EA	KEYS - SET OF TWO - 596726
2	110506-52-006	EA	CASE - LOCK - A= 17 MM - 702376
2	110506-53-006	EA	CASE - LOCK - A= 25 MM - 702386

KEY	PART NUMBER	U/M	DESCRIPTION
1	110506-59-007	EA	KEYS - SET OF TWO - 596727
2	110506-52-007	EA	CASE - LOCK - A= 17 MM - 702377
2	110506-53-007	EA	CASE - LOCK - A= 25 MM - 702387
1	110506-59-008	EA	KEYS - SET OF TWO - 596728
2	110506-52-008	EA	CASE - LOCK - A= 17 MM - 702378
2	110506-53-008	EA	CASE - LOCK - A= 25 MM - 702388
1	110506-59-009	EA	KEYS - SET OF TWO - 596729
2	110506-52-009	EA	CASE - LOCK - A= 17 MM - 702379
2	110506-53-009	EA	CASE - LOCK - A= 25 MM - 702389
3	110506-40-700	EA	HARDWARE KIT
4	110506-50-000	EA	CASE - TWIST LOCK - A= 17 MM - 596952
4	110506-51-000	EA	CASE - TWIST LOCK - A= 25 MM - 596669
	110506-40-000	EA	CLIP-E - LOCK ASM. - 93981
	110506-64-000	EA	CAM - LOCK - 322280
	110506-68-000	EA	CAM - LOCK - 322284
	110506-71-000	EA	CAM - LOCK - 322287
	110506-59-701	EA	KEY BLANK - GOLD



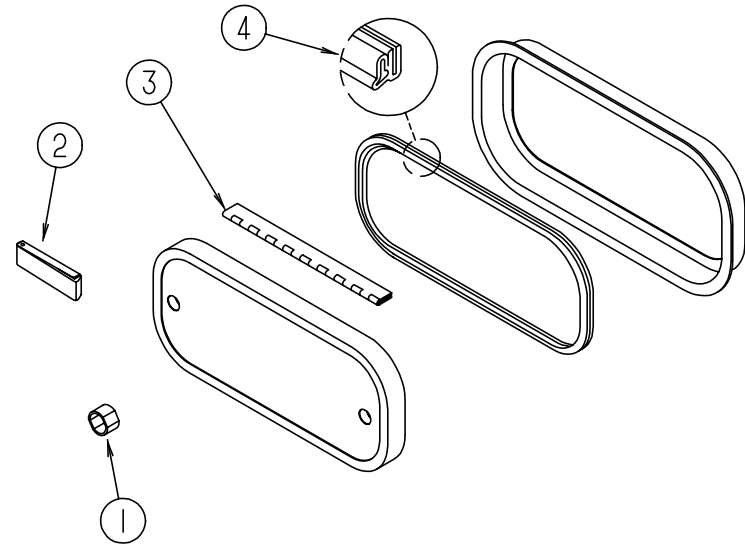
## WINDOW, VENT & EXTERIOR DOOR GROUP (CONTINUED)

### ENTRY DOOR W/O WINDOW



KEY	PART NUMBER	U/M	DESCRIPTION
1	115108-02-F11	EA	DOOR - ENTRY - W/O WINDOW - W/ SCREEN DOOR
1	115108-02-F12	EA	DOOR - ENTRY - W/O WINDOW - W/ SCREEN DOOR
	041546-05-000	EA	BRACKET - DOOR ANGLE - 5" X 1.9" - OFF WHITE - METAL
	115222-02-01A	EA	GARNISH - RADIUS - ENTRY DOOR - OFF WHITE
2	089748-09-000	EA	FRAME - BOTTOM ENTRY DOOR - BUFF
3	095276-03-05A	EA	FRAME - ENTRY DOOR - W/O BOTTOM - BUFF
4	039979-04-000	EA	COVER - INTERIOR LATCH - W/TRIP ARM - RIGHT - BLACK
5	096810-01-01A	EA	SPACER - DOOR LOCK - PLASTIC - BLACK
6	045017-11-000	EA	LATCH - PADDLE - MECHANISM W/LOCK CYLINDER & KEY - BLACK
	045017-11-701	EA	KEY BLANK
7	098173-01-04A	EA	STIFFENER - ENTRY DOOR - SUPPORTS LATCH/ STRIKE AREA - MILL
8	039539-01-000	EA	STRIKE - ENTRANCE DOOR LOCK
	077461-03-000	EA	COVER - ENTRANCE - ENTRY DOOR - 6.5" X 2.5" - PLASTIC - OFF WHITE
9	039540-01-000	EA	LATCH MECHANISM - HOOK - ENTRY DOOR - INTERIOR
	039715-01-000	EA	NUT - SERT - 1/4" DIAMETER - 20 THREADS
	039984-01-000	EA	CAP - ROUND - VINYL - .28" ID X .62" LONG - BLACK
	040944-01-000	EA	LABEL - ENTRANCE DOOR - "OPEN"
10	101145-01-01A	EA	DEADBOLT - ENTRY DOOR - BLACK
	095229-01-700	EA	KEY ONLY - BLANK
	101147-01-000	EA	BOLT - SECURITY - 4.12" BACKSET
	102524-01-000	EA	BUMPER - RUBBER - FLAT - BLACK
11	100412-01-000	EA	CATCH - SCREEN DOOR - THUMB CLIP
12	079087-02-000	EA	STRIKE - SLIDER - W/LIP FOR ELBOW CATCH - 1.5" X 8.6" - OFF WHITE
13	109403-01-000	EA	CATCH - SCREEN DOOR ROLLER
	063729-04-000	EA	RIVNUT - 10-32 UNF - .010-.080
	072893-01-000	EA	NUTSERT - M5 X 0 - 8
	075671-04-000	FT	SEAL - SPONGE - LAZY-T SHAPE - W/ ADHESIVE STRIPE - .5" WIDE
14	050712-04-000	EA	HANDLE - SCREEN DOOR - OFF WHITE
15	044582-22-000	EA	CAP - DRIP - ENTRY DOOR - ALUMINUM - BUFF
16	106719-01-02A	EA	HINGE - ENTRY DOOR - BUFF
17	095277-04-05A	EA	JAMB ASM - ENTRANCE DOOR - BUFF
18	078777-01-000	EA	CHANNEL - SLIDE - SCREEN DOOR CENTER SLIDER COVER
19	079086-02-000	EA	SLIDER - SCREEN DOOR - OFF WHITE
	078595-01-000	EA	TOP PLATE - SCREEN DOOR - CURVED TOP - 4.7" X 25.35"
20	016454-01-000	EA	INSERT - SCREEN DOOR - CENTER - LEATHER GRAIN ALUMINUM
21	002294-01-000	FT	SPLINE - SCREENING - .135" X .138" - BLACK
22	002293-02-000	SF	SCREENING - 26" - CHARCOAL
23	078552-03-000	EA	KICK PANEL - SCREEN DOOR - LOWER INSERT - UNPAINTED
24	051049-01-000	EA	JAMB BOTTOM - ENTRY DOOR - 25.9" - UNPAINTED
25	079012-05-B10	EA	DOOR - SCREEN
	100128-02-000	FT	SEAL - SCREEN DOOR

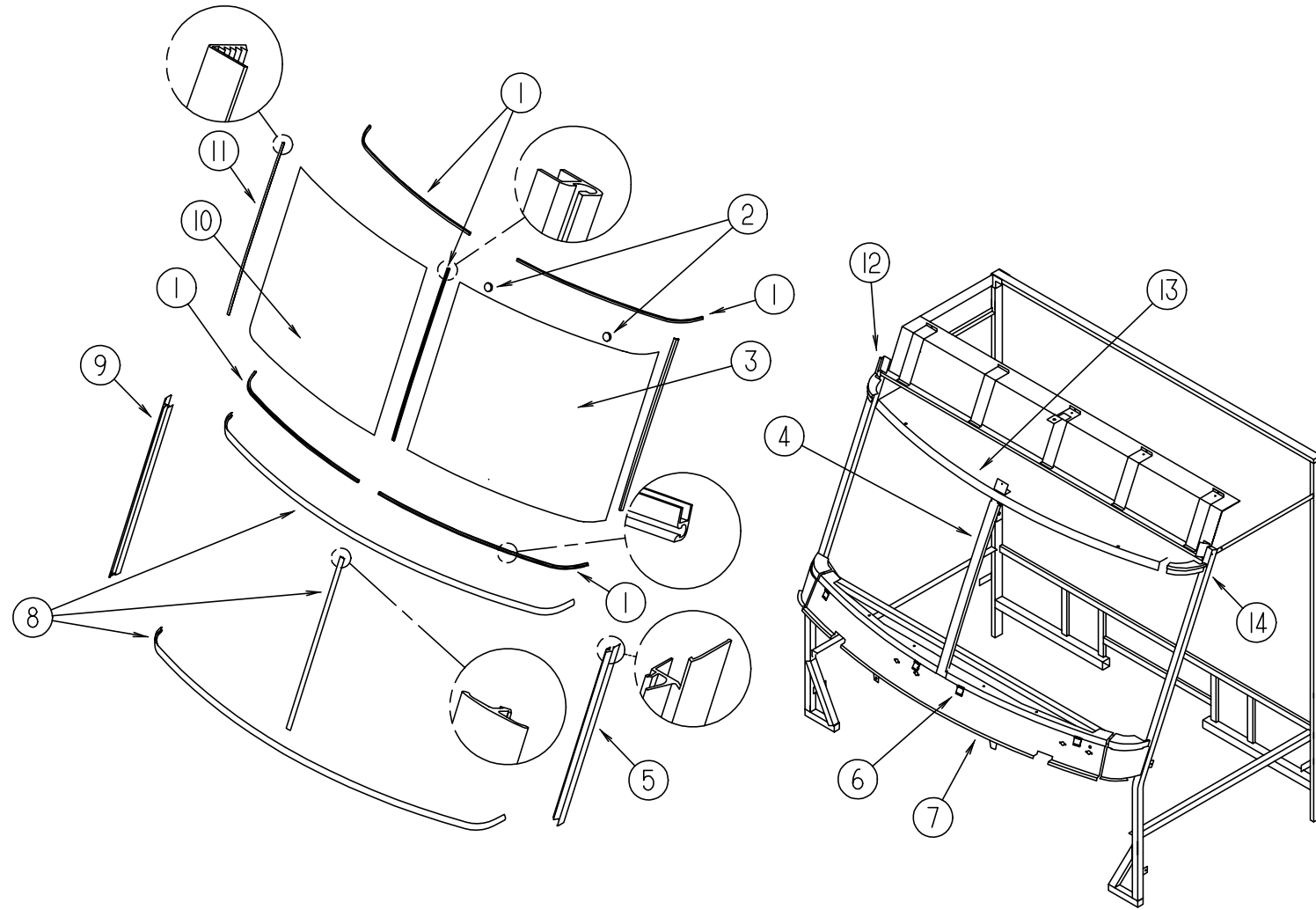
**WINDOW, VENT & EXTERIOR DOOR GROUP (CONTINUED)**



**EXTERIOR DOORS**

KEY	PART NUMBER	U/M DESCRIPTION
1	107997-51-001	EA SPACER - .86" X .6" - ALUMINUM
2	102768-01-000	EA HOLDER - COMPARTMENT/ ENTRY DOOR - METAL - MILL FINISH
3	081801-02-000	EA HINGE - PIANO - 2" X 96" - ALUMINUM
4	064075-07-000	FT SEAL - BULB - W/ WIRED U CHANNEL - .3" X .5" CHANNEL - BLACK
	096217-55-001	EA U-CHANNEL - 17.5' - OFF WHITE
	096217-55-006	EA U-CHANNEL - 17.5' - BRIGHT WHITE

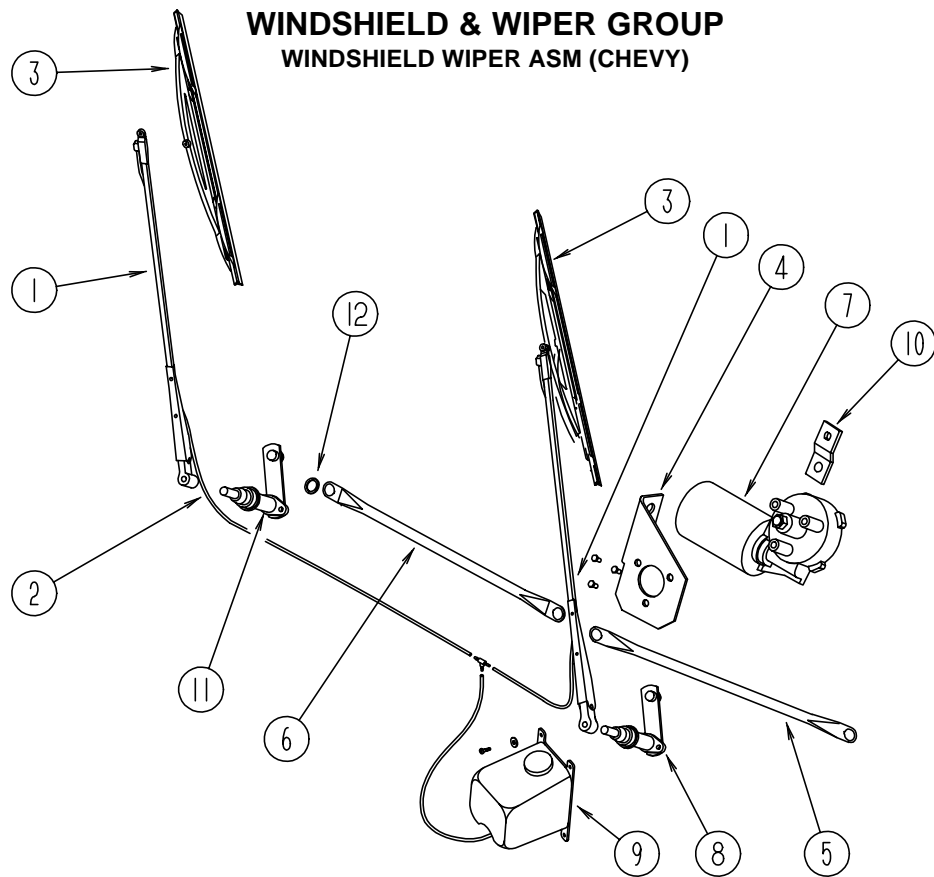
**WINDSHIELD & WIPER GROUP**



**WINDSHIELD MOLDINGS & GLASS**

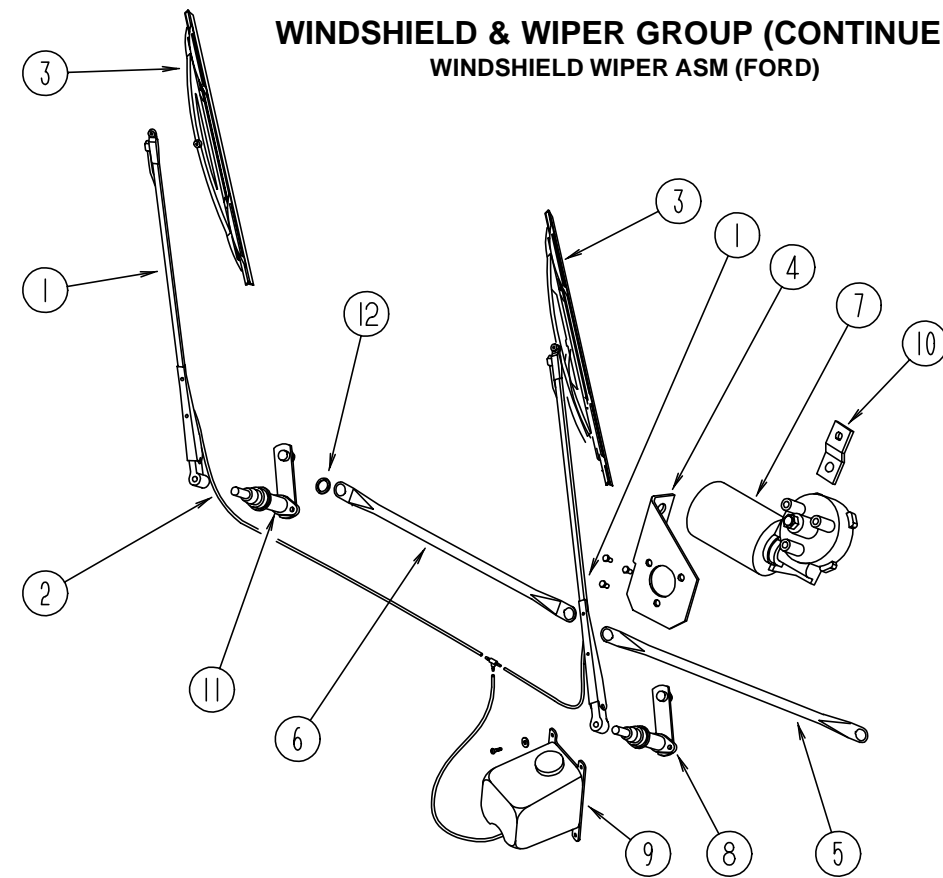
KEY	PART NUMBER	U/M DESCRIPTION
1	110268-01-000	EA CARRIER - REVEAL - 1280 MM
2	081914-01-000	EA BUMPER - RUBBER - ROUND - .43" DIAMETER - BLACK
3	114432-02-000	EA GLASS - WINDSHIELD - DRIVER SIDE
4	075710-01-000	EA FRAME - WINDSHIELD - CENTER DIVIDER - INNER
5	103107-04-01A	EA TRIM - WINDSHIELD - DRIVER SIDE - BLACK
6	104449-01-000	EA BRACKET - WINDSHIELD SUPPORT
7	077847-03-000	EA SUPPORT - WINDSHIELD - LOWER - END - RIGHT
	077847-04-000	EA SUPPORT - WINDSHIELD - LOWER - END - LEFT
	077847-05-000	EA SUPPORT - WINDSHIELD - LOWER - CENTER
8	102936-01-000	FT MOLDING - REVEAL - WINDSHIELD
9	103107-03-01A	EA TRIM - WINDSHIELD - PASSENGER SIDE - BLACK
10	114432-01-000	EA GLASS - WINDSHIELD - PASSENGER SIDE
11	098788-06-000	EA CARRIER - REVEAL - 48.9" WINDSHIELD
12	077922-03-000	EA HEADER WINDSHIELD END - PASSENGER SIDE
13	077922-06-000	EA HEADER WINDSHIELD - CENTER
14	077922-04-000	EA HEADER WINDSHIELD END - DRIVER SIDE

**WINDSHIELD & WIPER GROUP**  
WINDSHIELD WIPER ASM (CHEVY)



KEY	PART NUMBER	U/M	DESCRIPTION
1	103671-01-000	EA	ARM - WIPER - 24"
2	096931-01-700	FT	HOSE
3	095964-01-000	EA	BLADE - WIPER - WINDSHIELD - 24"
	095964-01-700	EA	BLADE - REFILL 24" (PAIR)
4	104549-01-000	EA	BRACKET ASM - WIPER MOTOR
5	103672-01-000	EA	LINK ASM - CONNECTING - 21.85" - DRIVER SIDE
			FROM: 00-00-00 THRU: 12-04-94
5	117008-01-000	EA	LINK ASM - CONNECTING - 21.85" - DRIVER SIDE
			FROM: 12-05-94 THRU: 99-99-99
6	103672-02-000	EA	LINK ASM - CONNECTING - 21.85" - PASSENGER SIDE
			FROM: 00-00-00 THRU: 12-04-94
6	117008-02-000	EA	LINK ASM - CONNECTING - 21.85" - PASSENGER SIDE
			FROM: 12-05-94 THRU: 99-99-99
7	104346-02-000	EA	MOTOR-WIPER, W/O DRIVE ARM
7	104347-01-000	EA	ARM-DRIVE,WIPER MOTOR 1.54"
8	096505-06-000	EA	PIVOT & SHAFT ASM - WIPER - DRIVER SIDE
9	056000-04-000	EA	WINDSHIELD WASHER - BOTTLE & PUMP
	096931-01-701	EA	NOZZLE & HARDWARE KIT, INCLUDES NOZZEL, NUT, SHORT THREAD SCREW, LONG THREAD SCREW, AND PLASTIC CAP
			FROM: 00-00-00 THRU: 04-02-95
9	117766-02-000	EA	WASHER ASM - WINDSHIELD WIPER - MCCORD 600328
			FROM: 04-03-95 THRU: 99-99-99
	110605-01-000	EA	TEE - PLAS - BARBED 1/8 X 1/8 X 3/16 BAYLOCK 3799721
			FROM: 04-03-95 THRU: 99-99-99
9	117765-01-000	EA	CONNECTOR - 5/32-1/4-3/8 WINDSHIELD WASHER DANA - WEATHERHD
			FROM: 04-03-95 THRU: 99-99-99
10	104347-01-000	EA	ARM - DRIVE - WIPER MOTOR - 1.54"
11	096505-05-000	EA	PIVOT & SHAFT ASM - WIPER - PASSENGER SIDE
12	067193-05-000	EA	GROMMET BUSHING - CONTROL ARM
	061603-01-000	EA	GROMMET - SNAP - 3/16"ID - 3/8" HOLE - PLASTIC - BLACK
	110742-01-000	EA	WIPER GASKET
	067188-01-000	EA	STUD - WIPER CRANK
	067193-05-000	EA	TOOL KIT - GROMMET BUSHING

**WINDSHIELD & WIPER GROUP (CONTINUED)**  
WINDSHIELD WIPER ASM (FORD)



KEY	PART NUMBER	U/M	DESCRIPTION
1	103671-01-000	EA	ARM - WIPER - 24"
2	096931-01-700	FT	HOSE
3	095964-01-000	EA	BLADE - WIPER - WINDSHIELD - 24"
	095964-01-700	EA	BLADE - REFILL 24" (PAIR)
4	104549-01-000	EA	BRACKET ASM - WIPER MOTOR
5	103672-01-000	EA	LINK ASM - CONNECTING - 21.85" - DRIVER SIDE
			FROM: 00-00-00 THRU: 12-04-94
5	117008-01-000	EA	LINK ASM - CONNECTING - 21.85" - DRIVER SIDE
			FROM: 12-05-94 THRU: 99-99-99
6	103672-02-000	EA	LINK ASM - CONNECTING - 21.85" - PASSENGER SIDE
			FROM: 00-00-00 THRU: 12-04-94
6	117008-02-000	EA	LINK ASM - CONNECTING - 21.85" - PASSENGER SIDE
			FROM: 12-05-94 THRU: 99-99-99
7	104355-04-000	EA	WIPER MOTOR - W/ DRIVE ASM
	104346-01-000	EA	MOTOR-WIPER
			FROM: 00-00-00 THRU: 09-11-94
	104346-03-000	EA	MOTOR-WIPER,DYNAMIC PARK
			FROM: 09-12-94 THRU: 99-99-99
	104347-01-000	EA	ARM-DRIVE,WIPER MOTOR 1.54"
	110178-01-000	EA	HOUSING - WIPER MOTOR
8	096505-06-000	EA	PIVOT & SHAFT ASM - WIPER - DRIVER SIDE
9	056000-04-000	EA	WINDSHIELD WASHER - BOTTLE & PUMP
	096931-01-701	EA	NOZZLE & HARDWARE KIT, INCLUDES NOZZEL, NUT, SHORT THREAD SCREW, LONG THREAD SCREW, AND PLASTIC CAP
			FROM: 00-00-00 THRU: 04-02-95
9	117766-02-000	EA	WASHER ASM - WINDSHIELD WIPER - MCCORD 600328
			FROM: 04-03-95 THRU: 99-99-99
	110605-01-000	EA	TEE - PLAS - BARBED 1/8 X 1/8 X 3/16 BAYLOCK 3799721
			FROM: 04-03-95 THRU: 99-99-99
9	117765-01-000	EA	CONNECTOR - 5/32-1/4-3/8 WINDSHIELD WASHER DANA - WEATHERHD
			FROM: 04-03-95 THRU: 99-99-99
10	104347-01-000	EA	ARM - DRIVE - WIPER MOTOR - 1.54"
11	096505-05-000	EA	PIVOT & SHAFT ASM - WIPER - PASSENGER SIDE
12	067193-05-000	EA	GROMMET BUSHING - CONTROL ARM
	061603-01-000	EA	GROMMET - SNAP - 3/16"ID - 3/8" HOLE - PLASTIC - BLACK
	110742-01-000	EA	WIPER GASKET