

1995 WCF27RQ

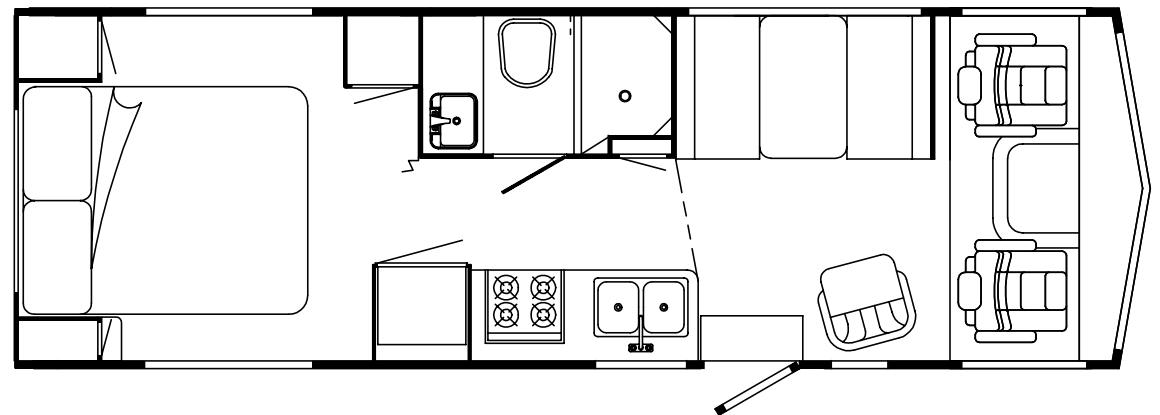
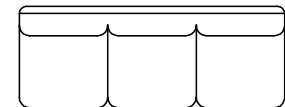
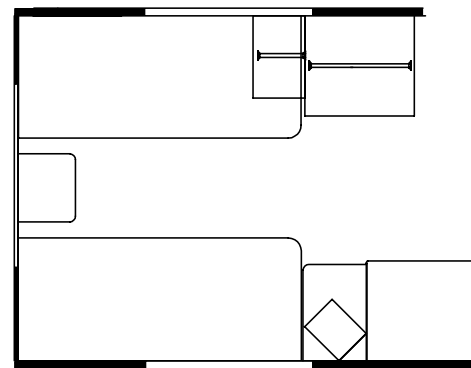
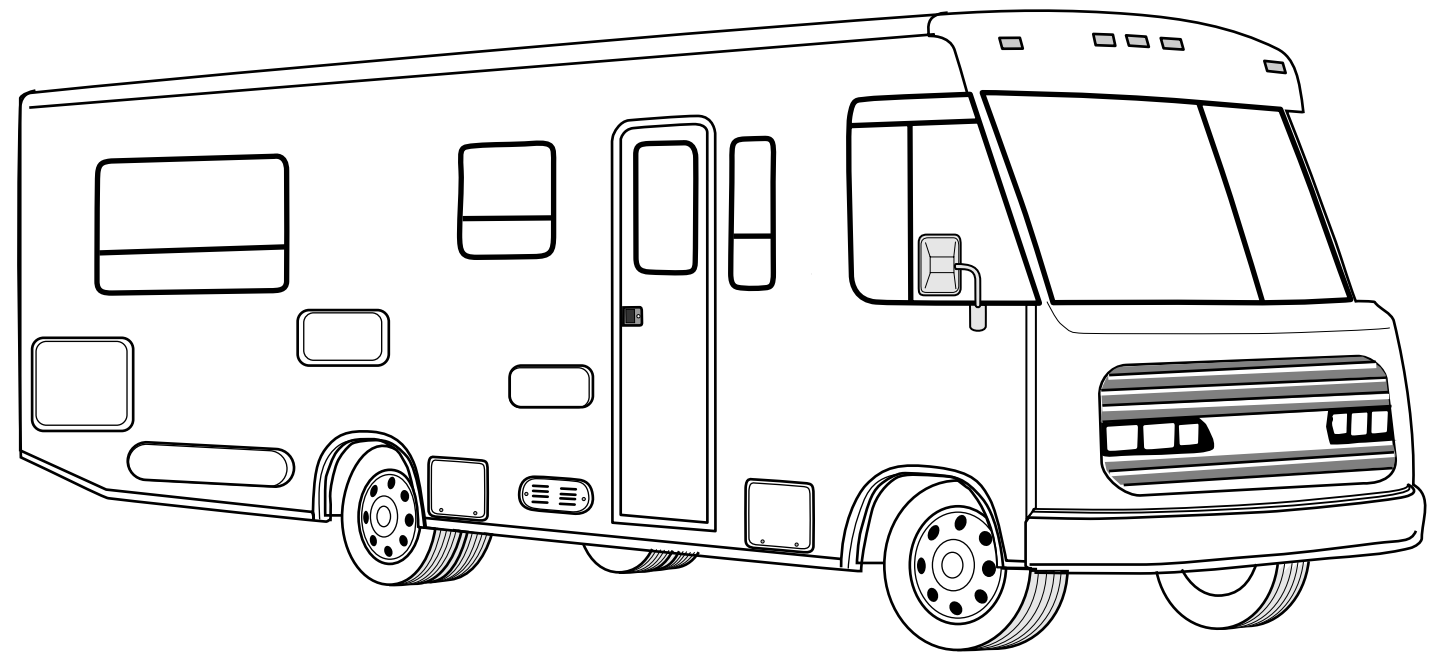
F04

F05

F06

F07

F14



ACCESSORIES GROUP

OPERATOR MANUAL

KEY	PART NUMBER	U/M DESCRIPTION
	054185-C5-000	EA MANUAL-OPERATOR, 1995 BRAVE
	092318-01-000	EA BINDER - 3 RING, MOTOR HOME MANUAL
	092319-01-000	EA POCKET PAGE - 3 RING BINDER, PLASTIC
	113921-01-000	DW TOP LEVEL DRAWING-F, 1995

AUDIO VIDEO GROUP

PATIO ENTERTAINMENT CENTER

KEY	PART NUMBER	U/M DESCRIPTION
	110469-01-000	EA SPEAKER - 4" X 6", OVAL - MAGNADYNE F46XB-12
	110470-01-01A	EA GRILLE-SPEAKER, OVAL - 4" X 6" - BLACK - MAGNADYNE G46WI
	087683-02-000	EA RADIO-AM/FM STEREO W/CASSETTE - AUDIOVOX P-1A
	108847-01-000	EA BRACKET-ANTENNA GROUND

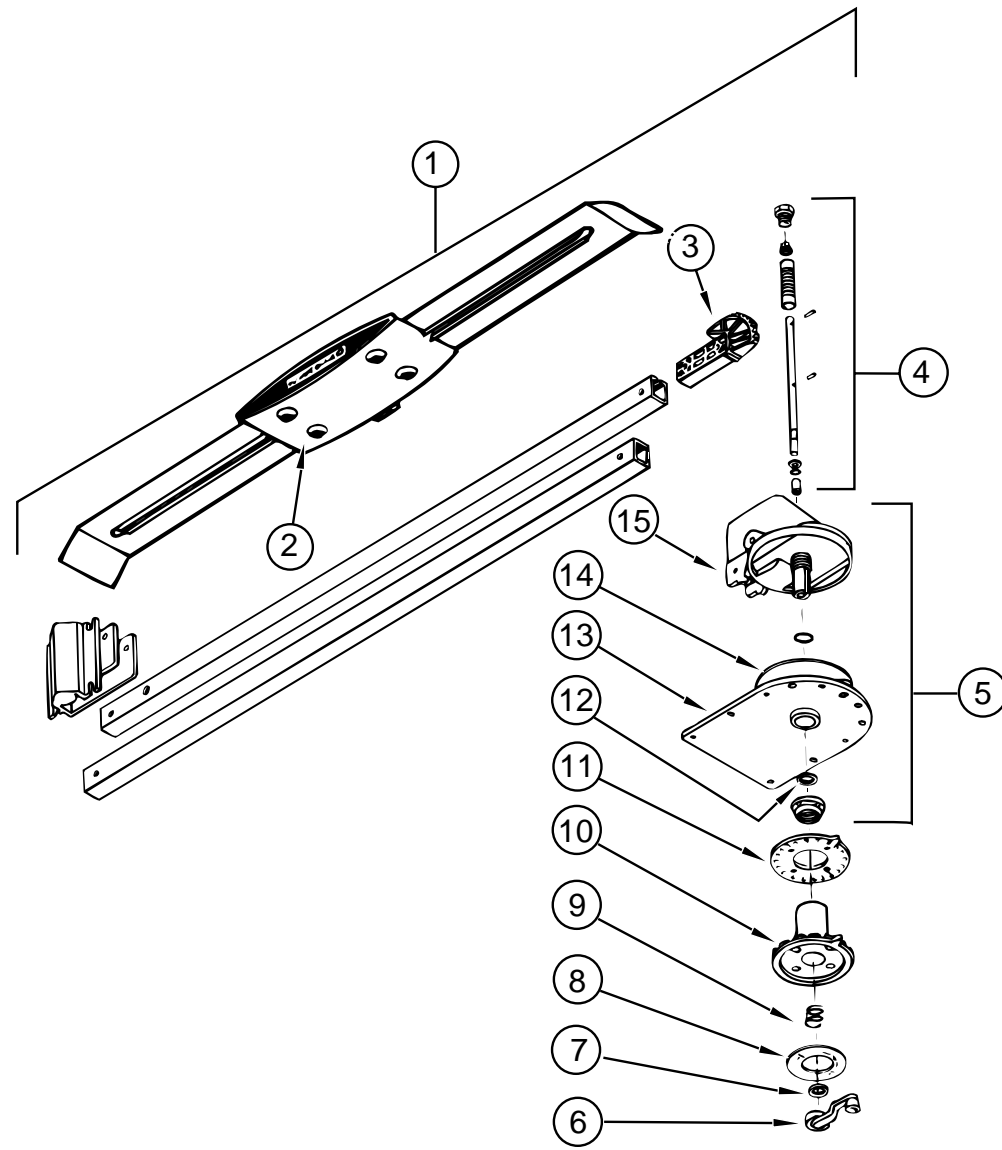
RADIO SYSTEM & ANTENNA

KEY	PART NUMBER	U/M DESCRIPTION
	116148-01-000	EA RADIO-AM/FM STEREO, CD PLAYER - CLARION 5633CD
	110267-03-000	EA RADIO-AM/FM STEREO, AUDIOVOX IM-400
	077069-02-000	EA CABLE-ANTENNA, RADIO - EXTENSION 96" - ARA 6700667
	090944-01-000	EA ANTENNA-RADIO, 16" RUBBER
	109889-02-000	EA EXTENDER-SHAFT, ANTENNA 2" - MAGNADYNE RV71EX2
	081059-02-000	EA WIRE ASM - 9-PIN, RADIO - AUDIOVOX 112B-1761
	089340-02-000	EA GRILLE-SPEAKER, 6.5" SQUARE
	089340-03-000	EA SPACER-GRILLE, 6.5" SQUARE - TAN - MAGNADYNE G514
	094097-01-000	EA SPEAKER-RADIO, W/O GRILLE - 5.25" DIA - AUDIOVOX 110C3030
	110469-01-000	EA SPEAKER - 4" X 6", OVAL - MAGNADYNE F46XB-12
	110470-01-01A	EA GRILLE-SPEAKER, OVAL - 4" X 6" - BLACK - MAGNADYNE G46WI

CB ANTENNA

KEY	PART NUMBER	U/M DESCRIPTION
	105248-01-000	EA ANTENNA-CB, ADVANCE 8604

AUDIO VIDEO GROUP (CONTINUED)



TV ANTENNA

KEY	PART NUMBER	U/M DESCRIPTION	VENDOR NO.
1	076319-01-000	EA ANTENNA-TV, ROOF MOUNT - 44.5" MAST - RVA W02	
2	076319-01-700	EA HEAD-ANTENNA, AMPLIFIED	RVSA U/V
3	076319-01-701	EA GEAR-ELEVATING, PLASTIC	2200046
4	076319-01-702	EA SHAFT ASM-ELEVATING	RVP-400A
5	076319-01-711	EA BASE & LIFT ASM	2762802
6	076319-01-706	EA CRANK-ELEVATING, W/SET SCREW	5755100
7	076319-01-705	EA GROMMET-NYLON, 7/8"ID	3200658
8	076319-01-708	EA CRANK COVER DECAL	5413002
9	076319-01-707	EA SPRING-HANDLE	5160800
10	076319-01-709	EA PLATE-DIRECTIONAL, FOR HEAD	3200644
11	076319-01-712	EA PLATE-CEILING	3200608
12	076319-01-704	EA BEARING-NYLON, 1.25"OD	3200657
13	076319-01-713	EA PLATE-BASE	3100523
14	076319-01-703	EA BEARING-NYLON, 5"OD	3200656
15	076319-01-714	EA HOUSING, ROTATING GEAR	2200049

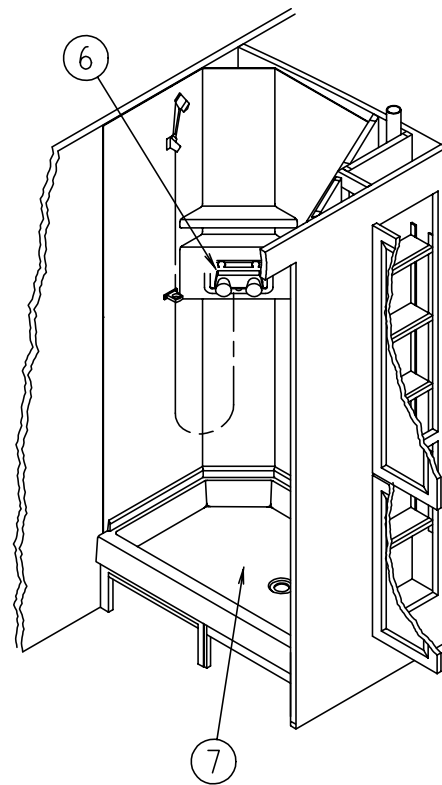
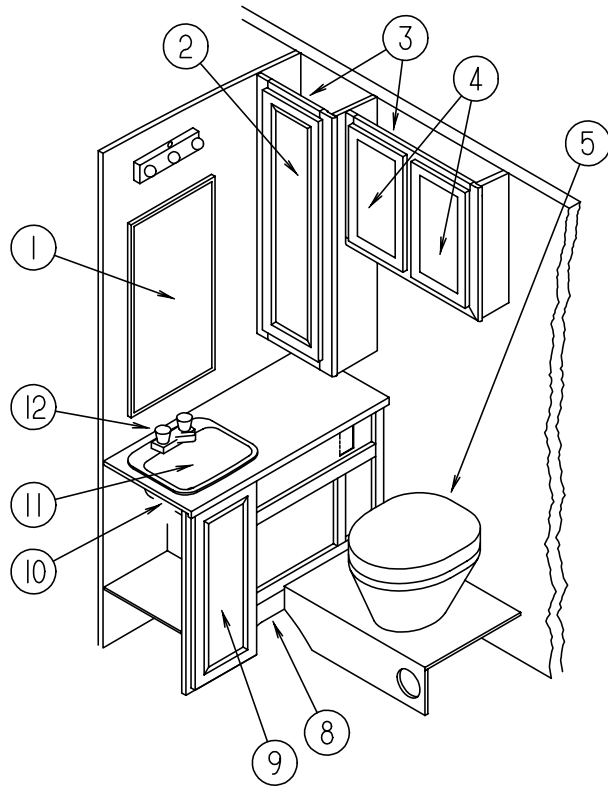
AUDIO VIDEO GROUP (CONTINUED)

TV, VCR & CONTROL CENTER

KEY	PART NUMBER	U/M DESCRIPTION	VENDOR NO.
	098447-07-000	EA TV-13", COLOR W/JACK - U.S.	RR1342C
	098447-07-700	EA REMOTE-TV, MAGNAVOX	RR1342C
	098447-04-000	EA TV-13", COLOR W/REMOTE - CANADIAN	RR1330W
	098447-08-000	EA TV-13", COLOR W/JACK - CANADIAN	XR1332C
	098447-08-700	EA REMOTE-TV	XR1333C
	098446-06-000	EA VCR-VHS CABLE READY -REMOTE	VR9210
	098446-06-700	EA REMOTE F/MODEL	9210 ONLY
	092310-02-000	EA TV-COLOR, 9" - AC/DC - W/REMOTE	RD0945
	092310-02-700	EA REMOTE-TV	RD0945
	086757-03-000	EA CONTROL CENTER-SWITCH, VCR/TV	VCS-6
	086777-05-000	EA PLATE-WALL,ANT 1 OUTPUT IVORY	RV-0921
	093214-01-02A	EA GRILL-SPEAKER, 4" BROWN	
	098819-01-000	EA SPEAKER - 2 WATT, 8 OHM - 4"	
	099717-01-000	EA TIEDOWN-TV, STRAP ON FEMALE END IS 22.8" LONG	
	099717-02-000	EA TIEDOWN-TV, STRAP ON FEMALE END IS 28.7" LONG	
	076319-09-000	EA WALLPLATE-CABLE RECEPTACLE, TV - SINGLE - BROWN	
	076319-08-000	EA WALLPLATE-CABLE RECEPTACLE, TV - SINGLE - IVORY	
	086777-01-000	EA WALLPLATE-TV CABLE, W/ANTENNA SWITCH - IVORY	
	086777-03-000	EA PLATE-WALL, CABLE - W/TV ANTENNA SWITCH & BOOSTER - IVORY	
	076319-12-000	EA CONNECTOR-COAXIAL, ONE PIECE	
	082134-01-000	EA ADAPTER-TV, CABLE TO CABLE - WINEGARD F-81M	
	086756-01-000	EA SPLITTER-TV, 2 WAY	
	076319-03-000	FT CABLE-COAXIAL, 75 OHM	
	076319-06-000	EA ADAPTOR-CABLE ROOF PLATE, WINEGARD RPJ-1	

BATH GROUP

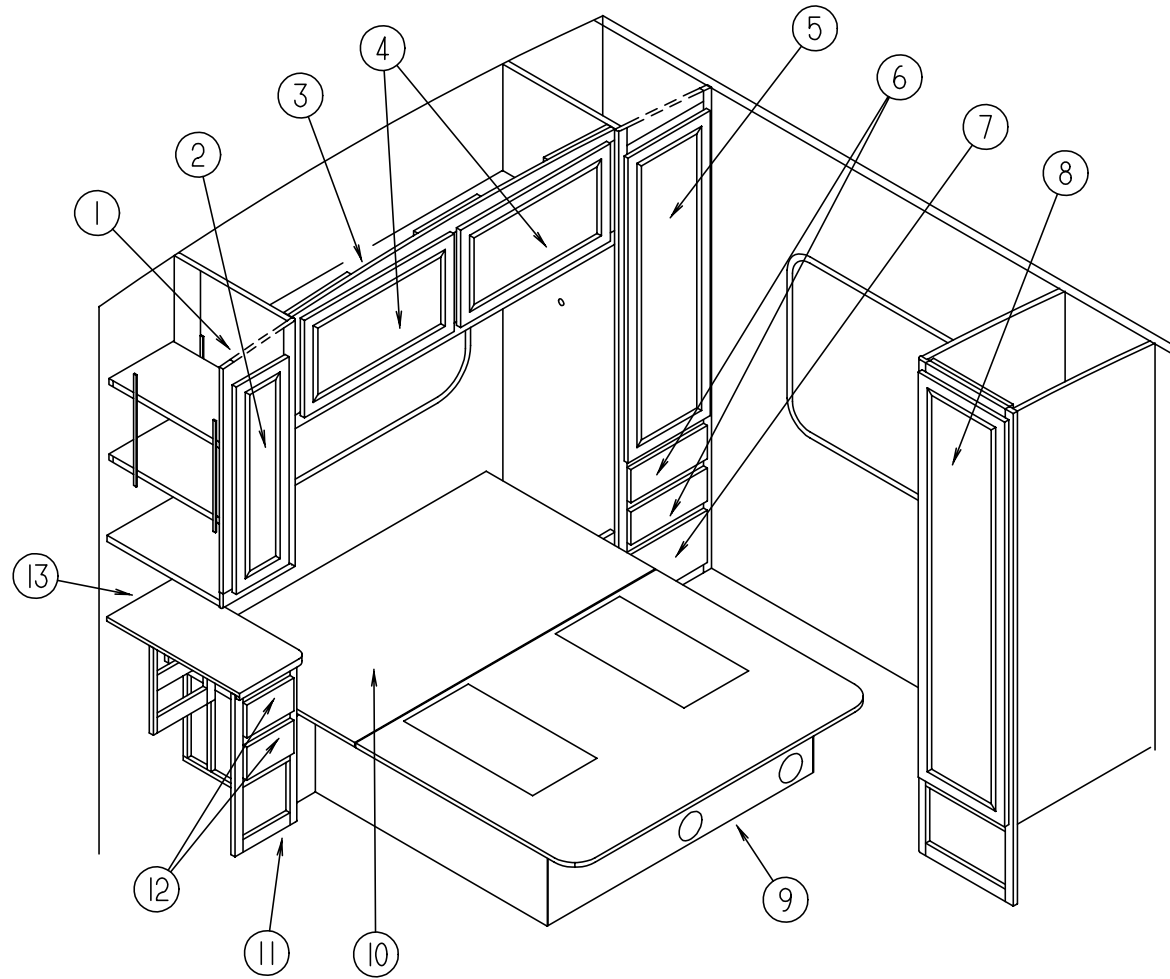
BATHROOM CABINET & COMPONENTS



KEY	PART NUMBER	U/M	DESCRIPTION	VENDOR NO.
1	058331-51-000	EA	MIRROR-GLASS, SAFETY - 660 MM X 1016 MM	
	105004-01-02A	EA	MOLDING-VINYL WRAPPED, MIRROR - 1" X 8' - OAK	
2	M06803-10-E07	EA	DOOR-W/O HARDWARE - 275 MM X 925 MM (F04,F05,F06,F07)	
2	M06803-H5-F14	EA	DOOR-W/O HARDWARE - 275 MM X 925 MM	
3	111760-01-F04	EA	CABINET-MEDICINE/STORAGE, W/O DOORS OR HARDWARE	
4	M06803-06-E07	EA	DOOR-W/O HARDWARE, W/MIRROR - 285 MM X 500 MM (F04,F05,F06,F07)	
4	M06803-06-F14	EA	DOOR-W/O HARDWARE, W/MIRROR - 285 MM X 500 MM	
5	067487-02-000	EA	TOILET-12.37", IVORY - FOOT FLUSH - THETFORD	
	063740-01-700	EA	LEVER-WATER	12514
	063740-01-706	EA	BOLT PACKAGE-CLOSET	12524
	063740-01-710	EA	LINK	12513
	063740-01-713	EA	SEAL-BALL VALVE TO BOWL	12502
	063740-01-714	EA	VALVE ASM-WATER	12492
	063740-01-717	EA	TUBE-FLUSH, TOILET	12509
	063740-02-700	EA	SEAT & COVER, PARCHMENT	20829
6	075241-05-000	EA	FAUCET-SHOWER, BONE	
	075606-01-000	EA	PANEL-FAUCET BACK, SHOWER - 5" X 9" - PLASTIC	
	103092-01-000	EA	SHOWER HEAD-W/60" HOSE - US	
	103092-02-000	EA	SHOWER HEAD-W/60" HOSE - CANADIAN	
	103092-01-700	EA	BRACKET ONLY-CLEAR, F/SHOWER HEAD	2328028
	103092-01-701	EA	BRACKET ONLY-BONE, F/SHOWER HEAD	2328029
7	M02429-09-000	EA	PAN-SHOWER, OFF WHITE	
	066436-01-000	EA	NUT-SLIP, TAILPIECE - 1.5"	
	011069-02-000	EA	TAILPIECE-TUB/SHOWER, 1 1/2" X 1 1/4" X 4" - BRASS	
	066440-01-000	EA	STRAINER-SHOWER, W/RUBBER WASHER	
	069735-01-000	EA	WASHER-STRAINER TO TAILPIECE PLASTIC, 1.5"	
	057671-01-000	EA	COVER-SCREW, #8 - PLASTIC - OFF WHITE	
	112693-01-01A	EA	SURROUND-SHOWER, ONE PIECE - OFF WHITE	
	101447-01-000	EA	CLIP-U TYPE, TINNERMAN	
8	P07842-01-E08	EA	CABINET-LAVATORY W/COUNTERTOP (F04,F07)	
8	P07842-01-F05	EA	CABINET-LAVATORY W/COUNTERTOP	
8	P07842-01-F06	EA	CABINET-LAVATORY W/COUNTERTOP	
8	P07842-02-F14	EA	CABINET-LAVATORY W/COUNTERTOP	
9	M06803-61-E10	EA	DOOR-W/O HARDWARE - 290 MM X 715 MM (F04,F05,F06,F07)	
9	M06803-61-F14	EA	DOOR-W/O HARDWARE - 290 MM X 715 MM	
10	107842-11-E08	EA	COUNTERTOP-LAVATORY CABINET (F04,F07)	
10	107842-11-F05	EA	COUNTERTOP-LAVATORY CABINET	
10	107842-11-F06	EA	COUNTERTOP-LAVATORY CABINET	
10	107842-15-F14	EA	COUNTERTOP-LAVATORY CABINET	
11	096927-01-01A	EA	SINK-LAVATORY, RECTANGULAR - PLASTIC - BONE	
	096927-01-700	EA	SINK-STOPPER	M9801
	096927-01-701	EA	TAILPIECE-SINK	M9802
12	075240-06-000	EA	FAUCET-LAVATORY, BONE	
	091253-01-000	EA	GASKET-FAUCET, LAVATORY/GALLEY	
	M87868-13-E10	EA	DOOR-BATH CABINET, W/O HARDWARE - 1859 MM X 523 MM	
	100357-01-000	EA	ROD-TOWEL, BRASS W/ENDS BENT FOR BACK OF BATH DOOR	
	102089-13-E07	EA	WOOD RAIL - TOWEL RACK - RIGHT SIDE - 26" LONG	
	102089-14-E07	EA	WOOD RAIL - TOWEL RACK - LEFT SIDE - 26" LONG	
	094485-03-01A	EA	KNOB-DOOR W/LOCK, BRASS - THUNADER L132PB	
	103194-01-000	EA	STOP-DOOR, BATH	
	075453-02-000	EA	BAR-TOWEL, 18" BRASS	
	075452-02-000	EA	HOLDER-TOILET TISSUE, BRASS	

BEDROOM GROUP

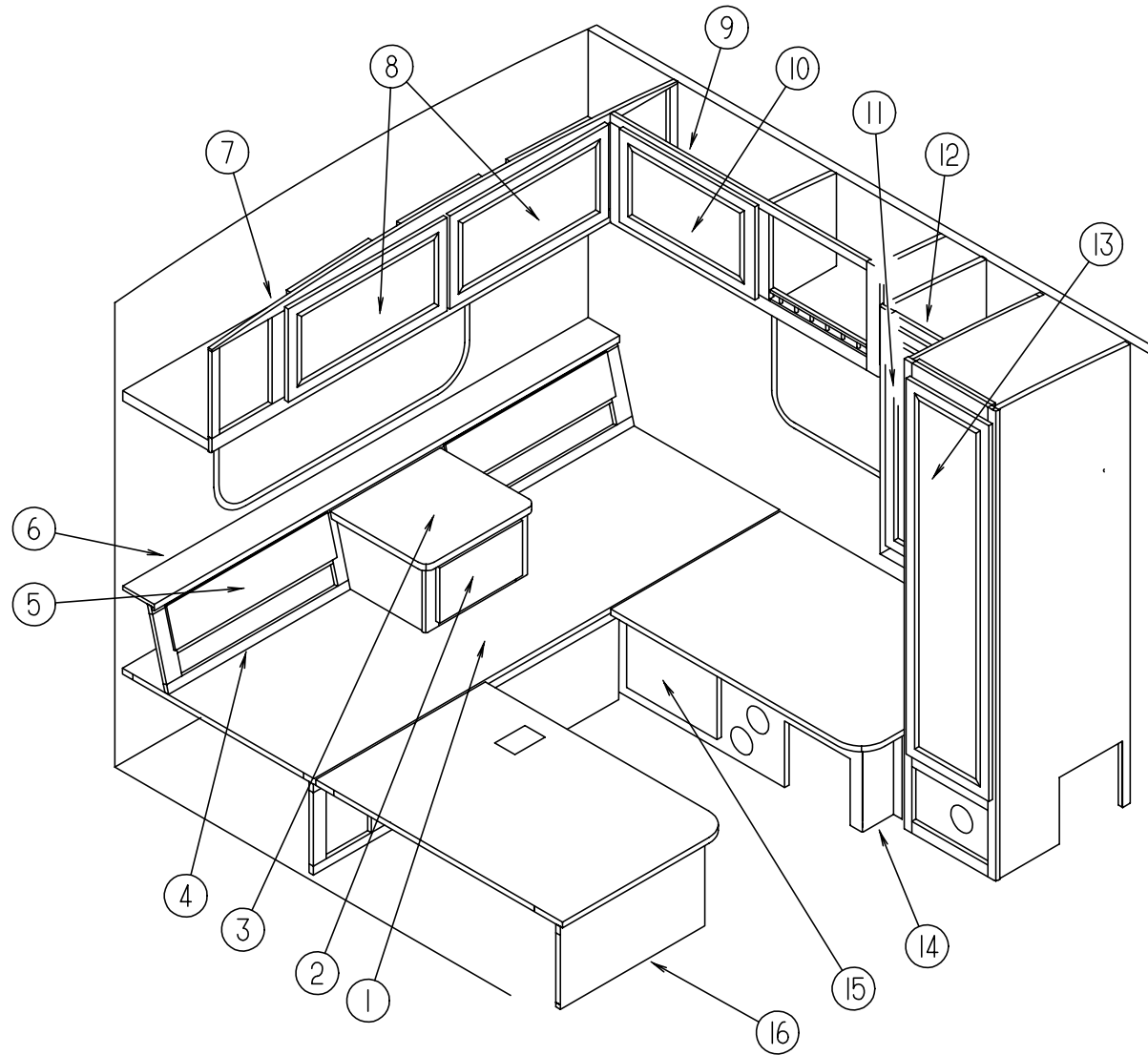
QUEEN BEDROOM CABINETS



KEY	PART NUMBER	U/M	DESCRIPTION	VENDOR NO.
	111236-01-E07	EA	SHELF ASM-TV, W/BRASS RAILING & WEDGE - 420 MM X 410 MM	
	105219-01-E07	EA	SHELF ASM-W/BRASS RAILING - 273 MM X 274 MM	
	084070-02-000	EA	POST-END, 2.4" - BRASS	
	084071-15-000	EA	ROD-BRASS, 210 MM LONG	
	058331-17-000	EA	MIRROR-GLASS, SAFETY - 8.75" X 12.5"	
	105004-01-01A	EA	MOLDING-MIRROR, VINYL WRAPPED - OAK	
1	106521-01-E07	EA	CABINET-SHIRT CLOSET, W/O DOOR OR HARDWARE	
2	M06803-84-E07	EA	DOOR-W/O HARDWARE - 250 MM X 850 MM (F04,F05,F06,F07)	
2	M06803-D8-F14	EA	DOOR-W/O HARDWARE - 250 MM X 850 MM	
3	107832-01-E07	EA	CABINET-OVERHEAD, W/O DOORS OR HARDWARE	
4	M06803-13-E07	EA	DOOR-W/O HARDWARE W/MIRROR - 400 MM X 710 MM (F04,F05,F06,F07)	
4	M06803-13-F14	EA	DOOR-W/O HARDWARE W/MIRROR - 400 MM X 710 MM	
5	M06803-45-E07	EA	DOOR-W/O HARDWARE - 390 MM X 1250 MM (F04,F05,F06,F07)	
5	M06803-45-F14	EA	DOOR-W/O HARDWARE - 390 MM X 1250 MM	
6	M05971-84-E07	EA	DRAWER-CABINET, W/O HARDWARE - 155 MM X 390 MM FACE SIZE (F04,F05,F06,F07)	
6	M05971-84-F14	EA	DRAWER-CABINET, W/O HARDWARE - 155 MM X 390 MM FACE SIZE	
7	M05971-85-E07	EA	DRAWER-CABINET, W/O HARDWARE - 235 MM X 390 MM FACE SIZE (F04,F05,F06,F07)	
7	M05971-85-F14	EA	DRAWER-CABINET, W/O HARDWARE - 235 MM X 390 MM FACE SIZE	
8	M06803-11-E07	EA	DOOR-W/O HARDWARE - 410 MM X 1660 MM (F04,F05,F06,F07)	
8	M06803-11-F14	EA	DOOR-W/O HARDWARE - 410 MM X 1660 MM	
	009112-01-000	EA	FLANGE-1" ROD, CLOTHES - PLASTIC - OFF WHITE	
	042438-01-000	EA	DOWEL-WOOD, CLOTHES ROD - 1" DIAMETER X 4'	
9	P10623-01-F04	EA	CABINET-QUEEN BED W/O TOP	
	M05706-05-000	EA	TOP-QUEEN BED CABINET	
10	P11375-01-F04	EA	CABINET-COMPARTMENT, W/O CARPET OR TOP (F04,F05,F06,F07)	
10	P11375-01-F14	EA	CABINET-COMPARTMENT, W/O CARPET OR TOP	
	M05706-07-000	EA	TOP-COMPARTMENT CABINET	
11	P11376-01-E08	EA	CABINET-NIGHTSTAND W/COUNTERTOP (F04,F07)	
11	P11376-01-F05	EA	CABINET-NIGHTSTAND W/COUNTERTOP	
11	P11376-01-F06	EA	CABINET-NIGHTSTAND W/COUNTERTOP	
11	P11376-01-F14	EA	CABINET-NIGHTSTAND W/COUNTERTOP	
12	M05971-86-E07	EA	DRAWER-CABINET, W/O HARDWARE - 155 MM X 250 MM FACE SIZE (F04,F05,F06,F07)	
12	M05971-86-F14	EA	DRAWER-CABINET, W/O HARDWARE - 155 MM X 250 MM FACE SIZE	
13	111376-11-E08	EA	COUNTERTOP-NIGHTSTAND (F04,F07)	
13	111376-11-F05	EA	COUNTERTOP-NIGHTSTAND	
13	111376-11-F06	EA	COUNTERTOP-NIGHTSTAND	
13	111376-11-F14	EA	COUNTERTOP-NIGHTSTAND	
	042488-10-000	EA	DOOR-FOLDING, FABRIC - 37" X 75" - OFF WHITE	
	080224-01-703	EA	LATCH & CATCH ASSEMBLY-ALMOND	DE00020AL
	080224-01-705	EA	CATCH ONLY-DOOR JAMB-ALMOND -	DE25020AL

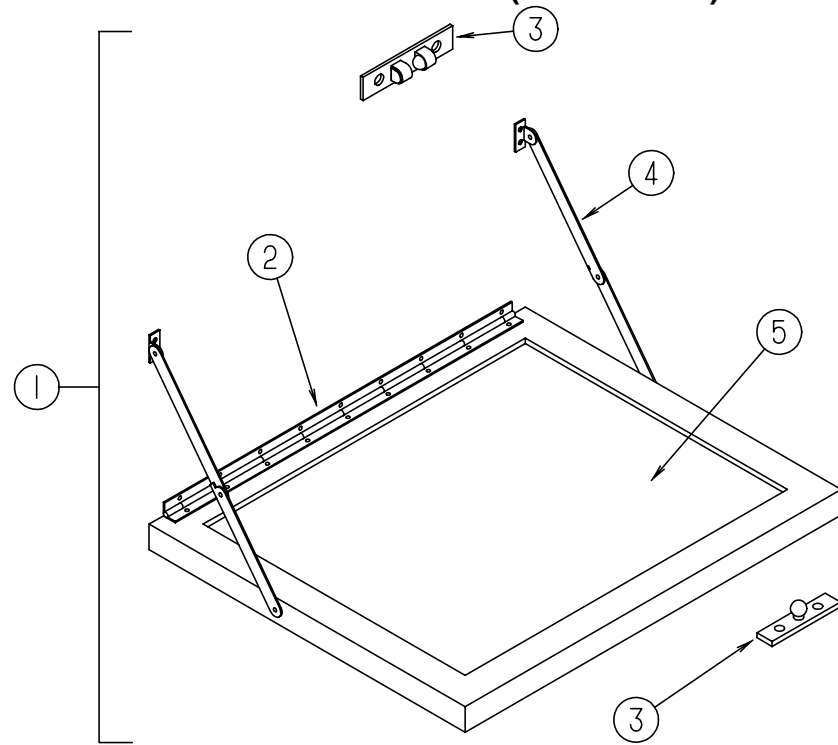
BEDROOM GROUP (CONTINUED)

TWIN BEDROOM CABINETS



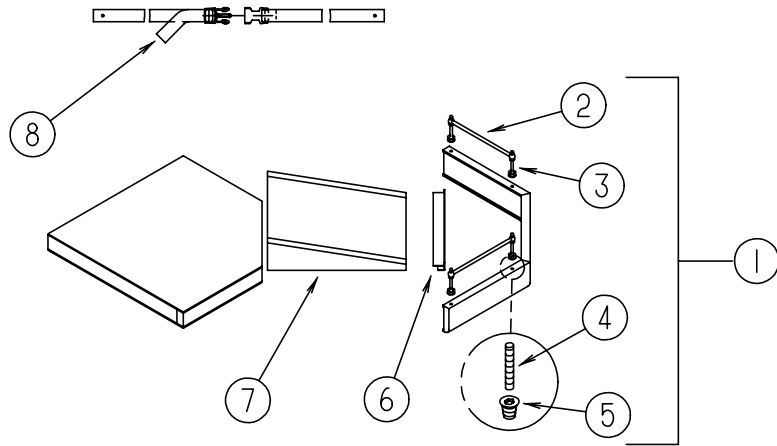
KEY	PART NUMBER	U/M DESCRIPTION	VENDOR NO.
1	P11377-01-000	EA CABINET-COMPARTMENT, W/O CARPET	
2	M05971-59-E07	EA DRAWER-CABINET, W/O HARDWARE - 235 MM X 410 MM FACE SIZE (F04,F05,F06,F07)	
2	M05971-59-F14	EA DRAWER-W/O HARDWARE - 235 MM X 410 MM FACE SIZE	
3	110826-13-E08	EA COUNTERTOP-NIGHTSTAND CABINET (F04,F07)	
3	110826-13-F05	EA COUNTERTOP-NIGHTSTAND CABINET	
3	110826-13-F06	EA COUNTERTOP-NIGHTSTAND CABINET	
3	110826-13-F14	EA COUNTERTOP-NIGHTSTAND CABINET	
4	110826-01-F04	EA CABINET-NIGHTSTAND, W/COUNTERTOPS - W/O DOORS OR DRAWER (F04,F07)	
4	110826-01-F05	EA CABINET-NIGHTSTAND, W/COUNTERTOPS - W/O DOORS OR DRAWER	
4	110826-01-F06	EA CABINET-NIGHTSTAND, W/COUNTERTOPS - W/O DOORS OR DRAWER	
4	110826-01-F14	EA CABINET-NIGHTSTAND, W/COUNTERTOPS - W/O DOORS OR DRAWER	
5	110826-12-E08	EA DOOR-W/O HARDWARE - FABRIC COVERED - 176 MM X 802 MM - EITHER SIDE (F04,F07)	
5	110826-12-F05	EA DOOR-W/O HARDWARE - FABRIC COVERED - 176 MM X 802 MM - EITHER SIDE	
5	110826-12-F06	EA DOOR-W/O HARDWARE - FABRIC COVERED - 176 MM X 802 MM - EITHER SIDE	
5	110826-12-F14	EA DOOR-W/O HARDWARE - FABRIC COVERED - 176 MM X 802 MM - EITHER SIDE	
6	110826-11-E08	EA COUNTERTOP-NIGHTSTAND CABINET (F04,F07)	
6	110826-11-F05	EA COUNTERTOP-NIGHTSTAND CABINET	
6	110826-11-F06	EA COUNTERTOP-NIGHTSTAND CABINET	
6	110826-11-F14	EA COUNTERTOP-NIGHTSTAND CABINET	
7	111239-01-E07	EA CABINET-OVERHEAD, W/O DOORS OR HARDWARE	
8	M06803-13-E07	EA DOOR-W/O HARDWARE W/MIRROR - 400 MM X 710 MM (F04,F05,F06,F07)	
8	M06803-13-F14	EA DOOR-W/O HARDWARE W/MIRROR - 400 MM X 710 MM	
9	111186-01-E07	EA CABINET-OVERHEAD, W/O DOOR OR HARDWARE - DRIVER SIDE	
	111185-01-F04	EA CABINET-OVERHEAD, W/O DOOR OR HARDWARE - PASS SIDE (NOT SHOWN)	
	111775-01-01A	EA RAIL-DECORATIVE, 1830 MM - OAK	
	058331-A5-000	EA MIRROR-GLASS, SAFETY - 396 MM X 516 MM	
10	M06803-02-E07	EA DOOR-W/O HARDWARE - 400 MM X 710 MM - DRIVER OR PASS SIDE (F04,F05,F06,F07)	
10	M06803-02-F14	EA DOOR-W/O HARDWARE - 400 MM X 710 MM - DRIVER OR PASS SIDE	
11	M06803-15-E07	EA DOOR-W/O HARDWARE - 305 MM X 1015 MM - DRIVER OR PASS SIDE (F04,F05,F06,F07)	
11	M06803-F3-F14	EA DOOR-W/O HARDWARE - 305 MM X 1015 MM - DRIVER OR PASS SIDE	
12	111379-01-E07	EA CABINET-SHIRT CLOSET, W/O DOOR OR HARDWARE - DRIVER SIDE	
	111761-01-E07	EA CABINET-SHIRT CLOSET, W/O DOOR OR HARDWARE - PASS SIDE (NOT SHOWN)	
13	M06803-11-E07	EA DOOR-W/O HARDWARE - 410 MM X 1660 MM (F04,F05,F06,F07)	
13	M06803-11-F14	EA DOOR-W/O HARDWARE - 410 MM X 1660 MM	
	009112-01-000	EA FLANGE-1" ROD, CLOTHES - PLASTIC - OFF WHITE	
	042438-01-000	EA DOWEL-WOOD, CLOTHES ROD - 1" DIAMETER X 4'	
14	P11378-01-F04	EA CABINET-TWIN BED W/O TOP, DRIVER SIDE	
	M05138-11-000	EA TOP-TWIN BED, DRIVER SIDE	
15	M06803-25-E07	EA DOOR-W/O HARDWARE - 305 MM X 475 MM (F04,F05,F06,F07)	
15	M06803-25-F14	EA DOOR-W/O HARDWARE - 305 MM X 475 MM	
16	P11762-01-F04	EA CABINET-TWIN BED W/O TOP, PASSENGER SIDE	
	M05138-12-000	EA TOP-TWIN BED, PASSENGER SIDE	
	042488-10-000	EA DOOR-FOLDING, FABRIC - 37" X 75" - OFF WHITE	
	080224-01-703	EA LATCH & CATCH ASSEMBLY-ALMOND	DE00020AL
	080224-01-705	EA CATCH ONLY-DOOR JAMB-ALMOND	DE25020AL

BEDROOM GROUP (CONTINUED)



TV STAND

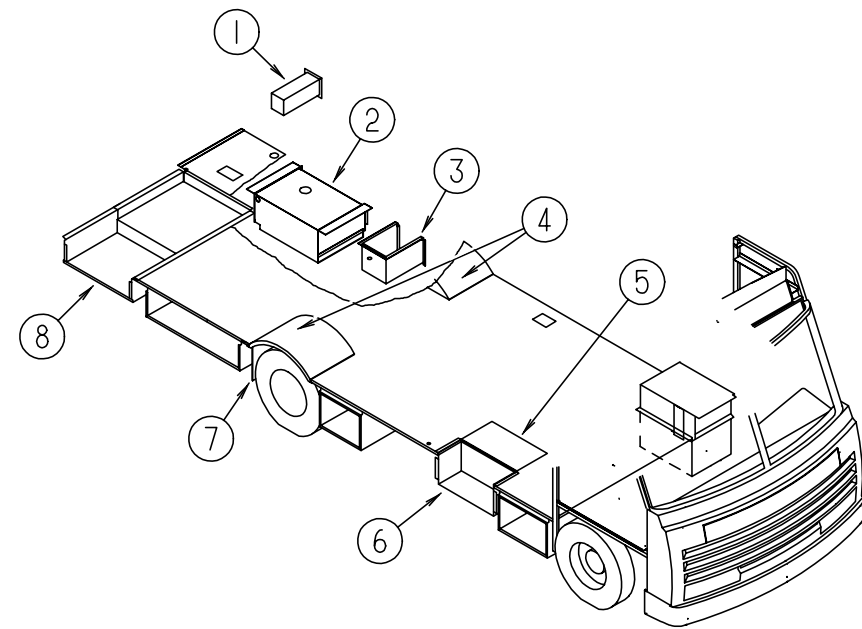
KEY	PART NUMBER	U/M DESCRIPTION
1	084357-02-E07	EA STAND-FOLD DOWN, TV - W/MIRROR
2	084413-01-000	EA HINGE-CONTINUOUS, W/HOLES
3	084451-01-000	EA CATCH-TV SHELF, BRASS
4	084412-01-000	EA SUPPORT-HINGED (PAIR)
5	084356-08-000	EA INSERT-TV STAND, W/SUPPORT HINGE - METAL - OFF WHITE
5	058331-14-000	EA MIRROR-GLASS, SAFETY - 14" X 12.7"



TV SHELVES

KEY	PART NUMBER	U/M DESCRIPTION
1	111236-01-E07	EA SHELF ASM-TV, W/BRASS RAILING & WEDGE - 420 MM X 410 MM
2	084071-15-000	EA ROD-BRASS, 210 MM LONG
3	084070-02-000	EA POST-END, 2.4" - BRASS
4	105247-01-000	EA NUT-INSERT, 8-32 THREAD X .394" LONG - STAFEST PRODUCTS
5	105246-01-000	EA POST-ANCHOR
6	103186-01-01A	FT MOLDING-EDGE, SHELF - .78" WIDE - PLASTIC - RAMBLING OAK
7	111236-15-E07	EA WEDGE-TV
8	099717-01-000	EA TIEDOWN-TV, STRAP ON FEMALE END IS 22.8" LONG

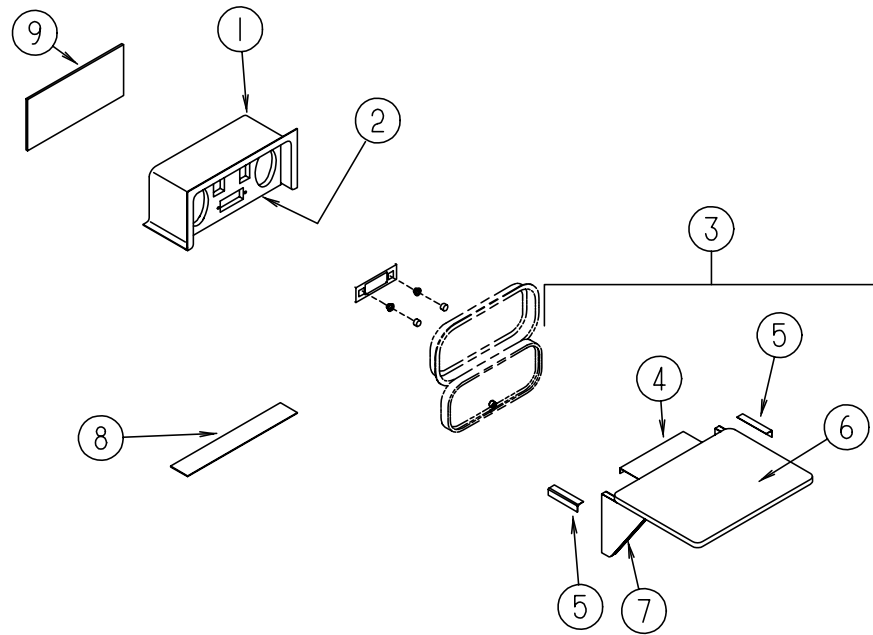
CHASSIS GROUP



COMPARTMENTS & WHEELWELLS

KEY	PART NUMBER	U/M DESCRIPTION
1	085967-01-000	EA COMPARTMENT-SEWER HOSE, 6" X 6.6" X 17.8" - PLASTIC
2	078137-04-000	EA TRAY-COMPARTMENT, 29.1" WIDE X 22.4" DEEP
3	102979-01-000	EA BOX-POWER CORD
4	102921-01-000	EA WHEELWELL-PLASTIC
5	104006-01-C05	EA LID-ENTRANCE STEP COMPARTMENT, W/O CARPET
	101222-01-01A	EA BRACKET-CATCH, LID - BEIGE
	042541-04-000	EA LATCH-BRASS, W/O STRIKE - HASP TYPE - BRASS
6	077848-02-000	EA STEP-PULLOUT
	091176-01-000	EA SUPPORT-BASE-ENTRANCE STEP
	056746-01-000	EA PLUG-CAP, 1" DIAMETER
	056748-01-000	EA PLUG-CAP, 1.5" DIAMETER - BLACK
7	017516-01-000	EA FLAP-MUD, 14" X 18" - BLACK
	020167-03-000	EA GUARD-DIRT
8	110820-01-000	EA COMPARTMENT ASM STORAGE

CHASSIS GROUP (CONTINUED)



PATIO ENTERTAINMENT CENTER

KEY	PART NUMBER	U/M DESCRIPTION
1	104897-03-01A	EA BOX-ENTERTAINMENT CENTER - OFF WHITE
2	104899-01-C05	EA PLATE-RADIO MOUNTING
3	105230-01-E01	EA SHELF
4	105377-01-01A	EA BRACKET-TABLE HANGER, OFF WHITE
5	105376-01-02A	EA HINGE-CONTINUOUS, 2" X 140 MM - OFF WHITE
6	105230-11-E01	EA SHELF
7	105230-12-E01	EA SUPPORT-SHELF
8	104898-01-01A	EA PLATE-PLASTIC, BOTTOM - 19.38" X 3.1" - OFF WHITE
9	104898-02-01A	EA PLATE-PLASTIC, REAR - 16.1" X 6.3" - OFF WHITE

CHASSIS GROUP (CONTINUED)

16" CHEVY STAINLESS STEEL WHEEL LINERS

KEY	PART NUMBER	U/M DESCRIPTION	VENDOR NO
	091209-05-000	EA LINER-WHEEL, SET OF 4 - 16" - STAINLESS STEEL	
	091209-03-702	EA COVER-AXLE, FRONT - 8 LUG	64UE
	091209-03-703	EA COVER-AXLE, REAR - 8 LUG	65UE
	091209-03-704	EA RING-SNAP, FRONT OR REAR - 8 LUG	00
	091209-05-700	EA LINER-WHEEL, 16" FRONT - W/AXLE COVER & 8 LUG	57-88
	091209-05-701	EA LINER-WHEEL, 16" REAR - W/AXLE COVER & 8 LUG	58-88
	095012-03-000	EA EXTENSION-VALVE STEM, DUAL WHEEL	
	095012-04-000	EA STABILIZER-VALVE STEM EXTENSION, DICOR AG-STA-2	
	077030-02-000	EA EXTENSION-VALVE STEM, 1.25"	

16" CHEVY WHEEL COVERS

KEY	PART NUMBER	U/M DESCRIPTION	VENDOR NO
	109443-05-000	EA COVER-WHEEL, 16" - SET OF 4	SHFM16
	109443-05-700	EA COVER-WHEEL, 16"	SHFM16-CVR
	109443-05-001	EA COVER-LUG NUT, PLATED ABS	SP-FM-LNC

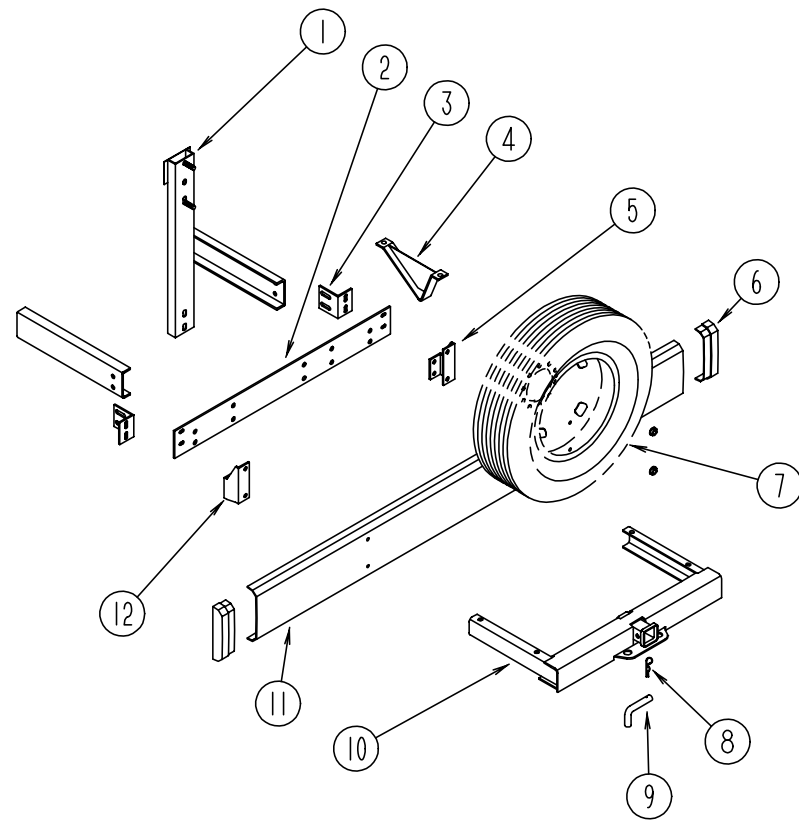
ELECTRIC ENTRY STEP

KEY	PART NUMBER	U/M DESCRIPTION	VENDOR NO.
	P01713-01-000	EA SWITCH ASSEMBLY - SEALED - STEP AND DOOR SWITCH	
	113285-01-01A	EA SEAL-SWITCH, STEP - BLACK - LUNDELL	
	094708-01-01A	EA STEP-ENTRY DOOR, ELECTRIC - SINGLE - KWIKEE 2813	
	041250-01-000	EA SWITCH-PUSH BUTTON, IN DOOR JAMB - METAL - CHROME	
	094707-02-700	EA MOTOR REPLACEMENT KIT - MODELS 32 & 28	9520
	094707-02-702	EA GEAR KIT	9525
	094707-02-703	EA PARTS KIT, (BEARINGS & PINS)	9530
	094707-02-704	EA CONNECTOR KIT-MOTOR	9537
	094707-02-705	EA CONTROL UNIT, (ORANGE)	9513
	094708-02-700	EA CONVERSION KIT 28 SERIES	9570
	094708-03-700	EA LINKAGE ASM F/28 SERIES	9522

LUG WRENCH & LEVERAGE BAR

KEY	PART NUMBER	U/M DESCRIPTION
	080208-01-000	EA LUG WRENCH, 1.06 X 1.00
	080208-02-000	EA LEVERAGE BAR-LUG WRENCH

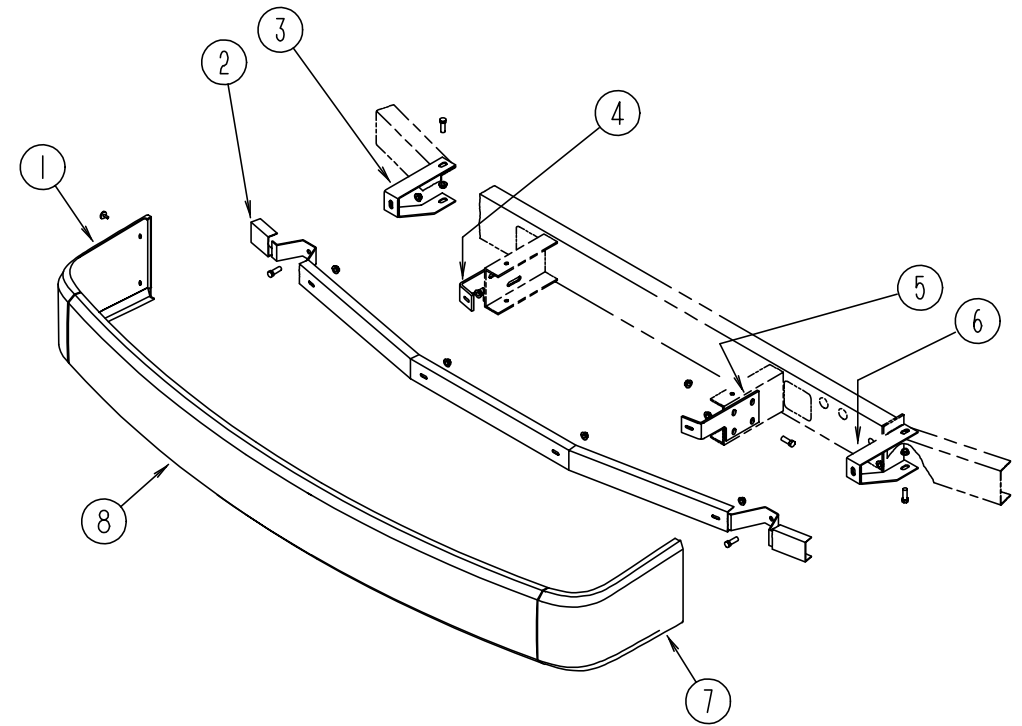
CHASSIS GROUP (CONTINUED)



REAR BUMPER, TRAILER HITCH & COMPONENTS

KEY	PART NUMBER	U/M	DESCRIPTION
1	102944-01-000	EA	BRACKET ASM-TIRE CARRIER
1	102944-02-000	EA	BRACKET ASM-TIRE CARRIER, FORD OPTION
2	078678-02-000	EA	PLATE-MOUNTING, BUMPER - REAR
3	078668-01-000	EA	SUPPORT ANGLE-BUMPER, REAR
4	083376-01-000	EA	SKID PLATE
5	102945-03-000	EA	BRACKET ASM-BUMPER, REAR
6	103228-01-05A	EA	CAP-END, BUMPER - REAR - DRIVER OR PASSENGER SIDE
7	083425-10-000	EA	TIRE-LT215/85R16, LRE XCH4 - MICHELIN XCH4 ORBL - FORD OPTION
7	007324-04-000	EA	TIRE - 8R19.5 LRD, MICHELIN XZA - CHEVY
	051377-01-000	EA	STEM-VALVE, TR 500
	051377-05-000	EA	STEM-VALVE, EATON VS-938 F53-92 - FORD OPTION
	095853-02-000	EA	WHEEL-STEEL, 16" X 6K - F2TA-1015-NA - ACCURIDE 28513-7 - FORD OPTION
8	034513-01-000	EA	PIN-HITCH - 3/16" WIRE
9	034512-01-000	EA	PIN-LOCKING-DRAWBAR
10	107707-01-000	EA	HITCH ASM W/O DRAWBAR
11	103099-01-02A	EA	BUMPER-REAR, OFF WHITE
12	102945-04-000	EA	BRACKET ASM-BUMPER, REAR
	113589-02-000	EA	CONNECTOR-SOCKET, TRAILER - GENERAL 433601
	113589-01-000	EA	CONNECTOR-PLUG, TRAILER - GENERAL 433501

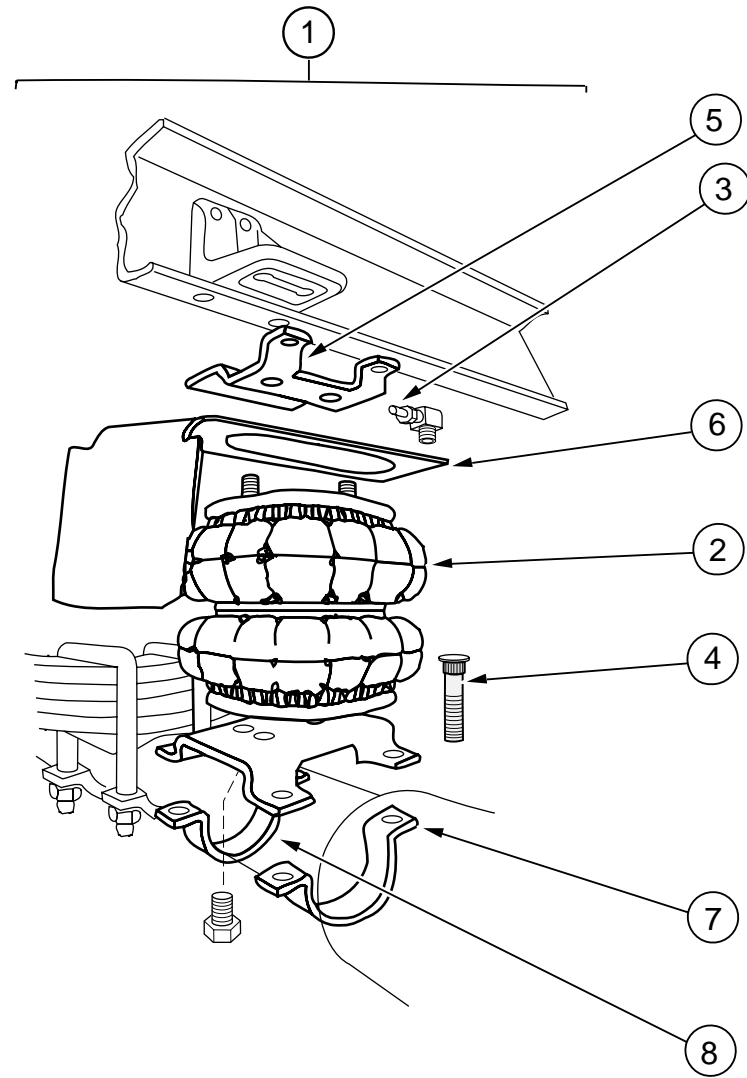
CHASSIS GROUP (CONTINUED)



FRONT BUMPER

KEY	PART NUMBER	U/M	DESCRIPTION
1	103692-01-02A	EA	PANEL-FACIA, BUMPER - FRONT RIGHT - OFF WHITE
2	103512-01-000	EA	CHANNEL ASM-BUMPER
3	103497-01-000	EA	BRACE-BUMPER, FRONT
4	086140-03-000	EA	SUPPORT-FRONT BUMPER, PASSENGER SIDE - 9.1" X 4" - STEEL
5	086140-04-000	EA	SUPPORT-FRONT BUMPER, DRIVER SIDE - 9.1" X 4" - STEEL
6	103611-01-000	EA	BRACE-BUMPER, FRONT
7	103692-02-02A	EA	PANEL-FACIA, BUMPER - FRONT LEFT - OFF WHITE
8	103758-01-E07	EA	BUMPER ASM-FRONT, W/DRIVER & PASSENGER SIDE FACIA PANELS OFF WHITE

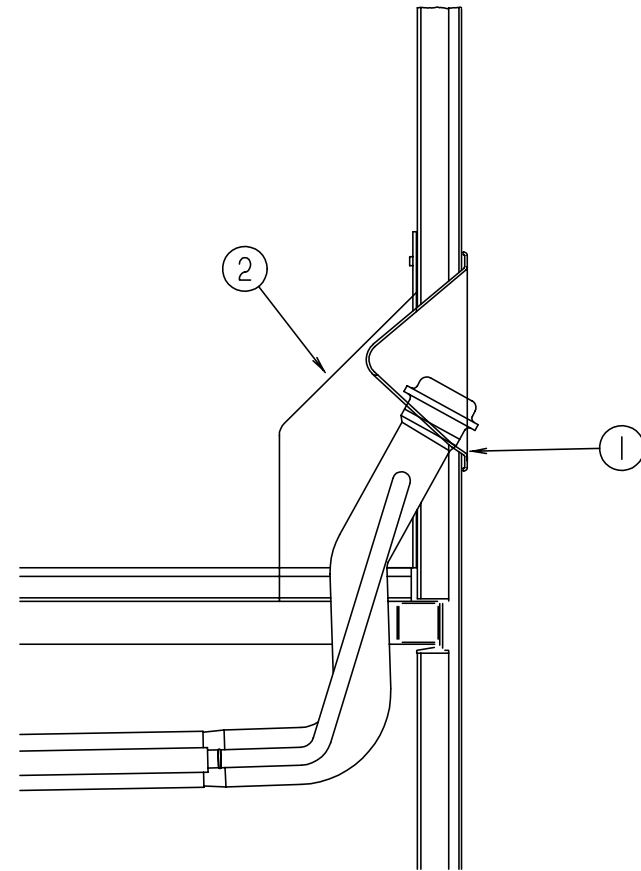
CHASSIS GROUP (CONTINUED)



REAR AXLE AIRSPRINGS

KEY	PART NUMBER	U/M DESCRIPTION	VENDOR NO.
1	084086-04-000	EA AIRSPRING-BELLOWS, REAR AXLE - FIRESTONE# MHA224 - GAS ENGINE	W217602064
2	084086-04-702	EA AIR BAG-ONLY	21-0938
3	084086-01-701	EA TUBING-DOT 1/4" X 18'	21-0829
4	084086-01-702	EA BOLT-RIBBED NECK, 3/8"-24 X 2.5"	21-0899
	084086-01-705	EA TUBING PROTECTORS	21-0150
5	084086-01-706	EA BRACKET-UPPER TO FRAME	21-5042
6	084086-01-711	EA HEAT SHIELD-224 DOS SYSTEM	21-1163
7	084086-01-713	EA AXLE STRAP BRACKET, AXLE TUBE - 3 USED	21-5038
8	084086-01-714	EA AXLE STRAP BRACKET, DIFFERENTIAL - 1 USED	21-5064
	084086-04-700	EA BRACKET,LOWER DRIVERS SIDE	21-5065
	084086-04-701	EA BRACKET,LOWER PASSENGER SIDE	

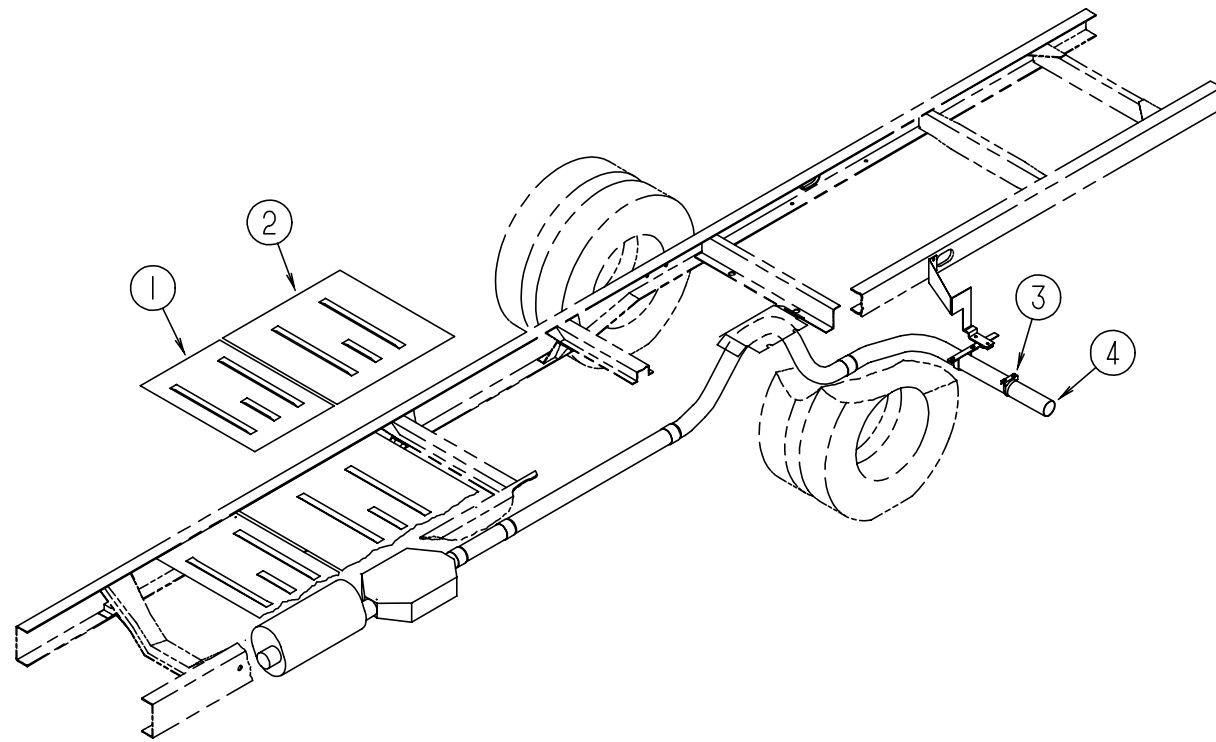
CHASSIS GROUP (CONTINUED)



FUEL SYSTEM

KEY	PART NUMBER	U/M DESCRIPTION
1	095854-01-02A	EA SHROUD-FUEL FILL, OFF WHITE
2	072447-04-000	EA SHROUD-FUEL FILL, UPPER - PLASTIC
	007063-01-000	FT HOSE-GAS 1/4"ID X 1/2"OD
	084884-01-000	EA PLUG-BRASS, 3/8"
	044317-01-000	FT HOSE-FUEL, 3/8" ID - DIESEL ONLY
	087269-01-000	EA TEE-1/4" X 1/4" X 1/4", BRASS

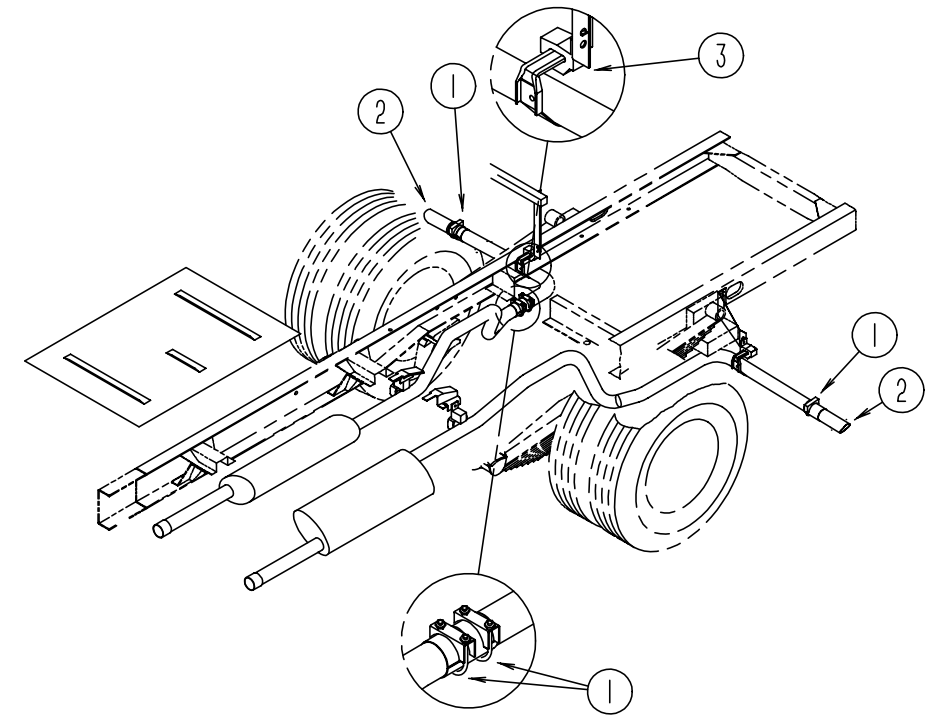
CHASSIS GROUP (CONTINUED)



EXHAUST SYSTEM - GAS

KEY	PART NUMBER	U/M	DESCRIPTION
1	101544-01-000	EA	SHIELD-HEAT, EXHAUST - 19.7" X 28.9" - STEEL
2	101544-02-000	EA	SHIELD-HEAT, EXHAUST - 30" X 28.9" - STEEL
3	094918-01-000	EA	CLAMP-EXHAUST, 3" - GUILLOTINE STYLE
4	098762-05-000	EA	EXTENSION-EXHAUST, STRAIGHT - 3" OD X 7.9" LONG - STAINLESS STEEL
	053322-10-000	EA	SHIELD-HEAT, EXHAUST - 48" X 7.5" - STEEL

CHASSIS GROUP (CONTINUED)



EXHAUST SYSTEM - DIESEL

KEY	PART NUMBER	U/M	DESCRIPTION
1	094918-03-000	EA	CLAMP-EXHAUST, 2.5"
2	081918-01-000	EA	EXTENSION-EXHAUST, STRAIGHT - 2.25" OD X 9.44" - STAINLESS STEEL
3	098833-01-000	EA	BRACKET-EXHAUST, HANGER - L ANGLE - 1.7" X 13.3" - STEEL

CHASSIS GROUP (CONTINUED)

FRONT SHOCKS

KEY	PART NUMBER	U/M DESCRIPTION
	104993-01-000	EA SHOCK ABSORBER-GAS, P30 FRONT - BILSTEIN B46-1173

TIRE COVERS

KEY	PART NUMBER	U/M DESCRIPTION
	117213-01-000	EA COVER-TIRE, 32" - BRAVE
	117213-02-000	EA COVER-TIRE, 34" - BRAVE - DIESEL OPTION
	108163-02-01A	EA COVER ASM-TIRE, 19.5" CHEVY - DIESEL - CHROME - EXTERIOR TRIM OPTION
	108560-03-01A	EA INSERT-TIRE COVER, 19.5" CHEVY - OFF WHITE - EXTERIOR TRIM OPTION
	108163-01-01A	EA COVER ASM-TIRE, 16" CHEVY - GAS - CHROME - EXTERIOR TRIM OPTION
	108560-02-01A	EA INSERT-TIRE COVER, 16" CHEVY - OFF WHITE - EXTERIOR TRIM OPTION

CHASSIS MISCELLANEOUS

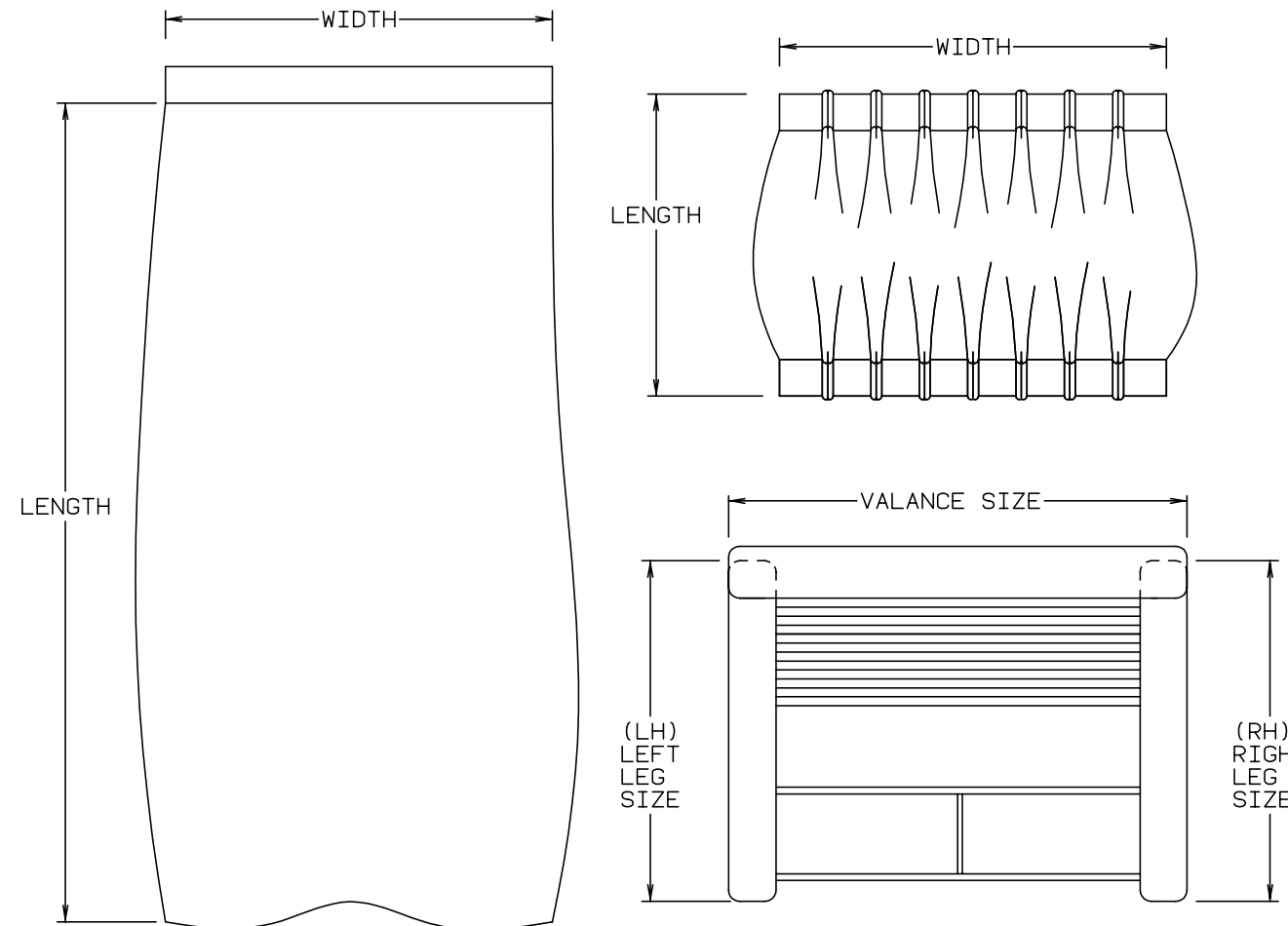
KEY	PART NUMBER	U/M DESCRIPTION
	055278-51-259	FT TUBING-STEEL, .75" X 1.5" X 12.5"
	008042-01-000	FT TUBING-VINYL, .65" ID
	065450-05-000	EA TIEDOWN-BATTERY, 8.4" TUBE - STEEL
	075307-03-000	EA SHIELD-HEAT, LP - DIESEL OPTION
	093719-01-000	EA HOSE-OIL FILL, PREFORMED 90 DEGREE BEND - DIESEL OPTION
	077001-01-000	EA ANGLE-MOUNTING, ROOF PANEL - V ANGLE - 3" X 2.4" X 1.5"
	070579-06-000	EA PLATE-ANCHOR, W/7/16 WELD NUT - 1.5" X 3.3"
	103136-01-000	EA BRACKET-SUPPORT, UPPER HINGE - RIGHT
	103136-02-000	EA BRACKET-SUPPORT, UPPER HINGE - LEFT
	076310-01-000	EA BAFFLE-RADIATOR, .12" X 15" X 62" - RUBBER
	096630-01-000	EA BOTTLE-OVERFLOW, RADIATOR - GM 14042454

CURTAIN & CUSHION GROUP

NOTICE

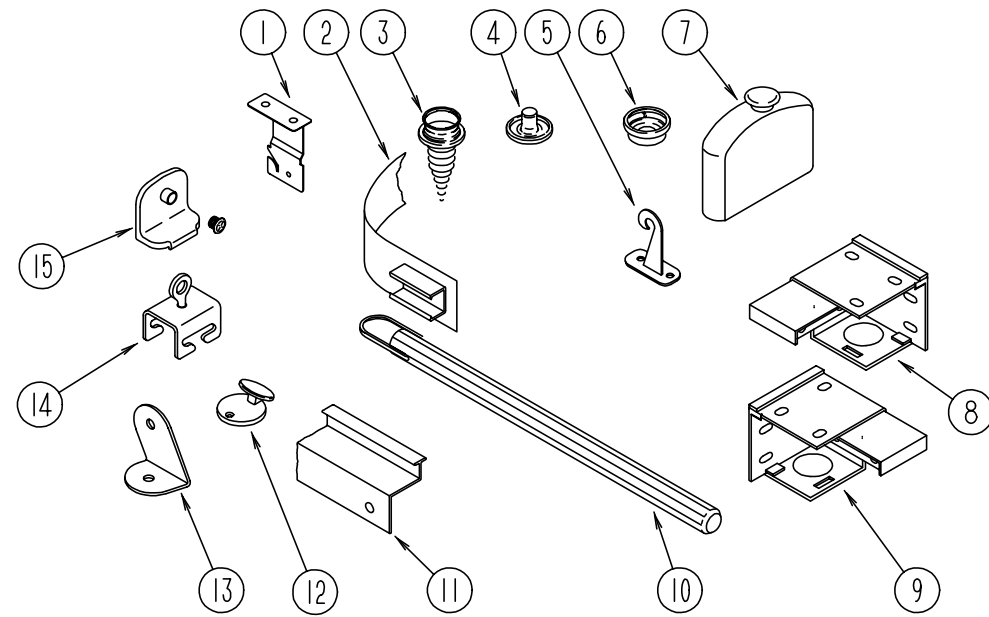
IN ORDER TO ASSIST OUR PARTS SALES DEPT. IN PROVIDING INTERIOR SOFTGOODS ITEMS, PLEASE INCLUDE THE SERIAL NUMBER AND THE COLOR CODE NUMBER FROM THE VEHICLE CERTIFICATION LABEL WHEN ORDERING. THIS LABEL IS LOCATED ON THE LEFT SIDEWALL AT THE END OF THE DASH (A-BODY), OR ON THE DRIVER'S DOOR LATCH PLATE (C-BODY).

AN EXAMPLE OF A COLOR CODE NUMBER IS B07, WHICH DESIGNATES AN OVERALL COLOR SCHEME OF A PARTICULAR UNIT. THE COLOR LISTED AFTER THE ITEM DESCRIPTION ON THE MICROFICHE, INDICATES THE OVERALL UNIT COLOR. ORDER THE ITEM YOU DESIRE ACCORDING TO UNIT COLOR CODE.



NOTE: USE THIS ILLUSTRATION WHEN DETERMINING LENGTH AND WIDTH MEASUREMENTS FOR CURTAINS. YOU WILL NOTE THE WIDTH MEASUREMENT IS TAKEN ON THE TOP OF THE CURTAIN WITH THE CURTAIN FULLY EXTENDED. THE LENGTH MEASUREMENT IS TAKEN FROM TOP TO BOTTOM. LEFT AND RIGHT WINDOW LEGS ARE DETERMINED WHEN FACING THE WINDOW.

CURTAIN & CUSHION GROUP (CONTINUED)



CURTAIN, BLIND HARDWARE & TRACKS

KEY	PART NUMBER	U/M DESCRIPTION
1	084434-01-000	EA BRACKET-MOUNTING, ROLLER SHADE - 1 3/8"
2	101031-01-000	YD TAPE-GLIDE, CURTAIN - 4.25" SPACING
3	029130-01-000	EA SCREW-SNAP SOCKET, #8 PH X 5/8"
3	029130-03-000	EA SCREW-SNAP SOCKET, #8 PH X 1"
4	029155-01-000	EA CAP-SNAP, 5/32" O.D. OF PIN
5	109441-01-000	EA HOLD DOWN-BLIND, HOOK
6	029156-01-000	EA SOCKET-SNAP, 9/16" O.D.
7	093475-01-701	EA END CAP-BLIND, W/STUD
8	083170-01-000	EA BRACKET-BLIND, LEFT SIDE WHEN FACING WINDOW
9	083170-02-000	EA BRACKET-BLIND, RIGHT SIDE WHEN FACING WINDOW
10	093475-01-700	EA WAND-BLIND, W/METAL CLIP - 8" LONG
11	105450-01-01A	EA TRACK-CURTAIN, 30.8" LONG - ALUMINUM - OFF WHITE
12	102555-01-000	EA CLEAT-CORD, BLIND - OFF WHITE
13	099205-02-02A	EA BRACKET-WRAPAROUND O/W
14	009702-01-000	EA END-STOP-CURTAIN CARRIER, L ROD
15	106544-01-000	EA PULL-SHADE, BRASS
	106544-01-001	EA SCREW-BRASS, SHADE
	046867-01-000	EA GROMMET-BRASS - 7/16" ID X 1" OD
	048394-02-000	YD VELCRO TAPE-HOOK, ADHESIVE BACK - .75" WIDE - BEIGE
	075943-09-000	EA BRACE-VALANCE, O/WHT 8.00 IN
	088792-01-000	YD VELCRO-HOOK, .75" WIDE - BEIGE
	088792-02-000	YD VELCRO TAPE-LOOP, ADHESIVE BACKED - .75" WIDE - BEIGE
	089522-02-000	EA PANEL-LEG, TWO SIDED 31.5" LONG - PLASTIC - BLACK LEFT SIDE
	096843-01-000	EA SPRING-REWIND, ROLLER SHADE
	101589-02-C05	EA TRACK ASM-CURTAIN, WRAPAROUND
	105324-01-01A	EA TRACK-CURTAIN, WRAPAROUND O/W
	105324-02-01A	EA TRACK-CURTAIN, WRAPAROUND - PASSENGER SIDE - OFF WHITE
	105324-03-01A	EA TRACK-CURTAIN, WRAPAROUND - DRIVER SIDE - OFF WHITE
	086276-01-000	EA TAPE-DOUBLE SIDED, 1/2"
	009136-02-000	EA HANGER-RING, PIN TYPE - CURTAIN - BRASS
	009700-04-002	EA TRACK, L-SHAPED 195.2" - OFF WHITE
	056003-06-000	EA BRACKET-RETAIN, 1.5 X 6" RH. - SHROCK
	056003-07-000	EA BRACKET-RETAIN, 1.5 X 6" LH. - SHROCK
	075943-01-000	EA BRACE-WINDOW VALANCE, 1" X 1.5" X 20" - ALUMINUM - BEIGE
	099205-02-02A	EA BRACKET-WRAPAROUND O/W

CURTAIN & CUSHION GROUP (CONTINUED)

BUTTON, TRIM, ASSIST HANDLE & SEAT BELT

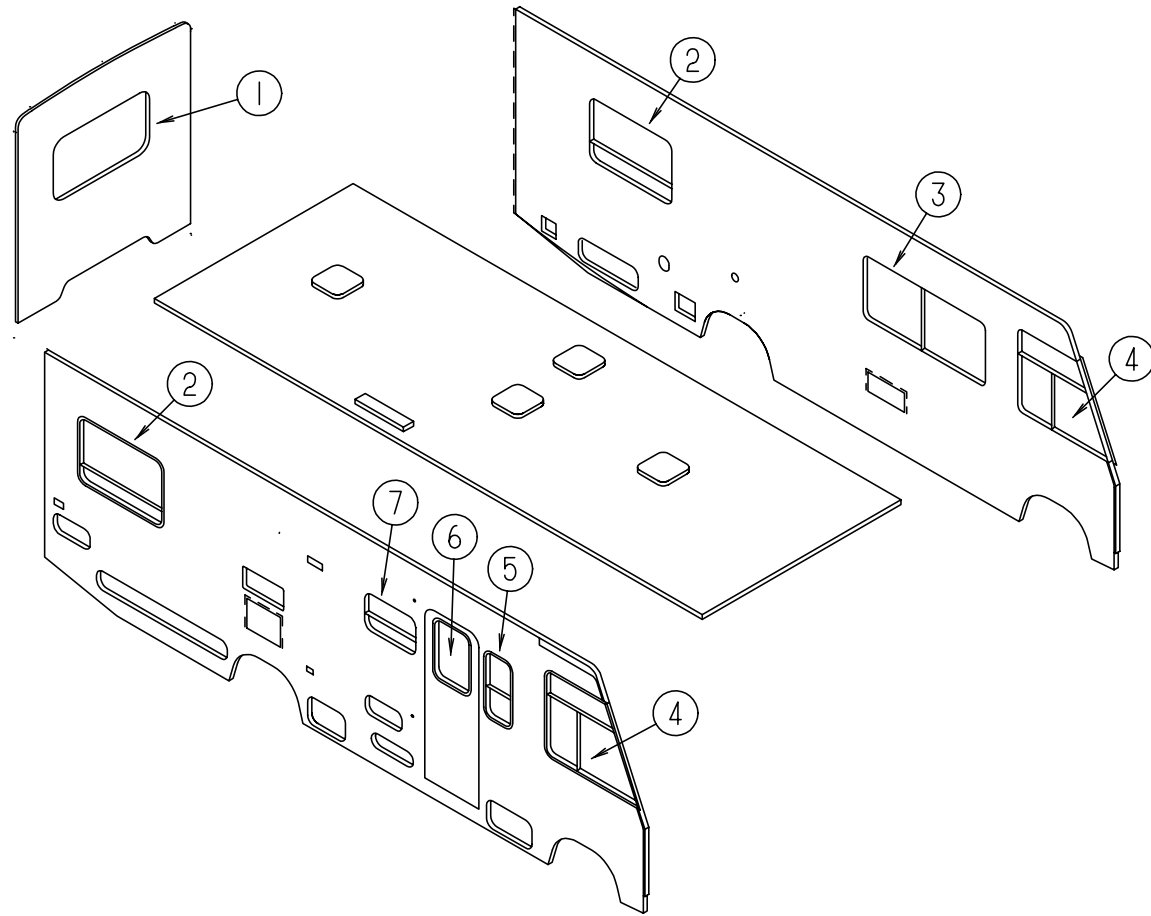
KEY	PART NUMBER	U/M DESCRIPTION
	070578-02-B29	EA BUTTON-SCREW, STUD - #30 - VINYL
	079349-04-E08	YD WELT ASM-NARROW, ACCENT (F04)
	079349-04-F05	YD WELT ASM-NARROW, ACCENT
	079349-04-E22	YD WELT ASM-NARROW, ACCENT (F06,F14)
	079680-16-000	YD WELT ASM-NARROW, ACCENT (F07)
	057759-01-000	EA WASHER BRACKET-SEAT BELT, 4" DIAMETER
	007021-01-000	EA BELT-SEAT, 2" X 90" - BLACK
	056271-02-000	EA BELT-SEAT, 2" X 72" - BLACK
	069178-02-000	EA BRACKET-MOUNTING, ASSIST HANDLE - L ANGLE - W/HOLES - STEEL
	000C16-07-16B	EA BOLT-CARRIAGE, ASSIST HANDLE - 7/16" - 14 X 1" ZN
	000D20-07-00B	EA NUT-ACORN, ASSIST HANDLE - 7/16" X 14 ZN
	053552-02-AA8	EA HANDLE-ASSIST, INTERIOR - ENTRY DOOR - VINYL - OFF WHITE
	057534-01-000	EA TIEBACK/TIEDOWN-BED/CURTAIN/DOOR, 6" - PLASTIC - CLEAR

FABRICS

KEY	PART NUMBER	U/M DESCRIPTION
	079680-07-000	YD FABRIC-VINYL, 54" WIDE - BEIGE
	087272-03-000	YD DRAPERY LINING-54" IVORY, ROCKLAND MILLS
	089351-03-000	YD VINYL-CEILING, DIAMOND DESIGN - 54" WIDE
	103907-01-01A	YD FABRIC-VINYL, 54" WIDE - OFF WHITE
	096008-85-000	YD FABRIC-UPHOLSTERY/CURTAIN, PLAIN VELOUR - 54" WIDE N/A USE P.N.#10423327000 LT. NAVY
	106569-02-04A	EA VINYL-LAMINATE CAMBRIDGE BIS, 1/4" X 16" X 96
	108446-35-000	YD FABRIC-UPHOLSTERY, COLLISION - SESAME - JOAN FABRICS - MAIN (F04)
	108446-A6-000	YD FABRIC-UPHOLSTERY, CAPE COD - 685 - MAIN (F05)
	108446-A7-000	YD FABRIC-UPHOLSTERY, DECO - JASPER - MAIN (F06) FROM: 00-00-00 THRU: 09-18-94
	108446-D9-000	YD FABRIC-UPHOLSTERY, GRECO - JASPER - MAIN (F06) FROM: 09-19-94 THRU: 99-99-99
	108446-D2-000	YD FABRIC-UPHOLSTERY, DOBLIN/CONFETTI - 9435 - MAIN (F07)
	108446-C8-000	YD FABRIC-UPHOLSTERY, CANASTA STONE - MAIN (F14)
	104233-59-000	YD FABRIC-UPHOLSTERY, 325 CASHMERE - ALBANY 1418 - PLAIN ACCENT (F04)
	108446-A9-000	YD FABRIC-UPHOLSTERY, PREMEIR 685 - PLAIN ACCENT (F05)
	108446-55-000	YD FABRIC-UPHOLSTERY, ALBANY - 350 WHEAT - PLAIN ACCENT (F06,F07)
	108446-A5-000	YD FABRIC-UPHOLSTERY, FUSION - HAZEL - JOAN FABRICS - PATTERN ACCENT (F04)
	108446-B0-000	YD FABRIC-UPHOLSTERY, HARBOR - 685 MARINE - PATTERN ACCENT (F05)
	108446-57-000	YD FABRIC-UPHOLSTERY, CELTIC - CASHMERE - PATTERN ACCENT (F06)
	108446-D6-000	YD FABRIC-UPHOLSTERY, MASTERCRAFT - PATTERN ACCENT (F07)
	105745-28-000	YD FABRIC-BEDSPREAD, SAHARA - SAUTERNE - AMETEX - MAIN (F04)
	105745-65-000	YD FABRIC-BEDSPREAD, CITEAUX - WINDSOR - MAIN (F05)
	105745-83-000	YD FABRIC-BEDSPREAD, MACON - ONYX - MAIN (F06)
	105745-96-000	YD FABRIC-BEDSPREAD, RICHLOOM/HERALD SQUARE - WEDGEWOOD - MAIN (F07)
	105745-93-000	YD FABRIC-BEDSPREAD, DOVER-F SUNTAN - MAIN (F14)
	105745-63-000	YD FABRIC-BEDSPREAD, RADIANCE - TOAST - ACCENT (F04,F06)
	105745-64-000	YD FABRIC-BEDSPREAD, RADIANCE - SLATE - ACCENT (F05)
	105745-97-000	YD FABRIC-BEDSPREAD, RICHLOOM/FRANK - MULTI - ACCENT (F07)
	105745-92-000	YD FABRIC-BEDSPREAD, DANIELLE-F SUNTAN - ACCENT (F14)
	072333-90-000	YD FABRIC-CURTAIN, 54" WIDE - TAN (F04,F06,F07)
	072333-82-000	YD FABRIC-CURTAIN, 54" WIDE - BEIGE (F05)

CURTAIN & CUSHION GROUP (CONTINUED)

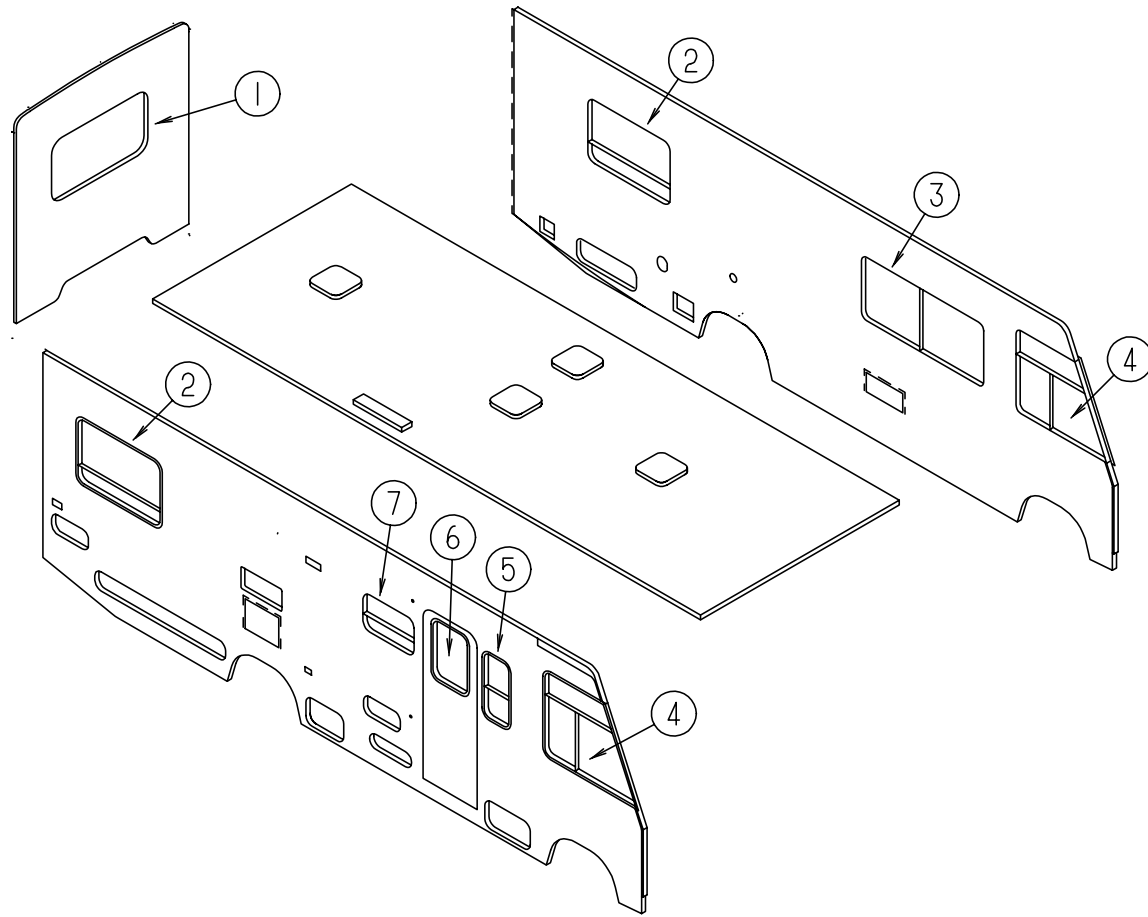
WINDOW TREATMENT



KEY	PART NUMBER	U/M	DESCRIPTION
1	114781-01-F04	EA	VALANCE ASM-SAHARA, 52" - W/O HEADER
1	114781-01-F05	EA	VALANCE ASM-SAHARA, 52" - W/O HEADER
1	114781-01-F06	EA	VALANCE ASM-SAHARA, 52" - W/O HEADER
1	114993-01-F27	EA	VALANCE ASM, 52" - TAILOR (F07)
1	115929-01-F29	EA	VALANCE ASM, 52" - CATALINA (F14)
1	112986-02-F04	EA	CURTAIN - 29.5 X 9, PENCIL PLEAT TOP, POCKET BOTTOM FROM: 00-00-00 THRU: 07-24-94
1	112986-04-F04	EA	CURTAIN - 29.5 X 6, PENCIL PLEAT TOP, POCKET BOTTOM FROM: 07-25-94 THRU: 99-99-99
1	112986-02-F05	EA	CURTAIN - 29.5 X 9, PENCIL PLEAT TOP, POCKET BOTTOM FROM: 00-00-00 THRU: 07-24-94
1	112986-04-F05	EA	CURTAIN - 29.5 X 6, PENCIL PLEAT TOP, POCKET BOTTOM FROM: 07-25-94 THRU: 99-99-99
1	112986-02-F06	EA	CURTAIN - 29.5 X 9, PENCIL PLEAT TOP, POCKET BOTTOM FROM: 00-00-00 THRU: 07-24-94
1	112986-04-F06	EA	CURTAIN - 29.5 X 6, PENCIL PLEAT TOP, POCKET BOTTOM FROM: 07-25-94 THRU: 99-99-99
1	112986-04-F27	EA	CURTAIN - 29.5 X 6, PENCIL PLEAT TOP, POCKET BOTTOM (F07)
1	093475-55-04A	EA	BLIND-MINI, 48 X 28 DROP (F04,F06) FROM: 00-00-00 THRU: 07-24-94
1	093475-68-08A	EA	BLIND-MINI, 48 X 27 DROP (F04,F06) FROM: 07-25-94 THRU: 99-99-99
1	093475-55-03A	EA	BLIND-MINI, 48 X 28 DROP (F05) FROM: 00-00-00 THRU: 07-24-94
1	093475-68-07A	EA	BLIND-MINI, 48 X 27 DROP (F05) FROM: 07-25-94 THRU: 99-99-99
1	093475-68-08A	EA	BLIND-MINI, 48 X 27 DROP (F07)
2	114781-02-F04	EA	VALANCE ASM-SAHARA, 44" - W/HEADER
2	114781-02-F05	EA	VALANCE ASM-SAHARA, 44" - W/HEADER
2	114781-02-F06	EA	VALANCE ASM-SAHARA, 44" - W/HEADER
2	114993-02-F27	EA	VALANCE ASM, 44" - TAILOR (F07)
2	115929-04-F29	EA	VALANCE ASM, 44" - CATALINA (F14)
2	112986-03-F04	EA	CURTAIN - 31.5 X 9, PENCIL PLEAT TOP, POCKET BOTTOM FROM: 00-00-00 THRU: 07-24-94
2	112986-05-F04	EA	CURTAIN - 31.5 X 6, PENCIL PLEAT TOP, POCKET BOTTOM FROM: 07-25-94 THRU: 99-99-99
2	112986-03-F05	EA	CURTAIN - 31.5 X 9, PENCIL PLEAT TOP, POCKET BOTTOM FROM: 00-00-00 THRU: 07-24-94
2	112986-05-F05	EA	CURTAIN - 31.5 X 6, PENCIL PLEAT TOP, POCKET BOTTOM FROM: 07-25-94 THRU: 99-99-99
2	112986-03-F06	EA	CURTAIN - 31.5 X 9, PENCIL PLEAT TOP, POCKET BOTTOM FROM: 00-00-00 THRU: 07-24-94
2	112986-05-F06	EA	CURTAIN - 31.5 X 6, PENCIL PLEAT TOP, POCKET BOTTOM FROM: 07-25-94 THRU: 99-99-99
2	112986-05-F27	EA	CURTAIN - 31.5 X 9, PENCIL PLEAT TOP, POCKET BOTTOM (F07)
2	114781-03-F04	EA	VALANCE ASM-SAHARA, 44" - W/O HEADER - TWIN BED OPTION
2	114781-03-F05	EA	VALANCE ASM-SAHARA, 44" - W/O HEADER - TWIN BED OPTION
2	114781-03-F06	EA	VALANCE ASM-SAHARA, 44" - W/O HEADER - TWIN BED OPTION
2	114993-03-F07	EA	VALANCE ASM-SAHARA, 44" - W/O HEADER - TWIN BED OPTION
2	093475-99-03A	EA	BLIND-MINI, 41 X 28.5 DROP (F04,F06,F07)
2	093475-99-02A	EA	BLIND-MINI, 41 X 28.5 DROP (F05)
2	093475-41-09A	EA	BLIND-MINI, 39 X 26 DROP (F04,F06,F07) - TWIN BED OPTION
2	093475-41-08A	EA	BLIND-MINI, 39 X 26 DROP (F05) - TWIN BED OPTION

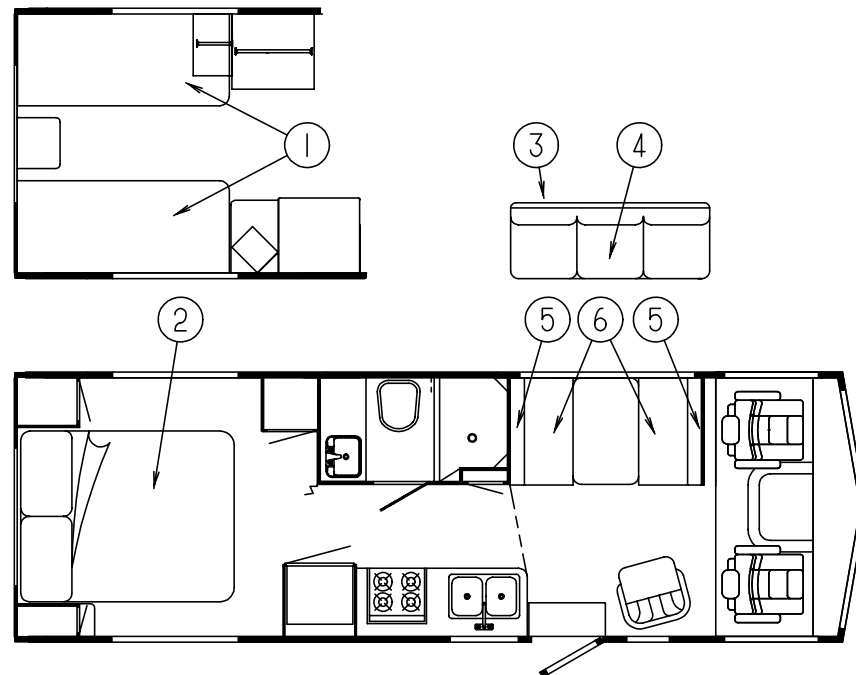
CURTAIN & CUSHION GROUP (CONTINUED)

WINDOW TREATMENT (CONTINUED)



KEY	PART NUMBER	U/M DESCRIPTION
3	105923-26-F04	EA VALANCE - 57.5" RODEWAY, W/BRASS WELT
3	105923-26-F05	EA VALANCE - 57.5" RODEWAY, W/BRASS WELT
3	105923-26-F06	EA VALANCE - 57.5" RODEWAY, W/BRASS WELT
3	105923-37-F07	EA VALANCE - 57.5" RODEWAY, W/BRASS WELT
3	113637-13-F14	EA VALANCE - 57.5" ROSEANNE, W/BRASS WELT
3	109234-29-E08	EA LEG-RH., 27" - PLAIN - W/O HOLE (F04)
3	109234-29-F05	EA LEG-RH., 27" - PLAIN - W/O HOLE
3	109234-29-F06	EA LEG-RH., 27" - PLAIN - W/O HOLE (F06,F14)
3	109234-31-F07	EA LEG-RH., 27" - PLAIN - W/O HOLE
3	109234-30-E08	EA LEG-LH., 27" - PLAIN - W/O HOLE (F04)
3	109234-30-F05	EA LEG-LH., 27" - PLAIN - W/O HOLE
3	109234-30-F06	EA LEG-LH., 27" - PLAIN - W/O HOLE (F06,F14)
3	109234-32-F07	EA LEG-LH., 27" - PLAIN - W/O HOLE
3	109041-28-02A	EA BLIND-MINI, 54 X 28.5 DROP (F04,F06,F07)
3	109041-28-01A	EA BLIND-MINI, 54 X 28.5 DROP (F05)
3	109802-32-F14	EA BLIND-MINI, 54 X 28.5 DROP (F14)
4	101668-30-D09	EA CURTAIN - 38 X 80 TAPE TOP, RH (F04,F06,F07)
4	101668-30-D10	EA CURTAIN - 38 X 80 TAPE TOP, RH (F05)
4	101668-30-E90	EA CURTAIN - 38 X 80 TAPE TOP, RH (F14)
4	101668-31-D09	EA CURTAIN - 38 X 80 TAPE TOP, LH (F04,F06,F07)
4	101668-31-D10	EA CURTAIN - 38 X 80 TAPE TOP, LH (F05)
4	101668-31-E90	EA CURTAIN - 38 X 80 TAPE TOP, LH (F14)
4	101668-32-D09	EA CURTAIN ASM - 40 X 40, TAPE TOP - BUNK OPTION (F04,F06,F07)
4	101668-32-D10	EA CURTAIN ASM - 40 X 40, TAPE TOP - BUNK OPTION (F05)
4	101668-32-E90	EA CURTAIN ASM - 40 X 40, TAPE TOP - BUNK OPTION (F14)
4	101668-33-D09	EA CURTAIN ASM - 38 X 125, TAPE TOP - BUNK OPTION (F04,F06,F07)
4	101668-33-D10	EA CURTAIN ASM - 38 X 125, TAPE TOP - BUNK OPTION (F05)
4	101668-33-E90	EA CURTAIN ASM - 38 X 125, TAPE TOP - BUNK OPTION (F14)
4	073260-42-D09	EA TIEBACK ASM - 6 X 18 (F04,F06,F07)
4	073260-42-D10	EA TIEBACK ASM - 6 X 18 (F05)
4	073260-42-C18	EA TIEBACK ASM - 6 X 18 (F14)
5	105923-30-F04	EA VALANCE - 17", RODEWAY, W/O INSERT
5	105923-30-F05	EA VALANCE - 17", RODEWAY, W/O INSERT
5	105923-30-F06	EA VALANCE - 17", RODEWAY, W/O INSERT
5	105923-39-F07	EA VALANCE - 17", RODEWAY, W/O INSERT
5	113637-11-F14	EA VALANCE - 17", ROSEANNE
5	109041-15-03A	EA BLIND-MINI, 14.5 X 32 (F04,F06,F07)
5	109041-15-01A	EA BLIND-MINI, 14.5 X 32 (F05)
5	109802-41-F14	EA BLIND-MINI, 15.5 X 33 (F14)
6	113268-16-F04	EA VALANCE-FLAT, 31.25" - W/BRASS
6	113268-16-F05	EA VALANCE-FLAT, 31.25" - W/BRASS
6	113268-16-F06	EA VALANCE-FLAT, 31.25" - W/BRASS
6	113268-18-F07	EA VALANCE-FLAT, 31.25" - W/BRASS
6	113268-16-F14	EA VALANCE-FLAT, 31.25" - W/BRASS
6	084755-57-E07	EA SHADE ASM-PULL-27.25, W/O TRIM
7	109041-20-02A	EA BLIND-MINI, 31 X 18 DROP (F04,F06,F07,F14)
7	109041-20-01A	EA BLIND-MINI, 31 X 18 DROP (F05)
7	109353-07-02A	EA BLIND-SLAT, 31" (F04,F06,F07,F14)
7	109353-07-01A	EA BLIND-SLAT, 31" (F05)
7	109353-04-000	EA CLIP-VALANCE SLAT MOUNTING, CLEAR PLASTIC - PAR
	084481-25-E08	EA CURTAIN ASM-SHOWER, 67 X 38 (F04,F06,F07)
	084481-25-E10	EA CURTAIN ASM-SHOWER, 67 X 38 (F05,F14)
	073260-54-E08	EA TIEBACK ASM - 3 X 16 (F04,F06,F07)
	073260-54-E01	EA TIEBACK ASM - 3 X 16 (F05,F14)

CURTAIN & CUSHION GROUP (CONTINUED)



TWIN MATTRESS & BEDSPREAD

KEY	PART NUMBER	U/M DESCRIPTION
1	101123-07-000	EA MATTRESS COMPLETE-FOAM 32 X 79
1	P01123-07-000	EA COVER-MATTRESS, 32 X 79 - FOAM
1	085365-07-E08	EA BEDSPREAD - 33 X 80, THROW W/ROUND CORNER (F04)
1	085365-07-E21	EA BEDSPREAD - 33 X 80, THROW W/ROUND CORNER (F05)
1	085365-07-F06	EA BEDSPREAD - 33 X 80, THROW W/ROUND CORNER
1	085365-07-F27	EA BEDSPREAD - 33 X 80, THROW W/ROUND CORNER (F07)
1	085365-07-F14	EA BEDSPREAD - 33 X 80, THROW W/ROUND CORNER
	111862-03-F04	EA PILLOW - 15 X 15 ACCENT W/.5"MAIN
	111862-03-F05	EA PILLOW - 15 X 15 ACCENT W/.5"MAIN
	111862-03-F06	EA PILLOW - 15 X 15 ACCENT W/.5"MAIN
	111862-03-F27	EA PILLOW - 15 X 15 ACCENT W/.5"MAIN (F07)
	111862-04-F32	EA PILLOW - 15 X 15 ACCENT W/.5"MAIN (F14)

QUEEN MATTRESS & BEDSPREAD

KEY	PART NUMBER	U/M DESCRIPTION
2	101123-08-000	EA MATTRESS COMPLETE-FOAM 60 X 75
2	P01123-08-000	EA COVER-MATTRESS, 60 X 75 - FOAM
2	085365-19-E08	EA BEDSPREAD - 60 THROW, W/1" GATHERED WELT (F04)
2	085365-19-F05	EA BEDSPREAD - 60 THROW, W/1" GATHERED WELT
2	085365-19-F06	EA BEDSPREAD - 60 THROW, W/1" GATHERED WELT
2	085365-19-F27	EA BEDSPREAD - 60 THROW, W/1" GATHERED WELT (F07)
2	085365-19-F32	EA BEDSPREAD - 60 THROW, W/1" GATHERED WELT (F14)
	111863-01-E08	EA PILLOW SHAM - 1/2" GATHERED WELT (F04)
	111863-01-F05	EA PILLOW SHAM - 1/2" GATHERED WELT
	111863-01-F06	EA PILLOW SHAM - 1/2" GATHERED WELT
	111863-01-F27	EA PILLOW SHAM - 1/2" GATHERED WELT (F07)
	111863-01-F32	EA PILLOW SHAM - 1/2" GATHERED WELT (F14)

BUNK CUSHION

KEY	PART NUMBER	U/M DESCRIPTION
	079145-06-000	EA CUSHION-BUNK, 30" X 77" X 4"
	M79145-06-000	EA COVER-CUSHION, BUNK

CURTAIN & CUSHION GROUP (CONTINUED)

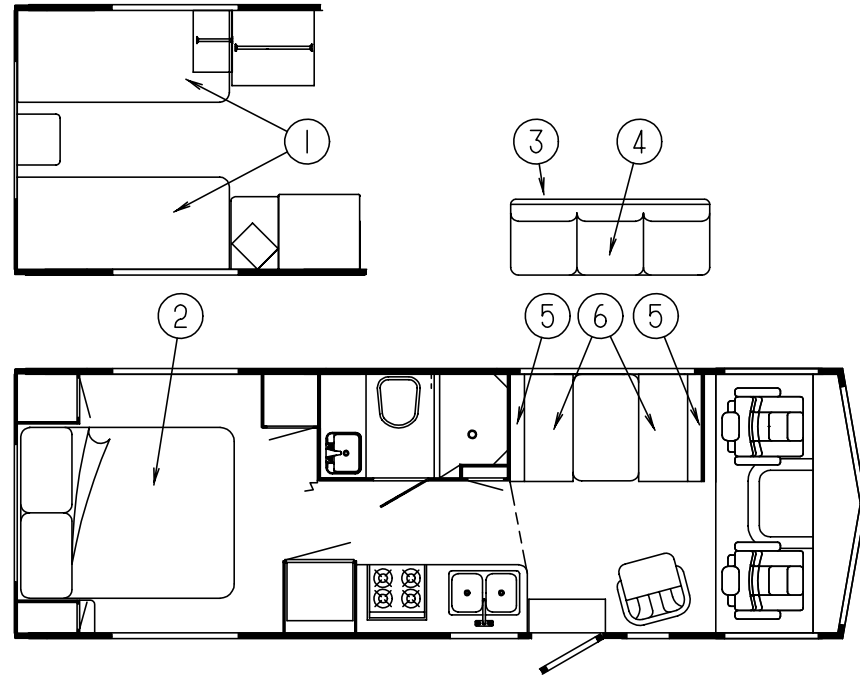
COUCH

KEY	PART NUMBER	U/M DESCRIPTION
3	111319-03-E08	EA BED ASM-JACK KNIFE BACK, KNIFE EDGE, 66.5" W/O ARMS (F04)
3	111319-03-F05	EA BED ASM-JACK KNIFE BACK, KNIFE EDGE, 66.5" W/O ARMS
3	111319-03-F06	EA BED ASM-JACK KNIFE BACK, KNIFE EDGE, 66.5" W/O ARMS FROM: 00-00-00 THRU: 09-18-94
3	111319-03-FA6	EA BED ASM-JACK KNIFE BACK, KNIFE EDGE, 66.5" W/O ARMS (F06) FROM: 09-19-94 THRU: 99-99-99
3	111319-06-F07	EA BED ASM-JACK KNIFE BACK, KNIFE EDGE, 66.5" W/O ARMS
3	111319-03-F14	EA BED ASM-JACK KNIFE BACK, KNIFE EDGE, 66.5" W/O ARMS
3	P11319-03-E08	EA COVER-BED, JACK KNIFE KNIFE EDGE BACK (F04)
3	P11319-03-F05	EA COVER-BED, JACK KNIFE KNIFE EDGE BACK
3	P11319-04-F06	EA COVER-BED, JACK KNIFE KNIFE EDGE BACK FROM: 00-00-00 THRU: 09-18-94
3	P11319-04-FA6	EA COVER-BED, JACK KNIFE KNIFE EDGE BACK (F06) FROM: 09-19-94 THRU: 99-99-99
3	P11319-06-F07	EA COVER-BED, JACK KNIFE KNIFE EDGE BACK
3	P11319-03-F14	EA COVER-BED, JACK KNIFE KNIFE EDGE BACK
	101085-09-000	EA FRAME-BACK, 66.5"
4	100032-37-E08	EA BED-JACK KNIFE, SEAT - 66.5" TUCK - W/O ARMS (F04)
4	100032-37-F05	EA BED-JACK KNIFE, SEAT - 66.5" TUCK - W/O ARMS
4	100032-37-F06	EA BED-JACK KNIFE, SEAT - 66.5" TUCK - W/O ARMS FROM: 00-00-00 THRU: 09-18-94
4	100032-37-FA6	EA BED-JACK KNIFE, SEAT - 66.5" TUCK - W/O ARMS (F06) FROM: 09-19-94 THRU: 99-99-99
4	100032-50-F07	EA BED-JACK KNIFE, SEAT - 66.5" TUCK - W/O ARMS
4	100032-37-F29	EA BED-JACK KNIFE, SEAT - 66.5" TUCK - W/O ARMS (F14)
4	P00032-37-E08	EA COVER-JACK KNIFE SEAT, 66.5" TUCK - W/O ARM (F04)
4	P00032-37-F05	EA COVER-JACK KNIFE SEAT, 66.5" TUCK - W/O ARM
4	P00032-37-F06	EA COVER-JACK KNIFE SEAT, 66.5" TUCK - W/O ARM FROM: 00-00-00 THRU: 09-18-94
4	P00032-37-FA6	EA COVER-JACK KNIFE SEAT, 66.5" TUCK - W/O ARM (F06) FROM: 09-19-94 THRU: 99-99-99
4	P00032-50-F07	EA COVER-JACK KNIFE SEAT, 66.5" TUCK - W/O ARM
4	P00032-37-F29	EA COVER-JACK KNIFE SEAT, 66.5" TUCK - W/O ARM (F14)
	101085-01-000	EA FRAME-SEAT, 66.5"
	101085-03-000	EA FRAME-BASE, 66.5"
	111637-02-F04	EA PILLOW ASM - 22 X 22, KNIFE EDGE W/WELT
	111637-02-F05	EA PILLOW ASM - 22 X 22, KNIFE EDGE W/WELT
	111637-02-F06	EA PILLOW ASM - 22 X 22, KNIFE EDGE W/WELT
	111637-02-F07	EA PILLOW ASM - 22 X 22, KNIFE EDGE W/WELT
	111637-02-F32	EA PILLOW ASM - 22 X 22, KNIFE EDGE W/WELT (F14)

NOTE: COUCH FRONT AND SIDE PANELS ARE FOUND IN THE LOUNGE GROUP

CURTAIN & CUSHION GROUP (CONTINUED)

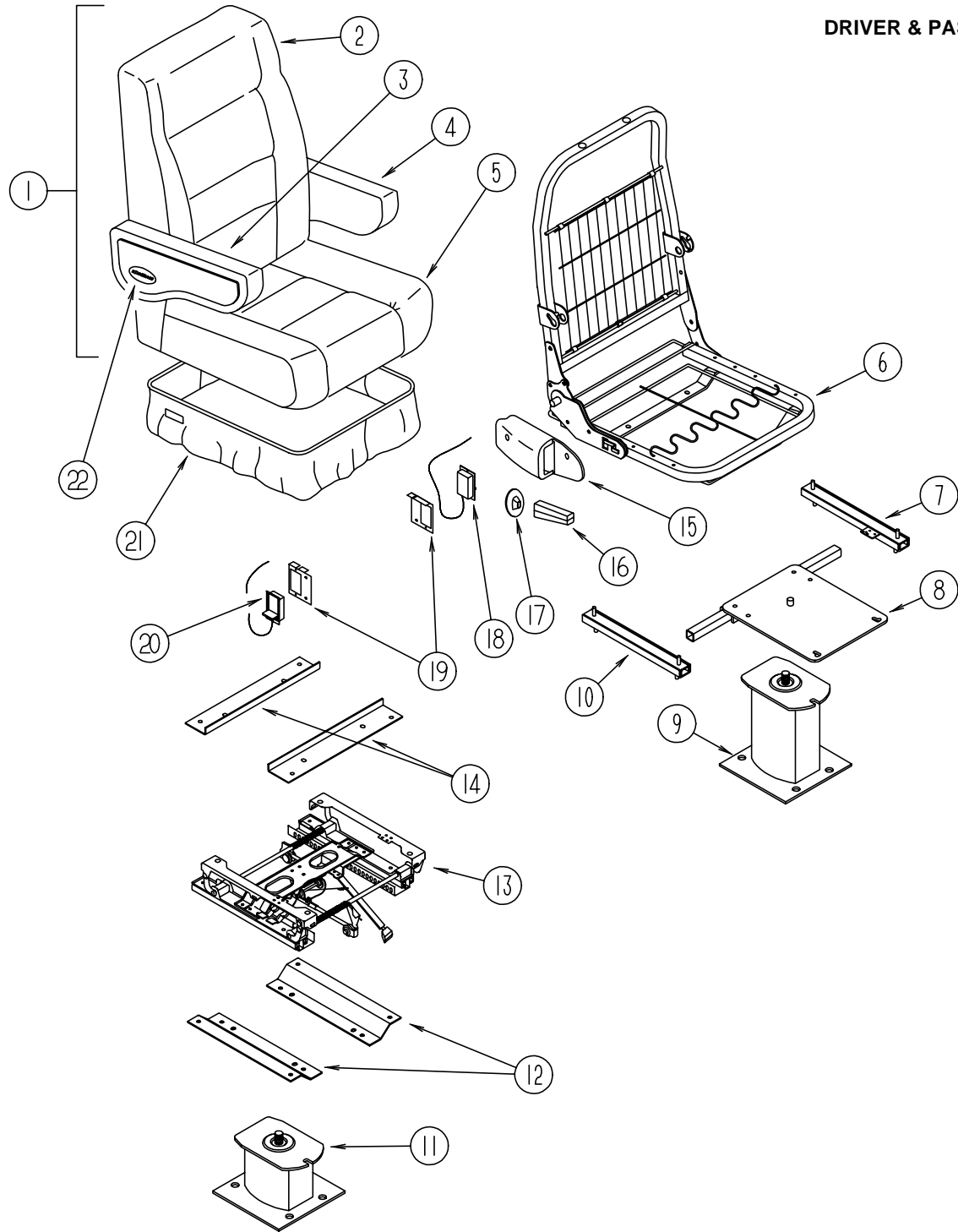
DINETTE CUSHIONS



KEY	PART NUMBER	U/M	DESCRIPTION
5	111897-04-F04	EA	CUSHION - 13.5 X 38 X 5 CLUB BACK
5	111897-04-F05	EA	CUSHION - 13.5 X 38 X 5 CLUB BACK
5	111897-04-F06	EA	CUSHION - 13.5 X 38 X 5 CLUB BACK
5	111897-08-F07	EA	CUSHION - 13.5 X 38 X 5 CLUB BACK
5	111897-04-F14	EA	CUSHION - 13.5 X 38 X 5 CLUB BACK
5	P11897-04-F04	EA	COVER - 13.5 X 38 X 5 CLUB BACK
5	P11897-04-F05	EA	COVER - 13.5 X 38 X 5 CLUB BACK
5	P11897-04-F06	EA	COVER - 13.5 X 38 X 5 CLUB BACK
5	P11897-08-F07	EA	COVER - 13.5 X 38 X 5 CLUB BACK
5	P11897-04-F14	EA	COVER - 13.5 X 38 X 5 CLUB BACK
5	078155-01-000	EA	STRAP-SNAP, BACKREST CUSHION
6	088927-87-E08	EA	CUSHION - 23 X 38 X 5, DINETTE SEAT (F04)
6	088927-87-F05	EA	CUSHION - 23 X 38 X 5, DINETTE SEAT
6	088927-87-F06	EA	CUSHION - 23 X 38 X 5, DINETTE SEAT
6	105603-03-F07	EA	CUSHION - 23 X 38 X 5, DINETTE SEAT
6	088927-86-F14	EA	CUSHION - 21 X 38 X 5, DINETTE SEAT
6	M88927-87-E08	EA	COVER - 23 X 38 X 5, DINETTE SEAT (F04)
6	M88927-87-F05	EA	COVER - 23 X 38 X 5, DINETTE SEAT
6	M88927-87-F06	EA	COVER - 23 X 38 X 5, DINETTE SEAT
6	P05603-03-F07	EA	COVER - 23 X 38 X 5, DINETTE SEAT
6	M88927-86-F14	EA	COVER - 23 X 38 X 5, DINETTE SEAT

CURTAIN & CUSHION GROUP (CONTINUED)

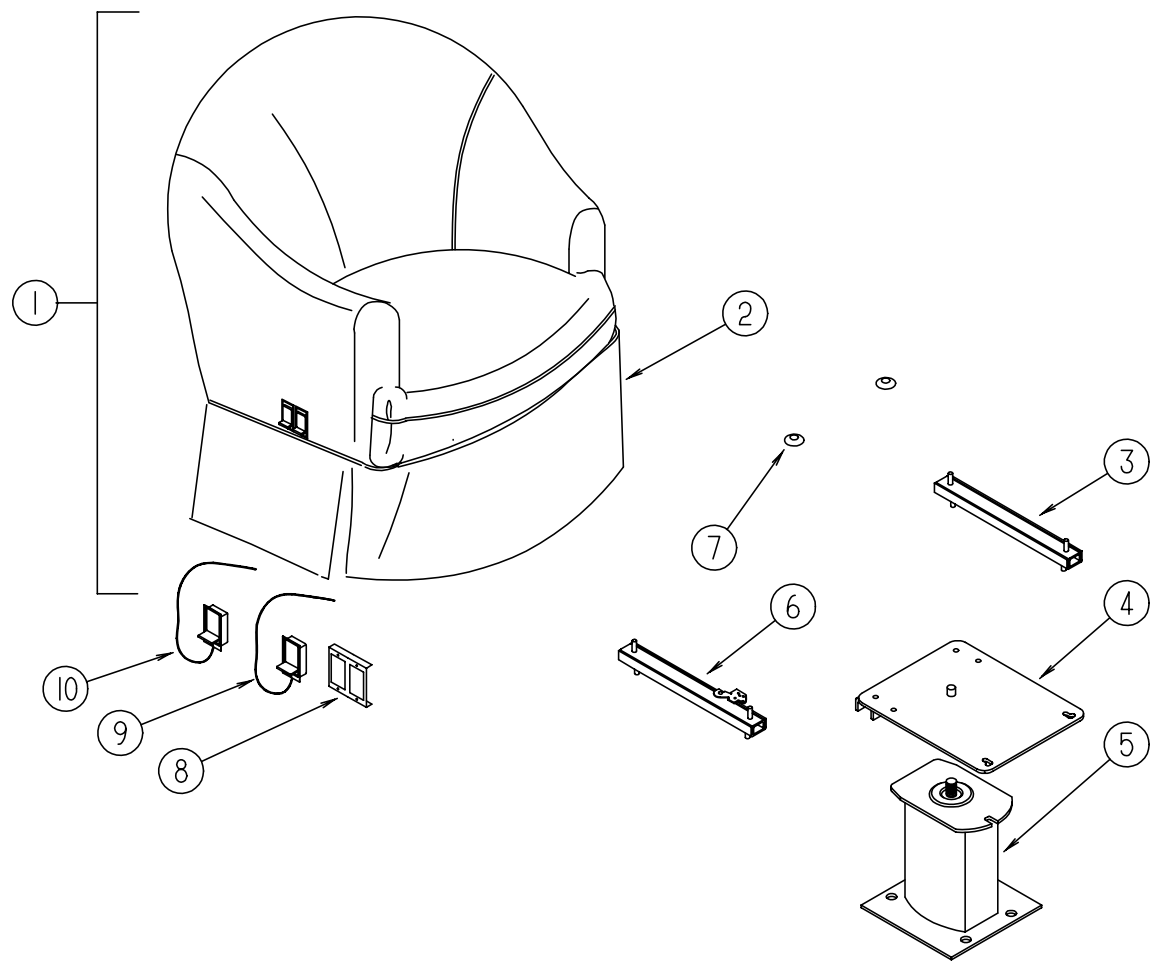
DRIVER & PASSENGER BUCKET SEATS



KEY	PART NUMBER	U/M DESCRIPTION
1	112103-04-F04	EA SEAT-BUCKET, W/ARMRESTS - W/O SKIRT
1	112103-04-F05	EA SEAT-BUCKET, W/ARMRESTS - W/O SKIRT
1	112103-04-F06	EA SEAT-BUCKET, W/ARMRESTS - W/O SKIRT (F06,F07,F14)
1	112103-06-F04	EA SEAT-BUCKET, W/ARMRESTS - W/O SKIRT - MANUAL SEAT OPTION
1	112103-06-F05	EA SEAT-BUCKET, W/ARMRESTS - W/O SKIRT - MANUAL SEAT OPTION
1	112103-06-F06	EA SEAT-BUCKET, W/ARMRESTS - W/O SKIRT - MANUAL SEAT OPTION (F06,F07,F14)
2	M05962-09-F04	EA COVER-BACK, BUCKET SEAT
2	M05962-09-F05	EA COVER-BACK, BUCKET SEAT
2	M05962-09-F06	EA COVER-BACK, BUCKET SEAT (F06,F07,F14)
3	111320-03-E08	EA ARMREST-RIGHT, BUCKET SEAT (F04)
3	111320-03-F05	EA ARMREST-RIGHT, BUCKET SEAT (F05)

KEY	PART NUMBER	U/M DESCRIPTION
3	111320-03-F06	EA ARMREST-RIGHT, BUCKET SEAT (F06,F07,F14)
	P11320-03-E08	EA COVER-ARMREST, RIGHT (F04)
	P11320-03-F05	EA COVER-ARMREST, RIGHT (F05)
	P11320-03-F06	EA COVER-ARMREST, RIGHT (F06,F07,F14)
4	111320-04-E08	EA ARMREST-LEFT, BUCKET SEAT (F04)
4	111320-04-F05	EA ARMREST-LEFT, BUCKET SEAT (F05)
4	111320-04-F06	EA ARMREST-LEFT, BUCKET SEAT (F06,F07,F14)
	P11320-04-E08	EA COVER-ARMREST, LEFT (F04)
	P11320-04-F05	EA COVER-ARMREST, LEFT (F05)
	P11320-04-F06	EA COVER-ARMREST, LEFT (F06,F07,F14)
5	M05962-06-F04	EA COVER-SEAT, BUCKET SEAT
5	M05962-06-F05	EA COVER-SEAT, BUCKET SEAT
5	M05962-06-F06	EA COVER-SEAT, BUCKET SEAT (F06,F07,F14)
6	M80906-11-000	EA FRAME-SEAT, BACK & SPRING
7	069246-05-000	EA ADJUSTER-BUCKET SEAT W/LOCK, FORWARD & BACK
		FROM: 00-00-00 THRU: 10-16-94
	069246-05-700	EA SPRING-ADJUSTER, FOR REMOTE
		FROM: 00-00-00 THRU: 10-16-94
	069246-05-701	EA CLIP-CABLE, FOR REMOTE
		FROM: 00-00-00 THRU: 10-16-94
7	069246-14-000	EA ADJUSTER-BUCKET SEAT W/LOCK & BLUE SPRING, FORWARD & BACK
		FROM: 10-17-94 THRU: 99-99-99
	069246-99-000	EA SPRING-BUCKET SEAT ADJUSTER, BLUE
		FROM: 10-17-94 THRU: 99-99-99
	117125-01-02B	EA BRACKET-CABLE MOUNT, ADJUSTER W/LOCK - STEEL - E-COAT
		FROM: 10-17-94 THRU: 99-99-99
8	107921-05-000	EA PLATE-TOP, W/SEAT BELT BAR
9	107921-01-000	EA PLATE-SUB, FLOOR MOUNTED PEDESTAL - W/9.75" EXTENSION
	107921-06-000	EA BEARING KIT-SEAT SWIVEL
10	069246-02-000	EA ADJUSTER-SLIDE, FORWARD AND BACK
		FROM: 00-00-00 THRU: 10-16-94
10	069246-15-000	EA ADJUSTER-SLIDE, FORWARD AND BACK
		FROM: 10-17-94 THRU: 99-99-99
11	107921-07-000	EA BASE-FLOOR MOUNTED PEDESTAL, 4.5" - MANUAL SEAT OPTION
		FROM: 00-00-00 THRU: 09-18-94
11	107921-14-000	EA BASE-FLOOR MOUNTED PEDESTAL, 5.75" - MANUAL SEAT OPTION
		FROM: 09-19-94 THRU: 99-99-99
12	116215-03-000	EA PLATE-LOWER, MANUAL - 6-WAY - ATWOOD 83835 - MANUAL SEAT OPTION
13	116215-01-000	EA SEAT-MANUAL, 6-WAY - DRIVER - ATWOOD 83805 - MANUAL SEAT OPTION
14	116215-02-000	EA PLATE-UPPER, MANUAL - 6-WAY - ATWOOD 85118 - MANUAL SEAT OPTION
15	080730-09-000	EA SHIELD-RECLINER HANDLE
16	080730-08-000	EA HANDLE-RECLINER, BLACK
17	080730-11-000	EA SHIELD-RUBBER BOOT
18	089368-04-000	EA CABLE-SLIDE, W/SWITCH
		FROM: 00-00-00 THRU: 10-16-94
18	108049-01-000	EA CABLE W/SWITCH - 28", F/FLEXSTEEL PEDESTAL
		FROM: 10-17-94 THRU: 99-99-99
	108049-02-000	EA CLIP-CABLE, PEDESTAL
		FROM: 10-17-94 THRU: 99-99-99
19	097683-03-000	EA BRACKET-REMOTE, SIDE MOUNT - SINGLE
20	108049-01-000	EA CABLE W/SWITCH - 28", F/FLEXSTEEL PEDESTAL
	108049-02-000	EA CLIP-CABLE, PEDESTAL
21	071126-43-E08	EA SKIRT-BUCKET SEAT (F04)
21	071126-43-F05	EA SKIRT-BUCKET SEAT (F05)
21	071126-43-F06	EA SKIRT-BUCKET SEAT (F06,F07,F14)
21	071126-54-F04	EA SKIRT-BUCKET SEAT (F04) - MANUAL SEAT OPTION
21	071126-54-F05	EA SKIRT-BUCKET SEAT (F05) - MANUAL SEAT OPTION
21	071126-54-F06	EA SKIRT-BUCKET SEAT (F06,F07,F14) - MANUAL SEAT OPTION
22	111169-01-000	EA PLATE-BACK, ARMREST
22	111169-02-000	EA INSERT-ARMREST, OVAL DECAL - WINNEBAGO
	007221-01-000	EA SPACER-SEAT, ADJUSTER
	089323-01-000	FT STRIP-POLYETHYLENE, J-CHANNEL - FLEX-O-LATORS
	114889-01-000	EA STOP BAR-UNIVERSAL, SHROCK

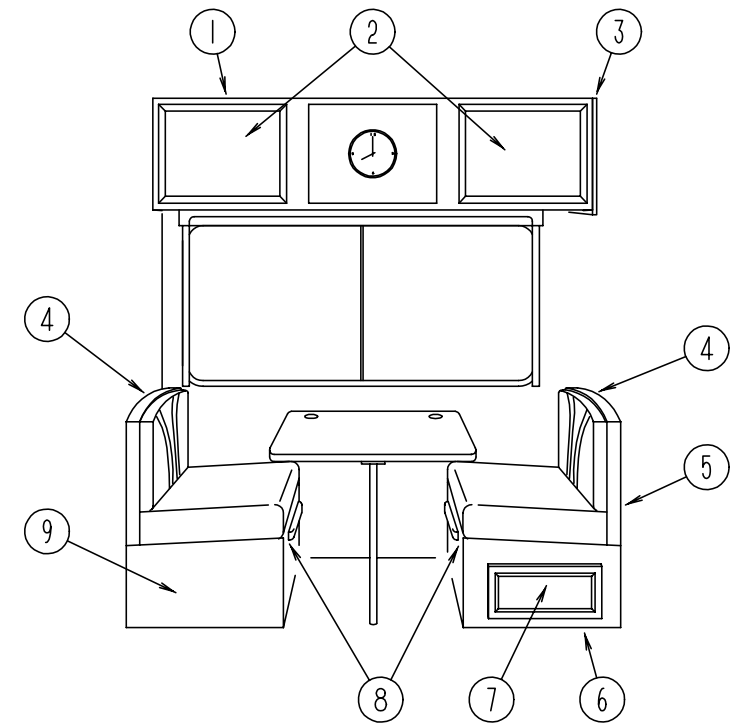
CURTAIN & CUSHION GROUP (CONTINUED)



SWIVEL CHAIR

KEY	PART NUMBER	U/M DESCRIPTION
1	107957-01-F04	EA CHAIR-SWIVEL, W/O SKIRT
1	107957-01-F05	EA CHAIR-SWIVEL, W/O SKIRT
1	107957-01-E28	EA CHAIR-SWIVEL, W/O SKIRT (F06)
1	107957-04-F07	EA CHAIR-SWIVEL, W/O SKIRT
1	116016-01-F32	EA CHAIR-SWIVEL, RECLINER (F14)
	P07957-01-F04	EA COVER-SWIVEL CHAIR
	P07957-01-F05	EA COVER-SWIVEL CHAIR
	P07957-01-E28	EA COVER-SWIVEL CHAIR (F06)
	P07957-04-F07	EA COVER-SWIVEL CHAIR
	P16016-01-F32	EA COVER-SWIVEL CHAIR, RECLINER (F14)
2	107977-01-F04	EA SKIRT-SWIVEL CHAIR
2	107977-01-F05	EA SKIRT-SWIVEL CHAIR
2	107977-01-E28	EA SKIRT-SWIVEL CHAIR (F06)
2	107977-01-F07	EA SKIRT-SWIVEL CHAIR
3	069246-06-000	EA ADJUSTER-SWIVEL CHAIR, FORWARD & BACK
4	107921-08-000	EA PLATE-TOP, W/O SEAT BELT BAR
	107921-06-000	EA BEARING KIT-SEAT SWIVEL
5	107921-01-000	EA PLATE-SUB, FLOOR MOUNTED PEDESTAL - W/9.75" EXTENSION
6	069246-08-000	EA ADJUSTER-SWIVEL CHAIR, REMOTE - FORWARD & BACK
7	007221-01-000	EA SPACER-SEAT, ADJUSTER
8	097683-02-000	EA BRACKET-MOUNT, REMOTE
9	108049-01-000	EA CABLE W/SWITCH - 28", F/FLEXSTEEL PEDESTAL
	108049-02-000	EA CLIP-CABLE, PEDESTAL
10	089368-04-000	EA CABLE-SLIDE, W/SWITCH

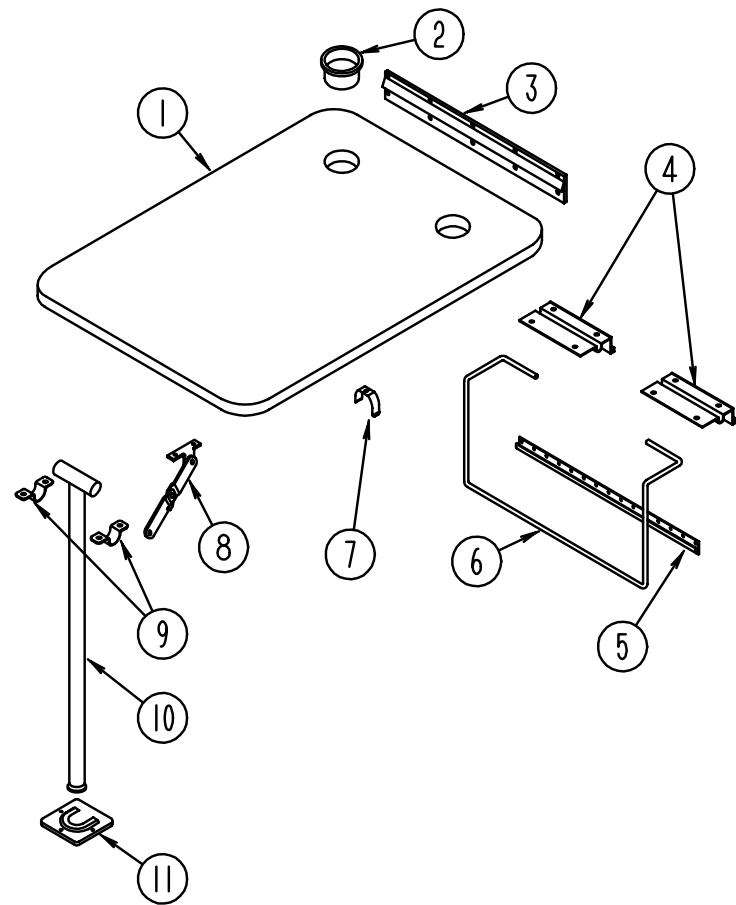
DINETTE GROUP



DINETTE CABINETRY

KEY	PART NUMBER	U/M DESCRIPTION
1	113879-01-F04	EA CABINET-OVERHEAD, W/O DOORS
1	113879-01-F05	EA CABINET-OVERHEAD, W/O DOORS
1	113879-01-F06	EA CABINET-OVERHEAD, W/O DOORS
1	113879-01-F07	EA CABINET-OVERHEAD, W/O DOORS
1	113879-01-F14	EA CABINET-OVERHEAD, W/O DOORS
2	M06803-03-F04	EA DOOR-CABINET, W/O HARDWARE - 400 MM X 520 MM (F04,F05,F06,F07)
2	M06803-03-F14	EA DOOR-CABINET, W/O HARDWARE - 400 MM X 520 MM
2	M06803-41-E10	EA DOOR-CABINET, W/O HARDWARE - 400 MM X 520 MM (DECORATIVE DOOR) (F04,F05,F06,F07)
2	M06803-41-F14	EA DOOR-CABINET, W/O HARDWARE - 400 MM X 520 MM (DECORATIVE DOOR)
	108536-03-07A	EA MIRROR-GLASS INTERLUDE
3	103128-01-E10	EA CAP-END, OVERHEAD CABINET - FRONT (F04,F05,F06,F07)
3	103128-01-F31	EA CAP-END, OVERHEAD CABINET - FRONT (F14)
4	104787-03-E08	EA PAD-DINETTE (F04,F07)
4	104787-03-F05	EA PAD-DINETTE
4	104787-03-F06	EA PAD-DINETTE
4	104787-01-F06	EA PAD-DINETTE, LH (F14)
4	104787-04-E31	EA PAD-DINETTE, RH (F14)
4	111338-10-E31	EA PAD-DINETTE, RH - 12" (F14)
5	M04174-40-E07	EA CABINET-SEATBACK, FRONT
6	M04175-40-E07	EA CABINET-SEATBASE, FRONT - W/O DOOR
7	M06803-07-E07	EA DOOR-CABINET, W/O HARDWARE - 255 MM X 485 MM (F04,F05,F06,F07)
7	M06803-07-F14	EA DOOR-CABINET, W/O HARDWARE - 255 MM X 485 MM
8	081295-01-AA8	EA SUPPORT-BED, DINETTE, 28" LONG - WOOD
9	M04175-16-E01	EA CABINET-SEATBASE, REAR
	058331-48-000	EA MIRROR-GLASS, SAFETY - 502 MM X 554 MM
	105004-01-02A	EA MOLDING-MIRROR, VINYL WRAPPED - OAK

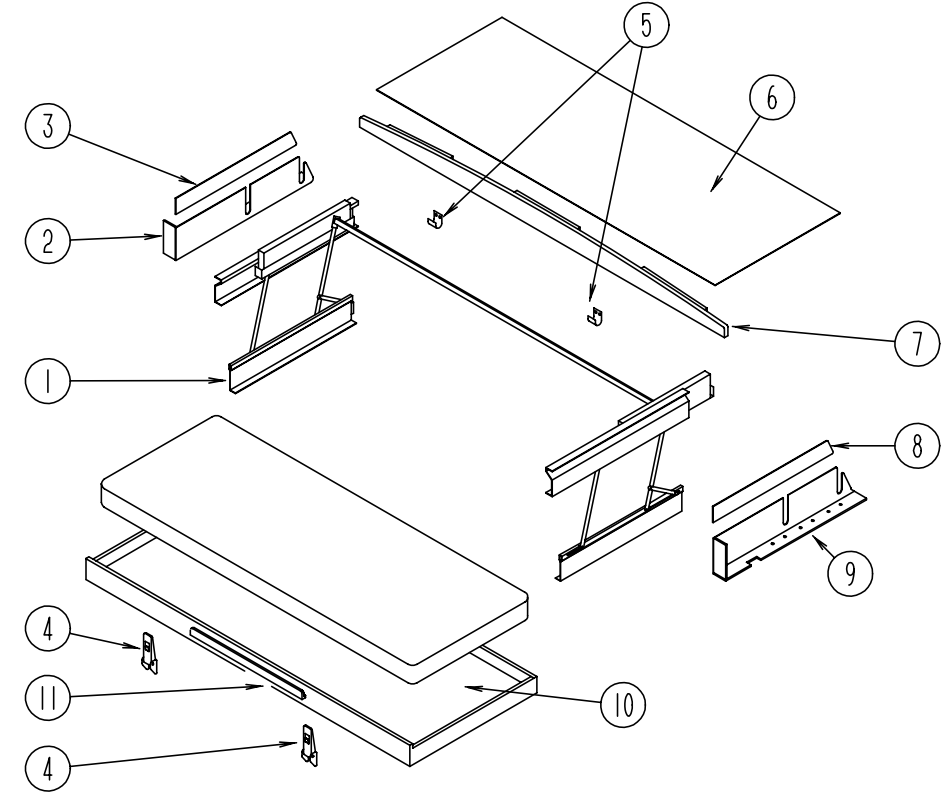
DINETTE GROUP (CONTINUED)



DINETTE TABLE

KEY	PART NUMBER	U/M DESCRIPTION
1	M81299-06-E08	EA TABLE-DINETTE, W/O EDGE BAND OR HARDWARE (F04)
1	M81299-06-F05	EA TABLE-DINETTE, W/O EDGE BAND OR HARDWARE
1	M81299-06-F06	EA TABLE-DINETTE, W/O EDGE BAND OR HARDWARE
1	M81299-06-E28	EA TABLE-DINETTE, W/O EDGE BAND OR HARDWARE (F07)
1	M81299-06-F14	EA TABLE-DINETTE, W/O EDGE BAND OR HARDWARE
2	064781-06-000	EA HOLDER-CUP, TWO STEP - OFF WHITE
3	053200-12-000	EA SUPPORT-TABLE, 23.5" - BEIGE
4	088410-02-000	EA BRACKET-LIFT, TABLE MOUNTED - OFF WHITE
5	024281-14-000	EA BRACKET-LIFT ROD, LOWER WALL MOUNTED - 22.12" - OFF WHITE
6	024275-12-000	EA ROD-TABLE LIFT, OFF WHITE
7	024283-01-000	EA CLIP-LEG, 1" X 1.125" OD - BLACK
8	024282-01-000	EA BRACE-TABLE LEG, HINGED
9	064050-05-000	EA HINGE-TABLE LEG, OFF WHITE
10	024276-23-000	EA LEG-TABLE, METAL - OFF WHITE
11	049493-12-000	EA CATCH-LEG, FLOOR MOUNTED - 2.5" X 2.7" - METAL - OFF WHITE
11	049493-11-700	EA CATCH-LEG, FLOOR MOUNTED - 2.5" X 2.7" - METAL - E-COAT

DRIVERS COMPARTMENT GROUP

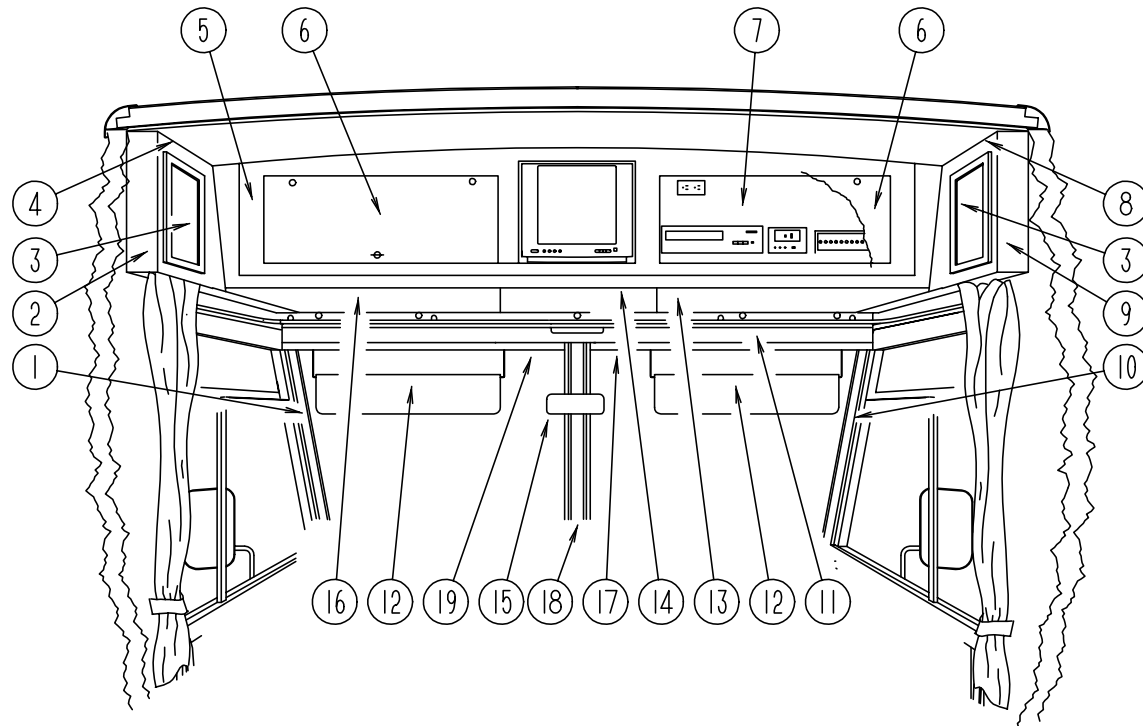


FRONT BUNK-SINGLE

KEY	PART NUMBER	U/M DESCRIPTION
1	076760-02-000	EA BUNK HARDWARE (COMPLETE)
	076760-02-700	EA SPRING-GAS-BUNK HARDWARE
2	101499-06-C05	EA PANEL ASM.- BOTTOM DRIVERS - PADDED - USED W/BUNK
3	101497-08-C05	EA PANEL ASM.- UPPER DRIVERS - PADDED - USED W/BUNK
4	042541-04-000	EA LATCH-W/O STRIKE, BRASS
5	042541-05-000	EA STRIKE-BRASS
6	103040-06-C05	EA PANEL-HEADLINER FRONT OVERHEAD - PADDED - USED W/BUNK
7	P03199-01-C05	EA BOARD ASM-TRIM, BUNK - CEILING MOUNTED
8	101497-07-C05	EA PANEL ASM.- UPPER PASSENGERS - PADDED - USED W/BUNK
9	101499-05-C05	EA PANEL ASM.- BOTTOM PASSENGERS - PADDED - USED W/BUNK
10	081717-03-E07	EA BED ASM-BUNK, FRONT
11	094658-01-E07	EA HANDLE-BUNK, OAK

DRIVERS COMPARTMENT GROUP (CONTINUED)

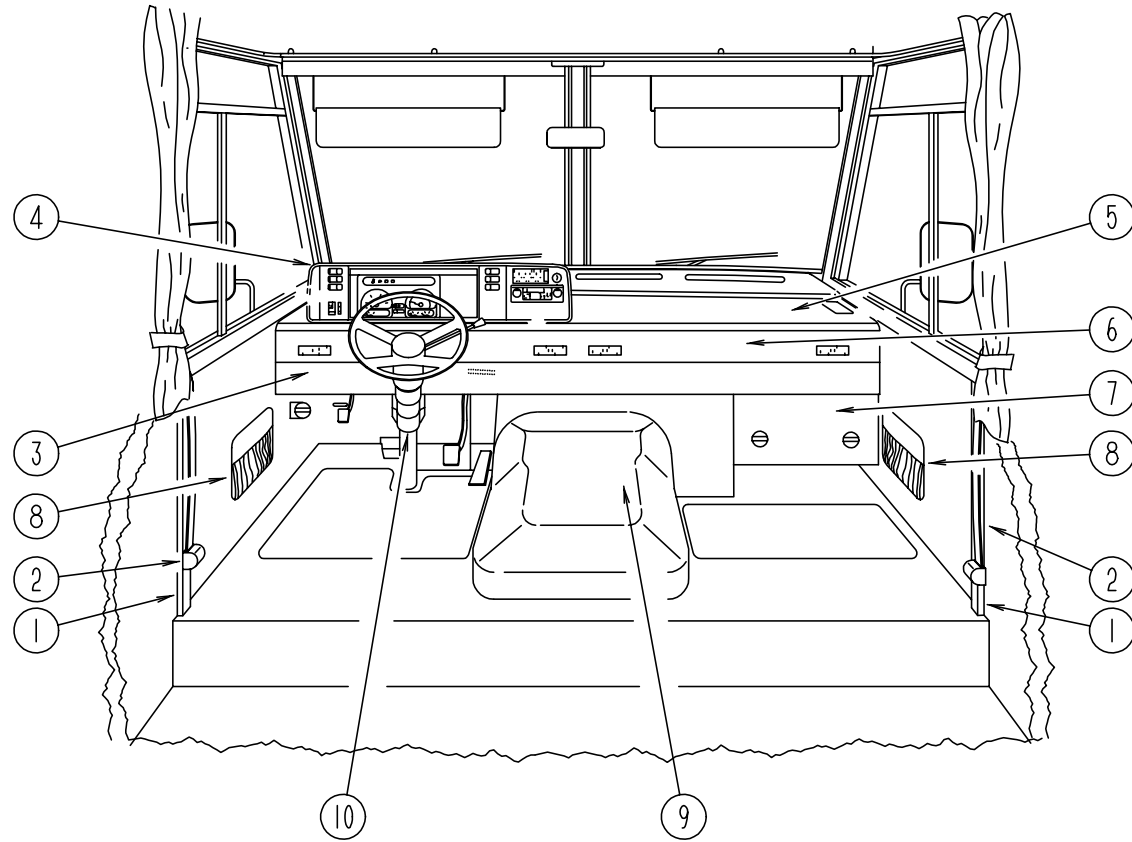
DRIVERS COMPARTMENT - UPPER



KEY	PART NUMBER	U/M DESCRIPTION
1	103931-02-01A	EA COVER-INNER, A-PILLAR - DRIVERS
2	103128-09-E10	EA CAP-END, FRONT OVERHEAD, DRIVERS SIDE (F04,F05,F06,F07)
2	103128-09-F31	EA CAP-END, FRONT OVERHEAD, DRIVERS SIDE (F14)
3	M06803-04-E07	EA DOOR-CABINET, W/O HARDWARE - 255 MM X 485 MM (F04,F05,F06,F07)
3	M06803-04-F14	EA DOOR-CABINET, W/O HARDWARE - 255 MM X 485 MM
4	109561-02-F04	EA CABINET-FRONT OVERHEAD W/O DOOR, DRIVERS SIDE (F04,F14)
4	109561-02-F05	EA CABINET-FRONT OVERHEAD W/O DOOR, DRIVERS SIDE
4	109561-02-F06	EA CABINET-FRONT OVERHEAD W/O DOOR, DRIVERS SIDE
4	109561-02-F07	EA CABINET-FRONT OVERHEAD W/O DOOR, DRIVERS SIDE
	P09561-02-E07	EA BOTTOM-VINYL COVERED, FRONT OVERHEAD - DRIVERS SIDE
	104289-02-C05	EA PAD-VINYL COVERED, 30.3" X 9.6" - ANGLED - DRIVERS SIDE
5	M05893-01-E07	EA FACE-TV CABINET W/O DOORS, FRONT OVERHEAD
	106699-01-01A	EA BRACKET-L-ANGLE, TV CABINET FACE - 5.1" LONG - OFF WHITE STEEL
	108911-01-E07	EA TRIM-TV, 15.3" X 13.9" - WOOD
	100676-02-000	EA STAND-VCR, STEEL
6	100708-06-000	EA DOOR-GLASS, TV CABINET - W/O HARDWARE - 9.68" X 28.42"
	100710-01-01A	EA LOCK-TWIST TYPE
	100711-01-01A	EA HINGE-DOOR, GLASS
	100707-01-000	EA SPACER
	101272-01-000	EA CATCH-GLASS DOOR
	101766-01-000	EA PIN-SUPPORT, GLASS DOOR
7	103040-01-C05	EA PANEL-HEADLINER FRONT OVERHEAD - PADDED - STANDARD
7	103040-02-C05	EA PANEL-HEADLINER FRONT OVERHEAD - PADDED - TV OPTION
7	103040-03-C05	EA PANEL-HEADLINER FRONT OVERHEAD - PADDED - TV/VCR/EUROPEAN OPTIONS
7	103040-04-C05	EA PANEL-HEADLINER FRONT OVERHEAD - PADDED - TV/VCR/INVERTER OPTION
7	103040-05-C05	EA PANEL-HEADLINER FRONT OVERHEAD - PADDED - TV/INVERTER OPTION
8	114188-01-F04	EA CABINET-FRONT OVERHEAD W/O DOOR, PASSENGERS SIDE
8	114188-01-F05	EA CABINET-FRONT OVERHEAD W/O DOOR, PASSENGERS SIDE
8	114188-01-F06	EA CABINET-FRONT OVERHEAD W/O DOOR, PASSENGERS SIDE
8	114188-01-F07	EA CABINET-FRONT OVERHEAD W/O DOOR, PASSENGERS SIDE
8	114188-01-F14	EA CABINET-FRONT OVERHEAD W/O DOOR, PASSENGERS SIDE
9	103128-08-E10	EA CAP-END, FRONT OVERHEAD, PASSENGERS SIDE
	P09561-01-E07	EA BOTTOM-VINYL COVERED, FRONT OVERHEAD - PASSENGERS SIDE
	104289-01-C05	EA PAD-VINYL COVERED, 30.3" X 9.6" - ANGLED - DRIVERS SIDE
10	103931-01-01A	EA COVER-INNER, A-PILLAR - PASSENGERS
11	078811-05-C07	EA PANEL-HEADER W/RECEPTACLE CUTOUTS - 90.2" LONG - VINYL COVERED
12	082286-18-F04	EA SUNVISOR-DRIVER OR PASSENGER - W/O POCKET
	102377-01-000	EA BRACKET-SUNVISOR, 1 PIECE - STEEL
	007211-01-000	EA HINGE-SUNVISOR
	074012-01-000	EA CLIP-SUNVISOR, SQUARE PINCH-ON
13	P03077-02-C05	EA SHELF-CABINET, PASSENGERS SIDE - VINYL COVERED
14	P04415-01-C05	EA SHELF-TV CABINET, VINYL COVERED
	100628-02-000	EA SHELF ASM-TV, STEEL
	101150-01-000	EA SUPPORT-SHELF, TV - PASSENGER SIDE - STEEL
	101150-02-000	EA SUPPORT-SHELF, TV - DRIVER SIDE - STEEL
	104417-01-E07	EA CABINET-BLANKET (STANDARD CABINET)
15	040714-01-000	EA MIRROR-REAR VIEW, W/ARM MOUNT & SET SCREW - GM# 911722
	067490-01-000	EA BUTTON-MIRROR, REAR VIEW - STANK S927H
16	P03077-01-C05	EA SHELF-CABINET, DRIVERS SIDE - VINYL COVERED
17	078579-07-000	EA TRIM - WINDSHIELD - UPPER INNER - RIGHT - OFF WHITE
18	079765-07-000	EA TRIM - WINDSHIELD - CENTER INNER - OFF WHITE
19	078579-08-000	EA TRIM - WINDSHIELD - UPPER INNER - LEFT - OFF WHITE

DRIVERS COMPARTMENT GROUP (CONTINUED)

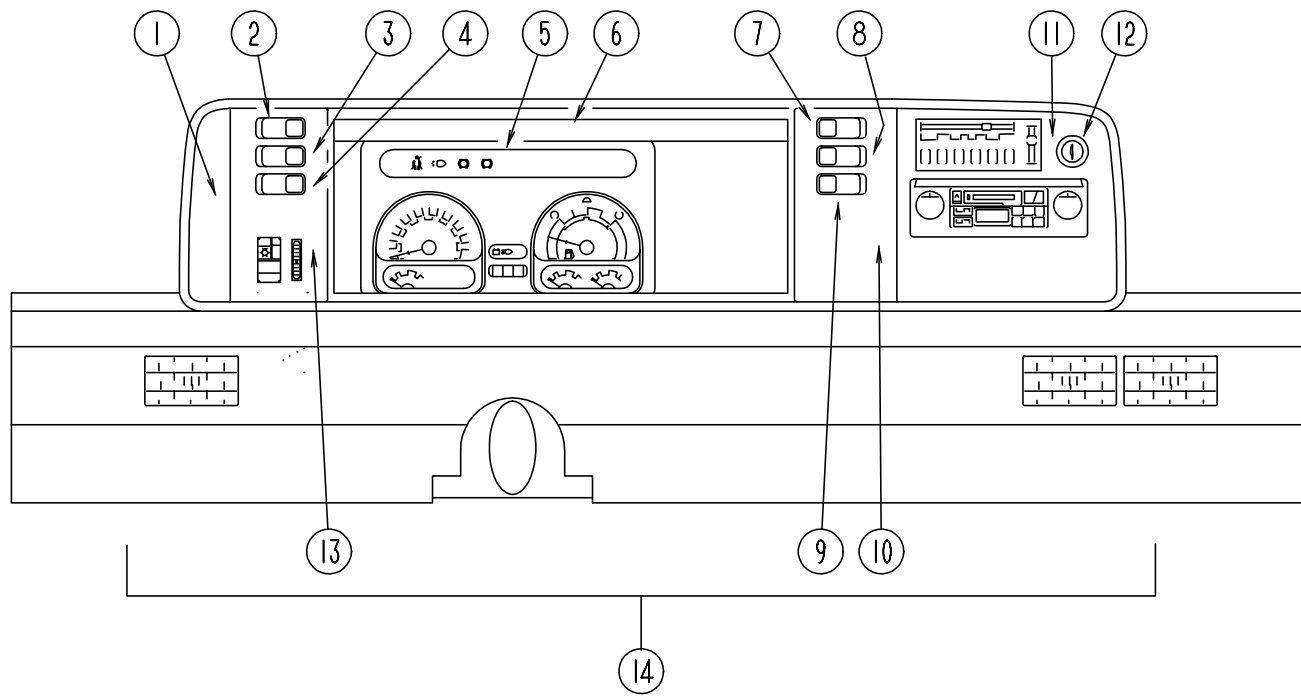
DRIVERS COMPARTMENT - LOWER



KEY	PART NUMBER	U/M	DESCRIPTION
1	024700-44-000	EA	COVER-SIDEWALL ROLL BAR, OFF WHITE - 53"
1	024700-45-000	EA	COVER-SIDEWALL ROLL BAR, OFF WHITE - 12.8"
2	091990-04-01A	EA	SEAT BELT-SHOULDER HARNESS - DRIVERS/PASSENGERS - BLACK
	091990-01-700	EA	BOLT COVER
	109146-01-000	EA	BOLT-SHOULDER, SEAT BELT
	103961-01-01A	EA	COVER-BRACKET, SEATBELT - OFF WHITE
	103961-02-01A	EA	COVER-BRACKET, SEATBELT - OFF WHITE - DRIVER DOOR OPTION
3	103812-01-05A	EA	TRIM-DASH, LOWER
4	111499-01-04A	EA	POD-INSTRUMENT PANEL
5	P03817-10-000	EA	DASH ASM, W/O VINYL - FORD
5	P03817-11-000	EA	DASH ASM, W/O VINYL - CHEVY
	105927-02-000	EA	PANEL-DASH TOP, STEEL
6	104354-04-02A	EA	APPLIQUE-LOWER DASH, 2300 MM LONG - CHEVY
6	104354-05-02A	EA	APPLIQUE-LOWER DASH, 2300 MM LONG - FORD
7	095757-03-F04	EA	COVER-HEATER W/CARPET (F04,F07,F14)
7	095757-03-F05	EA	COVER-HEATER W/CARPET
7	095757-03-F06	EA	COVER-HEATER W/CARPET
8	086120-01-F04	EA	PAD-MAP POCKET, 12" X 16"
8	086120-01-F05	EA	PAD-MAP POCKET, 12" X 16"
8	086120-01-F06	EA	PAD-MAP POCKET, 12" X 16" (F14)
8	086120-01-E07	EA	PAD-MAP POCKET, 12" X 16" (F07)
9	097552-01-000	EA	COVER-MOTOR, W/O CARPET
			FROM: 00-00-00 THRU: 09-18-94
9	114512-01-01A	EA	COVER-MOTOR, W/O CARPET (6.5 DIESEL OPTION)
			FROM: 00-00-00 THRU: 09-18-94
	075564-01-000	EA	BRACKET-MOUNTING, MOTOR COVER
			FROM: 00-00-00 THRU: 09-18-94
9	115840-01-01A	EA	COVER-MOTOR, W/O CARPET - GAS OR 6.5 DIESEL OPTION
			FROM: 09-19-94 THRU: 99-99-99
	115850-01-02A	EA	RETAINER-LATCH, MOTOR COVER - GAS OR 6.5 DIESEL OPTION
			FROM: 09-19-94 THRU: 99-99-99
	116581-01-000	EA	LATCH-MOTOR COVER - SOUTHCO 2710074088 - GAS OR 6.5 DIESEL OPTION
			FROM: 09-19-94 THRU: 99-99-99
	116833-01-02B	EA	WRENCH-HEX, MOTOR COVER - E-COAT - GAS OR 6.5 DIESEL OPTION
			FROM: 09-19-94 THRU: 99-99-99
	113828-02-01A	EA	TRIM-MOTOR COVER, MILL
			FROM: 00-00-00 THRU: 09-18-94
	114519-01-E07	EA	TRIM-MOTOR COVER (6.5 DIESEL OPTION)
			FROM: 00-00-00 THRU: 09-18-94
	115860-01-01A	EA	TRIM-MOTOR COVER - GAS OR 6.5 DIESEL OPTION
			FROM: 09-19-94 THRU: 99-99-99
	039623-01-000	FT	SEAL-MOTOR COVER, RUBBER BULB TYPE - BLACK
	111618-01-E10	EA	TRAY ASM-BEVERAGE
	111618-13-E07	EA	LID-BEVERAGE TRAY ASM
	046886-03-000	EA	ASHTRAY-CHROME, W/COVER
10	103498-06-000	EA	BOOT-STEERING COLUMN, BLACK VINYL
	111521-01-04A	EA	COVER-STEERING COLUMN, BLACK
	112634-01-01A	EA	TRIM-STEERING COLUMN, RH BLK
	112634-02-01A	EA	TRIM-STEERING COLUMN, LH BLK

DRIVERS COMPARTMENT GROUP (CONTINUED)

INSTRUMENT CLUSTER (CHEVY)



KEY	PART NUMBER	U/M	DESCRIPTION
1	104056-01-01A	EA	APPLIQUE-BEZEL
2	108356-02-01A	EA	COVER-SWITCH W/DIMPLES, CARLING VVAZC00 BLA
2	108357-05-000	EA	SWITCH-ROCKER, SPDT ON/NONE/ON - RADIO POWER - CARLING V4D1000B-0
3	108356-02-01A	EA	COVER-SWITCH W/DIMPLES, CARLING VVAZC00 BLA
3	108357-09-000	EA	SWITCH-ROCKER, SPDT ON/NONE/MOM - DUAL BATTERY - CARLING V5D1000B-0
4	108356-02-01A	EA	COVER-SWITCH W/DIMPLES, CARLING VVAZC00 BLA
4	108357-06-000	EA	SWITCH-ROCKER, DPDT MOM/OFF/MOM - CARLING VLD1000B-0 BATTERY DISCONNECT SWITCH OPTION
4	096241-03-000	EA	SWITCH-BLANK
5	094796-07-000	EA	CLUSTER-INSTRUMENT PANEL, KILOMETERS - GM #16167145 (GAS)
5	094796-08-000	EA	CLUSTER-INSTRUMENT PANEL, KILOMETERS - GM #16164645 (DIESEL)
6	103662-01-01A	EA	BEZEL-INSTRUMENT PANEL
7	108356-04-01A	EA	COVER-SWITCH W/DIMPLES & LENS, CARLING VVAGC00
7	108357-10-000	EA	SWITCH-ROCKER, SPDT MOM/OFF/MOM - LIGHTED - CARLING V8D1160B-0 GENERATOR OPTION
7	096241-03-000	EA	SWITCH-BLANK
8	108356-02-01A	EA	COVER-SWITCH W/DIMPLES, CARLING VVAZC00 BLA
8	108357-03-000	EA	SWITCH-ROCKER, SPDT ON/OFF/ON - CARLING V6D1000B-0 REAR HEATER OPTION
8	096241-03-000	EA	SWITCH-BLANK
9	096241-03-000	EA	SWITCH-BLANK
10	104056-21-01A	EA	APPLIQUE-BEZEL
11	104056-06-01A	EA	APPLIQUE-BEZEL
12	089294-01-000	EA	LIGHTER ASM-CIGARETTE - CASCO C213275
13	104056-22-01A	EA	APPLIQUE-BEZEL
14	M05946-17-F04	EA	DASH POD ASM-CHEVY
	100138-01-000	EA	MODULE-DAYTIME RUNNING LIGHT - CANADIAN
	077031-01-000	EA	FILM-BLACK, 1" X 1.75"
	077031-02-000	EA	FILM-AMBER, 1" X 1.75"
	077031-03-000	EA	FILM-WHITE, .75" X 1"
	103603-01-000	EA	BULB - 12V NO.74 0.12A WEDGE
	105615-01-000	FT	FILM-PROTECTIVE CLEAR
	077539-01-000	EA	BRACKET-MOUNTING, DASH PANEL - L/SHAPED - 2.5" X 1" X 1.5"
	062901-02-000	EA	FUSE - 5 AMPS, AUTOMOTIVE
	062901-05-000	EA	FUSE - 15 AMPS, AUTOMOTIVE
	062901-07-000	EA	FUSE - 25 AMPS, AUTOMOTIVE

ELECTRICAL GROUP**INTERIOR LIGHTS**

KEY	PART NUMBER	U/M	DESCRIPTION
	098024-01-01A	EA	LIGHT-DOME, 1 BULB - US - IVORY
	008218-01-000	EA	BULB-DOME LIGHT, 12V - NUMBER 1141
	098024-01-700	EA	LENS-DOME LIGHT
	061424-01-000	EA	LIGHT-AISLE, 12V - RECTANGULAR
	008103-01-000	EA	BULB-DASH/AISLE LIGHT, #53 - 12 V - .12 AMP
	065201-09-000	EA	SHADE-LAMP, FABRIC - PARCHMENT
	065202-22-000	EA	LAMP-WALL,BRASS (US/CANADIAN) (F04,F05,F06,F07)
	065202-25-000	EA	LAMP-WALL,BRASS (CANADIAN) (F14)
	065202-24-000	EA	LAMP-WALL,BRASS (US) (F14)
			FROM: 00-00-00 THRU: 11-13-94
	065202-26-000	EA	LAMP-WALL,BRASS (US) (F14)
			FROM: 11-14-94 THRU: 99-99-99
	067479-01-000	EA	BULB - 12V, NUMBER 1076
	086280-01-000	EA	LIGHT-SURFACE MOUNT, 12V - JENSEN 1236
	086280-01-700	EA	BULB - 12 VOLT, 6 WATT
	098024-01-01A	EA	LIGHT-DOME, 1 BULB - US - IVORY
	008218-01-000	EA	BULB-DOME LIGHT, 12V - NUMBER 1141
	098024-01-700	EA	LENS-DOME LIGHT
	098024-03-01A	EA	LIGHT-DOME, 2 BULB - IVORY
	008218-01-000	EA	BULB-DOME LIGHT, 12V - NUMBER 1141
	098024-01-700	EA	LENS-DOME LIGHT
	110235-01-01A	EA	LIGHT-MAKE UP,3 BULB PANLESS
	081633-01-700	EA	BULB-MAKE UP LIGHT, JENSEN

FUSES & CIRCUIT BREAKERS

KEY	PART NUMBER	U/M	DESCRIPTION
	062037-01-000	EA	HOUSING-AUTO FUSE, NATURAL
	062037-03-000	EA	HOUSING-AUTO FUSE, BLACK
	062037-04-000	EA	HOUSING-AUTO FUSE, BLUE
	062037-06-000	EA	HOUSING-AUTO FUSE, BROWN
	062901-02-000	EA	FUSE - 5 AMPS, AUTOMOTIVE
	062901-05-000	EA	FUSE - 15 AMPS, AUTOMOTIVE
	062901-07-000	EA	FUSE-AUTOMOTIVE, 25 AMPS
	083209-01-000	EA	CIRCUIT BREAKER - 15 AMP, 120V - BW G-15 - CANADIAN
	083209-02-000	EA	CIRCUIT BREAKER - 15/15AMP, 120V - BW H-15/15
	083209-03-000	EA	CIRCUIT BREAKER - 15/20AMP, 120V - BW 0-15/20
	083209-04-000	EA	CIRCUIT BREAKER - 30A, 120V - BW L-30
	083209-06-000	EA	CIRCUIT BREAKER - 30/15 AMP, 120V - BW D-30/15
	083209-07-000	EA	CIRCUIT BREAKER - 20/20A, 120V - BW K-20/20
	093655-03-000	EA	CIRCUIT BREAKER - 40A, 12V - USD 17440-4E03A2A
	097611-01-000	EA	CIRCUIT BREAKER - 10A, 12V - VB3-A10-F57
	106655-02-000	EA	TERMINAL-FUSE BLOCK, 10-12AWG PACKARD 12020400
	106656-01-000	EA	FUSE BLOCK - 4 CAVITY AUTO FUSE PACKARD 12004943
	108669-01-000	EA	HOUSING-AUTO FUSE HOLDER, PACKARD 12010105

CONDUIT

KEY	PART NUMBER	U/M	DESCRIPTION
	041953-01-000	FT	CONDUIT-CONVOLUTE SLIT, .5"ID
	041953-03-000	FT	CONDUIT-CONVOLUTE SLIT, 1" ID (CLOTHES ROD COVER)
	041953-05-000	FT	CONDUIT-CONVOLUTE SOLID, .62" ID
	041953-06-000	FT	CONDUIT-CONVOLUTE,SLIT .375"ID
	041953-07-000	FT	CONDUIT-CONVOLUTE, SLIT - .25" ID
	041953-08-000	FT	CONDUIT-CONVOLUTE,SLIT,1.50"ID
	041953-09-000	FT	CONDUIT-CONVOLUTE,SLIT .50"ID
	041953-10-000	FT	CONDUIT-CONVOLUTE, SLIT - .75" ID
	041953-11-000	FT	CONDUIT-CONVOLUTE, SLIT- 1.06" ID
	041953-12-000	FT	CONDUIT-CONVOLUTE, NON SLIT 1.1" ID

ELECTRICAL GROUP (CONTINUED)**CONNECTORS**

KEY	PART NUMBER	U/M	DESCRIPTION
	008311-01-000	EA	CONNECTOR-WIRE NUT, INSULATED - RED
	008312-01-000	EA	CONNECTOR-WIRE NUT, INSULATED - BLUE
	008314-01-000	EA	CONNECTOR-WIRE NUT, INSULATED - GRAY
	008355-01-000	EA	CONNECTOR-CABLE CLAMPING, 3/4"
	008356-01-000	EA	CONNECTOR-PLASTIC, 3/8" AVG
	008398-01-000	EA	CONNECTOR - 1/2" X 90 DEGREE, FLEX CONDUIT - UL AND CSA
	041480-01-000	EA	CONNECTOR-STRAIGHT, 1/2" FLEX CONDUIT
	082740-01-000	EA	CONNECTOR-PLASTIC BODY, FOR 2 MALE SPADES
	082741-01-000	EA	CONNECTOR BODY - 2 CONNECTOR - MALE - SERV ELEC 2P-FYL
	058028-01-000	EA	CONNECTOR-ELECTRICAL PIGTAIL, NYLON - CLEAR
	007940-01-000	EA	RECEPTACLE-SLIDE, 16 TO 12 AWG - FEMALE END
	080015-02-000	EA	RECEPTACLE-FLAG, .185 - 16/14 GA - AMP 3

RECEPTACLES, RECEPTACLE PLATES & SPACER

KEY	PART NUMBER	U/M	DESCRIPTION
	091927-01-000	EA	COVER-RECEPTACLE, DOUBLE - IVORY
	102568-01-E90	EA	SPACER-RECEPTACLE, BETWEEN SIDEWALL & PLATE - WOOD
	024924-02-000	EA	RECEPTACLE-POWER CORD, W/PARTIAL PLATE
	058707-01-000	EA	RECEPTACLE-ELECTRIC, SINGLE - BROWN
	058707-02-000	EA	RECEPTACLE-BLANK, JUNCTION - WIRECON WDJ20BR
	058708-01-000	EA	RECEPTACLE-ELECTRIC, DOUBLE - BROWN
	058708-02-000	EA	RECEPTACLE-ELECTRIC, DOUBLE - IVORY
	084076-02-000	EA	RECEPTACLE-GFI, 15A - 125V - BROWN
	112824-01-02A	EA	COVER-EXTERIOR RECEPTACLE, OFF WHITE - P&S 3780-SC-CW
	112822-01-01A	EA	RECEPTACLE-EXTERIOR, DUPLEX - IVORY - WIRECON WDRU151V
	007940-01-000	EA	RECEPTACLE-SLIDE, 16 TO 12 AWG - FEMALE END
	007954-01-000	EA	RECEPTACLE-HSG-6 POSITION
	080015-02-000	EA	RECEPTACLE-FLAG, .185 - 16/14 GA - AMP 3

TERMINALS

KEY	PART NUMBER	U/M	DESCRIPTION
	008326-01-000	EA	TERMINAL-RING, 16/14 WIRE - 3/8" STUD
	008328-01-000	EA	TERMINAL-RING, 12/10 WIRE - #10 STUD FIT
	008331-01-000	EA	TERMINAL-RING,TONGUE - #4 WIRE - 3/8" STUD - COPPER
	008348-01-000	EA	TERMINAL-RING, 3/8" STUD - #2 WIRE
	035416-04-000	EA	TERMINAL-RING #10 STUD FIT, INSULATED BARREL #16/14
	047443-01-000	EA	TERMINAL-.250 RECEPTACLE FIT, INSULATED - 16/14 AWG
	062036-01-000	EA	TERMINAL-PACK-CON, 12/10 AWG
	062036-02-000	EA	TERMINAL-PACK-CON, 16/14 AWG
	104100-02-000	EA	TERMINAL-75 AMP - AMP 53880-2 STRIP
	104100-03-000	EA	TERMINAL-75 AMP - AMP 53880-4 LOOSE
	106655-01-000	EA	TERMINAL-FUSE BLOCK,14-16AWG PACKARD 12020321
	113306-01-000	EA	TERMINAL-FEMALE, METRI-PACK - PACKARD 12048451
	113307-01-000	EA	TERMINAL-FEMALE, METRI-PACK - PACKARD 12048074

WIRE ASSEMBLIES

KEY	PART NUMBER	U/M	DESCRIPTION
	073328-B4-000	EA	CABLE ASSEMBLY-BATTERY, W/TERMINALS
	096449-01-000	EA	WIRE ASSEMBLY-WATER TANK TO MONITOR PANEL
	097618-01-000	EA	WIRE ASM-MONITOR PANEL, W/3 WIRES & ORANGE RESISTOR- LVS ORANGE RESISTOR W/3 (ORANGE-GREEN-BLUE) WIRES
	102636-01-000	EA	WIRE ASM-CLEARANCE LAMPS
	103328-06-000	EA	WIRE ASM-PUMP, EXTERIOR SHOWER
	111448-01-000	EA	WIRE ASM-INSTRUMENT PANEL ,MAIN (GM)
	111915-01-000	EA	WIRE ASM-DAY RUN LAMPS, FUSE - GM
	P03783-01-000	EA	WIRE ASM-HEADLAMP (GM)

ELECTRICAL GROUP (CONTINUED)**HOUSINGS, PINS & SOCKETS**

KEY	PART NUMBER	U/M	DESCRIPTION
	007949-01-000	EA	TAB-HOUSING, 1 POSITION
	063910-01-000	EA	HOUSING-RELAY, BOSCH 3 334 485 008
	088473-01-000	EA	HOUSING-PIN, 4 ROWS OF 3
	088473-03-000	EA	HOUSING-PIN, 9 POSITION
	088473-05-000	EA	HOUSING-PIN, 6 POSITION (SINGLE ROW)
	088473-06-000	EA	HOUSING-PIN, 6 POSITION (TWO ROWS OF THREE)
	088473-08-000	EA	HOUSING-PIN, 4 POSITION
	088473-09-000	EA	HOUSING-PIN, 3 POSITION (SINGLE ROW)
	088473-10-000	EA	HOUSING-PIN, 2 POSITION
	088474-01-000	EA	HOUSING-SOCKET, 12 POSITIONS
	088474-02-000	EA	HOUSING-SOCKET, 12 CAVITY - AMP 1-480711-0
	088474-03-000	EA	HOUSING-SOCKET, 9 POSITION
	088474-06-000	EA	SOCKET-HOUSING, 6 POSITION (2 ROWS OF THREE)
	088474-07-000	EA	HOUSING-SOCKET, 5 CAVITY - AMP 1-480764-0
	088474-08-000	EA	SOCKET-HOUSING, 4 POSITION (SINGLE ROW)
	088474-09-000	EA	HOUSING-SOCKET, 3 POSITION
	088474-10-000	EA	HOUSING-SOCKET, 2 POSITION
	088475-01-000	EA	PIN-CONNECTOR, 14 TO 20 AWG
	088475-02-000	EA	PIN-CONNECTOR, 10 TO 12 AWG
	104100-01-000	EA	HOUSING - 1 POSITION, 75 AMP AMP 53884-1
	101571-01-000	EA	HOUSING - 2 POSITION, MALE
	106006-01-000	EA	HOUSING - 1 POSITION, FEMALE - PACKARD 12015952
	108355-01-000	EA	HOUSING-SWITCH, CARLING VCH
	113468-01-000	EA	HOUSING - 2 POSITION, FEMALE - 56 SERIES - PACKARD 02965981

CONVERTER & INVERTER

KEY	PART NUMBER	U/M	DESCRIPTION
	083208-02-000	EA	CONVERTER-POWER, 45A - 120V/12V - BW 6345
	099048-01-000	EA	INVERTER-100 WATT

SWITCHES, SWITCH PLATES & SPACERS

KEY	PART NUMBER	U/M	DESCRIPTION
	054250-04-000	EA	COVER-ANGLED, W/O HOLE - 3.6" X 4.5" - PLASTIC - OFF WHITE ELECTRICAL PLATE SUPPORT
	075723-01-000	EA	SPACER-SWITCH, W/O HOLE - .2" X.9"X 2" - METAL - OFF WHITE
	075723-02-000	EA	SPACER-SWITCH, W/HOLE - .2" X .9" X 2" - METAL - OFF WHITE FOR ELECTRIC STEP DOOR JAMB SWITCH
	079364-01-000	EA	SWITCH-ON/OFF ROCKER, 2 PRONGS - BROWN
	079364-03-000	EA	SWITCH-ON/OFF ROCKER, 3 PRONGS - BROWN
	095188-01-01A	EA	SPACER-SWITCH, 2.3" X 3.4" - PLASTIC - DARK BROWN
	095188-02-01A	EA	SPACER-SWITCH, 2.3" X 4.1" - PLASTIC - DARK BROWN
	096241-03-000	EA	SWITCH-BLANK
	098351-01-01A	EA	PLATE-SWITCH, 1 GANG - POLISHED BRASS - JENSEN
	098351-05-01A	EA	PLATE-SWITCH, 3 GANG - POLISH BRASS - W/LABEL - JENSEN
	098351-06-01A	EA	PLATE-SWITCH, 2 GANG W/LABEL - JENSEN - POLISHED BRASS
	108355-01-000	EA	HOUSING-SWITCH CARLING VCH
	108356-01-01A	EA	COVER-SWITCH W/GROOVES, CARLING VVCZC00 BLA
	108356-02-01A	EA	COVER-SWITCH W/DIMPLES, CARLING VVAZC00 BLA
	108356-04-01A	EA	COVER-SWITCH W/DIMPLES & LENS, CARLING VVAGC00
	108357-05-000	EA	SWITCH-ROCKER, SPDT ON/NONE/ON - CARLING V4D1000B-0
	108357-08-000	EA	SWITCH-ROCKER, DPDT ON/NONE/ON - CARLING VDD1S00C-0
	108357-10-000	EA	SWITCH-ROCKER, SPDT MOM/OFF/MOM - CARLING V8D1160B-0 LIGHTED

ELECTRICAL GROUP (CONTINUED)**ELECTRIC BOXES & COVERS**

KEY	PART NUMBER	U/M	DESCRIPTION
	008289-01-000	EA	BOX-ELECTRIC, STEEL - 1/2" AND 3/4" KNOCKOUTS - 4" X 4" - US
	008289-02-000	EA	BOX-ELECTRICAL, 4" X 4" - 1/2" & 3/4" KNOCKOUTS - CANADIAN
	058049-01-000	EA	BOX-ELECTRIC SWITCH, 2" X 3" X 2.25"
	091910-01-000	EA	BOX-ELECTRIC, 3.75" X 3.5" X 1.75" - PLASTIC
	091910-02-000	EA	BOX-ELECTRICAL, PLASTIC - 57 MM X 88 MM
	008294-01-000	EA	COVER-ELECTRICAL BOX, BLANK/STEEL - 4" X 4" - GRAY
	008294-02-000	EA	COVER-ELECTRICAL BOX, BLANK STEEL - 4" X 4" - CANADIAN
	054250-04-000	EA	COVER-ANGLED, W/O HOLE - 3.6" X 4.5" - PLASTIC - OFF WHITE ELECTRICAL PLATE SUPPORT
	069238-01-000	EA	COVER-ELECTRICAL BOX, W/HOLE - 4" X 4" - GRAY USED WITH 30 AMP RECEPTACLE

MISCELLANEOUS ELECTRICAL COMPONENTS

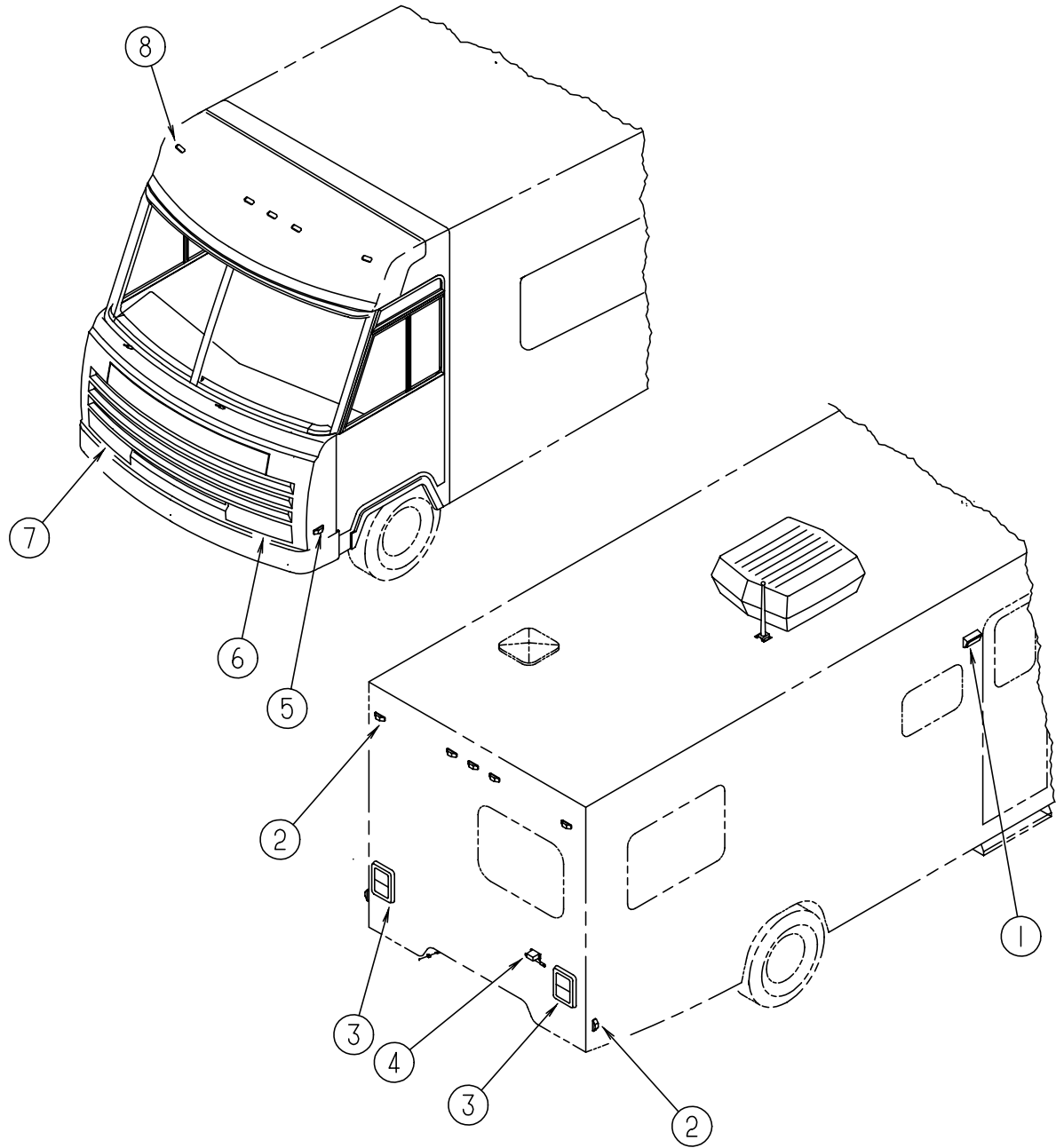
KEY	PART NUMBER	U/M	DESCRIPTION
	007093-01-000	EA	FLASHER-SIGNAL, STAT
	008188-01-000	EA	SOLENOID - 3 POST, BATTERY CHANGE OVER
	086233-01-000	EA	STUD-ISOLATED, 3/8" X 7/8" LONG
	086273-01-000	EA	RELAY-BATTERY DISCONNECT
	088476-01-000	EA	SOCKET-CONNECTOR, BRASS - PRE-TIN
	088476-02-000	EA	SOCKET-CONNECTOR, 12-10 GA - PHOSPHATE BRONZE - PRE-TIN
	103608-01-000	EA	SOCKET-WEDGE BASE W/LEADS, JKL 2944-6 OR EQUIVALENT
	103987-02-000	EA	SEAL-SOLENOID ACCESS
	087225-01-000	FT	SLEEVING - 1/2", TYPE H - VARFLEX
	087225-02-000	FT	SLEEVING - 5/8", TYPE H - VARFLEX VARGLAS
	073328-B4-000	EA	CABLE ASSEMBLY-BATTERY, W/TERMINALS
	088751-01-000	FT	CABLE-BATTERY, 1/0 AWG, STRANDED, RED
	077479-01-000	EA	BOOT-BATTERY TERMINAL, DOUBLE CABLE
	077479-02-000	EA	BOOT-BATTERY TERMINAL, SINGLE CABLE
	036346-02-000	EA	BUSHING-STEEL 3/4MPT X 318FPT

POWER CORDS

KEY	PART NUMBER	U/M	DESCRIPTION
	008052-01-000	EA	CORD-POWER, 10/3 - 30 AMP - 25' - CANADIAN
	008054-01-000	EA	CORD-POWER, 10/3 - 30 AMP - 25' - US

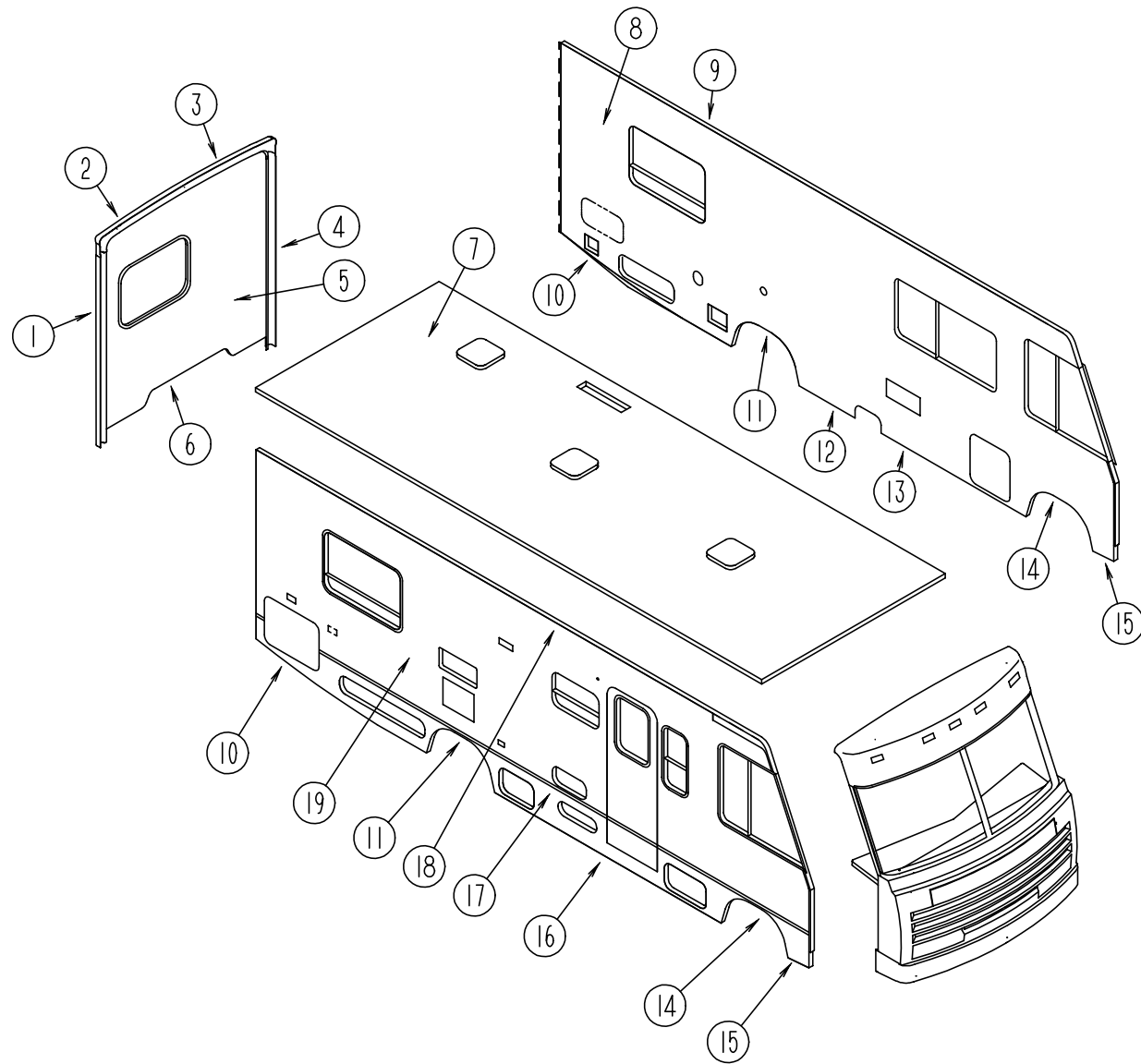
ELECTRICAL GROUP (CONTINUED)

EXTERIOR LIGHTS



KEY	PART NUMBER	U/M DESCRIPTION
1	097917-01-01A	EA LIGHT-PORCH, ENTRY DOOR - OFF WHITE
	008215-01-000	EA BULB - 12V, #1003 - .94 AMP
	097917-01-700	EA LENS-LIGHT, PORCH
2	111102-01-000	EA LAMP-MARKER, BASE - TRIPLEX 117XAS
	111102-03-000	EA LENS-MARKER LAMP, RED - TRIPLEX 117R
3	036196-01-000	EA BULB - 12V, #194 - .27 AMP - BAYONETTE
	081638-01-000	EA TAILLIGHT-DOUBLE, W/BLACK TRIM - DRIVER OR PASSENGER SIDE
	037934-01-000	EA BULB - 12V, #1156 - 2.1 AMP - CLEAR GLASS
	037935-01-000	EA BULB - 12V, #1157 OR #2057 - 2.1 AMP - CLEAR GLASS
	081638-01-700	EA LENS-TAILLIGHT, RED - BARGMAN 30-84-010
	081638-01-701	EA LENS-TAILLIGHT, W/BACKUP - BARGMAN 30-84-700
4	103355-01-01A	EA POD-TAILLIGHT, OFF WHITE
	066432-02-000	EA LIGHT-LICENSE, BLACK
	066432-03-000	EA BRACKET-LICENSE PLATE - BARGMAN 30-60-030
	111102-01-000	EA LAMP-MARKER, BASE - TRIPLEX 117XAS
5	111102-02-000	EA LENS-MARKER LAMP, AMBER - TRIPLEX 118A
	036196-01-000	EA BULB - 12V, #194 - .27 AMP - BAYONETTE
6	049186-01-000	EA HEADLAMP CAPSULE-DRIVER, HIGH/LOW BEAM - RECTANGULAR
	049188-01-000	EA HEADLAMP CAPSULE-DRIVER, HIGH BEAM - RECTANGULAR
7	049185-01-000	EA HEADLAMP CAPSULE-PASSENGER, HIGH/LOW BEAM - RECTANGULAR
	049187-01-000	EA HEADLAMP CAPSULE-PASSENGER, HIGH BEAM - RECTANGULAR
	P03783-01-000	EA WIRE ASM-HEADLAMP
	049359-01-000	EA SPRING-RETAINER, HEADLAMP - GM 496096
8	110750-01-000	EA SCREW-ADJUSTING, HEADLAMP
	110783-01-01A	EA BRACKET-HEADLAMP, QUAD - PASSENGER - UNPAINTED
	110783-02-01A	EA BRACKET-HEADLAMP, QUAD - DRIVER - UNPAINTED
	089292-01-000	EA LIGHT-TURN, DRIVER OR PASSENGER - W/AMBER LENS
	037935-01-000	EA BULB - 12V, #1157 OR #2057 - 2.1 AMP - CLEAR GLASS
	102520-01-000	EA LIGHT-CLEARANCE, W/O SOCKET CONNECTIONS - AMBER
8	036196-01-000	EA BULB - 12V, #194 - .27 AMP - BAYONETTE
	102540-01-000	EA SEAL-SCREW, ROUND - RUBBER
	102541-01-000	EA GASKET-CLEARANCE LIGHT
	102582-01-000	EA BRACKET-LIGHT, CLEARANCE - L-SHAPED METAL - 2.2" X 4.7"
	112823-01-000	EA SPLICE-REDUCER, 16-14 TO 18-22 - ETC BA-631X
	067789-02-000	EA SOCKET-LAMP

EXTERIOR BODY GROUP



EXTERIOR BODY PANELS AND TRIM

KEY	PART NUMBER	U/M DESCRIPTION
1	103598-01-700	EA TRIM-BACKWALL SIDE, RIGHT - PRIMED
1	104033-01-01A	EA TRIM-J, BACKWALL - RIGHT - OFF WHITE - ALUMINUM
2	103599-01-01A	EA TRIM-BACKWALL, TOP W/O CLEARANCE LIGHTS - RIGHT - OFF WHITE - PLASTIC
3	103600-01-01A	EA TRIM-BACKWALL, TOP W/O CLEARANCE LIGHTS - LEFT - OFF WHITE - PLASTIC
4	103598-02-700	EA TRIM-BACKWALL SIDE, LEFT - PRIMED
4	104033-02-01A	EA TRIM-J, BACKWALL - LEFT - OFF WHITE - ALUMINUM
5	M05703-18-F04	EA BACKWALL-W/O WINDOW, LIGHTS, OR DECALS - QUEEN BED
5	M05703-18-F05	EA BACKWALL-W/O WINDOW, LIGHTS, OR DECALS - QUEEN BED
5	M05703-18-F06	EA BACKWALL-W/O WINDOW, LIGHTS, OR DECALS - QUEEN BED
5	M05703-18-F07	EA BACKWALL-W/O WINDOW, LIGHTS, OR DECALS - QUEEN BED
5	M05703-18-F14	EA BACKWALL-W/O WINDOW, LIGHTS, OR DECALS - QUEEN BED
5	M05703-19-F04	EA BACKWALL-W/O WINDOW, LIGHTS, OR DECALS - TWIN BEDS OPTION
5	M05703-19-F05	EA BACKWALL-W/O WINDOW, LIGHTS, OR DECALS - TWIN BEDS OPTION
5	M05703-19-F06	EA BACKWALL-W/O WINDOW, LIGHTS, OR DECALS - TWIN BEDS OPTION
5	M05703-19-F07	EA BACKWALL-W/O WINDOW, LIGHTS, OR DECALS - TWIN BEDS OPTION
5	M05703-19-F14	EA BACKWALL-W/O WINDOW, LIGHTS, OR DECALS - TWIN BEDS OPTION
6	050406-15-000	EA TRIM-BACKWALL, LOWER - DRIVER OR PASS SIDE - OFF WHITE - ALUMINUM
7	M05702-11-E07	EA ROOF-W/O VENTS - QUEEN BED (F04,F05,F06,F07)
7	M05702-11-F14	EA ROOF-W/O VENTS - QUEEN BED
7	M05702-12-E07	EA ROOF-W/O VENTS - TWIN BEDS OPTION (F04,F05,F06,F07)
7	M05702-12-F14	EA ROOF-W/O VENTS - TWIN BEDS OPTION

EXTERIOR BODY GROUP (CONTINUED)

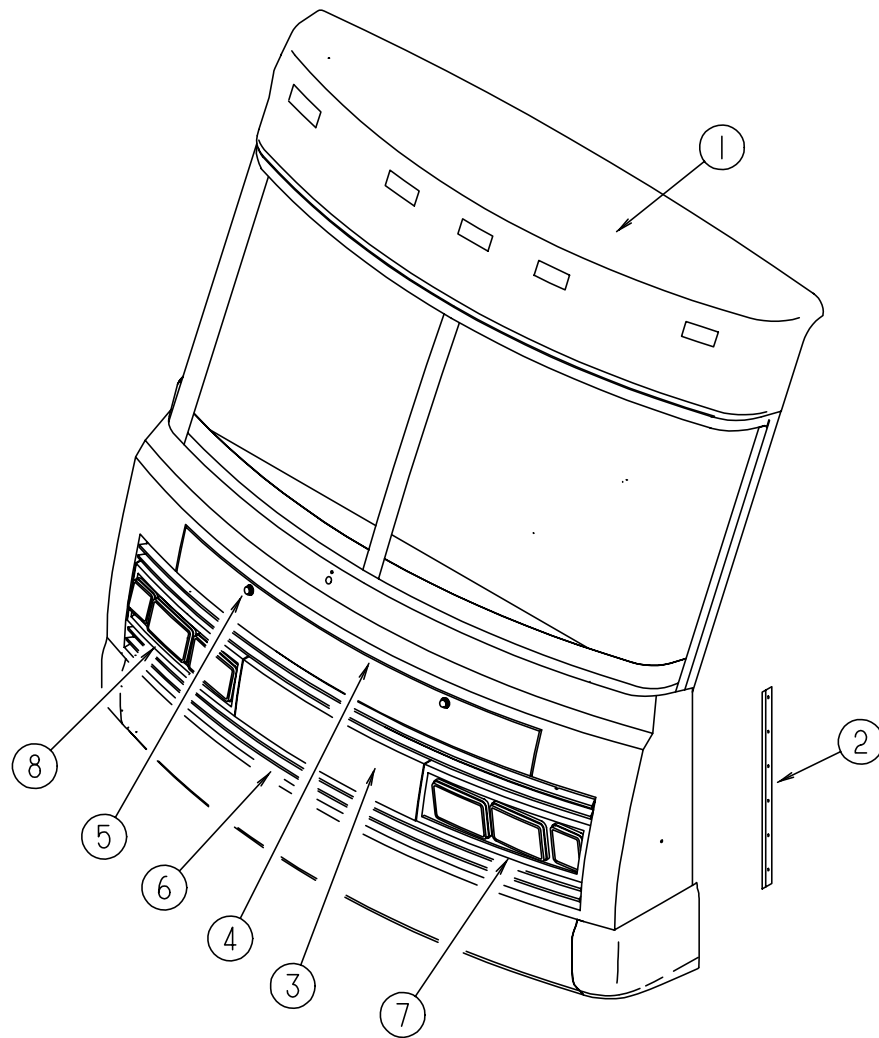
EXTERIOR BODY PANELS AND TRIM (CONTINUED)

KEY	PART NUMBER	U/M DESCRIPTION
8	M05814-09-F04	EA SIDEWALL ASM-DRIVER SIDE, W/O DOORS OR WINDOWS - QUEEN BED
8	M05814-09-F05	EA SIDEWALL ASM-DRIVER SIDE, W/O DOORS OR WINDOWS - QUEEN BED
8	M05814-09-F06	EA SIDEWALL ASM-DRIVER SIDE, W/O DOORS OR WINDOWS - QUEEN BED
8	M05814-09-F07	EA SIDEWALL ASM-DRIVER SIDE, W/O DOORS OR WINDOWS - QUEEN BED
8	M05814-09-F14	EA SIDEWALL ASM-DRIVER SIDE, W/O DOORS OR WINDOWS - QUEEN BED
8	M05814-11-F14	EA SIDEWALL ASM-DRIVER SIDE, W/O DOORS OR WINDOWS - QUEEN BED DRIVERS DOOR OPTION
8	M05814-10-F04	EA SIDEWALL ASM-DRIVER SIDE, W/O DOORS OR WINDOWS - TWIN BEDS OPTION
8	M05814-10-F05	EA SIDEWALL ASM-DRIVER SIDE, W/O DOORS OR WINDOWS - TWIN BEDS OPTION
8	M05814-10-F06	EA SIDEWALL ASM-DRIVER SIDE, W/O DOORS OR WINDOWS - TWIN BEDS OPTION
8	M05814-10-F07	EA SIDEWALL ASM-DRIVER SIDE, W/O DOORS OR WINDOWS - TWIN BEDS OPTION
8	M05814-10-F14	EA SIDEWALL ASM-DRIVER SIDE, W/O DOORS OR WINDOWS - TWIN BEDS OPTION
8	M05814-12-F14	EA SIDEWALL ASM-DRIVER SIDE, W/O DOORS OR WINDOWS - TWIN BEDS OPTION DRIVERS DOOR OPTION
9	103801-02-01A	EA TRIM-ROOF, 16' LONG - W/O DRILLED HOLES - DRIVER SIDE - OFF WHITE
10	108038-01-01A	EA TRIM-SIDEWALL, BOTTOM - REAR - DRIVER OR PASSENGER - OFF WHITE
11	108070-01-01A	EA TRIM-WHEELWELL, REAR - DRIVER OR PASSENGER - OFF WHITE
12	108038-15-01A	EA TRIM-SIDEWALL, BOTTOM - DRIVER SIDE - OFF WHITE
13	108038-14-01A	EA TRIM-SIDEWALL, BOTTOM - DRIVER SIDE - OFF WHITE
14	108069-02-01A	EA TRIM-WHEELWELL, FRONT - DRIVER OR PASSENGER - OFF WHITE
15	108109-01-01A	EA TRIM-SIDEWALL, BOTTOM - FRONT - DRIVER OR PASSENGER - OFF WHITE
	086180-55-001	EA U-CHANNEL-SERRATED, 1.7" X 16' - OFF WHITE
16	108039-01-01A	EA TRIM-SIDEWALL, BOTTOM - CENTER - PASSENGER SIDE - OFF WHITE
17	108688-01-01A	EA STRIP-FEATURE, W/O INSERT - 15' LONG - OFF WHITE
	108651-01-01A	EA END CAP-FEATURE STRIP
	105312-01-01A	FT INSERT-TRIM, VINYL - OFF WHITE
18	103802-02-01A	EA RAIL-AWNING, 16' LONG - W/O DRILLED HOLES - PASSENGER SIDE - OFF WHITE
19	M05813-09-F04	EA SIDEWALL ASM-PASSENGER SIDE, W/O DOORS OR WINDOWS - QUEEN BED
19	M05813-09-F05	EA SIDEWALL ASM-PASSENGER SIDE, W/O DOORS OR WINDOWS - QUEEN BED
19	M05813-09-F06	EA SIDEWALL ASM-PASSENGER SIDE, W/O DOORS OR WINDOWS - QUEEN BED
19	M05813-09-F07	EA SIDEWALL ASM-PASSENGER SIDE, W/O DOORS OR WINDOWS - QUEEN BED
19	M05813-09-F14	EA SIDEWALL ASM-PASSENGER SIDE, W/O DOORS OR WINDOWS - QUEEN BED
19	M05813-10-F04	EA SIDEWALL ASM-PASSENGER SIDE, W/O DOORS OR WINDOWS - TWIN BEDS
19	M05813-10-F05	EA SIDEWALL ASM-PASSENGER SIDE, W/O DOORS OR WINDOWS - TWIN BEDS
19	M05813-10-F06	EA SIDEWALL ASM-PASSENGER SIDE, W/O DOORS OR WINDOWS - TWIN BEDS
19	M05813-10-F07	EA SIDEWALL ASM-PASSENGER SIDE, W/O DOORS OR WINDOWS - TWIN BEDS
19	M05813-10-F14	EA SIDEWALL ASM-PASSENGER SIDE, W/O DOORS OR WINDOWS - TWIN BEDS
	002754-01-001	EA ANGLE-EXTRUDED, .75" X .75" X 18' - MILL ALUMINUM
	055278-51-259	FT TUBING-STEEL, .75" X 1.5" X 12.5' LONG
	002726-01-001	EA GARNISH-U-CHANNEL, 1.38" X 19' - SERRATED - MILL ALUMINUM
	069726-02-000	EA BUMPER - .88" DIAMETER X .40", BLACK

FIBERGLASS, STYROFOAM & PLYWOOD

KEY	PART NUMBER	U/M DESCRIPTION
	076054-E9-000	EA FIBERGLASS SHEET-FLAT, 2438 MM X 7660 MM - OFF WHITE
	076054-F3-000	EA FIBERGLASS SHEET-FLAT, 2438 MM X 2438 MM - OFF WHITE
	077517-24-000	EA FIBERGLASS SHEET-FLAT, 48" X 96" - OFF WHITE
	108535-01-701	EA FIBERGLASS-PEBBLED, 6" X 34' - OFF WHITE
	108535-01-704	EA FIBERGLASS-PEBBLED, 8.7' X 29' - OFF WHITE (ROOF COVERING)
	083574-02-000	SF STYROFOAM, DOW TYPE SM - 1.5" X 24" X 90.5" - INCREMENTS OF 15 SF
	083574-03-000	SF STYROFOAM - 3/4" X 48" X 96" - INCREMENTS OF 32 SF
	000870-08-000	SF STYROFOAM - .75" X 48" X 96" - INCREMENTS OF 32 SF
	089297-01-000	SF PLYWOOD-LUAN, OVERLAY GRADE - 4' X 8'
	105077-01-000	EA FOAM-COVE, ROOF
	105077-03-000	EA FOAM-PLUG, SIDEWALL TUBE - WISCONSIN EPS

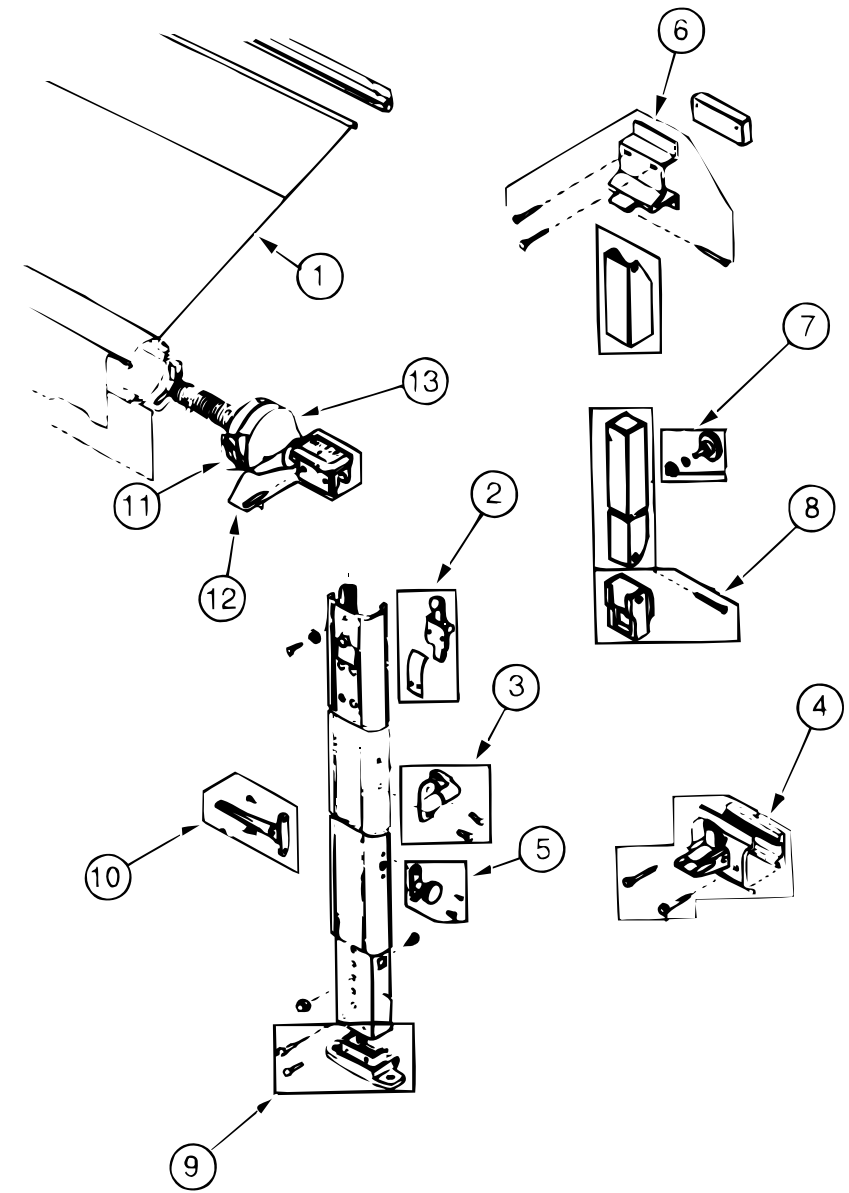
EXTERIOR BODY GROUP (CONTINUED)



FRONT END COMPONENTS & BUMPER

KEY	PART NUMBER	U/M DESCRIPTION
1	M05145-05-E07	EA CAP ASM-FRONT, OFF WHITE
2	089922-24-000	EA TRIM-FRONT END/SIDEWALL, DRIVER OR PASSENGER SIDE - OFF WHITE
3	103485-01-02A	EA FRONT END ASM-W/GRILLE ASM, W/O HOOD OR HOOD HINGES - OFF WHITE
4	103478-02-E07	EA PANEL ASM-HOOD
	058786-01-000	EA BOLT-ADJUSTING, HOOD - W/BLACK PAD - .31" #18 X 2"
5	102330-02-000	EA LOCK-SINGLE HOLE, VISE ACTION - SOUTHCOE 3-56-715-5
	102328-01-000	EA KEY-BARREL, NICKEL PLATED - SOUTHCOE 3-26-715-19
	104584-03-000	EA BRACKET ASM-HOOD HINGE, BODY - RIGHT
	104584-04-000	EA BRACKET ASM-HOOD HINGE, BODY - LEFT
	105095-01-000	EA LINK ASM-HINGE, HOOD - INNER RIGHT
	105095-02-000	EA LINK ASM-HINGE, HOOD - INNER LEFT
	104582-02-000	EA LINK ASM-HINGE, HOOD - OUTER
6	110598-01-E07	EA GRILLE ASSEMBLY-4 BAR
7	103617-02-02A	EA BEZEL-HEADLIGHT, DRIVER SIDE - OFF WHITE
8	103617-01-02A	EA BEZEL-HEADLIGHT, PASSENGER SIDE - OFF WHITE
	110690-01-D18	EA PLATE ASM-HEADLAMP, QUAD - PASSENGER - BLACK - STEEL
	110692-01-01A	EA PLATE-HEADLAMP, QUAD - PASSENGER - UNPAINTED - STEEL
	110690-02-D18	EA PLATE ASM-HEADLAMP, QUAD - DRIVER - BLACK - STEEL
	110692-02-01A	EA PLATE-HEADLAMP, QUAD - DRIVER - UNPAINTED - STEEL
	110691-01-01A	EA BRACKET-SPRING, HEADLAMP - DRIVER OR PASSENGER SIDE - UNPAINTED

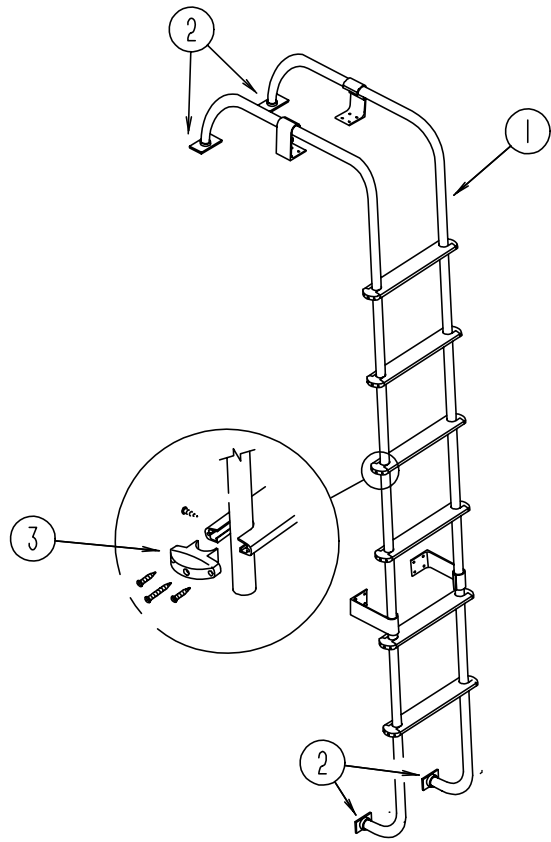
EXTERIOR BODY GROUP (CONTINUED)



AWNING (FAULKNER)

KEY	PART NUMBER	U/M DESCRIPTION	VENDOR NO.
1	110634-08-03A	EA AWNING-ROLLER ASM, 14'	
	110634-02-02A	EA AWNING-HARDWARE KIT, OFF WHITE	
	111037-01-01A	EA SPACER-AWNING, UPPER BLACK	
	111038-01-01A	EA SPACER-AWNING, LOWER BLACK	
2	110634-01-700	EA RAFTER LOCKING MECH KIT	7605-0001
3	110634-01-701	EA SAFETY & LATCH KIT	7509-0001
4	110634-01-702	EA BOTTOM BRACKET KIT	7512-0001
5	110634-01-703	EA HEIGHT LOCK HANDLE KIT	7510-0001
6	110634-01-704	EA UPPER BRACKET KIT W/BOLTS	7505-0001
7	110634-01-705	EA ULTRA RAFTER KNOB KIT	7522-0001
8	110634-01-706	EA RAFTER SLIDE KIT	7506-0001
9	110634-01-707	EA GROUND BRACKET KIT	7511-0001
10	110634-01-708	EA LIFT HANDLES W/RIVETS	7000-0001
11	110634-01-709	EA RATCHET HANDLE KIT	7507-0001
12	110634-01-710	EA ARM CAP KIT	7503-0001
13	110634-01-711	EA FRONT SPRING ASM	6598-0001
13	110634-01-712	EA REAR SPRING ASM	6599-0001
13	110634-01-713	EA REAR END CAP KIT	7504-0001

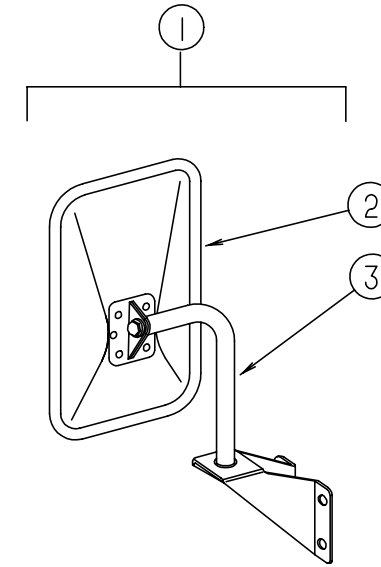
EXTERIOR BODY GROUP (CONTINUED)



LADDER

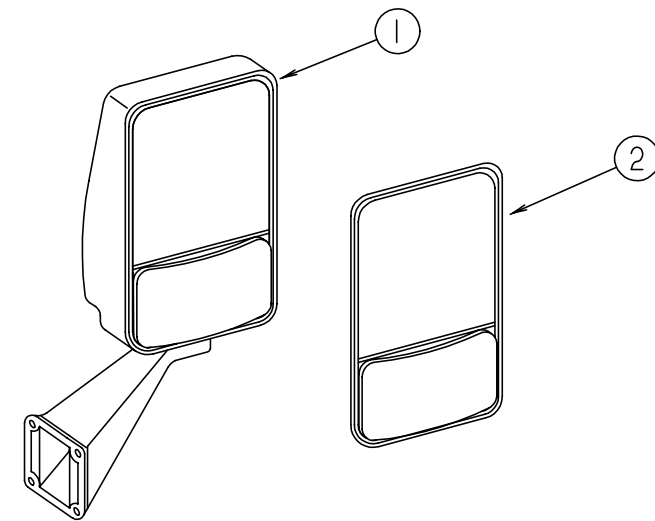
KEY	PART NUMBER	U/M DESCRIPTION
1	102953-09-F04	EA LADDER ASM
2	067165-01-000	EA MOUNTING BRACKET-LADDER, LOWER
3	076980-02-000	EA END CAP-STEP, BLACK

EXTERIOR BODY GROUP (CONTINUED)



EXTERIOR MIRROR

KEY	PART NUMBER	U/M DESCRIPTION	VENDOR NO.
1	105076-01-702	EA MIRROR ASM-LOW MOUNT, DRIVER OR PASSENGER SIDE	713196
2	105076-01-703	EA MIRROR HEAD ONLY-FLAT BLACK	709275-8
	049347-01-700	EA GLASS ONLY-EXTERIOR MIRROR, 7.5" X 10.5"	702081
3	105076-01-704	EA ARM	Q780521-9
	105439-01-000	EA MIRROR-CONVEX, STICK-ON	723068-6

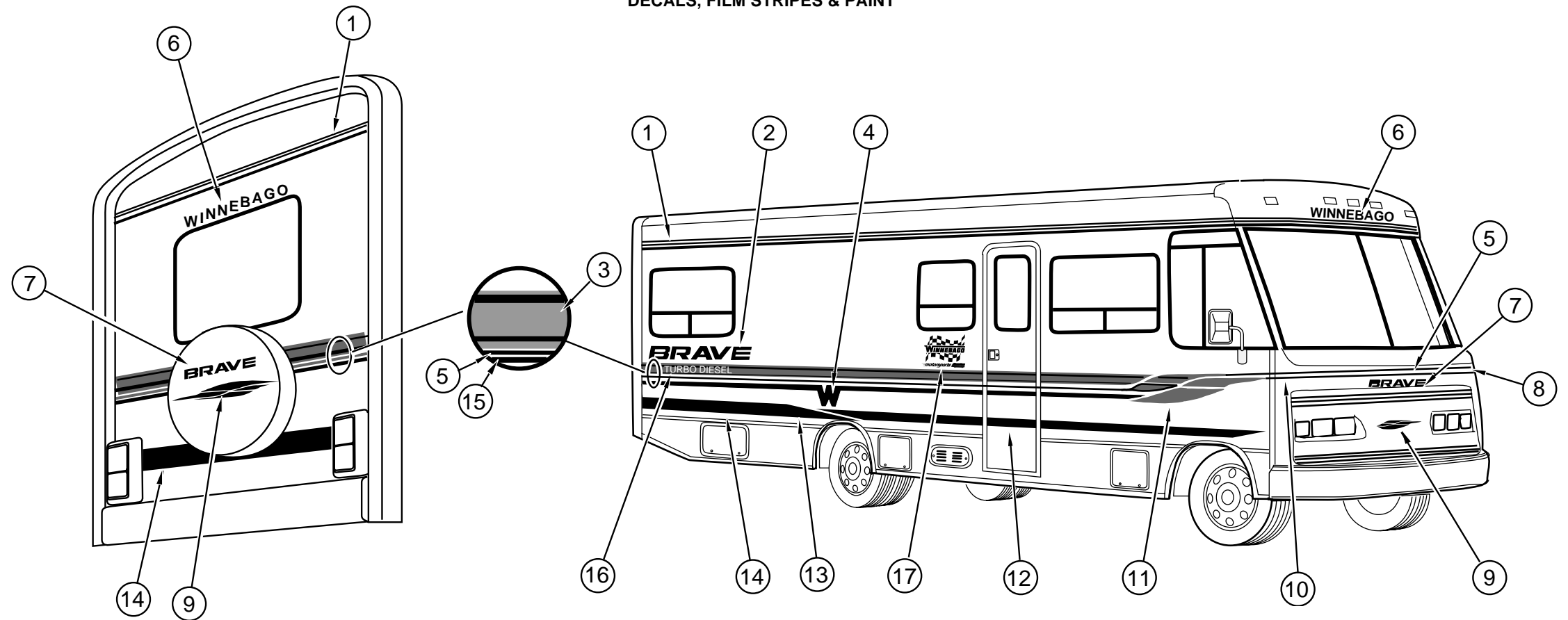


OPTIONAL EXTERIOR MIRRORS

KEY	PART NUMBER	U/M DESCRIPTION	VENDOR NO.
1	106015-09-01A	EA MIRROR ASM-PASSENGER SIDE	713126
1	106015-10-01A	EA MIRROR ASM-DRIVER SIDE	713125
2	106015-01-703	EA KIT-BEZEL & MIRRORS, PASSENGER SIDE	709266
2	106015-02-702	EA KIT-BEZEL & MIRRORS, DRIVER SIDE	709267

EXTERIOR BODY GROUP (CONTINUED)

DECALS, FILM STRIPES & PAINT



KEY	PART NUMBER	U/M DESCRIPTION
1	094443-26-01A	FT FILM-MULTISTRIPE, 3 STRIPES - 63.5 MM - DARK PURPLE/SHALE BLUE/MEDIUM BLUE
2	115642-01-01A	EA DECAL-BRAVE, LARGE - DARK PURPLE/SHALE BLUE/MEDIUM BLUE
3	094433-08-01A	FT FILM-OVERLAY, 101.6 MM - MEDIUM BLUE/DARK PURPLE/SHALE BLUE
4	115641-01-01A	EA DECAL-LOGO, W - DARK PURPLE
5	093681-36-02A	FT FILM-SINGLE STRIPE, 25.4 MM - SHALE BLUE
6	110206-02-01A	EA DECAL-WINNEBAGO, SHALE BLUE
7	115642-02-01A	EA DECAL-BRAVE, SMALL - DARK PURPLE/SHALE BLUE/MEDIUM BLUE
8	115643-02-01A	EA DECAL-FRONT, CORNER - LH - SHALE BLUE
9	115645-03-01A	EA DECAL-SWEEP, SMALL - SHALE BLUE/DARK PURPLE
10	115643-01-01A	EA DECAL-FRONT, CORNER - RH - SHALE BLUE
11	115645-01-01A	EA DECAL-SWEEPS, RH - SHALE BLUE/DARK PURPLE
11	115645-02-01A	EA DECAL-SWEEPS, LH - SHALE BLUE/DARK PURPLE
12	093681-44-01A	FT FILM-SINGLE STRIPE, 63.5 MM - MEDIUM BLUE
13	115644-01-01A	EA DECAL-RADIUS, RH - SHALE BLUE/DARK PURPLE/MEDIUM BLUE
13	115644-02-01A	EA DECAL-RADIUS, LH - SHALE BLUE/DARK PURPLE/MEDIUM BLUE
14	115640-01-01A	FT FILM-OVERLAY, 152.4 MM - SHALE BLUE/DARK PURPLE/MEDIUM BLUE
15	093681-40-03A	FT FILM-SINGLE STRIPE, 50.8 MM - DARK PURPLE
16	111318-03-01A	EA DECAL-TURBO DIESEL, OFF WHITE
17	116515-10-01A	EA DECAL-MOTORSPORTS
	041561-03-000	EA PAINT - 16 OZ SPRAY, OFF WHITE - ACRYLIC ENAMEL
	106315-06-000	FT POLYETHYLENE FILM TAPE - 4" - SHORE PAPER 30LD23

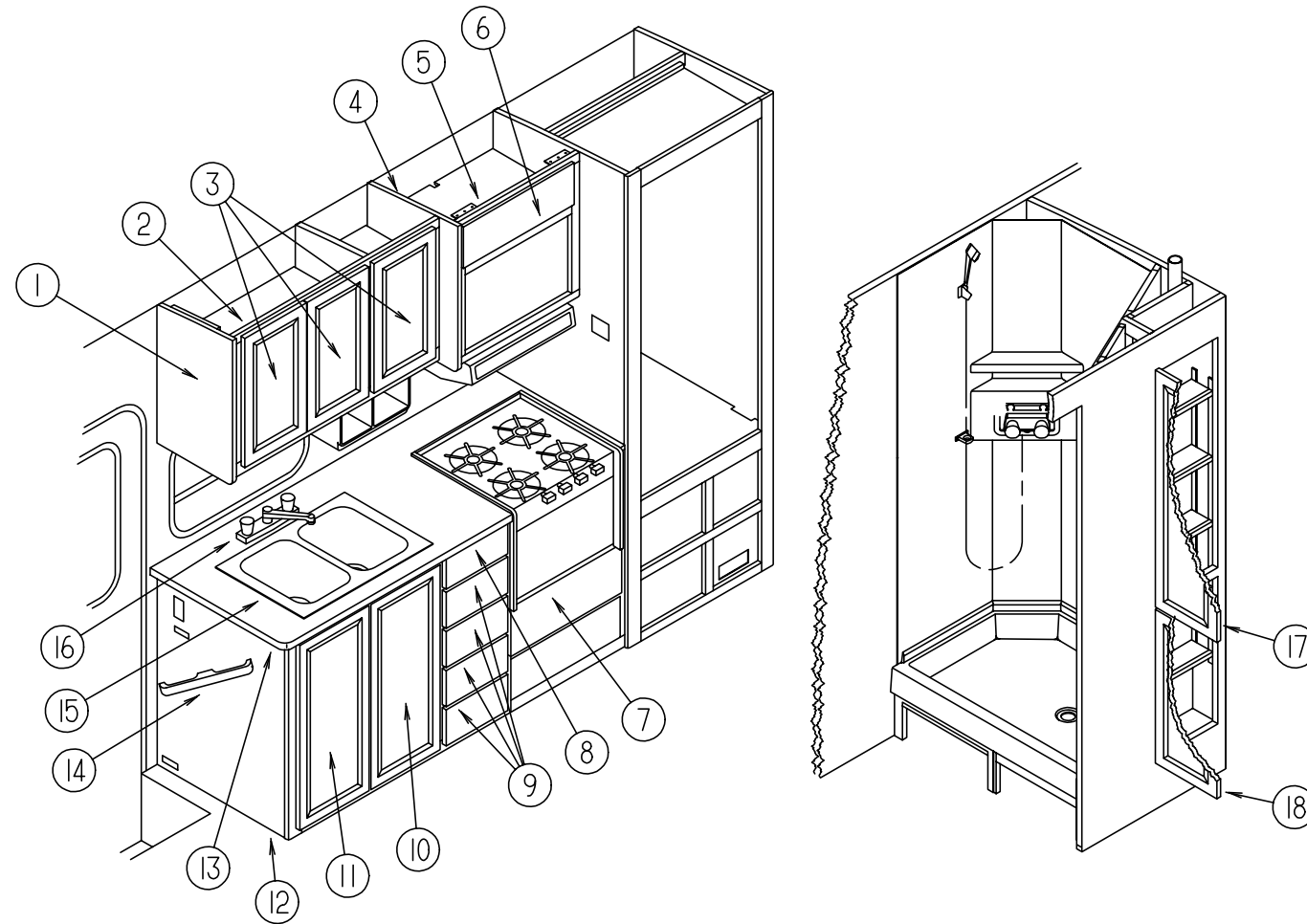
OFF WHITE

#L8723

DUPONT COLOR CODES

GALLEY GROUP

GALLEY CABINETS



KEY	PART NUMBER	U/M DESCRIPTION
1	081319-17-C27	EA CAP-END, OVERHEAD - FRONT
2	P07838-01-E07	EA CABINET-OVERHEAD, W/O DOOR
3	M06803-58-E07	EA DOOR-CABINET, W/O HARDWARE - 305 MM X 555 MM (F04,F05,F06,F07)
3	M06803-J7-F14	EA DOOR-CABINET, W/O HARDWARE - 305 MM X 555 MM
4	081320-14-E10	EA CAP-END, OVERHEAD - FRONT
5	114390-02-F04	EA CABINET-OVERHEAD, W/O DOORS (F04,F05,F06,F07)
5	114390-02-F31	EA CABINET-OVERHEAD, W/O DOORS
6	M05992-11-E07	EA DOOR-CABINET, W/O HARDWARE - 180 MM X 555 MM (F04,F05,F06,F07)
6	M05992-11-F14	EA DOOR-CABINET, W/O HARDWARE - 180 MM X 555 MM
7	M05971-50-E07	EA DRAWER-CABINET, W/O HARDWARE - 180 MM X 560 MM FACE SIZE (F04,F05,F06,F07)
7	M05971-50-F14	EA DRAWER-CABINET, W/O HARDWARE - 180 MM X 560 MM FACE SIZE
8	M05971-68-E10	EA DRAWER-CABINET, W/O HARDWARE - 105 MM X 310 MM FACE SIZE (F04,F05,F06,F07)
8	M05971-68-F14	EA DRAWER-CABINET, W/O HARDWARE - 105 MM X 310 MM FACE SIZE
9	M05971-11-E07	EA DRAWER-CABINET, W/O HARDWARE - 155 MM X 310 MM FACE SIZE (F04,F05,F06,F07)
9	M05971-11-F14	EA DRAWER-CABINET, W/O HARDWARE - 155 MM X 310 MM FACE SIZE
10	M06803-32-E10	EA DOOR-CABINET, W/O HARDWARE - 345 MM X 770 MM (F04,F05,F06,F07)
10	M06803-32-F14	EA DOOR-CABINET, W/O HARDWARE - 345 MM X 770 MM
11	M06803-33-E10	EA DOOR-CABINET, W/O HARDWARE - 345 MM X 770 MM (F04,F05,F06,F07)
11	M06803-33-F14	EA DOOR-CABINET, W/O HARDWARE - 345 MM X 770 MM
12	P11374-01-F04	EA CABINET-GALLEY, W/COUNTERTOP - W/O DOORS OR DRAWERS (F04,F07)
12	P11374-01-F05	EA CABINET-GALLEY, W/COUNTERTOP - W/O DOORS OR DRAWERS
12	P11374-01-F06	EA CABINET-GALLEY, W/COUNTERTOP - W/O DOORS OR DRAWERS
12	P11374-02-F14	EA CABINET-GALLEY, W/COUNTERTOP - W/O DOORS OR DRAWERS

KEY	PART NUMBER	U/M DESCRIPTION
13	111374-11-F04	EA COUNTERTOP-GALLEY CABINET (F04,F07)
13	111374-11-F05	EA COUNTERTOP-GALLEY CABINET
13	111374-11-F06	EA COUNTERTOP-GALLEY CABINET
13	111374-14-F14	EA COUNTERTOP-GALLEY CABINET
14	091257-08-000	EA HANDLE-ASSIST, ENTRY DOOR - WOOD - FINISHED
14	091257-02-000	EA HANDLE-ASSIST, ENTRY DOOR - WOOD - UNFINISHED
15	110654-01-000	EA SINK-DOUBLE, LARGE/SMALL BASINS - SST - DAYTON FR2917
	092303-01-000	EA STRAINER-SINK
	108464-04-E08	EA COVER-SINK (F04,F07)
	108464-04-E38	EA COVER-SINK (F05)
	108464-04-E31	EA COVER-SINK (F06)
	108464-04-E32	EA COVER-SINK (F14)
16	103243-01-000	EA FAUCET-GALLEY, DUAL CONTROL - 8"
	091253-01-000	EA GASKET-FAUCET, LAVATORY/GALLEY
17	M06803-15-E07	EA DOOR-CABINET, W/O HARDWARE - 305 MM X 1015 MM (F04,F05,F06,F07)
17	M06803-F3-F14	EA DOOR-CABINET, W/O HARDWARE - 305 MM X 1015 MM
18	M06803-59-E07	EA DOOR-CABINET, W/O HARDWARE - 305 MM X 660 MM (F04,F05,F06,F07)
18	M06803-M0-F14	EA DOOR-CABINET, W/O HARDWARE - 305 MM X 660 MM
	090329-01-000	FT SEAL-T, REFRIGERATOR CABINET - .6" WIDE TOP X 2" TAIL
	008380-01-000	EA GROMMET-RUBBER, 5/8" HOLE X 1 1/2" DIAMETER - BLACK

GALLEY GROUP (CONTINUED)

REFRIGERATOR & LEVEL

KEY	PART NUMBER	U/M DESCRIPTION	VENDOR NO.
	104138-04-01A	EA REFRIGERATOR-DOUBLE DOOR, 2-WAY - NORCOLD 6162 RH BL	
	064472-01-702	EA COMBINED THERMOSTAT	614376
	075217-01-734	EA FUSE - 3 AMP	61538822
	075217-01-738	EA SWITCH-HUMIDITY	61525922
	084879-03-700	EA COOLING UNIT - HORIZONTAL BURNER	61687237
	084880-01-705	EA ORIFICE	614522
	084880-01-715	EA VALVE-SHUT OFF, MANUAL	61697922
	084880-01-718	EA VALVE-GAS	61551822
	084880-01-720	EA SPRING (FOR DOOR HANDLE)	61558822
	084880-01-722	EA CRISPER COVER	615641
	084880-01-726	EA HINGE BRACKET (CENTER HINGE)	61566523
	084880-01-731	EA HINGE PIN	61578123
	084880-01-732	EA LATCH	61578522
	084880-01-734	EA BRACKET-HINGE, TOP RH - BOTTOM LH - BROWN	61580837
	084880-01-735	EA HINGE BRACKET, TOP LH-BOTTOM RH BROWN	61580937
	084880-01-739	EA END CAP (SPRING CATCH) BROWN	61593722
	084880-01-740	EA END CAP (STOP CATCH)	61593830
	084880-01-746	EA CABLE	61571522
	084880-01-747	EA PLUG-HOLE	61582022
	084880-01-749	EA HINGE BUSHING	615807
	084880-01-753	EA THERMISTER 78"	61693822
	084880-01-760	EA CLIP (THERMISTER)	61689122
	084880-01-761	EA END CAP (SPRING CATCH) BLACK	61593730
	084880-02-700	EA LOWER FLANGE 8663 & 8683	61622123
	084880-03-702	EA HINGE PIN TOP/BOTTOM FEMALE	61580630
	084880-03-705	EA BRACKET F/INTERIOR REFRIGERATOR LIGHT	61629722
	084880-03-706	EA LAMP (BULB)	61628922
	084880-03-707	EA COVER F/LAMP OR BULB	61627922
	088248-01-706	EA BURNER-HORIZONTAL	61588122
	088248-01-707	EA ELECTRODE-SENSOR, (HORIZONTAL)	61573322
	088248-01-709	EA HEATER-AC, (HORIZONTAL)	615627
	088248-01-710	EA HEATER-DC, (HORIZONTAL) - 3 WAY	615628
	094038-01-700	EA GASKET-LOWER, GRAY	61567930
	094038-01-701	EA LINER-DOOR, LOWER - BROWN/WHITE	61581937-B
	094038-01-702	EA LINER-DOOR, LOWER - BLACK/WHITE	61581938-B
	094038-01-703	EA HANDLE-DOOR, LOWER - BROWN	61650137
	094038-01-704	EA HANDLE-DOOR, LOWER - BLACK	61650138
	094039-01-702	EA GASKET (GRAY) UPPER	61567830
	094039-01-703	EA PLATE-HINGE, LH - BROWN	61631422
	094039-01-704	EA PLATE-HINGE, BLACK	61631430
	094039-01-706	EA UPPER DOOR LINER (WHITE) BLACK	61581838-B
	094039-01-708	EA HANDLE-DOOR, UPPER - BLACK	61650038
	094039-01-709	EA PLATE-HINGE, TOP RH - LH BOTTOM - BROWN	61631322
	094039-01-710	EA PLATE-HINGE, TOP RH - LH BOTTOM - BLACK	61631330
	094039-01-722	EA HOLE PLUG, (BLACK) HINGE HOLES	61582030
	094039-01-723	EA HINGE BRACKET, TOP RH - BOTTOM LH - BLACK	61580838
	094039-01-724	EA BRACKET-HINGE, TOP LH - BOTTOM RH - BLACK	61580938
	094039-01-725	EA HINGE PIN, (BLACK) (MALE)	61578130
	094039-01-726	EA SHELF-FREEZER EVAPORATOR	615236
	094039-01-728	EA HINGE BRACKET-CENTER HINGE, BLACK	615236
	094039-01-730	EA HINGE PIN SHAFT, (BLACK) CENTER HINGE	61566730
	094039-01-732	EA FRONT COVER, (BLACK) BOTTOM TRIM	61622130
	094039-01-733	EA WIRE SHELF, (MIDDLE)	61563822
	094039-01-734	EA WIRE SHELF, (TOP) W/RISER	61563722
	094039-01-735	EA INSIDE DRIP TRAY, (WHITE)	61572830
	094039-01-736	EA SWITCH-LIGHT, BLACK	615810
	094039-01-739	EA SHELF, (CUTOUT)	61646722
	094039-04-700	EA BOARD-PRINTED CIRCUIT, 2 WAY	61647322
	094039-04-701	EA EYEBROW, (SHELL) 2 WAY	61669822
	094039-04-702	EA POWER SUPPLY, (2 WAY)	61647422
	104137-02-700	EA MODULE-CONTROL, CHANNEL	61717037
	104137-06-700	EA EYEBROW SHELL, (2-WAY)	61726622

GALLEY GROUP (CONTINUED)

REFRIGERATOR & LEVEL (CONTINUED)

KEY	PART NUMBER	U/M DESCRIPTION	VENDOR NO.
	104137-06-701	EA HANDLE, UPPER DOOR W/DECAL	61666722
	104137-06-702	EA RACK-JUICE, (WHITE)	61580525
	104137-06-703	EA BIN-DOOR SHELF, (WHITE)	61564025
	104137-06-706	EA WIRE SHELF, (SHORT)	61718222
	104137-06-707	EA CRISPER, (WHITE)	61571325
	104137-06-709	EA VALVE, SHUT-OFF-MANUAL ASM	61694922
	104137-06-710	EA PRESSURE TAP	61594422
	104137-06-711	EA FUSE, 5 AMP	61611622
	104137-06-712	EA FITTING-GAS TUBE CONNECTION	61692722
	104137-06-713	EA ORFICE GASKET	61475122
	104137-06-714	EA BURNER ASSEMBLY, (5-SLOT)	61705222
	104137-06-715	EA SPARK/SENSE ELECTRODE, (SINGLE)	61692222
	104138-04-701	EA FOAMED CABINET ASSEMBLY, BLACK W/WHITE	61725038
	054450-01-000	EA LEVEL-REFRIGERATOR	
	103251-02-01A	EA INSERT-ACRYLIC, 19.53 X 16.6 (F14)	
	103251-03-01A	EA INSERT-ACRYLIC, 19.53 X 32.20 (F14)	

GALLEY GROUP (CONTINUED)

RANGE HOOD - CANADIAN

KEY	PART NUMBER	U/M DESCRIPTION	VENDOR NO.
	100258-17-01A	EA HOOD-RANGE, W/O MONITOR PANEL - VENTLINE - CANADIAN	
	090973-01-700	EA MOTOR	CA508-1
	090973-01-702	EA BLADE-FAN	VA183-1
	092696-01-709	EA BULB - 912	VA415
	092696-01-710	EA SOCKET-LIGHT	CB267-2
	096983-01-700	EA SWITCH-ON/OFF	108
	096983-01-702	EA SWITCH-TWO WAY MOMENTARY	112
	096983-01-707	EA FILTER-GREASE, 8" X 8"	CC246
	092696-02-701	EA LENS-LAMP	CC179
	100258-01-700	EA HOOD-NOSE LABEL	CC428
	100258-10-01A	EA METER-HOUR	150

RANGE HOODS - US - GENERATOR OPTIONS

KEY	PART NUMBER	U/M DESCRIPTION	VENDOR NO.
	100258-18-01A	EA HOOD-RANGE, W/O MONITOR PANEL - VENTLINE - US TPS5007NAD	
	090973-01-700	EA MOTOR	CA508-1
	090973-01-702	EA BLADE-FAN	VA183-1
	092696-01-709	EA BULB - 912	VA415
	092696-01-710	EA SOCKET-LIGHT	CB267-2
	096983-01-700	EA SWITCH-ON/OFF	108
	096983-01-702	EA SWITCH-TWO WAY MOMENTARY	112
	096983-01-707	EA FILTER-GREASE, 8" X 8"	CC246
	092696-02-701	EA LENS-LAMP	CC179
	100258-01-700	EA HOOD-NOSE LABEL	CC428
	100258-10-01A	EA METER-HOUR	150

RANGE HOODS - US

KEY	PART NUMBER	U/M DESCRIPTION	VENDOR NO.
	100258-16-01A	EA HOOD-RANGE, W/O MONITOR PANEL - VENTLINE - US TCS5008NAD - STANDARD	
	090973-01-700	EA MOTOR	CA508-1
	090973-01-702	EA BLADE-FAN	VA183-1
	092696-01-709	EA BULB - 912	VA415
	092696-01-710	EA SOCKET-LIGHT	CB267-2
	096983-01-700	EA SWITCH-ON/OFF	108
	096983-01-702	EA SWITCH-TWO WAY MOMENTARY	112
	096983-01-707	EA FILTER-GREASE, 8" X 8"	CC246
	092696-02-701	EA LENS-LAMP	CC179
	100258-01-700	EA HOOD-NOSE LABEL	CC428

MONITOR PANEL

KEY	PART NUMBER	U/M DESCRIPTION	VENDOR NO.
	102765-04-01A	EA PANEL-MONITOR, W/PLUG - FOR 2 TANKS & WATER HEATER - LVS	
	102765-04-700	EA CIRCUIT BOARD	5076-11

MICROWAVE OVEN

KEY	PART NUMBER	U/M DESCRIPTION
	115303-01-000	EA OVEN-MICROWAVE, MAGIC CHEF - MODEL DM15K-7B
	115401-01-01A	EA TRIM-MICROWAVE, BLACK
	098916-03-01A	EA BRACE-MICROWAVE CABINET, LEFT - 9.4" X 7.5" - STEEL
	098916-04-01A	EA BRACE-MICROWAVE CABINET, RIGHT - 9.4" X 7.5" - STEEL
	094750-07-000	EA BRACKET-MICROWAVE, 89 DEGREE - STEEL

COFFEE MAKER

KEY	PART NUMBER	U/M DESCRIPTION
	103799-01-02A	EA COFFEE MAKER - GRAY - BLACK & DECKER W/GLASS POT
	104610-01-000	EA STRAP-COFFEE MAKER

GALLEY GROUP (CONTINUED)

**RANGE
FROM: 00-00-00 THRU: 06-19-94**

KEY	PART NUMBER	U/M DESCRIPTION	VENDOR NO.
	112881-01-01A	EA RANGE-16" 3 BURNER ALMOND - MAGIC CHEF 16RA-3B	
	055282-04-700	EA PANEL-OVEN DOOR, ALMOND	50-26577-2A
	102020-01-700	EA SHELF-OVEN	7801-P027-60
	102020-01-701	EA HANDLE-DOOR	7701P092-60
	102020-01-709	EA BUMPER-GRATE	8007P018-60
	102020-01-711	EA GRATE-TOP	7518P012-60
	102020-01-722	EA VALVE-TOP BURNER	7502P095-60
	102020-01-724	EA BUMPER-MAIN TOP	8003P008-60
	102022-01-708	EA REGULATOR PRESSURE 1/4IN 1/2 OUT	7510P041-60
	112881-01-700	EA TOP, MAIN-ALMOND	2001F110-84
	112881-01-701	EA MANIFOLD PANEL	2616F091-70
	112881-01-702	EA VALVE-MERCURY (SAFETY VALVE)	7501-P121-60
	112881-01-703	EA VALVE-TOP BURNER HI-OUTPUT	7502P180-60
	112881-01-704	EA KNOB-THERMOSTAT	7731P067-60
	112881-01-705	EA KNOB-TOP BURNER	7733P072-60
	112881-01-706	EA THERMOSTAT	12400026
	112881-01-707	EA TRIM-FLAT (LEFT) (BLK)	3608W035-70
	112881-01-708	EA TRIM-FLAT (RIGHT) (BLK)	3608W036-70
	112881-01-709	EA PIPE-MANIFOLD	7513P097-60
	112881-01-710	EA OVEN PILOT	7505P202-60
	112881-01-711	EA OVEN BURNER	3404W025045

**RANGE
FROM: 06-20-94 THRU: 99-99-99**

KEY	PART NUMBER	U/M DESCRIPTION	VENDOR NO.
	112881-01-03A	EA RANGE-16" 3 BURNER ALMOND - MAGIC CHEF - 16RA-3B49	
	055282-04-700	EA PANEL OVEN DOOR ALMOND	2401-F079-74
	102020-01-700	EA SHELF-OVEN	7801-P027-60
	102020-01-701	EA HANDLE, DOOR	7701-P092-60
	102020-01-709	EA BUMPER, GRATE	8007-P020-60
	102020-01-711	EA GRATE, TOP	7518-P012-60
	102020-01-722	EA VALVE, TOP BURNER	7502-P181-60
	102020-01-724	EA BUMPER, MAIN TOP	8003-P008-60
	102022-01-708	EA REGULATOR PRESSURE 1/4IN 1/2 OUT	7510-P041-60
	112881-01-700	EA TOP, MAIN-ALMOND	2001-F110-84
	112881-01-701	EA MANIFOLD PANEL	2616-F091-70
	112881-01-702	EA VALVE-MERCURY (SAFETY VALVE)	7501-P121-60
	112881-01-703	EA VALVE-TOP BURNER HI-OUTPUT	7502-P180-60
	112881-01-704	EA KNOB-THERMOSTAT	7731-P067-60
	112881-01-705	EA KNOB-TOP BURNER	7733-P072-60
	112881-01-706	EA THERMOSTAT	12400026
	112881-01-707	EA TRIM-FLAT (LEFT) (BLK)	3608-W035-70
	112881-01-708	EA TRIM-FLAT (RIGHT) (BLK)	3608-W036-70
	112881-01-709	EA PIPE-MANIFOLD	7513-P097-60
	112881-01-710	EA OVEN PILOT	7505-P202-60
	112881-01-711	EA OVEN BURNER	3404W025045
	112881-01-713	EA DOOR-OVEN-TEXTURED	2401-F079-70

GENERATOR GROUP

4000 WATT ONAN EMERALD PLUS - 220 VOLT - LP - EXPORT

KEY	PART NUMBER	U/M DESCRIPTION
	100974-04-000	EA GENERATOR - 4000 WATT EMERALD PLUS - ONAN BGE-FN/29236G
	007067-01-000	SF INSULATION-FIBERGLASS, 1" THICK X 4' - INCREMENTS OF 4 SF
	007125-01-000	EA CLAMP-MUFFLER, 1.62 DIAMETER
	007125-03-000	EA CLAMP-MUFFLER, 1.5" DIA
	007125-04-000	EA CLAMP-MUFFLER, 1.1" DIA
	007131-01-000	EA HANGER-TAILPIPE, 6 SLOTS
	079654-05-000	EA PIPE-EXHAUST, ANGLED - W/FLANGE - 2" ID - ONAN# 154-2539
	082272-01-000	EA MUFFLER-GENERATOR
	093511-01-000	EA VAPOR KIT-LP, GENERATOR
	094059-01-000	EA SPACER-GENERATOR, ONAN
	105732-02-000	EA TRAY ASM-GENERATOR
	105958-03-000	EA PIPE-EXHAUST, GENERATOR

4000 WATT ONAN EMERALD PLUS - 110 VOLT - LP - EXPORT

KEY	PART NUMBER	U/M DESCRIPTION
	100974-01-000	EA GENERATOR - 4000 WATT EMERALD PLUS, ONAN BGE-FA/26100G
	093511-01-000	EA VAPOR KIT-LP, GENERATOR
	007125-01-000	EA CLAMP-MUFFLER, 1.62 DIAMETER
	007125-03-000	EA CLAMP-MUFFLER - 1.5" DIA
	007125-04-000	EA CLAMP-MUFFLER, 1.1" DIA
	007131-01-000	EA HANGER-TAILPIPE, 6 SLOTS
	079654-05-000	EA PIPE-EXHAUST, ANGLED - W/FLANGE - 2" ID - ONAN# 154-2539
	082272-01-000	EA MUFFLER-GENERATOR
	094059-01-000	EA SPACER-GENERATOR, ONAN
	105732-02-000	EA TRAY ASM-GENERATOR
	105958-03-000	EA PIPE-EXHAUST,GENERATOR
	007067-01-000	SF INSULATION-FIBERGLASS, 1" THICK X 4' - INCREMENTS OF 4 SF

4000 WATT ONAN EMERALD PLUS - 220 VOLT - GAS - EXPORT

KEY	PART NUMBER	U/M DESCRIPTION
	100974-04-000	EA GENERATOR - 4000 WATT EMERALD PLUS - ONAN BGE-FN/29236G
	007067-01-000	SF INSULATION-FIBERGLASS, 1" THICK X 4' - INCREMENTS OF 4 SF
	007125-03-000	EA CLAMP-MUFFLER, 1.5" DIA
	007125-04-000	EA CLAMP-MUFFLER, 1.1" DIA
	007131-01-000	EA HANGER-TAILPIPE, 6 SLOTS
	079654-05-000	EA PIPE-EXHAUST, ANGLED - W/FLANGE - 2" ID - ONAN# 154-2539
	082272-01-000	EA MUFFLER-GENERATOR
	094059-01-000	EA SPACER-GENERATOR, ONAN
	105732-02-000	EA TRAY ASM-GENERATOR
	105958-03-000	EA PIPE-EXHAUST, GENERATOR

GENERATOR GROUP

4000 WATT ONAN EMERALD PLUS - US

KEY	PART NUMBER	U/M DESCRIPTION
	100974-01-000	EA GENERATOR - 4000 WATT EMERALD PLUS, ONAN BGE-FA/26100G
	007067-01-000	SF INSULATION-FIBERGLASS, 1" THICK X 4' - INCREMENTS OF 4 SF
	007125-04-000	EA CLAMP-MUFFLER, 1.1" DIA
	079654-05-000	EA PIPE-EXHAUST, ANGLED - W/FLANGE - 2" ID - ONAN# 154-2539
	082272-01-000	EA MUFFLER-GENERATOR
	094059-01-000	EA SPACER-GENERATOR, ONAN
	105732-02-000	EA TRAY ASM-GENERATOR
	105958-03-000	EA PIPE-EXHAUST, GENERATOR

MICROLITE GENERATOR

KEY	PART NUMBER	U/M DESCRIPTION
	109982-04-000	EA GENERATOR - 3.6 MICROLITE, LP
	109982-03-000	EA GENERATOR - 4.0 MICROLITE
	007125-03-000	EA CLAMP-MUFFLER, 1.5" DIA
	007125-04-000	EA CLAMP-MUFFLER, 1.1" DIA
	079654-05-000	EA PIPE-EXHAUST, ANGLED - W/FLANGE - 2" ID - ONAN# 154-2539
	082272-01-000	EA MUFFLER-GENERATOR
	114070-02-02B	EA SUPPORT ASM.- GENERATOR - CENTER
	114071-02-02B	EA SUPPORT ASM.- GENERATOR - RIGHT

HEATING & AIR CONDITIONING GROUP

30,000 BTU SUBURBAN FURNACE & WALL THERMOSTAT

KEY	PART NUMBER	U/M DESCRIPTION	VENDOR NO.
	098668-20-000	EA FURNACE - 30,000 BTU, SUBURBAN SF-30 2273	
	093365-01-000	EA THERMOSTAT - WALL, FURNACE - SUBURBAN 160902	
	098668-01-700	EA CABINET-FRONT	101242
	098668-01-701	EA CABINET ASSEMBLY	101299
	098668-01-702	EA ELECTRODE	231740
	098668-01-703	EA BURNER ASSEMBLY COMPLETE - (SF-25)	101299
	098668-01-704	EA VALVE, (JOHNSON)	160938
	098668-01-705	EA SWITCH-LIMIT	231630
	098668-01-706	EA WHEEL-COMBUSTION AIR	350122
	098668-01-707	EA VENT ASSEMBLY-CAP AND TUBE	260193
	098668-01-708	EA BLOWER ASSEMBLY-COMBUSTION AIR	390441
	098668-01-709	EA MOTOR ASSEMBLY-F/SF-25, SF-30	231706
	098668-01-710	EA BLOWER ASSEMBLY-ROOM AIR	390440
	098668-01-711	EA WHEEL-ROOM AIR	350123
	098668-01-712	EA BOARD-MODULE	231741
	098668-01-713	EA INTAKE VENT TUBE ASSEMBLY	051044
	098668-01-714	EA VALVE-GAS, (WHITE ROGERS)	161070
	098668-01-715	EA ELECTRODE ASSEMBLY-SINGLE PROBE	232166
	069634-01-733	EA RELAY-TIME DELAY, 20,000 BTU & 30,000 BTU	231202
	075695-01-709	EA MICROSWITCH ASM F/30 & 34S	230509
	092300-02-701	EA ORIFICE-(MAIN BURNER)	180214
	098668-02-700	EA BURNER ASSEMBLY COMPLETE - (SF-30/SF35)	010745
	090039-01-709	EA GASKET-OBSERVATION HOLE COVER	070367
	092300-01-704	EA GASKET-ELECTRODE	070163
	098668-06-000	EA DOOR-ACCESS, FURNACE - OFF WHITE - SUBURBAN 520574	
	093614-01-01A	EA GRILLE-RETURN AIR, FURNACE - 15.6" X 7.6" - BROWN	

25,000 BTU SUBURBAN FURNACE & WALL THERMOSTAT

KEY	PART NUMBER	U/M DESCRIPTION	VENDOR NO.
	098668-19-000	EA FURNACE - 25,000 BTU, SUBURBAN SF-25 2272	
	069634-01-733	EA RELAY, TIME DELAY 20 & 30 BTU	231202
	075695-01-709	EA MICRO SWITCH (FOR MODELS 30 & 34S)	230509
	090039-01-703	EA ORFICE-MAIN BURNER	180193
	090039-01-709	EA GASKET-COVER, OBSERVATION HOLE	070367
	092300-01-704	EA GASKET-ELECTRODE	070163
	093365-01-000	EA THERMOSTAT-WALL, FURNACE	0160902
	098668-01-700	EA CABINET FRONT	101242
	098668-01-701	EA CABINET ASM	101299
	098668-01-702	EA ELECTRODE	231740
	098668-01-703	EA BURNER ASSEMBLY COMPLETE - (SF-25)	101299
	098668-01-704	EA VALVE	160938
	098668-01-705	EA SWITCH-LIMIT	231630
	098668-01-706	EA WHEEL-COMBUSTION AIR	350122
	098668-01-707	EA VENT CAP & EXHAUST TUBE ASM	260193
	098668-01-708	EA BLOWER ASM (COMBUSTION AIR)	390441
	098668-01-709	EA MOTOR ASM.-FOR SF-25, SF-30	231706
	098668-01-710	EA BLOWER ASM (ROOM AIR)	390440
	098668-01-711	EA WHEEL, ROOM AIR	350123
	098668-01-712	EA BOARD-MODULE	231741
	098668-01-713	EA INTAKE VENT TUBE ASM	051044
	098668-01-714	EA GAS VALVE (WHITE ROGERS)	161070
	098668-01-715	EA ELECTRODE ASM (SINGLE PROBE)	232166
	098668-06-000	EA DOOR-ACCESS, FURNACE - OFF WHITE - SUBURBAN 520574	
	093614-01-01A	EA GRILLE-RETURN AIR, FURNACE - 15.6" X 7.6" - BROWN	
	069636-02-000	EA CONNECTOR-DUCT, 4" ID - SUBURBAN 050715	

HEATING & AIR CONDITIONING GROUP (CONTINUED)

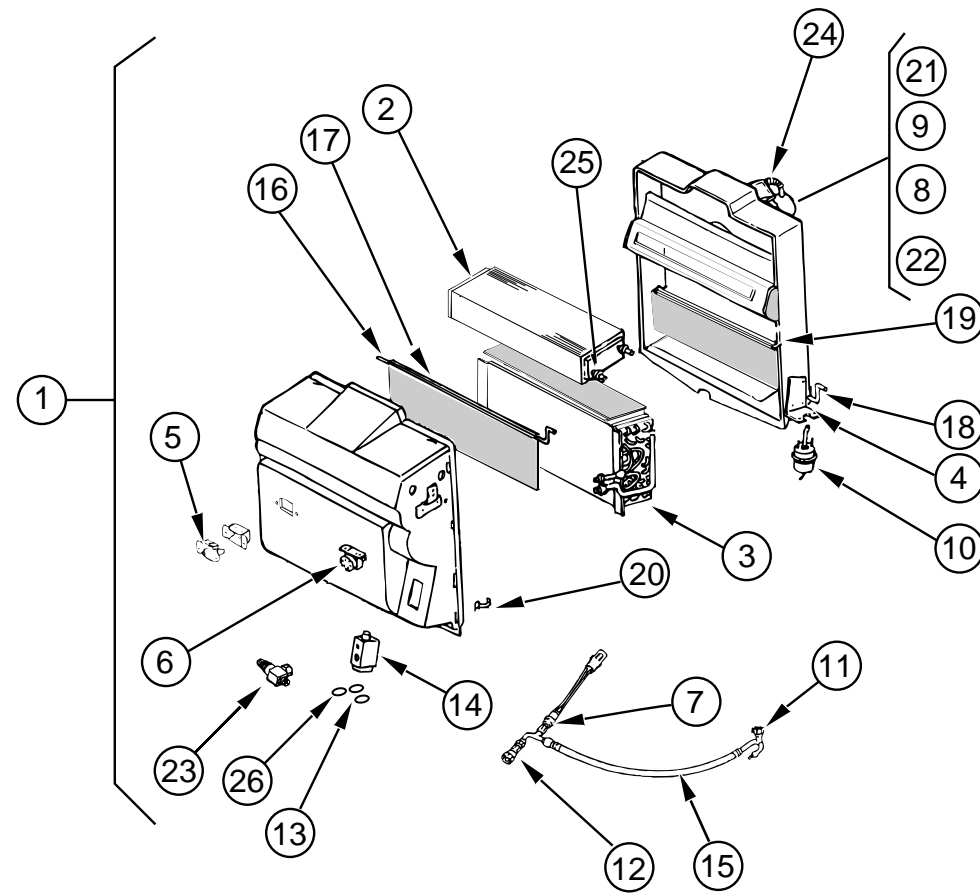
REAR HEATER & WATER HEATER W/MOTOR AID

KEY	PART NUMBER	U/M DESCRIPTION
	009198-01-000	FT DUCT-HEAT, FLEXIBLE - 4" ID - INCREMENTS OF 25'
	009200-01-000	EA TAPE-FURNACE, 1 1/2"
	023146-01-000	EA CLAMP-SCREW TYPE - 4"
	069636-02-000	EA CONNECTOR-DUCT, 4" ID
	007108-01-000	FT HOSE-HEATER, 5/8" ID
	008042-01-000	FT TUBING-VINYL, .65" ID
	056464-04-000	EA REGISTER-W/DAMPER, 4" DIAMETER - PLASTIC - SAND
	056464-05-000	EA REGISTER-W/O DAMPER, 4" DIAMETER - PLASTIC - GOLDEN
	061673-01-000	EA BRACKET-MOTOR AID TUBES, 4" X 1.5" - STEEL
	088753-01-000	FT TUBE-ALUMINIZED STEEL, 5/8" - 18 GAUGE
	079059-01-000	EA HOSE - 90 DEGREE, 5/8" ID X 4" X 36"
	079059-13-000	EA HOSE - 90 DEGREE, .61" ID X 4" X 48"
	083081-01-000	EA HOSE-FORMED, 90 DEGREES - 5/8" ID
	010227-01-000	EA TEE-BARB, 5/8" OR 3/4" HOSE - PLASTIC

EVANS REAR HEATER

KEY	PART NUMBER	U/M DESCRIPTION	VENDOR NO.
	084405-01-000	EA HEATER ASM-REAR, DUCTED - W/MOTOR AID - EVANS	
	084405-01-700	EA HEATER CORE	FT200229
	084405-01-701	EA FAN BLADES	HV029931
	084405-01-702	EA MOTOR ASM - 12 V	200146

HEATING & AIR CONDITIONING GROUP (CONTINUED)



EVAPORATOR/HEATER ASSEMBLY - CHEVY GAS & DIESEL CHASSIS

KEY	PART NUMBER	U/M DESCRIPTION	VENDOR NO.
1	103930-20-000	EA EVAPORATOR/HEATER ASSEMBLY - SCS 090-00083	
2	103930-01-703	EA COIL-HEATER	042-0010
3	103930-01-704	EA COIL EVAPORATOR	041-0017
4	103930-01-708	EA BRACKET-VACUUM MOTOR	070-0113
5	103930-01-710	EA RESISTOR-FUSED	035-0006
6	103930-01-711	EA THERMOSTAT	033-0003
7	103930-01-716	EA SWITCH-PRESSURE, FAN	032-0036
8	103930-01-717	EA WHEEL-CLOCK-WISE	062-0010
9	103930-01-720	EA MOTOR	030-0004
10	103930-02-708	EA MOTOR-VACUUM SERVO, A/C	030-0002
11	103930-12-708	EA SWITCH-BINARY, R-134A	032-0048
12	103930-12-709	EA FITTING-QUICK CONNECT	050-0120
13	103930-17-702	EA GASKET OR SAE 015 #10 33-781	045-0127
14	103930-20-700	EA VALVE-EXPANSION BLOCK, 2 TON	034-0032
15	103930-20-701	EA HOSE ASM - #6	085-0138
16	103930-20-702	EA ROD-AIR BLEND DOOR	073-0039
17	103930-20-703	EA DOOR-AIR BLEND	071-0212
18	103930-20-704	EA ROD-RECIRCULATING DOOR	073-0018
19	103930-20-705	EA DOOR-RECIRCULATING	071-0213
20	103930-20-706	EA CLIP-RETAINER	022-0057
21	103930-20-707	EA HOUSING-BLOWER	062-0145
22	103930-20-708	EA CLIP F/MOTOR SHAFT	022-0001
23	103930-20-709	EA SERVICE VALVE	050-159
24	110279-01-703	EA MOTOR-BLOWER	051-0034
25	110279-01-712	EA FITTING-HEATER	050-0076
26	113245-01-707	EA GASKET #8	045-0126

HEATING & AIR CONDITIONING GROUP (CONTINUED)

CONTROL/PLENUM

KEY	PART NUMBER	U/M DESCRIPTION	VENDOR NO.
	103930-04-000	EA CONTROL/PLENUM SET 093-00037	
	072341-06-700	EA SWITCH - 4 SPEED, FAN	0883502
	094831-01-709	EA CLAMPS-ROD, 3/16"	ZGG14431
	103930-02-700	EA PANEL-CONTROL	032-0018
	103930-02-701	EA VALVE-CONTROL HEAD	034-0015
	103930-02-702	EA DECAL-FAN SWITCH	058-0008
	103930-02-703	EA HARNESS-WIRE CONTROL	036-0048
	103930-02-704	EA HARNESS-VACUUM CONTROL	036-0049
	103930-02-705	EA CABLE-CONTROL, BOWDEN SHEATH LENGTH IS 84 1/4" - CABLE LENGTH IS 89" LONG	074-0011
	103930-02-706	EA CLIP-CABLE, CONTROL	022-0017
	103930-02-707	EA RELAY	031-0001
	103930-02-708	EA MOTOR-VACUUM SERVO, A/C	030-0002
	103930-02-710	EA CANISTER-VACUUM	054-0002
	103930-02-711	EA VALVE-WATER	034-00114

HOSE KITS

KEY	PART NUMBER	U/M DESCRIPTION	VENDOR NO.
	103930-18-000	EA HOSE KIT #10 GM-HARRISON COM SCS 093-00077	
	103930-17-701	EA FTG #10.90 W/FERRULE/1342CP	050-0132
	103930-17-702	EA GASKET OR SAE 015 #10 33-781	045-0127
	103930-17-703	EA GASKET-SEAL,SANDEW COMP33-76	045-0142
	103930-18-700	EA FTG,PAD,COMP SUCTION	050-00133
	103930-18-701	EA HOSE ASSY #10	085-0114
	103930-18-702	EA GASKET SEAL HARRISON	045-0143
	110279-01-708	EA HOSE, REFG. BARRIER#10SAEJ51	051-0008
	103930-17-000	EA HOSE KIT #10 GM-SANDEN COMP	093-00076
	103930-01-708	EA BRACKET-VACUUM MOTOR	070-0113
	103930-17-700	EA FTG. PAD COMP. SUCTION SAN	050-0131
	103930-17-701	EA FTG #10.90 W/FERRULE/1342CP	050-0132
	103930-17-702	EA GASKET OR SAE 015 #10 33-781	045-0127
	103930-17-703	EA GASKET-SEAL,SANDEW COMP33-76	045-0142
	103930-17-704	EA HOSE ASSY #10	085-0113

AUTOMOTIVE HEATER MISCELLANEOUS

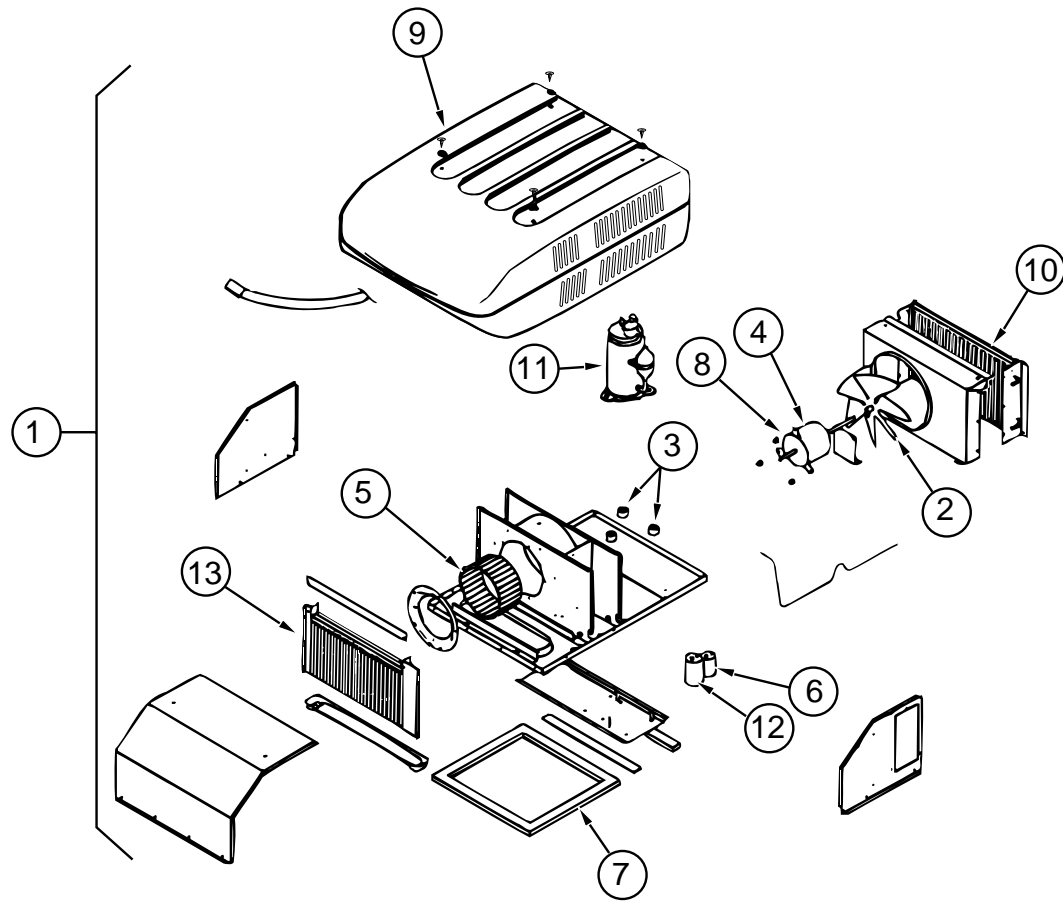
KEY	PART NUMBER	U/M DESCRIPTION	VENDOR NO.
	007281-01-000	EA HOSE-FLEXIBLE PVC, 2.5"ID X 50' - ATCOFLEX A-182-355	
	024990-05-000	EA 4" DIAMETER OUTLET W/SWIVEL DEFLECTORS	
	056402-05-000	EA BRACKET-HEATER VENT, ROUND - W/BEND - BLACK	
	077075-01-000	EA GASKET-INSTRUMENT PANEL TO DEFROSTER PLENUM - .6" X 11.3"	
	077075-03-000	EA GASKET-NSTRUMENT PANEL TO DEFROSTER PLENUM,SPL	
	103016-01-000	EA PLENUM-TRANSITION	
	103017-01-000	EA PLENUM-DEFROSTER	
	103558-01-05A	EA VENT-DEFROST,ABS CAMB BISQUE	
	103796-01-01A	EA LOUVER ASM-A/C CARY PROD BLK, 268-3B,100-2-4-8	
	097494-02-000	EA TEE-BRASS, BARB - 3/8 X 5/32 X 3/8 - PARKER 224-8-8-4	
	103930-05-000	EA MANUAL-OWNERS, HEATER-A/C - SCS 057-0049	
	103930-20-700	EA VALVE EXP. BLOCK (2 TON)	034-0032
	103930-20-701	EA HOSE ASSY #6 WINN GM	085-0138

ROOF A/C COVER

KEY	PART NUMBER	U/M DESCRIPTION
	092633-02-02A	EA COVER-BLANK, ROOF A/C - 5.1" X 5.1" - PLASTIC - OFF WHITE
	022756-03-000	EA COVER-A/C, OFF WHITE - PLASTIC
	022756-02-000	EA COVER-PROTECTIVE, 5.5" ENDS X 8.2" - PLASTIC - OFF WHITE

HEATING & AIR CONDITIONING GROUP (CONTINUED)

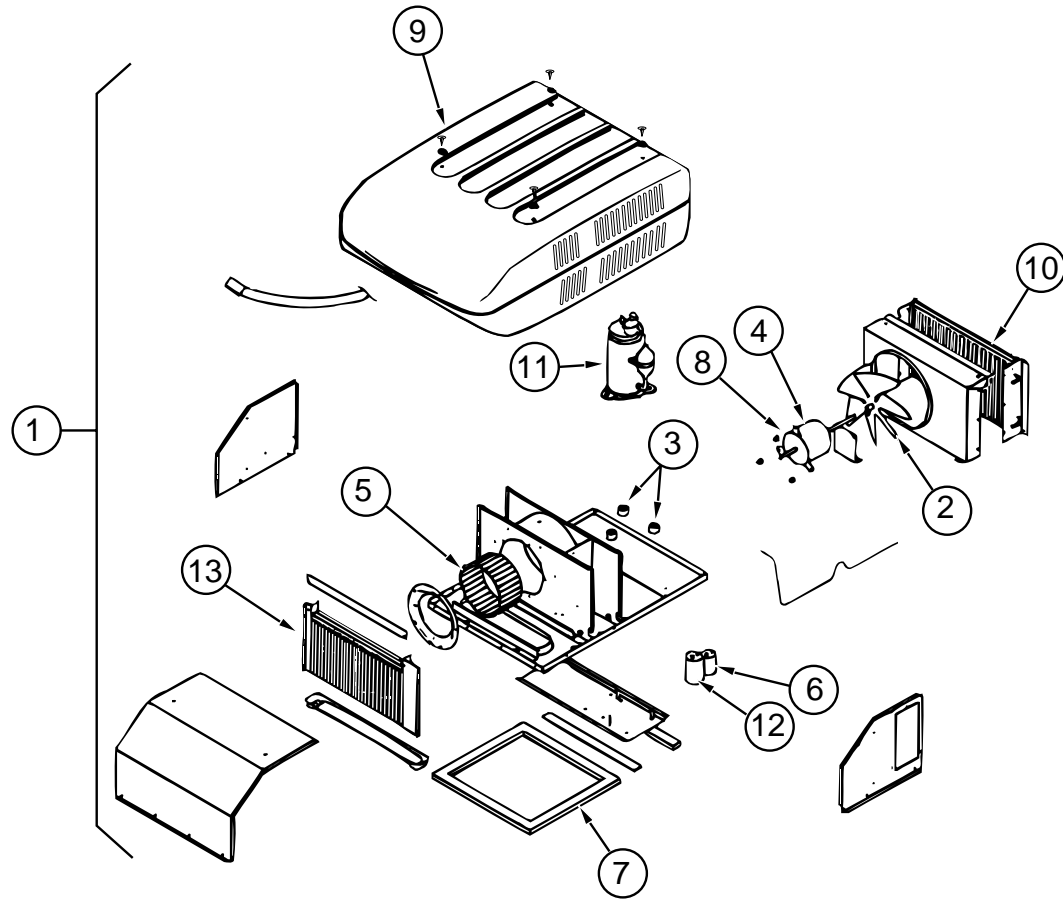
13,500 BTU COLEMAN ROOF A/C & CEILING ASSEMBLY



KEY	PART NUMBER	U/M DESCRIPTION	VENDOR NO.
1	108889-01-01A	EA A/C-ROOF, 13,500 TSR HO IVORY - COLEMAN 7333-887	
2	093763-01-712	EA FAN BLADE-CONDENSER	6733-3221
3	105620-01-706	EA FOOT PACKAGE-COMPRESSOR, 3 PER PACKAGE	6759-3081
4	108889-01-705	EA MOTOR - 115V, 60HZ	1468-3049
5	108889-01-706	EA IMPELLOR	1472-1041
6	108889-01-708	EA CAPACITOR-FAN, (7.5MFD.370U)	1499-5461
	108889-01-710	EA FILLER PAD-COND AIR SEAL	6759A3971
7	108889-01-711	EA GASKET PACKAGE	6792-3301
8	108889-01-715	EA MOTOR MOUNT & SHAFT SEAL KIT	6792-3361
9	108889-01-701	EA SHROUD-(IVORY/IVORY), W/O LOGO	6759-4601
10	108889-01-703	EA CONDENSER COIL	1452-1301
11	105620-01-704	EA COMPRESSOR, RH & LH	1450-2009
12	108889-01-707	EA CAPACITOR-RUN, COMPRESSOR-25MFD/370	1499-5661
	091225-01-709	EA RELAY-START	1497-4131
13	108889-01-709	EA EVAPORATOR COIL	1452-1311
	108889-01-714	EA DISCHARGE LINE ASSEMBLY	6792-531
	108889-01-712	EA REDUCER-SUCTION LINE, (3/8" X 1/2")	1215-2161
	108889-01-713	EA SUCTION LINE, (3/8" OD X .032" WALL)	6792-130
	091225-01-710	EA CAPACITOR-START	1497-0881
	093306-01-701	EA DECAL PACKAGE-LEFT & RIGHT	6798B3591
	108889-01-704	EA OVERLOAD	6749-3541
	102289-01-000	EA SPRING-SCREW, ROOF A/C GASKET	6757-150
	108891-01-01A	EA CEILING ASM-A/C COOL TSR HO	7330-714 IV
	042204-01-709	EA THERMOSTAT-IN 64 OUT 58	6701-3401
	063903-01-702	EA LOUVER	6703A5191
	073742-01-701	EA SELECTOR SWITCH (5 TERMINAL)	6759-3251
	073742-01-702	EA DECAL COOL ONLY	6759C3431
	076303-01-707	EA FILTER - 6" X 14 3/4" X 1/2", 12 PER PKG	6703A3151
	081606-01-712	EA CEILING SHROUD (IVORY)	6769-5061
	091225-01-713	EA KNOB (2 PER PACKAGE)	6701-3351
	091225-01-717	EA DECAL (THERMOSTAT) COOL ONLY	6799A3441
	093766-02-701	EA DECAL-LEFT SIDE	6799-3971
	108891-01-700	EA SINGLE PARTS PACKAGE	6792-5991
	108891-01-701	EA RETAINER CLIPS F/FILTER	6799-3141

HEATING & AIR CONDITIONING GROUP (CONTINUED)

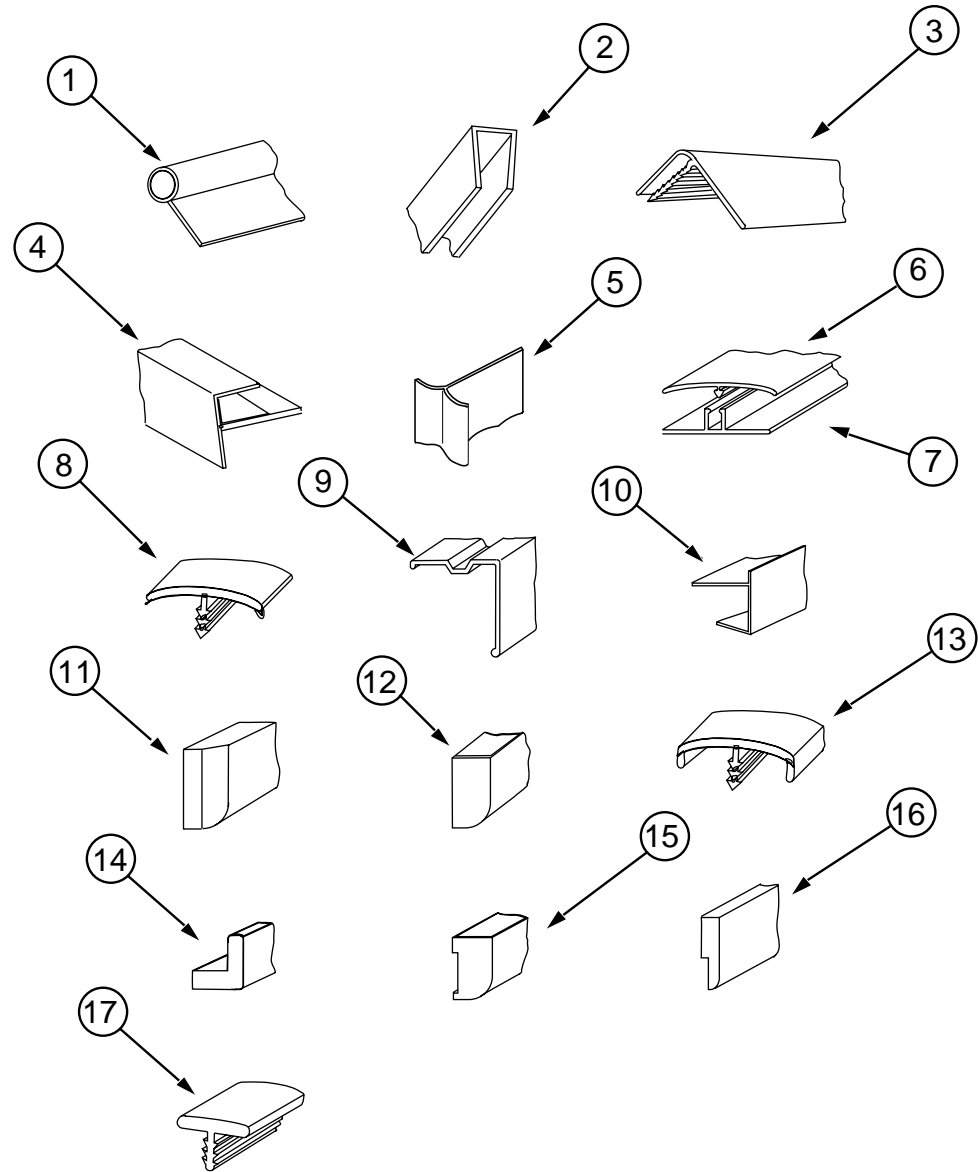
13,500 BTU COLEMAN ROOF A/C & CEILING ASSEMBLY - EUROPEAN



KEY	PART NUMBER	U/M DESCRIPTION	VENDOR NO.
1	108889-02-01A	EA A/C-ROOF, 13,500 TSR 220 IVORY - COLEMAN 7373-597	
2	093763-01-712	EA FAN BLADE-CONDENSER	6733-3221
3	105620-01-706	EA FOOT PACKAGE-COMPRESSOR, 3 PER PACKAGE	6759-3081
4	108889-01-705	EA MOTOR - 115V, 60HZ	1468-3049
5	108889-01-706	EA IMPELLOR	1472-1041
6	108889-01-708	EA CAPACITOR-FAN, (7.5MFD.370U)	1499-5461
	108889-01-710	EA FILLER PAD-COND AIR SEAL	6759A3971
7	108889-01-711	EA GASKET PACKAGE	6792-3301
8	108889-01-715	EA MOTOR MOUNT & SHAFT SEAL KIT	6792-3361
9	108889-01-701	EA SHROUD-(IVORY/IVORY), W/O LOGO	6759-4601
10	108889-01-703	EA CONDENSER COIL	1452-1301
11	105620-01-704	EA COMPRESSOR, RH & LH	1450-2009
12	108889-01-707	EA CAPACITOR-RUN, COMPRESSOR-25MFD/370	1499-5661
	091225-01-709	EA RELAY-START	1497-4131
13	108889-01-709	EA EVAPORATOR COIL	1452-1311
	108889-01-714	EA DISCHARGE LINE ASSEMBLY	6792-531
	108889-01-712	EA REDUCER-SUCTION LINE, (3/8" X 1/2")	1215-2161
	108889-01-713	EA SUCTION LINE, (3/8" OD X .032" WALL)	6792-130
	091225-01-710	EA CAPACITOR-START	1497-0881
	093306-01-701	EA DECAL PACKAGE-LEFT & RIGHT	6798B3591
	108889-01-704	EA OVERLOAD	6749-3541
	102289-01-000	EA SPRING-SCREW, ROOF A/C GASKET	6757-150
	108891-01-01A	EA CEILING ASM-A/C COOL TSR HO	7330-714 IV
	042204-01-709	EA THERMOSTAT-IN 64-OUT 58	6701-3401
	073742-01-701	EA SELECTOR SWITCH (5 TERMINAL)	6759-3251
	073742-01-702	EA DECAL COOL ONLY	6759C3431
	076303-01-707	EA FILTER - 6" X 14 3/4" X 1/2", 12 PER PKG	6703A3151
	081606-01-712	EA CEILING SHROUD (IVORY)	6769-5061
	091225-01-713	EA KNOB (2 PER PACKAGE)	6701-3351
	091225-01-717	EA DECAL (THERMOSTAT) COOL ONLY	6799A3441
	093766-02-701	EA DECAL-LEFT SIDE	6799-3971
	108891-01-700	EA SINGLE PARTS PACKAGE (KNOBS & NUTS)	6792-5991
	108891-01-701	EA RETAINER CLIPS F/FILTER (6 PER)	6799-3141

INTERIOR FINISH GROUP

MOLDINGS & TRIMS



KEY	PART NUMBER	U/M DESCRIPTION
1	009767-12-000	FT MOLDING-SIDEWALL TO CEILING/CABINET - WELTING - OFF WHITE
2	009778-12-000	FT U CHANNEL-PLASTIC, 1" WIDE X 8' INCREMENTS - WOODGRAIN
2	070504-18-000	FT U-CHANNEL-PLASTIC, .065" WIDE - IVORY - INCREMENTS OF 8'
2	070504-19-000	FT U-CHANNEL-PLASTIC, .815" WIDE - BROWN - INCREMENTS OF 8'
3	009809-21-000	EA MOLDING-CORNER, OUTSIDE - 1" - PLASTIC - WOODGRAIN
4	009812-22-000	EA MOLDING-CORNER, OUTSIDE - .5" X 7' - PLASTIC - BROWN
5	022992-11-000	FT MOLDING-REVERSE COVE, T-SHAPED - VINYL - IVORY
6	086229-04-000	EA BATTEN-CEILING, 1" WIDE - IVORY - 7.6' EA
7	086229-01-000	EA RETAINER-BATTEN, CEILING - .75" WIDE - 7.6' EA
8	105709-01-000	FT T-MOLDING-1", MODERN IVORY
9	093873-01-01A	EA TRIM-CARPET, L-ANGLE - 1.1" X 1.3" X 12' - VINYL - GRAY
10	103186-01-01A	FT MOLDING-EDGE, SHELF - .78" WIDE - PLASTIC - RAMBLING OAK
10	103186-02-01A	FT MOLDING-EDGE, SHELF - 1.3" WIDE - PLASTIC - RAMBLING OAK
11	100659-01-E01	EA MOLDING-TRIM, VINYL FLOOR
12	100818-01-02A	EA MOLDING-VINYL WRAPPED, 1.65" X .4" X 7' - RAMBLING OAK
13	083620-07-000	FT MOLDING-T, END CAP EDGE - W/EDGE LIPS - .75" - THOR PECAN
14	100819-01-02A	EA MOLDING-VINYL WRAPPED, L-SHAPED, 1.5" X 1.5" X 7' - OAK
15	100041-01-000	EA MOLDING-VINYL WRAPPED, .7" X 1.57" X 84.02" - RAMBLING OAK
15	100041-02-000	EA MOLDING-VINYL WRAPPED, .7" X 2.5" X 84" - RAMBLING OAK
16	105004-01-02A	EA MOLDING-VINYL WRAP, RAMBLING OAK
17	104676-01-01A	FT T-MOLDING, 5/16 RIGID - GOLD
	112198-01-000	FT MOLDING-#90227 J-MOLDING CRILA PLASTICS

INTERIOR FINISH GROUP (CONTINUED)

BATT STRIPS

KEY	PART NUMBER	U/M	DESCRIPTION
	085284-76-000	FT	BATT STRIP-SHOWER, ADHESIVE BACKED - OFF WHITE
	069733-80-000	EA	BATT STRIP-WOODGRAIN, 8' - WINNI OAK
	088263-78-000	EA	BATT STRIP-SHOWER, 8' - OFF WHITE
	079653-09-000	EA	BATT STRIP-KERFED, WOODGRAIN
	088263-96-000	EA	BATT STRIP-DECORATIVE, 8' LONG (F04) (MAIN WALL & BATH & GALLEY)
	088263-A1-000	EA	BATT STRIP-DECORATIVE, W/FLOWERS - 8' LONG (F05) (MAIN WALL, BATH & GALLEY)
	088263-B2-000	EA	BATT STRIP-DECORATIVE, 8' LONG (F06) (MAIN WALL & BATH & GALLEY)
	088263-B8-000	EA	BATT STRIP-DECORATIVE, 8' LONG (F07) (MAIN WALL & BATH & GALLEY)
	085284-67-000	FT	BATT STRIP-WOODGRAIN, ADHESIVE BACKED - WINNI OAK
	085284-86-000	FT	BATT STRIP-DECORATIVE, ADHESIVE BACKED (F04) (MAIN WALL & BATH & GALLEY)
	085284-98-000	FT	BATT STRIP-DECORATIVE, ADHESIVE BACKED (F05) (MAIN WALL & BATH & GALLEY)
	085284-A3-000	FT	BATT STRIP-DECORATIVE, ADHESIVE BACKED (F06) (MAIN WALL & BATH & GALLEY)
	085284-B1-000	FT	BATT STRIP-DECORATIVE, ADHESIVE BACKED (F07) (MAIN WALL & BATH & GALLEY)
	085284-61-000	FT	BATT STRIP-DECORATIVE, ADHESIVE BACKED (F14) (MAIN WALL & BATH & GALLEY)
	088263-73-000	FT	BATT STRIP-DECORATIVE, ADHESIVE BACKED (F14)

LUMBER

KEY	PART NUMBER	U/M	DESCRIPTION
	100040-01-000	EA	LUMBER-VINYL WRAPPED, .71" X 1.5" X 8' - RAMBLING OAK
	100040-01-000	EA	LUMBER-VINYL WRAPPED, .71" X 1.5" X 8' - RAMBLING OAK
	100040-03-000	EA	LUMBER-VINYL WRAPPED, .71" X 2" X 8' - RAMBLING OAK
	100040-06-000	EA	LUMBER-VINYL WRAPPED, 766 RAMBLING OAK
	100040-07-000	EA	LUMBER-VINYL WRAPPED, 766 RAMBLING OAK

PLASTIC LAMINATE

KEY	PART NUMBER	U/M	DESCRIPTION
	074498-54-000	SF	LAMINATE-PLASTIC, SAND - 5' X 8' - INCREMENTS OF 40 SF (F04,F07)
	074498-62-000	SF	LAMINATE-PLASTIC, GRAY FINESSE - 5' X 8' - INCREMENTS OF 40 SF (F05)
	074498-61-000	SF	LAMINATE-PLASTIC, NEUTRA - 5' X 8' - INCREMENTS OF 40 SF (F06)
	074498-72-000	SF	LAMINATE-PLASTIC, PEBBLE SANTOS - 5' X 8' - INCREMENTS OF 40 SF (F14)
	074498-67-000	SF	LAMINATE-PLASTIC, ORCHID MIST - 5' X 8' - INCREMENTS OF 40SF (PATIO ENTERTAINMENT CENTER TABLE)
	074498-34-000	SF	LAMINATE-PLASTIC, RAMBLING OAK - 5' X 8' - INCREMENTS OF 40 SF
	076325-25-000	FT	MOLDING-EDGE BAND, RAMBLING OAK
	076325-44-000	FT	MOLDING-EDGE BAND, 1032 SAND - .876" X .024" X 600" (F04,F07) (INSIDE OF RECESSED SINK)
	076325-43-000	FT	MOLDING-EDGE BAND, 1035 CLOUD - .876" X .024" X 600" (F05) (INSIDE OF RECESSED SINK)
	076325-54-000	FT	MOLDING-EDGE BAND, 1049 NEUTRA - .875 "X .024" X 600" (F06) (INSIDE OF RECESSED SINK)
	076325-37-000	FT	MOLDING-EDGE BAND, 1136 - .875 "X .024" X 600" (F14) (INSIDE OF RECESSED SINK)
	076325-34-000	FT	MOLDING-EDGE BAND, 1233 ORCHID MIST - 1 5/16" X .030" X 600" (PATIO ENTERTAINMENT CENTER TABLE)
	076325-47-000	FT	MOLDING-EDGE BAND, 1032 SAND - 1 5/16" X .030" X 600" (F04,F07)
	076325-46-000	FT	MOLDING-EDGE BAND, 1035 CLOUD - 1 5/16" X .030" X 600" (F05)
	076325-53-000	FT	MOLDING-EDGE BAND, 1049 NEUTRA - 1 5/16" X .030" X 600" (F06)

INTERIOR FINISH GROUP (CONTINUED)

DETECTORS, FIRE EXTINGUISHER & CLOCK

KEY	PART NUMBER	U/M	DESCRIPTION
	072852-01-000	EA	DETECTOR-SMOKE, W/9 VOLT BATTERY
	072852-02-000	EA	DETECTOR-SMOKE, W/9 VOLT BATTERY - CANADIAN
	094499-01-000	EA	EXTINGUISHER-FIRE, DRY W/MOUNTING BRACKET - 10 BC
	094499-01-700	EA	BRACKET-MOUNTING, W/PLASTIC STRAP - FIRE EXTINGUISHER
	094499-02-000	EA	EXTINGUISHER-FIRE, DRY - 1A10BC - CANADIAN
	100793-02-01A	EA	CLOCK-WALL, 11" DIAMETER - BOLDEN 9988
	112320-01-000	EA	DETECTOR-CO GAS, MODEL 9B-I - COSTAR 940000000
	112320-02-000	EA	BATTERY/SENSOR-CO GAS, COSTAR 940001000

ANTISLIP & FLOOR MATS

KEY	PART NUMBER	U/M	DESCRIPTION
	091261-01-000	FT	SLIPNOT-ANTISLIP, 1' WIDE (100' ROLL)
	105924-01-F04	EA	MAT-FLOOR 18 X 27 (F14)
	105924-01-F05	EA	MAT-FLOOR 18 X 27
	105924-01-F06	EA	MAT-FLOOR 18 X 27
	105924-01-F07	EA	MAT-FLOOR 18 X 27

CARPET

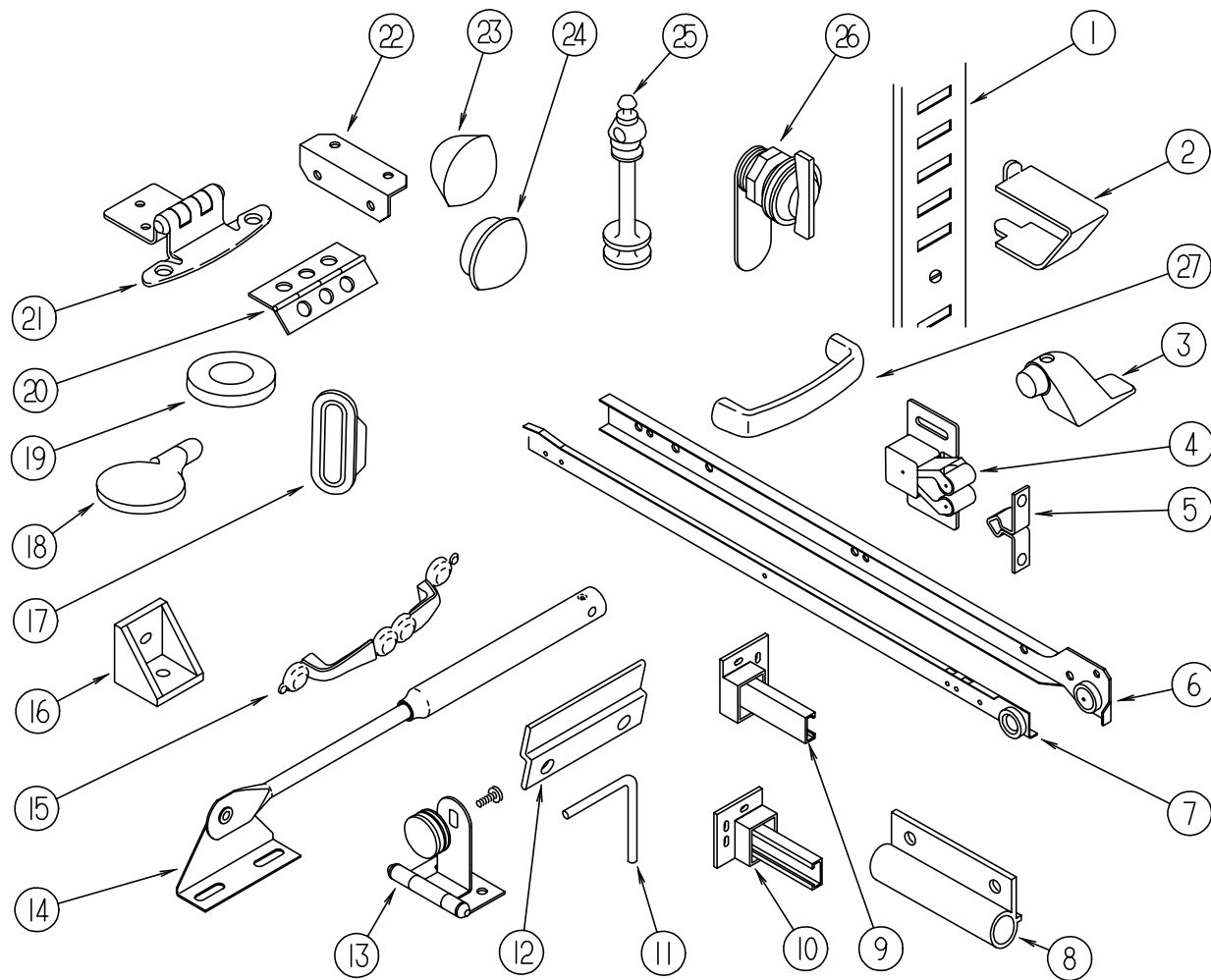
KEY	PART NUMBER	U/M	DESCRIPTION
	075233-01-000	SY	PAD-CARPET, 3/8" X 6' ROLL
	093486-01-000	SY	CARPET-COMPARTMENT, 54" WIDE - DARK GRAY
	096060-95-000	SY	CARPET - 12' ROLL, INCREMENTS OF 4 SY (F04,F07,F14)
	096060-97-000	SY	CARPET - 12' ROLL, INCREMENTS OF 4 SY (F05)
	096060-98-000	SY	CARPET - 12' ROLL, INCREMENTS OF 4 SY (F06)

PANELING & PLYWOOD

KEY	PART NUMBER	U/M	DESCRIPTION
	074497-21-000	SF	PANELING-WOODGRAIN, 4' X 8' - INCREMENTS OF 32 SF
	088272-98-000	SF	PANELING-SHOWER, OFF WHITE - 4' X 7' - INCREMENTS OF 28 SF
	088272-B8-000	SF	PANELING-DECORATIVE, 4' X 7' - INCREMENTS OF 28 SF (F04) (MAIN WALL & BATH)
	088272-C9-000	SF	PANELING-DECORATIVE, W/FLOWERS - 4' X 7' - INCREMENTS OF 28 SF (F05) (MAIN WALL & BATH)
	088272-D5-000	SF	PANELING-DECORATIVE, 4' X 7' - INCREMENTS OF 28 SF (F06) (MAIN WALL & BATH)
	088272-E0-000	SF	PANELING-DECORATIVE, 4' X 7' - INCREMENTS OF 28 SF (F07) (MAIN WALL & BATH)
	088272-93-000	SF	PANELING-DECORATIVE, 4' X 7' - INCREMENTS OF 28 SF (F14) (MAIN WALL & BATH)
	095688-01-000	SF	VENEER-FLAT LUANA, 4' X 8' - INCREMENTS OF 32 SF

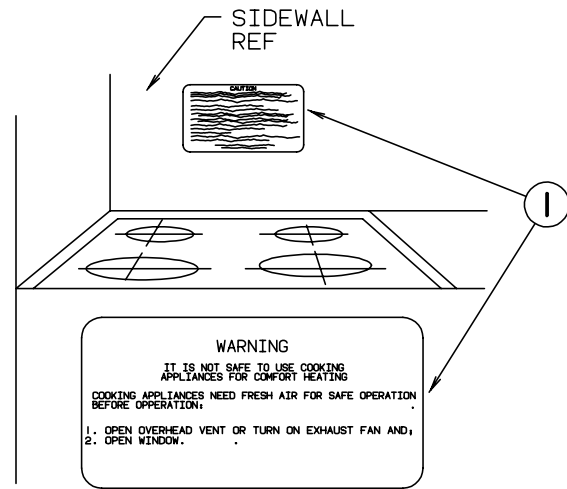
INTERIOR FINISH GROUP (CONTINUED)

CABINET HARDWARE



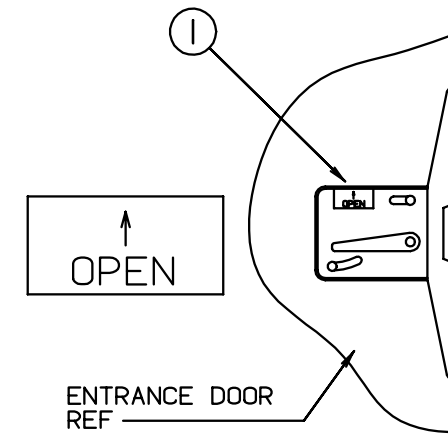
KEY	PART NUMBER	U/M	DESCRIPTION
1	098980-01-000	EA	PILASTER-ADJUSTABLE SHELF, 18" LONG WOODGRAIN APPEARANCE
1	098980-02-000	EA	PILASTER-ADJUSTABLE SHELF, 12" LONG WOODGRAIN APPEARANCE
1	098980-04-000	EA	PILASTER-ADJUSTABLE SHELF, 48" LONG WOODGRAIN APPEARANCE
2	098979-01-000	EA	CLIP-ADJUSTABLE SHELF
3	103257-01-000	EA	STOP-DOOR
4	093586-03-000	EA	CATCH-SPRING, ROLLER
5	093586-04-000	EA	STRIKE-SPRING STEEL
6	114031-05-000	EA	SLIDE-DRAWER, 14" LEFT CABINET HOUCK 7200-RV-1
6	114031-06-000	EA	SLIDE-DRAWER, 14" RIGHT CABINET HOUCK 7200-RV-2
6	114031-13-000	EA	SLIDE-DRAWER, 18" LEFT CABINET HOUCK 7200-RV-1
6	114031-14-000	EA	SLIDE-DRAWER, 18" RIGHT CABINET HOUCK 7200-RV-2
6	114031-21-000	EA	SLIDE-DRAWER, 22" LEFT CABINET HOUCK 7200-RV-1
6	114031-22-000	EA	SLIDE-DRAWER, 22" RIGHT CABINET HOUCK 7200-RV-2
7	114031-07-000	EA	SLIDE-DRAWER, 14" LEFT DRAWER HOUCK 7200-RV-3
7	114031-08-000	EA	SLIDE-DRAWER, 14" RIGHT DRAWER HOUCK 7200-RV-4
7	114031-15-000	EA	SLIDE-DRAWER, 18" LEFT DRAWER HOUCK 7200-RV-3
7	114031-16-000	EA	SLIDE-DRAWER, 18" RIGHT DRAWER HOUCK 7200-RV-4
7	114031-23-000	EA	SLIDE-DRAWER, 22" LEFT DRAWER HOUCK 7200-RV-3
7	114031-24-000	EA	SLIDE-DRAWER, 22" RIGHT DRAWER HOUCK 7200-RV-4
8	108486-01-01A	EA	BRACKET-PROP ROD, OVHD - BLACK
9	114045-01-000	EA	BACKSOCKET-ADJUSTABLE, LEFT HOUCK 751-1
10	114045-02-000	EA	BACKSOCKET-ADJUSTABLE, RIGHT HOUCK 751-2
11	108487-02-01A	EA	SUPPORT-PROP ROD,OVHD - BLACK
12	101272-01-000	EA	CATCH-DOOR, GLASS
13	100711-01-01A	EA	HINGE-DOOR, GLASS
14	074493-02-000	EA	SUPPORT-PISTON SPRING, CABINET DOOR
15	111765-01-000	EA	PULL-CABINET, BRASS - AMEROCK D1390-3 (F04,F05,F06,F07)
16	065740-01-000	EA	BRACE-CABINET CORNER, PLASTIC
17	098410-01-01A	EA	PULL-FINGER, OVAL - BRASS
18	101766-01-000	EA	PIN-SUPPORT, GLASS DOOR
19	100707-01-000	EA	SPACER-DOOR, GLASS - .8" DIA - .3" HOLE - PLASTIC
20	009059-02-000	EA	HINGE-DOOR, 2" X 2.7" - BRASS
21	108138-01-000	EA	HINGE-DOOR, CABINET - BURNISHED BRASS
22	016604-01-000	EA	BRACE-CABINET, ANGLE - 2.5" - METAL - UNPAINTED
22	016604-03-000	EA	BRACE-CABINET, ANGLE - 2.5" - METAL - BEIGE
22	016604-05-000	EA	BRACE-CABINET, L ANGLE - 2.5" - METAL - OFF WHITE
23	042356-01-000	EA	PLUG-BUTTON, MAHOGANY - 3/8" DIAMETER - WOOD
24	074045-07-000	EA	PLUG-WOOD, 1/2"
25	084070-02-000	EA	POST-END, 2.4" - BRASS
26	100710-01-01A	EA	LOCK-GLASS DOOR, TWIST TYPE - BRASS
27	111093-01-000	EA	PULL-CABINET, BRASS - CM1940AU (F14)
	000G13-06-10G	EA	SCREW - 6-20 X 5/8 PFH, ANTIQUE BRASS
	004354-01-000	EA	BUMPER-RUBBER, .5" DIA - BROWN
	009112-01-000	EA	FLANGE-ROD, 1" - COTHES ROD - PLASTIC - OFF WHITE
	023320-01-000	EA	PAD-FELT, 3/8" DIAMETER - BROWN
	042438-01-000	EA	DOWEL-WOOD, CLOTHES ROD - 1" DIAMETER X 4'
	042438-02-000	EA	DOWEL-WOOD, 2" X 2"
	042541-04-000	EA	LATCH-BRASS, W/O STRIKE - HASP TYPE - BRASS BRASS STRIKE #04254105000
	076790-01-000	EA	SCREW, 6-20 X 1 1/4 PPH - BLACK
	084451-01-000	EA	CATCH-TV SHELF, BRASS
	103874-01-000	EA	HANGER-SLIDING DOOR
	111866-01-01A	EA	BRACE-SEAT, ANGLE
	102327-01-01A	EA	PULL-MIRROR, SQUARE

LABELS GROUP

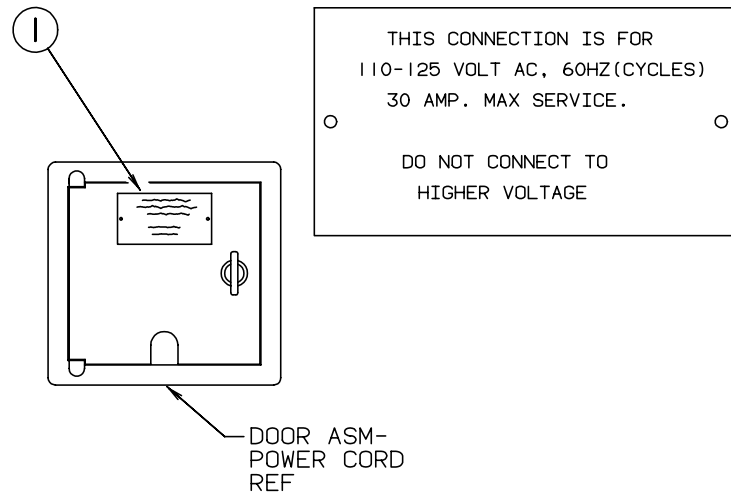


KEY	PART NUMBER	U/M DESCRIPTION
1	050225-01-000	EA LABEL-WARNING, STOVE VENT - US
1	050222-01-000	EA LABEL-WARNING, STOVE VENT - CANADIAN

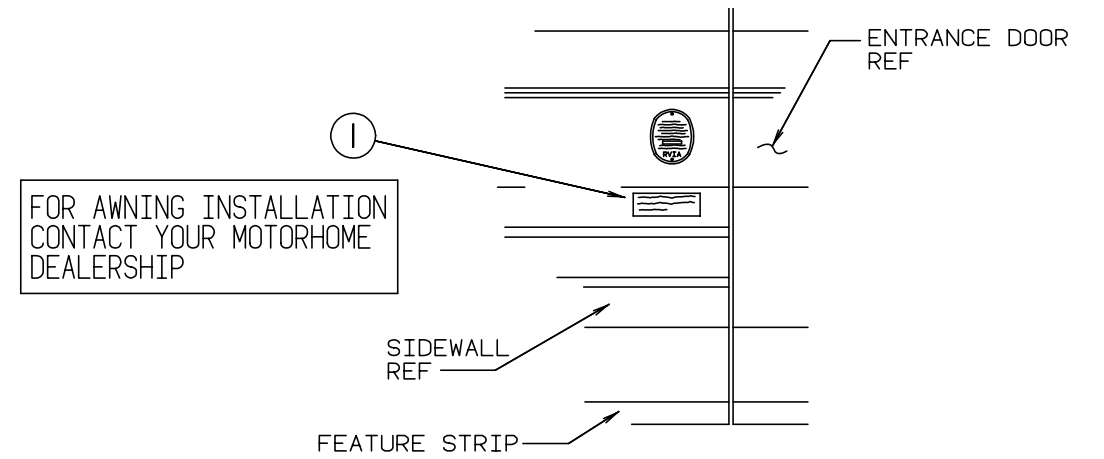
LABELS GROUP (CONTINUED)



KEY	PART NUMBER	U/M DESCRIPTION
1	040944-01-000	EA LABEL-ENTRANCE DOOR, "OPEN"

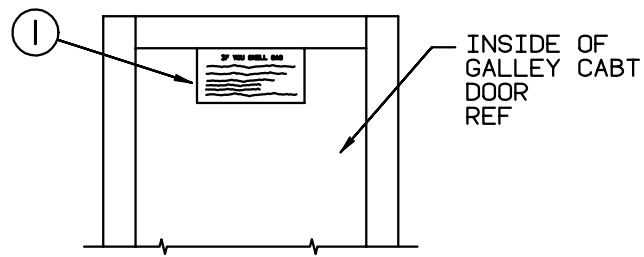


KEY	PART NUMBER	U/M DESCRIPTION
1	006062-01-000	EA TAG-ELECTRIC, 110V CONNECTION



KEY	PART NUMBER	U/M DESCRIPTION
1	099509-01-000	EA LABEL-AWNING INSTALLATION

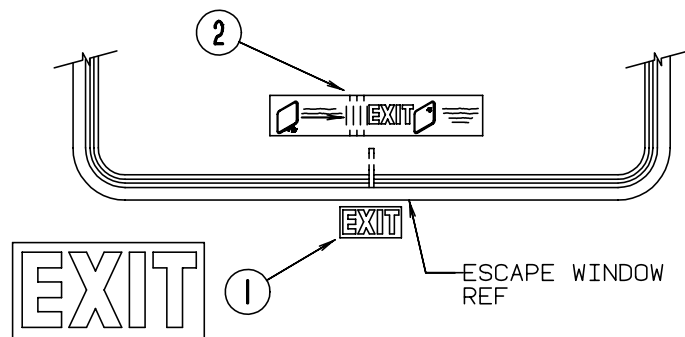
LABELS GROUP (CONTINUED)



IF YOU SMELL GAS

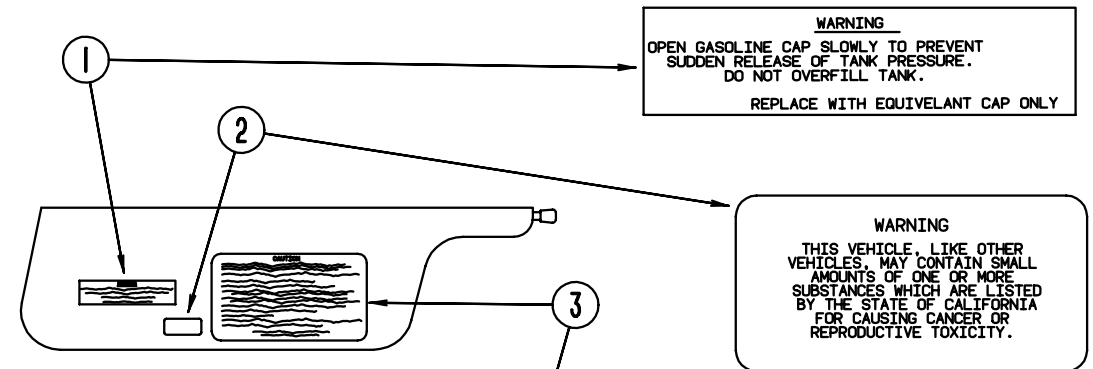
1. EXTINGUISH ANY OPEN FLAME, PILOT LIGHTS AND ALL SMOKING MATERIALS.
2. SHUT OFF THE GAS SUPPLY AT THE TANK VALVE(OR GAS SUPPLY CONNECTION).
3. OPEN DOORS AND OTHER VENTILATING OPENINGS.
4. DO NOT TOUCH ELECTRICAL SWITCHES.
5. LEAVE THE AREA UNTIL ODOR CLEARS.
6. HAVE THE GAS SYSTEM CHECKED AND LEAKAGE SOURCE CORRECTED BEFORE USING AGAIN.

KEY	PART NUMBER	U/M DESCRIPTION
1	073998-01-000	EA LABEL-LPG ODOR WARNING



KEY	PART NUMBER	U/M DESCRIPTION
1	039290-01-000	EA LABEL-WARNING, EXIT
2	107571-01-000	EA LABEL-ESCAPE EXIT, WINDOW

LABELS GROUP (CONTINUED)



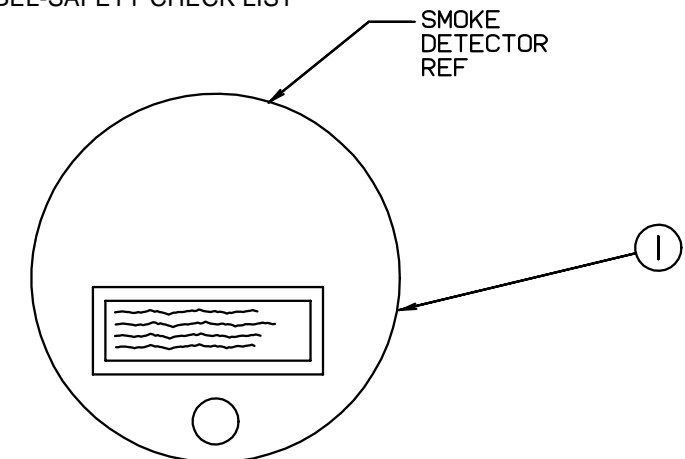
CAUTION

THIS MOTOR HOME HAS BEEN DESIGNED, MANUFACTURED AND TESTED WITH CONCERN FOR THE PROTECTION OF IT'S OCCUPANTS. WE RECOMMEND YOU PERFORM THE FOLLOWING INSPECTIONS FOR YOUR SAFETY AND THE SAFETY OF YOUR PASSENGERS BEFORE STARTING YOUR VEHICLE.

1. LP GAS SYSTEM- TURN OFF AT TANK FOR TRAVELING. TEST FOR LEAKS UPON ARRIVAL AT DESTINATION. BEFORE LIGHTING PILOTS.
2. WHEELS- INSPECT FOR DAMAGE AND CHECK LUG NUTS FOR TIGHTNESS.
3. TIRES- INSPECT FOR WEAR AND DAMAGE AND CHECK FOR RECOMMENDED AIR PRESSURE.
4. LIGHTING- TEST FOR PROPER OPERATION OF ALL INTERIOR AND EXTERIOR LIGHTS INCLUDING DASH LIGHTS, HEADLIGHTS, TAIL LIGHTS, BRAKE LIGHTS, CLEARANCE LIGHTS AND TURN SIGNALS.
5. EXITS- INSPECT RELEASE MECHANISM ON EMERGENCY EXIT WINDOW, TEST BOTH LOCKS ON MAIN ENTRANCE DOOR FOR EASE OF OPERATION AND INSTRUCT PASSENGERS HOW TO USE BOTH MEANS OF EXIT.
6. SEAT BELTS- DIRECT PASSENGERS TO DESIGNATED SEATS AND REQUIRE USE OF SEAT BELTS.
7. APPLIANCES- TURN OFF AND LATCH OR LOCK DOORS WHERE PROVIDED.
8. LOOSE PARCELS- STORE SECURELY.
9. UTILITY SUPPLY LINES- DISCONNECT ALL ELECTRIC, SEWER AND WATER LINES AND SECURE PROPERLY.
10. ENTRANCE DOOR STEP- PLACE IN RETRACTED POSITION FOR TRAVELING.

READ YOUR MOTOR HOME AND CHASSIS OWNER'S MANUAL FOR FURTHER PRECAUTIONS

KEY	PART NUMBER	U/M DESCRIPTION
1	087207-05-000	EA LABEL-FUEL CAP REMOVAL
2	099689-01-000	EA LABEL-WARNING, CANCER/TOXICITY
3	056259-01-000	EA LABEL-SAFETY CHECK LIST



WARNING: TEST SMOKE DETECTOR OPERATION AFTER VEHICLE HAS BEEN IN STORAGE. BEFORE EACH TRIP AND AT LEAST ONCE PER WEEK DURING USE.

KEY	PART NUMBER	U/M DESCRIPTION
1	077956-01-000	EA LABEL-WARNING, SMOKE DETECTOR

LABELS GROUP (CONTINUED)

NOTE: TUNE ANTENNA PER MANUFACTURER'S DIRECTIONS. FAILURE TO COMPLY COULD RESULT IN DAMAGE TO CB.

CB POWER PROVISION
 RED +12 V
 BLACK GROUND
 COAX ANTENNA
 (SEE REVERSE ALSO)

KEY PART NUMBER U/M DESCRIPTION
 1 104678-01-000 EA LABEL-CB PREP

WARNING
 MUST BE STOWED
 IN LATCHED POSITION
 WHILE VEHICLE IS IN MOTION

KEY PART NUMBER U/M DESCRIPTION
 1 079966-01-000 EA LABEL-WARNING, STOWED, MOTION

DO NOT USE HITCH BEFORE
 READING OWNERS MANUAL REGARDING
 VEHICLE LOADING AND TOWING

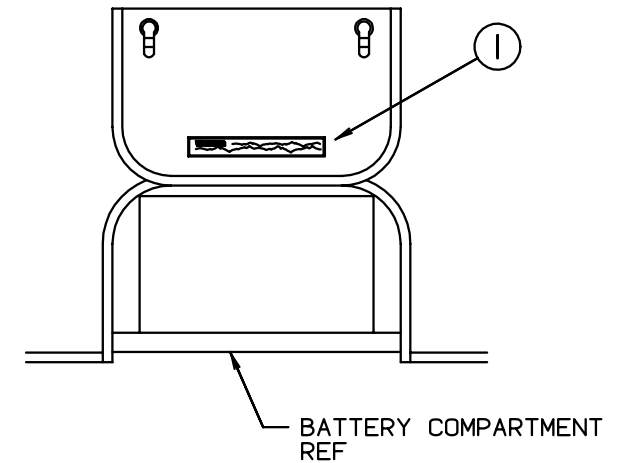
KEY PART NUMBER U/M DESCRIPTION
 1 111104-01-000 EA LABEL-HITCH, READ MANUAL

WIRE IDENTITY :
 YELLOW - LEFT TURN LAMP
 GREEN - RIGHT TURN LAMP
 RED - BRAKE LAMP
 BROWN - RUNNING LAMP
 BLACK - BACKUP LAMP

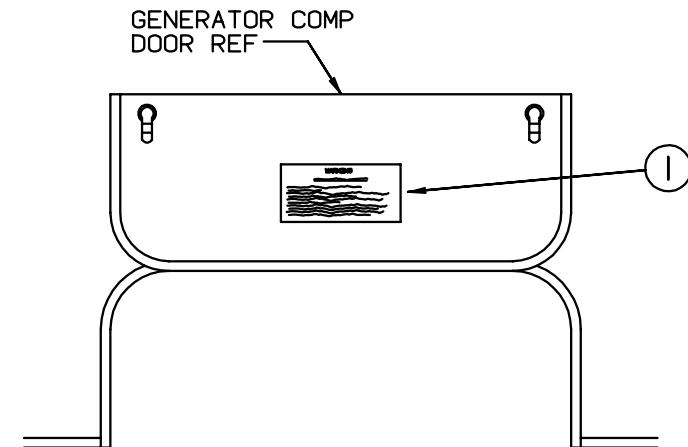
KEY PART NUMBER U/M DESCRIPTION
 1 091224-02-000 EA LABEL-TRAILER LIGHTING

LABELS GROUP (CONTINUED)

WARNING DISCONNECT BATTERIES BEFORE CONNECTING EXTERNAL CHARGING EQUIPMENT.



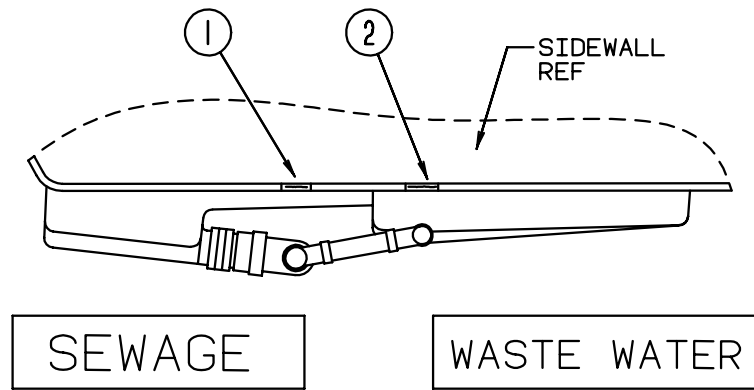
KEY PART NUMBER U/M DESCRIPTION
 1 065748-01-000 EA LABEL-CAUTION, BATTERY CHARGING



WARNING
WHEN ADDING A GENERATOR SET:
 HIGH VOLTAGE-USE EXTREME CAUTION WHEN WORKING ON ELECTRICAL COMPONENTS.
 HAVE ALL ELECTRICAL INSTALLATION PERFORMED BY A QUALIFIED LICENSED ELECTRICIAN-FOLLOW ALL STATE AND LOCAL CODES.
 ONLY INSTALL GENERATOR SET APPROVED FOR R.V. APPLICATION. HAVE INSTALLED BY QUALIFIED TECHNICIAN.
 TO AVOID HEAT BUILD-UP AND TO GUARANTEE AN ADEQUATE AIR SUPPLY TO THE GENERATOR CARBURETOR, FOLLOW INSTALLATION INSTRUCTIONS.
 GENERATOR ENGINE EXHAUST GASES ARE TOXIC AND MUST NOT TERMINATE UNDER THE VEHICLE-DISCHARGE EXHAUST AWAY FROM VEHICLE.

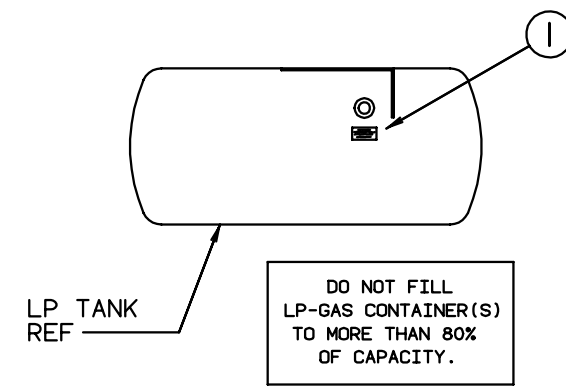
KEY PART NUMBER U/M DESCRIPTION
 1 077510-01-000 EA LABEL-GENERATOR PREP

LABELS GROUP (CONTINUED)

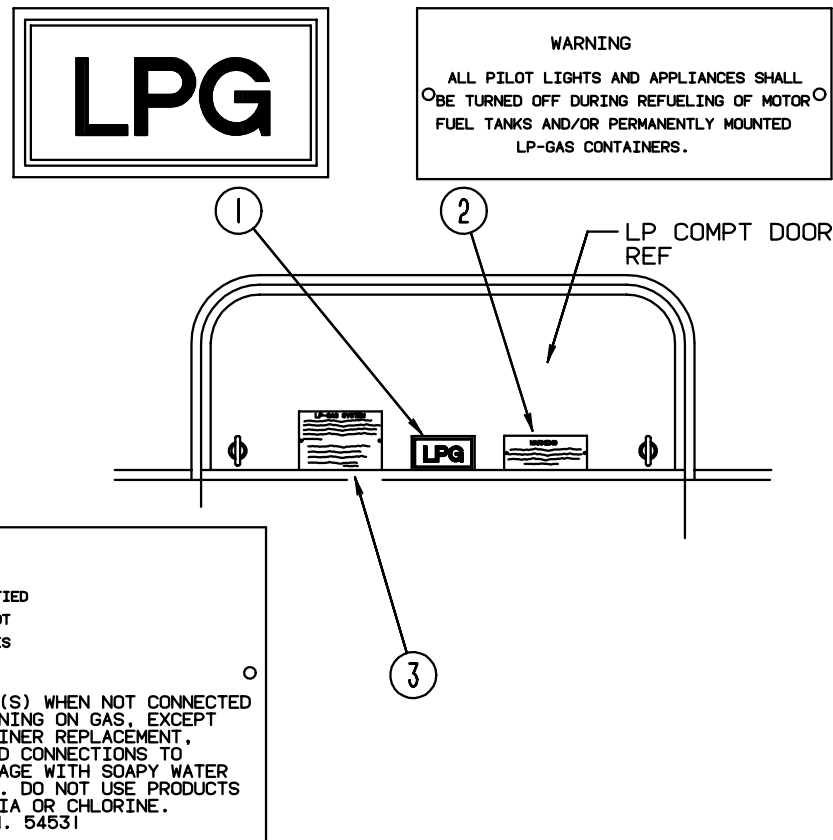


KEY	PART NUMBER	U/M DESCRIPTION
1	006187-01-000	EA LABEL-SEWAGE
2	006188-01-000	EA LABEL-WASTE WATER

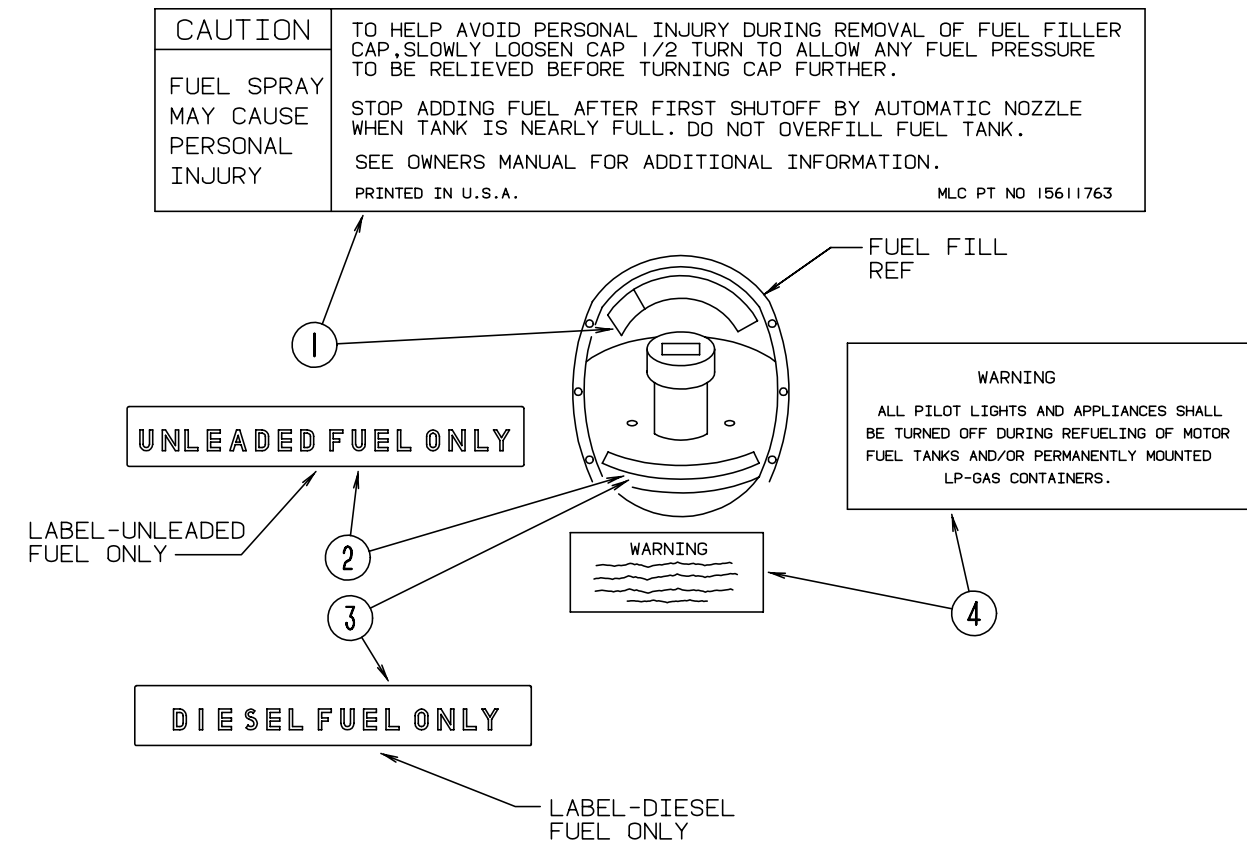
LABELS GROUP (CONTINUED)



KEY	PART NUMBER	U/M DESCRIPTION
1	079965-01-000	EA LABEL-LPG, 80 LB CAPACITY



KEY	PART NUMBER	U/M DESCRIPTION
1	074559-01-000	EA DECAL-LOGO, LPG - RED - (CALIF CODE)
2	006040-01-000	EA TAG-GAS REFUELING WARNING
2	006040-02-000	EA TAG-GAS REFUELING WARNING, CANADIAN
3	054531-01-000	EA LABEL-LP GAS ONLY
3	023769-01-000	EA LABEL-WARNING, LPG - CANADIAN



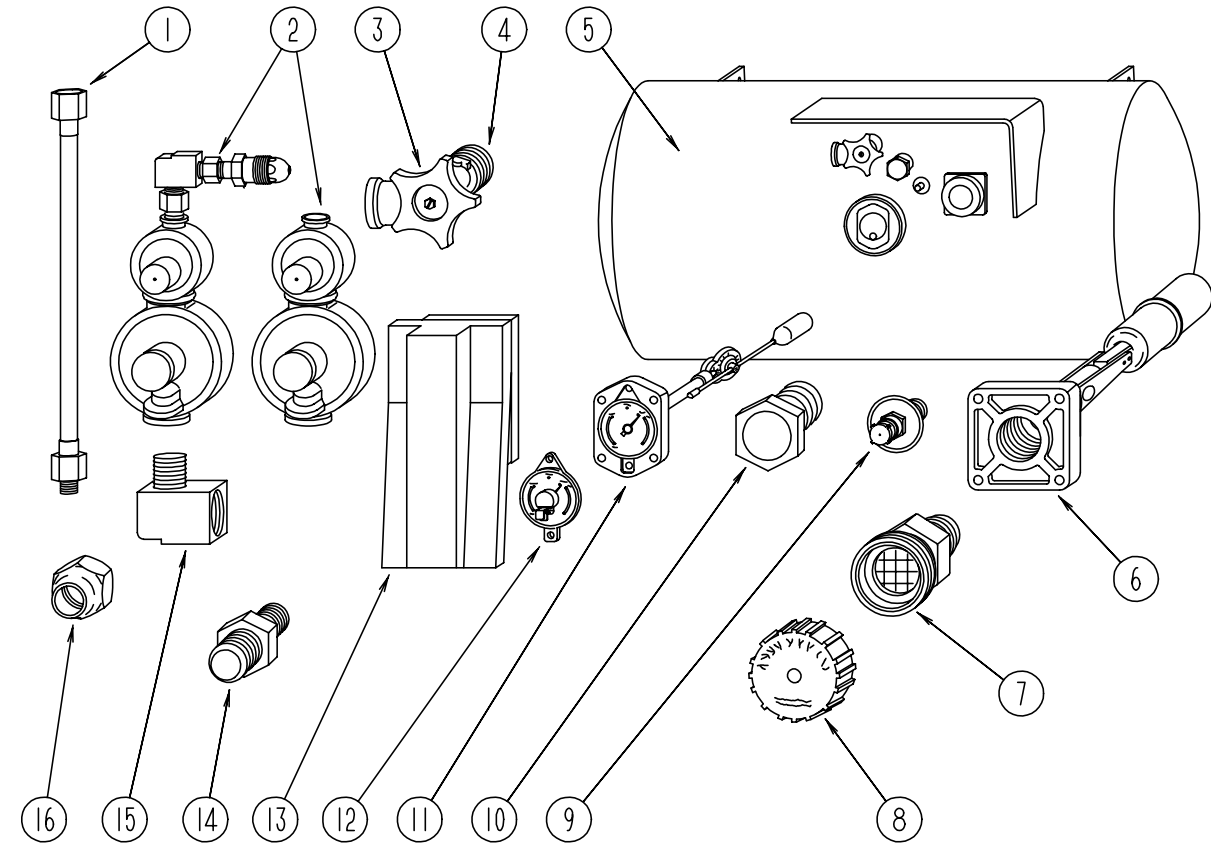
KEY	PART NUMBER	U/M DESCRIPTION
1	087207-05-000	EA LABEL-FUEL CAP REMOVAL
2	062043-01-000	EA LABEL-FUEL, UNLEADED
3	068383-01-000	EA LABEL-DIESEL FUEL
4	006040-01-000	EA TAG-GAS REFUELING WARNING
4	006040-02-000	EA TAG-GAS REFUEL WARNING, CANADIAN

LABELS GROUP (CONTINUED)

MISCELLANEOUS LABELS

KEY	PART NUMBER	U/M DESCRIPTION
	061606-01-000	EA LABEL-OVERLAY, VEHICLE CERTIFICATION - ADHESIVE BACKED
	090342-01-000	EA LABEL-VAPOR RELIEF
	061417-01-000	EA LABEL-FUEL, ON FUEL FILL DOOR
	006064-01-000	EA LABEL-SEAT W/O SEATBELT "NOT INTENDED FOR USE WHILE COACH IN MOTION"
	091243-01-000	EA LABEL-A/C COVER, "AIR CONDITIONING CIRCUIT. ETC."
	098641-01-000	EA LABEL-FUEL, UNLEADED - DASH
	111537-01-000	EA LABEL-FUSES
	111802-01-000	EA LABEL-CFC WARNING
	098379-04-000	EA LABEL-ELECTRICAL BOX, SIDE

LP GROUP

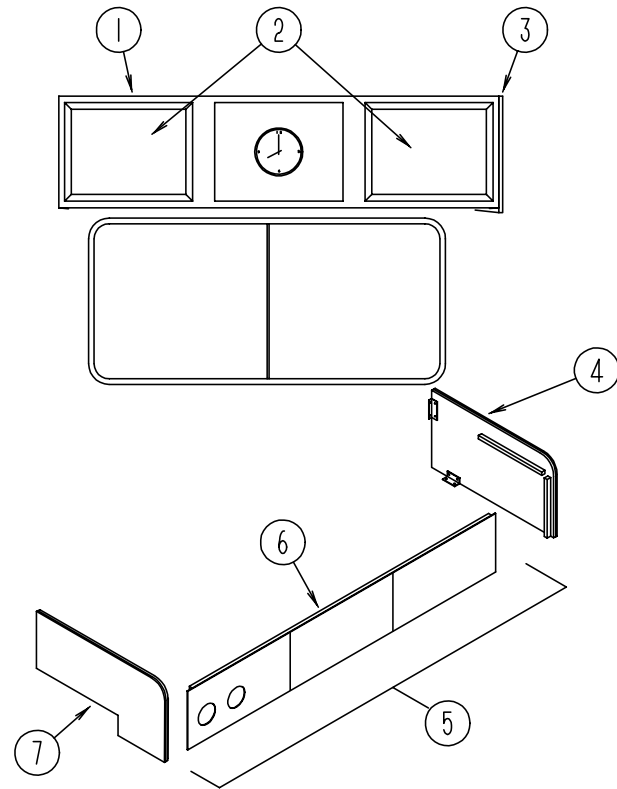


LP TANK & COMPONENTS

KEY	PART NUMBER	U/M DESCRIPTION	VENDOR NO
1	045703-01-000	EA HOSE-LP, 3/8" ID X 24" - 3/8" MPT X 1/2" F SWIVEL - US	
1	045703-02-000	EA HOSE-LP, 3/8" ID X 24" - 3/8" MPT X 1/2" F SWIVEL - CANADIAN	
2	106150-01-000	EA REGULATOR-TWO STAGE	
2	106150-02-000	EA REGULATOR-TWO STAGE - EUROPEAN	
3	040421-01-708	EA HANDWHEEL-VAPOR RELIEF VALVE	G-1015-A
4	040421-01-712	EA VALVE-SERVICE W/O VAPOR RELIEF	29000853
5	097821-01-000	EA TANK-LP, 60 LB BRUNNER - 14" X 30"	
6	040421-01-711	EA VALVE - 80% W/FLOAT, PLATE, BOLTS & GASKET - BRUNNER	LLL/TL3
7	040421-01-701	EA VALVE-SHORT LP FILLER W/YELLOW CAP	75478
8	040421-01-702	EA CAP-LP FILLER VALVE, PLASTIC - YELLOW	G-1014-A
9	040421-01-700	EA GAUGE-LIQUID LEVEL, 20% LP	G-1013
10	040421-01-713	EA PRESSURE RELIEF VALVE	29000587
11	040421-01-707	EA GAUGE-FLOAT W/VISIBLE DIAL	MA-9 6244-4
12	040440-02-000	EA TRANSMITTER-DIAL, 90 OHM	
13	105658-01-000	EA COMPARTMENT-LP REGULATOR	
14	010329-01-000	EA ADAPTER-BRASS, 1/2" F X 1/2" MPT	
14	010323-01-000	EA ADAPTER-BRASS, 3/8" F X 1/2" MPT	
15	065318-02-000	EA ELBOW - 90 DEGREE, 3/8" MPT TO 3/8" FPT	
16	010377-02-000	EA NUT-BRASS, 3/8" FEMALE - FORGED	
	024250-01-000	EA ADAPTER-BRASS, 3/8" F X 1/2" FPT	
	036346-01-000	EA BUSHING-STEEL, 3/4" MPT X 1/2" FPT - EXPORT OPTION	
	071391-02-000	EA NIPPLE-HEX, 1/4" PIPE - 3325X4 WEATHERHEAD - US	
	008042-01-000	FT TUBING-VINYL, .65" ID	
	095624-01-000	EA ELBOW-BRASS, 90 DEGREE - 1/4" FPT X 1/4" FPT - US	
	010380-02-000	EA NUT-BRASS, 1/2" FEMALE - FORGED	
	103613-01-000	EA DETECTOR-LP GAS	

LOUNGE GROUP

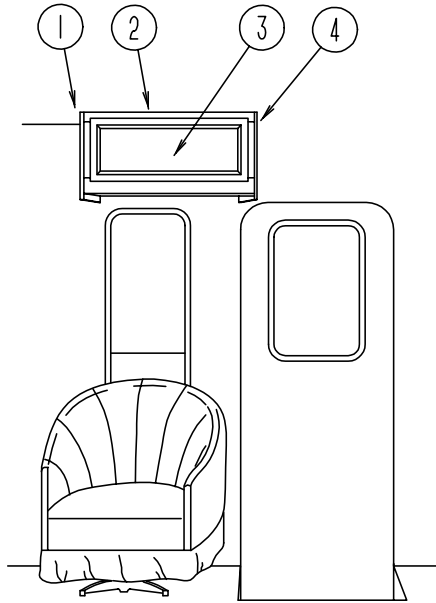
DRIVERS SIDE LOUNGE



KEY	PART NUMBER	U/M DESCRIPTION
1	113879-01-F04	EA CABINET-OVERHEAD, W/O DOORS (F04)
1	113879-01-F05	EA CABINET-OVERHEAD, W/O DOORS
1	113879-01-F06	EA CABINET-OVERHEAD, W/O DOORS
1	113879-01-F07	EA CABINET-OVERHEAD, W/O DOORS
1	113879-01-F14	EA CABINET-OVERHEAD, W/O DOORS
2	M06803-03-F04	EA DOOR-CABINET, W/O HARDWARE - 400 MM X 520 MM (F04,F05,F06,F07)
2	M06803-03-F14	EA DOOR-CABINET, W/O HARDWARE - 400 MM X 520 MM
2	M06803-41-E10	EA DOOR-CABINET, W/O HARDWARE - 400 MM X 520 MM (DECORATIVE DOOR) (F04,F05,F06,F07)
2	M06803-41-F14	EA DOOR-CABINET, W/O HARDWARE - 400 MM X 520 MM (DECORATIVE DOOR)
	108536-03-07A	EA MIRROR-GLASS INTERLUDE
3	103128-01-E10	EA CAP-END, OVERHEAD CABINET - FRONT (F04,F05,F06,F07)
3	103128-01-F31	EA CAP-END, OVERHEAD CABINET - FRONT (F14)
4	M04187-29-E08	EA PANEL-COUCH CABINET - LEFT SIDE - FABRIC COVERED (F04)
4	M04187-29-F05	EA PANEL-COUCH CABINET - LEFT SIDE - FABRIC COVERED
4	M04187-29-F06	EA PANEL-COUCH CABINET - LEFT SIDE - FABRIC COVERED
4	M04187-29-F27	EA PANEL-COUCH CABINET - LEFT SIDE - FABRIC COVERED (F07)
4	M04187-29-F14	EA PANEL-COUCH CABINET - LEFT SIDE - FABRIC COVERED
5	M04187-31-E08	EA PANEL-COUCH CABINET - FRONT - W/DOOR - FABRIC COVERED (F04)
5	M04187-31-F05	EA PANEL-COUCH CABINET - FRONT - W/DOOR - FABRIC COVERED
5	M04187-31-F06	EA PANEL-COUCH CABINET - FRONT - W/DOOR - FABRIC COVERED
5	M04187-31-F27	EA PANEL-COUCH CABINET - FRONT - W/DOOR - FABRIC COVERED (F07)
5	M04187-31-F14	EA PANEL-COUCH CABINET - FRONT - W/DOOR - FABRIC COVERED
6	M04187-32-E08	EA DOOR-CABINET, W/O HARDWARE - 11" X 21.6" - FABRIC COVERED (F04)
6	M04187-32-F05	EA DOOR-CABINET, W/O HARDWARE - 11" X 21.6" - FABRIC COVERED
6	M04187-32-F06	EA DOOR-CABINET, W/O HARDWARE - 11" X 21.6" - FABRIC COVERED
6	M04187-32-F27	EA DOOR-CABINET, W/O HARDWARE - 11" X 21.6" - FABRIC COVERED (F07)
6	M04187-32-F14	EA DOOR-CABINET, W/O HARDWARE - 11" X 21.6" - FABRIC COVERED
7	M04187-30-E08	EA PANEL-COUCH CABINET - RIGHT SIDE - W/FABRIC (F04)
7	M04187-30-F05	EA PANEL-COUCH CABINET - RIGHT SIDE - W/FABRIC
7	M04187-30-F06	EA PANEL-COUCH CABINET - RIGHT SIDE - W/FABRIC
7	M04187-30-F27	EA PANEL-COUCH CABINET - RIGHT SIDE - W/FABRIC (F07)
7	M04187-30-F14	EA PANEL-COUCH CABINET - RIGHT SIDE - W/FABRIC
	105947-01-000	EA BRACKET-HOLD DOWN, COUCH - CANADIAN
	082525-01-000	EA BRACE-COUCH, FLOOR MOUNT - ANGLE 3" LONG - METAL
	083125-03-000	EA BRACE-ANGLE, COUCH - 2.5" - TAN
	083125-05-000	EA BRACE-ANGLE, COUCH - 2.5" - BEIGE
	081298-01-E01	EA TABLE-LOUNGE, 432 MM X 610 MM - W/O HARDWARE (F04,F07)
	081298-01-E04	EA TABLE-LOUNGE, 432 MM X 610 MM - W/O HARDWARE (F05)
	081298-01-F06	EA TABLE-LOUNGE, 432 MM X 610 MM - W/O HARDWARE
	081298-01-F32	EA TABLE-LOUNGE, 432 MM X 610 MM - W/O HARDWARE (F14)
	009040-02-000	EA PEDESTAL TABLE LEG-27.5" X 2.25" DIA - CHROME
	041194-01-000	EA BASE-TABLEMCW, FLUSH - FLOOR MOUNTED
	009040-03-000	EA BASE-TABLE, RAISED - TABLE MOUNTED
	042438-02-000	EA DOWEL-WOOD, 2" X 2"
	076840-02-000	EA HOLD DOWN CORD-BUNGEE - 18"
	077968-01-000	EA RETAINER-NYLON, .5" X 1.6"
	062046-01-000	EA CLIP-LEG, PEDESTAL - 1.7" X 2.2" - DIA. FROM 2" TO 2.5"

LOUNGE GROUP (CONTINUED)

PASSENGER SIDE LOUNGE BUNK OPTION



KEY	PART NUMBER	U/M DESCRIPTION
1	103128-09-E10	EA CAP ASM-END, OVHD - LH (F04,F05,F06,F07)
1	103128-09-F31	EA CAP ASM-END, OVHD - LH (F14)
2	114189-01-F04	EA CABINET ASM-OVERHEAD (F04,F05,F06,F07)
2	114189-01-F14	EA CABINET ASM-OVERHEAD
3	M06803-04-E07	EA DOOR-CABINET, W/O HARDWARE - 255 MM X 485 MM (F04,F05,F06,F07)
3	M06803-04-F14	EA DOOR-CABINET, W/O HARDWARE - 255 MM X 485 MM
4	103128-08-E10	EA CAP ASM-END, OVHD - RH
	104006-01-C05	EA LID-ENTRANCE STEP COMPARTMENT, W/O CARPET
	101222-01-01A	EA BRACKET-CATCH, LID - BEIGE

SEALANTS & FASTENERS GROUP

SEALANTS & ADHESIVE

KEY	PART NUMBER	U/M DESCRIPTION
	002707-02-000	FT TAPE-SEALER, 5/16" X 1/2" - INCREMENTS OF 50 FT
	034552-02-000	EA SILICONE-TUBE, 300 ML - CLEAR
	034552-06-000	EA SILICONE-TUBE, 300 ML - OFF WHITE
	053766-02-000	EA BEDDING COMPOUND-TUBE, WHITE SCHNEE# 5522
	053766-06-000	EA BEDDING COMPOUND-TUBE, CLEAR
	053766-08-000	EA BEDDING COMPOUND-TUBE, GRAY - SCHNEE# 5522
	062917-03-000	EA ADHESIVE-LOCTITE 242
	063642-01-000	FT TAPE-ADHESIVE, 10 MM X 1.5" WIDE X 180'
	069640-01-000	FT SEALER-RIBBON, 1/4" DIAMETER - INCREMENTS OF 30'
	069640-02-000	FT SEALER-RIBBON, 1/2" X 1/8" - INCREMENTS OF 60'
	069640-03-000	FT SEALER-RIBBON, 3/4" X 1/8" - INCREMENTS OF 60'
	069640-07-000	FT SEALER-RIBBON, 2" X 3/32" - INCREMENTS OF 30' OR 45'
	069640-09-000	FT SEALER-RIBBON, 1/32" X 2 1/2" - INCREMENTS OF 80'
	069640-11-000	FT SEALER-TAPE, 3/16" X 3/8", BLACK - MANUS
	069640-13-000	FT SEALER-TAPE, 3/32" X 2" BLACK - MANUS
	069640-14-000	FT SEALER-TAPE, 1/16" X 1" GRAY - MANUS
	072889-01-000	EA SEALANT-URETHANE, BLACK - 1/10 - ESSEX 552.2
	072889-09-000	EA SEALANT-URETHANE, BLACK - TUBE - MANUS 75AM
	076314-02-000	FT TAPE-CARPET SEAM, HEAT-BOND - 4" WIDE
	076322-01-000	FT TAPE-FOAM, DOUBLE COATED ADHESIVE BACKED - .75" X 216'
	076322-02-000	FT TAPE-FOAM, DOUBLE COATED ADHESIVE BACKED - 1" X 108'
	076322-05-000	FT TAPE-FOAM, DOUBLE COATED - .025" X 1.5" X 108'
	076322-07-000	FT TAPE-FOAM, DOUBLE COATED - .045" X .50"
	110274-01-000	FT TAPE-FOAM, DOUBLE COATED - .045" X 1.0"
	087211-01-000	GL PROMOTER-ADHESIVE
	102352-01-000	EA SEALER-PUMPABLE, BLACK - COLORIMETRIC MS101
	106206-01-000	EA SEALER-PUMPABLE
	108716-01-000	EA SILICONE-TUBE, OFF WHITE - SELF LEVELING - CSL 510
	900390-01-000	EA TIP - 2 1/2" X 1/8" ORIFICE, ELLSWORTH#TS216
	900390-03-000	EA NOZZLES-SILICONE TUBE, CSL# D10
	114311-01-000	GL ADHESIVE-GLUE
	091255-01-000	FT SEAL-FOAM, 3.2MM X 4.8MM

BOLTS, NUTS & WASHERS

KEY	PART NUMBER	U/M DESCRIPTION
	000C12-05-16B	EA BOLT-HEX, 5/16 - 18 X 1 - ZINC 5
	000C12-05-64B	EA BOLT-HEX, 5/16 - 18 X 4
	000C12-06-16B	EA BOLT-HEX, 3/8 - 16 X 1LG,ZN 5
	000C12-07-20B	EA BOLT-HEX, 7/16 - 14 X 1 1/4" - ZN5
	000C12-08-24B	EA BOLT-HEX, 1/2 - 13 X 1 1/2 - ZN 5
	000C12-10-24B	EA BOLT-HEX, 5/8 - 11 X 1 1/2 ZN - 5
	000C13-07-48B	EA BOLT-HEX, 7/16 - 20 X 3 - ZN 5
	000C18-05-40A	EA BOLT-ELEV, 5/16"-18 X 2 1/2" PL
	000C26-04-14B	EA BOLT-HEX SERRATED FLANGE, 1/4 X 20 X 7/8 ZINC
	000C26-04-10B	EA BOLT-HEX, SER FLG - 1/4 - 20 X 5/8 ZINC
	000C26-05-12B	EA BOLT-HEX-SER FLG 5/16 - 18 X 3/4 ZN
	000C26-06-12B	EA BOLT-HEX-SER FLG 3/8 - 16 X 3/4 ZN
	000C26-06-28B	EA BOLT-HEX-SER FLG 3/8 - 16 X 13/4 ZN
	000C27-10-32B	EA BOLT-CARR 5/8 - 11 X 2.00
	000D14-04-00B	EA NUT-HEX, 1/4-20,ZN 5
	000D24-10-00B	EA NUT-HEX, SF/LK - 10-32 ZN
	000D34-04-00B	EA NUT-HEX, LK 1/4 - 20 ZN
	000D34-06-00B	EA NUT-HEX, LK - 3/8 - 16 GRADE C ZN - PREVAILING TORQUE
	000D39-04-00B	EA NUT-HEX, SER FLG LK 1/4 - 20 ZN
	000D39-05-00B	EA NUT-HEX, SER FLG LK - 5/16 - 18 ZN
	000D39-06-00B	EA NUT-HEX, SER FLG LK - 3/8-16 ZN
	000D39-08-00B	EA NUT-HEX, SER FLG LK - 1/2-13 ZN
	000D44-07-00B	EA NUT-HEX, SER FLG LK - 7/16-20 ZN
	000D46-04-00A	EA NUT-HEX,WELD,1/4-20,PLAIN SHORT PILOT
	000E11-07-00B	EA WASHER-LK - 7/16 MED SPLIT ZN
	000E13-18-00B	EA WASHER-FL-3/8 WIDE ZN

SEALANTS & FASTENERS GROUP (CONTINUED)

BOLTS, NUTS & WASHERS (CONTINUED)

KEY	PART NUMBER	U/M DESCRIPTION
	000E13-20-00B	EA WASHER-FL, 7/16" WIDE - ZN
	000E13-21-00B	EA WASHER-FL - W/2 NAR ZN
	000E14-10-00B	EA WASHER-LK - NO 10 EXT TOOTH - ZN
	000G45-05-16B	EA BOLT-LAG 5/16 - 9 X 1 ZN
	040921-04-000	EA NUT-SPEED, U TYPE - NO. 8 - .59" LENGTH X .44" WIDTH
	044364-02-000	EA NUT-SPEED, FLAT - ROUND
	044533-01-000	EA WASHER-PLASTIC, 1 3/8"OD - FOR BUTTONS
	051387-06-000	EA BOLT-CARRIAGE, W/O HOLE - 5/16-18 X 9.5 ZN
	058716-02-000	EA WASHER-FLAT NYLON .406 X .750 X .060
	063253-07-000	EA NUT-J, #8A .120- .130 PNL THK
	087234-01-000	EA NUT-JACK, 1/4 X 20 THD, MOLLY ARDEN 8-L,JN BRASS MOUNTS LICENSE PLATES
	102333-01-02A	EA BOLT-CARRIAGE, 7/16 - 14 SST CAP O/WHT BUMPER BOLT
	104369-01-000	EA NUT-HEX,HEAVY,5/8-11 UNC SPARE TIRE INSTL
	105247-01-000	EA INSERT NUT 8-32 THD X .394LG STAFEST PRODUCTS
	106649-01-000	EA WASHER-SEALING,GALVANIZED 5/8 ID

SCREWS

KEY	PART NUMBER	U/M DESCRIPTION
	000G11-06-08B	EA SCREW, 6 - 20 X 1/2 PPH ZINC
	000G11-06-06B	EA SCREW, 6 - 20 X 3/8 PPH ZN
	000G11-06-10J	EA SCREW, 6 - 20 X 5/8 PPH - BRASS
	000G11-06-10B	EA SCREW, 6 - 20 X 5/8 PPH ZN
	000G11-07-08B	EA SCREW, 7 - 19 X 1/2 PPH - ZN
	000G11-08-06B	EA SCREW, 8 - 18 X 3/8 PPH ZN
	000G11-08-20B	EA SCREW, 8 - 18 X 11/4 PPH ZN 05031-01-000
	000G11-08-16S	EA SCREW, 8 - 18 X 1.00 PPH - OFF WHITE
	000G11-08-12T	EA SCREW, 8 - 18 X 3/4 PPH - BLACK
	000G11-08-12S	EA SCREW, 8 - 18 X 3/4 PPH - OFF WHITE
	000G11-08-12P	EA SCREW, 8 - 18 X .75 PPH - DARK BROWN
	000G11-08-12D	EA SCREW, 8 - 18 X 3/4 PPH - BLACK
	000G11-08-12B	EA SCREW, 8 - 18 X 3/4 PPH ZN
	000G11-08-08B	EA SCREW, 8 - 18 X 1/2 PPH - ZN
	000G11-10-40B	EA SCREW, 10 - 16 X 2 1/2 PPH CAD - 34927-01-000
	000G11-10-16B	EA SCREW, 10 - 16 X 1 - PPH ZN
	000G11-10-12S	EA SCREW, 10 - 16 X .75 PPH OFF WHT
	000G11-10-12D	EA SCREW, 10 - 16 X 3/4 PPH - BLACK
	000G12-08-16S	EA SCREW, 8 - 18 X 1.00 POH - OFF WHITE
	000G13-06-16J	EA SCREW, 6 - 20 X 1.00 PFH - BRASS
	000G13-06-08G	EA SCREW, 6 - 20 X 1/2 PFH - ANTIQUE BRASS
	000G13-06-24J	EA SCREW, 6 - 20 X 1.50 PFH BRASS
	000G18-08-22B	EA SCREW-MACH, 8-32 X 1 3/8 PPH ZN
	000G19-10-20B	EA SCREW-MACHINE, 10-32 X 1 1/4 PPH ZINK
	000G19-10-08B	EA SCREW-MACHINE, 10-32 X 1/2 PPH ZN
	000G32-10-06B	EA SCREW-10-32 X 3/8" - PPH - ZINC
	000G39-06-10T	EA SCREW-SF/DR, 6-20 X 5/8 PPH - BLACK
	000G39-08-08B	EA SCREW-SF/DR, 8-18 X 1/2 PPH ZN
	000G39-08-06B	EA SCREW-SF/DR, 8-18 X 3/8 PPH ZN
	000G39-08-16B	EA SCREW-SF/DR, 8-18 X 1 PPH ZN
	000G39-08-12T	EA SCREW-SF/DR, 8-18 X 3/4 PPH - BLACK
	000G39-08-12B	EA SCREW-SF/DR, 8-18 X 3/4 PPH ZN
	000G39-08-08S	EA SCREW-SF/DR, 8-18 X 1/2 PPH - OFF WHITE
	000G39-08-32B	EA SCREW-SF/DR, 8-18 X 2 PPH - ZINC
	000G39-08-16T	EA SCREW-SF/DR, 8-18 X 1 PPH - BLACK
	000G39-08-16S	EA SCREW-SF/DR, 8-18 X 1.00 PPH, OFF WHITE
	000G39-10-12B	EA SCREW-SF/DR, 10-16 X .75 PPH ZN
	000G39-10-209	EA SCREW-SF/DR, 10-16 X 1.25 PPH FLUOROCARBON SILVER
	000G39-10-20B	EA SCREW-SF/DR, 10-16 X 1 1/4 PPH ZN
	000G39-10-129	EA SCREW-SF/DR, 10-16 X 3/4 PPH - FLUOROCARBON SILVER
	000G39-10-12D	EA SCREW-SF/DR, 10-16 X 3/4 PPH - BLACK
	000G43-06-24B	EA SCREW-MACHINE, 6-32" X 1 1/2" ZN

SEALANTS & FASTENERS GROUP (CONTINUED)

SCREWS (CONTINUED)

KEY	PART NUMBER	U/M	DESCRIPTION
	000G46-08-24T	EA	SCREW-MACHINE, 8-32-1.50 IN PFH - BLACK
	000G50-04-08B	EA	SCREW-MACH, 1/4-20 X 1/2 PTH 2N
	000G50-04-12B	EA	SCREW-MACH, 1/4-20 X 3/4 PPH ZN
	000G52-08-18B	EA	SCREW-MACH, 8-32 X 1 1/8 PTH ZN
	000G53-04-06B	EA	SCREW-MACHINE, 1/4-20 X 3/8 PPH ZN - UNDERCUT HEAD
	000G54-04-20B	EA	SCREW, 1/4-20 X 1 1/4 PTH - TYPE 23 - ZINC PLATED
	000G56-12-48B	EA	SCREW-WOOD, 12 - 11 X 3 POH - SPECIAL HARDENED
	000G57-05-16J	EA	SCREW, 5-20 X 1 PFH - BRASS
	000G60-10-28T	EA	SCREW-SF/DR, 10-16 X 1.75 - BLACK
	000G67-10-08B	EA	SCREW, 10-12 X 1/2 PPH ZN
	000G67-10-36T	EA	SCREW-10-12 X 2.25 PPH BLACK STALGARD
	000G67-10-24B	EA	SCREW, 10-12 X 1 1/2 PPH - ZN
	000G67-10-20D	EA	SCREW, 10-12 X 1 1/4 PPH - BLACK
	000G67-10-16B	EA	SCREW, 10-12 X 1 PPH - ZN
	000G67-10-120	EA	SCREW, 10-12 X .75" PPH - TAN
	000G67-10-12P	EA	SCREW, 10-12 X .75" - PPH - DARK BROWN
	000G67-10-12B	EA	SCREW, 10-12 X 3/4" PPH - ZN
	000G67-10-10S	EA	SCREW, 10-12 X 5/8" - PPH - OFF WHITE
	000G67-10-10D	EA	SCREW, 10-12 X 5/8 PPH - BLACK - TYPE A
	000G67-10-10B	EA	SCREW, 10-12 X 5/8 PPH ZN - TYPE A
	000G68-06-10G	EA	SCREW, 6-18 X 5/8 POH - ANTIQUE BRASS
	049465-01-000	EA	SCREW, 10-16 W/WASHER PTH - DARK BROWN
	049465-03-000	EA	SCREW, 10-16 X 1 POH W/WASHER - OFF WHITE
	049465-04-000	EA	SCREW, 10-16 X 1 PTH W/WASHER - BEIGE
	049465-05-000	EA	SCREW, 10-16 X 1 PTH W/WASHER - GRAY
	075908-01-000	EA	SCREW-MACHINE, 10-32 X .56 PTH - ZINC EXTERNAL TOOTH
	101618-01-000	EA	SCREW-1/4-20 X 3/4 HEX/TAPPING STALGARD TYPE F

CLAMPS, CLIPS & GROMMETS

KEY	PART NUMBER	U/M	DESCRIPTION
	007161-01-000	EA	CLAMP-HOSE, SPRING TYPE - 1/2"
	008380-01-000	EA	GROMMET-RUBBER, 5/8" HOLE X 1 1/2" DIAMETER - BLACK
	010495-01-000	EA	CLAMP-CABLE, 9/16"
	010497-01-000	EA	CLAMP-CLOSED, 5/8" ID
	010497-03-000	EA	CLAMP-CLOSED, 1" ID - CUSHIONED
	010497-04-000	EA	CLAMP-CLOSED, 1.62 ID ADEL,945-2717
	010497-05-000	EA	CLAMP-CLOSED, 1/2" ID
	010499-01-000	EA	CLAMP-CLOSED, 3/8" ID
	016188-03-000	EA	GROMMET-L/P LINE, 3/8" HOLE X 2 1/2" LONG - RUBBER
	016188-05-000	EA	GROMMET-L/P LINE, 3/8" HOLE X 1 1/4" LONG - RUBBER
	023942-01-000	EA	GROMMET-RUBBER, 2" OD
	062401-01-000	EA	CLAMP-HOSE, WORMGEAR .25" - 1"
	062401-04-000	EA	CLAMP-HOSE, WORMGEAR .69"- 1.25"
	062401-06-000	EA	CLAMP-HOSE, WORMGEAR .22"-.62"
	062401-11-000	EA	CLAMP-HOSE, WORMGEAR 3.56"- 4.5"
	075148-02-000	EA	CLAMP-GROUNDING, BRONZE SCREWS
	077955-01-000	EA	CLIP-J,VINYL COATED, 3/8"
	080211-03-000	EA	CLIP-MOUNTING, (XMAS TREE) - DECORATIVE PADS
	080734-02-000	EA	CLIP-WIRE, NYLON
	083609-01-000	EA	CLAMP-WIRE, DUAL EQUAL - 5/8" DIAMETER
	083610-01-000	EA	CLAMP-WIRE, DUAL - UNEQUAL DIAMETERS - .75" & 1.25"
	094362-02-000	EA	CLIP-CHRISTMAS TREE, FLAT HEAD - .5" X .95"
	099637-01-000	EA	GROMMET-RUBBER, .37" X .94" DIAMETER - BLACK
	101447-01-000	EA	CLIP-U TYPE, TINNEMAN HOLDS SHOWER SURROUND TOGETHER

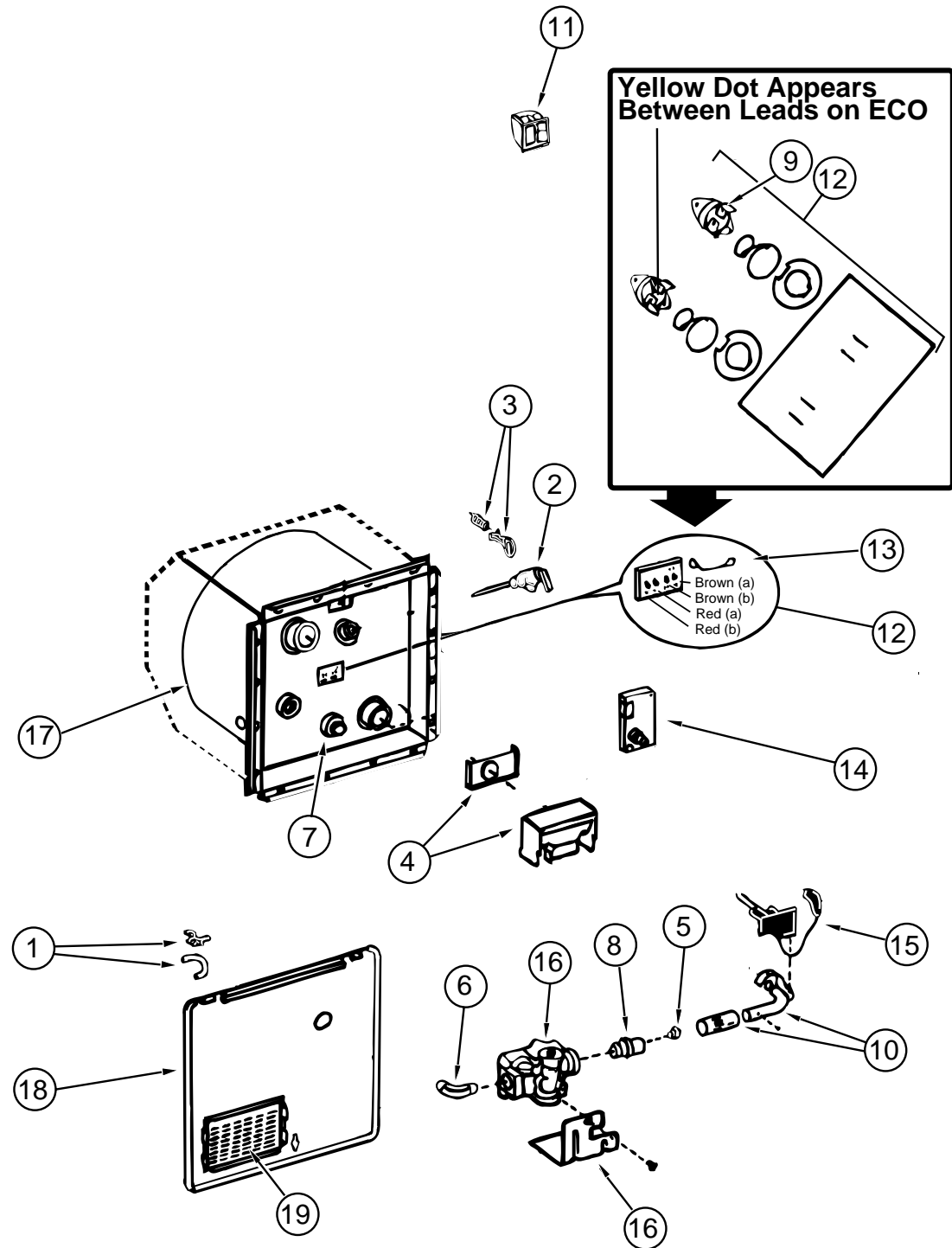
SEALANTS & FASTENERS GROUP (CONTINUED)

MISCELANOUS FASTENERS

KEY	PART NUMBER	U/M	DESCRIPTION
	008343-01-000	EA	TIE-WIRE, 6"
	008343-02-000	EA	TIE-WIRE, 14"
	029094-04-000	YD	VELCRO TAPE-LOOP, 1" WIDE - BLACK
	029096-03-000	YD	VELCRO TAPE-HOOK, 1" WIDE - BLACK
	029096-04-000	YD	TAPE-HOOK, VELCRO - 1" WIDE - BLACK
	081211-05-000	EA	PLUG-PLASTIC, .188 DIA - NATURAL
	085774-01-000	FT	FASTENER-DUAL HOOK, 1" WIDE - ADHESIVE BACK - BLACK
	085774-02-000	FT	FASTENER-DUAL LOOP, 1" WIDE - ADHESIVE BACK - BLACK
	086285-01-000	EA	SPACER-NYLON, .5" OD X .257" ID
	108046-02-000	EA	CABLE TIE-SCREW MOUNT 15" DENNISON 10035

WATER & SEWAGE GROUP

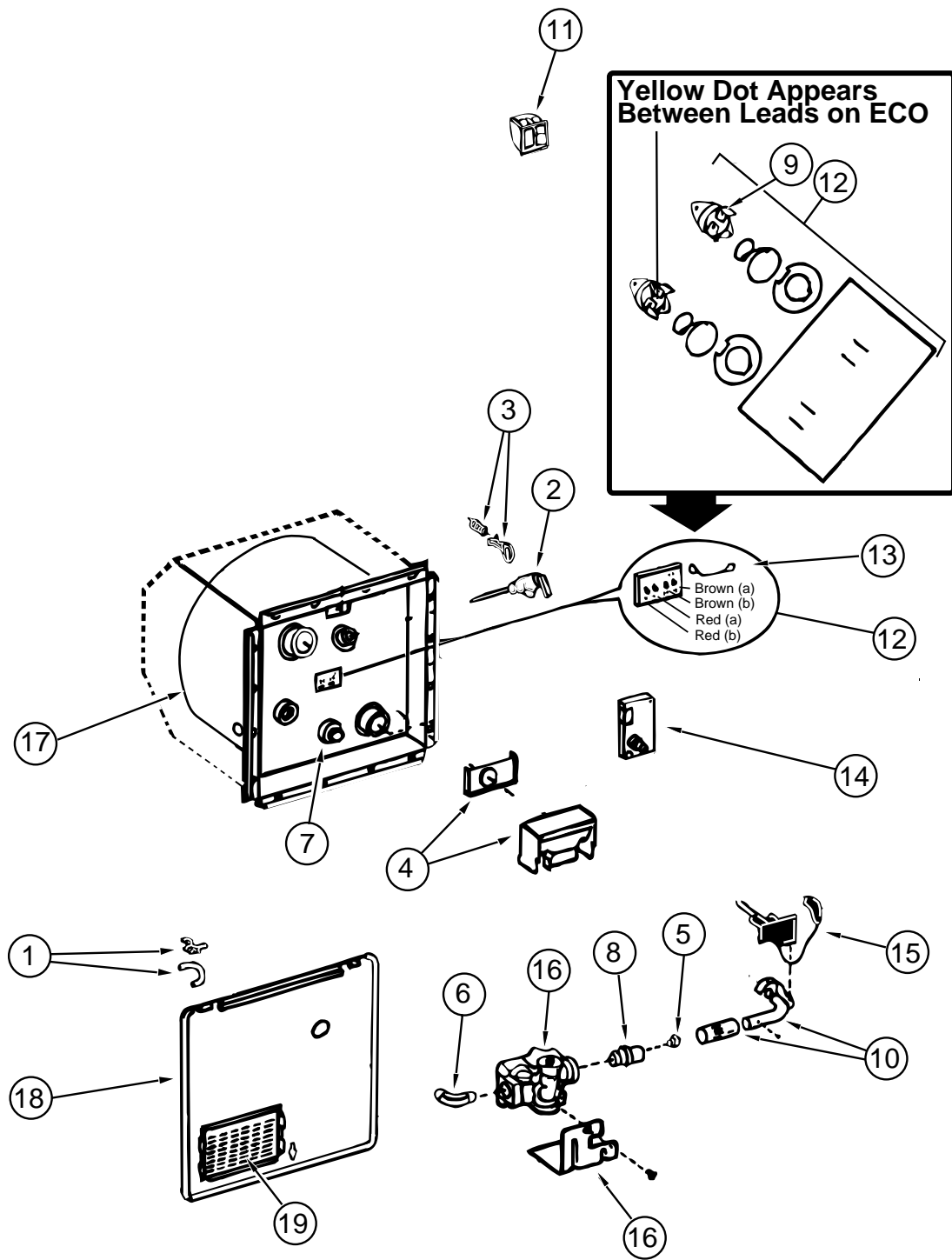
WATER HEATER W/MOTOR AID



KEY	PART NUMBER	U/M DESCRIPTION	VENDOR NO.
	051393-01-000	EA WATER HEATER-W/MOTOR AID, PILOTLESS IGNITION - ATWOOD GH6-7E	
1	051391-01-700	EA HINGE KIT-W/CLIP	92568 & 92559
2	051391-01-704	EA VALVE-RELIEF, 1/2" FITTING	91604
3	051391-01-705	EA FASTENER-CAMLOC	92609
4	051391-01-706	EA FLUE & GASKET	92787
5	051391-01-710	EA ORIFICE-MAIN BURNER	92742
6	051391-01-714	EA ELBOW - 45 DEGREE, 3/8" F X 3/8" MPT	91044
7	051391-01-715	EA DRAIN PLUG	91561
8	051391-03-700	EA ORIFICE HOLDER	91563
9	051391-04-701	EA THERMOSTAT 12 VDC-120 PRESET, FRONT MOUNT ONLY	91470
10	051391-04-703	EA BURNER-MAIN, 3E ONLY	91638
11	097967-01-000	EA SWITCH-WATER HEATER, REMOTE W/LIGHT - ATWOOD 91959	
12	051393-01-721	EA ECO & THERMOSTAT ASM-FRONT MOUNT, 140 DEGREE	91447
13	051393-01-723	EA SWITCH-THERMAL CUT-OFF 2/PKG	93866
14	051393-01-724	EA CIRCUIT BOARD-SPADE TERMINAL	93867
15	051393-01-725	EA ELECTRODE-SINGLE SPADE CONNECT	93868
16	051393-01-726	EA SOLENOID VALVE AND BRACKET	93870
17	051393-03-701	EA TANK-INNER	91642
18	052009-06-000	EA DOOR-WATER HEATER, BRIGHT WHITE	
19	051391-01-717	EA GRILL ONLY	92640
	116424-01-000	EA PROTECTOR-WATER HEATER LATCH - ATWOOD 92611	
	0MD75C-10-000	EA NUT-HEX FLG,M10X1.5 CAD PREV CLASS 10	
	114430-03-000	EA ADAPTER-1/2" P X 1/2" MPT - FLAIR-IT 02842	
	101814-01-000	EA COUPLING-FEMALE, 1/2" X 1/2" FPT W/COMP. SLEEVE - GRAY	
	110438-01-000	EA VALVE-CHECK, BRASS - G784	

WATER & SEWAGE GROUP (CONTINUED)

WATER HEATER W/ELECTRIC IGNITION



KEY	PART NUMBER	U/M DESCRIPTION	VENDOR NO.
	051391-03-000	EA HEATER-WATER, W/ELECTRIC IGNITION - ATWOOD G6A-7E	
1	051391-01-700	EA HINGE KIT-W/CLIP	92568 & 92559
2	051391-01-704	EA VALVE-RELIEF, 1/2" FITTING	91604
3	051391-01-705	EA FASTENER-CAMLOC	92609
4	051391-01-706	EA FLUE & GASKET	92787
5	051391-01-710	EA ORIFICE-MAIN BURNER	92742
6	051391-01-714	EA ELBOW - 45 DEGREE, 3/8" F X 3/8" MPT	91044
7	051391-01-715	EA DRAIN PLUG	91561
8	051391-03-700	EA ORIFICE HOLDER	91563
9	051391-04-701	EA THERMOSTAT 12 VDC-120 PRESET, FRONT MOUNT ONLY	91470
10	051391-04-703	EA BURNER-MAIN, 3E ONLY	91638
11	097967-01-000	EA SWITCH-WATER HEATER, REMOTE W/LIGHT	91959
12	051393-01-721	EA ECO & THERMOSTAT ASM-FRONT MOUNT, 140 DEGREE	91447
13	051393-01-723	EA SWITCH-THERMAL CUT-OFF 2/PKG	93866
14	051393-01-724	EA CIRCUIT BOARD-SPADE TERMINAL	93867
15	051393-01-725	EA ELECTRODE-SINGLE SPADE CONNECT	93868
16	051393-01-726	EA SOLENOID VALVE AND BRACKET	93870
17	051391-04-706	EA TANK-INNER, G6A-4E & 6E - FRONT MOUNT	91641
18	052009-06-000	EA DOOR-WATER HEATER, BRIGHT WHITE	
19	051391-01-717	EA GRILL ONLY	92640
	116424-01-000	EA PROTECTOR-WATER HEATER LATCH - ATWOOD 92611	

WATER & SEWAGE GROUP (CONTINUED)

WATER PUMP

KEY	PART NUMBER	U/M DESCRIPTION	VENDOR NO.
	098607-01-000	EA PUMP-WATER, W/1.5"MPT FITTING - FLOW 2.8 GPM - UL	
	098607-01-700	EA PUMPHEAD-REPLACEMENT	94-236-08
	098607-01-701	EA DRIVE ASM	94-234-03
	098607-01-702	EA DIAPHRAGM-KIT	94-233-10
	098607-01-703	EA VALVE ASM	94-232-00
	098607-01-705	EA CHECK VALVE-KIT	94-237-00
	098607-01-706	EA SWITCH ASM-COMPLETE	94-230-00
	098607-01-707	EA MOTOR/BASEPLATE REPLACEMENT	94-234-03

WATER HEATER BYPASS

KEY	PART NUMBER	U/M DESCRIPTION	VENDOR NO.
	099729-01-000	EA BYPASS KIT-WATER HEATER, COMPLETE W/VALVE & TUBING - US	
	099729-01-700	EA VALVE ONLY-CHECK, PLASTIC	PCV-100
	099729-02-000	EA BYPASS KIT-WATER HEATER, COMPLETE W/VALVE & TUBING - CANADIAN	
	099729-02-700	EA VALVE ONLY-CHECK, BRASS	BCV-100
	103259-01-000	EA BRACKET-BYPASS, WATER HEATER	
	039798-01-000	EA TEE - 1/2" MPT X 1/2" MPT X 1/2" MPT, PLASTIC	
	052956-01-000	EA TEE - 1/2"F X 1/2"MPT X 1/2"F, PLASTIC	
	093217-01-000	EA TEE-SWIVEL, 1/2" - PLASTIC	

WATER TANK QUEEN BED

KEY	PART NUMBER	U/M DESCRIPTION
	110622-02-000	EA TANK ASSEMBLY-WATER 1066 MM X 724 MM X 340 MM - W/FITTINGS
	110622-01-000	EA TANK-WATER, 1066 MM X 724 MM X 340 MM - W/O FITTINGS
	039861-01-000	EA SENDING UNIT-W/SCREW, WASHER, WELL NUT & TERMINAL RING
	010224-01-000	EA ADAPTER-HOSE TO PIPE, 3/8" MPT X 3/8" BARB - BLACK PLASTIC
	042989-03-000	EA FITTING-WATER TANK, SPINWELD - 1 1/4"NPT - PLASTIC - WHITE
	042989-04-000	EA FITTING-WATER TANK, SPINWELD - 3/8" FPT - PLASTIC - WHITE
	042989-05-000	EA FITTING-WATER TANK, SPINWELD - 1/2" FPT - PLASTIC - WHITE
	049032-01-000	EA PATCH-SPINWELD, 3/8" - PLASTIC
	044927-01-000	EA ADAPTER-HOSE TO PIPE, 1 1/4"MPT X 1 1/4"BARB-BLACK PLASTIC
	052957-02-000	EA ELBOW-MALE, 1/2" F X 1/2" MPT - PLASTIC - GRAY
	052958-01-000	EA TEE, 1/2" F X 1/2" F X 1/2" F - PLASTIC - GRAY
	055290-01-000	EA ELBOW - 5/8"F X 1/2"MPT
	074462-02-000	FT TUBING-VINYL, 3/8" ID X 20' - CLEAR
	077954-02-000	EA FILTER-WATER TANK, SCREEN IN TANK
	079381-01-000	FT TUBING-SMOOTH FLEXIBLE, 1 1/4" ID X 20'
	096449-01-000	EA WIRE ASSEMBLY-WATER TANK TO MONITOR PANEL

WATER TANK TWIN BED

KEY	PART NUMBER	U/M DESCRIPTION
	110622-03-000	EA TANK ASSEMBLY-WATER 1066 MM X 724 MM X 340 MM - W/FITTINGS
	110622-01-000	EA TANK-WATER, 1066 MM X 724 MM X 340 MM - W/O FITTINGS
	039861-01-000	EA SENDING UNIT-W/SCREW, WASHER, WELL NUT & TERMINAL RING
	010219-01-000	EA ELBOW-1 1/4" MPT X 1 1/4" BARB, WATER FILL - PLASTIC
	010224-01-000	EA ADAPTER-HOSE TO PIPE, 3/8" MPT X 3/8" BARB - BLACK PLASTIC
	042989-03-000	EA FITTING-WATER TANK, SPINWELD - 1 1/4"NPT - PLASTIC - WHITE
	042989-04-000	EA FITTING-WATER TANK, SPINWELD - 3/8" FPT - PLASTIC - WHITE
	042989-05-000	EA FITTING-WATER TANK, SPINWELD - 1/2" FPT - PLASTIC - WHITE
	049032-01-000	EA PATCH-SPINWELD, 3/8" - PLASTIC
	052959-02-000	EA CONNECTOR, 1/2" F X 1/2" MPT - PLASTIC - GRAY
	074462-02-000	FT TUBING-VINYL, 3/8" ID X 20' - CLEAR
	077954-02-000	EA FILTER-WATER TANK, SCREEN IN TANK
	079381-01-000	FT TUBING-SMOOTH FLEXIBLE, 1 1/4" ID X 20'
	096449-01-000	EA WIRE ASSEMBLY-WATER TANK TO MONITOR PANEL

WATER & SEWAGE GROUP (CONTINUED)

WATER SYSTEM

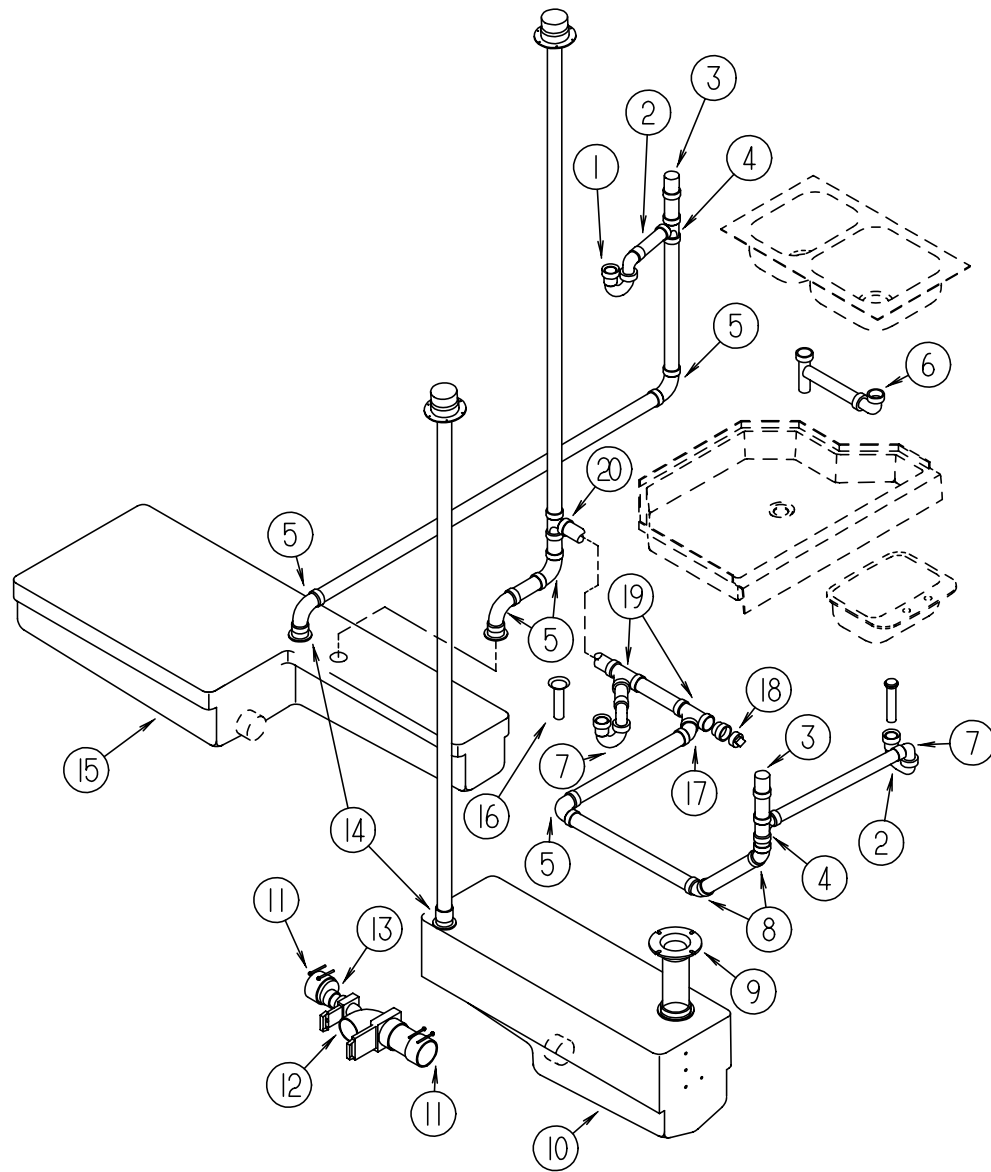
KEY	PART NUMBER	U/M DESCRIPTION
	039800-01-000	FT TUBING-POLYBUTYL, 1/2" OD - INCREMENTS OF 20' - BLACK
	039800-02-000	FT TUBING-POLYBUTYL, 5/8" OD - INCREMENTS OF 20' - BLACK
	052952-01-000	EA NUT-PLASTIC, 1/2" F X 1/2" TUBE - GRAY
	052952-02-000	EA NUT-PLASTIC, 5/8" FLARE
	052957-02-000	EA ELBOW-MALE, 1/2" F X 1/2" MPT - PLASTIC - GRAY
	052958-01-000	EA TEE, 1/2" F X 1/2" F X 1/2" F - PLASTIC - GRAY
	052960-01-000	EA DRAIN VALVE-IN LINE, HEADER - 1/2" F X 1/2" F - GRAY PLASTIC
	052960-03-000	EA DRAIN VALVE-IN LINE, HEADER - 5/8"F X 5/8"F - PLASTIC
	055290-01-000	EA ELBOW - 5/8" F X 1/2" MPT
	057457-01-000	EA ELBOW-UNION, 1/2" X 1/2" FLARE
	079317-01-000	EA ADAPTER-SWIVEL, 1/2" TUBE X 1/2" FPT - PLASTIC - GRAY
	101814-01-000	EA COUPLING-FEMALE, 1/2" X 1/2" FPT
	110915-01-01A	EA FILL-WATER, CITY - KEVCO 64713
	035539-01-000	EA ELBOW-PLASTIC, 3/8"MPT X 3/8"BARB
	114430-03-000	EA ADAPTER - 1/2P X 1/2MPT FLAIR-IT 02842
	039798-01-000	EA TEE - 1/2" MPT X 1/2" MPT X 1/2" MPT, PLASTIC
	093217-01-000	EA TEE-SWIVEL, 1/2" - PLASTIC
	039808-03-000	EA ELBOW-1/2" MPT X 1/2" MPT, PLASTIC - KEVCO 17296
	052957-01-000	EA ELBOW-PLASTIC, 1/2" F X 3/8" MPT
	114429-03-000	EA ELBOW-SWIVEL,1/2PX1/2FPT FLAIR-IT 02816
	039861-01-000	EA SENDING UNIT-W/SCREW, WASHER, WELL NUT & TERMINAL RING
	010224-01-000	EA ADAPTER-HOSE TO PIPE, 3/8" MPT X 3/8"
	044927-01-000	EA ADAPTER-HOSE TO PIPE, 1 1/4"MPT X 1 1/4"BARB-BLACK PLASTIC
	074462-02-000	FT TUBING-VINYL, 3/8" ID - CLEAR
	077954-02-000	EA FILTER-WATER TANK, SCREEN IN TANK
	079381-01-000	FT TUBING-SMOOTH FLEXIBLE, 1 1/4" ID X 20'
	110622-02-000	EA TANK ASM-WATER
	114427-01-000	EA CAP - 1/2P FLAIR-IT 02860
	114428-01-000	EA TEE - 1/2P X 1/2P X 1/2P FLAIR-IT 02820
	114428-02-000	EA TEE-SWIVEL,1/2P X 1/2P X 1/2FPT FLAIR-IT 02821
	114429-01-000	EA ELBOW - 1/2P X 1/2P FLAIR-IT 02800
	114429-02-000	EA ELBOW - 1/2P X 1/2MPT FLAIR-IT 02803
	114429-03-000	EA ELBOW-SWIVEL,1/2P X 1/2FPT FLAIR-IT 02816
	114430-02-000	EA ADAPTER-SWIVEL,1/2P X 1/2FPT FLAIR-IT -02873
	114430-03-000	EA ADAPTER - 1/2P X 1/2MPT FLAIR-IT 02842
	114431-01-000	EA VALVE-LINE DRAIN 1/2P FLAIR-IT 02914

EXTERIOR SHOWER

KEY	PART NUMBER	U/M DESCRIPTION	VENDOR NO.
	046128-01-000	EA VALVE-DRAIN, PLASTIC - 1/2" FPT	
	052959-02-000	EA CONNECTOR, 1/2" F X 1/2" MPT - PLASTIC - GRAY	
	065120-01-000	EA ELBOW-SWIVEL, 1/2" FPT X 1/2" FLARE - PLASTIC - GRAY	
	075241-05-000	EA FAUCET-SHOWER, BONE	
	103092-01-000	EA SHOWER HEAD-W/60" HOSE - US	
	103092-02-000	EA SHOWER HEAD-W/60" HOSE - CANADIAN	
	103092-01-700	EA BRACKET ONLY-CLEAR, F/SHOWER HEAD	2328028
	103092-01-701	EA BRACKET ONLY-BONE, F/SHOWER HEAD	2328029
	108356-02-01A	EA COVER-SWITCH W/DIMPLES, CARLING VVAZC00 BLA	
	108357-08-000	EA SWITCH-ROCKER, DPDT ON/NONE/ON - CARLING VDD1S00C-0	
	114293-01-01A	EA PAN-DRIP, EXTERIOR O/W	

WATER & SEWAGE GROUP (CONTINUED)

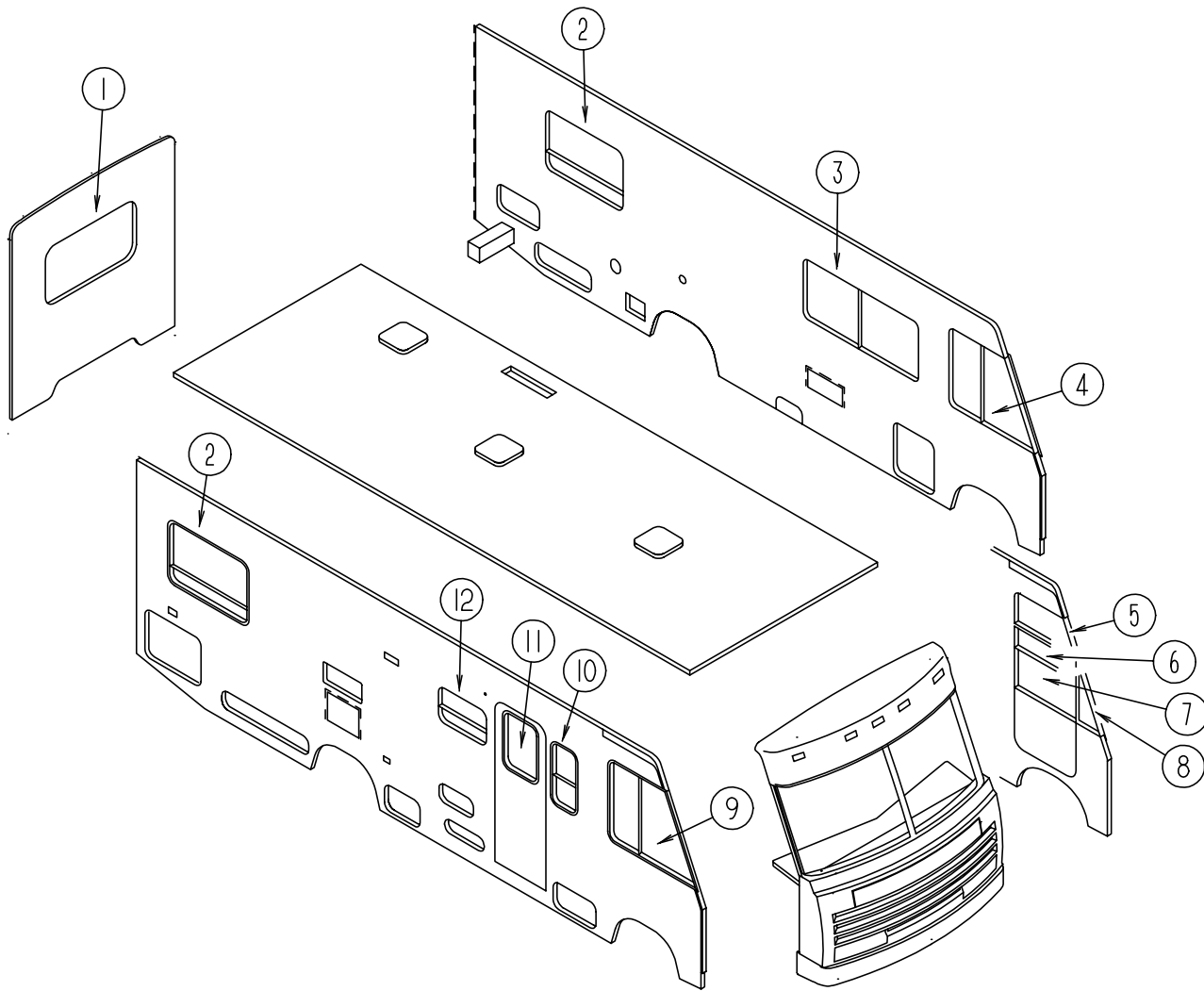
DRAINAGE SYSTEM



KEY	PART NUMBER	U/M	DESCRIPTION
1	011071-01-000	EA	P TRAP-PLASTIC, 1 1/2" - CANADIAN
1	107538-01-000	EA	P TRAP-PLASTIC, 1 1/4" W/EXT ARM - US
2	109571-01-000	EA	ADAPTER-P TRAP, 1 1/2" P X 1 1/4" MPT
3	079968-01-000	EA	VENT-MECHANICAL TRAP ARM, ANTI-SIPHON - 2" DIA X 7.3" - PLASTIC
4	010071-01-000	EA	TEE-SANITARY, 1 1/2" HUB X HUB X HUB - PLASTIC - BLACK
5	010008-01-000	EA	ELBOW - 90 DEGREE, 1/4 BEND - 1 1/2" HUB X HUB - BLACK PLASTIC
6	011091-02-000	EA	PIPE-DRAIN, DOUBLE SINK - BAFFLE TEE - 1 1/2" - US ONE PIPE W/TEE TO DRAIN BOTH SIDES OF SINK
6	011091-03-000	EA	PIPE-DRAIN, W/SEALS - DOUBLE SINK - EXTENDS 9" TO 16" - CANADIAN
7	107538-01-000	EA	P TRAP-PLASTIC, 1 1/4" W/EXT ARM - US
7	011066-03-700	EA	P TRAP KIT-PLASTIC, 1 1/2" X 1 1/2" - CANADIAN
7	010121-01-000	EA	BUSHING-REDUCER, 1 1/2" SMOOTH X 1 1/4" HUB - BLACK PLASTIC - CANADIAN
7	011066-03-701	EA	P TRAP-PLASTIC - CANADIAN
7	011066-03-702	EA	ADAPTER-P TRAP, 1 1/2" - CANADIAN
8	010006-01-000	EA	ELBOW - 45 DEGREE, 1/8 BEND - 1 1/2" HUB X HUB - BLACK PLASTIC
9	024676-01-000	EA	FLANGE-CLOSET, TOILET - 4" X 3" - RED - US
9	024676-02-000	EA	FLANGE-CLOSET, 4" X 3" - ABS - CANADIAN
10	106986-01-000	EA	TANK-HOLDING, 30 GALLON - 1144 MM X 354 MM X 426 MM
	061607-01-000	EA	GROMMET-HOLDING TANK, 1 1/2" NPS
	061607-02-000	EA	GROMMET-HOLDING TANK, 3" NPS
	039861-01-000	EA	SENDING UNIT-W/SCREW, WASHER, WELL NUT & TERMINAL RING
11	078406-01-000	EA	COUPLER-RUBBER, W/CLAMPS - 3" X 3"
12	070916-01-000	EA	VALVE-DUAL DUMP, W/CAP - 3" X 1 1/2" - PLASTIC - BLACK
	070916-01-700	EA	VALVE ONLY, 3"
	070916-01-701	EA	VALVE ONLY, 1 1/2"
	010201-01-000	EA	HOSE-SEWER, 3" ID X 8'
	062416-01-000	EA	ADAPTER-SEWER HOSE TO 3" PIPE
	062415-01-000	EA	CAP-SEWER 3" DIAMETER
	062415-01-700	EA	STRING SEWER CAP
13	062422-01-000	EA	ADAPTER-OFFSET REDUCER, 3" X 1 1/2" - PLASTIC - BLACK
14	010115-01-000	EA	COUPLING - 1 1/2" HUB X HUB, PLASTIC
15	106976-01-000	EA	TANK-HOLDING, 40 GALLON - 1746 MM X 632 MM X 245 MM
	061607-01-000	EA	GROMMET-HOLDING TANK, 1 1/2" NPS
	039861-01-000	EA	SENDING UNIT-W/SCREW, WASHER, WELL NUT & TERMINAL RING
16	011069-02-000	EA	TAILPIECE-TUB/SHOWER, 1 1/2" X 1 1/4" X 4" - BRASS
17	010051-01-000	EA	ELBOW - 45 DEGREE BEND, 1 1/2" SPIGOT AND HUB - PLASTIC - BLACK
18	010122-01-000	EA	BUSHING-REDUCER, 1 1/2" SMOOTH X 1 1/4" THREAD - PLASTIC - BLACK
18	010166-01-000	EA	PLUG-THREADED, 1 1/4" DIAMETER - PLASTIC - BLACK
19	010073-01-000	EA	WYE - 45 DEGREE, 1 1/2" HUB X HUB X HUB - PLASTIC - BLACK
20	010071-01-000	EA	TEE-SANITARY, 1 1/2" HUB X HUB X HUB - PLASTIC - BLACK

WINDOW, VENT & EXTERIOR DOOR GROUP

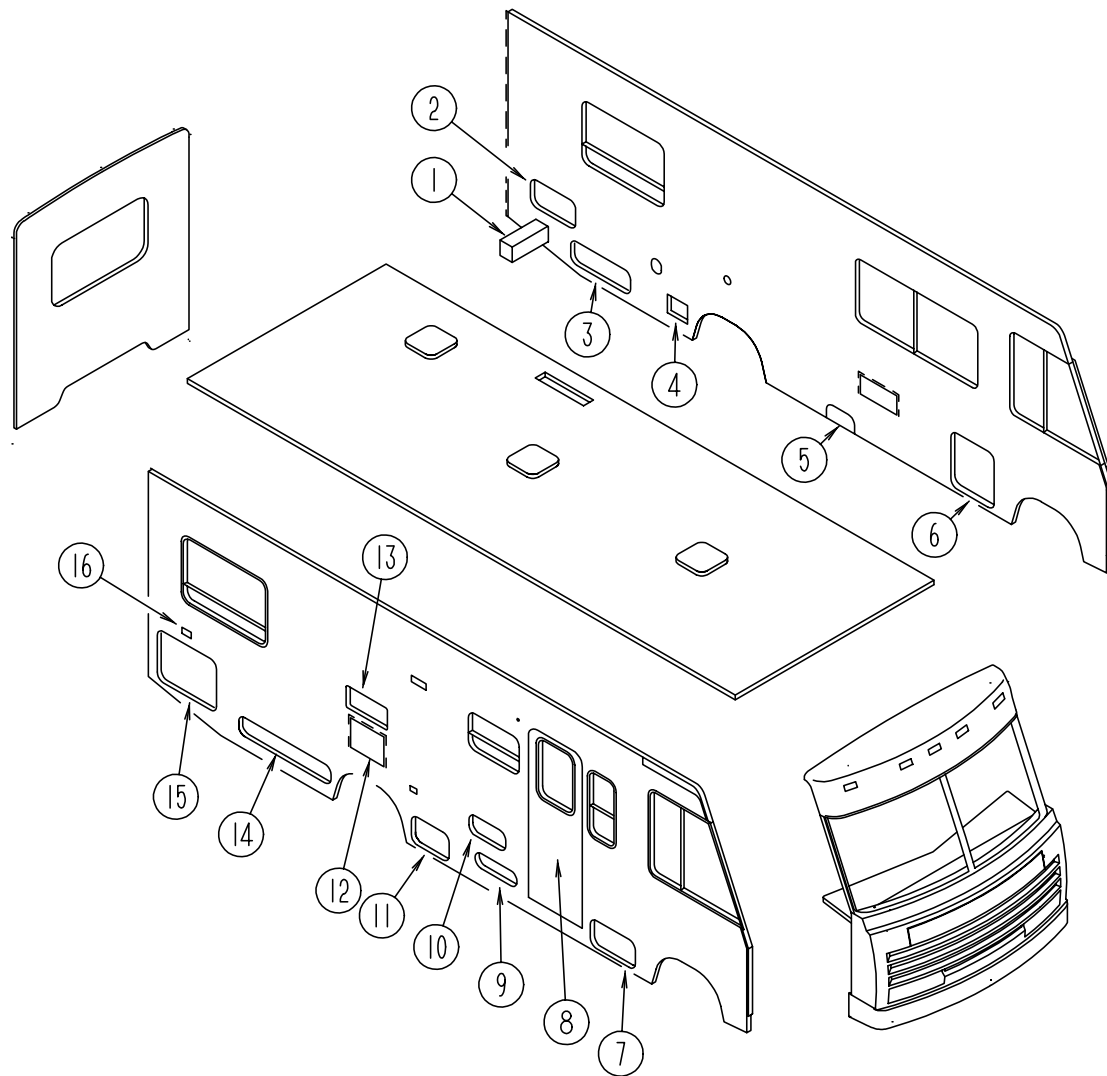
WINDOWS



KEY	PART NUMBER	U/M	DESCRIPTION
1	078528-06-E10	EA	WINDOW ASM-ESCAPE
1	113502-01-01A	EA	WINDOW ASM- REAR ESCAPE BLK/OW - THERMOPANE
2	113500-01-01A	EA	WINDOW ASM-TIPOUT, DOUBLE - BLK/OW
2	112795-23-01A	EA	WINDOW ASM-SLIDER, HORIZONTAL - THERMOPANE - DRIVER SIDE
2	112795-21-01A	EA	WINDOW ASM-SLIDER, HORIZONTAL - THERMOPANE - PASSENGER SIDE
3	098647-35-01A	EA	WINDOW ASM-SLIDER, HORIZONTAL
3	112795-35-01A	EA	WINDOW ASM-SLIDER, HORIZONTAL - THERMOPANE
4	103658-09-01A	EA	WINDOW ASM-CAB DRIVER
4	113501-03-01A	EA	WINDOW ASM-CAB DRIVER - THERMOPANE
5	106467-02-01A	EA	WINDOW-VISTA, DRIVER SIDE
6	106469-02-702	EA	WINDOW-DRIVER DOOR, STATIONARY GLASS
7	106469-01-704	EA	WINDOW-DRIVER DOOR, ROLL-UP GLASS ASM. - W/BACKET
8	106468-02-01A	EA	WINDOW-FRONT SLANT
9	103658-10-01A	EA	WINDOW ASM-CAB, PASSENGER
9	113501-04-01A	EA	WINDOW ASM-CAB, PASSENGER - THERMOPANE
10	098644-07-01A	EA	WINDOW ASM-SINGLE RAISE BLK/OW
10	112898-04-01A	EA	WINDOW ASM-SLIDER, VERTICAL - THERMOPANE
11	079733-15-F04	EA	WINDOW-ENTRY DOOR, PICTURE
11	113733-01-01A	EA	WINDOW ASM-STATIONARY, THERMOPANE
12	098647-33-01A	EA	WINDOW ASM-SLIDER, HORIZONTAL
12	112795-19-01A	EA	WINDOW ASM-SLIDER, HORIZONTAL - THERMOPANE

WINDOW, VENT & EXTERIOR DOOR GROUP (CONTINUED)

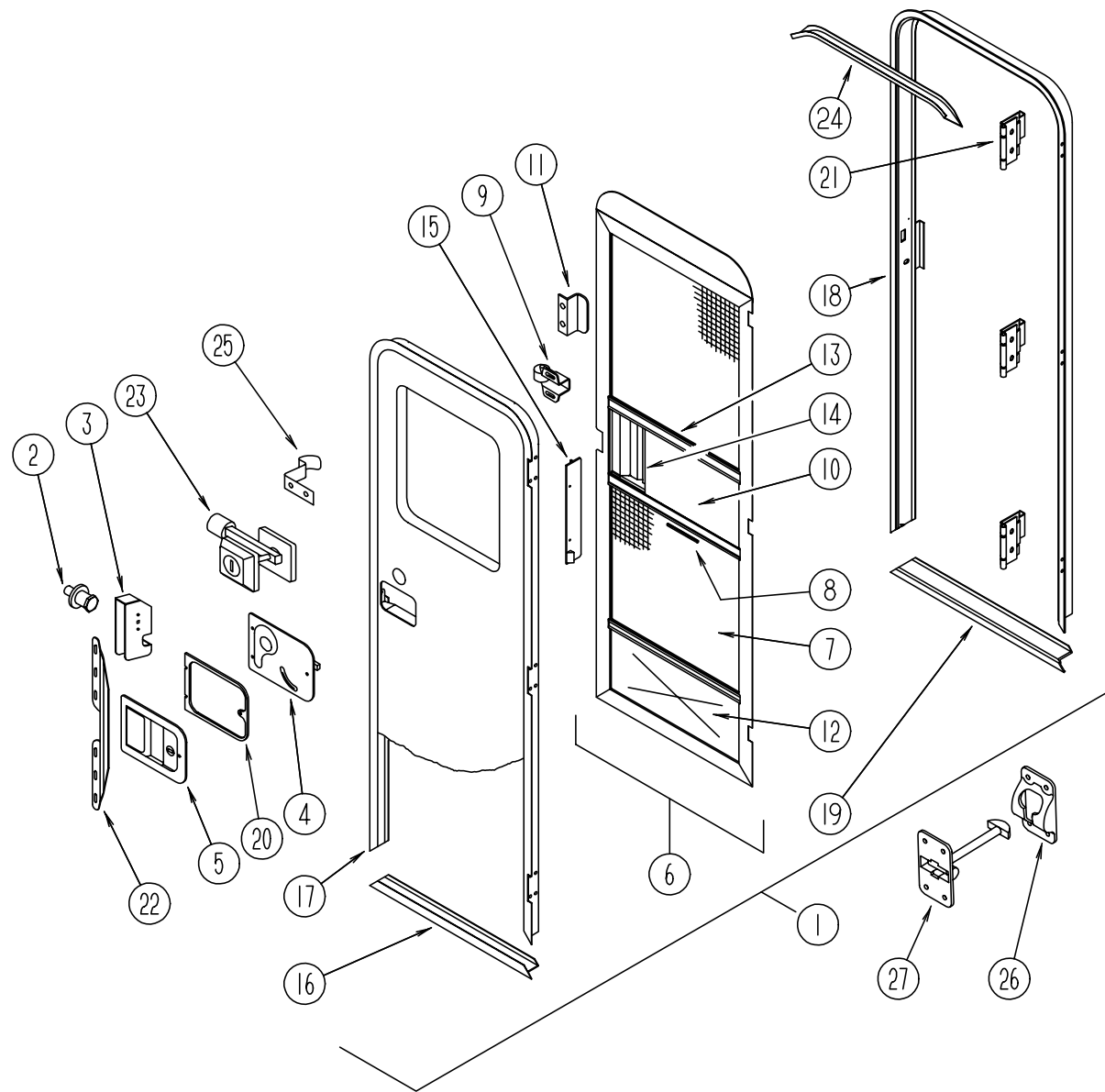
DOORS



KEY	PART NUMBER	U/M DESCRIPTION	VENDOR NO.
1	052423-01-000	EA DOOR-ACCESS, 6.6" X 6.3" - PLASTIC - OFF WHITE - SEWER HOSE DOOR	
1	052424-01-000	EA JAMB-DOOR, 8" X 7.7" - PLASTIC - OFF WHITE - SEWER HOSE DOOR	
2	111013-04-E07	EA DOOR-STORAGE, 22.1" X 11.6" - OFF WHITE - TWIN BEDS OPTION (F04,F05,F06,F07)	
2	111013-04-F14	EA DOOR-STORAGE, 22.1" X 11.6" - SHALE BLUE - TWIN BEDS OPTION	
3	111018-02-E07	EA DOOR-GENERATOR/STORAGE, 29.4" X 9.8" - OFF WHITE (F04,F05,F06,F07)	
3	111018-02-F14	EA DOOR-GENERATOR/STORAGE, 29.4" X 9.8" - SHALE BLUE	
4	088794-01-000	EA DOOR-POWER CORD, W/HATCH - OFF WHITE	
5	111012-05-E07	EA DOOR-STORAGE, 336 MM X 163 MM - OFF WHITE (F04,F05,F06,F07)	
5	111012-05-F14	EA DOOR-STORAGE, 336 MM X 163 MM - SHALE BLUE	
6	111013-07-E07	EA DOOR-STORAGE, 538 MM X 573 MM - OFF WHITE (F04,F05,F06,F07)	
6	111013-07-F14	EA DOOR-STORAGE, 538 MM X 573 MM - SHALE BLUE	
7	111013-04-E07	EA DOOR-STORAGE, 22.1" X 11.6" - OFF WHITE (F04,F05,F06,F07)	
7	111013-04-F14	EA DOOR-STORAGE, 22.1" X 11.6" - SHALE BLUE	
8	M06977-01-F04	EA DOOR-ENTRY W/SCREEN DOOR - W/O WINDOW	
8	M06977-01-F05	EA DOOR-ENTRY W/SCREEN DOOR - W/O WINDOW	
8	M06977-01-F06	EA DOOR-ENTRY W/SCREEN DOOR - W/O WINDOW	
8	M06977-01-F07	EA DOOR-ENTRY W/SCREEN DOOR - W/O WINDOW	
8	115108-01-F14	EA DOOR-ENTRY W/SCREEN DOOR - W/O WINDOW	
8	115108-05-F14	EA DOOR-ENTRY W/SCREEN DOOR - W/O WINDOW FROM: 00-00-00 THRU: 10-23-94 FROM: 10-24-94 THRU: 99-99-99	
9	111009-01-E01	EA DOOR-COMPARTMENT, LP - 16.9" X 5.4" - ALUMINUM - OFF WHITE (F04,F05,F06,F07)	
9	111009-01-F14	EA DOOR-COMPARTMENT, LP - 16.9" X 5.4" - ALUMINUM - SHALE BLUE	
10	111017-01-E07	EA DOOR-PATIO ENTERTAINMENT CENTER, 17.8" X 8.1" - OFF WHITE (F04,F05,F06,F07)	
10	111017-01-F14	EA DOOR-PATIO ENTERTAINMENT CENTER, 17.8" X 8.1" - SHALE BLUE	
11	111013-05-E07	EA DOOR-STORAGE, 18.4" X 11.6" - OFF WHITE (F04,F05,F06,F07)	
11	111013-05-F14	EA DOOR-STORAGE, 18.4" X 11.6" - SHALE BLUE	
12	052009-01-000	EA DOOR-WATER HEATER, OFF WHITE - ATWOOD 5576-27	
13	084103-03-000	EA DOOR-REFRIGERATOR, VENTED - W/O JAMB - OFF WHITE	
13	084104-03-000	EA JAMB-DOOR, REFRIGERATOR - OFF WHITE	
	084104-01-700	EA LOCK-MALE, FASTENER - REFRIGERATOR DOOR	201-721-010
	084104-01-701	EA LOCK-FEMALE, FASTENER - REFRIGERATOR DOOR	201-802-010
14	111013-44-E07	EA DOOR-STORAGE, OFF WHITE (F04,F05,F06,F07)	
14	111013-44-F14	EA DOOR-STORAGE, SHALE BLUE	
15	111013-36-E07	EA DOOR-STORAGE, 741 MM X 551 MM - OFF WHITE	
16	081240-11-000	EA DOOR-WATER FILL, LOCKABLE W/O LOCK, 4" X 4 5/8" - OFF WHITE	

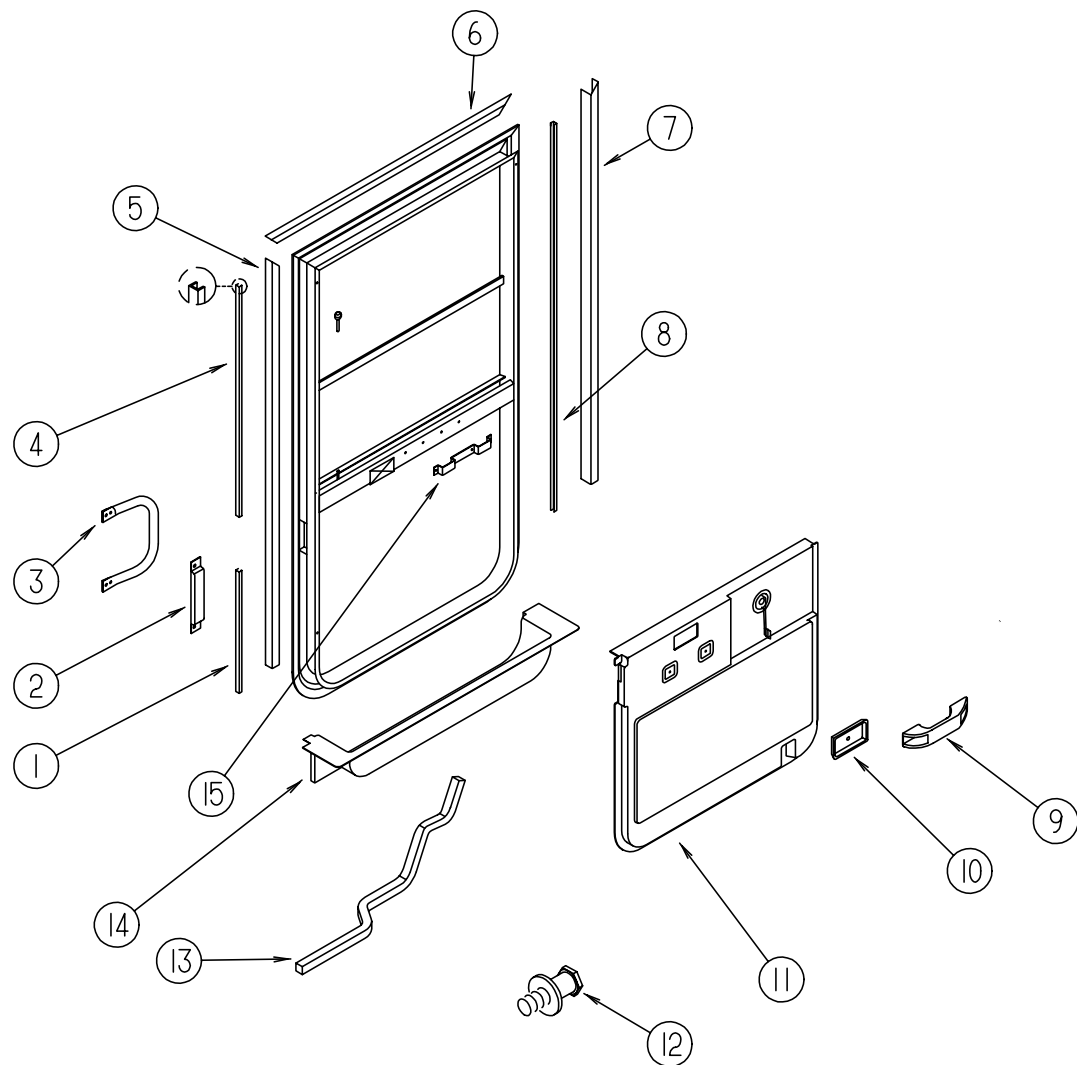
WINDOW, VENT & EXTERIOR DOOR GROUP (CONTINUED)

ENTRANCE DOOR



KEY	PART NUMBER	U/M	DESCRIPTION
1	M06977-01-F04	EA	DOOR-ENTRY W/SCREEN DOOR & W/O WINDOW
1	M06977-01-F05	EA	DOOR-ENTRY W/SCREEN DOOR & W/O WINDOW
1	M06977-01-F06	EA	DOOR-ENTRY W/SCREEN DOOR & W/O WINDOW
1	M06977-01-F07	EA	DOOR-ENTRY W/SCREEN DOOR & W/O WINDOW
1	115108-01-F14	EA	DOOR-ENTRY W/SCREEN DOOR - W/O WINDOW
			FROM: 00-00-00 THRU: 10-23-94
1	115108-05-F14	EA	DOOR-ENTRY W/SCREEN DOOR - W/O WINDOW
			FROM: 10-24-94 THRU: 99-99-99
2	039539-01-000	EA	STRIKE-LOCK, ENTRY DOOR - ROUND W/THREADED WASHER
3	039540-01-000	EA	LATCH MECHANISM-HOOK, ENTRY DOOR - INTERIOR
	039715-01-000	EA	NUT-SERT, 1/4" DIAMETER - 20 THREADS
4	039979-04-000	EA	COVER-INTERIOR LATCH, W/TRIP ARM - RIGHT - BLACK
	039984-01-000	EA	CAP-ROUND, VINYL - .28" ID X .62" LONG - BLACK
	041546-03-000	EA	BRACKET-DOOR ANGLE, 5" X 1.9" - BEIGE - METAL
5	045017-11-000	EA	LATCH-ENTRY DOOR, MECHANISM W/LOCK & KEY - BLACK
	045017-11-701	EA	KEY BLANK
	058025-02-000	EA	CLIP-ROLLER LATCH CATCH, SCREEN DOOR
	063729-01-000	EA	RIVNUT, 1/4 X 20 UNC - .030-.125
	063729-04-000	EA	RIVNUT, 10-32 UNF - .010-.080
	072893-01-000	EA	NUTSERT-M5 X 0, 8
	075671-04-000	FT	SEAL-SPONGE, LAZY T SHAPE - W/ADHESIVE STRIPE - .5" WIDE
6	079012-09-F15	EA	DOOR-SCREEN
	100128-02-000	FT	SEAL-FOAM, ADHESIVE BACK - SCREEN DOOR - GRAY
7	002293-02-000	SF	SCREENING-WINDOW/DOOR, 26" - CHARCOAL
8	002294-01-000	FT	SPLINE-SCREENING, .135" X .138" - BLACK
	002748-01-000	EA	CORNER KEY-DOOR
9	109403-01-000	EA	CATCH-ASM-SINGLE ROLLER
10	016454-01-000	EA	INSERT-CENTER, LEATHER GRAIN ALUMINUM - UNPAINTED
	001014-01-013	EA	INSERT-CENTER, 10.25" X 16.31" - UNPAINTED
11	050712-04-000	EA	HANDLE-SCREEN DOOR, ALUMINUM - OFF WHITE
12	078552-03-000	EA	KICK PANEL-SCREEN DOOR, LOWER INSERT - UNPAINTED
	078595-01-000	EA	TOP PLATE-SCREEN DOOR, CURVED TOP - 4.7" X 25.35"
13	078777-01-000	EA	CHANNEL-SLIDE, SCREEN DOOR CENTER SLIDER COVER
14	079086-02-000	EA	SLIDER-SCREEN DOOR, OFF WHITE
15	079087-02-000	EA	STRIKE-SLIDER, W/LIP FOR ELBOW CATCH - 1.5" X 8.6" - OFF WHITE
16	089748-01-000	EA	FRAME-BOTTOM, ENTRY DOOR - 24.8" LONG - OFF WHITE
	090340-01-000	FT	SEAL-FOAM, CLOSED CELL - 1/4" X 1/2" X 50'
17	095276-07-01A	EA	FRAME-ENTRY DOOR, W/O BOTTOM - OFF WHITE
18	095277-08-01A	EA	JAMB-ENTRY DOOR, W/BOTTOM - OFF WHITE
19	051049-01-000	EA	JAMB-BOTTOM, ENTRY DOOR - 25.9" - UNPAINTED
20	096810-01-01A	EA	PLATE-LATCH, ENTRY DOOR - PLASTIC - BLACK
21	106719-01-01A	EA	HINGE-ENTRY DOOR, UNPAINTED
	076725-02-000	EA	COVER-HINGE, ENTRY DOOR - 6" X 3.2" - PLASTIC - OFF WHITE
22	098173-01-04A	EA	STIFFENER-ENTRY DOOR, SUPPORTS LATCH/STRIKE AREA - UNPAINTED
23	101145-01-01A	EA	DEADBOLT-ENTRY DOOR, W/2 KEYS W/O BACK SET BOLT OR SCREWS
	095229-01-700	EA	KEY BLANK FOR DEADBOLT
	101147-01-000	EA	BOLT-SECURITY, 4.12" BACKSET
	102524-01-000	EA	BUMPER-RUBBER, FLAT - BLACK
24	044582-02-000	EA	CAP-DRIP, ENTRY DOOR - JAMB MOUNTED - ALUMINUM - OFF WHITE
	115222-01-01A	EA	GARNISH-RADIUS, ENTRY DOOR - OFF WHITE
	077461-03-000	EA	COVER-STRIKE, ENTRY DOOR - 6.5" X 2.5" - PLASTIC - WHITE
	091876-01-000	EA	RETAINER-DOOR, 1.9" X .8" - METAL
25	100412-01-000	EA	CATCH-SCREEN DOOR, THUMB CLIP W/BLACK PLASTIC CAP
26	104099-01-01A	EA	CATCH-DOOR HOLDER, STRIKE - OFF WHITE
27	104099-02-01A	EA	CATCH-DOOR HOLDER, RETAINER - OFF WHITE
	009126-02-000	EA	HANDLE-ASSIST, ENTRY DOOR - BLACK
	102248-01-000	EA	SHIM-DOOR
	093673-01-01A	FT	TRIM-ENTRANCE DOOR, 1.4" WIDE X 8' LONG - OFF WHITE PLASTIC

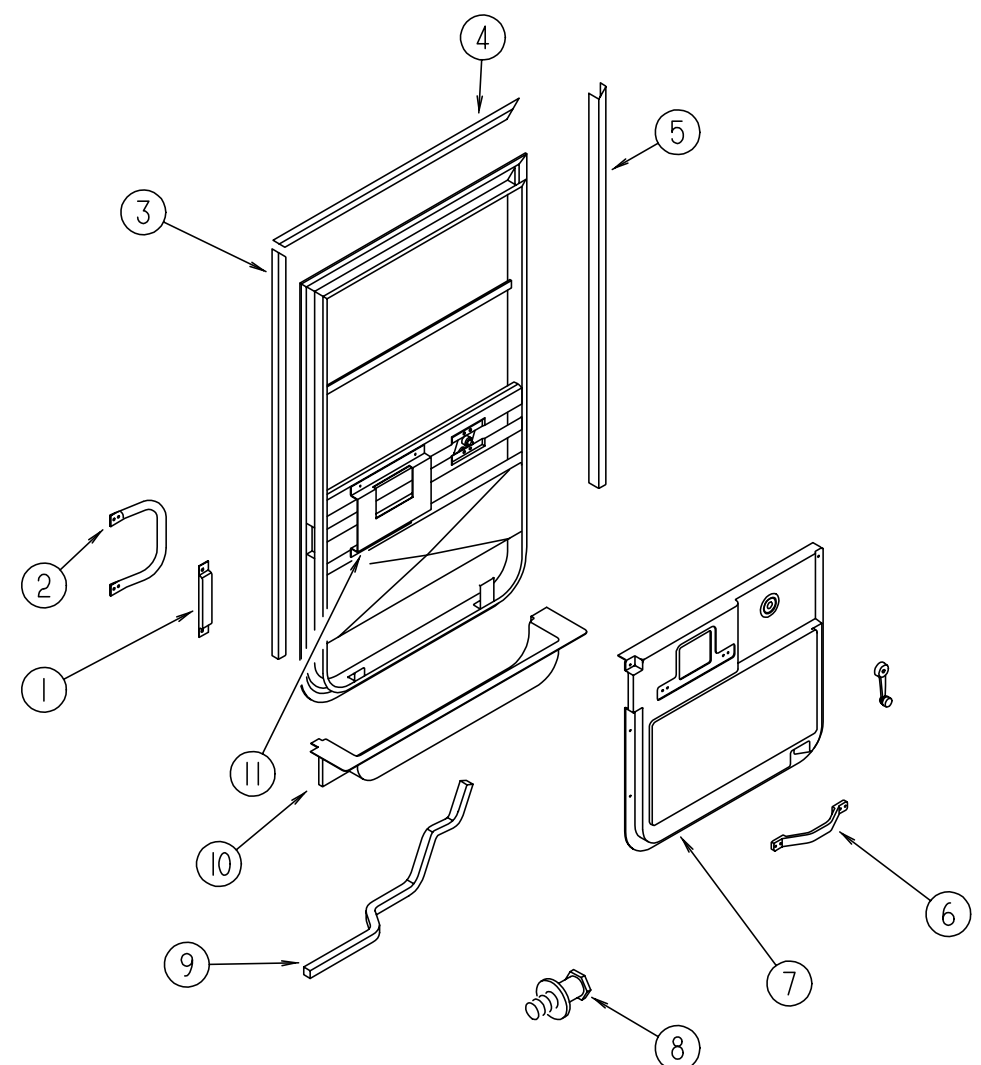
WINDOW, VENT & EXTERIOR DOOR GROUP (CONTINUED)



DRIVERS DOOR (FROM: 00-00-00 THRU: 11-13-94)

KEY	PART NUMBER	U/M DESCRIPTION	VENDOR NO.
	106469-02-01A	EA DOOR - DRIVERS - BLACK - EXCEL V108-01L	
1	108642-03-01A	EA TRIM - DOOR - DRIVERS - BLACK	
2	108654-01-01A	EA COVER - STRIKE - DRIVERS DOOR - BLACK	
3	108832-01-02A	EA HANDLE - ASSIST - DRIVERS DOOR - METAL - OFF WHITE	
3	108832-01-01A	EA HANDLE - ASSIST - DRIVERS DOOR - METAL - MILL FINISHED	
	108833-01-01A	EA COVER - HANDLE - ASSIST - OFF WHITE	
4	108642-05-01A	EA TRIM - DOOR - DRIVERS - BLACK	
5	108129-02-02A	EA GARNISH - DRIVERS DOOR - BLACK	
6	108107-01-02A	EA GARNISH - DRIVERS DOOR - BLACK	
7	108108-02-02A	EA GARNISH - DRIVERS DOOR - BLACK	
8	108642-04-01A	EA TRIM - DOOR - DRIVERS - BLACK	
9	102710-01-01A	EA HANDLE - ASSIST - DRIVERS DOOR - 6.6" LONG - BLACK	
10	106469-01-707	EA BEZEL - LATCH - INTERIOR (SUPPLIED W/DRIVERS DOOR)	130-081310
11	111816-01-04A	EA PANEL - DRIVER DOOR - INNER - BISQUE - PLASTIC	
12	106469-01-715	EA STRIKER ASSEMBLY - (SUPPLIED W/DRIVERS DOOR)	248-081003
13	063977-12-000	EA STEP - DRIVER DOOR - LEFT - PAINTED BLACK	
13	063977-11-000	EA STEP - DRIVER DOOR - LEFT - UNPAINTED	
14	107818-01-06A	EA TRIM - STEP - DRIVERS DOOR - PLASTIC - BISQUE	
	102569-02-000	EA MAT-ANTISLIP, 4" X 22"	
15	108533-01-000	EA BRACKET - HANDLE - MOUNT	
	108897-01-01A	EA GARNISH - DOOR - DRIVERS - U-CHANNEL - BLACK	
	109378-01-000	EA STRAP - CHECK - DRIVERS DOOR - BLACK	
	109235-01-01A	FT COVER - SCREW - MAT BLACK	
	109235-01-03A	FT COVER - SCREW - OFF WHITE	

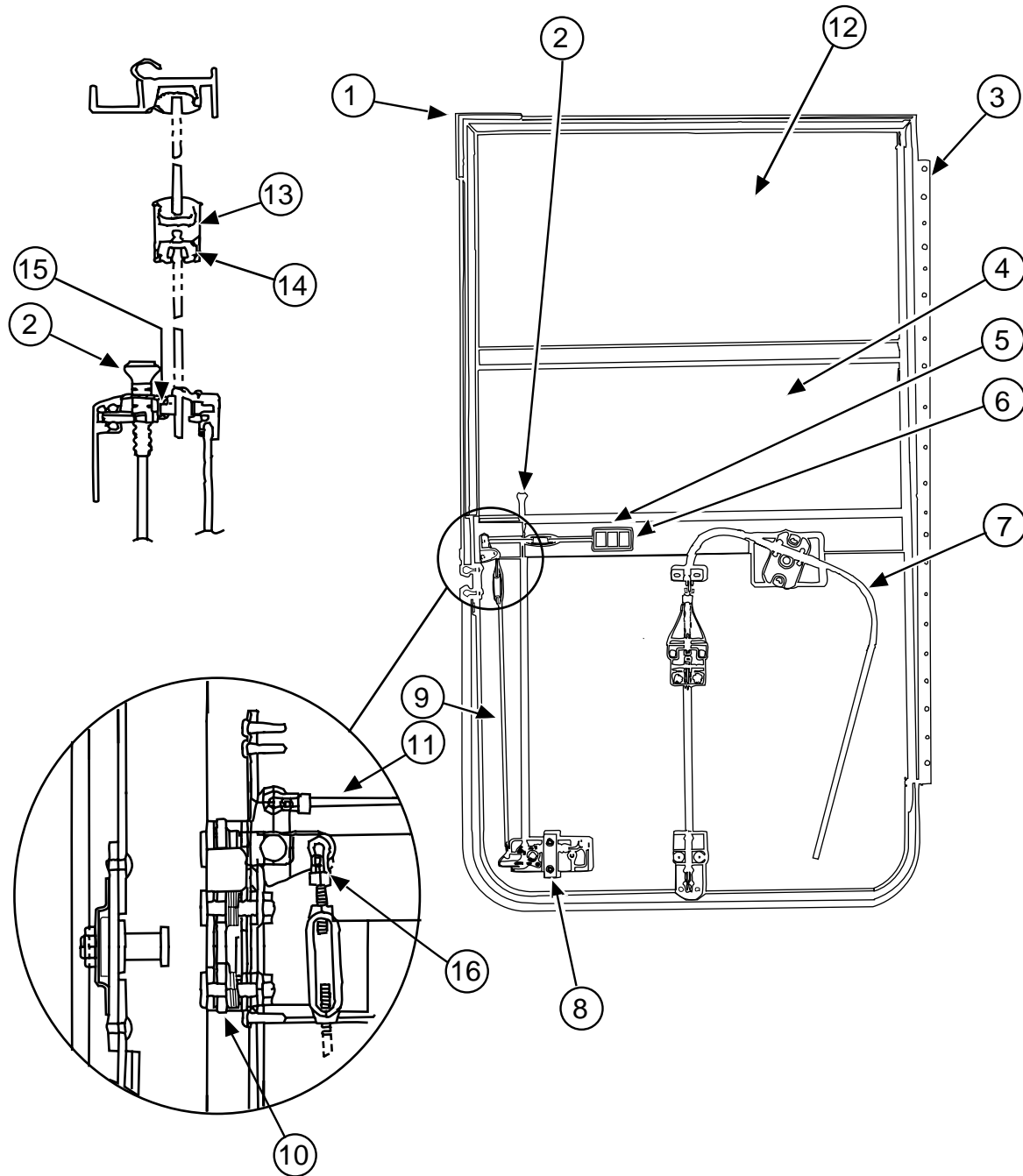
WINDOW, VENT & EXTERIOR DOOR GROUP (CONTINUED)



DRIVERS DOOR (FROM: 11-14-94 THRU: 99-99-99) (CONTINUED)

KEY	PART NUMBER	U/M DESCRIPTION	VENDOR NO.
	106469-07-01A	EA DOOR - DRIVERS - BLACK - EXCEL V130-01L	
1	108654-01-01A	EA COVER - STRIKE - DRIVERS DOOR - BLACK	
2	108832-01-02A	EA HANDLE - ASSIST - DRIVERS DOOR - METAL - OFF WHITE	
2	108832-01-01A	EA HANDLE - ASSIST - DRIVERS DOOR - METAL - MILL FINISHED	
	108833-01-01A	EA COVER - HANDLE - ASSIST - OFF WHITE	
3	108129-02-02A	EA GARNISH - DRIVERS DOOR - BLACK	
4	108107-01-02A	EA GARNISH - DRIVERS DOOR - BLACK	
5	108108-04-02A	EA GARNISH - DRIVERS DOOR - BLACK	
6	110604-01-01A	EA HANDLE - ASSIST - DRIVERS DOOR - 10.8" LONG - BLACK	
7	114973-01-03A	EA PANEL - DRIVER DOOR - INNER - BISQUE - PLASTIC	
8	106469-01-715	EA STRIKER ASSEMBLY - (SUPPLIED W/DRIVERS DOOR)	248-081003
9	063977-12-000	EA STEP - DRIVER DOOR - LEFT - PAINTED BLACK	
9	063977-11-000	EA STEP - DRIVER DOOR - LEFT - UNPAINTED	
10	107818-01-06A	EA TRIM - STEP - DRIVERS DOOR - PLASTIC - BISQUE	
	102569-02-000	EA MAT-ANTISLIP, 4" X 22"	
11	115051-01-01B	EA BRACKET - HANDLE - MOUNT	
	108897-01-01A	EA GARNISH - DOOR - DRIVERS - U-CHANNEL - BLACK	
	109378-01-000	EA STRAP - CHECK - DRIVERS DOOR - BLACK	
	064219-01-000	EA RETAINER-CHECK STRAP, DRIVERS DOOR - BLACK	
	109235-01-01A	FT COVER - SCREW - MAT BLACK	
	109235-01-03A	FT COVER - SCREW - OFF WHITE	

WINDOW, VENT & EXTERIOR DOOR GROUP (CONTINUED)



DRIVERS DOOR (FROM: 00-00-00 THRU: 11-13-94)

KEY	PART NUMBER	U/M	DESCRIPTION	VENDOR NO.
1	106469-01-702	EA	DOOR SEAL	122-040984
2	106469-01-708	EA	BUTTON-LOCK, BLACK PLASTIC	130-081313
3	106469-01-716	EA	HINGE - 21"	211-080807
4	106469-01-704	EA	ROLL-UP GLASS ASM W/BRACKET	V103-65L
5	106469-01-707	EA	BEZEL-LATCH, INTERIOR - BLACK PLASTIC	130-081310
6	106469-01-717	EA	HANDLE-INTERIOR	248-081308
7	106469-02-701	EA	REGULATOR ASSEMBLY	V108-90L
8	106469-01-711	EA	HANDLE-EXTERIOR	410-081036
	106469-01-701	EA	TUMBLER & 2 KEYS	248-040557
	106469-01-718	EA	KEY-BLANK (2)	248-040558
9	106469-01-712	EA	LATCH ROD ASSEMBLY, VERTICAL	V103-49
10	106469-01-710	EA	LATCH-ROTARY	248-081311
11	106469-01-714	EA	LATCH-ROD, HORIZONTAL	203-081015
12	106469-02-702	EA	GLASS-STATIONARY	106-041104
13	106469-01-719	EA	MULLION RAIL	V103-84
14	106469-01-705	FT	RUN-CHANNEL	122-010850
15	106469-01-709	FT	WEATHERSTRIP-FUZZY	171-040630
16	106469-01-706	EA	FASTENER-ROD END	130-040593
	106469-02-700	EA	JAMB-DRIVER DOOR	V108-30L
	106469-02-703	EA	BELT-WEATHERSTRIP, EXTERIOR WINDOW	V047-57

DRIVERS DOOR (FROM: 11-14-94 THRU: 99-99-99)

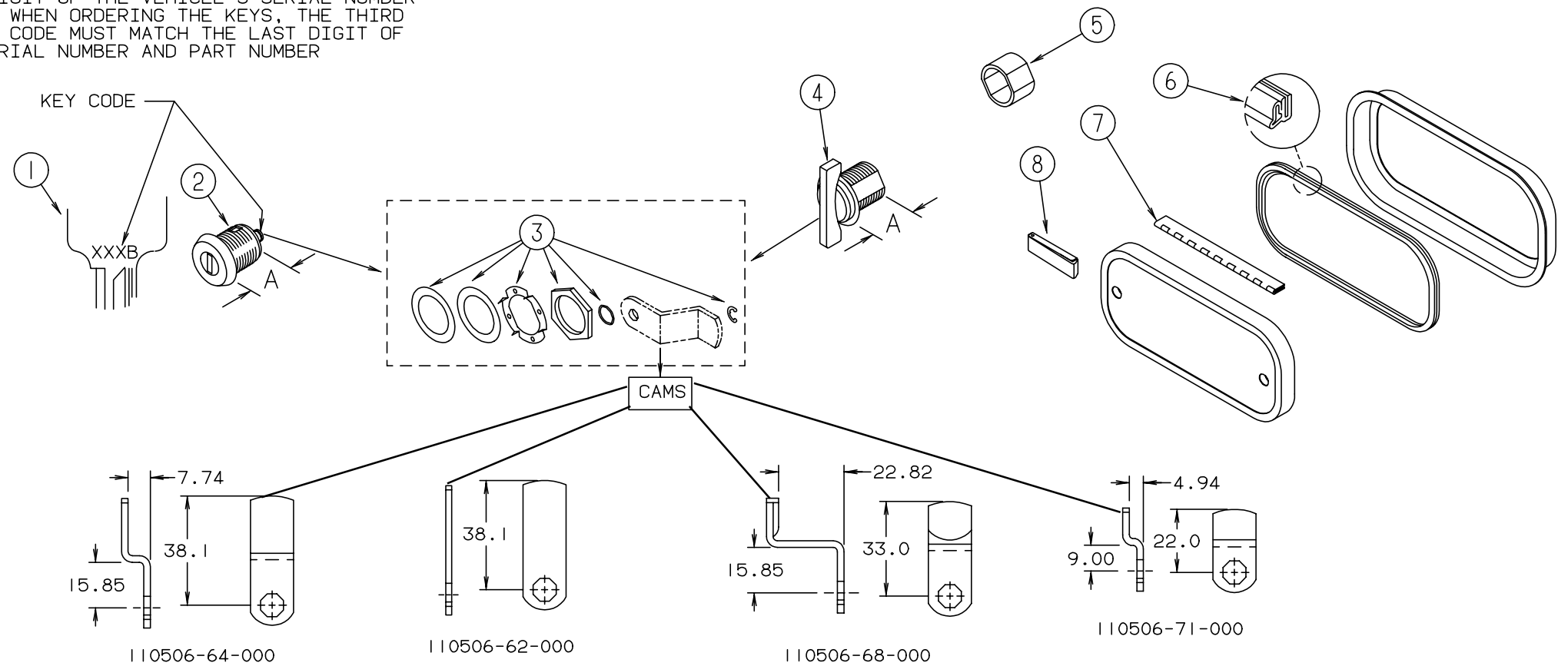
KEY	PART NUMBER	U/M	DESCRIPTION	VENDOR NO.
1	106469-01-702	EA	DOOR SEAL	122-040984
2	106469-01-708	EA	BUTTON-LOCK, BLACK PLASTIC	130-081313
3	106469-01-716	EA	HINGE - 21"	211-080807
4	106469-01-704	EA	ROLL-UP GLASS ASM W/BRACKET	V103-65L
5	106469-01-707	EA	BEZEL-LATCH, INTERIOR - BLACK PLASTIC	130-081310
6	106469-01-717	EA	HANDLE-INTERIOR	248-081308
7	106469-02-701	EA	REGULATOR ASSEMBLY	V108-90L
8	106469-01-711	EA	HANDLE-EXTERIOR	410-081036
	106469-01-701	EA	TUMBLER & 2 KEYS	248-040557
	106469-01-718	EA	KEY-BLANK (2)	248-040558
9	106469-01-712	EA	LATCH ROD ASSEMBLY, VERTICAL	V103-49
10	106469-01-710	EA	LATCH-ROTARY	248-081311
11	106469-01-714	EA	LATCH-ROD, HORIZONTAL	203-081015
12	106469-02-702	EA	GLASS-STATIONARY	106-041104
13	106469-01-719	EA	MULLION RAIL	V103-84
14	106469-01-705	FT	RUN-CHANNEL	122-010850
15	106469-01-709	FT	WEATHERSTRIP-FUZZY	171-040630
16	106469-01-706	EA	FASTENER-ROD END	130-040593
	106469-02-700	EA	JAMB-DRIVER DOOR	V108-30L
	106469-02-703	EA	BELT-WEATHERSTRIP, EXTERIOR WINDOW	V047-57

WINDOW, VENT & EXTERIOR DOOR GROUP (CONTINUED)

LOCKS & EXTERIOR DOOR COMPONENTS

NOTE:

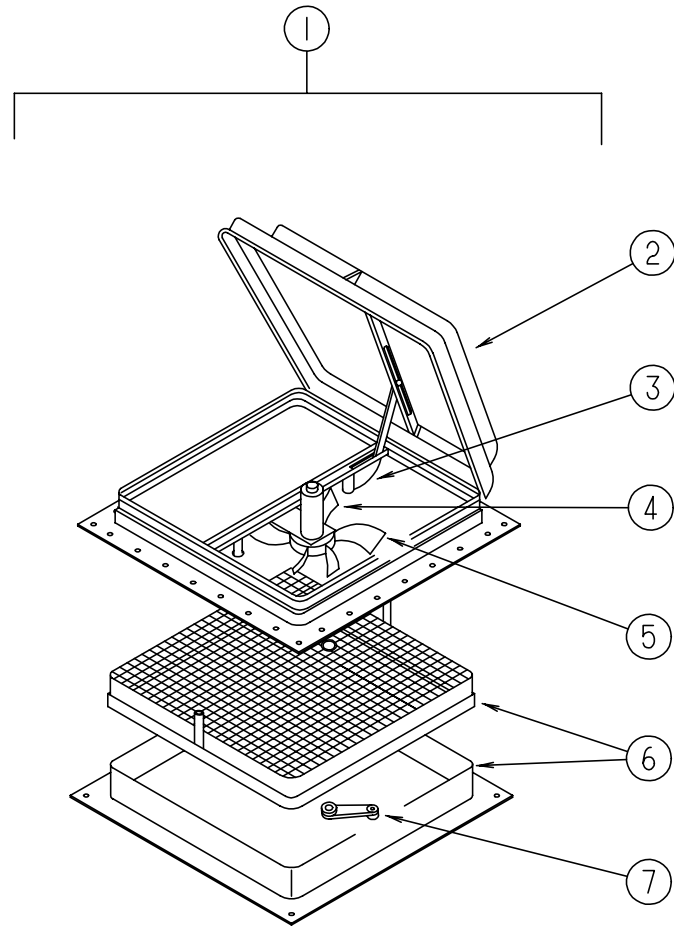
WHEN ORDERING THE LOCK CASE, THE KEY CODE MUST MATCH THE LAST DIGIT OF THE VEHICLE'S SERIAL NUMBER AND PART NUMBER; WHEN ORDERING THE KEYS, THE THIRD DIGIT OF THE KEY CODE MUST MATCH THE LAST DIGIT OF THE VEHICLE'S SERIAL NUMBER AND PART NUMBER



KEY	PART NUMBER	U/M	DESCRIPTION	VENDOR NO.
1	110506-59-000	EA	KEYS - SET OF TWO	596720
2	110506-52-000	EA	CASE - LOCK - A= 17 MM	702370
2	110506-53-000	EA	CASE - LOCK - A= 25 MM	702380
1	110506-59-001	EA	KEYS - SET OF TWO	596721
2	110506-52-001	EA	CASE - LOCK - A= 17 MM	702371
2	110506-53-001	EA	CASE - LOCK - A= 25 MM	702381
1	110506-59-002	EA	KEYS - SET OF TWO	596722
2	110506-52-002	EA	CASE - LOCK - A= 17 MM	702372
2	110506-53-002	EA	CASE - LOCK - A= 25 MM	702382
1	110506-59-003	EA	KEYS - SET OF TWO	596723
2	110506-52-003	EA	CASE - LOCK - A= 17 MM	702373
2	110506-53-003	EA	CASE - LOCK - A= 25 MM	702383
1	110506-59-004	EA	KEYS - SET OF TWO	596724
2	110506-52-004	EA	CASE - LOCK - A= 17 MM	702374
2	110506-53-004	EA	CASE - LOCK - A= 25 MM	702384
1	110506-59-005	EA	KEYS - SET OF TWO	596725
2	110506-52-005	EA	CASE - LOCK - A= 17 MM	702375
2	110506-53-005	EA	CASE - LOCK - A= 25 MM	702385
1	110506-59-006	EA	KEYS - SET OF TWO	596726
2	110506-52-006	EA	CASE - LOCK - A= 17 MM	702376
2	110506-53-006	EA	CASE - LOCK - A= 25 MM	702386
1	110506-59-007	EA	KEYS - SET OF TWO	596727
2	110506-52-007	EA	CASE - LOCK - A= 17 MM	702377
2	110506-53-007	EA	CASE - LOCK - A= 25 MM	702387

KEY	PART NUMBER	U/M	DESCRIPTION	VENDOR NO.
1	110506-59-008	EA	KEYS - SET OF TWO	596728
2	110506-52-008	EA	CASE - LOCK - A= 17 MM	702378
2	110506-53-008	EA	CASE - LOCK - A= 25 MM	702388
1	110506-59-009	EA	KEYS - SET OF TWO	596729
2	110506-52-009	EA	CASE - LOCK - A= 17 MM	702379
2	110506-53-009	EA	CASE - LOCK - A= 25 MM	702389
3	110506-40-700	EA	HARDWARE KIT	596950AAL
	110506-59-701	EA	KEY BLANK	
4	110506-08-000	EA	LOCK - TWIST TYPE (A= 17 MM)	
4	110506-13-000	EA	LOCK - TWIST TYPE (A= 25 MM)	
5	107997-51-001	EA	SPACER - .86" X .6" - ALUMINUM	
6	064075-07-000	FT	SEAL - BULB - W/ WIRED U CHANNEL - .3" X .5" CHANNEL - BLACK	
7	081801-02-000	EA	HINGE - PIANO - 2" X 96" - ALUMINUM - OFF WHITE	
8	102768-01-000	EA	HOLDER - COMPARTMENT/ ENTRY DOOR - METAL - MILL FINISH	
	081914-01-000	EA	BUMPER - RUBBER - ROUND - .43" DIAMETER - BLACK	
	104692-01-000	FT	SEAL - 3/4" X 3/4" - ADHESIVE BACK	
	091876-01-000	EA	RETAINER - DOOR - 1.9" X .8" - METAL	

WINDOW, VENT & EXTERIOR DOOR GROUP (CONTINUED)



POWERED ROOF VENT - JENSEN - CANADIAN

KEY	PART NUMBER	U/M DESCRIPTION	VENDOR NO.
1	110051-05-01A	EA VENT-ROOF, POWERED - 2" ROOF - CSA - JENSEN C7757 WHE	
2	064470-01-700	EA COVER-ROOF VENT	7291
3	110051-01-702	EA LIFT ASM-VENT LID W/O CRANK	RP-1000B
4	048648-01-000	EA MOTOR-ROOF VENT, 1/8 SHAFT - 12V	
5	048649-01-000	EA FAN-ROOF VENT, 6 BLADES - 6"	
6	110051-01-701	EA GARNISH W/SCREEN & FRAME-2"	29-800-01
7	110051-01-703	EA CRANK HANDLE-ROOF VENT	RP-1031-B

WINDOW, VENT & EXTERIOR DOOR GROUP (CONTINUED)

POWERED ROOF VENT

KEY	PART NUMBER	U/M DESCRIPTION	VENDOR NO.
	110051-03-01A	EA VENT-ROOF, POWERED - 2" ROOF - JENSEN 7757 WHE	
	048648-01-000	EA MOTOR-ROOF VENT, 1/8 SHAFT - 12V - JENSEN	
	048649-01-000	EA FAN-ROOF VENT, 6 BLADES - 6" - JENSEN	
	064470-01-700	EA COVER-ROOF VENT	7291
	110051-01-701	EA GARNISH W/SCREEN & FRAME-2"	29-800-01
	110051-01-702	EA LIFT ASM-VENT LID W/O CRANK	RP-1000B
	110051-01-703	EA CRANK	RP-1031-B

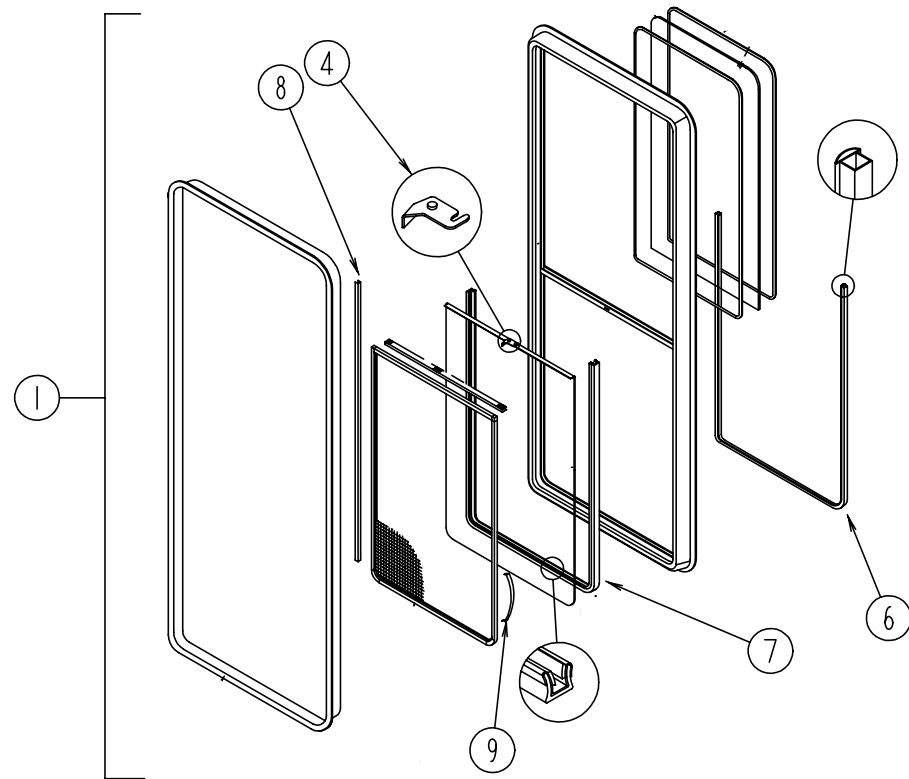
NONPOWERED ROOF VENT

KEY	PART NUMBER	U/M DESCRIPTION	VENDOR NO.
	110051-01-01A	EA VENT-ROOF, NONPOWERED - 2" ROOF - JENSEN 7724 WHE	
	064470-01-700	EA COVER-ROOF VENT	7291
	110051-01-701	EA GARNISH W/SCREEN & FRAME-2"	29-800-01
	110051-01-702	EA LIFT ASM-VENT LID W/O CRANK	RP-1000B
	110051-01-703	EA CRANK	RP-1031-B

VENTS, SHROUDS & ROOF COVERS

KEY	PART NUMBER	U/M DESCRIPTION
	083558-03-000	EA VENT-PLUMBING PIPE ROOF W/COVER - OFF WHITE
	084616-01-000	EA SHROUD-RANGE HOOD VENT, PLASTIC - OFF WHITE
	084878-09-000	EA VENT-RANGE HOOD, SHORT - LVS
	084073-03-000	EA COVER-ROOF VENT, REFRIGERATOR - OFF WHITE - NORCOLD
	084073-04-000	EA BASE-ROOF VENT, REFRIGERATOR - BLACK - NORCOLD
	105028-01-000	EA FLASHING ASM-VENT, REFRIGERATOR

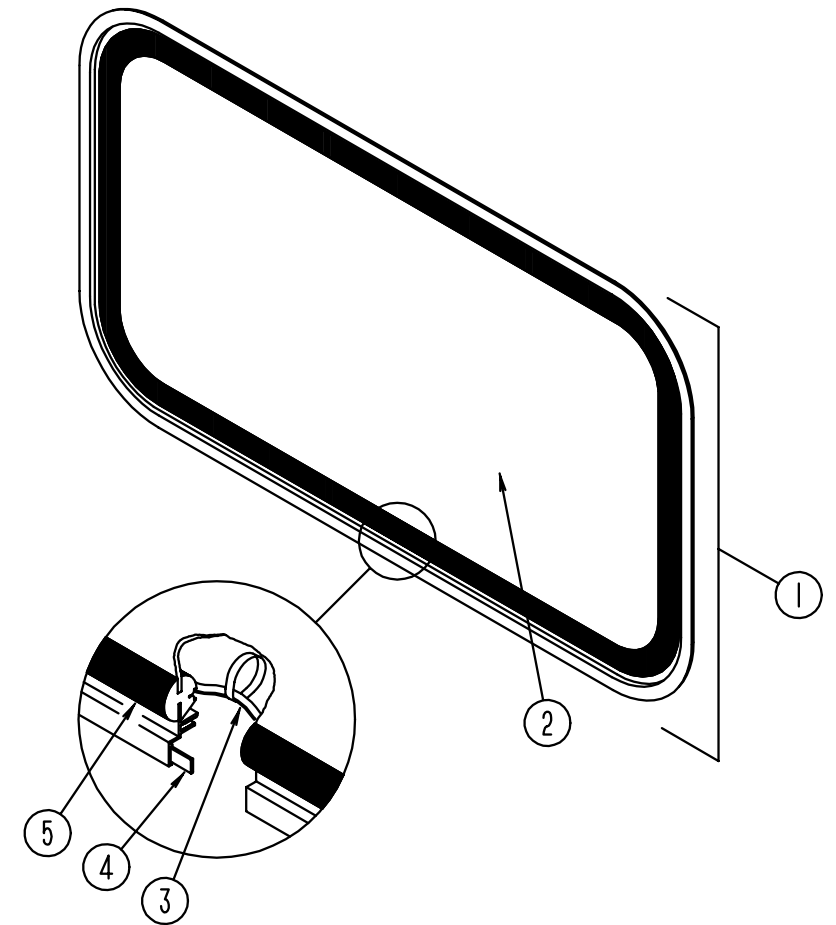
WINDOW, VENT & EXTERIOR DOOR GROUP (CONTINUED)



PASSENGER SIDE SWIVEL CHAIR WINDOW

KEY	PART NUMBER	U/M	DESCRIPTION	VENDOR NO.
1	098644-07-01A	EA	WINDOW ASM-SINGLE RAISE B/OW - EXCEL H170-G2W66	
4	098644-01-700	EA	LATCH-REPAIR KIT	B801-CK
6	098644-01-706	FT	WEATHERSTRIP	171-010668
7	098644-01-708	FT	CHANNEL-PIERCED RUN	122-016543
8	098644-01-710	FT	TRACK-SCREEN SPACER, 12' LENGTH	M401-31
	098644-01-711	FT	WEATHERSTRIP-SCREEN, BLACK	171-016965
9	098644-01-713	EA	SPRING-SCREEN FRAME (CLIP), PLASTIC - BLACK	226-016966
	098644-01-716	FT	PLUG-FILLER	132-014470
	098644-01-717	FT	SPLINE-SCREEN	132-004716

WINDOW, VENT & EXTERIOR DOOR GROUP (CONTINUED)



BACKWALL ESCAPE WINDOW

KEY	PART NUMBER	U/M	DESCRIPTION
	074816-11-000	EA	FRAME-WINDOW, INSIDE - ESCAPE - OFF WHITE
1	078528-06-E10	EA	WINDOW-ESCAPE, BACKWALL - W/O INSIDE FRAME
2	076337-12-000	EA	GLASS-WINDOW, 1157.4 X 548.1
3	002285-01-000	FT	FILLER-WEATHER STRIP, RUBBER - BLACK
	077066-01-702	EA	RED POLY.005 X .500" X 150' ROLL
4	069640-10-000	FT	SEALER-RIBBON, 1/32" X 1 1/2" INCREMENTS OF 90'
5	002282-09-000	EA	WEATHERSTRIP-WINDOW, .125" X 130.53 - VULCANIZED - BLACK

WINDOW, VENT & EXTERIOR DOOR GROUP (CONTINUED)

DRIVER & PASSENGER SIDE BEDROOM WINDOW

KEY	PART NUMBER	U/M DESCRIPTION	VENDOR NO.
	113500-01-01A	EA WINDOW ASM-TIPOUT, DOUBLE - BLK/OW	
	113500-01-701	EA WINDOW W/O TRIM	CH04-G2
	113500-01-700	EA SCREEN ASM. (RH & LH) W/SPRING	410-016020
	113500-01-702	EA TRIM	CW04-59
	113500-01-703	EA TOP GLASS-STATIONARY	106-015970
	113500-01-704	EA UPPER VENT GLASS ASSEMBLY	CH04-G7
	113500-01-705	EA LOWER VENT GLASS ASSEMBLY	CH04-G9
	113500-01-706	EA OPERATOR & BAR ASSEMBLY	CH04-15

DRIVER SIDE BEDROOM THERMOPANE WINDOW

KEY	PART NUMBER	U/M DESCRIPTION	VENDOR NO.
	112795-23-01A	EA WINDOW ASM-SLIDER, HORIZONTAL - THERMOPANE - DRIVER SIDE	
	112795-23-700	EA WINDOW W/O TRIM	DC04-G2L
	098647-29-701	EA TRIM	CW04-66
	098647-29-704	EA SCREEN ASSEMBLY	410-018864
	112795-01-700	EA LATCH ASSEMBLY (BLK)	DH287-CK
	112795-01-701	FT SLIDE-STOP	132-019092
	112795-01-704	FT FILLER PLUG	122-018737
	112795-01-703	FT RUN CHANNEL	122-018736
	112795-01-705	FT VINYL-GLAZING	132-025736
	112795-21-701	EA GLASS-STATIONARY	390-019132
	112795-21-702	EA SLIDE ASSEMBLY	DC04-G9

PASSENGER SIDE BEDROOM THERMOPANE WINDOW

KEY	PART NUMBER	U/M DESCRIPTION	VENDOR NO.
	112795-21-01A	EA WINDOW ASM-SLIDER, HORIZONTAL - THERMOPANE - PASSENGER SIDE	
	112795-21-700	EA WINDOW W/O TRIM	DC04-G2R
	098647-29-701	EA TRIM	CW04-66
	098647-29-704	EA SCREEN ASSEMBLY	410-018864
	112795-01-700	EA LATCH ASSEMBLY (BLK)	DH287-CK
	112795-01-701	FT SLIDE-STOP	132-019092
	112795-01-704	FT FILLER PLUG	122-018737
	112795-01-703	FT RUN CHANNEL	122-018736
	112795-01-705	FT VINYL-GLAZING	132-025736
	112795-21-701	EA GLASS-STATIONARY	390-019132
	112795-21-702	EA SLIDE ASSEMBLY	DC04-G9

DRIVER SIDE DINETTE WINDOW

KEY	PART NUMBER	U/M DESCRIPTION	VENDOR NO.
	098647-35-01A	EA WINDOW ASM-SLIDER, HORIZONTAL	
	098647-35-700	EA WINDOW W/O TRIM	H415-G2L
	098644-01-700	EA LATCH REPAIR KIT (BLACK)	B801-CK
	098644-01-706	FT WEATHERSTRIP-GLASS	171-010668
	098644-01-708	FT CHANNEL-RUN, PIERCED - GLASS	122-016543
	098644-01-710	FT TRACK-SPACER, FOR SCREEN 12'	132-017135
	098644-01-711	FT WEATHERSTRIP-SCREEN, BLACK	171-016965
	098644-01-713	EA SCREEN CLIPS (METAL) (BLK)	226-016966
	098644-01-716	FT PLUG-FILLER	132-014470
	098644-01-717	FT SPLINE-SCREEN	132-004716
	098647-36-701	EA TRIM	CW80-66
	098647-35-701	EA GLASS-STATIONARY	106-019119
	098647-35-702	EA GLASS SLIDE ASSEMBLY	H279-G9
	098647-36-704	EA SCREEN ASSEMBLY	410-017750

WINDOW, VENT & EXTERIOR DOOR GROUP (CONTINUED)

DRIVER SIDE DINETTE THERMOPANE WINDOW

KEY	PART NUMBER	U/M DESCRIPTION	VENDOR NO.
	112795-35-01A	EA WINDOW ASM-SLIDER, HORIZONTAL - THERMOPANE	
	112795-01-700	EA LATCH ASSEMBLY (BLK)	DH287-CK
	112795-01-701	FT SLIDE-STOP	132-019092
	112795-01-704	FT FILLER PLUG	122-018737
	112795-01-703	FT RUN CHANNEL	122-018736
	112795-01-705	FT VINYL-GLAZING	132-025736

DRIVER SIDE CAB WINDOW

KEY	PART NUMBER	U/M DESCRIPTION	VENDOR NO.
	103658-09-01A	EA WINDOW ASM-CAB DRIVER	
	098644-01-700	EA LATCH REPAIR KIT (BLACK)	B801-CK
	098644-01-706	FT WEATHERSTRIP-GLASS	171-010668
	098644-01-708	FT CHANNEL-RUN, PIERCED - GLASS	122-016543
	098644-01-710	FT TRACK-SPACER, FOR SCREEN 12'	132-017135
	098644-01-711	FT WEATHERSTRIP-SCREEN, BLACK	171-016965
	098644-01-713	EA SCREEN CLIPS (METAL) (BLK)	226-016966
	098644-01-716	FT PLUG-FILLER	132-014470
	098644-01-717	FT SPLINE-SCREEN MFG	132-004716
	103658-09-700	EA GLASS-STATIONARY (RH & LH)	106-018971
	103658-09-702	EA TRIM-LEFT	H373-66 & 76L
	103658-09-704	EA SLIDE ASSEMBLY	H405-A9L
	103658-09-705	EA SCREEN ASSEMBLY	410-018973LT/RT

DRIVER SIDE CAB WINDOW - THERMOPANE

KEY	PART NUMBER	U/M DESCRIPTION	VENDOR NO.
	113501-03-01A	EA WINDOW ASM-CAB DRIVER - THERMOPANE	
	113501-03-700	EA WINDOW W/O TRIM	DH405-A2L
	103658-09-702	EA TRIM-LEFT	H373-66 & 76L
	103658-09-705	EA SCREEN ASSEMBLY	410-018973LT/RT
	113501-03-701	EA GLASS-STATIONARY	390-019397L
	113501-03-702	EA GLASS-SLIDE ASSEMBLY	DH405-A9L

PASSENGER SIDE CAB WINDOW

KEY	PART NUMBER	U/M DESCRIPTION	VENDOR NO.
	103658-10-01A	EA WINDOW ASM-CAB, PASSENGER	
	103658-10-700	EA WINDOW W/O TRIM	H405-A2R
	098644-01-700	EA LATCH REPAIR KIT (BLACK)	B801-CK
	098644-01-706	FT WEATHERSTRIP-GLASS	171-010668
	098644-01-708	FT CHANNEL-RUN, PIERCED - GLASS	122-016543
	098644-01-710	FT TRACK-SPACER, FOR SCREEN 12'	132-017135
	098644-01-711	FT WEATHERSTRIP-SCREEN, BLACK	171-016965
	098644-01-713	EA SCREEN CLIPS (METAL) (BLK)	226-016966
	098644-01-716	FT PLUG-FILLER	132-014470
	098644-01-717	FT SPLINE-SCREEN MFG	132-004716
	103658-09-700	EA GLASS-STATIONARY (RH & LH)	106-018971
	103658-10-701	EA TRIM-RIGHT	H373-66 & 76R
	103658-10-703	EA SLIDE ASSEMBLY	H405-A9R
	103658-10-704	EA SCREEN ASSEMBLY	410-018973R

WINDOW, VENT & EXTERIOR DOOR GROUP (CONTINUED)

PASSENGER SIDE CAB THERMOPANE WINDOW

KEY	PART NUMBER	U/M DESCRIPTION	VENDOR NO.
	113501-04-01A	EA WINDOW ASM-CAB, PASSENGER - THERMOPANE	
	113501-04-700	EA WINDOW W/O TRIM	DH405-A2R
	103658-10-701	EA TRIM-RIGHT	H373-66 & 76R
	103658-10-704	EA SCREEN ASSEMBLY	410-018973R
	113501-04-701	EA GLASS-STATIONARY	390-019395
	113501-04-702	EA GLASS-SLIDE ASSEMBLY	DH405A9R

PASSENGER SIDE LOUNGE WINDOW

KEY	PART NUMBER	U/M DESCRIPTION	VENDOR NO.
	098644-07-01A	EA WINDOW ASM-SINGLE RAISE BLK/OW	
	098644-07-700	EA WINDOW W/O TRIM	H170-G2
	098644-01-700	EA LATCH REPAIR KIT (BLACK)	B801-CK
	098644-01-706	FT WEATHERSTRIP-GLASS	171-010668
	098644-01-708	FT CHANNEL-RUN, PIERCED - GLASS	122-016543
	098644-01-710	FT TRACK-SPACER, FOR SCREEN 12'	132-017135
	098644-01-711	FT WEATHERSTRIP-SCREEN, BLACK	171-016965
	098644-01-713	EA SCREEN CLIPS (METAL) (BLK)	226-016966
	098644-01-716	FT PLUG-FILLER	132-014470
	098644-01-717	FT SPLINE-SCREEN	132-004716
	098644-07-701	EA TRIM	CW02-66
	098644-07-702	EA GLASS-STATIONARY	106-015777
	098644-07-703	EA SLIDE ASSEMBLY	H170-G9
	098644-07-704	EA SCREEN ASSEMBLY	410-018863

PASSENGER SIDE LOUNGE THERMOPANE WINDOW

KEY	PART NUMBER	U/M DESCRIPTION	VENDOR NO.
	112898-04-01A	EA WINDOW ASM-SLIDER, VERTICAL - THERMOPANE	
	112898-04-700	EA WINDOW W/O TRIM	DC02-G2
	098644-07-701	EA TRIM	CW02-66
	098644-07-704	EA SCREEN ASSEMBLY	410-018863
	112898-04-701	EA GLASS-STATIONARY	390-019130
	112898-04-702	EA SLIDE ASSEMBLY	DC02-G9

ENTRY DOOR WINDOW

KEY	PART NUMBER	U/M DESCRIPTION
	079733-15-F04	EA WINDOW-ENTRY DOOR, PICTURE
	000H13-04-07B	EA RIVET-SEMITUB-STL 1/8 X .219
	002181-22-000	EA GLASS-PICTURE 687.4 X 449.4
	004012-02-000	QT ADHESIVE-3M 4475 (QUART)
	053752-08-000	GL SEAM SEALER-5 GAL,BLACK
	075201-02-000	GL SEALANT-ACRYLIC, BLACK
	087561-01-000	FT EXTR-VINYL SEAL, TIPOUT/SLIDE
	090907-51-002	EA EXTR-STRAP

ENTRY DOOR THERMOPANE WINDOW

KEY	PART NUMBER	U/M DESCRIPTION	VENDOR NO.
	113733-01-01A	EA WINDOW ASM-STATIONARY, THERMOPANE	
	113733-01-701	EA TRIM (W)	W41666
	113733-01-702	EA GLASS-STATIONARY	390-019187

WINDOW, VENT & EXTERIOR DOOR GROUP (CONTINUED)

PASSENGER SIDE GALLY WINDOW

KEY	PART NUMBER	U/M DESCRIPTION	VENDOR NO.
	098647-34-01A	EA WINDOW ASM-SLIDER, HORIZONTAL	
	098647-33-700	EA WINDOW W/O TRIM	H425-G2R
	098644-01-700	EA LATCH REPAIR KIT (BLACK)	B801-CK
	098644-01-706	FT WEATHERSTRIP-GLASS	171-010668
	098644-01-708	FT CHANNEL-RUN, PIERCED - GLASS	122-016543
	098644-01-710	FT TRACK-SPACER, FOR SCREEN 12'	132-017135
	098644-01-711	FT WEATHERSTRIP-SCREEN, BLACK	171-016965
	098644-01-713	EA SCREEN CLIPS (METAL) (BLK)	226-016966
	098644-01-716	FT PLUG-FILLER	132-014470
	098644-01-717	FT SPLINE-SCREEN	132-004716
	098647-33-701	EA TRIM	CW29-66
	098647-33-702	EA GLASS-STATIONARY	106-019297
	098647-33-703	EA GLASS SLIDE ASSEMBLY	H425-G9
	098647-33-704	EA SCREEN ASSEMBLY	410-019134

PASSENGER SIDE GALLY THERMOPANE WINDOW

KEY	PART NUMBER	U/M DESCRIPTION	VENDOR NO.
	112795-19-01A	EA WINDOW ASM-SLIDER, HORIZONTAL - THERMOPANE	
	112795-19-700	EA WINDOW W/O TRIM	DC29-G2R
	098647-31-701	EA TRIM	CW29-66
	098647-31-704	EA SCREEN ASSEMBLY	410-019128
	112795-01-700	EA LATCH ASSEMBLY (BLK)	DH287-CK
	112795-01-701	FT SLIDE-STOP	132-019092
	112795-01-704	FT FILLER PLUG	122-018737
	112795-01-703	FT RUN CHANNEL	122-018736
	112795-01-705	FT VINYL-GLAZING	132-025736
	112795-21-701	EA GLASS-STATIONARY	390-019132
	112795-21-702	EA SLIDE ASSEMBLY	DC04-G9

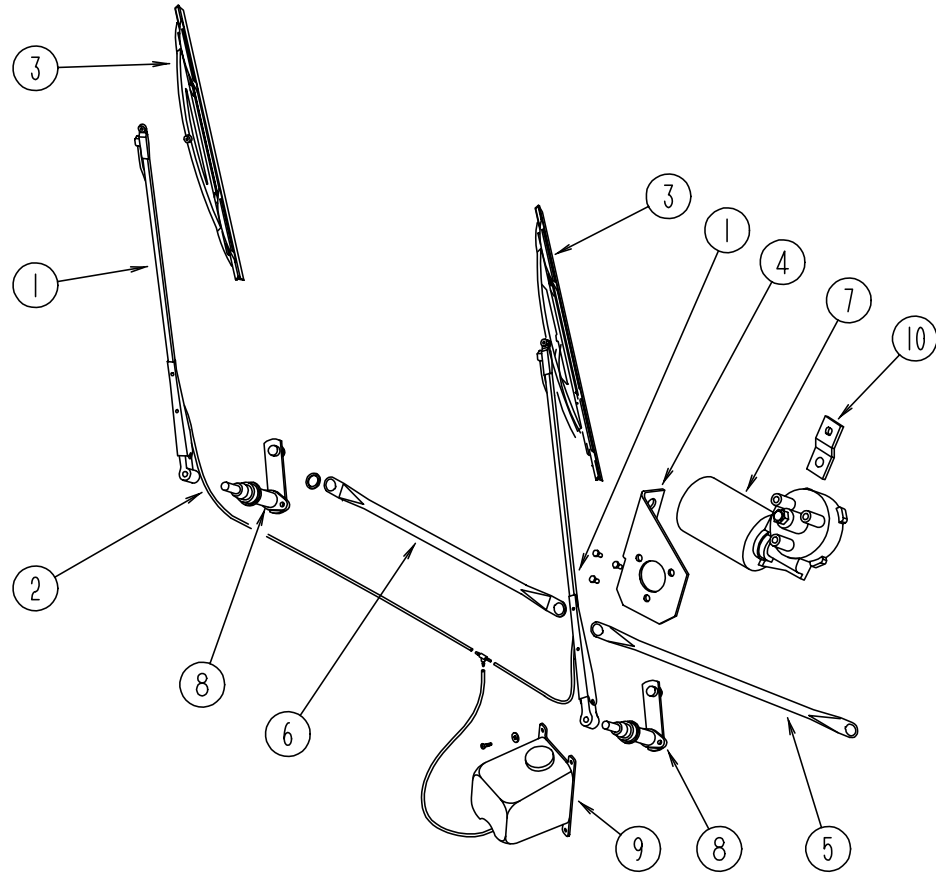
DRIVER SIDE FRONT SLANT WINDOW

KEY	PART NUMBER	U/M DESCRIPTION	VENDOR NO.
	106468-02-01A	EA WINDOW-FRONT SLANT	
	106468-02-701	EA TRIM	H383-27L
	106468-02-702	EA GLASS-STATIONARY	106-018740

REAR ESCAPE THERMOPANE WINDOW

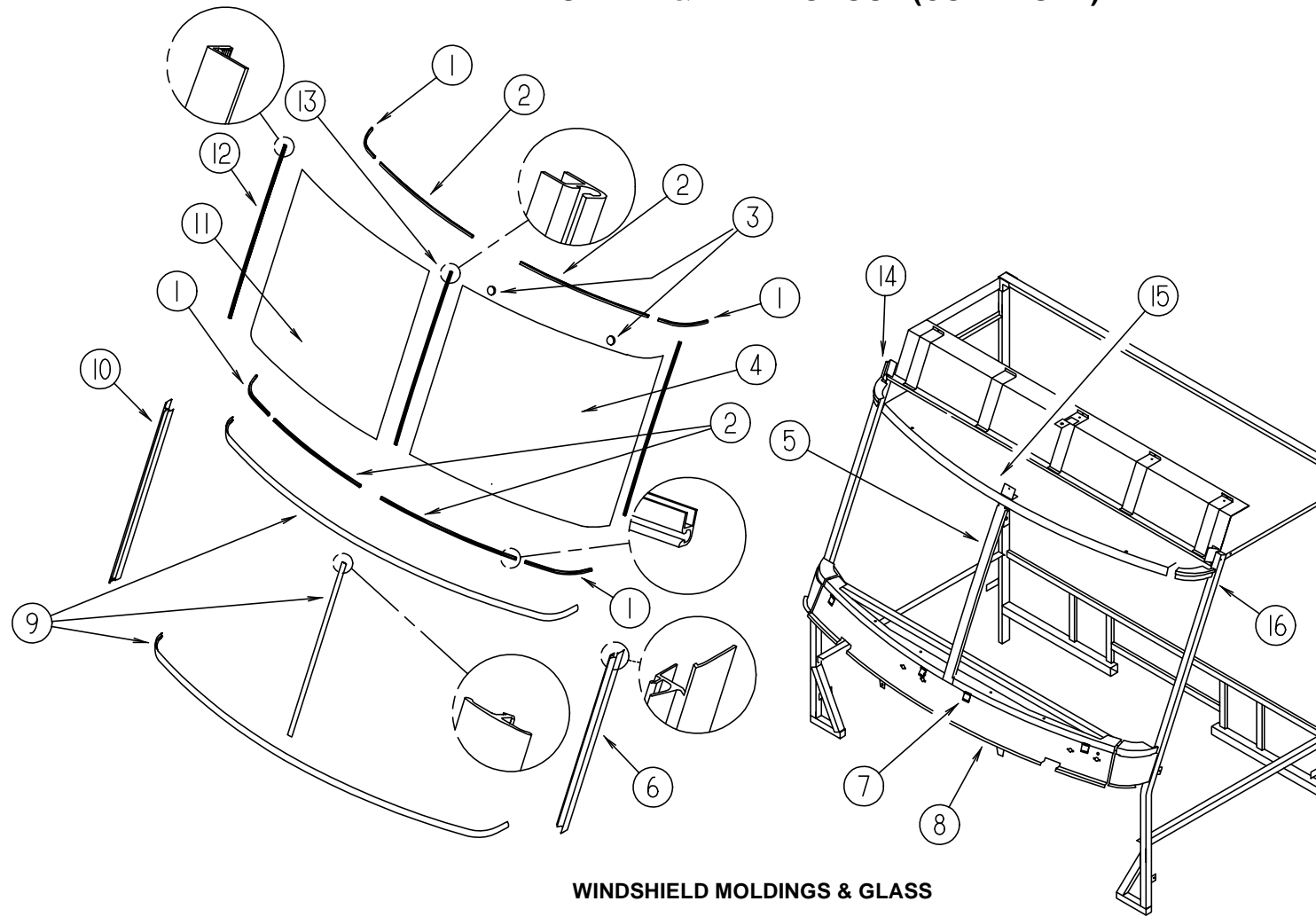
KEY	PART NUMBER	U/M DESCRIPTION	VENDOR NO.
	113502-01-01A	EA WINDOW ASM-REAR ESCAPE BLK/OW - THERMOPANE	
	113502-06-700	EA WINDOW W/O TRIM	DH153-EG2
	113502-06-701	EA TRIM	W096-80
	113502-06-702	EA GLASS-STATIONARY (RH & LH)	390-019788
	113502-06-703	EA GLASS- STATIONARY (CENTER)	390-019789
	112898-06-704	EA LOCK-HANDLE CAM RED RH	182-11293
	112898-06-705	EA LOCK-HANDLE CAM RED LH	182-11294

WINDSHIELD & WIPER GROUP



WIPER COMPONENTS

WINDSHIELD & WIPER GROUP (CONTINUED)



WINDSHIELD MOLDINGS & GLASS

KEY	PART NUMBER	U/M	DESCRIPTION	VENDOR NO.
1	103671-01-000	EA	ARM-WIPER, PANTOGRAPH - 24"	XTU-66-0001
	096931-01-700	FT	HOSE-WIPER, TO BLADE	
	096931-01-701	EA	NOZZLE-HARDWARE KIT	
	INCLUDES NOZZEL, NUT, SHORT THREAD SCREW, LONG THREAD SCREW, AND PLASTIC CAP			
2	045794-01-000	FT	HOSE-WASHER, WINDSHIELD - 5/32" ID - BLACK	12360
3	095964-01-000	EA	BLADE-WIPER, 24"	
	095964-01-700	EA	REFILL-WIPER BLADE, 24" - PAIR	
4	104549-01-000	EA	BRACKET ASSEMBLY-WIPER MOTOR	
5	103672-01-000	EA	LINK ASM - CONNECTING - DRIVERS	
6	103672-02-000	EA	LINK ASM - CONNECTING - PASSENGERS	
7	104346-02-000	EA	MOTOR-WIPER, CHEVY	
7	104346-03-000	EA	MOTOR-WIPER, FORD	
8	096505-05-000	EA	PIVOT & SHAFT ASM-WIPER, PASSENGER WINDSHIELD	
8	096505-06-000	EA	PIVOT & SHAFT ASM-WIPER, DRIVER WINDSHIELD	
	096526-01-000	EA	SCREW-HEX, 1/4 - 28	
9	056000-04-000	EA	WASHER-WINDSHIELD, BOTTLE & PUMP	60-455
			FROM: 00-00-00 THRU: 04-02-95	
9	110605-01-000	EA	TEE-PLASTIC, BARBED - 1/8 X 1/8 X 3/16	
			FROM: 04-03-95 THRU: 99-99-99	
9	117765-01-000	EA	CONNECTOR- 5/32 - 1/4 - 3/8 WINDSHIELD WAHER	
			FROM: 04-03-95 THRU: 99-99-99	
9	117766-02-000	EA	RESERVOIR/PUMP ASM	
			FROM: 04-03-95 THRU: 99-99-99	
10	104347-01-000	EA	ARM-DRIVE, WIPER MOTOR - 1.54"	
	056000-01-700	FT	VACUUM HOSE 7/64 - 5/32	
	061603-01-000	EA	GROMMET-SNAP, 3/16 ID - 3/8 HOLE - PLASTIC - BLACK	
	067188-01-000	EA	STUD-CRANK, WIPER	
	110742-01-000	EA	GASKET-WIPER	
	110178-01-000	EA	HOUSING-WIPER MOTOR - UT6237440-EC25WJ	

KEY	PART NUMBER	U/M	DESCRIPTION
1	102935-08-000	EA	CARRIER-REVEAL, 2" - WINDSHIELD
2	110268-01-000	EA	CARRIER-REVEAL, 50.4" - WINDSHIELD
3	081914-01-000	EA	BUMPER-RUBBER, ROUND - .43" DIAMETER - BLACK
4	088793-04-000	EA	GLASS-WINDSHIELD, DRIVER
5	075710-03-000	EA	FRAME-WINDSHIELD, CENTER DIVIDER - INNER
6	103107-02-01A	EA	TRIM-WINDSHIELD, DRIVER SIDE - BLACK
7	104449-01-000	EA	BRACKET-WINDSHIELD SUPPORT
8	077847-02-000	EA	SUPPORT-WINDSHIELD, LOWER - W/O BRACKETS
9	102936-01-000	FT	MOLDING - REVEAL - WINDSHIELD
10	103107-01-01A	EA	TRIM - WINDSHIELD - PASSENGER SIDE - BLACK
11	088793-03-000	EA	GLASS-WINDSHIELD, PASSENGER
12	098788-06-000	EA	CHANNEL - 49" PCV, DRIVER OR PASSENGER SIDE
13	110268-02-000	EA	CARRIER-REVEAL, 38" - WINDSHIELD
14	077922-03-000	EA	HEADER WINDSHIELD END - RIGHT - STEEL
15	077922-05-000	EA	HEADER WINDSHIELD - CENTER - STEEL
16	077922-04-000	EA	HEADER WINDSHIELD END - LEFT - STEEL