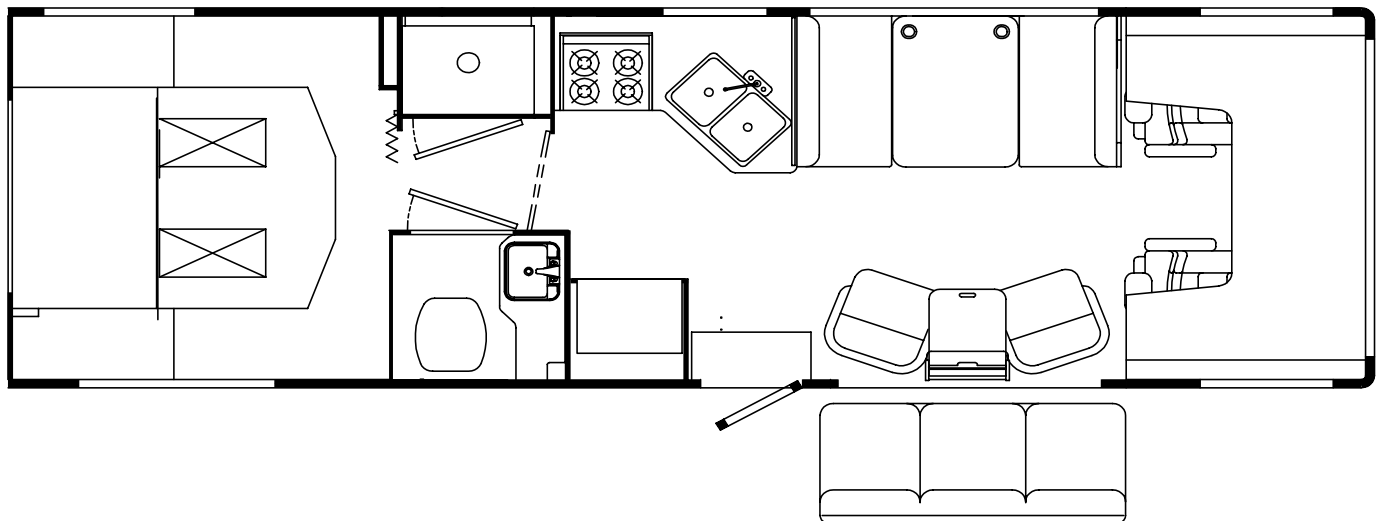
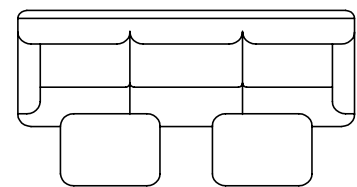
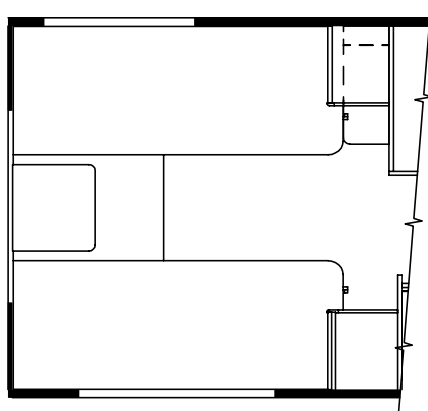
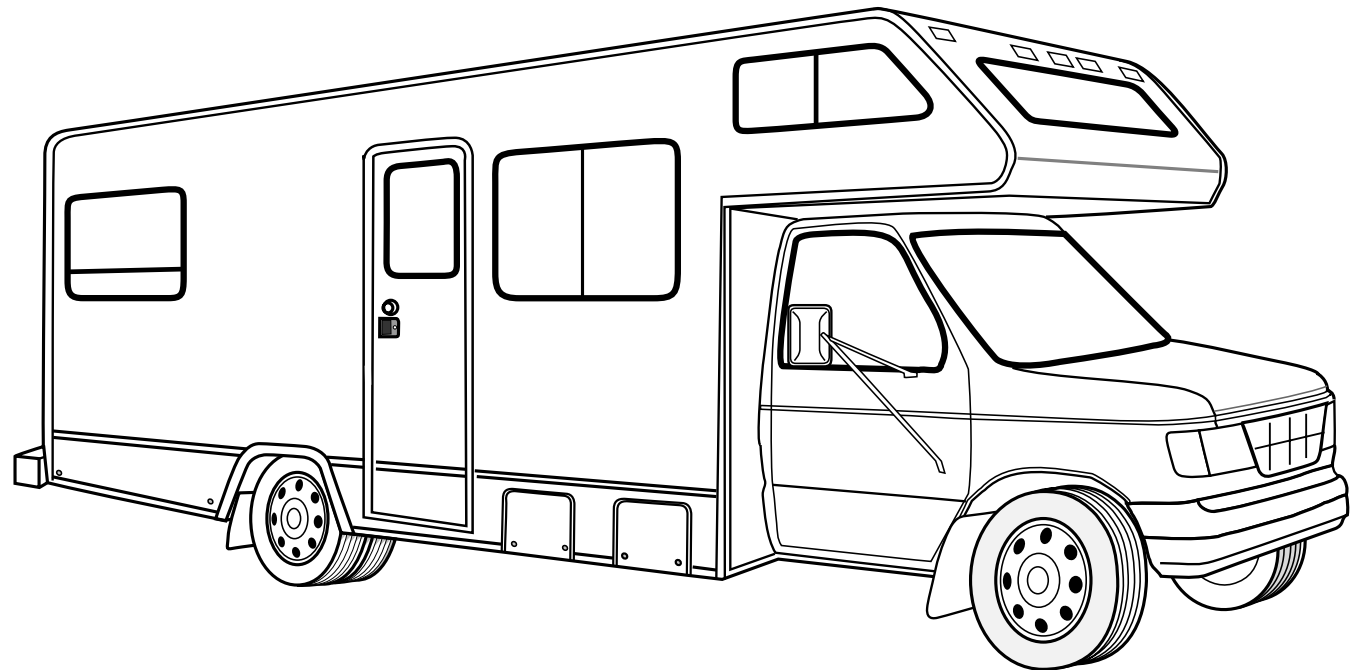


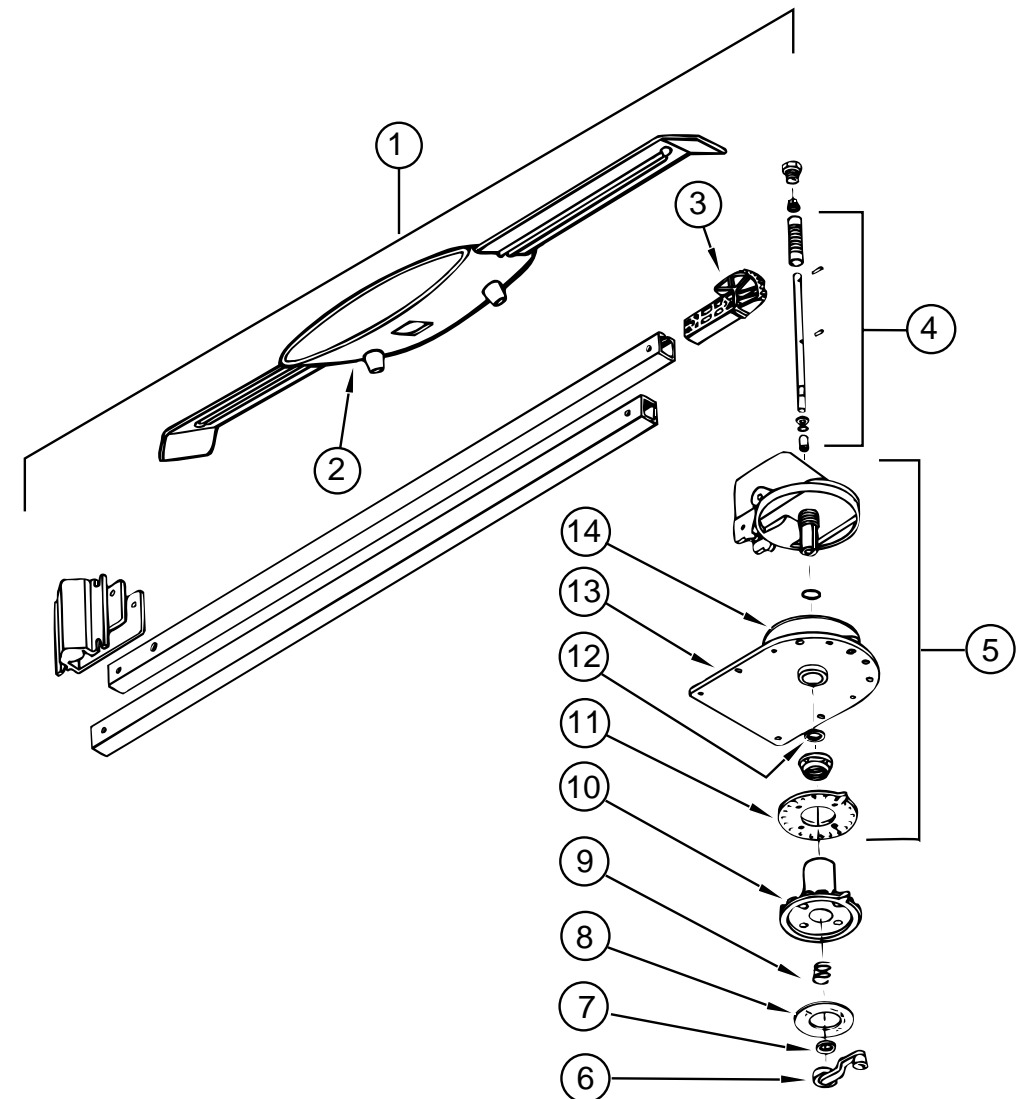
**1995**  
**WF328RQ**  
**F15**  
**F16**



**ACCESSORIES GROUP  
OPERATORS MANUAL**

KEY	PART NUMBER	U/M DESCRIPTION
	054185-C2-000	EA MANUAL-OPERATOR, 1995 MINNIE WINNIE 300 SERIES
	092318-01-000	EA BINDER - 3 RING, MOTOR HOME MANUAL
	092319-01-000	EA POCKET PAGE - 3 RING BINDER, PLASTIC
	114284-01-000	DW TOP LEVEL DRAWINGS - C BODY, 1995

**AUDIO VIDEO GROUP**



**TV ANTENNA**

KEY	PART NUMBER	U/M DESCRIPTION
1	076319-01-000	EA ANTENNA-TV, ROOF MOUNT - 44.5" MAST - RVA W02
2	076319-01-700	EA HEAD-ANTENNA, AMPLIFIED - WINEGARD #RVSA U/V
3	076319-01-701	EA GEAR-ELEVATING, PLASTIC - WINEGARD #2200046
4	076319-01-702	EA SHAFT ASM-ELEVATING, WINEGARD #RVP-400A
5	076319-01-711	EA BASE & LIFT ASM, WINEGARD #2762802
6	076319-01-706	EA CRANK-ELEVATING, W/SET SCREW - WINEGARD #5755100
7	076319-01-705	EA BEARING-NYLON, 7/8" ID - WINEGARD #3200658
8	076319-01-708	EA DECAL-CRANK, WINEGARD #5413002
9	076319-01-707	EA SPRING-HANDLE, WINEGARD #5160800
10	076319-01-709	EA PLATE-DIRECTIONAL, FOR HEAD - WINEGARD #3200644
11	076319-01-712	EA PLATE-CEILING, WINEGARD #3200608
12	076319-01-704	EA BEARING-NYLON, 1.25" OD - WINEGARD #3200657
13	076319-01-713	EA PLATE-BASE, WINEGARD #3100523
14	076319-01-703	EA BEARING-NYLON, 5" OD - WINEGARD #3200656

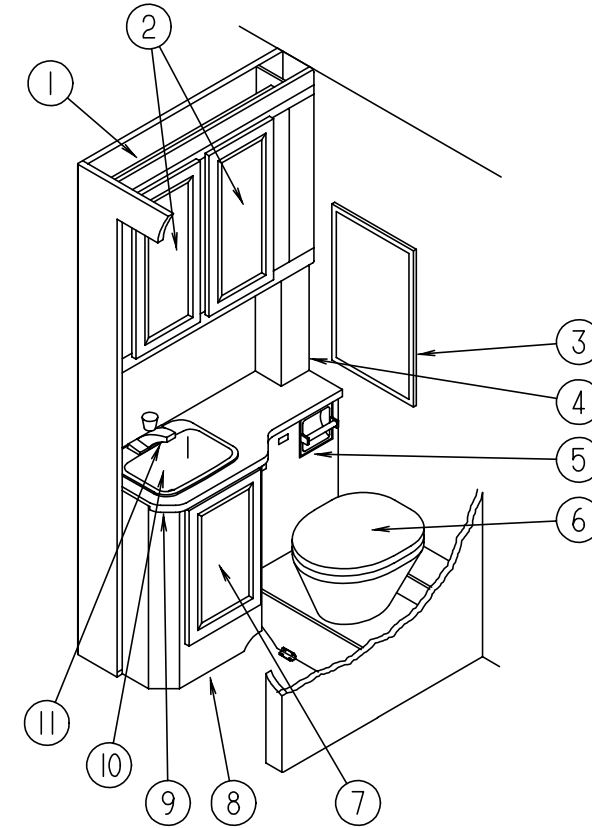
**AUDIO VIDEO GROUP (CONTINUED)**  
RADIO SPEAKER

KEY	PART NUMBER	U/M DESCRIPTION
	074979-01-000	EA SHIELD-SPEAKER, BACK - MOLDED PLASTIC - 8" X 9" - BEIGE
	111177-01-01A	EA GRILLE-SPEAKER, OVAL 5" X 7" - GRAY - MAGNADYNE SB68
	108137-01-000	EA PLUG-ANTENNA HOLE, WARD PRODUCTS

**TV INSTALLATION COMPONENTS**

KEY	PART NUMBER	U/M DESCRIPTION
	076319-03-000	FT CABLE-COAXIAL, 75 OHM
	076319-12-000	EA CONNECTOR-COAXIAL, ONE PIECE
	076319-06-000	EA ADAPTOR-CABLE ROOF PLATE, WINEGARD RPJ-1
	082134-01-000	EA ADAPTER-TV, CABLE TO CABLE - WINEGARD F-81M
	082136-01-000	EA NUT-HEX JAM, 3/8-32 - WINEGARD
	086777-02-000	EA WALLPLATE-TV CABLE, W/ANTENNA SWITCH - BROWN

**BATH GROUP**



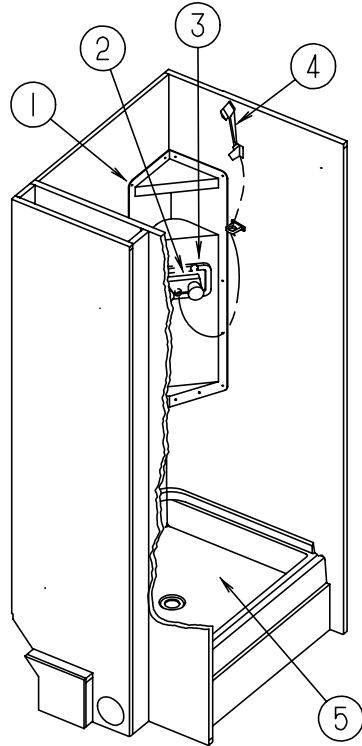
**BATHROOM CABINETS & FIXTURES**

KEY	PART NUMBER	U/M DESCRIPTION
1	114001-01-F15	EA CABINET-MEDICINE, W/O DOOR & HARDWARE
2	110140-31-E01	EA DOOR-CABINET, W/O HARDWARE - 305MM X 660MM
	058331-90-000	EA MIRROR-GLASS, SAFETY - 222MM X 577MM
3	058331-01-000	EA MIRROR-GLASS, SAFETY - 19" X 26"
4	109180-02-F15	EA CABINET-PIPE COVER
5	075452-02-000	EA HOLDER-TOILET TISSUE, BRASS
6	067487-01-000	EA TOILET-12.37", IVORY - HAND FLUSH - THETFORD 150110
7	110140-33-E01	EA DOOR-CABINET, W/O HARDWARE - 305MM X 555MM
8	P09063-01-F15	EA CABINET-LAVATORY, W/O DOOR & HARDWARE
9	109063-12-F15	EA COUNTERTOP-CABINET, LAVATORY
10	096927-01-01A	EA SINK-LAVATORY, RECTANGULAR - PLASTIC - BONE
	096927-01-700	EA SINK-STOPPER
	096927-01-701	EA TAILPIECE-SINK
11	075240-06-000	EA FAUCET-LAVATORY, BONE
	091253-01-000	EA GASKET-FAUCET, LAVATORY/GALLEY
	075453-02-000	EA BAR-TOWEL, 18" BRASS

**TOILET & COMPONENTS**

KEY	PART NUMBER	U/M DESCRIPTION
	067487-01-000	EA TOILET-12.37", IVORY - HAND FLUSH - THETFORD 150110
	063740-01-700	EA LEVER-WATER, THETFORD 12514
	063740-01-701	EA LEVER-FLUSH, THETFORD 12515
	063740-01-706	EA BOLT PACKAGE-CLOSET, THETFORD 12524
	063740-01-710	EA LINK-THETFORD 12513
	063740-01-711	EA SPRING-RETURN LEVER, THETFORD 12523
	063740-01-713	EA SEAL-BALL VALVE TO BOWL, THETFORD 12502
	063740-01-714	EA VALVE ASM-WATER, THETFORD 12492
	063740-01-716	EA SEAT & COVER, THETFORD 15017
	063740-01-717	EA TUBE-FLUSH, TOILET - 12509 THETFORD

## BATH GROUP (CONTINUED)



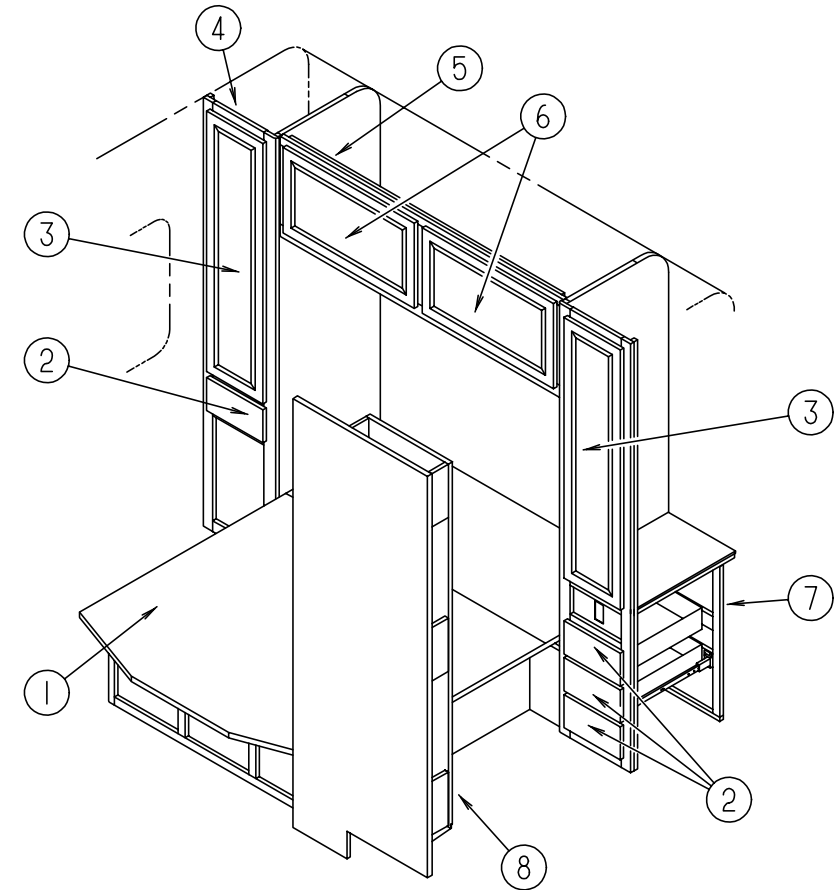
### SHOWER CABINET & FIXTURES

KEY	PART NUMBER	U/M DESCRIPTION
	080507-01-000	EA PANEL-SKYLIGHT, OUTER - PLEXIGLASS - 23.25" X 20.3"
	080508-01-000	EA PANEL-SKYLIGHT, INNER - PLEXIGLASS - 23.25" X 20.3"
1	105707-01-01A	EA CADDY-SHOWER
2	075241-05-000	EA FAUCET-SHOWER, BONE
3	075606-01-000	EA PANEL-FAUCET BACK, SHOWER - 5" X 9" - PLASTIC
4	103092-01-000	EA SHOWER HEAD-W/60 IN. HOSE - US
4	103092-02-000	EA SHOWER HEAD-W/60 IN. HOSE - CANADIAN
	103092-01-700	EA BRACKET-SHOWER HEAD, CLEAR
	103092-01-701	EA BRACKET-SHOWER HEAD, BONE
5	M02673-05-B13	EA PAN-SHOWER, 29.8" X 22.7" X 5.7" - OFF WHITE - PLASTIC
	066440-01-000	EA STRAINER-SHOWER, W/RUBBER WASHER
	069735-01-000	EA WASHER-STRAINER TO TAILPIECE PLASTIC, 1.5"
	011069-02-000	EA TAILPIECE-TUB/SHOWER, 1 1/2" X 1 1/4" X 4" - BRASS
	066436-01-000	EA NUT-SLIP, TAILPIECE - 1.5"
	057671-01-000	EA COVER-SCREW, #8 - PLASTIC - OFF WHITE

### BATH PRIVACY DOOR

KEY	PART NUMBER	U/M DESCRIPTION
	100494-06-F15	EA DOOR-BATH, W/O HARDWARE - 648MM X 1900MM
	009151-01-000	EA GUARD-WARP, CABINET/PRIVACY DOOR - 48"
	058335-02-000	EA LATCH-SHOWER/BATH DOOR, W/O LOCK - PLASTIC - BROWN
	108138-01-000	EA HINGE-DOOR, CABINET - BURNISHED BRASS

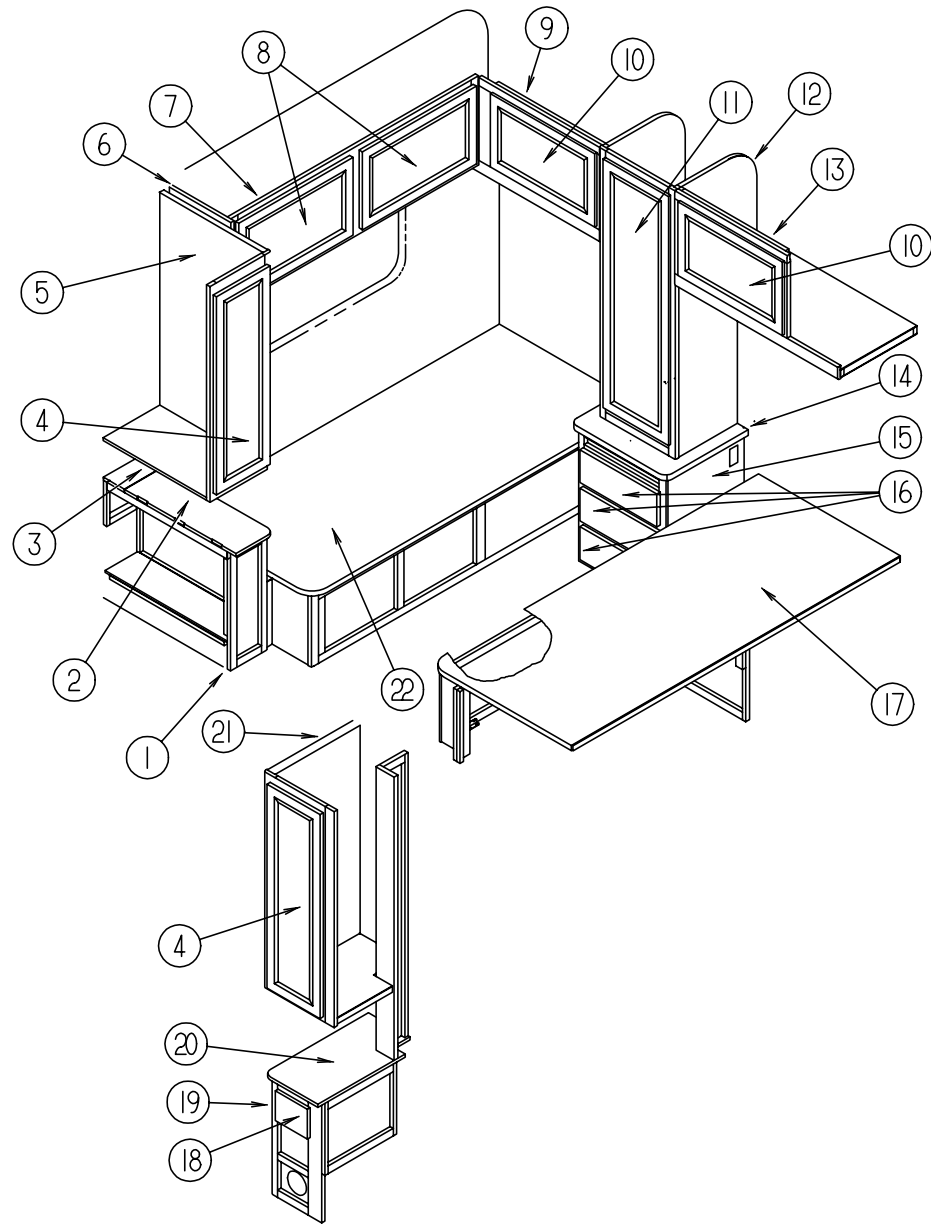
## BEDROOM GROUP



### QUEEN BEDROOM CABINETS

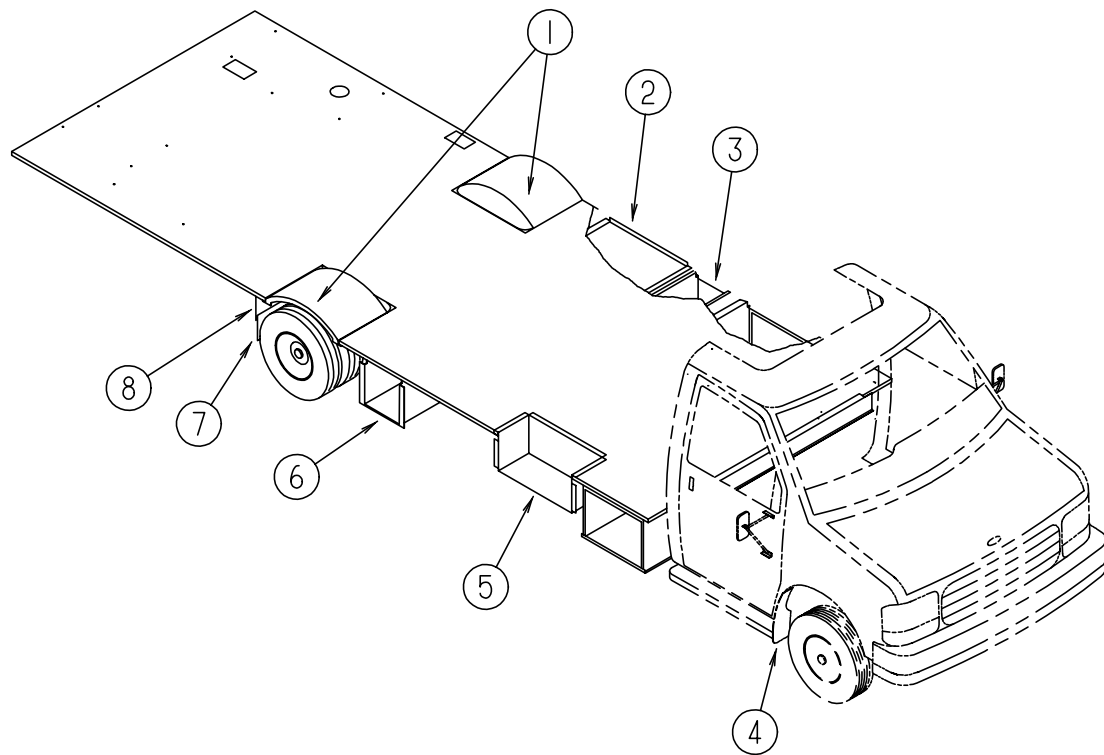
KEY	PART NUMBER	U/M DESCRIPTION
1	M06959-01-F15	EA CABINET-QUEEN BED TOP
2	P10163-H0-F15	EA DRAWER-CABINET, W/O HARDWARE
3	110140-23-E01	EA DOOR-CABINET, W/MIRROR - W/O HARDWARE - 305MM X 1220MM
4	P14262-01-F15	EA CABINET-WARDROBE, RIGHT
5	114000-01-F15	EA CABINET-OVERHEAD, W/O DOORS OR HARDWARE
6	110140-18-E01	EA DOOR-CABINET, W/O HARDWARE - 400MM X 710MM
6	110140-21-F15	EA DOOR-CABINET, W/MIRROR - W/O HARDWARE - 400MM X 710MM
	108536-04-08A	EA MIRROR-GLASS, GALAXY FLOWER - 317MM X 627MM
7	P14261-01-F15	EA CABINET-WARDROBE, LEFT
8	109175-01-F15	EA CABINET-PIPE COVER
	107796-05-000	EA BRACKET-GAS SPRING, FLAT
	107796-06-000	EA SPRING-GAS 20" LENGTH, 120 LB
	107796-07-000	EA BRACKET-GAS SPRING

**BEDROOM GROUP (CONTINUED)**  
TWIN BEDROOM CABINETS



KEY	PART NUMBER	U/M	DESCRIPTION
1	114517-01-F15	EA	CABINET-NIGHTSTAND, HAMPER - W/O HARDWARE
2	114517-12-F15	EA	COUNTERTOP-NIGHTSTAND, HINGE TOP
3	114517-11-F15	EA	COUNTERTOP-NIGHTSTAND, STATIONARY TOP
4	110140-28-E01	EA	DOOR-CABINET, W/O HARDWARE - 305MM X 1015MM
5	109650-01-D29	EA	CABINET-SHIRT CLOSET, W/O DOORS OR HARDWARE
6	109908-26-F15	EA	END CAP-CABINET, OVERHEAD - PASSENGER SIDE
7	114005-01-F15	EA	CABINET-OVERHEAD, W/O DOORS OR HARDWARE - PASSENGER SIDE
7	114005-02-F15	EA	CABINET-OVERHEAD, W/O DOORS OR HARDWARE - DRIVER SIDE
	109908-25-F15	EA	END CAP-CABINET, OVERHEAD - DRIVER SIDE
8	110140-10-E01	EA	DOOR-CABINET, W/O HARDWARE - 365MM X 555MM
9	114003-01-F15	EA	CABINET-OVERHEAD, W/O DOORS OR HARDWARE
10	110140-10-E01	EA	DOOR-CABINET, W/O HARDWARE - 365MM X 555MM
10	110140-29-F15	EA	DOOR-CABINET, W/MIRROR - W/O HARDWARE - 400MM X 520MM
	108536-03-08A	EA	MIRROR-GLASS, INTERLUDE - 317MM X 437MM
11	110140-40-E01	EA	DOOR-CABINET, W/MIRROR - W/O HARDWARE - 305MM X 1015MM
12	114012-01-F15	EA	CABINET-SHIRT CLOSET
13	114003-02-F15	EA	CABINET-OVERHEAD, W/O DOORS OR HARDWARE
14	116329-11-F15	EA	COUNTERTOP-NIGHTSTAND
15	P16329-01-F15	EA	CABINET-NIGHTSTAND, W/O DRAWERS OR HARDWARE
16	P10163-H3-F15	EA	DRAWER-CABINET, W/O HARDWARE
17	M06960-02-F15	EA	CABINET-TWIN BED TOP, LEFT
	P14440-01-F15	EA	CABINET-BED TWIN, LEFT
18	P10163-H4-F15	EA	DRAWER-CABINET, W/O HARDWARE
19	P14424-01-F15	EA	CABINET-NIGHTSTAND, W/O DRAWERS OR HARDWARE
20	114424-11-F15	EA	COUNTERTOP-NIGHTSTAND
21	109652-01-D29	EA	CABINET-SHIRT CLOSET, W/O DOORS OR HARDWARE
22	M06960-01-F15	EA	CABINET-TWIN BED TOP, RIGHT
	P14439-01-F15	EA	CABINET-BED TWIN, RIGHT
	107796-05-000	EA	BRACKET-GAS SPRING, FLAT
	107796-06-000	EA	SPRING-GAS 20" LENGTH, 120 LB
	107796-07-000	EA	BRACKET-GAS SPRING

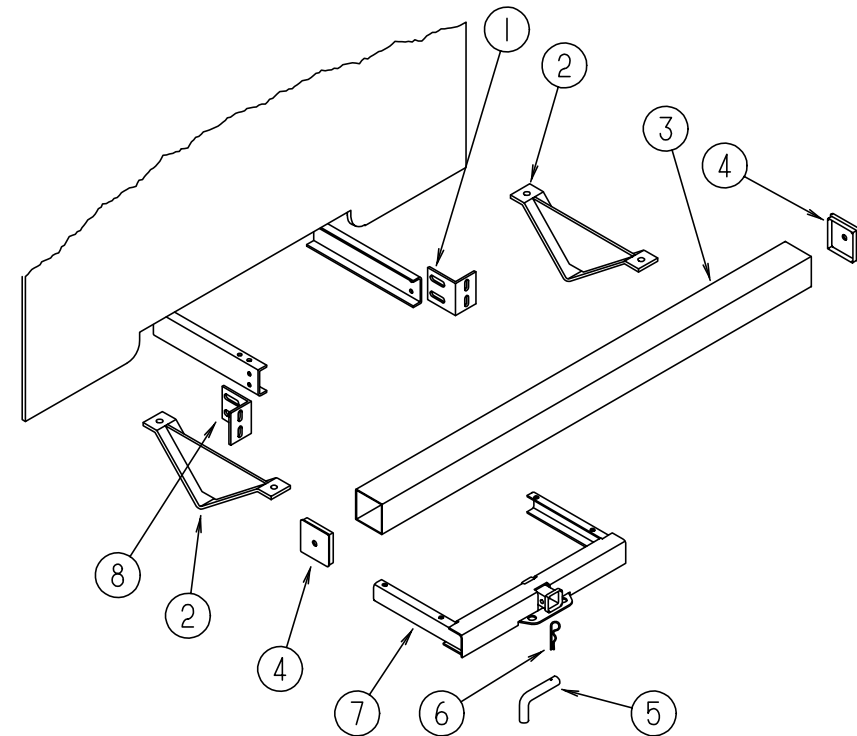
## CHASSIS GROUP



### MISCELLANEOUS CHASSIS COMPONENTS

KEY	PART NUMBER	U/M DESCRIPTION
1	112435-02-000	EA WHEELWELL
2	114394-01-02B	EA COMPARTMENT ASM-GENERATOR, E-COAT
	061420-01-000	EA PLUG-PLASTIC, 1.75" - BROWN
	114070-02-02B	EA SUPPORT ASM-GENERATOR, E-COAT
	114071-02-02B	EA SUPPORT ASM-GENERATOR, RT - E-COAT
3	102979-04-000	EA BOX-POWER CORD
4	072884-27-703	EA MUD FLAPS-W/HOLES, PAIR 99171
5	077848-02-000	EA STEP-PULLOUT
	076241-13-000	EA SUPPORT ASSEMBLY-ENTRANCE STEP
	091176-01-000	EA SUPPORT-BASE, ENTRANCE STEP
6	105203-01-000	EA COMPARTMENT-BATTERY
	084993-01-000	EA STRAP ASSEMBLY-BATTERY, WEBBING & BUCKLE - 1100MM X 1" WIDE
	084993-02-000	EA STRAP ASSEMBLY-BATTERY, WEBBING & BUCKLE - 1400MM X 1" WIDE
7	017516-01-000	EA FLAP-MUD, 14" X 18" - BLACK
8	045731-05-000	EA GUARD-ROCK
		FROM: 00-00-00 THRU: 08-19-94
8	045731-05-000	EA GUARD-ROCK
		FROM: 08-20-94 THRU: 99-99-99
	056746-01-000	EA PLUG-CAP, 1" DIAMETER
	056748-01-000	EA PLUG-CAP, 1.5" DIAMETER - BLACK
	061420-05-000	EA PLUG-PLASTIC, 1.8" DIAMETER

## CHASSIS GROUP (CONTINUED)



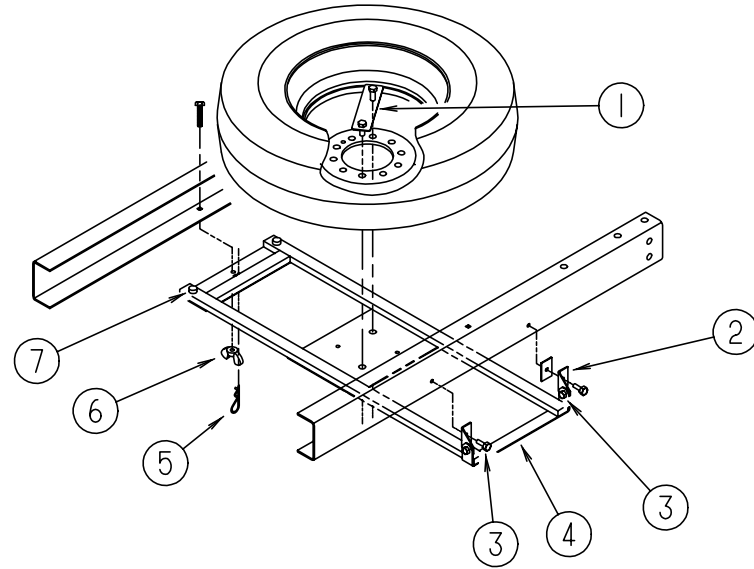
### REAR BUMPER & HITCH

KEY	PART NUMBER	U/M DESCRIPTION
1	104420-01-000	EA SUPPORT-ANGLE, REAR BUMPER - RIGHT
2	083376-01-000	EA PLATE-SKID, 13.2" X 6" X 2" - STEEL
3	103422-02-01A	EA BUMPER-SQUARE, ALUMINUM - OFF WHITE
3	103422-02-02A	EA BUMPER-SQUARE, ALUMINUM - BRIGHT WHITE
4	039779-01-000	EA CAP-BUMPER, RUBBER - 4" X 4" - BLACK
5	034512-01-000	EA PIN-LOCKING, DRAWBAR
6	034513-01-000	EA PIN-HITCH, 3/16" WIRE
7	077617-02-000	EA HITCH-TRAILER, W/O DRAWBAR - 41.1" WIDE - STEEL - BLACK
		FROM: 00-00-00 THRU: 06-12-94
7	077617-08-000	EA HITCH-TRAILER, W/O DRAWBAR - 41.1" WIDE - STEEL - BLACK
		FROM: 06-13-94 THRU: 99-99-99
8	104420-02-000	EA SUPPORT-ANGLE, BUMPER REAR - LEFT
	097744-02-000	EA HOUSING-TRAILER PIN, 48"
	097745-01-000	EA HOUSING-RECEPTACLE, TRAILER - 12" WIRE LENGTH
	113589-02-000	EA CONNECTOR-SOCKET, TRAILER - GENERAL 433601
	113589-01-000	EA CONNECTOR-PLUG, TRAILER - GENERAL 433501
	113634-01-000	EA WIRE ASSEMBLY-TRAILER, ADAPTER

### DRIVESHAFT

KEY	PART NUMBER	U/M DESCRIPTION
	103653-10-000	EA DRIVESHAFT ASM-BALANCED PAIR, 190" WHEELBASE (158) (DIESEL)
	103653-16-000	EA DRIVESHAFT ASM-BALANCED PAIR, 190" WHEELBASE (158) (GAS)
	074833-01-000	EA SPACER-BEARING, DRIVESHAFT - 2" X 8" X .5" THICK
	085771-03-000	EA NUT-HEX, TORQUE - GRADE G DRIVE SHAFT
	088498-01-000	EA UNION-INVERTED FLARE, BRASS - 3/16 - 3/8 - 24 THREAD - BRAKE LINE
	115043-02-000	EA BUSHING-INCREASE, 2.5" OD - 3.5" OD NEAPCO FORD DIESEL

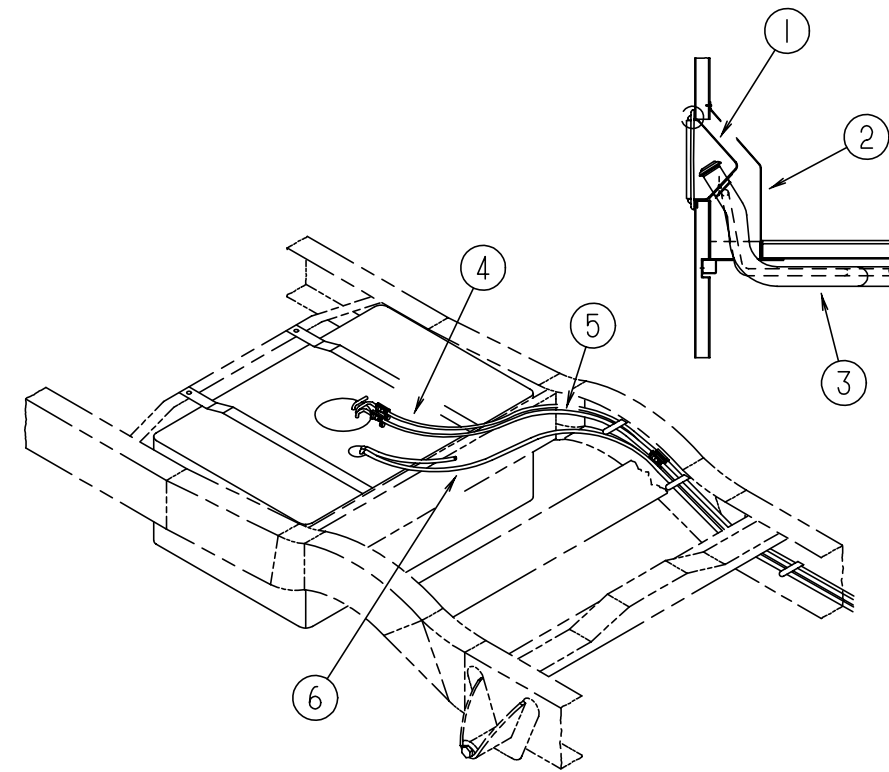
## CHASSIS GROUP (CONTINUED)



### SPARE TIRE INSTALLATION

KEY	PART NUMBER	U/M DESCRIPTION
1	116338-02-02B	EA BRACKET-CLAMP, SPARE TIRE - E-COAT
	000D39-08-00B	EA NUT-HEX-SERRATED FLANGE LOCK, 1/2-13 - ZINC
2	116349-02-02B	EA BRACKET-HINGE, SPARE TIRE - E-COAT
3	000C26-06-12B	EA BOLT-HEX-SERRATED FLANGE, 3/8-16X3/4
	000D39-06-00B	EA NUT-HEX-SERRATED FLANGE LOCK, 3/8-16 - ZINC
	000E13-17-00B	EA WASHER-FLARE, 3/8 AR - ZINC
4	116348-02-02B	EA CRADLE ASSEMBLY-SPARE TIRE, E-COAT
5	034513-01-000	EA PIN-HITCH, 3/16 WIRE
6	064081-03-000	EA NUT-WING, 3/8-16 - W/WELD NUT
7	069726-02-000	EA BUMPER - .88 DIAMETER - 40 - BLACK
	112358-01-000	EA WRENCH-LUG, 7/8 - L-SHAPE FORD F2UA-17035-CA

## CHASSIS GROUP (CONTINUED)



### FUEL SYSTEM COMPONENTS

KEY	PART NUMBER	U/M DESCRIPTION
1	095854-01-02A	EA SHROUD-FUEL FILL, PLASTIC - OFF WHITE
1	095854-01-04A	EA SHROUD-FUEL FILL, PLASTIC - BRIGHT WHITE
2	078040-06-000	EA SHROUD-FUEL FILL, UPPER - PLASTIC
3	108603-01-000	EA NECK-FUEL FILL, MAIN - GAS
3	108603-02-000	EA NECK-FUEL FILL, MAIN - DIESEL
	078200-01-000	EA GASKET-FUEL FILL, 3.5" OD X 2" ID
4	106389-01-000	EA FUEL LINE ASSEMBLY-FORD, 3/8 HP
5	106388-01-000	EA FUEL LINE ASSEMBLY-FORD, 5/16 HP
	007063-01-000	FT HOSE-GAS, 1/4" ID X 1/2" OD
6	044317-01-000	FT HOSE-FUEL, 3/8" ID
	084884-01-000	EA PLUG-BRASS, 3/8"
	083610-02-000	EA CLAMP-WIRE, DUAL UNEQUAL DIAMETER

**CHASSIS GROUP (CONTINUED)**  
**WHEEL LINERS**

KEY	PART NUMBER	U/M DESCRIPTION
	110435-02-000	EA LINER-WHEEL, SET OF 4 - DICOR V160F2
	110435-02-700	EA LINER-WHEEL, FRONT V160F2-FWC
	110435-02-701	EA LINER-WHEEL, REAR V160F2-RWC
	110435-02-702	EA STUD EXTENSION V160SD-STX
	110435-02-703	EA NUT-JAMB V160SD-JNT
	110435-02-704	EA LUG NUT COVER V160F0-LNC
	110435-02-705	EA TOOL-JAMB NUT, INSTALLATION V160F0-TOL

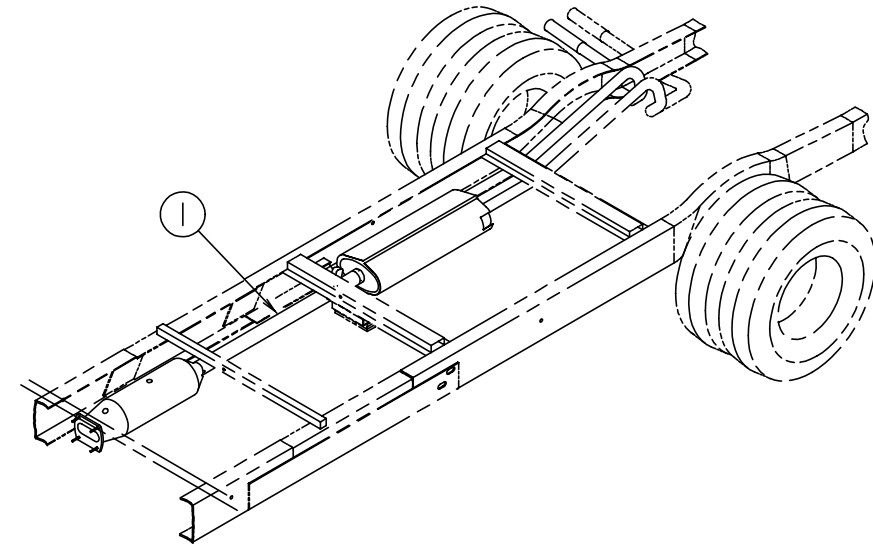
**WHEEL COVERS**

KEY	PART NUMBER	U/M DESCRIPTION
	109443-05-000	EA WHEEL COVER - 4/SET, 16" STAINLESS STEEL - DICOR SHFM16
	109443-05-700	EA COVER WHEEL - 16" SHFM16-CVR
	109443-05-701	EA LUG NUT COVER - ABS (PLATED) SP-FM-LNC

**TIRE & WHEEL**

KEY	PART NUMBER	U/M DESCRIPTION
	083425-09-000	EA TIRE-LT225/75R16 LRD - MICHELIN XCH4
	083617-03-000	EA WHEEL-STEEL, 16.0 X 6 - ACCURIDE 28618
	095012-03-000	EA EXTENSION-VALVE STEM - DUAL WHEEL

**CHASSIS GROUP (CONTINUED)**



**EXHAUST SYSTEM COMPONENTS**

KEY	PART NUMBER	U/M DESCRIPTION
	091182-04-000	EA SHIELD-HEAT
	094918-06-000	EA CLAMP-EXHAUST, 3.00 HEAVY DUTY - HECO 24698
1	096753-06-000	EA PIPE-EXHAUST (DIESEL)
1	111478-02-000	EA PIPE-EXHAUST (GAS)

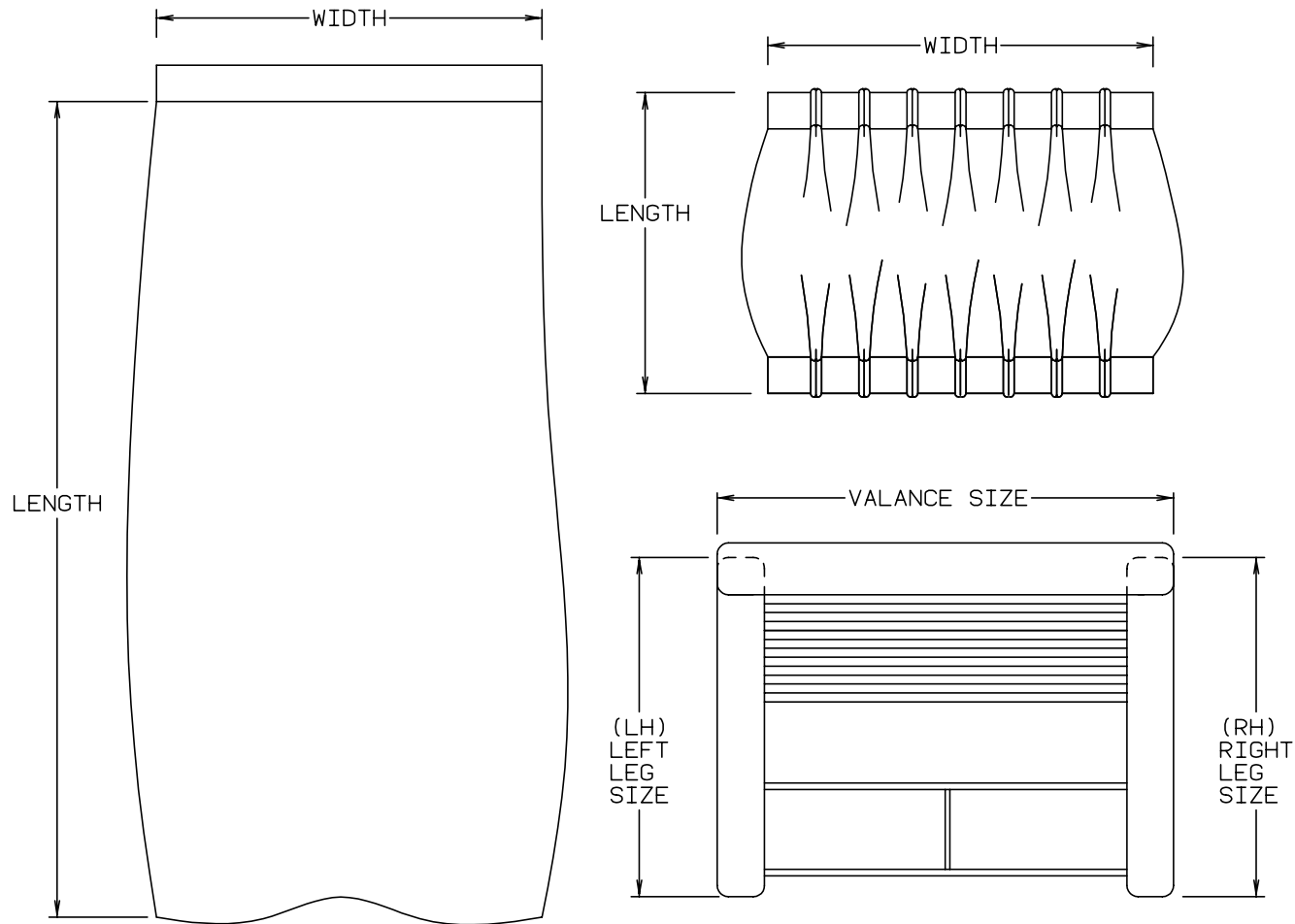


## CURTAIN & CUSHION GROUP

### NOTICE

IN ORDER TO ASSIST OUR PARTS SALES DEPT. IN PROVIDING INTERIOR SOFTWARE ITEMS, PLEASE INCLUDE THE SERIAL NUMBER AND THE COLOR CODE NUMBER FROM THE VEHICLE CERTIFICATION LABEL WHEN ORDERING. THIS LABEL IS LOCATED ON THE LEFT SIDEWALL AT THE END OF THE DASH (A-BODY), OR ON THE DRIVER'S DOOR LATCH PLATE (C-BODY).

AN EXAMPLE OF A COLOR CODE NUMBER IS B07, WHICH DESIGNATES AN OVERALL COLOR SCHEME OF A PARTICULAR UNIT. THE COLOR LISTED AFTER THE ITEM DESCRIPTION ON THE MICROFICHE, INDICATES THE OVERALL UNIT COLOR. ORDER THE ITEM YOU DESIRE ACCORDING TO UNIT COLOR CODE.



NOTE: USE THIS ILLUSTRATION WHEN DETERMINING LENGTH AND WIDTH MEASUREMENTS FOR CURTAINS. YOU WILL NOTE THE WIDTH MEASUREMENT IS TAKEN ON THE TOP OF THE CURTAIN WITH THE CURTAIN FULLY EXTENDED. THE LENGTH MEASUREMENT IS TAKEN FROM TOP TO BOTTOM. LEFT AND RIGHT WINDOW LEGS ARE DETERMINED WHEN FACING THE WINDOW.

## CURTAIN & CUSHION GROUP (CONTINUED)

### FABRICS

KEY	PART NUMBER	U/M DESCRIPTION
	087272-03-000	YD DRAPERY LINING-54" IVORY
	105745-64-000	YD FABRIC-BEDSPREAD, DRAPERY & PRIVACY CURTAIN - SLATE (F15)
	105745-62-000	YD FABRIC-BEDSPREAD, DRAPERY & PRIVACY CURTAIN - LILAC (F16)
	105745-85-000	YD FABRIC-BEDSPREAD, MAIN - OPAL (F15)
	105745-86-000	YD FABRIC-BEDSPREAD, MAIN - DUSK (F16)
	108446-B3-000	YD FABRIC-UPHOLSTERY, MAIN - GULF (F15)
	108446-B8-000	YD FABRIC-UPHOLSTERY, MAIN - IVORY (F16)
	108446-49-000	YD FABRIC-UPHOLSTERY, PLAIN ACCENT - TWILIGHT (F15)
	108446-B4-000	YD FABRIC-UPHOLSTERY, PLAIN ACCENT - SMOKE (F16)
	108446-B5-000	YD FABRIC-UPHOLSTERY, PATTERN ACCENT - GULF (F15)
	108446-B6-000	YD FABRIC-UPHOLSTERY, PATTERN ACCENT - IVORY (F16)
	079680-01-000	YD FABRIC-VINYL, 54" WIDE - BEIGE
	103907-01-01A	YD FABRIC-VINYL, 54" WIDE - OFF WHITE

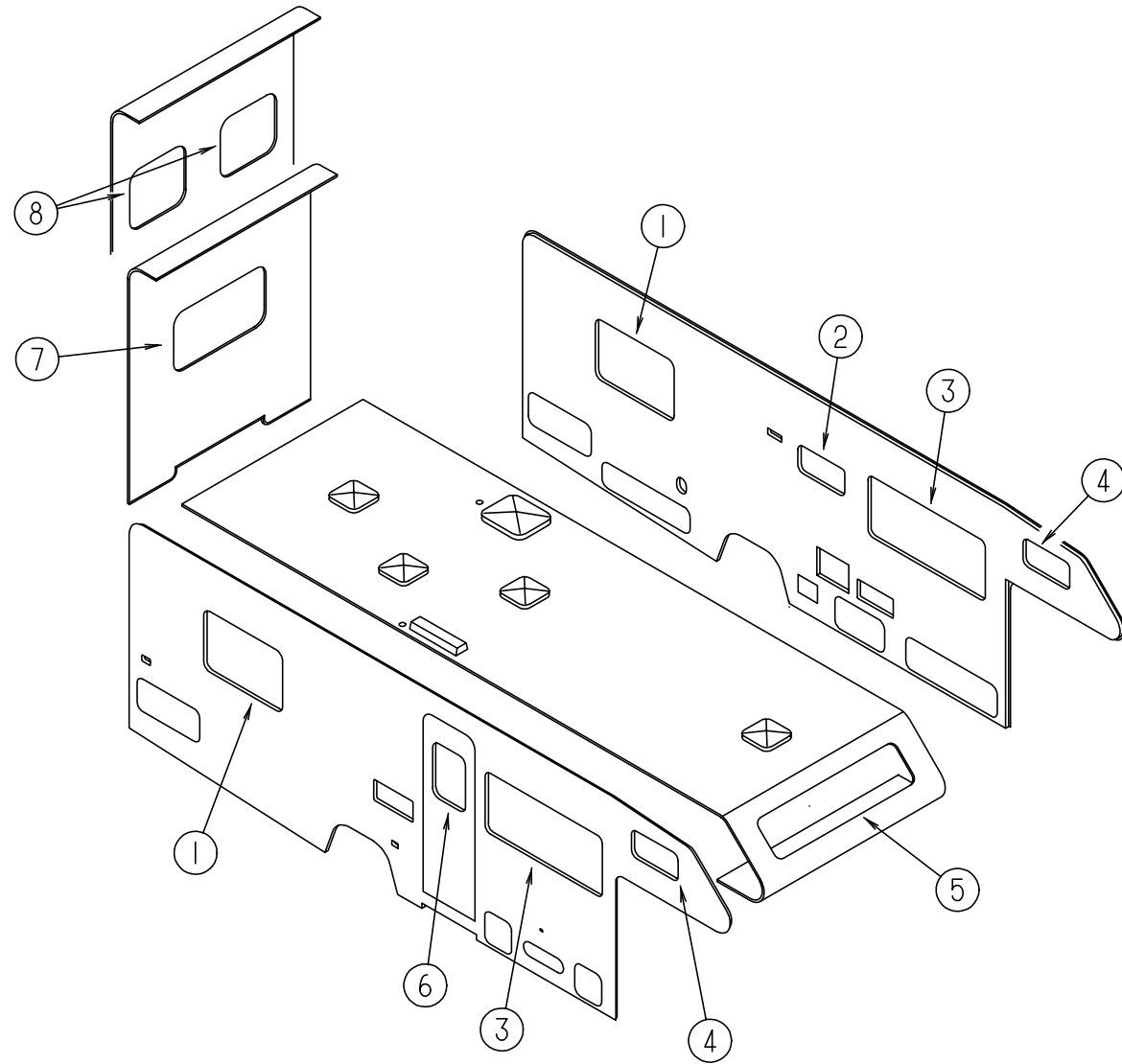
### WELTING & BUTTONS

KEY	PART NUMBER	U/M DESCRIPTION
	079349-04-E27	YD WELTING-FABRIC (F15)
	079349-04-F16	YD WELTING-FABRIC (F16)
	070578-11-B18	EA BUTTON-SNAP TOP - #30 - VINYL - OFF WHITE

### ASSIST HANDLE & SEATBELTS

KEY	PART NUMBER	U/M DESCRIPTION
	053552-02-AA8	EA HANDLE-ASSIST, INTERIOR - ENTRY DOOR - VINYL - OFF WHITE
	069178-02-000	EA BRACKET-MOUNTING, ASSIST HANDLE - L ANGLE - W/HOLES - STEEL
	000C16-07-16B	EA BOLT-CARRIAGE, ASSIST HANDLE - 7/16" - 14 X 1" - ZINC
	000D20-07-00B	EA NUT-ACORN, ASSIST HANDLE - 7/16" X 14 - ZINC
	057759-01-000	EA WASHER BRACKET-SEAT BELT, 4" DIAMETER
	007021-01-000	EA BELT-SEAT, 2" X 90" - BLACK
	056271-01-000	EA BELT-SEAT, 2" X 102" - BLACK

**CURTAIN & CUSHION GROUP (CONTINUED)**



**CURTAINS & WINDOW TREATMENT**

KEY	PART NUMBER	U/M DESCRIPTION
1	104657-01-F15	EA VALANCE-WINDOW, GEORGETOWN - 45" - W/HEADER (QUEEN BED)
1	104657-01-F16	EA VALANCE-WINDOW, GEORGETOWN - 45" - W/HEADER (QUEEN BED)
1	104657-03-F15	EA VALANCE-WINDOW, GEORGETOWN - 45" - W/O HEADER (TWIN BED)
1	104657-03-F16	EA VALANCE-WINDOW, GEORGETOWN - 45" - W/O HEADER (TWIN BED)
1	101668-42-F15	EA CURTAIN-WINDOW, TAPE TOP - 32" X 35" (QUEEN BED)
1	101668-42-F16	EA CURTAIN-WINDOW, TAPE TOP - 32" X 35" (QUEEN BED)
1	101668-44-F15	EA CURTAIN-WINDOW, TAPE TOP - 29" X 35" (TWIN BED)
1	101668-44-F16	EA CURTAIN-WINDOW, TAPE TOP - 29" X 35" (TWIN BED)
1	084755-93-F15	EA SHADE-PULL, 42.25"
2	109041-20-01A	EA BLIND-MINI, 31" X 18" DROP - PURE SILVER
	109353-07-01A	EA VALANCE-BLIND, 31" SLAT - PURE SILVER
	109353-04-000	EA CLIP-VALANCE SLAT MOUNTING, CLEAR PLASTIC
3	105923-24-F15	EA VALANCE-WINDOW, RODEWAY - 63.5" - W/1" INSERT
3	105923-24-F16	EA VALANCE-WINDOW, RODEWAY - 63.5" - W/1" INSERT
3	076892-21-FB1	EA CURTAIN-WINDOW, PLAIN HEM TOP & BOTTOM - 30" X 15" (F15)
3	076892-21-FC1	EA CURTAIN-WINDOW, PLAIN HEM TOP & BOTTOM - 30" X 15" (F16)
3	084755-76-F15	EA SHADE-PULL, 62.25" - W/O TRIM
4	101034-45-F15	EA CURTAIN-WINDOW, DARTED TAPE TOP - W/LINING - 20" X 34" - RH
4	101034-45-F16	EA CURTAIN-WINDOW, DARTED TAPE TOP - W/LINING - 20" X 34" - RH
4	101034-46-F15	EA CURTAIN-WINDOW, DARTED TAPE TOP - W/LINING - 20" X 34" - LH
4	101034-46-F16	EA CURTAIN-WINDOW, DARTED TAPE TOP - W/LINING - 20" X 34" - LH

**CURTAIN & CUSHION GROUP (CONTINUED)**  
**CURTAINS & WINDOW TREATMENT (CONTINUED)**

KEY	PART NUMBER	U/M DESCRIPTION
5	101034-33-F15	EA CURTAIN-WINDOW, DART TAPE TOP & BOTTOM - 21" X 60" - RIGHT
5	101034-33-F16	EA CURTAIN-WINDOW, DART TAPE TOP & BOTTOM - 21" X 60" - RIGHT
5	101034-34-F15	EA CURTAIN-WINDOW, DART TAPE TOP & BOTTOM - 21" X 60" - LEFT
5	101034-34-F16	EA CURTAIN-WINDOW, DART TAPE TOP & BOTTOM - 21" X 60" - LEFT
6	105923-28-F15	EA VALANCE-DOOR, RODEWAY - 29" - W/1" INSERT
6	105923-28-F16	EA VALANCE-DOOR, RODEWAY - 29" - W/1" INSERT
6	084755-57-E07	EA SHADE-PULL, 27.25"
7	104657-18-F15	EA VALANCE-WINDOW, GEORGETOWN - 54" - W/O HEADER (QUEEN BED)
7	104657-18-F16	EA VALANCE-WINDOW, GEORGETOWN - 54" - W/O HEADER (QUEEN BED)
7	101668-44-F15	EA CURTAIN-WINDOW, TAPE TOP - 29" X 35"
7	101668-44-F16	EA CURTAIN-WINDOW, TAPE TOP - 29" X 35"
7	084755-92-F15	EA SHADE-PULL, 50.25"
8	104657-12-F15	EA VALANCE-WINDOW, GEORGETOWN - 29" - W/O HEADER (TWIN BED)
8	104657-12-F16	EA VALANCE-WINDOW, GEORGETOWN - 29" - W/O HEADER (TWIN BED)
8	101668-44-F15	EA CURTAIN-WINDOW, TAPE TOP - 29" X 35"
8	101668-44-F16	EA CURTAIN-WINDOW, TAPE TOP - 29" X 35"
8	084755-57-E07	EA SHADE-PULL, 27.25"

**PRIVACY CURTAINS**

KEY	PART NUMBER	U/M DESCRIPTION
	076892-20-F15	EA CURTAIN-BUNK PRIVACY, SNAP TOP - PLAIN - W/LINING - 50" X 78"
	076892-20-F16	EA CURTAIN-BUNK PRIVACY, SNAP TOP - PLAIN - W/LINING - 50" X 78"
	101668-39-F15	EA CURTAIN-BUNK PRIVACY, TAPE TOP - W/LINING - 35" X 50" - RIGHT
	101668-40-F15	EA CURTAIN-BUNK PRIVACY, TAPE TOP - W/LINING - 35" X 50" - LEFT
	101668-39-F16	EA CURTAIN-BUNK PRIVACY, TAPE TOP - W/LINING - 35" X 50" - RIGHT
	101668-40-F16	EA CURTAIN-BUNK PRIVACY, TAPE TOP - W/LINING - 35" X 50" - LEFT
	101668-48-F15	EA CURTAIN-BEDROOM PRIVACY, TAPE TOP - W/LINING - 70" X 60" FROM: 00-00-00 THRU: 08-21-94
	101668-50-F15	EA CURTAIN-BEDROOM PRIVACY, TAPE TOP - W/LINING - 70" X 60" FROM: 08-22-94 THRU: 99-99-99
	101668-48-F16	EA CURTAIN-BEDROOM PRIVACY, TAPE TOP - W/LINING - 70" X 60" FROM: 00-00-00 THRU: 08-21-94
	101668-50-F15	EA CURTAIN-BEDROOM PRIVACY, TAPE TOP - W/LINING - 70" X 60" FROM: 08-22-94 THRU: 99-99-99

**SHOWER CURTAINS**

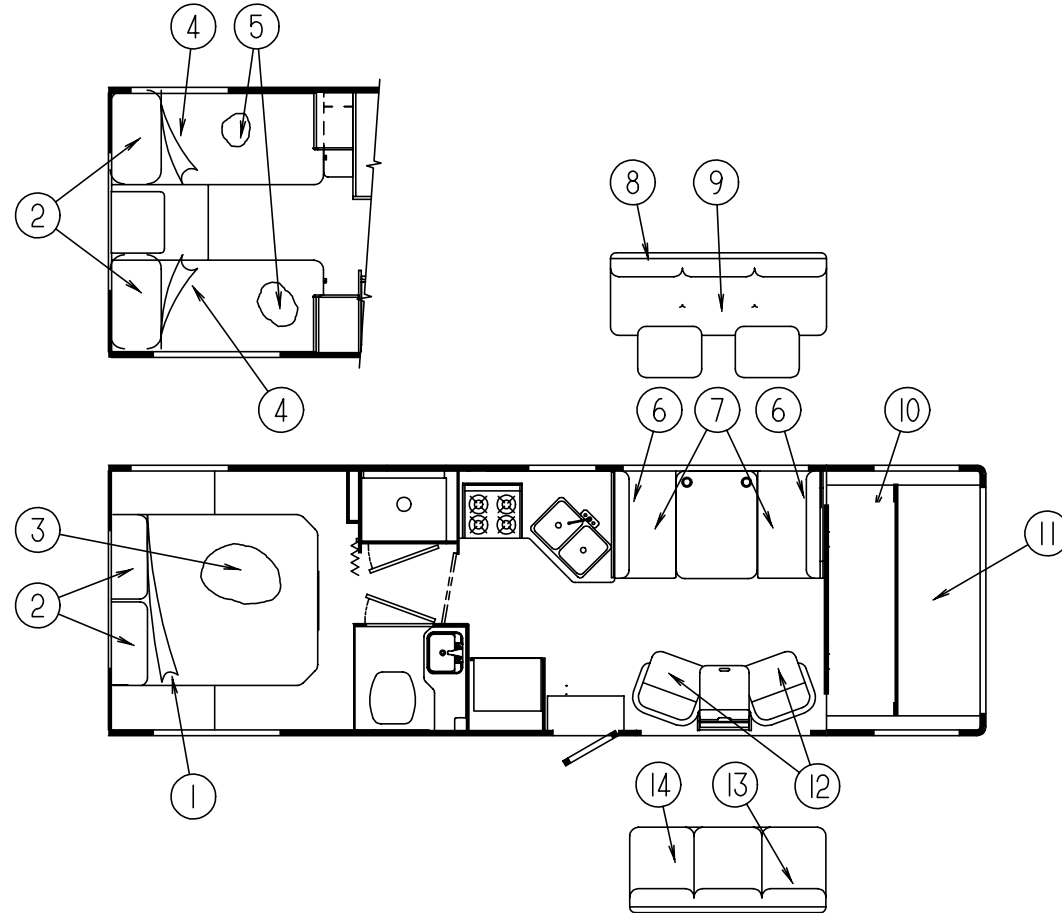
KEY	PART NUMBER	U/M DESCRIPTION
	084481-19-B88	EA CURTAIN-SHOWER - 69" X 42" (F15)
	084481-19-D05	EA CURTAIN-SHOWER - 69" X 42" (F16)

**CURTAIN TIEBACKS**

KEY	PART NUMBER	U/M DESCRIPTION
	073260-25-F15	EA TIEBACK-BEDROOM CURTAIN, 3" X 18"
	073260-25-F16	EA TIEBACK-BEDROOM CURTAIN, 3" X 18"
	073260-23-F15	EA TIEBACK-BUNK PRIVACY CURTAIN, 3" X 18"
	073260-23-F16	EA TIEBACK-BUNK PRIVACY CURTAIN, 3" X 18"
	073260-54-C30	EA TIEBACK-SHOWER CURTAIN, 3" X 16" (F15)
	073260-54-D36	EA TIEBACK-SHOWER CURTAIN, 3" X 16" (F16)
	073260-59-F15	EA TIEBACK-BEDROOM PRIVACY CURTAIN, 4" X 15"
	073260-59-F16	EA TIEBACK-BEDROOM PRIVACY CURTAIN, 4" X 15"
	057534-01-000	EA TIEBACK/TIEDOWN-BED/CURTAIN/DOOR - 6" - PLASTIC - CLEAR
	057534-06-000	EA TIEBACK/TIEDOWN-VINYL, 6" - BEIGE

## CURTAIN & CUSHION GROUP (CONTINUED)

### DRIVERS SIDE COUCH



KEY	PART NUMBER	U/M DESCRIPTION
8	100032-42-F15	EA BACKREST-COUCH, 74"
8	100032-42-F16	EA BACKREST-COUCH, 74"
	P00032-42-F15	EA COVER-BACKREST, 74"
	P00032-42-F16	EA COVER-BACKREST, 74"
	101085-10-000	EA FRAME-BACK, COUCH - 74.5" X 16"
9	100032-43-F15	EA SEAT-COUCH, W/O BACKREST - 74"
9	100032-43-F16	EA SEAT-COUCH, W/O BACKREST - 74"
	P00032-43-F15	EA COVER-SEAT, COUCH - 74"
	P00032-43-F16	EA COVER-SEAT, COUCH - 74"
	101085-04-000	EA FRAME-SEAT, COUCH - 74.75"
	101085-06-000	EA FRAME-BASE, COUCH - 74.75"
	105947-01-000	EA BRACKET-HOLD DOWN, COUCH - CANADIAN

NOTE: COUCH FRONT AND SIDE PANELS ARE FOUND IN LOUNGE GROUP

### BUNK CUSHIONS

KEY	PART NUMBER	U/M DESCRIPTION
10	105573-12-F15	EA CUSHION-OVERHEAD, REAR - 27" X 23" X 80" X 4"
10	105573-12-F16	EA CUSHION-OVERHEAD, REAR - 27" X 23" X 80" X 4"
	P05573-12-F15	EA COVER-CUSHION, REAR - 27" X 23" X 80" X 4"
	P05573-12-F16	EA COVER-CUSHION, REAR - 27" X 23" X 80" X 4"
11	105573-11-F15	EA CUSHION-OVERHEAD, FRONT - DOUBLE ANGLED - 32.5" X 80" X 4"
11	105573-11-F16	EA CUSHION-OVERHEAD, FRONT - DOUBLE ANGLED - 32.5" X 80" X 4"
	P05573-11-F15	EA COVER-CUSHION, FRONT - DOUBLE ANGLED - 32.5" X 80" X 4"
	P05573-11-F16	EA COVER-CUSHION, FRONT - DOUBLE ANGLED - 32.5" X 80" X 4"

### CHAIR - SEIRRA

KEY	PART NUMBER	U/M DESCRIPTION
12	115470-01-F15	EA CHAIR-SEIRRA, W/SKIRT
12	115470-01-F16	EA CHAIR-SEIRRA, W/SKIRT

### QUEEN BEDSPREAD & MATTRESS

KEY	PART NUMBER	U/M DESCRIPTION
1	102410-15-F15	EA BEDSPREAD-THROW, W/4" RUFFLE - 59" X 74"
1	102410-15-F16	EA BEDSPREAD-THROW, W/4" RUFFLE - 59" X 74"
2	081997-17-F15	EA PILLOW SHAM-W/4" RUFFLE
2	081997-17-F16	EA PILLOW SHAM-W/4" RUFFLE
3	101123-20-000	EA MATTRESS-COMPLETE, FOAM - 59" X 74" X 5" - CUT CORNERS

### TWIN BEDSPREAD & MATTRESS

KEY	PART NUMBER	U/M DESCRIPTION
4	085365-29-F15	EA BEDSPREAD-THROW, W/ROUNDED CORNERS - 33"
4	085365-29-F16	EA BEDSPREAD-THROW, W/ROUNDED CORNERS - 33"
5	101123-19-000	EA MATTRESS-COMPLETE, FOAM - TWIN - 32" X 74" X 5"

### DINETTE CUSHIONS

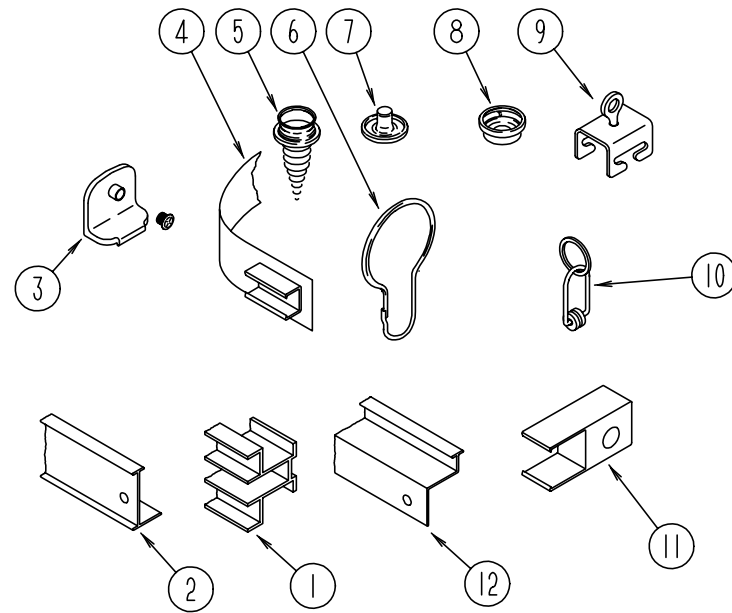
KEY	PART NUMBER	U/M DESCRIPTION
6	116134-01-FB1	EA CUSHION-BACKREST, 13.5" X 37.5" X 5" (F15)
6	116134-01-FC1	EA CUSHION-BACKREST, 13.5" X 37.5" X 5" (F16)
	P16134-01-FB1	EA COVER-CUSHION, BACKREST - 13.5" X 37.5" X 5" (F15)
	P16134-01-FC1	EA COVER-CUSHION, BACKREST - 13.5" X 37.5" X 5" (F16)
	078155-01-000	EA STRAP-SNAP, BACKREST CUSHION
7	088927-87-F15	EA CUSHION-SEATBASE, 23" X 38" X 5"
7	088927-87-F16	EA CUSHION-SEATBASE, 23" X 38" X 5"
	M88927-87-F15	EA COVER-CUSHION, SEATBASE - 23" X 38" X 5"
	M88927-87-F16	EA COVER-CUSHION, SEATBASE - 23" X 38" X 5"

### PASSENGER SIDE COUCH

KEY	PART NUMBER	U/M DESCRIPTION
13	100032-44-F15	EA BACKREST-COUCH, 66.5"
13	100032-44-F16	EA BACKREST-COUCH, 66.5"
	P00032-44-F15	EA COVER-BACKREST, 66.5"
	P00032-44-F16	EA COVER-BACKREST, 66.5"
	101085-09-000	EA FRAME-BACK, COUCH - 66.5" X 16"
14	100032-37-F15	EA SEAT-COUCH, W/O BACKREST - 66.5"
14	100032-37-F16	EA SEAT-COUCH, W/O BACKREST - 66.5"
	P00032-37-F15	EA COVER-SEAT, COUCH - 66.5"
	P00032-37-F16	EA COVER-SEAT, COUCH - 66.5"
	101085-01-000	EA FRAME-SEAT, COUCH - 66.5"
	101085-03-000	EA FRAME-BASE, COUCH - 66.5"
	105947-01-000	EA BRACKET-HOLD DOWN, COUCH - CANADIAN

NOTE: COUCH FRONT AND SIDE PANELS ARE FOUND IN LOUNGE GROUP

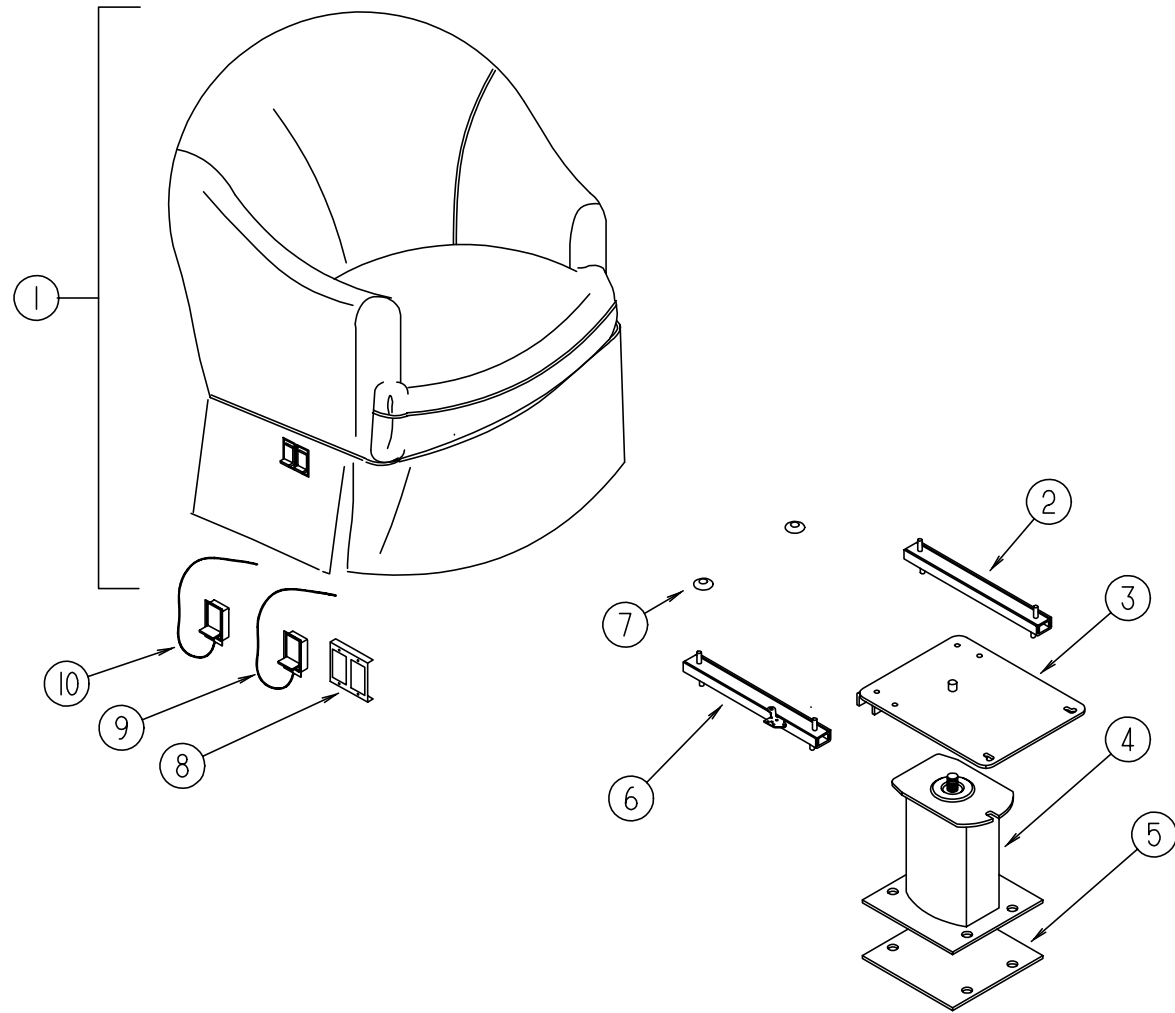
**CURTAIN & CUSHION GROUP (CONTINUED)**  
**CURTAIN & BLIND HARDWARE**



KEY	PART NUMBER	U/M DESCRIPTION
	086276-01-000	FT TAPE-DOUBLE SIDED, 1/2" - ROLLER SHADE
	088792-01-000	YD VELCRO-HOOK, .75" WIDE - BEIGE
	088792-02-000	YD VELCRO TAPE-LOOP, ADHESIVE BACKED - .75" WIDE - BEIGE
	096843-01-000	EA SPRING-REWIND, ROLLER SHADE
	056003-01-000	EA BRACKET-DRAPERY RETAINING, FRONT - METAL FROM: 00-00-00 THRU: 07-24-94
	056003-02-000	EA BRACKET-DRAPERY RETAINING, REAR - METAL FROM: 00-00-00 THRU: 07-24-94
	056003-04-000	EA BRACKET-DRAPERY RETAINING, FRONT - 1.5" EXTENSION - METAL FROM: 07-25-94 THRU: 99-99-99
	056003-05-000	EA BRACKET-DRAPERY RETAINING, REAR - 1.5" EXTENSION - METAL FROM: 07-25-94 THRU: 99-99-99
	083170-01-000	EA BRACKET-BLIND, LEFT SIDE WHEN FACING WINDOW
	083170-02-000	EA BRACKET-BLIND, RIGHT SIDE WHEN FACING WINDOW
	109441-01-000	EA HOLD DOWN-BLIND, HOOK

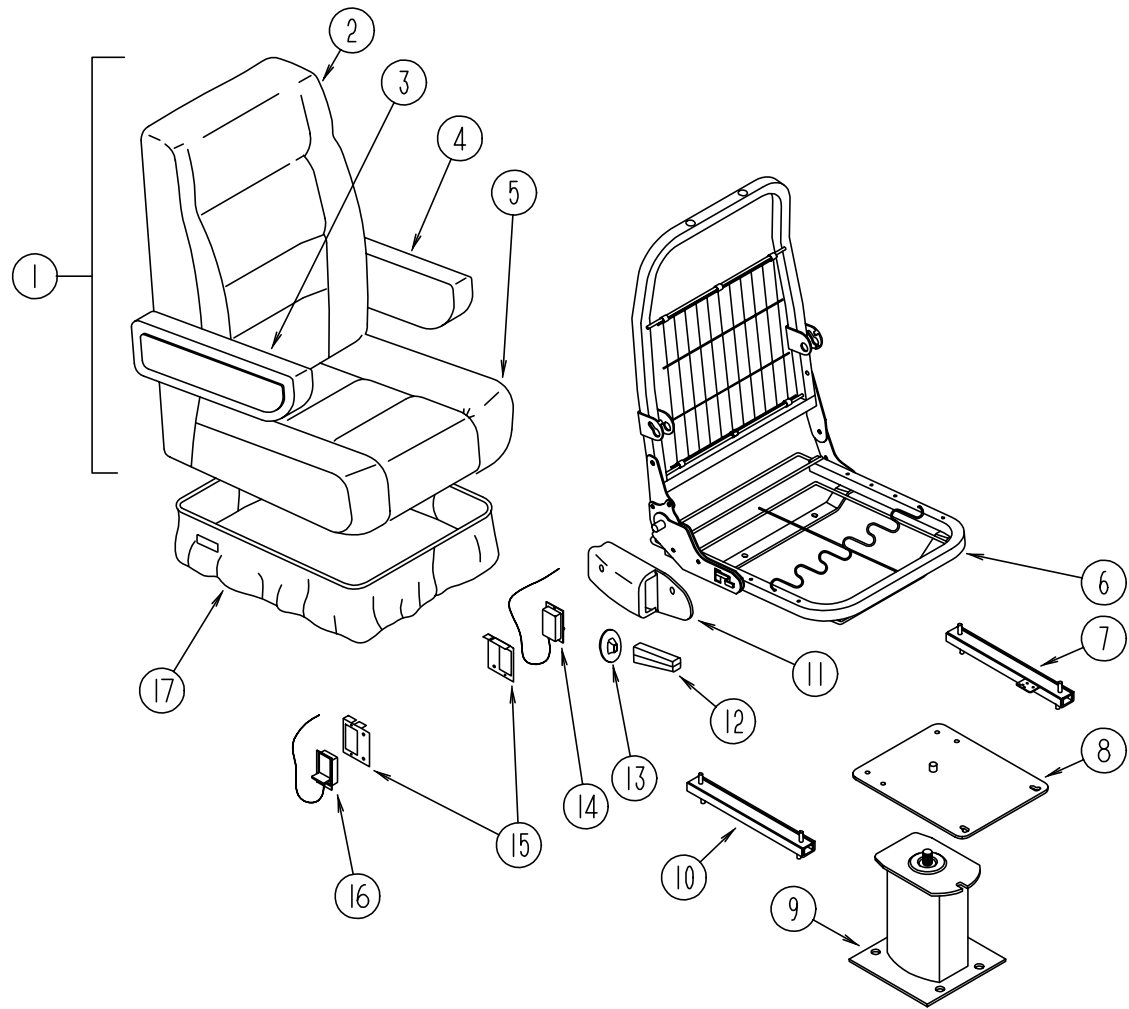
KEY	PART NUMBER	U/M DESCRIPTION
1	101033-03-000	FT TRACK-WALL, WHITE - CT225 - SHAPCO
2	092464-05-01A	EA TRACK-SHOWER, CURVED - OFF WHITE
	009700-04-002	EA TRACK, L-SHAPED - 195.2" - OFF WHITE
3	106544-01-000	EA PULL-SHADE, BRASS
	106544-01-001	EA SCREW-BRASS, PULL SHADE
4	101031-01-000	YD TAPE-GLIDE, CURTAIN - 4.25" SPACING
5	029130-01-000	EA SCREW-SNAP SOCKET, 8 PH X 5/8"
6	009136-02-000	EA HANGER-RING, PIN TYPE - CURTAIN - BRASS
7	029155-01-000	EA CAP-SNAP, NICKEL
8	029156-01-000	EA SOCKET-SNAP FASTENER, NICKEL
9	009702-01-000	EA END STOP-CURTAIN CARRIER, L ROD
10	009701-01-000	EA CARRIER-CURTAIN, L ROD
	009702-01-000	EA END STOP-CURTAIN CARRIER, L ROD
11	101033-02-000	EA END CAP-TRACK, CLEAR
12	105450-02-01A	EA TRACK-CURTAIN, 48" LONG - ALUMINUM - OFF WHITE
12	105450-06-01A	EA TRACK-CURTAIN, 88" LONG - ALUMINUM - OFF WHITE
12	105450-09-01A	EA TRACK-CURTAIN, 55.5" LONG - ALUMINUM - OFF WHITE FROM: 00-00-00 THRU: 08-21-94
12	105450-08-01A	EA TRACK-CURTAIN, 38" LONG - ALUMINUM - OFF WHITE FROM: 08-22-94 THRU: 99-99-99
12	105450-12-01A	EA TRACK-CURTAIN, GEORGETOWN VALANCE - 52" LONG - ALUMINUM - O/W
	046867-01-000	EA GROMMET-BRASS, 7/16" ID X 1" OD
	048394-02-000	YD VELCRO TAPE-HOOK, ADHESIVE BACK - .75" WIDE - BEIGE
	068716-01-001	EA BRACE - 90 DEGREE L-ANGLE, 192" - EXTRUDED ALUMINUM
	075943-01-000	EA BRACE-ANGLE, W/HOLES - 1" X 1.5" X 20"- ALUMINUM - BEIGE
	084432-06-000	FT SLAT-ROLLER SHADE, PLASTIC
	084433-05-000	EA SHADE-ROLLER, 72.25"
	084434-01-000	FT BRACKET-MOUNTING, ROLLER SHADE - 1 3/8"

**CURTAIN & CUSHION GROUP (CONTINUED)**  
**SWIVEL CHAIR**



KEY	PART NUMBER	U/M	DESCRIPTION
1	115470-01-F15	EA	CHAIR-SEIRRA, W/SKIRT
1	115470-01-F16	EA	CHAIR-SEIRRA, W/SKIRT
	P15470-01-F15	EA	COVER-CHAIR, SEIRRA
	P15470-01-F16	EA	COVER-CHAIR, SEIRRA
2	069246-06-000	EA	ADJUSTER-SWIVEL CHAIR, MANUAL - FORWARD & BACK
3	107921-08-000	EA	TOP PLATE-W/O SEAT BELT BAR, FLEXSTEEL 2759PDTP
	107921-06-000	EA	BEARING KIT-FLEXSTEEL
4	107921-01-000	EA	BASE-PEDESTAL, W/9.75" EXTENSION - FLEXSTEEL 3060 MSPD
5	108445-02-000	EA	SUB-PLATE, PEDESTAL - FLOOR MOUNTED
6	069246-08-000	EA	ADJUSTER-SWIVEL CHAIR, FORWARD & BACK - REMOTE - SCHROCK
7	007221-01-000	EA	SPACER-SEAT ADJUSTER
8	097683-02-000	EA	BRACKET- MOUNT, REMOTE
9	108049-01-000	EA	CABLE-SWIVEL, W/SWITCH - 28" - FLEXSTEEL PED 23602
	108049-02-000	EA	CLIP-CABLE, PEDESTAL - FLEXSTEEL 2592-CA
10	089368-04-000	EA	CABLE-SLIDE, W/SWITCH

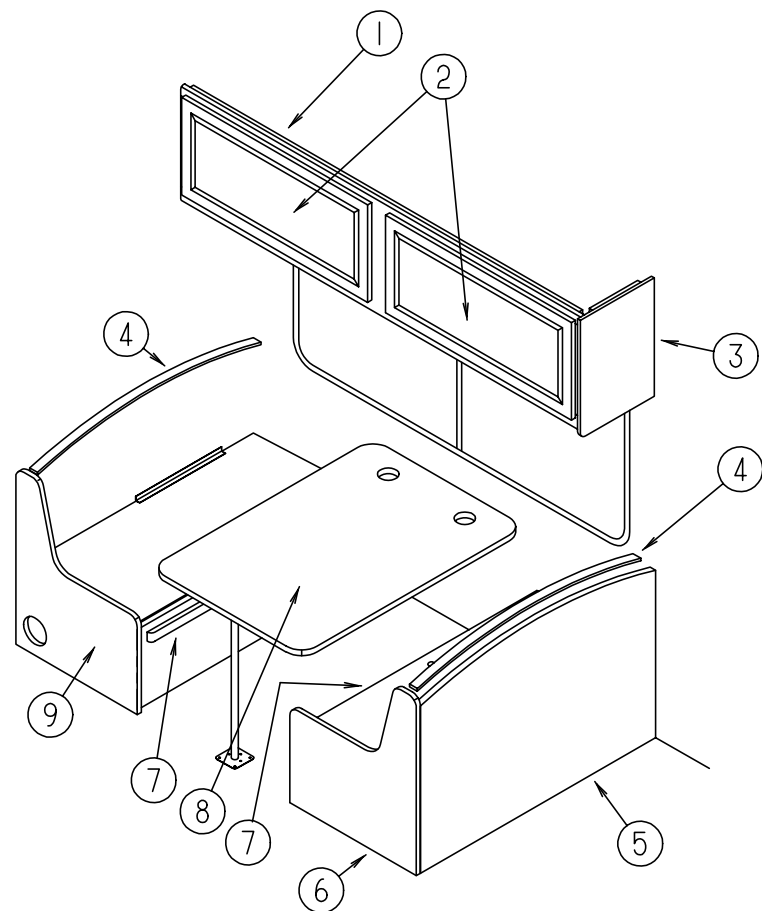
**CURTAIN & CUSHION GROUP (CONTINUED)**  
**DRIVER & PASSENGER BUCKET SEAT**



KEY	PART NUMBER	U/M DESCRIPTION
7	069246-05-000	EA ADJUSTER-SEAT/CHAIR, W/REMOTE - FORWARD & BACK
	114889-01-000	EA STOP BAR-UNIVERSAL, SEAT ADJUSTER - SHROCK
	069246-05-700	EA SPRING-ADJUSTER, FOR REMOTE
	069246-05-701	EA CLIP-CABLE, FOR REMOTE
8	107921-08-000	EA TOP PLATE-W/O SEAT BELT BAR FLEXSTEEL 2759PDTP
	069585-27-000	EA PEDESTAL-UPPER, W/RECLINE LEVER - STEEL
9	107921-09-000	EA PEDESTAL ASM-SEAT, FORD - FLEXSTEEL 3067-PDMB
	107921-06-000	EA BEARING KIT-PEDESTAL, FLEXSTEEL
10	069246-02-000	EA ADJUSTER-SEAT/CHAIR, W/O LOCK - FORWARD & BACK
	114889-01-000	EA STOP BAR-UNIVERSAL, SEAT ADJUSTER - SHROCK
11	080730-09-000	EA SHIELD-FLEXSTEEL
12	080730-08-000	EA HANDLE-30179907 KEIPER
13	080730-11-000	EA SHIELD-RUBBER BOOT FLEXSTEEL
14	089368-04-000	EA CABLE-SWIVEL/SLIDE, W/SWITCH
15	097683-03-000	EA BRACKET-REMOTE, SIDE MOUNT - SINGLE
16	108049-01-000	EA CABLE W/SWITCH - 28", FLEXSTEEL PEDESTAL
	108049-02-000	EA CLIP-CABLE, PEDESTAL
17	071126-42-F15	EA SKIRT - 7", W/SLIT, OPEN BACK CORNERS
17	071126-42-F16	EA SKIRT - 7", W/SLIT, OPEN BACK CORNERS

KEY	PART NUMBER	U/M DESCRIPTION
1	110148-04-F15	EA SEAT-ECONOMIZER II RECLINER, W/ECONO ARMS
1	110148-04-F16	EA SEAT-ECONOMIZER II RECLINER, W/ECONO ARMS
2	M05962-17-F15	EA COVER-BACK, ECONOMIZER II
2	M05962-17-F16	EA COVER-BACK, ECONOMIZER II
	089323-01-000	FT STRIP-POLYENTHYLENE, J-CHANNEL FLEX-O-LATORS
3	115520-01-FB1	EA ARMREST-RH, ECONO W/O SEWLINES (F15)
3	115520-01-FC1	EA ARMREST-RH, ECONO W/O SEWLINES (F16)
	P15520-01-FB1	EA COVER-ARMREST, RH (F15)
	P15520-01-FC1	EA COVER-ARMREST, RH (F16)
	081268-01-000	EA ROD & CHANNEL-ARMREST, RIGHT - METAL
	081361-01-000	EA ROD-ARMREST, METAL - RIGHT OR LEFT HAND
4	115520-02-FB1	EA ARMREST-LH, ECONO W/O SEWLINES (F15)
4	115520-02-FC1	EA ARMREST-LH, ECONO W/O SEWLINES (F16)
	P15520-02-FB1	EA COVER-ARMREST, LH (F15)
	P15520-02-FC1	EA COVER-ARMREST, LH (F16)
	081268-02-000	EA ROD & CHANNEL-ARMREST, LEFT - METAL
	081361-01-000	EA ROD-ARMREST, METAL - RIGHT OR LEFT HAND
5	M05962-18-F15	EA COVER-SEAT, ECONOMIZER II
5	M05962-18-F16	EA COVER-SEAT, ECONOMIZER II
6	M80906-11-000	EA FRAME ASM-SEAT, BACK & SPRING

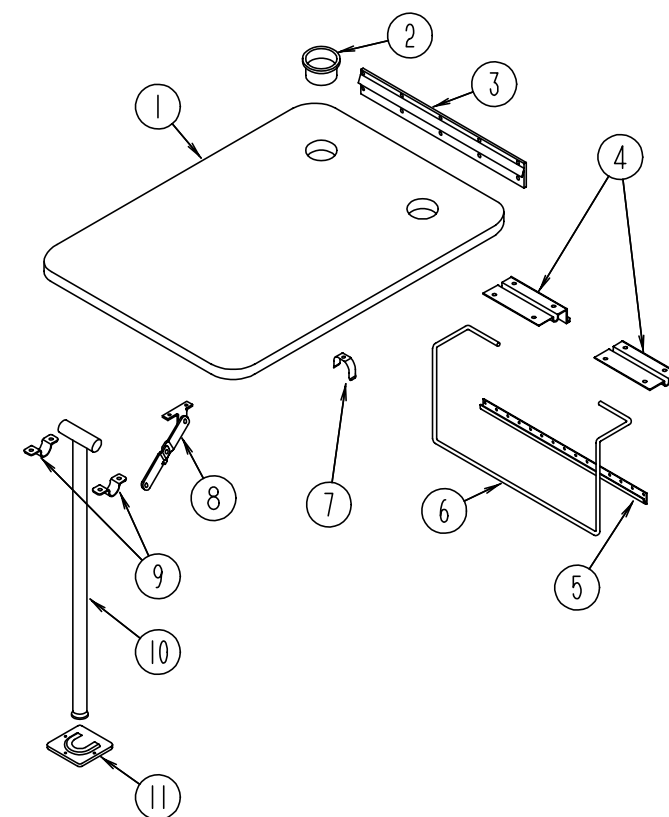
## DINETTE GROUP



### DINETTE CABINETS, PADS & TABLE

KEY	PART NUMBER	U/M	DESCRIPTION
1	114006-01-F15	EA	CABINET-OVERHEAD, DINETTE - W/O DOORS OR HARDWARE
2	110140-05-EB1	EA	DOOR-MITERED, VINYL WRAP - W/O HARDWARE - 365MM X 850MM
2	110140-65-F15	EA	DOOR-MITERED, W/MIRROR - VINYL WRAP - W/O HARDWARE - 365MM X 850MM
	108536-13-08A	EA	MIRROR-GLASS, GALAXY FLOWER - 282MM X 767MM
3	109908-15-F15	EA	END CAP-CABINET
4	111338-09-F15	EA	PAD ASM-DINETTE
4	111338-09-F16	EA	PAD ASM-DINETTE
5	M06836-07-F15	EA	CABINET-SEATBACK, RH
6	M06837-07-F16	EA	CABINET-SEATBASE, RH
	081518-13-EB1	EA	SEAT-DINETTE
7	081295-01-AA8	EA	SUPPORT-BED, DINETTE
8	M02115-09-F15	EA	TABLE-DINETTE, W/O HARDWARE
9	M06885-18-F15	EA	CABINET-SEATBASE, LH
	081518-16-F15	EA	SEAT-DINETTE

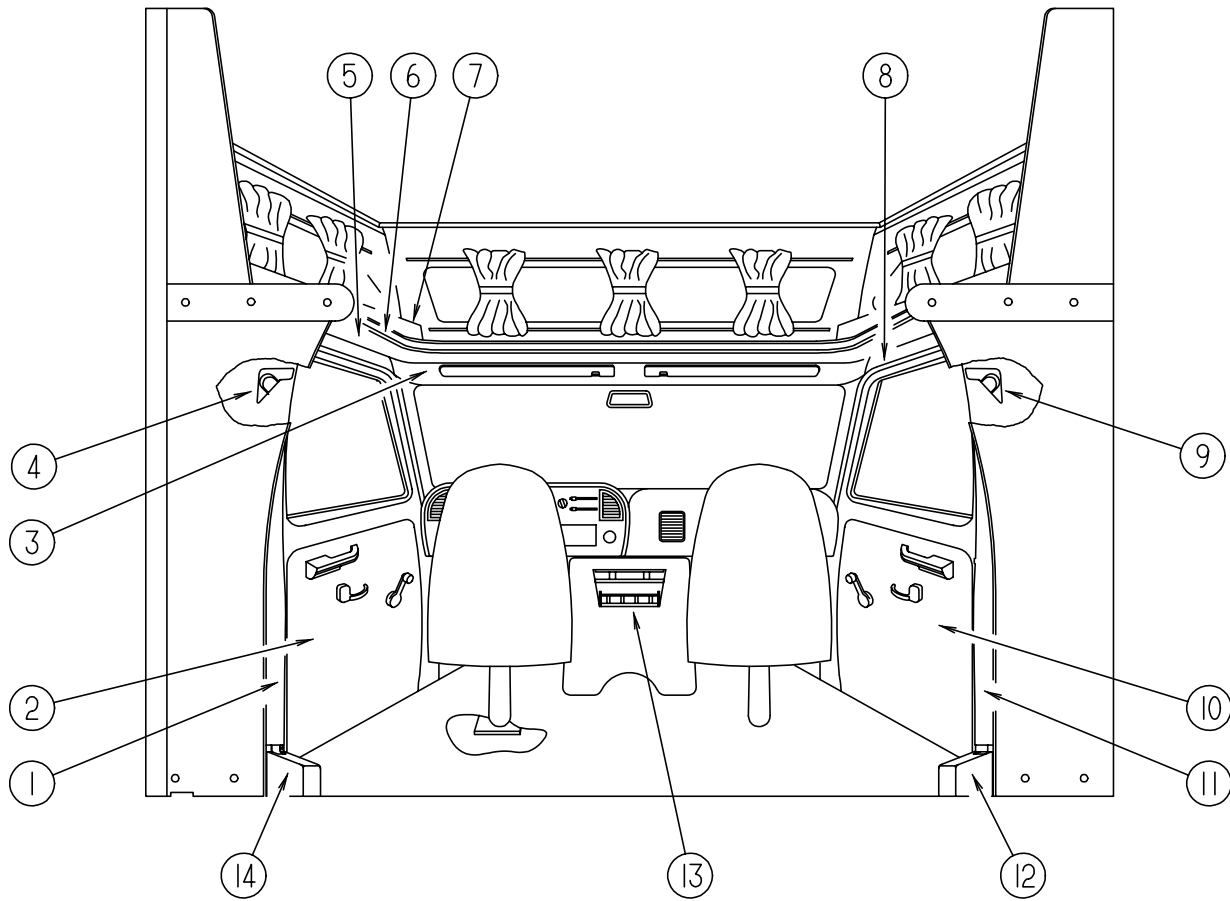
## DINETTE GROUP (CONTINUED)



### DINETTE TABLE & HARDWARE

KEY	PART NUMBER	U/M	DESCRIPTION
1	M02115-09-F15	EA	TABLE-DINETTE, W/O HARDWARE
2	064781-06-000	EA	HOLDER-CUP, TWO STAGE - OFF WHITE
3	053200-12-000	EA	BRACKET-TABLE SUPPORT, UPPER WALL MOUNTED - 23.5" - OFF WHITE
4	088410-02-000	EA	BRACKET-LIFT, TABLE MOUNTED - OFF WHITE
5	024281-14-000	EA	BRACKET-LIFT ROD, LOWER WALL MOUNTED - 22.12" - OFF WHITE
6	024275-12-000	EA	ROD-TABLE LIFT, OFF WHITE
7	024283-01-000	EA	CLIP-LEG, 1" X 1.125" OD - BLACK
8	024282-01-000	EA	BRACE-TABLE LEG, HINGED
9	064050-05-000	EA	HINGE-TABLE LEG, OFF WHITE
10	024276-23-000	EA	LEG-TABLE, METAL - OFF WHITE
11	049493-11-700	EA	CATCH-LEG-FLOOR MOUNTED, 2.5" X 2.7" - METAL - E-COAT
	049493-12-000	EA	CATCH-TABLE LEG, OFF WHITE

**DRIVERS COMPARTMENT GROUP**  
**DRIVERS COMPARTMENT**



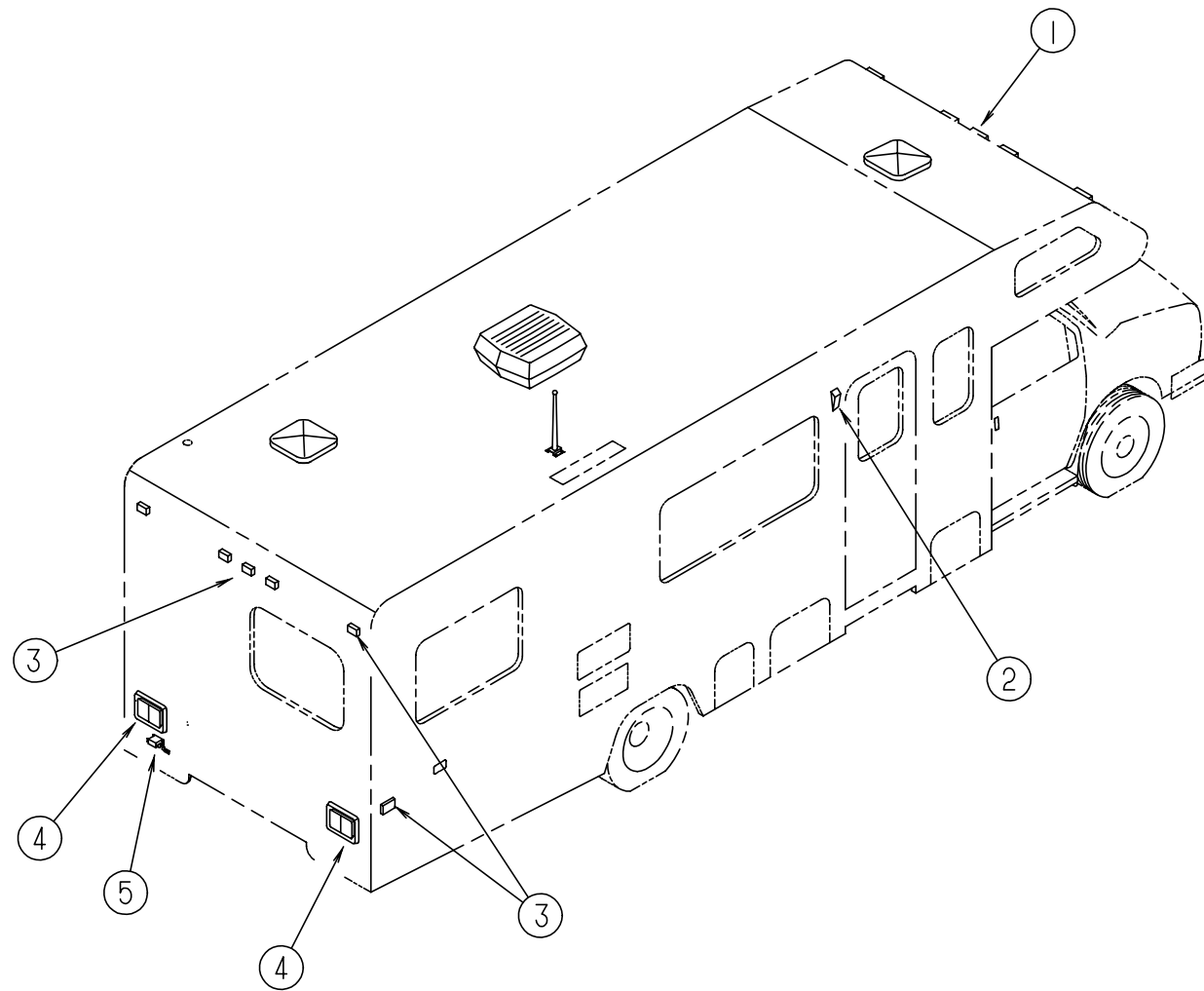
KEY	PART NUMBER	U/M	DESCRIPTION
1	106446-02-C03	EA	TRIM ASSEMBLY-CAB, B-PILLAR - LEFT HAND
	106445-02-C03	EA	TRIM ASSEMBLY-WINGWALL WRAP, BETWEEN CAB STEEL & B PILLAR TRIM
2	106432-02-F15	EA	PANEL ASSEMBLY-DOOR, INNER - LEFT HAND
2	106432-02-F16	EA	PANEL ASSEMBLY-DOOR, INNER - LEFT HAND
3	106448-01-C03	EA	HEADLINER-VINYL COVERED, FRONT - OFF WHITE
4	115038-02-01A	EA	COVER-SEAT BELT, UPPER - LH - OFF WHITE
5	106447-02-C03	EA	TRIM ASSEMBLY-CAB DOOR, UPPER - LEFT
6	079800-07-000	EA	TRIM-SLEEPERBOARD, INNER - OFF WHITE
	080742-03-000	FT	INSERT-TRIM, SLEEPER BOARD - VINYL - OFF WHITE
7	109894-01-F15	EA	CABINET ASSEMBLY-HAMPER, FRONT
8	106447-01-C03	EA	TRIM ASSEMBLY-CAB DOOR, UPPER - RIGHT
9	115038-01-01A	EA	COVER-SEAT BELT, UPPER - RH - OFF WHITE
10	106432-01-F15	EA	PANEL ASSEMBLY-DOOR, INNER - RIGHT HAND
10	106432-01-F16	EA	PANEL ASSEMBLY-DOOR, INNER - RIGHT HAND
11	106446-01-C03	EA	TRIM ASSEMBLY-CAB, B-PILLAR - RIGHT
	106445-01-C03	EA	TRIM ASSEMBLY-WINGWALL WRAP, BETWEEN CAB STEEL & B PILLAR TRIM
12	106431-01-01A	EA	COVER-SEATBELT RECOIL, RIGHT - OFF WHITE
13	112185-01-E93	EA	TRAY ASSEMBLY-BEVERAGE
	046886-03-000	EA	ASHTRAY-CHROME, W/COVER
	069885-23-F15	EA	COVER-MOTOR, W/POCKET - FORD
	069885-23-F16	EA	COVER-MOTOR, W/POCKET - FORD
14	106431-02-01A	EA	COVER-SEATBELT RECOIL - LEFT - OFF WHITE

**INSTRUMENT CLUSTERS**

KEY	PART NUMBER	U/M	DESCRIPTION
	094795-06-000	EA	CLUSTER-INSTRUMENT PANEL, KM - GAS/DIESEL - FORD F4UZ-10849-B
	100138-01-000	EA	MODULE-DAYTIME RUNNING LIGHT



## ELECTRICAL GROUP



### EXTERIOR LIGHTS

KEY	PART NUMBER	U/M DESCRIPTION
1	111102-02-000	EA LENS-MARKER LAMP, AMBER - TRIPLEX 118A
	111102-01-000	EA LAMP-MARKER, BASE - TRIPLE X 117 X AS
	091983-01-000	EA GASKET-CLEARANCE/SIDEMARKER LIGHT
	036196-01-000	EA BULB - 12V, #194 - .27AMP - BAYONETTE
	112823-01-000	EA SPLICE-REDUCER, 16-14T018-22 ETC BA-631X
2	097917-01-01A	EA LIGHT-PORCH, ENTRY DOOR - OFF WHITE
	097917-01-06A	EA LIGHT-PORCH, ENTRY DOOR - BRIGHT WHITE
	008215-01-000	EA BULB - 12V, #1003 - .94AMP
	097917-01-700	EA LENS-LIGHT, PORCH
3	111102-03-000	EA LENS-MARKER LAMP, RED - TRIPLEX 117R
	111102-01-000	EA LAMP-MARKER, BASE - TRIPLEX 117XAS
	091983-01-000	EA GASKET-CLEARANCE/SIDEMARKER LIGHT
	036196-01-000	EA BULB - 12V, #194 - .27AMP - BAYONETTE
	112823-01-000	EA SPLICE-REDUCER, 16-14T018-22 ETC BA-631X
4	103355-01-01A	EA POD-TAILLIGHT, OFF WHITE
	103355-01-05A	EA POD-TAILLIGHT, BRIGHT WHITE
	081638-01-000	EA TAILLIGHT-DOUBLE, W/BLACK TRIM - DRIVER & PASSENGER SIDE
	037934-01-000	EA BULB - 12V, #1156 - 2.1AMP - CLEAR GLASS - BACK UP & TURN SIGNAL BULB
	037935-01-000	EA BULB - 12V, #1157 OR #2057 - 2.1AMP - CLEAR GLASS - BRAKE LIGHT
	081638-01-700	EA LENS-TAILLIGHT, RED - BARGMAN 30-84-010
5	081638-01-701	EA LENS-TAILLIGHT, W/BACKUP - BARGMAN 30-84-700
	066432-02-000	EA LIGHT-LICENSE PLATE
	066432-03-000	EA BRACKET-LICENSE PLATE LIGHT

## ELECTRICAL GROUP (CONTINUED)

### INTERIOR LIGHTS

KEY	PART NUMBER	U/M DESCRIPTION
	098024-01-01A	EA LIGHT-DOME, 1 BULB - IVORY
	008218-01-000	EA BULB-DOME LIGHT, 12V - NUMBER 1141
	098024-01-700	EA LENS-DOME LIGHT
	098024-03-01A	EA LIGHT-DOME, 2 BULB - IVORY
	008218-01-000	EA BULB-DOME LIGHT, 12V - NUMBER 1141
	098024-01-700	EA LENS-DOME LIGHT
	086280-01-000	EA LIGHT-SURFACE MOUNT, 12V - JENSEN 1236
	086280-01-700	EA BULB -12VOLT, 6 WATT

### SWITCHES & RECEPTACLES

KEY	PART NUMBER	U/M DESCRIPTION
	079364-01-000	EA SWITCH-ON/OFF ROCKER, 2 PRONGS - BROWN
	075723-01-000	EA SPACER-SWITCH, W/O HOLE - .2" X .9" X 2" - METAL - OFF WHITE
	081994-06-000	EA PLATE-SWITCH, AUXILIARY START
	098351-01-01A	EA PLATE-SWITCH, 1 GANG - POLISHED BRASS - JENSEN
	098351-06-01A	EA PLATE-SWITCH, 2 GANG W/LABEL - JENSEN - POLISHED BRASS
	108356-07-01A	EA ACTUATOR-SWITCH DIMPLE II, CARLING VVAZCXX-XWB
	108357-09-000	EA ROCKER SWITCH, SPDT ON/NONE/MOM - CARLING V5D1000B-0
	024924-02-000	EA RECEPTACLE-POWER CORD, W/PARTIAL PLATE
	058707-01-000	EA RECEPTACLE-ELECTRIC, SINGLE - BROWN
	058707-02-000	EA RECEPTACLE-BLANK, JUNCTION - WIRECON WDJ20BR
	058708-01-000	EA RECEPTACLE-ELECTRIC, DOUBLE - BROWN
	058708-02-000	EA RECEPTACLE-ELECTRIC, DOUBLE - IVORY
	084076-02-000	EA RECEPTACLE-GFI, 15A - 125V - BROWN
	102568-01-E90	EA SPACER-RECEPTACLE, SIDEWALL
	112822-01-01A	EA RECEPTACLE-DUPLEX, IVORY - WIRECON WDRU15IV
	112824-01-02A	EA COVER-EXTERIOR DUPLEX RECEPTACLE, OFF WHITE - P&S 3780-SC-CW
	112824-01-03A	EA COVER-EXTERIOR DUPLEX RECEPTACLE, WHITE - P&S 3780-SC-WH

### POWER CONVERTER & INVERTER

KEY	PART NUMBER	U/M DESCRIPTION
	051912-01-000	EA TRANSFORMER-DRY CONTROL
	083208-01-000	EA CONVERTOR-POWER, 32A - 120V/12V - BW 6332
	092615-01-000	EA CONVERTER - 40 AMP, W/CHARGER - B-W 32400P
	094809-01-000	EA CENTER-LOAD, 240V - 125A - TPL412CT

### WIRING ASSEMBLIES

KEY	PART NUMBER	U/M DESCRIPTION
	096449-01-000	EA WIRE ASSEMBLY-WATER TANK TO MONITOR PANEL
	097618-01-000	EA WIRE ASSEMBLY-MONITOR PANEL, W/3 WIRES & ORANGE RESISTOR- LVS ORANGE RESISTOR W/3 (ORANGE-GREEN-BLUE) WIRES
	106851-01-000	EA WIRE ASSEMBLY-DAY RUN LAMP, FUSE

**ELECTRICAL GROUP (CONTINUED)**  
**FUSES & CIRCUIT BREAKERS**

KEY	PART NUMBER	U/M DESCRIPTION
	008235-01-000	EA FUSE-AUTOMOTIVE, 12V - 15AMP
	062901-02-000	EA FUSE - 5 AMPS, AUTOMOTIVE
	062901-05-000	EA FUSE - 15 AMPS, AUTOMOTIVE
	100341-01-000	EA FUSE HOLDER-IN LINE TYPE, WESCO 8931-92020
	092615-01-700	EA DOOR-ACCESS, FUSES 91500075
	083209-02-000	EA CIRCUIT BREAKER - 15/15 AMP, 120V - BW H-15/15
	083209-03-000	EA CIRCUIT BREAKER - 15/20 AMP, 120V - BW 0-15/20
	083209-04-000	EA CIRCUIT BREAKER - 30 AMP, 120V - BW L-30
	083209-06-000	EA CIRCUIT BREAKER - 30/15 AMP, 120V - BW D-30/15
	083209-08-000	EA CIRCUIT BREAKER-BLANK, BW
	093654-01-000	EA CIRCUIT BREAKER - 6A, 12V - USD 17406-4E12A2A
	093655-02-000	EA CIRCUIT BREAKER - 30 AMP, 12V - USD 17430-4E03A2A
	094810-01-000	EA CIRCUIT BREAKER - 30 AMP, 120V - GE THQL2130
	094811-01-000	EA CIRCUIT BREAKER - 20/20 AMP, 120V - GE THQL2120

**ELECTRIC BOXES, COVERS & POWER CORDS**

KEY	PART NUMBER	U/M DESCRIPTION
	008289-01-000	EA BOX-ELECTRIC, STEEL - 1/2" AND 3/4" KNOCKOUTS - 4" X 4"
	008289-02-000	EA BOX-ELECTRICAL, 4" X 4" - 1/2" & 3/4" KNOCKOUTS - CANADIAN
	091910-02-000	EA BOX-ELECTRICAL, PLASTIC - 57 X 88MM
	093603-01-000	EA BOX-ELECTRIC, 4" X 2 1/8" X 2 1/8" - STEEL
	073626-04-000	EA COVER-ELECTRIC, 10.4" X 7.8" - BEIGE PLASTIC
	107165-01-01A	EA BOX-CIRCUIT BREAKER MOUNT, 14.6" X 4" - BLACK PLASTIC
	008294-02-000	EA COVER-ELECTRICAL BOX, BLANK STEEL - 4" X 4" - CANADIAN
	069238-01-000	EA COVER-ELECTRICAL BOX, W/HOLE - 4" X 4" - GRAY USED WITH 30 AMP RECEPTACLE
	008052-01-000	EA CORD-POWER, 10/3 - 30 AMP - 25' - CANADIAN
	008054-01-000	EA CORD-POWER, 10/3 - 30 AMP - 25'

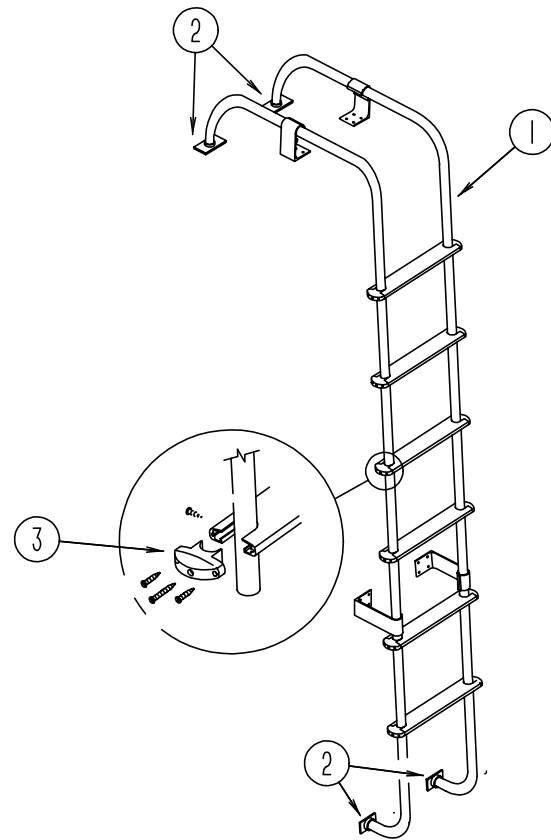
**CONDUIT**

KEY	PART NUMBER	U/M DESCRIPTION
	041953-01-000	FT CONDUIT-CONVOLUTE, SLIT - .5" ID
	041953-03-000	FT CONDUIT-CONVOLUTE, SLIT - 1" ID (CLOTHES ROD COVER)
	041953-05-000	FT CONDUIT-CONVOLUTE, SOLID - .62" ID
	041953-06-000	FT CONDUIT-CONVOLUTE, SLIT - .375" ID
	041953-07-000	FT CONDUIT-CONVOLUTE, SLIT - .25" ID
	041953-08-000	FT CONDUIT-CONVOLUTE, SLIT - 1.50" ID
	041953-09-000	FT CONDUIT-CONVOLUTE, SLIT - .50" ID
	041953-10-000	FT CONDUIT-CONVOLUTE, SLIT - .75" ID
	041953-12-000	FT CONDUIT-CONVOLUTE, NON SLIT - 1.1" ID

**ELECTRICAL GROUP (CONTINUED)**  
**CONNECTORS, HOUSINGS, & TERMINALS**

KEY	PART NUMBER	U/M DESCRIPTION
	008311-01-000	EA CONNECTOR-WIRE NUT, INSULATED - RED
	008314-01-000	EA CONNECTOR-WIRE NUT, INSULATED - GRAY
	008355-01-000	EA CONNECTOR-CABLE CLAMPING, 3/4"
	008356-01-000	EA CONNECTOR-PLASTIC, 3/8" AVG
	058028-01-000	EA CONNECTOR-ELECTRICAL PIGTAIL, NYLON - CLEAR
	088475-01-000	EA PIN-CONNECTOR, 14 TO 20 AWG
	088475-02-000	EA PIN-CONNECTOR, 10 TO 12 AWG
	088476-01-000	EA SOCKET-CONNECTOR, BRASS - PRE-TIN
	088476-02-000	EA SOCKET-CONNECTOR, 12-10 GA - PHOS. BRZ - PRE-TIN
	008326-01-000	EA TERMINAL-RING, 16/14 WIRE - 3/8" STUD
	008328-01-000	EA TERMINAL-RING, 12/10 WIRE - #10 STUD FIT
	008331-01-000	EA TERMINAL-RING, TONGUE - #4 WIRE - 3/8" STUD - COPPER
	008348-01-000	EA TERMINAL-RING, 3/8" STUD - #2 WIRE
	035416-04-000	EA TERMINAL-RING #10 STUD FIT, INSULATED BARREL #16/14
	047443-01-000	EA TERMINAL - .250 RECEPTACLE FIT, INSULATED - 16/14 AWG
	077479-01-000	EA BOOT-BATTERY TERMINAL, DOUBLE CABLE
	077479-02-000	EA BOOT-BATTERY TERMINAL, SINGLE CABLE
	080015-02-000	EA RECEPTACLE-FLAG, .185 - 16/14 GA - AMP 3
	080015-03-000	EA RECEPTACLE-FLAG, .250 - 14/16 GA
	007940-01-000	EA RECEPTACLE-SLIDE, 16 TO 12 AWG - FEMALE END
	087949-01-000	EA BUSS BAR - 2 POSITION, .6" X 1.5" - ALUMINUM
	088473-05-000	EA HOUSING-PIN, 6 CAVITY - AMP 640585-1
	088473-06-000	EA HOUSING-PIN, 6 CAVITY - AMP 1-480704-0
	088473-08-000	EA HOUSING-PIN, 4 CAVITY - AMP 1-480702-0
	088473-09-000	EA HOUSING-PIN, 3 CAVITY - AMP 1-480700-0
	088473-10-000	EA HOUSING-PIN, 2 CAVITY - AMP 1-480698-0
	088474-03-000	EA HOUSING-SOCKET, 9 CAVITY - AMP 1-480707-0
	088474-06-000	EA HOUSING-SOCKET, 6 CAVITY - AMP 1-480705-0
	088474-07-000	EA HOUSING-SOCKET, 5 CAVITY - AMP 1-480764-0
	088474-08-000	EA HOUSING-SOCKET, 4 CAVITY - AMP 1-480703-0
	088474-09-000	EA HOUSING-SOCKET, 3 CAVITY - AMP 1-480701-0
	088474-10-000	EA HOUSING-SOCKET, 2 CAVITY - AMP 1-480699-0
	063910-01-000	EA HOUSING-RELAY, BOSCH 3 334 485 008
	008188-01-000	EA SOLENOID - 3 POST, BATTERY CHANGE OVER
	112823-01-000	EA SPLICE-REDUCER 16-14T018-22 ETC BA-631X

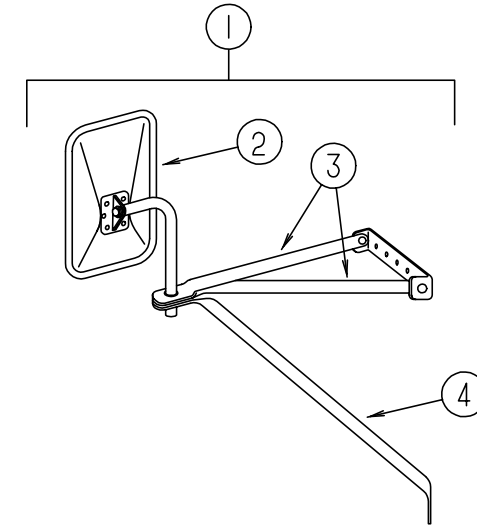
## EXTERIOR BODY GROUP



LADDER

KEY	PART NUMBER	U/M DESCRIPTION
1	102953-10-F15	EA LADDER ASSEMBLY
2	067165-01-000	EA MOUNTING BRACKET-LADDER, LOWER
3	076980-02-000	EA END CAP-STEP, BLACK
	000G39-06-10T	EA SCREW-SF/DR - 6-20 X 5/8 PPH - BLACK
	000G68-10-36T	EA SCREW - 10-12 X 2.25 POH - BLACK

## EXTERIOR BODY GROUP (CONTINUED)



EXTERIOR MIRRORS

KEY	PART NUMBER	U/M DESCRIPTION
1	106860-01-01A	EA MIRROR-EXTERIOR, LOW MOUNT - OFF WHITE
1	106860-01-02A	EA MIRROR-EXTERIOR, LOW MOUNT - BRIGHT WHITE
2	106860-01-700	EA MIRROR-HEAD, EXTERIOR - OFF WHITE
2	106860-01-707	EA MIRROR-HEAD, EXTERIOR - BRIGHT WHITE
3	106860-01-701	EA ARM-MIRROR - OFF WHITE
3	106860-01-708	EA ARM-MIRROR - BRIGHT WHITE
4	106860-01-703	EA BRACE LOWER FORWARD - DRIVER - OFF WHITE
4	106860-01-709	EA BRACE LOWER FORWARD - DRIVER - BRIGHT WHITE
4	106860-01-704	EA BRACE LOWER FORWARD - PASSENGER - OFF WHITE
4	106860-01-710	EA BRACE LOWER FORWARD - PASSENGER - BRIGHT WHITE
	106860-01-702	EA HARDWARE PACKAGE
	106860-01-705	EA MIRROR ASSEMBLY-LEFT SIDE COMPLETE - OFF WHITE
	106860-01-711	EA MIRROR ASSEMBLY-LEFT SIDE COMPLETE - BRIGHT WHITE
	106860-01-706	EA MIRROR ASSEMBLY-RIGHT SIDE COMPLETE - OFF WHITE
	106860-01-712	EA MIRROR ASSEMBLY-RIGHT SIDE COMPLETE - BRIGHT WHITE
	105439-01-000	EA MIRROR-AUXILIARY, CONVEX STICK-ON - VELVAC 723068-6

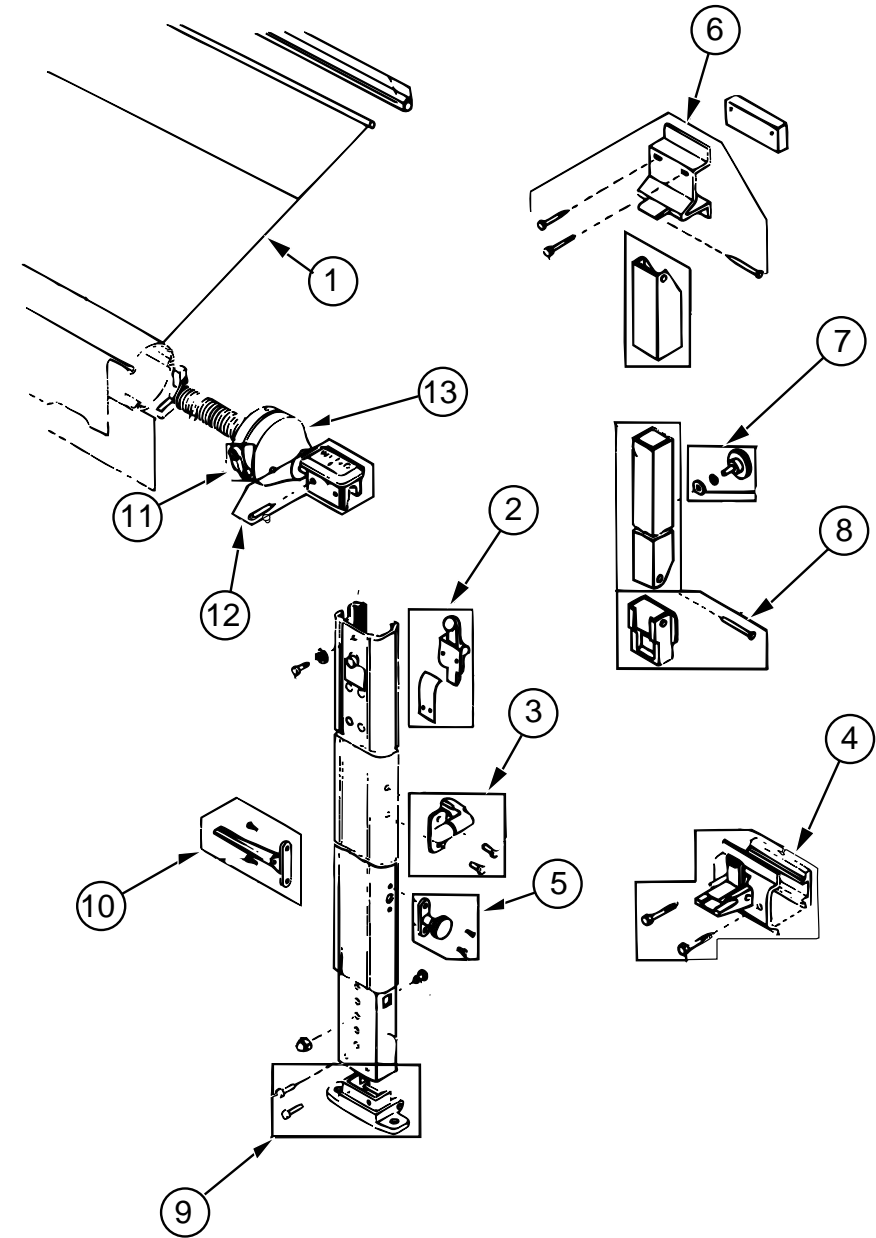
**EXTERIOR BODY GROUP (CONTINUED)**  
**FIBERGLASS, ALUMINUM, STYROFOAM & CHANNEL**

KEY	PART NUMBER	U/M DESCRIPTION
	076054-D3-001	EA SHEET-FIBERGLASS, 48" X 96" - OFF WHITE
	076054-D3-002	EA SHEET-FIBERGLASS, 24" X 96" - OFF WHITE
	076054-D3-003	EA SHEET-FIBERGLASS, 24" X 288" - OFF WHITE
	076054-D3-004	EA SHEET-FIBERGLASS, 2' X 32' - OFF WHITE
	076054-D3-005	EA SHEET-FIBERGLASS, 48" X 18.7' - OFF WHITE
	076054-D3-006	EA SHEET-FIBERGLASS, 4' X 24.8' - OFF WHITE
	076054-F3-000	EA SHEET-FIBERGLASS, 2438 X 2438 - OFF WHITE
		FROM: 00-00-00 THRU: 09-30-94
	076054-P3-000	EA SHEET-FIBERGLASS, 2438 X 2438 - OFF WHITE
		FROM: 10-01-94 THRU: 99-99-99
	076054-M4-000	EA SHEET-FIBERGLASS, 2590 X 7970 - FILON - OFF WHITE
	077517-24-000	EA SHEET-FIBERGLASS, FLAT - 48" X 96" - OFF WHITE
	077517-62-000	EA SHEET-FIBERGLASS, FLAT - 48" X 96" - BRIGHT WHITE
	076054-M8-000	EA SHEET-FIBERGLASS, 2438 X 2438 - BRIGHT WHITE
		FROM: 00-00-00 THRU: 09-30-94
	076054-P4-000	EA SHEET-FIBERGLASS, 2438 X 2463 - BRIGHT WHITE
		FROM: 10-01-94 THRU: 99-99-99
	076054-M8-001	EA SHEET-FIBERGLASS, 48 X 96 - BRIGHT WHITE
	076054-N5-000	EA SHEET-FIBERGLASS, 2590 X 7970 - BRIGHT WHITE
	076054-N9-000	EA SHEET-FIBERGLASS, 2438 X 2591 - BRIGHT WHITE
	076054-P9-000	EA SHEET-FIBERGLASS, 950 X 2591 - BRIGHT WHITE
	076054-R1-000	EA SHEET-FIBERGLASS, 609 X 1674 - BRIGHT WHITE
	044487-01-001	EA ALUMINUM SHEET - .019" X 96" X 360" - MILL FINISH
	044487-01-002	EA ALUMINUM SHEET - .019" X 96" X 432" - MILL FINISH
	000870-08-000	SF STYROFOAM - .75" X 48" X 96" - PLANED
	000870-06-000	SF STYROFOAM - 1.34" X 48" X 96" - PLANED
	002726-01-001	EA GARNISH-U-CHANNEL, 1.38" X 19' - SERRATED - MILL ALUMINUM
	002776-01-001	EA ANGLE-EXTRUDED - 1" X 1.5" X 17' - ALUMINUM
	002365-03-003	EA GARNISH-U-CHANNEL, 1" X 192' - ALUMINUM - OFF WHITE
	002754-01-001	EA ANGLE-EXTRUDED - .75" X .75" X 18' - MILL ALUMINUM
	055278-51-259	EA TUBING-STEEL, .75" X 1.5" X 12.5'
	068716-01-001	EA BRACE - 90 DEGREE L-ANGLE, 192" - EXTRUDED ALUMINUM

**RUNNING BOARDS**

KEY	PART NUMBER	U/M DESCRIPTION
	072884-27-000	EA RUNNING BOARD-FORD, 39" KEM K12 15539
	072884-27-700	EA BRACKET SET 12" FORD RB2BRK/M
	072884-27-701	EA 39" UNIVERSAL RUNNING BOARD ONLY-DRIVERS OR PASSENGER
	072884-27-702	FT TAPE-TREAD RB9202
	072884-27-703	EA MUD FLAPS-PAIR, W/HOLES 99171
	072884-27-704	EA END CAPS-PAIR 99148

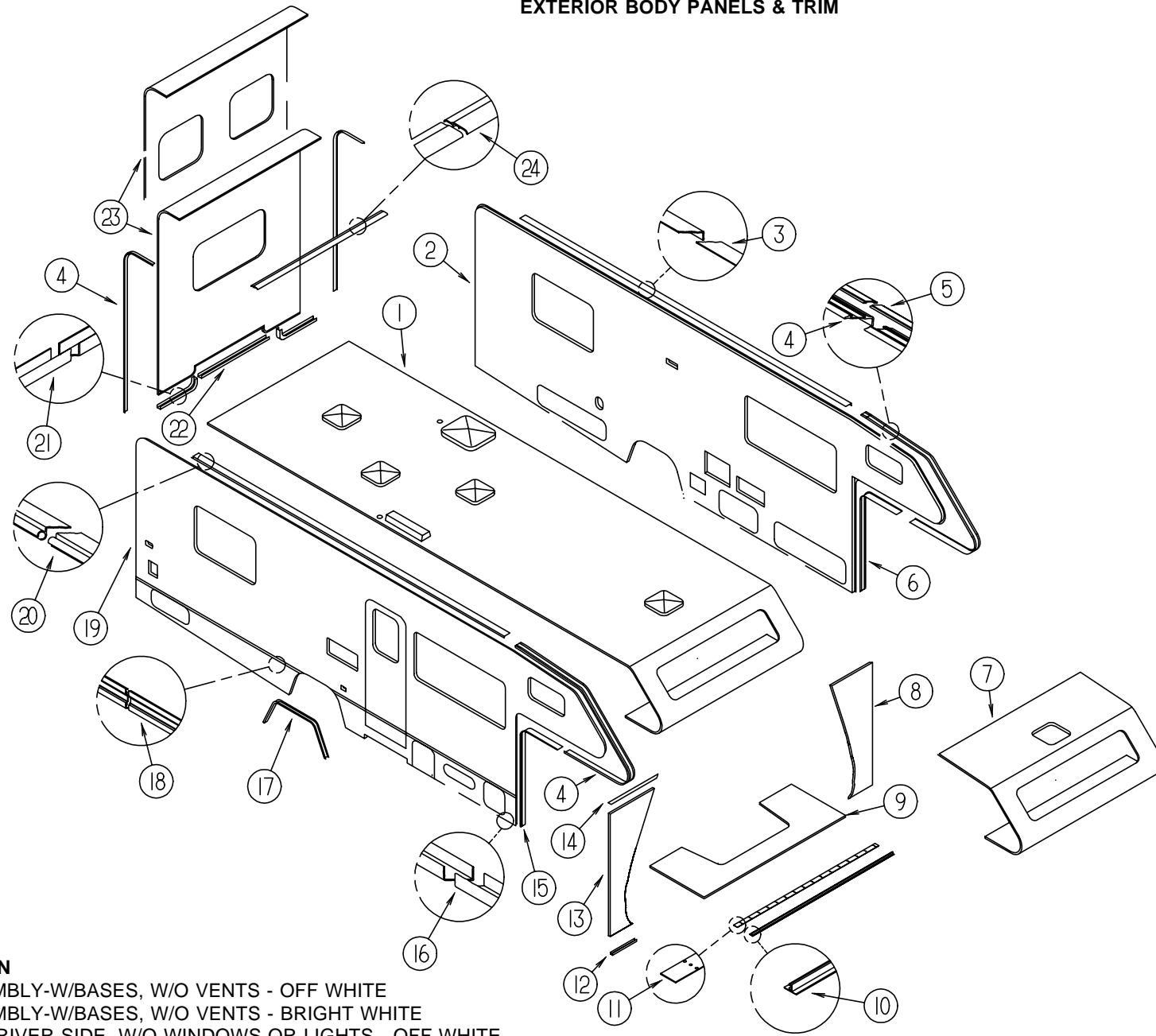
**EXTERIOR BODY GROUP (CONTINUED)**



**AWNING**

KEY	PART NUMBER	U/M DESCRIPTION
1	110634-08-06A	EA AWNING-ROLLER ASSEMBLY, 14'
	110634-02-04A	EA AWNING-HARDWARE KIT, BRIGHT WHITE
	111037-01-01A	EA SPACER-AWNING, UPPER - BLACK
	111038-01-01A	EA SPACER-AWNING, LOWER - BLACK
2	110634-01-700	EA KIT-RAFTER LOCKING MECHANISM 7605-0001
3	110634-01-701	EA KIT-SAFETY & LATCH 7509-0001
4	110634-01-702	EA KIT-BOTTOM BRACKET 7512-0001
5	110634-01-703	EA KIT-HEIGHT LOCK HANDLE 7510-0001
6	110634-01-704	EA KIT-UPPER BRACKET, W/BOLTS 7505-0001
7	110634-01-705	EA KIT-ULTRA RAFTER KNOB 7522-0001
8	110634-01-706	EA KIT-RAFTER SLIDE
9	110634-01-707	EA KIT-GROUND BRACKET 7511-0001
10	110634-01-708	EA LIFT HANDLES-W/RIVETS 7000-0001
11	110634-01-709	EA KIT-RATCHET HANDLE 7507-0001
12	110634-01-710	EA KIT-ARM CAP 7503-0001
13	110634-01-711	EA SPRING ASSEMBLY-FRONT 6598-0001
13	110634-01-712	EA SPRING ASSEMBLY-REAR 6599-0001
13	110634-01-713	EA KIT-REAR END CAP 7504-0001

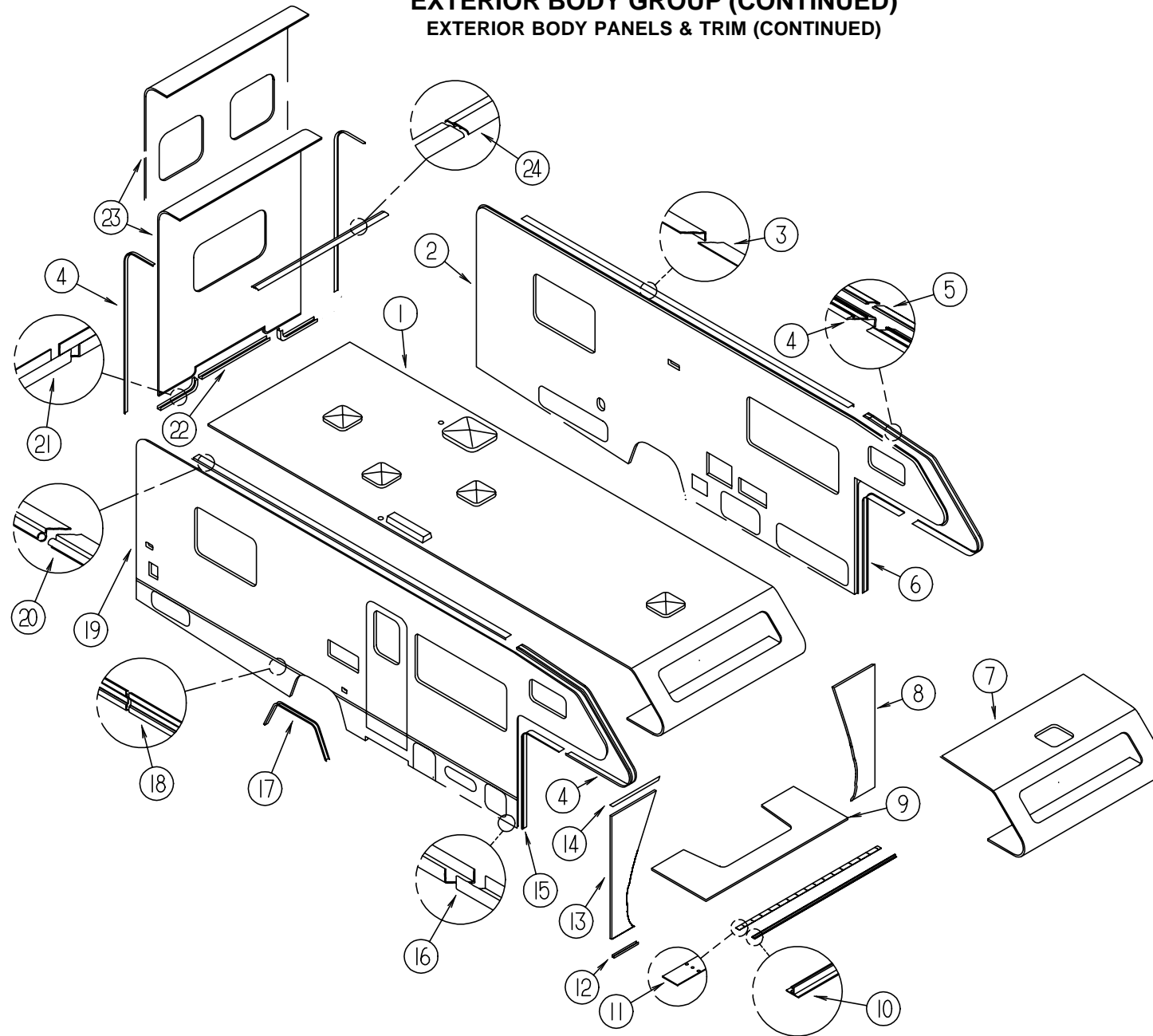
**EXTERIOR BODY GROUP (CONTINUED)**  
**EXTERIOR BODY PANELS & TRIM**



KEY	PART NUMBER	U/M	DESCRIPTION
1	P13813-01-F15	EA	ROOF ASSEMBLY-W/BASES, W/O VENTS - OFF WHITE
1	M06970-02-F15	EA	ROOF ASSEMBLY-W/BASES, W/O VENTS - BRIGHT WHITE
2	P13814-01-F15	EA	SIDEWALL-DRIVER SIDE, W/O WINDOWS OR LIGHTS - OFF WHITE
2	M07421-03-F15	EA	SIDEWALL-DRIVER SIDE, W/O WINDOWS OR LIGHTS - BRIGHT WHITE
	064675-54-004	EA	STEEL-ANGLE, ROOF JOINT - 545MM - OFF WHITE
3	096864-01-01A	EA	TRIM-CONTOUR, ROOF TO SIDEWALL - 120" - OFF WHITE
3	096864-01-02A	EA	TRIM-CONTOUR, ROOF TO SIDEWALL - 120" - BRIGHT WHITE
3	096864-02-01A	EA	TRIM-CONTOUR, ROOF TO SIDEWALL - 133.8" - OFF WHITE
3	096864-02-02A	EA	TRIM-CONTOUR, ROOF TO SIDEWALL - 133.8" - BRIGHT WHITE
4	096854-01-01A	EA	TRIM-CONTOUR, W/O VINYL INSERT - 108" - OFF WHITE
4	096854-01-02A	EA	TRIM-CONTOUR, W/O VINYL INSERT - 108" - BRIGHT WHITE
5	105312-01-01A	FT	INSERT-TRIM, 17' LONG - VINYL - OFF WHITE
5	105312-01-07A	FT	INSERT-TRIM, 17' LONG - VINYL - BRIGHT WHITE
6	104479-06-01A	EA	TRIM-CONTOUR, FRONT - OFF WHITE
6	104479-06-02A	EA	TRIM-CONTOUR, FRONT - BRIGHT WHITE
7	M76177-01-700	EA	CAP-FRONT, OVERHEAD CAB TO FIRST SEAM OF ROOF - OFF WHITE
8	109659-04-D04	EA	WINGWALL-DRIVER SIDE, OFF WHITE
8	M07423-06-F15	EA	WINGWALL-DRIVER SIDE, BRIGHT WHITE

KEY	PART NUMBER	U/M	DESCRIPTION
9	P09658-01-F15	EA	SLEEPERBOARD ASSEMBLY-OFF WHITE
9	M07422-01-F15	EA	SLEEPERBOARD ASSEMBLY-BRIGHT WHITE
10	100086-02-01A	EA	TRIM-SLEEPERBOARD, 2" X 90.7" - OFF WHITE
10	100086-02-02A	EA	TRIM-SLEEPERBOARD, 2" X 90.7" - BRIGHT WHITE
11	100085-03-01A	EA	TRIM-SLEEPERBOARD, FLAT - 2.5" X 87.5" - OFF WHITE
12	002365-03-003	EA	U CHANNEL-EXTRUDED, 1.00 X 192.00 6063T5 - OFF WHITE
12	002365-03-006	EA	U CHANNEL-EXTRUDED, 1.00 X 192.00 6063T5 - BRIGHT WHITE
13	109659-03-D04	EA	WINGWALL-PASSENGER SIDE, OFF WHITE
13	M07423-05-F15	EA	WINGWALL-PASSENGER SIDE, BRIGHT WHITE
14	022992-01-000	FT	MOLDING-REVERSE COVE, OFF WHITE
14	022992-14-000	FT	MOLDING-REVERSE COVE, BRIGHT WHITE
15	104479-05-01A	EA	TRIM-CONTOUR, FRONT - OFF WHITE
15	104479-05-02A	EA	TRIM-CONTOUR, FRONT - BRIGHT WHITE
16	098072-55-002	EA	TRIM SIDEWALL-LOWER, 2900 MM - OFF WHITE
16	098072-55-004	EA	TRIM SIDEWALL-LOWER, 2900 MM - BRIGHT WHITE
	105025-10-F01	EA	TRIM-SIDEWALL, UNDER ENTRANCE DOOR - ALUMINUM - OFF WHITE
	105025-10-F15	EA	TRIM-SIDEWALL, UNDER ENTRANCE DOOR - ALUMINUM - BRIGHT WHITE

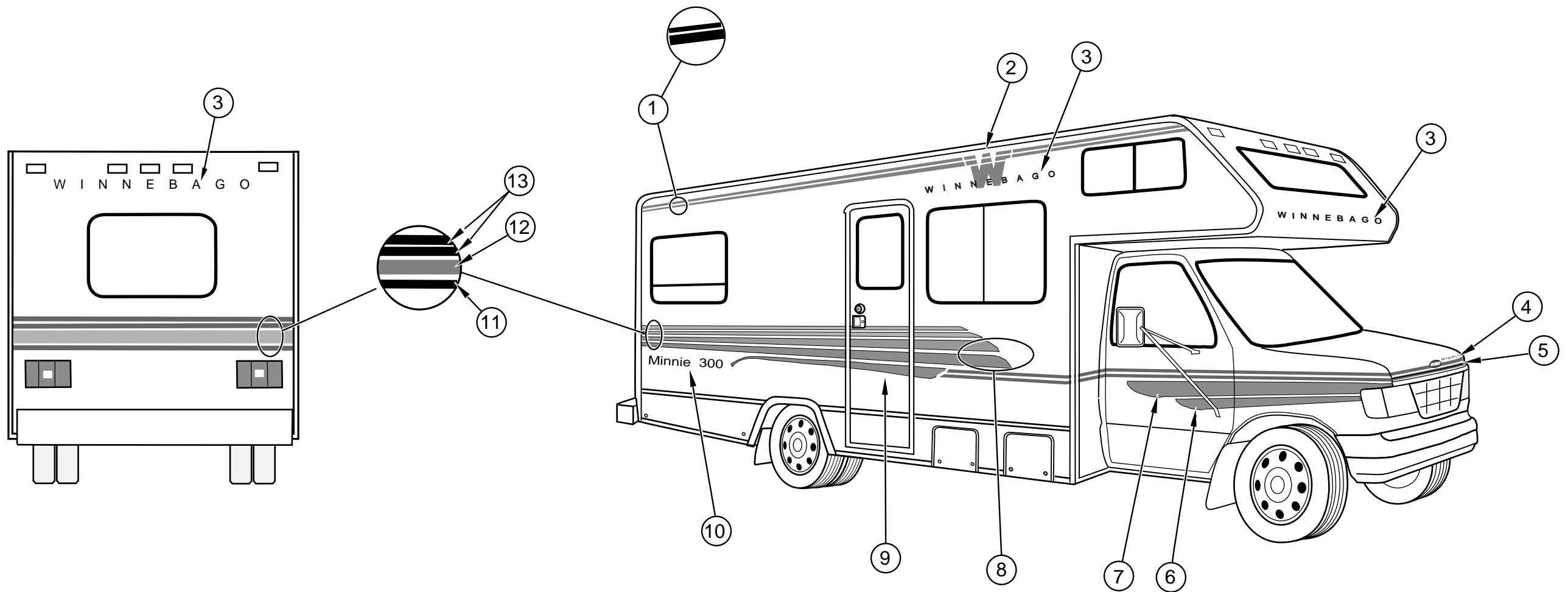
**EXTERIOR BODY GROUP (CONTINUED)**  
**EXTERIOR BODY PANELS & TRIM (CONTINUED)**



KEY	PART NUMBER	U/M DESCRIPTION
17	105100-02-01A	EA TRIM-WHEELWELL, ALUMINUM - OFF WHITE
17	105100-02-02A	EA TRIM-WHEELWELL, ALUMINUM - BRIGHT WHITE
18	108688-01-01A	EA STRIP-FEATURE, OFF WHITE
	105312-01-01A	EA INSERT-TRIM, 17' LONG - VINYL - OFF WHITE
	108651-01-01A	EA CAP-FEATURE STRIP, MILL
18	108688-01-03A	EA STRIP-FEATURE, BRIGHT WHITE
	105312-01-07A	EA INSERT-TRIM, 17' LONG - VINYL - BRIGHT WHITE
	108651-01-01A	EA CAP-FEATURE STRIP, MILL
19	P13815-01-F15	EA SIDEWALL-PASSENGER, W/O WINDOWS, LIGHTS OR DOORS - OFF WHITE
	064675-54-005	EA STEEL-ANGLE ROOF JOINT, 1575MM - OFF WHITE
	105100-02-01A	EA TRIM-WHEELWELL, OFF WHITE
19	M07421-04-F15	EA SIDEWALL-PASSENGER, W/O WINDOWS, LIGHTS OR DOORS - BRIGHT WHITE
	105100-02-02A	EA TRIM-WHEELWELL, BRIGHT WHITE

KEY	PART NUMBER	U/M DESCRIPTION
20	099583-55-002	EA RAIL-AWNING, 3400MM - OFF WHITE
20	099583-55-004	EA RAIL-AWNING, 3400MM - BRIGHT WHITE
20	099583-55-001	EA RAIL-AWNING, 3048MM - OFF WHITE
20	099583-55-003	EA RAIL-AWNING, 3048MM - BRIGHT WHITE
21	103334-02-01A	EA TRIM-BACKWALL, LOWER - OFF WHITE
21	103334-02-02A	EA TRIM-BACKWALL, LOWER - LEFT OR RIGHT - BRIGHT WHITE
22	103335-02-01A	EA TRIM-BACKWALL, LOWER - LEFT OR RIGHT - OFF WHITE
22	103335-02-02A	EA TRIM-BACKWALL, LOWER - BRIGHT WHITE
23	P13812-01-F15	EA BACKWALL-QUEEN BED, OFF WHITE
23	M06971-03-F15	EA BACKWALL-QUEEN BED, BRIGHT WHITE
23	P13812-02-F15	EA BACKWALL-TWIN BED, OFF WHITE
23	M06971-04-F15	EA BACKWALL-TWIN BED, BRIGHT WHITE
24	078580-01-000	EA TRIM-ROOF TO BACKWALL/FRONT CAP - MILL FINISH

**EXTERIOR BODY GROUP (CONTINUED)**  
DECALS, STRIPES & PAINT

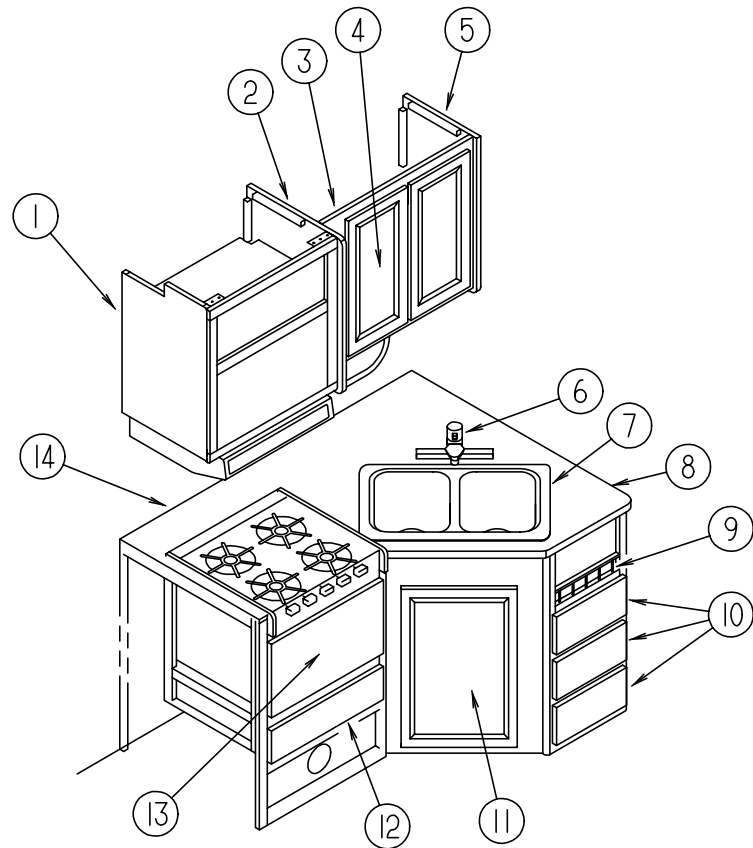


KEY	PART NUMBER	U/M DESCRIPTION
1	105781-34-01A	FT FILM-MULTISTRIPE, 69.9MM - DARK PURPLE
2	110207-01-03A	EA DECAL-W, LASER - DARK PURPLE
3	110206-01-03A	EA DECAL-WINNEBAGO, DARK PURPLE
4	114837-02-01A	EA DECAL-LOGO, MINNIE 300, - SMALL - DARK PURPLE/ORCHID
5	107385-06-06A	FT FILM-SINGLE STRIPE, 25.4MM - DARK PURPLE
6	114840-03-01A	EA DECAL-CAB, WEDGE - LOWER - RH - ORCHID MIST
6	114840-04-01A	EA DECAL-CAB, WEDGE - LOWER - LH - ORCHID MIST
7	114840-01-01A	EA DECAL-CAB, WEDGE - UPPER - RH - CASSIS
7	114840-02-01A	EA DECAL-CAB, WEDGE - UPPER - LH - CASSIS
8	114838-01-01A	EA DECAL-WEDGE, RH - DARK PURPLE
8	114838-02-01A	EA DECAL-WEDGE, LH - DARK PURPLE
9	114839-01-01A	EA DECAL-WEDGE W/TAIL, RH - ORCHID MIST
9	114839-02-01A	EA DECAL-WEDGE W/TAIL, LH - ORCHID MIST
10	114837-01-01A	EA DECAL-LOGO, MINNIE 300 - DARK PURPLE/ORCHID
11	107385-22-01A	FT FILM-SINGLE STRIPE, 22.2MM - DARK PURPLE
12	107385-21-01A	FT FILM-SINGLE STRIPE, 73.0MM - CASSIS
13	105781-35-01A	FT FILM-MULTISTRIPE, 69.9MM - DARK PURPLE

**DUPONT COLOR CODES**

041561-03-000 EA PAINT-16OZ SPRAY, OFF WHITE - ACRYLIC ENAMEL - REF: 72897-01

## GALLEY GROUP



### GALLEY CABINETS & FIXTURES

KEY	PART NUMBER	U/M DESCRIPTION
1	114009-02-F15	EA CABINET-OVERHEAD, MICROWAVE FROM: 00-00-00 THRU: 08-02-94
1	114009-01-F15	EA CABINET-OVERHEAD, MICROWAVE FROM: 08-03-94 THRU: 99-99-99
2	109908-13-F15	EA END CAP-CABINET, OVERHEAD
3	114007-01-F15	EA CABINET-OVERHEAD, GALLEY - W/O DOORS OR HARDWARE
4	110140-11-EB1	EA DOOR-CABINET, MITERED - VINYL WRAP - W/O HARDWARE - 340MM X 555MM
5	109908-14-F15	EA END CAP-CABINET, OVERHEAD
6	103243-01-000	EA FAUCET-GALLEY, DUAL CONTROL
7	104113-01-000	EA SINK-DOUBLE, STAINLESS STEEL
	092303-01-000	EA STRAINER-SINK
	103610-01-F15	EA COVER-SINK, LAMINATE TOP
8	114008-12-F15	EA COUNTERTOP-GALLEY
9	111775-01-01A	EA RAIL-DECORATIVE, WINNIE OAK
10	P10163-H1-F15	EA DRAWER-CABINET, W/O HARDWARE
11	110140-15-E01	EA DOOR-CABINET, MITERED - VINYL WRAP - W/O HARDWARE - 390MM X 650MM
12	P10163-H2-F15	EA DRAWER-CABINET, W/O HARDWARE
13	110140-06-EB1	EA DOOR-CABINET, MITERED - VINYL WRAP - W/O HARDWARE - 280MM X 555MM
14	M06957-01-F15	EA CABINET-GALLEY, W/DINETTE - W/RANGE TOP - W/O DOORS OR HARDWARE
14	M06957-03-F15	EA CABINET-GALLEY, W/DINETTE - W/OVEN - W/O DOORS OR HARDWARE
14	M06957-02-F15	EA CABINET-GALLEY, W/COUCH - W/RANGE TOP - W/O DOORS OR HARDWARE
14	M06957-04-F15	EA CABINET-GALLEY, W/COUCH - W/OVEN - W/O DOORS OR HARDWARE
	110140-16-E01	EA DOOR-REFRIGERATOR CABINET, MITERED - VINYL WRAP - 380MM X 555MM
	090329-01-000	FT SEAL-T, REFRIGERATOR CABINET - .6" WIDE TOP X 2" TAIL

## GALLEY GROUP (CONTINUED)

### RANGE HOOD W/O MONITOR PANEL - U.S. (W/HOUR METER W/SWITCH)

KEY	PART NUMBER	U/M DESCRIPTION
	100258-18-01A	EA HOOD-RANGE 22W, W/O MONITOR PANEL - VENTLINE U.S. TPS5007NAD FROM: 00-00-00 THRU: 07-31-94
	100258-18-02A	EA HOOD-RANGE, W/O MONITOR PANEL - TEXTURED-VENTLINE U.S. TPS-5009-SADL FROM: 08-01-94 THRU: 99-99-99
	090973-01-700	EA MOTOR - LVS CA508-1
	090973-01-702	EA BLADE-FAN, LVS VA183-1
	092696-02-701	EA LENS-LAMP, LVS CC179-2
	092696-01-709	EA BULB - 912, VENTLINE VA415
	092696-01-710	EA SOCKET-LIGHT, VENTLINE CB267-2
	096983-01-700	EA SWITCH-ON/OFF, VENTLINE 108
	096983-01-702	EA SWITCH-TWO WAY MOMENTARY, VENTLINE 112
	096983-01-707	EA FILTER-GREASE, 8" X 8" - LVS CC246
	100258-01-700	EA HOOD-NOSE LABEL, CC428
	100258-10-01A	EA METER-HOUR, W/SWITCH VENTLINE 150

### RANGE HOOD W/O MONITOR PANEL - U.S.

KEY	PART NUMBER	U/M DESCRIPTION
	100258-16-01A	EA HOOD-RANGE, W/O MONITOR PANEL - U.S. - VENTLINE TCS5008NAD FROM: 00-00-00 THRU: 08-21-94
	100258-16-03A	EA HOOD-RANGE, W/O MONITOR PANEL -TEXTURED - U.S.-VENTLINE TCS5008NADL FROM: 08-22-94 THRU: 99-99-99
	090973-01-700	EA MOTOR - LVS CA508-1
	090973-01-702	EA BLADE-FAN, LVS VA183-1
	092696-02-701	EA LENS-LAMP, LVS CC179-2
	092696-01-709	EA BULB - 912, VENTLINE VA415
	092696-01-710	EA SOCKET-LIGHT, VENTLINE CB267-2
	096983-01-700	EA SWITCH-ON/OFF, VENTLINE 108
	096983-01-702	EA SWITCH-TWO WAY MOMENTARY, VENTLINE 112
	096983-01-707	EA FILTER-GREASE, 8" X 8" - LVS CC246
	100258-01-700	EA HOOD-NOSE LABEL, CC428

### RANGE HOOD W/O MONITOR PANEL - CANADIAN

KEY	PART NUMBER	U/M DESCRIPTION
	100258-17-01A	EA HOOD-RANGE, W/O MONITOR PANEL - VENTLINE - CANADIAN FROM: 00-00-00 THRU: 09-25-94
	100258-17-03A	EA HOOD-RANGE, W/O MONITOR PANEL - TEXTURED - VENTLINE - CANADIAN FROM: 09-26-94 THRU: 99-99-99
	090973-01-700	EA MOTOR - LVS CA508-1
	090973-01-702	EA BLADE-FAN, LVS VA183-1
	092696-02-701	EA LENS-LAMP, LVS CC179-2
	092696-01-709	EA BULB - 912, VENTLINE VA415
	092696-01-710	EA SOCKET-LIGHT, VENTLINE CB267-2
	096983-01-700	EA SWITCH-ON/OFF, VENTLINE 108
	096983-01-702	EA SWITCH-TWO WAY MOMENTARY, VENTLINE 112
	096983-01-707	EA FILTER-GREASE, 8" X 8" - LVS CC246
	100258-01-700	EA HOOD-NOSE LABEL, CC428

### MONITOR PANEL

KEY	PART NUMBER	U/M DESCRIPTION
	102765-04-01A	EA PANEL-MONITOR, W/PLUG - FOR 2 TANKS & WATER HEATER - LVS
	075470-01-703	EA SWITCH-ON/MOMENTARY, JENSEN AND VENTLINE
	096983-01-700	EA SWITCH-ON/OFF, VENTLINE 108
	102765-04-700	EA CIRCUIT BOARD-LVS 5076-11



**GALLEY GROUP (CONTINUED)**  
REFRIGERATOR

KEY	PART NUMBER	U/M DESCRIPTION
	104138-04-01A	EA REFRIGERATOR, SMALL DOUBLE DOOR - 2-WAY - RH - BLACK - NORCOLD 6162
	075217-01-734	EA FUSE - 3 AMP, NORCOLD 61538822
	075217-01-738	EA SWITCH-HUMIDITY, NORCOLD 61525922
	084879-03-700	EA COOLING UNIT-HORIZONTAL BURNER, NORCOLD 61687237
	084880-01-705	EA ORIFICE-NORCOLD 614522
	104137-06-709	EA VALVE-SHUT OFF, MANUAL - NORCOLD 61697922
	084880-01-718	EA VALVE-GAS, NORCOLD 61551822
	084880-01-720	EA SPRING-DOOR HANDLE, NORCOLD 61558822
	084880-01-722	EA COVER-CRISPER, NORCOLD 615641
	084880-01-726	EA HINGE BRACKET-CENTER HINGE, NORCOLD 61566523
	084880-01-731	EA HINGE PIN, NORCOLD 61578123
	084880-01-732	EA LATCH-NORCOLD 61578522
	084880-01-734	EA BRACKET-HINGE, TOP RH - BOTTOM LH - BROWN - NORCOLD 61580837
	084880-01-735	EA BRACKET-HINGE, TOP LH - BOTTOM RH - BROWN - NORCOLD 61580937
	084880-01-739	EA END CAP-SPRING CATCH, BROWN - NORCOLD 61593722
	084880-01-740	EA END CAP-STOP CATCH, NORCOLD 61593830
	084880-01-746	EA CABLE-NORCOLD 61571522
	084880-01-747	EA PLUG-HOLE, NORCOLD 61582022
	084880-01-749	EA BUSHING-HINGE, NORCOLD 615807
	084880-01-753	EA THERMISTER 78" - NORCOLD 61693822
	084880-01-760	EA CLIP-THERMISTER, NORCOLD 61689122
	084880-01-761	EA END CAP-SPRING CATCH, BLACK - NORCOLD 61593730
	084880-02-700	EA LOWER FLANGE 8663 & 8683, NORCOLD 61622123
	084880-03-702	EA HINGE PIN-TOP/BOTTOM FEMALE, NORCOLD 61580630
	084880-03-705	EA BRACKET-INTERIOR REFRIGERATOR LIGHT, NORCOLD 61629722
	084880-03-706	EA LAMP-BULB, NORCOLD 61628922
	084880-03-707	EA COVER-LAMP OR BULB, NORCOLD 61627922
	088248-01-706	EA BURNER-HORIZONTAL, NORCOLD 61588122
	088248-01-707	EA ELECTRODE-SENSOR, HORIZONTAL - NORCOLD 61573322
	088248-01-709	EA HEATER-AC, HORIZONTAL - NORCOLD 615627
	088248-01-710	EA HEATER-DC, HORIZONTAL - 3 WAY - NORCOLD 615628
	094038-01-700	EA GASKET-LOWER, GRAY - NORCOLD 61567930
	094038-01-701	EA LINER-DOOR, LOWER - BROWN/WHITE - NORCOLD 61581937-B
	094038-01-702	EA LINER-DOOR, LOWER - BLACK/WHITE - NORCOLD 61581938-B
	094038-01-703	EA HANDLE-DOOR, LOWER - BROWN - NORCOLD 61650137
	094038-01-704	EA HANDLE-DOOR, LOWER - BLACK - NORCOLD 61650138
	094039-01-702	EA GASKET-UPPER, GRAY - NORCOLD 61567830
	094039-01-703	EA PLATE-HINGE, LH - BROWN - NORCOLD 61631422
	094039-01-704	EA PLATE-HINGE, BLACK - NORCOLD 61631430
	094039-01-706	EA UPPER DOOR LINER, WHITE/BLACK - NORCOLD 61581838-B
	094039-01-708	EA HANDLE-DOOR, UPPER - BLACK - NORCOLD 61650038
	094039-01-709	EA PLATE-HINGE, TOP RH - LH BOTTOM - BROWN - NORCOLD 61631322
	094039-01-710	EA PLATE-HINGE, BLACK - NORCOLD 61631330
	094039-01-722	EA HOLE PLUG-BLACK HINGE HOLES, NORCOLD 61582030
	094039-01-723	EA BRACKET-HINGE, TOP RH - BOTTOM LH - BLACK - NORCOLD 61580838
	094039-01-724	EA BRACKET-HINGE, TOP LH - BOTTOM RH - BLACK - NORCOLD 61580938
	094039-01-725	EA HINGE PIN-MALE, BLACK - NORCOLD 61578130
	094039-01-726	EA SHELF-FREEZER EVAPORATOR, NORCOLD 615236
	094039-01-730	EA HINGE PIN SHAFT-CENTER HINGE, BLACK - NORCOLD 61566730
	094039-01-732	EA COVER-FRONT, BLACK BOTTOM TRIM - NORCOLD 61622130
	094039-01-733	EA WIRE SHELF-MIDDLE, NORCOLD 61563822
	094039-01-734	EA WIRE SHELF-TOP W/RISER, NORCOLD 61563722
	094039-01-735	EA DRIP TRAY-INSIDE, WHITE - NORCOLD 61572830
	094039-01-736	EA SWITCH-LIGHT, BLACK - NORCOLD 615810
	094039-01-739	EA SHELF-CUTOFF, NORCOLD 61646722
	094039-04-700	EA PRINTED CIRCUIT BOARD - 2 WAY, NORCOLD 61647322
	094039-04-701	EA EYEBROW-SHELL, 2 WAY - NORCOLD 61669822
	094039-04-702	EA POWER SUPPLY - 2 WAY, NORCOLD 61647422
	104137-02-700	EA MODULE-CONTROL, CHANNEL - NORCOLD 61717037
	104137-06-700	EA EYEBROW SHELL - 2-WAY, NORCOLD 61726622
	104137-06-702	EA RACK-JUICE, WHITE - NORCOLD 61580525
	104137-06-703	EA BIN-DOOR SHELF, WHITE - NORCOLD 61564025
	104137-06-706	EA WIRE SHELF-SHORT, NORCOLD 61718222
	104137-06-707	EA CRISPER-WHITE, NORCOLD 61571325

**GALLEY GROUP (CONTINUED)**  
REFRIGERATOR (CONTINUED)

KEY	PART NUMBER	U/M DESCRIPTION
	104137-06-710	EA PRESSURE TAP, NORCOLD 61594422
	104137-06-711	EA FUSE - 5 AMP, NORCOLD 61611622
	104137-06-712	EA FITTING-GAS TUBE CONNECTION, NORCOLD 61692722
	104137-06-713	EA GASKET-ORFICE, NORCOLD 61475122
	104137-06-714	EA BURNER ASSEMBLY - 5-SLOT, NORCOLD 61705222
	104137-06-715	EA SPARK/SENSE ELECTRODE-SINGLE, NORCOLD 61692222
	104138-04-701	EA FOAMED CABINET ASSEMBLY-BLACK W/WHITE, NORCOLD 61725038
	054450-01-000	EA LEVEL-REFRIGERATOR
	065225-02-000	EA PLATE-TIEDOWN, REFRIGERATOR
	093646-01-000	EA BRACKET-TIEDOWN, REFRIGERATOR
	093646-02-000	EA BRACKET-TIEDOWN, REFRIGERATOR

**MICROWAVE OVEN - FROM: 00-00-00 THRU: 08-02-94**

KEY	PART NUMBER	U/M DESCRIPTION
	091269-05-000	EA OVEN-MICROWAVE DM15H-14B
	094774-01-01A	EA TRIM-MICROWAVE, EITHER SIDE - .5" X 14.8" - METAL - BLACK
	098916-03-01A	EA BRACE-MICROWAVE CABINET, LEFT - 9.4" X 7.5" - STEEL
	098916-04-01A	EA BRACE-MICROWAVE CABINET, RIGHT - 9.4" X 7.5" - STEEL
	094750-01-000	EA BRACKET-MICROWAVE, 90 DEGREE - STEEL

**MICROWAVE OVEN - FROM: 08-03-94 THRU: 99-99-99**

KEY	PART NUMBER	U/M DESCRIPTION
	115303-01-000	EA OVEN-MICROWAVE MCD-DM15K-7B
	115401-01-01A	EA TRIM-MICROWAVE, BLACK
	098916-08-01A	EA BRACE-MICROWAVE CABINET, LEFT - 9.4" X 7.5" - STEEL
	098916-09-01A	EA BRACE-MICROWAVE CABINET, RIGHT - 9.4" X 7.5" - STEEL
	094750-07-000	EA BRACKET-MICROWAVE, 89 DEGREE

**GALLEY GROUP (CONTINUED)**  
RANGE W/O OVEN

KEY	PART NUMBER	U/M DESCRIPTION
	114030-01-01A	EA RANGE-3 BURNER, W/O OVEN - ALMOND - MAGIC CHEF 85RA-3B
	102019-01-705	EA TRIM-REAR, BLACK #3608F009-70
	102022-01-708	EA REGULATOR-PRESSURE, 1/4 IN - 1/2 OUT #7510P041-60
	102020-01-709	EA BUMPER-GRATE #8007-P020-60
	102020-01-710	EA FILTER-PILOT #7507P046-60
	102020-01-711	EA GRATE-TOP #7518P012-60
	102020-01-721	EA VALVE-SHUT OFF #7506P096-60
	102020-01-722	EA VALVE-TOP BURNER #7502P181-60
	102020-01-724	EA BUMPER-MAIN TOP #8003P008-60
	112881-01-700	EA TOP-MAIN, ALMOND #2001F110-84
	112881-01-703	EA VALVE-TOP BURNER, HI-OUTPUT #7502P180-60
	112881-01-705	EA KNOB-TOP BURNER #7733P072-60
	112881-01-709	EA PIPE-MANIFOLD #7513P097-60
	114030-01-700	EA PILOT-BURNER #7505P147-60
	114030-01-701	EA PANEL-MANIFOLD #2616F078-70
	114030-01-702	EA TRIM-RIGHT, BLACK #3608W040-70
	114030-01-703	EA TRIM-LEFT, BLACK #3608W039-70
	081587-01-000	EA BRACKET-TIEDOWN, RANGE
	081587-02-000	EA BRACKET-TIEDOWN, RANGE
	063752-01-000	EA SHROUD-RANGE, 18.5" X 20.6" X 16.2" - METAL - OFF WHITE

**RANGE W/OVEN**

KEY	PART NUMBER	U/M DESCRIPTION
	112881-01-03A	EA RANGE-16", 3 BURNER - ALMOND - BLACK TEXTURED DOOR, M'CHEF 16RA-3B49
	055282-04-700	EA PANEL-OVEN DOOR, ALMOND 2401F079-74
	102020-01-700	EA SHELF-OVEN 7801-P027-60
	102020-01-701	EA HANDLE-DOOR 7701P092-60
	102020-01-709	EA BUMPER-GRATE 8007-P020-60
	102020-01-711	EA GRATE-TOP 7518P012-60
	102020-01-722	EA VALVE-TOP BURNER 7502P181-60
	102020-01-724	EA BUMPER-MAIN TOP 8003P008-60
	102022-01-708	EA REGULATOR-PRESSURE, 1/4 IN-1/2 OUT 7510P041-60
	112881-01-700	EA TOP-MAIN, ALMOND 2001F110-84
	112881-01-701	EA MANIFOLD PANEL 2616F091-70
	112881-01-702	EA VALVE-MERCURY, SAFETY VALVE 7501-P121-60
	112881-01-703	EA VALVE-TOP BURNER, HI-OUTPUT 7502P180-60
	112881-01-704	EA KNOB-THERMOSTAT 7731P067-60
	112881-01-705	EA KNOB-TOP BURNER 7733P072-60
	112881-01-706	EA THERMOSTAT 12400026
	112881-01-707	EA TRIM-FLAT, LEFT - BLACK 3608W035-70
	112881-01-708	EA TRIM-FLAT, RIGHT - BLACK 3608W036-70
	112881-01-709	EA PIPE-MANIFOLD 7513P097-60
	112881-01-710	EA PILOT-OVEN 7505P202-60
	112881-01-711	EA BURNER-OVEN 3404W025045
	112881-01-713	EA DOOR-OVEN, TEXTURED 2401F079-70
	105458-01-000	EA BRACKET-TIEDOWN, STOVE
	105458-02-000	EA BRACKET-TIEDOWN, STOVE

**GENERATOR GROUP**  
3.6 KW ONAN GENERATOR - LP

KEY	PART NUMBER	U/M DESCRIPTION
	109982-04-000	EA GENERATOR - 3.6 MICROLITE, ONAN KY-FA/26120 B
	105958-08-000	EA PIPE-EXHAUST, GENERATOR FROM: 00-00-00 THRU: 08-28-94
	105958-10-000	EA PIPE-EXHAUST, GENERATOR FROM: 08-29-94 THRU: 99-99-99
	007125-03-000	EA CLAMP-MUFFLER, 1.5" DIAMETER
	007067-01-000	SF INSULATION-FIBERGLASS, 1" THICK X 4' - INCREMENTS OF 4 SF

**4.0 KW ONAN GENERATOR**

KEY	PART NUMBER	U/M DESCRIPTION
	109982-03-000	EA GENERATOR - 4.0 MICROLITE, ONAN KY-FR/26100 B
	105958-08-000	EA PIPE-EXHAUST, GENERATOR FROM: 00-00-00 THRU: 08-28-94
	105958-10-000	EA PIPE-EXHAUST, GENERATOR FROM: 08-29-94 THRU: 99-99-99
	007125-03-000	EA CLAMP-MUFFLER, 1.5" DIAMETER
	007067-01-000	SF INSULATION-FIBERGLASS, 1" THICK X 4' - INCREMENTS OF 4 SF

**3.3 KW ONAN GENERATOR - EXPORT**

KEY	PART NUMBER	U/M DESCRIPTION
	109982-05-000	EA GENERATOR - 3.3 MICROLITE, ONAN KY-FR/26119 B
	105958-08-000	EA PIPE-EXHAUST, GENERATOR FROM: 00-00-00 THRU: 08-28-94
	105958-10-000	EA PIPE-EXHAUST, GENERATOR FROM: 08-29-94 THRU: 99-99-99
	007125-03-000	EA CLAMP-MUFFLER, 1.5" DIAMETER
	007067-01-000	SF INSULATION-FIBERGLASS, 1" THICK X 4' - INCREMENTS OF 4 SF

**HEATING & AIR CONDITIONING GROUP  
FURNACE AND COMPONENTS**

KEY	PART NUMBER	U/M DESCRIPTION
	098668-20-000	EA FURNACE - 30000 BTU, SUBURBAN SF-30 2273
	098668-01-700	EA CABINET FRONT, SUBURBAN 101242
	093365-01-000	EA THERMOSTAT-WALL, FURNACE - SUBURBAN 0160902
	098668-01-714	EA GAS VALVE FOR SF MODELS S.N. #921401821 AND UP
	098668-02-700	EA ORFICE-MAIN BURNER, (SF-30/SF35), SUBURBAN 010745
	098668-01-715	EA ELECTRODE-SINGLE PROBE, FOR SF MODELS S.N. #921401821 & UP
	098668-01-703	EA COLLAR-DUCT, SUBURBAN #050715
	098668-01-711	EA WHEEL-ROOM AIR, SUBURBAN 350123
	098668-01-712	EA BOARD-MODULE, SUBURBAN 231741
	098668-21-701	EA SWITCH-LIMIT, SUBURBAN 231799
	098668-01-706	EA WHEEL-COMBUSTION AIR, SUBURBAN 350122
	098668-01-716	EA GASKET FIREWALL(CHAMBER SIDE 070808
	098668-01-713	EA TUBE ASSEMBLY-INTAKE VENT 051044
	098668-01-707	EA VENT CAP & EXHAUST TUBE ASM, SUBURBAN 260193
	098668-01-717	EA GASKET FIREWALL, BLOWER SIDE 070808
	098668-01-709	EA MOTOR-FOR SF-25, SF-30 - SUBURBAN 231706
	098668-01-708	EA BLOWER-COMBUSTION AIR, SUBURBAN 390441
	101990-01-714	EA MICROSWITCH GASKET, SUBURBAN 230877
	098668-21-700	EA MICROSWITCH, W/O FLAG 3 1/4" - SUBURBAN 232261
	074466-01-702	EA RELAY-TIME DELAY, SUBURBAN 230625
	098668-01-710	EA BLOWER-ROOM AIR, SUBURBAN 390440
	098668-06-000	EA DOOR-ACCESS, FURNACE - OFF WHITE - SUBURBAN 520574
	098668-23-000	EA DOOR-ACCESS, FURNACE - BRIGHT WHITE- SUBURBAN
	093614-01-01A	EA GRILLE-RETURN AIR, FURNACE - 15.6" X 7.6" - BROWN
	056464-05-000	EA REGISTER-PLASTIC, W/O DAMPER - 4" DIAMETER - GOLDEN
	009198-01-000	FT DUCT-HEAT, FLEXIBLE - 4" ID X 25 FT
	092200-01-000	EA TAPE-FURNACE, 1 1/2"
	069636-02-000	EA CONNECTOR-DUCT, 4" ID - SUBURBAN 050715
	089367-01-000	EA TEE - 4" OD X 7" LONG - METAL

**ROOF A/C - 13,500 BTU**

KEY	PART NUMBER	U/M DESCRIPTION
	108889-01-01A	EA A/C-ROOF, 13,500 TSR HO - IVORY - COLEMAN 7333-887
	108889-01-05A	EA A/C-ROOF, 13,500 TSR HO - BRIGHT WHITE - COLEMAN 7333
	102289-01-000	EA SPRING-SCREW, ROOF A/C GASKET - COLEMAN 6757-150
	091225-01-709	EA START RELAY, COLEMAN 1497-4131
	091225-01-710	EA START CAPACITOR, COLEMAN 1497-0881
	093306-01-701	EA DECAL PACKAGE, LEFT & RIGHT - COLEMAN 6798B3591
	105620-01-704	EA COMPRESSOR, RH & LH - COLEMAN 1450-2009
	105620-01-706	EA FOOT PACKAGE-COMPRESSOR, 3 PER PKG- COLEMAN 6759-3081
	063903-01-700	EA SHROUD-IVORY/IVORY, LESS/LOGO 6759-4601
	108889-05-700	EA SHROUD-A/C, LESS LOGO - 7333-4601 - BRIGHT WHITE
	108889-01-703	EA CONDENSER COIL 1452A1301
	108889-01-704	EA OVERLOAD (MRA#98693) 6749-3541
	108889-01-705	EA MOTOR - 115, 60HZ) 1468-3049
	108889-01-706	EA IMPELLOR 1472-1041
	108889-01-707	EA RUN CAPACITOR-COMPRESSOR, 25MFD/370 1499-5661
	093763-01-704	EA FAN CAPACITOR 1499-3461
	108889-01-709	EA EVAPORATOR COIL 1452A1311
	108889-01-710	EA FILLER PAD-CONDENSOR AIR SEAL 6759A3971
	108889-01-711	EA GASKET PACKAGE 6792-3301
	108889-01-712	EA SUCTION LINE REDUCER - 3/8 X 1/2 1215-2161
	108889-01-713	EA SUCTION LINE - 3/8 OD X .032 WALL 6792-130
	108889-01-714	EA DISCHARGE LINE ASSEMBLY 6792-531
	108889-01-715	EA MOTOR MOUNT & SHAFT SEAL KIT 6792-3361

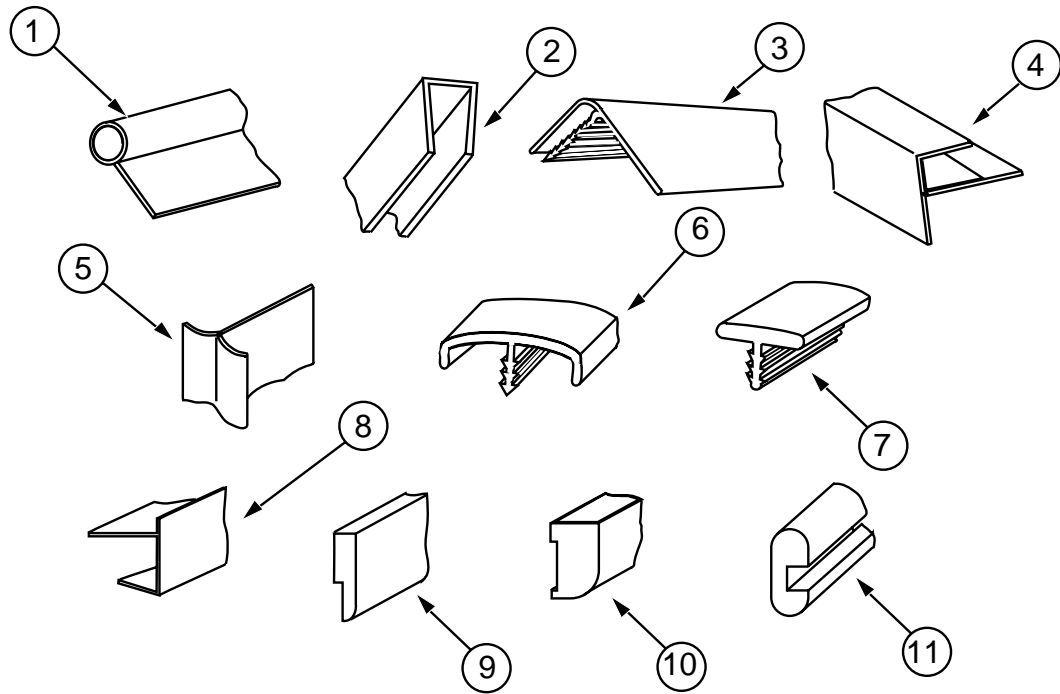
**HEATING & AIR CONDITIONING GROUP (CONTINUED)  
A/C-13,500 BTU-EUROPE**

KEY	PART NUMBER	U/M DESCRIPTION
	108889-02-01A	EA A/C-ROOF, 13,500 TSR 220 IVORY - COLEMAN 7373-597
	108889-02-03A	EA A/C-ROOF, 13,500 TSR 220 - BRIGHT WHITE - COLEMAN 7373
	063903-01-700	EA SHROUD-A/C, SHROUD-IVORY/IVORY, LESS/LOGO 6759-4601
	108889-05-700	EA SHROUD-A/C, LESS LOGO - 7333-4601 - BRIGHT WHITE
	093306-01-701	EA DECAL PACKAGE, LEFT & RIGHT - COLEMAN 6798B3591
	093763-01-712	EA FAN BLADE-CONDENSER, COLEMAN# 6733-3221
	105620-01-704	EA COMPRESSOR, RH & LH - COLEMAN 1450-2009
	105620-01-705	EA PROTECTOR-OVERLOAD, RH & LH - COLEMAN 6759-3791
	105620-01-706	EA FOOT PACKAGE-COMPRESSOR, 3 PER PKG- COLEMAN 6759-3081
	108889-01-703	EA CONDENSER COIL 1452A1301
	108889-01-706	EA IMPELLOR 1472-1041
	108889-01-707	EA RUN CAPACITOR-COMPRESSOR, 25MFD/370 1499-5661
	093763-01-704	EA FAN CAPACITOR 1499-3461
	108889-01-709	EA EVAPORATOR COIL 1452A1311
	108889-01-710	EA FILLER PAD-CONDENSOR AIR SEAL 6759A3971
	108889-01-711	EA GASKET PACKAGE 6792-3301
	108889-01-713	EA SUCTION LINE, 3/8 OD X .032 WALL 6792-130
	108889-01-714	EA DISCHARGE LINE ASSEMBLY 6792-531
	108889-01-715	EA MOTOR MOUNT & SHAFT SEAL KIT 6792-3361
	108889-02-700	EA COMPRESSOR-TECUMSEH 1452-2029
	108889-02-701	EA MOTOR 1468-3059
	108889-02-702	EA CAPACITOR-START 1497-0891
	108889-02-703	EA RELAY-START 1497-4141

**CEILING A/C**

KEY	PART NUMBER	U/M DESCRIPTION
	108891-01-01A	EA CEILING ASSEMBLY-A/C COOL TSR HO - COLEMAN 7330-714 IV
	042204-01-709	EA THERMOSTAT-IN 64 OUT 58, COLEMAN 6701-3401
	063903-01-702	EA LOUVER-COLEMAN 6703A5191
	073742-01-701	EA SELECTOR SWITCH - 5 TERMINAL, COLEMAN 6759-3251
	073742-01-702	EA DECAL COOL ONLY, COLEMAN 6759C3431
	081606-01-712	EA CEILING SHROUD-IVORY, COLEMAN 6769-5061
	091225-01-713	EA KNOB - 2 PER PACKAGE, COLEMAN 6701-3351
	091225-01-717	EA DECAL-THERMOSTAT, COOL ONLY - COLEMAN 6799A3441
	093766-02-701	EA DECAL-LEFT SIDE, COLEMAN 6799-3971
	108891-01-700	EA SINGLE PARTS PACKAGE-KNOBS & NUTS, COLEMAN 6792-5991
	108891-01-701	EA RETAINER CLIPS-FILTER, 6 PER - COLEMAN 6799-3141
	022756-03-000	EA COVER-A/C PLASTIC, OFF WHITE
	022756-02-000	EA COVER-PROTECTIVE, 5.5" ENDS X 8.2" - PLASTIC - OFF WHITE
	084077-03-000	EA COVER-BLANK, ROOF A/C - 5.2" X 3.5" - IVORY

## INTERIOR FINISH GROUP



### MOLDINGS & TRIMS

KEY	PART NUMBER	U/M DESCRIPTION
1	009767-12-000	FT MOLDING-SIDEWALL TO CEILING/CABINET - WELTING - OFF WHITE
2	009778-12-000	FT U-CHANNEL, PLASTIC - 1" WIDE X 8' - WOODGRAIN
2	009778-20-000	FT U-CHANNEL, 1" X 55", MODERN IVORY
2	070504-19-000	FT U-CHANNEL, PLASTIC, .815" WIDE - BROWN
2	070504-23-000	FT U-CHANNEL, 22.56 - COUNTRY FOREST
3	009809-21-000	EA MOLDING-CORNER, OUTSIDE - 1" - PLASTIC - WOODGRAIN
3	009809-23-000	EA MOLDING-CORNER, OUTSIDE - 1" - PLASTIC - IVORY
4	009812-22-000	EA MOLDING-CORNER, OUTSIDE - .5" X 7' - PLASTIC - BROWN
4	009812-24-000	EA MOLDING-PLASTIC, OUTSIDE CORNER - .50" - IVORY
5	022992-01-000	FT MOLDING-REVERSE COVE, T-SHAPED - VINYL - WHITE
5	022992-11-000	FT MOLDING-REVERSE COVE, T-SHAPED - VINYL - IVORY
6	083620-07-000	FT MOLDING-T, END CAP EDGE - W/EDGE LIPS - .75" - THOR PECAN
6	083620-09-000	FT MOLDING-T, 3/4 W/EDGE LIPS - MODERN IVORY
6	104676-02-01A	FT MOLDING-T, 1/2" X 7'
7	104676-01-01A	FT MOLDING-T, 5/16 - RIGID - GOLD
8	103186-01-01A	FT MOLDING-EDGE, SHELF - .78" WIDE - PLASTIC - RAMBLING OAK
9	105004-01-02A	EA MOLDING-VINYL WRAPPED, RAMBLING OAK
10	100041-01-000	EA MOLDING-VINYL WRAPPED, .7" X 1.57" X 84.02" - RAMBLING OAK
10	100041-02-000	EA MOLDING-VINYL WRAPPED, .7" X 2.5" X 84" - RAMBLING OAK
11	081294-02-000	EA MOLDING-SHELF, NOTCHED WOOD - 8' LONG
	076325-31-000	FT MOLDING EDGE BAND, RAMBLING OAK
	076325-34-000	FT MOLDING-EDGE BAND, 1 5/16" WIDE
	076325-35-000	FT MOLDING EDGE BAND, ORCHID
	100040-01-000	EA LUMBER-VINYL WRAPPED, .71" X 1.5" X 8' - RAMBLING OAK
	100040-03-000	EA LUMBER-VINYL WRAPPED, .71" X 2" X 8' - RAMBLING OAK
	100040-06-000	EA LUMBER-VINYL WRAPPED, RAMBLING OAK
	112198-01-000	EA MOLDING-J, #90227 - CRILA PLASTICS

## INTERIOR FINISH GROUP (CONTINUED) BATT STRIPS

KEY	PART NUMBER	U/M DESCRIPTION
	088263-B4-000	EA BATT STRIP, MAIN WALL - SILVERADO
	088263-B6-000	EA BATT STRIP, CEILING - PEARL
	088263-78-000	EA BATT STRIP, SHOWER - OFF WHITE
	079653-09-000	EA BATT STRIP, KERFED - WOODGRAIN
	069733-80-000	EA BATT STRIP, WOODGRAIN - WINNIE OAK
	085284-A5-000	FT STRIP-TAPE, MAIN WALL - SILVERADO
	085284-A7-000	FT STRIP-TAPE, CEILING - PEARL
	085284-67-000	FT STRIP-TAPE, WINNIE OAK
	085284-76-000	FT STRIP-TAPE, SHOWER - ADHESIVE BACKED - OFF WHITE
	086229-01-000	EA RETAINER-BATTEN, CEILING - .75" WIDE - 7.6'
	086229-04-000	EA BATTEN-CEILING, 1" WIDE - IVORY - 7.6'

### PANELING, LAMINATES & PLASTIC

KEY	PART NUMBER	U/M DESCRIPTION
	074497-27-000	SF PANELING-CEILING, TIGA BEND - 4' X 8' - INCREMENTS OF 32 SF
	074497-21-000	SF PANELING-WOODGRAIN, 4' X 8' - INCREMENTS OF 32 SF
	076773-09-000	SF PANELING - 2 SIDED, WINNIE OAK
	088272-D7-000	SF PANELING-MAIN WALL, SILVERADO
	088272-98-000	SF PANELING-SHOWER, OFF WHITE - 4' X 7' - INC OF 28 SQ FT
	074498-34-000	SF LAMINATE-PLASTIC, 5' X 8' - INCREMENTS OF 40 SF
	074498-67-000	SF LAMINATE-PLASTIC, ORCHID MIST
	093743-02-01A	SF PLASTIC-ABS, 20" WIDE ROLL - OFF WHITE
	089297-01-000	SF PLYWOOD-LUAN, OVERLAY GRADE - 4' X 8' - INC OF 32 SF
	000885-61-000	SF PARTICLE BOARD - 3/4" X 48" X 96" - WINNI OAK - VINYL 2 SIDES

### FIRE EXTINGUISHERS & DETECTORS

KEY	PART NUMBER	U/M DESCRIPTION
	094499-02-000	EA EXTINGUISHER-FIRE, DRY - 1A10BC - CANADIAN
	094499-01-000	EA EXTINGUISHER-FIRE, DRY W/MOUNTING BRACKET - 10 BC
	094499-01-700	EA BRACKET-MOUNTING, W/PLASTIC STRAP - FIRE EXTINGUISHER
	072852-01-000	EA DETECTOR-SMOKE, W/9 VOLT BATTERY - US
	072852-02-000	EA DETECTOR-SMOKE, W/9 VOLT BATTERY - CANADIAN
	112320-01-000	EA DETECTOR-CO GAS, MODEL 9B-I - COSTAR 940000000
	112320-02-000	EA BATTERY/SENSOR-CO GAS, COSTAR 940001000
	103613-01-000	EA DETECTOR-LP GAS, CCI 7730/PRE-TELL

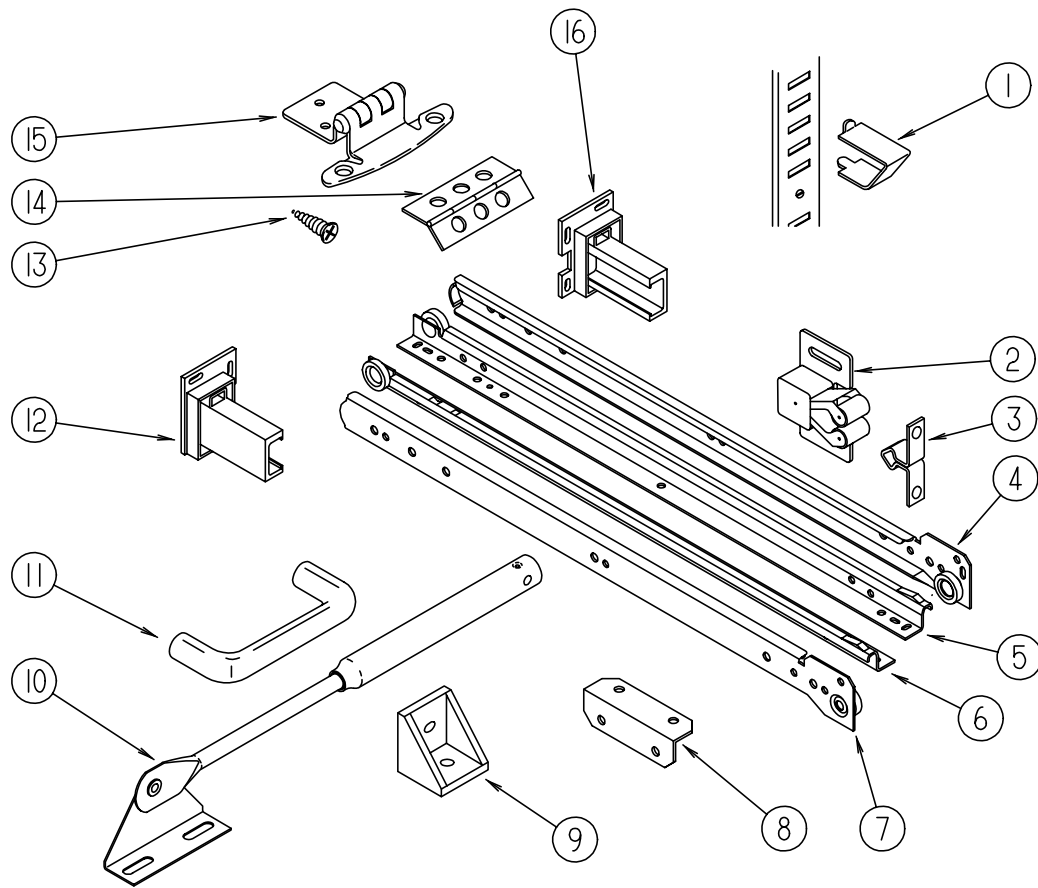
### CARPETING

KEY	PART NUMBER	U/M DESCRIPTION
	096060-97-000	SY CARPET-LAPIS (F15)
	096060-A1-000	SY CARPET-ARTIC GRAY (F16)
	093486-01-000	SY CARPET-COMPARTMENT, 54" WIDE - DARK GRAY
	047034-02-000	SF PLASTIC-CARPET, 4' WIDE - CLEAR POLY

### FLOOR MATS

KEY	PART NUMBER	U/M DESCRIPTION
	106884-01-000	EA MAT-FLOOR, PASSENGER - "W" - FORD
	106884-02-000	EA MAT-FLOOR, DRIVER - "W" - FORD
	081075-03-000	EA MAT-FLOOR, ENTRANCE - WINNEBAGO - PLASTICOLOR - GRAY

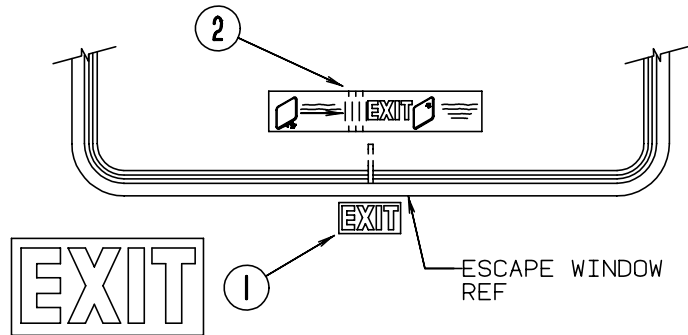
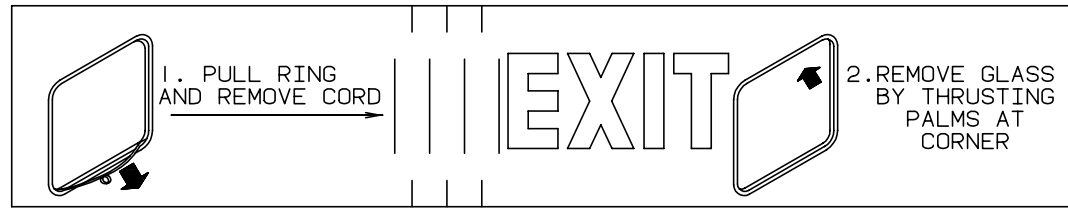
**INTERIOR FINISH GROUP (CONTINUED)**  
**CABINET & TABLE HARDWARE**



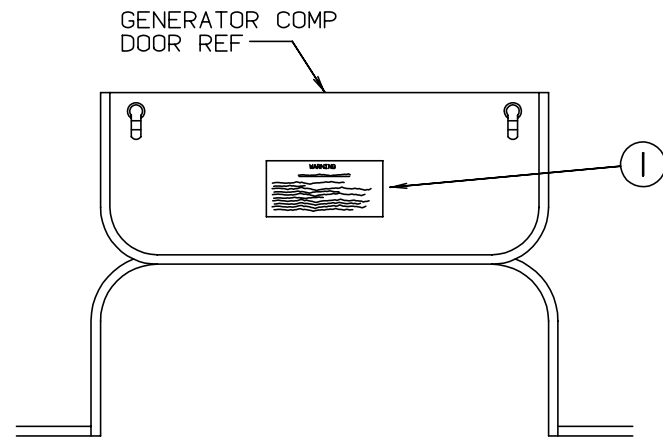
KEY	PART NUMBER	U/M DESCRIPTION
6	114031-03-000	EA SLIDE-DRAWER, DRAWER MOUNTED - LEFT SIDE - 12"
6	114031-11-000	EA SLIDE-DRAWER, DRAWER MOUNTED - LEFT SIDE - 16"
6	114031-15-000	EA SLIDE-DRAWER, DRAWER MOUNTED - LEFT SIDE - 18"
7	114031-01-000	EA SLIDE-DRAWER, CABINET MOUNTED - LEFT SIDE - 12"
7	114031-09-000	EA SLIDE-DRAWER, CABINET MOUNTED - LEFT SIDE - 16"
7	114031-13-000	EA SLIDE-DRAWER, CABINET MOUNTED - LEFT SIDE - 18"
8	016604-01-000	EA BRACE-CABINET, ANGLE - 2.5" - METAL - UNPAINTED
8	016604-03-000	EA BRACE-CABINET, ANGLE - 2.5" - METAL - BEIGE
8	016604-05-000	EA BRACE-CABINET, L ANGLE - 2.5" - METAL - OFF WHITE
9	065740-01-000	EA BRACE-CABINET CORNER, PLASTIC
10	074493-02-000	EA SUPPORT-PISTON SPRING, CABINET DOOR
11	112146-01-000	EA PULL-CABINET, BRASS - AMEROCK D-1180-3
12	114045-01-000	EA BACKSOCKET-ADJUSTABLE, LEFT - HOUCK 751-1
13	000G13-06-08G	EA SCREW - 6-20 X 5/8 PFH - ANTIQUE BRASS
14	009059-01-000	EA HINGE-DOOR, 2" X 1.4" - BRASS
15	108138-01-000	EA HINGE-DOOR, CABINET - BURNISHED BRASS
16	114045-02-000	EA BACKSOCKET-ADJUSTABLE, RIGHT - HOUCK 751-2
	009063-01-000	EA HINGE-CONTINUOUS, 1 1/2" X 72" - UNPAINTED
	076790-01-000	EA SCREW - 6-20 X 1 1/4 PPH - BLACK
	004354-01-000	EA BUMPER-RUBBER, .5" DIAMETER - BROWN
	023320-01-000	EA PAD-FELT, 3/8" DIAMETER - BROWN
	042356-01-000	EA PLUG-BUTTON, MAHOGANY - 3/8" DIAMETER - WOOD
	009112-01-000	EA FLANGE - 1" ROD - CLOTHES - PLASTIC - OFF WHITE
	000G13-06-10G	EA SCREW - 6-20 X 5/8 PFH - ANTIQUE BRASS
	042438-01-000	EA DOWEL-WOOD, CLOTHES ROD - 1" DIAMETER X 4'
	042438-02-000	EA DOWEL-WOOD, 2" X 2"
	074045-07-000	EA PLUG-WOOD, 1/2"
	079921-01-000	EA ROLLER-NYLON, W/STEEL SHAFT - BARBED
	103256-01-000	EA LATCH-SLIDE
	009021-01-000	EA CATCH-GRILLE, NYLON
	009021-02-000	EA STRIKE-SPRING - STEEL
	009013-01-000	EA CATCH-MALE & FEMALE BULLDOG, ANTIQUE COPPER
	047034-06-000	EA POLY-CLEAR, ROLL SIZE - 2FT
	105037-01-000	EA FASTENER-WOOD, CORNER - METAL - .5" X .5"

KEY	PART NUMBER	U/M DESCRIPTION
1	098979-01-000	EA CLIP-ADJUSTABLE SHELF
2	093586-03-000	EA CATCH-SPRING, ROLLER
		GM INTERNATIONAL FROM: 00-00-00 THRU: 07-31-94
2	093586-01-000	EA CATCH-SPRING, ROLLER
		GM INTERNATIONAL FROM: 08-01-94 THRU: 99-99-99
3	093586-04-000	EA STRIKE-SPRING, STEEL
		GM INTERNATIONAL FROM: 00-00-00 THRU: 07-31-94
3	093586-02-000	EA STRIKE-SPRING, STEEL
		GM INTERNATIONAL FROM: 08-01-94 THRU: 99-99-99
4	114031-02-000	EA SLIDE-DRAWER, CABINET MOUNTED - RIGHT SIDE - 12"
4	114031-10-000	EA SLIDE-DRAWER, CABINET MOUNTED - RIGHT SIDE - 16"
4	114031-14-000	EA SLIDE-DRAWER, CABINET MOUNTED - RIGHT SIDE - 18"
5	114031-04-000	EA SLIDE-DRAWER, DRAWER MOUNTED - RIGHT SIDE - 12"
5	114031-12-000	EA SLIDE-DRAWER, DRAWER MOUNTED - RIGHT SIDE - 16"
5	114031-16-000	EA SLIDE-DRAWER, DRAWER MOUNTED - RIGHT SIDE - 18"

**LABELS GROUP**



KEY	PART NUMBER	U/M DESCRIPTION
1	006199-01-000	EA LABEL-EXIT-ESCAPE WINDOW
2	039290-01-000	EA LABEL-WARNING-EXIT



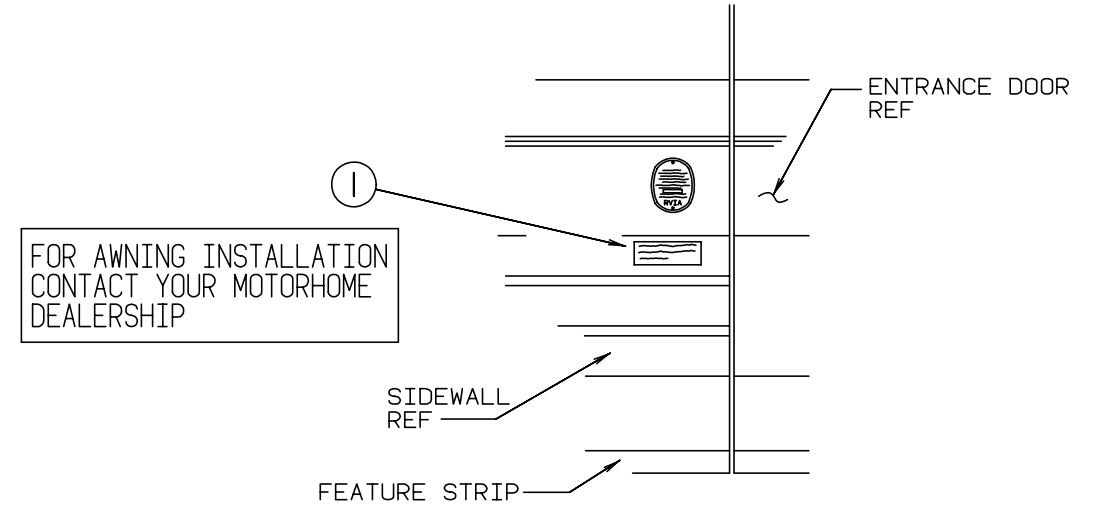
**WARNING**

WHEN ADDING A GENERATOR SET:

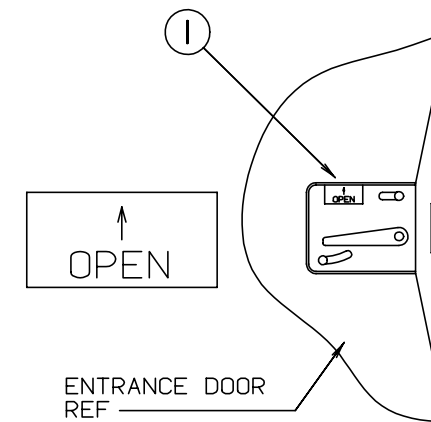
HIGH VOLTAGE-USE EXTREME CAUTION WHEN WORKING ON ELECTRICAL COMPONENTS.  
 HAVE ALL ELECTRICAL INSTALLATION PERFORMED BY A QUALIFIED LICENSED ELECTRICIAN-FOLLOW ALL STATE AND LOCAL CODES.  
 ONLY INSTALL GENERATOR SET APPROVED FOR R.V. APPLICATION. HAVE INSTALLED BY QUALIFIED TECHNICIAN.  
 TO AVOID HEAT BUILD-UP AND TO GUARANTEE AN ADEQUATE AIR SUPPLY TO THE GENERATOR CARBURETOR, FOLLOW INSTALLATION INSTRUCTIONS.  
 GENERATOR ENGINE EXHAUST GASES ARE TOXIC AND MUST NOT TERMINATE UNDER THE VEHICLE-DISCHARGE EXHAUST AWAY FROM VEHICLE.

KEY	PART NUMBER	U/M DESCRIPTION
1	077510-01-000	EA LABEL-GENERATOR PREP

**LABELS GROUP (CONTINUED)**



KEY	PART NUMBER	U/M DESCRIPTION
1	099509-01-000	EA LABEL-AWNING INSTALLATION

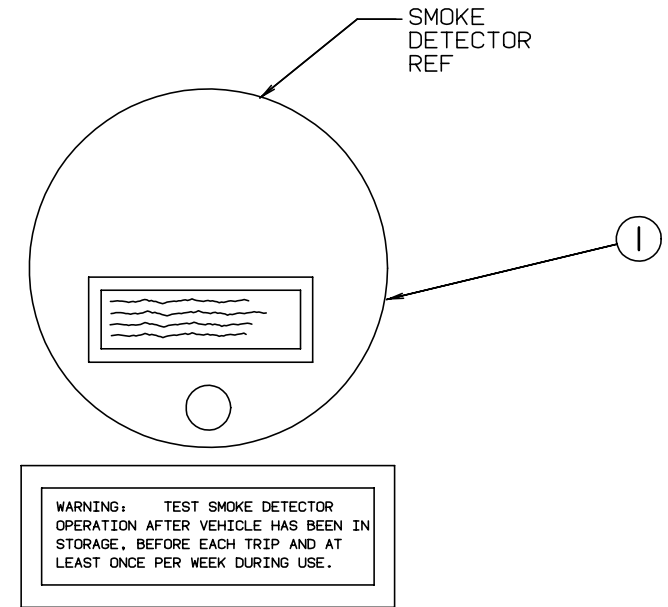


KEY	PART NUMBER	U/M DESCRIPTION
1	040944-01-000	EA LABEL-ENTRANCE DOOR - "OPEN"

**LABELS GROUP (CONTINUED)**  
**MISCELLANEOUS LABELS**

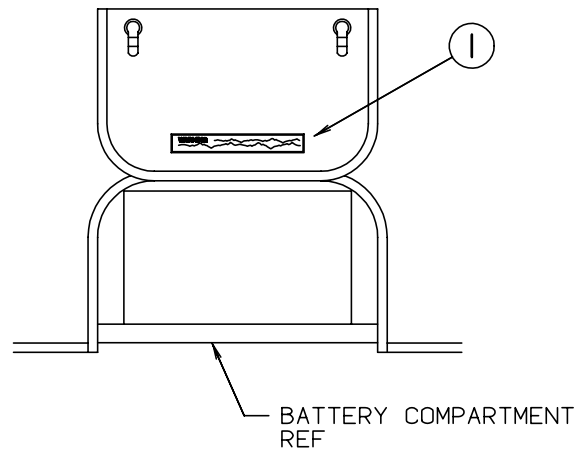
KEY	PART NUMBER	U/M DESCRIPTION
	104236-01-000	EA LABEL-GENERATOR CIRCUIT
	006064-01-000	EA LABEL-SEAT W/O SEATBELT - US
	006064-02-000	EA LABEL-SEAT W/O SEATBELT - CSA NOT INTENDED FOR USE WHILE COACH IN MOTION
	091224-02-000	EA LABEL-TRAILER LIGHTING
	091243-01-000	EA LABEL-A/C COVER, "AIR CONDITIONING CIRCUIT. ETC."
	091243-02-000	EA LABEL-COVER, "MICROWAVE CIRCUIT. ETC."
	093236-08-000	EA LABEL-CIRCUIT BREAKER
	098641-01-000	EA LABEL-FUEL, UNLEADED - DASH
	073998-01-000	EA LABEL-LPG ODOR WARNING
	087236-01-000	EA LABEL-CABLE, INPUT
	061417-01-000	EA LABEL-FUEL, ON FUEL FILL DOOR
	062043-01-000	EA LABEL-FUEL, UNLEADED
	111104-01-000	EA LABEL-HITCH, READ MANUAL
	006040-01-000	EA TAG-GAS REFUELING WARNING - US
	006040-02-000	EA TAG-GAS REFUEL WARNING - CANADIAN

**LABELS GROUP (CONTINUED)**

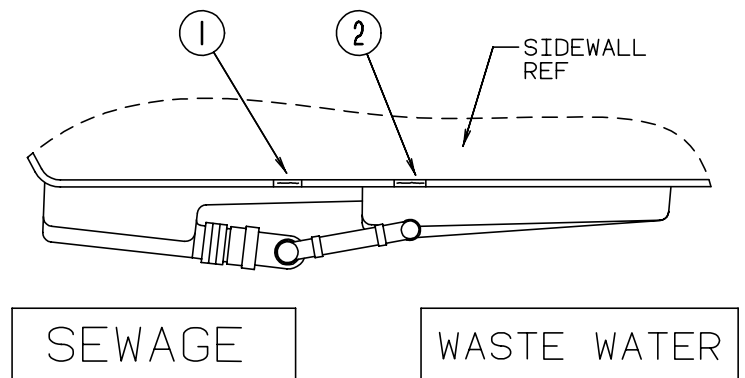


KEY	PART NUMBER	U/M DESCRIPTION
1	077956-01-000	EA LABEL-WARNING-SMOKE DETECTOR

**WARNING** DISCONNECT BATTERIES BEFORE CONNECTING EXTERNAL CHARGING EQUIPMENT.

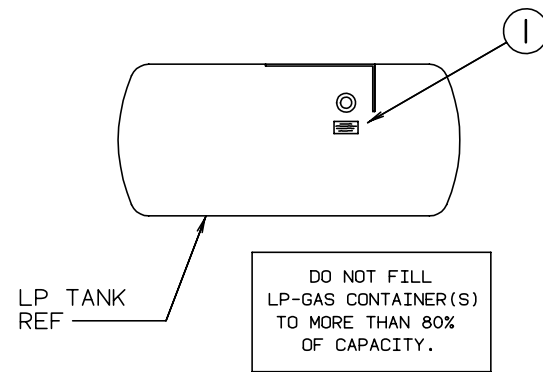


KEY	PART NUMBER	U/M DESCRIPTION
1	065748-01-000	EA LABEL-CAUTION-BATTERY CHARGING



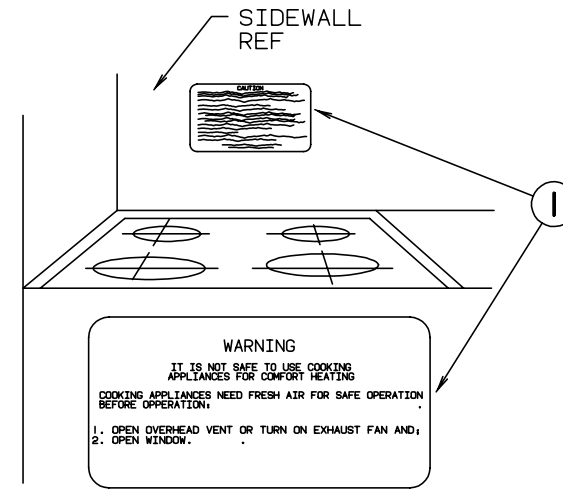
KEY	PART NUMBER	U/M DESCRIPTION
1	006187-01-000	EA LABEL-SEWAGE
2	006188-01-000	EA LABEL-WASTE WATER

**LABELS GROUP (CONTINUED)**

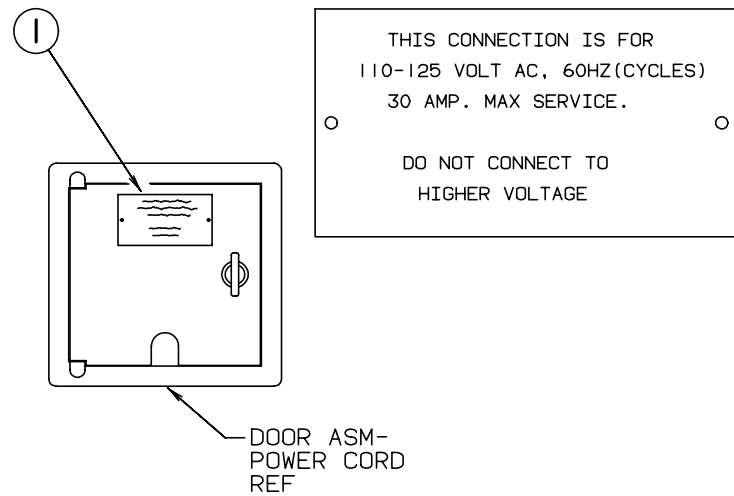


KEY	PART NUMBER	U/M DESCRIPTION
1	079965-01-000	EA LABEL-LPG - 80% CAPACITY

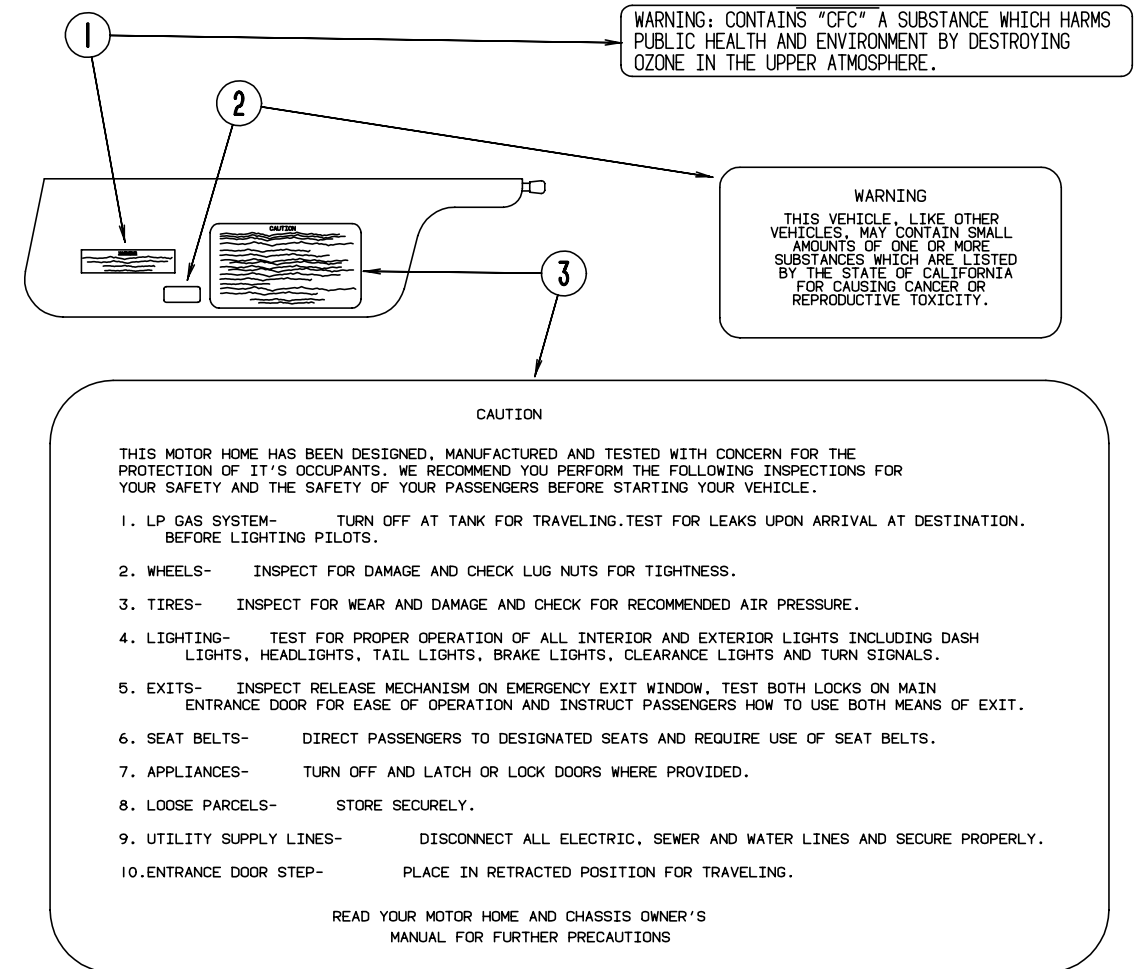
**LABELS GROUP (CONTINUED)**



KEY	PART NUMBER	U/M DESCRIPTION
1	050225-01-000	EA LABEL-WARNING-STOVE VENT - US



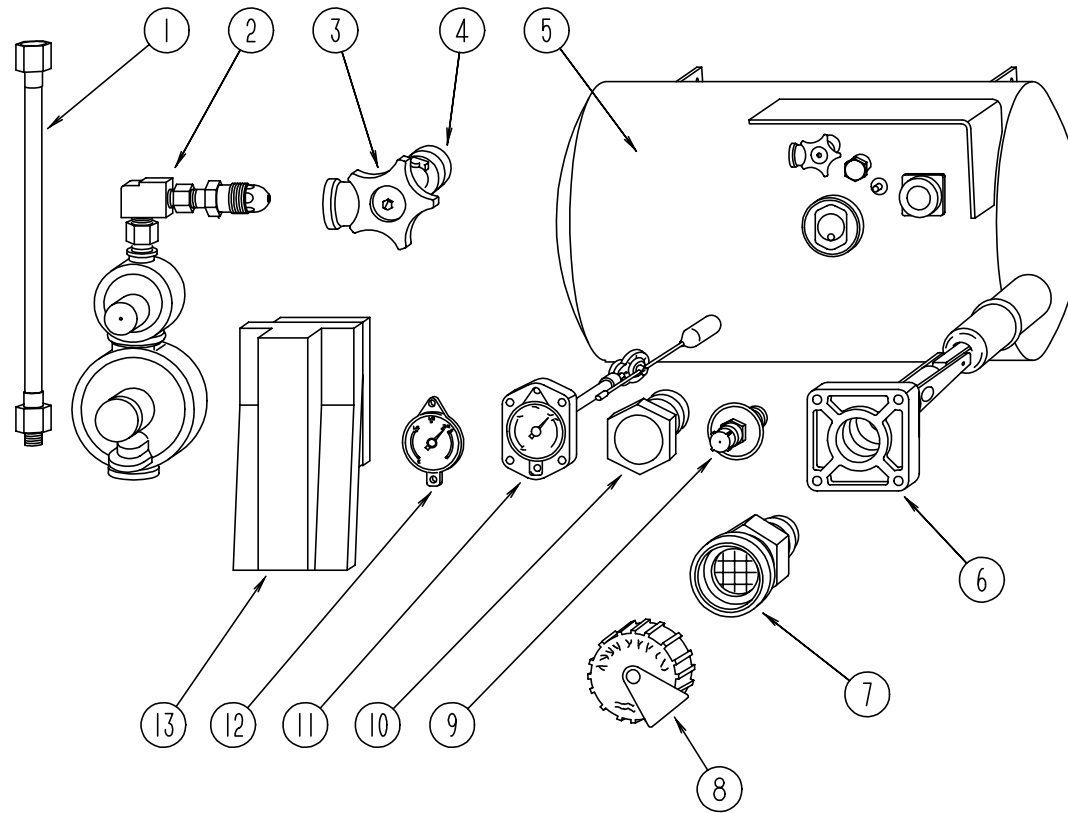
KEY	PART NUMBER	U/M DESCRIPTION
1	006062-01-000	EA TAG-ELECTRIC-110V CONNECTION



KEY	PART NUMBER	U/M DESCRIPTION
1	111802-01-000	EA LABEL-CFC WARNING
2	099689-01-000	EA LABEL-WARNING-CANCER/TOXICITY
3	056259-01-000	EA LABEL-SAFETY CHECK LIST



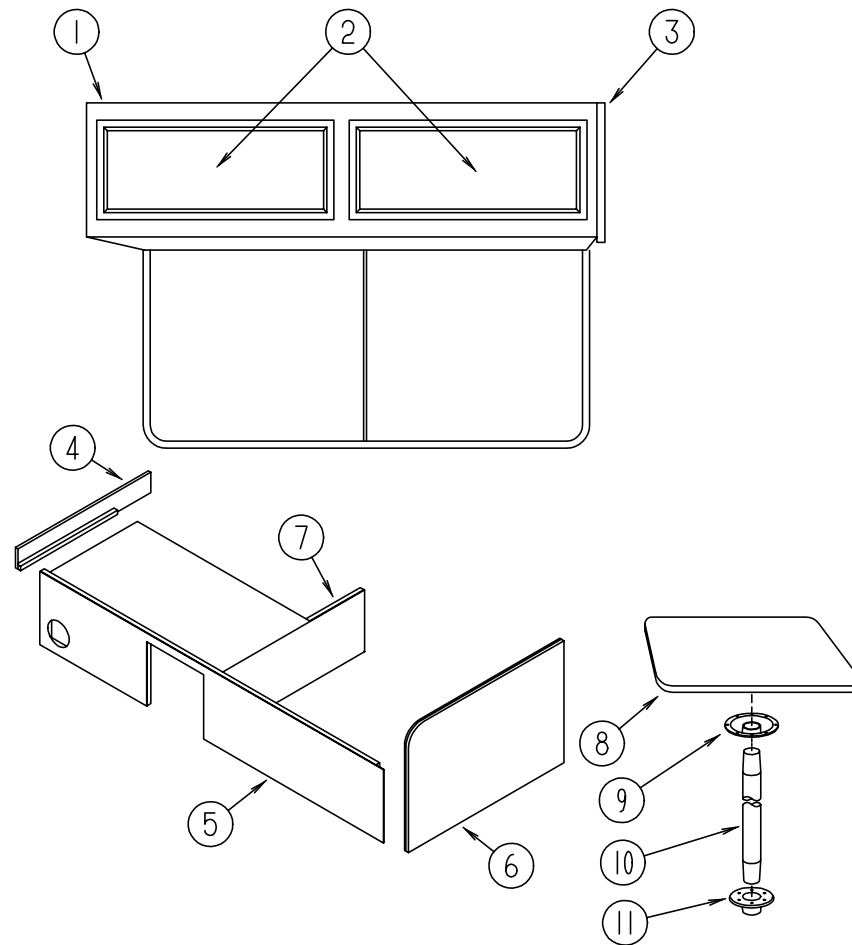
**LP GROUP  
LP SYSTEM**



KEY	PART NUMBER	U/M	DESCRIPTION
1	045703-03-000	EA	HOSE-LP, 3/8" ID X 18" - 3/8" MPT X 1/2" F SWIVEL - US
1	045703-05-000	EA	HOSE-LP, 3/8" ID X 28" - 3/8" MPT X 1/2" F SWIVEL - US
1	045703-06-000	EA	HOSE-LP, 3/8" ID X 28" - 3/8" MPT X 1/2" F SWIVEL - CANADA
2	106150-01-000	EA	REGULATOR-TWO STAGE, M'BRASS 293-303
2	106150-02-000	EA	REGULATOR-TWO STAGE, M'BRASS 293-00
3	040421-01-708	EA	HANDWHEEL-SERVICE VALVE, BRUNNER G-1015-A
4	040421-01-712	EA	VALVE-SERVICE, W/O VAPOR RELIEF - 29000853
5	080450-01-000	EA	TANK-LP, 42 LB - 13" DIAMETER X 24" LONG
6	040421-01-711	EA	VALVE - 80%, W/FLOAT, PLATE, BOLTS & GASKET - BRUNNER
7	040421-01-701	EA	VALVE-SHORT, LP FILLER W/YELLOW CAP - BRUNNER 75478
8	040421-01-702	EA	CAP-LP FILLER VALVE, PLASTIC - YELLOW - BRUNNER G-1014-A
9	040421-01-700	EA	VALVE-LIQUID LEVEL, 20% LP - BRUNNER G-1013
10	040421-01-713	EA	VALVE-VAPOR ONLY, 29000587
11	074142-01-700	EA	FLOAT GAUGE-SCREW ON-MACHINE 13C-SCR
12	040421-01-706	EA	DIAL-LP TANK VOLUME, VISIBLE FACE (5-1789) - BRUNNER MA-8 ROCHESTER
12	040440-02-000	EA	TRANSMITTER-DIAL, 0-90 OHM (USED W/MONITOR PANEL)
13	105658-01-000	EA	COMPARTMENT-LP REGULATOR

KEY	PART NUMBER	U/M	DESCRIPTION
	010323-01-000	EA	ADAPTER-BRASS, 3/8" F X 1/2" MPT
	057042-01-000	EA	ADAPTER-CROSS, 1/2" PIPE
	010377-02-000	EA	NUT-BRASS, 3/8" FEMALE - FORGED
	065318-02-000	EA	ELBOW - 90 DEGREE - 3/8" MPT TO 3/8" FPT
	010265-01-000	EA	ELBOW-BRASS, 90 DEGREE - 3/8" F TO 1/2" FPT
	095624-01-000	EA	ELBOW - 90 DEGREE, 1/4" FPT X 1/4" FPT - BRASS
	010252-01-000	EA	ELBOW-BRASS, 90 DEGREE 3/8" F X 1/2" MPT
	071391-02-000	EA	NIPPLE-HEX , 1/4" PIPE - 3325 X 4 WEATHERHEAD
	075148-02-000	EA	CLAMP-GROUNDING, BRONZE SCREWS
	010499-01-000	EA	CLAMP-CLOSED, 3/8" ID
	103613-01-000	EA	DETECTOR-LEAK, LP GAS

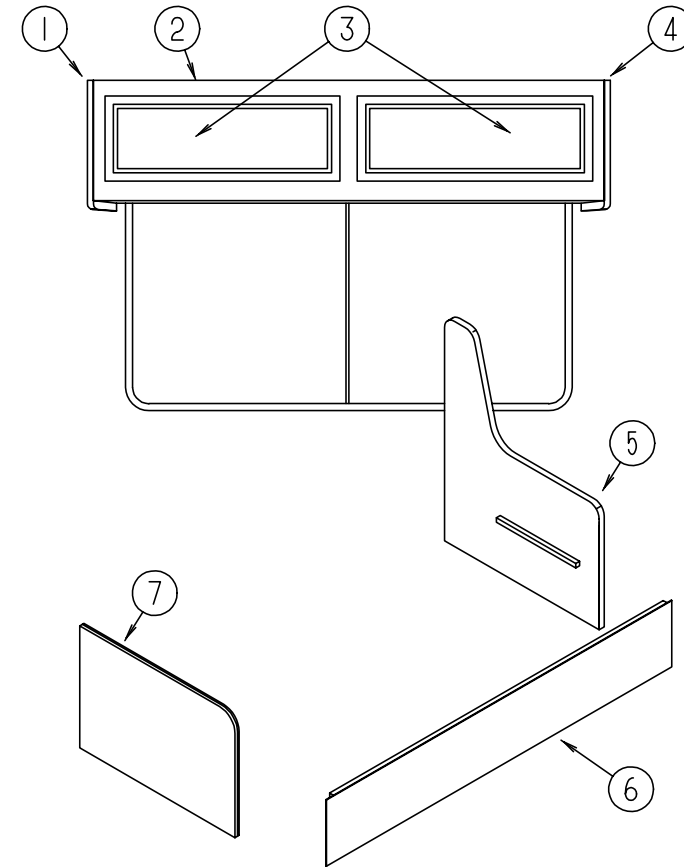
## LOUNGE GROUP



### DRIVER SIDE COUCH CABINETS & TABLES

KEY	PART NUMBER	U/M DESCRIPTION
1	114006-01-F15	EA CABINET-OVERHEAD, W/O DOORS OR HARDWARE
2	110140-05-F15	EA DOOR-CABINET, W/O HARDWARE - 365MM X 850MM
2	110140-65-F15	EA DOOR-CABINET, W/MIRROR - W/O HARDWARE - 365MM X 850MM
	108536-13-08A	EA MIRROR-GLASS, GALAXY FLOWER - 282MM X 767MM
3	109908-15-F15	EA END CAP-CABINET
4	M04187-68-F15	EA CABINET-COUCH, W/FABRIC
4	M04187-68-F16	EA CABINET-COUCH, W/FABRIC
5	M04187-66-F15	EA CABINET-COUCH, W/FABRIC
5	M04187-66-F16	EA CABINET-COUCH, W/FABRIC
6	M04187-67-F15	EA CABINET-COUCH, W/FABRIC
6	M04187-67-F16	EA CABINET-COUCH, W/FABRIC
7	M04187-70-D29	EA CABINET-COUCH
	082525-01-000	EA BRACE-COUCH, FLOOR MOUNT - ANGLE 3" LONG - METAL
	083125-05-000	EA BRACE-ANGLE, COUCH - 2.5" - BEIGE
8	081298-01-F15	EA TABLE-PEDESTAL
9	009040-03-000	EA BASE-TABLE, RAISED - TABLE MOUNTED
10	009040-02-000	EA PEDESTAL TABLE LEG - 27.5" X 2.25" DIAMETER - CHROME
11	041194-01-000	EA BASE-TABLE, FLUSH - FLOOR MOUNTED
	062046-01-000	EA CLIP-LEG, PEDESTAL - 1.7" X 2.2" - DIAMETER FROM 2" TO 2.5"
	042438-02-000	EA DOWEL-WOOD, 2" X 2"

## LOUNGE GROUP (CONTINUED)



### PASSENGER SIDE COUCH CABINETS

KEY	PART NUMBER	U/M DESCRIPTION
1	109908-16-F15	EA END CAP-CABINET
2	114002-01-F15	EA CABINET-OVERHEAD, W/O DOORS OR HARDWARE
3	110140-59-F15	EA DOOR-MITERED, VINYL WRAP - DOORS OR HARDWARE - 365MM X 680MM
4	109908-15-F15	EA END CAP-CABINET
5	M04187-65-F15	EA CABINET-COUCH, W/FABRIC
5	M04187-65-F16	EA CABINET-COUCH, W/FABRIC
6	M04187-63-F15	EA CABINET-COUCH, W/FABRIC
6	M04187-63-F16	EA CABINET-COUCH, W/FABRIC
7	M04187-64-F15	EA CABINET-COUCH, W/FABRIC
7	M04187-64-F16	EA CABINET-COUCH, W/FABRIC
	082525-01-000	EA BRACE-COUCH, FLOOR MOUNT - ANGLE 3" LONG - METAL
	083125-05-000	EA BRACE-ANGLE, COUCH - 2.5" - BEIGE

### PULLOUT TABLE

KEY	PART NUMBER	U/M DESCRIPTION
	M96873-01-F15	EA TABLE-PULLOUT
	096873-12-B87	EA SUPPORT-TABLE, UNDER PULL OUT TABLE TOP
	096873-15-B87	EA SUPPORT-TABLE, OVER PULL OUT TABLE TOP
	096873-16-B87	EA PANEL-TABLE, FRONT BOTTOM - 18.1" X 6.7"
	096873-11-E01	EA TOP-TABLE, PULLOUT
	080736-01-000	EA PULL-RECESSED, 1.25" X 4" - OAK

**SEALANTS & FASTENERS GROUP  
ADHESIVES AND SEALERS**

KEY	PART NUMBER	U/M DESCRIPTION
	114311-01-000	GL ADHESIVE-GLUE, #72-7843 NATL STARC
	087211-01-000	GL PROMOTER-ADHESIVE
	094401-01-000	EA SEALER-BODY SEAM SEALER, 3M FLEXICLEAR
	102352-01-000	EA SEALER-PUMPABLE, BLACK - COLORIMETRIC MS101
	053766-02-000	EA BEDDING COMPOUND-TUBE, WHITE SCHNEE# 5522
	053766-08-000	EA BEDDING COMPOUND-TUBE, GRAY - SCHNEE# 5522
	069640-01-000	FT SEALER-RIBBON, 1/4" DIAMETER - INCREMENTS OF 30'
	069640-02-000	FT SEALER-RIBBON, 1/2" X 1/8" - INCREMENTS OF 60'
	069640-03-000	FT SEALER-RIBBON, 3/4" X 1/8" - INCREMENTS OF 60'
	069640-07-000	FT SEALER-RIBBON, 2" X 3/32" - INCREMENTS OF 45'
	069640-10-000	FT SEALER-RIBBON, 1/32" X 1 1/2" - INCREMENTS OF 90'
	069640-11-000	FT SEALER-TAPE, 3/16" X 3/8" - BLACK - MANUS
	091255-02-000	FT SEAL-ADHESIVE BACKED FOAM, .18" THICK X 1.5" WIDE
	063642-01-000	FT TAPE-ADHESIVE, 10 MM X 1.5" WIDE X 180'
	002707-02-000	FT TAPE-SEALER, 5/16" X 1/2" - INCREMENTS OF 50 FT
	076314-02-000	FT TAPE-CARPET SEAM, HEAT-BOND - 4" WIDE
	076322-01-000	FT TAPE-FOAM, DOUBLE COATED ADHESIVE BACKED - .75" X 216'
	076322-02-000	FT TAPE-FOAM, DOUBLE COATED ADHESIVE BACKED - 1" X 108'
	076322-03-000	FT TAPE-FOAM, DOUBLE COATED ADHESIVE BACKED - .5" X 108'
	076322-05-000	FT TAPE-FOAM, DOUBLE COATED - .025" X 1.5" X 108'
	076322-07-000	FT TAPE-FOAM, DOUBLE COATED - .045" X .50" NORT V2000
	108716-01-000	EA SILICONE-TUBE, OFF WHITE - SELF LEVELING - CSL 510
	034552-02-000	EA SILICONE-TUBE, 300 ML - CLEAR
	034552-06-000	EA SILICONE-TUBE, 300 ML - OFF WHITE
	034552-15-000	EA SILICONE-TUBE, 300 ML - BRIGHT WHITE
	900390-01-000	EA TIP - 2 1/2" X 1/8" ORIFICE, ELLSWORTH #TS216
	900390-03-000	EA NOZZLES-SILICONE TUBE, CSL# D10
	085774-01-000	FT FASTENER-DUAL HOOK, 1" WIDE - ADHESIVE BACK - BLACK
	085774-02-000	FT FASTENER-DUAL LOOP, 1" WIDE - ADHESIVE BACK - BLACK

**WASHERS**

KEY	PART NUMBER	U/M DESCRIPTION
	000E11-07-00B	EA WASHER-LOCK, 7/16 MED SPLIT - ZINC 05114-01-000
	000E11-08-00B	EA WASHER-LOCK, 1/2 MED SPLIT - ZINC 05114-01-000
	000E13-14-00B	EA WASHER-FLARE, 1/4" WIDE - ZINC
	000E13-17-00B	EA WASHER-FLARE, 3/8" AR - ZINC
	000E13-18-00B	EA WASHER-FLARE, 3/8" WIDE - ZINC 05113-01-000
	000E13-20-00B	EA WASHER-FLARE, 7/16" WIDE - ZINC
	000E13-21-00B	EA WASHER-FLARE, W/2 NAR - ZINC
	041322-01-000	EA WASHER-FLARE, 15/32" ID X 2 3/8" OD - FOR SEAT BELT MOUNT
	044533-01-000	EA WASHER-PLASTIC, 1 3/8" OD - FOR BUTTONS

**BOLTS**

KEY	PART NUMBER	U/M DESCRIPTION
	000G45-05-16B	EA BOLT-LAG, 5/16 - 9 X 1 - ZINC
	0MC31K-08-020	EA BOLT-HEX, SERRATED FLANGE - M8 X 020
	000C12-05-16B	EA BOLT-HEX, 5/16 - 18 X 1 - ZINC 5
	000C12-06-32B	EA BOLT-HEX, 3/8 - 16 X 2 LAG - ZINC 5
	000C12-06-16B	EA BOLT-HEX, 3/8 - 16 X 1 LAG - ZINC 5
	000C12-07-24B	EA BOLT-HEX, 7/16 - 14 X 1.50 - ZINC 5 MC-90
	000C12-08-24B	EA BOLT-HEX, 1/2 - 13 X 1 1/2 - ZINC 5
	000C12-10-24B	EA BOLT-HEX, 5/8 - 11 X 1 1/2 - ZINC 5
	000C13-07-48B	EA BOLT-HEX, 7/16 - 20 X 3 - ZINC 5
	000C18-05-40A	EA BOLT-ELEV, 5/16" - 18 X 2 1/2" PL
	000C18-06-48B	EA BOLT-ELEV, 3/8 - 16 X 3 - ZINC - GRADE 5
	000C26-04-14B	EA BOLT-HEX, SERRATED FLANGE - 1/4 X 20 X 7/8 - ZINC
	000C26-04-10B	EA BOLT-HEX, SERRATED FLANGE - 1/4 - 20 X 5/8 - ZINC
	000C26-05-12B	EA BOLT-HEX, SERRATED FLANGE - 5/16 - 18 X 3/4 - ZINC
	000C26-06-12B	EA BOLT-HEX, SERRATED FLANGE - 3/8 - 16 X 3/4 - ZINC

**SEALANTS & FASTENERS GROUP (CONTINUED)  
NUTS AND RIVETS**

KEY	PART NUMBER	U/M DESCRIPTION
	000D24-10-00B	EA NUT-HEX, SELFLOCK - 10 - 32 - ZINC
	000D29-06-00B	EA NUT-HEX, W/NYLON LOCK - 3/8 - 16 - ZINC
	000D29-09-00B	EA NUT-HEX, SELFLOCK - 9/16 - 12 - ZINC MC-90 CHASSIS
	000D34-06-00B	EA NUT-HEX, LOCK - 3/8 - 16 GRADE C - ZINC - PREVAILING TORQUE
	000D39-04-00B	EA NUT-HEX, SERRATED FLANGE LOCK - 1/4 - 20 - ZINC
	000D39-05-00B	EA NUT-HEX, SERRATED FLANGE LOCK - 5/16 - 18 - ZINC
	000D39-06-00B	EA NUT-HEX, SERRATED FLANGE LOCK - 3/8 - 16 - ZINC
	000D39-08-00B	EA NUT-HEX, SERRATED FLANGE LOCK - 1/2 - 13 - ZINC
	000D44-07-00B	EA NUT-HEX, SERRATED FLANGE LOCK - 7/16 - 20 - ZINC
	000D46-04-00A	EA NUT-HEX, WELD - 1/4 - 20 - PLAIN SHORT PILOT
	104369-01-000	EA NUT-HEX, HEAVY - 5/8 - 11 UNC SPARE TIRE
	000H16-04-06R	EA RIVET-POP, AL 1/8 X .313 - .375

**CLAMPS AND TIES**

KEY	PART NUMBER	U/M DESCRIPTION
	007161-01-000	EA CLAMP-HOSE, SPRING TYPE - 1/2"
	010495-01-000	EA CLAMP-CABLE, 9/16"
	010497-01-000	EA CLAMP-CLOSED, 5/8" ID
	010497-03-000	EA CLAMP-CLOSED, 1" ID - CUSHIONED
	010497-04-000	EA CLAMP-CLOSED, 1.62" ID ADEL 945-2717
	010499-01-000	EA CLAMP-CLOSED, 3/8" ID
	062401-01-000	EA CLAMP-HOSE, WORMGEAR - .25" - 1"
	062401-02-000	EA CLAMP-HOSE, WORMGEAR - 1.56" - 2.5"
	062401-04-000	EA CLAMP-HOSE, WORMGEAR - .69" - 1.25"
	062401-06-000	EA CLAMP-HOSE, WORMGEAR - .22" - .62"
	062401-11-000	EA CLAMP-HOSE, WORMGEAR - 3.56" - 4.5"
	075148-02-000	EA CLAMP-GROUNDING, BRONZE SCREWS
	083609-01-000	EA CLAMP-WIRE, DUAL - EQUAL - 5/8" DIAMETER
	083610-01-000	EA CLAMP-WIRE, DUAL - UNEQUAL DIAMETERS - .75" & 1.25"
	083610-02-000	EA CLAMP-WIRE, DUAL - UNEQUAL DIAMETERS
	101447-01-000	EA CLIP-U TYPE, TINNEMAN HOLDS SHOWER SURROUND TOGETHER
	080211-05-000	EA CLIP-XMAS TREE, 36MM FASNAP 09-280297
	080734-02-000	EA CLIP-WIRE, NYLON
	091952-01-000	EA CLIPPER-GRIPPER, 1"
	056134-01-000	EA HOLDER-RING, 3.6" DIAMETER - METAL
	056134-02-000	EA HOLDER-RING, 1.8" DIAMETER - METAL
	008343-01-000	EA TIE-WIRE, 6"
	108046-01-000	EA CABLE TIE-SCREW MOUNT, 8" DENNISON 08415
	108046-02-000	EA CABLE TIE-SCREW MOUNT, 15" DENNISON 10035

**GROMMETS**

KEY	PART NUMBER	U/M DESCRIPTION
	016188-03-000	EA GROMMET-L P LINE, 3/8" HOLE X 2 1/2" LONG - RUBBER
	023942-01-000	EA GROMMET-RUBBER, 2" OD
	077953-01-000	EA GROMMET-EDGE LINER, FITS 1"
	071015-26-000	EA GROMMET-RUBBER, 1.5" ID X 2.12" OD W/.06" GROOVE - BLACK

**SEALANTS & FASTENERS GROUP (CONTINUED)**  
**SCREWS**

KEY	PART NUMBER	U/M DESCRIPTION
	000G11-06-06B	EA SCREW, 6 - 20 X 3/8 PPH - ZINC
	000G11-06-10J	EA SCREW, 6 - 20 X 5/8 PPH - BRASS
	000G11-06-08B	EA SCREW, 6 - 20 X 1/2 PPH - ZINC
	000G11-07-08B	EA SCREW, 7 - 19 X 1/2 PPH - ZINC
	000G11-08-06B	EA SCREW, 8 - 18 X 3/8 PPH - ZINC
	000G11-08-20B	EA SCREW, 8 - 18 X 11/4 PPH - ZINC 05031-01-000
	000G11-08-16S	EA SCREW, 8 - 18 X 1.00 PPH - OFF WHITE
	000G11-08-12T	EA SCREW, 8 - 18 X 3/4 PPH - BLACK
	000G11-08-12S	EA SCREW, 8 - 18 X 3/4 PPH - OFF WHITE
	0G1108-12-170	EA SCREW, 8 - 18 X 3/4 PPH - BRIGHT WHITE
	000G11-08-12P	EA SCREW, 8 - 18 X .75 PPH - DARK BROWN
	000G11-08-12E	EA SCREW, 8 - 18 X .75 PPH - CHROME ES0025.4
	000G11-08-12B	EA SCREW, 8 - 18 X 3/4 PPH - ZINC
	0G1108-12-170	EA SCREW, 8 - 18 X .75 PPH - BRIGHT WHITE
	000G11-08-08B	EA SCREW, 8 - 18 X 1/2 PPH - ZINC
	000G11-10-12S	EA SCREW, 10 - 16 X .75 PPH - OFF WHITE
	000G12-08-12S	EA SCREW, 8 - 18 X 3/4 POH - OFF WHITE
	000G13-05-10B	EA SCREW, 5 - 12 X 5/8 PFH - ZINC
	000G13-06-08B	EA SCREW, 6 - 20 X 1/2 PFH - ZINC
	000G13-06-24J	EA SCREW, 6 - 20 X 1.50 PFH - BRASS
	000G13-06-16J	EA SCREW, 6 - 20 X 1.00 PFH - BRASS
	000G13-07-12B	EA SCREW, 7 - 19 X 3/4 PFH - ZINC
	000G13-07-10H	EA SCREW, 7 - 19 X 5/8 PFH - BLACK
	000G13-08-10B	EA SCREW, 8 - 18 X 5/8 PFH - ZINC 90 CW922FV
	000G32-10-06B	EA SCREW, 10 - 32 X 3/8" - PPH - ZINC
	000G39-06-10T	EA SCREW-SF/DR, 6 - 20 X 5/8 PPH - BLACK
	000G39-06-08B	EA SCREW-DR, 6 - 18 X 1/2 - ZINC
	000G39-08-24B	EA SCREW-SF/DR, 8 - 18 X 1 1/2 PPH - ZINC
	000G39-08-16S	EA SCREW-SF/DR, 8 - 18 X 1.00 PPH - OFF WHITE
	0G3908-16-170	EA SCREW-SF/DR, 8 - 18 X 1.00 PPH - BRIGHT WHITE
	000G39-08-16B	EA SCREW-SF/DR, 8 - 18 X 1 PPH - ZINC
	000G39-08-12B	EA SCREW-SF/DR, 8 - 18 X 3/4 PPH - ZINC
	000G39-08-08S	EA SCREW-SF/DR, 8 - 18 X 1/2 PPH - OFF WHITE
	0G3908-08-170	EA SCREW-SF/DR, 8 - 18 X 1/2 PPH - BRIGHT WHITE
	000G39-08-08B	EA SCREW-SF/DR, 8 - 18 X 1/2 PPH - ZINC
	000G39-10-08D	EA SCREW-SF/DR, 10 - 16 X 1/2 PPH
	000G39-10-12D	EA SCREW-SF/DR, 10 - 16 X 3/4 PPH - BLACK
	000G39-10-12B	EA SCREW-SF/DR, 10 - 16 X .75 PPH - ZINC
	000G39-10-20B	EA SCREW-SF/DR, 10 - 16 X 1 1/4 PPH - ZINC
	000G39-10-12R	EA SCREW-SF/DR, 10 - 16 X 3/4 PPH - BEIGE
	000G39-12-12E	EA SCREW-SF/DR, 12 - 14 X 3/4 PPH - CHROME
	000G42-04-12B	EA SCREW-SF/DR, 1/4 -14 X 3/4 HWH - ZINC
	000G42-04-16B	EA SCREW-SF/DR, 1/4 -14 X 1 HWH - ZINC
	000G46-08-24T	EA SCREW-MACHINE, 8 - 32 X 1.50 IN PFH - BLACK
	000G50-04-12B	EA SCREW-MACHINE, 1/4 - 20 X 3/4 PPH - ZINC
	000G52-08-18B	EA SCREW-MACHINE, 8 - 32 X 11/8 PTH - ZINC
	000G53-04-06B	EA SCREW-MACHINE, 1/4 - 20 X 3/8 PPH - ZINC - UNDERCUT HEAD
	000G54-04-20B	EA SCREW, 1/4 - 20 X 1 1/4 PTH - TYPE 23 - ZINC PLATED
	000G56-12-48B	EA SCREW-WOOD, 12 - 11 X 3 POH - SPECIAL HARDENED

**SEALANTS & FASTENERS GROUP (CONTINUED)**  
**SCREWS (CONTINUED)**

KEY	PART NUMBER	U/M DESCRIPTION
	000G60-10-28T	EA SCREW-SF/DR, 10 - 16 X 1.75 - BLACK
	000G67-10-10B	EA SCREW, 10 - 12 X 5/8 PPH - ZINC - TYPE A
	000G67-10-08R	EA SCREW, 10 - 12 X 1/2 PPH - BEIGE - TYPE A
	000G67-10-08B	EA SCREW, 10 - 12 X 1/2 PPH - ZINC
	000G67-10-12R	EA SCREW, 10 - 12 X .75 PPH - BEIGE
	000G67-10-12P	EA SCREW, 10 - 12 X .75 - PPH - DARK BROWN
	000G67-10-12B	EA SCREW, 10 - 12 X 3/4 PPH - ZINC
	000G67-10-10S	EA SCREW, 10 - 12 X 5/8 PPH - OFF WHITE
	000G67-10-36T	EA SCREW, 10 - 12 X 2.25 PPH - BLACK STALGARD
	000G67-10-32B	EA SCREW, 10 - 12 X 2 PPH - ZINC
	000G67-10-24B	EA SCREW, 10 - 12 X 1 1/2 PPH - ZINC
	000G67-10-20D	EA SCREW, 10 - 12 X 1 1/4 PPH - BLACK
	000G67-10-16P	EA SCREW, 10 - 12 X 1 PPH - DARK BROWN
	000G67-10-16B	EA SCREW, 10 - 12 X 1 PPH - ZINC
	000G67-10-120	EA SCREW, 10 - 12 X .75 PPH - TAN
	000G68-06-10G	EA SCREW, 6 - 18 X 5/8 POH - ANTIQUE BRASS
	0G6710-08-170	EA SCREW, 10 - 12 X 1/2 PPH - BRIGHT WHITE
	049465-04-000	EA SCREW, 10 - 16 X 1 PTH W/WASHER - BEIGE
	075908-01-000	EA SCREW-MACHINE, 10 - 32 X .56 PTH - ZINC - EXTERNAL TOOTH
	087721-01-000	EA SCREW-FLAT HEAD, TAPPING - 1/4" X 1 1/4" LAG - ZINC
	101618-01-000	EA SCREW, 1/4 - 20 X 3/4 HEX/TAPPING STALGARD TYPE F

**WATER & SEWAGE GROUP**  
**FRESH WATER TANK**

KEY	PART NUMBER	U/M DESCRIPTION
	064214-13-000	EA TANK-WATER, 31 GALLON - W/FITTINGS - QUEEN BED
	064214-10-000	EA TANK-WATER, 31 GALLON - W/FITTINGS - TWIN BED
	064214-01-000	EA TANK-WATER, 31 GALLON - W/O FITTINGS - 24" X 12.75" X 30"
	039861-01-000	EA SENDING UNIT-W/SCREW, WASHER, WELL NUT & TERMINAL RING
	010224-01-000	EA ADAPTER-HOSE TO PIPE, 3/8" MPT X 3/8" BARB - BLACK PLASTIC
	044927-01-000	EA ADAPTER-HOSE TO PIPE, 1 1/4" MPT X 1 1/4" BARB - BLACK PLASTIC
	042989-03-000	EA FITTING-WATER TANK, SPINWELD - 1 1/4" NPT - PLASTIC - WHITE
	042989-04-000	EA FITTING-WATER TANK, SPINWELD - 3/8" FPT - PLASTIC - WHITE
	042989-05-000	EA FITTING-WATER TANK, SPINWELD - 1/2" FPT - PLASTIC - WHITE
	049032-01-000	EA PATCH-SPINWELD, 3/8" - PLASTIC
	077954-02-000	EA FILTER-WATER TANK, SCREEN IN TANK

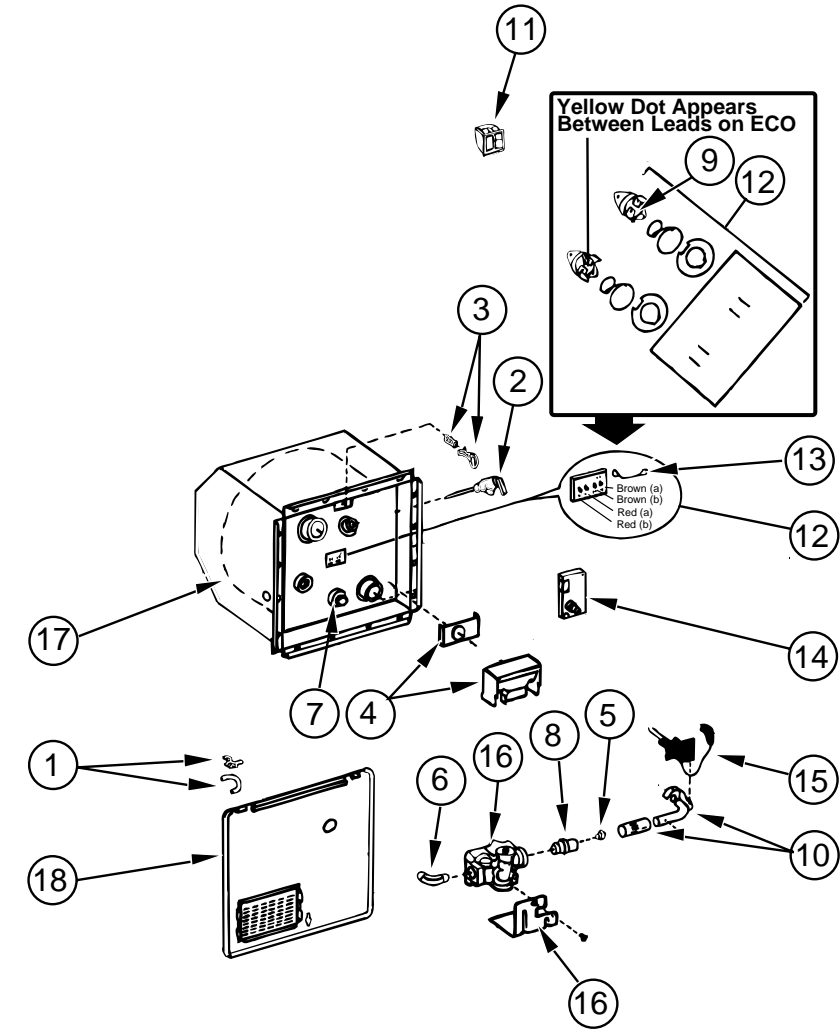
**WATER SYSTEM**

KEY	PART NUMBER	U/M DESCRIPTION
	039800-01-000	FT TUBING-POLYBUTYL, 1/2" OD - INCREMENTS OF 20' - BLACK
	039800-02-000	FT TUBING-POLYBUTYL, 5/8" OD - INCREMENTS OF 20' - BLACK
	079381-01-000	FT TUBING-SMOOTH FLEXIBLE, 1 1/4" ID X 20'
	074462-02-000	FT TUBING-VINYL, 3/8" ID - CLEAR
	039808-03-000	EA ELBOW - 1/2" MPT X 1/2" MPT, PLASTIC - KEVCO 17296
	052957-02-000	EA ELBOW-MALE, 1/2" F X 1/2" MPT - PLASTIC - GRAY
	057457-01-000	EA ELBOW-UNION, 1/2" X 1/2" FLARE
	065120-01-000	EA ELBOW-SWIVEL, 1/2" FPT X 1/2" FLARE - PLASTIC - GRAY
	052952-01-000	EA NUT-PLASTIC, 1/2" F X 1/2" TUBE - GRAY
	052953-01-000	EA NUT-FAUCET, 1/2" TUBE X 1/2" FPT - PLASTIC - GRAY
	052961-01-700	EA TEE - 3/8" P X 3/8" P X 3/8" P
	052961-01-701	EA ADAPTER-TEE, 3/8" P X 1/2" MPT
	052958-01-000	EA TEE - 1/2" F X 1/2" F X 1/2" F, PLASTIC - GRAY
	057974-01-000	EA TEE - 5/8" F X 1/2" F X 1/2" F, PLASTIC
	052959-02-000	EA CONNECTOR - 1/2" F X 1/2" MPT - PLASTIC - GRAY
	101814-01-000	EA COUPLING-FEMALE, 1/2" X 1/2" FPT W/COMP. SLEEVE - GRAY
	052961-01-700	EA TEE 3/8"P X 3/8"P X 3/8"P H02831
	052961-01-701	EA ADAPTER 3/8"P X 1/2" MPT H02870
	113698-01-000	EA VALVE-LINE DRAIN, 3/8" P - FLAIR-IT 02902
	079317-01-000	EA ADAPTER-SWIVEL, 1/2" TUBE X 1/2" FPT - PLASTIC - GRAY
	052954-01-000	EA ADAPTER-NOSE CONE, 3/8" OR 1/2" TUBING - PLASTIC - GRAY
	110915-01-01A	EA FILL-WATER, CITY - CHROME - KEVCO 64713
	106258-01-000	EA CAP-INSERTABLE, 1/2" FLARE
	091208-01-000	EA WASHER-RUBBER, .06" X .75" X .5"
	114431-01-000	EA VALVE-LINE DRAIN, 1/2" P - FLAIR-IT 02914
	114428-01-000	EA TEE - 1/2 P X 1/2 P X 1/2 P FLAIR-IT 02820
	114428-03-000	EA TEE - 1/2 P X 1/2 P X 1/2 MPT FLAIR-IT 02822
	114429-01-000	EA ELBOW - 1/2 P X 1/2 P FLAIR-IT 02800
	114429-02-000	EA ELBOW - 1/2 P X 1/2 MPT FLAIR-IT 02803
	114429-03-000	EA ELBOW-SWIVEL, 1/2 P X 1/2 FPT FLAIR-IT 02816
	114430-02-000	EA ADAPTER-SWIVEL, 1/2 P X 1/2 FPT FLAIR-IT -02873
	114430-03-000	EA ADAPTER - 1/2 P X 1/2 MPT FLAIR-IT 02842
	114431-01-000	EA VALVE-LINE DRAIN 1/2 P FLAIR-IT 02914
	114431-03-000	EA VALVE - 1/2 P X 1.2 P FLAIR-IT 02884

**WATER PUMP**

KEY	PART NUMBER	U/M DESCRIPTION
	098607-01-000	EA PUMP-WATER, W/.5" MPT FITTING - FLOW 2.8 GPM - UL
	098607-01-700	EA PUMPHEAD-REPLACEMENT, SHURFLO #94-236-08
	098607-01-701	EA DRIVE ASSEMBLY, SHURFLO #94-234-03
	098607-01-702	EA DIAPHRAGM-KIT, SHURFLO #94-233-10
	098607-01-703	EA VALVE ASSEMBLY, SHURFLO #94-232-00
	098607-01-706	EA SWITCH ASSEMBLY-COMplete, SHURFLO #94-230-00
	098607-01-705	EA CHECK VALVE-KIT, SHURFLO #94-237-00
	098607-01-706	EA SWITCH ASSEMBLY-COMplete, SHURFLO #94-230-00
	098607-01-707	EA MOTOR/BASEPLATE REPLACEMENT, SHURFLO #94-234-03

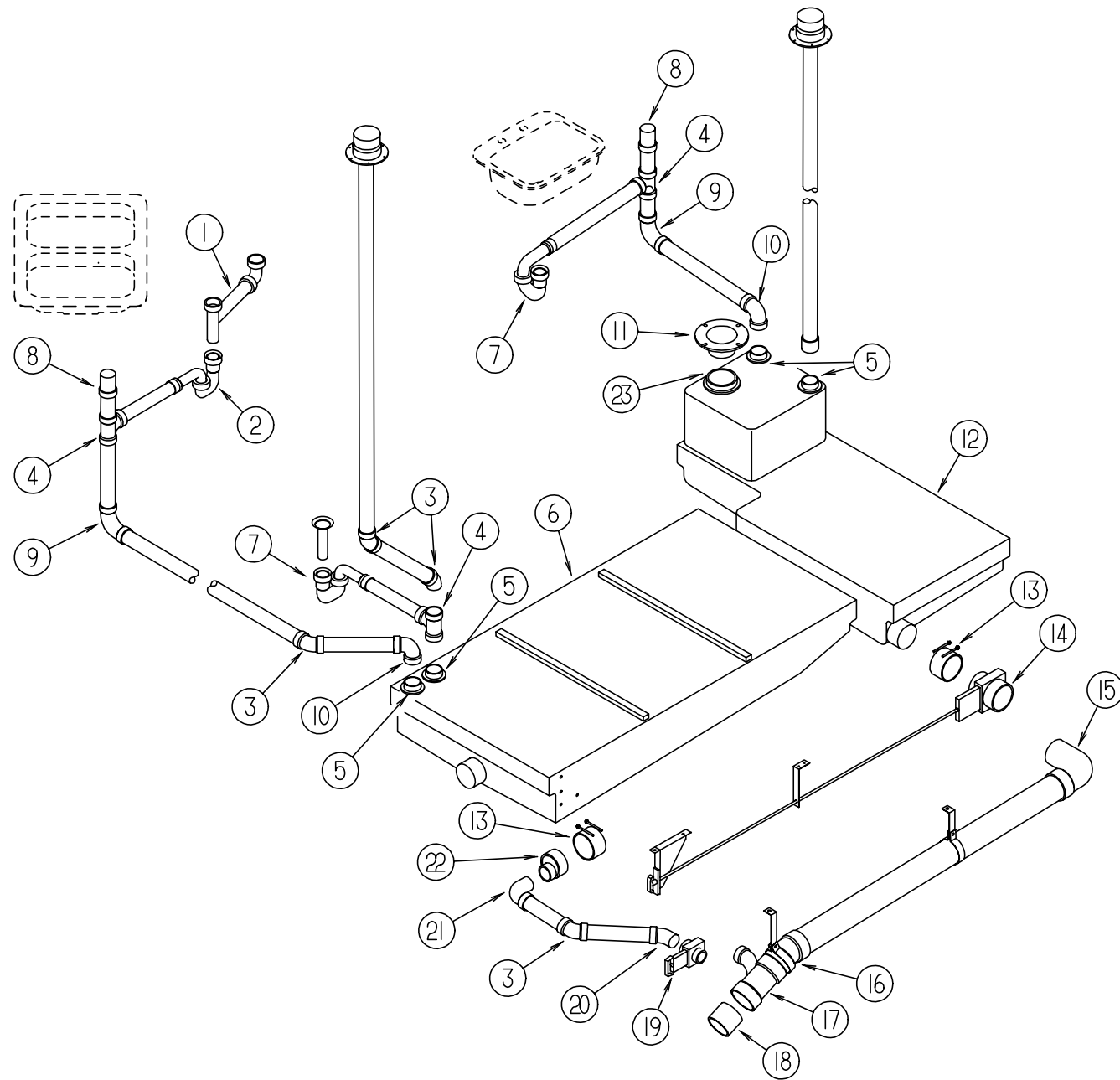
**WATER & SEWAGE GROUP (CONTINUED)**



**WATER HEATER W/ELECTRIC IGNITION**

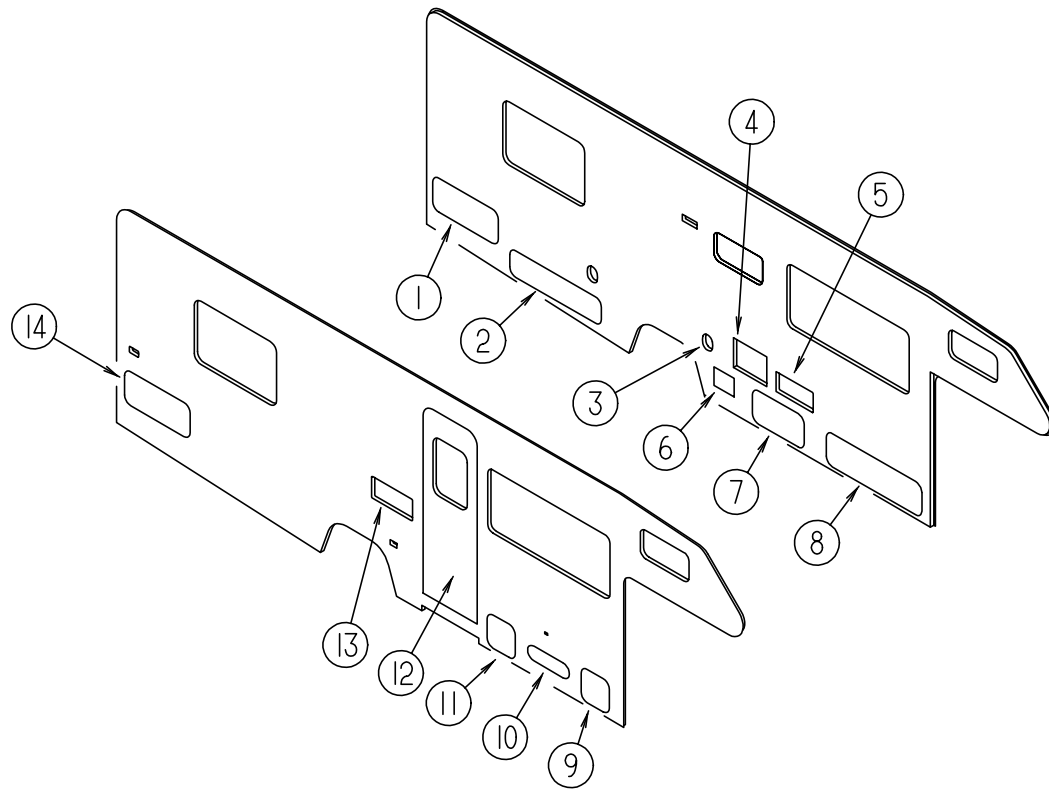
KEY	PART NUMBER	U/M DESCRIPTION
	051391-03-A00	EA HEATER-WATER, W/ELECTRIC IGNITION - ATWOOD G6A-7E
1	051391-01-700	EA HINGE KIT-W/CLIP, ATWOOD 92568 & 92559
2	051391-01-704	EA VALVE-RELIEF, 1/2" FITTING - ATWOOD 91604
3	051391-01-705	EA FASTENER-CAMLOC, ATWOOD 92609
4	051391-04-707	EA KIT-GRILLE, FLUE, & GASKET - ATWOOD 90960
5	051391-01-710	EA ORIFICE-MAIN BURNER, ATWOOD 92742
6	051391-01-714	EA ELBOW-45 DEGREE, 3/8" F X 3/8" MPT - ATWOOD 91044
7	051391-01-715	EA DRAIN PLUG, ATWOOD 91561
8	051391-03-700	EA ORFICE-HOLDER, ATWOOD 91563
9	051391-04-701	EA THERMOSTAT 12 VDC-120 PRESET, ATWOOD 91470
10	051391-04-703	EA BURNER-MAIN, ATWOOD# 91638
11	097967-01-000	EA SWITCH-WATER HEATER, REMOTE W/LIGHT - ATWOOD 91959
12	051393-01-721	EA ECO & THERMOSTAT ASM-FRONT MOUNT, 140 DEGREE - ATWOOD 91447
13	051393-01-723	EA SWITCH-THERMAL-CUT OFF 2/PKG ATWOOD 93866
14	051393-01-724	EA CIRCUIT BOARD-SPADE TERMINAL, ELECTRONIC IGNITION -ATWOOD 93867
15	051393-01-725	EA ELECTRODE-SINGLE SPADE CONNECTION, SPARK PROBE - 93868
16	051393-01-726	EA SOLENOID VALVE AND BRACKET 93870-WHITE-ROGERS
17	051391-04-706	EA TANK-INNER, G6A-4E & 6E - FRONT MOUNT - ATWOOD 91641
18	052009-06-000	EA DOOR-WATER HEATER, BRIGHT WHITE - ATWOOD

**WATER & SEWAGE GROUP (CONTINUED)**  
**DRAINAGE SYSTEM**



KEY	PART NUMBER	U/M DESCRIPTION
1	011091-02-000	EA PIPE-DRAIN, W/SEALS - DOUBLE SINK - EXTENDS 9" TO 16" - U.S.
1	011091-03-000	EA PIPE-DRAIN, W/SEALS - DOUBLE SINK - EXTENDS 9" TO 16" - CANADIAN
2	107538-01-000	EA P TRAP-PLASTIC, 1 1/4" W/EXT ARM (US)
	107537-01-000	EA ADAPTER-P TRAP, 1 1/4" SLIP (US)
	109571-01-000	EA ADAPTER-P TRAP, 1.5" P X 1 1/4" MPT
2	011071-01-000	EA P TRAP, 1.5" - PLASTIC (CSA)
3	010006-01-000	EA ELBOW - 45 DEGREE, 1/8 BEND - 1.5" HUB X HUB - BLACK PLASTIC
4	010071-01-000	EA TEE-SANITARY, 1.5" HUB X HUB X HUB - PLASTIC - BLACK
5	061607-01-000	EA GROMMET-HOLDING TANK, 1.5" NPS
6	102762-01-000	EA TANK-HOLDING, GRAY WATER - 42 GALLON - 57.4" X 8.4" X 29"
7	109571-01-000	EA ADAPTER-P TRAP, 1.5" P X 1 1/4" MPT
7	107538-01-000	EA P TRAP-PLASTIC, 1 1/4" W/EXT ARM (US)
7	011066-03-700	EA P TRAP, 1 1/4" HUB X SLIP JOINT - W/UNION - ABS - CANADIAN
8	079968-01-000	EA VENT-MECHANICAL TRAP ARM, ANTI-SIPHON - 2" DIAMETER X 7.3" - PLASTIC
9	010008-01-000	EA ELBOW - 90 DEGREE, 1/4 BEND - 1.5" HUB X HUB - BLACK PLASTIC
10	034250-01-000	EA ELBOW - 90 DEGREE, LONG TURN - 1.5" HUB X HUB - ABS
11	063641-01-000	EA FLANGE-TOILET
12	108593-01-000	EA TANK-HOLDING, BLACK WATER - 27 GALLON
13	078406-01-000	EA COUPLER-RUBBER, W/CLAMPS - 3" X 3"
14	062418-01-000	EA VALVE-DUMP, 3" - W/HANDLE
	062419-04-000	EA HANDLE-EXTENSION, W/TAPPED END - KEVCO 1046UP
	062419-06-000	EA HANDLE-T, KEVCO CT1003-6
15	041956-01-000	EA ELBOW-STREET, PLASTIC - 1/4" BD 3 X 90 XLT
16	010023-01-000	EA ELBOW-PLASTIC, ST 1/16 BD 3 X 22.5" - NIBCO 5808-3
17	031365-01-000	EA TEE-PLASTIC, 3" X 3" X 1.5" EXTRA LONG TURN - NICO 5812-LR-3-3-2
18	109450-01-000	EA ADAPTER-PLASTIC HOSE, SEWER - KEVCO 40738
	062415-01-000	EA CAP-SEWER, 3" DIAMETER
	062415-01-700	EA STRING-SEWER CAP, SV7 STRAP
	010201-01-000	EA HOSE-SEWER, 3" ID X 8'
19	062421-01-000	EA VALVE-DUMP, 1.5" - W/HANDLE
	070916-01-000	EA VALVE-DUAL DUMP, W/CAP - 3" X 1 1/2" - PLASTIC - BLACK
	070916-01-700	EA VALVE ONLY - 3"
	070916-01-701	EA VALVE ONLY - 1.5"
20	010051-01-000	EA ELBOW - 45 DEGREE BEND, 1.5" SPIGOT AND HUB - PLASTIC - BLACK
21	033761-01-000	EA ELBOW-TURN, 1/4 BEND X 1.5" HUB X 1.5" SPIGOT - BLACK PLASTIC
22	062422-01-000	EA ADAPTER-OFFSET REDUCER, 3" X 1 1/2" - PLASTIC - BLACK
23	061607-02-000	EA GROMMET-HOLDING TANK, 3" NPS
	010079-01-000	EA TEE-SANITARY, 1.5" X 1.5" X 1 1/4" H - PLASTIC - BLACK
	010061-01-000	EA ELBOW - 45 DEGREE, STREET - 1/8 BEND - 3" S X H - PLASTIC
	010000-01-000	EA ELBOW - 45 DEGREE, 1/8 BEND - 1 1/4" HUB X HUB - BLACK PLASTIC
	062416-01-000	EA ADAPTER-SEWER HOSE TO 3" PIPE
	062419-05-000	EA BRACKET-VALVE, LOCKING

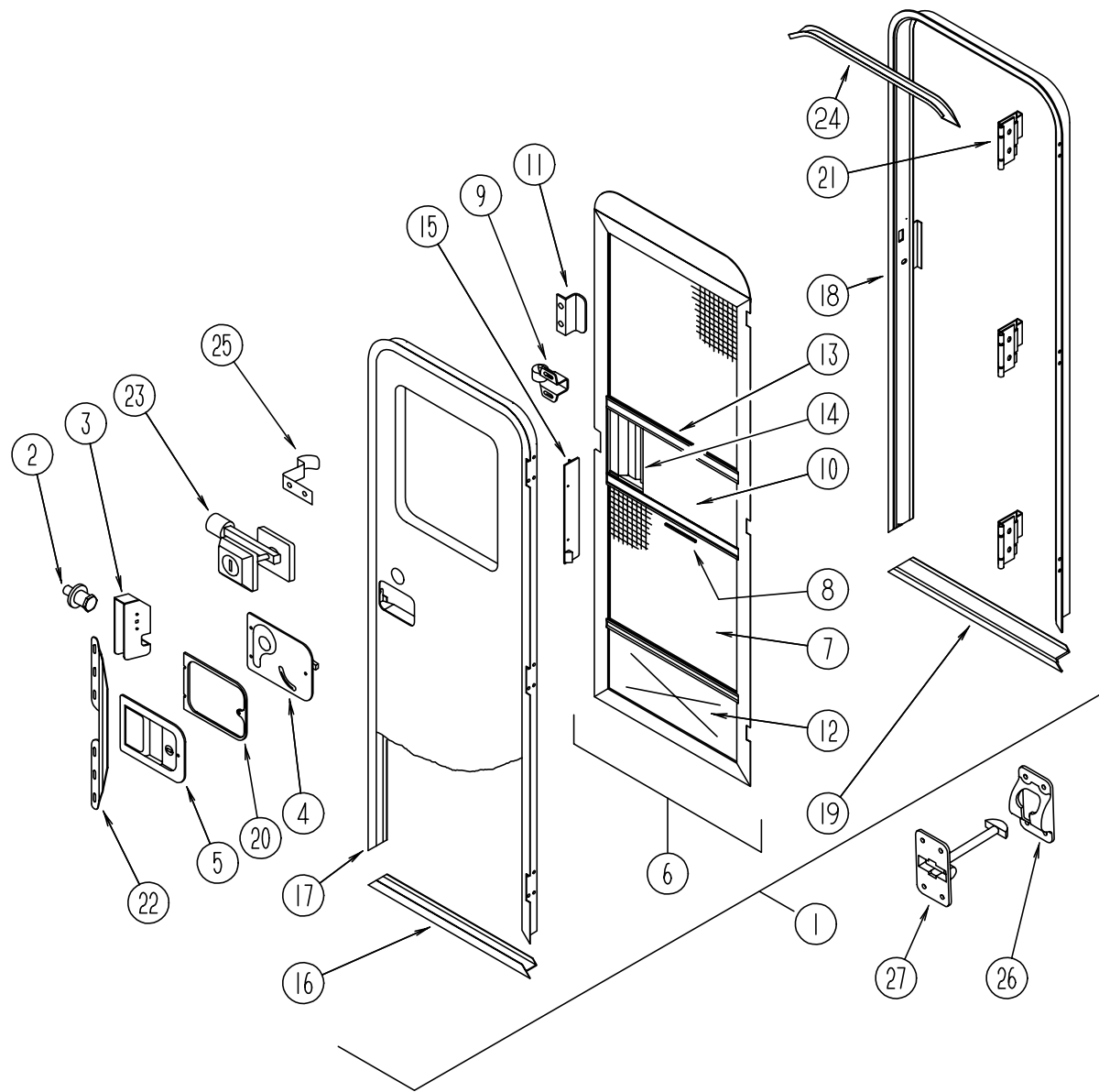
**WINDOW, VENT & EXTERIOR DOOR GROUP**  
**EXTERIOR DOORS**



KEY	PART NUMBER	U/M DESCRIPTION
11	111014-04-E01	EA DOOR-STORAGE, LOWER FRONT - OFF WHITE
11	111014-04-F15	EA DOOR-STORAGE, LOWER FRONT - BRIGHT WHITE
12	115108-01-FB1	EA DOOR-ENTRANCE, W/SCREEN - W/O WINDOW - OFF WHITE
12	115108-01-F15	EA DOOR-ENTRANCE, W/SCREEN - W/O WINDOW - BRIGHT WHITE
13	084103-03-000	EA DOOR-REFRIGERATOR, VENTED - W/O JAMB - OFF WHITE
	084104-03-000	EA JAMB-REFRIGERATOR DOOR, OFF WHITE
13	084103-08-000	EA DOOR-REFRIGERATOR, VENTED - W/O JAMB - BRIGHT WHITE
	084104-08-000	EA JAMB-DOOR, REFRIGERATOR - BRIGHT WHITE
	084104-01-700	EA LOCK-MALE FASTENER, REFRIGERATOR DOOR
	084104-01-701	EA LOCK-FEMALE FASTENER, REFRIGERATOR DOOR
14	104558-15-F15	EA DOOR-STORAGE, OFF WHITE
14	104558-15-F16	EA DOOR-STORAGE, BRIGHT WHITE

KEY	PART NUMBER	U/M DESCRIPTION
1	104558-18-F15	EA DOOR-STORAGE, OFF WHITE
1	104558-18-F16	EA DOOR-STORAGE, BRIGHT WHITE
2	104558-16-F15	EA DOOR-STORAGE, OFF WHITE
2	104558-16-F16	EA DOOR-STORAGE, BRIGHT WHITE
3	081240-11-000	EA FILL-WATER, LOCKABLE W/O LOCK - OFF WHITE
3	081240-16-000	EA FILL-WATER, LOCKABLE W/O LOCK - BRIGHT WHITE
4	052009-01-000	EA DOOR-WATER HEATER, OFF WHITE - ATWOOD 5576-27
4	052009-06-000	EA DOOR-WATER HEATER, BRIGHT WHITE - ATWOOD
5	098668-06-000	EA DOOR-ACCESS, FURNACE - OFF WHITE - SUBURBAN 520574
5	098668-23-000	EA DOOR-ACCESS, FURNACE - BRIGHT WHITE - SUBURBAN
6	088794-01-000	EA DOOR-POWER CORD, W/HATCH - 11" X 9.2" - OFF WHITE
6	088794-06-000	EA DOOR-POWER CORD, W/HATCH - 11" X 9.2" - BRIGHT WHITE
7	104558-12-F15	EA DOOR-STORAGE, OFF WHITE
7	104558-12-F16	EA DOOR-STORAGE, BRIGHT WHITE
8	104558-13-F15	EA DOOR-STORAGE, OFF WHITE
8	104558-13-F16	EA DOOR-STORAGE, BRIGHT WHITE
9	104558-14-F15	EA DOOR-STORAGE, OFF WHITE
9	104558-14-F16	EA DOOR-STORAGE, BRIGHT WHITE
10	111009-01-E01	EA DOOR-COMPARTMENT, LP - 16.9" X 5.4" - ALUMINUM - OFF WHITE
10	111009-01-F24	EA DOOR-COMPARTMENT, LP - 16.9" X 5.4" - ALUMINUM - BRIGHT WHITE

**WINDOW, VENT & EXTERIOR DOOR GROUP (CONTINUED)**  
ENTRANCE DOOR

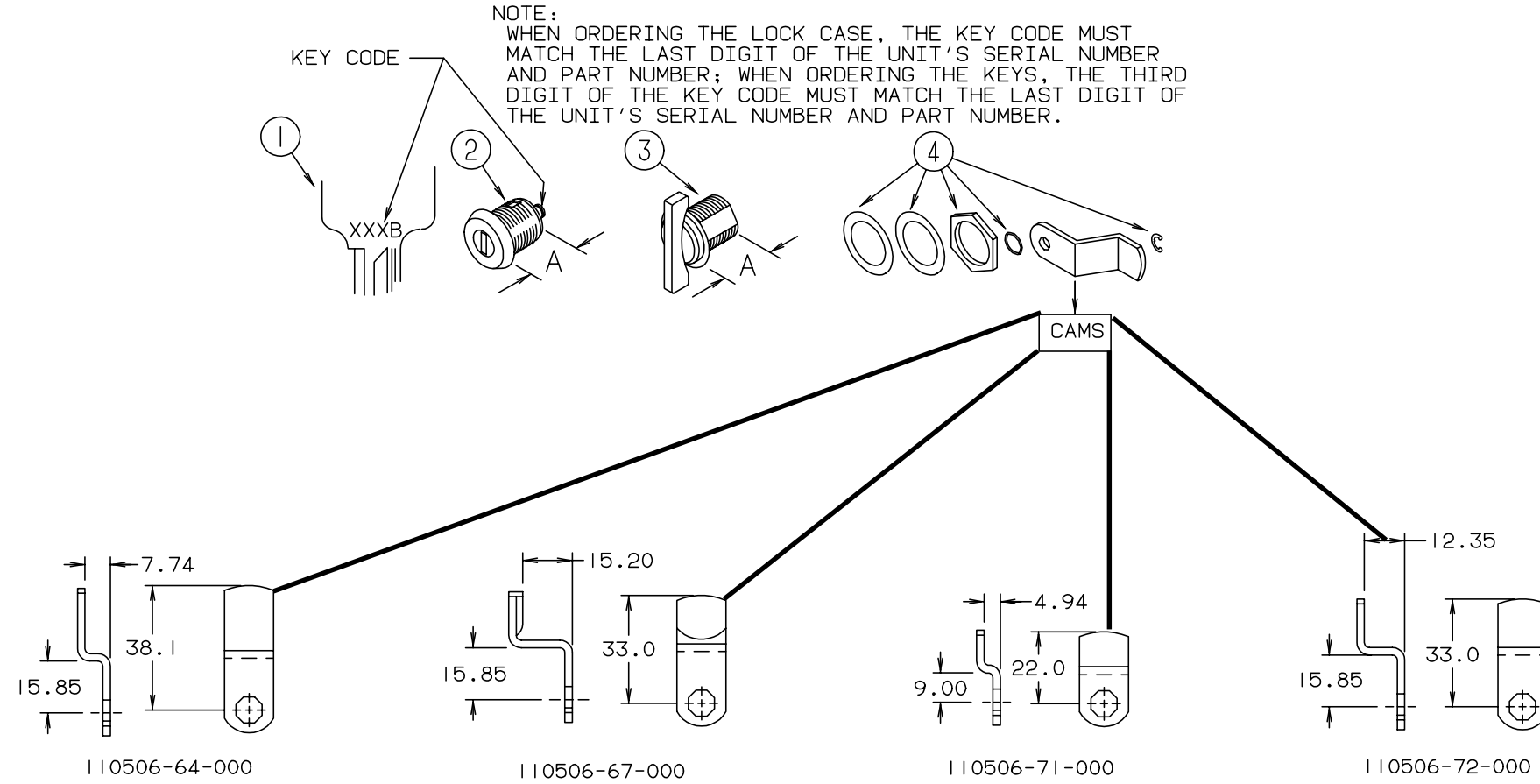


KEY	PART NUMBER	U/M DESCRIPTION
1	115108-01-FB1	EA DOOR-ENTRANCE, W/SCREEN - W/O WINDOW - OFF WHITE
1	115108-01-F15	EA DOOR-ENTRANCE, W/SCREEN - W/O WINDOW - BRIGHT WHITE
2	039539-01-000	EA STRIKE-LOCK, ENTRY DOOR - ROUND W/THREADED WASHER
	077461-03-000	EA COVER-STRIKE, ENTRY DOOR - 6.5" X 2.5" - PLASTIC - WHITE
	077461-05-000	EA COVER-STRIKE, ENTRY DOOR - 6.5" X 2.5" - PLASTIC - BRIGHT WHITE
3	039540-01-000	EA LATCH MECHANISM-HOOK, ENTRY DOOR - INTERIOR
	039715-01-000	EA NUT-SERT, 1/4" DIAMETER - 20 THREADS
4	039979-04-000	EA COVER-INTERIOR LATCH, W/TRIP ARM - RIGHT - BLACK
	039984-01-000	EA CAP-ROUND, VINYL - .28" ID X .62" LONG - BLACK
	041546-05-000	EA BRACKET-DOOR ANGLE, 5" X 1.9" - METAL - OFF WHITE
5	045017-11-000	EA LATCH-ENTRY DOOR, MECHANISM W/LOCK & KEY - BLACK
	045017-11-701	EA KEY-BLANK, ROUND TOP - SILVER - TRI/MARK
	058806-03-000	EA PLUG-TAPERED, PLASTIC - 1.06" DIAMETER - RED
	063729-04-000	EA RIVNUT, 10-32 UNF - .010-.080
	072893-01-000	EA NUTSERT - M5 X 0 8
	075671-04-000	FT SEAL-SPONGE, LAZY T SHAPE - W/ADHESIVE STRIPE - .5" WIDE

KEY	PART NUMBER	U/M DESCRIPTION
6	079012-09-F15	EA DOOR-SCREEN - OFF WHITE
6	079012-09-F24	EA DOOR-SCREEN - BRIGHT WHITE
7	002293-02-000	SF SCREENING-WINDOW/DOOR, 26" - CHARCOAL
8	002294-01-000	FT SPLINE-SCREENING, .135" X .138" - BLACK
9	100412-01-000	EA CATCH-SCREEN DOOR
10	001014-01-013	EA INSERT-CENTER, 10.25" X 16.31" - UNPAINTED
10	016454-01-000	EA INSERT-CENTER, LEATHER GRAIN ALUMINUM - UNPAINTED
11	050712-04-000	EA HANDLE-SCREEN DOOR, ALUMINUM - OFF WHITE
11	050712-06-000	EA HANDLE-SCREEN DOOR, ALUMINUM - BRIGHT WHITE
12	078552-03-000	EA KICK PANEL-SCREEN DOOR, LOWER INSERT - UNPAINTED
	078595-01-000	EA TOP PLATE-SCREEN DOOR, CURVED TOP - 4.7" X 25.35"
13	078777-01-000	EA CHANNEL-SLIDE, SCREEN DOOR CENTER SLIDER COVER
14	079086-02-000	EA SLIDER-SCREEN DOOR - OFF WHITE
14	079086-03-000	EA SLIDER-SCREEN DOOR - BRIGHT WHITE
15	079087-02-000	EA STRIKE-SLIDER, SCREEN DOOR - OFF WHITE
15	079087-03-000	EA STRIKE-SLIDER, SCREEN DOOR - BRIGHT WHITE
16	089748-01-000	EA FRAME-BOTTOM, ENTRY DOOR - 24.8" LONG - OFF WHITE
16	089748-21-000	EA FRAME-BOTTOM, ENTRY DOOR - 24.8" LONG - BRIGHT WHITE
	090340-01-000	FT SEAL-FOAM, CLOSED CELL - 1/4" X 1/2" X 50'
17	095276-07-01A	EA FRAME-ENTRANCE DOOR, OFF WHITE
17	095276-07-03A	EA FRAME-ENTRANCE DOOR, BRIGHT WHITE
18	095277-08-01A	EA JAMB-ENTRANCE DOOR, OFF WHITE
18	095277-08-03A	EA JAMB-ENTRANCE DOOR, BRIGHT WHITE
19	051049-01-000	EA JAMB-BOTTOM, ENTRANCE DOOR - 25.9" - UNPAINTED
20	096810-01-01A	EA PLATE-LATCH, ENTRANCE DOOR - PLASTIC - BLACK
21	106719-01-01A	EA HINGE-ENTRANCE DOOR, MILL FINISH
22	098173-01-04A	EA STIFFENER-ENTRY DOOR, SUPPORTS LATCH/STRIKE AREA - UNFINISHED
22	098173-01-07A	EA STIFFENER-ENTRY DOOR, SUPPORTS LATCH/STRIKE AREA - BRIGHT WHITE
	100128-02-000	FT SEAL-FOAM, ADHESIVE BACK - SCREEN DOOR - GRAY
23	101145-01-01A	EA DEADBOLT-ENTRANCE DOOR, W/2 KEYS W/O BACK SET BOLT OR SCREWS
	095229-01-700	EA KEY-BLANK
	101147-01-000	EA BOLT-SECURITY, 4.12" BACKSET
	102524-01-000	EA BUMPER-RUBBER, FLAT - BLACK
24	044582-02-000	EA CAP-DRIP, DOOR JAMB MOUNTED - OFF WHITE
24	044582-44-000	EA CAP-DRIP, DOOR JAMB MOUNTED - BRIGHT WHITE
	115222-04-01A	EA GARNISH-RADIUS, ENTRANCE DOOR - OFF WHITE
	115222-04-02A	EA GARNISH-RADIUS, ENTRANCE DOOR - BRIGHT WHITE
25	109403-01-000	EA CATCH-SINGLE ROLLER, SCREEN DOOR
26	104099-02-01A	EA CATCH-DOOR HOLDER, RETAINER - OFF WHITE
26	104099-02-04A	EA CATCH-DOOR HOLDER, RETAINER - BRIGHT WHITE
27	104099-01-01A	EA CATCH-DOOR HOLDER, STRIKE - OFF WHITE
27	104099-01-04A	EA CATCH-DOOR HOLDER, STRIKE - BRIGHT WHITE
	009126-02-000	EA HANDLE-ASSIST, ENTRANCE DOOR - BLACK
	112160-01-000	FT SEAL-D SECTION, 6 X 10 - FOAM RUBBER - BLACK



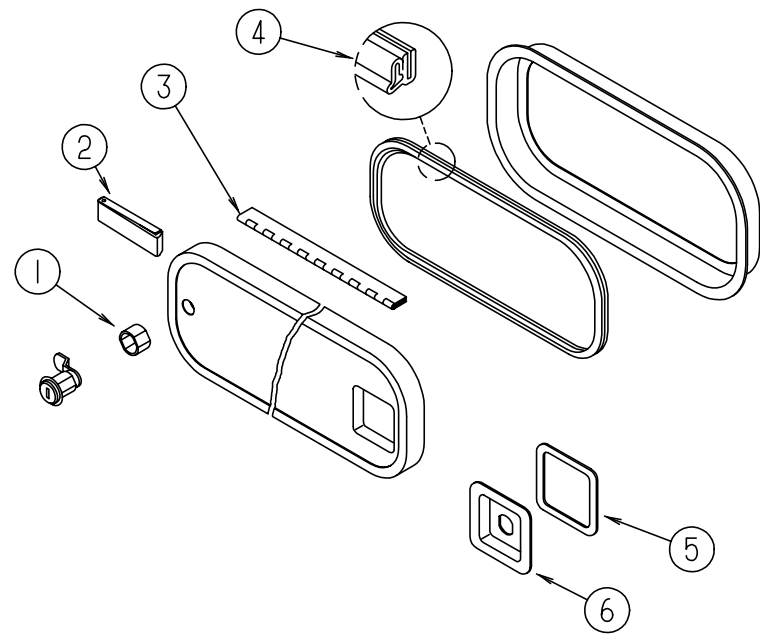
**WINDOW, VENT & EXTERIOR DOOR GROUP (CONTINUED)**  
**KEY LOCKS & COMPONENTS**



KEY	PART NUMBER	U/M DESCRIPTION
1	110506-59-000	EA KEY-SET OF TWO, BRIGGS & STRATTON 596720
	110506-59-701	EA KEY-BLANK, GOLD
	110506-59-001	EA KEY-SET OF TWO, BRIGGS & STRATTON 596721
	110506-59-002	EA KEY-SET OF TWO, BRIGGS & STRATTON 596722
	110506-59-003	EA KEY-SET OF TWO, BRIGGS & STRATTON 596723
	110506-59-004	EA KEY-SET OF TWO, BRIGGS & STRATTON 596724
	110506-59-005	EA KEY-SET OF TWO, BRIGGS & STRATTON 596725
	110506-59-006	EA KEY-SET OF TWO, BRIGGS & STRATTON 596726
	110506-59-007	EA KEY-SET OF TWO, BRIGGS & STRATTON 596727
	110506-59-008	EA KEY-SET OF TWO, BRIGGS & STRATTON 596728
110506-59-009	EA KEY-SET OF TWO, BRIGGS & STRATTON 596729	
2	110506-52-000	EA CASE-LOCK, A=17 MM - BRIGGS & STRATTON 702370
	110506-52-001	EA CASE-LOCK, A=17 MM - BRIGGS & STRATTON 702371
	110506-52-002	EA CASE-LOCK, A=17 MM - BRIGGS & STRATTON 702372
	110506-52-003	EA CASE-LOCK, A=17 MM - BRIGGS & STRATTON 702373
	110506-52-004	EA CASE-LOCK, A=17 MM - BRIGGS & STRATTON 702374
	110506-52-005	EA CASE-LOCK, A=17 MM - BRIGGS & STRATTON 702375
	110506-52-006	EA CASE-LOCK, A=17 MM - BRIGGS & STRATTON 702376
	110506-52-007	EA CASE-LOCK, A=17 MM - BRIGGS & STRATTON 702377
	110506-52-008	EA CASE-LOCK, A=17 MM - BRIGGS & STRATTON 702378
	110506-52-009	EA CASE-LOCK, A=17 MM - BRIGGS & STRATTON 702379

KEY	PART NUMBER	U/M DESCRIPTION
2	110506-53-000	EA CASE-LOCK, A=25 MM - BRIGGS & STRATTON 702380
	110506-53-001	EA CASE-LOCK, A=25 MM - BRIGGS & STRATTON 702381
	110506-53-002	EA CASE-LOCK, A=25 MM - BRIGGS & STRATTON 702382
	110506-53-003	EA CASE-LOCK, A=25 MM - BRIGGS & STRATTON 702383
	110506-53-004	EA CASE-LOCK, A=25 MM - BRIGGS & STRATTON 702384
	110506-53-005	EA CASE-LOCK, A=25 MM - BRIGGS & STRATTON 702385
	110506-53-006	EA CASE-LOCK, A=25 MM - BRIGGS & STRATTON 702386
	110506-53-007	EA CASE-LOCK, A=25 MM - BRIGGS & STRATTON 702387
	110506-53-008	EA CASE-LOCK, A=25 MM - BRIGGS & STRATTON 702388
110506-53-009	EA CASE-LOCK, A=25 MM - BRIGGS & STRATTON 702389	
3	110506-51-000	EA CASE-TWIST LOCK, 25 MM - BRIGGS & STRATTON 596669
3	110506-50-000	EA CASE-TWIST LOCK, 17 MM - BRIGGS & STRATTON 596932
4	110506-40-700	EA HDWE KIT-NUT, E-RING, FLAT & SPUR WASHER, SPRING WASHER GASKET

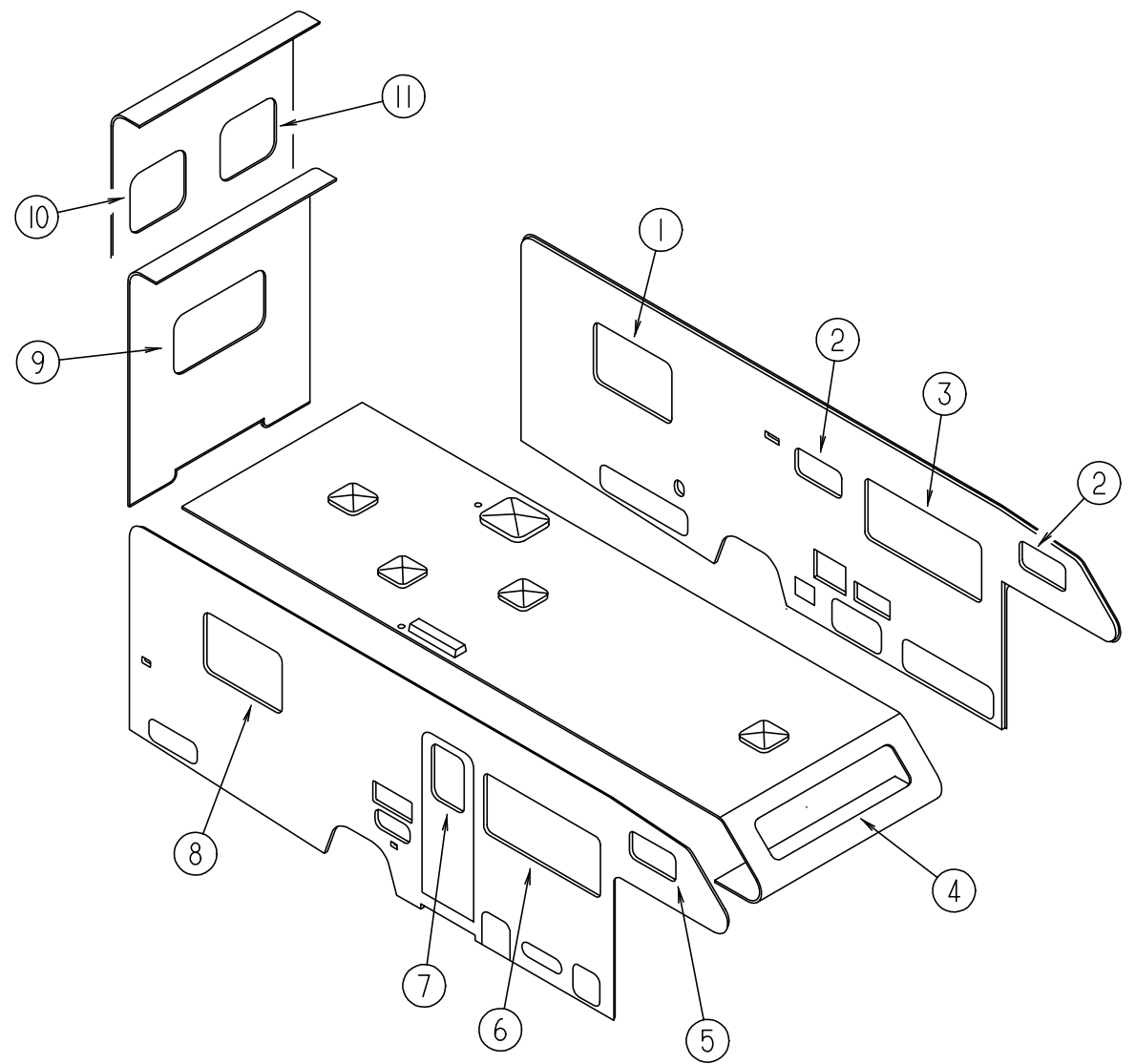
**WINDOW, VENT & EXTERIOR DOOR GROUP (CONTINUED)**



**EXTERIOR DOORS**

KEY	PART NUMBER	U/M	DESCRIPTION
1	110506-51-000	EA	CASE-TWIST LOCK, 25 MM - BRIGGS & STRATTON 596669
1	110506-50-000	EA	CASE-TWIST LOCK, 17 MM - BRIGGS & STRATTON 596932
	110506-64-000	EA	CAM-LOCK, BRIGGS & STRATTON 322280
	110506-67-000	EA	CAM-LOCK, BRIGGS & STRATTON 322283
	110506-72-000	EA	CAM-LOCK, BRIGGS & STRATTON 322354
2	102768-01-000	EA	HOLDER-COMPARTMENT/ENTRY DOOR, METAL - MILL FINISH
3	081801-02-000	EA	HINGE - 2" X 96", OFF WHITE
3	081801-V3-000	EA	HINGE - 2" X 96", BRIGHT WHITE
	009065-01-000	EA	HINGE-ALUMINUM, 1 1/2" X 96" - UNPAINTED
	034007-40-000	EA	HINGE-PIANO, 1.5" X 96" - ALUMINUM - OFF WHITE
	034007-B3-000	EA	HINGE-PIANO, 1.5" X 96" - ALUMINUM - BRIGHT WHITE
	081801-T3-000	EA	HINGE-ALUMINUM, 2" X 96" - BRIGHT WHITE
	081801-V3-000	EA	HINGE-ALUMINUM, 2" X 96" - BRIGHT WHITE
4	064075-07-000	FT	SEAL-BULB, W/WIRED U CHANNEL - .3" X .5" CHANNEL - BLACK
	106850-01-000	FT	SEAL-E, 11 X 19 - SPONGE RUBBER
	104692-01-000	FT	SEAL - 3/4" X 3/4", ADHESIVE BACK
	091255-02-000	FT	SEAL-ADHESIVE BACKED FOAM, 18" THICK X 1.5" WIDE
	104692-01-000	FT	SEAL - 3/4" X 3/4", ADHESIVE BACK
	099418-01-000	FT	SEAL-D, W/SIDE AHESIVE - .4" X .10" - SPONGE RUBBER - BLACK
5	097111-01-01A	EA	POCKET-LOCK, VALANCE - OFF WHITE
5	097111-01-04A	EA	POCKET-LOCK, VALANCE - BRIGHT WHITE
6	098338-01-000	EA	GASKET-LOCK POCKET
7	109834-01-000	EA	WASHER - .64" X .752" ID, STAINLESS STEEL
8	107997-51-001	EA	SPACER - .86" X .6", ALUMINUM
9	109833-01-000	EA	BEAUTY RING - .67" X .78" ID, STAINLESS STEEL
	096217-55-001	EA	U-CHANNEL, 17.5' - OFF WHITE
	091876-01-000	EA	RETAINER-DOOR, 1.9" X .8" - METAL
	116424-01-000	EA	PROTECTOR-WATER HEATER LATCH - ATWOOD 92611

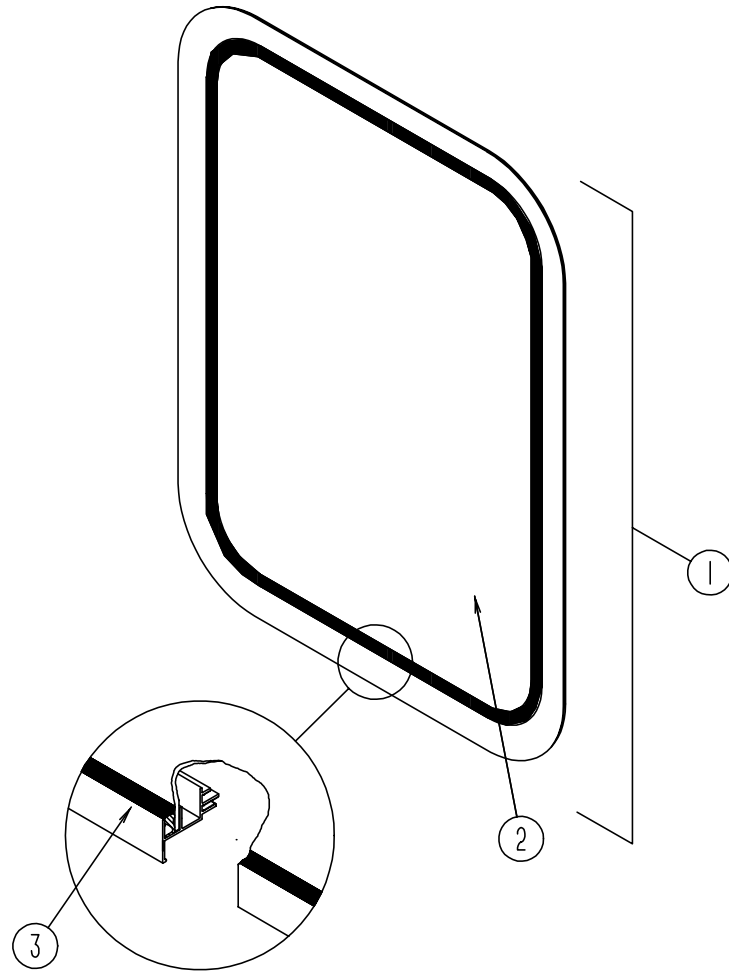
**WINDOW, VENT & EXTERIOR DOOR GROUP (CONTINUED)**



**WINDOWS**

KEY	PART NUMBER	U/M	DESCRIPTION
1	098647-30-01A	EA	WINDOW-SLIDER, HORIZONTAL - CLEAR - EXCEL H172-C1W66L
1	112795-23-01A	EA	WINDOW-SLIDER, HORIZONTAL - THERMO - EXCEL DC04-G2W66L
2	098647-32-01A	EA	WINDOW-SLIDER, HORIZONTAL - CLEAR - EXCEL H425-C1W66L
2	112795-20-01A	EA	WINDOW-SLIDER, HORIZONTAL - THERMO - EXCEL DC29-G2W66L
3	098647-28-01A	EA	WINDOW-SLIDER, HORIZONTAL - CLEAR - EXCEL H287-C1W66L
3	112795-15-01A	EA	WINDOW-SLIDER, HORIZONTAL - THERMO - EXCEL DH287-G2W66L
4	103313-01-B05	EA	WINDOW-PICTURE, W/O INSIDE FRAME
4	115630-01-01A	EA	WINDOW-PICTURE, W/O INSIDE FRAME - THERMO - EXCEL DH438-G2W59
5	098647-31-01A	EA	WINDOW-SLIDER, HORIZONTAL - CLEAR - EXCEL H425-C1W66R
5	112795-19-01A	EA	WINDOW-SLIDER, HORIZONTAL - THERMO - EXCEL DC29-G2W66R
6	098647-27-01A	EA	WINDOW-SLIDER, HORIZONTAL - CLEAR - EXCEL H287-C1W66R
6	112795-16-01A	EA	WINDOW-SLIDER, HORIZONTAL - THERMO - EXCEL DH287-G2W66R
7	079733-17-F15	EA	WINDOW-ENTRY DOOR, W/O INSIDE FRAME
7	113733-01-01A	EA	WINDOW-ENTRY DOOR, THERMO - W/O INSIDE FRAME
8	098647-29-01A	EA	WINDOW-SLIDER, HORIZONTAL - CLEAR - EXCEL H172-C1W66R
8	112795-21-01A	EA	WINDOW-SLIDER, HORIZONTAL - THERMO - EXCEL DC04-G2W66R
9	078528-07-F15	EA	WINDOW-REAR ESCAPE, CLEAR - QUEEN BED
9	113502-01-01A	EA	WINDOW-REAR ESCAPE, QUEEN BED - THERMO - EXCEL DH153-G2W66
10	078528-10-F15	EA	WINDOW-ESCAPE, CLEAR - TWIN BED
10	113502-04-01A	EA	WINDOW-ESCAPE, TWIN BED - THERMO - EXCEL DH386-G2W59
11	078528-11-F15	EA	WINDOW-CLEAR, TWIN BED
11	113733-02-01A	EA	WINDOW-THERMO, TWIN BED - EXCEL DH400-G2W61

WINDOW, VENT & EXTERIOR DOOR GROUP (CONTINUED)



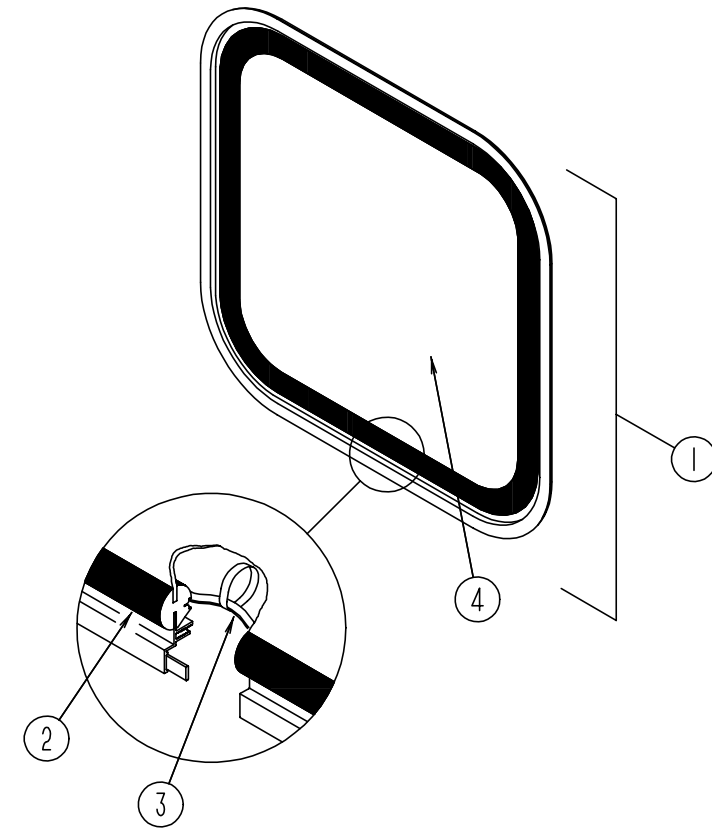
ENTRANCE DOOR WINDOW

KEY	PART NUMBER	U/M DESCRIPTION
	067609-38-000	EA FRAME-INSIDE WINDOW, OFF WHITE
	067609-39-000	EA FRAME-INSIDE WINDOW, BRIGHT WHITE
1	079733-17-F15	EA WINDOW-ENTRY DOOR, W/O INSIDE FRAME
2	002181-24-000	EA GLASS-PICTURE, 687.4 X 449.4 - CLEAR 90%
3	087561-01-000	FT SEAL-GLASS, EXTERIOR - .5" WIDE - VINYL - BLACK

ENTRY DOOR WINDOW - THERMO

KEY	PART NUMBER	U/M DESCRIPTION
	113733-01-01A	EA WINDOW-ENTRY DOOR, THERMO - W/O INSIDE FRAME
	113733-01-700	EA WINDOW-W/O TRIM
	113733-01-701	EA TRIM (W)
	113733-01-702	EA GLASS-STATIONARY

WINDOW, VENT & EXTERIOR DOOR GROUP (CONTINUED)



BACKWALL ESCAPE WINDOW - QUEEN BED

KEY	PART NUMBER	U/M DESCRIPTION
1	078528-07-F15	EA WINDOW-ESCAPE, CLEAR
2	002282-09-000	EA WEATHER STRIP-WINDOW, .125 - BLACK - 130.53 VULCANIZED
3	002285-01-000	FT FILLER-WEATHER STRIP, RUBBER - BLACK
4	076337-13-000	EA GLASS-EGRESS, 1157 X 548 - CLEAR
	077066-01-702	EA TAPE-ESCAPE WINDOW, RED

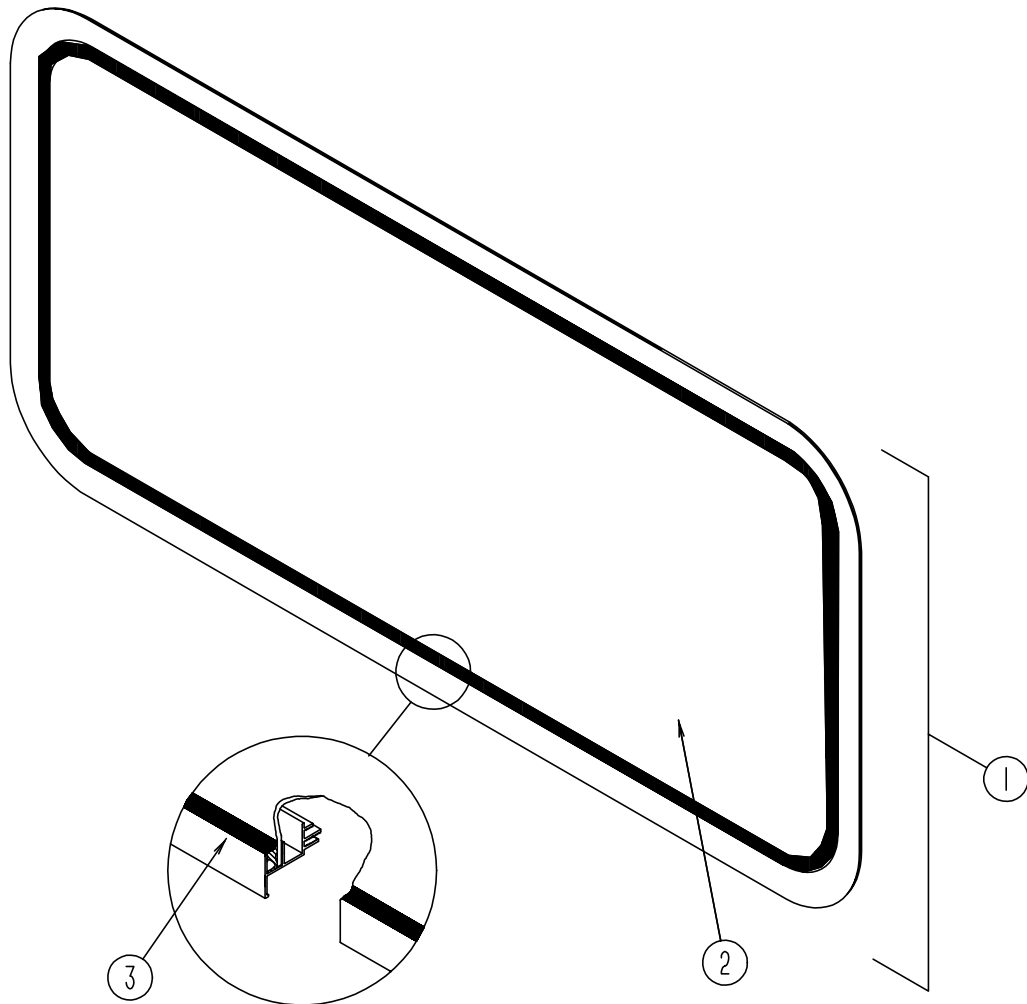
BACKWALL ESCAPE WINDOW - TWIN BED - PASSENGER SIDE

KEY	PART NUMBER	U/M DESCRIPTION
	067609-12-000	EA FRAME-INSIDE WINDOW, OFF WHITE
1	078528-10-F15	EA WINDOW-ESCAPE, CLEAR
		FROM: 00-00-00 THRU: 10-16-94
1	116976-01-01A	EA WINDOW-ESCAPE, SINGLE - EXCEL H386-C1W53
		FROM: 10-17-94 THRU: 99-99-99
2	002282-09-000	EA WEATHER STRIP-WINDOW, .125 - BLACK - 130.53 VULCANIZED
3	002285-01-000	FT FILLER-WEATHER STRIP, RUBBER - BLACK
4	076337-15-000	EA GLASS-EGRESS, 587 X 587 - CLEAR
	077066-01-702	EA TAPE ASM-ESCAPE WINDOW, RED

BACKWALL WINDOW - TWIN BED - DRIVER SIDE

KEY	PART NUMBER	U/M DESCRIPTION
	067609-12-000	EA FRAME-INSIDE WINDOW, OFF WHITE
1	078528-11-F15	EA WINDOW-REAR PICTURE, SINGLE
		FROM: 00-00-00 THRU: 10-16-94
1	116976-03-01A	EA WINDOW-REAR PICTURE, SINGLE - EXCEL H400-C1W60
		FROM: 10-17-94 THRU: 99-99-99
2	002282-09-000	EA WEATHER STRIP-WINDOW, .125 - BLACK - 130.53 VULCANIZED
3	002285-01-000	FT FILLER-WEATHER STRIP, RUBBER - BLACK
4	076337-15-000	EA GLASS-EGRESS, 587 X 587 CLEAR

**WINDOW, VENT & EXTERIOR DOOR GROUP (CONTINUED)**



**FRONT OVERHEAD BUNK WINDOW**

KEY	PART NUMBER	U/M DESCRIPTION
	067609-33-000	EA FRAME-INSIDE WINDOW, OFF WHITE
1	103313-01-B05	EA WINDOW-PICTURE, W/O INSIDE FRAME
2	002181-15-000	EA GLASS-PICTURE, GRAY 31%
3	099154-01-000	FT CHANNEL-GLAZING, STATIONARY GLASS - .62" X .45" - BLACK

**WINDOW, VENT & EXTERIOR DOOR GROUP (CONTINUED)**  
**EXCEL SLIDER WINDOWS**

KEY	PART NUMBER	U/M DESCRIPTION
	098647-30-01A	EA WINDOW-SLIDER, HORIZONTAL - CLEAR - EXCEL H172-C1W66L
	098647-28-01A	EA WINDOW-SLIDER, HORIZONTAL - CLEAR - EXCEL H287-C1W66L
	098647-38-01A	EA WINDOW-SLIDER, HORIZONTAL - CLEAR - EXCEL H320-C1W66R
	098647-27-01A	EA WINDOW-SLIDER, HORIZONTAL - CLEAR - EXCEL H287-C1W66R
	098647-29-01A	EA WINDOW-SLIDER, HORIZONTAL - CLEAR - EXCEL H172-C1W66R
	098644-01-700	EA LATCH-REPAIR KIT, EXCEL B801-CK
	098644-01-706	FT WEATHERSTRIP, EXCEL 171-010668
	098644-01-708	FT CHANNEL-PIERCED RUN, EXCEL 122-016543
	098644-01-710	FT TRACK-SCREEN SPACER, 12' LENGTH - EXCEL M401-31
	098644-01-711	FT WEATHERSTRIP-SCREEN, BLACK - EXCEL 171-016965
	098644-01-713	EA SPRING-SCREEN FRAME (CLIP), PLASTIC - BLACK EXCEL 226-016966
	098644-01-716	FT PLUG-FILLER, EXCEL 132-014470
	098644-01-717	FT SPLINE-SCREEN, EXCEL 132-004716

**EXCEL SLIDER WINDOWS - OVERHEAD BUNK - PASSENGER SIDE**

KEY	PART NUMBER	U/M DESCRIPTION
	098647-31-01A	EA WINDOW-SLIDER, HORIZONTAL - CLEAR - EXCEL H425-C1W66R
	098644-01-700	EA LATCH-REPAIR KIT, EXCEL B801-CK
	098644-01-706	FT WEATHERSTRIP, EXCEL 171-010668
	098644-01-708	FT CHANNEL-PIERCED RUN, EXCEL 122-016543
	098644-01-710	FT TRACK-SCREEN SPACER, 12' LENGTH - EXCEL M401-31
	098644-01-711	FT WEATHERSTRIP-SCREEN, BLACK - EXCEL 171-016965
	098644-01-713	EA SPRING-SCREEN FRAME (CLIP), PLASTIC - BLACK EXCEL 226-016966
	098644-01-716	FT PLUG-FILLER, EXCEL 132-014470
	098644-01-717	FT SPLINE-SCREEN, EXCEL 132-004716
	098647-31-700	EA WINDOW-W/O TRIM, EXCEL H425-C1R
	098647-31-701	EA TRIM-WINDOW, EXCEL CW2966
	098647-31-702	EA GLASS-STATIONARY, EXCEL 096-019299
	098647-31-703	EA SLIDE ASSEMBLY-WINDOW EXCEL H425-C8
	098647-31-704	EA SCREEN ASSEMBLY - EXCEL 410-019128

**EXCEL SLIDER WINDOWS - OVERHEAD BUNK OR GALLEY - DRIVER SIDE**

KEY	PART NUMBER	U/M DESCRIPTION
	098647-32-01A	EA WINDOW-SLIDER, HORIZONTAL - CLEAR - EXCEL H425-C1W66L
	098644-01-700	EA LATCH-REPAIR KIT, EXCEL B801-CK
	098644-01-706	FT WEATHERSTRIP, EXCEL 171-010668
	098644-01-708	FT CHANNEL-PIERCED RUN, EXCEL 122-016543
	098644-01-710	FT TRACK-SCREEN SPACER, 12' LENGTH - EXCEL M401-31
	098644-01-711	FT WEATHERSTRIP-SCREEN, BLACK - EXCEL 171-016965
	098644-01-713	EA SPRING-SCREEN FRAME (CLIP), PLASTIC - BLACK EXCEL 226-016966
	098644-01-716	FT PLUG-FILLER, EXCEL 132-014470
	098644-01-717	FT SPLINE-SCREEN, EXCEL 132-004716
	098647-31-700	EA WINDOW-W/O TRIM, EXCEL H425-C1R
	098647-31-701	EA TRIM-WINDOW, EXCEL CW2966
	098647-31-702	EA GLASS-STATIONARY, EXCEL 096-019299
	098647-31-703	EA SLIDE ASSEMBLY-WINDOW EXCEL H425-C8
	098647-31-704	EA SCREEN ASSEMBLY - EXCEL 410-019128

**WINDOW, VENT & EXTERIOR DOOR GROUP (CONTINUED)****EXCEL SLIDER WINDOWS - THERMO - DINETTE**

KEY	PART NUMBER	U/M DESCRIPTION
	112795-15-01A	EA WINDOW-SLIDER, HORIZONTAL - THERMO - EXCEL DH287-G2W66L
	098647-23-702	EA TRIM-WINDOW, EXCEL W28766
	098647-23-704	EA SCREEN ASSEMBLY, EXCEL 410-019066
	112795-15-700	EA WINDOW-W/O TRIM, EXCEL DH287-G2L
	112795-15-701	EA GLASS-STATIONARY, EXCEL 390-019045
	112795-15-702	EA SLIDE ASSEMBLY-WINDOW, EXCEL DH287-G9

**EXCEL SLIDER WINDOWS - THERMO - LOUNGE**

KEY	PART NUMBER	U/M DESCRIPTION
	112795-16-01A	EA WINDOW-SLIDER, HORIZONTAL - THERMO - EXCEL DH287-G2W66R
	098647-23-702	EA TRIM-WINDOW, EXCEL W28766
	098647-23-704	EA SCREEN ASSEMBLY, EXCEL 410-019066
	112795-16-700	EA WINDOW W/O TRIM, EXCEL DH287-G2R
	112795-15-701	EA GLASS-STATIONARY, EXCEL 390-019045
	112795-15-702	EA SLIDE ASSEMBLY-WINDOW, EXCEL DH287-G9

**EXCEL SLIDER WINDOWS - THERMO - OVERHEAD BUNK - PASSENGER SIDE**

KEY	PART NUMBER	U/M DESCRIPTION
	112795-19-01A	EA WINDOW-SLIDER, HORIZONTAL - THERMO - EXCEL DC29-G2W66R
	098647-31-701	EA TRIM-WINDOW, EXCEL CW2966
	098647-31-704	EA SCREEN ASSEMBLY, EXCEL 410-019128
	112795-19-700	EA WINDOW W/O TRIM, EXCEL DC29-G2R
	112795-19-701	EA GLASS-STATIONARY, EXCEL 390-019134
	112795-19-702	EA SLIDE ASSEMBLY, EXCEL DC29-G9

**EXCEL SLIDER WINDOWS - THERMO - OVERHEAD BUNK OR GALLEY - DRIVER SIDE**

KEY	PART NUMBER	U/M DESCRIPTION
	112795-20-01A	EA WINDOW-SLIDER, HORIZONTAL - THERMO - EXCEL DC29-G2W66L
	098647-31-701	EA TRIM-WINDOW, EXCEL CW2966
	098647-31-701	EA TRIM-WINDOW, EXCEL CW2966
	112795-19-701	EA GLASS-STATIONARY, EXCEL 390-019134
	112795-19-702	EA SLIDE ASSEMBLY, EXCEL DC29-G9
	112795-20-700	EA WINDOW W/O TRIM, EXCEL DC29-G2L

**WINDOW, VENT & EXTERIOR DOOR GROUP (CONTINUED)****POWERED ROOF VENT - U.S.**

KEY	PART NUMBER	U/M DESCRIPTION
	110051-03-01A	EA VENT-ROOF, POWERED - 2" ROOF - JENSEN 7757 WHE
	048648-01-000	EA MOTOR-12V, NONVENTED - 1/8" SHAFT
	048649-01-000	EA FAN-PLASTIC, 6 IN-6 BLADED
	064470-01-700	EA COVER-ROOF VENT
	110051-01-700	EA SCREEN & FRAME 2"
	110051-01-702	EA HAND CRANK & OPERATOR ASSEMBLY
	110051-01-703	EA HANDLE-CRANK

**POWERED ROOF VENT - CANADIAN.**

KEY	PART NUMBER	U/M DESCRIPTION
	110051-05-01A	EA VENT-ROOF, POWERED - 2" ROOF - JENSEN 7757 WHE
	048648-01-000	EA MOTOR-12V, NONVENTED - 1/8" SHAFT
	048649-01-000	EA FAN-PLASTIC, 6 IN-6 BLADED
	064470-01-700	EA COVER-ROOF VENT
	110051-01-700	EA SCREEN & FRAME 2"
	110051-01-702	EA HAND CRANK & OPERATOR ASSEMBLY
	110051-01-703	EA HANDLE-CRANK

**NONPOWERED ROOF VENT**

KEY	PART NUMBER	U/M DESCRIPTION
	110051-01-01A	EA VENT-ROOF, NONPOWERED - 2" ROOF - JENSEN 7724 WHE
	064470-01-700	EA COVER-ROOF VENT, JENSEN 7291
	110051-01-701	EA GARNISH W/SCREEN & FRAME - 2", JENSEN 29-800-01 FITS 1" AND 2" THICK ROOFS
	110051-01-702	EA LIFT-VENT LID W/O CRANK, JENSEN RP-1000B
	110051-01-703	EA CRANK HANDLE-ROOF VENT, JENSEN RP-1031-B

**VENTS, SHROUDS AND ROOF COVERS**

KEY	PART NUMBER	U/M DESCRIPTION
	084073-03-000	EA COVER-ROOF VENT, REFRIGERATOR - OFF WHITE - NORCOLD
	084073-07-000	EA COVER-ROOF VENT, REFRIGERATOR - BRIGHT WHITE - NORCOLD
	084073-04-000	EA BASE-ROOF VENT, REFRIGERATOR - BLACK - NORCOLD
	084616-01-000	EA SHROUD-RANGE HOOD VENT, OFF WHITE
	084616-07-000	EA SHROUD-RANGE HOOD VENT, BRIGHT WHITE
	084878-09-000	EA VENT-RANGE HOOD - SHORT, LVS - OFF WHITE
	083558-03-000	EA VENT-PLUMBING PIPE ROOF W/COVER, OFF WHITE
	083558-07-000	EA VENT-PLUMBING PIPE ROOF W/COVER, BRIGHT WHITE