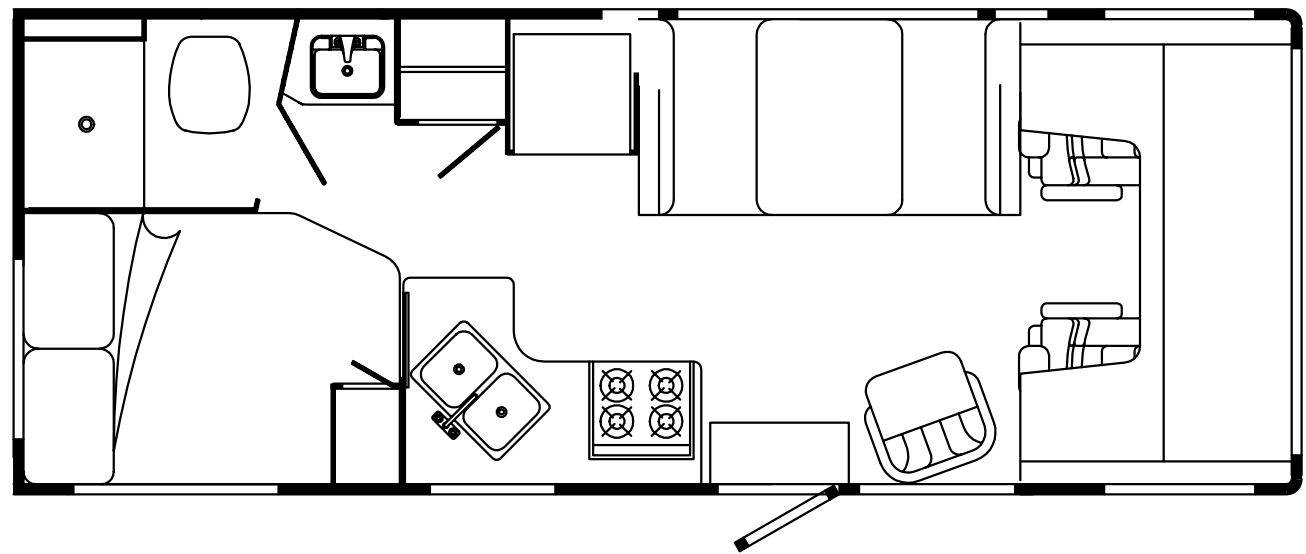
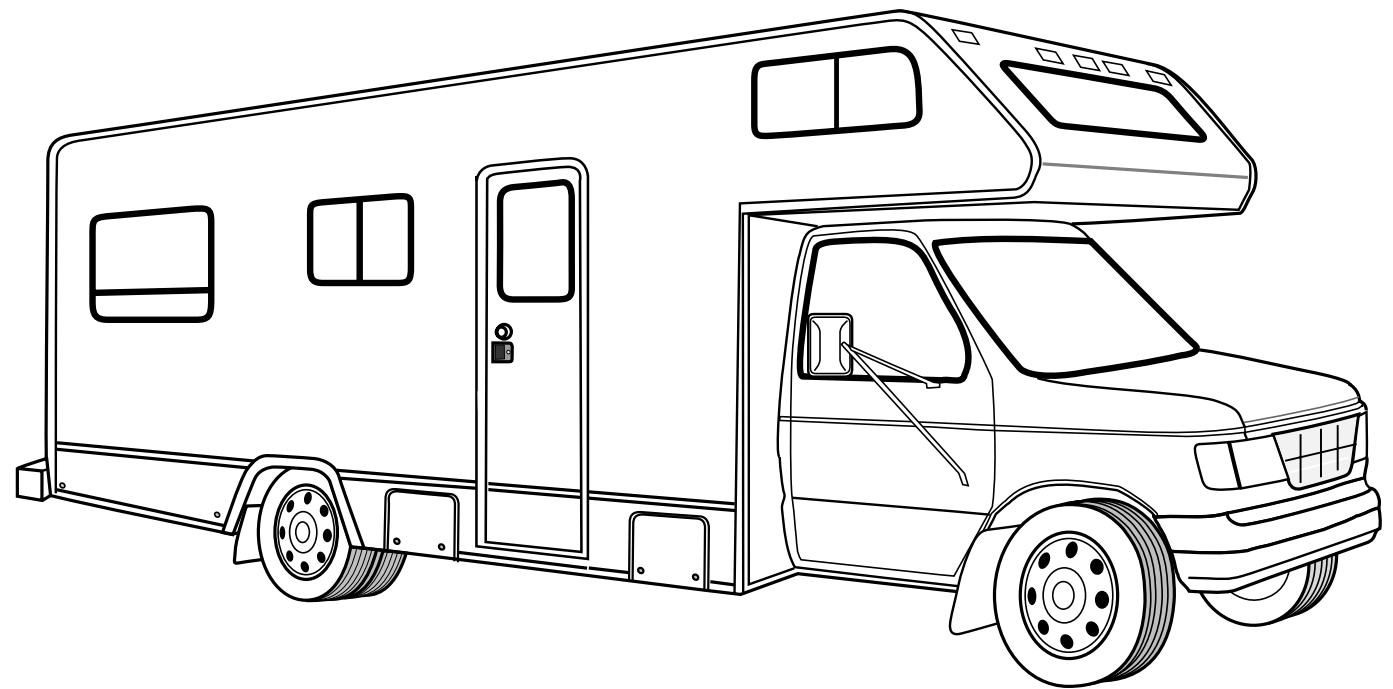


1995
WF324RC

F15

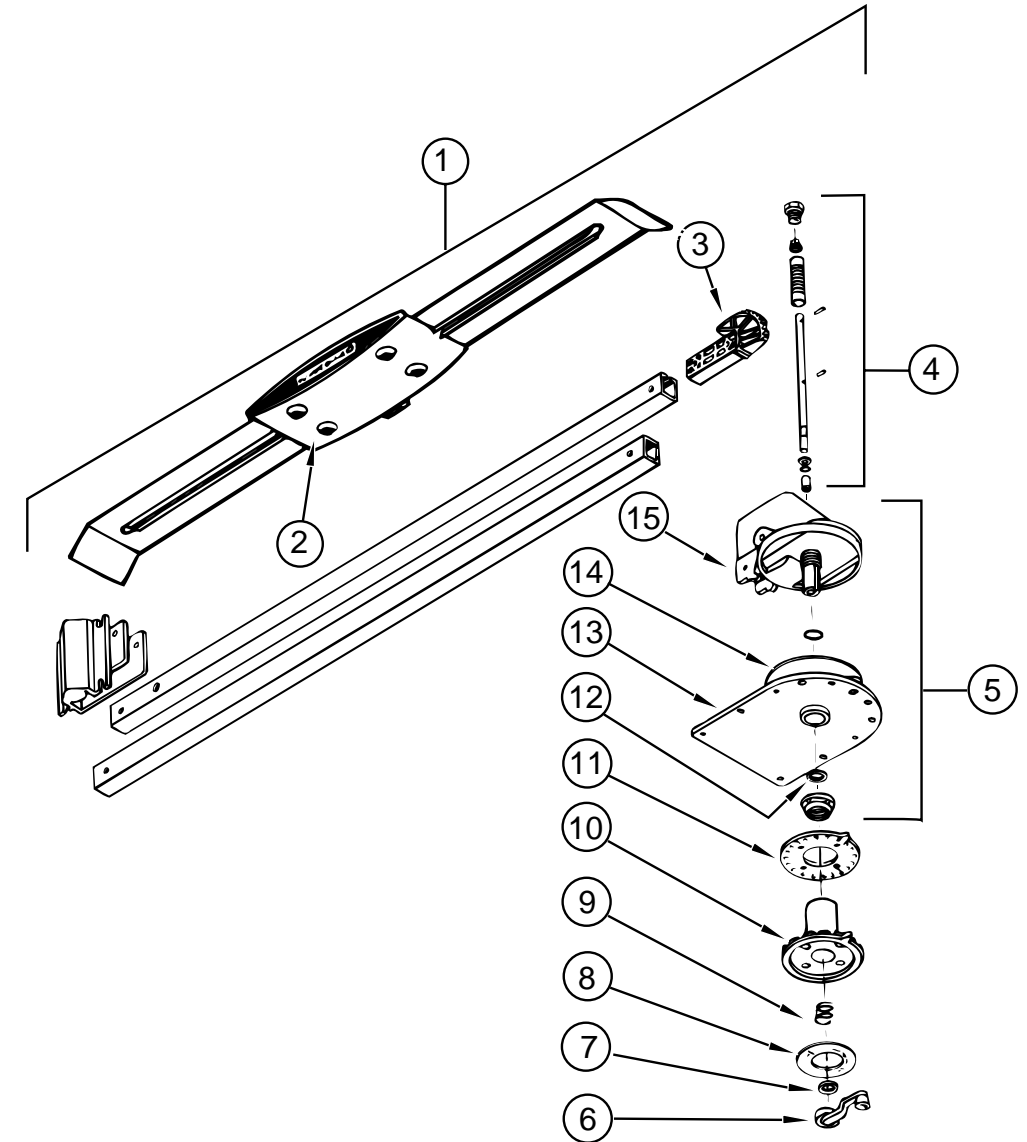
F16



**ACCESSORIES GROUP
OPERATORS MANUAL**

KEY	PART NUMBER	U/M	DESCRIPTION
	054185-C2-000	EA	MANUAL-OPERATOR, 1995 MINNIE WINNIE
	092318-01-000	EA	BINDER - 3 RING, MOTOR HOME MANUAL
	092319-01-000	EA	PAGE-POCKET, 3 RING BINDER - PLASTIC
	114284-01-000	DW	TOP LEVEL DRAWINGS - C BODY, 1995

AUDIO VIDEO GROUP



TV ANTENNA - WINEGARD

KEY	PART NUMBER	U/M	DESCRIPTION	VENDOR NO.
1	076319-01-000	EA	ANTENNA-TV, ROOF MOUNT - 44.5" MAST	RVA W02
2	076319-01-700	EA	HEAD-ANTENNA, AMPLIFIED	RVSA U/V
3	076319-01-701	EA	GEAR-ELEVATING, PLASTIC	2200046
4	076319-01-702	EA	SHAFT ASSEMBLY-ELEVATING	RVP-400A
5	076319-01-711	EA	BASE & LIFT ASSEMBLY	2762802
6	076319-01-706	EA	CRANK-ELEVATING, W/SET SCREW	5755100
7	076319-01-705	EA	GROMMET-NYLON, 7/8" ID	200658
8	076319-01-708	EA	DECAL-CRANK	5413002
9	076319-01-707	EA	SPRING-HANDLE	5160800
10	076319-01-709	EA	PLATE-DIRECTIONAL, FOR HEAD	3200644
11	076319-01-712	EA	PLATE-CEILING	3200608
12	076319-01-704	EA	BEARING-NYLON, 1.25" OD	3200657
13	076319-01-713	EA	PLATE-BASE, STEEL	3100523
14	076319-01-703	EA	BEARING-NYLON, 5" OD	3200656
15	076319-01-714	EA	HOUSING, ROTATING GEAR	2200049

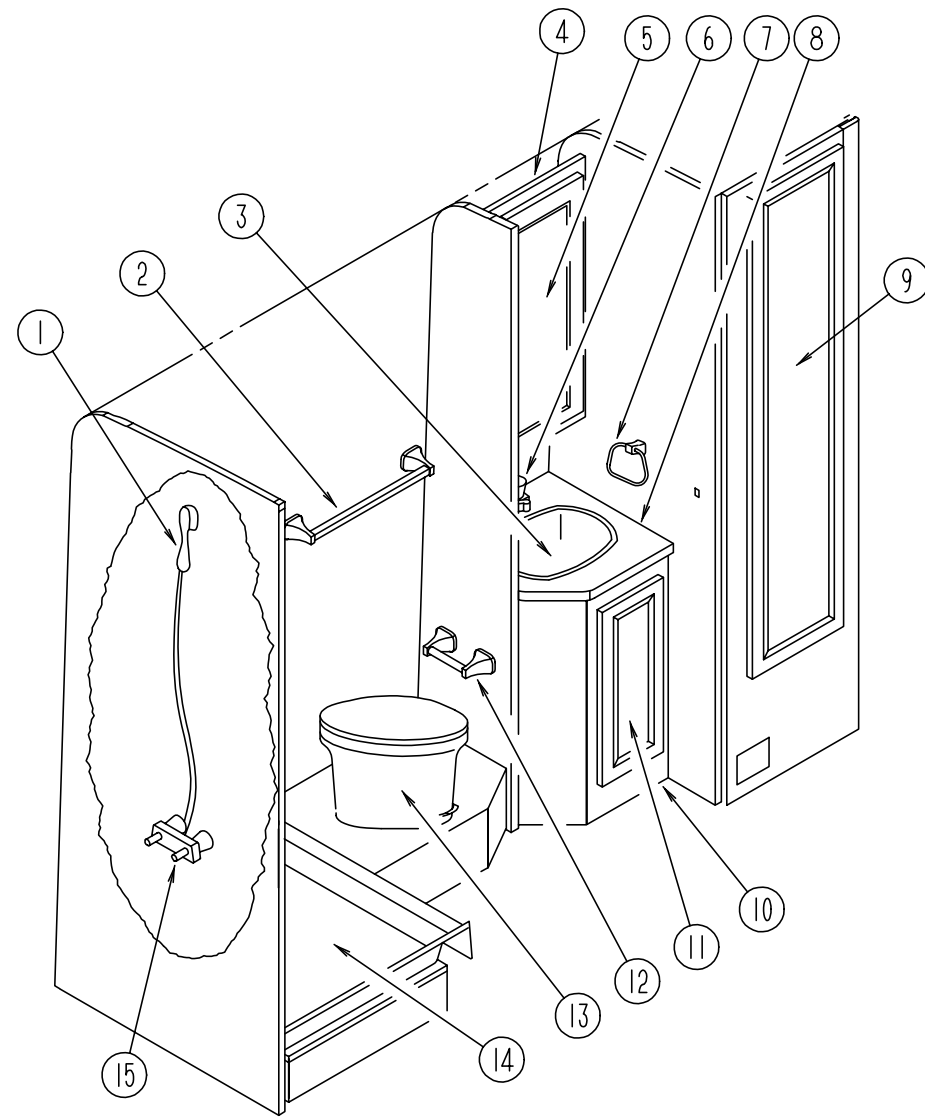
AUDIO VIDEO GROUP (CONTINUED)
RADIO SPEAKER GRILLE

KEY	PART NUMBER	U/M	DESCRIPTION
	111177-01-01A	EA	GRILLE-SPEAKER, OVAL - 5" X 7" - GRAY - MAGNADYNE SB68
	108137-01-000	EA	PLUG-ANTENNA HOLE, WARD PRODUCTS

TV - VCR SYSTEMS

KEY	PART NUMBER	U/M	DESCRIPTION	VENDOR NO.
	113684-01-000	EA	TV - 19" COLOR UL AND CSA	AUDIOVOX AVT-1975
	113684-01-700	EA	REMOTE	8822345
	086757-03-000	EA	CONTROL CENTER-SWITCH, VCR/TV - AUDIOVOX	AVCC-100
	098446-07-000	EA	VCR-VHS, CABLE READY - REMOTE MAGNAVOX	VR9320
	098446-07-700	EA	REMOTE F/MODEL #VR9320	8874589
	076319-03-000	FT	CABLE-COAXIAL, 75 OHM	
	076319-12-000	EA	CONNECTOR-COAXIAL, ONE PIECE	
	076319-06-000	EA	ADAPTOR-CABLE ROOF PLATE, WINEGARD	RPJ-1
	082134-01-000	EA	ADAPTER-TV, CABLE TO CABLE - WINEGARD	F-81M
	082136-01-000	EA	NUT-HEX JAM 3/8-32, WINEGARD	
	086777-02-000	EA	WALLPLATE-TV CABLE, W/ANTENNA SWITCH - BROWN	
	086777-05-000	EA	WALLPLATE-ANTENNA, 1OUTPUT - IVORY	

BATH GROUP

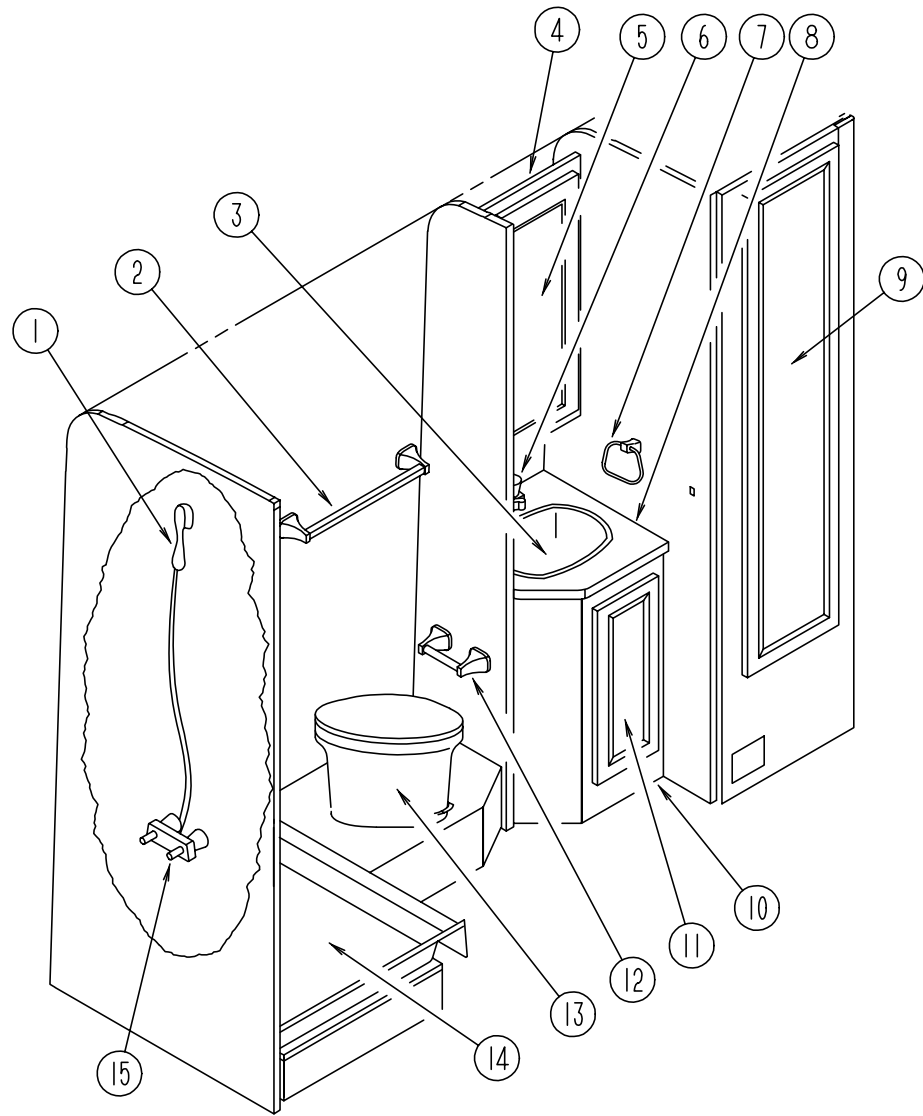


BATHROOM CABINETS & FIXTURES

KEY	PART NUMBER	U/M	DESCRIPTION
1	103092-02-000	EA	HEAD-SHOWER, W/HOSE
	103092-01-700	EA	BRACKET-SHOWER HEAD, CLEAR
	011048-03-700	EA	BRACKET-SHOWER HEAD, BONE - 2328029
2	075453-02-000	EA	BAR-TOWEL, 18" BRASS
3	096927-01-01A	EA	SINK-LAVATORY, RECTANGULAR - PLASTIC - BONE
	096927-01-700	EA	SINK-STOPPER
	096927-01-701	EA	TAILPIECE-SINK
4	116863-01-F15	EA	CABINET-MEDICINE, W/O DOOR & HARDWARE
5	115237-04-F15	EA	DOOR-MEDICINE CABINET, W/MIRROR - W/O HARDWARE
	093606-03-000	EA	MIRROR-DOOR, MEDICINE CABINET
6	075240-06-000	EA	FAUCET-LAVATORY, BONE
	091253-01-000	EA	GASKET-FAUCET
7	075454-02-000	EA	RING-TOWEL, W/MOUNTING HARDWARE - BRASS
8	107154-11-F15	EA	COUNTERTOP-CABINET, LAVATORY
8	116862-11-F15	EA	COUNTERTOP-CABINET, LAVATORY

FROM: 00-00-00 THRU: 09-04-94
 FROM: 09-05-94 THRU: 99-99-99

BATH GROUP (CONTINUED)
BATHROOM CABINETS & FIXTURES (CONTINUED)

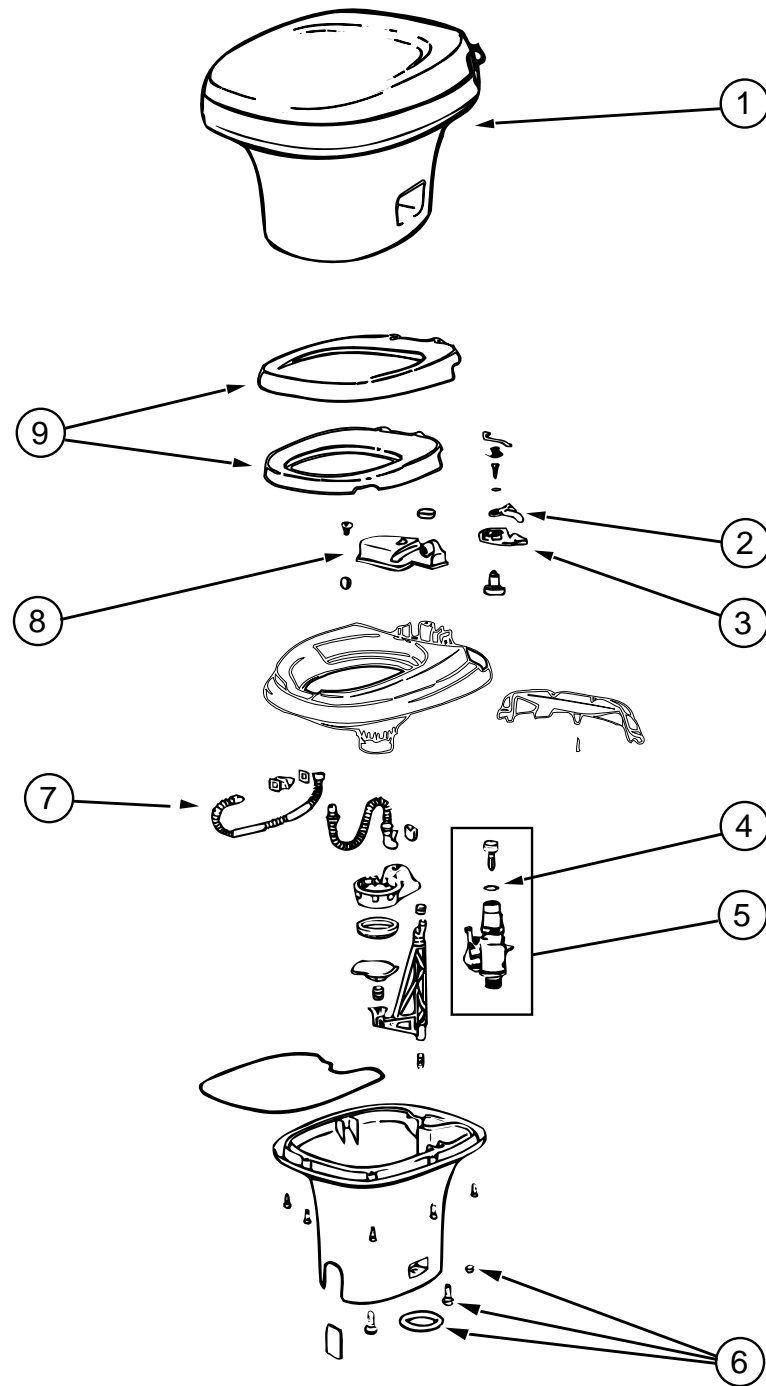


KEY	PART NUMBER	U/M	DESCRIPTION
9	110140-30-E01	EA	DOOR-CABINET, W/MIRROR - 395MM X 1155MM
	009112-01-000	EA	FLANGE - 1" ROD, CLOTHES - PLASTIC - OFF WHITE
	042438-01-000	EA	DOWEL-WOOD, CLOTHES ROD - 1" X 4' LONG
10	P16862-01-F15	EA	CABINET-LAVATORY, W/O DOOR & HARDWARE
11	110140-09-E01	EA	DOOR-MITERED VINYL - 280MM X 555MM
12	075452-02-000	EA	HOLDER-TOILET TISSUE, BRASS
13	067487-01-000	EA	TOILET - 12.37", IVORY - HAND FLUSH - THETFORD 150110
14	M02673-05-B13	EA	PAN-SHOWER, OFF WHITE
	066436-01-000	EA	NUT-SLIP, TAILPIECE - 1.5"
	066440-01-000	EA	STRAINER-SHOWER, W/RUBBER WASHER
	069735-01-000	EA	WASHER-STRAINER TO TAILPIECE, PLASTIC - 1.5"
	075241-05-000	EA	FAUCET-SHOWER, BONE
15	075606-01-000	EA	PANEL-FAUCET BACK, SHOWER - 5" X 9" - PLASTIC
	057671-01-000	EA	COVER-SCREW, #8 - PLASTIC - OFF WHITE

BATH PRIVACY DOOR

KEY	PART NUMBER	U/M	DESCRIPTION
100494-09-F15	100494-09-F15	EA	DOOR-PRIVACY, BATH, W/O HARDWARE
	009151-01-000	EA	GUARD-WARP, CABINET/PRIVACY DOOR - 48"
	058335-02-000	EA	LATCH-SHOWER/BATH DOOR, W/O LOCK - PLASTIC - BROWN

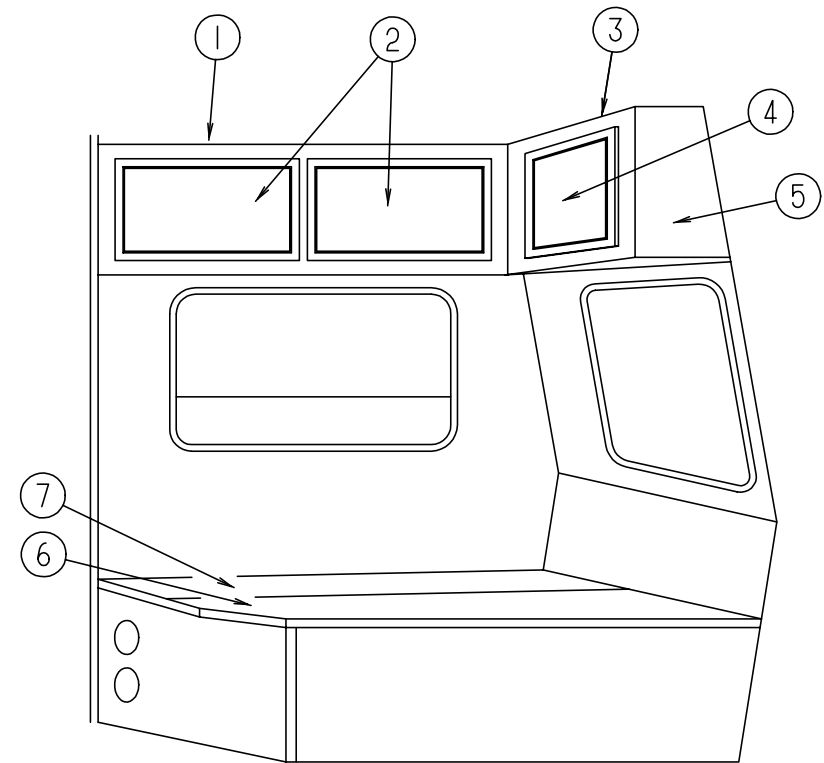
BATH GROUP (CONTINUED)



TOILET & COMPONENTS

KEY	PART NUMBER	U/M	DESCRIPTION	VENDOR NO.
1	067487-01-000	EA	TOILET - 12.37", IVORY - HAND FLUSH	150110
2	063740-01-700	EA	LEVER-WATER	12514
3	063740-01-701	EA	LEVER-FLUSH	12515
4	063740-01-713	EA	SEAL-BALL VALVE TO BOWL	12502
5	063740-01-714	EA	VALVE ASSEMBLY-WATER	12492
6	063740-01-706	EA	BOLT PACKAGE-CLOSET	12524
7	063740-01-717	EA	TUBE-FLUSH, TOILET	12509
8	067487-02-702	EA	TANK-RESERVOIR	12507
9	063740-02-700	EA	SEAT & COVER, PARCHMENT	2464157

BEDROOM GROUP



BEDROOM CABINETS

KEY	PART NUMBER	U/M	DESCRIPTION
1	115846-01-F15	EA	CABINET-OVERHEAD, PASSENGER SIDE
2	110140-18-E01	EA	DOOR-CABINET, W/O HARDWARE - 400MM X 710MM
3	115845-01-F15	EA	CABINET-OVERHEAD, REAR
4	110140-21-F15	EA	DOOR-CABINET, W/MIRROR - 400MM X 710MM
4	110140-18-E01	EA	DOOR-CABINET, W/O HARDWARE - 400MM X 710MM
5	109908-26-F15	EA	END CAP-CABINET
6	M07448-02-F15	EA	TOP-CABINET, DOUBLE BED - PASSENGER SIDE
7	M07448-01-F15	EA	TOP-CABINET, DOUBLE BED - W/CUT CORNER - DRIVER SIDE
	089076-08-000	EA	SUPPORT-BED, H-CHANNEL - 1.96" X 72.7" - ALUMINUM - OFF WHITE
	057205-10-000	EA	SUPPORT-BUNK, REAR - 20.00 - OFF WHITE

**CHASSIS GROUP
WHEEL LINERS**

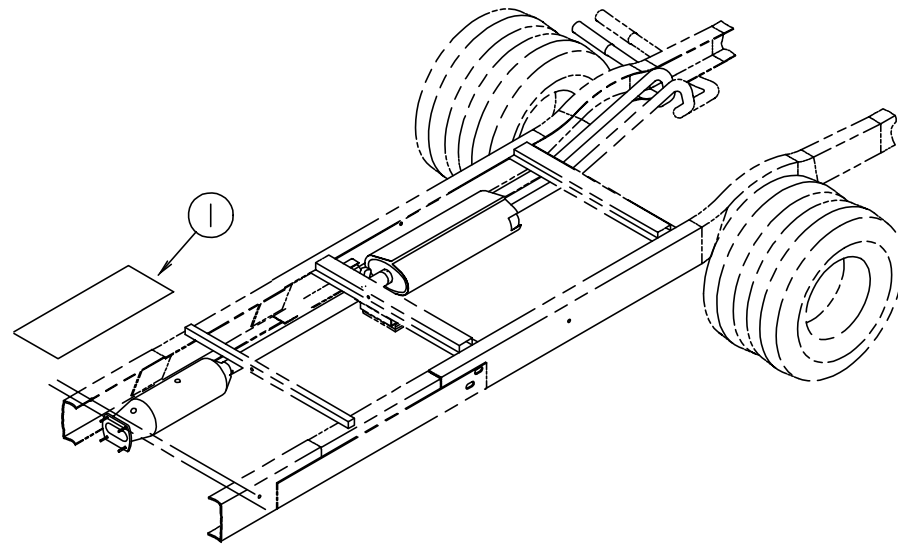
KEY	PART NUMBER	U/M	DESCRIPTION
	110435-02-000	EA	LINER-WHEEL, SET 4 - DICOR V160F2
	110435-02-700	EA	LINER-WHEEL, FRONT V160F2-FWC
	110435-02-701	EA	LINER-WHEEL, REAR V160F2-RWC
	110435-02-702	EA	STUD EXTENSION V160SD-STX
	110435-02-703	EA	NUT-JAMB V160SD-JNT
	110435-02-704	EA	LUG NUT COVER V160F0-LNC
	110435-02-705	EA	TOOL-JAMB NUT, INSTALLATION V160F0-TOL

WHEEL COVERS

KEY	PART NUMBER	U/M	DESCRIPTION
	109443-05-000	EA	WHEEL COVER - 4/SET, 16" - STAINLESS STEEL - DICOR SHFM16
	109443-05-700	EA	COVER-WHEEL, 16" SHFM16-CVR
	098532-01-700	EA	COVER-LUG NUT, ABS PLATED

TIRE & WHEEL

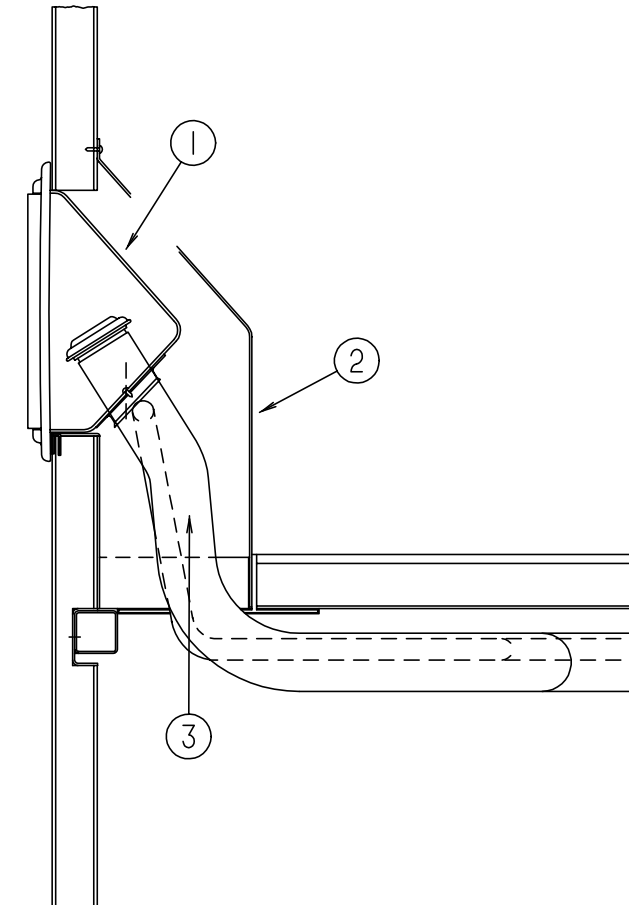
KEY	PART NUMBER	U/M	DESCRIPTION
	083425-09-000	EA	TIRE-LT225/75R16 LRD - MICHELIN - XCH4 FROM: 00-00-00 THRU: 01-18-95
	083425-11-000	EA	TIRE-LT225/75R16 LRD - MICHELIN - LTX A/S FROM: 01-19-95 THRU: 99-99-99
	083617-03-000	EA	WHEEL-STEEL, 16.0 X 6 - ACCURIDE 28618
	095012-03-000	EA	EXTENSION-VALVE STEM, DUAL WHEEL
	112358-01-000	EA	WRENCH-LUG, 7/8 - L-SHAPE FORD F2UA-17035-CA



EXHAUST SYSTEM HEAT SHIELD

KEY	PART NUMBER	U/M	DESCRIPTION
1	091182-01-000	EA	SHIELD-HEAT, 27.2" X 11" - STEEL

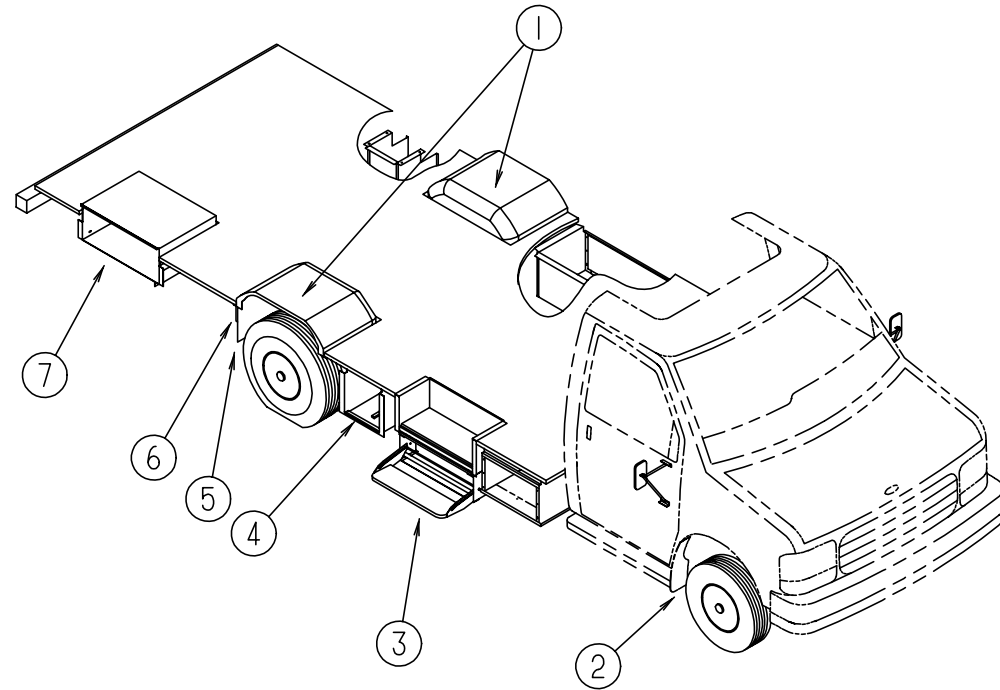
CHASSIS GROUP (CONTINUED)



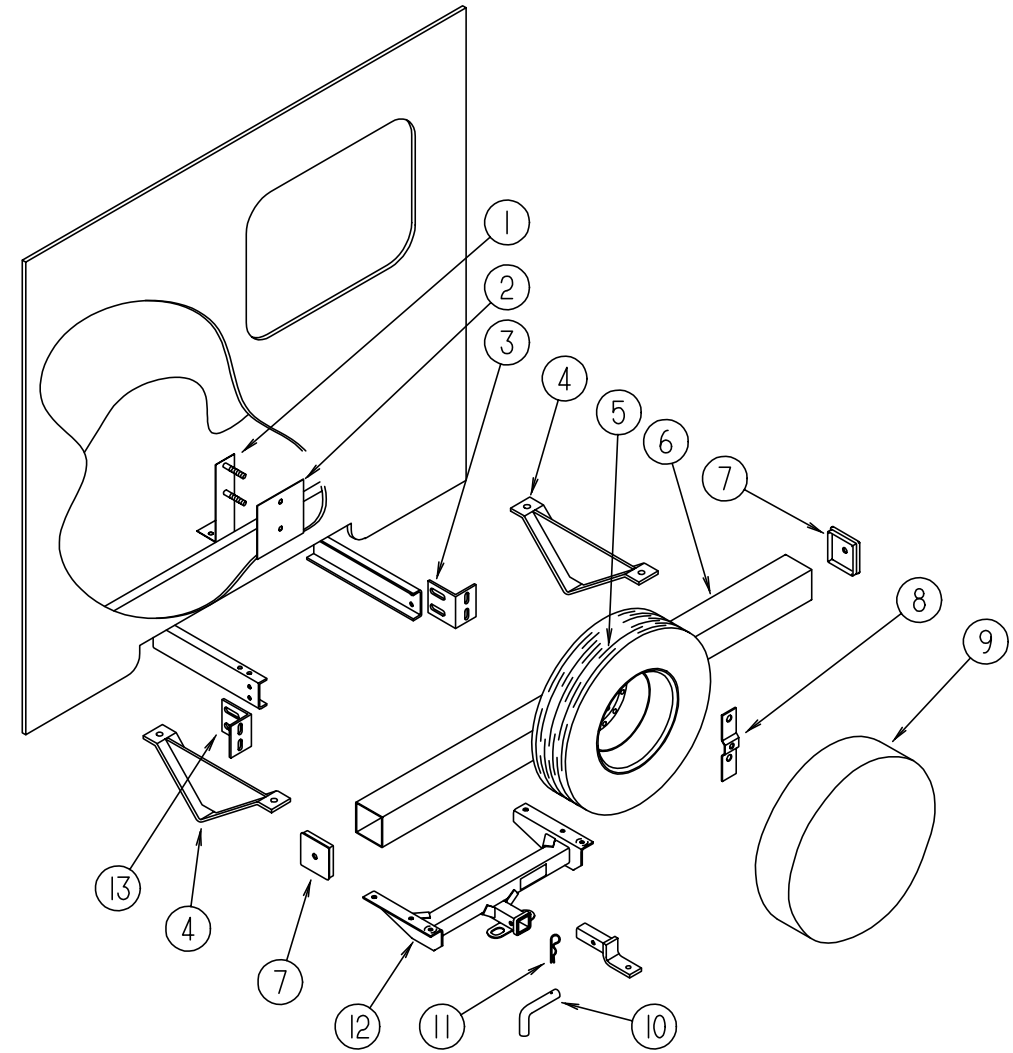
FUEL SYSTEM COMPONENTS

KEY	PART NUMBER	U/M	DESCRIPTION
1	095854-01-02A	EA	SHROUD-FUEL FILL, PLASTIC - OFF WHITE
1	095854-01-04A	EA	SHROUD-FUEL FILL, PLASTIC - BRIGHT WHITE
2	078040-05-000	EA	SHROUD-FUEL FILL, UPPER
3	116043-01-000	EA	NECK-FUEL FILL, MAIN - GAS
3	116043-02-000	EA	NECK-FUEL FILL, MAIN - DIESEL
	007063-01-000	FT	HOSE-GAS, 1/4" ID X 1/2" OD
	084884-01-000	EA	PLUG-BRASS, 3/8"

CHASSIS GROUP (CONTINUED)



CHASSIS GROUP (CONTINUED)



MISCELLANEOUS CHASSIS COMPONENTS

KEY	PART NUMBER	U/M	DESCRIPTION
1	096322-01-000	EA	WHEELWELL-PLASTIC
2	072884-27-703	EA	FLAP-MUD, FRONT - W/HOLES - SET OF 2 - RUBBER - BLACK
3	077848-02-000	EA	STEP-PULLOUT
	076241-14-000	EA	SUPPORT-STEP, ENTRY DOOR
	091176-01-000	EA	SUPPORT-BASE, ENTRANCE STEP
4	105203-02-000	EA	COMPARTMENT-BATTERY
	084993-01-000	EA	STRAP ASSEMBLY-BATTERY, WEBBING & BUCKLE - 1100MM X 1" WIDE
	084993-02-000	EA	STRAP ASSEMBLY-BATTERY, WEBBING & BUCKLE - 1400MM X 1" WIDE
5	017516-01-000	EA	FLAP-MUD, 14" X 18" - BLACK - REAR
6	045731-05-000	EA	GUARD-ROCK
			FROM: 00-00-00 THRU: 09-25-94
6	045731-05-000	EA	GUARD-ROCK
			FROM: 09-26-94 THRU: 99-99-99
7	115775-01-02B	EA	COMPARTMENT ASM-GENERATOR, E-COAT
	114070-02-02B	EA	SUPPORT ASM-GENERATOR, E-COAT
	114071-02-02B	EA	SUPPORT ASM-GENERATOR, RT - E-COAT
	056748-01-000	EA	PLUG-CAP, 1.5" DIAMETER - BLACK
	115361-01-01A	EA	PLUG-PLASTIC, CAPPLUG NO.W5
	061420-01-000	EA	PLUG-PLASTIC, 1.75" - BROWN
	061420-05-000	EA	PLUG-PLASTIC, 1.8" DIAMETER

REAR BUMPER & HITCH

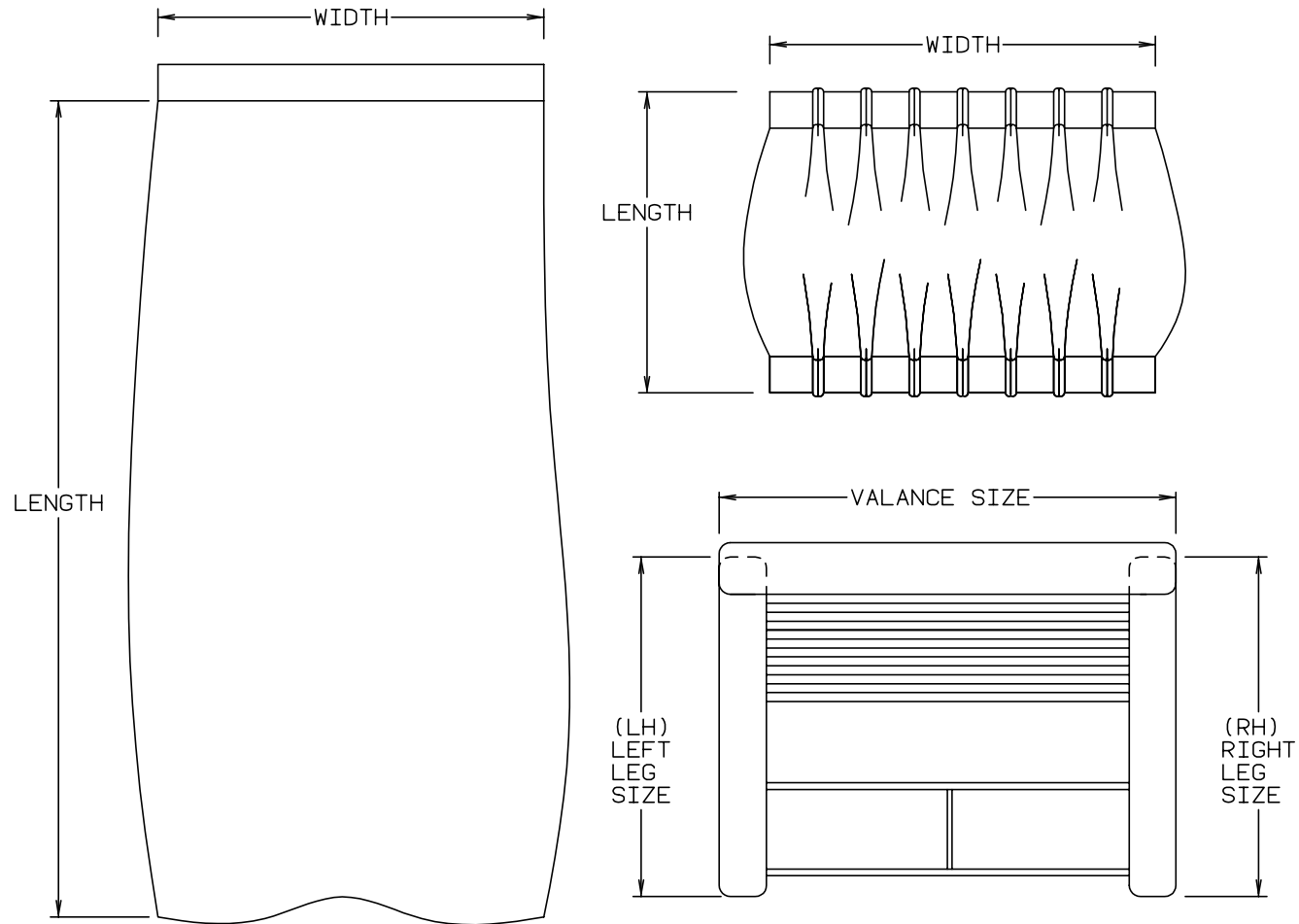
KEY	PART NUMBER	U/M	DESCRIPTION
1	105209-06-C52	EA	BRACKET ASSEMBLY-SPARE TIRE
2	105208-01-000	EA	PLATE-SPARE TIRE
3	104420-01-000	EA	SUPPORT-ANGLE, REAR BUMPER - RIGHT
4	083376-01-000	EA	PLATE-SKID, 13.2" X 6" X 2" - STEEL
5	083425-09-000	EA	TIRE - LT225/75R16 LRD, MICHELIN XCH4
			FROM: 00-00-00 THRU: 01-20-95
5	083425-11-000	EA	TIRE - LT225/75R16 LRD, MICHELIN XTX A/S OB
			FROM: 01-21-95 THRU: 99-99-99
6	103422-02-01A	EA	BUMPER-SQUARE, ALUMINUM - OFF WHITE
6	103422-02-02A	EA	BUMPER-SQUARE, ALUMINUM - BRIGHT WHITE
7	039779-01-000	EA	CAP-BUMPER, RUBBER - 4" X 4" - BLACK
8	105531-02-000	EA	RETAINER-SPARE TIRE
9	073322-07-DB1	EA	COVER-SPARE TIRE, OFF WHITE
9	073322-07-F15	EA	COVER-SPARE TIRE, BRIGHT WHITE
10	034512-01-000	EA	PIN-LOCKING, DRAWBAR
11	034513-01-000	EA	PIN-HITCH, 3/16" WIRE
12	077617-08-000	EA	HITCH-TRAILER, W/O DRAWBAR - 41.1" WIDE - STEEL - BLACK
13	104420-02-000	EA	SUPPORT-ANGLE, REAR BUMPER - LEFT
	097744-02-000	EA	HOUSING-TRAILER PIN, 48"
	097745-02-000	EA	HOUSING-RECEPTACLE, TRAILER - 12" WIRE LENGTH
	113589-02-000	EA	CONNECTOR-SOCKET, TRAILER - GENERAL 433601
	113589-01-000	EA	CONNECTOR-PLUG, TRAILER - GENERAL 433501
	113634-01-000	EA	WIRE ASSEMBLY-TRAILER, ADAPTER

CURTAIN & CUSHION GROUP

NOTICE

IN ORDER TO ASSIST OUR PARTS SALES DEPT. IN PROVIDING INTERIOR SOFTWARE ITEMS, PLEASE INCLUDE THE SERIAL NUMBER AND THE COLOR CODE NUMBER FROM THE VEHICLE CERTIFICATION LABEL WHEN ORDERING. THIS LABEL IS LOCATED ON THE LEFT SIDEWALL AT THE END OF THE DASH (A-BODY), OR ON THE DRIVER'S DOOR LATCH PLATE (C-BODY).

AN EXAMPLE OF A COLOR CODE NUMBER IS B07, WHICH DESIGNATES AN OVERALL COLOR SCHEME OF A PARTICULAR UNIT. THE COLOR LISTED AFTER THE ITEM DESCRIPTION ON THE MICROFICHE, INDICATES THE OVERALL UNIT COLOR. ORDER THE ITEM YOU DESIRE ACCORDING TO UNIT COLOR CODE.



NOTE: USE THIS ILLUSTRATION WHEN DETERMINING LENGTH AND WIDTH MEASUREMENTS FOR CURTAINS. YOU WILL NOTE THE WIDTH MEASUREMENT IS TAKEN ON THE TOP OF THE CURTAIN WITH THE CURTAIN FULLY EXTENDED. THE LENGTH MEASUREMENT IS TAKEN FROM TOP TO BOTTOM. LEFT AND RIGHT WINDOW LEGS ARE DETERMINED WHEN FACING THE WINDOW.

CURTAIN & CUSHION GROUP (CONTINUED) FABRICS

KEY	PART NUMBER	U/M	DESCRIPTION
	087272-03-000	YD	DRAPERY LINING, 54" - IVORY
	105745-64-000	YD	FABRIC-BEDSPREAD, DRAPERY & PRIVACY CURTAIN - SLATE (F15)
	105745-62-000	YD	FABRIC-BEDSPREAD, DRAPERY & PRIVACY CURTAIN - LILAC (F16)
	105745-85-000	YD	FABRIC-BEDSPREAD, MAIN - OPAL (F15)
	105745-86-000	YD	FABRIC-BEDSPREAD, MAIN - DUSK (F16)
	108446-B3-000	YD	FABRIC-UPHOLSTERY, MAIN - GULF (F15)
	108446-B8-000	YD	FABRIC-UPHOLSTERY, MAIN - IVORY (F16)
	108446-49-000	YD	FABRIC-UPHOLSTERY, PLAIN ACCENT - TWILIGHT (F15)
	108446-B4-000	YD	FABRIC-UPHOLSTERY, PLAIN ACCENT - SMOKE (F16)
	108446-B5-000	YD	FABRIC-UPHOLSTERY, PATTERN ACCENT - GULF (F15)
	108446-B6-000	YD	FABRIC-UPHOLSTERY, PATTERN ACCENT - IVORY (F16)
	079680-01-000	YD	FABRIC-VINYL, 54" WIDE - BEIGE
	103907-01-01A	YD	FABRIC-VINYL, 54" WIDE - OFF WHITE

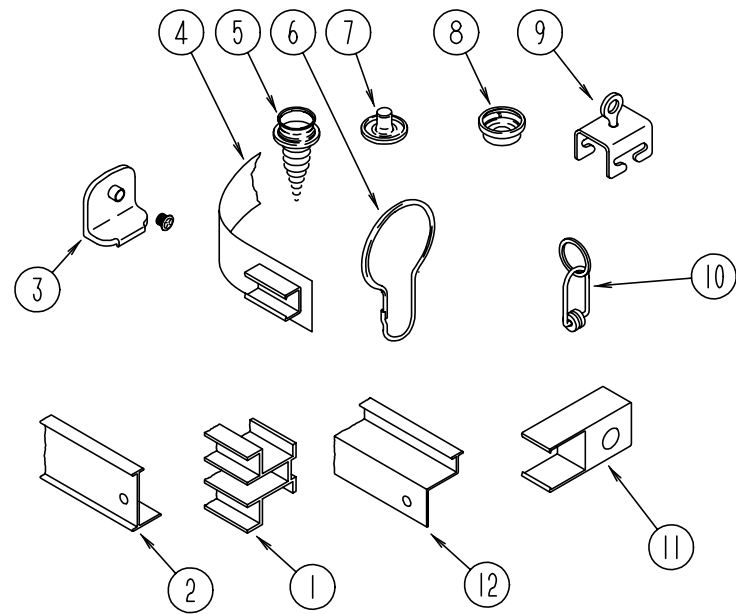
WELTING & BUTTONS

KEY	PART NUMBER	U/M	DESCRIPTION
	079349-04-E27	YD	WELTING-FABRIC (F15)
	079349-04-F16	YD	WELTING-FABRIC (F16)
	070578-10-F15	EA	BUTTON-SCREW STUD - #30
	070578-10-F16	EA	BUTTON-SCREW STUD - #30

ASSIST HANDLE & SEATBELTS

KEY	PART NUMBER	U/M	DESCRIPTION
	053552-02-AA8	EA	HANDLE-ASSIST, INTERIOR - ENTRY DOOR - VINYL - OFF WHITE
	069178-02-000	EA	BRACKET-MOUNTING, ASSIST HANDLE - L ANGLE - W/HOLES - STEEL
	000C16-07-16B	EA	BOLT-CARRIAGE, ASSIST HANDLE - 7/16" - 14 X 1" - ZINC
	000D20-07-00B	EA	NUT-ACORN, ASSIST HANDLE - 7/16" X 14 - ZINC
	057759-01-000	EA	WASHER BRACKET-SEAT BELT, 4" DIAMETER
	007021-01-000	EA	BELT-SEAT, 2" X 90" - BLACK
	056271-01-000	EA	BELT-SEAT, 2" X 102" - BLACK

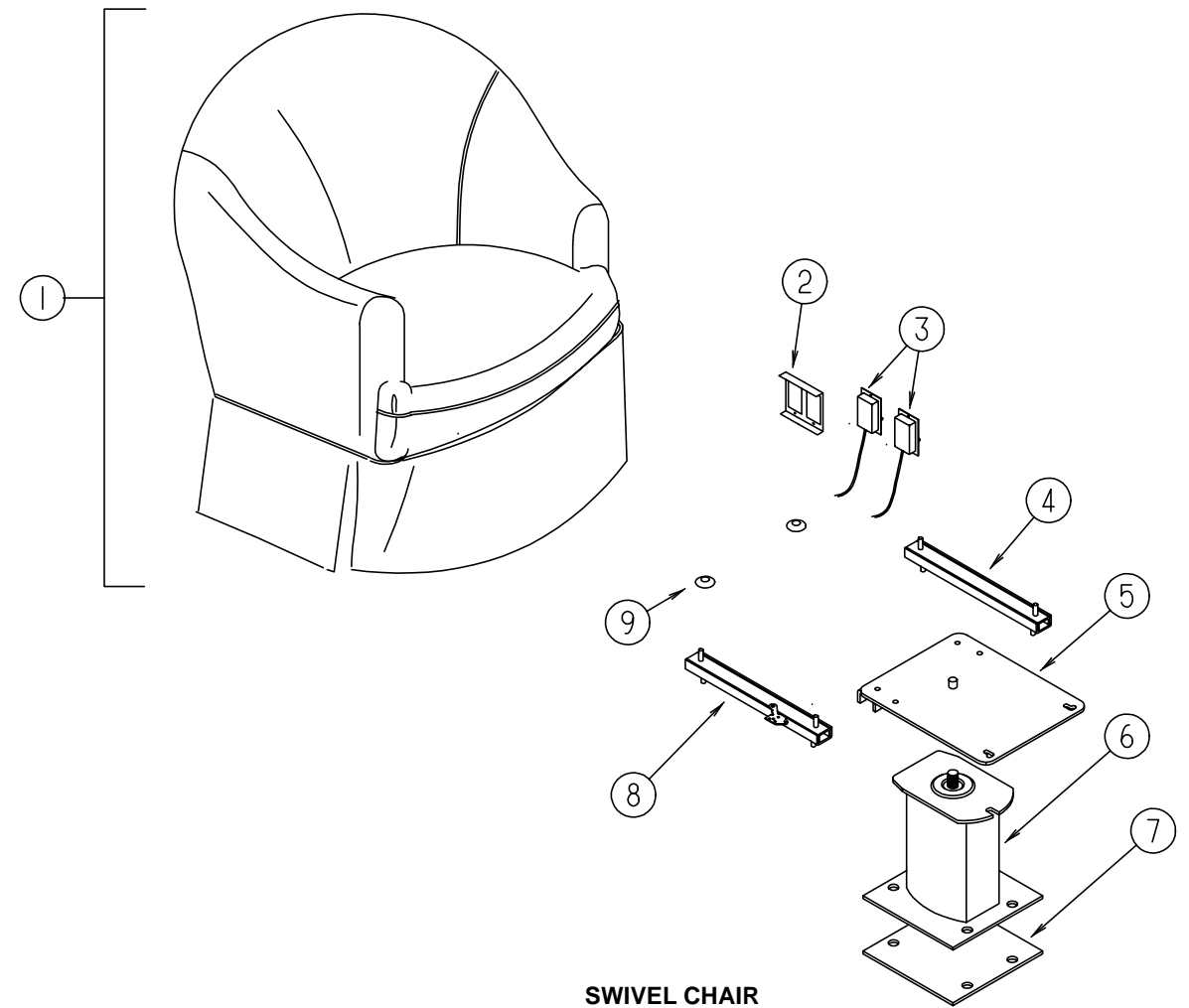
CURTAIN & CUSHION GROUP (CONTINUED)



CURTAIN HARDWARE

KEY	PART NUMBER	U/M	DESCRIPTION
1	101033-03-000	FT	TRACK-WALL, WHITE
2	092464-05-01A	EA	TRACK-SHOWER, CURVED - OFF WHITE
	009700-04-002	EA	TRACK-L SHAPED, 195.2" - OFF WHITE
3	106544-01-000	EA	PULL-SHADE, BRASS
	106544-01-001	EA	SCREW-BRASS, SHADE
4	101031-01-000	YD	TAPE-GLIDE, CURTAIN - 4.25" SPACING
5	029130-01-000	EA	SCREW-SNAP SOCKET, #8 PH X 5/8"
6	009136-02-000	EA	HANGER-RING, PIN TYPE - CURTAIN - BRASS
7	029155-01-000	EA	CAP-SNAP, 5/32" OD OF PIN
8	029156-01-000	EA	SOCKET-SNAP, 9/16" OD
9	009701-01-000	EA	CARRIER-CURTAIN, L ROD
10	009702-01-000	EA	END STOP-CURTAIN CARRIER, L ROD
11	101033-02-000	EA	END CAP-TRACK, CLEAR
12	105450-02-01A	EA	TRACK-CURTAIN, 48" LONG - ALUMINUM - OFF WHITE
12	105450-06-01A	EA	TRACK-CURTAIN, 88" LONG - ALUMINUM - OFF WHITE
12	105450-09-01A	EA	TRACK-CURTAIN, GEORGETOWN VALANCE - 55.5" LONG - ALUMINUM - OFFWHITE
	046867-01-000	EA	GROMMET-BRASS, 7/16" ID X 1" OD
	048394-02-000	YD	VELCRO TAPE-HOOK, ADHESIVE BACK - .75" WIDE - BEIGE
	068716-01-001	EA	BRACE - 90 DEGREE, L-ANGLE - 192" - EXTRUDED ALUMINUM
	075943-10-000	EA	BRACE-WINDOW VALANCE, 20" - ALUMINUM - OFF WHITE
	084433-05-000	EA	SHADE-ROLLER
	096843-01-000	EA	SPRING-REWIND, ROLLER SHADE
	084432-06-000	FT	SLAT-ROLLER SHADE, PLASTIC
	084434-01-000	FT	BRACKET-MOUNTING, ROLLER SHADE - 1 3/8"
	088792-01-000	YD	VELCRO-HOOK, .75" WIDE - BEIGE
	088792-02-000	YD	VELCRO TAPE-LOOP, ADHESIVE BACKED - .75" WIDE - BEIGE
	086276-01-000	YD	TAPE-DOUBLE SIDED, 1/2"
	056003-01-000	EA	BRACKET-DRAPERY RETAINING, RIGHT
	056003-02-000	EA	BRACKET-DRAPERY RETAINING, LEFT
	083170-01-000	EA	BRACKET-BLIND, LEFT SIDE WHEN FACING WINDOW
	083170-02-000	EA	BRACKET-BLIND, RIGHT SIDE WHEN FACING WINDOW
	109441-01-000	EA	HOLD DOWN-BLIND, HOOK

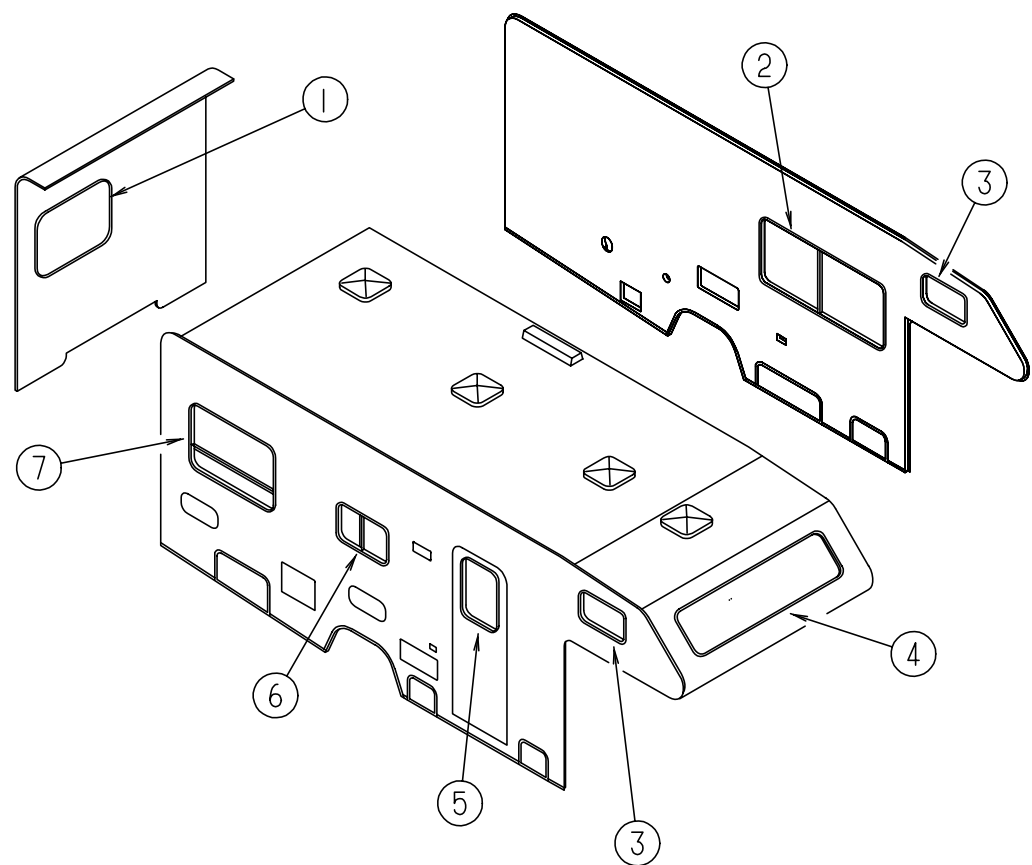
CURTAIN & CUSHION GROUP (CONTINUED)



SWIVEL CHAIR

KEY	PART NUMBER	U/M	DESCRIPTION
1	115470-01-F15	EA	CHAIR-SEIRRA, W/SKIRT
1	115470-01-F16	EA	CHAIR-SEIRRA, W/SKIRT
	P15470-01-F15	EA	COVER-CHAIR, SEIRRA
	P15470-01-F16	EA	COVER-CHAIR, SEIRRA
2	097683-02-000	EA	BRACKET- MOUNT, REMOTE
3	108049-01-000	EA	CABLE-SWIVEL, W/SWITCH - 28" - FLEXSTEEL PED 23602
			FROM: 00-00-00 THRU: 11-13-94
	108049-02-000	EA	CLIP-CABLE, PEDESTAL - FLEXSTEEL 2592-CA
3	108049-03-000	EA	CABLE - 26", Z END CABLE
			FROM: 11-14-94 THRU: 99-99-99
	117125-01-02B	EA	BRACKET-CABLE HOLDER, E COAT
			FROM: 10-17-94 THRU: 99-99-99
4	069246-06-000	EA	ADJUSTER-SWIVEL CHAIR, MANUAL - FORWARD & BACK
			FROM: 00-00-00 THRU: 10-16-94
4	069246-13-000	EA	ADJUSTER-SWIVEL CHAIR, NON-LOCKING
			FROM: 10-17-94 THRU: 99-99-99
5	107921-08-000	EA	TOP PLATE-W/O SEAT BELT BAR, FLEXSTEEL 2759PDTP
	107921-06-000	EA	BEARING KIT-FLEXSTEEL
6	107921-01-000	EA	BASE-PEDESTAL, W/9.75" EXTENSION - FLEXSTEEL 3060 MSPD
7	108445-02-000	EA	SUB-PLATE, PEDESTAL - FLOOR MOUNTED
8	069246-08-000	EA	ADJUSTER-SWIVEL CHAIR, FORWARD & BACK - REMOTE - SCHROCK
			FROM: 00-00-00 THRU: 10-16-94
8	069246-12-000	EA	ADJUSTER-SWIVEL CHAIR, LOCKING - 2 STUDS
			FROM: 10-17-94 THRU: 99-99-99
9	007221-01-000	EA	SPACER-SEAT ADJUSTER

CURTAIN & CUSHION GROUP (CONTINUED)



CURTAINS & WINDOW TREATMENT

KEY	PART NUMBER	U/M	DESCRIPTION
1	104657-02-F15	EA	VALANCE-WINDOW, GEORGETOWN - 52" - W/O HEADER
1	104657-02-F16	EA	VALANCE-WINDOW, GEORGETOWN - 52" - W/O HEADER
1	101668-42-F15	EA	CURTAIN-WINDOW, TAPE TOP - 32" X 35"
1	101668-42-F16	EA	CURTAIN-WINDOW, TAPE TOP - 32" X 35"
1	084755-92-F15	EA	SHADE-PULL, 50.25"
2	105923-24-F15	EA	VALANCE-WINDOW, RODEWAY - 63.5" - W/1" INSERT
2	105923-24-F16	EA	VALANCE-WINDOW, RODEWAY - 63.5" - W/1" INSERT
2	076892-21-FB1	EA	CURTAIN-WINDOW, PLAIN HEM TOP & BOTTOM - 30" X 15" (F15)
2	076892-21-FC1	EA	CURTAIN-WINDOW, PLAIN HEM TOP & BOTTOM - 30" X 15" (F16)
2	084755-76-F15	EA	SHADE-PULL, 62.25" - W/O TRIM
3	101034-45-F15	EA	CURTAIN-WINDOW, DARTED TAPE TOP - W/LINING - 20" X 34" - RH
3	101034-45-F16	EA	CURTAIN-WINDOW, DARTED TAPE TOP - W/LINING - 20" X 34" - RH
3	101034-46-F15	EA	CURTAIN-WINDOW, DARTED TAPE TOP - W/LINING - 20" X 34" - LH
3	101034-46-F16	EA	CURTAIN-WINDOW, DARTED TAPE TOP - W/LINING - 20" X 34" - LH
4	101034-33-F15	EA	CURTAIN-WINDOW, DART TAPE TOP & BOTTOM - 21" X 60" - RIGHT
4	101034-33-F16	EA	CURTAIN-WINDOW, DART TAPE TOP & BOTTOM - 21" X 60" - RIGHT
4	101034-34-F15	EA	CURTAIN-WINDOW, DART TAPE TOP & BOTTOM - 21" X 60" - LEFT
4	101034-34-F16	EA	CURTAIN-WINDOW, DART TAPE TOP & BOTTOM - 21" X 60" - LEFT

CURTAIN & CUSHION GROUP (CONTINUED)

CURTAINS & WINDOW TREATMENT (CONTINUED)

KEY	PART NUMBER	U/M	DESCRIPTION
5	105923-28-F15	EA	VALANCE-DOOR, RODEWAY - 29" - W/1" INSERT
5	105923-28-F16	EA	VALANCE-DOOR, RODEWAY - 29" - W/1" INSERT
5	084755-57-E07	EA	SHADE-PULL, 27.25"
6	109041-20-01A	EA	BLIND-MINI, 31" X 18" DROP - PURE SILVER
	109353-07-01A	EA	VALANCE-BLIND, 31" SLAT - PURE SILVER
	109353-04-000	EA	CLIP-VALANCE SLAT MOUNTING, CLEAR PLASTIC
7	104657-02-F15	EA	VALANCE-WINDOW, GEORGETOWN - 52" - W/O HEADER
7	104657-02-F16	EA	VALANCE-WINDOW, GEORGETOWN - 52" - W/O HEADER
7	101668-42-F15	EA	CURTAIN-WINDOW, TAPE TOP - 32" X 35"
7	101668-42-F16	EA	CURTAIN-WINDOW, TAPE TOP - 32" X 35"
7	084755-92-F15	EA	SHADE-PULL, 50.25"

PRIVACY CURTAINS

KEY	PART NUMBER	U/M	DESCRIPTION
	076892-20-F15	EA	CURTAIN-BUNK PRIVACY, SNAP TOP - PLAIN - W/LINING - 50" X 78"
	076892-20-F16	EA	CURTAIN-BUNK PRIVACY, SNAP TOP - PLAIN - W/LINING - 50" X 78"
	101668-39-F15	EA	CURTAIN-BUNK PRIVACY, TAPE TOP - W/LINING - 35" X 50" - RIGHT
	101668-40-F15	EA	CURTAIN-BUNK PRIVACY, TAPE TOP - W/LINING - 35" X 50" - LEFT
	101668-39-F16	EA	CURTAIN-BUNK PRIVACY, TAPE TOP - W/LINING - 35" X 50" - RIGHT
	101668-40-F16	EA	CURTAIN-BUNK PRIVACY, TAPE TOP - W/LINING - 35" X 50" - LEFT
	101668-48-F15	EA	CURTAIN-BEDROOM PRIVACY, TAPE TOP - W/LINING - 70" X 60"
	101668-48-F16	EA	CURTAIN-BEDROOM PRIVACY, TAPE TOP - W/LINING - 70" X 60"

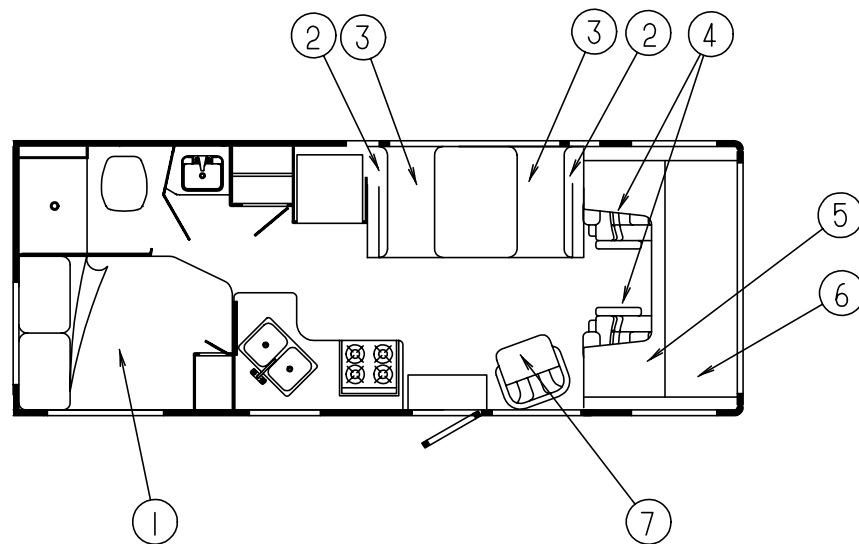
SHOWER CURTAINS

KEY	PART NUMBER	U/M	DESCRIPTION
	084481-24-C24	EA	CURTAIN-SHOWER, 72" X 42" (F15)
	084481-24-D05	EA	CURTAIN-SHOWER, 72" X 42" (F16)

CURTAIN TIEBACKS

KEY	PART NUMBER	U/M	DESCRIPTION
	073260-25-F15	EA	TIEBACK-BEDROOM CURTAIN, 3" X 18"
	073260-25-F16	EA	TIEBACK-BEDROOM CURTAIN, 3" X 18"
	073260-23-F15	EA	TIEBACK-BUNK PRIVACY CURTAIN, 3" X 18"
	073260-23-F16	EA	TIEBACK-BUNK PRIVACY CURTAIN, 3" X 18"
	073260-54-C30	EA	TIEBACK-SHOWER CURTAIN, 3" X 16" (F15)
	073260-54-D36	EA	TIEBACK-SHOWER CURTAIN, 3" X 16" (F16)
	073260-63-FB1	EA	TIEBACK-BEDROOM PRIVACY CURTAIN, 4" X 15" (F15)
	073260-63-FC1	EA	TIEBACK-BEDROOM PRIVACY CURTAIN, 4" X 15" (F16)
	057534-01-000	EA	TIEBACK/TIEDOWN-BED/CURTAIN/DOOR - 6", PLASTIC - CLEAR
	057534-06-000	EA	TIEBACK/TIEDOWN-VINYL, 6" - BEIGE

CURTAIN & CUSHION GROUP (CONTINUED)



DOUBLE BEDSPREAD, PILLOW & MATTRESS

KEY	PART NUMBER	U/M	DESCRIPTION
1	085365-27-F15	EA	BEDSPREAD-THROW, W/ROUNDED CORNER - 54"
1	085365-27-F16	EA	BEDSPREAD-THROW, W/ROUNDED CORNER - 54"
	081997-17-F15	EA	PILLOW SHAM-W/4" RUFFLE
	081997-17-F16	EA	PILLOW SHAM-W/4" RUFFLE
	101123-16-000	EA	MATTRESS-FOAM, 54" X 74" - CUT CORNER
	P01123-16-000	EA	COVER-MATTRESS, 54" X 74" - CUT CORNER

DINETTE CUSHIONS

KEY	PART NUMBER	U/M	DESCRIPTION
2	116134-01-FB1	EA	CUSHION-BACKREST, 13.5" X 37.5" X 5" (F15)
2	116134-01-FC1	EA	CUSHION-BACKREST, 13.5" X 37.5" X 5" (F16)
	P16134-01-FB1	EA	COVER-CUSHION, BACKREST - 13.5" X 37.5" X 5" (F15)
	P16134-01-FC1	EA	COVER-CUSHION, BACKREST - 13.5" X 37.5" X 5" (F16)
	078155-01-000	EA	STRAP-SNAP, BACKREST CUSHION
3	088927-87-F15	EA	CUSHION-SEATBASE, 23" X 38" X 5"
3	088927-87-F16	EA	CUSHION-SEATBASE, 23" X 38" X 5"
	M88927-87-F15	EA	COVER-CUSHION, SEATBASE - 23" X 38" X 5"
	M88927-87-F16	EA	COVER-CUSHION, SEATBASE - 23" X 38" X 5"

BUCKET SEATS

KEY	PART NUMBER	U/M	DESCRIPTION
4	110148-04-F15	EA	SEAT-ECONOMIZER II RECLINER, W/ECONO ARMS
4	110148-04-F16	EA	SEAT-ECONOMIZER II RECLINER, W/ECONO ARMS

CURTAIN & CUSHION GROUP (CONTINUED)
BUNK CUSHIONS

KEY	PART NUMBER	U/M	DESCRIPTION
5	105573-10-F15	EA	CUSHION-OVERHEAD, REAR - 27" X 23" X 80" X 4"
5	105573-10-F16	EA	CUSHION-OVERHEAD, REAR - 27" X 23" X 80" X 4"
	P05573-10-F15	EA	COVER-CUSHION, REAR - 27" X 23" X 80" X 4"
	P05573-10-F16	EA	COVER-CUSHION, REAR - 27" X 23" X 80" X 4"
6	105573-09-F15	EA	CUSHION-OVERHEAD, FRONT - DOUBLE ANGLED - 32.5" X 80" X 4"
6	105573-09-F16	EA	CUSHION-OVERHEAD, FRONT - DOUBLE ANGLED - 32.5" X 80" X 4"
	P05573-09-F15	EA	COVER-CUSHION, FRONT - DOUBLE ANGLED - 32.5" X 80" X 4"
	P05573-09-F16	EA	COVER-CUSHION, FRONT - DOUBLE ANGLED - 32.5" X 80" X 4"

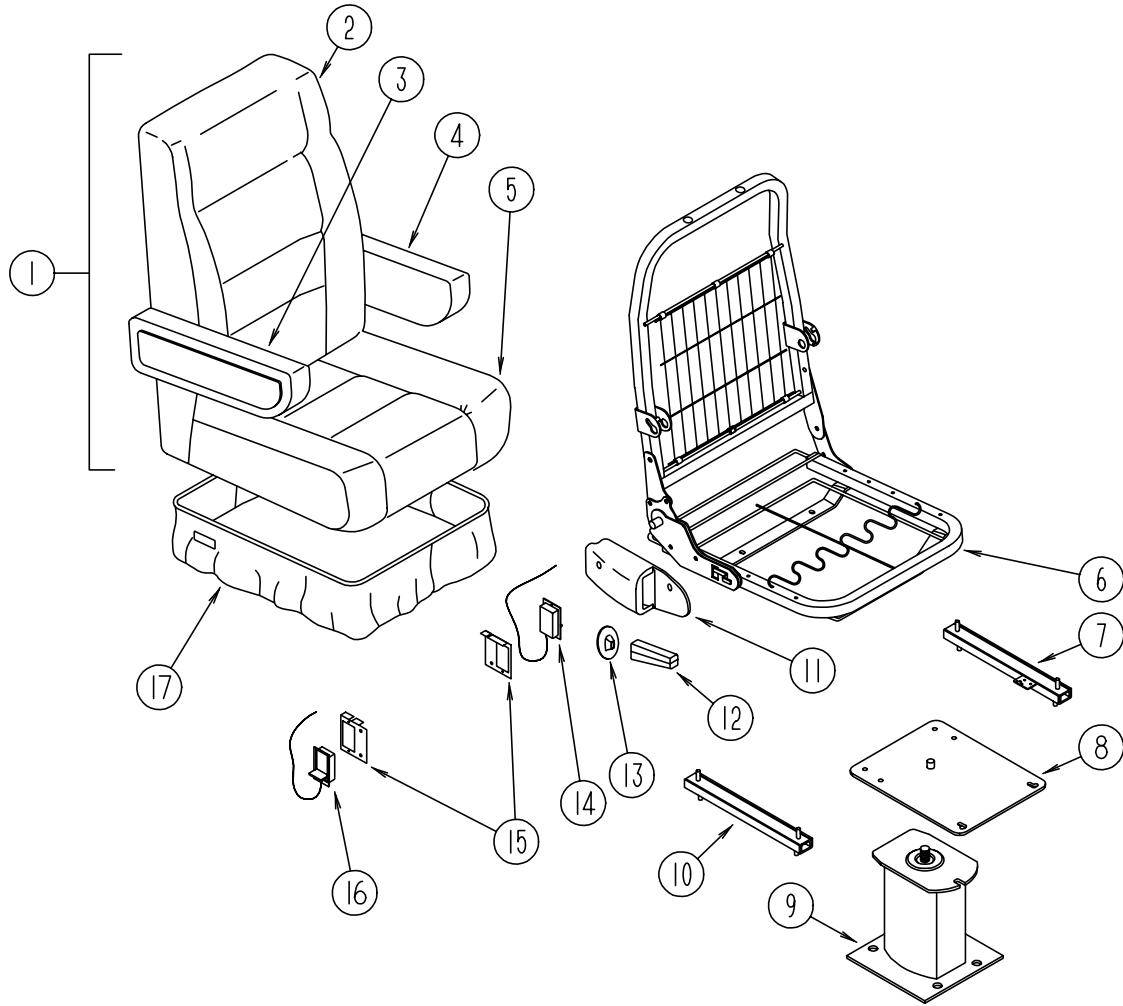
BUNK CUSHIONS-OVERHEAD ENTERTAINMENT CENTER

KEY	PART NUMBER	U/M	DESCRIPTION
	079145-08-000	EA	CUSHION-BUNK, 25" X 74" X 3.5"
	M79145-08-000	EA	COVER-CUSHION, BUNK - 25" X 74" X 3.5"

SWIVEL CHAIR

KEY	PART NUMBER	U/M	DESCRIPTION
7	115470-01-F15	EA	CHAIR-SEIRRA, W/SKIRT
7	115470-01-F16	EA	CHAIR-SEIRRA, W/SKIRT

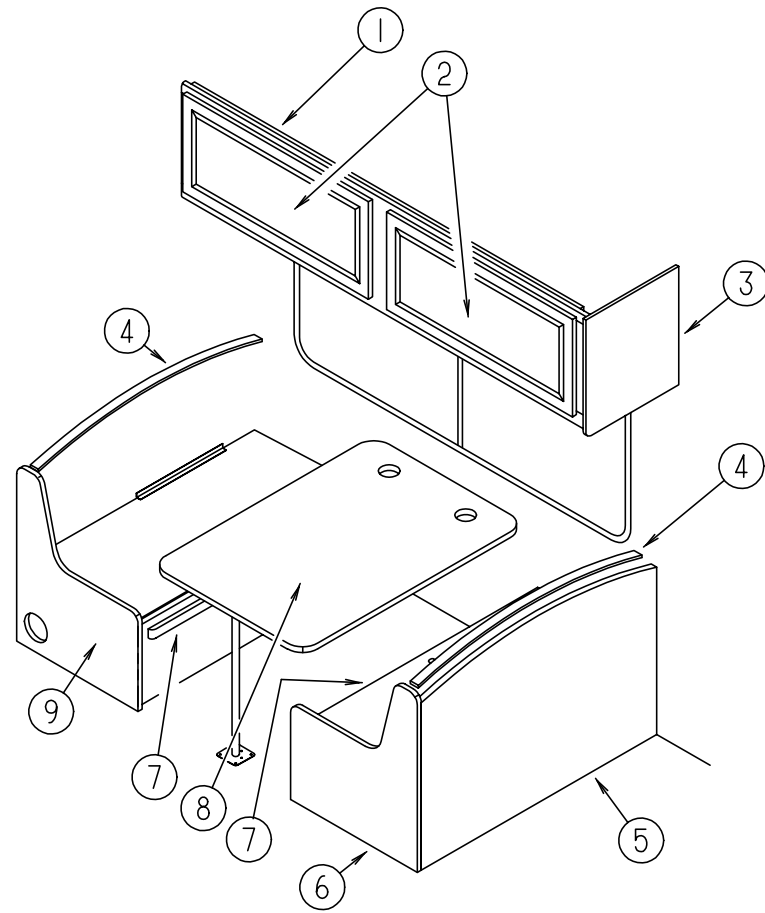
CURTAIN & CUSHION GROUP (CONTINUED)
DRIVER & PASSENGER BUCKET SEAT



KEY	PART NUMBER	U/M	DESCRIPTION
7	069246-14-000	EA	ADJUSTER ASM-NONLOCKING,2 ST AMP #83720 FROM: 00-00-00 THRU: 05-28-95
7	119952-04-000	EA	SLIDE-SEAT, HD - LOCKING, 4 STUDS ATWOOD 83785 FROM: 05-29-95 THRU: 99-99-99
	117125-01-02B	EA	BRACKET-CABLE HOLDER, E-COAT
	069246-05-700	EA	SPRING-ADJUSTER, FOR REMOTE
	069246-05-701	EA	CLIP-CABLE, FOR REMOTE
8	107921-08-000	EA	TOP PLATE-W/O SEAT BELT BAR FLEXSTEEL 2759PDTP
	069585-27-000	EA	PEDESTAL-UPPER, W/RECLINE LEVER - STEEL
9	107921-09-000	EA	PEDESTAL ASM-SEAT, FORD - FLEXSTEEL 3067-PDMB
	107921-06-000	EA	BEARING KIT-PEDESTAL, FLEXSTEEL
10	069246-15-000	EA	ADJUSTER ASM-NONLOCKING,2 ST AMP #83730 FROM: 00-00-00 THRU: 05-28-95
10	119952-02-000	EA	ADJUSTER ASM-NONLOCKING,2 ST ATWOOD 83731 FROM: 05-29-95 THRU: 99-99-99
	114889-01-000	EA	STOP BAR-UNIVERSAL, SEAT ADJUSTER - SHROCK
11	080730-09-000	EA	SHIELD-FLEXSTEEL
12	080730-08-000	EA	HANDLE - 30179907 KEIPER
13	080730-11-000	EA	SHIELD-RUBBER BOOT FLEXSTEEL
14	089368-04-000	EA	CABLE-SWIVEL/SLIDE, W/SWITCH
15	097683-02-000	EA	BRACKET-REMOTE, SIDE MOUNT
16	108049-01-000	EA	CABLE W/SWITCH - 28", F/FLEXSTEEL PEDESTAL FROM: 00-00-00 THRU: 11-13-94
	108049-02-000	EA	CLIP-CABLE, PEDESTAL
16	108049-03-000	EA	CABLE - 26" Z END CABLE CMA FROM: 11-14-94 THRU: 99-99-99
17	071126-42-F15	EA	SKIRT - 7", W/SLIT, OPEN BACK CORNERS
17	071126-42-F16	EA	SKIRT - 7", W/SLIT, OPEN BACK CORNERS

KEY	PART NUMBER	U/M	DESCRIPTION
1	110148-04-F15	EA	SEAT-ECONOMIZER II RECLINER, W/ECONO ARMS
1	110148-04-F16	EA	SEAT-ECONOMIZER II RECLINER, W/ECONO ARMS
2	M05962-17-F15	EA	COVER-BACK, ECONOMIZER II
2	M05962-17-F16	EA	COVER-BACK, ECONOMIZER II
3	115520-01-FB1	EA	ARMREST-RH, ECONO W/O SEWLINES (F15)
3	115520-01-FC1	EA	ARMREST-RH, ECONO W/O SEWLINES (F16)
	P15520-01-FB1	EA	COVER-ARMREST, RH (F15)
	P15520-01-FC1	EA	COVER-ARMREST, RH (F16)
	081268-01-000	EA	ROD & CHANNEL-ARMREST, RIGHT - METAL
	081361-01-000	EA	ROD-ARMREST, METAL - RIGHT OR LEFT HAND
4	115520-02-FB1	EA	ARMREST-LH, ECONO W/O SEWLINES (F15)
4	115520-02-FC1	EA	ARMREST-LH, ECONO W/O SEWLINES (F16)
	P15520-02-FB1	EA	COVER-ARMREST, LH (F15)
	P15520-02-FC1	EA	COVER-ARMREST, LH (F16)
	081268-02-000	EA	ROD & CHANNEL-ARMREST, LEFT - METAL
	081361-01-000	EA	ROD-ARMREST, METAL - RIGHT OR LEFT HAND
5	M05962-18-F15	EA	COVER-SEAT, ECONOMIZER II
5	M05962-18-F16	EA	COVER-SEAT, ECONOMIZER II
6	M80906-11-000	EA	FRAME ASM-SEAT, BACK & SPRING

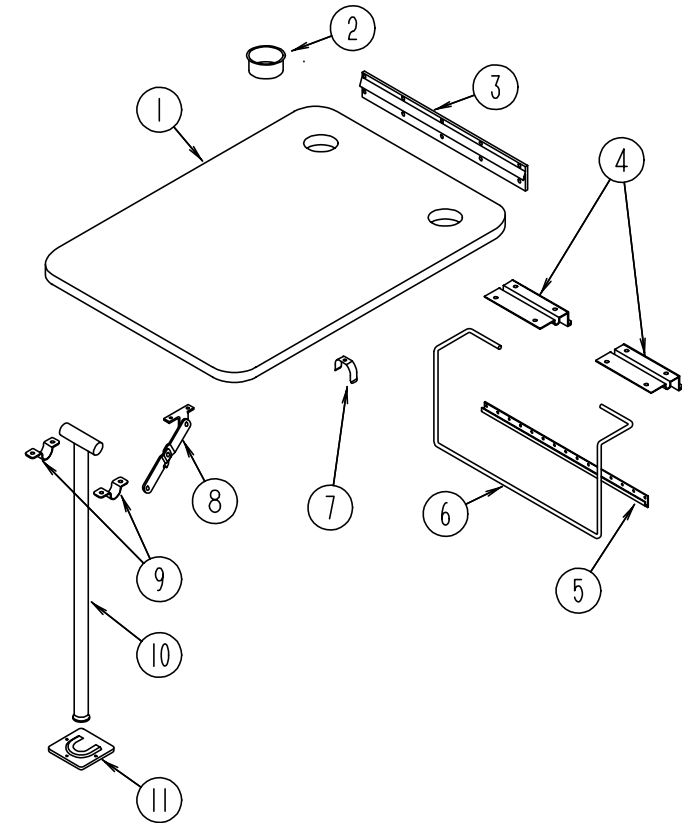
DINETTE GROUP



DINETTE CABINETS, PADS & TABLE

KEY	PART NUMBER	U/M	DESCRIPTION
1	114604-01-F15	EA	CABINET-OVERHEAD, DINETTE - W/O DOORS OR HARDWARE
2	110140-65-F15	EA	DOOR-CABINET, W/MIRROR - W/O HARDWARE - 365MM X 850MM
2	110140-05-EB1	EA	DOOR-CABINET, W/O HARDWARE - 365MM X 850MM - EXPORT
3	109908-25-F15	EA	END CAP-CABINET
4	111338-09-F15	EA	PAD-DINETTE
4	111338-09-F16	EA	PAD-DINETTE
5	M06836-09-F15	EA	CABINET-SEATBACK, RH
6	M06837-09-F15	EA	CABINET-SEATBASE, RH
7	081295-01-AA8	EA	SUPPORT-BED, DINETTE
8	M02115-09-F15	EA	TABLE-DINETTE, W/O HARDWARE
9	M06885-22-F15	EA	CABINET-SEATBASE, LH
	M06884-10-F15	EA	CABINET-SEATBACK, LH

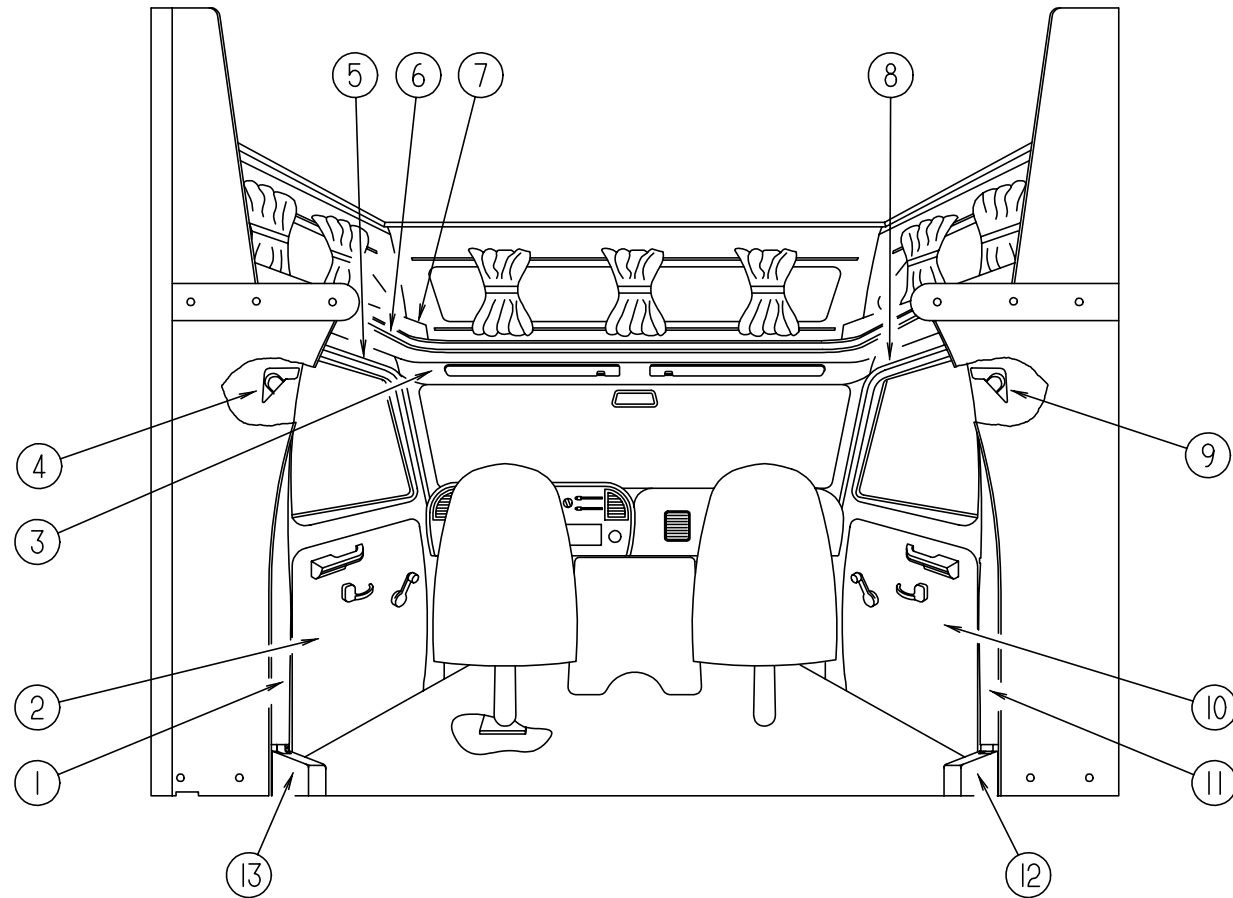
DINETTE GROUP (CONTINUED)



DINETTE TABLE & HARDWARE

KEY	PART NUMBER	U/M	DESCRIPTION
1	M02115-09-F15	EA	TABLE-DINETTE, W/O HARDWARE
2	064781-06-000	EA	HOLDER-CUP, TWO STEP - OFF WHITE
3	053200-12-000	EA	SUPPORT-TABLE, UPPER WALL MOUNTED - 23.5" - OFF WHITE
4	088410-02-000	EA	BRACKET-LIFT, TABLE MOUNTED - OFF WHITE
5	024281-15-000	EA	BRACKET-LIFT ROD, LOWER WALL MOUNTED - 22.12" - OFF WHITE
6	024275-13-000	EA	ROD-TABLE LIFT, OFF WHITE
7	024283-01-000	EA	CLIP-LEG, 1" - 1.125" OD - BLACK
8	024282-01-000	EA	BRACE-TABLE LEG, HINGED
9	064050-05-000	EA	HINGE-TABLE LEG, OFF WHITE
10	024276-23-000	EA	LEG-TABLE, OFF WHITE
11	053200-13-000	EA	CATCH-TABLE LEG, 18.50" - OFF WHITE
	049493-11-700	EA	CATCH-LEG, FLOOR MOUNTED - 2.5" X 2.7" - METAL - E COAT

DRIVERS COMPARTMENT GROUP



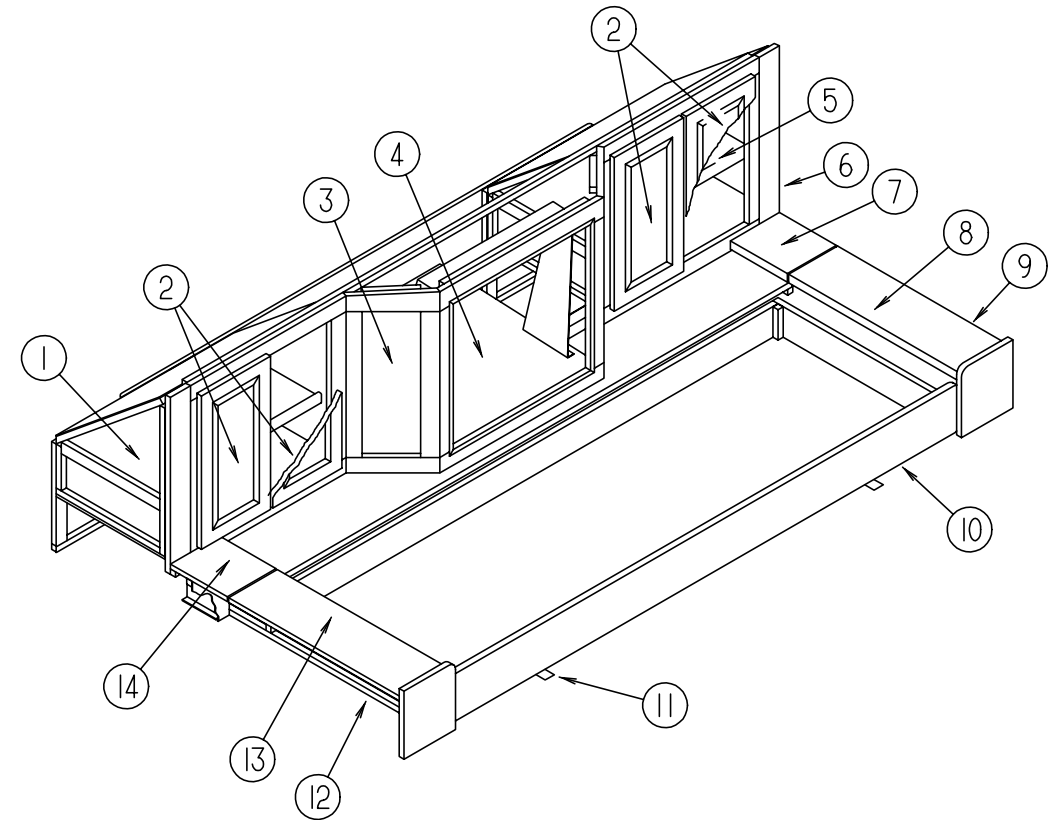
DRIVERS COMPARTMENT

KEY	PART NUMBER	U/M	DESCRIPTION
1	106446-02-C03	EA	TRIM ASSEMBLY-CAB, B-PILLAR - LEFT HAND
	106445-02-C03	EA	TRIM ASSEMBLY-WINGWALL WRAP, BETWEEN CAB STEEL & B PILLAR TRIM
2	106432-02-F15	EA	PANEL ASSEMBLY-DOOR, INNER - LEFT HAND
2	106432-02-F16	EA	PANEL ASSEMBLY-DOOR, INNER - LEFT HAND
3	106448-01-C03	EA	HEADLINER-VINYL COVERED, FRONT - OFF WHITE
4	115038-02-01A	EA	COVER-SEAT BELT, UPPER - LH - OFF WHITE
5	106447-02-C03	EA	TRIM ASSEMBLY-CAB DOOR, UPPER - LEFT
6	079800-07-000	EA	TRIM-SLEEPERBOARD, INNER - OFF WHITE
	080742-03-000	FT	INSERT-TRIM, SLEEPER BOARD - VINYL - OFF WHITE
7	109894-01-F15	EA	CABINET ASSEMBLY-HAMPER, FRONT
8	106447-01-C03	EA	TRIM ASSEMBLY-CAB DOOR, UPPER - RIGHT
9	115038-01-01A	EA	COVER-SEAT BELT, UPPER - RH - OFF WHITE
10	106432-01-F15	EA	PANEL ASSEMBLY-DOOR, INNER - RIGHT HAND
10	106432-01-F16	EA	PANEL ASSEMBLY-DOOR, INNER - RIGHT HAND
11	106446-01-C03	EA	TRIM ASSEMBLY-CAB, B-PILLAR - RIGHT
	106445-01-C03	EA	TRIM ASSEMBLY-WINGWALL WRAP, BETWEEN CAB STEEL & B PILLAR TRIM
12	106431-01-01A	EA	COVER-SEATBELT RECOIL, RIGHT - OFF WHITE
13	106431-02-01A	EA	COVER-SEATBELT RECOIL - LEFT - OFF WHITE

INSTRUMENT CLUSTERS

KEY	PART NUMBER	U/M	DESCRIPTION
	094795-09-000	EA	CLUSTER-INSTRUMENT PANEL, KM-95E350 - GAS/DIESEL - FORD F4UZ-10849-B
	100138-01-000	EA	MODULE-DAYTIME RUNNING LIGHT

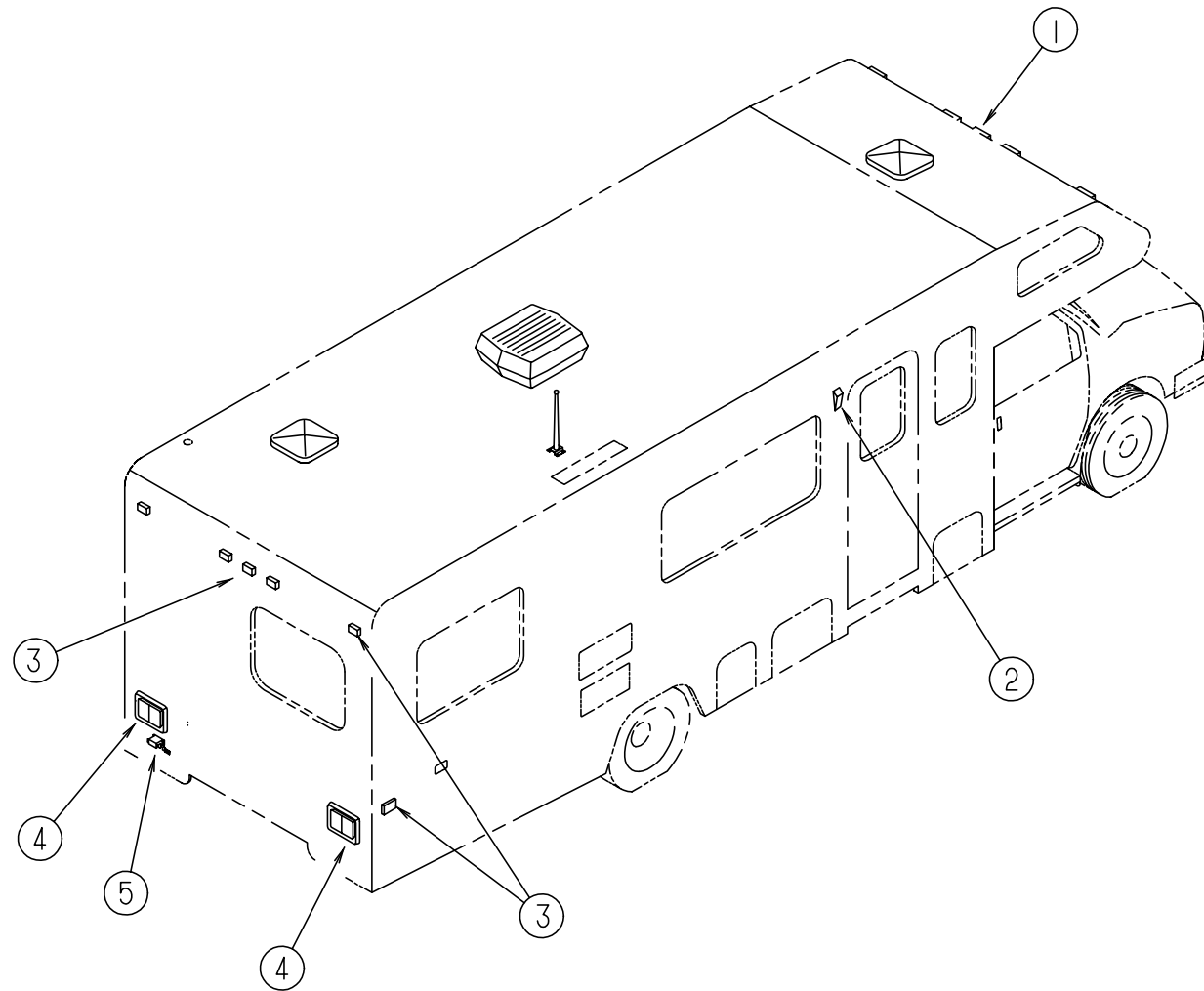
DRIVERS COMPARTMENT GROUP (CONTINUED)



FRONT ENTERTAINMENT CENTER

KEY	PART NUMBER	U/M	DESCRIPTION
1	110796-02-E21	EA	SHELF-ENTERTAINMENT CENTER CABINET
2	110140-25-E21	EA	DOOR-CABINET, W/O HARDWARE - 270MM X 505MM
3	110795-11-F15	EA	PANEL INSERT-CABINET, FABRIC COVERED - RIGHT & LEFT SIDE
3	110795-11-F16	EA	PANEL INSERT-CABINET, FABRIC COVERED - RIGHT & LEFT SIDE
4	111356-01-E21	EA	SHELF-TV
5	110796-01-E21	EA	SHELF-ENTERTAINMENT CENTER CABINET
6	110795-01-F01	EA	CABINET FACE-ENTERTAINMENT CENTER
7	110797-11-E21	EA	COUNTERTOP-CABINET
8	110797-12-E21	EA	COUNTERTOP-CABINET, HINGED
9	110797-01-E21	EA	STORAGE CABINET-ENTERTAINMENT CENTER
10	100847-01-F15	EA	DRAWER-ENTERTAINMENT CENTER CABINET
11	093673-01-01A	FT	MOLDING-BODY, 1.4" WIDE X 8' LONG - OFF WHITE - PLASTIC
12	110797-02-E21	EA	STORAGE CABINET-ENTERTAINMENT CENTER
13	110797-23-E21	EA	COUNTERTOP-CABINET, HINGED
14	110797-21-E21	EA	COUNTERTOP-CABINET
	110790-02-000	EA	BRACKET-TIEDOWN, TV
	106699-01-01A	EA	BRACKET-CABINET, OVERHEAD TV - OFF WHITE

ELECTRICAL GROUP



EXTERIOR LIGHTS

KEY	PART NUMBER	U/M	DESCRIPTION
1	111102-02-000	EA	LENS-MARKER LAMP, AMBER - TRIPLEX 118A
	111102-01-000	EA	LAMP-MARKER, BASE - TRIPLE X 117 X AS
	091983-01-000	EA	GASKET-CLEARANCE/SIDEMARKER LIGHT
	036196-01-000	EA	BULB - 12V, #194 - .27AMP - BAYONETTE
	112823-01-000	EA	SPLICE-REDUCER, 16-14T018-22 ETC BA-631X
2	097917-01-01A	EA	LIGHT-PORCH, ENTRY DOOR - OFF WHITE
	097917-01-06A	EA	LIGHT-PORCH, ENTRY DOOR - BRIGHT WHITE
	008215-01-000	EA	BULB - 12V, #1003 - .94AMP
3	097917-01-700	EA	LENS-LIGHT, PORCH
	111102-03-000	EA	LENS-MARKER LAMP, RED - TRIPLEX 117R
	111102-01-000	EA	LAMP-MARKER, BASE - TRIPLEX 117XAS
	091983-01-000	EA	GASKET-CLEARANCE/SIDEMARKER LIGHT
	036196-01-000	EA	BULB - 12V, #194 - .27AMP - BAYONETTE
4	112823-01-000	EA	SPLICE-REDUCER, 16-14T018-22 ETC BA-631X
	103355-01-01A	EA	POD-TAILLIGHT, OFF WHITE
	103355-01-05A	EA	POD-TAILLIGHT, BRIGHT WHITE
	081638-01-000	EA	TAILLIGHT-DOUBLE, W/BLACK TRIM - DRIVER & PASSENGER SIDE
	037934-01-000	EA	BULB - 12V, #1156 - 2.1AMP - CLEAR GLASS - BACK UP & TURN SIGNAL BULB
	037935-01-000	EA	BULB - 12V, #1157 OR #2057 - 2.1AMP - CLEAR GLASS - BRAKE LIGHT
	081638-01-700	EA	LENS-TAILLIGHT, RED - BARGMAN 30-84-010
081638-01-701	EA	LENS-TAILLIGHT, W/BACKUP - BARGMAN 30-84-700	
5	066432-02-000	EA	LIGHT-LICENSE PLATE
	066432-03-000	EA	BRACKET-LICENSE PLATE LIGHT

ELECTRICAL GROUP (CONTINUED)

INTERIOR LIGHTS

KEY	PART NUMBER	U/M	DESCRIPTION
	098024-01-01A	EA	LIGHT-DOME, 1 BULB - US - IVORY
	008218-01-000	EA	BULB-DOME LIGHT, 12V - NUMBER 1141
	098024-01-700	EA	LENS-DOME LIGHT
	098024-03-01A	EA	LIGHT-DOME, 2 BULB - IVORY
	008218-01-000	EA	BULB-DOME LIGHT, 12V - NUMBER 1141
	098024-01-700	EA	LENS-DOME LIGHT
	086280-01-000	EA	LIGHT-SURFACE MOUNT, 12V - JENSEN 1236
	086280-01-700	EA	BULB - 12V, 6 WATT
	061424-01-000	EA	LIGHT-AISLE, 12V- RECTANGULAR
	008103-01-000	EA	BULB-DASH/AILE MOUNT - #53 - JENSEN 1236

SWITCHES & RECEPTACLES

KEY	PART NUMBER	U/M	DESCRIPTION
	075723-01-000	EA	SPACER-SWITCH, W/O HOLE - .2" X .9" X 2" - METAL - OFF WHITE
	079364-01-000	EA	SWITCH-ON/OFF ROCKER, 2 PRONGS - BROWN
	081994-06-000	EA	PLATE-SWITCH, AUXILIARY START
	095188-01-01A	EA	SPACER-SWITCH, 2.3" X 3.4" - PLASTIC - DARK BROWN
	098351-01-01A	EA	PLATE-SWITCH, 1 GANG - POLISHED BRASS - JENSEN
	098351-06-01A	EA	PLATE-SWITCH, 2 GANG W/LABEL - JENSEN - POLISHED BRASS
	108356-07-01A	EA	SWITCH COVER W/ 2 DIMPLES - CARLING VVAZCXX-XWB
	024924-02-000	EA	RECEPTACLE-POWER CORD, W/PARTIAL PLATE
	058707-01-000	EA	RECEPTACLE-ELECTRIC, SINGLE - BROWN
	058707-02-000	EA	RECEPTACLE-BLANK, JUNCTION WIRECON WDJ20BR
	058708-01-000	EA	RECEPTACLE-ELECTRIC, DOUBLE - BROWN
	058708-05-000	EA	RECEPTACLE-ELECTRIC, SINGLE - BROWN
	084076-01-000	EA	RECEPTACLE-GFI, 15A - 125V - IVORY
	097734-01-01A	EA	EXTENSION-RECEPTACLE, 3.2" X 5" X .7" - PLASTIC - IVORY
	102568-01-E90	EA	SPACER-RECEPTACLE, SIDEWALL
	112822-01-01A	EA	RECEPTACLE-DUPLEX, IVORY - WIRECON WDRU15IV
	112824-01-03A	EA	COVER-EXTERIOR DUPLEX RECEPTACLE, WHITE - P&S 3780-SC-WH

POWER CONVERTER & INVERTER

KEY	PART NUMBER	U/M	DESCRIPTION
	083208-01-000	EA	CONVERTER-POWER, 32A - 120V/12V - BW 6332
	051912-01-000	EA	TRANSFORMER-DRY CONTROL
	094809-01-000	EA	LOAD CENTER - 240V - 125A - TPL412CT

WIRING ASSEMBLIES

KEY	PART NUMBER	U/M	DESCRIPTION
	106851-01-000	EA	WIRE ASM-DAYTIME RUNNING LIGHTS - W/FUSE
	097618-01-000	EA	WIRE ASM-MONITOR PANEL, W/4 WIRES & BLACK RESISTOR - LVS
	096449-01-000	EA	WIRE ASSEMBLY-WATER TANK TO MONITOR PANEL

ELECTRICAL GROUP (CONTINUED)
FUSES & CIRCUIT BREAKERS

KEY	PART NUMBER	U/M	DESCRIPTION
	008235-01-000	EA	FUSE-AUTOMOTIVE, 12V - 15AMP
	062901-02-000	EA	FUSE - 5 AMPS, AUTOMOTIVE
	062901-05-000	EA	FUSE - 15 AMPS, AUTOMOTIVE
	083209-01-000	EA	CIRCUIT BREAKER - 15 AMP, 120V - BW G-15 - CANADIAN
	083209-02-000	EA	CIRCUIT BREAKER - 15/15 AMP, 120V - BW H-15/15
	083209-03-000	EA	CIRCUIT BREAKER - 15/20 AMP, 120V - BW 0-15/20
	083209-04-000	EA	CIRCUIT BREAKER - 30A, 120V - BW L-30
	083209-06-000	EA	CIRCUIT BREAKER - 30/15 AMP, 120V - BW D-30/15
	093654-01-000	EA	CIRCUIT BREAKER - 6A, 12V - USD 17406-4E12A2A
	093655-02-000	EA	CIRCUIT BREAKER - 30A, 12V - USD 17430-4E03A2A
	094810-01-000	EA	CIRCUIT BREAKER - 30A, 120V - GE THQL2130
	094811-01-000	EA	CIRCUIT BREAKER - 20/20A, 120V - GE THQL2120
	100341-01-000	EA	FUSE HOLDER-IN LINE TYPE, WESCO 8931-92020

ELECTRIC BOXES, COVERS & POWER CORDS

KEY	PART NUMBER	U/M	DESCRIPTION
	008052-01-000	EA	CORD-POWER, 10/3 - 30 AMP - 25' - CANADIAN
	008054-01-000	EA	CORD-POWER, 10/3 - 30 AMP - 25'
	008289-01-000	EA	BOX-ELECTRIC, STEEL - 1/2" AND 3/4" KNOCKOUTS - 4" X 4"
	008289-02-000	EA	BOX-ELECTRICAL, 4" X 4" - 1/2" & 3/4" KNOCKOUTS - CANADIAN
	008294-01-000	EA	COVER-ELECTRICAL BOX, BLANK/STEEL - 4" X 4" - GRAY
	008294-02-000	EA	COVER-ELECTRICAL BOX, BLANK STEEL - 4" X 4" - CANADIAN
	069238-01-000	EA	COVER-ELECTRICAL BOX, W/HOLE - 4" X 4" - GRAY USED WITH 30 AMP RECEPTACLE
	091910-01-000	EA	BOX-ELECTRIC, 3.75" X 3.5" X 1.75" - PLASTIC
	091910-02-000	EA	BOX-ELECTRICAL, PLASTIC - 57 X 88MM
	093603-01-000	EA	BOX-ELECTRIC, 4" X 2 1/8" X 2 1/8" - STEEL
	107165-01-01A	EA	BOX-CIRCUIT BREAKER MOUNT, 14.6" X 4" - BLACK PLASTIC

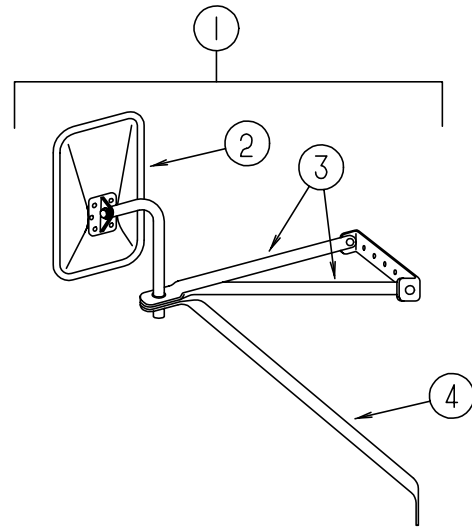
CONDUIT

KEY	PART NUMBER	U/M	DESCRIPTION
	041953-01-000	FT	CONDUIT-CONVOLUTE, SLIT - .5" ID
	041953-02-000	FT	CONDUIT-CONVOLUTE, SLIT - .625" ID
	041953-03-000	FT	CONDUIT-CONVOLUTE, SLIT - 1" ID (CLOTHES ROD COVER)
	041953-04-000	FT	CONDUIT-CONVOLUTE, SLIT - .50" ID
	041953-05-000	FT	CONDUIT-CONVOLUTE, SOLID - .62" ID
	041953-06-000	FT	CONDUIT-CONVOLUTE, SLIT - .375" ID
	041953-07-000	FT	CONDUIT-CONVOLUTE, SLIT - .25" ID
	041953-08-000	FT	CONDUIT-CONVOLUTE, SLIT - 1.50" ID
	041953-09-000	FT	CONDUIT-CONVOLUTE, SLIT - .50" ID

ELECTRICAL GROUP (CONTINUED)
CONNECTORS, HOUSINGS, & TERMINALS

KEY	PART NUMBER	U/M	DESCRIPTION
	007940-01-000	EA	RECEPTACLE-SLIDE, 16 TO 12 AWG - FEMALE END
	007942-01-000	EA	TAB-WIRE, 18 TO 14 AWG
	007956-05-000	EA	INSULATOR-SHRINK .25 ID X 1.50 - BLACK
	008311-01-000	EA	CONNECTOR-WIRE NUT, INSULATED - RED
	008312-01-000	EA	CONNECTOR-WIRE NUT, INSULATED - BLUE
	008314-01-000	EA	CONNECTOR-WIRE NUT, INSULATED - GRAY
	008326-01-000	EA	TERMINAL-RING, 16/14 WIRE - 3/8" STUD
	008328-01-000	EA	TERMINAL-RING, 12/10 WIRE - #10 STUD FIT
	008331-01-000	EA	TERMINAL-RING, TONGUE - #4 WIRE - 3/8" STUD - COPPER
	008348-01-000	EA	TERMINAL-RING, 3/8" STUD - #2 WIRE
	008355-01-000	EA	CONNECTOR-CABLE CLAMPING, 3/4"
	008356-01-000	EA	CONNECTOR-PLASTIC, 3/8" AVG
	035416-04-000	EA	TERMINAL-RING #10 STUD FIT, INSULATED BARREL #16/14
	047443-01-000	EA	TERMINAL - .250 RECEPTACLE FIT, INSULATED - 16/14 AWG
	058028-01-000	EA	CONNECTOR-ELECTRICAL PIGTAIL, NYLON - CLEAR
	077479-01-000	EA	BOOT-BATTERY TERMINAL, DOUBLE CABLE
	077479-02-000	EA	BOOT-BATTERY TERMINAL, SINGLE CABLE
	080015-02-000	EA	RECEPTACLE-FLAG, .185 - 16/14 GA - AMP 3
	080015-03-000	EA	RECEPTACLE-FLAG, .250 - 14/16 GA
	087225-01-000	FT	SLEEVING - 1/2",TYPE H VARFLEX
	087949-01-000	EA	BUSS BAR - 2 POSITION, .6" X 1.5" - ALUMINUM
	088473-05-000	EA	HOUSING-PIN, 6 CAVITY - AMP 640585-1
	088473-06-000	EA	HOUSING-PIN, 6 CAVITY - AMP 1-480704-0
	088473-08-000	EA	HOUSING-PIN, 4 CAVITY - AMP 1-480702-0
	088473-09-000	EA	HOUSING-PIN, 3 CAVITY - AMP 1-480700-0
	088473-10-000	EA	HOUSING-PIN, 2 CAVITY - AMP 1-480698-0
	088474-06-000	EA	HOUSING-SOCKET, 6 CAVITY - AMP 1-480705-0
	088474-07-000	EA	HOUSING-SOCKET, 5 CAVITY - AMP 1-480764-0
	088474-08-000	EA	HOUSING-SOCKET, 4 CAVITY - AMP 1-480703-0
	088474-09-000	EA	HOUSING-SOCKET, 3 CAVITY - AMP 1-480701-0
	088474-10-000	EA	HOUSING-SOCKET, 2 CAVITY - AMP 1-480699-0
	088475-01-000	EA	PIN-CONNECTOR, 14 TO 20 AWG
	088475-02-000	EA	PIN-CONNECTOR, 10 TO 12 AWG
	088476-01-000	EA	SOCKET-CONNECTOR, BRASS - PRE-TIN
	088476-02-000	EA	SOCKET-CONNECTOR, 12-10 GA - PHOS. BRZ - PRE-TIN
	008188-01-000	EA	SOLENOID - 3 POST, BATTERY CHANGE OVER
	008188-01-000	EA	SOLENOID - 3 POST, BATTERY CHANGE OVER
	063910-01-000	EA	HOUSING-RELAY, BOSCH 3 334 485 008
	112823-01-000	EA	SPLICE-REDUCER 16-14 TO 18-22 ETC BA-631X

EXTERIOR BODY GROUP



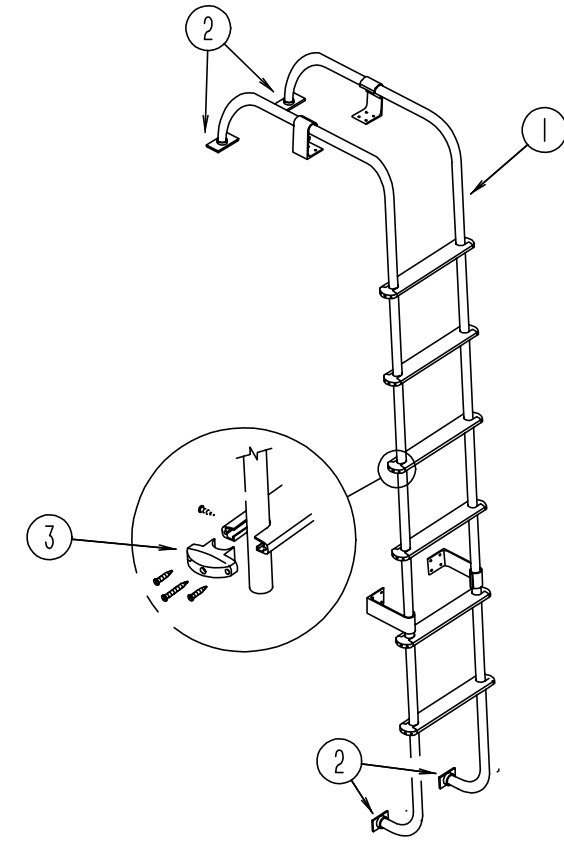
EXTERIOR MIRRORS - OFF WHITE

KEY	PART NUMBER	U/M	DESCRIPTION
1	106860-01-01A	EA	MIRROR-EXTERIOR, LOW MOUNT - PAIR - OFF WHITE
2	106860-01-700	EA	MIRROR-HEAD, EXTERIOR - OFF WHITE
3	106860-01-701	EA	ARM-MIRROR - OFF WHITE
4	106860-01-703	EA	BRACE LOWER FORWARD - DRIVER - OFF WHITE
4	106860-01-704	EA	BRACE LOWER FORWARD - PASSENGER - OFF WHITE
	106860-01-702	EA	HARDWARE PACKAGE
	106860-01-705	EA	MIRROR ASSEMBLY-LEFT SIDE COMPLETE - OFF WHITE
	106860-01-706	EA	MIRROR ASSEMBLY-RIGHT SIDE COMPLETE - OFF WHITE
	117051-01-700	EA	MIRROR-AUXILIARY, CONVEX STICK-ON - VELVAC 723068-4

EXTERIOR MIRRORS - BRIGHT WHITE

KEY	PART NUMBER	U/M	DESCRIPTION
1	106860-01-02A	EA	MIRROR-EXTERIOR, LOW MOUNT - PAIR - BRIGHT WHITE
2	106860-01-707	EA	MIRROR-HEAD, EXTERIOR - BRIGHT WHITE
3	106860-01-708	EA	ARM-MIRROR - BRIGHT WHITE
4	106860-01-709	EA	BRACE LOWER FORWARD - DRIVER - BRIGHT WHITE
4	106860-01-710	EA	BRACE LOWER FORWARD - PASSENGER - BRIGHT WHITE
	106860-01-702	EA	HARDWARE PACKAGE
	106860-01-711	EA	MIRROR ASSEMBLY-LEFT SIDE COMPLETE - BRIGHT WHITE
	106860-01-712	EA	MIRROR ASSEMBLY-RIGHT SIDE COMPLETE - BRIGHT WHITE
	117051-01-700	EA	MIRROR-AUXILIARY, CONVEX STICK-ON - VELVAC 723068-4

EXTERIOR BODY GROUP (CONTINUED)



LADDER

KEY	PART NUMBER	U/M	DESCRIPTION
1	102953-10-F15	EA	LADDER ASSEMBLY
2	067165-01-000	EA	MOUNTING BRACKET-LADDER, LOWER
3	076980-02-000	EA	END CAP-STEP, BLACK
	000G39-06-10T	EA	SCREW-SF/DR, 6-20 X 5/8 PPH - BLACK
	000G68-10-36T	EA	SCREW - 10-12 X 2.25 POH - BLACK

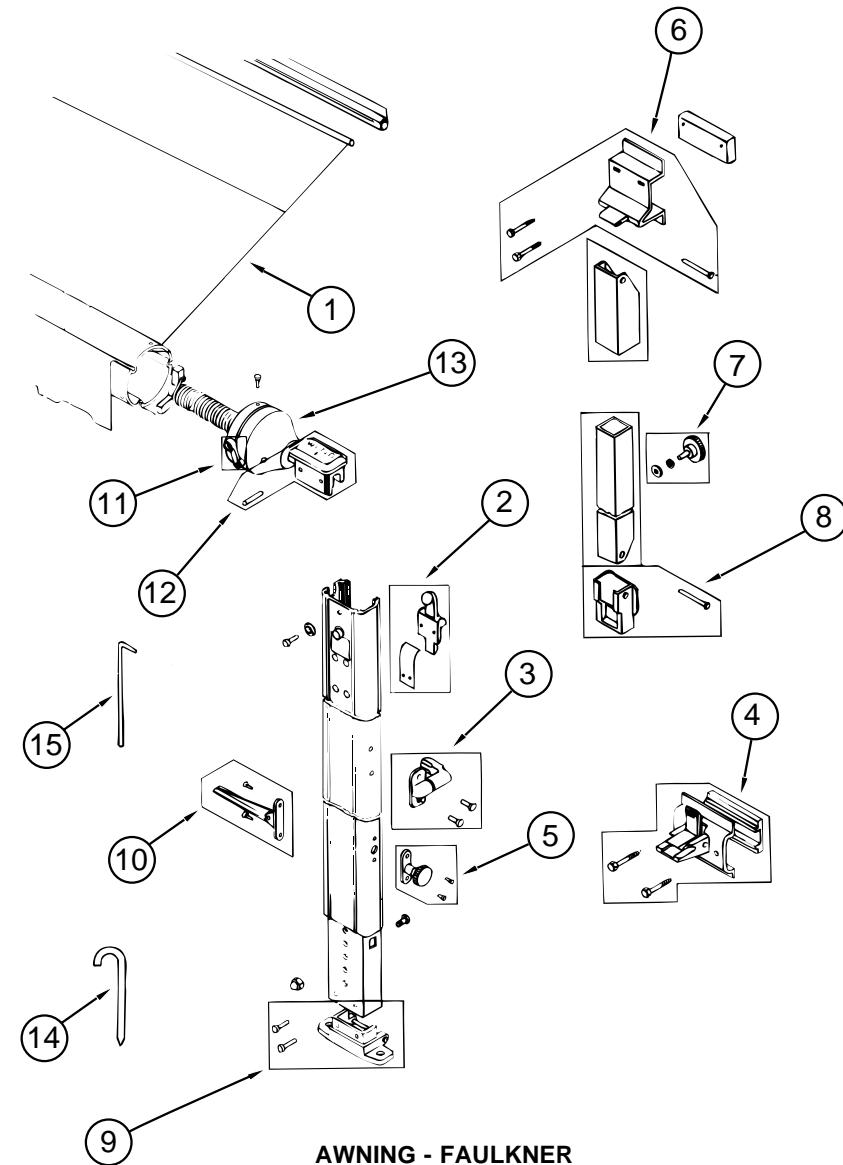
EXTERIOR BODY GROUP (CONTINUED)
FIBERGLASS, ALUMINUM, STYROFOAM & CHANNEL

KEY	PART NUMBER	U/M	DESCRIPTION
	076054-P3-000	EA	FIBERGLASS-SHEET, 96" X 97" - OFF WHITE
	077517-24-000	EA	FIBERGLASS-SHEET, FLAT - 48" X 96" - OFF WHITE
	076054-D3-001	EA	FIBERGLASS-SHEET, 48" X 96" - OFF WHITE
	076054-D3-002	EA	FIBERGLASS-SHEET, 24" X 96" - OFF WHITE
	076054-D3-003	EA	FIBERGLASS-SHEET, 24" X 288" - OFF WHITE
	076054-D3-004	EA	FIBERGLASS-SHEET, 24" X 384" - OFF WHITE
	076054-D3-005	EA	FIBERGLASS-SHEET, 48" X 224" - OFF WHITE
	076054-D3-006	EA	FIBERGLASS-SHEET, 48" X 298" - OFF WHITE
	076054-P4-000	EA	FIBERGLASS-SHEET, 96" X 97" - BRIGHT WHITE
	076054-P9-000	EA	FIBERGLASS-SHEET, 37" X 99" - BRIGHT WHITE
	076054-R1-000	EA	FIBERGLASS-SHEET, 24" X 66" - BRIGHT WHITE
	077517-62-000	EA	FIBERGLASS-SHEET, FLAT - 48" X 96" - BRIGHT WHITE
	076054-N9-000	EA	FIBERGLASS-SHEET, 96" X 102" - BRIGHT WHITE
	076054-N3-000	EA	FIBERGLASS-SHEET, 102" X 234" - BRIGHT WHITE
	000870-08-000	SF	STYROFOAM-PLANED, .75" X 48" X 96"
	083574-03-000	SF	STYROFOAM - 3/4" X 48" X 96"
	100619-01-000	BF	FOAM-EXPANDED POLYSTYRENE, 48" X 96" X 1.34"
	100619-04-000	BF	FOAM-EXPANDED POLYSTYRENE, 48" X 96" X .5"
	100619-05-000	BF	FOAM-EXPANDED POLYSTYRENE, 48" X 96" X .75"
	076054-D3-700	EA	FOAM-COMPRESSED, FOR REPAIR - 4' X 8'
	044487-01-001	EA	ALUMINUM-SHEET, .019" X 96" X 360" - MILL FINISH
	044487-01-002	EA	ALUMINUM-SHEET, .019" X 14.014" X 30.199" - MILL FINISH
	089297-01-000	SF	PLYWOOD-LUAN, OVERLAY GRADE - 4' X 8'
	089297-02-000	SF	PLYWOOD-LUAN, GRADE CC LFE - 2.7MM X 48" X 108"
	000885-61-000	SF	PARTICLE BOARD - 3/4" X 48" X 96" - WINNI OAK - VINYL 2 SIDES
	000885-56-000	SF	PARTICLE BOARD - 3/8" X 48" X 96" - WINNI OAK - VINYL 1 SIDE
	002726-01-001	EA	GARNISH-U-CHANNEL, 1.38" X 19' - SERRATED - MILL ALUMINUM
	002365-03-003	EA	GARNISH-U-CHANNEL, 1" X 192' - ALUMINUM - OFF WHITE
	002754-01-001	EA	ANGLE-EXTRUDED - .75" X .75" X 18' - MILL ALUMINUM
	055278-51-259	EA	TUBING-STEEL, .75" X 1.5" X 12.5'
	068716-01-001	EA	BRACE - 90 DEGREE L-ANGLE, 192" - EXTRUDED ALUMINUM

RUNNING BOARDS

KEY	PART NUMBER	U/M	DESCRIPTION
	072884-27-000	EA	RUNNING BOARD-FORD 39.00 KEM K12 15539
	072884-27-700	EA	BRACKET SET 12"-FORD, RB2BRK/M
	072884-27-701	EA	39" UNIVERSAL RUNNING BOARD ONLY-DRIVERS OR PASSENGER
	072884-27-702	FT	TREAD TAPE RB9202
	072884-27-703	EA	MUD FLAPS-PAIR, W/HOLES 99171
	072884-27-704	EA	END CAPS-PAIR 99148

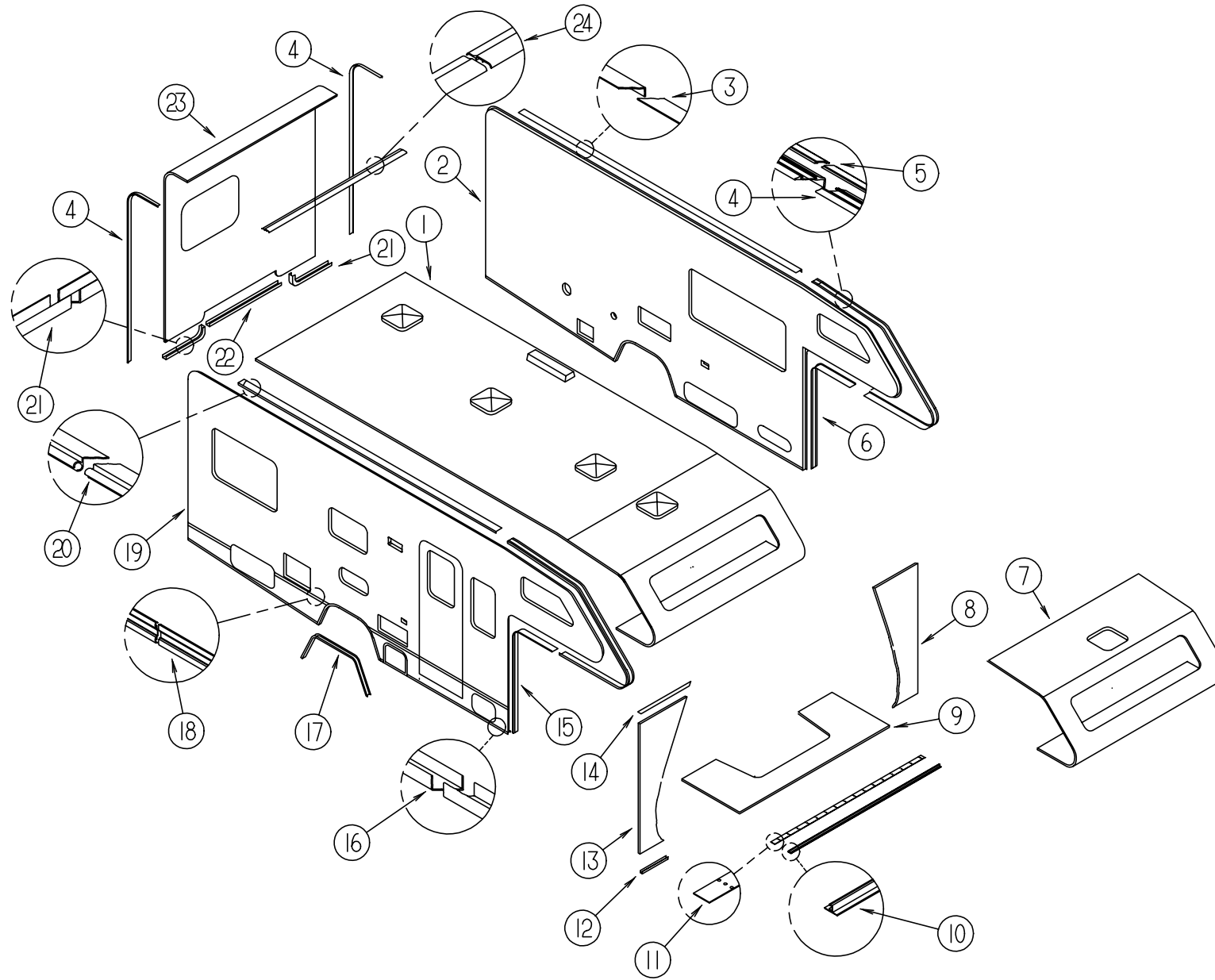
EXTERIOR BODY GROUP (CONTINUED)



AWNING - FAULKNER

KEY	PART NUMBER	U/M	DESCRIPTION	VENDOR NO.
1	110634-11-11A	EA	ROLLER ASSEMBLY-AWNING, 11' - BRIGHT BOYSENBERRY	
			FROM: 00-00-00 THRU: 11-30-94	
1	110634-14-10A	EA	ROLLER ASSEMBLY-AWNING, 11', BRIGHT WHITE	
			FROM: 12-01-94 THRU: 99-99-99	
	111037-01-01A	EA	SPACER-AWNING, UPPER - BLACK	
	111038-01-01A	EA	SPACER-AWNING, LOWER - BLACK	
	110634-02-02A	EA	AWNING-HARDWARE KIT, OFF WHITE	
	110634-02-04A	EA	AWNING-HARDWARE KIT, BRIGHT WHITE	
2	110634-01-700	EA	RAFTER LOCKING MECHANISM KIT	7605-0001
3	110634-01-701	EA	SAFETY & LATCH KIT	7509-0001
4	110634-01-702	EA	BOTTOM BRACKET KIT	7512-0001
5	110634-01-703	EA	HEIGHT LOCK HANDLE KIT	7510-0001
6	110634-01-704	EA	UPPER BRACKET KIT W/BOLTS	7505-0001
7	110634-01-705	EA	ULTRA RAFTER KNOB KIT	7522-0001
8	110634-01-706	EA	RAFTER SLIDE KIT	
9	110634-01-707	EA	GROUND BRACKET KIT	7511-0001
10	110634-01-708	EA	LIFT HANDLES-W/RIVETS	7000-0001
11	110634-01-709	EA	RATCHET HANDLE KIT	7507-0001
12	110634-01-710	EA	ARM CAP KIT	7503-0001
13	110634-01-711	EA	FRONT SPRING ASSEMBLY	6598-0001
13	110634-01-712	EA	REAR SPRING ASSEMBLY	6599-0001
13	110634-01-713	EA	REAR END CAP KIT	7504-0001
14	110634-01-714	EA	STAKE - 4 PER BAG	5208-0001
15	110634-01-715	EA	PULL DOWN WAND	7604-0001

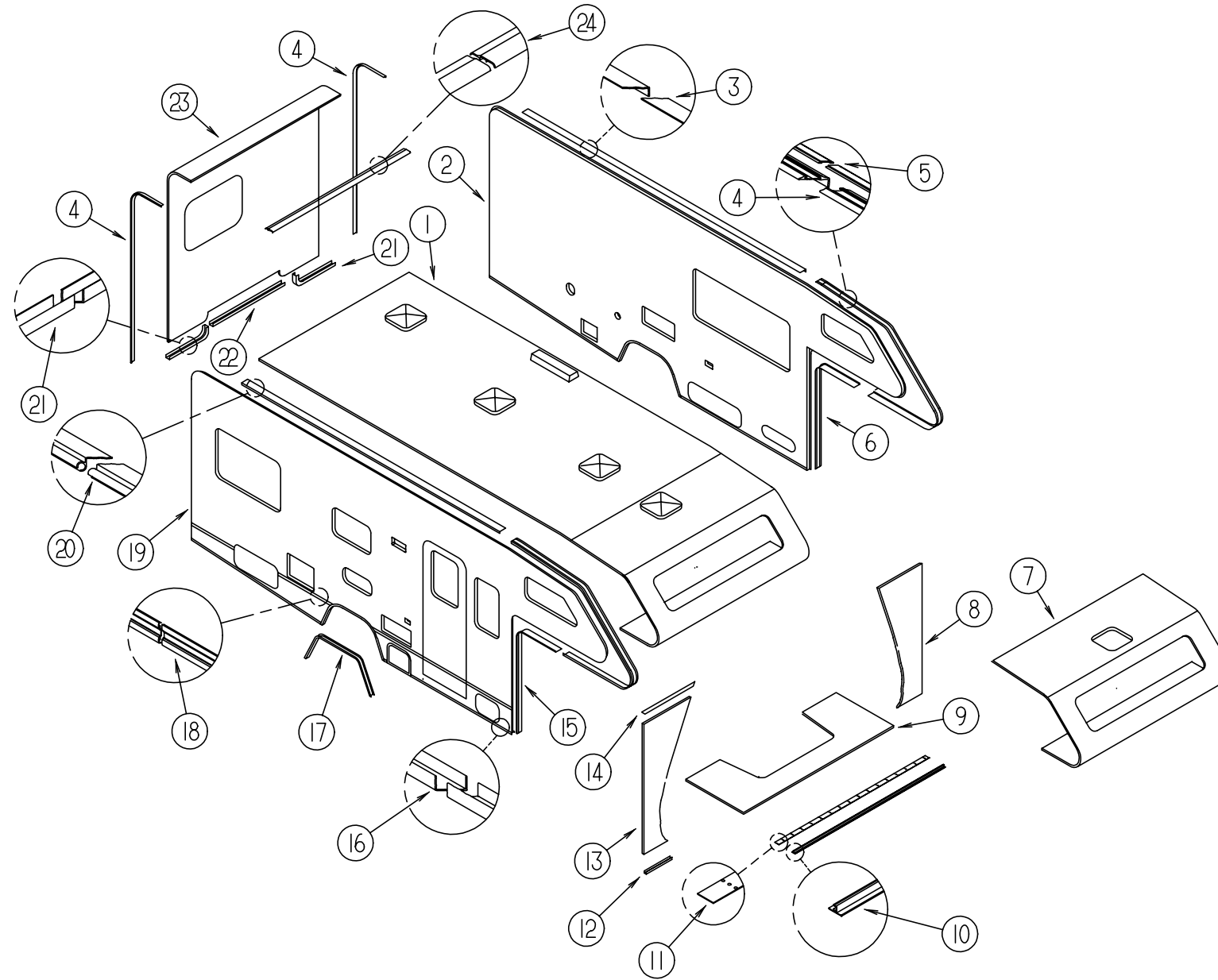
EXTERIOR BODY GROUP (CONTINUED)
EXTERIOR BODY PANELS



KEY	PART NUMBER	U/M	DESCRIPTION
1	M07431-01-F15	EA	ROOF ASSEMBLY-W/BASES, W/O VENTS - OFF WHITE
1	M07431-03-F15	EA	ROOF ASSEMBLY-W/BASES, W/O VENTS - BRIGHT WHITE
2	P15671-01-F15	EA	SIDEWALL-DRIVER SIDE, W/O WINDOWS OR LIGHTS - OFF WHITE
2	M07421-08-F15	EA	SIDEWALL-DRIVER SIDE, W/O WINDOWS OR LIGHTS - BRIGHT WHITE
	064675-54-004	EA	STEEL-ANGLE, ROOF JOINT - 545MM - OFF WHITE
3	096864-01-01A	EA	TRIM-CONTOUR, ROOF TO SIDEWALL - 120" - OFF WHITE
3	096864-01-02A	EA	TRIM-CONTOUR, ROOF TO SIDEWALL - 120" - BRIGHT WHITE
3	096864-02-01A	EA	TRIM-CONTOUR, ROOF TO SIDEWALL - 133.8" - OFF WHITE
3	096864-02-02A	EA	TRIM-CONTOUR, ROOF TO SIDEWALL - 133.8" - BRIGHT WHITE
4	096854-01-01A	EA	TRIM-CONTOUR, W/O VINYL INSERT - 108" - OFF WHITE
4	096854-01-02A	EA	TRIM-CONTOUR, W/O VINYL INSERT - 108" - BRIGHT WHITE
5	105312-01-01A	FT	INSERT-TRIM, 17' LONG - VINYL - OFF WHITE
5	105312-01-07A	FT	INSERT-TRIM, 17' LONG - VINYL - BRIGHT WHITE
6	104479-06-01A	EA	TRIM-CONTOUR, FRONT - OFF WHITE
6	104479-06-02A	EA	TRIM-CONTOUR, FRONT - BRIGHT WHITE
7	M76177-01-700	EA	CAP-FRONT, OVERHEAD CAB TO FIRST SEAM OF ROOF - OFF WHITE
8	109659-04-D04	EA	WINGWALL-DRIVER SIDE, OFF WHITE
8	M07423-04-F15	EA	WINGWALL-DRIVER SIDE, BRIGHT WHITE

KEY	PART NUMBER	U/M	DESCRIPTION
9	P09658-01-F15	EA	SLEEPERBOARD ASSEMBLY-OFF WHITE
9	M07422-01-F15	EA	SLEEPERBOARD ASSEMBLY-BRIGHT WHITE
10	100086-02-01A	EA	TRIM-SLEEPERBOARD, 2" X 90.7" - OFF WHITE
10	100086-02-02A	EA	TRIM-SLEEPERBOARD, 2" X 90.7" - BRIGHT WHITE
11	100085-03-01A	EA	TRIM-SLEEPERBOARD, FLAT - 2.5" X 87.5" - OFF WHITE
11	100085-03-02A	EA	TRIM-SLEEPERBOARD, FLAT - 2.5" X 87.5" - BRIGHT WHITE
12	002365-03-003	EA	U CHANNEL-EXTRUDED, 1.00 X 192.00 6063T5 - OFF WHITE
12	002365-03-006	EA	U CHANNEL-EXTRUDED, 1.00 X 192.00 6063T5 - BRIGHT WHITE
13	109659-03-D04	EA	WINGWALL-PASSENGER SIDE, OFF WHITE
13	M07423-05-F15	EA	WINGWALL-PASSENGER SIDE, BRIGHT WHITE
14	022992-01-000	FT	MOLDING-REVERSE COVE, OFF WHITE
14	022992-14-000	FT	MOLDING-REVERSE COVE, BRIGHT WHITE
15	104479-05-01A	EA	TRIM-CONTOUR, FRONT - OFF WHITE
15	104479-05-02A	EA	TRIM-CONTOUR, FRONT - BRIGHT WHITE

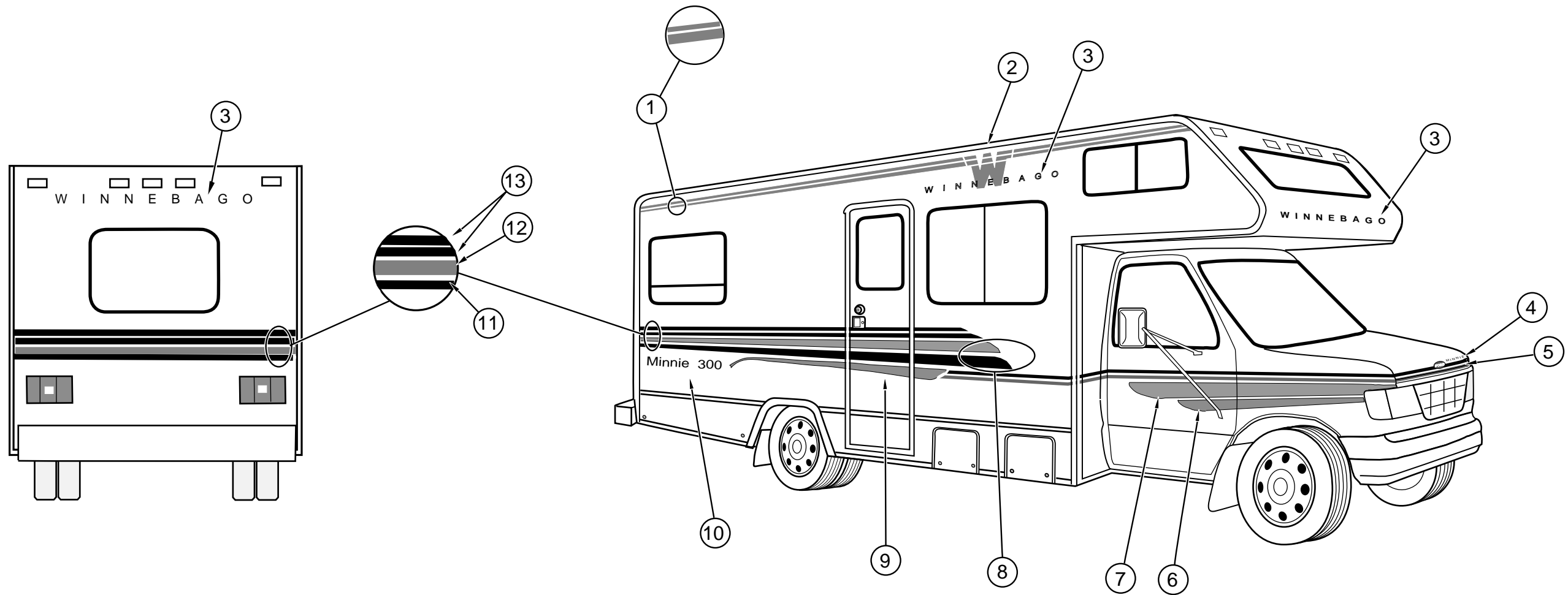
EXTERIOR BODY GROUP (CONTINUED)
EXTERIOR BODY PANELS (CONTINUED)



KEY	PART NUMBER	U/M	DESCRIPTION
16	098072-55-002	EA	TRIM SIDEWALL-LOWER, 2900 MM - OFF WHITE
16	098072-55-004	EA	TRIM SIDEWALL-LOWER, 2900 MM - BRIGHT WHITE
	105025-10-F01	EA	TRIM-SIDEWALL, UNDER ENTRANCE DOOR - ALUMINUM - OFF WHITE
	105025-10-F15	EA	TRIM-SIDEWALL, UNDER ENTRANCE DOOR - ALUMINUM - BRIGHT WHITE
17	105100-02-01A	EA	TRIM-WHEELWELL, ALUMINUM - OFF WHITE
17	105100-02-02A	EA	TRIM-WHEELWELL, ALUMINUM - BRIGHT WHITE
18	108688-01-01A	EA	STRIP-FEATURE, OFF WHITE
	105312-01-01A	EA	INSERT-TRIM, 17' LONG - VINYL - OFF WHITE
	108651-01-01A	EA	CAP-FEATURE STRIP, MILL
18	108688-01-03A	EA	STRIP-FEATURE, BRIGHT WHITE
	105312-01-07A	EA	INSERT-TRIM, 17' LONG - VINYL - BRIGHT WHITE
	108651-01-01A	EA	CAP-FEATURE STRIP, MILL
19	P15673-01-F15	EA	SIDEWALL-PASSENGER, W/O WINDOWS, LIGHTS OR DOORS - OFF WHITE
19	M07421-09-F15	EA	SIDEWALL-PASSENGER, W/O WINDOWS, LIGHTS OR DOORS - BRIGHT WHITE

KEY	PART NUMBER	U/M	DESCRIPTION
20	100483-01-01A	EA	TRIM-CONTOUR, ROOF - OFF WHITE
	099583-55-001	EA	RAIL-AWNING, 3048MM - OFF WHITE
20	100483-01-02A	EA	TRIM-CONTOUR, ROOF - BRIGHT WHITE
	099583-55-003	EA	RAIL-AWNING, 3048MM - BRIGHT WHITE
	064675-54-003	EA	ANGLE ROOF JOINT-STEEL, OFF WHITE - TWIN BED
21	103334-02-01A	EA	TRIM-BACKWALL, LOWER - LEFT OR RIGHT - OFF WHITE
21	103334-02-02A	EA	TRIM-BACKWALL, LOWER - LEFT OR RIGHT - BRIGHT WHITE
22	103335-02-01A	EA	TRIM-BACKWALL, LOWER - CENTER - OFF WHITE
22	103335-02-02A	EA	TRIM-BACKWALL, LOWER - CENTER - BRIGHT WHITE
23	M07432-01-F15	EA	BACKWALL-OFF WHITE
23	M07432-03-F15	EA	BACKWALL-BRIGHT WHITE
24	078580-01-000	EA	TRIM-ROOF TO BACKWALL, MILL FINISH

EXTERIOR BODY GROUP (CONTINUED)
DECALS, STRIPES & PAINT

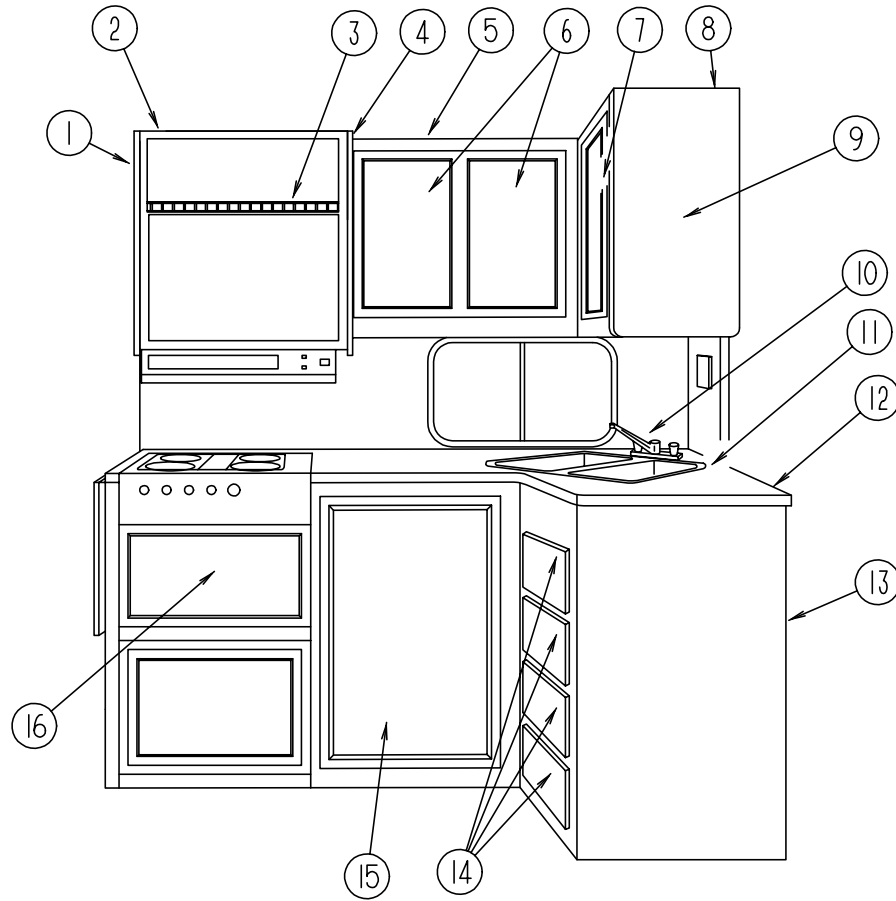


KEY	PART NUMBER	U/M	DESCRIPTION
1	105781-34-01A	FT	FILM-MULTISTRIPE, 69.9MM - DARK PURPLE
2	110207-01-03A	EA	DECAL-W, LASER - DARK PURPLE
3	110206-01-03A	EA	DECAL-WINNEBAGO, DARK PURPLE
4	114837-02-01A	EA	DECAL-LOGO, MINNIE 300, - SMALL - DARK PURPLE/ORCHID
5	107385-06-06A	FT	FILM-SINGLE STRIPE, 25.4MM - DARK PURPLE
6	114840-03-01A	EA	DECAL-CAB, WEDGE - LOWER - RH - ORCHID MIST
6	114840-04-01A	EA	DECAL-CAB, WEDGE - LOWER - LH - ORCHID MIST
7	114840-01-01A	EA	DECAL-CAB, WEDGE - UPPER - RH - CASSIS
7	114840-02-01A	EA	DECAL-CAB, WEDGE - UPPER - LH - CASSIS
8	114838-01-01A	EA	DECAL-WEDGE, RH - DARK PURPLE
8	114838-02-01A	EA	DECAL-WEDGE, LH - DARK PURPLE
9	114839-01-01A	EA	DECAL-WEDGE W/TAIL, RH - ORCHID MIST
9	114839-02-01A	EA	DECAL-WEDGE W/TAIL, LH - ORCHID MIST
10	114837-01-01A	EA	DECAL-LOGO, MINNIE 300 - DARK PURPLE/ORCHID
11	107385-22-01A	FT	FILM-SINGLE STRIPE, 22.2MM - DARK PURPLE
12	107385-21-01A	FT	FILM-SINGLE STRIPE, 73.0MM - CASSIS
13	105781-35-01A	FT	FILM-MULTISTRIPE, 69.9MM - DARK PURPLE
	041561-03-000	EA	PAINT-16OZ SPRAY, OFF WHITE - ACRYLIC ENAMEL - REF: 72897-01

DUPONT COLOR CODES

BRIGHT WHITE DUPONT B8951U

GALLEY GROUP



GALLEY CABINETS & FIXTURES

KEY	PART NUMBER	U/M	DESCRIPTION
1	109908-24-F15	EA	END CAP-CABINET, OVERHEAD
2	114774-03-F15	EA	CABINET-OVERHEAD, MICROWAVE
3	111775-01-01A	EA	RAILING-DECORATIVE
4	109908-19-F15	EA	END CAP-CABINET, OVERHEAD
5	115783-01-F15	EA	CABINET-OVERHEAD, W/O DOORS OR HARDWARE
	115783-11-F15	EA	SHELF-CABINET
6	110140-44-E01	EA	DOOR-CABINET, W/O HARDWARE - 255MM X 640MM
7	110140-19-E01	EA	DOOR-CABINET, W/O HARDWARE - 255MM X 640MM
8	115782-01-F15	EA	CABINET-OVERHEAD, W/O DOORS OR HARDWARE
	115782-11-F15	EA	SHELF-CABINET
9	100604-02-F15	EA	END CAP-CABINET, OVERHEAD
10	103243-01-000	EA	FAUCET-GALLEY, SINGLE CONTROL
11	104113-01-000	EA	SINK-DOUBLE, STAINLESS STEEL
	092303-01-000	EA	STRAINER-SINK, GALLEY W/BASKET
	103610-01-F15	EA	COVER-SINK
12	115847-13-F15	EA	COUNTERTOP-GALLEY CABINET
13	P15847-01-F15	EA	CABINET-GALLEY, W/RANGE TOP - W/O DOORS OR HARDWARE
13	M07460-02-F15	EA	CABINET-GALLEY, W/OVEN - W/O DOORS OR HARDWARE
14	P10163-K9-G01	EA	DRAWER-CABINET, W/O HARDWARE
15	110140-45-E01	EA	DOOR-CABINET, W/O HARDWARE - 400MM X 710MM
16	110140-06-EB1	EA	DOOR-CABINET, W/O HARDWARE - 555MM X 280MM
	110140-01-E01	EA	DOOR-REFRIGERATOR CABINET, W/O HARDWARE - 255MM X 640MM
	090329-01-000	FT	SEAL T-REFRIGERATOR CABINET, .6" WIDE TOP X 2" TAIL

GALLEY GROUP (CONTINUED)

RANGE HOOD W/O MONITOR PANEL - U.S. (W/HOUR METER W/SWITCH) - VENTLINE

KEY	PART NUMBER	U/M	DESCRIPTION	VENDOR NO.
	100258-18-02A	EA	HOOD-RANGE, W/O MONITOR PANEL - TEXTURED	TPS-5009-SADL
	090973-01-700	EA	MOTOR - LVS	CA508-1
	090973-01-702	EA	BLADE-FAN, LVS	VA183-1
	092696-02-701	EA	LENS-LAMP, LVS	CC179-2
	117806-01-000	EA	BULB - 12V NO.912 1.0 AMPS	
	092696-01-710	EA	SOCKET-LIGHT, VENTLINE	CB267-2
	096983-01-700	EA	SWITCH-ON/OFF, VENTLINE	108
	096983-01-702	EA	SWITCH-TWO WAY MOMENTARY, VENTLINE 112	
	096983-01-707	EA	FILTER-GREASE, 8" X 8" - LVS	CC246
	100258-01-700	EA	HOOD-NOSE LABEL,	CC428
	100258-10-01A	EA	GAUGE-HOUR METER, W/SWITCH - SCREW ON	VENTLINE 150
	100258-10-701	EA	GAUGE-HOUR METER, CLIP ON L0775-00	

RANGE HOOD W/O MONITOR PANEL - U.S. - VENTLINE

KEY	PART NUMBER	U/M	DESCRIPTION	VENDOR NO.
	100258-16-01A	EA	HOOD-RANGE, W/O MONITOR PANEL	TCS5008NAD
	100258-16-03A	EA	HOOD-RANGE, W/O MONITOR PANEL -TEXTURED	TCS5008NADL
			FROM: 00-00-00 THRU: 11-06-94	
			FROM: 11-07-94 THRU: 99-99-99	
	090973-01-700	EA	MOTOR - LVS	CA508-1
	090973-01-702	EA	BLADE-FAN, LVS	VA183-1
	092696-02-701	EA	LENS-LAMP, LVS	CC179-2
	117806-01-000	EA	BULB - 12V NO.912 1.0 AMPS	
	092696-01-710	EA	SOCKET-LIGHT, VENTLINE	CB267-2
	096983-01-700	EA	SWITCH-ON/OFF, VENTLINE	108
	096983-01-702	EA	SWITCH-TWO WAY MOMENTARY, VENTLINE 112	
	096983-01-707	EA	FILTER-GREASE, 8" X 8" - LVS	CC246
	100258-01-700	EA	HOOD-NOSE LABEL	CC428

RANGE HOOD W/O MONITOR PANEL - CANADIAN - VENTLINE

KEY	PART NUMBER	U/M	DESCRIPTION	VENDOR NO.
	100258-17-01A	EA	HOOD-RANGE, W/O MONITOR PANEL	TCS5008NA
			FROM: 00-00-00 THRU: 09-25-94	
	100258-17-03A	EA	HOOD-RANGE, W/O MONITOR PANEL - TEXTURED	TCS-5008-NACL
			FROM: 09-26-94 THRU: 99-99-99	
	090973-01-700	EA	MOTOR - LVS	CA508-1
	090973-01-702	EA	BLADE-FAN, LVS	VA183-1
	092696-02-701	EA	LENS-LAMP, LVS	CC179-2
	117806-01-000	EA	BULB - 12V NO.912 1.0 AMPS	
	092696-01-710	EA	SOCKET-LIGHT, VENTLINE	CB267-2
	096983-01-700	EA	SWITCH-ON/OFF, VENTLINE	108
	096983-01-702	EA	SWITCH-TWO WAY MOMENTARY, VENTLINE 112	
	096983-01-707	EA	FILTER-GREASE, 8" X 8" - LVS	CC246
	100258-01-700	EA	HOOD-NOSE LABEL	CC428

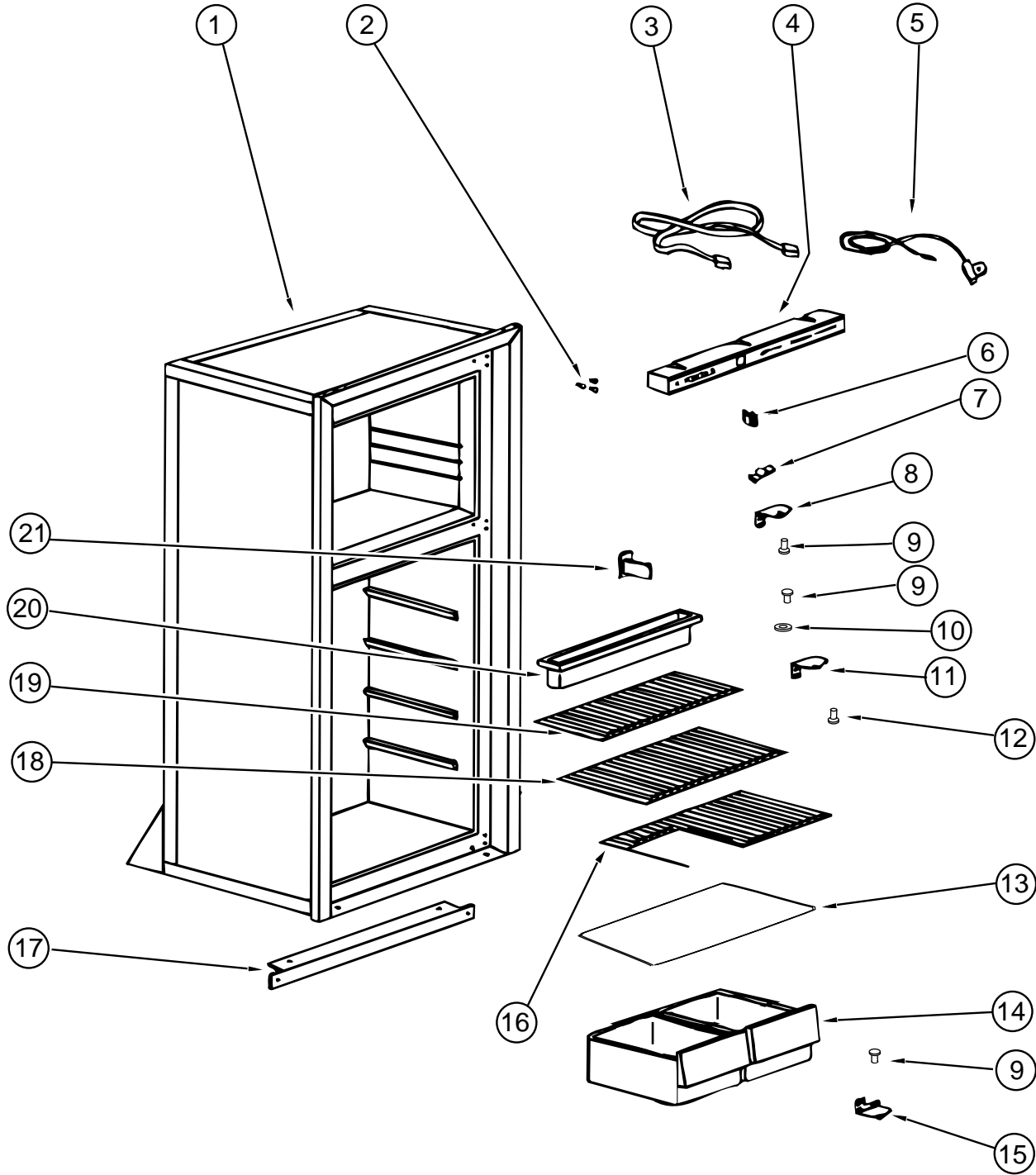
MONITOR PANEL - LVS

KEY	PART NUMBER	U/M	DESCRIPTION
	102765-04-01A	EA	PANEL-MONITOR, W/PLUG - FOR 2 TANKS & WATER HEATER - LVS
	075470-01-703	EA	SWITCH-ON/MOMENTARY, JENSEN AND VENTLINE
	096983-01-700	EA	SWITCH-ON/OFF, VENTLINE 108
	102765-04-700	EA	CIRCUIT BOARD-LVS 5076-11

MICROWAVE OVEN

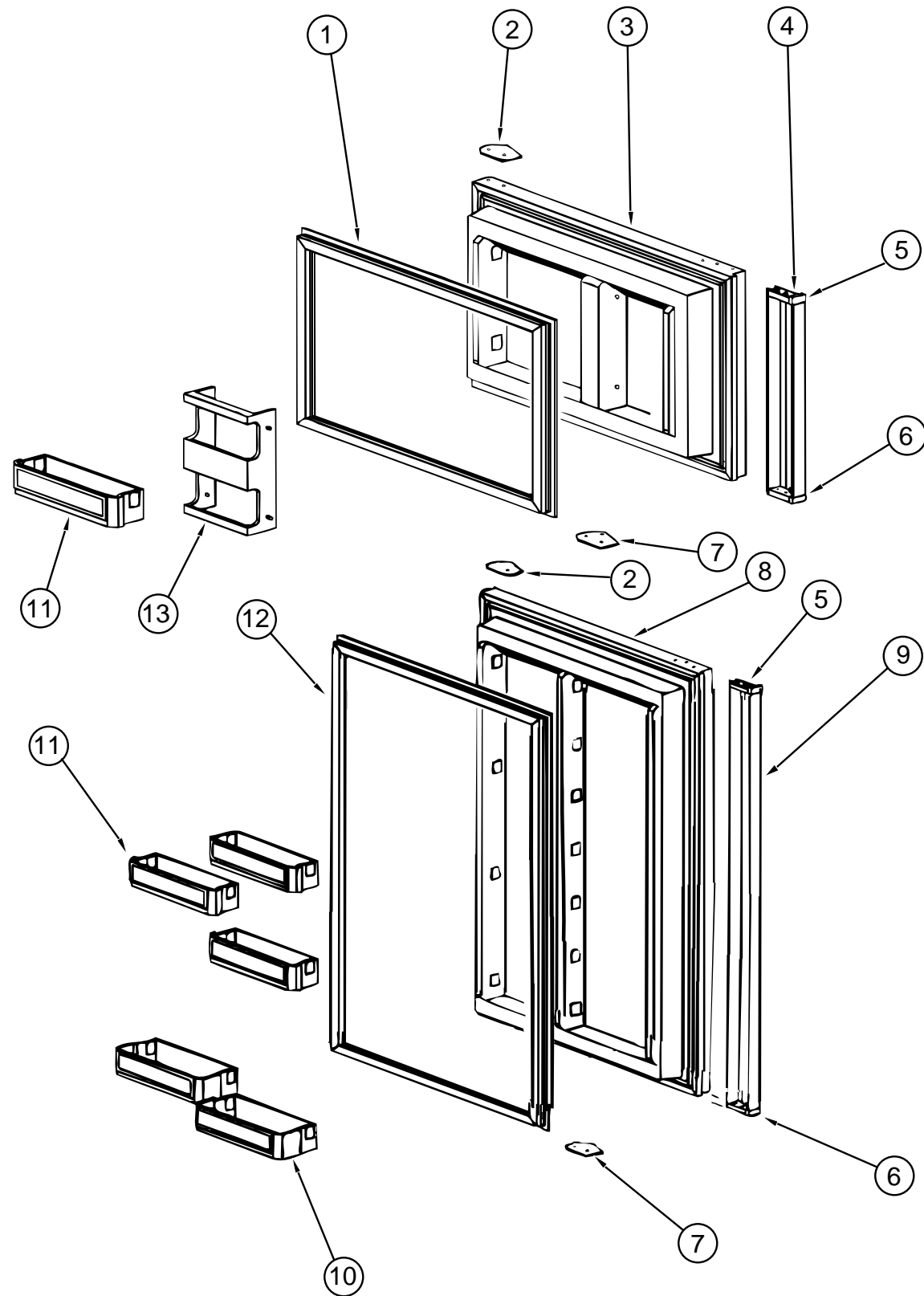
KEY	PART NUMBER	U/M	DESCRIPTION
	115303-01-000	EA	OVEN-MICROWAVE MCD-DM15K-7B
	115303-01-700	EA	TRIM F/VENT, TOP 2100309
	115401-01-01A	EA	TRIM-MICROWAVE, BLACK
	098916-12-01A	EA	BRACE-MICROWAVE CABINET, LEFT - STEEL
	098916-13-01A	EA	BRACE-MICROWAVE CABINET, RIGHT - STEEL
	094750-07-000	EA	BRACKET-MICROWAVE, 89 DEGREE

GALLEY GROUP (CONTINUED)
NORCOLD 6162 LH REFRIGERATOR SMALL DOUBLE DOOR



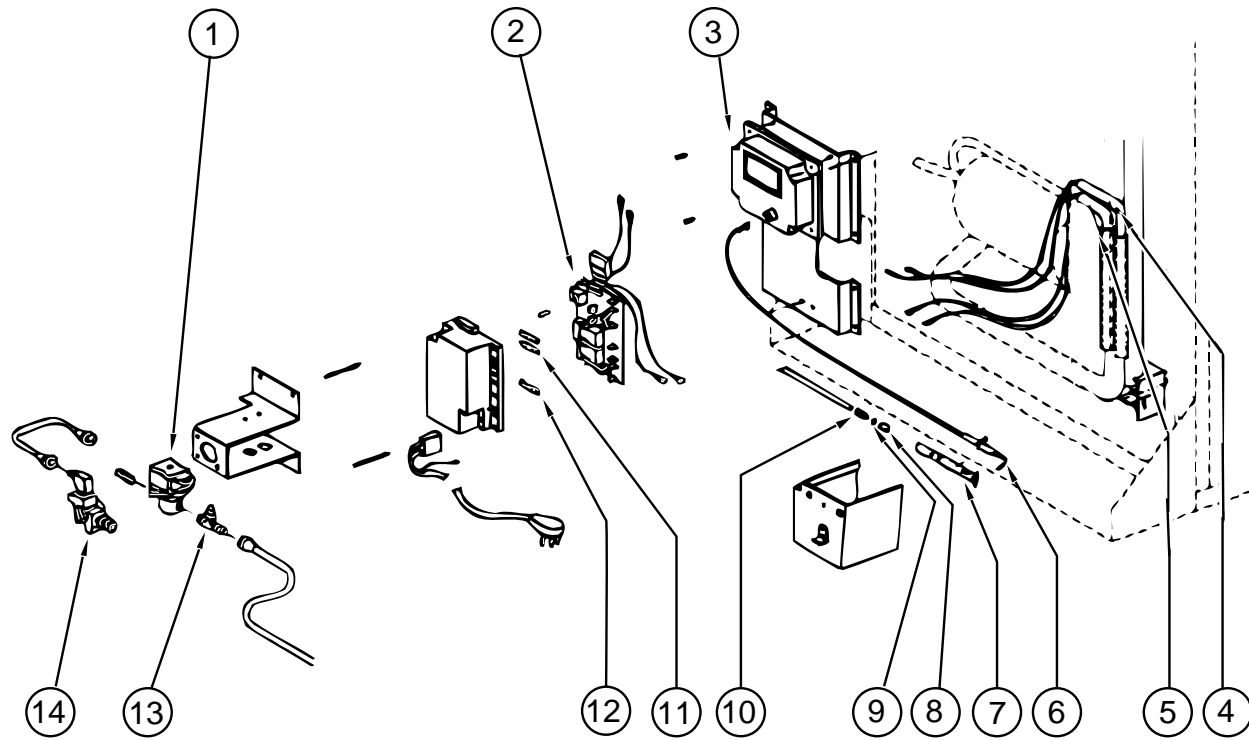
KEY	PART NUMBER	U/M	DESCRIPTION	VENDOR NO.
	104138-05-01A	EA	REFRIGERATOR, SMALL DOUBLE DOOR - 2-WAY - LH	6162LH BL
1	104138-04-701	EA	FOAMED CABINET ASSEMBLY-BLACK W/WHITE	61725038
2	094039-01-722	EA	HOLE PLUG-BLACK HINGE HOLES	61582030
2	084880-01-747	EA	PLUG-HOLE	61582022
3	084880-01-746	EA	CABLE-NORCOLD	61571522
4	094039-04-701	EA	EYEBROW SHELL, 2-WAY - W/O HUMIDITY SWITCH HOLE	61669822
4	104137-06-700	EA	EYEBROW SHELL, 2-WAY - W/HUMIDITY SWITCH HOLE	61726622
5	084880-01-753	EA	THERMISTER 78"	61693822
6	075217-01-738	EA	SWITCH-HUMIDITY	61525922
7	084880-01-760	EA	CLIP-THERMISTER	61689122
8	094039-01-723	EA	BRACKET-HINGE, TOP RH - BOTTOM LH - BLACK	61580838
9	094039-01-725	EA	HINGE PIN-MALE, BLACK	61578130
	084880-03-702	EA	HINGE PIN-TOP/BOTTOM FEMALE	61580630
10	084880-01-749	EA	BUSHING-HINGE	61580722
11	094039-01-728	EA	BRACKET-HINGE, CENTER - BLACK	61566530
12	094039-01-730	EA	HINGE PIN SHAFT-CENTER HINGE, BLACK	61566730
13	084880-01-722	EA	COVER-CRISPER	61564122
14	104137-06-707	EA	CRISPER, WHITE	61571325
15	094039-01-724	EA	BRACKET-HINGE, TOP LH - BOTTOM RH - BLACK	61580938
16	094039-01-739	EA	SHELF-CUTOUT	61646722
17	094039-01-732	EA	COVER-FRONT, BLACK BOTTOM TRIM	61622130
18	094039-01-733	EA	WIRE SHELF-MIDDLE	61563822
19	094039-01-734	EA	WIRE SHELF-TOP W/RISER	61563722
20	094039-01-735	EA	DRIP TRAY-INSIDE, WHITE	61572830
21	084880-01-732	EA	LATCH-NORCOLD	61578522
	094039-01-726	EA	SHELF-FREEZER EVAPORATOR	61523622
	084879-03-700	EA	COOLING UNIT-HORIZONTAL BURNER	61687237
	088248-01-706	EA	BURNER-HORIZONTAL	61588122
	088248-01-707	EA	ELECTRODE-SENSOR, HORIZONTAL	61573322
	104137-06-706	EA	WIRE SHELF-SHORT	61718222
	054450-01-000	EA	LEVEL-REFRIGERATOR	
	065225-02-000	EA	PLATE-TIEDOWN, REFRIGERATOR	
	093646-01-000	EA	BRACKET-TIEDOWN, REFRIGERATOR	
	093646-02-000	EA	BRACKET-TIEDOWN, REFRIGERATOR	
	116751-01-01A	EA	TRAY-DRIP, REFRIGERATOR - 24.6" X 6.3" - PLASTIC - BLACK	

GALLEY GROUP (CONTINUED)
NORCOLD 6162 LH REFRIGERATOR SMALL DOUBLE DOOR



KEY	PART NUMBER	U/M	DESCRIPTION	VENDOR NO.
1	094039-01-702	EA	GASKET-UPPER, GRAY	61567830
2	094039-01-710	EA	PLATE-HINGE, BLACK	61631330
3	094039-01-706	EA	LINER-UPPER DOOR, WHITE/BLACK	61581838-B
4	094039-01-708	EA	HANDLE-DOOR, UPPER - BLACK	61650038
5	084880-01-761	EA	END CAP-SPRING CATCH, UPPER - BLACK	61593730
	084880-01-720	EA	SPRING-DOOR HANDLE	61558822
6	084880-01-740	EA	END CAP-STOP CATCH	61593830
7	094039-01-704	EA	PLATE-HINGE, BLACK	61631430
8	094038-01-702	EA	LINER-DOOR, LOWER - BLACK/WHITE	61581938-B
9	094038-01-704	EA	HANDLE-DOOR, LOWER - BLACK	61650138
10	104137-06-703	EA	BIN-MILK, WHITE	61579425
11	104137-06-704	EA	BIN-DOOR SHELF, WHITE	61564025
12	094038-01-700	EA	GASKET-LOWER, GRAY	61567930
13	104137-06-702	EA	RACK-JUICE, WHITE	61580525

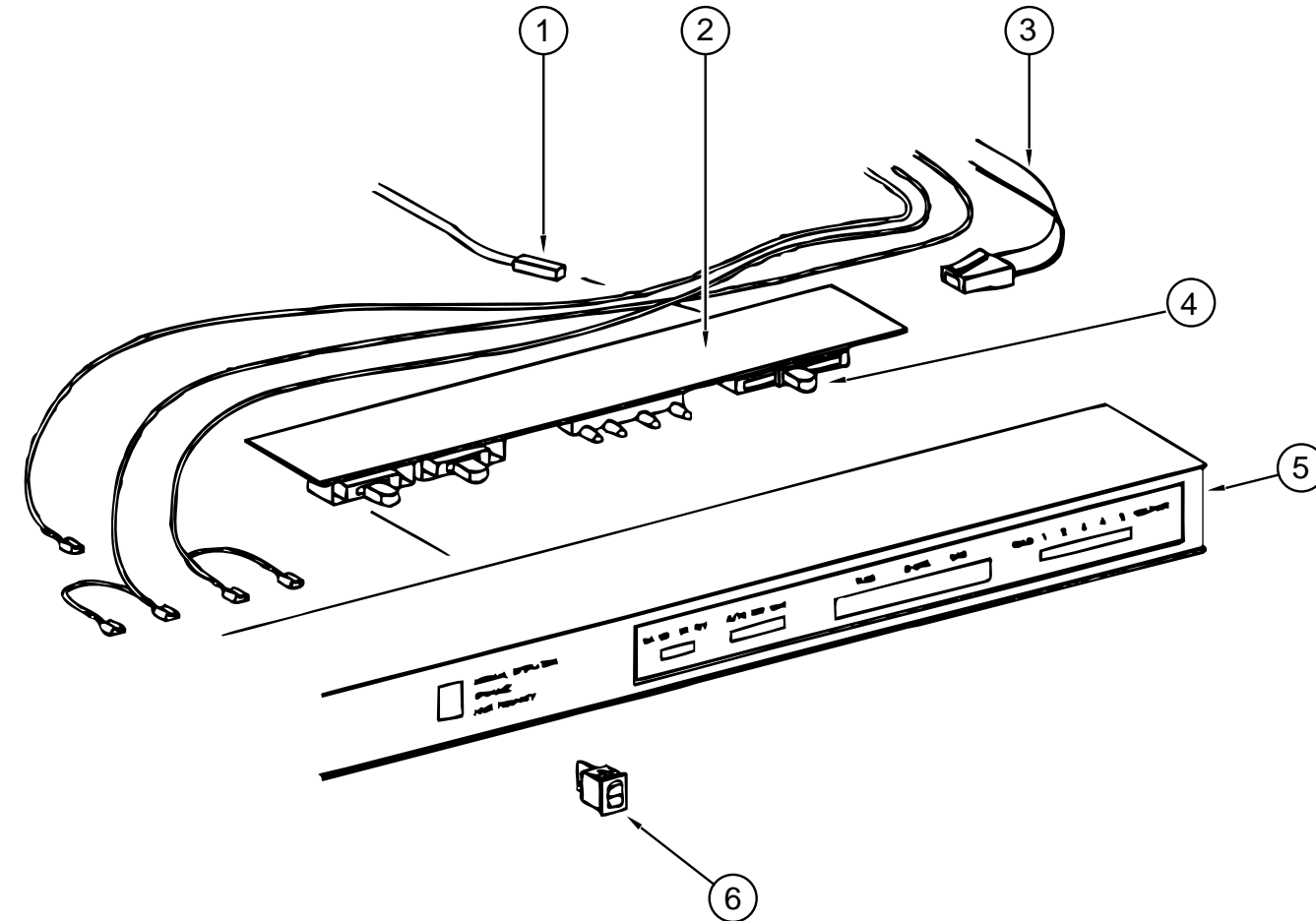
GALLEY GROUP (CONTINUED)



NORCOLD 6162 REFRIGERATOR CONTROL ASSEMBLY

KEY	PART NUMBER	U/M	DESCRIPTION	VENDOR NO.
1	084880-01-718	EA	VALVE-GAS	61551822
2	094039-04-702	EA	POWER SUPPLY - 2 WAY	61647422
3	102621-01-702	EA	MODULE-IGNITION	61688922
4	088248-01-710	EA	HEATER-DC, HORIZONTAL - 3 WAY	61562822
5	088248-01-709	EA	HEATER-AC, HORIZONTAL	61562722
6	104137-06-715	EA	SPARK/SENSE ELECTRODE-SINGLE	61692222
7	104137-06-714	EA	BURNER ASSEMBLY - 5-SLOT	61705222
8	084880-01-705	EA	ORIFICE	61452222
9	104137-06-713	EA	GASKET-ORIFICE	61475122
10	104137-06-712	EA	FITTING-GAS TUBE CONNECTION	61692722
11	075217-01-734	EA	FUSE - 3 AMP	61538822
12	104137-06-711	EA	FUSE - 5 AMP	61611622
13	104137-06-710	EA	PRESSURE TAP	61594422
14	104137-06-709	EA	VALVE-SHUT OFF, MANUAL	61694922
	084880-01-713	EA	CONNECTOR-MALE, INLET FITTING - NORCOLD	615256

GALLEY GROUP (CONTINUED)



NORCOLD 6162 REFRIGERATOR EYEBROW ASSEMBLY

KEY	PART NUMBER	U/M	DESCRIPTION	VENDOR NO.
1	084880-01-753	EA	THERMISTER 78"	61693822
	084880-01-760	EA	CLIP-THERMISTER	61689122
2	094039-04-700	EA	PRINTED CIRCUIT BOARD - 2 WAY	61647322
3	084880-01-746	EA	CABLE-NORCOLD	61571522
4	102621-01-703	EA	BUTTON-THERMOSTAT, ADJUSTABLE	61587422
5	094039-04-701	EA	EYEBROW SHELL, 2-WAY - W/O HUMIDITY SWITCH HOLE	61669822
5	104137-06-700	EA	EYEBROW SHELL, 2-WAY - W/HUMIDITY SWITCH HOLE	61726622
6	075217-01-738	EA	SWITCH-HUMIDITY	61525922

GALLEY GROUP (CONTINUED)
RANGE - 3 BURNER - MAGIC CHEF

KEY	PART NUMBER	U/M	DESCRIPTION	VENDOR NO.
	114030-01-01A	EA	RANGE-W/O OVEN, 3 BURNER - ALMOND	15RA-3B
	102019-01-705	EA	TRIM-REAR, BLACK - MAGIC CHEF	3608F009-70
	102020-01-709	EA	BUMPER-GRATE, MAGIC CHEF	8007P018-60
	102020-01-710	EA	FILTER-PILOT, MAGIC CHEF	7507P046-60
	102020-01-711	EA	GRATE-TOP, MAGIC CHEF	7518P012-60
	102020-01-721	EA	VALVE-SHUT OFF, MAGIC CHEF	7506F096-60
	102020-01-722	EA	VALVE-TOP BURNER, MAGIC CHEF	7502P095-60
	102020-01-724	EA	BUMPER-MAIN TOP, MAGIC CHEF	8003P008-60
	102022-01-708	EA	REGULATOR-PRESSURE, 1/4 IN - 1/2 OUT	7510P041-60
	112881-01-700	EA	TOP-MAIN, ALMOND	2001F110-84
	112881-01-703	EA	VALVE-TOP BURNER, HI-OUTPUT	7502P180-60
	112881-01-705	EA	KNOB-TOP BURNER	7733P072-60
	112881-01-709	EA	PIPE-MANIFOLD	7513P097-60
	114030-01-700	EA	PILOT-BURNER	7505P147-60
	114030-01-701	EA	PANEL-MANIFOLD	2616F078-70
	114030-01-702	EA	TRIM-RIGHT, BLACK	3608W040-70
	114030-01-703	EA	TRIM-LEFT, BLACK	3608W039-70
	081587-03-000	EA	BRACKET-TIEDOWN, RANGE - RH	
	081587-04-000	EA	BRACKET-TIEDOWN, RANGE - LH	

RANGE - 3 BURNER W/OVEN - MAGIC CHEF

KEY	PART NUMBER	U/M	DESCRIPTION	VENDOR NO.
	112881-01-03A	EA	RANGE - 16", 3 BURNER - ALMOND DOOR	16RA-3B49
	055282-04-700	EA	PANEL-OVEN DOOR, ALMOND - MAGIC CHEF	50-26577-2A
	102020-01-700	EA	SHELF-OVEN, MAGIC CHEF	7801-P027-60
	102020-01-701	EA	HANDLE-DOOR, MAGIC CHEF	7701P092-60
	102020-01-709	EA	BUMPER-GRATE, MAGIC CHEF	8007P018-60
	102020-01-711	EA	GRATE-TOP, MAGIC CHEF	7518P012-60
	102020-01-722	EA	VALVE-TOP BURNER, MAGIC CHEF	7502P095-60
	102020-01-724	EA	BUMPER-MAIN TOP, MAGIC CHEF	8003P008-60
	102022-01-708	EA	REGULATOR-PRESSURE, 1/4 IN - 1/2 OUT	7510P041-60
	112881-01-700	EA	TOP-MAIN, ALMOND	2001F110-84
	112881-01-701	EA	PANEL-MANIFOLD	2616F091-70
	112881-01-702	EA	VALVE-MERCURY, SAFETY VALVE	7501-P121-60
	112881-01-703	EA	VALVE-TOP BURNER, HI-OUTPUT	7502P180-60
	112881-01-704	EA	KNOB-THERMOSTAT	7731P067-60
	112881-01-705	EA	KNOB-TOP BURNER	7733P072-60
	112881-01-706	EA	THERMOSTAT	12400026
	112881-01-707	EA	TRIM-FLAT, LEFT - BLACK	3608W035-70
	112881-01-708	EA	TRIM-FLAT, RIGHT - BLACK	3608W036-70
	112881-01-709	EA	PIPE-MANIFOLD	7513P097-60
	112881-01-710	EA	PILOT-OVEN	7505P202-60
	112881-01-711	EA	BURNER-OVEN	3404W025045
	112881-01-713	EA	DOOR-OVEN, TEXTURED	2401F126-70
	112881-01-715	EA	THERMOSTAT	7515P037-60
	112881-01-716	EA	KNOB-THERMOSTAT	7731P107-60
	105458-01-000	EA	BRACKET-TIEDOWN, STOVE	
			FROM: 00-00-00 THRU: 10-16-94	
	105458-02-000	EA	BRACKET-TIEDOWN, STOVE	
			FROM: 00-00-00 THRU: 10-16-94	
	105458-03-000	EA	BRACKET-TIEDOWN, STOVE - RIGHT	
			FROM: 10-17-94 THRU: 99-99-99	
	105458-04-000	EA	BRACKET-TIEDOWN, STOVE - LEFT	
			FROM: 10-17-94 THRU: 99-99-99	

GENERATOR GROUP
3.6 KW ONAN GENERATOR - LP

KEY	PART NUMBER	U/M	DESCRIPTION
	109982-04-000	EA	GENERATOR - 3.6 MICROLITE, ONAN KY-FA/26120 B
	007125-04-000	EA	CLAMP-MUFFLER, 1.12" DIAMETER
	105958-10-000	EA	PIPE-EXHAUST, GENERATOR
	007067-01-000	SF	INSULATION-FIBERGLASS, 1" THICK X 4' - INCREMENTS OF 4 SF

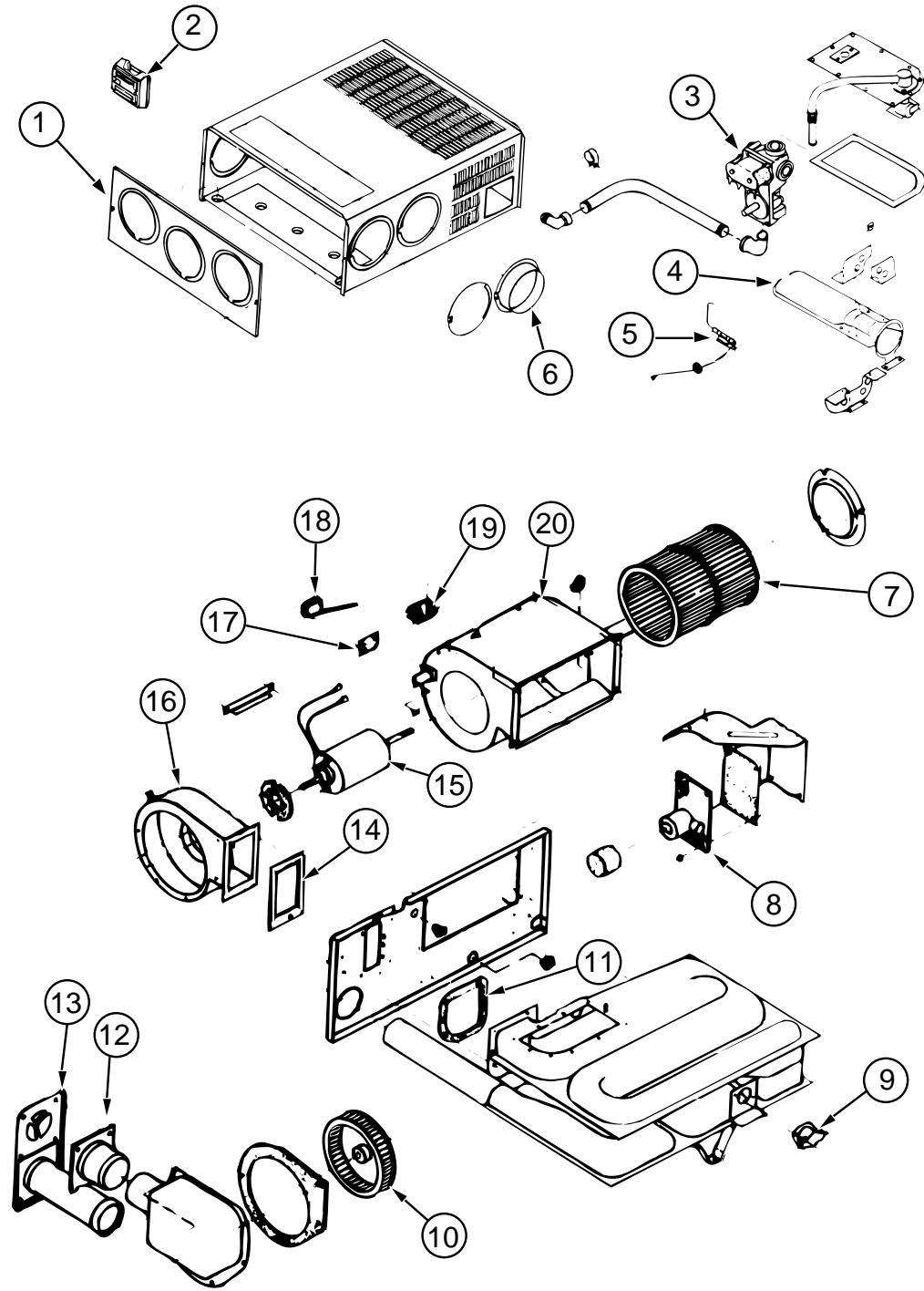
4.0 KW ONAN GENERATOR

KEY	PART NUMBER	U/M	DESCRIPTION
	109982-03-000	EA	GENERATOR - 4.0 MICROLITE, ONAN KY-FA/26100 B
	007125-04-000	EA	CLAMP-MUFFLER, 1.12" DIAMETER
	105958-10-000	EA	PIPE-EXHAUST, GENERATOR
	007067-01-000	SF	INSULATION-FIBERGLASS, 1" THICK X 4' - INCREMENTS OF 4 SF

3.3 KW ONAN GENERATOR - EXPORT

KEY	PART NUMBER	U/M	DESCRIPTION
	109982-05-000	EA	GENERATOR - 3.3 MICROLITE, ONAN KY-FR/26119 B
	007125-04-000	EA	CLAMP-MUFFLER, 1.12" DIAMETER
	105958-10-000	EA	PIPE-EXHAUST, GENERATOR
	007067-01-000	SF	INSULATION-FIBERGLASS, 1" THICK X 4' - INCREMENTS OF 4 SF

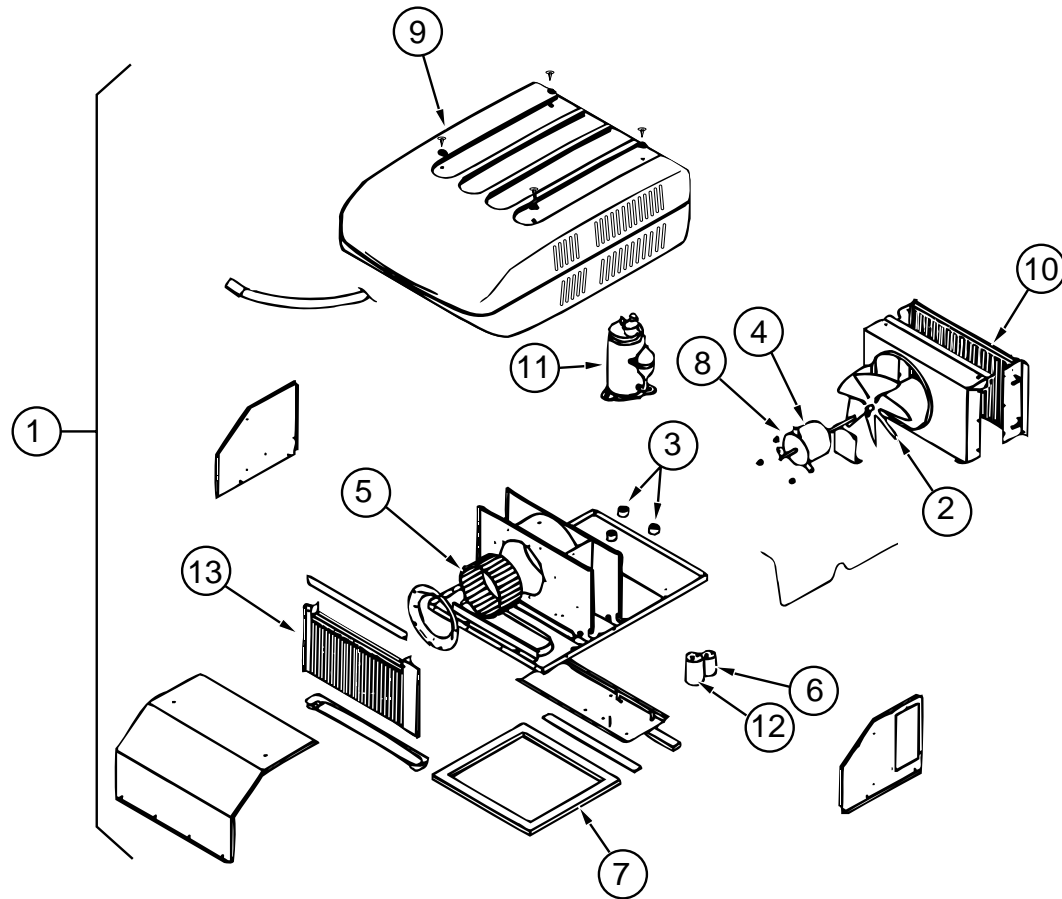
HEATING & AIR CONDITIONING GROUP
FURNACE - 25,000 BTU - SUBURBAN



KEY	PART NUMBER	U/M	DESCRIPTION	VENDOR NO.
	098668-19-000	EA	FURNACE - 25,000 BTU	SF-25 2272
1	098668-01-700	EA	CABINET FRONT	101242
2	115764-01-01A	EA	THERMOSTAT-FURNACE	160902
3	098668-01-714	EA	VALVE-GAS	161070
4	098668-01-703	EA	BURNER ASSEMBLY-COMplete	010762
5	098668-01-715	EA	ELECTRODE ASSEMBLY-SINGLE PROBE	232166
6	075696-02-703	EA	COLLAR-DUCT	050715
7	098668-01-711	EA	WHEEL-ROOM AIR	350123
8	098668-01-712	EA	BOARD-MODULE	231741
9	098668-21-701	EA	SWITCH-LIMIT	231799
10	098668-01-706	EA	WHEEL-COMBUSTION AIR	350122
11	098668-01-716	EA	GASKET-FIREWALL, CHAMBER SIDE	070808
12	098668-01-713	EA	TUBE ASSEMBLY-INTAKE VENT	051248
13	098668-01-707	EA	VENT CAP & EXHAUST TUBE ASSEMBLY	260193
14	098668-01-717	EA	GASKET-FIREWALL, BLOWER SIDE	070809
15	098668-01-709	EA	MOTOR ASSEMBLY	231706
16	098668-01-708	EA	BLOWER ASSEMBLY-COMBUSTION AIR	390441
17	101990-01-714	EA	GASKET-MICROSWITCH	230877
18	098668-21-700	EA	MICROSWITCH-W/O FLAG, 3 1/4"	232261
19	074466-01-702	EA	RELAY-TIME DELAY	230625
20	098668-01-710	EA	BLOWER ASSEMBLY-ROOM AIR	390440
	090039-01-703	EA	ORIFICE-MAIN BURNER	180193
	092300-02-701	EA	ORIFICE-MAIN BURNER, SUBURBAN	180214
	098668-06-000	EA	DOOR-ACCESS, FURNACE - OFF WHITE	520574
	098668-23-000	EA	DOOR-ACCESS, FURNACE - BRIGHT WHITE	520574
	069636-02-000	EA	CONNECTOR-DUCT, 4" ID - SUBURBAN	050715
	093614-01-01A	EA	GRILLE-RETURN AIR, FURNACE - 15.6" X 7.6" - BROWN	
			FROM: 00-00-00 THRU: 03-29-95	
	093614-01-02A	EA	GRILLE-RETURN AIR, FURNACE - BEIGE	
			FROM: 03-30-95 THRU: 99-99-99	
	056464-05-000	EA	REGISTER-PLASTIC, W/O DAMPER - 4" DIAMETER - GOLDEN	
			FROM: 00-00-00 THRU: 03-29-95	
	056464-10-000	EA	REGISTER-PLASTIC, W/O DAMPER - 4" DIAMETER	
			FROM: 03-30-95 THRU: 99-99-99	
	009198-01-000	FT	DUCT-HEAT, FLEXIBLE - 4" ID X 25 FT	
	009200-01-000	EA	TAPE-FURNACE, 1 1/2"	

HEATING & AIR CONDITIONING GROUP (CONTINUED)

ROOF A/C-13,500 BTU-EUROPE - COLEMAN



ROOF AIR CONDITIONER - COLEMAN

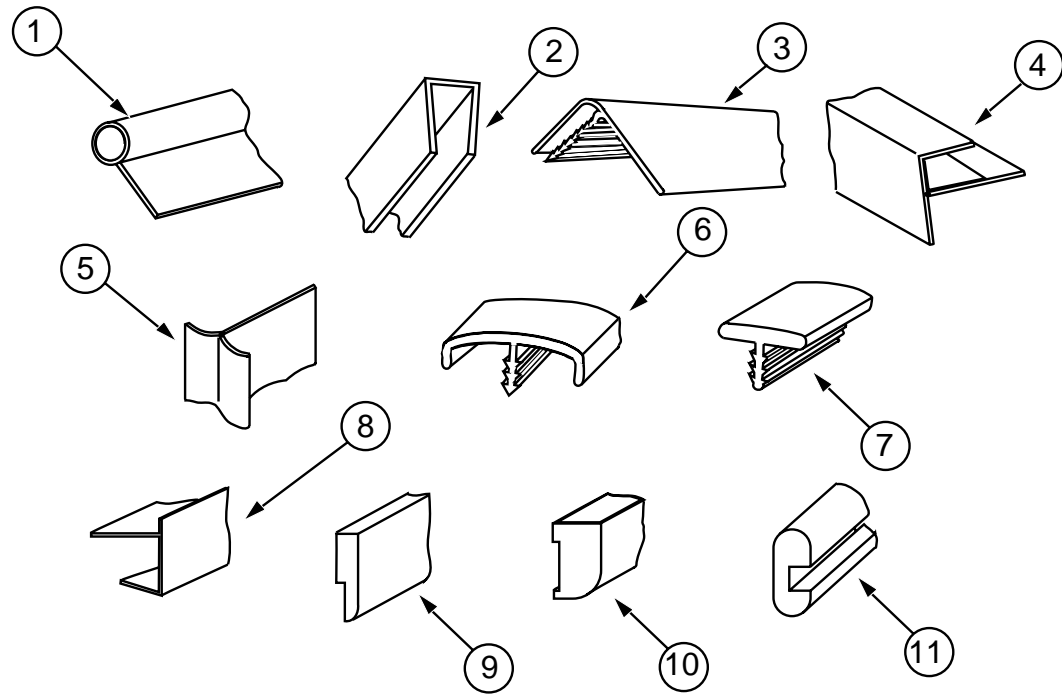
KEY	PART NUMBER	U/M	DESCRIPTION	VENDOR NO.
1	108889-01-01A	EA	A/C-ROOF, 13,500 TSR HO - IVORY - OFF WHITE	7333-887
1	108889-01-05A	EA	A/C-ROOF, 13,500 - TSR HO - BRIGHT WHITE	7333
2	093763-01-712	EA	FAN BLADE-CONDENSER, COLEMAN	6733-3221
3	105620-01-706	EA	FOOT PACKAGE-COMPRESSOR, 3 PER PKG	6759-3081
4	108889-01-705	EA	MOTOR - 115, 60HZ	1468-3049
5	108889-01-706	EA	IMPELLOR	1472-1041
6	093763-01-704	EA	CAPACITOR-FAN, COLEMAN	1499-3461
	108889-01-710	EA	FILLER PAD-CONDITIONER AIR SEAL	6759A3971
7	108889-01-711	EA	GASKET PACKAGE	6792-3301
8	108889-01-715	EA	SEAL KIT-MOTOR MOUNT & SHAFT	6792-3361
9	108889-01-701	EA	SHROUD-LESS LOGO, IVORY/IVORY	6759-4601
9	108889-05-700	EA	SHROUD-LESS LOGO, BRIGHT WHITE	7333-4601
10	108889-01-703	EA	CONDENSER COIL	1452A1301
11	105620-01-704	EA	COMPRESSOR-RH & LH - COLEMAN	1450-2009
12	108889-01-707	EA	RUN CAPACITOR-COMPRESSOR, 25MFD/370	1499-5661
	091225-01-709	EA	START RELAY, COLEMAN	1497-4131
13	108889-01-709	EA	EVAPORATOR COIL	1452A1311
	102289-01-000	EA	SPRING-SCREW, ROOF A/C GASKET - COLEMAN	6757-150
	091225-01-710	EA	START CAPACITOR, COLEMAN	1497-0881
	093306-01-701	EA	DECAL PACKAGE, LEFT & RIGHT - COLEMAN	6798B3591
	108889-01-704	EA	OVERLOAD-MRA #98693	6749-3541
	108889-01-712	EA	SUCTION LINE REDUCER - 3/8" X 1/2"	1215-2161
	108889-01-713	EA	SUCTION LINE - 3/8" OD X .032" WALL	6792-130
	108889-01-714	EA	DISCHARGE LINE ASSEMBLY	6792-531

KEY	PART NUMBER	U/M	DESCRIPTION	VENDOR NO.
1	108889-02-01A	EA	A/C-ROOF, 13,500 TSR 220 - IVORY	7373A897
2	093763-01-712	EA	FAN BLADE-CONDENSER	6733-3221
3	105620-01-706	EA	FOOT PACKAGE-COMPRESSOR, 3 PER PKG	6759-3081
4	108889-02-701	EA	MOTOR	1468-3059
5	108889-01-706	EA	IMPELLOR	1472-1041
6	108889-01-708	EA	CAPACITOR-FAN, (7.5MFD.370U)	1499-5461
	108889-01-710	EA	FILLER PAD-CONDENSER AIR SEAL	6759A3971
7	108889-01-711	EA	GASKET PACKAGE	6792-3301
8	108889-01-715	EA	MOTOR MOUNT & SHAFT SEAL KIT	6792-3361
9	108889-05-700	EA	SHROUD-A/C, LESS LOGO - BRIGHT WHITE	7333-4601
10	108889-01-703	EA	CONDENSER COIL	1452A1301
11	108889-02-700	EA	COMPRESSOR-TECUMSEH	1452-2029
12	108889-01-707	EA	RUN CAPACITOR-COMPRESSOR, 25MFD/370	1499-5661
	108889-02-703	EA	RELAY-START	1497-4141
13	108889-01-709	EA	EVAPORATOR COIL	1452A1311
	093306-01-701	EA	DECAL PACKAGE, LEFT & RIGHT	6798B3591
	105620-01-705	EA	PROTECTOR-OVERLOAD, RH & LH	6759-3791
	108889-01-713	EA	SUCTION LINE, 3/8 OD X .032 WALL	6792-130
	108889-01-714	EA	DISCHARGE LINE ASSEMBLY	6792-531
	108889-02-702	EA	CAPACITOR-START	1497-0891

CEILING A/C - COLEMAN - U.S. & EXPORT

KEY	PART NUMBER	U/M	DESCRIPTION	VENDOR NO.
	108891-01-01A	EA	CEILING ASSEMBLY-A/C COOL TSR HO	7330-714 IV
	042204-01-709	EA	THERMOSTAT-IN 64 OUT 58	6701-3401
	073742-01-701	EA	SELECTOR SWITCH - 5 TERMINAL	6759-3251
	073742-01-702	EA	DECAL COOL ONLY	6759C3431
	081606-01-712	EA	CEILING SHROUD-IVORY	6769-5061
	091225-01-713	EA	KNOB - 2 PER PACKAGE	6701-3351
	091225-01-717	EA	DECAL-THERMOSTAT, COOL ONLY	6799A3441
	093766-02-701	EA	DECAL-LEFT SIDE	6799-3971
	108891-01-700	EA	SINGLE PARTS PACKAGE-KNOBS & NUTS	6792-5991
	108891-01-701	EA	RETAINER CLIPS-FILTER, 6 PER	6799-3141
	076303-01-717	EA	FILTER -(EACH = 1)	
	084077-03-000	EA	COVER-BLANK, ROOF A/C - 5.2" X 3.5" - IVORY	

INTERIOR FINISH GROUP



MOLDINGS & TRIMS

KEY	PART NUMBER	U/M	DESCRIPTION
1	009767-12-000	FT	MOLDING-SIDEWALL TO CEILING/CABINET - WELTING - OFF WHITE
2	009778-12-000	FT	U CHANNEL-PLASTIC - 1" WIDE X 8' - WOODGRAIN
2	009778-20-000	FT	U CHANNEL - 1" X 55", MODERN IVORY
2	070504-19-000	FT	U CHANNEL-PLASTIC, .815" WIDE - BROWN
2	070504-23-000	FT	U CHANNEL - 22.56 - COUNTRY FOREST
2	070504-18-000	FT	U-CHANNEL-PLASTIC, .065" WIDE - IVORY
3	009809-21-000	EA	MOLDING-CORNER, OUTSIDE - 1" - PLASTIC - WOODGRAIN
3	009809-23-000	EA	MOLDING-CORNER, OUTSIDE - 1" - PLASTIC - IVORY
4	009812-22-000	EA	MOLDING-CORNER, OUTSIDE - .5" X 7' - PLASTIC - BROWN
4	009812-24-000	EA	MOLDING-PLASTIC, OUTSIDE CORNER - .50" - IVORY
5	022992-01-000	FT	MOLDING-REVERSE COVE, T-SHAPED - VINYL - WHITE
5	022992-11-000	FT	MOLDING-REVERSE COVE, T-SHAPED - VINYL - IVORY
6	083620-07-000	FT	MOLDING-T, END CAP EDGE - W/EDGE LIPS - .75" - THOR PECAN
6	083620-09-000	FT	T-MOLDING, 3/4 W/EDGE LIPS - MODERN IVORY
6	104676-02-01A	FT	T-MOLDING, 1/2" X 7'
6	009815-09-000	FT	MOLDING-T, .75" - IVORY
7	104676-01-01A	FT	T-MOLDING, 5/16 - RIGID - GOLD
8	103186-01-01A	FT	MOLDING-EDGE, SHELF - .78" WIDE - PLASTIC - RAMBLING OAK
9	105004-01-02A	EA	MOLDING-VINYL WRAPPED, RAMBLING OAK
10	100041-01-000	EA	MOLDING-VINYL WRAPPED, .7" X 1.57" X 84.02" - RAMBLING OAK
10	100041-02-000	EA	MOLDING-VINYL WRAPPED, .7" X 2.5" X 84" - RAMBLING OAK
11	081294-02-000	EA	MOLDING-SHELF, NOTCHED WOOD - 8' LONG
	076325-25-000	FT	MOLDING-EDGE BAND, RAMBLING OAK
	076325-34-000	FT	MOLDING-EDGE BAND, 1 5/16" WIDE
	076325-35-000	FT	MOLDING-EDGE BAND, ORCHID
	009767-10-000	FT	WELTING-CABINET TO WALL, MAHOGANY
	100040-01-000	EA	LUMBER-VINYL WRAPPED, .71" X 1.5" X 8' - RAMBLING OAK
	100040-03-000	EA	LUMBER-VINYL WRAPPED, .71" X 2" X 8' - RAMBLING OAK
	100040-06-000	EA	LUMBER-VINYL WRAPPED, RAMBLING OAK
	092330-D2-438	EA	LUMBER-VINYL WRAPPED, WOODGRAIN
	075249-01-000	EA	RAILING-UNFINISHED, OAK - 72"
	077840-01-E07	EA	MOLDING-WALL CAP
	119520-01-01A	FT	T-MOLDING, 1" - W/EDGE LIPS
	100659-01-E01	EA	MOLDING-TRIM, VINYL FLOOR

INTERIOR FINISH GROUP (CONTINUED) BATT STRIPS

KEY	PART NUMBER	U/M	DESCRIPTION
	088263-B4-000	EA	BATT STRIP-MAIN WALL, SILVERADO
	088263-B6-000	EA	BATT STRIP-CEILING, PEARL
	088263-78-000	EA	BATT STRIP-SHOWER, OFF WHITE
	069733-80-000	EA	BATT STRIP-WOODGRAIN, WINNIE OAK
	085284-A5-000	FT	STRIP-TAPE, MAIN WALL - SILVERADO
	085284-A7-000	FT	STRIP-TAPE, CEILING - PEARL
	085284-67-000	FT	STRIP-TAPE, WINNIE OAK
	085284-76-000	FT	STRIP-TAPE, SHOWER - ADHESIVE BACKED - OFF WHITE
	086229-01-000	EA	RETAINER-BATTEN, CEILING - .75" WIDE - 7.6'
	086229-13-000	EA	BATTEN-CEILING, 1" WIDE - IVORY

PANELING, LAMINATES & PLASTIC

KEY	PART NUMBER	U/M	DESCRIPTION
	074497-27-000	SF	PANELING-CEILING, TIGA BEND - 4' X 8' - INCREMENTS OF 32 SF
	074497-21-000	SF	PANELING-WOODGRAIN, 4' X 8' - INCREMENTS OF 32 SF
	076773-09-000	SF	PANELING - 2 SIDED, WINNIE OAK
	088272-D7-000	SF	PANELING-MAIN WALL, SILVERADO
	088272-98-000	SF	PANELING-SHOWER, OFF WHITE - 4' X 7' - INCREMENTS OF 28 SQ FT
	074498-34-000	SF	LAMINATE-PLASTIC, 5' X 8' - INCREMENTS OF 40 SF
	074498-67-000	SF	LAMINATE-PLASTIC, ORCHID MIST
	093743-02-01A	SF	PLASTIC-ABS, 20" WIDE ROLL - OFF WHITE

FIRE EXTINGUISHERS & DETECTORS

KEY	PART NUMBER	U/M	DESCRIPTION
	094499-02-000	EA	EXTINGUISHER-FIRE, DRY - 1A10BC - CANADIAN
	094499-01-000	EA	EXTINGUISHER-FIRE, DRY W/MOUNTING BRACKET - 10 BC
	094499-01-700	EA	BRACKET-MOUNTING, W/PLASTIC STRAP - FIRE EXTINGUISHER
	072852-01-000	EA	DETECTOR-SMOKE, W/9 VOLT BATTERY - US
	072852-02-000	EA	DETECTOR-SMOKE, W/9 VOLT BATTERY - CANADIAN
	112320-01-000	EA	DETECTOR-CO GAS, MODEL 9B-I - COSTAR 940000000
	112320-02-000	EA	BATTERY/SENSOR-CO GAS, COSTAR 940001000

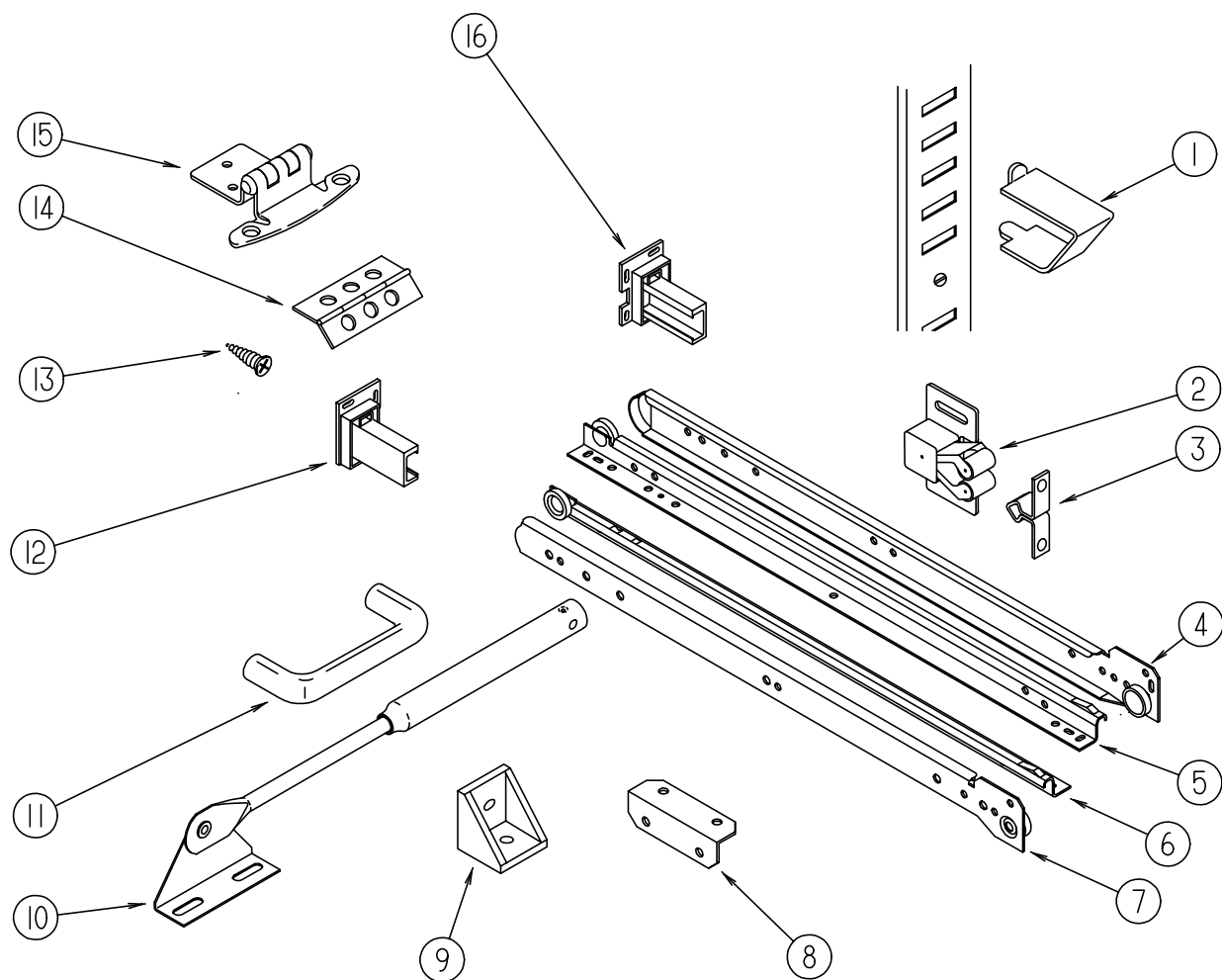
CARPETING

KEY	PART NUMBER	U/M	DESCRIPTION
	096060-97-000	SY	CARPET-LAPIS (F15)
	096060-A1-000	SY	CARPET-ARTIC GRAY (F16)
	093486-01-000	SY	CARPET-COMPARTMENT, 54" WIDE - DARK GRAY
	047034-02-000	SF	PLASTIC-CARPET, 4' WIDE - CLEAR POLY
	085746-01-000	SF	TRIM-J, CARPET - 1.2" X .5" ANGLE - 10' LONG - PVC - BEIGE

FLOOR MATS

KEY	PART NUMBER	U/M	DESCRIPTION
	106884-01-000	EA	MAT-FLOOR, PASSENGER - "W" - FORD
	106884-02-000	EA	MAT-FLOOR, DRIVER - "W" - FORD
	081075-03-000	EA	MAT-FLOOR, ENTRANCE - WINNEBAGO - PLASTICOLOR - GRAY

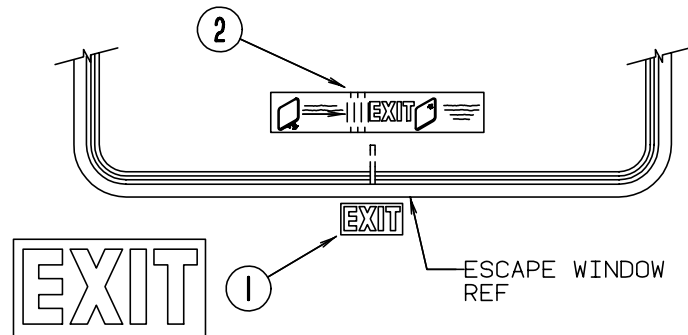
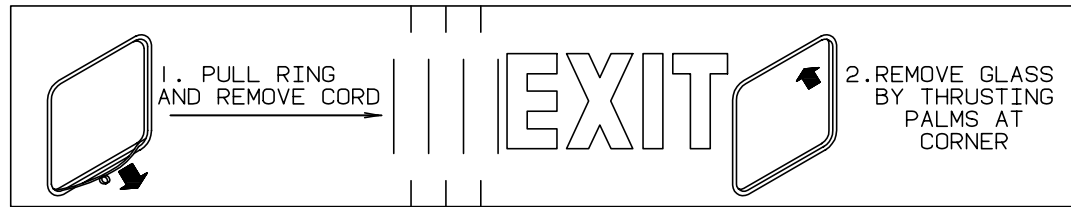
INTERIOR FINISH GROUP (CONTINUED)
CABINET & TABLE HARDWARE



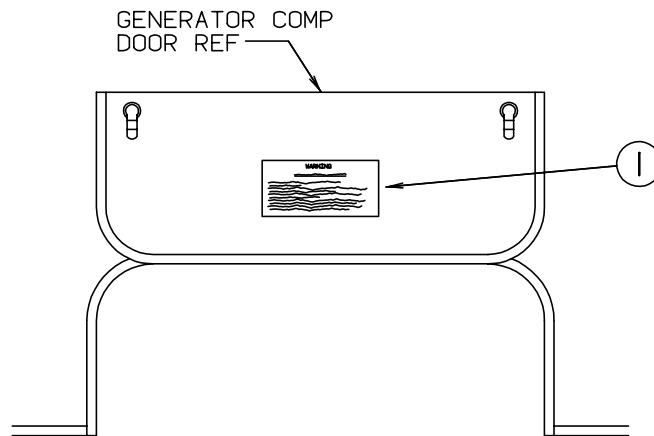
KEY	PART NUMBER	U/M	DESCRIPTION
	009065-01-000	EA	HINGE-CONTINUOUS, 1 1/2" X 96" - UNPAINTED
	076790-01-000	EA	SCREW - 6-20 X 1 1/4 PPH - BLACK
	004354-01-000	EA	BUMPER-RUBBER, .5" DIAMETER - BROWN
	069726-02-000	EA	BUMPER -.88" DIAMETER X .40" - BLACK
	023320-01-000	EA	PAD-FELT, 3/8" DIAMETER - BROWN
	009112-01-000	EA	FLANGE - 1" CLOTHES ROD - PLASTIC - OFF WHITE
	000G13-06-10G	EA	SCREW - 6-20 X 5/8 PFH - ANTIQUE BRASS
	042438-01-000	EA	DOWEL-WOOD, CLOTHES ROD - 1" DIAMETER X 4'
	042438-02-000	EA	DOWEL-WOOD, 2" X 2"
	103256-01-000	EA	LATCH-SLIDE
	042356-01-000	EA	PLUG-BUTTON, MAHOGANY - 3/8" DIAMETER - WOOD
	074045-07-000	EA	PLUG-WOOD, 1/2"
	113374-01-01A	EA	LATCH-MEDICINE CABINET, JENSEN RP1096B
	008042-01-000	FT	TUBING-VINYL, .65" ID

KEY	PART NUMBER	U/M	DESCRIPTION
1	098979-01-000	EA	CLIP-ADJUSTABLE SHELF
	098980-01-000	EA	PILASTER-ADJUSTABLE SHELF, 18" LONG - WOODGRAIN APPEARANCE
2	093586-06-000	EA	CATCH-SPRING, ROLLER - FASTEC C411-AC
3	093586-05-000	EA	STRIKE-SPRING, STEEL - FASTEC S411-AC
4	114031-14-000	EA	SLIDE-DRAWER, CABINET MOUNTED - RIGHT SIDE - 18"
5	114031-16-000	EA	SLIDE-DRAWER, DRAWER MOUNTED - RIGHT SIDE - 18"
6	114031-15-000	EA	SLIDE-DRAWER, DRAWER MOUNTED - LEFT SIDE - 18"
7	114031-13-000	EA	SLIDE-DRAWER, CABINET MOUNTED - LEFT SIDE - 18"
8	016604-01-000	EA	BRACE-CABINET, ANGLE - 2.5" - METAL - UNPAINTED
8	016604-03-000	EA	BRACE-CABINET, ANGLE - 2.5" - METAL - BEIGE
8	016604-05-000	EA	BRACE-CABINET, L ANGLE - 2.5" - METAL - OFF WHITE
9	065740-01-000	EA	BRACE-CABINET CORNER, PLASTIC
10	074493-02-000	EA	SUPPORT-PISTON SPRING, CABINET DOOR
11	112146-01-000	EA	PULL-CABINET, BRASS - AMEROCK D-1180-3
12	114045-01-000	EA	BACKSOCKET-ADJUSTABLE, LEFT - HOUCK 751-1
13	000G13-06-08G	EA	SCREW - 6-20 X 5/8 PFH - ANTIQUE BRASS
14	009059-01-000	EA	HINGE-DOOR, 2" X 1.4" - BRASS
15	108138-01-000	EA	HINGE-DOOR, CABINET - BURNISHED BRASS
16	114045-02-000	EA	BACKSOCKET-ADJUSTABLE, RIGHT - HOUCK 751-2

LABELS GROUP



KEY	PART NUMBER	U/M DESCRIPTION
1	039290-01-000	EA LABEL-WARNING, EXIT
2	107571-01-000	EA LABEL-EXIT, ESCAPE WINDOW



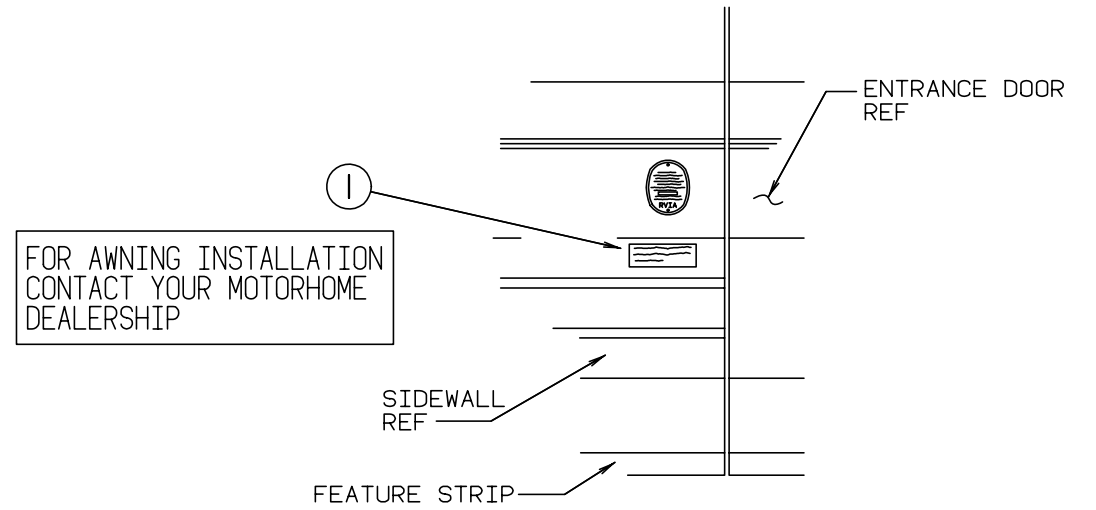
WARNING

WHEN ADDING A GENERATOR SET:

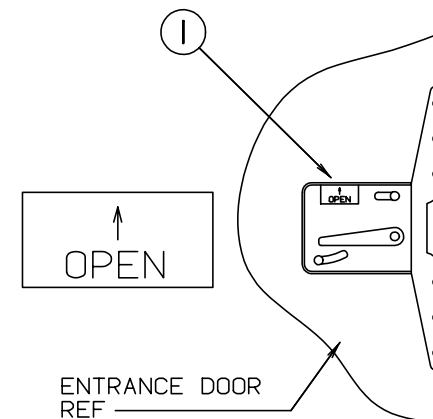
HIGH VOLTAGE-USE EXTREME CAUTION WHEN WORKING ON ELECTRICAL COMPONENTS.
 HAVE ALL ELECTRICAL INSTALLATION PERFORMED BY A QUALIFIED LICENSED ELECTRICIAN-FOLLOW ALL STATE AND LOCAL CODES.
 ONLY INSTALL GENERATOR SET APPROVED FOR R.V. APPLICATION. HAVE INSTALLED BY QUALIFIED TECHNICIAN.
 TO AVOID HEAT BUILD-UP AND TO GUARANTEE AN ADEQUATE AIR SUPPLY TO THE GENERATOR CARBURETOR, FOLLOW INSTALLATION INSTRUCTIONS.
 GENERATOR ENGINE EXHAUST GASES ARE TOXIC AND MUST NOT TERMINATE UNDER THE VEHICLE-DISCHARGE EXHAUST AWAY FROM VEHICLE.

KEY	PART NUMBER	U/M DESCRIPTION
1	077510-01-000	EA LABEL-GENERATOR PREP

LABELS GROUP (CONTINUED)



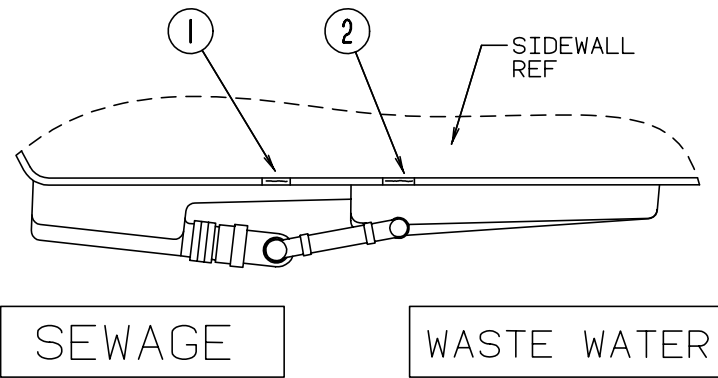
KEY	PART NUMBER	U/M DESCRIPTION
1	099509-01-000	EA LABEL-AWNING INSTALLATION



KEY	PART NUMBER	U/M DESCRIPTION
1	040944-01-000	EA LABEL-ENTRANCE DOOR, "OPEN"

LABELS GROUP (CONTINUED)
MISCELLANEOUS LABELS

KEY	PART NUMBER	U/M	DESCRIPTION
	006064-01-000	EA	LABEL-SEAT W/O SEATBELT (US)
	006064-02-000	EA	LABEL-SEAT W/O SEATBELT (CSA) NOT INTENDED FOR USE WHILE COACH IN MOTION
	091224-02-000	EA	LABEL-TRAILER LIGHTING
	091243-01-000	EA	LABEL-A/C COVER, "AIR CONDITIONING CIRCUIT. ETC."
	091243-02-000	EA	LABEL-COVER, "MICROWAVE CIRCUIT. ETC."
	093236-08-000	EA	LABEL-CIRCUIT BREAKER
	098641-01-000	EA	LABEL-FUEL, UNLEADED - DASH
	073998-01-000	EA	LABEL-LPG ODOR WARNING
	087236-01-000	EA	LABEL-CABLE, INPUT
	061417-01-000	EA	LABEL-FUEL, ON FUEL FILL DOOR
	006040-01-000	EA	TAG-GAS REFUELING WARNING (US)
	006040-02-000	EA	TAG-GAS REFUEL WARNING (CANADIAN)
	023769-01-000	EA	LABEL-WARNING, LPG - CANADIAN
	054531-01-000	EA	LABEL-LP GAS ONLY REPLACES 6061
	111104-01-000	EA	LABEL-HITCH, READ MANUAL
	112518-01-000	EA	LABEL-HANG TAG, CO DETECTOR
	087207-06-000	EA	LABEL-GAS OVERFILL
	111802-01-000	EA	LABEL-CFC WARNING

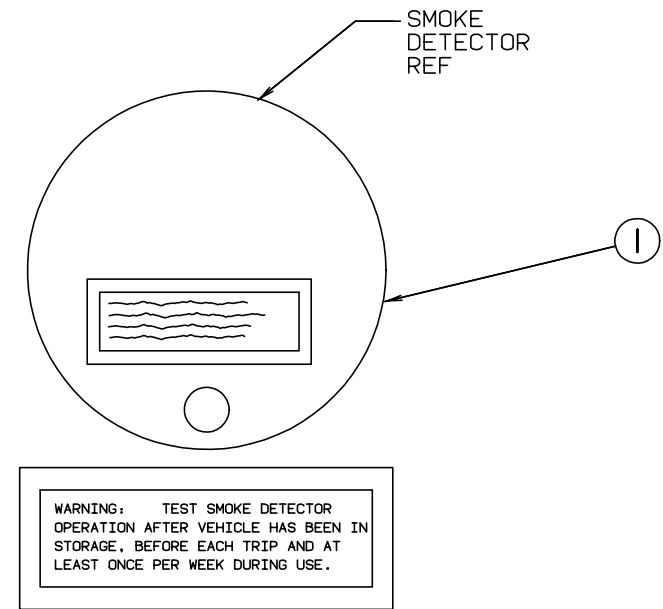


SEWAGE

WASTE WATER

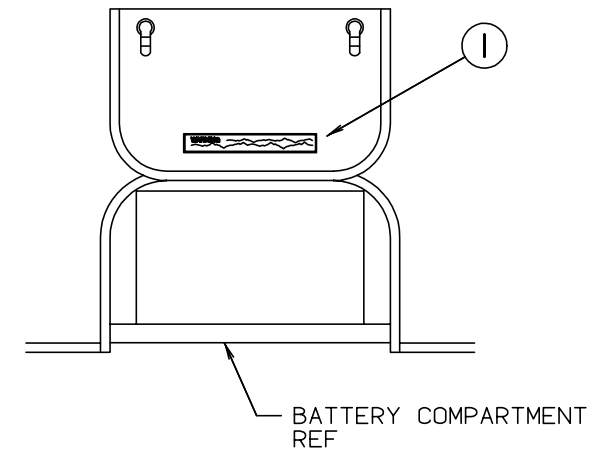
KEY	PART NUMBER	U/M	DESCRIPTION
1	006187-01-000	EA	LABEL-SEWAGE
2	006188-01-000	EA	LABEL-WASTE WATER

LABELS GROUP (CONTINUED)



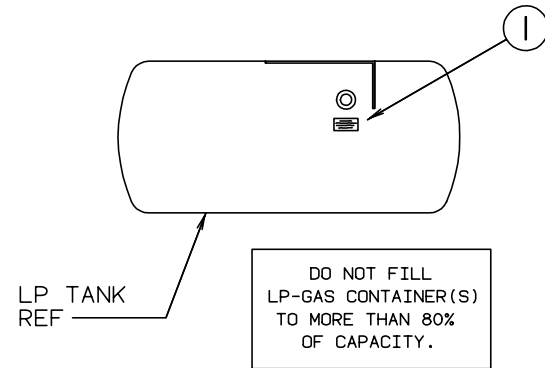
KEY	PART NUMBER	U/M	DESCRIPTION
1	077956-01-000	EA	LABEL-WARNING, SMOKE DETECTOR

WARNING DISCONNECT BATTERIES BEFORE CONNECTING EXTERNAL CHARGING EQUIPMENT.



KEY	PART NUMBER	U/M	DESCRIPTION
1	065748-01-000	EA	LABEL-CAUTION-BATTERY CHARGING

LABELS GROUP (CONTINUED)

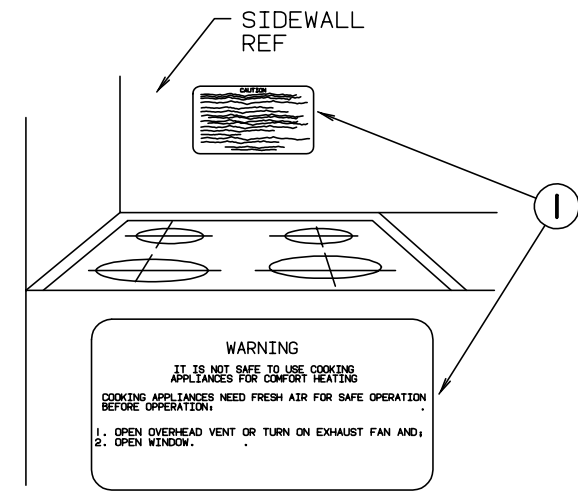


LP TANK REF

DO NOT FILL
LP-GAS CONTAINER(S)
TO MORE THAN 80%
OF CAPACITY.

KEY	PART NUMBER	U/M DESCRIPTION
1	079965-01-000	EA LABEL-LPG, 80% CAPACITY

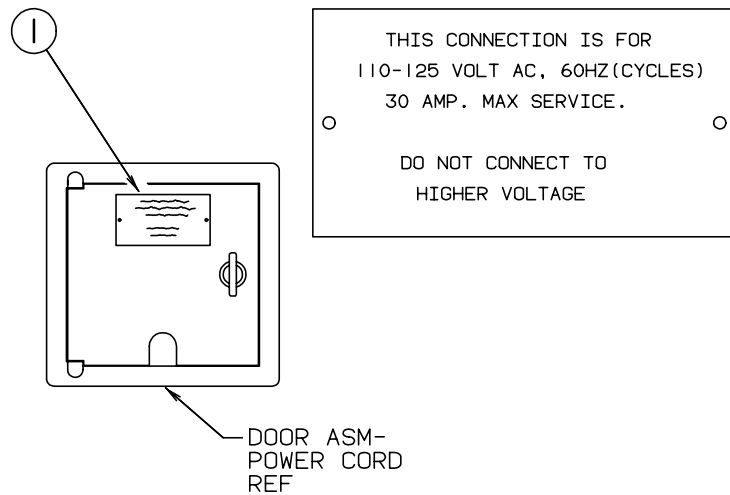
LABELS GROUP (CONTINUED)



SIDEWALL REF

WARNING
IT IS NOT SAFE TO USE COOKING APPLIANCES FOR COMFORT HEATING
COOKING APPLIANCES NEED FRESH AIR FOR SAFE OPERATION BEFORE OPERATION.
1. OPEN OVERHEAD VENT OR TURN ON EXHAUST FAN AND;
2. OPEN WINDOW.

KEY	PART NUMBER	U/M DESCRIPTION
1	050225-01-000	EA LABEL-WARNING, STOVE VENT - US

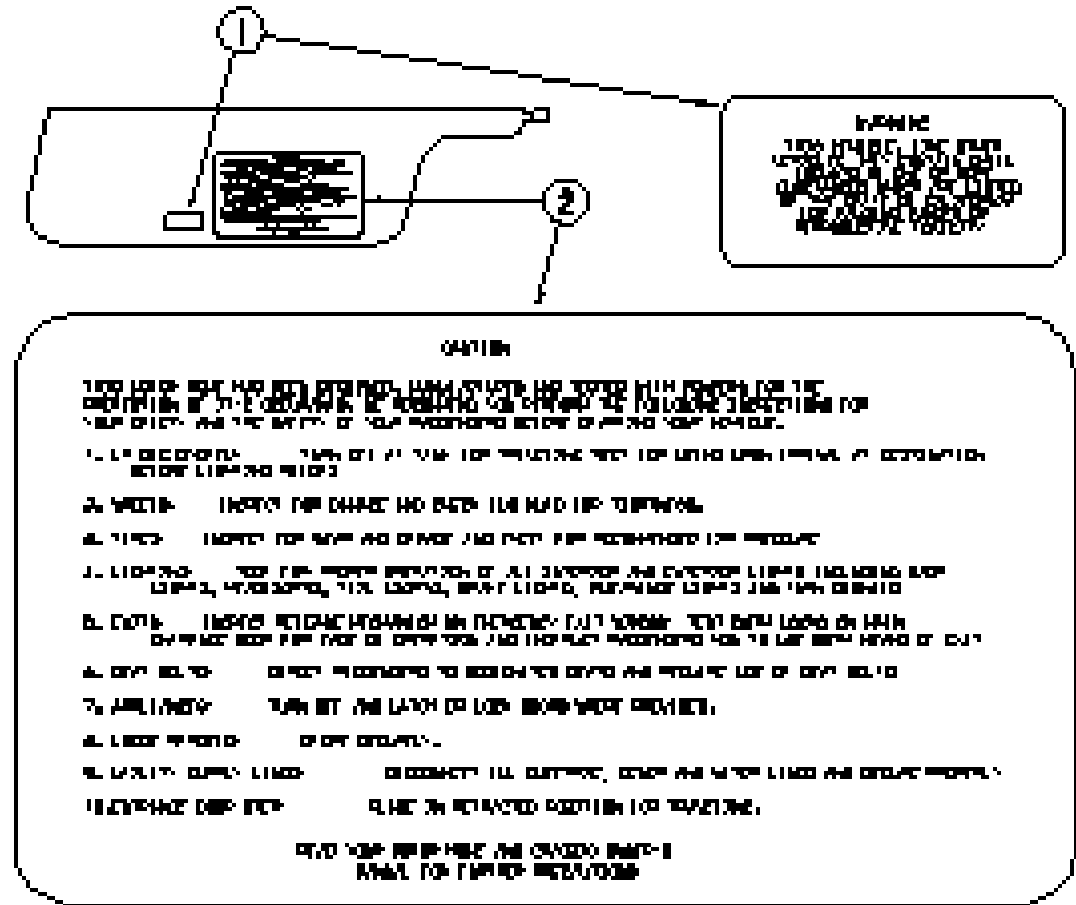


THIS CONNECTION IS FOR
110-125 VOLT AC, 60HZ(CYCLES)
30 AMP. MAX SERVICE.

DO NOT CONNECT TO
HIGHER VOLTAGE

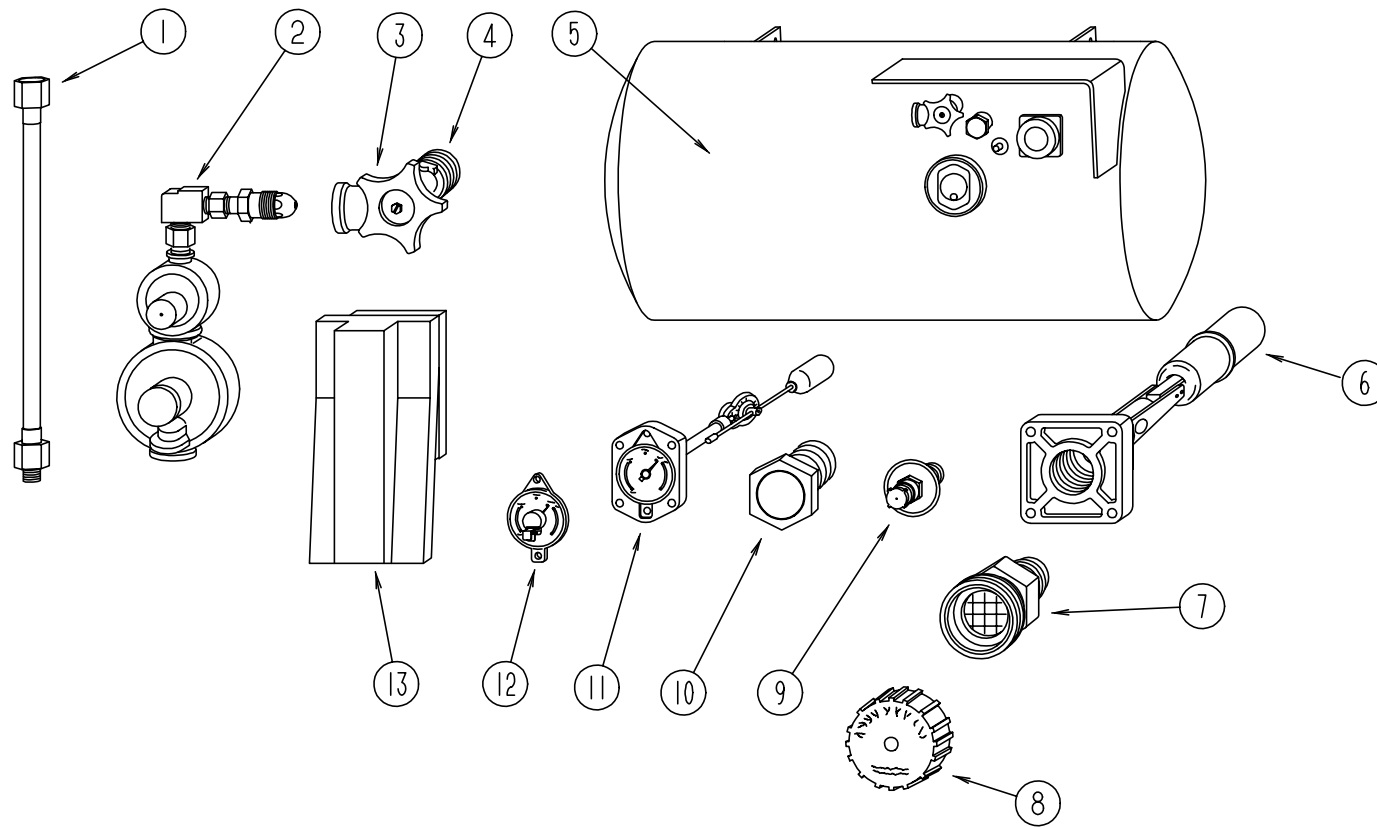
DOOR ASM-
POWER CORD
REF

KEY	PART NUMBER	U/M DESCRIPTION
1	006062-01-000	EA TAG-ELECTRIC, 110V CONNECTION



KEY	PART NUMBER	U/M DESCRIPTION
1	111802-01-000	EA LABEL-CFC WARNING
2	099689-01-000	EA LABEL-WARNING, CANCER/TOXICITY

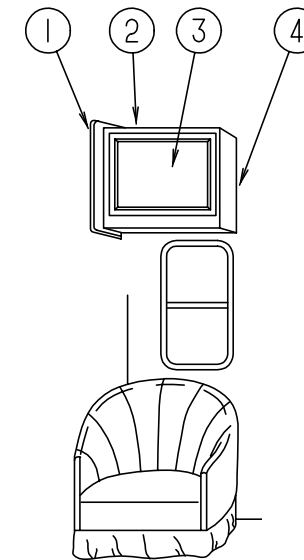
LP GROUP



LP TANK & COMPONENTS

KEY	PART NUMBER	U/M	DESCRIPTION
1	045703-01-000	EA	HOSE-LP, 3/8" ID X 24" - 3/8 MPT X 1/2 F - SWIVEL (U.S.)
1	045703-02-000	EA	HOSE-LP, 3/8" ID X 24" - 3/8" MPT X 1/2" F - SWIVEL (CANADA)
1	045703-09-000	EA	HOSE-LP, 3/8" ID X 24" - 3/8" F X 3/8" F - SWIVEL
2	106150-01-000	EA	REGULATOR-TWO STAGE, M'BRASS 293-303
3	040421-01-708	EA	HANDWHEEL-SERVICE VALVE, BRUNNER G-1015-A
4	040421-01-712	EA	VALVE-SERVICE, W/O VAPOR RELIEF - 29000853
5	080450-01-000	EA	TANK-LP, 42 LB - 13" DIAMETER X 24" LONG
6	040421-01-711	EA	VALVE - 80% W/FLOAT PLATE, BOLTS & GASKET - BRUNNER
7	040421-01-701	EA	VALVE-SHORT, LP FILLER W/YELLOW CAP - BRUNNER 75478
8	040421-01-702	EA	CAP-LP FILLER VALVE, PLASTIC - YELLOW - BRUNNER G-1014-A
9	040421-01-700	EA	VALVE-LIQUID LEVEL, 20% LP - BRUNNER G-1013
10	040421-01-713	EA	VALVE-VAPOR ONLY, 29000587
11	074142-01-700	EA	FLOAT GUAGE-SCREW ON, MACHINE 13C-SCR
12	040440-02-000	EA	TRANSMITTER-DIAL, 0-90 OHM - USE W/MONITOR PANEL
12	040421-01-706	EA	DIAL-LP TANK VOLUME, VISIBLE FACE - USE W/MONITOR PANEL
13	105658-01-000	EA	COMPARTMENT-LP REGULATOR
	010323-01-000	EA	ADAPTER-BRASS, 3/8" F X 1/2" MPT
	010377-02-000	EA	NUT-BRASS, 3/8" FEMALE - FORGED
	010329-01-000	EA	ADAPTER-BRASS, 1/2" F X 1/2" MPT
	065318-02-000	EA	ELBOW - 90 DEGREE, 3/8" MPT TO 3/8" FPT
	095624-01-000	EA	ELBOW - 90 DEGREE, 1/4" FPT X 1/4" FPT - BRASS
	071391-02-000	EA	NIPPLE-HEX, 1/4" PIPE - 3325 X 4 WEATHERHEAD
	008042-01-000	FT	TUBING-VINYL, .65" ID
	103613-01-000	EA	DETECTOR-LEAK, LP GAS
	010265-01-000	EA	ELBOW-BRASS - 90 DEGREE, 3/8" F X 1/2" FPT
	010252-01-000	EA	ELBOW-BRASS - 90 DEGREE, 3/8" F X 1/2" MPT
	057042-01-000	EA	ADAPTER-CROSS, 1/2" PIPE

LOUNGE GROUP



PASSENGER SIDE LOUNGE CABINETS

KEY	PART NUMBER	U/M	DESCRIPTION
1	109908-26-F15	EA	END CAP-CABINET, OVERHEAD
2	M06956-15-F15	EA	CABINET-OVERHEAD, LOUNGE - W/O DOORS & HARDWARE
3	110140-27-E01	EA	DOOR-CABINET, W/O HARDWARE - 400MM X 520MM
4	109908-25-F15	EA	END CAP-CABINET, OVERHEAD

**SEALANTS & FASTENERS GROUP
ADHESIVES AND SEALERS**

KEY	PART NUMBER	U/M DESCRIPTION
	087211-01-000	GL PROMOTER-ADHESIVE
	004020-01-000	QT ADHESIVE-ABS CEMENT
	072889-09-000	EA SEALER-URETHANE, TUBE - BLACK
	053766-02-000	EA BEDDING COMPOUND-TUBE, WHITE SCHNEE# 5522
	053766-08-000	EA BEDDING COMPOUND-TUBE, GRAY - SCHNEE# 5522
	069640-01-000	FT SEALER-RIBBON, 1/4" DIAMETER - INCREMENTS OF 30'
	069640-02-000	FT SEALER-RIBBON, 1/2" X 1/8" - INCREMENTS OF 60'
	069640-03-000	FT SEALER-RIBBON, 3/4" X 1/8" - INCREMENTS OF 60'
	069640-10-000	FT SEALER-RIBBON, 1/32" X 1 1/2" - INCREMENTS OF 90'
	069640-11-000	FT SEALER-TAPE, 3/16" X 3/8" - BLACK - MANUS
	069640-12-000	FT SEALER-RIBBON, 1/8" X 1.5" - GRAY
	069640-14-000	FT SEALER-RIBBON, 1/16" X 1" - GRAY
	091255-02-000	FT SEAL-ADHESIVE BACKED FOAM, .18" THICK X 1.5" WIDE
	063642-01-000	FT TAPE-ADHESIVE, 10 MM X 1.5" WIDE X 180'
	002707-02-000	FT TAPE-SEALER, 5/16" X 1/2" - INCREMENTS OF 50 FT
	076322-01-000	FT TAPE-FOAM, DOUBLE COATED ADHESIVE BACKED - .75" X 216'
	076322-02-000	FT TAPE-FOAM, DOUBLE COATED ADHESIVE BACKED - 1" X 108'
	076322-03-000	FT TAPE-FOAM, DOUBLE COATED ADHESIVE BACKED - .5" X 108'
	076322-05-000	FT TAPE-FOAM, DOUBLE COATED - .025" X 1.5" X 108'
	076322-07-000	FT TAPE-FOAM, DOUBLE COATED - .045" X .50" NORT V2000
	120074-01-01A	EA SILICONE-TUBE, OFF WHITE
	108716-01-000	EA SILICONE-TUBE, OFF WHITE - SELF LEVELING - CSL 510
	034552-02-000	EA SILICONE-TUBE, 300 ML - CLEAR
	034552-06-000	EA SILICONE-TUBE, 300 ML - OFF WHITE
	034552-15-000	EA SILICONE-TUBE, 300 ML - BRIGHT WHITE
	900390-01-000	EA TIP - 2 1/2" X 1/8" ORIFICE, ELLSWORTH #TS216
	900390-03-000	EA NOZZLES-SILICONE TUBE, CSL# D10
	085774-01-000	FT FASTENER-DUAL HOOK, 1" WIDE - ADHESIVE BACK - BLACK
	085774-02-000	FT FASTENER-DUAL LOOP, 1" WIDE - ADHESIVE BACK - BLACK

WASHERS

KEY	PART NUMBER	U/M DESCRIPTION
	000E11-07-00B	EA WASHER-LOCK, 7/16 MED SPLIT - ZINC 05114-01-000
	000E11-08-00B	EA WASHER-LOCK, 1/2 MED SPLIT - ZINC 05114-01-000
	000E13-14-00B	EA WASHER-FLARE, 1/4" WIDE - ZINC
	000E13-17-00B	EA WASHER-FLARE, 3/8" AR - ZINC
	000E13-18-00B	EA WASHER-FLARE, 3/8" WIDE - ZINC 05113-01-000
	000E13-20-00B	EA WASHER-FLARE, 7/16" WIDE - ZINC
	000E13-21-00B	EA WASHER-FLARE, W/2 NAR - ZINC
	041322-01-000	EA WASHER-FLARE, 15/32" ID X 2 3/8" OD - FOR SEAT BELT MOUNT
	044533-01-000	EA WASHER-PLASTIC, 1 3/8" OD - FOR BUTTONS

BOLTS

KEY	PART NUMBER	U/M DESCRIPTION
	000G45-05-16B	EA BOLT-LAG, 5/16 - 9 X 1 - ZINC
	0MC31K-08-020	EA BOLT-HEX, SERRATED FLANGE - M8 X 020
	000C12-05-16B	EA BOLT-HEX, 5/16 - 18 X 1 - ZINC 5
	000C12-06-32B	EA BOLT-HEX, 3/8 - 16 X 2 LAG - ZINC 5
	000C12-06-16B	EA BOLT-HEX, 3/8 - 16 X 1 LAG - ZINC 5
	000C12-07-24B	EA BOLT-HEX, 7/16 - 14 X 1.50 - ZINC 5 MC-90
	000C12-08-24B	EA BOLT-HEX, 1/2 - 13 X 1 1/2 - ZINC 5
	000C12-10-24B	EA BOLT-HEX, 5/8 - 11 X 1 1/2 - ZINC 5
	000C13-07-48B	EA BOLT-HEX, 7/16 - 20 X 3 - ZINC 5
	000C18-05-40A	EA BOLT-ELEV, 5/16" - 18 X 2 1/2" PL
	000C18-06-48B	EA BOLT-ELEV, 3/8 - 16 X 3 - ZINC - GRADE 5
	000C26-04-14B	EA BOLT-HEX, SERRATED FLANGE - 1/4 X 20 X 7/8 - ZINC
	000C26-04-10B	EA BOLT-HEX, SERRATED FLANGE - 1/4 - 20 X 5/8 - ZINC
	000C26-05-12B	EA BOLT-HEX, SERRATED FLANGE - 5/16 - 18 X 3/4 - ZINC
	000C26-06-12B	EA BOLT-HEX, SERRATED FLANGE - 3/8 - 16 X 3/4 - ZINC

**SEALANTS & FASTENERS GROUP (CONTINUED)
NUTS AND RIVETS**

KEY	PART NUMBER	U/M DESCRIPTION
	000D24-10-00B	EA NUT-HEX, SELFLOCK - 10 - 32 - ZINC
	000D29-06-00B	EA NUT-HEX, W/NYLON LOCK - 3/8 - 16 - ZINC
	000D29-09-00B	EA NUT-HEX, SELFLOCK - 9/16 - 12 - ZINC MC-90 CHASSIS
	000D34-06-00B	EA NUT-HEX, LOCK - 3/8 - 16 GRADE C - ZINC - PREVAILING TORQUE
	000D39-04-00B	EA NUT-HEX, SERRATED FLANGE LOCK - 1/4 - 20 - ZINC
	000D39-05-00B	EA NUT-HEX, SERRATED FLANGE LOCK - 5/16 - 18 - ZINC
	000D39-06-00B	EA NUT-HEX, SERRATED FLANGE LOCK - 3/8 - 16 - ZINC
	000D39-08-00B	EA NUT-HEX, SERRATED FLANGE LOCK - 1/2 - 13 - ZINC
	000D44-07-00B	EA NUT-HEX, SERRATED FLANGE LOCK - 7/16 - 20 - ZINC
	000D46-04-00A	EA NUT-HEX, WELD - 1/4 - 20 - PLAIN SHORT PILOT
	104369-01-000	EA NUT-HEX, HEAVY - 5/8 - 11 UNC SPARE TIRE
	000H16-04-06R	EA RIVET-POP, AL 1/8 X .313 - .375

CLAMPS AND TIES

KEY	PART NUMBER	U/M DESCRIPTION
	007161-01-000	EA CLAMP-HOSE, SPRING TYPE - 1/2"
	010495-01-000	EA CLAMP-CABLE, 9/16"
	010497-01-000	EA CLAMP-CLOSED, 5/8" ID
	010497-03-000	EA CLAMP-CLOSED, 1" ID - CUSHIONED
	010497-04-000	EA CLAMP-CLOSED, 1.62" ID ADEL 945-2717
	010499-01-000	EA CLAMP-CLOSED, 3/8" ID
	062401-01-000	EA CLAMP-HOSE, WORMGEAR - .25" - 1"
	062401-02-000	EA CLAMP-HOSE, WORMGEAR - 1.56" - 2.5"
	062401-03-000	EA CLAMP-HOSE, WORMGEAR - .22" - 1"
	062401-04-000	EA CLAMP-HOSE, WORMGEAR - .69" - 1.25"
	062401-06-000	EA CLAMP-HOSE, WORMGEAR - .22" - .62"
	062401-11-000	EA CLAMP-HOSE, WORMGEAR - 3.56" - 4.5"
	075148-02-000	EA CLAMP-GROUNDING, BRONZE SCREWS
	083609-01-000	EA CLAMP-WIRE, DUAL - EQUAL - 5/8" DIAMETER
	083610-01-000	EA CLAMP-WIRE, DUAL - UNEQUAL DIAMETERS - .75" & 1.25"
	083610-02-000	EA CLAMP-WIRE, DUAL - UNEQUAL DIAMETERS
	101447-01-000	EA CLIP-U TYPE, TINNEMAN HOLDS SHOWER SURROUND TOGETHER
	080211-05-000	EA CLIP-XMAS TREE, 36MM FASNAP 09-280297
	080734-02-000	EA CLIP-WIRE, NYLON
	091952-01-000	EA CLIPPER-GRIPPER, 1"
	056134-01-000	EA HOLDER-RING, 3.6" DIAMETER - METAL
	056134-02-000	EA HOLDER-RING, 1.8" DIAMETER - METAL
	008343-01-000	EA TIE-WIRE, 6"
	108046-01-000	EA CABLE TIE-SCREW MOUNT, 8" DENNISON 08415
	108046-02-000	EA CABLE TIE-SCREW MOUNT, 15" DENNISON 10035

GROMMETS

KEY	PART NUMBER	U/M DESCRIPTION
	016188-03-000	EA GROMMET-L P LINE, 3/8" HOLE X 2 1/2" LONG - RUBBER
	023942-01-000	EA GROMMET-RUBBER, 2" OD
	077953-01-000	EA GROMMET-EDGE LINER, FITS 1"
	071015-07-000	EA GROMMET-RUBBER, 1" ID X 2.25" OD W/.06" GROOVE - BLACK
	071015-11-000	EA GROMMET-RUBBER, 1" ID - FITS .12 MATERIAL
	114208-02-000	EA GROMMET-EDGE LINER, FITS .625 HEYCO 2073
	071015-26-000	EA GROMMET-RUBBER, 1.5" ID X 2.12" OD W/.06" GROOVE - BLACK

SEALANTS & FASTENERS GROUP (CONTINUED)

SCREWS

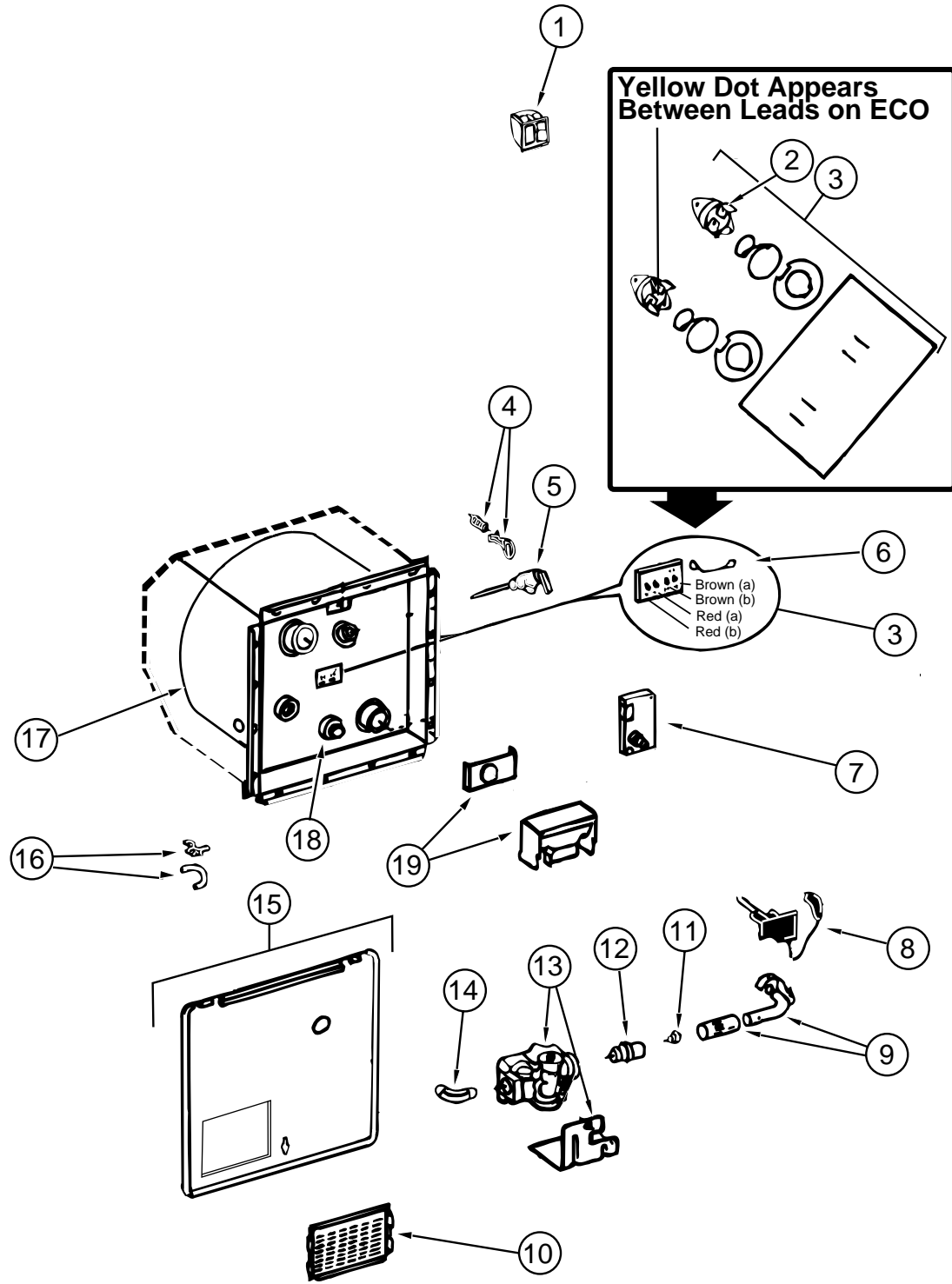
KEY	PART NUMBER	U/M	DESCRIPTION
	000G11-06-06B	EA	SCREW, 6 - 20 X 3/8 PPH - ZINC
	000G11-06-10J	EA	SCREW, 6 - 20 X 5/8 PPH - BRASS
	000G11-06-08B	EA	SCREW, 6 - 20 X 1/2 PPH - ZINC
	000G11-07-08B	EA	SCREW, 7 - 19 X 1/2 PPH - ZINC
	000G11-08-06B	EA	SCREW, 8 - 18 X 3/8 PPH - ZINC
	000G11-08-20B	EA	SCREW, 8 - 18 X 11/4 PPH - ZINC 05031-01-000
	000G11-08-16S	EA	SCREW, 8 - 18 X 1.00 PPH - OFF WHITE
	000G11-08-12T	EA	SCREW, 8 - 18 X 3/4 PPH - BLACK
	000G11-08-12S	EA	SCREW, 8 - 18 X 3/4 PPH - OFF WHITE
	OG1108-12-170	EA	SCREW, 8 - 18 X 3/4 PPH - BRIGHT WHITE
	OG1108-24-170	EA	SCREW-SF/DR, 8 - 18 X 1.50 PPH
	000G11-08-12P	EA	SCREW, 8 - 18 X .75 PPH - DARK BROWN
	000G11-08-12E	EA	SCREW, 8 - 18 X .75 PPH - CHROME ES0025.4
	000G11-08-12B	EA	SCREW, 8 - 18 X 3/4 PPH - ZINC
	000G11-08-08B	EA	SCREW, 8 - 18 X 1/2 PPH - ZINC
	000G11-10-12S	EA	SCREW, 10 - 16 X .75 PPH - OFF WHITE
	000G12-08-12S	EA	SCREW, 8 - 18 X 3/4 POH - OFF WHITE
	000G13-05-10B	EA	SCREW, 5 - 12 X 5/8 PFH - ZINC
	000G13-06-08B	EA	SCREW, 6 - 20 X 1/2 PFH - ZINC
	000G13-06-24J	EA	SCREW, 6 - 20 X 1.50 PFH - BRASS
	000G13-06-16J	EA	SCREW, 6 - 20 X 1.00 PFH - BRASS
	000G13-07-12B	EA	SCREW, 7 - 19 X 3/4 PFH - ZINC
	000G13-08-10B	EA	SCREW, 8 - 18 X 5/8 PFH - ZINC
	000G13-08-16B	EA	SCREW, 8 - 18 X 1 PFH - ZINC
	000G32-10-06B	EA	SCREW, 10 - 32 X 3/8" - PPH - ZINC
	000G39-06-10T	EA	SCREW-SF/DR, 6 - 20 X 5/8 PPH - BLACK
	000G39-06-08B	EA	SCREW-DR, 6 - 18 X 1/2 - ZINC
	000G39-08-24B	EA	SCREW-SF/DR, 8 - 18 X 1 1/2 PPH - ZINC
	000G39-08-16S	EA	SCREW-SF/DR, 8 - 18 X 1.00 PPH - OFF WHITE
	OG3908-16-170	EA	SCREW-SF/DR, 8 - 18 X 1.00 PPH - BRIGHT WHITE
	000G39-08-16B	EA	SCREW-SF/DR, 8 - 18 X 1 PPH - ZINC
	000G39-08-12B	EA	SCREW-SF/DR, 8 - 18 X 3/4 PPH - ZINC
	000G39-08-08S	EA	SCREW-SF/DR, 8 - 18 X 1/2 PPH - OFF WHITE
	OG3908-08-170	EA	SCREW-SF/DR, 8 - 18 X 1/2 PPH - BRIGHT WHITE
	000G39-08-08B	EA	SCREW-SF/DR, 8 - 18 X 1/2 PPH - ZINC
	000G39-10-12D	EA	SCREW-SF/DR, 10 - 16 X 3/4 PPH - BLACK
	000G39-10-12B	EA	SCREW-SF/DR, 10 - 16 X .75 PPH - ZINC
	000G39-10-20B	EA	SCREW-SF/DR, 10 - 16 X 1 1/4 PPH - ZINC
	000G39-10-12R	EA	SCREW-SF/DR, 10 - 16 X 3/4 PPH - BEIGE
	000G39-10-129	EA	SCREW-SF/DR, 10 - 16 X 3/4 PPH - FLUOROCARBON - SILVER
	000G39-12-12E	EA	SCREW-SF/DR, 12 - 14 X 3/4 PPH - CHROME
	000G42-04-12B	EA	SCREW-SF/DR, 1/4 -14 X 3/4 HWH - ZINC
	000G42-04-16B	EA	SCREW-SF/DR, 1/4 -14 X 1 HWH - ZINC
	000G46-08-24T	EA	SCREW-MACHINE, 8 - 32 X 1.50 IN PFH - BLACK
	000G50-04-12B	EA	SCREW-MACHINE, 1/4 - 20 X 3/4 PPH - ZINC
	000G52-08-18B	EA	SCREW-MACHINE, 8 - 32 X 11/8 PTH - ZINC
	000G53-04-06B	EA	SCREW-MACHINE, 1/4 - 20 X 3/8 PPH - ZINC - UNDERCUT HEAD
	000G54-04-20B	EA	SCREW, 1/4 - 20 X 1 1/4 PTH - TYPE 23 - ZINC PLATED
	000G56-12-48B	EA	SCREW-WOOD, 12 - 11 X 3 POH - SPECIAL HARDENED

SEALANTS & FASTENERS GROUP (CONTINUED)

SCREWS (CONTINUED)

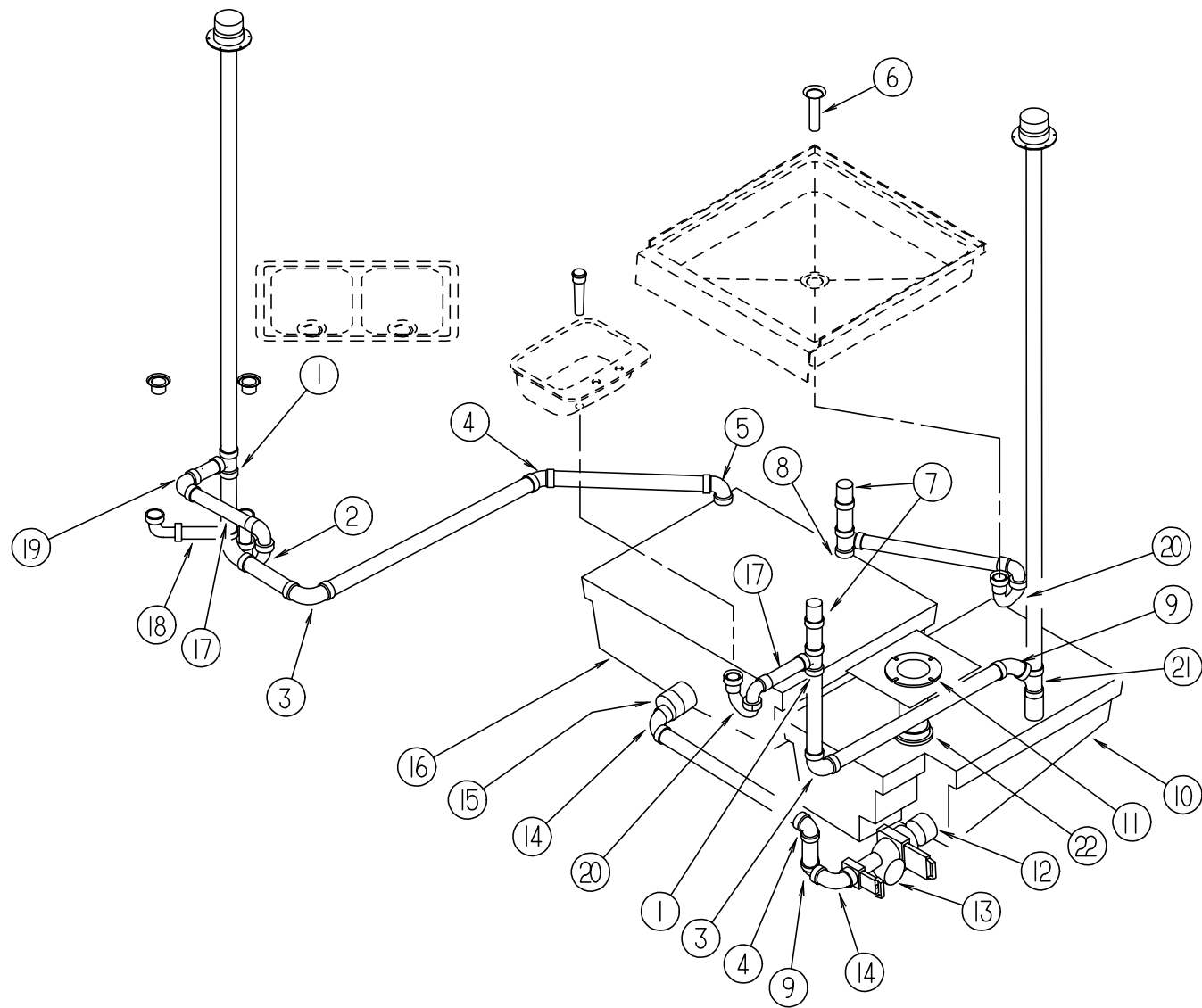
KEY	PART NUMBER	U/M	DESCRIPTION
	000G60-10-28T	EA	SCREW-SF/DR, 10 - 16 X 1.75 - BLACK
	000G67-10-10B	EA	SCREW, 10 - 12 X 5/8 PPH - ZINC - TYPE A
	000G67-10-08R	EA	SCREW, 10 - 12 X 1/2 PPH - BEIGE - TYPE A
	000G67-10-08B	EA	SCREW, 10 - 12 X 1/2 PPH - ZINC
	000G67-10-12R	EA	SCREW, 10 - 12 X .75 PPH - BEIGE
	000G67-10-12P	EA	SCREW, 10 - 12 X .75 - PPH - DARK BROWN
	000G67-10-12B	EA	SCREW, 10 - 12 X 3/4 PPH - ZINC
	000G67-10-10S	EA	SCREW, 10 - 12 X 5/8 PPH - OFF WHITE
	000G67-10-36T	EA	SCREW, 10 - 12 X 2.25 PPH - BLACK STALGARD
	000G67-10-32B	EA	SCREW, 10 - 12 X 2 PPH - ZINC
	000G67-10-24B	EA	SCREW, 10 - 12 X 1 1/2 PPH - ZINC
	000G67-10-20D	EA	SCREW, 10 - 12 X 1 1/4 PPH - BLACK
	000G67-10-16P	EA	SCREW, 10 - 12 X 1 PPH - DARK BROWN
	000G67-10-16B	EA	SCREW, 10 - 12 X 1 PPH - ZINC
	000G67-10-120	EA	SCREW, 10 - 12 X .75 PPH - TAN
	000G68-06-10G	EA	SCREW, 6 - 18 X 5/8 POH - ANTIQUE BRASS
	000G13-07-10H	EA	SCREW, 7 - 19 X 5/8 PFH - BLACK
	OG6710-08-170	EA	SCREW, 10 - 12 X 1/2 PPH - BRIGHT WHITE
	049465-04-000	EA	SCREW, 10 - 16 X 1 PTH W/WASHER - BEIGE
	075908-01-000	EA	SCREW-MACHINE, 10 - 32 X .56 PTH - ZINC - EXTERNAL TOOTH
	087721-01-000	EA	SCREW-FLAT HEAD, TAPPING - 1/4" X 1 1/4" LAG - ZINC
	101618-01-000	EA	SCREW, 1/4 - 20 X 3/4 HEX/TAPPING STALGARD TYPE F

WATER & SEWAGE GROUP
WATER HEATER W/O MOTOR AID - ATWOOD



KEY	PART NUMBER	U/M	DESCRIPTION	VENDOR NO.
	051391-03-000	EA	HEATER-WATER, W/ELECTRIC IGNITION	G6A-3E
1	097967-01-000	EA	SWITCH-WATER HEATER, REMOTE W/LIGHT	91959
2	051391-04-701	EA	THERMOSTAT - 12 VDC-120 PRESET, ATWOOD	91470
3	051393-01-721	EA	ECO & THERMOSTAT-FRONT MOUNT, 140 DEGREE	91447
4	051391-01-705	EA	FASTENER-CAMLOC, ATWOOD	92609
5	051391-01-704	EA	VALVE-RELIEF, 1/2" FITTING - ATWOOD	91604
6	051393-01-723	EA	SWITCH-THERMAL CUT OFF, 2/PACKAGE	93866
7	051393-01-724	EA	CIRCUIT BOARD-SPADE TERMINAL, ELECTRIC IGNITION	93867
8	051393-01-725	EA	ELECTRODE-SINGLE SPADE CONNECTOR, SPARK PROBE	93868
9	051391-04-703	EA	BURNER-MAIN, ATWOOD	91638
10	051391-01-717	EA	GRILLE ONLY-GOES ON THE DOOR	92640
11	051391-01-710	EA	ORIFICE-MAIN BURNER, ATWOOD	92742
12	051391-03-700	EA	ORIFICE-HOLDER	91563
13	051393-01-726	EA	SOLENOID VALVE AND BRACKET, WHITE ROGERS	93870
14	051391-01-714	EA	ELBOW - 45 DEGREE, 3/8" F X 3/8" MPT - ATWOOD	91044
15	052009-01-000	EA	DOOR-WATER HEATER, OFF WHITE - ATWOOD	5576-27
15	052009-06-000	EA	DOOR-WATER HEATER, BRIGHT - ATWOOD	
16	051391-01-700	EA	HINGE KIT-W/CLIP, ATWOOD	92568 & 92559
17	051391-04-706	EA	TANK-INNER, FRONT MOUNT - ATWOOD	91642
18	051391-01-715	EA	DRAIN PLUG, ATWOOD	91561
19	051391-04-707	EA	KIT-GRILLE, FLUE & GASKET - ATWOOD	90960

WATER & SEWAGE GROUP (CONTINUED)
DRAINAGE SYSTEM



KEY	PART NUMBER	U/M	DESCRIPTION
1	010071-01-000	EA	TEE-SANITARY, 1 1/2" HUB X HUB X HUB - PLASTIC - BLACK
2	107538-01-000	EA	P TRAP-PLASTIC, 1 1/4" W/EXT ARM
3	010008-01-000	EA	ELBOW - 90 DEGREE, 1/4 BEND - 1 1/2" HUB X HUB - BLACK PLASTIC
4	010006-01-000	EA	ELBOW - 45 DEGREE, 1/8 BEND - 1 1/2" HUB X HUB - BLACK PLASTIC
5	034250-01-000	EA	ELBOW - 90 DEGREE, LONG TURN - 1 1/2" HUB X HUB- ABS
6	011069-02-000	EA	TAILPIECE-TUB/SHOWER, 1 1/2" X 1 1/4" X 4" - BRASS
7	069735-01-000	EA	WASHER-STRAINER TO TAILPIECE, PLASTIC - 1.5"
8	079968-01-000	EA	VENT-MECHICAL TRAP ARM, ANTI-SIPHON - 2" DIAMETER X 7.3" - PLASTIC
9	010115-01-000	EA	COUPLING - 1 1/2" HUB X HUB - PLASTIC
10	061607-01-000	EA	GROMMET-HOLDING TANK, 1 1/2" NPS
11	010051-01-000	EA	ELBOW - 45 DEGREE BEND, 1 1/2" SPIGOT AND HUB - PLASTIC - BLACK
12	074870-01-000	EA	TANK-HOLDING, MAIN - W/O GROMMETS - 30 GAL - 36.5" X 13.3" X 23"
13	116644-01-000	EA	FLANGE-CLOSET, 4" X 3" SEALAND 345892
14	078406-01-000	EA	COUPLER-RUBBER, W/CLAMPS - 3" X 3"
15	070916-01-000	EA	VALVE-DUAL DUMP, W/CAP - 3" X 1 1/2" - PLASTIC - BLACK
	070916-01-700	EA	VALVE ONLY - 3"
	070916-01-701	EA	VALVE ONLY - 1 1/2"
	010201-01-000	EA	HOSE-SEWER, 3" ID X 8'
	062416-01-000	EA	ADAPTER-SEWER HOSE TO 3" PIPE
16	033761-01-000	EA	ELBOW-TURN, 1/4 BEND X 1.5"HUB X 1.5" SPIGOT - BLACK PLASTIC
17	062422-01-000	EA	ADAPTER-OFFSET REDUCER - 3" X 1 1/2" - PLASTIC - BLACK

KEY	PART NUMBER	U/M	DESCRIPTION
16	074861-01-000	EA	TANK-HOLDING, AUXILIARY - W/O GROMMETS - 35 GALLON - 35" X 11" X 27"
17	061607-01-000	EA	GROMMET-HOLDING TANK, 1 1/2" NPS
18	109571-01-000	EA	ADAPTER-P TRAP, 1 1/2" P X 1 1/4" MPT
19	011091-02-000	EA	PIPE-DRAIN, DOUBLE SINK - BAFFLE TEE - 1 1/2"
20	011091-03-000	EA	PIPE-DRAIN, W/SEALS - DOUBLE SINK - EXTENDS 9" TO 16"(CANADIAN)
21	010008-01-000	EA	ELBOW - 90 DEGREE, 1/4 BEND - 1 1/2" HUB X HUB - BLACK PLASTIC
22	107538-01-000	EA	P TRAP-PLASTIC, 1 1/4" W/EXT ARM
	011066-03-700	EA	P TRAP KIT 1 1/2" X 1 1/2" P-TRAP W/1 1/2 TO 1 1/4 REDUCER (CANADIAN)
	010166-01-000	EA	PLUG-THREADED, 1 1/4" DIAMETER - PLASTIC - BLACK
	010071-01-000	EA	TEE-PLAS, 1 1/2" H X H X H - NIBCO 5811-11/2
	010115-01-000	EA	COUPLING - 1 1/2" HUB X HUB, PLASTIC
	061607-02-000	EA	GROMMET-HOLDING TANK, 3" NPS

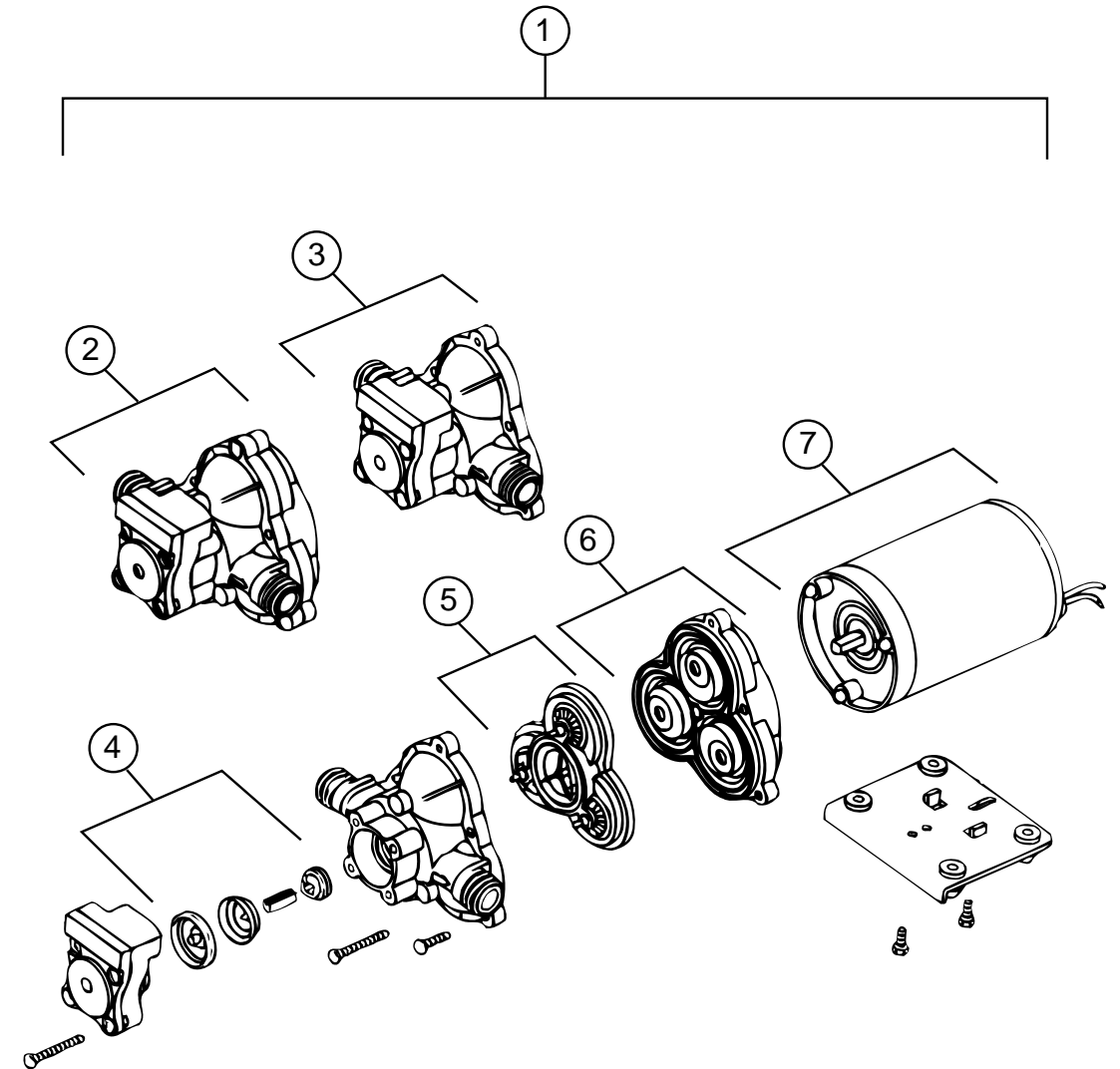
WATER & SEWAGE GROUP (CONTINUED)
FRESH WATER TANK

KEY	PART NUMBER	U/M	DESCRIPTION
	074510-08-000	EA	TANK-WATER, W/FITTINGS - 16 GALLON - 33.4" X 11.4" X 10.6"
	074510-01-000	EA	TANK-WATER, W/O FITTINGS - 16 GALLON - 33.4" X 11.4" X 10.
	053520-10-000	EA	TANK-WATER, W/FITTINGS - 18 GALLON - 27" X 17.2" X 10"
	053520-01-000	EA	TANK-WATER, 18 GALLON - W/O FITTINGS - 17.2" X 27" X 10"
	039861-01-000	EA	SENDING UNIT-W/SCREW, WASHER, WELL NUT & TERMINAL RING
	042989-03-000	EA	FITTING-WATER TANK, SPINWELD - 1 1/4" NPT - PLASTIC - WHITE
	042989-04-000	EA	FITTING-WATER TANK, SPINWELD - 3/8" FPT - PLASTIC - WHITE
	042989-05-000	EA	FITTING-WATER TANK, SPINWELD - 1/2" FPT - PLASTIC - WHITE
	049032-01-000	EA	PATCH-SPINWELD, 3/8" - PLASTIC
	077954-02-000	EA	FILTER-WATER TANK, SCREEN IN TANK

WATER SYSTEM

KEY	PART NUMBER	U/M	DESCRIPTION
	117089-01-000	FT	HOSE-GARDEN, 1/2" ID - KEVCO 49154
	010219-01-000	EA	ELBOW - 1 1/4" MPT X 1 1/4" BARB, WATER FILL - PLASTIC
	035539-01-000	EA	ELBOW-PLASTIC, 3/8" MPT X 3/8" BARB
	114429-01-000	EA	ELBOW - 1/2P X 1/2P FLAIR-IT 02800
	114429-02-000	EA	ELBOW - 1/2 P X 1/2 MPT FLAIR-IT 02803
	114429-03-000	EA	ELBOW-SWIVEL, 1/2 P X 1/2 FPT FLAIR-IT 02816
	074462-02-000	FT	TUBING-VINYL, 3/8" ID - CLEAR
	079381-01-000	FT	TUBING-SMOOTH FLEXIBLE, 1 1/4" ID X 20'
	039800-02-000	FT	TUBING-POLYBUTYL, 5/8" OD - INCREMENTS OF 20' - BLACK
	114430-02-000	EA	ADAPTER-SWIVEL, 1/2 P X 1/2 FPT FLAIR-IT -02873
	114430-03-000	EA	ADAPTER - 1/2 P X 1/2 MPT FLAIR-IT 02842
	114428-01-000	EA	TEE - 1/2 P X 1/2 P X 1/2 P FLAIR-IT 02820
	114428-03-000	EA	TEE - 1/2 P X 1/2 P X 1/2 MPT FLAIR-IT 02822
	023441-01-000	EA	TEE-BARB, 3/8" - PLASTIC
	114431-01-000	EA	VALVE-LINE DRAIN 1/2 P FLAIR-IT 02914
	114431-03-000	EA	VALVE - 1/2 P X 1.2 P FLAIR-IT 02884
	091208-01-000	EA	WASHER-RUBBER, .06" X .75" X .5"
	110915-01-01A	EA	FILL-WATER, CITY - CHROME - KEVCO 64713

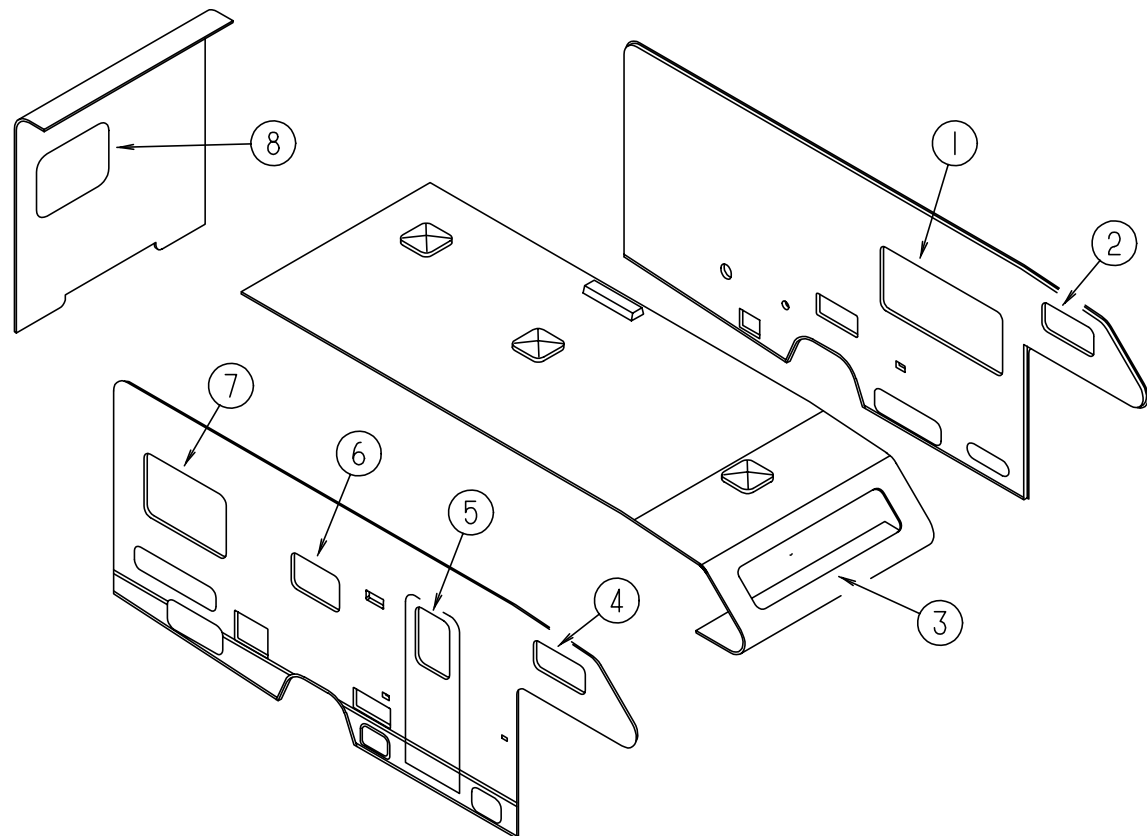
WATER & SEWAGE GROUP (CONTINUED)



WATER PUMP-SHURFLOW

KEY	PART NUMBER	U/M	DESCRIPTION	VENDOR NO.
1	098607-01-000	EA	PUMP - WATER - W/.5" MPT FITTING - FLOW 2.8 GPM - UL	
2	098607-01-700	EA	PUMPHEAD-REPLACEMENT	94-236-08
3	098607-01-706	EA	UPPER HOUSING/SWITCH-KIT	94-231-20
4	098607-01-705	EA	CHECK VALVE-KIT	94-237-00
5	098607-01-703	EA	VALVE ASM	94-232-00
6	098607-01-702	EA	DIAPHRAGM-KIT	94-238-04
7	098607-01-707	EA	MOTOR/ BASEPLATE REPLACEMENT	94-235-03

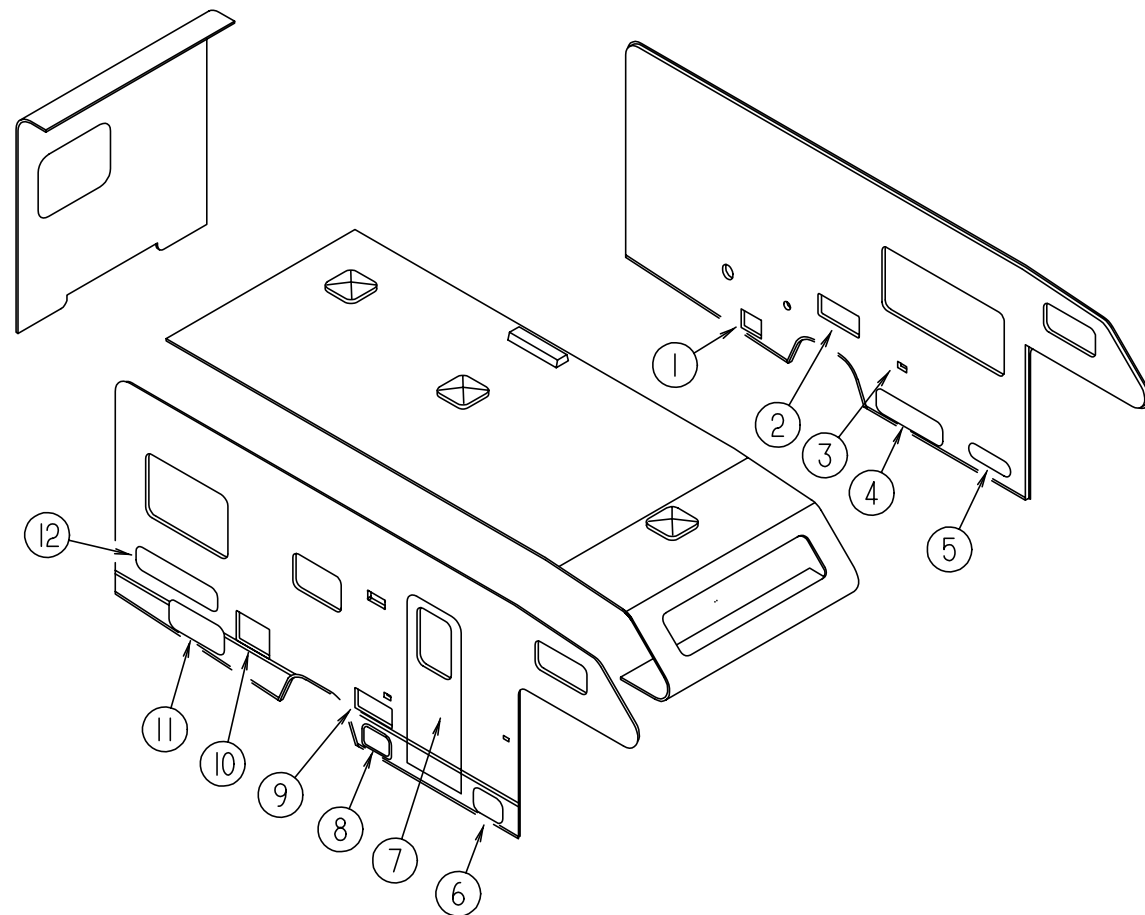
WINDOW, VENT & EXTERIOR DOOR GROUP



WINDOWS

KEY	PART NUMBER	U/M	DESCRIPTION
1	098647-28-01A	EA	WINDOW-SLIDER, HORIZONTAL - CLEAR - EXCEL H287-C1W66L
1	112795-15-01A	EA	WINDOW-SLIDER, HORIZONTAL - THERMO - EXCEL DH287-G2W66L
2	098647-32-01A	EA	WINDOW-SLIDER, HORIZONTAL - CLEAR - EXCEL H425-C1W66L
2	112795-20-01A	EA	WINDOW-SLIDER, HORIZONTAL - THERMO - EXCEL DC29-G2W66L
3	103313-01-B05	EA	WINDOW-PICTURE, W/O INSIDE FRAME
			FROM: 00-00-00 THRU: 01-08-95
3	103313-03-F15	EA	WINDOW-PICTURE, W/O INSIDE FRAME
			FROM: 01-09-95 THRU: 99-99-99
3	115630-01-01A	EA	WINDOW-PICTURE, EXCEL DH438-G2W59
4	098647-31-01A	EA	WINDOW-SLIDER, HORIZONTAL - CLEAR - EXCEL H425-C1W66R
4	112795-19-01A	EA	WINDOW-SLIDER, HORIZONTAL - THERMO - EXCEL DC29-G2W66R
5	079733-17-F15	EA	WINDOW-STATIONARY
			FROM: 00-00-00 THRU: 01-01-95
5	117053-04-FB1	EA	WINDOW-STATIONARY
			FROM: 01-02-95 THRU: 99-99-99
5	113733-01-01A	EA	WINDOW-ENTRY DOOR, THERMO - EXCEL DH416-G2W66
6	098647-31-01A	EA	WINDOW-SLIDER, HORIZONTAL - CLEAR - EXCEL H425-C1W66R
6	112795-19-01A	EA	WINDOW-SLIDER, HORIZONTAL - THERMO - EXCEL DC29-G2W66R
7	098647-38-01A	EA	WINDOW-SLIDER, HORIZONTAL - CLEAR - EXCEL H320-C1W66R
7	112795-22-01A	EA	WINDOW-SLIDER, HORIZONTAL - THERMO - EXCEL DC48-G2W66R
8	078528-07-F15	EA	WINDOW-ESCAPE, CLEAR
8	113502-01-01A	EA	WINDOW-ESCAPE, THERMO - BLACK/OFF WHITE - EXCEL DH153-G2W66

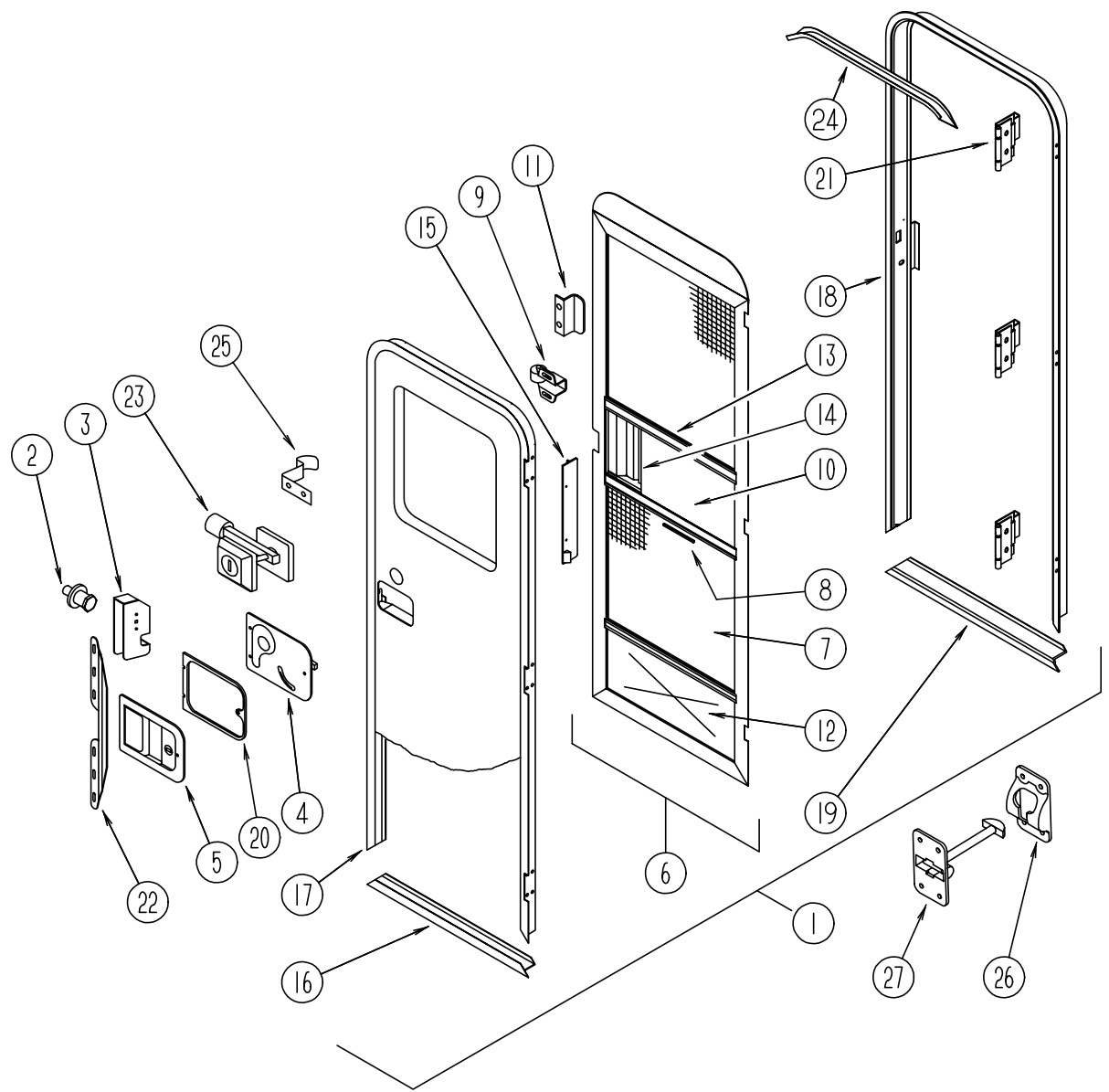
WINDOW, VENT & EXTERIOR DOOR GROUP (CONTINUED)



EXTERIOR DOORS

KEY	PART NUMBER	U/M	DESCRIPTION
1	088794-01-000	EA	DOOR-POWER CORD, W/HATCH - 11" X 9.2" - OFF WHITE
1	088794-06-000	EA	DOOR-POWER CORD, W/HATCH - 11" X 9.2" - BRIGHT WHITE
2	084103-03-000	EA	DOOR-REFRIGERATOR, VENTED - W/O JAMB - OFF WHITE
	084104-03-000	EA	JAMB-DOOR, REFRIGERATOR - OFF WHITE
	084104-01-700	EA	LOCK-MALE FASTENER, REFRIGERATOR DOOR
2	084103-08-000	EA	DOOR-REFRIGERATOR, VENTED - W/O JAMB - BRIGHT WHITE
	084104-08-000	EA	JAMB-DOOR, REFRIGERATOR - BRIGHT WHITE
	084104-01-701	EA	LOCK-FEMALE FASTENER, REFRIGERATOR DOOR
3	081240-11-000	EA	FILL-WATER, LOCKABLE W/O LOCK - OFF WHITE
3	081240-16-000	EA	FILL-WATER, LOCKABLE W/O LOCK - BRIGHT WHITE
4	104558-20-F15	EA	DOOR-STORAGE, OFF WHITE
4	104558-20-F16	EA	DOOR-STORAGE, BRIGHT WHITE
5	111009-01-E01	EA	DOOR-COMPARTMENT, LP - 16.9" X 5.4" - ALUMINUM - OFF WHITE
5	111009-01-F24	EA	DOOR-COMPARTMENT, LP - 16.9" X 5.4" - ALUMINUM - BRIGHT WHITE
6	104558-21-F15	EA	DOOR-STORAGE, OFF WHITE
6	104558-21-F16	EA	DOOR-STORAGE, BRIGHT WHITE
7	115108-01-FB1	EA	DOOR-ENTRANCE, W/SCREEN - W/O WINDOW - OFF WHITE
7	115108-01-F15	EA	DOOR-ENTRANCE, W/SCREEN - W/O WINDOW - BRIGHT WHITE
8	111014-15-E01	EA	DOOR-STORAGE, LOWER FRONT - OFF WHITE
8	111014-15-F15	EA	DOOR-STORAGE, LOWER FRONT - BRIGHT WHITE
9	098668-06-000	EA	DOOR-ACCESS, FURNACE - OFF WHITE - SUBURBAN
9	098668-23-000	EA	DOOR-ACCESS, FURNACE - BRIGHT WHITE - SUBURBAN
10	052009-01-000	EA	DOOR-WATER HEATER, OFF WHITE - ATWOOD
10	052009-06-000	EA	DOOR-WATER HEATER, BRIGHT WHITE - ATWOOD
11	104558-12-F15	EA	DOOR-STORAGE, OFF WHITE
11	104558-12-F16	EA	DOOR-STORAGE, BRIGHT WHITE
			FROM: 00-00-00 THRU: 01-08-95
11	104558-34-F16	EA	DOOR-STORAGE, BRIGHT WHITE
			FROM: 01-09-95 THRU: 99-99-99
12	104558-22-F16	EA	DOOR-STORAGE, BRIGHT WHITE

WINDOW, VENT & EXTERIOR DOOR GROUP (CONTINUED)
ENTRY DOOR

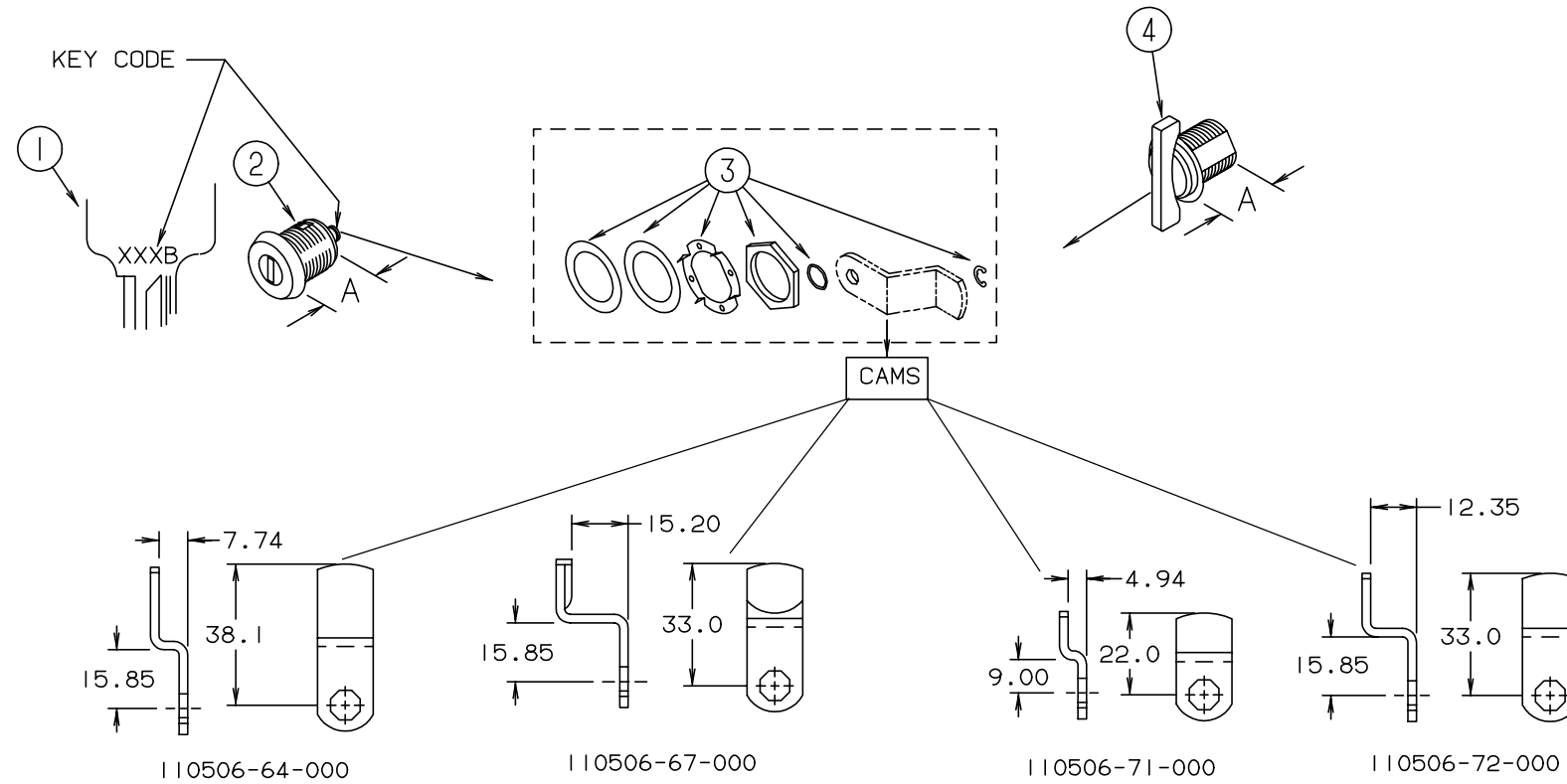


KEY	PART NUMBER	U/M	DESCRIPTION
7	002293-02-000	SF	SCREENING-WINDOW/DOOR, 26" - CHARCOAL
8	002294-01-000	FT	SPLINE-SCREENING, .135" X .138" - BLACK
9	100412-01-000	EA	CATCH-SCREEN DOOR
10	001014-01-013	EA	INSERT-CENTER, 10.25" X 16.31" - UNPAINTED
10	016454-01-000	EA	INSERT-CENTER, LEATHER GRAIN ALUMINUM - UNPAINTED
11	050712-04-000	EA	HANDLE-SCREEN DOOR, ALUMINUM - OFF WHITE
11	050712-06-000	EA	HANDLE-SCREEN DOOR, ALUMINUM - BRIGHT WHITE
12	078552-03-000	EA	KICK PANEL-SCREEN DOOR, LOWER INSERT - UNPAINTED
	078595-01-000	EA	TOP PLATE-SCREEN DOOR, CURVED TOP - 4.7" X 25.35"
13	078777-01-000	EA	CHANNEL-SLIDE, SCREEN DOOR CENTER SLIDER COVER
14	079086-03-000	EA	SLIDER-SCREEN DOOR, OFF WHITE
15	079087-02-000	EA	STRIKE-SLIDER, W/LIP FOR ELBOW CATCH - 1.5" X 8.6" - OFF WHITE
15	079087-02-000	EA	STRIKE-SLIDER, W/LIP FOR ELBOW CATCH - 1.5" X 8.6" - BRIGHT WHITE
16	089748-01-000	EA	FRAME-BOTTOM, ENTRY DOOR - 24.8" LONG - OFF WHITE
16	089748-21-000	EA	FRAME-BOTTOM, ENTRY DOOR - 24.8" LONG - BRIGHT WHITE
	090340-01-000	FT	SEAL-FOAM, CLOSED CELL - 1/4" X 1/2" X 50'
17	095276-07-01A	EA	FRAME-ENTRANCE DOOR, OFF WHITE
17	095276-07-03A	EA	FRAME-ENTRANCE DOOR, BRIGHT WHITE
18	095277-08-01A	EA	JAMB-ENTRANCE DOOR, OFF WHITE
18	095277-08-03A	EA	JAMB-ENTRANCE DOOR, BRIGHT WHITE
19	051049-01-000	EA	JAMB-BOTTOM, ENTRANCE DOOR - 25.9" - UNPAINTED
20	096810-01-01A	EA	SPACER-LATCH, ENTRANCE DOOR - PLASTIC - BLACK
21	106719-01-01A	EA	HINGE-ENTRANCE DOOR, MILL FINISH
22	098173-01-04A	EA	STIFFENER-ENTRY DOOR, SUPPORTS LATCH/STRIKE AREA - UNFINISHED
	100128-02-000	FT	SEAL-FOAM, ADHESIVE BACK - SCREEN DOOR - GRAY
23	101145-01-01A	EA	DEADBOLT-ENTRANCE DOOR, W/2 KEYS W/O BACK SET BOLT OR SCREWS
	095229-01-700	EA	KEY-BLANK
	101147-01-000	EA	BOLT-SECURITY, 4.12" BACKSET
	102524-01-000	EA	BUMPER-RUBBER, FLAT - BLACK
24	044582-02-000	EA	CAP-DRIP, DOOR JAMB MOUNTED - OFF WHITE
	115222-04-01A	EA	GARNISH-RADIUS, ENTRANCE DOOR - OFF WHITE
24	044582-44-000	EA	CAP-DRIP, DOOR JAMB MOUNTED - BRIGHT WHITE
	115222-04-02A	EA	GARNISH-RADIUS, ENTRANCE DOOR - BRIGHT WHITE
25	109403-01-000	EA	CATCH-SINGLE ROLLER, SCREEN DOOR
26	104099-02-01A	EA	CATCH-DOOR HOLDER, RETAINER - OFF WHITE
26	104099-02-04A	EA	CATCH-DOOR HOLDER, RETAINER - BRIGHT WHITE
27	104099-01-01A	EA	CATCH-DOOR HOLDER, STRIKE - OFF WHITE
27	104099-01-04A	EA	CATCH-DOOR HOLDER, STRIKE - BRIGHT WHITE
	009126-02-000	EA	HANDLE-ASSIST, ENTRANCE DOOR - BLACK
	112160-01-000	FT	SEAL-D SECTION, 6 X 10 - FOAM RUBBER - BLACK
	104692-01-000	FT	SEAL - 3/4" X 3/4", ADHESIVE BACK FOAM SEAL
	102248-01-000	EA	SHIM-DOOR

KEY	PART NUMBER	U/M	DESCRIPTION
1	115108-01-FB1	EA	DOOR-ENTRANCE, W/SCREEN - W/O WINDOW - OFF WHITE
1	115108-01-F15	EA	DOOR-ENTRANCE, W/SCREEN - W/O WINDOW - BRIGHT WHITE
2	039539-01-000	EA	STRIKE-LOCK, ENTRY DOOR - ROUND W/THREADED WASHER
	077461-03-000	EA	COVER-STRIKE, ENTRY DOOR - 6.5" X 2.5" - PLASTIC - WHITE
	077461-05-000	EA	COVER-STRIKE, ENTRY DOOR - 6.5" X 2.5" - PLASTIC - BRIGHT WHITE
3	039540-01-000	EA	LATCH MECHANISM-HOOK, ENTRY DOOR - INTERIOR
	039715-01-000	EA	NUT-SERT, 1/4" DIAMETER - 20 THREADS
4	039979-04-000	EA	COVER-INTERIOR LATCH, W/TRIP ARM - RIGHT - BLACK
	039984-01-000	EA	CAP-ROUND, VINYL - .28" ID X .62" LONG - BLACK
	041546-05-000	EA	BRACKET-DOOR ANGLE, 5" X 1.9" - METAL - OFF WHITE
5	045017-11-000	EA	LATCH-ENTRY DOOR, MECHANISM W/LOCK & KEY - BLACK
	045017-11-701	EA	KEY-BLANK, ROUND TOP - SILVER - TRI/MARK
	058806-03-000	EA	PLUG-TAPERED, PLASTIC - 1.06" DIAMETER - RED
	063729-04-000	EA	RIVNUT, 10-32 UNF - .010-.080
	072893-01-000	EA	NUTSERT - M5 X 0 8
	075671-04-000	FT	SEAL-SPONGE, LAZY T SHAPE - W/ADHESIVE STRIPE - .5" WIDE
6	079012-09-F15	EA	DOOR-SCREEN - OFF WHITE
6	079012-09-F15	EA	DOOR-SCREEN - OFF WHITE
6	079012-09-F24	EA	DOOR-SCREEN - BRIGHT WHITE

WINDOW, VENT & EXTERIOR DOOR GROUP (CONTINUED)
BRIGGS & STRATTON KEY LOCKS & COMPONENTS

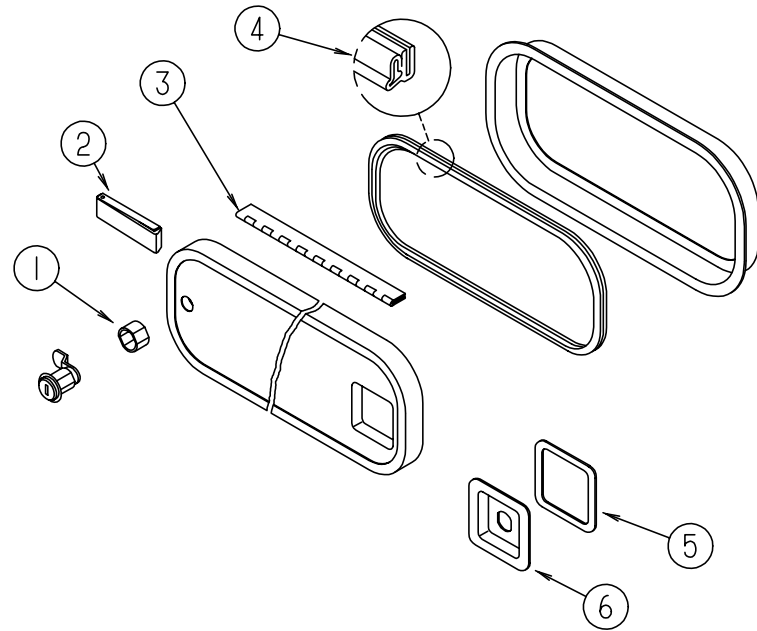
NOTE:
 WHEN ORDERING THE LOCK CASE, THE KEY CODE MUST
 MATCH THE LAST DIGIT OF THE VEHICLE'S SERIAL NUMBER
 AND PART NUMBER; WHEN ORDERING THE KEYS, THE THIRD
 DIGIT OF THE KEY CODE MUST MATCH THE LAST DIGIT OF
 THE VEHICLE'S SERIAL NUMBER AND PART NUMBER



KEY	PART NUMBER	U/M	DESCRIPTION	VENDOR NO.
1	110506-59-000	EA	KEYS-SET OF TWO	596720
2	110506-52-000	EA	CASE-LOCK, A = 17 MM	702370
2	110506-53-000	EA	CASE-LOCK, A = 25 MM	702380
1	110506-59-001	EA	KEYS-SET OF TWO	596721
2	110506-52-001	EA	CASE-LOCK, A = 17 MM	702371
2	110506-53-001	EA	CASE-LOCK, A = 25 MM	702381
1	110506-59-002	EA	KEYS-SET OF TWO	596722
2	110506-52-002	EA	CASE-LOCK, A = 17 MM	702372
2	110506-53-002	EA	CASE-LOCK, A = 25 MM	702382
1	110506-59-003	EA	KEYS-SET OF TWO	596723
2	110506-52-003	EA	CASE-LOCK, A = 17 MM	702373
2	110506-53-003	EA	CASE-LOCK, A = 25 MM	702383
1	110506-59-004	EA	KEYS-SET OF TWO	596724
2	110506-52-004	EA	CASE-LOCK, A = 17 MM	702374
2	110506-53-004	EA	CASE-LOCK, A = 25 MM	702384
1	110506-59-005	EA	KEYS-SET OF TWO	596725
2	110506-52-005	EA	CASE-LOCK, A = 17 MM	702375
2	110506-53-005	EA	CASE-LOCK, A = 25 MM	702385
1	110506-59-006	EA	KEYS-SET OF TWO	596726
2	110506-52-006	EA	CASE-LOCK, A = 17 MM	702376
2	110506-53-006	EA	CASE-LOCK, A = 25 MM	702386

KEY	PART NUMBER	U/M	DESCRIPTION	VENDOR NO.
1	110506-59-007	EA	KEYS-SET OF TWO	596727
2	110506-52-007	EA	CASE-LOCK, A = 17 MM	702377
2	110506-53-007	EA	CASE-LOCK, A = 25 MM	702387
1	110506-59-008	EA	KEYS-SET OF TWO	596728
2	110506-52-008	EA	CASE-LOCK, A = 17 MM	702378
2	110506-53-008	EA	CASE-LOCK, A = 25 MM	702388
1	110506-59-009	EA	KEYS-SET OF TWO	596729
2	110506-52-009	EA	CASE-LOCK - A = 17 MM	702379
2	110506-53-009	EA	CASE-LOCK - A = 25 MM	702389
3	110506-40-700	EA	HARDWARE KIT	
4	110506-50-000	EA	CASE-TWIST LOCK, A = 17 MM	596952
4	110506-51-000	EA	CASE-TWIST LOCK, A = 25 MM	596669
	110506-40-000	EA	CLIP-E LOCK ASSEMBLY	93981
	110506-64-000	EA	CAM-LOCK	322280
	110506-67-000	EA	CAM-LOCK	322283
	110506-71-000	EA	CAM-LOCK	322287
	110506-72-000	EA	CAM-LOCK	322354
	110506-59-701	EA	KEY-BLANK, GOLD	

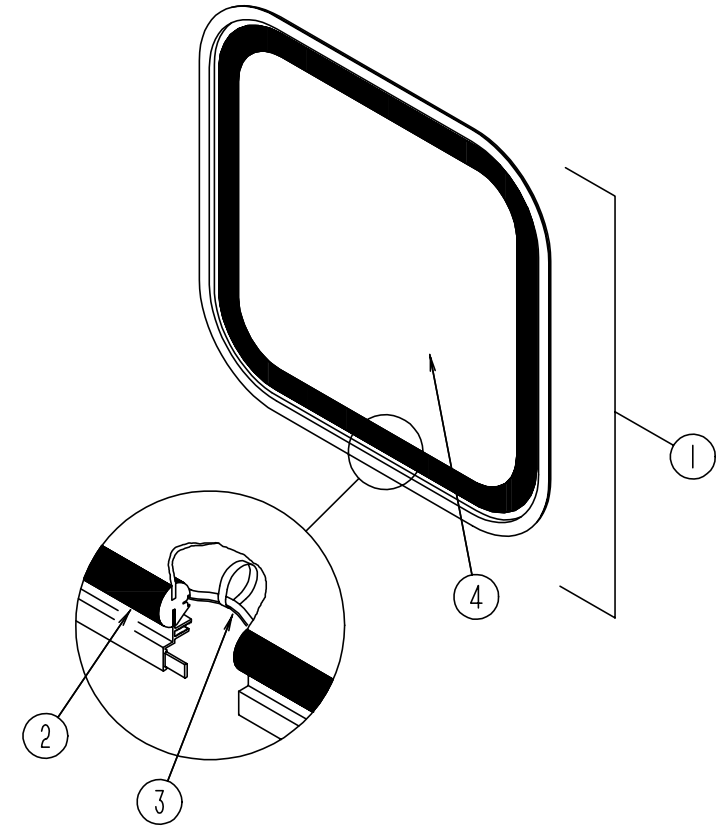
WINDOW, VENT & EXTERIOR DOOR GROUP (CONTINUED)



EXTERIOR DOOR HARDWARE

KEY	PART NUMBER	U/M	DESCRIPTION
1	107997-51-001	EA	SPACER - .86" X .6" - ALUMINUM
2	102768-01-000	EA	HOLDER-COMPARTMENT/ENTRY DOOR, METAL - MILL FINISH
3	081801-02-000	EA	HINGE-PIANO, 2" X 96" - ALUMINUM
4	064075-07-000	FT	SEAL-BULB, W/WIRED U CHANNEL - .3" X .5" CHANNEL - BLACK
5	098338-01-000	EA	GASKET-LOCK POCKET
6	097111-01-01A	EA	POCKET-LOCK VALANCE, OFF WHITE
6	097111-01-04A	EA	POCKET-LOCK VALANCE, BRIGHT WHITE
	096217-55-001	EA	U CHANNEL, 17.5' - OFF WHITE
	096217-55-006	EA	U CHANNEL, 17.5' - BRIGHT WHITE
	116424-01-000	EA	PROTECTOR-WATER HEATER LATCH ATWOOD 92611

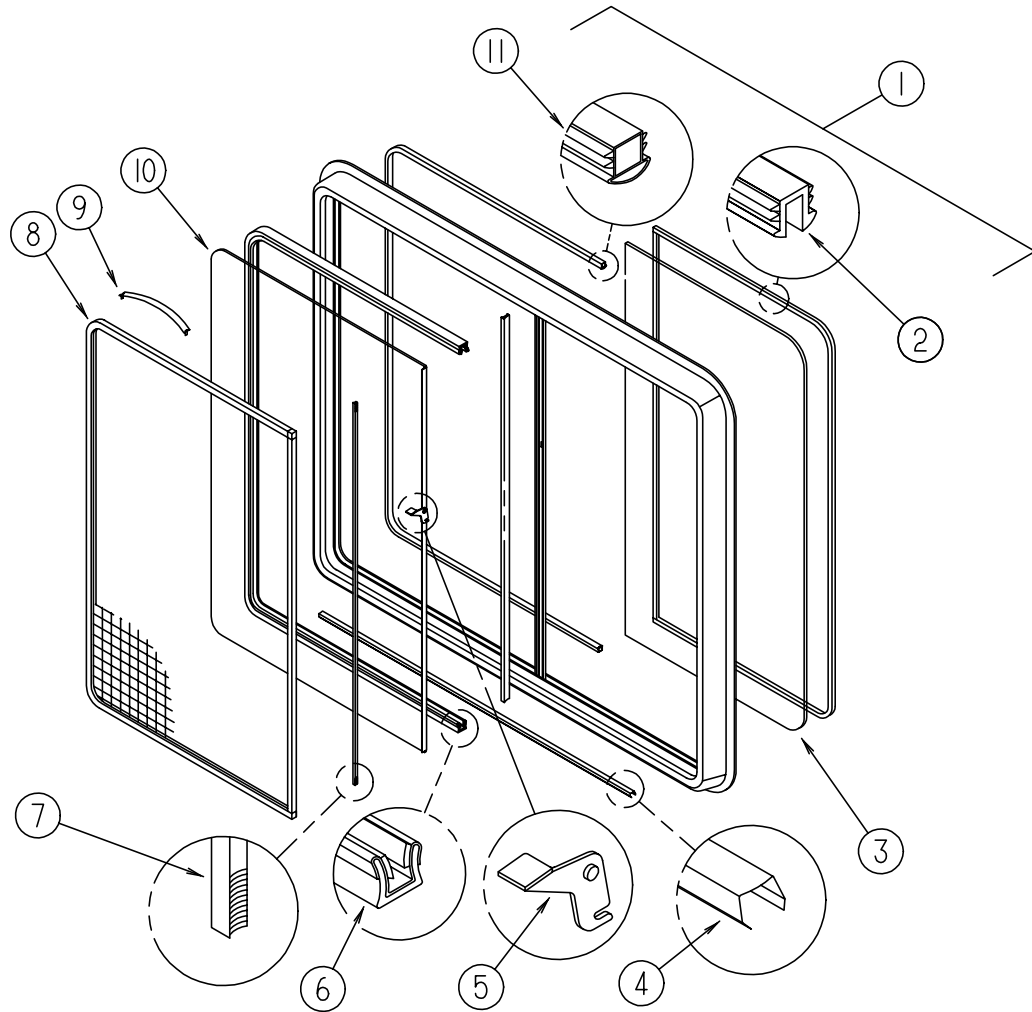
WINDOW, VENT & EXTERIOR DOOR GROUP (CONTINUED)



BACKWALL ESCAPE WINDOW

KEY	PART NUMBER	U/M	DESCRIPTION
	074816-11-000	EA	FRAME-INSIDE, ESCAPE WINDOW - OFF WHITE
1	078528-07-F15	EA	WINDOW-ESCAPE, REAR
2	002282-09-000	EA	WEATHERSTRIP - .125" X 130.53" - BLACK
3	002285-01-000	FT	FILLER-WEATHER STRIP, RUBBER - BLACK
4	076337-13-000	EA	GLASS-WINDOW, ESCAPE

WINDOW, VENT & EXTERIOR DOOR GROUP (CONTINUED)



SINGLE SLIDER WINDOW - DINETTE - EXCEL

KEY	PART NUMBER	U/M	DESCRIPTION	VENDOR NO.
1	098647-28-01A	EA	WINDOW-SLIDER, HORIZONTAL - CLEAR	H287-C1W66L
	098647-28-700	EA	WINDOW-W/OFRAME	H287-C1L
	098647-27-701	EA	FRAME-WINDOW	W28766
2	100322-01-703	FT	STRIP-GLAZING, BUTYL	132-010723
3	098647-27-702	EA	GLASS-STATIONARY	096-017868
4	098644-01-710	FT	TRACK-SCREEN SPACER, 12' LENGTH	M401-31
5	098644-01-700	EA	LATCH-REPAIR KIT	B801-CK
6	098644-01-708	FT	CHANNEL-PIERCED RUN	122-016543
7	098644-01-711	FT	WEATHERSTRIP-SCREEN, BLACK	171-016965
8	098647-23-704	EA	SCREEN-W/SPRING & WEATHERSTRIP	410-019066
9	098644-01-713	EA	SPRING-SCREEN FRAME, CLIP - PLASTIC	226-016966
10	098647-27-703	EA	GLASS-SLIDING, W/SASH & LATCH	H287-C8
11	098644-01-706	FT	WEATHERSTRIP	171-010668
	098644-01-716	FT	PLUG-FILLER	132-014470
	098644-01-717	FT	SPLINE-SCREEN	132-004716

WINDOW, VENT & EXTERIOR DOOR GROUP (CONTINUED)
SINGLE SLIDER WINDOW - OVERHEAD BUNK - DRIVER SIDE - EXCEL

KEY	PART NUMBER	U/M	DESCRIPTION	VENDOR NO.
1	098647-32-01A	EA	WINDOW-SLIDER, HORIZONTAL - CLEAR	H425-C1W66L
	098647-32-700	EA	WINDOW-W/OFRAME	H425-C1L
	098647-31-701	EA	FRAME-WINDOW	CW2966
2	100322-01-703	FT	STRIP-GLAZING, BUTYL	132-010723
3	098647-31-702	EA	GLASS-STATIONARY	096-019299
4	098644-01-710	FT	TRACK-SCREEN SPACER, 12' LENGTH	M401-31
5	098644-01-700	EA	LATCH-REPAIR KIT	B801-CK
6	098644-01-708	FT	CHANNEL-PIERCED RUN	122-016543
7	098644-01-711	FT	WEATHERSTRIP-SCREEN, BLACK	171-016965
8	098647-31-704	EA	SCREEN-W/SPRING & WEATHERSTRIP	410-019128
9	098644-01-713	EA	SPRING-SCREEN FRAME, CLIP - PLASTIC	226-016966
10	098647-31-703	EA	GLASS-SLIDING, W/SASH & LATCH	H425-C8
11	098644-01-706	FT	WEATHERSTRIP	171-010668
	098644-01-716	FT	PLUG-FILLER	132-014470
	098644-01-717	FT	SPLINE-SCREEN	132-004716

SINGLE SLIDER WINDOW - GALLEY & OVERHEAD BUNK - PASSENGER SIDE - EXCEL

KEY	PART NUMBER	U/M	DESCRIPTION	VENDOR NO.
1	098647-31-01A	EA	WINDOW-SLIDER, HORIZONTAL - CLEAR	H425-C1W66R
	098647-31-700	EA	WINDOW-W/OFRAME	H425-C1R
	098647-31-701	EA	FRAME-WINDOW	CW2966
2	100322-01-703	FT	STRIP-GLAZING, BUTYL	132-010723
3	098647-31-702	EA	GLASS-STATIONARY	096-019299
4	098644-01-710	FT	TRACK-SCREEN SPACER, 12' LENGTH	M401-31
5	098644-01-700	EA	LATCH-REPAIR KIT	B801-CK
6	098644-01-708	FT	CHANNEL-PIERCED RUN	122-016543
7	098644-01-711	FT	WEATHERSTRIP-SCREEN, BLACK	171-016965
8	098647-31-704	EA	SCREEN-W/SPRING & WEATHERSTRIP	410-019128
9	098644-01-713	EA	SPRING-SCREEN FRAME, CLIP - PLASTIC	226-016966
10	098647-31-703	EA	GLASS-SLIDING, W/SASH & LATCH	H425-C8
11	098644-01-706	FT	WEATHERSTRIP	171-010668
	098644-01-716	FT	PLUG-FILLER	132-014470
	098644-01-717	FT	SPLINE-SCREEN	132-004716

SINGLE SLIDER WINDOW - BEDROOM - EXCEL

KEY	PART NUMBER	U/M	DESCRIPTION	VENDOR NO.
1	098647-38-01A	EA	WINDOW-SLIDER, HORIZONTAL - CLEAR	H320-C1W66R
	098647-38-700	EA	WINDOW-W/OFRAME	H320-C1R
	098647-38-701	EA	FRAME-WINDOW	W30366
2	100322-01-703	FT	STRIP-GLAZING, BUTYL	132-010723
3	098647-38-702	EA	GLASS-STATIONARY	096-017854
4	098644-01-710	FT	TRACK-SCREEN SPACER, 12' LENGTH	M401-31
5	098644-01-700	EA	LATCH-REPAIR KIT	B801-CK
6	098644-01-708	FT	CHANNEL-PIERCED RUN	122-016543
7	098644-01-711	FT	WEATHERSTRIP-SCREEN, BLACK	171-016965
8	098647-38-704	EA	SCREEN-W/SPRING & WEATHERSTRIP	410-019063
9	098644-01-713	EA	SPRING-SCREEN FRAME, CLIP - PLASTIC	226-016966
10	098647-38-703	EA	GLASS-SLIDING, W/SASH & LATCH	H320-C8
11	098644-01-706	FT	WEATHERSTRIP	171-010668
	098644-01-716	FT	PLUG-FILLER	132-014470
	098644-01-717	FT	SPLINE-SCREEN	132-004716

WINDOW, VENT & EXTERIOR DOOR GROUP (CONTINUED)
SINGLE SLIDER WINDOW - DINETTE - THERMO - EXCEL

KEY	PART NUMBER	U/M	DESCRIPTION	VENDOR NO.
	112795-15-01A	EA	WINDOW-SLIDER, HORIZONTAL - THERMO	DH287-G2W66L
	098647-23-702	EA	FRAME-INSIDE	W28766
	098647-23-704	EA	SCREEN-W/SPRING & WEATHERSTRIP	410-019066
	112795-01-700	EA	LATCH ASSEMBLY - BLACK	DH287-CK
	112795-01-701	EA	SLIDE-STOP	132-019092
	112795-01-702	FT	PLUG-FILLER	122-018737
	112795-01-703	FT	RUN CHANNEL	122-018736
	112795-01-704	FT	VINYL-GLAZING	132-018280
	112795-15-700	EA	WINDOW-W/O FRAME	DH287-G2L
	112795-15-701	EA	GLASS-STATIONARY	390-019045
	112795-15-702	EA	GLASS-SLIDING, W/SASH & LATCH	DH287-G9
	098644-01-713	EA	SPRING-SCREEN FRAME (CLIP), PLASTIC - BLACK	

SINGLE SLIDER WINDOW - GALLEY & OVERHEAD BUNK - PASSENGER SIDE - THERMO - EXCEL

KEY	PART NUMBER	U/M	DESCRIPTION	VENDOR NO.
	112795-19-01A	EA	WINDOW-SLIDER, HORIZONTAL - THERMO	DC29-G2W66R
	098647-31-701	EA	FRAME-INSIDE	CW2966
	098647-31-704	EA	SCREEN W/SPRING & WEATHERSTRIP	410-019128
	112795-01-700	EA	LATCH ASSEMBLY - BLACK	DH287-CK
	112795-01-701	EA	SLIDE-STOP	132-019092
	112795-01-702	FT	PLUG-FILLER	122-018737
	112795-01-703	FT	RUN CHANNEL	122-018736
	112795-01-704	FT	VINYL-GLAZING	132-018280
	112795-19-700	EA	WINDOW-W/O FRAME	DC29-G2R
	112795-19-701	EA	GLASS-STATIONARY	390-019134
	112795-19-702	EA	GLASS-SLIDING, W/SASH & LATCH	DC29-G9
	098644-01-713	EA	SPRING-SCREEN FRAME (CLIP), PLASTIC - BLACK	

SINGLE SLIDER WINDOW - OVERHEAD BUNK - DRIVER SIDE - THERMO - EXCEL

KEY	PART NUMBER	U/M	DESCRIPTION	VENDOR NO.
	112795-20-01A	EA	WINDOW-SLIDER, HORIZONTAL - THERMO	DC29-G2W66L
	098647-31-701	EA	FRAME-INSIDE	CW2966
	098647-31-704	EA	SCREEN-W/SPRING & WEATHERSTRIP	410-019128
	112795-01-700	EA	LATCH ASSEMBLY - BLACK	DH287-CK
	112795-01-701	EA	SLIDE-STOP	132-019092
	112795-01-702	FT	PLUG-FILLER	122-018737
	112795-01-703	FT	RUN CHANNEL	122-018736
	112795-01-704	FT	VINYL-GLAZING	132-018280
	112795-19-701	EA	GLASS-STATIONARY	390-019134
	112795-19-702	EA	GLASS-SLIDING, W/SASH & LATCH	DC29-G9
	112795-20-700	EA	WINDOW-W/O FRAME	DC29-G2L
	098644-01-713	EA	SPRING-SCREEN FRAME (CLIP), PLASTIC - BLACK	

SINGLE SLIDER WINDOW - BEDROOM - THERMO - EXCEL

KEY	PART NUMBER	U/M	DESCRIPTION	VENDOR NO.
	112795-22-01A	EA	WINDOW-SLIDER, HORIZONTAL - THERMO	DC48-G2W66R
	112795-22-701	EA	FRAME-INSIDE	W30366
	098647-23-704	EA	SCREEN-W/SPRING & WEATHERSTRIP	410-019066
	112795-01-700	EA	LATCH ASSEMBLY - BLACK	DH287-CK
	112795-01-701	EA	SLIDE-STOP	132-019092
	112795-01-702	FT	PLUG-FILLER	122-018737
	112795-01-703	FT	RUN CHANNEL	122-018736
	112795-01-704	FT	VINYL-GLAZING	132-018280
	112795-22-700	EA	WINDOW-W/O FRAME	DC48-G2R
	112795-22-702	EA	GLASS-STATIONARY	390-019039
	112795-22-703	EA	GLASS-SLIDING, W/SASH & LATCH	DC48-G9
	098644-01-713	EA	SPRING-SCREEN FRAME (CLIP), PLASTIC - BLACK	

WINDOW, VENT & EXTERIOR DOOR GROUP (CONTINUED)
FRONT WINDOW - OVERHEAD BUNK - THERMO - EXCEL

KEY	PART NUMBER	U/M	DESCRIPTION	VENDOR NO.
	115630-01-01A	EA	WINDOW-STATIONARY, EXCEL	DH438-G2W59
	115630-01-700	EA	WINDOW-W/O FRAME	DH438-G2
	115630-01-701	EA	FRAME-INSIDE	W43858
	115630-01-702	EA	GLASS-STATIONARY	390-019467

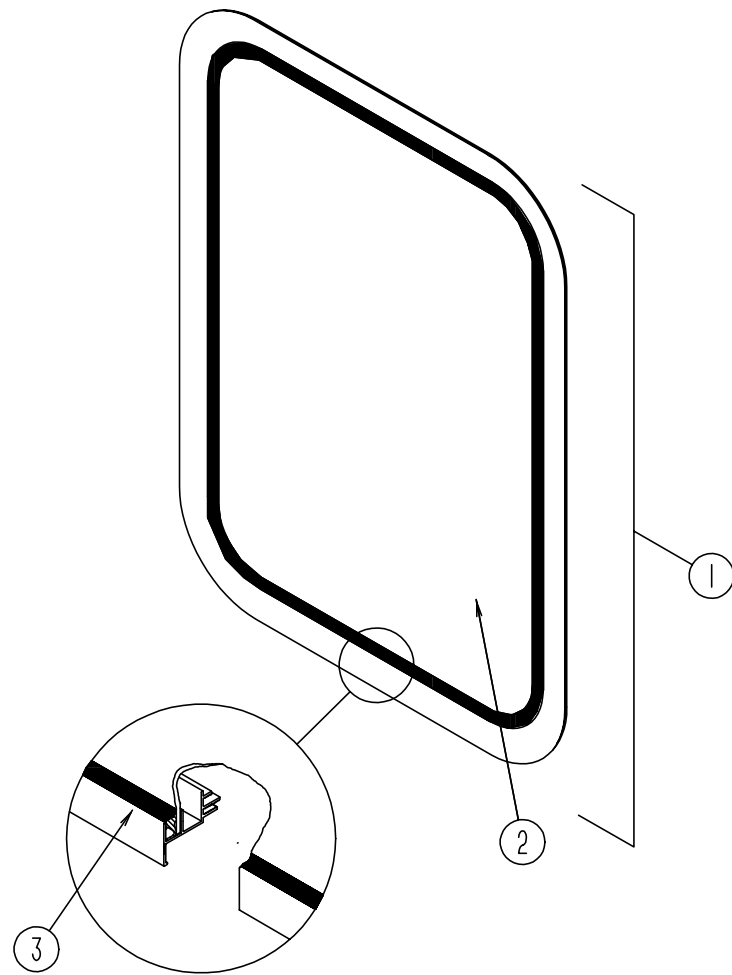
ENTRANCE DOOR WINDOW - THERMO

KEY	PART NUMBER	U/M	DESCRIPTION
	113733-01-01A	EA	WINDOW-ENTRY DOOR, THERMO - W/O INSIDE FRAME
	113733-01-701	EA	FRAME-INSIDE WINDOW
	113733-01-700	EA	WINDOW-W/O TRIM
	113733-01-702	EA	GLASS-STATIONARY
	100322-01-703	FT	STRIP-GLAZING, BUTYL 132-010723

BEDROOM WINDOW - REAR ESCAPE - THERMO - EXCEL

KEY	PART NUMBER	U/M	DESCRIPTION	VENDOR NUMBERS
	113502-01-01A	EA	WINDOW-REAR ESCAPE	DH153-G2W60
	100322-01-703	FT	STRIP-GLAZING, BUTYL	132-010723
	112898-06-704	EA	HANDLE-LATCH, RED - RH	182-11293
	112898-06-705	EA	HANDLE-LATCH, RED - LH	182-11294

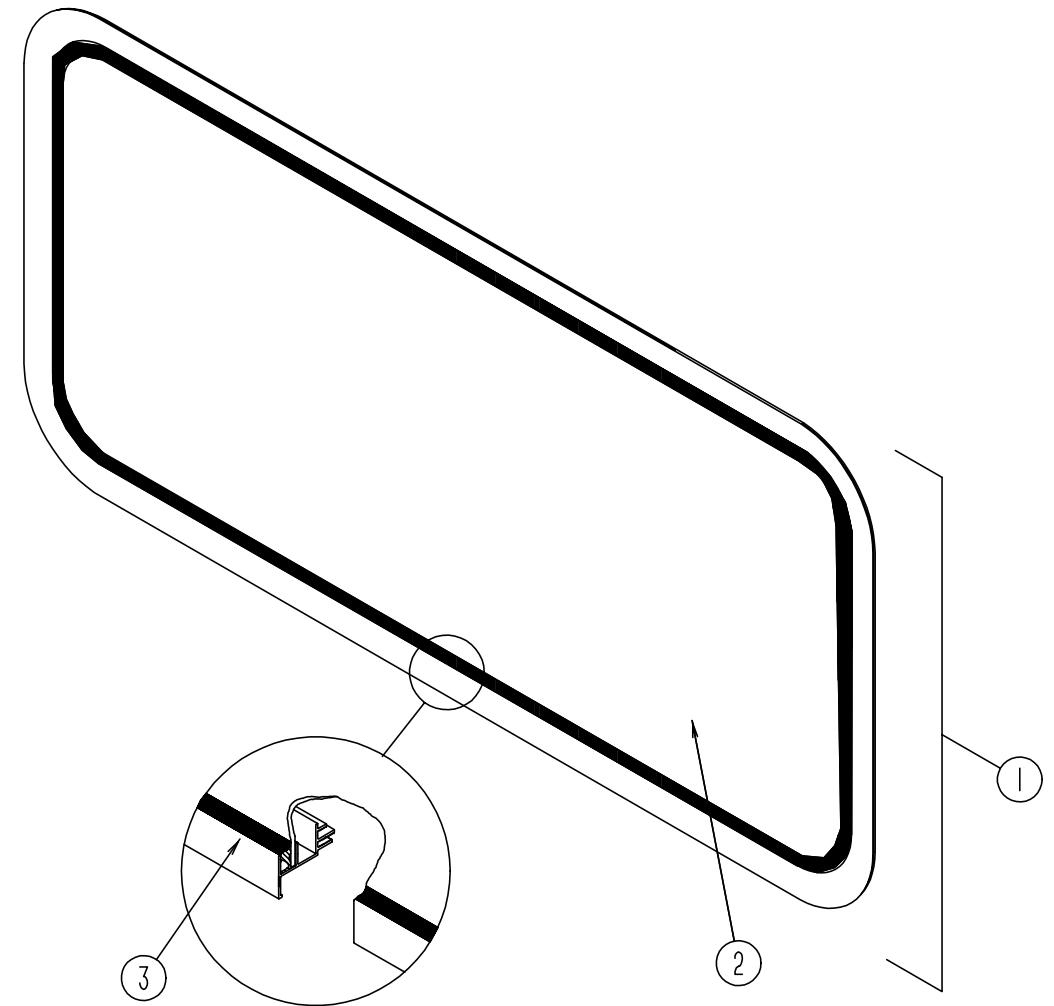
WINDOW, VENT & EXTERIOR DOOR GROUP (CONTINUED)



ENTRANCE DOOR WINDOW

KEY	PART NUMBER	U/M	DESCRIPTION
	067609-39-000	EA	FRAME-INSIDE WINDOW, BRIGHT WHITE FROM: 00-00-00 THRU: 01-01-95
	117054-02-02A	EA	FRAME-INSIDE WINDOW, BRIGHT WHITE FROM: 01-02-95 THRU: 99-99-99
1	079733-17-F15	EA	WINDOW-STATIONARY FROM: 00-00-00 THRU: 01-01-95
1	117053-04-FB1	EA	WINDOW-STATIONARY FROM: 01-02-95 THRU: 99-99-99
2	002181-24-000	EA	GLASS-PICTURE, 27.1" X 17.7" - CLEAR 90% FROM: 00-00-00 THRU: 01-01-95
2	002181-27-000	EA	GLASS-PICTURE, 25.8" X 16.4" - CLEAR 90% FROM: 01-02-95 THRU: 99-99-99
3	087561-01-000	FT	SEAL-GLASS, EXTERIOR - .5" WIDE - VINYL - BLACK

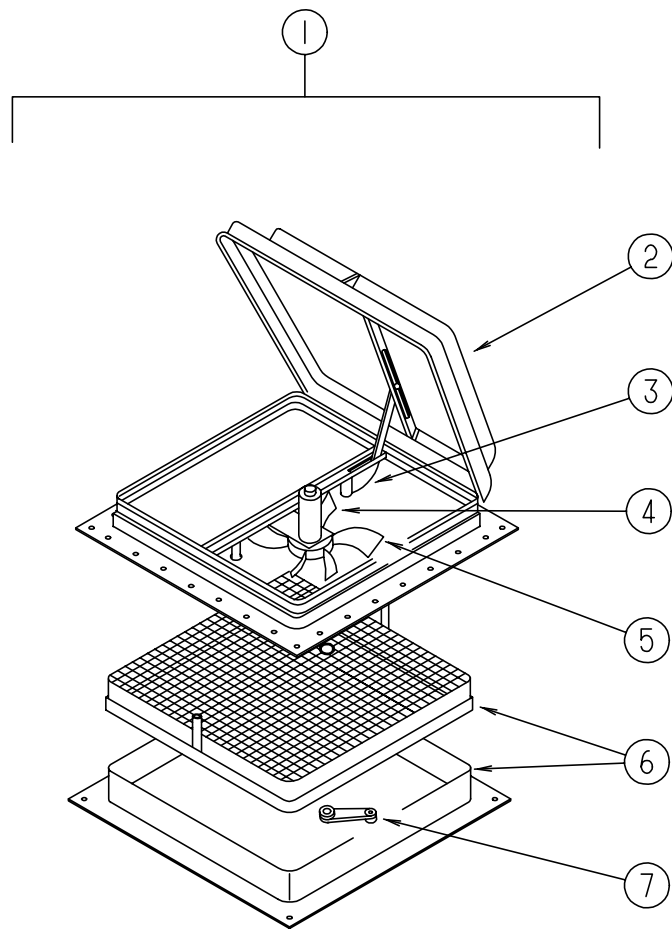
WINDOW, VENT & EXTERIOR DOOR GROUP (CONTINUED)



OVERHEAD BUNK FRONT WINDOW

KEY	PART NUMBER	U/M	DESCRIPTION
1	103313-01-B05	EA	WINDOW-PICTURE FROM: 00-00-00 THRU: 01-08-95
1	103313-03-F15	EA	WINDOW-PICTURE FROM: 01-09-95 THRU: 99-99-99
	067609-33-000	EA	FRAME-INSIDE WINDOW, OFF WHITE FROM: 00-00-00 THRU: 01-08-95
	117054-01-01A	EA	FRAME-WINDOW, INSIDE - WHITE FROM: 01-09-95 THRU: 99-99-99
2	002181-15-000	EA	GLASS-PICTURE, 11.25" X 58.1" - GRAY FROM: 00-00-00 THRU: 01-08-95
2	002181-29-000	EA	GLASS-PICTURE, 71.2" X 16.4" - GRAY FROM: 01-09-95 THRU: 99-99-99
3	099154-01-000	FT	CHANNEL-GLAZING, STATIONARY GLASS - .62" X .45" - BLACK

WINDOW, VENT & EXTERIOR DOOR GROUP (CONTINUED)



WINDOW, VENT & EXTERIOR DOOR GROUP (CONTINUED)

NONPOWERED ROOF VENT - JENSEN

KEY	PART NUMBER	U/M	DESCRIPTION	VENDOR NO.
	110051-01-01A	EA	VENT-ROOF, NONPOWERED - 2" ROOF - JENSEN	7724 WHE
	064470-01-700	EA	COVER-ROOF VENT, WITHOUT SLIDE BAR - JENSEN7291	
	064470-01-701	EA	SLIDE BAR	1111-492-01
	110051-01-700	EA	ROOF VENT SCREEN-MANUAL CRANK ASSEMBLIES	29-800-02
	110051-01-702	EA	LIFT ASSEMBLY-VENT LID W/O CRANK, JENSEN	RP-1000B
	110051-01-703	EA	CRANK HANDLE-ROOF VENT, JENSEN	RP-1031-B

VENTS, SHROUDS AND ROOF COVERS

KEY	PART NUMBER	U/M	DESCRIPTION
	084073-03-000	EA	COVER-ROOF VENT, REFRIGERATOR - OFF WHITE - NORCOLD
	084073-07-000	EA	COVER-ROOF VENT, REFRIGERATOR - BRIGHT WHITE - NORCOLD
	084073-04-000	EA	BASE-ROOF VENT, REFRIGERATOR - BLACK - NORCOLD
	084616-01-000	EA	SHROUD-RANGE HOOD VENT, OFF WHITE
	084616-07-000	EA	SHROUD-RANGE HOOD VENT, BRIGHT WHITE
	083558-03-000	EA	VENT-PLUMBING PIPE ROOF W/COVER, OFF WHITE
	083558-07-000	EA	VENT-PLUMBING PIPE ROOF W/COVER, BRIGHT WHITE

POWERED ROOF VENT - JENSEN - US

KEY	PART NUMBER	U/M	DESCRIPTION	VENDOR NO.
1	110051-03-01A	EA	VENT-ROOF, POWERED - 2" ROOF - JENSEN	7757 WHE
2	064470-01-700	EA	COVER-ROOF VENT, W/O WITHOUT SLIDE BAR	7291
	064470-01-701	EA	SLIDE BAR	1111-492-01
3	110051-01-702	EA	LIFT ASSEMBLY-VENT LID W/O CRANK, JENSEN	RP-1000B
4	048648-01-000	EA	MOTOR-ROOF VENT, 1/8 SHAFT - 12V - JENSEN	
5	048649-01-000	EA	FAN-ROOF VENT, 6 BLADES - 6" - JENSEN	
6	110051-01-700	EA	ROOF VENT SCREEN-MANUAL CRANK ASSEMBLIES	29-800-02
7	110051-01-703	EA	CRANK HANDLE-ROOF VENT, JENSEN	RP-1031-B

POWERED ROOF VENT - JENSEN - CANADIAN

KEY	PART NUMBER	U/M	DESCRIPTION	VENDOR NO.
1	110051-05-01A	EA	VENT-ROOF, POWERED - 2" ROOF - CSA	C7757 WHE
2	064470-01-700	EA	COVER-ROOF VENT, W/O WITHOUT SLIDE BAR - JENSEN	7291
	064470-01-701	EA	SLIDE BAR	1111-492-01
3	110051-01-702	EA	LIFT ASSEMBLY-VENT LID W/O CRANK, JENSEN	RP-1000B
4	048648-01-000	EA	MOTOR-ROOF VENT, 1/8 SHAFT - 12V - JENSEN	
5	048649-01-000	EA	FAN-ROOF VENT, 6 BLADES - 6" - JENSEN	
6	110051-01-700	EA	ROOF VENT SCREEN-MANUAL CRANK ASSEMBLIES	29-800-02
7	110051-01-703	EA	CRANK HANDLE-ROOF VENT, JENSEN	RP-1031-B