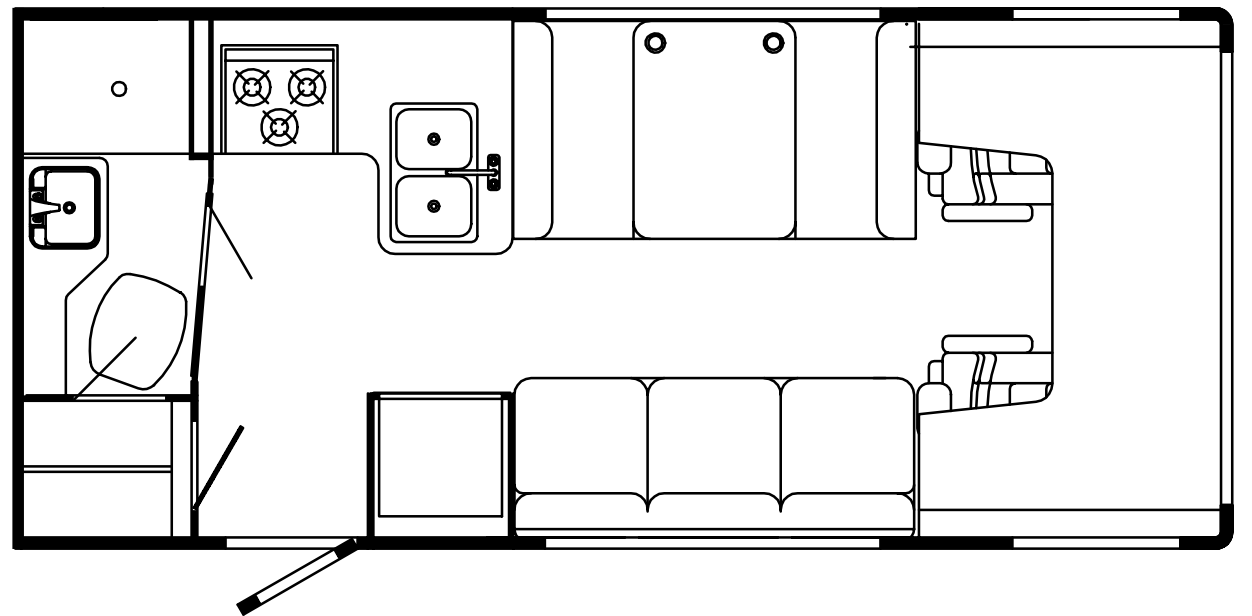
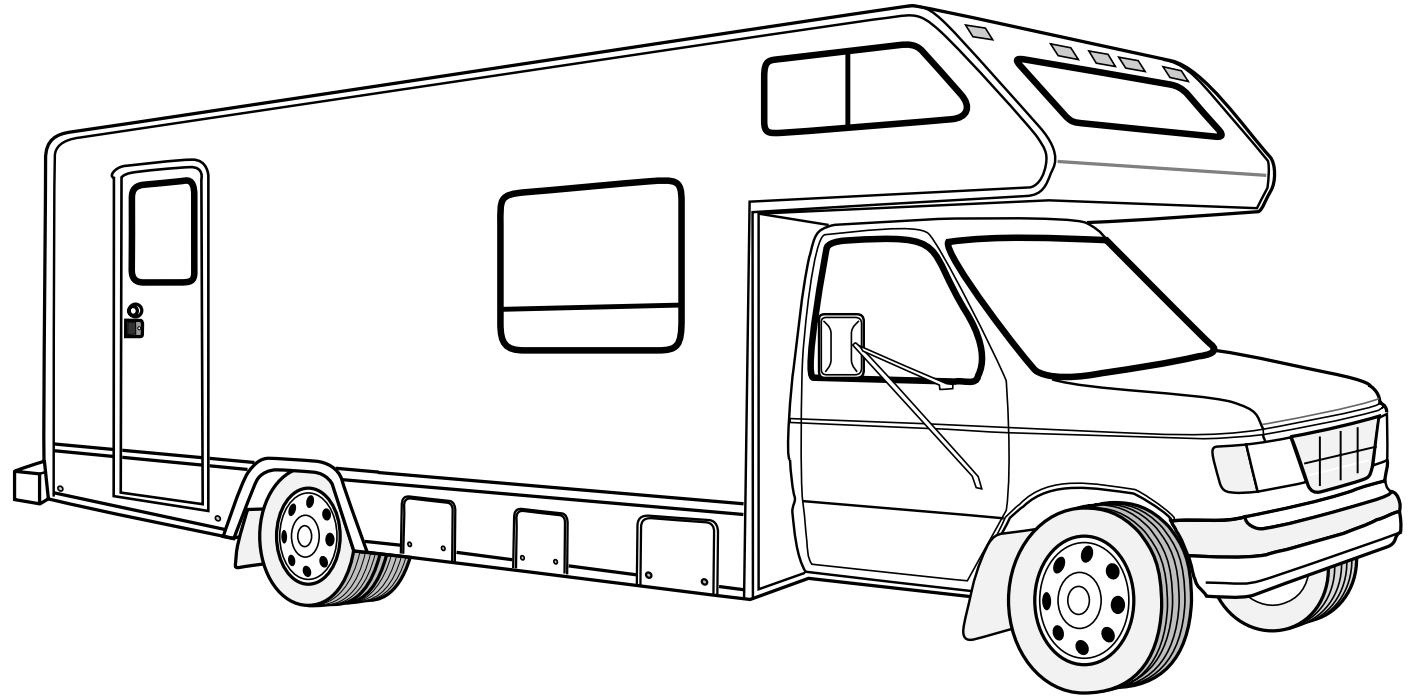


1995
WC321RB

F15

F16



ACCESSORIES GROUP

OPERATORS MANUAL

KEY	PART NUMBER	U/M	DESCRIPTION
	054185-C2-000	EA	MANUAL - OPERATOR - 1995 MINNIE WINNIE
	092318-01-000	EA	BINDER - 3 RING - MOTOR HOME MANUAL
	092319-01-000	EA	PAGE - POCKET - 3 RING BINDER - PLASTIC
	114284-01-000	DW	TOP LEVEL DRAWING - 1995 C-BODY

AUDIO VIDEO GROUP

RADIO SYSTEM & ANTENNA

KEY	PART NUMBER	U/M	DESCRIPTION
	007004-01-000	EA	ANTENNA-AUTO
	115307-01-000	EA	RADIO-WIRING,REAR SPEAKER,GM ASA 1700030
	115305-01-000	EA	RADIO-AM/FM CASS,ELECTRON GM AUDIOVOX GMA-CXF
	115306-01-000	EA	RADIO-MOUNTING KIT,GM AUDIOVOX GMA-94-CHV
	115307-01-000	EA	RADIO-WIRING,REAR SPEAKER,GM ASA 1700030
	094097-01-000	EA	SPEAKER-RADIO, W/O GRILLE - 5.25" DIA - AUDIOVOX 110C3030
	111177-01-01A	EA	GRILLE-SPEAKER,OVAL 5X7 GRAY *MAGNADYNE SB68

TV INSTALLATION COMPONENTS

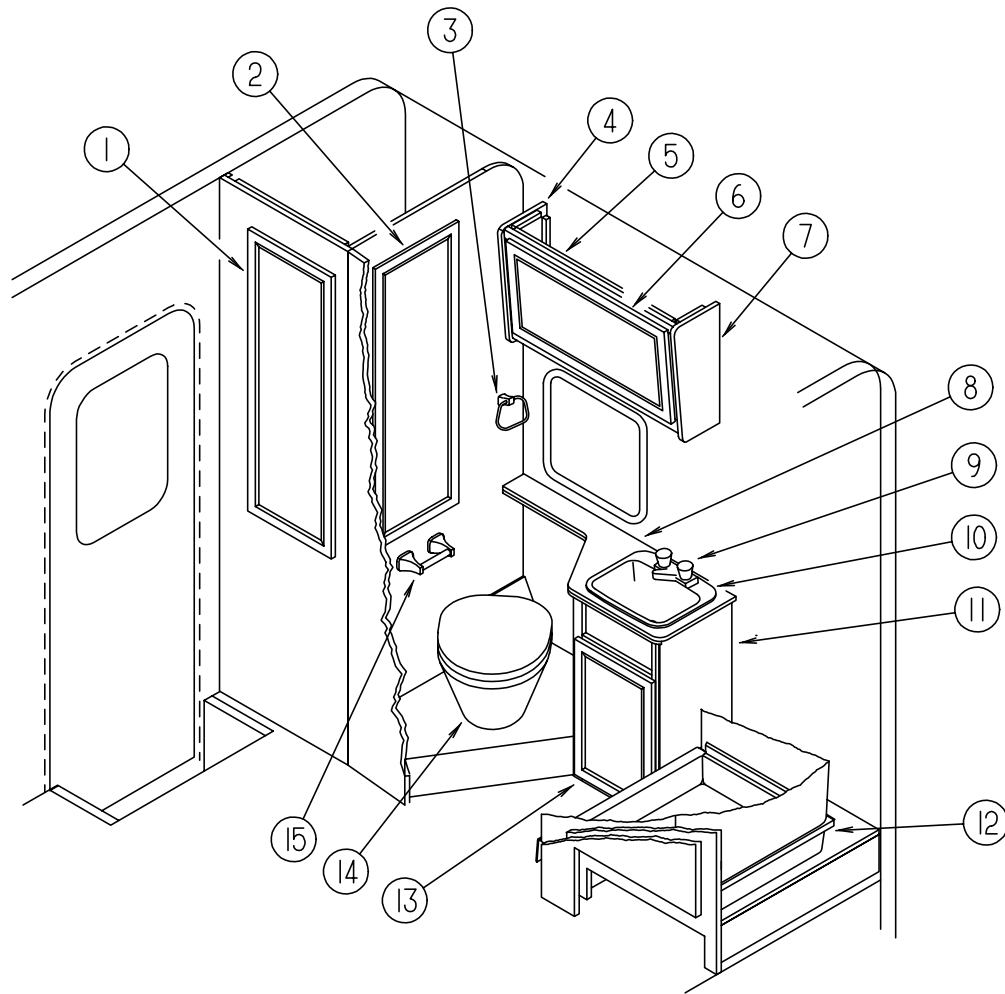
KEY	PART NUMBER	U/M	DESCRIPTION
	076319-03-000	FT	CABLE-COAXIAL, 75 OHM
	076319-12-000	EA	CONNECTOR-COAXIAL, ONE PIECE
	076319-06-000	EA	ADAPTOR-CABLE ROOF PLATE, WINEGARD RPJ-1
	082134-01-000	EA	ADAPTER-TV, CABLE TO CABLE - WINEGARD F-81M
	082136-01-000	EA	NUT-HEX JAM 3/8-32, WINEGARD
	086777-02-000	EA	WALLPLATE-TV CABLE, W/ANTENNA SWITCH - BROWN

TV ANTENNA

KEY	PART NUMBER	U/M	DESCRIPTION
	076319-01-000	EA	ANTENNA-TV, ROOF MOUNT - 44.5" MAST - RVA W02
	076319-01-700	EA	HEAD-ANTENNA, AMPLIFIED - WINEGARD #RVSA U/V
	076319-01-701	EA	GEAR-ELEVATING, PLASTIC - WINEGARD #2200046
	076319-01-702	EA	SHAFT ASM-ELEVATING, WINEGARD #RVP-400A
	076319-01-703	EA	BEARING-NYLON, 5" OD - WINEGARD #3200656
	076319-01-705	EA	GROMMET-NYLON, 7/8" ID - WINEGARD #3200658
	076319-01-706	EA	CRANK-ELEVATING, W/SET SCREW - WINEGARD #5755100
	076319-01-707	EA	SPRING-HANDLE, WINEGARD #5160800
	076319-01-708	EA	DECAL-CRANK, WINEGARD #5413002
	076319-01-709	EA	PLATE-DIRECTIONAL, FOR HEAD - WINEGARD #3200644
	076319-01-711	EA	BASE & LIFT ASM, WINEGARD #2762802
	076319-01-712	EA	PLATE-CEILING, WINEGARD #3200608
	076319-01-713	EA	PLATE-BASE, STEEL - WINEGARD #3100523

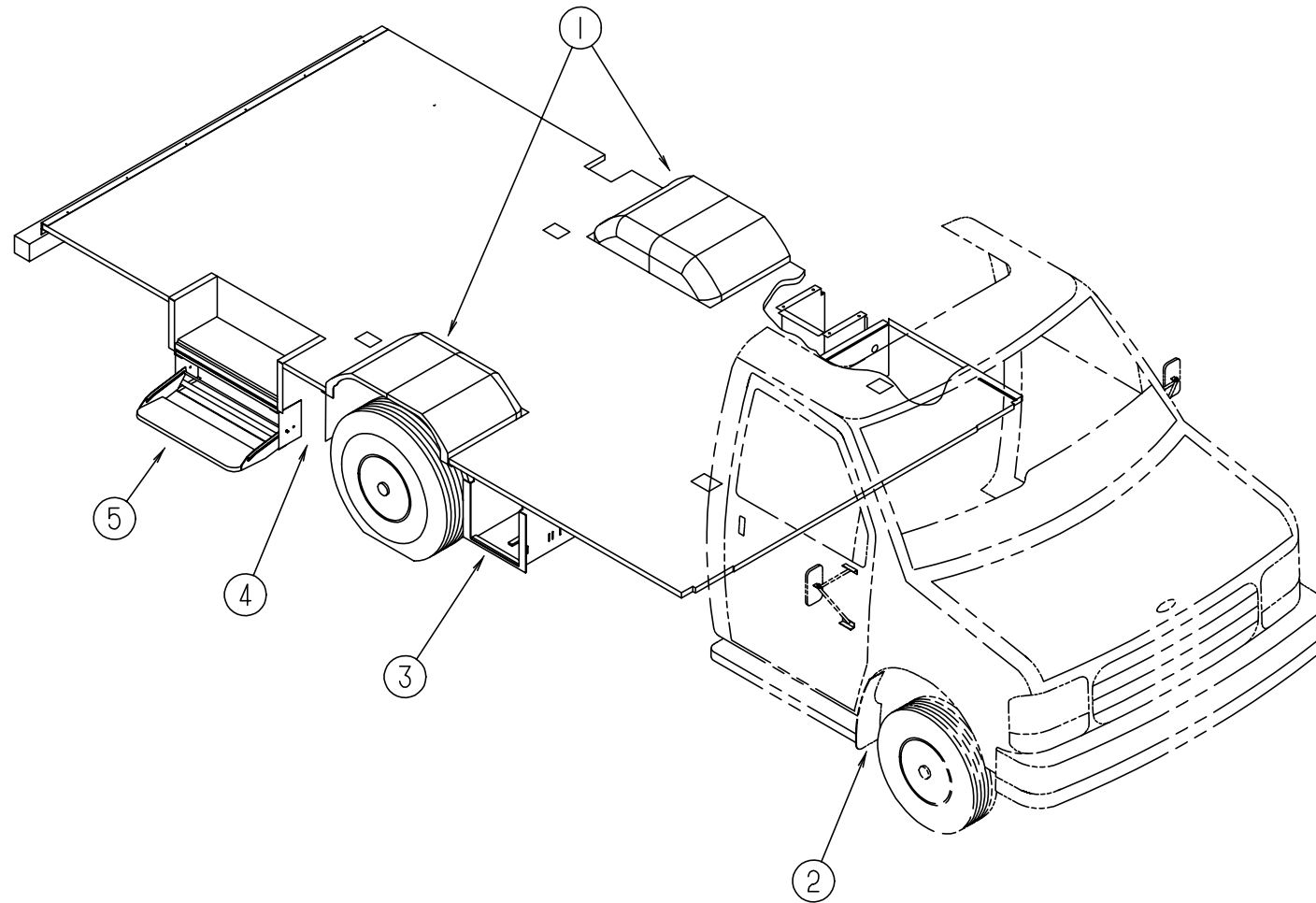
BATH GROUP

BATHROOM CABINETS & FIXTURES



KEY	PART NUMBER	U/M	DESCRIPTION	
1	110140-35-E01	EA	DOOR ASM - MITERED - 395 MM X 1155 MM	
	114701-12-F15	EA	SHELF ASM	
2	110140-39-E01	EA	DOOR ASM - MITERED - 425 MM X 1220 MM	
	058331-A3-000	EA	MIRROR - SAFETY GLASS - 342 MM X 1137 MM	
3	059783-01-000	FT	CLOTHES - ROD - ALUMINUM - SLOTTED - 7 FT	
	075454-02-000	EA	RING - TOWEL - W/ MOUNTING HARDWARE - BRASS	
4	110948-12-F15	EA	CAP ASM. - MEDICINE CABINET	
5	M05954-08-F15	EA	CABINET - MEDICINE - W/ LEFT & RIGHT END CAPS - W/O DOOR & HARDWARE	
6	110140-24-E01	EA	DOOR ASM. - MITERED - 395 MM X 750 MM	
	058331-69-000	EA	MIRROR - GLASS - 312 MM X 667 MM	
7	110948-11-E01	EA	SHELF ASM. - MEDICINE	
	110948-13-F15	EA	CAP ASM. - MEDICINE CABINET	
8	110942-11-F15	EA	COUNTERTOP - CABINET - LAVATORY (F16)	
9	075240-06-000	EA	FAUCET - LAVATORY - BONE	
10	091253-01-000	EA	GASKET - FAUCET - LAVATORY/ GALLEY	
	096927-01-01A	EA	SINK - LAVATORY - RECTANGULAR - PLASTIC - BONE	
11	096927-01-700	EA	SINK - STOPPER	
	096927-01-701	EA	TAILPIECE - SINK	
12	P10942-01-F15	EA	CABINET - LAVATORY - W/O DOOR & HARDWARE (F16)	
13	M02429-07-000	EA	PAN - SHOWER - OFF WHITE	
	103092-01-000	EA	HEAD - SHOWER - W/ 60" HOSE	
	103092-01-700	EA	BRACKET - SHOWER HEAD - CLEAR	
	103092-01-701	EA	BRACKET - SHOWER HEAD - BONE	
	066436-01-000	EA	NUT - SLIP - TAILPIECE - 1.5"	
	066440-01-000	EA	STRAINER - SHOWER - W/ RUBBER WASHER	
	011069-02-000	EA	TAILPIECE - TUB/ SHOWER - 1 1/2" X 1 1/4" X 4" - BRASS	
	075241-05-000	EA	FAUCET - SHOWER - BONE	
	075606-01-000	EA	PANEL- FAUCET BACK - SHOWER - 5" X 9" - PLASTIC	
	057671-01-000	EA	COVER - SCREW - #8 - PLASTIC - OFF WHITE	
	075453-02-000	EA	BAR - TOWEL - 18" BRASS	
	14	110140-04-EB1	EA	DOOR ASM - MITERED - 365 MM X 555 MM
	15	067487-01-000	EA	TOILET - 12.37" - IVORY - HAND FLUSH - THETFORD 150110
		063740-01-700	EA	LEVER - WATER - THETFORD 12514
		063740-01-701	EA	LEVER - FLUSH - THETFORD 12515
063740-01-706		EA	BOLT PACKAGE - CLOSET - THETFORD 12524	
063740-01-710		EA	LINK - THETFORD 12513	
063740-01-711		EA	SPRING - RETURN LEVER - THETFORD 12523	
063740-01-713		EA	SEAL - BALL VALVE TO BOWL - THETFORD 12502	
063740-01-714		EA	VALVE ASM - WATER - THETFORD 12492	
063740-01-716		EA	SEAT & COVER - THETFORD 15017	
063740-01-717		EA	TUBE - FLUSH - TOILET - THETFORD 12509	
075452-02-000		EA	HOLDER - TOILET TISSUE - BRASS	
100494-07-F15		EA	DOOR - BATH PRIVACY - W/O HARDWARE	
058335-02-000		EA	LATCH - BATH DOOR - PLASTIC - BROWN	
009151-01-000		EA	WARP GUARD - BATH DOOR - 48"	

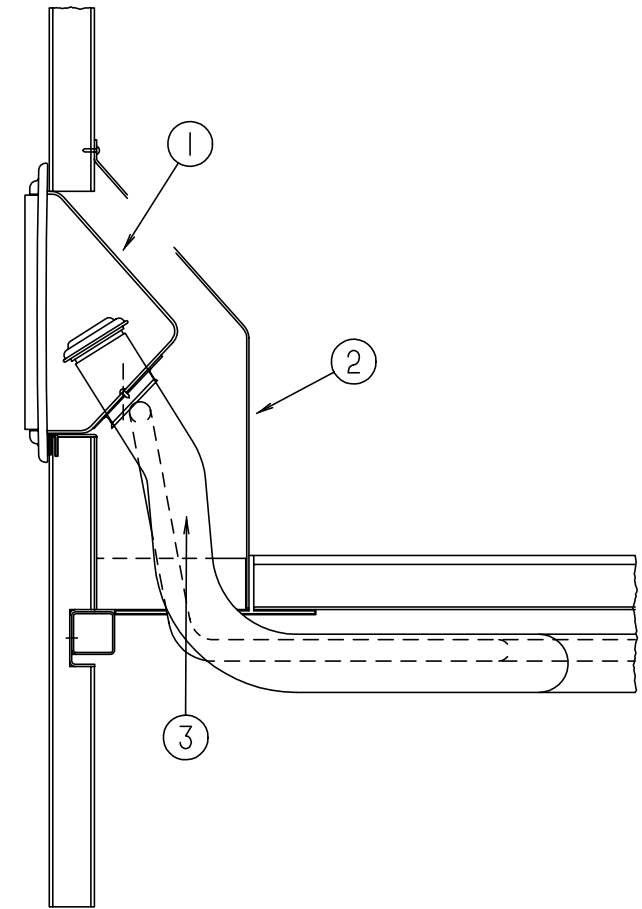
CHASSIS GROUP



COMPARTMENTS, PLUGS & SEALS

KEY	PART NUMBER	U/M	DESCRIPTION
1	096322-01-000	EA	WHEELWELL - PLASTIC
	061420-01-000	EA	PLUG - PLASTIC - 1.75" - BROWN
2	064089-01-700	EA	MUD FLAP - FRONT - SET OF 2 - RUBBER - BLACK
	105203-02-000	EA	COMPARTMENT - BATTERY
3	084993-01-000	EA	STRAP - BATTERY
	084993-02-000	EA	STRAP ASM - BATTERY
	017516-01-000	EA	MUD FLAP - 14" X 18" - BLACK - REAR
4	045731-05-000	EA	GUARD - ROCK - REAR
	077848-02-000	EA	STEP - PULLOUT
5	001360-01-004	EA	STEEL - ROD CR .375 DIA X 28.25 IN
	033865-01-073	EA	STEEL - 11GA HRP & O 2.00 X 027.4
	076241-14-000	EA	SUPPORT ASM - STEP
	091176-01-000	EA	SUPPORT - BASE - ENTRANCE STEP
	115361-01-01A	EA	PLUG - PLASTIC

CHASSIS GROUP (CONTINUED)

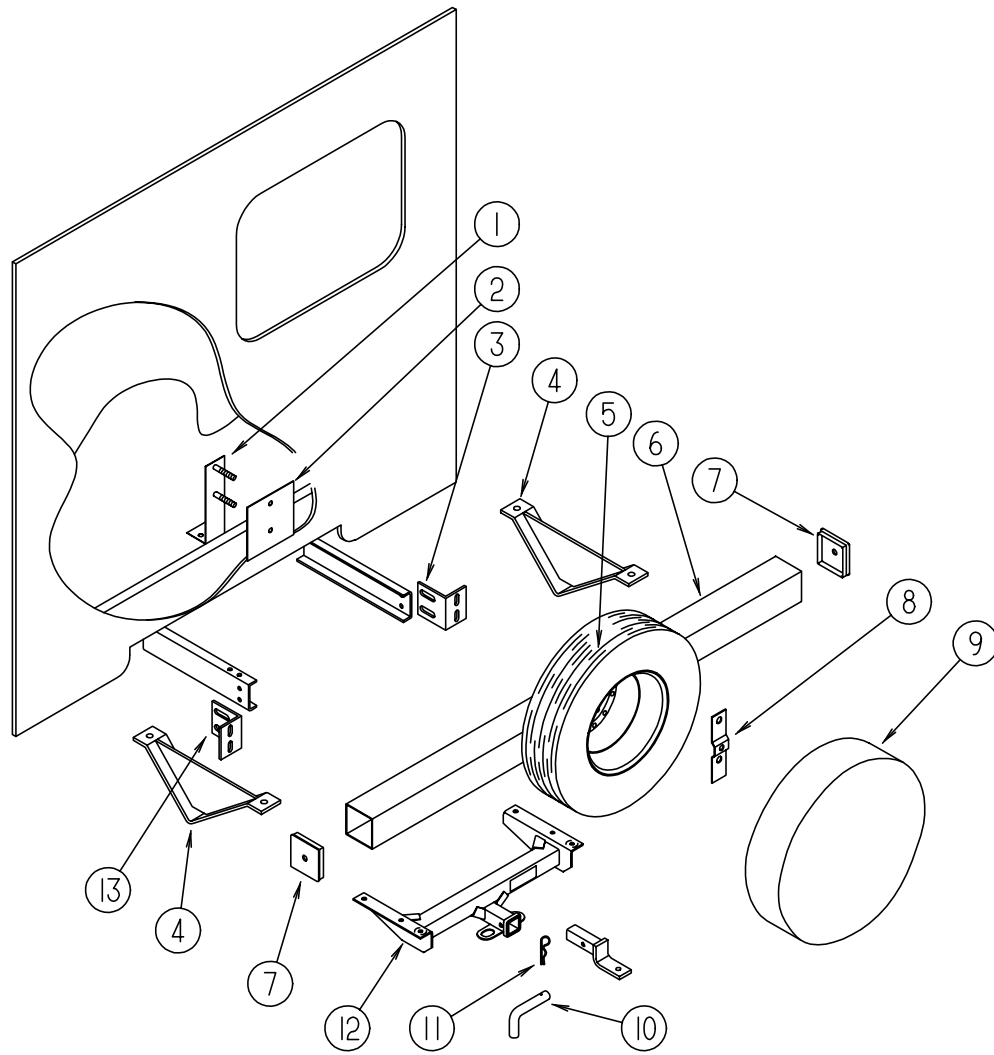


FUEL SYSTEM COMPONENTS

KEY	PART NUMBER	U/M	DESCRIPTION
1	095854-01-02A	EA	SHROUD - FUEL FILL - PLASTIC - OFF WHITE
	095854-01-04A	EA	SHROUD - FUEL FILL - PLASTIC - BRIGHT WHITE
2	078040-05-000	EA	SHROUD - FUEL FILL - UPPER - PLASTIC
	106413-01-000	EA	NECK - FUEL FILL - MAIN - GAS - FORD
3	106413-02-000	EA	NECK - FUEL FILL - MAIN - DIESEL - FORD
	078200-01-000	EA	GASKET - FUEL FILL - 3.5"OD X 2"ID
	007063-01-000	FT	HOSE - GAS 1/4" ID X 1/2" OD
	084884-01-000	EA	PLUG - BRASS - 3/8"
	087269-01-000	EA	TEE - 1/4" X 1/4" X 1/4" - BRASS

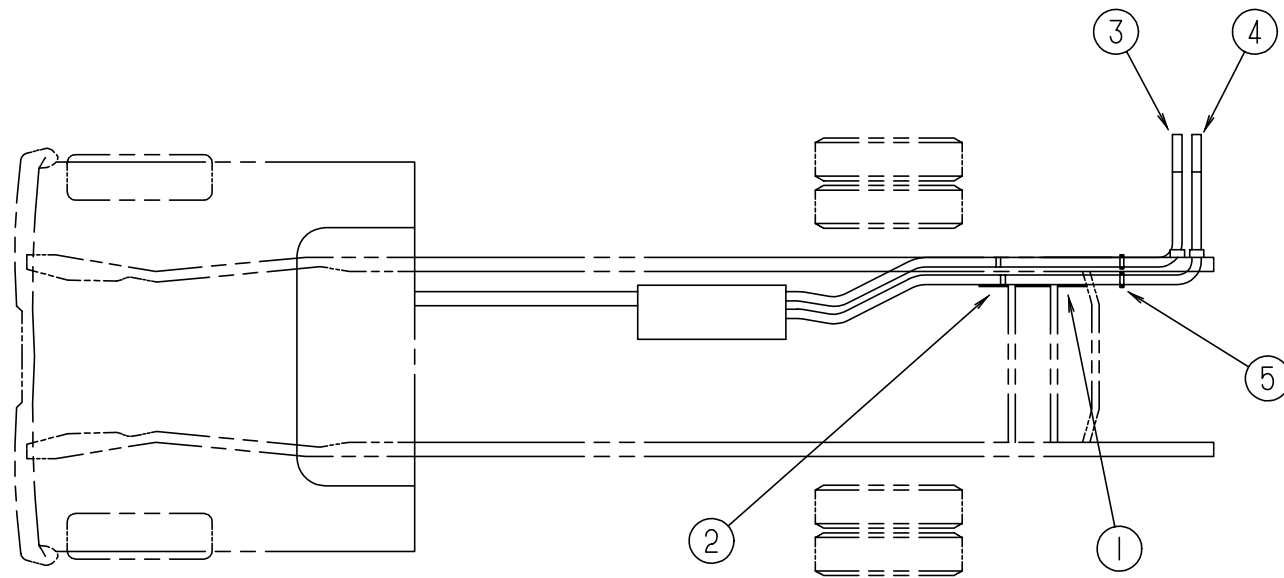
CHASSIS GROUP (CONTINUED)

REAR BUMPER, HITCH & SPARE TIRE CARRIER



KEY	PART NUMBER	U/M	DESCRIPTION
1	105209-04-C52	EA	BRACKET ASM - SPARE TIRE - CHEVEY
1	105209-06-C52	EA	BRACKET ASM - SPARE TIRE - FORD
2	105208-01-000	EA	PLATE - SPARE TIRE
3	104420-01-000	EA	SUPPORT - ANGLE - BUMPER REAR - RIGHT
4	083376-01-000	EA	PLATE - SKID - 13.2" X 6" X 2" - STEEL
5	083425-09-000	EA	TIRE - LT225/75R16 LRD - MICHELIN XCH4
5	083617-03-000	EA	WHEEL - STEEL - 16.0X6 - ACCURIDE 28618 (FORD)
	051377-03-000	EA	STEM - VALVE - TR 600 (CHEVY)
	095012-03-000	EA	EXTENSION - VALVE STEM - DUAL WHEEL
	080208-01-000	EA	WRENCH - LUG - 1.06 X 1.00 (CHEVY)
	080208-02-000	EA	BAR - LEVERAGE - LUG WRENCH (CHEVY)
	112358-01-000	EA	WRENCH - LUG - 7/8 - L-SHAPE (FORD)
6	103422-02-01A	EA	BUMPER - SQUARE - ALUMINUM - OFF WHITE
6	103422-02-01A	EA	BUMPER - SQUARE - ALUMINUM - BRIGHT WHITE
7	039779-01-000	EA	CAP - BUMPER - RUBBER - 4" X 4" - BLACK
8	105531-02-000	EA	RETAINER ASM - SPARE TIRE (FORD ONLY)
9	073322-07-DB1	EA	COVER - TIRE - 31"
10	034512-01-000	EA	PIN - LOCKING - DRAWBAR
11	034513-01-000	EA	PIN - HITCH - 3/16" WIRE
12	107707-08-000	EA	HITCH - TRAILER - W/O DRAWBAR
13	104420-02-000	EA	SUPPORT - ANGLE - BUMPER REAR - LEFT
	097744-01-000	EA	HOUSING - TRAILER PIN - 12"
	097744-02-000	EA	HOUSING - TRAILER PIN - 48"
	097745-01-000	EA	HOUSING - TRAILER RECEPTACLE - 12"
	113589-01-000	EA	CONNECTOR - PLUG - TRAILER - GENERAL 433501
	113589-02-000	EA	CONNECTOR - SOCKET - TRAILER - GENERAL 433601
	113634-01-000	EA	WIRE ASM - TRAILER - ADAPTER

CHASSIS GROUP (CONTINUED)



EXHAUST SYSTEM COMPONENTS

KEY	PART NUMBER	U/M	DESCRIPTION
1	111848-02-000	EA	SHIELD-HEAT - EXHAUST
2	111848-01-000	EA	SHIELD-HEAT - EXHAUST
3	111836-01-000	EA	PIPE-EXHAUST - TAIL - FORD - DUAL
4	111836-02-000	EA	PIPE-EXHAUST - TAIL - FORD - DUAL
5	007125-05-000	EA	CLAMP-MUFFLER - 2.00" DIAMETER - GAS

CHASSIS GROUP (CONTINUED)

WHEEL LINERS & COVERS

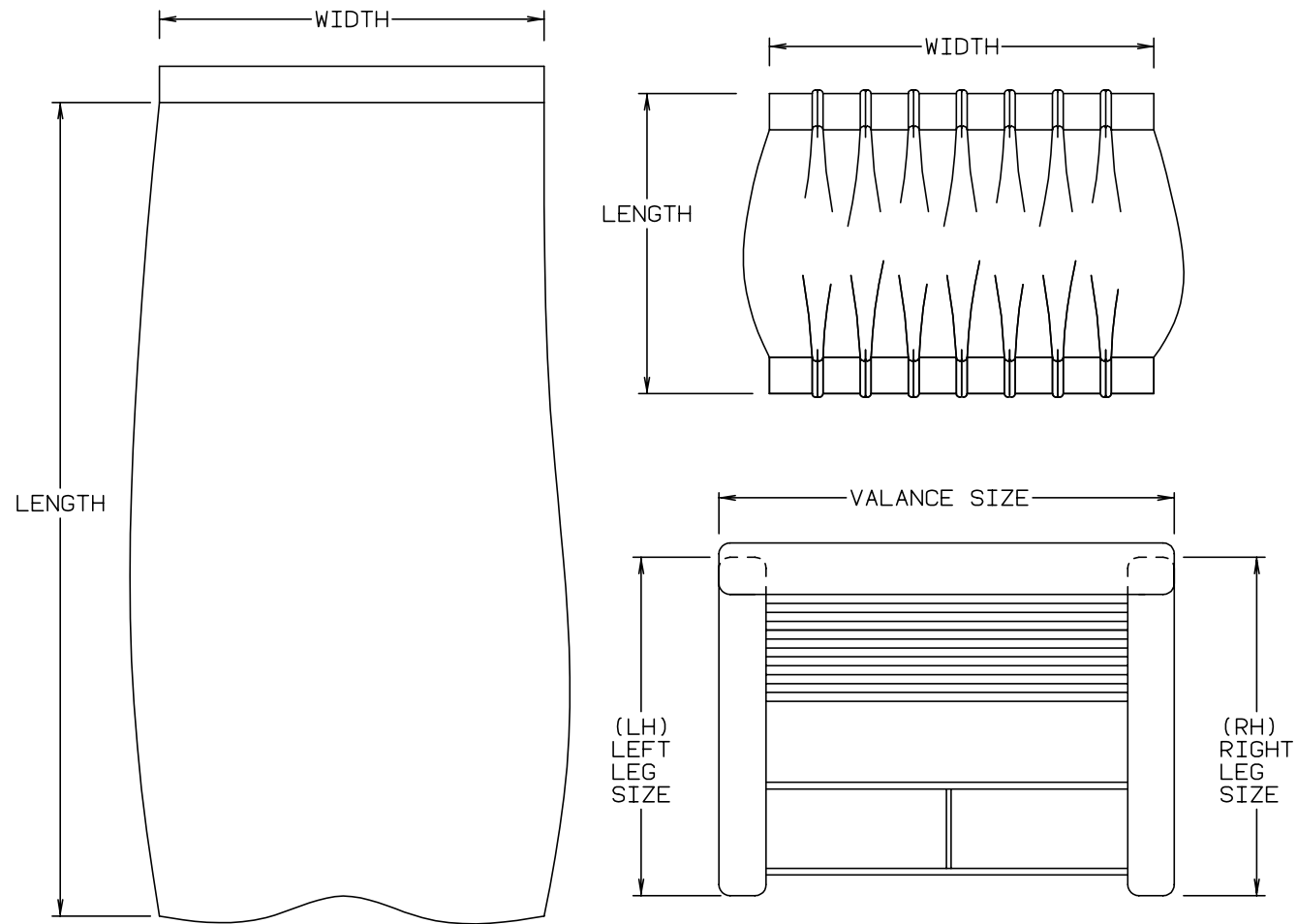
KEY	PART NUMBER	U/M	DESCRIPTION
	110435-02-000	EA	LINER-WHEEL - SET 4 - DICOR V160F2
	110435-02-700	EA	WHEEL COVER (FRONT) - V160F2-FWC
	110435-02-701	EA	WHEEL COVER (REAR) - V160F2-RWC
	110435-02-702	EA	STUD EXT. - V160SD - STX
	110435-02-703	EA	NUT (JAMB) - V160SD - JNT
	110435-02-704	EA	LUG NUT COVER - V160F0 - LNC
	110435-02-705	EA	TOOL FOR JAMB NUT - INSTALLATION - V160F0-TOL
	109443-05-000	EA	WHEEL COVER - 4/ SET -16" SS - DICOR SHFM16
	109443-05-700	EA	COVER WHEEL 16" - SHFM16 - CVR
	109443-05-701	EA	LUG NUT COVER - ABS (PLATED) - SP-FM-LNC

CURTAIN & CUSHION GROUP

NOTICE

IN ORDER TO ASSIST OUR PARTS SALES DEPT. IN PROVIDING INTERIOR SOFTWARE ITEMS, PLEASE INCLUDE THE SERIAL NUMBER AND THE COLOR CODE NUMBER FROM THE VEHICLE CERTIFICATION LABEL WHEN ORDERING. THIS LABEL IS LOCATED ON THE LEFT SIDEWALL AT THE END OF THE DASH (A-BODY), OR ON THE DRIVER'S DOOR LATCH PLATE (C-BODY).

AN EXAMPLE OF A COLOR CODE NUMBER IS B07, WHICH DESIGNATES AN OVERALL COLOR SCHEME OF A PARTICULAR UNIT. THE COLOR LISTED AFTER THE ITEM DESCRIPTION ON THE MICROFICHE, INDICATES THE OVERALL UNIT COLOR. ORDER THE ITEM YOU DESIRE ACCORDING TO UNIT COLOR CODE.



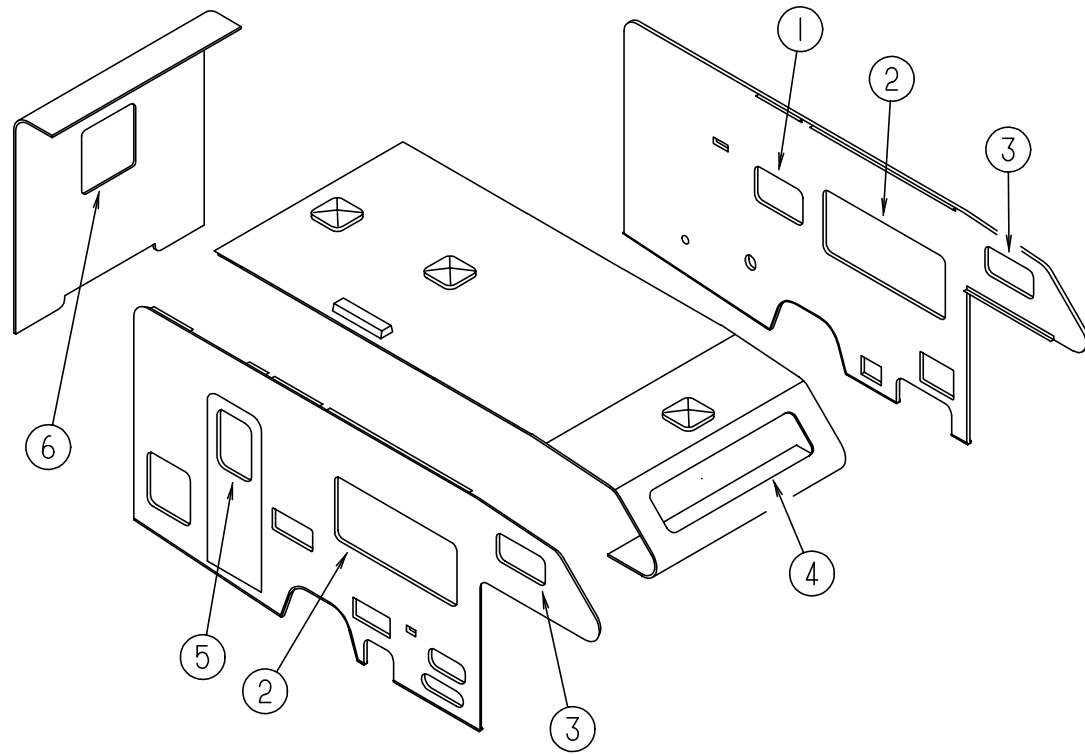
NOTE: USE THIS ILLUSTRATION WHEN DETERMINING LENGTH AND WIDTH MEASUREMENTS FOR CURTAINS. YOU WILL NOTE THE WIDTH MEASUREMENT IS TAKEN ON THE TOP OF THE CURTAIN WITH THE CURTAIN FULLY EXTENDED. THE LENGTH MEASUREMENT IS TAKEN FROM TOP TO BOTTOM. LEFT AND RIGHT WINDOW LEGS ARE DETERMINED WHEN FACING THE WINDOW.

CURTAIN & CUSHION GROUP (CONTINUED)

ASSIST HANDLE, BRAID TRIM, BUTTONS & SEATBELTS

KEY	PART NUMBER	U/M	DESCRIPTION
	079349-04-E27	YD	WELTING - FABRIC (F15)
	079349-04-F16	YD	WELTING - FABRIC
	057534-01-000	EA	TIEBACK/ TIEDOWN - BED/ CURTAIN/ DOOR - 6" - CLEAR PLASTIC
	053552-02-AA8	EA	HANDLE - ASSIST - INTERIOR - ENTRY DOOR - VINYL - OFF WHITE
	069178-02-000	EA	BRACKET - MOUNTING - ASSIST HANDLE - L ANGLE - W/HOLES - STEEL
	000C16-07-16B	EA	BOLT - CARRIAGE - ASSIST HANDLE - 7/16" - 14 X 1" ZN
	000D20-07-00B	EA	NUT - ACORN - ASSIST HANDLE - 7/16" X 14 ZN
	057759-01-000	EA	WASHER BRACKET - SEAT BELT - 4" DIAMETER
	007021-01-000	EA	BELT - SEAT - 2" X 90" - BLACK
	070578-11-B18	EA	BUTTON ASM - #30

CURTAIN & CUSHION GROUP (CONTINUED)



FABRICS

KEY	PART NUMBER	U/M DESCRIPTION
	087272-03-000	YD DRAPERY LINING - 54" IVORY ROCKLAND MILLS
	103907-01-01A	YD FABRIC - VINYL - 54" WIDE - OFF WHITE
	105745-64-000	YD FABRIC - BEDSPREAD - RADIANCE - SLATE (BLACKOUT CURTAIN) (F15)
	105745-62-000	YD FABRIC - BEDSPREAD - RADIANCE - LILAC (BLACKOUT CURTAIN) (F16)
	105745-85-000	YD FABRIC - BEDSPREAD - GALAXY - MAINLINE (BUNK WINDOW) (F15)
	105745-86-000	YD FABRIC - BEDSPREAD - GALAXY - MAINLINE (BUNK WINDOW) (F16)
	108446-B3-000	YD FABRIC - UPHOLSTERY - MAIN - TERRITORY - BLUE (F15)
	108446-B8-000	YD FABRIC - UPHOLSTERY - MAIN - TERRITORY - IVORY (F16)
	108446-B5-000	YD FABRIC - UPHOLSTERY - PATTERN ACCENT - BRINKLEY - GULF (FRT BUNK) (F15)
	108446-B6-000	YD FABRIC - UPHOLSTERY - PATTERN ACCENT - BRINKLEY - IVORY (FRT BUNK) (F16)
	108446-49-000	YD FABRIC - UPHOLSTERY - PLAIN ACCENT - ALBANY - TWILIGHT (F15)
	108446-B4-000	YD FABRIC - UPHOLSTERY - PLAIN ACCENT - ALBANY - SMOKE (F16)

CURTAINS & WINDOW TREATMENT

KEY	PART NUMBER	U/M DESCRIPTION
1	109353-07-01A	EA BLIND - SLATS - 31" - PURE SILVER
1	109353-04-000	EA CLIP - VALANCE - SLAT MOUNTING - CLEAR PLASTIC - PAIR
1	109041-20-01A	EA BLIND - MINI - 31" X 18" DROP - PURE SILVER
2	105923-24-F15	EA VALANCE ASM - 63.5" RODEWAY - W/ 1" INSERT
2	105923-24-F16	EA VALANCE ASM - 63.5" RODEWAY - W/ 1" INSERT
2	084755-76-F15	EA PULL SHADE - 62.25" (F16)
2	076892-19-F15	EA CURTAIN ASM - 31" X 15" - PLAIN HEM TOP & BOTTOM
2	076892-19-F16	EA CURTAIN ASM - 31" X 15" - PLAIN HEM TOP & BOTTOM
3	101034-45-F15	EA CURTAIN ASM - 20" X 34" - RIGHT - DARTED TAPE TOP - W/ LINING
3	101034-45-F16	EA CURTAIN ASM - 20" X 34" - RIGHT - DARTED TAPE TOP - W/ LINING
3	101034-46-F15	EA CURTAIN ASM - 20" X 34" - LEFT - DARTED TAPE TOP - W/ LINING
3	101034-46-F16	EA CURTAIN ASM - 20" X 34" - LEFT - DARTED TAPE TOP - W/ LINING
4	101034-33-F15	EA CURTAIN ASM - 21" X 60" - RIGHT - DART TAPE TOP & BOTTOM
4	101034-33-F16	EA CURTAIN ASM - 21" X 60" - RIGHT - DART TAPE TOP & BOTTOM
4	101034-34-F15	EA CURTAIN ASM - 21" X 60" - LEFT - DART TAPE TOP & BOTTOM
4	101034-34-F16	EA CURTAIN ASM - 21" X 60" - LEFT - DART TAPE TOP & BOTTOM
5	105923-28-F15	EA VALANCE ASM - 29" RODEWAY - W/ 1" INSERT
5	105923-28-F16	EA VALANCE ASM - 29" RODEWAY - W/ 1" INSERT
5	084755-57-E07	EA PULL SHADE - 27.25"
6	093475-85-07A	EA BLIND - MINI - 28" X 22.5" DROP - PURE SILVER
6	109353-08-01A	EA BLIND - SLATS - 28" - PURE SILVER

PRIVACY CURTAINS

KEY	PART NUMBER	U/M DESCRIPTION
	101668-39-F15	EA CURTAIN ASM - 35" X 50" - RIGHT - TAPE TOP - W/ LINING
	101668-39-F16	EA CURTAIN ASM - 35" X 50" - RIGHT - TAPE TOP - W/ LINING
	101668-40-F15	EA CURTAIN ASM - 35" X 50" - LEFT - TAPE TOP - W/ LINING
	101668-40-F16	EA CURTAIN ASM - 35" X 50" - LEFT - TAPE TOP - W/ LINING
	076892-20-F15	EA CURTAIN - BUNK PRIVACY - 50" X 78" - SNAP TOP - PLAIN - W/ LINING
	076892-20-F16	EA CURTAIN - BUNK PRIVACY - 50" X 78" - SNAP TOP - PLAIN - W/ LINING

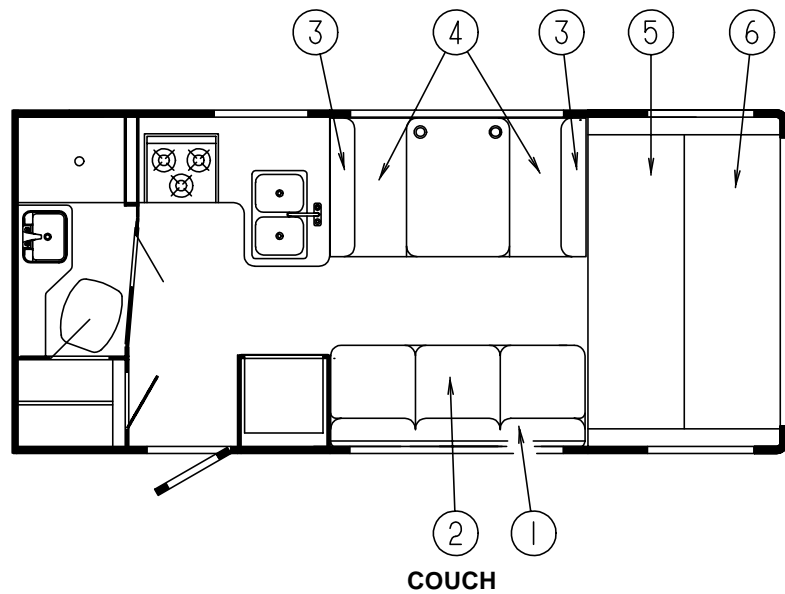
SHOWER CURTAINS

KEY	PART NUMBER	U/M DESCRIPTION
	084481-24-C24	EA CURTAIN - SHOWER - 72" X 42" (F15)
	084481-24-D05	EA CURTAIN - SHOWER - 72" X 42" (F16)

CURTAIN TIEBACKS

KEY	PART NUMBER	U/M DESCRIPTION
	073260-54-C30	EA TIEBACK - CURTAIN - SHOWER - 3" X 16" (F15)
	073260-54-D36	EA TIEBACK - CURTAIN - SHOWER - 3" X 16" (F16)
	073260-23-F15	EA TIEBACK - CURTAIN - DRAPERY - 3" X 18"
	073260-23-F16	EA TIEBACK - CURTAIN - DRAPERY - 3" X 18"
	057534-01-000	EA TIEBACK - CLEAR - 6"

CURTAIN & CUSHION GROUP (CONTINUED)



COUCH

KEY	PART NUMBER	U/M	DESCRIPTION
1	100032-42-F15	EA	BACKREST - JACK KNIFE - BACK - 74"
1	100032-42-F16	EA	BACKREST - JACK KNIFE - BACK - 74"
1	P00032-42-F15	EA	COVER - BACKREST - 74"
1	P00032-42-F16	EA	COVER - BACKREST - 74"
1	101085-10-000	EA	FRAME - BACK - COUCH - 74.5" X 16"
2	100032-43-F15	EA	BED - JACK KNIFE - SEAT - W/O ARMS - 74"
2	100032-43-F16	EA	BED - JACK KNIFE - SEAT - W/O ARMS - 74"
2	P00032-43-F15	EA	COVER - SEAT - COUCH - 74"
2	P00032-43-F16	EA	COVER - SEAT - COUCH - 74"
2	101085-04-000	EA	FRAME - SEAT - COUCH - 74.75"
2	101085-06-000	EA	FRAME - BASE - COUCH - 74.75"

NOTE: ADDITIONAL ITEMS FOUND IN LOUNGE GROUP

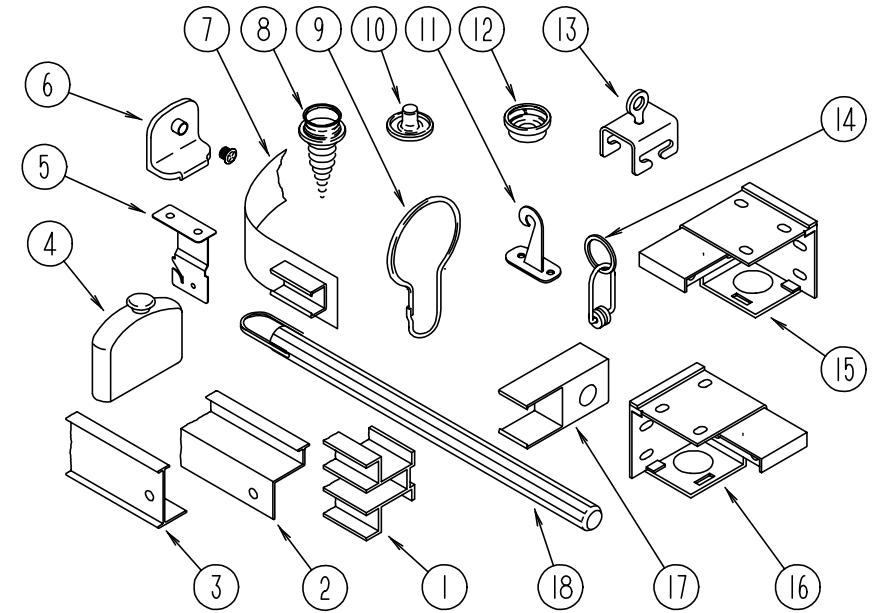
DINETTE CUSHIONS

KEY	PART NUMBER	U/M	DESCRIPTION
3	116134-01-FB1	EA	CUSHION - BACKREST - 13.5" X 38" X 5" (F15)
3	116134-01-FC1	EA	CUSHION - BACKREST - 13.5" X 38" X 5" (F16)
	P16134-01-FB1	EA	COVER - CUSHION - BACKREST - 13.5" X 38" X 5" (F15)
	P16134-01-FC1	EA	COVER - CUSHION - BACKREST - 13.5" X 38" X 5" (F16)
	078155-01-000	EA	STRAP - SNAP - BACKREST CUSHION
4	088927-87-F15	EA	CUSHION - SEATBASE - 23" X 38" X 5"
4	088927-87-F16	EA	CUSHION - SEATBASE - 23" X 38" X 5"
	M88927-87-F15	EA	COVER - CUSHION - SEATBASE - 23" X 38" X 5"
	M88927-87-F16	EA	COVER - CUSHION - SEATBASE - 23" X 38" X 5"

FRONT BUNK CUSHIONS

KEY	PART NUMBER	U/M	DESCRIPTION
5	105573-10-F15	EA	CUSHION - OVERHEAD BUNK - REAR - 27" X 23" X 80" X 5"
5	105573-10-F16	EA	CUSHION - OVERHEAD BUNK - REAR - 27" X 23" X 80" X 5"
5	P05573-10-F15	EA	COVER - CUSHION - OVERHEAD BUNK - REAR - 27" X 23" X 80" X 5"
5	P05573-10-F16	EA	COVER - CUSHION - OVERHEAD BUNK - REAR - 27" X 23" X 80" X 5"
6	105573-09-F15	EA	CUSHION - OVERHEAD BUNK - FRONT - 32.5" X 80" X 5"
6	105573-09-F16	EA	CUSHION - OVERHEAD BUNK - FRONT - 32.5" X 80" X 5"
6	P05573-09-F15	EA	COVER - CUSHION - OVERHEAD BUNK - FRONT - 32.5" X 80" X 5"
6	P05573-09-F16	EA	COVER - CUSHION - OVERHEAD BUNK - FRONT - 32.5" X 80" X 5"

CURTAIN & CUSHION GROUP (CONTINUED)

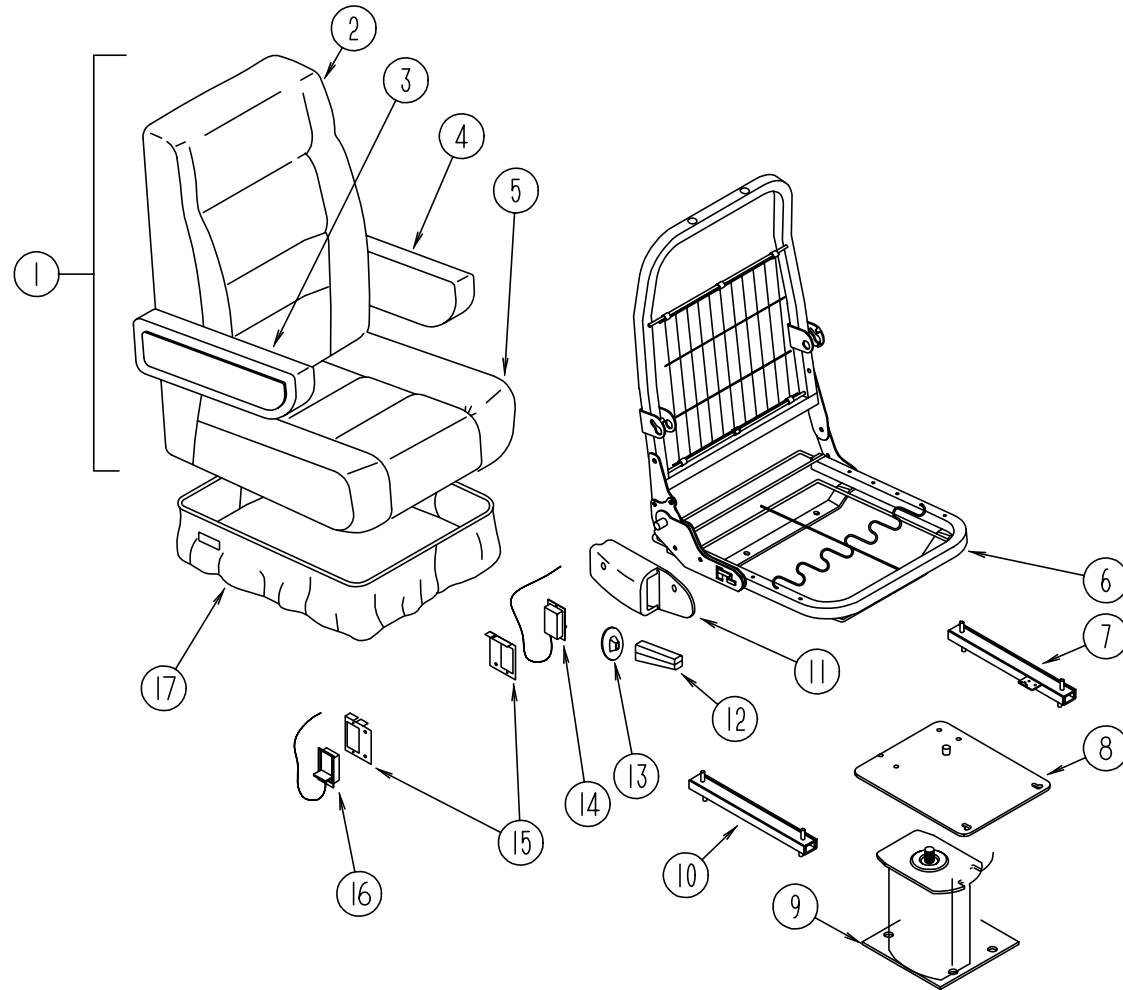


CURTAIN & BLIND HARDWARE

KEY	PART NUMBER	U/M	DESCRIPTION
1	101033-03-000	FT	TRACK-WALL, WHITE - CT225 - SHAPCO
2	105450-06-01A	EA	TRACK-CURTAIN, 88" LONG - ALUMINUM - OFF WHITE
2	105450-03-01A	EA	TRACK-CURTAIN, 50" LONG - ALUMINUM - OFF WHITE
2	105450-08-01A	EA	TRACK-CURTAIN, 38" LONG - ALUMINUM - OFF WHITE
3	009700-04-007	EA	TRACK-L-SHAPED, 125" - OFF WHITE
	092464-02-01A	EA	TRACK-SHOWER, CURVED - OFF WHITE
4	093475-01-701	EA	END CAP-BLIND, W/ STUD
5	084434-01-000	EA	BRACKET-MOUNTING, ROLLER SHADE - 1 3/8"
6	106544-01-000	EA	PULL-SHADE, BRASS
	106544-01-001	EA	SCREW-SHADE, BRASS
	084433-05-000	EA	SHADE-ROLLER, 72.25"
	096843-01-000	EA	SPRING-REWIND, ROLLER SHADE
7	101031-01-000	YD	TAPE-GLIDE, CURTAIN - 4.25" SPACING
8	029130-01-000	EA	SCREW-SNAP SOCKET, 8 PH X 5/8"
9	009136-02-000	EA	HANGER-RING, PIN TYPE - CURTAIN - BRASS
10	029155-01-000	EA	CAP-SNAP, NICKEL
11	109441-01-000	EA	HOLD DOWN-BLIND, HOOK
12	029156-01-000	EA	SOCKET-SNAP FASTENER, NICKEL
13	009702-01-000	EA	END STOP-CURTAIN CARRIER, L ROD
14	009701-01-000	EA	CARRIER-CURTAIN, L ROD
15	083170-01-000	EA	BRACKET-BLIND, RIGHT SIDE
16	101033-02-000	EA	END CAP-TRACK, CLEAR
17	083170-02-000	EA	BRACKET-BLIND, LEFT SIDE
18	093475-01-700	EA	WAND-BLIND, W/METAL CLIP - 8" LONG
	046867-01-000	EA	GROMMET-BRASS, 7/16" ID X 1" OD
	048394-02-000	YD	VELCRO TAPE-HOOK, ADHESIVE BACK - .75" WIDE - BEIGE
	088792-01-000	YD	VELCRO-HOOK, .75" WIDE - BEIGE
	088792-02-000	YD	VELCRO TAPE-LOOP, ADHESIVE BACKED - .75" WIDE - BEIGE
	056003-04-000	EA	BRACKET-DRAPERY, RETAINER RIGHT - 1.5" EXTENSION
	056003-05-000	EA	BRACKET-DRAPERY, RETAINER LEFT - 1.5" EXTENSION
	076827-02-000	EA	BRACKET-CURTAIN, 2.9" X 1.8" TRIANGLE
	086276-01-000	EA	TAPE-DOUBLE SIDED, 1/2"

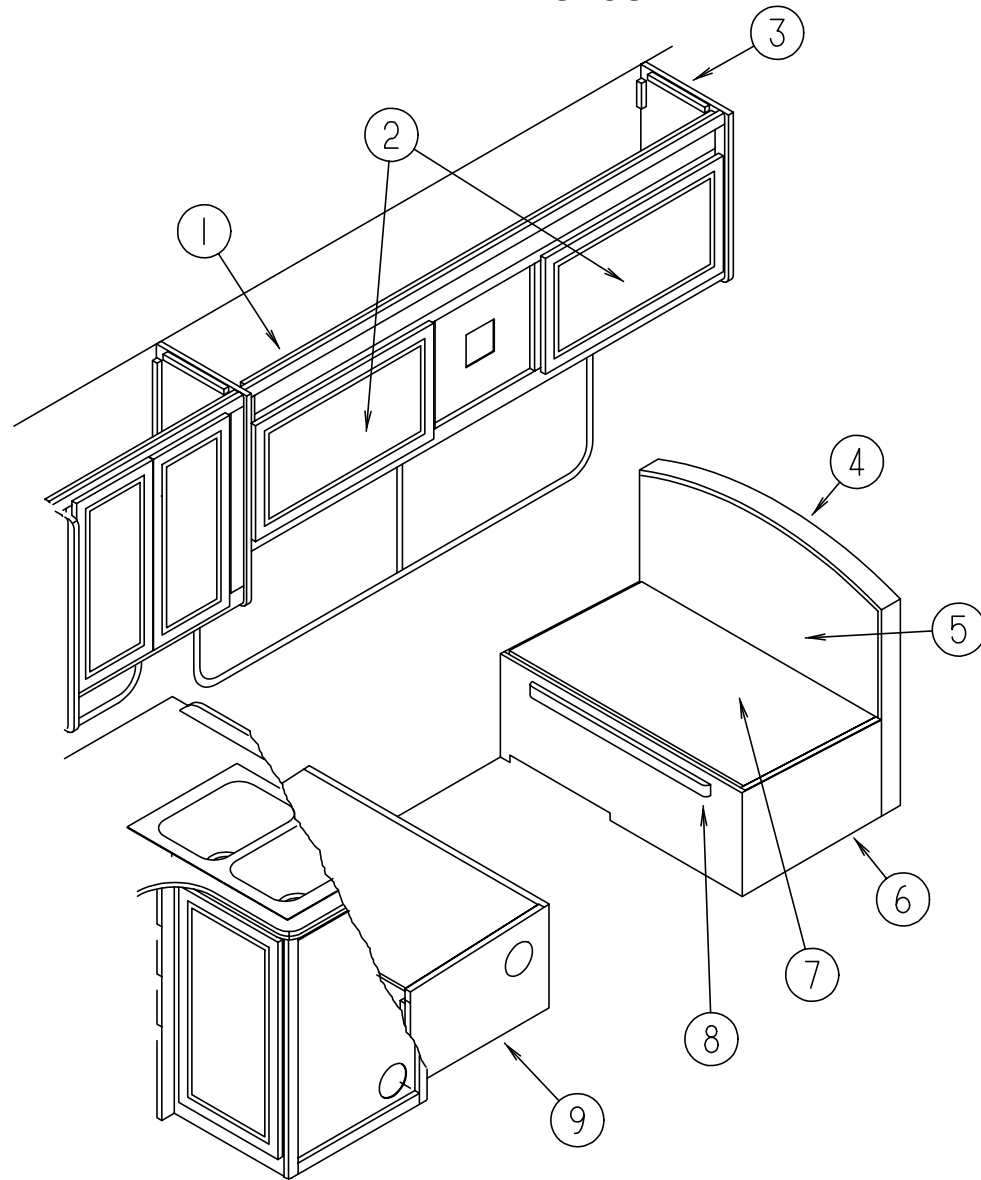
CURTAIN & CUSHION GROUP (CONTINUED)

BUCKET SEAT



KEY	PART NUMBER	U/M DESCRIPTION
1	110148-05-F15	EA SEAT - ECONOMIZER II - W/ ARMREST (CHEVY PASSENGER SIDE)
1	110148-05-F16	EA SEAT - ECONOMIZER II - W/ ARMREST (CHEVY PASSENGER SIDE)
1	110148-06-F15	EA SEAT - ECONOMIZER II - W/ ARMREST (CHEVY DRIVER SIDE)
1	110148-06-F16	EA SEAT - ECONOMIZER II - W/ ARMREST (CHEVY DRIVER SIDE)
1	110148-04-F15	EA SEAT - ECONOMIZER II - W/ ARMRESTS (FORD PASSENGER OR DRIVERSIDE)
1	110148-04-F16	EA SEAT - ECONOMIZER II - W/ ARMRESTS (FORD PASSENGER OR DRIVERSIDE)
2	M05962-17-F15	EA COVER ASM. - BACK - ECONOMIZER II
2	M05962-17-F16	EA COVER ASM. - BACK - ECONOMIZER II
3	115520-01-FB1	EA ARMREST ASM. - RIGHT HAND (F15)
3	115520-01-FC1	EA ARMREST ASM. - RIGHT HAND (F16)
3	P15520-01-FB1	EA COVER ASM. - ARMREST - RIGHT HAND (F15)
3	P15520-01-FC1	EA COVER ASM. - ARMREST - RIGHT HAND (F16)
4	115520-02-FB1	EA ARMREST ASM. - LEFT HAND (F15)
4	115520-02-FC1	EA ARMREST ASM. - LEFT HAND (F16)
4	P15520-02-FB1	EA COVER ASM. - ARMREST - LEFT HAND (F15)
4	P15520-02-FC1	EA COVER ASM. - ARMREST - LEFT HAND (F16)
5	M05962-18-F15	EA COVER ASM. - SEAT - ECONOMIZER II
5	M05962-18-F16	EA COVER ASM. - SEAT - ECONOMIZER II
6	M80906-11-000	EA FRAME - SEAT - BACK & SPRING
7	069246-05-000	EA ADJUSTER SIDE - W/ LOCK - FORWARD & BACK
	069246-05-700	EA SPRING - ADJUSTER - FOR REMOTE
	069246-05-701	EA CLIP - CABLE - FOR REMOTE
8	107921-08-000	EA TOP PLATE - PEDESTAL
9	107921-09-000	EA FLOOR MOUNTED PEDESTAL - RIGHT OR LEFT SIDE (FORD)
9	107921-10-000	EA FLOOR MOUNTED PEDESTAL - LEFT SIDE (CHEVY)
9	107921-11-000	EA FLOOR MOUNTED PEDESTAL - RIGHT SIDE (CHEVY)
	107921-06-000	EA BEARING KIT - PEDESTAL
10	069246-02-000	EA ADJUSTER SIDE - W/ O LOCK - FORWARD & BACK
	114889-01-000	EA STOP BAR - UNIVERSAL (ADJUSTER SIDE)
11	080730-09-000	EA SHIELD - RECLINER HANDLE
	080730-10-000	EA SCREW - RECLINER HANDLE SHIELD
12	080730-08-000	EA HANDLE - RECLINER - BLACK
13	080730-11-000	EA SHIELD - RUBBER BOOT
14	089368-04-000	EA REMOTE & CABLE - SWIVEL/ SLIDE
15	097683-03-000	EA BRACKET - REMOTE - SIDE MOUNT - SINGLE
16	108049-01-000	EA REMOTE & CABLE - 28" - FLEXSTEEL PEDESTAL
	108049-02-000	EA CABLE CLIP
17	071126-42-F15	EA SKIRT ASM - SINGLE - 7" - W/ SLIT
17	071126-42-F16	EA SKIRT ASM - SINGLE - 7" - W/ SLIT
12	029156-01-000	EA SOCKET - SNAP FASTENER - NICKEL
13	009702-01-000	EA END STOP - CURTAIN CARRIER - L ROD
14	009701-01-000	EA CARRIER - CURTAIN - L ROD
15	083170-01-000	EA BRACKET - BLIND - RIGHT SIDE
16	083170-02-000	EA BRACKET - BLIND - LEFT SIDE
17	101033-02-000	EA END CAP - TRACK - CLEAR
18	093475-01-700	EA WAND - BLIND - W/METAL CLIP - 8" LONG
	046867-01-000	EA GROMMET - BRASS - 7/16" ID X 1" OD
	048394-02-000	YD VELCRO TAPE - HOOK - ADHESIVE BACK - .75" WIDE - BEIGE
	088792-01-000	YD VELCRO - HOOK - .75" WIDE - BEIGE
	088792-02-000	YD VELCRO TAPE - LOOP - ADHESIVE BACKED - .75" WIDE - BEIGE
	056003-04-000	EA BRACKET - DRAPERY - RETAINER RIGHT - 1.5" EXTENSION
	056003-05-000	EA BRACKET - DRAPERY - RETAINER LEFT - 1.5" EXTENSION
	076827-02-000	EA BRACKET - LEG - 2.9" X 1.8" TRIANGLE
	086276-01-000	EA TAPE - DOUBLE SIDED - 1/2"

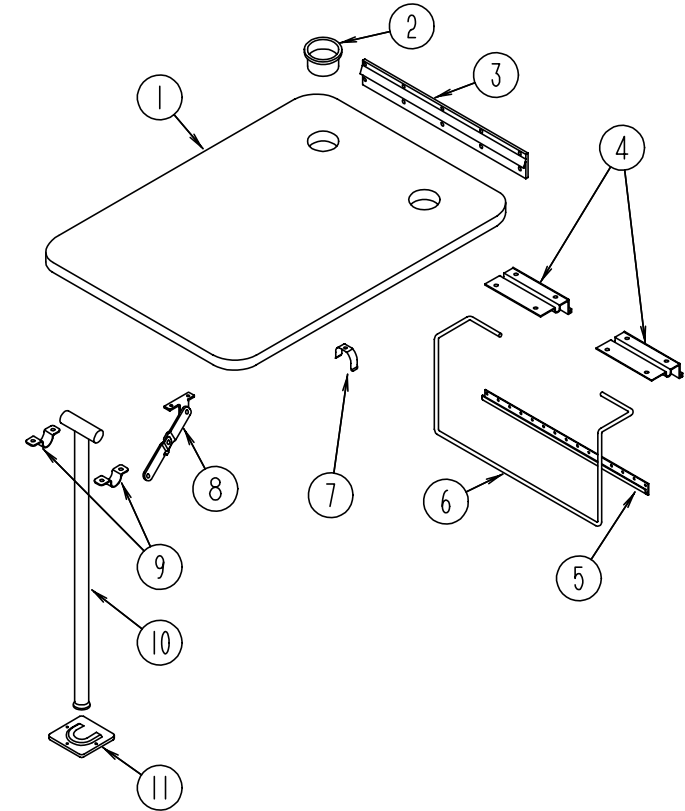
DINETTE GROUP



DINETTE CABINETS

KEY	PART NUMBER	U/M	DESCRIPTION
1	114604-01-F15	EA	CABINET ASM-OVERHEAD DINETTE
	114604-12-F15	EA	SHELF ASM
2	110140-65-F15	EA	DOOR ASM - MITERED - W/O HARDWARE
3	109908 25 F15	EA	END CAP ASM
4	111338-09-F15	EA	PAD ASM - DINETTE
4	111338-09-F16	EA	PAD ASM - DINETTE
5	M06836-08-F15	EA	CABINET ASM - SEATBACK - RIGHT
6	M06837-08-F15	EA	CABINET ASM - SEATBASE - RIGHT
7	081518-13-EB1	EA	SEAT - DINETTE
8	081295-01-AA8	EA	SUPPORT - BED - DINETTE
9	M06885-19-F15	EA	CABINET ASM - SEATBASE - LEFT

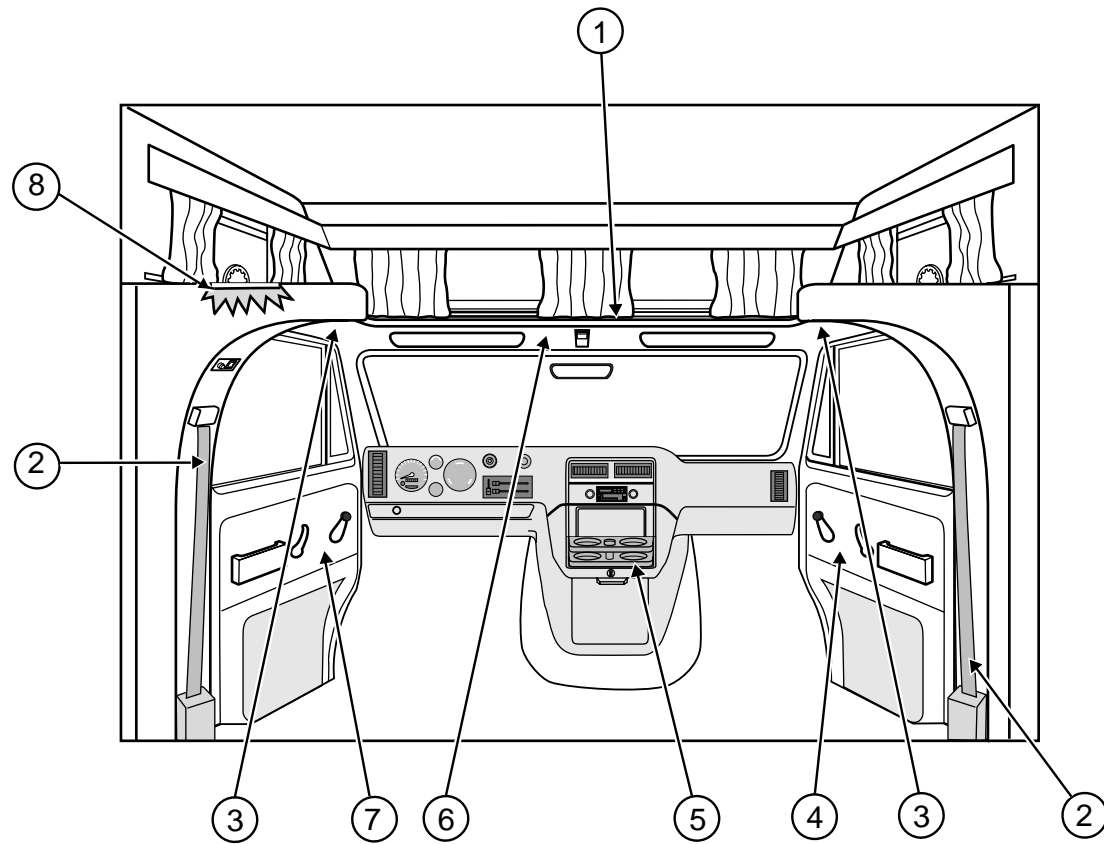
DINETTE GROUP (CONTINUED)



DINETTE TABLE & HARDWARE

KEY	PART NUMBER	U/M	DESCRIPTION
1	M81299-13-F15	EA	TABLE - DINETTE - W/O HARDWARE
2	064781-06-000	EA	HOLDER - CUP - TWO STEP - OFF WHITE
3	053200-12-000	EA	BRACKET - TABLE SUPPORT - UPPER WALL MOUNTED - 23.5" - OFF WHITE
4	088410-02-000	EA	BRACKET - LIFT - TABLE MOUNTED - OFF WHITE
5	024281-14-000	EA	BRACKET - LIFT ROD - LOWER WALL MOUNTED - 22.12" - OFF WHITE
6	024275-12-000	EA	ROD - TABLE LIFT - OFF WHITE
7	024283-01-000	EA	CLIP - LEG - 1" - 1.125" OD - BLACK
8	024282-01-000	EA	BRACE - TABLE LEG - HINGED
9	064050-05-000	EA	HINGE - TABLE LEG - OFF WHITE
10	024276-23-000	EA	LEG - TABLE - OFF WHITE
11	049493-11-700	EA	CATCH - LEG - FLOOR MOUNTED - 2.5" X 2.7" - METAL - E-COAT
	049493-12-000	EA	CATCH - TABLE LEG - OFF WHITE

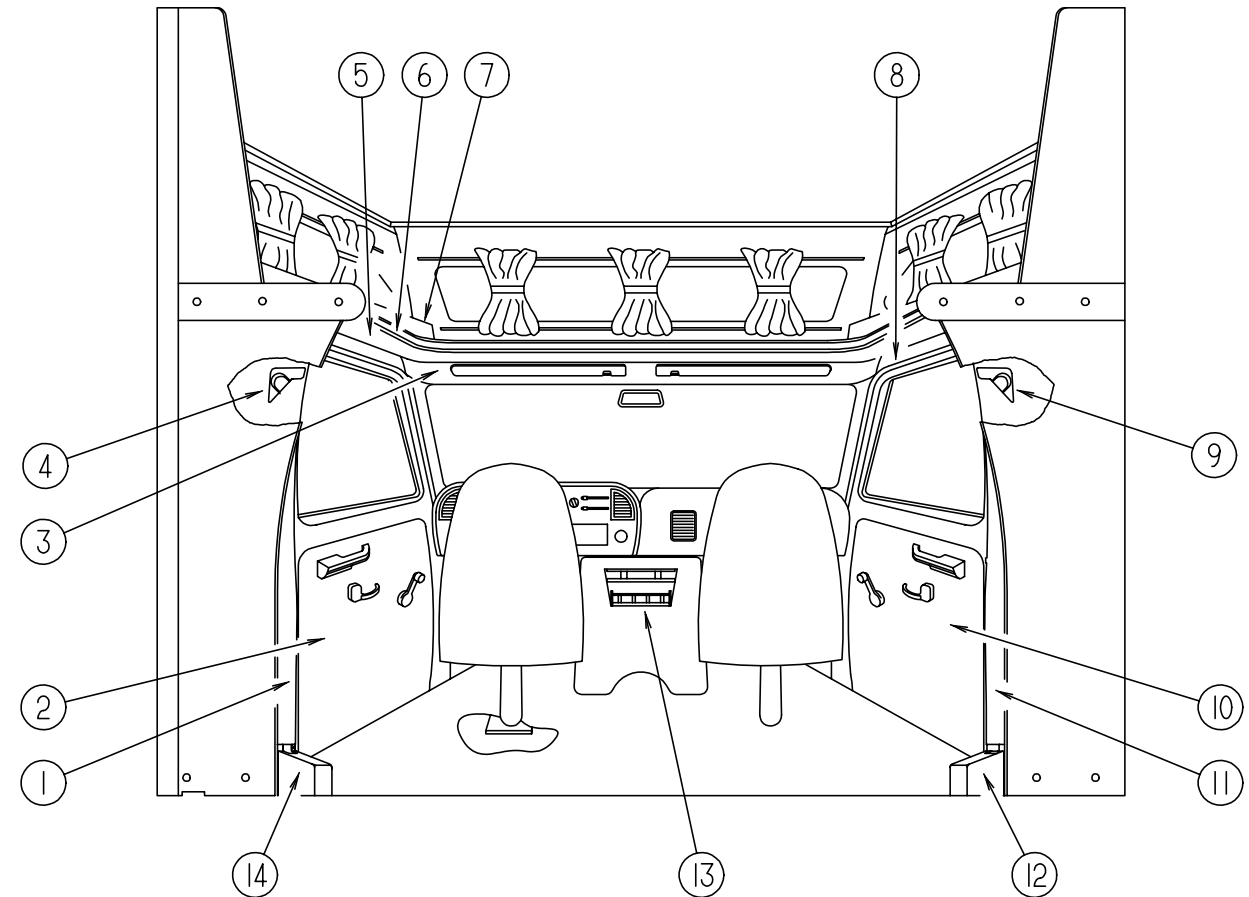
DRIVERS COMPARTMENT GROUP



CHEVY DRIVERS COMPARTMENT

KEY	PART NUMBER	U/M	DESCRIPTION
1	079800-07-000	EA	TRIM - SLEEPERBOARD - INNER - METAL - OFF WHITE
1	080742-03-000	FT	TRIM INSERT - VINYL - SLEEPER BOARD - OFF WHITE
2	076302-03-000	EA	BELT-SEAT - DRIVER AND PASSENGER
	087932-03-000	EA	BRACKET ASM - SHOULDER HARNESS - ANGLE W/ WELD NUT & GUSSET - LEFT
	087932-04-000	EA	BRACKET ASM - SHOULDER HARNESS - ANGLE W/ WELD NUT & GUSSET - RIGHT
3	091825-02-AA5	EA	HEADLINER - VINYL COVERED - SIDE - 2 USED - OFF WHITE
4	059491-01-F15	EA	PANEL-SIDE - DOOR - RIGHT
4	059491-01-F16	EA	PANEL-SIDE - DOOR - RIGHT
5	112185-02-E93	EA	TRAY - BEVERAGE
6	091829-01-B05	EA	HEADLINER - VINYL COVERED - FRONT - OFF WHITE
7	059492-01-F15	EA	PANEL - SIDE - DOOR - LEFT
7	059492-01-F16	EA	PANEL - SIDE - DOOR - LEFT
8	109894-02-F15	EA	CABINET -HAMPER - FRONT

DRIVERS COMPARTMENT GROUP (CONTINUED)



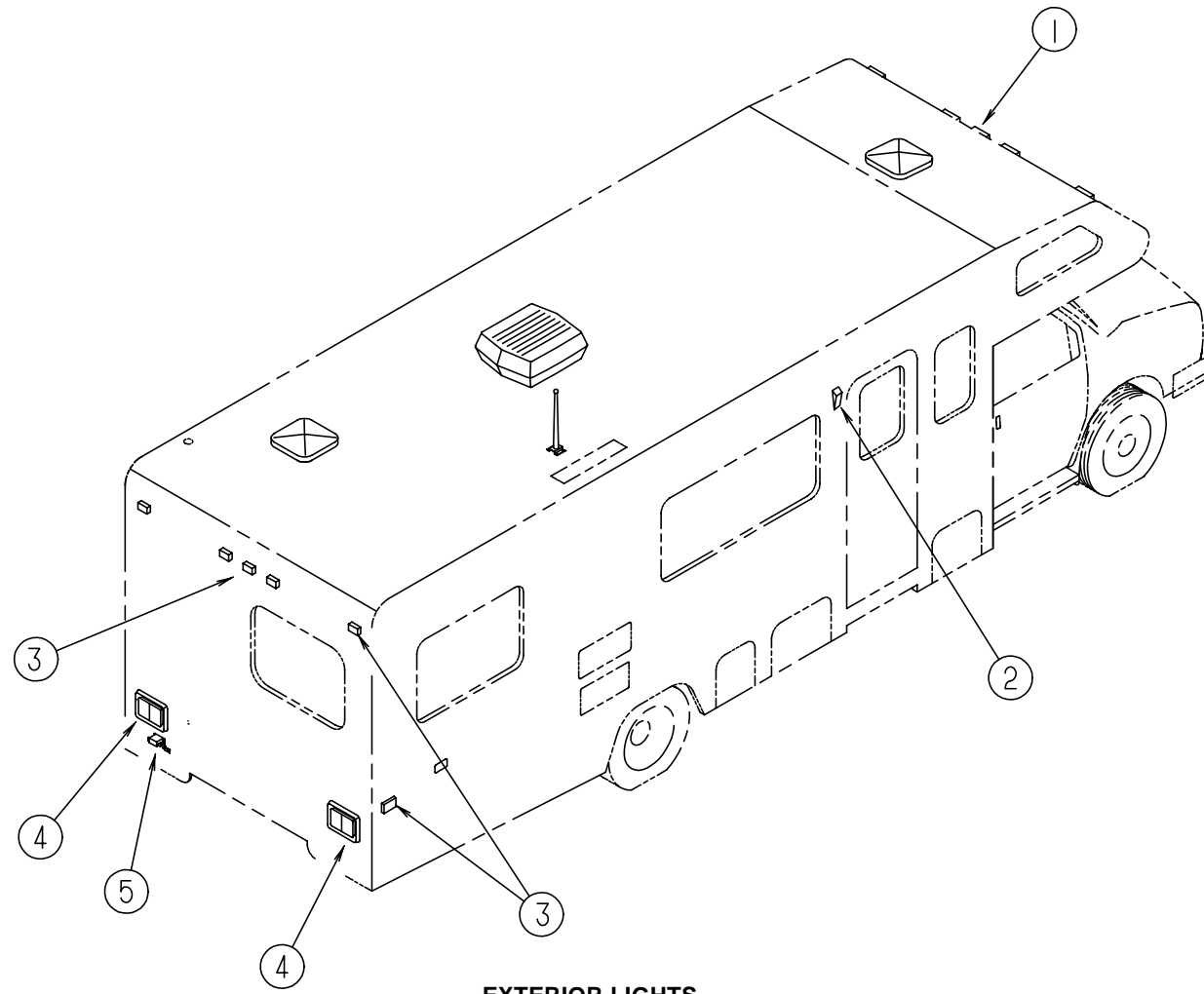
FORD DRIVERS COMPARTMENT

KEY	PART NUMBER	U/M	DESCRIPTION
1	106446-02-C03	EA	TRIM ASM - CAB - B-PILLAR - DRIVER SIDE
2	106432-02-F15	EA	PANEL ASM - DOOR - INNER - DRIVER SIDE
2	106432-02-F16	EA	PANEL ASM - DOOR - INNER - DRIVER SIDE
3	106448-01-C03	EA	HEADLINER-VINYL COVERED - FRONT - OFF WHITE
	106445-02-C03	EA	TRIM ASM-WINGWALL WRAP - LEFT - BETWEEN CAB STEEL & B PILLAR TRIM
4	115038-02-01A	EA	COVER - SEATBELT - UPPER - DRIVER SIDE
5	106447-02-C03	EA	TRIM ASM-CAB DOOR - UPPER - LEFT
6	079800-07-000	EA	TRIM-SLEEPERBOARD - INNER - OFF WHITE
	080742-03-000	FT	TRIM-VINYL - SLEEPER BOARD - OFF WHITE
7	109894-01-F15	EA	CABINET ASM-HAMPER - FRONT
8	106447-01-C03	EA	TRIM ASM-CAB DOOR - UPPER - RIGHT
	106445-01-C03	EA	TRIM ASM-WINGWALL WRAP - RIGHT - BETWEEN CAB STEEL & B PILLAR TRIM
9	115038-01-01A	EA	COVER - SEATBELT - UPPER - PASSENGER SIDE
10	106432-01-F15	EA	PANEL ASM-DOOR - INNER - PASSENGER SIDE
10	106432-01-F16	EA	PANEL ASM-DOOR - INNER - PASSENGER SIDE
11	106446-01-C03	EA	TRIM ASM-CAB - B-PILLAR - PASSENGER SIDE
12	106431-01-01A	EA	COVER-SEATBELT RECOIL - RIGHT - OFF WHITE
13	112185-02-E93	EA	TRAY ASM-BEVERAGE
14	106431-02-01A	EA	COVER-SEATBELT RECOIL - LEFT - OFF WHITE
	076302-03-000	EA	SEAT BELT, DRIVER AND PASSENGER SIDE
	087932-03-000	EA	BRACKET ASM-SHOULDER HARNESS
	087932-04-000	EA	BRACKET-SHOULDER HARNESS
	091825-02-AA5	EA	HEADLINER-DRIVER & PASSENGER SIDE - 4" X 23.5" - VINYL
	091829-01-B05	EA	HEADLINER-FRONT - VINYL COVERED - OFF WHITE
	109894-01-E01	EA	CABINET ASM-HAMPER - FRONT

INSTRUMENT CLUSTER

KEY	PART NUMBER	U/M	DESCRIPTION
	094795-06-000	EA	CLUSTER-INSTRUMENT PANEL - KILOMETER - FORD 94 E350
	100138-01-000	EA	MODULE-DAYTIME RUNNING LIGHT

ELECTRICAL GROUP



EXTERIOR LIGHTS

KEY	PART NUMBER	U/M	DESCRIPTION
1	111102-01-000	EA	LAMP - MARKER - BASE - TRIPLEX 117XAS
1	111102-02-000	EA	LAMP - MARKER -LENS -AMBER - TRIPLEX 118A
	036196-01-000	EA	BULB - 12V - #194 - .27AMP - BAYONETTE
2	097917-01-01A	EA	LIGHT - PORCH - ENTRY DOOR - OFF WHITE
2	097917-01-06A	EA	LIGHT - PORCH - ENTRY DOOR - BRIGHT WHITE
2	097917-01-700	EA	LENS - LIGHT - PORCH
2	008215-01-000	EA	BULB - 12V - #1003 - .94AMP
3	111102-01-000	EA	LAMP - MARKER -BASE - TRIPLEX 117XAS
3	111102-03-000	EA	LENS - MARKER LAMP - RED - TRIPLEX 117R
	036196-01-000	EA	BULB - 12V, #194 - .27AMP - BAYONETTE
4	081638-01-000	EA	TAILLIGHT - DOUBLE - W/BLACK TRIM - DRIVER & PASSENGER SIDE
	037934-01-000	EA	BULB# 1156 (BACK UP & TURN SIGNAL)
	037935-01-000	EA	BULB# 2057 OR #1157 (BRAKE LIGHT)
4	081638-01-700	EA	LENS - TAILLIGHT - RED - BARGMAN 30-84-010
4	081638-01-701	EA	LENS - TAILLIGHT - W/BACKUP - BARGMAN 30-84-700
	103355-01-01A	EA	POD - TAILLIGHT OFF WHITE - WINN
	103355-01-05A	EA	POD - TAILLIGHT BRIGHT WHITE - WINN
5	066432-02-000	EA	LIGHT - LICENSE BLACK
	066432-03-000	EA	BRACKET - LICENSE PLATE - BARGMAN 30-60-030

ELECTRICAL GROUP (CONTINUED)

INTERIOR LIGHTS

KEY	PART NUMBER	U/M	DESCRIPTION
	098024-01-01A	EA	LIGHT-DOME - 1 BULB - US - IVORY
	008218-01-000	EA	BULB-DOME LIGHT - 12V - NUMBER 1141
	098024-01-700	EA	LENS-DOME LIGHT
	098024-03-01A	EA	LIGHT-DOME - 2 BULB - IVORY
	086280-01-000	EA	LIGHT-SURFACE MOUNT - 12V - JENSEN 1236
	086280-01-700	EA	BULB-12V - 6 WATT

SWITCHES & RECEPTACLES

KEY	PART NUMBER	U/M	DESCRIPTION
	112824-01-02A	EA	COVER - EXTERIOR DUPLEX RECEPTACLE - OFF WHITE - P&S 3780-SC-CW
	112824-01-03A	EA	COVER - EXTERIOR DUPLEX RECEPTACLE - BRIGHT WHITE - P&S 3780-SC-WH
	024924-02-000	EA	RECEPTACLE - POWER CORD - W/ PARTIAL PLATE
	058707-01-000	EA	RECEPTACLE - ELECTRIC - SINGLE - BROWN
	058707-02-000	EA	RECEPTACLE - BLANK -JUNCTION WIRECON WDJ20BR
	058708-01-000	EA	RECEPTACLE - ELECTRIC - DOUBLE - BROWN
	097734-01-01A	EA	RECEPTACLE - EXTENSION - 3.2" X 5" X .7" - IVORY
	084076-01-000	EA	RECEPTACLE - GFI - 15A - 125V - IVORY
	112822-01-01A	EA	RECEPTACLE - DUPLEX - IVORY
	095188-01-01A	EA	SPACER - SWITCH - 2.3" X 3.4" - PLASTIC - DARK BROWN
	075723-01-000	EA	SPACER - SWITCH - W/O HOLE - .2" X.9"X 2" - METAL - OFF WHITE
	079364-01-000	EA	SWITCH - ON/OFF ROCKER - 2 PRONGS - BROWN
	108355-01-000	EA	HOUSING - SWITCH
	108356-02-01A	EA	ACTUATOR - SWITCH - DIMPLE II-CARLING VVAZC00 BLACK (GENERATOR)
	108357-08-000	EA	SWITCH-ROCKER - DPDT - ON/ NONE/ ON - CARLING VDD1S00C-0 (GENERATOR)
	098351-01-01A	EA	PLATE - SWITCH - 1 GANG - POLISHED BRASS
	081994-06-000	EA	PLATE - SWITCH - AUX START - FORD
	073626-04-000	EA	COVER-ELECTRIC - 10.4" X 7.8" - BEIGE PLASTIC
	081994-06-000	EA	PLATE-SWITCH - AUX START
	098351-06-01A	EA	PLATE-SWITCH - 2 GANG W/ LABEL - JENSEN - POLISHED BRASS
	108356-02-01A	EA	SWITCH COVER W/ 2 DIMPLES - CARLING CCAZC00
	108356-07-01A	EA	SWITCH COVER W/ 2 DIMPLES - CARLING VVAZCXX-XWB
	108357-08-000	EA	ROCKER SWITCH - DPDT ON/ NONE/ ON - CARLING VDD1S00C-0

POWER CONVERTER & LOAD CENTER

KEY	PART NUMBER	U/M	DESCRIPTION
	083208-01-000	EA	CONVERTER - POWER - 32A - 120V/12V - BW 6332
	094809-01-000	EA	LOAD CENTER - 240V - 125A - TPL412CT

WIRING ASSEMBLIES

KEY	PART NUMBER	U/M	DESCRIPTION
	106851-01-000	EA	WIRE ASM-DAYTIME RUNNING LIGHTS - W/FUSE
	097618-01-000	EA	WIRE ASM-MONITOR PANEL - W/4 WIRES & BLACK RESISTOR - LVS
	096449-01-000	EA	WIRE ASSEMBLY-WATER TANK TO MONITOR PANEL

ELECTRICAL GROUP (CONTINUED)

FUSES & CIRCUIT BREAKERS

KEY	PART NUMBER	U/M	DESCRIPTION
	062901-02-000	EA	FUSE - 5 AMP - AUTOMOTIVE
	062901-05-000	EA	FUSE - 15 AMP - AUTOMOTIVE
	062901-06-000	EA	FUSE - 20 AMP - AUTOMOTIVE
	008235-01-000	EA	FUSE - 15 AMP - AUTOMOTIVE - 12V
	100341-01-000	EA	FUSE HOLDER - IN LINE TYPE
	062037-01-000	EA	HOUSING - AUTO FUSE - NATURAL
	093654-01-000	EA	CIRCUIT BREAKER - 6 AMP - HOUSE CONTROL PANEL
	083209-08-000	EA	CIRCUIT BREAKER - BLANK
	083209-02-000	EA	CIRCUIT BREAKER - 15/15A - 120V - BW H-15/15
	083209-03-000	EA	CIRCUIT BREAKER - 15/20AMP - 120V - BW - 0-15/20
	083209-07-000	EA	CIRCUIT BREAKER - 20/20A - 120V - BW K-20/20
	094811-01-000	EA	CIRCUIT BREAKER - 20/20A - 120V - GE THQL2120
	094810-01-000	EA	CIRCUIT BREAKER - 30A - 120V - GE THQL2130
	093655-02-000	EA	CIRCUIT BREAKER - 30 AMP - HOUSE CONTROL PANEL
	083209-06-000	EA	CIRCUIT BREAKER - 30/15 AMP - 120V - BW D-30/15

ELECTRIC BOXES, COVERS & POWER CORDS

KEY	PART NUMBER	U/M	DESCRIPTION
	107165-01-01A	EA	BOX - CIRCUIT BREAKER MOUNT - 14.6" X 4" - BLACK PLASTIC
	008289-01-000	EA	BOX - ELECTRIC - STEEL - 1/2" AND 3/4" KNOCKOUTS - 4" X 4"
	091910-02-000	EA	BOX - ELECTRIC - 57 X 88 MM - PLASTIC
	093603-01-000	EA	BOX - ELECTRIC - STEEL - 4" X 2 1/8" X 2 1/8"
	008054-01-000	EA	CORD - POWER - 10/3 - 30 AMP - 25'
	008052-01-000	EA	CORD - POWER - 10/3 - 30 AMP - 25' - CANADIAN
	069238-01-000	EA	COVER - ELECTRICAL BOX - W/HOLE - 4" X 4" - GRAY
	008294-01-000	EA	COVER - ELECTRICAL BOX - BLANK/STEEL - 4" X 4" - GRAY

CONDUIT & SOLENOID

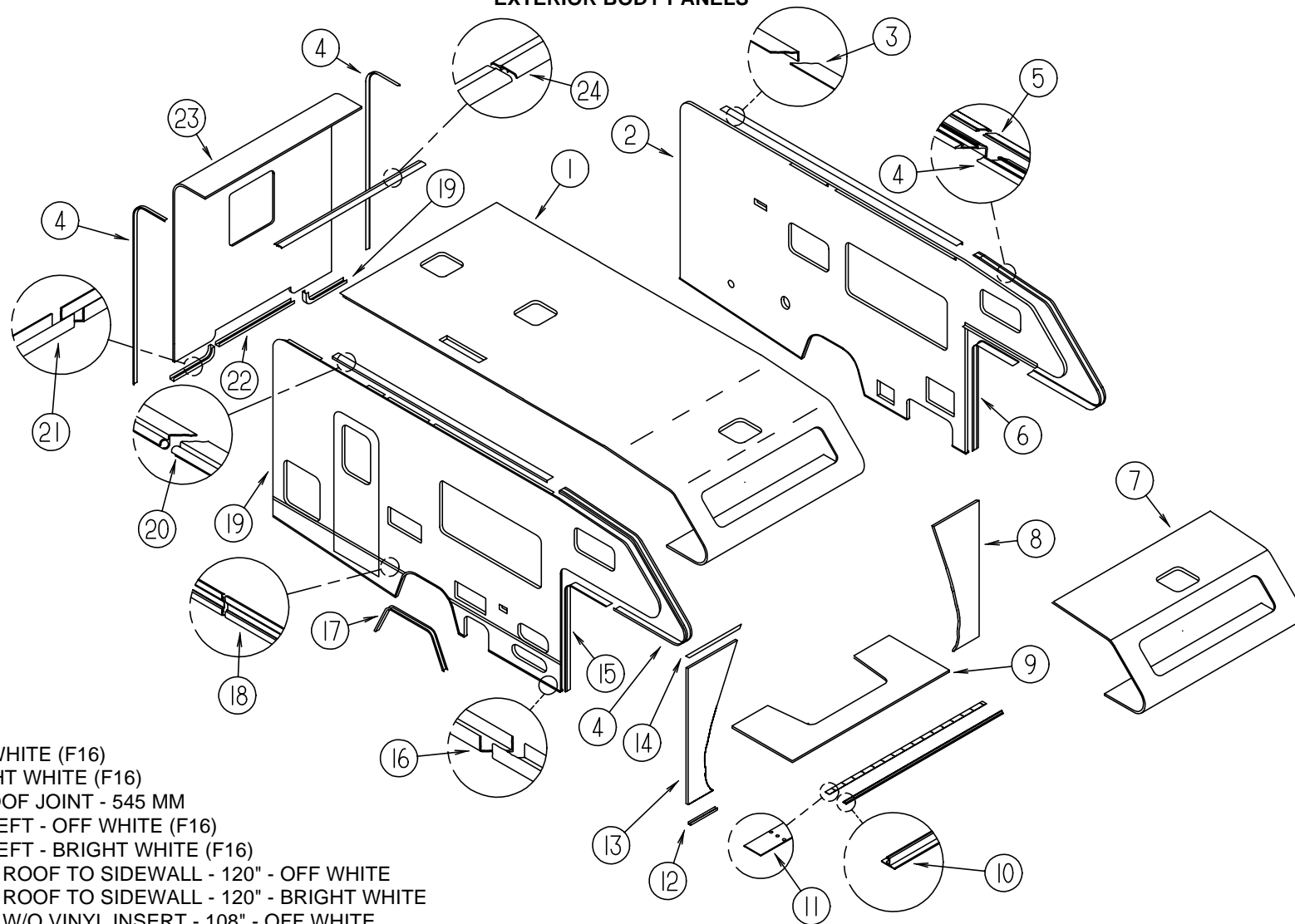
KEY	PART NUMBER	U/M	DESCRIPTION
	041953-01-000	FT	CONDUIT - CONVOLUTE SLIT - .5" ID
	041953-03-000	FT	CONDUIT - CONVOLUTE SLIT - 1" ID (CLOTHES ROD COVER)
	041953-05-000	FT	CONDUIT - CONVOLUTE SOLID - .62" ID
	041953-06-000	FT	CONDUIT - CONVOLUTE SLIT - .375" ID
	041953-07-000	FT	CONDUIT - CONVOLUTE SLIT - .25" ID
	041953-08-000	FT	CONDUIT - CONVOLUTE SLIT - 1.50" ID
	041953-09-000	FT	CONDUIT - CONVOLUTE SLIT - .50" ID
	041953-10-000	FT	CONDUIT - CONVOLUTE SLIT - .75" ID
	008188-01-000	EA	SOLENOID - 3 POST - BATTERY CHANGE OVER

ELECTRICAL GROUP (CONTINUED)

CONNECTORS, HOUSINGS, & TERMINALS

KEY	PART NUMBER	U/M	DESCRIPTION
	007940-01-000	EA	RECEPTACLE - SLIDE - 16 TO 12 AWG - FEMALE END
	007942-01-000	EA	TAB - WIRE - 18 TO 14 AWG
	007949-01-000	EA	TAB - HOUSING - 1 POSITION
	008311-01-000	EA	CONNECTOR - WIRE NUT - INSULATED - RED
	008314-01-000	EA	CONNECTOR - WIRE NUT - INSULATED - GRAY
	008326-01-000	EA	TERMINAL - RING - 16/14 WIRE - 3/8" STUD
	008328-01-000	EA	TERMINAL - RING - 12/10 WIRE - #10 STUD FIT
	008331-01-000	EA	TERMINAL - RING - TONGUE - #4 WIRE - 3/8" STUD - COPPER
	008348-01-000	EA	TERMINAL - RING - 3/8" STUD - #2 WIRE
	008355-01-000	EA	CONNECTOR - CABLE CLAMPING - 3/4"
	008356-01-000	EA	CONNECTOR - PLASTIC - 3/8" AVG
	035416-04-000	EA	TERMINAL - RING #10 STUD FIT - INSULATED BARREL #16/14
	041480-01-000	EA	CONNECTOR - STRAIGHT - 1/2" FLEX CONDUIT
	047443-01-000	EA	TERMINAL - .250 RECEPTACLE FIT - INSULATED - 16/14 AWG
	047443-02-000	EA	TERMINAL - .250 RECEPTACLE FIT - INSULATED - 12/10 AWG
	058028-01-000	EA	CONNECTOR - ELECTRICAL PIGTAIL - NYLON - CLEAR
	062036-02-000	EA	TERMINAL - PACK-CON - 16/14 AWG - PACKARD 08917021
	077479-01-000	EA	BOOT - BATTERY TERMINAL - DOUBLE CABLE
	077479-02-000	EA	BOOT - BATTERY TERMINAL - SINGLE CABLE
	080015-03-000	EA	RECEPTACLE - FLAG - .250 - 14/16 GA
	087225-01-000	FT	SLEEVING - 1/2" -TYPE H VARFLEX
	087949-01-000	EA	BUSS BAR - 2 POSITION - .6" X 1.5" - ALUMINUM
	088473-03-000	EA	HOUSING - PIN - 9 CAVITY - AMP 1-480706-0
	088473-05-000	EA	HOUSING - PIN - 6 CAVITY - AMP 640585-1
	088473-06-000	EA	HOUSING - PIN - 6 CAVITY - AMP 1-480704-0
	088473-08-000	EA	HOUSING - PIN - 4 CAVITY - AMP 1-480702-0
	088473-09-000	EA	HOUSING - PIN - 3 CAVITY - AMP 1-480700-0
	088473-10-000	EA	HOUSING - PIN - 2 CAVITY - AMP 1-480698-0
	088474-03-000	EA	HOUSING - SOCKET - 9 CAVITY - AMP 1-480707-0
	088474-06-000	EA	HOUSING - SOCKET - 6 CAVITY - AMP 1-480705-0
	088474-07-000	EA	HOUSING - SOCKET - 5 CAVITY - AMP 1-480764-0
	088474-08-000	EA	HOUSING - SOCKET - 4 CAVITY - AMP 1-480703-0
	088474-09-000	EA	HOUSING - SOCKET - 3 CAVITY - AMP 1-480701-0
	088474-10-000	EA	HOUSING - SOCKET - 2 CAVITY - AMP 1-480699-0
	088475-01-000	EA	PIN - CONNECTOR - 14 TO 20 AWG
	088475-02-000	EA	PIN - CONNECTOR - 10 TO 12 AWG
	088476-01-000	EA	SOCKET - CONNECTOR - BRASS - PRE-TIN
	088476-02-000	EA	SOCKET - CONNECTOR - 12-10 GA - PHOS. BRZ - PRE-TIN

EXTERIOR BODY PANELS

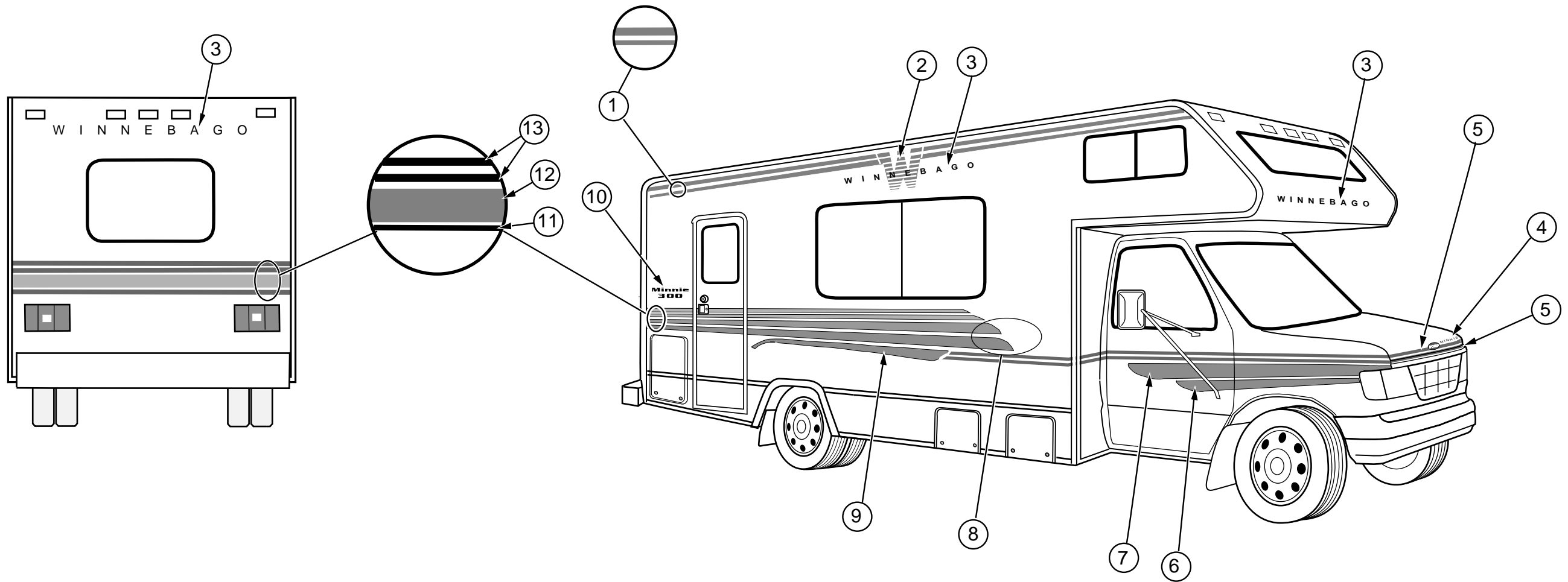


KEY	PART NUMBER	U/M	DESCRIPTION
1	P13823-01-F15	EA	ROOF ASM - OFF WHITE (F16)
1	M06976-03-F15	EA	ROOF ASM - BRIGHT WHITE (F16)
	064675-54-004	EA	STEEL - ANGLE ROOF JOINT - 545 MM
2	P13824-01-F15	EA	SIDEWALL ASM - LEFT - OFF WHITE (F16)
2	M07421-01-F15	EA	SIDEWALL ASM - LEFT - BRIGHT WHITE (F16)
3	096864-01-01A	EA	TRIM - CONTOUR - ROOF TO SIDEWALL - 120" - OFF WHITE
3	096864-01-02A	EA	TRIM - CONTOUR - ROOF TO SIDEWALL - 120" - BRIGHT WHITE
4	096854-01-01A	EA	TRIM - CONTOUR - W/O VINYL INSERT - 108" - OFF WHITE
4	096854-01-02A	EA	TRIM - CONTOUR - W/O VINYL INSERT - 108" - BRIGHT WHITE
5	105312-01-01A	FT	INSERT - TRIM - VINYL - OFF WHITE
5	105312-01-07A	FT	INSERT - TRIM - VINYL - BRIGHT WHITE
6	104479-06-01A	EA	TRIM - CONTOUR - FRONT OFF WHITE
6	104479-06-02A	EA	TRIM - CONTOUR - FRONT - BRIGHT WHITE
7	M76177-01-700	EA	ROOF SECTION - FRONT - UNIVERSAL
8	P09858-02-D04	EA	WINGWALL ASM - DRIVER SIDE (CHEVY) OFF WHITE (F15, F16)
8	M07423-02-F15	EA	WINGWALL ASM - DRIVER SIDE (CHEVY) BRIGHT WHITE (F16)
8	109659-02-D04	EA	WINGWALL ASM - DRIVER SIDE (FORD) OFF WHITE(F15, F16)
8	M07423-04-F15	EA	WINGWALL ASM - DRIVER SIDE (FORD) BRIGHT WHITE (F16)
9	P09658-01-F15	EA	SLEEPERBOARD ASM - OFF WHITE (F16)
9	M07422-01-F15	EA	SLEEPERBOARD ASM - BRIGHT WHITE (F16)
10	100086-02-01A	EA	TRIM - SLEEPERBOARD - 2" X 90.7" - OFF WHITE
10	100086-02-02A	EA	TRIM - SLEEPERBOARD - 2" X 90.7" - BRIGHT WHITE
11	100085-03-01A	EA	TRIM - SLEEPERBOARD - FLAT - 2.5" X 87.5"
12	002365-03-003	EA	EXTR - U-CHANNEL - 1.00" X 192" - OFF WHITE
12	002365-03-006	EA	EXTR - U-CHANNEL - 1.00" X 192" - BRIGHT WHITE
13	P09858-01-D04	EA	WINGWALL ASM - PASSENGER SIDE (CHEVY) OFF WHITE(F15, F16)
13	M07423-01-F15	EA	WINGWALL ASM - PASSENGER SIDE (CHEVY) BRIGHT WHITE (F16)
13	109659-01-D04	EA	WINGWALL ASM - PASSENGER SIDE (FORD) OFF WHITE(F15, F16)
13	M07423-03-F15	EA	WINGWALL ASM - PASSENGER SIDE (FORD) BRIGHT WHITE (F16)
14	022992-01-000	FT	MOLDING - REVERSE COVE - T-SHAPED - OFF WHITE
14	022992-14-000	FT	MOLDING - REVERSE COVE - T-SHAPED - BRIGHT WHITE
	089334-01-000	FT	VINYL - EXTERIOR - BETWEEN WINGWALL & CAB SEAL - OFF WHITE
	089334-02-000	FT	VINYL - EXTERIOR - BETWEEN WINGWALL & CAB SEAL - BRIGHT WHITE
	096945-01-01A	EA	TRIM - L-ANGLED - PASSENGERS WINGWALL

KEY	PART NUMBER	U/M	DESCRIPTION
15	104479-05-01A	EA	TRIM - CONTOUR - FRONT - OFF WHITE
15	104479-05-02A	EA	TRIM - CONTOUR - FRONT - BRIGHT WHITE
16	098072-55-001	EA	EXTR - U-CHANNEL - OFF WHITE - 4877 MM
16	098072-55-003	EA	EXTR - U-CHANNEL - BRIGHT WHITE - 4877 MM
17	105100-02-01A	EA	TRIM - WHEELWELL - OFF WHITE
17	105100-02-02A	EA	TRIM - WHEELWELL - BRIGHT WHITE
18	108688-01-01A	EA	FEATURE STRIP - OFF WHITE
	108651-01-01A	EA	CAP - FEATURE STRIP - MILL
	105312-01-01A	FT	INSERT - FEATURE STRIP - VINYL - OFF WHITE
18	108688-01-03A	EA	FEATURE STRIP - BRIGHT WHITE
	108651-01-01A	EA	CAP - FEATURE STRIP - MILL
	105312-01-07A	FT	INSERT - FEATURE STRIP - VINYL - BRIGHT WHITE
19	P13825-01-F15	EA	SIDEWALL ASM - RIGHT - OFF WHITE (F16)
19	M07421-02-F15	EA	SIDEWALL ASM - RIGHT - BRIGHT WHITE (F16)
20	099583-55-001	EA	RAIL - AWNING - 10' - OFF WHITE
20	099583-55-003	EA	RAIL - AWNING - 10' - BRIGHT WHITE
21	103334-02-01A	EA	TRIM - BACKWALL - LOWER - OFF WHITE
21	103334-02-02A	EA	TRIM - BACKWALL - LOWER - BRIGHT WHITE
22	103335-02-01A	EA	TRIM - BACKWALL - LOWER - OFF WHITE
22	103335-02-02A	EA	TRIM - BACKWALL - LOWER - BRIGHT WHITE
23	M06975-01-F15	EA	BACKWALL ASM - OFF WHITE (F16)
23	M06975-04-F15	EA	BACKWALL ASM - BRIGHT WHITE (F16)
24	078580-01-000	EA	TRIM - ROOF TO BACKWALL - MILL FINISH
	105846-01-02A	EA	TRIM - TAIL LIGHT - REAR - OFF WHITE
	105846-01-04A	EA	TRIM - TAIL LIGHT - REAR - BRIGHT WHITE

EXTERIOR BODY GROUP (CONTINUED)

DECALS, STRIPES & PAINT

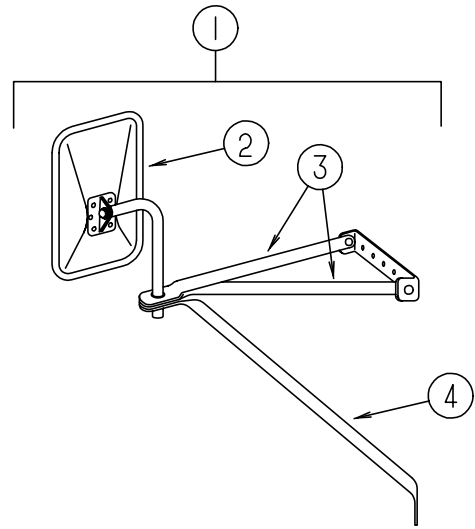


KEY	PART NUMBER	U/M	DESCRIPTION
1	105781-34-01A	FT	FILM - MULTISTRIPE 69.9MM - DARK PURPLE
2	110207-01-03A	EA	DECAL - W - LASER - DARK PURPLE
3	110206-01-03A	EA	DECAL - WINNEBAGO - DARK PURPLE
4	114837-02-01A	EA	DECAL - LOGO - MINNIE 300 -SMALL - DARK PURPLE/ ORCHID
5	107385-22-01A	FT	FILM - SINGLE STRIPE - 25.4 MM - DARK PURPLE
6	114840-03-01A	EA	DECAL - CAB - WEDGE - LOWER - PASSENGER SIDE - ORCHID MIST
6	114840-04-01A	EA	DECAL - CAB - WEDGE - LOWER - DRIVER SIDE - ORCHID MIST
7	114840-01-01A	EA	DECAL - CAB - WEDGE - UPPER - PASSENGER SIDE - CASSIS
7	114840-02-01A	EA	DECAL - CAB - WEDGE - UPPER - DRIVER SIDE - CASSIS
8	114838-01-01A	EA	DECAL - WEDGE - PASSENGER SIDE - DARK PURPLE
8	114838-02-01A	EA	DECAL - WEDGE - DRIVER SIDE - DARK PURPLE
9	114839-01-01A	EA	DECAL - WEDGE W/ TAIL - PASSENGER SIDE - ORCHID MIST
9	114839-02-01A	EA	DECAL - WEDGE W/ TAIL - DRIVER SIDE - ORCHID MIST
10	114837-01-01A	EA	DECAL - LOGO - "MINNIE 300" - DARK PURPLE/ ORCHID
11	107385-22-01A	FT	FILM - 22.2 MM - DARK PURPLE
12	107385-21-01A	FT	FILM - 73.0 MM - CASSIS
13	105781-35-01A	FT	FILM - MULTISTRIP 69.9 MM - DARK PURPLE
	041561-03-000	EA	PAINT -16 OZ SPRAY - OFF WHITE - ACRYLIC ENAMEL - DUPONT 8723
	099399-23-700	EA	PAINT - SPRAY - BRIGHT WHITE ENAMEL B8951U DUPONT

DUPONT PAINT COLOR CODES

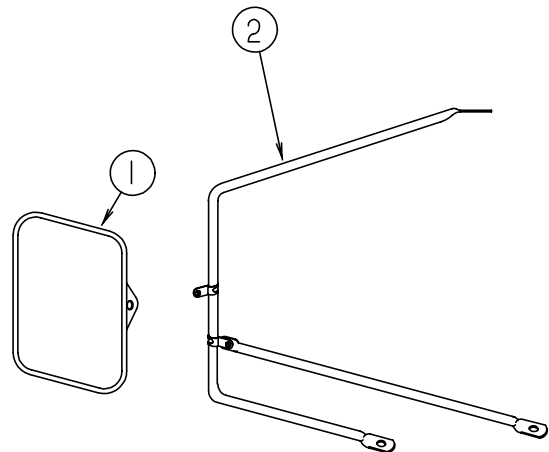
OFF WHITE	DUPONT 8723
BRIGHT WHITE	DUPONT B8951U

EXTERIOR BODY GROUP (CONTINUED)



FORD EXTERIOR MIRRORS

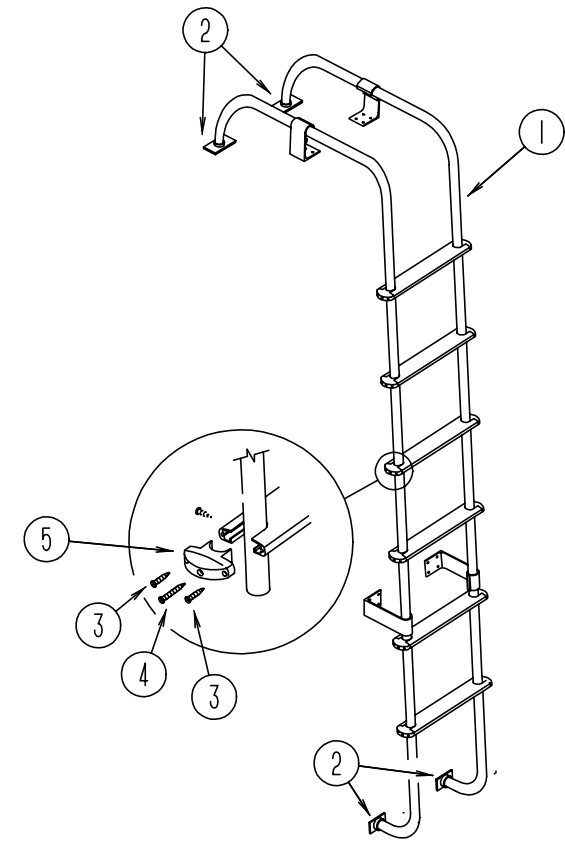
KEY	PART NUMBER	U/M	DESCRIPTION
1	106860-01-01A	EA	MIRROR-EXTERIOR, LOW MOUNT - OFF WHITE
1	106860-01-02A	EA	MIRROR-EXTERIOR, LOW MOUNT - BRIGHT WHITE
2	106860-01-700	EA	MIRROR-HEAD, EXTERIOR - OFF WHITE
2	106860-01-707	EA	MIRROR-HEAD, EXTERIOR - BRIGHT WHITE
3	106860-01-701	EA	ARM-MIRROR - OFF WHITE
3	106860-01-708	EA	ARM-MIRROR - BRIGHT WHITE
4	106860-01-703	EA	BRACE LOWER FORWARD - DRIVER - OFF WHITE
4	106860-01-709	EA	BRACE LOWER FORWARD - DRIVER - BRIGHT WHITE
4	106860-01-704	EA	BRACE LOWER FORWARD - PASSENGER - OFF WHITE
4	106860-01-710	EA	BRACE LOWER FORWARD - PASSENGER - BRIGHT WHITE
	106860-01-702	EA	HARDWARE PACKAGE
	106860-01-705	EA	MIRROR ASSEMBLY-LEFT SIDE COMPLETE - OFF WHITE
	106860-01-711	EA	MIRROR ASSEMBLY-LEFT SIDE COMPLETE - BRIGHT WHITE
	106860-01-706	EA	MIRROR ASSEMBLY-RIGHT SIDE COMPLETE - OFF WHITE
	106860-01-712	EA	MIRROR ASSEMBLY-RIGHT SIDE COMPLETE - BRIGHT WHITE
	105439-01-000	EA	MIRROR-AUXILIARY, CONVEX STICK-ON - VELVAC 723068-6
	106860-03-01A	EA	MIRROR ASM-REG HEAD LOW MOUNT
	105439-01-000	EA	MIRROR-AUX, CONVEX STICK-ON



CHEVROLET EXTERIOR MIRRORS

KEY	PART NUMBER	U/M	DESCRIPTION
1	049347-01-000	EA	MIRROR HEAD-EXTERIOR, 10 1/2" X 7 1/2" - STAINLESS STEEL
	049347-01-700	EA	GLASS-MIRROR HEAD
2	062047-01-000	EA	ARM-WEST COAST MIRROR

EXTERIOR BODY GROUP (CONTINUED)



LADDER

KEY	PART NUMBER	U/M	DESCRIPTION
1	102953-10-F15	EA	LADDER ASM
2	067165-01-000	EA	MOUNTING BRACKET - LADDER - LOWER
3	000G39-06-10T	EA	SCREW-SF/DR - 6 - 20 X 5/8 PPH - BLACK
4	000G68-10-36T	EA	SCREW - 10 - 12 X 2.25 POH BLACK
5	076980-02-000	EA	END CAP - STEP - BLACK

EXTERIOR BODY GROUP (CONTINUED).

FIBERGLASS & STYROFOAM

KEY	PART NUMBER	U/M	DESCRIPTION
	077517-24-000	EA	FIBERGLASS SHEET - FLAT - 48" X 96" - OFF WHITE
	077517-62-000	EA	FIBERGLASS SHEET - FLAT - 48" X 96" - BRIGHT WHITE
	076054-M8-000	EA	FIBERGLASS SHEET - 2438 X 2591 MM - OFF WHITE
	076054-N9-000	EA	FIBERGLASS SHEET - 2438 X 2591 MM - BRIGHT WHITE
	076054-M2-000	EA	FIBERGLASS SHEET - 2590 X 5940 MM - OFF WHITE
	076054-N3-000	EA	FIBERGLASS SHEET - 2590 X 5940 MM - BRIGHT WHITE
	076054-F3-000	EA	FIBERGLASS SHEET - 2438 X 2438 MM - OFF WHITE
	076054-M8-000	EA	FIBERGLASS SHEET - 2438 X 2438 MM - BRIGHT WHITE
	000870-06-000	SF	STYROFOAM - 1.34 X 48 X 96 - PLANED
	000870-08-000	SF	STYROFOAM - .75 X 48 X 96 - PLANED
	083574-03-000	SF	STYROFOAM - 3/4" X 48" X 96"
	076054-G7-000	SF	FIBERGLASS COIL 41" X 500' - OFF WHITE
	076054-P1-000	SF	FIBERGLASS COIL 2570 X 152400 MM - BRIGHT WHITE
	076054-D3-001	EA	FIBERGLASS SHEET - 48" X 96" - OFF WHITE
	076054-62-000	EA	FIBERGLASS SHEET - 48" X 96" - BRIGHT WHITE
	076054-D3-002	EA	FIBERGLASS SHEET - 24" X 96" - OFF WHITE
	076054-D3-003	EA	FIBERGLASS SHEET - 24" X 288" - OFF WHITE
	076054-D3-004	EA	FIBERGLASS SHEET - 24" X 384" - OFF WHITE
	076054-D3-005	EA	FIBERGLASS SHEET - 48" X 224" - OFF WHITE
	076054-D3-006	EA	FIBERGLASS SHEET - 48" X 298" - OFF WHITE
	044487-01-001	EA	ALUMINUM SHEET - .019" X 96" X 360" - MILL FINISH
	044487-01-002	EA	ALUMINUM SHEET - .019" X 14.014" X 30.199" MILL

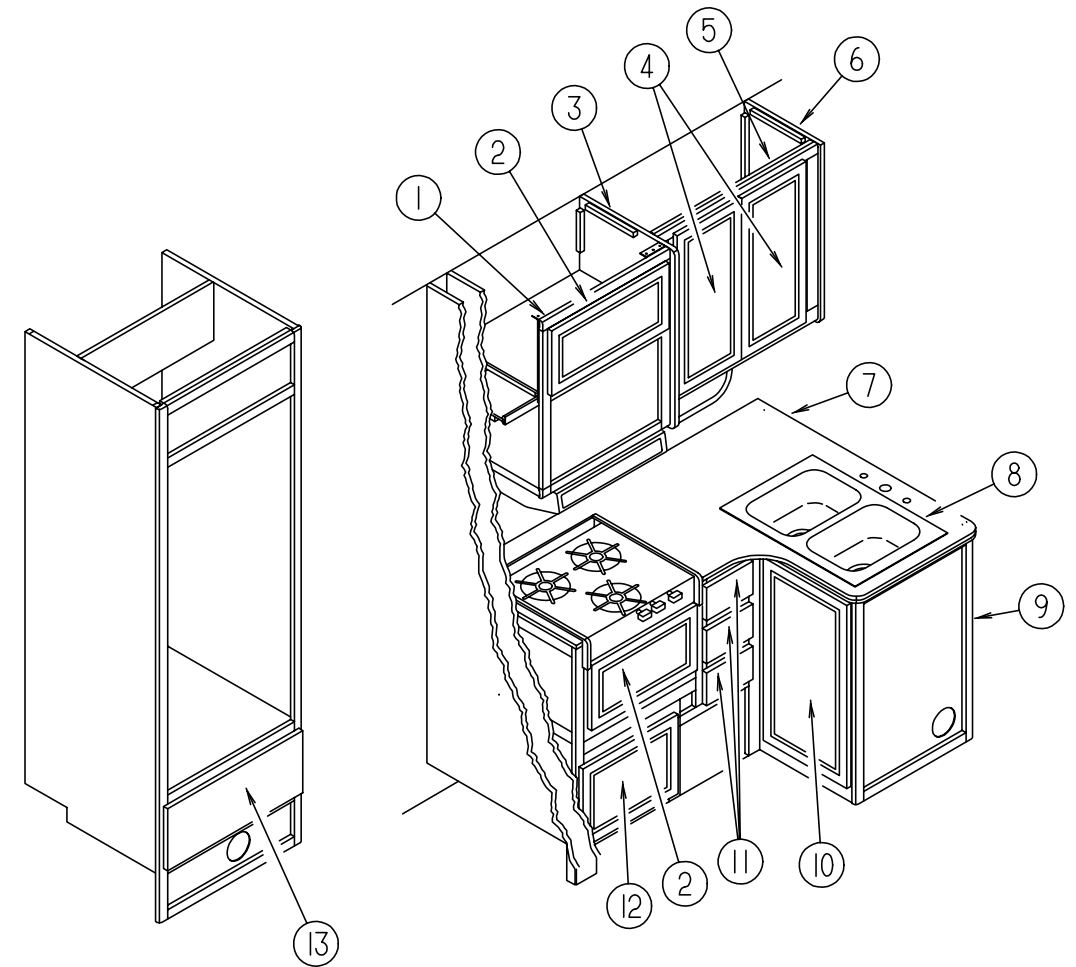
RUNNING BOARDS

KEY	PART NUMBER	U/M	DESCRIPTION
	072884-27-000	EA	RUNNING BOARD SET (2) FORD - 39" - KEMBERLY K-12
	072884-27-701	EA	RUNNING BOARD (1) 39" - FORD
	072884-26-000	EA	RUNNING BOARD SET (2) CHEVY 27" - KEM K12 15527
	072884-26-700	EA	RUNNING BOARD (1) 39" -CHEVY
	072884-27-700	EA	BRACKET SET - 12" - RB2BRK/M
	072884-27-702	EA	TREAD TAPE - RB9202
	072884-27-703	EA	MUD FLAPS W/HOLES (PAIR) - 99171
	072884-27-704	EA	END CAPS (PAIR) - 99148

AWNING

KEY	PART NUMBER	U/M	DESCRIPTION
	110634-11-06A	EA	AWNING ROLLER ASM 11'
	110634-02-02A	EA	AWNING - HARDWARE KIT - OFF WHITE
	110634-02-04A	EA	AWNING - HARDWARE KIT - BRIGHT WHITE
	110634-01-700	EA	RAFTER LOCKING MECH KIT 7605-0001
	110634-01-701	EA	SAFETY & LATCH KIT 7509-0001
	110634-01-702	EA	BOTTOM BRACKET KIT 7512-0001
	110634-01-703	EA	HEIGHT LOCK HANDLE KIT 7510-0001
	110634-01-704	EA	UPPER BRACKET KIT W/BOLTS 7505-0001
	110634-01-705	EA	ULTRA RAFTER KNOB KIT 7522-0001
	110634-01-706	EA	RAFTER SLIDE KIT
	110634-01-707	EA	GROUND BRACKET KIT 7511-0001
	110634-01-708	EA	LIFT HANDLES W/RIVETS 7000-0001
	110634-01-709	EA	RATCHET HANDLE KIT 7507-0001
	110634-01-710	EA	ARM CAP KIT 7503-0001
	110634-01-711	EA	FRONT SPRING ASM 6598-0001
	110634-01-712	EA	REAR SPRING ASM 6599-0001
	110634-01-713	EA	REAR END CAP KIT 7504-0001
	111037-01-01A	EA	SPACER - AWNING - UPPER BLACK
	111038-01-01A	EA	SPACER - AWNING - LOWER BLACK

GALLEY GROUP



GALLEY CABINETS & FIXTURES

KEY	PART NUMBER	U/M	DESCRIPTION
1	114774-02-F15	EA	CABINET ASM - OVERHEAD - MICROWAVE FROM: 00-00-00 THRU: 06-12-94
1	114774-01-F15	EA	CABINET ASM - OVERHEAD - MICROWAVE FROM: 06-13-94 THRU: 99-99-99
2	110140-06-EB1	EA	DOOR - CABINET - W/O HARDWARE
3	109908-19-F15	EA	END CAP - CABINET - OVERHEAD
4	110140-34-E01	EA	DOOR - CABINET - W/O HARDWARE - 330 X 660 MM
5	114775-01-F15	EA	CABINET - OVERHEAD - W/O DOORS OR HARDWARE
6	109908-20-F15	EA	END CAP - CABINET - OVERHEAD
7	114672-11-F15	EA	COUNTERTOP - CABINET - GALLEY (F16)
	103610-01-F15	EA	COVER - SINK (F16)
8	104113-01-000	EA	SINK - STAINLESS STEEL - DOUBLE
	092303-01-000	EA	STRAINER - SINK
	103243-01-000	EA	FAUCET - GALLEY - DUAL CONTROL - 8" CENTERSET
9	P14672-01-F15	EA	CABINET ASM - GALLEY (F16)
10	110140-37-E01	EA	DOOR - CABINET - W/O HARDWARE - 395 X 750 MM
11	M05970-51-E01	EA	DRAWER-CABINET - W/O HARDWARE - 3 USED
12	110140-36-E01	EA	DOOR - CABINET - W/O HARDWARE - 325 X 450 MM
13	110140-01-E01	EA	DOOR - CABINET - W/O HARDWARE - 255 X 640 MM
	090329-01-000	FT	T-SEAL - REFRIGERATOR CABINET - .6" WIDE TOP X 2" TAIL

GALLEY GROUP (CONTINUED)

REFRIGERATOR

KEY	PART NUMBER	U/M	DESCRIPTION
	093646-01-000	EA	BRACKET-TIEDOWN - REFRIGERATOR
	093646-02-000	EA	BRACKET-TIEDOWN - REFRIGERATOR
	065225-02-000	EA	PLATE - TIEDOWN - REFRIGERATOR
	054450-01-000	EA	LEVEL-REFRIGERATOR
	104138-05-01A	EA	REFRIGERATOR - SMALL DOUBLE DOOR - 2-WAY - NORCOLD 6162 RH BL
	064472-01-702	EA	COMB THERMOSTAT 4 & 6 & 8EG-2 - NORCOLD 614376
	075217-01-734	EA	FUSE-3 AMP - NORCOLD 61538822
	075217-01-738	EA	SWITCH-HUMIDITY - NORCOLD 61525922
	084879-03-700	EA	COOLING UNIT - HORIZONTAL BURNER - NORCOLD 61687237
	084880-01-705	EA	ORIFICE - NORCOLD 614522
	084880-01-718	EA	VALVE-GAS - NORCOLD 61551822
	084880-01-713	EA	CONNECTOR-MALE INLET FITTING - NORCOLD #615256
	084880-01-720	EA	SPRING - FOR DOOR HANDLE - NORCOLD 61558822
	084880-01-722	EA	CRISPER COVER - NORCOLD 615641
	084880-01-726	EA	HINGE BRACKET - CENTER HINGE - NORCOLD 61566523
	084880-01-731	EA	HINGE PIN - NORCOLD 61578123
	084880-01-732	EA	LATCH - NORCOLD 61578522
	084880-01-734	EA	BRACKET-HINGE - TOP RIGHT - BOTTOM LEFT - BROWN NORCOLD 61580837
	084880-01-735	EA	HINGE BRACKET -TOP LEFT- BOTTOM RIGHT BROWN - NORCOLD 61580937
	084880-01-739	EA	END CAP - SPRING CATCH - BROWN - NORCOLD 61593722
	084880-01-740	EA	END CAP - STOP CATCH - NORCOLD 61593830
	084880-01-746	EA	CABLE - NORCOLD 61571522
	084880-01-747	EA	PLUG-HOLE - NORCOLD 61582022
	084880-01-749	EA	HINGE BUSHING - NORCOLD 615807
	084880-01-753	EA	THERMISTER 78" - NORCOLD 61693822
	084880-01-760	EA	CLIP - THERMISTER - NORCOLD 61689122
	084880-01-761	EA	END CAP - SPRING CATCH - BLACK - NORCOLD 61593730
	084880-02-700	EA	LOWER FLANGE 8663 & 8683 - NORCOLD 61622123
	084880-03-702	EA	HINGE PIN TOP/BOTTOM FEMALE - NORCOLD 61580630
	084880-03-705	EA	BRACKET-INTERIOR LIGHT - NORCOLD 61629722
	084880-03-706	EA	LAMP - BULB - NORCOLD 61628922
	084880-03-707	EA	COVER F/LAMP OR BULB - NORCOLD 61627922
	088248-01-706	EA	BURNER-HORIZONTAL - NORCOLD 61588122
	088248-01-707	EA	ELECTRODE-SENSOR - HORIZONTAL - NORCOLD 61573322
	088248-01-709	EA	HEATER-AC - HORIZONTAL - NORCOLD 615627
	088248-01-710	EA	HEATER-DC - HORIZONTAL - 3 WAY - NORCOLD 615628
	094038-01-700	EA	GASKET-LOWER - GRAY - NORCOLD 61567930
	094038-01-701	EA	LINER-DOOR - LOWER - BROWN/WHITE - NORCOLD 61581937-B
	094038-01-702	EA	LINER-DOOR - LOWER - BLACK/WHITE - NORCOLD 61581938-B
	094038-01-703	EA	HANDLE-DOOR - LOWER - BROWN - NORCOLD 61650137
	094038-01-704	EA	HANDLE-DOOR - LOWER - BLACK - NORCOLD 61650138
	094039-01-702	EA	GASKET - GRAY - UPPER - NORCOLD 61567830
	094039-01-703	EA	PLATE-HINGE - LEFT - BROWN - NORCOLD 61631422
	094039-01-704	EA	PLATE-HINGE - BLACK - NORCOLD 61631430
	094039-01-706	EA	UPPER DOOR LINER - WHITE - BLACK - NORCOLD 61581838-B
	094039-01-708	EA	HANDLE-DOOR - UPPER - BLACK - NORCOLD 61650038
	094039-01-709	EA	PLATE-HINGE - TOP RIGHT - LEFT BOTTOM - BROWN - NORCOLD 61631322
	094039-01-710	EA	PLATE-HINGE - BLACK - NORCOLD 61631330
	094039-01-722	EA	HOLE PLUG - BLACK - HINGE HOLES - NORCOLD 61582030
	094039-01-723	EA	HINGE BRACKET -TOP RIGHT-BOTTOM LEFT BLACK - NORCOLD 61580838
	094039-01-724	EA	BRACKET-HINGE - TOP LEFT - BOTTOM RIGHT - BLACK - NORCOLD 61580938
	094039-01-725	EA	HINGE PIN - BLACK - MALE - NORCOLD 61578130
	094039-01-726	EA	SHELF-FREEZER EVAPORATOR - NORCOLD 615236
	094039-01-730	EA	HINGE PIN SHAFT- BLACK - CENTER HINGE - NORCOLD 61566730
	094039-01-732	EA	FRONT COVER - BLACK - BOTTOM TRIM - NORCOLD 61622130
	094039-01-733	EA	WIRE SHELF - MIDDLE - NORCOLD 61563822
	094039-01-734	EA	WIRE SHELF - TOP - W/RISER - NORCOLD 61563722
	094039-01-735	EA	INSIDE DRIP TRAY - WHITE - NORCOLD 61572830
	094039-01-736	EA	SWITCH-LIGHT - BLACK - NORCOLD 615810
	094039-01-739	EA	SHELF - CUTOUT - NORCOLD 61646722
	094039-04-700	EA	PRINTED CIRCUIT BOARD - 2 WAY - NORCOLD 61647322
	094039-04-701	EA	EYEBROW - SHELL - 2 WAY - NORCOLD 61669822
	094039-04-702	EA	POWER SUPPLY - 2 WAY - NORCOLD 61647422

GALLEY GROUP (CONTINUED)

REFRIGERATOR (CONTINUED)

KEY	PART NUMBER	U/M	DESCRIPTION
	102621-01-702	EA	IGNITION MODULE - NORCOLD 61688922
	104137-02-700	EA	MODULE-CONTROL - CHANNEL - NORCOLD 61717037
	104137-06-700	EA	EYEBROW SHELL (2-WAY) - NORCOLD 61726622
	104137-06-702	EA	RACK-JUICE - WHITE - NORCOLD 61580525
	104137-06-703	EA	BIN-DOOR SHELF - WHITE - NORCOLD 61564025
	104137-06-706	EA	WIRE SHELF - SHORT - NORCOLD 61718222
	104137-06-707	EA	CRISPER - WHITE - NORCOLD 61571325
	104137-06-709	EA	VALVE SHUT-OFF-MANUAL ASM - NORCOLD 61694922
	104137-06-710	EA	PRESSURE TAP - NORCOLD 61594422
	104137-06-711	EA	FUSE 5 AMP - NORCOLD 61611622
	104137-06-712	EA	FITTING-GAS TUBE CONNECTION - NORCOLD 61692722
	104137-06-713	EA	ORFICE GASKET - NORCOLD 61475122
	104137-06-714	EA	BURNER ASSEMBLY - 5-SLOT - NORCOLD 61705222
	104137-06-715	EA	SPARK/SENSE ELECTRODE- SINGLE - NORCOLD 61692222
	104138-04-701	EA	FOAMED CAB ASM - BLACK W/WHITE - NORCOLD 61725038

MONITOR PANEL

KEY	PART NUMBER	U/M	DESCRIPTION
	102765-04-01A	EA	MONITOR PANEL - W/PLUG - FOR 2 TANKS & AUX HEATER & MOTOR AID - LVS
	075470-01-703	EA	SWITCH-ON/MOMENTARY - JENSEN AND VENTLINE
	096983-01-700	EA	SWITCH-ON/OFF - VENTLINE 108
	102765-04-700	EA	CIRCUIT BOARD - LVS 5076-11

MICROWAVE

KEY	PART NUMBER	U/M	DESCRIPTION
	115303-01-000	EA	OVEN-MICROWAVE - MAGIC CHEF D-DM15K-7B
	115401-01-01A	EA	TRIM-MICROWAVE - BLACK
	098916-06-01A	EA	BRACE-MICROWAVE CABINET - LEFT - 9.4" X 7.5" - STEEL
	098916-07-01A	EA	BRACE-MICROWAVE CABINET - RIGHT - 9.4" X 7.5" - STEEL

RANGE HOOD

KEY	PART NUMBER	U/M	DESCRIPTION
	100258-16-01A	EA	HOOD-RANGE - W/O MONITOR PANEL-VENTLINE-US TCS5008NAD(STANDARD)
	100258-17-01A	EA	HOOD-RANGE - W/O MONITOR PANEL-VENTLINE-CSA-TCS5008NAC(CANADIAN)
	100258-18-01A	EA	HOOD-RANGE - W/O MONITOR PANEL-US-TPS5007NAD(W/GENERATOR OPTION)
	090973-01-700	EA	MOTOR - LVS CA508-1
	090973-01-702	EA	BLADE-FAN - LVS VA183-1
	092696-01-709	EA	BULB - 912 - VENTLINE VA415
	092696-01-710	EA	SOCKET-LIGHT - VENTLINE CB267-2
	096983-01-700	EA	SWITCH-ON/OFF - VENTLINE 108
	096983-01-702	EA	SWITCH-TWO WAY MOMENTARY - VENTLINE 112
	096983-01-707	EA	FILTER-GREASE - 8" X 8" - LVS CC246
	100258-01-700	EA	HOOD NOSE LABEL
	100258-10-01A	EA	METER-HOUR - VENTLINE 150

GALLEY GROUP (CONTINUED)

3 BURNER RANGE

KEY	PART NUMBER	U/M	DESCRIPTION
	114030-01-01A	EA	RANGE-3 BURNER W/O OVEN ALMOND MAGIC CHEF 85RA-3B
	102019-01-705	EA	TRIM-REAR - BLACK - MAGIC CHEF 3608F009-70
	102020-01-709	EA	BUMPER-GRATE - MAGIC CHEF 8007P018-60
	102020-01-710	EA	FILTER-PILOT - MAGIC CHEF 7507P046-60
	102020-01-711	EA	GRATE-TOP - MAGIC CHEF 7518P012-60
	102020-01-721	EA	VALVE-SHUT OFF - MAGIC CHEF 7506F096-60
	102020-01-722	EA	VALVE-TOP BURNER - MAGIC CHEF 7502P095-60
	102020-01-724	EA	BUMPER-MAIN TOP - MAGIC CHEF 8003P008-60
	102022-01-708	EA	REG. PRESSURE 1/4 IN 1/2 OUT 7510P041-60
	112881-01-700	EA	TOP - MAIN-ALMOND 2001F110-84
	112881-01-703	EA	VALVE-TOP BURNER HI-OUTPUT 7502P180-60
	112881-01-705	EA	KNOB-TOP BURNER 7733P072-60
	112881-01-709	EA	PIPE-MANIFOLD 7513P097-60
	114030-01-700	EA	PILOT - BURNER 7505P147-60
	114030-01-701	EA	PANEL-MANIFOLD 2616F078-70
	114030-01-702	EA	TRIM. RIGHT BLACK 3608W040-70
	114030-01-703	EA	TRIM - LEFT BLACK 3608W039-70

3 BURNER RANGE W/ OVEN

KEY	PART NUMBER	U/M	DESCRIPTION
	112881-01-03A	EA	RANGE - 16" - 3 BURNER ALMOND - DOOR BLACK TEXTURED M'CHEF 16RA-3B49
	112881-01-700	EA	TOP - MAIN - ALMOND 2001F110-84
	112881-01-701	EA	MANIFOLD PANEL 2616F091-70
	112881-01-702	EA	VALVE - MERCURY (SAFETY VALVE) 7501-P121-60
	112881-01-703	EA	VALVE - TOP BURNER HI-OUTPUT 7502P180-60
	112881-01-704	EA	KNOB - THERMOSTAT 7731P067-60
	112881-01-705	EA	KNOB - TOP BURNER 7733P072-60
	112881-01-706	EA	THERMOSTAT 12400026
	112881-01-707	EA	TRIM -FLAT (LEFT) (BLK) 3608W035-70
	112881-01-708	EA	TRIM - FLAT (RIGHT) (BLK) 3608W036-70
	112881-01-709	EA	PIPE - MANIFOLD 7513P097-60
	112881-01-710	EA	OVEN PILOT 7505P202-60
	112881-01-711	EA	OVEN BURNER 3404W025045
	112881-01-712	EA	TOP - MAIN-BLACK 2001F110-90
	112881-01-713	EA	OVEN DOOR - TEXTURED 2401F079-70
	112881-01-714	EA	OVEN DOOR PANEL GLASS 2401F114-70

GENERATOR GROUP

4.0 KW ONAN GENERATOR (US & CSA)

KEY	PART NUMBER	U/M	DESCRIPTION
	109982-03-000	EA	GENERATOR - 4.0 MICROLITE ONAN KY-FA/26100 B
	007067-01-000	SF	INSULATION - FIBERGLASS - 1" THICK X 4'
	007125-03-000	EA	CLAMP - MUFFLER - 1.5" DIA
	007125-04-000	EA	CLAMP - MUFFLER - 1.1" DIA
	008401-01-000	EA	STRAP - CONDUIT - 3/4" - 1 HOLE - GALVANIZED STEEL
	105958-08-000	EA	PIPE - EXHAUST - GENERATOR

HEATING & AIR CONDITIONING GROUP

FURNACE

KEY	PART NUMBER	U/M	DESCRIPTION
	098668-20-000	EA	FURNACE - 30,000 BTU SUBURBAN SF-30
	075695-01-709	EA	MICRO SWITCH (FURNACE - 30,000) BTU- SUBURBAN#230509
	092300-02-701	EA	ORFICE - MAIN BURNER (FURNACE - 30,000) SUBURBAN 180214
	098668-19-000	EA	FURNACE - 25,000 BTU SUBURBAN SF-25 2272
	090039-01-703	EA	ORFICE - MAIN BURNER (FURNACE - 25,000) SUBURBAN# 180193
	069634-01-733	EA	RELAY - TIME DELAY 20 & 30 BTU - SUBURBAN 231202
	090039-01-709	EA	GASKET - COVER - OBSERVATION HOLE
	092300-01-704	EA	GASKET - ELECTRODE - SUBURBAN 070163
	098668-01-700	EA	CABINET FRONT - SUBURBAN 101242
	098668-01-701	EA	CABINET ASM - SUBURBAN 101299
	098668-01-704	EA	VALVE - SUBURBAN 160938
	098668-01-705	EA	SWITCH - LIMIT - SUBURBAN 231630
	098668-01-706	EA	WHEEL - COMBUSTION AIR - SUBURBAN 350122
	098668-01-707	EA	VENT CAP & EXHAUST TUBE ASM - SUBURBAN 260193
	098668-01-708	EA	BLOWER ASM (COMBUSTION AIR) - SUBURBAN 390441
	098668-01-709	EA	MOTOR ASM. - FOR SF-25, SF-30 - SUBURBAN 231706
	098668-01-710	EA	BLOWER ASM (ROOM AIR) - SUBURBAN 390440
	098668-01-711	EA	WHEEL - ROOM AIR - SUBURBAN 350123
	098668-01-712	EA	BOARD - MODULE - SUBURBAN 231741
	098668-01-713	EA	INTAKE VENT TUBE ASM 051044
	098668-01-714	EA	GAS VALVE FOR SF MODELS S.N.#921401821 AND UP
	098668-01-715	EA	ELECTRODE ASM. (SGL PROBE) F/SF MODELS S.N.#921401821 & UP
	098668-02-700	EA	BURNER ASM COMPLETE (SF-30/SF35) - SUBURBAN 010745
	087202-01-000	EA	SWITCH - 4 POSITION - W/KNOB
	009198-01-000	FT	DUCT-HEAT - FLEXIBLE - 4" ID X 25 FT
	009200-01-000	EA	TAPE - FURNACE - 1 1/2"
	069636-02-000	EA	CONNECTOR - DUCT - 4" ID - SUBURBAN 050715
	098668-06-000	EA	DOOR-ACCESS - FURNACE - OFF WHITE - SUBURBAN 520574
	093614-01-01A	EA	GRILLE - RETURN AIR - FURNACE - 15.6" X 7.6" - BROWN
	093365-01-000	EA	THERMOSTAT - WALL - FURNACE - SUBURBAN 0160902
	056464-05-000	EA	REGISTER - PLASTIC W/O DAMPER - 4" DIAMETER - GOLDEN

REAR HEATER

KEY	PART NUMBER	U/M	DESCRIPTION
	084405-01-000	EA	HEATER ASM - REAR - DUCTED - W/ MOTOR AID - EVANS
	079059-01-000	EA	HOSE - 90 DEGREE - 5/8"ID X 4" X 36"
	079059-13-000	EA	HOSE - 90 DEGREE - .61"ID X 4" X 48"
	084405-01-700	EA	HEATER CORE - EVANS# FT200229
	084405-01-701	EA	FAN BLADES - EVANS# HV029931
	007108-01-000	FT	HOSE - HEATER - 5/8" ID - HI-TEMP - FORD ESE - M2D192-A
	088753-01-000	FT	TUBE - ALUMINIZED STEEL - 5/8" - 18 GAUGE
	084405-01-702	EA	MOTOR ASM - 12 VOLT - R0200180
	087202-01-000	EA	SWITCH - 4 POSITION - W/ KNOB

HEATING & AIR CONDITIONING GROUP (CONTINUED)

ROOF A/C

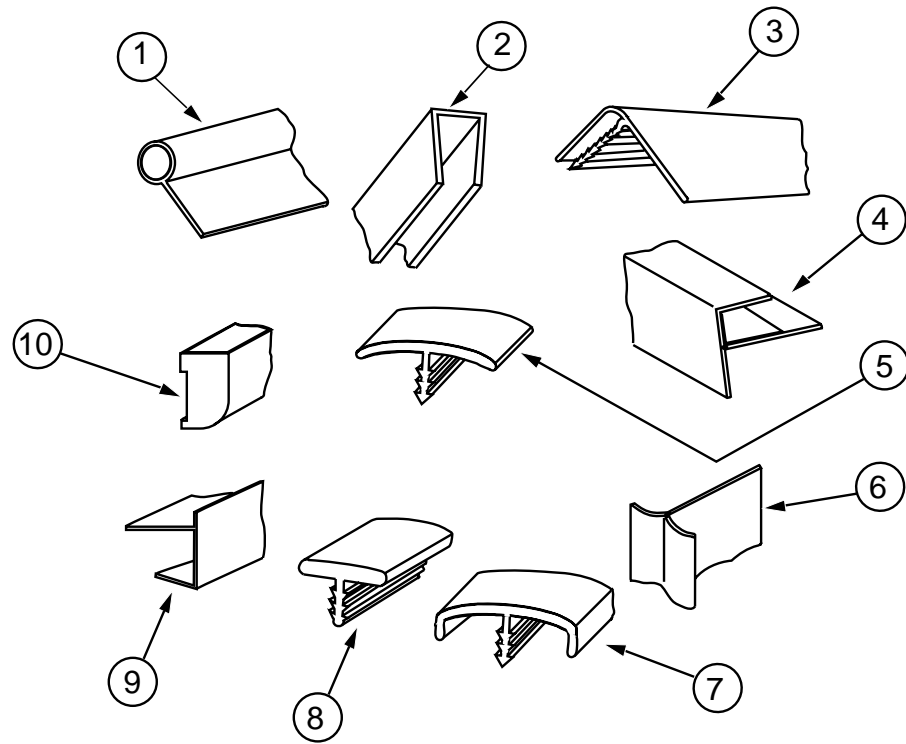
KEY	PART NUMBER	U/M	DESCRIPTION
	108889-01-01A	EA	A/C-ROOF - 13,500 TSR HO - IVORY - COLEMAN 7333-887 - OFF WHITE
	108889-01-05A	EA	A/C-ROOF - 13,500 TSR HO - IVORY - COLEMAN 7333 - BRIGHT WHITE
	091225-01-709	EA	START RELAY - COLEMAN 1497-4131
	091225-01-710	EA	START CAPACITOR - COLEMAN# 1497-0881
	093306-01-701	EA	DECAL PACKAGE - LEFT & RIGHT - COLEMAN 6798B3591
	105620-01-704	EA	COMPRESSOR - RIGHT & LEFT - COLEMAN 1450-2009
	105620-01-706	EA	FOOT PACKAGE-COMPRESSOR - 3 PER PACKAGE - COLEMAN 6759-3081
	063903-01-700	EA	SHROUD (IVORY/IVORY) LESS/LOGO - COLEMAN 6759-4601
	108889-01-703	EA	CONDENSER COIL - COLEMAN 1452-1301
	108889-01-704	EA	OVERLOAD (MRA#98693) - COLEMAN 6759-3541
	108889-01-705	EA	MOTOR (115 - 60HZ) - COLEMAN 1468-3049
	108889-01-706	EA	IMPELLOR - COLEMAN 1472-1041
	108889-01-707	EA	RUN CAPACITOR (COMP-25MFD/370) - COLEMAN 1499-5661
	108889-01-708	EA	FAN CAPACITOR (7.5MFD.370U) - COLEMAN 1499-5461
	108889-01-709	EA	EVAPORATOR COIL - COLEMAN 1452-1311
	108889-01-710	EA	FILLER PAD-CONDITION AIR SEAL - COLEMAN 6759A3971
	108889-01-711	EA	GASKET PACKAGE - COLEMAN 6792-3301
	108889-01-712	EA	SUCTION LINE REDUCER (3/8 X 1/2) - COLEMAN 1215-2161
	108889-01-713	EA	SUCTION LINE (3/8OD X .032 WALL) - COLEMAN 6792-130
	108889-01-714	EA	DISCHARGE LINE ASM. - COLEMAN 6792-531
	108889-01-715	EA	MOTOR MOUNT & SHAFT SEAL KIT - COLEMAN 6792-3361
	102289-01-000	EA	SPRING-SCREW - ROOF A/C GASKET - COLEMAN 6757-150

CEILING ASM.

KEY	PART NUMBER	U/M	DESCRIPTION
	108891-01-01A	EA	CEILING ASM-A/C COOL TSR HO *COLEMAN 7330-714 IV
	042204-01-709	EA	THERMOSTAT-IN 64 OUT 58 - COLEMAN# 6701-3401
	063903-01-702	EA	LOUVER - COLEMAN# 6703A5191
	073742-01-701	EA	SELECTOR SWITCH (5 TERMINAL) - COLEMAN# 6759-3251
	073742-01-702	EA	DECAL COOL ONLY - COLEMAN# 6759C3431
	076303-01-707	EA	FILTER - 6" X 14 3/4" X 1/2" - 12 PER PKG - COLEMAN 6703A3151
	081606-01-712	EA	CEILING SHROUD (IVORY) - COLEMAN# 6769-5061
	091225-01-713	EA	KNOB (2 PER PACKAGE) - COLEMAN# 6701-3351
	091225-01-717	EA	DECAL (THERMOSTAT) COOL ONLY - COLEMAN# 6799A3441
	093766-02-701	EA	DECAL-LEFT SIDE - COLEMAN #6799-3971
	108891-01-700	EA	SINGLE PARTS PACKAGE (KNOBS & NUTS) COLEMAN 6792-5991
	108891-01-701	EA	RETAINER CLIPS F/FILTER (6 PER) COLEMAN 6799-3141
	084077-03-000	EA	COVER-BLANK - ROOF A/C - 5.2" X 3.5" - IVORY

INTERIOR FINISH GROUP

MOLDINGS & TRIMS



KEY	PART NUMBER	U/M DESCRIPTION
1	009767-12-000	FT MOLDING-SIDEWALL TO CEILING/CABINET - WELTING - OFF WHITE
2	009778-12-000	FT U CHANNEL-PLASTIC - 1" WIDE X 8' - WOODGRAIN
2	009778-20-000	FT U CHANNEL - 1" X 55", MODERN IVORY
2	070504-19-000	FT U CHANNEL-PLASTIC, .815" WIDE - BROWN
3	009809-23-000	EA MOLDING-CORNER, OUTSIDE - 1" - PLASTIC - IVORY
4	009812-22-000	EA MOLDING-CORNER, OUTSIDE - .5" X 7' - PLASTIC - BROWN
5	009815-09-000	FT T-MOLDING - .75" - IVORY
6	022992-01-000	FT MOLDING-REVERSE COVE, T-SHAPED - VINYL - WHITE
7	083620-07-000	FT MOLDING-T, END CAP EDGE - W/EDGE LIPS - .75" - THOR PECAN
7	083620-09-000	FT T-MOLDING, 3/4 W/EDGE LIPS - MODERN IVORY
7	104676-02-01A	FT T-MOLDING, 1/2" X 7'
8	104676-01-01A	FT T-MOLDING, 5/16 - RIGID - GOLD
9	103186-01-01A	FT MOLDING-EDGE, SHELF - .78" WIDE - PLASTIC - RAMBLING OAK
10	100041-01-000	EA MOLDING-VINYL WRAPPED, .7" X 1.57" X 84.02" - RAMBLING OAK
10	100041-02-000	EA MOLDING-VINYL WRAPPED, .7" X 2.5" X 84" - RAMBLING OAK
	076325-34-000	FT MOLDING-EDGE BAND, 1 5/16" WIDE
	076325-35-000	FT MOLDING EDGEBAND, ORCHID
	112198-01-000	FT MOLDING - #90227 J-MOLDING - CRILA PLASTICS
	100040-01-000	EA LUMBER-VINYL WRAPPED, .71" X 1.5" X 8' - RAMBLING OAK
	100040-03-000	EA LUMBER-VINYL WRAPPED, .71" X 2" X 8' - RAMBLING OAK

INTERIOR FINISH GROUP (CONTINUED)

PANELING, LAMINATES & PLASTIC

KEY	PART NUMBER	U/M DESCRIPTION
	000885-61-000	SF PARTICLE BOARD - 3/4 X 48 X 96 - WINNI OAK - VINYL 2 SIDES
	074497-21-000	SF PANELING - WOODGRAIN - 4' X 8' - 32 SF
	074498-67-000	SF LAMINATE - PLASTIC - ORCHID MIST (ALL)
	088272-D7-000	SF PANELING - FRESCO - SILVERADO - DECOR (WALL)
	074497-27-000	EA PANELING - TIGA BEND - PEARL DECOR (CEILING)
	088272-98-000	SF PANELING - SHOWER - OFF WHITE - 4' X 7' - 28 SQ FT
	093743-02-01A	SF PLASTIC - ABS - 20" WIDE - OFF WHITE
	093743-03-01A	SF PLASTIC - ABS - 10.8" WIDE - OFF WHITE
	098531-03-000	SF PLYWOOD - ASH 1/2"

CARPETING & FLOOR MATS

KEY	PART NUMBER	U/M DESCRIPTION
	047034-02-000	SF PLASTIC - CARPET - 4' WIDE - CLEAR POLY
	096060-97-000	SY CARPET - JUBILATION - LAPIS - CARRIAGE (F15)
	096060-A1-000	SY CARPET - JUBILATION - ARTIC - GRAY (F16)
	083218-03-000	EA MAT - FLOOR - FRONT - RH - " I " - CHEVY - PLASTICOLOR
	083218-04-000	EA MAT - FLOOR - FRONT - LH - " I " - CHEVY - PLASTICOLOR
	106884-03-000	EA MAT - FLOOR - FRONT - RH - " I " - FORD - PLASTICOLOR
	106884-04-000	EA MAT - FLOOR - FRONT - LH - " I " - FORD - PLASTICOLOR

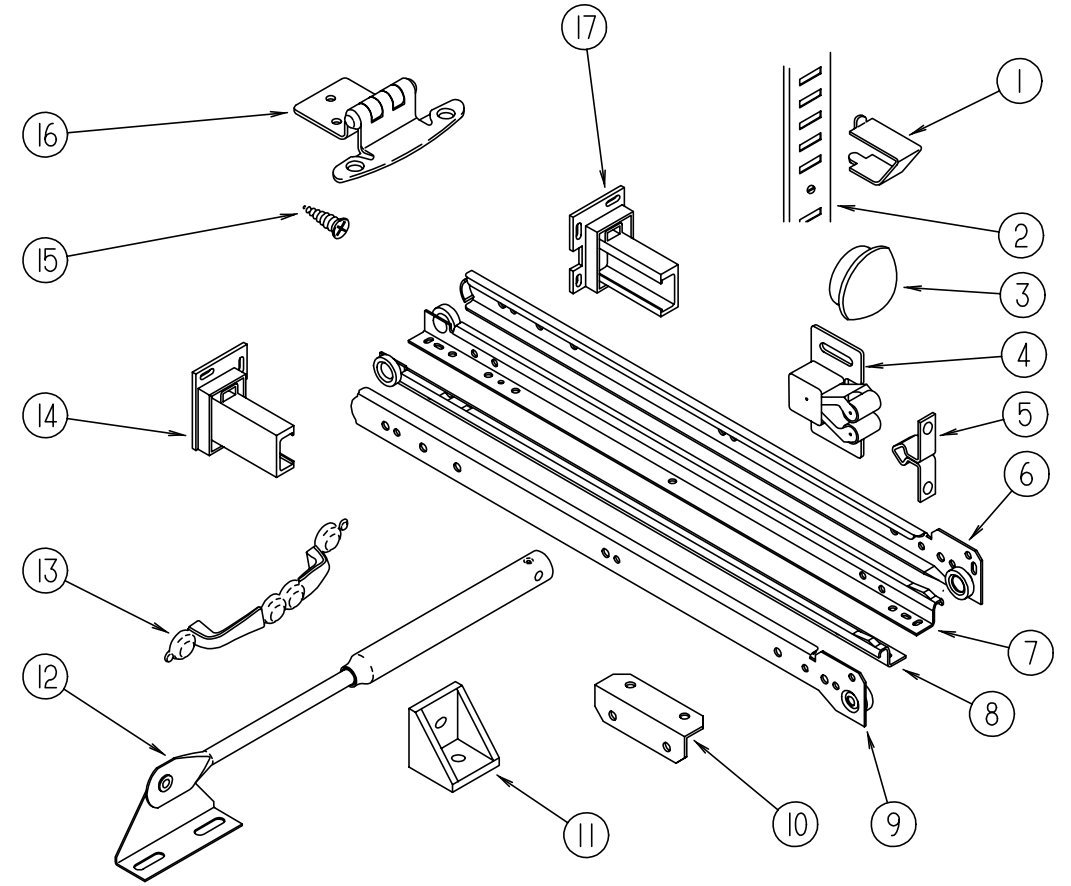
BATT STRIPS

KEY	PART NUMBER	U/M DESCRIPTION
	086229-01-000	EA RETAINER - BATTEN - CEILING - .75" WIDE - 7.6'
	086229-04-000	EA BATTEN - CEILING - 1" WIDE - IVORY - 7.6'
	088263-B4-000	EA BATT STRIP - FRESCO - SILVERADO DECOR (WALL)
	088263-B6-000	EA BATT STRIP - TIGA BEND - PEARL DECOR (CEILING)
	069733-80-000	EA BATT STRIP - WOODGRAIN - 8' - WINNI OAK
	085284-76-000	FT BATT STRIP - SHOWER - ADHESIVE BACKED - OFF WHITE
	085284-A5-000	FT STRIP - TAPE - FRESCO - SILVERADO DECOR (WALL)
	085284-A7-000	FT STRIP - TAPE - TIGA BEND - PEARL DECOR (CEILING)
	085284-67-000	FT STRIP - TAPE - 541 WINNI OAK PLUSWOOD

FIRE EXTINGUISHER, CLOCK & DETECTORS

KEY	PART NUMBER	U/M DESCRIPTION
	072852-02-000	EA DETECTOR - SMOKE - W/ 9 VOLT BATTERY - CANADIAN
	094499-02-000	EA EXTINGUISHER - FIRE - DRY - 1A10BC - CANADIAN
	094499-01-700	EA BRACKET - MOUNTING - W/ PLASTIC STRAP - FIRE EXTINGUISHER
	072852-01-000	EA DETECTOR - SMOKE - W/ 9 VOLT BATTERY - US
	094499-01-000	EA EXTINGUISHER - FIRE - DRY W/ MOUNTING BRACKET - 10 BC BRACKET ONLY #094499-01-700
	094499-01-700	EA BRACKET - MOUNTING - W/ PLASTIC STRAP - FIRE EXTINGUISHER
	112320-01-000	EA DETECTOR - CO GAS - MODEL 9B-I - COSTAR 940000000
	112320-02-000	EA BATTERY/ SENSOR - CO GAS - COSTAR 940001000

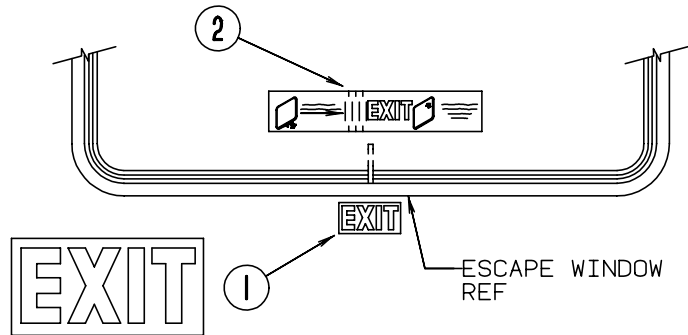
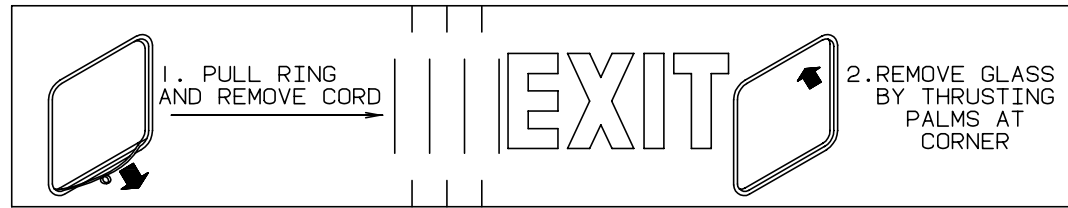
INTERIOR FINISH GROUP (CONTINUED)



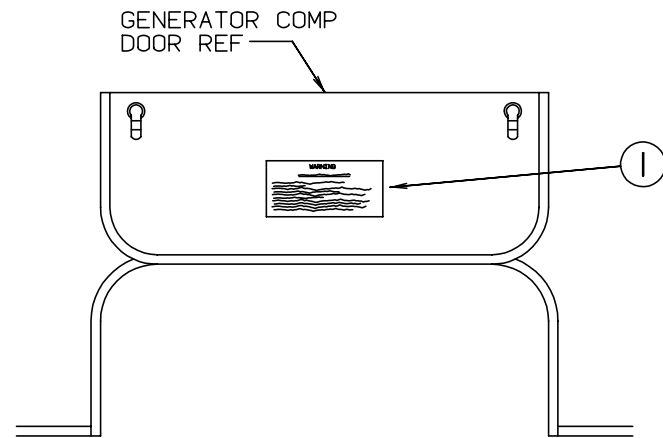
CABINET HARDWARE

KEY	PART NUMBER	U/M DESCRIPTION
1	098979-01-000	EA CLIP - ADJUSTABLE SHELF
2	098980-06-000	EA PILASTER - ADJUSTABLE SHELF - 24" LONG
3	042356-01-000	EA PLUG - MAHOGANY - 3/8" DIAMETER - WOOD
4	093586-03-000	EA CATCH - SPRING - ROLLER
5	093586-04-000	EA STRIKE - SPRING STEEL
6	106913-06-000	EA SLIDE - DRAWER - CABINET MOUNTED - RIGHT SIDE - 14"
7	106913-08-000	EA SLIDE - DRAWER - DRAWER MOUNTED - RIGHT SIDE - 14"
8	106913-07-000	EA SLIDE - DRAWER - DRAWER MOUNTED - LEFT SIDE - 14"
9	106913-05-000	EA SLIDE - DRAWER - CABINET MOUNTED - LEFT SIDE - 14"
10	016604-01-000	EA BRACE - CABINET - ANGLE - 2.5" - METAL - UNPAINTED
10	016604-03-000	EA BRACE - CABINET - ANGLE - 2.5" - METAL - BEIGE
10	016604-05-000	EA BRACE - CABINET - ANGLE - 2.5" - METAL - OFF WHITE
11	065740-01-000	EA BRACE - CABINET CORNER - PLASTIC
12	074493-02-000	EA SUPPORT - PISTON SPRING - CABINET DOOR
13	112146-01-000	EA PULL - CABINET - BRASS - AMEROCK D-1180-3
14	114045-01-000	EA BACKSOCKET - ADJUSTABLE - LEFT - HOUCK 751-1
15	000G13-06-08G	EA SCREW - 6 - 20 X 5/8 PFH - ANTIQUE BRASS
16	108138-01-000	EA HINGE - DOOR - CABINET - BURNISHED BRASS
17	114045-02-000	EA BACKSOCKET - ADJUSTABLE - RIGHT - HOUCK 751-2
	076790-01-000	EA SCREW - 6 - 20 X 1 1/4 PPH - BLACK
	004354-01-000	EA BUMPER - RUBBER - .5" DIA - BROWN
	023320-01-000	EA PAD - FELT - 3/8" DIAMETER - BROWN
	000G13-06-10G	EA SCREW - 6 - 20 X 5/8 PFH - ANTIQUE BRASS
	074045-07-000	EA PLUG - WOOD - 1/2"
	103256-01-000	EA LATCH - SLIDE

LABELS GROUP



KEY	PART NUMBER	U/M DESCRIPTION
1	039290-01-000	EA LABEL-WARNING-EXIT
2	107571-01-000	EA LABEL-EXIT-ESCAPE WINDOW



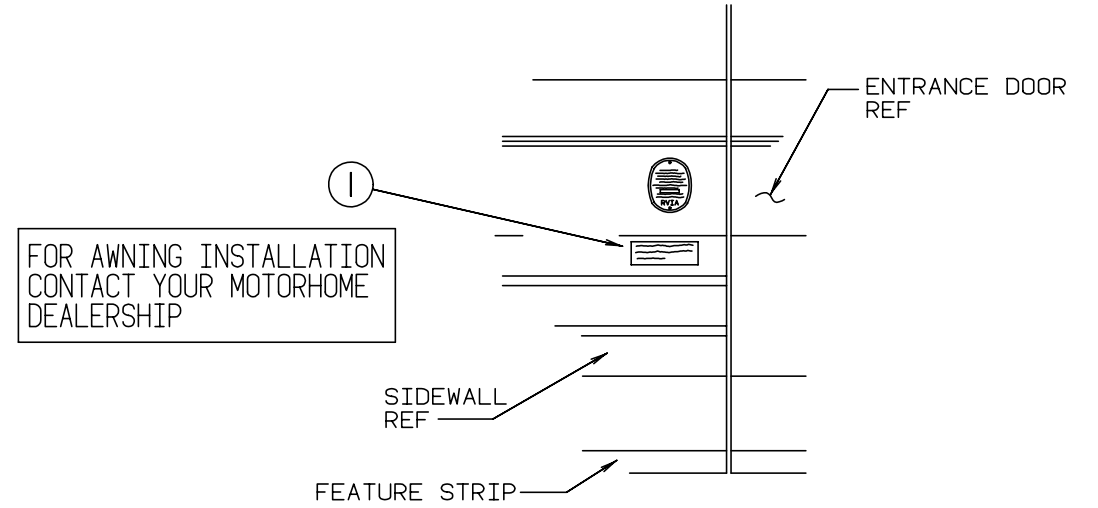
WARNING

WHEN ADDING A GENERATOR SET:

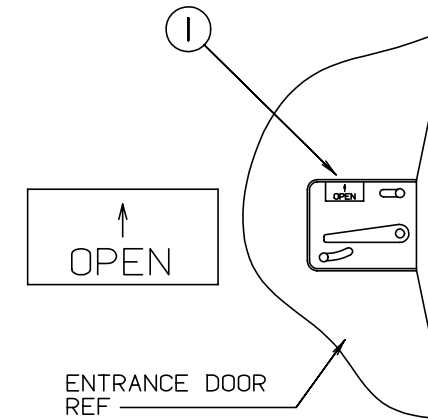
HIGH VOLTAGE-USE EXTREME CAUTION WHEN WORKING ON ELECTRICAL COMPONENTS.
 HAVE ALL ELECTRICAL INSTALLATION PERFORMED BY A QUALIFIED LICENSED ELECTRICIAN-FOLLOW ALL STATE AND LOCAL CODES.
 ONLY INSTALL GENERATOR SET APPROVED FOR R.V. APPLICATION. HAVE INSTALLED BY QUALIFIED TECHNICIAN.
 TO AVOID HEAT BUILD-UP AND TO GUARANTEE AN ADEQUATE AIR SUPPLY TO THE GENERATOR CARBURETOR, FOLLOW INSTALLATION INSTRUCTIONS.
 GENERATOR ENGINE EXHAUST GASES ARE TOXIC AND MUST NOT TERMINATE UNDER THE VEHICLE-DISCHARGE EXHAUST AWAY FROM VEHICLE.

KEY	PART NUMBER	U/M DESCRIPTION
1	077510-01-000	EA LABEL-GENERATOR PREP

LABELS GROUP (CONTINUED)

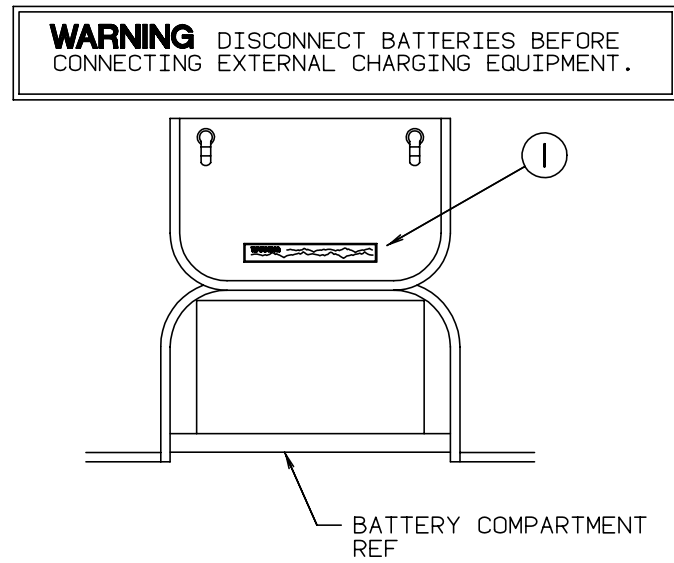


KEY	PART NUMBER	U/M DESCRIPTION
1	099509-01-000	EA LABEL-AWNING INSTALLATION

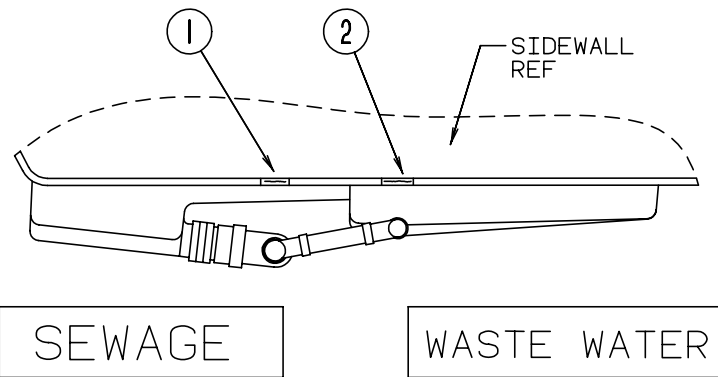


KEY	PART NUMBER	U/M DESCRIPTION
1	040944-01-000	EA LABEL-ENTRANCE DOOR - "OPEN"

LABELS GROUP (CONTINUED)

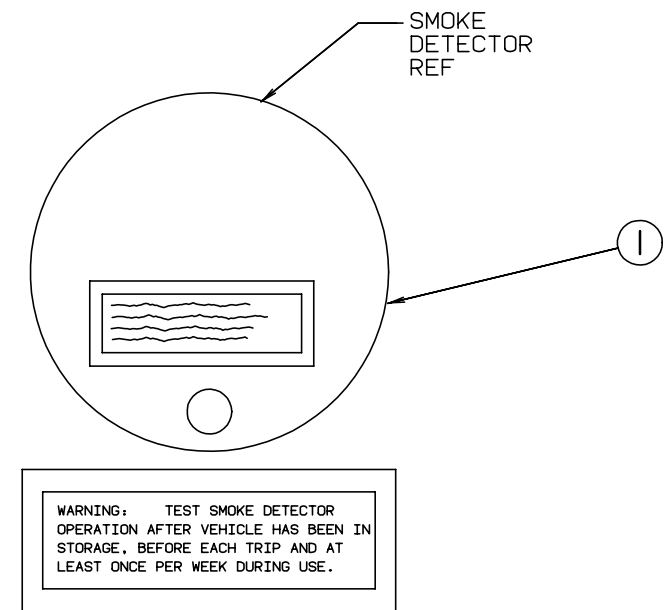


KEY	PART NUMBER	U/M DESCRIPTION
1	065748-01-000	EA LABEL-CAUTION-BATTERY CHARGING



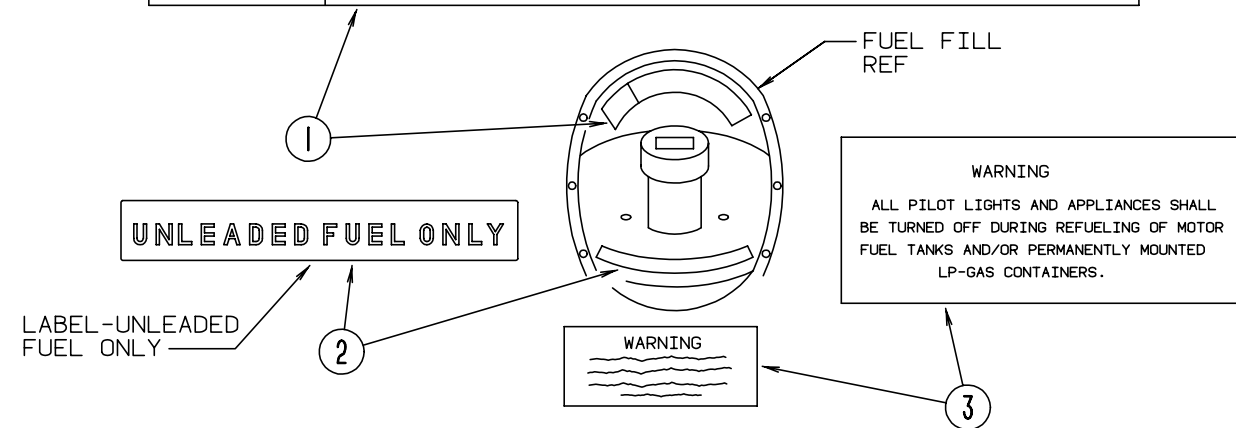
KEY	PART NUMBER	U/M DESCRIPTION
1	006187-01-000	EA LABEL-SEWAGE
2	006188-01-000	EA LABEL-WASTE WATER

LABELS GROUP (CONTINUED)



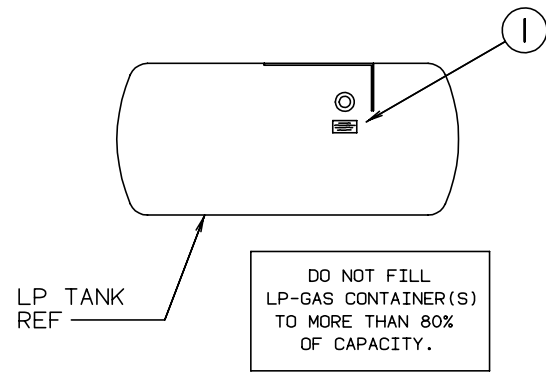
KEY	PART NUMBER	U/M DESCRIPTION
1	077956-01-000	EA LABEL-WARNING-SMOKE DETECTOR

CAUTION	TO HELP AVOID PERSONAL INJURY DURING REMOVAL OF FUEL FILLER CAP, SLOWLY LOOSEN CAP 1/2 TURN TO ALLOW ANY FUEL PRESSURE TO BE RELIEVED BEFORE TURNING CAP FURTHER.
FUEL SPRAY MAY CAUSE PERSONAL INJURY	STOP ADDING FUEL AFTER FIRST SHUTOFF BY AUTOMATIC NOZZLE WHEN TANK IS NEARLY FULL. DO NOT OVERFILL FUEL TANK. SEE OWNERS MANUAL FOR ADDITIONAL INFORMATION.
	PRINTED IN U.S.A. MLC PT NO 15611763

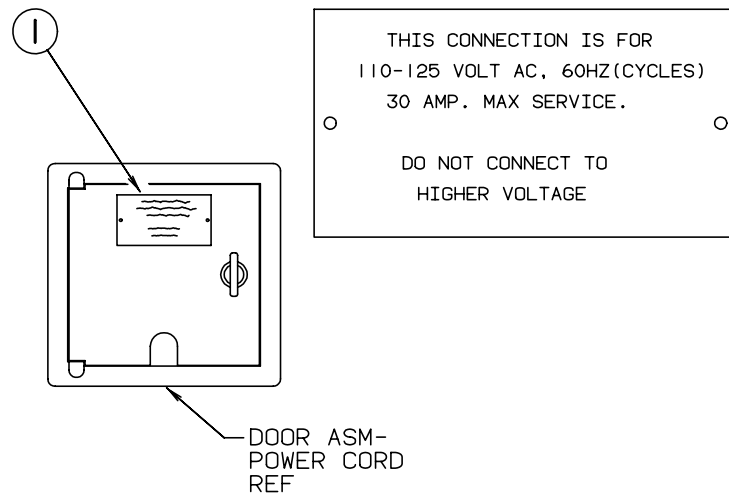


KEY	PART NUMBER	U/M DESCRIPTION
1	087207-05-000	EA LABEL - FUEL CAP REMOVAL
2	062043-01-000	EA LABEL - FUEL - UNLEADED
3	006040-01-000	EA TAG - GAS REFUELING WARNING
3	006040-02-000	EA TAG - GAS REFUELING WARNING (CANADIAN)

LABELS GROUP (CONTINUED)

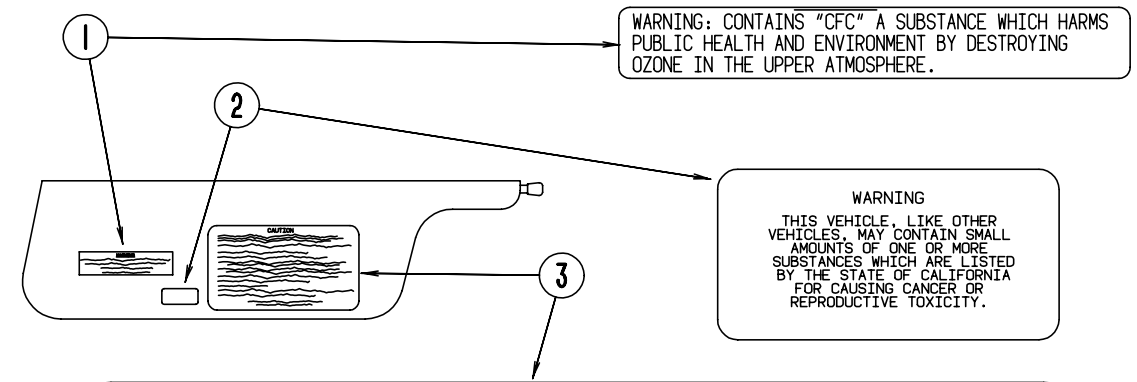


KEY	PART NUMBER	U/M DESCRIPTION
1	079965-01-000	EA LABEL-LPG - 80% CAPACITY



KEY	PART NUMBER	U/M DESCRIPTION
1	006062-01-000	EA TAG-ELECTRIC-110V CONNECTION

LABELS GROUP (CONTINUED)



CAUTION

THIS MOTOR HOME HAS BEEN DESIGNED, MANUFACTURED AND TESTED WITH CONCERN FOR THE PROTECTION OF IT'S OCCUPANTS. WE RECOMMEND YOU PERFORM THE FOLLOWING INSPECTIONS FOR YOUR SAFETY AND THE SAFETY OF YOUR PASSENGERS BEFORE STARTING YOUR VEHICLE.

1. LP GAS SYSTEM- TURN OFF AT TANK FOR TRAVELING. TEST FOR LEAKS UPON ARRIVAL AT DESTINATION. BEFORE LIGHTING PILOTS.
2. WHEELS- INSPECT FOR DAMAGE AND CHECK LUG NUTS FOR TIGHTNESS.
3. TIRES- INSPECT FOR WEAR AND DAMAGE AND CHECK FOR RECOMMENDED AIR PRESSURE.
4. LIGHTING- TEST FOR PROPER OPERATION OF ALL INTERIOR AND EXTERIOR LIGHTS INCLUDING DASH LIGHTS, HEADLIGHTS, TAIL LIGHTS, BRAKE LIGHTS, CLEARANCE LIGHTS AND TURN SIGNALS.
5. EXITS- INSPECT RELEASE MECHANISM ON EMERGENCY EXIT WINDOW. TEST BOTH LOCKS ON MAIN ENTRANCE DOOR FOR EASE OF OPERATION AND INSTRUCT PASSENGERS HOW TO USE BOTH MEANS OF EXIT.
6. SEAT BELTS- DIRECT PASSENGERS TO DESIGNATED SEATS AND REQUIRE USE OF SEAT BELTS.
7. APPLIANCES- TURN OFF AND LATCH OR LOCK DOORS WHERE PROVIDED.
8. LOOSE PARCELS- STORE SECURELY.
9. UTILITY SUPPLY LINES- DISCONNECT ALL ELECTRIC, SEWER AND WATER LINES AND SECURE PROPERLY.
10. ENTRANCE DOOR STEP- PLACE IN RETRACTED POSITION FOR TRAVELING.

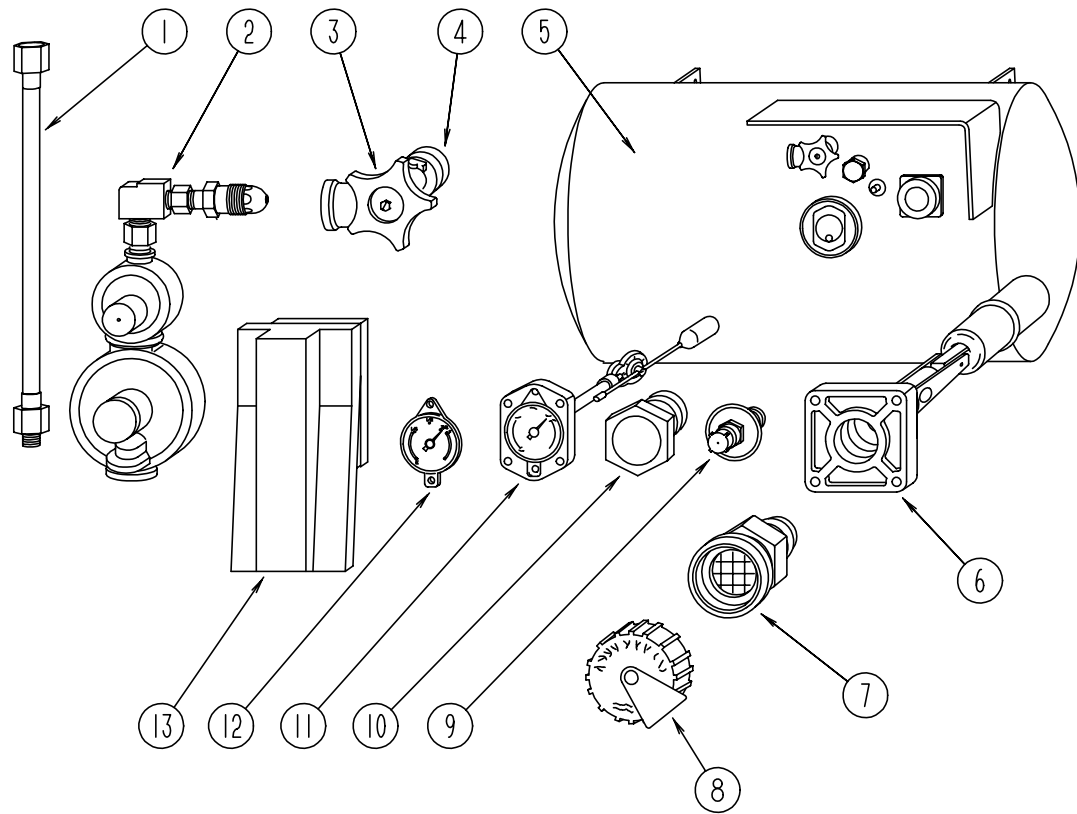
READ YOUR MOTOR HOME AND CHASSIS OWNER'S MANUAL FOR FURTHER PRECAUTIONS

KEY	PART NUMBER	U/M DESCRIPTION
1	111802-01-000	EA LABEL-CFC WARNING
2	099689-01-000	EA LABEL-WARNING-CANCER/TOXICITY
3	056259-01-000	EA LABEL-SAFETY CHECK LIST

MISCELLANEOUS LABELS

KEY	PART NUMBER	U/M DESCRIPTION
	104236-01-000	EA LABEL-GENERATOR CIRCUIT
	006064-01-000	EA LABEL-SEAT W/O SEATBELT (US) NOT INTENDED FOR USE WHILE COACH IN MOTION
	091224-02-000	EA LABEL-TRAILER LIGHTING
	091243-01-000	EA LABEL-A/C COVER - "AIR CONDITIONING CIRCUIT. ETC."
	093236-08-000	EA LABEL-CIRCUIT BREAKER
	098641-01-000	EA LABEL-FUEL - UNLEADED - DASH
	073998-01-000	EA LABEL-LPG ODOR WARNING
	087236-01-000	EA LABEL-CABLE - INPUT
	061417-01-000	EA LABEL-FUEL - ON FUEL FILL DOOR
	023769-01-000	EA LABEL-WARNING, LPG - CANADIAN
	111104-01-000	EA LABEL-HITCH, READ MANUAL
	054531-01-000	EA LABEL-LP GAS ONLY REPLACES 6061

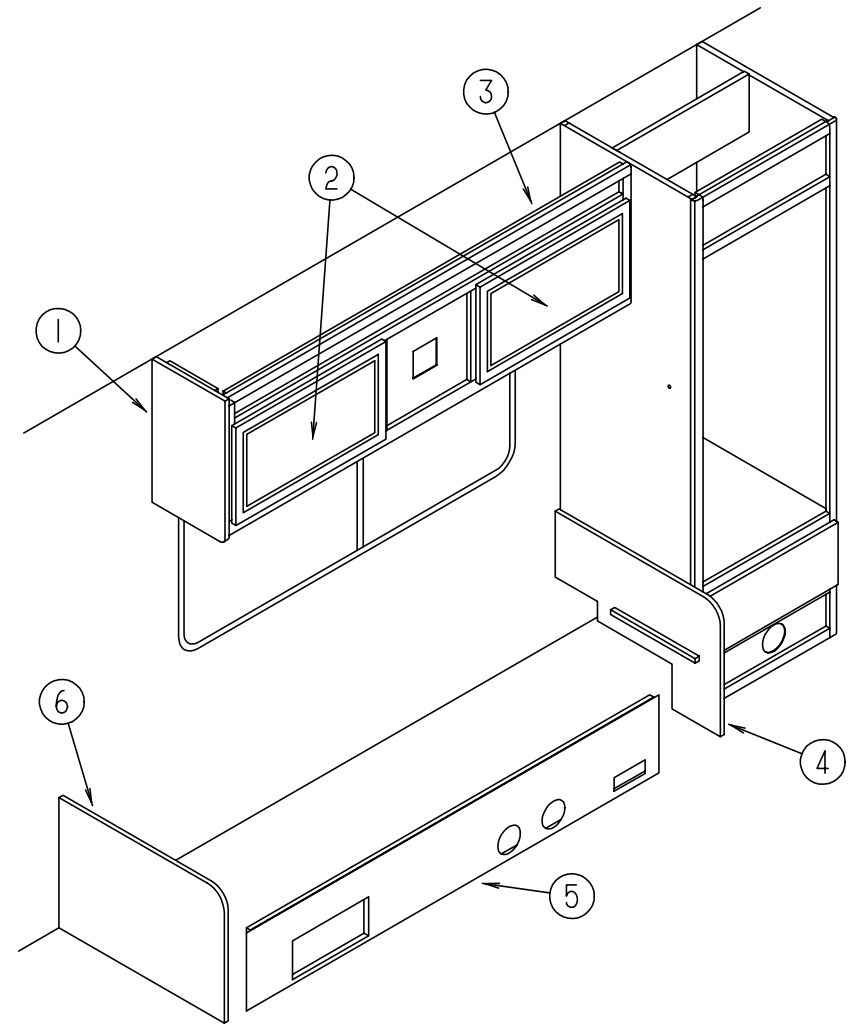
LP GROUP



LP TANK & COMPONENTS

KEY	PART NUMBER	U/M	DESCRIPTION
1	045703-01-000	EA	HOSE - LP - 3/8" ID X 24" - 3/8 MPT X 1/2 F SWIVEL (U.S.)
1	045703-02-000	EA	HOSE - LP - 3/8" ID X 24" - 3/8" MPT X 1/2" F SWIVEL (CANADA)
2	106150-01-000	EA	REGULATOR-TWO STAGE - M'BRASS 293-00
	107378-01-000	EA	PLATE - MOUNTING - LP REGULATOR
3	040421-01-708	EA	HANDWHEEL - SERVICE VALVE - BRUNNER G-1015-A
4	040421-01-712	EA	VALVE - SERVICE W/O VAPOR RELIEF - 29000853
5	080450-01-000	EA	TANK-LP - 42 LB - 13" DIA X 24" LONG
6	040421-01-711	EA	VALVE - 80% W/FLOAT - PLATE - BOLTS & GASKET - BRUNNER
7	040421-01-701	EA	VALVE - SHORT LP FILLER W/YELLOW CAP - BRUNNER 75478
8	040421-01-702	EA	CAP-LP FILLER VALVE - PLASTIC - YELLOW - BRUNNER G-1014-A
9	040421-01-700	EA	VALVE - LIQUID LEVEL - 20% LP - BRUNNER G-1013
10	040421-01-713	EA	VALVE - VAPOR ONLY - 29000587
11	074142-01-700	EA	FLOAT GAUGE - SCREW ON-MACHINE - 13C-SCR
12	040440-02-000	EA	TRANSMITTER - DIAL - 0 - 90 OHM
13	105658-01-000	EA	COMPARTMENT - LP REGULATOR
	010323-01-000	EA	ADAPTER - BRASS - 3/8" F X 1/2" MPT
	057042-01-000	EA	ADAPTER - CROSS 1/2 PIPE
	010326-01-000	EA	ADAPTER - FLARE - W/CONE GASKET - 3/8" FEMALE X 1/2" MALE
	010329-01-000	EA	ADAPTER - BRASS - 1/2" F X 1/2" MPT
	024250-01-000	EA	ADAPTER - BRASS - 3/8" F X 1/2" FPT
	010377-02-000	EA	NUT - BRASS - 3/8" FEMALE - FORGED
	010380-02-000	EA	NUT - BRASS - 1/2" FEMALE - FORGED
	010265-01-000	EA	ELBOW - BRASS - 90 DEGREE - 3/8" F X 1/2" FPT
	010252-01-000	EA	ELBOW - BRASS - 90 DEGREE - 3/8" F X 1/2" MPT
	065318-02-000	EA	ELBOW - 90 DEGREE - 3/8" MPT TO 3/8" FPT
	095624-01-000	EA	ELBOW - 90 DEGREE - 1/4" FPT X 1/4" FPT - BRASS
	103613-01-000	EA	DETECTOR - LEAK - LP GAS

LOUNGE GROUP



DRIVER SIDE LOUNGE CABINETS

KEY	PART NUMBER	U/M	DESCRIPTION
1	109908-26-F15	EA	END CAP - CABINET - OVERHEAD
2	110140-05-EB1	EA	DOOR - CABINET - W/O HARDWARE - 365 X 850 MM
3	114605-01-F15	EA	CABINET-OVERHEAD - LOUNGE - W/O DOORS & HARDWARE
4	M05968-05-F15	EA	CABINET ASM-COUCH - SIDE
4	M05968-05-F16	EA	CABINET ASM-COUCH - SIDE
5	M05968-06-F15	EA	CABINET ASM-COUCH - FRONT
5	M05968-06-F16	EA	CABINET ASM-COUCH - FRONT
6	M05968-04-F15	EA	CABINET ASM-COUCH - SIDE
6	M05968-04-F16	EA	CABINET ASM-COUCH - SIDE
	083125-05-000	EA	BRACE-ANGLE - COUCH - BEIGE - 2.5"
	105947-01-000	EA	BRACKET-HOLD DOWN - COUCH (CANADIAN OPTION)
	082525-01-000	EA	BRACE- COUCH - FLOOR MOUNT - ANGLE 3" LONG - METAL

SEALANTS & FASTENERS GROUP

SCREWS

KEY	PART NUMBER	U/M	DESCRIPTION
	000G11-04-10B	EA	SCREW - 4-24 X 5/8 PPH - ZN
	000G11-06-06B	EA	SCREW - 6-20 X 3/8 PPH ZN
	000G11-06-10J	EA	SCREW - 6-20 X 5/8 PPH - BRASS
	000G11-06-08B	EA	SCREW - 6-20 X 1/2 PPH ZINC
	000G11-07-08B	EA	SCREW - 7-19 X 1/2 PPH - ZN
	000G11-08-06B	EA	SCREW - 8-18 X 3/8 PPH ZN
	000G11-08-12E	EA	SCREW - 8-18 X .75 PPH CHROME ES0025.4
	000G11-08-12D	EA	SCREW - 8-18 X 3/4 PPH - BLACK
	000G11-08-12B	EA	SCREW - 8-18 X 3/4 PPH ZN
	000G11-08-08B	EA	SCREW - 8-18 X 1/2 PPH - ZN
	000G11-08-20B	EA	SCREW - 8-18 X 11/4 PPH ZN 05031-01-000
	000G11-08-16S	EA	SCREW - 8-18 X 1.00 PPH - OFF WHITE
	000G11-08-12T	EA	SCREW - 8-18 X 3/4 PPH - BLACK
	000G11-08-12S	EA	SCREW - 8-18 X 3/4 PPH - OFF WHITE
	000G11-10-16B	EA	SCREW - 10-16 X 1 - PPH ZN
	000G11-10-12S	EA	SCREW - 10-16 X .75 PPH OFF WHT
	000G12-08-12S	EA	SCREW - 8-18 X 3/4 POH - OFF WHITE
	000G13-06-24J	EA	SCREW - 6-20 X 1.50 PFH BRASS
	000G13-06-16J	EA	SCREW - 6-20 X 1.00 PFH - BRASS
	000G13-07-12B	EA	SCREW - 7-19 X 3/4 PFH ZN
	000G32-10-06B	EA	SCREW - 10-32 X 3/8" - PPH - ZINC
	000G39-06-16T	EA	SCREW - SF/DR - 6-20 X 1 PPH - BLACK
	000G39-06-10T	EA	SCREW - SF/DR - 6-20 X 5/8 PPH - BLACK
	000G39-06-10T	EA	SCREW - SF/DR - 6-20 X 5/8 PPH - BLACK
	000G39-08-08S	EA	SCREW - SF/DR - 8-18 X 1/2 PPH - OFF WHITE
	000G39-08-08B	EA	SCREW - SF/DR - 8-18 X 1/2 PPH ZN
	000G39-08-24S	EA	SCREW - SF/DR - 8-18 X 1.50 - OFF WHITE
	000G39-08-24B	EA	SCREW - SF/DR - 8-18 X 1 1/2 PPH ZN
	000G39-08-16S	EA	SCREW - SF/DR - 8-18 X 1.00 PPH - OFF WHITE
	000G39-08-16B	EA	SCREW - SF/DR - 8-18 X 1 PPH ZN
	000G39-08-12B	EA	SCREW - SF/DR - 8-18 X 3/4 PPH ZN
	000G39-10-12D	EA	SCREW - SF/DR - 10-16 X 3/4 PPH - BLACK
	000G39-10-12B	EA	SCREW - SF/DR - 10-16 X .75 PPH ZN
	000G39-10-10S	EA	SCREW - SF/DR - 10-16 X .62" - PPH - OFF WHITE
	000G39-10-209	EA	SCREW - SF/DR - 10-16 X 1.25 PPH FLUOROCARBON SILVER
	000G39-10-20B	EA	SCREW - SF/DR - 10-16 X 1 1/4 PPH ZN
	000G39-12-12E	EA	SCREW - SF/DR - 12 - 14 X 3/4 PPH - CHROME
	000G42-04-12B	EA	SCREW - SF/DR - 1/4-14 X 3/4 HWH ZN
	000G42-04-16B	EA	SCREW - SF/DR - 1/4-14 X 1 HWH - ZN
	000G46-08-24T	EA	SCREW - MACHINE - 8-32 X 1.50 IN PFH - BLACK
	000G50-04-12B	EA	SCREW - MACHINE - 1/4-20 X 3/4 PPH ZN
	000G52-08-18B	EA	SCREW - MACHINE - 8-32 X 11/8 PTH ZN
	000G53-04-06B	EA	SCREW - MACHINE - 1/4-20 X 3/8 PPH ZN - UNDERCUT HEAD
	000G54-04-20B	EA	SCREW - 1/4-20 X 1 1/4 PTH - TYPE 23 - ZINC PLATED
	000G60-10-28T	EA	SCREW - SF/DR - 10-16 X 1.75 - BLACK
	000G67-10-10B	EA	SCREW - 10-12 X 5/8 PPH ZN - TYPE A
	000G67-10-08R	EA	SCREW - 10-12 X 1/2 PPH - BEIGE - TYPE A
	000G67-10-08B	EA	SCREW - 10-12 X 1/2 PPH ZN
	000G67-10-16P	EA	SCREW - 10-12 X 1 PPH - DARK BROWN
	000G67-10-16B	EA	SCREW - 10-12 X 1 PPH - ZN
	000G67-10-120	EA	SCREW - 10-12 X .75" PPH - TAN
	000G67-10-12S	EA	SCREW - 10-12 X .75 PPH OFF WHITE
	000G67-10-12R	EA	SCREW - 10-12 X .75 PPH - BEIGE
	000G67-10-12P	EA	SCREW - 10-12 X .75" - PPH - DARK BROWN
	000G67-10-12B	EA	SCREW - 10-12 X 3/4" PPH - ZN
	000G67-10-10S	EA	SCREW - 10-12 X 5/8" - PPH - OFF WHITE
	000G67-10-36T	EA	SCREW - 10-12 X 2.25PPHBLACK STALGARD
	000G67-10-32B	EA	SCREW - 10-12 X 2 PPH - ZN
	000G67-10-24B	EA	SCREW - 10-12 X 1 1/2 PPH - ZN
	000G67-10-20D	EA	SCREW - 10-12 X 1 1/4 PPH - BLACK
	000G68-06-10G	EA	SCREW - 6-18 X 5/8 POH - ANTIQUE BRASS
	000G68-10-36T	EA	SCREW - 10-12 X 2.25 POH BLACK

SEALANTS & FASTENERS GROUP (CONTINUED)

SCREWS (CONTINUED)

KEY	PART NUMBER	U/M	DESCRIPTION
	049465-04-000	EA	SCREW - 10-16 X 1 PTH W/WASHER - BEIGE
	074046-01-000	EA	SCREW - 8-18 X 1 1/2 PFH -BRONZE REF:G13-08-24B
	075908-01-000	EA	SCREW - MACHINE - 10-32 X .56 PTH - ZINC EXTERNAL TOOTH
	087721-01-000	EA	SCREW - FLAT HEAD - TAPPING - 1/4" X 1 1/4" LG ZN
	101618-01-000	EA	SCREW - 1/4-20 X 3/4 HEX/ TAPPING STALGARD TYPE F

CLAMPS - GROMMETS - CLIPS - HOLDERS & RIVETS

KEY	PART NUMBER	U/M	DESCRIPTION
	008343-01-000	EA	TIE-WIRE - 6"
	000H16-04-06R	EA	RIVET - POP - AL 1/8 X .313-.375
	007161-01-000	EA	CLAMP - HOSE - SPRING TYPE - 1/2"
	010495-01-000	EA	CLAMP - CABLE - 9/16"
	010497-01-000	EA	CLAMP - CLOSED - 5/8" ID
	010499-01-000	EA	CLAMP - CLOSED - 3/8" ID
	010497-03-000	EA	CLAMP - CLOSED - 1" ID - CUSHIONED
	083610-02-000	EA	CLAMP - WIRE -DUAL UNEQUAL DIA
	008384-01-000	EA	GROMMET - SNAP - 3/4" DIAMETER - NYLON
	016188-03-000	EA	GROMMET - L/P LINE - 3/8" HOLE X 2 1/2" LONG - RUBBER
	016188-05-000	EA	GROMMET - L/P LINE - 3/8" HOLE X 1 1/4" LONG - RUBBER
	062401-01-000	EA	CLAMP - HOSE - WORMGEAR .25" - 1"
	062401-02-000	EA	CLAMP - HOSE - WORMGEAR 1.56" - 2.5"
	062401-04-000	EA	CLAMP - HOSE - WORMGEAR .69"- 1.25"
	062401-06-000	EA	CLAMP - HOSE - WORMGEAR .22"- .62"
	071015-11-000	EA	GROMMET - 1.00" ID - FITS .12 MATERIAL - MINOR RUBBER Z-3065
	075148-02-000	EA	CLAMP - GROUNDING - BRONZE SCREWS
	080734-02-000	EA	CLIP - WIRE - NYLON
	083609-01-000	EA	CLAMP - WIRE - DUAL EQUAL - 5/8" DIAMETER
	083610-01-000	EA	CLAMP - WIRE - DUAL - UNEQUAL DIAMETERS - .75" & 1.25"
	085774-01-000	FT	FASTENER - DUAL HOOK - 1" WIDE - ADHESIVE BACK - BLACK
	085774-02-000	FT	FASTENER - DUAL LOOP - 1" WIDE - ADHESIVE BACK - BLACK
	091952-01-000	EA	CLIP - GRIPPER - 1"
	091952-02-000	EA	CLIP - GRIPPER - 3/4"
	080211-03-000	EA	CLIP - MOUNTING - (XMAS TREE)

SEALANTS & FASTENERS GROUP (CONTINUED)

ADHESIVE & FASTENERS

KEY	PART NUMBER	U/M	DESCRIPTION
	034552-02-000	EA	SILICONE-TUBE - 300 ML - W/O NOZZLE - CLEAR
	034552-06-000	EA	SILICONE-TUBE - 300 ML - W/O NOZZLE - OFF WHITE
	900390-01-000	EA	TIP - 2 1/2" X 1/8" ORIFICE
	900390-03-000	EA	NOZZLES-#CSL D10
	002707-02-000	FT	TAPE-SEALER - 6/16" X 1/2"
	053766-08-000	EA	BEDDING COMPOUND-TUBE - GRAY - SCHNEE# 5522
	063642-01-000	FT	TAPE-ADHESIVE - 10 MM X 1.5" WIDE X 180'
	069640-02-000	FT	SEALER - RIBBON - 1/2" X 1/8" X 60'
	069640-03-000	FT	SEALER - RIBBON - 5/16" X 1/8" X 60'
	069640-07-000	FT	SEALER - RIBBON - 2" X 3/32" X 45'
	069640-10-000	FT	SEALER - RIBBON - 1/32" X 1 1/2" X 90'
	069640-11-000	FT	SEALER - TAPE - 3/16" X 3/8" X 40' - BLACK - MANUS
	069640-14-000	FT	SEALER - TAPE - 1/16" X 1" X 100' - GRAY - MANUS
	076314-02-000	FT	TAPE-CARPET SEAM - HEAT - BOND - 4" WIDE
	076322-01-000	FT	TAPE-FOAM - DOUBLE COATED ADHESIVE BACKED - .75" X 216'
	076322-05-000	FT	TAPE-FOAM - DOUBLE COATED ADHESIVE BACKED - .025" X 1.5" X 108'
	087211-01-000	GL	PROMOTER - ADHESIVE
	102352-01-000	EA	SEALER - PUMPABLE - BLACK - COLORIMETRIC MS101
	108716-01-000	EA	SILICONE-TUBE - OFF WHITE LEVEL - CSL 510
	004020-01-000	QT	ADHESIVE-ABS CEMENT

BOLTS - NUTS & WASHERS

KEY	PART NUMBER	U/M	DESCRIPTION
	0MC31K-08-020	EA	BOLT - HEX - SER FLANGE - M8 X 020
	000C12-05-16B	EA	BOLT - HEX - 5/16-18 X 1 - ZINC 5
	000C12-06-16B	EA	BOLT - HEX-3/8-16 X 1LG - ZINC 5
	000C12-07-24B	EA	BOLT - HEX -7/16-14 X 1.50 - ZINC 5 MC-90
	000C12-08-24B	EA	BOLT - HEX - 1/2-13 X 1 1/2 - ZINC 5
	000C12-10-64B	EA	BOLT - HEX -5/8-11 X 4.0 - ZINC 5
	000C12-10-24B	EA	BOLT - HEX - 5/8-11 X 1 1/2 ZINC 5
	000C13-07-48B	EA	BOLT - HEX - 7/16 - 20 X 3 - ZINC 5
	000C18-05-40A	EA	BOLT - ELEV - 5/16"-18 X 2 1/2" PL
	000C18-06-48B	EA	BOLT - ELEV - 3/8-16 X 3 ZINC - GDE 5
	000C26-04-14B	EA	BOLT - HEX SERRATED FLANGE - 1/4X20X7/8 ZINC
	000C26-04-10B	EA	BOLT - HEX - SER FLG - 1/4-20 X 5/8 ZINC
	000C26-05-12B	EA	BOLT - HEX-SER FLG 5/16-18 X 3/4 ZINC
	000C26-06-12B	EA	BOLT - HEX-SER FLG 3/8-16 X 3/4 ZINC
	000D24-10-00B	EA	NUT - HEX - SF/LK - 10-32 ZINC
	000D29-06-00B	EA	NUT - HEX W/NYLON LOK 3/8-16 ZINC
	000D29-09-00B	EA	NUT - HEX SELF LOCK 9/16-12 ZINC MC-90 CHASSIS
	000D39-04-00B	EA	NUT - HEX - SER FLG LK 1/4 - 20 ZINC
	000D39-05-00B	EA	NUT - HEX - SER FLG LK - 5/16 - 18 ZINC
	000D39-06-00B	EA	NUT - HEX - SER FLG LK - 3/8-16 ZINC
	000D39-08-00B	EA	NUT - HEX - SER FLG LK - 1/2-13 ZINC
	000D44-07-00B	EA	NUT - HEX - SER FLG LK - 7/16-20 ZINC
	000D46-04-00A	EA	NUT - HEX -WELD -1/4-20 - PLAIN SHORT PILOT
	000D60-05-00A	EA	NUT - HEX WELD - LOCK 5/16-18UNC SHORT PILOT
	000E11-07-00B	EA	WASHER - LK - 7/16 MED SPLIT ZINC 05114-01-000
	000E11-08-00B	EA	WASHER - LK - 1/2 MED SPLIT ZINC
	000E13-17-00B	EA	WASHER - FL - 3/8" AR ZINC
	000E13-18-00B	EA	WASHER - FL - 3/8 WIDE ZINC 05113-01-000
	000E13-20-00B	EA	WASHER - FL - 7/16" WIDE - ZINC
	000E13-21-00B	EA	WASHER - FL - W/2 NAR ZINC
	000E14-10-00B	EA	WASHER - LK - NO 10 EXT TOOTH - ZINC
	000G45-05-16B	EA	BOLT - LAG 5/16 - 9 X 1 ZINC
	044533-01-000	EA	WASHER - PLASTIC - 1 3/8"OD - FOR BUTTONS
	104369-01-000	EA	NUT - HEX - HEAVY - 5/8-11 UNC SPARE TIRE INSTL

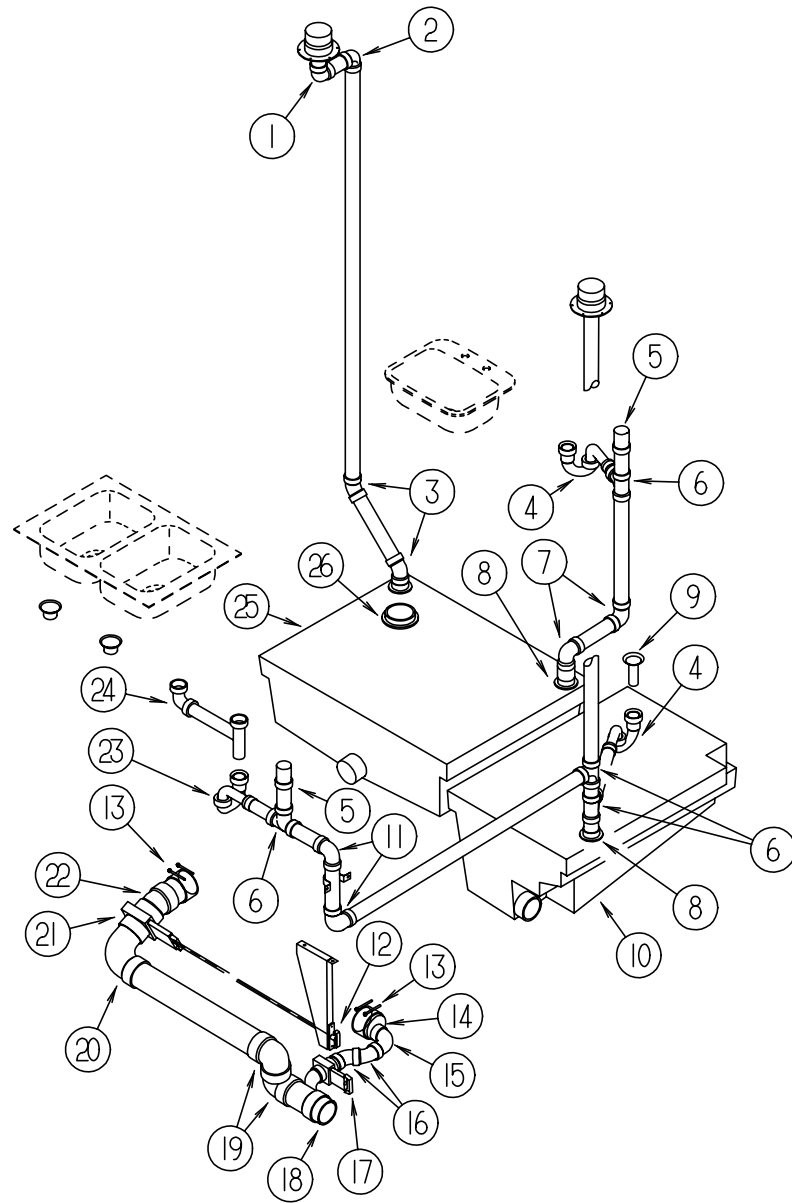
WATER & SEWAGE GROUP

FRESH WATER TANK & WATER SYSTEM

KEY	PART NUMBER	U/M	DESCRIPTION
	045195-03-000	EA	TANK ASM-WATER - 30 GAL
	045195-01-000	EA	TANK-WATER - 30 GAL - W/O FITTINGS - 34.5" X 18" X 12"
	077954-02-000	EA	FILTER-WATER TANK - SCREEN IN TANK
	042989-03-000	EA	FITTING-WATER TANK - SPINWELD - 1 1/4"NPT - PLASTIC - WHITE
	042989-04-000	EA	FITTING-WATER TANK - SPINWELD - 3/8" FPT - PLASTIC - WHITE
	042989-05-000	EA	FITTING-WATER TANK - SPINWELD - 1/2" FPT - PLASTIC - WHITE
	049032-01-000	EA	PATCH-SPINWELD - 3/8" - PLASTIC
	039861-01-000	EA	SENDING UNIT - W/SCREW - WASHER- WELL NUT AND TERMINAL RING
	010224-01-000	EA	ADAPTER-HOSE TO PIPE - 3/8" MPT X 3/8" BARB - PLASTIC BLACK
	044927-01-000	EA	ADAPTER-HOSE TO PIPE - 1 1/4" MPT X 1 1/4" BARB-BLACK PLASTIC
	079317-01-000	EA	ADAPTER-SWIVEL - 1/2" TUBE X 1/2" FPT - PLASTIC - GRAY
	052954-01-000	EA	ADAPTER-NOSE CONE - 3/8" OR 1/2" TUBING - PLASTIC - GRAY
	106258-01-000	EA	CAP-INSERTABLE - 1/2" FLARE
	098417-01-000	EA	CONNECTOR - 5/8" F X 1/2" MPT - PLASTIC - KEVCO
	101814-01-000	EA	COUPLING-FEMALE - 1/2" X 1/2" FPT
	052957-02-000	EA	ELBOW-MALE - 1/2" F X 1/2" MPT - PLASTIC - GRAY
	055290-01-000	EA	ELBOW - 5/8" F X 1/2" MPT - PLASTIC - GRAY
	039808-03-000	EA	ELBOW - 1/2" MPT X 1/2" MPT - PLASTIC - KEVCO 17296
	065120-01-000	EA	ELBOW-SWIVEL - 1/2" FPT X 1/2" FLARE - PLASTIC - GRAY
	110915-01-01A	EA	FILL-WATER CITY - OFF WHITE
	052961-05-000	EA	HEADER - 1/2" F X 1/2" F X 1/2" M X 1/2" F - DRAIN 4.5
	052953-01-000	EA	NUT-FAUCET - 1/2" TUBE X 1/2" FPT - PLASTIC - GRAY
	052952-02-000	EA	NUT-PLASTIC - 5/8" FLARE
	052952-01-000	EA	NUT-PLASTIC - 1/2" F X 1/2" TUBE - GRAY
	055291-01-000	EA	TEE-PLASTIC - 5/8" F X 5/8" F X 5/8" F
	074463-01-000	EA	TEE - 4 WAY - 1/2" FLARE - PLASTIC - GRAY
	055293-01-000	EA	TEE - PLASTIC - 5/8" F X 1/2" F X 5/8" F
	039800-01-000	FT	TUBING - POLYBUTYL - 1/2" OD - INCREMENTS OF 20' - BLACK
	039800-02-000	FT	TUBING - POLYBUTYL - 5/8" OD - INCREMENTS OF 20' - BLACK
	079381-01-000	FT	TUBING - SMOOTH - FLEXIBLE 1 1/4" X 20' ID
	074462-02-000	FT	TUBING - VINYL - 3/8" ID - CLEAR
	113698-01-000	EA	VALVE - LINE DRAIN - 1/2F X 1/2F PLASTIC-WATER
	114431-01-000	EA	VALVE - LINE DRAIN - 5/8F X 5/8F PLASTIC-WATER
	114429-02-000	EA	ELBOW - 1/2P X 1/2MPT FLAIR-IT 02803
	114429-03-000	EA	ELBOW - SWIVEL - 1/2P X 1/2FPT FLAIR-IT 02816

WATER & SEWAGE GROUP (CONTINUED)

DRAINAGE SYSTEM



KEY	PART NUMBER	U/M	DESCRIPTION
1	037101-01-000	EA	ELBOW - 90 DEGREE - SHORT TURN
2	034250-01-000	EA	ELBOW - 90 DEGREE - LONG TURN - 1 1/2" HUB X HUB - ABS
3	010006-01-000	EA	ELBOW - 45 DEG - 1/8" BEND - 1 1/2" HUB X HUB - BLACK PLASTIC
4	107538-01-000	EA	P TRAP-PLASTIC - 1 1/4" W/EXT ARM
4	109571-01-000	EA	ADAPTER-P TRAP - 1 1/2" P X 1 1/4" MPT
5	079968-01-000	EA	VENT-MECH. TRAP ARM, ANTI-SIPHON - 2" DIA X 7.3" - PLASTIC
6	010071-01-000	EA	TEE-SANITARY - 1 1/2" HUB X HUB X HUB - PLASTIC - BLACK
7	010008-01-000	EA	ELBOW - 90 DEG, 1/4 BEND - 1 1/2" HUB X HUB - BLACK PLASTIC
8	061607-01-000	EA	GROMMET-HOLDING TANK - 1 1/2" NPS
9	011069-02-000	EA	TAILPIECE-TUB/SHOWER - 1 1/2" X 1 1/4" X 4" - BRASS
10	074861-01-000	EA	TANK-HOLDING - W/O GROMMETS - 35 GALLON - 35" X 11" X 27"
11	010008-01-000	EA	ELBOW - 90 DEG - 1/4" BEND - 1 1/2" HUB X HUB - BLACK PLASTIC
12	062419-05-000	EA	BRACKET-VALVE - LOCKING - KEVCO T1003-UC
12	062419-06-000	EA	HANDLE-T - KEVCO CT1003-6
12	062419-07-000	EA	HANDLE-EXTENSION - W/ TAPPED END - KEVCO
13	078406-01-000	EA	COUPLER-RUBBER - W/ CLAMPS - 3" X 3"
14	062422-01-000	EA	ADAPTER-OFFSET REDUCER - 3" X 1 1/2" - PLASTIC - BLACK
15	033761-01-000	EA	ELBOW-TURN - 1/4" BEND X 1.5" HUB X 1.5" SPIGOT - BLACK PLASTIC
16	010051-01-000	EA	ELBOW-TURN - 45 DEG BEND X 1.5" SPIGOT AND HUB - BLACK PLASTIC
17	062421-01-000	EA	VALVE-DUMP - W/HANDLE - 1 1/2" - PLASTIC - BLACK
18	109450-01-000	EA	ADAPTER-PLASTIC - HOSE - SEWER - KEVCO 40738
18	062416-01-000	EA	ADAPTER - SEWER HOSE TO 3" PIPE
	010201-01-000	EA	HOSE - SEWER - 3" ID X 8'
	031365-01-000	EA	TEE-PLASTIC - 3" X 3" X 11/2" EXT LONG TURN - NICO 5812-LR-3-3-2
	062415-01-000	EA	CAP-SEWER - 3" DIAMETER
	062415-01-700	EA	STRING-SEWER CAP - SV7 STRAP
19	010061-01-000	EA	ELBOW - 45 DEGREE - STREET - 1/8 BEND - 3" S X H - PLASTIC
20	041956-01-000	EA	ELBOW-STREET - PLASTIC - 1/4 BEND - 3" X 90 XLT
21	062418-01-000	EA	VALVE-DUMP - W/HANDLE - 3" - PLASTIC - BLACK
22	010023-01-000	EA	ELBOW-PLAS - ST 1/16 BD 3 X 22.5' - NIBCO 5808-3
	011091-02-000	EA	PIPE-DRAIN - DOUBLE SINK - BAFFLE TEE - 1 1/2"
23	107538-01-000	EA	P TRAP-PLASTIC - 1 1/4" W/EXT ARM
23	109571-01-000	EA	ADAPTER-P TRAP - 1 1/2" P X 1 1/4" MPT
23	011071-01-000	EA	P TRAP - 1 1/2" - PLASTIC (CSA)
24	011091-03-000	EA	PIPE-DRAIN - W/SEALS - DOUBLE SINK - EXTENDS 9" TO 16"
25	071271-01-000	EA	TANK-HOLDING - 31 GALLON
26	061607-02-000	EA	GROMMET-HOLDING TANK - 3" NPS
	063641-01-000	EA	FLANGE-CLOSET - 4" X 3"

WATER & SEWAGE GROUP (CONTINUED)**WATER HEATER W/MOTOR AID**

KEY	PART NUMBER	U/M	DESCRIPTION
	051393-01-000	EA	WATER HEATER-W/ MOTOR AID - PILOTLESS IGNITION (GH6-3E,GH6-4E,GH6-6E)
	051391-01-700	EA	HINGE KIT-W/CLIP - ATWOOD # 92568 & 92559
	051391-01-704	EA	VALVE-RELIEF - 1/2" FITTING - ATWOOD# 91604
	051391-01-705	EA	FASTENER-CAMLOC - ATWOOD# 92609
	051391-01-708	EA	BURNER-MAIN - 3E ONLY - ATWOOD# 92615
	051391-01-710	EA	ORIFICE-MAIN BURNER - ATWOOD# 92742
	051391-01-714	EA	ELBOW - 45 DEGREE - 3/8"F X 3/8"MPT - ATWOOD 91044
	051391-01-715	EA	DRAIN PLUG - ATWOOD# 91561
	051391-04-707	EA	KIT-GRILLE, FLUE, & GASKET - ATWOOD# 90960
	051393-01-726	EA	GAS VALVE (ONLY) 91605 ATWOOD#
	051391-04-701	EA	THERMOSTAT 12 VDC-120 PRESET - ATWOOD# 91470
	051391-04-704	EA	TANK-INNER - FRONT MOUNT - GH6-4E & 6E - ATWOOD 91642
	051393-01-700	EA	TANK-INNER - 3E FRONT MOUNT - ATWOOD# 91023
	097967-01-000	EA	SWITCH-WATER HEATER - REMOTE W/LIGHT - ATWOOD 91959
	051393-01-702	EA	SWITCH-ENERGY CUT-OFF - ATWOOD# 91951
	051393-01-703	EA	THERMOSTAT-REAR MOUNT - ATWOOD# 91952
	051393-01-704	EA	CIRCUIT BOARD-W/BLACK BOX - ATWOOD# 91420
	051393-01-705	EA	ORIFICE HOLDER-ATWOOD# 91925
	051393-01-714	EA	TANK-INNER (GH6-3E) -REAR MOUNT - ATWOOD# 91408
	051393-01-716	EA	SPARK & PROBE ASM - ATWOOD# 91606
	051393-01-721	EA	ECO & THERMOSTAT ASM-FRONT MOUNT - 140 DEGREE - ATWOOD# 91447

WATER HEATER W/ ELECTRIC IGNITION

KEY	PART NUMBER	U/M	DESCRIPTION
	051391-03-000	EA	HEATER-WATER, W/ ELECTRIC IGNITION - ATWOOD G6A-3E
	051391-01-700	EA	HINGE KIT-W/CLIP, ATWOOD # 92568 & 92559
	051391-01-704	EA	VALVE-RELIEF, 1/2" FITTING - ATWOOD# 91604
	051391-01-705	EA	FASTENER-CAMLOC, ATWOOD# 92609
	051391-04-707	EA	KIT-GRILLE, FLUE, & GASKET - ATWOOD# 90960
	051391-01-708	EA	BURNER-MAIN, 3E ONLY - ATWOOD# 92615
	051391-01-710	EA	ORIFICE-MAIN BURNER, ATWOOD# 92742
	051391-01-715	EA	DRAIN PLUG, ATWOOD# 91561
	051391-04-700	EA	TANK-INNER (G6A-3E), FRT MT - ATWOOD# 91608
	051391-04-701	EA	THERMOSTAT 12 VDC-120 PRESET, ATWOOD# 91470
	051391-04-706	EA	TANK-INNER, G6A-4E & 6E - FRONT MOUNT - ATWOOD# 91641
	097967-01-000	EA	SWITCH-WATER HEATER, REMOTE W/LIGHT - ATWOOD 91959
	051393-01-702	EA	SWITCH-ENERGY CUT-OFF, ATWOOD# 91951
	051393-01-703	EA	THERMOSTAT-REAR MOUNT, ATWOOD# 91952
	051393-01-704	EA	CIRCUIT BOARD-W/BLACK BOX, ATWOOD# 91420
	051393-01-705	EA	ORIFICE HOLDER-ATWOOD# 91925
	051393-01-716	EA	SPARK & PROBE ASM, ATWOOD# 91606
	051393-01-726	EA	GAS VALVE (ONLY) 91605 ATWOOD#
	051393-01-721	EA	ECO & THERMOSTAT ASM-FRONT MOUNT, 140 DEGREE - ATWOOD# 91447
	051393-03-700	EA	TANK-INNER (G6A-3E), REAR MT - ATWOOD# 91409

WATER & SEWAGE GROUP (CONTINUED)**EXTERIOR SHOWER**

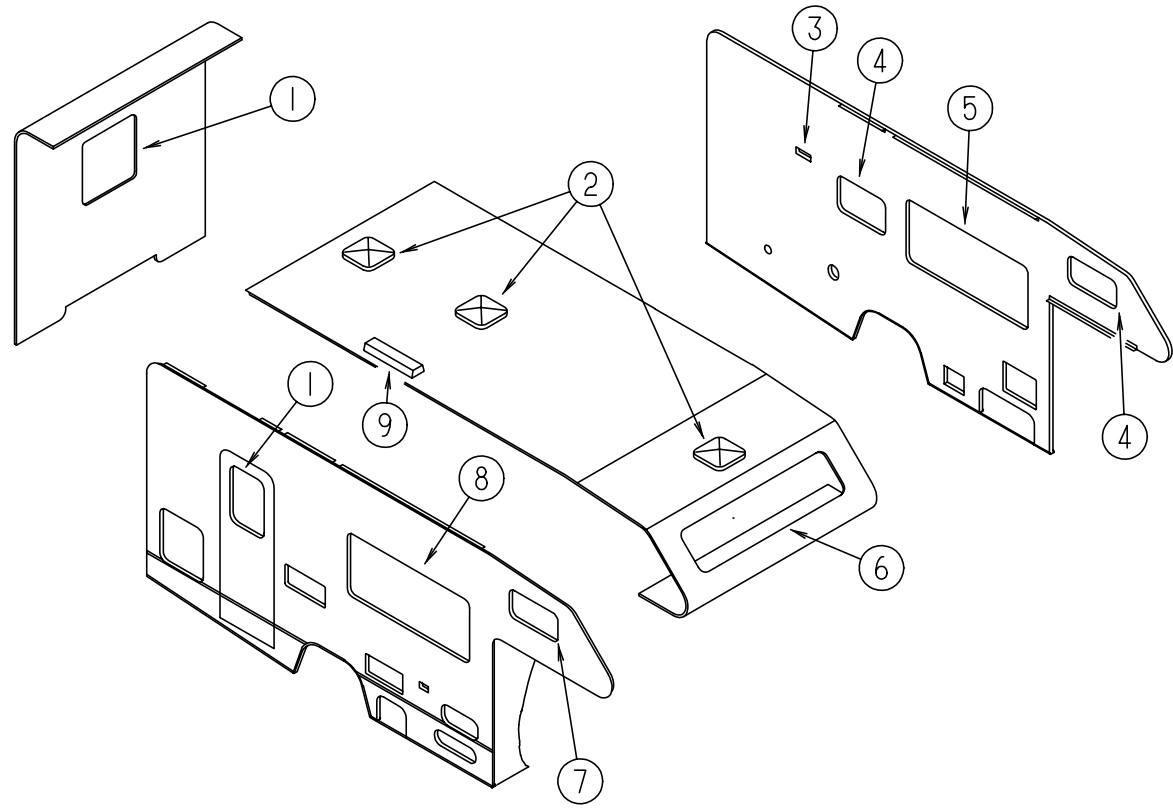
KEY	PART NUMBER	U/M	DESCRIPTION
	103092-01-000	EA	HEAD-SHOWER - W/60" HOSE
	103092-01-700	EA	BRACKET-SHOWER HEAD - CLEAR
	103092-01-701	EA	BRACKET-SHOWER HEAD - BONE
	075241-05-000	EA	FAUCET-SHOWER - BONE
	093527-02-000	EA	BRACKET-SQUEEGE/SHOWER HEAD
	106000-01-000	EA	CAP-FEMALE W/CONE .50

WATER PUMP

KEY	PART NUMBER	U/M	DESCRIPTION
	098607-01-000	EA	PUMP-WATER - W/.5" MPT FITTING - FLOW 2.8 GPM - UL
	098607-01-700	EA	PUMPHEAD-REPLACEMENT - SHURFLO# 94-236-08
	098607-01-701	EA	DRIVE ASM - SHURFLO# 94-234-03
	098607-01-702	EA	DIAPHRAGM-KIT - SHURFLO# 94-233-10
	098607-01-703	EA	VALVE ASM - SHURFLO# 94-232-00
	098607-01-706	EA	SWITCH ASM-COMPLETE - SHURFLO# 94-230-00
	098607-01-705	EA	CHECK VALVE-KIT - SHURFLO# 94-237-00
	098607-01-707	EA	MOTOR/BASEPLATE REPLACEMENT - SHURFLO# 94-234-03

WINDOW , VENT & EXTERIOR DOOR GROUP

WINDOWS & VENTS



KEY	PART NUMBER	U/M	DESCRIPTION
1	079733-17-F15	EA	WINDOW ASM. - PICTURE - W/O INSIDE FRAME
1	067609-38-000	EA	FRAME - INSIDE WINDOW - OFF WHITE
1	113733 05 01A	EA	WINDOW ASM - STATIONARY - THERMO - W/ INSIDE WINDOW
	083558-03-000	EA	VENT - PLUMBING PIPE ROOF - W/COVER - OFF WHITE
	083558-07-000	EA	VENT - PLUMBING PIPE ROOF - W/COVER - BRIGHT WHITE
2	110051-01-01A	EA	VENT - ROOF - NONPOWERED - 2" ROOF - JENSEN
2	110051-03-01A	EA	VENT ASM. - ROOF - POWERED (US)
2	110051-05-01A	EA	VENT ASM. - ROOF - POWERED (CSA)
2	084079-03-000	EA	VENT - EXHAUST - POWERED - OFF WHITE (FANTASTIC)
3	084878-09-000	EA	VENT - RANGE HOOD - SHORT - LVS
3	084616-01-000	EA	SHROUD-RANGE HOOD VENT - OFF WHITE
3	084616-01-000	EA	SHROUD-RANGE HOOD VENT - BRIGHT WHITE
4	098647-32-01A	EA	WINDOW - HORIZONTAL SLIDER - W/ INSIDE FRAME
4	112795-20-01A	EA	WINDOW ASM - SLIDER - THERMO
5	098647-28-01A	EA	WINDOW - HORIZONTAL SLIDER - W/ INSIDE FRAME
5	112795-15-01A	EA	WINDOW ASM - SLIDER - THERMO
6	103313-01-B05	EA	WINDOW-PICTURE - W/O INSIDE FRAME
7	098647-31-01A	EA	WINDOW - HORIZONTAL SLIDER - W/ INSIDE FRAME
7	112795-19-01A	EA	WINDOW ASM - SLIDER - THERMO
8	098647-27-01A	EA	WINDOW - HORIZONTAL SLIDER - W/ INSIDE FRAME
8	112795-16-01A	EA	WINDOW ASM - SLIDER - THERMO
9	084073-03-000	EA	COVER - ROOF VENT - REFRIGERATOR - OFF WHITE - NORCOLD
9	084073-07-000	EA	COVER - ROOF VENT - REFRIGERATOR - BRIGHT WHITE - NORCOLD
9	084073-04-000	EA	BASE - ROOF VENT - REFRIGERATOR - BLACK - NORCOLD

WINDOW , VENT & EXTERIOR DOOR GROUP (CONTINUED)

SINGLE SLIDER WINDOW (EXCEL) (PASSENGER SIDE, LOUNGE)

KEY	PART NUMBER	U/M	DESCRIPTION
	098647-27-01A	EA	WINDOW - HORIZONTAL SLIDER - W/ INSIDE FRAME
1	098647-27-700	EA	WINDOW ASM - SLIDER - W/O INSIDE FRAME
	098647-27-701	EA	FRAME - INSIDE (OFF WHITE)
2	098647-27-702	EA	GLASS - STATIONARY
3	098644-01-710	FT	TRACK - SCREEN SPACER - 12' LENGTH
4	098644-01-700	EA	LATCH - REPAIR KIT
5	098644-01-708	FT	CHANNEL - PIERCED RUN
6	098644-01-711	FT	WEATHERSTRIP - SCREEN - BLACK
7	098647-23-704	EA	SCREEN ASM. - W/ SPRINGS & WEATHERSTRIP
8	098644-01-713	EA	SPRING - SCREEN FRAME (CLIP)
9	098647-27-703	EA	GLASS - SLIDING - W/ SASH & LATCH
10	098644-01-706	FT	WEATHERSTRIP
	098644-01-716	FT	PLUG - FILLER
	098644-01-717	FT	SPLINE - SCREEN

SINGLE SLIDER WINDOW (FRONT BUNK & GALLEY) DRIVER SIDE

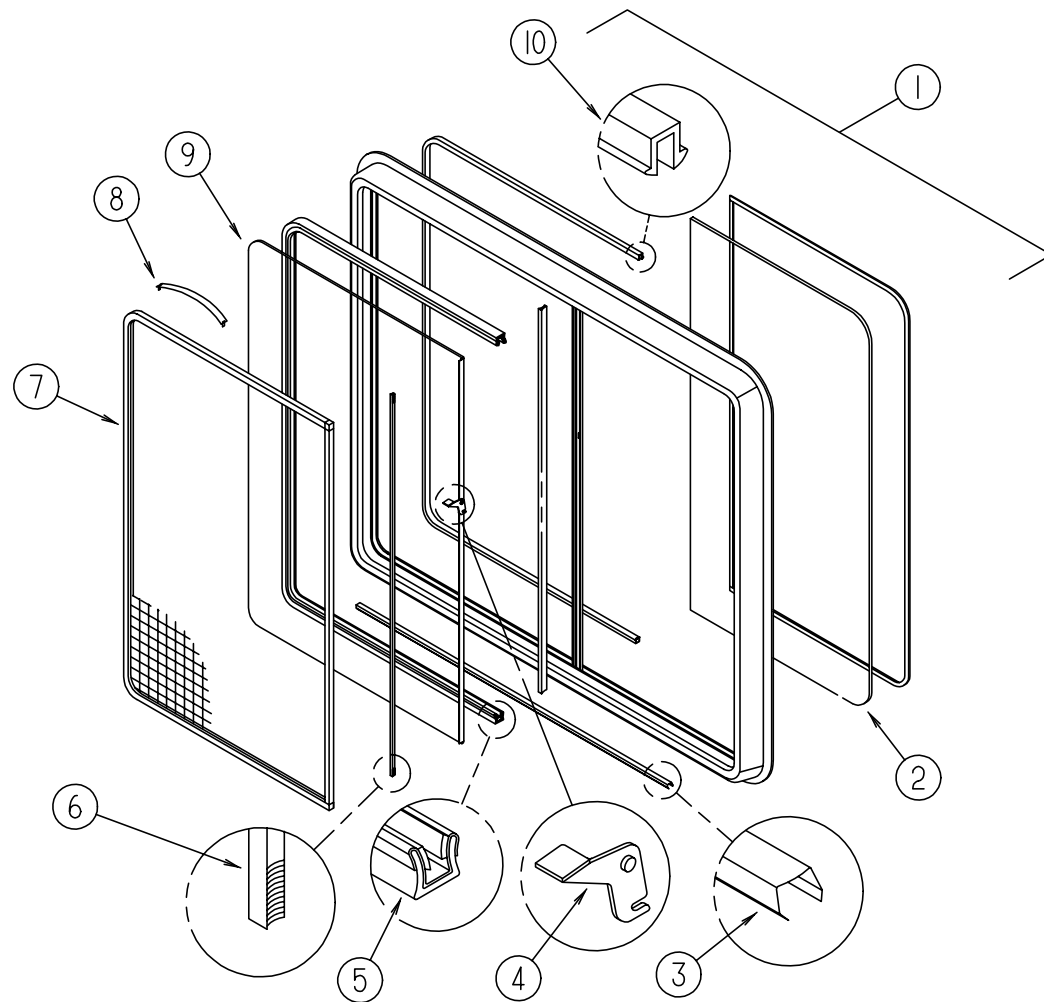
KEY	PART NUMBER	U/M	DESCRIPTION
	098647-32-01A	EA	WINDOW - HORIZONTAL SLIDER - W/ INSIDE FRAME
1	098647-32-700	EA	WINDOW ASM - SLIDER - W/O INSIDE FRAME
	098647-31-701	EA	FRAME - INSIDE (OFF WHITE)
2	098647-31-702	EA	GLASS - STATIONARY
3	098644-01-710	FT	TRACK - SCREEN SPACER - 12' LENGTH
4	098644-01-700	EA	LATCH - REPAIR KIT
5	098644-01-708	FT	CHANNEL - PIERCED RUN
6	098644-01-711	FT	WEATHERSTRIP - SCREEN - BLACK
7	098647-31-704	EA	SCREEN ASM. - W/ SPRINGS & WEATHERSTRIP
8	098644-01-713	EA	SPRING - SCREEN FRAME (CLIP)
9	098647-31-703	EA	GLASS - SLIDING - W/ SASH & LATCH
10	098644-01-706	FT	WEATHERSTRIP
	098644-01-716	FT	PLUG - FILLER
	098644-01-717	FT	SPLINE - SCREEN

SINGLE SLIDER WINDOW (FRONT BUNK) PASSENGER SIDE

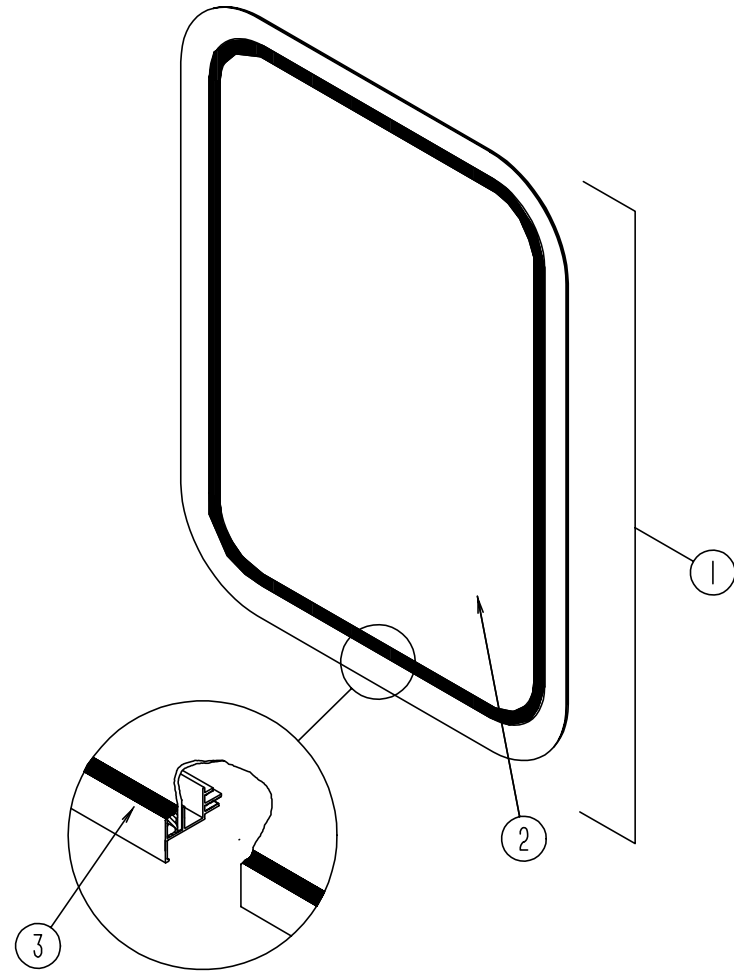
KEY	PART NUMBER	U/M	DESCRIPTION
	098647-31-01A	EA	WINDOW - HORIZONTAL SLIDER - W/ INSIDE FRAME
1	098647-31-700	EA	WINDOW ASM - SLIDER - W/O INSIDE FRAME
	098647-31-701	EA	FRAME - INSIDE (OFF WHITE)
2	098647-31-702	EA	GLASS - STATIONARY
3	098644-01-710	FT	TRACK - SCREEN SPACER - 12' LENGTH
4	098644-01-700	EA	LATCH - REPAIR KIT
5	098644-01-708	FT	CHANNEL - PIERCED RUN
6	098644-01-711	FT	WEATHERSTRIP - SCREEN - BLACK
7	098647-31-704	EA	SCREEN ASM. - W/ SPRINGS & WEATHERSTRIP
8	098644-01-713	EA	SPRING - SCREEN FRAME (CLIP)
9	098647-31-703	EA	GLASS - SLIDING - W/ SASH & LATCH
10	098644-01-706	FT	WEATHERSTRIP
	098644-01-716	FT	PLUG - FILLER
	098644-01-717	FT	SPLINE - SCREEN

SINGLE SLIDER WINDOW (EXCEL) (DINETTE)

KEY	PART NUMBER	U/M	DESCRIPTION
	098647-28-01A	EA	WINDOW ASM - SLIDER - W/ INSIDE FRAME (OFF WHITE)
1	098647-28-700	EA	WINDOW ASM - SLIDER - W/O INSIDE FRAME
	098647-27-701	EA	FRAME - INSIDE (OFF WHITE)
2	098647-27-702	EA	GLASS - STATIONARY
3	098644-01-710	FT	TRACK - SCREEN SPACER - 12' LENGTH
4	098644-01-700	EA	LATCH - REPAIR KIT
5	098644-01-708	FT	CHANNEL - PIERCED RUN
6	098644-01-711	FT	WEATHERSTRIP - SCREEN - BLACK
7	098647-23-704	EA	SCREEN ASM. - W/ SPRINGS & WEATHERSTRIP
8	098644-01-713	EA	SPRING - SCREEN FRAME (CLIP)
9	098647-27-703	EA	GLASS - SLIDING - W/ SASH & LATCH
10	098644-01-706	FT	WEATHERSTRIP
	098644-01-716	FT	PLUG - FILLER
	098644-01-717	FT	SPLINE - SCREEN



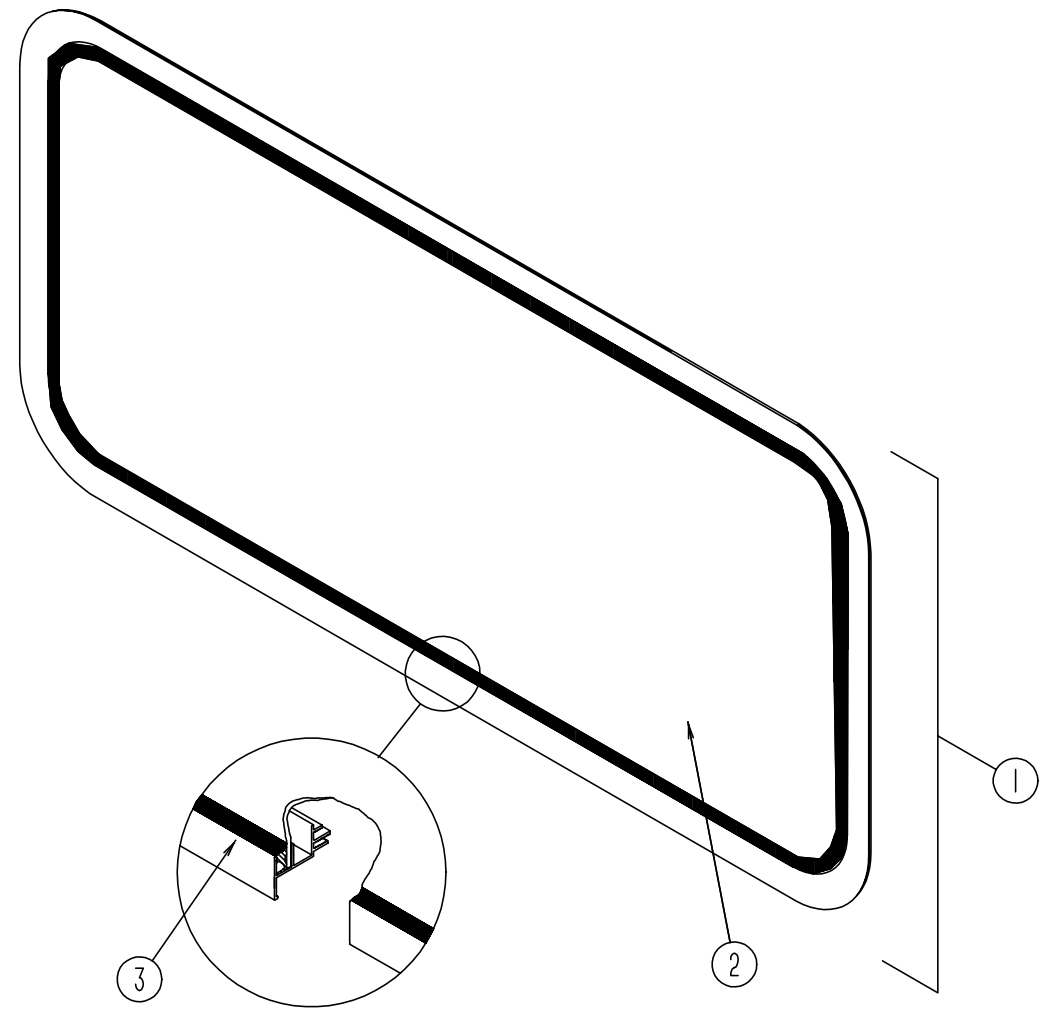
WINDOW, VENT & EXTERIOR DOOR GROUP (CONTINUED)



ENTRY DOOR & BACKWALL WINDOW

KEY	PART NUMBER	U/M	DESCRIPTION
1	079733-17-F15	EA	WINDOW ASM - PICTURE
	067609-38-000	EA	INSIDE FRAME - WINDOW - OFF WHITE
	067609-39-000	EA	INSIDE FRAME - WINDOW - BRIGHT WHITE
2	002181-24-000	EA	GLASS - PICTURE 687.4 X 449.4
3	087561-01-000	FT	SEAL - GLASS - EXTERIOR - .5" WIDE - VINYL - BLACK

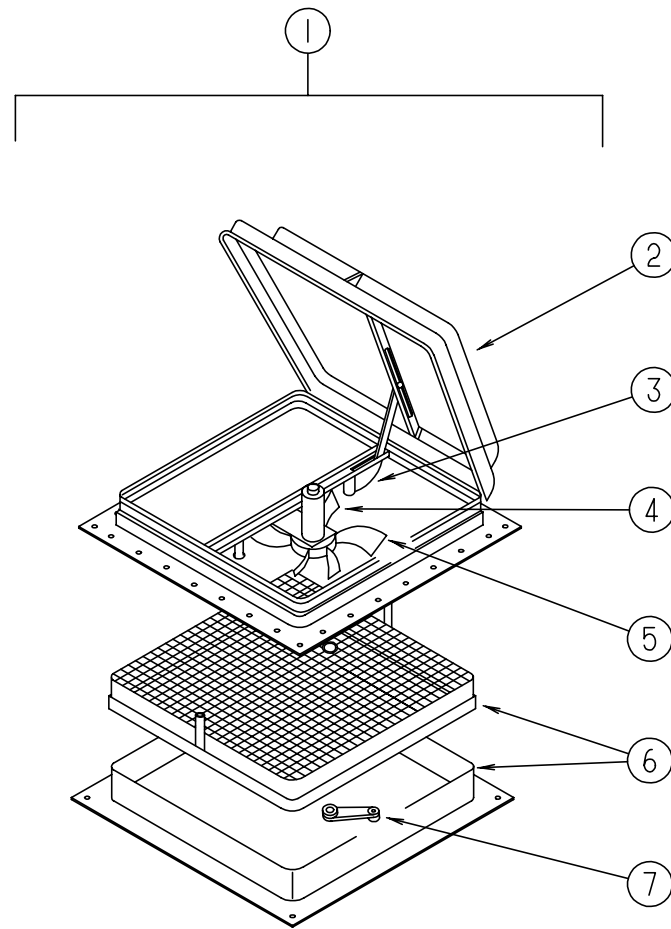
WINDOW, VENT & EXTERIOR DOOR GROUP (CONTINUED)



OVERHEAD BUNK FRONT WINDOW

KEY	PART NUMBER	U/M	DESCRIPTION
1	103313-01-B05	EA	WINDOW - PICTURE - W/O INSIDE FRAME
	067609-33-000	EA	FRAME - INSIDE - WINDOW
2	002181-15-000	EA	GLASS - PICTURE - 11.25" X 58.1" - GRAY
3	099154-01-000	FT	CHANNEL- GLAZING - STATIONARY GLASS - .62" X .45" - BLACK

WINDOW, VENT & EXTERIOR DOOR GROUP (CONTINUED)



POWERED ROOF VENT (US)

KEY	PART NUMBER	U/M DESCRIPTION
1	110051-03-01A	EA VENT ASM. - ROOF - POWERED
2	064470-01-700	EA COVER - ROOF VENT
3	110051-01-702	EA LIFT ASM-VENT LID W/O CRANK
4	048648-01-000	EA MOTOR - 12V NONVENTED 1/8 SHAFT
5	048649-01-000	EA FAN - PLASTIC - 6 IN - 6 BLADED
6	110051-01-701	EA GARNISH - W/SCREEN & FRAME
7	110051-01-703	EA CRANK HANDLE

POWERED ROOF VENT (CANADIAN)

KEY	PART NUMBER	U/M DESCRIPTION
1	110051-05-01A	EA VENT ASM. - ROOF - POWERED
2	064470-01-700	EA COVER - ROOF VENT
3	110051-01-702	EA LIFT ASM-VENT LID W/O CRANK
4	048648-01-000	EA MOTOR - 12V NONVENTED 1/8 SHAFT
5	048649-01-000	EA FAN - PLASTIC - 6 IN - 6 BLADED
6	110051-01-701	EA GARNISH - W/SCREEN & FRAME
7	110051-01-703	EA CRANK HANDLE

WINDOW, VENT & EXTERIOR DOOR GROUP (CONTINUED)

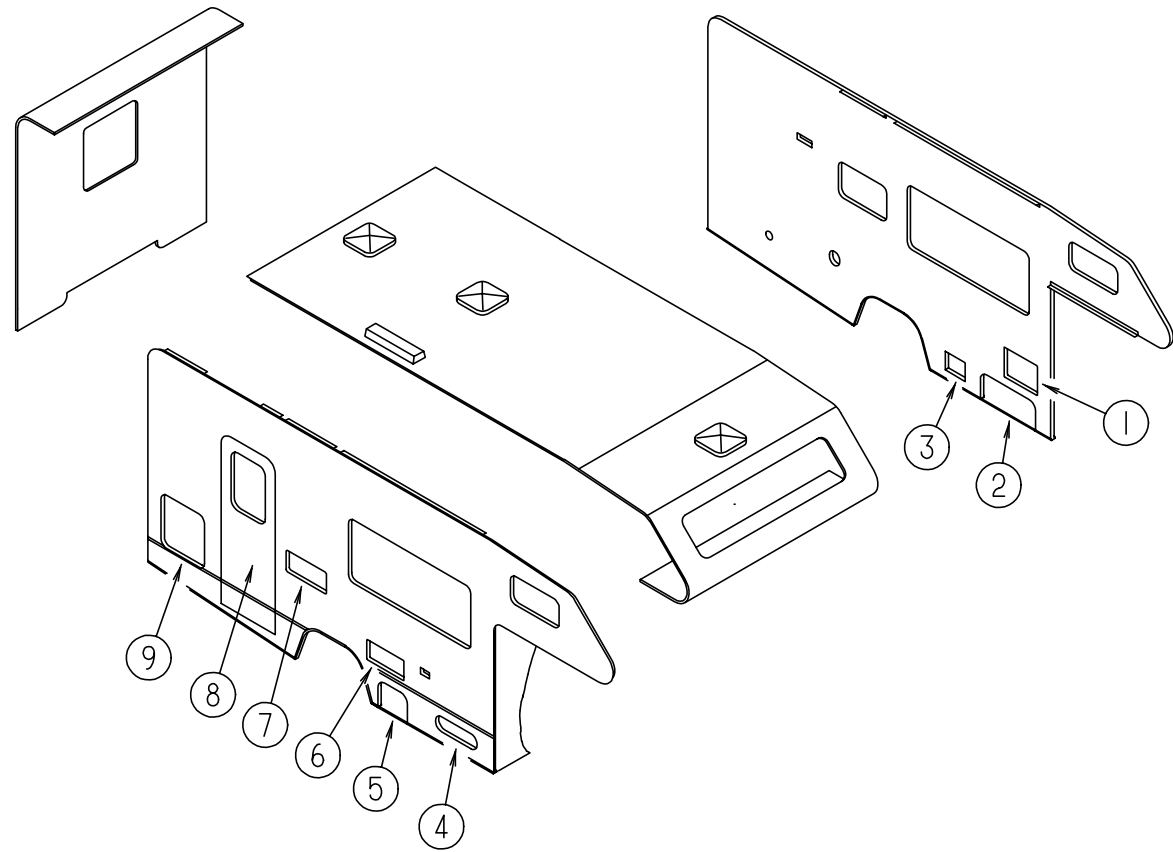
NON POWERED ROOF VENT

KEY	PART NUMBER	U/M DESCRIPTION
	110051-01-01A	EA ROOF VENT - W/SCREEN
	064470-01-700	EA COVER - ROOF VENT
	110051-01-701	EA GARNISH - W/SCREEN & FRAME 2"
	110051-01-702	EA HAND CRANK & OPERATOR ASM
	110051-01-703	EA CRANK HANDLE - ROOF VENT

POWERED ROOF VENT (FANTASTIC)

KEY	PART NUMBER	U/M DESCRIPTION
	084079-03-000	EA VENT - EXHAUST - POWERED - OFF WHITE
	084079-01-700	EA VENT COVER 1020-19
	084079-01-701	EA SCREEN ASM. - WHITE 1030-80
	084079-01-703	EA CRANK - EXTERIOR 1060-09
	084079-01-704	EA BLADE - FAN 1070-00
	084079-01-705	EA MOTOR 1080-00
	084079-01-707	EA SWITCH - SAFETY 1120-00
	084079-01-709	EA SWITCH - ON & OFF - MAIN POWER 1100-00
	084079-01-711	EA H-MOLDING - MOTOR MOUNT - PLASTIC
	084079-01-712	EA GARNISH - INTERIOR - 1 7/8" - OFF WHITE

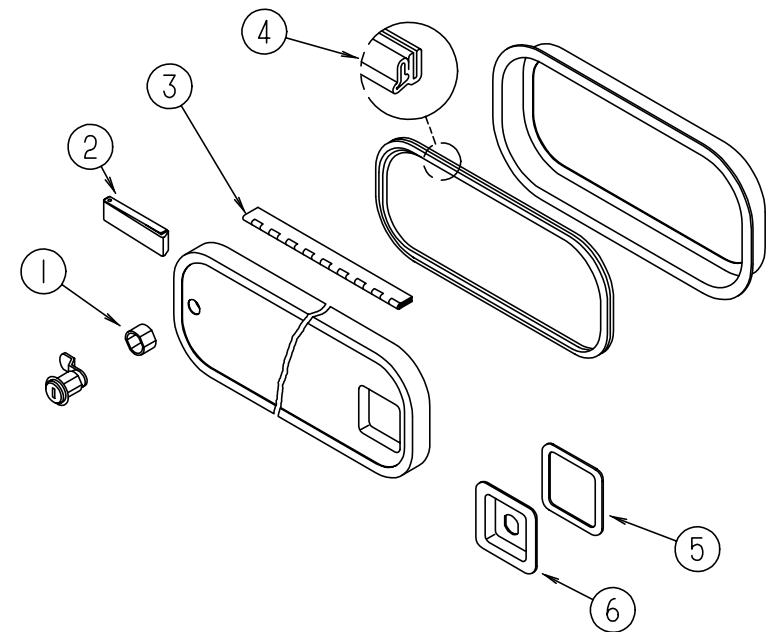
WINDOW, VENT & EXTERIOR DOOR GROUP (CONTINUED)



EXTERIOR DOORS

KEY	PART NUMBER	U/M DESCRIPTION
1	052009-01-000	EA DOOR - WATER HEATER - OFF WHITE - ATWOOD 5576-27
1	052009-06-000	EA DOOR - WATER HEATER - BRIGHT WHITE - ATWOOD 5576-27
2	111014-16-E01	EA DOOR ASM - STORAGE -LOWER FRONT - OFF WHITE
2	111014-16-F15	EA DOOR ASM - STORAGE -LOWER FRONT - BRIGHT WHITE
3	088794-01-000	EA DOOR ASM - POWER CORD - W/HATCH - 11" X 9.2" - OFF WHITE
3	088794-06-000	EA DOOR ASM - POWER CORD - W/HATCH - 11" X 9.2" - BRIGHT WHITE
4	111009-01-E01	EA DOOR - COMPARTMENT - LP - 16.9" X 5.4" - ALUMINUM - OFF WHITE
4	111009-01-F24	EA DOOR - COMPARTMENT - LP - 16.9" X 5.4" - ALUMINUM - BRIGHT WHITE
5	111014-15-E01	EA DOOR ASM - STORAGE -LOWER FRONT - OFF WHITE
5	111014-15-F15	EA DOOR ASM - STORAGE -LOWER FRONT - BRIGHT WHITE
6	098668-06-000	EA DOOR - ACCESS - FURNACE - OFF WHITE - SUBURBAN 520574
6	098668-23-000	EA DOOR - ACCESS - FURNACE - BRIGHT WHITE - SUBURBAN 520574
7	084103-03-000	EA DOOR - REFRIGERATOR - VENTED - W/O JAMB - OFF WHITE
7	084103-08-000	EA DOOR - REFRIGERATOR - VENTED - W/O JAMB - BRIGHT WHITE
7	084104-03-000	EA JAMB-DOOR - REFRIGERATOR - OFF WHITE
7	084104-08-000	EA JAMB-DOOR - REFRIGERATOR - BRIGHT WHITE
8	115108 01 FB1	EA DOOR - ENTRY - W/O WINDOW - W/ SCREEN DOOR - OFF WHITE
8	115108 01 F15	EA DOOR - ENTRY - W/O WINDOW - W/ SCREEN DOOR - BRIGHT WHITE
9	104558-17-F15	EA DOOR ASM - STORAGE - OFF WHITE
9	104558-17-F16	EA DOOR ASM - STORAGE - BRIGHT WHITE
	081240-11-000	EA FILL-WATER - LOCKABLE W/O LOCK - OFF WHITE
	081240-16-000	EA FILL - WATER - LOCKABLE W/O LOCK - BRIGHT WHITE

WINDOW, VENT & EXTERIOR DOOR GROUP (CONTINUED)



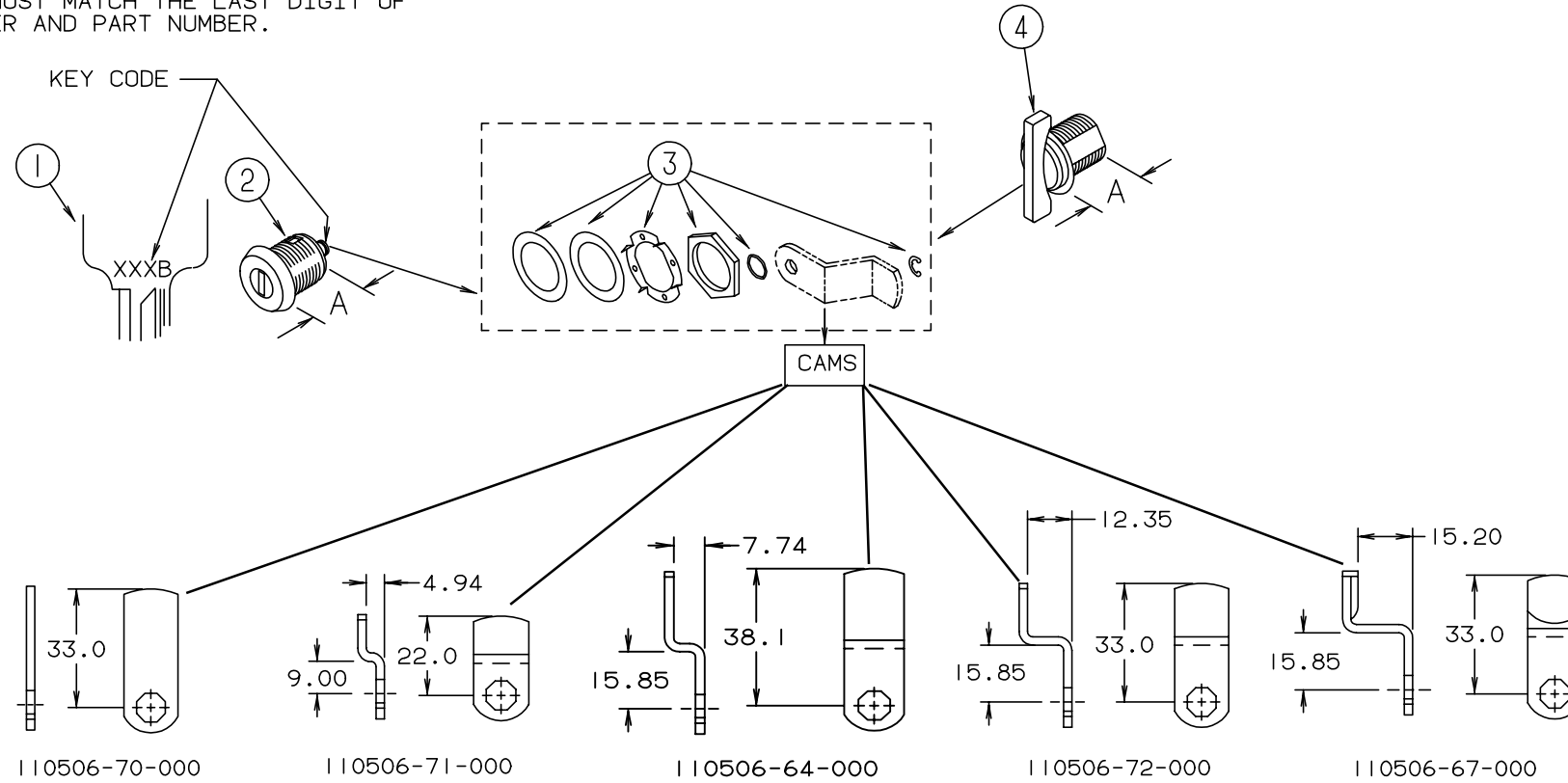
EXTERIOR COMPARTMENT DOOR COMPONENTS

KEY	PART NUMBER	U/M DESCRIPTION
1	107997-51-001	EA SPACER - .86" X .6" - ALUMINUM
2	102768-01-000	EA HOLDER - COMPARTMENT/ ENTRY DOOR - METAL - MILL FINISH
3	081801-02-000	EA HINGE - PIANO - 2" X 96" - ALUMINUM
4	064075-07-000	FT SEAL - BULB - W/ WIRED U CHANNEL - .3" X .5" CHANNEL - BLACK
5	098338-01-000	EA GASKET - LOCK POCKET
6	097111-01-01A	EA POCKET- LOCK VALANCE - OFF WHITE
6	097111-01-04A	EA POCKET- LOCK VALANCE - BRIGHT WHITE
	096217-55-001	EA U-CHANNEL - 17.5' - OFF WHITE
	096217-55-006	EA U-CHANNEL - 17.5' - BRIGHT WHITE

WINDOW, VENT & EXTERIOR DOOR GROUP (CONTINUED)

LOCKS & COMPONENTS

NOTE:
 WHEN ORDERING THE LOCK CASE, THE KEY CODE MUST MATCH THE LAST DIGIT OF THE UNIT'S SERIAL NUMBER AND PART NUMBER; WHEN ORDERING THE KEYS, THE THIRD DIGIT OF THE KEY CODE MUST MATCH THE LAST DIGIT OF THE UNIT'S SERIAL NUMBER AND PART NUMBER.

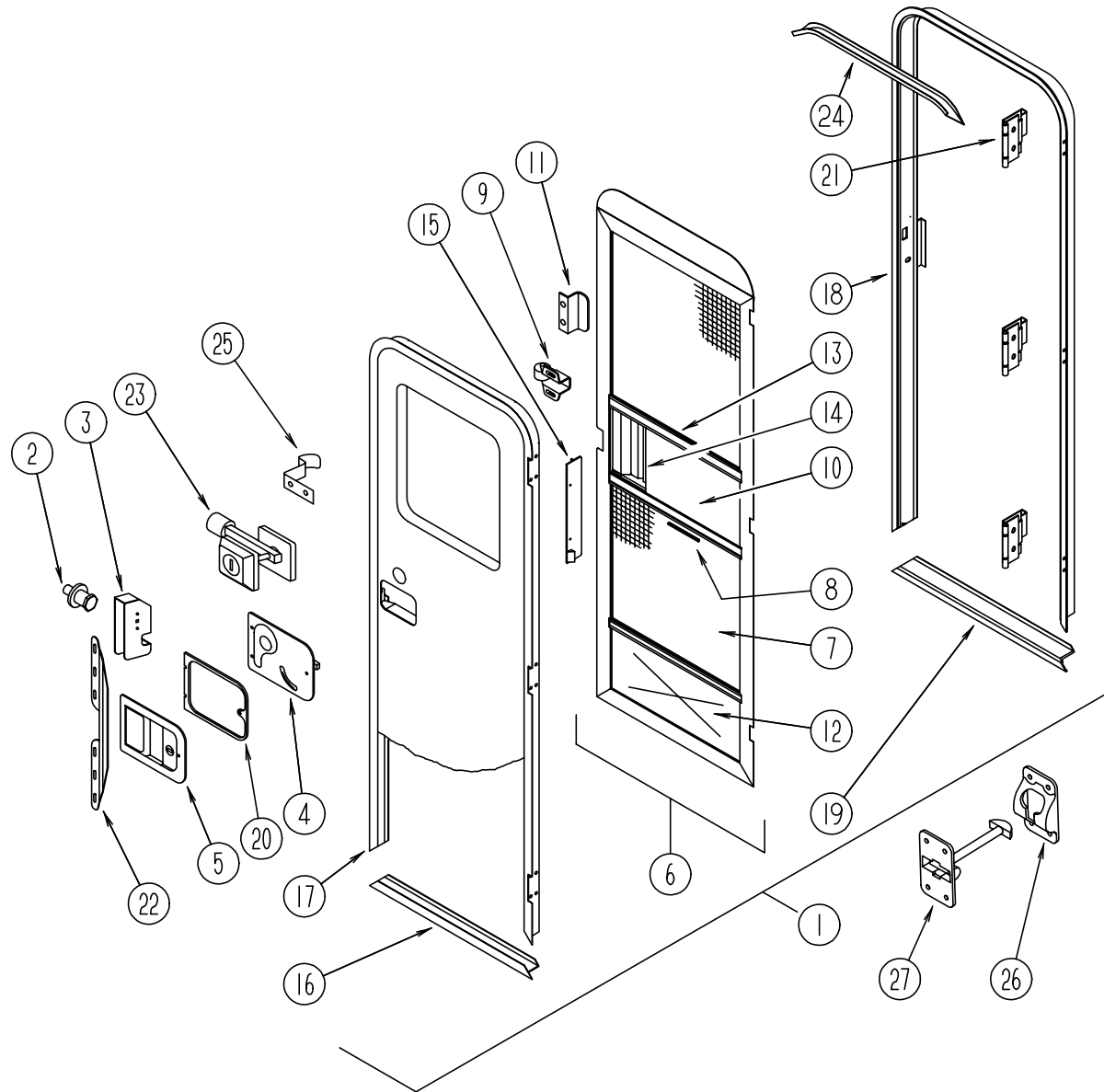


KEY	PART NUMBER	U/M	DESCRIPTION
1	110506-59-000	EA	KEYS - SET OF TWO - BRIGGS & STRATTON 596720
1	110506-59-001	EA	KEYS - SET OF TWO - BRIGGS & STRATTON 596721
1	110506-59-002	EA	KEYS - SET OF TWO - BRIGGS & STRATTON 596722
1	110506-59-003	EA	KEYS - SET OF TWO - BRIGGS & STRATTON 596723
1	110506-59-004	EA	KEYS - SET OF TWO - BRIGGS & STRATTON 596724
1	110506-59-005	EA	KEYS - SET OF TWO - BRIGGS & STRATTON 596725
1	110506-59-006	EA	KEYS - SET OF TWO - BRIGGS & STRATTON 596726
1	110506-59-007	EA	KEYS - SET OF TWO - BRIGGS & STRATTON 596727
1	110506-59-008	EA	KEYS - SET OF TWO - BRIGGS & STRATTON 596728
1	110506-59-009	EA	KEYS - SET OF TWO - BRIGGS & STRATTON 596729
2	110506-52-000	EA	CASE - LOCK - A= 17 MM - BRIGGS & STRATTON 702370
2	110506-52-001	EA	CASE - LOCK - A= 17 MM - BRIGGS & STRATTON 702371
2	110506-52-002	EA	CASE - LOCK - A= 17 MM - BRIGGS & STRATTON 702372
2	110506-52-003	EA	CASE - LOCK - A= 17 MM - BRIGGS & STRATTON 702373
2	110506-52-004	EA	CASE - LOCK - A= 17 MM - BRIGGS & STRATTON 702374
2	110506-52-005	EA	CASE - LOCK - A= 17 MM - BRIGGS & STRATTON 702375
2	110506-52-006	EA	CASE - LOCK - A= 17 MM - BRIGGS & STRATTON 702376
2	110506-52-007	EA	CASE - LOCK - A= 17 MM - BRIGGS & STRATTON 702377
2	110506-52-008	EA	CASE - LOCK - A= 17 MM - BRIGGS & STRATTON 702378
2	110506-52-009	EA	CASE - LOCK - A= 17 MM - BRIGGS & STRATTON 702379
2	110506 51 000	EA	CASE - LOCK - A= 25 MM - BRIGGS & STRATTON 596669
2	110506-53-000	EA	CASE - LOCK - A= 25 MM - BRIGGS & STRATTON 702380
2	110506-53-001	EA	CASE - LOCK - A= 25 MM - BRIGGS & STRATTON 702381
2	110506-53-002	EA	CASE - LOCK - A= 25 MM - BRIGGS & STRATTON 702382
2	110506-53-003	EA	CASE - LOCK - A= 25 MM - BRIGGS & STRATTON 702383
2	110506-53-004	EA	CASE - LOCK - A= 25 MM - BRIGGS & STRATTON 702384

KEY	PART NUMBER	U/M	DESCRIPTION
2	110506-53-005	EA	CASE - LOCK - A= 25 MM - BRIGGS & STRATTON 702385
2	110506-53-006	EA	CASE - LOCK - A= 25 MM - BRIGGS & STRATTON 702386
2	110506-53-007	EA	CASE - LOCK - A= 25 MM - BRIGGS & STRATTON 702387
2	110506-53-008	EA	CASE - LOCK - A= 25 MM - BRIGGS & STRATTON 702388
2	110506-53-009	EA	CASE - LOCK - A= 25 MM - BRIGGS & STRATTON 702389
3	110506-40-700	EA	HARDWARE KIT
4	110506-50-000	EA	CASE - TWIST LOCK - A= 17 MM - BRIGGS & STRATTON 596952
4	110506-51-000	EA	CASE - TWIST LOCK - A= 25 MM - BRIGGS & STRATTON 596669
	110506-40-000	EA	CLIP-E - LOCK ASM. - BRIGGS & STRATTON 93981
	110506-64-000	EA	CAM - LOCK - BRIGGS & STRATTON 322280
	110506-67-000	EA	CAM - LOCK - BRIGGS & STRATTON 322283
	110506-70-000	EA	CAM - LOCK - BRIGGS & STRATTON 322286
	110506-71-000	EA	CAM - LOCK - BRIGGS & STRATTON 322287
	110506-72-000	EA	CAM - LOCK - BRIGGS & STRATTON 322354
	110506-59-701	EA	KEY BLANK - GOLD

WINDOW, VENT & EXTERIOR DOOR GROUP (CONTINUED)

ENTRY DOOR W/O WINDOW



KEY	PART NUMBER	U/M	DESCRIPTION
1	115108 01 FB1	EA	DOOR-ENTRY - W/O WINDOW - W/ SCREEN DOOR - OFF WHITE
1	115108 01 F15	EA	DOOR-ENTRY - W/O WINDOW - W/ SCREEN DOOR - BRIGHT WHITE
2	039539-01-000	EA	STRIKE - LOCK - ENTRY DOOR - ROUND/THREADED WASHER
	077461-03-000	EA	COVER-STRIKE - ENTRY DOOR - 6.5" X 2.5" - PLASTIC - WHITE
	077461-05-000	EA	COVER-STRIKE - ENTRY DOOR - 6.5" X 2.5" - PLASTIC - BRIGHT WHITE
3	039540-01-000	EA	LATCH MECHANISM - HOOK - ENTRY DOOR - INTERIOR
	039715-01-000	EA	NUT-SERT - 1/4" DIAMETER - 20 THREADS
4	039979-04-000	EA	COVER-INTERIOR LATCH - W/TRIP ARM - RIGHT - BLACK
	039984-01-000	EA	CAP-ROUND - VINYL - .28" ID X .62" LONG - BLACK
	041546-03-000	EA	BRACKET-DOOR ANGLE - 5" X 1.9" - BEIGE - METAL
5	045017-11-000	EA	LATCH-ENTRY DOOR - MECHANISM W/LOCK & KEY - BLACK
	045017-11-701	EA	KEY-BLANK - ROUND TOP - SILVER - TRI/MARK
	063729-04-000	EA	RIVNUT - 10 - 32 UNF - 010 - 080
	072893-01-000	EA	NUTSERT-M5 X 0 8
	075671-04-000	FT	SEAL-SPONGE - LAZY T SHAPE - W/ADHESIVE STRIPE - .5" WIDE
6	079012-09-F15	EA	DOOR - SCREEN
7	002293-02-000	SF	SCREENING - WINDOW/ DOOR - 26" - CHARCOAL
8	002294-01-000	FT	SPLINE - SCREENING - .135" X .138" - BLACK
9	109403-01-000	EA	CATCH - SINGLE ROLLER - SCREEN DOOR
10	001014-01-013	EA	INSERT-CENTER - 10.25" X 16.31" - UNPAINTED
11	050712-04-000	EA	HANDLE - SCREEN DOOR - ALUMINUM - OFF WHITE
12	078552-03-000	EA	INSERT-SCREEN DOOR - LOWER - MILL
	078595-01-000	EA	TOP PLATE - SCREEN DOOR
13	078777-01-000	EA	CHANNEL-SLIDE - SCREEN DOOR CENTER SLIDER COVER - 17.4"
14	079086-02-000	EA	SLIDER-SCREEN DOOR - OFF WHITE
14	079086-03-000	EA	SLIDER-SCREEN DOOR - BRIGHT WHITE
15	079087-02-000	EA	STRIKE - SLIDER - W/LIP FOR ELBOW CATCH - 1.5" X 8.6"
	081914-01-000	EA	BUMPER-RUBBER - ROUND - .43" DIAMETER - BLACK