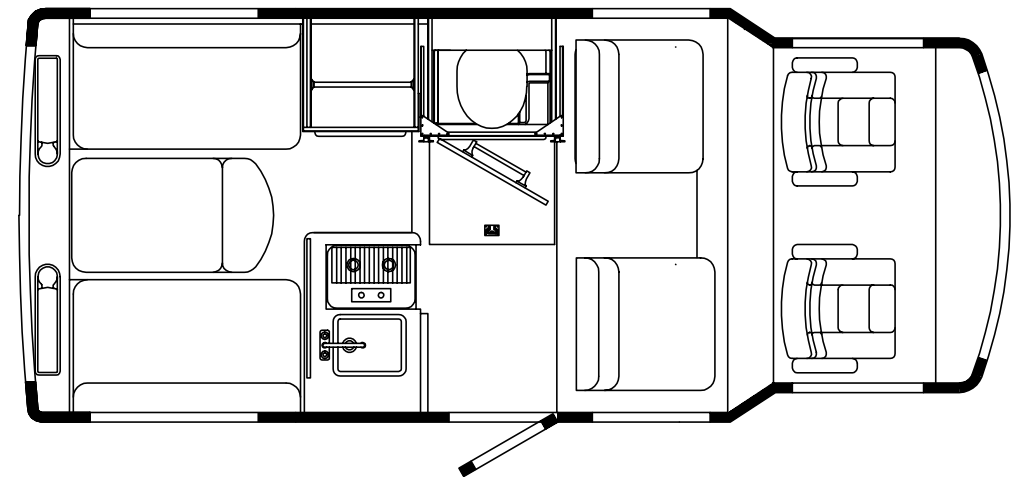
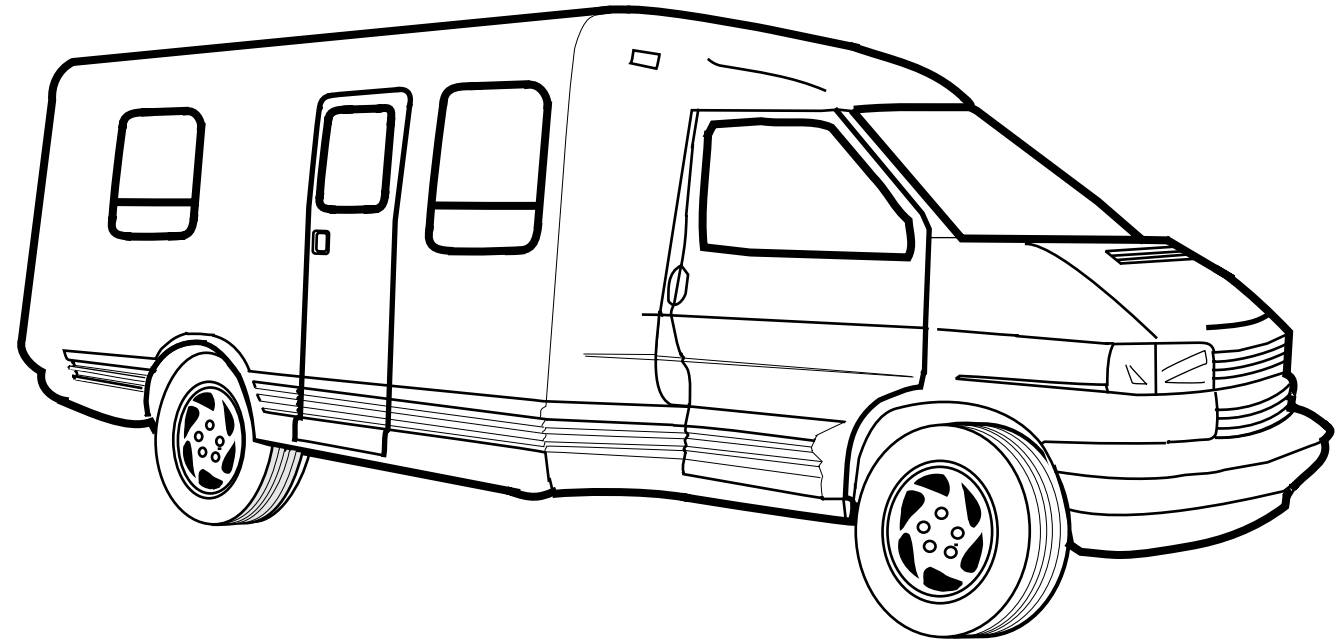


1995
WV221RD

F45

F46



**ACCESSORIES GROUP
OPERATORS MANUAL & BINDER**

KEY	PART NUMBER	U/M DESCRIPTION
	054185-B8-000	EA MANUAL-OPERATOR, 1995 RIALTA
	092318-01-000	EA BINDER-3 RING, MOTOR HOME MANUAL
	092319-01-000	EA POCKET PAGE-3 RING BINDER, PLASTIC
	113742-01-000	DW TOP LEVEL DRAWING FOR 1995 RIALTA

**AUDIO VIDEO GROUP
RADIO SYSTEM COMPONENTS**

KEY	PART NUMBER	U/M DESCRIPTION
	074014-01-000	EA GRILLE-SPEAKER, ROUND - AUDIOVOX 102X-1479
	074979-17-000	EA COVER-SPEAKER, VW TAUPE
	094097-01-000	EA SPEAKER-RADIO, W/O GRILLE - 5.25" DIA - AUDIOVOX 110C3030
	114365-01-000	EA ADAPTOR-RADIO, POWER - SPEAKERS - RIVERPARK
	114366-01-000	EA ADAPTOR-RADIO, ANTENNA - RIVERPARK
	097460-05-000	EA RADIO-AM/FM STEREO, CASSETTE - SONY XR-3320
	115077-01-000	EA RADIO-AM/FM STEREO, CD PLAYER - SONY CSX-507 0

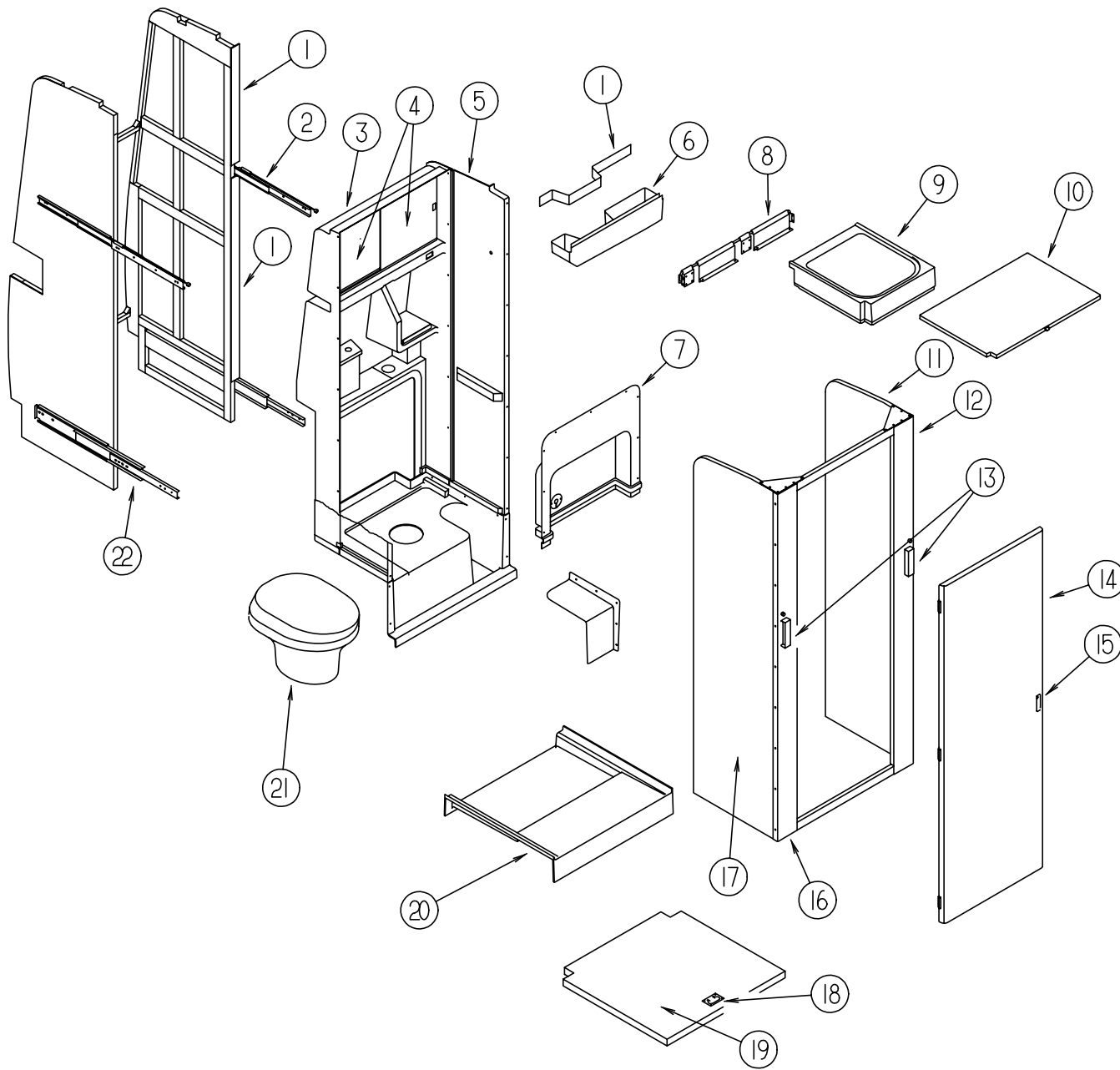
TV ANTENNA

KEY	PART NUMBER	U/M DESCRIPTION
	076319-02-000	EA ANTENNA-TV, ROOF MOUNT - 23.5" MAST - WINEGARD RVA-W01
	076319-01-700	EA HEAD-ANTENNA, AMPLIFIED - WINEGARD# VSA U/V
	076319-01-701	EA GEAR-ELEVATING, PLASTIC - WINEGARD#2200046
	076319-01-702	EA SHAFT ASM-ELEVATING, WINEGARD# VP-400A
	076319-01-703	EA BEARING-NYLON, 5"OD - WINEGARD# 3200656
	076319-01-705	EA GROMMET-NYLON, 7/8"ID - WINEGARD# 3200658
	076319-01-706	EA CRANK-ELEVATING, W/SET SCREW - WINEGARD# 5755100
	076319-01-707	EA SPRING-HANDLE, WINEGARD# 5160800
	076319-01-708	EA DECAL-CRANK, WINEGARD# 5413002
	076319-01-709	EA PLATE-DIRECTIONAL, FOR HEAD - WINEGARD# 3200644
	076319-01-711	EA BASE & LIFT ASM, WINEGARD# 2762802
	076319-01-712	EA PLATE-CEILING, WINEGARD# 3200608
	082134-01-000	EA ADAPTER-TV, CABLE TO CABLE - WINEGARD F-81M
	093901-03-000	EA PLATE-CABLE TV ADAPTER, 45 MM X 64 MM - STEEL - BLACK
	082136-01-000	EA NUT-HEX JAM 3/8-32 - WINEGARD
	076319-03-000	FT CABLE-COAXIAL, 75 OHM
	076319-12-000	EA CONNECTOR-COAXIAL, ONE PIECE
	086777-01-000	EA WALLPLATE-TV CABLE, W/ANTENNA SWITCH - IVORY

TELEVISION W/REMOTE CONTROL

KEY	PART NUMBER	U/M DESCRIPTION
	086231-07-000	EA TV-COLOR, 10" - DC - AUDIOVOX AVT-975
	086231-07-700	EA REMOTE F/TV - AVT-975 - 0822329

BATH GROUP
BATH & SHOWER CABINETS

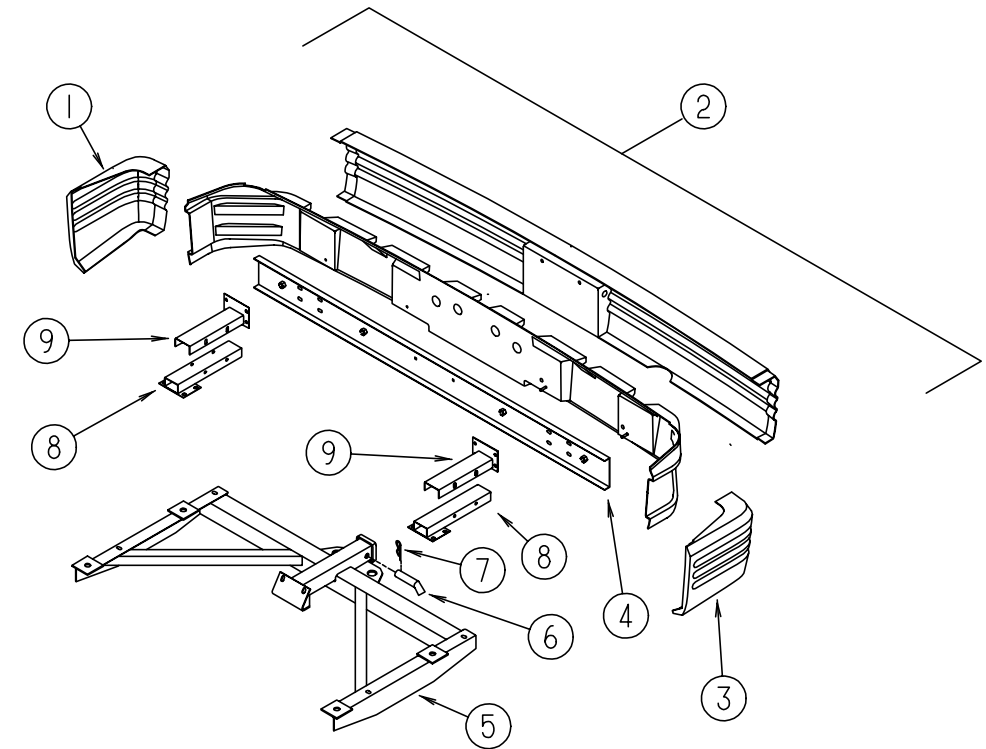


KEY	PART NUMBER	U/M	DESCRIPTION
1	114898-01-01A	FT	VINYL-1.6 MM X 38.1 MM - OFF WHITE
2	074317-03-000	EA	SLIDE-PULLOUT, BATH CABINET - PAIR - W/LOCK - 16" EXTENDS 15.4" FROM: 00-00-00 THRU: 07-31-94
2	116173-01-000	EA	SLIDE-PULLOUT, BATH CABINET - RH - W/LOCK FROM: 08-01-94 THRU: 99-99-99
2	116173-02-000	EA	SLIDE-PULLOUT, BATH CABINET - LH - W/LOCK FROM: 08-01-94 THRU: 99-99-99
3	111950-01-01A	EA	SURROUND-SHOWER, BACK - PLASTIC - OFF WHITE
4	058331-B0-000	EA	MIRROR-GLASS, SAFETY - 320 MM X 320 MM
	073929-14-000	EA	TRACK-SLIDING MIRRORS, UPPER - OFF WHITE
	023320-01-000	EA	PAD-FELT, 3/8" DIAMETER - BROWN
	074383-08-000	EA	TRACK-SLIDING MIRRORS, LOWER - OFF WHITE
	074031-01-000	FT	CHANNEL-PILE, FLEX - LOWER TRACK - SCHLEGEL 1328-2061-
5	111986-01-01A	EA	SURROUND-SHOWER, SIDE - RH - OFF WHITE PLASTIC
	111986-02-01A	EA	SURROUND-SHOWER, SIDE - LH - OFF WHITE PLASTIC
6	P12114-01-01A	EA	BASIN ASM-CATCH, LAVATORY W/STRAINER - OFF WHITE PLASTIC
	106116-01-01A	EA	STRAINER-SINK, W/STOPPER TAILPIECE GASKET & NUT - PLASTIC
	112114-01-01A	EA	BASIN-CATCH, LAVATORY - OFF WHITE PLASTIC
7	112151-01-01A	EA	COVER-ACCESS, DRAINAGE - OFF WHITE PLASTIC
	057671-01-000	EA	COVER-SCREW, #8 - PLASTIC - OFF WHITE
8	113982-01-F45	EA	HINGE ASM-FOLD UP SINK & DOOR PANEL (F45/F46)
	086235-03-000	EA	BEARING-SNAP IN, 5/16" ID X 5/16" - THOMPSON 5L5-F
9	112244-01-F45	EA	SINK ASM-FOLD UP - OFF WHITE PLASTIC (F45/F46)
	057534-02-000	EA	TIEBACK-SINK, 3" - PLASTIC - CLEAR
10	113183-01-F45	EA	PANEL ASM-DOOR W/LATCH - OFF WHITE PLASTIC (F45/F46)
	074453-01-000	EA	LATCH-PADDLE, SINK & MEDICINE CABINET - METAL
	057898-01-000	EA	LATCH-HIDDEN W/STRIKER, PLASTIC - BLACK
11	113929-01-F45	EA	WALL-BATH, SLIDING - RH (F45/F46)
12	113928-01-01A	EA	CORNER-BATH, RH - VW TAUPE
13	074762-01-000	EA	PULL-CABINET, 4.8" X .9" - PLASTIC - BLACK
14	113756-01-F45	EA	DOOR-BATH, W/O HARDWARE (F45/F46)
15	058335-02-000	EA	LATCH-SHOWER/BATH DOOR, W/O LOCK - PLASTIC - BROWN
15	058335-03-000	EA	LATCH-SHOWER/BATH DOOR, W/O LOCK - PLASTIC - BLACK
	075453-02-000	EA	BAR-TOWEL, 18" BRASS
	075452-02-000	EA	HOLDER-TOILET TISSUE, BRASS
16	113928-02-01A	EA	CORNER-BATH, LH - VW TAUPE
17	113929-02-F45	EA	WALL-BATH, SLIDING - LH (F45/F46)
18	072871-01-000	EA	PULL-FLUSH, CHROME
19	113092-01-F45	EA	COVER-SHOWER PAN, CARPETED (F45/F46)
	069735-01-000	EA	WASHER-STRAINER TO TAILPIECE, 1.5" - PLASTIC
20	111896-01-01A	EA	SHOWER PAN, OFF WHITE PLASTIC
21	064076-01-000	EA	TOILET-11.25" TALL, IVORY - THETFORD 50
	039341-02-700	EA	COVER-SEAT, TOILET - IVORY - THETFORD 037151
	039341-02-703	EA	PLUG-HOLE, IVORY - THETFORD 03895-10
	039341-02-704	EA	SEAT & COVER SET, SL & SH NEW STYLE - THETFORD 08855
	039341-02-705	EA	MOUNTING PACKAGE, THETFORD 08975 A.M.
	039341-02-707	EA	PIN-HINGE, TOILET, THETFORD 12986
	064076-01-701	EA	MECHANISM-FLUSHING, IVORY - THETFORD 14622
	067487-01-701	EA	WATER SAVER PACKAGE - THETFORD 08993
	067487-01-702	EA	CLAMP-THETFORD 03752
22	074316-02-000	EA	SLIDE-PULLOUT, BATH CABINET - PAIR - 18" EXTENDS 18" FROM: 00-00-00 THRU: 07-31-94
22	116174-01-000	EA	SLIDE-PULLOUT, BATH CABINET - RH OR LH - FULL EXTENSION FROM: 08-01-94 THRU: 99-99-99
	103092-01-000	EA	SHOWER HEAD-W/60" HOSE
	103092-01-700	EA	BRACKET ONLY-CLEAR, F/SHOW HEAD - 2328028
	103092-01-701	EA	BRACKET ONLY-BONE, F/SHOW HEAD - 2328029
	115000-01-01A	EA	FAUCET-LAVATORY & SHOWER, PARCHMENT - BPC 20173P03

BATH GROUP (CONTINUED)
OPTIONAL SHOWER KIT

KEY	PART NUMBER	U/M DESCRIPTION	QUANTITY
	111896-01-700	EA KIT-SHOWER PACKAGE (INCLUDES ITEMS LISTED BELOW)	
		EA SCREW-SNAP SOCKET, #8 PH X 5/8"	6
		EA CURTAIN-SHOWER, SNAP TOP - VINYL (F45/F46)	1
		EA PUMP-SHOWER WATER, W/.5" MPT FITTING - FLOW 2.8 GPM - UL	1
		EA SHOWER HEAD-W/60" HOSE	1
		EA COVER-SWITCH W/DIMPLES & LENS, CARLING VVAJCXX-X	1
		EA SWITCH-ROCKER, SPST - ON/OFF - CARLING VIDIA60C-0	1
		EA SHOWER PAN, OFF WHITE PLASTIC	1
		EA COVER-SHOWER PAN, CARPETED (F45/F46)	1
		EA ELBOW-SWIVEL, 1/2" P X 1/2" FPT	2
		EA FILTER-IN LINE, TWIST ON - 1/2" - SHURFLO #170-061-09	1

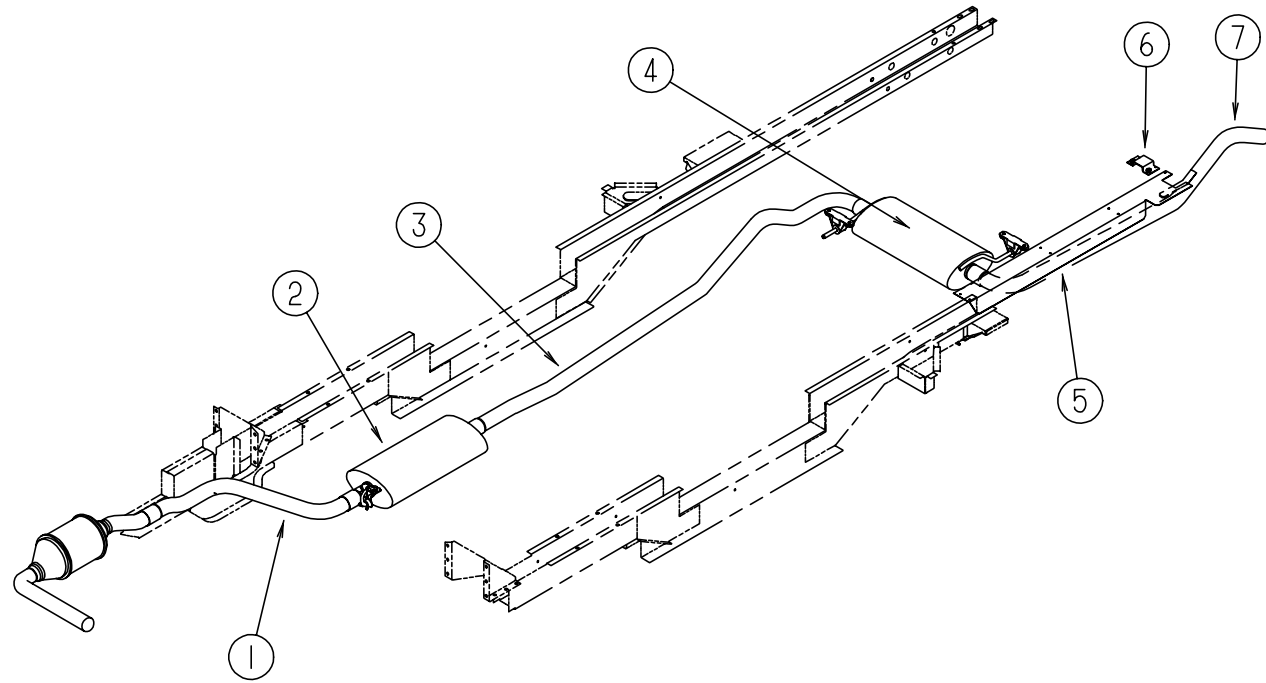
CHASSIS GROUP



REAR BUMPER, TRAILER HITCH & COMPONENTS

KEY	PART NUMBER	U/M DESCRIPTION
1	113481-01-01A	EA BUMPER-CORNER, REAR - RH - VW WHITE
2	113477-01-F45	EA BUMPER ASM-REAR W/CORNERS, LIGHT & SUPPORT - VW WHITE
3	113481-02-01A	EA BUMPER-CORNER, REAR - LH - VW WHITE
4	087108-01-000	EA SUPPORT-REAR BUMPER
5	112600-01-04B	EA HITCH-TRAILER, CLASS 1 - BLACK
6	034512-01-000	EA PIN-LOCKING, DRAWBAR
7	034513-01-000	EA PIN-HITCH, 3/16" WIRE
8	115947-01-02B	EA SUPPORT ASM-REAR BUMPER, LOWER - E-COAT
9	115944-01-02B	EA SUPPORT ASM-REAR BUMPER, UPPER - E-COAT
	113589-01-000	EA CONNECTOR-PLUG, TRAILER - GENERAL 433501
	113589-02-000	EA CONNECTOR-SOCKET, TRAILER - GENERAL 433601
	000G62-06-12J	EA SCREW-SF/DR, 6 - 20 X .75" PFH - BRASS

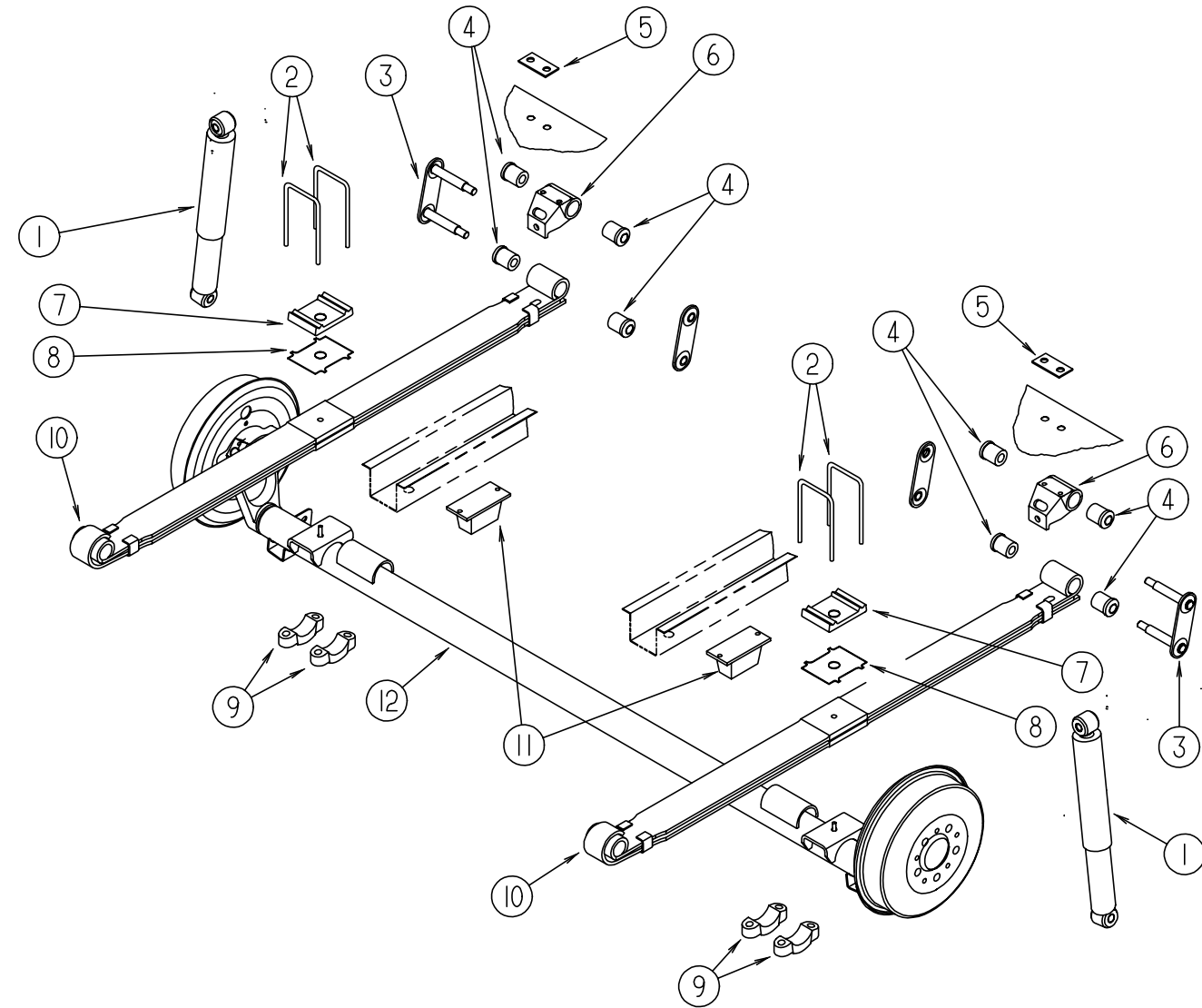
CHASSIS GROUP (CONTINUED)



EXHAUST SYSTEM COMPONENTS

KEY	PART NUMBER	U/M DESCRIPTION
1	113098-01-000	EA PIPE-EXHAUST, FRONT
2	115680-01-000	EA MUFFLER-FRONT
3	113099-01-000	EA PIPE-EXHAUST, MIDDLE
4	113237-01-000	EA MUFFLER-REAR
5	115396-01-09B	EA SHIELD-EXHAUST PIPE, GALVANIZED
6	095190-01-000	EA HANGER-EXHAUST, 4" X 1.4"
7	113097-01-000	EA PIPE-EXHAUST, TAIL

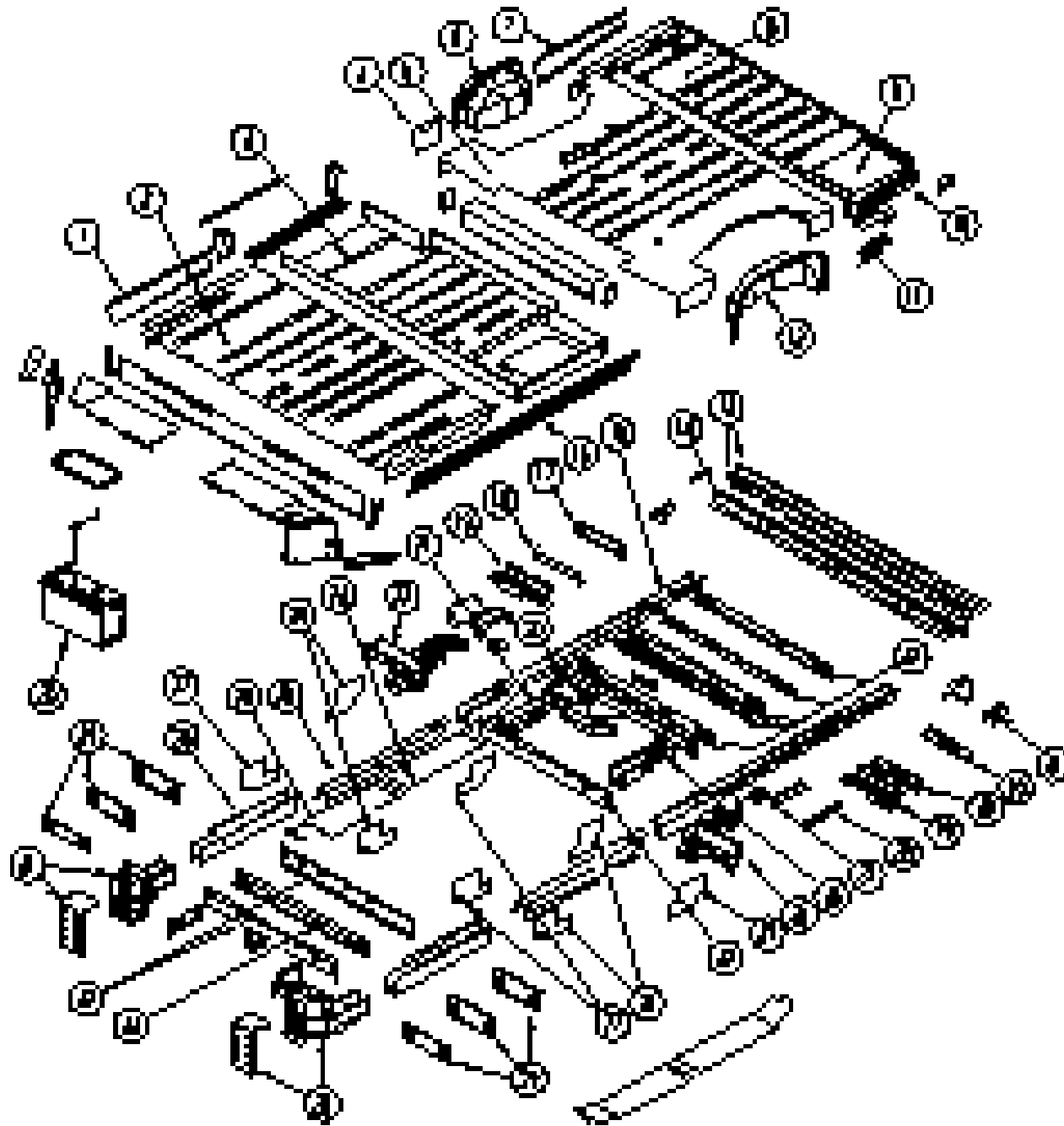
CHASSIS GROUP (CONTINUED)



SUSPENSION COMPONENTS

KEY	PART NUMBER	U/M DESCRIPTION
1	112033-01-000	EA SHOCK ABSORBER-REAR, DRIVER OR PASSENGER SIDE
2	112410-01-000	EA BOLT-U, REAR SPRING
3	112560-01-000	EA SHACKLE-SPRING, REAR
4	112032-02-000	EA BUSHING-SPRING, REAR - STANDEN 17-21
5	071231-01-000	EA PLATE-FLOOR DOUBLER
6	112415-01-000	EA SUPPORT-SHACKLE, REAR
7	112414-01-000	EA PLATE-SPRING CLAMP, DRIVER OR PASSENGER SIDE
8	112477-01-02B	EA PLATE-REST, SPRING - REAR - E-COAT - DRIVER OR PASSENGER SIDE
9	112413-01-000	EA BRACKET-U BOLT, REAR SUSPENSION
10	112032-01-000	EA SPRING ASM-REAR W/FRONT SHACKLE BUSHING, DRIVER OR PASSENGER SIDE
	112032-03-000	EA BUSHING-SPRING, SHACKLE - STANDEN 17-21F
11	113876-01-000	EA PAD-JOUNCE, REAR SPRING - METALASTIK 151437
12	112030-01-02B	EA AXLE ASM-REAR
	112030-03-000	EA HOUSING-WHEEL BEARING, REAR AXLE

CHASSIS GROUP (CONTINUED)
FLOOR COMPONENTS



KEY	PART NUMBER	U/M DESCRIPTION
1	113600-01-01B	EA ROCKER ASM-FRONT, PASSENGER SIDE - MILL - STEEL
2	110695-01-000	EA PANEL-FLOOR, FRONT - STEEL
3	112883-01-01B	EA PANEL-FLOOR, LOWER - MILL - STEEL
4	113601-01-01B	EA ROCKER ASM-CENTER, PASSENGER SIDE - MILL - STEEL
5	112222-01-000	EA PANEL-FLOOR, BETWEEN REAR WHEELS - MILL - STEEL
6	112345-01-000	EA WHEELHOUSE ASM W/SHOCK MOUNT-REAR, PASSENGER SIDE - STEEL
7	071434-04-000	EA ROCKER ASM-REAR, PASSENGER SIDE - MILL - STEEL
8	112758-01-01B	EA PANEL-FLOOR, REAR - MILL - STEEL
9	112818-01-02B	EA TRAY-LUGGAGE, REAR - DRIVER SIDE - E-COAT - W/O GENERATOR OPTION
10	112808-01-02B	EA ROCKER ASM-REAR, DRIVER SIDE - E-COAT - STEEL - W/O GENERATOR OPTION
11	113005-01-01B	EA ROCKER ASM-CENTER, DRIVER SIDE - MILL - STEEL
12	112345-02-000	EA WHEELHOUSE ASM W/SHOCK MOUNT-REAR, DRIVER SIDE - STEEL
13	112004-01-000	EA EXTENSION ASM-FLOOR, REAR - MILL - STEEL
14	072382-01-000	EA CROSSMEMBER ASM-REAR, STEEL
15	071220-01-000	EA RAIL-FRAME, REAR - DRIVER OR PASSENGER SIDE - STEEL
16	071366-01-000	EA ROCKER ASM-FRONT, DRIVER SIDE - MILL - STEEL
17	071232-02-000	EA OUTRIGGER-PASSENGER SIDE, LH REAR - 15.5" - STEEL
18	071232-01-000	EA OUTRIGGER-PASSENGER SIDE, RH REAR - 15.5" - STEEL
19	071162-01-000	EA STRUT-SPRING MOUNTING, DRIVER OR PASSENGER SIDE - STEEL
20	112550-01-01B	EA CROSSMEMBER-MOUNT, SWAY BAR - MILL - STEEL
21	072778-01-000	EA BRACKET-SWAY BAR MOUNTING, PASSENGER SIDE - STEEL
22	071188-01-000	EA BRACKET-SPRING MOUNT, FRONT - PASSENGER SIDE - STEEL
23	071729-01-000	EA PLATE-RAIL, LOWER - REAR - DRIVER OR PASSENGER SIDE - STEEL
24	071223-02-000	EA GUSSET-FRAME, LOWER - LH - STEEL
25	071200-01-000	EA RAIL-FRAME, LOWER - DRIVER OR PASSENGER SIDE - STEEL
26	071212-01-000	EA PLATE-RAIL, LOWER - FRONT - DRIVER OR PASSENGER SIDE - STEEL
27	071223-01-000	EA GUSSET-FRAME, LOWER - RH - STEEL
28	071219-02-000	EA RAIL-FRAME, FRONT - DRIVER OR PASSENGER SIDE - STEEL
29	071225-01-000	EA OUTRIGGER-FRONT, DRIVER OR PASSENGER SIDE - STEEL
30	111040-01-700	EA COMPARTMENT ASM-BATTERY, STEEL
31	110227-01-000	EA TRANSITION ASM-FRAME, PASSENGER SIDE - STEEL
32	071226-01-000	EA CROSSMEMBER-STEEL
33	071774-01-000	EA CROSSMEMBER-STEEL
34	110227-02-000	EA TRANSITION ASM-FRAME, DRIVER SIDE - STEEL
35	071188-02-000	EA BRACKET-SPRING MOUNT, FRONT - DRIVER SIDE - STEEL
36	072778-02-000	EA BRACKET-SWAY BAR MOUNTING, DRIVER SIDE - STEEL
37	112315-01-000	EA OUTRIGGER-WHEELHOUSE, REAR - DRIVER OR PASSENGER SIDE - STEEL
38	112314-01-000	EA REINFORCEMENT-WHEELHOUSE, DRIVER OR PASSENGER SIDE - STEEL
39	112726-04-01B	EA OUTRIGGER ASM-DRIVER SIDE, LH REAR - MILL - STEEL
40	112726-03-01B	EA OUTRIGGER ASM-DRIVER SIDE, RH REAR - MILL - STEEL
41	086326-01-000	EA BRACKET-SUPPORT, DRIVER OR PASSENGER SIDE - STEEL
42	071229-01-000	EA CROSSMEMBER-REAR, CENTER - 45" LONG - STEEL
	061420-05-000	EA PLUG-PLASTIC, 1.8" DIAMETER

CHASSIS GROUP (CONTINUED)
FUEL SYSTEM COMPONENTS

KEY	PART NUMBER	U/M DESCRIPTION
	007063-01-000	FT HOSE-GAS, 1/4" ID X 1/2" OD
	084884-01-000	EA PLUG-BRASS, 3/8"
	088258-01-000	EA CLIP-RETAINING, FUEL LINE - DOUBLE - FORD N802769
	088258-02-000	EA CLIP-RETAINING, FUEL LINE - SINGLE - MC-90
	113378-01-000	EA FUEL LINE-GENERATOR, FRONT
	113378-02-000	EA FUEL LINE-GENERATOR, REAR
	113378-03-000	EA FUEL LINE-GENERATOR, MIDDLE
	114253-01-000	EA ELBOW-1/4" SINGLE BARB X 1/8" MPT - WEATHERHEAD 1582

15" WHEEL COVERS

KEY	PART NUMBER	U/M DESCRIPTION
	114193-01-000	EA COVER-WHEEL, 15" - SET OF 4 - DICOR# PC9054-15
	077030-02-000	EA EXTENSION-VALVE STEM, 1.25"

REAR MUDFLAP & RETAINER BRACKET

KEY	PART NUMBER	U/M DESCRIPTION
	073905-01-000	EA MUDFLAP-REAR, 10.1" X 9.3"
	073913-01-000	EA RETAINER-MUDFLAP, METAL

LUG WRENCH , TIRE JACK & HANDLE

KEY	PART NUMBER	U/M DESCRIPTION
	116209-01-000	EA WRENCH-LUG, 19 MM
	114387-01-000	EA JACK-SCREW, 4,000 LB - AUSCO 95-55900
	114387-02-000	EA HANDLE-SCREW JACK, 1 PIECE - AUSCO 1-55872

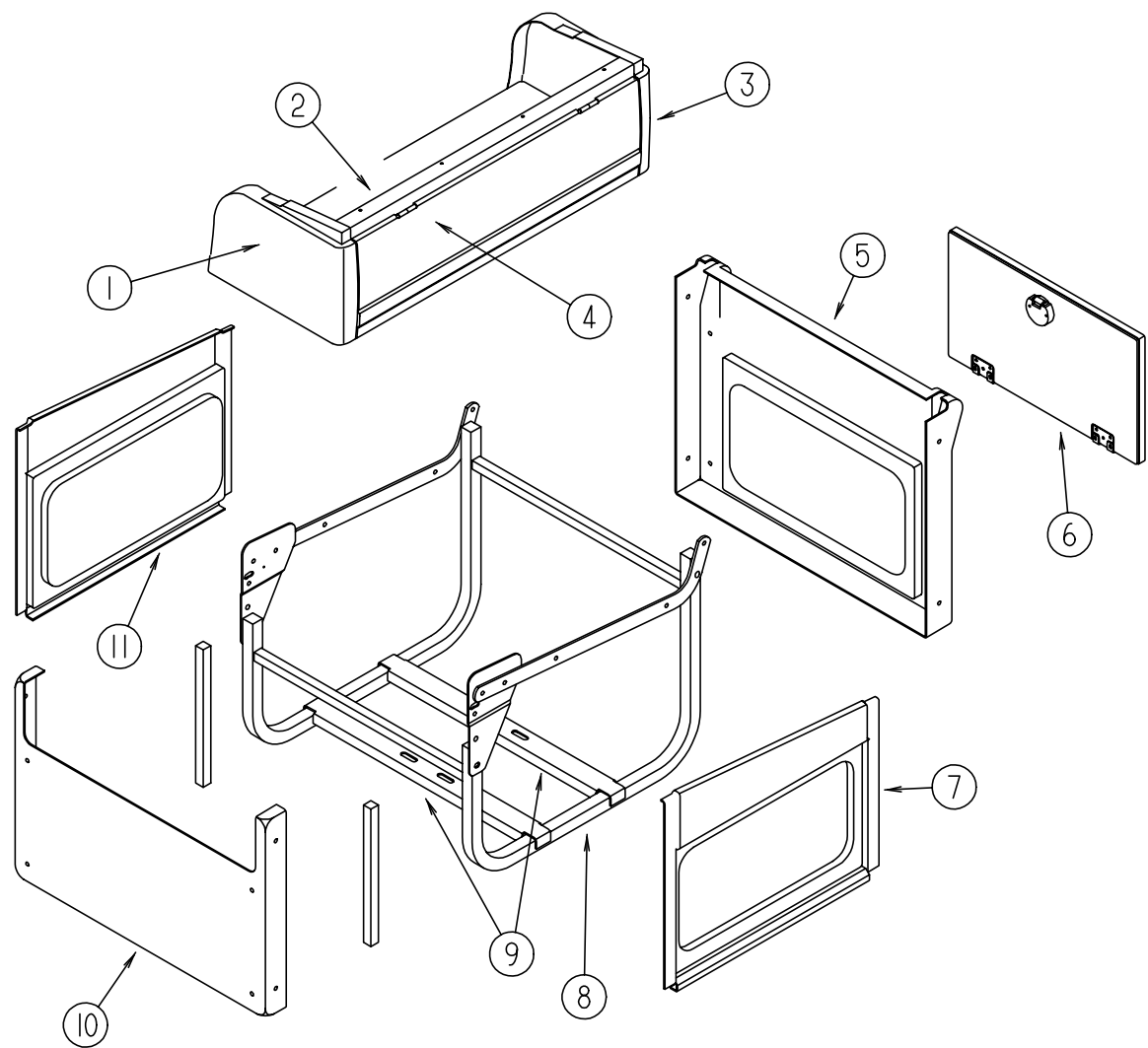
CHASSIS GROUP (CONTINUED)
REAR AIR BAGS

KEY	PART NUMBER	U/M DESCRIPTION
	100293-03-000	EA AIR SPRING KIT - COMPLETE SYSTEM - VW H-BODY
	100293-03-700	EA AIR BAG REPAIR KIT - VW H-BODY KIT CONTAINS: (1)AIR BAG, (1)ELBOW FITTING, (1)ELBOW FILL VALVE, (1)3' 1/4" AIR LINE, (1)INSTRUCTIONS
	100332-01-000	EA PLATE-VALVE, AIR SPRING

MISCELLANEOUS CHASSIS COMPONENTS

KEY	PART NUMBER	U/M DESCRIPTION
	112638-01-000	EA HOSE ASM-BRAKE LINE, REAR - CONTINENTAL HOSE# 4106
	112638-02-000	EA CLIP-SPRING, BRAKE HOSE - CONTINENTAL HOSE# 20A790
	114254-01-000	EA ADAPTER - 1/4" SINGLE BARB X 1/8" MPT - WEATHERHEAD 1537
	114255-01-000	EA COUPLING - 5/8" THD X 1/8" FPT - PARKER 207ACBH-2
	076776-02-000	EA TEE-BEADED, 3/4" X 3/4" X 3/4"
	075243-01-000	EA UNION-M10 X 1, FLARE/FLARE - WHITEHEAD 112-06187

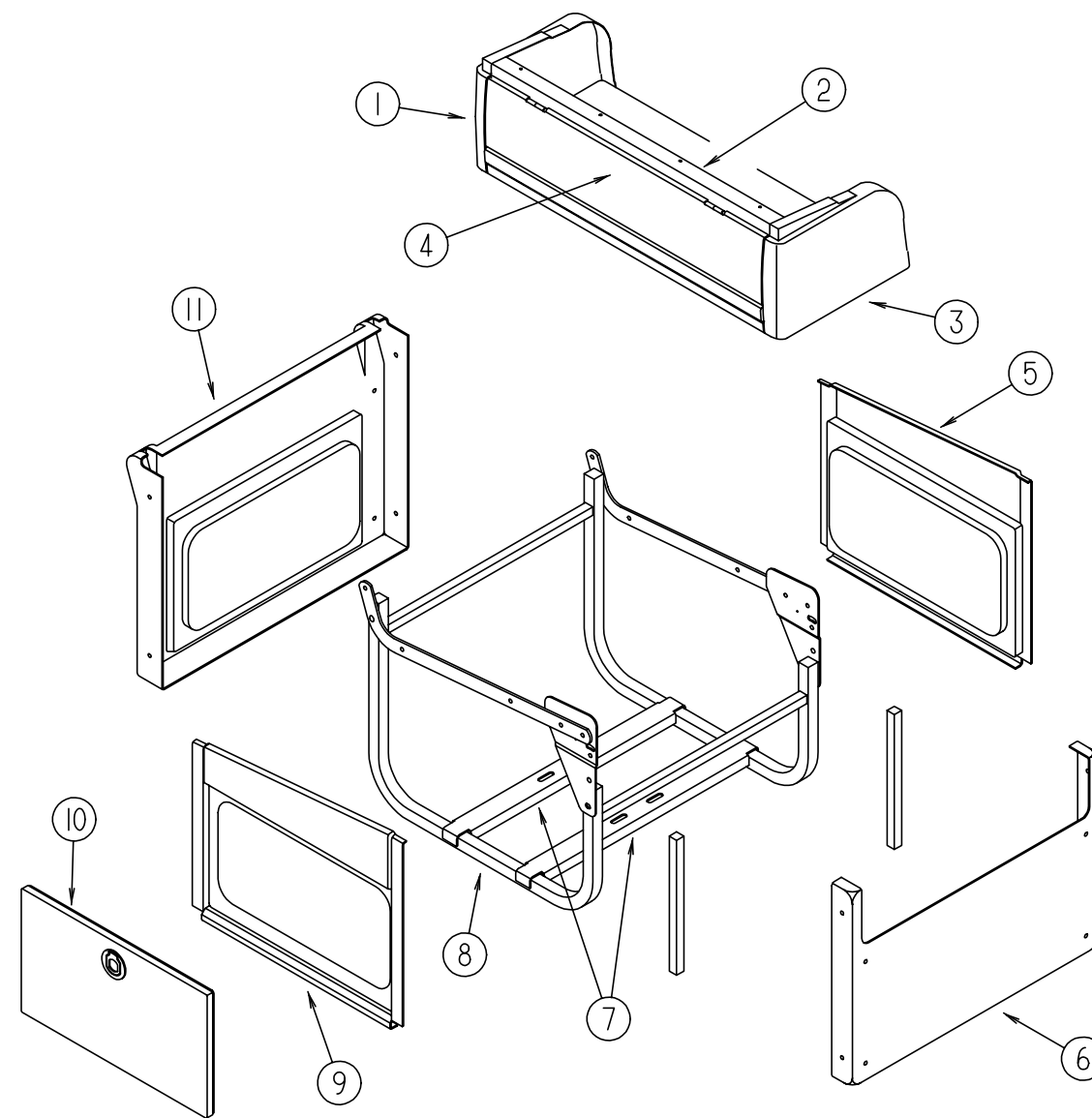
COMPANION SEAT GROUP



PASSENGER SIDE

KEY	PART NUMBER	U/M DESCRIPTION
1	112374-02-01A	EA CAP-END, OVERHEAD CABINET - FRONT - VW TAUPE
2	112710-03-F45	EA CABINET-OVERHEAD, W/O DOOR (F45/F46)
3	112374-01-01A	EA CAP-END, OVERHEAD CABINET - REAR - VW TAUPE
4	112476-01-F45	EA DOOR-W/O HARDWARE (F45/F46)
	115388-01-01A	EA TRIM-OVERHEAD DOOR, ACCENT - ADHESIVE BACK (F45)
	115388-01-02A	EA TRIM-OVERHEAD DOOR, ACCENT - ADHESIVE BACK (F46)
5	113441-01-01A	EA PANEL-COMPANION SEAT, REAR - VW TAUPE
6	113436-01-F45	EA DOOR-COMPANION SEAT W/O HARDWARE (F45/F46)
7	113440-03-01A	EA PANEL-COMPANION SEAT, LH - VW TAUPE
8	113991-01-000	EA FRAME-BASE, COMPANION - W/O BRACKETS - RH - FLEXSTEEL# XP1631-PA
9	113283-01-000	EA BRACKET-SEAT FRAME, COMPANION - E-COATED
10	113442-01-01A	EA PANEL-COMPANION SEAT, FRONT - VW TAUPE
11	113440-01-01A	EA PANEL-COMPANION SEAT, RH - VW TAUPE
	114280-01-01A	EA COVER-BRACKET, SEAT BELT - RH COMPANION SEAT - VW TAUPE
	114279-03-02B	EA BRACKET-SEAT BELT - E-COATED

COMPANION SEAT GROUP (CONTINUED)



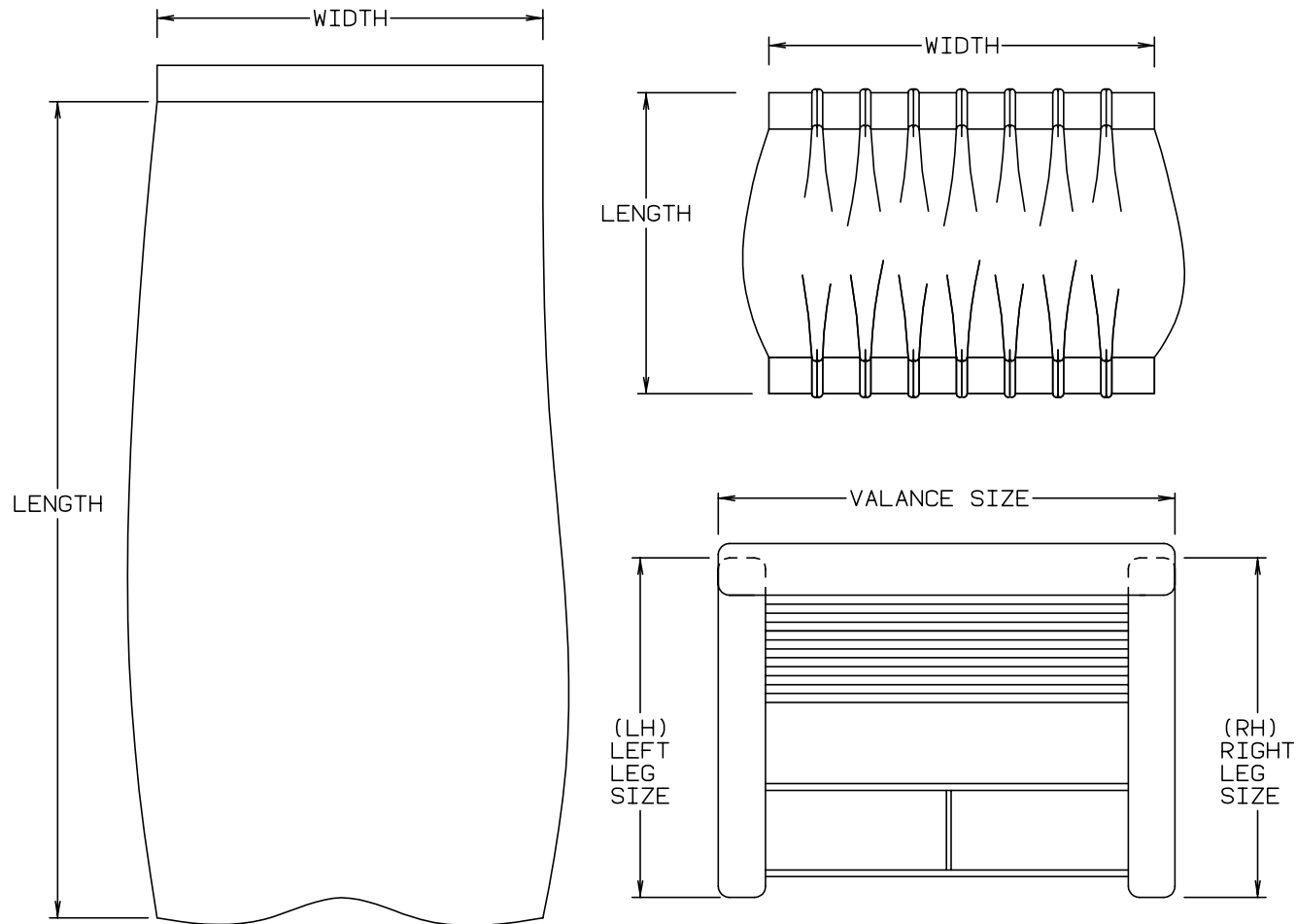
DRIVER SIDE

KEY	PART NUMBER	U/M DESCRIPTION
1	112374-02-01A	EA CAP-END, OVERHEAD CABINET - REAR - VW TAUPE
2	112710-03-F45	EA CABINET-OVERHEAD, W/O DOOR (F45/F46)
3	112374-01-01A	EA CAP-END, OVERHEAD CABINET - FRONT - VW TAUPE
4	112476-01-F45	EA DOOR-W/O HARDWARE (F45/F46)
	115388-01-01A	EA TRIM-OVERHEAD DOOR, ACCENT - ADHESIVE BACK (F45)
	115388-01-02A	EA TRIM-OVERHEAD DOOR, ACCENT - ADHESIVE BACK (F46)
5	113440-03-01A	EA PANEL-COMPANION SEAT, LH - VW TAUPE
6	113442-01-01A	EA PANEL-COMPANION SEAT, FRONT - VW TAUPE
7	113283-01-000	EA BRACKET-SEAT FRAME, COMPANION - E-COATED
8	113991-02-000	EA FRAME-BASE, COMPANION - W/O BRACKETS - LH - FLEXSTEEL# XP1631-DR
9	113440-02-01A	EA PANEL-COMPANION SEAT, RH - VW TAUPE
10	113436-01-F45	EA DOOR-COMPANION SEAT W/O HARDWARE (F45/F46)
11	113441-01-01A	EA PANEL-COMPANION SEAT, REAR - VW TAUPE
	114280-02-01A	EA COVER-BRACKET, SEAT BELT - LH COMPANION SEAT - VW TAUPE
	114279-03-02B	EA BRACKET-SEAT BELT - E-COATED

**CURTAIN & CUSHION GROUP
NOTICE**

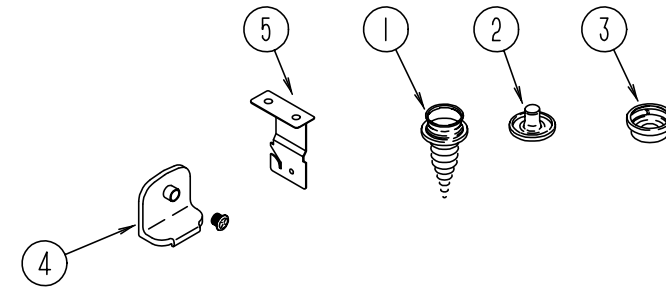
IN ORDER TO ASSIST OUR PARTS SALES DEPT. IN PROVIDING INTERIOR SOFTGOODS ITEMS, PLEASE INCLUDE THE SERIAL NUMBER AND THE COLOR CODE NUMBER FROM THE VEHICLE CERTIFICATION LABEL WHEN ORDERING. THIS LABEL IS LOCATED ON THE LEFT SIDEWALL AT THE END OF THE DASH (A-BODY), OR ON THE DRIVER'S DOOR LATCH PLATE (C-BODY).

AN EXAMPLE OF A COLOR CODE NUMBER IS B07, WHICH DESIGNATES AN OVERALL COLOR SCHEME OF A PARTICULAR UNIT. THE COLOR LISTED AFTER THE ITEM DESCRIPTION ON THE MICROFICHE, INDICATES THE OVERALL UNIT COLOR. ORDER THE ITEM YOU DESIRE ACCORDING TO UNIT COLOR CODE.



NOTE: USE THIS ILLUSTRATION WHEN DETERMINING LENGTH AND WIDTH MEASUREMENTS FOR CURTAINS. YOU WILL NOTE THE WIDTH MEASUREMENT IS TAKEN ON THE TOP OF THE CURTAIN WITH THE CURTAIN FULLY EXTENDED. THE LENGTH MEASUREMENT IS TAKEN FROM TOP TO BOTTOM. LEFT AND RIGHT WINDOW LEGS ARE DETERMINED WHEN FACING THE WINDOW.

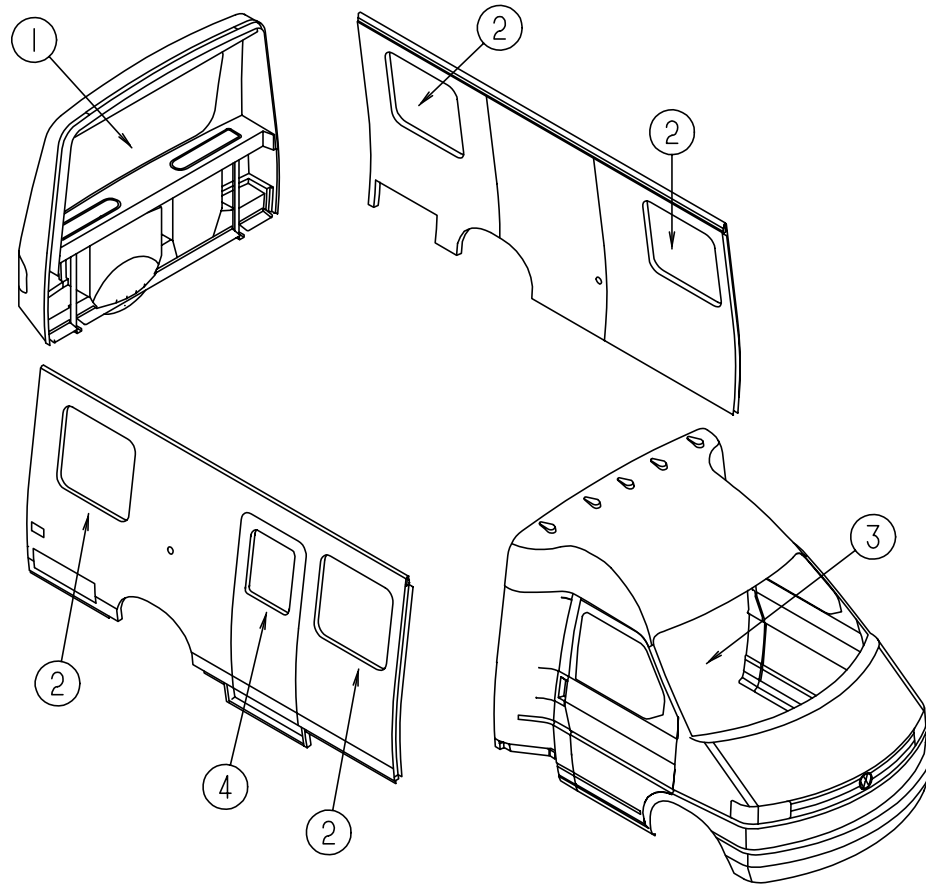
CURTAIN & CUSHION GROUP (CONTINUED)



CURTAIN, BLIND & SHADE HARDWARE

KEY	PART NUMBER	U/M DESCRIPTION
1	029130-01-000	EA SCREW-SNAP SOCKET, #8 PH X 5/8"
1	029130-04-000	EA SCREW-SNAP SOCKET, 8-16 X 5/8" PFH
2	029155-01-000	EA CAP-SNAP NICKEL
3	029156-01-000	EA SOCKET-SNAP FASTENER NICKEL
4	106544-01-000	EA PULL-SHADE, BRASS
4	106544-01-001	EA SCREW-SHADE PULL, BRASS
5	084434-01-000	EA BRACKET-MOUNTING, ROLLER SHADE - 1 3/8"
	096843-01-000	EA SPRING-REWIND, ROLLER SHADE
	048394-02-000	YD VELCRO TAPE-HOOK, ADHESIVE BACK - .75" WIDE - BEIGE
	088792-02-000	YD VELCRO TAPE-LOOP, ADHESIVE BACKED - .75" WIDE - BEIGE
	086276-01-000	EA TAPE-DOUBLE SIDED, 1/2"

CURTAIN & CUSHION GROUP (CONTINUED)



CURTAIN & CUSHION GROUP (CONTINUED)

FABRIC

KEY	PART NUMBER	U/M DESCRIPTION
	072333-85-000	YD FABRIC-CURTAIN, TEXTURED PLAIN - 54" WIDE - MUSHROOM
	087272-03-000	YD FABRIC-DRAPERY LINING, 54" WIDE - IVORY
	108446-A0-000	YD FABRIC-UPHOLSTERY, PATTERNED - 54" WIDE (F45)
	108446-A1-000	YD FABRIC-UPHOLSTERY, PATTERNED - 54" WIDE (F46)
	079680-19-000	YD FABRIC-VINYL, 54" WIDE - PEARL GRAY (F45)
	108446-A2-000	YD FABRIC-UPHOLSTERY, ACCENT - 54" WIDE - BROWN (F46)
	113979-03-01A	YD FABRIC-CEILING, GEOMETRIC DESIGN - 62" WIDE

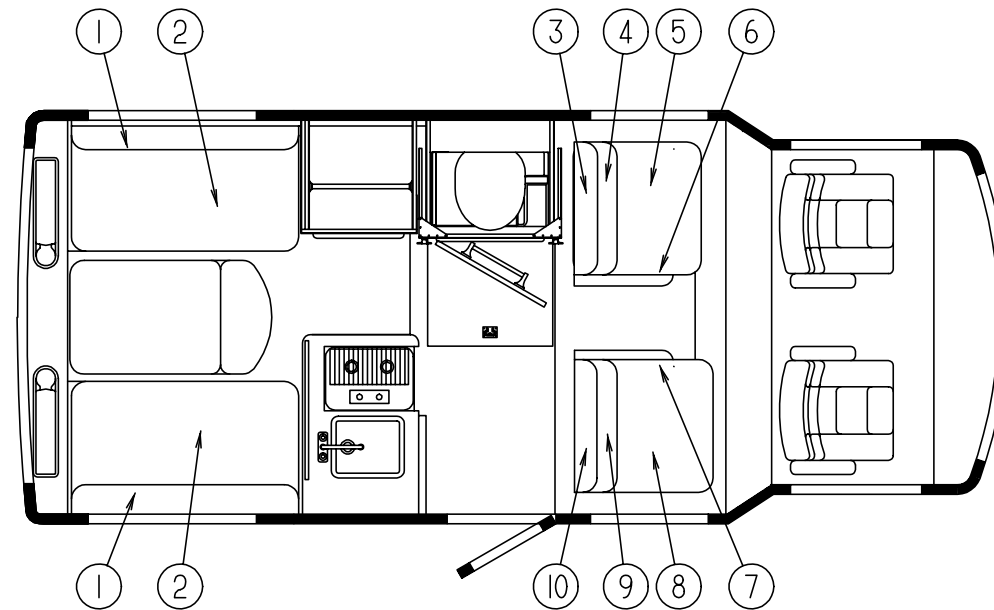
SEATBELTS

KEY	PART NUMBER	U/M DESCRIPTION
	114099-01-000	EA CABLE ASM-RECEIVER, SEAT BELT - DRIVER OR PASSENGER SEAT
	114258-01-01A	EA BELT ASM-2" X 90" - DINETTE LAP BELT - BLACK I-90ER-02
	114259-01-01A	EA BELT ASM-COMPANION SEAT - 3 POINT - RH - BLACK I-1063R
	114259-02-01A	EA BELT ASM-COMPANION SEAT - 3 POINT - LH - BLACK I-1063L
	109146-01-000	EA BOLT-SHOULDER, SEAT BELT

WINDOW TREATMENT & SHOWER CURTAIN

KEY	PART NUMBER	U/M DESCRIPTION
1	111919-16-01A	EA BLIND-PLEATED, 61" X 32" DROP (F45/F46)
2	105923-25-F45	EA VALANCE-30", W/VINYL TRIM
2	105923-25-F46	EA VALANCE-30", W/VINYL TRIM
2	111919-17-01A	EA BLIND-PLEATED, 29" X 28.5" DROP (F45/F46)
3	077591-12-F45	EA CURTAIN-VELCRO TOP, 26" X 104" (F45/F46)
4	105923-25-F45	EA VALANCE-30", W/VINYL TRIM
4	105923-25-F46	EA VALANCE-30", W/VINYL TRIM
4	084755-57-E07	EA SHADE-PULL, 27.25" (F45/F46)
4	075641-02-F45	EA CURTAIN-SHOWER, SNAP TOP - 72" X 75" - VINYL (F45/F46)

CURTAIN & CUSHION GROUP (CONTINUED)



DINETTE CUSHIONS

KEY	PART NUMBER	U/M	DESCRIPTION
1	114942-02-F45	EA	CUSHION-BACKREST
1	114942-02-F46	EA	CUSHION-BACKREST
1	P14942-02-F45	EA	COVER-CUSHION, BACKREST
1	P14942-02-F46	EA	COVER-CUSHION, BACKREST
	113992-03-000	EA	FRAME-BACK, DINETTE - FLEXSTEEL XP1630
2	114942-01-F45	EA	CUSHION-SEAT
2	114942-01-F46	EA	CUSHION-SEAT
2	P14942-01-F45	EA	COVER-CUSHION, SEAT
2	P14942-01-F46	EA	COVER-CUSHION, SEAT
	113992-02-000	EA	FRAME-SEAT, DINETTE - FLEXSTEEL XP1630
	113992-01-000	EA	FRAME-BASE, DINETTE - FLOOR MOUNTED - FLEXSTEEL XP1630

COMPANION SEAT CUSHIONS

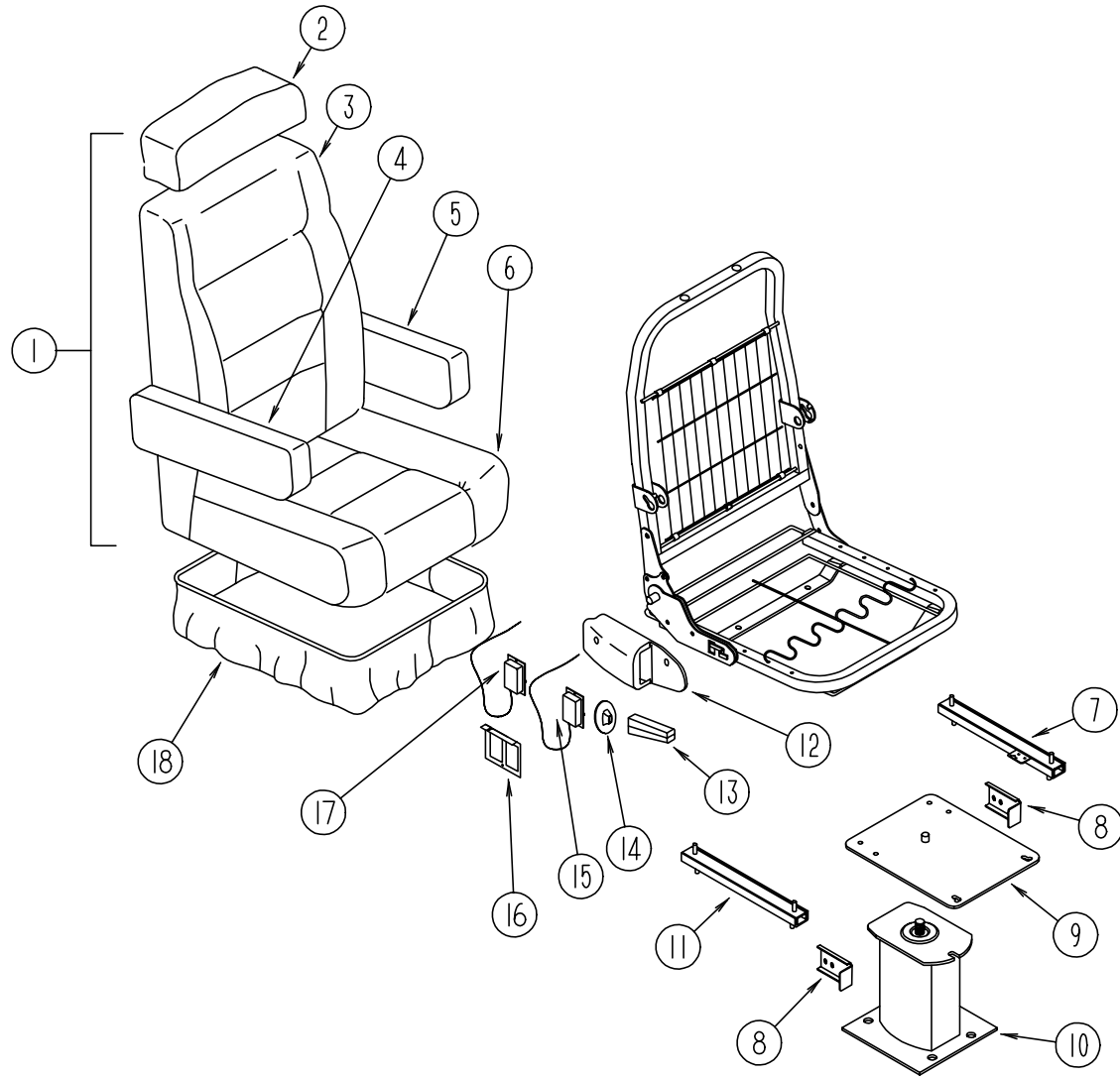
KEY	PART NUMBER	U/M	DESCRIPTION
3	114941-01-F45	EA	HEADREST ASM-COMPANION
3	114941-01-F46	EA	HEADREST ASM-COMPANION
3	P14941-01-F45	EA	COVER-HEADREST, COMPANION
3	P14941-01-F46	EA	COVER-HEADREST, COMPANION
	113991-09-000	EA	FRAME-HEADREST BRACKET, FLEXSTEEL# XP1631-PA
	113991-10-000	EA	FRAME-GROMMET, HEADREST - FLEXSTEEL# XP1631-PA & D
4	114937-02-F45	EA	CUSHION ASM-BACKREST W/ARMREST, LH
4	114937-02-F46	EA	CUSHION ASM-BACKREST W/ARMREST, LH
4	P14937-02-F45	EA	COVER-BACKREST, LH
4	P14937-02-F46	EA	COVER-BACKREST, LH
	113991-05-000	EA	FRAME-BACKREST, LH - FLEXSTEEL# XP1631-DR
	113991-13-000	EA	GROMMET-HEADREST - FLEXSTEEL, .5"
5	114938-02-F45	EA	CUSHION ASM-SEAT - LH
5	114938-02-F46	EA	CUSHION ASM-SEAT - LH
5	P14938-02-F45	EA	COVER-SEAT, LH
5	P14938-02-F46	EA	COVER-SEAT, LH
	113991-04-000	EA	FRAME-SEAT, LH - FLEXSTEEL# XP1631-DR
6	114940-02-F45	EA	ARMREST ASM-LH COMPANION BACKREST (F45/F46)
6	P14940-02-F45	EA	COVER-ARMREST (F45/F46)
	113991-08-000	EA	BRACKET -ARMREST, LH COMPANION BACKREST - FLEXSTEEL# XP1631-PA & D

COMPANION SEAT CUSHIONS (CONTINUED)

KEY	PART NUMBER	U/M	DESCRIPTION
7	114940-01-F45	EA	ARMREST ASM-RH COMPANION BACKREST (F45/F46)
7	P14940-01-F45	EA	COVER-ARMREST (F45/F46)
	113991-07-000	EA	FRAME-ARMREST BRACKET, RH - FLEXSTEEL# XP1631-PA & D
8	114938-01-F45	EA	CUSHION ASM-SEAT - RH
8	114938-01-F46	EA	CUSHION ASM-SEAT - RH
8	P14938-01-F45	EA	COVER-SEAT, RH
8	P14938-01-F46	EA	COVER-SEAT, RH
	113991-03-000	EA	FRAME-SEAT, RH - FLEXSTEEL# XP1631-PA
9	114937-01-F45	EA	CUSHION ASM-BACKREST W/ARMREST, RH
9	114937-01-F46	EA	CUSHION ASM-BACKREST W/ARMREST, RH
9	P14937-01-F45	EA	COVER-BACKREST, RH
9	P14937-01-F46	EA	COVER-BACKREST, RH
	113991-11-000	EA	FRAME-BACKREST, RH - FLEXSTEEL# XP1631-PA
	113991-13-000	EA	GROMMET-HEADREST - FLEXSTEEL, .5"
10	114941-01-F45	EA	HEADREST ASM-COMPANION
10	114941-01-F46	EA	HEADREST ASM-COMPANION
10	P14941-01-F45	EA	COVER-HEADREST, COMPANION
10	P14941-01-F46	EA	COVER-HEADREST, COMPANION
	113991-09-000	EA	FRAME-HEADREST BRACKET, FLEXSTEEL# XP1631-PA
	113991-10-000	EA	FRAME-GROMMET, HEADREST - FLEXSTEEL# XP1631-PA & D
	114939-01-F45	EA	CUSHION ASM-COMPANION, CENTER
	114939-01-F46	EA	CUSHION ASM-COMPANION, CENTER
	P14939-01-F45	EA	COVER-CENTER COMPANION CUSHION
	P14939-01-F46	EA	COVER-CENTER COMPANION CUSHION
	113991-06-000	EA	FRAME-CENTER COMPANION CUSHION - FLEXSTEEL# XP1631-PA & D
	113991-14-000	EA	GUIDE-CENTER COMPANION CUSHION SUPPORT
	113991-15-000	EA	SUPPORT-CENTER COMPANION CUSHION
	113991-16-000	EA	LOCATOR-CENTER COMPANION CUSHION, DRIVER SIDE
	113991-17-000	EA	LOCATOR-CENTER COMPANION CUSHION, PASSENGER SIDE

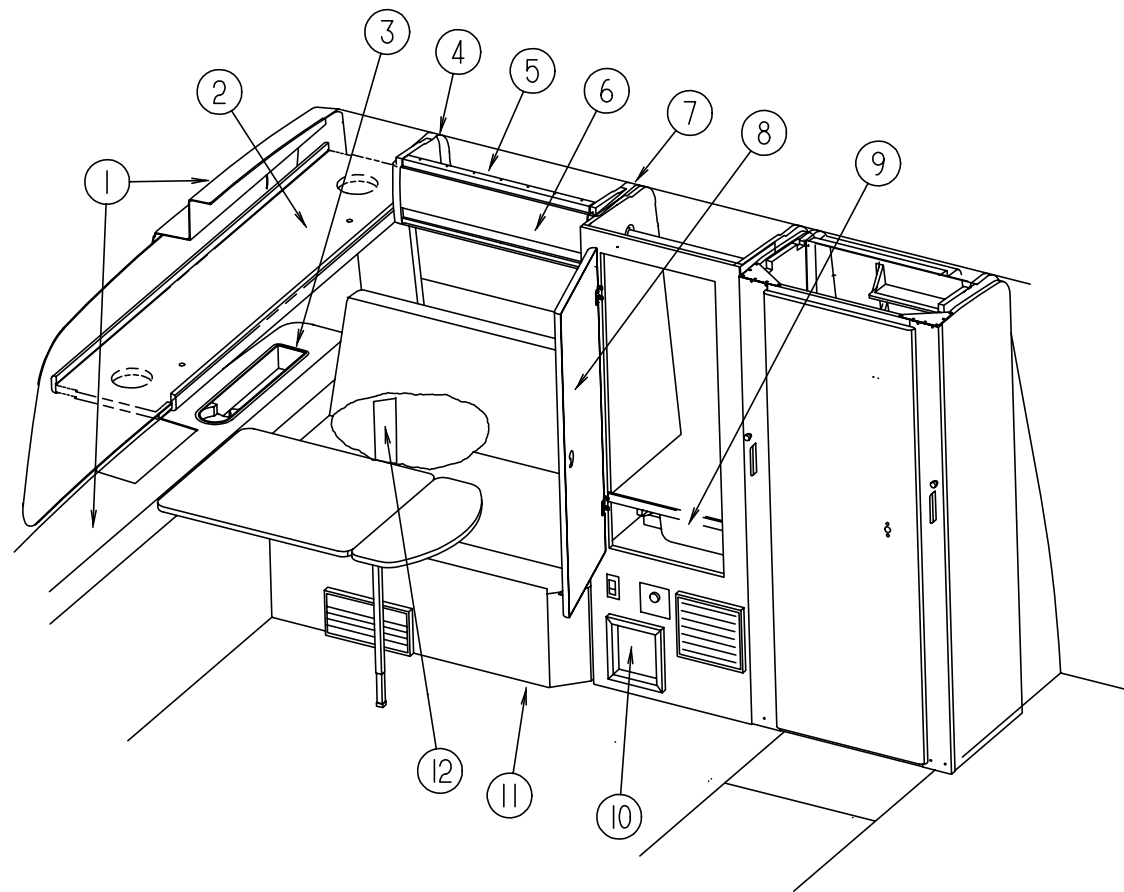
CURTAIN & CUSHION GROUP (CONTINUED)

DRIVER & PASSENGER BUCKET SEATS



KEY	PART NUMBER	U/M	DESCRIPTION
1	114928-01-F45	EA	SEAT-BUCKET, WARMRESTS - W/O SKIRT
1	114928-01-F46	EA	SEAT-BUCKET, WARMRESTS - W/O SKIRT
2	114930-01-F45	EA	HEADREST-BUCKET SEAT (F45/F46)
2	P14930-01-F45	EA	COVER-HEADREST, BUCKET SEAT (F45/F46)
	114790-02-000	EA	GROMMET-HEADREST
3	M05962-11-F45	EA	COVER-BACKREST, BUCKET SEAT
3	M05962-11-F46	EA	COVER-BACKREST, BUCKET SEAT
4	114929-01-F45	EA	ARMREST-BUCKET SEAT, RH (F45/F46)
4	P14929-01-F45	EA	COVER-ARMREST, BUCKET SEAT - RH (F45/F46)
	081268-01-000	EA	ROD & CHANNEL-ARMREST, RH - METAL
	081361-01-000	EA	ROD-ARMREST, METAL - RH OR LH HAND
5	114929-02-F45	EA	ARMREST-BUCKET SEAT, LH (F45/F46)
5	P14929-02-F45	EA	COVER-ARMREST, BUCKET SEAT -LH (F45/F46)
	081268-02-000	EA	ROD & CHANNEL-ARMREST, LH - METAL
	081361-01-000	EA	ROD-ARMREST, METAL - RH OR LH HAND
6	M05962-10-F45	EA	COVER-SEAT, BUCKET SEAT
6	M05962-10-F46	EA	COVER-SEAT, BUCKET SEAT
7	069246-05-000	EA	ADJUSTER-SEAT/CHAIR, W/REMOTE - FORWARD & BACK
	069246-05-700	EA	SPRING-ADJUSTER, FOR REMOTE
	069246-05-701	EA	CLIP-CABLE, FOR REMOTE
8	114889-01-000	EA	STOP BAR-UNIVERSAL, SHROCK
9	107921-08-000	EA	TOP PLATE-W/O SEAT BELT BAR - FLEXSTEEL 2759PDTF
	107921-06-000	EA	BEARING KIT-PEDESTAL, FLEXSTEEL
10	107921-12-000	EA	PEDESTAL-SEAT, 6 IN - PASSENGER - FLEXSTEEL 3108PDLB
10	107921-13-000	EA	PEDESTAL-SEAT, 6 IN - DRIVER - FLEXSTEEL 3107PDLB
11	069246-02-000	EA	ADJUSTER-SEAT/CHAIR, W/O LOCK - FORWARD & BACK
12	080730-09-000	EA	SHIELD-RECLINER HANDLE
	080730-10-000	EA	SCREW-RECLINER HANDLE SHIELD
13	080730-08-000	EA	HANDLE-RECLINER, BLACK
14	080730-11-000	EA	BOOT-RUBBER
15	089368-04-000	EA	REMOTE & CABLE-SLIDE
16	097683-02-000	EA	BRACKET-REMOTE, SIDE MOUNT - DOUBLE
17	108049-01-000	EA	CABLE W/SWITCH-SWIVEL, 28" - F/FLEXSTEEL PEDESTAL
	108049-02-000	EA	CLIP-CABLE, PEDESTAL
18	071126-51-F45	EA	SKIRT-BUCKET SEAT (F45/F46)
	089323-01-000	FT	STRIP-POLYETHYLENE, J-CHANNEL - FLEX-O-LATORS

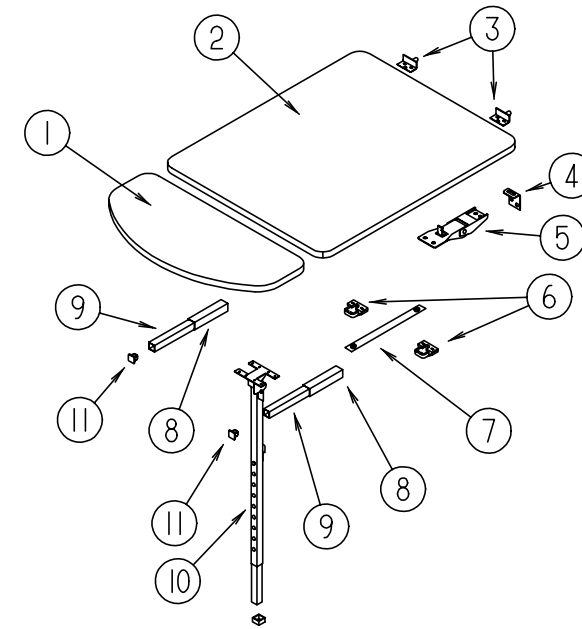
DINETTE GROUP



DINETTE CABINETRY

KEY	PART NUMBER	U/M DESCRIPTION
1	112807-02-F45	EA PANEL ASM-BACKWALL, UPPER - INNER - PLASTIC - VW TAUPE
2	113526-01-F45	EA CABINET-BLANKET SHELF, OVERHEAD
3	112731-01-01A	EA TRAY-BACKWALL, DRIVER OR PASSENGER SIDE - VW WHITE
4	112374-04-01A	EA CAP-END, OVERHEAD CABINET - REAR DRIVER SIDE - VW TAUPE
	112374-01-01A	EA CAP-END, OVERHEAD CABINET - REAR PASSENGER SIDE - VW TAUPE
5	112710-02-F45	EA CABINET-OVERHEAD, W/O DOOR - DRIVER SIDE (F45/F46)
	112710-01-F45	EA CABINET-OVERHEAD, W/O DOOR - PASSENGER SIDE (F45/F46)
6	112476-01-F45	EA DOOR-W/O HARDWARE - DRIVER OR PASSENGER SIDE (F45/F46)
	115388-01-01A	EA TRIM-OVERHEAD DOOR, ACCENT - ADHESIVE BACK (F45)
	115388-01-02A	EA TRIM-OVERHEAD DOOR, ACCENT - ADHESIVE BACK (F46)
7	112374-03-01A	EA CAP-END, OVERHEAD CABINET - FRONT DRIVER SIDE - VW TAUPE
	112374-02-01A	EA CAP-END, OVERHEAD CABINET - FRONT PASSENGER SIDE - VW TAUPE
8	113725-01-F45	EA DOOR-CABINET, W/O HARDWARE (F45/F46)
	009112-01-000	EA FLANGE-1" ROD, CLOTHES - PLASTIC - OFF WHITE
	041953-03-000	FT CONDUIT-CONVOLUTE SLIT, 1" ID (CLOTHES ROD COVER)
	042438-01-000	EA DOWEL-WOOD, CLOTHES ROD - 1" DIAMETER X 4'
9	077404-02-000	EA DRAWER-PLASTIC, 20" X 12.7" - BEIGE
	077409-02-000	EA SLIDE-DRAWER, MOUNTED TO CABINET - 20.75" - PLASTIC
10	113527-15-F45	EA TRIM ASM-REAR AUTO HEATER, WOOD (F45/F46)
11	113831-02-F45	EA PANEL ASM-COVER, DINETTE - DRIVER SIDE (F45/F46)
	113831-01-F45	EA PANEL ASM-COVER, DINETTE - PASSENGER SIDE (F45/F46)
	024283-01-000	EA CLIP-PANEL, 1" - 1.125" OD - BLACK
12	113844-02-F45	EA PANEL ASM-TRIM, LOWER - DRIVER SIDE (F45/F46)
	113844-01-F45	EA PANEL ASM-TRIM, LOWER - PASSENGER SIDE (F45/F46)

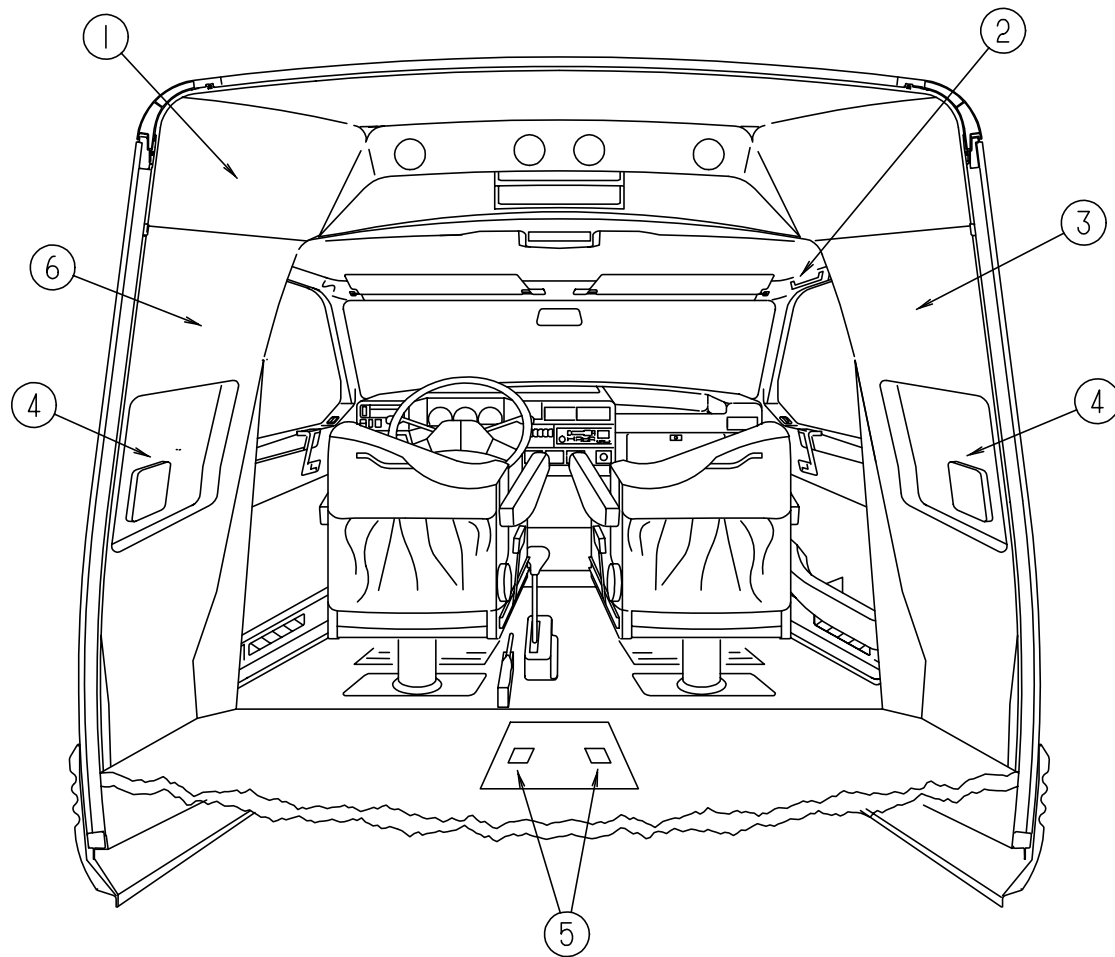
DINETTE GROUP (CONTINUED)



DINETTE TABLE

KEY	PART NUMBER	U/M DESCRIPTION
1	M06946-02-F45	EA EXTENSION-DINETTE TABLE
2	M06946-01-F45	EA TABLE-DINETTE
3	115766-02-02B	EA BRACKET-TABLE, E-COAT
4	115765-01-02B	EA BRACKET-CATCH, E-COAT
5	042541-04-000	EA LATCH-BRASS, W/O STRIKE - HASP TYPE - BRASS
6	009050-02-000	EA LEVELER-TABLE TOP, FEMALE & MALE ENDS W/4 SCREWS - PLASTIC
7	057534-01-000	EA TIEBACK/TIEDOWN-TABLE EXTENSION, 6" - PLASTIC - CLEAR
	029130-04-000	EA SOCKET-SNAP FASTENER
8	113729-01-01A	EA TUBE-TABLE SUPPORT, 5" LONG - VW TAUPE
9	113728-01-01A	EA TUBE-TABLE SUPPORT, 9" LONG - VW TAUPE
	114117-01-01A	EA PLATE-SPACER, TABLE SUPPORT TUBE - 4" X 1" - VW TAUPE
10	108483-01-000	EA LEG-TABLE, ADJUSTABLE 597 MM TO 902 MM - LE JOHNSON 88ADJ-SP
11	110550-01-000	EA CAP-TUBE, 22.2 MM SQUARE - CAPLUG SQ-7/8

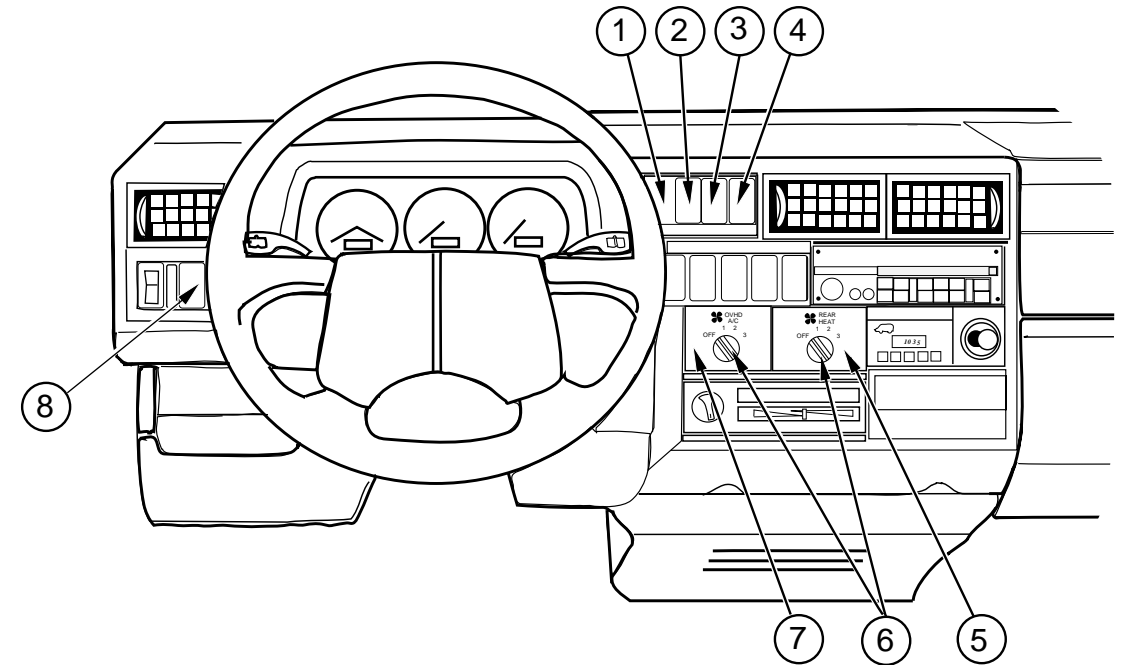
DRIVERS COMPARTMENT GROUP



DRIVERS COMPARTMENT

KEY	PART NUMBER	U/M DESCRIPTION
1	112839-01-01A	EA HEADLINER-FRONT - A.S.C.
	115452-01-000	EA SCREW-SET - VW N904 162 01
	115453-01-01A	EA COVER-SCREW, TAUPE - VW 357 867 169 9VW
2	115449-01-01A	EA HANDLE-GRAB, RH - VW 705 857 607 9VW
	115451-01-000	EA SCREW-HANDLE - VW N904 345 01
3	112838-01-01A	EA PANEL-TRANSITION, INNER - RH - A.S.C.
4	084902-08-000	EA HOLDER-MUG, COLLAPSIBLE - BLACK - ELKHART
5	097111-02-04A	EA POCKET-LOCK, BATTERY DOOR, BLACK
5	102330-01-000	EA LATCH-SINGLE HOLE, VISE ACTION - SOUTHCOE3-55-715-50
	064075-07-000	EA SEAL-BULB, W/WIRED U CHANNEL - .3" X .5" CHANNEL - BLACK
6	112838-02-01A	EA PANEL-TRANSITION, INNER - LH - A.S.C.

DRIVERS COMPARTMENT GROUP (CONTINUED)



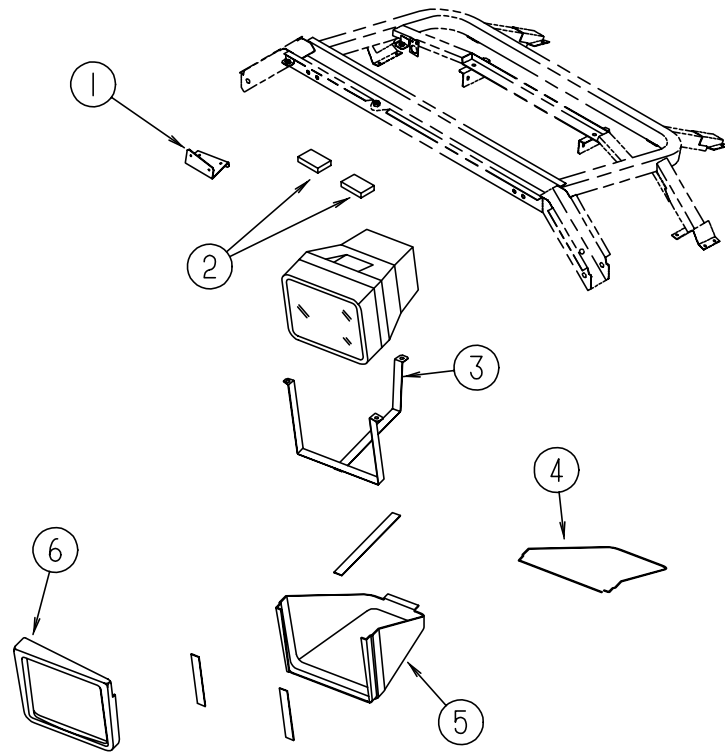
DASH KNOBS, SWITCHES & LABELS

KEY	PART NUMBER	U/M DESCRIPTION
1	114444-01-000	EA APPLIQUE-BEZEL
2	108356-09-01A	EA COVER-SWITCH W/DIMPLES & LENS, CARLING VVAACXX-XGO
	108357-13-000	EA SWITCH-ROCKER, DPDT MOM/ON/OFF - REAR WIPER/WASHER OPTION CARLING VMD17HNB-0
2	096241-03-000	EA SWITCH-BLANK
3	108356-08-01A	EA COVER-SWITCH W/DIMPLES & LENS, CARLING VVAACXX-XWB
3	108357-12-000	EA SWITCH-ROCKER, DPST OFF/NONE/MOM - REAR DEFOGGER OPTION CARLING VMD17HNB-0
3	096241-03-000	EA SWITCH-BLANK
4	108356-07-01A	EA COVER-SWITCH W/DIMPLES & LENS, CARLING VVAACXX-XWB
4	108357-09-000	EA SWITCH-ROCKER, SPDT ON/NONE/MOM - AUXILIARY START CARLING V5D1000B-0
5	114332-01-000	EA LABEL-FAN SWITCH, REAR HEAT
6	087202-02-000	EA SWITCH-4 POSITION, W/O KNOB
6	090977-01-000	EA KNOB-SWITCH, ROTARY - ROGAN NK-2-WL
7	114332-02-000	EA LABEL-FAN SWITCH, OVERHEAD A/C
8	096241-03-000	EA SWITCH-BLANK
8	108357-12-000	EA SWITCH-ROCKER, 5 TERMINAL W/KEY LOCK & ARROW GRAPHICS - TORRIX 3333
8	114444-01-000	EA APPLIQUE-BEZEL

FROM: 00-00-00 THRU: 06-17-94

FROM: 06-18-94 THRU: 99-99-99

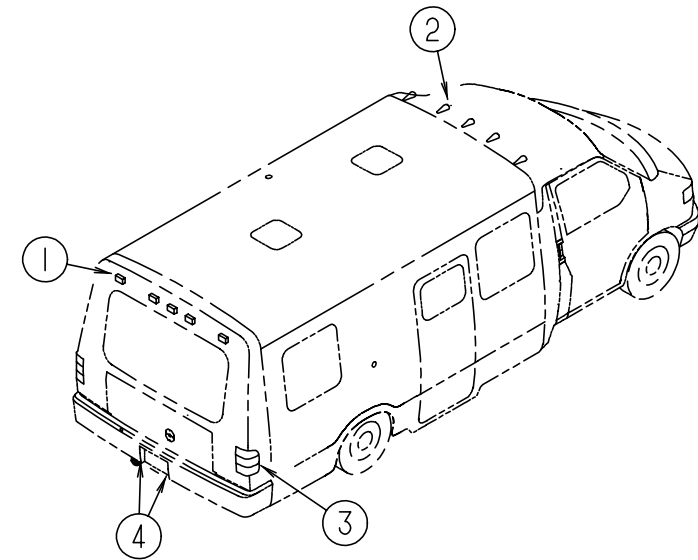
DRIVERS COMPARTMENT GROUP (CONTINUED)



TV COVERS & BRACKETS

KEY	PART NUMBER	U/M DESCRIPTION
1	114325-01-02B	EA BRACKET-TV MOUNT, E-COATED
2	114250-01-000	EA FOAM-1/2" X 2" X 3"
3	114705-01-02B	EA STRAP-TV MOUNT, E-COATED
4	114897-01-01A	FT MOLDING-TV, FRONT COVER - BLACK
5	114315-01-01A	EA COVER-TV, OVERHEAD - VW TAUPE
6	114314-01-01A	EA COVER-TV, OVERHEAD - VW TAUPE

ELECTRICAL GROUP



EXTERIOR LIGHTS

KEY	PART NUMBER	U/M DESCRIPTION
1	102520-02-000	EA LIGHT-CLEARANCE, W/O SOCKET CONNECTIONS - RED
	036196-01-000	EA BULB-12V, #194 - .27AMP - BAYONETTE
	067789-02-000	EA SOCKET-LAMP
	102582-01-000	EA BRACKET-LIGHT, CLEARANCE - L-SHAPED METAL - 2.2" X 4.7"
2	102540-01-000	EA SEAL-SCREW, ROUND - RUBBER
	102541-01-000	EA GASKET-CLEARANCE LIGHT
3	113709-01-000	EA LIGHT-CLEARANCE, AMBER - KD 500-0-1-888
	112126-01-000	EA TAILLIGHT-REAR, PASSENGER SIDE - FORD F37Z-13404-A
	112126-02-000	EA TAILLIGHT-REAR, DRIVER SIDE - FORD F37Z-13405-A
	112707-01-000	EA BULB-12 V - #3156 - 2.10 AMP - SYLVANIA 3156
	112708-01-000	EA BULB-12 V - #3157 - 0.59/2.10 AMP - SYLVANIA 3157
	112709-01-000	EA SOCKET-LAMP, S8 WEDGE SF - ZANXX ZX-88372
	112709-02-000	EA SOCKET-LAMP, S8 WEDGE SF - ZANXX ZX-90445
112709-03-000	EA SOCKET-LAMP, S8 WEDGE DF - ZANXX ZX-88371	
4	087201-01-000	EA LIGHT-HALF ROUND, 1" X 1.7" - PLASTIC - BLACK

ELECTRICAL GROUP (CONTINUED)
INTERIOR LIGHTS

KEY	PART NUMBER	U/M DESCRIPTION
	098024-01-01A	EA LIGHT-DOME, 1 BULB - IVORY
	098024-03-01A	EA LIGHT-DOME, 2 BULB - IVORY
	098024-01-700	EA LENS-DOME LIGHT
	008218-01-000	EA BULB-DOME LIGHT, 12V - #1141
	116075-01-09B	EA CLIP-RETAINER, DOME LIGHT - 147 MM X 67 MM - GALVANIZED
	061424-01-000	EA LIGHT-DASH/AISLE, 12V - RECTANGULAR
	008103-01-000	EA BULB-DASH/AISLE LIGHT, #53 - 12 V - .12 AMP

SWITCHES & RECEPTACLES

KEY	PART NUMBER	U/M DESCRIPTION
	079364-01-000	EA SWITCH-ON/OFF ROCKER, 2 PRONGS - BROWN
	084420-01-000	EA SWITCH-TOGGLE, 15A-120V - BROWN - T&B WDS151
	098351-01-01A	EA PLATE-SWITCH, 1 GANG - POLISHED BRASS - JENSEN
	108355-01-000	EA HOUSING-SWITCH - CARLING VCH
	108356-10-01A	EA COVER-SWITCH W/DIMPLES & LENS, CARLING VVAJCCX-X - SUMP PUMP
	108357-14-000	EA SWITCH-ROCKER, SPST - ON/OFF - CARLING VIDIA60C-0 - SUMP PUMP
	112824-01-03A	EA COVER-EXTERIOR DUPLEX RECEPTACLE, WHITE - P&S 3780-SC-WH
	058708-01-000	EA RECEPTACLE-ELECTRIC, DOUBLE - BROWN
	058708-02-000	EA RECEPTACLE-ELECTRIC, DOUBLE - IVORY
	058707-01-000	EA RECEPTACLE-ELECTRIC, SINGLE - BROWN
	024924-02-000	EA RECEPTACLE-POWER CORD, W/PARTIAL PLATE
	111414-01-000	EA RECEPTACLE-12V W/O BIMETAL, INTERTEK
	112822-01-01A	EA RECEPTACLE-DUPLEX, IVORY - WIRECON WDRU15IV
	084076-01-000	EA RECEPTACLE-GFI, 15A - 125V - IVORY
	084076-02-000	EA RECEPTACLE-GFI, 15A - 125V - BROWN
	091927-01-000	EA COVER-RECEPTACLE, DOUBLE - IVORY

CIRCUIT BREAKERS & FUSES

KEY	PART NUMBER	U/M DESCRIPTION
	062901-02-000	EA FUSE-5 AMPS, AUTOMOTIVE
	062901-05-000	EA FUSE-15 AMPS, AUTOMOTIVE
	062901-06-000	EA FUSE-20 AMPS, AUTOMOTIVE
	062901-07-000	EA FUSE-25 AMPS, AUTOMOTIVE
	106656-01-000	EA FUSE BLOCK-4 CAVITY AUTOFUSE - PACKARD 12004943
	083209-01-000	EA CIRCUIT BREAKER-15 AMP, 120V - BW G-15 - CANADIAN
	083209-02-000	EA CIRCUIT BREAKER-15/15 AMP, 120 V - BW H-15/15
	083209-03-000	EA CIRCUIT BREAKER-15/20 AMP, 120 V - BW 0-15/20
	083209-06-000	EA CIRCUIT BREAKER-30/15 AMP, 120 V - BW D-30/15
	083209-07-000	EA CIRCUIT BREAKER-20/20 AMP, 120 V - BW K-20/20
	097611-01-000	EA CIRCUIT BREAKER-10 AMP, 12 V - VB3-A10-F57
	108567-01-000	EA CIRCUIT BREAKER-40 AMP, 12 V - FASCO 17414063

ELECTRICAL GROUP (CONTINUED)
ELECTRICAL CONNECTORS

KEY	PART NUMBER	U/M DESCRIPTION
	007940-01-000	EA RECEPTACLE-SLIDE, 16 TO 12 AWG - FEMALE END
	008311-01-000	EA CONNECTOR-WIRE NUT, INSULATED - RED
	008314-01-000	EA CONNECTOR-WIRE NUT, INSULATED - GRAY
	008355-01-000	EA CONNECTOR-CABLE CLAMPING, 3/4"
	008356-01-000	EA CONNECTOR-PLASTIC, 3/8" AVG
	112721-01-000	EA CONNECTOR-3PIN W/12" LEADS COLE-HERSEE 11173-0
	041480-01-000	EA CONNECTOR-STRAIGHT, 1/2" FLEX CONDUIT
	058028-01-000	EA CONNECTOR-ELECTRICAL PIGTAIL, NYLON - CLEAR
	008326-01-000	EA TERMINAL-RING, 16/14 WIRE - 3/8" STUD
	008328-01-000	EA TERMINAL-RING, 12/10 WIRE - #10 STUD FIT
	008331-01-000	EA TERMINAL-RING,TONGUE - #4 WIRE - 3/8" STUD - COPPER
	008348-01-000	EA TERMINAL-RING, 3/8" STUD - #2 WIRE CONNECTS CABLE TO DISCONNECT RELAY AND BATTERY
	035416-04-000	EA TERMINAL-RING #10 STUD FIT, INSULATED BARREL #16/14
	047443-01-000	EA TERMINAL-.250 RECEPTACLE FIT, INSULATED - 16/14 AWG
	047443-02-000	EA TERMINAL-.250 RECEPTACLE FIT, INSULATED - 12/10 AWG
	106655-01-000	EA TERMINAL-FUSE BLOCK, 14-16AWG - PACKARD 12020321
	106655-02-000	EA TERMINAL-FUSE BLOCK, 10-12AWG - PACKARD 12020400
	113074-01-000	EA TERMINAL-TAILLAMP - AUGAT 101395
	098262-01-000	EA SEAL-CONNECTOR,WEATHER PACK PACKARD 12010293
	088473-03-000	EA HOUSING-PIN, 9 CAVITY - AMP 1-480706-0
	088473-06-000	EA HOUSING-PIN, 6 CAVITY - AMP 1-480704-0
	088473-08-000	EA HOUSING-PIN, 4 CAVITY - AMP 1-480702-0
	088473-10-000	EA HOUSING-PIN, 2 CAVITY - AMP 1-480698-0
	088474-02-000	EA HOUSING-SOCKET, 12 CAVITY - AMP 1-480711-0
	088474-03-000	EA HOUSING-SOCKET, 9 CAVITY - AMP 1-480707-0
	088474-06-000	EA HOUSING-SOCKET, 6 CAVITY - AMP 1-480705-0
	088474-08-000	EA HOUSING-SOCKET, 4 CAVITY - AMP 1-480703-0
	088474-10-000	EA HOUSING-SOCKET, 2 CAVITY - AMP 1-480699-0
	098264-01-000	EA HOUSING-2 PIN, WEATHER PACK M - PACKARD 12015792
	098264-02-000	EA HOUSING-2 PIN, WEATHER PACK F - PACKARD-12010973
	113072-01-000	EA HOUSING-TAILLAMP, TURN - ZANXX ZX-88389
	113072-02-000	EA HOUSING-TAILLAMP, BACKUP - ZANXX ZX-90441
	113072-03-000	EA HOUSING-TAILLAMP, STOP/MARKER - ZANXX ZX-88390
	113073-01-000	EA WEDGELOCK-HOUSING, TAILLAMP - ZANXX ZX-88389-3
	113073-02-000	EA WEDGELOCK-HOUSING, TAILLAMP - ZANXX ZX-90424
	110178-01-000	EA HOUSING-WIPER MOTOR - UT6237440-EC25WJ
	113468-01-000	EA HOUSING-2 POSITION, FEMALE - 56-SERIES - PACKARD 02965981 USED ON WIPER/WASHER WIRE ASM
	088475-01-000	EA PIN-CONNECTOR, 14 TO 20 AWG
	098265-02-000	EA PIN-CONNECTOR, WEATHER PACK - PACKARD 12089305
	088476-01-000	EA SOCKET-CONNECTOR, BRASS - PRE-TIN
	088476-02-000	EA SOCKET-CONNECTOR, 12-10 GA - PHOS. BRZ - PRE-TIN
	098261-02-000	EA SOCKET-CONNECTOR, WEATHERPACK - PACKARD 12124580

ELECTRICAL GROUP (CONTINUED)
BOXES, CONDUIT & COVERS

KEY	PART NUMBER	U/M DESCRIPTION
	008289-01-000	EA BOX-ELECTRIC, STEEL - 1/2" AND 3/4" KNOCKOUTS - 4" X 4"
	091910-02-000	EA BOX-ELECTRICAL, PLASTIC - 57 X 88MM
	093257-02-000	EA BOX-ELECTRIC, CIRCUIT BREAKER - B&W RV80-9
	041953-01-000	FT CONDUIT-CONVOLUTE SLIT, .5" ID - POLYETHYLENE - BLACK
	041953-03-000	FT CONDUIT-CONVOLUTE SLIT, 1" ID - POLYETHYLENE - BLACK
	041953-04-000	FT CONDUIT-CONVOLUTE SLIT, .50" ID - POLYETHYLENE - GRAY
	041953-06-000	FT CONDUIT-CONVOLUTE SLIT, .375" ID - POLYETHYLENE - BLACK
	041953-07-000	FT CONDUIT-CONVOLUTE SLIT, .25" ID - POLYETHYLENE - BLACK
	041953-08-000	FT CONDUIT-CONVOLUTE SLIT, 1.50" ID - POLYETHYLENE - BLACK
	041953-09-000	FT CONDUIT-CONVOLUTE SLIT, .50" ID - NYLON - BLACK W/GRAY STRIPE
	008294-01-000	EA COVER-ELECTRICAL BOX, BLANK/STEEL - 4" X 4" - GRAY
	069238-01-000	EA COVER-ELECTRICAL BOX, W/HOLE - 4" X 4" - GRAY USED WITH 30 AMP RECEPTACLE

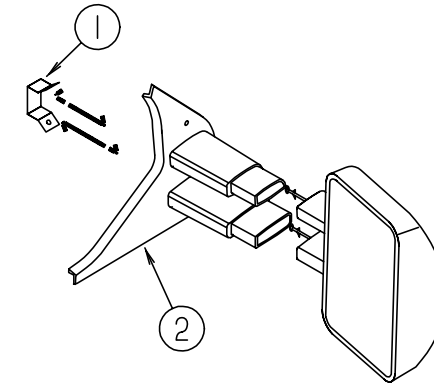
SOLENOID, RELAYS, POWER CONVERTER & POWER CORDS

KEY	PART NUMBER	U/M DESCRIPTION
	008188-01-000	EA SOLENOID-3 POST, BATTERY CHANGE OVER
	063912-02-000	EA RELAY-CANISTER, SPDT - BOSCH 0332204101
	114965-01-000	EA RELAY 12V,2A,DELAY OFF 10MIN AMPERITE 12DP10MHLC
	109171-01-000	EA CONVERTER-40 AMP, ELECTRONIC - MAGNETEK 7240X
	008052-01-000	EA CORD-POWER, 10/3 - 30 AMP - 25' - CANADIAN
	008054-02-000	EA CORD-POWER, 10-3 - 30 AMP - 33'

WIRE ASSEMBLIES

KEY	PART NUMBER	U/M DESCRIPTION
	096449-01-000	EA WIRE ASSEMBLY-WATER TANK TO MONITOR PANEL
	097618-01-000	EA WIRE ASM-MONITOR PANEL, W/3 WIRES & ORANGE RESISTOR- LVS ORANGE RESISTOR W/3 (ORANGE-GREEN-BLUE) WIRES

EXTERIOR BODY GROUP



MIRROR BRACKETS FOR VW EXTERIOR MIRRORS

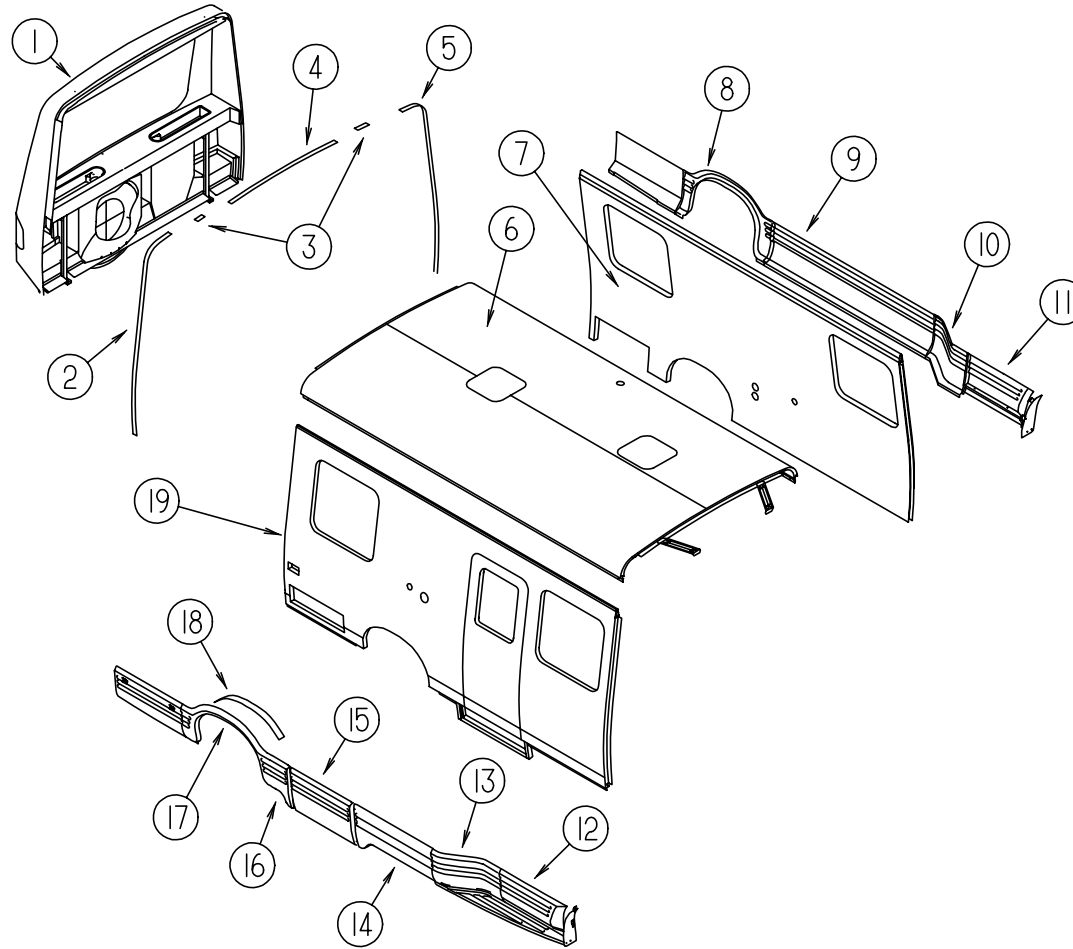
KEY	PART NUMBER	U/M DESCRIPTION
1	115334-01-02B	EA BRACKET-MIRROR, E-COAT
2	114494-01-02A	EA BRACKET-MIRROR, RH - BLACK - LESUER INCORPORATED
	114494-02-02A	EA BRACKET-MIRROR, LH - BLACK - LESUER INCORPORATED

ALUMINUM, FIBERGLASS & STYROFOAM

KEY	PART NUMBER	U/M DESCRIPTION
	112695-01-700	EA SHEET-ALUMINUM, (ROOF) - .024" X 42.25" X 135.8" - VW WHITE
	112696-01-700	EA SHEET-ALUMINUM, (SIDEWALL) - .032" X 58" X 136.2" - VW WHITE
	000870-06-000	SF STYROFOAM-1.34" X 48" X 96" - PLANED - INCREMENTS OF 32 SF
	083574-03-000	SF STYROFOAM-3/4" X 48" X 96" - INCREMENTS OF 32 SF
	100619-10-000	BF FOAM-EXPANDED POLYSTYRENE, 1.5" X 48" X 96" - INCREMENTS OF 48 BF

EXTERIOR BODY GROUP (CONTINUED)

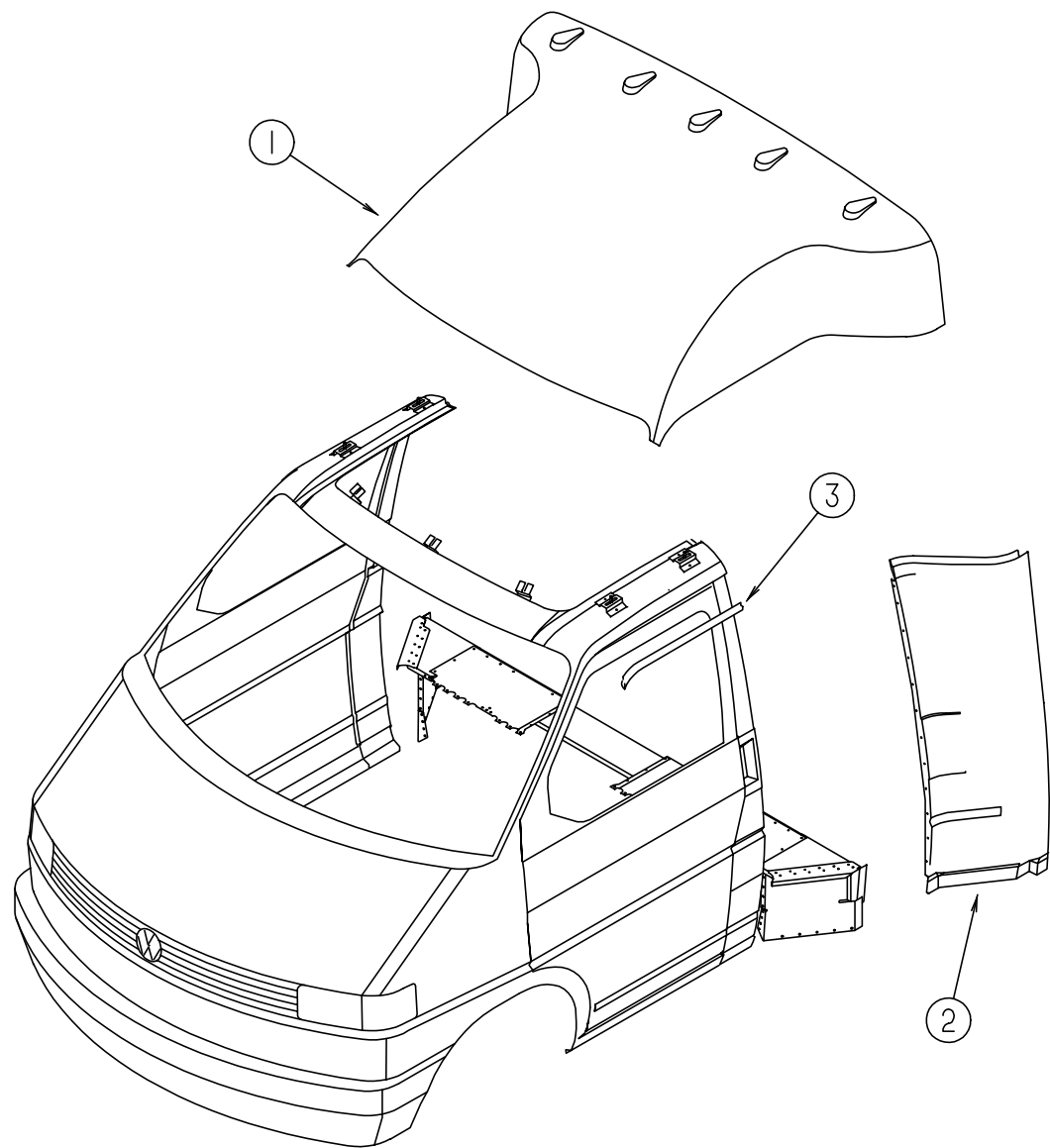
EXTERIOR BODY PANELS & TRIM



KEY	PART NUMBER	U/M DESCRIPTION
1	P11419-01-700	EA CAP ASSEMBLY-REAR W/O CUT-OUTS OR DOORS, VW WHITE
	085464-01-000	EA SUPPORT-BACKWALL, 81.8" LONG - METAL
2	112544-01-01A	EA TRIM-SIDEWALL TO REAR CAP, RH - VW WHITE
3	086754-10-000	EA CAP-TRIM, VW WHITE
4	112548-01-01A	EA TRIM-ROOF TO REAR CAP, VW WHITE
5	112544-02-01A	EA TRIM-SIDEWALL TO REAR CAP, LH - VW WHITE
6	P11343-01-F45	EA ROOF ASSEMBLY-W/O VENTS
7	P11341-01-F45	EA SIDEWALL-DRIVER SIDE, W/O DOORS OR WINDOWS
8	112024-03-F45	EA PANEL-VALANCE, WHEEL LIP - DRIVER SIDE - PLASTIC - VW WHITE
9	112022-02-F45	EA PANEL-VALANCE, FRONT - DRIVER SIDE - PLASTIC - VW WHITE
10	112020-03-F45	EA PANEL-VALANCE, TRANSITION - DRIVER SIDE - PLASTIC - VW WHITE
11	112019-03-F45	EA PANEL-VALANCE, CAB DOOR - DRIVER SIDE - PLASTIC - VW WHITE
	069726-02-000	EA BUMPER-.88" DIAMETER X .40", BLACK

KEY	PART NUMBER	U/M DESCRIPTION
12	112019-04-F45	EA PANEL-VALANCE, CAB DOOR - PASSENGER SIDE - PLASTIC - VW WHITE
13	112020-04-F45	EA PANEL-VALANCE, TRANSITION - PASSENGER SIDE - PLASTIC - VW WHITE
14	112021-02-F45	EA PANEL-VALANCE, FRONT - PASSENGER SIDE - PLASTIC - VW WHITE
15	112026-02-F45	EA PANEL-VALANCE, ENTRY DOOR - PLASTIC - VW WHITE
16	112025-02-F45	EA PANEL-VALANCE, CENTER - PASSENGER SIDE - PLASTIC - VW WHITE
17	112024-04-F45	EA PANEL-VALANCE, WHEEL LIP - PASSENGER SIDE - PLASTIC - VW WHITE
18	113012-01-01A	EA TRIM-WHEELWELL, REAR - MILL FINISH - DRIVER OR PASSENGER SIDE
19	P11342-01-F45	EA SIDEWALL-PASSENGER SIDE, W/O DOORS OR WINDOWS
	055278-51-259	EA TUBING-STEEL, .75" X 1.5" X 12.5'
	073050-03-000	EA MOUNTING CLIP-VALANCE PANEL
	002754-01-001	EA ANGLE-EXTRUDED, .75" X .75" X 18' - MILL ALUMINUM
	099418-01-000	FT SEAL-D, W/SIDE AHESIVE - .4" X .10" - SPONGE RUBBER - BLACK
	073050-03-000	EA CLIP-MOUNTING, VALANCE PANELS

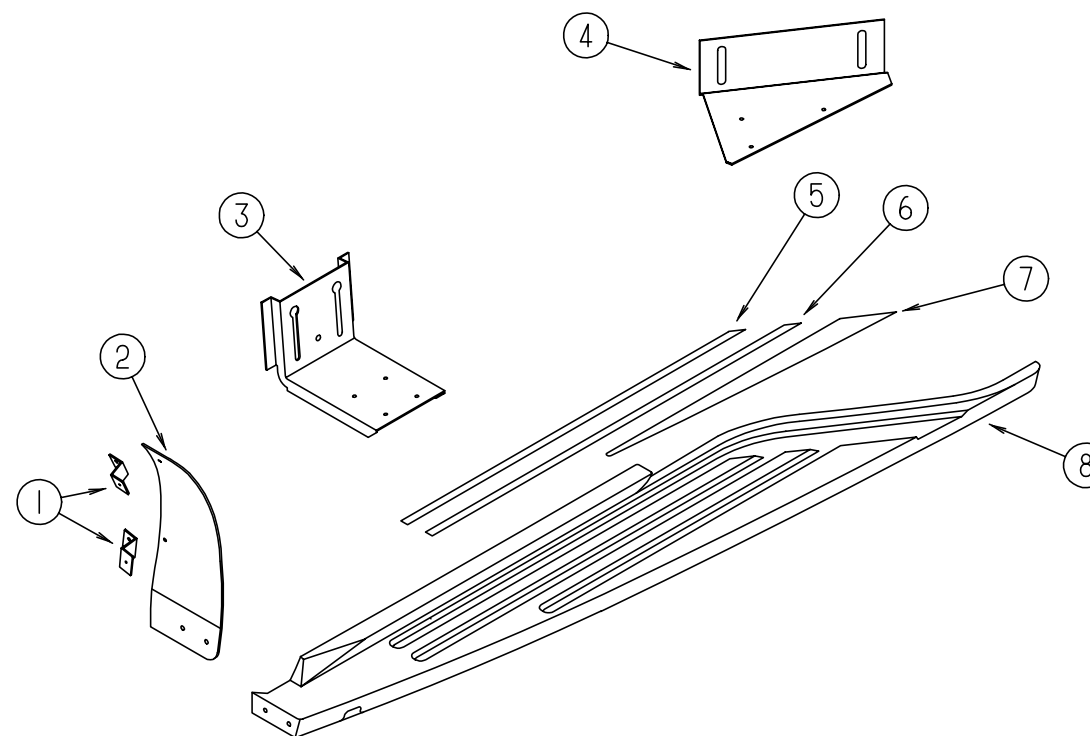
EXTERIOR BODY GROUP (CONTINUED)



FRONT CAP & TRANSITION PANELS

KEY	PART NUMBER	U/M DESCRIPTION
1	111207-02-F45 112127-01-000	EA CAP ASM-FRONT W/CLEARANCE LIGHTS, VW WHITE FT MOLDING-REVEAL, FRONT CAP TO WINDSHIELD
2	111276-04-F45 111276-03-F45	EA PANEL-TRANSITION, DRIVER SIDE - STEEL & FIBERGLASS - VW WHITE EA PANEL-TRANSITION, PASSENGER SIDE - STEEL & FIBERGLASS - VW WHITE
3	115022-02-01A 115022-01-01A	EA RAIL-DRIP, DRIVER SIDE - VW WHITE EA RAIL-DRIP, PASSENGER SIDE - VW WHITE

EXTERIOR BODY GROUP (CONTINUED)

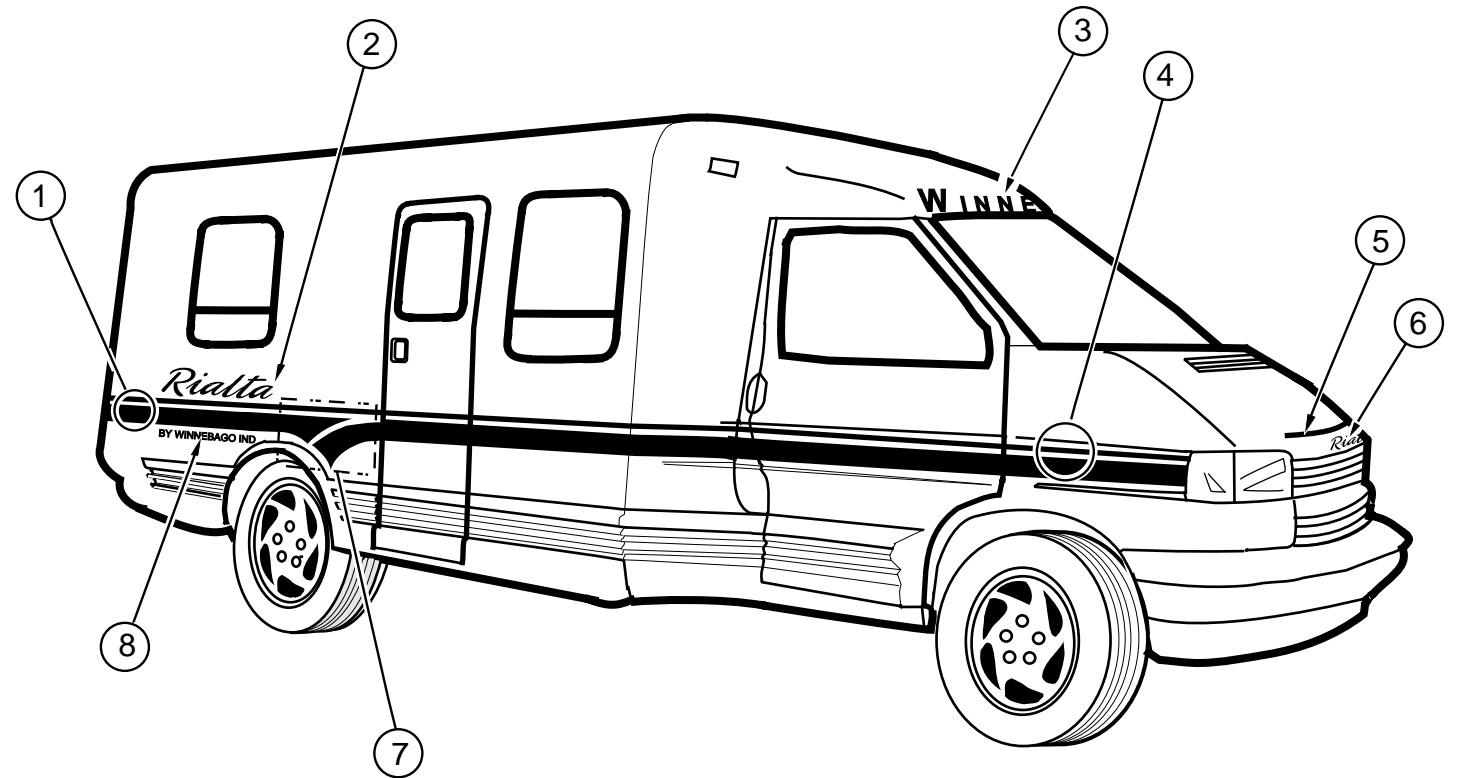
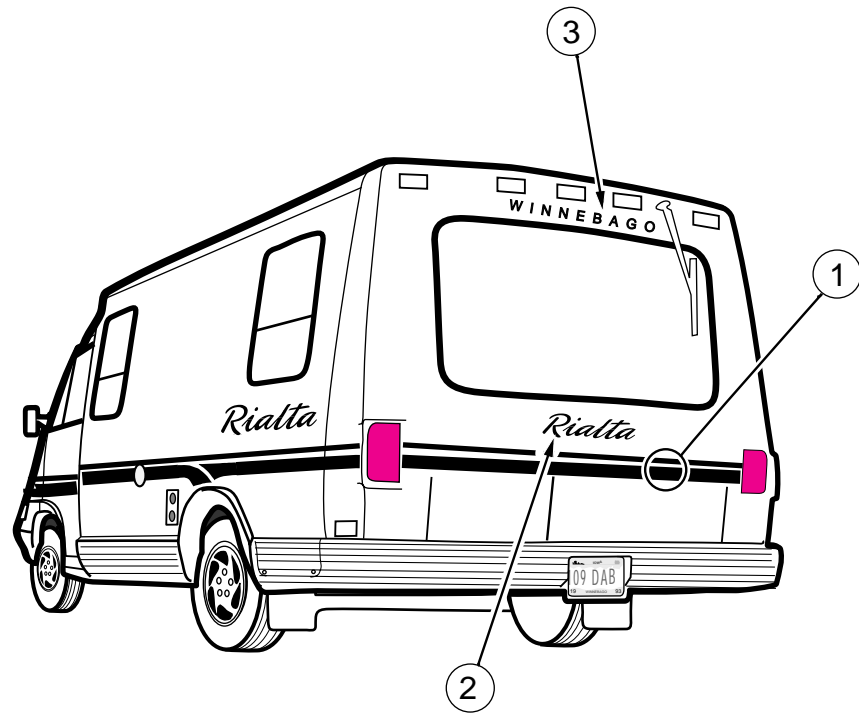


RUNNING BOARDS

KEY	PART NUMBER	U/M DESCRIPTION
1	112507-01-02B	EA BRACKET-MUD FLAP, SUPPORT - FRONT - E-COAT
2	112242-01-02A 112242-02-02A	EA SUPPORT-MUD FLAP, FRONT LH - VW WHITE EA SUPPORT-MUD FLAP, FRONT RH - VW WHITE
3	112230-02-02B	EA BRACKET ASM-RUNNING BOARD, FRONT LH OR RH - E-COAT
4	112231-01-000 112231-02-000	EA BRACKET-RUNNING BOARD, REAR - LH EA BRACKET-RUNNING BOARD, REAR - RH
5	112233-13-000 112233-14-000 038327-03-000	EA TAPE-ANTI SLIP, INNER - LH EA TAPE-ANTI SLIP, INNER - RH EA TAPE-ANTI SLIP, 1/2" X 60 FT
6	112233-11-000 112233-12-000 038327-03-000	EA TAPE-ANTI SLIP, MIDDLE - LH EA TAPE-ANTI SLIP, MIDDLE - RH EA TAPE-ANTI SLIP, 1/2" X 60 FT
7	102570-04-000 102570-03-000	EA MAT-ANTI SLIP, OUTER - LH - SAFETY TRACK #310 EA MAT-ANTI SLIP, OUTER - RH - SAFETY TRACK #310
8	112233-03-F45 112233-04-F45 115003-01-01A	EA RUNNING BOARD-LH W/TAPE & MAT, VW WHITE EA RUNNING BOARD-RH W/TAPE & MAT, VW WHITE EA MOLDING-REVERSE COVE, VW WHITE

EXTERIOR BODY GROUP (CONTINUED)

DECALS, STRIPES & PAINT

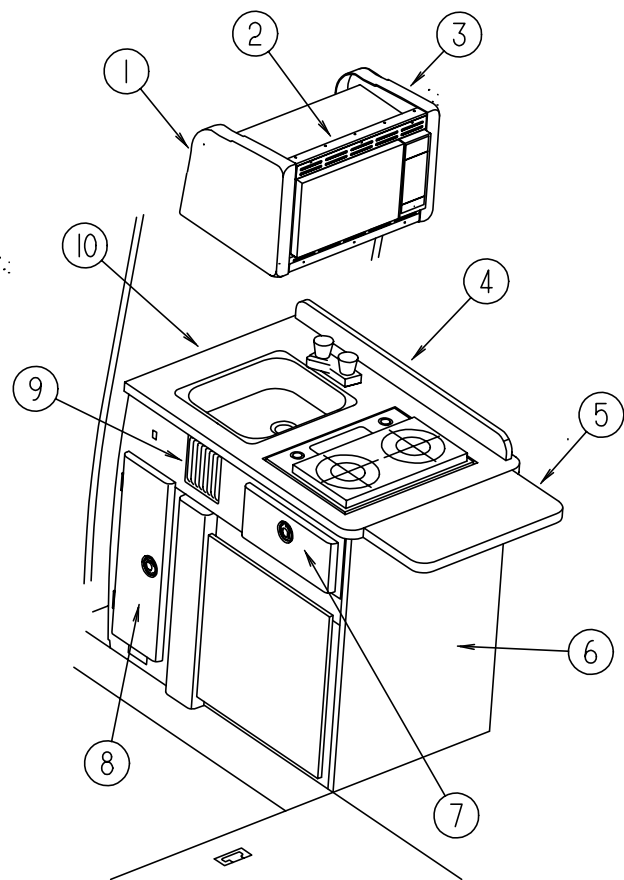


KEY	PART NUMBER	U/M DESCRIPTION
1	105781-33-02A	FT FILM-MULTISTRIPE, 2 STRIPES - 101.6 MM
2	115045-01-01A	EA DECAL-LOGO, RIALTA - LARGE
3	110889-02-01A	EA DECAL-LOGO, WINNEBAGO
4	105781-33-01A	FT FILM-MULTISTRIPE, 2 STRIPES - 101.6 MM
5	113215-01-01A	EA DECAL-HOOD
6	115045-02-01A	EA DECAL-LOGO, RIALTA - SMALL
7	113214-01-01A	EA DECAL-CURVES, PASSENGER SIDE
	113214-02-01A	EA DECAL-CURVES, DRIVER SIDE
8	084075-07-000	EA DECAL-"BY WINNEBAGO IND"
	034618-84-700	EA PAINT-SPRAY, VW WHITE - RAABE 46055

DUPONT COLOR CODES

VW WHITE W9670

GALLEY GROUP
GALLEY CABINETS & COMPONENTS



KEY	PART NUMBER	U/M	DESCRIPTION
1	112805-04-01A	EA	CAP-END, MICROWAVE CABINET - FRONT - VW TAUPE
2	112943-01-02B	EA	FRAME ASM-MICROWAVE, E-COATED
3	112805-03-01A	EA	CAP-END, MICROWAVE CABINET - REAR - VW TAUPE
	112809-02-01A	EA	PANEL-MICROWAVE CABINET - BOTTOM - VW TAUPE
4	098335-09-F45	EA	RAIL-GALLEY, 875 MM X 38 MM X 19 MM
5	080812-07-F45	EA	EXTENSION-GALLEY
	009059-01-000	EA	HINGE-EXTENSION, 2" X 1.4" - BRASS
	104181-01-01A	EA	SUPPORT-EXTENSION, 5.3" - EXTENDS TO 7.5" - SAFTY RING - METAL
6	113018-01-F45	EA	CABINET-GALLEY, W/O DOOR, DRAWER OR HARDWARE
	113782-01-F45	EA	COVER-SINK
	011029-01-000	EA	SINK-SINGLE, STAINLESS STEEL - W/BOLTS
	066437-01-000	EA	STRAINER-SINK, GALLEY W/BASKET
	066437-01-700	EA	BASKET-STRAINER, GALLEY SINK
	066435-01-000	EA	NUT-STRAINER
	011069-06-000	EA	TAILPIECE-GALLEY SINK, 1 1/2" X 1 1/4" X 2.5" - BRASS
	066436-01-000	EA	NUT-SLIP, TAILPIECE - 1.5"
	069735-01-000	EA	WASHER-STRAINER TO TAILPIECE, 1.5" - PLASTIC
	113798-01-01A	EA	FAUCET-GALLEY, SINGLE CONTROL - BPC 20PA805BH
7	P10163-G9-F45	EA	DRAWER-CABINET
8	113703-01-F45	EA	DOOR-CABINET, W/O HARDWARE
9	109918-02-02A	EA	VENT-RETURN AIR, 157 MM X 139 MM - VW TAUPE
10	113018-11-F45	EA	COUNTERTOP-GALLEY CABINET

GALLEY GROUP (CONTINUED)
REFRIGERATOR

KEY	PART NUMBER	U/M DESCRIPTION
	113737-01-02A	EA REFRIGERATOR-3 WAY, 2.3 CU FT - NORCOLD
	113737-01-700	EA DOOR ASSEMBLY - NORCOLD 61741838
	113737-01-701	EA HINGE BUSHING - NORCOLD 61742022
	113737-01-702	EA TRAVEL LATCH - NORCOLD 61719630
	113737-01-703	EA RIVET - TRAVEL LATCH, PLASTIC - NORCOLD 61747922
	113737-01-704	EA DOOR GASKET - GRAY - NORCOLD 61719130
	113737-01-705	EA BREAKER STRIP ASSEMBLY - BLACK - NORCOLD 61739830
	113737-01-706	EA FIN ASSEMBLY - NORCOLD 61721122
	113737-01-707	EA FOAMED CABINET & COOLING UNIT - NORCOLD 61748138
	113737-01-708	EA HINGE PIN - TOP - NORCOLD 61114600
	113737-01-709	EA HINGE - NORCOLD 61741322
	113737-01-710	EA HINGE PIN - BOTTOM - NORCOLD 61550722
	113737-01-711	EA SHELF WIRE - TOP - NORCOLD 61720422
	113737-01-712	EA SHELF WIRE - BOTTOM - NORCOLD 61720522
	113737-01-713	EA CAP-SNAP ON - BLACK - NORCOLD 61579730
	113737-01-714	EA FUSE ASSEMBLY - DC SUPPLY LINE, 3-WAY - NORCOLD 61757222
	113737-01-715	EA SPARK ELECTRODE - NORCOLD 61722922
	113737-01-716	EA PRESSURE TAP - NORCOLD 61755322
	113737-01-717	EA THERMOCOUPLE - NORCOLD 61723122
	113737-01-718	EA CONTROL ASSEMBLY 2 & 3 WAY - NORCOLD 61751137
	113737-01-719	EA VALVE-SHUT-OFF-MANUAL - NORCOLD 61749122
	113737-01-720	EA FUSE - 3 AMP, 32 V OR LESS - NORCOLD 61654622
	113737-01-721	EA HEATER AC - NORCOLD 61745322
	113737-01-722	EA HEATER DC - 3-WAY - NORCOLD 61745422
	113737-01-723	EA TUBE - EXHAUST - NORCOLD 61755022
	113737-01-724	EA KNOB - SELECTOR - NORCOLD 61748722
	113737-01-725	EA KNOB - GAS CONTROL - NORCOLD 61748822
	113737-01-726	EA BURNER ASSEMBLY - NORCOLD 61755422
	113737-01-727	EA ORFICE ADAPTER ASSEMBLY - NORCOLD 61753137
	113737-01-728	EA SPARK IGNITOR - NORCOLD 61645822
	113737-01-729	EA SELECTOR SWITCH - NORCOLD 61722422
	113737-01-730	EA GAS VALVE - SOURDILLION - NORCOLD 61752922
	113737-01-731	EA FITTING - OUTLET - NORCOLD 61758322
	113737-01-732	EA BRASS ELBOW - UNION TUBE - NORCOLD 61621622
	113737-01-733	EA GASKET-RUBBER - NORCOLD 61758522
	113737-01-734	EA INLET FITTING - NORCOLD 61758422
	113737-01-735	EA THERMOSTAT - NORCOLD 61756722
	113737-01-737	EA DOOR ASSEMBLY - TAUPE - NORCOLD 617914
	113737-01-739	EA SYSTEM COVER - TAUPE - NORCOLD 617905
	113737-01-740	EA KNOB-THERMOSTAT - NORCOLD 617971
	113737-01-741	EA SCREW #10 X 1/2" - NORCOLD 61554022

REFRIGERATOR LEVEL & GRILLE

KEY	PART NUMBER	U/M DESCRIPTION
	054450-01-000	EA LEVEL-REFRIGERATOR
	086297-02-000	EA GRILLE-REFRIGERATOR VENT

GALLEY GROUP (CONTINUED)
RANGE

KEY	PART NUMBER	U/M DESCRIPTION
	113947-01-01A	EA RANGE-2 BURNER, W/O OVEN - ATWOOD 53359
	101593-01-701	EA THUMB SCREW, WEDGEWOOD 52537
	101593-01-703	EA BURNER KNOB, WEDGEWOOD 53000
	101593-01-704	EA BURNER VALVE, WEDGEWOOD 52506
	113947-01-700	EA REGULATOR, ATWOOD 52154
	109918-02-02A	EA VENT-RETURN AIR, RANGE TOP - 157 MM X 139 MM - VW TAUPE

MICROWAVE OVEN & TRIM

KEY	PART NUMBER	U/M DESCRIPTION
	091269-05-000	EA OVEN-MICROWAVE - MAGIC CHEF DM15H-14B
	114307-01-01A	EA TRIM-MICROWAVE, BLACK

MONITOR PANEL

KEY	PART NUMBER	U/M DESCRIPTION
	096449-01-000	EA WIRE ASSEMBLY-WATER TANK TO MONITOR PANEL
	097618-01-000	EA WIRE ASSEMBLY-MONITOR PANEL, W/3 WIRES & ORANGE RESISTOR - LVS
	114014-01-01A	EA PANEL-MONITOR, VENTLINE L9151
	096983-01-700	EA SWITCH-ON/OFF, VENTLINE 108
	096983-01-702	EA SWITCH-TWO WAY MOMENTARY, VENTLINE 112
	113566-01-701	EA TANK RESISTOR HARNESS - 7306
	114014-01-700	EA SILKSCREEN OVERLAY - CD212
	114014-01-701	EA CIRCUIT BOARD - 5070-6

GENERATOR GROUP
3,000 WATT GENERAC GENERATOR

KEY	PART NUMBER	U/M DESCRIPTION
	007067-01-000	SF INSULATION-FIBERGLASS, 1" THICK X 4' - INCREMENTS OF 4 SF
	007125-03-000	EA CLAMP-MUFFLER, 1.5" DIA
	007125-04-000	EA CLAMP-MUFFLER, 1.1" DIA
	007131-01-000	EA HANGER-TAILPIPE, 6 SLOTS
	008401-01-000	EA STRAP-CONDUIT, 3/4" - 1 HOLE - GALVANIZED STEEL
	113841-01-000	EA PIPE-EXHAUST, GENERATOR
	115112-01-02B	EA BRACKET-MOUNT, GENERATOR - RH - E-COAT
	115112-02-02B	EA BRACKET-MOUNT, GENERATOR - LH - E-COAT
	113458-01-000	EA GENERATOR-3 KW, GENERAC NP30G, 9557-0

HEATING & AIR CONDITIONING GROUP
7,100 BTU COLEMAN ROOF A/C

KEY	PART NUMBER	U/M DESCRIPTION
	093306-01-02A	EA A/C ROOF 7,100 BTU - ROTARY - WHITE - COLEMAN 6727-736
	037648-01-714	EA PACKAGE-GASKET, COLEMAN 6759-3281
	093306-01-701	EA DECAL PKG, LEFT & RIGHT - COLEMAN 6798B3591
	093306-01-703	EA FAN-4 BLADE, 9" DIAMETER - COLEMAN 67073321
	093306-01-705	EA MOTOR-115V1 6A60H2-RPM - COLEMAN 67273119
	093306-01-706	EA BLOWER WHEEL, 6 5/16" X 2 7/8" WVD - COLEMAN 67073281
	093306-01-711	EA CONDENSER COIL - COLEMAN 14520701
	093306-01-713	EA EVAPORATOR, COLEMAN 14520601
	093306-01-717	EA COMPRESSOR-PANASONIC, COLEMAN 1450-2019
	093306-01-718	EA FAN CAPACITOR (FAN 5MFD/370V), COLEMAN 1499-5421
	093306-01-719	EA OVERLOAD, COLEMAN 1450A0011
	093306-01-720	EA START CAPACITOR, 21-25 MFD/33 - COLEMAN 1497-3351
	093306-01-721	EA START RELAY, COLEMAN 1497-5051
	093306-01-722	EA SHROUD-ARTIC WHITE/ARCTIC WHITE - W/O LOGO - COLEMAN 6727-5761
	108889-01-707	EA RUN CAPACITOR (COMPRESSOR-25MFD/370), COLEMAN 1499-5661

CEILING ASSEMBLY

KEY	PART NUMBER	U/M DESCRIPTION
	093307-01-000	EA CEILING ASM-A/C COOL, IVORY - COLEMAN 6727D714
	093306-01-709	EA DECAL F/THERMOSTAT AND SELECTOR, COLEMAN 6727A3341
	076303-01-710	EA THERMOSTAT, COLEMAN 67333411
	076303-01-717	EA FILTER-6" X 14.75" X .5" - COLEMAN 67033302
	093306-01-710	EA SHROUD-CEILING, IVORY W/DECAL - COLEMAN 67273511
	093306-01-714	EA SWITCH-SELECTOR, COLEMAN 67273251
	076303-01-708	EA KNOB & BOLT PKG, COLEMAN 67275841
	076303-01-701	EA KNOB-CONTROL, COLEMAN 67333241
	102289-01-000	EA SPRING-SCREW, ROOF A/C GASKET - COLEMAN 6757-150

FURNACE

KEY	PART NUMBER	U/M DESCRIPTION
	075697-01-000	EA FURNACE-17,000 BTU, SUBURBAN DD-17DSI
	069634-01-706	EA MODULE BOARD, SUBURBAN 231427
	069634-01-716	EA VALVE-MANUAL SHUTOFF, SUBURBAN 160740
	069634-01-729	EA VALVE-GAS, JOHNSON - SUBURBAN 160832
	069634-01-732	EA GASKET-BURNER ACCESS DOOR, SUBURBAN 070398
	074035-01-704	EA MICRO SWITCH ASSEMBLY, SUBURBAN X230638
	074035-01-705	EA MOTOR, SUBURBAN 230634
	074035-01-706	EA WHEEL-COMBUSTION AIR, SUBURBAN 350082
	074035-01-709	EA ORIFICE, SUBURBAN 180231
	074035-01-712	EA ELECTRODE, SUBURBAN 231258
	074466-01-702	EA RELAY-TIME DELAY, SUBURBAN 230625
	075696-02-709	EA DISC-GLASS, SUBURBAN 310026
	075697-01-701	EA VENT CAP & EXHAUST ASSEMBLY, SUBURBAN 260098
	075697-01-704	EA CABINET-FRONT, SUBURBAN 230933
	075697-01-707	EA CABINET ASSEMBLY, SUBURBAN 100957
	092300-01-704	EA GASKET-ELECTRODE, SUBURBAN 070163
	115764-01-01A	EA THERMOSTAT-WALL, FURNACE - SUBURBAN 160902

HEATING & AIR CONDITIONING GROUP (CONTINUED)
AUTO A/C & COMPONENTS

KEY	PART NUMBER	U/M DESCRIPTION
	113245-01-000	EA EVAPORATOR/AC, OVERHEAD R134A - SCS 090-00075
	103930-17-702	EA GASKET OR SAE 015 #10 33-781, SCS 045-0127
	113245-01-700	EA WHEEL-BLOWER W/CLIP - SCS 062-0028
	113245-01-701	EA PIN-PLASTIC - SCS 062-0027
	113245-01-702	EA COVER-SLOT - SCS 062-0141
	113245-01-703	EA BEZEL F/4 OUTLET - SCS 062-0142
	113245-01-704	EA MOTOR-BLOWER, 12V3SP - DOUBLE SHAFT - SCS 030-0028
	113245-01-705	EA COIL-EVAPORATOR, SCS 041-0034
	113245-01-706	EA VALVE-EXPANSION, 134 A I 5 TON - SCS 034-0026
	113245-01-707	EA GASKET - #8 - SCS 045-0126
	113245-01-708	EA HOSE ASSEMBLY - #6 - SCS 085-0115
	113245-01-709	EA HOSE ASSEMBLY - #10 - SCS 085-0116
	113245-01-710	EA GASKET - #12 - SCS 045-0128
	113245-01-711	EA GASKET - #6 - SCS 045-0129
	113245-01-712	EA FITTING BLOCK - SCS 050-0129
	007281-01-000	EA HOSE-FLEXIBLE, PVC - 2.5"ID X 50' - ATCOFLEX A-182-355
	109918-01-05A	EA VENT-RETURN AIR, BLACK - 314 MM X 139 MM - CARY 760
	109918-03-01A	EA VENT-RETURN AIR, BLACK - 314 MM X 70 MM - CARY 761
	113244-01-01A	EA LOUVER ASM-BALL, 3" - BLACK - CARY 10.370.04

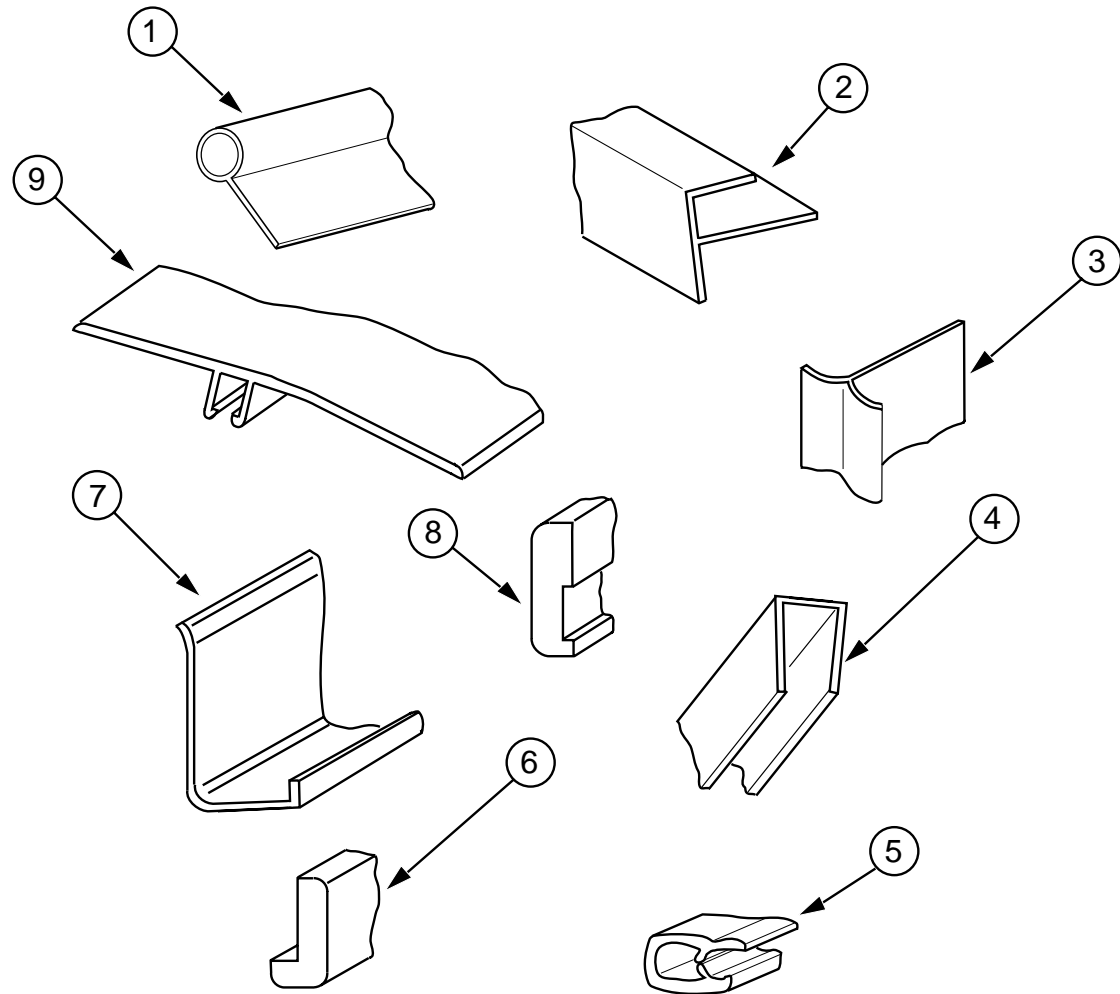
HEATING & AIR CONDITIONING GROUP (CONTINUED)
REAR HEATER

KEY	PART NUMBER	U/M DESCRIPTION
	049401-04-000	EA HEATER ASSEMBLY-REAR, W/O SWITCH
	049401-01-705	EA VALVE-3 PORT 2-WAY - EVANS HV032126
	049401-03-700	EA HEATER CORE - EVANS FT200027
	049401-03-701	EA FAN-CCW - EVANS HV029931
	049401-03-702	EA RESISTOR - EVANS HV027838
	058906-06-000	EA PANEL-CONTROL, REAR HEATER - VW TAUPE
	090977-02-000	EA KNOB-SWITCH, ROTARY - ROGAN,NK-3

MOTOR AID COMPONENTS

KEY	PART NUMBER	U/M DESCRIPTION
	083081-01-000	EA HOSE-FORMED, 90 DEGREES - 5/8" ID
	007108-01-000	FT HOSE-HEATER, 5/8" ID - HI-TEMP - FORD ESE-M2D192-A
	007108-02-000	FT HOSE-HEATER, 3/4" ID - HI-TEMP - FORD ESE-M2D192-A
	058893-01-000	EA BRACKET-L-ANGLE, .75" X .75" X 2.25" - ALUMINUM
	083088-01-000	EA PIPE-COOLANT RETURN, AUXILIARY REAR HEATER
	084190-01-000	EA GUARD-MOTOR AID, 5.9" X 5.7" X 5.3" - ANGLED GALVANIZED STEEL
	088753-01-000	FT TUBE-ALUMINIZED STEEL, 5/8" - 18 GAUGE

INTERIOR FINISH GROUP



MOLDINGS & TRIMS

KEY	PART NUMBER	U/M DESCRIPTION
1	009767-12-000	FT MOLDING-SIDEWALL TO CEILING/CABINET - WELTING - OFF WHITE
2	009812-28-000	EA MOLDING-CORNER, OUTSIDE - .5" - PLASTIC - VW TAUPE
3	022992-12-000	FT MOLDING-REVERSE COVE, T-SHAPED - VINYL - VW TAUPE
4	070504-33-000	FT U-CHANNEL-PLASTIC, .815" WIDE - VW TAUPE - INCREMENTS OF 8'
5	072368-02-000	EA TRIM-VINYL, EDGE - BLACK - GM 14004305
6	077840-01-E07	EA MOLDING-CAP, L-SHAPED - .75 MM X 1.42 MM X 2438 MM LONG - WOOD
7	085746-04-000	FT TRIM-J, CARPET - 1.2" X .5" ANGLE - 12' LONG - OFF WHITE
8	080561-02-F45	EA TRIM-SHELF FRONT, WOOD - 2.5" X 72"
	086229-04-000	EA BATTEN-1" WIDE - IVORY - 7.6' EA
9	099571-01-01A	EA TRIM-COVE, INTERIOR - 2.9" X 12' - PLASTIC - OFF WHITE

INTERIOR FINISH GROUP (CONTINUED) FIRE EXTINGUISHER, SMOKE DETECTOR & CO DETECTOR

KEY	PART NUMBER	U/M DESCRIPTION
	094499-01-000	EA EXTINGUISHER-FIRE, DRY W/MOUNTING BRACKET - 10 BC
	094499-01-700	EA BRACKET-MOUNTING, W/PLASTIC STRAP - FIRE EXTINGUISHER
	094499-02-000	EA EXTINGUISHER-FIRE, DRY - 1A10BC - CANADIAN
	072852-01-000	EA DETECTOR-SMOKE, W/9 VOLT BATTERY
	072852-02-000	EA DETECTOR-SMOKE, W/9 VOLT BATTERY - CANADIAN
	112320-01-000	EA DETECTOR-CO GAS, MODEL 9B-I - COSTAR 940000000
	112320-02-000	EA BATTERY/SENSOR-CO GAS, COSTAR 940001000

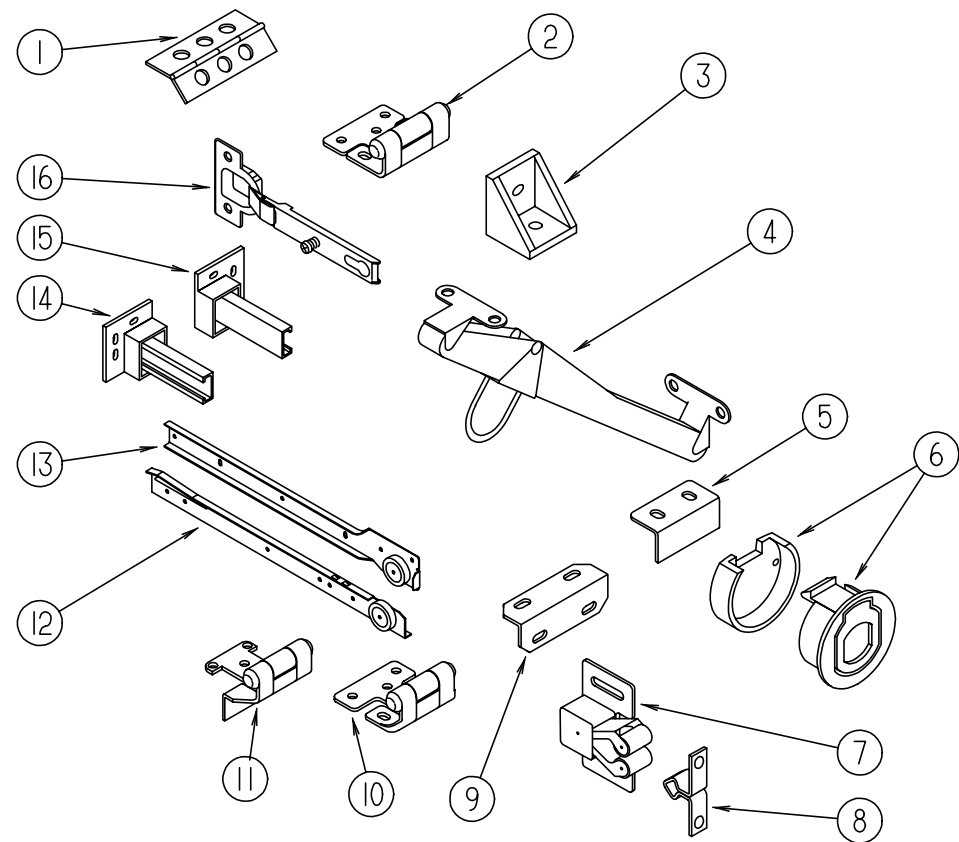
PANELING & LAMINATES

KEY	PART NUMBER	U/M DESCRIPTION
	074498-34-000	SF LAMINATE-PLASTIC, OAK - 5' X 8' - INCREMENTS OF 40 SF
	074498-66-000	SF LAMINATE-PLASTIC, GRAY - 5' X 8' - INCREMENTS OF 40 SF
	076325-62-000	FT MOLDING-EDGE BAND, 1161 TAUPE - .875" X .024"
	076325-63-000	FT MOLDING-EDGE BAND, 1161 TAUPE - 1 5/16" X .030"
	088272-D2-000	SF PANELING-SIDEWALLS - 4' X 7' - INCREMENTS OF 28 SF
	088272-D4-000	SF PANELING-CABINETRY - 4' X 7' - INCREMENTS OF 28 SF
	088272-98-000	SF PANELING-SHOWER, OFF WHITE - 4' X 7' - INCREMENTS OF 28 SF
	089297-01-000	SF PLYWOOD-LUAN, OVERLAY GRADE - 4' X 8' - INCREMENTS OF 32 SF
	095688-01-000	SF VENEER-FLAT LUANA, 4' X 8' - INCREMENTS OF 32 SF

CARPETING & FLOOR MATS

KEY	PART NUMBER	U/M DESCRIPTION
	096060-69-000	SY CARPET-12' ROLL, INCREMENTS OF 4 SY (F45/F46)
	105924-02-F45	EA MAT-FLOOR, CARPET (F45)
	105924-02-F46	EA MAT-FLOOR, CARPET (F46)
	091261-01-000	FT SLIPNOT-ANTISLIP, 1' WIDE (100' ROLL)
	115381-01-01A	EA MAT-FLOOR, DRIVER - BROWN/BLACK (F45/F46)
	115381-02-01A	EA MAT-FLOOR, PASSENGER - BROWN/BLACK (F45/F46)

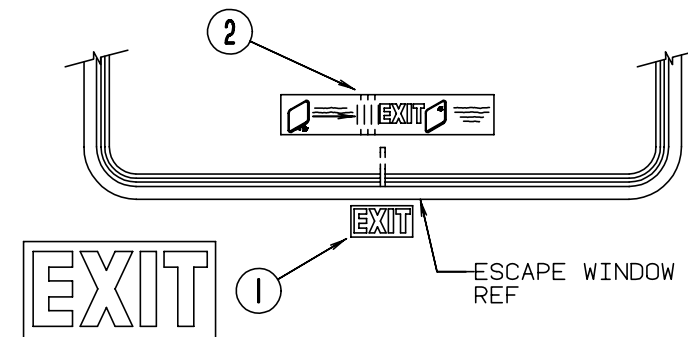
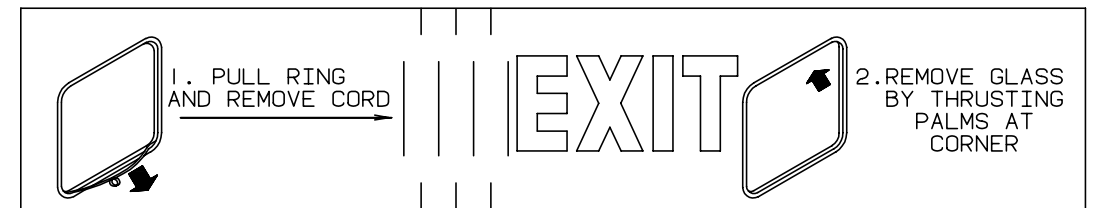
INTERIOR FINISH GROUP (CONTINUED)



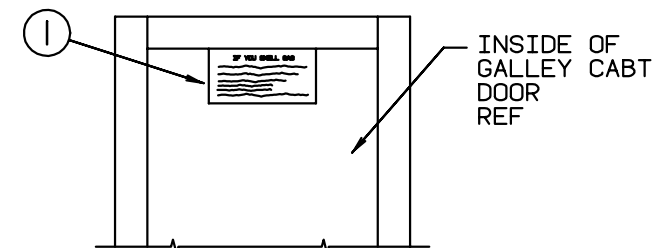
CABINET DOOR & DRAWER HARDWARE

KEY	PART NUMBER	U/M DESCRIPTION
1	009059-01-000	EA HINGE-DOOR, 2" X 1.4" - BRASS
2	053331-01-000	EA HINGE-OVERLAY, CABINET DOOR - BURNISHED BRASS
3	065740-01-000	EA BRACE-CABINET CORNER, PLASTIC
4	104181-01-01A	EA SUPPORT-LEAF, 5.3" - EXTENDS TO 7.5" - SAFETY RING - METAL
5	113375-02-01A	EA STRIKE-LATCH, CABINET DOOR - SOUTHCO M1-519-4
6	113375-01-02A	EA LATCH-SLAM, CABINET DOOR - SOUTHCO MI-80
7	093586-03-000	EA CATCH-SPRING, ROLLER
8	093586-04-000	EA STRIKE-SPRING STEEL
9	016604-01-000	EA BRACE-CABINET, ANGLE - 2.5" - METAL - UNPAINTED
9	016604-03-000	EA BRACE-CABINET, ANGLE - 2.5" - METAL - BEIGE
10	113676-01-01A	EA HINGE-OVERLAY, VARIABLE - BURNISHED BRASS
11	113677-01-01A	EA HINGE-OVERLAY, 1/4" - BURNISHED BRASS
12	114031-19-000	EA SLIDE-DRAWER, DRAWER MOUNT - 20" - LEFT - HOUCK 7200-RV-3
12	114031-20-000	EA SLIDE-DRAWER, DRAWER MOUNT - 20" - RIGHT - HOUCK 7200-RV-4
13	114031-17-000	EA SLIDE-DRAWER, CABINET MOUNT - 20" - LEFT - HOUCK 7200-RV-1
13	114031-18-000	EA SLIDE-DRAWER, CABINET MOUNT - 20" - RIGHT - HOUCK 7200-RV-2
14	114045-02-000	EA BACKSOCKET-ADJUSTABLE, RIGHT - HOUCK 751-2
15	114045-01-000	EA BACKSOCKET-ADJUSTABLE, LEFT - HOUCK 751-1
16	114443-01-01A	EA HINGE-DOOR, CABINET - AMEROCK 4841M-SLCA
	004354-01-000	EA BUMPER-RUBBER, .5" DIA - BROWN
	023320-01-000	EA PAD-FELT, 3/8" DIAMETER - BROWN

LABELS GROUP



KEY	PART NUMBER	U/M DESCRIPTION
1	039290-01-000	EA LABEL-WARNING, EXIT
2	107571-01-000	EA LABEL-ESCAPE/EXIT WINDOW

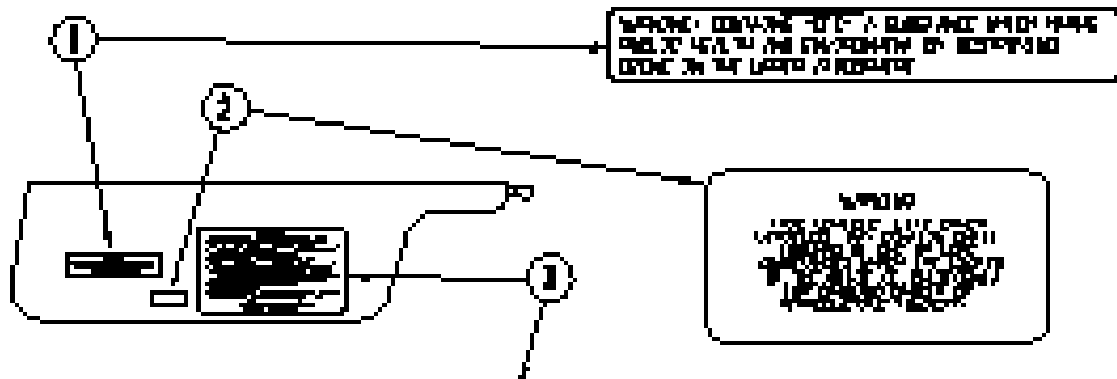


IF YOU SMELL GAS

1. EXTINGUISH ANY OPEN FLAME, PILOT LIGHTS AND ALL SMOKING MATERIALS.
2. SHUT OFF THE GAS SUPPLY AT THE TANK VALVE(OR GAS SUPPLY CONNECTION.
3. OPEN DOORS AND OTHER VENTILATING OPENINGS.
4. DO NOT TOUCH ELECTRICAL SWITCHES.
5. LEAVE THE AREA UNTIL ODOR CLEARS.
6. HAVE THE GAS SYSTEM CHECKED AND LEAKAGE SOURCE CORRECTED BEFORE USING AGAIN.

KEY	PART NUMBER	U/M DESCRIPTION
1	073998-01-000	EA LABEL-LPG ODOR WARNING

LABELS GROUP (CONTINUED)



WARNING: DO NOT CONNECT TO A BATTERY WHICH HAS A RATED VOLTAGE AND CAPACITY EXCEEDING THAT OF THE LABEL'S BATTERY.

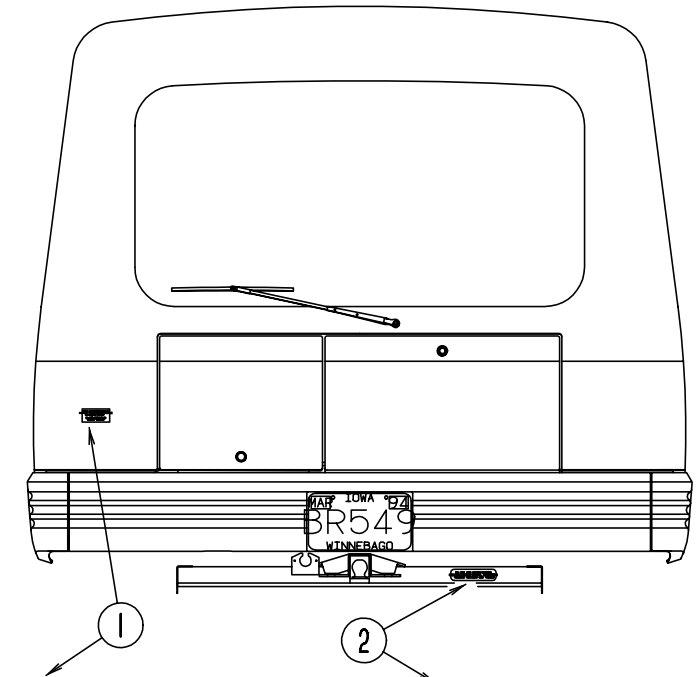
THIS LABEL MUST BE USED WITH EXTREME CARE. IT MUST BE USED ONLY WITH BATTERIES FOR THE SPECIFICATION OF THE COMPANY. THE INSTRUCTIONS FOR READING THE BATTERIES INFORMATION FOR YOUR BATTERY AND THE QUALITY OF YOUR BATTERY MUST BE OBSERVED AT ALL TIMES.

- 1. LABEL LOCATION:** LABEL MUST BE PLACED ON THE BATTERY TOP SURFACE IMMEDIATELY ABOVE THE POSITIVE TERMINAL.
- 2. BATTERY:** BATTERY TOP SURFACE AND MUST BE USED FOR YOUR MODEL.
- 3. BATTERY:** BATTERY TOP SURFACE AND MUST BE USED FOR RECOMMENDED USE.
- 4. BATTERY:** TOP OF BATTERY CAPACITY OF ALL BATTERIES AND BATTERIES MUST BE USED FOR RECOMMENDED USE. THE BATTERY MUST BE USED FOR RECOMMENDED USE.
- 5. BATTERY:** BATTERY MUST BE USED FOR RECOMMENDED USE. THE BATTERY MUST BE USED FOR RECOMMENDED USE.
- 6. BATTERY:** BATTERY MUST BE USED FOR RECOMMENDED USE. THE BATTERY MUST BE USED FOR RECOMMENDED USE.
- 7. BATTERY:** BATTERY MUST BE USED FOR RECOMMENDED USE. THE BATTERY MUST BE USED FOR RECOMMENDED USE.
- 8. BATTERY:** BATTERY MUST BE USED FOR RECOMMENDED USE. THE BATTERY MUST BE USED FOR RECOMMENDED USE.
- 9. BATTERY:** BATTERY MUST BE USED FOR RECOMMENDED USE. THE BATTERY MUST BE USED FOR RECOMMENDED USE.

READ YOUR OWNER'S MANUAL FOR THE CORRECT LOCATION OF THIS LABEL FOR YOUR BATTERY.

KEY	PART NUMBER	U/M DESCRIPTION
1	111802-01-000	EA LABEL-CFC WARNING
2	099689-01-000	EA LABEL-WARNING, CANCER/TOXICITY
3	056259-01-000	EA LABEL-SAFETY CHECK LIST

LABELS GROUP (CONTINUED)

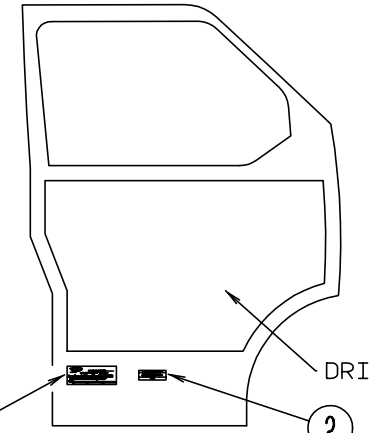


THIS CONNECTION IS FOR
(B) VOLT AC, 3-POLE, 4 WIRE
60 HZ (CYCLES), (A) AMPERE SUPPLY

DO NOT CONNECT TO
HIGHER VOLTAGE

DO NOT USE HITCH BEFORE
READING OWNERS MANUAL REGARDING
VEHICLE LOADING AND TOWING

KEY	PART NUMBER	U/M DESCRIPTION
1	006062-01-000	EA LABEL-ELECTRIC, 110 V CONNECTION
2	111104-01-000	EA LABEL-HITCH, READ MANUAL



MANUFACTURED BY
WINNEBAGO
INDUSTRIES, INC.

MONTH AND YEAR OF MANUFACTURE: _____
GWR _____ LB _____ KG

SUITABLE TIRE AND RIM CHOICE COLD INFLATION PRESSURE
TIRE RIM _____ PSI _____ KPA SINGLE

F _____ LB _____ KG _____ PSI _____ KPA SINGLE
F _____ LB _____ KG _____ PSI _____ KPA SINGLE

THIS VEHICLE CONFORMS TO ALL APPLICABLE FEDERAL MOTOR VEHICLE SAFETY STANDARDS IN EFFECT ON THE DATE OF MANUFACTURE SHOWN ABOVE.

SERIAL NO. _____ VIN _____
TYPE _____ MODEL _____ COLOR _____

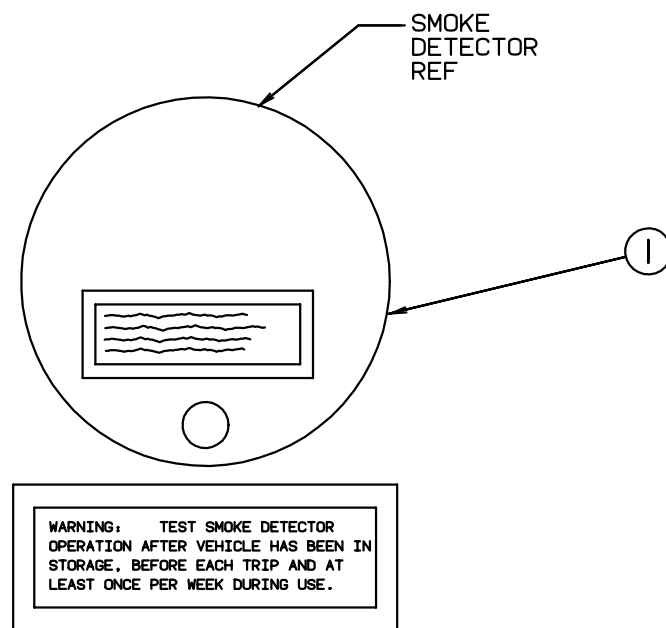
VEHICLE EMISSION CONTROL INFORMATION

THIS VEHICLE CONFORMS TO U.S. EPA REGULATIONS APPLICABLE TO 1994 MODEL YEAR NEW MOTOR VEHICLES.

CATALYST

KEY	PART NUMBER	U/M DESCRIPTION
1	061606-01-000	EA LABEL-CLEAR, ADHESIVE BACKED - OVERLAYS VEHICLE CERTIFICATION LABEL
2	072887-07-000	EA LABEL-EPA, 1995 MODEL YEAR

LABELS GROUP (CONTINUED)

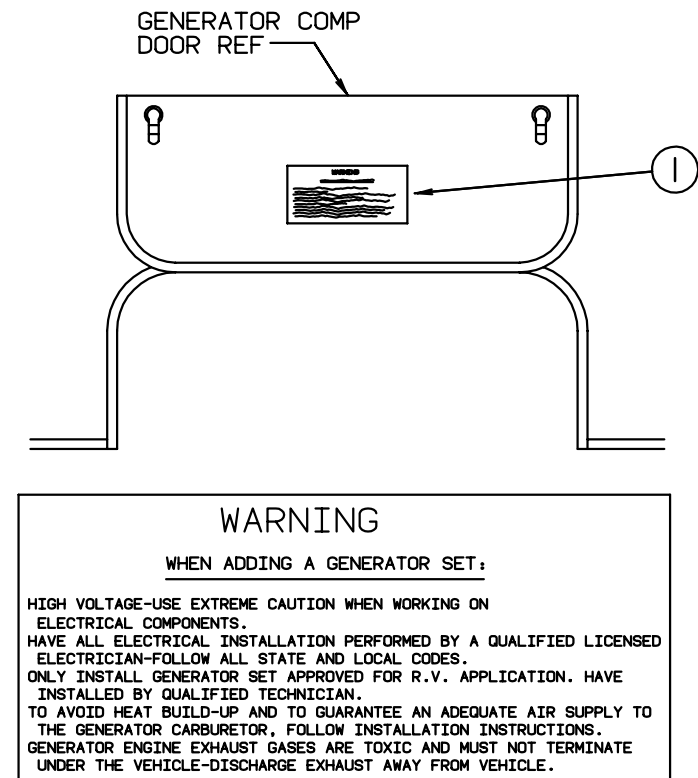


KEY	PART NUMBER	U/M DESCRIPTION
1	077956-01-000	EA LABEL-WARNING, SMOKE DETECTOR

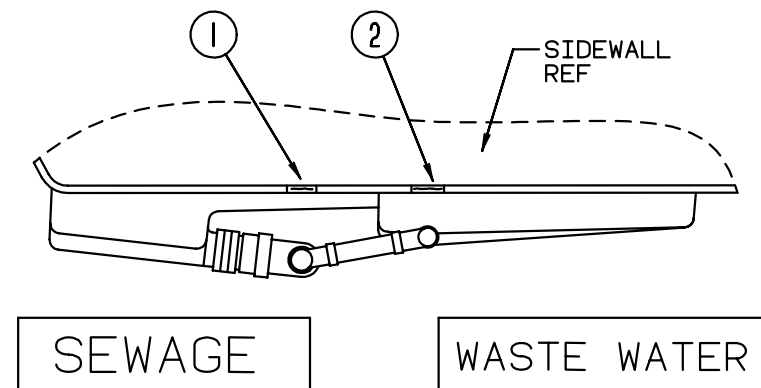
MISCELLANEOUS LABELS

KEY	PART NUMBER	U/M DESCRIPTION
	083588-01-000	EA LABEL-ON/OFF, WATER HEATER
	087236-01-000	EA LABEL-CABLE, INPUT
	091224-02-000	EA LABEL-TRAILER LIGHTING
	091243-01-000	EA LABEL-A/C COVER
	114943-01-000	EA LABEL-EMISSION CONTROL
	115869-01-000	EA LABEL-WARNING, TIRE

LABELS GROUP (CONTINUED)

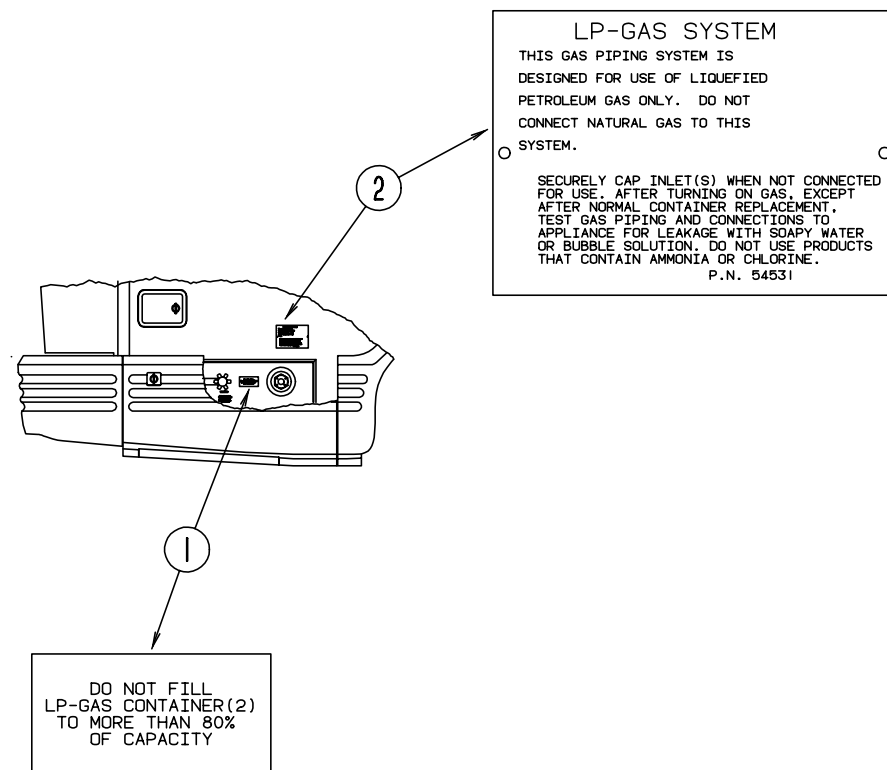


KEY	PART NUMBER	U/M DESCRIPTION
1	077510-01-000	EA LABEL-GENERATOR PREP

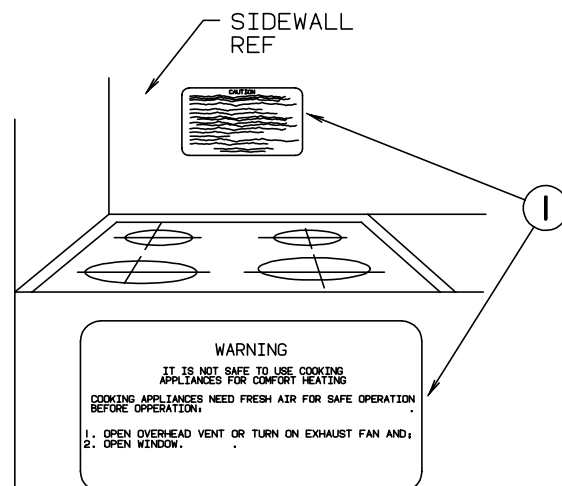


KEY	PART NUMBER	U/M DESCRIPTION
1	006187-01-000	EA LABEL-SEWAGE
2	006188-01-000	EA LABEL-WASTE WATER

LABELS GROUP (CONTINUED)

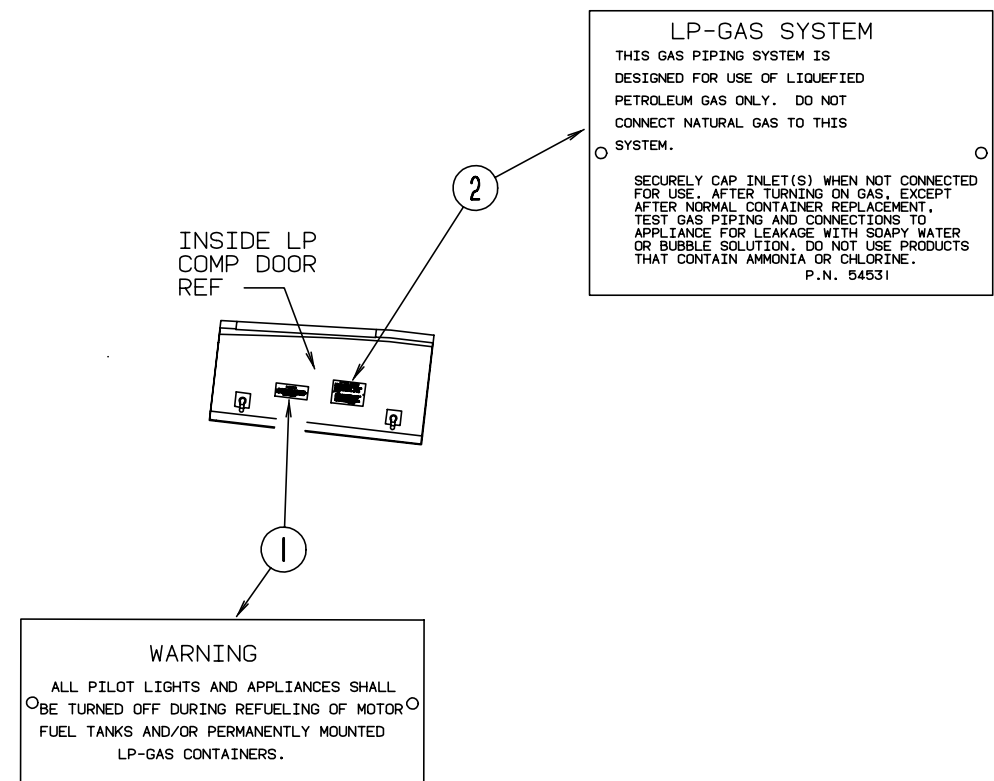


KEY	PART NUMBER	U/M DESCRIPTION
1	079965-01-000	EA LABEL-LPG 80 CAPACITY
2	054531-01-000	EA LABEL-LP GAS ONLY

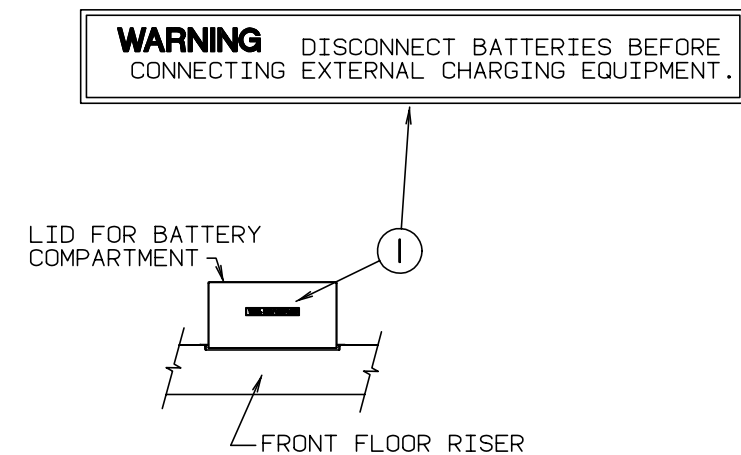


KEY	PART NUMBER	U/M DESCRIPTION
1	050225-01-000	EA LABEL-WARNING, STOVE VENT - US
1	050222-01-000	EA LABEL-WARNING, STOVE VENT - CANADIAN

LABELS GROUP (CONTINUED)

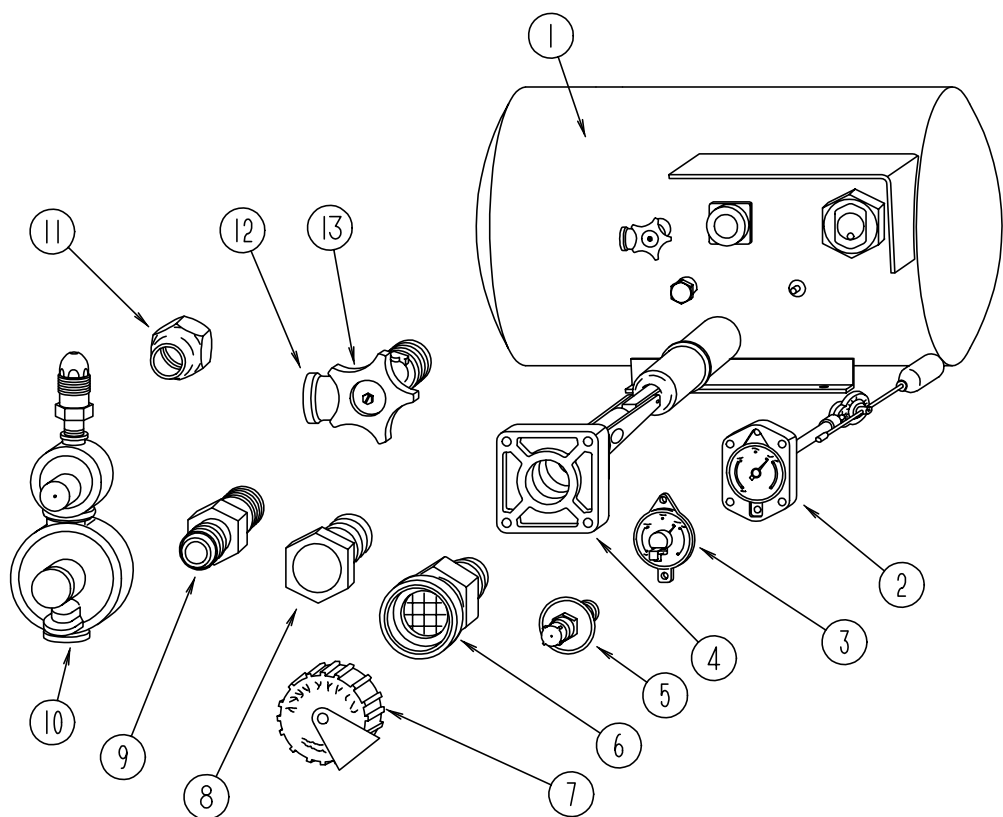


KEY	PART NUMBER	U/M DESCRIPTION
1	006040-01-000	EA TAG-GAS REFUELING WARNING
1	006040-02-000	EA TAG-GAS REFUEL WARNING, CANADIAN
2	023769-01-000	EA LABEL-WARNING, LPG - CANADIAN



KEY	PART NUMBER	U/M DESCRIPTION
1	065748-01-000	EA LABEL-CAUTION, BATTERY CHARGING

LP GROUP



LP TANK & COMPONENTS

KEY	PART NUMBER	U/M DESCRIPTION
1	074039-04-000	EA TANK-LP, 28 LB - BOTTOM MOUNT - 10" DIA X 23" LONG
2	074039-01-700	EA FLOAT ASM-BOLT ON, F/10" DIA TANK - BRUNNER 10C
3	040440-02-000	EA DIAL-TRANSMITTER, 0-90 OHM
4	040421-01-711	EA VALVE - 80% W/FLOAT, PLATE, BOLTS & GASKET - BRUNNER
5	040421-01-700	EA VALVE-LIQUID LEVEL, 20% LP - BRUNNER G-1013
6	040421-01-701	EA VALVE-FILLER, LP SHORT - BRUNNER 75478
7	040421-01-702	EA CAP-LP FILLER VALVE, PLASTIC - YELLOW - BRUNNER G-1014-A
8	040421-01-713	EA VALVE-VAPOR ONLY, 29000587
9	010323-01-000	EA ADAPTER-BRASS, 3/8" F X 1/2" MPT
10	106150-03-000	EA REGULATOR-TWO STAGE LPG, M'BRASS 295-00
11	010377-02-000	EA NUT-BRASS, 3/8" FEMALE - FORGED
12	040421-01-712	EA VALVE-SERVICE W/HANDWHEEL, W/O VAPOR RELIEF - 29000853
13	040421-01-708	EA HANDWHEEL-SERVICE VALVE, BRUNNER G-1015-A
	103613-01-000	EA DETECTOR-LP GAS
	074458-01-000	EA ELBOW - 3/8"M FL TO 3/8"F FL SVL - ANCHOR BRASS A800
	010252-01-000	EA ELBOW-BRASS, 90 DEGREE - 3/8" F X 1/2" MPT
	010265-01-000	EA ELBOW-BRASS, 90 DEGREE - 3/8"F X 1/2"FPT
	033759-01-000	EA ELBOW-BRASS, 90 DEGREE - 3/8"F X 3/8"F
	024250-01-000	EA ADAPTER-BRASS, 3/8" F X 1/2" FPT
	008042-01-000	FT TUBING-VINYL, .65" ID

SEALANTS & FASTENERS GROUP
ADHESIVE AND SEALANTS

KEY	PART NUMBER	U/M DESCRIPTION
	004001-05-000	EA EPOXY ADHESIVE - CLEAR - DP-100
	004020-01-000	QT ADHESIVE-ABS CEMENT - QUART
	900390-01-000	EA TIP - 2 1/2" X 1/8" ORIFICE, ELLSWORTH#TS216
	900390-03-000	EA NOZZLES-SILICONE TUBE, CSL# D10
	034552-06-000	EA SILICONE-TUBE, 300 ML - OFF WHITE
	034552-14-000	EA SILICONE-TUBE, 300 ML - VW WHITE
	063642-01-000	FT TAPE-ADHESIVE, 10 MM X 15" WIDE
	069640-03-000	FT SEALER-RIBBON, 3/4" X 1/8" - INCREMENTS OF 60'
	072889-08-000	EA SEALANT-URETHANE, TUBE - VW WHITE - MANUS 75AM
	076322-01-000	FT TAPE-FOAM, DOUBLE COATED ADHESIVE BACKED - .75" X 216'
	076322-02-000	FT TAPE-FOAM, DOUBLE COATED ADHESIVE BACKED - 1" X 108'
	076322-03-000	FT TAPE-FOAM, DOUBLE COATED ADHESIVE BACKED - .5" X 108'
	076322-05-000	FT TAPE-FOAM, DOUBLE COATED - .025" X 1.5"
	076322-07-000	FT TAPE-FOAM, DOUBLE COATED - .045" X .50" - NORT V2000
	087211-01-000	GL PROMOTER-ADHESIVE
	102352-01-000	EA SEALER-PUMPABLE, BLACK
	103202-02-000	FT TAPE-FOAM ADHESIVE, ONE SIDE GRAY - NORTON V412 5/8 IN
	107828-01-000	EA SEALANT-SB 190 - EVERSEAL - SURE BOND INC
	112901-02-000	EA ADHESIVE-PLEXUS MA 330 - 50ML - P33500

SCREWS

KEY	PART NUMBER	U/M DESCRIPTION
	000G11-10-12D	EA SCREW, 10-16 X 3/4 PPH - BLACK
	000G11-10-12S	EA SCREW, 10-16 X .75 PPH - OFF WHITE
	000G11-06-08B	EA SCREW, 6-20 X 1/2 PPH - ZINC
	000G11-06-06B	EA SCREW, 6-20 X 3/8 PPH - ZINC
	000G11-06-10J	EA SCREW, 7-19 X 1/2 PPH - ZINC
	000G11-07-08B	EA SCREW, 7-19 X 1/2 PPH - ZINC
	000G11-08-06B	EA SCREW, 8-18 X 3/8 PPH - ZINC
	000G11-08-06G	EA SCREW, 8-18 X 3/8 PPH - ANTIQUE BRASS
	000G11-08-08B	EA SCREW, 8-18 X 1/2 PPH - ZINC
	000G11-08-08T	EA SCREW, 8-18 X 1/2 PPH - FLUROCARBON COATING
	000G11-08-12B	EA SCREW, 8-18 X 3/4 PPH - ZINC
	000G11-08-12D	EA SCREW, 8-18 X 3/4 PPH - BLACK
	000G11-08-12S	EA SCREW, 8-18 X .75 PPH - OFF WHITE
	000G11-08-20B	EA SCREW, 8-18 X 1 1/4 PPH - ZINC
	000G12-06-08T	EA SCREW, 6-20 X .50 POH - BLACK
	000G12-06-20B	EA SCREW, 6-20 X 1.25 POH - ZINC
	000G13-06-06G	EA SCREW, 6-20 X 3/8 PFH - ANTIQUE BRASS
	000G13-06-08B	EA SCREW, 6-20 X 1/2 PFH - ZINC
	000G13-06-08G	EA SCREW, 6-20 X 1/2 PPH - ANTIQUE BRASS
	000G13-06-12B	EA SCREW, 6-20 X .75 PFH - ZINC
	000G13-06-16E	EA SCREW, 6-20 X 1.00 PFH - CHROME
	000G13-06-16I	EA SCREW, 6-20 X 1.00 PFH - BLACK
	000G13-07-12B	EA SCREW, 7-19 X 3/4 PFH - ZINC
	000G13-08-16B	EA SCREW, 8-18 X 1 PFH - ZINC
	000G13-10-12B	EA SCREW, 10-16 X 3/4 PFH - ZINC
	000G16-04-24B	EA SCREW-MACH, 1/4-20 X 1.5" PPH - ZINC
	000G39-06-08B	EA SCREW-DR, 6-18 X 1/2 - ZINC
	000G39-06-10T	EA SCREW-SF/DR, 6-20 X 5/8 PPH - BLACK
	000G39-08-06B	EA SCREW-SF/DR, 8-18 X 3/8 PPH - ZINC
	000G39-08-08B	EA SCREW-SF/DR, 8-18 X 1/2 PPH - ZINC
	000G39-08-08T	EA SCREW-SF/DR, 8-18 X .50 PPH - BLACK
	000G39-08-12B	EA SCREW-SF/DR, 8-18 X 3/4 PPH - ZINC
	000G39-08-12T	EA SCREW-SF/DR, 8-18 X 3/4 PPH - BLACK
	000G39-08-16B	EA SCREW-SF/DR, 8-18 X 1 PPH - ZINC
	000G39-08-16S	EA SCREW-SF/DR 8-18 X 1.00 PPH - OFF WHITE
	000G39-08-16T	EA SCREW-SF/DR, 8-18 X 1 PPH - BLACK
	000G39-08-24B	EA SCREW-SF/DR, 8-18 X 1 1/2 PPH - ZINC
	000G39-10-10B	EA SCREW-SF/DR 10-16 X .625 - ZINC
	000G39-10-12B	EA SCREW-SF/DR, 10-16 X .75 PPH - ZINC
	000G39-10-12D	EA SCREW-SF/DR, 10-16 X 3/4 PPH - BLACK
	000G39-10-20B	EA SCREW-SF/DR, 10-16 X 1 1/4 PPH - ZINC

**WATER & SEWAGE GROUP
FRESH WATER TANK**

KEY	PART NUMBER	U/M DESCRIPTION
	074510-07-000	EA TANK ASM-WATER, 16 GAL - W/FITTINGS - 850 MM X 290 MM X 270 MM
	074510-01-000	EA TANK ASM-WATER,16 GAL - W/O FITTINGS - 850 MM X 290 MM X 270 MM
	077954-02-000	EA FILTER-WATER TANK, SCREEN IN TANK
	079381-01-000	FT TUBING-SMOOTH, FLEXIBLE - 1 1/4" ID
	042989-03-000	EA FITTING-WATER TANK, SPINWELD - 1 1/4"NPT - PLASTIC - WHITE
	042989-04-000	EA FITTING-WATER TANK, SPINWELD - 3/8" FPT - PLASTIC - WHITE
	042989-05-000	EA FITTING-WATER TANK, SPINWELD - 1/2" FPT - PLASTIC - WHITE
	049032-01-000	EA PATCH-SPINWELD 3/8" - PLASTIC
	039861-01-000	EA SENDING UNIT W/SCREW, WASHER, WELL NUT AND TERMINAL RING
	035539-01-000	EA ELBOW-PLASTIC, 3/8" MPT X 3/8" BARB
	039798-01-000	EA TEE-1/2" MPT X 1/2" MPT X 1/2" MPT, PLASTIC
	044927-01-000	EA ADAPTER-HOSE TO PIPE, 1 1/4" MPT X 1 1/4" BARB - BLACK PLASTIC
	055290-01-000	EA ELBOW-5/8" F X 1/2" MPT
	074462-02-000	FT TUBING-VINYL, 3/8" ID - CLEAR

WATER SYSTEM

KEY	PART NUMBER	U/M DESCRIPTION
	110915-01-01A	EA FILL-WATER, CITY - CHROME - KEVCO 64713
	090338-03-000	EA FITTING-HOSE, 3/4" ID - 2" LENGTH - BRASS
	114428-01-000	EA TEE-1/2" P X 1/2" P X 1/2" P - FLAIR-IT 02820
	114428-02-000	EA TEE-SWIVEL, 1/2" P X 1/2" P X 1/2" FPT - FLAIR-IT 02821
	114428-03-000	EA TEE-1/2" P X 1/2" P X 1/2" MPT - FLAIR-IT 02822
	114429-01-000	EA ELBOW-1/2" P X 1/2" P - FLAIR-IT 02800
	114429-03-000	EA ELBOW-SWIVEL, 1/2" P X 1/2" FPT - FLAIR-IT 02816
	114429-05-000	EA ELBOW-1/2" P X 3/4" MPT - FLAIR-IT 02812
	114430-01-000	EA ADAPTER-1/2" P X 1/2" P - FLAIR-IT 02840
	114430-02-000	EA ADAPTER-SWIVEL, 1/2" P X 1/2" FPT - FLAIR-IT -02873
	114431-01-000	EA VALVE-LINE DRAIN, 1/2" P - FLAIR-IT 02914
	114431-03-000	EA VALVE-1/2" P X 1/2" P - FLAIR-IT 02884
	039800-02-000	FT TUBING-POLYBUTYL, 5/8" OD - INCREMENTS OF 20' - BLACK

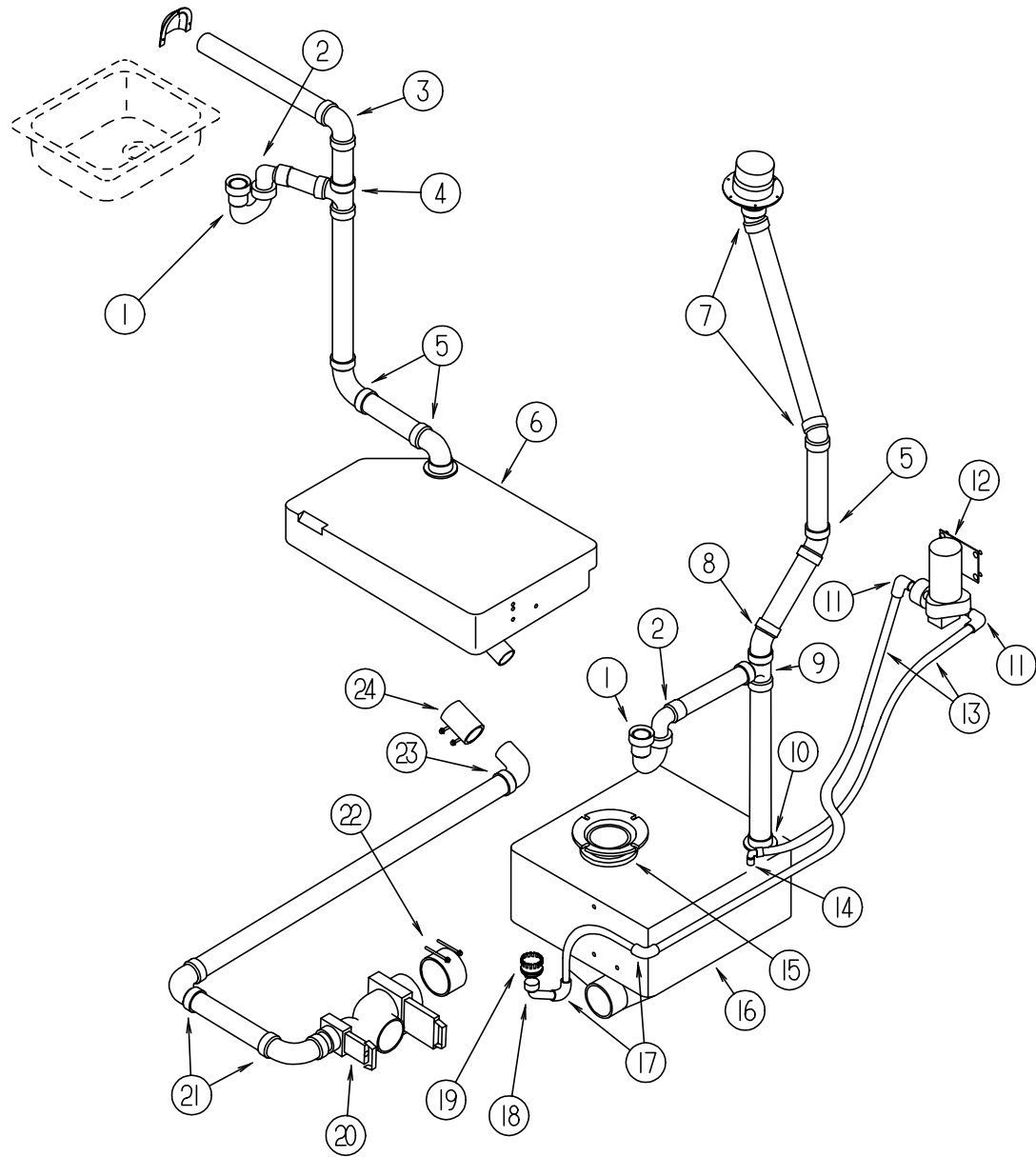
**WATER & SEWAGE GROUP (CONTINUED)
ELECTRIC WATER HEATER**

KEY	PART NUMBER	U/M DESCRIPTION
	113122-01-000	EA WATER HEATER-ELECTRIC, 4 GAL - ATWOOD EHM4-SM
	051391-01-704	EA VALVE-RELIEF, 1/2" FITTING - ATWOOD# 91604
	074034-01-700	EA SWITCH - ATWOOD# 92942
	074034-01-701	EA THERMOSTAT - ATWOOD# 92943
	074034-01-702	EA ELEMENT-IMMERSION, 1500 W - ATWOOD# 93089
	074034-01-703	EA GASKET - ATWOOD# 92679
	113122-01-700	EA TANK-INNER, ATWOOD

WATER PUMP & COMPONENTS

KEY	PART NUMBER	U/M DESCRIPTION
	098607-01-000	EA PUMP-WATER W/.5"MPT FITTING - FLOW 2.8 GPM
	098607-01-700	EA PUMPHEAD-REPLACEMENT SHURFLO# 94-236-08
	098607-01-701	EA DRIVE ASM SHURFLO# 94-234-03
	098607-01-702	EA DIAPHRAGM-KIT SHURFLO# 94-233-10
	098607-01-703	EA VALVE ASM SHURFLO# 94-232-00
	098607-01-704	EA HOUSING-UPPER SHURFLO# 94-231-01
	098607-01-705	EA CHECK VALVE-KIT SHURFLO# 94-237-00
	098607-01-706	EA SWITCH ASM-COMPLETE SHURFLO# 94-230-00
	098607-01-707	EA MOTOR/BASEPLATE REPLACEMENT SHURFLO# 94-234-03

WATER & SEWAGE GROUP (CONTINUED)
DRAINAGE SYSTEM

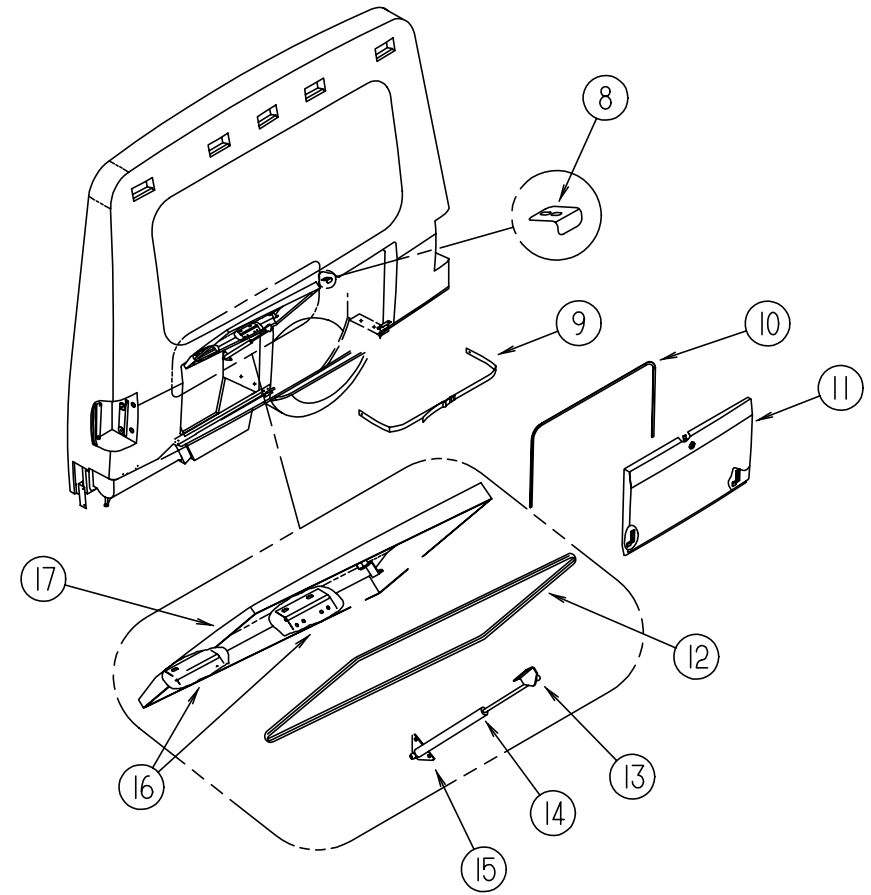
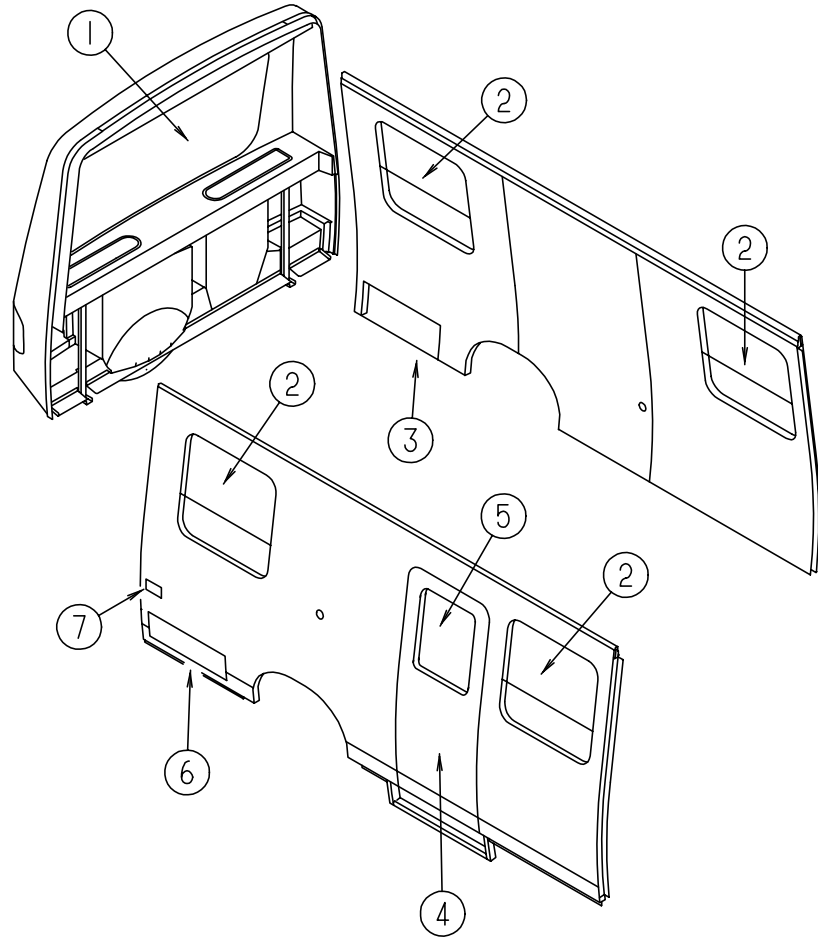


KEY	PART NUMBER	U/M DESCRIPTION
1	107538-01-000	EA P-TRAP-PLASTIC, 1 1/4" W/EXT ARM - US
1	011066-03-700	EA P-TRAP KIT-1 1/2" X 1 1/4" P-TRAP W/1 1/2 TO 1 1/4 REDUCER - CANADIAN
2	109571-01-000	EA ADAPTER-P TRAP, 1 1/2" P X 1 1/4" MPT
3	037101-01-000	EA ELBOW-PLASTIC, 1/4 BEND VENT 11/2" H - SLOANE 2201
4	010071-02-000	EA TEE-SANITARY W/BAFFLE, 1 1/2" HUB X HUB X HUB - PLASTIC - BLACK
5	010006-01-000	EA ELBOW - 45 DEGREE , 1/8 BEND - 1 1/2" HUB X HUB - BLACK PLASTIC
6	111881-01-000	EA TANK-HOLDING, 6 GAL - 640 MM X 413 MM X 115 MM
	061607-01-000	EA GROMMET-HOLDING TANK, 1 1/2" NPS
	039861-01-000	EA SENDING UNIT W/SCREW, WASHER, WELL NUT AND TERMINAL RING
7	010005-01-000	EA ELBOW - 22 1/2 DEGREE, 1/16 BEND - 1 1/2" HUB X HUB - PLASTIC - BLACK
8	010051-01-000	EA ELBOW - 45 DEGREE BEND, 1 1/2" SPIGOT AND HUB - PLASTIC - BLACK
9	010071-01-000	EA TEE-SANITARY, 1 1/2" HUB X HUB X HUB - PLASTIC - BLACK
10	010115-01-000	EA COUPLING - 1 1/2" HUB X HUB, PLASTIC
11	114429-03-000	EA ELBOW-SWIVEL, 1/2" P X 1/2" FPT - FLAIR-IT 02816 - SHOWER OPTION
	114966-01-000	EA FILTER-IN LINE, TWIST ON - 1/2" - SHURFLO #170-061-09 - SHOWER OPTION
12	098607-01-000	EA PUMP-SUMP, W/.5" MPT FITTING - FLOW 2.8 GPM - UL - SHOWER OPTION
13	039800-02-000	FT TUBING-POLYBUTYL, 5/8" OD - INCREMENTS OF 20' - BLACK
14	114429-02-000	EA ELBOW - 1/2" P X 1/2" MPT - FLAIR-IT 02803
15	063641-01-000	EA FLANGE-CLOSET, 4" X 3"
16	111884-01-000	EA TANK-HOLDING, 13 GAL - 486 MM X 466 MM X 330 MM
	061607-01-000	EA GROMMET-HOLDING TANK, 1 1/2" NPS
	061607-02-000	EA GROMMET-HOLDING TANK, 3" NPS
	039861-01-000	EA SENDING UNIT W/SCREW, WASHER, WELL NUT AND TERMINAL RING
17	114429-01-000	EA ELBOW - 1/2" P X 1/2" P - FLAIR-IT 02800
18	114429-06-000	EA ELBOW-SWIVEL, 1/2" P X 3/4" FPT - FLAIR-IT 02811
19	114974-01-000	EA CONNECTOR-HULL, W/STRAINER - ATTWOOD 3886-1
20	070916-01-000	EA VALVE-DUAL DUMP, W/CAP - 3" X 1 1/2" - PLASTIC - BLACK
	070916-01-700	EA VALVE ONLY, 3"
	070916-01-701	EA VALVE ONLY, 1 1/2"
	109450-01-000	EA ADAPTER-HOSE, SEWER - PLAS - KEVCO 40738
	062416-01-000	EA ADAPTER-SEWER HOSE TO 3" PIPE
	062415-01-000	EA CAP-SEWER 3" DIAMETER
	062415-01-700	EA STRING SEWER CAP
	010201-02-000	EA HOSE-SEWER, 3" ID X 20'
21	010008-01-000	EA ELBOW - 90 DEGREE , 1/4 BEND - 1 1/2" HUB X HUB - BLACK PLASTIC
22	078406-01-000	EA COUPLER-RUBBER, W/CLAMPS - 3" X 3"
23	033761-01-000	EA ELBOW-TURN, 1/4 BEND X 1.5" HUB X 1.5" SPIGOT - PLASTIC - BLACK
24	089355-01-000	EA COUPLER-RUBBER, 1 1/2" X 1 1/2"
	092321-01-000	FT INSULATION-FIBERGLASS, W/ALUMINUM FOIL
	114427-02-000	EA PLUG - 1/2" P - FLAIR-IT 02863

SUMP PUMP & COMPONENTS

KEY	PART NUMBER	U/M DESCRIPTION
	098607-01-000	EA PUMP-SUMP, W/.5" MPT FITTING - FLOW 2.8 GPM - UL - SHOWER OPTION
	098607-01-700	EA PUMPHEAD-REPLACEMENT, SHURFLO# 94-236-08 - SHOWER OPTION
	098607-01-701	EA DRIVE ASM, SHURFLO# 94-234-03 - SHOWER OPTION
	098607-01-702	EA DIAPHRAGM-KIT, SHURFLO# 94-233-10 - SHOWER OPTION
	098607-01-703	EA VALVE ASM, SHURFLO# 94-232-00 - SHOWER OPTION
	098607-01-706	EA SWITCH ASM-COMPLETE, SHURFLO# 94-230-00 - SHOWER OPTION
	098607-01-705	EA CHECK VALVE-KIT, SHURFLO# 94-237-00 - SHOWER OPTION
	098607-01-706	EA SWITCH ASM-COMPLETE, SHURFLO# 94-230-00 - SHOWER OPTION
	098607-01-707	EA MOTOR/BASEPLATE REPLACEMENT, SHURFLO# 94-234-03 - SHOWER OPTION

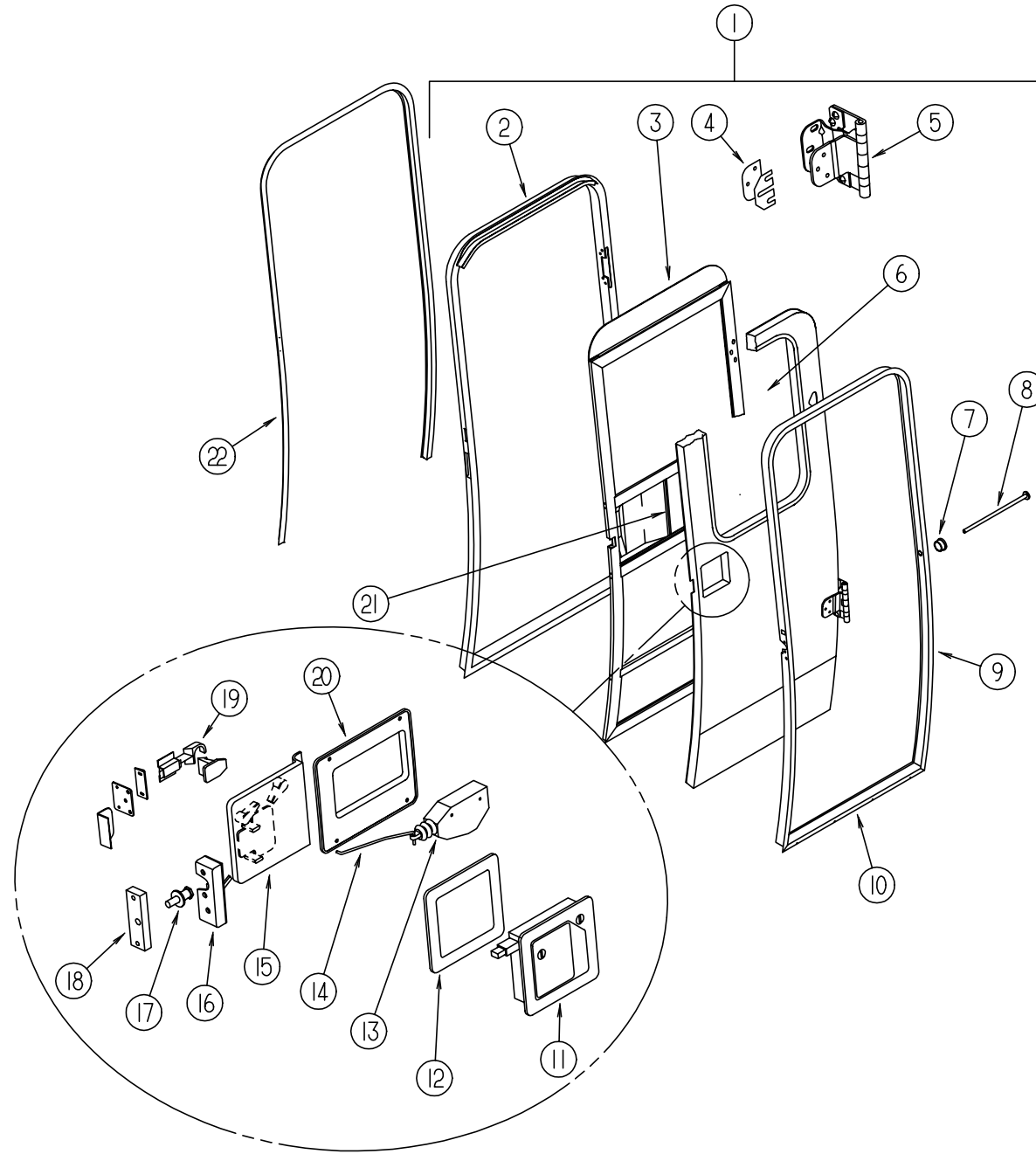
WINDOW, VENT & EXTERIOR DOOR GROUP
WINDOWS & DOORS



KEY	PART NUMBER	U/M	DESCRIPTION
1	084886-04-000	EA	GLASS-WINDOW, REAR ESCAPE
1	084886-05-000	EA	GLASS-WINDOW, REAR ESCAPE - HEATED
1	002285-01-000	FT	FILLER-WEATHER STRIP, RUBBER - BLACK
1	084423-03-000	EA	WEATHERSTRIP-VULCANIZED, 1.2" W/LIP X 14' - RUBBER - BLACK
2	104691-07-01A	EA	WINDOW ASM-TIPOUT, OFF WHITE - EXCEL CH78-G1W59
3	112027-02-F45	EA	DOOR-GENERATOR, REAR - LH - VW WHITE
3	112027-03-F45	EA	DOOR-LUGGAGE, REAR - LH - VW WHITE
4	M06903-12-F45	EA	DOOR-ENTRANCE, W/WINDOW & SCREEN DOOR
5	079733-04-T03	EA	WINDOW-ENTRY DOOR, W/O INSIDE FRAME - 17" X 25"
6	112027-01-F45	EA	DOOR-LP, REAR - RH - VW WHITE
7	081240-14-000	EA	FILL-WATER, LOCKABLE - VW WHITE

KEY	PART NUMBER	U/M	DESCRIPTION
8	113745-01-02B	EA	STRIKE-SPARE TIRE DOOR, E-COATED
9	099717-04-000	EA	TIEDOWN ASM-STRAP W/BUCKLE
10	112160-01-000	FT	SEAL-D SECTION, 6 MM X 10 MM - 256M ADHESIVE - BLACK - LAUREN 1153
11	113694-01-F45	EA	DOOR-SPARE TIRE ACCESS, VW WHITE
12	112160-01-000	FT	SEAL-D SECTION, 6 MM X 10 MM - 256M ADHESIVE - BLACK - LAUREN 1153
13	107796-03-000	EA	BRACKET-GAS SPRING, SMALL - SPDI SPD-1015
14	108998-01-000	EA	SPRING-GAS - SPD-5300-30
15	107796-05-000	EA	BRACKET-GAS SPRING, FLAT - SPDI SPD-1020
16	113746-01-01A	EA	HINGE-POWER CORD ACCESS DOOR, LH - VW WHITE
16	113746-02-01A	EA	HINGE-POWER CORD ACCESS DOOR, RH - VW WHITE
17	113693-01-F45	EA	DOOR-POWER CORD ACCESS, VW WHITE
	009426-01-000	EA	HATCH-POWER CORD, WHITE

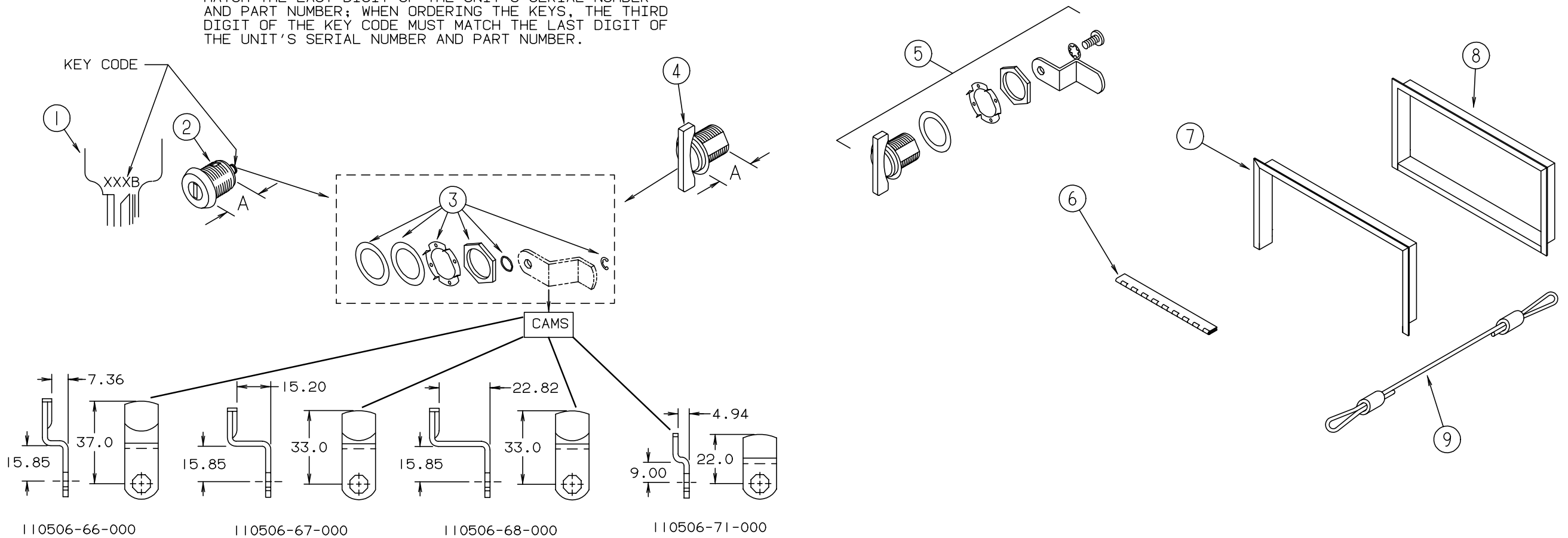
WINDOW, VENT & EXTERIOR DOOR GROUP (CONTINUED)
ENTRANCE DOOR



KEY	PART NUMBER	U/M	DESCRIPTION
1	M06903-17-F45	EA	DOOR-ENTRANCE, W/WINDOW & SCREEN DOOR W/O POWER LOCK FROM: 00-00-00 THRU: 06-17-94
1	M06903-12-F45	EA	DOOR-ENTRANCE, W/WINDOW & SCREEN DOOR & POWER LOCK FROM: 06-18-94 THRU: 99-99-99
2	113642-01-F45	EA	JAMB ASSEMBLY-ENTRANCE DOOR W/DRIP CAP & BOTTOM
	112160-01-000	FT	SEAL-D SECTION, 6 MM X 10 MM - 256M ADHESIVE - BLACK - LAUREN 1153 MOUNTED TO ENTRANCE DOOR JAMB ASSEMBLY
	058806-01-000	EA	PLUG-TAPERED, PLASTIC - .94" DIA - RED
	063729-01-000	EA	RIVNUT - 1/4" X 20 UNC - .030 - .125
3	113621-01-01A	EA	DOOR-SCREEN, OFF WHITE
	002293-02-000	SF	SCREENING-WINDOW/DOOR, 26" - CHARCOAL
	002294-01-000	FT	SPLINE-SCREENING, .135" X .138" - BLACK
	075673-01-000	FT	SEAL-PILE, ADHESIVE BACK - GRAY - .27" X .45" - AMESBURY 71345-270
	075673-03-000	FT	SEAL-PILE, .27" X .67" - 67027082GYWPSP
4	113668-01-01A	EA	GASKET-HINGE, UPPER OR LOWER - BLACK
5	113460-01-01A	EA	HINGE-ENTRANCE DOOR, UPPER - MILL
	113461-01-01A	EA	HINGE-ENTRANCE DOOR, LOWER - MILL
	113680-01-01A	EA	COVER-ACCESS, HINGE - DOOR - PLASTIC - OFF WHITE
6	114507-01-01A	EA	FRAME-WINDOW, ENTRY DOOR - OFF WHITE
6	079733-04-T03	EA	WINDOW-ENTRY DOOR, 17" X 25" - W/O INSIDE FRAME
6	002181-06-000	EA	GLASS-WINDOW, .115" X 16.25" X 24"
6	087561-01-000	FT	SEAL-GLASS, EXTERIOR - .5" WIDE - VINYL - BLACK
7	008384-01-000	EA	GROMMET-SNAP, 3/4" DIAMETER - NYLON
8	077222-01-000	EA	SPRING-WIRE GUARD, ENTRY DOOR - GM 08905080 W/POWER LOCK
9	113376-01-01A	EA	TRIM-ENTRANCE DOOR, UPPER W/O BOTTOM - VW WHITE
	111536-01-000	FT	SEAL-ENTRANCE DOOR TRIM, W/ADHESIVE - BLACK - LAUREN 18X20 MOUNTED TO ENTRANCE DOOR UPPER TRIM
10	113395-01-01A	EA	TRIM-ENTRANCE DOOR, BOTTOM - VW WHITE
	112160-02-000	FT	SEAL-D SECTION, 6 MM X 10 MM - 3M HATS ADHESIVE - BLACK - LAUREN 1153 MOUNTED TO ENTRANCE DOOR BOTTOM TRIM
11	113636-01-01A	EA	LATCH ASM-ROTARY, OFF WHITE - TRIMARK 12150-37
	113636-07-01A	EA	SCREWS-MOUNTING, ROTARY LATCH - MILL FINISH - TRIMARK 81066-39
12	113669-01-01A	EA	GASKET-LATCH, DOOR - FOAM - GRAY
13	113638-01-000	EA	ACTUATOR-LOCK, ELECTRIC - EURAMTEC ACT-035N W/POWER LOCK
	113638-02-000	EA	CONNECTOR-ELECTRIC, ACTUATOR - EURAMTEC ST2-01 W/POWER LOCK
14	113834-01-01A	EA	ROD-DOOR LATCH - TRIMARK W/POWER LOCK
	114209-01-01A	EA	PUSHNUT-CAP, 1/8" - WHITE - ARDEN KPS125105 W/POWER LOCK
15	113636-02-01A	EA	PLATE-INSIDE, W/DEADBOLT - BLACK - TRIMARK 12880-01
	113636-06-01A	EA	SCREWS-MOUNTING, INSIDE PLATE - MILL FINISH - TRIMARK 81599-15
16	113636-03-01A	EA	LATCH-SINGLE ROTOR, MILL FINISH - TRIMARK 12159-16
17	092927-03-000	EA	STRIKER-ROUND, JAMB MOUNTED - TRI/MARK 10335-16
18	113636-05-01A	EA	NUT ASM-CAGED, MILL FINISH - TRIMARK 11920-16
19	110529-01-000	EA	LATCH-BULLET, SCREEN DOOR - PHILIPS-D4234
20	113960-01-01A	EA	COVER-ACTUATOR, OFF WHITE
21	079086-02-000	EA	SLIDER-SCREEN DOOR, OFF WHITE
	079087-02-000	EA	STRIKE-SLIDER, SCREEN DOOR - 1.5" X 8.6" - OFF WHITE
22	115385-01-F45	EA	GARNISH-ENTRANCE DOOR, OFF WHITE
	115750-01-02B	EA	BRACKET-LATCH, DOOR - E-COAT
	069726-02-000	EA	BUMPER-.88" DIAMETER X .40", BLACK

WINDOW, VENT & EXTERIOR DOOR GROUP (CONTINUED)
LOCKS & EXTERIOR DOOR COMPONENTS

NOTE:
 WHEN ORDERING THE LOCK CASE, THE KEY CODE MUST MATCH THE LAST DIGIT OF THE UNIT'S SERIAL NUMBER AND PART NUMBER; WHEN ORDERING THE KEYS, THE THIRD DIGIT OF THE KEY CODE MUST MATCH THE LAST DIGIT OF THE UNIT'S SERIAL NUMBER AND PART NUMBER.



KEY	PART NUMBER	U/M DESCRIPTION
1	110506-59-000	EA KEYS-SET OF 2, BRIGGS & STRATTON 596720 (SERIAL # ENDS IN 0)
1	110506-59-001	EA KEYS-SET OF 2, BRIGGS & STRATTON 596721 (SERIAL # ENDS IN 1)
1	110506-59-002	EA KEYS-SET OF 2, BRIGGS & STRATTON 596722 (SERIAL # ENDS IN 2)
1	110506-59-003	EA KEYS-SET OF 2, BRIGGS & STRATTON 596723 (SERIAL # ENDS IN 3)
1	110506-59-004	EA KEYS-SET OF 2, BRIGGS & STRATTON 596724 (SERIAL # ENDS IN 4)
1	110506-59-005	EA KEYS-SET OF 2, BRIGGS & STRATTON 596725 (SERIAL # ENDS IN 5)
1	110506-59-006	EA KEYS-SET OF 2, BRIGGS & STRATTON 596726 (SERIAL # ENDS IN 6)
1	110506-59-007	EA KEYS-SET OF 2, BRIGGS & STRATTON 596727 (SERIAL # ENDS IN 7)
1	110506-59-008	EA KEYS-SET OF 2, BRIGGS & STRATTON 596728 (SERIAL # ENDS IN 8)
1	110506-59-009	EA KEYS-SET OF 2, BRIGGS & STRATTON 596729 (SERIAL # ENDS IN 9)
2	110506-52-000	EA CASE-LOCK, A=17MM BRIGGS & STRATTON 702370 (KEY CODE #0)
2	110506-52-001	EA CASE-LOCK, A=17MM BRIGGS & STRATTON 702371 (KEY CODE #1)
2	110506-52-002	EA CASE-LOCK, A=17MM BRIGGS & STRATTON 702372 (KEY CODE #2)
2	110506-52-003	EA CASE-LOCK, A=17MM BRIGGS & STRATTON 702373 (KEY CODE #3)
2	110506-52-004	EA CASE-LOCK, A=17MM BRIGGS & STRATTON 702374 (KEY CODE #4)
2	110506-52-005	EA CASE-LOCK, A=17MM BRIGGS & STRATTON 702375 (KEY CODE #5)
2	110506-52-006	EA CASE-LOCK, A=17MM BRIGGS & STRATTON 702376 (KEY CODE #6)
2	110506-52-007	EA CASE-LOCK, A=17MM BRIGGS & STRATTON 702377 (KEY CODE #7)
2	110506-52-008	EA CASE-LOCK, A=17MM BRIGGS & STRATTON 702378 (KEY CODE #8)
2	110506-52-009	EA CASE-LOCK, A=17MM BRIGGS & STRATTON 702379 (KEY CODE #9)
2	110506-53-000	EA CASE-LOCK, A=25MM BRIGGS & STRATTON 702380 (KEY CODE #0)
2	110506-53-001	EA CASE-LOCK, A=25MM BRIGGS & STRATTON 702381 (KEY CODE #1)
2	110506-53-002	EA CASE-LOCK, A=25MM BRIGGS & STRATTON 702382 (KEY CODE #2)
2	110506-53-003	EA CASE-LOCK, A=25MM BRIGGS & STRATTON 702383 (KEY CODE #3)
2	110506-53-004	EA CASE-LOCK, A=25MM BRIGGS & STRATTON 702384 (KEY CODE #4)
2	110506-53-005	EA CASE-LOCK, A=25MM BRIGGS & STRATTON 702385 (KEY CODE #5)
2	110506-53-006	EA CASE-LOCK, A=25MM BRIGGS & STRATTON 702386 (KEY CODE #6)
2	110506-53-007	EA CASE-LOCK, A=25MM BRIGGS & STRATTON 702387 (KEY CODE #7)
2	110506-53-008	EA CASE-LOCK, A=25MM BRIGGS & STRATTON 702388 (KEY CODE #8)
2	110506-53-009	EA CASE-LOCK, A=25MM BRIGGS & STRATTON 702389 (KEY CODE #9)

KEY	PART NUMBER	U/M DESCRIPTION
3	110506-40-700	EA KIT-LOCK, W/GASKET, NUT, CLIP & WASHERS
	110506-59-701	EA KEY BLANK
4	110506-51-000	EA CASE-TWIST LOCK, A=25MM BRIGGS & STRATTON 596669 FROM: 06-06-94 THRU: 99-99-99
5	079927-04-000	EA LOCK ASM-TWIST TYPE - ILLINOIS LOCK FROM: 00-00-00 THRU: 06-05-94
6	112246-01-01A	EA HINGE - 2" X 16.3", VW WHITE
7	113752-01-01A	EA JAMB ASM-TRIM, GENERATOR/LUGGAGE DOOR - VW WHITE
8	113753-01-01A	EA JAMB ASM-TRIM, LP DOOR - VW WHITE
9	076767-05-000	EA CABLE-DOOR SUPPORT, 1/16" X 15.5" - STAINLESS STEEL

WINDOW, VENT & EXTERIOR DOOR GROUP (CONTINUED)
POWERED ROOF VENT

KEY	PART NUMBER	U/M DESCRIPTION
	110051-03-01A	EA VENT-ROOF, POWERED - 2" ROOF - JENSEN 7757 WHE
	048648-01-000	EA MOTOR-ROOF VENT, 1/8 SHAFT - 12V - JENSEN
	048649-01-000	EA FAN-ROOF VENT, 6 BLADES - 6" - JENSEN
	064470-01-700	EA COVER-ROOF VENT, JENSEN 7291
	110051-01-701	EA GARNISH W/SCREEN & FRAME-2", JENSEN 29-800-01
	110051-01-702	EA LIFT ASM-VENT LID W/O CRANK, JENSEN RP-1000B
	110051-01-703	EA CRANK, JENSEN RP-1031-B

NONPOWERED ROOF VENT

KEY	PART NUMBER	U/M DESCRIPTION
	110051-01-01A	EA VENT-ROOF, NONPOWERED - 2" ROOF - JENSEN 7724 WHE
	064470-01-700	EA COVER-ROOF VENT, JENSEN 7291
	110051-01-701	EA GARNISH W/SCREEN & FRAME-2", JENSEN 29-800-01
	110051-01-702	EA LIFT ASM-VENT LID W/O CRANK, JENSEN RP-1000B
	110051-01-703	EA CRANK, JENSEN RP-1031-B

FANTASTIC VENT - US

KEY	PART NUMBER	U/M DESCRIPTION
	084079-03-000	EA VENT-CEILING, POWERED EXHAUST - OFF WHITE - FANTASTIC VENT
	084079-01-700	EA VENT COVER - FANTASTIC 1020-19
	084079-01-701	EA SCREEN ASM WHITE - FANTASTIC 1030-80
	084079-01-703	EA CRANK-EXTERIOR, FANTASTIC 1060-09
	084079-01-704	EA BLADE-FAN, FANTASTIC 1070-00
	084079-01-705	EA MOTOR, FANTASTIC 1080-00
	084079-01-707	EA SWITCH-SAFETY, FANTASTIC 1120.00
	084079-01-709	EA SWITCH-ON & OFF, MAIN POWER - FANTASTIC 1100.00
	084079-01-711	EA H-MOLDING, MOTOR MOUNT - PLASTIC - FANTASTIC
	084079-01-712	EA GARNISH-INTERIOR, 1 7/8" - OFF WHITE

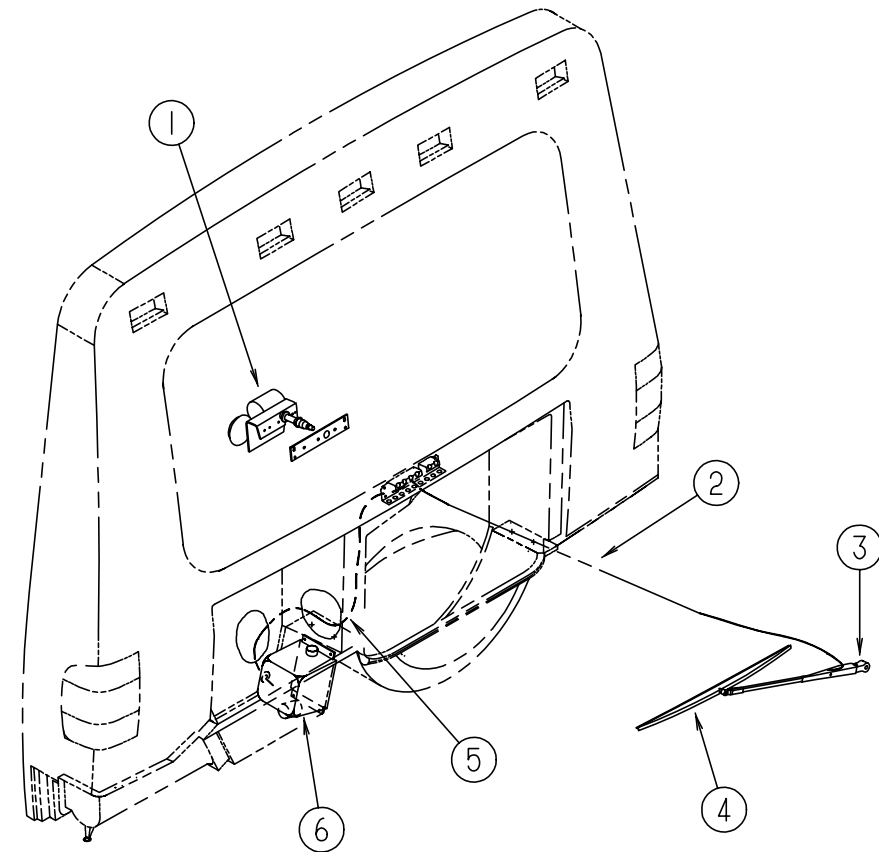
FANTASTIC VENT - CANADIAN

KEY	PART NUMBER	U/M DESCRIPTION
	084079-08-000	EA VENT-CEILING, POWERED EXHAUST - OFF WHITE - FANTASTIC VENT
	084079-01-700	EA VENT COVER - FANTASTIC 1020-19
	084079-01-701	EA SCREEN ASM WHITE - FANTASTIC 1030-80
	084079-01-703	EA CRANK-EXTERIOR, FANTASTIC 1060-09
	084079-01-704	EA BLADE-FAN, FANTASTIC 1070-00
	084079-01-707	EA SWITCH-SAFETY, FANTASTIC 1120.00
	084079-01-709	EA SWITCH-ON & OFF, MAIN POWER - FANTASTIC 1100.00
	084079-01-711	EA H-MOLDING, MOTOR MOUNT - PLASTIC - FANTASTIC
	084079-01-712	EA GARNISH-INTERIOR, 1 7/8" - OFF WHITE
	084079-08-700	EA MOTOR-THIN ROOF, FANTASTIC 101703

PLUMBING & REFRIGERATOR VENTS

KEY	PART NUMBER	U/M DESCRIPTION
	083558-06-000	EA VENT-PLUMBING PIPE ROOF W/COVER - VW WHITE
	111222-01-01A	EA COVER-VENT, DRAINAGE - SIDEWALL - KEVCO R1007
	113736-01-01A	EA VENT KIT-REFRIGERATOR, NORCOLD

REAR WIPER & WASHER GROUP



REAR WIPER & WASHER

KEY	PART NUMBER	U/M DESCRIPTION
	1 085721-02-000	EA MOTOR ASM-WIPER, 108 DEGREE - UT 19227-25-M012WC
	2 061603-01-000	EA GROMMET-SNAP, 3/16"ID - 3/8" HOLE - PLASTIC - BLACK
	3 096931-01-000	EA ARM-WIPER, 20"
	096931-01-700	FT HOSE-WIPER, TO BLADE
	096931-01-701	EA NOZZLE-HARDWARE KIT, INCLUDES NOZZEL, NUT, SHORT THREAD SCREW, LONG THREAD SCREW, AND PLASTIC CAP
	096931-01-702	EA NUT - 52695-40-NT27WC
	096931-01-703	EA SHORT SCREW - 52696-40-SC27WC
	096931-01-704	EA LONG SCREW - 52697-40-SC27WC
	096931-01-705	EA PLASTIC CAP - 52699-40-CP27WC
	096931-01-706	EA SPRAY NOZZLE - 52698-40-NZ27WC
	4 097978-01-000	EA BLADE-WIPER, FLEX - 22" - UT 51916-20BD27WC
	5 045794-01-000	FT HOSE-WASHER, WINDSHIELD - 5/32" ID - BLACK
	6 056000-05-000	EA WASHER ASM-WINDSHIELD WIPER - MCCORD 600367