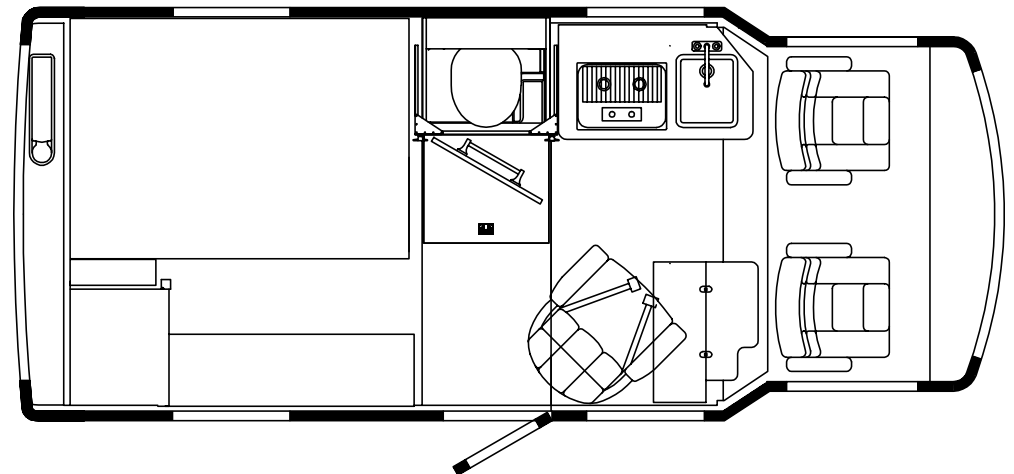
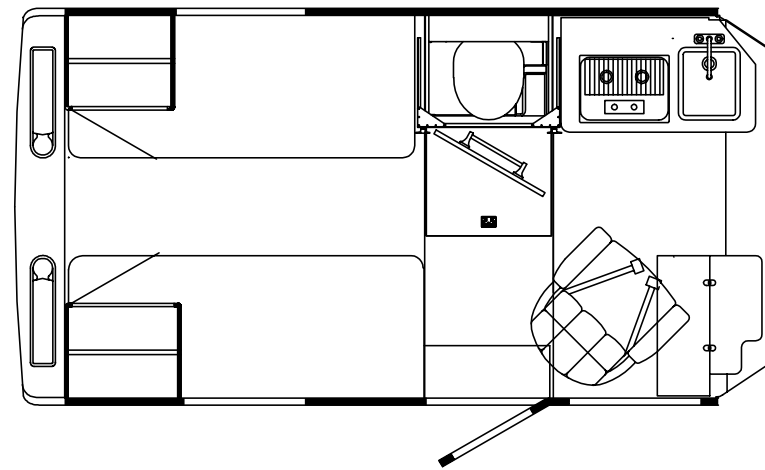
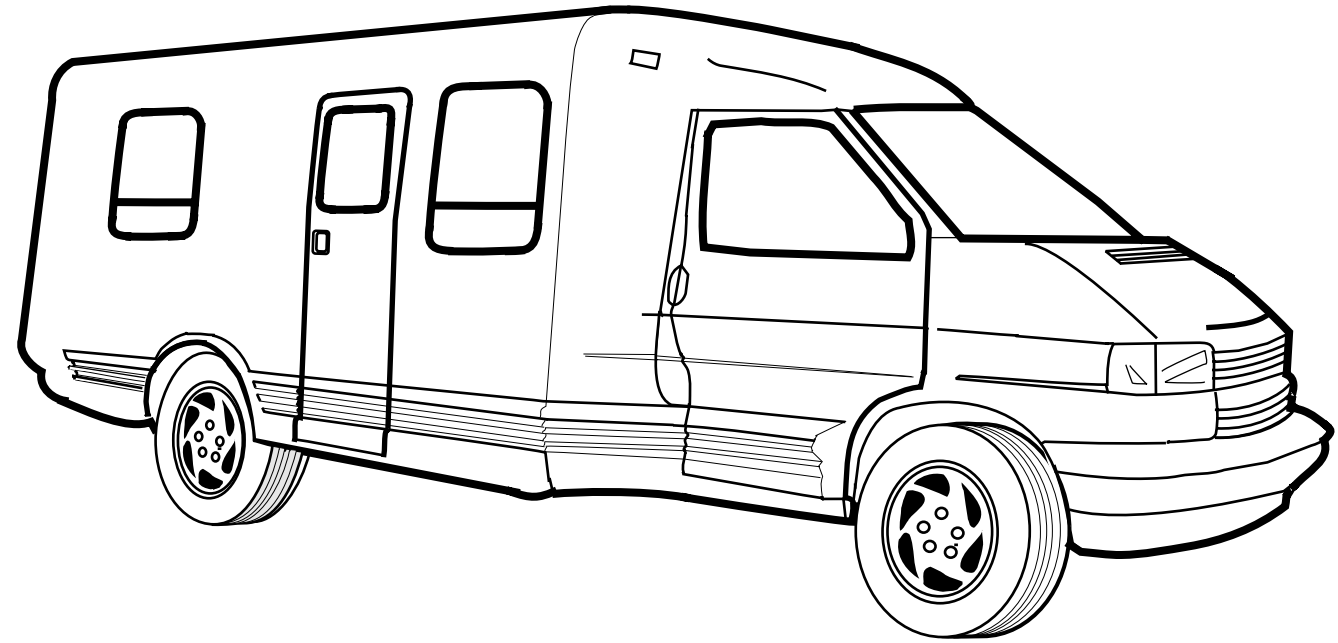


**1995  
WV221RC**

**F45**

**F46**



**ACCESSORIES GROUP  
OPERATORS MANUAL & BINDER**

KEY	PART NUMBER	U/M DESCRIPTION
	054185-B8-000	EA MANUAL-OPERATOR, 1995 RIALTA
	118578-01-000	EA MANUAL-OWNER'S, 1995 EUROVAN
	118579-01-000	EA MANUAL-MAINTENANCE, 1995 USA
	092318-01-000	EA BINDER - 3 RING, MOTOR HOME MANUAL
	092319-01-000	EA POCKET PAGE - 3 RING BINDER, PLASTIC
	113742-01-000	DW TOP LEVEL DRAWING FOR 1995 RIALTA

**AUDIO VIDEO GROUP  
RADIO SYSTEM COMPONENTS**

KEY	PART NUMBER	U/M DESCRIPTION
	074014-01-000	EA GRILLE-SPEAKER, ROUND - AUDIOVOX 102X-1479
	074979-17-000	EA COVER-SPEAKER, VW TAUPE
	094097-01-000	EA SPEAKER-RADIO, W/O GRILLE - 5.25" DIA - AUDIOVOX 110C3030
	114365-01-000	EA ADAPTOR-RADIO, POWER - SPEAKERS - RIVERPARK
	114366-01-000	EA ADAPTOR-RADIO, ANTENNA - RIVERPARK
	097460-05-000	EA RADIO-AM/FM STEREO, CASSETTE - SONY XR-3320 FROM: 00-00-00 THRU: 06-18-95
	097460-08-000	EA RADIO-AM/FM STEREO, CASSETTE - SONY XR-1700 FROM: 06-19-95 THRU: 10-16-94
	115077-01-000	EA RADIO-AM/FM STEREO, CD PLAYER - SONY CSX-507 0 FROM: 00-00-00 THRU: 05-14-95
	116148-01-000	EA RADIO-AM/FM STEREO, CD PLAYER - CLARION 5633CD FROM: 05-15-95 THRU: 06-10-94
	116148-02-000	EA RADIO-AM/FM STEREO, CD PLAYER - CLARION RDB515B FROM: 06-11-95 THRU: 10-16-94

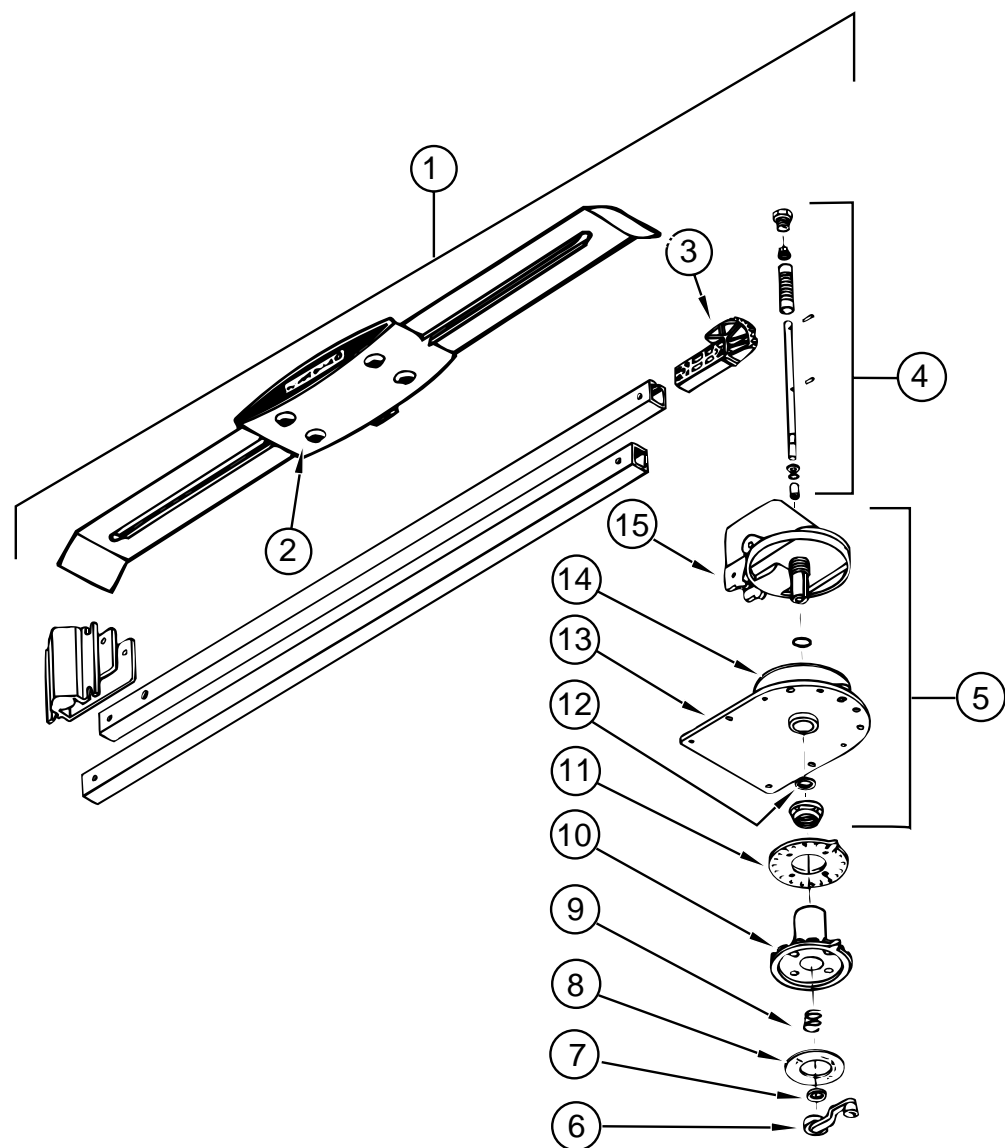
**TELEVISION W/REMOTE CONTROL**

KEY	PART NUMBER	U/M DESCRIPTION
	086231-07-000	EA TV-COLOR, 10" - DC - AUDIOVOX AVT-975
	086231-07-700	EA REMOTE F/TV - AVT-975 - 0822329

**TV CABLE, CONNECTORS, & WALLPLATES**

KEY	PART NUMBER	U/M DESCRIPTION
	082134-01-000	EA ADAPTER-TV, CABLE TO CABLE - WINEGARD F-81M
	093901-03-000	EA PLATE-CABLE TV ADAPTER, 45 MM X 64 MM - STEEL - BLACK
	076319-03-000	FT CABLE-COAXIAL, 75 OHM
	076319-06-000	EA ADAPTOR-CABLE ROOF PLATE, WINEGARD RPJ-1
	076319-12-000	EA CONNECTOR-COAXIAL, ONE PIECE
	082136-01-000	EA NUT-HEX JAM, 3/8 - 32 - WINEGARD
	086777-01-000	EA WALLPLATE-TV CABLE, W/ANTENNA SWITCH - IVORY

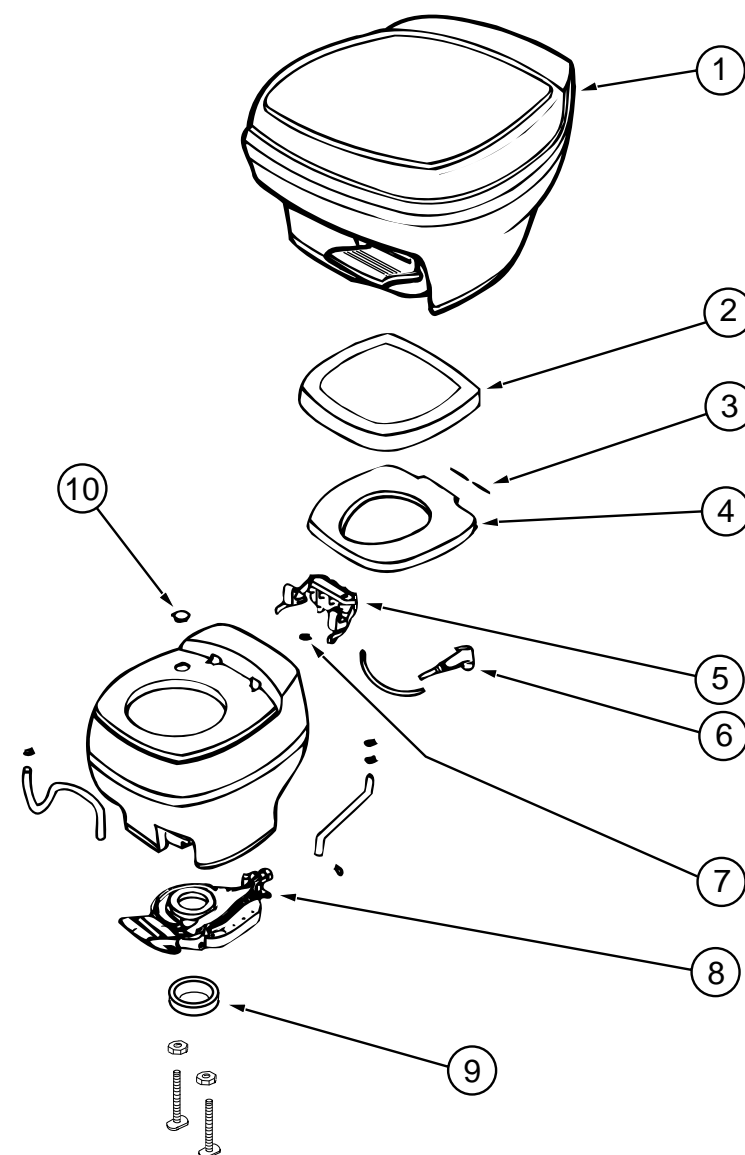
## AUDIO VIDEO GROUP (CONTINUED)



TV ANTENNA

KEY	PART NUMBER	U/M DESCRIPTION
1	076319-02-000	EA ANTENNA-TV, ROOF MOUNT - 23.5" MAST - WINEGARD# RVA-W01
2	076319-01-700	EA HEAD-ANTENNA, AMPLIFIED - WINEGARD# RVSA U/V
3	076319-01-701	EA GEAR-ELEVATING, PLASTIC - WINEGARD# 2200046
4	076319-01-702	EA SHAFT ASM-ELEVATING, WINEGARD# RVP-400A
5	076319-01-711	EA BASE & LIFT ASM - WINEGARD# 2762802
6	076319-01-706	EA CRANK-ELEVATING, W/SET SCREW - WINEGARD# 5755100
7	076319-01-705	EA GROMMET-NYLON, 7/8" ID - WINEGARD# 3200658
8	076319-01-708	EA DECAL-CRANK, WINEGARD# 5413002
9	076319-01-707	EA SPRING-HANDLE, WINEGARD# 5160800
10	076319-01-709	EA PLATE-DIRECTIONAL, FOR HEAD - WINEGARD# 3200644
11	076319-01-712	EA PLATE-CEILING, WINEGARD# 3200608
12	076319-01-704	EA BEARING-NYLON, 1.25" OD - WINEGARD# 3200657
13	076319-01-713	EA PLATE-BASE, STEEL - WINEGARD# 3100523
14	076319-01-703	EA BEARING-NYLON, 5" OD - WINEGARD# 3200656
15	076319-01-714	EA HOUSING-ROTATING GEAR - WINEGARD# 2200049

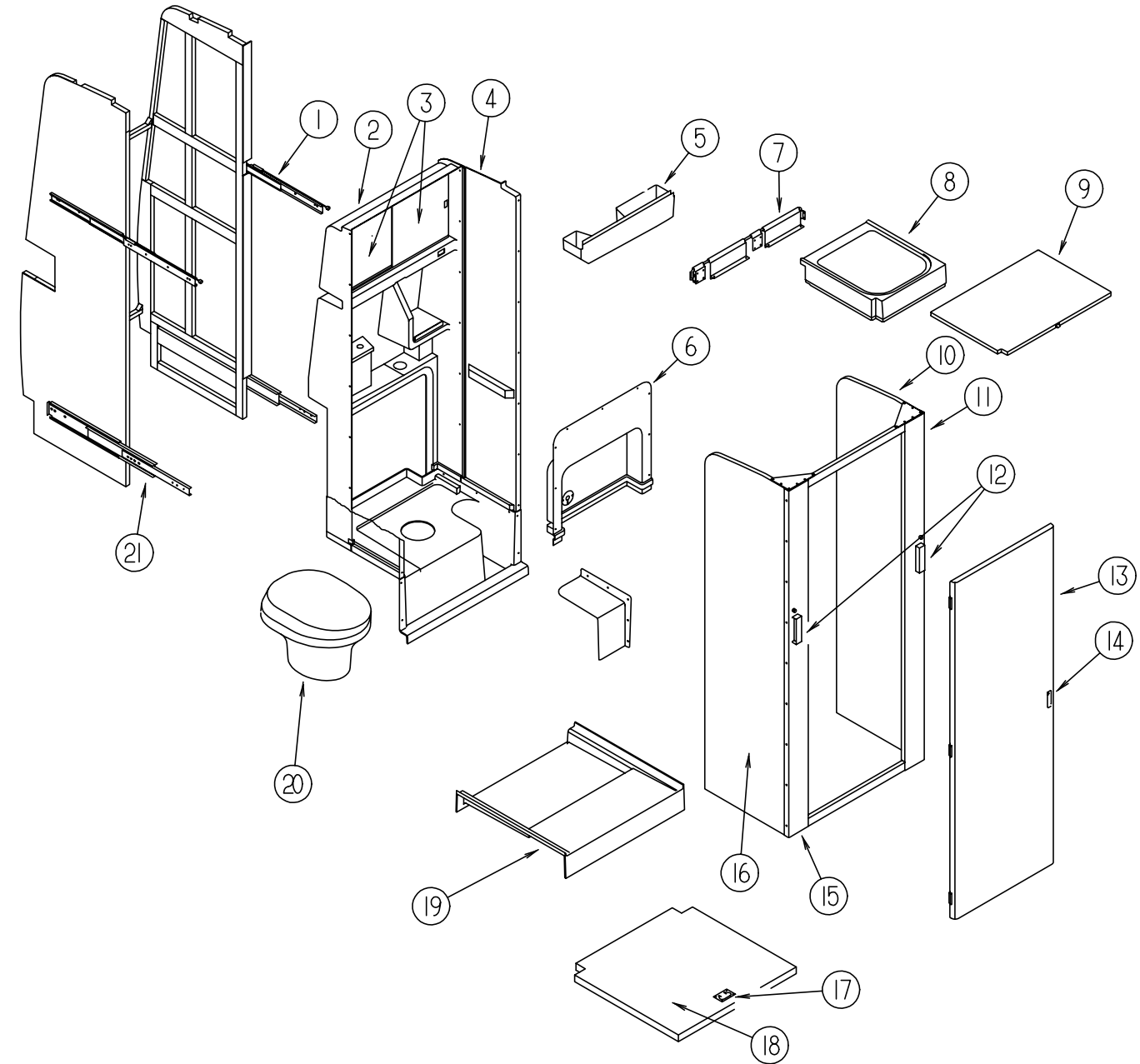
## BATH GROUP



STARLITE LOW TOILET

KEY	PART NUMBER	U/M DESCRIPTION
1	064076-01-000	EA TOILET - 11.25" TALL, IVORY - THETFORD 50
2	039341-02-700	EA COVER-SEAT, TOILET - IVORY - THETFORD 037151
3	039341-02-707	EA PIN-HINGE, TOILET, THETFORD 12986
4	039341-02-704	EA SEAT & COVER SET, SL & SH NEW STYLE - THETFORD 08855
5	700011-14-003	EA BREAKER-VACUUM, WHITE - THETFORD 08200
6	067487-01-701	EA WATER SAVER PACKAGE - THETFORD 08993
7	067487-01-702	EA CLAMP-THETFORD 03752
8	064076-01-701	EA MECHANISM-FLUSHING, IVORY - THETFORD 14622
9	039341-02-705	EA MOUNTING PACKAGE, THETFORD 08975 A.M.
10	039341-02-703	EA PLUG-HOLE, IVORY - THETFORD 03895-10

**BATH GROUP (CONTINUED)**  
**BATH & SHOWER CABINETS**

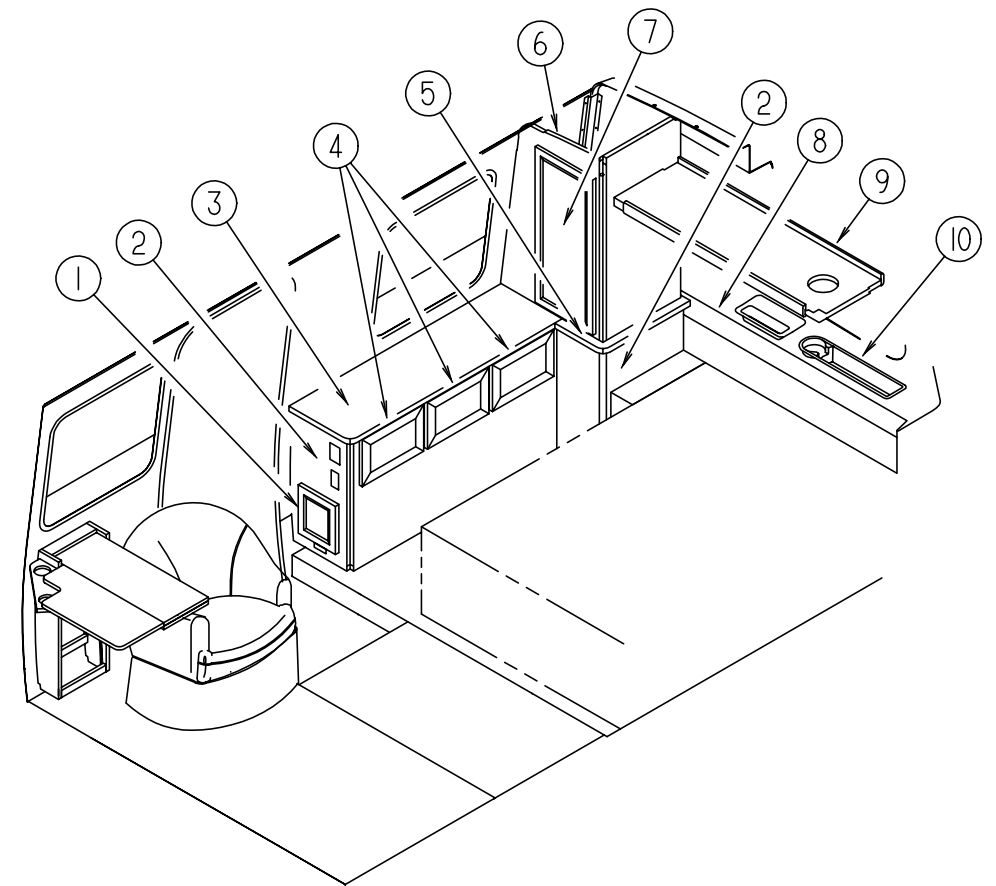


KEY	PART NUMBER	U/M DESCRIPTION
1	116173-01-000	EA SLIDE-PULLOUT, BATH CABINET - RH - W/LOCK
1	116173-02-000	EA SLIDE-PULLOUT, BATH CABINET - LH - W/LOCK
2	111950-01-01A	EA SURROUND-SHOWER, BACK - PLASTIC - OFF WHITE
3	058331-B0-000	EA MIRROR-GLASS, SAFETY - 320 MM X 320 MM
	023320-01-000	EA PAD-FELT, 3/8" DIAMETER - BROWN
	074383-01-000	EA TRACK-SLIDING MIRRORS, LOWER - OFF WHITE
	002324-02-000	FT CHANNEL-PILE, FLEX - LOWER TRACK
4	111986-01-01A	EA SURROUND-SHOWER, SIDE - RH - OFF WHITE PLASTIC
	111986-02-01A	EA SURROUND-SHOWER, SIDE - LH - OFF WHITE PLASTIC
5	P12114-01-01A	EA BASIN ASM-CATCH, LAVATORY W/STRAINER - OFF WHITE PLASTIC
	106116-01-01A	EA STRAINER-SINK, W/STOPPER TAILPIECE GASKET & NUT - PLASTIC
	066436-01-000	EA NUT-SLIP, TAILPIECE - 1.5"
	112114-01-01A	EA BASIN-CATCH, LAVATORY - OFF WHITE PLASTIC
6	112151-01-01A	EA COVER-ACCESS, DRAINAGE - OFF WHITE PLASTIC
	057671-01-000	EA COVER-SCREW, #8 - PLASTIC - OFF WHITE
7	113982-01-F45	EA HINGE ASM-FOLD UP SINK & DOOR PANEL
	086235-03-000	EA BEARING-SNAP IN, 5/16" ID X 5/16" - THOMPSON 5L5-F
8	112244-01-F45	EA SINK ASM-FOLD UP - OFF WHITE PLASTIC
	057534-02-000	EA TIEBACK-SINK, 3" - PLASTIC - CLEAR
9	113183-01-F45	EA PANEL ASM-DOOR W/LATCH - OFF WHITE PLASTIC
	074453-01-000	EA LATCH-PADDLE, SINK & MEDICINE CABINET - METAL
	057898-01-000	EA LATCH-HIDDEN W/STRIKER, PLASTIC - BLACK
10	113929-01-F45	EA WALL-BATH, SLIDING - RH
11	116246-01-01A	EA CORNER-BATH, RH - VW TAUPE
12	074762-01-000	EA PULL-CABINET, 4.8" X .9" - PLASTIC - BLACK
13	113756-01-F45	EA DOOR-BATH, W/O HARDWARE
14	058335-02-000	EA LATCH-SHOWER/BATH DOOR, W/O LOCK - PLASTIC - BROWN
14	058335-03-000	EA LATCH-SHOWER/BATH DOOR, W/O LOCK - PLASTIC - BLACK
	075453-02-000	EA BAR-TOWEL, 18" - BRASS
	075452-02-000	EA HOLDER-TOILET TISSUE, BRASS
15	116246-02-01A	EA CORNER-BATH, LH - VW TAUPE
16	113929-02-F45	EA WALL-BATH, SLIDING - LH
	116044-01-000	EA BUMPER-MOLDED, 1/2" DIAMETER - RUBBER
17	072871-01-000	EA PULL-FLUSH, CHROME
18	113092-02-F45	EA COVER-SHOWER PAN, CARPETED (F45/F46)
	069735-01-000	EA WASHER-STRAINER TO TAILPIECE, 1.5" - PLASTIC
19	118605-01-01A	EA SHOWER PAN, OFF WHITE PLASTIC
20	064076-01-000	EA TOILET - 11.25" TALL, IVORY - THETFORD 50
21	116174-01-000	EA SLIDE-PULLOUT, BATH CABINET - RH OR LH - FULL EXTENSION
	103092-01-000	EA SHOWER HEAD - W/60" HOSE - US
	103092-02-000	EA SHOWER HEAD - W/60" HOSE - CSA
	011048-03-700	EA BRACKET ONLY F/SHOW HEAD - 2328029-3
	115000-01-01A	EA FAUCET-LAVATORY & SHOWER, PARCHMENT - BPC 20173P03
	109800-01-01A	EA FAUCET-LAVATORY, PARCHMENT - BPC 20177P01

**BATH GROUP (CONTINUED)**  
OPTIONAL SHOWER KIT

KEY	PART NUMBER	U/M DESCRIPTION	QUANTITY
	111896-01-700	EA KIT-SHOWER PACKAGE (INCLUDES ITEMS LISTED BELOW; ORDER SHOWER CURTAINS SEPARATELY)	
		EA SCREW-SNAP SOCKET, #8 PH X 5/8"	8
		EA PUMP-SHOWER WATER, W/.5" MPT FITTING - FLOW 2.8 GPM - UL	1
		EA SHOWER HEAD - W/60" HOSE	1
		EA COVER-SWITCH W/DIMPLES & LENS, CARLING VVAJCXX-X	1
		EA SWITCH-ROCKER, SPST - ON/OFF - CARLING VIDIA60C-0	1
		EA SHOWER PAN, OFF WHITE PLASTIC	1
		EA COVER-SHOWER PAN, CARPETED (F45/F46)	1
		EA ELBOW-SWIVEL, 1/2" P X 1/2" FPT	2
		EA FILTER-IN LINE, TWIST ON - 1/2" - SHURFLO #170-061-09	1
		EA FAUCET-LAVATORY & SHOWER, PARCHMENT - BPC 20173P03	1

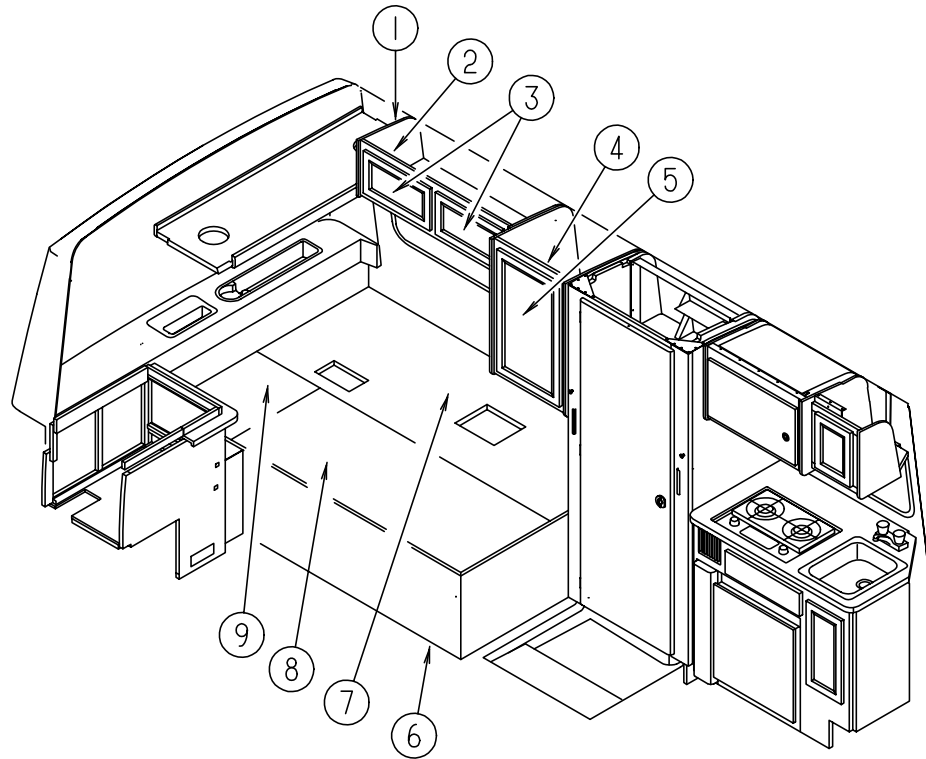
**BEDROOM GROUP**



**DOUBLE BEDROOM CABINETRY (PASSENGER SIDE)**

KEY	PART NUMBER	U/M DESCRIPTION
1	M06804-69-F45	EA DOOR-CABINET, W/O HARDWARE - 280 MM X 280 MM
2	119093-01-F45	EA CABINET-VANITY, W/ 2 COUNTERTOPS W/O DRAWERS
3	119093-11-F45	EA COUNTERTOP-VANITY, 1374 MM X 386 MM
4	M05970-S9-F45	EA DRAWER-VANITY CABINET, W/O HARDWARE - 255 MM X 390 MM FACE SIZE
5	119093-12-F45	EA COUNTERTOP-VANITY, 551 MM X 304 MM
6	119094-01-F45	EA CABINET-SHIRT CLOSET, W/O DOOR OR HARDWARE - RH
7	M06804-P1-F45	EA DOOR-CABINET, W/O HARDWARE - 365 MM X 850 MM
	009112-01-000	EA FLANGE - 1" ROD, CLOTHES - PLASTIC - OFF WHITE
	042438-01-000	EA DOWEL-WOOD, CLOTHES ROD - 1" DIAMETER X 4'
8	112807-04-F45	EA PANEL ASM-BACKWALL, UPPER - INNER - PLASTIC - VW TAUPE
9	119096-01-F45	EA CABINET-BLANKET SHELF, OVERHEAD
10	112731-01-01A	EA TRAY-BACKWALL, VW WHITE

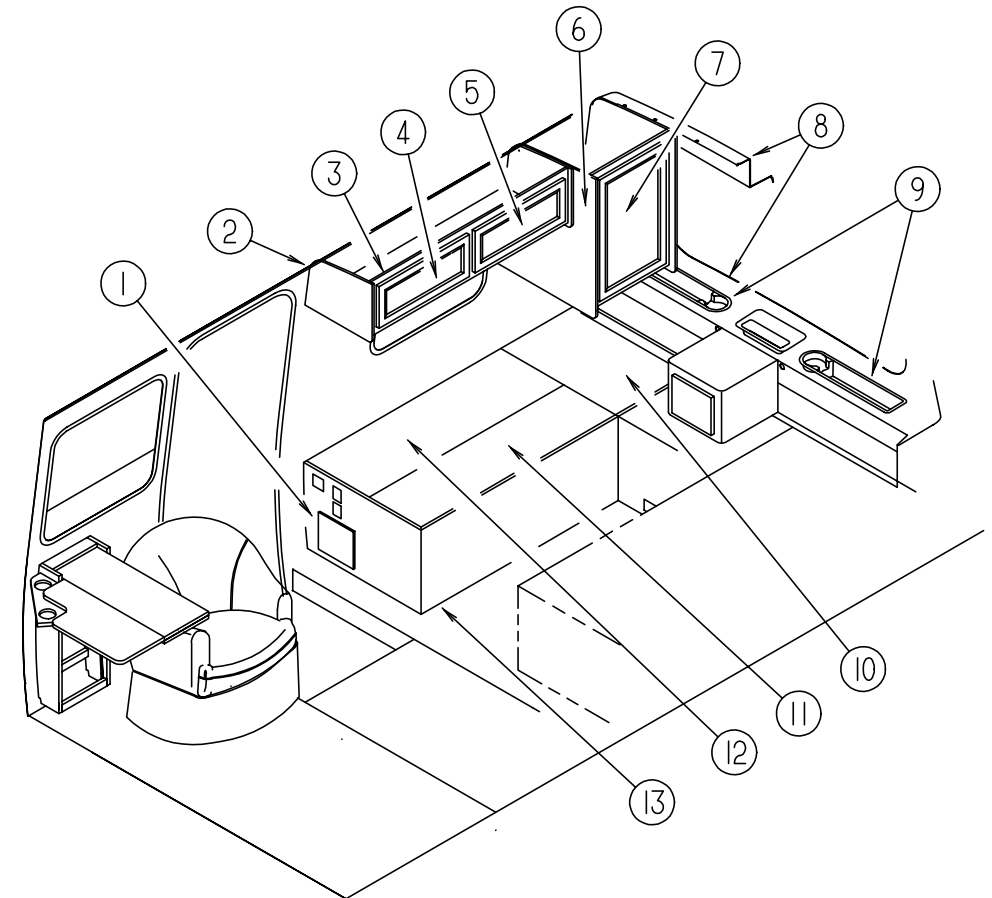
## BEDROOM GROUP (CONTINUED)



### DOUBLE BEDROOM CABINETRY (DRIVER SIDE)

KEY	PART NUMBER	U/M DESCRIPTION
1	119132-02-F45	EA CAP-END, OVERHEAD CABINET - PICKLED ASH
2	119097-01-F45	EA CABINET-OVERHEAD, W/END CAP - W/O DOORS
3	M06804-P2-F45	EA DOOR-CABINET, W/O HARDWARE - 255 MM X 400 MM
4	119095-01-F45	EA CABINET-SHIRT CLOSET, W/O DOOR OR HARDWARE - LH
5	M06804-P3-F45	EA DOOR-CABINET, W/O HARDWARE - 390 MM X 650 MM
6	P19092-01-F45	EA CABINET-DOUBLE BED W/O TOPS
7	M07592-03-000	EA TOP-DOUBLE BED
8	M07592-02-F45	EA TOP-DOUBLE BED W/HINGE
9	M07592-01-000	EA TOP-DOUBLE BED
	089025-01-000	EA SUPPORT-SPRING, TO BED - ANGLE 1.5" X 11.8" LONG - STEEL
	107796-14-000	EA SPRING-GAS, 12" - 80 LB - SPDI SPD-GS-5150-80
	057460-02-000	EA STUD-BALL, GAS SPRING - 10MM - 5/16" - 18
	097872-04-000	EA DOWEL-WOOD, 1.00" DIAMETER X 1.38" LONG - UNFINISHED
	119479-01-01A	EA COVER-PIPE, 354 MM LONG - VW/TAUPE - PLASTIC
	057534-02-000	EA TIEBACK-CLEAR PLASTIC, 3.00"
	113844-04-F45	EA PANEL ASM-TRIM, 140 MM X 75 MM TAPERED - LOWER - DRIVER SIDE
	113844-04-F46	EA PANEL ASM-TRIM, 140 MM X 75 MM TAPERED - LOWER - DRIVER SIDE

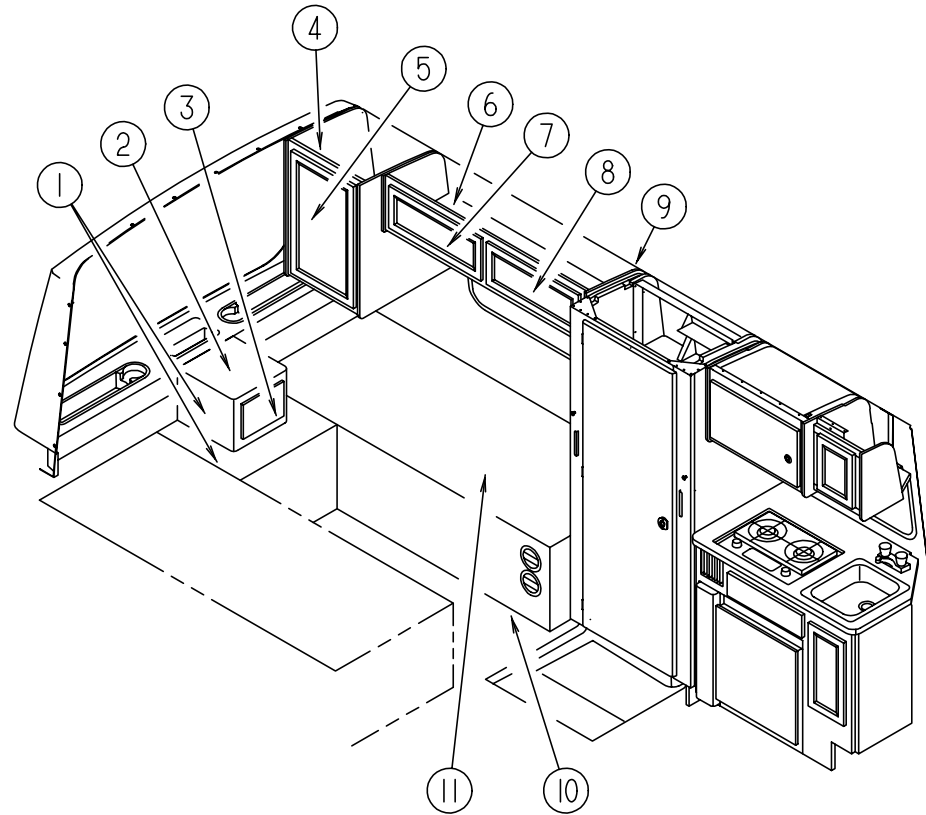
## BEDROOM GROUP (CONTINUED)



### TWIN BEDROOM CABINETRY (PASSENGER SIDE)

KEY	PART NUMBER	U/M DESCRIPTION
1	M06804-69-F45	EA DOOR-CABINET, W/O HARDWARE - 280 MM X 280 MM
2	119132-02-F45	EA CAP-END, OVERHEAD CABINET - PICKLED ASH
3	119587-01-F45	EA CABINET-OVERHEAD, W/END CAP - W/O DOORS
4	M06804-01-F45	EA DOOR-CABINET, W/O HARDWARE - 255 MM X 640 MM
5	M06804-04-F45	EA DOOR-CABINET, W/O HARDWARE - 255 MM X 485 MM
6	119589-01-F45	EA CABINET-SHIRT CLOSET, W/O DOOR OR HARDWARE - RH
	009112-01-000	EA FLANGE - 1" ROD, CLOTHES - PLASTIC - OFF WHITE
	042438-01-000	EA DOWEL-WOOD, CLOTHES ROD - 1" DIAMETER X 4'
7	M06804-P3-F45	EA DOOR-CABINET, W/O HARDWARE - 390 MM X 650 MM
8	112807-05-F45	EA PANEL ASM-BACKWALL, UPPER - INNER - PLASTIC - VW TAUPE
9	112731-01-01A	EA TRAY-BACKWALL, DRIVER OR PASSENGER SIDE - VW WHITE
10	M07592-05-000	EA TOP-TWIN BED
11	M07592-06-F45	EA TOP-TWIN BED W/HINGE
12	M07592-07-000	EA TOP-TWIN BED
13	P19591-01-F45	EA CABINET-TWIN BED W/O TOPS, PASSENGER SIDE
	089025-01-000	EA SUPPORT-SPRING, TO BED - ANGLE 1.5" X 11.8" LONG - STEEL
	107796-14-000	EA SPRING-GAS, 12" - 80 LB - SPDI SPD-GS-5150-80
	057460-02-000	EA STUD-BALL, GAS SPRING - 10MM - 5/16" - 18
	097872-04-000	EA DOWEL-WOOD, 1.00" DIAMETER X 1.38" LONG - UNFINISHED
	057534-02-000	EA TIEBACK-CLEAR PLASTIC, 3.00"
	113844-03-F45	EA PANEL ASM-TRIM, 140 MM X 75 MM TAPERED - LOWER - PASSENGER SIDE
	113844-03-F46	EA PANEL ASM-TRIM, 140 MM X 75 MM TAPERED - LOWER - PASSENGER SIDE

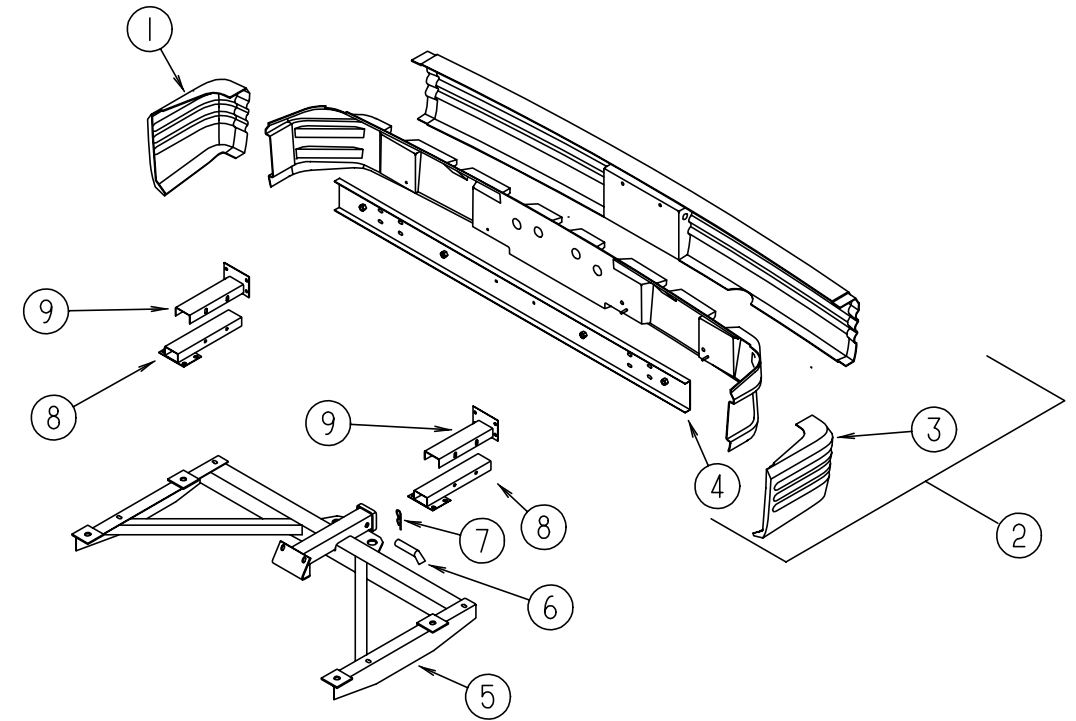
## BEDROOM GROUP (CONTINUED)



### TWIN BEDROOM CABINETRY (DRIVER SIDE)

KEY	PART NUMBER	U/M DESCRIPTION
1	119114-01-F45	EA CABINET-NIGHTSTAND W/COUNTERTOP
2	119114-11-F45	EA COUNTERTOP-NIGHTSTAND
3	M05970-T6-F45	EA DRAWER-VANITY CABINET, W/O HARDWARE - 210 MM X 250 MM FACE SIZE
4	119590-01-F45	EA CABINET-SHIRT CLOSET, W/O DOOR OR HARDWARE - LH
5	M06804-P3-F45	EA DOOR-CABINET, W/O HARDWARE - 390 MM X 650 MM
	009112-01-000	EA FLANGE - 1" ROD, CLOTHES - PLASTIC - OFF WHITE
	042438-01-000	EA DOWEL-WOOD, CLOTHES ROD - 1" DIAMETER X 4'
6	119588-01-F45	EA CABINET-OVERHEAD, W/END CAP - W/O DOORS
7	M06804-04-F45	EA DOOR-CABINET, W/O HARDWARE - 255 MM X 485 MM
8	M06804-01-F45	EA DOOR-CABINET, W/O HARDWARE - 255 MM X 640 MM
9	119132-02-F45	EA CAP-END, OVERHEAD CABINET - PICKLED ASH
10	P19592-01-F45	EA CABINET-TWIN BED W/REAR SUPPORT ASM W/O TOP, DRIVER SIDE
11	M07592-04-000	EA TOP-TWIN BED
	113844-04-F45	EA PANEL ASM-TRIM, 140 MM X 75 MM TAPERED - LOWER - DRIVER SIDE
	113844-04-F46	EA PANEL ASM-TRIM, 140 MM X 75 MM TAPERED - LOWER - DRIVER SIDE
	119690-01-01A	EA COVER-PIPE, VW/TAUPE - PLASTIC
	081298-06-F45	EA TABLE-PEDESTAL, W/O LEG OR BASES
	041194-01-000	EA BASE-TABLE, FLUSH - FLOOR MOUNTED
	042438-02-000	EA DOWEL-WOOD, 2" X 2'
	009040-03-000	EA BASE-TABLE, RAISED - TABLE MOUNTED
	009040-09-000	EA LEG-PEDESTAL TABLE, 33" LONG - 2.25" OD - CHROME

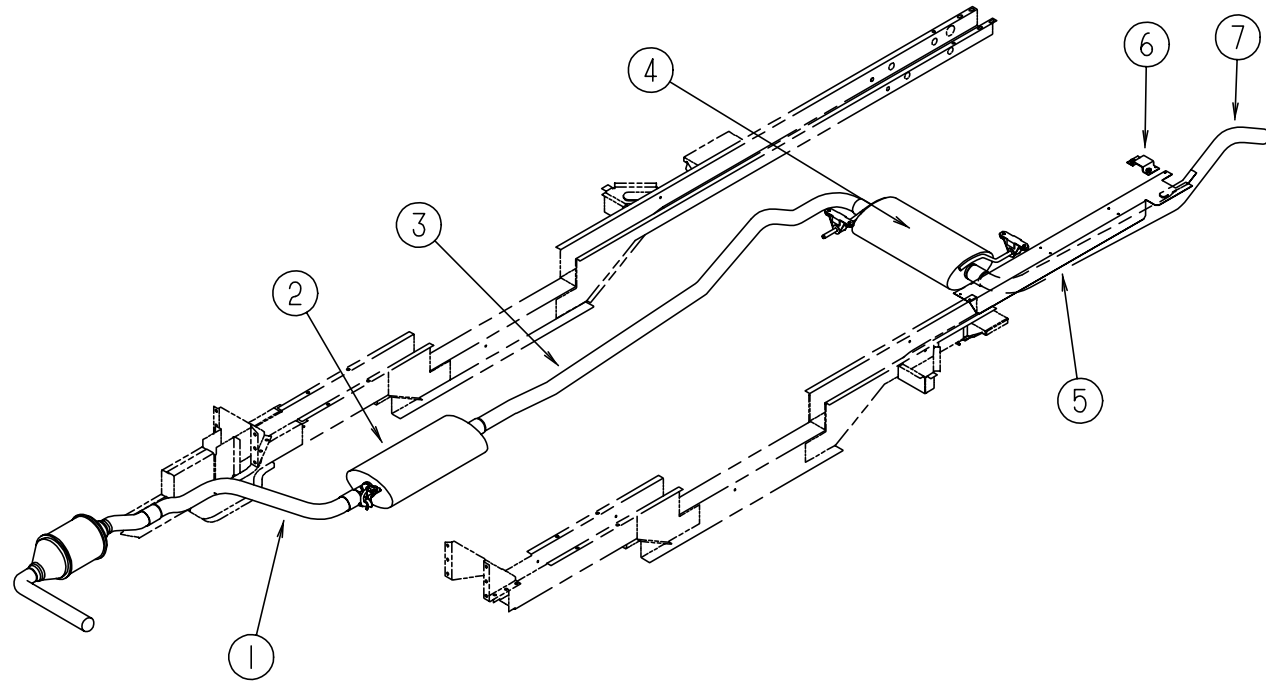
## CHASSIS GROUP



### REAR BUMPER, TRAILER HITCH & COMPONENTS

KEY	PART NUMBER	U/M DESCRIPTION
1	113481-01-01A	EA BUMPER-CORNER, REAR - RH - VW WHITE
2	113477-01-F45	EA BUMPER ASM-REAR W/CORNERS, LIGHTS & INNER SUPPORT - VW WHITE
3	113481-02-01A	EA BUMPER-CORNER, REAR - LH - VW WHITE
4	087108-01-000	EA SUPPORT-INNER, REAR BUMPER
5	112600-01-04B	EA HITCH-TRAILER, CLASS 1 - BLACK
6	034512-01-000	EA PIN-LOCKING, DRAWBAR
7	034513-01-000	EA PIN-HITCH, 3/16" WIRE
8	115947-01-02B	EA SUPPORT ASM-REAR BUMPER, LOWER - E-COAT
9	115944-01-02B	EA SUPPORT ASM-REAR BUMPER, UPPER - E-COAT
	113589-01-000	EA CONNECTOR-PLUG, TRAILER - GENERAL 433501
	113589-02-000	EA CONNECTOR-SOCKET, TRAILER - GENERAL 433601

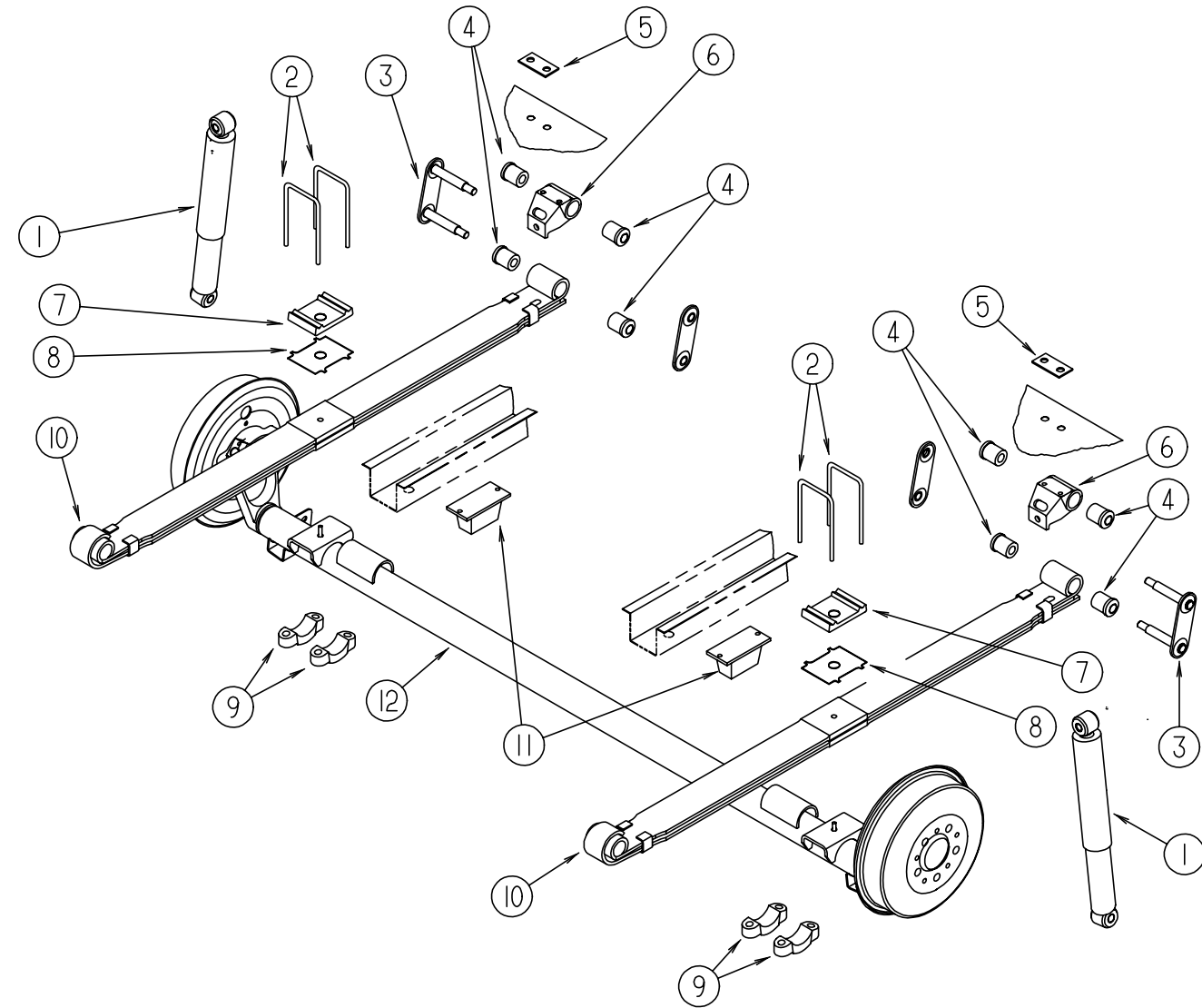
### CHASSIS GROUP (CONTINUED)



#### EXHAUST SYSTEM COMPONENTS

KEY	PART NUMBER	U/M DESCRIPTION
1	113098-01-000	EA PIPE-EXHAUST, FRONT
2	115680-01-000	EA MUFFLER-FRONT
3	113099-01-000	EA PIPE-EXHAUST, MIDDLE
4	113237-01-000	EA MUFFLER-REAR
5	115396-01-09B	EA SHIELD-EXHAUST PIPE, GALVANIZED
6	095190-01-000	EA HANGER-EXHAUST, 4" X 1.4"
7	113097-01-000	EA PIPE-EXHAUST, TAIL
	082716-01-000	EA CLAMP-EXHAUST, 50.8 MM - AMC--8952002512

### CHASSIS GROUP (CONTINUED)

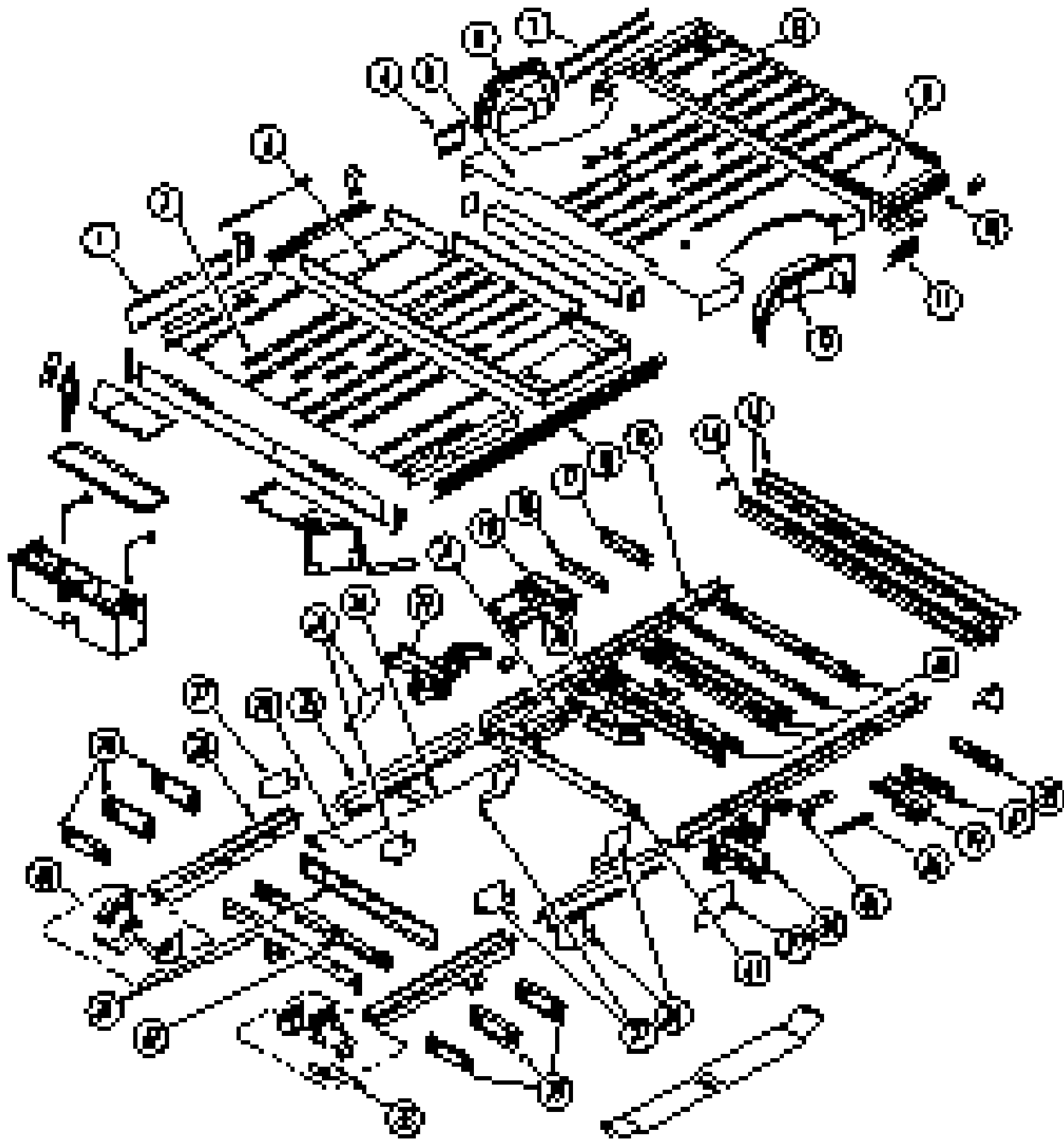


#### SUSPENSION COMPONENTS

KEY	PART NUMBER	U/M DESCRIPTION
1	112033-02-700	EA SHOCK ABSORBER-REAR, DRIVER AND PASSENGER SIDE (PAIR)
2	112410-01-000	EA BOLT-U, REAR SPRING
3	112560-01-000	EA SHACKLE-SPRING, REAR
4	112503-01-000	EA BUSHING-SPRING, REAR
5	071231-01-000	EA PLATE-FLOOR DOUBLER
6	112415-01-000	EA SUPPORT-SHACKLE, REAR
7	112414-01-000	EA PLATE-SPRING CLAMP, DRIVER OR PASSENGER SIDE
8	112477-01-02B	EA PLATE-REST, SPRING - REAR - E-COAT - DRIVER OR PASSENGER SIDE
9	112413-01-000	EA BRACKET-U BOLT, REAR SUSPENSION
10	112032-01-000	EA SPRING ASM-REAR W/FRONT SHACKLE BUSHING, DRIVER OR PASSENGER SIDE
	116712-01-000	EA BUSHING-SPRING, FRONT
11	113876-01-000	EA PAD-JOUNCE, REAR SPRING - METALASTIK 151437
12	112030-01-02B	EA AXLE ASM-REAR



**CHASSIS GROUP (CONTINUED)**  
**FLOOR COMPONENTS**



KEY	PART NUMBER	U/M DESCRIPTION
1	113600-01-01B	EA ROCKER ASM-FRONT, PASSENGER SIDE - MILL - STEEL
2	110695-01-000	EA PANEL-FLOOR, FRONT - MILL - STEEL
3	112883-01-01B	EA PANEL-FLOOR, LOWER - MILL - STEEL
4	113601-01-01B	EA ROCKER ASM-CENTER, PASSENGER SIDE - MILL - STEEL
5	112222-01-000	EA PANEL-FLOOR, BETWEEN REAR WHEELS - MILL - STEEL
6	112345-01-000	EA WHEELHOUSE ASM W/SHOCK MOUNT-REAR, PASSENGER SIDE - STEEL
7	071434-04-000	EA ROCKER ASM-REAR, PASSENGER SIDE - MILL - STEEL
8	112758-01-01B	EA PANEL-FLOOR, REAR - MILL - STEEL
9	112818-01-02B	EA TRAY-LUGGAGE, REAR - DRIVER SIDE - E-COAT - W/O GENERATOR OPTION
10	112808-01-02B	EA ROCKER ASM-REAR, DRIVER SIDE - E-COAT - STEEL
11	113005-01-01B	EA ROCKER ASM-CENTER, DRIVER SIDE - MILL - STEEL
12	112345-02-000	EA WHEELHOUSE ASM W/SHOCK MOUNT-REAR, DRIVER SIDE - STEEL
13	112004-01-000	EA EXTENSION ASM-FLOOR, REAR - MILL - STEEL
14	072382-01-000	EA CROSSMEMBER ASM-REAR, STEEL
15	071220-01-000	EA RAIL-FRAME, REAR - DRIVER OR PASSENGER SIDE - STEEL
16	071366-01-000	EA ROCKER ASM-FRONT, DRIVER SIDE - MILL - STEEL
17	071232-02-000	EA OUTRIGGER-PASSENGER SIDE, LH REAR - 15.5" - STEEL
18	071232-01-000	EA OUTRIGGER-PASSENGER SIDE, RH REAR - 15.5" - STEEL
19	071162-01-000	EA STRUT-SPRING MOUNTING, DRIVER OR PASSENGER SIDE - STEEL
20	112550-01-01B	EA CROSSMEMBER-MOUNT, SWAY BAR - MILL - STEEL
21	072778-01-000	EA BRACKET-SWAY BAR MOUNTING, PASSENGER SIDE - STEEL
22	071188-01-000	EA BRACKET-SPRING MOUNT, FRONT - PASSENGER SIDE - STEEL
23	071729-01-000	EA PLATE-RAIL, LOWER - REAR - DRIVER OR PASSENGER SIDE - STEEL
24	071223-02-000	EA GUSSET-FRAME, LOWER - LH - STEEL
25	071200-01-000	EA RAIL-FRAME, LOWER - DRIVER OR PASSENGER SIDE - STEEL
26	071212-01-000	EA PLATE-RAIL, LOWER - FRONT - DRIVER OR PASSENGER SIDE - STEEL
27	071223-01-000	EA GUSSET-FRAME, LOWER - RH - STEEL
28	117865-03-01B	EA RAIL-FRAME, FRONT - PASSENGER SIDE - STEEL
	117865-04-01B	EA RAIL-FRAME, FRONT - DRIVER SIDE - STEEL
29	071225-01-000	EA OUTRIGGER-FRONT, DRIVER OR PASSENGER SIDE - STEEL
30	117866-01-01B	EA BRACKET-FRAME, PASSENGER SIDE - STEEL
31	071226-01-000	EA CROSSMEMBER-STEEL
32	071774-01-000	EA CROSSMEMBER-STEEL
33	117866-02-01B	EA BRACKET-FRAME, DRIVER SIDE - STEEL
34	071188-02-000	EA BRACKET-SPRING MOUNT, FRONT - DRIVER SIDE - STEEL
35	112315-01-000	EA OUTRIGGER-WHEELHOUSE, REAR - DRIVER OR PASSENGER SIDE - STEEL
36	112314-01-000	EA REINFORCEMENT-WHEELHOUSE, DRIVER OR PASSENGER SIDE - STEEL
37	112726-04-01B	EA OUTRIGGER ASM-DRIVER SIDE, LH REAR - MILL - STEEL
38	112726-03-01B	EA OUTRIGGER ASM-DRIVER SIDE, RH REAR - MILL - STEEL
39	071229-01-000	EA CROSSMEMBER-REAR, CENTER - 45" LONG - STEEL
	056748-01-000	EA PLUG-CAP, 1.5" DIAMETER - BLACK
	061420-05-000	EA PLUG-PLASTIC, 1.8" DIAMETER

**CHASSIS GROUP (CONTINUED)**  
**FUEL SYSTEM COMPONENTS**

KEY	PART NUMBER	U/M DESCRIPTION
	007063-01-000	FT HOSE-GAS, 1/4" ID X 1/2" OD
	084884-01-000	EA PLUG-BRASS, 3/8"
	088258-01-000	EA CLIP-RETAINING, FUEL LINE - DOUBLE - FORD N802769
	088258-02-000	EA CLIP-RETAINING, FUEL LINE - SINGLE - MC-90
	113378-01-000	EA FUEL LINE-GENERATOR, FRONT
	113378-02-000	EA FUEL LINE-GENERATOR, REAR
	113378-03-000	EA FUEL LINE-GENERATOR, MIDDLE
	114253-01-000	EA ELBOW - 1/4" SINGLE BARB X 1/8" MPT - WEATHERHEAD 1582

**15" WHEEL COVERS**

KEY	PART NUMBER	U/M DESCRIPTION
	114193-01-000	EA COVER-WHEEL, 15" - SET OF 4 - DICOR# PC9054-15
	114193-01-700	EA COVER-WHEEL, 15" - 1 ONLY - DICOR# PC9054-15-COV
	077030-02-000	EA EXTENSION-VALVE STEM, 1.25"

**FRONT & REAR MUDFLAP & RETAINER BRACKET**

KEY	PART NUMBER	U/M DESCRIPTION
	073905-01-000	EA MUDFLAP-FRONT, 10.1" X 9.3" FROM: 00-00-00 THRU: 06-25-95
	073905-02-000	EA MUDFLAP-FRONT, 12.2" X 9.3" FROM: 06-26-95 THRU: 10-16-94
	073905-01-000	EA MUDFLAP-REAR, 10.1" X 9.3"
	073913-01-000	EA RETAINER-MUDFLAP, METAL

**LUG WRENCH , TIRE JACK & HANDLE**

KEY	PART NUMBER	U/M DESCRIPTION
	116029-01-000	EA WRENCH-LUG, 19 MM
	114387-01-000	EA JACK-SCREW, 4,000 LB - AUSCO 95-55900
	114387-02-000	EA HANDLE-SCREW JACK, 1 PIECE - AUSCO 1-55872

**CHASSIS GROUP (CONTINUED)**  
**REAR AIR BAGS**

KEY	PART NUMBER	U/M DESCRIPTION
	701390-04-700	EA AIR BAG COMPLETE KIT - VW H-BODY, LEFT HAND & RIGHT HAND
	100293-03-700	EA AIR BAG REPAIR KIT - VW H-BODY, LEFT HAND KIT CONTAINS: (1) AIR BAG, (1) ELBOW FITTING, (1) ELBOW FILL VALVE, (1) 3' 1/4" AIR LINE, (1) INSTRUCTIONS
	100293-03-701	EA AIR BAG REPAIR KIT - VW H-BODY, RIGHT HAND KIT CONTAINS: (1) AIR BAG, (1) ELBOW FITTING, (1) ELBOW FILL VALVE, (1) 3' 1/4" AIR LINE, (1) INSTRUCTIONS

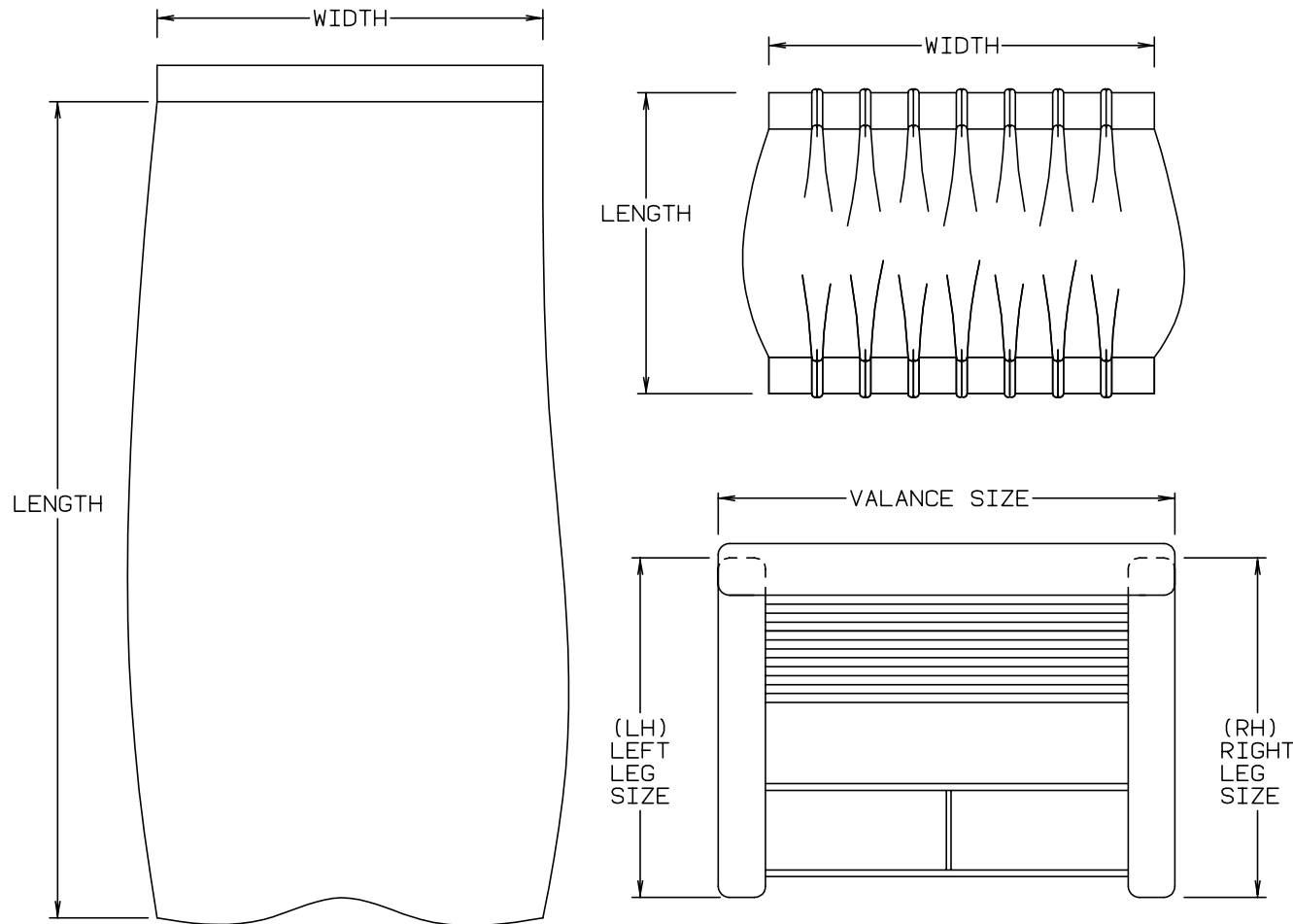
**MISCELLANEOUS CHASSIS COMPONENTS**

KEY	PART NUMBER	U/M DESCRIPTION
	112638-01-000	EA HOSE ASM-BRAKE LINE, REAR - CONTINENTAL HOSE# 4106
	112638-02-000	EA CLIP-SPRING, BRAKE HOSE - CONTINENTAL HOSE# 20A790
	114254-01-000	EA ADAPTER - 1/4" SINGLE BARB X 1/8" MPT - WEATHERHEAD 1537
	114255-01-000	EA COUPLING - 5/8" THD X 1/8" FPT - PARKER 207ACBH-2
	056748-01-000	EA PLUG-CAP, 1.5" DIAMETER - BLACK - EUROPEAN
	076776-02-000	EA TEE-BEADED, 3/4" X 3/4" X 3/4"
	075243-01-000	EA UNION - M10 X 1, FLARE/FLARE - WHITEHEAD 112-06187
	111420-07-000	EA PLATE-SUPPORT, CAB ROOF - 30 MM X 30 MM - STEEL
	112081-02-000	EA ANGLE-CAB ROOF SUPPORT, CENTER - 38 MM X 19 MM X 518.2 MM - STEEL
	112538-01-000	EA PILLAR ASM - B, RH - STEEL
	112538-02-000	EA PILLAR ASM - B, LH - STEEL
	086235-08-000	EA BEARING-SNAPIN, 3/4" ID - FOR PARKING BRAKE CABLE
	114092-02-02B	EA ROD ASM-PARKING BRAKE, THREADED - 1210 MM LONG

## CURTAIN & CUSHION GROUP NOTICE

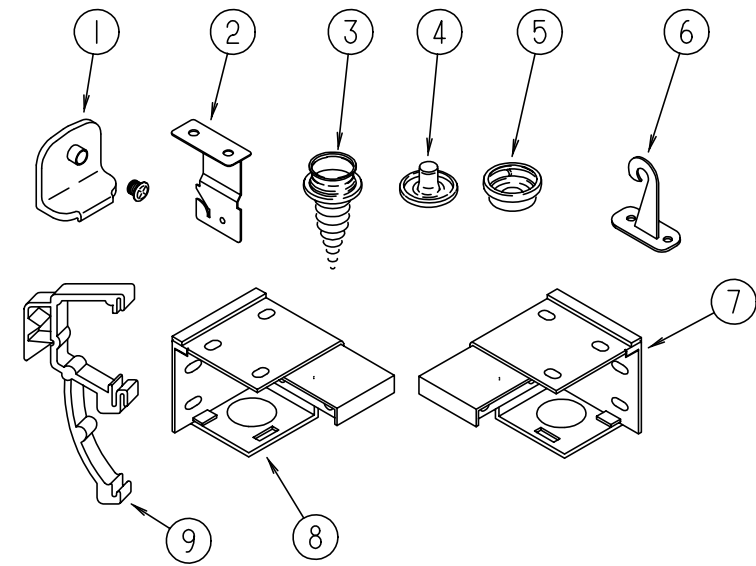
IN ORDER TO ASSIST OUR PARTS SALES DEPT. IN PROVIDING INTERIOR SOFTGOODS ITEMS, PLEASE INCLUDE THE SERIAL NUMBER AND THE COLOR CODE NUMBER FROM THE VEHICLE CERTIFICATION LABEL WHEN ORDERING. THIS LABEL IS LOCATED ON THE LEFT SIDEWALL AT THE END OF THE DASH (A-BODY), OR ON THE DRIVER'S DOOR LATCH PLATE (C-BODY).

AN EXAMPLE OF A COLOR CODE NUMBER IS B07, WHICH DESIGNATES AN OVERALL COLOR SCHEME OF A PARTICULAR UNIT. THE COLOR LISTED AFTER THE ITEM DESCRIPTION ON THE MICROFICHE, INDICATES THE OVERALL UNIT COLOR. ORDER THE ITEM YOU DESIRE ACCORDING TO UNIT COLOR CODE.



NOTE: USE THIS ILLUSTRATION WHEN DETERMINING LENGTH AND WIDTH MEASUREMENTS FOR CURTAINS. YOU WILL NOTE THE WIDTH MEASUREMENT IS TAKEN ON THE TOP OF THE CURTAIN WITH THE CURTAIN FULLY EXTENDED. THE LENGTH MEASUREMENT IS TAKEN FROM TOP TO BOTTOM. LEFT AND RIGHT WINDOW LEGS ARE DETERMINED WHEN FACING THE WINDOW.

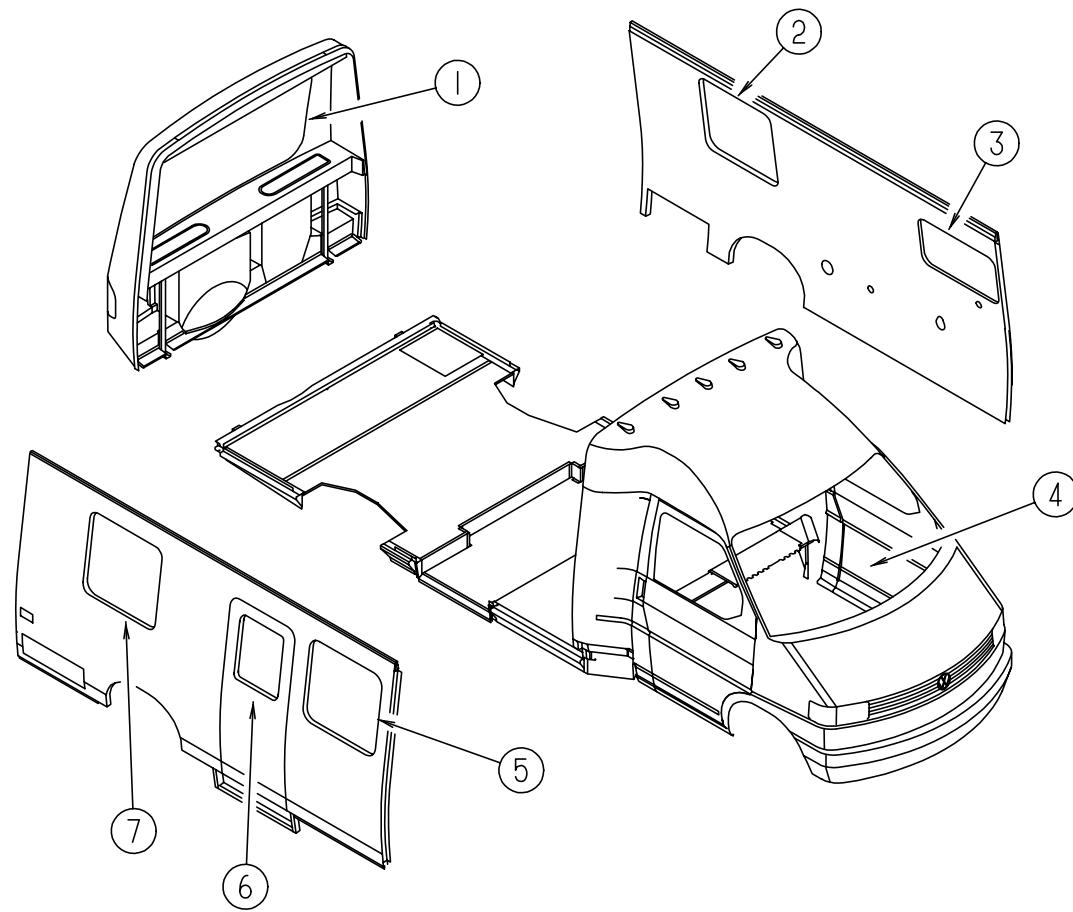
## CURTAIN & CUSHION GROUP (CONTINUED)



### CURTAIN, BLIND & SHADE HARDWARE

KEY	PART NUMBER	U/M DESCRIPTION
1	106544-01-000	EA PULL-SHADE, BRASS
1	106544-01-001	EA SCREW-SHADE PULL, BRASS
2	084434-01-000	EA BRACKET-MOUNTING, ROLLER SHADE - 1 3/8"
	096843-01-000	EA SPRING-REWIND, ROLLER SHADE
3	029130-01-000	EA SCREW-SNAP SOCKET, #8 PH X 5/8"
3	029130-03-000	EA SCREW-SNAP SOCKET, #8 PH X 1"
3	029130-04-000	EA SCREW-SNAP SOCKET, 8-16 X 5/8" PFH
4	029155-01-000	EA CAP-SNAP, NICKEL
5	029156-01-000	EA SOCKET-SNAP FASTENER, NICKEL
5	029156-02-000	EA SOCKET-SNAP, 27/64" O.D.
6	109441-01-000	EA HOLD DOWN-BLIND, HOOK
7	083170-01-000	EA BRACKET-MINI BLIND, LEFT SIDE WHEN FACING WINDOW
8	083170-02-000	EA BRACKET-MINI BLIND, RIGHT SIDE WHEN FACING WINDOW
9	109353-04-000	EA CLIP-VALANCE SLAT MOUNTING, CLEAR PLASTIC - PAR
	094896-02-000	EA GROMMET-CORD, PLEATED BLIND - NYLON - GRAY
	094907-05-000	EA END CAP-BOTTOM, PLEATED BLIND - PLASTIC
	094907-06-000	EA END CAP-TOP, PLEATED BLIND - PLASTIC
	094908-03-000	FT RIDGED PVC
	097564-01-000	EA HANDLE-T, EZ LIFT SHADE
	097565-02-000	EA BRACKET-MOUNTING, EZ LIFT SHADE
	097591-01-000	EA SPRING-EXTENSION, PLEATED BLIND
	097592-01-000	EA SPOOL-CORD, ELEVATED BLIND HOLDUP - CLEAR PLASTIC
	097593-02-000	FT CORD-BLIND, PLEATED - GRAY (F45/F46)
	048394-02-000	YD VELCRO TAPE-HOOK, ADHESIVE BACK - .75" WIDE - BEIGE
	103242-01-000	EA VELCRO-VEL-STICK, HOOK - BEIGE - #195368-55/64"
	088792-06-000	YD VELCRO - 3/4" NON-ADHESIVE, LOOP - BUF MED
	110943-01-000	FT FELTSTRIP - 3/8", W/ADHESIVE
	086276-01-000	EA TAPE-DOUBLE SIDED, 1/2"

## CURTAIN & CUSHION GROUP (CONTINUED)



## WINDOW TREATMENT & SHOWER CURTAIN

KEY	PART NUMBER	U/M DESCRIPTION
1	119405-06-F45	EA BLIND-PLEATED, 61" X 32" DROP (F45/F46)
2	113637-16-F45	EA VALANCE - 30", ROSEANNE
2	113637-16-F46	EA VALANCE - 30", ROSEANNE
2	119405-04-F45	EA BLIND-PLEATED, 29" X 28.5" DROP (F45/F46)
3	109353-07-03A	EA VALANCE-SLAT, 31" (F45/F46)
3	111861-07-01A	EA BLIND-MICRO MINI, 31" X 18" DROP (F45/F46)
4	077591-14-F45	EA CURTAIN-VELCRO TOP, 26" X 114" (F45/F46)
5	113637-15-F45	EA VALANCE - 64.75", ROSEANNE
5	113637-15-F46	EA VALANCE - 64.75", ROSEANNE
5	119405-05-F45	EA BLIND-PLEATED, 29" X 33" DROP (F45/F46)
6	084755-39-E01	EA SHADE-PULL, 27.25" (F45/F46)
7	113637-14-F45	EA VALANCE - 49", ROSEANNE
7	113637-14-F46	EA VALANCE - 49", ROSEANNE
7	119405-05-F45	EA BLIND-PLEATED, 29" X 33" DROP (F45/F46)
	117640-01-F45	EA CURTAIN-SHOWER, RH - SNAP TOP - 70" X 36.75" - VINYL
	117640-02-F45	EA CURTAIN-SHOWER, LH - SNAP TOP - 70" X 36.75" - VINYL
	117640-01-F46	EA CURTAIN-SHOWER, RH - SNAP TOP - 70" X 36.75" - VINYL
	117640-02-F46	EA CURTAIN-SHOWER, LH - SNAP TOP - 70" X 36.75" - VINYL

## CURTAIN & CUSHION GROUP (CONTINUED)

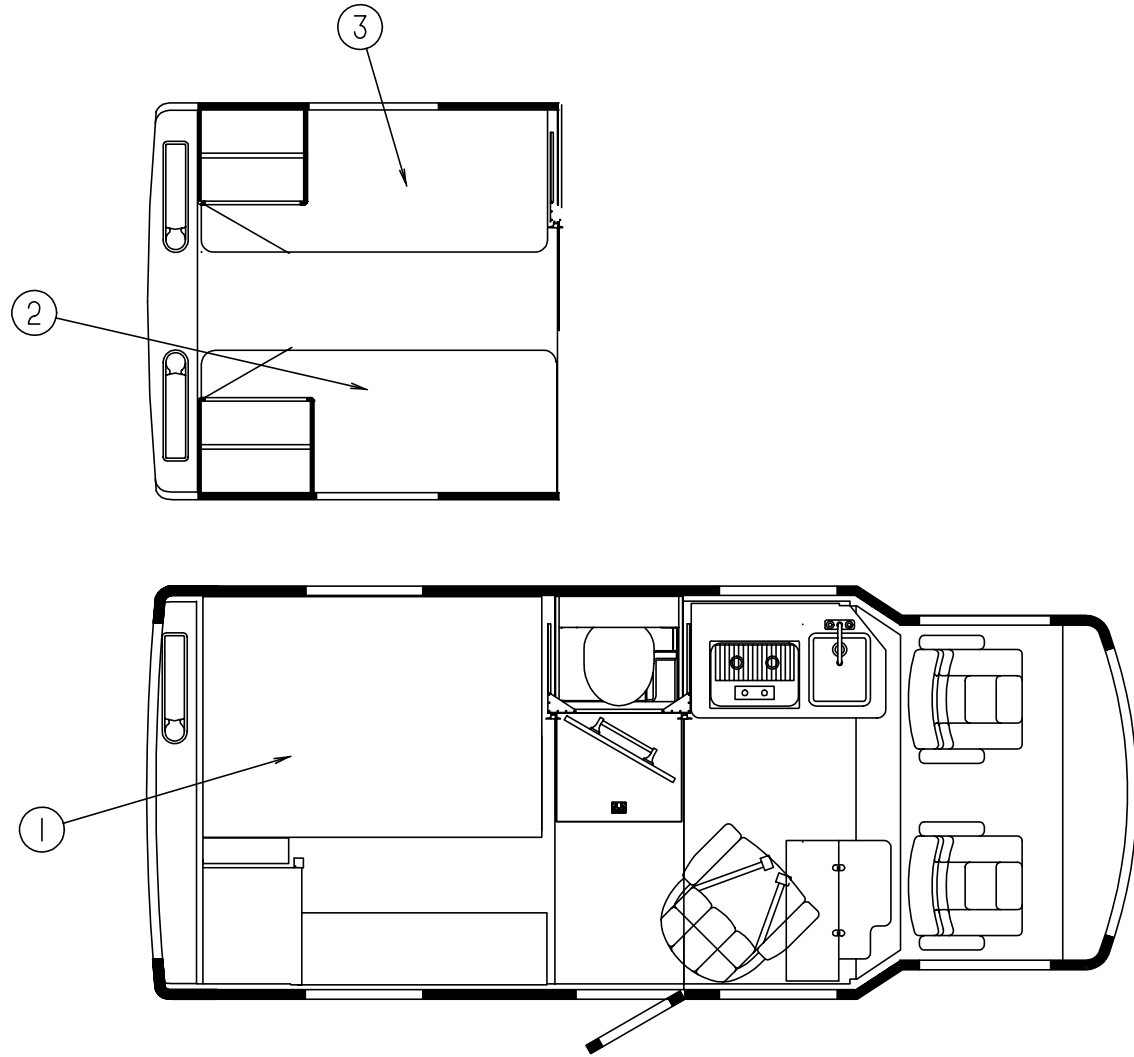
### FABRIC

KEY	PART NUMBER	U/M DESCRIPTION
	072333-85-000	YD FABRIC-CURTAIN, TEXTURED PLAIN - 54" WIDE - MUSHROOM
	087272-03-000	YD FABRIC-DRAPERY LINING, 54" WIDE - IVORY
	108446-A0-000	YD FABRIC-UPHOLSTERY, PATTERNED - 54" WIDE (F45)
	108446-A1-000	YD FABRIC-UPHOLSTERY, PATTERNED - 54" WIDE (F46)
	079680-19-000	YD FABRIC-VINYL, 54" WIDE - PEARL GRAY (F45)
	108446-A2-000	YD FABRIC-UPHOLSTERY, ACCENT - 54" WIDE - BROWN (F46)
	113979-03-01A	YD FABRIC-CEILING, GEOMETRIC DESIGN - 62" WIDE

### SEATBELTS

KEY	PART NUMBER	U/M DESCRIPTION
	114099-01-000	EA CABLE ASM-RECEIVER, SEAT BELT - DRIVER OR PASSENGER SEAT
	114258-01-01A	EA BELT ASM - 2" X 90" - SWIVEL CHAIR - BLACK I-90ER-02

**CURTAIN & CUSHION GROUP (CONTINUED)**



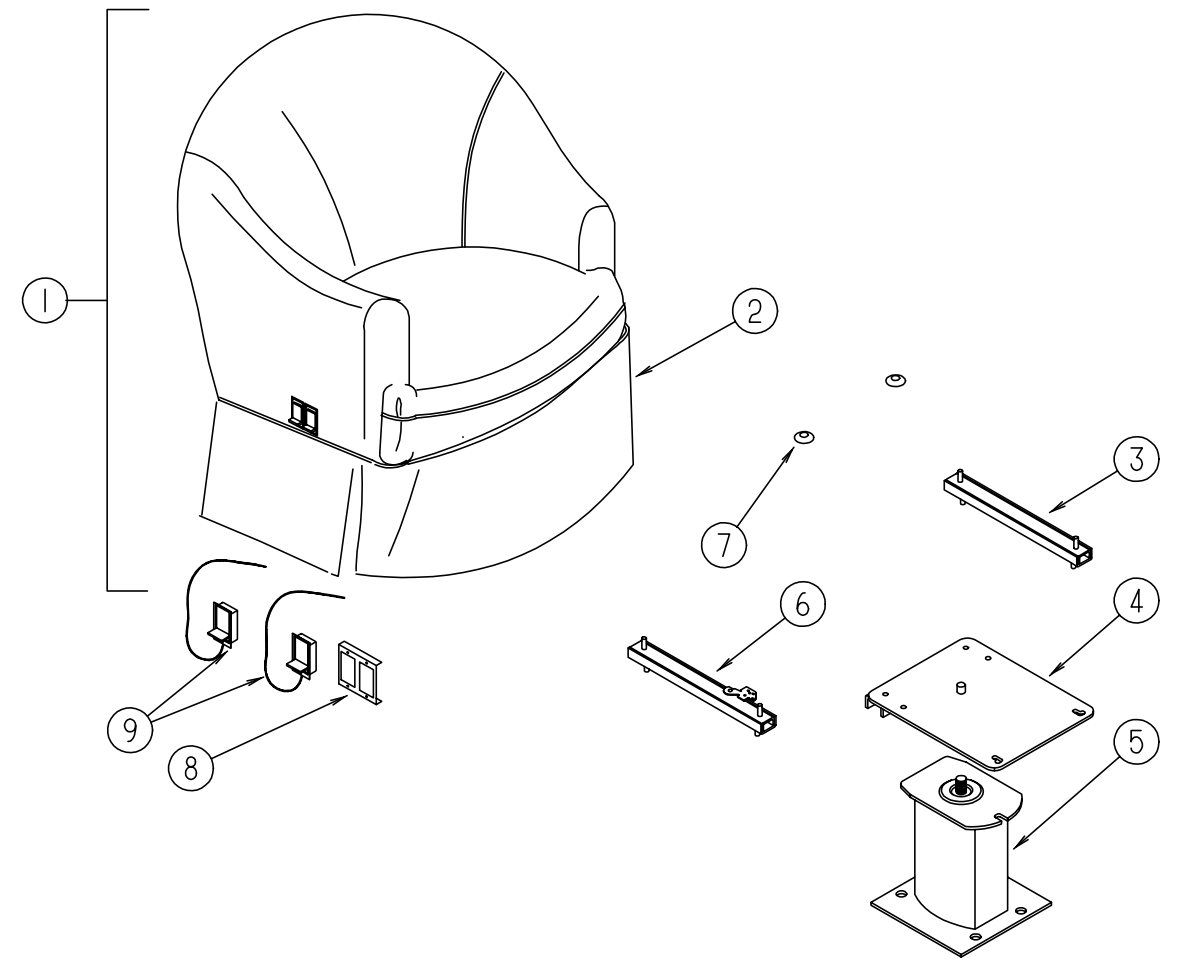
**DOUBLE MATTRESS, FITTED SHEETS & PILLOW SHAMS**

KEY	PART NUMBER	U/M DESCRIPTION
1	101123-28-000	EA MATTRESS-DOUBLE W/COVER, 54" X 72" X 5"
1	P01123-28-000	EA COVER-MATTRESS, 54" X 72" X 5"
1	117067-04-F45	EA FITTED SHEET-QUILTED, 54" X 72" X 5"
1	117067-04-F46	EA FITTED SHEET-QUILTED, 54" X 72" X 5"
	111863-08-F45	EA PILLOW SHAM-W/O FOAM
	111863-08-F46	EA PILLOW SHAM-W/O FOAM

**TWIN MATTRESSES, FITTED SHEETS & PILLOW SHAMS**

KEY	PART NUMBER	U/M DESCRIPTION
2	101123-19-000	EA MATTRESS-TWIN W/COVER, 32" X 74" X 5"
2	P01123-19-000	EA COVER-MATTRESS, 32" X 74" X 5"
2	117067-06-F45	EA FITTED SHEET - 32" X 75" X 5"
2	117067-06-F46	EA FITTED SHEET - 32" X 75" X 5"
3	101123-27-000	EA MATTRESS-TWIN W/COVER, 32" X 72" X 5"
3	P01123-27-000	EA COVER-MATTRESS, 32" X 72" X 5"
3	117067-07-F45	EA FITTED SHEET - 32" X 72" X 5"
3	117067-07-F46	EA FITTED SHEET - 32" X 72" X 5"
	111863-10-F45	EA PILLOW SHAM-W/O FOAM
	111863-10-F46	EA PILLOW SHAM-W/O FOAM

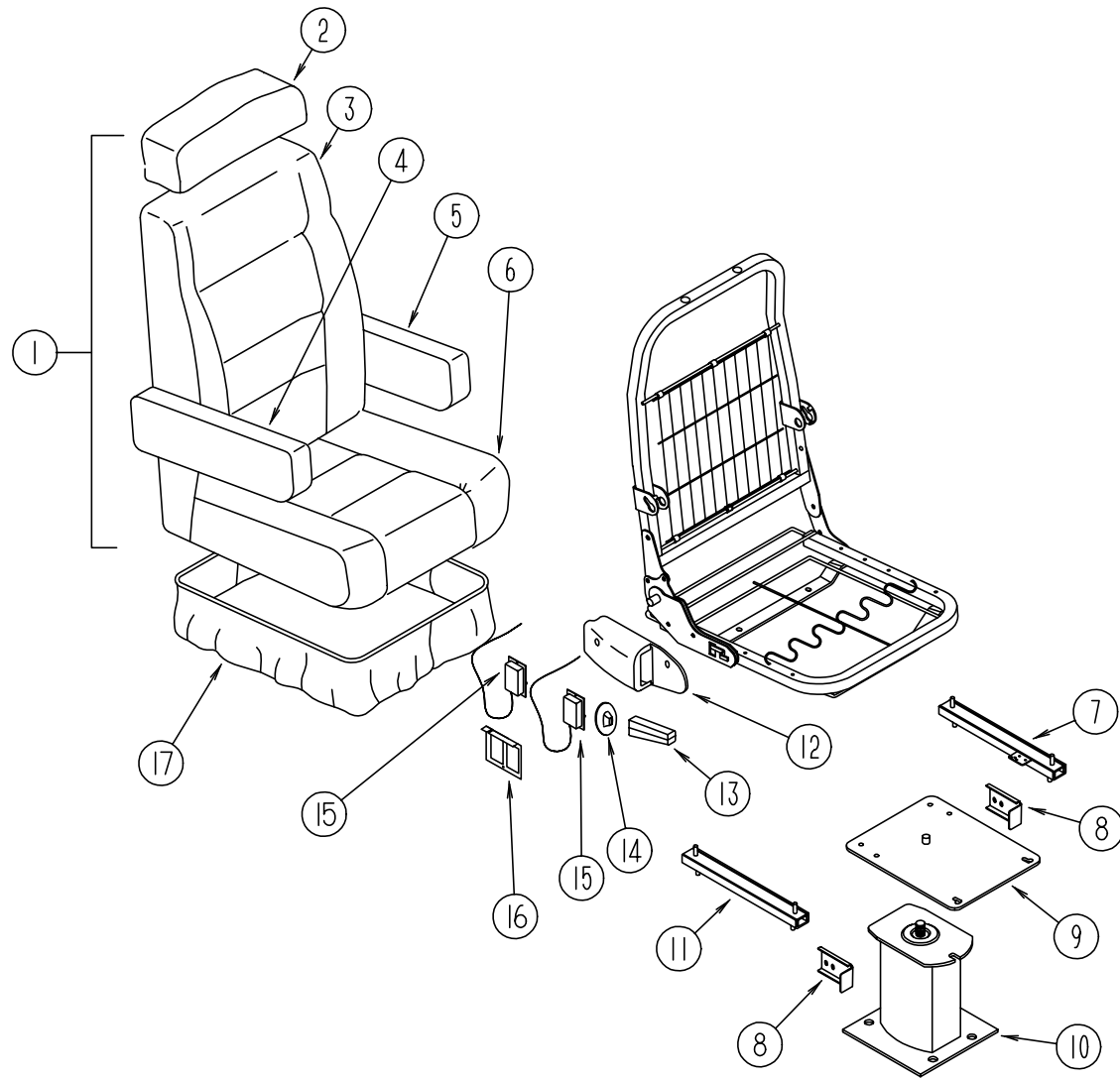
**CURTAIN & CUSHION GROUP (CONTINUED)**



**SWIVEL CHAIR**

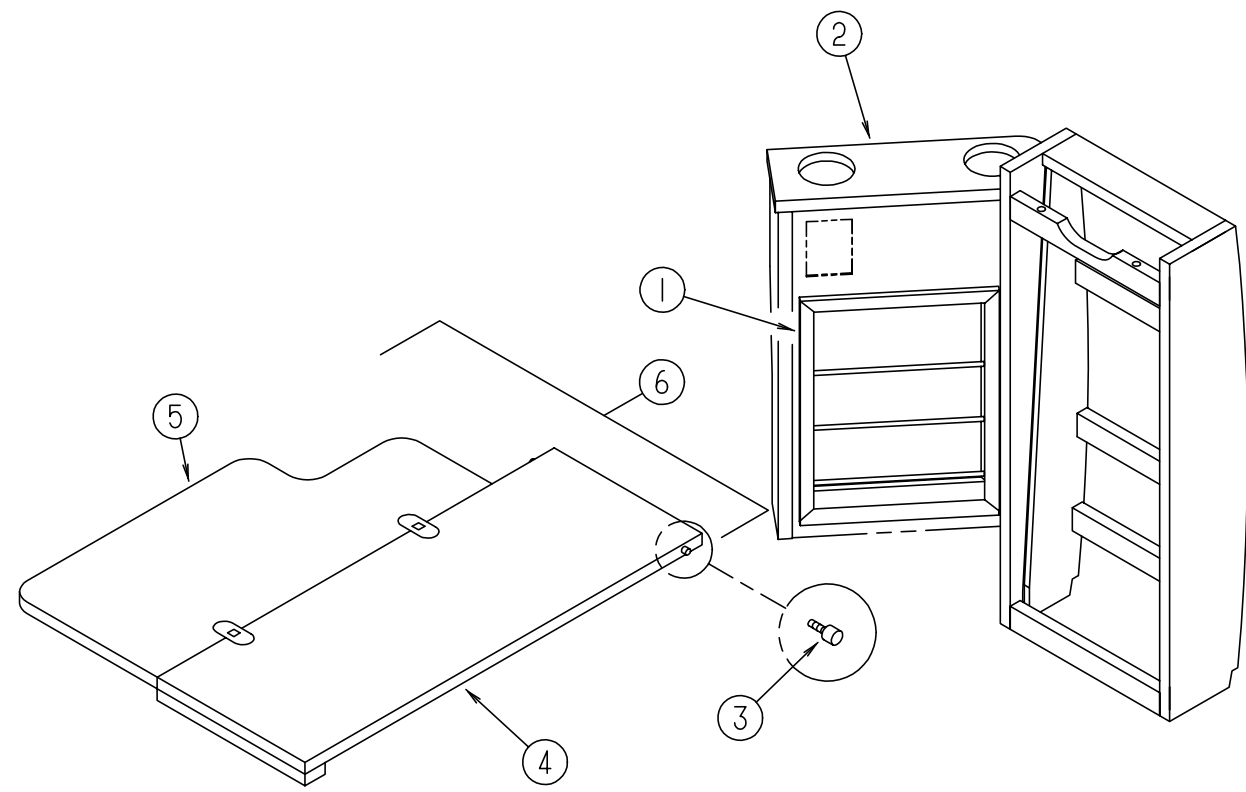
KEY	PART NUMBER	U/M DESCRIPTION
1	115470-02-F45	EA CHAIR-SWIVEL, W/O SKIRT
1	115470-02-F46	EA CHAIR-SWIVEL, W/O SKIRT
	P15470-02-F45	EA COVER-SWIVEL CHAIR
	P15470-02-F46	EA COVER-SWIVEL CHAIR
2	P07977-03-F45	EA SKIRT-SWIVEL CHAIR
2	P07977-03-F46	EA SKIRT-SWIVEL CHAIR
3	069246-13-000	EA ADJUSTER-SWIVEL CHAIR, FORWARD & BACK
4	107921-08-000	EA PLATE-TOP, W/O SEAT BELT BAR
	107921-06-000	EA BEARING KIT-SEAT SWIVEL
5	107921-13-000	EA PLATE-SUB, FLOOR MOUNTED PEDESTAL - W/6" EXTENSION
6	069246-12-000	EA ADJUSTER-SWIVEL CHAIR W/LOCK, REMOTE - FORWARD & BACK
	117125-01-02B	EA BRACKET-CABLE MOUNT, ADJUSTER W/LOCK - STEEL - E-COAT
7	007221-01-000	EA SPACER-SEAT, ADJUSTER
8	097683-02-000	EA BRACKET-MOUNT, REMOTE
9	108049-03-000	EA CABLE W/SWITCH - 26", Z END CABLE - CMA

**CURTAIN & CUSHION GROUP (CONTINUED)**  
**DRIVER & PASSENGER BUCKET SEATS**



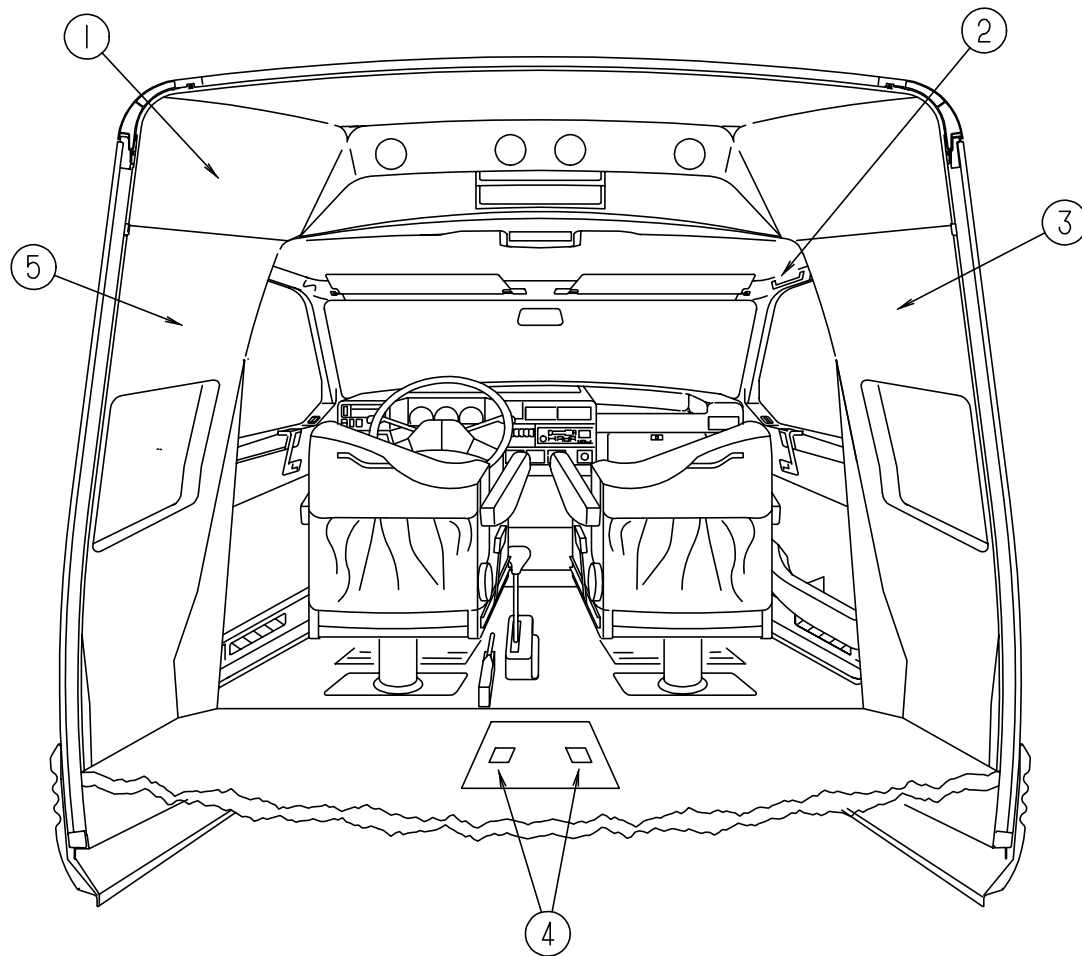
KEY	PART NUMBER	U/M	DESCRIPTION
1	114928-02-F45	EA	SEAT-BUCKET, WARMRESTS - W/O SKIRT
1	114928-02-F46	EA	SEAT-BUCKET, WARMRESTS - W/O SKIRT
2	114930-01-F45	EA	HEADREST W/COVER-BUCKET SEAT
2	114930-01-F46	EA	HEADREST W/COVER-BUCKET SEAT
2	P14930-01-F45	EA	COVER-HEADREST, BUCKET SEAT
2	P14930-01-F46	EA	COVER-HEADREST, BUCKET SEAT
	114790-02-000	EA	GROMMET-HEADREST
3	M05962-11-F45	EA	COVER-BACKREST, BUCKET SEAT
3	M05962-11-F46	EA	COVER-BACKREST, BUCKET SEAT
4	114929-01-F45	EA	ARMREST W/COVER-BUCKET SEAT, RH
4	114929-01-F46	EA	ARMREST W/COVER-BUCKET SEAT, RH
4	P14929-01-F45	EA	COVER-ARMREST, BUCKET SEAT - RH
4	P14929-01-F46	EA	COVER-ARMREST, BUCKET SEAT - RH
	116701-01-000	EA	BRACKET ASM-ARMREST, RH - PLYFOAM
5	114929-02-F45	EA	ARMREST W/COVER-BUCKET SEAT, LH
5	114929-02-F46	EA	ARMREST W/COVER-BUCKET SEAT, LH
5	P14929-02-F45	EA	COVER-ARMREST, BUCKET SEAT -LH
5	P14929-02-F46	EA	COVER-ARMREST, BUCKET SEAT -LH
	116701-02-000	EA	BRACKET ASM-ARMREST, LH - PLYFOAM
6	M05962-19-F45	EA	COVER-SEAT, BUCKET SEAT
6	M05962-19-F46	EA	COVER-SEAT, BUCKET SEAT
7	069246-06-000	EA	ADJUSTER-BUCKET SEAT, FORWARD AND BACK
8	114889-01-000	EA	STOP BAR-UNIVERSAL, SHROCK
9	107921-08-000	EA	TOP PLATE-W/O SEAT BELT BAR - FLEXSTEEL 2759PDTP
	107921-06-000	EA	BEARING KIT-PEDESTAL, FLEXSTEEL
10	107921-12-000	EA	PEDESTAL-SEAT, 6 IN - PASSENGER - FLEXSTEEL 3108PDLB
10	107921-13-000	EA	PEDESTAL-SEAT, 6 IN - DRIVER - FLEXSTEEL 3107PDLB
11	069246-08-000	EA	ADJUSTER-SLIDE W/LOCK, FORWARD AND BACK
	117125-01-02B	EA	BRACKET-CABLE MOUNT, ADJUSTER W/LOCK - STEEL - E-COAT
12	080730-12-000	EA	SHIELD-RECLINER HANDLE
	080730-10-000	EA	SCREW-RECLINER HANDLE SHIELD
13	080730-08-000	EA	HANDLE-RECLINER, BLACK
14	080730-11-000	EA	BOOT-RUBBER
15	108049-03-000	EA	CABLE W/SWITCH - 26", Z END CABLE - CMA
16	097683-02-000	EA	BRACKET-REMOTE, SIDE MOUNT - DOUBLE
17	071126-51-F45	EA	SKIRT-BUCKET SEAT
17	071126-51-F46	EA	SKIRT-BUCKET SEAT
	089323-01-000	FT	STRIP-POLYETHYLENE, J-CHANNEL - FLEX-O-LATORS
	029134-02-000	EA	CLIP-FINISH - K2915
	007221-01-000	EA	SPACER-SEAT, ADJUSTER

**DINETTE GROUP**  
**DINETTE TABLE**



KEY	PART NUMBER	U/M DESCRIPTION
1	119113-16-F45	EA MAGAZINE RACK ASM
	084071-20-000	EA ROD-BRASS, 250 MM LONG
	P19113-01-F45	EA CABINET ASM-DINETTE TABLE, W/CUPHOLDER W/O MAGAZINE RACK OR TOPS
2	P19113-14-F45	EA CUPHOLDER W/STAIN
	119113-14-F45	EA CUPHOLDER, UNFINISHED
3	079921-01-000	EA NYLON ROLLER W/SHAFT
4	119113-19-F45	EA TOP-DINETTE TABLE
5	119113-18-F45	EA TOP-DINETTE TABLE
6	119113-17-F45	EA TOP ASM-DINETTE TABLE
	111535-01-000	EA HINGE-TABLE, FOLDING - HAFELE 341.32.100
	116044-01-000	EA BUMPER-MOLDED, ATLANTIC 1025

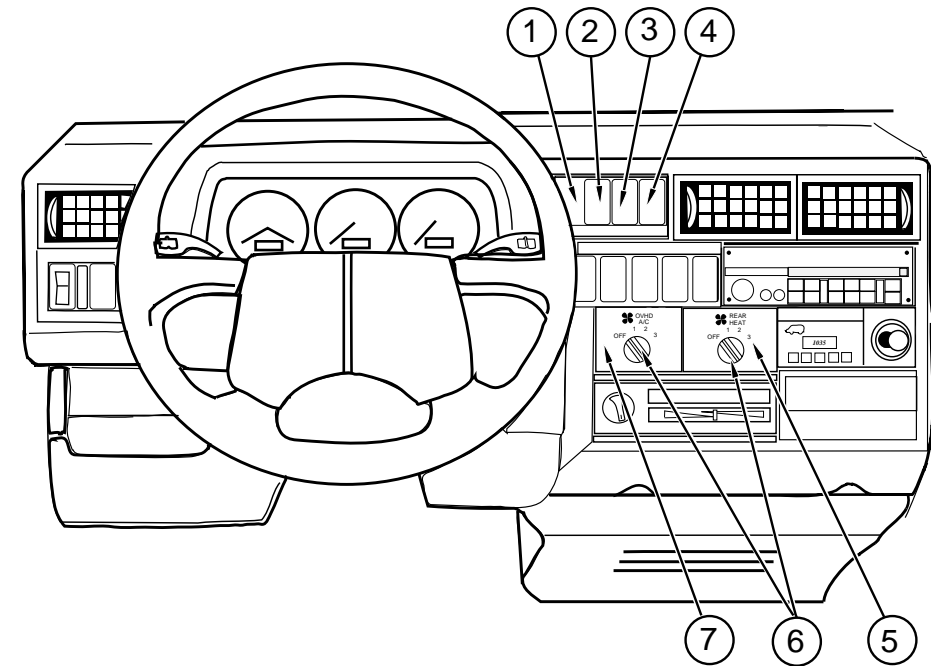
## DRIVERS COMPARTMENT GROUP



### DRIVERS COMPARTMENT

KEY	PART NUMBER	U/M DESCRIPTION
1	117256-01-01A	EA HEADLINER-FRONT, PLASTIC - VW TAUPE
	100128-02-000	FT SEAL-FOAM, ADHESIVE BACK - .37" X .37" - PLASTIC TRANSITION PANELS
	086285-03-000	EA SPACER-NYLON - PLASTIC HEADLINER
	103242-01-000	EA VELCRO-VEL, STICK - HOOK - BEIGE - #195368-55/64" - PLASTIC HEADLINER
2	115449-01-01A	EA HANDLE-GRAB, RH - VW 705 857 607 9VW
	115451-01-000	EA SCREW-HANDLE - VW N904 345 01
3	116454-03-01A	EA PANEL-TRANSITION, INNER - RH - PLASTIC
	117555-03-F45	EA PAD-DECORATIVE, TRANSITION PANEL - RH
	117555-03-F46	EA PAD-DECORATIVE, TRANSITION PANEL - RH
4	097111-02-04A	EA POCKET-LOCK, BATTERY DOOR, BLACK
4	102330-01-000	EA LATCH-SINGLE HOLE, VISE ACTION - SOUTHCOE3-55-715-50
	102328-01-000	EA KEY-BARREL, NICKEL PLATED - SOUTHCOE 3-26-715-19
	064075-07-000	EA SEAL-BULB, W/WIRED U CHANNEL - .3" X .5" CHANNEL - BLACK
5	116454-04-01A	EA PANEL-TRANSITION, INNER - LH - PLASTIC
	117555-02-F45	EA PAD-DECORATIVE, TRANSITION PANEL - LH
	117555-02-F46	EA PAD-DECORATIVE, TRANSITION PANEL - LH

## DRIVERS COMPARTMENT GROUP (CONTINUED)

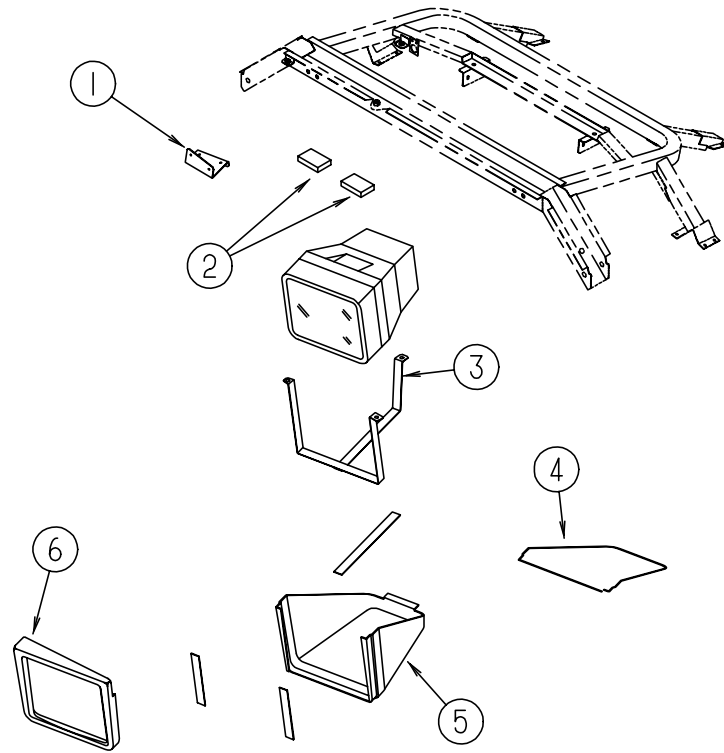


### DASH KNOBS, SWITCHES & LABELS

KEY	PART NUMBER	U/M DESCRIPTION
1	114444-01-000	EA APPLIQUE-BEZEL
2	108356-09-01A	EA COVER-SWITCH W/DIMPLES & LENS, CARLING VVAACXX-XGO
2	108357-13-000	EA SWITCH-ROCKER, DPDT MOM/ON/OFF - REAR WIPER/WASHER OPTION CARLING VMD17HNB-0
2	096241-03-000	EA SWITCH-BLANK
3	108356-08-01A	EA COVER-SWITCH W/DIMPLES & LENS, CARLING VVAACXX-XWB
3	108357-12-000	EA SWITCH-ROCKER, DPST OFF/NONE/MOM - REAR DEFOGGER OPTION CARLING VMD17HNB-0
3	096241-03-000	EA SWITCH-BLANK
4	108356-07-01A	EA COVER-SWITCH W/DIMPLES & LENS, CARLING VVAACXX-XWB
4	108357-09-000	EA SWITCH-ROCKER, SPDT ON/NONE/MOM - AUXILIARY START CARLING V5D1000B-0
5	114332-01-000	EA LABEL-FAN SWITCH, REAR HEAT
6	087202-02-000	EA SWITCH - 4 POSITION, W/O KNOB
6	090977-01-000	EA KNOB-SWITCH, ROTARY - ROGAN NK-2-WL
7	114332-02-000	EA LABEL-FAN SWITCH, OVERHEAD A/C
	117038-01-000	EA SPEEDOMETER-ELECTRIC, METRIC - VW



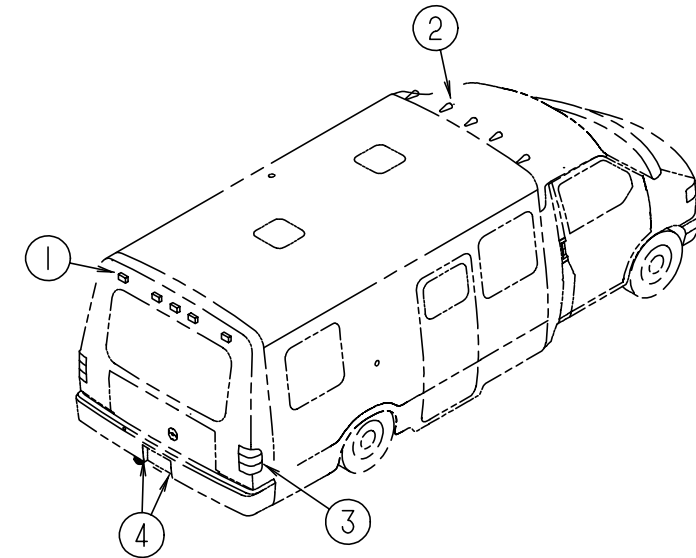
## DRIVERS COMPARTMENT GROUP (CONTINUED)



### TV COVERS & BRACKETS

KEY	PART NUMBER	U/M DESCRIPTION
1	114325-01-02B	EA BRACKET-TV MOUNT, E-COATED
2	114250-01-000	EA FOAM - 1/2" X 2" X 3"
3	114705-01-02B	EA STRAP-TV MOUNT, E-COATED
4	114897-01-01A	FT MOLDING-TV, FRONT COVER - BLACK
5	114315-01-01A	EA COVER-TV, OVERHEAD - VW TAUPE
6	114314-01-01A	EA COVER-TV, OVERHEAD - VW TAUPE

## ELECTRICAL GROUP



### EXTERIOR LIGHTS

KEY	PART NUMBER	U/M DESCRIPTION	
1	102520-02-000	EA LIGHT-CLEARANCE, W/O SOCKET CONNECTIONS - RED	
	036196-01-000	EA BULB - 12V, #194 - .27AMP - BAYONETTE	
	067789-02-000	EA SOCKET-LAMP	
	102582-01-000	EA BRACKET-LIGHT, CLEARANCE - L-SHAPED METAL - 2.2" X 4.7"	
2	102540-01-000	EA SEAL-SCREW, ROUND - RUBBER	
	102541-01-000	EA GASKET-CLEARANCE LIGHT	
	113709-01-000	EA LIGHT-CLEARANCE, AMBER - KD 500-0-1-888	
	3	112126-01-000	EA TAILLIGHT-REAR, PASSENGER SIDE - FORD F37Z-13404-A
		112126-02-000	EA TAILLIGHT-REAR, DRIVER SIDE - FORD F37Z-13405-A
	112707-01-000	EA BULB - 12 V - #3156 - 2.10 AMP - SYLVANIA 3156	
	112708-01-000	EA BULB - 12 V - #3157 - 0.59/2.10 AMP - SYLVANIA 3157	
	112709-01-000	EA SOCKET-LAMP, S8 WEDGE SF - ZANXX ZX-88372	
	112709-02-000	EA SOCKET-LAMP, S8 WEDGE SF - ZANXX ZX-90445	
	112709-03-000	EA SOCKET-LAMP, S8 WEDGE DF - ZANXX ZX-88371	
4	087201-01-000	EA LIGHT-HALF ROUND, 1" X 1.7" - PLASTIC - BLACK	

**ELECTRICAL GROUP (CONTINUED)**  
**INTERIOR LIGHTS**

KEY	PART NUMBER	U/M DESCRIPTION
	098024-01-01A	EA LIGHT-DOME, 1 BULB - IVORY
	098024-03-01A	EA LIGHT-DOME, 2 BULB - IVORY
	098024-01-700	EA LENS-DOME LIGHT
	008218-01-000	EA BULB-DOME LIGHT, 12V - #1141
	061424-01-000	EA LIGHT-DASH/AISLE, 12V - RECTANGULAR
	008103-01-000	EA BULB-DASH/AISLE LIGHT, #53 - 12 V - .12 AMP
	087694-01-000	EA LIGHT-WARDROBE/CLOSET, W/SWITCH
	087694-01-700	EA BULB-WARDROBE/CLOSET LIGHT, GE 561
	065202-37-000	EA LAMP-WALL, BRASS - SHORT - UL/CSA - GUSTAFSON SP542SW-2
	117806-01-000	EA BULB - 12V, NO.912 - 1.0 AMPS - GENERAL MOTOR HOMES
	115450-01-01A	EA LIGHT-CAB, DELUXE - VW 357 947 105B 5YX
	117805-01-000	EA BULB - 12V, NO.921F - 1.4 AMPS - GENERAL MOTOR HOMES

**SWITCHES & RECEPTACLES**

KEY	PART NUMBER	U/M DESCRIPTION
	079364-01-000	EA SWITCH-ON/OFF ROCKER, 2 PRONGS - BROWN
	084420-01-000	EA SWITCH-TOGGLE, 15A-120V - BROWN - T&B WDS151
	098351-01-01A	EA PLATE-SWITCH, 1 GANG - POLISHED BRASS - JENSEN
	108355-01-000	EA HOUSING-SWITCH - CARLING VCH
	108356-10-01A	EA COVER-SWITCH W/DIMPLES & LENS, CARLING VVAJCCXX-X - SUMP PUMP
	108357-14-000	EA SWITCH-ROCKER, SPST - ON/OFF - CARLING VIDIA60C-0 - SUMP PUMP
	112824-01-03A	EA COVER-EXTERIOR DUPLEX RECEPTACLE, WHITE - P&S 3780-SC-WH
	058708-01-000	EA RECEPTACLE-ELECTRIC, DOUBLE - BROWN
	058708-02-000	EA RECEPTACLE-ELECTRIC, DOUBLE - IVORY
	058707-01-000	EA RECEPTACLE-ELECTRIC, SINGLE - BROWN
	024924-02-000	EA RECEPTACLE-POWER CORD, W/PARTIAL PLATE
	111414-01-000	EA RECEPTACLE - 12V W/O BIMETAL, INTERTEK
	112822-01-01A	EA RECEPTACLE-DUPLEX, IVORY - WIRECON WDRU15IV
	084076-01-000	EA RECEPTACLE-GFI, 15A - 125V - IVORY
	084076-02-000	EA RECEPTACLE-GFI, 15A - 125V - BROWN
	091927-01-000	EA COVER-RECEPTACLE, DOUBLE - IVORY
	097734-01-01A	EA EXTENSION-RECEPTACLE, 3.2" X 5" X .7" - PLASTIC - IVORY
	097734-01-02A	EA EXTENSION-RECEPTACLE, 3.2" X 5" X .7" - PLASTIC - BROWN

**CIRCUIT BREAKERS & FUSES**

KEY	PART NUMBER	U/M DESCRIPTION
	008233-01-000	EA FUSE - 6 AMPS, 12V
	062901-02-000	EA FUSE - 5 AMPS, AUTOMOTIVE
	062901-05-000	EA FUSE - 15 AMPS, AUTOMOTIVE
	062901-06-000	EA FUSE - 20 AMPS, AUTOMOTIVE
	062901-07-000	EA FUSE - 25 AMPS, AUTOMOTIVE
	106656-01-000	EA FUSE BLOCK - 4 CAVITY AUTOFUSE - PACKARD 12004943
	108669-01-000	EA HOUSING-AUTO FUSE HOLDER - PACKARD 12010105
	111683-01-000	EA FUSE HOLDER-GLASS, 1/4 X 1 1/4 - BUSS HTB-86I
	083209-02-000	EA CIRCUIT BREAKER - 15/15 AMP, 120 V - BW H-15/15
	083209-03-000	EA CIRCUIT BREAKER - 15/20 AMP, 120 V - BW 0-15/20
	083209-04-000	EA CIRCUIT BREAKER - 30 AMP, 120V - BW L-30
	083209-06-000	EA CIRCUIT BREAKER - 30/15 AMP, 120 V - BW D-30/15
	083209-07-000	EA CIRCUIT BREAKER - 20/20 AMP, 120 V - BW K-20/20
	093654-01-000	EA CIRCUIT BREAKER - 6 AMP, 12 V - USD 17406-4E12A2A
	093654-02-000	EA CIRCUIT BREAKER - 15 AMP, 12 V - USD 17415-4E12A2A
	093654-03-000	EA CIRCUIT BREAKER - 20 AMP, 12V - USD 17420-4E12A2A
	097611-01-000	EA CIRCUIT BREAKER - 10 AMP, 12 V - VB3-A10-F57
	108567-01-000	EA CIRCUIT BREAKER - 40 AMP, 12 V - FASCO 17414063

**ELECTRICAL GROUP (CONTINUED)**  
**ELECTRICAL CONNECTORS**

KEY	PART NUMBER	U/M DESCRIPTION
	007940-01-000	EA RECEPTACLE-SLIDE, 16 TO 12 AWG - FEMALE END
	008311-01-000	EA CONNECTOR-WIRE NUT, INSULATED - RED
	008314-01-000	EA CONNECTOR-WIRE NUT, INSULATED - GRAY
	008355-01-000	EA CONNECTOR-CABLE CLAMPING, 3/4"
	008356-01-000	EA CONNECTOR-PLASTIC, 3/8" AVG
	112721-01-000	EA CONNECTOR - 3 PIN W/12" LEADS COLE-HERSEE 11173-0
	058028-01-000	EA CONNECTOR-ELECTRICAL PIGTAIL, NYLON - CLEAR
	113638-02-000	EA CONNECTOR-ELECTRIC, ACTUATOR - EURAMETEC ST2-01
	007942-01-000	EA TAB-WIRE, 18 TO 14 AWG
	008326-01-000	EA TERMINAL-RING, 16/14 WIRE - 3/8" STUD
	008328-01-000	EA TERMINAL-RING, 12/10 WIRE - #10 STUD FIT
	008331-01-000	EA TERMINAL-RING, TONGUE - #4 WIRE - 3/8" STUD - COPPER
	008348-01-000	EA TERMINAL-RING, 3/8" STUD - #2 WIRE CONNECTS CABLE TO DISCONNECT RELAY AND BATTERY
	035416-04-000	EA TERMINAL-RING #10 STUD FIT, INSULATED BARREL #16/14
	047443-01-000	EA TERMINAL - .250 RECEPTACLE FIT, INSULATED - 16/14 AWG
	047443-02-000	EA TERMINAL - .250 RECEPTACLE FIT, INSULATED - 12/10 AWG
	088267-01-000	EA TERMINAL-FEMALE, 1/4
	102777-02-000	EA TERMINAL-RING, #6 STUD - 10 AWG
	106655-01-000	EA TERMINAL-FUSE BLOCK, 14-16AWG - PACKARD 12020321
	106655-02-000	EA TERMINAL-FUSE BLOCK, 10-12AWG - PACKARD 12020400
	113074-01-000	EA TERMINAL-TAILLAMP - AUGAT 101395
	098262-01-000	EA SEAL-CONNECTOR, WEATHER PACK PACKARD 12010293
	063910-01-000	EA HOUSING-RELAY, BOSCH 3-334-485-008
	088473-03-000	EA HOUSING-PIN, 9 CAVITY - AMP 1-480706-0
	088473-06-000	EA HOUSING-PIN, 6 CAVITY - AMP 1-480704-0
	088473-08-000	EA HOUSING-PIN, 4 CAVITY - AMP 1-480702-0
	088473-09-000	EA HOUSING-PIN, 3 CAVITY - AMP 1-480700-0
	088473-10-000	EA HOUSING-PIN, 2 CAVITY - AMP 1-480698-0
	088474-02-000	EA HOUSING-SOCKET, 12 CAVITY - AMP 1-480711-0
	088474-03-000	EA HOUSING-SOCKET, 9 CAVITY - AMP 1-480707-0
	088474-06-000	EA HOUSING-SOCKET, 6 CAVITY - AMP 1-480705-0
	088474-08-000	EA HOUSING-SOCKET, 4 CAVITY - AMP 1-480703-0
	088474-09-000	EA HOUSING-SOCKET, 3 CAVITY - AMP 1-480701-0
	088474-10-000	EA HOUSING-SOCKET, 2 CAVITY - AMP 1-480699-0
	098264-01-000	EA HOUSING - 2 PIN, WEATHER PACK M - PACKARD 12015792
	098264-02-000	EA HOUSING - 2 PIN, WEATHER PACK F - PACKARD-12010973
	113072-01-000	EA HOUSING-TAILLAMP, TURN - ZANXX ZX-88389
	113072-02-000	EA HOUSING-TAILLAMP, BACKUP - ZANXX ZX-90441
	113072-03-000	EA HOUSING-TAILLAMP, STOP/MARKER - ZANXX ZX-88390
	113073-01-000	EA WEDGELOCK-HOUSING, TAILLAMP - ZANXX ZX-88389-3
	113073-02-000	EA WEDGELOCK-HOUSING, TAILLAMP - ZANXX ZX-90424
	110178-01-000	EA HOUSING-WIPER MOTOR - UT6237440-EC25WJ
	113468-01-000	EA HOUSING - 2 POSITION, FEMALE - 56-SERIES - PACKARD 02965981 USED ON WIPER/WASHER WIRE ASM
	088475-01-000	EA PIN-CONNECTOR, 14 TO 20 AWG
	098265-02-000	EA PIN-CONNECTOR, WEATHER PACK - PACKARD 12089305
	088476-01-000	EA SOCKET-CONNECTOR, BRASS - PRE-TIN
	088476-02-000	EA SOCKET-CONNECTOR, 12-10 GA - PHOS. BRZ - PRE-TIN
	098261-02-000	EA SOCKET-CONNECTOR, WEATHERPACK - PACKARD 12124580

**ELECTRICAL GROUP (CONTINUED)**  
**BOXES, CONDUIT & COVERS**

KEY	PART NUMBER	U/M DESCRIPTION
	008289-01-000	EA BOX-ELECTRIC, STEEL - 1/2" AND 3/4" KNOCKOUTS - 4" X 4"
	008289-02-000	EA BOX-ELECTRICAL, 4" X 4" - 1/2" & 3/4" KNOCKOUTS - CANADIAN
	091910-01-000	EA BOX-ELECTRICAL, 3.75" X 3.5" X 1.75" - PLASTIC
	091910-02-000	EA BOX-ELECTRICAL, PLASTIC - 57 X 88MM
	093257-02-000	EA BOX-ELECTRIC, CIRCUIT BREAKER - B&W RV80-9
	041953-01-000	FT CONDUIT-CONVOLUTE SLIT, .5" ID - POLYETHYLENE - BLACK
	041953-03-000	FT CONDUIT-CONVOLUTE SLIT, 1" ID - POLYETHYLENE - BLACK
	041953-04-000	FT CONDUIT-CONVOLUTE SLIT, .50" ID - POLYETHYLENE - GRAY
	041953-06-000	FT CONDUIT-CONVOLUTE SLIT, .375" ID - POLYETHYLENE - BLACK
	041953-07-000	FT CONDUIT-CONVOLUTE SLIT, .25" ID - POLYETHYLENE - BLACK
	041953-08-000	FT CONDUIT-CONVOLUTE SLIT, 1.50" ID - POLYETHYLENE - BLACK
	041953-09-000	FT CONDUIT-CONVOLUTE SLIT, .50" ID - NYLON - BLACK W/GRAY STRIPE
	008294-01-000	EA COVER-ELECTRICAL BOX, BLANK/STEEL - 4" X 4" - GRAY
	069238-01-000	EA COVER-ELECTRICAL BOX, W/HOLE - 4" X 4" - GRAY USED WITH 30 AMP RECEPTACLE

**SOLENOID, RELAYS, POWER CONVERTER, POWER CORDS & CABLE**

KEY	PART NUMBER	U/M DESCRIPTION
	008188-01-000	EA SOLENOID - 3 POST, BATTERY CHANGE OVER
	063912-02-000	EA RELAY-CANISTER, SPDT - BOSCH 0332204101
	114965-01-000	EA RELAY - 12V, 2A - DELAY OFF 10MIN - AMPERITE 12DP10MHLC
	109171-01-000	EA CONVERTER - 40 AMP, ELECTRONIC - MAGNETEK 7240X
	109677-01-000	EA LOAD CENTER - 120V, 40 AMP - WESCO TT120FLGNM
	008052-01-000	EA CORD-POWER, 10/3 - 30 AMP - 25' - CANADIAN
	008054-02-000	EA CORD-POWER, 10-3 - 30 AMP - 33'

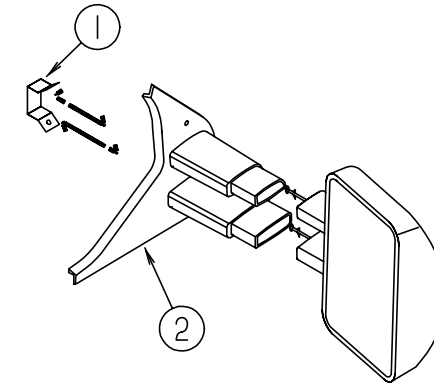
**WIRE ASSEMBLIES**

KEY	PART NUMBER	U/M DESCRIPTION
	096449-01-000	EA WIRE ASM-WATER TANK TO MONITOR PANEL
	097618-01-000	EA WIRE ASM-MONITOR PANEL, W/3 WIRES & ORANGE RESISTOR - LVS ORANGE RESISTOR W/3 (ORANGE-GREEN-BLUE) WIRES

**ELECTRICAL MISCELANEOUS**

KEY	PART NUMBER	U/M DESCRIPTION
	007956-05-000	EA INSULATOR-SHRINK, .25 ID X 1.50 - BLACK
	092786-01-000	EA BUSS BAR - 2.1" LONG

**EXTERIOR BODY GROUP**



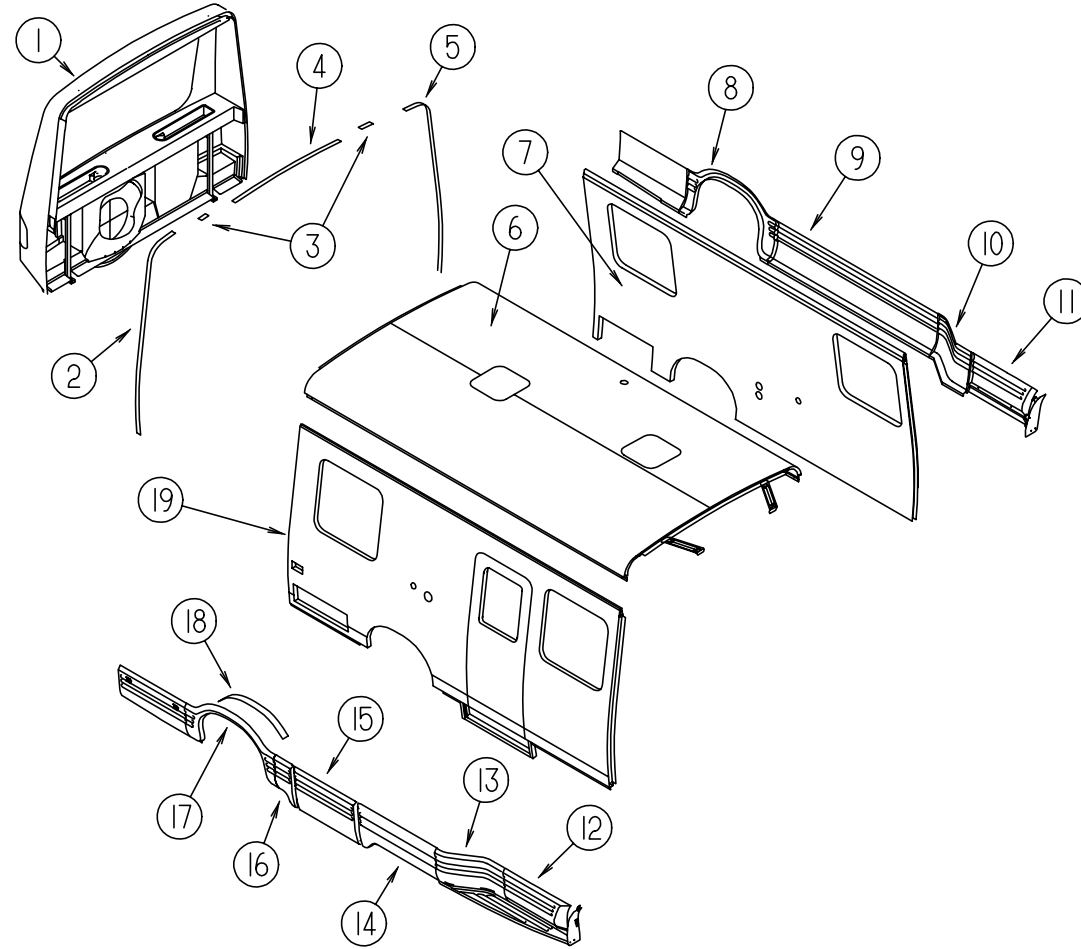
**MIRROR BRACKETS FOR VW EXTERIOR MIRRORS**

KEY	PART NUMBER	U/M DESCRIPTION
	1 115334-01-02B	EA BRACKET-MIRROR, E-COAT
	2 114494-01-02A	EA BRACKET-MIRROR, RH - BLACK - LESUER INCORPORATED
	114494-02-02A	EA BRACKET-MIRROR, LH - BLACK - LESUER INCORPORATED

**ALUMINUM & STYROFOAM**

KEY	PART NUMBER	U/M DESCRIPTION
	112695-01-700	EA SHEET-ALUMINUM, (ROOF) - .024" X 42.25" X 135.8" - VW WHITE
	112696-01-700	EA SHEET-ALUMINUM, (SIDEWALL) - .032" X 58" X 136.2" - VW WHITE
	000870-08-000	SF STYROFOAM - 3/4" X 48" X 96" - PLANED
	100619-01-000	BF FOAM-EXPANDED POLYSTYRENE, 1.34" X 48" X 96"
	100619-06-000	EA FOAM-EXPANDED POLYSTYRENE, .875" X 20.35" X 63.35"
	100619-07-000	EA FOAM-EXPANDED POLYSTYRENE, .630" X 48" X 96"
	100619-10-000	BF FOAM-EXPANDED POLYSTYRENE, 1.5" X 48" X 96"

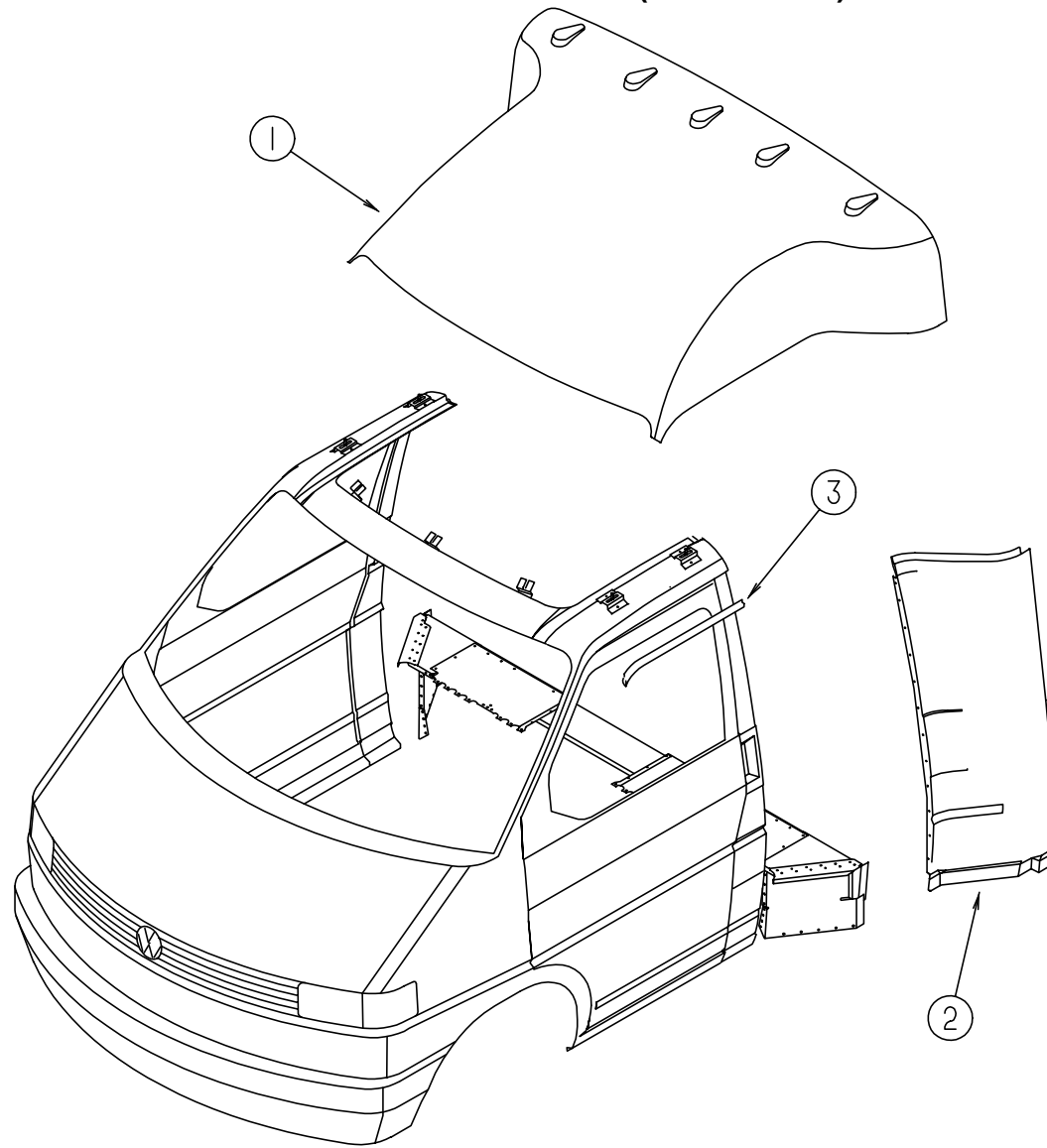
**EXTERIOR BODY GROUP (CONTINUED)**  
**EXTERIOR BODY PANELS & TRIM**



KEY	PART NUMBER	U/M DESCRIPTION
1	P16924-01-700	EA CAP - REAR W/DOORS, VW WHITE - US & CANADA
1	P16924-02-700	EA CAP - REAR W/DOORS, VW WHITE - JAPAN & EUROPE
	116915-03-02B	EA SUPPORT-BACKWALL, 81.8" LONG - METAL
2	112544-01-01A	EA TRIM-SIDEWALL TO REAR CAP, RH - VW WHITE
3	086754-10-000	EA CAP-TRIM, VW WHITE
4	112548-01-01A	EA TRIM-ROOF TO REAR CAP, VW WHITE
5	112544-02-01A	EA TRIM-SIDEWALL TO REAR CAP, LH - VW WHITE
6	P19076-01-F45	EA ROOF ASSEMBLY-W/O VENTS
6	P19744-01-F45	EA ROOF ASSEMBLY-W/O VENTS - TWIN BEDS OPTION
7	P19039-01-F45	EA SIDEWALL-DRIVER SIDE, W/O DOORS OR WINDOWS
8	112024-03-F45	EA PANEL-VALANCE, WHEEL LIP - DRIVER SIDE - PLASTIC - VW WHITE
9	112022-02-F45	EA PANEL-VALANCE, FRONT - DRIVER SIDE - PLASTIC - VW WHITE
10	112020-03-F45	EA PANEL-VALANCE, TRANSITION - DRIVER SIDE - PLASTIC - VW WHITE
11	112019-03-F45	EA PANEL-VALANCE, CAB DOOR - DRIVER SIDE - PLASTIC - VW WHITE
	069726-02-000	EA BUMPER - .88" DIAMETER X .40", BLACK
	081914-01-000	FT BUMPER-RUBBER, ROUND - .43" DIAMETER - BLACK

KEY	PART NUMBER	U/M DESCRIPTION
12	112019-04-F45	EA PANEL-VALANCE, CAB DOOR - PASSENGER SIDE - PLASTIC - VW WHITE
13	112020-04-F45	EA PANEL-VALANCE, TRANSITION - PASSENGER SIDE - PLASTIC - VW WHITE
14	112021-02-F45	EA PANEL-VALANCE, FRONT - PASSENGER SIDE - PLASTIC - VW WHITE
15	112026-02-F45	EA PANEL-VALANCE, ENTRY DOOR - PLASTIC - VW WHITE
16	112025-02-F45	EA PANEL-VALANCE, CENTER - PASSENGER SIDE - PLASTIC - VW WHITE
17	112024-04-F45	EA PANEL-VALANCE, WHEEL LIP - PASSENGER SIDE - PLASTIC - VW WHITE
18	113012-01-01A	EA TRIM-WHEELWELL, REAR - MILL FINISH - DRIVER OR PASSENGER SIDE
19	P19040-01-F45	EA SIDEWALL-PASSENGER SIDE, W/O DOORS OR WINDOWS
	055278-51-259	EA TUBING-STEEL, .75" X 1.5" X 12.5'
	099418-01-000	FT SEAL-D, W/SIDE ADHESIVE - .4" X .10" - SPONGE RUBBER - BLACK
	100128-02-000	FT SEAL-FOAM, ADHESIVE BACK - .37" W X .37" THICK
	073050-04-000	EA CLIP-MOUNTING, VALANCE PANELS

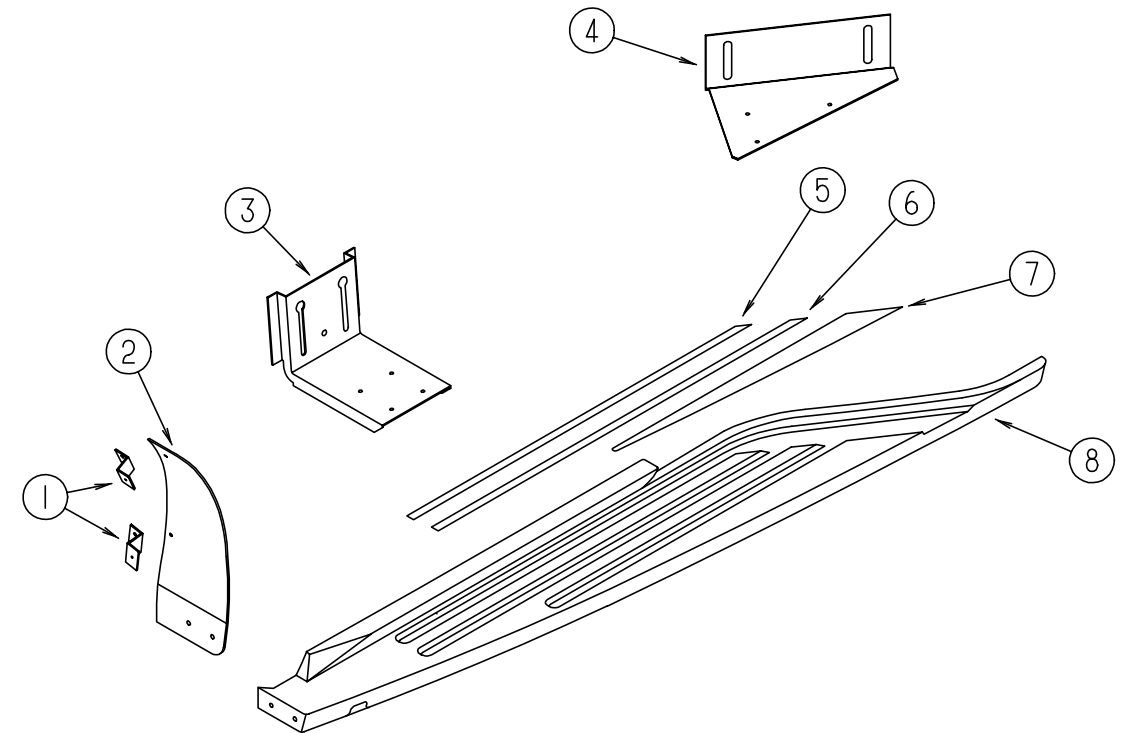
**EXTERIOR BODY GROUP (CONTINUED)**



**FRONT CAP & TRANSITION PANELS**

KEY	PART NUMBER	U/M DESCRIPTION
1	111207-02-F45	EA CAP ASM-FRONT W/CLEARANCE LIGHTS, VW WHITE
	112127-01-000	FT MOLDING-REVEAL, FRONT CAP TO WINDSHIELD
	070579-06-000	EA PLATE-ANCHOR, W/7/16 WELD NUT - 1.5" X 3.3"
2	111276-04-F45	EA PANEL-TRANSITION, DRIVER SIDE - STEEL & FIBERGLASS - VW WHITE
	111276-03-F45	EA PANEL-TRANSITION, PASSENGER SIDE - STEEL & FIBERGLASS - VW WHITE
3	115022-02-01A	EA RAIL-DRIP, DRIVER SIDE - VW WHITE
	115022-01-01A	EA RAIL-DRIP, PASSENGER SIDE - VW WHITE

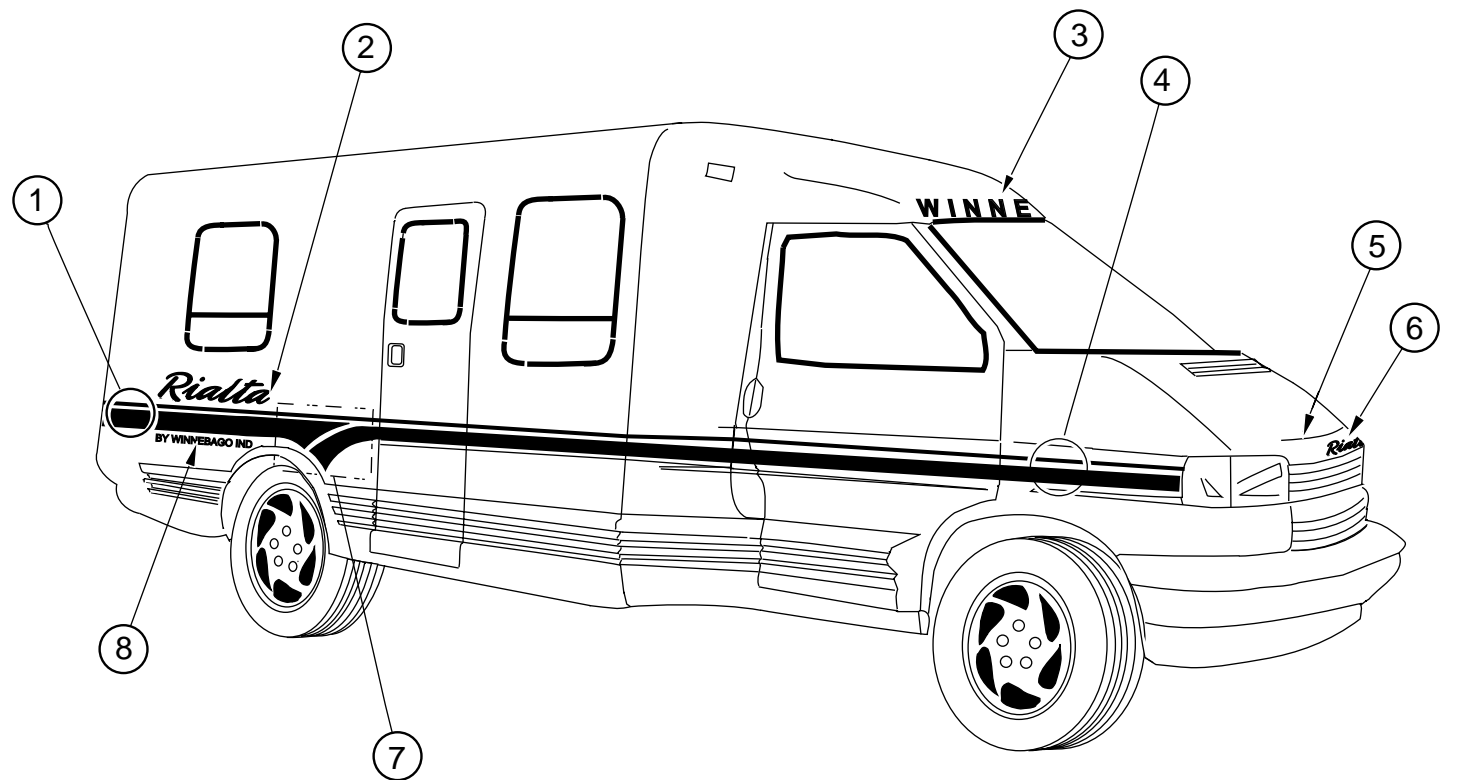
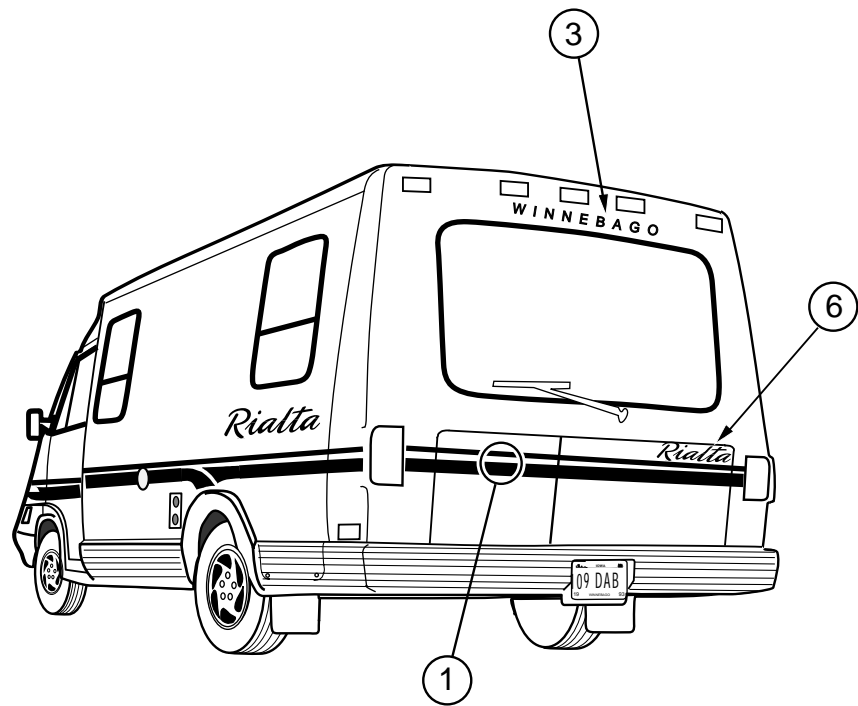
**EXTERIOR BODY GROUP (CONTINUED)**



**RUNNING BOARDS**

KEY	PART NUMBER	U/M DESCRIPTION
1	112507-01-02B	EA BRACKET-MUD FLAP, SUPPORT - FRONT - E-COAT
2	112242-01-02A	EA SUPPORT-MUD FLAP, FRONT LH - VW WHITE
	112242-02-02A	EA SUPPORT-MUD FLAP, FRONT RH - VW WHITE
3	112230-02-02B	EA BRACKET ASM-RUNNING BOARD, FRONT LH OR RH - E-COAT
4	112231-01-000	EA BRACKET-RUNNING BOARD, REAR - LH
	112231-02-000	EA BRACKET-RUNNING BOARD, REAR - RH
5	112233-13-000	EA TAPE-ANTI SLIP, INNER - LH
	112233-14-000	EA TAPE-ANTI SLIP, INNER - RH
	038327-03-000	EA TAPE-ANTI SLIP, 1/2" X 60 FT
6	112233-11-000	EA TAPE-ANTI SLIP, MIDDLE - LH
	112233-12-000	EA TAPE-ANTI SLIP, MIDDLE - RH
	038327-03-000	EA TAPE-ANTI SLIP, 1/2" X 60 FT
7	102570-04-000	EA MAT-ANTI SLIP, OUTER - LH - SAFETY TRACK #310
	102570-03-000	EA MAT-ANTI SLIP, OUTER - RH - SAFETY TRACK #310
8	112233-03-F45	EA RUNNING BOARD-LH W/TAPE & MAT, VW WHITE
	112233-04-F45	EA RUNNING BOARD-RH W/TAPE & MAT, VW WHITE
	115003-01-01A	EA MOLDING-REVERSE COVE, VW WHITE

**EXTERIOR BODY GROUP (CONTINUED)**  
DECALS, STRIPES & PAINT

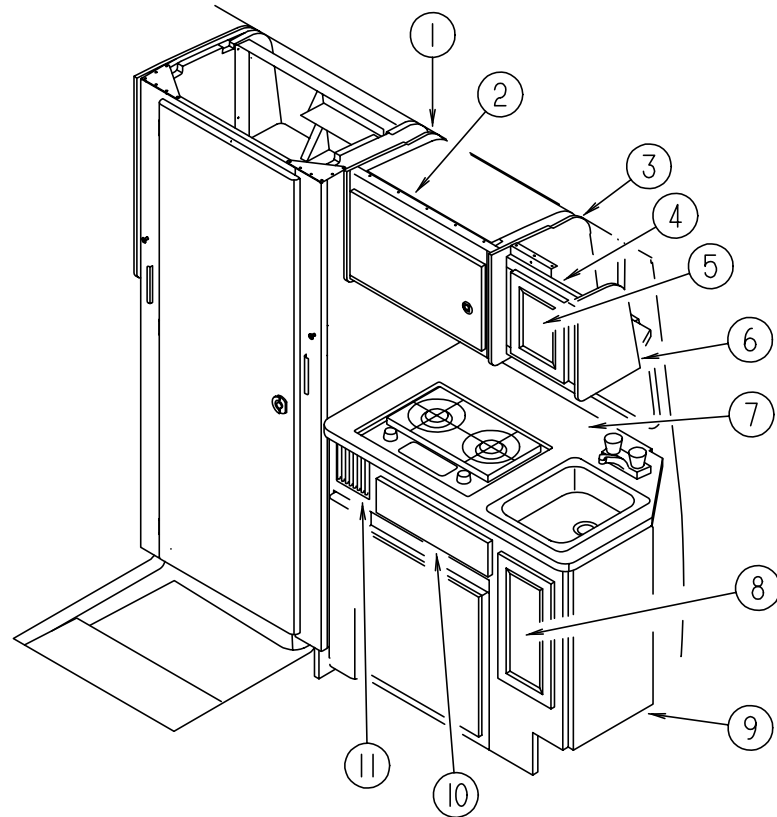


KEY	PART NUMBER	U/M DESCRIPTION
1	105781-33-02A	FT FILM-MULTISTRIPE, 2 STRIPES - 101.6 MM
2	115045-01-01A	EA DECAL-LOGO, RIALTA - LARGE
3	110889-02-01A	EA DECAL-LOGO, WINNEBAGO
4	105781-33-01A	FT FILM-MULTISTRIPE, 2 STRIPES - 101.6 MM
5	113215-01-01A	EA DECAL-HOOD
6	115045-02-01A	EA DECAL-LOGO, RIALTA - SMALL
7	113214-01-01A	EA DECAL-CURVES, PASSENGER SIDE
	113214-02-01A	EA DECAL-CURVES, DRIVER SIDE
8	084075-07-000	EA DECAL-"BY WINNEBAGO IND"
	034618-84-700	EA PAINT-SPRAY, VW WHITE - RAABE 46055

**DUPONT COLOR CODES**

VW WHITE                      W9670

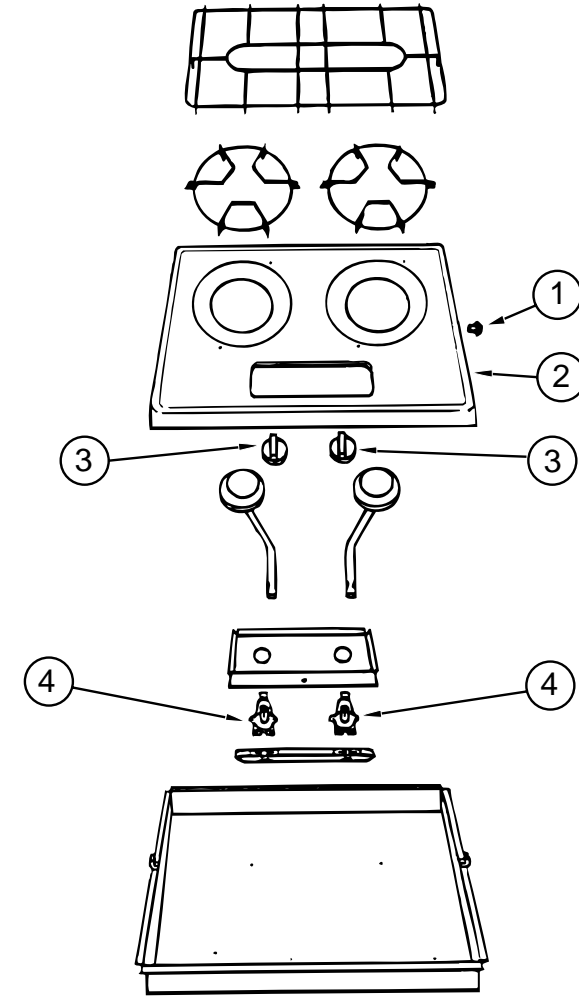
## GALLEY GROUP



### GALLEY CABINETS & COMPONENTS

KEY	PART NUMBER	U/M DESCRIPTION
1	119132-04-F45	EA CAP-END, MICROWAVE CABINET - PICKLED ASH
2	112943-02-02B	EA FRAME ASM-MICROWAVE, E-COATED
3	119132-01-F45	EA CAP-END, MICROWAVE CABINET - PICKLED ASH
4	119213-01-F45	EA CABINET-OVERHEAD, W/END CAP - W/O DOOR
5	M06804-P0-F45	EA DOOR-CABINET, W/O HARDWARE - 250 MM X 330 MM
6	119132-03-F45	EA CAP-END, OVERHEAD CABINET - PICKLED ASH
7	119128-13-F45	EA COUNTERTOP-GALLEY CABINET
	113782-01-F45	EA COVER-SINK
	011029-01-000	EA SINK-SINGLE, STAINLESS STEEL - W/BOLTS
	066437-01-000	EA STRAINER-SINK, GALLEY W/BASKET
	066437-01-700	EA BASKET-STRAINER, GALLEY SINK
	066436-01-000	EA NUT-SLIP, TAILPIECE - 1.5"
	069735-01-000	EA WASHER-STRAINER TO TAILPIECE, 1.5" - PLASTIC
	113798-01-01A	EA FAUCET-GALLEY, SINGLE CONTROL - BPC 20PA805BH
8	M06804-04-F45	EA DOOR-CABINET, W/O HARDWARE - 255 MM X 485 MM
9	P19128-01-F45	EA CABINET-GALLEY W/COUNTERTOP, W/O DOOR, DRAWER OR HARDWARE
10	M05970-T0-F45	EA DRAWER-CABINET
11	109918-02-02A	EA VENT-RETURN AIR, 157 MM X 139 MM - VW TAUPE

## GALLEY GROUP (CONTINUED)



### RANGE

KEY	PART NUMBER	U/M DESCRIPTION
	113947-01-01A	EA RANGE - 2 BURNER, W/O OVEN - ATWOOD 53359
1	101593-01-701	EA THUMB SCREW, WEDGEWOOD 52537
2	113947-01-704	EA TOP-STOVE, STAINLESS STEEL - 52452
3	101593-01-703	EA BURNER KNOB, WEDGEWOOD 53000
4	101593-01-704	EA BURNER VALVE, WEDGEWOOD 52506
	106689-01-704	EA REGULATOR, 52154
	106693-01-700	EA BUMPER-RUBBER, 1/4" - 53016
	113947-01-701	EA ANTIRATTLE MOLDING - LONG, ATWOOD 52452
	113947-01-702	EA ANTIRATTLE MOLDING - SHORT, ATWOOD 52454
	113947-01-705	EA DECAL-KNOB, 52436
	113947-01-706	EA GROMMET-STOVE COVER, 91439
	113947-01-707	EA COVER-STOVE TOP W/GROMMET & ANTIRATTLE - 52446

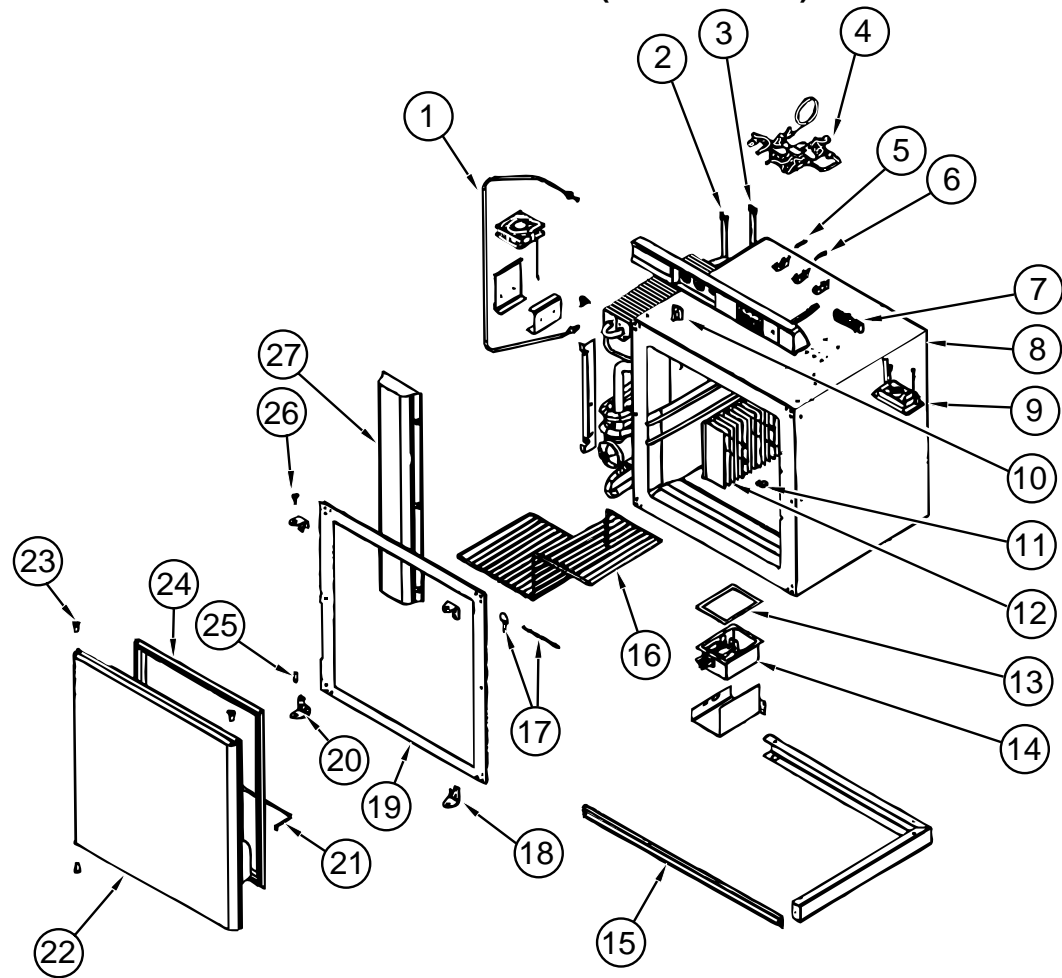
### MICROWAVE OVEN & TRIM

KEY	PART NUMBER	U/M DESCRIPTION
	115303-01-000	EA OVEN-MICROWAVE - MCD-DM15K-7B
	115303-01-700	EA TRIM F/VENT, TOP - 2100309
	115401-01-01A	EA TRIM-MICROWAVE, BLACK

### MONITOR PANEL

KEY	PART NUMBER	U/M DESCRIPTION
	114014-01-01A	EA PANEL-MONITOR, VENTLINE L9151
	096983-01-700	EA SWITCH-ON/OFF, VENTLINE 108
	096983-01-702	EA SWITCH-TWO WAY MOMENTARY, VENTLINE 112
	113566-01-701	EA TANK RESISTOR HARNESS - 7306
	114014-01-700	EA SILKSCREEN OVERLAY - CD212
	114014-01-701	EA CIRCUIT BOARD - 5070-6

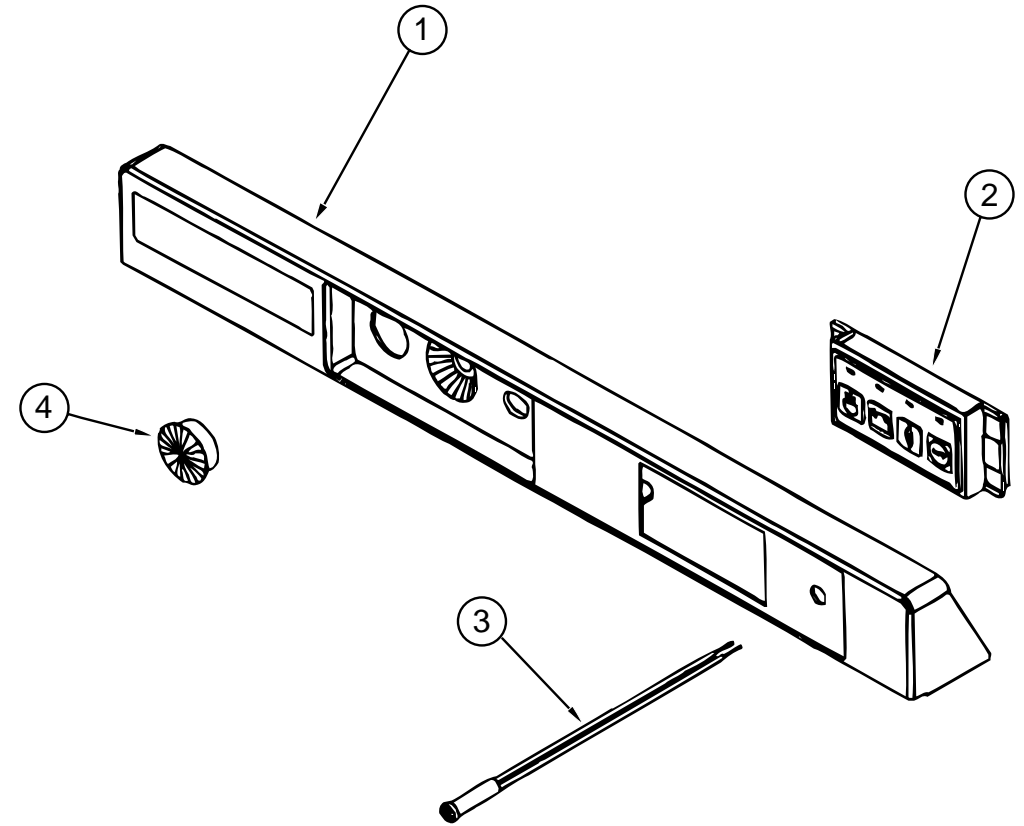
## GALLEY GROUP (CONTINUED)



REFRIGERATOR

KEY	PART NUMBER	U/M DESCRIPTION
	113737-01-02A	EA REFRIGERATOR - 3 WAY, 2.3 CU FT - NORCOLD
1	113737-01-746	EA TUBE-BURNER - NORCOLD 617989
2	113737-01-722	EA HEATER - DC - NORCOLD 61745422
3	113737-01-721	EA HEATER - AC - NORCOLD 61745322
4	113737-01-718	EA CONTROL ASSEMBLY - NORCOLD 617998
5	113737-01-714	EA FUSE ASSEMBLY - DC SUPPLY LINE, 3-WAY - NORCOLD 61440522
6	113737-01-720	EA FUSE - 3 AMP - 32 V OR LESS - NORCOLD 61654622
7	113737-01-731	EA TERMINAL BLOCK - NORCOLD 617979
8	113737-01-707	EA FOAMED CABINET & COOLING UNIT - NORCOLD 617993
9	113737-01-728	EA RELIGHTER - NORCOLD 617964
10	113737-01-740	EA KNOB-THERMOSTAT - NORCOLD 617971
11	113737-01-705	EA FIN CLIP - NORCOLD 61728722
12	113737-01-706	EA FIN ASSEMBLY - NORCOLD 61721122
	113737-01-741	EA SCREW, #10 X 1/2" - NORCOLD 61554022
13	113737-01-748	EA GASKET-BURNER BOX - NORCOLD 617977
14	113737-01-749	EA BURNER BOX ASSEMBLY - NORCOLD 617937
15	113737-01-734	EA GRILLE - AIR INLET, BLACK - NORCOLD 617938
16	113737-01-711	EA SHELF - L-SHAPED, WHITE - NORCOLD 618063
17	113737-01-700	EA TRAVEL PIN ASSEMBLY - NORCOLD 160201440
18	113737-01-724	EA HINGE - RH BOTTOM & LH TOP - NORCOLD 61748722
19	113737-01-712	EA BREAKER - BLACK TRIM - NORCOLD 617912
20	113737-01-725	EA HINGE - LH BOTTOM & RH TOP - NORCOLD 61748822
21	113737-01-733	EA DOOR RAIL - WHITE POWDER - NORCOLD 618064
22	113737-01-737	EA DOOR ASSEMBLY - TAUPE - NORCOLD 617914
	113737-01-742	EA FOAMED DOOR LINER - TAUPE - NORCOLD 61800
23	113737-01-701	EA HINGE BUSHING - NORCOLD 61742022
24	113737-01-704	EA DOOR GASKET - GRAY - NORCOLD 617906
25	113737-01-710	EA HINGE PIN - BOTTOM - NORCOLD 61550722
26	113737-01-708	EA HINGE PIN - TOP - NORCOLD 61114600
27	113737-01-739	EA SYSTEM COVER - TAUPE - NORCOLD 617905

## GALLEY GROUP (CONTINUED)

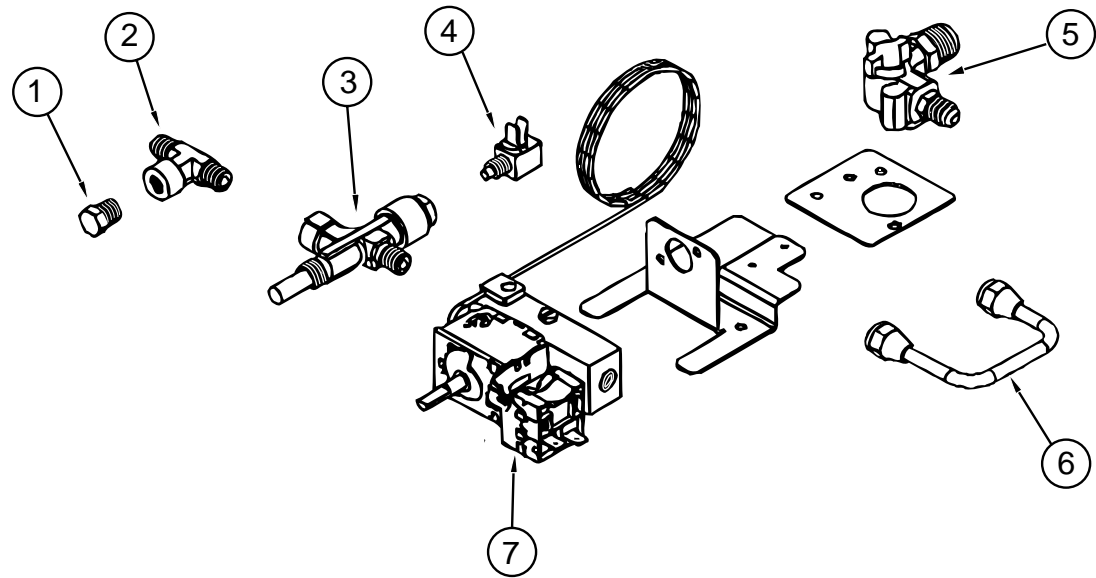


REFRIGERATOR (CONTINUED)

KEY	PART NUMBER	U/M DESCRIPTION
	113737-01-02A	EA REFRIGERATOR - 3 WAY, 2.3 CU FT - NORCOLD
1	113737-01-723	EA CONTROL PANEL - NORCOLD 617913
2	113737-01-729	EA SWITCH - PUSH BUTTON - NORCOLD 617945
3	113737-01-703	EA FLAME INDICATOR LIGHT GREEN OR RED - NORCOLD 61609022
4	113737-01-713	EA HOLE-PLUG, 1" - BLACK - NORCOLD 617981



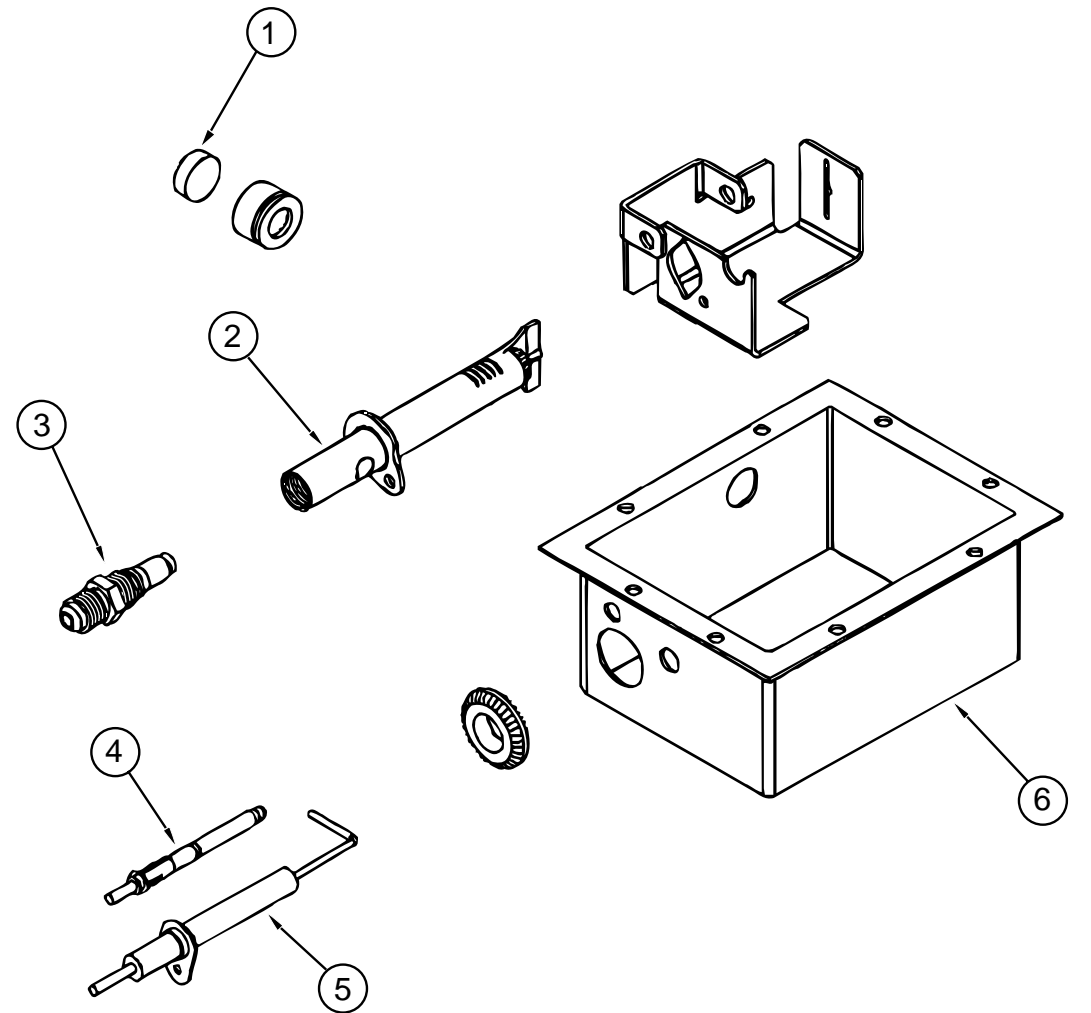
**GALLEY GROUP (CONTINUED)**



**REFRIGERATOR (CONTINUED)**

KEY	PART NUMBER	U/M DESCRIPTION
	113737-01-02A	EA REFRIGERATOR - 3 WAY, 2.3 CU FT - NORCOLD
1	113737-01-702	EA PLUG - 1/8" F/PRESSURE TAP - NORCOLD 61445322
2	113737-01-716	EA PRESSURE TAP - NORCOLD 61594422
3	113737-01-730	EA SAFETY VALVE - NORCOLD 617965
4	113737-01-709	EA INTERRUPTER - NORCOLD 61750522
5	113737-01-719	EA VALVE-SHUT-OFF-MANUAL - NORCOLD 617976
6	113737-01-735	EA TUBE-UNION - NORCOLD 61694622
7	113737-01-735	EA THERMOSTAT - NORCOLD 617944

**GALLEY GROUP (CONTINUED)**



**REFRIGERATOR (CONTINUED)**

KEY	PART NUMBER	U/M DESCRIPTION
	113737-01-02A	EA REFRIGERATOR - 3 WAY, 2.3 CU FT - NORCOLD
1	113737-01-732	EA SIGHT GLASS - NORCOLD 617995
2	113737-01-726	EA BURNER ASSEMBLY - NORCOLD 617935
3	113737-01-727	EA ORIFICE ADAPTER ASSEMBLY - NORCOLD 61753137
4	113737-01-717	EA THERMOCOUPLE - NORCOLD 617983
5	113737-01-715	EA SPARK ELECTRODE - NORCOLD 617966
6	113737-01-747	EA BOX-BOTTOM F/BURNER - NORCOLD 617925

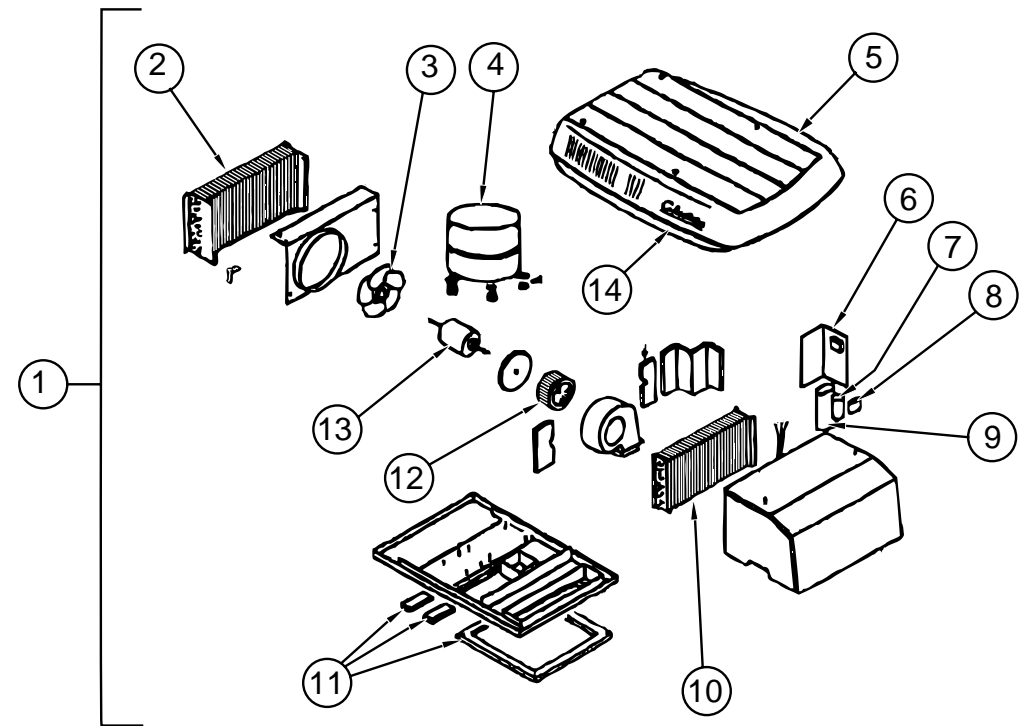
**REFRIGERATOR LEVEL & TIEDOWN BRACKETS**

KEY	PART NUMBER	U/M DESCRIPTION
	054450-01-000	EA LEVEL-REFRIGERATOR
	119159-01-02B	EA BRACKET-TIEDOWN, REFRIGERATOR - RH - E-COAT
	119159-02-02B	EA BRACKET-TIEDOWN, REFRIGERATOR - LH - E-COAT

**GENERATOR GROUP**  
3,000 WATT GENERAC GENERATOR

KEY	PART NUMBER	U/M DESCRIPTION
	113458-01-000	EA GENERATOR - 3,000 WATT, GENERAC NP30G, 9557-0
	007067-01-000	SF INSULATION-FIBERGLASS, 1" THICK X 4' - INCREMENTS OF 4 SF
	007125-03-000	EA CLAMP-MUFFLER, 1.5" DIA
	007125-04-000	EA CLAMP-MUFFLER, 1.1" DIA
	007131-01-000	EA HANGER-TAILPIPE, 6 SLOTS
	008401-01-000	EA STRAP-CONDUIT, 3/4" - 1 HOLE - GALVANIZED STEEL
	113841-01-000	EA PIPE-EXHAUST, GENERATOR
	115112-01-02B	EA BRACKET-MOUNT, GENERATOR - RH - E-COAT
	115112-02-02B	EA BRACKET-MOUNT, GENERATOR - LH - E-COAT

**HEATING & AIR CONDITIONING GROUP**



**7,100 BTU COLEMAN ROOF A/C**

KEY	PART NUMBER	U/M DESCRIPTION
1	093306-01-02A	EA A/C ROOF - 7,100 BTU, ROTARY - WHITE - COLEMAN 6727-736
2	093306-01-711	EA CONDENSER COIL - COLEMAN 14520701
3	093306-01-703	EA FAN - 4 BLADE, 9" DIAMETER - COLEMAN 67073321
4	093306-01-717	EA COMPRESSOR-PANASONIC, COLEMAN 1450-2019
	093306-01-719	EA OVERLOAD, COLEMAN 1450A0011
5	093306-01-722	EA SHROUD-ARTIC WHITE/ARCTIC WHITE - W/O LOGO - COLEMAN 6727-5761
6	093306-01-721	EA START RELAY, COLEMAN 1497-5051
7	093306-01-720	EA START CAPACITOR, 21-25 MFD/33 - COLEMAN 1497-3351
8	093306-01-718	EA FAN CAPACITOR (FAN 5MFD/370V), COLEMAN 1499-5421
9	108889-01-707	EA RUN CAPACITOR (COMPRESSOR-25MFD/370), COLEMAN 1499-5661
10	093306-01-713	EA EVAPORATOR, COLEMAN 14520601
11	037648-01-714	EA PACKAGE-GASKET, COLEMAN 6759-3281
12	093306-01-706	EA BLOWER WHEEL, 6 5/16" X 2 7/8" WVD - COLEMAN 67073281
13	093306-01-705	EA MOTOR - 115V1 6A60H2-RPM - COLEMAN 67273119
14	093306-01-701	EA DECAL PACKAGE, LEFT & RIGHT - COLEMAN 6798B3591

**CEILING ASSEMBLY**

KEY	PART NUMBER	U/M DESCRIPTION
	093307-01-000	EA CEILING ASM-A/C COOL, IVORY - COLEMAN 6727D714
	093307-01-700	EA DECAL PACKAGE - COLEMAN 6733A3331
	093306-01-709	EA DECAL F/THERMOSTAT AND SELECTOR, COLEMAN 6727A3341
	076303-01-710	EA THERMOSTAT, COLEMAN 67333411
	093766-02-702	EA FILTER (PACKAGE OF 2) - COLEMAN 67033301
	093306-01-710	EA SHROUD-CEILING, IVORY W/DECAL - COLEMAN 67273511
	093306-01-714	EA SWITCH-SELECTOR, COLEMAN 67273251
	076303-01-708	EA KNOB & BOLT PACKAGE, COLEMAN 67275841
	076303-01-701	EA KNOB-CONTROL, COLEMAN 6733A3241
	102289-01-000	EA SPRING-SCREW, ROOF A/C GASKET - COLEMAN 6757-150

**ROOF A/C COVER**

KEY	PART NUMBER	U/M DESCRIPTION
	022756-03-000	EA COVER-A/C, OFF WHITE - PLASTIC
	022756-02-000	EA COVER-PROTECTIVE, 5.5" ENDS X 8.2" - PLASTIC - OFF WHITE

**HEATING & AIR CONDITIONING GROUP (CONTINUED)**  
**AUTO A/C & COMPONENTS**

KEY	PART NUMBER	U/M DESCRIPTION
	113245-01-000	EA EVAPORATOR/AC, OVERHEAD R134A - SCS 090-00075
	103930-17-702	EA GASKET OR SAE 015 #10 33-781, SCS 045-0127
	113245-01-700	EA WHEE-BLOWER W/CLIP - SCS 062-0028
	113245-01-701	EA PIN-PLASTIC - SCS 062-0027
	113245-01-702	EA COVER-SLOT - SCS 062-0141
	113245-01-703	EA BEZEL F/4 OUTLET - SCS 062-0142
	113245-01-704	EA MOTOR-BLOWER, 12V3SP - DOUBLE SHAFT - SCS 030-0028
	113245-01-705	EA COIL-EVAPORATOR, SCS 041-0034
	113245-01-706	EA VALVE-EXPANSION, 134 A I 5 TON - SCS 034-0026
	113245-01-707	EA GASKET - #8 - SCS 045-0126
	113245-01-708	EA HOSE ASSEMBLY - #6 - SCS 085-0115
	113245-01-709	EA HOSE ASSEMBLY - #10 - SCS 085-0116
	113245-01-710	EA GASKET - #12 - SCS 045-0128
	113245-01-711	EA GASKET - #6 - SCS 045-0129
	113245-01-712	EA FITTING BLOCK - SCS 050-0129
	113245-01-713	EA SCREEN-CONDENSATION - SCS 045-0173
	113245-01-714	EA PIN-SCREEN RETAINER - SCS 062-0164
	113245-01-716	EA CASE, BOTTOM ONLY - SCS 062-0140
	113245-01-717	EA CASE, TOP ONLY - SCS 062-0139
	007281-01-000	EA HOSE-FLEXIBLE, PVC - 2.5"ID X 50' - ATCOFLEX A-182-355
	113244-01-01A	EA LOUVER ASM-BALL, 3" - BLACK - CARY 10.370.04

**HEATING & AIR CONDITIONING GROUP (CONTINUED)**  
**REAR HEATER**

KEY	PART NUMBER	U/M DESCRIPTION
	084405-01-000	EA HEATER ASM-REAR, DUCTED - W/MOTOR AID - EVANS
	084405-01-700	EA CORE-HEATER - EVANS FT200229
	084405-01-701	EA FAN BLADES - EVANS HV029931
	084405-01-702	EA MOTOR ASSEMBLY, 12 VOLT - EVANS R0200180

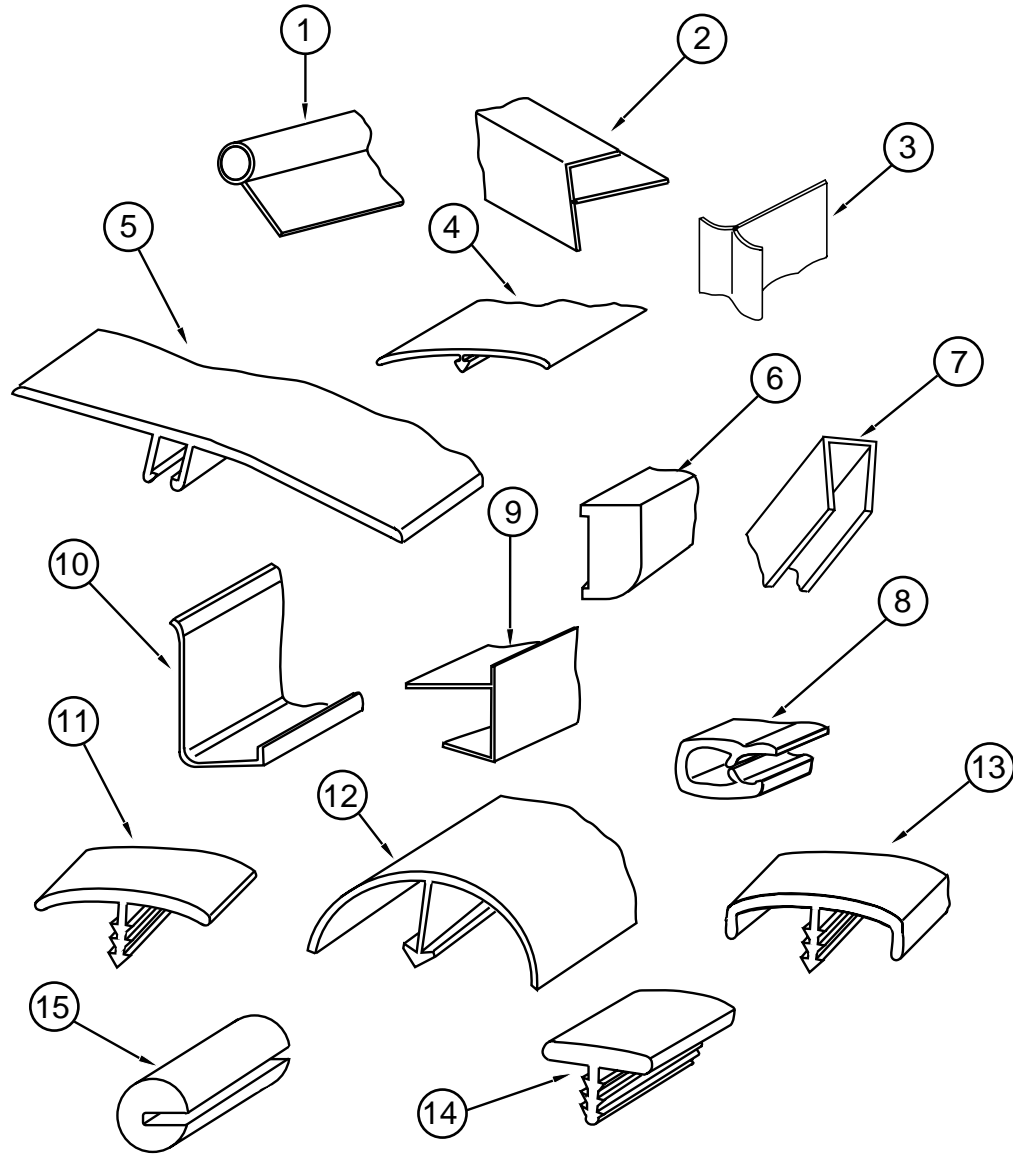
**MOTOR AID COMPONENTS**

KEY	PART NUMBER	U/M DESCRIPTION
	083081-01-000	EA HOSE-FORMED, 90 DEGREES - 5/8" ID
	007108-01-000	FT HOSE-HEATER, 5/8" ID - HI-TEMP - FORD ESE-M2D192-A
	007108-02-000	FT HOSE-HEATER, 3/4" ID - HI-TEMP - FORD ESE-M2D192-A
	084190-01-000	EA GUARD-MOTOR AID, 5.9" X 5.7" X 5.3" - ANGLED GALVANIZED STEEL
	088753-01-000	FT TUBE-ALUMINIZED STEEL, 5/8" - 18 GAUGE

**FURNACE & COMPONENTS**

KEY	PART NUMBER	U/M DESCRIPTION
	101990-05-000	EA FURNACE - 17,000 BTU, DUCTED - SUBURBAN DD-17DSIW
	115764-01-01A	EA THERMOSTAT-WALL, FURNACE - SUBURBAN 160902
	009198-01-000	FT DUCT-HEAT, FLEXIBLE - 4" ID X 25 FT
	009200-01-000	EA TAPE-FURNACE, 1 1/2"
	069636-02-000	EA CONNECTOR-DUCT, 4" ID - SUBURBAN 050715
	101990-02-000	EA VENT-FURNACE, OUTSIDE - 4" - 6" - SUBURBAN 260198
	101990-03-000	EA VENT-FURNACE, OUTSIDE - 6" - 9" - SUBURBAN 260199
	056464-09-000	EA REGISTER - 4" DIAMETER, PLASTIC - W/DAMPER - DURA-BEIGE
	056464-10-000	EA REGISTER - 4" DIAMETER, PLASTIC - W/O DAMPER - DURA-BEIGE
	093614-02-02A	EA GRILL-RETURN AIR, DURA-BEIGE - LIMA,19H-8X8BR-RAG

**INTERIOR FINISH GROUP**



**MOLDINGS & TRIMS**

KEY	PART NUMBER	U/M DESCRIPTION
1	009767-12-000	FT MOLDING-SIDEWALL TO CEILING/CABINET - WELTING - OFF WHITE
2	009812-27-000	EA MOLDING-CORNER, OUTSIDE - PLASTIC - PICKLED ASH
3	022992-12-000	FT MOLDING-REVERSE COVE, T-SHAPED - VINYL - VW TAUPE
4	086229-13-000	EA BATTEN - 1" WIDE X 99.6" LONG - IVORY - W&B RN323
5	099571-02-01A	EA TRIM-COVE, INTERIOR - 2.9" WIDE X 11.3' LONG - PLASTIC - SMOKEY WHITE
6	111135-D2-134	EA MOLDING - 18 MM X 40 MM X 2134 MM, VINYL WRAPPED - PICKLED ASH
6	111135-F2-134	EA MOLDING - 18 MM X 65 MM X 2134 MM, VINYL WRAPPED - PICKLED ASH
7	070504-28-000	FT U-CHANNEL-PLASTIC, .065" WIDE - PICKLED ASH
7	070504-29-000	FT U-CHANNEL-PLASTIC, .815" WIDE - PICKLED ASH
7	070504-33-000	FT U-CHANNEL-PLASTIC, .815" WIDE - VW TAUPE - INCREMENTS OF 7'
8	072368-02-000	EA TRIM-VINYL, EDGE - BLACK - GM 14004305
9	103186-01-03A	FT MOLDING-PLASTIC, SHELF - PICKLED ASH
10	085746-03-000	FT TRIM-J, CARPET - 1.2" X .5" ANGLE - 12' LONG - GRAY
11	105709-01-000	FT T-MOLDING, 1" - MODERN IVORY
12	042357-18-000	EA MOLDING-CORNER, RADIUS - PLASTIC - PICKLED ASH
	081521-02-007	EA MOUNT-METAL MOLDING, FOR RADIUS CORNER MOLDING - 12.5' EA
13	104676-02-02A	FT T-MOLDING, 1/2" - PICKLED ASH
14	104676-01-01A	FT T-MOLDING, 5/16" RIGID - GOLD
15	115870-01-000	FT SEAL-TRIM, EDGE - TRIM LOK X1002
	111133-D2-438	EA LUMBER - 18 MM X 38 MM X 2438 MM, VINYL WRAPPED - PICKLED ASH
	111133-E2-438	EA LUMBER - 18 MM X 50.8 MM X 2438 MM, VINYL WRAPPED - PICKLED ASH
	111133-G2-438	EA LUMBER - 18 MM X 76 MM X 2438 MM, VINYL WRAPPED - PICKLED ASH

**INTERIOR FINISH GROUP (CONTINUED)**  
**FIRE EXTINGUISHER, SMOKE DETECTOR & CO DETECTOR**

KEY	PART NUMBER	U/M DESCRIPTION
	094499-01-000	EA EXTINGUISHER-FIRE, DRY W/MOUNTING BRACKET - 10 BC
	094499-01-700	EA BRACKET-MOUNTING, W/PLASTIC STRAP - FIRE EXTINGUISHER
	094499-02-000	EA EXTINGUISHER-FIRE, DRY - 1A10BC - CANADIAN
	072852-01-000	EA DETECTOR-SMOKE, W/9 VOLT BATTERY
	072852-02-000	EA DETECTOR-SMOKE, W/9 VOLT BATTERY - CANADIAN
	112320-01-000	EA DETECTOR-CO GAS, MODEL 9B-I - COSTAR 940000000
	112320-02-000	EA BATTERY/SENSOR-CO GAS, COSTAR 940001000

**PANELING & LAMINATES**

KEY	PART NUMBER	U/M DESCRIPTION
	074498-57-000	SF LAMINATE-PLASTIC, PICKLED ASH - 5' X 8' - INCREMENTS OF 40 SF
	074498-66-000	SF LAMINATE-PLASTIC, GRAY - 5' X 8' - INCREMENTS OF 40 SF
	076325-49-000	FT MOLDING-EDGEBAND, PICKLED ASH - 1 5/16" X .030"
	076325-63-000	FT MOLDING-EDGEBAND, 1161 TAUPE - 1 5/16" X .030"
	088272-D2-000	SF PANELING-SIDEWALLS, 4' X 7' - INCREMENTS OF 28 SF
	074497-22-000	SF PANELING-CABINETRY, PICKLED ASH - 4' X 8' - INCREMENTS OF 32 SF
	088272-98-000	SF PANELING-SHOWER, OFF WHITE - 4' X 7' - INCREMENTS OF 28 SF
	089297-01-000	SF PLYWOOD-LUAN, OVERLAY GRADE - 4' X 8' - INCREMENTS OF 32 SF

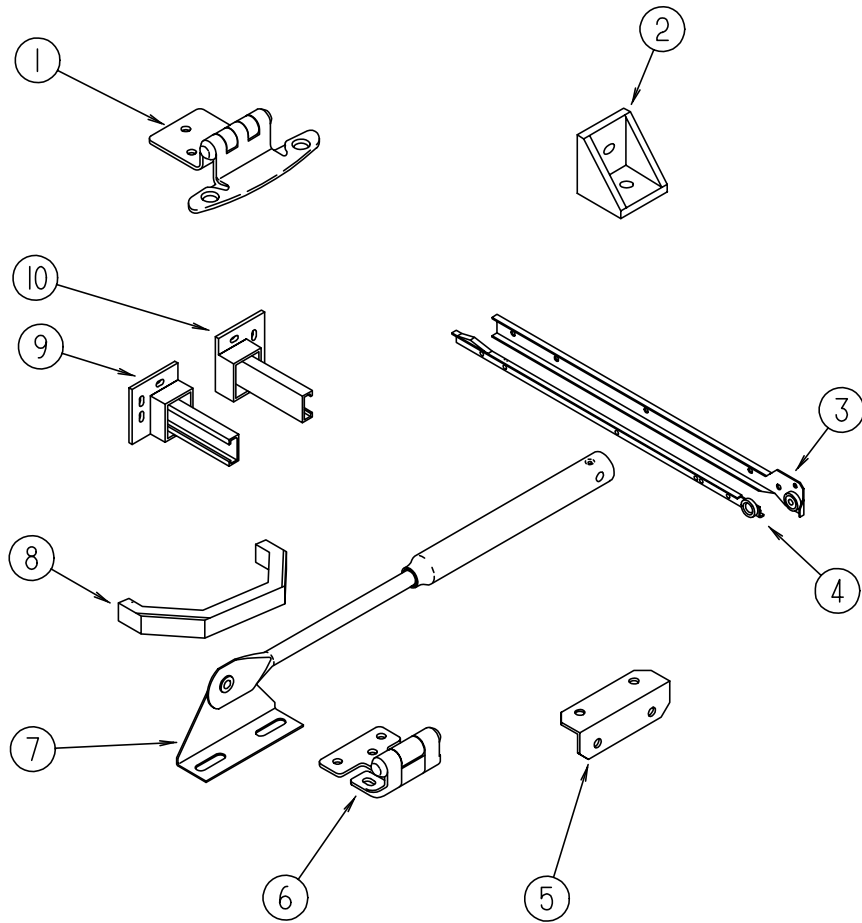
**BATT STRIPS**

KEY	PART NUMBER	U/M DESCRIPTION
	085284-A1-000	FT BATT STRIP-DECORATIVE, ADHESIVE BACKED
	085284-76-000	FT BATT STRIP-SHOWER, ADHESIVE BACKED - OFF WHITE
	088263-A9-000	EA BATT STRIP-DECORATIVE, 8' LONG
	088263-78-000	EA BATT STRIP-SHOWER, 8' LONG - OFF WHITE

**CARPETING & FLOOR MATS**

KEY	PART NUMBER	U/M DESCRIPTION
	096060-B0-000	SY CARPET - 12' ROLL, INCREMENTS OF 4 SY (F45/F46)
	117477-01-F45	EA CARPET ASM-CAB AREA (F45/F46)
	105924-02-F45	EA MAT-FLOOR, CARPET - ENTRY DOOR
	105924-02-F46	EA MAT-FLOOR, CARPET - ENTRY DOOR
	091261-01-000	FT SLIPNOT-ANTISLIP, 1' WIDE (100' ROLL)
	115381-01-01A	EA MAT-FLOOR, DRIVER - BROWN/BLACK (F45/F46)
	115381-02-01A	EA MAT-FLOOR, PASSENGER - BROWN/BLACK (F45/F46)

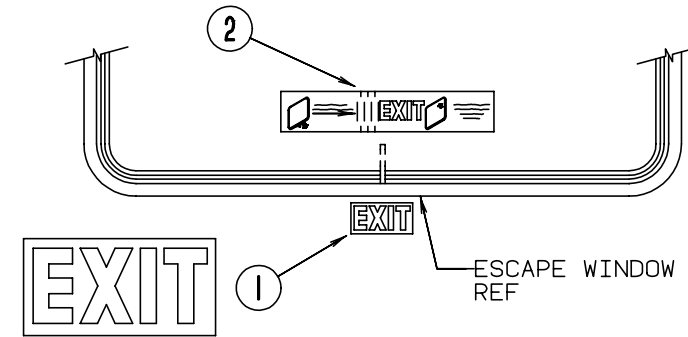
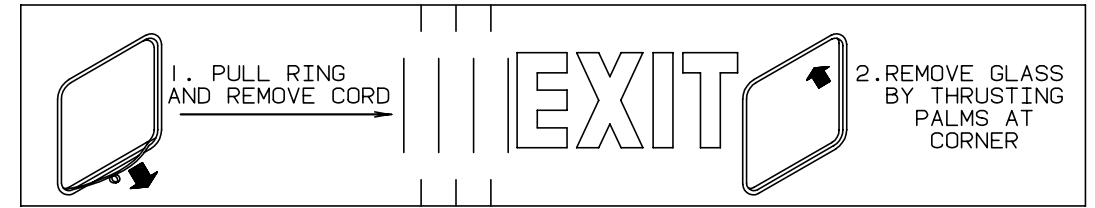
## INTERIOR FINISH GROUP (CONTINUED)



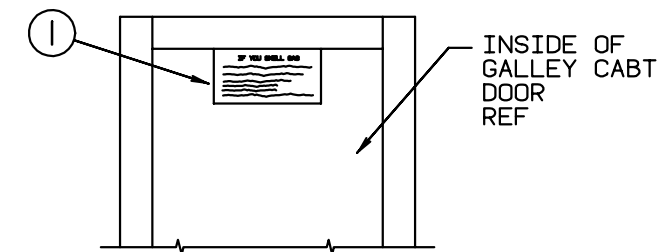
### CABINET DOOR & DRAWER HARDWARE

KEY	PART NUMBER	U/M DESCRIPTION
1	108138-01-000	EA HINGE-DOOR, CABINET - BURNISHED BRASS
2	065740-01-000	EA BRACE-CABINET CORNER, PLASTIC
3	114031-05-000	EA SLIDE-DRAWER, CABINET MOUNT - 14" - LEFT - HOUCK 7200-RV-1
3	114031-17-000	EA SLIDE-DRAWER, CABINET MOUNT - 20" - LEFT - HOUCK 7200-RV-1
3	114031-06-000	EA SLIDE-DRAWER, CABINET MOUNT - 14" - RIGHT - HOUCK 7200-RV-2
3	114031-18-000	EA SLIDE-DRAWER, CABINET MOUNT - 20" - RIGHT - HOUCK 7200-RV-2
4	114031-07-000	EA SLIDE-DRAWER, DRAWER MOUNT - 14" - LEFT - HOUCK 7200-RV-3
4	114031-19-000	EA SLIDE-DRAWER, DRAWER MOUNT - 20" - LEFT - HOUCK 7200-RV-3
4	114031-08-000	EA SLIDE-DRAWER, DRAWER MOUNT - 14" - RIGHT - HOUCK 7200-RV-4
4	114031-20-000	EA SLIDE-DRAWER, DRAWER MOUNT - 20" - RIGHT - HOUCK 7200-RV-4
5	016604-01-000	EA BRACE-CABINET, ANGLE - 2.5" - METAL - UNPAINTED
5	016604-05-000	EA BRACE-CABINET, ANGLE - 2.5" - METAL - OFF WHITE
6	113676-01-01A	EA HINGE-OVERLAY, VARIABLE - BURNISHED BRASS
7	074493-02-000	EA SUPPORT-PISTON SPRING, CABINET DOOR
8	112146-01-000	EA PULL-CABINET, BRASS - AMEROCK D-1180-3
9	114045-02-000	EA BACKSOCKET-ADJUSTABLE, RIGHT - HOUCK 751-2
10	114045-01-000	EA BACKSOCKET-ADJUSTABLE, LEFT - HOUCK 751-1
	023320-01-000	EA PAD-FELT, 3/8" DIAMETER - BROWN

## LABELS GROUP



KEY	PART NUMBER	U/M DESCRIPTION
1	039290-01-000	EA LABEL-WARNING, EXIT
2	107571-01-000	EA LABEL-ESCAPE/EXIT WINDOW

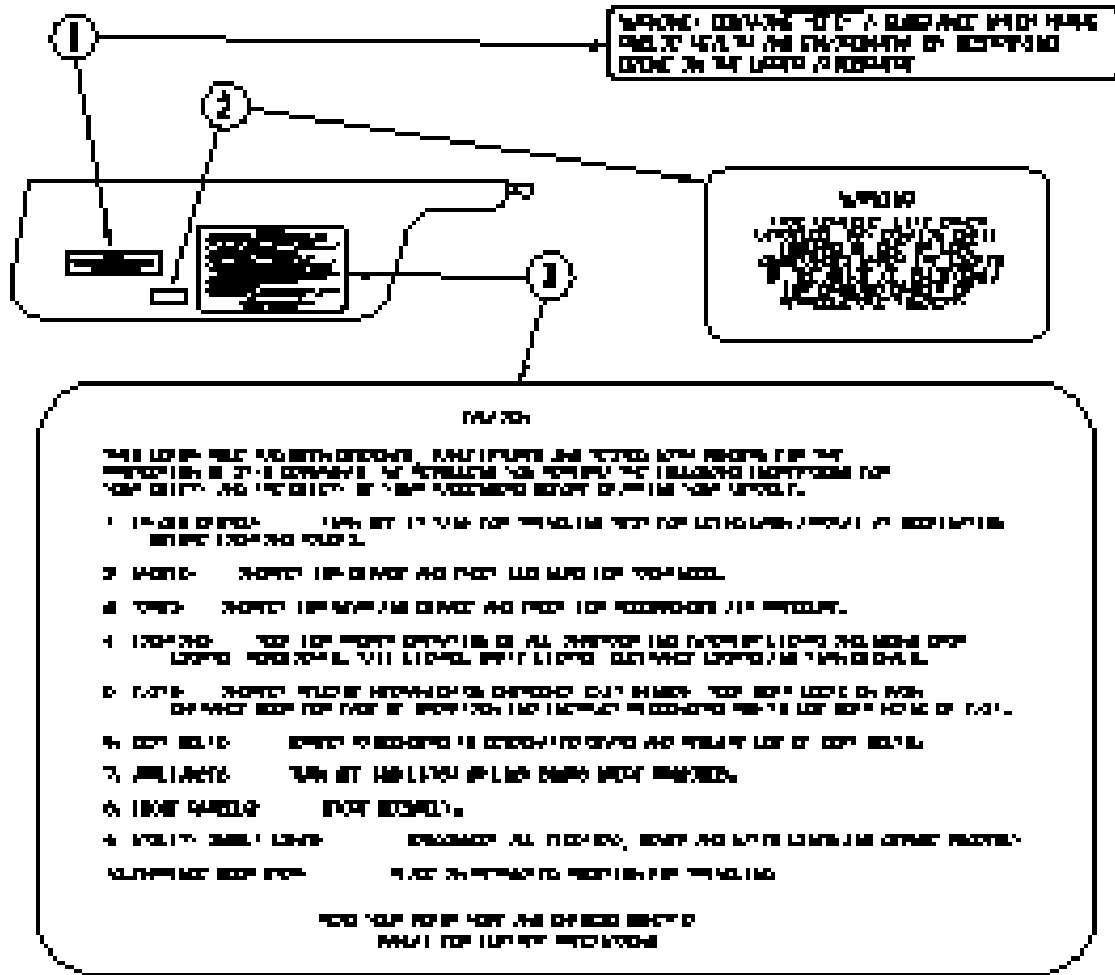


**IF YOU SMELL GAS**

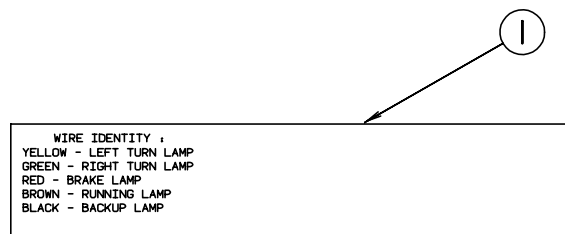
1. EXTINGUISH ANY OPEN FLAME, PILOT LIGHTS AND ALL SMOKING MATERIALS.
2. SHUT OFF THE GAS SUPPLY AT THE TANK VALVE( OR GAS SUPPLY CONNECTION).
3. OPEN DOORS AND OTHER VENTILATING OPENINGS.
4. DO NOT TOUCH ELECTRICAL SWITCHES.
5. LEAVE THE AREA UNTIL ODOR CLEARS.
6. HAVE THE GAS SYSTEM CHECKED AND LEAKAGE SOURCE CORRECTED BEFORE USING AGAIN.

KEY	PART NUMBER	U/M DESCRIPTION
1	073998-01-000	EA LABEL-LPG ODOR WARNING

LABELS GROUP (CONTINUED)

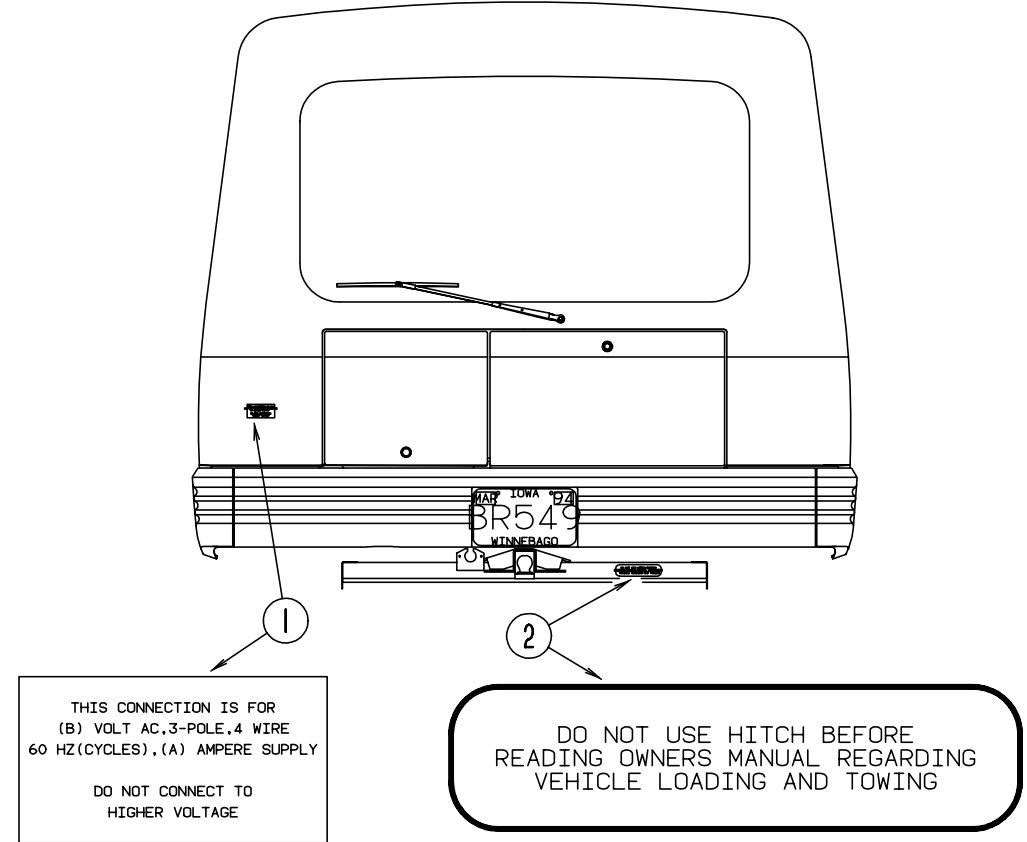


KEY	PART NUMBER	U/M DESCRIPTION
1	111802-01-000	EA LABEL-CFC WARNING
2	099689-01-000	EA LABEL-WARNING, CANCER/TOXICITY
3	056259-01-000	EA LABEL-SAFETY CHECK LIST

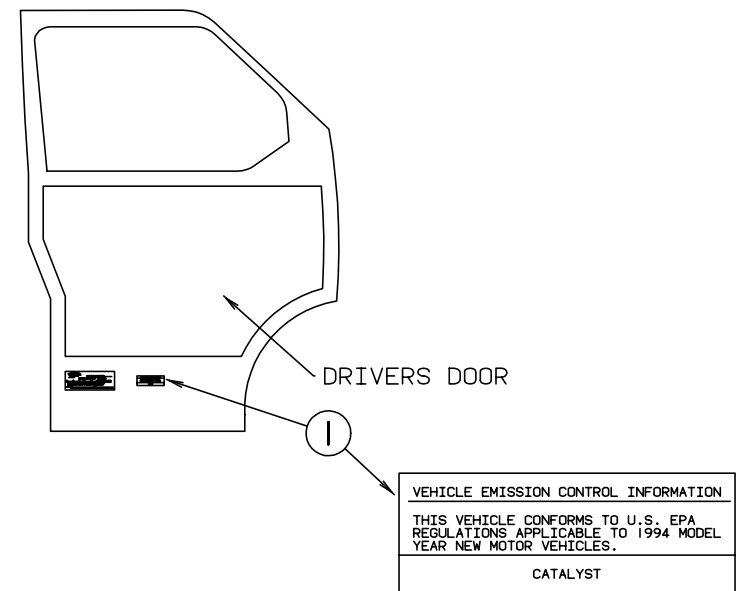


KEY	PART NUMBER	U/M DESCRIPTION
1	091224-02-000	EA LABEL-TRAILER LIGHTING

LABELS GROUP (CONTINUED)

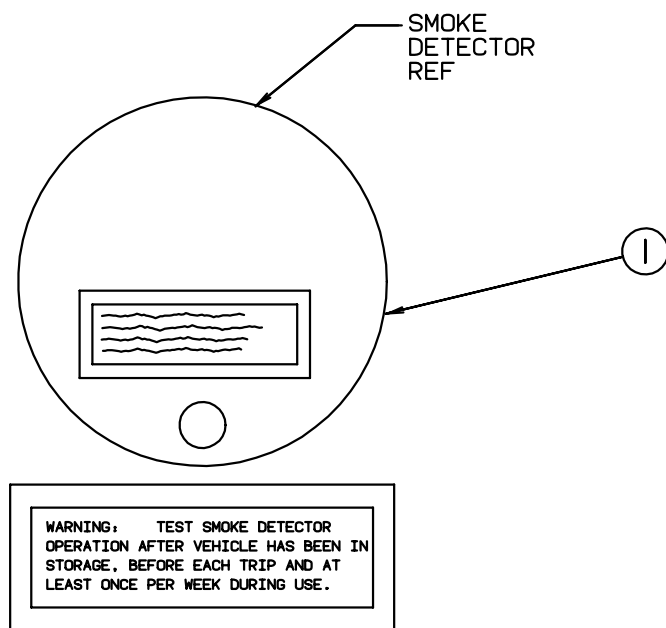


KEY	PART NUMBER	U/M DESCRIPTION
1	006062-01-000	EA LABEL-ELECTRIC, 110 V CONNECTION
2	111104-01-000	EA LABEL-HITCH, READ MANUAL



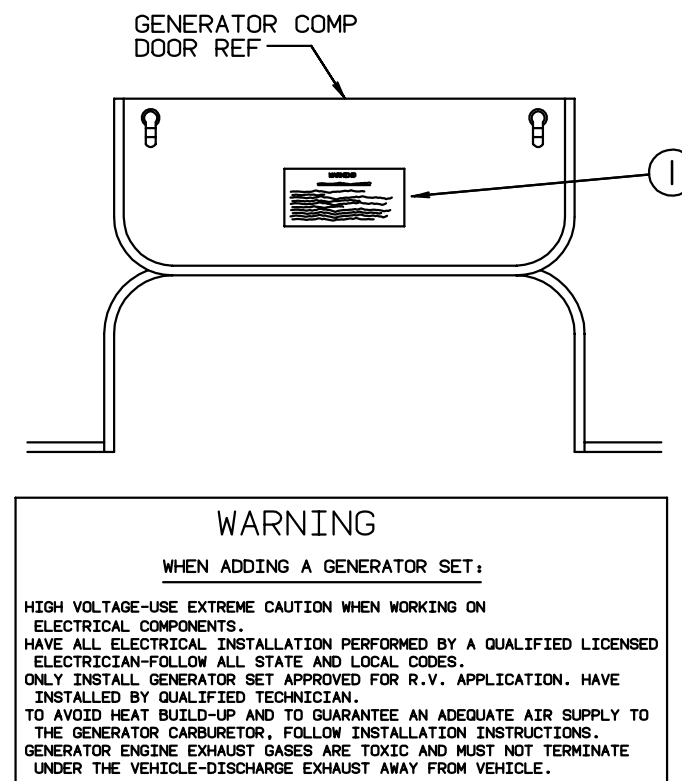
KEY	PART NUMBER	U/M DESCRIPTION
1	072887-07-000	EA LABEL-EPA, 1995 MODEL YEAR

**LABELS GROUP (CONTINUED)**



**KEY PART NUMBER U/M DESCRIPTION**  
 1 077956-01-000 EA LABEL-WARNING, SMOKE DETECTOR

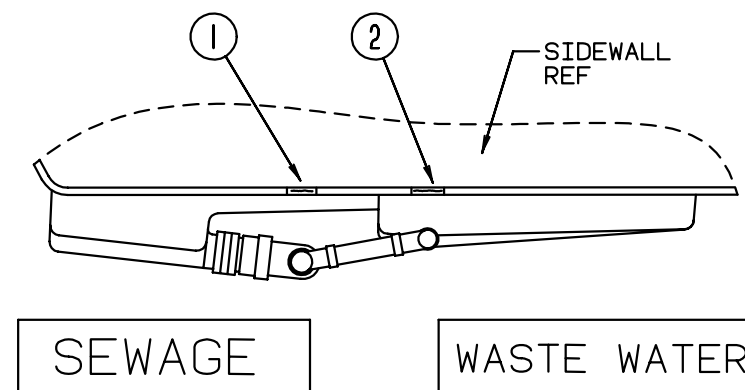
**LABELS GROUP (CONTINUED)**



**KEY PART NUMBER U/M DESCRIPTION**  
 1 077510-01-000 EA LABEL-GENERATOR PREP

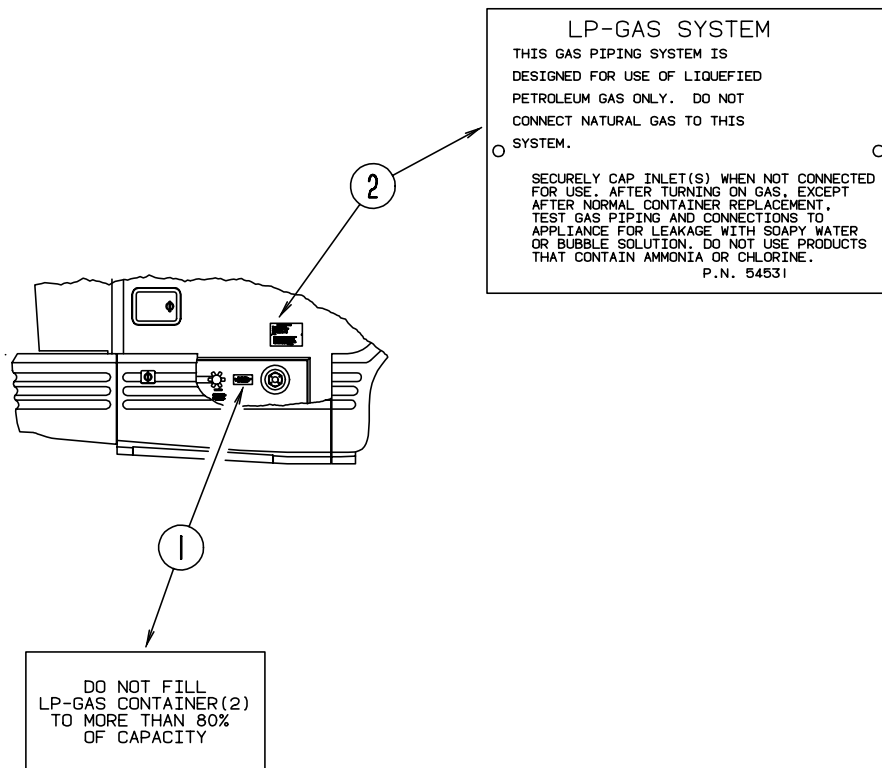
EMMISSION CONTROL INFORMATION			
ENGINE FAMILY: SWB2.5A7GFFA ENGINE CID: 150.0 EXHAUST EMISSION CONTROL TYPE: MFI-AIR-EGR-TWC EVAPORATION FAMILY: SWB1095BYPOT.		THIS HEAVY-DUTY VEHICLE CONFORMS TO U.S. EPA REGULATIONS APPLICABLE TO 1995 MODEL YEAR LIGHT-DUTY TRUCKS UNDER THE SPECIAL PROVISION OF 40 CFR 86.090-1(b), AND IS CERTIFIED FOR SALE IN THE STATE OF CALIFORNIA.	
CATALYST		ENGINE TUNE-UP AND ADJUSTMENTS AT NORMAL ENGINE OPERATING TEMPERATURE AND ALL ACCESSORIES OFF.	
COMPLIANCE DEMONSTRATED ALTITUDE <input type="checkbox"/> OVER 4000 FT <input type="checkbox"/> UNDER 4000 FT	SPECIFICATIONS	AUTOMATIC	INSTRUCTIONS
SEE OWNER AND SERVICE MANUAL FOR SCHEDULED MAINTENANCE INSTRUCTIONS.	1. TIMING SETTING (DWELL NOT ADJUSTABLE)	6 ±2° BTDC AT 2250 ± 250 RPM, ECT DISCONNECTED OR IN ADJUSTMENT MODE.	PROPER MAINTENANCE AND ADJUSTMENTS ARE NECESSARY FOR CONTINUED EFFECTIVENESS
SPARK PLUG TYPE NGK BKREKU SPARK PLUG GAP: 0.028 IN.	2. IDLE SPEED (AT RPM)	NOT ADJUSTABLE	
	3. FAST IDLE SPEED	NOT ADJUSTABLE	THIS VEHICLE IS EQUIPPED WITH AN ELECTRONIC ENGINE CONTROL SYSTEM
	4. IDLE MIXTURE CO(%)	NOT ADJUSTABLE	
RECONNECT ALL CONNECTIONS. SEE SERVICE MANUAL AND SCHEDULED MAINTENANCE FOR ADDITIONAL INFORMATION.			
OBD I CERTIFIED		WINNEBAGO INDUSTRIES, INC.	
114943-01-000 A			

**KEY PART NUMBER U/M DESCRIPTION**  
 1 114943-01-000 EA LABEL-EMISSION CONTROL

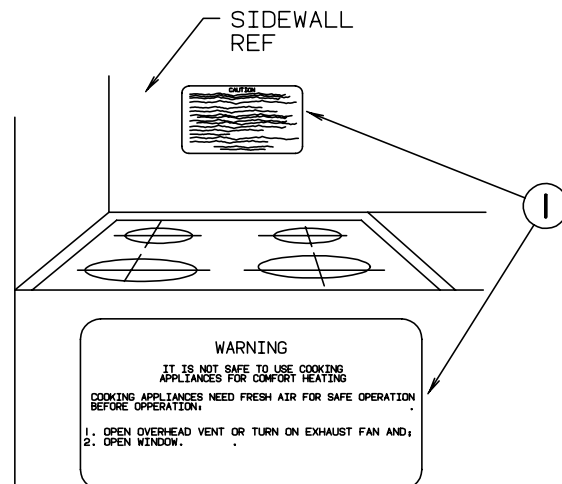


**KEY PART NUMBER U/M DESCRIPTION**  
 1 006187-01-000 EA LABEL-SEWAGE  
 2 006188-01-000 EA LABEL-WASTE WATER

**LABELS GROUP (CONTINUED)**

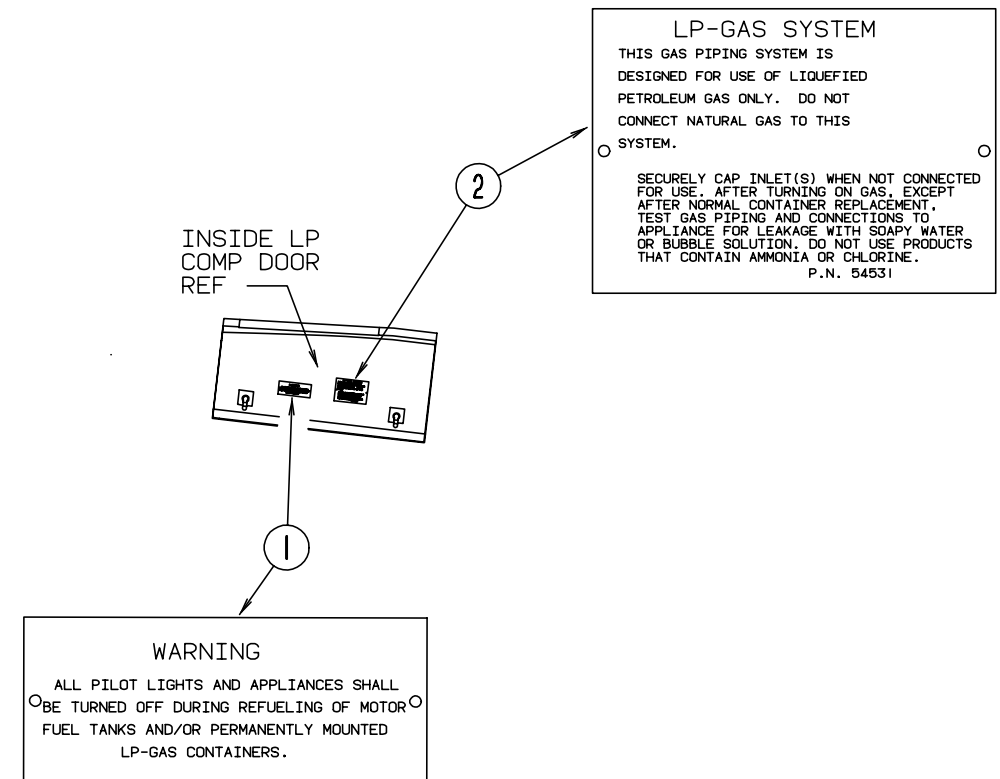


KEY	PART NUMBER	U/M DESCRIPTION
1	079965-01-000	EA LABEL-LPG, 80% CAPACITY
2	054531-01-000	EA LABEL-LP GAS ONLY

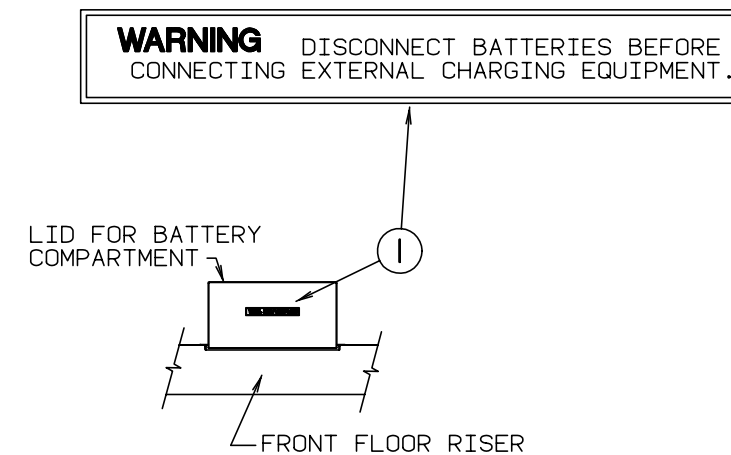


KEY	PART NUMBER	U/M DESCRIPTION
1	050225-01-000	EA LABEL-WARNING, STOVE VENT - US
1	050222-01-000	EA LABEL-WARNING, STOVE VENT - CANADIAN

**LABELS GROUP (CONTINUED)**



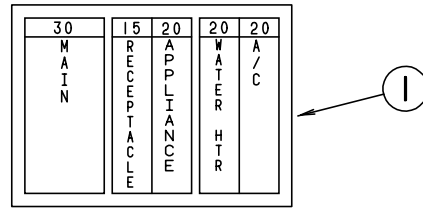
KEY	PART NUMBER	U/M DESCRIPTION
1	006040-01-000	EA TAG-GAS REFUELING WARNING, US
1	006040-02-000	EA TAG-GAS REFUEL WARNING, CANADIAN
2	023769-01-000	EA LABEL-WARNING, LPG - CANADIAN



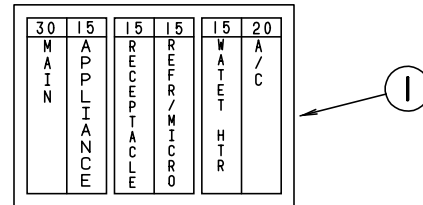
KEY	PART NUMBER	U/M DESCRIPTION
1	065748-01-000	EA LABEL-CAUTION, BATTERY CHARGING



**LABELS GROUP (CONTINUED)**



**KEY PART NUMBER U/M DESCRIPTION**  
 1 095721-15-000 EA LABEL-CONTROL CENTER, 30 A - US

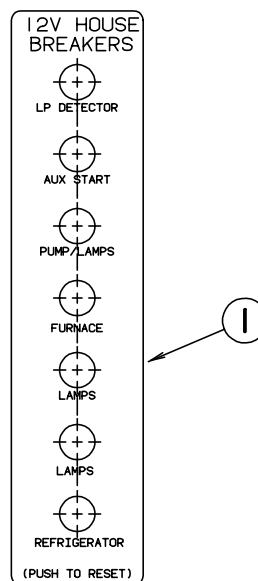


**KEY PART NUMBER U/M DESCRIPTION**  
 1 095721-16-000 EA LABEL-CONTROL CENTER, 30 A - CANADIAN

**ATTENTION**

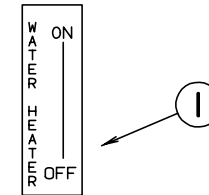
DEALER MUST INSTALL BATTERY AND SENSOR IN CO DETECTOR WHEN THIS MOTOR HOME IS PURCHASED. PARTS ARE IN LOOSE PARTS BOX.

**KEY PART NUMBER U/M DESCRIPTION**  
 1 112518-01-000 EA LABEL-HANG TAG, CO DETECTOR

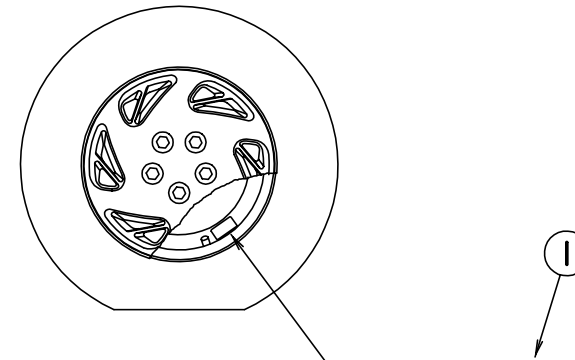


**KEY PART NUMBER U/M DESCRIPTION**  
 1 092547-05-000 EA LABEL-CIRCUIT BREAKER

**LABELS GROUP (CONTINUED)**



**KEY PART NUMBER U/M DESCRIPTION**  
 1 083588-01-000 EA LABEL-ON/OFF, WATER HEATER



WARNING: REPLACE TIRE ONLY WITH ONE OF EXACTLY SAME TYPE AND RATING. DO NOT REPLACE WITH PASSENGER CAR TIRE. SEE OPERATOR'S MANUAL FOR DETAILS. FOR MORE INFORMATION CALL WINNEBAGO OWNER RELATIONS AT 1-800-537-1885.

(ATTACH TO ALL WHEELS, INCLUDING SPARE, NEAR VALVE STEM)

**KEY PART NUMBER U/M DESCRIPTION**  
 1 115869-01-000 EA LABEL-WARNING, TIRE

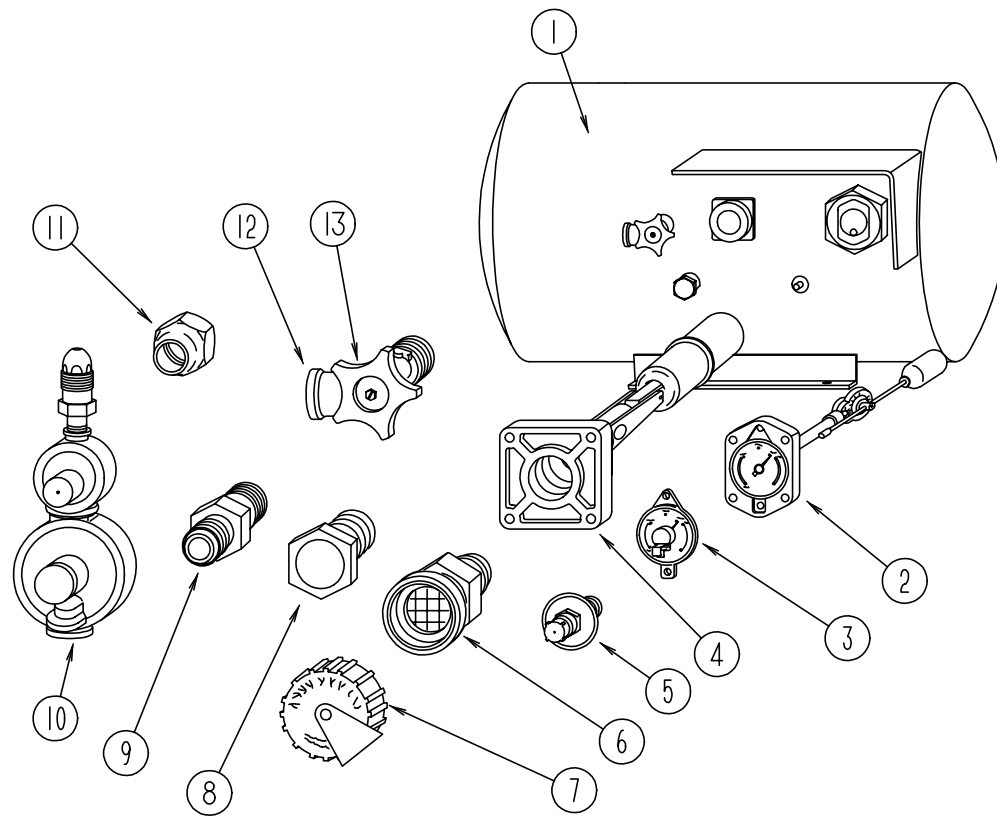
AIR CONDITIONING CIRCUIT. THIS CONNECTION IS FOR AIR CONDITIONERS RATED 110-125 VOLT AC, 60 HZ, 16 AMPERES MAXIMUM. DO NOT EXCEED CIRCUIT RATING.

**KEY PART NUMBER U/M DESCRIPTION**  
 1 091243-01-000 EA LABEL-A/C COVER

**MISCELLANEOUS LABELS**

**KEY PART NUMBER U/M DESCRIPTION**  
 087236-01-000 EA LABEL-CABLE, INPUT

## LP GROUP



**LP TANK & COMPONENTS**

KEY	PART NUMBER	U/M DESCRIPTION
1	074039-04-000	EA TANK-LP, 28 LB - BOTTOM MOUNT - 10" DIA X 23" LONG
2	074039-01-700	EA FLOAT ASM-BOLT ON, F/10" DIA TANK - BRUNNER 10C
3	040440-02-000	EA DIAL-TRANSMITTER, 0 - 90 OHM
4	040421-01-711	EA VALVE - 80% W/FLOAT, PLATE, BOLTS & GASKET - BRUNNER
5	040421-01-700	EA VALVE-LIQUID LEVEL, 20% LP - BRUNNER G-1013
6	040421-01-701	EA VALVE-FILLER, LP SHORT - BRUNNER 75478
7	040421-01-702	EA CAP-LP FILLER VALVE, PLASTIC - YELLOW - BRUNNER G-1014-A
8	040421-01-713	EA VALVE-VAPOR ONLY, 29000587
9	010323-01-000	EA ADAPTER-BRASS, 3/8" F X 1/2" MPT
9	010329-01-000	EA ADAPTER-BRASS, 1/2" F X 1/2" MPT
10	106150-03-000	EA REGULATOR-TWO STAGE LPG, M'BRASS 295-00
11	010377-02-000	EA NUT-BRASS, 3/8" FEMALE - FORGED
12	040421-01-712	EA VALVE-SERVICE W/HANDWHEEL, W/O VAPOR RELIEF - 29000853
13	040421-01-708	EA HANDWHEEL-SERVICE VALVE, BRUNNER G-1015-A
	103613-01-000	EA DETECTOR-LP GAS
	074458-01-000	EA ELBOW - 3/8" M FL TO 3/8" F FL SVL - ANCHOR BRASS A800
	010252-01-000	EA ELBOW-BRASS, 90 DEGREE - 3/8" F X 1/2" MPT
	010281-01-000	EA TEE-BRASS, 3/8" F
	010380-02-000	EA NUT-BRASS, 1/2" FLARE - FORGED
	024250-01-000	EA ADAPTER-BRASS, 3/8" F X 1/2" FPT
	008042-01-000	FT TUBING-VINYLL, .65" ID

## SEALANTS & FASTENERS GROUP SCREWS

KEY	PART NUMBER	U/M DESCRIPTION
	000G11-10-12D	EA SCREW, 10-16 X 3/4 PPH - BLACK
	000G11-10-12S	EA SCREW, 10-16 X .75 PPH - OFF WHITE
	000G11-06-10B	EA SCREW, 6-20 X 5/8 PPH - ZINC
	000G11-06-10J	EA SCREW, 7-19 X 1/2 PPH - ZINC
	000G11-06-24B	EA SCREW, 6-20 X 1.5 PPH - ZINC
	000G11-07-08B	EA SCREW, 7-19 X 1/2 PPH - ZINC
	000G11-08-06B	EA SCREW, 8-18 X 3/8 PPH - ZINC
	000G11-08-08B	EA SCREW, 8-18 X 1/2 PPH - ZINC
	000G11-08-08T	EA SCREW, 8-18 X 1/2 PPH - FLUROCARBON COATING
	000G11-08-10B	EA SCREW, 8-18 X 5/8 PPH - ZINC
	000G11-08-12B	EA SCREW, 8-18 X 3/4 PPH - ZINC
	000G11-08-12D	EA SCREW, 8-18 X 3/4 PPH - BLACK
	000G11-08-12P	EA SCREW, 8-18 X 3/4 PPH - DARK BROWN
	000G11-08-12S	EA SCREW, 8-18 X .75 PPH - OFF WHITE
	000G11-08-20B	EA SCREW, 8-18 X 1 1/4 PPH - ZINC
	000G12-06-08T	EA SCREW, 6-20 X .50 POH - BLACK
	000G13-05-16S	EA SCREW, 5-20 X 1 PFH - OFF WHITE
	000G13-06-08G	EA SCREW, 6-20 X 1/2 PPH - ANTIQUE BRASS
	000G13-06-12B	EA SCREW, 6-20 X .75 PFH - ZINC
	000G13-06-16E	EA SCREW, 6-20 X 1.00 PFH - CHROME
	000G13-07-10H	EA SCREW, 7-19 X 5/8 PFH - BLACK
	000G13-07-12B	EA SCREW, 7-19 X 3/4 PFH - ZINC
	000G13-08-10B	EA SCREW, 8-18 X 5/8 PFH - ZINC
	000G13-08-10S	EA SCREW, 8-18 X 5/8 PFH - OFF WHITE
	000G13-08-16B	EA SCREW, 8-18 X 1 PFH - ZINC
	000G13-10-12B	EA SCREW, 10-16 X 3/4 PFH - ZINC
	000G38-04-229	EA SCREW-MACH, 1/4-20 X 1.38 PFH - STALGARD
	000G39-06-08B	EA SCREW-DR, 6-18 X 1/2 - ZINC
	000G39-06-10T	EA SCREW-SF/DR, 6-20 X 5/8 PPH - BLACK
	000G39-06-16T	EA SCREW-SF/DR, 6-20 X 1 PPH - BLACK
	000G39-08-06B	EA SCREW-SF/DR, 8-18 X 3/8 PPH - ZINC
	000G39-08-08B	EA SCREW-SF/DR, 8-18 X 1/2 PPH - ZINC
	000G39-08-08T	EA SCREW-SF/DR, 8-18 X .50 PPH - BLACK
	000G39-08-12B	EA SCREW-SF/DR, 8-18 X 3/4 PPH - ZINC
	000G39-08-12T	EA SCREW-SF/DR, 8-18 X 3/4 PPH - BLACK
	000G39-08-16B	EA SCREW-SF/DR, 8-18 X 1.00 PPH - ZINC
	000G39-08-16S	EA SCREW-SF/DR, 8-18 X 1.00 PPH - OFF WHITE
	000G39-08-16T	EA SCREW-SF/DR, 8-18 X 1.00 PPH - BLACK
	000G39-08-24B	EA SCREW-SF/DR, 8-18 X 1 1/2 PPH - ZINC
	000G39-10-08B	EA SCREW-SF/DR, 10-16 X 1/2 P&H - ZINC

**SEALANTS & FASTENERS GROUP (CONTINUED)**  
**SCREWS (CONTINUED)**

KEY	PART NUMBER	U/M DESCRIPTION
	000G39-10-10B	EA SCREW-SF/DR, 10-16 X .625 - ZINC
	000G39-10-12B	EA SCREW-SF/DR, 10-16 X .75 PPH - ZINC
	000G39-10-12D	EA SCREW-SF/DR, 10-16 X 3/4 PPH - BLACK
	000G39-10-20B	EA SCREW-SF/DR, 10-16 X 1 1/4 PPH - ZINC
	000G39-10-32B	EA SCREW-SF/DR, 10-16 X 2.00 PPH - ZINC
	000G39-10-32I	EA SCREW-SF/DR, 10-16 X 2.00 PPH
	000G39-10-088	EA SCREW-SF/DR, 10-16 X .50 P&H - FLUOROCARBON
	000G39-10-129	EA SCREW-SF/DR, 10-16 X 3/4 PPH - FLUOROCARBON SILVER
	000G39-10-209	EA SCREW-SF/DR, 10-16 X 1 1/4 PPH - FLUOROCARBON SILVER
	000G42-04-12B	EA SCREW-SF/DR, 1/4-14 X 3/4 HWH - ZINC
	000G42-04-16B	EA SCREW-SF/DR, 1/4-14 X 1 HWH - ZINC
	000G42-04-20B	EA SCREW-SF/DR, 1/4-14 X 1 1/4 - ZINC
	000G50-04-08B	EA SCREW-MACH, 1/4-20 X 1/2 PTH - ZINC
	000G50-04-12B	EA SCREW-MACH, 1/4-20 X 3/4 PPH - ZINC
	000G52-08-18B	EA SCREW-MACH, 8-32 X 1 1/8 PTH - ZINC
	000G55-08-12S	EA SCREW-SF/DR, 8-18 X .75 PWH - OFF WHITE
	000G62-06-12J	EA SCREW-SF/DR, 6 - 20 X .75" PFH - BRASS
	000G67-10-08B	EA SCREW, 10-12 X 1/2 PPH - ZINC
	000G67-10-10B	EA SCREW, 10-12 X 5/8 PPH - ZINC - TYPE A
	000G67-10-10D	EA SCREW, 10-12 X 5/8 PPH - BLACK - TYPE A
	000G67-10-10S	EA SCREW, 10-12 X 5/8" PPH - OFF WHITE
	000G67-10-12B	EA SCREW, 10-12 X 3/4 PPH - ZINC
	000G67-10-16B	EA SCREW, 10-12 X 1 PPH - ZINC
	000G68-06-10G	EA SCREW, 6-18 X 5/8 POH - ANTIQUE BRASS
	0G1106-08-130	EA SCREW, 6-20 X 1/2 PPH - TAUPE
	0G1108-08-130	EA SCREW, 8-18 X 1/2 PPH - VW TAUPE
	0G1108-12-130	EA SCREW, 8-18 X .75 PPH - VW TAUPE
	0G1110-12-130	EA SCREW, 10-16 X .75 PPH - VW TAUPE
	0G3908-16-130	EA SCREW-SF/DR, 8-18 X 1.00 PPH - VW TAUPE
	0G5508-08-130	EA SCREW-SF/DR, 8-18 X .5 PWH - VW TAUPE
	0G5508-12-130	EA SCREW-SF/DR, 8-18 X .75 PWH - VW TAUPE
	0G6710-08-130	EA SCREW, 10-12 X 1/2 PPH - VW TAUPE
	049465-03-000	EA SCREW, 10-16 X 1 POH W/WASHER - OFF WHITE
	076790-01-000	EA SCREW, 6-20 X 1 1/4 PPH - BLACK
	086256-01-000	EA SCREW-SF/DR, 8 X .75 HWH LG - PL BODY PNL MT
	090033-02-000	EA SCREW, 1/4-20 X 5/8" - ROUND WASHER HEAD - OFF WHITE - W/ADHESIVE
	101618-01-000	EA SCREW, 1/4-20 X 3/4 HEX/TAPPING - STALGARD TYPE F
	113563-01-01A	EA SCREW, 8 X .62LG SHOULD/WASH HD - HWH TEKS SCREW
	116111-02-01A	EA SCREW-TAPTITE, 1/4-20 X 3/8 PPH - ZINC
	057671-09-000	EA COVER-SCREW, TAUPE - NO 8 - PRO-DEC PRODUCT

**SEALANTS & FASTENERS GROUP (CONTINUED)**  
**NUTS, BOLTS AND WASHERS**

KEY	PART NUMBER	U/M DESCRIPTION
	044364-02-000	EA NUT-SPEED, FLAT - ROUND
	087234-01-000	EA NUT-JACK, 1/4" X 20 THREADS, MOLLY - ARDEN 8-L,JN BRASS
		MOUNTS LICENSE PLATES TO REAR BUMPER
	063729-01-000	EA RIVNUT, 1/4 X 20 UNC - .030 - .125
		MOUNTS LICENSE PLATES TO FRONT BUMPER
	0MD39K-12-000	EA NUT-HEX W/NYLON LOK, M12 X 1,75 - RNO--7703034095
	0MD40K-14-000	EA NUT-HEX W/NYLON LOK, M14 X 2,00 - RNO--7703034104
	000D14-04-00B	EA NUT-HEX, 1/4-20 - ZINC 5
	000D24-10-00B	EA NUT-HEX, SF/LK - 10-32 - ZINC
	000D34-04-00B	EA NUT-HEX, LK 1/4 - 20 - ZINC
	000D39-04-00B	EA NUT-HEX, SER FLG LK 1/4 - 20 - ZINC
	000D39-05-00B	EA NUT-HEX, SER FLG LK - 5/16 - 18 - ZINC
	000D39-06-00B	EA NUT-HEX, SER FLG LK - 3/8-16 - ZINC
	000D39-08-00B	EA NUT-HEX, SER FLG LK - 1/2-13 - ZINC
	000D44-07-00B	EA NUT-HEX, SER FLG LK - 7/16-20 - ZINC
	000D46-04-00A	EA NUT-HEX, WELD - 1/4-20 - PLAIN - SHORT PILOT
	084406-01-000	EA NUT-CAPPED, CROSS RECESS - BLACK - 1/4 - 20 THD
	0MC05K-08-055	EA BOLT-HEX, M08 X 1,25 X 055
	0MC06K-10-080	EA BOLT-HEX, M10 X 1,50 X 080 - RNO--7703101055
	0MC13K-14-110	EA BOLT-HEX, M14 X 2,00 X 110 - RNO--7703101067
	0MC13K-14-070	EA BOLT-HEX, M14 X 2.00 X 070
	0MC31K-08-020	EA BOLT-HEX, SER FLANGE - M8 X 020
	0MC32K-10-030	EA BOLT-HEX, SER FLANGE - M10 X 1,50 9
	000C12-04-12A	EA BOLT-HEX, 1/4-20 X .75 - PLAIN 5
	000C12-05-16B	EA BOLT-HEX, 5/16-18 X 1 - ZINC 5
	000C12-05-64B	EA BOLT-HEX, 5/16-18 X 4
	000C12-06-16B	EA BOLT-HEX, 3/8-16 X 1LG - ZINC 5
	000C12-08-24B	EA BOLT-HEX, 1/2-13 X 1 1/2 - ZINC 5
	000C26-04-14B	EA BOLT-HEX, 1/4-20 X 7/8 - SERRATED FLANGE - ZINC
	000C26-04-10B	EA BOLT-HEX, 1/4-20 X 5/8 - SERRATED FLANGE - ZINC
	000C26-05-12B	EA BOLT-HEX, 5/16-18 X 3/4 - SERRATED FLANGE - ZINC
	000C26-06-12B	EA BOLT-HEX, 3/8-16 X 3/4 - SERRATED FLANGE - ZINC
	000C27-05-16B	EA BOLT-CARRIAGE, 5/16-18 X 1.0 - ZINC
	051387-06-000	EA BOLT-CARRIAGE, W/O HOLE - 5/16-18 X 9.5 ZN
	113985-01-000	EA BOLT-FLANGE, M10-1.5 X 40 CL10.9 - ZINC & CL
	113985-02-000	EA BOLT-FLANGE, M10-1.5 X 30 CL10.9 - ZINC & CL
	0ME06K-14-280	EA WASHER-FLAT, 14 ID X 28,0 OD
	000E11-05-00B	EA WASHER-LK, 5/16 MED SPLIT - ZINC
	000E11-08-00B	EA WASHER-LK, 1/2 MED SPLIT - ZINC
	000E13-14-00B	EA WASHER-FL, 1/4 WIDE - ZINC
	000E13-17-00B	EA WASHER-FL, 3/8" AR - ZINC
	000E13-18-00B	EA WASHER-FL, 3/8" WIDE - ZINC
	000E13-18-00K	EA WASHER-FL, 3/8" WIDE - YELLOW CHROMATE
	000E13-20-00B	EA WASHER-FL, 7/16" WIDE - ZINC
	041322-01-000	EA WASHER-FL, 15/32" ID X 2 3/8" OD

**SEALANTS & FASTENERS GROUP (CONTINUED)**  
**ADHESIVE AND SEALANTS**

KEY	PART NUMBER	U/M DESCRIPTION
	004001-05-000	EA EPOXY ADHESIVE - CLEAR - DP-100
	004020-01-000	QT ADHESIVE-ABS CEMENT - QUART
	112902-01-000	EA NOZZLE-ELEMENT, 3/8 X 24
	900390-03-000	EA NOZZLES-SILICONE TUBE, CSL# D10
	034552-06-000	EA SILICONE-TUBE, 300 ML - OFF WHITE
	034552-14-000	EA SILICONE-TUBE, 300 ML - VW WHITE
	063642-01-000	FT TAPE-ADHESIVE, 10 MM X 15" WIDE
	069640-02-000	FT SEALER-RIBBON, 1/2" X 1/8" - INCREMENTS OF 60'
	069640-03-000	FT SEALER-RIBBON, 3/4" X 1/8" - INCREMENTS OF 60'
	076322-01-000	FT TAPE-FOAM, DOUBLE COATED ADHESIVE BACKED - .75" X 216'
	076322-02-000	FT TAPE-FOAM, DOUBLE COATED ADHESIVE BACKED - 1" X 108'
	076322-03-000	FT TAPE-FOAM, DOUBLE COATED ADHESIVE BACKED - .5" X 108'
	076322-05-000	FT TAPE-FOAM, DOUBLE COATED - .025" X 1.5"
	076322-07-000	FT TAPE-FOAM, DOUBLE COATED - .045" X .50" - NORT V2000
	087211-01-000	GL PROMOTER-ADHESIVE
	102352-01-000	EA SEALER-PUMPABLE, BLACK
	103202-02-000	FT TAPE-FOAM ADHESIVE, ONE SIDE GRAY - NORTON V412 5/8 IN
	107828-01-000	EA SEALANT-SB 190 - EVERSEAL - SURE BOND INC
	108353-01-000	FT SEAL-FOAM, 5/16" X 1/2" - ADHESIVE BACK - LUNDELL #4773/1129
	112901-01-000	EA ADHESIVE-PLEXUS MA 330 - 400 ML - P33000
	112901-02-000	EA ADHESIVE-PLEXUS MA 330 - 50 ML - P33500

**SEALANTS & FASTENERS GROUP (CONTINUED)**  
**MISCELLANEOUS FASTENERS**

KEY	PART NUMBER	U/M DESCRIPTION
	008384-01-000	EA GROMMET-SNAP, 3/4" DIAMETER - NYLON
	008386-01-000	EA GROMMET-SNAP, 3/8"
	016188-03-000	EA GROMMET-L/P LINE, 3/8" HOLE X 2 1/2" LONG - RUBBER
	016188-05-000	EA GROMMET-L/P LINE, 3/8" HOLE X 1 1/4" LONG - RUBBER
	023942-01-000	EA GROMMET-RUBBER, 2" OD
	071015-13-000	EA GROMMET-RUBBER, .62" ID X 1" OD W/.09" GROOVE - BLACK
	071015-22-000	EA GROMMET-RUBBER, .62" ID X 1.12" OD W/.19" GROOVE - BLACK
	071015-31-000	EA GROMMET-RUBBER, .69" ID X 1.31" OD W/.12" GROOVE - BLACK
	071015-32-000	EA GROMMET-RUBBER, .75" ID X 1.375" OD W/.187" GROOVE - BLACK
	077953-01-000	EA GROMMET-EDGE LINER, FITS 1"
	114208-01-000	EA GROMMET-EDGE LINER, FITS 1.75" - HEYCO 2300
	114208-03-000	EA GROMMET-EDGE LINER, FITS 2.50" - HEYCO 2420
	007161-01-000	EA CLAMP-HOSE, SPRING TYPE - 1/2"
	010495-01-000	EA CLAMP-CABLE, 9/16"
	010495-02-000	EA CLAMP-CABLE, 3/8"
	010497-01-000	EA CLAMP-CLOSED, 5/8" ID
	010497-04-000	EA CLAMP-CLOSED, 1.62 ID - ADEL,945-2717
	010497-05-000	EA CLAMP-CLOSED, 1/2" ID
	010497-07-000	EA CLAMP-CLOSED, 3/8" ID
	062401-01-000	EA CLAMP-HOSE, WORMGEAR .25" - 1"
	062401-02-000	EA CLAMP-HOSE, WORMGEAR 1.56" - 2.5"
	062401-03-000	EA CLAMP-HOSE, WORMGEAR .22" - 1"
	062401-04-000	EA CLAMP-HOSE, WORMGEAR .69" - 1.25"
	062401-06-000	EA CLAMP-HOSE, WORMGEAR .22" - .62"
	062401-11-000	EA CLAMP-HOSE, WORMGEAR 3.56"- 4.5"
	075148-02-000	EA CLAMP-GROUNDING, BRONZE SCREWS
	077955-01-000	EA CLIP-J, VINYL COATED - 3/8"
	081916-02-000	EA CLAMP-HOSE, WORMGEAR 16 MM - 27 MM - RENAULT# 7703083295
	083609-01-000	EA CLAMP-WIRE, DUAL EQUAL - 5/8" DIAMETER
	083610-01-000	EA CLAMP-WIRE, DUAL - UNEQUAL DIAMETERS - .75" & 1.25"
	080211-03-000	EA CLIP-MOUNTING, (CHRISTMAS TREE)
	080734-02-000	EA CLIP-WIRE, NYLON
	091952-01-000	EA CLIP-GRIPPER, 1"
	008343-01-000	EA TIE-WIRE, 6"
	108046-01-000	EA CABLE TIE-SCREW MOUNT, 8"
	034141-02-000	EA PLUG-HOLE, 3/8" - NYLON - BLACK
	061420-04-000	EA PLUG-PLASTIC, 1.25" DIAMETER - CAPLUG BP1.25
	061420-07-000	EA PLUG-PLASTIC, 1.8" DIAMETER - CAPLUG BP-1.8
	085774-03-000	FT FASTENER-DUAL LOCK, 1/2" WIDE - 3M-3541
	085774-04-000	FT FASTENER-DUAL LOCK, 1/2" WIDE - 3M-3541

## WATER & SEWAGE GROUP

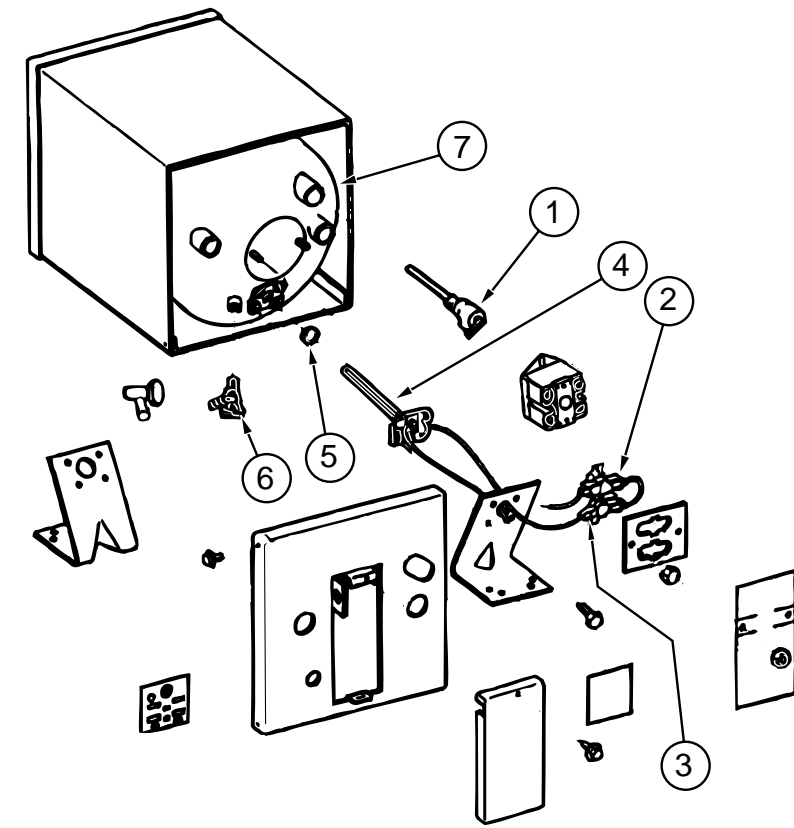
### FRESH WATER TANK

KEY	PART NUMBER	U/M DESCRIPTION
	074510-07-000	EA TANK ASM-WATER, 16 GAL - W/FITTINGS - 850 MM X 290 MM X 270 MM
	074510-01-000	EA TANK ASM-WATER, 16 GAL - W/O FITTINGS - 850 MM X 290 MM X 270 MM
	077954-02-000	EA FILTER-WATER TANK, SCREEN IN TANK
	079381-01-000	FT TUBING-SMOOTH, FLEXIBLE - 1 1/4" ID
	042989-03-000	EA FITTING-WATER TANK, SPINWELD - 1 1/4" NPT - PLASTIC - WHITE
	042989-04-000	EA FITTING-WATER TANK, SPINWELD - 3/8" FPT - PLASTIC - WHITE
	042989-05-000	EA FITTING-WATER TANK, SPINWELD - 1/2" FPT - PLASTIC - WHITE
	049032-01-000	EA PATCH-SPINWELD, 3/8" - PLASTIC
	039861-01-000	EA SENDING UNIT W/SCREW, WASHER, WELL NUT AND TERMINAL RING
	010219-01-000	EA ELBOW - 1 1/4" MPT X 1 1/4" BARB, WATER FILL - PLASTIC
	035539-01-000	EA ELBOW-PLASTIC, 3/8" MPT X 3/8" BARB
	039798-01-000	EA TEE - 1/2" MPT X 1/2" MPT X 1/2" MPT, PLASTIC
	074462-02-000	FT TUBING-VINYL, 3/8" ID - CLEAR

### WATER SYSTEM

KEY	PART NUMBER	U/M DESCRIPTION
	110915-01-01A	EA FILL-WATER, CITY - CHROME - KEVCO 64713
	090338-03-000	EA FITTING-HOSE, 3/4" ID - 2" LENGTH - BRASS
	114428-01-000	EA TEE - 1/2" P X 1/2" P X 1/2" P - FLAIR-IT 02820
	114428-02-000	EA TEE-SWIVEL, 1/2" P X 1/2" P X 1/2" FPT - FLAIR-IT 02821
	114428-03-000	EA TEE - 1/2" P X 1/2" P X 1/2" MPT - FLAIR-IT 02822
	114429-01-000	EA ELBOW - 1/2" P X 1/2" P - FLAIR-IT 02800
	114429-03-000	EA ELBOW - 1/2" P X 1/2" FPT - FLAIR-IT 02816
	114429-05-000	EA ELBOW - 1/2" P X 3/4" MPT - FLAIR-IT 02812
	114430-01-000	EA ADAPTER - 1/2" P X 1/2" P - FLAIR-IT 02840
	114430-02-000	EA ADAPTER-SWIVEL, 1/2" P X 1/2" FPT - FLAIR-IT 02873
	114431-01-000	EA VALVE-LINE DRAIN, 1/2" P - FLAIR-IT 02914
	114431-03-000	EA VALVE - 1/2" P X 1/2" P - FLAIR-IT 02884
	114431-04-000	EA VALVE-WATER - STRAIGHT THRU - "SHUT OFF VALVE"
	039800-02-000	FT TUBING-POLYBUTYL, 5/8" OD - INCREMENTS OF 20' - BLACK

## WATER & SEWAGE GROUP (CONTINUED)

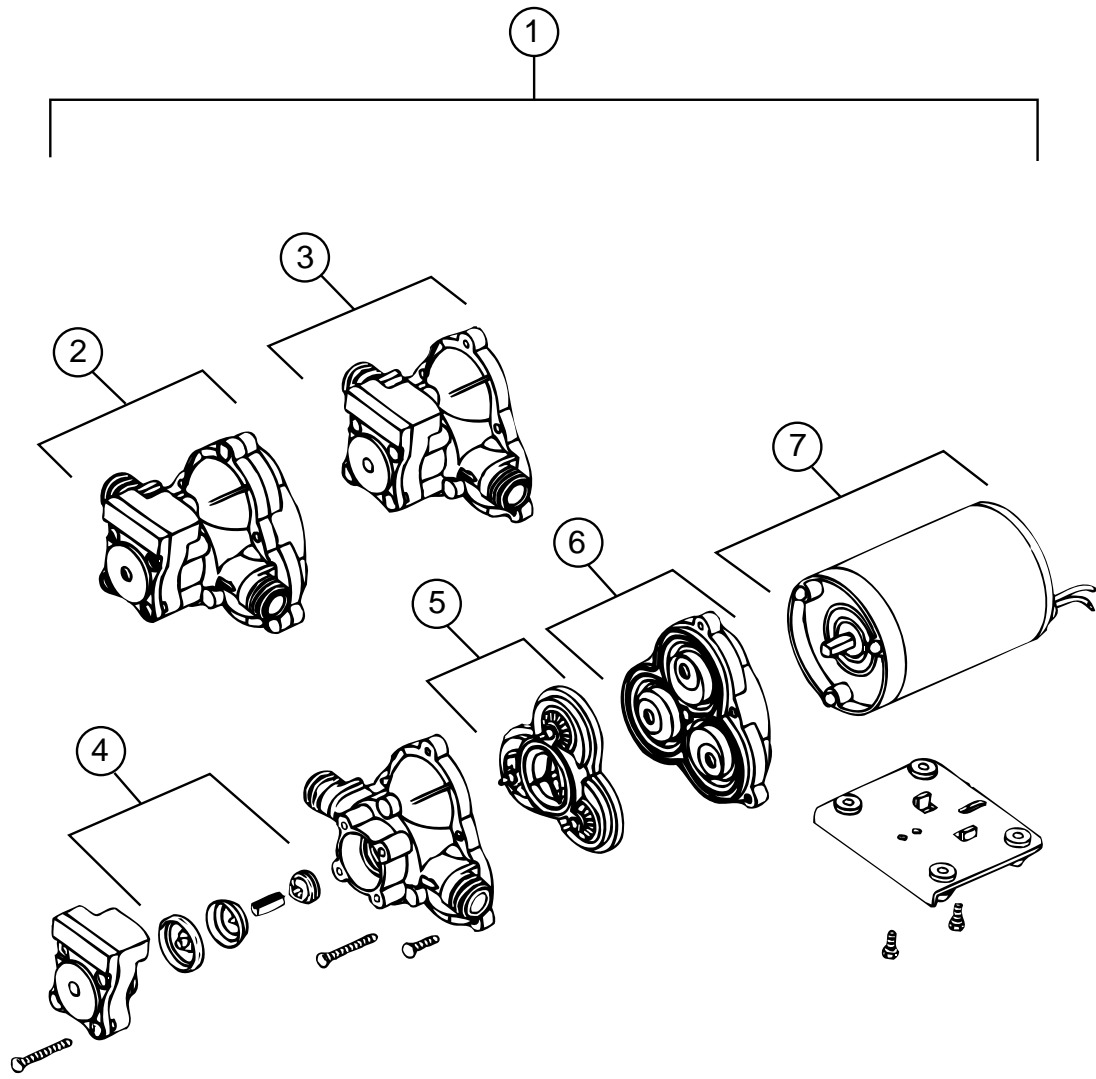


**ELECTRIC WATER HEATER**

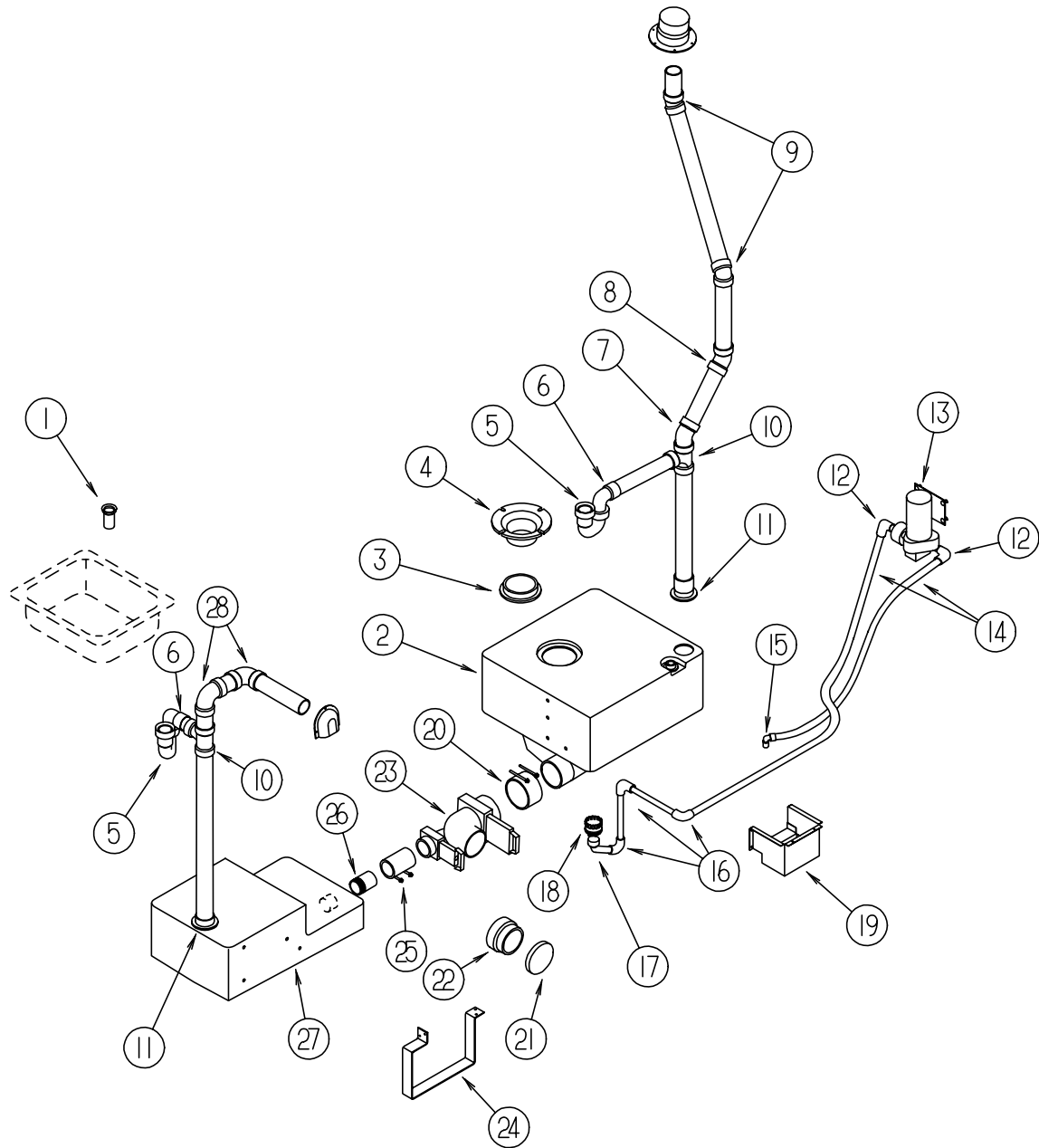
KEY	PART NUMBER	U/M DESCRIPTION
	113122-01-000	EA WATER HEATER-ELECTRIC, 4 GL - ATWOOD EHM4-SM
1	051391-01-704	EA VALVE-RELIEF, 1/2" FITTING - ATWOOD# 91604
2	074034-01-700	EA ECO-SWITCH - ATWOOD# 92942
3	074034-01-701	EA THERMOSTAT - ATWOOD# 92943
4	074034-01-702	EA ELEMENT-IMMERSION, 1500 W - ATWOOD# 93089
5	074034-01-703	EA GASKET - ATWOOD# 92679
6	074034-01-704	EA DRAIN-PETCOCK, ATWOOD# 93755
7	113122-01-700	EA TANK-INNER, ATWOOD# 92245

**WATER & SEWAGE GROUP (CONTINUED)**  
**WATER PUMP OR SUMP PUMP & COMPONENTS**

KEY	PART NUMBER	U/M	DESCRIPTION
1	098607-01-000	EA	PUMP-WATER/SUMP, W/.5" MPT FITTING - FLOW 2.8 GPM - UL
2	098607-01-700	EA	PUMPHEAD-REPLACEMENT, SHURFLO# 94-236-08
3	098607-01-706	EA	UPPER HOUSING/SWITCH KIT, SHURFLO# 94-231-20
4	098607-01-705	EA	CHECK VALVE-KIT, SHURFLO# 94-237-00
5	098607-01-703	EA	VALVE ASM, SHURFLO# 94-232-00
6	098607-01-702	EA	DIAPHRAGM KIT W/DRIVE, SHURFLO# 94-238-04
7	098607-01-707	EA	MOTOR/BASEPLATE REPLACEMENT, SHURFLO# 94-234-03

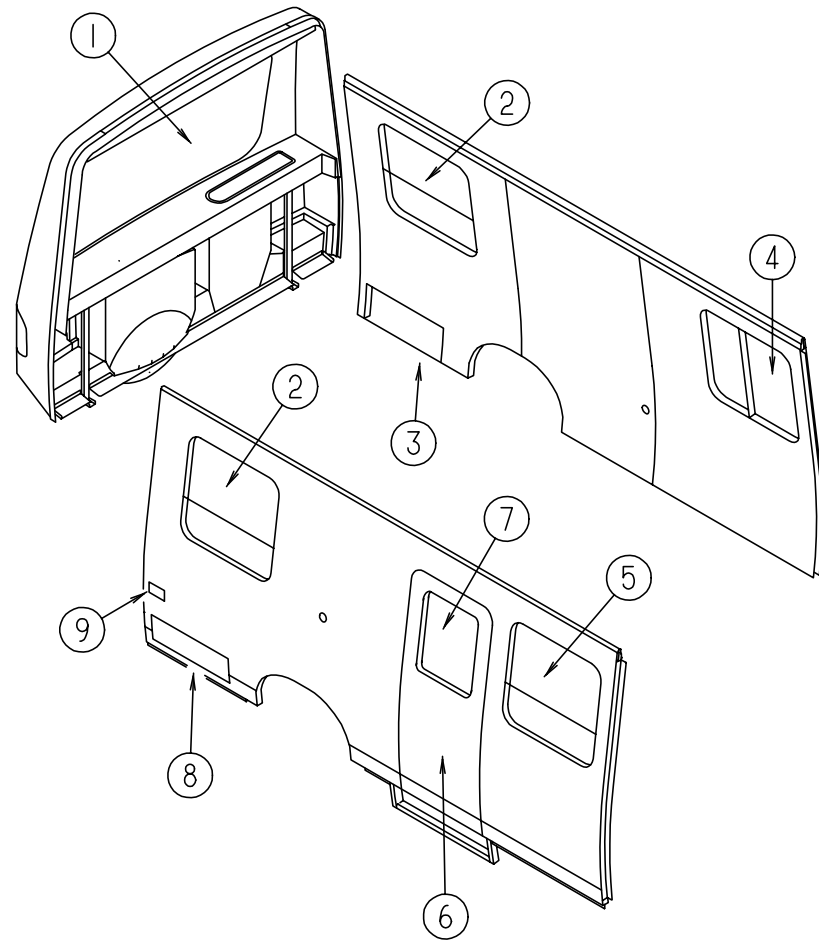


**WATER & SEWAGE GROUP (CONTINUED)**  
**DRAINAGE SYSTEM**

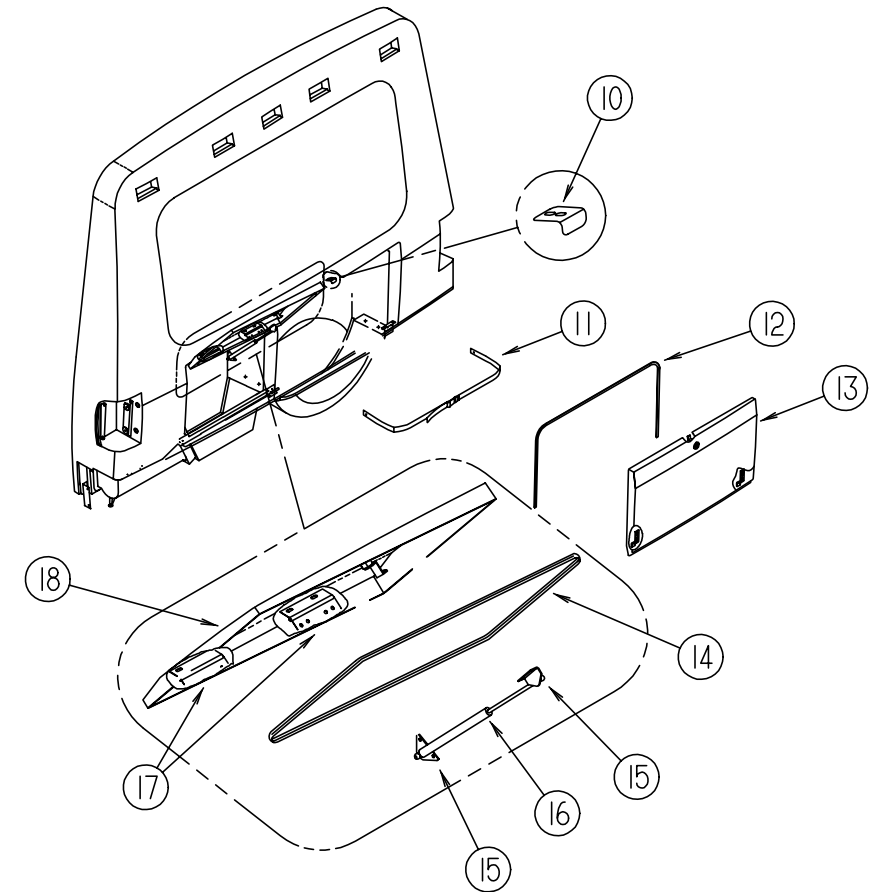


KEY	PART NUMBER	U/M	DESCRIPTION
1	011069-03-000	EA	TAILPIECE - 1 1/2" X 1 3/4", PLASTIC
2	111884-01-000	EA	TANK-HOLDING, 13 GAL - 486 MM X 466 MM X 330 MM
	061607-01-000	EA	GROMMET-HOLDING TANK, 1 1/2" NPS
3	061607-02-000	EA	GROMMET-HOLDING TANK, 3" NPS
	039861-01-000	EA	SENDING UNIT W/SCREW, WASHER, WELL NUT AND TERMINAL RING
4	063641-01-000	EA	FLANGE-CLOSET, 4" X 3"
5	107538-01-000	EA	P-TRAP-PLASTIC, 1 1/4" W/EXT ARM - US
5	011066-03-700	EA	P-TRAP KIT - 1 1/2" X 1 1/4" P-TRAP W/1 1/2 TO 1 1/4 REDUCER - CANADIAN
6	109571-01-000	EA	ADAPTER-P TRAP, 1 1/2" P X 1 1/4" MPT
7	010051-01-000	EA	ELBOW - 45 DEGREE BEND, 1 1/2" SPIGOT AND HUB - PLASTIC - BLACK
8	010006-01-000	EA	ELBOW - 45 DEGREE , 1/8 BEND - 1 1/2" HUB X HUB - BLACK PLASTIC
9	010005-01-000	EA	ELBOW - 22 1/2 DEGREE, 1/16 BEND - 1 1/2" HUB X HUB - PLASTIC - BLACK
10	010071-02-000	EA	TEE-SANITARY W/BAFFLE, 1 1/2" HUB X HUB X HUB - PLASTIC - BLACK
11	010115-01-000	EA	COUPLING - 1 1/2" HUB X HUB, PLASTIC
12	114429-03-000	EA	ELBOW-SWIVEL, 1/2" P X 1/2" FPT - FLAIR-IT 02816 - SHOWER OPTION
	114966-01-000	EA	FILTER-IN LINE, TWIST ON - 1/2" - SHURFLO #170-061-09 - SHOWER OPTION
13	098607-01-000	EA	PUMP-SUMP, W/.5" MPT FITTING - FLOW 2.8 GPM - UL - SHOWER OPTION
14	039800-02-000	FT	TUBING-POLYBUTYL, 5/8" OD - INCREMENTS OF 20' - BLACK
15	114429-02-000	EA	ELBOW - 1/2" P X 1/2" MPT - FLAIR-IT 02803
16	114429-01-000	EA	ELBOW - 1/2" P X 1/2" P - FLAIR-IT 02800 - SHOWER OPTION
17	114429-06-000	EA	ELBOW-SWIVEL, 1/2" P X 3/4" FPT - FLAIR-IT 02811
18	114974-01-000	EA	CONNECTOR-HULL, W/STRAINER - ATTWOOD 3886-1
19	114987-01-09B	EA	PANEL-COVER, SUMP - BOTTOM - 144.4 MM X 130.9 MM X 54 MM - GALV STEEL
	114988-01-09B	EA	PANEL-COVER, SUMP - 173.4 MM X 146.4 MM X 114 MM - GALVANIZED STEEL
	092321-01-000	FT	INSULATION-FIBERGLASS, W/ALUMINUM FOIL
20	078406-01-000	EA	COUPLER-RUBBER, W/CLAMPS - 3" X 3"
21	062415-01-000	EA	CAP-SEWER, 3" DIAMETER
	062415-01-700	EA	STRING SEWER CAP
	010201-01-000	EA	HOSE-SEWER, 3" ID X 8'
	062416-01-000	EA	ADAPTER-SEWER HOSE TO 3" PIPE
22	109450-01-000	EA	ADAPTER-HOSE, SEWER - PLASTIC - KEVCO 40738
23	070916-01-000	EA	VALVE-DUAL DUMP, W/CAP - 3" X 1 1/2" - PLASTIC - BLACK
	070916-01-700	EA	VALVE ONLY, 3"
	070916-01-701	EA	VALVE ONLY, 1 1/2"
24	117271-01-02B	EA	SHROUD-DRAINAGE, E-COAT - 304.1 MM X 210.7 MM X 38.1 MM - STEEL
25	089355-01-000	EA	COUPLER-RUBBER, 1 1/2" X 1 1/2"
26	102024-01-000	EA	NIPPLE-PLASTIC, 1.5" X 2.62" TOE
27	118979-01-000	EA	TANK-HOLDING, 6.4 GAL - 580 MM X 336 MM X 217 MM
	061607-01-000	EA	GROMMET-HOLDING TANK, 1 1/2" NPS
	039861-01-000	EA	SENDING UNIT W/SCREW, WASHER, WELL NUT AND TERMINAL RING
28	037101-01-000	EA	ELBOW-PLASTIC, 1/4 BEND VENT 11 1/2" H - SLOANE 2201
	114427-02-000	EA	PLUG - 1/2" P - FLAIR-IT 02863

**WINDOW, VENT & EXTERIOR DOOR GROUP**  
WINDOWS & DOORS



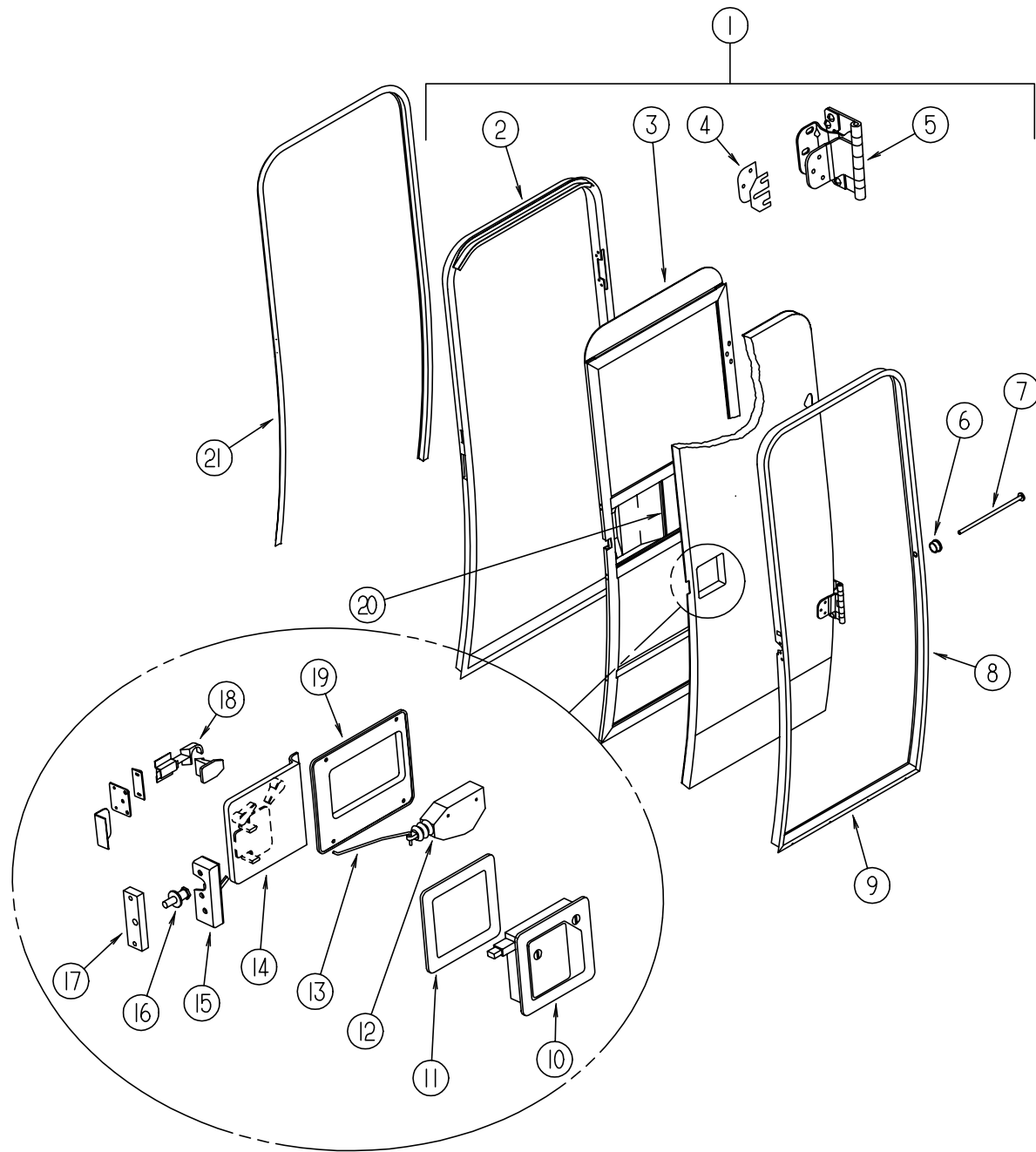
KEY	PART NUMBER	U/M DESCRIPTION
1	084886-04-000	EA GLASS-WINDOW, REAR ESCAPE
1	084886-05-000	EA GLASS-WINDOW, REAR ESCAPE - HEATED
1	002285-01-000	FT FILLER-WEATHER STRIP, RUBBER - BLACK
1	084423-03-000	EA WEATHERSTRIP-VULCANIZED, 1.2" W/LIP X 14' - RUBBER - BLACK
1	077066-01-702	EA TAPE ASM-ESCAPE WINDOW
2	104691-07-01A	EA WINDOW ASM-TIPOUT, OFF WHITE - EXCEL CH78-G1W59
3	112027-02-F45	EA DOOR-GENERATOR, REAR - LH - VW WHITE
3	112027-03-F45	EA DOOR-LUGGAGE, REAR - LH - VW WHITE
4	098647-42-01A	EA WINDOW-SLIDER, HORIZONTAL - EXCEL H425-G166L
5	098644-10-01A	EA WINDOW-SLIDER, RAISE - EXCEL H464-G1W66
6	113594-01-F45	EA DOOR-ENTRANCE, W/O WINDOW - W/SCREEN DOOR - W/POWER LOCK
7	117053-01-F45	EA WINDOW-ENTRY DOOR, 17" X 25" - W/O INSIDE FRAME
8	112027-01-F45	EA DOOR-LP, REAR - RH - VW WHITE
9	081240-14-000	EA FILL-WATER, LOCKABLE - VW WHITE



KEY	PART NUMBER	U/M DESCRIPTION
10	113745-01-02B	EA STRIKE-SPARE TIRE DOOR, E-COATED
11	099717-04-000	EA TIEDOWN ASM-STRAP W/BUCKLE
12	112160-01-000	FT SEAL-D SECTION, 6 MM X 10 MM - 256M ADHESIVE - BLACK - LAUREN 1153
13	113694-01-F45	EA DOOR-SPARE TIRE ACCESS, VW WHITE
14	112160-01-000	FT SEAL-D SECTION, 6 MM X 10 MM - 256M ADHESIVE - BLACK - LAUREN 1153
15	107796-03-000	EA BRACKET-GAS SPRING, SMALL - SPDI SPD-1015
16	108998-01-000	EA SPRING-GAS - SPD-5300-30
17	116291-01-01A	EA HINGE-POWER CORD ACCESS DOOR, 360 MM LONG - VW WHITE
18	113693-01-F45	EA DOOR-POWER CORD ACCESS, VW WHITE
	009426-01-000	EA HATCH-POWER CORD, WHITE



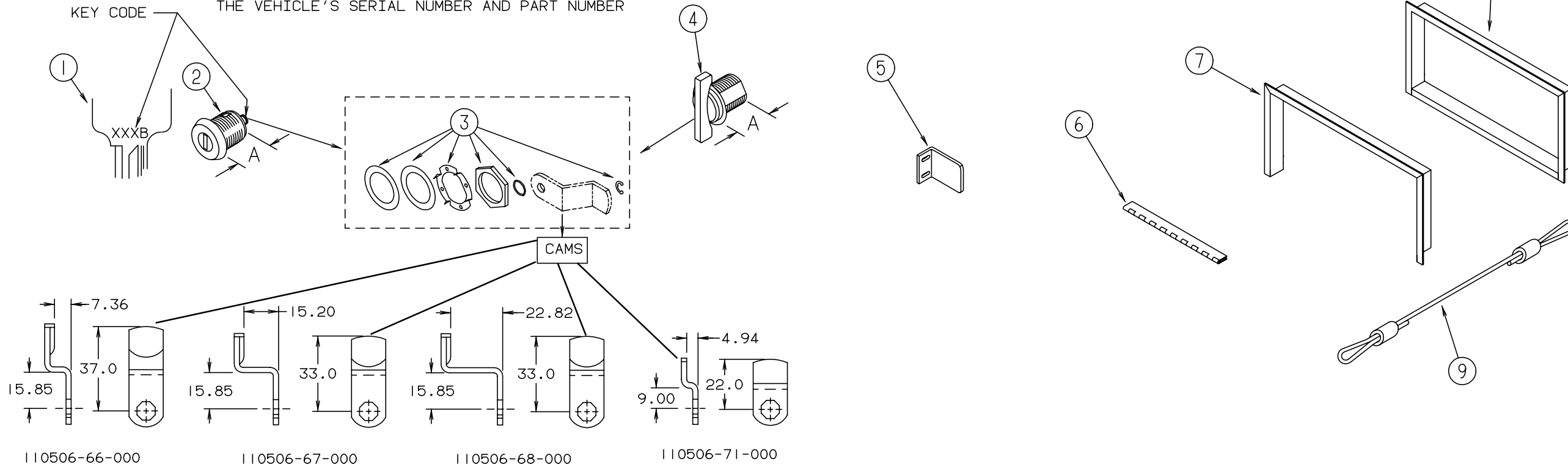
**WINDOW, VENT & EXTERIOR DOOR GROUP (CONTINUED)**  
**ENTRANCE DOOR**



KEY	PART NUMBER	U/M DESCRIPTION
1	113594-01-F45	EA DOOR-ENTRANCE, W/O WINDOW - W/SCREEN DOOR - W/POWER LOCK
2	113642-01-F45	EA JAMB ASSEMBLY-ENTRANCE DOOR W/DRIP CAP & BOTTOM
	112160-01-000	FT SEAL-D SECTION, 6 MM X 10 MM - 256M ADHESIVE - BLACK - LAUREN 1153 MOUNTED TO ENTRANCE DOOR JAMB ASSEMBLY
	058806-01-000	EA PLUG-TAPERED, PLASTIC - .94" DIA - RED
	063729-01-000	EA RIVNUT - 1/4" X 20 UNC - .030 - .125
3	113621-01-01A	EA DOOR-SCREEN, OFF WHITE
	002293-02-000	SF SCREENING-WINDOW/DOOR, 26" - CHARCOAL
	002294-01-000	FT SPLINE-SCREENING, .135" X .138" - BLACK
	075673-01-000	FT SEAL-PILE, ADHESIVE BACK - GRAY - .27" X .45" - AMESBURY 71345-270
	075673-04-000	FT SEAL-PILE, .27" X .80" - 80027082GYWP
4	113668-01-01A	EA GASKET-HINGE, UPPER OR LOWER - BLACK
5	113460-01-01A	EA HINGE-ENTRANCE DOOR, UPPER - MILL
	113461-01-01A	EA HINGE-ENTRANCE DOOR, LOWER - MILL
	113680-01-01A	EA COVER-ACCESS, HINGE - INTERIOR - DOOR - PLASTIC - OFF WHITE
6	008384-01-000	EA GROMMET-SNAP, 3/4" DIAMETER - NYLON
7	077222-01-000	EA SPRING-WIRE GUARD, ENTRY DOOR - GM 08905080 W/POWER LOCK
8	113376-01-01A	EA TRIM-ENTRANCE DOOR, UPPER W/O BOTTOM - VW WHITE
	111536-01-000	FT SEAL-ENTRANCE DOOR TRIM, W/ADHESIVE - BLACK - LAUREN 17 MM X 20 MM MOUNTED TO ENTRANCE DOOR UPPER TRIM
9	113395-01-01A	EA TRIM-ENTRANCE DOOR, BOTTOM - VW WHITE
	112160-02-000	FT SEAL-D SECTION, 6 MM X 10 MM - 3M HATS ADHESIVE - BLACK - LAUREN 1153 MOUNTED TO ENTRANCE DOOR BOTTOM TRIM
10	113636-01-01A	EA LATCH ASM-ROTARY, OFF WHITE - TRIMARK 12150-37
	045017-11-701	EA KEY-BLANK, SILVER - TRI/MARK
	113636-01-700	EA KEY-BLANK, DEADBOLT
11	113669-01-01A	EA GASKET-LATCH, DOOR - FOAM - GRAY
12	117050-01-000	EA ACTUATOR-LOCK, ELECTRIC - VW 701959783 - W/POWER LOCK
13	113834-01-01A	EA ROD-DOOR LATCH - TRIMARK W/POWER LOCK
	114209-01-01A	EA PUSHNUT-CAP, 1/8" - WHITE - ARDEN KPS125105 W/POWER LOCK
14	113636-02-01A	EA PLATE-INSIDE, W/DEADBOLT - BLACK - TRIMARK 12880-01
	113636-06-01A	EA SCREWS-MOUNTING, INSIDE PLATE - MILL FINISH - TRIMARK 81599-15
15	113636-03-01A	EA LATCH-SINGLE ROTOR, MILL FINISH - TRIMARK 12159-16
16	092927-03-000	EA STRIKER-ROUND, JAMB MOUNTED - TRIMARK 10335-16
17	113636-05-01A	EA NUT ASM-CAGED, MILL FINISH - TRIMARK 11920-16
18	110529-01-000	EA LATCH-BULLET, SCREEN DOOR - PHILIPS-D4234
	113750-01-04B	EA PLATE-LATCH STRIKER, BLACK
19	113960-01-01A	EA COVER-ACTUATOR, OFF WHITE
20	079086-02-000	EA SLIDER-SCREEN DOOR, OFF WHITE
	079087-02-000	EA STRIKE-SLIDER, SCREEN DOOR - 1.5" X 8.6" - OFF WHITE
21	113658-01-01A	EA GARNISH-ENTRANCE DOOR, OFF WHITE
	115750-01-02B	EA BRACKET-LATCH, DOOR - E-COAT
	117046-01-000	EA BUMPER-RUBBER, ROUND END - 1" DIAMETER X 1" FROM: 00-00-00 THRU: 07-23-95
	117046-02-000	EA BUMPER-RUBBER, ROUND END - 1" DIAMETER X 1.5" FROM: 07-24-95 THRU: 99-99-99
	090340-01-000	FT SEAL-FOAM, CLOSED CELL - 1/4" X 1/2" X 50'

**WINDOW, VENT & EXTERIOR DOOR GROUP (CONTINUED)**  
**BRIGGS & STRATTON LOCKS & EXTERIOR DOOR COMPONENTS**

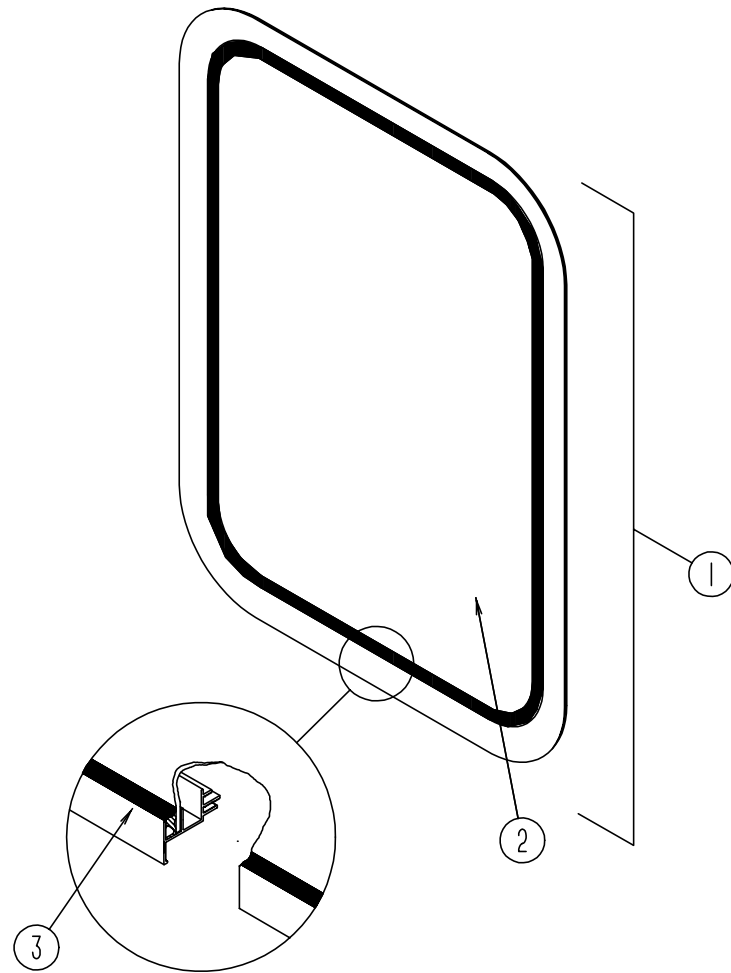
NOTE:  
 WHEN ORDERING THE LOCK CASE, THE KEY CODE MUST MATCH THE LAST DIGIT OF THE VEHICLE'S SERIAL NUMBER AND PART NUMBER; WHEN ORDERING THE KEYS, THE THIRD DIGIT OF THE KEY CODE MUST MATCH THE LAST DIGIT OF THE VEHICLE'S SERIAL NUMBER AND PART NUMBER



KEY	PART NUMBER	U/M	DESCRIPTION
1	110506-59-000	EA	KEYS-SET OF 2, 596720 (SERIAL # ENDS IN 0)
2	110506-52-000	EA	CASE-LOCK, A=17MM 702370 (KEY CODE #0)
2	110506-53-000	EA	CASE-LOCK, A=25MM 702380 (KEY CODE #0)
1	110506-59-001	EA	KEYS-SET OF 2, 596721 (SERIAL # ENDS IN 1)
2	110506-52-001	EA	CASE-LOCK, A=17MM 702371 (KEY CODE #1)
2	110506-53-001	EA	CASE-LOCK, A=25MM 702381 (KEY CODE #1)
1	110506-59-002	EA	KEYS-SET OF 2, 596722 (SERIAL # ENDS IN 2)
2	110506-52-002	EA	CASE-LOCK, A=17MM 702372 (KEY CODE #2)
2	110506-53-002	EA	CASE-LOCK, A=25MM 702382 (KEY CODE #2)
1	110506-59-003	EA	KEYS-SET OF 2, 596723 (SERIAL # ENDS IN 3)
2	110506-52-003	EA	CASE-LOCK, A=17MM 702373 (KEY CODE #3)
2	110506-53-003	EA	CASE-LOCK, A=25MM 702383 (KEY CODE #3)
1	110506-59-004	EA	KEYS-SET OF 2, 596724 (SERIAL # ENDS IN 4)
2	110506-52-004	EA	CASE-LOCK, A=17MM 702374 (KEY CODE #4)
2	110506-53-004	EA	CASE-LOCK, A=25MM 702384 (KEY CODE #4)
1	110506-59-005	EA	KEYS-SET OF 2, 596725 (SERIAL # ENDS IN 5)
2	110506-52-005	EA	CASE-LOCK, A=17MM 702375 (KEY CODE #5)
2	110506-53-005	EA	CASE-LOCK, A=25MM 702385 (KEY CODE #5)
1	110506-59-006	EA	KEYS-SET OF 2, 596726 (SERIAL # ENDS IN 6)
2	110506-52-006	EA	CASE-LOCK, A=17MM 702376 (KEY CODE #6)
2	110506-53-006	EA	CASE-LOCK, A=25MM 702386 (KEY CODE #6)
1	110506-59-007	EA	KEYS-SET OF 2, 596727 (SERIAL # ENDS IN 7)
2	110506-52-007	EA	CASE-LOCK, A=17MM 702377 (KEY CODE #7)
2	110506-53-007	EA	CASE-LOCK, A=25MM 702387 (KEY CODE #7)
1	110506-59-008	EA	KEYS-SET OF 2, 596728 (SERIAL # ENDS IN 8)
2	110506-52-008	EA	CASE-LOCK, A=17MM 702378 (KEY CODE #8)
2	110506-53-008	EA	CASE-LOCK, A=25MM 702388 (KEY CODE #8)
1	110506-59-009	EA	KEYS-SET OF 2, 596729 (SERIAL # ENDS IN 9)
2	110506-52-009	EA	CASE-LOCK, A=17MM 702379 (KEY CODE #9)
2	110506-53-009	EA	CASE-LOCK, A=25MM 702389 (KEY CODE #9)

KEY	PART NUMBER	U/M	DESCRIPTION
3	110506-40-700	EA	HARDWARE KIT-LOCK, W/GASKET, NUT, CLIP & WASHERS
	110506-59-700	EA	SET-KEYS W/RING, 0 - 9 (FOR DEALER USE ONLY. DO NOT RETAIL.)
	110506-59-701	EA	KEY BLANK
4	110506-51-000	EA	CASE-TWIST LOCK, A = 25 MM 596669
5	112245-01-000	EA	BRACKET-CATCH, LOCK
6	112246-01-01A	EA	HINGE - 2" X 16.3", VW WHITE
7	113752-01-01A	EA	JAMB ASM-TRIM, GENERATOR DOOR - VW WHITE
8	113752-03-01A	EA	JAMB ASM-TRIM, LUGGAGE DOOR - VW WHITE
8	113753-01-01A	EA	JAMB ASM-TRIM, LP DOOR - VW WHITE
9	076767-05-000	EA	CABLE-DOOR SUPPORT, 1/16" X 15.5" - STAINLESS STEEL

**WINDOW, VENT & EXTERIOR DOOR GROUP (CONTINUED)**



**ENTRANCE DOOR WINDOW**

KEY	PART NUMBER	U/M DESCRIPTION
	114507-02-01A	EA FRAME-WINDOW, ENTRY DOOR - OFF WHITE
1	117053-01-F45	EA WINDOW-ENTRY DOOR, 17" X 25" - W/O INSIDE FRAME
2	002181-28-000	EA GLASS-WINDOW, .115" X 609 MM X 412 MM
3	087561-01-000	FT SEAL-GLASS, EXTERIOR - .5" WIDE - VINYL - BLACK

**WINDOW, VENT & EXTERIOR DOOR GROUP (CONTINUED)**  
**BEDROOM TIPOUT WINDOWS**

KEY	PART NUMBER	U/M DESCRIPTION
	104691-07-01A	EA WINDOW-TIPOUT, OFF WHITE - EXCEL CH78-G1W59
	100322-01-703	FT STRIP-GLAZING, BUTYL - EXCEL 132-010723
	104691-07-700	EA GLASS-VENT ASM, TIPOUT - LOWER - EXCEL CH78-D9
	104691-07-701	EA GLASS-STATIONARY - EXCEL 106-018753
	104691-07-702	EA SCREEN ASM W/WEATHERSTRIPING - EXCEL 410-018744

**GALLEY SINGLE SLIDING WINDOW**

KEY	PART NUMBER	U/M DESCRIPTION
	098647-42-01A	EA WINDOW-SLIDER, HORIZONTAL - EXCEL H425-G166L
	098644-01-708	FT CHANNEL-PIERCED RUN, EXCEL 122-016543
	098644-01-716	FT PLUG-FILLER, EXCEL 132-014470
	098647-31-704	EA SCREEN ASM, W/SPRING CLIP - EXCEL 410-019128
	098647-42-700	EA GLASS-STATIONARY - EXCEL 106-025012
	098647-42-702	EA GLASS-SLIDING, W/SASH & LATCH - EXCEL H425-GB
	098647-42-701	EA SEAL-GLAZING STRIP - EXCEL 132-010231

**WINDOW, VENT & EXTERIOR DOOR GROUP (CONTINUED)**  
**POWERED ROOF VENT**

KEY	PART NUMBER	U/M DESCRIPTION
	110051-03-01A	EA VENT-ROOF, POWERED - 2" ROOF - JENSEN 7757 WHE
	048648-01-000	EA MOTOR-ROOF VENT, 1/8 SHAFT - 12V - JENSEN
	048649-01-000	EA FAN-ROOF VENT, 6 BLADES - 6" - JENSEN
	064470-01-700	EA COVER-ROOF VENT, JENSEN 7291
	110051-01-700	EA GARNISH W/SCREEN & FRAME - 2", JENSEN 29-800-02
	110051-01-702	EA LIFT ASM-VENT LID W/O CRANK, JENSEN RP-1000B
	110051-01-703	EA CRANK, JENSEN RP-1031-B

**NONPOWERED ROOF VENT**

KEY	PART NUMBER	U/M DESCRIPTION
	110051-01-01A	EA VENT-ROOF, NONPOWERED - 2" ROOF - JENSEN 7724 WHE
	064470-01-700	EA COVER-ROOF VENT, JENSEN 7291
	110051-01-700	EA GARNISH W/SCREEN & FRAME - 2", JENSEN 29-800-02
	110051-01-702	EA LIFT ASM-VENT LID W/O CRANK, JENSEN RP-1000B
	110051-01-703	EA CRANK, JENSEN RP-1031-B

**FANTASTIC VENT - US**

KEY	PART NUMBER	U/M DESCRIPTION
	084079-03-000	EA VENT-CEILING, POWERED EXHAUST - OFF WHITE - FANTASTIC VENT
	084079-01-700	EA VENT COVER - FANTASTIC 1020-19
	084079-01-701	EA SCREEN ASM WHITE - FANTASTIC 1030-80
	084079-01-703	EA CRANK-EXTERIOR, FANTASTIC 1060-09
	084079-01-704	EA BLADE-FAN, FANTASTIC 1070-00
	084079-01-705	EA MOTOR, FANTASTIC 1080-00
	084079-01-707	EA SWITCH-SAFETY, FANTASTIC 1120.00
	084079-01-709	EA SWITCH-ON & OFF, MAIN POWER - FANTASTIC 1100.00
	084079-01-711	EA H-MOLDING, MOTOR MOUNT - PLASTIC - FANTASTIC
	084079-01-712	EA GARNISH-INTERIOR, 1 7/8" - OFF WHITE

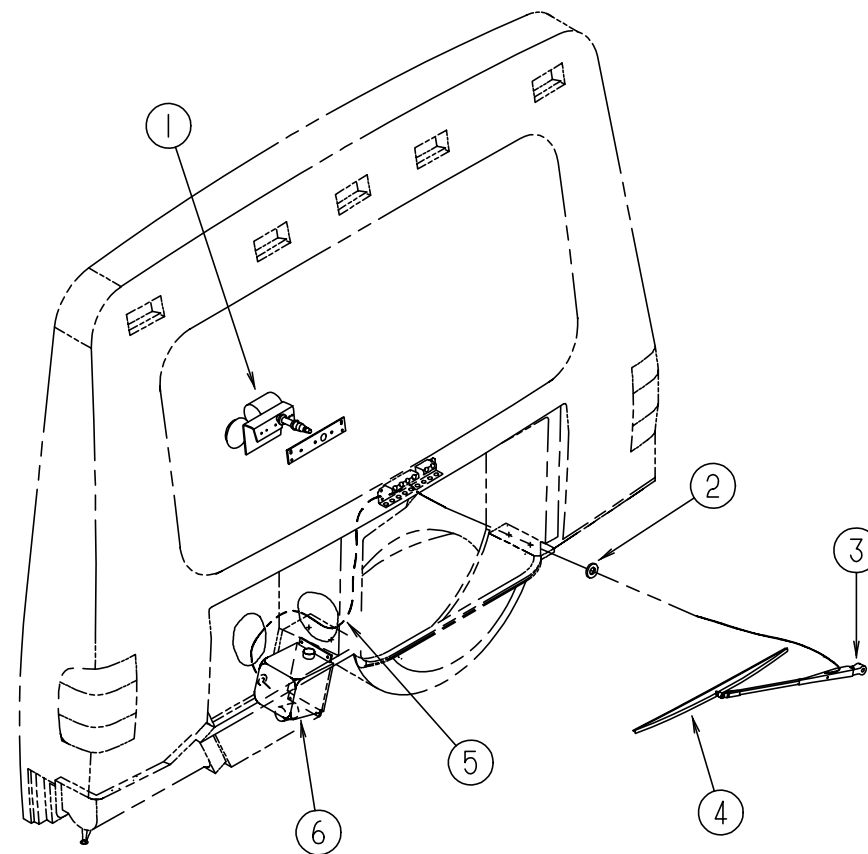
**FANTASTIC VENT - CANADIAN**

KEY	PART NUMBER	U/M DESCRIPTION
	084079-08-000	EA VENT-CEILING, POWERED EXHAUST - OFF WHITE - FANTASTIC VENT
	084079-01-700	EA VENT COVER - FANTASTIC 1020-19
	084079-01-701	EA SCREEN ASM WHITE - FANTASTIC 1030-80
	084079-01-703	EA CRANK-EXTERIOR, FANTASTIC 1060-09
	084079-01-704	EA BLADE-FAN, FANTASTIC 1070-00
	084079-01-707	EA SWITCH-SAFETY, FANTASTIC 1120.00
	084079-01-709	EA SWITCH-ON & OFF, MAIN POWER - FANTASTIC 1100.00
	084079-01-711	EA H-MOLDING, MOTOR MOUNT - PLASTIC - FANTASTIC
	084079-01-712	EA GARNISH-INTERIOR, 1 7/8" - OFF WHITE
	084079-08-700	EA MOTOR-THIN ROOF, FANTASTIC 101703

**PLUMBING VENT, REFRIGERATOR VENT & SKYLIGHT**

KEY	PART NUMBER	U/M DESCRIPTION
	083558-06-000	EA VENT-PLUMBING PIPE ROOF W/COVER - VW WHITE
	111222-01-01A	EA COVER-VENT, DRAINAGE - SIDEWALL - KEVCO R1007
	113736-02-01A	EA VENT KIT-REFRIGERATOR, NORCOLD
	114495-01-01A	EA PANEL-SKYLITE, INNER
	114496-01-01A	EA PANEL-SKYLITE, OUTER

**WIPER & WASHER (REAR) GROUP**



**REAR WIPER & WASHER**

KEY	PART NUMBER	U/M DESCRIPTION
1	085721-02-000	EA MOTOR ASM-WIPER, 108 DEGREE - UT 19227-25-M012WC
2	061603-01-000	EA GROMMET-SNAP, 3/16"ID - 3/8" HOLE - PLASTIC - BLACK
3	096931-01-000	EA ARM-WIPER, 20"
	096931-01-700	FT HOSE-WIPER, TO BLADE
	096931-01-701	EA NOZZLE-HARDWARE KIT, INCLUDES NOZZEL, NUT, SHORT THREAD SCREW, LONG THREAD SCREW, AND PLASTIC CAP
	096931-01-702	EA NUT - 52695-40-NT27WC
	096931-01-703	EA SHORT SCREW - 52696-40-SC27WC
	096931-01-704	EA LONG SCREW - 52697-40-SC27WC
	096931-01-705	EA PLASTIC CAP - 52699-40-CP27WC
	096931-01-706	EA SPRAY NOZZLE - 52698-40-NZ27WC
4	097978-01-000	EA BLADE-WIPER, FLEX - 22" - UT 51916-20BD27WC
5	045794-01-000	FT HOSE-WASHER, WINDSHIELD - 5/32" ID - BLACK
6	056000-05-000	EA WASHER ASM-WINDSHIELD WIPER - MCCORD 600367
	116272-01-01A	EA COVER-REAR WIPER MOTOR, TAUPE PLASTIC