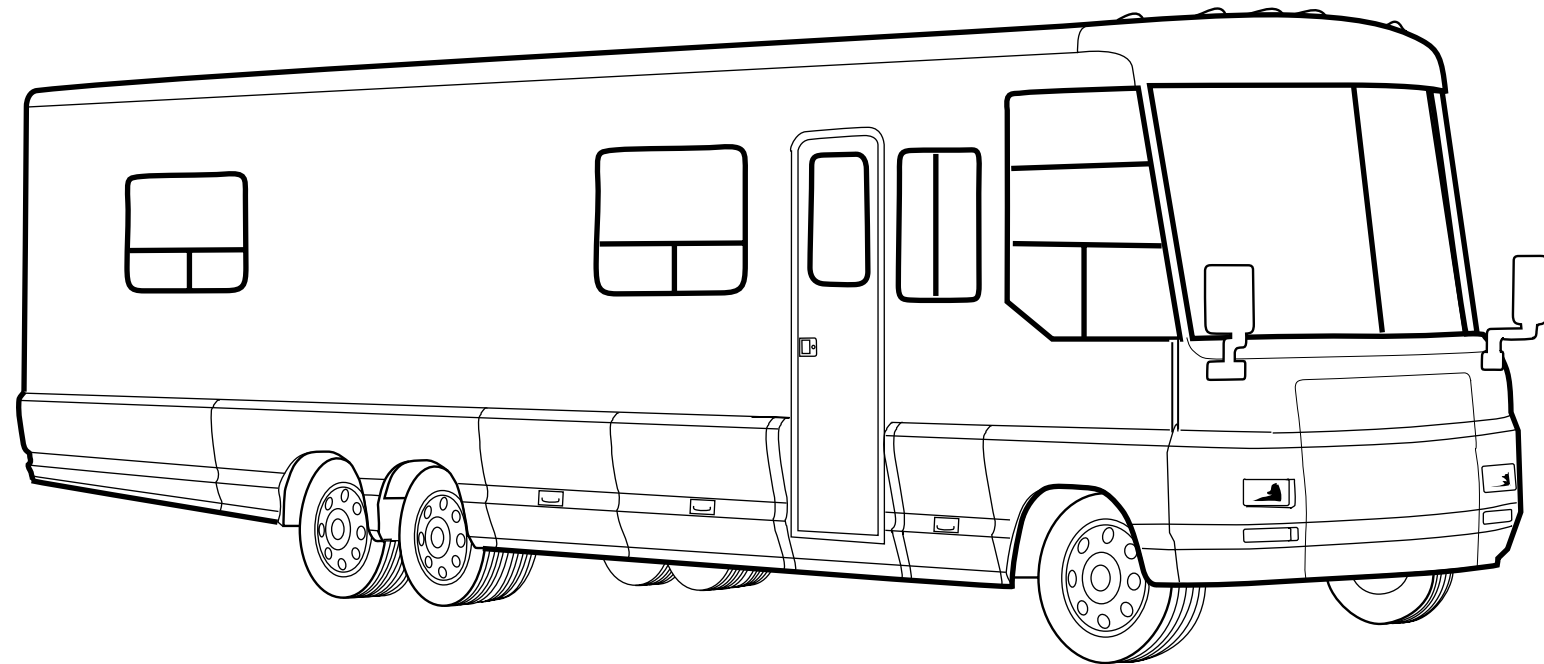
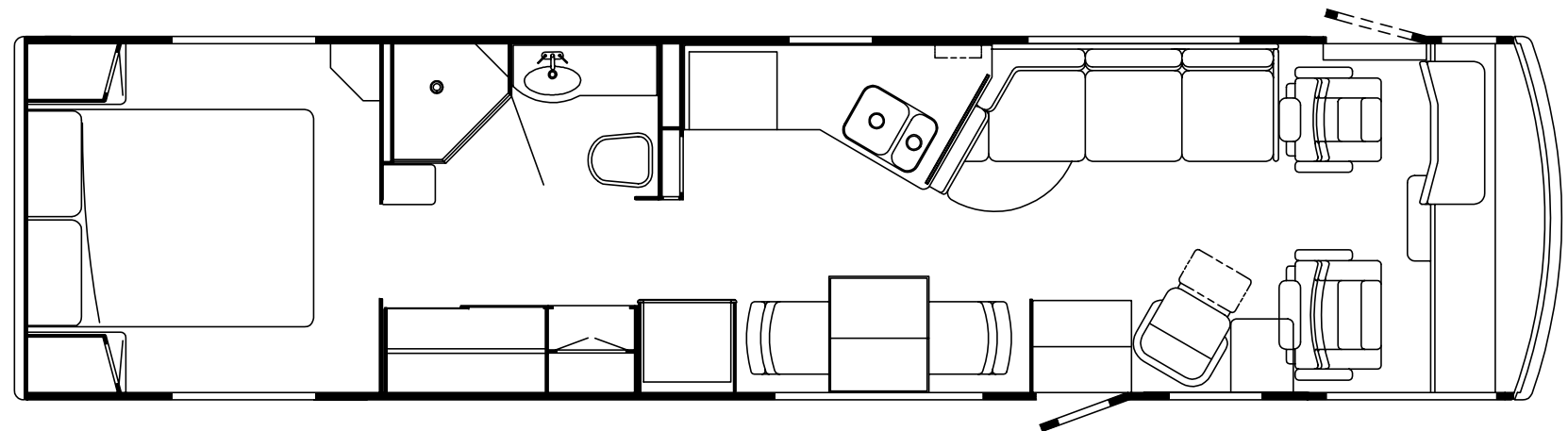


**1995  
WKQ37WQ**



**FQ0, FQ2, FQ4, FQ8  
PICKLED ASH**

**FQ1, FQ3, FQ5, FQ9  
SALEM CHERRY**



## ACCESSORIES GROUP

### OPERATORS MANUAL

KEY	PART NUMBER	U/M	DESCRIPTION
	054185-B9-000	EA	MANUAL,OPERATOR, 95 LUXOR - Q SERIES
	092318-01-000	EA	BINDER-3 RING, MOTOR HOME MANUAL
	092319-01-000	EA	POCKET PAGE-3 RING BINDER, PLASTIC

### VACUUM CLEANER

KEY	PART NUMBER	U/M	DESCRIPTION
	108186-01-000	EA	VACUUM CLEANER-BUILT IN, HP 19-1 DELUXE
	092304-01-700	EA	BAGS-VACUUM CLEANER, 6 IN BAG - HP-4908
	092304-02-704	EA	MOTOR-VACUUM CLEANER, VACUFLO HP-5098
	108186-02-000	EA	VACUUM CLEANING TOOL SET, HP W/30' HOSE
	092304-02-701	EA	TOOL-DUSTING, VACUUM CLEANER - VACUFLO HP 1142
	092304-02-702	EA	TOOL-RUG, VACUUM CLEANER - VACUFLO HP 4982
	092304-02-703	EA	TOOL-CREVICE, VACUUM CLEANER - VACUFLO HP 1141
	092304-02-709	EA	HOSE-VACUUM, 30' - VACUFLO 6452-02
	092304-02-707	EA	TOOL-UPHOLSTERY, VACUFLO 7029
	092304-02-708	EA	WAND, VACUFLO 4978
	092304-02-709	EA	HOSE-VACUUM, 30' - VACUFLO 6452-02

## AUDIO VIDEO GROUP

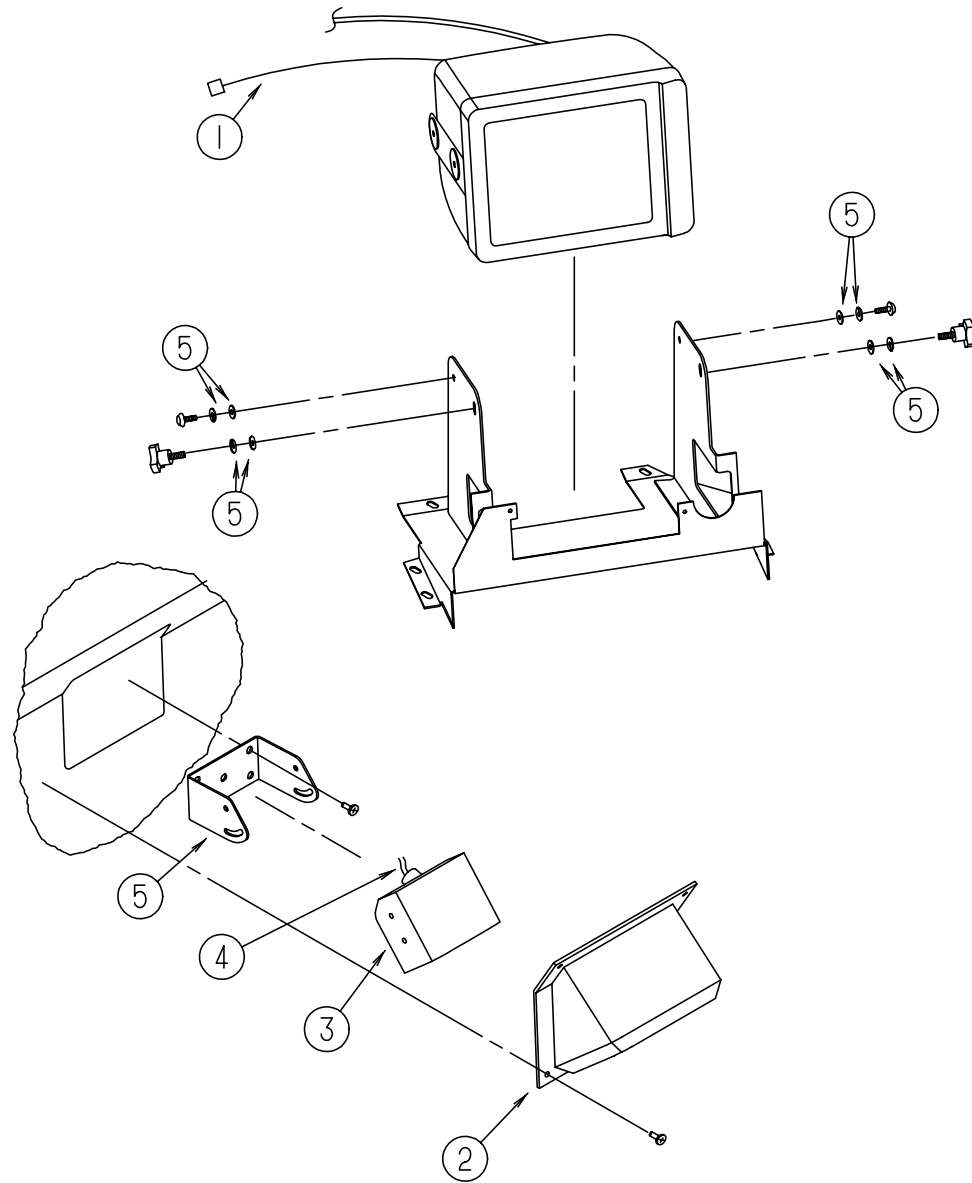
### RADIO & CD SYSTEM

KEY	PART NUMBER	U/M	DESCRIPTION
	097460-05-000	EA	RADIO-AM/FM STEREO, CASSETTE - SONY XR-3320 (DASH)
	115077-01-000	EA	RADIO-AM/FM STEREO,CD PLAYER SONY CSX-507 (DASH DELUXE OPTION)
	110469-01-000	EA	SPEAKER-OVAL, 4" X 6" - MAGNADYNE F46XB-12 (DASH)
	110470-01-01A	EA	GRILLE-SPEAKER, OVAL - 4" X 6" - BLACK - MAGNADYNE G46WI (DASH)
	109053-02-000	EA	RADIO-WALL MOUNT AM/FM CASSETTE, AWM-300 AUDIOVOX (REAR STEREO)
	094097-01-000	EA	SPEAKER-RADIO, W/O GRILLE - 5.25" DIA - AUDIOVOX 110C3030 (REAR STEREO)
	081059-02-000	EA	WIRE ASM-9 PIN, RADIO - AUDIOVOX 112B-1761
	110267-02-000	EA	RADIO-AM/FM STEREO - AUDIOVOX IM-300 (EXTERIOR ENTERTAINMENT) FROM: 00-00-00 THRU: 06-12-94
	110267-03-000	EA	RADIO-AM/FM STEREO & CD - AUDIOVOX IM-400 (EXTERIOR ENTERTAINMENT) FROM: 06-13-94 THRU: 99-99-99
	110469-01-000	EA	SPEAKER-OVAL, 4" X 6" - MAGNADYNE F46XB-12 (EXTERIOR ENTERTAINMENT)
	110470-01-01A	EA	GRILLE-SPEAKER, OVAL - MAGNADYNE G46W (EXTERIOR ENTERTAINMENT)
	089340-02-000	EA	GRILLE-SPEAKER, 6.5" SQUARE (OVERHEAD CABINETS)
	090944-01-000	EA	ANTENNA-RADIO, 16" RUBBER
	104498-02-000	EA	BRACKET-ANTENNA MOUNT
	108847-01-000	EA	BRACKET-ANTENNA GROUND (REAR STEREO & EXTERIOR ENTERTAINMENT)
	109889-03-000	EA	EXTENDER-SHAFT, ANTENNA - 4" (EXTERIOR ENTERTAINMENT)
	077069-02-000	EA	CABLE-ANTENNA, RADIO - EXTENSION 96" - ARA 6700667
	105248-01-000	EA	ANTENNA-CB, ADVANCE 8604
	112468-01-000	EA	CD/RADIO-COMBINATION PACKAGE, SONY XCP-U770
	112468-01-700	EA	RADIO-AM/FM ONLY, CASSETTE - W/UNILINK - XR-U110W/DETACH FAC
	112468-01-701	EA	CD PLAYER ONLY, CDX-U70

### TELEPHONE SYSTEM

KEY	PART NUMBER	U/M	DESCRIPTION
	093253-01-01A	EA	PLATE-WALL, TELEPHONE - BEIGE - CAC625F2-4-50
	093254-01-000	EA	HOUSING-TELEPHONE

## AUDIO VIDEO GROUP (CONTINUED)



### REAR MONITOR SYSTEM

KEY	PART NUMBER	U/M	DESCRIPTION
1	096717-03-000	EA	WIRE ASM-REAR MONITOR, UPPER
	093040-06-000	EA	WIRE ASM-MONITOR, SONY SM-HRN7
2	107852-01-01A	EA	SHROUD-CAMERA, OUTER - BUFF
	108529-01-01A	EA	SHROUD-CAMERA, INNER - BLACK
	093040-05-000	EA	TELEVISION SYSTEM-REAR VIEW, 7" - SONY YM-RVF7AM
3	093040-04-700	EA	CAMERA, BRACKET & WIRING
	093040-05-700	EA	MONITOR-7", W/POWER HARNESS
4	093041-01-000	EA	CABLE-MONITOR/CAMERA, INTERNAL USE
	093041-02-000	EA	CABLE-MONITOR/CAMERA, EXTERNAL USE
5	N/A		PARTS ARE INCLUDED W/TELEVISION SYSTEM - SONY
	098819-01-000	EA	SPEAKER-2 WATT, 8 OHM - 4" (IN DASH)

## AUDIO VIDEO GROUP (CONTINUED)

### TV ANTENNA

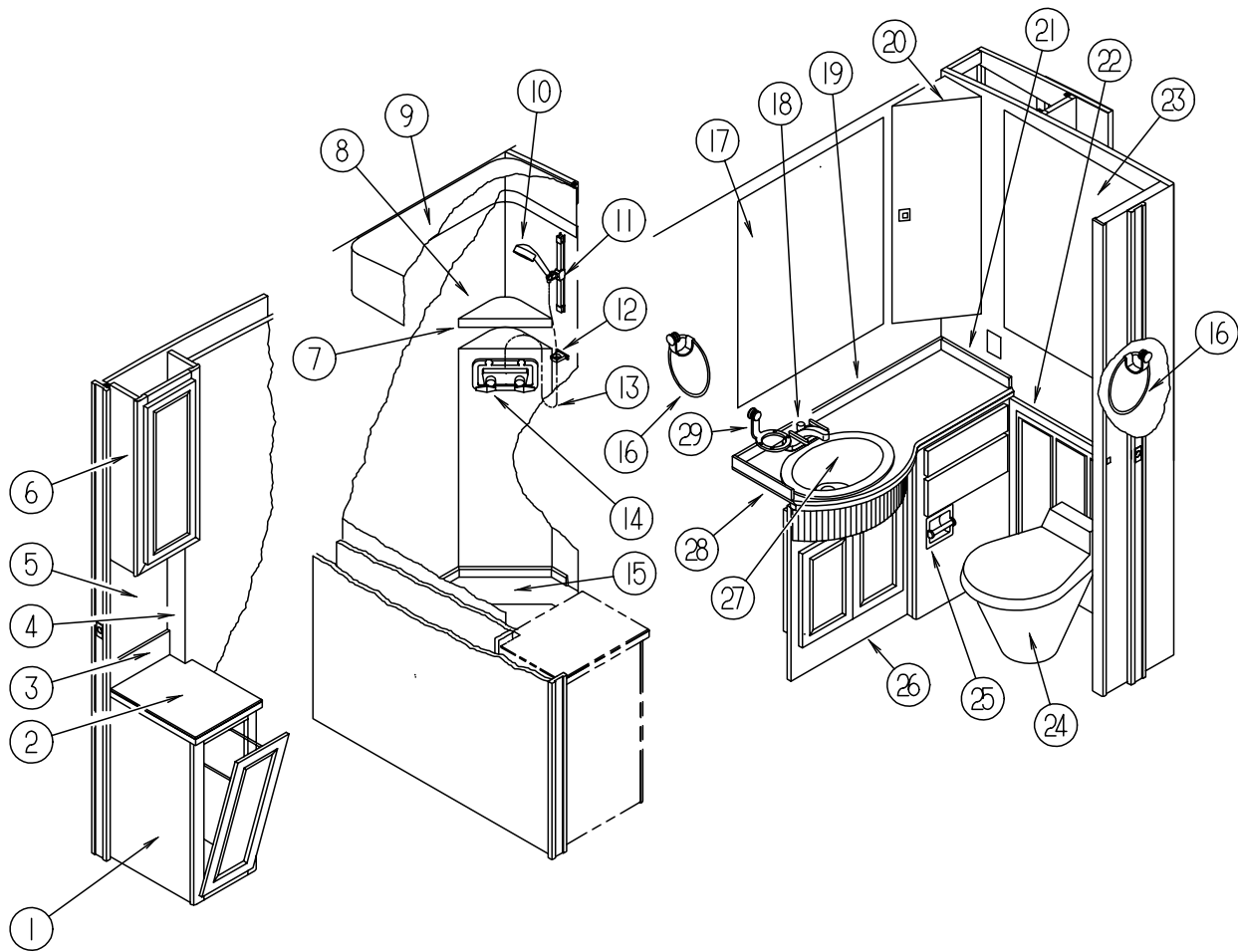
KEY	PART NUMBER	U/M	DESCRIPTION
	076319-16-000	EA	ANTENNA-TV ROOF MT
	076319-01-700	EA	HEAD-ANTENNA, AMPLIFIED - WINEGARD# RVSA U/V
	076319-01-701	EA	GEAR-ELEVATING, PLASTIC - WINEGARD# 2200046
	076319-01-702	EA	SHAFT ASM-ELEVATING, WINEGARD# RVP-400A
	076319-01-703	EA	BEARING-NYLON, 5"OD - WINEGARD# 3200656
	076319-01-705	EA	GROMMET-NYLON, 7/8"ID - WINEGARD# 3200658
	076319-01-706	EA	CRANK-ELEVATING, W/SET SCREW - WINEGARD# 5755100
	076319-01-707	EA	SPRING-HANDLE, WINEGARD# 5160800
	076319-01-708	EA	DECAL-CRANK
	076319-01-709	EA	PLATE-DIRECTIONAL, FOR HEAD - WINEGARD #3200644
	076319-01-711	EA	BASE & LIFT ASM, WINEGARD 2762802

### TV & VCR SYSTEMS

KEY	PART NUMBER	U/M	DESCRIPTION
	098447-07-000	EA	TV-13", COLOR W/JACK - U.S. - MAGNAVOX RR1342C (BEDROOM)
	098447-07-700	EA	REMOTE-TV, MAGNAVOX RR1342C (BEDROOM)
	098447-08-000	EA	TV-13", COLOR W/JACK - CANADIAN - MAGNAVOX XR1332C (BEDROOM)
	098447-08-700	EA	REMOTE-TV, MAGNAVOX XR1332C (BEDROOM)
	108096-05-000	EA	TV-19" COLOR REMOTE, MAGNAVOX RR1933W (CAB)
	108096-05-700	EA	REMOTE, MAGNAVOX RR-1933W - 0822344 (CAB)
	108096-06-000	EA	TV-19" COLOR REMOTE, MAGNAVOX XR1933W - CANADIAN (CAB)
	108096-06-700	EA	REMOTE, MAGNAVOX FOR XR1933W - 0822340
	086757-03-000	EA	CONTROL CENTER-SWITCH, VCR/TV - MAGNADYNE VCS-6 (CAB)
	098446-06-000	EA	VCR-VHS, CABLE READY - REMOTE - MAGNAVOX VR9210
	098446-06-700	EA	REMOTE F/MODEL #9210 - 0974584
	115539-01-000	EA	RELAY-RADIO/TV SPEAKER, SWITCH - ASA A1780100 (CAB)
	115540-01-000	EA	AMPLIFIER-TV SPEAKERS, O W DONALD AMP 3 (CAB)
	114870-01-000	EA	PLUG ASM-3.5MM, AUDIO - W/LEADS
	098819-01-000	EA	SPEAKER-2 WATT, 8 OHM - 4"
	093214-01-02A	EA	GRILL-SPEAKER, 4" BROWN
	086756-01-000	EA	SPLITTER-TV, 2 WAY
	082134-01-000	EA	ADAPTER-TV, CABLE TO CABLE - WINEGARD F-81M
	082136-01-000	EA	NUT-HEX JAM 3/8-32, WINEGARD
	086777-06-000	EA	WALLPLATE-TV CABLE, W/ANTENNA SWITCH - BROWN
	076319-09-000	EA	WALLPLATE-CABLE RECEPTACLE, TV - SINGLE - BROWN
	076319-03-000	FT	CABLE-COAXIAL, 75 OHM
	076319-12-000	EA	CONNECTOR-COAXIAL, ONE PIECE

# BATH GROUP

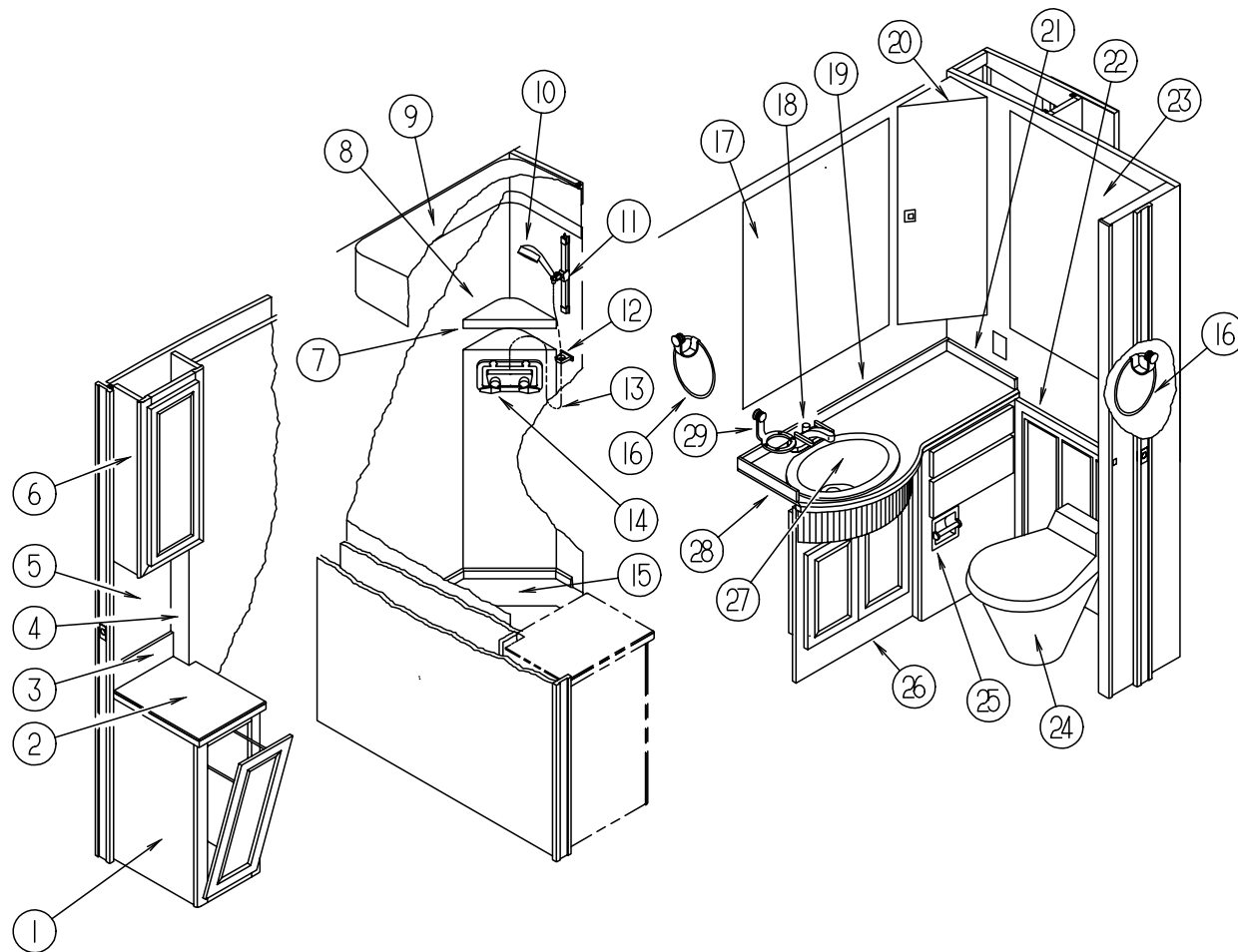
## DRIVER SIDE BATH CABINETS & FIXTURES



KEY	PART NUMBER	U/M	DESCRIPTION
1	M06934-01-FQ0	EA	CABINET-HAMPER, W/COUNTERTOP - FIELDSTONE WHITE (FQ0, FQ1, FQ8, FQ9)
1	M06934-01-FQ2	EA	CABINET-HAMPER, W/COUNTERTOP - FIELDSTONE WHITE (FQ2, FQ3)
1	M06934-01-FQ4	EA	CABINET-HAMPER, W/COUNTERTOP - FIELDSTONE WHITE (FQ4, FQ5)
	113152-01-01A	EA	CABINET-HAMPER, W/O COUNTERTOP - FIELDSTONE WHITE
	113152-01-700	EA	HAMPER DOOR
	113152-01-701	EA	FLAPSTAY
	113152-01-702	EA	BASKET
2	113152-02-FQ0	EA	COUNTERTOP-HAMPER, AVONITE - WHEAT (FQ0, FQ1, FQ8, FQ9)
2	113152-02-FQ2	EA	COUNTERTOP-HAMPER, AVONITE - SAND (FQ2, FQ3)
2	113152-02-FQ4	EA	COUNTERTOP-HAMPER, AVONITE - SAND (FQ4, FQ5)
3	088090-46-FQ0	EA	BACKSPLASH-COUNTERTOP, HAMPER - AVONITE - WHEAT (FQ0, FQ1, FQ8, FQ9)
3	088090-46-FQ2	EA	BACKSPLASH-COUNTERTOP, HAMPER - AVONITE - SAND (FQ2, FQ3)
3	088090-46-FQ4	EA	BACKSPLASH-COUNTERTOP, HAMPER - AVONITE - SAND (FQ4, FQ5)
4	112985-01-FQ0	EA	EDGE PANEL-SHOWER, AVONITE (FQ0, FQ1, FQ8, FQ9)
4	112985-01-FQ0	EA	EDGE PANEL-SHOWER, AVONITE (FQ2, FQ3)
4	112985-01-FQ0	EA	EDGE PANEL-SHOWER, AVONITE (FQ4, FQ5)
5	113195-05-01A	EA	MIRROR-BEVELED, SAFETY GLASS - CLEAR - 285 X 460MM
6	113151-01-01A	EA	CABINET-LINEN, COMPLETE, W/DOOR - FIELDSTONE WHITE
	113151-01-700	EA	DOOR-CABINET, LINEN

KEY	PART NUMBER	U/M	DESCRIPTION
7	113714-01-01A	EA	RETAINER-SHELF, SHOWER - OFF WHITE
8	107849-01-01A	EA	ENCLOSURE-SHOWER, PLASTIC - OFF WHITE
9	107848-01-01A	EA	CAP-SHOWER, PLASTIC - OFF WHITE
	108035-01-01A	EA	PANEL-SKYLITE, INNER - PLASTIC - OFF WHITE
	108661-01-01A	EA	COVER-SKYLIGHT, PLASTIC - OFF WHITE
10	113466-01-01A	EA	HEAD-SHOWER, 427K-2010BP
11	113464-01-01A	EA	BRACKET-MOUNTING, SHOWER HEAD - 4002-2010BP
12	115363-01-01A	EA	RING-GUIDE, SHOWER HOSE - KEVCO 47904-CLR
13	113465-01-01A	EA	HOSE-SHOWER HEAD, 4942060BP
14	113467-01-01A	EA	FAUCET-SHOWER, W/CRYSTAL - P402VPB-441 PB
15	M02630-23-D18	EA	PAN-SHOWER, ASSEMBLY
	011069-02-000	EA	TAILPIECE-TUB/SHOWER, 1 1/2" X 1 1/4" X 4" - BRASS
	066440-01-000	EA	STRAINER-SHOWER, W/RUBBER WASHER
	069735-01-000	EA	WASHER-STRAINER TO TAILPIECE PLASTIC, 1.5"
	057671-01-000	EA	COVER-SCREW, #8 - PLASTIC - OFF WHITE
16	106160-01-000	EA	RING-TOWEL, ALMOND & BRASS
17	113195-04-01A	EA	MIRROR-BEVELED, SAFETY GLASS - CLEAR - 715 X 915MM
18	113373-01-01A	EA	FAUCET-SINK, W/STOP - ARTISTIC 207H5-L-PB - U.S.
18	103548-01-01A	EA	FAUCET-LAVATORY, JAMECO - POLISHED BRASS - CANADIAN
19	088090-43-FQ0	EA	BACKSPLASH-COUNTERTOP, LAVATORY - AVONITE - WHEAT (FQ0, FQ1, FQ8, FQ9)
19	088090-43-FQ2	EA	BACKSPLASH-COUNTERTOP, LAVATORY - AVONITE - SAND (FQ2, FQ3)
19	088090-43-FQ4	EA	BACKSPLASH-COUNTERTOP, LAVATORY - AVONITE - SAND (FQ4, FQ5)
20	113148-01-01A	EA	CABINET-CORNER, COMPLETE W/DOOR & HDW - LEIGH VAN1436V
	113148-01-700	EA	DOOR ASSEMBLY, W/MIRROR - LEIGH VAN 18980
21	088090-45-FQ0	EA	BACKSPLASH-COUNTERTOP, AVONITE - WHEAT (FQ0, FQ1, FQ8, FQ9)
21	088090-45-FQ2	EA	BACKSPLASH-COUNTERTOP, LAVATORY - AVONITE - SAND (FQ2, FQ3)
21	088090-45-FQ4	EA	BACKSPLASH-COUNTERTOP, LAVATORY - AVONITE - SAND (FQ4, FQ5)
22	113149-01-01A	EA	WAINSCOT, 745 X 774MM - FIELDSTONE WHITE
23	113195-03-01A	EA	MIRROR-BEVELED, SAFETY GLASS - CLEAR - 856 X 915MM
24	085330-02-000	EA	TOILET-CHINA, STANDARD - BONE - SEALAND ML 510
	085330-01-701	EA	KIT-VACUUM BREAKER, SEALAND 385318065
	085330-01-702	EA	TUBE-FLUSH, SEALAND 385315902
	085330-01-703	EA	RING & HALF CLAMPS ASM-BONE, SEALAND 385310048
	085330-01-704	EA	TEFLON & RUBBER SEALS, SEALAND 385316140
	085330-01-705	EA	SUPPORT-SEAL, PLASTIC - SEALAND 390346405
	085330-01-706	EA	BALL, SHAFT, & CARTRIDGE, SEALAND 385318162
	085330-01-707	EA	CARTRIDGE-SPRING, SEALAND 381236096
	085330-01-708	EA	KIT-VALVE COVER W/SCREWS, SEALAND 385310073
	085330-01-709	EA	VALVE-WATER, SEALAND 385314349
	085330-01-710	EA	PLUG-DRAIN, & CAP - W/SEAL - SEALAND# 385316142
	085330-01-713	EA	SHROUD-BONE, SEALAND 390340124
	085330-01-714	EA	SEAL-FLANGE, FLOOR - SEALAND 390343892
	085330-01-716	EA	FLANGE-FLOOR, 3" MPT - SEALAND 390346056
	085330-01-717	EA	BOLT MOUNTING PACKAGE-SEALAND 385310064
	085330-01-718	EA	SEAL-BASE & MOUNTING HARDWARE, SEALAND 385310063
	085330-02-703	EA	PEDAL COVER KIT, BONE - NEW STYLE
	085330-04-707	EA	SEAT ASM, BONE - SEALAND 340816
	024676-01-000	EA	FLANGE-CLOSET, TOILET - 4" X 3" - RED
	024676-02-000	EA	FLANGE-CLOSET, 4" X 3" - ABS - CANADIAN

## BATH GROUP (CONTINUED)



### DRIVER SIDE BATH CABINETS & FIXTURES (CONTINUED)

KEY	PART NUMBER	U/M	DESCRIPTION
25	085278-01-000	EA	HOLDER-TOILET PAPER, RECESSED - BRASS
26	M06933-01-FQ0	EA	CABINET-LAVATORY, W/COUNTERTOP, DOOR & DRAWERS (FQ0, FQ1, FQ8, FQ9)
26	M06933-01-FQ2	EA	CABINET-LAVATORY, W/COUNTERTOP, DOOR & DRAWERS (FQ2, FQ3)
26	M06933-01-FQ4	EA	CABINET-LAVATORY, W/COUNTERTOP, DOOR & DRAWERS (FQ4, FQ5)
	113150-01-01A	EA	CABINET-LAVATORY, W/O COUNTERTOP - FIELDSTONE WHITE
	113150-01-700	EA	MOUNTING RAIL
	113150-01-701	EA	BRACKET-SLIDE, REAR
	113150-01-702	EA	SLIDE, SET
	113150-01-703	EA	DOOR-LAVATORY
	113150-01-704	EA	DRAWER-LAVATORY, TOP
	113150-01-705	EA	DRAWER-LAVATORY, BOTTOM
27	P13150-02-FQ0	EA	COUNTERTOP-LAVATORY W/SINK, AVONITE - WHEAT (FQ0, FQ1, FQ8, FQ9)
27	P13150-02-FQ2	EA	COUNTERTOP-LAVATORY W/SINK, AVONITE - SAND (FQ2, FQ3)
27	P13150-02-FQ4	EA	COUNTERTOP-LAVATORY W/SINK, AVONITE - SAND (FQ4, FQ5)
28	088090-44-FQ0	EA	BACKSPLASH-COUNTERTOP, AVONITE - WHEAT (FQ0, FQ1, FQ8, FQ9)
28	088090-44-FQ2	EA	BACKSPLASH-COUNTERTOP, AVONITE - SAND (FQ2, FQ3)
28	088090-44-FQ4	EA	BACKSPLASH-COUNTERTOP, AVONITE - SAND (FQ4, FQ5)
29	106163-01-000	EA	HOLDER-TOOTHBRUSH & TUMBLER, ALMOND & BRASS

## BATH GROUP (CONTINUED)

### SHOWER DOOR

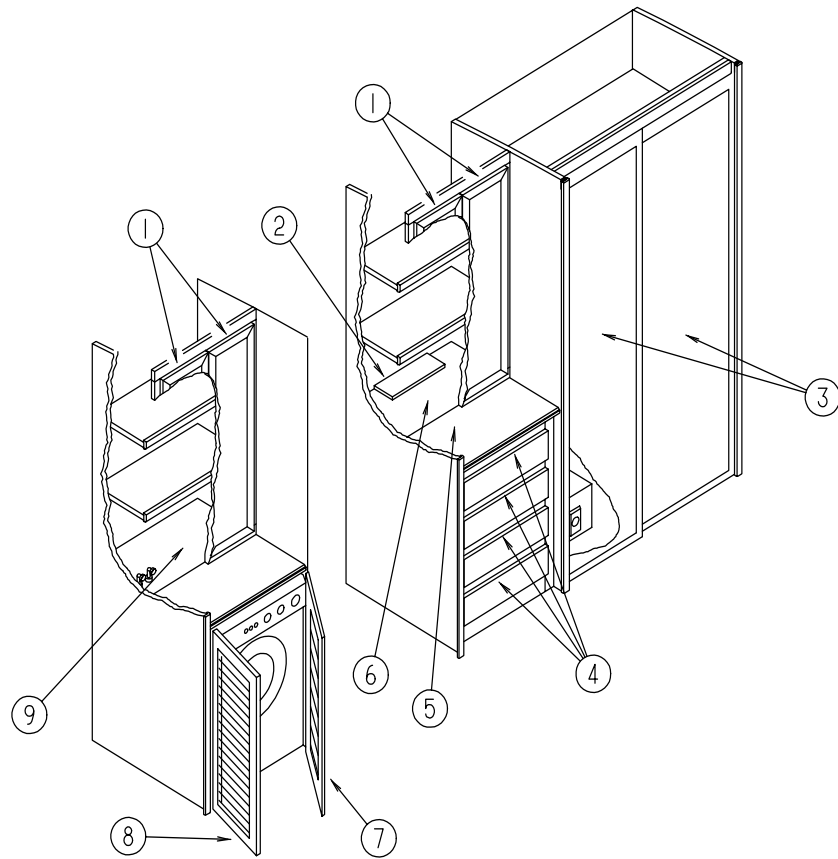
KEY	PART NUMBER	U/M	DESCRIPTION
	108351-01-01A	EA	DOOR-SHOWER, FOLDING, 34" X 61" - COASTAL WINN 21G-C
	092574-01-705	EA	MAGNETIC STRIP, 56.9" - COASTAL 98-41
	108351-01-700	EA	DOOR STRIKE ASM, COASTAL 109
	108351-01-701	EA	DOOR HANDLES (SET), COASTAL SFH
	108351-01-702	EA	DOOR LATCH, COASTAL SFL
	108351-01-703	EA	BRACKET W/SINGLE ROLLER, COASTAL GRB1
	108351-01-704	EA	BRACKET W/DOUBLE ROLLER, COASTAL GRB2
	108351-01-705	EA	BRACKET-ROLLER W/RETAIN CLIP, COASTAL GRC1
	108351-01-706	EA	SPRING FOR/ROLLER BRACKET, COASTAL GS1

### SLIDING PRIVACY DOOR BETWEEN GALLEY & BATH

KEY	PART NUMBER	U/M	DESCRIPTION
	071817-08-000	EA	TRACK-SLIDING DOOR, 51.2" - MILL FINISH
	113911-02-FQ0	EA	DOOR-SLIDING, PRIVACY - WOOD - PICKLED ASH
	113911-02-FQ1	EA	DOOR-SLIDING, PRIVACY - WOOD - SALEM CHERRY
	103874-01-000	EA	HANGER-DOOR, SLIDING
	112845-01-000	EA	LATCH-DOOR, POCKET
	113130-01-01A	EA	PULL-EDGE, DOOR - POCKET
	057534-01-000	EA	TIEBACK/TIEDOWN-BED/CURTAIN/DOOR, 6" - PLASTIC - CLEAR

## BATH GROUP (CONTINUED)

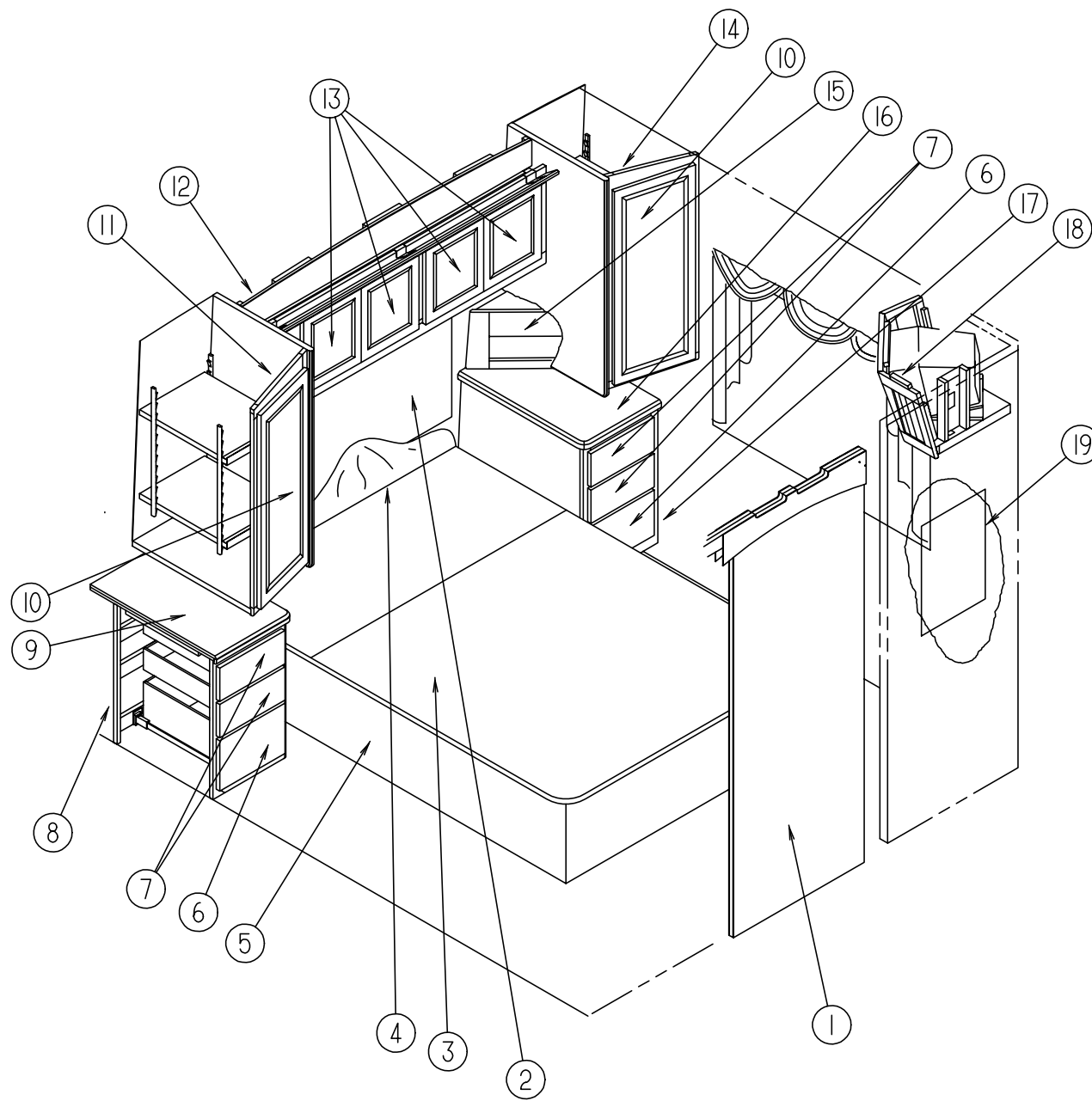
### PASSENGER SIDE BATH CABINETS & FIXTURES



KEY	PART NUMBER	U/M	DESCRIPTION
1	M06803-A3-FQ0	EA	DOOR-CABINET, W/O HARDWARE - 275 X 1015MM (PICKLED ASH)
1	M06803-A3-FQ1	EA	DOOR-CABINET, W/O HARDWARE - 275 X 1015MM (SALEM CHERRY)
2	112962-14-FQ0	EA	COVER-COUNTERTOP, AVONITE - W/WASHER - WHEAT (FQ0, FQ1, FQ8, FQ9)
2	112962-14-FQ2	EA	COVER-COUNTERTOP, AVONITE - W/WASHER - SAND (FQ2, FQ3)
2	112962-14-FQ4	EA	COVER-COUNTERTOP, AVONITE - W/WASHER - SAND (FQ4, FQ5)
3	107403-06-FQ0	EA	DOOR-SLIDING MIRROR, COMPLETE W/2 MIRRORS & TRACK - W/O LATCH ASM.
	107386-03-01A	EA	STILE-DOOR W/PULL, 1956 - STANLEY 4057 C GOLD
	107387-03-01A	EA	RAIL-DOOR, BY-PASS - 552 - STANLEY 4058 C GOLD
	107390-01-000	EA	HANGER-CORNER CONNECTION, STANLEY 4051(PAIR)
	107391-01-000	EA	GUIDE-BOTTOM, BY-PASS - STANLEY 4053(PAIR)
	107388-06-01A	EA	TRACK-BOTTOM, BY-PASS - 1074 - STANLEY 4044
	110106-01-D18	EA	LATCH ASM-DOOR, SLIDING MIRROR - W/PULL, LATCH & SPRING
	110108-01-01A	EA	LATCH-DOOR, BLACK
	111564-01-000	EA	SPRING-LATCH, FLAT
	110109-01-01A	EA	CATCH-DOOR, BLACK
	113007-03-000	EA	PIN-SPRING, .188 X .50 IN
	057850-01-000	EA	STRIKE-DOOR, 1.6" X .53" - METAL
	069726-02-000	EA	BUMPER-.88" DIAMETER X .40", BLACK
	042438-01-000	EA	DOWEL-WOOD, 1" DIAMETER X 4' - WOOD
	009112-01-000	EA	FLANGE-1" ROD, CLOTHES - PLASTIC - OFF WHITE
	041953-03-000	EA	CONDUIT-CONVOLUTE SLIT,1 ID
4	M05971-F6-FQ0	EA	DRAWER-CABINET, W/O HARDWARE - 4 USED (PICKLED ASH)
4	M05971-F6-FQ1	EA	DRAWER-CABINET, W/O HARDWARE - 4 USED (SALEM CHERRY)
5	112962-11-FQ0	EA	COUNTERTOP-CABINET, WARDROBE - AVONITE - WHEAT (FQ0, FQ1, FQ8, FQ9)
5	112962-11-FQ2	EA	COUNTERTOP-CABINET, WARDROBE - AVONITE - SAND (FQ2, FQ3)
5	112962-11-FQ4	EA	COUNTERTOP-CABINET, WARDROBE - AVONITE - SAND (FQ4, FQ5)
6	112962-13-FQ0	EA	COUNTERTOP-CABINET, WARDROBE - AVONITE - WHEAT (FQ0, FQ1, FQ8, FQ9)
6	112962-13-FQ2	EA	COUNTERTOP-CABINET, WARDROBE - AVONITE - SAND (FQ2, FQ3)
6	112962-13-FQ4	EA	COUNTERTOP-CABINET, WARDROBE - AVONITE - SAND (FQ4, FQ5)
7	M07411-01-FQ0	EA	DOOR-CABINET, W/O HDW - LOUVERED - W/WASHER OPTION (PICKLED ASH)
7	M07411-01-FQ1	EA	DOOR-CABINET, W/O HDW - LOUVERED - W/WASHER OPTION (SALEM CHERRY)
8	M07411-02-FQ0	EA	DOOR-CABINET, W/O HDW - LOUVERED - W/WASHER OPTION (PICKLED ASH)
8	M07411-02-FQ1	EA	DOOR-CABINET, W/O HDW - LOUVERED - W/WASHER OPTION (SALEM CHERRY)
	111441-02-01A	EA	DOOR-CABINET, W/O HDW - UNFINISHED - W/WASHER OPTION (PICKLED ASH)
	111441-02-02A	EA	DOOR-CABINET, W/O HDW - UNFINISHED - W/WASHER OPTION (SALEM CHERRY)
9	112962-12-FQ0	EA	COUNTERTOP-CABINET, AVONITE - W/WASHER - WHEAT (FQ0, FQ1, FQ8, FQ9)
9	112962-12-FQ2	EA	COUNTERTOP-CABINET, AVONITE - W/WASHER - SAND (FQ2, FQ3)
9	112962-12-FQ4	EA	COUNTERTOP-CABINET, AVONITE - W/WASHER - SAND (FQ4, FQ5)

# BEDROOM GROUP

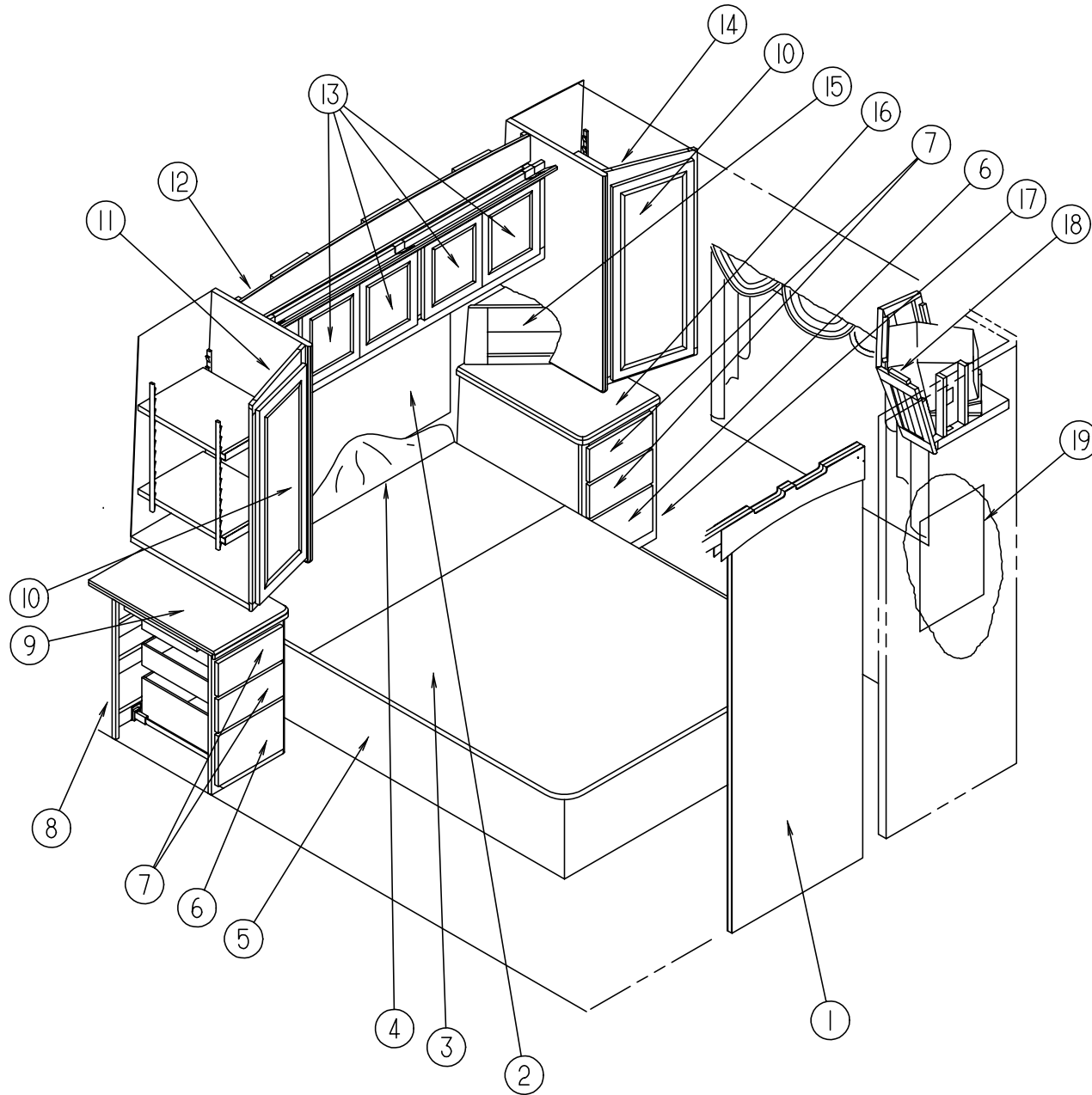
## QUEEN BEDROOM CABINETS & FIXTURES



KEY	PART NUMBER	U/M	DESCRIPTION
	071817-09-000	EA	TRACK-SLIDING DOOR, 4.08' - MILL FINISH
1	113911-02-FQ0	EA	DOOR-SLIDING, PRIVACY - WOOD - PICKLED ASH
1	113911-02-FQ1	EA	DOOR-SLIDING, PRIVACY - WOOD - SALEM CHERRY
	P13911-02-FQ0	EA	DOOR-SLIDING, W/O STAIN - PRIVACY - WOOD - PICKLED ASH
	P13911-02-FQ1	EA	DOOR-SLIDING, W/O STAIN - PRIVACY - WOOD - SALEM CHERRY
	103874-01-000	EA	HANGER-DOOR, SLIDING
	112845-01-000	EA	LATCH-DOOR, POCKET
	113130-01-01A	EA	PULL-EDGE, DOOR - POCKET
	064467-01-000	EA	GUIDE-POCKET, SLIDING DOOR - WALL MOUNTED
	057534-01-000	EA	TIEBACK/TIEDOWN-BED/CURTAIN/DOOR, 6" - PLASTIC - CLEAR
2	114785-01-FQ0	EA	MIRROR ASM-GLASS, DECORATIVE
	058331-B6-000	EA	MIRROR-GLASS, SAFETY - 762 X 1596MM
3	M05905-07-FQ0	EA	TOP-CABINET, QUEEN BED
	041389-11-000	EA	HINGE-PIANO, QUEEN BED
	057460-04-000	EA	SPRING-GAS
	057460-02-000	EA	STUD-BALL, GAS SPRING
	089025-01-000	EA	SUPPORT-SPRING, MOUNTS TO BED TOP
	109645-01-000	EA	BRACKET-SUPPORT, SPRING - MOUNTS TO FLOOR & CABINET
	057534-05-000	EA	TIEDOWN-BED TOP, BEIGE VINYL
	081114-01-000	EA	CAP-INSERT, ROUND -1" DIAMETER
	091261-01-000	FT	BACKING-NON-SKID, 12" X 100'
4	114215-01-FQ0	EA	HEADBOARD ASM-EMPRESS, QUEEN (FQ0, FQ1)
4	114215-02-FQ2	EA	HEADBOARD ASM-EMPRESS, QUEEN (FQ2, FQ3)
4	114215-03-FQ4	EA	HEADBOARD ASM-EMPRESS, QUEEN (FQ4, FQ5)
4	114215-04-FQ8	EA	HEADBOARD ASM-EMPRESS, QUEEN (FQ8, FQ9)
5	P12713-01-FQ0	EA	CABINET-BED, QUEEN - W/O TOP (PICKLED ASH)
5	P12713-01-FQ1	EA	CABINET-BED, QUEEN - W/O TOP (SALEM CHERRY)
6	M05971-F5-FQ0	EA	DRAWER-CABINET, W/O HARDWARE (PICKLED ASH)
6	M05971-F5-FQ1	EA	DRAWER-CABINET, W/O HARDWARE (SALEM CHERRY)
7	M05971-27-FQ0	EA	DRAWER-CABINET, W/O HARDWARE - 2 USED (PICKLED ASH)
7	M05971-27-FQ1	EA	DRAWER-CABINET, W/O HARDWARE - 2 USED (SALEM CHERRY)
8	112715-01-FQ0	EA	CABINET-NIGHTSTAND, W/O DRAWER & HDW - PICKLED ASH (FQ0, FQ8)
8	112715-01-FQ1	EA	CABINET-NIGHTSTAND, W/O DRAWER & HDW - SALEM CHERRY (FQ1, FQ9)
8	112715-01-FQ2	EA	CABINET-NIGHTSTAND, W/O DRAWER & HDW - PICKLED ASH (FQ2)
8	112715-01-FQ3	EA	CABINET-NIGHTSTAND, W/O DRAWER & HDW - SALEM CHERRY (FQ3)
8	112715-01-FQ4	EA	CABINET-NIGHTSTAND, W/O DRAWER & HDW - PICKLED ASH (FQ4)
8	112715-01-FQ5	EA	CABINET-NIGHTSTAND, W/O DRAWER & HDW - SALEM CHERRY (FQ5)
9	112715-12-FQ0	EA	COUNTERTOP-CABINET, NIGHTSTAND - AVONITE - WHEAT (FQ0, FQ1, FQ8, FQ9)
9	112715-12-FQ2	EA	COUNTERTOP-CABINET, NIGHTSTAND - AVONITE - SAND (FQ2, FQ3)
9	112715-12-FQ4	EA	COUNTERTOP-CABINET, NIGHTSTAND - AVONITE - SAND (FQ4, FQ5)
9	112715-11-FQ0	EA	BASE-COUNTERTOP, NIGHTSTAND - PARTICLE BOARD
	088090-40-FQ0	EA	BACKSPLASH-SIDEWALL COUNTERTOP, AVONITE - WHEAT (FQ0, FQ1, FQ8, FQ9)
	088090-40-FQ2	EA	BACKSPLASH-SIDEWALL COUNTERTOP, AVONITE - SAND (FQ2, FQ3)
	088090-40-FQ4	EA	BACKSPLASH-SIDEWALL COUNTERTOP, AVONITE - SAND (FQ4, FQ5)
	088090-39-FQ0	EA	BACKSPLASH-BACKWALL COUNTERTOP, AVONITE - WHEAT (FQ0, FQ1, FQ8, FQ9)
	088090-39-FQ2	EA	BACKSPLASH-BACKWALL COUNTERTOP, AVONITE - SAND (FQ2, FQ3)
	088090-39-FQ4	EA	BACKSPLASH-BACKWALL COUNTERTOP, AVONITE - SAND (FQ4, FQ5)

## BEDROOM GROUP (CONTINUED)

### QUEEN BEDROOM CABINETS & FIXTURES (CONTINUED)

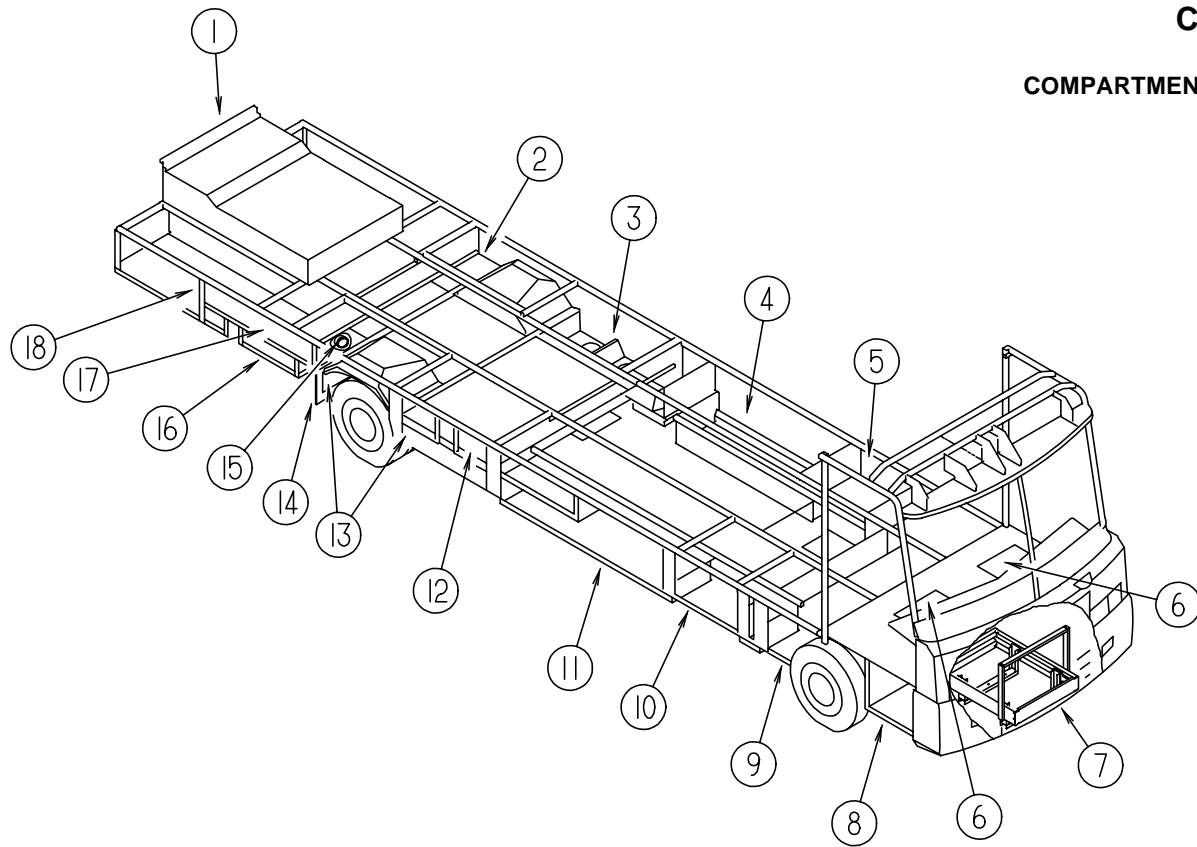


KEY	PART NUMBER	U/M	DESCRIPTION
10	M06803-B7-FQ0	EA	DOOR-CABINET, W/O HARDWARE - 365 X 925MM - 2 USED (PICKLED ASH)
10	M06803-B7-FQ1	EA	DOOR-CABINET, W/O HARDWARE - 365 X 925MM - 2 USED (SALEM CHERRY)
	113195-12-01A	EA	MIRROR-BEVELED, SAFETY GLASS - CLEAR 282X842
	P12718-01-FQ0	EA	CABINET-SHIRT CLOSET, W/O DOOR & HARDWARE (PICKLED ASH)
11	P12718-01-FQ1	EA	CABINET-SHIRT CLOSET, W/O DOOR & HARDWARE (SALEM CHERRY)
	009112-01-000	EA	FLANGE-1" ROD, CLOTHES - PLASTIC - OFF WHITE
	042438-01-000	EA	DOWEL-WOOD, CLOTHES ROD - 1" DIAMETER X 4'
	103986-01-000	FT	TRIM-VALANCE, U-CHANNEL - .75" WIDE - BRASS
	112911-01-000	EA	MIRROR-GLASS, SAFETY - 151 X 1598MM
12	112716-01-FQ0	EA	CABINET-OVERHEAD, W/O DOORS & HARDWARE (PICKLED ASH)
12	112716-01-FQ1	EA	CABINET-OVERHEAD, W/O DOORS & HARDWARE (SALEM CHERRY)
13	M05990-21-FQ0	EA	DOOR-CABINET, W/O HARDWARE - 355 X 355MM - 4 USED (PICKLED ASH)
13	M05990-21-FQ1	EA	DOOR-CABINET, W/O HARDWARE - 355 X 355MM - 4 USED (SALEM CHERRY)
14	P12717-01-FQ0	EA	CABINET-SHIRT CLOSET, W/O DOOR & HARDWARE (PICKLED ASH)
14	P12717-01-FQ1	EA	CABINET-SHIRT CLOSET, W/O DOOR & HARDWARE (SALEM CHERRY)
	009112-01-000	EA	FLANGE-1" ROD, CLOTHES - PLASTIC - OFF WHITE
	042438-01-000	EA	DOWEL-WOOD, CLOTHES ROD - 1" DIAMETER X 4'
15	113080-01-FQ0	EA	CABINET-RADIO (PICKLED ASH)
15	113080-01-FQ1	EA	CABINET-RADIO (SALEM CHERRY)
16	112714-12-FQ0	EA	COUNTERTOP-CABINET, NIGHTSTAND - AVONITE - WHEAT (FQ0, FQ1, FQ8, FQ9)
16	112714-12-FQ2	EA	COUNTERTOP-CABINET, NIGHTSTAND - AVONITE - SAND (FQ2, FQ3)
16	112714-12-FQ4	EA	COUNTERTOP-CABINET, NIGHTSTAND - AVONITE - SAND (FQ4, FQ5)
	112714-11-FQ0	EA	BASE-COUNTERTOP, NIGHTSTAND - PARTICLE BOARD
	088090-42-FQ0	EA	BACKSPLASH-SIDEWALL COUNTERTOP, AVONITE - WHEAT (FQ0, FQ1, FQ8, FQ9)
	088090-42-FQ2	EA	BACKSPLASH-SIDEWALL COUNTERTOP, AVONITE - SAND (FQ2, FQ3)
	088090-42-FQ4	EA	BACKSPLASH-SIDEWALL COUNTERTOP, AVONITE - SAND (FQ4, FQ5)
17	112714-01-FQ0	EA	CABINET-NIGHTSTAND, W/O DRAWER & HDW - PICKLED ASH (FQ0, FQ8)
17	112714-01-FQ1	EA	CABINET-NIGHTSTAND, W/O DRAWER & HDW - SALEM CHERRY (FQ1, FQ9)
17	112714-01-FQ2	EA	CABINET-NIGHTSTAND, W/O DRAWER & HDW - PICKLED ASH (FQ2)
17	112714-01-FQ3	EA	CABINET-NIGHTSTAND, W/O DRAWER & HDW - SALEM CHERRY (FQ3)
17	112714-01-FQ4	EA	CABINET-NIGHTSTAND, W/O DRAWER & HDW - PICKLED ASH (FQ4)
17	112714-01-FQ5	EA	CABINET-NIGHTSTAND, W/O DRAWER & HDW - SALEM CHERRY (FQ5)
18	113106-01-FQ0	EA	CABINET-OVERHEAD, TV (PICKLED ASH)
18	113106-01-FQ1	EA	CABINET-OVERHEAD, TV (SALEM CHERRY)
19	112515-01-01A	EA	PICTURE-DECORATIVE, 12" X16"
	113906-01-FQ0	EA	SPACER-RECEPTACLE, & TV REMOTE HOLDER - PICKLED ASH
	113906-01-FQ1	EA	SPACER-RECEPTACLE, & TV REMOTE HOLDER - SALEM CHERRY
	113906-11-FQ0	EA	PANEL-SPACER, RECEPTACLE & TV REMOTE HOLDER - PICKLED ASH
	113906-11-FQ1	EA	PANEL-SPACER, RECEPTACLE & TV REMOTE HOLDER - SALEM CHERRY



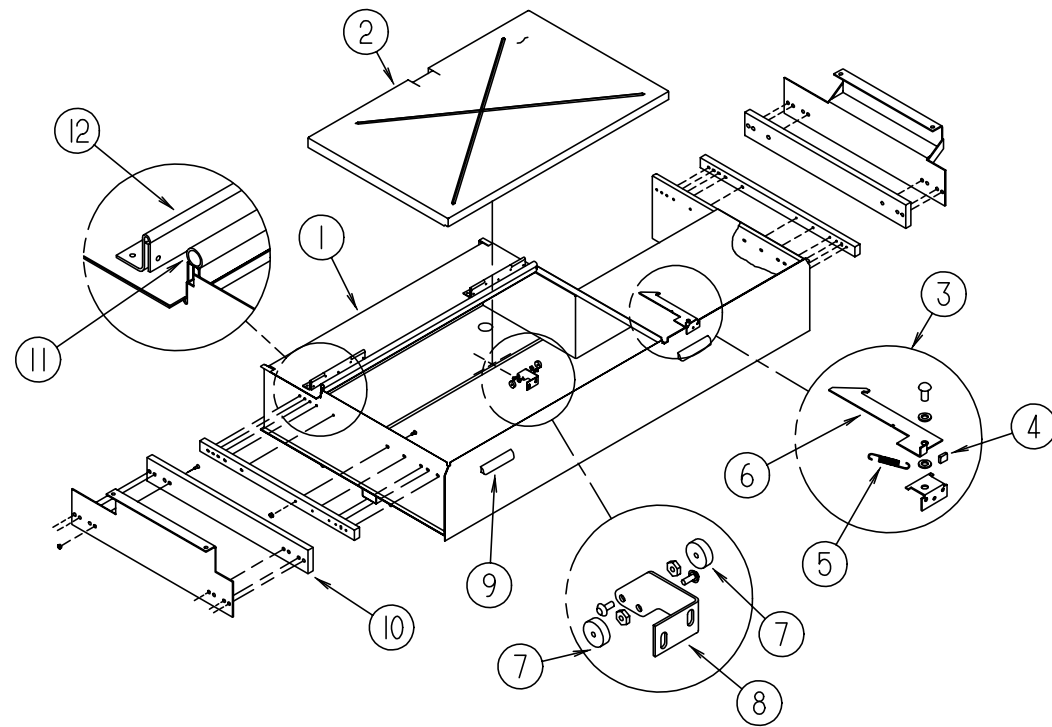
## CHASSIS GROUP

### COMPARTMENTS, WHEEL WELLS & MUD FLAPS



KEY	PART NUMBER	U/M	DESCRIPTION
1	107796-01-000	EA	SPRING-GAS, REAR DOOR - 40 LBS
1	114268-03-02B	EA	BRACKET-GAS SPRING, MOUNTS TO DOOR
1	108998-03-000	EA	BRACKET-FLAT, W/BALL STUD - MOUNTS TO BACKWALL
1	107721-01-000	FT	SEAL-D BULB, W/RIDGES - W/ADHESIVE ON FLAT SIDE, BLACK
1	107719-01-01A	EA	STRIKE-DOOR, REAR ENGINE
1	039623-01-000	FT	SEAL-MOTOR COVER, RUBBER BULB TYPE - BLACK
1	076310-01-002	EA	RUBBER-SHEET, 150 X 100MM
1	076310-01-000	EA	SHEET-RUBBER, RADIATOR BAFFLE - .12" X 15" X 62" - BLACK
2	107796-08-000	EA	SPRING-GAS, 17" LENGTH - 60 LBS
2	107796-03-000	EA	BRACKET-GAS SPRING, SMALL - MOUNTS TO COMPARTMENT
2	107796-02-000	EA	BRACKET-GAS SPRING, LARGE - MOUNTS TO DOOR
2	112915-03-02A	EA	TUBE-CATCH, MOUNTS GAS SPRING & STRIKER - RIGHT SIDE
2	112915-04-02A	EA	TUBE-CATCH, MOUNTS GAS SPRING & STRIKER - LEFT SIDE
2	113679-01-01A	EA	STRIKE-VALANCE DOOR, MILL
2	107721-01-000	FT	SEAL-D BULB, W/RIDGES - W/ADHESIVE ON FLAT SIDE, BLACK
2	109925-01-000	EA	DOOR-ACCESS, FOR HYDRAULIC LEVELING VALVES
	098196-01-000	EA	LATCH-1/4 TURN, T-BAR
3	107796-12-000	EA	SPRING-GAS, 17" LENGTH - 120 LBS
3	107796-03-000	EA	BRACKET-GAS SPRING, SMALL - MOUNTS TO COMPARTMENT
3	107796-02-000	EA	BRACKET-GAS SPRING, LARGE - MOUNTS TO DOOR
3	112915-05-02A	EA	TUBE-CATCH, MOUNTS STRIKER - RIGHT SIDE
3	112915-07-02A	EA	TUBE-CATCH, MOUNTS GAS SPRING - CENTER
3	112915-04-02A	EA	TUBE-CATCH, MOUNTS STRIKER - LEFT SIDE
3	113679-01-01A	EA	STRIKE-VALANCE DOOR, MILL
3	100157-01-000	FT	SEAL-BULB, W/WIRE RIGID U CHANNEL - 1" WIDE - RUBBER - BLACK
3	114374-01-01A	EA	COMPARTMENT-STORAGE, WATER CENTER - PLASTIC - OFF WHITE
3	105536-01-000	EA	PANEL-BOTTOM, WATER CENTER - 1183.5 X 1778.5MM - GALVANIZED STEEL
4	107796-03-000	EA	SPRING-GAS, A/C DOOR
4	107796-03-000	EA	BRACKET-GAS SPRING, SMALL - MOUNTS TO COMPARTMENT
4	107796-02-000	EA	BRACKET-GAS SPRING, FLAT - MOUNTS TO DOOR
4	113679-01-01A	EA	STRIKE-VALANCE DOOR, MILL
4	107721-01-000	FT	SEAL-D BULB, W/RIDGES - W/ADHESIVE ON FLAT SIDE, BLACK
4	P13968-01-01B	EA	COMPARTMENT ASM-STORAGE, W/O LID
4	101180-08-FQ0	EA	LID ASM-COMPARTMENT, STORAGE
5	107796-08-000	EA	SPRING-GAS, 17" LENGTH - 60 LBS\
5	107796-03-000	EA	BRACKET-GAS SPRING, SMALL - MOUNTS TO COMPARTMENT
5	107796-02-000	EA	BRACKET-GAS SPRING, LARGE - MOUNTS TO DOOR
5	112915-12-02A	EA	TUBE-CATCH, MOUNTS GAS SPRING & STRIKER - RIGHT SIDE
5	112915-13-02A	EA	TUBE-CATCH, MOUNTS GAS SPRING & STRIKER - LEFT SIDE
5	113679-01-01A	EA	STRIKE-VALANCE DOOR, MILL
5	107721-01-000	FT	SEAL-D BULB, W/RIDGES - W/ADHESIVE ON FLAT SIDE, BLACK
5	115392-01-01A	EA	STRAP ASM-VELCRO, LUG WRENCH HOLDER
	061420-05-000	EA	PLUG-PLASTIC, 1.8" DIAMETER
	115361-01-01A	EA	PLUG-PLASTIC, # W5
5	112915-12-02A	EA	TUBE-CATCH, MOUNTS GAS SPRING & STRIKER - RIGHT SIDE
5	112915-13-02A	EA	TUBE-CATCH, MOUNTS GAS SPRING & STRIKER - LEFT SIDE
5	113679-01-01A	EA	STRIKE-VALANCE DOOR, MILL
5	107721-01-000	FT	SEAL-D BULB, W/RIDGES - W/ADHESIVE ON FLAT SIDE, BLACK
5	093287-06-01A	EA	NET-CARGO, 1160 X 254MM - W/SNAP CATCHES
	093395-01-000	EA	BRACKET-ANGLE, CARGO NET
6	108325-02-000	EA	PLATE-SEAT SUPPORT
7	113449-01-01A	EA	SLIDE ASM-GENERATOR
8	107796-01-000	EA	SPRING-GAS, 40 LBS
8	107796-03-000	EA	BRACKET-GAS SPRING, SMALL - MOUNTS TO COMPARTMENT
8	107796-02-000	EA	BRACKET-GAS SPRING, LARGE - MOUNTS TO DOOR
8	112915-04-02A	EA	TUBE-CATCH, MOUNTS GAS SPRING & STRIKER - RIGHT SIDE
8	112915-04-02A	EA	TUBE-CATCH, MOUNTS GAS SPRING & STRIKER - BOTTOM
8	113679-01-01A	EA	STRIKE-VALANCE DOOR, MILL
8	107721-01-000	FT	SEAL-D BULB, W/RIDGES - W/ADHESIVE ON FLAT SIDE, BLACK
9	112915-04-02A	EA	TUBE-CATCH, MOUNTS STRIKER - BOTTOM
9	107721-01-000	FT	SEAL-D BULB, W/RIDGES - W/ADHESIVE ON FLAT SIDE, BLACK
9	099717-04-000	EA	TIEDOWN ASM-STRAP W/BUCKLE, FOR LAWN CHAIRS
10	115753-01-02B	EA	COVER-STEP, BOTTOM - 768 X 570MM - STEEL - E-COAT
10	113483-01-01A	EA	STEP ASM-ELECTRIC, DOUBLE
	116995-02-000	EA	SWITCH/MAGNET - ELECTRIC STEP - BLACK/WHITE-CLOSED CIRCUIT
	113285-01-01A	EA	SEAL-STEP, SWITCH - BLACK - LUNDELL
	075723-02-000	EA	SPACER-SWITCH, W/HOLE - .2" X .9" X 2" - METAL - OFF WHITE FOR ELECTRIC STEP DOOR JAMB SWITCH
11	107796-11-000	EA	SPRING-GAS, 17" LENGTH - 90LBS
11	107796-03-000	EA	BRACKET-GAS SPRING, SMALL - MOUNTS TO COMPARTMENT
11	107796-02-000	EA	BRACKET-GAS SPRING, LARGE - MOUNTS TO DOOR
11	112915-12-02A	EA	TUBE-CATCH, MOUNTS GAS SPRING & STRIKER - RIGHT SIDE
11	112915-13-02A	EA	TUBE-CATCH, MOUNTS GAS SPRING & STRIKER - LEFT SIDE
11	113679-01-01A	EA	STRIKE-VALANCE DOOR, MILL
11	107721-01-000	FT	SEAL-D BULB, W/RIDGES - W/ADHESIVE ON FLAT SIDE, BLACK
11	093287-05-01A	EA	NET-CARGO, 520 X 254MM - W/SMAP CATCHES
	093395-01-000	EA	BRACKET-ANGLE, CARGO NET
12	107796-08-000	EA	SPRING-GAS, 17" LENGTH - 60LBS
12	107796-03-000	EA	BRACKET-GAS SPRING, SMALL - MOUNTS TO COMPARTMENT
12	107796-02-000	EA	BRACKET-GAS SPRING, LARGE - MOUNTS TO DOOR
12	112915-01-02A	EA	TUBE-CATCH, MOUNTS GAS SPRING & STRIKER - RIGHT SIDE
12	112915-02-02A	EA	TUBE-CATCH, MOUNTS GAS SPRING & STRIKER - LEFT SIDE
12	113679-01-01A	EA	STRIKE-VALANCE DOOR, MILL
12	107721-01-000	FT	SEAL-D BULB, W/RIDGES - W/ADHESIVE ON FLAT SIDE, BLACK
12	113380-01-01A	EA	PANEL-COVER SEAL, 1044 X 262MM - PLASTIC - BLACK
13	113573-01-02B	EA	GUARD-DIRT, E-COAT
14	017516-04-000	EA	FLAP-MUD, 14" X 18" - BLACK
15	098215-03-000	EA	COLLAR-CRIMPED, 6" ROUND - AIR INTAKE
16	113832-01-01A	EA	SLIDE ASM-BATTERY TRAY, KWIKEE 5702
16	065450-05-000	EA	TIEDOWN-BATTERY, 8.4" TUBE
17	108998-04-000	EA	SPRING-GAS, 60LBS
17	057460-02-000	EA	BALL STUD-10MM BALL, 5/16-18 - MOUNTS GAS SPRING TO COMPARTMENT
17	107796-02-000	EA	BRACKET-GAS SPRING, LARGE - MOUNTS TO DOOR
17	113679-01-01A	EA	STRIKE-VALANCE DOOR, MILL
17	107721-01-000	FT	SEAL-D, W/ADHESIVE BACK - RUBBER - BLACK
18	107796-08-000	EA	SPRING-GAS, 17" LENGTH - 60LBS
18	107796-03-000	EA	BRACKET-GAS SPRING, SMALL - MOUNTS TO COMPARTMENT
18	107796-02-000	EA	BRACKET-GAS SPRING, LARGE - MOUNTS TO DOOR
18	112915-10-02A	EA	TUBE-CATCH, MOUNTS GAS SPRING & STRIKER - RIGHT SIDE
18	112915-11-02A	EA	TUBE-CATCH, MOUNTS GAS SPRING & STRIKER - LEFT SIDE
18	113679-01-01A	EA	STRIKE-VALANCE DOOR, MILL
18	107721-01-000	FT	SEAL-D BULB, W/RIDGES - W/ADHESIVE ON FLAT SIDE, BLACK

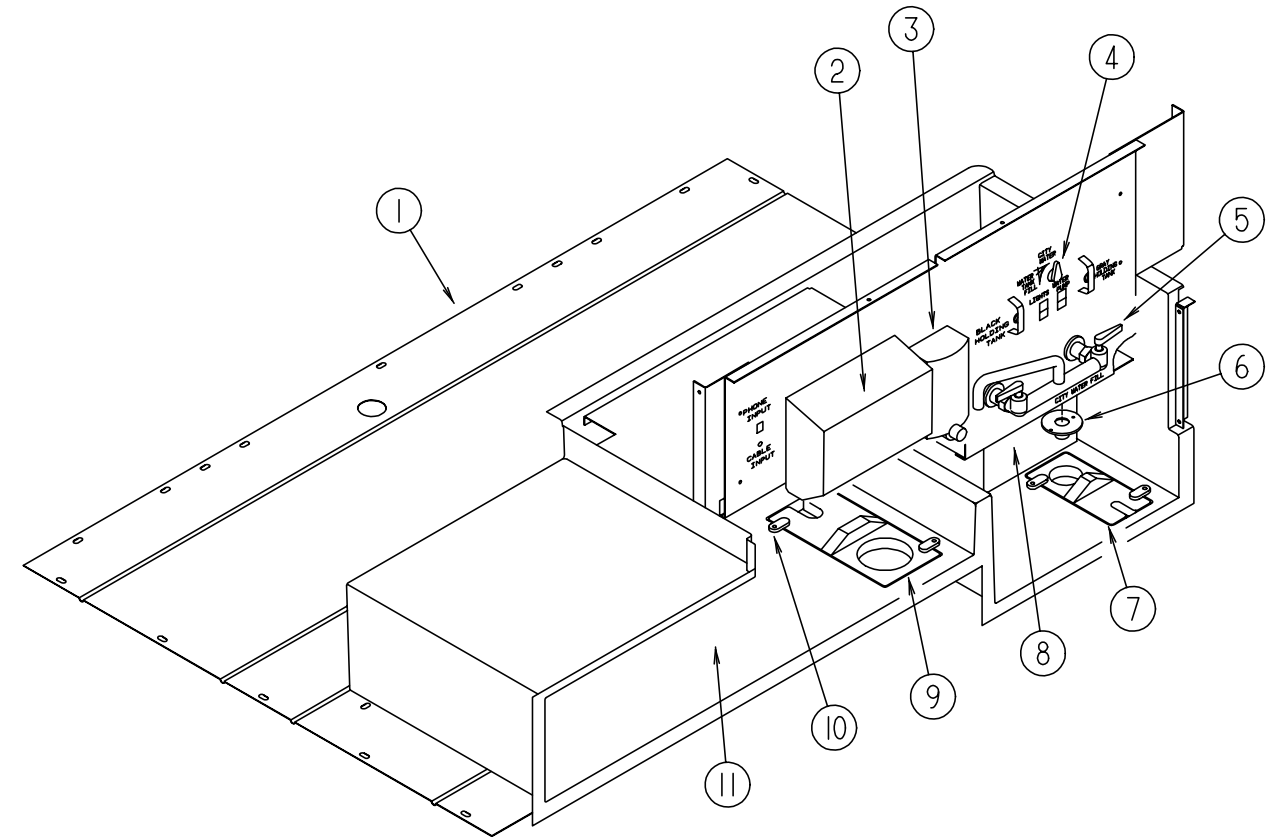
## CHASSIS GROUP (CONTINUED)



### PULLOUT STORAGE COMPARTMENT

KEY	PART NUMBER	U/M	DESCRIPTION
1	P13968-01-01B	EA	COMPARTMENT ASM-STORAGE, W/O LID
2	101180-08-FQ0	EA	LID ASM-COMPARTMENT, STORAGE
	P01005-01-01A	EA	LID-COMPARTMENT, STORAGE - PLASTIC - BLACK - 32.8" X 20.9"
3	110832-03-FQ0	EA	CATCH ASM-DRAWER
4	103244-01-01A	EA	CAPLUG-PLASTIC, .045" X .5" X 3/4" - RED
5	100414-01-000	EA	SPRING-CATCH, 3/8" OD X 1.5" - EXTERIOR COMPARTMENTS
6	110833-03-000	EA	CATCH-DRAWER, RIGHT
7	107223 01 000	EA	ROLLER-DOOR, HOLD DOWN BRACKET
8	115155-01-02B	EA	BRACKET-HOLD DOWN, LID - E-COAT
9	074762-01-000	EA	PULL-CABINET, 4.8" X .9" - PLASTIC - BLACK
10	092914-01-000	EA	SLIDE-STORAGE COMPARTMENT, 24" EXTENDS TO 48" - METAL
11	102967-01-000	FT	SEAL-BULB, W/RIGID WIRE U CHANNEL - .6" - RUBBER - BLACK
12	101349-01-01A	EA	HINGE-PIANO, SPRING LOADED - STOCKER

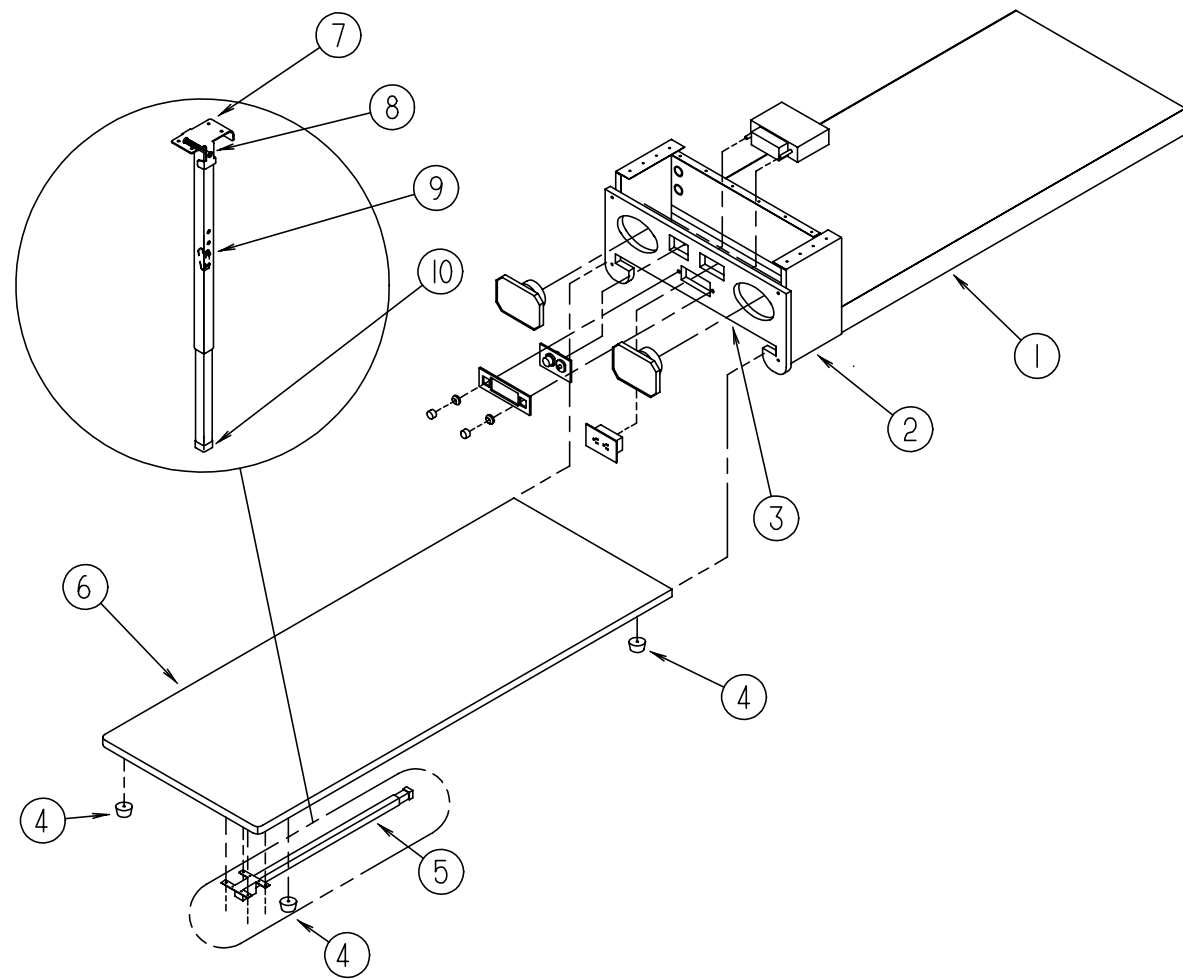
## CHASSIS GROUP (CONTINUED)



### EXTERIOR WATER SERVICE COMPARTMENT

KEY	PART NUMBER	U/M	DESCRIPTION
1	105536-01-000	EA	PANEL-BOTTOM, WATER CENTER - 1183.5 X 1778.5MM - GALVANIZED STEEL
2	115004-01-000	EA	DISPENSER-TOWEL, PAPER
	115078-01-01A	EA	TOWEL-PAPER
3	114899-01-000	EA	DISPENSER-SOAP, LIQUID
4	114431-02-000	EA	VALVE-1/2P, BYPASS - FLAIR-IT 02910
5	114331-01-000	EA	FAUCET-WALLMOUNT, SPECIALTY 123-009
6	010230-05-000	EA	FILL-WATER, CITY - SILVER
7	115007-01-01A	EA	HATCH-COMPARTMENT, WATER HOSE - BLACK
8	109925-01-000	EA	DOOR-ACCESS, FOR WATER DRAIN VALVES
	098196-01-000	EA	LATCH-1/4 TURN, T-BAR
9	115006-01-01A	EA	HATCH-COMPARTMENT, POWER CORD - BLACK
10	114677-01-01A	EA	RETAINER-HATCH, COMPARTMENT - MILL
11	114374-01-01A	EA	COMPARTMENT-STORAGE, WATER CENTER - PLASTIC - OFF WHITE

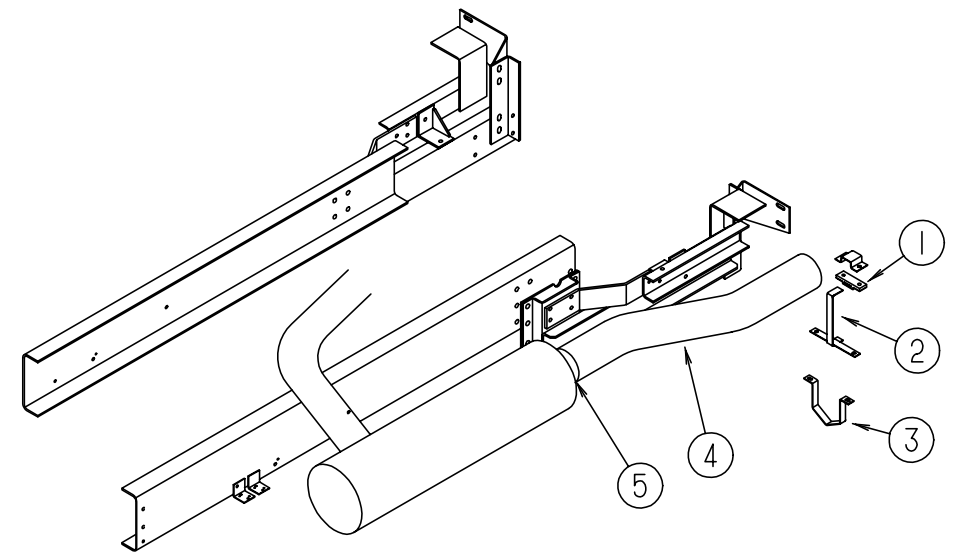
## CHASSIS GROUP (CONTINUED)



### ENTERTAINMENT COMPARTMENT

KEY	PART NUMBER	U/M	DESCRIPTION
1	108534-01-D18	EA	FRAME-ENTERTAINMENT CENTER
2	108508-02-000	EA	BRACKET-ENTERTAINMENT CENTER - 2 USED
3	108506-02-FQ0	EA	PLATE-RADIO MOUNTING
4	069726-02-000	EA	BUMPER-RUBBER, .88" DIAMETER X .40", BLACK
5	110381-01-D18	EA	LEG-TABLE, ENTERTAINMENT W/FASTENERS & SPRING
6	P10549-01-E37	EA	TABLE-ENTERTAINMENT CENTER
7	110287-01-000	EA	BRACKET-LEG, EXTERIOR TABLE
8	074630-03-000	EA	FASTENER-PUSH ON, .250 ROUND - TRW PZ001880PG
8	110459-01-000	EA	SPRING-COMPRESSION, .300 X 1.50" - LEE SG LC-030D-12-M
9	110439-01-000	EA	FASTENER-SNAP BUTTON, VALCO 0135-25
10	110550-01-000	EA	CAP-TUBE, TABLE LEG

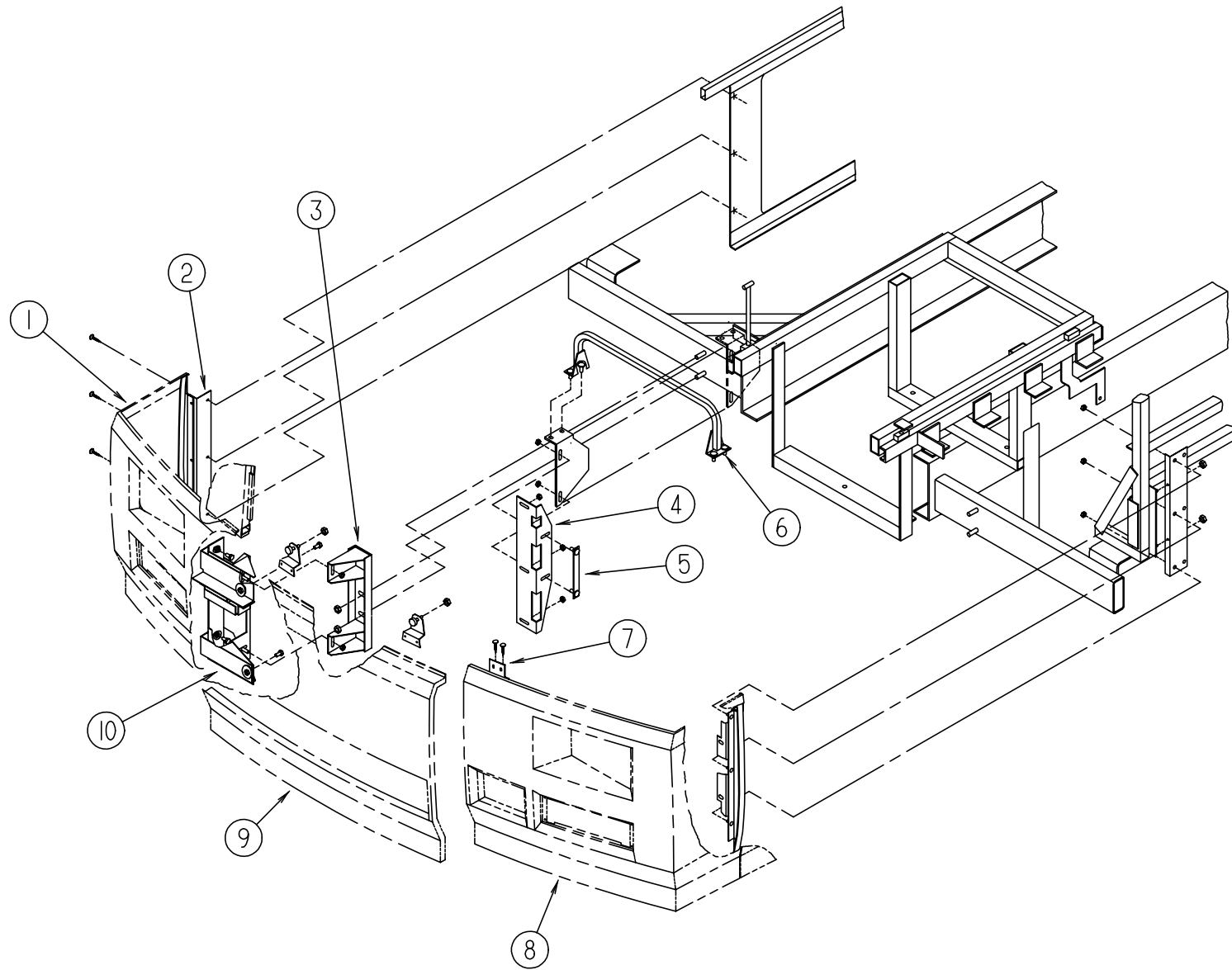
## CHASSIS GROUP (CONTINUED)



### EXHAUST SYSTEM

KEY	PART NUMBER	U/M	DESCRIPTION
1	095190-01-000	EA	HANGER-EXHAUST, 4" X 1.4"
2	110173-02-000	EA	HANGER ASM-EXHAUST
3	095223-05-000	EA	BRACKET-EXHAUST, LOWER
4	102116-02-000	EA	BRACKET ASM-EXHAUST, UPPER
4	114869-01-000	EA	PIPE-EXHAUST
5	094918-08-000	EA	CLAMP-EXHAUST, 5" - GUILLOTINE STYLE

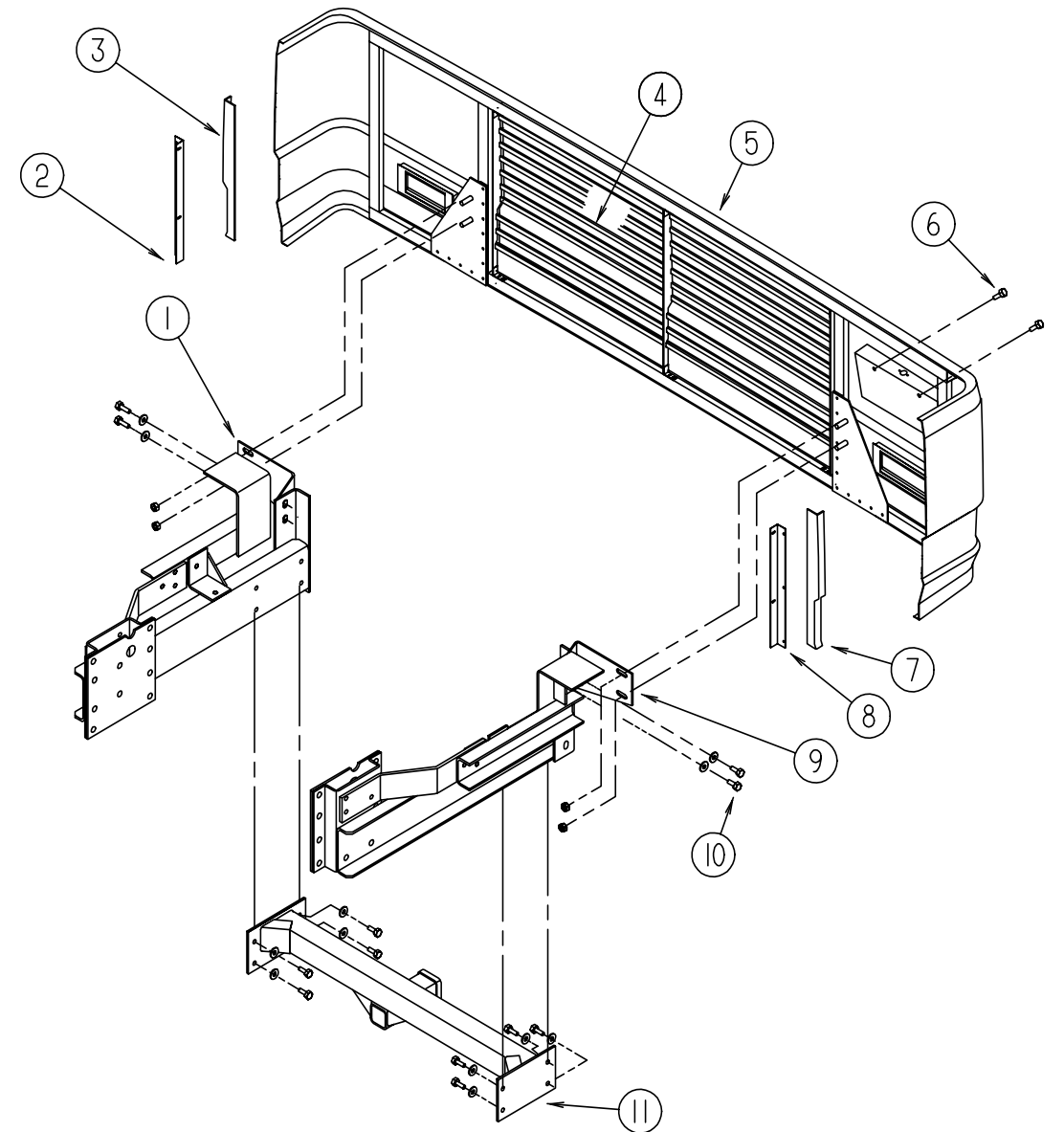
## CHASSIS GROUP (CONTINUED)



**FRONT BUMPER**

KEY	PART NUMBER	U/M	DESCRIPTION
1	P13401-01-FQ0	EA	BUMPER ASM-FRONT, OUTER - RIGHT - W/SUPPORT
	113401-01-FQ0	EA	BUMPER ASM-FRONT, OUTER - RIGHT - W/O SUPPORT
2	113407-01-02B	EA	ANGLE-BUMPER, OUTER - E-COAT
3	113474-01-02B	EA	CHANNEL ASM-BUMPER, RIGHT - OUTER - E-COAT
	113474-02-02B	EA	CHANNEL ASM-BUMPER, LEFT - OUTER - E-COAT
4	114396-01-02B	EA	ANGEL-BUMPER MOUNT, RIGHT - E-COAT
	114396-02-02B	EA	ANGLE-BUMPER MOUNT, LEFT - E-COAT
5	106730-04-000	EA	PLATE-STUD
6	114169-01-02B	EA	HANDLE ASM-BUMPER MOUNT, E-COAT
7	113415-01-02B	EA	ANGLE-SUPPORT, LOWER - FRONT - E-COAT
8	P13401-02-FQ0	EA	BUMPER ASM-FRONT, OUTER - LEFT - W/TURN, FOG & HEADLIGHTS
	113401-02-FQ0	EA	BUMPER ASM-FRONT, OUTER - LEFT - W/SUPPORT - W/O LIGHTS
9	113399-01-FQ0	EA	BUMPER ASM-FRONT,CENTER
10	113475-01-02B	EA	SUPPORT ASM-BUMPER, RIGHT - OUTER
	113475-02-02B	EA	SUPPORT ASM-BUMPER, LEFT - OUTER

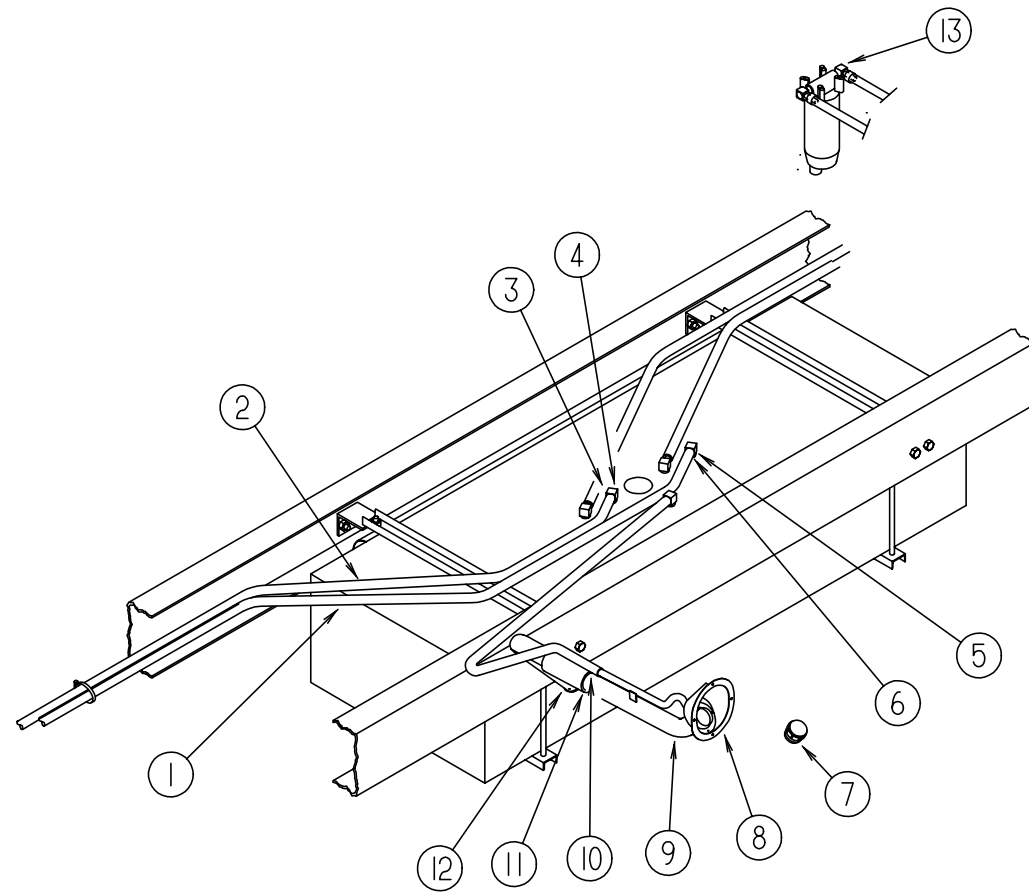
## CHASSIS GROUP (CONTINUED)



**REAR BUMPER & TRAILER HITCH**

KEY	PART NUMBER	U/M	DESCRIPTION
1	113568-01-02B	EA	ANGLE-MOUNT, BUMPER - RIGHT - E-COAT
2	113041-01-02B	EA	ANGLE-MOUNT, BUMPER - E-COAT
3	P13039-01-01A	EA	PANEL-SUPPORT, RIGHT - BLACK
4	113171-01-FQ0	EA	GRILLE ASM-BUMPER, REAR
5	P13247-01-FQ0	EA	BUMPER ASM-REAR
6	087234-01-000	EA	NUT-JACK, 1/4 X 20 THD - MOLLY - MOUNTS LICENSE PLATE
7	P13039-02-01A	EA	PANEL-SUPPORT, LEFT - BLACK
8	113041-02-01B	EA	ANGLE-MOUNT, BUMPER
9	113568-02-02B	EA	ANGLE-MOUNT, BUMPER - LEFT - E-COAT
10	000C12-08-24B	EA	BOLT-HEX, 1/2-13 X 1 1/2 - ZINC
11	107707-05-000	EA	DRAWBAR ASM-HITCH, CLASS II
	113589-01-000	EA	CONNECTOR-PLUG, TRAILER - GENERAL 433501
	113589-02-000	EA	CONNECTOR-SOCKET, TRAILER - GENERAL 433601

## CHASSIS GROUP (CONTINUED)



### FUEL SYSTEM

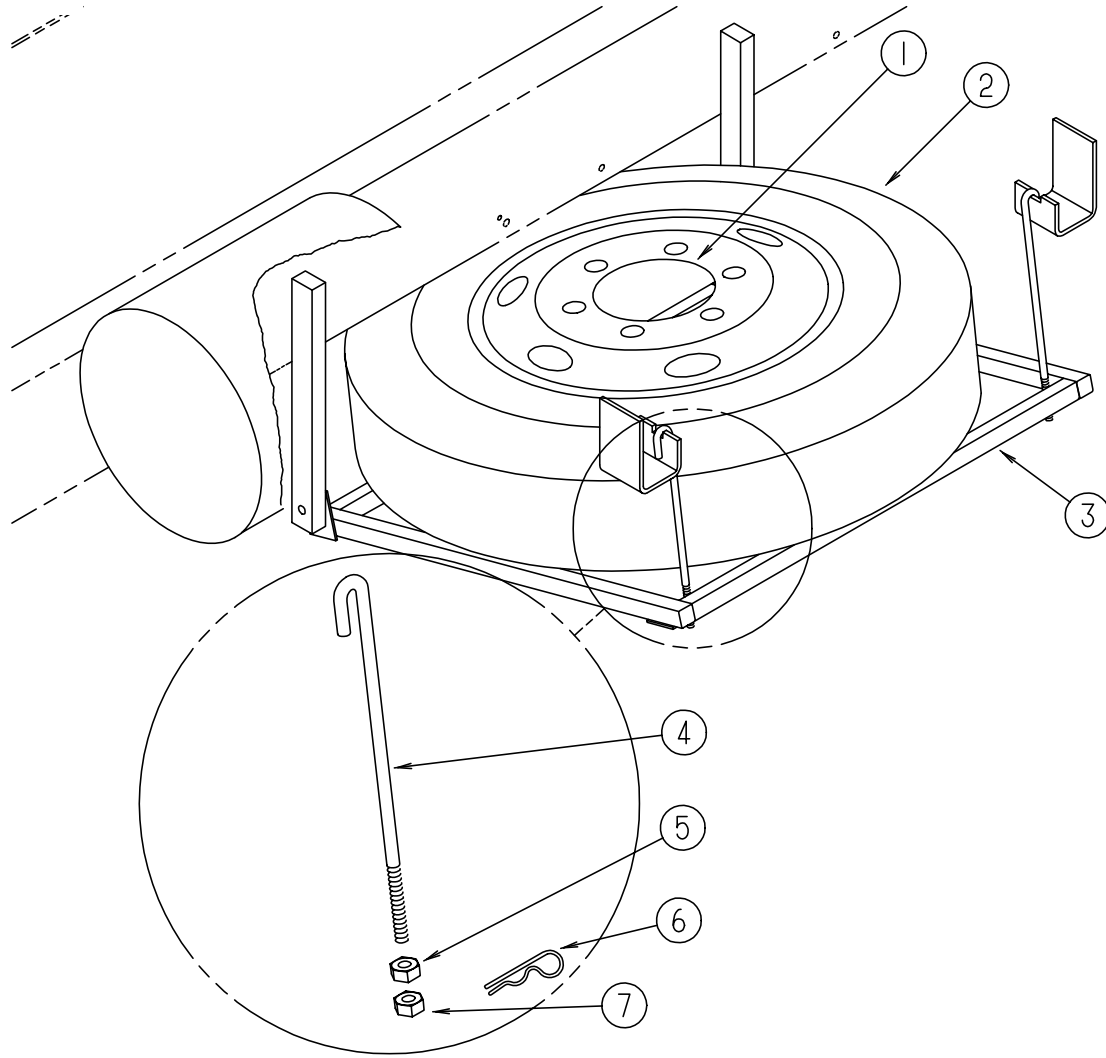
KEY	PART NUMBER	U/M	DESCRIPTION
1	024138-01-000	FT	HOSE-FUEL, 5/16" ID
2	007063-01-000	FT	HOSE-GAS, 1/4"ID X 1/2"OD
3	114253-02-000	EA	ELBOW-5/16 SINGLE BARB X 1/4MPT - WEATHERHEAD 1557
4	068382-02-000	EA	BUSHING-BRASS, 3/8MPT X 1/4FPT - PARKER 209P-6-4
5	068382-05-000	EA	BUSHING-BRASS, 1/2MPT X 1/8FPT - PARKER 209X8X2
6	114253-01-000	EA	ELBOW-1/4 SINGLE BARB X 1/8MPT - WEATHERHEAD 1582
7	073220-03-000	EA	CAP-FUEL FILL,NON LOCK (DSL) - GM 15671703
8	102951-01-01A	EA	SHROUD, FUEL FILL - METAL - UNFINISHED
9	113043-01-000	EA	NECK ASM-FUEL FILL
10	066732-01-000	FT	HOSE-FUEL FILL, .62" ID
11	007111-02-000	EA	HOSE-FUEL FILL, 2" ID - IN 3' LENGTHS
12	113759-01-000	EA	PIPE-FUEL, FILL
13	068382-02-000	EA	BUSHING-BRASS, 3/8MPT X 1/4FPT - PARKER 209P-6-4

## CHASSIS GROUP (CONTINUED)

### HWH HYDRAULIC LEVELING SYSTEM

KEY	PART NUMBER	U/M	DESCRIPTION
	107889-03-000	EA	PANEL-CONTROL, TOUCH - AIR DUMP - HWH AP1226
	107889-03-700	EA	TOUCH PANEL ONLY - HWH RAP1088
	107890-01-000	EA	ELBOW-STEEL, 90D 1/4 X 37D FLARE - PARKER 4-C6X-S
	114748-01-02B	EA	BRACKET ASM-JACKS, REAR - E-COAT
	100532-12-000	EA	LEVELING SYSTEM-HYDRAULIC, AIR DUMP - HWH AP1390
	100532-03-715	EA	CAP-BREATHER, RAP7876
	100532-03-716	EA	SOLENOID SINGLE ESSEX, RAP7505
	100532-03-717	EA	VALVE-SHUTTLE, RAP7964
	100532-03-726	EA	SWITCH-PRESSURE, RAP8003
	100532-09-702	EA	CABLE-MODULAR 5', RAP1020
	100532-09-703	EA	MANIFOLD ASM.-COMPLETE, RAP0959
	100532-09-704	EA	VALVE-SOLENOID, 2 WIRE, RAP0642
	100532-09-705	EA	SWITCH-PRESSURE WEATHERHEAD-3000, RAP0993
	100532-09-710	EA	SOLENOID-4 POST INT. DUTY, RAP0533
	100532-12-700	EA	VALVE ASM. 18"- POWER UNIT, RAP1124
	100532-12-701	EA	PUMP & MOTOR W/TANK, 1.7 - RAP0588
	100532-12-702	EA	CONTROL BOX ASM, RAP1079
	100532-12-703	EA	SENSING UINT BI-AXIS-27', RAP6800
	100532-12-704	EA	TOUCH PANEL ASM, RAP1088
	100532-12-705	EA	JACK ASM-1.625" X 13" W/SWI, RAP1198
	100532-12-706	EA	SWITCH-WARNING MAGNETIC, RAP1008
	100532-12-707	EA	SPRING KIT, R3847
	100532-12-708	EA	JACK ASM., 2.37 - 5" X 13" W/SWI, RAP1497
	100532-12-709	EA	AIR DUMP KIT, RAP1653
	100536-26-000	EA	HOSE KIT, LEVELING JACKS - HWH AP
	107938-01-000	EA	BRACKET ASM-PUMP
	108629-01-000	EA	SHIELD-PUMP
	085764-01-000	EA	CONNECTOR-FM, 1/4 NPT X 318 BRACKET
	085766-01-000	EA	ADAPTER-1/4 FPT X 1/4 MPT, BRASS - WEATHERHEAD
	071386-06-000	EA	CONNECTOR-MALE, 1/4 TUBE - 1/4 - WEATHERHEAD 1468X4X4

## CHASSIS GROUP (CONTINUED)



### SPARE TIRE HOIST

KEY	PART NUMBER	U/M	DESCRIPTION
1	086281-02-000	EA	WHEEL-STEEL, 19.5 X 6.0 - 8.75 3500 - ACCURIDE 28853
2	113792-01-000	EA	TIRE-235/80R22.5 LR G, XZU4 - MICHELIN PILOT
	051377-01-000	EA	VALVE STEM ASM-TR 500
	077030-02-000	EA	EXTENSION-VALVE STEM, 1.25"
	095012-03-000	EA	EXTENSION-VALVE STEM, DUAL WHEEL
	095012-04-000	EA	STABILIZER-VALVE EXTENSION, DICOR AG-STA-2
3	113776-01-02B	EA	SUPPORT ASM-TIRE CARRIER, E-COAT
4	091274-03-000	EA	BOLT-J, 3/8-16 X 12
5	000D29-06-00B	EA	NUT-HEX W/NYLON LOK 3/8-16ZN
6	034513-01-000	EA	PIN-HITCH, 3/16" WIRE
7	064081-03-000	EA	NUT-WING, 3/8-16 - W/WELD NUT
	080208-02-000	EA	BAR-LEVERAGE, LUG WRENCH
	080208-03-000	EA	WRENCH-LUG, 1.5" X .8"

## CHASSIS GROUP (CONTINUED)

### WHEEL LINERS

KEY	PART NUMBER	U/M	DESCRIPTION
	091209-12-000	EA	LINER-WHEEL, SET/4 - 22.5 X 10BC - KAPER 2254C-75-10
	091209-12-700	EA	SIMULATOR-FRONT W/CENTER CAP, KAPER 23CW
	091209-12-701	EA	CENTER CAP ONLY, (FRONT) - KAPER13W
	091209-12-702	EA	SIMULATOR-REAR, KAPER 24
	091209-12-703	EA	AXLE COVER (REAR - KAPER 5US
	091209-12-704	EA	LUG NUT COVER, (1 1/2") - KAPER 46
	095012-03-000	EA	EXTENSION-VALVE STEM, DUAL WHEEL
	095012-04-000	EA	STABILIZER-VALVE EXTENSION

### RADIATOR BAFFLE & STEEL TUBING

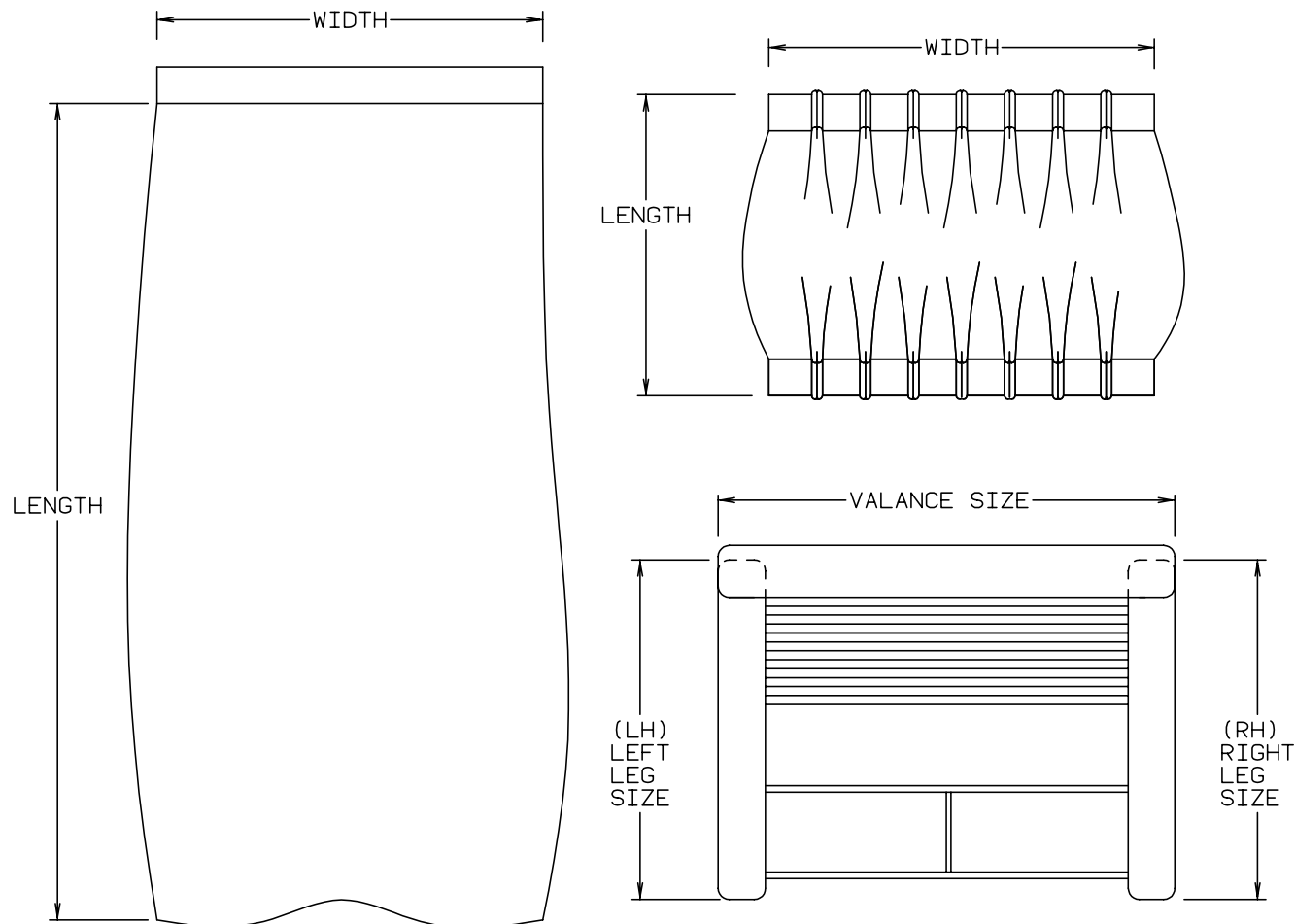
KEY	PART NUMBER	U/M	DESCRIPTION
	115218-01-000	EA	BOTTLE-OVERFLOW, RECOVER KIT
	076310-01-000	EA	SHEET-RUBBER, RADIATOR BAFFLE - .12" X 15" X 62" - BLACK
	076310-03-000	EA	SHEET-RUBBER, RADIATOR BAFFLE - .12" X 18" X 46" - BLACK
	076310-04-000	EA	SHEET-RUBBER, RADIATOR BAFFLE - .12" X 23" X 50" - BLACK
	105805-01-000	EA	TUBE-STEEL, 1" X 2" X 288"

## CURTAIN & CUSHION GROUP

### NOTICE

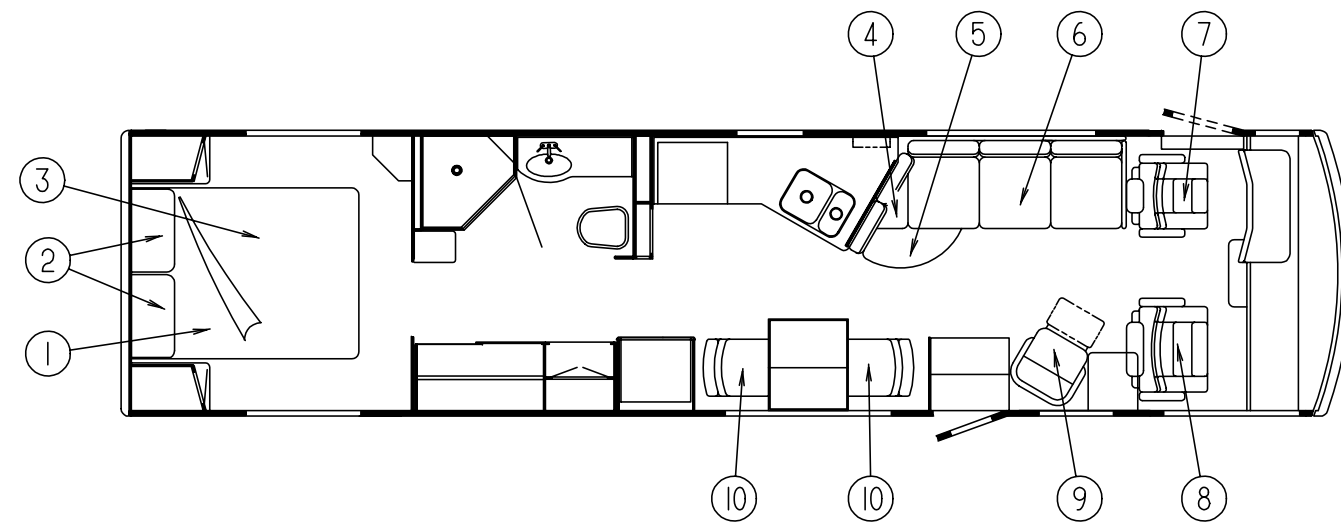
IN ORDER TO ASSIST OUR PARTS SALES DEPT. IN PROVIDING INTERIOR SOFTWARE ITEMS, PLEASE INCLUDE THE SERIAL NUMBER AND THE COLOR CODE NUMBER FROM THE VEHICLE CERTIFICATION LABEL WHEN ORDERING. THIS LABEL IS LOCATED ON THE LEFT SIDEWALL AT THE END OF THE DASH (A-BODY), OR ON THE DRIVER'S DOOR LATCH PLATE (C-BODY).

AN EXAMPLE OF A COLOR CODE NUMBER IS B07, WHICH DESIGNATES AN OVERALL COLOR SCHEME OF A PARTICULAR UNIT. THE COLOR LISTED AFTER THE ITEM DESCRIPTION ON THE MICROFICHE, INDICATES THE OVERALL UNIT COLOR. ORDER THE ITEM YOU DESIRE ACCORDING TO UNIT COLOR CODE.



NOTE: USE THIS ILLUSTRATION WHEN DETERMINING LENGTH AND WIDTH MEASUREMENTS FOR CURTAINS. YOU WILL NOTE THE WIDTH MEASUREMENT IS TAKEN ON THE TOP OF THE CURTAIN WITH THE CURTAIN FULLY EXTENDED. THE LENGTH MEASUREMENT IS TAKEN FROM TOP TO BOTTOM. LEFT AND RIGHT WINDOW LEGS ARE DETERMINED WHEN FACING THE WINDOW.

## CURTAIN & CUSHION GROUP (CONTINUED)



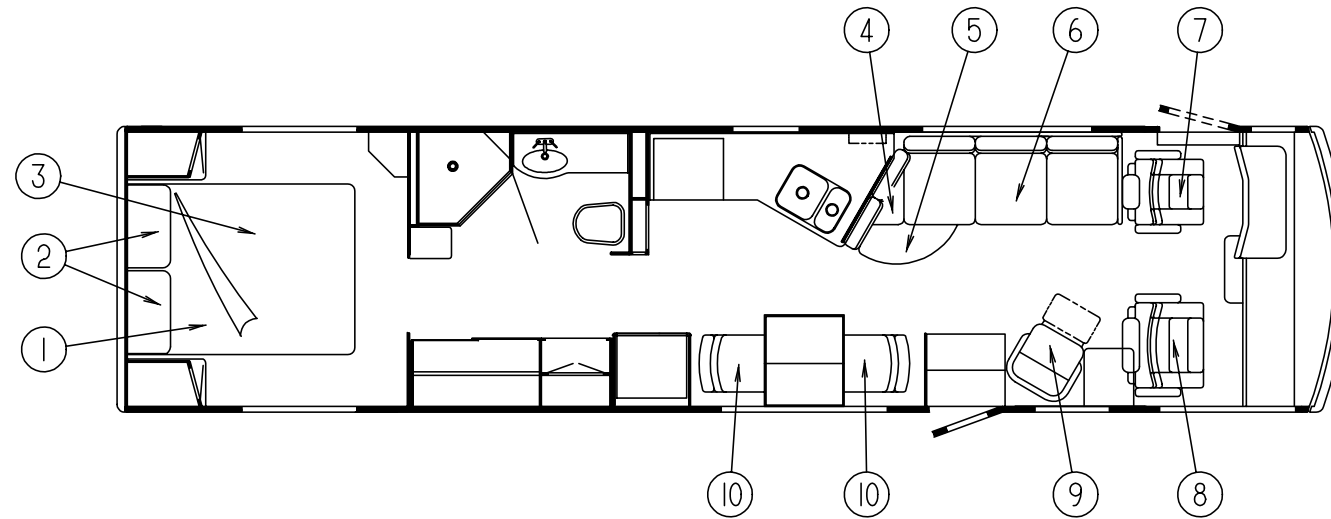
### MATTRESS, PILLOWS & BEDSPREAD

KEY	PART NUMBER	U/M	DESCRIPTION
1	098176-05-000	EA	MATTRESS-QUEEN, INNERSPRING - 59" X 79" - SEALY
2	109786-02-E95	EA	COVER-PILLOW SHAM, W/CORNER PLEATS (FQ0, FQ1)
2	114220-01-FQ2	EA	COVER-PILLOW SHAM, W/BRAID (FQ2, FQ3)
2	114220-01-FQ4	EA	COVER-PILLOW SHAM, W/BRAID (FQ4, FQ5)
2	114220-02-FQ8	EA	COVER-PILLOW SHAM, W/BRAID (FQ8, FQ9)
3	109588-14-E95	EA	BEDSPREAD-QUEEN, 60" X 80" - W/CORNER PANEL (FQ0, FQ1)
3	114222-01-FQ2	EA	BEDSPREAD-QUEEN, 60" X 80" (FQ2, FQ3)
3	114222-01-FQ4	EA	BEDSPREAD-QUEEN, 60" X 80" (FQ4, FQ5)
3	114222-01-FQ8	EA	BEDSPREAD-QUEEN, 60" X 80" (FQ8, FQ9)
	109149-14-FQ0	EA	SKIRT-BED, QUEEN - W/CORNER PLEAT - 16.5" X 169.5" (FQ0, FQ1)
	109149-15-FQ2	EA	SKIRT-BED, QUEEN - W/CORNER PLEAT - 16.5" X 169.5" (FQ2, FQ3)
	109149-14-FQ4	EA	SKIRT-BED, QUEEN - W/CORNER PLEAT - 16.5" X 169.5" (FQ4, FQ5)
	109149-14-FQ8	EA	SKIRT-BED, QUEEN - W/CORNER PLEAT - 16.5" X 169.5" (FQ8, FQ9)
	109785-03-E97	EA	PILLOW-THROW, 15" X 15" - W/CORNER PLEATS (FQ0, FQ1)
	109785-04-FQ2	EA	PILLOW-THROW, 15" X 15" - W/CORNER PLEATS (FQ2, FQ3)
	104504-05-FQ2	EA	PILLOW-THROW, 16" - ROUND (FQ2, FQ3)
	103669-12-FQ4	EA	PILLOW-THROW, 15" X 15" - GREEN LEAVES W/FRINGE (FQ4, FQ5)
	104504-06-FQ4	EA	PILLOW-THROW, 16" - ROUND W/FRINGE (FQ4, FQ5)
	104504-05-FQ8	EA	PILLOW-THROW, 16" - ROUND W/FRINGE (FQ8, FQ9)

### LOUNGE THROW PILLOWS

KEY	PART NUMBER	U/M	DESCRIPTION
	103669-08-FQ0	EA	PILLOW-THROW, 15" X 15" - W/FRINGE (FQ0, FQ1)
	103669-08-FQ4	EA	PILLOW-THROW, 15" X 15" - LINED UPHOLSTERY W/FRINGE (FQ4, FQ5)
	103669-12-FQ4	EA	PILLOW-THROW, 15" X 15" - GREEN LEAVES W/FRINGE (FQ4, FQ5)
	111637-03-FQ2	EA	PILLOW-THROW, 22" X 22" - W/BRAID - CRANBERRY (FQ2, FQ3)
	111637-04-FQ2	EA	PILLOW-THROW, 22" X 22" - W/BRAID - GOLD/WINE (FQ2, FQ3)
	111637-06-FQ8	EA	PILLOW-THROW, 22" X 22" - W/BRAID (FQ8, FQ9)

## CURTAIN & CUSHION GROUP (CONTINUED)



### SOFA

KEY	PART NUMBER	U/M	DESCRIPTION
4	113564-02-000	EA	WEDGE-SOFA, W/2 POCKET BACK CUSHIONS (FQ0, FQ1)
4	113564-05-000	EA	WEDGE-SOFA, W/2 POCKET BACK CUSHIONS (FQ2, FQ3)
4	113564-08-000	EA	WEDGE-SOFA, W/2 POCKET BACK CUSHIONS (FQ4, FQ5)
4	113564-14-000	EA	WEDGE-SOFA, W/2 POCKET BACK CUSHIONS (FQ8, FQ9)
5	113564-03-000	EA	OTTOMAN-SOFA (FQ0, FQ1)
5	113564-06-000	EA	OTTOMAN-SOFA (FQ2, FQ3)
5	113564-09-000	EA	OTTOMAN-SOFA (FQ4, FQ5)
5	113564-15-000	EA	OTTOMAN-SOFA (FQ8, FQ9)
6	113564-01-000	EA	SOFA-COUCH, W/3 BACK CUSHIONS (FQ0, FQ1)
6	113564-04-000	EA	SOFA-COUCH, W/3 BACK CUSHIONS (FQ2, FQ3)
6	113564-07-000	EA	SOFA-COUCH, W/3 BACK CUSHIONS (FQ4, FQ5)
6	113564-13-000	EA	SOFA-COUCH, W/3 BACK CUSHIONS (FQ8, FQ9)
	114753-01-000	EA	ROD-STEEL, 12' - BRASS - KIRSCH 7002-12
	114753-01-002	EA	ROD-STEEL, 13" - BRASS
	114753-01-001	EA	ROD-STEEL, 8" - BRASS
	114753-02-000	EA	BRACKET-BARREL, 1", BRASS - KIRSCH 0732 (PAIR)

### BUCKET SEATS

KEY	PART NUMBER	U/M	DESCRIPTION
7	113983-03-000	EA	BUCKET-DRIVER, ITALIA - ANTELOPE - VILLA (FQ0, FQ1, FQ4, FQ5)
7	113983-02-000	EA	BUCKET-DRIVER, ITALIA - ANTELOPE - VILLA (FQ2, FQ3)
7	113983-04-000	EA	BUCKET-DRIVER, ITALIA - ANTELOPE - VILLA (FQ8, FQ9)
8	113983-07-000	EA	BUCKET-BUDDY, ITALIA - ANTELOPE - VILLA (FQ0, FQ1, FQ4, FQ5)
8	113983-06-000	EA	BUCKET-BUDDY, ITALIA - VILLA (FQ2, FQ3)
8	113983-08-000	EA	BUCKET-BUDDY, ITALIA - VILLA (FQ8, FQ9)
	107921-01-000	EA	PEDESTAL ASM-SEAT, BUCKET SEAT - 9-3/4 INCH - FLEXSTEEL 3060 MSPD
	107921-06-000	EA	BEARING KIT-PEDESTAL, FLEXSTEEL
	113983-90-000	EA	TOP PLATE-DRIVERS, 20.5" - VILLA
	113983-91-000	EA	TOP PLATE-CO-PILOT, 27" - VILLA
	113983-92-000	EA	SUB PLATE-DRIVERS, 60MM - VILLA
	113983-93-000	EA	SUB PLATE-CO-PILOT, 125MM - VILLA
	113983-94-000	EA	SWIVEL KIT, VILLA
	108324-01-000	EA	PLATE-DOUBLE, SEAT SUPPORT

### SWIVEL CHAIR

KEY	PART NUMBER	U/M	DESCRIPTION
9	113984-03-000	EA	CHAIR-SWIVEL, ITALIA - ANTELOPE - VILLA (FQ0, FQ1, FQ4, FQ5)
9	113984-02-000	EA	CHAIR-SWIVEL, ITALIA - VILLA (FQ2, FQ3)
9	113984-04-000	EA	CHAIR-SWIVEL, ITALIA - VILLA (FQ8, FQ9)
	108445-02-000	EA	PLATE ASM-PEDESTAL, SEAT
	107921-06-000	EA	BEARING KIT-PEDESTAL, FLEXSTEEL
	113984-90-000	EA	PLATE-TOP, 14" - SWIVEL CHAIR
	113894-91-000	EA	SUBPLATE, 100MM - SWIVEL CHAIR
	113983-94-000	EA	SWIVEL KIT, VILLA

### DINETTE CHAIRS

KEY	PART NUMBER	U/M	DESCRIPTION
10	101866-38-000	EA	CHAIR-FLEXSTEEL, DINETTE (FQ0, FQ1)
10	101866-34-000	EA	CHAIR-FLEXSTEEL, DINETTE (FQ2, FQ3)
10	101866-35-000	EA	CHAIR-FLEXSTEEL, DINETTE (FQ4, FQ5)
10	101866-37-000	EA	CHAIR-FLEXSTEEL, DINETTE (FQ8, FQ9)
	116080-01-FQ0	EA	COVER-CHAIR LEG, WOOD - 4 PER CHAIR - PICKLED ASH
	116080-01-FQ1	EA	COVER-CHAIR LEG, WOOD - 4 PER CHAIR - SALEM CHERRY
10	101604-01-01A	EA	CHAIR-FOLDING, DINETTE - W/O MATCHING COVER - OAK - PICKLED ASH
10	101604-01-02A	EA	CHAIR-FOLDING, DINETTE - W/O MATCHING COVER - OAK - SALEM CHERRY

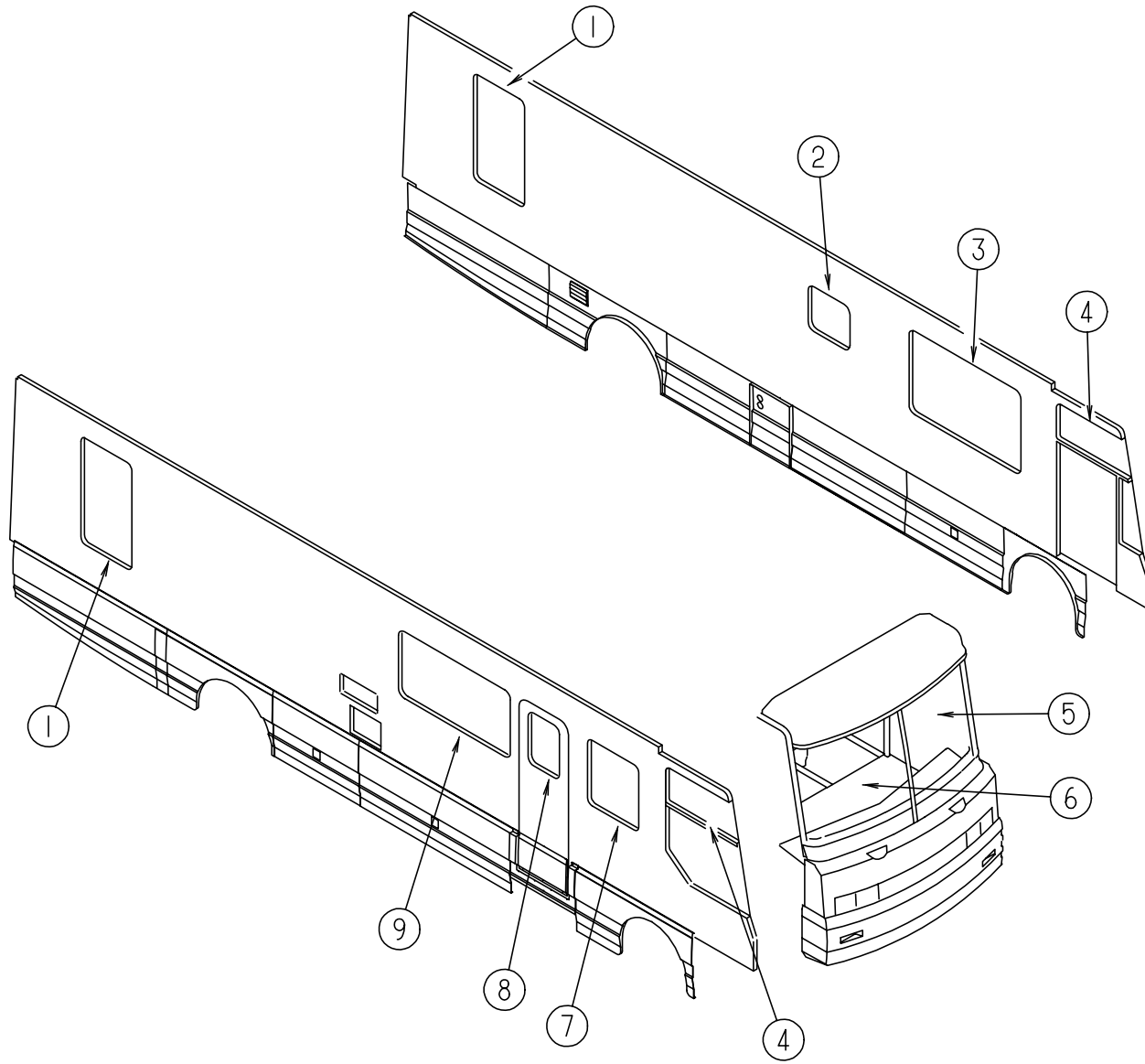
### LAWN CHAIR

KEY	PART NUMBER	U/M	DESCRIPTION
	114218-01-000	EA	CHAIR ASM-LAWN
	114375-01-01A	EA	FRAME-LAWN CHAIR, FOLDING - W/HARDWARE - ART-CRAFT



# CURTAIN & CUSHION GROUP (CONTINUED)

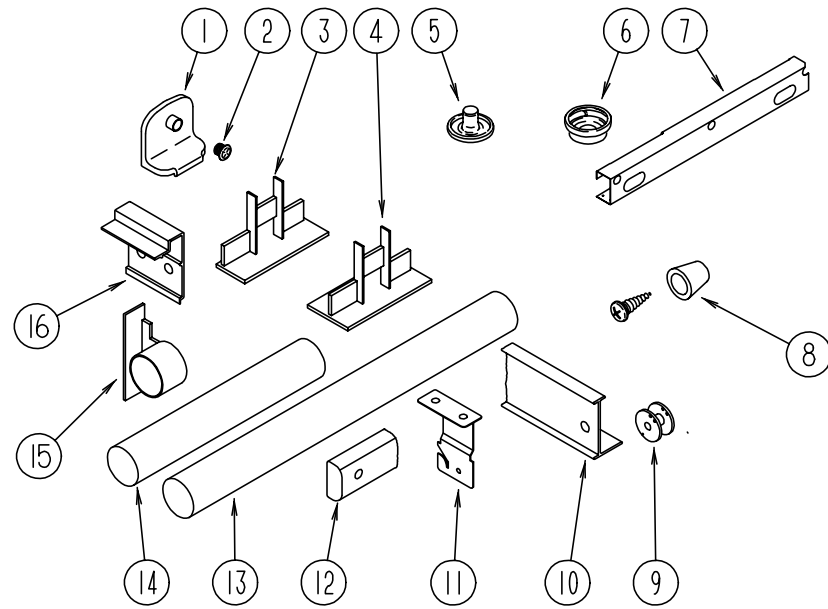
## CURTAINS & WINDOW TREATMENT



KEY	PART NUMBER	U/M	DESCRIPTION
1	114216-01-FQ0	EA	VALANCE-WINDOW, TUCKER - 33.25" (FQ0, FQ1)
1	114216-01-FQ2	EA	VALANCE-WINDOW, TUCKER - 33.25" (FQ2, FQ3)
1	114216-01-FQ4	EA	VALANCE-WINDOW, TUCKER - 33.25" (FQ4, FQ5)
1	114216-02-FQ8	EA	VALANCE-WINDOW, TUCKER - 33.25" (FQ8, FQ9)
1	114217-01-FQ0	EA	VALANCE-WINDOW, SHADOWBOX - 47" X 33" (FQ0, FQ1)
1	114217-02-FQ2	EA	VALANCE-WINDOW, SHADOWBOX - 47" X 33" (FQ2, FQ3)
1	114217-01-FQ4	EA	VALANCE-WINDOW, SHADOWBOX - 47" X 33" (FQ4, FQ5)
1	114217-03-FQ8	EA	VALANCE-WINDOW, SHADOWBOX - 47" X 33" (FQ8, FQ9)
1	111910-13-FQ0	EA	BLIND-DAY/NIGHTER, 30" X 46" - MUSHROOM/ALABASTER (FQ0, FQ1, FQ4, FQ5)
1	111910-13-FQ2	EA	BLIND-DAY/NIGHTER, 30" X 46" - DARK ROSEWOOD/ALABASTER (FQ2, FQ3)
1	111910-13-FQ8	EA	BLIND-DAY/NIGHTER, 30" X 46" - SHELL/ALABASTER (FQ8, FQ9)
1	114214-05-01A	EA	BLIND-WOOD, 2" SLATS - 30" X 46" - NATURAL (FQ0, FQ2, FQ4, FQ8)
1	114214-05-02A	EA	BLIND-WOOD, 2" SLATS - 30" X 46" - COGNAC (FQ1, FQ3, FQ5, FQ9)

KEY	PART NUMBER	U/M	DESCRIPTION
2	114214-04-01A	EA	BLIND-WOOD, 2" SLATS - 23.5" X 23.5" - NATURAL (FQ0, FQ2, FQ4, FQ8)
2	114214-04-02A	EA	BLIND-WOOD, 2" SLATS - 23.5" X 23.5" - COGNAC (FQ1, FQ3, FQ5, FQ9)
3	114213-01-FQ0	EA	VALANCE-WINDOW, LAMBREQUIN WINDSONG - 63.25" (FQ0, FQ1)
3	114213-05-FQ2	EA	VALANCE-WINDOW, LAMBREQUIN WINDSONG - 63.25" (FQ2, FQ3)
3	114213-01-FQ4	EA	VALANCE-WINDOW, LAMBREQUIN WINDSONG - 63.25" (FQ4, FQ5)
3	114213-13-FQ8	EA	VALANCE-WINDOW, LAMBREQUIN WINDSONG - 63.25" (FQ8, FQ9)
3	111910-10-FQ0	EA	BLIND-DAY/NIGHTER, 61" X 43" - MUSHROOM/ALABASTER (FQ0, FQ1, FQ4, FQ5)
3	111910-10-FQ2	EA	BLIND-DAY/NIGHTER, 61" X 43" - DARK ROSEWOOD/ALABASTER (FQ2, FQ3)
3	111910-10-FQ8	EA	BLIND-DAY/NIGHTER, 61" X 43" - SHELL/ALABASTER (FQ8, FQ9)
3	114214-01-01A	EA	BLIND-WOOD, 2" SLATS - 61" X 43" - NATURAL (FQ0, FQ2, FQ4, FQ8)
3	114214-01-02A	EA	BLIND-WOOD, 2" SLATS - 61" X 43" - COGNAC (FQ1, FQ3, FQ5, FQ9)
4	084755-90-000	EA	SHADE ASM-PULL, 28.25" X 60" - SUNSCREEN
5	114241-02-FQ0	EA	CURTAIN-DARTED TOP, 53" X 96" - LEFT (FQ0, FQ1)
5	114241-02-FQ2	EA	CURTAIN-DARTED TOP, 53" X 96" - LEFT (FQ2, FQ3)
5	114241-02-FQ4	EA	CURTAIN-DARTED TOP, 53" X 96" - LEFT (FQ4, FQ5)
5	114241-02-FQ8	EA	CURTAIN-DARTED TOP, 53" X 96" - LEFT (FQ8, FQ9)
5	073260-62-FQ0	EA	TIEBACK ASM-CURTAIN, 12" X 18" (FQ0, FQ1)
5	073260-62-FQ2	EA	TIEBACK ASM-CURTAIN, 12" X 18" (FQ2, FQ3)
5	073260-62-FQ4	EA	TIEBACK ASM-CURTAIN, 12" X 18" (FQ4, FQ5)
5	073260-62-FQ8	EA	TIEBACK ASM-CURTAIN, 12" X 18" (FQ8, FQ9)
6	114241-01-FQ0	EA	CURTAIN-DARTED TOP, 53" X 96" - RIGHT (FQ0, FQ1)
6	114241-01-FQ2	EA	CURTAIN-DARTED TOP, 53" X 96" - RIGHT (FQ2, FQ3)
6	114241-01-FQ4	EA	CURTAIN-DARTED TOP, 53" X 96" - RIGHT (FQ4, FQ5)
6	114241-01-FQ8	EA	CURTAIN-DARTED TOP, 53" X 96" - RIGHT (FQ8, FQ9)
6	073260-62-FQ0	EA	TIEBACK ASM-CURTAIN, 12" X 18" (FQ0, FQ1)
6	073260-62-FQ2	EA	TIEBACK ASM-CURTAIN, 12" X 18" (FQ2, FQ3)
6	073260-62-FQ4	EA	TIEBACK ASM-CURTAIN, 12" X 18" (FQ4, FQ5)
6	073260-62-FQ8	EA	TIEBACK ASM-CURTAIN, 12" X 18" (FQ8, FQ9)
7	114213-02-FQ0	EA	VALANCE-WINDOW, LAMBREQUIN WINDSONG - 31" (FQ0, FQ1)
7	114213-06-FQ2	EA	VALANCE-WINDOW, LAMBREQUIN WINDSONG - 31" (FQ2, FQ3)
7	114213-02-FQ4	EA	VALANCE-WINDOW, LAMBREQUIN WINDSONG - 31" (FQ4, FQ5)
7	114213-14-FQ8	EA	VALANCE-WINDOW, LAMBREQUIN WINDSONG - 31" (FQ8, FQ9)
7	111910-11-FQ0	EA	BLIND-DAY/NIGHTER, 28" X 33" - MUSHROOM/ALABASTER (FQ0, FQ1, FQ4, FQ5)
7	111910-11-FQ2	EA	BLIND-DAY/NIGHTER, 28" X 33" - DARK ROSEWOOD/ALABASTER (FQ2, FQ3)
7	111910-11-FQ8	EA	BLIND-DAY/NIGHTER, 28" X 33" - SHELL/ALABASTER (FQ8, FQ9)
7	114214-02-01A	EA	BLIND-WOOD, 2" SLATS - 28" X 33" - NATURAL (FQ0, FQ2, FQ4, FQ8)
7	114214-02-02A	EA	BLIND-WOOD, 2" SLATS - 28" X 33" - COGNAC (FQ1, FQ3, FQ5, FQ9)
8	114213-04-FQ0	EA	VALANCE-WINDOW, WINDSONG - 29.75" (FQ0, FQ1)
8	114213-08-FQ2	EA	VALANCE-WINDOW, WINDSONG - 29.75" (FQ2, FQ3)
8	114213-04-FQ4	EA	VALANCE-WINDOW, WINDSONG - 29.75" (FQ4, FQ5)
8	114213-16-FQ8	EA	VALANCE-WINDOW, WINDSONG - 29.75" (FQ8, FQ9)
8	084755-57-E07	EA	SHADE ASM-PULL, 27.25" WIDE
9	114213-03-FQ0	EA	VALANCE-WINDOW, LAMBREQUIN WINDSONG - 57" (FQ0, FQ1)
9	114213-07-FQ2	EA	VALANCE-WINDOW, LAMBREQUIN WINDSONG - 57" (FQ2, FQ3)
9	114213-03-FQ4	EA	VALANCE-WINDOW, LAMBREQUIN WINDSONG - 57" (FQ4, FQ5)
9	114213-15-FQ8	EA	VALANCE-WINDOW, LAMBREQUIN WINDSONG - 57" (FQ8, FQ9)
9	111910-12-FQ0	EA	BLIND-DAY/NIGHTER, 54" X 33" - MUSHROOM/ALABASTER (FQ0, FQ1, FQ4, FQ5)
9	111910-12-FQ2	EA	BLIND-DAY/NIGHTER, 54" X 33" - DARK ROSEWOOD/ALABASTER (FQ2, FQ3)
9	111910-12-FQ8	EA	BLIND-DAY/NIGHTER, 54" X 33" - SHELL/ALABASTER (FQ8, FQ9)
9	114214-03-01A	EA	BLIND-WOOD, 2" SLATS - 54" X 33" - NATURAL (FQ0, FQ2, FQ4, FQ8)
9	114214-03-02A	EA	BLIND-WOOD, 2" SLATS - 54" X 33" - COGNAC (FQ1, FQ3, FQ5, FQ9)
9	066226-55-FQ0	EA	CURTAIN-ROD POCKET TOP & BOTTOM, WARDROBE CLOSET - 38" X 18"
9	057534-01-000	EA	TIEBACK/TIEDOWN-BED/CURTAIN/DOOR, 6" - PLASTIC - CLEAR

**CURTAIN & CUSHION GROUP (CONTINUED)**



**CURTAIN HARDWARE**

KEY	PART NUMBER	U/M	DESCRIPTION
1	106544-01-000	EA	PULL-SHADE, BRASS - EDI
2	106544-01-001	EA	SCREW-BRASS, SHADE - EDI
3	094907-02-000	EA	END CAP-TOP, PLEATED BLIND - PLASTIC - GRAY
4	094907-04-000	EA	HARDWARE-END CAP, BOTTOM - PULL TYPE - SPECIALITY WINDOW
5	029155-01-000	EA	CAP-SNAP, 5/32" O.D. OF PIN
6	029156-01-000	EA	SOCKET-SNAP, 9/16" O.D.
7	110597-01-000	EA	BRACKET-SHADE, CAB - RIGHT SIDE
7	110597-02-000	EA	BRACKET-SHADE, CAB - LEFT SIDE
8	097564-01-000	EA	HANDLE-T, PLEATED BLIND
9	097591-01-000	EA	SPRING-EXTENSION, PLEATED BLIND
9	097592-01-000	EA	SPOOL-CORD, ELEVATED BLIND HOLDUP - CLEAR PLASTIC
	097593-10-000	FT	CORD-.9MM, BLIND - VANILLA (FQ0, FQ1, FQ2, FQ3, FQ4, FQ5)
	097593-02-000	FT	CORD-.9MM, BLIND - GRAY (FQ8, FQ9)
	094896-02-000	EA	GROMMET-CORD, PLEATED BLIND - NYLON - GRAY
10	009700-04-002	EA	TRACK-CURTAIN, L-SHAPED 195.2" - OFF WHITE
	115010-01-01A	EA	TRACK-CURTAIN, TRAVERSE ROD - FRONT - OFF WHITE
11	084434-01-000	EA	BRACKET-MOUNTING, ROLLER SHADE - 1 3/8"
	084432-06-000	FT	SLAT-ROLLER SHADE, WOOD
	096843-01-000	EA	SPRING-REWIND, ROLLER SHADE
12	107033-04-FQ0	EA	MOLDING-CURTAIN ROD, 19 X 330MM - PICKLED ASH
12	107033-04-FQ1	EA	MOLDING-CURTAIN ROD, 19 X 330MM - SALEM CHERRY
13	114753-01-000	EA	ROD-STEEL, 12' - BRASS - KIRSCH 7002-12
13	114753-01-002	EA	ROD-STEEL, 13" - BRASS
14	114753-01-001	EA	ROD-STEEL, 8" - BRASS
15	114753-02-000	EA	BRACKET-BARREL, 1", BRASS - KIRSCH 0732 (PAIR)
	075943-01-000	EA	BRACE-WINDOW VALANCE, 1" X 1.5" X 20" - ALUMINUM - BIEGE
16	097565-01-000	EA	BRACKET-MOUNTING, PLEATED BLIND
	048394-02-000	YD	VELCRO TAPE-HOOK, ADHESIVE BACK - .75" WIDE - BEIGE
	088792-02-000	YD	VELCRO TAPE-LOOP, ADHESIVE BACKED - .75" WIDE - BEIGE
	086276-01-000	EA	TAPE-DOUBLE SIDED, 1/2" WIDE
	110943-01-000	FT	FELTSTRIP, 3/8" - ADHESIVE BACKED

**CURTAIN & CUSHION GROUP (CONTINUED)**

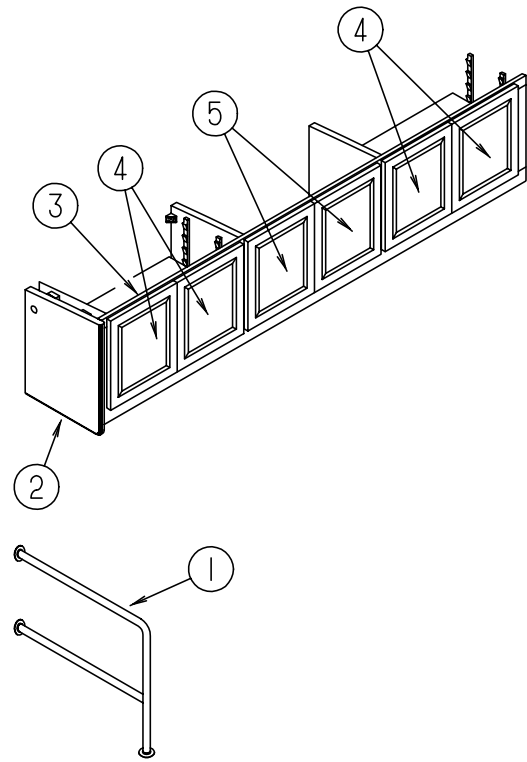
**FABRIC TRIMS, BUTTONS, SEATBELTS & ASSIST HANDLE**

KEY	PART NUMBER	U/M	DESCRIPTION
	084415-61-000	YD	TRIM-BRAID, FRINGE - GALLERIA (FQ0, FQ1)
	084415-62-000	YD	TRIM-BRAID, CORD - GOLD (FQ2, FQ3)
	084415-56-000	YD	TRIM-BRAID, FRINGE (FQ4, FQ5)
	084415-63-000	YD	TRIM-BRAID, CORD (FQ8, FQ9)
	070578-02-FQ0	EA	BUTTON-SCREW STUD, #30 - VINYL - HAMPTON TAN
	057759-01-000	EA	WASHER BRACKET-SEAT BELT, 4" DIAMETER
	007021-01-000	EA	BELT-SEAT, 2" X 90" - BLACK
	069178-02-000	EA	BRACKET-MOUNTING, ASSIST HANDLE - L ANGLE - W/HOLES - ST
	000C16-07-16B	EA	BOLT-CARRIAGE, ASSIST HANDLE - 7/16" - 14 X 1" ZN
	000D20-07-00B	EA	NUT-ACORN, ASSIST HANDLE - 7/16" X 14 ZN
	057534-03-000	EA	TIEBACK-PLASTIC, 7.5" - CLEAR
	057534-01-000	EA	TIEBACK/TIEDOWN-BED/CURTAIN/DOOR, 6" - PLASTIC - CLEAR

**FABRICS**

KEY	PART NUMBER	U/M	DESCRIPTION
	072333-99-000	YD	FABRIC-DRAPERY, HEAVENLY SHEER
	087272-03-000	YD	DRAPERY-LINING, 54" - IVORY
	103907-01-01A	YD	FABRIC-VINYL, 54" WIDE - OFF WHITE
	103907-01-04A	YD	VINYL-EXPAND MADRID HAMPTON TAN, 54" WIDE
	105745-67-000	YD	FABRIC-BEDROOM, MAIN - WEAVED - TAN/IVORY (FQ0, FQ1)
	105745-74-000	YD	FABRIC-BEDROOM, MAIN - PATTERN - SQUARES - WINE (FQ2, FQ3)
	105745-75-000	YD	FABRIC-BEDROOM, MAIN - LEAF PATTERN - OLIVE (FQ4, FQ5)
	105745-77-000	YD	FABRIC-BEDROOM, MAIN - LEAF PATTERN - BLUE/IVORY (FQ8, FQ9)
	105745-66-000	YD	FABRIC-BEDROOM, ACCENT - PATTERN - TAN/GREEN/PINK/BLUE (FQ0, FQ1)
	105745-78-000	YD	FABRIC-BEDROOM, ACCENT - STARS - GOLD/WINE (FQ2, FQ3)
	105745-79-000	YD	FABRIC-BEDROOM, ACCENT - LEAF PATTERN - WINE (FQ2, FQ3)
	105745-80-000	YD	FABRIC-BEDROOM, ACCENT - PLAID - TAUPE (FQ4, FQ5)
	105745-82-000	YD	FABRIC-BEDROOM, ACCENT - LINE PATTERN - BLUE/IVORY (FQ8, FQ9)
	108446-A4-000	YD	FABRIC-UPHOLSTERY, LAWN CHAIR
	108446-70-000	YD	FABRIC-UPHOLSTERY, MAIN - VELOUR PATTERN - TAUPE/IVORY/MULTI (FQ0, FQ1)
	108446-91-000	YD	FABRIC-UPHOLSTERY, MAIN - WOVEN PATTERN - CRANBERRY (FQ2, FQ3)
	108446-92-000	YD	FABRIC-UPHOLSTERY, MAIN - WOVEN PATTERN - MULTI-COLORED (FQ4, FQ5)
	108446-94-000	YD	FABRIC-UPHOLSTERY, MAIN - WOVEN PATTERN - BLUE/IVORY (FQ8, FQ9)
	108446-76-000	YD	FABRIC-UPHOLSTERY, ACCENT - WEAVED - TAN/IVORY (FQ0, FQ1)
	108446-95-000	YD	FABRIC-UPHOLSTERY, ACCENT - WOVEN SINGLE PATTERN - CRANBERRY (FQ2, FQ3)
	108446-96-000	YD	FABRIC-UPHOLSTERY, ACCENT - SPONGE PATTERN - GOLD/WINE (FQ2, FQ3)
	108446-97-000	YD	FABRIC-UPHOLSTERY, ACCENT - LINE PATTERN - MULTI-COLORED (FQ4, FQ5)
	108446-99-000	YD	FABRIC-UPHOLSTERY, ACCENT - SPONGE PATTERN - BLUE/IVORY (FQ8, FQ9)
	115503-01-01A	SY	CEILING-MATERIAL, SOFT - W/FOAM - NATURAL

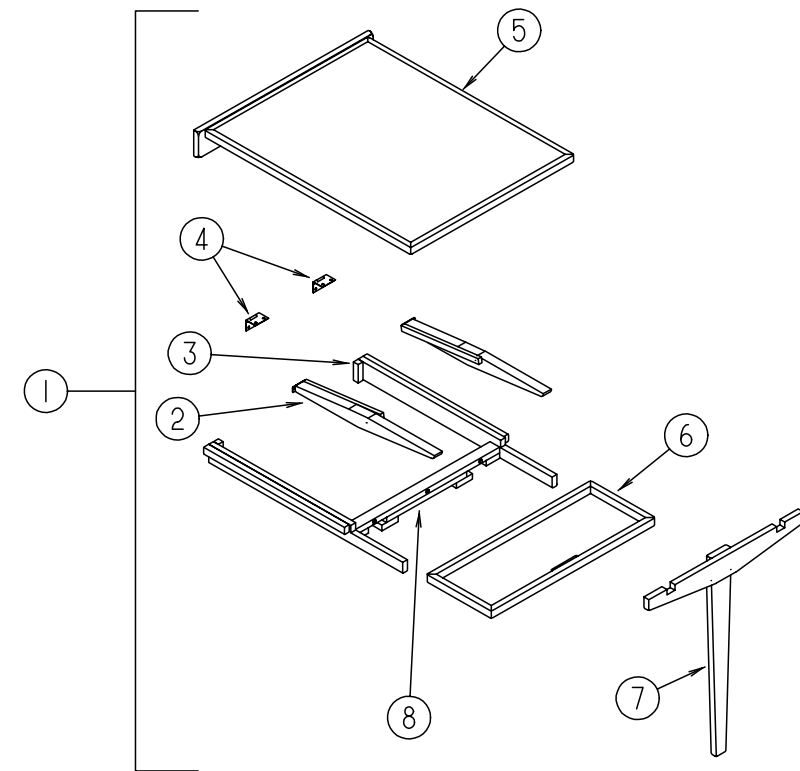
## DINETTE GROUP



### DINETTE CABINETS

KEY	PART NUMBER	U/M	DESCRIPTION
1	108808-01-01A	EA	HANDRAIL-STEP, ENTRANCE BRASS - TRANSFER FLOW
2	113292-01-FQ0	EA	END CAP-CABINET, OVERHEAD - LEFT SIDE (PICKLED ASH)
2	113292-01-FQ1	EA	END CAP-CABINET, OVERHEAD - LEFT SIDE (SALEM CHERRY)
3	P13009-01-FQ0	EA	CABINET-OVERHEAD, W/O DOORS & HARDWARE (PICKLED ASH)
3	P13009-01-FQ1	EA	CABINET-OVERHEAD, W/O DOORS & HARDWARE (SALEM CHERRY)
4	M05990-21-FQ0	EA	DOOR-CABINET, W/O HARDWARE - 355 X 355MM (PICKLED ASH)
4	M05990-21-FQ1	EA	DOOR-CABINET, W/O HARDWARE - 355 X 355MM (SALEM CHERRY)
5	M05990-22-FQ0	EA	DOOR-CABINET, W/O HARDWARE - 365 X 315MM (PICKLED ASH)
5	M05990-22-FQ1	EA	DOOR-CABINET, W/O HARDWARE - 365 X 315MM (SALEM CHERRY)

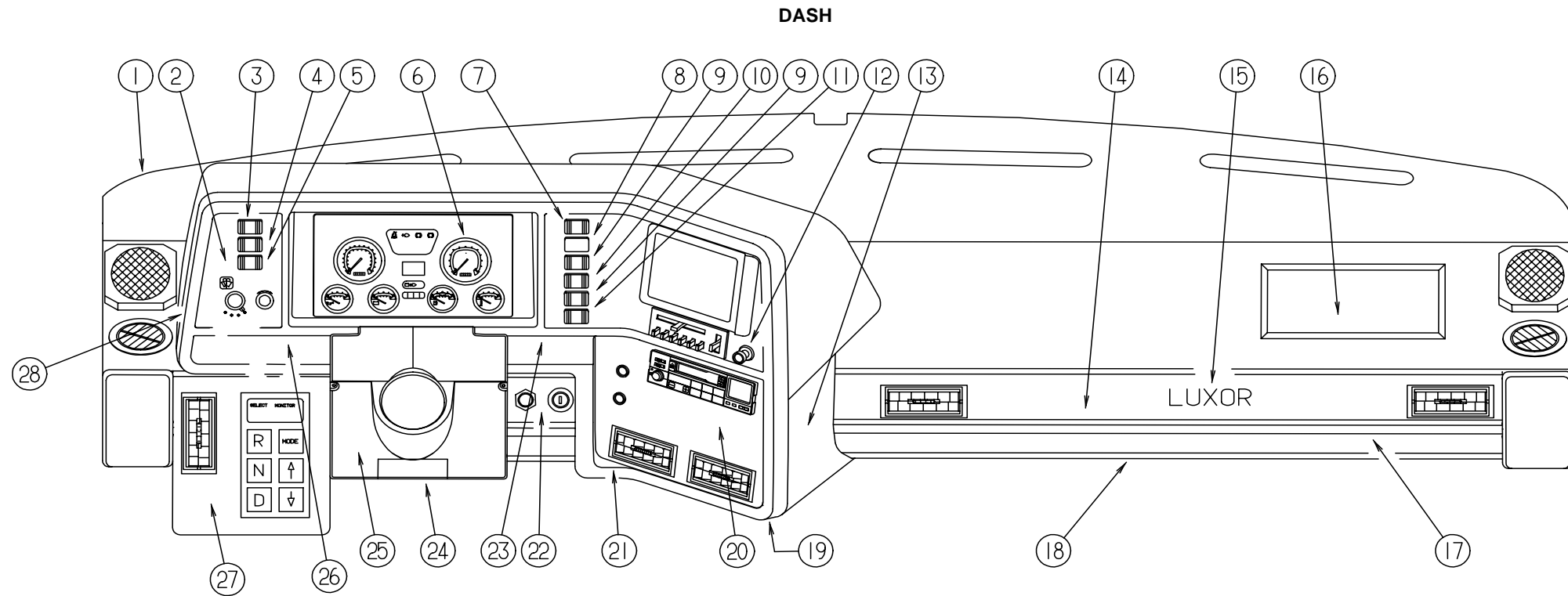
## DINETTE GROUP (CONTINUED)



### DINETTE PULLOUT TABLE

KEY	PART NUMBER	U/M	DESCRIPTION
1	112982-01-FQ0	EA	TABLE ASM-PULLOUT, SELF STORING - PICKLED ASH (FQ0, FQ8)
1	112982-01-FQ1	EA	TABLE ASM-PULLOUT, SELF STORING - SALEM CHERRY (FQ1, FQ9)
1	112982-01-FQ2	EA	TABLE ASM-PULLOUT, SELF STORING - PICKLED ASH (FQ2)
1	112982-01-FQ3	EA	TABLE ASM-PULLOUT, SELF STORING - SALEM CHERRY (FQ3)
1	112982-01-FQ4	EA	TABLE ASM-PULLOUT, SELF STORING - PICKLED ASH (FQ4)
1	112982-01-FQ5	EA	TABLE ASM-PULLOUT, SELF STORING - SALEM CHERRY (FQ5)
2	112982-21-FQ0	EA	SLIDE ASM - PICKLED ASH
2	112982-21-FQ1	EA	SLIDE ASM - SALEM CHERRY
3	112982-20-FQ0	EA	SLIDE ASM - PICKLED ASH
3	112982-20-FQ1	EA	SLIDE ASM - SALEM CHERRY
4	114278-01-000	EA	HINGE-CONTINUOUS, 3" WIDE
5	112982-12-FQ0	EA	COUNTERTOP ASM - PICKLED ASH (FQ0, FQ8)
5	112982-12-FQ1	EA	COUNTERTOP ASM - SALEM CHERRY (FQ1, FQ9)
5	112982-12-FQ2	EA	COUNTERTOP ASM - PICKLED ASH (FQ2)
5	112982-12-FQ3	EA	COUNTERTOP ASM - SALEM CHERRY (FQ3)
5	112982-12-FQ4	EA	COUNTERTOP ASM - PICKLED ASH (FQ4)
5	112982-12-FQ5	EA	COUNTERTOP ASM - SALEM CHERRY (FQ5)
6	112982-13-FQ0	EA	COUNTERTOP ASM - PICKLED ASH (FQ0, FQ8)
6	112982-13-FQ1	EA	COUNTERTOP ASM - SALEM CHERRY (FQ1, FQ9)
6	112982-13-FQ2	EA	COUNTERTOP ASM - PICKLED ASH (FQ2)
6	112982-13-FQ3	EA	COUNTERTOP ASM - SALEM CHERRY (FQ3)
6	112982-13-FQ4	EA	COUNTERTOP ASM - PICKLED ASH (FQ4)
6	112982-13-FQ5	EA	COUNTERTOP ASM - SALEM CHERRY (FQ5)
7	112982-16-FQ0	EA	LEG - PICKLED ASH
7	112982-16-FQ1	EA	LEG - SALEM CHERRY
8	112982-19-FQ0	EA	STOP ASM - PICKLED ASH
8	112982-19-FQ1	EA	STOP ASM - SALEM CHERRY

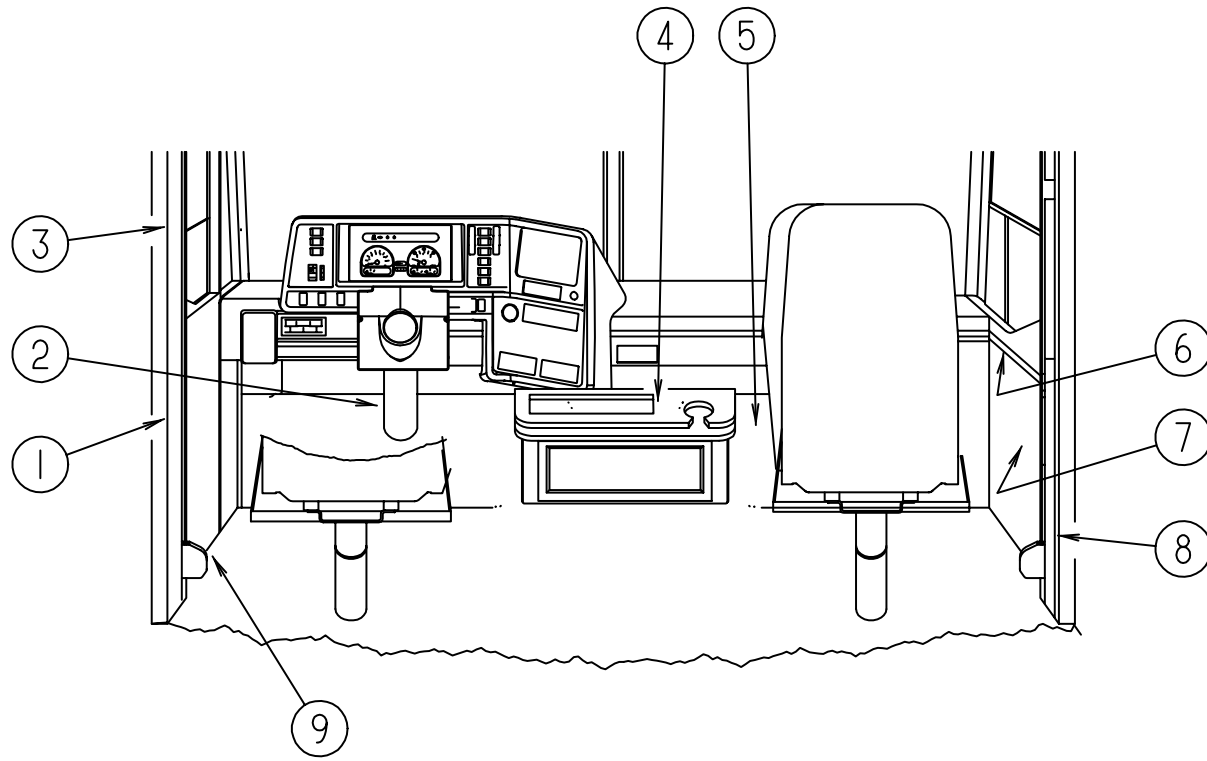
## DRIVERS COMPARTMENT GROUP



KEY	PART NUMBER	U/M	DESCRIPTION	KEY	PART NUMBER	U/M	DESCRIPTION
1	112288-02-02B	EA	PANEL ASM-DASH, TOP - W/STUD - METAL - E-COAT	10	108356-01-01A	EA	ACTUATOR-SWITCH GROOVES III, CARLING VVCZC00 BLA
	112288-01-01B	EA	PANEL-DASH, TOP - MILL FINISH	10	108357-01-000	EA	SWITCH-ROCKER, SPST ON/OFF - CARLING V1D1000B-0
	106569-06-01A	EA	VINYL-LAMINATE, DASH PANEL - MADRID HAMPTON TAN - 1/4" X 16" X 96"	10	108355-01-000	EA	HOUSING-SWITCH, CARLING VCH
2	104056-26-01A	EA	APPLIQUE-BEZEL, LEFT - BLACK VELVET	11	108356-03-01A	EA	ACTUATOR-SWITCH GROOVES LENS, CARLING VVCGC00
	077031-01-000	EA	FILM-BLACK, 1" X 1.75"	11	108357-10-000	EA	SWITCH-ROCKER, SPDT MOM/OFFMOM - CARLING V8D1160B-0
	077031-03-000	EA	FILM-WHITE, .75" X 1"	11	108355-01-000	EA	HOUSING-SWITCH, CARLING VCH
	103603-01-000	EA	BULB-12V, NO.74 0.12A WEDGE - GE 22-25	12	104056-20-01A	EA	APPLIQUE-BEZEL UPPER RIGHT, 6 SWITCH - BLACK VELVET
	105615-01-000	FT	FILM-PROTECTIVE, CLEAR - 313-34"	12	089294-01-000	EA	LIGHTER ASM-CIGARETTE, CASCO C213275
	077539-01-000	EA	BRACKET-MOUNTING, DASH PANEL - L-SHAPED - 2.5" X 1" X 1.5" - METAL	13	107085-01-02A	EA	POD-DASH, LOWER - W/VINYL
3	108356-01-01A	EA	ACTUATOR-SWITCH GROOVES III, CARLING VVCZC00 BLA	14	107859-07-01A	EA	TRIM-DASH, LOWER, PLASTIC - HAMPTON TAN
3	108357-08-000	EA	SWITCH-ROCKER, DPDT ON/NONE/ON - CARLING VDD1S00C-0	15	111417-05-01A	EA	DECAL-LOGO, LUXOR - HAMPTON TAN
3	108355-01-000	EA	HOUSING-SWITCH, CARLING VCH	16	114441-01-FQ0	EA	CABINET ASM-GLOVE BOX - PICKLED ASH
4	108356-01-01A	EA	ACTUATOR-SWITCH GROOVES III, CARLING VVCZC00 BLA	16	114441-01-FQ1	EA	CABINET ASM-GLOVE BOX - SALEM CHERRY
4	108357-09-000	EA	SWITCH-ROCKER, SPDT ON/NONE/MOM - CARLING V5D1000B-0	16	114646-01-01A	EA	TRAY-GLOVE BOX, HAMPTON TAN
4	108355-01-000	EA	HOUSING-SWITCH, CARLING VCH	16	113800-01-000	EA	KNOB-CABINET, BRASS
5	108356-01-01A	EA	ACTUATOR-SWITCH GROOVES III, CARLING VVCZC00 BLA	17	111745-08-01A	EA	APPLIQUE-LOWER DASH, PASSENGER SIDE
5	108357-06-000	EA	SWITCH-ROCKER, SPDT ON/OFF/MOM - CARLING V7D1000B-0	18	112297-01-000	EA	PANEL-DASH, BOTTOM RIGHT - METAL
5	108355-01-000	EA	HOUSING-SWITCH, CARLING VCH	19	112296-02-000	EA	PANEL-DASH, BOTTOM LEFT - METAL
6	106667-04-000	EA	SPEEDOMETER-ELECTRIC, METRIC - CANADIAN	20	104056-14-01A	EA	APPLIQUE-BEZEL, LOWER RIGHT WING - BLACK VELVET
	100138-01-000	EA	MODULE-DAYTIME RUNNING LIGHT	21	107031-02-01A	EA	BEZEL-INSTRUMENT PANEL
7	108356-01-01A	EA	ACTUATOR-SWITCH GROOVES III, CARLING VVCZC00 BLA	22	109969-02-01A	EA	TRIM-DASH, LOWER - PLASTIC - HAMPTON TAN
7	108357-03-000	EA	SWITCH-ROCKER, SPDT ON/OFF/ON - CARLING V6D1000B-0				FROM: 00-00-00 THRU: 06-19-94
7	108355-01-000	EA	HOUSING-SWITCH, CARLING VCH	22	109969-01-02A	EA	TRIM-DASH, LOWER - PLASTIC - HAMPTON TAN
8	096241-03-000	EA	SWITCH-BLANK				FROM: 06-20-94 THRU: 99-99-99
8	108356-01-01A	EA	ACTUATOR-SWITCH GROOVES III, CARLING VVCZC00 BLA	22	111745-04-01A	EA	APPLIQUE-LOWER DASH TRIM, DRIVER SIDE
8	108357-03-000	EA	SWITCH-ROCKER, SPDT ON/OFF/ON - CARLING V6D1000B-0	23	104056-11-01A	EA	APPLIQUE-BEZEL, LOWER - RIGHT - BLACK VELVET
8	108355-01-000	EA	HOUSING-SWITCH, CARLING VCH	23	104056-28-01A	EA	APPLIQUE-BEZEL, LOWER - RIGHT - BLACK VELVET (W/LEVELING JACKS)
9	096241-03-000	EA	SWITCH-BLANK	24	110002-01-000	EA	PATCH-STEERING COLUMN COVER, VINYL W/VELCRO EDGES
9	108356-01-01A	EA	ACTUATOR-SWITCH GROOVES III, CARLING VVCZC00 BLA	25	109832-01-03A	EA	COVER-STEERING COLUMN, PLASTIC - HAMPTON TAN
9	108357-01-000	EA	SWITCH-ROCKER, SPST ON/OFF - CARLING V1D1000B-0	26	104056-09-01A	EA	APPLIQUE-BEZEL, LOWER - LEFT - BLACK VELVET
9	108355-01-000	EA	HOUSING-SWITCH, CARLING VCH	27	112616-01-01A	EA	COVER-SHIFTER, PLASTIC - HAMPTON TAN
				28	107263-01-02A	EA	POD-COVER, UPPER DASH - COVERS INSTRUMENTS - W/VINYL

## DRIVERS COMPARTMENT GROUP (CONTINUED)

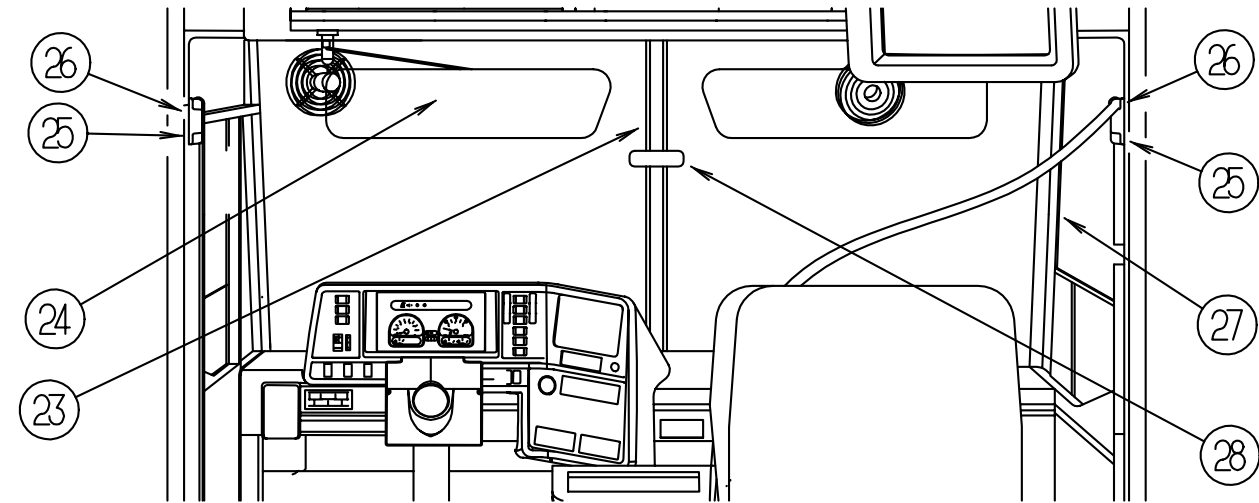
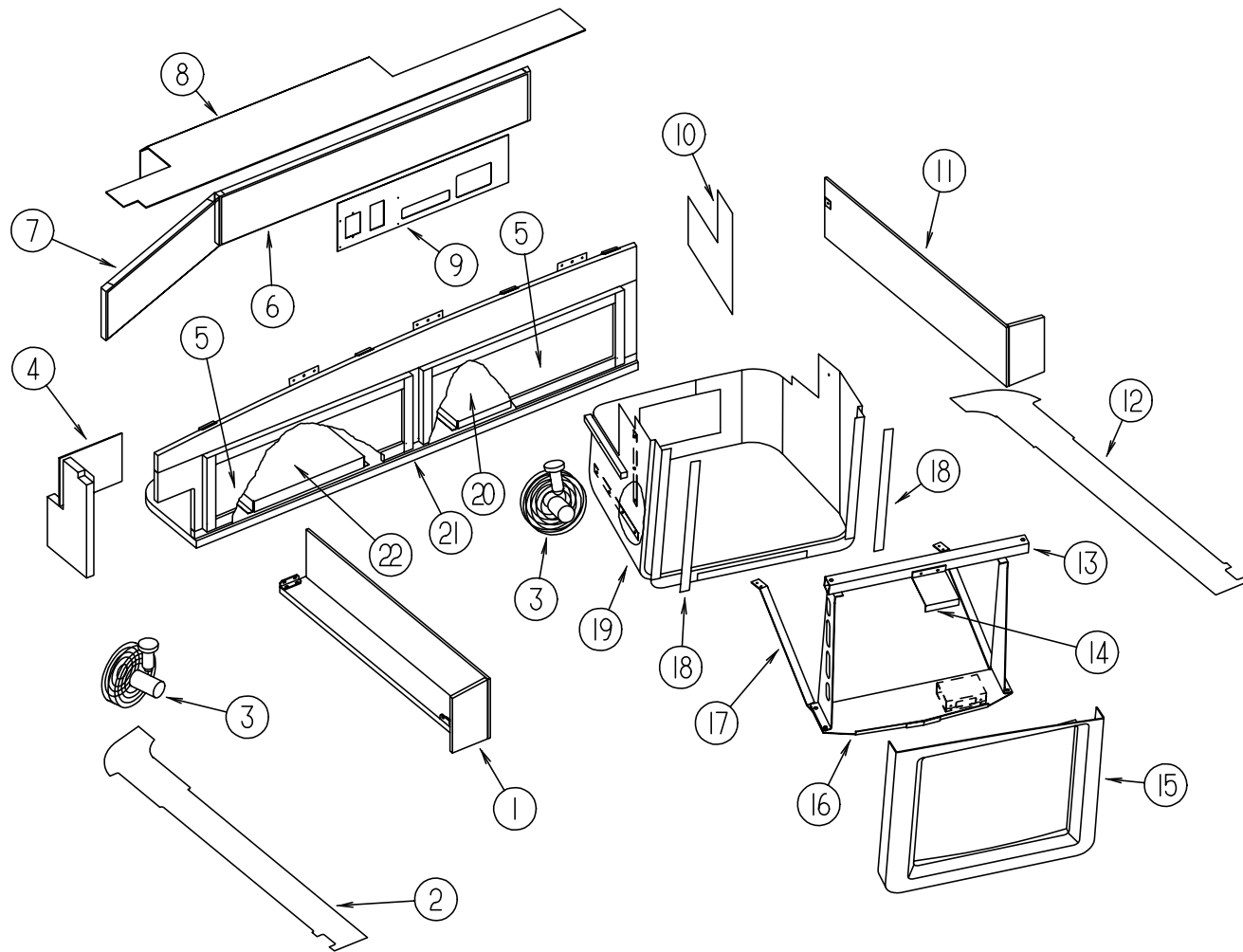
### LOWER DRIVERS COMPARTMENT



KEY	PART NUMBER	U/M	DESCRIPTION
1	024700-47-000	EA	COVER-SIDEWALL ROLL BAR, PLASTIC U-CHANNEL - OFF WHITE - 18.9" LONG
2	095933-04-000	EA	COLUMN-STEERING, TILT & TELEGRAPHED - DOUGLAS 1769
	095933-05-000	EA	LEVER-TURN SIGNAL, DOUGLAS 47842
2	109832-01-03A	EA	COVER-STEERING COLUMN, INNER - PLASTIC - HAMPTON TAN
	110002-02-000	EA	PATCH-STEERING COLUMN COVER, STITCHED VINYL
	114388-01-01A	EA	WHEEL-STEERING, 18" DIAMETER - VIP19WL1TH
3	024700-48-000	EA	COVER-SIDEWALL ROLL BAR, PLASTIC U-CHANNEL - OFF WHITE - 25" LONG
4	116156-01-FQ0	EA	CABINET-BEVERAGE, W/COUNTERTOP & CUP HOLDER (PICKLED ASH)
4	116156-01-FQ1	EA	CABINET-BEVERAGE, W/COUNTERTOP & CUP HOLDER (SALEM CHERRY)
	116156-11-FQ0	EA	TRAY-CUP HOLDER, BEVERAGE TRAY CABINET (PICKLED ASH)
	116156-11-FQ1	EA	TRAY-CUP HOLDER, BEVERAGE TRAY CABINET (SALEM CHERRY)
	116156-19-FQ0	EA	DRAWER, W/O FACE (PICKLED ASH)
	116156-19-FQ1	EA	DRAWER, W/O FACE (SALEM CHERRY)
5	095757-04-E95	EA	COVER-HEATER (FQ0, FQ1)
5	095757-04-FQ2	EA	COVER-HEATER (FQ2, FQ3)
5	095757-04-FQ4	EA	COVER-HEATER (FQ4, FQ5)
5	095757-04-FQ8	EA	COVER-HEATER (FQ8, FQ9)
6	106105-02-000	EA	CLIP-TRIM, 11.8" X 1.87" - METAL
7	107793-02-02A	EA	PANEL-INNER, CAB - RIGHT - PLASTIC - HAMPTON TAN
	107793-01-02A	EA	PANEL-INNER, CAB - RIGHT - W/O CUTOUTS - PLASTIC - HAMPTON TAN
	046886-03-000	EA	ASHTRAY-CHROME, W/COVER
8	024700-44-000	EA	COVER-SIDEWALL ROLL BAR, PLASTIC U-CHANNEL - OFF WHITE - 53" LONG
9	P08813-01-FQ0	EA	PANEL-TOEKICK, CAB - LEFT SIDE - COMPLETE W/INSERT - PLASTIC
9	107792-01-02A	EA	PANEL-TOEKICK, CAB - LEFT SIDE - W/O INSERT - PLASTIC - HAMPTON TAN
9	107792-02-02A	EA	INSERT-PANEL, TOEKICK - LEFT SIDE - PLASTIC - HAMPTON TAN
	091990-04-01A	EA	SEAT BELT-3 POINT, BLACK
	091990-01-700	EA	COVER-BOLT, SEATBELT - BLACK
	109146-01-000	EA	BOLT-SHOULDER, SEAT BELT

# DRIVERS COMPARTMENT GROUP (CONTINUED)

## UPPER DRIVERS COMPARTMENT

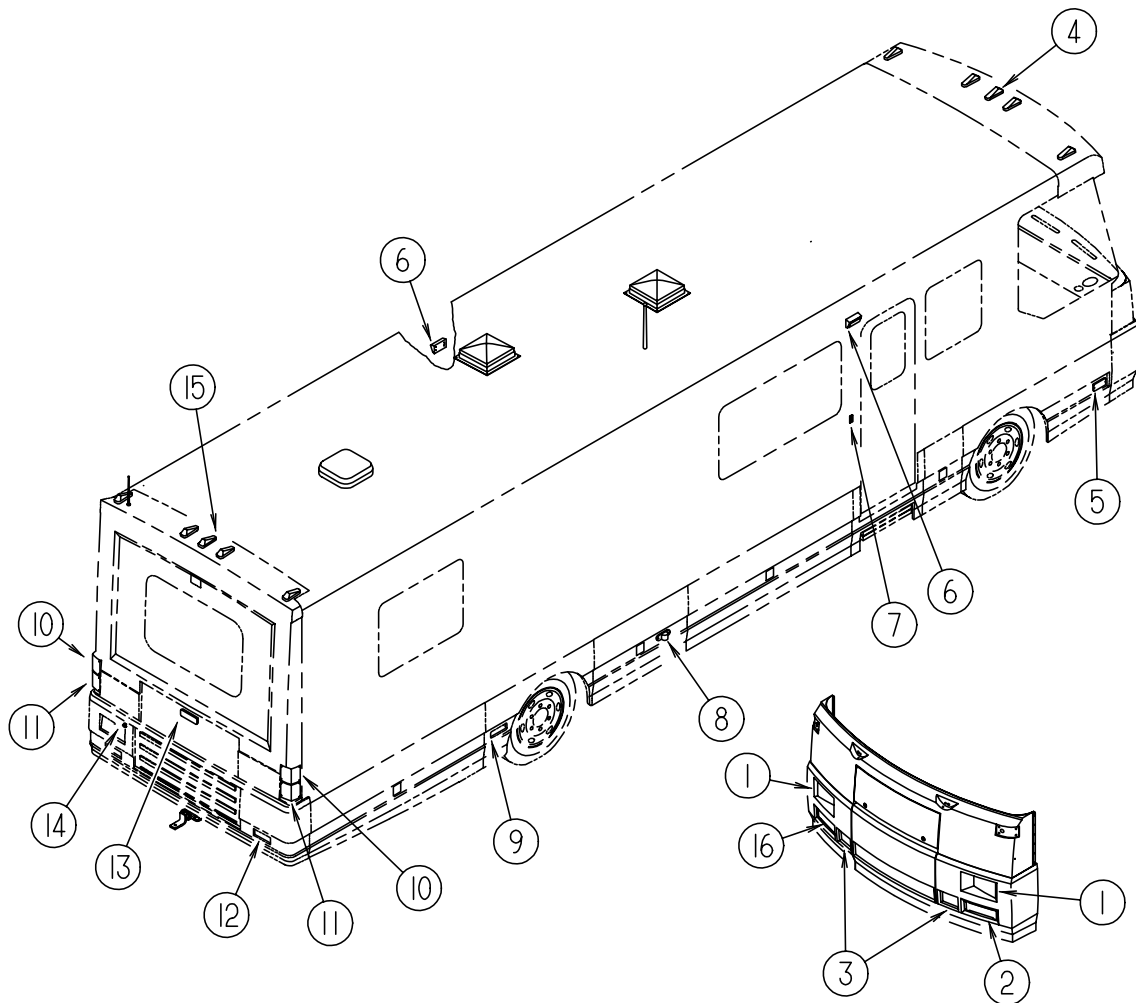


KEY	PART NUMBER	U/M	DESCRIPTION
1	114318-02-FQ0	EA	CABINET-OVERHEAD, ENTRANCE
2	114319-02-FQ0	EA	PANEL ASM-HEADLINER, LEFT
3	036420-02-000	EA	FAN-DEFROSTER, 2 SPEED - 6" DIAMETER
4	107805-01-FQ0	EA	PANEL-SIDE, VINYL COVERED
5	M06803-B9-FQ0	EA	DOOR-CABINET, W/O HARDWARE - 280 X 718MM
	114206-02-01A	EA	GLASS-LEADED, CABINET DOOR INSERT - CLEAR - 197 X 635MM
	101272-01-000	EA	CATCH-DOOR, GLASS
6	107805-03-FQ0	EA	PANEL-END, VINYL COVERED
7	107805-04-FQ0	EA	PANEL-SIDE, VINYL COVERED
8	107804-01-FQ0	EA	PANEL-TOP, VINYL COVERED
9	107803-04-FQ0	EA	PANEL-INVERTER, VINYL COVERED - W/CUTOUTS
10	114320-01-FQ0	EA	PANEL-VINYL COVERED
11	114318-01-FQ0	EA	CABINET-OVERHEAD, ENTRANCE
12	114319-01-FQ0	EA	PANEL ASM-HEADLINER, RIGHT
13	107319-02-000	EA	MOUNT ASM-TV
14	107316-02-000	EA	MOUNT-TV
	107280-02-000	EA	BRACKET-MOUNTING, RIGHT SIDE
	107281-01-000	EA	BRACKET-MOUNTING, LEFT SIDE
15	111060-02-02A	EA	COVER-TV, OVERHEADFRONT - PLASTIC - HAMPTON TAN
16	111942-01-000	EA	MOUNT ASM-TV
17	111907-02-000	EA	SUPPORT, TV

KEY	PART NUMBER	U/M	DESCRIPTION
18	085774-01-000	FT	FASTENER-DUAL HOOK, 1" WIDE - ADHESIVE BACK - BLACK
18	085774-02-000	FT	FASTENER-DUAL LOOP, 1" WIDE - ADHESIVE BACK - BLACK
19	111066-02-02A	EA	COVER-TV OVERHEAD, REAR - HAMPTON TAN
20	100676-03-000	EA	STAND-VCR, CENTER - METAL
21	113406-01-FQ0	EA	CABINET-OVERHEAD, W/O DOORS & HARDWARE (PICKLED ASH)
	113406-01-FQ1	EA	CABINET-OVERHEAD, W/O DOORS & HARDWARE (SALEM CHERRY)
	P13406-01-FQ0	EA	BOTTOM-CABINET, W/VINYL (PICKLED ASH)
	P13406-01-FQ1	EA	BOTTOM-CABINET, W/VINYL (SALEM CHERRY)
22	100676-04-000	EA	STAND-CD, LEFT SIDE - METAL
23	106568-01-02A	EA	TRIM-CENTER, WINDSHIELD - PLASTIC - HAMPTON TAN
24	108170-01-000	EA	SUNVISOR ASM, PREMIER PLASTIC
	108170-01-700	EA	SHADE-VISOR, ONLY - W/O HARDWARE - 9" X 18" X 1/8"
25	103961-02-01A	EA	COVER-BRACKET, SEATBELT - W/DRIVER DOOR - OFF WHITE
	091990-04-01A	EA	SEAT BELT-3 POINT, BLACK
	091990-01-700	EA	COVER-BOLT, SEATBELT - BLACK
	109146-01-000	EA	BOLT-SHOULDER, SEAT BELT
26	024700-38-000	EA	COVER-SIDEWALL ROLL BAR, PLASTIC U-CHANNEL - 15.25" LONG - OFF WHITE
27	107942-01-02A	EA	COVER-INTERIOR, A-PILLAR - RIGHT - PLASTIC - HAMPTON TAN
	107942-02-02A	EA	COVER-INTERIOR, A-PILLAR - LEFT - PLASTIC - HAMPTON TAN
28	040714-01-000	EA	MIRROR-REAR VIEW, W/ARM MOUNT & SET SCREW - GM # 911722
	067490-01-000	EA	BUTTON-MIRROR, REAR VIEW
	039984-01-000	EA	CAP-ROUND, VINYL - .28" ID X .62" LONG - BLACK
	023320-01-000	EA	PAD-FELT, 3/8" DIAMETER - BROWN
	070578-02-FQ0	EA	BUTTON-SNAP TOP, VINYL

# ELECTRICAL GROUP

## EXTERIOR LIGHTS & DOOR BELL



KEY	PART NUMBER	U/M	DESCRIPTION
1	113191-01-000	EA	HEADLAMP ASM-W/HALOGEN BULB - HELLA 95153H
	050030-02-000	EA	HOUSING-HEADLAMP WIRING, HIGH BEAM
	063749-01-000	EA	HOUSING-HEADLAMP WIRING, LOW BEAM
	088758-01-000	EA	HOUSING-HEADLAMP, CONNECTOR TERMINAL W/3 WIRES
2	113294-02-000	EA	LAMP ASM-PARK/TURN, CLEAR - LEFT - TRIPLEX 930
	037936-01-000	EA	BULB-12V NUMBER 1157A - 2.10 AMP - AMBER GLASS
	067789-02-000	EA	SOCKET-PARK/TURN LIGHT
3	088747-03-000	EA	LAMP-FOG, CLEAR LENS - PER LUX 550 SERIES
3	088747-03-700	EA	COVER-LIGHT, FOG - PER LUX 050-005835
3	088747-03-701	EA	BEZEL-LIGHT, FOG - PER LUX 050-005001
4	107749-01-000	EA	LIGHT ASM-CAB MARKER, AMBER - KD 509-0-1
	036196-01-000	EA	BULB-12V, #194 - .27AMP - BAYONETTE
	067789-02-000	EA	SOCKET-CLEARANCE
5	089362-01-000	EA	LIGHT-SIDEMARKER, AMBER LENS & BASE - W/O BULB
	036196-01-000	EA	BULB-12V, #194 - .27AMP - BAYONETTE
	106687-01-000	EA	SOCKET ASM-LIGHT, 2-WIRE - TRIPLEX 375X
6	097917-01-04A	EA	LIGHT-PORCH, ENTRY DOOR - BUFF
	008215-01-000	EA	BULB-12V, #1003 - .94AMP
	097917-01-700	EA	LENS-LIGHT, PORCH
7	095187-02-000	EA	SWITCH-DOORBELL
7	095186-02-000	EA	BELL-DOOR
8	113293-01-000	EA	LAMP ASM-SIDEMARKER/TURN, TRIPLEX 1250AX
	037935-01-000	EA	BULB-12V, #1157 OR #2057 - 2.1AMP - CLEAR GLASS - BRAKE LIGHT
	106687-02-000	EA	SOCKET ASM-LIGHT 3-WIRE - TRIPLEX 376
9	106688-04-000	EA	LIGHT ASM-AUXILIARY, CLEAR - TRIPLEX 147W
	037934-01-000	EA	BULB-12V, #1156 - 2.1AMP - CLEAR GLASS - BACK UP & TURN SIGNAL
	106687-01-000	EA	SOCKET ASM-LIGHT, 2-WIRE - TRIPLEX 375X
10	113311-01-000	EA	LAMP ASM-STOP/TURN/TAIL, RED - TRIPLEX 1240-899
	114199-01-000	EA	GASKET-TAILLAMP
	106687-04-000	EA	SOCKET ASM-LIGHT 3-WIRE, EXTERIOR - TRIPLEX 374X (BRAKE)
11	113311-02-000	EA	LAMP ASM-TURN, AMBER - TRIPLEX 1240-897
	114199-01-000	EA	GASKET-TAILLAMP
	114199-02-000	EA	GASKET-TAILLAMP
	106687-03-000	EA	SOCKET ASM-LIGHT 2-WIRE, EXTERIOR - TRIPLEX 374-002 (TURN)
12	106688-01-000	EA	LIGHT ASM-BACKUP, WHITE - TRIPLEX 147-DW
	037934-01-000	EA	BULB-12V, #1156 - 2.1AMP - CLEAR GLASS - BACK UP & TURN SIGNAL
	106687-01-000	EA	SOCKET ASM-LIGHT, 2-WIRE - TRIPLEX 375X (BACKUP)
13	106688-03-000	EA	LIGHT ASM-STOP/TURN, RED - TRIPLEX 141-W
	037934-01-000	EA	BULB-12V, #1156 - 2.1AMP - CLEAR GLASS - BACK UP & TURN SIGNAL
	106687-01-000	EA	SOCKET ASM-LIGHT, 2-WIRE - TRIPLEX 375X
14	087201-01-000	EA	LIGHT-HALF ROUND, 1" X 1.7" - PLASTIC - BLACK
15	107749-02-000	EA	LIGHT ASM-CAB MARKER, RED - KD 509-0-6
	036196-01-000	EA	BULB-12V, #194 - .27AMP - BAYONETTE
	067789-02-000	EA	SOCKET-CLEARANCE
16	113294-01-000	EA	LAMP ASM-PARK/TURN, CLEAR - RIGHT - TRIPLEX 932
	037936-01-000	EA	BULB-12V NUMBER 1157A - 2.10 AMP - AMBER GLASS
	067789-02-000	EA	SOCKET-PARK/TURN LIGHT

**ELECTRICAL GROUP (CONTINUED)****INTERIOR LIGHTS & BULBS**

KEY	PART NUMBER	U/M	DESCRIPTION
	065202-34-000	EA	LAMP-WALL, BRASS - CURVED ARM - GUSTAFSON
	065202-35-000	EA	LAMP-WALL, BRASS - CURVED ARM - GUSTAFSON (CANADIAN)
	065202-36-000	EA	LAMP-WALL, BRASS - SHORT SWIVEL - GUSTAFSON SP542SW
	065202-37-000	EA	LAMP-WALL, BRASS - SHORT SWIVEL - GUSTAFSON SP542SW-2 (CANADIAN)
	065201-12-000	EA	SHADE-LAMP, FABRIC - WHITE SWIRL (FQ0,FQ1, FQ4, FQ5, FQ8, FQ9)
	065201-17-000	EA	SHADE-LAMP, FABRIC - SAHARA SUNRISE (FQ2, FQ3)
	067479-01-000	EA	BULB-12V, NUMBER 1076
	072353-14-000	EA	LIGHT-READING, SWIVEL - ROUND
	063914-01-000	EA	BULB, SWIVEL READING LIGHT
	086280-01-000	EA	LIGHT-SURFACE MOUNT, 12V - JENSEN 1236
	086280-01-700	EA	BULB-12 VOLT, 6 WATT
	087694-01-000	EA	LIGHT-WARDROBE/CLOSET, W/SWITCH
	087694-01-700	EA	BULB, WARDROBE LIGHT
	093575-08-01A	EA	LIGHT-CEILING, CHANDELIER - GUSTAFSON #548PB 3L
	104172-01-01A	EA	LIGHT-BULLET, BEIGE - #787 SERIES
	091937-04-000	EA	LIGHT-FLUORESCENT, 12 V/30 WATT - 20.75" LONG - THIN LITE
	091937-05-700	EA	BULB FLOURESCENT 12"
	091937-05-000	EA	LIGHT-FLUORESCENT, 12V/16 WATT - 15" LONG - THIN LITE 732
	091937-05-700	EA	BULB FLOURESCENT 12"
	098024-01-01A	EA	LIGHT-DOME, 1 BULB - US - IVORY
	008218-01-000	EA	BULB-DOME LIGHT, 12V - NUMBER 1141
	098024-01-700	EA	LENS-DOME LIGHT
	104173-01-01A	EA	LIGHT-DESIGNER, BRASS - #81-905 - BULB #93 12V
	108354-01-01A	EA	LIGHT-COURTESY - ITC 81395-B
	113371-01-000	EA	LIGHT-STRIP, FLUORESCENT, 8" - THIN-LITE 141
	113371-02-000	EA	LIGHT-STRIP, FLUORESCENT, 24" - THIN-LITE 143
	113371-03-000	EA	LIGHT-STRIP, FLUORESCENT, 42" - THIN-LITE 147

**CIRCUIT BREAKERS AND FUSES**

KEY	PART NUMBER	U/M	DESCRIPTION
	008233-01-000	EA	FUSE-12V, 6 AMP
	008235-01-000	EA	FUSE-AUTOMOTIVE, 12V - 15AMP
	062037-01-000	EA	HOUSING-AUTO FUSE, NATURAL
	062037-02-000	EA	HOUSING-AUTO FUSE, GREEN
	062037-03-000	EA	HOUSING-AUTO FUSE, BLACK
	062037-04-000	EA	HOUSING-AUTO FUSE, BLUE
	062037-05-000	EA	HOUSING-AUTO FUSE, GRAY
	062037-06-000	EA	HOUSING-AUTO FUSE, BROWN
	062901-02-000	EA	FUSE-5 AMPS, AUTOMOTIVE
	062901-04-000	EA	FUSE-10 AMPS, AUTOMOTIVE
	062901-05-000	EA	FUSE-15 AMPS, AUTOMOTIVE
	062901-06-000	EA	FUSE-20 AMPS, AUTOMOTIVE
	062901-07-000	EA	FUSE-25 AMPS, AUTOMOTIVE
	062901-08-000	EA	FUSE-30 AMPS, AUTOMOTIVE
	083209-01-000	EA	CIRCUIT BREAKER-15 AMP, 120V - BW G-15 - CANADIAN
	083209-02-000	EA	CIRCUIT BREAKER-15/15AMP, 120V - BW H-15/15
	083209-03-000	EA	CIRCUIT BREAKER-15/20AMP, 120V - BW 0-15/20
	083209-04-000	EA	CIRCUIT BREAKER-30A, 120V - BW L-30
	083209-05-000	EA	CIRCUIT BREAKER-20A, 120V - BW J-20
	083209-06-000	EA	CIRCUIT BREAKER-30/15 AMP, 120V - BW D-30/15
	083209-07-000	EA	CIRCUIT BREAKER-20/20A, 120V - BW K-20/20
	093654-01-000	EA	CIRCUIT BREAKER-6 AMP, USD 17406-4E12A2A
	093654-02-000	EA	CIRCUIT BREAKER-15 AMP, USD 17415-4E12A2A
	093655-01-000	EA	CIRCUIT BREAKER-25 AMP, USD 17425-4E03A2A
	093655-02-000	EA	CIRCUIT BREAKER-30 AMP, USD 17430-4E03A2A
	093655-03-000	EA	CIRCUIT BREAKER-40 AMP, USD 17440-4E03A2A
	093674-01-000	EA	PLATE-CIRCUIT BREAKER, HOUSE - 8.4" X 4.1" - STEEL
	097611-01-000	EA	CIRCUIT BREAKER-10A, 12V - VB3-A10-F57

**ELECTRICAL GROUP (CONTINUED)****CIRCUIT BREAKERS AND FUSES (CONTINUED)**

KEY	PART NUMBER	U/M	DESCRIPTION
	100341-01-000	EA	FUSE HOLDER-IN LINE TYPE, WESCO 8931-92020
	108567-01-000	EA	CIRCUIT BREAKER-40A, TYPE II - FASCO 17414063
	108916-01-000	EA	CIRCUIT BREAKER-50A, 2 POLE - WESTINGHOUSE BR250
	098196-01-000	EA	LATCH-1/4 TURN, T-BAR
	111683-01-000	EA	HOLDER-FUSE, GLASS - 1/4" X 1 1/4" - BUSS HTB-86I
	113482-01-000	EA	CIRCUIT BREAKER-55A, MANUAL - MP1648-001-055-13
	115187-01-000	EA	FUSE-300 AMP, NON-DELAY
	115187-02-000	EA	FUSE HOLDER

**CONVERTERS, INVERTER & LOAD CENTERS**

KEY	PART NUMBER	U/M	DESCRIPTION
	099048-01-000	EA	INVERTER-100 WATT
	108915-01-000	EA	LOAD CENTER-120/240V, 125A - WESTINGHOUSE S816CG
	109171-02-000	EA	CONVERTER-55 AMP ELECTRONIC - MAGNETEK 7255X
	109677-01-000	EA	LOAD CENTER-120V, 40A - WESCO TT120FLGNM (W/INVERTER OPTION)
	113132-01-000	EA	LOAD CENTER-120/240V, 60A - WESCO 2460SGNM
	113685-01-000	EA	INVERTER-CHARGER, 2000W AC - HEART 81-0205-12
	113685-02-000	EA	REMOTE PANEL, INVERTER/CHARGE

**RECEPTICLES**

KEY	PART NUMBER	U/M	DESCRIPTION
	058707-01-000	EA	RECEPTACLE-ELECTRIC, SINGLE - BROWN
	058707-02-000	EA	RECEPTACLE-BLANK, JUNCTION - WIRECON WDJ20BR
	058708-01-000	EA	RECEPTACLE-ELECTRIC, DOUBLE - BROWN
	058708-02-000	EA	RECEPTACLE-ELECTRIC, DOUBLE - IVORY
	102568-01-E37	EA	SPACER-RECEPTACLE, BETWEEN SIDEWALL & PLATE (PICKLED ASH)
	102568-01-E41	EA	SPACER-RECEPTACLE, BETWEEN SIDEWALL & PLATE (SALEM CHERRY)
	084076-01-000	EA	RECEPTACLE-GFI, 15A - 125V - IVORY
	084076-02-000	EA	RECEPTACLE-GFI, 15A - 125V - BROWN
	084077-01-000	EA	PLATE-COVER, RECEPTACLE - GFI - IVORY
	084077-02-000	EA	PLATE-COVER, RECEPTACLE - GFI - BROWN
	112822-01-01A	EA	RECEPTACLE-DUPLEX, IVORY - WIRECON WDRU15IV
	112824-01-02A	EA	COVER-EXTERIOR DUPLEX RECEPTACLE, OFF WHITE - P&S 3780-SC-CW

**SWITCHES**

KEY	PART NUMBER	U/M	DESCRIPTION
	075723-02-000	EA	SPACER-SWITCH, W/HOLE - .2" X .9" X 2" - METAL - OFF WHITE FOR ELECTRIC STEP DOOR JAMB SWITCH
	079364-02-000	EA	SWITCH-ON/OFF ROCKER, BROWN (HALLWAY& WATER PUMP)
	079364-04-000	EA	SWITCH-ON/OFF ROCKER, BLACK (LAMPS, LIGHTS & REAR TV)
	084420-01-000	EA	SWITCH-TOGGLE, 15A-120V - BROWN - T&B WDS151
	093132-01-000	EA	SWITCH-ROCKER, 5 TERMINAL W/ARROW GRAPHICS - TORRIX 1737
	093132-02-000	EA	SWITCH-ROCKER, 5 TERMINAL W/KEY LOCK & ARROW GRAPHICS
	094086-01-01A	EA	PLATE-SWITCH, SINGLE GANG - 1.8" X 3" - PLASTIC - BLACK
	095188-01-01A	EA	SPACER-SWITCH, 2.3" X 3.4" - PLASTIC - DARK BROWN
	095188-02-01A	EA	SPACER-SWITCH, 2.3" X 4.1" - PLASTIC - DARK BROWN
	095188-03-01A	EA	SPACER-SWITCH, 3.85" X 4.6" - PLASTIC - DARK BROWN
	096241-03-000	EA	SWITCH-BLANK
	098351-01-01A	EA	PLATE-SWITCH, 1 GANG - POLISHED BRASS
	098351-05-01A	EA	PLATE-SWITCH, 3 GANG - POLISH BRASS - JENSEN
	098351-07-01A	EA	PLATE-SWITCH, GENERATOR - JENSEN-BRASS,POLISH
	098351-08-01A	EA	PLATE-SWITCH, 4 GANG - W/LABEL
	099982-01-02A	EA	PLATE-SWITCH, 2 GANG - 2.4" X 4.1" - ALUMINUM - MILL
	099982-02-01A	EA	PLATE-SWITCH, 2 GANG - 2.4" X 4.1" - ALUMINUM - BLACK
	101894-01-01A	EA	SWITCH-3 WAY BROWN (110 V) - BRYANT CS320B



**ELECTRICAL GROUP (CONTINUED)****SWITCHES (CONTINUED)**

KEY	PART NUMBER	U/M	DESCRIPTION
	101911-01-01A	EA	WALL PLATE-SWITCH (1 GANG) BRASS - LEVITON 80701 OR E
	103473-12-01A	EA	PLATE-SWITCH, WINDOW - LOCK - LEFT - MILL
	106071-02-000	EA	SWITCH-AUTOMATIC TRANSFER, MAGNETEK ATS100
	108355-01-000	EA	HOUSING-SWITCH, CARLING VCH
	108356-01-01A	EA	COVER-SWITCH W/GROOVES, CARLING VVCZC00 BLA
	108356-02-01A	EA	COVER-SWITCH W/DIMPLES, CARLING VVAZC00 BLA
	108356-03-01A	EA	COVER-SWITCH W/GROOVES & LENS, CARLING VVCGC00
	108356-05-01A	EA	COVER-GENERATOR SET SWITCH W/GROOVES & LENS, CARLING VVLGCXX-XWB
	108357-01-000	EA	SWITCH-ROCKER, SPST ON/OFF - CARLING V1D1000B-0
	108357-03-000	EA	SWITCH-ROCKER, SPDT ON/OFF/ON - CARLING V6D1000B-0
	108357-04-000	EA	SWITCH-ROCKER, SPDT ON/OFF/MOM - CARLING V7D1000B-0
	108357-05-000	EA	SWITCH-ROCKER, SPDT ON/NONE/ON - CARLING V4D1000B-0
	108357-06-000	EA	SWITCH-ROCKER, DPDT MOM/OFF/MOM - CARLING VLD1000B-0
	108357-07-000	EA	SWITCH-ROCKER, SPDT MOM/OFF/MOM - CARLING V8D1000B-0
	108357-08-000	EA	SWITCH-ROCKER, DPDT ON/NONE/ON - CARLING VDD1S00C-0
	108357-09-000	EA	SWITCH-ROCKER, SPDT ON/NONE/MOM - CARLING V5D1000B-0
	108357-10-000	EA	SWITCH-ROCKER, SPDT MOM/OFF/MOM - CARLING V8D1160B-0 LIGHTED
	108531-01-000	EA	SWITCH-LIGHT DIMMER, INTEL TEC 00-002630
	109294-01-01A	EA	SWITCH PANEL ASM-VENT FAN, JRV J8948BR BRASS
	113960-01-01A	EA	COVER-ACTUATOR, POWER LOCK - OFF WHITE
	054250-08-000	EA	SUPPORT-DIMMER SWITCH, BLACK - W/O HOLES

**ELECTRIC BOXES & CORDS**

KEY	PART NUMBER	U/M	DESCRIPTION
	008289-01-000	EA	BOX-ELECTRIC, STEEL - 1/2" AND 3/4" KNOCKOUTS - 4" X 4"
	008289-02-000	EA	BOX-ELECTRIC, 4" X 4" - 1/2" & 3/4" KNOCKOUTS - CANADIAN
	008294-01-000	EA	COVER-ELECTRICAL BOX, BLANK/STEEL - 4" X 4" - GRAY
	008294-02-000	EA	COVER-ELECTRICAL BOX, BLANK/STEEL - 4" X 4" - GRAY (CANADIAN)
	091910-01-000	EA	BOX-ELECTRIC, 3.75" X 3.5" X 1.75" - PLASTIC
	091910-02-000	EA	BOX-ELECTRIC, 57 X 88MM - PLASTIC
	108934-01-000	EA	CORD-POWER, 50A - 4-WIRE - 36FT - WESCO K3536
	109172-01-000	EA	CORD-POWER, 13A - 3-WIRE - 4FT - ELECTICORD
	109925-01-000	EA	DOOR ASM-ELECTRICAL BOX, 125 X 169MM - METAL - BLACK
	109925-03-000	EA	DOOR ASM-ELECTRICAL BOX, 383 X 204MM - METAL - BLACK
	098196-01-000	EA	LATCH-1/4 TURN, T-BAR
	113096-01-000	EA	CORD-POWER, 50A - 4-WIRE - 36FT - WESCO 4243 - CANADIAN

**WIRE ASSEMBLIES**

KEY	PART NUMBER	U/M	DESCRIPTION
	097618-01-000	EA	WIRE ASM-MONITOR PANEL, W/4 WIRES & BLACK RESISTOR - LVS
	107306-01-000	EA	WIRE ASM-INSTRUMENT PANEL, DOCKING LAMPS
	108029-01-000	EA	WIRE ASM-POWER DRIVER SEAT
	108303-01-000	EA	WIRE ASM-REAR AUTO HEATER
	113639-01-000	FT	CABLE-3/0AWG STRANDED, RED - EXCEL
	113639-02-000	FT	CABLE-3/0AWG STRANDED, BLACK - EXCEL
	113767-01-000	FT	WIRE-8-3 W/GND,CANADA - WESCO 8-3W/GND,CSA

**CONNECTORS & CONDUIT**

KEY	PART NUMBER	U/M	DESCRIPTION
	007940-01-000	EA	RECEPTACLE-SLIDE, 16 TO 12 AWG - FEMALE END
	007954-01-000	EA	RECEPTACLE-HOUSING, 6 POSITION
	008311-01-000	EA	CONNECTOR-WIRE NUT, INSULATED - RED
	008312-01-000	EA	CONNECTOR-WIRE NUT, INSULATED - BLUE
	008314-01-000	EA	CONNECTOR-WIRE NUT, INSULATED - GRAY
	008326-01-000	EA	TERMINAL-RING, 16/14 WIRE - 3/8" STUD

**ELECTRICAL GROUP (CONTINUED)****CONNECTORS & CONDUIT (CONTINUED)**

KEY	PART NUMBER	U/M	DESCRIPTION
	008328-01-000	EA	TERMINAL-RING, 12/10 WIRE - #10 STUD FIT
	008331-01-000	EA	TERMINAL-RING,TONGUE - #4 WIRE - 3/8" STUD - COPPER
	008348-01-000	EA	TERMINAL-RING, 3/8" STUD - #2 WIRE CONNECTS CABLE TO DISCONNECT RELAY AND BATTERY
	008355-01-000	EA	CONNECTOR-CABLE CLAMPING, 3/4"
	008356-01-000	EA	CONNECTOR-PLASTIC, 3/8" AVG
	035416-04-000	EA	TERMINAL-RING #10 STUD FIT, INSULATED BARREL #16/14
	041953-01-000	FT	CONDUIT-CONVOLUTE, SLIT - .5"ID
	041953-03-000	FT	CONDUIT-CONVOLUTE, SLIT - 1" ID (CLOTHES ROD COVER)
	041953-04-000	FT	CONDUIT-CONVOLUTE, SLIT - .50"ID
	041953-05-000	FT	CONDUIT-CONVOLUTE, SOLID - .62" ID
	041953-06-000	FT	CONDUIT-CONVOLUTE, SLIT - .375"ID
	041953-07-000	FT	CONDUIT-CONVOLUTE, SLIT - .25" ID
	041953-08-000	FT	CONDUIT-CONVOLUTE, SLIT - 1.50"ID
	041953-09-000	FT	CONDUIT-CONVOLUTE, SLIT - .50"ID
	041953-10-000	FT	CONDUIT-CONVOLUTE, SLIT - .75" ID
	041953-11-000	FT	CONDUIT-CONVOLUTE, SLIT- 1.06" ID
	041953-12-000	FT	CONDUIT-CONVOLUTE, SLIT- 1.1" ID
	047443-01-000	EA	TERMINAL-.250 RECEPTACLE FIT, INSULATED - 16/14 AWG
	047443-02-000	EA	TERMINAL-.250 RECEPTACLE FIT, INSULATED - 12/10 AWG
	058028-01-000	EA	CONNECTOR-ELECTRICAL PIGTAIL, NYLON - CLEAR
	062036-01-000	EA	TERMINAL-PACK-CONNECTOR, 12/10 AWG - PACKARD 12033817
	062036-02-000	EA	TERMINAL-PACK-CONNECTOR, 16/14 AWG - PACKARD 08917021
	074017-02-000	EA	HOUSING-5 POSITION, RIGHT ANGLED
	077479-01-000	EA	BOOT-BATTERY TERMINAL, DOUBLE CABLE
	077479-02-000	EA	BOOT-BATTERY TERMINAL, SINGLE CABLE
	080015-02-000	EA	RECEPTACLE-FLAG, .185 - 16/14 GA - AMP 3
	080015-03-000	EA	RECEPTACLE-FLAG, .250 - 14/16 GA
	082109-01-000	EA	HOUSING-CONNECTOR, PACKARD
	082741-01-000	EA	CONNECTOR BODY-2 CNCT MALE
	085724-01-000	EA	SOCKET-DOUBLE CONTACT, TAILLIGHT
	087949-01-000	EA	BUSS BAR-2 POSITION, .6" X 1.5" - ALUMINUM
	087949-02-000	EA	BUSS BAR-3 POSITION
	087949-03-000	EA	BUSS BAR-4 POSITION
	088473-01-000	EA	HOUSING-PIN, 12 CAVITY - AMP 1-480708-0
	088473-02-000	EA	HOUSING-PIN, 15 CAVITY - AMP 1-480710-0
	088473-03-000	EA	HOUSING-PIN, 9 CAVITY - AMP 1-480706-0
	088473-05-000	EA	HOUSING-PIN, 6 CAVITY - AMP 640585-1
	088473-06-000	EA	HOUSING-PIN, 6 CAVITY - AMP 1-480704-0
	088473-07-000	EA	HOUSING-PIN, 5 CAVITY - AMP 1-480763-0
	088473-08-000	EA	HOUSING-PIN, 4 CAVITY - AMP 1-480702-0
	088473-09-000	EA	HOUSING-PIN, 3 CAVITY - AMP 1-480700-0
	088473-10-000	EA	HOUSING-PIN, 2 CAVITY - AMP 1-480698-0
	088474-01-000	EA	HOUSING-SOCKET, 12 CAVITY - AMP 1-480709-0
	088474-02-000	EA	HOUSING-SOCKET, 12 CAVITY - AMP 1-480711-0
	088474-03-000	EA	HOUSING-SOCKET, 9 CAVITY - AMP 1-480707-0
	088474-06-000	EA	HOUSING-SOCKET, 6 CAVITY - AMP 1-480705-0
	088474-07-000	EA	HOUSING-SOCKET, 5 CAVITY - AMP 1-480764-0
	088474-08-000	EA	HOUSING-SOCKET, 4 CAVITY - AMP 1-480703-0
	088474-09-000	EA	HOUSING-SOCKET, 3 CAVITY - AMP 1-480701-0
	088474-10-000	EA	HOUSING-SOCKET, 2 CAVITY - AMP 1-480699-0
	088475-01-000	EA	PIN-CONNECTOR, 14 TO 20 AWG
	088475-02-000	EA	PIN-CONNECTOR, 10 TO 12 AWG
	088476-01-000	EA	SOCKET-CONNECTOR, BRASS - PRE-TIN
	088476-02-000	EA	SOCKET-CONNECTOR, 12-10 GA - PHOS. BRZ - PRE-TIN
	092786-02-000	EA	BUSS BAR-3.3" LONG
	092786-03-000	EA	BUSS BAR-6.9" LONG
	098261-02-000	EA	SOCKET-CONNECTOR, WEATHERPACK PACKARD 12124580
	098262-01-000	EA	SEAL-CONNECTOR, WEATHER PACK PACKARD 12010293

**ELECTRICAL GROUP (CONTINUED)****CONNECTORS & CONDUIT (CONTINUED)**

KEY	PART NUMBER	U/M	DESCRIPTION
	098264-01-000	EA	HOUSING-2 PIN, WEATHER PACK M PACKARD 12015792
	098265-02-000	EA	PIN-CONNECTOR, WEATHER PACK PACKARD12089305
	100690-01-000	EA	HOUSING-5 PIN, WEATHER PACK
	101571-01-000	EA	HOUSING-2 POSITION, MALE
	102777-02-000	EA	TERMINAL-RING #6 STUD, 10 AWG
	103608-01-000	EA	SOCKET-WEDGE BASE, L/LEADS
	104100-01-000	EA	HOUSING-1 POSITION, 75 AMP - AMP 53884-1
	104100-03-000	EA	TERMINAL-75 AMP - AMP 53880-4 LOOSE
	106006-01-000	EA	HOUSING-1 POSITION, FEMALE - PACKARD 12015952
	113468-01-000	EA	HOUSING-2 POSITION, FEMALE - 56 SERIES - PACKARD 02965981
	114442-01-000	EA	HOUSING-1 POSITION, FEMALE - 56 SERIES (STEERING COLUMN ADAPTER)

**FLASHER, SOLENOID, DIODE RELAYS**

KEY	PART NUMBER	U/M	DESCRIPTION
	007093-01-000	EA	FLASHER-SIGNAL, STAT
	008188-01-000	EA	SOLENOID-3 POST, BATTERY CHANGE OVER
	063910-01-000	EA	HOUSING-RELAY, BOSCH 3 334 485 008
	063912-02-000	EA	RELAY-CANISTER, SPDT - BOSCH 0332204101
	086273-01-000	EA	RELAY-BATTERY DISCONNECT

**BATTERY BOOT & STUD**

KEY	PART NUMBER	U/M	DESCRIPTION
	077479-01-000	EA	BOOT-BATTERY TERMINAL, DOUBLE CABLE
	077479-02-000	EA	BOOT-BATTERY TERMINAL, SINGLE CABLE
	086233-01-000	EA	STUD-ISOLATED, 3/8" X 7/8" LONG

**SOLAR PANEL**

KEY	PART NUMBER	U/M	DESCRIPTION
	115504-01-000	EA	PANEL-SOLAR, 10 WATT
	115505-01-000	EA	MONITOR-SOLAR CHARGER

**EXTERIOR BODY GROUP****AIR HORNS**

KEY	PART NUMBER	U/M	DESCRIPTION
	077497-03-000	EA	FITTING KIT-HOSE, AUXILIARY AIR HORN, PRESSURE GAUGE & HOSE FITTINGS
	077497-01-710	EA	GAUGE-PRESSURE, AIR HORN
	077497-09-000	EA	TANK-AIR & SOLENOID KIT - HADLEY H00640S
	077497-01-700	EA	SOLENOID-AIR TANK, HADLEY 748NS
	077497-01-703	EA	TANK-AIR, HADLEY 751-N
	077497-01-709	EA	PLUNGER & SPRING FOR SOLENOID, HADLEY H136215
	077497-06-000	EA	HORN-AIR,CHROM - TWIN - HADLEY 977AW
	077497-01-701	EA	SWITCH-COMPRESSOR, HADLEY 13940-S
	077497-01-702	EA	SWITCH-TOGGLE, W/WIRE - HADLEY 12949-S
	081407-01-000	EA	PLATE-MOUNTING, AIR HORN
	115024-01-02B	EA	BRACKET-TANK, AIR HORN - E-COAT

**SQUEEGEE**

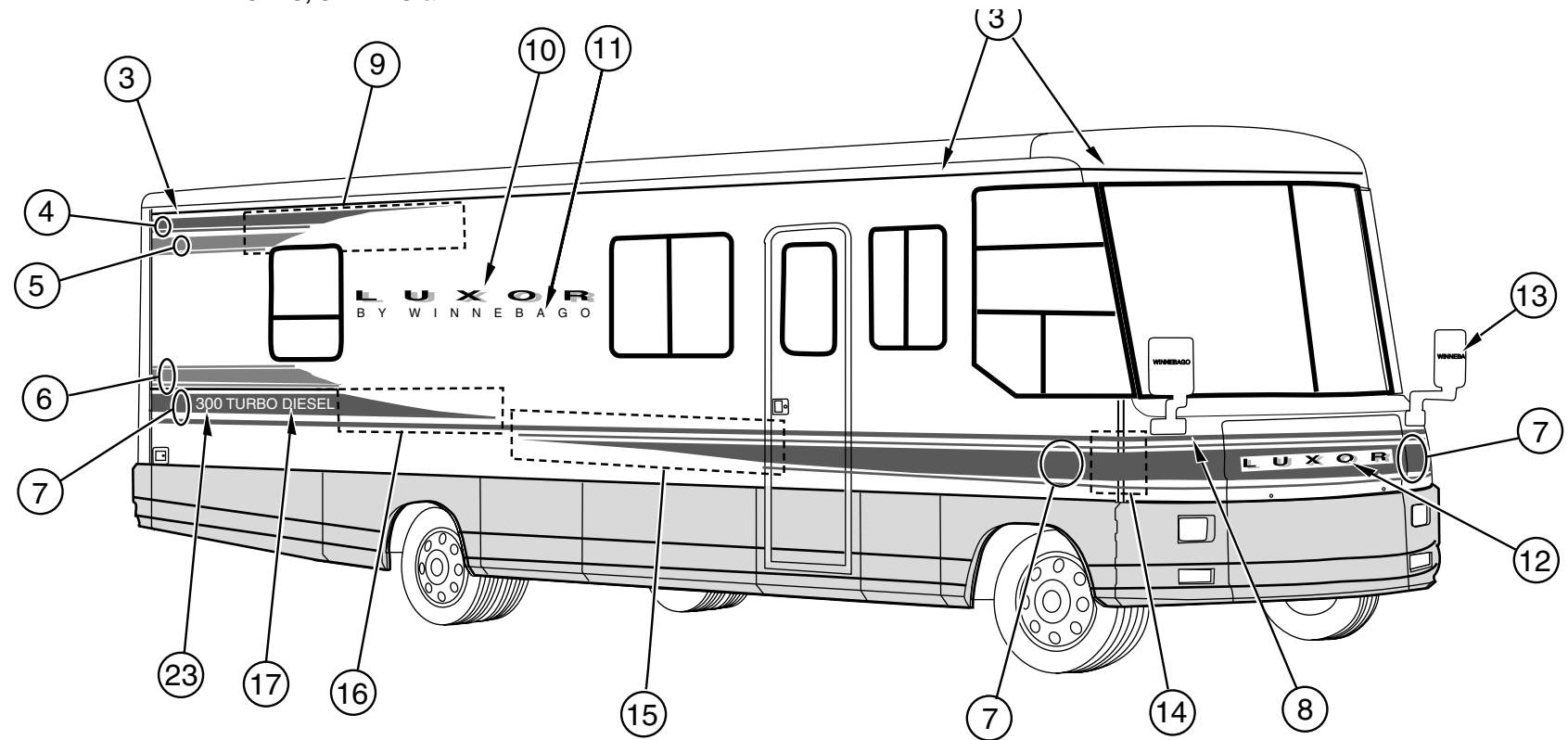
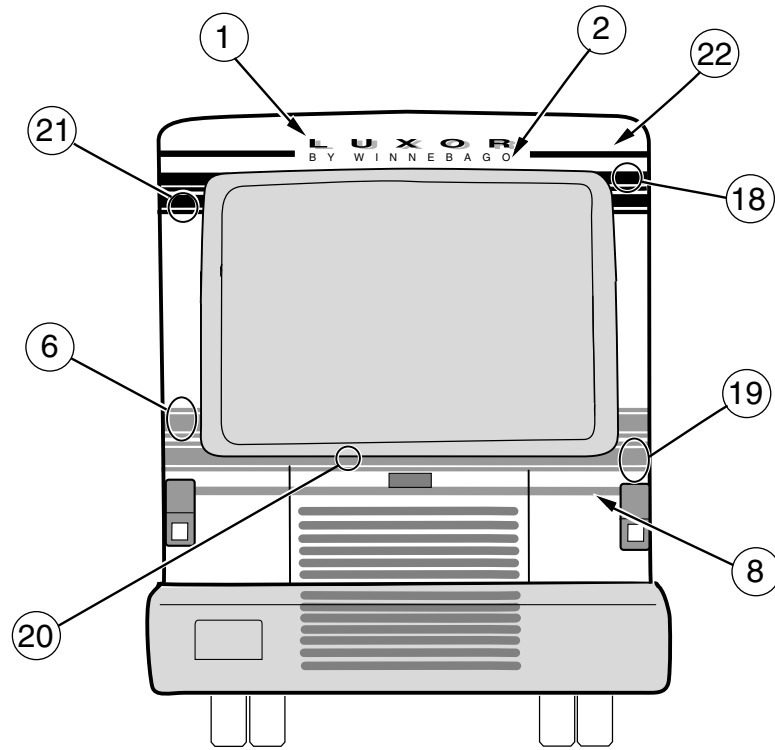
KEY	PART NUMBER	U/M	DESCRIPTION
	069726-02-000	EA	BUMPER-.88" DIAMETER X .40", BLACK
	091952-02-000	EA	CLIP-GRIPPER, 3/4"
	091955-02-000	EA	SQUEEGEE-EXTEND HANDLE
	110429-03-D18	EA	BRACKET ASM-SQUEEGEE, PAINTED
	110429-01-01A	EA	BRACKET-SQUEEGEE, UNPAINTED

**AWNING**

KEY	PART NUMBER	U/M	DESCRIPTION
	113874-01-01A	EA	AWNING-HARDWARE KIT, SATIN - A&E 8481000.001
	110634-01-700	EA	RAFTER LOCKING MECH KIT, 7605-0001
	110634-01-701	EA	SAFETY & LATCH KIT, 7509-0001
	110634-01-702	EA	BOTTOM BRACKET KIT, 7512-0001
	110634-01-703	EA	HEIGHT LOCK HANDLE KIT, 7510-0001
	110634-01-704	EA	UPPER BRACKET KIT W/BOLTS, 7505-0001
	110634-01-705	EA	ULTRA RAFTER KNOB KIT, 7522-0001
	110634-01-706	EA	RAFTER SLIDE KIT
	110634-01-707	EA	GROUND BRACKET KIT, 7511-0001
	110634-01-708	EA	LIFT HANDLES W/RIVETS, 7000-0001
	110634-01-709	EA	RATCHET HANDLE KIT, 7507-0001
	110634-01-710	EA	ARM CAP KIT, 7503-0001
	110634-01-711	EA	FRONT SPRING ASM, 6598-0001
	110634-01-712	EA	REAR SPRING ASM, 6599-0001
	110634-01-713	EA	REAR END CAP KIT, 7504-0001
	113874-02-01A	EA	AWNING-ROLLER ASM, 21' - A&E 839AR21B
	111037-01-01A	EA	SPACER-AWNING, UPPER - BLACK

## EXTERIOR BODY GROUP (CONTINUED)

### DECALS, STRIPES & PAINT



KEY	PART NUMBER	U/M	DESCRIPTION
1	114652-01-01A	EA	DECAL-LOGO, "LUXOR" - DARK BLUE MIST/MEDIUM TITANIUM (BACKWALL)
2	113531-03-01A	EA	DECAL-LOGO, "BY WINNEBAGO" - DARK BLUE MIST (BACKWALL)
3	107385-09-03A	FT	STRIPE, 38.1MM WIDE - DARK TEAL
4	105781-02-09A	FT	MULTISTRIPE-2 LINES, 63.5MM WIDE - DARK BLUE MIST
5	105781-14-06A	FT	MULTISTRIPE-2 LINES, 76.2MM WIDE - MEDIUM TITANIUM
6	094443-19-01A	FT	MULTISTRIPE-3 LINES, 127MM WIDE - MEDIUM TITANIUM
7	094443-22-01A	FT	MULTISTRIPE-3 LINES, 177.8MM WIDE - DARK BLUE MIST
8	107385-20-01A	FT	STRIPE, 44.5MM WIDE - DARK TEAL
	111417-05-01A	EA	DECAL-LOGO, LUXOR - HAMPTON TAN (ON DASH)
9	113525-01-01A	EA	DECAL-RADIUS, UPPER RIGHT REAR - DARK BLUE MIST
	113525-02-01A	EA	DECAL-RADIUS, UPPER LEFT REAR - DARK BLUE MIST
10	114631-01-01A	EA	DECAL-LOGO, "LUXOR" - 3D - DARK BLUE MIST/MEDIUM TITANIUM FROM: 00-00-00 THRU: 07-10-94
10	116168-01-01A	EA	DECAL-LOGO, "LUXOR" - DOMED - DARK BLUE MIST/MEDIUM TITANIUM/GOLD FROM: 07-11-94 THRU: 99-99-99
11	113531-02-01A	EA	DECAL-LOGO, "BY WINNEBAGO" - DARK BLUE MIST (SIDEWALL)
12	114630-01-01A	EA	DECAL-LOGO, "LUXOR" - 3D - BUFF (FRONT) FROM: 00-00-00 THRU: 07-10-94
12	116168-02-01A	EA	DECAL-LOGO, "LUXOR" - DOMED - DARK BLUE MIST/MEDIUM TITANIUM/GOLD FROM: 07-11-94 THRU: 99-99-99
	116006-01-01A	EA	DECAL-HOOD, COMPLETE GROUPING CUT TO FIT HOOD - DARK TEAL
13	113524-01-01A	EA	DECAL-LOGO, "WINNEBAGO" - MEDIUM TITANIUM
14	113530-01-01A	EA	DECAL-CORNER, RIGHT FRONT - DARK BLUE MIST
	113530-02-01A	EA	DECAL-CORNER, LEFT FRONT - DARK BLUE MIST
15	113529-01-01A	EA	DECAL-RADIUS, LOWER RIGHT FRONT - DARK BLUE MIST
	113529-02-01A	EA	DECAL-RADIUS, LOWER LEFT FRONT - DARK BLUE MIST

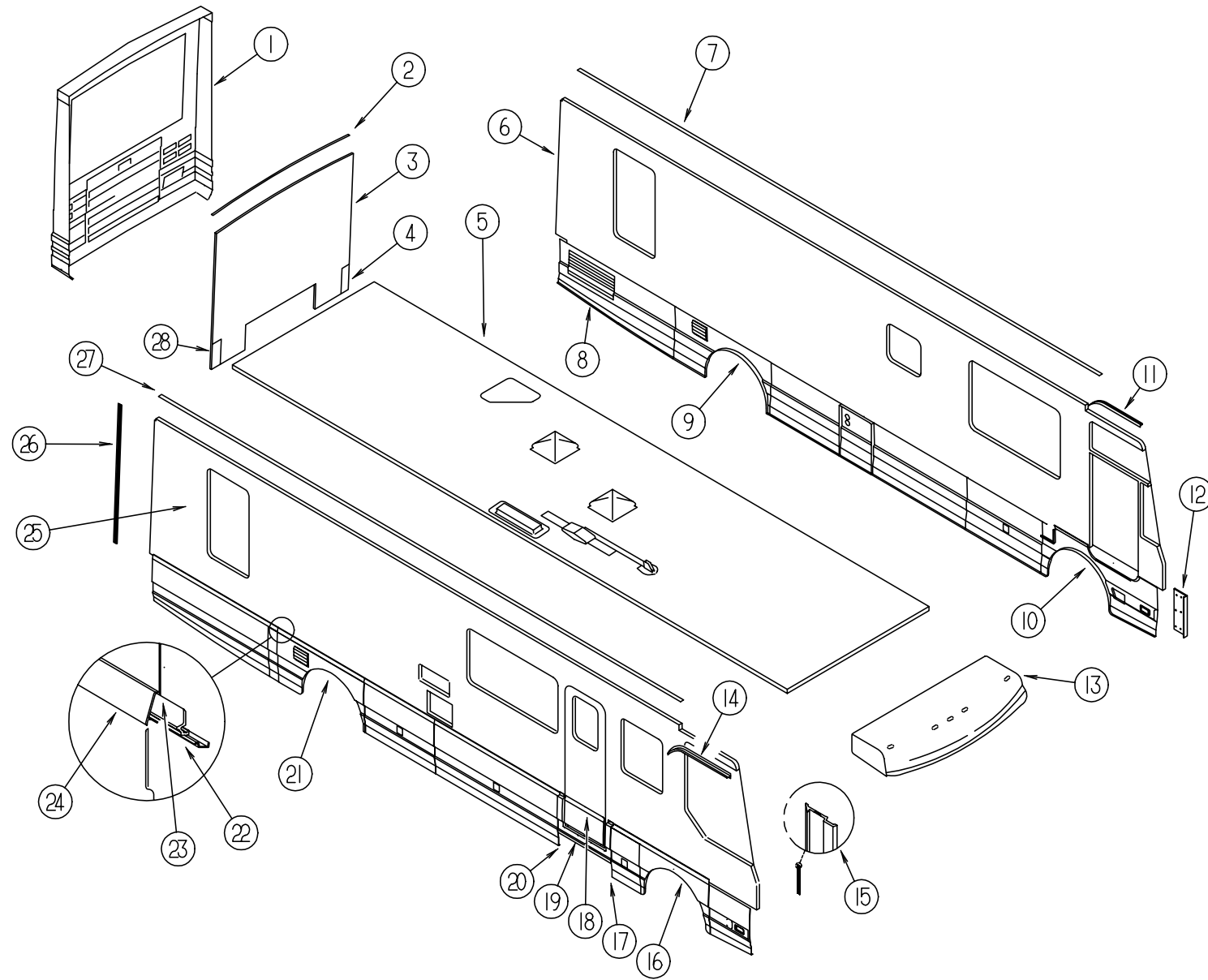
KEY	PART NUMBER	U/M	DESCRIPTION
16	113528-01-01A	EA	DECAL-RADIUS, LOWER RIGHT REAR - DARK BLUE MIST
	113528-02-01A	EA	DECAL-RADIUS, LOWER LEFT REAR - DARK BLUE MIST
17	113533-01-01A	EA	DECAL-LOGO, "TURBO DIESEL" - BUFF
	115389-01-01A	EA	DECAL-LOGO, "300"
18	115071-01-01A	EA	DECAL-REAR, UPPER RIGHT - DARK BLUE MIST
	115071-02-01A	EA	DECAL-REAR, UPPER LEFT - DARK BLUE MIST
19	115073-01-01A	EA	DECAL-REAR, LOWER RIGHT - DARK BLUE MIST
	115073-02-01A	EA	DECAL-REAR, LOWER LEFT - DARK BLUE MIST
20	105781-40-01A	FT	MULTISTRIPE-2 LINES, 101.6MM WIDE - DARK BLUE MIST
21	115072-02-01A	EA	DECAL-REAR, UPPER LEFT - MEDIUM TITANIUM
	115072-01-01A	EA	DECAL-REAR, UPPER RIGHT - MEDIUM TITANIUM
22	115070-01-01A	EA	DECAL-REAR, UPPER RIGHT - DARK TEAL
	115070-02-01A	EA	DECAL-REAR, UPPER LEFT - DARK TEAL
23	115389-01-01A	EA	DECAL-LOGO, "300" - BUFF
	041561-03-000	EA	PAINT-LOW BAKE, 16 OUNCE SPRAY CAN - OFF WHITE
	044486-03-000	EA	PAINT-LOW BAKE, 16 OUNCE SPRAY CAN - BEIGE

#### DUPONT COLOR CODES

BUFF	G9692
MEDIUM TITANIUM	C9248
BLACK	99
OFF WHITE	L8723

## EXTERIOR BODY GROUP (CONTINUED)

### BODY PANELS & TRIM

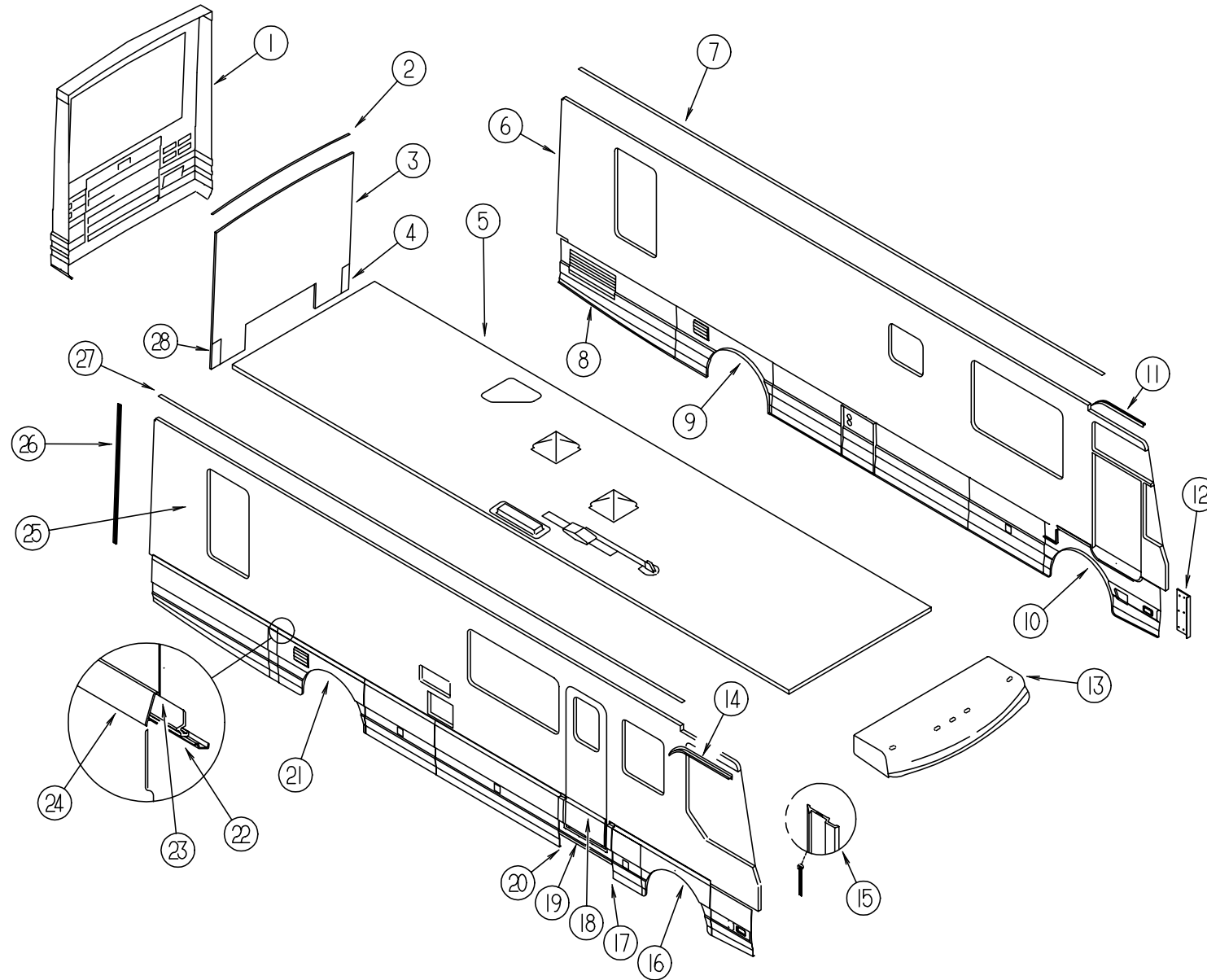


KEY	PART NUMBER	U/M	DESCRIPTION
1	113182-01-01A	EA	REAR CAP-FIBERGLASS, W/O LIGHTS
2	083805-20-000	EA	TRIM-CAP, REAR CAP TO ROOF - 2340MM LONG - BUFF
3	113208-01-FQ0	EA	BACKWALL, W/LIGHT COVER (FQ0, FQ1)
3	113208-01-FQ2	EA	BACKWALL, W/LIGHT COVER (FQ2, FQ3)
3	113208-01-FQ4	EA	BACKWALL, W/LIGHT COVER (FQ4, FQ5)
3	113208-01-FQ6	EA	BACKWALL, W/LIGHT COVER (FQ8, FQ9)
4	113207-02-01A	EA	COVER-BACKWALL, BLACK
5	P13508-01-FQ0	EA	ROOF ASM, W/O LIGHTS & VENTS
6	P13510-01-FQ0	EA	SIDEWALL-DRIVER (FQ0)
6	P13510-01-FQ1	EA	SIDEWALL-DRIVER (FQ1)
6	P13510-01-FQ2	EA	SIDEWALL-DRIVER (FQ2)
6	P13510-01-FQ3	EA	SIDEWALL-DRIVER (FQ3)
6	P13510-01-FQ4	EA	SIDEWALL-DRIVER (FQ4)
6	P13510-01-FQ5	EA	SIDEWALL-DRIVER (FQ5)
6	P13510-01-FQ6	EA	SIDEWALL-DRIVER (FQ8)
6	P13510-01-FQ7	EA	SIDEWALL-DRIVER (FQ9)
7	103801-01-04A	EA	TRIM-ROOF TO SIDEWALL, W/DRAIN HOLES - 4877MM LONG - BUFF
7	103801-02-04A	EA	TRIM-ROOF TO SIDEWALL, W/O DRAIN HOLES - 4877MM LONG - BUFF

KEY	PART NUMBER	U/M	DESCRIPTION
8	113593-01-FQ0	EA	PANEL ASM-VALANCE, CONDENSER AIR INTAKE
	113333-02-FQ0	EA	GRILLE ASM-DOOR, CONDENSER
	107895-05-000	EA	HINGE ASM-DOUBLE PIVOT, W/SPRING & U-CHANNEL - 90 DEGREE
	P13039-01-01A	EA	PANEL-SUPPORT, RIGHT - BLACK
	P13039-02-01A	EA	PANEL-SUPPORT, LEFT - BLACK
	107721-01-000	FT	SEAL-ACCESS DOOR., D BULB W/ADHESIVE ON FLAT SIDE
9	113586-01-FQ0	EA	WHEEL LIP ASM-DRIVER SIDE, REAR
	113575-02-01A	EA	PANEL-WHEEL LIP, DRIVER SIDE - REAR - W/O HARDWARE & FRAME
	107895-05-000	EA	HINGE ASM-DOUBLE PIVOT, W/SPRING & U-CHANNEL - 90 DEGREE
	P13039-01-01A	EA	PANEL-SUPPORT, RIGHT - BLACK
10	113587-01-FQ0	EA	WHEEL LIP ASM-DRIVER SIDE, FRONT - W/FRAME & SUPPORTS
	113576-01-01A	EA	WHEEL LIP-FRONT, DRIVER SIDE - FRONT
	P13039-01-01A	EA	PANEL-SUPPORT, RIGHT - BLACK
	P13039-02-01A	EA	PANEL-SUPPORT, LEFT - BLACK
11	108274-02-01A	EA	RAIL-DRIP, FRONT END - LEFT SIDE - BUFF
12	107225-03-000	EA	BRACKET-VALANCE, WHEEL LIP - CAB
13	M05794-02-FQ0	EA	CAP ASM-FRONT, W/LIGHTS - BUFF
14	108274-01-01A	EA	RAIL-DRIP, FRONT END - RIGHT SIDE - BUFF
15	114422-01-01A	EA	TRIM-PANEL, BETWEEN FRONT PANEL & SIDEWALLS

## EXTERIOR BODY GROUP (CONTINUED)

### BODY PANELS & TRIM (CONTINUED)

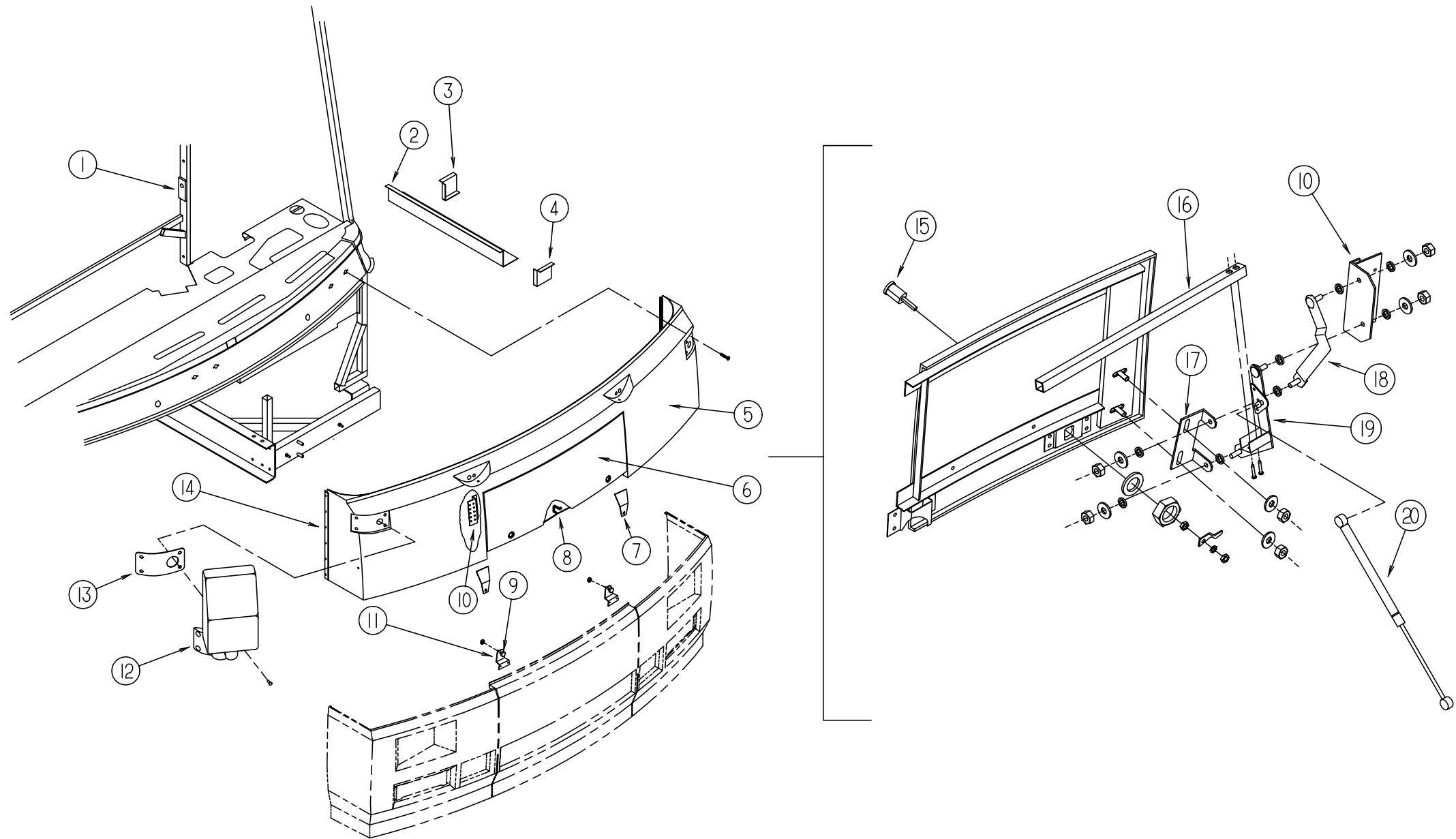


KEY	PART NUMBER	U/M	DESCRIPTION
16	113584-01-FQ0	EA	PANEL ASM-WHEELWELL, FRONT - W/END CAPS, FRAME & LINER
	113577-01-01A	EA	PANEL-WHEELWELL, FRONT - W/O HARDWARE & FRAME
	107895-05-000	EA	HINGE ASM-DOUBLE PIVOT , W/SPRING & U-CHANNEL - 90 DEGREE
17	113161-01-01A	EA	TRIM-PANEL, RIGHT - BLACK
18	113119-01-01A	EA	PANEL-VALANCE, ENTRY DOOR - MOUNTS ON DOOR - BLACK
19	113496-01-FQ0	EA	PANEL-VALANCE, HORSESHOE - UNDER ENTRY DOOR
20	113161-02-01A	EA	TRIM-PANEL, LEFT - BLACK
21	113585-01-FQ0	EA	WHEEL LIP ASM-PASSENGER SIDE, REAR - W/AIR INTAKE GRILLE
	113473-01-FQ0	EA	GRILLE-AIR INTAKE
	107895-05-000	EA	HINGE ASM-DOUBLE PIVOT , W/SPRING & U-CHANNEL - 90 DEGREE
	P13039-01-01A	EA	PANEL-SUPPORT, RIGHT - BLACK
	P13039-02-01A	EA	PANEL-SUPPORT, LEFT - BLACK
22	107370-01-000	EA	RETAINER-TRIM, SIDEWALL - 305MM LONG - EXTRUDED ALUMINUM
23	112900-01-000	EA	HANGER-VALANCE
24	112776-01-01A	EA	TRIM-COVER, BLACK

KEY	PART NUMBER	U/M	DESCRIPTION
25	P13509-01-FQ0	EA	SIDEWALL-PASSENGER (FQ0)
25	P13509-01-FQ1	EA	SIDEWALL-PASSENGER (FQ1)
25	P13509-01-FQ2	EA	SIDEWALL-PASSENGER (FQ2)
25	P13509-01-FQ3	EA	SIDEWALL-PASSENGER (FQ3)
25	P13509-01-FQ4	EA	SIDEWALL-PASSENGER (FQ4)
25	P13509-01-FQ5	EA	SIDEWALL-PASSENGER (FQ5)
25	P13509-01-FQ6	EA	SIDEWALL-PASSENGER (FQ8)
25	P13509-01-FQ7	EA	SIDEWALL-PASSENGER (FQ9)
26	092041-02-01A	EA	TRIM-REAR CAP TO SIDEWALL, BUFF - 2 USED
	091985-01-04A	FT	INSERT-TRIM, REAR CAP TO SIDEWALL - BUFF
27	103802-01-04A	EA	RAIL-AWNING, W/DRAIN HOLES - BUFF
			FROM: 00-00-00 THRU: 11-13-94
27	117385-01-01A	EA	RAIL-AWNING - BUFF
			FROM: 11-14-94 THRU: 99-99-99
27	103802-02-04A	EA	RAIL-AWNING, W/O DRAIN HOLES - BUFF
			FROM: 00-00-00 THRU: 11-13-94
27	117385-02-01A	EA	RAIL-AWNING - BUFF
			FROM: 11-14-94 THRU: 99-99-99
	111241-51-001	EA	RAIL-AWNING, EXTRUDED - 4877MM LONG - UNPAINTED
28	113207-01-01A	EA	COVER-BACKWALL, BLACK

# EXTERIOR BODY GROUP (CONTINUED)

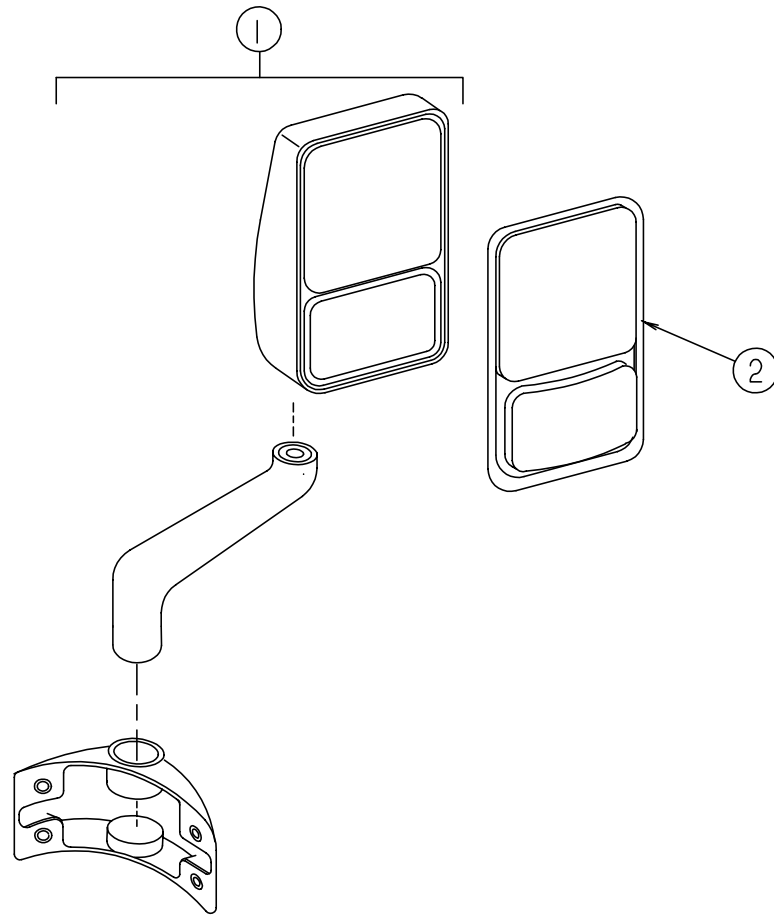
## FRONT END ASSEMBLY



KEY	PART NUMBER	U/M	DESCRIPTION
1	070579-06-000	EA	PLATE-ANCHOR, W/7/16 WELD NUT - 1.5" X 3.3"
2	106746-01-000	EA	PANEL-STEPWELL
3	106747-01-000	EA	PANEL-STEPWELL, END - RIGHT
4	106747-02-000	EA	PANEL-STEPWELL, END - LEFT
5	113486-01-FQ0	EA	FRONT END-FIBERGLASS, W/O HOOD PANEL - BUFF
6	113536-01-FQ0	EA	PANEL ASM-HOOD, OUTER
7	106765-01-000	EA	SUPPORT-BOLT, HOOD ADJUSTING
8	P14455-01-000	EA	SPRING-HOOD, E-COAT
9	058786-01-000	EA	BOLT-ADJUSTING, HOOD - W/BLACK PAD - .31" #18 X 2"
10	113495-01-02B	EA	SUPPORT-HINGE, E-COAT
	113495-01-01B	EA	SUPPORT-HINGE, MILL
11	114342-02-02B	EA	BRACKET-HOOD, BUMPER - E-COAT
12	108699-05-01A	EA	MIRROR-EXTERIOR, REMOTE/HEAT - PASS W/ARM & MOUNT - VELVAC 713434-7
12	108699-06-01A	EA	MIRROR-EXTERIOR, REMOTE/HEAT - DR W/ARM & MOUNT - VELVAC 713435-7

KEY	PART NUMBER	U/M	DESCRIPTION
13	108825-01-000	EA	GASKET-MIRROR, INDUSTRIAL PRODUCTS
14	114422-01-01A	EA	TRIM-PANEL, BETWEEN FRONT PANEL & SIDEWALLS
15	102330-02-000	EA	LATCH-SINGLE HOLE, VISE ACTION
	102328-01-000	EA	KEY-VISE ACTION LATCH
16	105096-08-000	EA	TUBE ASM-TIMING, HOOD HINGE
17	113505-01-02B	EA	ANGLE-LINK HOOD, E-COAT
18	113499-03-02B	EA	LINK ASM-HINGE, UPPER RIGHT - E-COAT
	113499-04-02B	EA	LINK ASM-HINGE, UPPER LEFT - E-COAT
19	113556-01-02B	EA	LINK ASM-HINGE, HOOD, LOWER RIGHT - E-COAT
	113556-02-02B	EA	LINK ASM-HINGE, HOOD, LOWER LEFT - E-COAT
20	114249-01-000	EA	SPRING-GAS
	107796-05-000	EA	BRACKET-MOUNTING, GAS SPRING - FLAT - SPDI SPD-1020
	115384-01-01A	EA	STRAP-BUMPER TO WHEELWELL, METAL - BLACK

## EXTERIOR BODY GROUP (CONTINUED)



### EXTERIOR MIRRORS

KEY	PART NUMBER	U/M	DESCRIPTION
1	108699-05-01A	EA	MIRROR-EXTERIOR, REMOTE/HEAT - PASS W/ARM & MOUNT - VELVAC 713434-7
2	086261-01-704	EA	KIT-EXTERIOR MIRROR, W/BEZEL, FLAT & CONVEX GLASS - PASSENGER
1	108699-06-01A	EA	MIRROR-EXTERIOR, REMOTE/HEAT - DR W/ARM & MOUNT - VELVAC 713435-7
2	086261-02-701	EA	KIT-EXTERIOR MIRROR, W/BEZEL, FLAT & CONVEX GLASS - DRIVER
	087695-01-000	EA	SWITCH-HEATER, EXTERIOR MIRROR
	088246-01-000	EA	SWITCH-REMOTE, EXTERIOR MIRROR - SQUARE PUSH - VELVAC 7471290
	099982-02-01A	EA	PLATE-SWITCH, BLACK
	108825-01-000	EA	GASKET-MIRROR, INDUSTRIAL PRODUCTS

## EXTERIOR BODY GROUP (CONTINUED)

### FIBERGLASS, STYROFOAM & STEEL CHANNEL

KEY	PART NUMBER	U/M	DESCRIPTION
	000870-06-000	SF	STYROFOAM-PLANED, 1.34" X 48" X 96"
	000870-08-000	SF	STYROFOAM-PLANED, .75" X 48" X 96"
	002766-01-001	EA	ANGLE-EXTRUDED, 1" X 1.5" X 17' - ALUMINUM
	108535-02-01A	SF	SHEET-FIBERGLASS, FLAT - 104" X 500" - BUFF
	108535-03-700	SF	SHEET-FIBERGLASS, 110" X 396" - FILON - BUFF
	083574-02-000	SF	STYROFOAM, DOW TYPE SM - 1.5" X 24" X 90.5"
	083574-03-000	SF	STYROFOAM-3/4" X 48" X 96"
	083574-03-000	SF	STYROFOAM-3/4" X 48" X 96"
	083574-05-000	SF	STYROFOAM-2" X 48" X 96"
	089297-01-000	SF	PLYWOOD-LUAN, OVERLAY GRADE - 4' X 8'
	113192-01-01A	EA	SHEET-FIBERGLASS, 2016 X 10716MM - BUFF
	113192-02-01A	EA	SHEET-FIBERGLASS, 2388 X 4877MM - BUFF
	115301-01-000	EA	STYROFOAM-.34 X 48 X 600"
	002726-01-001	EA	GARNISH-U-CHANNEL, 1.38" X 19' - SERRATED - MILL ALUMINUM
	002754-01-001	EA	ANGLE-EXTRUDED, .75" X .75" X 18' - MILL ALUMINUM
	068716-01-001	EA	ANGLE-EXTRUDED, 90 DEGREE - 192" LONG
	058267-01-000	EA	CHANNEL-STEEL, W/HOLES - SIDEWALL STIFFENER - 2" X 20'
	055278-01-001	FT	TUBING-STEEL, .75" X 1.5" X 288"
	065747-01-000	SF	INSULATION-MICROFOAM, .5" THICK X 72" X 112' ROLL
	105077-03-000	EA	PLUG-FOAM, SIDEWALL TUBE - SEALS SEAMS BETWEEN SIDEWALL & ROOF

## GALLEY GROUP

### LARGE NORCOLD 682 REFRIGERATOR W/ICE MAKER

KEY	PART NUMBER	U/M	DESCRIPTION
	054450-01-000	EA	LEVEL-REFRIGERATOR
	093646-01-000	EA	BRACKET ASM-TIEDOWN, RIGHT SIDE WHEN FACING REFRIGERATOR
	093646-02-000	EA	BRACKET ASM-TIEDOWN, LEFT SIDE WHEN FACING REFRIGERATOR
	065225-02-000	EA	PLATE-TIEDOWN, REFRIGERATOR
	104137-04-01A	EA	REFRIGERATOR-LARGE DOUBLE DOOR, W/ICE MAKER - NORCOLD 682-MI RHBL
	064473-01-702	EA	ORIFICE-NORCOLD 61452122
	084880-01-715	EA	VALVE-SHUT OFF, MANUAL - NORCOLD 61697922
	075217-01-734	EA	FUSE-3 AMP, NORCOLD 61538822
	075217-01-738	EA	SWITCH-HUMIDITY, NORCOLD 61525922
	084880-01-713	EA	CONNECTOR-MALE, INLET FITTING - NORCOLD 615256
	084880-01-715	EA	VALVE-SHUT OFF, MANUAL - NORCOLD 61697922
	084880-01-718	EA	VALVE-GAS, NORCOLD 61551822
	084880-01-722	EA	CRISPER COVER - NORCOLD 615641
	084880-01-726	EA	HINGE BRACKET (CENTER HINGE), NORCOLD 61566523
	084880-01-731	EA	HINGE PIN, NORCOLD 61578123
	084880-01-732	EA	LATCH, NORCOLD 61578522
	084880-01-734	EA	BRACKET-HINGE, TOP RIGHT - BOTTOM LEFT - BROWN NORCOLD 61580837
	084880-01-735	EA	HINGE BRKT, TOP LEFT - BOTTOM RIGHT - BROWN - NORCOLD 61580937
	084880-01-739	EA	END CAP (SPRING CATCH) BROWN, NORCOLD 61593722
	084880-01-740	EA	END CAP (STOP CATCH), NORCOLD 61593830
	084880-01-744	EA	HINGE PIN SHAFT (CENTER HINGE), NORCOLD 61566723
	084880-01-746	EA	CABLE, NORCOLD 61571522
	084880-01-747	EA	PLUG-HOLE, NORCOLD 61582022
	084880-01-749	EA	HINGE BUSHING - NORCOLD 615807
	084880-01-753	EA	THERMISTER 78" W/CLIP - NORCOLD 61693822
	084880-01-761	EA	END CAP (SPRING CATCH) BLACK 61593730
	084880-02-700	EA	LOWER FLANGE 8663&8683, NORCOLD 61622123
	084880-03-701	EA	COOLING UNIT (HORIZONTAL BURNER) - NORCOLD 61687337
	084880-03-705	EA	BRACKET FOR INTERIOR LIGHT - NORCOLD 61629722
	084880-03-706	EA	LAMP (BULB) - NORCOLD 61628922
	084880-03-707	EA	COVER FOR LAMP OR BULB - NORCOLD 61627922
	088248-01-706	EA	BURNER-HORIZONTAL, NORCOLD 61588122
	088248-01-707	EA	ELECTRODE-SENSOR, (HORIZONTAL), NORCOLD 61573322
	088248-01-708	EA	ELECTRODE-IGNITION, (HORIZONTAL) - NORCOLD 61573222
	088248-01-709	EA	HEATER-AC, (HORIZONTAL) - NORCOLD 615627
	094039-01-700	EA	PRINTED CIRCUIT BOARD-3-WAY, NORCOLD 61647522
	094039-01-701	EA	EYEBROW-SHELL, 3-WAY - BLACK - PLASTIC - NORCOLD 61669922
	094039-01-703	EA	PLATE-HINGE, LEFT - BROWN - NORCOLD 61631422
	094039-01-704	EA	PLATE-HINGE, BLACK - NORCOLD 61631430
	094039-01-709	EA	PLATE-HINGE, TOP RIGHT - LEFT BOTTOM - BROWN - NORCOLD 61631322
	094039-01-710	EA	PLATE-HINGE, BLACK - NORCOLD 61631330
	094039-01-712	EA	DOOR BIN (GRAY) SILVER BORDER - NORCOLD 61564060
	104137-06-721	EA	DOOR BIN (WHITE) BLUE BORDER - NORCOLD 617759
	094039-01-713	EA	DOOR GASKET (LOWER) GRAY - NORCOLD 61568030
	094039-01-714	EA	LOWER DOOR LINER (BROWN/WHITE) - NORCOLD 61581737-B
	094039-01-715	EA	LOWER DOOR LINER (BLACK/WHITE) - NORCOLD 61581738-B
	094039-01-716	EA	LOWER DOOR HANDLE ASM. (BROWN) - NORCOLD 61649937
	094039-01-717	EA	LOWER DOOR HANDLE ASM. (BLACK) - NORCOLD 61649938
	094039-01-718	EA	MILK BIN (GRAY) W/SILVER TRIM - NORCOLD 61579460
	104137-06-719	EA	MILK BIN (WHITE) W/BLUE TRIM - NORCOLD 617757
	094039-01-719	EA	DAIRY KEEPER (GRAY) SILVER TRIM, NORCOLD 61580460
	104137-06-722	EA	DAIRY KEEPER (WHITE) BLUE TRIM, NORCOLD 617760
	094039-01-720	EA	CAB ASSEMBLY (BROWN FRAME/WHITE LINER) - NORCOLD 61663237
	094039-01-721	EA	CAB ASM.(BLACK FRAME/WHITE LINER) - NORCOLD 61663238
	094039-01-722	EA	HOLE PLUG (BLACK) HINGE HOLES - NORCOLD 61582030
	094039-01-723	EA	HINGE BRKT, TOP RIGHT - BOTTOM LEFT - BLACK - NORCOLD 61580838
	094039-01-724	EA	BRACKET-HINGE, TOP LEFT - BOTTOM RIGHT - BLACK - NORCOLD 61580938
	094039-01-725	EA	HINGE PIN (BLACK) (MALE) - NORCOLD 61578130
	094039-01-726	EA	SHELF-FREEZER EVAPORATOR, NORCOLD 615236
	094039-01-730	EA	HINGE PIN SHAFT(BLACK) CENTER HINGE - NORCOLD 61566730

## GALLEY GROUP (CONTINUED)

### LARGE NORCOLD 682 REFRIGERATOR W/ICE MAKER (CONTINUED)

KEY	PART NUMBER	U/M	DESCRIPTION
	094039-01-731	EA	CRISPER (GRAY) SILVER TRIM - NORCOLD 61571360
	104137-06-720	EA	CRISPER (WHITE) BLUE TRIM - NORCOLD 617758
	094039-01-732	EA	FRONT COVER (BLACK) BOTTOM TRIM - NORCOLD 61622130
	094039-01-733	EA	WIRE SHELF (MIDDLE) - NORCOLD 61563822
	094039-01-734	EA	WIRE SHELF (TOP) W/RISER - NORCOLD 61563722
	094039-01-735	EA	INSIDE DRIP TRAY (WHITE), NORCOLD 61572830
	094039-01-736	EA	SWITCH-LIGHT, BLACK - NORCOLD 615810
	094039-01-739	EA	SHELF (CUTOUT), GRAY W/SILVER TRIM - NORCOLD 61646722
	104137-06-718	EA	SHELF (CUTOUT), WHITE W/BLUE TRIM - NORCOLD 617756
	094039-01-742	EA	TRAY-F/CUTOUT SHELF, NORCOLD 61680922
	094039-04-700	EA	PRINTED CIRCUIT BOARD-2 WAY, NORCOLD 61647322
	094039-04-702	EA	POWER SUPPLY (2 WAY) - NORCOLD 61647422
	094039-07-700	EA	ICE MAKER, NORCOLD 61684937
	094039-07-701	EA	BIN-ICE CUBE, GRAY W/SILVER TRIM - NORCOLD 61688322
	104137-06-723	EA	BIN-ICE CUBE, WHITE W/BLUE TRIM - NORCOLD 617761
	094039-07-702	EA	SHELF-WIRE, FREEZER - TALL - NORCOLD 61667722
	094039-07-703	EA	SHELF-WIRE, FREEZER - SHORT - NORCOLD 61674122
	094039-07-704	EA	VALVE-WATER FILL, NORCOLD 61657022

### LARGE NORCOLD 682 REFRIGERATOR

KEY	PART NUMBER	U/M	DESCRIPTION
	054450-01-000	EA	LEVEL-REFRIGERATOR
	093646-01-000	EA	BRACKET ASM-TIEDOWN, RIGHT SIDE WHEN FACING REFRIGERATOR
	093646-02-000	EA	BRACKET ASM-TIEDOWN, LEFT SIDE WHEN FACING REFRIGERATOR
	065225-02-000	EA	PLATE-TIEDOWN, REFRIGERATOR
	104137-02-01A	EA	REFRIGERATOR-LARGE DOUBLE DOOR 2-WAY - NORCOLD 682 RH BLACK
	064473-01-702	EA	ORIFICE-NORCOLD 61452122
	084880-01-715	EA	VALVE-SHUT OFF, MANUAL - NORCOLD 61697922
	075217-01-734	EA	FUSE-3 AMP, NORCOLD 61538822
	075217-01-738	EA	SWITCH-HUMIDITY, NORCOLD 61525922
	084880-01-713	EA	CONNECTOR-MALE, INLET FITTING - NORCOLD 615256
	084880-01-715	EA	VALVE-SHUT OFF, MANUAL - NORCOLD 61697922
	084880-01-718	EA	VALVE-GAS, NORCOLD 61551822
	084880-01-722	EA	CRISPER COVER - NORCOLD 615641
	084880-01-726	EA	HINGE BRACKET (CENTER HINGE), NORCOLD 61566523
	084880-01-731	EA	HINGE PIN, NORCOLD 61578123
	084880-01-732	EA	LATCH, NORCOLD 61578522
	084880-01-734	EA	BRACKET-HINGE, TOP RIGHT - BOTTOM LEFT - BROWN NORCOLD 61580837
	084880-01-735	EA	HINGE BRACKET, TOP LEFT - BOTTOM RIGHT - BROWN - NORCOLD 61580937
	084880-01-739	EA	END CAP (SPRING CATCH) BROWN, NORCOLD 61593722
	084880-01-740	EA	END CAP (STOP CATCH), NORCOLD 61593830
	084880-01-744	EA	HINGE PIN SHAFT (CENTER HINGE), NORCOLD 61566723
	084880-01-746	EA	CABLE, NORCOLD 61571522
	084880-01-747	EA	PLUG-HOLE, NORCOLD 61582022
	084880-01-749	EA	HINGE BUSHING - NORCOLD 615807
	084880-01-753	EA	THERMISTER 78" W/CLIP - NORCOLD 61693822
	084880-01-761	EA	END CAP (SPRING CATCH) BLACK, NORCOLD 61593730
	084880-02-700	EA	LOWER FLANGE 8663&8683, NORCOLD 61622123
	084880-03-701	EA	COOLING UNIT (HORIZONTAL BURNER) - NORCOLD 61687337
	084880-03-705	EA	BRACKET FOR INTERIOR LIGHT - NORCOLD 61629722
	084880-03-706	EA	LAMP (BULB) - NORCOLD 61628922
	084880-03-707	EA	COVER F/LAMP OR BULB - NORCOLD 61627922
	088248-01-706	EA	BURNER-HORIZONTAL, NORCOLD 61588122
	088248-01-707	EA	ELECTRODE-SENSOR, (HORIZONTAL), NORCOLD 61573322
	088248-01-708	EA	ELECTRODE-IGNITION, (HORIZONTAL) - NORCOLD 61573222
	088248-01-709	EA	HEATER-AC, (HORIZONTAL) - NORCOLD 615627
	094039-01-700	EA	PRINTED CIRCUIT BOARD-3-WAY, NORCOLD 61647522
	094039-01-701	EA	EYEBROW-SHELL, 3-WAY - BLACK - PLASTIC - NORCOLD 61669922



## GALLEY GROUP (CONTINUED)

### LARGE NORCOLD 682 REFRIGERATOR (CONTINUED)

KEY	PART NUMBER	U/M	DESCRIPTION
	094039-01-703	EA	PLATE-HINGE, LEFT - BROWN - NORCOLD 61631422
	094039-01-704	EA	PLATE-HINGE, BLACK - NORCOLD 61631430
	094039-01-709	EA	PLATE-HINGE, TOP RIGHT - LEFT BOTTOM - BROWN - NORCOLD 61631322
	094039-01-710	EA	PLATE-HINGE, BLACK - NORCOLD 61631330
	094039-01-712	EA	DOOR BIN (GRAY) SILVER BORDER - NORCOLD 61564060
	104137-06-721	EA	DOOR BIN (WHITE) BLUE BORDER - NORCOLD 617759
	094039-01-713	EA	DOOR GASKET (LOWER) GRAY - NORCOLD 61568030
	094039-01-714	EA	LOWER DOOR LINER (BROWN/WHITE) - NORCOLD 61581737-B
	094039-01-715	EA	LOWER DOOR LINER (BLACK/WHITE) - NORCOLD 61581738-B
	094039-01-716	EA	LOWER DOOR HANDLE ASSY (BROWN) - NORCOLD 61649937
	094039-01-717	EA	LOWER DOOR HANDLE ASSY (BLACK) - NORCOLD 61649938
	094039-01-718	EA	MILK BIN (GRAY) W/SILVER TRIM - NORCOLD 61579460
	104137-06-719	EA	MILK BIN (WHITE) W/BLUE TRIM - NORCOLD 617757
	094039-01-719	EA	DAIRY KEEPER (GRAY) SILVER TRIM, NORCOLD 61580460
	104137-06-722	EA	DAIRY KEEPER (WHITE) BLUE TRIM, NORCOLD 617760
	094039-01-720	EA	CAB ASSEMBLY (BROWN FRAME/WHITE LINER) - NORCOLD 61663237
	094039-01-721	EA	CAB ASM. (BLACK FRAME/WHITE LINER) - NORCOLD 61663238
	094039-01-722	EA	HOLE PLUG (BLACK) HINGE HOLES - NORCOLD 61582030
	094039-01-723	EA	HINGE BRACKET, TOP RIGHT - BOTTON LEFT - BLACK - NORCOLD 61580838
	094039-01-724	EA	BRACKET-HINGE, TOP LEFT - BOTTOM RIGHT - BLACK - NORCOLD 61580938
	094039-01-725	EA	HINGE PIN (BLACK) (MALE) - NORCOLD 61578130
	094039-01-726	EA	SHELF-FREEZER EVAPORATOR, NORCOLD 615236
	094039-01-730	EA	HINGE PIN SHAFT (BLACK) CENTER HINGE - NORCOLD 61566730
	094039-01-731	EA	CRISPER (GRAY) SILVER TRIM - NORCOLD 61571360
	104137-06-720	EA	CRISPER (WHITE) BLUE TRIM - NORCOLD 617758
	094039-01-732	EA	FRONT COVER (BLACK) BOTTOM TRIM - NORCOLD 61622130
	094039-01-733	EA	WIRE SHELF (MIDDLE) - NORCOLD 61563822
	094039-01-734	EA	WIRE SHELF (TOP) W/RISER - NORCOLD 61563722
	094039-01-735	EA	INSIDE DRIP TRAY (WHITE), NORCOLD 61572830
	094039-01-736	EA	SWITCH-LIGHT, BLACK - NORCOLD 615810
	094039-01-739	EA	SHELF (CUTOUT), NORCOLD 61646722
	104137-06-718	EA	SHELF (CUTOUT), WHITE W/BLUE TRIM - NORCOLD 617756
	094039-01-742	EA	TRAY-FOR CUTOUT SHELF, NORCOLD 61680922
	094039-04-700	EA	PRINTED CIRCUIT BOARD-2 WAY, NORCOLD 61647322
	094039-04-702	EA	POWER SUPPLY (2 WAY) - NORCOLD 61647422

### RANGE TOP & COVER

KEY	PART NUMBER	U/M	DESCRIPTION
	106936-13-02A	EA	BRACKET-TIEDOWN, STOVE - LEFT SIDE WHEN FACING STOVE - BLACK
	106936-14-02A	EA	BRACKET-TIEDOWN, STOVE - RIGHT SIDE WHEN FACING STOVE - BLACK
	106689-01-01A	EA	TOP-RANGE, 3 BURNER - BLACK - ATWOOD 53764
	101593-01-703	EA	BURNER KNOB, ATWOOD 53000
	106689-01-700	EA	MANIFOLD COVER, 3 BURNER - ATWOOD 53074
	106689-01-701	EA	SPARK-INGNITOR ASM-HIGH OUTPUT, ATWOOD 53078
	106689-01-702	EA	PIEZO PUSH BUTTON, ATWOOD 52279
	106689-01-703	EA	VALVE-HIGH OUTPUT, ATWOOD 53047
	106689-01-704	EA	REGULATOR W/EXTREME PRESSURE, ATWOOD 52154
	106689-01-705	EA	VALVE-BURNER, ATWOOD 52123
	106689-01-706	EA	TRIM-RIGHT HAND TOP & SIDE, BLACK - ATWOOD 53020
	106689-01-707	EA	TRIM-LEFT HAND TOP & SIDE, BLACK - ATWOOD 53019
	107246-01-700	EA	RANGE TOP (BLACK), ATWOOD 53083
	107246-01-701	EA	GRATE, ATWOOD 53050
	107323-01-705	EA	TRIM VENT, ATWOOD 53525
	107323-01-710	EA	GRATE CLIP, ATWOOD 53301
	107323-01-711	EA	RUBBER GRATE CUSHION, ATWOOD 53008
	106693-03-01A	EA	COVER-FLUSH MOUNT, THIN TOP - ATWOOD 53450

## GALLEY GROUP (CONTINUED)

### RANGE HOODS

KEY	PART NUMBER	U/M	DESCRIPTION
	100258-27-01A	EA	HOOD-RANGE 22, W/MONITOR PANEL - BLACK - VENTLINE TMS5031SBD (U.S.)
	100258-28-01A	EA	HOOD-RANGE 22, W/MONITOR PANEL - BLACK - VENTLINE TMS5031SBC (CSA)
	075470-01-703	EA	SWITCH-ON/OFF, JENSEN RP1016
	090973-01-700	EA	MOTOR - LVS CA508-1
	090973-01-702	EA	BLADE-FAN, LVS VA183-1
	092696-01-709	EA	BULB-912, VENTLINE VA415
	092696-01-710	EA	SOCKET-LIGHT, VENTLINE CB267-2
	096983-01-702	EA	SWITCH-TWO WAY MOMENTARY, VENTLINE 112
	096983-01-703	EA	SWITCH-ON/ON - JENSEN 115
	096983-01-707	EA	FILTER-GREASE, 8" X 8" - LVS CC246
	096983-01-700	EA	SWITCH-ON/OFF, VENTLINE 108
	100258-08-701	EA	SWITCH-FAN, 2 SPEED - VENTLINE 122
	100258-10-01A	EA	METER-HOUR, W/SWITCH - VENTLINE 150
	100258-11-700	EA	CIRCUIT BOARD - VENTLINE 079-01

### MICROWAVE OVEN

KEY	PART NUMBER	U/M	DESCRIPTION
	102479-01-000	EA	OVEN-MICROWAVE, CONVECTION - PANASONIC NN8500
	102479-01-700	EA	COOKBOOK-MICROWAVE
	102456-09-000	EA	BAFFLE ASM-MICROWAVE
	102842-02-000	EA	BRACKET-BAFFLE, 22.1" X 2.5" - STEEL
	102482-04-D18	EA	FRAME ASSEMBLY-MICROWAVE OVEN
	094756-02-01A	EA	BRACKET-L, MICROWAVE - 6.1" LONG X 3.9" WIDE - STEEL - TAN
	094756-01-02A	EA	BRACKET-ANGLE, MICROWAVE - W/HOLES - MILL

### ICEMAKER

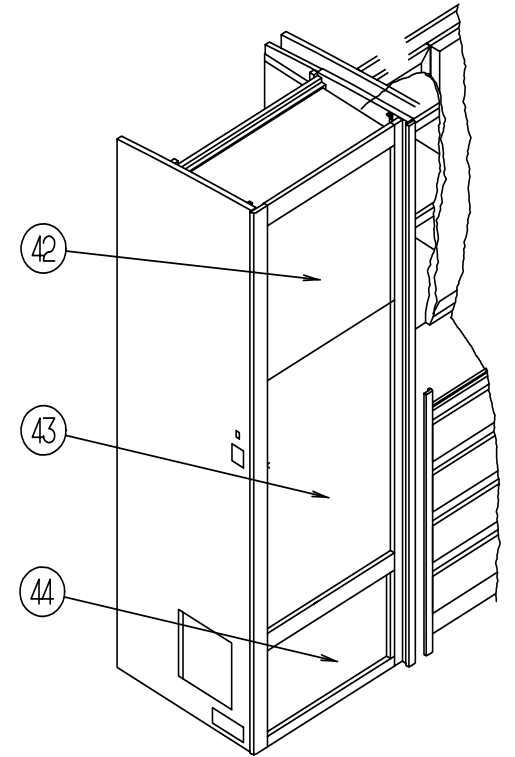
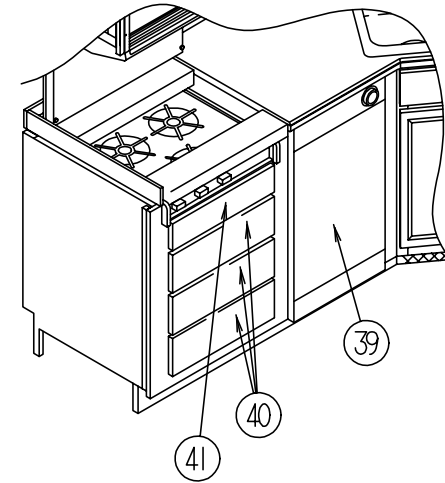
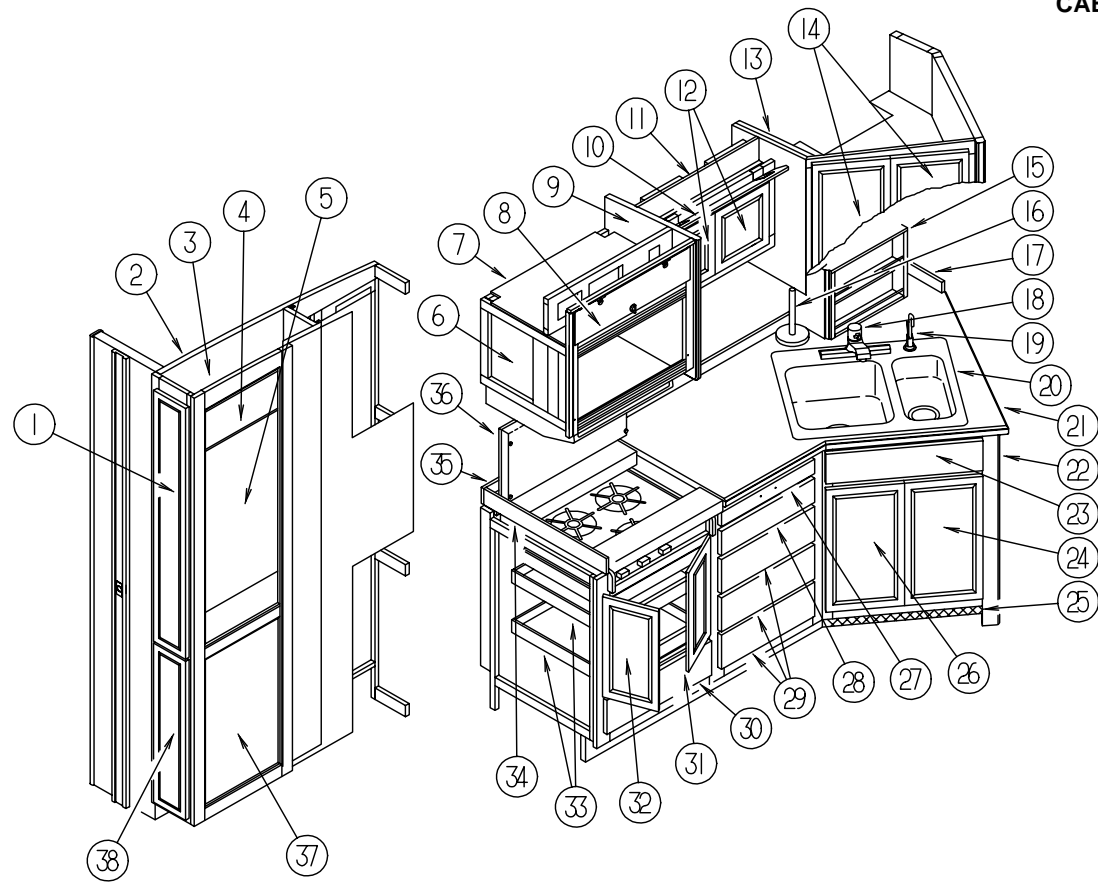
KEY	PART NUMBER	U/M	DESCRIPTION
	077841-01-000	EA	BRACKET-TIEDOWN, RIGHT - TRIANGLE 9.5" LONG SIDE - STEEL
	077841-02-000	EA	BRACKET-TIEDOWN, LEFT - TRIANGLE 9.5" LONG SIDE - STEEL
	076799-01-000	EA	ICE MAKER-BLACK GLASS FRONT, 14" X 14.5" X 24.5" - DOMETIC
	076799-01-700	EA	FRAME-DOOR, DOMETIC 229
	076799-01-702	EA	PANEL-OUTER DOOR, DOMETIC 233
	076799-01-703	EA	PLATE-NAME, DOMETIC 501
	076799-01-704	EA	HINGE-PIVOT, W/TOP SCREW - DOMETIC 215
	076799-01-705	EA	HINGE-PIVOT, BOTTOM - DOMETIC 235
	076799-01-706	EA	GRILLE-VINYL COATED, DOMETIC 325
	076799-01-707	EA	CONNECTION-WATER LINE, DOMETIC 405
	076799-01-708	EA	PIN-CHAIN & LOCK, DOMETIC 41346-2
	076799-01-709	EA	TRIM KIT, DOMETIC 322
	076799-01-711	EA	MOTOR, DOMETIC 102
	076799-01-713	EA	SWITCH-S.P.D.T. - JENSEN 108 & 110 - DOMETIC
	076799-01-716	EA	VALVE-SOLENOID, DOMETIC 420
	076799-01-719	EA	CONTROL, DOMETIC 4548
	076799-01-725	EA	RELAY-TECUMSEH, DOMETIC 410
	076799-01-728	EA	GASKET-DOOR, DOMETIC 231

### DISHWASHER

KEY	PART NUMBER	U/M	DESCRIPTION
	107752-01-01A	EA	DISHWASHER - 18"

## GALLEY GROUP (CONTINUED)

### CABINETS AND FIXTURES

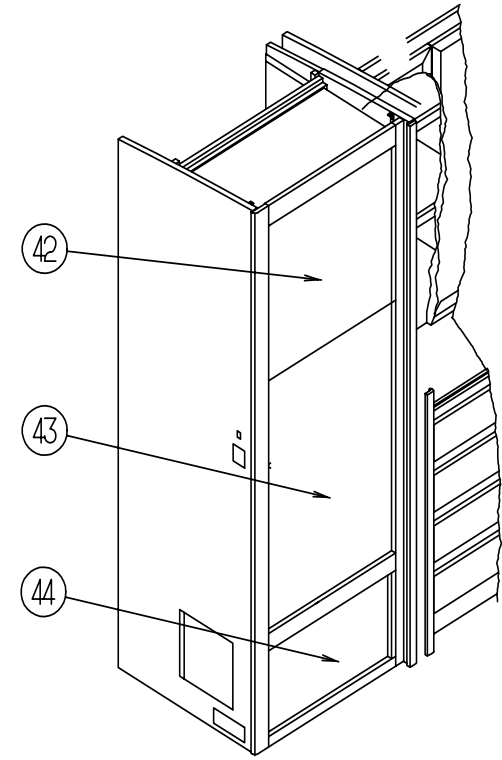
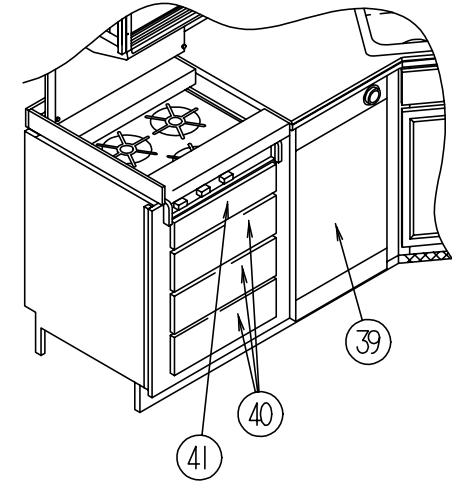
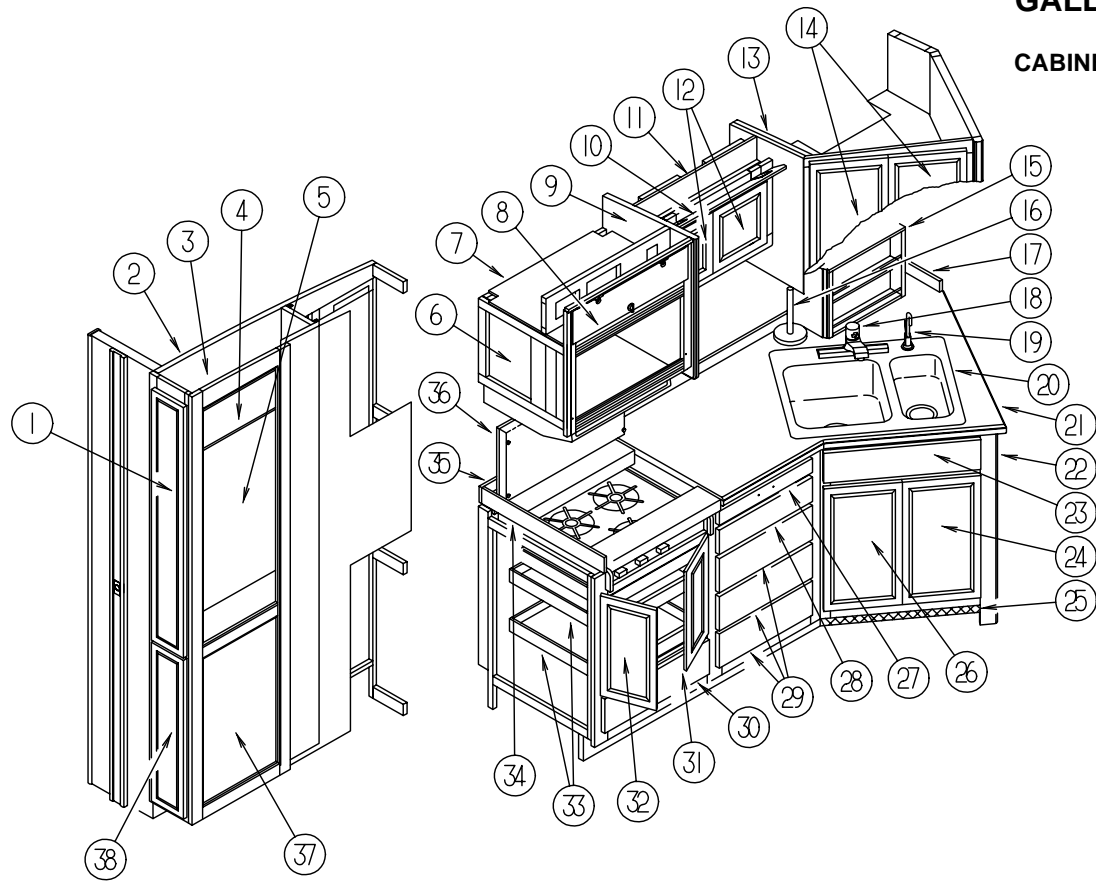


KEY	PART NUMBER	U/M	DESCRIPTION
1	M05992-B3-FQ0	EA	DOOR-CABINET, W/O HARDWARE - 165 X 1135MM (PICKLED ASH)
1	M05992-B3-FQ1	EA	DOOR-CABINET, W/O HARDWARE - 165 X 1135MM (SALEM CHERRY)
2	P13011-01-FQ0	EA	CABINET-HUTCH, W/O HARDWARE, DOORS & SHELF (PICKLED ASH)
2	P13011-01-FQ1	EA	CABINET-HUTCH, W/O HARDWARE, DOORS & SHELF (SALEM CHERRY)
2	P13011-01-FQ2	EA	CABINET-HUTCH, W/O HARDWARE, DOORS & SHELF (PICKLED ASH)
2	P13011-01-FQ3	EA	CABINET-HUTCH, W/O HARDWARE, DOORS & SHELF (SALEM CHERRY)
2	P13011-01-FQ4	EA	CABINET-HUTCH, W/O HARDWARE, DOORS & SHELF (PICKLED ASH)
2	P13011-01-FQ5	EA	CABINET-HUTCH, W/O HARDWARE, DOORS & SHELF (SALEM CHERRY)
2	P13011-01-FQ6	EA	CABINET-HUTCH, W/O HARDWARE, DOORS & SHELF (PICKLED ASH) (FQ8)
2	P13011-01-FQ7	EA	CABINET-HUTCH, W/O HARDWARE, DOORS & SHELF (SALEM CHERRY) (FQ9)
3	113195-13-01A	EA	MIRROR-BEVELED, SAFETY GLASS - 620 X 1174MM
4	093609-01-000	EA	ACRYLIC-SHEET, 3/8" X 4' X 8' (SHELF)
5	114205-01-01A	EA	GLASS-BEVELED, TEMPERED - CLEAR - 424 X 1108MM
6	P13069-01-FQ0	EA	CABINET-OVERHEAD, MICROWAVE - W/O DOOR & HARDWARE (PICKLED ASH)
6	P13069-01-FQ1	EA	CABINET-OVERHEAD, MICROWAVE - W/O DOOR & HARDWARE (SALEM CHERRY)
7	102483-08-E37	EA	SHELF-CABINET, MICROWAVE (PICKLED ASH)
7	102483-08-E41	EA	SHELF-CABINET, MICROWAVE (SALEM CHERRY)
8	100708-11-000	EA	GLASS-DOOR, MICROWAVE CABINET - 156 X 596MM - BLACK
	100711-01-01A	EA	HINGE-DOOR, GLASS
	100710-01-01A	EA	LOCK-GLASS DOOR, TWIST TYPE - BRASS
	101272-01-000	EA	CATCH-DOOR, GLASS
	101766-02-000	EA	PIN-SUPPORT, GLASS DOOR
	100707-01-000	EA	SPACER-DOOR, GLASS - .8" DIA - .3" HOLE - PLASTIC
9	113292-04-FQ0	EA	END CAP-CABINET (PICKLED ASH)
9	113292-04-FQ1	EA	END CAP-CABINET (SALEM CHERRY)
10	113070-01-FQ0	EA	CABINET-OVERHEAD W/INDIRECT LIGHTING, W/O DOOR & HDW (PICKLED ASH)
10	113070-01-FQ1	EA	CABINET-OVERHEAD W/INDIRECT LIGHTING, W/O DOOR & HDW (SALEM CHERRY)
11	058331-B4-000	EA	MIRROR-GLASS, SAFETY
12	M05990-18-FQ0	EA	DOOR-CABINET, W/O HARDWARE - 280 X 280MM (PICKLED ASH)
12	M05990-18-FQ1	EA	DOOR-CABINET, W/O HARDWARE - 280 X 280MM (SALEM CHERRY)

KEY	PART NUMBER	U/M	DESCRIPTION
13	113071-01-FQ0	EA	CABINET-OVERHEAD WEDGE SHAPED, W/O DOOR & HDW (PICKLED ASH)
13	113071-01-FQ1	EA	CABINET-OVERHEAD WEDGE SHAPED, W/O DOOR & HDW (SALEM CHERRY)
14	M05990-19-FQ0	EA	DOOR-CABINET, W/O HARDWARE - 555 X 240MM (PICKLED ASH)
14	M05990-19-FQ1	EA	DOOR-CABINET, W/O HARDWARE - 555 X 240MM (SALEM CHERRY)
15	114901-01-FQ0	EA	CABINET ASM-SPICE RACK (PICKLED ASH)
15	114901-01-FQ1	EA	CABINET ASM-SPICE RACK (SALEM CHERRY)
	058331-C7-000	EA	MIRROR-GLASS, SAFETY - 365 X 475MM
16	113127-01-FQ0	EA	HOLDER-TOWEL, PAPER - AVONITE (FQ0, FQ1, FQ8, FQ9)
16	113127-01-FQ2	EA	HOLDER-TOWEL, PAPER - AVONITE (FQ2, FQ3)
16	113127-01-FQ4	EA	HOLDER-TOWEL, PAPER - AVONITE (FQ4, FQ5)
	113492-01-000	EA	PIN-DOWEL, 1/4 X 1.00,GROOVED - CHAMFERED ENDS
17	088090-37-FQ0	EA	BACKSPLASH-COUNTERTOP (FQ0, FQ1, FQ8, FQ9)
17	088090-37-FQ2	EA	BACKSPLASH-COUNTERTOP (FQ2, FQ3)
17	088090-37-FQ4	EA	BACKSPLASH-COUNTERTOP (FQ4, FQ5)
18	064952-01-000	EA	FAUCET-GALLEY, SINGLE CONTROL
19	103635-01-000	EA	FAUCET-SINGLE CONTROL, EVERPURE 5435-00
20	091244-02-000	EA	SINK-DOUBLE BOWL, 25" X 22" - MOEN KSR - 2522-4
	092303-01-000	EA	STRAINER-SINK
	107044-03-FQ0	EA	COVER-SINK, 432 X 393MM (FQ0, FQ1, FQ8, FQ9)
	107044-03-FQ2	EA	COVER-SINK, 432 X 393MM (FQ2, FQ3)
	107044-03-FQ4	EA	COVER-SINK, 432 X 393MM (FQ4, FQ5)
	107044-04-FQ0	EA	COVER-SINK, 432 X 213MM (FQ0, FQ1, FQ8, FQ9)
	107044-04-FQ2	EA	COVER-SINK, 432 X 213MM (FQ2, FQ3)
	107044-04-FQ4	EA	COVER-SINK, 432 X 213MM (FQ4, FQ5)
21	112686-19-FQ0	EA	COUNTERTOP-CABINET, GALLEY (FQ0, FQ1, FQ8, FQ9)
21	112686-19-FQ2	EA	COUNTERTOP-CABINET, GALLEY (FQ2, FQ3)
21	112686-19-FQ4	EA	COUNTERTOP-CABINET, GALLEY (FQ4, FQ5)

## GALLEY GROUP (CONTINUED)

### CABINETS AND FIXTURES (CONTINUED)

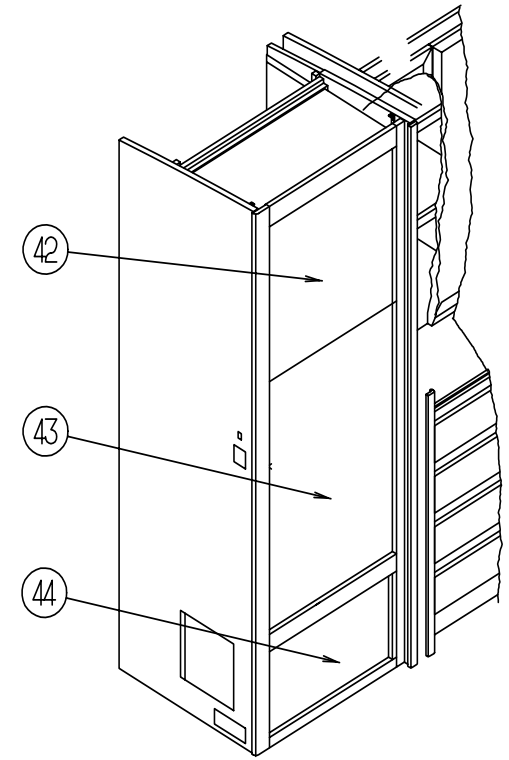
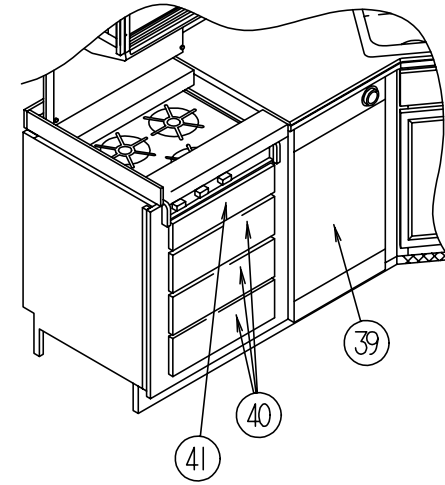
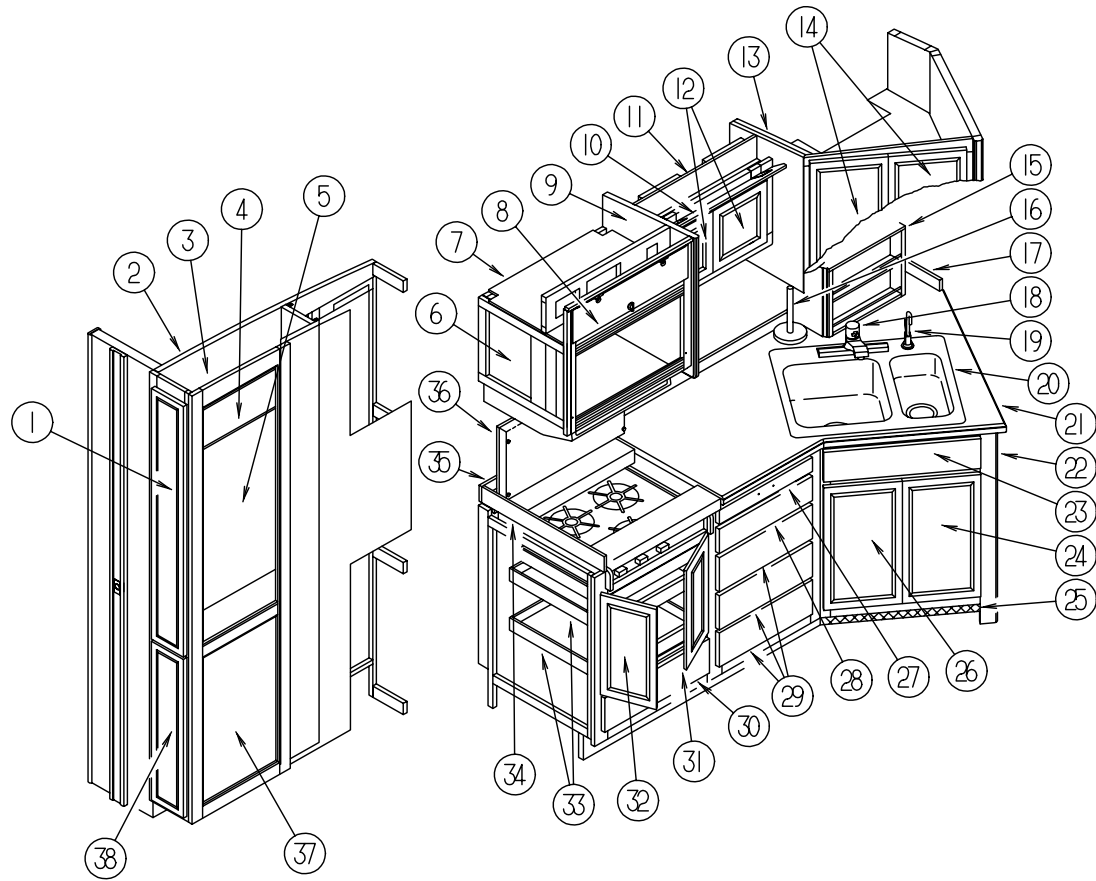


KEY	PART NUMBER	U/M	DESCRIPTION
22	112686-01-FQ0	EA	CABINET-GALLEY, W/O DOORS & HDW (STANDARD) (FQ0, FQ8)
22	112686-01-FQ1	EA	CABINET-GALLEY, W/O DOORS & HDW (STANDARD) (FQ1, FQ9)
22	112686-01-FQ2	EA	CABINET-GALLEY, W/O DOORS & HDW (STANDARD)
22	112686-01-FQ3	EA	CABINET-GALLEY, W/O DOORS & HDW (STANDARD)
22	112686-01-FQ4	EA	CABINET-GALLEY, W/O DOORS & HDW (STANDARD)
22	112686-01-FQ5	EA	CABINET-GALLEY, W/O DOORS & HDW (STANDARD)
22	112686-02-FQ0	EA	CABINET-GALLEY, W/O DOORS & HDW (W/ICE MAKER OPTION) (FQ0, FQ8)
22	112686-02-FQ1	EA	CABINET-GALLEY, W/O DOORS & HDW (W/ICE MAKER OPTION) (FQ1, FQ9)
22	112686-02-FQ2	EA	CABINET-GALLEY, W/O DOORS & HDW (W/ICE MAKER OPTION)
22	112686-02-FQ3	EA	CABINET-GALLEY, W/O DOORS & HDW (W/ICE MAKER OPTION)
22	112686-02-FQ4	EA	CABINET-GALLEY, W/O DOORS & HDW (W/ICE MAKER OPTION)
22	112686-02-FQ5	EA	CABINET-GALLEY, W/O DOORS & HDW (W/ICE MAKER OPTION)
22	112686-03-FQ0	EA	CABINET-GALLEY, W/O DOORS & HDW (W/DISHWASHER OPTION) (FQ0, FQ8)
22	112686-03-FQ1	EA	CABINET-GALLEY, W/O DOORS & HDW (W/DISHWASHER OPTION) (FQ1, FQ9)
22	112686-03-FQ2	EA	CABINET-GALLEY, W/O DOORS & HDW (W/DISHWASHER OPTION)
22	112686-03-FQ3	EA	CABINET-GALLEY, W/O DOORS & HDW (W/DISHWASHER OPTION)
22	112686-03-FQ4	EA	CABINET-GALLEY, W/O DOORS & HDW (W/DISHWASHER OPTION)
22	112686-03-FQ5	EA	CABINET-GALLEY, W/O DOORS & HDW (W/DISHWASHER OPTION)
23	M06810-05-FQ0	EA	DRAWER-CABINET, TIPOUT - W/O HARDWARE (PICKLED ASH)
23	M06810-05-FQ1	EA	DRAWER-CABINET, TIPOUT - W/O HARDWARE (SALEM CHERRY)
	108126-01-000	EA	HINGE-TRAY, AMEROCK CM8488-2G
	108127-01-01A	EA	CAP-TRAY, AMEROCK D8490-A
	108128-01-01A	EA	TRAY-HIDDEN, AMEROCK D8489
	106070-01-000	EA	RACK-UTILITY, 9.6" X 8.9" X 5.5" - WIRE - WHITE
24	M05992-A9-FQ0	EA	DOOR-CABINET, W/O HARDWARE - 290 X 555MM (PICKLED ASH)
24	M05992-A9-FQ1	EA	DOOR-CABINET, W/O HARDWARE - 290 X 555MM (SALEM CHERRY)
	102238-01-000	EA	CONTAINER-TRASH, W/HDW - 8" X 13" X 15.2" - WIRE BASKET
	058334-01-000	EA	WASTEBASKET-VANITY, 9 3/4" X 7" X 10"
25	104314-03-01A	EA	MESH-GRILLE, 108 X 1310MM - BLACK
26	M05992-A8-FQ0	EA	DOOR-CABINET, W/O HARDWARE - 290 X 555MM (PICKLED ASH)
26	M05992-A8-FQ1	EA	DOOR-CABINET, W/O HARDWARE - 290 X 555MM (SALEM CHERRY)
27	M05976-02-FQ0	EA	DRAWER-CABINET, W/O HDW - CUTTING BOARD (PICKLED ASH)
27	M05976-02-FQ1	EA	DRAWER-CABINET, W/O HDW - CUTTING BOARD (SALEM CHERRY)
	102778-04-000	EA	BOARD-CUTTING, MAPLE

KEY	PART NUMBER	U/M	DESCRIPTION
28	M05971-87-FQ0	EA	DRAWER-CABINET, W/O HDW (PICKLED ASH)
28	M05971-87-FQ0	EA	DRAWER-CABINET, W/O HDW (SALEM CHERRY)
	100081-01-01A	EA	TRAY-SILVERWARE, 9" X 13.3" - PLAS - ALMOND - RUBBERMAID
29	M05971-89-FQ0	EA	DRAWER-CABINET, W/O HDW - 3 USED (PICKLED ASH)
29	M05971-89-FQ1	EA	DRAWER-CABINET, W/O HDW - 3 USED (SALEM CHERRY)
	P10780-57-FQ0	EA	PANEL-INSERT, RAISED - DISHWASHER - 428 X 428MM (PICKLED ASH)
	P10780-57-FQ1	EA	PANEL-INSERT, RAISED - DISHWASHER - 428 X 428MM (SALEM CHERRY)
	P10780-58-FQ0	EA	PANEL-INSERT, RAISED - DISHWASHER - 428 X 154MM (PICKLED ASH)
	P10780-58-FQ1	EA	PANEL-INSERT, RAISED - DISHWASHER - 428 X 154MM (SALEM CHERRY)
30	M05971-62-FQ0	EA	DRAWER-CABINET, W/O HDW (PICKLED ASH)
30	M05971-62-FQ1	EA	DRAWER-CABINET, W/O HDW (SALEM CHERRY)
31	M05992-B1-FQ0	EA	DOOR-CABINET, W/O HARDWARE - 270 X 455MM (PICKLED ASH)
31	M05992-B1-FQ0	EA	DOOR-CABINET, W/O HARDWARE - 270 X 455MM (SALEM CHERRY)
32	M05992-B2-FQ0	EA	DOOR-CABINET, W/O HARDWARE - 270 X 455MM (PICKLED ASH)
32	M05992-B2-FQ0	EA	DOOR-CABINET, W/O HARDWARE - 270 X 455MM (SALEM CHERRY)
33	P11023-04-FQ0	EA	DRAWER-CABINET, W/O HDW - 2 USED - STANDARD (PICKLED ASH)
33	P11023-04-FQ0	EA	DRAWER-CABINET, W/O HDW - 2 USED STANDARD (SALEM CHERRY)
34	107045-03-FQ0	EA	BACKSPLASH-COUNTERTOP (FQ0, FQ1, FQ8, FQ9)
34	107045-03-FQ2	EA	BACKSPLASH-COUNTERTOP (FQ2, FQ3)
34	107045-03-FQ4	EA	BACKSPLASH-COUNTERTOP (FQ4, FQ5)
35	088090-38-FQ2	EA	BACKSPLASH-COUNTERTOP (FQ2, FQ3)
35	088090-38-FQ4	EA	BACKSPLASH-COUNTERTOP (FQ4, FQ5)
35	088090-38-FQ0	EA	BACKSPLASH-COUNTERTOP (FQ0, FQ1, FQ8, FQ9)
36	107113-03-FQ0	EA	COUNTERTOP-STOVE LID, 612 X 122MM - AVONITE (FQ0, FQ1, FQ8, FQ9)
36	107113-03-E72	EA	COUNTERTOP-STOVE LID, 612 X 122MM - AVONITE (FQ2, FQ3)
36	107113-03-FQ4	EA	COUNTERTOP-STOVE LID, 612 X 122MM - AVONITE (FQ4, FQ5)
36	107113-04-FQ0	EA	COUNTERTOP-STOVE LID, 612 X 312MM - AVONITE (FQ0, FQ1, FQ8, FQ9)
36	107113-04-E72	EA	COUNTERTOP-STOVE LID, 612 X 312MM - AVONITE (FQ2, FQ3)
36	107113-04-FQ4	EA	COUNTERTOP-STOVE LID, 612 X 312MM - AVONITE (FQ4, FQ5)
37	113195-11-01A	EA	MIRROR-BEVELED, SAFETY GLASS - 423 X 702MM
	113282-01-01A	EA	ORGANIZER-CABINET, FEENYWHITE
	113282-02-01A	EA	BASKET-PANTRY, FEENY WHITE
38	M05992-B4-FQ0	EA	DOOR-CABINET, W/O HARDWARE - 165 X 720MM (PICKLED ASH)
38	M05992-B4-FQ1	EA	DOOR-CABINET, W/O HARDWARE - 165 X 720MM (SALEM CHERRY)

## GALLEY GROUP (CONTINUED)

### CABINETS AND FIXTURES (CONTINUED)



KEY	PART NUMBER	U/M	DESCRIPTION
39	107752-01-01A	EA	DISHWASHER - 18"
39	076799-01-000	EA	ICE MAKER-BLACK GLASS FRONT, 14" X 14.5" X 24.5" - DOMETIC
40	M05971-62-FQ0	EA	DRAWER-CABINET, W/O HDW - 2 USED W/DISHWASHER/ICEMAKER OPTION (PICKLED ASH)
40	M05971-62-FQ1	EA	DRAWER-CABINET, W/O HDW - 2 USED W/DISHWASHER/ICEMAKER OPTION (SALEM CHERRY)
41	M05971-E3-FQ0	EA	DRAWER-CABINET, W/O HDW - 1 USED W/DISHWASHER/ICEMAKER OPTION (PICKLED ASH)
41	M05971-E3-FQ1	EA	DRAWER-CABINET, W/O HDW - 1 USED W/DISHWASHER/ICEMAKER OPTION (SALEM CHERRY)

KEY	PART NUMBER	U/M	DESCRIPTION
42	P10780-54-FQ0	EA	PANEL-INSERT, REFRIGERATOR - 500 X 408MM (PICKLED ASH) FROM: 00-00-00 THRU: 06-05-94
42	P10780-54-FQ1	EA	PANEL-INSERT, REFRIGERATOR - 500 X 408MM (SALEM CHERRY) FROM: 00-00-00 THRU: 06-05-94
42	103251-02-01A	EA	INSERT-ACRYLIC BLACK, 19.53" X 16.06" FROM: 06-06-94 THRU: 99-99-99
43	P10780-55-FQ0	EA	PANEL-INSERT, REFRIGERATOR - 500 X 995MM (PICKLED ASH) FROM: 00-00-00 THRU: 06-05-94
43	P10780-55-FQ1	EA	PANEL-INSERT, REFRIGERATOR - 500 X 995 (SALEM CHERRY) FROM: 00-00-00 THRU: 06-05-94
43	103251-04-01A	EA	INSERT-ACRYLIC BLACK, 19.53" X 39.20" FROM: 06-06-94 THRU: 99-99-99
	090329-01-000	FT	SEAL-T, REFRIGERATOR CABINET - .6" WIDE TOP X 2" TAIL
44	M05992-C1-FQ0	EA	DOOR-CABINET, W/O HARDWARE - 365 X 680MM (PICKLED ASH)
44	M05992-C1-FQ1	EA	DOOR-CABINET, W/O HARDWARE - 365 X 680MM (SALEM CHERRY)

## GENERATOR GROUP

### 6.5 KW ONAN MARQUIS GENERATOR

KEY	PART NUMBER	U/M	DESCRIPTION
	007125-03-000	EA	CLAMP-MUFFLER, 1.5" DIA
	007131-01-000	EA	HANGER-TAILPIPE, 6 SLOTS
	112841-01-000	EA	GENERATOR-7.5KW - DIESEL - ONAN 7.5 DKD-FJ
	114083-01-000	EA	MUFFLER-GENERATOR, DIESEL - NELSON 21279A
	114171-01-000	EA	PIPE-EXHAUST, GENERATOR
	115023-01-000	EA	ISOLATOR-EXHAUST, GENERATOR

## HEATING & AIR CONDITIONING GROUP

### EVAPORATOR, AUTO A/C & HEAT SYSTEM

KEY	PART NUMBER	U/M	DESCRIPTION
	103930-14-000	EA	EVAPORATOR/HEATER ASSEMBLY, SCS 090-00065 FROM: 00-00-00 THRU: 05-22-94
	088227-02-701	EA	BRACKET-BOWDEN CABLE MOUNTING, ARA 0409417
	088227-02-704	EA	BRACKET-VACUUM MOTOR, ARA 0321517
	094831-01-709	EA	CLAMPS-ROD, 3/16" - MOTIVAIR/SCS ZGG14431
	094831-01-746	EA	CLAMPS-BLEND CABLE - MOTIVAIR/SCS 77000-00
	103930-01-700	EA	ROD-AIR BLEND DOOR, SCS 073-0017
	103930-01-701	EA	PANEL-DOOR, FOR AIR BLEND - SCS 071-0123
	103930-01-702	EA	GASKET-DOOR, FOR AIR BLEND - SCS 045-0080
	103930-01-703	EA	COIL-HEATER, SCS 042-0010
	103930-12-703	EA	COIL-EVAPORATOR, SCS 041-0033
	103930-12-702	EA	VALVE-EXPANSION BLOCK, SCS 034-0029
	103930-15-702	EA	GASKET-O-RING, 18 - SCS 045-0152
	103930-17-702	EA	GASKET-O-RING, 10 - SCS 045-0127
	103930-02-708	EA	MOTOR-VACUUM SERVO, A/C - SCS 030-0002
	103930-01-710	EA	RESISTOR-FUSED, SCS 035-0006
	103930-01-711	EA	THERMOSTAT, SCS 033-0003
	103930-12-706	EA	FITTING-#6, 90 DEGREE - METRIC - SCS 050-0140
	103930-12-707	EA	FITTING-#6, W/SWITCH PORT - SCS 050-0140
	103930-12-709	EA	FITTING-QUICK CONNECT, 4 - SCS 050-0141
	103930-12-708	EA	SWITCH-BINARY, SCS 032-0048
	103930-01-716	EA	SWITCH-PRESSURE, FAN - SCS 032-0029
	110279-01-703	EA	HOSE-VENT, MOTOR BLOWER - SCS 051-0034
	103930-12-710	EA	HOSE #6, SCS 085-0117
	103930-14-700	EA	HOSE-10, SCS 085-0136
	103930-01-720	EA	MOTOR, SCS 030-0004
	103930-06-700	EA	FITTING, QUICK-CONNECT 8 - 050-0082
	103930-12-700	EA	CASE-FRONT ASM - SCS 086-0056
	103930-06-702	EA	CASE-BACK ASM - SCS 086-0025
	113245-01-701	EA	PIN-PLASTIC, SCS 062-0027
	113245-01-710	EA	GASKET-#12, SCS 045-0128
	113245-01-711	EA	GASKET-#6, SCS 045-0129
	113245-01-712	EA	FITTING BLOCK WINN - H - SCH 050-0129
	103930-22-000	EA	EVAPORATOR/HEATER ASSEMBLY, SCS 090-00085 FROM: 05-23-94 THRU: 99-99-99
	094831-01-709	EA	CLAMPS-ROD, 3/16" - MOTIVAIR/SCS ZGG14431
	094831-01-746	EA	CLAMPS-BLEND CABLE - MOTIVAIR/SCS 77000-00
	103930-01-700	EA	ROD-AIR BLEND DOOR, SCS 073-0017
	103930-01-701	EA	PANEL-DOOR, FOR AIR BLEND - SCS 071-0123
	103930-01-702	EA	GASKET-DOOR, FOR AIR BLEND - SCS 045-0080
	103930-01-703	EA	COIL-HEATER, SCS 042-0010
	103930-01-704	EA	COIL EVAPORATOR, 041-0017
	103930-01-708	EA	BRACKET-VACUUM MOTOR, SCS 070-0113
	103930-01-710	EA	RESISTOR-FUSED, SCS 035-0006
	103930-01-711	EA	THERMOSTAT, SCS 033-0003
	103930-01-717	EA	WHEEL-CLOCKWISE, SCS 062-0010
	103930-01-720	EA	MOTOR, SCS 030-0004
	103930-02-701	EA	VALVE-CONTROL HEAD, SCS 034-0015
	103930-02-708	EA	MOTOR-VACUUM SERVO, A/C - SCS 030-0002
	103930-06-700	EA	FITTING, QUICK-CONNECT 8 - 050-0082
	103930-12-706	EA	FITTING-#6, 90 DEGREE - METRIC - SCS 050-0140
	103930-15-702	EA	GASKET-O-RING, 18 - SCS 045-0152
	103930-17-702	EA	GASKET-O-RING, 10 - SCS 045-0127
	103930-20-700	EA	VALVE EXPANSION BLOCK, 2 TON - 034-0032
	103930-20-701	EA	HOSE ASM, #6 WINN - GM - 085-0138
	110279-01-703	EA	HOSE-VENT, MOTOR BLOWER - SCS 051-0034
	110279-01-712	EA	HEATER FITTING, 050-0076
	113245-01-707	EA	GASKET(#8), 045-0126

## HEATING & AIR CONDITIONING GROUP (CONTINUED)

### EVAPORATOR, AUTO A/C & HEAT SYSTEM (CONTINUED)

KEY	PART NUMBER	U/M	DESCRIPTION
	103930-05-000	EA	MANUAL-OWNERS, HEATER-A/C - SCS 057-0049
	007076-01-000	EA	HOSE-FLEXIBLE PVC - 2" ID - INCREMENTS OF 10'
	007281-01-000	EA	HOSE-FLEXIBLE PVC, 2.5"ID X 50' - ATCOFLEX A-182-355
	024990-05-000	EA	OUTLET-DEFROSTER, W/SWIVEL - 2" DIAMETER - BLACK
	024990-07-000	EA	OUTLET-DEFROSTER, W/SWIVEL - 2" DIAMETER - HAMPTON TAN
	056402-05-000	EA	BRACKET-HEATER VENT, ROUND - W/BEND - BLACK
	056402-06-000	EA	BRACKET-HEATER VENT, ROUND - BLACK
	077075-01-000	EA	GASKET-INSTRUMENT PANEL TO DEFROSTER PLENUM - .6" X 11.3" (CENTER TWO OPENINGS)
	077075-03-000	EA	GASKET-IINSTRUMENT PANEL TO DEFROSTER PLENUM (OUTER TWO OPENINGS)
	103016-01-000	EA	PLENUM-TRANSITION
	103017-01-000	EA	PLENUM-DEFROSTER
	103558-01-04A	EA	VENT-DEFROSTER, ABS PLASTIC - HAMPTON TAN
	103796-01-01A	EA	LOUVER ASM-A/C, CARY PROD BLACK 268-3B,100-2-4-8

### AUTO A/C & HEATER CONTROL PLENUM

KEY	PART NUMBER	U/M	DESCRIPTION
	103930-08-000	EA	CONTROL/PLENUM SET FOR M-BODY, SCS 093-00045
	072341-06-700	EA	SWITCH-4 SPEED, FAN - ARA 0883502
	103930-01-723	EA	HOSE ASSY. W/FITTINGS
	103930-02-700	EA	PANEL-CONTROL, SCS 032-0018
	103930-02-701	EA	VALVE-CONTROL HEAD, SCS 034-0015
	103930-02-702	EA	DECAL-WINNEBAGO "N", SCS 058-0008
	103930-02-703	EA	HARNESS-WIRE CONTROL, SCS 036-0048
	103930-02-704	EA	HARNESS-VACUUM CONTROL, SCS 036-0049
	103930-02-705	EA	CABLE-CONTROL, BOWDEN - SCS 074-0011
	103930-02-706	EA	CLIP-CABLE, CONTROL - SCS 022-0017
	103930-02-707	EA	RELAY, SCS 031-0001
	103930-02-710	EA	CANISTER-VACUUM, SCS 054-0002
	103930-02-711	EA	VALVE-WATER, SCS 034-00114

### AUTO A/C & HEATER HOSE KIT

KEY	PART NUMBER	U/M	DESCRIPTION
	103930-16-000	EA	HOSE KIT, #12 - 415" R134A - SCS 093-00080
	103930-07-704	EA	FITTING, QUICK CONNECT #8 - SCS 050-0081
	103930-16-700	EA	HOSE ASSEMBLY, #12
	103930-16-701	EA	SERVICE VALVE #10X10 W/O CF
	103930-17-702	EA	GASKET, OE SAE 015 - 10 33-781
	113245-01-710	EA	GASKET(#12)

### AUTO A/C & HEATER CONDENSER

KEY	PART NUMBER	U/M	DESCRIPTION
	072342-12-000	EA	CONDENSER ASM-W/FANS PUSHER - SCS 091-00024
	072342-08-703	EA	FAN BLADE/MOTOR & SHROUD 11" - 062-0097
	113245-01-707	EA	GASKET (#8) - 045-0126
	113245-01-711	EA	GASKET (#6) - 045-0129
	072342-10-704	EA	SERVICE VALVE, #8 X 8 - W/O CP - 050-134
	072342-12-700	EA	COIL CONDENSER, 040-0027
	072342-12-701	EA	HOSE ASSY #8 X 95, 085-0142
	072342-12-702	EA	HOSE ASSY #6X455, 085-0143
	113245-01-707	EA	GASKET(#8), 045-0126
	113245-01-711	EA	GASKET (#6), 045-0129
	072342-10-702	EA	FITTING, QUICK CONNECT MALE 4 - 050-148

## HEATING & AIR CONDITIONING GROUP (CONTINUED)

### AUTO A/C & HEATER VACUUM PUMP

KEY	PART NUMBER	U/M	DESCRIPTION
	114802-01-000	EA	PUMP-VACUUM, 12V - 16" HOUSING

### FURNACE SYSTEM

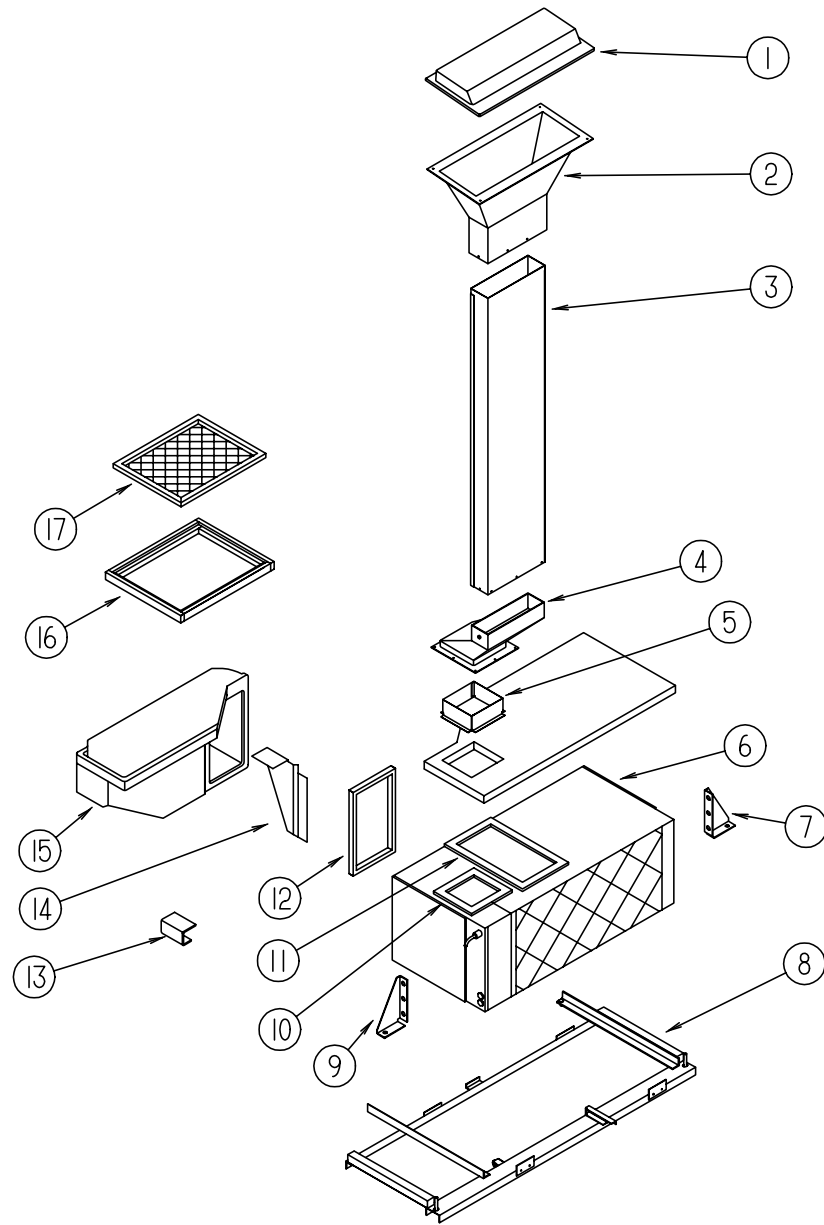
KEY	PART NUMBER	U/M	DESCRIPTION
	093365-01-000	EA	THERMOSTAT-WALL, FURNACE - SUBURBAN 0160902
	098668-22-000	EA	FURNACE-40000 BTU, SUBURBAN SF-42 2275
	074466-01-702	EA	RELAY-TIME DELAY, SUBURBAN 230625
	098668-01-700	EA	CABINET FRONT, SUBURBAN 101242
	098668-01-705	EA	SWITCH-LIMIT, SUBURBAN 231630
	098668-01-707	EA	VENT CAP & EXHAUST TUBE ASM, SUBURBAN 260193
	098668-01-708	EA	BLOWER ASM (COMBUSTION AIR), SUBURBAN 390441
	098668-01-712	EA	BOARD-MODULE, SUBURBAN 231741
	098668-01-713	EA	INTAKE VENT TUBE ASM, SUBURBAN 051044
	098668-01-714	EA	GAS VALVE (WHITE ROGERS), SUBURBAN 161070
	098668-11-700	EA	ORFICE-MAIN BURNER SF-42F, SUBURBAN 180216
	098668-11-701	EA	BURNER ASM COMP (SF-42F), SUBURBAN 010799
	098668-11-702	EA	MOTOR ASM COMP (SF-42F), SUBURBAN 232212
	098668-11-703	EA	SWITCH-SAIL (ASM) (SF-42F), SUBURBAN 232216
	098668-11-704	EA	BLOWER ASM-ROOM AIR (SF-42F), SUBURBAN 390698
	098668-11-705	EA	WHEEL-ROOF AIR (SF-42F), SUBURBAN 350129
	098668-11-706	EA	LIMIT SWITCH (SF-42F), SUBURBAN 232231
	101990-01-714	EA	MICROSWITCH GASKET, SUBURBAN 230877
	098668-14-000	EA	GASKET-FIBERGLASS, .5" X 18" X 18" - SUBURBAN 070976
	098668-13-000	EA	GASKET-FIBERGLASS, .5" X 16.37" X 17.568" - SUBURBAN 070977
	009198-01-000	FT	DUCT-HEAT- FLEXIBLE - 4" ID X 25 FT
	094600-01-02A	EA	REGISTER-HEAT, W/O DAMPER - 3.6" X 11.2" - BROWN
	094600-02-02A	EA	REGISTER-HEAT, W/DAMPER - 3.6" X 11.2" - BROWN
	093614-01-01A	EA	GRILLE-RETURN AIR- FURNACE - 15.6" X 7.6" - BROWN
	056402-05-000	EA	BRACKET-HEATER VENT, ROUND - W/BEND - BLACK
	056464-06-000	EA	REGISTER-HEAT/A/C, ROUND W/O DAMPER - 4" - PLASTIC - OFF WHITE
	024990-05-000	EA	OUTLET-DEFROSTER, W/SWIVEL - 2" DIAMETER - BLACK
	024990-07-000	EA	OUTLET-DEFROSTER, W/SWIVEL - 2" DIAMETER - HAMPTON TAN
	088753-01-000	FT	TUBE-ALUMINIZED STEEL, 5/8" - 18 GAUGE
	007108-01-000	FT	HOSE-HEATER- 5/8" ID - HI-TEMP - FORD ESE-M2D192-A
	007076-01-000	EA	HOSE-FLEXIBLE PVC, 2" ID
	092776-01-000	EA	ADAPTER-DUCT, 2"

### HEATING SYSTEM COMPONENTS

KEY	PART NUMBER	U/M	DESCRIPTION
	009198-01-000	FT	DUCT-HEAT- FLEXIBLE - 4" ID X 25 FT
	094600-01-02A	EA	REGISTER-HEAT, W/O DAMPER - 3.6" X 11.2" - BROWN
	094600-02-02A	EA	REGISTER-HEAT, W/DAMPER - 3.6" X 11.2" - BROWN
	093614-01-01A	EA	GRILLE-RETURN AIR- FURNACE - 15.6" X 7.6" - BROWN
	056402-05-000	EA	BRACKET-HEATER VENT, ROUND - W/BEND - BLACK
	056464-06-000	EA	REGISTER-HEAT/A/C, ROUND W/O DAMPER - 4" - PLASTIC - OFF WHITE
	024990-05-000	EA	OUTLET-DEFROSTER, W/SWIVEL - 2" DIAMETER - BLACK
	024990-07-000	EA	OUTLET-DEFROSTER, W/SWIVEL - 2" DIAMETER - HAMPTON TAN
	088753-01-000	FT	TUBE-ALUMINIZED STEEL, 5/8" - 18 GAUGE
	007108-01-000	FT	HOSE-HEATER- 5/8" ID - HI-TEMP - FORD ESE-M2D192-A
	007076-01-000	EA	HOSE-FLEXIBLE PVC, 2" ID
	092776-01-000	EA	ADAPTER-DUCT, 2"

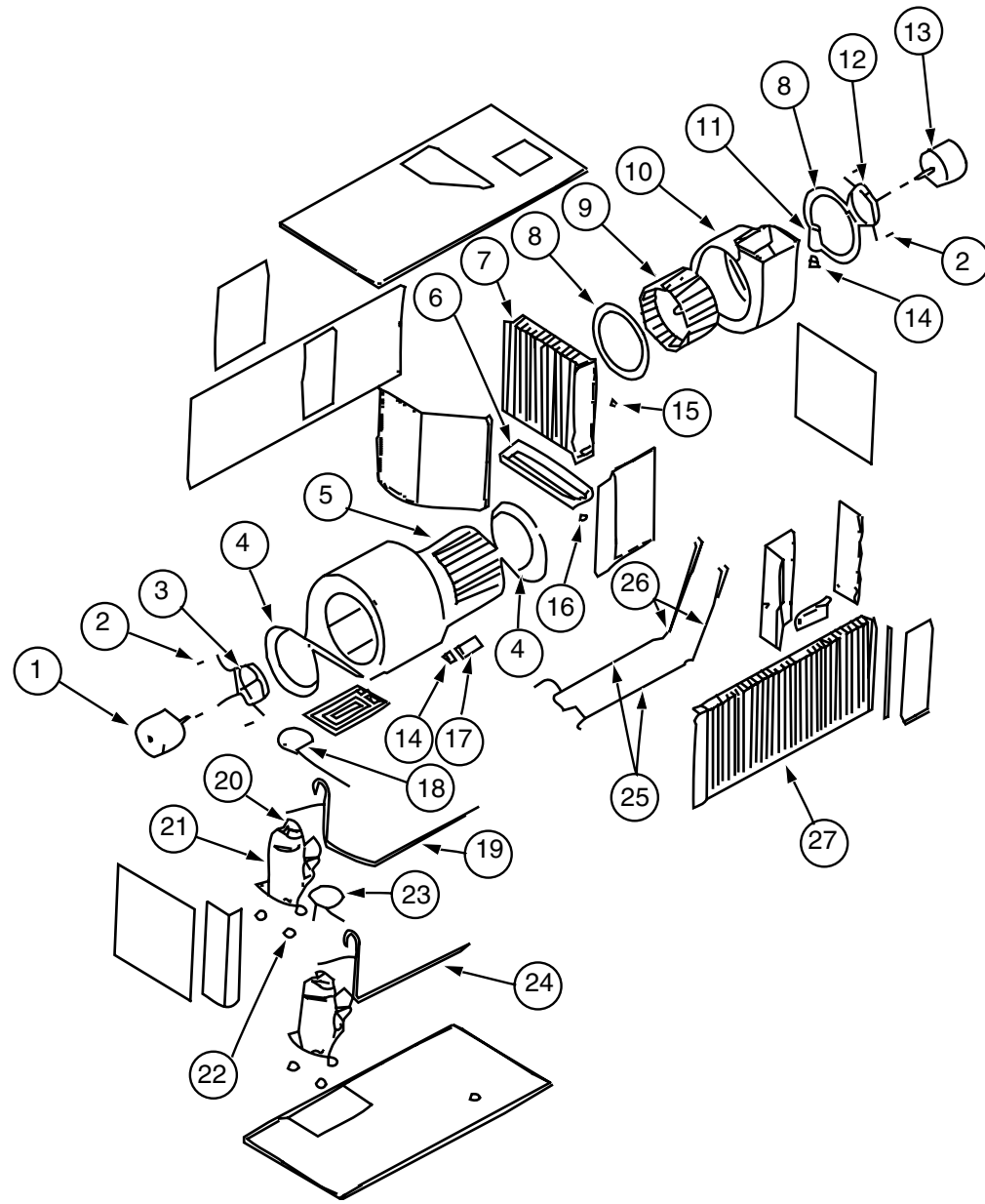
# HEATING & AIR CONDITIONING GROUP (CONTINUED)

## CENTRAL A/C & HEATING SYSTEM



KEY	PART NUMBER	U/M	DESCRIPTION
1	109009-02-000	EA	DEFLECTOR-A/C, ROOF
2	P12759-01-FQ0	EA	PLENUM-A/C, SUPPLY - UPPER - W/FOAM
3	109017-01-000	EA	PLENUM ASM-A/C, SUPPLY
4	P12760-01-FQ0	EA	PLENUM-A/C, SUPPLY - LOWER - W/FOAM
5	109019-01-000	EA	COLLAR ASM-SUPPLY, A/C
6	105620-05-000	EA	A/C-CENTRAL, PACKAGE UNIT - LEFT - COLEMAN 6795B832
7	108975-01-000	EA	BRACKET-A/C SUPPORT, RIGHT
8	114065-01-02B	EA	CRADLE ASM-A/C
	107223-01-000	EA	ROLLER-DOOR, A/C CRADLE ASM
9	108975-02-000	EA	BRACKET-A/C SUPPORT, LEFT
10	104692-01-000	FT	SEAL-3/4" X 3/4", ADHESIVE ON ONE SIDE
11	104692-01-000	FT	SEAL-3/4" X 3/4", ADHESIVE ON ONE SIDE
12	104692-02-000	FT	SEAL-3/4" X 1", ADHESIVE ON ONE SIDE
13	109752-01-000	EA	CHANNEL-SUPPORT, A/C
14	109575-01-000	EA	REINFORCEMENT-DUCT, RETURN - METAL
15	109291-02-000	EA	DUCT-CENTRAL AIR, PLASTIC
16	109859-01-000	EA	FRAME-FILTER, A/C
17	109050-02-000	EA	FILTER-FIBERGLASS, 1" X 14" X 20"
	105620-06-000	EA	THERMOSTAT-A/C AND FURNACE, COLEMAN 6795B6651
	105620-07-000	EA	WIRE ASSEMBLY-THERMOSTAT, COLEMAN 6795A4351
	056464-06-000	EA	REGISTER-HEAT/A/C, ROUND W/O DAMPER - 4" - PLASTIC - OFF WHITE

## HEATING & AIR CONDITIONING GROUP (CONTINUED)



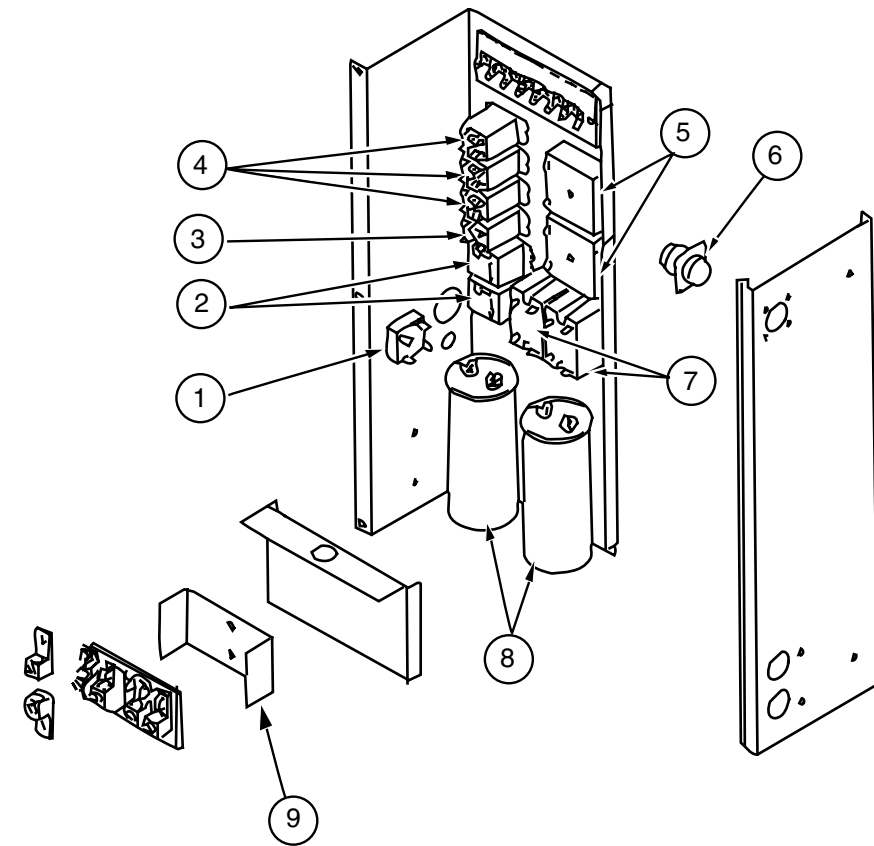
CENTRAL A/C & HEATING SYSTEM (CONTINUED)

KEY	PART NUMBER	U/M	DESCRIPTION
1	105620-01-717	EA	MOTOR-BLOWER, O.D. - COLEMAN 1468-302
2	105620-01-716	EA	PKG-SLEEVE & GROMMET, 4 PER PKG - COLEMAN 6795-3031
3	105620-01-715	EA	MOUNT-BLOWER, O.D. - COLEMAN 6795-301
4	105620-01-714	EA	VENTURI-BLOWER, O.D. - COLEMAN 6795-150
5	105620-01-713	EA	WHEEL-BLOWER, O.D. - COLEMAN 1472-101
6	105620-02-702	EA	PAN-DRAIN, LH - COLEMAN 6795-225
7	105620-02-701	EA	COIL-EVAPORATOR, LEFT - COLEMAN 1452-143
8	105620-01-722	EA	VENTURI-BLOWER, I.D. - COLEMAN 6795-151
9	105620-02-709	EA	WHEEL-BLOWER, I.D. - COLEMAN 1472-102
10	105620-02-708	EA	HOUSING-BLOWER, I.D. - COLEMAN 6795-519
11	108889-01-708	EA	CAPACITOR-FAN, COLEMAN 1499-5461
12	105620-01-723	EA	MOUNT-MOTOR, BLOWER I.D. - COLEMAN 6795-302
13	105620-01-724	EA	MOTOR-BLOWER, I.D. REVERSIBLE - COLEMAN 1468-312
14	105620-01-719	EA	BOOT-CAPACITOR, RUBBER - COLEMAN 1499-950
15	N/A	EA	SWITCH-FREEZE, COLEMAN 6795A330 (NOT USED ON THIS MODEL)
16	105620-01-703	EA	DRAIN VALVE, COLEMAN 6795-300
17	105620-01-718	EA	O.D. BLOWER CAPACITOR (12.5), COLEMAN 1499-4631
18	105620-02-704	EA	LINE-DISCHARGE, 2 - LEFT - COLEMAN 6795-233

## HEATING & AIR CONDITIONING GROUP (CONTINUED)

CENTRAL A/C & HEATING SYSTEM (CONTINUED)

KEY	PART NUMBER	U/M	DESCRIPTION
19	105620-02-703	EA	LINE ASM-SUCTION, 2 - LEFT - COLEMAN 6795-507
20	105620-01-705	EA	OVERLOAD PROTECTOR (RH&LH), COLEMAN 6759-3791
21	105620-01-704	EA	COMPRESSOR, TECUMSEH RK157 AT-010A4
22	105620-01-706	EA	COMPRESSOR MOUNTING PKG. (3/PKG), COLEMAN 6759-3081
23	105620-02-706	EA	LINE ASM-SUCTION, 1 - LEFT - COLEMAN 6795-234
23	105620-01-710	EA	LINE ASM-SUCTION, 1 - RIGHT - COLEMAN 6795-134
24	105620-02-705	EA	LINE ASM-SUCTION, 1 - LEFT - COLEMAN 6795-508
25	105620-02-707	EA	LINE ASM-LIQUID, COMPRESSOR - RIGHT - COLEMAN 6795-503
26	105620-01-712	EA	CAP TUBE ASM-DISTRIBUTOR, RIGHT & LEFT - COLEMAN 6795-514
27	105620-02-700	EA	CONDENSER COIL (LH), COLEMAN 1452-142
	105620-07-000	EA	WIRE ASSEMBLY-THERMOSTAT, COLEMAN 6795A4351
	056464-06-000	EA	REGISTER-HEAT/A/C, ROUND W/O DAMPER - 4" - PLASTIC - OFF WHITE



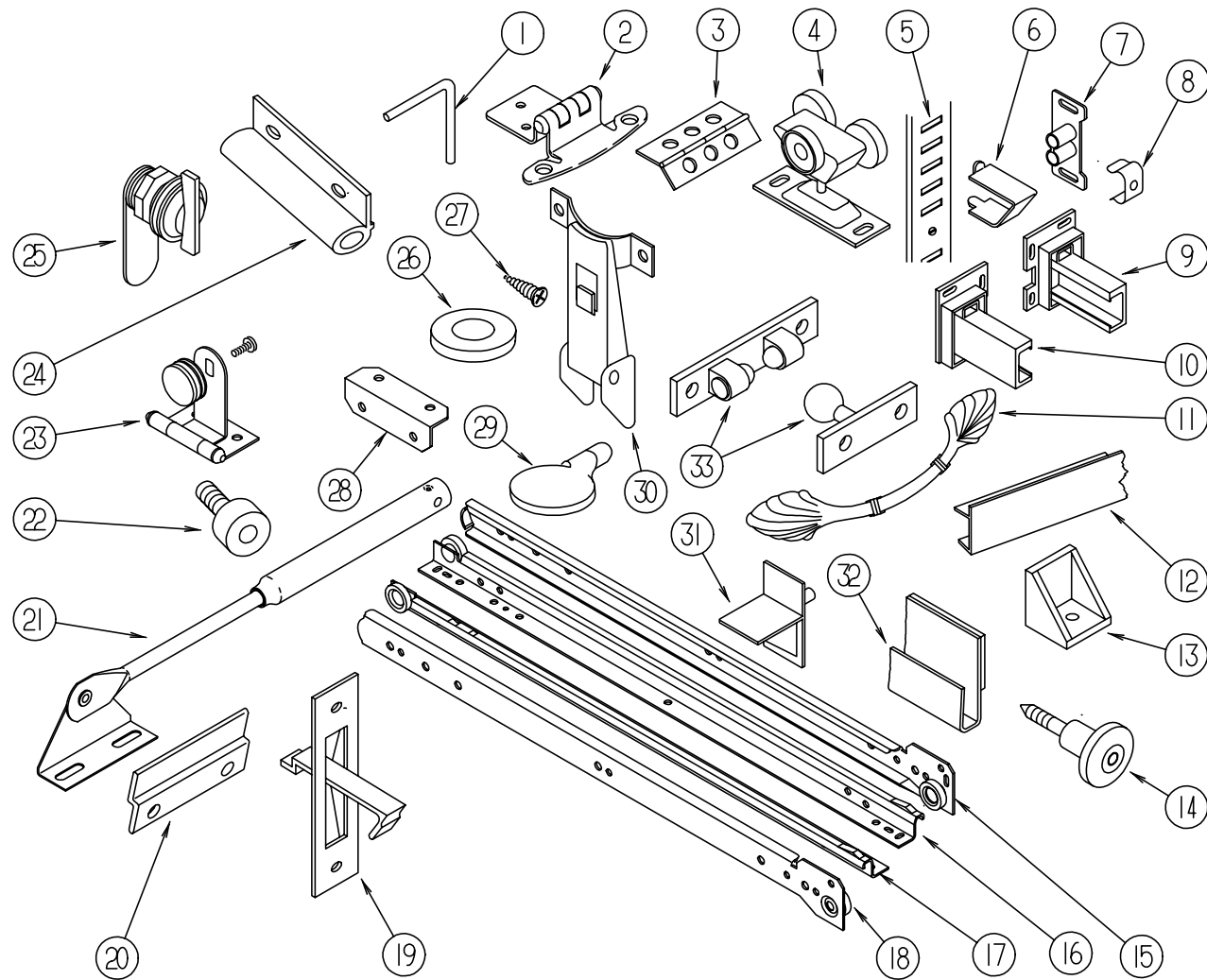
CENTRAL A/C & HEATING SYSTEM (CONTINUED)

KEY	PART NUMBER	U/M	DESCRIPTION
1	N/A	EA	AC/DC BRIDGE - COLEMAN - 1460-350 (NOT USED ON THIS MODEL)
2	N/A	EA	RELAY-BLOWER - COLEMAN 6799-3491 (NOT USED ON THIS MODEL)
3	N/A	EA	RELAY-EXCLUSION - COLEMAN 1460-103 (NOT USED ON THIS MODEL)
4	N/A	EA	RELAY-CONTROL - COLEMAN 6799-246 (NOT USED ON THIS MODEL)
5	N/A	EA	DELAY-TIME, COMPRESSOR - COLEMAN 1460-300 (NOT USED ON THIS MODEL)
6	N/A	EA	RECEPTACLE ASM., W/CAP - COLEMAN 6795-324 (NOT USED ON THIS MODEL)
7	105620-01-729	EA	RELAY-COMPRESSOR - COLEMAN 1460-1-1
8	108889-01-707	EA	RUN CAPACITOR (COMPRESSOR) - COLEMAN 14995661
9	105620-01-733	EA	ISOLATOR-HIGH VOLTAGE - COLEMAN 6795-117



# INTERIOR FINISH GROUP

## CABINET HARDWARE



KEY	PART NUMBER	U/M	DESCRIPTION
	071817-08-000	EA	TRACK-SLIDING DOOR, 51.2" - MILL FINISH
1	108487-02-01A	EA	SUPPORT-PROP ROD, OVERHEAD - BLACK
2	108138-01-000	EA	HINGE-DOOR, CABINET - BURNISHED BRASS
3	009059-02-000	EA	HINGE-DOOR, 2" X 2.7" - BRASS
3	009063-01-000	EA	HINGE-CONTINUOUS, 1 1/2" X 72" - UNPAINTED
4	103874-01-000	EA	HANGER-SLIDING DOOR
5	098980-02-000	EA	PILASTER-ADJUSTABLE SHELF, 12" LONG
5	098980-06-000	EA	PILASTER-ADJUSTABLE SHELF, 26" LONG
6	098979-01-000	EA	CLIP-ADJUSTABLE SHELF
7	009021-01-000	EA	CATCH-GRILL, NYLON
8	009021-02-000	EA	STRIKE-SPRING STEEL
9	114045-02-000	EA	BACKSOCKET-ADJUSTABLE, RIGHT
10	114045-01-000	EA	BACKSOCKET-ADJUSTABLE, LEFT
11	113202-01-000	EA	PULL-CABINET, BRASS - AMEROCK D1333-074
12	103186-01-03A	FT	MOLDING-PLASTIC, 9.5MM SHELF EDGING - PICKLED ASH
12	103186-02-03A	FT	MOLDING-PLASTIC, 25.4MM SHELF EDGING - SALEM CHERRY
13	065740-01-000	EA	BRACE-CABINET CORNER, PLASTIC
14	113800-01-000	EA	KNOB-CABINET, BRASS - AMEROCK 662-W-R1
15	114031-02-000	EA	SLIDE-DRAWER, 12" - RIGHT - CABINET MOUNTED
15	114031-10-000	EA	SLIDE-DRAWER, 16" - RIGHT - CABINET MOUNTED
15	114031-14-000	EA	SLIDE-DRAWER, 18" - RIGHT - CABINET MOUNTED
15	114031-18-000	EA	SLIDE-DRAWER, 20" - RIGHT - CABINET MOUNTED
16	114031-04-000	EA	SLIDE-DRAWER, 12" - RIGHT - DRAWER MOUNTED
16	114031-12-000	EA	SLIDE-DRAWER, 16" - RIGHT - DRAWER MOUNTED
16	114031-16-000	EA	SLIDE-DRAWER, 18" - RIGHT - DRAWER MOUNTED
16	114031-20-000	EA	SLIDE-DRAWER, 20" - RIGHT - DRAWER MOUNTED
17	114031-03-000	EA	SLIDE-DRAWER, 12" - LEFT - DRAWER MOUNTED
17	114031-11-000	EA	SLIDE-DRAWER, 16" - LEFT - DRAWER MOUNTED
17	114031-15-000	EA	SLIDE-DRAWER, 18" - LEFT - DRAWER MOUNTED
17	114031-19-000	EA	SLIDE-DRAWER, 20" - LEFT - DRAWER MOUNTED
18	114031-01-000	EA	SLIDE-DRAWER, 12" - LEFT - CABINET MOUNTED
18	114031-09-000	EA	SLIDE-DRAWER, 16" - LEFT - CABINET MOUNTED
18	114031-13-000	EA	SLIDE-DRAWER, 18" - LEFT - CABINET MOUNTED
18	114031-17-000	EA	SLIDE-DRAWER, 20" - LEFT - CABINET MOUNTED
19	113130-01-01A	EA	PULL-EDGE, DOOR - POCKET - JOHNSON 150 BRASS
20	101272-01-000	EA	CATCH-DOOR, GLASS
21	074493-02-000	EA	SUPPORT-PISTON SPRING, CABINET DOOR
22	079921-01-000	EA	ROLLER-NYLON, W/STEEL SHAFT - BARBED
23	100711-01-01A	EA	HINGE-DOOR, GLASS
24	108486-01-01A	EA	BRACKET-PROP ROD, OVERHEAD - BLACK
25	100710-01-01A	EA	LOCK-GLASS DOOR, TWIST TYPE - BRASS
26	100707-01-000	EA	SPACER-DOOR, GLASS - .8" DIA - .3" HOLE - PLASTIC
27	000G13-06-10G	EA	SCREW-6-20 X 5/8 PFH, ANTIQUE BRASS
28	016604-01-000	EA	BRACE-CABINET, ANGLE - 2.5" - METAL - UNPAINTED
28	016604-03-000	EA	BRACE-CABINET, ANGLE - 2.5" - METAL - BEIGE
28	016604-05-000	EA	BRACE-CABINET, ANGLE - 2.5" - METAL - OFF WHITE
29	101766-02-000	EA	PIN-SUPPORT, GLASS DOOR
30	042541-04-000	EA	LATCH-BRASS, W/O STRIKE - HASP TYPE - BRASS
30	042541-05-000	EA	BRASS STRIKE
31	092907-01-000	EA	SUPPORT-SHELF, PIN - 1/4" - PLASTIC - CLEAR
32	109332-02-01A	FT	TRIM-J, MIRROR - BRASS
33	084451-01-000	EA	CATCH-SHELF, BRASS
	093586-03-000	EA	CATCH-SPRING, ROLLER (BEVERAGE TRAY)
	093586-04-000	EA	STRIKE-SPRING STEEL (BEVERAGE TRAY)
	109403-01-000	EA	CATCH-ASM-SINGLE ROLLER (USED ON SLIDING WOOD DOORS)
	116149-01-000	EA	SLIDE-DRAWER, 2 PIECES - 21" LONG - WOOD (BEVERAGE TRAY)
	023320-01-000	EA	PAD-FELT, 3/8" DIAMETER - BROWN
	076790-01-000	EA	SCREW, 6-20 X 1 1/4 PPH - BLACK
	009112-01-000	EA	FLANGE-1" ROD, CLOTHES - PLASTIC - OFF WHITE
	004354-01-000	EA	BUMPER-RUBBER, .5" DIA - BROWN
	042438-01-000	EA	DOWEL-WOOD, CLOTHES ROD - 1" DIAMETER X 4'

## INTERIOR FINISH GROUP (CONTINUED)

### MOLDINGS & TRIMS

KEY	PART NUMBER	U/M	DESCRIPTION
	009767-12-000	FT	MOLDING-SIDEWALL TO CEILING/CABINET - WELTING - OFF WHITE
	009767-13-000	FT	MOLDING-SIDEWALL TO CEILING/CABINET - WELTING - PICKLED ASH
	009767-14-000	FT	MOLDING-SIDEWALL TO CEILING/CABINET - WELTING - SALEM CHERRY
	009778-11-000	FT	U-CHANNEL-PLASTIC, 1" - MODERN IVORY
	009778-16-000	FT	U-CHANNEL-PLASTIC, 1" - PICKLED ASH
	009778-18-000	FT	U-CHANNEL-PLASTIC, 1" - SALEM CHERRY
	009809-26-000	EA	MOLDING-CORNER, OUTSIDE - 1" - PICKLED ASH
	009809-27-000	EA	MOLDING-CORNER, OUTSIDE - 1" - SALEM CHERRY
	009812-24-000	EA	MOLDING-CORNER, OUTSIDE - .5" - PLASTIC - IVORY
	009812-27-000	EA	MOLDING-CORNER, OUTSIDE - .5" - PLASTIC - PICKLED ASH
	009812-26-000	EA	MOLDING-CORNER, OUTSIDE - .5" - PLASTIC - SALEM CHERRY
	022992-11-000	FT	MOLDING-REVERSE COVE, T-SHAPED - VINYL - IVORY
	042357-18-000	EA	MOLDING-CORNER, RADIUS - 1.5" X 7' - PLASTIC - PICKLED ASH
	042357-19-000	EA	MOLDING-CORNER, RADIUS - 1.5" X 7' - PLASTIC - SALEM CHERRY
	070504-28-000	FT	U-CHANNEL-PLASTIC, 1.65" - PICKLED ASH
	070504-30-000	FT	U-CHANNEL-PLASTIC, 1.65" - SALEM CHERRY
	070504-29-000	FT	U-CHANNEL-PLASTIC, 20.7" - PICKLED ASH
	070504-31-000	FT	U-CHANNEL-PLASTIC, 20.7" - SALEM CHERRY
	077840-01-E37	EA	MOLDING-WALL CAP, 36MM X 8' LONG - L-SHAPED WOOD - PICKLED ASH
	077840-01-E41	EA	MOLDING-WALL CAP, 36MM X 8' LONG - L-SHAPED WOOD - SALEM CHERRY
	077840-40-E37	EA	MOLDING-WALL CAP, 31MM X 8' LONG - L-SHAPED WOOD - PICKLED ASH
	077840-40-E41	EA	MOLDING-WALL CAP, 31MM X 8' LONG - L-SHAPED WOOD - SALEM CHERRY
	081521-02-007	EA	MOUNT-METAL MOLDING, FOR RADIUS CORNER MOLDING - 12.5' LONG
	083620-10-000	FT	MOLDING-T, END CAP EDGE - W/EDGE LIPS - .75" - PICKLED ASH
	083620-11-000	FT	MOLDING-T, END CAP EDGE - W/EDGE LIPS - .75" - SALEM CHERRY
	085284-94-000	FT	BATT STRIP-DECORATIVE, PATTERNED - ADHESIVE BACKED (FQ2,FQ3)
	085284-95-000	FT	BATT STRIP-DECORATIVE, PATTERNED - ADHESIVE BACKED (FQ0,FQ1)
	085284-A1-000	FT	BATT STRIP-DECORATIVE, PATTERNED - ADHESIVE BACKED (FQ4,FQ5)
	085284-A2-000	FT	BATT STRIP-DECORATIVE, PATTERNED - ADHESIVE BACKED (FQ8,FQ9)
	085284-96-000	FT	BATT STRIP-WOODGRAIN, ADHESIVE BACKED - PICKLED ASH
	085284-97-000	FT	BATT STRIP-WOODGRAIN, ADHESIVE BACKED - SALEM CHERRY
	086229-01-000	EA	RETAINER-BATTEN, CEILING - .75" WIDE - 7.6' LONG
	086229-04-000	EA	BATTEN-CEILING, 1" WIDE - IVORY - 7.6' LONG
	086229-09-000	EA	RETAINER-BATTEN, CEILING - OFFSET
	086229-10-000	EA	BATTEN-CEILING, 1.5" OFFSET - IVORY
	088263-A6-000	EA	BATT STRIP-DECORATIVE, PATTERNED - 8' LONG (FQ0, FQ1)
	088263-A5-000	EA	BATT STRIP-DECORATIVE, PATTERNED - 8' LONG (FQ2, FQ3)
	088263-A9-000	EA	BATT STRIP-DECORATIVE, PATTERNED - 8' LONG (FQ4, FQ5)
	088263-B1-000	EA	BATT STRIP-DECORATIVE, PATTERNED - 8' LONG (FQ8, FQ9)
	093873-01-01A	EA	TRIM-CARPET, L-ANGLE - 1.1" X 1.3" X 12' - VINYL
	100818-01-03A	EA	TRIM-MOLDING, FLAT VINYL WRAP - 42 WIDE X 2134MM LONG - PICKLED ASH
	100818-01-04A	EA	TRIM-MOLDING, FLAT VINYL WRAP - 42 WIDE X 2134MM LONG - SALEM CHERRY
	101957-01-03A	EA	PLASTIC-EXTRUDED, 1.4 X .88 X 1701MM - PICKLED ASH
	101957-01-04A	EA	PLASTIC-EXTRUDED, 1.4 X .88 X 1701MM - SALEM CHERRY
	103186-01-03A	FT	MOLDING-PLASTIC, 9.5MM SHELF EDGING - PICKLED ASH
	103186-01-04A	FT	MOLDING-PLASTIC, 9.5MM SHELF EDGING - SALEM CHERRY
	103186-02-03A	FT	MOLDING-PLASTIC, 25.4MM SHELF EDGING - PICKLED ASH
	103186-02-04A	FT	MOLDING-PLASTIC, 25.4MM SHELF EDGING - SALEM CHERRY
	105709-01-000	FT	T-MOLDING, 1" WIDE - MODERN IVORY
	109410-16-FQ0	EA	MOLDING-TRIM, 1598MM - WOOD - HUTCH CABINET CORNER - PICKLED ASH
	109410-16-FQ1	EA	MOLDING-TRIM, 1596MM - WOOD - HUTCH CABINET CORNER - SALEM CHERRY
	113794-01-01A	FT	MOLDING-CROWN, 18 X 88MM - PICKLED ASH
	113794-01-02A	FT	MOLDING-CROWN, 18 X 88MM - SALEM CHERRY
	113794-02-01A	FT	MOLDING-CROWN, 18 X 45MM - PICKLED ASH
	113794-02-02A	FT	MOLDING-CROWN, 18 X 45MM - SALEM CHERRY
	115304-01-01A	FT	MOLDING-GOLD VINYL, 5/16" - ADHESIVE BACK

## INTERIOR FINISH GROUP (CONTINUED)

### PANELING, LAMINATES, AVONITE & PLASTIC

KEY	PART NUMBER	U/M	DESCRIPTION
	065747-01-000	SF	INSULATION-MICROFOAM, .5" THICK X 72" X 112' ROLL
	074497-22-000	SF	PANELING-WOODGRAIN, 48" X 96" - PICKLED ASH
	074497-23-000	SF	PANELING-WOODGRAIN, 48" X 96" - SALEM CHERRY
	079666-02-000	SF	PANELING-CLOSET, 48" X 96" - SOLID CEDAR
	079666-03-000	SF	PANELING-CLOSET, 48" X 96" - SOLID CEDAR
	074497-67-000	SF	LAMINATE-PLASTIC, 5' X 8' - ORCHID MIST (EXTERIOR ENTERTAINMENT)
	074497-57-000	SF	LAMINATE-PLASTIC, 5' X 8' - PICKLED ASH
	076325-49-000	FT	MOLDING-EDGEBAND, 1 5/16" WIDE - PICKLED ASH
	085217-11-002	SF	AVONITE-COUNTERTOP, WHEAT MATRX (FQ0, FQ1, FQ8, FQ9)
	085217-10-000	SF	AVONITE-COUNTERTOP, MOJAVE SAND (FQ2, FQ3)
	085217-12-000	SF	AVONITE-COUNTERTOP, SIERRA AURORA (FQ4, FQ5)
	088272-C8-000	SF	PANELING-DECORATIVE, PATTERNED - 4' X 7' (FQ0, FQ1)
	088272-C7-000	SF	PANELING-DECORATIVE, PATTERNED - 4' X 7' (FQ2, FQ3)
	088272-D2-000	SF	PANELING-DECORATIVE, PATTERNED - 4' X 7' (FQ4, FQ5)
	088272-D3-000	SF	PANELING-DECORATIVE, PATTERNED - 4' X 7' (FQ8, FQ9)
	088272-98-000	SF	PANELING-SHOWER, OFF WHITE - 4' X 7'
	089297-01-000	SF	PLYWOOD-LUAN, OVERLAY GRADE - 4' X 8'
	093609-01-000	SF	ACRYLIC-SHEET, 3/8" X 4' X 8'

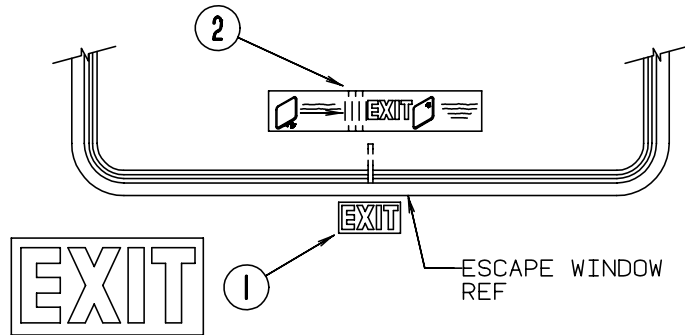
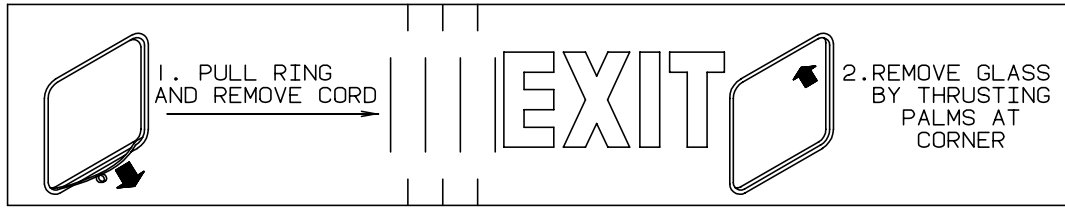
### FIRE EXTINGUISHER, DETECTORS, CLOCK & HANDRAIL

KEY	PART NUMBER	U/M	DESCRIPTION
	094499-01-000	EA	EXTINGUISHER-FIRE, DRY W/MOUNTING BRACKET - 10 BC
	094499-01-700	EA	BRACKET-MOUNTING, W/PLASTIC STRAP - FIRE EXTINGUISHER
	094499-02-000	EA	EXTINGUISHER-FIRE, DRY W/MOUNTING BRACKET - 1A10 BC (CANADIAN)
	072852-01-000	EA	DETECTOR-SMOKE, W/9 VOLT BATTERY
	072852-02-000	EA	DETECTOR-SMOKE, W/9 VOLT BATTERY - CANADIAN
	100793-03-01A	EA	CLOCK-WALL, SQUARE - 14" X 14"
	112320-01-000	EA	DETECTOR-CO GAS, MODEL 9B-I - COSTAR 940000000
	112320-02-000	EA	BATTERY/SENSOR-CO GAS, COSTAR 940001000
	108808-01-01A	EA	HANDRAIL-STEP, ENTRANCE BRASS - TRANSFER FLOW

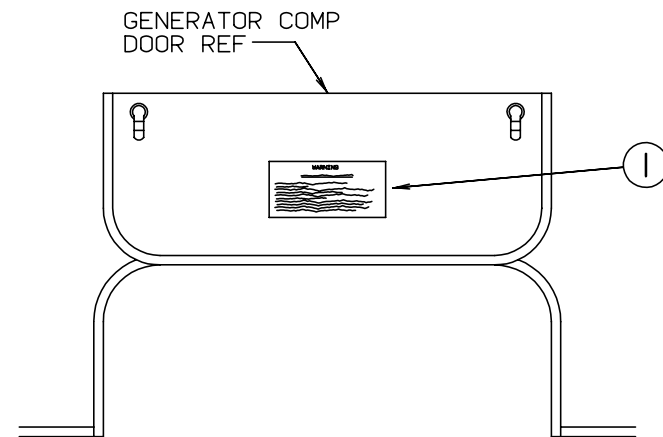
### FLOOR COVERINGS & MATS

KEY	PART NUMBER	U/M	DESCRIPTION
	093486-01-000	SY	CARPET-COMPARTMENT, 54" WIDE - DARK GRAY
	096060-73-000	SY	CARPET-12' ROLL, RYE (FQ0, FQ1)
	096060-91-000	SY	CARPET-12' ROLL, BEECDHNUIT (FQ2, FQ3)
	096060-92-000	SY	CARPET-12' ROLL, LAVASTONE (FQ4, FQ5)
	096060-94-000	SY	CARPET-12' ROLL, NOVA BLUE (FQ8, FQ9)
	075233-01-000	SY	PAD-CARPET, 3/8" X 6' ROLL
	047034-02-000	SF	PLASTIC-CARPET, 4' WIDE - CLEAR POLY
	105829-03-01A	SF	TILE-FLOOR, WOOD PLANK - OAK GOLDEN WHEAT (PICKLED ASH)
	105829-03-02A	SF	TILE-FLOOR, WOOD PLANK - CORDOVAN BROWN HICKORY (SALEM CHERRY)
	108151-01-000	EA	MAT-FLOOR, ENTRANCE - PLASTICOLOR
	108152-01-000	EA	MAT-FLOOR, RIGHT - PLASTICOLOR
	108152-03-000	EA	MAT-FLOOR, LEFT - PLASTICOLOR

**LABELS GROUP**



KEY	PART NUMBER	U/M	DESCRIPTION
1	039290-01-000	EA	LABEL-WARNING, EXIT
2	107571-01-000	EA	LABEL-ESCAPE EXIT, WINDOW



**WARNING**

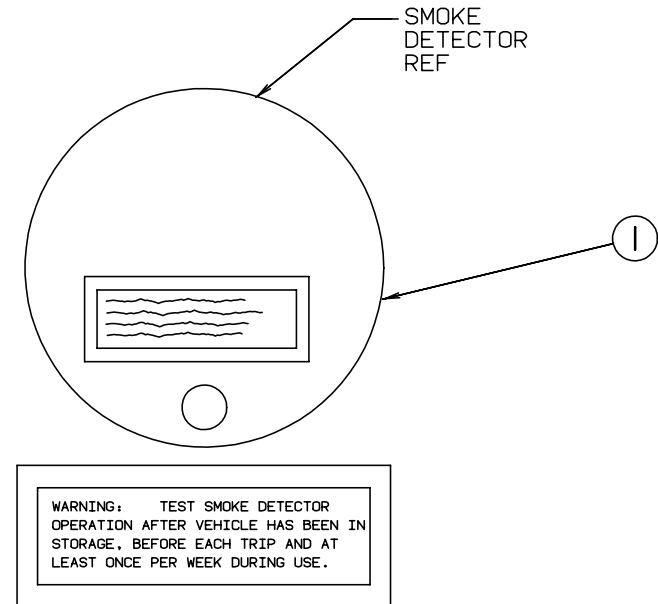
WHEN ADDING A GENERATOR SET:

HIGH VOLTAGE-USE EXTREME CAUTION WHEN WORKING ON ELECTRICAL COMPONENTS. HAVE ALL ELECTRICAL INSTALLATION PERFORMED BY A QUALIFIED LICENSED ELECTRICIAN-FOLLOW ALL STATE AND LOCAL CODES. ONLY INSTALL GENERATOR SET APPROVED FOR R.V. APPLICATION. HAVE INSTALLED BY QUALIFIED TECHNICIAN.

TO AVOID HEAT BUILD-UP AND TO GUARANTEE AN ADEQUATE AIR SUPPLY TO THE GENERATOR CARBURETOR, FOLLOW INSTALLATION INSTRUCTIONS. GENERATOR ENGINE EXHAUST GASES ARE TOXIC AND MUST NOT TERMINATE UNDER THE VEHICLE-DISCHARGE EXHAUST AWAY FROM VEHICLE.

KEY	PART NUMBER	U/M	DESCRIPTION
1	077510-01-000	EA	LABEL-GENERATOR PREP

**LABELS GROUP (CONTINUED)**



KEY	PART NUMBER	U/M	DESCRIPTION
1	077956-01-000	EA	LABEL-WARNING, SMOKE DETECTOR

30	15	15	15	15	20
M A I N	I D E S H M A K E R / R	M I C R O W A V E	R E C E P T A C L E	R E C E P T A C L E	R E C E P T A C L E

KEY	PART NUMBER	U/M	DESCRIPTION
1	095721-12-000	EA	LABEL-CONTROL CENTER - 30A - W/INVERTER

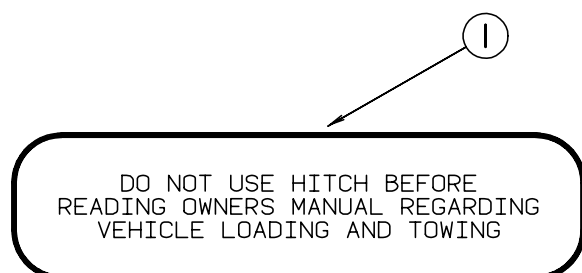
MAIN	REFRIG/MICRO
	A/C CIRCUIT 1
MAIN	A/C CIRCUIT 2
	GENERAL RECPS
GFI # 1	WASHER/DRYER
GFI # 2	
CONVERTER/ GENERAL RECPS DISHWASHER	CONVERTER/ GENERAL RECPS

KEY	PART NUMBER	U/M	DESCRIPTION
1	095721-09-000	EA	LABEL-CONTROL CENTER (50A)

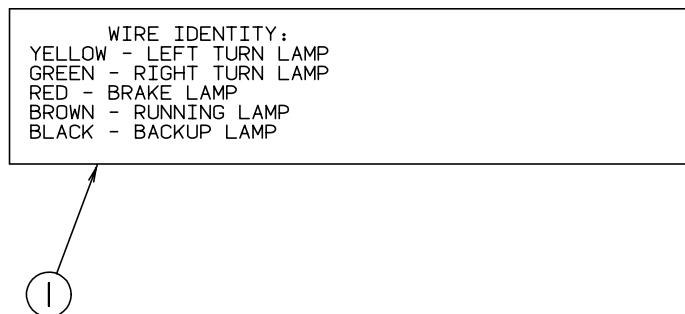
**LABELS GROUP (CONTINUED)**

MAIN	REFRIGERATOR & VACUUM
	A/C CIRCUIT 1
MAIN	A/C CIRCUIT 2
	WASHER/DRYER
	INVERTER/CHARGER

**KEY PART NUMBER U/M DESCRIPTION**  
 1 095721-13-000 EA LABEL-CONTROL CENTER, 50A - W/INVERTER

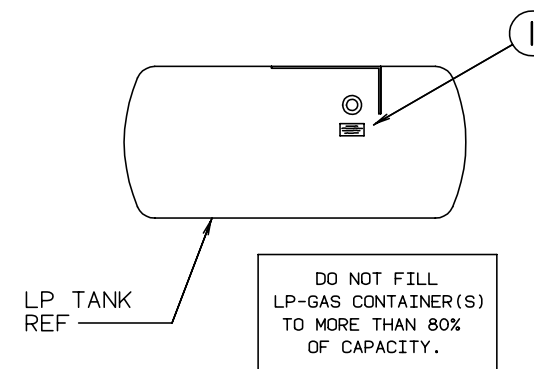


**KEY PART NUMBER U/M DESCRIPTION**  
 1 111104-01-000 EA LABEL-HITCH, READ MANUAL

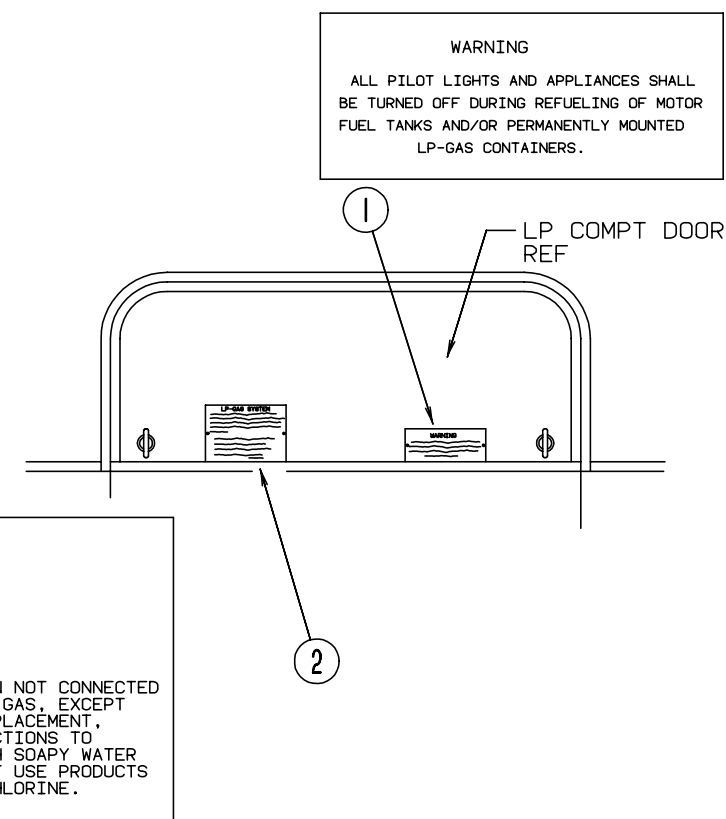


**KEY PART NUMBER U/M DESCRIPTION**  
 1 091224-02-000 EA LABEL-TRAILER LIGHTING

**LABELS GROUP (CONTINUED)**

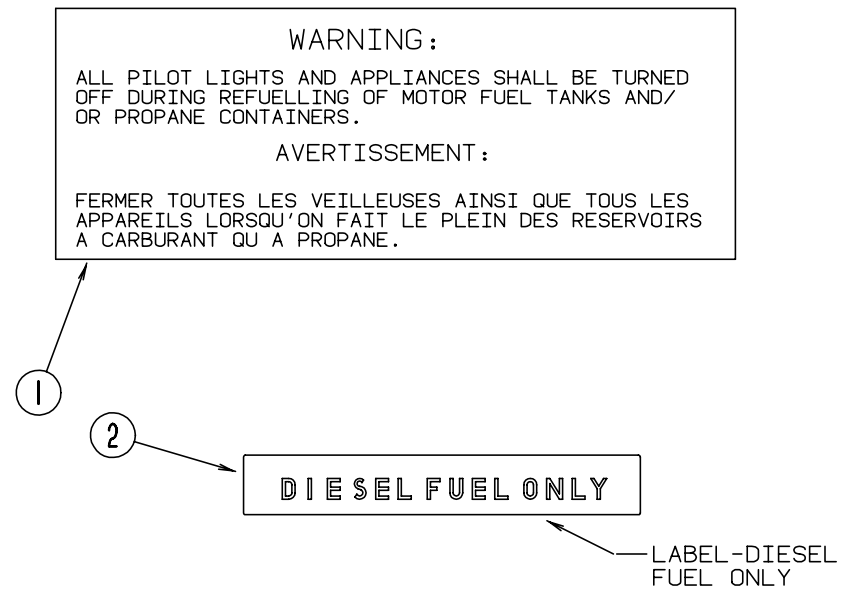


**KEY PART NUMBER U/M DESCRIPTION**  
 1 079965-01-000 EA LABEL-LPG 80 CAPACITY

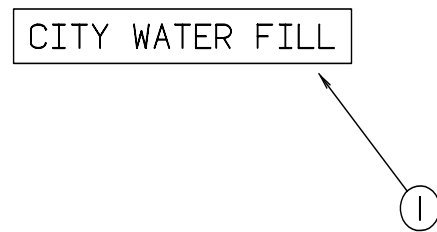


**KEY PART NUMBER U/M DESCRIPTION**  
 1 006040-01-000 EA TAG-GAS REFUELING WARNING  
 1 006040-02-000 EA TAG-GAS REFUEL WARNING, CANADIAN  
 2 054531-01-000 EA LABEL-WARNING, LPG - US  
 2 023769-01-000 EA LABEL-WARNING, LPG - CANADIAN

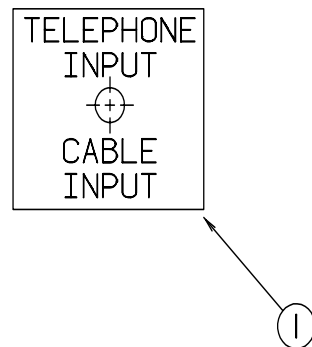
**LABELS GROUP (CONTINUED)**



KEY	PART NUMBER	U/M	DESCRIPTION
1	006040-01-000	EA	TAG-GAS REFUELING WARNING
1	006040-02-000	EA	TAG-GAS REFUEL WARNING, CANADIAN
2	068383-01-000	EA	LABEL-DIESEL FUEL ONLY

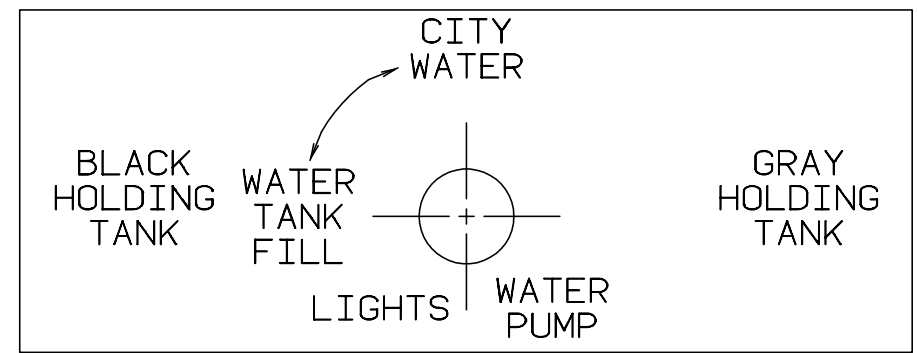


KEY	PART NUMBER	U/M	DESCRIPTION
1	114867-01-000	EA	LABEL-CITY WATER FILL

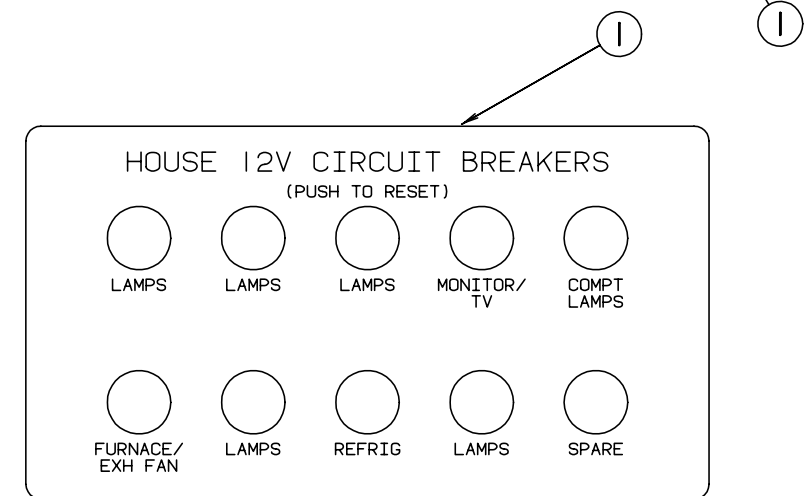


KEY	PART NUMBER	U/M	DESCRIPTION
1	114866-01-000	EA	LABEL-PHONE & CABLE INPUT

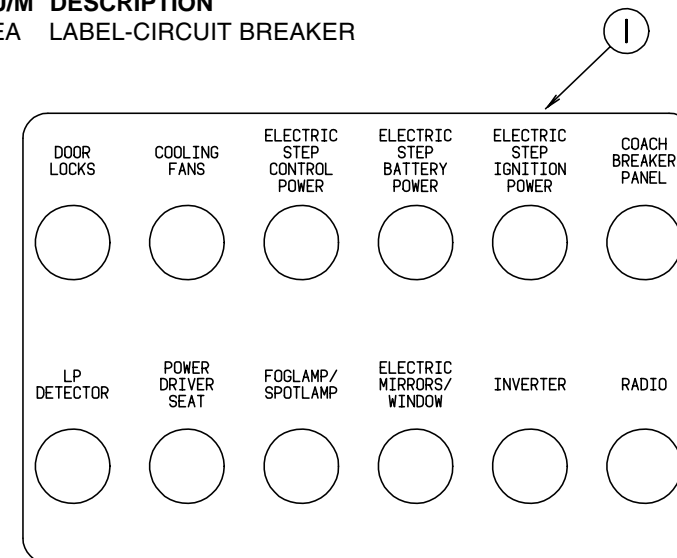
**LABELS GROUP (CONTINUED)**



KEY	PART NUMBER	U/M	DESCRIPTION
1	114868-01-000	EA	LABEL-WATER PUMP/FILL

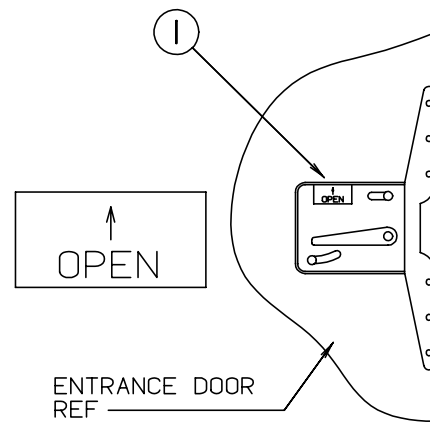


KEY	PART NUMBER	U/M	DESCRIPTION
1	092547-04-000	EA	LABEL-CIRCUIT BREAKER



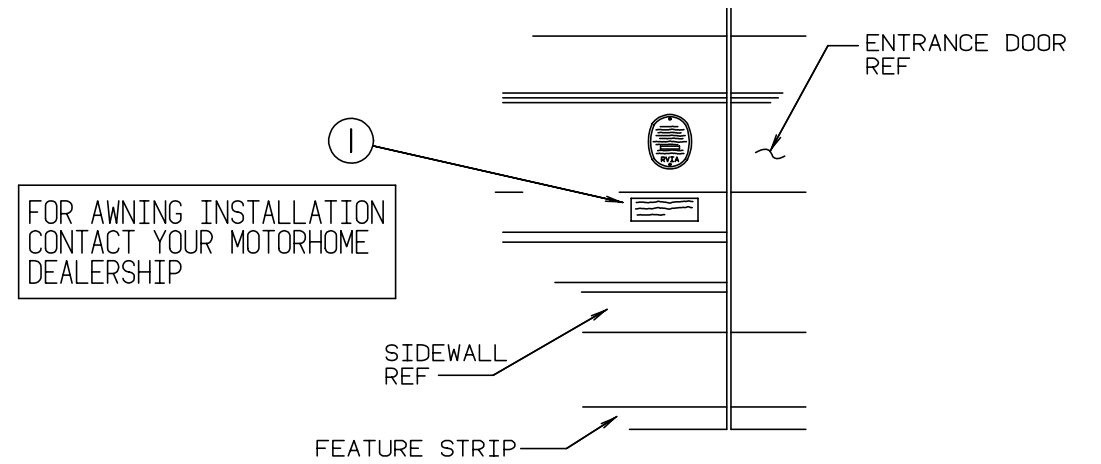
KEY	PART NUMBER	U/M	DESCRIPTION
1	093236-11-000	EA	LABEL-CIRCUIT BREAKER

**LABELS GROUP (CONTINUED)**

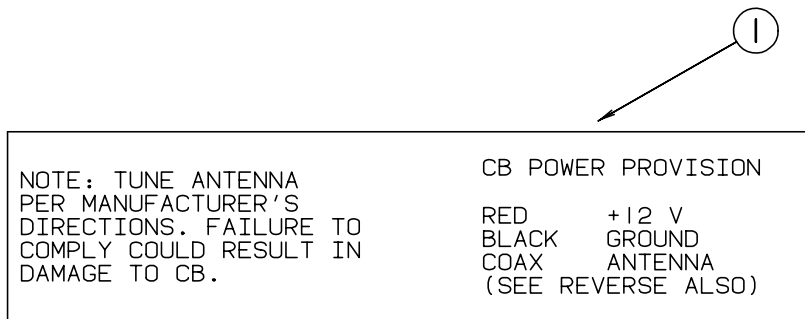


KEY	PART NUMBER	U/M	DESCRIPTION
1	040944-01-000	EA	LABEL-ENTRANCE DOOR, "OPEN"

**LABELS GROUP (CONTINUED)**



KEY	PART NUMBER	U/M	DESCRIPTION
1	099509-01-000	EA	LABEL-AWNING INSTALLATION



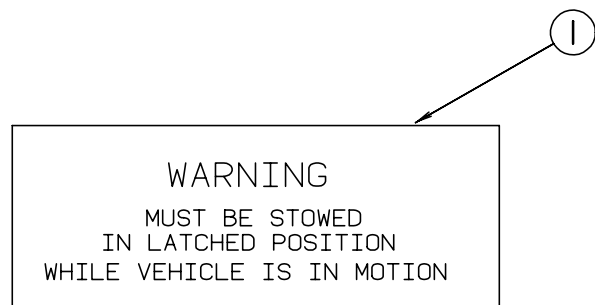
KEY	PART NUMBER	U/M	DESCRIPTION
1	104678-01-000	EA	LABEL-CB PREP

**CAUTION**

THIS MOTOR HOME HAS BEEN DESIGNED, MANUFACTURED AND TESTED WITH CONCERN FOR THE PROTECTION OF IT'S OCCUPANTS. WE RECOMMEND YOU PERFORM THE FOLLOWING INSPECTIONS FOR YOUR SAFETY AND THE SAFETY OF YOUR PASSENGERS BEFORE STARTING YOUR VEHICLE.

1. LP GAS SYSTEM- TURN OFF AT TANK FOR TRAVELING. TEST FOR LEAKS UPON ARRIVAL AT DESTINATION. BEFORE LIGHTING PILOTS.
2. WHEELS- INSPECT FOR DAMAGE AND CHECK LUG NUTS FOR TIGHTNESS.
3. TIRES- INSPECT FOR WEAR AND DAMAGE AND CHECK FOR RECOMMENDED AIR PRESSURE.
4. LIGHTING- TEST FOR PROPER OPERATION OF ALL INTERIOR AND EXTERIOR LIGHTS INCLUDING DASH LIGHTS, HEADLIGHTS, TAIL LIGHTS, BRAKE LIGHTS, CLEARANCE LIGHTS AND TURN SIGNALS.
5. EXITS- INSPECT RELEASE MECHANISM ON EMERGENCY EXIT WINDOW, TEST BOTH LOCKS ON MAIN ENTRANCE DOOR FOR EASE OF OPERATION AND INSTRUCT PASSENGERS HOW TO USE BOTH MEANS OF EXIT.
6. SEAT BELTS- DIRECT PASSENGERS TO DESIGNATED SEATS AND REQUIRE USE OF SEAT BELTS.
7. APPLIANCES- TURN OFF AND LATCH OR LOCK DOORS WHERE PROVIDED.
8. LOOSE PARCELS- STORE SECURELY.
9. UTILITY SUPPLY LINES- DISCONNECT ALL ELECTRIC, SEWER AND WATER LINES AND SECURE PROPERLY.
10. ENTRANCE DOOR STEP- PLACE IN RETRACTED POSITION FOR TRAVELING.

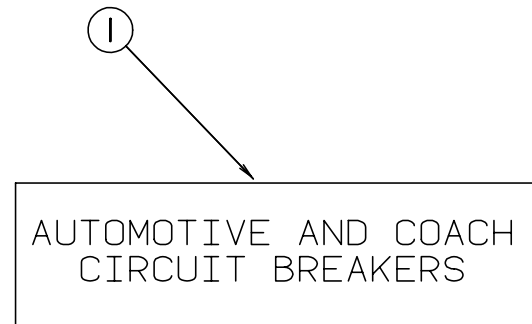
READ YOUR MOTOR HOME AND CHASSIS OWNER'S MANUAL FOR FURTHER PRECAUTIONS



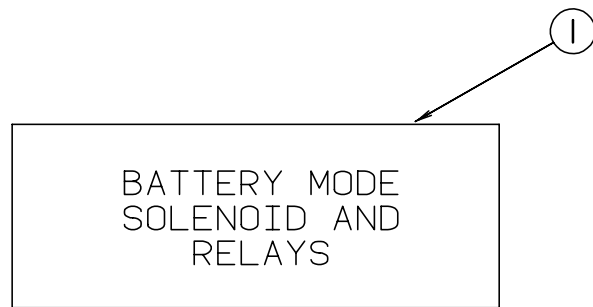
KEY	PART NUMBER	U/M	DESCRIPTION
1	079966-01-000	EA	LABEL-WARNING, STOWED - MOTION

KEY	PART NUMBER	U/M	DESCRIPTION
1	056259-01-000	EA	LABEL-SAFETY CHECK LIST

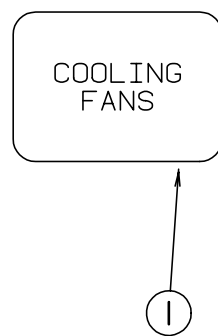
**LABELS GROUP (CONTINUED)**



KEY	PART NUMBER	U/M	DESCRIPTION
1	098379-01-000	EA	LABEL-ELECTRICAL BOX, FRONT

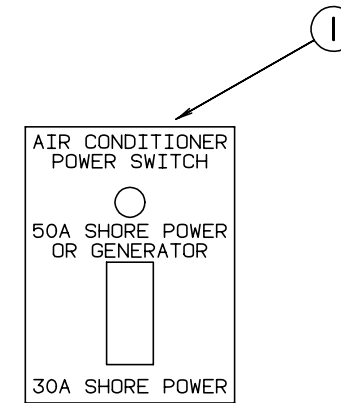


KEY	PART NUMBER	U/M	DESCRIPTION
1	098379-04-000	EA	LABEL-ELECTRICAL BOX, SIDE

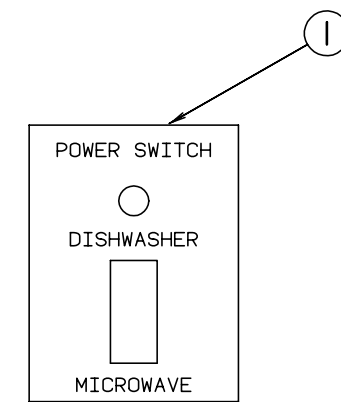


KEY	PART NUMBER	U/M	DESCRIPTION
1	093237-10-000	EA	LABEL-CIRCUIT BREAKER, FRONT - "COOLING FANS"

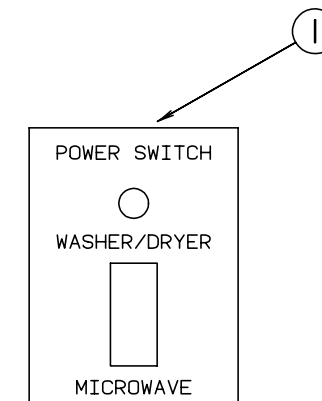
**LABELS GROUP (CONTINUED)**



KEY	PART NUMBER	U/M	DESCRIPTION
1	109051-01-000	EA	LABEL-SWITCH, 50A POWER (SHORE)

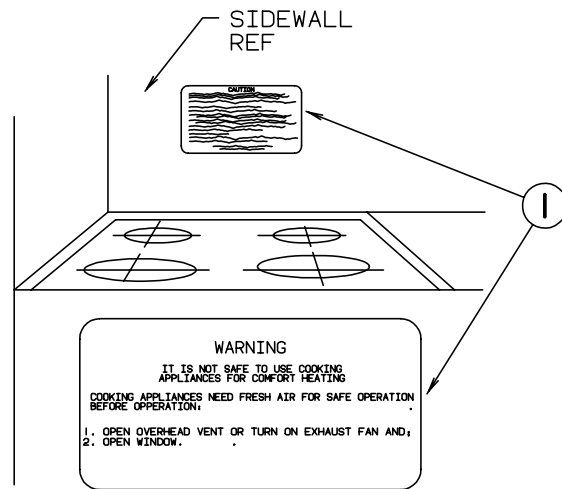


KEY	PART NUMBER	U/M	DESCRIPTION
1	109051-02-000	EA	LABEL-SWITCH, 50A POWER (DISHWASHER)



KEY	PART NUMBER	U/M	DESCRIPTION
1	109051-03-000	EA	LABEL-SWITCH, 50A POWER (WASHER/DRYER)

## LABELS GROUP (CONTINUED)

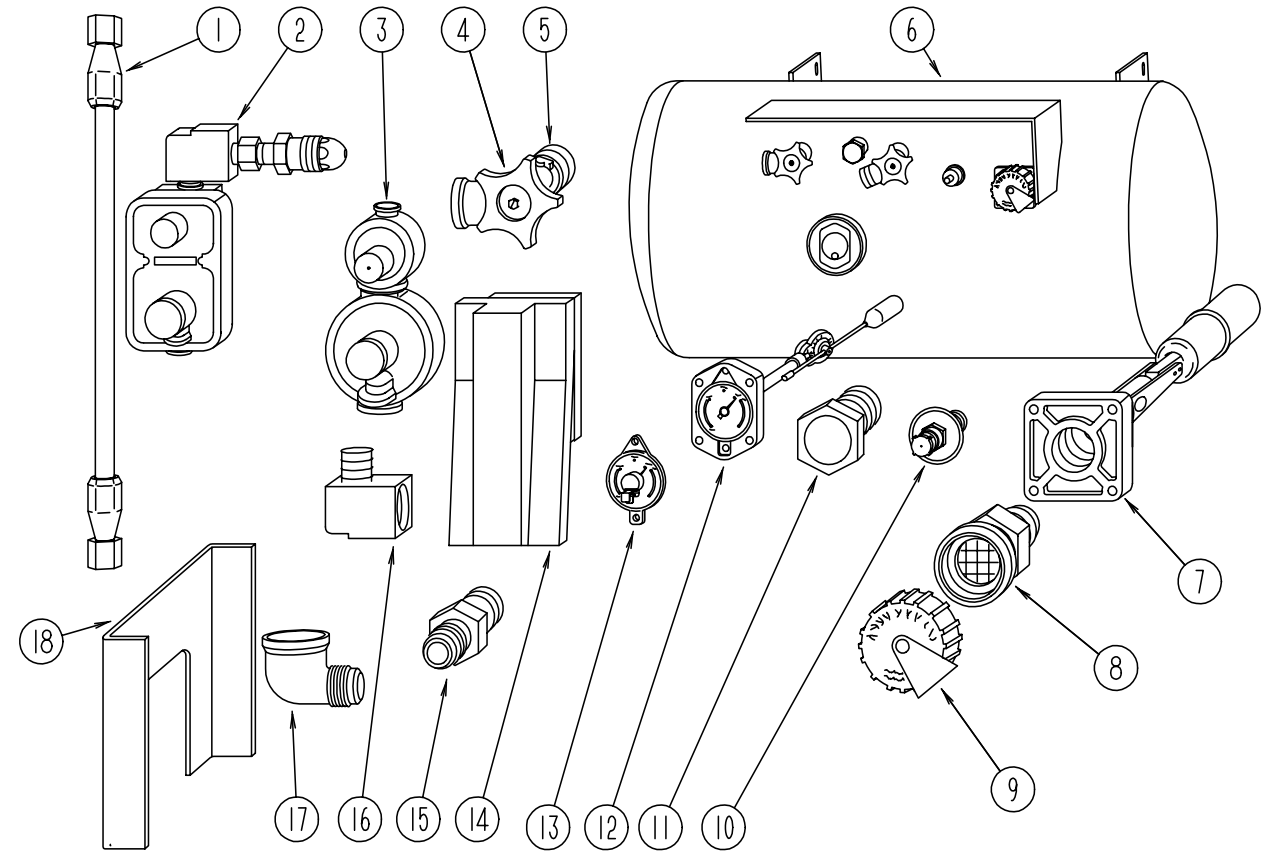


KEY	PART NUMBER	U/M	DESCRIPTION
1	050225-01-000	EA	LABEL-WARNING, STOVE VENT - US
1	050222-01-000	EA	LABEL-WARNING, STOVE VENT - CANADIAN

### MISCELLANEOUS LABELS

KEY	PART NUMBER	U/M	DESCRIPTION
	073998-01-000	EA	LABEL-LPG ODOR WARNING
	087236-01-000	EA	LABEL-CABLE, INPUT
	006062-04-000	EA	LABEL-ELECTRIC, 120/240 VOLT SERVICE
	006187-01-000	EA	LABEL-"SEWAGE"
	099509-01-000	EA	LABEL-AWNING INSTALLATION

## LP GROUP

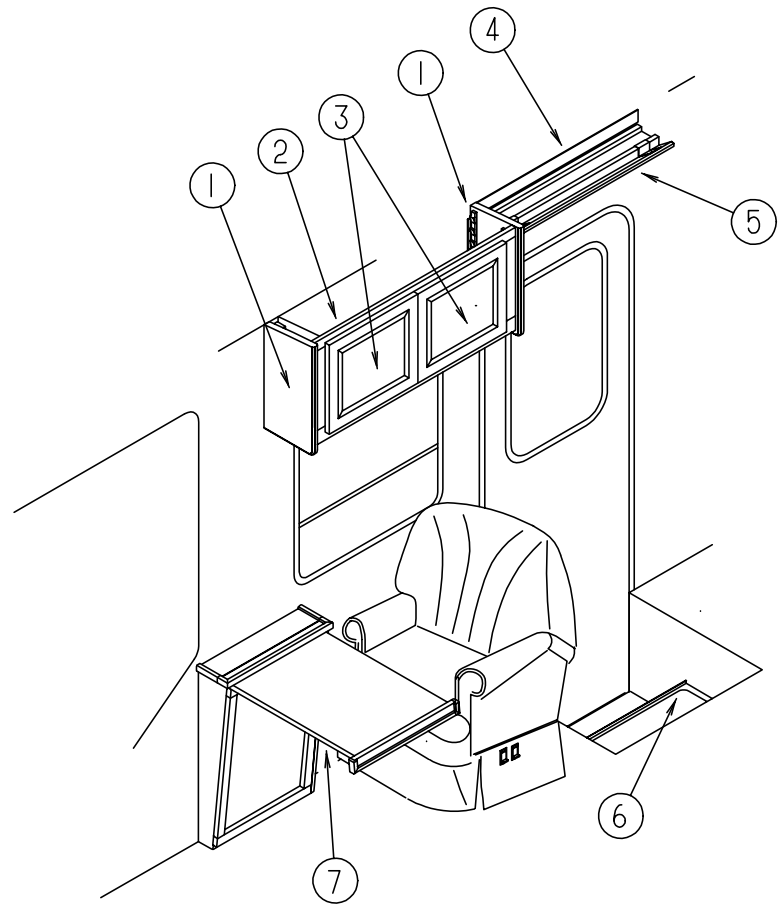


### LP TANK & COMPONENTS

KEY	PART NUMBER	U/M	DESCRIPTION
1	045073-01-000	EA	HOSE ASM-LP, 3/8 ID X 24" - US - 3/8MPT X 12F - SWIVEL - U.S.
1	045073-02-000	EA	HOSE ASM-LP, 3/8 ID X 24" - US - 3/8MPT X 12F - SWIVEL - CANADIAN
2	106150-01-000	EA	REGULATOR-TWO STAGE
3	106150-02-000	EA	REGULATOR-TWO STAGE
4	040421-01-708	EA	HANDWHEEL-VAPOR RELIEF VALVE, BRUNNER G-1015-A
5	040421-01-712	EA	VALVE-SERVICE W/HANDWHEEL - W/O VAPOR RELIEF - BRUNNER 29000853
6	088253-06-000	EA	TANK-LP, 130 LB
7	040421-01-711	EA	VALVE-80% W/FLOAT, PLATE, BOLTS & GASKET - BRUNNER
8	040421-01-701	EA	VALVE-SHORT LP FILLER W/YELLOW CAP - BRUNNER 75478
9	040421-01-702	EA	CAP-LP FILLER VALVE, PLASTIC - YELLOW - BRUNNER G-1014-A
10	040421-01-700	EA	GAUGE-LIQUID LEVEL, 20% LP - BRUNNER G-1013
11	040421-01-713	EA	PRESSURE RELIEF VALVE
12	088253-01-700	EA	FLOAT GAUGE ASM, FOR 16" DIAMETER TANK - 16C
13	040440-02-000	EA	TRANSMITTER-DIAL, 90 OHM
14	105658-01-000	EA	COMPARTMENT-LP REGULATOR
15	010323-01-000	EA	ADAPTER-BRASS, 3/8F X 1/2MPT
16	065318-02-000	EA	ELBOW-90 DEGREE, 3/8" MPT TO 3/8" FPT
17	010265-01-000	EA	ELBOW-BRASS, 90 DEGREE - 3/8"F X 1/2"FPT
18	104998-03-000	EA	MOUNT-LP TANK
	010377-02-000	EA	NUT-BRASS, 3/8 FEMALE - FORGED
	010329-01-000	EA	ADAPTER-BRASS, 1/2" F X 1/2" MPT
	103613-01-000	EA	DETECTOR-LP GAS



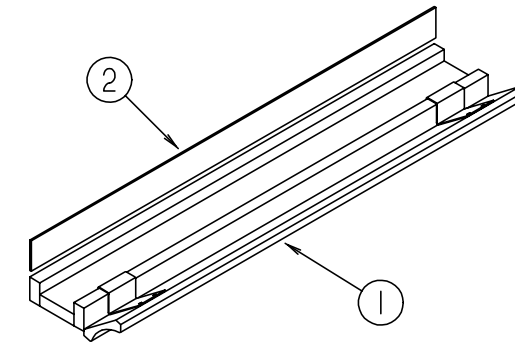
## LOUNGE GROUP



### PASSENGER SIDE CABINETS & TABLE

KEY	PART NUMBER	U/M	DESCRIPTION
1	113292-02-FQ0	EA	END CAP-CABINET, OVERHEAD (PICKLED ASH)
1	113292-02-FQ1	EA	END CAP-CABINET, OVERHEAD (SALEM CHERRY)
2	P13010-01-FQ0	EA	CABINET-OVERHEAD, W/O DOOR OR HARDWARE (PICKLED ASH)
2	P13010-01-FQ1	EA	CABINET-OVERHEAD, W/O DOOR OR HARDWARE (SALEM CHERRY)
3	M05990-20-FQ0	EA	DOOR-CABINET, W/O HARDWARE - 365 X 410MM (PICKLED ASH)
3	M05990-20-FQ1	EA	DOOR-CABINET, W/O HARDWARE - 365 X 410MM (SALEM CHERRY)
4	058331-B9-000	EA	MIRROR-GLASS, SAFETY - 50 X 766MM
5	113318-01-FQ0	EA	CABINET-VALANCE, INDIRECT LIGHTING (PICKLED ASH)
5	113318-01-FQ1	EA	CABINET-VALANCE, INDIRECT LIGHTING (SALEM CHERRY)
6	P14437-01-000	EA	CABINET ASM-LID, W/O CARPET
	107941-02-05B	EA	SUPPORT-LID, ENTRANCE STEP, BEIGE
	101222-01-01A	EA	BRACKET-CATCH, LID - BEIGE
7	114134-01-FQ0	EA	CABINET-PULLOUT TABLE (PICKLED ASH) (FQ0, FQ8)
7	114134-01-FQ1	EA	CABINET-PULLOUT TABLE (SALEM CHERRY) (FQ1, FQ9)
7	114134-01-FQ2	EA	CABINET-PULLOUT TABLE (PICKLED ASH)
7	114134-01-FQ3	EA	CABINET-PULLOUT TABLE (SALEM CHERRY)
7	114134-01-FQ4	EA	CABINET-PULLOUT TABLE (PICKLED ASH)
7	114134-01-FQ5	EA	CABINET-PULLOUT TABLE (SALEM CHERRY)
	114134-13-FQ0	EA	TOP-PULLOUT (PICKLED ASH) (FQ0, FQ8)
	114134-13-FQ1	EA	TOP-PULLOUT (SALEM CHERRY) (FQ1, FQ9)
	114134-13-FQ2	EA	TOP-PULLOUT (PICKLED ASH)
	114134-13-FQ3	EA	TOP-PULLOUT (SALEM CHERRY)
	114134-13-FQ4	EA	TOP-PULLOUT (PICKLED ASH)
	114134-13-FQ5	EA	TOP-PULLOUT (SALEM CHERRY)

## LOUNGE GROUP (CONTINUED)



### DRIVER SIDE CABINETS

KEY	PART NUMBER	U/M	DESCRIPTION
1	058331-B8-000	EA	MIRROR-GLASS, SAFETY - 50 X 1744MM
2	113317-01-FQ0	EA	CABINET-VALANCE, INDIRECT LIGHTING (PICKLED ASH)
2	113317-01-FQ1	EA	CABINET-VALANCE, INDIRECT LIGHTING (SALEM CHERRY)
	083125-05-000	EA	BRACE-ANGLE, COUCH - 2.5" - BEIGE

## SEALANTS & FASTENERS GROUP

### SEALANTS & ADHESIVES

KEY	PART NUMBER	U/M	DESCRIPTION
	004001-01-000	EA	EPOXY ADHESIVE (GRAY), DP-110
	004001-05-000	EA	EPOXY ADHESIVE (CLEAR), DP-100
	004011-01-000	EA	ADHESIVE-3M, 4475 TUBE
	004363-01-000	FT	TAPE-ADHESIVE FOAM, 1 SIDE - 3/16" X 1/2" X 50' - GRAY
	034552-02-000	EA	SILICONE-TUBE, 300 ML - CLEAR
	034552-06-000	EA	SILICONE-TUBE, 300 ML - OFF WHITE
	034552-12-000	EA	SILICONE-TUBE, 300 ML - BUFF
	062917-03-000	EA	ADHESIVE-LOCTITE 242, LOCTITE 242 - SIDE 41
	067788-01-000	EA	ADHESIVE-SPRAY, 3M 74 - 19.5 OUNCE CAN
	069640-01-000	FT	SEALER-RIBBON, 1/4" DIAMETER
	069640-03-000	FT	SEALER-RIBBON, 3/4" X 1/8"
	069640-07-000	FT	SEALER-RIBBON, 2" X 3/32"
	069640-09-000	FT	SEALER-RIBBON, 2 1/2" X 3132"
	069640-11-000	FT	SEALER-TAPE, 3/16" X 3/8" - BLACK - MANUS
	069640-14-000	FT	SEALER-TAPE, 1/16" X 1" - GRAY - MANUS
	072889-01-000	EA	SEALANT-URETHANE, BLACK - 1/10 - ESSEX 552.2
	076322-02-000	FT	TAPE-FOAM, DOUBLE COATED ADHESIVE BACKED - 1" X 108'
	076322-03-000	FT	TAPE-FOAM, DOUBLE COATED ADHESIVE BACKED - .5" X 108'
	076322-05-000	FT	TAPE-FOAM, DOUBLE COATED - .025" X 1.5" X 108'
	076322-07-000	FT	TAPE-FOAM, DOUBLE COATED, .045 X .50 - 3M 4949 VHB
	076322-08-000	FT	TAPE-FOAM, DOUBLE COATED, .045 X .50 - 3M 4949 VHB
	087211-01-000	GL	PROMOTER-ADHESIVE
	094401-01-000	EA	SEALER-BODY SEAM SEALER, 3M FLEXICLEAR
	099952-01-000	FT	CORE-SEAL, BULB SUPPORT - 11MM DIAMETER
	107828-01-000	EA	SEALANT-SB 190 EVERSEAL, SURE BOND INC
	108353-01-000	FT	SEAL-FOAM, 5/16 X 1/2 - ADHESIVE BACKED
	108353-03-000	FT	SEAL-FOAM, 4.76 X 6.35MM - ADHESIVE BACKED
	108716-02-000	EA	SILICONE, (TUBE) - BUFF LEVEL - CSL 510
	110274-01-000	FT	TAPE-FOAM, DOUBLE COATED - .045 X 1.0 - NORTON V-2800
	114311-01-000	GL	ADHESIVE-GLUE, 72-7843 NATURAL STARCH
	900390-01-000	EA	TIP-2 1/2" X 1/8" ORIFICE
	900390-02-000	EA	TIP-6"LN, 1/16" X 1/4" ORIFICE
	900390-03-000	EA	NOZZLES-CSL D10

### BOLTS, NUTS & WASHERS

KEY	PART NUMBER	U/M	DESCRIPTION
	000C12-05-12B	EA	BOLT-HEX, 5/16 - 18 X 3/4 - ZINC 5
	000C12-05-16B	EA	BOLT-HEX, 5/16-18 X 1 - ZINC 5
	000C12-06-20B	EA	BOLT-HEX, 3/8 - 16 X 1 1/4 - ZINC 5
	000C12-06-32B	EA	BOLT-HEX, 3/8 - 16 X 2LG - ZINC 5
	000C12-08-24B	EA	BOLT-HEX, 1/2-13 X 1 1/2 - ZINC 5
	000C13-07-48B	EA	BOLT-HEX, 7/16 - 20 X 3 - ZINC 5
	000C26-04-10B	EA	BOLT-HEX, SER FLG - 1/4-20 X 5/8 ZINC
	000C26-05-12B	EA	BOLT-HEX-SER FLG 5/16-18 X 3/4 ZINC
	000C26-05-16B	EA	BOLT-HEX, SER FLG 5/16 - 18 X 1 ZINC
	000C26-05-20B	EA	BOLT-HEX, SER FLG 5/16 - 18 X 1 1/4 ZINC
	000C26-06-20B	EA	BOLT-HEX, SER FLG 3/8 - 16 X 1 1/4 - ZINC
	051387-05-000	EA	BOLT-CARRIAGE, 5/16 - 18 X 8.5 - ZINC - W/O HOLE
	051387-06-000	EA	BOLT-CARRIAGE, W/O HOLE - 5/16-18 X 9.5 ZINC
	106956-03-000	EA	BOLT-HEX TAP, 1/2-13NC X 3 GR5 - FULL THREAD ZINC
	000D24-10-00B	EA	NUT-HEX, SF/LK - 10-32 ZINC
	000D29-06-00B	EA	NUT-HEX, W/NYLON LOCK - 3/8 - 16 - ZINC
	000D34-06-00B	EA	NUT-HEX, LK - 3/8 - 16 GRADE C ZINC - PREVAILING TORQUE
	000D39-04-00B	EA	NUT-HEX, SER FLG LK 1/4 - 20 ZINC
	000D39-05-00B	EA	NUT-HEX, SER FLG LK - 5/16 - 18 ZINC
	000D39-06-00B	EA	NUT-HEX, SER FLG LK - 3/8-16 ZINC
	000D39-08-00B	EA	NUT-HEX, SER FLG LK - 1/2-13 ZINC
	000D44-07-00B	EA	NUT-HEX, SER FLG LK - 7/16-20 ZINC
	000D60-05-00A	EA	NUT-HEX, WELD LOCK - 5/16 - 18 - SHORT PILOT
	005081-01-000	EA	NUT-SPEED, C TYPE - NO 8 SCREW
	040921-03-000	EA	NUT-SPEED, U TYPE - NO 10

## SEALANTS & FASTENERS GROUP (CONTINUED)

### BOLTS, NUTS & WASHERS (CONTINUED)

KEY	PART NUMBER	U/M	DESCRIPTION
	040921-05-000	EA	NUT-SPEED, U TYPE - NO. 8 - .67" LENGTH X .44" WIDTH
	044364-02-000	EA	NUT-SPEED, FLAT - ROUND
	106648-01-000	EA	CAP-STUD, .120 TO .130 STUD DIAMETER - T'MN C30017-014-27
	063253-07-000	EA	NUT-J, #8A .120 - .130 PNL THK
	077049-01-000	EA	NUT-ACORN, 10 - 32 ALUMINUM
	087234-01-000	EA	NUT-JACK, 1/4 X 20 THREAD - MOLLY
	000E11-05-00B	EA	WASHER-LK, 5/16" MED - SPLIT - ZINC
	000E11-07-00B	EA	WASHER-LK, 7/16" MED - SPLIT - ZINC
	000E13-14-00B	EA	WASHER-FL, 1/4" WIDE ZINC
	000E13-17-00B	EA	WASHER-FLARE, 3/8" AR ZINC
	000E13-21-00B	EA	WASHER-FL - W/2 NAR ZINC
	000E14-10-00B	EA	WASHER-LK - NO 10 EXT TOOTH - ZINC
	058716-02-000	EA	WASHER-FLAT, NYLON - .406 X .75 X .06
	102378-01-02A	EA	WASHER-BLACK, REAR COMPARTMENT DOORS
	107397-01-000	EA	WASHER-FENDER, 6.8"ID X 32.0"OD

### SCREWS

KEY	PART NUMBER	U/M	DESCRIPTION
	000C20-06-20T	EA	SCREW-3/8-16X1 1/4,FLAT SOC 93 M-SERIES
	000G11-06-06B	EA	SCREW, 6-20 X 3/8 PPH - ZINC
	000G11-06-10B	EA	SCREW, 6-20 X 5/8 PPH ZINC
	000G11-06-10J	EA	SCREW, 6-20 X 5/8 PPH - BRASS
	000G11-07-08B	EA	SCREW, 7-19 X 1/2 PPH - ZINC
	000G11-08-06B	EA	SCREW, 8-18 X 3/8 PPH ZINC
	000G11-08-08B	EA	SCREW, 8-18 X 1/2 PPH - ZINC
	000G11-08-08T	EA	SCREW, 8-18 X 1/2 PPH
	000G11-08-12B	EA	SCREW, 8-18 X 3/4 PPH ZINC
	000G11-08-12D	EA	SCREW, 8-18 X 3/4 PPH - BLACK
	000G11-08-12P	EA	SCREW, 8-18 X .75 PPH - DARK BROWN
	000G11-08-12R	EA	SCREW, 8-18 X 3/4 PPH - BEIGE
	000G11-08-12S	EA	SCREW, 8-18 X 3/4 PPH - OFF WHITE
	000G11-08-12T	EA	SCREW, 8-18 X 3/4 PPH - BLACK
	000G11-10-12D	EA	SCREW, 10-16 X 3/4 PPH - BLACK
	000G11-10-12S	EA	SCREW, 10-16 X.75 PPH OFF WHT
	000G11-10-16B	EA	SCREW, 10-16 X 1 - PPH ZINC
	000G11-10-40B	EA	SCREW, 10-16 X 2 1/2 PPH CAD
	000G12-06-08T	EA	SCREW, 6-20 X .50 POH - BLACK
	000G12-06-14A	EA	SCREW, 6-20 X.87 POH PLAIN
	000G13-06-06B	EA	SCREW, 6-20 X3/8 PFH ZINC
	000G13-06-08G	EA	SCREW, 6-20 X 1/2 PFH - ANTIQUE BRASS
	000G13-06-16J	EA	SCREW, 6-20 X 1.00 PFH - BRASS
	000G13-06-24J	EA	SCREW, 6-20 X1.50 PFH BRASS
	000G13-07-12B	EA	SCREW, 7-19 X 3/4 PFH ZINC
	000G13-08-10B	EA	SCREW, 8-18 X 5/8 PFH - ZINC
	000G13-08-16B	EA	SCREW, 8-18 X 1 PFH - ZINC
	000G16-04-24B	EA	SCREW-MACHINE, 1/4 - 20 X 1-1/2 PPH
	000G18-08-16B	EA	SCREW-MACHINE, 8 X 32 X 1, PPH ZINC
	000G18-08-22B	EA	SCREW-MACHINE, 8-32 X 1 3/8 PPH ZINC
	000G19-10-08B	EA	SCREW-MACHINE, 10-32 X 1/2 PPH ZINC
	000G19-10-10B	EA	SCREW-MACHINE, 10-32 X 5/8 - PPH - ZINC
	000G19-10-20B	EA	SCREW-MACHINE, 10-32 X 1 1/14 PPH ZINC
	000G32-10-06B	EA	SCREW-10-32 X 3/8" - PPH - ZINC
	000G32-10-06D	EA	SCREW-10 - 32 X 3/8 PPH TYPE1 BLACK
	000G39-06-08B	EA	SCREW-SF/DR, 6-18 X 1/2 PPH - ZINC
	000G39-06-10T	EA	SCREW-SF/DR, 6-20 X 5/8 PPH - BLACK
	000G39-06-16T	EA	SCREW-SF/DR, 6-20 X 1 PPH - BLACK
	000G39-08-06B	EA	SCREW-SF/DR, 8-18 X 3/8 PPH ZINC
	000G39-08-08B	EA	SCREW-SF/DR, 8-18 X 1/2 PPH ZINC
	000G39-08-08R	EA	SCREW-SF/DR, 8-18 X 1/2 PPH - BEIGE
	000G39-08-08S	EA	SCREW-SF/DR, 8-18 X 1/2 PPH - OFF WHITE

## SEALANTS & FASTENERS GROUP (CONTINUED)

### SCREWS (CONTINUED)

KEY	PART NUMBER	U/M	DESCRIPTION
	000G39-08-083	EA	SCREW-SF/DR, 8-18 X 1/2 PAH - BUFF
	000G39-08-12B	EA	SCREW-SF/DR, 8-18 X 3/4 PPH ZINC
	000G39-08-12T	EA	SCREW-SF/DR, 8-18 X 3/4 PPH BLACK
	000G39-08-16B	EA	SCREW-SF/DR, 8-18 X 1 PPH ZINC
	000G39-08-16T	EA	SCREW-SF/DR, 8-18 X 1 PPH - BLACK
	000G39-08-24B	EA	SCREW-SF/DR, 8-18 X 1 1/2 PPH ZINC
	000G39-08-32B	EA	SCREW-SF/DR, 8-18 X 2 PPH - ZINC
	000G39-10-088	EA	SCREW-SF/DR 10-16 X.50 P&H - DRILL-FLEX F'CARBON
	000G39-10-209	EA	SCREW-SF/DR, 10-16 X 1.25 PPH - FLUOROCARBON SILVER
	000G39-10-10B	EA	SCREW-SF/DR, 10-16 X .625
	000G39-10-12D	EA	SCREW-SF/DR, 10-16 X 3/4 PPH - BLACK
	000G39-10-20B	EA	SCREW-SF/DR, 10-16 X 1 1/4 PPH ZINC
	000G39-10-32B	EA	SCREW-SF/DR, 10- 6 X 2.00 PPH - ZINC
	000G42-04-12B	EA	SCREW-SF/DR, 1/4-14 X 3/4 HWH ZINC
	000G42-04-16B	EA	SCREW-SF/DR, 1/4-14 X 1 HWH - ZINC
	000G46-08-24T	EA	SCREW-MACHINE, 8-32-1.50 IN PFH - BLACK
	000G50-04-12B	EA	SCREW-MACH, 1/4-20 X 3/4 PPH ZINC
	000G51-08-08B	EA	SCREW-8-18 X 1/2 PTH ZINC
	000G52-08-06B	EA	SCREW-MACH-8-32 X 3/8 PTH ZINC
	000G53-04-06B	EA	SCREW-MACHINE, 1/4-20 X 3/8 PPH ZINC - UNDERCUT HEAD
	000G54-04-20B	EA	SCREW, 1/4-20 X 1 1/4 PTH - TYPE 23 - ZINC PLATED
	000G55-08-125	EA	SCREW-SF/DR, 8-18 X .75 PWH - WILLOW
	000G55-08-162	EA	SCREW-SF/DR, 8-18 X 1.00 - BEIGE
	000G56-12-48B	EA	SCREW-WOOD, 12 - 11 X 3 POH - SPECIAL HARDENED
	000G57-05-16J	EA	SCREW, 5-20 X 1 PFH - BRASS
	000G60-08-163	EA	SCREW-SF/DR, 8-18 X 1.00 POH - BUFF
	000G60-10-16J	EA	SCREW0SF.DR, 10-16 X 1 POH - BRIGHT BRASS
	000G67-08-32B	EA	SCREW-8-15X2 PPH ZINC
	000G67-10-08B	EA	SCREW, 10-12 X 1/2 PPH ZINC
	000G67-10-08R	EA	SCREW, 10-12 X 1/2 PPH - BEIGE - TYPE A
	000G67-10-10B	EA	SCREW, 10-12 X 5/8 PPH ZINC - TYPE A
	000G67-10-10D	EA	SCREW, 10-12 X 5/8 PPH - BLACK - TYPE A
	000G67-10-10R	EA	SCREW, 10-12 X 5/8 PPH - TYPE A - BEIGE
	000G67-10-12B	EA	SCREW, 10-12 X 3/4" PPH - ZINC
	000G67-10-16B	EA	SCREW, 10-12 X 1 PPH - ZINC
	000G67-10-16P	EA	SCREW, 10-12 X 1 PPH - DARK BROWN
	000G67-10-32B	EA	SCREW, 10-12 X 2 PPH - ZINC
	000G67-10-36T	EA	SCREW-10-12 X 2.25 PPH - BLACK - STALGAURD
	000G67-10-48B	EA	SCREW-10-12 X 3 PPH ZINC
	000G68-06-10G	EA	SCREW, 6-18 X 5/8 POH - ANTIQUE BRASS
	049465-01-000	EA	SCREW, 10-16 W/WASHER PTH - DARK BROWN
	049465-04-000	EA	SCREW, 10-16 W/WASHER PTH - BEIGE
	075908-01-000	EA	SCREW-MACHINE, 10-32 X .56 PTH - ZINC EXTERNAL TOOTH
	087721-01-000	EA	SCREW-FLAT HEAD, TAPPING - 1/4" X 1 1/4" LG ZINC
	091230-03-000	EA	SCREW-MACH, 8-32 X 3/4 POH SS - BUFF
	101289-01-01A	EA	SCREW-MACHINE, 8-32 X 4 - POH - BRASS - FOR EXTENDED KNOB

## SEALANTS & FASTENERS GROUP (CONTINUED)

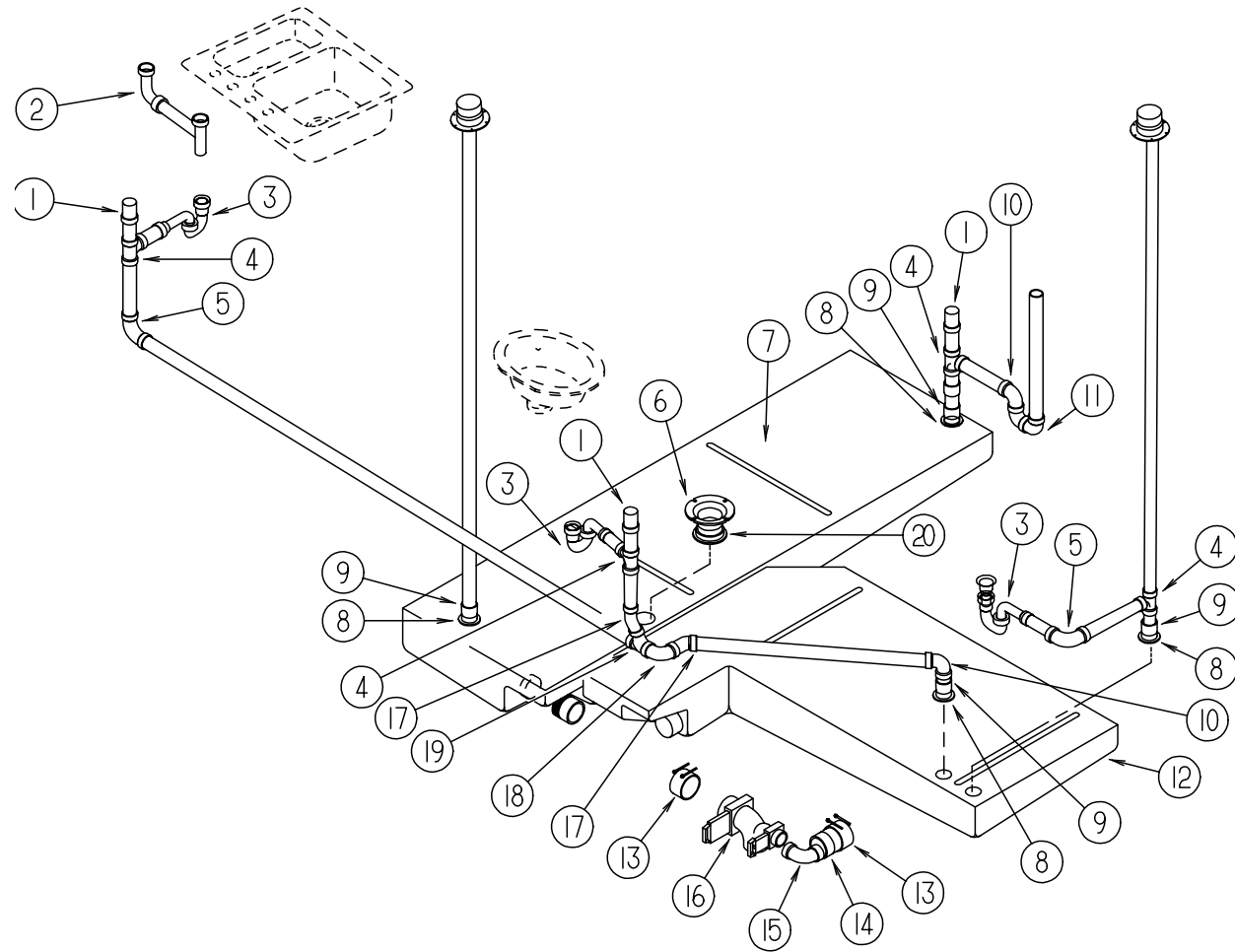
### CLAMPS, GROMMETS & CLIPS

KEY	PART NUMBER	U/M	DESCRIPTION
	007161-01-000	EA	CLAMP-HOSE, SPRING TYPE - 1/2"
	010495-01-000	EA	CLAMP-CABLE, 9/16"
	010497-01-000	EA	CLAMP-CLOSED, 5/8" ID
	010497-03-000	EA	CLAMP-CLOSED, 1" ID - CUSHIONED
	010497-04-000	EA	CLAMP-CLOSED, 1.62 ID
	010497-05-000	EA	CLAMP-CLOSED, 1/2" ID
	010497-07-000	EA	CLAMP-CLOSED, 3/8" ID
	010499-01-000	EA	CLAMP-CLOSED, 3/8" ID
	062401-02-000	EA	CLAMP-HOSE, WORMGEAR, 1.56" - 2.5"
	062401-04-000	EA	CLAMP-HOSE, WORMGEAR .69" - 1.25"
	062401-05-000	EA	CLAMP-HOSE, WORMGEAR - 2" X 3"
	062401-06-000	EA	CLAMP-HOSE, WORMGEAR .22"-.62"
	062401-07-000	EA	CLAMP-HOSE, WORMGEAR 5"- 7"
	075148-02-000	EA	CLAMP-GROUNDING, BRONZE SCREWS
	083609-01-000	EA	CLAMP-WIRE, DUAL EQUAL - 5/8" DIAMETER
	083610-01-000	EA	CLAMP-WIRE, DUAL - UNEQUAL DIAMETERS - .75" & 1.25"
	P06091-01-000	EA	CLAMP-A/C LINE
	008380-01-000	EA	GROMMET-RUBBER, 5/8" HOLE X 1 1/2" DIAMETER - BLACK
	016188-03-000	EA	GROMMET-L/P LINE, 3/8" HOLE X 2 1/2" LONG - RUBBER
	016188-05-000	EA	GROMMET-L/P LINE, 3/8" HOLE X 1 1/4" LONG - RUBBER
	023942-01-000	EA	GROMMET-RUBBER, 2" OD
	071015-11-000	EA	GROMMET-1.00ID.FITS .12 MATL MINOR RUBBER Z-3065
	071015-21-000	EA	GROMMET-RUBBER, .5" ID X 1.06" OD W/.19" GROOVE - BLACK
	071015-26-000	EA	GROMMET-RUBBER, 1.5" ID X 2.12" OD W/.06" GROOVE - BLACK
	071015-29-000	EA	GROMMET-RUBBER, .25" ID X .1.25" OD W/.12" GROOVE - BLACK
	071015-30-000	EA	GROMMET-RUBBER, .31" ID X .81" OD W/.12" GROOVE - BLACK
	077955-01-000	EA	CLIP-J,VINYL COATED, 3/8" - USED TO SUPPORT WIRING TO LIGHTS
	080734-02-000	EA	CLIP-WIRE, NYLON
	091952-01-000	EA	CLIP-GRIPPER, 1"
	094362-02-000	EA	CLIP-CHRISTMAS TREE, FLAT HEAD - .5" X .95"
	101447-01-000	EA	CLIP-U TYPE, TINNEMAN - HOLDS SHOWER SURROUND TOGETHER
	080211-03-000	EA	CLIP-MOUNTING, (XMAS TREE) - DECORATIVE WALL PADS
	114172-01-000	EA	COUPLER-BLACK, 1 1/4FPT X 1 1/4FPT

### WIRE TIE, VELCRO, PLUGS & FASTENERS

KEY	PART NUMBER	U/M	DESCRIPTION
	008343-01-000	EA	TIE-WIRE, 6"
	008343-02-000	EA	TIE-WIRE, 14"
	029094-06-000	YD	VELCRO TAPE-LOOP, 2" WIDE - BLACK
	029094-04-000	YD	VELCRO TAPE-LOOP, 1" WIDE - BLACK
	029094-03-000	YD	VELCRO TAPE-HOOK, 1" WIDE - BLACK
	081211-04-000	EA	PLUG-PLASTIC, .46" DIAMETER - BLACK
	085774-01-000	FT	FASTENER-DUAL HOOK, 1" WIDE - ADHESIVE BACK - BLACK
	085774-02-000	FT	FASTENER-DUAL LOOP, 1" WIDE - ADHESIVE BACK - BLACK
	086285-01-000	EA	SPACER-NYLON, .5" OD X .257" ID

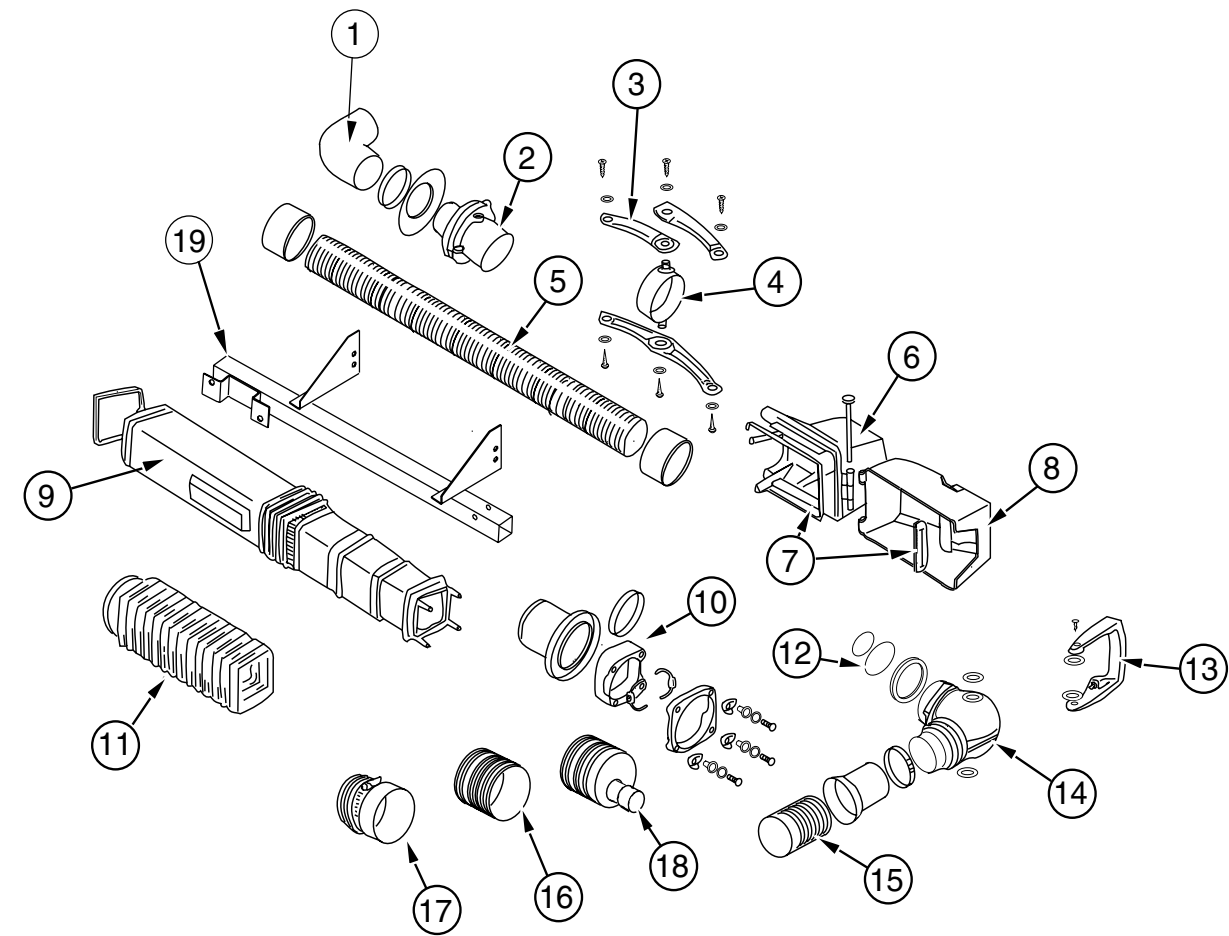
## WATER & SEWAGE GROUP



### DRAINAGE SYSTEM

KEY	PART NUMBER	U/M	DESCRIPTION
1	079968-01-000	EA	VENT-MECHANICAL TRAP ARM, ANTI-SIPHON - 2" DIA X 7.3" - PLASTIC
2	091980-01-000	EA	WASTE-CONTINUOUS, DOUBLE HOOK-UP TO DRAIN ON DOUBLE SINK
2	091980-02-000	EA	WASTE-CONTINUOUS, DOUBLE SINK - T5063/4RVSBP W/TAILO (DISHWASHER)
3	109571-01-000	EA	ADAPTER-P TRAP, 1 1/2" P X 1 1/4" MPT
3	107538-01-000	EA	P-TRAP-PLASTIC, 1 1/4" W/EXT ARM
3	011071-01-000	EA	P-TRAP-PLASTIC, 1 1/2" - NIBCO 5892 1 1/2"
4	010071-01-000	EA	TEE-SANITARY, 1 1/2" HUB X HUB X HUB - PLASTIC - BLACK
5	010008-01-000	EA	ELBOW-90 DEGREE, 1/4 BEND - 1 1/2" HUB X HUB - BLACK PLASTIC
6	024676-01-000	EA	FLANGE-CLOSET, 4" X 3"
7	112788-01-000	EA	TANK-HOLDING, 59 GALLON
8	061607-01-000	EA	GROMMET-HOLDING TANK, 1 1/2" NPS
9	010115-01-000	EA	COUPLING-1 1/2" HUB X HUB, PLASTIC
	010168-01-000	EA	PLUG-PLASTIC, 1 1/2"
10	034250-01-000	EA	ELBOW-90 DEGREE, LONG TURN - 1 1/2" HUB X HUB - ABS
11	010009-01-000	EA	ELBOW-90 DEGREE, 1/4 BEND - 1 1/2" - PLASTIC
12	112789-01-000	EA	TANK-HOLDING, 46 GALLON
13	078406-01-000	EA	COUPLER-RUBBER, W/CLAMPS - 3" X 3"
14	062422-01-000	EA	ADAPTER-OFFSET REDUCER, 3" X 1 1/2" - PLASTIC - BLACK
15	041956-01-000	EA	ELBOW-STREET, PLASTIC - 1/4" BD 3 X 90 XLT
16	070916-02-000	EA	VALVE-DUAL DUMP, W/CAP - 3" X 1 1/2" - PLASTIC - BLACK
	070916-01-700	EA	VALVE ONLY, 3"
	070916-01-701	EA	VALVE ONLY, 1 1/2"
17	010051-01-000	EA	ELBOW-45 DEGREE BEND, 1 1/2" SPIGOT AND HUB - PLASTIC - BLACK
18	033761-01-000	EA	ELBOW-TURN, 1/4 BEND X 1.5"HUB X 1.5"SPIGOT - BLK PLASTIC
19	010073-01-000	EA	WYE-45 DEGREE, 1 1/2" HUB X HUB X HUB - PLASTIC - BLACK
20	061607-02-000	EA	GROMMET-HOLDING TANK, 3" NPS
	114191-02-000	EA	HOSE-DRAIN, THETFORD 17327
	062416-01-000	EA	ADAPTER-SEWER HOSE TO 3" PIPE

## WATER & SEWAGE GROUP (CONTINUED)



### TELESCOPING DRAIN

KEY	PART NUMBER	U/M	DESCRIPTION
	114191-01-000	EA	DRAIN-TELESCOPING, THETFORD
	114191-01-700	EA	FASTENER HDW PACKAGE, 17006
1	114191-01-701	EA	INLET HOSE KIT, 17244
2	114191-01-702	EA	SWIVEL MOUNT ASSEMBLY, 1713327
3	114191-01-703	EA	TIE BAR KIT (HOOPNOT INC), 1713427
4	114191-01-704	EA	HOOP, 1714427
5	114191-01-705	EA	FLEX HOSE KIT (LT HAND), 17146
6	114191-01-706	EA	CABINET REPLACEMENT, 1713927
7	114191-01-707	EA	CABINET SEAL KIT, 17140
8	114191-01-708	EA	DOOR REPLACEMENT PKG, 1713827
9	114191-01-709	EA	TUBE SET, 1713227
10	114191-01-710	EA	QUICK DISCONNECT MECHANISM AND SEAL, 1714127
11	114191-01-711	EA	BELLOWS PKG, 1703027
12	114191-01-712	EA	SPOUT SEAL PKG, 1713027
13	114191-01-713	EA	BAIL HANDLE ASM, 1713164
14	114191-01-714	EA	SPOUT VALVE ASM, 1700427
15	114191-01-715	EA	OUTLET HOSE KIT, 17151
16	114191-01-716	EA	HOSE ADAPTER (THREADED), 1714527
17	114191-01-717	EA	STRAIGHT HOSE ADAPTER W/CLAMP, 1714227
18	114191-01-718	EA	GARDEN HOSE ADAPTER W/CLAMP, 1714327
19	115124-01-02B	EA	SUPPORT ASM-DRAIN, E-COAT

**WATER & SEWAGE GROUP (CONTINUED)****FRESH WATER TANK**

KEY	PART NUMBER	U/M	DESCRIPTION
	105627-04-000	EA	TANK -WATER, 90 GALLON - W/FITTINGS
	105627-01-000	EA	TANK -WATER, 90 GALLON - W/O FITTINGS
	042989-02-000	EA	FITTING-WATER TANK, SPINWELD - 1/2" NPT - PLASTIC - WHITE
	042989-03-000	EA	FITTING-WATER TANK, SPINWELD - 1 1/4" NPT - PLASTIC - WHITE
	042989-04-000	EA	FITTING-WATER TANK, SPINWELD - 3/8" FPT - PLASTIC - WHITE
	042989-05-000	EA	FITTING-WATER TANK, SPINWELD - 1/2" FPT - PLASTIC - WHITE
	049032-01-000	EA	PATCH-SPINWELD, 3/8" - PLASTIC
	039861-01-000	EA	SENDING UNIT-W/SCREW, WASHER, WELL NUT & TERMINAL RING
	077954-02-000	EA	FILTER-WATER TANK, SCREEN IN TANK
	079381-01-000	FT	TUBING-SMOOTH FLEXIBLE, 1 1/4" ID
	096449-01-000	EA	WIRE ASSEMBLY-WATER TANK TO MONITOR PANEL
	010224-01-000	EA	ADAPTER-HOSE TO PIPE, 3/8" MPT X 3/8" BARB - BLACK PLASTIC
	044927-01-000	EA	ADAPTER-HOSE TO PIPE, 1 1/4"MPT X 1 1/4"BARB-BLACK PLASTIC
	052959-02-000	EA	CONNECTOR, 1/2" F X 1/2" MPT - PLASTIC - GRAY
	055290-01-000	EA	ELBOW-5/8"F X 1/2"MPT
	114429-01-000	EA	ELBOW-1/2P X 1/2P, FLAIR-IT 02800
	074462-02-000	FT	TUBING-VINYL, 3/8" ID - CLEAR

**WATER SYSTEM**

KEY	PART NUMBER	U/M	DESCRIPTION
	044927-01-000	EA	ADAPTER-HOSE TO PIPE, 1 1/4"MPT X 1 1/4"BARB-BLACK PLASTIC
	114427-01-000	EA	CAP-1/2P
	101814-01-000	EA	COUPLING-FEMALE, 1/2" X 1/2" FPT - W/SLEEVE
	039800-02-000	FT	TUBING-POLYBUTYL, 5/8" OD - INCREMENTS OF 20' - BLACK
	079381-01-000	FT	TUBING-SMOOTH FLEXIBLE, 1 1/4" ID X 20'
	039800-04-000	FT	TUBING-POLYBUTY-1/4OD X 20FT
	077054-01-000	EA	VALVE-PLASTIC, 1/2" M X 1/2" M - 1/4" COMP
	114429-02-000	EA	ELBOW-1/2P X 1/2MPT, FLAIR-IT 02803
	110438-01-000	EA	VALVE-CHECK, BRASS
	010230-05-000	EA	FILL-CITY WATER, SURF SILVER - M'BRASS 324-00
	114428-01-000	EA	TEE-1/2P X 1/2 P X 1/2P, FLAIR-IT 02820
	114429-01-000	EA	ELBOW-1/2P X 1/2P, FLAIR-IT 02800
	114429-02-000	EA	ELBOW-1/2P X 1/2MPT, FLAIR-IT 02803
	114429-03-000	EA	ELBOW-SWIVEL, 1/2PX1/2FPT - FLAIR-IT 02816
	114429-04-000	EA	ELBOW-1/2P X 3/8MPT, FLAIR-IT 02810
	114430-02-000	EA	ADAPTER-SWIVEL, 1/2P X 1/2FPT FLAIR-IT -02873
	114431-02-000	EA	VALVE-1/2P, BYPASS - FLAIR-IT 02910
	114431-04-000	EA	VALVE-STOP, 1/2P X 1/2P - FLAIR-IT 02880
	074462-02-000	FT	TUBING-VINYL, 3/8" ID - CLEAR
	079381-01-000	FT	TUBING-SMOOTH FLEXIBLE, 1 1/4" ID X 20'
	039861-01-000	EA	SENDING UNIT-W/SCREW, WASHER, WELL NUT & TERMINAL RING
	114429-04-000	EA	ELBOW-1/2P X 3/8MPT - FLAIR-IT 02810
	114429-02-000	EA	ELBOW-1/2P X 1/2MPT - FLAIR-IT 02803
	115009-01-000	EA	NIPPLE-PIPE, GALVANIZED - 12 X 1 1/2
	115361-01-01A	EA	PLUG-PLASTIC
	111888-01-000	EA	FERRULE-PLASTIC, .25 ID X .375 OD

**WATER & SEWAGE GROUP (CONTINUED)****WATER PURIFICATION**

KEY	PART NUMBER	U/M	DESCRIPTION
	701069-01-000	EA	WATER PURIFICATION SYSTEM, 9252
	701069-03-700	EA	CARTRIDGE-WATER FILTER, AC, EVERPURE 9601-11
	103798-01-000	EA	CONNECTOR-1/4 OD X 3/8 MPT

**WATER PUMP**

KEY	PART NUMBER	U/M	DESCRIPTION
	098607-01-000	EA	PUMP-WATER, W/.5"MPT FITTING - FLOW 2.8 GPM - UL
	098607-01-700	EA	PUMPHEAD-REPLACEMENT, FLOW 94-236-08
	098607-01-701	EA	DRIVE ASSEMBLY, FLOW 94-234-03
	098607-01-702	EA	DIAPHRAGM KIT, FLOW 94-233-10
	098607-01-703	EA	VALVE ASSEMBLY, FLOW 94-232-00
	098607-01-706	EA	SWITCH ASM-COMPLETE, SHURFLO 94-230-00
	098607-01-705	EA	CHECK VALVE KIT, FLOW 94-237-00
	098607-01-707	EA	MOTOR/BASEPLATE REPLACEMENT, FLOW 94-235-03

**EXTERIOR WATER SERVICE COMPARTMENT**

KEY	PART NUMBER	U/M	DESCRIPTION
	114331-01-000	EA	FAUCET-WALLMOUNT, SPECIALTY 123-009
	114899-01-000	EA	DISPENSER-SOAP, LIQUID
	115004-01-000	EA	DISPENSER-TOWEL, PAPER
	010230-05-000	EA	FILL-WATER, CITY - SILVER
	114428-01-000	EA	TEE-1/2P X 1/2P X 1/2P, FLAIR-IT 02820
	114429-01-000	EA	ELBOW-1/2P X 1/2P, FLAIR-IT 02800
	114429-02-000	EA	ELBOW-1/2P X 1/2MPT, FLAIR-IT 02800
	114429-03-000	EA	ELBOW-SWIVEL, 1/2P X 1/2FPT - FLAIR-IT 02816
	114429-04-000	EA	ELBOW-1/2P X 3/8MPT, FLAIR-IT 02810
	114430-02-000	EA	ADAPTER-SWIVEL, 1/2P X 1/2FPT - FLAIR-IT -02873
	114431-02-000	EA	VALVE-1/2P, BYPASS - FLAIR-IT 02910
	114431-04-000	EA	VALVE-STOP, 1/2P X 1/2P

**WATER & SEWAGE GROUP (CONTINUED)****WASHER/DRYER**

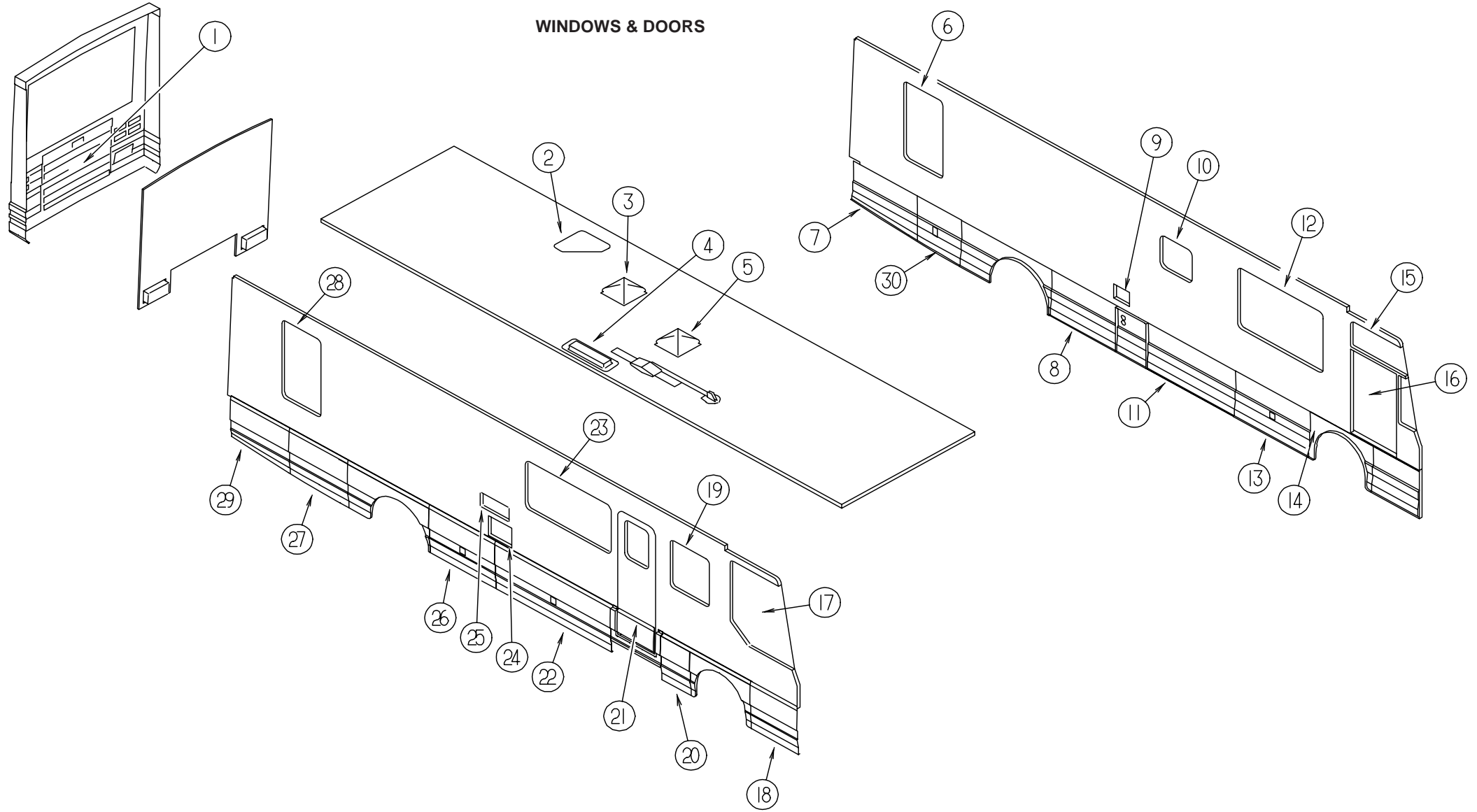
KEY	PART NUMBER	U/M	DESCRIPTION
	107753-01-01A	EA	WASHER-DRYER, WHITE - KARIBA WD802
	009198-01-000	FT	DUCT-FLEXIBLE, 4" ID
	023146-01-000	EA	CLAMP-SCREW TYPE, 4"
	065120-01-000	EA	ELBOW-PLASTIC, SWIVEL - .5"
	098419-01-000	EA	FAUCET-WASHER, 90 DEGREE
	111912-01-01A	EA	BRACKET-WASHER, REAR TIE DOWN - BLACK
	111913-01-01A	EA	BRACKET-WASHER, FRONT TIE DOWN - BLACK
	111947-01-01A	EA	VENT ASM-DRYER
	039800-01-000	FT	TUBING-POLYBUTYL, 1/2" OD - INCREMENTS OF 20' - BLACK
	052952-01-000	EA	NUT-PLASTIC, 1/2" F X 1/2" TUBE - GRAY
	052958-01-000	EA	TEE, 1/2" F X 1/2" F X 1/2" F - PLASTIC - GRAY
	052959-01-000	EA	CONNECTOR, 1/2" F X 1/4" MPT - PLASTIC - GRAY
	052959-02-000	EA	CONNECTOR, 1/2" F X 1/2" MPT - PLASTIC - GRAY
	034250-01-000	EA	ELBOW-PLASTIC, 1/4 BD X 1 1/2 X 90 HXH
	010071-01-000	EA	TEE-SANITARY, 1 1/2" HUB X HUB X HUB - PLASTIC - BLACK
	079968-01-000	EA	VENT-MECH. TRAP ARM, ANTI-SIPHON - 2" DIA X 7.3" - PLASTIC

**WATER & SEWAGE GROUP (CONTINUED)****WATER HEATER W/O MOTOR AID**

KEY	PART NUMBER	U/M	DESCRIPTION
	051391-03-000	EA	HEATER-WATER, W/ELECTRIC IGNITION - ATWOOD G6A-3E
	051391-01-700	EA	HINGE KIT-W/CLIP, ATWOOD 92568 & 92559
	051391-01-704	EA	VALVE-RELIEF, 1/2" FITTING - ATWOOD 91604
	051391-01-705	EA	FASTENER-CAMLOC, ATWOOD 92609
	051391-01-706	EA	GRILLE-EXHAUST, ATWOOD 92787
	051391-01-708	EA	BURNER-MAIN, 3E ONLY - ATWOOD 92615
	051391-01-710	EA	ORIFICE-MAIN BURNER, ATWOOD 92742
	051391-01-715	EA	DRAIN PLUG, ATWOOD 91561
	051391-04-700	EA	TANK-INNER (G6A-3E), FRT MT - ATWOOD 91608
	051391-04-701	EA	THERMOSTAT 12 VDC-120 PRESET, ATWOOD 91470
	051391-04-706	EA	TANK-INNER, G6A-4E & 6E - FRONT MOUNT - ATWOOD 91641
	097967-01-000	EA	SWITCH-WATER HEATER, REMOTE W/LIGHT - ATWOOD 91959
	051393-01-702	EA	SWITCH-ENERGY CUT-OFF, ATWOOD 91951
	051393-01-703	EA	THERMOSTAT-REAR MOUNT, ATWOOD 91952
	051393-01-704	EA	CIRCUIT BOARD-W/BLACK BOX, ATWOOD 91420
	051393-01-705	EA	ORIFICE HOLDER-ATWOOD 91925
	051393-01-716	EA	SPARK & PROBE ASM, ATWOOD 91606
	051393-01-718	EA	VALVE-DUAL SOLENOID, ATWOOD 91605
	051393-01-721	EA	ECO & THERMOSTAT ASM-FRONT MOUNT, 140 DEGREE - ATWOOD 91447
	051393-03-700	EA	TANK-INNER (G6A-3E), REAR MT - ATWOOD 91409
	089353-01-000	EA	UNION-5/8, TUBE TO TUBE
	110438-01-000	EA	VALVE-CHECK, BRASS

# WINDOW, VENT & EXTERIOR DOOR GROUP

## WINDOWS & DOORS



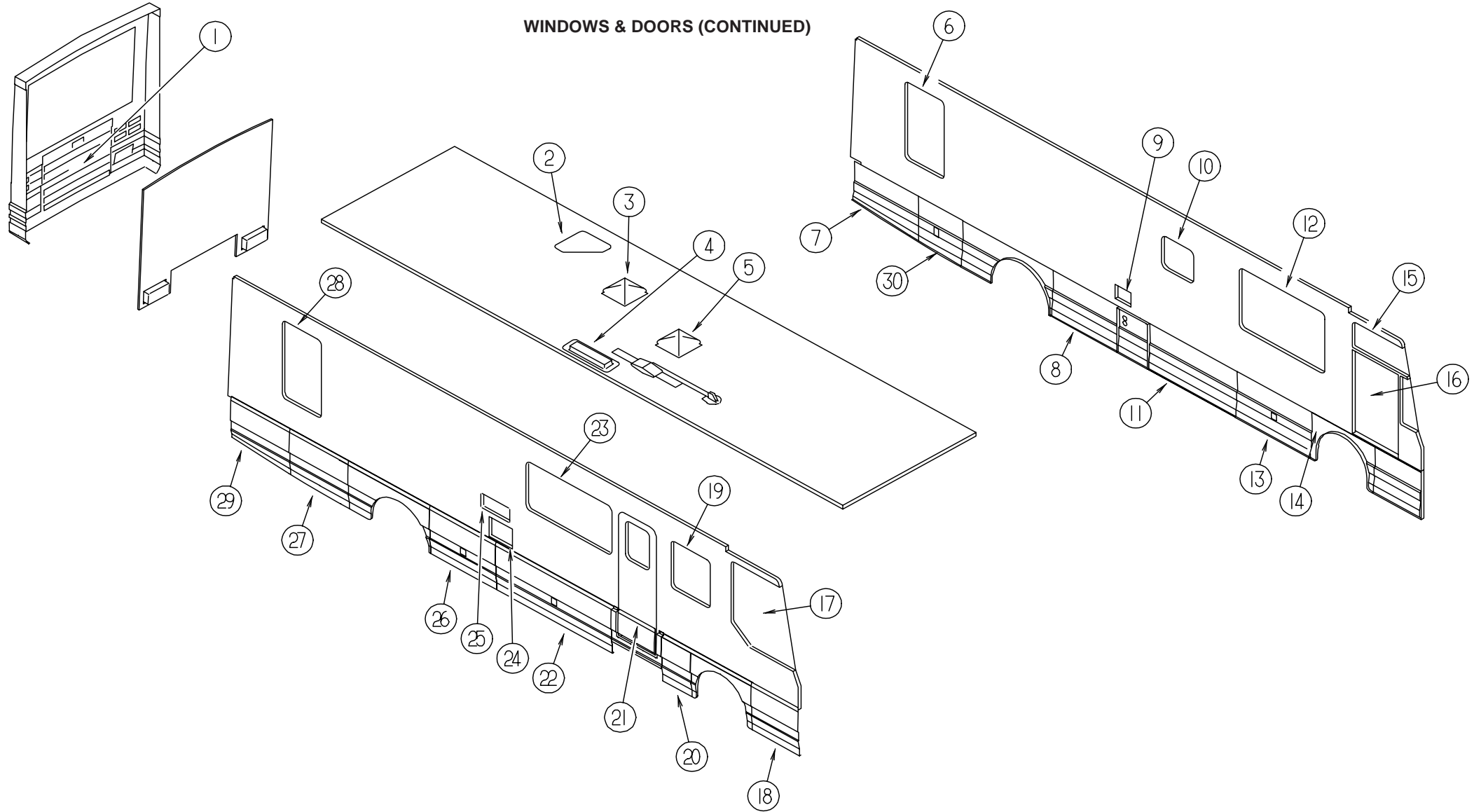
KEY	PART NUMBER	U/M	DESCRIPTION
1	P13170-01-FQ0	EA	DOOR - ENGIINE COMPARTMENT, W/STOP LIGHT
	113170-01-FQ0	EA	DOOR - ENGINE COMPARTMENT W/O STOP LIGHT
	113169-02-FQ0	EA	PANEL - DOOR, REAR ENGINE - W/O LATCH & HINGE
	113169-01-01A	EA	PANEL - DOOR, REAR ENGINE - W/O FRAME - BUFF
	113180-01-FQ0	EA	GRILLE ASM - DOOR TRUNK
	102325-02-05A	EA	HINGE - TRUNK DOOR, 6" - BUFF
	102378-01-02A	EA	WASHER - BLACK
	100128-01-000	FT	SEAL - PILE, ADHESIVE BACK - GRAY
	102330-02-000	EA	LATCH - SINGLE HOLE, VISE ACTION
	102328-01-000	EA	KEY, SOUTHCO E3-216-715-19
	108692-01-01A	EA	SHROUD - LIGHT, DOOR - BACKWALL - BLACK
	107796-01-000	EA	SPRING - GAS
	114268-03-02B	EA	BRACKET - GAS SPRING, MOUNTS TO DOOR
	108998-03-000	EA	BRACKET - FLAT, W/BALL STUD - MOUNTS TO BACKWALL
	107721-01-000	EA	SEAL - ACCESS DOOR, D BULB W/ADHESIVE ON FLAT SIDE
	107719-01-01A	EA	STRIKER - DOOR, REAR ENGINE
2	108035-01-01A	EA	PANEL - SKYLITE, INNER - PLASTIC - OFF WHITE
2	108661-01-01A	EA	COVER - SKYLIGHT, PLASTIC - OFF WHITE
3	110051-10-01A	EA	ROOF VENT - POWER W/LIFT FOR 4" ROOF (CSA)
3	110051-08-01A	EA	ROOF VENT - POWER W/LIFT FOR 4" ROOF (U.S.)
4	084073-04-000	EA	BASE - ROOF VENT, REFRIGERATOR - BLACK - NORCOLD
4	084073-05-000	EA	COVER - ROOF VENT, REFRIGERATOR - BUFF - NORCOLD

KEY	PART NUMBER	U/M	DESCRIPTION
5	084079-11-000	EA	VENT-CEILING,EXHAUST - 4" - THERMOSTAT (US)
5	084079-12-000	EA	VENT-CEILING,EXHAUST - 4" THERMOSTAT (CSA)
6	112898-06-01A	EA	WINDOW - SLIDING, VERTICLE - THERMOPANE - EXCEL DH421 - G2W66
7	113162-01-FQ0	EA	DOOR - COMPARTMENT, W/HARDWARE & LATCHES
			FROM: 00-00-00 THRU: 10-16-94
7	116502-01-FQ0	EA	PANEL ASM-VALANCE,CNDSR,AIR
			95 Q-SERIES
			FROM: 10-17-94 THRU: 99-99-99
8	112927-04-FQ0	EA	PANEL ASM-VALANCE
			FROM: 00-00-00 THRU: 10-16-94
8	116508-04-FQ0	EA	PANEL ASM-VALANCE
			FROM: 10-17-94 THRU: 99-99-99
9	M06815-01-E37	EA	WATER FILL DOOR-ASM W/LOCK
	081240-12-000	EA	FILL-WATER,LOCKABLE BUFF - W/O LOCK
10	112795-26-01A	EA	WINDOW - DRVR HORIZ SLIDER/THERMO W/TRIM - 22" X 22"
11	113168-01-FQ0	EA	DOOR ASM-VALANCE,A/C,OUTER
			FROM: 00-00-00 THRU: 10-16-94
11	116506-01-FQ0	EA	DOOR ASM-VALANCE,A/C OUTER
			FROM: 10-17-94 THRU: 99-99-99
	113333-01-FQ0	EA	GRILLE ASM - DOOR, A/C
	107895-05-000	EA	HINGE ASM - DOUBLE PIVOT, W/O TORSION SPRINGS



# WINDOW, VENT & EXTERIOR DOOR GROUP (CONTINUED)

## WINDOWS & DOORS (CONTINUED)

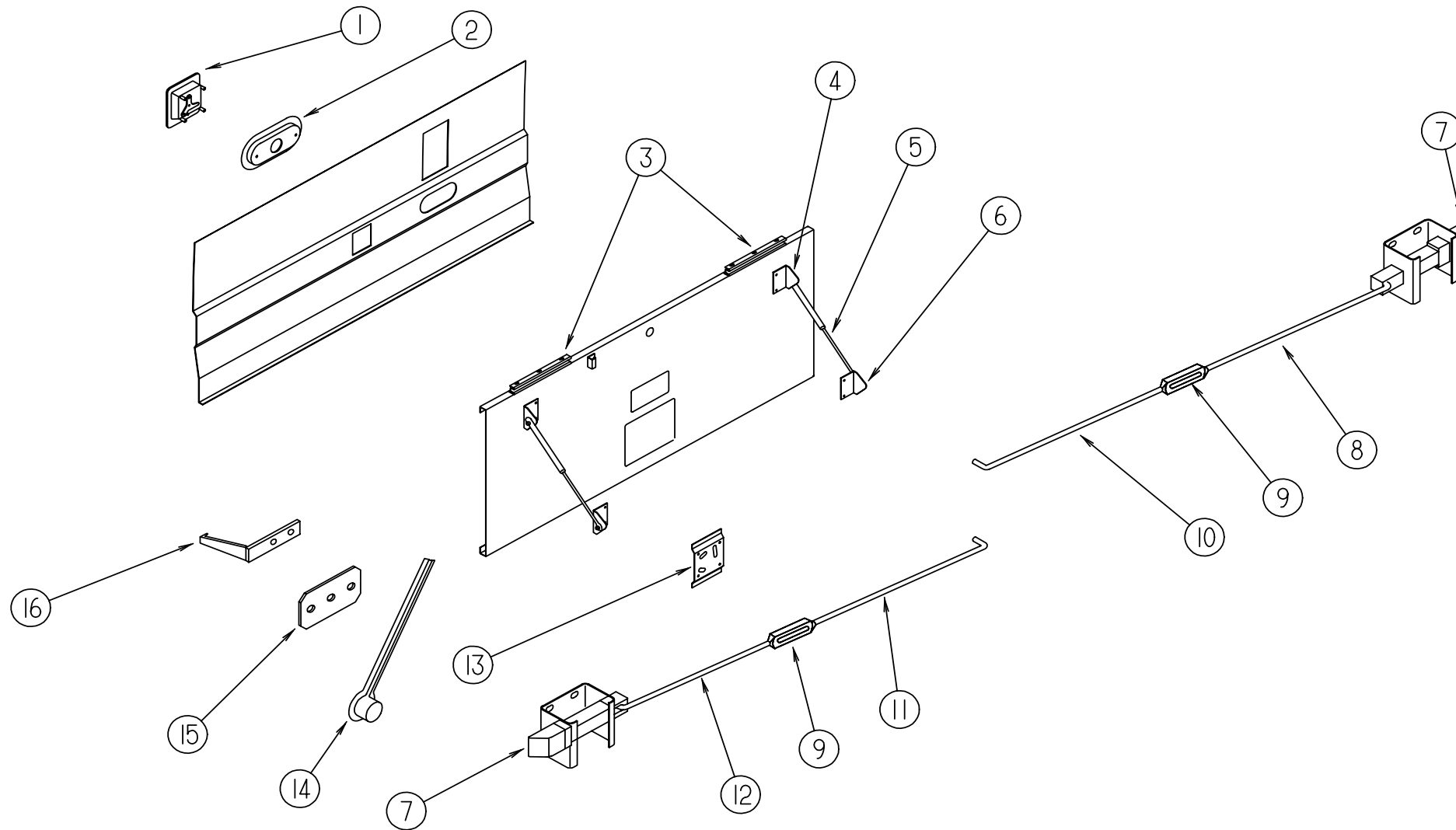


KEY	PART NUMBER	U/M DESCRIPTION	KEY	PART NUMBER	U/M DESCRIPTION
12	112795-27-01A	EA WINDOW-SLIDING, HORIZONTAL - THERMOPANE - EXCEL DC85-G2W66L FROM: 00-00-00THRU: 04-03-94	22	112927-03-FQ0	EA DOOR-COMPARTMENT, W/HARDWARE & LATCHES FROM: 00-00-00 THRU: 10-16-94
12	112795-37-01A	EA WINDOW-SLIDING, HORIZONTAL - THERMOPANE - EXCEL DH442-G2W66L FROM: 04-04-94THRU: 99-99-99	22	116508-03-FQ0	EA PANEL ASM-VALANCE FROM: 10-17-94 THRU: 99-99-99
13	112927-02-FQ0	EA DOOR-COMPARTMENT, W/HARDWARE & LATCHES FROM: 00-00-00 THRU: 10-16-94	23	112795-33-01A	EA WINDOW-SLIDING ,HORIZONTAL - THERMOPANE - EXCEL 775X1461 RH
13	116508-02-FQ0	EA PANEL ASM-VALANCE FROM: 10-17-94 THRU: 99-99-99	24	052009-04-000	EA DOOR-WATER HEATER, 18" X 14.6" - METAL - BUFF
14	113497-02-FQ0	EA DOOR-FUEL FILL	25	084104-06-000	EA JAMB-DOOR, REFRIGERATOR - BUFF
	077408-01-000	EA LOCK ASM-KEY TYPE	25	084103-06-000	EA DOOR-REFRIGERATOR, VENTED - W/O JAMB - BUFF
	107895-06-000	EA HINGE ASM-DOUBLE PIVOT		084104-01-700	EA LOCK-MALE, FASTENER - REFRIGERATOR DOOR
15	106467-01-01A	EA WINDOW-VISTA, LEFT - W/INSIDE FRAME - EXCEL		084104-01-701	EA LOCK-FEMALE, FASTENER - REFRIGERATOR DOOR
		FROM: 00-00-00 THRU: 08-07-94	26	112927-01-FQ0	EA DOOR-COMPARTMENT, W/HARDWARE & LATCHES FROM: 00-00-00 THRU: 10-16-94
15	116000-01-01A	EA WINDOW - DRIVER VISTA - THERMO - 35.7" T X 38.9" B X 17" H FROM: 08-08-94 THRU: 99-99-99	26	116508-01-FQ0	EA PANEL ASM-VALANCE FROM: 10-17-94 THRU: 99-99-99
16	106469-04-01A	EA DOOR-DRIVERS, BLACK - W/O INSIDE TRIM PANELS & HARDWARE - EXCEL	27	113160-01-FQ0	EA DOOR-COMPARTMENT, W/HARDWARE & LATCHES FROM: 00-00-00 THRU: 10-16-94
17	106466-03-01A	EA WINDOW-CAB, PASSENGER - THERMOPANE - EXCEL DH 357-A2B6	27	116499-01-FQ0	EA PANEL ASM-VALANCE,RR,OTR,RH FROM: 10-17-94 THRU: 99-99-99
18	113412-01-FQ0	EA DOOR-COMPARTMENT, W/HARDWARE & LATCHES	28	112898-05-01A	EA WINDOW-SLIDING, VERTICAL - THERMOPANE - EXCEL DC61-G2W66
19	112795-29-01A	EA WINDOW-SLIDING, HORIZONTAL - THERMOPANE - EXCEL DH150 R	29	113578-01-FQ0	EA DOOR-COMPARTMENT, W/HARDWARE & LATCHES FROM: 00-00-00 THRU: 10-16-94
20	113413-01-FQ0	EA DOOR-COMPARTMENT, W/HARDWARE & LATCHES FROM: 00-00-00 THRU: 10-16-94	29	116504-01-FQ0	EA PANEL ASM-VALANCE FROM: 10-17-94 THRU: 99-99-99
20	116501-01-FQ0	EA PANEL ASM-VALANCE FROM: 10-17-94 THRU: 99-99-99		107721-01-000	FT SEAL-ACCESS DOOR., D BULB W/ADHESIVE ON FLAT SIDE
21	M06977-04-FQ0	EA DOOR-ENTRY W/SCREEN DOOR & JAMB (FQ0, FQ1, FQ8, FQ9)	30	116498-01-FQ0	EA VALANCE/DOOR - DRVR W/O PADDLE LATCH/HINGE - 55" - METAL
21	M06977-04-FQ2	EA DOOR-ENTRY W/SCREEN DOOR & JAMB (FQ2, FQ3)			
21	M06977-04-FQ4	EA DOOR-ENTRY W/SCREEN DOOR & JAMB (FQ4, FQ5)			



## WINDOW, VENT & EXTERIOR DOOR GROUP (CONTINUED)

### EXTERIOR DOOR COMPONENTS & HOLDER (LARGE)

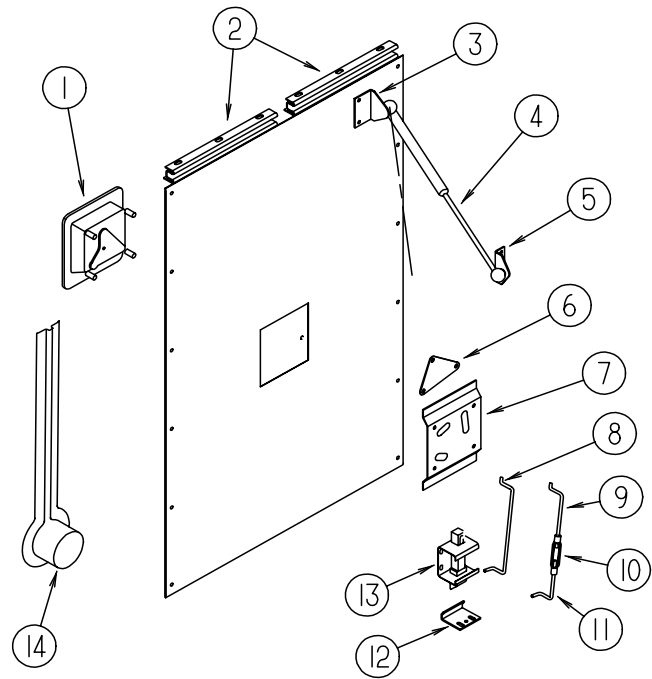


KEY PART NUMBER	U/M	DESCRIPTION
1	112949-02-01A	EA LATCH-PADDLE, W/O KEY LOCK
1	112949-01-01A	EA LATCH-PADDLE, W/KEY LOCK
	112949-03-000	EA KEY BLANK
2	113598-01-01A	EA POCKET-LIGHT, SIDE MARKER
3	107895-08-000	EA HINGE-DOUBLE PIVOT, W/U-CHANNEL
4	107796-02-000	EA BRACKET-GAS SPRING, MOUNTS TO DOOR - SPDI SPD-1060
5	107796-01-000	EA SPRING-GAS, 40 POUND - SPDI SPD-5200-40
5	107796-08-000	EA SPRING-GAS, 60 POUND - SPDI SPD-5200-40
5	107796-11-000	EA SPRING-GAS, 90 POUND - SPDI SPD-5200-40
5	107796-12-000	EA SPRING-GAS, 120 POUND - SPDI SPD-5200-40
5	108998-04-000	EA SPRING-GAS, A/C DOOR & BATTERY COMPARTMENT DOOR
6	107796-03-000	EA BRACKET-GAS SPRING, MOUNTS TO COMPARTMENT - SPDI SPD-1015
	057460-02-000	EA BALL STUD-10MM BALL, 5/16-18 - SPARE TIRE COMPARTMENT ONLY
7	101348-01-000	EA BOLT-SLIDE, LATCH - NYLON - W/SPRING & BRACKET
8	108562-09-000	EA ROD-LATCH, LEFT THREADED - 384MM LONG
8	108562-11-000	EA ROD-LATCH, LEFT THREADED - 278MM LONG
8	108562-14-000	EA ROD-LATCH, LEFT THREADED - 207MM LONG
8	108562-29-000	EA ROD-LATCH, RIGHT THREADED - 233MM LONG
9	108561-01-000	EA TURNBUCKLE, 10-24 THREAD
10	108562-22-000	EA ROD-LATCH, RIGHT THREADED - 476MM LONG
10	108562-25-000	EA ROD-LATCH, RIGHT THREADED - 240MM LONG
10	108562-27-000	EA ROD-LATCH, RIGHT THREADED - 289MM LONG
10	108562-29-000	EA ROD-LATCH, RIGHT THREADED - 233MM LONG
10	108562-32-000	EA ROD-LATCH, RIGHT THREADED - 447MM LONG
10	108562-35-000	EA ROD-LATCH, LEFT THREADED - 96MM LONG

KEY PART NUMBER	U/M	DESCRIPTION
11	108562-22-000	EA ROD-LATCH, RIGHT THREADED - 476MM LONG
11	108562-23-000	EA ROD-LATCH, RIGHT THREADED - 195MM LONG
11	108562-26-000	EA ROD-LATCH, RIGHT THREADED - 83MM LONG
11	108562-27-000	EA ROD-LATCH, RIGHT THREADED - 289MM LONG
11	108562-31-000	EA ROD-LATCH, RIGHT THREADED - 130MM LONG
11	108562-35-000	EA ROD-LATCH, LEFT THREADED - 96MM LONG
12	108562-11-000	EA ROD-LATCH, LEFT THREADED - 458MM LONG
12	108562-13-000	EA ROD-LATCH, LEFT THREADED - 171MM LONG
12	108562-15-000	EA ROD-LATCH, LEFT THREADED - 261MM LONG
12	108562-17-000	EA ROD-LATCH, LEFT THREADED - 303MM LONG
12	108562-30-000	EA ROD-LATCH, RIGHT THREADED - 76MM LONG
13	112866-02-02B	EA BRACKET-LATCH PADDLE, E-COAT
14	115792-01-01A	EA COVER-WIRE, PLASTIC - BLACK
15	091876-01-000	EA RETAINER-DOOR, 1/9" X .8" - METAL
16	102768-01-000	EA HOLDER-COMPARTMENT/ENTRY DOOR, METAL - MILL FINISH
	113679-01-01A	EA STRIKE-COMPARTMENT DOOR
	107719-01-01A	EA STRIKE-DOOR, REAR ENGINE
	088270-01-000	EA SEAL-BULB, W/ WIRED U-CHANNEL - RUBBER - BLACK (TOP EDGE OF DOOR)
	107721-01-000	FT SEAL-D BULB, W/RIDGES - W/ADHESIVE ON FLAT SIDE, BLACK (COMPARTMENT)

**FOR STRIKE, SEAL AND GAS SPRING USAGE LOCATION SEE FIRST PAGE IN CHASSIS AREA**

**WINDOW, VENT & EXTERIOR DOOR GROUP (CONTINUED)**

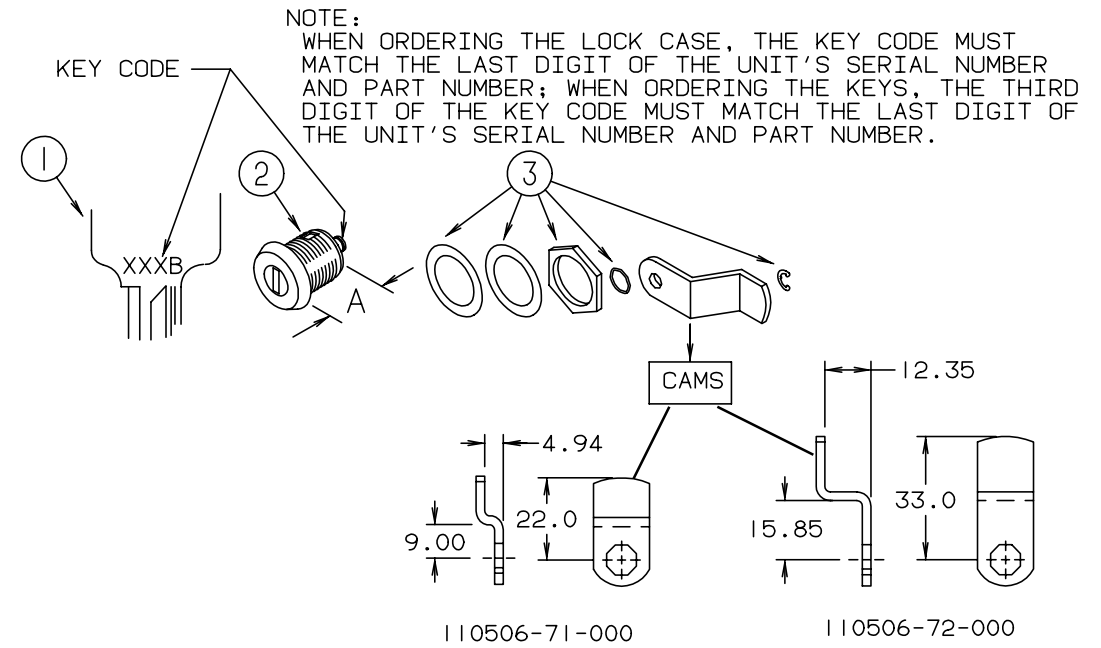


**EXTERIOR DOOR COMPONENTS & HOLDER (SMALL)**

KEY PART NUMBER	U/M	DESCRIPTION
1	112949-01-01A	EA LATCH-PADDLE, W/KEY LOCK
	112949-03-000	EA KEY BLANK
2	107895-08-000	EA HINGE-DOUBLE PIVOT, W/U-CHANNEL
3	107796-08-000	EA SPRING-GAS, 60 POUND - SPDI SPD-5200-40
4	107796-01-000	EA SPRING-GAS, 40 POUND - SPDI SPD-5200-40
5	107796-03-000	EA BRACKET-GAS SPRING, MOUNTS TO COMPARTMENT - SPDI SPD-1015
6	113445-01-02B	EA PLATE-ADAPTER, LATCDH - E-COAT
7	112866-02-02B	EA BRACKET-LATCH PADDLE, E-COAT
8	101356-19-000	EA ROD-LINKAGE, 72MM LONG - TRI-MARK
9	108562-26-000	EA ROD-LATCH, RIGHT THREADED - 83MM LONG
10	108561-01-000	EA TURNBUCKLE, 10-24 THREAD
11	108562-20-000	EA ROD-LATCH, LEFT THREADED - 61MM LONG
12	113679-01-01A	EA STRIKE-COMPARTMENT DOOR
13	101348-01-000	EA BOLT-SLIDE, LATCH - NYLON - W/SPRING & BRKT
14	115792-02-01A	EA COVER-WIRE, PLASTIC - BLACK
	091876-01-000	EA RETAINER-DOOR, 1/9" X .8" - METAL
	088270-01-000	EA SEAL-BULB, W/ WIRED U-CHANNEL - RUBBER - BLACK (TOP EDGE OF DOOR)
	107721-01-000	FT SEAL-D BULB, W/RIDGES - W/ADHESIVE ON FLAT SIDE, BLACK (COMPARTMENT)

**FOR STRIKE, SEAL AND GAS SPRING USAGE LOCATION SEE FIRST PAGE IN CHASSIS AREA**

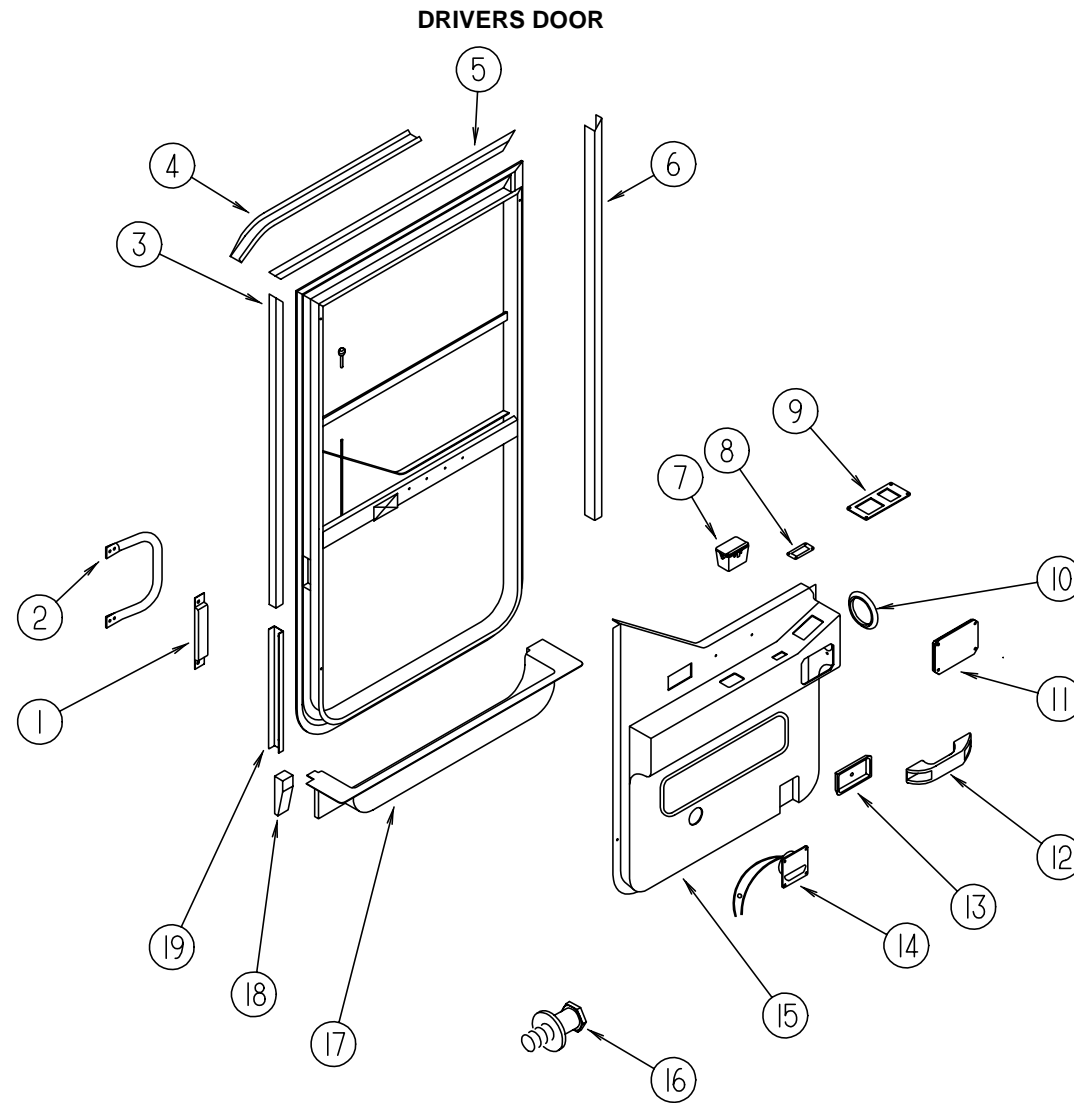
**WINDOW, VENT & EXTERIOR DOOR GROUP (CONTINUED)**



**WATER FILL & A/C DOOR LOCKS**

KEY PART NUMBER	U/M	DESCRIPTION
1	110506-59-000	EA KEYS-SET OF 2 - BRIGGS & STRATTON 596720 (SERIAL # ENDS IN 0)
1	110506-59-001	EA KEYS-SET OF 2 - BRIGGS & STRATTON 596721 (SERIAL # ENDS IN 1)
1	110506-59-002	EA KEYS-SET OF 2 - BRIGGS & STRATTON 596722 (SERIAL # ENDS IN 2)
1	110506-59-003	EA KEYS-SET OF 2 - BRIGGS & STRATTON 596723 (SERIAL # ENDS IN 3)
1	110506-59-004	EA KEYS-SET OF 2 - BRIGGS & STRATTON 596724 (SERIAL # ENDS IN 4)
1	110506-59-005	EA KEYS-SET OF 2 - BRIGGS & STRATTON 596725 (SERIAL # ENDS IN 5)
1	110506-59-006	EA KEYS-SET OF 2 - BRIGGS & STRATTON 596726 (SERIAL # ENDS IN 6)
1	110506-59-007	EA KEYS-SET OF 2 - BRIGGS & STRATTON 596727 (SERIAL # ENDS IN 7)
1	110506-59-008	EA KEYS-SET OF 2 - BRIGGS & STRATTON 596728 (SERIAL # ENDS IN 8)
1	110506-59-009	EA KEYS-SET OF 2 - BRIGGS & STRATTON 596729 (SERIAL # ENDS IN 9)
	110506-59-701	EA KEY BLANK
2	110506-52-000	EA CASE-LOCK, A=17MM - BRIGGS & STRATTON 702370 (KEY CODE #0) (WATER FILL)
2	110506-52-001	EA CASE-LOCK, A=17MM - BRIGGS & STRATTON 702371 (KEY CODE #1) (WATER FILL)
2	110506-52-002	EA CASE-LOCK, A=17MM - BRIGGS & STRATTON 702372 (KEY CODE #2) (WATER FILL)
2	110506-52-003	EA CASE-LOCK, A=17MM - BRIGGS & STRATTON 702373 (KEY CODE #3) (WATER FILL)
2	110506-52-004	EA CASE-LOCK, A=17MM - BRIGGS & STRATTON 702374 (KEY CODE #4) (WATER FILL)
2	110506-52-005	EA CASE-LOCK, A=17MM - BRIGGS & STRATTON 702375 (KEY CODE #5) (WATER FILL)
2	110506-52-006	EA CASE-LOCK, A=17MM - BRIGGS & STRATTON 702376 (KEY CODE #6) (WATER FILL)
2	110506-52-007	EA CASE-LOCK, A=17MM - BRIGGS & STRATTON 702377 (KEY CODE #7) (WATER FILL)
2	110506-52-008	EA CASE-LOCK, A=17MM - BRIGGS & STRATTON 702378 (KEY CODE #8) (WATER FILL)
2	110506-52-009	EA CASE-LOCK, A=17MM - BRIGGS & STRATTON 702379 (KEY CODE #9) (WATER FILL)
2	110506-53-000	EA CASE-LOCK, A=25MM - BRIGGS & STRATTON 702380 (KEY CODE #0) (A/C)
2	110506-53-001	EA CASE-LOCK, A=25MM - BRIGGS & STRATTON 702381 (KEY CODE #1) (A/C)
2	110506-53-002	EA CASE-LOCK, A=25MM - BRIGGS & STRATTON 702382 (KEY CODE #2) (A/C)
2	110506-53-003	EA CASE-LOCK, A=25MM - BRIGGS & STRATTON 702383 (KEY CODE #3) (A/C)
2	110506-53-004	EA CASE-LOCK, A=25MM - BRIGGS & STRATTON 702384 (KEY CODE #4) (A/C)
2	110506-53-005	EA CASE-LOCK, A=25MM - BRIGGS & STRATTON 702385 (KEY CODE #5) (A/C)
2	110506-53-006	EA CASE-LOCK, A=25MM - BRIGGS & STRATTON 702386 (KEY CODE #6) (A/C)
2	110506-53-007	EA CASE-LOCK, A=25MM - BRIGGS & STRATTON 702387 (KEY CODE #7) (A/C)
2	110506-53-008	EA CASE-LOCK, A=25MM - BRIGGS & STRATTON 702388 (KEY CODE #8) (A/C)
2	110506-53-009	EA CASE-LOCK, A=25MM - BRIGGS & STRATTON 702389 (KEY CODE #9) (A/C)
3	110506-40-700	EA KIT-HARDWARE, W/CLIP, WASHERS, NUT & GASKETS
	110506-71-000	EA CAM-LOCK, BRIGGS & STRATTON 322287 (WATER FILL)
	110506-72-000	EA CAM-LOCK, BRIGGS & STRATTON 322354 (A/C)

## WINDOW, VENT & EXTERIOR DOOR GROUP (CONTINUED)

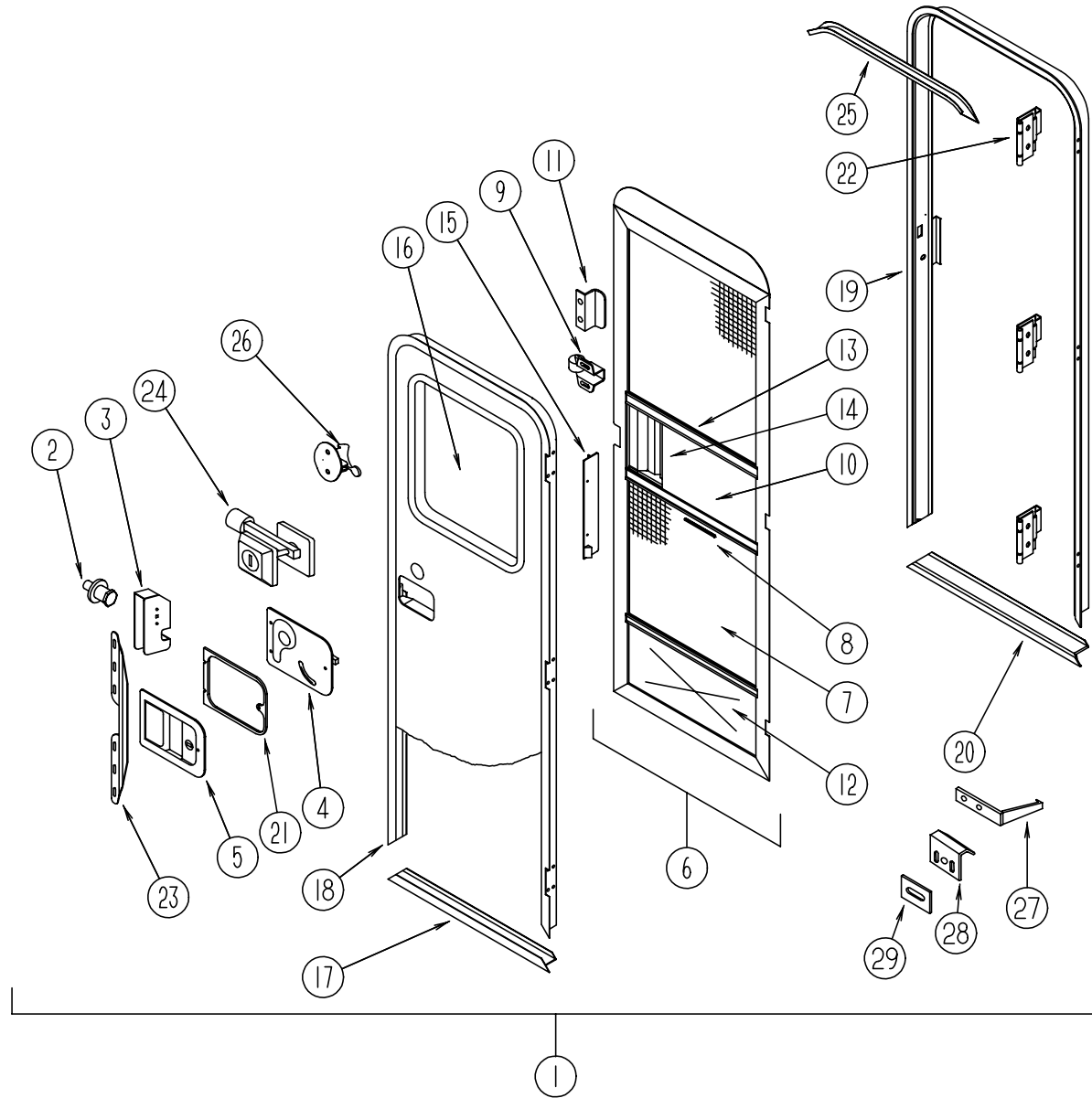


KEY PART NUMBER	U/M	DESCRIPTION
		106469-04-01A EA DOOR-DRIVERS, BLACK - W/O INSIDE TRIM PANELS & HARDWARE - EXCEL
1	EA	108654-01-01A COVER-STRIKE, DRIVERS DOOR - BLACK
2	EA	108832-01-02A HANDLE-ASSIST, DRIVERS DOOR - METAL - OFF WHITE
2	EA	108832-01-01A HANDLE-ASSIST, DRIVERS DOOR - METAL - MILL FINISHED
	EA	108833-02-01A COVER-HANDLE, ASSIST - OFF WHITE
	EA	108119-03-F36 GARNISH ASM-DRIVERS DOOR, 2 SIDES & TOP - BLACK CONSISTS OF ITEM 3, 5 & 6
3	EA	108129-01-01A GARNISH-DRIVERS DOOR - 31.13MM U-CHANNEL X 1359.7MM LONG - MILL
4	EA	108274-02-01A RAIL-DRIP, FRONT END - LEFT SIDE - BUFF
5	EA	108107-01-01A GARNISH-DRIVERS DOOR - 31.13MM U-CHANNEL X 854MM LONG - MILL
6	EA	108108-03-01A GARNISH-DRIVERS DOOR - 31.13MM U-CHANNEL X 715MM LONG - MILL
7	EA	115948-01-01A ASHTRAY-CHROME, SIDE MOUNT - FLUSH
8	EA	093132-01-000 SWITCH-ROCKER, 5 TERMINAL W/ARROW GRAPHICS - TORRIX 1737
8	EA	103473-05-01A PLATE-SWITCH, LOCK - SINGLE - BLACK
9	EA	087695-01-000 SWITCH-HEATER, EXTERIOR MIRROR
9	EA	088246-01-000 SWITCH-REMOTE, EXTERIOR MIRROR - SQUARE PUSH - VELVAC 7471290
	EA	113960-01-01A COVER-ACTUATOR, POWER LOCK - OFF WHITE
10	EA	093148-01-000 SEAL-WIRE, CAB DOOR - GM 15592070
	EA	093144-01-000 CONDUIT-WIRE, GM# 15592046
	EA	093145-01-000 SLEEVE-WIRE, 10" LONG - PLASTIC - BLACK - GM #15590724
	EA	093146-01-000 GROMMET-WIRE, 1.7" X 3.1" - OVAL SHAPED - PLASTIC - BLK
11	EA	107889-03-000 PANEL-CONTROL, TOUCH KIT - HWH AP1226
	EA	085759-01-000 LIGHT-WARNING, "LOW AIR", HENSCHEN 510633
12	EA	102710-01-01A HANDLE-ASSIST, DRIVERS DOOR - 6.6" LONG - BLACK

KEY PART NUMBER	U/M	DESCRIPTION
13	EA	106469-01-707 COVER-LATCH, DOOR (SUPPLIED W/DRIVERS DOOR) - EXCEL 130-081310
14	EA	108354-01-01A LIGHT-COURTESY - ITC 81395-B
15	EA	114689-04-02A PANEL-DOOR, INNER - FOR HYDRAULIC JACKS - PLASTIC - HAMPTON TAN
15	EA	114689-03-02A PANEL-DOOR, INNER - FOR POWERED MIRROR - PLASTIC - HAMPTON TAN
15	EA	114689-01-02A PANEL-DOOR, INNER - W/O CUTOUTS - PLASTIC - HAMPTON TAN
	EA	108633-01-FQ0 PAD-DOOR, FABRIC (FQ0, FQ1)
	EA	108633-01-EQ2 PAD-DOOR, FABRIC (FQ2, FQ3)
	EA	108633-01-FQ4 PAD-DOOR, FABRIC (FQ4, FQ5)
	EA	108633-01-FQ8 PAD-DOOR, FABRIC (FQ8, FQ9)
	EA	102756-01-000 SYSTEM-REMOTE KEYLESS ENTRY, COMPLETE W/REMOTE & WIRING ACTIVATES DOOR LOCKS & PORCH LIGHT SPECIFIC CRUISE SYSTEMS - 101-1661 SCS
	EA	102756-01-700 REMOTE ONLY-KEYLESS, ENTRY - SPECIFIC CRUISE SYSTEM 412-1016-011
	EA	102756-01-701 BATTERY, 12 VOLT - F/TRANSMITTER - SPECIFIC CRUISE SYSTEM 402-1004
	EA	102756-01-702 MODULE, SPECIFIC CRUISE SYSTEM 202-2476
	EA	102756-01-703 TRANSMITTER, SPECIFIC CRUISE SYSTEM 412-1016-011
16	EA	092927-03-000 STRIKER ASSEMBLY
17	EA	107818-01-04A TRIM-STEP, DRIVERS DOOR - PLASTIC - HAMPTON TAN
	EA	102569-03-000 MAT-ANTI SLIP, 100 X 150MM - SAFETY TRACK 3100
	EA	102569-02-000 MAT-ANTI SLIP, LOWER
	EA	109506-01-000 FILM-URETHANE, PROTECTANT - 107.9 X 679.4MM
18	FT	109235-01-01A COVER-SCREW, MAT BLACK - DAWN 132-081046
19	EA	108897-02-01A GARNISH-DOOR, DRIVERS - 31.13MM U-CHANNEL X 437.7MM LONG - BLACK
	EA	109378-01-000 STRAP-CHECK, DRIVERS DOOR - BLACK
	EA	064219-01-000 RETAINER-CHECK STRAP, DRIVER DOOR

# WINDOW, VENT & EXTERIOR DOOR GROUP (CONTINUED)

## ENTRY DOOR



KEY	PART NUMBER	U/M	DESCRIPTION
1	M06977-04-FQ0	EA	DOOR-ENTRY W/SCREEN DOOR & JAMB (FQ0, FQ1, FQ8, FQ9)
1	M06977-04-FQ2	EA	DOOR-ENTRY W/SCREEN DOOR & JAMB (FQ2, FQ3)
1	M06977-04-FQ4	EA	DOOR-ENTRY W/SCREEN DOOR & JAMB (FQ4, FQ5)
2	039539-01-000	EA	STRIKE-LOCK, ENTRY DOOR - ROUND W/THREADED WASHER
3	039540-01-000	EA	LATCH MECHANISM-HOOK, ENTRY DOOR - INTERIOR
	039715-01-000	EA	NUT-SERT, 1/4" DIAMETER - 20 THREADS
4	039979-04-000	EA	COVER-INTERIOR LATCH, W/TRIP ARM - RIGHT - BLACK
	039984-01-000	EA	CAP-ROUND, VINYL - .28" ID X .62" LONG - BLACK
	041546-03-000	EA	BRACKET-DOOR ANGLE, 5" X 1.9" - BEIGE - METAL
5	045017-11-000	EA	LATCH-ENTRY DOOR, MECHANISM W/LOCK & KEY - BLACK
	045017-11-701	EA	KEY BLANK
	058806-03-000	EA	PLUG-TAPERED, PLASTIC - #11
	063729-04-000	EA	RIVNUT, 10-32 UNF - .010-.080
	072893-01-000	EA	NUTSERT-M5 X 0, 8
	075671-04-000	FT	SEAL-SPONGE, LAZY T SHAPE - W/ADHESIVE STRIPE - .5" WIDE
6	079012-05-B10	EA	DOOR-SCREEN
7	002293-02-000	SF	SCREENING-WINDOW/DOOR, 26" - CHARCOAL
8	002294-01-000	FT	SPLINE-SCREENING, .135" X .138" - BLACK
	002748-01-000	EA	CORNER KEY-DOOR
9	109403-01-000	EA	CATCH-ASM-SINGLE ROLLER
10	016454-01-000	EA	INSERT-CENTER, LEATHER GRAIN ALUMINUM - UNPAINTED
10	001014-01-013	EA	INSERT-CENTER, 10.25" X 16.31" - UNPAINTED
11	050712-04-000	EA	HANDLE-SCREEN DOOR, ALUMINUM - OFF WHITE
12	078552-03-000	EA	KICK PANEL-SCREEN DOOR, LOWER INSERT - UNPAINTED
	078595-01-000	EA	TOP PLATE-SCREEN DOOR, CURVED TOP - 4.7" X 25.35"
13	078777-01-000	EA	CHANNEL-SLIDE, SCREEN DOOR CENTER SLIDER COVER
14	079086-02-000	EA	SLIDER-SCREEN DOOR, OFF WHITE
15	079087-02-000	EA	STRIKE-SLIDER, W/LIP FOR ELBOW CATCH - 1.5" X 8.6" - OFF WHITE
16	113733-01-01A	EA	WINDOW-PICTURE, W/INSIDE FRAME - EXCEL DH416-G2W66
	081914-01-000	EA	BUMPER-RUBBER, ROUND - .43" DIAMETER - BLACK
17	089748-09-000	EA	FRAME-BOTTOM, ENTRY DOOR - 24.8" LONG - OFF WHITE
18	095276-03-05A	EA	FRAME-ENTRY DOOR, W/O BOTTOM - OFF WHITE
19	095277-04-05A	EA	JAMB-ENTRY DOOR, W/BOTTOM - 25.9" X 74.5" - OFF WHITE
20	051049-01-000	EA	JAMB-BOTTOM, ENTRY DOOR - 25.9" - UNPAINTED
	095278-03-01A	EA	JAMB-DOOR, ENTRANCE - 25.9" X 74.6" - W/O BOTTOM - UNPAINTED
21	096810-01-01A	EA	PLATE-LATCH, ENTRY DOOR - PLASTIC - BLACK
22	106719-01-01A	EA	HINGE-ENTRY DOOR, UNPAINTED
	076725-01-000	EA	COVER-HINGE, ACCESS - 6" X 3.2" - PLASTIC - BEIGE
23	098173-01-06A	EA	STIFFENER-ENTRY DOOR, SUPPORTS LATCH/STRIKE AREA - BUFF
	100128-02-000	FT	SEAL-PILE, ADHESIVE BACK - SCREEN DOOR - GRAY
24	101145-01-01A	EA	DEADBOLT-ENTRY DOOR, W/2 KEYS W/O BACK SET BOLT OR SCREWS
	095229-01-700	EA	KEY BLANK FOR DEADBOLT
	101147-01-000	EA	BOLT-SECURITY, 4.12" BACKSET
	102524-01-000	EA	BUMPER-RUBBER, FLAT - BLACK
25	044582-33-000	EA	CAP-DRIP, ENTRY DOOR - JAMB MOUNTED - ALUMINUM - BUFF
	077461-03-000	EA	COVER-STRIKE, ENTRY DOOR - 6.5" X 2.5" - PLASTIC - WHITE
26	100412-01-000	EA	CATCH-SCREEN DOOR, THUMB CLIP W/BLACK PLASTIC CAP
	115102-01-000	EA	HANDLE-ASSIST, ENTRY DOOR - LIGHTED
27	102768-01-000	EA	HOLDER-COMPARTMENT/ENTRY DOOR, METAL - MILL FINISH
	091876-01-000	EA	RETAINER-DOOR, 1.9" X .8" - METAL
	104692-01-000	FT	SEAL-ADHESIVE BACK, 3/4" X 34"
	100128-01-000	FT	SEAL-PILE, ADHESIVE BACK - GRAY
	102756-01-000	EA	SYSTEM-REMOTE KEYLESS ENTRY, COMPLETE W/REMOTE & WIRING ACTIVATES DOOR LOCKS & PORCH LIGHT SPECIFIC CRUISE SYSTEMS - 101-1661 SCS
	102756-01-700	EA	REMOTE ONLY-KEYLESS, ENTRY - SPECIFIC CRUISE SYSTEM 412-1016-011
	102756-01-701	EA	BATTERY, 12 VOLT - F/TRANSMITTER - SPECIFIC CRUISE SYSTEM 402-1004
	102756-01-702	EA	MODULE, SPECIFIC CRUISE SYSTEM 202-2476
	102756-01-703	EA	TRANSMITTER, SPECIFIC CRUISE SYSTEM 412-1016-011

**WINDOW, VENT & EXTERIOR DOOR GROUP (CONTINUED)****JENSEN ROOF VENT W/POWER LIFT**

KEY	PART NUMBER	U/M	DESCRIPTION
	110051-08-01A	EA	VENT-ROOF, W/POWER LIFT FOR 4" ROOF - JENSEN 7727 (U.S.)
	110051-10-01A	EA	VENT-ROOF, W/POWER LIFT FOR 4" ROOF - JENSEN CX7258 (CSA)
	048648-01-000	EA	MOTOR-12V NONVENTED 1/8 SFT
	048649-01-000	EA	FAN-PLAS-6 IN 6 BLADED
	064469-03-707	EA	MOTOR-LIFT, JENSEN RP-1023
	064469-03-708	EA	GEAR - DRIVE - JENSEN RP-1024
	064469-03-709	EA	GEAR-MOTOR PINION - JENSEN RP-1025
	064470-01-700	EA	COVER ROOF VENT - JENSEN 7291
	110051-01-700	EA	SCREEN-FRAME, GARNISH - JENSEN 29-800-02

**FANTASTIC ROOF VENTILATOR**

KEY	PART NUMBER	U/M	DESCRIPTION
	084079-11-000	EA	VENT-CEILING, POWER EXHAUST - FANTASTIC (US)
	084079-12-000	EA	VENT-CEILING, POWER EXHAUST - FANTASTIC (CANADIAN)

**PLUMBING, RANGE HOOD & REFRIGERATOR ROOF VENTS**

KEY	PART NUMBER	U/M	DESCRIPTION
	092698-03-04A	EA	VENT-RANGE HOOD, EXTERIOR - W/DOOR & SOLENOID - BUFF
	092698-02-700	EA	FASTENER-PUSH, EXTERIOR RANGE HOOD VENT - VB430
	092698-02-701	EA	CLAMP-CONDUIT, EXTERIOR RANGE HOOD VENT - VB334
	092698-03-706	EA	SOLENOID-RANGE HOOD, VENTLINE UB530
	083558-04-000	EA	VENT-PLUMBING PIPE ROOF, W/COVER - BUFF
	084073-04-000	EA	BASE-ROOF VENT, REFRIGERATOR - BLACK - NORCOLD
	084073-05-000	EA	COVER-ROOF VENT, REFRIGERATOR - BUFF - NORCOLD

**WINDOW, VENT & EXTERIOR DOOR GROUP (CONTINUED)****VISTA WINDOW OVER DRIVERS DOOR**

KEY	PART NUMBER	U/M	DESCRIPTION
	106467-01-01A	EA	WINDOW-VISTA, LEFT - W/INSIDE FRAME - EXCEL
	106467-01-700	EA	FRAME-INSIDE, BLACK - EXCEL H359-27L
	106467-01-701	EA	STATIONARY GLASS, EXCEL 106-018272

**PASSENGER SIDE LOUNGE WINDOW**

KEY	PART NUMBER	U/M	DESCRIPTION
	112795-29-01A	EA	WINDOW-SLIDING, HORIZONTAL - THERMOPANE - EXCEL DH150 R

**DRIVER SIDE LOUNGE WINDOW**

KEY	PART NUMBER	U/M	DESCRIPTION
	112795-27-01A	EA	WINDOW-SLIDING, HORIZONTAL - THERMOPANE - EXCEL DC85-G2W66L FROM: 00-00-00 THRU: 04-03-94
	112795-37-01A	EA	WINDOW-SLIDING, HORIZONTAL - THERMOPANE - EXCEL DH442-G2W66L FROM: 04-04-94 THRU: 99-99-99

**PASSENGER SIDE CAB WINDOW**

KEY	PART NUMBER	U/M	DESCRIPTION
	106466-03-01A	EA	WINDOW-CAB, PASSENGER - W/INSIDE TRIM - EXCEL DH 357-A2B6

**PASSENGER SIDE DINETTE WINDOW**

KEY	PART NUMBER	U/M	DESCRIPTION
	112795-33-01A	EA	WINDOW-SLIDING, HORIZONTAL - THERMOPANE - EXCEL 775X1461 RH

**DRIVER SIDE BEDROOM WINDOWS**

KEY	PART NUMBER	U/M	DESCRIPTION
	112898-05-01A	EA	WINDOW-SLIDING, VERTICAL - THERMOPANE - EXCEL DC61-G2W66

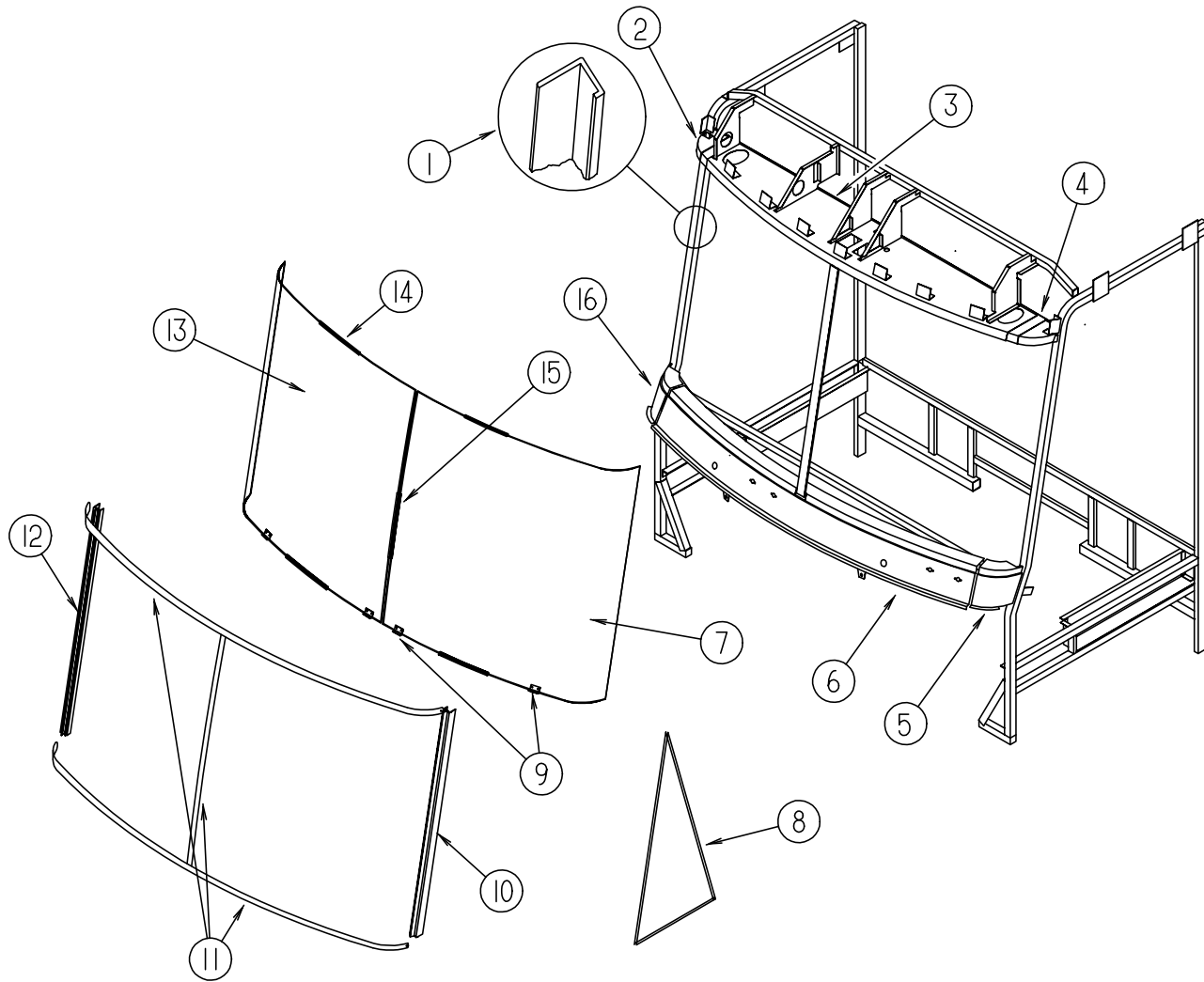
**PASSENGER SIDE BEDROOM WINDOWS**

KEY	PART NUMBER	U/M	DESCRIPTION
	112898-06-01A	EA	WINDOW-SLIDING, VERTICAL - THERMOPANE - EXCEL DH421-G2W66

**GALLEY WINDOW**

KEY	PART NUMBER	U/M	DESCRIPTION
	112795-26-01A	EA	WINDOW-SLIDING, HORIZONTAL - THERMOPANE - EXCEL DC44-G2W66L

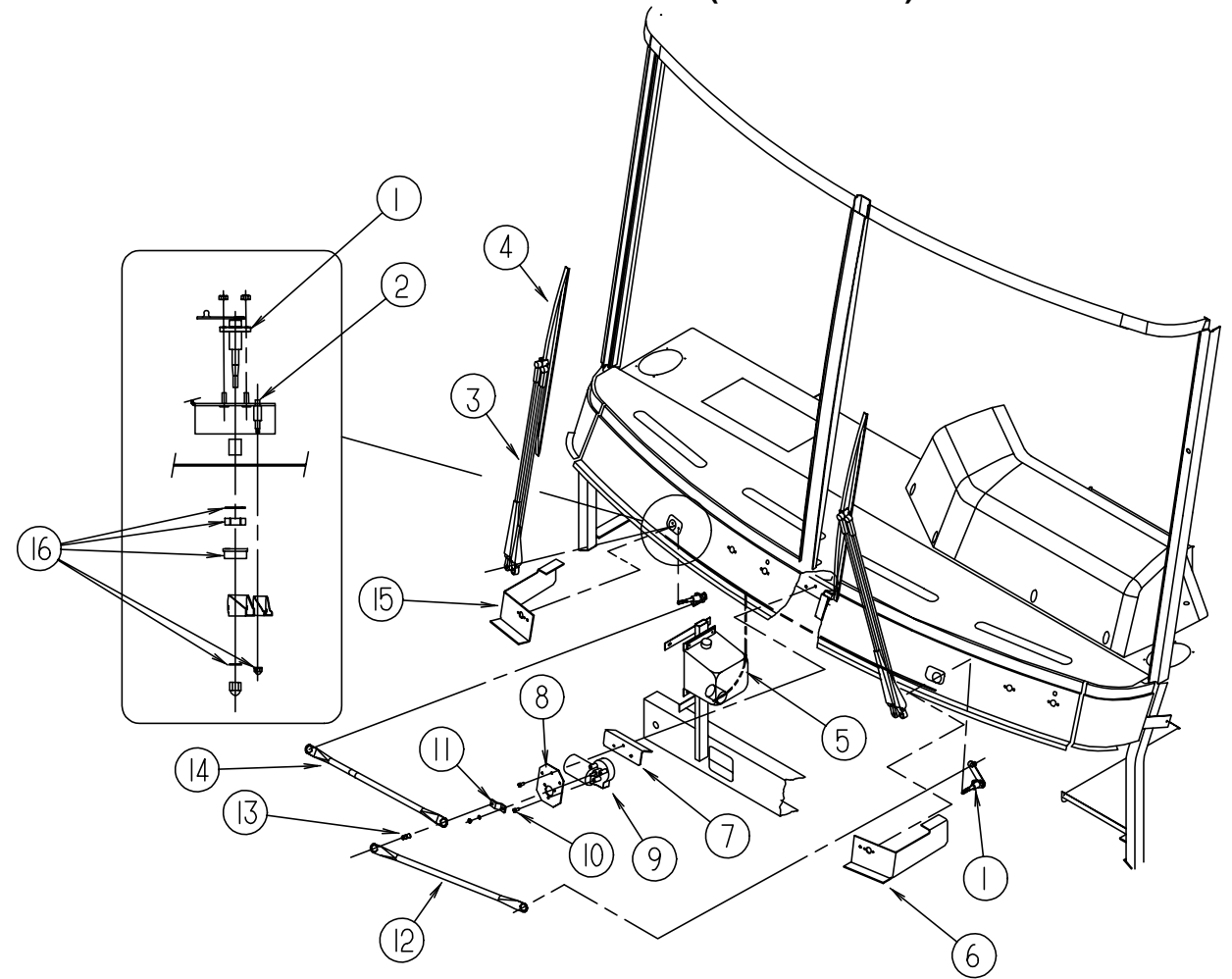
### WINDSHIELD & WIPER



### WINDSHIELD & VENT WINDOWS

KEY	PART NUMBER	U/M	DESCRIPTION
1	098788-06-000	EA	CHANNEL-RIGID, 1243 LONG
2	077922-03-000	EA	HEADER-WINDSHIELD, RIGHT END
3	077922-06-000	EA	HEADER-WINDSHIELD, CENTER
4	077922-04-000	EA	HEADER-WINDSHIELD, LEFT END
5	077847-03-000	EA	SUPPORT-WINDSHIELD, LOWER RIGHT END - W/O BRACKETS
6	077847-05-000	EA	SUPPORT-WINDSHIELD, LOWER CENTER - W/O BRACKETS
7	112273-02-000	EA	GLASS-WINDSHIELD, DRIVER
8	106468-01-01A	EA	WINDOW-FRONT, SLANT - DRIVER SIDE - EXCEL
9	107285-01-000	EA	BRACKET-WINDSHIELD, SUPPORT
	112385-01-000	EA	CARRIER-REVEAL, 1220MM LONG (4 50MM PIECES USED AT CORNERS)
10	103107-06-01A	EA	TRIM-WINDSHIELD, SIDE - BLACK
11	102936-01-000	FT	MOLDING-REVEAL, WINDSHIELD
12	103107-05-01A	EA	TRIM-WINDSHIELD, SIDE - BLACK
13	112273-01-000	EA	GLASS-WINDSHIELD, PASSENGER
14	111771-03-000	EA	CARRIER-REVEAL, WINDSHIELD - 4 USED
15	111771-01-000	EA	CARRIER-REVEAL, WINDSHIELD - CENTER - 1243MM LONG
16	077847-04-000	EA	SUPPORT-WINDSHIELD, LOWER LEFT END - W/O BRACKETS

### WINDSHIELD & WIPER (CONTINUED)



### WIPER & WASHER

KEY	PART NUMBER	U/M	DESCRIPTION
	091206-04-000	EA	CONTROL-WIPER, DYNAMIC PARK (FORD ONLY)
1	108168-01-000	EA	PIVOT SHAFT ASM, SPRAGUE GS-3683
	077049-01-000	EA	NUT-ACORN, 10-32 ALUMINUM
2	077048-02-000	EA	SHAFT-ADAPTER, WIPER PANTOGRAPH ARM - ANCO 52818
3	108165-01-000	EA	ARM-WIPER, PANTOGRAPH - 28.0" - SPRAGUE 9280-00-BWS
	096931-01-700	EA	HOSE-WASHER, WIPER ARM
	108165-01-704	EA	KIT-WASHER NOZZLE, W/NOZZLE, SCREW & NUT
	110742-01-000	EA	GASKET-WIPER
4	108166-01-000	EA	BLADE-WINDSHIELD WIPER, 24" - SPRAGUE C-1755
5	056000-04-000	EA	WASHER-WINDSHIELD, BOTTLE & PUMP
6	106680-02-000	EA	BRACKET-MOUNT, WIPER PIVOT
7	106604-01-000	EA	PLATE-WIPER, MOTOR MOUNT
8	103935-01-000	EA	PLATE-MOUNTING, WIPER MOTOR
9	108164-01-000	EA	MOTOR ASM-WIPER, W/MOTOR CRANK ARM - SPRAGUE E-006-070
	108164-01-700	EA	WIPER MOTOR ONLY, SPRAGUE 403.878
10	096526-01-000	EA	SCREW-HEX, 1/4 - 28 UNF
11	108164-01-701	EA	CRANK-MOTOR, W/DOUBLE CRANK STUD - SPRAGUE GS-2508
12	108167-02-000	EA	LINK-CONNECTING, 22.00" - SPRAGUE L1-3D3-3
13	067188-01-000	EA	STUD-CRANK, WIPER
14	108167-01-000	EA	LINK-CONNECTING, 22.00" - SPRAGUE L1-3B4-3
15	106680-01-000	EA	BRACKET-MOUNT, WIPER PIVOT
16	108169-01-000	EA	HARDWARE-PIVOT SHAFT ASM, SPRAGUE GS-3706
	045794-01-000	FT	HOSE-WASHER, WINDSHIELD - 5/32" ID - BLACK
	056000-01-700	FT	HOSE-WIPER, VACUUM - 7/64" - 5/32"