

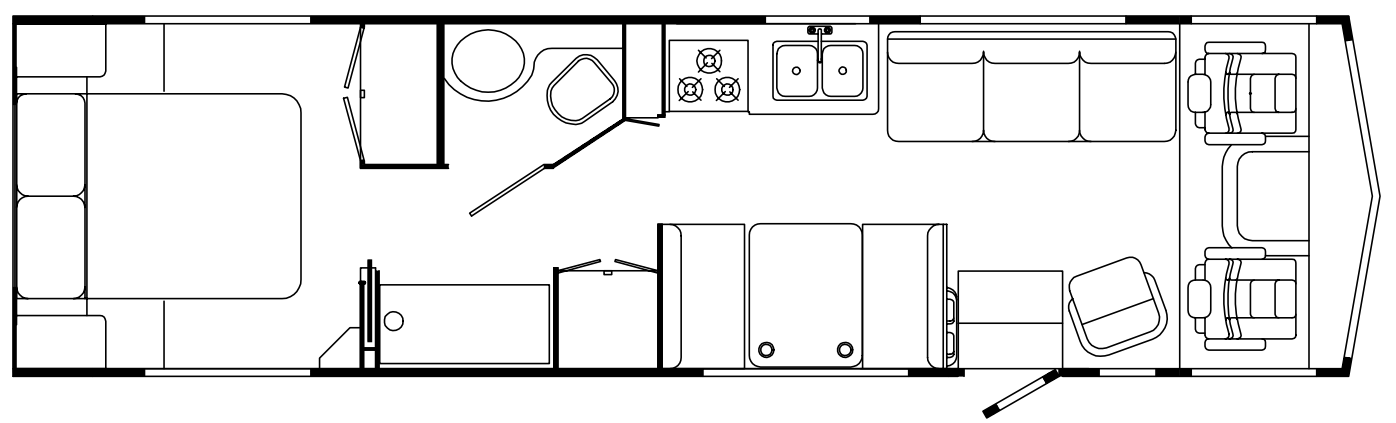
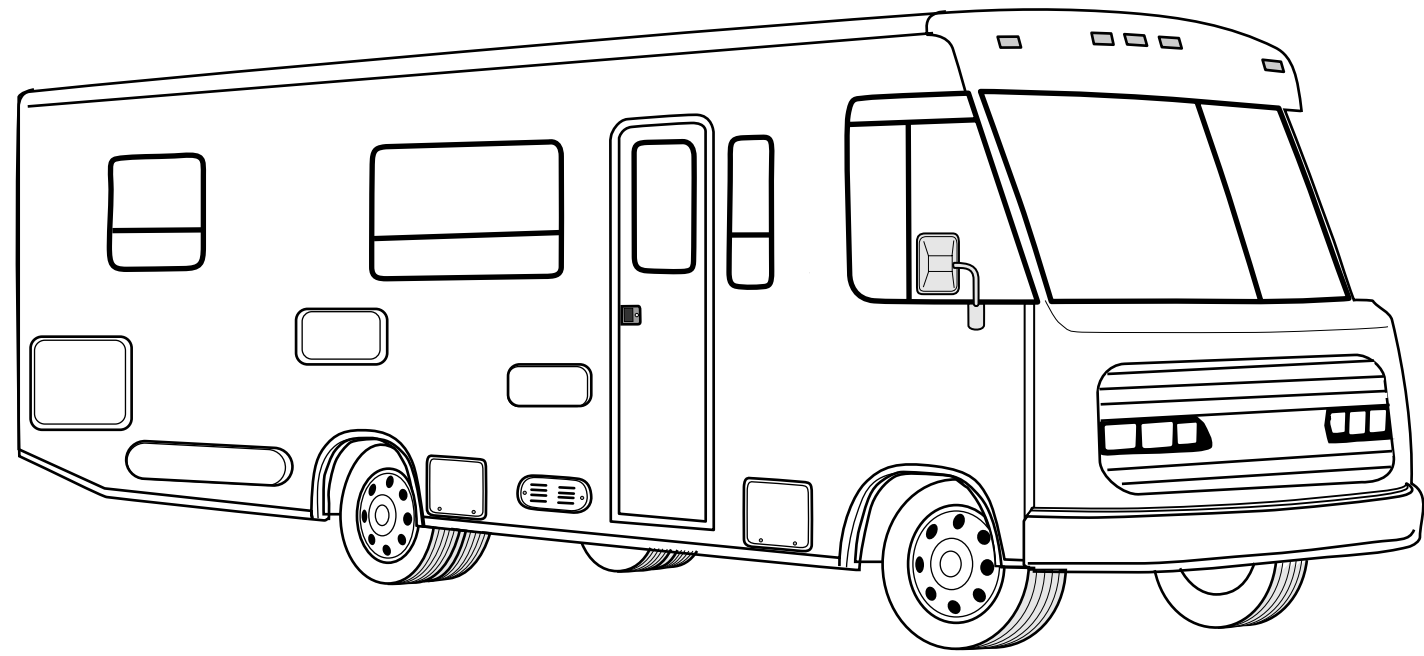
**1995  
IKF32RQ**

**F24**

**F25**

**F26**

**F27**



**ACCESSORIES GROUP  
OPERATOR MANUAL**

KEY	PART NUMBER	U/M DESCRIPTION
	054185-D2-000	EA MANUAL, OPERATOR 95 SUNRISE - F-SERIES
	092318-01-000	EA BINDER - 3 RING, MOTOR HOME MANUAL
	092319-01-000	EA POCKET PAGE - RING BINDER, PLASTIC
	113921-01-000	DW TOP LEVEL DRAWING-F, 1995

**AUDIO VIDEO GROUP  
PATIO ENTERTAINMENT CENTER**

KEY	PART NUMBER	U/M DESCRIPTION
	077069-02-000	EA CABLE-ANTENNA, RADIO - EXTENSION 96" - ARA 6700667
	087683-02-000	EA RADIO-AM/FM STEREO CASSETTE - AUDIOVOX P-1A FROM: 00-00-00 THRU: 07-17-94
	087683-03-000	EA RADIO-AM/FM STEREO CASSETTE - AUDIOVOX RS-100 FROM: 07-18-94 THRU: 99-99-99
	090944-01-000	EA ANTENNA-RADIO, 16" RUBBER
	108847-01-000	EA BRACKET-ANTENNA GROUND
	104498-01-000	EA BRACKET-ANTENNA MOUNT
	109889-02-000	EA ANTENNA-SHAFT EXTENDER 2" - MAGNADYNE RV71EX2
	110469-01-000	EA SPEAKER - 4 X 6 OVAL, COAXIAL - MAGNADYNE F46XB-12
	110470-01-01A	EA GRILLE-SPEAKER, OVAL 4 X 6 BLK - MAGNADYNE G46WI

**RADIO SYSTEM & ANTENNA**

KEY	PART NUMBER	U/M DESCRIPTION
	116148-01-000	EA RADIO-AM/FM STEREO, CD PLAYER - CLARION 5633CD
	110267-03-000	EA RADIO-AM/FM STEREO, AUDIOVOX IM-400
	077069-02-000	EA CABLE-ANTENNA, RADIO - EXTENSION 96" - ARA 6700667
	090944-01-000	EA ANTENNA-RADIO, 16" RUBBER
	081059-02-000	EA WIRE ASM - 9-PIN, RADIO - AUDIOVOX 112B-1761
	089340-02-000	EA GRILLE-SPEAKER, 6.5" SQUARE
	089340-03-000	EA SPACER-GRILLE, 6.5" SQUARE - TAN - MAGNADYNE G514
	094097-01-000	EA SPEAKER-RADIO, W/O GRILLE - 5.25" DIA - AUDIOVOX 110C3030
	110469-01-000	EA SPEAKER - 4" X 6", OVAL - MAGNADYNE F46XB-12
	110470-01-01A	EA GRILLE-SPEAKER, OVAL - 4" X 6" - BLACK - MAGNADYNE G46WI

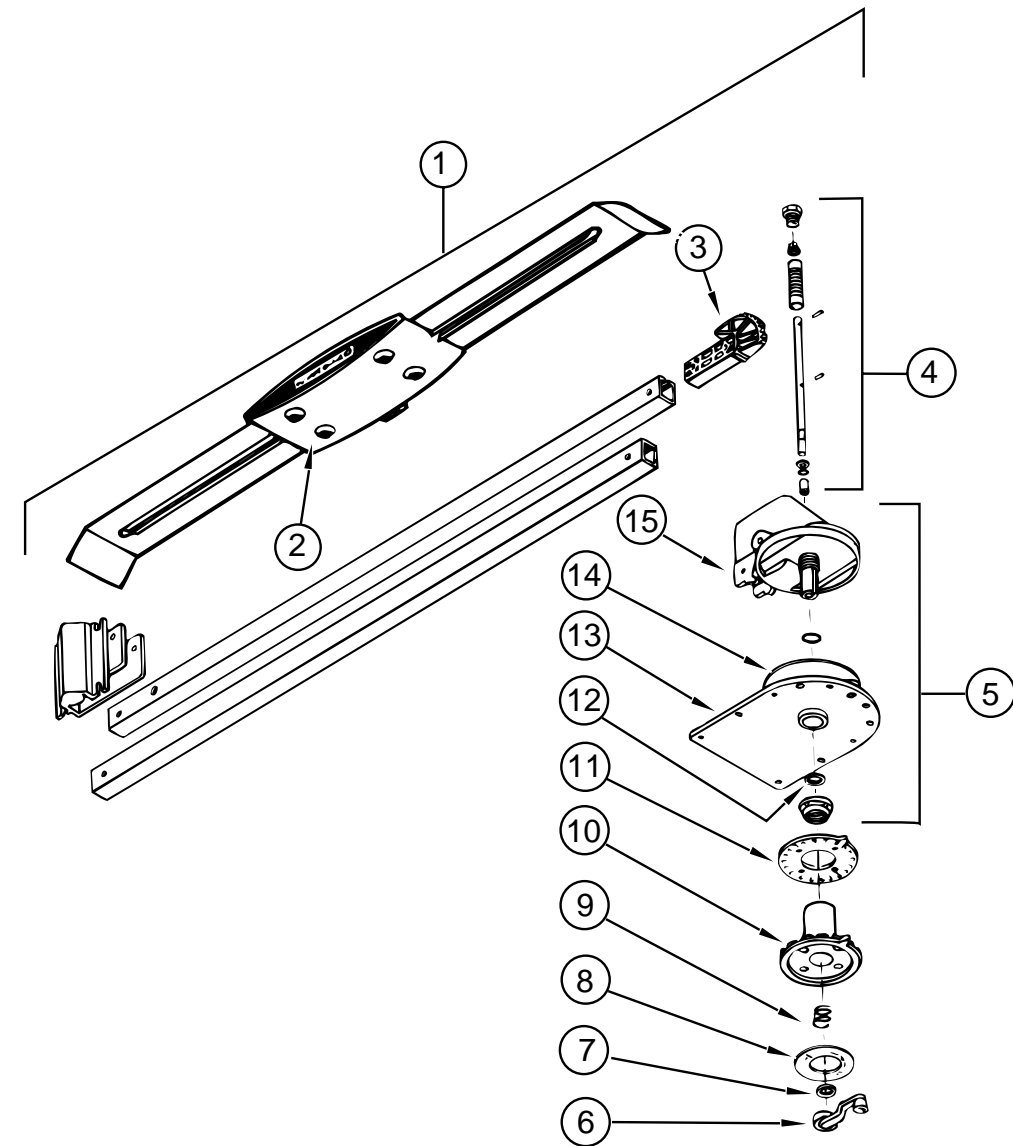
**CB ANTENNA**

KEY	PART NUMBER	U/M DESCRIPTION
	105248-01-000	EA ANTENNA-CB, ADVANCE 8604

**AUDIO VIDEO GROUP (CONTINUED)**  
**TV, VCR & COMPONENTS**

KEY	PART NUMBER	U/M	DESCRIPTION
	098447-07-000	EA	TV - 13", COLOR W/JACK - U.S. - MAGNAVOX RR1342C FROM: 00-00-00 THRU: 07-17-94
	098447-07-700	EA	REMOTE-TV, MAGNAVOX RR1342C
	098447-11-000	EA	TV - 13", COLOR W/JACK - U.S. - MAGNAVOX 13PRC10 FROM: 07-18-94 THRU: 99-99-99
	098447-11-700	EA	REMOTE-TV, MAGNAVOX 13PRC10
	098447-08-000	EA	TV - 13", COLOR W/REMOTE - CANADIAN - MAGNAVOX XR1333C FROM: 00-00-00 THRU: 10-09-94
	098447-08-700	EA	REMOTE-TV, MAGNAVOX XR1333C
	098447-12-000	EA	TV - 13", COLOR W/JACK - CANADIAN - MAGNAVOX 13XNC15 FROM: 10-10-94 THRU: 99-99-99
	098447-11-700	EA	REMOTE-TV, MAGNAVOX
	098446-06-000	EA	VCR-VHS CABLE READY -REMOTE - MAGNAVOX VR9210 FROM: 00-00-00 THRU: 10-03-94
	098446-06-700	EA	REMOTE F/MODEL #9210 ONLY
	098446-07-000	EA	VCR-VHS CABLE READY -REMOTE - MAGNAVOX VR9320 FROM: 10-04-94 THRU: 99-99-99
	098446-07-700	EA	REMOTE F/MODEL #9320 ONLY
	092310-02-000	EA	TV-COLOR, 9" - AC/DC - W/REMOTE - MAGNAVOX RD0945
	092310-02-700	EA	REMOTE-TV, MAGNAVOX RD0945
	086757-03-000	EA	CONTROL CENTER-SWITCH, VCR/TV - MAGNADYNE VCS-6
	086777-05-000	EA	PLATE-WALL,ANTENNA 1 OUTPUT IVORY - WINEGARD RV-0921
	093214-01-02A	EA	GRILL-SPEAKER, 4" BROWN
	098819-01-000	EA	SPEAKER - 2 WATT, 8 OHM - 4"
	099717-01-000	EA	TIEDOWN-TV, STRAP ON FEMALE END IS 22.8" LONG
	099717-02-000	EA	TIEDOWN-TV, STRAP ON FEMALE END IS 28.7" LONG
	076319-09-000	EA	WALLPLATE-CABLE RECEPTACLE, TV - SINGLE - BROWN
	076319-08-000	EA	WALLPLATE-CABLE RECEPTACLE, TV - SINGLE - IVORY
	086777-01-000	EA	WALLPLATE-TV CABLE, W/ANTENNA SWITCH - IVORY
	086777-03-000	EA	PLATE-WALL, CABLE - W/TV ANTENNA SWITCH & BOOSTER - IVORY
	076319-12-000	EA	CONNECTOR-COAXIAL, ONE PIECE
	082134-01-000	EA	ADAPTER-TV, CABLE TO CABLE - WINEGARD F-81M
	086756-01-000	EA	SPLITTER-TV, 2 WAY
	076319-03-000	FT	CABLE-COAXIAL, 75 OHM
	076319-06-000	EA	ADAPTOR-CABLE ROOF PLATE, WINEGARD RPJ-1

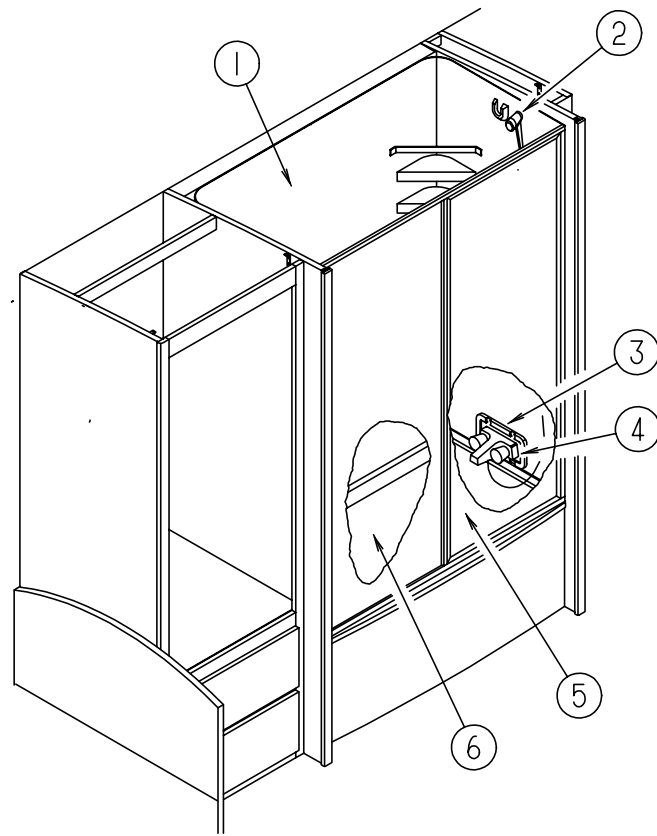
**AUDIO VIDEO GROUP (CONTINUED)**



**TV ANTENNA**

KEY	PART NUMBER	U/M	DESCRIPTION
1	076319-01-000	EA	ANTENNA-TV, ROOF MOUNT - 44.5" MAST - RVA W02
2	076319-01-700	EA	HEAD-ANTENNA, AMPLIFIED - WINEGARD# RVSA U/V
3	076319-01-701	EA	GEAR-ELEVATING, PLASTIC - WINEGARD# 2200046
4	076319-01-702	EA	SHAFT ASM-ELEVATING, WINEGARD# RVP-400A
5	076319-01-711	EA	BASE & LIFT ASM - 2762802
6	076319-01-706	EA	CRANK-ELEVATING, W/SET SCREW - WINEGARD# 5755100
7	076319-01-705	EA	GROMMET-NYLON, 7/8"ID - WINEGARD# 3200658
8	076319-01-708	EA	CRANK COVER DECAL, WINEGARD# 5413002
9	076319-01-707	EA	SPRING-HANDLE, WINEGARD# 5160800
10	076319-01-709	EA	PLATE-DIRECTIONAL, FOR HEAD - WINEGARD #3200644
11	076319-01-712	EA	PLATE-CEILING, WINEGARD# 3200608
12	076319-01-704	EA	BEARING-NYLON, 1.25"OD - WINEGARD# 3200657
13	076319-01-713	EA	PLATE-BASE, WINEGARD# 3100523
14	076319-01-703	EA	BEARING-NYLON, 5"OD - WINEGARD# 3200656
15	076319-01-714	EA	HOUSING, ROTATING GEAR - 2200049

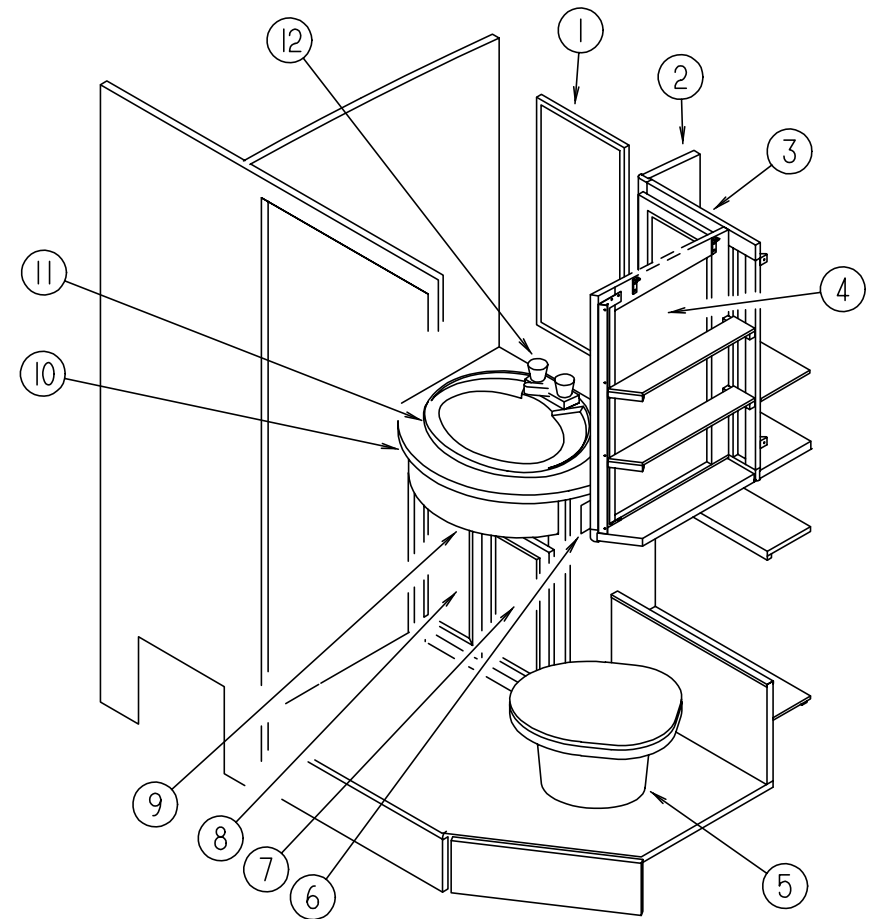
## BATH GROUP



**SHOWER CABINET & COMPONENTS**

KEY	PART NUMBER	U/M DESCRIPTION
1	110541-01-01A	EA SURROUND-SHOWER/TUB
2	103092-02-000	EA SHOWER HEAD-W/HOSE, CANADIAN
2	103092-01-000	EA SHOWER HEAD-W/60" HOSE , US
	103092-01-700	EA BRACKET ONLY-CLEAR FOR SHOWER
	011048-03-700	EA BRACKET ONLY-BONE FOR SHOWER
	093527-02-000	EA BRACKET-SQUEEGEE/SHOWER HEAD
3	075606-01-000	EA PANEL-FAUCET BACK, SHOWER - 5" X 9" - PLASTIC
4	075242-04-000	EA FAUCET-SHOWER, BONE
5	M02630-25-E37	EA SHOWER PAN ASM
	066436-01-000	EA NUT-SLIP, TAILPIECE - 1.5"
	066729-01-000	EA STRAINER-TUB/SHOWER, W/PLUG
	069735-01-000	EA WASHER-STRAINER TO TAILPIECE PLASTIC, 1.5"
6	115011-01-01A	EA DOOR-SHOWER, BYPASS
	115011-01-700	EA HEADER
	115011-01-701	EA NYLON GUIDES (W-TRACK)
	115011-01-702	EA TOWEL BAR BRACKETS
	115011-01-703	EA TOWEL BARS
	115011-01-704	EA ROLLERS
	115011-01-705	EA ROLLER SCREWS (HEX HEAD)
	115011-01-706	EA GLAZING VINYL
	115011-01-707	EA SCREW F/TOWEL BAR
	115011-01-708	EA SCREW F/TOWEL BAR BRKTS
	057671-01-000	EA COVER-SCREW, #8 - PLASTIC - OFF WHITE
	114495-01-01A	EA PANEL-SKYLITE, INNER
	114496-01-01A	EA PANEL-SKYLITE, OUTER

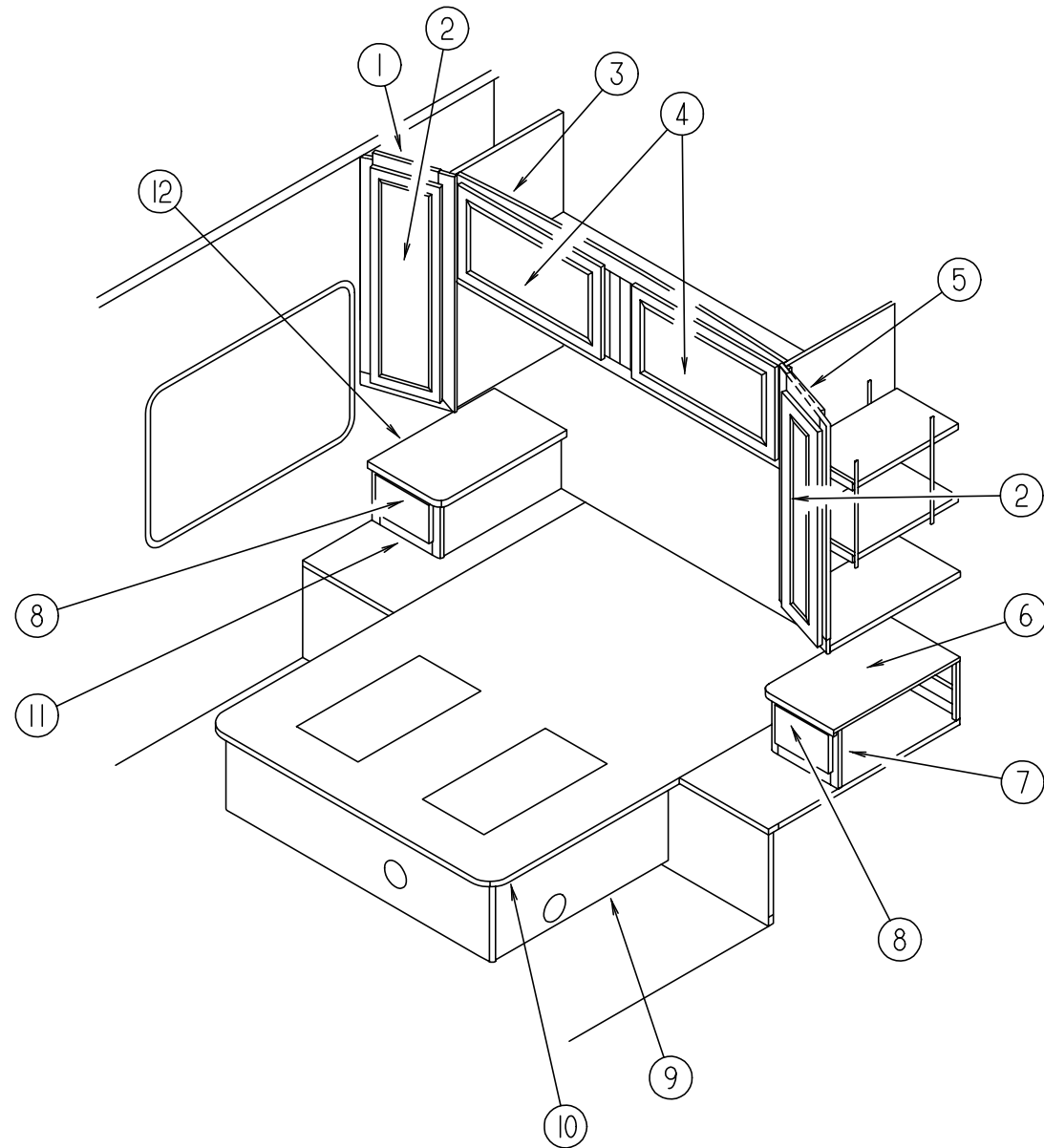
## BATH GROUP (CONTINUED)



**BATHROOM CABINET & COMPONENTS**

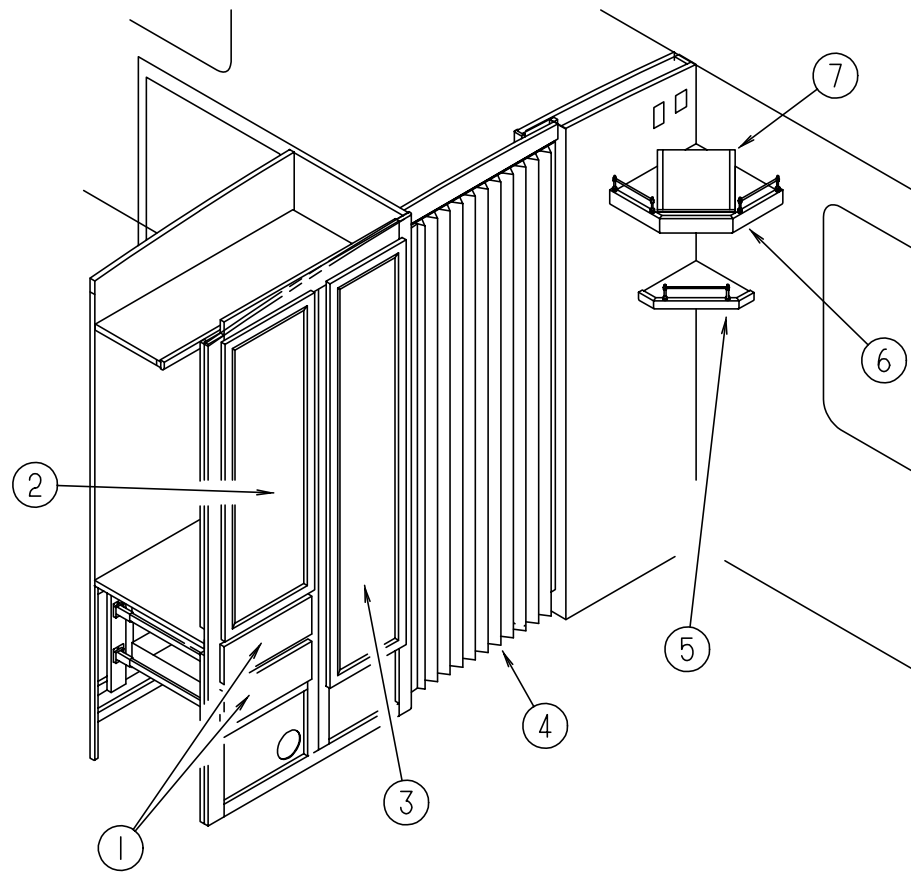
KEY	PART NUMBER	U/M DESCRIPTION
1	058331-D0-000	EA MIRROR-GLASS,SAFETY - 500 X 900MM
	009089-01-000	EA CLIP-MIRROR
2	114814-01-F04	EA CABINET ASM-LINEN/MEDICINE - W/O DOORS OR HARDWARE (F24,F25,F26)
2	114814-01-F27	EA CABINET ASM-LINEN/MEDICINE - W/O DOORS OR HARDWARE
3	M06803-49-F04	EA DOOR-W/O HARDWARE - 290 X 715MM
4	M06803-C3-F04	EA DOOR-W/O HARDWARE - 400 X 715MM
5	063740-02-000	EA TOILET-HIGH, FOOT FLUSH - THETFORD
6	075452-02-000	EA HOLDER-TOILET TISSUE, BRASS
7	M06803-C5-F04	EA DOOR-W/O HARDWARE - 255 X 485MM
8	M06803-C4-F04	EA DOOR-W/O HARDWARE - 255 X 485MM
9	P14812-01-F04	EA CABINET ASM-LAVATORY, W/O DOORS OR HARDWARE (F24)
9	P14812-01-F05	EA CABINET ASM-LAVATORY, W/O DOORS OR HARDWARE (F25)
9	P14812-01-F26	EA CABINET ASM-LAVATORY, W/O DOORS OR HARDWARE
9	P14812-01-F27	EA CABINET ASM-LAVATORY, W/O DOORS OR HARDWARE
10	114812-11-F04	EA COUNTERTOP ASM (F24,F27)
10	114812-11-F05	EA COUNTERTOP ASM (F25)
11	105921-01-01A	EA SINK-LAVATORY, LARGE OVAL - 17" X 20" - PLASTIC - OFF WHITE
	106116-01-01A	EA STRAINER-SINK, W/STOPPER TAILPIECE GASKET & NUT - PLASTIC
12	075240-06-000	EA FAUCET-LAVATORY, BONE
	091253-01-000	EA GASKET-FAUCET, LAVATORY/GALLEY
	105218-01-01A	EA SPACER-FAUCET, LAVATORY SINK - 2" X 5.9" - ABS PLASTIC - OFF WHITE
	M87868-28-G09	EA DOOR ASM-CABINET BATH
	094485-03-01A	EA KNOB-DOOR, BRASS - THUNADER L132PB
	100357-01-000	EA ROD-TOWEL, BRASS W/ENDS BENT FOR BACK OF BATH DOOR
	102089-13-G09	EA MOUNT-RAIL, RIGHT SIDE - TOWEL ROD - 26" LONG - WOOD - WATERFORD OAK
	102089-14-G09	EA MOUNT-RAIL, LEFT SIDE - TOWEL ROD - 26" LONG - WOOD - WATERFORD OAK
	102920-01-01A	EA HINGE-DOOR, SPRING LOADED - BRASS
	110496-01-01A	EA HINGE-BRASS
	058331-A3-000	EA MIRROR-GLASS, SAFETY - 342 MM X 1137 MM
	105004-01-05A	EA MOLDING-MIRROR, VINYL WRAPPED - OAK

**BEDROOM GROUP**  
**QUEEN BEDROOM CABINETS**



KEY	PART NUMBER	U/M	DESCRIPTION
1	110625-01-F04	EA	CABINET-SHIRT CLOSET, W/O DOOR OR HARDWARE
	009112-01-000	EA	FLANGE-1" ROD, CLOTHES - PLASTIC - OFF WHITE
	042438-01-000	EA	DOWEL-WOOD, CLOTHES ROD - 1" DIAMETER X 4'
2	M06803-10-E07	EA	DOOR-W/O HARDWARE - 275 MM X 925 MM
3	106523-01-E07	EA	CABINET-OVERHEAD, W/O DOORS OR HARDWARE
4	M06803-02-E07	EA	DOOR-W/O HARDWARE W/MIRROR - 400 MM X 710 MM
	108536-04-08A	EA	MIRROR-GLASS, 317 X 627
5	110625-02-F04	EA	CABINET-SHIRT CLOSET, W/O DOOR OR HARDWARE
	009112-01-000	EA	FLANGE-1" ROD, CLOTHES - PLASTIC - OFF WHITE
	042438-01-000	EA	DOWEL-WOOD, CLOTHES ROD - 1" DIAMETER X 4'
6	110626-12-F04	EA	COUNTERTOP-NIGHTSTAND (F24,F27)
6	110626-12-F05	EA	COUNTERTOP-NIGHTSTAND (F25)
6	110626-12-F26	EA	COUNTERTOP-NIGHTSTAND
7	P14482-02-F04	EA	CABINET-NIGHTSTAND W/COUNTERTOP (F24,F27)
7	P14482-02-F05	EA	CABINET-NIGHTSTAND W/COUNTERTOP (F25)
7	P14482-02-F26	EA	CABINET-NIGHTSTAND W/COUNTERTOP
8	M05971-J8-F04	EA	DRAWER-CABINET, W/O HARDWARE
9	P14484-01-F04	EA	CABINET ASM-BED, QUEEN
10	M06979-01-000	EA	TOP-QUEEN BED CABINET
	110535-01-01A	EA	ROD-PROP, BED MILL
	110536-01-000	EA	BRACKET-PROP ROD
11	P14482-01-F04	EA	CABINET-NIGHTSTAND W/COUNTERTOP (F24,F27)
11	P14482-01-F05	EA	CABINET-NIGHTSTAND W/COUNTERTOP (F25)
11	P14482-01-F26	EA	CABINET-NIGHTSTAND W/COUNTERTOP
12	114482-11-F04	EA	COUNTERTOP-NIGHTSTAND (F24,F27)
12	114482-11-F05	EA	COUNTERTOP-NIGHTSTAND (F25)
12	114482-11-F26	EA	COUNTERTOP-NIGHTSTAND
	110248-04-F24	EA	HEADBOARD-QUEEN, PRINCESS
	110248-04-F25	EA	HEADBOARD-QUEEN, PRINCESS
	110248-04-F26	EA	HEADBOARD-QUEEN, PRINCESS
	110248-04-F27	EA	HEADBOARD-QUEEN, PRINCESS

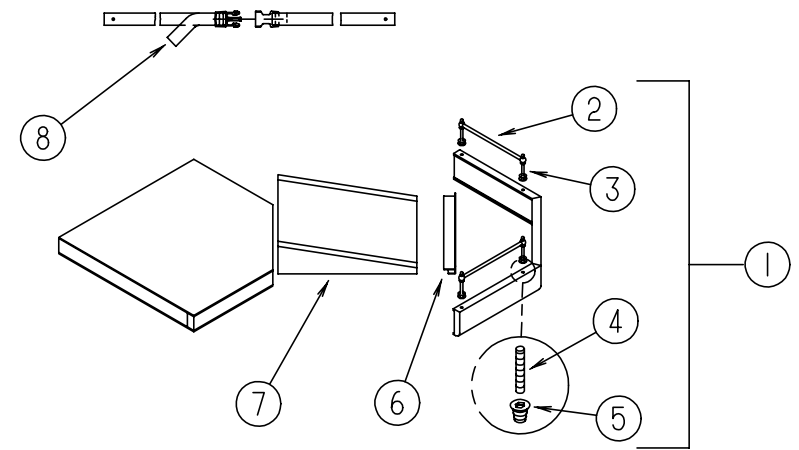
**BEDROOM GROUP (CONTINUED)**



**QUEEN BEDROOM CABINETRY FRONT**

KEY	PART NUMBER	U/M	DESCRIPTION
1	M05971-J9-F04	EA	DRAWER-CABINET, W/O HARDWARE
2	M06803-C6-F04	EA	DOOR-W/O HARDWARE, 425 MM X 1220 MM
3	M06803-L9-F04	EA	DOOR-W/O HARDWARE, 360 MM X 1660 MM
4	042488-10-000	EA	DOOR-FOLDING, FABRIC - 37" X 75" - OFF WHITE
	080224-01-703	EA	ALMOND HANDLE W/LATCH AND CATCH
	080224-01-705	EA	ALMOND LATCH AND CATCH ASM.
5	105219-01-E07	EA	CABINET ASM-SHELF
6	111236-01-E07	EA	SHELF ASM-TV
7	111236-15-E07	EA	WEDGE ASM

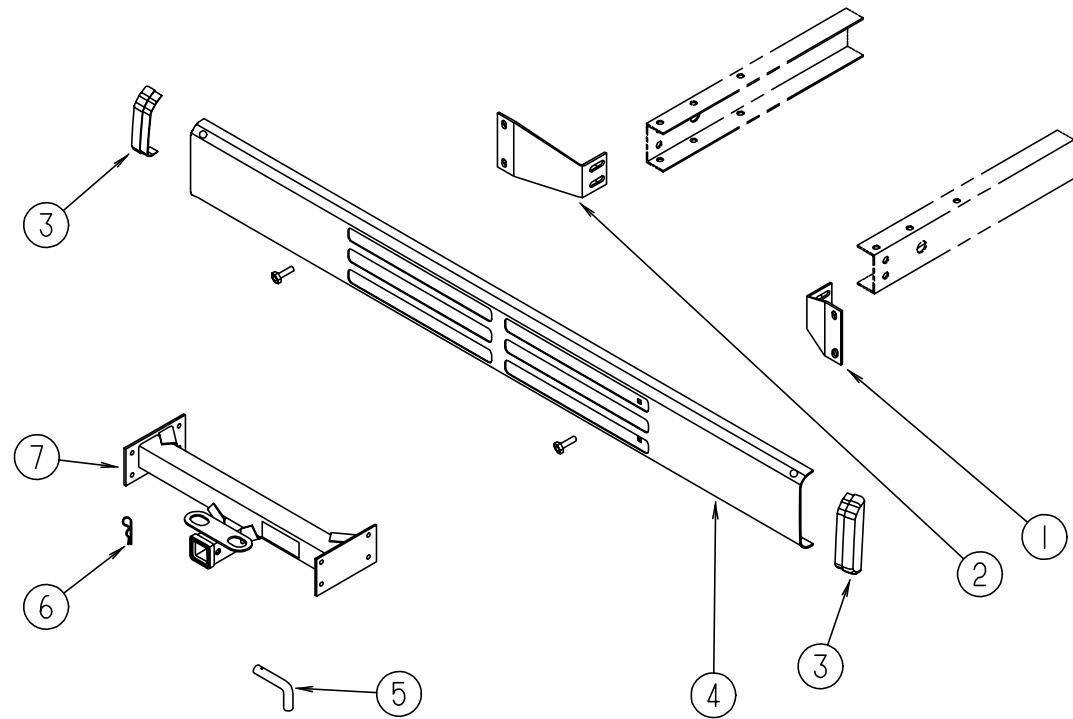
**BEDROOM GROUP (CONTINUED)**



**TV SHELVES**

KEY	PART NUMBER	U/M	DESCRIPTION
1	105219-01-E07	EA	CABINET ASM-SHELF
2	084071-15-000	EA	ROD-BRASS, 210 MM LONG
3	084070-02-000	EA	POST-END, 2.4" - BRASS
4	105247-01-000	EA	NUT-INSERT, 8-32 THREAD X .394" LONG - STAFEST PRODUCTS
5	105246-01-000	EA	POST-ANCHOR
6	103186-01-01A	FT	MOLDING-EDGE, SHELF - .78" WIDE - PLASTIC - RAMBLING OAK
7	111236-15-E07	EA	WEDGE-TV
8	099717-01-000	EA	TIEDOWN-TV, STRAP ON FEMALE END IS 22.8" LONG

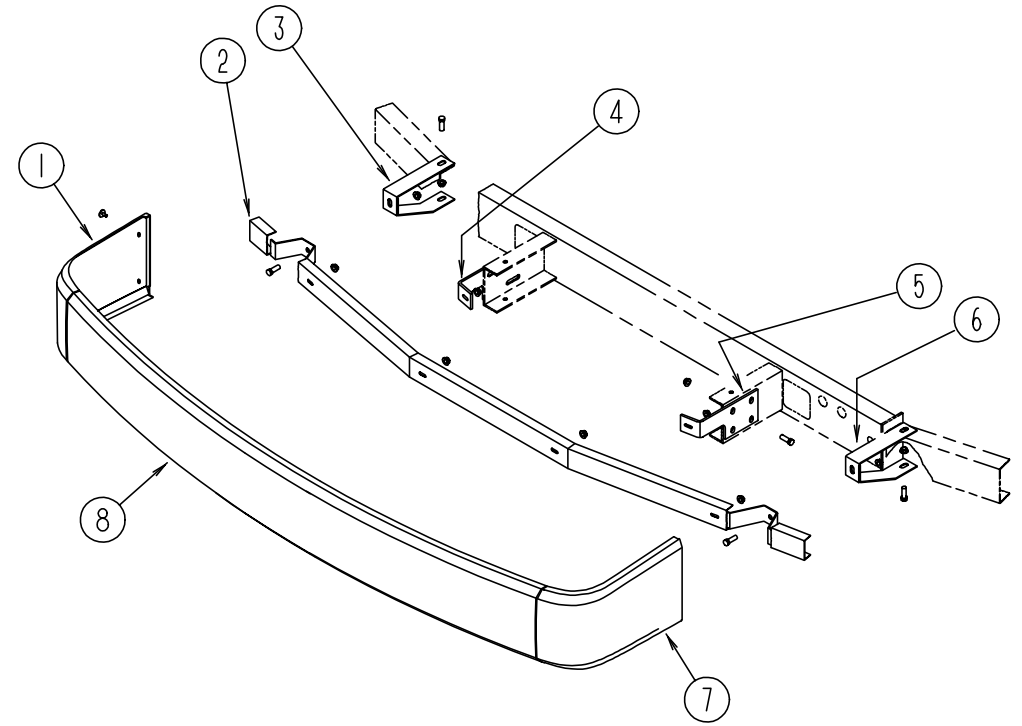
### CHASSIS GROUP



### REAR BUMPER & COMPONENTS

KEY	PART NUMBER	U/M DESCRIPTION
1	104418-08-000	EA ANGLE-SUPPORT BUMPER REAR
2	104418-09-000	EA ANGLE-SUPPORT BUMPER REAR
3	103228-01-06A	EA REAR BUMPER END CAP - BRIGHT WHITE
4	103099-03-06A	EA BUMPER-REAR, BRIGHT WHITE
5	034512-01-000	EA PIN-LOCKING-DRAWBAR
6	034513-01-000	EA PIN-HITCH - 3/16" WIRE
7	107707-04-000	EA HITCH ASM W/O DRAWBAR
	113589-02-000	EA CONNECTOR-SOCKET, TRAILER - GENERAL 433601
	113589-01-000	EA CONNECTOR-PLUG, TRAILER - GENERAL 433501

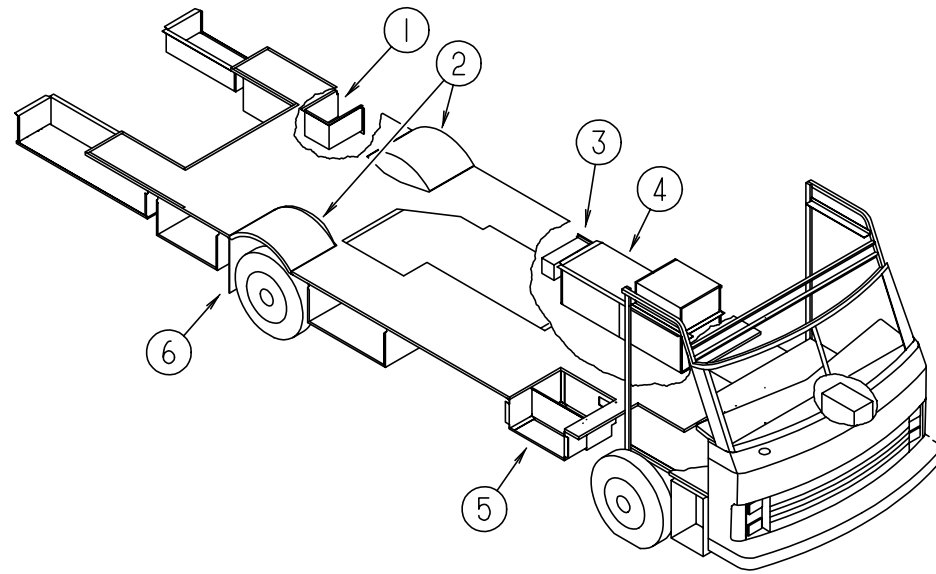
### CHASSIS GROUP (CONTINUED)



### FRONT BUMPER

KEY	PART NUMBER	U/M DESCRIPTION
1	103692-03-02A	EA PANEL-FACIA, BUMPER - FRONT RIGHT - BRIGHT WHITE
2	103512-01-000	EA CHANNEL ASM-BUMPER
3	103497-01-000	EA BRACE-BUMPER, FRONT
4	114634-01-02B	EA SUPPORT-FRONT BUMPER, PASSENGER SIDE - STEEL
5	114634-02-02B	EA SUPPORT-FRONT BUMPER, DRIVER SIDE - STEEL
6	103611-01-000	EA BRACE-BUMPER, FRONT
7	103692-04-02A	EA PANEL-FACIA, BUMPER - FRONT LEFT - BRIGHT WHITE
8	103758-02-F24	EA BUMPER ASM-FRONT, W/DRIVER & PASSENGER SIDE FACIA PANELS BRIGHT WHITE

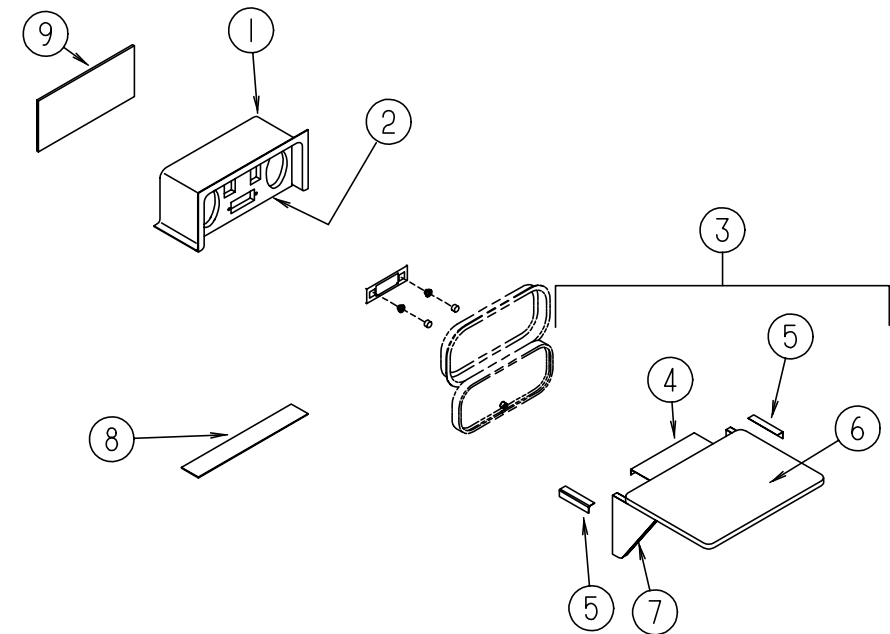
## CHASSIS GROUP (CONTINUED)



### STORAGE COMPARTMENTS & WHEELWELLS

KEY	PART NUMBER	U/M	DESCRIPTION
1	102979-05-000	EA	BOX-POWER CORD
2	102921-01-000	EA	WHEELWELL - PLASTIC
3	085967-01-000	EA	COMPARTMENT-SEWER HOSE, 6" X 6.6" X 17.8" - PLASTIC
4	078137-04-000	EA	TRAY-COMPARTMENT, GENERATOR - 29.1" WIDE X 22.4" DEEP
	105732-02-000	EA	TRAY ASM-GENERATOR
	114070-02-02B	EA	SUPPORT ASM-GENERATOR, LH
	114071-02-02B	EA	SUPPORT ASM-GENERATOR, RH
5	094707-01-01A	EA	STEP-DOUBLE, ELECTRIC - KWIKEE 3218
	094707-02-700	EA	MOTOR REPLACEMENT KIT - MODELS 32 & 28 - KWIKEE 9520
	094707-02-701	EA	LINKAGE ASM - MODEL 32 - KWIKEE 9523
	094707-02-702	EA	GEAR KIT - KWIKEE 9525
	094707-02-703	EA	PARTS KIT, (BEARINGS & PINS) - KWIKEE 9530
	094707-02-704	EA	CONNECTOR KIT-MOTOR, KWIKEE 9537
	094707-02-705	EA	CONTROL UNIT, (WHITE) - KWIKEE 9513
	094707-02-707	EA	NON-SKID TREAD BLK. 6"X21" 909333
	091176-01-000	EA	SUPPORT-BASE, ENTRANCE STEP
6	017516-01-000	EA	FLAP-MUD, 14" X 18" - BLACK
	020167-05-000	EA	DIRT GUARD - STEEL - 380MM LONG
			FROM: 00-00-00 THRU: 10-31-94
	020167-04-000	EA	GUARD-DIRT
			FROM: 11-01-94 THRU: 99-99-99
	065450-05-000	EA	TIEDOWN-BATTERY, 8.4" TUBE
	056748-01-000	EA	PLUG-CAP, 1.5" DIAMETER - BLACK
	061420-01-000	EA	PLUG-PLASTIC, 1.75" - BROWN
	061420-05-000	EA	PLUG-PLASTIC, 1.8" DIAMETER
	115361-01-01A	EA	PLUG-PLASTIC, CAPLUG NO.W5
	114473-13-02B	EA	WHEELWELL ASM, FRONT - E-COAT
	114473-18-02B	EA	WHEELWELL ASM, FRONT - E-COAT - EXPORT OPTION
	072877-01-000	EA	INSULATION-SOUND BARRIER PAD, 1.25" X 46" X 54"
			FROM: 00-00-00 THRU: 10-10-94
	072877-03-000	EA	INSULATION-SOUND BARRIER LB-1 COMPOSITE EAR
			FROM: 10-11-94 THRU: 99-99-99
	106208-01-01A	EA	COMPARTMENT-EXTERIOR SHOWER, PLASTIC - OFF WHITE

## CHASSIS GROUP (CONTINUED)



### PATIO ENTERTAINMENT CENTER

KEY	PART NUMBER	U/M	DESCRIPTION
1	104897-03-02A	EA	BOX-ENTERTAINMENT CENTER - BRIGHT WHITE
2	104899-01-C05	EA	PLATE-RADIO MOUNTING
3	105230-01-E01	EA	SHELF
4	105377-01-01A	EA	BRACKET-TABLE HANGER, OFF WHITE
5	105376-01-02A	EA	HINGE-CONTINUOUS, 2" X 140 MM - OFF WHITE
6	105230-11-E01	EA	SHELF
7	105230-12-E01	EA	SUPPORT-SHELF
8	104898-01-02A	EA	PLATE-PLASTIC, BOTTOM - 19.38" X 3.1" - BRIGHT WHITE
9	104898-02-02A	EA	PLATE-PLASTIC, REAR - 16.1" X 6.3" - BRIGHT WHITE



**CHASSIS GROUP (CONTINUED)**  
EXPORT TAIL PIPE

KEY	PART NUMBER	U/M DESCRIPTION
	117049-01-000	EA PIPE-EXHAUST, TAIL

**19.5" STAINLESS STEEL WHEEL LINERS**

KEY	PART NUMBER	U/M DESCRIPTION
	110435-03-000	EA LINER-WHEEL, SET 4 - 19.5" - DICOR V195JO-FWC
	109443-03-000	EA WHEEL COVER - 4/SET, 19.5" - DICOR SHAJ95 W/HDW
	109443-01-700	EA WHEEL-COVER, 19.5" - SHAG95 DICOR
	109443-01-703	EA CAP-CENTER, HUB - DICOR SP-AUCAP
	109443-03-700	EA RETENTION BRACKET FOR FRONT WHEEL COVER
	109443-03-701	EA REAR BRACKET SET - SHAJ95-RBS
	077030-02-000	EA EXTENSION-VALVE STEM, 1.25"

**LUG WRENCH & LEVERAGE BAR**

KEY	PART NUMBER	U/M DESCRIPTION
	080208-01-000	EA LUG WRENCH, 1.06 X 1.00
	080208-02-000	EA BAR-LEVERAGE, LUG WRENCH

**TIRE & WHEEL**

KEY	PART NUMBER	U/M DESCRIPTION
	007234-03-000	EA TIRE-MICHELIN, 8R 19.8 LRF
	086281-02-000	EA WHEEL-STEEL, 19.5 X 6.0 - 8.75 3500 - ACCURIDE 28853
	051377-01-000	EA STEM-VALVE, TR 500

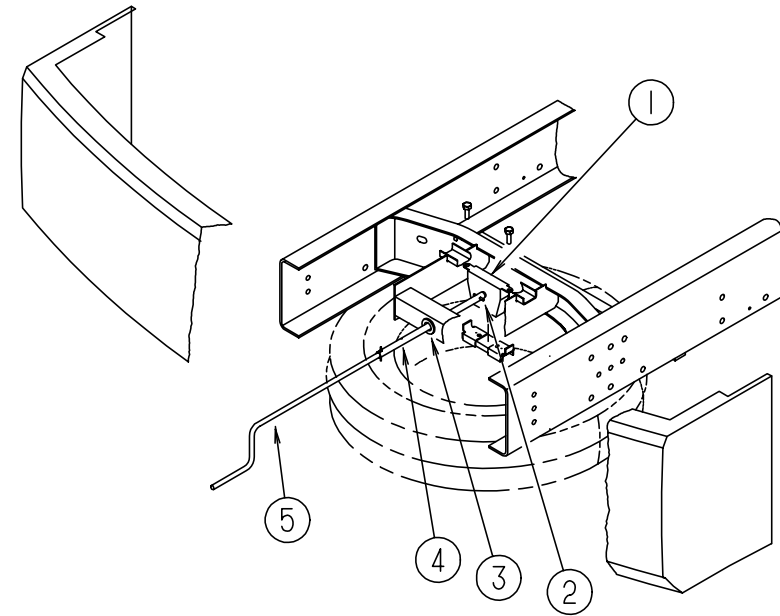
**FUEL SYSTEM**

KEY	PART NUMBER	U/M DESCRIPTION
	073220-03-000	EA CAP-FUEL FILL, NON LOCK - GM 15671703
	072447-04-000	EA SHROUD-FUEL FILL, UPPER - PLASTIC
	078200-01-000	EA GASKET-FUEL FILL, 3.5" OD X 2" ID
	095854-01-04A	EA SHROUD-FUEL FILL, BRIGHT WHITE

**CHASSIS MISCELLANEOUS**

KEY	PART NUMBER	U/M DESCRIPTION
	076310-04-000	EA SHEET-RUBBER, 23" X 50"
	076310-01-000	EA SHEET-RUBBER, RADIATOR BAFFLE - .12" X 15" X 62" - BLACK
	110605-01-000	EA TEE-PLAS-BARBED 1/8 X 1/8 X 3/16 BAYLOCK 3799721

**CHASSIS GROUP (CONTINUED)**



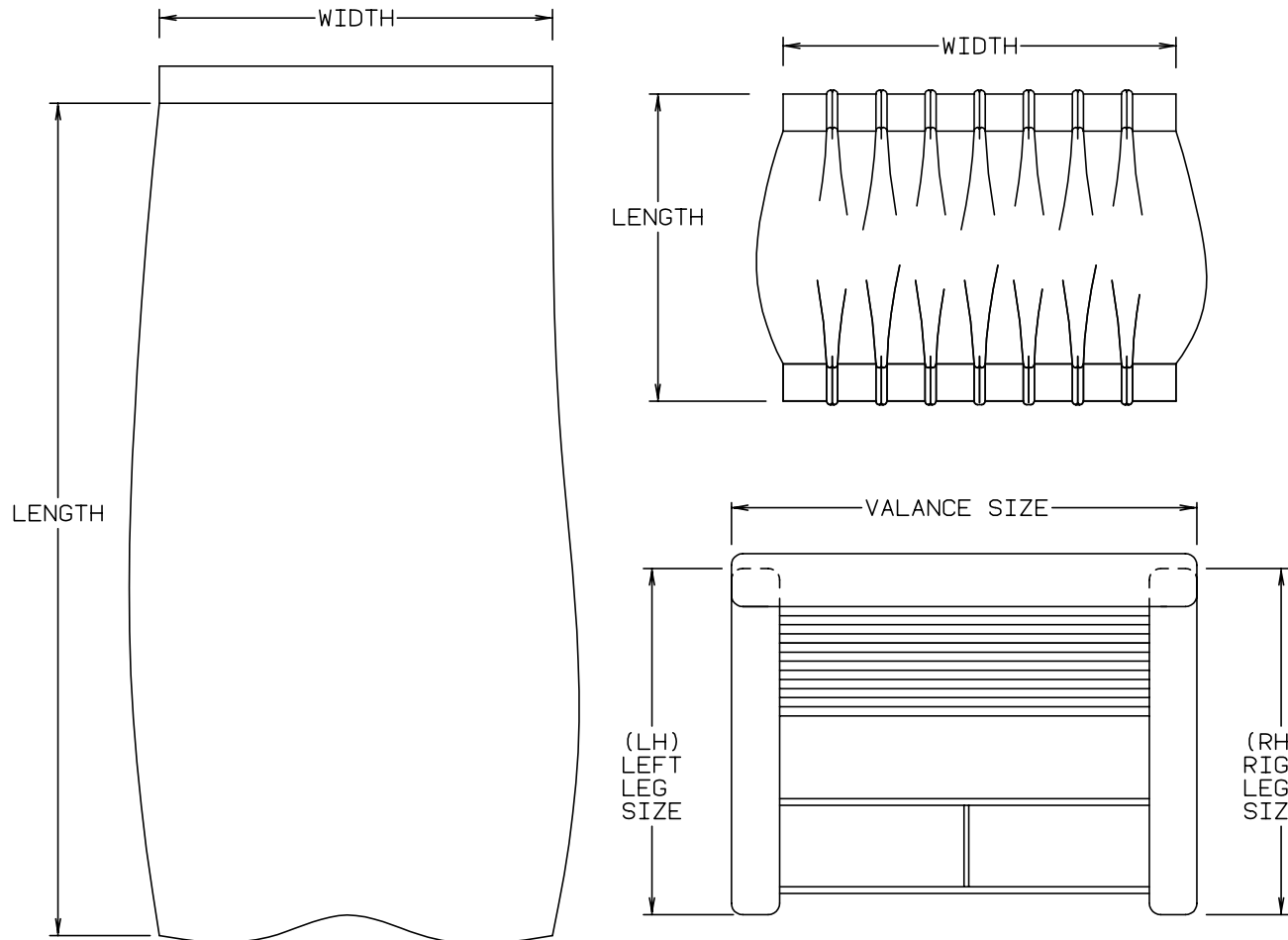
**SPARE TIRE HOIST**

KEY	PART NUMBER	U/M DESCRIPTION
1	093267-02-000	EA HOIST-SPARE TIRE - W/BRACKET
	093267-01-000	EA HOIST-SPARE TIRE, DEUER MFG6L201
	105499-01-000	EA BRACKET-TIRE HOIST
2	114376-01-000	EA PIN-DRIVE, .156 X .750 - TYPE E - TIRE HOIST
3	071015-11-000	EA GROMMET
4	093375-09-000	EA EXTENSION-TIRE HOIST
5	093376-02-000	EA HANDLE ASM-CRANK,TIRE HOIST

**CURTAIN & CUSHION GROUP**  
NOTICE

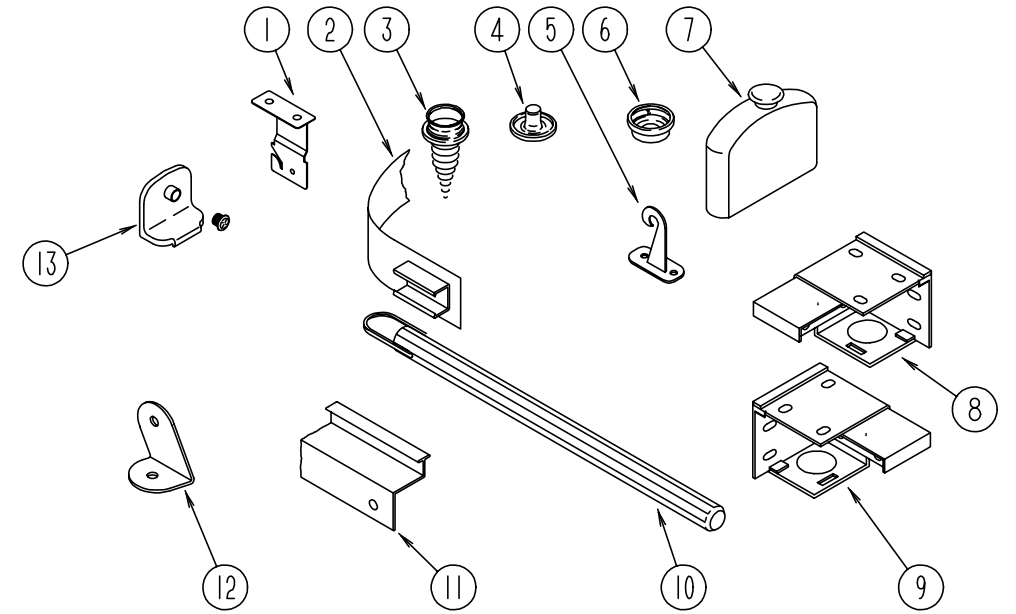
IN ORDER TO ASSIST OUR PARTS SALES DEPT. IN PROVIDING INTERIOR SOFTGOODS ITEMS, PLEASE INCLUDE THE SERIAL NUMBER AND THE COLOR CODE NUMBER FROM THE VEHICLE CERTIFICATION LABEL WHEN ORDERING. THIS LABEL IS LOCATED ON THE LEFT SIDEWALL AT THE END OF THE DASH (A-BODY), OR ON THE DRIVER'S DOOR LATCH PLATE (C-BODY).

AN EXAMPLE OF A COLOR CODE NUMBER IS B07, WHICH DESIGNATES AN OVERALL COLOR SCHEME OF A PARTICULAR UNIT. THE COLOR LISTED AFTER THE ITEM DESCRIPTION ON THE MICROFICHE, INDICATES THE OVERALL UNIT COLOR. ORDER THE ITEM YOU DESIRE ACCORDING TO UNIT COLOR CODE.



NOTE: USE THIS ILLUSTRATION WHEN DETERMINING LENGTH AND WIDTH MEASUREMENTS FOR CURTAINS. YOU WILL NOTE THE WIDTH MEASUREMENT IS TAKEN ON THE TOP OF THE CURTAIN WITH THE CURTAIN FULLY EXTENDED. THE LENGTH MEASUREMENT IS TAKEN FROM TOP TO BOTTOM. LEFT AND RIGHT WINDOW LEGS ARE DETERMINED WHEN FACING THE WINDOW.

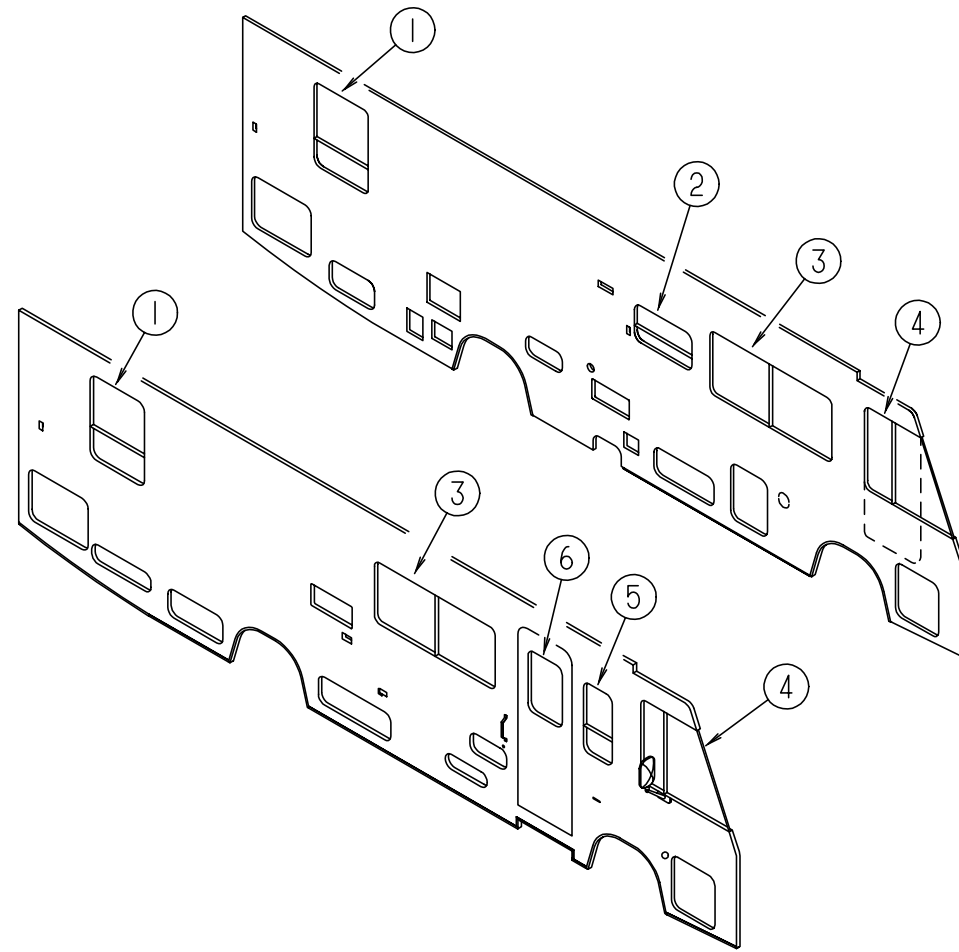
**CURTAIN & CUSHION GROUP (CONTINUED)**



**CURTAIN, BLIND HARDWARE & TRACKS**

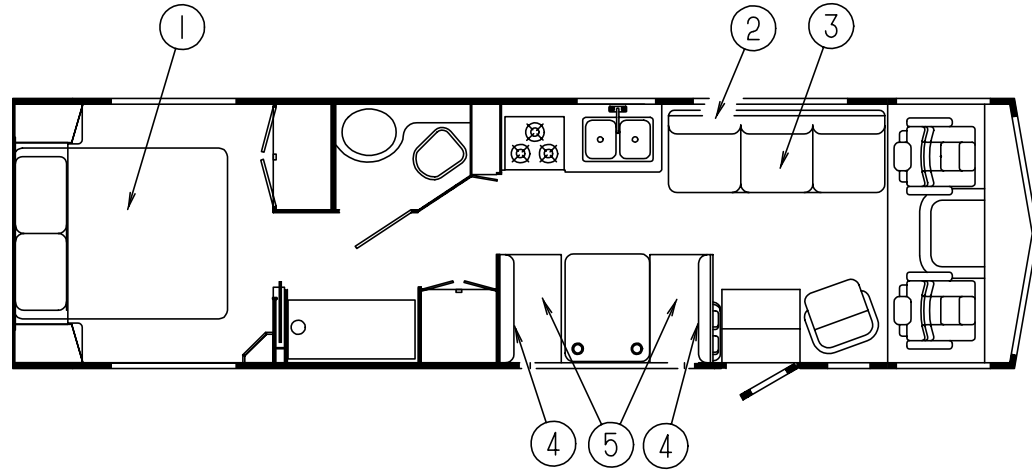
KEY	PART NUMBER	U/M DESCRIPTION
1	084434-01-000	EA BRACKET-MOUNTING, ROLLER SHADE - 1 3/8"
2	101031-01-000	YD TAPE-GLIDE, CURTAIN - 4.25" SPACING
3	029130-01-000	EA SCREW-SNAP SOCKET, #8 PH X 5/8"
3	029130-03-000	EA SCREW-SNAP SOCKET, #8 PH X 1"
4	029155-01-000	EA CAP-SNAP, 5/32" O.D. OF PIN
5	109441-01-000	EA HOLD DOWN-BLIND, HOOK
6	029156-01-000	EA SOCKET-SNAP, 9/16" O.D.
7	093475-01-701	EA END CAP-BLIND, W/STUD
8	083170-01-000	EA BRACKET-BLIND, LEFT SIDE WHEN FACING WINDOW
9	083170-02-000	EA BRACKET-BLIND, RIGHT SIDE WHEN FACING WINDOW
10	093475-01-700	EA WAND-BLIND, W/METAL CLIP - 8" LONG
11	105450-01-01A	EA TRACK-CURTAIN, 30.8" LONG - ALUMINUM - OFF WHITE
12	099205-02-02A	EA BRACKET-WRAPAROUND O/W
13	106544-01-000	EA PULL-SHADE, BRASS
	106544-01-001	EA SCREW-BRASS, SHADE
	046867-01-000	EA GROMMET-BRASS - 7/16" ID X 1" OD
	048394-02-000	YD VELCRO TAPE-HOOK, ADHESIVE BACK - .75" WIDE - BEIGE
	088792-01-000	YD VELCRO-HOOK, .75" WIDE - BEIGE
	088792-02-000	YD VELCRO TAPE-LOOP, ADHESIVE BACKED - .75" WIDE - BEIGE
	089522-02-000	EA PANEL-LEG, TWO SIDED 31.5" LONG - PLASTIC - BLACK LEFT SIDE
	089916-01-000	EA MOUNT-WINDOW LEG, 23.75" - ALUMINUM - BLACK
	096843-01-000	EA SPRING-REWIND, ROLLER SHADE
	101589-02-C05	EA TRACK ASM-CURTAIN, WRAPAROUND
	009700-04-002	EA TRACK-L-SHAPED, 195.2" - OFF WHITE
	105324-02-01A	EA TRACK-CURTAIN, WRAPAROUND - PASSENGER SIDE - OFF WHITE
	105324-03-01A	EA TRACK-CURTAIN, WRAPAROUND - DRIVER SIDE - OFF WHITE
	086276-01-000	EA TAPE-DOUBLE SIDED, 1/2"
	056003-01-000	EA BRACKET-DRAPERY RETAINING, FRONT - METAL
	056003-02-000	EA BRACKET-DRAPERY RETAINING, REAR - METAL
	109441-02-000	EA HOLD DOWN-SPACER
	009702-01-000	EA END STOP-CURTAIN CARRIER, L ROD
	094896-02-000	EA GROMMET-CORD, PLEATED BLIND - NYLON - GRAY
	097564-01-000	EA HANDLE-T, EZ LIFT SHADE
	097565-01-000	EA BRACKET-MOUNTING, PLEATED BLIND
	097591-01-000	EA SPRING-EXTENSION, PLEATED BLIND
	097592-01-000	EA SPOOL-CORD, ELEVATED BLIND HOLDUP - CLEAR PLASTIC
	097593-02-000	FT CORD-BLIND, PLEATED - GRAY
	102555-01-000	EA CLEAT-CORD, BLIND - OFF WHITE OR CLEAR

**CURTAIN & CUSHION GROUP (CONTINUED)**  
**WINDOW TREATMENT**



KEY	PART NUMBER	U/M	DESCRIPTION
1	114993-04-F24	EA	VALANCE ASM-TAILOR, 30"
1	114993-04-F25	EA	VALANCE ASM-TAILOR, 30"
1	114993-04-F26	EA	VALANCE ASM-TAILOR, 30"
1	114993-04-F27	EA	VALANCE ASM-TAILOR, 30"
1	112986-07-F24	EA	CURTAIN - 38.5 X 6, PENCIL PLEAT TOP, POCKET BOTTOM
1	112986-07-F25	EA	CURTAIN - 38.5 X 6, PENCIL PLEAT TOP, POCKET BOTTOM
1	112986-07-F26	EA	CURTAIN - 38.5 X 6, PENCIL PLEAT TOP, POCKET BOTTOM
1	112986-07-F27	EA	CURTAIN - 38.5 X 6, PENCIL PLEAT TOP, POCKET BOTTOM (F07)
1	109041-21-02A	EA	BLIND-MINI, 27 X 37 DROP (F24,F27)
1	109041-21-01A	EA	BLIND-MINI, 27 X 37 DROP (F25,F26)
2	109041-20-02A	EA	BLIND-MINI, 31 X 18 DROP (F24,F27)
2	109041-20-01A	EA	BLIND-MINI, 31 X 18 DROP (F25,F26)
2	109353-04-000	EA	CLIP-VALANCE SLAT MOUNTING, CLEAR PLASTIC - PAR
2	109353-07-02A	EA	BLIND-SLAT, 31" (F24,F27)
2	109353-07-01A	EA	BLIND-SLAT, 31" (F25,F26)
3	111650-09-F24	EA	VALANCE- 63.5" UNITY
3	111650-12-F25	EA	VALANCE- 63.5" UNITY
3	111650-12-F26	EA	VALANCE- 63.5" UNITY
3	105923-31-F27	EA	VALANCE- 63.5" RODEWAY W/O INSERT
3	109234-29-F24	EA	LEG-RH, 27" - PLAIN - W/O HOLE
3	109234-29-E04	EA	LEG-RH, 27" - PLAIN - W/O HOLE (F25)
3	109234-29-F26	EA	LEG-RH, 27" - PLAIN - W/O HOLE
3	109234-31-F27	EA	LEG-RH, 27" - PLAIN - W/O HOLE
3	109234-30-F24	EA	LEG-LH, 27" - PLAIN - W/O HOLE
3	109234-30-E04	EA	LEG-LH, 27" - PLAIN - W/O HOLE (F25)
3	109234-30-F26	EA	LEG-LH, 27" - PLAIN - W/O HOLE
3	109234-32-F27	EA	LEG-LH, 27" - PLAIN - W/O HOLE
3	093475-76-06A	EA	BLIND-MINI, 60 X 28.5 DROP (F24,F27)
3	093475-76-05A	EA	BLIND-MINI, 60 X 28.5 DROP (F25,F26)
4	101668-30-D09	EA	CURTAIN - 38 X 80 TAPE TOP, RH (F24,F27)
4	101668-30-D10	EA	CURTAIN - 38 X 80 TAPE TOP, RH (F25,F26)
4	101668-31-D09	EA	CURTAIN - 38 X 80 TAPE TOP, LH (F24,F27)
4	101668-31-D10	EA	CURTAIN - 38 X 80 TAPE TOP, LH (F25,F26)
4	101668-32-D09	EA	CURTAIN ASM - 40 X 40, TAPE TOP - BUNK OPTION (F24,F27)
4	101668-32-D10	EA	CURTAIN ASM - 40 X 40, TAPE TOP - BUNK OPTION (F25,F26)
4	101668-33-D09	EA	CURTAIN ASM - 38 X 125, TAPE TOP - BUNK OPTION (F24,F27)
4	101668-33-D10	EA	CURTAIN ASM - 38 X 125, TAPE TOP - BUNK OPTION (F25,F26)
4	073260-42-D09	EA	TIEBACK ASM - 6 X 18 (F24,F27)
4	073260-42-D10	EA	TIEBACK ASM - 6 X 18 (F25,F26)
5	111650-16-F24	EA	VALANCE- 17", UNITY
5	111650-15-F25	EA	VALANCE- 17", UNITY
5	111650-15-F26	EA	VALANCE- 17", UNITY
5	105923-32-F27	EA	VALANCE- 17", RODEWAY - W/O INSERT
5	109041-30-02A	EA	BLIND-MINI, 15.5 X 33 DROP (F24,F27)
5	109041-30-01A	EA	BLIND-MINI, 15.5 X 33 DROP (F25,F26)
6	113268-06-F24	EA	VALANCE ASM-FLAT, 33.75" - W/WELT
6	113268-07-F25	EA	VALANCE ASM-FLAT, 33.75" - W/WELT
6	113268-07-F26	EA	VALANCE ASM-FLAT, 33.75" - W/WELT
6	113268-11-F27	EA	VALANCE ASM-FLAT, 33.75"
6	084755-68-F04	EA	SHADE ASM-PULL- 30.75, W/O TRIM (F24,F25,F26)
6	084755-57-E07	EA	SHADE ASM-PULL- 27.25, W/O TRIM (F27)

**CURTAIN & CUSHION GROUP (CONTINUED)**



**QUEEN MATTRESS & BEDSPREAD**

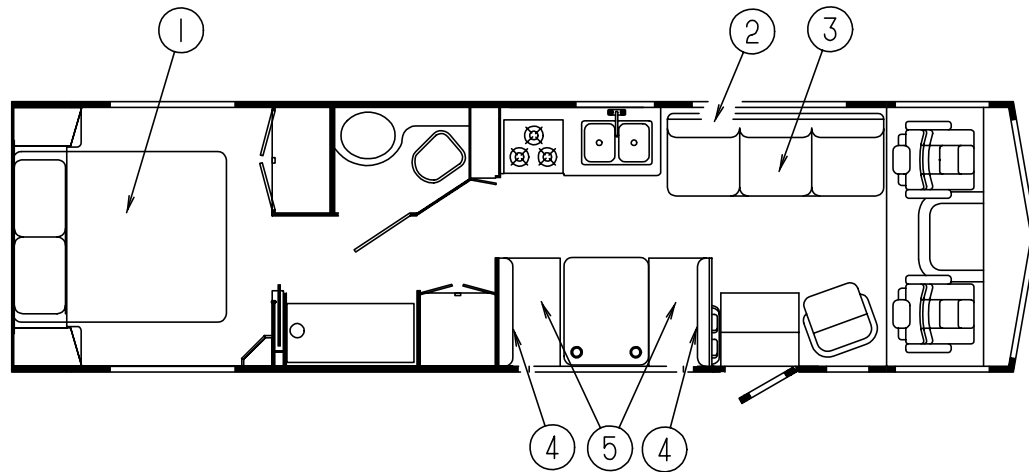
KEY	PART NUMBER	U/M DESCRIPTION
1	098176-04-000	EA MATTRESS-QUEEN, INNERSPRING - 59" X 74" - SEALY
1	085365-19-F24	EA BEDSPREAD - 60 THROW, W/1" GATHERED WELT
1	085365-19-F25	EA BEDSPREAD - 60 THROW, W/1" GATHERED WELT
1	085365-19-F26	EA BEDSPREAD - 60 THROW, W/1" GATHERED WELT
1	085365-19-F27	EA BEDSPREAD - 60 THROW, W/1" GATHERED WELT
	102161-29-F24	EA PILLOW SHAM - 1/2" GATHERED WELT
	102161-29-F25	EA PILLOW SHAM - 1/2" GATHERED WELT
	102161-29-F26	EA PILLOW SHAM - 1/2" GATHERED WELT
	102161-29-F27	EA PILLOW SHAM - 1/2" GATHERED WELT
	111862-03-F24	EA PILLOW- 15 X 15 ACCENT - W/.5" MAIN
	111862-03-F25	EA PILLOW- 15 X 15 ACCENT - W/.5" MAIN
	111862-03-F26	EA PILLOW- 15 X 15 ACCENT - W/.5" MAIN
	111862-03-F27	EA PILLOW- 15 X 15 ACCENT - W/.5" MAIN

**COUCH**

KEY	PART NUMBER	U/M DESCRIPTION
2	112104-01-F24	EA BED ASM-JACK KNIFE BACK,KNIFE EDGE, 74
2	112104-01-F25	EA BED ASM-JACK KNIFE BACK,KNIFE EDGE, 74
2	112104-01-F26	EA BED ASM-JACK KNIFE BACK,KNIFE EDGE, 74
2	111319-01-F27	EA BED ASM-JACK KNIFE BACK,KNIFE EDGE, 74
2	P12104-01-F24	EA COVER-BED, JACK KNIFE KNIFE EDGE BACK, 74
2	P12104-01-F25	EA COVER-BED, JACK KNIFE KNIFE EDGE BACK, 74
2	P12104-01-F26	EA COVER-BED, JACK KNIFE KNIFE EDGE BACK, 74
2	P11319-01-F27	EA COVER-BED, JACK KNIFE KNIFE EDGE BACK, 74
3	100032-43-E28	EA BED-JACK KNIFE, SEAT - 74" TUCK - W/O ARMS (F24)
3	100032-43-F25	EA BED-JACK KNIFE, SEAT - 74" TUCK - W/O ARMS
3	100032-43-F26	EA BED-JACK KNIFE, SEAT - 74" TUCK - W/O ARMS
3	100032-43-F27	EA BED-JACK KNIFE, SEAT - 74" TUCK - W/O ARMS
3	P00032-43-E28	EA COVER-JACK KNIFE SEAT, 74" TUCK - W/O ARM (F24)
3	P00032-43-F25	EA COVER-JACK KNIFE SEAT, 74" TUCK - W/O ARM
3	P00032-43-F26	EA COVER-JACK KNIFE SEAT, 74" TUCK - W/O ARM
3	P00032-43-F27	EA COVER-JACK KNIFE SEAT, 74" TUCK - W/O ARM
	101085-04-000	EA FRAME-SEAT, 74.75"
	101085-06-000	EA FRAME-BASE, 74.75"
	101085-10-000	EA FRAME - 74.5 X 16 BACK FRAME JACKKNIFE
	111637-02-F24	EA PILLOW ASM - 22 X 22, KNIFE EDGE W/WELT
	111637-02-F25	EA PILLOW ASM - 22 X 22, KNIFE EDGE W/WELT
	111637-02-F26	EA PILLOW ASM - 22 X 22, KNIFE EDGE W/WELT
	111637-02-F27	EA PILLOW ASM - 22 X 22, KNIFE EDGE W/WELT

**NOTE: COUCH FRONT AND SIDE PANELS ARE FOUND IN THE LOUNGE GROUP**

**CURTAIN & CUSHION GROUP (CONTINUED)**



**DINETTE CUSHIONS**

KEY	PART NUMBER	U/M DESCRIPTION
4	111880-01-F24	EA CUSHION - 13.5 X 38 X 5 CHANNEL BACK
4	111880-01-F25	EA CUSHION - 13.5 X 38 X 5 CHANNEL BACK
4	111880-01-F26	EA CUSHION - 13.5 X 38 X 5 CHANNEL BACK
4	111897-08-F27	EA CUSHION - 13.5 X 38 X 5 CLUB BACK
4	P11880-01-F24	EA COVER - 13.5 X 38 X 5 CHANNEL BACK
4	P11880-01-F25	EA COVER - 13.5 X 38 X 5 CHANNEL BACK
4	P11880-01-F26	EA COVER - 13.5 X 38 X 5 CHANNEL BACK
4	P11897-08-F27	EA COVER - 13.5 X 38 X 5 CLUB BACK
4	078155-01-000	EA STRAP-SNAP, BACKREST CUSHION
5	088927-87-E28	EA CUSHION - 23 X 38 X 5, DINETTE SEAT (F24)
5	088927-87-F25	EA CUSHION - 23 X 38 X 5, DINETTE SEAT
5	088927-87-F26	EA CUSHION - 23 X 38 X 5, DINETTE SEAT
5	105603-03-F27	EA CUSHION - 23 X 38 X 5, DINETTE SEAT
5	M88927-87-E28	EA COVER - 23 X 38 X 5, DINETTE SEAT (F24)
5	M88927-87-F25	EA COVER - 23 X 38 X 5, DINETTE SEAT
5	M88927-87-F26	EA COVER - 23 X 38 X 5, DINETTE SEAT
5	P05603-03-F27	EA COVER - 23 X 38 X 5, DINETTE SEAT

**BUNK CUSHION**

KEY	PART NUMBER	U/M DESCRIPTION
	081717-03-E07	EA BED ASM-BUNK, FRONT
	079145-06-000	EA CUSHION-BUNK, 30" X 77" X 4"
	M79145-06-000	EA COVER-CUSHION, BUNK
	102695-08-000	YD TAPE-CARPET BIND, #481 BROWN
	102695-11-000	YD TAPE-CART BIND, MATTRESS - 3/4" WIDE - LIGHT TAN
	102695-12-000	YD TAPE-CART BIND,#474 LIGHT TAN - ESHCO 1 1/4"

**CURTAIN & CUSHION GROUP (CONTINUED)**

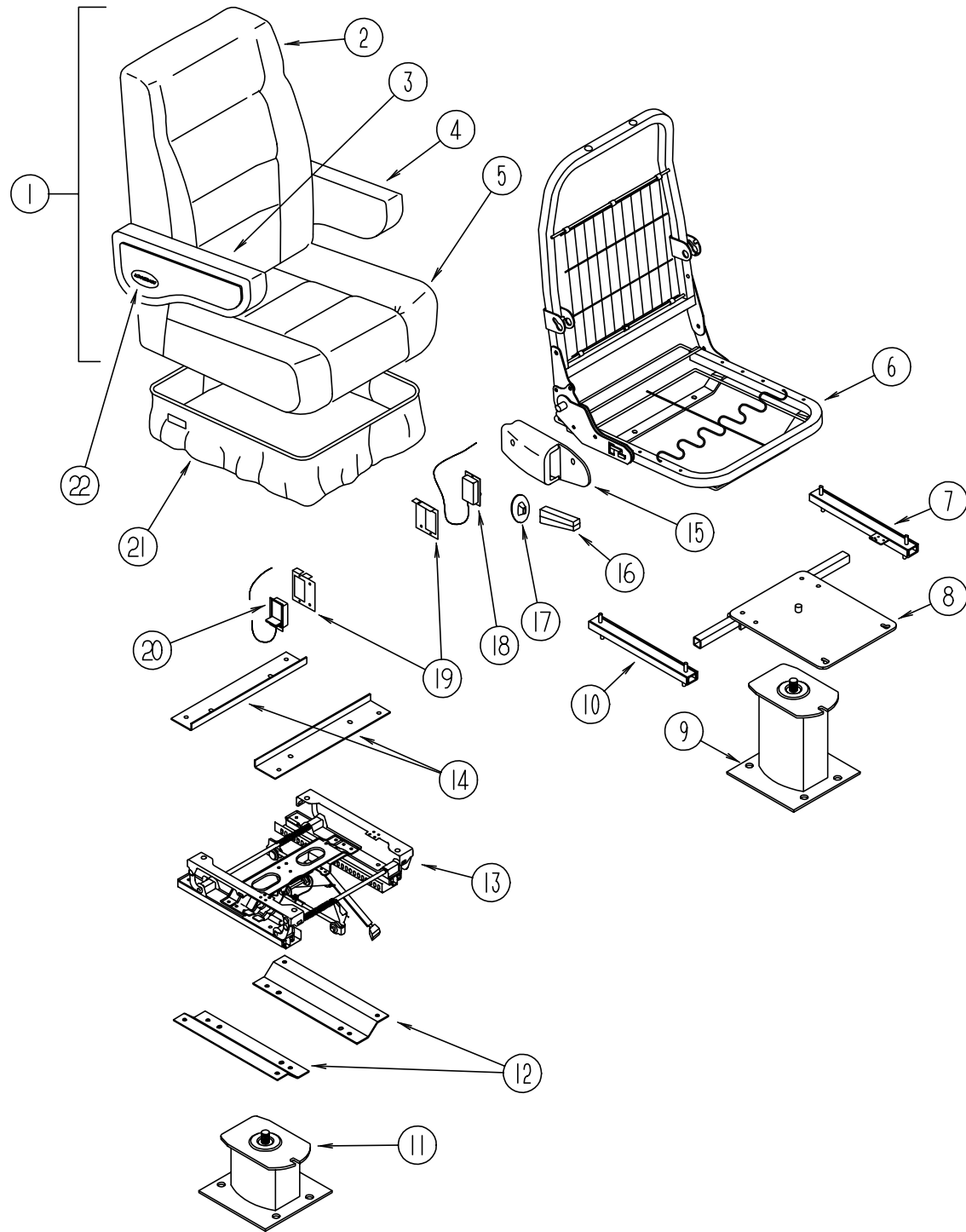
**BUTTON, TRIM, ASSIST HANDLE & SEAT BELT**

KEY	PART NUMBER	U/M DESCRIPTION
	070578-11-B18	EA BUTTON-SCREW, STUD - #30 - VINYL (F04,F05,F06,F07)
	079349-04-F24	YD WELT ASM-NARROW, ACCENT
	079349-04-E04	YD WELT ASM-NARROW, ACCENT (F25)
	079349-04-E25	YD WELT ASM-NARROW, ACCENT (F26)
	079349-04-E22	YD WELT ASM-NARROW, ACCENT (F27)
	057759-01-000	EA WASHER BRACKET-SEAT BELT, 4" DIAMETER
	007021-01-000	EA BELT-SEAT, 2" X 90" - BLACK
	056271-02-000	EA BELT-SEAT, 2" X 72" - BLACK
	069178-02-000	EA BRACKET-MOUNTING, ASSIST HANDLE - L ANGLE - W/HOLES - STEEL
	053552-02-AA8	EA HANDLE-ASSIST, INTERIOR - ENTRY DOOR - VINYL - OFF WHITE
	057534-01-000	EA TIEBACK/TIEDOWN-BED/CURTAIN/DOOR, 6" - PLASTIC - CLEAR

**FABRICS**

KEY	PART NUMBER	U/M DESCRIPTION
	079680-07-000	YD FABRIC-VINYL, 54" WIDE - BEIGE
	087272-03-000	YD DRAPERY LINING - 54" IVORY, ROCKLAND MILLS
	089351-03-000	YD VINYL-CEILING, DIAMOND DESIGN - 54" WIDE
	106569-01-01A	YD VINYL-LAMINATE MADRID O/W - 54"
	103907-01-01A	YD FABRIC-VINYL, 54" WIDE - OFF WHITE (F24,F25,F26)
	103907-01-04A	YD FABRIC-VINYL, 54" WIDE - MADRID HAMPTON TAN (F27)
	108446-46-000	YD FABRIC-UPHOLSTERY, QUAKER/MONTE CARLO - ROSEQUARTZ - MAIN (F24)
	108446-B1-000	YD FABRIC-UPHOLSTERY, COLLINS & AIKMAN/FIGI - 965 - BLUE - MAIN (F25)
	108446-B2-000	YD FABRIC-UPHOLSTERY, COLLINS & AIKMAN/GYPSY - 767 - GREEN - MAIN (F26)
	108446-D2-000	YD FABRIC-UPHOLSTERY, DOBLIN/CONFETTI - 9435 - MAIN (F27)
	104233-14-000	YD FABRIC-UPHOLSTERY, JOAN/STARLIGHT - COCOA - PLAIN ACCENT (F24)
	098428-30-000	YD FABRIC-UPHOLSTERY, COLLINS & AIKMAN/PHOENIX - 965 - PLAIN ACCENT (F25)
	098428-33-000	YD FABRIC-UPHOLSTERY, COLLINS & AIKMAN/PHOENIX - 767 - PLAIN ACCENT (F26)
	108446-55-000	YD FABRIC-UPHOLSTERY, LAFRANCE/ALBANY - 350 WHEAT - PLAIN ACCENT (F27)
	108446-57-000	YD FABRIC-UPHOLSTERY, JOAN/CELTIC - CASHMERE - PATTERN ACCENT (F24)
	098428-30-000	YD FABRIC-UPHOLSTERY, COLLINS & AIKMAN/PHOENIX - 965 - PATTERN ACCENT (F25)
	098428-33-000	YD FABRIC-UPHOLSTERY, COLLINS & AIKMAN/PHOENIX - 767 - PATTERN ACCENT (F26)
	108446-D3-000	YD FABRIC-UPHOLSTERY, MASTERCRAFT/HAPPY DAYS -001 - PATTERN ACCENT (F27) DINETTE CUSHIONS & THROW PILLOWS
	108446-D4-000	YD FABRIC-UPHOLSTERY, MASTERCRAFT/ONE GREAT PLATE - 001 PATTERN ACCENT (F27) LOUNGE AREA WINDOW VALANCES
	105745-43-000	YD FABRIC-BEDSPREAD, RICHLOOM/MONTURA - NATURAL - MAIN (F24)
	105745-91-000	YD FABRIC-BEDSPREAD, DI LEWIS STUDIOS/KLEE - GALAXY - MAIN (F25)
	105745-84-000	YD FABRIC-BEDSPREAD, LANSCOT-ARLEN/SEQUE - HAZE - MAIN (F26)
	105745-96-000	YD FABRIC-BEDSPREAD,RICHLOOM/HERALD SQUARE - WEDGEWOOD - MAIN (F27)
	105745-63-000	YD FABRIC-BEDSPREAD, RADIANCE - TOAST - ACCENT (F24)
	105745-61-000	YD FABRIC-BEDSPREAD, RADIANCE - NORWEGIAN - ACCENT (F25)
	105745-45-000	YD FABRIC-BEDSPREAD, RADIANCE - GREEN - ACCENT (F26)
	105745-97-000	YD FABRIC-BEDSPREAD, RICHLOOM/FRANK - MULTI - ACCENT (F27)
	072333-90-000	YD FABRIC-CURTAIN, 54" WIDE - TAN (F24,F27)
	072333-82-000	YD FABRIC-CURTAIN, 54" WIDE - BEIGE (F25,F26)

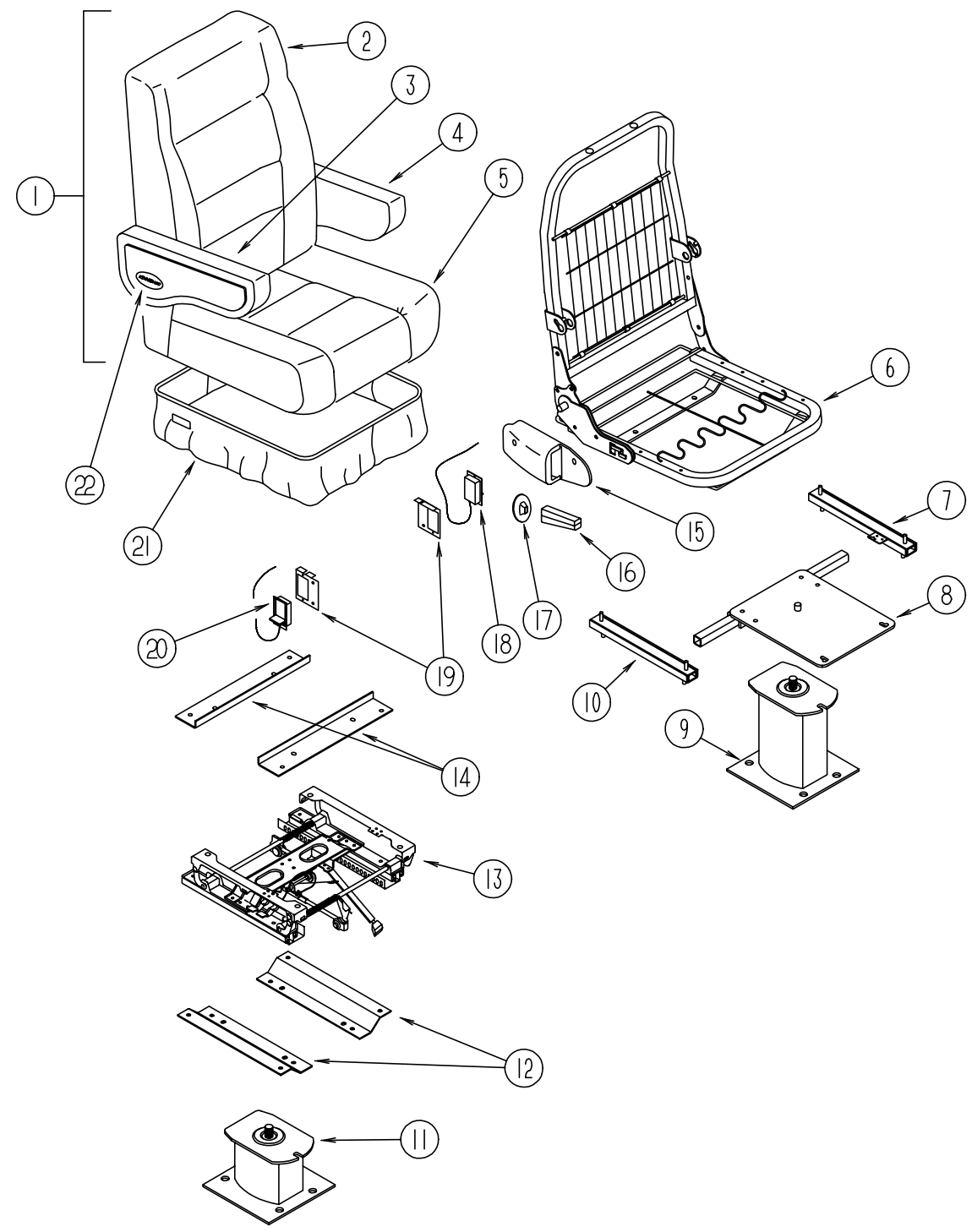
**CURTAIN & CUSHION GROUP (CONTINUED)**  
**DRIVER & PASSENGER BUCKET SEATS**



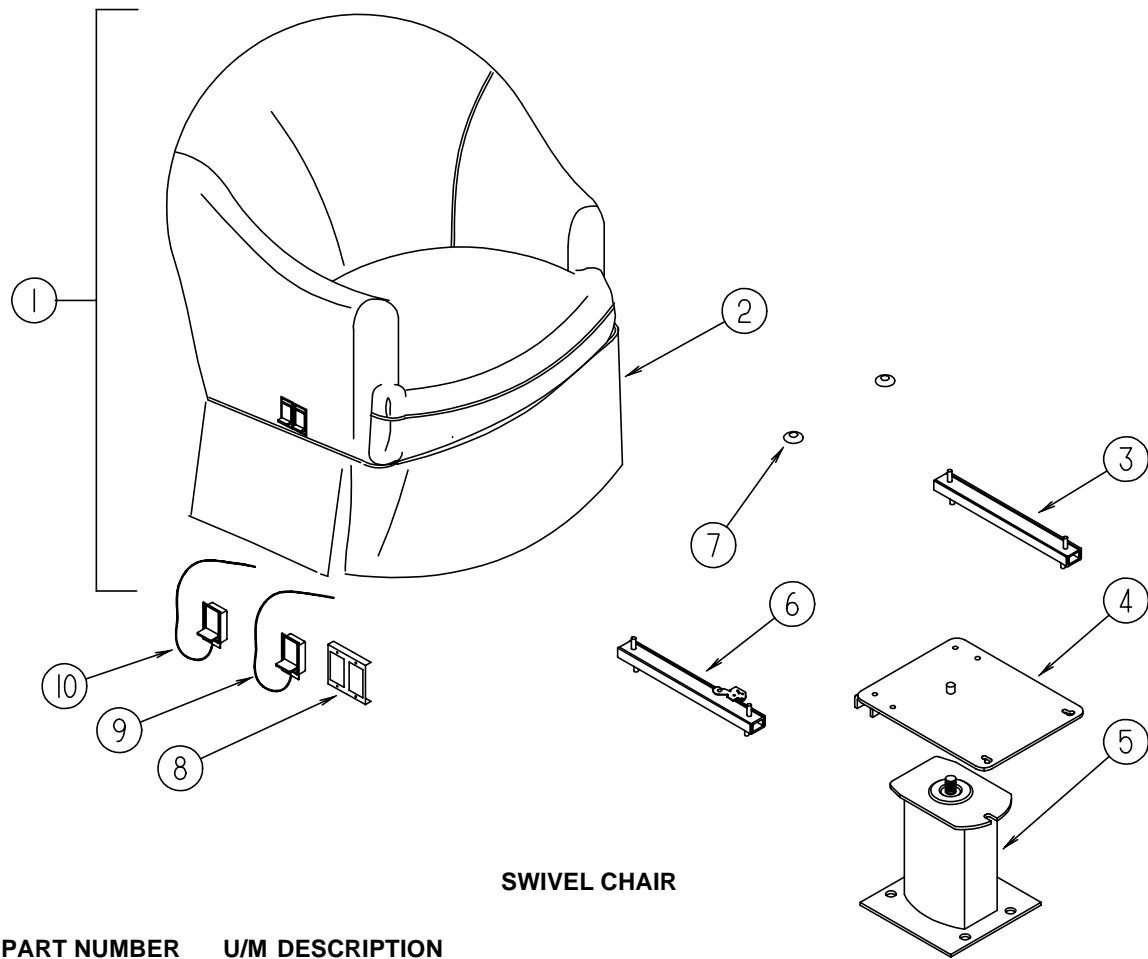
KEY	PART NUMBER	U/M	DESCRIPTION
1	112103-05-F24	EA	SEAT-BUCKET, W/ARMRESTS - W/O SKIRT
1	112103-05-F25	EA	SEAT-BUCKET, W/ARMRESTS - W/O SKIRT
1	112103-05-F26	EA	SEAT-BUCKET, W/ARMRESTS - W/O SKIRT
1	112103-05-F27	EA	SEAT-BUCKET, W/ARMRESTS - W/O SKIRT
1	112103-07-F24	EA	SEAT-BUCKET, W/ARMRESTS - W/O SKIRT - MANUAL SEAT OPTION
1	112103-07-F25	EA	SEAT-BUCKET, W/ARMRESTS - W/O SKIRT - MANUAL SEAT OPTION
1	112103-07-F26	EA	SEAT-BUCKET, W/ARMRESTS - W/O SKIRT - MANUAL SEAT OPTION
1	112103-07-F27	EA	SEAT-BUCKET, W/ARMRESTS - W/O SKIRT - MANUAL SEAT OPTION
2	M05962-12-F24	EA	COVER-BACK, BUCKET SEAT
2	M05962-12-F25	EA	COVER-BACK, BUCKET SEAT
2	M05962-12-F26	EA	COVER-BACK, BUCKET SEAT
2	M05962-12-F27	EA	COVER-BACK, BUCKET SEAT
3	111320-03-F24	EA	ARMREST-RIGHT, BUCKET SEAT
3	111320-03-E04	EA	ARMREST-RIGHT, BUCKET SEAT (F25)
3	111320-03-E25	EA	ARMREST-RIGHT, BUCKET SEAT (F26)
3	111320-03-F06	EA	ARMREST-RIGHT, BUCKET SEAT (F27)
	P11320-03-F24	EA	COVER-ARMREST, RIGHT
	P11320-03-E04	EA	COVER-ARMREST, RIGHT (F25)
	P11320-03-E25	EA	COVER-ARMREST, RIGHT (F26)
	P11320-03-F06	EA	COVER-ARMREST, RIGHT (F27)
4	111320-04-F24	EA	ARMREST-LEFT, BUCKET SEAT
4	111320-04-E04	EA	ARMREST-LEFT, BUCKET SEAT (F25)
4	111320-04-E25	EA	ARMREST-LEFT, BUCKET SEAT (F26)
4	111320-04-F06	EA	ARMREST-LEFT, BUCKET SEAT (F27)
	P11320-04-F24	EA	COVER-ARMREST, LEFT
	P11320-04-E04	EA	COVER-ARMREST, LEFT (F25)
	P11320-04-E25	EA	COVER-ARMREST, LEFT (F26)
	P11320-04-F06	EA	COVER-ARMREST, LEFT (F27)
5	M05962-06-F24	EA	COVER-SEAT, BUCKET SEAT
5	M05962-06-F25	EA	COVER-SEAT, BUCKET SEAT
5	M05962-06-F26	EA	COVER-SEAT, BUCKET SEAT
5	M05962-06-F06	EA	COVER-SEAT, BUCKET SEAT (F27)
6	M80906-11-000	EA	FRAME-SEAT, BACK & SPRING
7	069246-05-000	EA	ADJUSTER-BUCKET SEAT W/LOCK, FORWARD & BACK
			FROM: 00-00-00 THRU: 10-16-94
	069246-05-700	EA	SPRING-ADJUSTER, FOR REMOTE
			FROM: 00-00-00 THRU: 10-16-94
	069246-05-701	EA	CLIP-CABLE, FOR REMOTE
			FROM: 00-00-00 THRU: 10-16-94
7	069246-14-000	EA	ADJUSTER-BUCKET SEAT W/LOCK & BLUE SPRING, FORWARD & BACK
			FROM: 10-17-94 THRU: 99-99-99
	069246-99-000	EA	SPRING-BUCKET SEAT ADJUSTER, BLUE
			FROM: 10-17-94 THRU: 99-99-99
	117125-01-02B	EA	BRACKET-CABLE MOUNT, ADJUSTER W/LOCK - STEEL - E-COAT
			FROM: 10-17-94 THRU: 99-99-99
8	107921-05-000	EA	PLATE-TOP, W/SEAT BELT BAR
9	107921-01-000	EA	PLATE-SUB, FLOOR MOUNTED PEDESTAL - W/9.75" EXTENSION
	107921-06-000	EA	BEARING KIT-SEAT SWIVEL
10	069246-02-000	EA	ADJUSTER-SLIDE, FORWARD AND BACK
			FROM: 00-00-00 THRU: 10-16-94
10	069246-15-000	EA	ADJUSTER-SLIDE, FORWARD AND BACK
			FROM: 10-17-94 THRU: 99-99-99
11	107921-07-000	EA	BASE-FLOOR MOUNTED PEDESTAL, 4.5" - MANUAL SEAT OPTION
			FROM: 00-00-00 THRU: 09-18-94
11	107921-14-000	EA	BASE-FLOOR MOUNTED PEDESTAL, 5.75" - MANUAL SEAT OPTION
			FROM: 09-19-94 THRU: 99-99-99
12	116215-03-000	EA	PLATE-LOWER, MANUAL - 6 - WAY - ATWOOD 83835 - MANUAL SEAT OPTION
13	116215-01-000	EA	SEAT-MANUAL, 6 - WAY - DRIVER - ATWOOD 83805 - MANUAL SEAT OPTION
14	116215-02-000	EA	PLATE-UPPER, MANUAL - 6 - WAY - ATWOOD 85118 - MANUAL SEAT OPTION
15	080730-09-000	EA	SHIELD-RECLINER HANDLE
16	080730-08-000	EA	HANDLE-RECLINER, BLACK
17	080730-11-000	EA	SHIELD-RUBBER BOOT

**CURTAIN & CUSHION GROUP (CONTINUED)**  
**DRIVER & PASSENGER BUCKET SEATS (CONTINUED)**

KEY	PART NUMBER	U/M	DESCRIPTION
18	089368-04-000	EA	CABLE-SLIDE, W/SWITCH FROM: 00-00-00 THRU: 10-16-94
18	108049-01-000	EA	CABLE W/SWITCH - 28", F/FLEXSTEEL PEDESTAL FROM: 10-17-94 THRU: 99-99-99
	108049-02-000	EA	CLIP-CABLE, PEDESTAL FROM: 10-17-94 THRU: 99-99-99
19	097683-03-000	EA	BRACKET-REMOTE, SIDE MOUNT - SINGLE
20	108049-01-000	EA	CABLE W/SWITCH - 28", F/FLEXSTEEL PEDESTAL
	108049-02-000	EA	CLIP-CABLE, PEDESTAL
21	071126-43-F24	EA	SKIRT-BUCKET SEAT
21	071126-43-F25	EA	SKIRT-BUCKET SEAT
21	071126-43-E34	EA	SKIRT-BUCKET SEAT (F26)
21	071126-43-F06	EA	SKIRT-BUCKET SEAT (F27)
21	071126-54-F24	EA	SKIRT-BUCKET SEAT - MANUAL SEAT OPTION
21	071126-54-F25	EA	SKIRT-BUCKET SEAT - MANUAL SEAT OPTION
21	071126-54-F26	EA	SKIRT-BUCKET SEAT - MANUAL SEAT OPTION
21	071126-54-F27	EA	SKIRT-BUCKET SEAT - MANUAL SEAT OPTION
22	111169-01-000	EA	PLATE-BACK, ARMREST
22	111169-03-000	EA	INSERT-ARMREST, OVAL DECAL - ITASCA
	007221-01-000	EA	SPACER-SEAT, ADJUSTER
	007221-01-000	EA	SPACER-SEAT, ADJUSTER
	089323-01-000	FT	STRIP-POLYENTHYLENE, J-CHANEL - FLEX-O-LATORS
	114889-01-000	EA	STOP BAR-UNIVERSAL, SHROCK



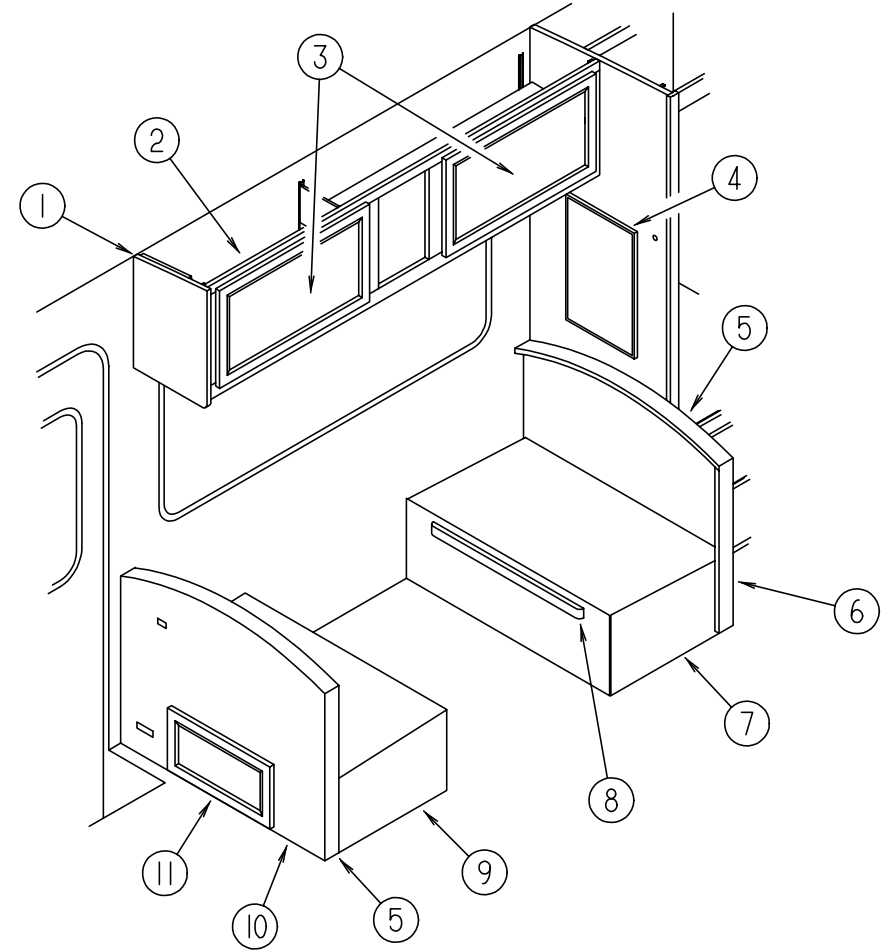
## CURTAIN & CUSHION GROUP (CONTINUED)



**SWIVEL CHAIR**

KEY	PART NUMBER	U/M	DESCRIPTION
1	116016-01-F24	EA	CHAIR-SWIVEL, W/O SKIRT
1	116016-01-F25	EA	CHAIR-SWIVEL, W/O SKIRT
1	116016-01-F26	EA	CHAIR-SWIVEL, W/O SKIRT
1	116016-02-F27	EA	CHAIR-SWIVEL, W/O SKIRT
	P16016-01-F24	EA	COVER-SWIVEL CHAIR
	P16016-01-F25	EA	COVER-SWIVEL CHAIR
	P16016-01-F26	EA	COVER-SWIVEL CHAIR
	P16016-02-F27	EA	COVER-SWIVEL CHAIR
2	085187-09-F24	EA	SKIRT-SWIVEL CHAIR
2	085187-09-F25	EA	SKIRT-SWIVEL CHAIR
2	085187-09-F26	EA	SKIRT-SWIVEL CHAIR
2	085187-10-F27	EA	SKIRT-SWIVEL CHAIR
3	069246-06-000	EA	ADJUSTER-SWIVEL CHAIR, FORWARD & BACK FROM: 00-00-00 THRU: 10-16-94
3	069246-13-000	EA	ADJUSTER-SWIVEL CHAIR, FORWARD & BACK FROM: 10-17-94 THRU: 99-99-99
4	107921-08-000	EA	PLATE-TOP, W/O SEAT BELT BAR
	107921-06-000	EA	BEARING KIT-SEAT SWIVEL
5	107921-01-000	EA	PLATE-SUB, FLOOR MOUNTED PEDESTAL - W/9.75" EXTENSION
6	069246-08-000	EA	ADJUSTER-SWIVEL CHAIR, REMOTE - FORWARD & BACK
7	007221-01-000	EA	SPACER-SEAT, ADJUSTER
8	097683-02-000	EA	BRACKET-MOUNT, REMOTE
9	108049-01-000	EA	CABLE W/SWITCH - 28", F/FLEXSTEEL PEDESTAL
	108049-02-000	EA	CLIP-CABLE, PEDESTAL
10	089368-04-000	EA	CABLE-SLIDE, W/SWITCH

## DINETTE GROUP

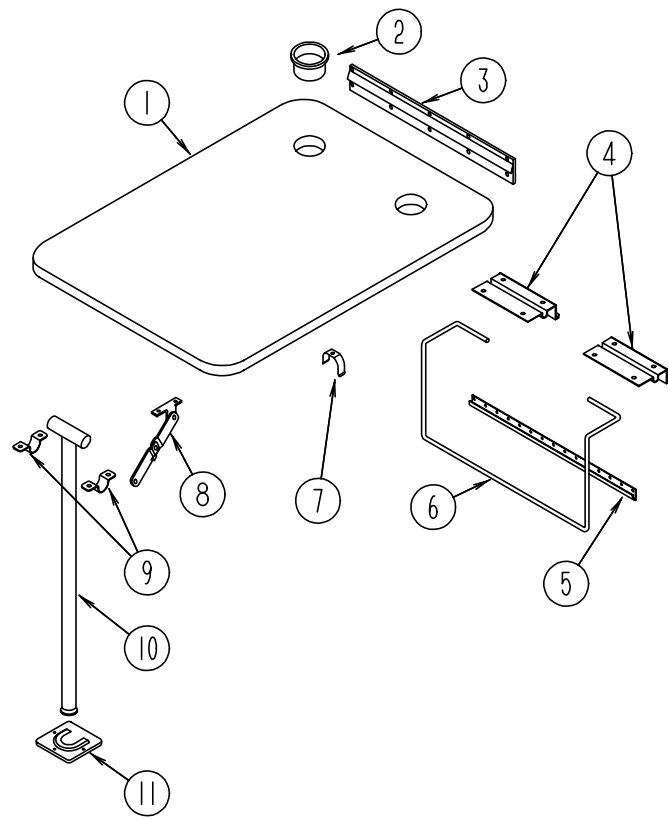


**DINETTE CABINERY**

KEY	PART NUMBER	U/M	DESCRIPTION
1	103128-02-E10	EA	END CAP ASM, OVERHEAD
2	113881-01-F06	EA	CABINET ASM-OVHD DINETTE (F24)
2	113881-01-F25	EA	CABINET ASM-OVHD DINETTE
2	113881-01-F26	EA	CABINET ASM-OVHD DINETTE
2	113881-01-F27	EA	CABINET ASM-OVHD DINETTE
3	M06803-02-E07	EA	DOOR-W/O HARDWARE W/MIRROR - 400 MM X 710 MM
	108536-04-08A	EA	MIRROR-GLASS, 317 X 627
4	058331-47-000	EA	MIRROR-GLASS, SAFETY - 563 X 384
5	104787-01-F24	EA	PAD ASM-DINETTE
5	104787-01-E04	EA	PAD ASM-DINETTE (F25)
5	104787-01-F26	EA	PAD ASM-DINETTE
5	104787-01-F06	EA	PAD ASM-DINETTE (F27)
6	M04174-72-F04	EA	CABINET-SEATBACK RH
7	M04175-72-F04	EA	CABINET-SEATBASE RH
8	081295-01-AA8	EA	SUPPORT-BED, DINETTE, 712 LG
9	M04175-73-F04	EA	CABINET-SEATBASE LH
10	M04174-73-F04	EA	CABINET-SEATBACK LH
11	M06803-07-E07	EA	DOOR ASM-W/O HARDWARE - 255 X 485

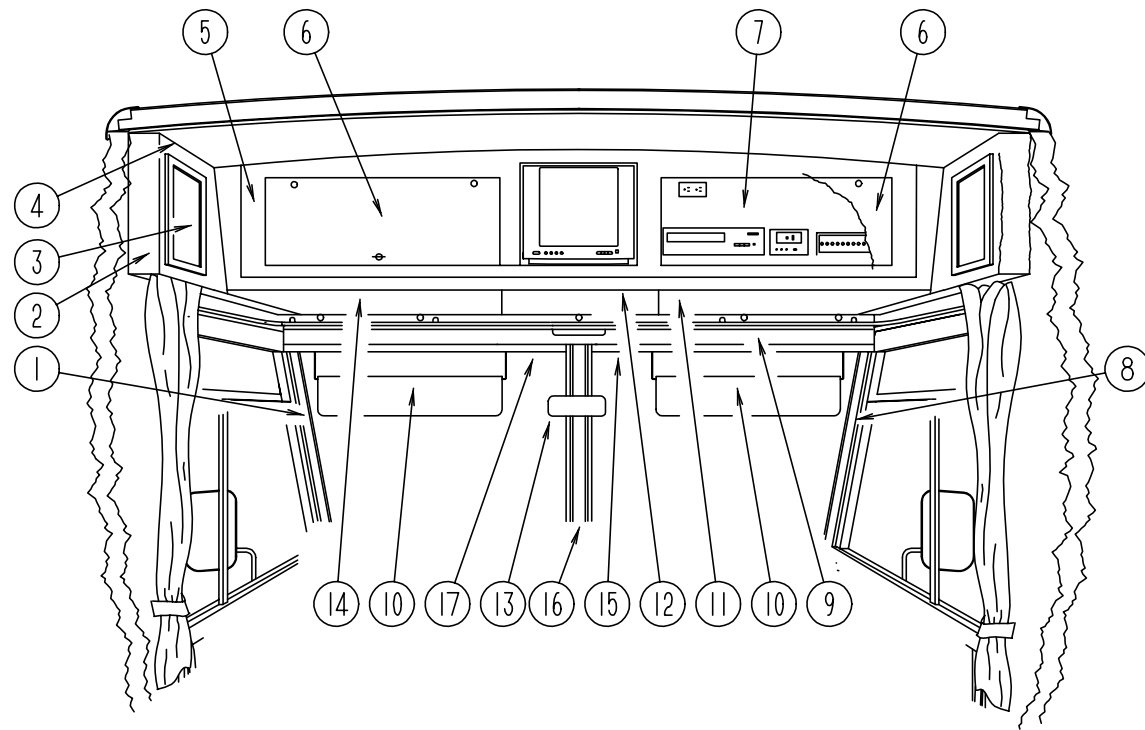


**DINETTE GROUP (CONTINUED)**  
**DINETTE TABLE**



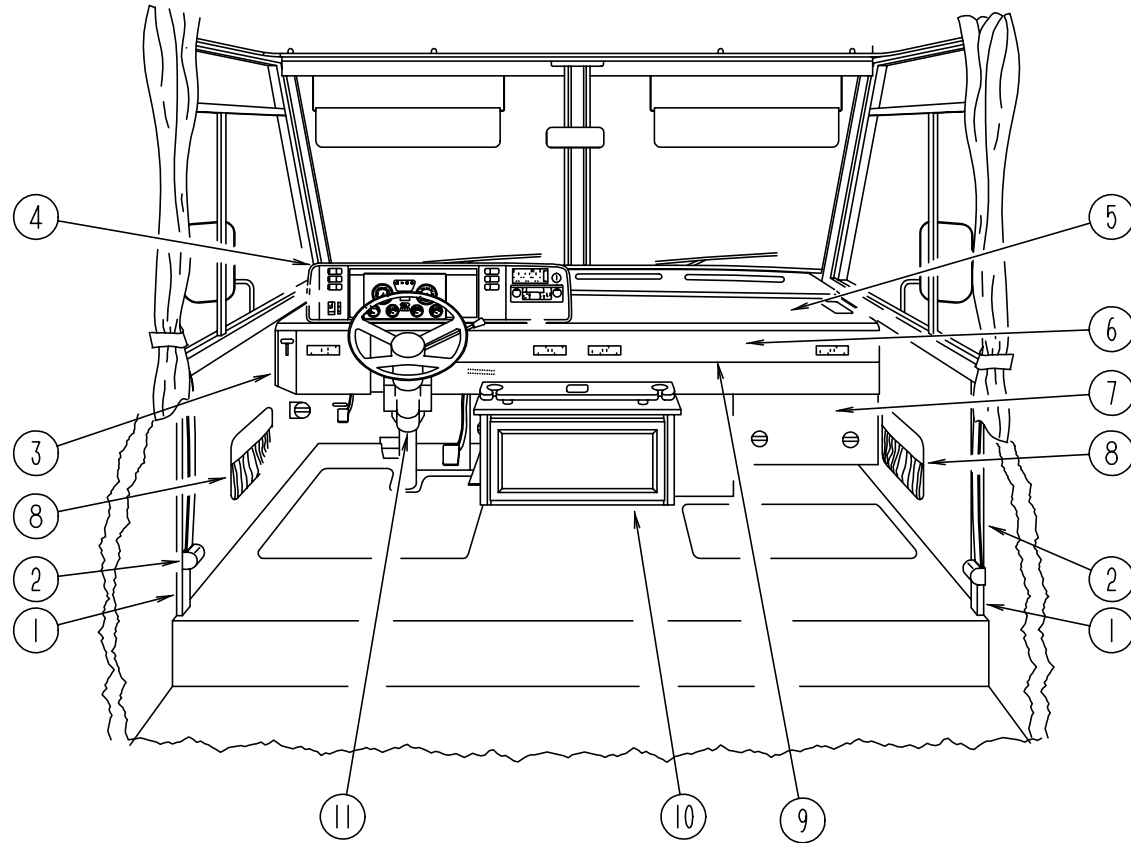
KEY	PART NUMBER	U/M	DESCRIPTION
1	M02115-09-E08	EA	TABLE-DINETTE, W/O EDGE BAND OR HARDWARE (F24)
1	M02115-09-E13	EA	TABLE-DINETTE, W/O EDGE BAND OR HARDWARE (F25)
1	M02115-09-E94	EA	TABLE-DINETTE, W/O EDGE BAND OR HARDWARE (F26)
1	M02115-09-E01	EA	TABLE-DINETTE, W/O EDGE BAND OR HARDWARE (F27)
2	064781-06-000	EA	HOLDER-CUP, TWO STEP - OFF WHITE
3	053200-12-000	EA	SUPPORT-TABLE, 23.5" - BEIGE
4	088410-02-000	EA	BRACKET-LIFT, TABLE MOUNTED - OFF WHITE
5	024281-14-000	EA	BRACKET-LIFT ROD, LOWER WALL MOUNTED - 22.12" - OFF WHITE
6	024275-12-000	EA	ROD-TABLE LIFT, OFF WHITE
7	024283-01-000	EA	CLIP-LEG, 1" X 1.125" OD - BLACK
8	024282-01-000	EA	BRACE-TABLE LEG, HINGED
9	064050-05-000	EA	HINGE-TABLE LEG, OFF WHITE
10	024276-23-000	EA	LEG-TABLE, METAL - OFF WHITE
11	049493-12-000	EA	CATCH-LEG, FLOOR MOUNTED - 2.5" X 2.7" - METAL - OFF WHITE
11	049493-11-700	EA	CATCH-LEG, FLOOR MOUNTED - 2.5" X 2.7" - METAL - E-COAT

**DRIVERS COMPARTMENT GROUP**  
**DRIVERS COMPARTMENT - UPPER**



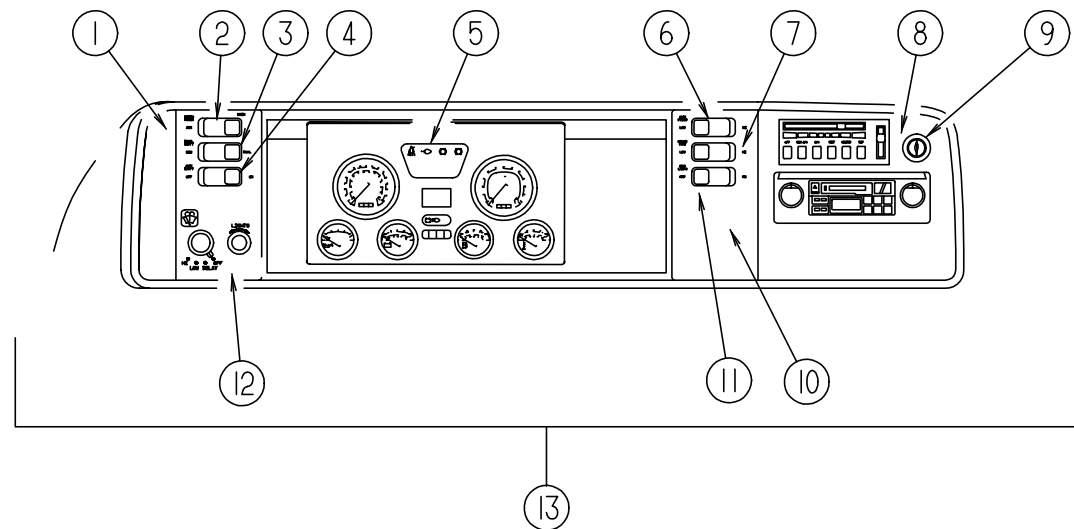
KEY	PART NUMBER	U/M	DESCRIPTION
1	103931-02-02A	EA	COVER-INNER, A-PILLAR - DRIVERS
2	103128-09-E10	EA	CAP-END, FRONT OVERHEAD, DRIVERS SIDE
3	M06803-04-E07	EA	DOOR-CABINET, W/O HARDWARE - 255 MM X 485 MM
4	109561-02-F06	EA	CABINET-FRONT OVERHEAD W/O DOOR, DRIVERS SIDE (F24)
4	109561-02-F25	EA	CABINET-FRONT OVERHEAD W/O DOOR, DRIVERS SIDE
4	109561-02-F26	EA	CABINET-FRONT OVERHEAD W/O DOOR, DRIVERS SIDE
4	109561-02-F27	EA	CABINET-FRONT OVERHEAD W/O DOOR, DRIVERS SIDE
	P09561-02-E07	EA	BOTTOM-VINYL COVERED, FRONT OVERHEAD - DRIVERS SIDE
	104289-02-C05	EA	PAD-VINYL COVERED, 30.3" X 9.6" - ANGLED - DRIVERS SIDE
5	M05893-01-E07	EA	FACE-TV CABINET W/O DOORS, FRONT OVERHEAD
	106699-01-01A	EA	BRACKET-L-ANGLE, TV CABINET FACE - 5.1" LONG - OFF WHITE STEEL
	108911-01-F04	EA	TRIM-TV, 15.3" X 13.9" - WOOD
	100676-02-000	EA	STAND-VCR, STEEL
6	100708-06-000	EA	DOOR-GLASS, TV CABINET - W/O HARDWARE - 9.68" X 28.42"
	100710-01-01A	EA	LOCK-TWIST TYPE
	100711-01-01A	EA	HINGE-DOOR, GLASS
	100707-01-000	EA	SPACER
	101272-01-000	EA	CATCH-GLASS DOOR
	101766-01-000	EA	PIN-SUPPORT, GLASS DOOR
7	103040-01-C05	EA	PANEL-HEADLINER FRONT OVERHEAD - PADDED - STANDARD
7	103040-02-C05	EA	PANEL-HEADLINER FRONT OVERHEAD - PADDED - TV OPTION
7	103040-03-C05	EA	PANEL-HEADLINER FRONT OVERHEAD - PADDED - TV/VCR/EUROPEAN OPTIONS
7	103040-04-C05	EA	PANEL-HEADLINER FRONT OVERHEAD - PADDED - TV/VCR/INVERTER OPTION
7	103040-05-C05	EA	PANEL-HEADLINER FRONT OVERHEAD - PADDED - TV/INVERTER OPTION
8	103931-01-02A	EA	COVER-INNER, A-PILLAR - PASSENGERS
9	078811-05-C07	EA	PANEL-HEADER W/RECEPTACLE CUTOUTS - 90.2" LONG - VINYL COVERED
10	082286-18-F04	EA	SUNVISOR-DRIVER OR PASSENGER - W/O POCKET
	102377-01-000	EA	BRACKET-SUNVISOR, 1 PIECE - STEEL
	007211-01-000	EA	HINGE-SUNVISOR
	074012-01-000	EA	CLIP-SUNVISOR, SQUARE PINCH-ON
11	P03077-02-C05	EA	SHELF-CABINET, PASSENGERS SIDE - VINYL COVERED
12	P04415-01-C05	EA	SHELF-TV CABINET, VINYL COVERED
	100628-02-000	EA	SHELF ASM-TV, STEEL
	101150-01-000	EA	SUPPORT-SHELF, TV - PASSENGER SIDE - STEEL
	101150-02-000	EA	SUPPORT-SHELF, TV - DRIVER SIDE - STEEL
	104417-01-E07	EA	CABINET-BLANKET (STANDARD CABINET)
13	040714-01-000	EA	MIRROR-REAR VIEW, W/ARM MOUNT & SET SCREW - GM# 911722
	067490-01-000	EA	BUTTON-MIRROR, REAR VIEW - STANK S927H
14	P03077-01-C05	EA	SHELF-CABINET, DRIVERS SIDE - VINYL COVERED
15	078579-09-000	EA	TRIM - WINDSHIELD - UPPER INNER - RIGHT - LIGHT GRAY
16	079765-08-000	EA	TRIM - WINDSHIELD - CENTER INNER - LIGHT GRAY
17	078579-10-000	EA	TRIM - WINDSHIELD - UPPER INNER - LEFT - LIGHT GRAY

**DRIVERS COMPARTMENT GROUP (CONTINUED)**  
**DRIVERS COMPARTMENT - LOWER**



KEY	PART NUMBER	U/M	DESCRIPTION	
1	024700-44-000	EA	COVER-SIDEWALL ROLL BAR, OFF WHITE - 53"	
1	024700-45-000	EA	COVER-SIDEWALL ROLL BAR, OFF WHITE - 12.8"	
2	091990-04-01A	EA	SEAT BELT-SHOULDER HARNESS - DRIVERS/PASSENGERS - BLACK	
	091990-01-700	EA	BOLT COVER	
	109146-01-000	EA	BOLT-SHOULDER, SEAT BELT	
	103961-01-01A	EA	COVER-BRACKET, SEATBELT - OFF WHITE	
	103961-02-01A	EA	COVER-BRACKET, SEATBELT - OFF WHITE - DRIVER DOOR OPTION	
3	P12158-01-03A	EA	COVER-SHIFTER	
4	111499-01-02A	EA	POD-INSTRUMENT PANEL	
5	P03817-08-000	EA	DASH ASM, OSHKOSH	FROM: 00-00-00 THRU: 11-20-94
5	P03817-12-000	EA	DASH ASM, OSHKOSH	FROM: 11-21-94 THRU: 99-99-99
	105927-02-000	EA	PANEL-DASH TOP, STEEL	
6	104354-04-03A	EA	APPLIQUE-LOWER DASH, 2300 MM LONG	
7	095757-03-F04	EA	COVER-HEATER W/CARPET (F24,F27)	
7	095757-03-F25	EA	COVER-HEATER W/CARPET	
7	095757-03-F26	EA	COVER-HEATER W/CARPET	
8	086120-01-F24	EA	PAD-MAP POCKET, 12" X 16" (F24,F27)	
8	086120-01-F25	EA	PAD-MAP POCKET, 12" X 16"	
8	086120-01-F26	EA	PAD-MAP POCKET, 12" X 16"	
9	103812-04-02A	EA	TRIM-DASH, LOWER - OSHKOSH	FROM: 00-00-00 THRU: 09-04-94
9	103812-05-02A	EA	TRIM-DASH, LOWER - OSHKOSH	FROM: 09-05-94 THRU: 11-20-94
9	103812-09-02A	EA	TRIM-DASH, LOWER - OSHKOSH	FROM: 11-21-94 THRU: 99-99-99
10	M06880-01-E10	EA	CABINET ASM-TRAY, BEVERAGE	
	M06881-01-E10	EA	DRAWER ASM	
	111759-13-E10	EA	TOP	
	111759-14-E10	EA	TRAY	
	046886-03-000	EA	ASHTRAY-CHROME, W/COVER	
11	103498-08-000	EA	BOOT-STEERING COLUMN	

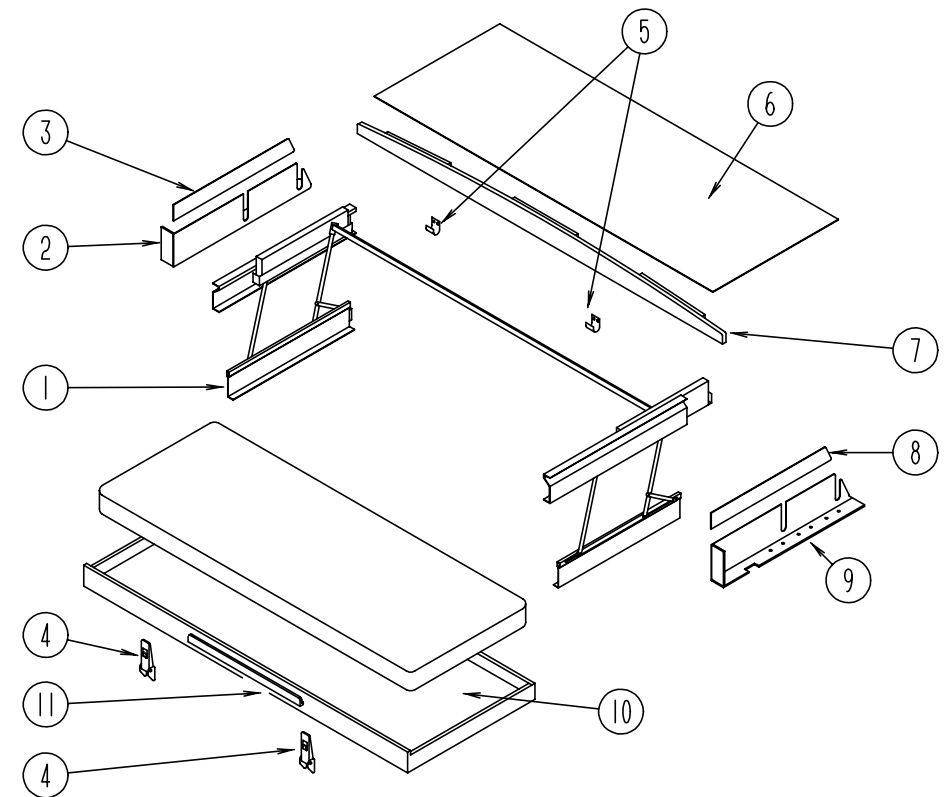
## DRIVERS COMPARTMENT GROUP (CONTINUED)



**DASH, GAUGES & SWITCHES**

KEY	PART NUMBER	U/M	DESCRIPTION
1	104056-01-01A	EA	APPLIQUE-BEZEL
2	108356-02-01A	EA	COVER-SWITCH W/DIMPLES, CARLING VVAZC00 BLA
2	108357-05-000	EA	SWITCH-ROCKER, SPDT ON/NONE/ON - RADIO POWER - CARLING V4D1000B-0
3	108356-02-01A	EA	COVER-SWITCH W/DIMPLES, CARLING VVAZC00 BLA
3	108357-09-000	EA	SWITCH-ROCKER, SPDT ON/NONE/MOM - DUAL BATTERY - CARLING V5D1000B-0
4	108356-02-01A	EA	COVER-SWITCH W/DIMPLES, CARLING VVAZC00 BLA
4	108357-06-000	EA	SWITCH-ROCKER, DPDT MOM/OFF/MOM - CARLING VLD1000B-0 BATTERY DISCONNECT SWITCH OPTION
4	096241-03-000	EA	SWITCH-BLANK
5	106667-04-000	EA	CLUSTER-INSTRUMENT, METRIC - OSHKOSH P107776
6	108356-04-01A	EA	COVER-SWITCH W/DIMPLES & LENS, CARLING VVAGC00
6	108357-10-000	EA	SWITCH-ROCKER, SPDT MOM/OFF/MOM - LIGHTED - CARLING V8D1160B-0 GENERATOR OPTION
6	096241-03-000	EA	SWITCH-BLANK
7	096241-03-000	EA	SWITCH-BLANK
8	104056-06-01A	EA	APPLIQUE-BEZEL
9	089294-01-000	EA	LIGHTER ASM-CIGARETTE - CASCO C213275
10	104056-21-01A	EA	APPLIQUE-BEZEL
11	096241-03-000	EA	SWITCH-BLANK
12	104056-24-01A	EA	APPLIQUE-BEZEL
13	M05946-20-F24	EA	DASH POD ASM-OSHKOSH
	100138-01-000	EA	MODULE-DAYTIME RUNNING LIGHT - CANADIAN
	077031-01-000	EA	FILM-BLACK, 1" X 1.75"
	077031-02-000	EA	FILM-AMBER, 1" X 1.75"
	077031-03-000	EA	FILM-WHITE, .75" X 1"
	103603-01-000	EA	BULB-12V NO.74 0.12A WEDGE
	105615-01-000	FT	FILM-PROTECTIVE CLEAR
	077539-01-000	EA	BRACKET-MOUNTING, DASH PANEL - L/SHAPED - 2.5" X 1" X 1.5"
	062901-02-000	EA	FUSE - 5 AMPS, AUTOMOTIVE
	062901-05-000	EA	FUSE - 15 AMPS, AUTOMOTIVE
	062901-07-000	EA	FUSE - 25 AMPS, AUTOMOTIVE

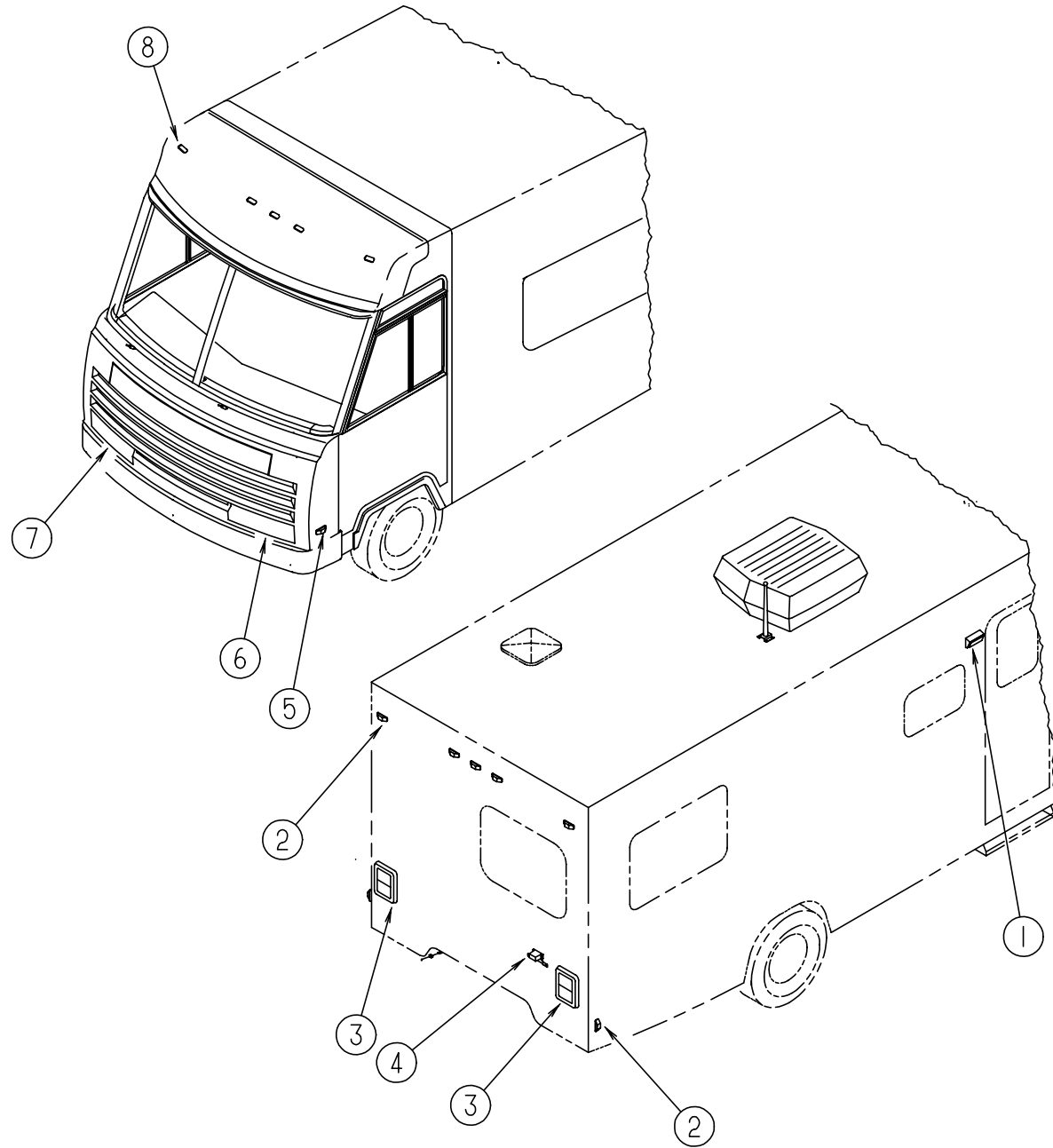
## DRIVERS COMPARTMENT GROUP (CONTINUED)



**FRONT BUNK**

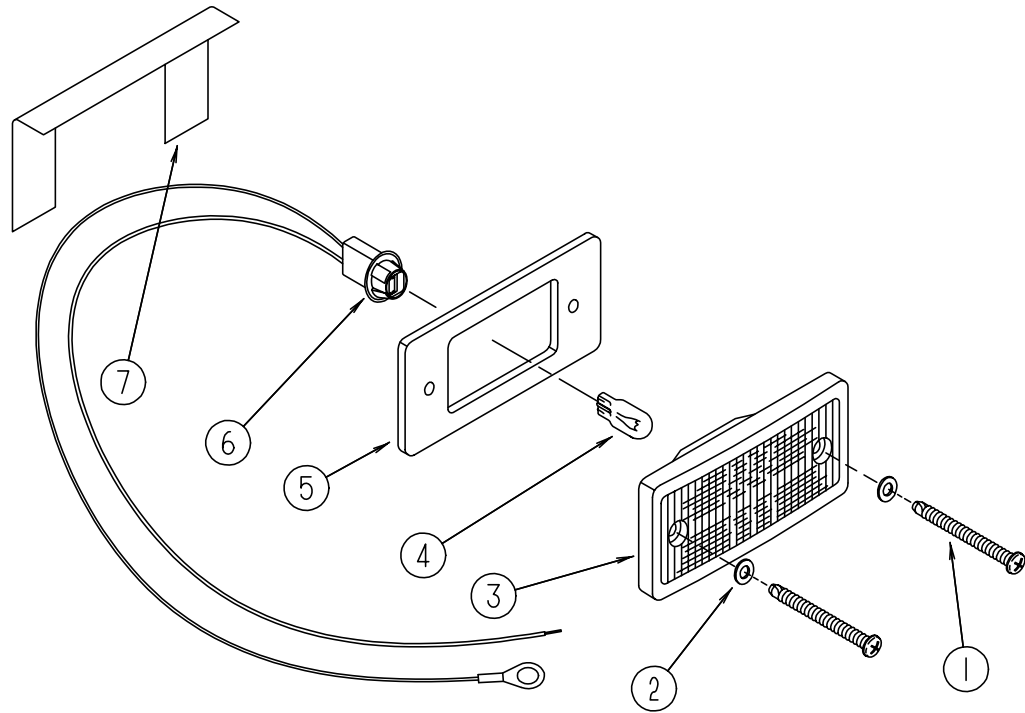
KEY	PART NUMBER	U/M	DESCRIPTION
1	076760-02-000	EA	BUNK HARDWARE (COMPLETE)
	076760-02-700	EA	SPRING-GAS-BUNK HARDWARE
2	101499-06-C05	EA	PANEL ASM.- BOTTOM DRIVERS - PADDED - USED W/BUNK
3	101497-08-C05	EA	PANEL ASM.- UPPER DRIVERS - PADDED - USED W/BUNK
4	042541-04-000	EA	LATCH-W/O STRIKE, BRASS
5	042541-05-000	EA	STRIKE-BRASS
6	103040-06-C05	EA	PANEL-HEADLINER FRONT OVERHEAD - PADDED - USED W/BUNK
7	P03199-01-C05	EA	BOARD ASM-TRIM, BUNK - CEILING MOUNTED
8	101497-07-C05	EA	PANEL ASM.- UPPER PASSENGERS - PADDED - USED W/BUNK
9	101499-05-C05	EA	PANEL ASM.- BOTTOM PASSENGERS - PADDED - USED W/BUNK
10	081717-03-E07	EA	BED ASM-BUNK, FRONT
11	094658-01-E07	EA	HANDLE-BUNK, OAK

**ELECTRICAL GROUP**  
**EXTERIOR LIGHTS**



KEY	PART NUMBER	U/M DESCRIPTION
1	097917-01-06A	EA LIGHT-PORCH, ENTRY DOOR - BRIGHT WHITE
	008215-01-000	EA BULB - 12V, #1003 - .94 AMP
	097917-01-700	EA LENS-LIGHT, PORCH
2	111102-01-000	EA LAMP-MARKER, BASE - TRIPLEX 117XAS
2	111102-03-000	EA LENS-MARKER LAMP, RED - TRIPLEX 117R
	036196-01-000	EA BULB - 12V, #194 - .27 AMP - BAYONETTE
3	081638-01-000	EA TAILLIGHT-DOUBLE, W/BLACK TRIM - DRIVER OR PASSENGER SIDE
	037934-01-000	EA BULB - 12V, #1156 - 2.1 AMP - CLEAR GLASS
	037935-01-000	EA BULB - 12V, #1157 OR #2057 - 2.1 AMP - CLEAR GLASS
	081638-01-700	EA LENS-TAILLIGHT, RED - BARGMAN 30-84-010
	081638-01-701	EA LENS-TAILLIGHT, W/BACKUP - BARGMAN 30-84-700
	103355-01-05A	EA POD-TAILLIGHT, BRIGHT WHITE
4	066432-02-000	EA LIGHT-LICENSE, BLACK
	066432-03-000	EA BRACKET-LICENSE PLATE - BARGMAN 30-60-030
5	111102-01-000	EA LAMP-MARKER, BASE - TRIPLEX 117XAS
5	111102-02-000	EA LENS-MARKER LAMP, AMBER - TRIPLEX 118A
	036196-01-000	EA BULB - 12V, #194 - .27 AMP - BAYONETTE
6	049186-01-000	EA HEADLAMP CAPSULE-DRIVER, HIGH/LOW BEAM - RECTANGULAR
	049188-01-000	EA HEADLAMP CAPSULE-DRIVER, HIGH BEAM - RECTANGULAR
7	049185-01-000	EA HEADLAMP CAPSULE-PASSENGER, HIGH/LOW BEAM - RECTANGULAR
	049187-01-000	EA HEADLAMP CAPSULE-PASSENGER, HIGH BEAM - RECTANGULAR
	P03783-01-000	EA WIRE ASM-HEADLAMP
	049359-01-000	EA SPRING-RETAINER, HEADLAMP - GM 496096
	110750-01-000	EA SCREW-ADJUSTING, HEADLAMP
	110783-01-01A	EA BRACKET-HEADLAMP, QUAD - PASSENGER - UNPAINTED
	110783-02-01A	EA BRACKET-HEADLAMP, QUAD - DRIVER - UNPAINTED
	089292-01-000	EA LIGHT-TURN, DRIVER OR PASSENGER - W/AMBER LENS
	037935-01-000	EA BULB - 12V, #1157 OR #2057 - 2.1 AMP - CLEAR GLASS
8	102520-01-000	EA LIGHT-CLEARANCE, W/O SOCKET CONNECTIONS - AMBER
	036196-01-000	EA BULB - 12V, #194 - .27 AMP - BAYONETTE
	102540-01-000	EA SEAL-SCREW, ROUND - RUBBER
	102541-01-000	EA GASKET-CLEARANCE LIGHT
	102582-01-000	EA BRACKET-LIGHT, CLEARANCE - L-SHAPED METAL - 2.2" X 4.7"
	112823-01-000	EA SPLICE-REDUCER, 16-14 TO 18-22 - ETC BA-631X
	067789-02-000	EA SOCKET-LAMP

**ELECTRICAL GROUP (CONTINUED)**



**EXTERIOR CLEARANCE LIGHTS**

KEY	PART NUMBER	U/M DESCRIPTION
1	000G39-08-24B	EA SCREW, SELF DRIVING
2	102540-01-000	EA SEAL-SCREW, ROUND - RUBBER
3	102520-01-000	EA LIGHT-CLEARANCE, W/O SOCKET CONNECTIONS - AMBER
4	036196-01-000	EA BULB - #1194 - CLEARANCE LIGHT
5	102541-01-000	EA GASKET-CLEARANCE LIGHT
6	067789-02-000	EA SOCKET ASM.-CAB MARKER
7	102582-01-000	EA BRACKET-LIGHT, CLEARANCE - L-SHAPED METAL - 2.2" X 4.7"

**ELECTRICAL GROUP (CONTINUED)  
INTERIOR LIGHTS**

KEY	PART NUMBER	U/M DESCRIPTION
	065202-29-000	EA LAMP-WALL,BRASS (CANADIAN)
	098024-01-01A	EA LIGHT-DOME, 1 BULB - US - IVORY
	008218-01-000	EA BULB-DOME LIGHT, 12V - NUMBER 1141
	098024-01-700	EA LENS-DOME LIGHT
	061424-01-000	EA LIGHT-AISLE, 12V - RECTANGULAR
	008103-01-000	EA BULB-DASH/AISLE LIGHT, #53 - 12 V - .12 AMP
	065201-09-000	EA SHADE-LAMP, FABRIC - PARCHMENT
	065202-28-000	EA LAMP-WALL,BRASS (US)
	067479-01-000	EA BULB - 12V, NUMBER 1076
	086280-01-000	EA LIGHT-SURFACE MOUNT, 12V - JENSEN 1236
	086280-01-700	EA BULB - 12 VOLT, 6 WATT
	098024-03-01A	EA LIGHT-DOME, 2 BULB - IVORY
	008218-01-000	EA BULB-DOME LIGHT, 12V - NUMBER 1141
	098024-01-700	EA LENS-DOME LIGHT
	110235-01-01A	EA LIGHT-MAKE UP,3 BULB PANLESS
	081633-01-700	EA BULB-MAKE UP LIGHT, JENSEN

**FUSES & CIRCUIT BREAKERS**

KEY	PART NUMBER	U/M DESCRIPTION
	008234-01-000	EA FUSE - 12V, 10 AMP
	062037-01-000	EA HOUSING-AUTO FUSE, NATURAL
	062037-02-000	EA HOUSING-AUTO FUSE, GREEN
	062037-03-000	EA HOUSING-AUTO FUSE, BLACK
	062037-04-000	EA HOUSING-AUTO FUSE, BLUE
	062037-05-000	EA HOUSING-AUTO FUSE, GRAY
	062037-06-000	EA HOUSING-AUTO FUSE, BROWN
	062901-02-000	EA FUSE - 5 AMPS, AUTOMOTIVE
	062901-05-000	EA FUSE - 15 AMPS, AUTOMOTIVE
	062901-06-000	EA FUSE - 20 AMP, AUTOMOTIVE
	062901-07-000	EA FUSE-AUTOMOTIVE, 25 AMPS
	062901-08-000	EA FUSE - 30 AMPS,AUTOMOTIVE
	083209-01-000	EA CIRCUIT BREAKER - 15 AMP, 120V - BW G-15 - CANADIAN
	083209-02-000	EA CIRCUIT BREAKER - 15/15AMP, 120V - BW H-15/15
	083209-03-000	EA CIRCUIT BREAKER - 15/20AMP, 120V - BW O-15/20
	083209-04-000	EA CIRCUIT BREAKER - 30A, 120V - BW L-30
	083209-05-000	EA CIRCUIT BREAKER - 20A, 120V - BW J-20
	083209-06-000	EA CIRCUIT BREAKER - 30/15 AMP, 120V - BW D-30/15
	083209-07-000	EA CIRCUIT BREAKER - 20/20A, 120V - BW K-20/20
	093655-03-000	EA CIRCUIT BREAKER - 40A, 12V - USD 17440-4E03A2A
	097611-01-000	EA CIRCUIT BREAKER - 10A, 12V - VB3-A10-F57
	106655-02-000	EA TERMINAL-FUSE BLOCK, 10-12AWG PACKARD 12020400
	106656-01-000	EA FUSE BLOCK - 4 CAVITY AUTO FUSE PACKARD 12004943
	108669-01-000	EA HOUSING-AUTO FUSE HOLDER, PACKARD 12010105
	112591-01-000	EA CIRCUIT BREAKER - 16A, 240V
	093674-01-000	EA PLATE-CIRCUIT BREAKER, HOUSE - 8.4" X 4.1" - STEEL

**ELECTRICAL GROUP (CONTINUED)**  
**TERMINALS**

KEY	PART NUMBER	U/M	DESCRIPTION
	008326-01-000	EA	TERMINAL-RING, 16/14 WIRE - 3/8" STUD
	008328-01-000	EA	TERMINAL-RING, 12/10 WIRE - #10 STUD FIT
	008331-01-000	EA	TERMINAL-RING,TONGUE - #4 WIRE - 3/8" STUD - COPPER
	008348-01-000	EA	TERMINAL-RING, 3/8" STUD - #2 WIRE
	047443-01-000	EA	TERMINAL - .250 RECEPTACLE FIT, INSULATED - 16/14 AWG
	062036-01-000	EA	TERMINAL-PACK-CON,12/10 AWG PACKARD 12033817
	062036-02-000	EA	TERMINAL-PACK-CON, 16/14 AWG
	035416-04-000	EA	TERMINAL-RING #10 STUD FIT, INSULATED BARREL #16/14
	106655-01-000	EA	TERMINAL-FUSE BLOCK,14-16 AWG - PACKARD 12020321
	088267-01-000	EA	TERMINAL-FEMALE, 1/4 - PACKARD 2962573
	098260-01-000	EA	TERMINAL-MALE, 56 SERIES - PACKARD 02971962
	106007-01-000	EA	TERMINAL-FEMALE, 14-16AWG - PACKARD 12015861-L
	104100-03-000	EA	TERMINAL - 75 AMP - AMP 53880-4 LOOSE

**ELECTRIC BOXES & CORDS**

KEY	PART NUMBER	U/M	DESCRIPTION
	008052-01-000	EA	CORD-POWER, 10/3 - 30 AMP - 25' - CANADIAN
	008054-01-000	EA	CORD-POWER, 10/3 - 30 AMP - 25'
	008289-01-000	EA	BOX-ELECTRIC, STEEL - 1/2" AND 3/4" KNOCKOUTS - 4" X 4"
	008289-02-000	EA	BOX-ELECTRICAL, 4" X 4" - 1/2" & 3/4" KNOCKOUTS - CANADIAN
	008294-01-000	EA	COVER-ELECTRICAL BOX, BLANK/STEEL - 4" X 4" - GRAY
	008294-02-000	EA	COVER-ELECTRICAL BOX, BLANK STEEL - 4" X 4" - CANADIAN
	069238-01-000	EA	COVER-ELECTRICAL BOX, W/HOLE - 4" X 4" - GRAY USED WITH 30 AMP RECEPTACLE
	074890-01-000	EA	BOX-EXTENSION, STEEL - OPEN SIDES - 4" X 4" X 1 1/2"
	074897-01-000	EA	COVER-ELECTRIC BOX, 1 LARGE & 2 SMALL HOLES - 4" X 4"
	091910-01-000	EA	BOX-ELECTRIC, 3.75" X 3.5" X 1.75" - PLASTIC
	091910-02-000	EA	BOX-ELECTRICAL, PLASTIC - 57 X 88MM

**ELECTRICAL GROUP (CONTINUED)**  
**WIRE ASSEMBLIES**

KEY	PART NUMBER	U/M	DESCRIPTION
	073328-B4-000	EA	CABLE ASSEMBLY-BATTERY, W/TERMINALS
	096449-01-000	EA	WIRE ASSEMBLY-WATER TANK TO MONITOR PANEL
	097618-01-000	EA	WIRE ASM-MONITOR PANEL, W/3 WIRES & ORANGE RESISTOR- LVS ORANGE RESISTOR W/3 (ORANGE-GREEN-BLUE) WIRES
	102636-01-000	EA	WIRE ASM-CLEARANCE LAMPS
	103328-06-000	EA	WIRE ASM-PUMP, EXTERIOR SHOWER
	115957-01-000	EA	WIRE ASM-WIPER/WASHER

**CONDUIT**

KEY	PART NUMBER	U/M	DESCRIPTION
	041953-01-000	FT	CONDUIT-CONVOLUTE SLIT, .5"ID
	041953-03-000	FT	CONDUIT-CONVOLUTE SLIT, 1" ID (CLOTHES ROD COVER)
	041953-05-000	FT	CONDUIT-CONVOLUTE SOLID, .62" ID
	041953-06-000	FT	CONDUIT-CONVOLUTE, SLIT .375"ID
	041953-07-000	FT	CONDUIT-CONVOLUTE, SLIT - .25" ID
	041953-08-000	FT	CONDUIT-CONVOLUTE, SLIT,1.50"ID
	041953-09-000	FT	CONDUIT-CONVOLUTE, SLIT .50"ID
	041953-10-000	FT	CONDUIT-CONVOLUTE, SLIT - .75" ID
	041953-11-000	FT	CONDUIT-CONVOLUTE, SLIT- 1.06" ID
	041953-12-000	FT	CONDUIT-CONVOLUTE, NON SLIT 1.1" ID

**CONVERTER & INVERTER**

KEY	PART NUMBER	U/M	DESCRIPTION
	083208-02-000	EA	CONVERTER-POWER, 45A - 120V/12V - BW 6345
	099048-01-000	EA	INVERTER-100 WATT FROM: 00-00-00 THRU: 03-05-95
	099048-02-000	EA	INVERTER-100 WATT, DUI-12/100TLW FROM: 03-06-95 THRU: 99-99-99

**ELECTRICAL GROUP (CONTINUED)**  
**RECEPTACLES**

KEY	PART NUMBER	U/M	DESCRIPTION
	024924-02-000	EA	RECEPTACLE-POWER CORD, W/PARTIAL PLATE
	058707-01-000	EA	RECEPTACLE-ELECTRIC, SINGLE - BROWN
	058708-01-000	EA	RECEPTACLE-ELECTRIC, DOUBLE - BROWN
	058708-02-000	EA	RECEPTACLE-ELECTRIC, DOUBLE - IVORY
	084076-02-000	EA	RECEPTACLE-GFI, 15A - 125V - BROWN
	091927-01-000	EA	COVER-RECEPTACLE, DOUBLE - IVORY
	102568-01-E90	EA	SPACER-RECEPTACLE, SIDEWALL
	112822-01-01A	EA	RECEPTACLE-DUPLEX, IVORY - WIRECON WDRU151V
	112824-01-03A	EA	COVER-EXTERIOR DUPLEX RECEPTACLE, WHITE - P&S 3780-SC-WH

**SWITCHES**

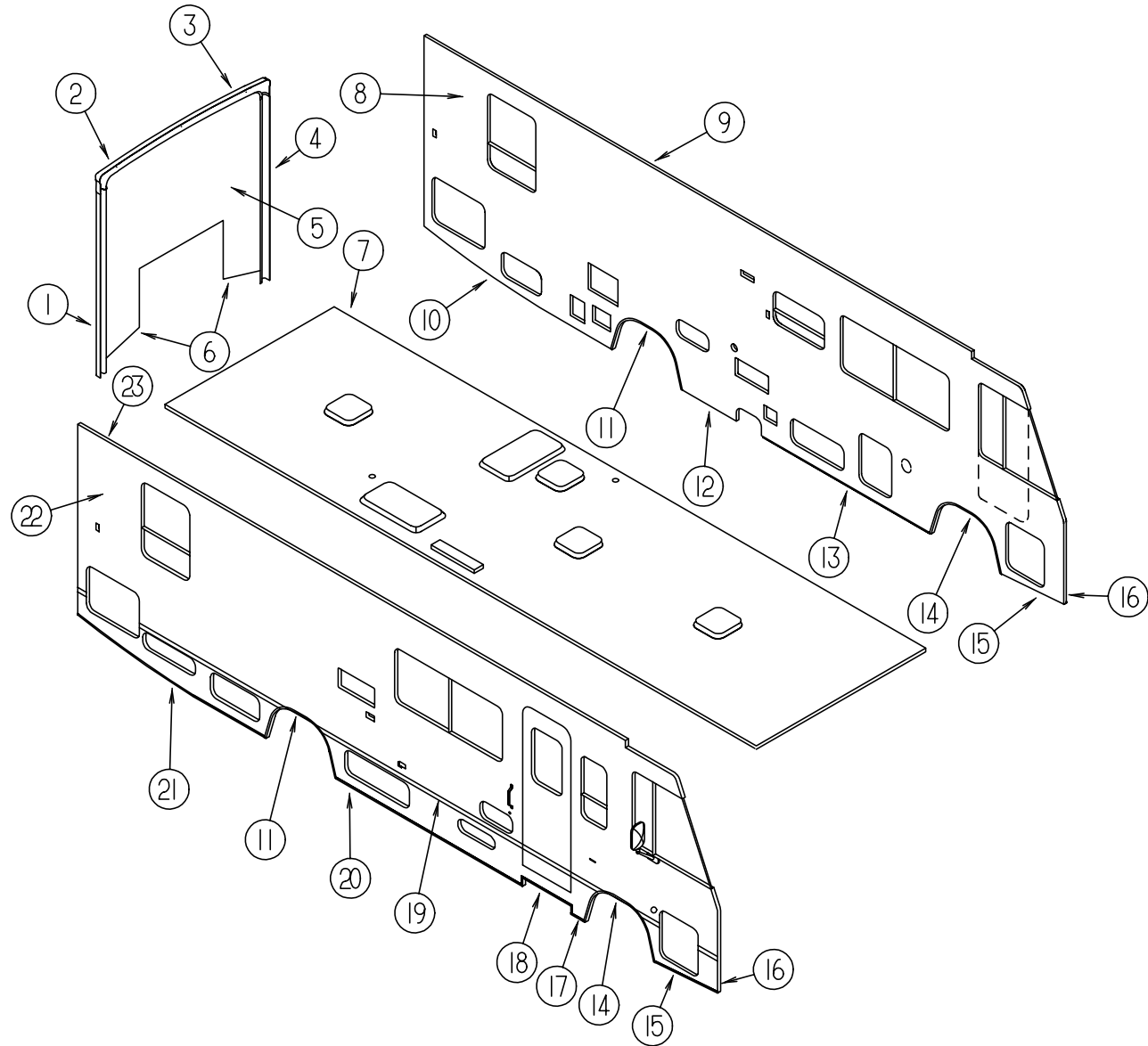
KEY	PART NUMBER	U/M	DESCRIPTION
	054250-04-000	EA	COVER-ANGLED, W/O HOLE - 3.6" X 4.5" - PLASTIC - OFF WHITE ELECTRICAL PLATE SUPPORT
	073626-04-000	EA	COVER-ELECTRIC, 10.4" X 7.8" - BEIGE PLASTIC
	075723-01-000	EA	SPACER-SWITCH, W/O HOLE - .2" X.9"X 2" - METAL - OFF WHITE
	079364-01-000	EA	SWITCH-ON/OFF ROCKER, 2 PRONGS - BROWN
	079364-03-000	EA	SWITCH-ON/OFF ROCKER, 3 PRONGS - BROWN
	095188-01-01A	EA	SPACER-SWITCH, 2.3" X 3.4" - PLASTIC - DARK BROWN
	098351-01-01A	EA	PLATE-SWITCH, 1 GANG - POLISHED BRASS - JENSEN
	098351-02-01A	EA	PLATE-SWITCH, 2 GANG - POLISHED BRASS - JENSEN
	098351-06-01A	EA	PLATE-SWITCH, 2 GANG W/LABEL - JENSEN - POLISHED BRASS
	108355-01-000	EA	HOUSING-SWITCH CARLING VCH
	108356-01-01A	EA	COVER-SWITCH W/GROOVES, CARLING VVCZC00 BLA
	108356-02-01A	EA	COVER-SWITCH W/DIMPLES, CARLING VVAZC00 BLA
	108356-04-01A	EA	COVER-SWITCH W/DIMPLES & LENS, CARLING VVAGC00
	108357-05-000	EA	SWITCH-ROCKER, SPDT ON/NONE/ON - CARLING V4D1000B-0
	108357-08-000	EA	SWITCH-ROCKER, DPDT ON/NONE/ON - CARLING VDD1S00C-0
	108357-10-000	EA	SWITCH-ROCKER, SPDT MOM/OFF/MOM - CARLING V8D1160B-0 LIGHTED

**ELECTRICAL GROUP (CONTINUED)**  
**HOUSINGS, CONNECTORS & MISCELLANEOUS**

KEY	PART NUMBER	U/M	DESCRIPTION
	088473-01-000	EA	HOUSING-PIN, 12 CAVITY - AMP 1-480708-0
	088473-02-000	EA	HOUSING-PIN, 15 CAVITY - AMP 1-480710-0
	088473-03-000	EA	HOUSING-PIN, 9 CAVITY - AMP 1-480706-0
	088473-05-000	EA	HOUSING-PIN, 6 CAVITY - AMP 640585-1
	088473-06-000	EA	HOUSING-PIN, 6 CAVITY - AMP 1-480704-0
	088473-08-000	EA	HOUSING-PIN, 4 CAVITY - AMP 1-480702-0
	088473-09-000	EA	HOUSING-PIN, 3 CAVITY - AMP 1-480700-0
	088473-10-000	EA	HOUSING-PIN, 2 CAVITY - AMP 1-480698-0
	088474-01-000	EA	HOUSING-SOCKET, 12 CAVITY - AMP 1-480709-0
	088474-02-000	EA	HOUSING-SOCKET, 12 CAVITY - AMP 1-480711-0
	088474-03-000	EA	HOUSING-SOCKET, 9 CAVITY - AMP 1-480707-0
	088474-06-000	EA	HOUSING-SOCKET, 6 CAVITY - AMP 1-480705-0
	088474-07-000	EA	HOUSING-SOCKET, 5 CAVITY - AMP 1-480764-0
	088474-08-000	EA	HOUSING-SOCKET, 4 CAVITY - AMP 1-480703-0
	088474-09-000	EA	HOUSING-SOCKET, 3 CAVITY - AMP 1-480701-0
	088474-10-000	EA	HOUSING-SOCKET, 2 CAVITY - AMP 1-480699-0
	101571-01-000	EA	HOUSING - 2 POSITION, MALE
	104100-01-000	EA	HOUSING - 1 POSITION, 75 AMP - AMP 53884-1
	106006-01-000	EA	HOUSING - 1 POSITION, FEMALE - PACKARD 12015952
	115556-01-000	EA	HOUSING - 3 POSITION, FEMALE - PACKARD 02965810
	115556-02-000	EA	HOUSING - 2 POSITION, FEMALE - PACKARD 02965809
	113468-01-000	EA	HOUSING - 2 POSITION, FEMALE - 56-SERIES - PACKARD 02965981 USED ON WIPER/WASHER WIRE ASM
	007940-01-000	EA	RECEPTACLE-SLIDE, 16 TO 12 AWG - FEMALE END
	007954-01-000	EA	RECEPTACLE-HSG, 6 POSITION
	080015-02-000	EA	RECEPTACLE-FLAG, .185 - 16/14 GA - AMP 3
	008311-01-000	EA	CONNECTOR-WIRE NUT, INSULATED - RED
	008312-01-000	EA	CONNECTOR-WIRE NUT, INSULATED - BLUE
	008314-01-000	EA	CONNECTOR-WIRE NUT, INSULATED - GRAY
	008355-01-000	EA	CONNECTOR-CABLE CLAMPING, 3/4"
	008356-01-000	EA	CONNECTOR-PLASTIC, 3/8" AVG
	008398-01-000	EA	CONNECTOR - 1/2" X 90 DEGREE, FLEX CONDUIT - UL AND CSA
	082741-01-000	EA	CONNECTOR BODY - 2 CONNECTOR MALE
	058028-01-000	EA	CONNECTOR-ELECTRICAL PIGTAIL, NYLON - CLEAR
	088475-01-000	EA	PIN-CONNECTOR, 14 TO 20 AWG
	088475-02-000	EA	PIN-CONNECTOR, 10 TO 12 AWG
	088476-01-000	EA	SOCKET-CONNECTOR, BRASS - PRE-TIN
	088476-02-000	EA	SOCKET-CONNECTOR, 12-10 GA - PHOS. BRZ - PRE-TIN
	098261-02-000	EA	SOCKET-CONNECTOR, WEATHERPACK - PACKARD 12124580
	098262-01-000	EA	SEAL-CONNECTOR, WEATHERPACK - PACKARD 12010293
	098264-01-000	EA	HOUSING - 2 PIN, WEATHERPACK - PACKARD 12015792
	103608-01-000	EA	SOCKET-WEDGE BASE W/LEADS - JKL 2944-6 OR EQUIVLANT
	077479-01-000	EA	BOOT-BATTERY TERMINAL, DOUBLE CABLE
	077479-02-000	EA	BOOT-BATTERY TERMINAL, SINGLE CABLE
	103987-02-000	EA	SEAL-SOLENOID ACCESS
	007093-01-000	EA	FLASHER-SIGNAL, STAT
	008188-01-000	EA	SOLENOID- 3 POST, BATTERY CHANGE OVER
	086233-01-000	EA	STUD-ISOLATED, 3/8" X 7/8" LONG
	086273-01-000	EA	RELAY-BATTERY DISCONNECT
	087949-02-000	EA	BUS BAR - 3 POSITION - .6" 2.4" - ALUMINUM
	063910-01-000	EA	HOUSING-RELAY, BOSCH 3 334 485 008
	063912-02-000	EA	RELAY-CANISTER, SPDT - BOSCH 0332204101

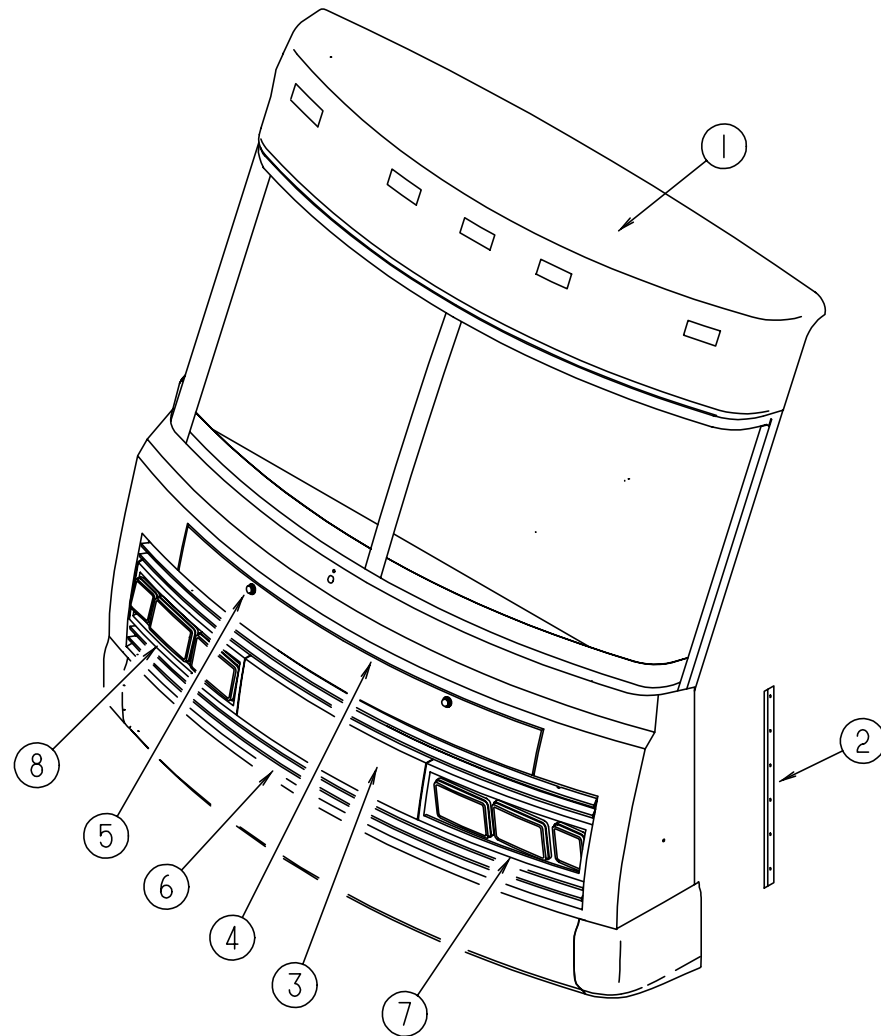


**EXTERIOR BODY GROUP**  
**EXTERIOR BODY PANELS AND TRIM**



KEY	PART NUMBER	U/M	DESCRIPTION
1	103598-09-04A	EA	TRIM-BACKWALL, RH SIDE - BRIGHT WHITE
1	103598-09-03A	EA	TRIM-BACKWALL, RH SIDE - MILL
1	104033-07-02A	EA	TRIM-J, BACKWALL - RH - BRIGHT WHITE
2	103599-01-05A	EA	TRIM-BACKWALL, TOP, RIGHT - BRIGHT WHITE
3	103600-01-05A	EA	TRIM-BACKWALL, TOP, LEFT - BRIGHT WHITE
4	103598-10-04A	EA	TRIM-BACKWALL, LH SIDE - BRIGHT WHITE
4	103598-10-03A	EA	TRIM-BACKWALL, LH SIDE - MILL
4	104033-08-02A	EA	TRIM-J, BACKWALL - LH - BRIGHT WHITE
5	P14502-01-F24	EA	BACKWALL ASM
5	P14502-01-F25	EA	BACKWALL ASM
5	P14502-01-F26	EA	BACKWALL ASM
5	P14502-01-F27	EA	BACKWALL ASM
6	105930-04-03A	EA	TRIM-BACKWALL, LOWER - BRIGHT WHITE
7	114503-01-F24	EA	ROOF ASM
8	M07418-14-F24	EA	SIDEWALL ASM-LEFT
8	M07418-14-F25	EA	SIDEWALL ASM-LEFT
8	M07418-14-F26	EA	SIDEWALL ASM-LEFT
8	M07418-14-F27	EA	SIDEWALL ASM-LEFT
9	103801-02-05A	EA	TRIM-ROOF, W/O DRILLED HOLES - BRIGHT WHITE
10	108038-21-03A	EA	TRIM-SIDEWALL, BOTTOM - REAR - BRIGHT WHITE
11	108070-02-03A	EA	TRIM-WHEELWELL, REAR BRIGHT WHITE
12	108038-26-02A	EA	TRIM-SIDEWALL, BOTTOM - REAR - BRIGHT WHITE
13	108038-25-03A	EA	TRIM-SIDEWALL, BOTTOM, CENTER - BRIGHT WHITE
14	108069-03-03A	EA	TRIM-WHEELWELL, FRONT BRIGHT WHITE
15	108038-23-03A	EA	TRIM-SIDEWALL, LOW - FRONT - DRIVER OR PASSENGER - BRIGHT WHITE
16	086180-55-015	EA	U-CHANNEL-EXTRUDED, 1.7" X 16' - BRIGHT WHITE - SERRATED FROM: 00-00-00 THRU: 10-25-94
16	116800-55-005	EA	U-CHANNEL, BRIGHT WHITE - 4877MM FROM: 10-26-94 THRU: 99-99-99
17	108038-24-03A	EA	TRIM-SIDEWALL, LOW - BRIGHT WHITE
18	114961-01-F24	EA	TRIM ASM-STEPWELL
19	108688-01-03A	EA	FEATURE STRIP-W/HOLES - BRIGHT WHITE
	108651-01-01A	EA	END CAP-FEATURE STRIP
20	108038-20-03A	EA	TRIM-SIDEWALL, BOTTOM - BRIGHT WHITE
21	108038-22-03A	EA	TRIM-SIDEWALL, BOTTOM - REAR BRIGHT WHITE
22	M07418-13-F24	EA	SIDEWALL ASM-RIGHT
22	M07418-13-F25	EA	SIDEWALL ASM-RIGHT
22	M07418-13-F26	EA	SIDEWALL ASM-RIGHT
22	M07418-13-F27	EA	SIDEWALL ASM-RIGHT
23	103801-02-05A	EA	TRIM-ROOF, W/O DRILLED HOLES - BRIGHT WHITE
23	103802-02-05A	EA	RAIL-AWNING BRIGHT WHITE

**EXTERIOR BODY GROUP (CONTINUED)**



**FRONT END COMPONENTS**

KEY	PART NUMBER	U/M DESCRIPTION
1	M05145-05-F24	EA CAP ASM-FRONT, BRIGHT WHITE FROM: 00-00-00 THRU: 01-29-95
1	M05145-06-F24	EA CAP ASM-FRONT, BRIGHT WHITE FROM: 01-30-95 THRU: 99-99-99
2	089922-27-000	EA TRIM-FRONT END/SIDEWALL, DRIVER OR PASSENGER SIDE - BRIGHT WHITE
3	103485-01-04A	EA FRONT END ASM-W/GRILLE ASM, W/O HOOD OR HOOD HINGES - BRIGHT WHITE
4	103478-02-F24	EA PANEL ASM-HOOD - BRIGHT WHITE
	058786-01-000	EA BOLT-ADJUSTING, HOOD - W/BLACK PAD - .31" #18 X 2"
5	102330-02-000	EA LOCK-SINGLE HOLE, VISE ACTION - SOUTHCOE 3-56-715-5
	102328-01-000	EA KEY-BARREL, NICKEL PLATED - SOUTHCOE 3-26-715-19
	104584-03-000	EA BRACKET ASM-HOOD HINGE, BODY - RIGHT
	104584-04-000	EA BRACKET ASM-HOOD HINGE, BODY - LEFT
	105095-01-000	EA LINK ASM-HINGE, HOOD - INNER RIGHT
	105095-02-000	EA LINK ASM-HINGE, HOOD - INNER LEFT
	104582-02-000	EA LINK ASM-HINGE, HOOD - OUTER
6	110598-01-E07	EA GRILLE ASSEMBLY - 4 BAR
7	103617-02-04A	EA BEZEL-HEADLIGHT, DRIVER SIDE - BRIGHT WHITE
8	103617-01-04A	EA BEZEL-HEADLIGHT, PASSENGER SIDE - BRIGHT WHITE
	110690-01-D18	EA PLATE ASM-HEADLAMP, QUAD - PASSENGER - BLACK - STEEL
	110692-01-01A	EA PLATE-HEADLAMP, QUAD - PASSENGER - UNPAINTED - STEEL
	110690-02-D18	EA PLATE ASM-HEADLAMP, QUAD - DRIVER - BLACK - STEEL
	110692-02-01A	EA PLATE-HEADLAMP, QUAD - DRIVER - UNPAINTED - STEEL
	110691-01-01A	EA BRACKET-SPRING, HEADLAMP - DRIVER OR PASSENGER SIDE - UNPAINTED

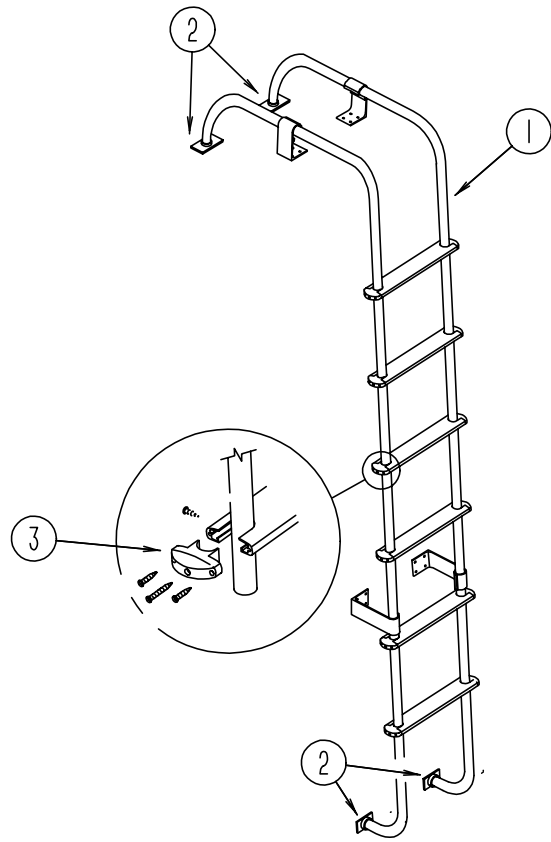
**EXTERIOR BODY GROUP (CONTINUED)**  
**FIBERGLASS, STYROFOAM, ALUMINUM & INSULATION**

KEY	PART NUMBER	U/M DESCRIPTION
	002726-01-001	EA GARNISH-U-CHANNEL, 1.38" X 19' - SERRATED - MILL ALUMINUM
	002754-01-001	EA ANGLE-EXTRUDED, .75" X .75" X 18' - MILL ALUMINUM
	044487-51-001	EA AL - .019 X 0758 X 0317 MILL
	055278-51-259	FT TUBING-STEEL, .75" X 1.5" X 12.5' LONG
	065747-01-000	SF INSULATION-MICROFOAM, .5" THICK X 72" X 112' ROLL
	068716-01-001	EA BRACE - 90 DEGREE L-ANGLE, 192" - EXTRUDED ALUMINUM
	076054-M8-001	EA FIBERGLASS SHEET 48 X 96", BRIGHT WHITE
	076054-M8-000	EA FIBERGLASS SHEET 2438 X 2438, BRIGHT WHITE FROM: 00-00-00 THRU: 09-30-94
	076054-P4-000	EA FIBERGLASS-SHEET 2438 X 2463, BRIGHT WHITE FROM: 10-01-94 THRU: 99-99-99
	076054-P7-000	EA FIBERGLASS SHEET 2530 X 9160, BRIGHT WHITE
	077517-62-000	EA FIBERGLASS-SHEET, 48 X 96 - BRIGHT WHITE, FLAT
	083574-02-000	SF STYROFOAM, DOW TYPE SM - 1.5" X 24" X 90.5" - INCREMENTS OF 15 SF FROM: 00-00-00 THRU: 09-30-94
	083574-03-000	SF STYROFOAM - 3/4" X 48" X 96"
	000870-08-000	SF STYROFOAM- .75 X 48 X 96 - PLANED
	089297-01-000	SF PLYWOOD-LUAN, OVERLAY GRADE - 4' X 8'
	100619-01-000	BF FOAM-EXPANDED POLYSTYRENE, 48" X 96" X 1.34"
	100619-04-000	BF FOAM-EXPANDED POLYSTYRENE, EPS 48" X 96" X .5
	100619-05-000	BF FOAM-EXPANDED POLYSTYRENE, 48" X 96" X .75"
	100619-12-000	BF FOAM-EXPANDED POLYSTYRENE, 1.5" X 90.25" X 48" FROM: 10-01-94 THRU: 99-99-99
	100619-13-000	BF FOAM-EXPANDED POLYSTYRENE, 48" X 96" X .34" FROM: 10-01-94 THRU: 99-99-99
	105077-01-000	EA FOAM-COVE, ROOF
	105077-03-000	EA FOAM-PLUG, SIDEWALL TUBE - WISCONSIN EPS
	108535-01-04A	SF FIBERGLASS PEBBLE 104" X 500' BRIGHT WHITE

**ASSIST HANDLE**

KEY	PART NUMBER	U/M DESCRIPTION
	009126-02-000	EA HANDLE-ASSIST, ENTRY DOOR - BLACK
	069726-02-000	EA BUMPER - .88" DIA X .40", BLACK

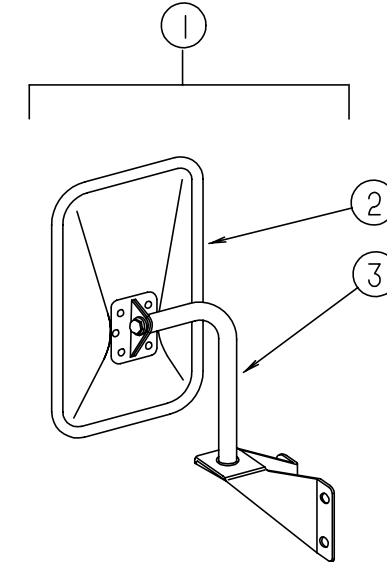
**EXTERIOR BODY GROUP (CONTINUED)**



**LADDER**

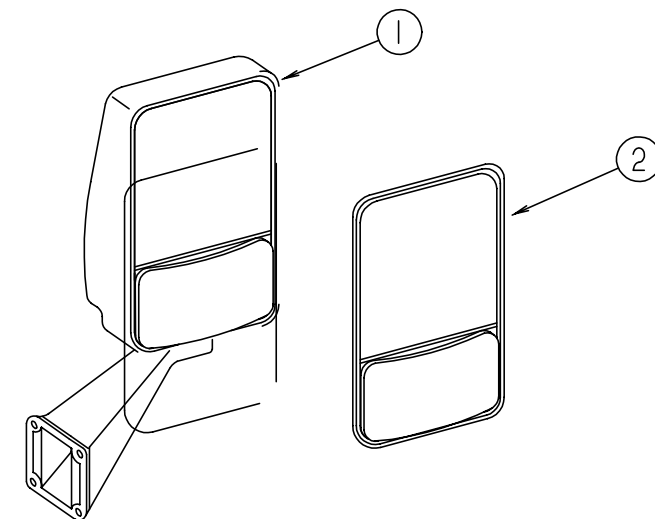
KEY	PART NUMBER	U/M DESCRIPTION
1	102953-12-F04	EA LADDER ASM
2	067165-01-000	EA MOUNTING BRACKET-LADDER, LOWER
3	076980-02-000	EA END CAP-STEP, BLACK

**EXTERIOR BODY GROUP (CONTINUED)**



**EXTERIOR MIRROR**

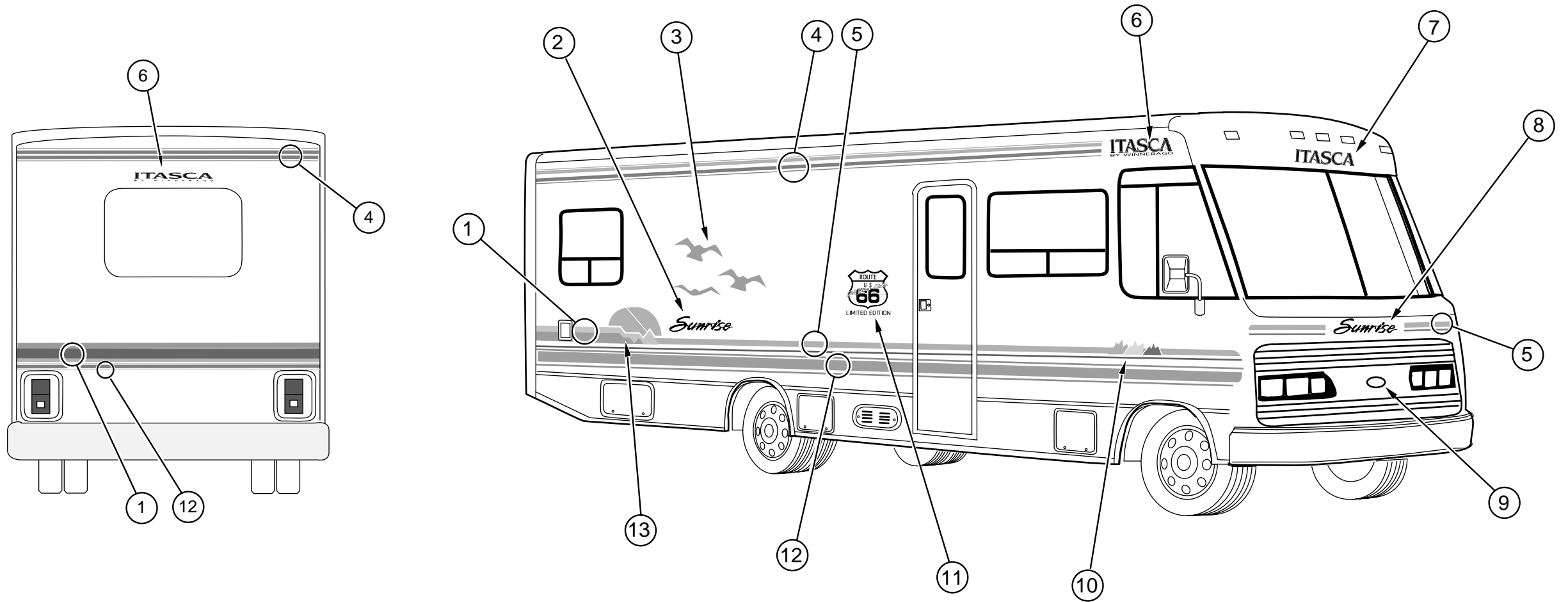
KEY	PART NUMBER	U/M DESCRIPTION
1	105076-01-702	EA MIRROR ASM-LOW MOUNT RH/LH (FLAT) 713196 1 ONLY W/BRACKET
2	105076-01-703	EA MIRROR HEAD ONLY(FLAT BLK) 709275-8
	049347-01-700	EA GLASS-EXTERIOR MIRROR, 7.5" X 10.5"
3	105076-01-704	EA ARM Q780521-9
	105439-01-000	EA MIRROR-AUX,CONVEX STICK-ON VELVAC 723068-6



**EXTERIOR MIRROR**

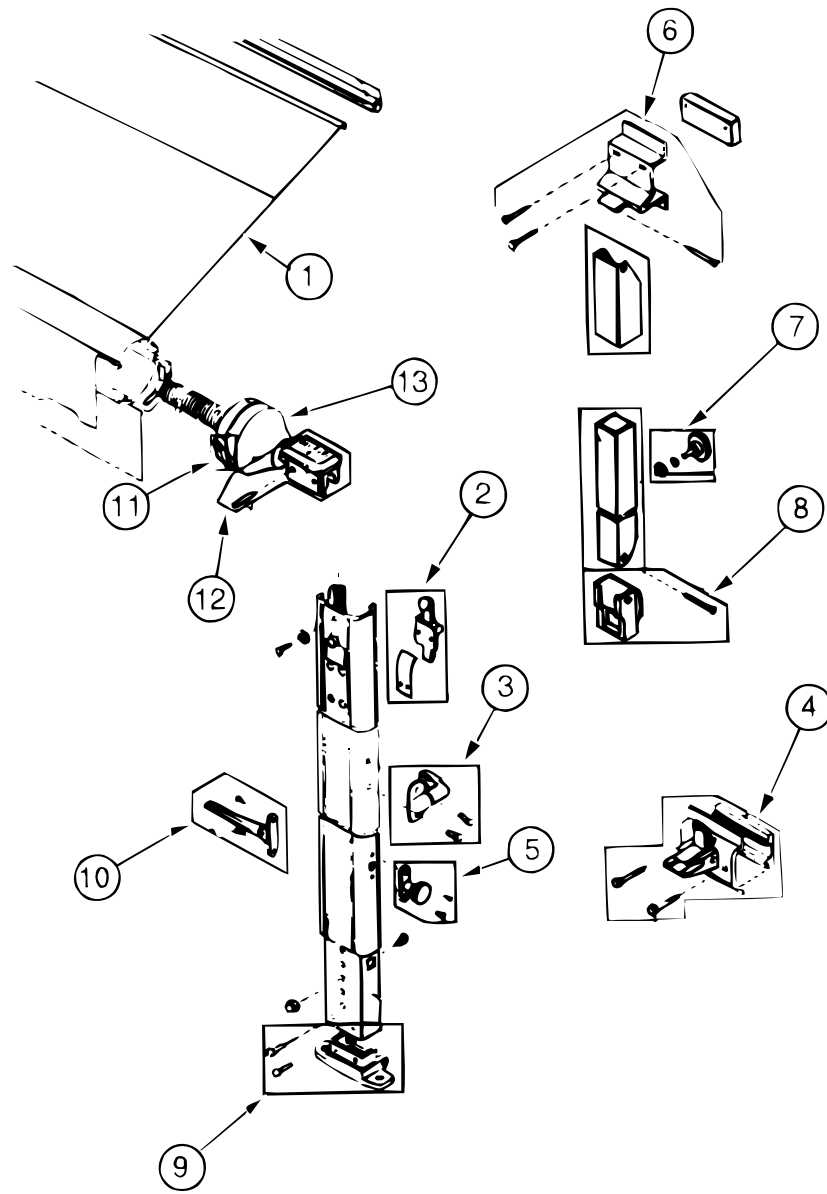
KEY	PART NUMBER	U/M DESCRIPTION
1	106015-09-01A	EA MIRROR ASM-EXTERIOR GLASS RIGHT - VELVAC 713126 BLACK
1	106015-10-01A	EA MIRROR ASM-EXTERIOR ADJUST GLASS LEFT - VELVAC 713125 BLACK
2	106015-01-703	EA MIRROR KIT (BEZEL W/MIRRORS) PASSENGER SIDE
2	106015-02-702	EA MIRROR KIT (BEZEL W/MIRRORS) DRIVER SIDE

**EXTERIOR BODY GROUP (CONTINUED)**  
DECALS, FILM STRIPES & PAINT



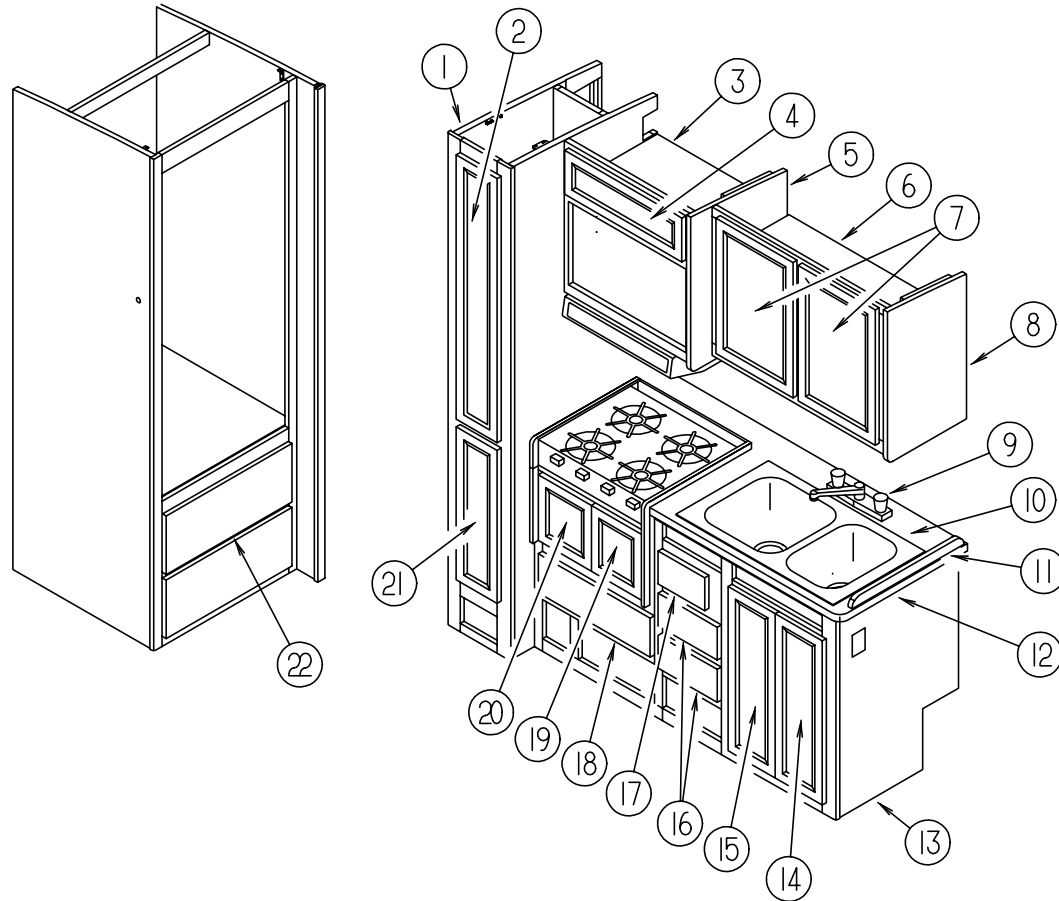
KEY	PART NUMBER	U/M	DESCRIPTION
1	094423-05-02A	EA	FILM-OVERLAY, MULTISTRIPE, AQUA/REGGAE BLUE/REGGAE BLUE
2	110193-01-02A	EA	DECAL-SUNRISE, AQUA/W/REGGAE BLUE SHADOW
3	110192-01-02A	EA	DECAL-BIRDS, REGGAE BLUE/AQUA
4	093689-15-02A	FT	FILM-MULTISTRIPE, 101.6 MM X 150' - AQUA/AQUA/REGGAE BLUE/REGGAE BLUE
5	105781-02-10A	FT	FILM-MULTISTRIPE, 63.5 MM X 150' - AQUA/AQUA
6	111588-03-09A	EA	DECAL-LOGO, ITASCA - LARGE - REGGAE BLUE/BRIGHT WHITE/REGGAE BLUE
6	114698-01-01A	EA	DECAL-LOGO, "BY WINNEBAGO" - REGGAE BLUE
7	111588-04-06A	EA	DECAL-LOGO, ITASCA - SMALL - REGGAE BLUE/BRIGHT WHITE/REGGAE BLUE
8	110193-02-02A	EA	DECAL-SUNRISE, SMALL - AQUA/REGGAE BLUE
9	088772-03-000	EA	MEDALLION-HOOD, I - BLACK/CHROME
10	110190-01-02A	EA	DECAL-MOUNTAINS, RH - REGGAE BLUE/MAGENTA/AQUA
10	110190-02-02A	EA	DECAL-MOUNTAINS, LH - REGGAE BLUE/MAGENTA/AQUA
11	116404-01-01A	EA	DECAL-ROUTE 66, FROSTY JACK/WARM SILVER
12	094443-20-02A	FT	FILM-MULTISTRIPE, 146.1 MM X 150' REGGAE BLUE/REGGAE BLUE/REGGAE BLUE
13	113951-01-01A	EA	DECAL-SUN, RH - MAGENTA/AQUA/REGGAE BLUE
13	113951-02-01A	EA	DECAL-SUN, LH - MAGENTA/AQUA/REGGAE BLUE
	111318-01-04A	EA	DECAL-TURBO,DIESEL - LARGE - BRIGHT WHITE
	041561-03-000	EA	PAINT-LOW BAKE, OFF WHITE
	044486-03-000	EA	PAINT-LOW BAKE, BEIGE
	106315-06-000	FT	POLYETHYLENE FILM TAPE 4" SHORE PAPER 30LD23
	099399-23-700	EA	PAINT-BRIGHT WHITE, DUPONT B8951U

**EXTERIOR BODY GROUP (CONTINUED)**  
**AWNING (FAULKNER)**



KEY	PART NUMBER	U/M	DESCRIPTION
1	110634-07-10A	EA	AWNING-ROLLER ASM, 19'
	110634-02-04A	EA	AWNING-HARDWARE KIT, BRIGHT WHITE
	111037-01-01A	EA	SPACER-AWNING, UPPER BLACK
	111038-01-01A	EA	SPACER-AWNING, LOWER BLACK
2	110634-01-700	EA	RAFTER LOCKING MECH KIT - 7605-0001
3	110634-01-701	EA	SAFETY & LATCH KIT - 7509-0001
4	110634-01-702	EA	BOTTOM BRACKET KIT - 7512-0001
5	110634-01-703	EA	HEIGHT LOCK HANDLE KIT - 7510-0001
6	110634-01-704	EA	UPPER BRACKET KIT W/BOLTS - 7505-0001
7	110634-01-705	EA	ULTRA RAFTER KNOB KIT - 7522-0001
8	110634-01-706	EA	RAFTER SLIDE KIT
9	110634-01-707	EA	GROUND BRACKET KIT - 7511-0001
10	110634-01-708	EA	LIFT HANDLES W/RIVETS - 7000-0001
11	110634-01-709	EA	RATCHET HANDLE KIT - 7507-0001
12	110634-01-710	EA	ARM CAP KIT - 7503-0001
13	110634-01-711	EA	FRONT SPRING ASM - 6598-0001
13	110634-01-712	EA	REAR SPRING ASM - 6599-0001
13	110634-01-713	EA	REAR END CAP KIT - 7504-0001
	110634-01-714	EA	STAKE-(4 PER BAG) - 5208-0001
	110634-01-715	EA	PULL DOWN WAND - 7604-001

**GALLEY GROUP**  
**GALLEY CABINETS**



KEY	PART NUMBER	U/M	DESCRIPTION
1	114813-01-F04	EA	CABINET ASM-PANTRY (F24)
1	114813-01-F25	EA	CABINET ASM-PANTRY
1	114813-01-F26	EA	CABINET ASM-PANTRY
1	114813-01-F27	EA	CABINET ASM-PANTRY
2	M05992-D4-F04	EA	DOOR-CABINET, W/O HARDWARE - 200 X 1110MM
	M05971-K2-F04	EA	DRAWER-CABINET, W/O HARDWARE (INSIDE CABINET)
3	114390-04-F04	EA	CABINET ASM-MICROWAVE, OVHD
			FROM: 00-00-00 THRU: 08-02-94
3	114390-01-F04	EA	CABINET ASM-MICROWAVE, OVHD
			FROM: 08-03-94 THRU: 99-99-99
	104879-01-C27	EA	CABINET ASM-A/C SWITCH (INSIDE CABINET)
4	M05992-11-E07	EA	DOOR-CABINET, W/O HARDWARE - 180 X 555MM
5	081320-16-E10	EA	END CAP ASM, OVERHEAD
6	103276-01-E07	EA	CABINET ASM-OVHD, GALLEY
7	M06803-05-E07	EA	DOOR-CABINET, W/O HARDWARE - 365 X 555MM
8	081320-17-B25	EA	END CAP ASM, OVERHEAD
9	103635-01-000	EA	FAUCET-GALLEY, SINGLE CONTROL - EVERPURE 5435-00
	104114-02-01A	EA	FAUCET-GALLEY, SINGLE CONTROL
10	110654-01-000	EA	SINK-SST, DOUBLE/SMALL BASIN - DAYTON FR2917
	092303-01-000	EA	STRAINER-SINK
	108464-04-E08	EA	COVER ASM-SINK (F24,F27)
	108464-04-E38	EA	COVER ASM-SINK (F25)
	108464-04-E90	EA	COVER ASM-SINK (F26)
11	098335-05-E10	EA	RAIL-GALLEY, 530 (F24,F27)
11	098335-05-F25	EA	RAIL-GALLEY, 530
11	098335-05-E91	EA	RAIL-GALLEY, 530 (F26)
12	114893-11-F04	EA	COUNTERTOP ASM (F24,F27)
12	114893-11-F05	EA	COUNTERTOP ASM (F25)
12	114893-11-F06	EA	COUNTERTOP ASM (F26)
13	M07426-02-F24	EA	CABINET ASM-GALLEY
13	M07426-02-F25	EA	CABINET ASM-GALLEY
13	M07426-02-F26	EA	CABINET ASM-GALLEY
13	M07426-02-F27	EA	CABINET ASM-GALLEY
14	M06803-08-E07	EA	DOOR-CABINET, W/O HARDWARE - 230 X 675MM
15	M06803-09-E07	EA	DOOR-CABINET, W/O HARDWARE - 230 X 675MM
16	M05971-K0-F04	EA	DRAWER-CABINET, W/O HARDWARE
17	M05971-K1-F04	EA	DRAWER-CABINET, W/O HARDWARE
18	M05971-L1-F04	EA	DRAWER-CABINET, W/O HARDWARE
19	M06803-J4-F04	EA	DOOR-CABINET, W/O HARDWARE - 275 X 365MM (EXPORT ONLY)
20	M06803-J3-F04	EA	DOOR-CABINET, W/O HARDWARE - 275 X 365MM (EXPORT ONLY)
21	M05992-D3-F04	EA	DOOR-CABINET, W/O HARDWARE - 200 X 670MM
22	M05971-41-E07	EA	DRAWER-CABINET, W/O HARDWARE
	090329-01-000	FT	SEAL-T, REFRIGERATOR CABINET - .6" WIDE TOP X 2" TAIL

**GALLEY GROUP (CONTINUED)**  
COFFEE MAKER

KEY	PART NUMBER	U/M	DESCRIPTION
	103799-01-02A	EA	COFFEE MAKER - GRAY - BLACK & DECKER - W/GLASS POT
	104610-01-000	EA	STRAP ASM-COFFEE MAKER
	103799-01-700	EA	CARAFE GLASS POT 679420
	103799-01-701	EA	BRACKETS, WHITE PAIR 164734-06 B & D

**RANGE HOOD (CANADIAN)**

KEY	PART NUMBER	U/M	DESCRIPTION
	100258-17-01A	EA	HOOD-RANGE, W/O MONITOR PANEL - VENTLINE - CANADIAN FROM: 00-00-00 THRU: 09-25-94
	090973-01-700	EA	MOTOR - LVS CA508-1
	090973-01-702	EA	BLADE-FAN, LVS VA183-1
	092696-01-709	EA	BULB - 912, VENTLINE VA415
	092696-01-710	EA	SOCKET-LIGHT, VENTLINE CB267-2
	092696-02-701	EA	LENS-LAMP, LVS CC179
	096983-01-700	EA	SWITCH-ON/OFF, VENTLINE 108
	096983-01-702	EA	SWITCH-TWO WAY MOMENTARY, VENTLINE 112
	096983-01-707	EA	FILTER-GREASE, 8" X 8" - LVS CC246
	100258-01-700	EA	HOOD-NOSE LABEL, CC428
	100258-17-03A	EA	HOOD-RANGE W/O MONITOR PANEL - VENTLINE TCS-5008-NACLG FROM: 09-26-94 THRU: 99-99-99
	090973-01-700	EA	MOTOR - LVS CA508-1
	090973-01-702	EA	BLADE-FAN, LVS VA183-1
	092696-01-709	EA	BULB - 912, VENTLINE VA415
	092696-01-710	EA	SOCKET-LIGHT, VENTLINE CB267-2
	092696-02-701	EA	LENS-LAMP, LVS CC179
	096983-01-700	EA	SWITCH-ON/OFF, VENTLINE 108
	096983-01-702	EA	SWITCH-TWO WAY MOMENTARY, VENTLINE 112
	096983-01-707	EA	FILTER-GREASE, 8" X 8" - LVS CC246
	100258-01-700	EA	HOOD-NOSE LABEL, CC428

**RANGE HOOD**

KEY	PART NUMBER	U/M	DESCRIPTION
	100258-18-02A	EA	HOOD-RANGE W/O MONITOR PANEL - VENTLINE TPS-5009-SADLG
	090973-01-700	EA	MOTOR - LVS CA508-1
	090973-01-702	EA	BLADE-FAN, LVS VA183-1
	092696-01-709	EA	BULB - 912, VENTLINE VA415
	092696-01-710	EA	SOCKET-LIGHT, VENTLINE CB267-2
	092696-02-701	EA	LENS-LAMP, LVS CC179
	096983-01-700	EA	SWITCH-ON/OFF, VENTLINE 108
	096983-01-702	EA	SWITCH-TWO WAY MOMENTARY, VENTLINE 112
	096983-01-707	EA	FILTER-GREASE, 8" X 8" - LVS CC246
	100258-01-700	EA	HOOD-NOSE LABEL, CC428
	100258-10-01A	EA	METER-HOUR, W/SWITCH VENTLINE 150

**GALLEY GROUP (CONTINUED)**  
RANGE HOOD W/GENERATOR SWITCH

KEY	PART NUMBER	U/M	DESCRIPTION
	100258-16-01A	EA	HOOD-RANGE, W/O MONITOR PANEL - VENTLINE - US TCS5008NAD FROM: 00-00-00 THRU: 11-06-94
	090973-01-700	EA	MOTOR - LVS CA508-1
	090973-01-702	EA	BLADE-FAN, LVS VA183-1
	092696-01-709	EA	BULB - 912, VENTLINE VA415
	092696-01-710	EA	SOCKET-LIGHT, VENTLINE CB267-2
	092696-02-701	EA	LENS-LAMP, LVS CC179
	096983-01-700	EA	SWITCH-ON/OFF, VENTLINE 108
	096983-01-702	EA	SWITCH-TWO WAY MOMENTARY, VENTLINE 112
	096983-01-707	EA	FILTER-GREASE, 8" X 8" - LVS CC246
	100258-01-700	EA	HOOD-NOSE LABEL, CC428
	100258-16-03A	EA	HOOD-RANGE W/O MONITOR PANEL - VENTLINE - US TCS-5008-NADLG FROM: 11-07-94 THRU: 99-99-99
	090973-01-700	EA	MOTOR - LVS CA508-1
	090973-01-702	EA	BLADE-FAN, LVS VA183-1
	092696-01-709	EA	BULB - 912, VENTLINE VA415
	092696-01-710	EA	SOCKET-LIGHT, VENTLINE CB267-2
	092696-02-701	EA	LENS-LAMP, LVS CC179
	096983-01-700	EA	SWITCH-ON/OFF, VENTLINE 108
	096983-01-702	EA	SWITCH-TWO WAY MOMENTARY, VENTLINE 112
	096983-01-707	EA	FILTER-GREASE, 8" X 8" - LVS CC246
	100258-01-700	EA	HOOD-NOSE LABEL, CC428

**MONITOR PANEL**

KEY	PART NUMBER	U/M	DESCRIPTION
	102765-04-01A	EA	PANEL-MONITOR, W/PLUG - FOR 2 TANKS & WATER HEATER - LVS
	075470-01-703	EA	SWITCH-ON/MOMENTARY, JENSEN AND VENTLINE
	096983-01-700	EA	SWITCH-ON/OFF, VENTLINE 108
	102765-04-700	EA	CIRCUIT BOARD, LVS 5076-11

**MICROWAVE OVEN**

KEY	PART NUMBER	U/M	DESCRIPTION
	091269-05-000	EA	OVEN-MICROWAVE, DM15H-14B FROM: 00-00-00 THRU: 08-02-94
	094745-01-01A	EA	TRIM-MICROWAVE, LOWER - BLACK FROM: 00-00-00 THRU: 08-02-94
	094774-01-01A	EA	TRIM-MICROWAVE, EITHER SIDE - .5" X 14.8" - METAL - BLACK FROM: 00-00-00 THRU: 08-02-94
	115303-01-000	EA	OVEN-MICROWAVE - MCD-DM15K-7B FROM: 08-03-94 THRU: 99-99-99
	115401-01-01A	EA	TRIM-MICROWAVE, BLACK FROM: 08-03-94 THRU: 99-99-99
	094750-07-000	EA	BRACKET-MICROWAVE, 89 DEGREE - STEEL
	098916-03-01A	EA	BRACE-MICROWAVE CABINET, LEFT - 9.4" X 7.5" - STEEL FROM: 00-00-00 THRU: 07-28-94
	098916-14-01A	EA	BRACE-MICROWAVE CABINET, LEFT FROM: 07-29-94 THRU: 99-99-99
	098916-04-01A	EA	BRACE-MICROWAVE CABINET, RIGHT - 9.4" X 7.5" - STEEL FROM: 00-00-00 THRU: 07-28-94
	098916-15-01A	EA	BRACE-MICROWAVE CABINET, RIGHT FROM: 07-29-94 THRU: 99-99-99
	115303-01-700	EA	TRIM F/VENT TOP OR GRILL - 2100309

**GALLEY GROUP (CONTINUED)**  
REFRIGERATOR & LEVEL

KEY	PART NUMBER	U/M DESCRIPTION
	104138-05-01A	EA REFRIGERATOR SMALL DOUBLE DOOR 2-WAY - NORCOLD 6162 LH BL
	075217-01-734	EA FUSE - 3 AMP, NORCOLD# 61538822
	075217-01-738	EA SWITCH-HUMIDITY, NORCOLD 61525922
	084879-03-700	EA COOLING UNIT - HORIZONTAL BURNER, NORCOLD# 61687237
	084880-01-705	EA ORIFICE - NORCOLD# 614522
	084880-01-713	EA CONNECTOR-MALE, INLET FITTING - NORCOLD# 615256
	084880-01-718	EA VALVE-GAS, NORCOLD 61551822
	084880-01-720	EA SPRING (FOR DOOR HANDLE) NORCOLD 61558822
	084880-01-722	EA CRISPER COVER - NORCOLD 615641
	084880-01-726	EA HINGE BRACKET (CTR HINGE), NORCOLD 61566523
	084880-01-731	EA HINGE PIN, NORCOLD 61578123
	084880-01-732	EA LATCH, NORCOLD 61578522
	084880-01-734	EA BRACKET-HINGE, TOP RH - BOTTOM LH - BROWN NORCOLD 61580837
	084880-01-735	EA HINGE BRKT, TOP LH-BTM RH BRN - NORCOLD 61580937
	084880-01-739	EA END CAP (SPRING CATCH) BRN NORCOLD 61593722
	084880-01-740	EA END CAP (STOP CATCH) NORCOLD 61593830
	084880-01-746	EA CABLE, NORCOLD 61571522
	084880-01-747	EA PLUG-HOLE, NORCOLD 61582022
	084880-01-749	EA HINGE BUSHING - NORCOLD 615807
	084880-01-753	EA THERMISTER 78" - NORCOLD 61693822
	084880-01-760	EA CLIP (THERMISTER) NORCOLD 61689122
	084880-01-761	EA END CAP (SPRING CATCH) BLACK NORCOLD 61593730
	084880-02-700	EA LOWER FLANGE 8663 & 8683, NORCOLD 61622123
	084880-03-702	EA HINGE PIN TOP/BTM FEMALE NORCOLD 61580630
	084880-03-705	EA BRACKET F/INTERIOR REFRIGERATOR LIGHT - NORCOLD 61629722
	084880-03-706	EA LAMP (BULB) - NORCOLD 61628922
	084880-03-707	EA COVER F/LAMP OR BULB - NORCOLD 61627922
	088248-01-706	EA BURNER-HORIZONTAL, NORCOLD 61588122
	088248-01-707	EA ELECTRODE-SENSOR, (HORIZONTAL), NORCOLD# 61573322
	088248-01-709	EA HEATER-AC, (HORIZONTAL) - NORCOLD# 615627
	088248-01-710	EA HEATER-DC, (HORIZONTAL) - 3 WAY - NORCOLD# 615628
	094038-01-700	EA GASKET-LOWER, GRAY - NORCOLD 61567930
	094038-01-701	EA LINER-DOOR, LOWER - BROWN/WHITE - NORCOLD 61581937-B
	094038-01-702	EA LINER-DOOR, LOWER - BLACK/WHITE - NORCOLD 61581938-B
	094038-01-703	EA HANDLE-DOOR, LOWER - BROWN - NORCOLD 61650137
	094038-01-704	EA HANDLE-DOOR, LOWER - BLACK - NORCOLD 61650138
	094039-01-702	EA GASKET (GRAY) UPPER - NORCOLD 61567830
	094039-01-703	EA PLATE-HINGE, LH - BROWN - NORCOLD 61631422
	094039-01-704	EA PLATE-HINGE, BLACK - NORCOLD 61631430
	094039-01-706	EA UPPER DOOR LINER (WHITE) BLK - NORCOLD 61581838-B
	094039-01-708	EA HANDLE-DOOR, UPPER - BLACK - NORCOLD 61650038
	094039-01-709	EA PLATE-HINGE, TOP RH - LH BOTTOM - BROWN - NORCOLD 61631322
	094039-01-710	EA PLATE-HINGE, BLACK - NORCOLD 61631330
	094039-01-722	EA HOLE PLUG (BLK) HINGE HOLES - NORCOLD 61582030
	094039-01-723	EA HINGE BRKT, TOP RH-BTM LH BLK - NORCOLD 61580838

**GALLEY GROUP (CONTINUED)**  
REFRIGERATOR & LEVEL (CONTINUED)

KEY	PART NUMBER	U/M DESCRIPTION
	094039-01-724	EA BRACKET-HINGE, TOP LH - BOTTOM RH - BLK - NORCOLD 61580938
	094039-01-725	EA HINGE PIN (BLACK)(MALE) - NORCOLD 61578130
	094039-01-726	EA SHELF-FREEZER EVAPORATOR, NORCOLD 615236
	094039-01-730	EA HINGE PIN SHAFT(BLK) CENTER HGE - NORCOLD 61566730
	094039-01-732	EA FRONT COVER(BLK) BTM TRIM - NORCOLD 61622130
	094039-01-733	EA WIRE SHELF (MIDDLE) - NORCOLD 61563822
	094039-01-734	EA WIRE SHELF (TOP) W/RISER - NORCOLD 61563722
	094039-01-735	EA INSIDE DRIP TRAY (WHITE) NORCOLD 61572830
	094039-01-736	EA SWITCH-LIGHT, BLACK - NORCOLD 615810
	094039-01-739	EA SHELF (CUTOUT) NORCOLD 61646722
	094039-04-700	EA PRINTED CIRCUIT BOARD-2 WAY, NORCOLD# 61647322
	094039-04-701	EA EYEBROW (SHELL) 2 WAY - NORCOLD 61669822
	094039-04-702	EA POWER SUPPLY (2 WAY) - NORCOLD 61647422
	104137-02-700	EA MODULE-CONTROL, CHANNEL - NORCOLD 61717037
	104137-06-700	EA EYEBROW SHELL (2-WAY) NORCOLD 61726622
	104137-06-702	EA RACK-JUICE (WHITE) NORCOLD 61580525
	104137-06-703	EA BIN-DOOR SHELF (WHITE) NORCOLD 61564025
	104137-06-706	EA WIRE SHELF (SHORT) NORCOLD 61718222
	104137-06-707	EA CRISPER (WHITE) NORCOLD 61571325
	104137-06-709	EA VALVE SHUT-OFF-MANUAL ASM NORCOLD 61694922
	104137-06-710	EA PRESSURE TAP NORCOLD 61594422
	104137-06-711	EA FUSE 5 AMP NORCOLD 61611622
	104137-06-712	EA FITTING-GAS TUBE CONNECTION NORCOLD 61692722
	104137-06-713	EA ORFICE GASKET NORCOLD 61475122
	104137-06-714	EA BURNER ASSEMBLY (5-SLOT) NORCOLD 61705222
	104137-06-715	EA SPARK/SENSE ELECTRODE(SINGLE) NORCOLD 61692222
	104138-04-701	EA FOAMED CAB ASM (BLK W/WHITE) NORCOLD 61725038
	054450-01-000	EA LEVEL-REFRIGERATOR
	065225-02-000	EA PLATE-TIEDOWN, REFRIGERATOR
	093646-01-000	EA BRACKET ASM-TIEDOWN, REFRIGERATOR
		FROM: 01-02-95 THRU: 99-99-99
	093646-02-000	EA BRACKET ASM-TIEDOWN, REFRIGERATOR
		FROM: 01-02-95 THRU: 99-99-99



**GALLEY GROUP (CONTINUED)**  
RANGE

KEY	PART NUMBER	U/M	DESCRIPTION
	112881-01-03A	EA	RANGE-16" 3 BURNER ALMOND - MAGIC CHEF
	055282-04-700	EA	PANEL OVEN DOOR ALMOND
	102020-01-700	EA	SHELF-OVEN
	102020-01-701	EA	HANDLE, DOOR
	102020-01-709	EA	BUMPER, GRATE
	102020-01-711	EA	GRATE, TOP
	102020-01-722	EA	VALVE, TOP BURNER
	102020-01-724	EA	BUMPER, MAIN TOP
	102022-01-708	EA	REGULATOR PRESSURE 1/4IN 1/2 OUT
	112881-01-700	EA	TOP, MAIN-ALMOND
	112881-01-701	EA	MANIFOLD PANEL
	112881-01-702	EA	VALVE-MERCURY (SAFETY VALVE)
	112881-01-703	EA	VALVE-TOP BURNER HI-OUTPUT
	112881-01-704	EA	KNOB-THERMOSTAT
	112881-01-705	EA	KNOB-TOP BURNER
	112881-01-706	EA	THERMOSTAT
	112881-01-707	EA	TRIM-FLAT (LEFT) (BLK)
	112881-01-708	EA	TRIM-FLAT (RIGHT) (BLK)
	112881-01-709	EA	PIPE-MANIFOLD
	112881-01-710	EA	OVEN PILOT
	112881-01-711	EA	OVEN BURNER
	112881-01-713	EA	DOOR-OVEN-TEXTURED
	112881-01-715	EA	THERMOSTAT, REF. SER. # 3C - 7515P037-60
	112881-01-716	EA	KNOB, THERMOSTAT-SER# 3C - 7731P107-60
	105458-01-000	EA	BRACKET-TIEDOWN,STOVE
	105458-02-000	EA	BRACKET-TIEDOWN,STOVE

**GENERATOR GROUP**  
6,500 WATT ONAN EMERALD PLUS LP

KEY	PART NUMBER	U/M	DESCRIPTION
	100975-01-000	EA	GENERATOR - 6.5KW EMERALD PLUS, ONAN NHE-FA/26100G WITH ONAN TRAY #403-2218
	007125-03-000	EA	CLAMP-MUFFLER, 1.5" DIA
	007125-04-000	EA	CLAMP-MUFFLER, 1.1" DIA
	079654-05-000	EA	PIPE-EXHAUST, ANGLED - W/FLANGE - 2" ID - ONAN# 154-2539
	081364-03-000	EA	MUFFLER-GENERATOR, ONAN
	106602-01-000	EA	PIPE-EXHAUST, GENERATOR
	106607-01-000	EA	ANGLE-SUPPORT, EXHAUST
	007067-01-000	SF	INSULATION-FIBERGLASS, 1" THICK X 4' - INCREMENTS OF 4 SF
	007131-01-000	EA	HANGER-TAILPIPE, 6 SLOTS
	093511-01-000	EA	VAPOR KIT-LP, GENERATOR
	094059-01-000	EA	SPACER-GENERATOR, ONAN

**HEATING & AIR CONDITIONING GROUP  
35,000 BTU SUBURBAN FURNACE**

KEY	PART NUMBER	U/M DESCRIPTION
	098668-21-000	EA FURNACE - 35,000 BTU, SUBURBAN SF-35 2274
	069634-01-720	EA ORIFICE-MAIN BURNER, SUBURBAN# 0180222
	074466-01-702	EA RELAY-TIME DELAY, SUBURBAN# 230625
	075696-02-703	EA COLLAR-DUCT, SUBURBAN#050715
	115764-01-01A	EA THERMOSTAT-WALL, FURNACE - SUBURBAN 0160902
	098668-01-700	EA CABINET FRONT, SUBURBAN 101242
	098668-01-706	EA WHEEL-COMBUSTION AIR, SUBURBAN 350122
	098668-01-707	EA VENT CAP & EXHAUST TUBE ASM, SUBURBAN 260193
	098668-01-708	EA BLOWER ASM (COMBUSTION AIR), SUBURBAN 390441
	098668-01-710	EA BLOWER ASM (ROOM AIR), SUBURBAN 390440
	098668-01-711	EA WHEEL, ROOM AIR - SUBURBAN 350123
	098668-01-712	EA BOARD-MODULE, SUBURBAN 231741
	098668-01-713	EA INTAKE VENT TUBE ASM 051044
	098668-02-700	EA BURNER ASM COMPLETE (SF-30/SF35), SUBURBAN 010745
	098668-03-700	EA MOTOR ASM-SF-35, SUBURBAN# 231707
	101990-01-714	EA MICROSWITCH GASKET, SUBURBAN 230877
	009198-01-000	FT DUCT-HEAT, FLEXIBLE - 4" ID X 25 FT
	009200-01-000	EA TAPE-FURNACE, 1 1/2"
	098668-21-700	EA MICROSWITCH, W/O FLAG 3 1/4" - SUBURBAN 232261
	098668-01-714	EA GAS VALVE FOR SF MODELS S.N.#921401821 AND UP
	098668-01-715	EA ELECTRODE ASM. (SGL PROBE) F/SF MODELS S.N.#921401821 & UP
	098668-01-716	EA GASKET FIREWALL (CHAMBER SIDE 070808
	098668-01-717	EA GASKET FIREWALL (BLOWER SIDE) 070809

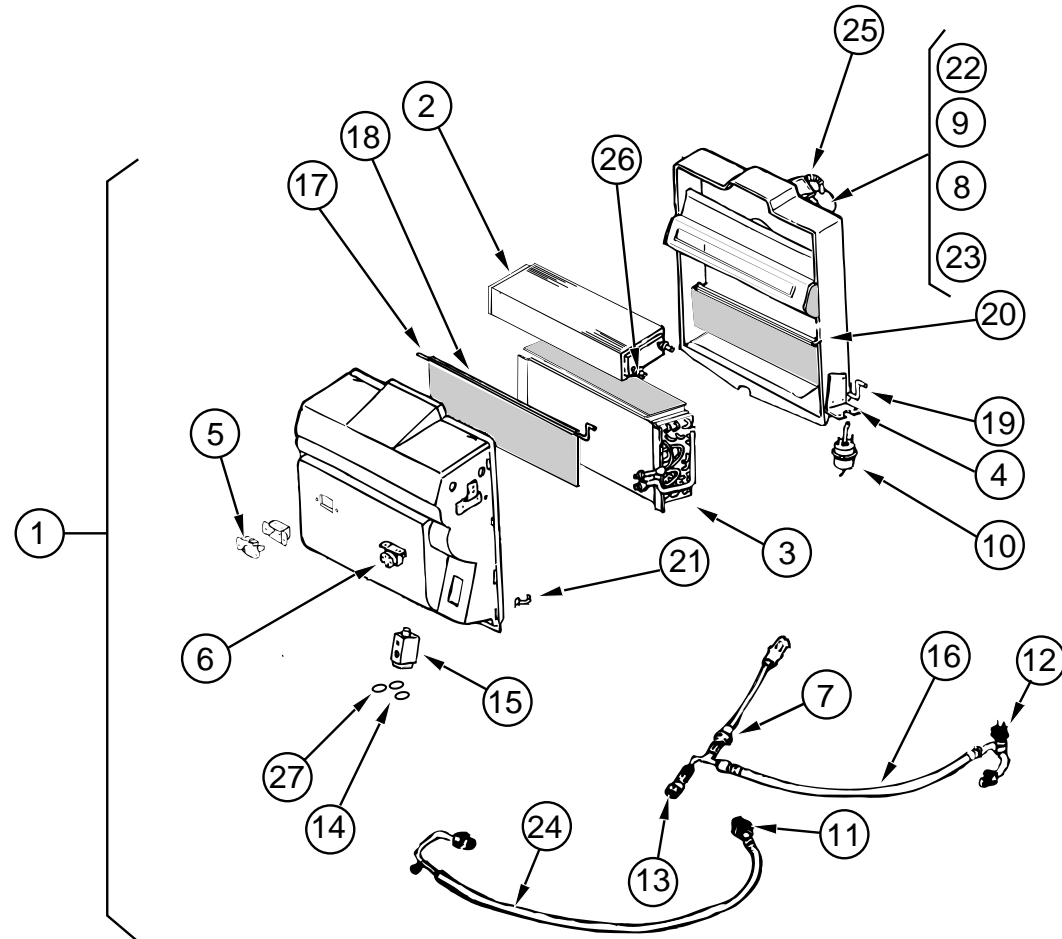
**30,000 BTU SUBURBAN FURNACE**

KEY	PART NUMBER	U/M DESCRIPTION
	098668-20-000	EA FURNACE-30,000 BTU SUBURBAN SF-30 2273
	074466-01-702	EA RELAY-TIME DELAY, SUBURBAN# 230625
	075696-02-703	EA COLLAR-DUCT, SUBURBAN #050715
	092300-02-701	EA ORFICE, MAIN BURNER - SUBURBAN 180214
	115764-01-01A	EA THERMOSTAT-FURNACE,SUBURBAN REP'L BY 115764-01
	098668-01-700	EA CABINET FRONT, SUBURBAN 101242
	098668-01-706	EA WHEEL-COMBUSTION AIR, SUBURBAN 350122
	098668-01-707	EA VENT CAP & EXHAUST TUBE ASM, SUBURBAN 260193
	098668-01-708	EA BLOWER ASM (COMBUSTION AIR), SUBURBAN 390441
	098668-01-709	EA MOTOR ASM.-FOR SF-25, SF-30 - SUBURBAN 231706
	098668-01-710	EA BLOWER ASM (ROOM AIR), SUBURBAN 390440
	098668-01-711	EA WHEEL,ROOM AIR - SUBURBAN 350123
	098668-01-712	EA BOARD-MODULE, SUBURBAN 231741
	098668-01-713	EA INTAKE VENT TUBE ASM 051248
	098668-01-714	EA GAS VALVE FOR SF MODELS S.N.#921401821 AND UP
	098668-01-715	EA ELECTRODE ASM. (SGL PROBE) F/SF MODELS S.N.#921401821 & UP
	098668-01-716	EA GASKET FIREWALL(CHAMBER SIDE 070808
	098668-01-717	EA GASKET FIREWALL(BLOWER SIDE) 070809
	098668-02-700	EA BURNER ASM COMPLETE (SF-30/SF35), SUBURBAN 010745
	098668-21-700	EA MICROSWITCH, W/O FLAG 3 1/4" 232261
	098668-21-701	EA LIMIT SWITCH 231799
	101990-01-714	EA MICROSWITCH GASKET, SUBURBAN 230877
	093741-01-000	EA BOX-BOOT, FLOOR REGISTER D&W EAP1721/4X10X4

**HEATING & AIR CONDITIONING GROUP (CONTINUED)  
HEATING COMPONENTS**

KEY	PART NUMBER	U/M DESCRIPTION
	009198-01-000	FT DUCT-HEAT, FLEXIBLE - 4" ID - INCREMENTS OF 25'
	009200-01-000	EA TAPE-FURNACE, 1 1/2"
	007076-01-000	EA HOSE-FLEXIBLE PVC - 2" ID - INCREMENTS OF 50'
	007108-01-000	FT HOSE-HEATER, 5/8" ID
	024990-05-000	EA REGISTER-W/SWIVEL DEFLECTORS, 4" DIAMETER - PLASTIC
	094600-01-02A	EA REGISTER-HEAT, W/O DAMPER - 3.6" X 11.2" - BROWN
	098668-23-000	EA DOOR-ACCESS, FURNACE - BRIGHT WHITE - SUBURBAN 520574
	093614-01-01A	EA GRILLE-RETURN AIR, FURNACE - 15.6" X 7.6" - BROWN
	115764-01-01A	EA THERMOSTAT-FURNACE - SUBURBAN 160902

## HEATING & AIR CONDITIONING GROUP (CONTINUED)



**EVAPORATOR/HEATER ASSEMBLY - DIESEL CHASSIS**

KEY	PART NUMBER	U/M DESCRIPTION
1	103930-22-000	EA EVAPORATOR/HEATER ASSEMBLY - SCS 090-00085
2	103930-01-703	EA COIL-HEATER, SCS 042-0010
3	103930-01-704	EA COIL EVAPORATOR
4	103930-01-708	EA BRACKET-VACUUM MOTOR, SCS 070-0113
5	103930-01-710	EA RESISTOR-FUSED, SCS 035-0006
6	103930-01-711	EA THERMOSTAT, SCS 033-0003
7	103930-01-716	EA SWITCH-PRESSURE, FAN - SCS 032-0036
8	103930-01-717	EA WHEEL-CLOCKWISE, SCS 062-0010
9	103930-01-720	EA MOTOR, SCS 030-0004
10	103930-02-708	EA MOTOR-VACUUM SERVO, A/C - SCS 030-0002
11	103930-06-700	EA FITTING,QUICK-CONNECT #8 050-0082
12	103930-12-708	EA SWITCH-BINARY, R-134A - SCS 032-0048
13	103930-12-709	EA FITTING-QUICK CONNECT, SCS 050-0120
14	103930-17-702	EA GASKET OR SAE 015 #10 33-781, SCS 045-0127
15	103930-20-700	EA VALVE EXP. BLOCK(2 TON) 034-0032
16	103930-20-701	EA HOSE ASSY #6 WINN GM 085-0138
17	103930-20-702	EA ROD F/BLEND AIR DOOR 073-0039
18	103930-20-703	EA DOOR-BLEND AIR 071-0212
19	103930-20-704	EA ROD-DOOR-RECIRCULATING 073-0018
20	103930-20-705	EA DOOR PANEL-RECIRCULATING 071-0213
21	103930-20-706	EA CLIP-RETAINER 022-0057
22	103930-20-707	EA BLOWER HOUSING 062-0145
23	103930-20-708	EA CLIP F/MOTOR SHAFT 022-0001
24	103930-22-700	EA HOSE ASSY #10WINN DSL PUSHER 085-0141
25	110279-01-703	EA HOSE-VENT, MOTOR BLOWER - SCS 051-0034
26	110279-01-712	EA HEATER FITTING 050-0076
27	113245-01-707	EA GASKET(#8) 045-0126
	103930-05-000	EA MANUAL-OWNERS, HEATER-A/C - SCS 057-0049
	102422-01-000	EA PANEL-PLENUM, RH
	102423-01-000	EA PANEL-PLENUM, LH

## HEATING & AIR CONDITIONING GROUP (CONTINUED) CONTROL/PLENUM

KEY	PART NUMBER	U/M DESCRIPTION
	103930-04-000	EA CONTROL/PLENUM SET SCS 093-00037
	072341-06-700	EA SWITCH - 4 SPEED, FAN - ARA 0883502
	094831-01-709	EA CLAMPS-ROD, 3/16" - MOTIVAIR/SCS ZGG14431
	103930-02-700	EA PANEL-CONTROL, SCS 032-0018
	103930-02-701	EA VALVE-CONTROL HEAD, SCS 034-0015
	103930-02-702	EA DECAL-FAN SWITCH, SCS 058-0008
	103930-02-703	EA HARNESS-WIRE CONTROL, SCS 036-0048
	103930-02-704	EA HARNESS-VACUUM CONTROL, SCS 036-0049
	103930-02-705	EA CABLE-CONTROL, BOWDEN - SCS 074-0011 SHEATH LENGTH IS 84 1/4" - CABLE LENGTH IS 89" LONG
	103930-02-706	EA CLIP-CABLE, CONTROL - SCS 022-0017
	103930-02-707	EA RELAY, SCS 031-0001
	103930-02-708	EA MOTOR-VACUUM SERVO, A/C - SCS 030-0002
	103930-02-710	EA CANISTER-VACUUM, SCS 054-0002
	103930-02-711	EA VALVE-WATER, SCS 034-00114

### AUTO A/C & HEATER HOSE KIT

KEY	PART NUMBER	U/M DESCRIPTION
	103930-15-000	EA HOSE KIT #12 PRECHARGED R134 SCS 093-00075
	103930-07-704	EA FITTING QUICK CONNECT #8 050-0081
	103930-13-702	EA SERVICE VALVE W/O C.P. 050-152
	103930-15-700	EA HOSE ASSY #12 OSHKOSH 085-0099
	103930-15-702	EA GASKET 0"RING SAE#18 045-0152
	103930-17-702	EA GASKET OR SAE 015 #10 33-781, SCS 045-0127
	113245-01-710	EA GASKET (#12) 045-0128

### AUTO A/C & HEATER CONDENSER

KEY	PART NUMBER	U/M DESCRIPTION
	072342-10-000	EA CONDENSER ASM-W/FAN PUSHER 13 SCS 091-00021
	072342-08-700	EA COIL, CONDENSER 040-0021
	072342-08-703	EA FAN BLADE/MOTOR & SHROUD 11" 062-0097
	072342-10-700	EA COIL CONDENSER 040-0028
	072342-10-701	EA RECEIVER DRIER 054-0015
	072342-10-702	EA FITTING Q.C. MALE #4 METRIC 050-148
	072342-10-703	EA HOSE #8 051-0096
	072342-10-704	EA SERVICE VALVE #8 X 8 WO/CP 050-134
	072342-10-705	EA HOSE ASSY. W/FITTINGS 085-0119

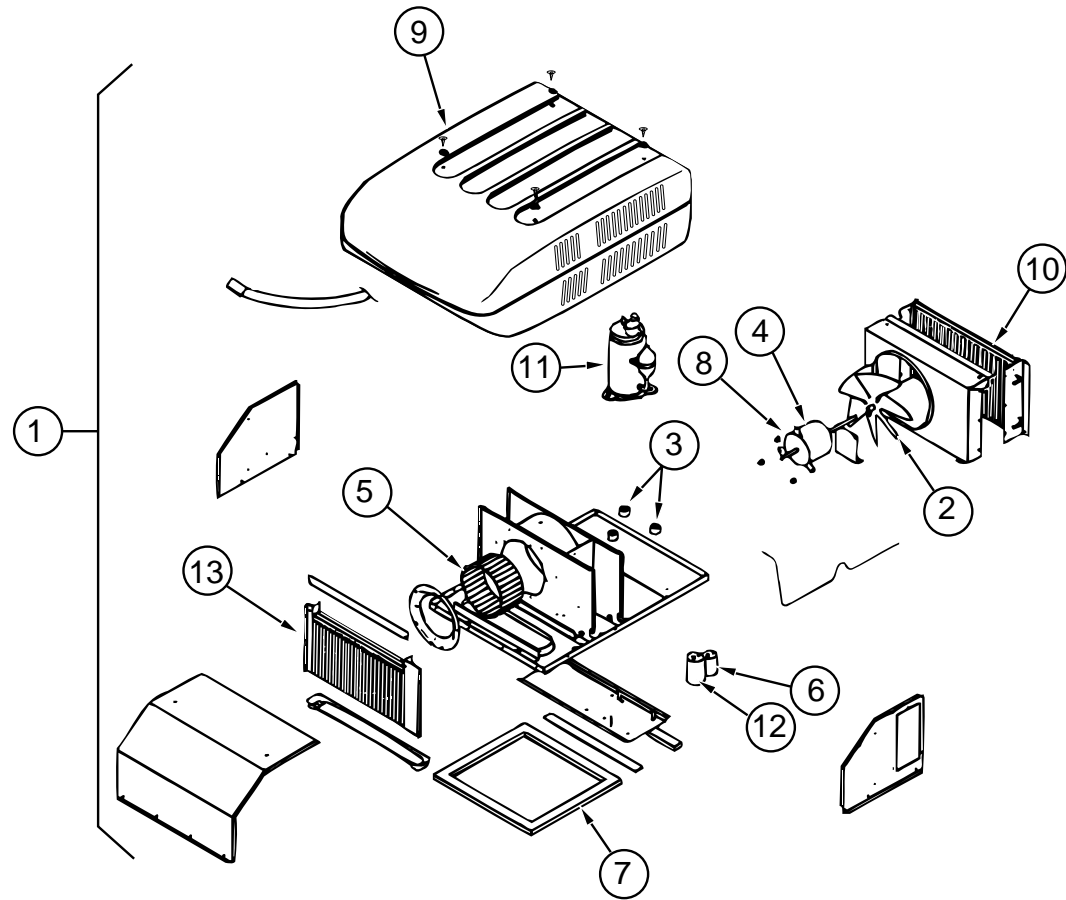
### AUTOMOTIVE HEATER MISCELLANEOUS

KEY	PART NUMBER	U/M DESCRIPTION
	114802-01-000	EA PUMP-VACUUM,12V, 16" HG EVANS RV212471
	007281-01-000	EA HOSE-FLEXIBLE PVC, 2.5"ID X 50' - ATCOFLEX A-182-355
	024990-05-000	EA 4" DIAMETER OUTLET W/SWIVEL DEFLECTORS
	056402-05-000	EA BRACKET-HEATER VENT, ROUND - W/BEND - BLACK
	077075-01-000	EA GASKET-INSTRUMENT PANEL TO DEFROSTER PLENUM - .6" X 11.3"
	077075-03-000	EA GASKET-INSTRUMENT PANEL TO DEFROSTER PLENUM, SPL
	103016-01-000	EA PLENUM-TRANSITION
	103558-01-02A	EA VENT-DEFROST, ABS LIGHT GRAY
	103796-01-01A	EA LOUVER ASM-A/C CARY PROD BLK - 268-3B, 100-2-4-8

### ROOF A/C COVER

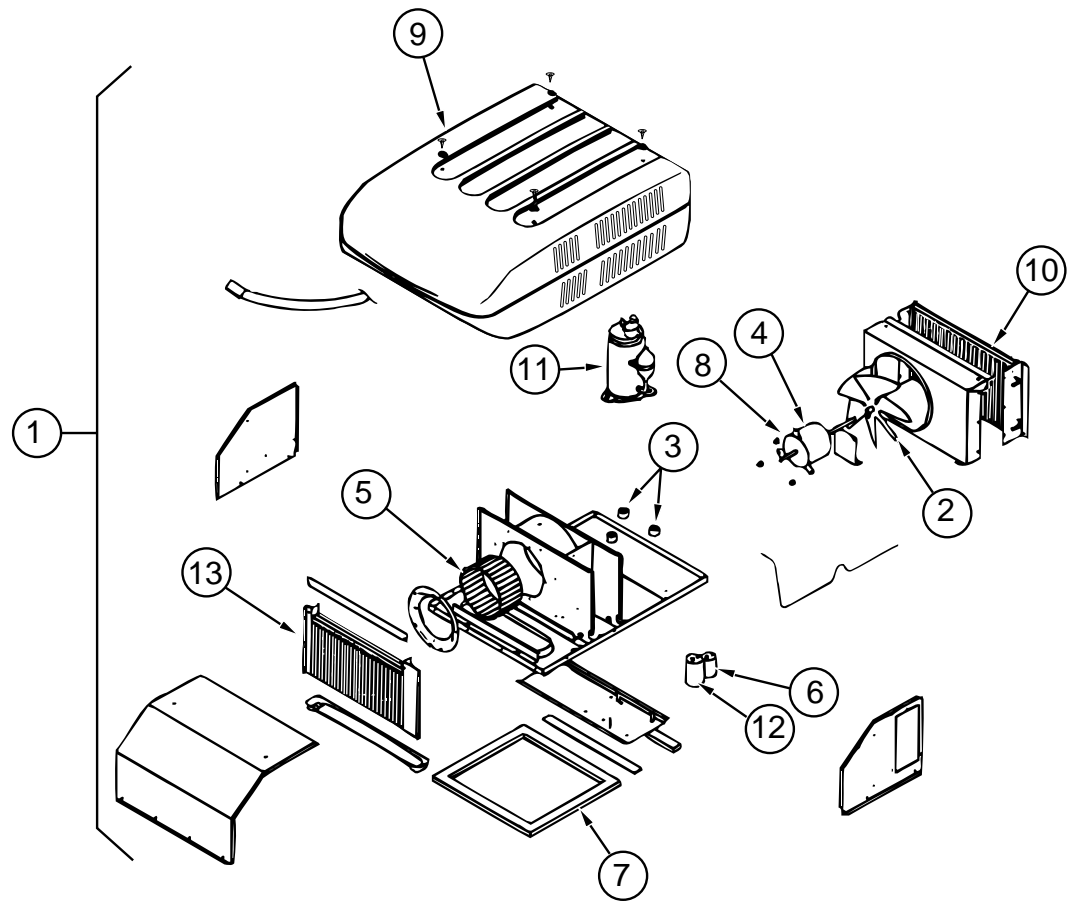
KEY	PART NUMBER	U/M DESCRIPTION
	092633-02-02A	EA COVER-BLANK, ROOF A/C - 5.1" X 5.1" - PLASTIC - OFF WHITE
	022756-03-000	EA COVER-A/C, OFF WHITE - PLASTIC
	022756-02-000	EA COVER-PROTECTIVE, 5.5" ENDS X 8.2" - PLASTIC - OFF WHITE

**HEATING & AIR CONDITIONING GROUP (CONTINUED)**  
**13,500 BTU COLEMAN ROOF A/C & CEILING ASSEMBLY**



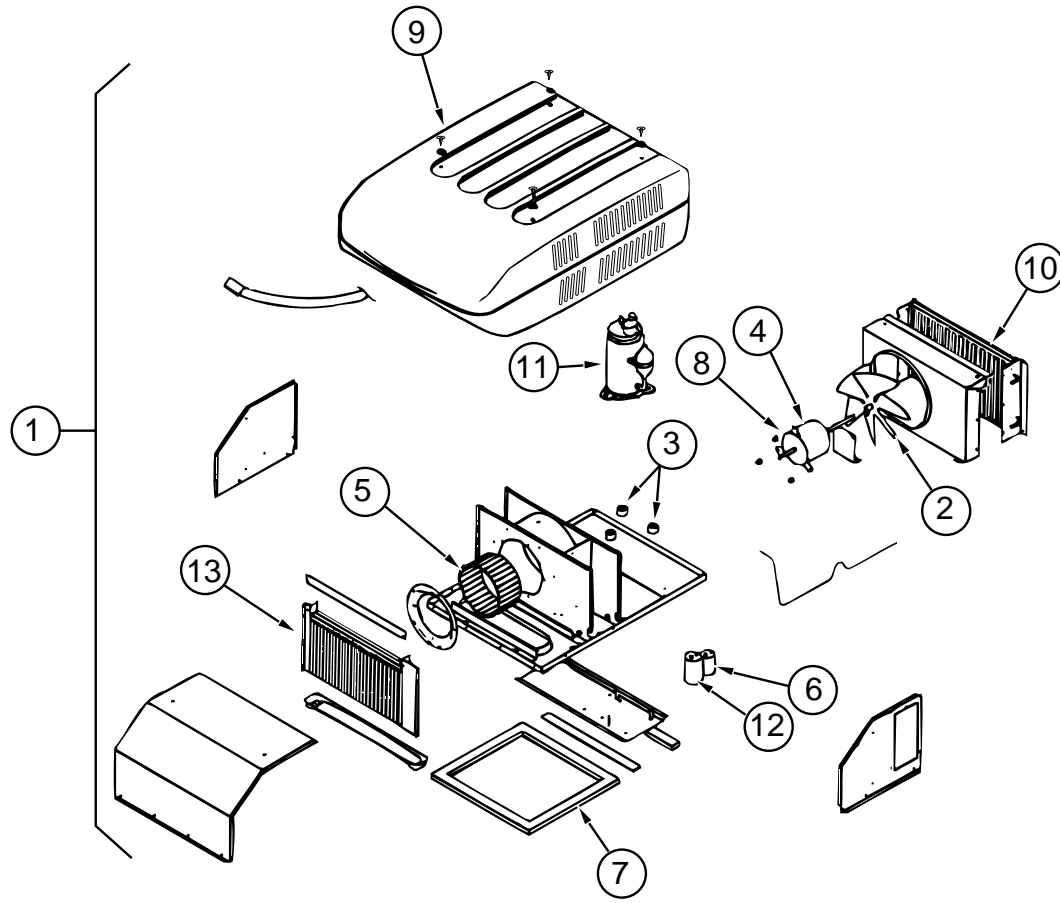
KEY	PART NUMBER	U/M DESCRIPTION
1	108889-02-03A	EA A/C-ROOF, 13,500 TSR 220 BRIGHT WHITE - COLEMAN 7373A891
2	093763-01-712	EA FAN BLADE-CONDENSER, COLEMAN 6733-3221
3	105620-01-706	EA FOOT PACKAGE-COMPRESSOR, 3 PER PACKAGE - COLEMAN 6759-3081
4	108889-01-705	EA MOTOR-115V, 60HZ - COLEMAN 1468-3049
5	108889-01-706	EA IMPELLOR - COLEMAN 1472-1041
6	108889-01-708	EA CAPACITOR-FAN, (7.5MFD.370U) - COLEMAN 1499-5461
	108889-01-710	EA FILLER PAD-COND AIR SEAL - COLEMAN 6759A3971
7	108889-01-711	EA GASKET PACKAGE - COLEMAN 6792-3301
8	108889-01-715	EA MOTOR MOUNT & SHAFT SEAL KIT - COLEMAN 6792-3361
9	108889-05-700	EA SHROUD-(BRIGHT WHITE), W/O LOGO - COLEMAN 7333-4601
10	108889-01-703	EA CONDENSER COIL - COLEMAN 1452-1301
11	105620-01-704	EA COMPRESSOR, RH & LH - COLEMAN 1450-2009
12	108889-01-707	EA CAPACITOR-RUN, COMPRESSOR-25MFD/370 - COLEMAN 1499-5661
	091225-01-709	EA RELAY-START, COLEMAN 1497-4131
13	108889-01-709	EA EVAPORATOR COIL - COLEMAN 1452-1311
	108889-01-714	EA DISCHARGE LINE ASSEMBLY - COLEMAN 6792-531
	108889-01-712	EA REDUCER-SUCTION LINE, (3/8" X 1/2") - COLEMAN 1215-2161
	108889-01-713	EA SUCTION LINE, (3/8" OD X .032" WALL) - COLEMAN 6792-130
	091225-01-710	EA CAPACITOR-START, COLEMAN 1497-0881
	093306-01-701	EA DECAL PACKAGE-LEFT & RIGHT - COLEMAN 6798B3591
	108889-01-704	EA OVERLOAD - COLEMAN 6749-3541
	102289-01-000	EA SPRING-SCREW, ROOF A/C GASKET - COLEMAN 6757-150
	108891-01-01A	EA CEILING ASM-A/C COOL TSR HO - COLEMAN 7330-714 IV
	042204-01-709	EA THERMOSTAT-IN 64-OUT 58, COLEMAN 6701-3401
	073742-01-701	EA SELECTOR SWITCH (5 TERMINAL), COLEMAN 6759-3251
	073742-01-702	EA DECAL COOL ONLY, COLEMAN 6759C3431
	076303-01-707	EA FILTER - 6" X 14 3/4" X 1/2", 12 PER PKG - COLEMAN 6703A3151
	081606-01-712	EA CEILING SHROUD (IVORY), COLEMAN 6769-5061
	091225-01-713	EA KNOB (2 PER PACKAGE), COLEMAN 6701-3351
	091225-01-717	EA DECAL (THERMOSTAT) COOL ONLY, COLEMAN 6799A3441
	093766-02-701	EA DECAL-LEFT SIDE, COLEMAN 6799-3971
	108891-01-700	EA SINGLE PARTS PACKAGE (KNOBS & NUTS) COLEMAN 6792-5991
	108891-01-701	EA RETAINER CLIPS F/FILTER (6 PER) COLEMAN 6799-3141

**HEATING & AIR CONDITIONING GROUP (CONTINUED)**  
**13,500 BTU COLEMAN ROOF A/C & CEILING ASSEMBLY**



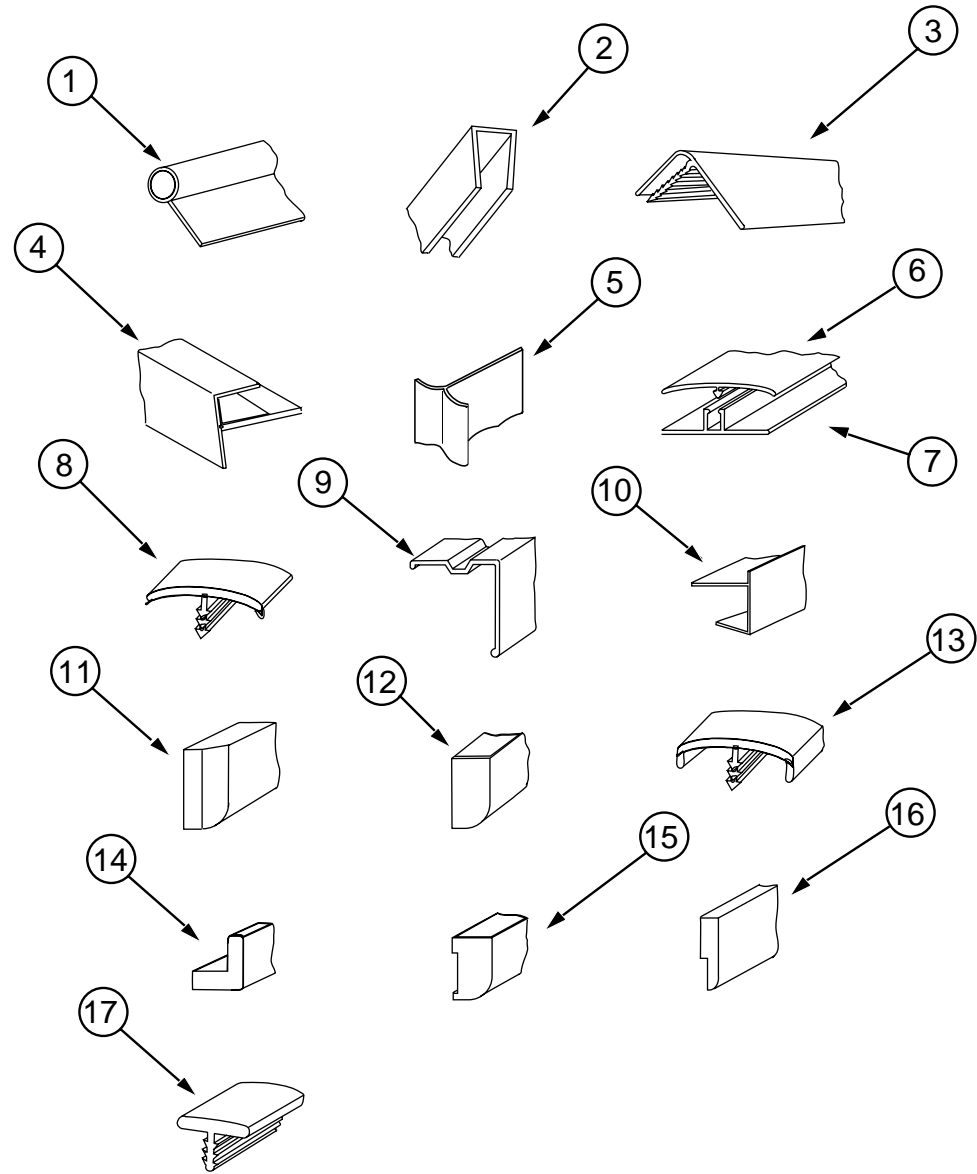
KEY	PART NUMBER	U/M	DESCRIPTION
1	108889-01-05A	EA	A/C-ROOF, 13,500 TSR HO BRIGHT WHITE - COLEMAN 7333A886
2	093763-01-712	EA	FAN BLADE-CONDENSER, COLEMAN 6733-3221
3	105620-01-706	EA	FOOT PACKAGE-COMPRESSOR, 3 PER PACKAGE - COLEMAN 6759-3081
4	108889-01-705	EA	MOTOR-115V, 60HZ - COLEMAN 1468-3049
5	108889-01-706	EA	IMPELLOR - COLEMAN 1472-1041
6	108889-01-708	EA	CAPACITOR-FAN, (7.5MFD.370U) - COLEMAN 1499-5461
	108889-01-710	EA	FILLER PAD-COND AIR SEAL - COLEMAN 6759A3971
7	108889-01-711	EA	GASKET PACKAGE - COLEMAN 6792-3301
8	108889-01-715	EA	MOTOR MOUNT & SHAFT SEAL KIT - COLEMAN 6792-3361
9	108889-05-700	EA	SHROUD-(BRIGHT WHITE), W/O LOGO - COLEMAN 7333-4601
10	108889-01-703	EA	CONDENSER COIL - COLEMAN 1452-1301
11	105620-01-704	EA	COMPRESSOR, RH & LH - COLEMAN 1450-2009
12	108889-01-707	EA	CAPACITOR-RUN, COMPRESSOR-25MFD/370 - COLEMAN 1499-5661
	091225-01-709	EA	RELAY-START, COLEMAN 1497-4131
13	108889-01-709	EA	EVAPORATOR COIL - COLEMAN 1452-1311
	108889-01-714	EA	DISCHARGE LINE ASSEMBLY - COLEMAN 6792-531
	108889-01-712	EA	REDUCER-SUCTION LINE, (3/8" X 1/2") - COLEMAN 1215-2161
	108889-01-713	EA	SUCTION LINE, (3/8" OD X .032" WALL) - COLEMAN 6792-130
	091225-01-710	EA	CAPACITOR-START, COLEMAN 1497-0881
	093306-01-701	EA	DECAL PACKAGE-LEFT & RIGHT - COLEMAN 6798B3591
	108889-01-704	EA	OVERLOAD - COLEMAN 6749-3541
	102289-01-000	EA	SPRING-SCREW, ROOF A/C GASKET - COLEMAN 6757-150
	105620-01-705	EA	PROTECTOR-OVERLOAD, RH & LH - COLEMAN 6759-3791
	108891-01-01A	EA	CEILING ASM-A/C COOL TSR HO - COLEMAN 7330-714 IV
	042204-01-709	EA	THERMOSTAT-IN 64-OUT 58, COLEMAN 6701-3401
	073742-01-701	EA	SELECTOR SWITCH (5 TERMINAL), COLEMAN 6759-3251
	073742-01-702	EA	DECAL COOL ONLY, COLEMAN 6759C3431
	076303-01-707	EA	FILTER - 6" X 14 3/4" X 1/2", 12 PER PKG - COLEMAN 6703A3151
	081606-01-712	EA	CEILING SHROUD (IVORY), COLEMAN 6769-5061
	091225-01-713	EA	KNOB (2 PER PACKAGE), COLEMAN 6701-3351
	091225-01-717	EA	DECAL (THERMOSTAT) COOL ONLY, COLEMAN 6799A3441
	093766-02-701	EA	DECAL-LEFT SIDE, COLEMAN 6799-3971
	108891-01-700	EA	SINGLE PARTS PACKAGE (KNOBS & NUTS) COLEMAN 6792-5991
	108891-01-701	EA	RETAINER CLIPS F/FILTER (6 PER) COLEMAN 6799-3141
	063903-01-702	EA	LOUVER-COLEMAN 6703A5191

**HEATING & AIR CONDITIONING GROUP (CONTINUED)**  
**14,800 BTU COLEMAN ROOF A/C & CEILING ASSEMBLY**



KEY	PART NUMBER	U/M	DESCRIPTION
1	115219-01-03A	EA	A/C-ROOF, 14,800 MACH 15 -BRIGHT WHITE - COLEMAN 7335B896
	093306-01-701	EA	DECAL PACKAGE-LEFT & RIGHT - COLEMAN 6798B3591
	093306-01-720	EA	START CAPACITOR (21-25 MFD/33) 1497-3351
2	093763-01-712	EA	FAN BLADE-CONDENSER, COLEMAN 6733-3221
3	105620-01-706	EA	FOOT PACKAGE-COMPRESSOR, 3 PER PACKAGE - COLEMAN 6759-3081
4	108889-01-705	EA	MOTOR-115V, 60HZ - COLEMAN 1468-3049
5	108889-01-706	EA	IMPELLOR - COLEMAN 1472-1041
6	108889-01-708	EA	CAPACITOR-FAN, (7.5MFD.370U) - COLEMAN 1499-5461
	108889-01-710	EA	FILLER PAD-COND AIR SEAL - COLEMAN 6759A3971
7	108889-01-711	EA	GASKET PACKAGE - COLEMAN 6792-3301
8	108889-01-715	EA	MOTOR MOUNT & SHAFT SEAL KIT - COLEMAN 6792-3361
9	108889-05-700	EA	SHROUD-(BRIGHT WHITE), W/O LOGO - COLEMAN 7333-4601
10	115219-01-700	EA	CONDENSER COIL - COLEMAN 1452-1321
11	115219-01-701	EA	COMPRESSOR, PANASONIC - COLEMAN 1450-2039
12	115219-01-702	EA	CAPACITOR-RUN, COMPRESSOR-50MFD/370 - COLEMAN 1499-5741
	115219-01-703	EA	RELAY-START, COLEMAN 1497-4151
13	115219-01-704	EA	EVAPORATOR COIL - COLEMAN 1452-1331
	115219-01-707	EA	DISCHARGE LINE ASSEMBLY - COLEMAN 7335A132
	115219-01-705	EA	SUCTION LINE-LOWER 7335-130
	115219-01-706	EA	SUCTION LINE UPPER 7335-131
	102289-01-000	EA	SPRING-SCREW, ROOF A/C GASKET - COLEMAN 6757-150
	105620-01-705	EA	PROTECTOR-OVERLOAD, RH & LH - COLEMAN 6759-3791
	108891-01-01A	EA	CEILING ASM-A/C COOL TSR HO - COLEMAN 7330-714 IV
	042204-01-709	EA	THERMOSTAT-IN 64-OUT 58, COLEMAN 6701-3401
	073742-01-701	EA	SELECTOR SWITCH (5 TERMINAL), COLEMAN 6759-3251
	073742-01-702	EA	DECAL COOL ONLY, COLEMAN 6759C3431
	076303-01-707	EA	FILTER - 6" X 14 3/4" X 1/2", 12 PER PKG - COLEMAN 6703A3151
	081606-01-712	EA	CEILING SHROUD (IVORY), COLEMAN 6769-5061
	091225-01-713	EA	KNOB (2 PER PACKAGE), COLEMAN 6701-3351
	091225-01-717	EA	DECAL (THERMOSTAT) COOL ONLY, COLEMAN 6799A3441
	093766-02-701	EA	DECAL-LEFT SIDE, COLEMAN 6799-3971
	108891-01-700	EA	SINGLE PARTS PACKAGE (KNOBS & NUTS) COLEMAN 6792-5991
	108891-01-701	EA	RETAINER CLIPS F/FILTER (6 PER) COLEMAN 6799-3141
	063903-01-702	EA	LOUVER-COLEMAN 6703A5191

**INTERIOR FINISH GROUP  
MOLDINGS & TRIMS**



KEY	PART NUMBER	U/M	DESCRIPTION
1	009767-12-000	FT	MOLDING-SIDEWALL TO CEILING/CABINET - WELTING - OFF WHITE
2	009778-12-000	FT	U CHANNEL-PLASTIC, 1" WIDE X 8' INCREMENTS - WOODGRAIN
2	070504-01-000	FT	U-CHANNEL-PLASTIC, .065" WIDE - LIGHT BROWN - INCREMENTS OF 8'
2	070504-18-000	FT	U-CHANNEL-PLASTIC, .065" WIDE - IVORY - INCREMENTS OF 8'
2	070504-19-000	FT	U-CHANNEL-PLASTIC, .815" WIDE - BROWN - INCREMENTS OF 8'
3	009809-21-000	EA	MOLDING-CORNER, OUTSIDE - 1" - PLASTIC - WOODGRAIN
4	009812-22-000	EA	MOLDING-CORNER, OUTSIDE - .5" X 7' - PLASTIC - BROWN
5	022992-11-000	FT	MOLDING-REVERSE COVE, T-SHAPED - VINYL - IVORY
6	086229-04-000	EA	BATTEN-CEILING, 1" WIDE - IVORY - 7.6'
7	086229-01-000	EA	RETAINER-BATTEN, CEILING - .75" WIDE - 7.6'
8	105709-01-000	FT	T-MOLDING-1", MODERN IVORY
9	093873-01-01A	EA	TRIM-CARPET, L-ANGLE - 1.1" X 1.3" X 12' - VINYL - GRAY
10	103186-01-01A	FT	MOLDING-EDGE, SHELF - .78" WIDE - PLASTIC - RAMBLING OAK
10	103186-02-01A	FT	MOLDING-EDGE, SHELF - 1.3" WIDE - PLASTIC - RAMBLING OAK
11	100659-01-E01	EA	MOLDING-TRIM, VINYL FLOOR
12	100818-01-02A	EA	MOLDING-VINYL WRAPPED, 1.65" X .4" X 7' - RAMBLING OAK
13	083620-07-000	FT	MOLDING-T, END CAP EDGE - W/EDGE LIPS - .75" - THOR PECAN
14	100819-01-02A	EA	MOLDING-VINYL WRAPPED, L-SHAPED, 1.5" X 1.5" X 7' - OAK
15	100041-01-000	EA	MOLDING-VINYL WRAPPED, .7" X 1.57" X 84.02" - RAMBLING OAK
15	100041-02-000	EA	MOLDING-VINYL WRAPPED, .7" X 2.5" X 84" - RAMBLING OAK
16	105004-01-02A	EA	MOLDING-VINYL WRAP, RAMBLING OAK
17	104676-01-01A	FT	T-MOLDING, 5/16 RIGID - GOLD
	112198-01-000	FT	MOLDING-#90227 J-MOLDING CRILA PLASTICS
	109736-01-01A	FT	T-MOLDING, 1" BRASS/BLACK
	070504-23-000	FT	EXTRUSION-U CHANNEL, 22.56 - COUNTRY FOREST

**INTERIOR FINISH GROUP (CONTINUED)**  
**BATT STRIPS**

KEY	PART NUMBER	U/M	DESCRIPTION
	085284-76-000	FT	BATT STRIP-SHOWER, ADHESIVE BACKED - OFF WHITE
	069733-80-000	EA	BATT STRIP-WOODGRAIN, 8' - WINNI OAK
	088263-78-000	EA	BATT STRIP-SHOWER, 8' - OFF WHITE
	079653-09-000	EA	BATT STRIP-KERFED, WOODGRAIN
	088263-96-000	EA	BATT STRIP-DECORATIVE, 8' LONG (F24) (MAIN WALL & BATH & GALLEY)
	088263-B5-000	EA	BATT STRIP-DECORATIVE, PASTEL - 8' LONG (F25) (MAIN WALL & BATH & GALLEY)
	088263-B7-000	EA	BATT STRIP-DECORATIVE, 8' LONG (F26) (MAIN WALL & BATH & GALLEY)
	088263-B8-000	EA	BATT STRIP-DECORATIVE, 8' LONG (F27) (MAIN WALL & BATH & GALLEY)
	085284-67-000	FT	BATT STRIP-WOODGRAIN, ADHESIVE BACKED - WINNI OAK
	085284-86-000	FT	BATT STRIP-DECORATIVE, ADHESIVE BACKED (F24) (MAIN WALL & BATH & GALLEY)
	085284-A6-000	FT	BATT STRIP-DECORATIVE, ADHESIVE BACKED (F25) (MAIN WALL & BATH & GALLEY)
	085284-A9-000	FT	BATT STRIP-DECORATIVE, ADHESIVE BACKED (F26) (MAIN WALL & BATH & GALLEY)
	085284-B1-000	FT	BATT STRIP-DECORATIVE, ADHESIVE BACKED (F27) (MAIN WALL & BATH & GALLEY)

**LUMBER**

KEY	PART NUMBER	U/M	DESCRIPTION
	100040-01-000	EA	LUMBER-VINYL WRAPPED, .71" X 1.5" X 8' - RAMBLING OAK
	100040-03-000	EA	LUMBER-VINYL WRAPPED, .71" X 2" X 8' - RAMBLING OAK
	100040-06-000	EA	LUMBER-VINYL WRAPPED, 766 RAMBLING OAK
	100040-07-000	EA	LUMBER-VINYL WRAPPED, 766 RAMBLING OAK

**PLASTIC LAMINATE**

KEY	PART NUMBER	U/M	DESCRIPTION
	074498-54-000	SF	LAMINATE-PLASTIC, SAND - 5' X 8' - INCREMENTS OF 40 SF (F24,F27)
	074498-62-000	SF	LAMINATE-PLASTIC, GRAY FINESSE - 5' X 8' - INCREMENTS OF 40 SF (F25)
	074498-50-000	SF	LAMINATE-PLASTIC, ALPINE ESSENCE - 5' X 8' - INCREMENTS OF 40 SF (F26)
	074498-67-000	SF	LAMINATE-PLASTIC, ORCHID MIST - 5' X 8' - INCREMENTS OF 40SF (PATIO ENTERTAINMENT CENTER TABLE)
	074498-34-000	SF	LAMINATE-PLASTIC, RAMBLING OAK - 5' X 8' - INCREMENTS OF 40 SF
	076325-25-000	FT	MOLDING-EDGE BAND, RAMBLING OAK
	076325-44-000	FT	MOLDING-EDGE BAND, 1032 SAND - .876" X .024" X 600" (F24,F27) (INSIDE OF RECESSED SINK)
	076325-43-000	FT	MOLDING-EDGE BAND, 1035 CLOUD - .876" X .024" X 600" (F25) (INSIDE OF RECESSED SINK)
	076325-56-000	FT	MOLDING-EDGE BAND, 1233 ALPINE - .875 "X .024" X 600" (F26) (INSIDE OF RECESSED SINK)
	076325-34-000	FT	MOLDING-EDGE BAND, 1233 ORCHID MIST - 1 5/16" X .030" X 600" (PATIO ENTERTAINMENT CENTER TABLE)
	076325-47-000	FT	MOLDING-EDGE BAND, 1032 SAND - 1 5/16" X .030" X 600" (F24,F27)
	076325-46-000	FT	MOLDING-EDGE BAND, 1035 CLOUD - 1 5/16" X .030" X 600" (F25)
	076325-57-000	FT	MOLDING-EDGE BAND, 1233 ALPINE - 1 5/16" X .030" X 600" (F26)

**INTERIOR FINISH GROUP (CONTINUED)**  
**DETECTORS, FIRE EXTINGUISHER & CLOCK**

KEY	PART NUMBER	U/M	DESCRIPTION
	072852-01-000	EA	DETECTOR-SMOKE, W/9 VOLT BATTERY
	072852-02-000	EA	DETECTOR-SMOKE, W/9 VOLT BATTERY - CANADIAN
	094499-01-000	EA	EXTINGUISHER-FIRE, DRY W/MOUNTING BRACKET - 10 BC
	094499-01-700	EA	BRACKET-MOUNTING, W/PLASTIC STRAP - FIRE EXTINGUISHER
	094499-02-000	EA	EXTINGUISHER-FIRE, DRY - 1A10BC - CANADIAN
	100793-02-01A	EA	CLOCK-WALL, 11" DIAMETER - BOLDEN 9988
	112320-01-000	EA	DETECTOR-CO GAS, MODEL 9B-I - COSTAR 940000000
	112320-02-000	EA	BATTERY/SENSOR-CO GAS, COSTAR 940001000

**ANTISLIP & FLOOR MATS**

KEY	PART NUMBER	U/M	DESCRIPTION
	091261-01-000	FT	SLIPNOT-ANTISLIP, 1' WIDE (100' ROLL)
	105924-01-F24	EA	MAT-FLOOR 18 X 27 (F24,F27)
	105924-01-F25	EA	MAT-FLOOR 18 X 27
	105924-01-F26	EA	MAT-FLOOR 18 X 27

**CARPET**

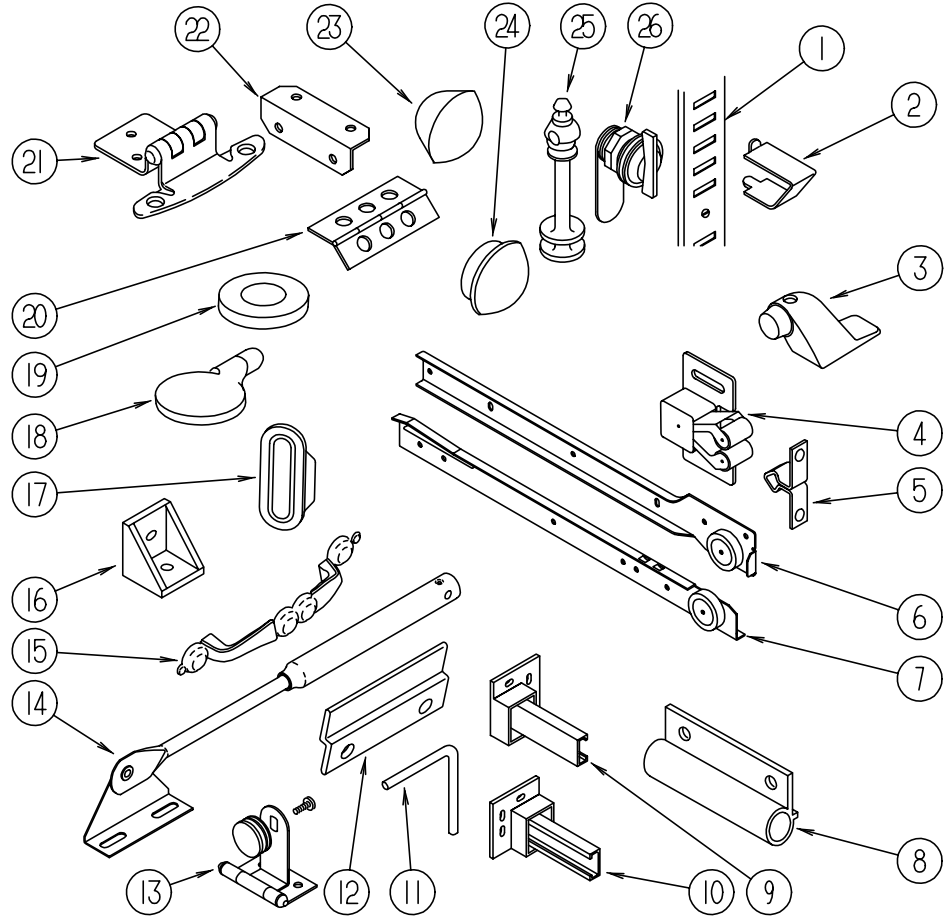
KEY	PART NUMBER	U/M	DESCRIPTION
	075233-01-000	SY	PAD-CARPET, 3/8" X 6' ROLL
	093486-01-000	SY	CARPET-COMPARTMENT, 54" WIDE - DARK GRAY
	096060-95-000	SY	CARPET-12' ROLL, INCREMENTS OF 4 SY (F24,F27)
	096060-A8-000	SY	CARPET-12' ROLL, INCREMENTS OF 4 SY (F25)
	096060-A2-000	SY	CARPET-12' ROLL, INCREMENTS OF 4 SY (F26)
	042720-12-000	SY	VINYL FLOORCOVERING
	047034-06-000	SF	POLY-CLEAR

**PANELING & PLYWOOD**

KEY	PART NUMBER	U/M	DESCRIPTION
	074497-21-000	SF	PANELING-WOODGRAIN, 4' X 8' - INCREMENTS OF 32 SF
	088272-98-000	SF	PANELING-SHOWER, OFF WHITE - 4' X 7' - INCREMENTS OF 28 SF
	088272-D5-000	SF	PANELING-TROPICS-ARIZONA
	088272-B8-000	SF	PANELING-DECORATIVE, 4' X 7' - INCREMENTS OF 28 SF (F24) (MAIN WALL & BATH)
	088272-D8-000	SF	PANELING-DECORATIVE, 4' X 7' - INCREMENTS OF 28 SF (F25) (MAIN WALL & BATH)
	088272-D9-000	SF	PANELING-DECORATIVE, 4' X 7' - INCREMENTS OF 28 SF (F26) (MAIN WALL & BATH)
	088272-E0-000	SF	PANELING-DECORATIVE, 4' X 7' - INCREMENTS OF 28 SF (F27) (MAIN WALL & BATH)
	095688-01-000	SF	VENEER-FLAT LUANA, 4' X 8' - INCREMENTS OF 32 SF
	089351-03-000	SF	VINYL HEADLINER
	000885-56-000	SF	PARTICLE BOARD- 3/8 X 48 X 96 - WINNI OAK - VINYL 1 SIDE
	000885-61-000	SF	PARTICLE BOARD- 3/4 X 48 X 96 - WINNI OAK - VINYL 2 SIDES
	057882-04-000	SF	TAMBOUR-DOOR, 47" X 95" SHEET - UNFINISHED



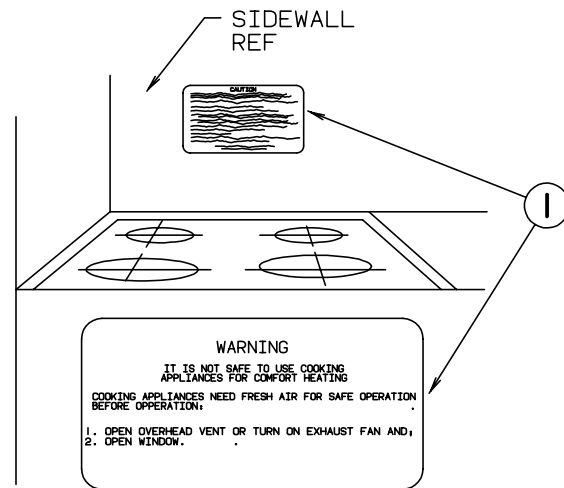
**INTERIOR FINISH GROUP (CONTINUED)**  
**CABINET HARDWARE**



KEY	PART NUMBER	U/M	DESCRIPTION
6	114031-05-000	EA	SLIDE-DRAWER, 14" LEFT CABINET HOUCK 7200-RV-1
6	114031-06-000	EA	SLIDE-DRAWER, 14" RIGHT CABINET HOUCK 7200-RV-2
6	114031-09-000	EA	SLIDE-DRAWER, 16" LEFT CABINET HOUCK 7200-RV-1
6	114031-10-000	EA	SLIDE-DRAWER, 16" RIGHT CABINET HOUCK 7200-RV-2
6	114031-13-000	EA	SLIDE-DRAWER, 18" LEFT CABINET HOUCK 7200-RV-1
6	114031-14-000	EA	SLIDE-DRAWER, 18" RIGHT CABINET HOUCK 7200-RV-2
6	114031-17-000	EA	SLIDE-DRAWER, 20" LEFT CABINET HOUCK 7200-RV-1
6	114031-18-000	EA	SLIDE-DRAWER, 20" RIGHT CABINET HOUCK 7200-RV-2
6	114031-21-000	EA	SLIDE-DRAWER, 22" LEFT CABINET HOUCK 7200-RV-1
6	114031-22-000	EA	SLIDE-DRAWER, 22" RIGHT CABINET HOUCK 7200-RV-2
7	114031-07-000	EA	SLIDE-DRAWER, 14" LEFT DRAWER HOUCK 7200-RV-3
7	114031-08-000	EA	SLIDE-DRAWER, 14" RIGHT DRAWER HOUCK 7200-RV-4
7	114031-11-000	EA	SLIDE-DRAWER, 16" LEFT DRAWER HOUCK 7200-RV-3
7	114031-12-000	EA	SLIDE-DRAWER, 16" RIGHT DRAWER HOUCK 7200-RV-4
7	114031-15-000	EA	SLIDE-DRAWER, 18" LEFT DRAWER HOUCK 7200-RV-3
7	114031-16-000	EA	SLIDE-DRAWER, 18" RIGHT DRAWER HOUCK 7200-RV-4
7	114031-19-000	EA	SLIDE-DRAWER, 20" LEFT DRAWER HOUCK 7200-RV-3
7	114031-20-000	EA	SLIDE-DRAWER, 20" RIGHT DRAWER HOUCK 7200-RV-4
7	114031-23-000	EA	SLIDE-DRAWER, 22" LEFT DRAWER HOUCK 7200-RV-3
7	114031-24-000	EA	SLIDE-DRAWER, 22" RIGHT DRAWER HOUCK 7200-RV-4
8	108486-01-01A	EA	BRACKET-PROP ROD, OVHD - BLACK
9	114045-01-000	EA	BACKSOCKET-ADJUSTABLE, LEFT HOUCK 751-1
10	114045-02-000	EA	BACKSOCKET-ADJUSTABLE, RIGHT HOUCK 751-2
11	108487-02-01A	EA	SUPPORT-PROP ROD,OVHD - BLACK
12	101272-01-000	EA	CATCH-DOOR, GLASS
13	100711-01-01A	EA	HINGE-DOOR, GLASS
14	074493-02-000	EA	SUPPORT-PISTON SPRING, CABINET DOOR
15	111765-01-000	EA	PULL-CABINET, BRASS - AMEROCK D1390-3
16	065740-01-000	EA	BRACE-CABINET CORNER, PLASTIC
17	098410-01-01A	EA	PULL-FINGER, OVAL - BRASS
18	101766-01-000	EA	PIN-SUPPORT, GLASS DOOR
19	100707-01-000	EA	SPACER-DOOR, GLASS - .8" DIA - .3" HOLE - PLASTIC
20	009059-02-000	EA	HINGE-DOOR, 2" X 2.7" - BRASS
21	108138-01-000	EA	HINGE-DOOR, CABINET - BURNISHED BRASS
22	016604-01-000	EA	BRACE-CABINET, ANGLE - 2.5" - METAL - UNPAINTED
22	016604-03-000	EA	BRACE-CABINET, ANGLE - 2.5" - METAL - BEIGE
22	016604-05-000	EA	BRACE-CABINET, L ANGLE - 2.5" - METAL - OFF WHITE
23	042356-01-000	EA	PLUG-BUTTON, MAHOGANY - 3/8" DIAMETER - WOOD
24	074045-07-000	EA	PLUG-WOOD, 1/2"
25	084070-02-000	EA	POST-END, 2.4" - BRASS
26	100710-01-01A	EA	LOCK-GLASS DOOR, TWIST TYPE - BRASS
	000G13-06-10G	EA	SCREW - 6-20 X 5/8 PFH, ANTIQUE BRASS
	004354-01-000	EA	BUMPER-RUBBER, .5" DIA - BROWN
	009021-01-000	EA	CATCH-GRILLE, NYLON
	009021-02-000	EA	STRIKE-SPRING STEEL
	009112-01-000	EA	FLANGE-ROD, 1" - COTHES ROD - PLASTIC - OFF WHITE
	023320-01-000	EA	PAD-FELT, 3/8" DIAMETER - BROWN
	042438-01-000	EA	DOWEL-WOOD, CLOTHES ROD - 1" DIAMETER X 4'
	076790-01-000	EA	SCREW, 6-20 X 1 1/4 PPH - BLACK
	042541-04-000	EA	LATCH-BRASS, W/O STRIKE - HASP TYPE - BRASS
			BRASS STRIKE #04254105000
			FROM: 00-00-00 THRU: 09-25-94
	116975-01-01A	EA	LATCH ASM-UNDERCENTER, BLACK - SOUTHCO 91-522-69
			FROM: 09-26-94 THRU: 99-99-99

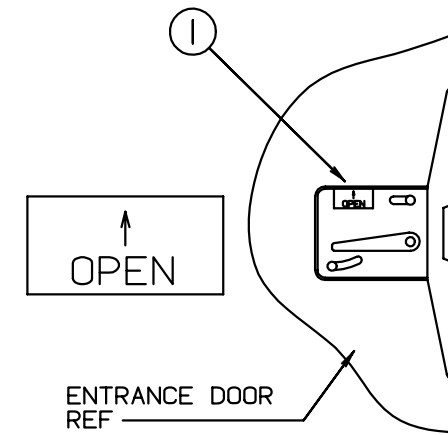
KEY	PART NUMBER	U/M	DESCRIPTION
1	098980-01-000	EA	PILASTER-ADJUSTABLE SHELF, 18" LONG WOODGRAIN APPEARANCE
1	098980-02-000	EA	PILASTER-ADJUSTABLE SHELF, 12" LONG WOODGRAIN APPEARANCE
2	098979-01-000	EA	CLIP-ADJUSTABLE SHELF
3	103257-01-000	EA	STOP-DOOR
4	093586-01-000	EA	CATCH-SPRING, ROLLER
4	093586-06-000	EA	CATCH-SPRING, ROLLER - FASTEC C411-AC
5	093586-02-000	EA	STRIKE-SPRING STEEL, GM INTERNATIONAL
5	093586-05-000	EA	STRIKE-SPRING STEEL, FASTEC S411-AC

## LABELS GROUP

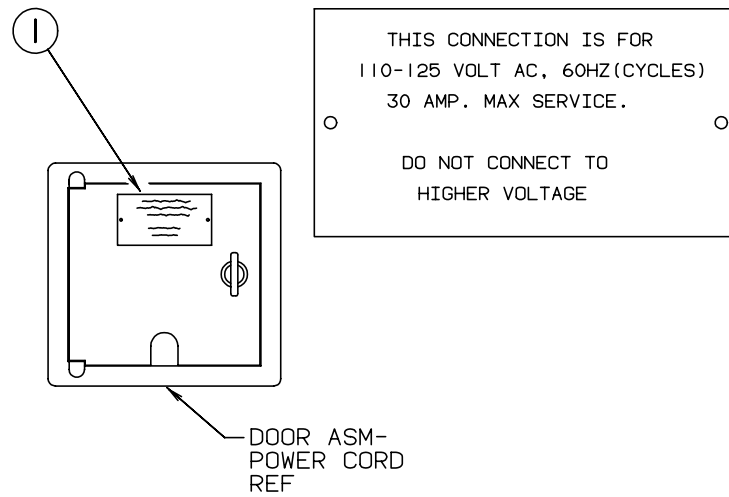


KEY	PART NUMBER	U/M DESCRIPTION
1	050225-01-000	EA LABEL-WARNING, STOVE VENT - US
1	050222-01-000	EA LABEL-WARNING, STOVE VENT - CANADIAN

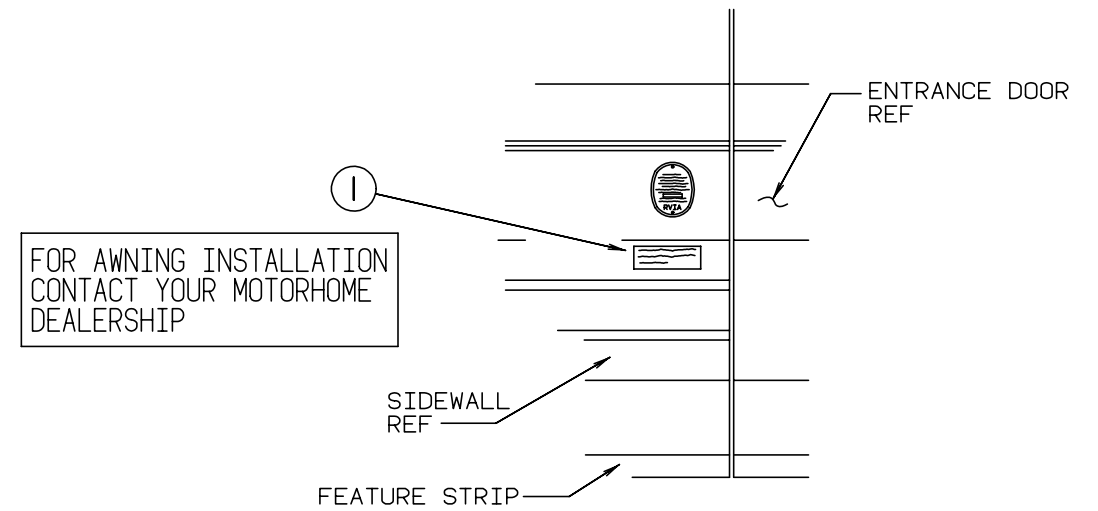
## LABELS GROUP (CONTINUED)



KEY	PART NUMBER	U/M DESCRIPTION
1	040944-01-000	EA LABEL-ENTRANCE DOOR, "OPEN"

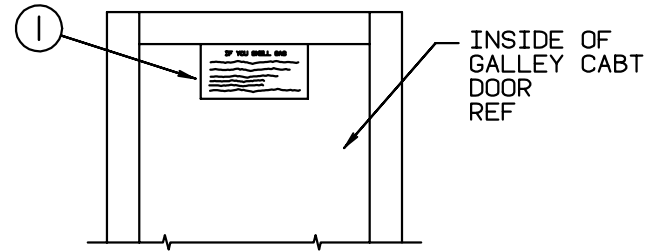


KEY	PART NUMBER	U/M DESCRIPTION
1	006062-01-000	EA TAG-ELECTRIC, 110V CONNECTION



KEY	PART NUMBER	U/M DESCRIPTION
1	099509-01-000	EA LABEL-AWNING INSTALLATION

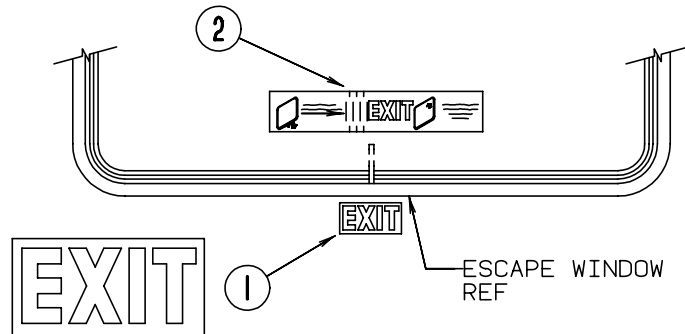
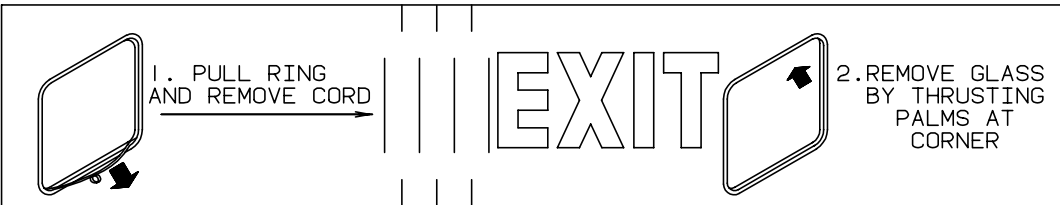
**LABELS GROUP (CONTINUED)**



**IF YOU SMELL GAS**

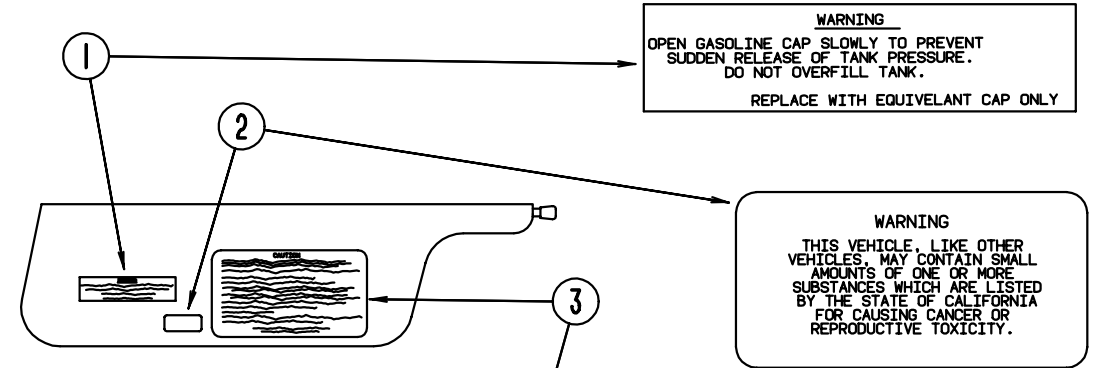
1. EXTINGUISH ANY OPEN FLAME, PILOT LIGHTS AND ALL SMOKING MATERIALS.
2. SHUT OFF THE GAS SUPPLY AT THE TANK VALVE( OR GAS SUPPLY CONNECTION.
3. OPEN DOORS AND OTHER VENTILATING OPENINGS.
4. DO NOT TOUCH ELECTRICAL SWITCHES.
5. LEAVE THE AREA UNTIL ODOR CLEARS.
6. HAVE THE GAS SYSTEM CHECKED AND LEAKAGE SOURCE CORRECTED BEFORE USING AGAIN.

KEY	PART NUMBER	U/M DESCRIPTION
1	073998-01-000	EA LABEL-LPG ODOR WARNING



KEY	PART NUMBER	U/M DESCRIPTION
1	039290-01-000	EA LABEL-WARNING, EXIT
2	107571-01-000	EA LABEL-ESCAPE EXIT, WINDOW

**LABELS GROUP (CONTINUED)**



**WARNING**  
 OPEN GASOLINE CAP SLOWLY TO PREVENT SUDDEN RELEASE OF TANK PRESSURE. DO NOT OVERFILL TANK.  
 REPLACE WITH EQUIVELANT CAP ONLY

**WARNING**  
 THIS VEHICLE, LIKE OTHER VEHICLES, MAY CONTAIN SMALL AMOUNTS OF ONE OR MORE SUBSTANCES WHICH ARE LISTED BY THE STATE OF CALIFORNIA FOR CAUSING CANCER OR REPRODUCTIVE TOXICITY.

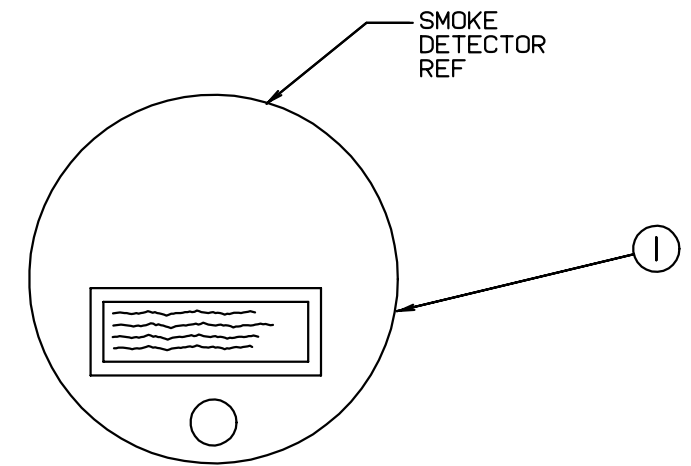
**CAUTION**

THIS MOTOR HOME HAS BEEN DESIGNED, MANUFACTURED AND TESTED WITH CONCERN FOR THE PROTECTION OF IT'S OCCUPANTS. WE RECOMMEND YOU PERFORM THE FOLLOWING INSPECTIONS FOR YOUR SAFETY AND THE SAFETY OF YOUR PASSENGERS BEFORE STARTING YOUR VEHICLE.

1. LP GAS SYSTEM- TURN OFF AT TANK FOR TRAVELING. TEST FOR LEAKS UPON ARRIVAL AT DESTINATION. BEFORE LIGHTING PILOTS.
2. WHEELS- INSPECT FOR DAMAGE AND CHECK LUG NUTS FOR TIGHTNESS.
3. TIRES- INSPECT FOR WEAR AND DAMAGE AND CHECK FOR RECOMMENDED AIR PRESSURE.
4. LIGHTING- TEST FOR PROPER OPERATION OF ALL INTERIOR AND EXTERIOR LIGHTS INCLUDING DASH LIGHTS, HEADLIGHTS, TAIL LIGHTS, BRAKE LIGHTS, CLEARANCE LIGHTS AND TURN SIGNALS.
5. EXITS- INSPECT RELEASE MECHANISM ON EMERGENCY EXIT WINDOW, TEST BOTH LOCKS ON MAIN ENTRANCE DOOR FOR EASE OF OPERATION AND INSTRUCT PASSENGERS HOW TO USE BOTH MEANS OF EXIT.
6. SEAT BELTS- DIRECT PASSENGERS TO DESIGNATED SEATS AND REQUIRE USE OF SEAT BELTS.
7. APPLIANCES- TURN OFF AND LATCH OR LOCK DOORS WHERE PROVIDED.
8. LOOSE PARCELS- STORE SECURELY.
9. UTILITY SUPPLY LINES- DISCONNECT ALL ELECTRIC, SEWER AND WATER LINES AND SECURE PROPERLY.
10. ENTRANCE DOOR STEP- PLACE IN RETRACTED POSITION FOR TRAVELING.

READ YOUR MOTOR HOME AND CHASSIS OWNER'S MANUAL FOR FURTHER PRECAUTIONS

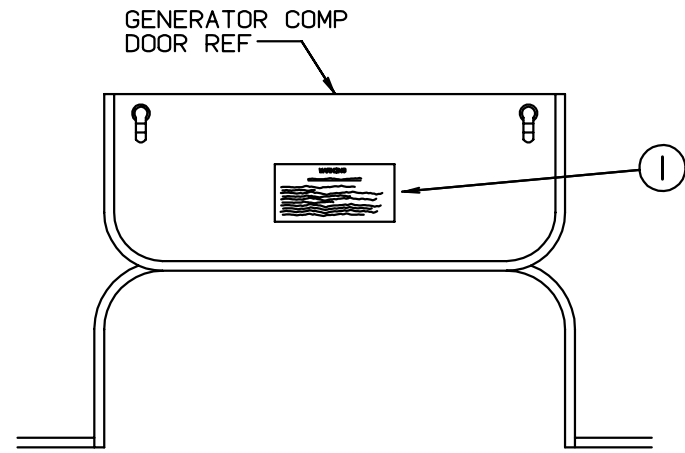
KEY	PART NUMBER	U/M DESCRIPTION
1	087207-05-000	EA LABEL-FUEL CAP REMOVAL
2	099689-01-000	EA LABEL-WARNING, CANCER/TOXICITY
3	056259-01-000	EA LABEL-SAFETY CHECK LIST



**WARNING:** TEST SMOKE DETECTOR OPERATION AFTER VEHICLE HAS BEEN IN STORAGE. BEFORE EACH TRIP AND AT LEAST ONCE PER WEEK DURING USE.

KEY	PART NUMBER	U/M DESCRIPTION
1	077956-01-000	EA LABEL-WARNING, SMOKE DETECTOR

**LABELS GROUP (CONTINUED)**



**WARNING**

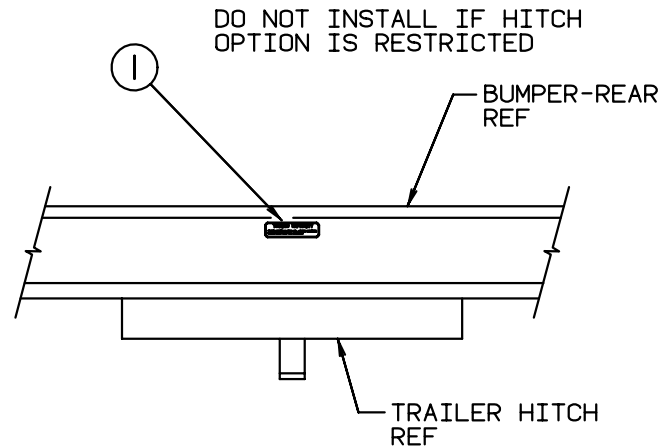
WHEN ADDING A GENERATOR SET:

HIGH VOLTAGE-USE EXTREME CAUTION WHEN WORKING ON ELECTRICAL COMPONENTS.  
 HAVE ALL ELECTRICAL INSTALLATION PERFORMED BY A QUALIFIED LICENSED ELECTRICIAN-FOLLOW ALL STATE AND LOCAL CODES.  
 ONLY INSTALL GENERATOR SET APPROVED FOR R.V. APPLICATION. HAVE INSTALLED BY QUALIFIED TECHNICIAN.  
 TO AVOID HEAT BUILD-UP AND TO GUARANTEE AN ADEQUATE AIR SUPPLY TO THE GENERATOR CARBURETOR, FOLLOW INSTALLATION INSTRUCTIONS.  
 GENERATOR ENGINE EXHAUST GASES ARE TOXIC AND MUST NOT TERMINATE UNDER THE VEHICLE-DISCHARGE EXHAUST AWAY FROM VEHICLE.

KEY	PART NUMBER	U/M DESCRIPTION
1	077510-01-000	EA LABEL-GENERATOR PREP

**LABELS GROUP (CONTINUED)**  
**MISCELLANEOUS LABELS**

KEY	PART NUMBER	U/M DESCRIPTION
	074983-01-000	EA LABEL-SWITCH, A/C SELECTOR FOR FRONT OR REAR
	091224-02-000	EA LABEL-TRAILER LIGHTING
	091243-01-000	EA LABEL-A/C COVER, "AIR CONDITIONING CIRCUIT. ETC."
	098379-04-000	EA LABEL-ELECTRICAL BOX, SIDE
	098641-01-000	EA LABEL-FUEL, UNLEADED - DASH
	104678-01-000	EA LABEL-CB PREP
	111537-04-000	EA LABEL-FUSES
	111802-01-000	EA LABEL-CFC WARNING
	093236-01-000	EA LABEL-CIRCUIT BREAKER, MAIN
	093237-01-000	EA LABEL-CIRCUIT BREAKER, FRONT - BATTERY CONDITION/RADIO
	093237-03-000	EA LABEL-CIRCUIT BREAKER, FRONT - POWER SEAT (LIFT)
	093237-06-000	EA LABEL-CIRCUIT BREAKER, FRONT - REAR PANEL
	093237-07-000	EA LABEL-CIRCUIT BREAKER, FRONT - REAR PNL/CONV
	093237-09-000	EA LABEL-CIRCUIT BREAKER, FRONT - INVERTER
	092547-03-000	EA LABEL-CIRCUIT BREAKER
	112518-01-000	EA LABEL-HANG TAG, CO DETECTOR

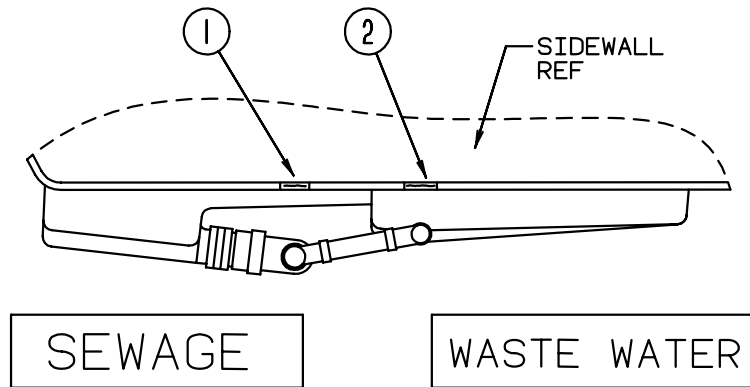


**TOWING CAPACITY**

TOWED VEHICLE 3500 LB. GROSS MAXIMUM  
 HITCH BALL 200 LB. MAXIMUM

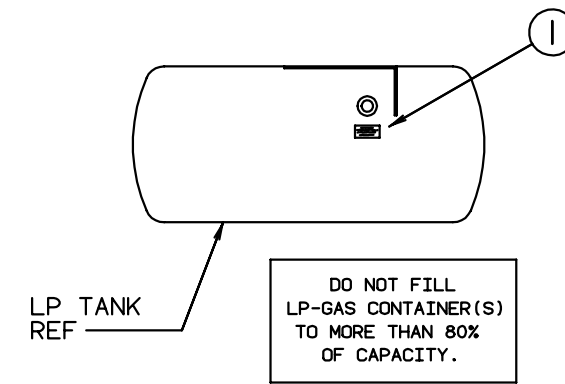
KEY	PART NUMBER	U/M DESCRIPTION
1	111104-01-000	EA LABEL-HITCH,READ MANUAL

**LABELS GROUP (CONTINUED)**

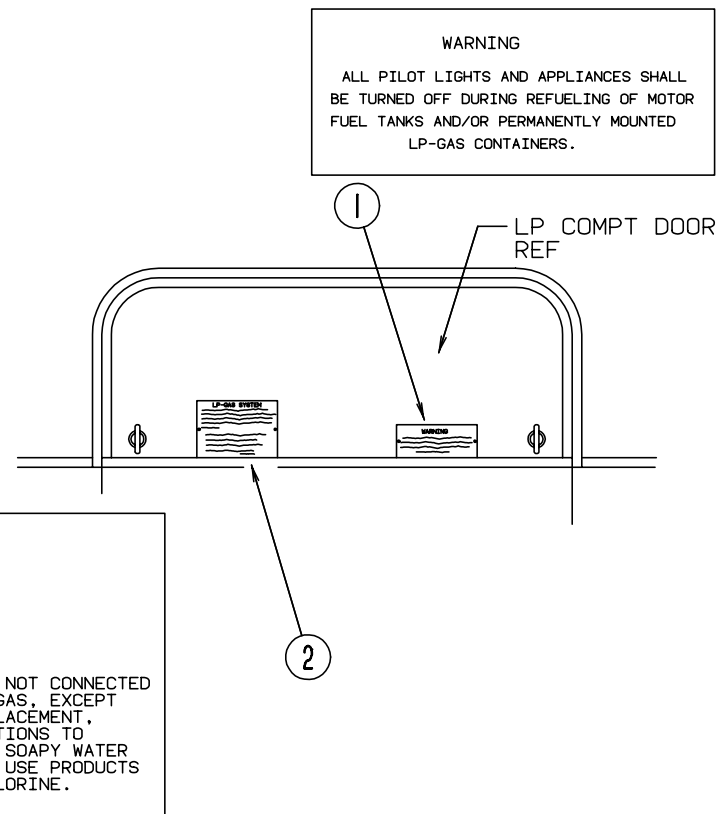


KEY	PART NUMBER	U/M DESCRIPTION
1	006187-01-000	EA LABEL-SEWAGE
2	006188-01-000	EA LABEL-WASTE WATER

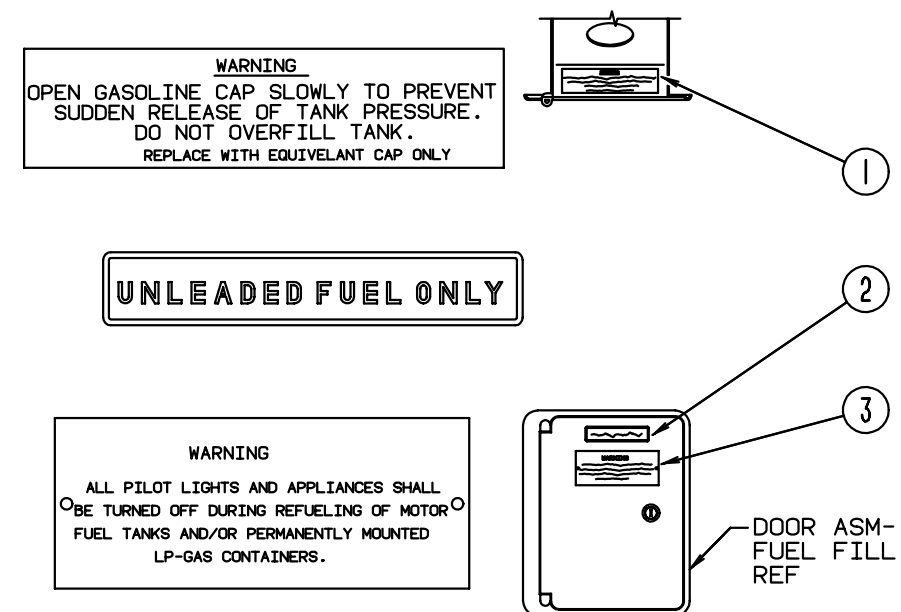
**LABELS GROUP (CONTINUED)**



KEY	PART NUMBER	U/M DESCRIPTION
1	079965-01-000	EA LABEL-LPG 80 CAPACITY

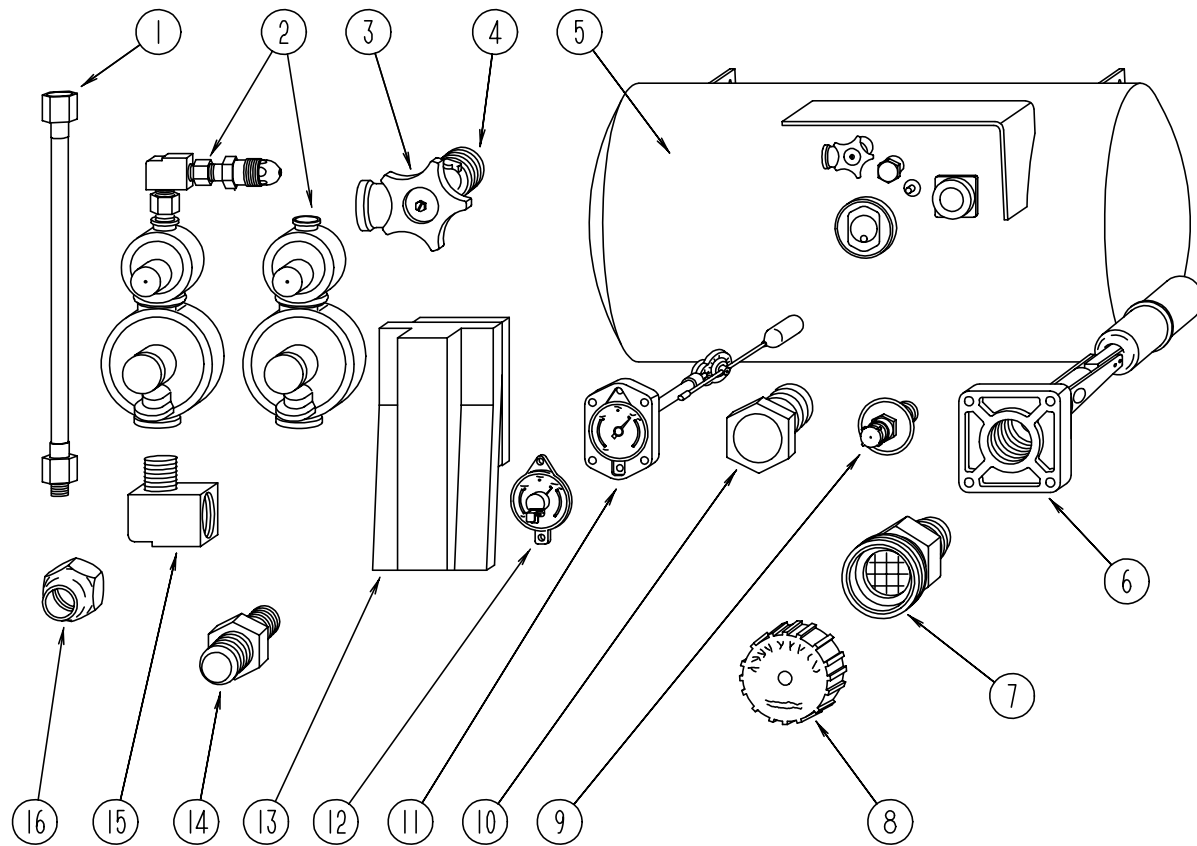


KEY	PART NUMBER	U/M DESCRIPTION
1	006040-01-000	EA TAG-GAS REFUELING WARNING
1	006040-02-000	EA TAG-GAS REFUEL WARNING, CANADIAN
2	054531-01-000	EA LABEL-LP GAS ONLY
2	023769-01-000	EA LABEL-WARNING, LPG - CANADIAN



KEY	PART NUMBER	U/M DESCRIPTION
1	087207-05-000	EA LABEL-FUEL CAP REMOVAL
2	062043-01-000	EA LABEL-FUEL, UNLEADED
3	006040-01-000	EA TAG-GAS REFUELING WARNING
3	006040-02-000	EA TAG-GAS REFUEL WARNING, CANADIAN

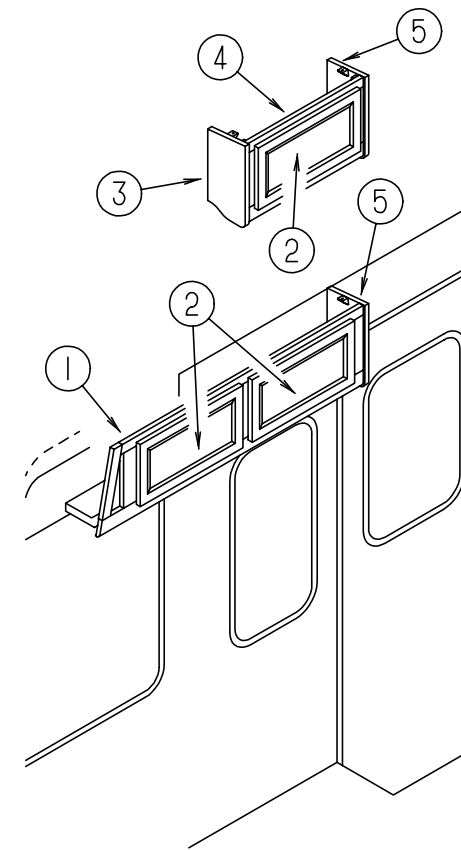
## LP GROUP



### LP TANK & COMPONENTS

KEY	PART NUMBER	U/M	DESCRIPTION
1	045703-01-000	EA	HOSE-LP, 3/8" ID X 24" - 3/8" MPT X 1/2" F SWIVEL - US
1	045703-05-000	EA	HOSE-LP, 3/8" ID X 28" - 3/8" MPT X 1/2" F SWIVEL - US
1	045703-02-000	EA	HOSE-LP, 3/8" ID X 24" - 3/8" MPT X 1/2" F SWIVEL - CANADIAN
1	045703-06-000	EA	HOSE-LP, 3/8" ID X 28" - 3/8" MPT X 1/2" F SWIVEL - CANADIAN
2	106150-01-000	EA	REGULATOR-TWO STAGE
2	106150-02-000	EA	REGULATOR-TWO STAGE - EUROPEAN EXPORT OPTION
3	040421-01-708	EA	HANDWHEEL-VAPOR RELIEF VALVE, BRUNNER G-1015-A
4	040421-01-712	EA	VALVE-SERVICE W/O VAPOR RELIEF, 29000853
5	088253-06-000	EA	TANK-LP, 130 LB
6	040421-01-711	EA	VALVE - 80% W/FLOAT, PLATE, BOLTS & GASKET - BRUNNER
7	040421-01-701	EA	VALVE-SHORT LP FILLER W/YELLOW CAP - BRUNNER 75478
8	040421-01-702	EA	CAP-LP FILLER VALVE, PLASTIC - YELLOW - BRUNNER G-1014-A
9	040421-01-700	EA	GAUGE-LIQUID LEVEL, 20% LP - BRUNNER G-1013
10	040421-01-713	EA	PRESSURE RELIEF VALVE
11	088253-01-700	EA	LP FLOAT GUAGE - 4 MACHINE SCREW STYLE
12	040440-02-000	EA	TRANSMITTER-DIAL, 90 OHM
13	105658-01-000	EA	COMPARTMENT-LP REGULATOR
14	010329-01-000	EA	ADAPTER-BRASS, 1/2" F X 1/2" MPT
14	010323-01-000	EA	ADAPTER-BRASS, 3/8F X 1/2MPT
15	065318-02-000	EA	ELBOW - 90 DEGREE, 3/8" MPT TO 3/8" FPT
16	010377-02-000	EA	NUT-BRASS, 3/8 FEMALE - FORGED
	010265-01-000	EA	ELBOW BRASS, 90 DEGREE - 3/8"F X 1/2"FPT
	095624-01-000	EA	ELBOW - 90 DEGREE, 1/4" FPT X 1/4" FPT - BRASS
	010380-02-000	EA	NUT-BRASS, 1/2" FEMALE - FORGED
	P04998-03-000	EA	MOUNT-LP TANK
			FROM: 00-00-00 THRU: 08-18-94
	113542-11-02B	EA	MOUNT ASM-LP TANK E-COAT
			FROM: 08-19-94 THRU: 99-99-99
	103613-01-000	EA	DETECTOR-LP GAS

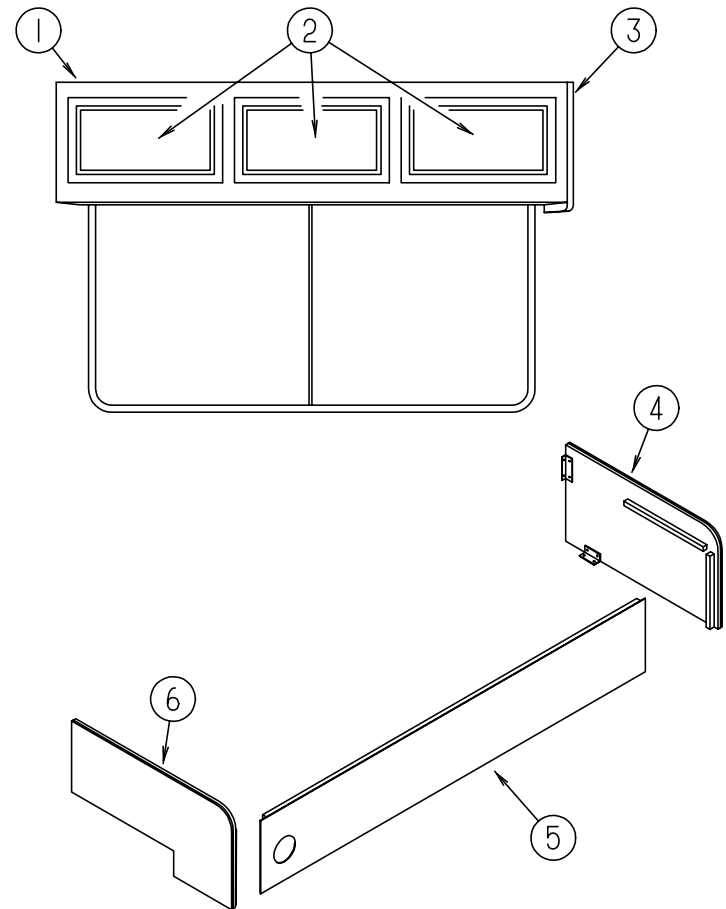
## LOUNGE GROUP



### PASSENGER SIDE LOUNGE

KEY	PART NUMBER	U/M	DESCRIPTION
1	114188-01-F04	EA	CABINET ASM-OVERHEAD, W/O DOORS OR HARDWARE (F24)
1	114188-01-F25	EA	CABINET ASM-OVERHEAD, W/O DOORS OR HARDWARE
1	114188-01-F26	EA	CABINET ASM-OVERHEAD, W/O DOORS OR HARDWARE
1	114188-01-F27	EA	CABINET ASM-OVERHEAD, W/O DOORS OR HARDWARE
2	M06803-04-E07	EA	DOOR-CABINET, W/O HARDWARE - 255 MM X 485 MM
3	103128-09-E10	EA	CAP ASM-END, OVHD - LH (BUNK OPTION)
4	114189-01-F04	EA	CABINET ASM-OVERHEAD) (BUNK OPTION)
5	103128-08-E10	EA	CAP ASM-END, OVHD - RH
	104006-01-C05	EA	LID-ENTRANCE STEP COMPARTMENT, W/O CARPET
	101222-01-02A	EA	BRACKET-CATCH, LID - O/W
	107941-01-02A	EA	SUPPORT-LID, ENTRANCE STEP O/W

**LOUNGE GROUP (CONTINUED)**  
**DRIVERS SIDE LOUNGE**



KEY	PART NUMBER	U/M	DESCRIPTION
1	M05974-03-F04	EA	CABINET ASM-OVERHEAD, FRONT - LEFT
2	M06803-03-F04	EA	DOOR ASM. W/DECORATIVE MIRROR INSERT - 400 X 520
	108536-03-08A	EA	MIRROR-GLASS GALAXY FLOWER - P.S. PROD 317 X 437
3	103128-01-E10	EA	CAP ASM-END, OVERHEAD
4	M06978-02-F24	EA	PANEL-COUCH CABINET - FABRIC COVERED
4	M06978-02-F25	EA	PANEL-COUCH CABINET - FABRIC COVERED
4	M06978-02-F26	EA	PANEL-COUCH CABINET - FABRIC COVERED
4	M06978-02-F27	EA	PANEL-COUCH CABINET - FABRIC COVERED
5	M06978-03-F24	EA	PANEL-COUCH CABINET - FABRIC COVERED
5	M06978-03-F25	EA	PANEL-COUCH CABINET - FABRIC COVERED
5	M06978-03-F26	EA	PANEL-COUCH CABINET - FABRIC COVERED
5	M06978-03-F27	EA	PANEL-COUCH CABINET - FABRIC COVERED
6	M06978-01-F24	EA	PANEL-COUCH CABINET - FABRIC COVERED
6	M06978-01-F25	EA	PANEL-COUCH CABINET - FABRIC COVERED
6	M06978-01-F26	EA	PANEL-COUCH CABINET - FABRIC COVERED
6	M06978-01-F27	EA	PANEL-COUCH CABINET - FABRIC COVERED
	049176-01-000	EA	HEDLOCK II - 3/4 DIA SCREW MT ALL W/RADIUS DOOR
	083125-05-000	EA	BRACE-ANGLE, COUCH - 2.5" - BEIGE
			FROM: 00-00-00 THRU: 10-30-94
	083125-07-000	EA	BRACE-COUCH, O/W
			FROM: 10-31-94 THRU: 99-99-99

## SEALANTS & FASTENERS GROUP

### SEALANTS & ADHESIVE

KEY	PART NUMBER	U/M	DESCRIPTION
	002707-02-000	FT	TAPE-SEALER, 5/16" X 1/2" - INCREMENTS OF 50 FT
	034552-02-000	EA	SILICONE-TUBE, 300 ML - CLEAR
	034552-15-000	EA	SILICONE-TUBE, 300 ML - BRIGHT WHITE
	053766-02-000	EA	BEDDING COMPOUND-TUBE, WHITE SCHNEE# 5522
	053766-06-000	EA	BEDDING COMPOUND-TUBE, CLEAR
	053766-08-000	EA	BEDDING COMPOUND-TUBE, GRAY - SCHNEE# 5522
	062917-03-000	EA	ADHESIVE-LOCTITE 242
	063642-01-000	FT	TAPE-ADHESIVE, 10 MM X 1.5" WIDE X 180'
	069640-01-000	FT	SEALER-RIBBON, 1/4" DIAMETER - INCREMENTS OF 30'
	069640-03-000	FT	SEALER-RIBBON, 3/4" X 1/8" - INCREMENTS OF 60'
	069640-07-000	FT	SEALER-RIBBON, 2" X 3/32" - INCREMENTS OF 30' OR 45'
	069640-09-000	FT	SEALER-RIBBON, 1/32" X 2 1/2" - INCREMENTS OF 80'
	069640-11-000	FT	SEALER-TAPE, 3/16" X 3/8", BLACK - MANUS
	069640-13-000	FT	SEALER-TAPE, 3/32" X 2" BLACK - MANUS
	069640-14-000	FT	SEALER-TAPE, 1/16" X 1" GRAY - MANUS
	072889-01-000	EA	SEALANT-URETHANE, BLACK - 1/10 - ESSEX 552.2
	076314-02-000	FT	TAPE-CARPET SEAM, HEAT-BOND - 4" WIDE
	076322-01-000	FT	TAPE-FOAM, DOUBLE COATED ADHESIVE BACKED - .75" X 216'
	076322-02-000	FT	TAPE-FOAM, DOUBLE COATED ADHESIVE BACKED - 1" X 108'
	076322-05-000	FT	TAPE-FOAM, DOUBLE COATED - .025" X 1.5" X 108'
	076322-07-000	FT	TAPE-FOAM, DOUBLE COATED - .045" X .50"
	110274-01-000	FT	TAPE-FOAM, DOUBLE COATED - .045" X 1.0"
	087211-01-000	GL	PROMOTER-ADHESIVE
	102352-01-000	EA	SEALER-PUMPABLE, BLACK - COLORIMETRIC MS101
	106206-01-000	EA	SEALER-PUMPABLE
	108716-01-000	EA	SILICONE-TUBE, OFF WHITE - SELF LEVELING - CSL 510
	900390-01-000	EA	TIP - 2 1/2" X 1/8" ORIFICE, ELLSWORTH#TS216
	900390-03-000	EA	NOZZLES-SILICONE TUBE, CSL# D10
	114311-01-000	GL	ADHESIVE-GLUE
	091255-01-000	FT	SEAL-FOAM, 3.2MM X 4.8MM

### BOLTS, NUTS & WASHERS

KEY	PART NUMBER	U/M	DESCRIPTION
	000C12-05-12B	EA	BOLT-HEX, 5/16-18 X 3/4 ZN 5
	000C12-05-16B	EA	BOLT-HEX, 5/16-18 X 1 - ZINC 5
	000C12-06-16B	EA	BOLT-HEX, 3/8-16 X 1LG,ZN 5
	000C12-07-20B	EA	BOLT-HEX, 7/16 - 14 X 1 1/4" - ZN5
	000C12-08-24B	EA	BOLT-HEX, 1/2-13 X 1 1/2 - ZN 5
	000C12-09-20B	EA	BOLT-HEX, 9/16-12 X 1 1/4,ZN 5
	000C12-10-24B	EA	BOLT-HEX, 5/8-11 X 1 1/2 ZN - 5
	000C13-07-48B	EA	BOLT-HEX, 7/16 - 20 X 3 - ZN 5
	000C18-05-40A	EA	BOLT-ELEV, 5/16"-18 X 2 1/2" PL
	000C26-04-14B	EA	BOLT-HEX, SER FLG - 1/4-20 X 7/8 ZINC
	000C26-04-10B	EA	BOLT-HEX, SER FLG - 1/4-20 X 5/8 ZINC
	000C26-05-12B	EA	BOLT-HEX, SER FLG 5/16-18 X 3/4 ZN
	000C26-06-28B	EA	BOLT-HEX, SER FLG 3/8-16 X 13/4 ZN
	000C26-06-12B	EA	BOLT-HEX, SER FLG 3/8-16 X 3/4 ZN
	000C27-10-32B	EA	BOLT-CARR 5/8-11 X 2.00
	000D14-04-00B	EA	NUT-HEX, 1/4-20 ZN
	000D24-10-00B	EA	NUT-HEX, SF/LK - 10-32 ZN
	000D29-09-00B	EA	NUT-HEX SELFLOCK 9/16-12 ZN
	000D34-06-00B	EA	NUT-HEX, LK - 3/8 - 16 GRADE C ZN - PREVAILING TORQUE
	000D39-04-00B	EA	NUT-HEX, SER FLG LK 1/4 - 20 ZN
	000D39-05-00B	EA	NUT-HEX, SER FLG LK - 5/16 - 18 ZN
	000D39-06-00B	EA	NUT-HEX, SER FLG LK - 3/8-16 ZN
	000D39-08-00B	EA	NUT-HEX, SER FLG LK - 1/2-13 ZN
	000D44-07-00B	EA	NUT-HEX, SER FLG LK - 7/16-20 ZN
	000D46-04-00A	EA	NUT-HEX, WELD - 1/4-20 - PLAIN
	087234-01-000	EA	NUT-JACK, 1/4 X 20THD - MOLLY
	041322-01-000	EA	WASHER-FL, 15/32ID X 2 3/8OD - FOR SEAT BELT MOUNT
	058716-02-000	EA	WASHER-FLAT NYLON, .406 X .750 X .060
	000E11-07-00B	EA	WASHER-LK - 7/16 MED SPLIT ZN

## SEALANTS & FASTENERS GROUP (CONTINUED)

### BOLTS, NUTS & WASHERS (CONTINUED)

KEY	PART NUMBER	U/M	DESCRIPTION
	000E13-14-00B	EA	WASHER-FL, 1/4" WIDE ZN
	000E13-18-00B	EA	WASHER-FLARE, 3/8" WIDE ZN
	000E13-20-00B	EA	WASHER-FL, 7/16" WIDE - ZN
	000E13-21-00B	EA	WASHER-FL - W/2 NAR ZN
	000E14-10-00B	EA	WASHER-LK - NO 10 EXT TOOTH - ZN
	000G45-05-16B	EA	BOLT-LAG 5/16 - 9 X 1 ZN
	040921-03-000	EA	NUT-SPEED, U TYPE - NO 10
	040921-04-000	EA	NUT-SPEED, U TYPE - NO. 8 - .59" LENGTH X .44" WIDTH
	044364-02-000	EA	NUT-SPEED, FLAT - ROUND
	044533-01-000	EA	WASHER-PLASTIC, 1 3/8"OD - FOR BUTTONS
	051387-06-000	EA	BOLT-CARRIAGE, W/O HOLE - 5/16-18 X 9.5 ZN
	063253-07-000	EA	NUT-J, #8A .120- .130 PNL THK
	077071-01-000	EA	WASHER-FENDER, 3/16" ID X 1" OD
	095094-01-000	EA	NUT-ACORN, 1/4 - 20 ALUMINUM
	102333-01-02A	EA	BOLT-CARRIAGE, 7/16 - 14 SST CAP O/W BUMPER BOLT
	104369-01-000	EA	NUT-HEX,HEAVY,5/8-11 UNC
	105247-01-000	EA	INSERT NUT 8-32 THD X .394LG - STAFEST PRODUCTS
	106649-01-000	EA	WASHER-SEALING,GALVANIZED - 5/8 ID
	106649-02-000	EA	WASHER-SEALING,GALVANIZED - 9/16 ID

### SCREWS

KEY	PART NUMBER	U/M	DESCRIPTION
	000G11-06-06B	EA	SCREW, 6-20 X 3/8 PPH ZN
	000G11-06-10J	EA	SCREW, 6-20 X 5/8 PPH - BRASS
	000G11-06-10B	EA	SCREW, 6-20 X 5/8 PPH ZN
	000G11-07-08B	EA	SCREW, 7-19 X 1/2 PPH - ZN
	000G11-08-06B	EA	SCREW, 8-18 X 3/8 PPH ZN
	000G11-08-12S	EA	SCREW, 8-18 X 3/4 PPH - OFF WHITE
	000G11-08-12P	EA	SCREW, 8-18 X .75 PPH - DARK BROWN
	000G11-08-12D	EA	SCREW, 8-18 X 3/4 PPH - BLACK
	000G11-08-12B	EA	SCREW, 8-18 X 3/4 PPH ZN
	000G11-08-08B	EA	SCREW, 8-18 X 1/2 PPH - ZN
	000G11-10-16B	EA	SCREW, 10-16 X 1 - PPH ZN
	000G11-10-12S	EA	SCREW-10-16 X .75 PPH OFF WHT
	000G11-10-12D	EA	SCREW, 10-16 X 3/4 PPH - BLACK
	000G11-10-40B	EA	SCREW, 10 - 16 X 2 1/2 PPH CAD - 34927-01-000
	000G12-06-08T	EA	SCREW, 6-20 X .50 POH - BLACK
	000G12-08-16S	EA	SCREW, 8-18 X 1.00 POH - OFF WHITE
	000G13-06-08B	EA	SCREW, 6-20 X 1/2 PFH ZN
	000G13-06-16J	EA	SCREW, 6-20 X 1.00 PFH - BRASS
	000G13-06-08G	EA	SCREW, 6-20 X 1/2 PFH - ANTIQUE BRASS
	000G13-07-12B	EA	SCREW, 7-19 X 3/4 PFH ZN
	000G18-08-22B	EA	SCREW-MACHINE, 8-32 X 1 3/8 PPH ZN
	000G19-10-20B	EA	SCREW-MACHINE, 10-32 X 1 1/14 PPH ZINK
	000G19-10-08B	EA	SCREW-MACHINE, 10-32 X 1/2 PPH ZN
	000G32-10-06B	EA	SCREW-10-32 X 3/8" - PPH - ZINC
	000G39-06-16T	EA	SCREW-SF/DR, 6-20 X 1 PPH - BLACK
	000G39-06-10T	EA	SCREW-SF/DR, 6-20 X 5/8 PPH - BLACK
	000G39-08-08B	EA	SCREW-SF/DR, 8-18 X 1/2 PPH ZN
	000G39-08-06B	EA	SCREW-SF/DR, 8-18 X 3/8 PPH ZN
	000G39-08-12B	EA	SCREW-SF/DR, 8-18 X 3/4 PPH ZN
	000G39-08-08T	EA	SCREW-SF/DR, 8-18 X .50 PPH BLACK
	000G39-08-08S	EA	SCREW-SF/DR, 8-18 X 1/2 PPH - OFF WHITE
	000G39-08-08R	EA	SCREW-SF/DR, 8-18 X 1/2 PPH - BEIGE
	000G39-08-32B	EA	SCREW-SF/DR, 8-18 X 2 PPH - ZINC
	000G39-08-16T	EA	SCREW-SF/DR, 8-18 X 1 PPH - BLACK
	000G39-08-16S	EA	SCREW-SF/DR, 8-18 X 1.00 PPH, OFF WHITE
	000G39-08-16B	EA	SCREW-SF/DR, 8-18 X 1 PPH ZN
	000G39-08-12T	EA	SCREW-SF/DR, 8-18 X 3/4 PPH - BLACK



**SEALANTS & FASTENERS GROUP (CONTINUED)**  
**SCREWS (CONTINUED)**

KEY	PART NUMBER	U/M DESCRIPTION
	000G39-10-129	EA SCREW-SF/DR, 10-16 X 3/4 PPH - FLUOROCARBON SILVER
	000G39-10-12D	EA SCREW-SF/DR, 10-16 X 3/4 PPH - BLACK
	000G39-10-10B	EA SCREW-SF/DR, 10-16 X .625 ZN
	000G39-10-209	EA SCREW-SF/DR, 10-16X1.25 PPH FLUOROCARBON SILVER
	000G39-10-20B	EA SCREW-SF/DR, 10-16 X 1 1/4 PPH ZN
	000G42-04-12B	EA SCREW-SF/DR 1/4-14 X 3/4HWH ZN
	000G43-06-24B	EA SCREW-MACHINE, 6-32" X 1 1/2" ZN
	000G46-08-24T	EA SCREW-MACHINE, 8-32-1.50 IN PFH - BLACK
	000G50-04-12B	EA SCREW-MACH, 1/4-20 X 3/4 PPH ZN
	000G53-04-06B	EA SCREW-MACHINE, 1/4-20 X 3/8 PPH ZN - UNDERCUT HEAD
	000G54-04-20B	EA SCREW, 1/4-20 X 1 1/4 PTH - TYPE 23 - ZINC PLATED
	000G56-12-48B	EA SCREW-WOOD, 12 - 11 X 3 POH - SPECIAL HARDENED
	000G60-08-164	EA SCREW-SF/DR, 8-18 X 1.00 POH ASH GRAY
	000G60-10-28T	EA SCREW-SF/DR, 10-16 X 1.75 - BLACK
	000G67-10-36T	EA SCREW-10-12 X 2.25PPHBLACK STALGARD
	000G67-10-24B	EA SCREW, 10-12 X 1 1/2 PPH - ZN
	000G67-10-20D	EA SCREW, 10-12 X 1 1/4 PPH - BLACK
	000G67-10-16B	EA SCREW, 10-12 X 1 PPH - ZN
	000G67-10-120	EA SCREW, 10-12 X .75" PPH - TAN
	000G67-10-12B	EA SCREW, 10-12 X 3/4" PPH - ZN
	000G67-10-10D	EA SCREW, 10-12 X 5/8 PPH - BLACK - TYPE A
	000G67-10-10B	EA SCREW, 10-12 X 5/8 PPH ZN - TYPE A
	000G67-10-08R	EA SCREW, 10-12 X 1/2 PPH - BEIGE - TYPE A
	000G67-10-08B	EA SCREW, 10-12 X 1/2 PPH ZN
	000G68-06-10G	EA SCREW, 6-18 X 5/8 POH - ANTIQUE BRASS
	049465-01-000	EA SCREW, 10-16 W/WASHER PTH - DARK BROWN
	049465-03-000	EA SCREW, 10-16 X 1 POH W/WASHER - OFF WHITE
	049465-04-000	EA SCREW, 10-16 X 1 PTH W/WASHER - BEIGE
	049465-05-000	EA SCREW, 10-16 X 1 PTH W/WASHER - GRAY
	075908-01-000	EA SCREW-MACHINE, 10-32 X .56 PTH - ZINC EXTERNAL TOOTH
	101289-01-01A	EA SCREW-MACHINE, 8-32 X 4 - POH - BRASS - FOR EXTENDED KNOB
	101289-01-01A	EA SCREW-MACHINE, 8-32 X 4 - POH - BRASS - FOR EXTENDED KNOB

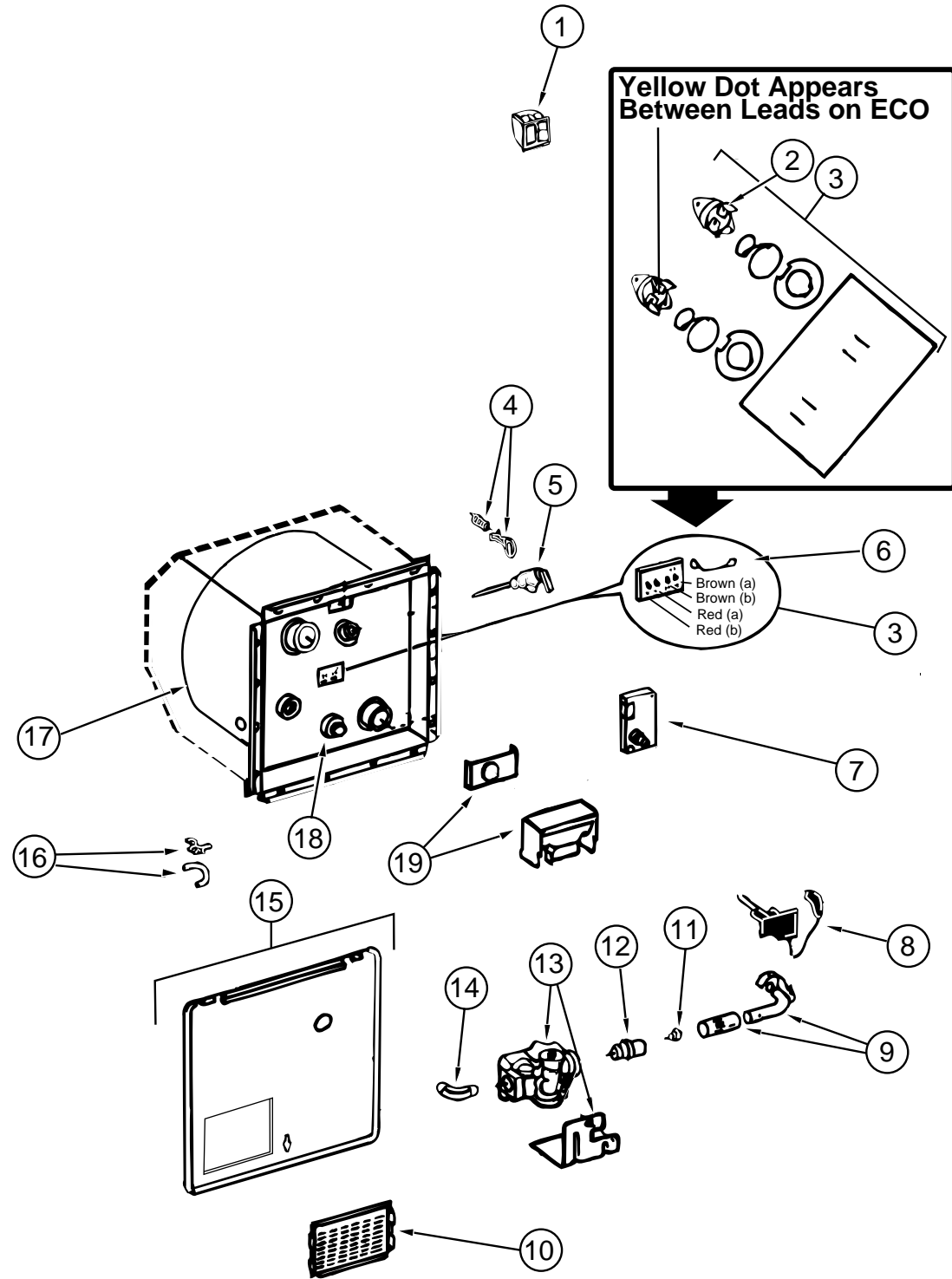
**SEALANTS & FASTENERS GROUP (CONTINUED)**  
**CLAMPS**

KEY	PART NUMBER	U/M DESCRIPTION
	007161-01-000	EA CLAMP-HOSE, SPRING TYPE - 1/2"
	010495-01-000	EA CLAMP-CABLE, 9/16"
	010497-01-000	EA CLAMP-CLOSED, 5/8" ID
	010497-03-000	EA CLAMP-CLOSED, 1" ID - CUSHIONED
	010497-04-000	EA CLAMP-CLOSED, 1.62 ID
	010499-01-000	EA CLAMP-CLOSED, 3/8" ID
	062401-01-000	EA CLAMP-HOSE, WORMGEAR .25" - 1"
	062401-02-000	EA CLAMP-HOSE, WORMGEAR, 1.56" - 2.5"
	062401-03-000	EA CLAMP-HOSE, WORMGEAR, .22" - 1"
	062401-04-000	EA CLAMP-HOSE, WORMGEAR .69"- 1.25"
	062401-05-000	EA CLAMP-HOSE, WORMGEAR 2" X 3"
	062401-11-000	EA CLAMP-HOSE, WORMGEAR 3.56"- 4.5"
	075148-02-000	EA CLAMP-GROUNDING, BRONZE SCREWS
	083609-01-000	EA CLAMP-WIRE, DUAL EQUAL - 5/8" DIAMETER
	083610-01-000	EA CLAMP-WIRE, DUAL - UNEQUAL DIAMETERS - .75" & 1.25"

**RIVETS, GROMMETS & MISCELLANEOUS**

KEY	PART NUMBER	U/M DESCRIPTION
	000H16-04-06R	EA RIVET-POP, AL 1/8 X .313-.375
	000H14-06-14R	EA RIVET-MANDREL BLIND, 3/16"
	069592-02-000	EA RIVET-T, (POP) - 1/4 X .093 - .156
	008380-01-000	EA GROMMET-RUBBER, 5/8" HOLE X 1 1/2" DIA - BLACK
	016188-03-000	EA GROMMET-L/P LINE, 3/8" HOLE X 2 1/2" LONG - RUBBER
	016188-05-000	EA GROMMET-L/P LINE, 3/8" HOLE X 1 1/4" LONG - RUBBER
	071015-11-000	EA GROMMET-1.00ID,FITS .12 MATL MINOR RUBBER Z-3065
	071015-26-000	EA GROMMET-RUBBER, 1.5" ID X 2.12" OD W/.06" GROOVE - BLACK
	071015-30-000	EA GROMMET-RUBBER, .31" ID X .81" OD W/.12" GROOVE - BLACK
	023942-01-000	EA GROMMET-RUBBER, 2" OD
	056134-02-000	EA HOLDER-RING, 1.8" DIAMETER - METAL
	077955-01-000	EA CLIP-J,VINYL COATED, 3/8"
	080211-03-000	EA CLIP-MOUNTING, (XMAS TREE) - DECORATIVE PADS
	080734-02-000	EA CLIP-WIRE, NYLON
	094362-02-000	EA CLIP-CHRISTMAS TREE, FLAT HEAD - .5" X .95"
	099637-01-000	EA GROMMET-RUBBER, .37" X .94" DIAMETER - BLACK
	008343-01-000	EA TIE-WIRE, 6"
	008343-02-000	EA TIE-WIRE, 14"
	029094-04-000	YD VELCRO TAPE-LOOP, 1" WIDE - BLACK
	029096-03-000	YD VELCRO TAPE-HOOK, 1" WIDE - BLACK
	029096-04-000	YD TAPE-HOOK, VELCRO - 1" WIDE - BLACK
	085774-01-000	FT FASTENER-DUAL HOOK, 1" WIDE - ADHESIVE BACK - BLACK
	085774-02-000	FT FASTENER-DUAL LOOP, 1" WIDE - ADHESIVE BACK - BLACK
	086285-01-000	EA SPACER-NYLON, .5" OD X .257" ID
	081211-05-000	EA PLUG-PLASTIC, .188 DIA - NATURAL
	108046-02-000	EA CABLE TIE-SCREW MOUNT 15" - DENNISON 10035
	091952-01-000	EA CLIP-GRIPPER, 1"
	091952-02-000	EA CLIP-GRIPPER, 3/4"

**WATER & SEWAGE GROUP**  
**WATER HEATER W/ELECTRIC IGNITION**



KEY	PART NUMBER	U/M	DESCRIPTION
	051391-03-000	EA	WATER HEATER - W/ ELECTRIC IGNITION
1	051393-01-701	EA	SWITCH PACKAGE - 91959
2	051391-04-701	EA	THERMOSTAT 12 VDC-120 PRESET - 91470
3	051393-01-721	EA	ECO & THERMOSTAT ASM - FRONT MOUNT - 140° - 91447
4	051391-01-705	EA	FASTENER - CAMLOC - 92609
5	051391-01-704	EA	VALVE - RELIEF - 1/2" FITTING - 91604
6	051393-01-723	EA	SWITCH - ENERGY CUT-OFF - 93866
7	051393-01-724	EA	CIRCUIT BOARD - W/ SPADE TERMINAL - 93867
8	051393-01-725	EA	ELECTRODE - SINGLE SPADE CONNECTION - 93868
9	051391-04-703	EA	BURNER - MAIN - 91638
10	051391-01-717	EA	GRILL - 92640
11	051391-01-710	EA	ORIFICE - MAIN BURNER - 92742
12	051391-03-700	EA	ORIFICE HOLDER - 91563
13	051393-01-726	EA	SOLENOID VALVE & BRACKET - 93870
14	051391-01-714	EA	ELBOW - 45 DEGREE - 3/8" F X 3/8" MPT - 91044
15	052009-01-000	EA	DOOR - WATER HEATER - OFF WHITE
16	051391-01-700	EA	HINGE KIT - W/CLIP - 92568 & 92559
17	051391-04-706	EA	TANK - INNER - 91641
18	051391-01-715	EA	DRAIN PLUG - 91857
19	051391-04-706	EA	FLUE & GASKET - 92787
	116424-01-000	EA	PROTECTOR - ROUND VINYL - WATER HEATER LATCH

**WATER & SEWAGE GROUP (CONTINUED)**  
EUROPEAN EXPORT WATER HEATER

KEY	PART NUMBER	U/M DESCRIPTION
	111129-01-000	EA WATER HEATER-ELECTRIC IGNITION GAS/220V ELECTRIC - ATWOOD9472ICH66E
	111129-01-700	EA WALL SWITCH PACKAGE - ATWOOD# 91208
	111129-01-701	EA PRESSURE/DRAIN VALVE 2 BAR - ATWOOD# 91190
	111129-01-702	EA PRESSURE DRAIN VALVE 3.5 BAR - ATWOOD# 91210
	111129-01-703	EA THERMOSTAT (60 DEGREE)ECO(82 DEGREE)KIT - ATWOOD# 91191
	111129-01-704	EA IGNITION BOARD - ATWOOD# 91194
	111129-01-705	EA GAS PRESSURE REGULATOR W/NO.10 - ATWOOD# 91198
	111129-01-706	EA MAIN BURNER ORFICE W/FITTING - ATWOOD# 91017
	111129-01-707	EA MAIN BURNER KIT - ATWOOD# 91204
	111129-01-708	EA SPARK/PROBE IGNITION KIT - ATWOOD# 91196
	111129-01-709	EA FLUE ASSEMBLY - ATWOOD# 91045
	111129-01-710	EA ACCESS DOOR, W/LOCK - ATWOOD# 91203
	111129-01-711	EA CORNER BRACKETS (SET OF 4) - ATWOOD# 91928
	111129-01-712	EA HARDWARE KIT, W/LOCK - ATWOOD# 91193
	111129-01-713	EA TANK INNER ICH6-6E - ATWOOD# 91188
	111129-01-714	EA THERMOSTAT-ELECTRIC, 220V - ATWOOD# 91207
	111129-01-715	EA RELAY,220 V/12 VDC - ATWOOD# 91206
	111129-01-716	EA HEATING ELEMENT 220V/500WATT - ATWOOD# 91081
	111129-01-717	EA BUSHING-STRAIN RELIEF - ATWOOD# 91372
	112176-01-000	FT TUBING-VINYL, REINFORCED - 1/2" ID - KEVCO
	112177-01-000	EA ADAPTER-BRASS, 1/2" MPT X 1/2" BARB - KEVCO

**WATER HEATER BYPASS**

KEY	PART NUMBER	U/M DESCRIPTION
	099729-01-000	EA BYPASS KIT-WATER HEATER, COMPLETE W/VALVE & TUBING
	099729-01-700	EA VALVE ONLY CHECK PLASTIC
	099729-02-000	EA BYPASS KIT-WATER HEATER (CANADIAN)
	099729-02-700	EA VALVE ONLY CHECK BRASS (CANADIAN)
	103259-01-000	EA BRACKET-BYPASS, WATER HEATER

**WATER & SEWAGE GROUP (CONTINUED)**  
EXTERIOR SHOWER KIT

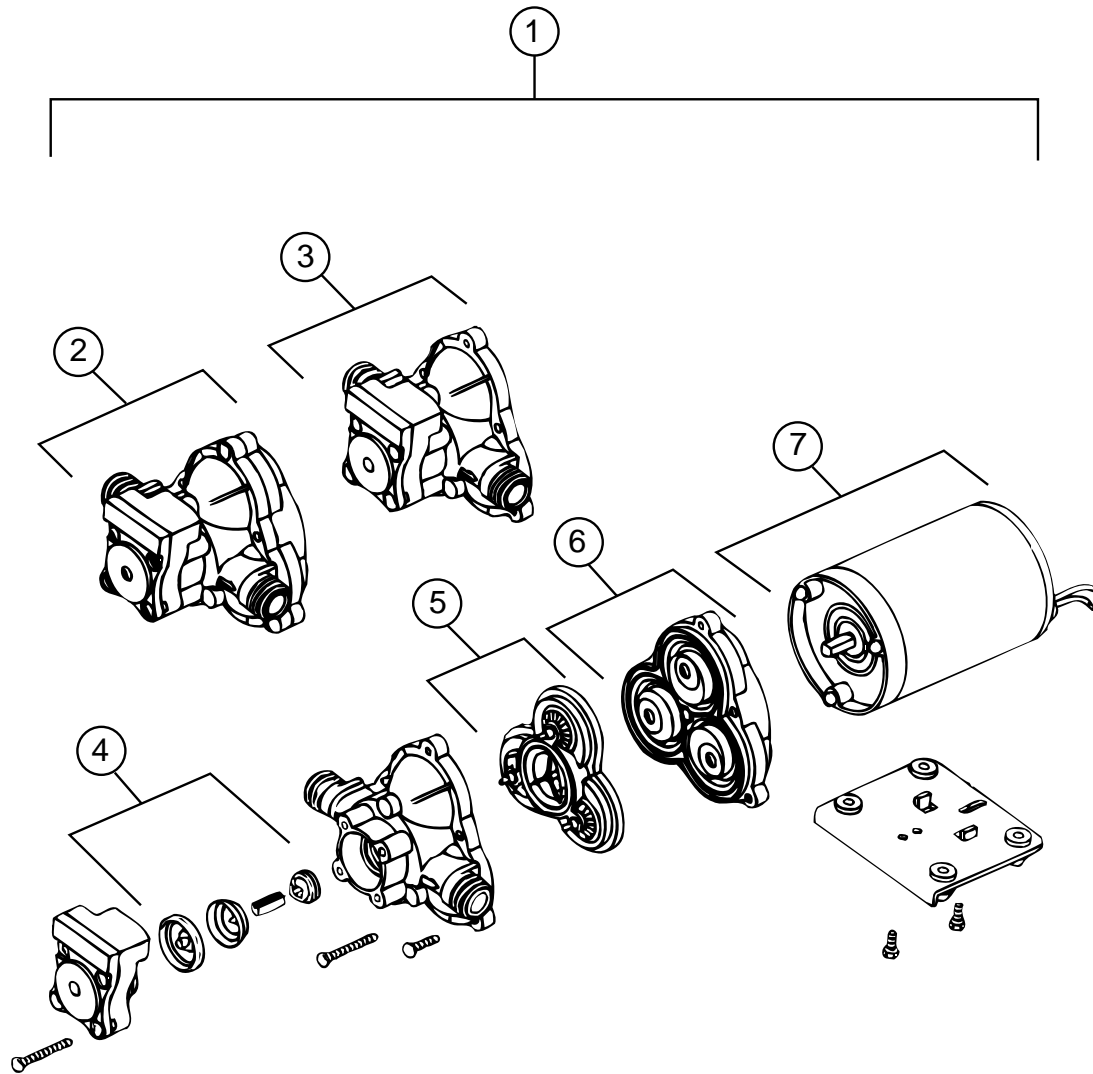
KEY	PART NUMBER	U/M DESCRIPTION
	046128-01-000	EA VALVE-DRAIN, PLASTIC - 1/2" FPT
	052959-02-000	EA CONNECTOR, 1/2" F X 1/2" MPT - PLASTIC - GRAY
	057457-01-000	EA ELBOW-UNION, 1/2" X 1/2" FLARE
	065120-01-000	EA ELBOW-SWIVEL, 1/2" FPT X 1/2" FLARE - PLASTIC - GRAY
	052957-02-000	EA ELBOW-MALE, 1/2" F X 1/2" MPT - PLASTIC - GRAY
	103173-03-705	EA LABEL
	103173-03-706	EA SHOWER HEAD,HOSE,BRACKET
	103173-03-707	EA FAUCET-SHOWER W/ADAPT
	103173-03-708	EA STEM & BONNET (SETS)
	103328-06-000	EA WIRE ASM-PUMP, EXTERIOR SHOWER
	108356-02-01A	EA ACTUATOR-SWITCH DIMPLE II - CARLING VVAZC00
	108357-08-000	EA SWITCH-ROCKER, DPDTON/NONE/ON - CARLING VDD1S00C-0
	114293-01-01A	EA PAN-DRIP, EXTERIOR O/W
	046128-01-000	EA VALVE-DRAIN-PLASTIC 1/2FPT
	091952-02-000	EA CLIP - 3/4" GRIPPER GIBSON TOOL 225-HL
	093527-02-000	EA BRACKET-SQUEEGEE
	103092-01-000	EA SHOWER HEAD-W/60" HOSE - ONDINE 213RUB
	106208-01-02A	EA COMPARTMENT-SHOWER, EXTERIOR BRIGHT WHITE
	111017-02-E01	EA DOOR ASM-STORAGE
	114430-02-000	EA ADAPTER-SWIVEL, 1/2P X 1/2FPT - FLAIR-IT -02873

**WATER TANK**

KEY	PART NUMBER	U/M DESCRIPTION
	113883-02-000	EA TANK ASM-WATER 55 GAL - W/FITTINGS
	113883-01-000	EA TANK-WATER BASE, 55 GAL - W/O FITTINGS
	109606-01-000	EA TANK-WATER BASE, 30 GAL - W/O FITTINGS
	039861-01-000	EA SENDING UNIT-W/SCREW, WASHER, WELL NUT & TERMINAL RING
	010224-01-000	EA ADAPTER-HOSE TO PIPE, 3/8" MPT X 3/8" BARB - PLASTIC BLACK
	042989-03-000	EA FITTING-WATER TANK, SPINWELD - 1 1/4"NPT - PLASTIC - WHITE
	042989-04-000	EA FITTING-WATER TANK, SPINWELD - 3/8" FPT - PLASTIC - WHITE
	042989-05-000	EA FITTING-WATER TANK, SPINWELD - 1/2" FPT - PLASTIC - WHITE
	044927-01-000	EA ADAPTER-HOSE TO PIPE, 1 1/4"MPT X 1 1/4"BARB-BLACK PLASTIC
	049032-01-000	EA PATCH-SPINWELD, 3/8" - PLASTIC
	052955-01-000	EA TEE-1/2"F X 1/2"F X 1/2"MPT - PLASTIC
	074462-02-000	FT TUBING-VINYL, 3/8" ID - CLEAR - INCREMENTS OF 20'
	077954-02-000	EA FILTER-WATER TANK, SCREEN IN TANK
	079381-01-000	FT TUBING-SMOOTH FLEXIBLE, 1 1/4" ID - INCREMENTS OF 20'

**WATER & SEWAGE GROUP (CONTINUED)**

**WATER & SEWAGE GROUP (CONTINUED)**  
**WATER SYSTEM**



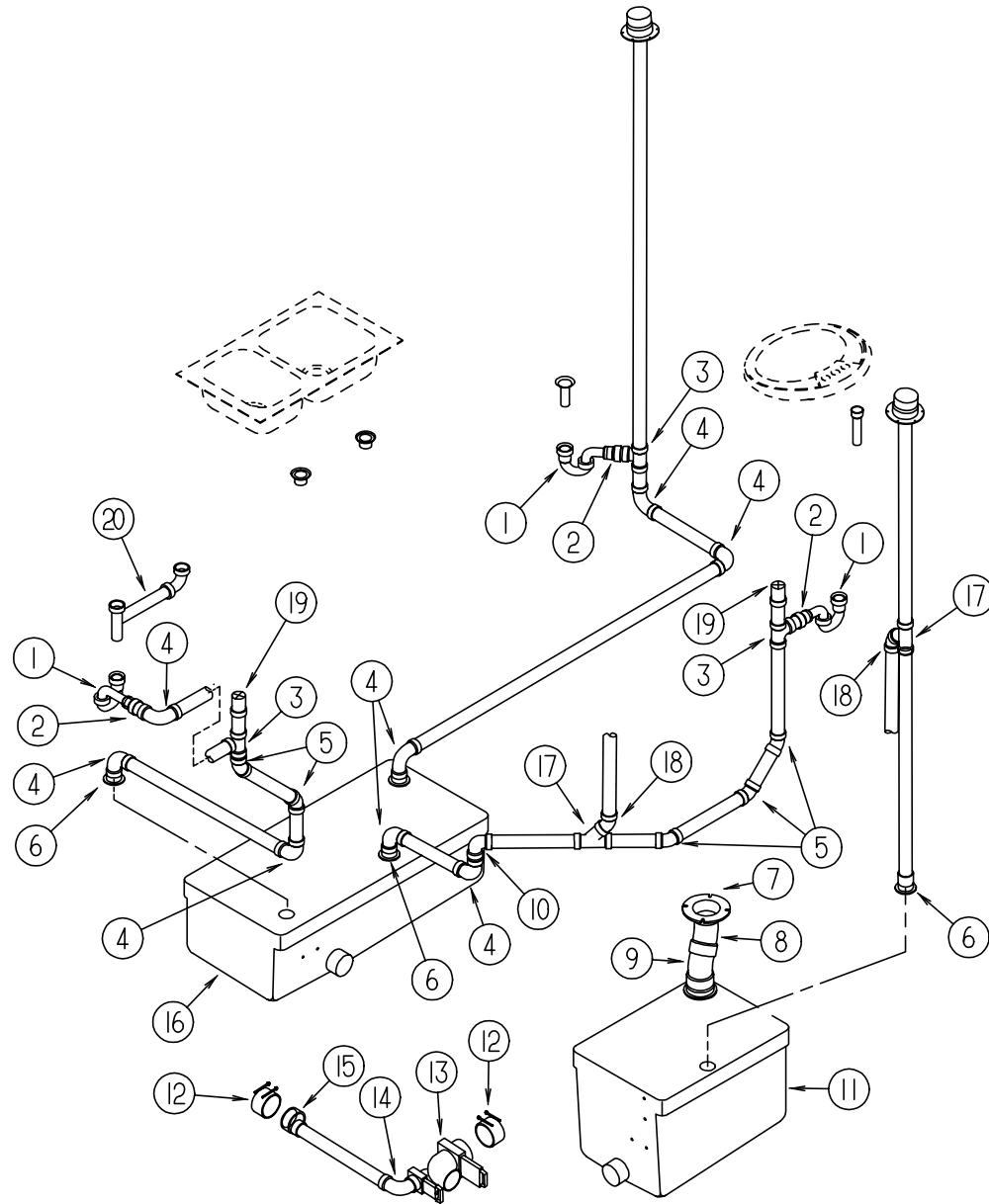
**WATER PUMP**

KEY	PART NUMBER	U/M DESCRIPTION
1	098607-01-000	EA PUMP-WATER, W/.5"MPT FITTING - FLOW 2.8 GPM - UL
2	098607-01-700	EA PUMPHEAD-REPLACEMENT, SHURFLO# 94-236-08
3	098607-01-706	EA UPPER HOUSING/SWITCH KIT, SHURFLO# 94-231-20
4	098607-01-705	EA CHECK VALVE-KIT, SHURFLO# 94-237-00
5	098607-01-703	EA VALVE ASM, SHURFLO# 94-232-00
6	098607-01-702	EA DRIVE/DIAPHRAGM-KIT, SHURFLO# 94-238-04
7	098607-01-707	EA MOTOR/BASEPLATE REPLACEMENT, SHURFLO# 94-234-03

KEY	PART NUMBER	U/M DESCRIPTION
	114427-01-000	EA CAP-1/2P - FLAIR-IT 02860
	114427-02-000	EA PLUG-1/2P - FLAIR-IT 02863
	114428-01-000	EA TEE-1/2P X 1/2P X 1/2P - FLAIR-IT 02820
	114428-02-000	EA TEE-SWIVEL - 1/2P X 1/2P X 1/2FPT - FLAIR-IT 02821
	114428-03-000	EA TEE-1/2P X 1/2P X 1/2MPT - FLAIR-IT 02822
	114429-01-000	EA ELBOW-1/2P X 1/2P - FLAIR-IT 02800
	114429-02-000	EA ELBOW-1/2P X 1/2MPT - FLAIR-IT 02803
	114429-03-000	EA ELBOW-SWIVEL - 1/2P X 1/2FPT - FLAIR-IT 02816
	114429-04-000	EA ELBOW-1/2P X 3/8MPT - FLAIR-IT 02810
	114429-05-000	EA ELBOW-1/2P X 3/4MPT - FLAIR-IT 02812
	114429-06-000	EA ELBOW-SWIVEL - 1/2P X 3/4FPT - FLAIR-IT 02811
	114430-01-000	EA ADAPTER-1/2P X 1/2P - FLAIR-IT 02840
	114430-02-000	EA ADAPTER-SWIVEL - 1/2P X 1/2FPT - FLAIR-IT 02873
	114430-03-000	EA ADAPTER-1/2P X 1/2MPT - FLAIR-IT 02842
	114431-01-000	EA VALVE-LINE DRAIN 1/2P - FLAIR-IT 02914
	114431-02-000	EA VALVE-1/2P - BYPASS - FLAIR-IT 02910
	114431-03-000	EA VALVE-1/2P X 1/2P - FLAIR-IT 02884
	114431-04-000	EA VALVE-STOP - 1/2P X 1/2P - FLAIR-IT 02880
	039800-02-000	FT TUBING-POLYBUTYL, 5/8" OD - INCREMENTS OF 20' - BLACK
	110915-01-01A	EA FILL-WATER, CITY - CHROME - KEVCO 64713
	010219-01-000	EA ELBOW-1 1/4" MPT X 1 1/4" BARB, WATER FILL - PLASTIC
	035539-01-000	EA ELBOW-PLASTIC, 3/8"MPT X 3/8"BARB
	052956-01-000	EA TEE-1/2" F X 1/2" MPT X 1/2" F - PLASTIC
	052957-01-000	EA ELBOW-PLASTIC, 1/2" F X 3/8" MPT
	039808-03-000	EA ELBOW-1/2" MPT X 1/2" MPT, PLASTIC - KEVCO 17296
	101814-01-000	EA COUPLING-FEMALE, 1/2" X 1/2" FPT W/COMP. SLEEVE - GRAY
	046128-01-000	EA VALVE-DRAIN, PLASTIC - 1/2" FPT
	039800-01-000	FT TUBING-POLYBUTYL, 1/2" OD - INCREMENTS OF 20' - BLACK
	052952-01-000	EA NUT-PLASTIC, 1/2" F X 1/2" TUBE - GRAY
	052952-02-000	EA NUT-PLASTIC, 5/8" FLARE
	052958-01-000	EA TEE, 1/2" F X 1/2" F X 1/2" F - PLASTIC - GRAY
	113698-01-000	EA VALVE-LINE DRAIN,1/2F X 1/2F PLASTIC-WATER
	055290-01-000	EA ELBOW - 5/8"F X 1/2"MPT
	057457-02-000	EA ELBOW-UNION, 5/8" X 5/8" FL - WATER
	079317-01-000	EA ADAPTER-SWIVEL, 1/2" TUBE X 1/2" FPT - PLASTIC - GRAY
	106258-01-000	EA CAP-INSERTABLE, 1/2" FLARE
	091208-01-000	EA WASHER-RUBBER, .06" X .75" X .5"

# WATER & SEWAGE GROUP (CONTINUED)

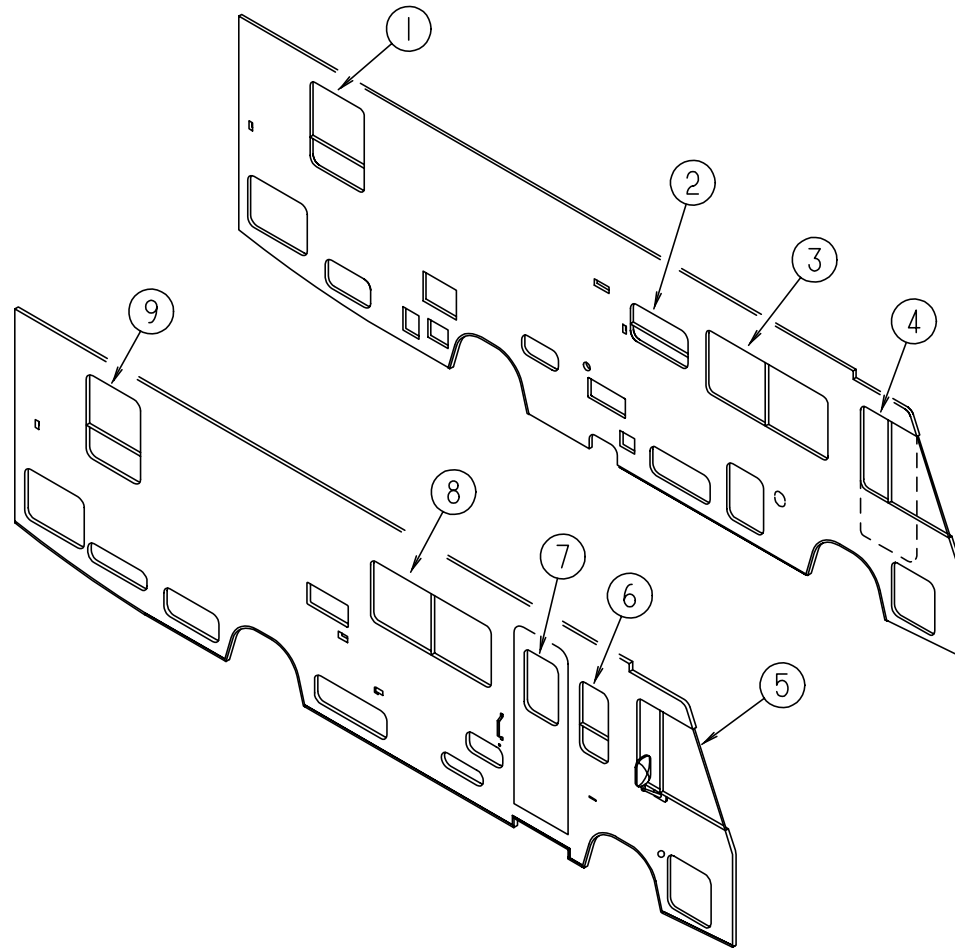
## DRAINAGE SYSTEM



KEY	PART NUMBER	U/M	DESCRIPTION
1	107538-01-000	EA	P TRAP-PLASTIC, 1 1/4 W/EXTENSION ARM - KEVCO P814 1-1/4"
1	011066-02-000	EA	P TRAP - 1 1/4" & 1 1/2", CSA
2	109571-01-000	EA	ADAPTER-P TRAP, 1 1/2" P X 1 1/4" MPT
3	010071-01-000	EA	TEE-SANITARY, 1 1/2" HUB X HUB X HUB - PLASTIC - BLACK
4	010008-01-000	EA	ELBOW - 90 DEGREE, 1/4 BEND - 1 1/2" HUB X HUB - BLACK PLASTIC
5	010006-01-000	EA	ELBOW - 45 DEGREE, 1/8 BEND - 1 1/2" HUB X HUB - BLACK PLASTIC
6	010115-01-000	EA	COUPLING - 1 1/2" HUB X HUB, PLASTIC
	061607-01-000	EA	GROMMET-HOLDING TANK, 1 1/2" NPS
7	063641-01-000	EA	FLANGE-CLOSET, 4" X 3"
	061607-02-000	EA	GROMMET-HOLDING TANK, 3" NPS
8	010061-01-000	EA	ELBOW - 45 DEGREE, STREET - 1/8 BEND - 3" S X H - PLASTIC
9	010024-01-000	EA	ELBOW-PLASTIC, 1/8 BD - 3 X 45 - H X H
10	034250-01-000	EA	ELBOW - 90 DEGREE, LONG TURN - 1 1/2" HUB X HUB - ABS
11	113861-02-000	EA	TANK-HOLDING, 30 GALLON
12	078406-01-000	EA	COUPLER-RUBBER, W/CLAMPS - 3" X 3"
13	070916-01-000	EA	VALVE-DUAL DUMP, W/CAP - 3" X 1 1/2" - PLASTIC - BLACK
	070916-01-700	EA	VALVE ONLY, 3"
	070916-01-701	EA	VALVE ONLY, 1 1/2"
14	033761-01-000	EA	ELBOW-TURN, 1/4 BEND X 1.5"HUB X 1.5"SPIGOT - BLK PLASTIC
15	062422-01-000	EA	ADAPTER-OFFSET REDUCER, 3" X 1 1/2" - PLASTIC - BLACK
16	113860-02-000	EA	TANK-HOLDING, 39 GALLON - W/FITTINGS
16	113860-01-000	EA	TANK-HOLDING, 39 GALLON - W/O FITTINGS
17	010073-01-000	EA	WYE - 45 DEGREE, 1 1/2" HUB X HUB X HUB - PLASTIC - BLACK
18	010051-01-000	EA	ELBOW - 45 DEGREE BEND, 1 1/2" SPIGOT AND HUB - PLASTIC - BLACK
19	079968-01-000	EA	VENT-MECH. TRAP ARM, ANTI-SIPHON - 2" DIA X 7.3" - PLASTIC
20	011091-03-000	EA	PIPE-DRAIN, W/SEALS - DOUBLE SINK - EXTENDS 9" TO 16" (CANADA)
20	011091-02-000	EA	PIPE-DRAIN, DOUBLE SINK - BAFFLE TEE - 1 1/2" ONE PIPE W/TEE TO DRAIN BOTH SIDES OF SINK
	011069-04-000	EA	TAILPIECE, 1 1/2 X 1 1/4 X 8 - BRASS
	011069-02-000	EA	TAILPIECE-TUB/SHOWER, 1 1/2" X 1 1/4" X 4" - BRASS
	010201-01-000	EA	HOSE-SEWER, 3" ID X 8'

# WINDOW, VENT & EXTERIOR DOOR GROUP

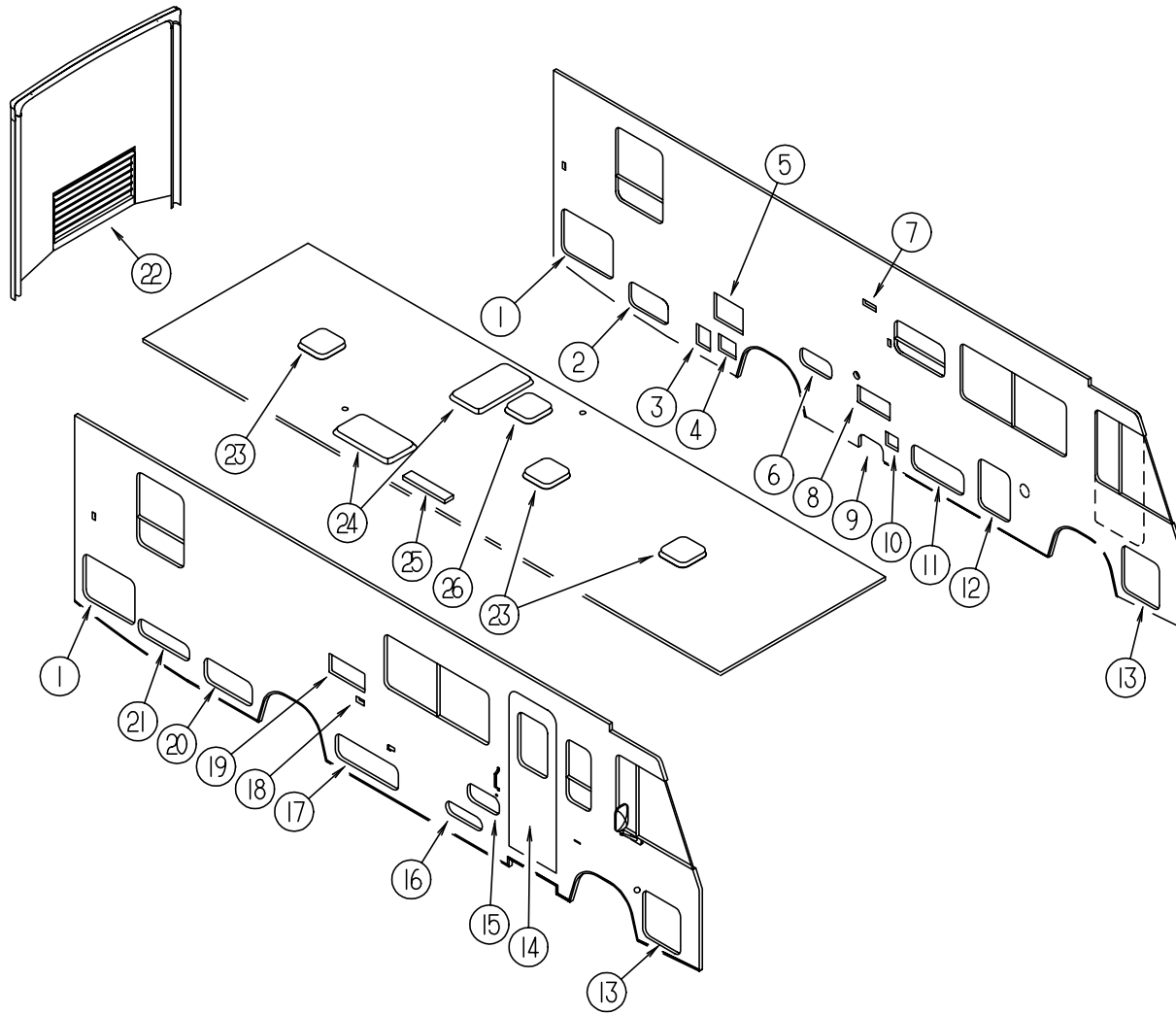
## EXTERIOR WINDOWS



KEY	PART NUMBER	U/M	DESCRIPTION
1	112463-02-01A	EA	WINDOW ASM-TORQUE EGRESS, EXCEL CH82-G2W59
1	112898-09-01A	EA	WINDOW ASM-SLIDER, VERTICAL - THERMOPANE - EXCEL DH436-G2W64L
2	098647-34-01A	EA	WINDOW ASM-SLIDER, HORIZONTAL - EXCEL H425-G2W66L
2	112795-20-01A	EA	WINDOW ASM-SLIDER, HORIZONTAL - THERMOPANE - EXCEL DC29-G2W66L
3	098647-22-01A	EA	WINDOW ASM-SLIDER, HORIZONTAL BLK/OW - EXCEL H287-G2W66L
3	112795-15-01A	EA	WINDOW ASM-SLIDER, HORIZONTAL - THERMOPANE - EXCEL DH287-G2W66L
4	103658-09-01A	EA	WINDOW ASM-CAB DRIVER, EXCEL H405-A2B66L
4	113501-01-01A	EA	WINDOW ASM-CAB DRIVER, THERMOPANE - EXCEL DH374-A2B66L
5	103658-10-01A	EA	WINDOW ASM-CAB, PASSENGER - EXCEL H405-A2B66R
5	113501-04-01A	EA	WINDOW ASM-CAB, PASSENGER - THERMOPANE - EXCEL DH405-A2B66R
6	098644-07-01A	EA	WINDOW ASM-SINGLE RAISE BLK/OW - EXCEL H170-G2W66
6	112898-04-01A	EA	WINDOW ASM-SLIDER, VERTICAL - THERMOPANE - EXCEL DC02-G2W66
7	079733-15-F04	EA	WINDOW-ENTRY DOOR, PICTURE
			FROM: 00-00-00 THRU: 01-08-95
7	117053-02-F36	EA	WINDOW-ENTRY DOOR, PICTURE
			FROM: 01-09-95 THRU: 99-99-99
7	113733-01-01A	EA	WINDOW ASM-STATIONARY, THERMOPANE - EXCEL DH416-G2W66
8	098647-23-01A	EA	WINDOW ASM-SLIDER, HORIZONTAL BLK/OW - EXCEL H287-G2W66R
8	112795-16-01A	EA	WINDOW ASM-SLIDER, HORIZONTAL - THERMOPANE - EXCEL DH287-G2W66R
9	112463-01-01A	EA	WINDOW ASM-TORQUE, EXCEL CH81-G2W59
9	112898-08-01A	EA	WINDOW ASM-SLIDER, VERTICAL - THERMOPANE - EXCEL DH435-G2W66R

# WINDOW, VENT & EXTERIOR DOOR GROUP (CONTINUED)

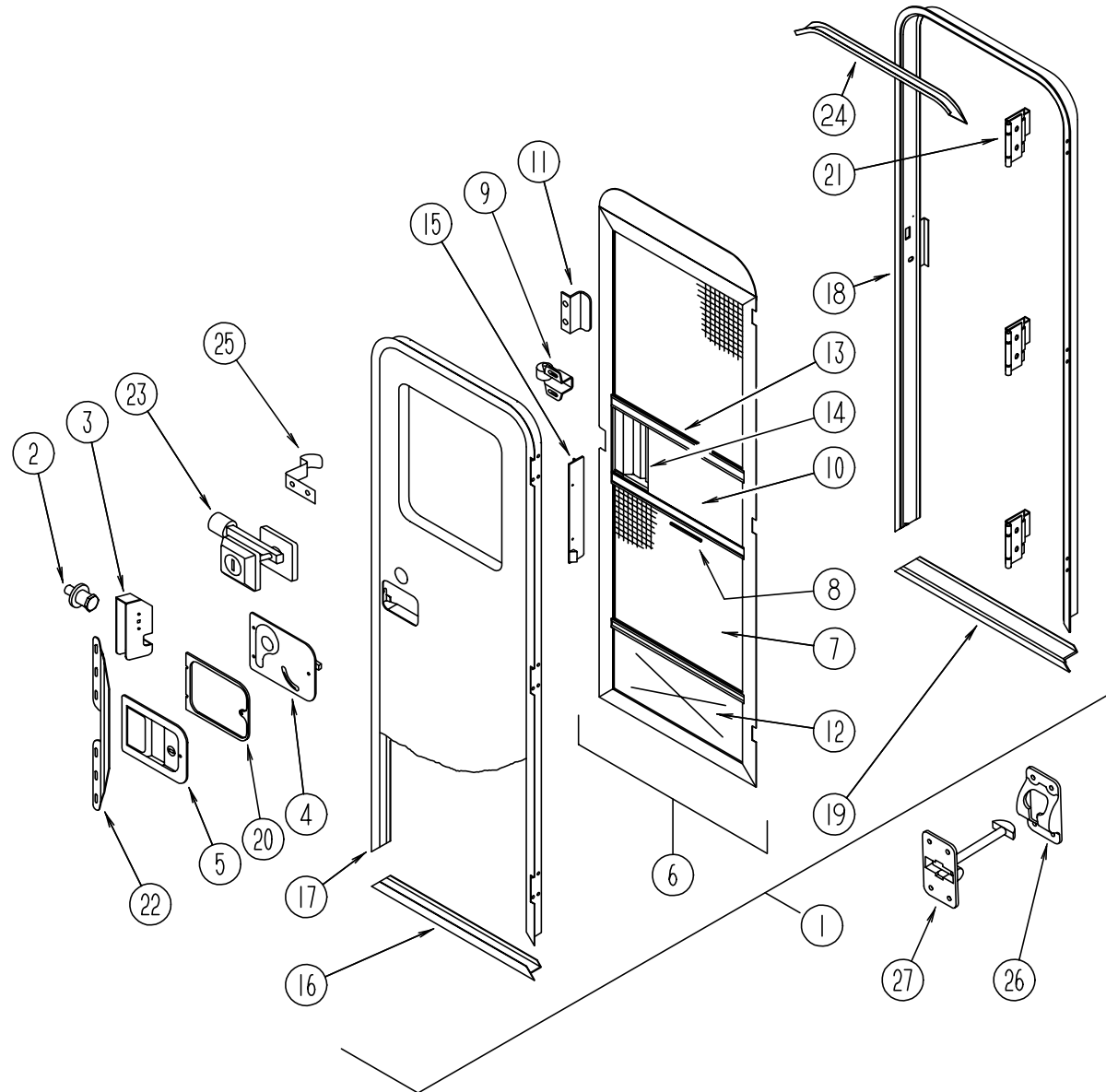
## EXTERIOR DOORS & VENTS



KEY	PART NUMBER	U/M	DESCRIPTION
1	111013-36-F24	EA	DOOR ASM-STORAGE
2	111013-04-F24	EA	DOOR ASM-STORAGE
3	088794-06-000	EA	DOOR-POWER CORD, W/HATCH - BRIGHT WHITE
4	106100-01-F24	EA	VENT ASM-ENGINE
5	052009-06-000	EA	DOOR-WATER HEATER, BRIGHT WHITE
6	111017-02-F24	EA	DOOR ASM-EXTERIOR SHOWER
7	084616-07-000	EA	SHROUD-RANGE HOOD VENT, BRIGHT WHITE
	084878-09-000	EA	VENT-RANGE HOOD, SHORT - LVS
8	098668-23-000	EA	DOOR-ACCESS, FURNACE - BRIGHT WHITE
9	111012-05-F24	EA	DOOR ASM-STORAGE
10	052423-07-000	EA	DOOR-ACCESS, 6.6" X 6.3" - PLASTIC - BRIGHT WHITE
	052424-06-000	EA	JAMB-DOOR, 8" X 7.7" - PLASTIC - BRIGHT WHITE
11	111018-01-F24	EA	DOOR ASM-GENERATOR
12	111013-40-F24	EA	DOOR ASM-STORAGE
13	111013-07-F24	EA	DOOR ASM-STORAGE
14	115108-01-FC4	EA	DOOR-ENTRY W/SCREEN DOOR - W/O WINDOW (F24,F25,F26,F27)
			FROM: 00-00-00 THRU: 10-23-94
14	115108-05-F24	EA	DOOR-ENTRY W/SCREEN DOOR - W/O WINDOW (F24,F27)
			FROM: 10-24-94 THRU: 99-99-99
14	115108-05-F25	EA	DOOR-ENTRY W/SCREEN DOOR - W/O WINDOW
			FROM: 10-24-94 THRU: 99-99-99
14	115108-05-F26	EA	DOOR-ENTRY W/SCREEN DOOR - W/O WINDOW
			FROM: 10-24-94 THRU: 99-99-99
15	111017-01-F24	EA	DOOR ASM-STORAGE
16	111009-01-F24	EA	DOOR-COMPARTMENT, LP - 16.9" X 5.4" - ALUMINUM - BRIGHT WHITE
17	111013-39-F24	EA	DOOR ASM-STORAGE
18	081240-16-000	EA	FILL-WATER, LOCKABLE W/O LOCK - BRIGHT WHITE
19	084103-08-000	EA	DOOR-REFRIGERATOR, VENTED - W/O JAMB - BRIGHT WHITE
	084104-08-000	EA	JAMB-DOOR, REFRIGERATOR - BRIGHT WHITE
	084104-01-700	EA	LOCK-MALE, FASTENER - REFRIGERATOR DOOR
	084104-01-701	EA	LOCK-FEMALE, FASTENER - REFRIGERATOR DOOR
20	111013-24-F24	EA	DOOR ASM-STORAGE
			FROM: 00-00-00 THRU: 01-08-95
20	111013-48-F24	EA	DOOR ASM-STORAGE
			FROM: 01-09-95 THRU: 99-99-99
21	111013-11-F24	EA	DOOR ASM-STORAGE
22	105546-02-F24	EA	DOOR ASM-ACCESS, ENGINE
	102330-01-000	EA	LATCH-SINGLE HOLE, VICE ACT
	102328-01-000	EA	KEY - SOUTHCO E3-216-715-19
	105547-03-04A	EA	JAMB-DOOR. ACCESS - MILL
23	110051-01-01A	EA	VENT-ROOF, NONPOWERED - 2" ROOF - JENSEN 7724 WHE
24	114495-01-01A	EA	PANEL-SKYLITE, INNER
	114496-01-01A	EA	PANEL-SKYLITE, OUTER
25	084073-03-000	EA	COVER-ROOF VENT, REFRIGERATOR - OFF WHITE - NORCOLD
	084073-04-000	EA	BASE-ROOF VENT, REFRIGERATOR - BLACK - NORCOLD
26	110051-03-01A	EA	VENT-ROOF, POWERED - 2" ROOF - JENSEN 7757 WHE - US
26	110051-05-01A	EA	VENT-ROOF, POWERED - 2" ROOF - JENSEN C7757 WHE - CANADIAN

## WINDOW, VENT & EXTERIOR DOOR GROUP (CONTINUED)

### ENTRANCE DOOR



KEY	PART NUMBER	U/M	DESCRIPTION
1	115108-01-FC4	EA	DOOR-ENTRY W/SCREEN DOOR - W/O WINDOW (F24,F25,F26,F27) FROM: 00-00-00 THRU: 10-23-94
1	115108-05-F24	EA	DOOR-ENTRY W/SCREEN DOOR - W/O WINDOW (F24,F27) FROM: 10-24-94 THRU: 99-99-99
1	115108-05-F25	EA	DOOR-ENTRY W/SCREEN DOOR - W/O WINDOW FROM: 10-24-94 THRU: 99-99-99
1	115108-05-F26	EA	DOOR-ENTRY W/SCREEN DOOR - W/O WINDOW FROM: 10-24-94 THRU: 99-99-99
2	039539-01-000	EA	STRIKE-LOCK, ENTRY DOOR - ROUND W/THREADED WASHER
3	039540-01-000	EA	LATCH MECHANISM-HOOK, ENTRY DOOR - INTERIOR
	039715-01-000	EA	NUT-SERT, 1/4" DIAMETER - 20 THREADS
4	039979-04-000	EA	COVER-INTERIOR LATCH, W/TRIP ARM - RIGHT - BLACK
	039984-01-000	EA	CAP-ROUND, VINYL - .28" ID X .62" LONG - BLACK
	041546-05-000	EA	BRACKET-DOOR ANGLE, 5" X 1.9" - O/W - METAL

KEY	PART NUMBER	U/M	DESCRIPTION
5	045017-11-000	EA	LATCH-ENTRY DOOR, MECHANISM W/LOCK & KEY - BLACK
	045017-11-701	EA	KEY BLANK
	058025-02-000	EA	CLIP-ROLLER LATCH CATCH, SCREEN DOOR
	063729-01-000	EA	RIVNUT, 1/4 X 20 UNC - .030-.125
	063729-04-000	EA	RIVNUT, 10-32 UNF - .010-.080
	072893-01-000	EA	NUTSERT-M5 X 0, 8
	075671-04-000	FT	SEAL-SPONGE, LAZY T SHAPE - W/ADHESIVE STRIPE - .5" WIDE
6	079012-09-F15	EA	DOOR-SCREEN FROM: 00-00-00 THRU: 09-18-94
6	079012-09-F24	EA	DOOR-SCREEN FROM: 09-19-94 THRU: 99-99-99
	100128-02-000	FT	SEAL-FOAM, ADHESIVE BACK - SCREEN DOOR - GRAY
7	002293-02-000	SF	SCREENING-WINDOW/DOOR, 26" - CHARCOAL
8	002294-01-000	FT	SPLINE-SCREENING, .135" X .138" - BLACK
	002748-01-000	EA	CORNER KEY-DOOR
9	109403-01-000	EA	CATCH-ASM-SINGLE ROLLER
10	016454-01-000	EA	INSERT-CENTER, LEATHER GRAIN ALUMINUM - UNPAINTED
10	001014-01-013	EA	INSERT-CENTER, 10.25" X 16.31" - UNPAINTED
11	050712-04-000	EA	HANDLE-SCREEN DOOR, ALUMINUM - OFF WHITE FROM: 00-00-00 THRU: 09-18-94
11	050712-04-000	EA	HANDLE-SCREEN DOOR, ALUMINUM - BRIGHT WHITE FROM: 09-19-94 THRU: 99-99-99
12	078552-03-000	EA	KICK PANEL-SCREEN DOOR, LOWER INSERT - UNPAINTED
	078595-01-000	EA	TOP PLATE-SCREEN DOOR, CURVED TOP - 4.7" X 25.35"
13	078777-01-000	EA	CHANNEL-SLIDE, SCREEN DOOR CENTER SLIDER COVER
14	079086-02-000	EA	SLIDER-SCREEN DOOR, OFF WHITE FROM: 00-00-00 THRU: 09-18-94
14	079086-03-000	EA	SLIDER-SCREEN DOOR, BRIGHT WHITE FROM: 09-19-94 THRU: 99-99-99
15	079087-02-000	EA	STRIKE-SLIDER, W/LIP FOR ELBOW CATCH - 1.5" X 8.6" - OFF WHITE FROM: 00-00-00 THRU: 09-18-94
15	079087-03-000	EA	STRIKE-SLIDER, W/LIP FOR ELBOW CATCH - 1.5" X 8.6" - BRIGHT WHITE FROM: 09-19-94 THRU: 99-99-99
16	089748-21-000	EA	FRAME-BOTTOM, ENTRY DOOR - 24.8" LONG - BRIGHT WHITE
	090340-02-000	FT	SEAL-FOAM, CLOSED CELL - 3/8" X 1/2" X 50'
17	095276-07-03A	EA	FRAME-ENTRY DOOR, W/O BOTTOM - BRIGHT WHITE
18	095277-08-03A	EA	JAMB-ENTRY DOOR, W/BOTTOM - BRIGHT WHITE FROM: 00-00-00 THRU: 10-23-94
18	095277-09-02A	EA	JAMB-ENTRY DOOR, W/BOTTOM - BRIGHT WHITE FROM: 10-24-94 THRU: 99-99-99
19	051049-01-000	EA	JAMB-BOTTOM, ENTRY DOOR - 25.9" - UNPAINTED
20	096810-01-01A	EA	PLATE-LATCH, ENTRY DOOR - PLASTIC - BLACK
21	106719-01-01A	EA	HINGE-ENTRY DOOR, UNPAINTED
	076725-02-000	EA	COVER-HINGE, ENTRY DOOR - 6" X 3.2" - PLASTIC - OFF WHITE
22	098173-01-04A	EA	STIFFENER-ENTRY DOOR, SUPPORTS LATCH/STRIKE AREA - UNPAINTED
	100128-02-000	FT	SEAL-PILE, ADHESIVE BACK - SCREEN DOOR - GRAY
23	101145-01-01A	EA	DEADBOLT-ENTRY DOOR, W/2 KEYS W/O BACK SET BOLT OR SCREWS
	095229-01-700	EA	KEY BLANK FOR DEADBOLT
	101147-01-000	EA	BOLT-SECURITY, 4.12" BACKSET
	102524-01-000	EA	BUMPER-RUBBER, FLAT - BLACK
24	044582-44-000	EA	CAP-DRIP, ENTRY DOOR - JAMB MOUNTED - ALUMINUM - BRIGHT WHITE
	115222-01-01A	EA	GARNISH-RADIUS, ENTRY DOOR - OFF WHITE
	077461-03-000	EA	COVER-STRIKE, ENTRY DOOR - 6.5" X 2.5" - PLASTIC - WHITE
	091876-01-000	EA	RETAINER-DOOR, 1.9" X .8" - METAL
25	100412-01-000	EA	CATCH-SCREEN DOOR, THUMB CLIP W/BLACK PLASTIC CAP
26	104099-01-04A	EA	CATCH-DOOR HOLDER, STRIKE - BRIGHT WHITE
27	104099-02-04A	EA	CATCH-DOOR HOLDER, RETAINER - BRIGHT WHITE
	009126-02-000	EA	HANDLE-ASSIST, ENTRY DOOR - BLACK
	102248-01-000	EA	SHIM-DOOR
	093673-01-01A	FT	TRIM-ENTRANCE DOOR, 1.4" WIDE X 8' LONG - OFF WHITE PLASTIC

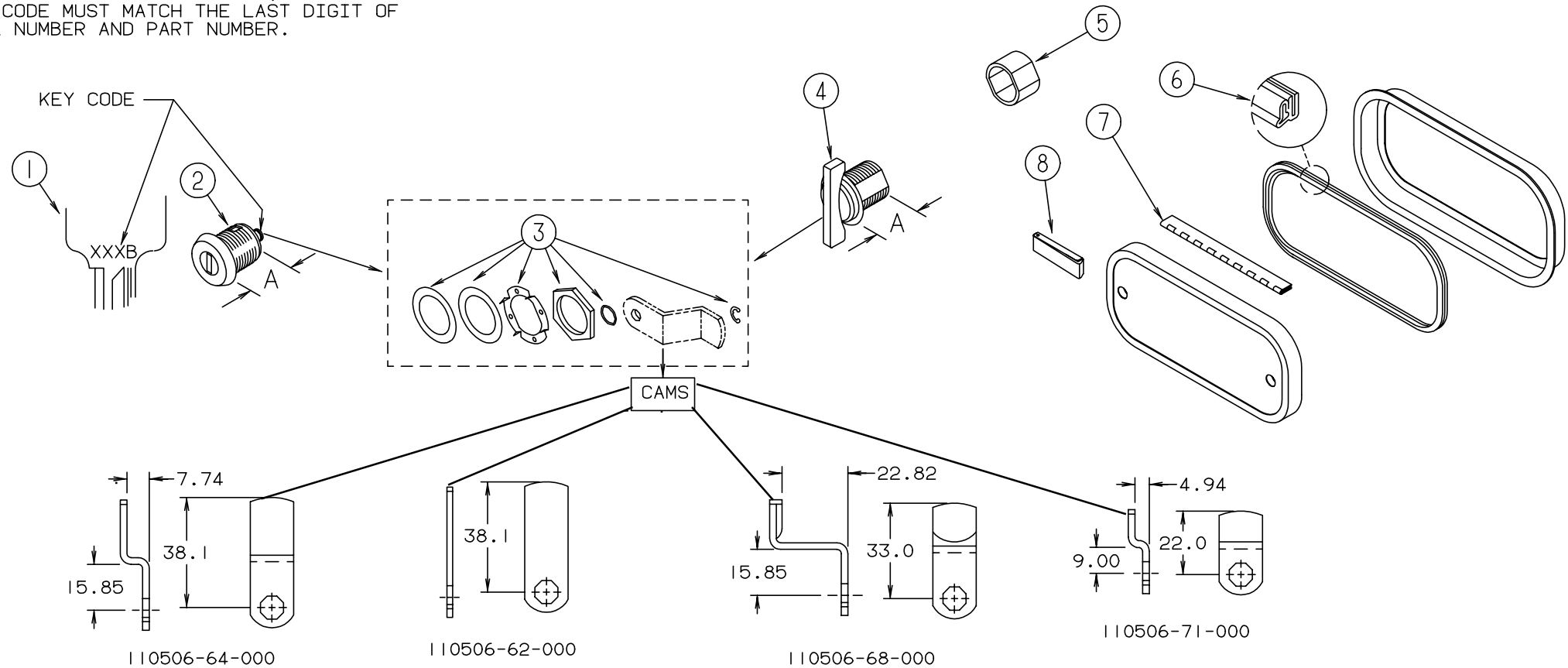


# WINDOW, VENT & EXTERIOR DOOR GROUP (CONTINUED)

## LOCKS & EXTERIOR DOOR COMPONENTS

**NOTE:**

WHEN ORDERING THE LOCK CASE, THE KEY CODE MUST MATCH THE LAST DIGIT OF THE UNIT'S SERIAL NUMBER AND PART NUMBER; WHEN ORDERING THE KEYS, THE THIRD DIGIT OF THE KEY CODE MUST MATCH THE LAST DIGIT OF THE UNIT'S SERIAL NUMBER AND PART NUMBER.



KEY	PART NUMBER	U/M	DESCRIPTION
1	110506-59-000	EA	KEYS - SET OF TWO - BRIGGS & STRATTON 596720
2	110506-52-000	EA	CASE - LOCK - A= 17 MM - BRIGGS & STRATTON 702370
2	110506-53-000	EA	CASE - LOCK - A= 25 MM - BRIGGS & STRATTON 702380
1	110506-59-001	EA	KEYS - SET OF TWO - BRIGGS & STRATTON 596721
2	110506-52-001	EA	CASE - LOCK - A= 17 MM - BRIGGS & STRATTON 702371
2	110506-53-001	EA	CASE - LOCK - A= 25 MM - BRIGGS & STRATTON 702381
1	110506-59-002	EA	KEYS - SET OF TWO - BRIGGS & STRATTON 596722
2	110506-52-002	EA	CASE - LOCK - A= 17 MM - BRIGGS & STRATTON 702372
2	110506-53-002	EA	CASE - LOCK - A= 25 MM - BRIGGS & STRATTON 702382
1	110506-59-003	EA	KEYS - SET OF TWO - BRIGGS & STRATTON 596723
2	110506-52-003	EA	CASE - LOCK - A= 17 MM - BRIGGS & STRATTON 702373
2	110506-53-003	EA	CASE - LOCK - A= 25 MM - BRIGGS & STRATTON 702383
1	110506-59-004	EA	KEYS - SET OF TWO - BRIGGS & STRATTON 596724
2	110506-52-004	EA	CASE - LOCK - A= 17 MM - BRIGGS & STRATTON 702374
2	110506-53-004	EA	CASE - LOCK - A= 25 MM - BRIGGS & STRATTON 702384
1	110506-59-005	EA	KEYS - SET OF TWO - BRIGGS & STRATTON 596725
2	110506-52-005	EA	CASE - LOCK - A= 17 MM - BRIGGS & STRATTON 702375
2	110506-53-005	EA	CASE - LOCK - A= 25 MM - BRIGGS & STRATTON 702385
1	110506-59-006	EA	KEYS - SET OF TWO - BRIGGS & STRATTON 596726
2	110506-52-006	EA	CASE - LOCK - A= 17 MM - BRIGGS & STRATTON 702376
2	110506-53-006	EA	CASE - LOCK - A= 25 MM - BRIGGS & STRATTON 702386

KEY	PART NUMBER	U/M	DESCRIPTION
1	110506-59-007	EA	KEYS - SET OF TWO - BRIGGS & STRATTON 596727
2	110506-52-007	EA	CASE - LOCK - A= 17 MM - BRIGGS & STRATTON 702377
2	110506-53-007	EA	CASE - LOCK - A= 25 MM - BRIGGS & STRATTON 702387
1	110506-59-008	EA	KEYS - SET OF TWO - BRIGGS & STRATTON 596728
2	110506-52-008	EA	CASE - LOCK - A= 17 MM - BRIGGS & STRATTON 702378
2	110506-53-008	EA	CASE - LOCK - A= 25 MM - BRIGGS & STRATTON 702388
1	110506-59-009	EA	KEYS - SET OF TWO - BRIGGS & STRATTON 596729
2	110506-52-009	EA	CASE - LOCK - A= 17 MM - BRIGGS & STRATTON 702379
2	110506-53-009	EA	CASE - LOCK - A= 25 MM - BRIGGS & STRATTON 702389
3	110506-40-700	EA	HARDWARE KIT
	110506-59-701	EA	KEY BLANK
4	110506-08-000	EA	LOCK - TWIST TYPE - BRIGGS & STRATTON (A= 17 MM)
4	110506-13-000	EA	LOCK - TWIST TYPE - BRIGGS & STRATTON (A= 25 MM)
5	107997-51-001	EA	SPACER - .86" X .6" - ALUMINUM
6	064075-07-000	FT	SEAL - BULB - W/ WIRED U CHANNEL - .3" X .5" CHANNEL - BLACK
7	081801-V3-000	EA	HINGE - PIANO - 2" X 96" - ALUMINUM - BRIGHT WHITE
7	034007-B3-000	EA	HINGE - PIANO - 1.5" X 96" - ALUMINUM - BRIGHT WHITE
8	102768-01-000	EA	HOLDER - COMPARTMENT/ ENTRY DOOR - METAL - MILL FINISH
	081914-01-000	EA	BUMPER - RUBBER - ROUND - .43" DIAMETER - BLACK
	104692-01-000	FT	SEAL - 3/4" X 3/4" - ADHESIVE BACK
	091876-01-000	EA	RETAINER - DOOR - 1.9" X .8" - METAL

**WINDOW, VENT & EXTERIOR DOOR GROUP (CONTINUED)**  
**POWERED ROOF VENT**

KEY	PART NUMBER	U/M DESCRIPTION
	110051-03-01A	EA VENT-ROOF, POWERED - 2" ROOF - JENSEN 7757 WHE
	048648-01-000	EA MOTOR-ROOF VENT, 1/8 SHAFT - 12V - JENSEN
	048649-01-000	EA FAN-ROOF VENT, 6 BLADES - 6" - JENSEN
	064470-01-700	EA COVER-ROOF VENT, JENSEN 7291
	110051-01-701	EA GARNISH W/SCREEN & FRAME-2", JENSEN 29-800-01
	110051-01-702	EA LIFT ASM-VENT LID W/O CRANK, JENSEN RP-1000B
	110051-01-703	EA CRANK, JENSEN RP-1031-B

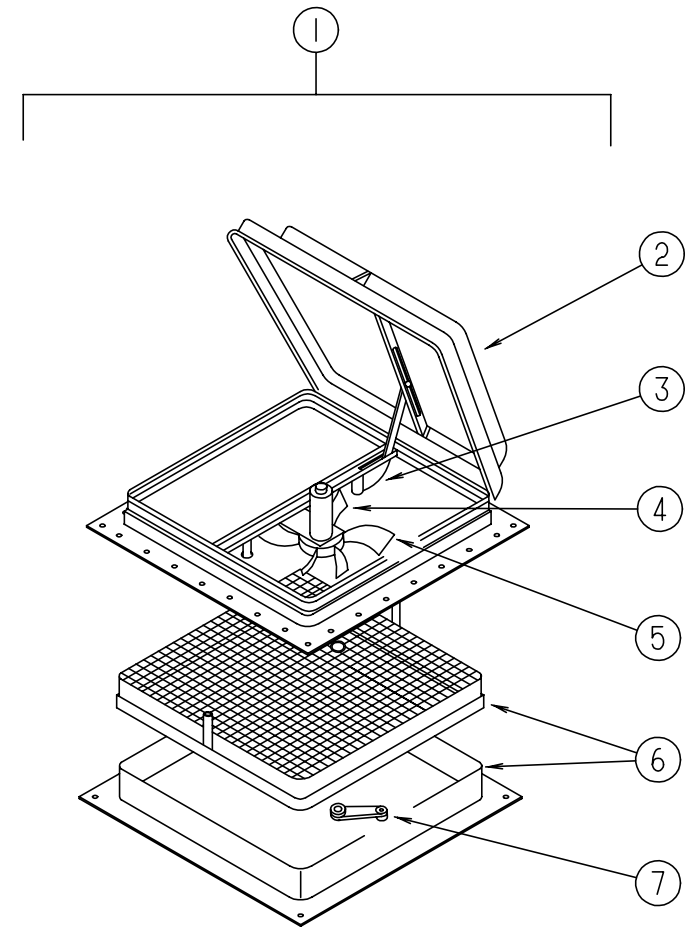
**NONPOWERED ROOF VENT**

KEY	PART NUMBER	U/M DESCRIPTION
	110051-01-01A	EA VENT-ROOF, NONPOWERED - 2" ROOF - JENSEN 7724 WHE
	064470-01-700	EA COVER-ROOF VENT, JENSEN 7291
	110051-01-701	EA GARNISH W/SCREEN & FRAME-2", JENSEN 29-800-01
	110051-01-702	EA LIFT ASM-VENT LID W/O CRANK, JENSEN RP-1000B
	110051-01-703	EA CRANK, JENSEN RP-1031-B

**VENTS, SHROUDS & ROOF COVERS**

KEY	PART NUMBER	U/M DESCRIPTION
	083558-07-000	EA VENT-PLUMBING PIPE ROOF W/COVER - BRIGHT WHITE
	084616-07-000	EA SHROUD-RANGE HOOD VENT, PLASTIC - BRIGHT WHITE
	084878-09-000	EA VENT-RANGE HOOD, SHORT - LVS
	084073-07-000	EA COVER-ROOF VENT, REFRIGERATOR - BRIGHT WHITE - NORCOLD
	084073-04-000	EA BASE-ROOF VENT, REFRIGERATOR - BLACK - NORCOLD
	105028-01-000	EA FLASHING ASM-VENT, REFRIGERATOR

**WINDOW, VENT & EXTERIOR DOOR GROUP (CONTINUED)**



**POWERED ROOF VENT - JENSEN - CANADIAN**

KEY	PART NUMBER	U/M DESCRIPTION
1	110051-05-01A	EA VENT-ROOF, POWERED - 2" ROOF - CSA - JENSEN C7757 WHE
2	064470-01-700	EA COVER-ROOF VENT, JENSEN 7291
3	110051-01-702	EA LIFT ASM-VENT LID W/O CRANK, JENSEN RP-1000B
4	048648-01-000	EA MOTOR-ROOF VENT, 1/8 SHAFT - 12V
5	048649-01-000	EA FAN-ROOF VENT, 6 BLADES - 6"
6	110051-01-701	EA GARNISH W/SCREEN & FRAME - 2", JENSEN 29-800-01
7	110051-01-703	EA CRANK HANDLE-ROOF VENT, JENSEN RP-1031-B

**WINDOW, VENT & EXTERIOR DOOR GROUP (CONTINUED)**  
**BEDROOM DRIVERS SIDE WINDOW**

KEY	PART NUMBER	U/M DESCRIPTION
	112463-02-01A	EA WINDOW ASM-TORQUE EGRESS - EXCEL CH82-G2W59
	112463-02-700	EA WINDOW W/O TRIM - CH82-G2
	112463-02-701	EA TRIM - CW8259
	112463-02-702	EA GLASS-STATIONARY - 106-018809
	112463-02-703	EA VENT ASSEMBLY - CH82-G9
	112463-02-704	EA OPERATOR & BAR ASSEMBLY - CH82-18
	112463-02-705	EA SCREEN ASSEMBLY - 410-018812

**BEDROOM DRIVERS SIDE THERMOPANE WINDOW**

KEY	PART NUMBER	U/M DESCRIPTION
	112898-09-01A	EA WINDOW ASM-SLIDER, VERTICAL - THERMOPANE - EXCEL DH436-G2W64L
	112795-01-700	EA LATCH ASSEMBY (BLK) - DH287-CK
	112898-09-700	EA WINDOW W/O TRIM - DH436-G2
	112898-09-701	EA TRIM - W43664
	112898-09-702	EA GLASS-STATIONARY - 390-019464
	112898-09-703	EA GLASS-SLIDE ASSEMBLY - DH436-G9
	112898-09-704	EA SCREEN ASSEMBLY - 410-019474

**GALLEY DRIVERS SIDE WINDOW**

KEY	PART NUMBER	U/M DESCRIPTION
	098647-34-01A	EA WINDOW ASM-SLIDER HORIZONTAL - EXCEL H425-G2W66L
	098644-01-700	EA LATCH-REPAIR KIT, EXCEL B801-CK
	098644-01-706	FT WEATHERSTRIP, EXCEL 171-010668
	098644-01-708	FT CHANNEL-PIERCED RUN, EXCEL 122-016543
	098644-01-710	FT TRACK-SCREEN SPACER, 12' LENGTH - EXCEL M401-31
	098644-01-711	FT WEATHERSTRIP-SCREEN, BLACK - EXCEL 171-016965
	098644-01-713	EA SPRING-SCREEN FRAME (CLIP), PLASTIC - BLACK - EXCEL 226-016966
	098644-01-716	FT PLUG-FILLER, EXCEL 132-014470
	098644-01-717	FT SPLINE-SCREEN, EXCEL 132-004716
	098647-33-701	EA TRIM - CW2966
	098647-33-702	EA GLASS-STATIONARY - 106-019297
	098647-33-703	EA GLASS-SLIDING, W/SASH & LATCH - H425-G9
	098647-33-704	EA SCREEN W/SPRING & WEATHERSTRIP - 410-019134
	098647-34-700	EA WINDOW W/O TRIM - H425-G2L
	098644-01-705	FT GLAZING STRIP - 132-010723

**GALLEY DRIVERS SIDE THERMOPANE WINDOW**

KEY	PART NUMBER	U/M DESCRIPTION
	112795-20-01A	EA WINDOW ASM-SLIDER HORIZONTAL THERMOPANE - EXCEL DC29-G2W66L
	098647-31-701	EA TRIM - CW2966
	098647-31-704	EA SCREEN W/SPRING & WEATHERSTRIP - 410-019128
	112795-01-700	EA LATCH ASSEMBLY (BLK) - DH287-CK
	112795-01-701	FT SLIDE-STOP - 132-019092
	112795-01-702	FT FILLER PLUG - 122-018737
	112795-01-703	FT RUN CHANNEL - 122-018736
	112795-01-704	FT VINYL-GLAZING - 132-018280
	112795-19-701	EA GLASS-STATIONARY - 390-019134
	112795-19-702	EA GLASS-SLIDING, W/SASH & LATCH - DC29-G9
	112795-20-700	EA WINDOW W/O TRIM - DC29-G2L

**WINDOW, VENT & EXTERIOR DOOR GROUP (CONTINUED)**  
**DRIVERS SIDE LOUNGE WINDOW**

KEY	PART NUMBER	U/M DESCRIPTION
	098647-22-01A	EA WINDOW ASM-SLIDER, HORIZONTAL B/OW - EXCEL H287-G2W66L
	098644-01-700	EA LATCH-REPAIR KIT, EXCEL B801-CK
	098644-01-705	FT GLAZING STRIP - 132-010723
	098644-01-706	FT WEATHERSTRIP, EXCEL 171-010668
	098644-01-708	FT CHANNEL-PIERCED RUN, EXCEL 122-016543
	098644-01-710	FT TRACK-SCREEN SPACER, 12' LENGTH - EXCEL M401-31
	098644-01-711	FT WEATHERSTRIP-SCREEN, BLACK - EXCEL 171-016965
	098644-01-713	EA SPRING-SCREEN FRAME (CLIP), PLASTIC - BLACK - EXCEL 226-016966
	098644-01-716	FT PLUG-FILLER, EXCEL 132-014470
	098644-01-717	FT SPLINE-SCREEN, EXCEL 132-004716
	098647-22-700	EA WINDOW W/O TRIM H287-G2L
	098647-23-700	EA GLASS SLIDING, W/SASH & LATCH - H287-G9
	098647-23-702	EA TRIM - W28766
	098647-23-703	EA GLASS-STATIONARY - 106-017622
	098647-23-704	EA SCREEN W/SPRING & WEATHERSTRIP - 410-019066

**DRIVERS SIDE LOUNGE THERMOPANE WINDOW**

KEY	PART NUMBER	U/M DESCRIPTION
	112795-15-01A	EA WINDOW ASM-SLIDER, HORIZONTAL THERMOPANE - EXCEL DH287-G2W66L
	098647-23-702	EA TRIM - W28766
	098647-23-704	EA SCREEN W/SPRING & WEATHERSTRIP - 410-019066
	112795-01-700	EA LATCH ASSEMBLY (BLK) - DH287-CK
	112795-01-701	FT SLIDE-STOP - 132-019092
	112795-01-702	FT FILLER PLUG - 122-018737
	112795-01-703	FT RUN CHANNEL - 122-018736
	112795-01-704	FT VINYL-GLAZING - 132-018280
	112795-15-700	EA WINDOW W/O TRIM - DH287-G2L
	112795-15-701	EA GLASS-STATIONARY - 390-019045
	112795-15-702	EA GLASS-SLIDING, W/SASH & LATCH - DH287-G9

**DRIVER SIDE CAB WINDOW**

KEY	PART NUMBER	U/M DESCRIPTION
	103658-09-01A	EA WINDOW ASM-CAB, DRIVER - EXCEL H405-A2B66L
	098644-01-700	EA LATCH-REPAIR KIT, EXCEL B801-CK
	098644-01-706	FT WEATHERSTRIP, EXCEL 171-010668
	098644-01-708	FT CHANNEL-PIERCED RUN, EXCEL 122-016543
	098644-01-710	FT TRACK-SCREEN SPACER, 12' LENGTH - EXCEL M401-31
	098644-01-711	FT WEATHERSTRIP-SCREEN, BLACK - EXCEL 171-016965
	098644-01-713	EA SPRING-SCREEN FRAME (CLIP), PLASTIC - BLACK - EXCEL 226-016966
	098644-01-716	FT PLUG-FILLER, EXCEL 132-014470
	098644-01-717	FT SPLINE-SCREEN, EXCEL 132-004716
	103658-09-700	EA GLASS-STATIONARY (RT & LT) - 106-018971
	103658-09-701	EA WINDOW W/O TRIM - H405-A2L
	103658-09-702	EA TRIM-LEFT - H37366L & 76L
	103658-09-704	EA GLASS-SLIDING, W/SASH & LATCH - H405-A9L
	103658-09-705	EA SCREEN ASSEMBLY - 410-018973L

**DRIVER SIDE CAB THERMOPANE WINDOW**

KEY	PART NUMBER	U/M DESCRIPTION
	113501-01-01A	EA WINDOW ASM-CAB, THERMOPANE - EXCEL DH374-A2B66L
	103658-01-700	EA SCREEN ASM-WINDOW, LEFT - EXCEL H322-03L
	103658-09-702	EA TRIM-LEFT - H37366L & 76L
	113501-01-700	EA WINDOW W/O TRIM - DH374-A2L
	113501-01-701	EA GLASS-STATIONARY-UPPER - 390-019137
	113501-01-702	EA GLASS-STATIONARY-LOWER - 390-019139L
	113501-01-703	EA GLASS-SLIDE ASSEMBLY - DH374-A9L

**WINDOW, VENT & EXTERIOR DOOR GROUP (CONTINUED)**

**PASSENGER SIDE CAB WINDOW**

KEY	PART NUMBER	U/M	DESCRIPTION
	103658-10-01A	EA	WINDOW ASM-CAB, PASSENGER - EXCEL H405-A2B66R
	098644-01-700	EA	LATCH-REPAIR KIT, EXCEL B801-CK
	098644-01-706	FT	WEATHERSTRIP, EXCEL 171-010668
	098644-01-708	FT	CHANNEL-PIERCED RUN, EXCEL 122-016543
	098644-01-710	FT	TRACK-SCREEN SPACER, 12' LENGTH - EXCEL M401-31
	098644-01-711	FT	WEATHERSTRIP-SCREEN, BLACK - EXCEL 171-016965
	098644-01-713	EA	SPRING-SCREEN FRAME (CLIP), PLASTIC - BLACK - EXCEL 226-016966
	098644-01-716	FT	PLUG-FILLER, EXCEL 132-014470
	098644-01-717	FT	SPLINE-SCREEN, EXCEL 132-004716
	103658-09-700	EA	GLASS-STATIONARY (RH & LH) - 106-018971
	103658-10-700	EA	WINDOW W/O TRIM - H405-A2R
	103658-10-703	EA	GLASS-SLIDING, W/SASH & LATCH - H405-A9R
	103658-10-704	EA	SCREEN ASSEMBLY - 410-018973R
	103658-10-701	EA	TRIM-RH - H37366R & 76R

**PASSENGER SIDE THERMOPANE CAB WINDOW**

KEY	PART NUMBER	U/M	DESCRIPTION
	113501-04-01A	EA	WINDOW ASM-CAB, PASSENGER - EXCEL DH405-A2B66R
	103658-10-701	EA	TRIM-RIGHT, H37366R & 76R
	103658-10-704	EA	SCREEN ASSEMBLY, 410-018973R
	113501-04-700	EA	WINDOW W/O TRIM, DH405-A2R
	113501-04-701	EA	GLASS-STATIONARY, 390-019395R
	113501-04-702	EA	GLASS-SLIDE ASSEMBLY, DH405-A9R

**PASSENGER SIDE LOUNGE WINDOW**

KEY	PART NUMBER	U/M	DESCRIPTION
	098644-07-01A	EA	WINDOW ASM-SINGLE RAISE B/OW - EXCEL H170-G2W66
	098644-01-700	EA	LATCH-REPAIR KIT, EXCEL B801-CK
	098644-01-706	FT	WEATHERSTRIP, EXCEL 171-010668
	098644-01-708	FT	CHANNEL-PIERCED RUN, EXCEL 122-016543
	098644-01-710	FT	TRACK-SCREEN SPACER, 12' LENGTH - EXCEL M401-31
	098644-01-711	FT	WEATHERSTRIP-SCREEN, BLACK - EXCEL 171-016965
	098644-01-713	EA	SPRING-SCREEN FRAME (CLIP), PLASTIC - BLACK - EXCEL 226-016966
	098644-01-716	FT	PLUG-FILLER, EXCEL 132-014470
	098644-01-717	FT	SPLINE-SCREEN, EXCEL 132-004716
	098644-07-700	EA	WINDOW W/O TRIM - H170-G2
	098644-07-701	EA	TRIM - CW0266
	098644-07-702	EA	GLASS-STATIONARY - 106-015777
	098644-07-703	EA	GLASS-SLIDING W/SASH & LATCH - H170-G9
	098644-07-704	EA	SCREEN W/SPRING & WEATHERSTRIP - 410-018863
	098644-01-705	FT	GLAZING STRIP - 132-010723

**PASSENGER SIDE LOUNGE THERMOPANE WINDOW**

KEY	PART NUMBER	U/M	DESCRIPTION
	112898-04-01A	EA	WINDOW ASM-SLIDER, VERTICAL - THERMOPANE - EXCEL DC02-G2W66
	098644-07-701	EA	TRIM - CW0266
	098644-07-704	EA	SCREEN W/SPRING & WEATHERSTRIP - 410-018863
	112795-01-700	EA	LATCH ASSEMBLY (BLK) - DH287-CK
	112898-04-700	EA	WINDOW W/O TRIM - DC02-G2
	112898-04-701	EA	GLASS-STATIONARY - 390-019130
	112898-04-702	EA	SLIDE ASM. - DC02-G9

**WINDOW, VENT & EXTERIOR DOOR GROUP (CONTINUED)**

**ENTRY DOOR WINDOW**

KEY	PART NUMBER	U/M	DESCRIPTION
	079733-15-F04	EA	WINDOW-ENTRY DOOR, PICTURE
	067609-38-000	EA	FRAME-INSIDE WINDOW O/W
	002181-22-000	EA	GLASS-PICTURE 687.4 X 449.4
	087561-01-000	FT	EXTR-VINYL SEAL, TIPOUT/SLIDE
	117053-02-F36	EA	WINDOW-ENTRY DOOR, PICTURE
	117054-02-01A	EA	FRAME-INSIDE WINDOW O/W
	002181-25-000	EA	GLASS-PICTURE 655 X 417
	087561-01-000	FT	EXTR-VINYL SEAL, TIPOUT/SLIDE

**ENTRY DOOR THERMOPANE WINDOW**

KEY	PART NUMBER	U/M	DESCRIPTION
	113733-01-01A	EA	WINDOW ASM-STATIONARY, THERMOPANE - EXCEL DH416-G2W66
	113733-01-700	EA	WINDOW ASM. W/O TRIM - DH416-G2
	113733-01-701	EA	TRIM, W41666
	113733-01-702	EA	GLASS-STATIONARY - 390-019187

**WINDOW, VENT & EXTERIOR DOOR GROUP (CONTINUED)**  
**PASSENGER SIDE DINETTE WINDOW**

KEY	PART NUMBER	U/M	DESCRIPTION
	098647-23-01A	EA	WINDOW ASM-SLIDER, HORIZONTAL B/OW - EXCEL H287-G2W66R
	098644-01-700	EA	LATCH-REPAIR KIT, EXCEL B801-CK
	098644-01-706	FT	WEATHERSTRIP, EXCEL 171-010668
	098644-01-708	FT	CHANNEL-PIERCED RUN, EXCEL 122-016543
	098644-01-710	FT	TRACK-SCREEN SPACER, 12' LENGTH - EXCEL M401-31
	098644-01-711	FT	WEATHERSTRIP-SCREEN, BLACK - EXCEL 171-016965
	098644-01-713	EA	SPRING-SCREEN FRAME (CLIP), PLASTIC - BLACK - EXCEL 226-016966
	098644-01-716	FT	PLUG-FILLER, EXCEL 132-014470
	098644-01-717	FT	SPLINE-SCREEN, EXCEL 132-004716
	098647-23-700	EA	GLASS SLIDING,W/SASH & LATCH - H287-G9
	098647-23-701	EA	WINDOW W/O TRIM - H287-G2R
	098647-23-702	EA	TRIM - W28766
	098647-23-703	EA	GLASS-STATIONARY - 106-017622
	098647-23-704	EA	SCREEN W/SPRING & WEATHERSTRIP - 410-019066
	098644-01-705	FT	GLAZING STRIP - 132-010723

**PASSENGER SIDE DINETTE THERMOPANE WINDOW**

KEY	PART NUMBER	U/M	DESCRIPTION
	112795-16-01A	EA	WINDOW ASM-SLIDER, HORIZONTAL THERMOPANE - EXCEL DH287-G2W66R
	098647-23-702	EA	TRIM - W28766
	098647-23-704	EA	SCREEN W/SPRING & WEATHERSTRIP - 410-019066
	112795-01-700	EA	LATCH ASSEMBLY (BLK) - DH287-CK
	112795-01-701	FT	SLIDE-STOP - 132-019092
	112795-01-702	FT	FILLER PLUG - 122-018737
	112795-01-703	FT	RUN CHANNEL - 122-018736
	112795-01-704	FT	VINYL-GLAZING - 132-018280
	112795-15-701	EA	GLASS-STATIONARY - 390-019045
	112795-15-702	EA	GLASS-SLIDING, W/SASH & LATCH - DH287-G9
	112795-16-700	EA	WINDOW W/O TRIM - DH287-G2R

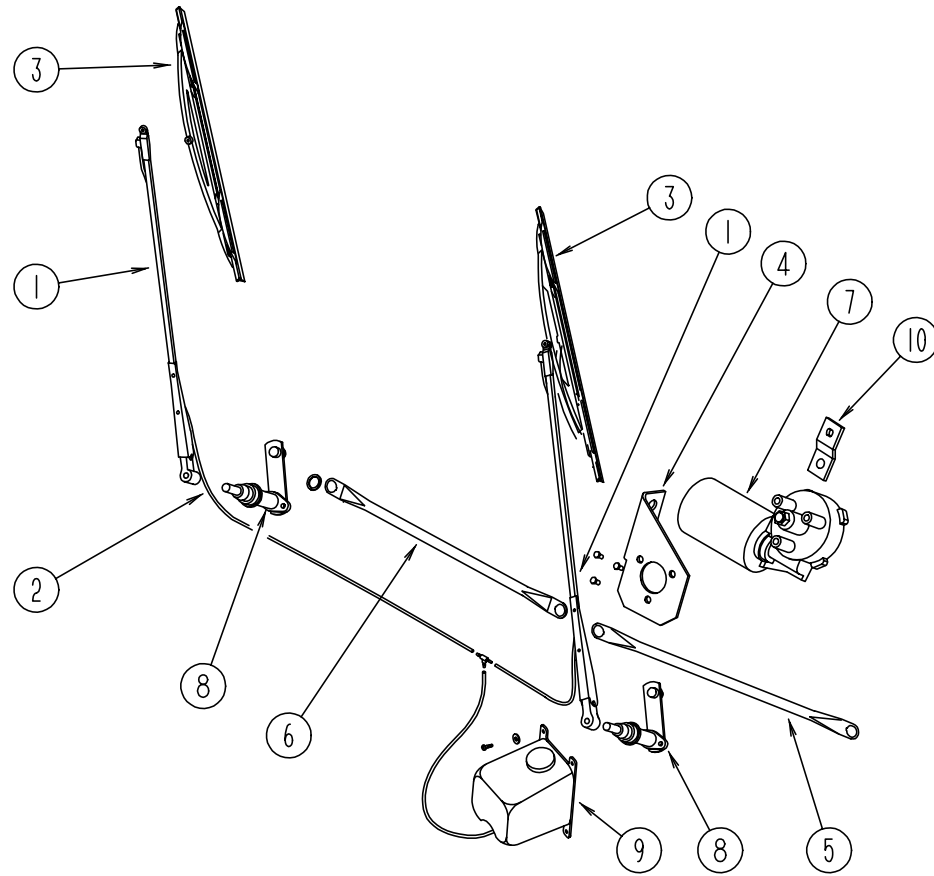
**WINDOW, VENT & EXTERIOR DOOR GROUP (CONTINUED)**  
**PASSENGER SIDE BEDROOM WINDOW**

KEY	PART NUMBER	U/M	DESCRIPTION
	112463-01-01A	EA	WINDOW ASM-TORQUE - EXCEL CH81-G2W59
	112463-01-700	EA	GLASS-STATIONARY 62 % GP - 106-018807
	112463-01-701	EA	WINDOW W/O TRIM - CH81-G2
	112463-01-702	EA	TRIM - CW8159
	112463-01-703	EA	VENT ASSEMBLY - CH81-G9
	112463-01-704	EA	OPERATOR & BAR ASSEMBLY - CH78-18
	112463-01-705	EA	SCREEN ASSEMBLY - 410-018811
	098644-01-705	FT	GLAZING STRIP - 132-010723

**PASSENGER SIDE BEDROOM THERMOPANE WINDOW**

KEY	PART NUMBER	U/M	DESCRIPTION
	112898-08-01A	EA	WINDOW ASM-SLIDER,VERTICAL - THERMOPANE - EXCEL DH435-G2W66R
	112795-01-700	EA	LATCH ASSEMBLY (BLK) - DH287-CK
	112898-08-700	EA	WINDOW W/O TRIM - DH435-G2R
	112898-08-701	EA	TRIM - W43566
	112898-08-702	EA	GLASS-STATIONARY - 390-019462
	112898-08-703	EA	GLASS-SLIDE ASSEMBLY - DH435-G9
	112898-08-704	EA	SCREEN ASSEMBLY - 410-019473

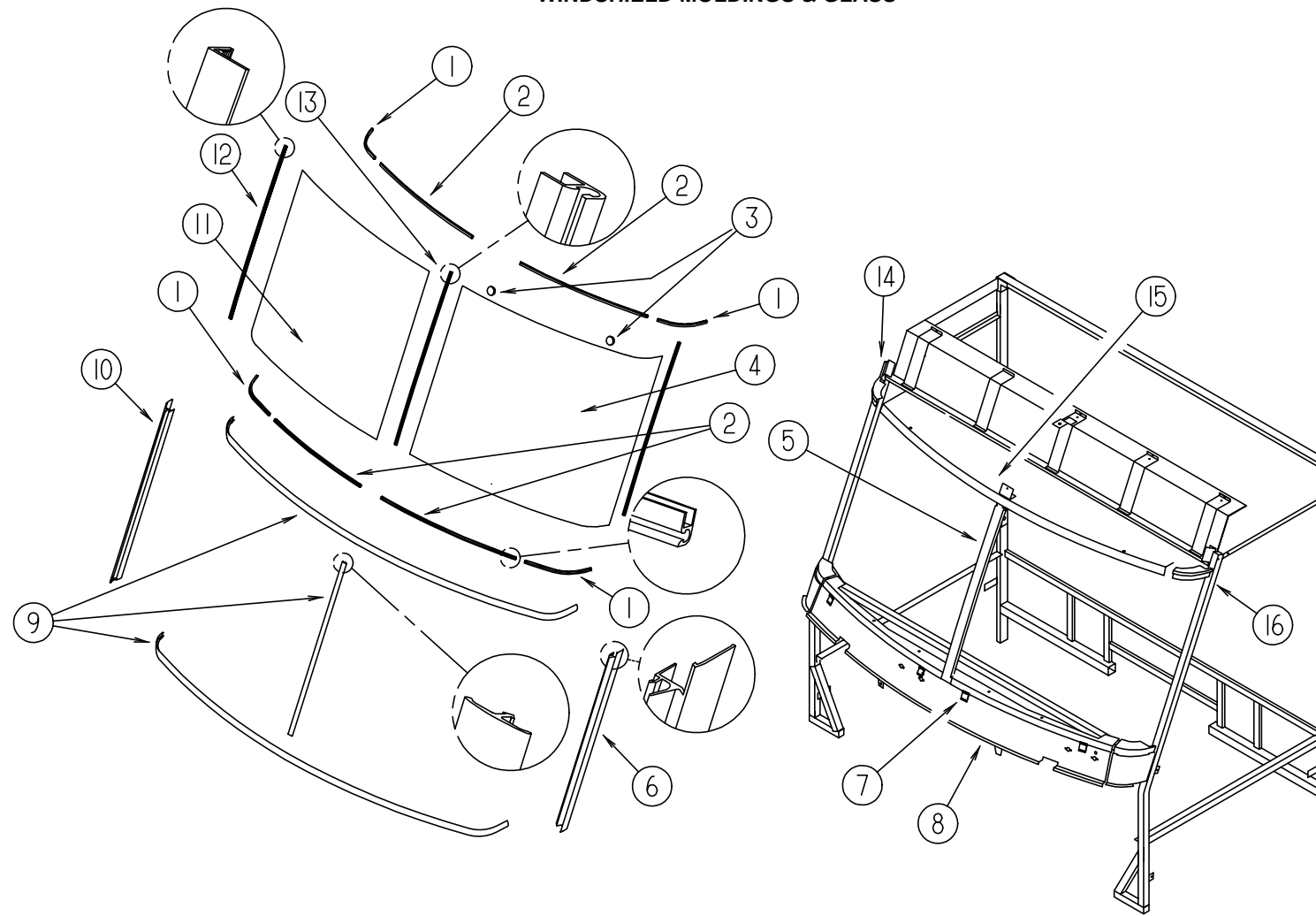
**WINDSHIELD & WIPER GROUP  
WIPER COMPONENTS**



KEY	PART NUMBER	U/M	DESCRIPTION
1	103671-01-000	EA	ARM-WIPER, PANTOGRAPH - 24"
	096931-01-700	FT	HOSE-WIPER, TO BLADE
	096931-01-701	EA	NOZZLE-HARDWARE KIT, INCLUDES NOZZEL, NUT, SHORT THREAD SCREW, LONG THREAD SCREW, AND PLASTIC CAP
2	045794-01-000	FT	HOSE-WASHER, WINDSHIELD - 5/32" ID - BLACK
3	095964-01-000	EA	BLADE-WIPER, 24"
	095964-01-700	EA	REFILL-WIPER BLADE, 24" - PAIR
4	104549-01-000	EA	BRACKET ASSEMBLY-WIPER MOTOR
4	103726-01-000	EA	BRACKET-WIPER, MOTOR
5	103672-01-000	EA	LINK ASM - CONNECTING - DRIVERS
			FROM: 00-00-00 THRU: 01-23-95
5	117008-01-000	EA	LINK ASM - CONNECTING - DRIVERS
			FROM: 01-24-95 THRU: 99-99-99
6	103672-02-000	EA	LINK ASM - CONNECTING - PASSENGERS
			FROM: 00-00-00 THRU: 01-23-95
6	117008-02-000	EA	LINK ASM - CONNECTING - PASSENGERS
			FROM: 01-24-95 THRU: 99-99-99
7	104346-03-000	EA	MOTOR-WIPER
8	096505-05-000	EA	PIVOT & SHAFT ASM-WIPER, PASSENGER WINDSHIELD
8	096505-06-000	EA	PIVOT & SHAFT ASM-WIPER, DRIVER WINDSHIELD
8	096526-01-000	EA	SCREW-HEX, 1/4 - 28
9	056000-04-000	EA	WASHER-WINDSHIELD, BOTTLE & PUMP
			FROM: 00-00-00 THRU: 04-02-95
9	110605-01-000	EA	TEE-PLASTIC, BARBED - 1/8 X 1/8 X 3/16
			FROM: 04-03-95 THRU: 99-99-99
9	117765-01-000	EA	CONNECTOR- 5/32 - 1/4 - 3/8 WINDSHIELD WAHER
			FROM: 04-03-95 THRU: 99-99-99
9	117766-02-000	EA	RESERVOIR/PUMP ASM
			FROM: 04-03-95 THRU: 99-99-99
10	104347-01-000	EA	ARM-DRIVE, WIPER MOTOR - 1.54"
	056000-01-700	FT	VACUUM HOSE 7/64 - 5/32
	061603-01-000	EA	GROMMET-SNAP, 3/16 ID - 3/8 HOLE - PLASTIC - BLACK
	067188-01-000	EA	STUD-CRANK, WIPER
	110742-01-000	EA	GASKET-WIPER
	110178-01-000	EA	HOUSING-WIPER MOTOR - UT6237440-EC25WJ

# WINDSHIELD & WIPER GROUP (CONTINUED)

## WINDSHIELD MOLDINGS & GLASS



KEY	PART NUMBER	U/M	DESCRIPTION
1	102935-08-000	EA	CARRIER-REVEAL, 2" - WINDSHIELD
2	110268-01-000	EA	CARRIER-REVEAL, 50.4" - WINDSHIELD
3	081914-01-000	EA	BUMPER-RUBBER, ROUND - .43" DIAMETER - BLACK
4	088793-04-000	EA	GLASS-WINDSHIELD, DRIVER
5	075710-03-000	EA	FRAME-WINDSHIELD, CENTER DIVIDER - INNER
6	103107-02-01A	EA	TRIM-WINDSHIELD, DRIVER SIDE - BLACK
7	104449-01-000	EA	BRACKET-WINDSHIELD SUPPORT
8	077847-02-000	EA	SUPPORT-WINDSHIELD, LOWER - W/O BRACKETS
9	102936-01-000	FT	MOLDING - REVEAL - WINDSHIELD
10	103107-01-01A	EA	TRIM - WINDSHIELD - PASSENGER SIDE - BLACK
11	088793-03-000	EA	GLASS-WINDSHIELD, PASSENGER
12	098788-06-000	EA	CHANNEL - 49" PCV, DRIVER OR PASSENGER SIDE
13	110268-02-000	EA	CARRIER-REVEAL, 38" - WINDSHIELD
14	077922-03-000	EA	HEADER WINDSHIELD END - RIGHT - STEEL
15	077922-05-000	EA	HEADER WINDSHIELD - CENTER - STEEL
16	077922-04-000	EA	HEADER WINDSHIELD END - LEFT - STEEL