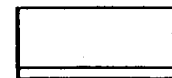
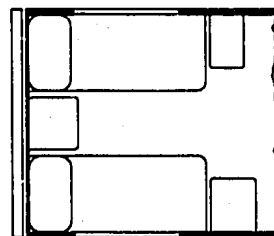
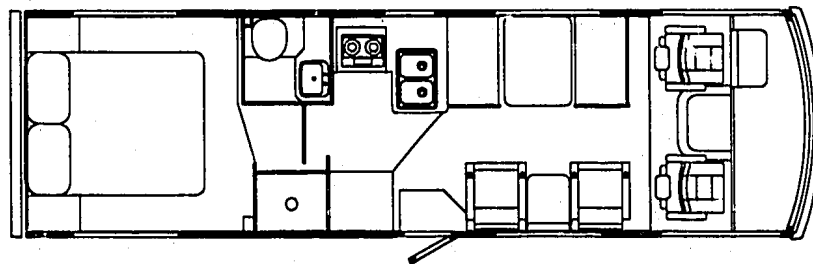
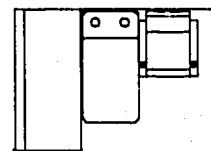
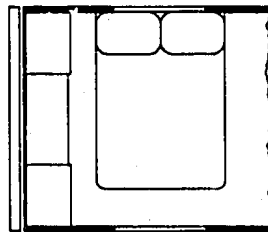
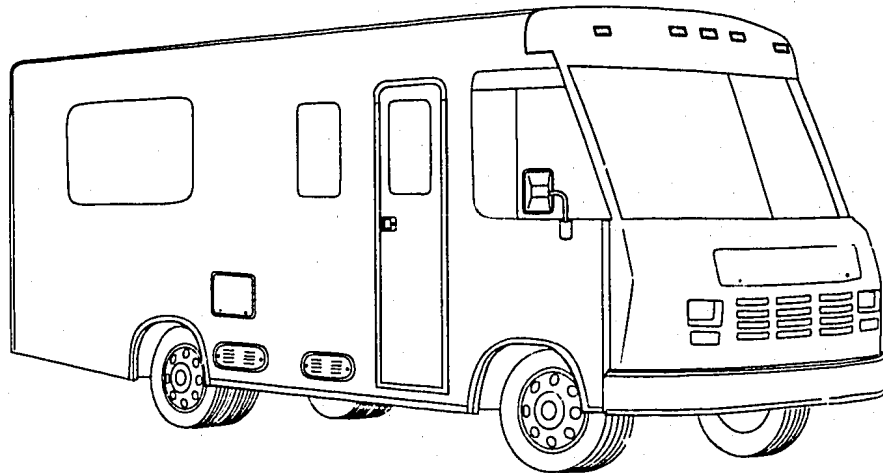


**1995
ICD28RQ
FB1
FC1**

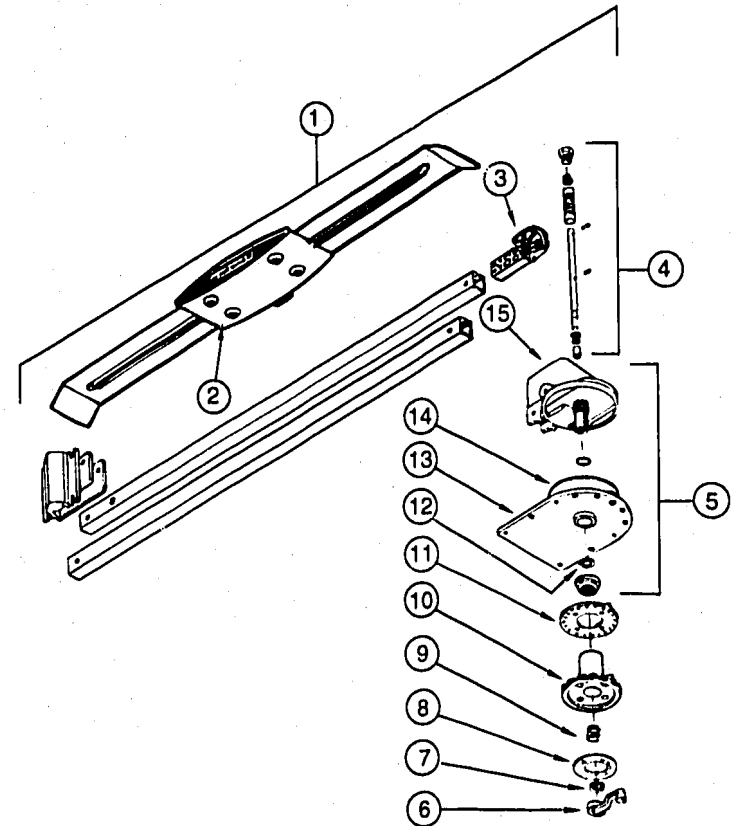


ACCESSORIES GROUP

OPERATOR MANUAL

KEY	PART NUMBER	U/M DESCRIPTION
	054185-D1-000	EA MANUAL-OPERATOR 95 PASSAGE
	092318-01-000	EA BINDER - 3 RING, MOTOR HOME MANUAL
	092319-01-000	EA POCKET PAGE - 3 RING BINDER, PLASTIC
	115209-01-000	DW TOP LEVEL DRAWING, 1995 D-SERIES

AUDIO VIDEO GROUP



TV ANTENNA

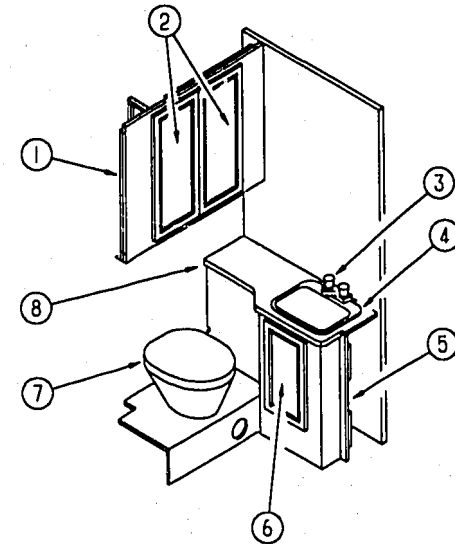
KEY	PART NUMBER	U/M DESCRIPTION
1	076319-18-000	EA ANTENNA-TV, ROOF MOUNT - WI-0094
2	076319-01-700	EA HEAD-ANTENNA, AMPLIFIED - RVSA U/V
3	076319-01-701	EA GEAR-ELEVATING, PLASTIC - 2200046
4	076319-01-702	EA SHAFT ASM-ELEVATING - RVP-400A
5	076319-01-711	EA BASE & LIFT ASM - 2762802
6	076319-01-706	EA CRANK-ELEVATING, W/SET SCREW - 5755100
7	076319-01-705	EA GROMMET-NYLON, 7/8"ID - 3200658
8	076319-01-708	EA CRANK COVER DECAL - 5413002
9	076319-01-707	EA SPRING-HANDLE - 5160800
10	076319-01-709	EA PLATE-DIRECTIONAL, FOR HEAD - 3200644
11	076319-01-712	EA PLATE-CEILING - 3200608
12	076319-01-704	EA BEARING-NYLON, 1.25"OD - 3200657
13	076319-01-713	EA PLATE-BASE - 3100523
14	076319-01-703	EA BEARING-NYLON, 5"OD - 3200656
15	076319-01-714	EA HOUSING, ROTATING GEAR - 2200049
	076319-06-000	EA ADAPTOR-CABLE ROOF PLATE, WINEGARD - RPJ-1
	076319-03-000	FT CABLE-COAXIAL, 75 OHM
	076319-12-000	EA CONNECTOR-COAXIAL, ONE PIECE
	086777-01-000	EA PLATE-WALL, CABLE - W/TV ANTENNA SWITCH - IVORY

AUDIO VIDEO GROUP (CONTINUED)

BATH GROUP

RADIO SYSTEM & ANTENNA

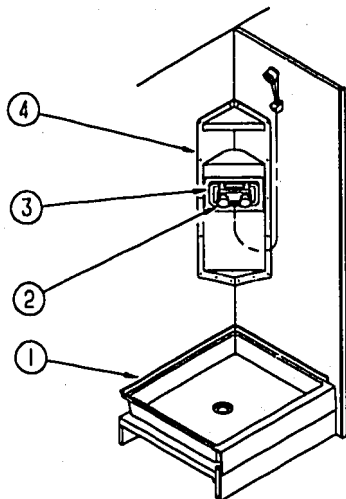
KEY	PART NUMBER	U/M	DESCRIPTION
	087683-01-000	EA	RADIO-AM/FM STEREO W/CAS AUDIOVOX 144D1559
	110267-01-000	EA	RADIO-AM/FM STEREO AUDIOVOX IM-200
	110469-01-000	EA	SPEAKER - 4" X 6", OVAL - MAGNADYNE F46XB-12
	110470-01-01A	EA	GRILLE-SPEAKER, OVAL - 4" X 6" - BLACK - MAGNADYNE G46WI
	077069-02-000	EA	CABLE-ANTENNA, RADIO - EXTENSION 96" - ARA 6700667
	090944-01-000	EA	ANTENNA-RADIO, 16" RUBBER
	110272-01-000	EA	BRACKET-ANTENNA
	081059-02-000	EA	WIRE ASM - 9-PIN, RADIO - AUDIOVOX 112B-1761



BATHROOM CABINET & COMPONENTS

KEY	PART NUMBER	U/M	DESCRIPTION
1	116877-01-FB1	EA	CABINET ASM-LINEN/MEDICINE
2	110140-64-F01	EA	DOOR-ASM. 0305 X 0740
3	075240-06-000	EA	FAUCET-LAVATORY, BONE
	091253-01-000	EA	GASKET-FAUCET, LAVATORY/GALLEY
4	096927-01-01A	EA	SINK-LAVATORY, RECTANGULAR - PLASTIC - BONE
	096927-01-700	EA	PLUG M9801
	096927-01-701	EA	TAILPIECE M9802
5	P16875-01-FB1	EA	CABINET ASM-LAVATORY
6	110140-33-E01	EA	DOOR-MITERED VINYL 0305X0555
	105394-01-02A	EA	JAMB-DOOR, 7' - OAK PLASTIC
	075452-02-000	EA	HOLDER-TOILET TISSUE, BRASS
	075453-02-000	EA	BAR-TOWEL, 18" BRASS
7	067487-01-000	EA	TOILET-12.37", IVORY - HAND FLUSH - THETFORD 150110
8	116875-11-FB1	EA	COUNTERTOP ASM

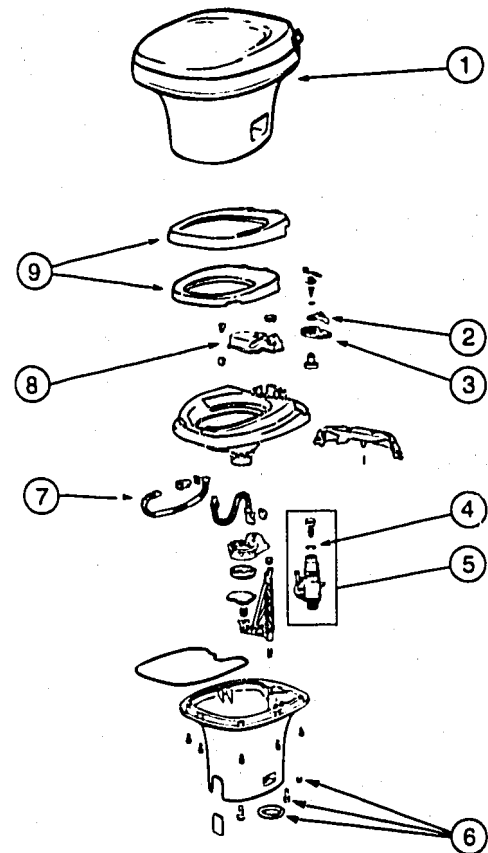
BATH GROUP (CONTINUED)



BATHROOM CABINET & COMPONENTS

KEY	PART NUMBER	U/M DESCRIPTION
1	M02673-05-B13	EA PAN-SHOWER, 29.8" X 22.7" .X 5.7" - OFF WHITE - PLASTIC
	066436-01-000	EA NUT-SLIP, TAILPIECE - 1.5"
	066440-01-000	EA STRAINER-SHOWER, W/RUBBER WASHER
	069735-01-000	EA WASHER-STRAINER TO TAILPIECE PLASTIC, 1.5"
2	109801-01-01A	EA FAUCET-SHOWER - PARCHMENT *BPC 20-154P01
3	075606-01-000	EA PANEL-FAUCET BACK, SHOWER - 5" X 9" - PLASTIC
4	105707-01-01A	EA CADDY-SHOWER
	M87868-29-FB1	EA DOOR ASM-CABINET,BATH
	094485-03-01A	EA KNOB-DOOR,BRASS THUNADER L132PB
	102920-01-01A	EA HINGE-DOOR, SPRING LOADED - BRASS
	110495-01-01A	EA HINGE-BRASS STOCKER
	117431-01-01A	EA DOOR - SHOWER - FABRIC PLEATED 29.6 X 63.0

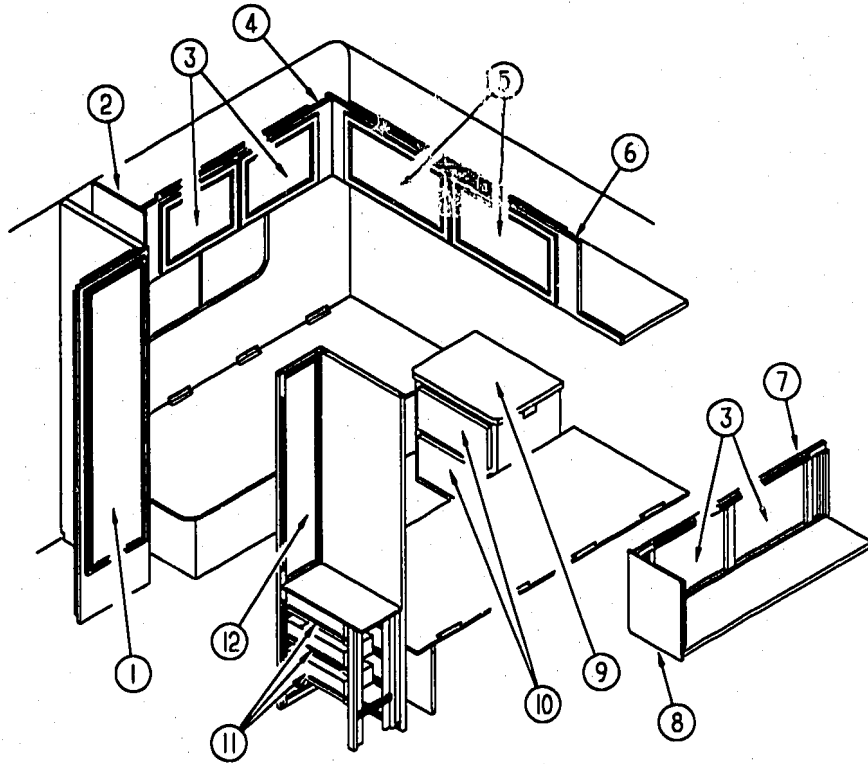
BATH GROUP (CONTINUED)



AQUA MAGIC IV LOW TOILET

KEY	PART NUMBER	U/M DESCRIPTION
1	067487-01-000	EA TOILET-AQUA MAGIC IV, LOW
2	063740-01-700	EA LEVER-WATER, TOILET - 12514
3	063740-01-701	EA LEVER-FLUSH - 12515
4	063740-01-713	EA SEAL-BALL VALVE TO BOWL - 12502
5	063740-01-714	EA VALVE ASSEMBLY, WATER W/FLOAT & BALL SEAL - 13168
6	063740-01-706	EA BOLT PACKAGE-FLOOR FLANGE - 12524
7	063740-01-717	EA TUBE-FLUSH - 12509
8	067487-02-702	EA TANK-RESERVOIR - 12507
9	063740-02-700	EA SEAT & COVER, PARCHMENT - 2464157

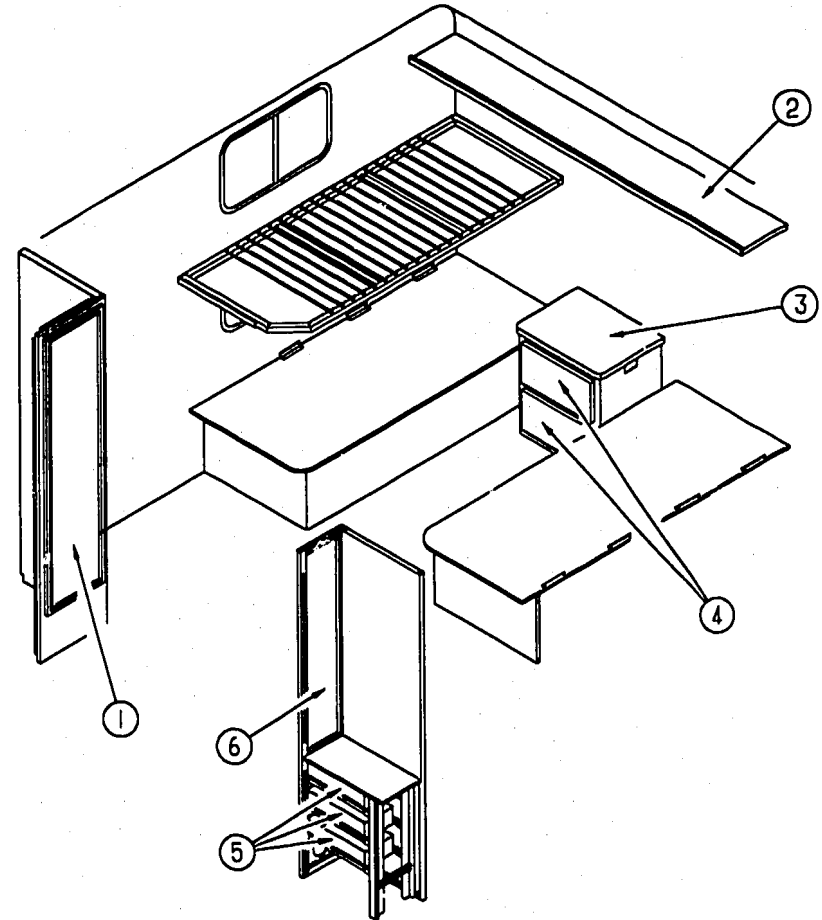
BEDROOM GROUP



TWIN BEDROOM

KEY	PART NUMBER	U/M DESCRIPTION
1	110140-73-FB1	EA DOOR ASM-MITERED - VINYL WRAP - 0410 X 1660
2	109908-31-FB1	EA CAP ASM-END - OVERHEAD
3	110140-27-E01	EA DOOR ASM-MITERED - VINYL WRAP - 0400 X 0520
4	117093-01-FB1	EA CABINET ASM - OVERHEAD,REAR,RH,TWIN
5	110140-21-F15	EA DOOR ASM-MITERED - VINYL WRAP - 0400 X 0710
6	117092-01-FB1	EA CABINET ASM - OVERHEAD,REAR,TWIN
	098442-02-EB1	EA LEG ASM-BED
	091261-01-000	FT BACKING-NON-SKID, 12" X 100"
	105376-01-02A	EA HINGE-CONTIN, 2" X 140MM O/W
7	117093-02-FB1	EA CABINET ASM - OVERHEAD,REAR,LH,TWIN
8	109908-30-FB1	EA CAP ASM-END - OVERHEAD
	110140-27-E01	EA DOOR ASM-MITERED - VINYL WRAP - 0400 X 0520
	063701-37-000	EA COVER-PIPE O/WHT 318,0 MM
9	117071-11-FB1	EA COUNTERTOP ASM
10	P10163-N3-FB1	EA DRAWER -SLIDE - NIGHTSTAND
11	P10163-N0-FB1	EA DRAWER -SLIDE - WARDROBE
12	110140-72-FB1	EA DOOR ASM-MITERED - VINYL WRAP - 0255 X 1220

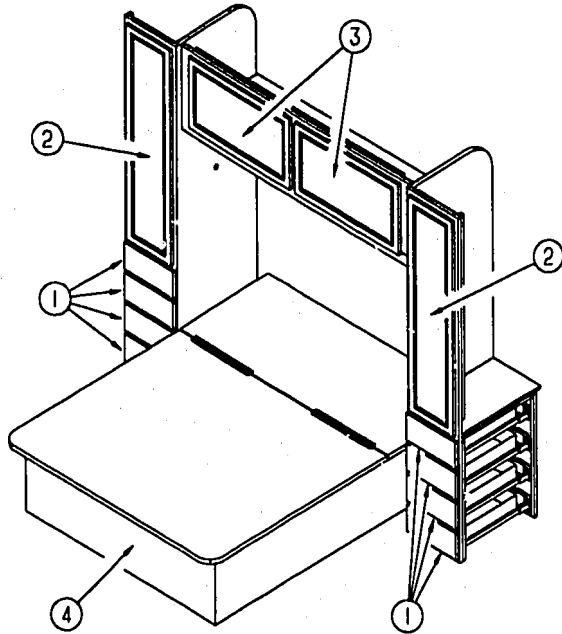
BEDROOM GROUP (CONTINUED)



TWIN & BUNK BEDROOM

KEY	PART NUMBER	U/M DESCRIPTION
1	110140-73-FB1	EA DOOR ASM-MITERED - VINYL WRAP - 0410 X 1660
2	117090-01-FB1	EA CABINET ASM-OVHD,SHELF
	098442-02-EB1	EA LEG ASM-BED
	091261-01-000	FT BACKING-NON-SKID, 12" X 100"
	105376-01-02A	EA HINGE-CONTINUOUS, 2" X 140MM O/W
	063701-37-000	EA COVER-PIPE OFF WHITE 318,0 MM
3	117071-11-FB1	EA COUNTERTOP ASM
4	P10163-N3-FB1	EA DRAWER -SLIDE - NIGHTSTAND
5	P10163-N0-FB1	EA DRAWER -SLIDE - WARDROBE
6	110140-72-FB1	EA DOOR ASM-MITERED - VINYL WRAP - 0255 X 1220

BEDROOM GROUP (CONTINUED)



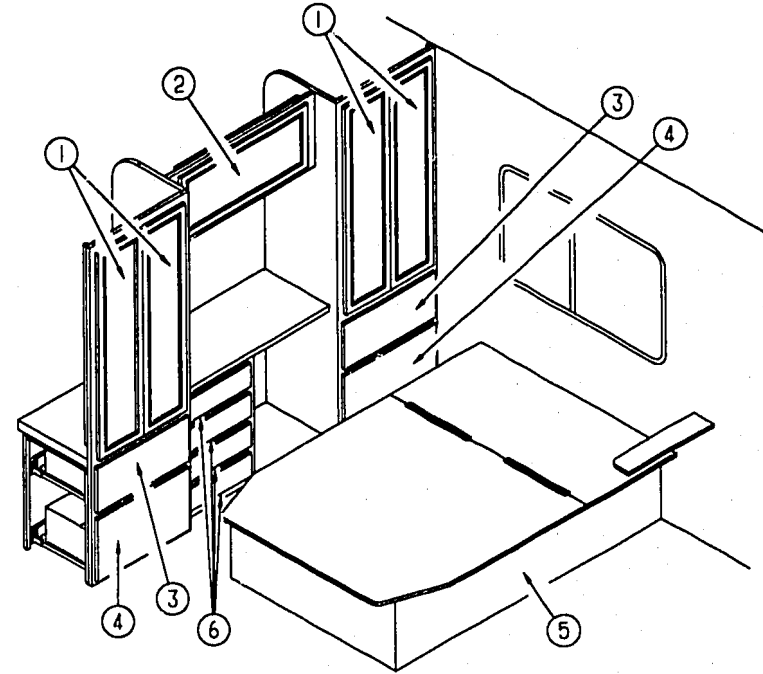
QUEEN BEDROOM

KEY	PART NUMBER	U/M DESCRIPTION
1	P10163-M6-FB1	EA DRAWER COMPLETE - SLIDE
2	110140-22-E01	EA DOOR ASM-MITERED - VINYL WRAP - 0305 X 1220
3	110140-21-F15	EA DOOR ASM-MITERED - VINYL WRAP - 0400 X 0710
4	P16997-01-FB1	EA CABINET ASM-BED,QUEEN
	042438-51-019	EA DOWEL-WOOD 1.0DIA. X 0324

TV/RADIO CABINETS & STANDS

KEY	PART NUMBER	U/M DESCRIPTION
	084357-02-E07	EA TV STAND ASM
	084356-08-000	EA INSERT-TV STAND, W/SUPPORT HINGE - METAL - OFF WHITE
	084412-01-000	EA SUPPORT HINGE KIT
	084413-01-000	EA HINGE-CONTINUOUS, ALUMINUM - 1" X 72" - W/HOLES

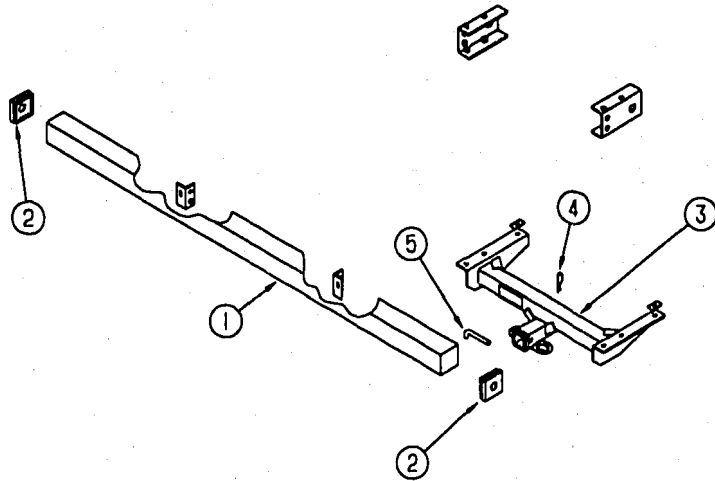
BEDROOM GROUP (CONTINUED)



DOUBLE BEDROOM CABINETS

KEY	PART NUMBER	U/M DESCRIPTION
1	P16841-01-FB1	EA DOOR ASM-WARDROBE,BI-FOLD
2	110140-65-F15	EA DOOR ASM-MITERED - VINYL WRAP - 0365 X 0850
	098442-02-EB1	EA LEG ASM-BED
3	P10163-M0-FB1	EA DRAWER COMPLETE-SLIDE
4	P10163-M1-FB1	EA DRAWER COMPLETE-SLIDE
5	P16839-01-FB1	EA CABINET ASM-DOUBLE BED
6	P10163-M2-FB1	EA DRAWER COMPLETE-SLIDE
	P16840-01-FB1	EA CABINET ASM-DRESSER,REAR, DOUBLE BED
	116840-11-FB1	EA COUNTERTOP ASM

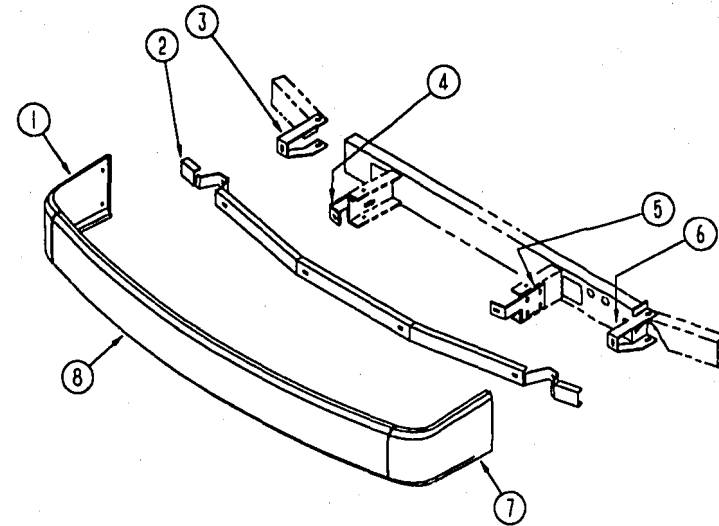
CHASSIS GROUP



REAR BUMPER, TRAILER HITCH & COMPONENTS

KEY	PART NUMBER	U/M DESCRIPTION
1	110231-01-FB1	EA BUMPER ASM-REAR
2	039779-01-000	EA CAP-BUMPER, RUBBER - 4" X 4" - BLACK
3	107707-01-000	EA HITCH ASM-DRAWBAR, CLASS II
4	034513-01-000	EA PIN-HITCH, 3/16" WIRE
5	034512-01-000	EA PIN-LOCKING, DRAWBAR
	109738-01-01A	EA BRACKET-BUMPER MILL
	097744-02-000	EA HOUSING-TRAILER PIN, 48"
	097746-01-000	EA HOUSING CAP-TRAILER PIN
	097745-02-000	EA HOUSING-RECEPTACLE, TRAILER - 48" WIRE LENGTH
	113589-02-000	EA CONNECTOR-SOCKET, TRAILER - GENERAL 433601
	113589-01-000	EA CONNECTOR-PLUG, TRAILER - GENERAL 433501

CHASSIS GROUP (CONTINUED)



FRONT BUMPER

KEY	PART NUMBER	U/M DESCRIPTION
1	103625-01-04A	EA PANEL-FACIA, BUMPER FRONT RIGHT - BRIGHT WHITE
2	103512-01-000	EA CHANNEL ASM-BUMPER
3	103497-01-000	EA BRACE-BUMPER, FRONT
4	086140-03-000	EA SUPPORT-FRONT BUMPER, PASSENGER SIDE - 9.1" X 4" - STEEL
5	086140-04-000	EA SUPPORT-FRONT BUMPER, DRIVER SIDE - 9.1" X 4" - STEEL
6	103611-01-000	EA BRACE-BUMPER, FRONT
7	103625-02-04A	EA PANEL-FACIA, BUMPER FRONT LEFT - BRIGHT WHITE
8	103626-01-04A	EA PANEL-FACIA, BUMPER FRONT - BRIGHT WHITE
8	103634-01-FB1	EA BUMPER ASM-FRONT, W/RIGHT & LEFT FACIAS - BRIGHT WHITE
	094362-02-000	EA CLIP-CHRISTMAS TREE, FLAT HEAD - .5" X .95"

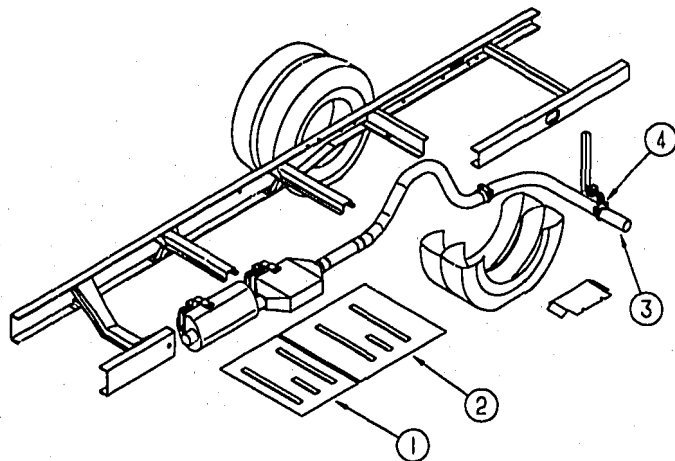
CHASSIS GROUP (CONTINUED)**CHASSIS MISCELLANEOUS**

KEY	PART NUMBER	U/M	DESCRIPTION
	076310-01-000	EA	BAFFLE-RADIATOR - .12" X 15" X 62" - RUBBER
	087234-01-000	EA	NUT-JACK - 1/4" X 20 THREADS - MOLLY - MOUNTS LICENSE PLATES
	080208-01-000	EA	LUG WRENCH - 1.06 X 1.00
	080208-02-000	EA	BAR-LEVERAGE - LUG WRENCH
	072877-01-000	EA	INSULATION-SOUND BARRIER - 1.25" X 46" X 54"
	072878-01-000	EA	INSULATION-SOUND BARRIER PAD - 29.25" X 40.19"

CHASSIS GROUP (CONTINUED)**WHEELS, TIRES & WHEEL COVER**

KEY	PART NUMBER	U/M	DESCRIPTION
	064963-01-000	EA	WHEEL-STEEL, 19.5" X 6" - GM 14005758
	109443-01-000	EA	WHEEL-COVER 4/SET 19.5 W/HDW DICOR SHAG95
	109443-01-700	EA	COVER-WHEEL 19.5 FRT. & REAR SHAG95 1 ONLY DICOR
	109443-01-701	EA	BRACKET F/RET.(SET)FRT WHEEL SHAG95-FBS DICOR
	109443-01-702	EA	BRACKET F/RET.(SET) RR WHEEL SHAG95-FBS DICOR
	109443-01-703	EA	CAP-CENTER, HUB - DICOR SP-AUCAP

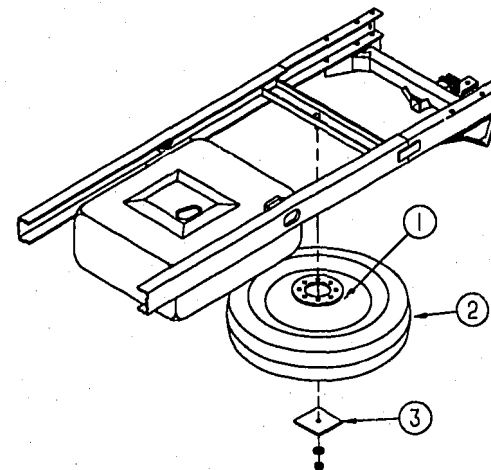
CHASSIS GROUP (CONTINUED)



EXHAUST SYSTEM (GAS)

KEY	PART NUMBER	U/M DESCRIPTION
1	101544-01-000	EA SHIELD-HEAT - EXHAUST - STEEL
2	101544-02-000	EA SHIELD-HEAT - EXHAUST - 30" X 28.9" - STEEL
3	098762-05-000	EA PIPE-EXHAUST -STRAIGHT 3.0 IN
4	094918-01-000	EA CLAMP-EXHAUST - 3" - GUILLOTINE STYLE

CHASSIS GROUP (CONTINUED)



SPARE TIRE, LUG WRENCH & BAR

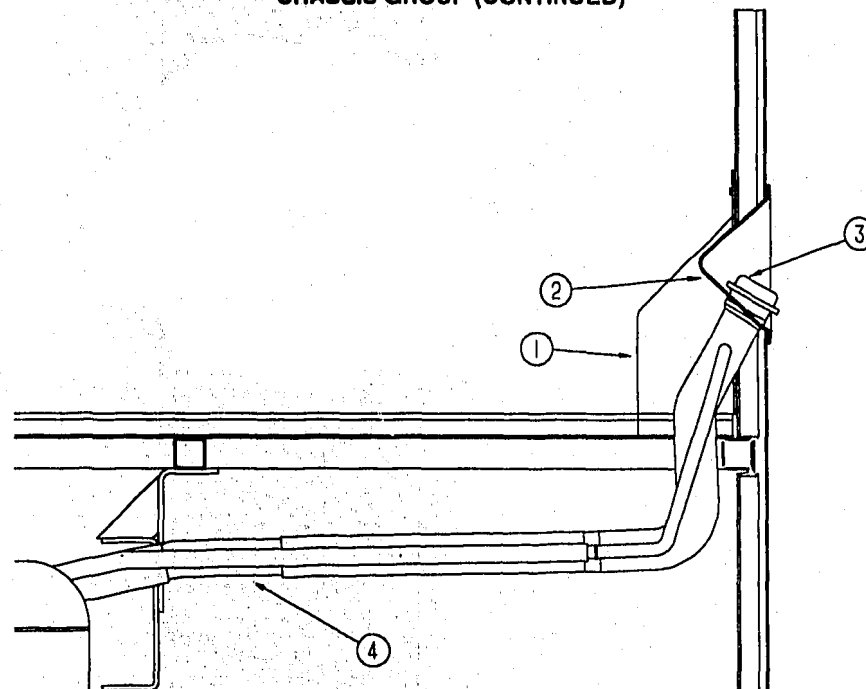
KEY	PART NUMBER	U/M DESCRIPTION
1	064963-01-000	EA WHEEL-STEEL, 19.5" X 6" - GM 14005758
2	007324-04-000	EA TIRE - 8R19.5 LRD, MICHELIN XZA
	051377-01-000	EA STEM-VALVE, TR 500
3	111685-01-000	EA PLATE - SPARE TIRE
	080208-01-000	EA LUG WRENCH, 1.06 X 1.00
	080208-02-000	EA BAR - LEVERAGE, LUG WRENCH

CHASSIS GROUP (CONTINUED)

STORAGE COMPARTMENTS & WHEELWELLS

KEY	PART NUMBER	U/M	DESCRIPTION
	055080-01-000	EA	WHEELWELL-PLASTIC -REAR - BLACK - LEFT OR RIGHT
	065450-05-000	EA	TIEDOWN-BATTERY, 8.4" TUBE
	109904-02-000	EA	ANGLE ASM-SOLENOID, 118 X 76.1MM W/WELD NUT - STEEL
	077848-08-000	EA	STEP ASM-PULLOUT
	094657-02-000	EA	TRAY-GENERATOR, 22.5" X 30.4" X 6.9" W/ANGLE & NUTS
	105376-01-02A	EA	HINGE - CONTINUOUS, 2" X 140 MM O/W
	115361-01-01A	EA	PLUG-PLASTIC
	103147-01-000	EA	TRAY-BATTERY
	109904-02-000	EA	ANGLE ASM-SOLENOID, 118 X 76.1MM W/WELD NUT - STEEL
	115007-01-01A	EA	HATCH-COMPARTMENT,WATER BLACK
	M06991-04-FB1	EA	HATCH ASM W/FOAM
	117118-01-01A	EA	HATCH-COMPARTMENT, STORAGE BLACK
	116926-01-01A	EA	COMPARTMENT-SEWER
	017516-01-000	EA	FLAP-MUD, 14" X 18" - BLACK
	001360-01-004	EA	STL-ROD CR.375DIA X 028.25 IN
	033865-01-073	EA	STL-11GA HRP&O 02.00 X 027.40 SHEET

CHASSIS GROUP (CONTINUED)



FUEL SYSTEM

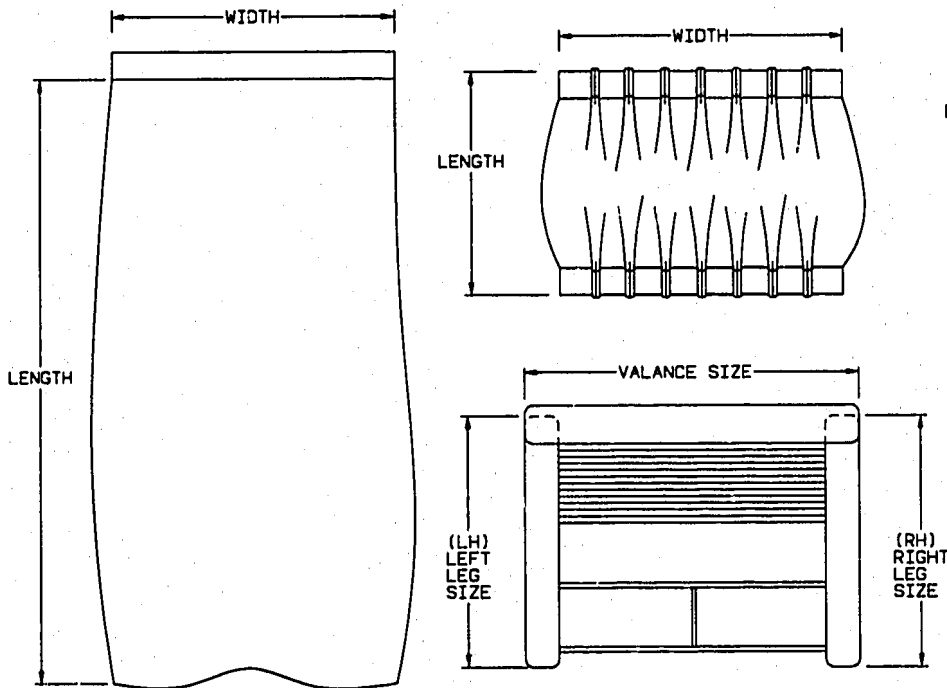
KEY	PART NUMBER	U/M	DESCRIPTION
1	072447-04-000	EA	SHROUD-FUEL FILL, UPPER - PLASTIC
2	102951-01-01A	EA	SHROUD-FUEL FILL-UNFINISHED
2	102951-01-06A	EA	SHROUD-FUEL FILL, BRIGHT WHITE
3	073220-02-000	EA	CAP-FILL, FUEL - NON LOCKING - GAS - GM 22525302
4	087256-10-000	EA	NECK ASM-FUEL FILL
	078200-01-000	EA	GASKET-FUEL FILL, 3.5"OD X 2"ID
	098803-01-000	EA	PIPE-FUEL FILL, 90 DEGREE BEND - 13.2" - 1 3/4" OD - STEEL
	098806-01-000	EA	PIPE-FILL VENT, 90 DEGREE BEND - .625" OD - STEEL
	098807-01-000	EA	PIPE-FUEL FILL, 90 DEGREE BEND - 6.6" - 1 3/4" OD - STEEL
	044317-01-000	FT	HOSE-FUEL, 3/8" ID
	007063-01-000	FT	HOSE-GAS 1/4"ID X 1/2"OD
	024142-01-000	EA	TEE-BARB, 3/16" - PLASTIC

CURTAIN & CUSHION GROUP

NOTICE

IN ORDER TO ASSIST OUR PARTS SALES DEPT. IN PROVIDING INTERIOR SOFTGOODS ITEMS, PLEASE INCLUDE THE SERIAL NUMBER AND THE COLOR CODE NUMBER FROM THE VEHICLE CERTIFICATION LABEL WHEN ORDERING. THIS LABEL IS LOCATED ON THE LEFT SIDEWALL AT THE END OF THE DASH (A-BODY), OR ON THE DRIVER'S DOOR LATCH PLATE (C-BODY).

AN EXAMPLE OF A COLOR CODE NUMBER IS B07, WHICH DESIGNATES AN OVERALL COLOR SCHEME OF A PARTICULAR UNIT. THE COLOR LISTED AFTER THE ITEM DESCRIPTION ON THE MICROFICHE, INDICATES THE OVERALL UNIT COLOR. ORDER THE ITEM YOU DESIRE ACCORDING TO UNIT COLOR CODE.



NOTE: USE THIS ILLUSTRATION WHEN DETERMINING LENGTH AND WIDTH MEASUREMENTS FOR CURTAINS. YOU WILL NOTE THE WIDTH MEASUREMENT IS TAKEN ON THE TOP OF THE CURTAIN WITH THE CURTAIN FULLY EXTENDED. THE LENGTH MEASUREMENT IS TAKEN FROM TOP TO BOTTOM. LEFT AND RIGHT WINDOW LEGS ARE DETERMINED WHEN FACING THE WINDOW.

CURTAIN & CUSHION GROUP (CONTINUED)

FABRIC TRIMS, SEAT BELTS & ASSIST HANDLE

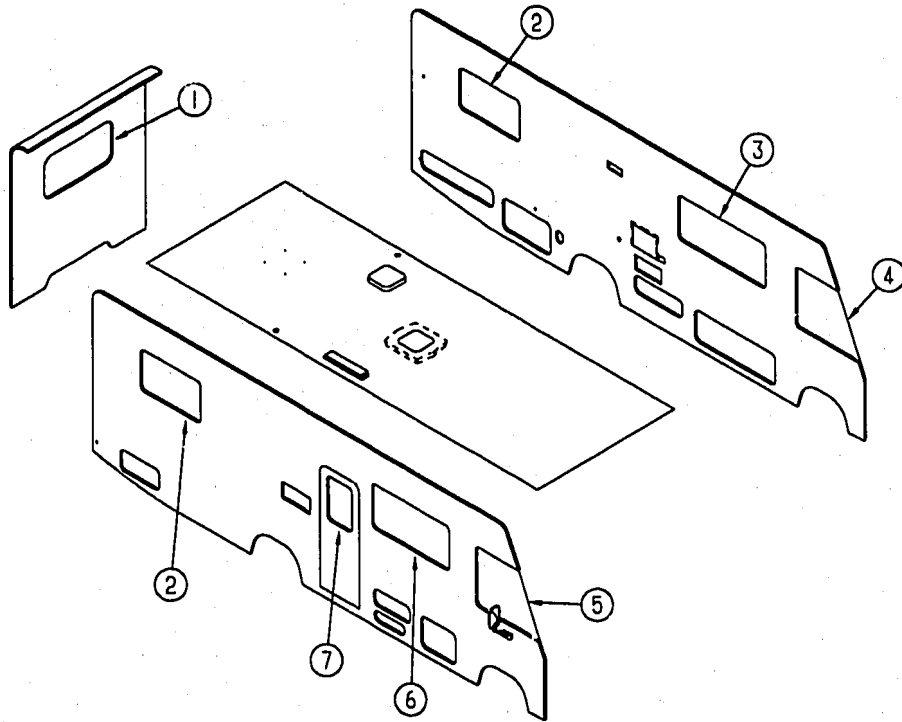
KEY	PART NUMBER	U/M DESCRIPTION
	007021-01-000	EA BELT-SEAT, 2' X 90" - BLACK
	056271-02-000	EA BELT-SEAT, 2' X 72" - BLACK
	079349-04-E27	YD WELT ASM-NARROW,ACCENT (FB1)
	079349-04-F16	YD WELT ASM-NARROW,ACCENT (FC1)
	057759-01-000	EA WASHER BRACKET-SEAT BELT, 4" DIAMETER
	069178-02-000	EA BRACKET-MOUNTING, ASSIST HANDLE - L ANGLE - WHOLES - ST
	070578-11-B18	EA BUTTON SCREW-STUD, #30 VINYL
	000C16-07-16B	EA BOLT-CARRIAGE, ASSIST HANDLE - 7/16" - 14 X 1" ZN
	000D20-07-00B	EA NUT-ACORN,ASSIST HANDLE - 7/16" X 14 ZN
	053552-02-AA8	EA HANDLE-ASSIST, INTERIOR - ENTRY DOOR - VINYL - OFF WHITE

FABRICS

KEY	PART NUMBER	U/M DESCRIPTION
	087272-03-000	YD DRAPERY LINING, 54" WIDE - IVORY
	103907-01-01A	YD FABRIC-VINYL, 54" WIDE - OFF WHITE
	108446-B3-000	YD FABRIC-UPHOLSTERY, MAIN - TERRITORY,GULF (FB1)
	108446-B8-000	YD FABRIC-UPHOLSTERY, MAIN - TERRITORY,IVORY (FC1)
	108446-49-000	YD FABRIC-UPHOLSTERY, PLAIN ACCENT ALBANY,695 TWILIG (FB1)
	108446-B4-000	YD FABRIC-UPHOLSTERY, PLAIN ACCENT ALBANY,SMOKE (FC1)
	108446-B5-000	YD FABRIC-UPHOLSTERY, PATTERN ACCENT - BRINKLEY,GULF (FB1)
	108446-B6-000	YD FABRIC-UPHOLSTERY, PATTERN ACCENT - BRINKLEY,IVORY (FC1)
	105745-64-000	YD FABRIC-BEDSPREAD, RADIANCE,SLATE (FB1)
	105745-62-000	YD FABRIC-BEDSPREAD, RADIANCE,LILAC (FC1)
	105745-85-000	YD FABRIC-BEDSPREAD,GALAXY,MAINLINE (FB1)
	105745-86-000	YD FABRIC-BEDSPREAD, GALAXY,MAINLINE (FC1)

CURTAIN & CUSHION GROUP (CONTINUED)

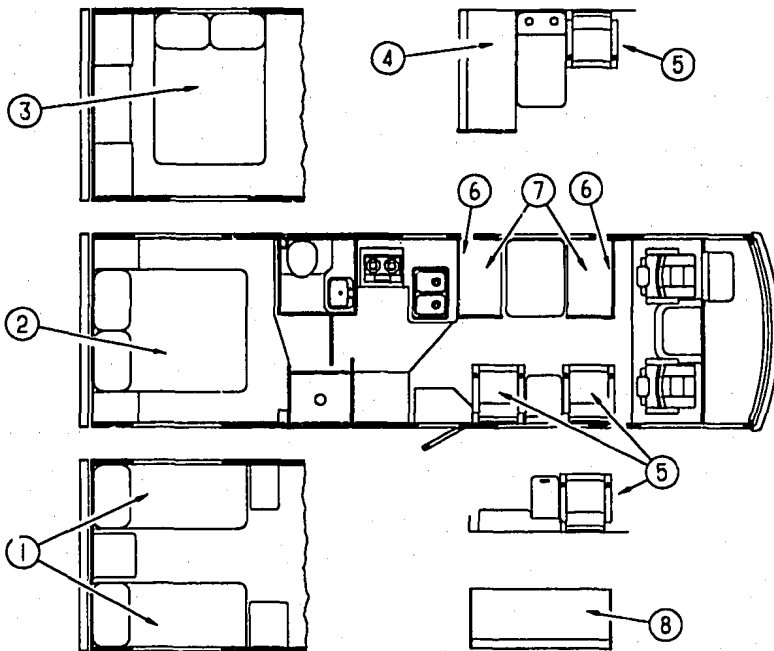
WINDOW TREATMENT



KEY	PART NUMBER	U/M DESCRIPTION
1	104657-02-F15	EA VALANCE ASM-GEORGETOWN - 52" (FB1) (QUEEN BED)
1	104657-02-F16	EA VALANCE ASM-GEORGETOWN - 52" (FC1) (QUEEN BED)
1	P04657-02-F15	EA COVER-VALANCE - GEORGETOWN - 52" (FB1) (QUEEN BED)
1	P04657-02-F16	EA COVER-VALANCE - GEORGETOWN - 52" (FC1) (QUEEN BED)
1	104657-12-F15	EA VALANCE ASM-GEORGETOWN - 29" - NO HEADER (FB1)(DOUBLE BED)
1	104657-12-F16	EA VALANCE ASM-GEORGETOWN - 29" - NO HEADER (FC1)(DOUBLE BED)
1	P04657-12-F15	EA COVER-VALANCE - GEORGETOWN - 29" (FB1) (DOUBLE BED)
1	P04657-12-F16	EA COVER-VALANCE - GEORGETOWN - 29" (FC1) (DOUBLE BED)
1	104657-28-FB1	EA VALANCE ASM-GEORGETOWN - 29" W/HEADER (TWIN BEDS/BUNK BEDS)
1	104657-28-FC1	EA VALANCE ASM-GEORGETOWN - 29" W/HEADER (TWIN BEDS/BUNK BEDS)
1	P04657-28-FB1	EA COVER-VALANCE - GEORGETOWN - 29" W/HEADER (BUNK BEDS)
1	P04657-28-FC1	EA COVER-VALANCE - GEORGETOWN - 29" W/HEADER (BUNK BEDS)
1	101668-44-F15	EA CURTAIN - 29 X 35, TAPE TOP,LINED (FB1) (QUEEN BED)
1	101668-44-F16	EA CURTAIN - 29 X 35, TAPE TOP,LINED (FC1) (QUEEN BED)
1	101668-51-FB1	EA CURTAIN- 29" X 20 TAPE TOP,LINED (DOUBLE BED / BUNK BEDS)
1	101668-51-FC1	EA CURTAIN- 29" X 20 TAPE TOP,LINED (DOUBLE BED / BUNK BEDS)
1	084755-92-F15	EA SHADE ASM-PULL- 50.25" (FB1, FC1) (QUEEN BED/TWIN BEDS)
1	084755-57-E07	EA SHADE ASM-PULL- 27.25" (FB1, FC1) (DOUBLE BED/BUNK BEDS)
1	073260-25-F15	EA TIEBACK ASM- 3" X 18" (FB1)
1	073260-25-F16	EA TIEBACK ASM- 3" X 18" (FC1)

KEY	PART NUMBER	U/M DESCRIPTION
2	104657-01-F15	EA VALANCE ASM-GEORGETOWN - 45" W/HEADER (FB1) (QUEEN BED)
2	104657-01-F16	EA VALANCE ASM-GEORGETOWN - 45" W/HEADER (FC1) (QUEEN BED)
2	P04657-01-F15	EA COVER-VALANCE - GEORGETOWN - 45" W/HEADER (FB1) (QUEEN BED)
2	P04657-01-F16	EA COVER-VALANCE - GEORGETOWN - 45" W/HEADER (FC1) (QUEEN BED)
2	101668-42-F15	EA CURTAIN- 32" X 35" - TAPE TOP (FB1) (QUEEN BED / DOUBLE BED)
2	101668-42-F16	EA CURTAIN- 32" X 35" - TAPE TOP (FC1) (QUEEN BED / DOUBLE BED)
2	101034-49-FB1	EA CURT./IN - 19" X 19" - RIGHT - TAPE TOP & BOTTOM - W/LINING (BUNK BEDS)
2	101034-49-FC1	EA CURTAIN - 19" X 19" - RIGHT - TAPE TOP & BOTTOM - W/LINING (BUNK BEDS)
2	101034-50-FB1	EA CURTAIN - 19" X 19" - LEFT.DART TAPE TOP & BOTTOM - W/LINING (BUNK BEDS)
2	101034-50-FC1	EA CURTAIN - 19" X 19" - LEFT.DART TAPE TOP & BOTTOM - W/LINING (BUNK BEDS)
2	084755-93-F15	EA SHADE ASM-PULL - 42.25" (FB1, FC1) (QUEEN BED / DOUBLE BED / TWIN BEDS)
2	073260-25-F15	EA TIEBACK ASM- 3" X 18" (FB1)
2	073260-25-F16	EA TIEBACK ASM- 3" X 18" (FC1)
3	105923-24-F15	EA VALANCE - RODEWAY W/1" INSERT 63.5" (FB1)
3	105923-24-F16	EA VALANCE - RODEWAY W/1" INSERT 63.5" (FC1)
3	076892-21-FB1	EA CURTAIN ASM - 30" X 15" PLAIN HEM
3	076892-21-FC1	EA CURTAIN ASM - 30" X 15" PLAIN HEM
3	084755-76-F15	EA SHADE ASM-PULL - 62.25,NO TRIM (FB1,FC1)
4	101668-30-EB1	EA CURTAIN - TAPE TOP, 38" X 80" - LEFT (FB1)
4	101668-30-FC1	EA CURTAIN - TAPE TOP, 38" X 80" - LEFT (FC1)
4	073260-42-FB1	EA TIEBACK ASM- 6" X 18"
4	073260-42-FC1	EA TIEBACK ASM- 6" X 18"
5	101668-31-EB1	EA CURTAIN - TAPE TOP, 38" X 80" - RIGHT (FB1)
5	101668-31-FC1	EA CURTAIN - TAPE TOP, 38" X 80" - RIGHT (FC1)
5	073260-42-FB1	EA TIEBACK ASM- 6" X 18"
5	073260-42-FC1	EA TIEBACK ASM- 6" X 18"
6	105923-27-FB1	EA VALANCE ASM-RODEWAY W/1" INSERT 57.5"
6	105923-27-FC1	EA VALANCE ASM-RODEWAY W/1" INSERT 57.5"
6	076892-21-FB1	EA CURTAIN ASM - 30" X 15" PLAIN HEM
6	076892-21-FC1	EA CURTAIN ASM - 30" X 15" PLAIN HEM
6	084755-75-E91	EA SHADE ASM-PULL- 56.25 - NO TRIM (FB1,FC1)
7	105923-34-FB1	EA VALANCE ASM-RODEWAY W/1" INSERT 29"
7	105923-34-FC1	EA VALANCE ASM-RODEWAY W/1" INSERT 29"
7	084755-95-FB1	EA SHADE ASM-PULL - 25.5" NO TRIM (FB1,FC1)
	101668-49-FB1	EA CURTAIN - 61" X 48" - ROOM DIVIDER - LINED
	101668-49-FC1	EA CURTAIN - 61" X 48" - ROOM DIVIDER - LINED
	073260-63-FB1	EA TIEBACK ASM - 4" X 15" (FB1)(ROOM DIVIDER)
	073260-63-FC1	EA TIEBACK ASM - 4" X 15" (FC1)(ROOM DIVIDER)

CURTAIN & CUSHION GROUP (CONTINUED)



TWIN BEDS WITH BUNK BEDS CUSHIONS

KEY	PART NUMBER	U/M DESCRIPTION
1	101123-19-000	EA MATTRESS-COMPLETE-FOAM 32" X 74" X 5" (FB1, FC1)
	P01123-19-000	EA COVER-MATTRESS - 32" X 74" X 5" (FB1, FC1)
1	101123-23-000	EA MATTRESS-COMPLETE-FOAM 30 X 76 X 4 - W/PASSENGERS CUT CORNER
1	101123-24-000	EA MATTRESS-COMPLETE-FOAM 30 X 76 X 4 - W/DRIVERS CUT CORNER
1	085365-20-FB1	EA BEDSPREAD - 33" X 80" THROW - W/ROUNDED CORNER
1	085365-28-FC1	EA BEDSPREAD - 33" X 80" THROW - W/ROUNDED CORNER
	117067-01-FB1	EA COVER-FITTED SHEET - PASSENGERS.4" (FB1, FC1)
	117067-02-FB1	EA COVER-FITTED SHEET - DRIVERS.4" (FB1, FC1)
	117067-03-FB1	EA COVER-FITTED SHEET,UNIV. 5" (FB1, FC1)
	117066-01-FB1	EA BED ASM-BUNK

QUEEN BED

KEY	PART NUMBER	U/M DESCRIPTION
2	101123-26-000	EA MATTRESS COMPLETE-FOAM - 59" X 74" X 5" (FB1, FC1)
	P01123-26-000	EA COVER-MATTRESS - 60" X 74" X 5" (FB1, FC1)
2	102410-15-F15	EA BEDSPREAD - THROW W/4" RUFFLE 59" X 74" X 5" (FB1)
2	102410-15-F16	EA BEDSPREAD - THROW W/4" RUFFLE 59" X 74" X 5" (FC1)
2	102161-31-FB1	EA SHAM - W/4" RUFFLE - (20 X 33)
2	102161-31-FC1	EA SHAM - W/4" RUFFLE - (20 X 33)

DOUBLE BED

KEY	PART NUMBER	U/M DESCRIPTION
3	101123-22-000	EA MATTRESS COMPLETE-FOAM - 54 X 75 X 5 W/2 CUT CORNERS (FB1, FC1)
	P01123-22-000	EA COVER-MATTRESS - 54 X 75 X 5 W/2 CUT CORNERS (FB1, FC1)
3	102410-13-FB1	EA BEDSPREAD - THROW W/4" RUFFLE., 54 X 74 X 5
3	102410-13-FC1	EA BEDSPREAD - THROW W/4" RUFFLE., 54 X 74 X 5
3	102161-25-F15	EA SHAM - W/4" RUFFLE (FB1)
3	102161-25-F16	EA SHAM - W/4" RUFFLE (FC1)

FORWARD FACING COUCH

KEY	PART NUMBER	U/M DESCRIPTION
4	114969-01-FB1	EA COUCH - FORWARD FACING - BACK
4	114969-01-FC1	EA COUCH - FORWARD FACING - BACK
4	114969-04-FB1	EA COUCH - FORWARD FACING - SEAT
4	114969-04-FC1	EA COUCH - FORWARD FACING - SEAT
	116110-G3-FB1	EA COUCH END - FORWARD FACING - RIGHT
	116110-03-FC1	EA COUCH END - FORWARD FACING - RIGHT
	114763-07-000	EA FRAME-FORWARD FACING LEGS

CHAIR

KEY	PART NUMBER	U/M DESCRIPTION
5	115470-01-F15	EA CHAIR ASM-SIERRA (FB1)
5	115470-01-F16	EA CHAIR ASM-SIERRA (FC1)
	P07977-01-F15	EA COVER-SKIRT - CHAIR - DIPLOMAT (FB1)
	P07977-01-F16	EA COVER-SKIRT - CHAIR - DIPLOMAT (FC1)
	107921-01-000	EA PEDESTAL ASM-SEAT 9-3/4 IN
	108445-02-000	EA PLATE ASM-PEDESTAL,SEAT

DINETTE CUSHIONS

KEY	PART NUMBER	U/M DESCRIPTION
6	116134-01-FB1	EA CUSHION - BACKREST - 13" X 37.5" X 5" (FB1)
6	116134-01-FC1	EA CUSHION - BACKREST - 13" X 37.5" X 5" (FC1)
	P16134-01-FB1	EA COVER - BACKREST CUSHION - 13" X 37.5" X 5" (FB1)
	P16134-01-FC1	EA COVER - BACKREST CUSHION - 13" X 37.5" X 5" (FC1)
7	088927-87-F15	EA CUSHION - SEAT, 23" X 37.5" X 5" (FB1)
7	088927-87-F16	EA CUSHION - SEAT, 23" X 37.5" X 5" (FC1)
	M88927-87-F15	EA COVER - CUSHION - SEAT, 23" X 37.5" X 5" (FB1)
	M88927-87-F16	EA COVER - CUSHION - SEAT, 23" X 37.5" X 5" (FC1)
	078155-01-000	EA STRAP-SNAP - BACKREST CUSHION

PRESTO BED CUSHIONS

KEY	PART NUMBER	U/M DESCRIPTION
8	100032-37-F15	EA COUCH - 3 PILLOW - SEAT - 66.5 (FB1)
8	100032-37-F16	EA COUCH - 3 PILLOW - SEAT - 66.5 (FC1)
8	100032-44-F15	EA COUCH - 3 PILLOW - BACK - 66.5 (FB1)
8	100032-44-F16	EA COUCH - 3 PILLOW - BACK - 66.5 (FC1)

NOTE: COUCH FRONT AND SIDEPANELS ARE FOUND IN THE LOUNGE GROUP

BUCKET SEAT

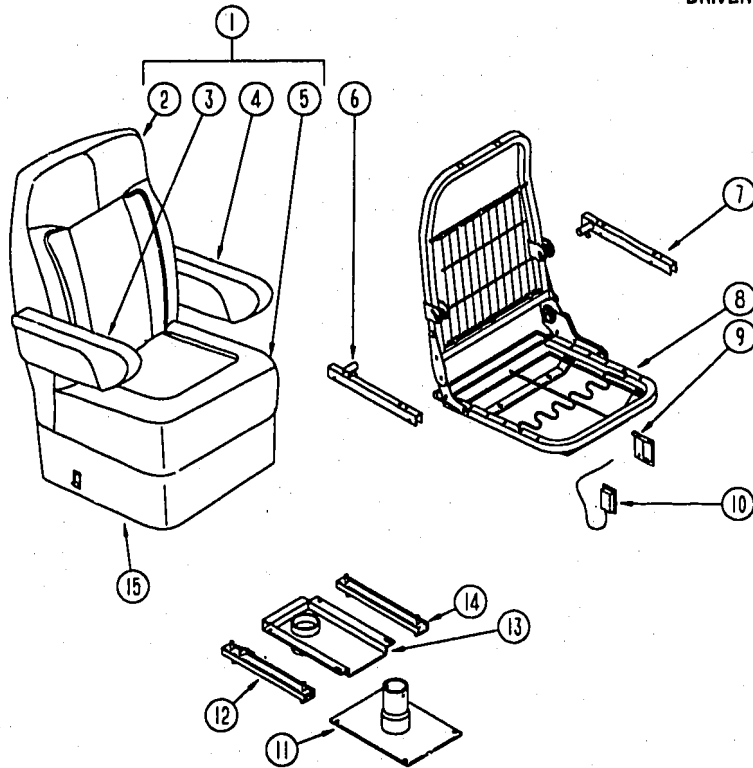
KEY	PART NUMBER	U/M DESCRIPTION
	110148-04-FB1	EA SEAT - ECONOMIZER II - ECONOMIZER ARM
	110148-04-FC1	EA SEAT - ECONOMIZER II - ECONOMIZER ARM

FRONT BUNK CUSHIONS

KEY	PART NUMBER	U/M DESCRIPTION
	079145-10-000	EA CUSHION-BUNK - 25" X 80" X 2.5"
	M79145-10-000	EA COVER-BUNK - 25" X 80" X 2.5"

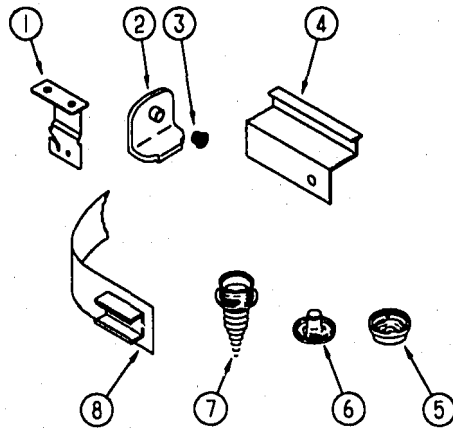
CURTAIN & CUSHION GROUP (CONTINUED)

DRIVER & PASSENGER BUCKET SEATS



KEY	PART NUMBER	U/M	DESCRIPTION
1	110148-04-FB1	EA	SEAT-ECONOMIZER II - ECONOMIZER ARM (FB1)
1	110148-04-FC1	EA	SEAT-ECONOMIZER II - ECONOMIZER ARM (FC1)
2	M05962-17-FB1	EA	COVER-ECONOMIZER - BACK (FB1)
2	M05962-17-FC1	EA	COVER-ECONOMIZER - BACK (FC1)
3	115520-01-FB1	EA	ARMREST-RIGHT - FAN (FB1)
3	115520-01-FC1	EA	ARMREST-RIGHT - FAN (FC1)
	P15520-01-FB1	EA	COVER-ARMREST-RIGHT - FAN (FB1)
	P15520-01-FC1	EA	COVER-ARMREST-RIGHT - FAN (FC1)
4	115520-02-FB1	EA	ARMREST-LEFT - FAN (FB1)
4	115520-02-FC1	EA	ARMREST-LEFT - FAN (FC1)
	P15520-02-FB1	EA	COVER-ARMREST-LEFT - FAN (FB1)
	P15520-02-FC1	EA	COVER-ARMREST-LEFT - FAN (FC1)
5	M05962-18-FB1	EA	COVER-ECONOMIZER II - SEAT (FB1)
5	M05962-18-FC1	EA	COVER-ECONOMIZER II - SEAT (FC1)
6	081268-01-000	EA	ROD & CHANNEL-ARMREST - RIGHT - METAL
7	081361-01-000	EA	ROD-ARMREST - METAL - RIGHT OR LEFT HAND
8	M80906-11-000	EA	FRAME ASM-SEAT & BACK & SPRING
9	097683-03-000	EA	BRACKET-REMOTE - SIDE MOUNT - SINGLE
	080730-08-000	EA	HANDLE-30179907 KEIPER
	080730-09-000	EA	SHIELD-FLEXSTEEL
	080730-11-000	EA	SHIELD-RUBBER BOOT FLEXSTEEL
10	089368-04-000	EA	CABLE-SWIVEL/SLIDE, W/SWITCH
11	107921-01-000	EA	PEDESTAL ASM-SEAT 9-3/4" - FLEXSTEEL 3060 MSPD
12	069246-05-000	EA	ADJUSTER-BUCKET SEAT W/ REMOTE - FORWARD AND BACK
13	107921-05-000	EA	TOP PLATE - FLEXSTEEL
	107921-06-000	EA	BEARING KIT - FLEXSTEEL
14	069246-02-000	EA	ADJUSTER-SEAT/CHAIR - W/O LOCK - FORWARD & BACK
	007221-01-000	EA	SPACER-SEAT - ADJUSTER
15	071126-41-F15	EA	SKIRT ASM-SINGLE - 7" - W/SLOT (FB1)
15	071126-41-F16	EA	SKIRT ASM-SINGLE - 7" - W/SLOT (FC1)

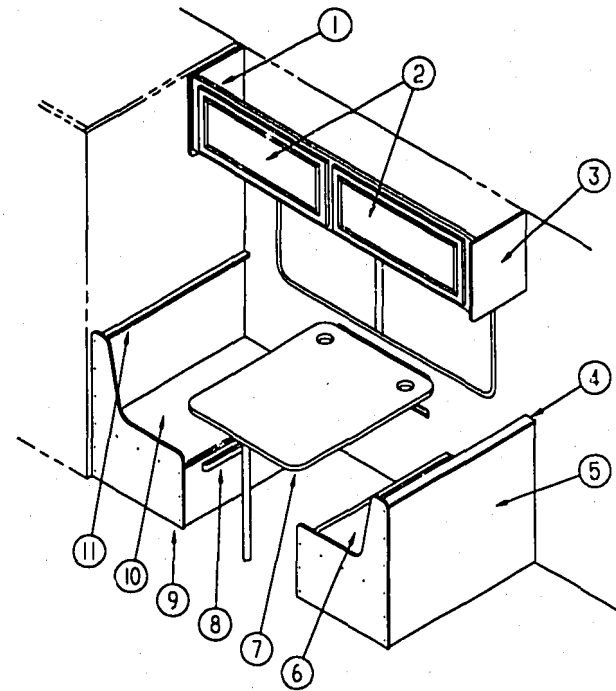
CURTAIN & CUSHION GROUP (CONTINUED)



CURTAIN HARDWARE

KEY	PART NUMBER	U/M DESCRIPTION
1	084434-01-000	EA BRACKET-MOUNTING, ROLLER SHADE - 1 3/8"
2	106544-01-000	EA PULL-SHADE, BRASS
3	106544-01-001	EA SCREW-BRASS, SHADE
	084433-05-000	EA SHADE-ROLLER, 72.25"
	096843-01-000	EA SPRING-REWIND, ROLLER SHADE
	084432-06-000	FT SLAT-ROLLER SHADE, PLASTIC
4	105324-02-01A	EA TRACK-CURTAIN, WRAPAROUND - PASSENGER SIDE - OFF WHITE
4	105324-03-01A	EA TRACK-CURTAIN, WRAPAROUND - DRIVER SIDE - OFF WHITE
4	105450-03-01A	EA TRACK-CURTAIN, 50" LONG - ALUMINUM - OFF WHITE
4	105450-08-01A	EA TRACK-CURTAIN, 38" LONG - ALUMINUM - OFF WHITE
5	029156-01-000	EA SOCKET-SNAP, 9/16" O.D.
6	029155-01-000	EA CAP-SNAP, 5/32" O.D. OF PIN
7	029130-01-000	EA SCREW-SNAP SOCKET, 8 PH X 5/8"
8	101031-01-000	YD TAPE-GLIDE, CURTAIN - 4.25" SPACING
	101033-02-000	EA END CAP-TRACK, CLEAR
	101033-03-000	FT TRACK-WALL, WHITE
	056003-01-000	EA BRACKET-DRAPERY RETAINING, METAL - RIGHT
	056003-02-000	EA BRACKET-DRAPERY RETAINING, METAL - LEFT
	046867-01-000	EA GROMMET-BRASS, 7/16" ID X 1" OD
	068716-01-001	EA BRACE - 90 DEGREE, L-ANGLE - 192" - EXTRUDED ALUMINUM
	048394-02-000	YD VELCRO TAPE-HOOK, ADHESIVE BACK - .75" WIDE - BEIGE
	088792-02-000	YD VELCRO TAPE-LOOP, ADHESIVE BACKED - .75" WIDE - BEIGE
	088792-06-000	YD VELCRO - 3/4" NON-ADH. LOOP BUF MED
	088792-01-000	YD VELCRO-HOOK, .75" WIDE - BEIGE
	086276-01-000	EA TAPE-DOUBLE SIDED, 1/2"

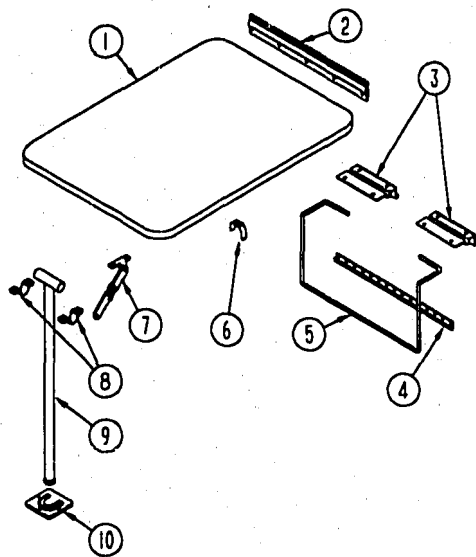
DINETTE GROUP



DINETTE CABINETRY

KEY	PART NUMBER	U/M DESCRIPTION
1	P16878-01-FB1	EA CABINET ASM-OVERHEAD - DINETTE
2	110140-65-F15	EA DOOR ASM-MITERED - VINYL WRAP
3	109908-03-EB1	EA CAP ASM-END - OVERHEAD
4	109995-01-F15	EA PAD ASM-DINETTE(FB1)
4	109995-01-F16	EA PAD ASM-DINETTE(FC1)
5	M04175-75-FB1	EA CABINET-SEATBASE - RIGHT
	M04174-75-FB1	EA CABINET-SEATBACK - RIGHT
6	081518-13-EB1	EA SEAT-DINETTE
7	M02115-09-F15	EA PANEL KIT-DINETTE TABLE
8	081295-01-AA8	EA SUPPORT-BED - DINETTE - 712 LG
9	M04175-76-FB1	EA CABINET-SEATBASE - LEFT
10	081518-14-EB1	EA SEAT-DINETTE
11	109995-01-F15	EA PAD ASM-DINETTE (FB1)
11	109995-01-F16	EA PAD ASM-DINETTE(FC1)

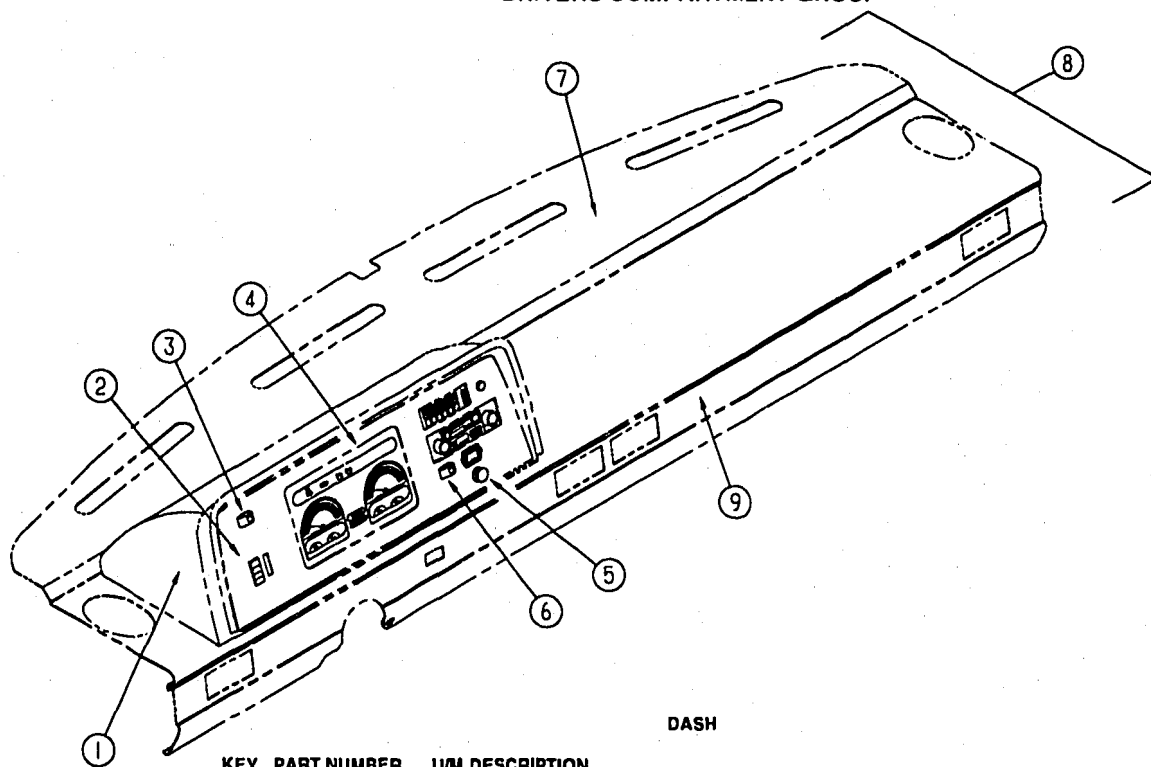
DINETTE GROUP (CONTINUED)



DINETTE TABLE

KEY	PART NUMBER	U/M DESCRIPTION
1	M02115-09-F15	EA TABLE-DINETTE, W/O HARDWARE
2	053200-12-000	EA SUPPORT-TABLE, 23.50" - OFF WHITE
3	088410-02-000	EA HANGER-TABLE, OFF WHITE
4	024281-14-000	EA BRACKET-TABLE LIFT, 22.12" - OFF WHITE
5	024275-12-000	EA ROD-TABLE LIFT, OFF WHITE
6	024283-01-000	EA CLIP-LEG, 1" - 1.125" OD - BLACK
7	024282-01-000	EA BRACE-TABLE LEG, HINGED
8	064050-05-000	EA HINGE-TABLE LEG, OFF WHITE
9	024276-23-000	EA LEG ASM-TABLE OFF WHITE
10	049493-12-000	EA CATCH-TABLE LEG, OFF WHITE
10	049493-11-700	EA CATCH-LEG, FLOOR MOUNTED - 2.5" X 2.7" - METAL - E-COAT

DRIVERS COMPARTMENT GROUP

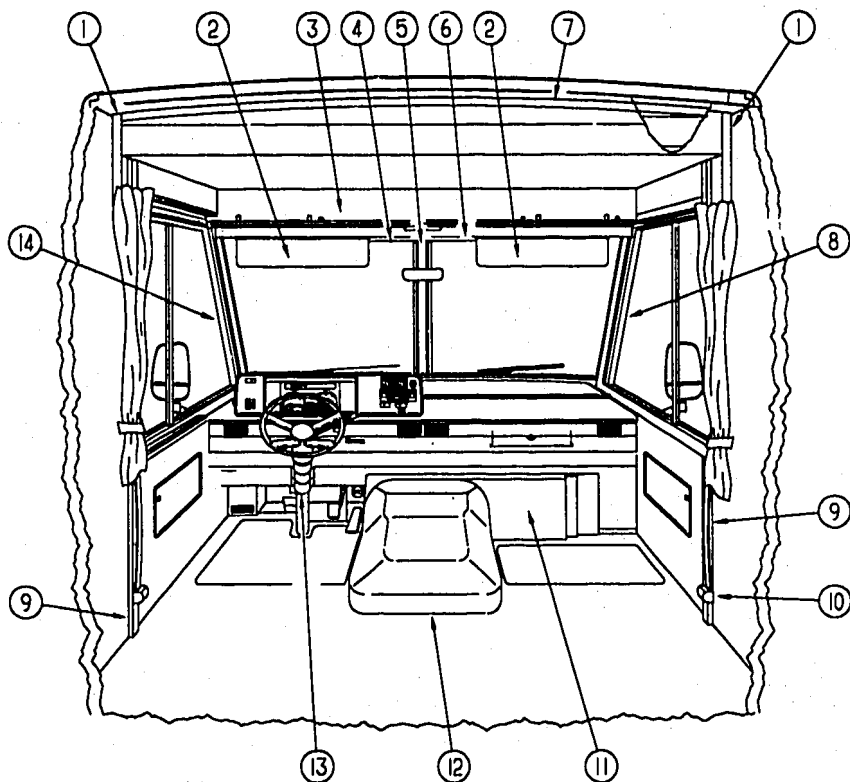


DASH

KEY	PART NUMBER	U/M DESCRIPTION
	M05946-24-FB1	EA DASH POD ASM, COMPLETE W/ALL ELECTRIC COMPONENTS - CHEVY
1	110066-01-01A	EA POD-INSTRUMENT PANEL
	079382-01-000	EA SCREW-SOCKET, 8-18 X 1" - BLACK
	103603-01-000	EA BULB-12V, # 74 0.12A WEDGE
	077539-01-000	EA BRACKET-MOUNTING, DASH PANEL - L/SHAPED - 2.5" X 1" X 1.5"
2	109829-01-01A	EA BEZEL-INSTRUMENT PANEL, BLACK
2	110073-01-01A	EA APPLIQUE-BEZEL, INSTRUMENT PANEL - BLACK VELVET
	100138-01-000	EA MODULE-DAYTIME RUNNING LIGHT
	077031-01-000	EA FILM-BLACK, 1" X 1.75"
	077031-03-000	EA FILM-WHITE, .75" X 1.00"
	105615-01-000	FT FILM-PROTECTIVE, CLEAR - 34" WIDE
3	108357-09-000	EA SWITCH-ROCKER, SPDT ON/NONE/MOM - CARLING V5D1000B-0
3	108356-02-01A	EA COVER-SWITCH W/DIMPLES, CARLING VVAZC00 BLA
4	094796-07-000	EA CLUSTER-INSTRUMENT PANEL, KILOMETERS - GAS - GM #16201075 (CSA)
5	089294-01-000	EA LIGHTER ASM-CIGARETTE, CASCO C213275
6	108357-10-000	EA SWITCH-ROCKER, SPDT MOM/OFF/MOM - CARLING V8D1160B-0
6	108356-04-01A	EA COVER-SWITCH W/DIMPLES & LENS, CARLING VVAGC00
	106569-02-01A	EA VINYL-LAMINATE MADRID, OFF WHITE - 1/4" X 16" X 96"
7	105927-02-000	EA PANEL ASM-DASH, TOP - W/STUD - STEEL
8	P03817-11-000	EA DASH ASM, CHEVY - W/O VINYL & INSTRUMENT POD - STEEL
9	103812-01-01A	EA TRIM-DASH, LOWER - GM - OFF WHITE
	103812-01-03A	EA TRIM-DASH, LOWER - GM - MILL

DRIVERS COMPARTMENT GROUP (CONTINUED)

DRIVERS COMPARTMENT



KEY	PART NUMBER	U/M DESCRIPTION
1	024700-44-000	EA COVER-ROLL BAR, W/BUNK OFF WHITE (53 INCHES)
2	082286-18-F14	EA SUNVISOR ASM, W/O POCKET
	007211-01-000	EA HINGE-SUNVISOR, 25.5" X 1.5" - METAL
	074012-01-000	EA CLIP-SUNVISOR, SQUARE - PINCH ON
	102377-01-000	EA BRACKET-SUNVISOR, 1 PIECE - STEEL
3	109795-02-FB1	EA PANEL-HEADLINER, VERTICAL SECTION
	078811-07-FB1	EA PANEL-HEADER, HORIZONTAL SECTION - W/LIGHT & SPEAKER CUTOUTS
4	078579-08-000	EA TRIM-WINDSHIELD, UPPER - INNER - DRIVER - OFF WHITE
5	079765-07-000	EA TRIM-WINDSHIELD, CENTER - PRECUT ENDS - OFF WHITE
5	079765-09-000	EA TRIM-WINDSHIELD, CENTER - UNCUT - OFF WHITE
6	078579-07-000	EA TRIM-WINDSHIELD, UPPER - INNER - PASSENGER - OFF WHITE
7	024700-51-000	EA COVER-ROLL BAR, OFF WHITE - 88.00"
8	103931-01-01A	EA COVER-INTERIOR, A-PILLAR - RIGHT - OFF WHITE
9	024700-51-000	EA COVER-ROLL BAR, OFF WHITE - 88"
	024700-49-000	EA COVER-ROLL BAR, OFF WHITE 57.00 INCHES
	024700-50-000	EA COVER-ROLL BAR, OFF WHITE 8.00 INCHES
	110056-01-01A	EA COVER-ROLL BAR 90 DEGREE OFF WHITE
10	091990-04-01A	EA SEAT BELT - 3 POINT, BLACK
	103961-01-01A	EA COVER-BRACKET, SEATBELT O/W
11	095757-03-F05	EA COVER ASM-HEATER (FB1)
11	095757-03-FC1	EA COVER ASM-HEATER (FC1)
12	115840-01-01A	EA COVER-MOTOR, W/O CARPET
	111618-01-E10	EA TRAY ASM-BEVERAGE
	009059-02-000	EA HINGE - 2 IN-BRASS
	116581-01-000	EA LATCH-MOTOR COVER
	116833-01-02B	EA WRENCH-HEX - MOTOR COVER
13	103498-06-000	EA BOOT-COLUMN
14	103931-02-01A	EA COVER-INTERIOR, A-PILLAR - LEFT - OFF WHITE

DRIVERS COMPARTMENT GROUP (CONTINUED)

OVERHEAD BUNK

KEY	PART NUMBER	U/M DESCRIPTION
	076760-04-000	EA BUNK HARDWARE-OVERHEAD KWIKEE #901401
	076760-02-700	EA SPRING-GAS, BUNK HARDWARE
	110007-01-FB1	EA BED ASM-BUNK,FRONT
	099717-03-000	EA TIEDOWN ASM-TV

ELECTRICAL GROUP

INTERIOR LIGHTS

KEY	PART NUMBER	U/M DESCRIPTION
	098024-01-01A	EA LIGHT-DOME - 1 BULB - US - IVORY
	008218-01-000	EA BULB-DOME LIGHT - 12V - NUMBER 1141
	098024-01-700	EA LENS-DOME LIGHT
	098024-03-01A	EA LIGHT-DOME - 2 BULB - IVORY
	008218-01-000	EA BULB-DOME LIGHT - 12V - NUMBER 1141
	098024-01-700	EA LENS-DOME LIGHT

FUSES & CIRCUIT BREAKERS

KEY	PART NUMBER	U/M DESCRIPTION
	062901-02-000	EA FUSE - 5 AMPS - AUTOMOTIVE
	062901-05-000	EA FUSE - 15 AMPS - AUTOMOTIVE
	062901-08-000	EA FUSE - 30 AMPS - AUTOMOTIVE
	099027-01-000	FT FUSE LINK - 12 AWG - BELDEN 12 AWG
	083209-01-000	EA CIRCUIT BREAKER - 15 AMP - 120V - BW G-15 - CANADIAN
	083209-02-000	EA CIRCUIT BREAKER - 15/15AMP - 120V - BW H-15/15
	083209-03-000	EA CIRCUIT BREAKER-15/20A,120V
	083209-04-000	EA CIRCUIT BREAKER - 30A - 120V - BW L-30
	083209-05-000	EA CIRCUIT BREAKER - 20A - 120V - BW J-20
	083209-06-000	EA CIRCUIT BREAKER - 30/15 AMP - 120V - BW D-30/15
	097611-01-000	EA CIRCUIT BREAKER - 6AMP - ATC - BLACK
	062037-01-000	EA HOUSING-AUTO FUSE - NATURAL
	062037-02-000	EA HOUSING-AUTO FUSE - GREEN
	062037-03-000	EA HOUSING-AUTO FUSE - BLACK
	062037-04-000	EA HOUSING-AUTO FUSE - BLUE
	062037-05-000	EA HOUSING-AUTO FUSE - GRAY
	062037-06-000	EA HOUSING-AUTO FUSE - BROWN
	106655-02-000	EA TERMINAL-FUSE BLOCK - 10-12AWG - P-ACKARD 12020400

CONDUIT

KEY	PART NUMBER	U/M DESCRIPTION
	041953-01-000	FT CONDUIT-CONVOLUTE - SLIT - .5" ID
	041953-05-000	FT CONDUIT-CONVOLUTE - SOLID - .62" ID
	041953-06-000	FT CONDUIT-CONVOLUTE - SLIT - .375" ID
	041953-07-000	FT CONDUIT-CONVOLUTE - SLIT - .25" ID
	041953-09-000	FT CONDUIT-CONVOLUTE - SLIT - .50" ID

SWITCHES & RECEPTACLES

KEY	PART NUMBER	U/M DESCRIPTION
	108355-01-000	EA HOUSING-SWITCH - CARLING VCH
	108356-02-01A	EA COVER-SWITCH W/DIMPLES - CARLING VVAZC00 BLA
	108356-04-01A	EA COVER-SWITCH W/DIMPLES & LENS - CARLING VVAGC00
	108357-09-000	EA SWITCH-ROCKER - SPDT ON/NONE/MOM - CARLING V5D1000B-0
	108357-10-000	EA SWITCH-ROCKER - SPDT MOM/OFF/MOM - CARLING V8D1160B-0
	096241-03-000	EA SWITCH-BLANK
	007940-01-000	EA RECEPTACLE-SLIDE - 16 TO 12 AWG - FEMALE END
	058707-01-000	EA RECEPTACLE-ELECTRIC - SINGLE - BROWN
	058708-01-000	EA RECEPTACLE-ELECTRIC - DOUBLE - BROWN
	058708-02-000	EA RECEPTACLE-ELECTRIC - DOUBLE - IVORY
	084076-02-000	EA RECEPTACLE-GFI - 15A - 125V - BROWN
	024924-02-000	EA RECEPTACLE-POWER CORD - W/PARTIAL PLATE
	075723-01-000	EA SPACER-SWITCH - W/O HOLE - .2" X .9" X 2" - METAL - OFF WHITE
	102568-01-E90	EA SPACER-RECEPTACLE - SIDEWALL

ELECTRICAL GROUP (CONTINUED)

POWER CORD, CONVERTER & WIRE ASSEMBLIES

KEY	PART NUMBER	U/M	DESCRIPTION
	083208-01-000	EA	CONVERTER-POWER - 32A - 120V/12V - BW 6332
	113132-01-000	EA	LOAD CENTER-120/240V,60A - CANADIAN
	008052-01-000	EA	CORD-POWER - 10/3 - 30 AMP - 25' - CANADIAN
	008054-01-000	EA	CORD-POWER - 10/3 - 30 AMP - 25'
	097618-01-000	EA	WIRE ASM-MONITOR PANEL - W/4 WIRES & BLACK RESISTOR - LVS
	096449-01-000	EA	WIRE ASM-WATER TANK TO MONITOR PANEL

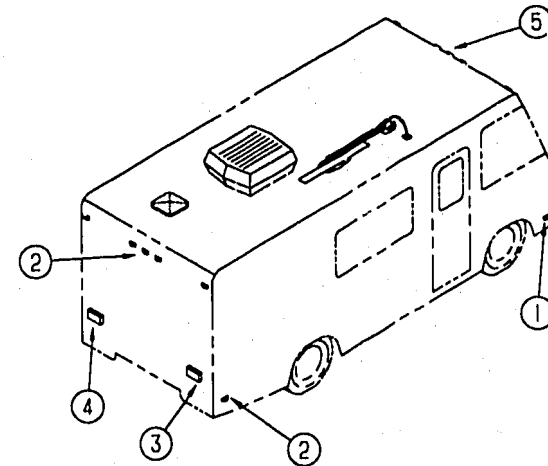
ELECTRICAL BOXES & COVERS

KEY	PART NUMBER	U/M	DESCRIPTION
	091910-02-000	EA	BOX-ELECTRICAL - PLASTIC - 57 X 88MM
	008289-01-000	EA	BOX-ELECTRIC - STEEL - 4" X 4" - 1/2" & 3/4" KNOCKOUTS
	008289-02-000	EA	BOX-ELECTRICAL - 4" X 4" - 1/2" & 3/4" KNOCKOUTS - CANADIAN
	093603-01-000	EA	BOX-ELECTRICAL, 4" X 2 1/8" X 2 1/8" - STEEL
	008294-01-000	EA	COVER-ELECTRICAL BOX - BLANK/STEEL - 4" X 4" - GRAY
	008294-02-000	EA	COVER-ELECTRICAL BOX - BLANK STEEL - 4" X 4" - CANADIAN
	069238-01-000	EA	COVER-ELECTRICAL BOX - W/HOLE - 4" X 4" - GRAY USED WITH 30 AMP RECEPTACLE

ELECTRICAL CONNECTORS

KEY	PART NUMBER	U/M	DESCRIPTION
	077479-02-000	EA	BOOT-BATTERY TERMINAL - SINGLE CABLE
	008311-01-000	EA	CONNECTOR-WIRE NUT - INSULATED - RED
	008314-01-000	EA	CONNECTOR-WIRE NUT - INSULATED - GRAY
	008355-01-000	EA	CONNECTOR-CABLE CLAMPING - 3/4"
	008356-01-000	EA	CONNECTOR-PLASTIC - 3/8" AVG
	041480-01-000	EA	CONNECTOR-STRAIGHT - 1/2" FLEX CONDUIT
	082741-01-000	EA	CONNECTOR BODY-2 MALE - SERV ELEC 2P-FYL
	058028-01-000	EA	CONNECTOR-ELECTRICAL PIGTAIL - NYLON - CLEAR
	007093-01-000	EA	FLASHER-SIGNAL - STAT
	108669-01-000	EA	HOUSING-AUTO FUSE HOLDER - PACKARD 12010105
	063910-01-000	EA	HOUSING-RELAY - BOSCH 3 334 485 008
	088473-05-000	EA	HOUSING-PIN - 6 CAVITY - AMP 640585-1
	088473-06-000	EA	HOUSING-PIN - 6 CAVITY - AMP 1-480704-0
	088473-08-000	EA	HOUSING-PIN - 4 CAVITY - AMP 1-480702-0
	088473-09-000	EA	HOUSING-PIN - 3 CAVITY - AMP 1-480700-0
	088473-10-000	EA	HOUSING-PIN - 2 CAVITY - AMP 1-480698-0
	088474-06-000	EA	HOUSING-SOCKET - 6 CAVITY - AMP 1-480705-0
	088474-07-000	EA	HOUSING-SOCKET - 5 CAVITY - AMP 1-480764-0
	088474-08-000	EA	HOUSING-SOCKET - 4 CAVITY - AMP 1-480703-0
	088474-09-000	EA	HOUSING-SOCKET - 3 CAVITY - AMP 1-480701-0
	088474-10-000	EA	HOUSING-SOCKET - 2 CAVITY - AMP 1-480699-0
	106006-01-000	EA	HOUSING - 1 POSITION - FEMALE - PACKARD 12015952
	108355-01-000	EA	HOUSING - SWITCH - CARLING VCH
	104100-01-000	EA	HOUSING - 1 POSITION - 75 AMP - AMP 53884-1
	088475-01-000	EA	PIN-CONNECTOR - 14 TO 20 AWG
	088476-01-000	EA	SOCKET - CONNECTOR - BRASS - PRE-TIN
	008188-01-000	EA	SOLENOID - 3 POST - BATTERY CHANGE OVER
	104100-03-000	EA	TERMINAL - 75 AMP - AMP 53880-4 LOOSE
	047443-01-000	EA	TERMINAL - .250 RECEPTACLE FIT - INSULATED - 16/14 AWG
	106855-02-000	EA	TERMINAL-FUSE BLOCK - 10-12AWG
	106655-01-000	EA	TERMINAL-FUSE BLOCK - 14-16AWG - PACKARD 12020321
	082036-02-000	EA	TERMINAL-PACK-CON - 16/14 AWG
	035416-04-000	EA	TERMINAL-RING #10 STUD FIT - INSULATED BARREL #16/14
	008326-01-000	EA	TERMINAL-RING - 16/14 WIRE - 3/8" STUD
	008328-01-000	EA	TERMINAL-RING - 12/10 WIRE - #10 STUD FIT
	008331-01-000	EA	TERMINAL-RING - TONGUE - #4 WIRE - 3/8" STUD - COPPER
	008348-01-000	EA	TERMINAL-RING - 3/8" STUD - #2 WIRE CONNECTS CABLE TO DISCONNECT RELAY AND BATTERY
	113306-01-000	EA	TERMINAL-FEMALE, METRI-PACK - PACKARD 12048451
	113307-01-000	EA	TERMINAL-FEMALE, METRI-PACK - PACKARD 12048074

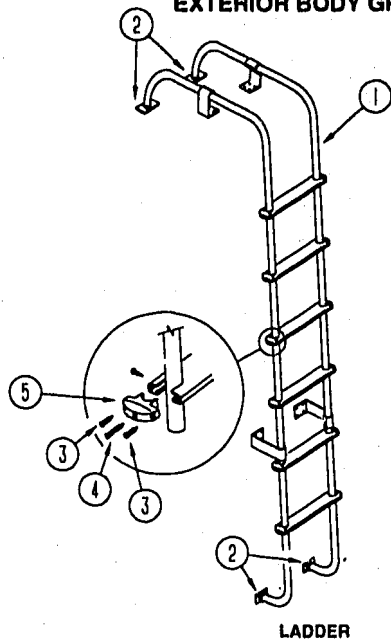
ELECTRICAL GROUP (CONTINUED)



EXTERIOR LIGHTS

KEY	PART NUMBER	U/M	DESCRIPTION
	111102-01-000	EA	BASE-CLEARANCE/SIDEMARKER LIGHT W/BULB - PLASTIC - WHITE
	111102-02-000	EA	LENS-CLEARANCE/SIDEMARKER LIGHT - W/REFLEX - AMBER
	036196-01-000	EA	BULB - 12V, #194 - .27AMP - BAYONETTE
	091983-01-000	EA	GASKET-CLEARANCE/SIDEMARKER LIGHT
	111102-01-000	EA	BASE-CLEARANCE/SIDEMARKER LIGHT - W/BULB - PLASTIC - WHITE
	111102-03-000	EA	LENS - CLEARANCE/SIDEMARKER LIGHT - W/REFLEX - RED
	008213-01-000	EA	BULB - 12 V - NO. 57 - 24 AMP
	091983-01-000	EA	GASKET-CLEARANCE/SIDEMARKER LIGHT
	110456-01-01A	EA	LAMP ASM-TAIL -COMBO BLACK - BARGMAN 30-91-110
	110456-02-01A	EA	LAMP ASM-TAIL-COMBO W/BRACKET - BARGMAN 30-91-111
	107256-01-03A	EA	COVER-TAIL LIGHT - BLACK
	111102-01-000	EA	BASE-CLEARANCE/SIDEMARKER LIGHT W/BULB - PLASTIC - WHITE
	111102-02-000	EA	LENS-CLEARANCE/SIDEMARKER LIGHT - W/REFLEX - AMBER
	036196-01-000	EA	BULB - 12V, #194 - .27AMP - BAYONETTE
	091983-01-000	EA	GASKET-CLEARANCE/SIDEMARKER LIGHT
	109566-01-000	EA	BACKING-LIGHT - ROOF CAP
	070907-01-000	EA	HEADLAMP-RECTANGULAR - GM 5968097
	049359-01-000	EA	SPRING-RETAINER - HEADLAMP - GM 496096
	110750-01-000	EA	SCREW ASM-HEADLAMP ADJUSTING - T'MAN B62258-1428
	112823-01-000	EA	SPLICE-REDUCER - 16-14 TO 18-22

EXTERIOR BODY GROUP



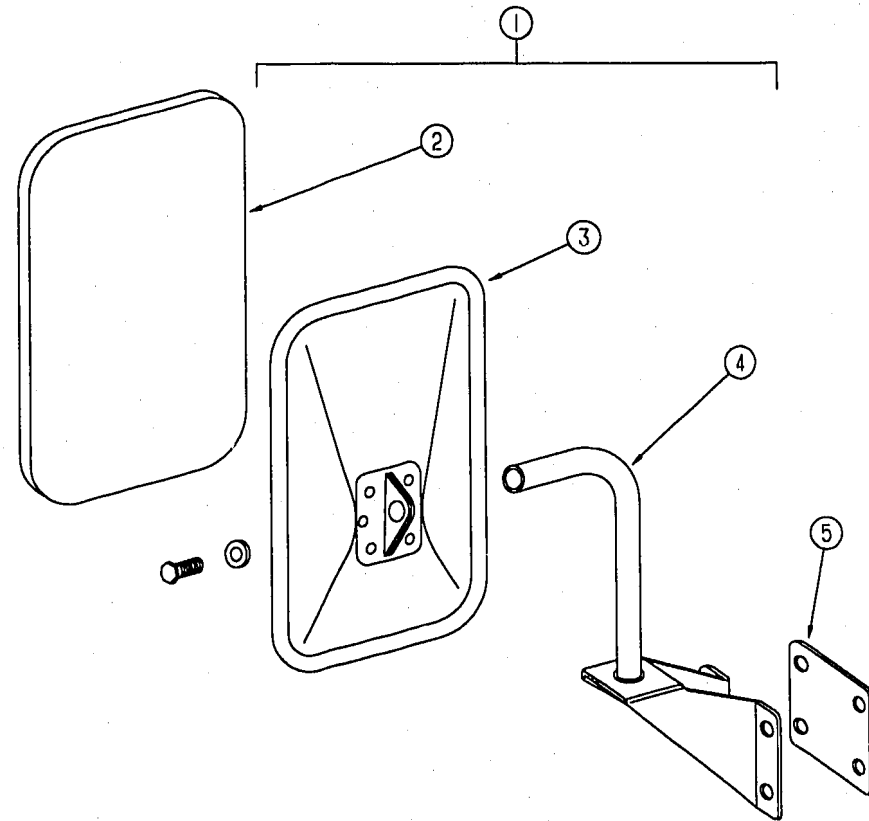
LADDER

KEY	PART NUMBER	U/M DESCRIPTION
1	102953-14-FB1	EA LADDER ASM
2	067165-01-000	EA BRACKET-MOUNTING, LADDER, LOWER
3	000G39-06-10T	EA SCREW-SELF DRIVING, 6-20 X 5/8" PPH - BLACK
4	000G67-10-38T	EA SCREW, 10-12 X 2.25" PPH - BLACK
5	076980-02-000	EA END CAP-STEP, BLACK
	069726-02-000	EA BUMPER - .88" DIAMETER X .40" - BLACK
	067125-01-000	EA STANDOFF-RACK&LADDER BRIGHT DIPPED
	076986-03-001	EA EXTR-BRIGHT DIPPED STEP 135.00

FIBERGLASS, STYROFOAM, ALUMINUM & STEEL TUBING

KEY	PART NUMBER	U/M DESCRIPTION
	076054-P4-000	EA FIBERGLASS SHEET 2438 X 2463 BRIGHT WHITE
	076054-N7-000	EA FIBERGLASS-SHEET 2406 X 7113 BRIGHT WHITE
	076054-R4-000	EA FIBERGLASS SHEET - 106.8" X 318.6" BRIGHT WHITE
	076054-S1-000	EA FIBERGLASS SHEET - 96" X 108" BRIGHT WHITE
	077517-62-000	EA FIBERGLASS-SHEET, 48 X 96 BRIGHT WHITE - FLAT
	002754-01-001	EA ANGLE-EXTRUDED, .75" X .75" X 18" - MILL ALUMINUM
	002726-01-001	EA GARNISH-U-CHANNEL, 1.38" X 19" - SERRATED - MILL ALUMINUM
	033381-17-001	FT STL-TUBE 16GA 1.5 X 1.5 X 192.00 HOT FORMED ASTM A50
	044487-01-000	LB AL-.019 X 97.00 X COIL MILL FINISH WT .353LB/SF
	044487-01-001	EA AL-.19" X 96" X 300"
	044487-01-002	EA AL-.019" X 96" X 432"
	055278-01-001	FT TUBING-STEEL, .75" X 1.5" X 288"
	055278-51-259	EA TUBING-STEEL - 12.5'LONG
	058267-01-000	FT CHANNEL-STEEL, W/HOLES - SIDEWALL STIFFENER - 2" X 20"
	065747-01-000	SF INSULATION-MICROFOAM, .5" THICK X 72" X 112' ROLL
	068718-01-001	EA BRACE - 90 DEGREE L-ANGLE, 192" - EXTRUDED ALUMINUM
	083574-03-000	SF STYROFOAM - 3/4" X 48" X 96"
	089297-01-000	SF PLYWOOD-LUAN, OVERLAY GRADE - 4' X 8'
	100619-01-000	BF FOAM-EXPANDED POLYSTYRENE 48" X 96" X 1.34"
	100619-04-000	BF FOAM-EXPANDED POLYSTYRENE EPS 48" X 96" X .5
	100619-05-000	BF FOAM-EXPANDED POLYSTYRENE 48" X 96" X .75"

EXTERIOR BODY GROUP (CONTINUED)

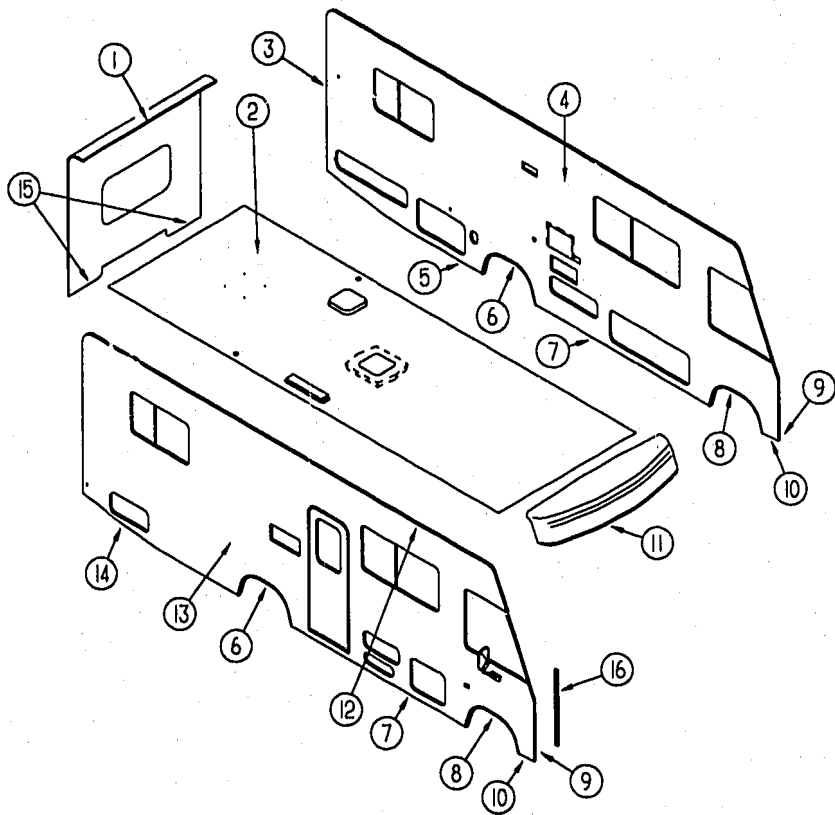


EXTERIOR MIRROR

KEY	PART NUMBER	U/M DESCRIPTION
1	105076-01-702	EA MIRROR ASM-LOW MOUNTING, BLACK - 713196
2	049347-01-700	EA GLASS-EXTERIOR MIRROR, 7.5" X 10.5"
3	105076-01-703	EA MIRROR HEAD ONLY, BLACK - 709001-8
4	105076-01-704	EA ARM - Q780521-9
5	110395-01-02A	EA PLATE-MIRROR, MILL
	105439-01-000	EA MIRROR-AUX,CONVEX STICK-ON

EXTERIOR BODY GROUP (CONTINUED)

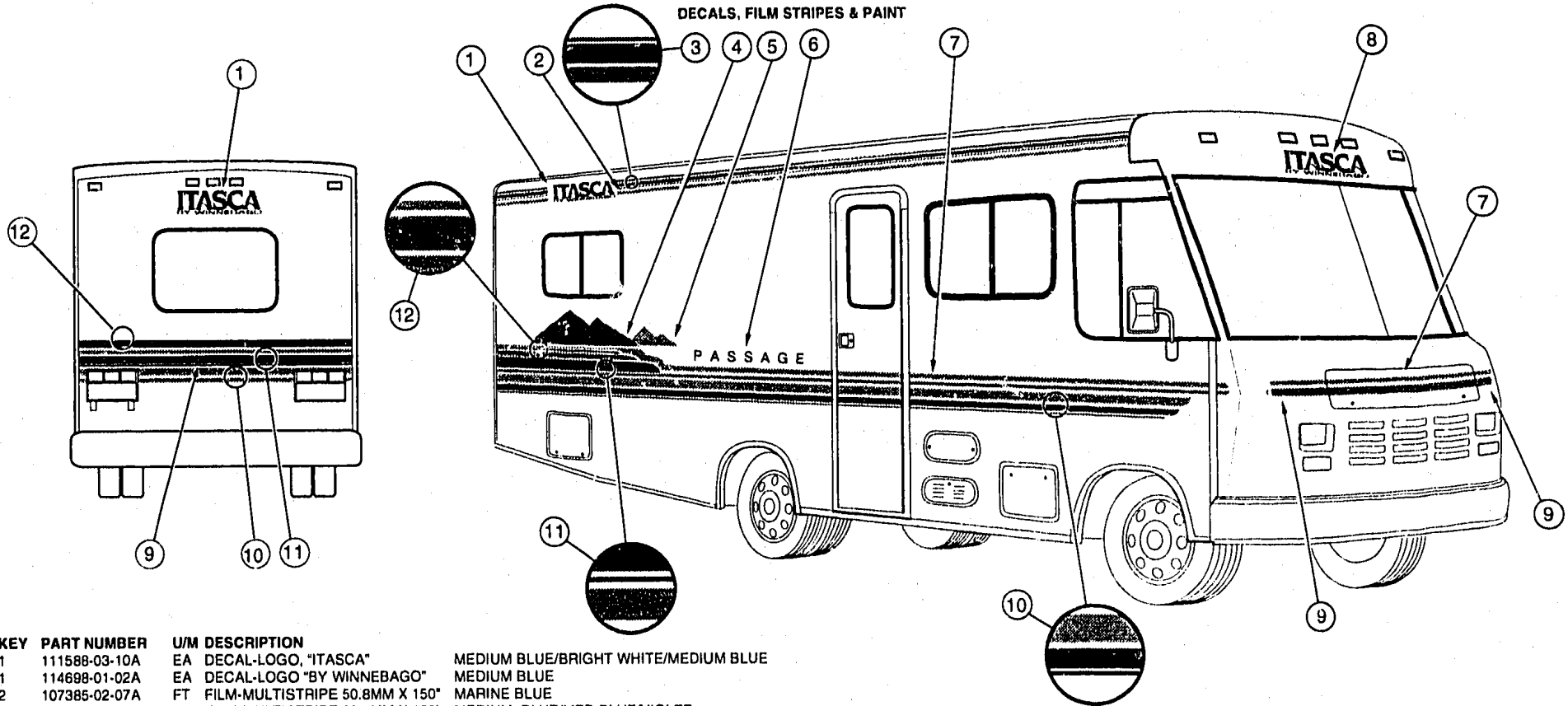
EXTERIOR BODY PANELS AND TRIM



KEY	PART NUMBER	U/M DESCRIPTION
1	M07506-05-FB1	EA BACKWALL ASM (QUEEN BED) W/O WINDOWS & TRIM
1	M07506-06-FB1	EA BACKWALL ASM (TWIN BED) W/O WINDOWS & TRIM
1	M07506-07-FB1	EA BACKWALL ASM (BUNK BED) W/O WINDOWS & TRIM
1	M07506-08-FB1	EA BACKWALL ASM (DOUBLE BED) W/O WINDOWS & TRIM
2	P16799-01-FB1	EA ROOF ASM, W/O ROOF VENTS
3	096854-04-02A	EA TRIM-CONTOUR, W/O VINYL INSERT - BRIGHT WHITE
	105312-01-07A	FT INSERT-CONTOUR TRIM, VINYL - BRIGHT WHITE
4	M07509-01-FB1	EA SIDEWALL ASM-DRIVER SIDE, W/O WINDOWS & TRIM - (QUEEN BED)
4	M07509-02-FB1	EA SIDEWALL ASM-DRIVER SIDE, W/O WINDOWS & TRIM - (TWIN BED)
4	M07509-03-FB1	EA SIDEWALL ASM-DRIVER SIDE, W/O WINDOWS & TRIM - (BUNK BED)
4	M07509-04-FB1	EA SIDEWALL ASM-DRIVER SIDE, W/O WINDOWS & TRIM - (DOUBLE BED)
5	108038-29-01A	EA TRIM-SIDEWALL, U-CHANNEL - 2777MM LONG - BOTTOM - REAR - BRIGHT WHITE
6	108070-01-04A	EA TRIM-WHEELWELL, REAR - BRIGHT WHITE
7	108039-01-04A	EA TRIM-SIDEWALL, U-CHANNEL - 3065MM LONG - BOTTOM - CENTER-BRIGHT WHITE
8	108069-01-04A	EA TRIM-WHEELWELL, FRONT - BRIGHT WHITE
9	080922-26-000	EA TRIM-FIBERGLASS, PANEL - BRIGHT WHITE
10	108109-01-04A	EA TRIM-SIDEWALL, U-CHANNEL - 247MM LONG - LOW - FRONT - BRIGHT WHITE
11	M05522-03-FB1	EA CAP ASM-FRONT, W/CLEARANCE LIGHTS & WIRING - BRIGHT WHITE
	117012-01-01A	EA CAP-FRONT, W/O WIRING & CLEARANCE LIGHTS - BRIGHT WHITE
12	109936-02-02A	EA RAIL-AWNING, 3061MM LONG - BRIGHT WHITE
13	M07508-01-FB1	EA SIDEWALL ASM-PASSENGER SIDE - (QUEEN BED) W/O WINDOWS & DOORS
13	M07508-02-FB1	EA SIDEWALL ASM-PASSENGER SIDE - (TWIN BED) W/O WINDOWS & DOORS
13	M07508-03-FB1	EA SIDEWALL ASM-PASSENGER SIDE - (BUNK BED) W/O WINDOWS & DOORS
13	M07508-04-FB1	EA SIDEWALL ASM-PASSENGER SIDE - (DOUBLE BED) W/O WINDOWS & DOORS
14	108038-30-01A	EA TRIM-SIDEWALL, U-CHANNEL - 2777MM LONG - BOTTOM - REAR - BRIGHT WHITE
15	050406-21-000	EA TRIM-BACKWALL, LOWER - BRIGHT WHITE
16	089922-26-000	EA TRIM-FIBERGLASS, PANEL - BRIGHT WHITE
	108688-01-03A	EA STRIP-FEATURE, BRIGHT WHITE (LOWER BACKWALL)

EXTERIOR BODY GROUP (CONTINUED)

DECALS, FILM STRIPES & PAINT



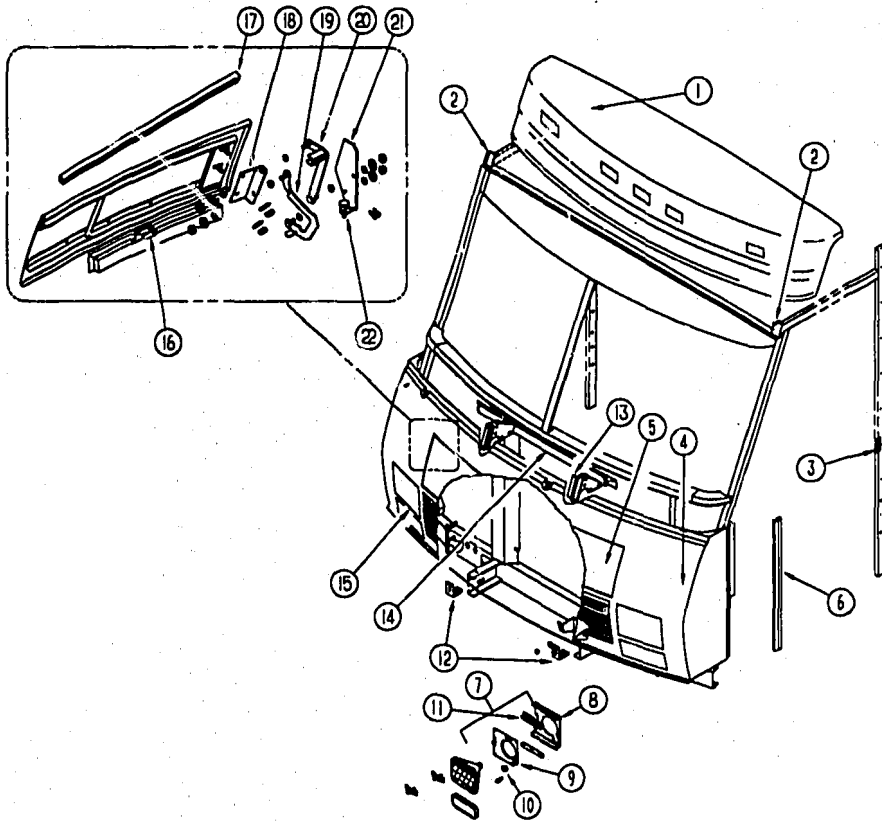
KEY	PART NUMBER	U/M DESCRIPTION	
1	111588-03-10A	EA DECAL-LOGO, "ITASCA"	MEDIUM BLUE/BRIGHT WHITE/MEDIUM BLUE
1	114698-01-02A	EA DECAL-LOGO "BY WINNEBAGO"	MEDIUM BLUE
2	107385-02-07A	FT FILM-MULTISTRIPE 50.8MM X 150'	MARINE BLUE
3	094443-24-01A	FT FILM-MULTISTRIPE 69.9MM X 150'	MEDIUM BLUE/MED BLUE/VIOLET
4	114792-01-01A	EA DECAL-MOUNTAINS, PASSENGERS	DARK PURPLE/VIOLET
	114792-02-01A	EA DECAL-MOUNTAINS, DRIVERS	DARK PURPLE/VIOLET
5	114794-01-01A	EA DECAL-ROLLING HILLS, PASSENGERS	SILVER/MEDIUM BLUE
	114794-02-01A	EA DECAL-ROLLING HILLS, DRIVERS	SILVER/MEDIUM BLUE
6	116169-01-01A	EA DECAL-"PASSAGE"	MEDIUM BLUE/VIOLET
7	107385-11-04A	FT FILM - 31.8MM X 150FT	MEDIUM BLUE
8	111588-04-07A	EA DECAL-LOGO, "ITASCA"	MEDIUM BLUE/BRIGHT WHITE
8	114698-02-02A	EA DECAL-LOGO, "BY WINNEBAGO"	MEDIUM BLUE
9	107385-06-05A	FT FILM - 25.4MM X 150FT	VIOLET
10	094443-30-01A	FT FILM-MULTISTRIPE 187.3MM X 150	LTMARBLU/MARBLU
11	094443-23-01A	FT FILM-MULTISTRIPE 142.9MM X 150	SEMSTEAL/MARBLU/MAR
12	105781-11-07A	FT FILM-MULTISTRIPE 50.8MM X 150'	SILVER/LT MAR BLU
	041561-03-000	EA PAINT-LOW BAKE, OFF WHITE	72897-01
	083581-03-000	GL PAINT-OFF WHITE, USE DUPONT	L8723 TO OBTAIN LOCALLY
	044486-03-000	EA PAINT-LOW BAKE, BEIGE	72897-02
	099399-23-700	EA PAINT-SPRAY-BRIGHT WHITE ENAMEL	DUPONT - B8951U

DUPONT COLORS

MEDIUM BLUE DUPONT	#F0747
VIOLET BLUE DUPONT	#G9951
LIGHT MARINE BLUE DUPONT	#K9457
SEAMIST TEAL DUPONT	#G9845
OFF WHITE DUPONT	#L8723
BRIGHT WHITE DUPONT	#B8951U

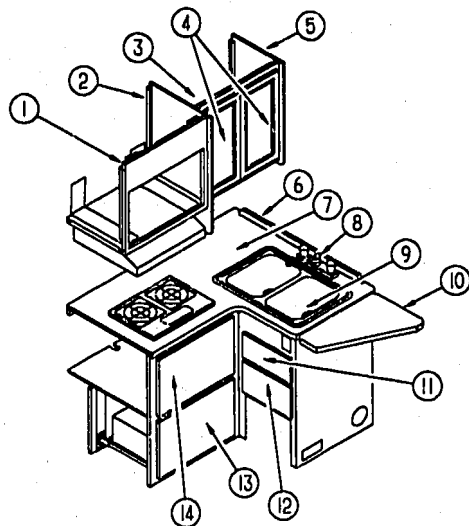
EXTERIOR BODY GROUP (CONTINUED)

FRONT END COMPONENTS



KEY	PART NUMBER	U/M	DESCRIPTION
1	M05922-03-FB1	EA	CAP ASM-FRONT, W/CLEARANCE LIGHTS - BRIGHT WHITE
	117012-01-01A	EA	PANEL-ROOF CAP, BRIGHT WHITE - W/O LIGHTS
2	077001-01-000	EA	ANGLE-MOUNTING, ROOF PANEL - V ANGLE - 3" X 2.4" X 1.5"
3	070579-06-000	EA	PLATE-ANCHOR, W/7/16 WELD NUT - 1.5" X 3.3"
4	M05928-01-FB1	EA	FRONT END ASM-FIBERGLASS, COMPLETE W/HEADLIGHTS - BRIGHT WHITE
5	109931-01-FB1	EA	PANEL ASM-HOOD, W/O LOCK - BRIGHT WHITE - SEPERATE FROM FRONT END
6	089922-26-000	EA	TRIM-FIBERGLASS, PANEL - BRIGHT WHITE
7	110712-02-D15	EA	PLATE ASM-HEADLAMP, DUAL - LEFT
8	110784-02-01A	EA	BRACKET-HEADLAMP, DUAL - LEFT - MILL
	110784-01-01A	EA	BRACKET-HEADLAMP, DUAL - RIGHT - MILL
9	110711-02-01A	EA	PLATE-HEADLAMP, DUAL - LEFT - MILL
	110711-01-01A	EA	PLATE-HEADLAMP, DUAL - RIGHT - MILL
10	110691-01-01A	EA	BRACKET-SPRING, HEADLAMP - MILL
11	110782-01-000	EA	ANGLE-SUPPORT, HEADLAMP - V-ANGLE - 160MM LONG
12	103628-01-000	EA	BRACKET-FRONT, LOWER - MOUNTING
13	103136-02-000	EA	BRACKET-SUPPORT, UPPER - HINGE - LEFT
	103136-01-000	EA	BRACKET-SUPPORT, UPPER - HINGE - RIGHT
14	102421-01-000	EA	PANEL-PLENUM, CENTER
15	110712-01-D15	EA	PLATE ASM-HEADLAMP, DUAL - RIGHT
16	109915-01-01A	EA	LATCH-HOOD, FRONT END - BLACK
17	105096-05-000	EA	TUBE-TIMING, HOOD HINGE
18	109927-01-000	EA	ANGLE-LINK, HOOD - RIGHT
	109927-02-000	EA	ANGLE-LINK, HOOD - LEFT
19	109930-03-000	EA	LINK ASM-HINGE, HOOD - LOWER - RIGHT - W/ WELD STUD
	109930-01-000	EA	LINK ONLY-HINGE, HOOD - LOWER - RIGHT
	109930-04-000	EA	LINK ASM-HINGE, HOOD - LOWER - LEFT - W/ WELD STUD
	109930-02-000	EA	LINK ONLY-HINGE, HOOD - LOWER - LEFT
20	109929-01-000	EA	LINK ASM-HINGE, HOOD - UPPER - RIGHT
	109929-02-000	EA	LINK ASM-HINGE, HOOD - UPPER - LEFT
21	109926-03-000	EA	BRACKET ASM-LINK, HINGE - RIGHT - W/WELD STUD & FERRULE
	109926-01-000	EA	BRACKET ONLY-LINK, HINGE - HOOD - RIGHT
	109926-04-000	EA	BRACKET ASM-LINK, HINGE - LEFT - W/WELD STUD & FERRULE
	109926-02-000	EA	BRACKET ONLY-LINK, HINGE - HOOD - LEFT
22	058786-01-000	EA	BOLT-ADJUSTING, HOOD - W/BLACK PAD - .31" #18 X 2"
22	000D39-05-00B	EA	NUT-HEX, SERRATED FLANGE LK - 5/16 - 18 - ZINC

GALLEY GROUP



GALLEY CABINETRY

KEY	PART NUMBER	U/M DESCRIPTION
1	116874-01-FB1	EA CABINET ASM-OVHD,MICROWAVE
2	109908-28-FB1	EA CAP ASM-END - OVERHEAD
3	116876-01-FB1	EA CABINET ASM-GALLEY OVERHEAD
4	110140-26-E01	EA DOOR ASM-MITERED - VINYL WRAP 0280X0555
5	109908-27-FB1	EA CAP ASM-END - OVERHEAD
6	098335-08-E09	EA RAIL-GALLEY,896
7	116817-11-FB1	EA COUNTERTOP ASM
8	103243-01-000	EA FAUCET-GALLEY,DUAL CONTROL
9	102551-01-000	EA SINK-SST,DOUBLE W/MOUNTING HARDWARE
10	116817-12-FB1	EA GALLEY EXTENSION ASM. (FB1, FC1)
11	P10163-M4-FB1	EA DRAWER COMPLETE-SLIDE - GALLEY
12	P10163-M5-FB1	EA DRAWER COMPLETE-SLIDE - GALLEY
13	P10163-M7-FB1	EA DRAWER COMPLETE-SLIDE - GALLEY
14	110140-04-EB1	EA DOOR ASM-MITERED - VINYL WRAP - 0365X0555
	104181-01-01A	EA SUPPORT-LEAF - 8" - EXTENDS TO 7.5" - SAFTY RING - METAL
	009059-01-000	EA HINGE-W IN-BRASS

GALLEY GROUP (CONTINUED)

REFRIGERATOR

KEY	PART NUMBER	U/M DESCRIPTION
	102821-04-01A	EA REFRIGERATOR-LARGE SINGLE DOOR 2-WAY - NORCOLD 6052 RIGHT
	064473-01-702	EA ORIFICE-NORCOLD 61452122
	064473-03-701	EA HEATER AC - HORIZONTAL BURNER - NORCOLD 615625
	064473-03-718	EA COOLING UNIT-HORIZONTAL BURNER - NORCOLD 61687137
	075217-01-734	EA FUSE- 3 AMP - NORCOLD 61538822
	084880-01-718	EA VALVE-GAS - NORCOLD 61551822
	084880-01-720	EA SPRING (FOR DOOR HANDLE) - 61558822
	084880-01-722	EA CRISPER COVER - NORCOLD 615641
	084880-01-732	EA LATCH - NORCOLD 61578522
	084880-01-740	EA END CAP - STOP CATCH - NORCOLD 61593830
	084880-01-746	EA CABLE - NORCOLD 61571522
	084880-01-753	EA THERMISTER 78" W/CLIP - NORCOLD 61693822
	084880-01-760	EA CLIP-THERMISTER - NORCOLD 61689122
	084880-01-761	EA END CAP - SPRING CATCH - BLACK - NORCOLD 61593730
	084880-03-702	EA HINGE PIN TOP/BOTTOM FEMALE - NORCOLD 61580630
	094039-01-704	EA PLATE-HINGE - BLACK - NORCOLD 61631430
	094039-01-710	EA PLATE-HINGE - BLACK - NORCOLD 61631330
	094039-01-713	EA DOOR GASKET - LOWER - GRAY - NORCOLD 61568030
	094039-01-715	EA LOWER DOOR LINER - BLACK/WHITE - NORCOLD 61581738-B
	094039-01-717	EA LOWER DOOR HANDLE ASSEMBLY - BLACK - NORCOLD 61649938
	094039-01-722	EA HOLE PLUG - BLACK - HINGE HOLES - NORCOLD 61582030
	094039-01-723	EA HINGE BRACKET - TOP RIGHT-BOTTOM LEFT BLACK - NORCOLD 61580836
	094039-01-724	EA BRACKET-HINGE - TOP LEFT - BOTTOM RIGHT - BLACK - NORCOLD 61580938
	094039-01-725	EA HINGE PIN - BLACK - MALE - NORCOLD 61578130
	094039-01-732	EA FRONT COVER - BLACK BOTTOM TRIM - NORCOLD 61622130
	094039-01-739	EA SHELF - CUTOUT - NORCOLD 61646722
	094039-04-700	EA PRINTED CIRCUIT BOARD-2 WAY - NORCOLD 61647322
	094039-04-701	EA EYEBROW - SHELL - 2 WAY - NORCOLD 61669822
	094039-04-702	EA POWER SUPPLY - 2 WAY - NORCOLD 61647422
	102621-01-700	EA EVAPORATOR DOOR ASM - NORCOLD 61620738
	102621-01-701	EA FOAMED CAB ASM - BLACK - NORCOLD 61620238
	104137-02-700	EA MODULE-CONTROL - CHANNEL - NORCOLD 61717037
	102621-04-703	EA HOLDER-SPRING-RIGHT - WHITE - NORCOLD 61632830
	102621-04-704	EA TRAY-DRIP - WHITE - NORCOLD 61619930
	102621-04-705	EA RETAINER FOR GLASS SHELF - NORCOLD 61580322
	102621-04-706	EA SPRING -TORSION - LEFT - EVAPORATOR DOOR - NORCOLD 61633122
	102621-04-707	EA HOLDER -SPRING LEFT - WHITE EVAPORATOR - NORCOLD 61632730
	102621-04-708	EA CLIP MOUNTING - LEFT - WHITE - EVAPORATOR DOOR - NORCOLD 61633030
	102621-04-709	EA CLIP MOUNTING - RIGHT - WHITE - EVAPORATOR DOOR - NORCOLD 61632930
	102621-04-710	EA SPRING PIN - NORCOLD 61632622
	102621-04-711	EA SPRING TORSION - RIGHT - EVAPORATOR DOOR - NORCOLD 61633222
	102621-04-712	EA HEATER -DC - HORIZONTAL BURNER - NORCOLD 61562622
	104137-06-703	EA BIN-DOOR SHELF - WHITE - NORCOLD 61564025
	104137-06-704	EA BIN-MILK - WHITE - NORCOLD 61579425
	104137-06-705	EA HANDLE -LOWER DOOR W/DECAL - NORCOLD 61666622
	104137-06-706	EA WIRE SHELF - SHORT - NORCOLD 61718222
	104137-06-707	EA CRISPER - WHITE - NORCOLD 61571325
	104137-06-708	EA VALVE SHUT-OFF-MANUAL ASM - NORCOLD 61694922
	104137-06-710	EA PRESSURE TAP - NORCOLD 61594422
	104137-06-711	EA FUSE - 5 AMP - NORCOLD 61611622
	104137-06-712	EA FITTING-GAS TUBE CONNECTION - NORCOLD 61692722
	104137-06-713	EA ORFICE GASKET - NORCOLD 61475122
	104137-06-714	EA BURNER ASSEMBLY (5-SLOT) - NORCOLD 61705222
	104137-06-715	EA SPARK/SENSE ELECTRODE - SINGLE - NORCOLD 61692222
	054450-01-000	EA LEVEL-REFRIGERATOR
	065225-03-000	EA PLATE-TIEDOWN - REFRIGERATOR
	093646-05-000	EA BRACKET ASM-TIEDOWN - REFRIGERATOR

GALLEY GROUP (CONTINUED)**MICROWAVES, RANGE HOOD, & MONITOR PANEL**

KEY	PART NUMBER	U/M DESCRIPTION
	115303-01-000	EA OVEN-MICROWAVE
	115401-01-01A	EA TRIM-MICROWAVE BLACK
	094750-07-000	EA BRACKET-MICROWAVE, 89 DEGREE
	100258-10-01A	EA METER-HOUR - VENTLINE 150
	103386-01-01A	EA HOOD-RANGE - NON-POWERED - BLACK - VENTLINE
	092896-01-710	EA SOCKET-LIGHT - VENTLINE CB267-2
	103386-01-700	EA SWITCH-PUSH BUTTON - V199-3
	109934-01-01A	EA PANEL-MONITOR 1 TANK BLACK - LVS W/PLUG
	096983-01-700	EA SWITCH-ON/OFF - VENTLINE 108
	075470-01-703	EA SWITCH-ON/MOMENTARY - JENSEN RP1016
	100258-10-01A	EA METER-HOUR - VENTLINE 150

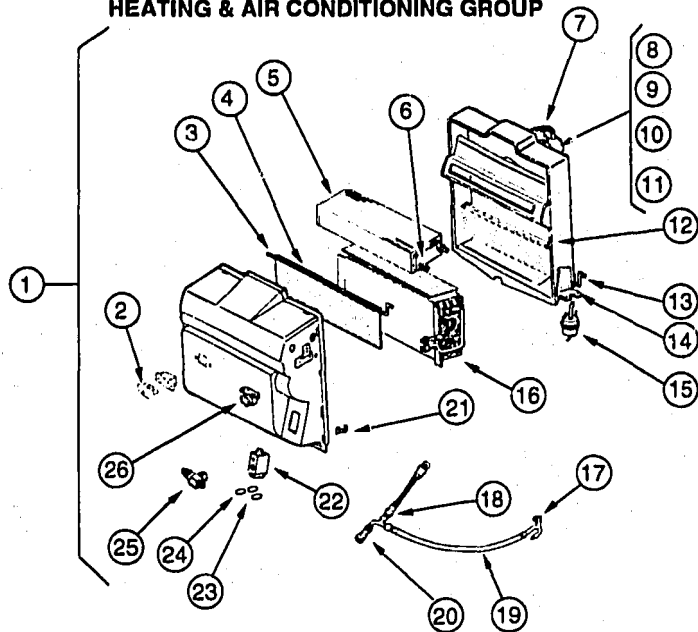
RANGE

KEY	PART NUMBER	U/M DESCRIPTION
	101593-01-000	EA RANGE - 2 BURNER W/O OVEN
	101593-01-700	EA GRATE, DESIGNER STYLE
	101593-01-701	EA SCREW-THUMB
	101593-01-702	EA TOP-COOK, BRUSHED CHROME
	101593-01-703	EA KNOB-BURNER
	101593-01-704	EA VALVE-BURNER
	101593-01-705	EA MANIFOLD
	101593-01-706	EA TOP-COOK, ALMOND
	101593-01-707	EA TOP-COOK, STAINLESS 2 B
	107323-01-711	EA CUSHION-GRATE, RUBBER
	107323-01-716	EA CLIP-GRATE, GREEN

GENERATOR GROUP**4000 KW ONAN GENERATOR**

KEY	PART NUMBER	U/M DESCRIPTION
	100974-01-000	EA GENERATOR - 4.0KW EMERALD PLUS - ONAN BGE-FA/26100G
	105958-07-000	EA PIPE-EXHAUST - GENERATOR - BAUER WELDING
	079654-05-000	EA PIPE-EXHAUST - ANGLED - W/FLANGE - 2" ID - ONAN# 154-2539
	081364-03-000	EA MUFFLER-GENERATOR - ONAN
	007125-03-000	EA CLAMP - MUFFLER - 1.5"
	007125-04-000	EA CLAMP - MUFFLER - 1.1"
	094059-01-000	EA SPACER-GENERATOR - ONAN
	094657-02-000	EA TRAY ASM-GENERATOR
	007067-01-000	SF INSULATION-FIBERGLASS - 1" THICK X 4' - INCREMENTS OF 4 SF
	007131-01-000	EA HANGER-TAILPIPE - 6 SLOTS

HEATING & AIR CONDITIONING GROUP



AUTO A/C - EVAPORATOR/HEATER

KEY	PART NUMBER	U/M DESCRIPTION	
1	103930-20-000	EA EVAP/HEATER CHEV R134A BLOCK	SCS 090-00083
2	103930-01-710	EA RESISTOR-FUSED,	SCS 035-0006
3	103930-20-702	EA ROD - FRONT BLEND AIR DOOR	
4	103930-20-703	EA DOOR - BLEND AIR	
5	103930-01-703	EA COIL-HEATER,	SCS 042-0010
6	110279-01-712	EA HEATER FITTING	050-0076
7	110279-01-703	EA HOSE-VENT, MOTOR BLOWER -	SCS 051-0034
8	103930-20-707	EA BLOWER - HOUSING	
9	103930-01-720	EA MOTOR, SCS 030-0004	
10	103930-01-717	EA WHEEL-CLOCKWISE,	SCS 062-0010
11	103930-20-708	EA CLIP - FRONT MOTOR SHAFT	
12	103930-20-705	EA DOOR - PANEL - RECIRCULATING	
13	103930-20-704	EA ROD - DOOR- RECIRCULATING	
14	103930-01-708	EA BRACKET-VACUUM MOTOR,	SCS 070-0113
15	103930-02-708	EA MOTOR-VACUUM SERVO, A/C -	SCS 030-0002
16	103930-01-704	EA COIL EVAPORATOR	
17	103930-12-708	EA SWITCH-BINARY, R-134A -	SCS 032-0048
18	103930-01-716	EA SWITCH-PRESSURE, FAN -	SCS 032-0036
19	103930-20-701	EA HOSE ASSY #6 WINN GM	085-0138
20	103930-12-709	EA FITTING-QUICK CONNECT	SCS 050-0120
21	103930-20-706	EA CLIP - RETAINER	
22	103930-20-700	EA VALVE EXP. BLOCK(2 TON) C34-0032	
23	103930-17-702	EA GASKET OR SAE 015 #10 33-781,	SCS 045-0127
24	113245-01-707	EA GASKET(#8) 045-0126	
25	103930-20-709	EA SERVICE VALVE	
26	103930-01-711	EA THERMOSTAT,	SCS 033-0003
	103930-17-000	EA HOSE KIT #10 GM-SANDEN COMP	SCS 093-00076
	103930-17-700	EA FTG. PAD COMP. SUCTION SAN	050-0131
	103930-17-701	EA FTG #10.90 W/FERRULE/1342CP	050-0132
	103930-17-703	EA GASKET-SEAL,SANDEW COMP33-76	045-0142
	103930-17-704	EA HOSE ASSY #10 085-0113	
	007281-01-000	EA HOSE-FLEXIBLE PVC, 2.5"ID X 50' - ATCOFLEX A-182-355	
	024990-05-000	EA 4" DIAMETER OUTLET W/SWIVEL DEFLECTORS	
	056402-05-000	EA BRACKET-HEATER VENT, ROUND - W/BEND - BLACK	

HEATING & AIR CONDITIONING GROUP (CONTINUED) GAS AUTO A/C - CONTROL PLENUM

KEY	PART NUMBER	U/M DESCRIPTION
	103930-04-000	EA CONTROL/PLENUM SET, SCS 093-00037
	049401-01-700	EA VALVE-WATER CONTROL, SCS 22498
	072341-06-700	EA SWITCH - 4 SPEED, FAN - ARA 0883502
	094831-01-707	EA WIRING HARNESS-UNIT, MOTIVAIR/SCS ZGG15050
	094831-01-746	EA CLAMP-BLEND CABLE, MOTIVAIR/SCS 77000-00
	103930-02-708	EA MOTOR-VACUUM SERVO, A/C - SCS 030-0002
	103930-02-700	EA ROD-AIR BLEND DOOR, SCS 073-0017
	103930-02-702	EA DECAL-FAN SWITCH, SCS 058-0008
	103930-02-703	EA HARNESS-WIRE CONTROL, SCS 036-0048
	103930-02-707	EA RELAY, SCS 031-0001
	103930-02-710	EA CANISTER-VACUUM, SCS 054-0002
	103930-11-700	EA CABLE, DOUBLE - RING W/HOOK - SCS 074-0003
	072341-06-700	EA SWITCH - 4 SPEED, FAN - ARA 0883502
	094831-01-709	EA CLAMPS-ROD, 3/16" - MOTIVAIR/SCS ZG314431
	103930-02-701	EA VALVE-CONTROL HEAD, SCS 034-0015
	103930-02-704	EA HARNESS-VACUUM CONTROL, SCS 036-0049
	103930-02-705	EA CABLE-CONTROL, HOWDEN - SCS 074-0011
	103930-02-706	EA CLIP-CABLE, CONTROL - SCS 022-0017
	103930-02-708	EA MOTOR-VACUUM SERVO, A/C - SCS 030-0002
	103930-02-711	EA VALVE-WATER, SCS 034-00114

GAS AUTO A/C - HOSE KIT

KEY	PART NUMBER	U/M DESCRIPTION
	103930-17-000	EA HOSE KIT, 10 GM-SANDEN COMPRESSOR - SCS 093-00076
	103930-01-708	EA BRACKET-VACUUM MOTOR, SCS 070-0113
	103930-17-700	EA PAD-FITTING, SANDEN COMPRESSOR SUCTION - SCS 050-0131
	103930-17-701	EA FITTING - 10.90, W/FERRULE - 1342CP - SCS 050-0132
	103930-17-702	EA GASKET OR SAE 015 10 33-781, SCS 045-0127
	103930-17-703	EA GASKET-SEAL, SANDEN COMPRESSOR 33-76 - SCS 045-0142

GAS AUTO A/C SYSTEM

KEY	PART NUMBER	U/M DESCRIPTION
	007281-01-000	EA HOSE-FLEXIBLE PVC, 2.5"ID X 50' - ATCOFLEX A-182-355
	056402-05-000	EA BRACKET-HEATER VENT, ROUND - W/BEND - BLACK
	077075-01-000	EA GASKET-INSTRUMENT PANEL TO DEFROSTER PLENUM, 6" X 11.3"
	077075-03-000	EA GASKET-INSTRUMENT PANEL TO DEFROSTER PLENUM, 6" X 10.2"
	103017-01-000	EA PLENUM-DEFROSTER
	103558-01-01A	EA VENT-DEFROSTER, ABS PLASTIC - OFF WHITE
	103796-01-01A	EA LOUVER ASM-A/C, 136.5 X 54.8MM - BLACK
	103930-05-000	EA MANUAL-OWNERS, HEATER-A/C - SCS 057-0049
	024990-05-000	EA OUTLET-DEFROSTER W/SWIVEL - 2" - BLACK
	008042-01-000	FT TUBING-VINYL, .65" ID

HEATING & AIR CONDITIONING GROUP (CONTINUED)

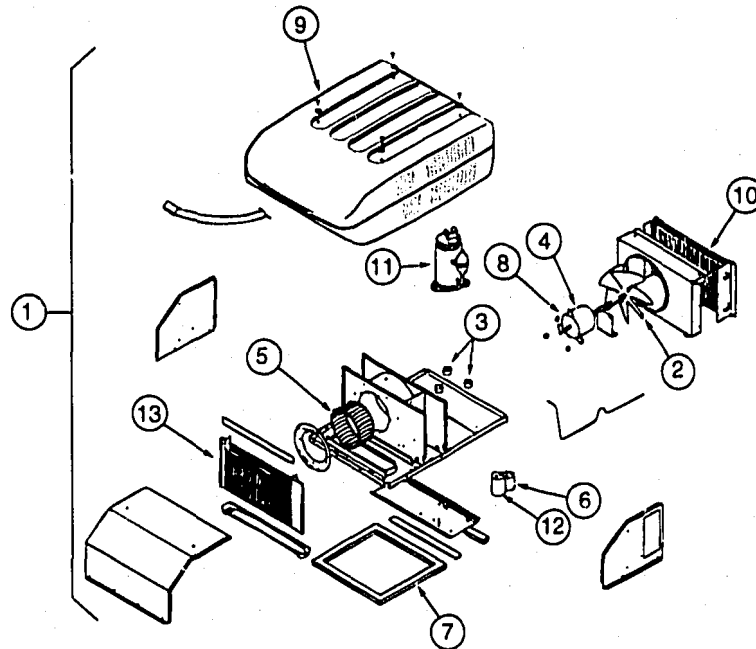
SUBURBAN FURNACE

KEY	PART NUMBER	U/M	DESCRIPTION
	098668-20-000	EA	FURNACE-30,000 BTU SUBURBAN SF-30 2273
	074466-01-702	EA	RELAY, TIME DELAY 205 & L & 45000230625
	075698-02-703	EA	DUCT COLLAR 050715
	092300-02-701	EA	ORIFICE-MAIN BURNER (NT-30BW) 180214
	115784-01-01A	EA	THERMOSTAT-FURNACE 160902
	098668-01-700	EA	CABINET FRONT 101242
	098668-01-706	EA	WHEEL-COMBUSTION AIR 350128
	098668-01-707	EA	TUBE ASSEMBLY, EXHAUST W/CAP 260231
	098668-01-708	EA	HOUSING-BLOWER, COMBUSTION 397.441
	098668-01-709	EA	MOTOR ASM., F/SF-25, SF-30 231706
	098668-01-710	EA	HOUSING-BLOWER, ROOM AIR 390440
	098668-01-711	EA	WHEEL-BLOWER, ROOM AIR 350129
	098668-01-712	EA	BOARD-MODULE 520741
	098668-01-713	EA	TUBE ASSEMBLY, INTAKE 051248
	098668-01-714	EA	VALVE-GAS, SF S.N. 921401821 161070
	098668-01-715	EA	ELECTRODE ASM., SINGLE PROBE 232166
	098668-01-716	EA	GASKET-FIREWALL, CHAMBER SIDE 070808
	098668-01-717	EA	GASKET-FIREWALL, BLOWER SIDE 070809
	098668-02-700	EA	BURNER ASSEMBLY, SF-30 & SF35 010745
	098668-21-700	EA	SWITCH-MICRO, W/O FLAG 3 1/4" 232261
	098668-21-701	EA	SWITCH-LIMIT 231799
	101990-01-714	EA	GASKET-MICROSWITCH 230877
	098668-23-000	EA	DOOR-ACCESS, FURNACE BR™ WHT SUBURBAN 520574
	115764-01-01A	EA	THERMOSTAT-FURNACE SUBURBAN 160902
	056464-05-000	EA	REGISTER-PLASTIC W/O DAMPER - 4" DIAMETER - GOLDEN
	056464-10-000	EA	REGISTER - 4IN DIA, PLASTIC W/O DAMPER DURA-BEI
			FROM: 03-30-95 THRU: 99-99-99
	093614-01-01A	EA	GRILLE-RETJRN AIR, FURNACE - 15.6" X 7.6" - BROWN
			FROM: 00-00-00 THRU: 03-29-95
	093614-01-02A	EA	GRILL-RETURN AIR, DURA-BEIGE LIMA, 19H-14X6BR-RAG
			FROM: 03-30-95 THRU: 99-99-99

CEILING ASSEMBLY - ROOF A/C

KEY	PART NUMBER	U/M	DESCRIPTION
	108891-01-01A	EA	CEILING ASM-A/C COOL TSR HO, COLEMAN 7330-714 IV
	042204-01-709	EA	THERMOSTAT-IN 64 OUT 58, COLEMAN 6701-3401
	073742-01-701	EA	SELECTOR SWITCH, 5 TERMINAL - COLEMAN 6759-3251
	073742-01-702	EA	DECAL COOL ONLY, COLEMAN 6759C3431
	076303-01-707	EA	FILTER - 6" X 14 3/4" X 1/2", 12 PER PKG, COLEMAN 6703A3151
	081606-01-712	EA	CEILING SHROUD, IVORY - COLEMAN 6769-5061
	091225-01-713	EA	KNOB, 2 PER PACKAGE - COLEMAN 6701-3351
	091225-01-717	EA	DECAL, THERMOSTAT - COOL ONLY - COLEMAN 6799A3441
	093768-02-701	EA	DECAL-LEFT SIDE, COLEMAN 6799-3971
	108891-01-700	EA	SINGLE PARTS PACKAGE, KNOBS & NUTS - COLEMAN 6792-5991
	108891-01-701	EA	RETAINER CLIPS FOR FILTER (6 PER), COLEMAN 6799-3141
	063903-01-702	EA	LOUVER, COLEMAN 6703A5191

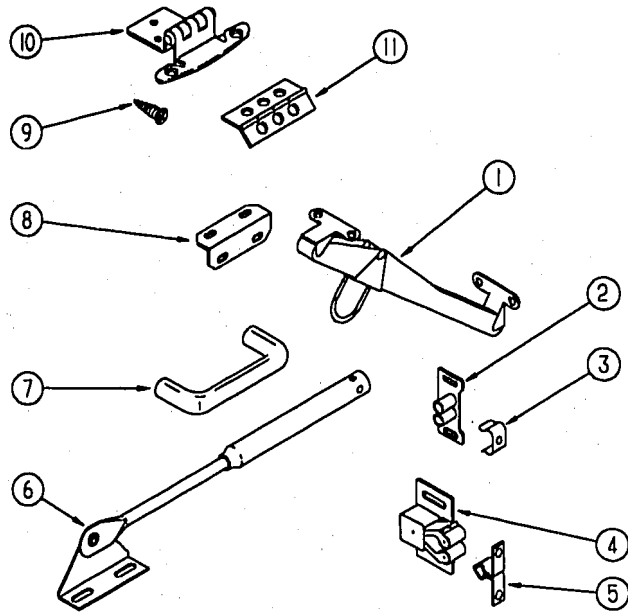
HEATING & AIR CONDITIONING GROUP (CONTINUED)



13,500 BTU COLEMAN ROOF A/C

KEY	PART NUMBER	U/M	DESCRIPTION
	108889-01-05A	EA	A/C-ROOF, 13,500 TSR HO B/WHT 7333A886
	093763-01-712	EA	BLADE-FAN-CONDENSER 6733-3221
	105620-01-706	EA	MOUNTING PKG., COMPRESSOR 6759-3081 3PER PKG
	108889-01-705	EA	MOTOR (115, 60HZ) 1468-3049
	108889-01-706	EA	IMPELLOR 1472-1041
	093763-01-704	EA	CAPACITOR-FAN 1499-5461
	108889-01-711	EA	GASKET PKG 6792-3301
	108889-01-715	EA	MOTOR MOUNT & SHAFT SEAL KIT 6792-3361
	108889-05-700	EA	SHROUD(BRIGHT/WHT LESS LOGO) 7333-4601
	108889-01-703	EA	CONDENSER COIL 1452A1301
	105620-01-704	EA	COMPRESSOR, TECUMSEH-RK157 1450-2009
	108889-01-707	EA	CAPACITOR-RUN, COMP-25MFD/370 1499-5661
	108889-01-709	EA	EVAPORATOR COIL 1452A1311
	091225-01-709	EA	RELAY-START 1497-4131
	091225-01-710	EA	CAPACITOR-START 1497-0881
	093306-01-701	EA	DECAL PACKAGE, LEFT & RIGHT 6798B3591
	108889-01-704	EA	OVERLOAD (MRA98693) 6749-3541
	108889-01-710	EA	FILLER PAD-COND AIR SEAL 6759A3971
	108889-01-712	EA	SUCTION LINE REDUCER(3/8 X 1/2 1215-2161
	108889-01-713	EA	SUCTION LINE(3/8 OD X .032 WALL 6792-130
	108889-01-714	EA	DISCHARGE LINE ASSY 6792-531

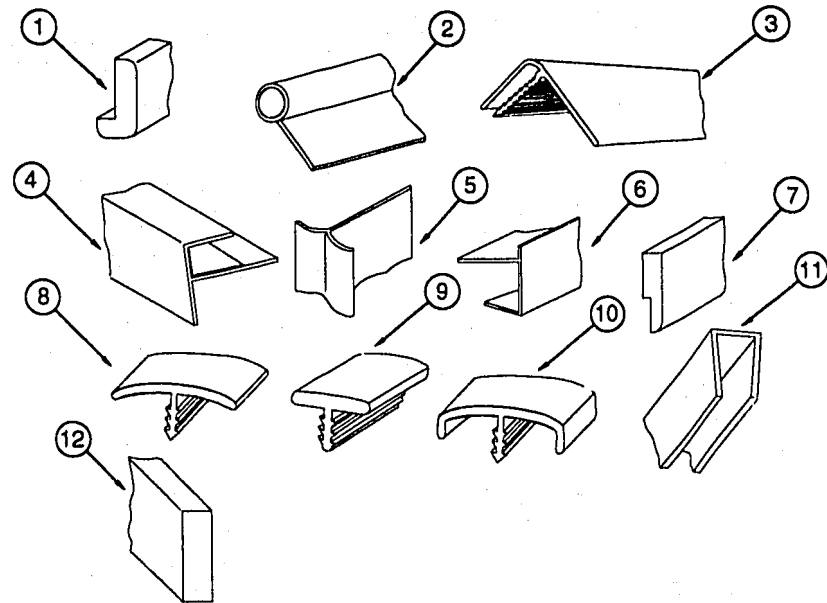
INTERIOR FINISH GROUP



CABINET HARDWARE

KEY	PART NUMBER	U/M DESCRIPTION
1	104181-01-01A	EA SUPPORT-LEAF, 5.3" - EXTENDS TO 7.5" - SAFTY RING - METAL
2	009021-01-000	EA CATCH-GRILLE, NYLON
3	009021-02-000	EA STRIKE-SPRING STEEL
4	093586-03-000	EA CATCH-SPRING, ROLLER
5	093586-04-000	EA STRIKE-SPRING STEEL
6	074493-02-000	EA SUPPORT-PISTON SPRING, CABINET DOOR
7	112146-01-000	EA PULL-CABINET, BRASS - AMEROCK 1180-3
8	016804-01-000	EA BRACE-CABINET, ANGLE - 2.5" - METAL - UNPAINTED
8	016804-05-000	EA BRACE-CABINET, L ANGLE - 2.5" - METAL - OFF WHITE
9	000G13-06-08G	EA SCREW, 6-20 X 1/2" PFH - ANTIQUE BRASS
10	108138-01-000	EA HINGE-DOOR, CABINET - BURNISHED BRASS
11	009063-01-000	EA HINGE-CONTINUOUS, 1 1/2" X 72" - UNPAINTED
11	009059-01-000	EA HINGE-DOOR, 2" X 1.4" - BRASS
	076790-01-000	EA SCREW, 6-20 X 1 1/4 PPH - BLACK
	004354-01-000	EA BUMPER-RUBBER, .5" DIA - BROWN
	023320-01-000	EA PAD-FELT, 3/8" DIAMETER - BROWN
	009112-01-000	EA FLANGE-1" ROD, CLOTHES - PLASTIC - OFF WHITE
	042438-01-000	EA DOWEL-WOOD, CLOTHES ROD - 1" DIAMETER X 4'
	000G13-06-10G	EA SCREW - 6-20 X 5/8 PFH, ANTIQUE BRASS
	084451-01-000	EA CATCH-TV SHELF, BRASS

INTERIOR FINISH GROUP (CONTINUED)



MOLDINGS, BATT STRIPS, & TRIM

KEY	PART NUMBER	U/M DESCRIPTION
	085284-A5-000	FT STRIP-TAPE, FRESCO, SILVERADO DECOR
	069733-80-000	EA BATT STRIP-WOODGRAIN, 8' LONG - WINNI OAK
1	077840-01-E07	EA MOLDING-WALL CAP, L SHAPED - WOOD
2	009767-12-000	FT MOLDING-SIDEWALL TO CEILING/CABINET, WELTING - OFF WHITE
3	009809-21-000	EA MOLDING-CORNER, OUTSIDE - 1" - PLASTIC - WOODGRAIN
4	009812-22-000	EA MOLDING-CORNER, OUTSIDE - .5" - PLASTIC - BROWN
	009812-24-000	EA MOLDING-CORNER, OUTSIDE - .5" - PLASTIC - IVORY
5	022992-11-000	FT MOLDING-REVERSE COVE, T-SHAPED - VINYL - IVORY
	076325-34-000	FT MOLDING-EDGE BAND, 1 5/16" WIDE
6	103186-01-01A	FT MOLDING-EDGE, SHELF - .78" WIDE - PLASTIC - RAMBLING OAK
7	105004-01-02A	EA MOLDING-VINYL WRAP RAMBLING OAK
8	105709-01-000	FT T-MOLDING - 1", MODERN IVORY
9	104676-01-01A	FT T-MOLDING, 5/16" RIGID - GOLD
9	104676-02-01A	FT T-MOLDING, 1/2" RIGID - THOR PECAN
10	083620-07-000	FT T-MOLDING, END CAP EDGE - W/EDGE LIPS - .75" - THOR PECAN
11	070504-19-000	FT U-CHANNEL-PLASTIC, .815" WIDE - BROWN - INC. OF 8'
11	070504-26-000	FT EXTRUSION-U CHANNEL, 20.7 MODERN IVORY
12	100040-01-000	EA LUMBER-VINYL WRAPPED, .7" X 1.5" X 8' - RAMBLING OAK
12	100040-03-000	EA LUMBER-VINYL WRAPPED, .71" X 2" X 8' - RAMBLING OAK

INTERIOR FINISH GROUP (CONTINUED)

PANELING, LAMINATES & PLASTIC

KEY	PART NUMBER	U/M DESCRIPTION
	093743-02-01A	SF PLASTIC-ABS, 20" WIDE ROLL - OFF WHITE
	074488-87-000	SF LAMINATE-PLASTIC, ORCHID MIST (ALL)
	074497-27-000	SF PANELING-CEILING, 4' X 8' - INCREMENTS OF 32 SF - PEARL
	074497-21-000	SF PANELING-WOODGRAIN, 4' X 8' - INCREMENTS OF 32 SF
	088272-98-000	SF PANELING-SHOWER - OFF WHITE - 4' X 7' - INCREMENTS OF 28 SF
	088272-D7-000	SF PANELING-FRESCO,SILVERADO
	089297-01-000	SF PLYWOOD-LUAN - OVERLAY GRADE - 4' X 8' - INCREMENTS OF 32 SF
	095688-01-000	SF VENEER-FLAT LUANA, 4' X 8'

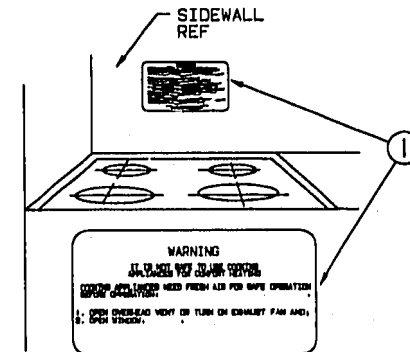
DETECTORS & FIRE EXTINGUISHER

KEY	PART NUMBER	U/M DESCRIPTION
	072852-01-000	EA DETECTOR-SMOKE, W/9 VOLT BATTERY
	072852-02-000	EA DETECTOR-SMOKE, W/9 VOLT BATTERY - CANADIAN
	094499-01-000	EA EXTINGUISHER-FIRE, DRY W/MOUNTING BRACKET - 10 BC
	094499-01-700	EA BRACKET-MOUNTING, W/PLASTIC STRAP - FIRE EXTINGUISHER
	112320-01-000	EA DETECTOR-CO GAS, MODEL 98-I - COSTAR 940000000
	112320-02-000	EA BATTERY/SENSOR-CO GAS, COSTAR 940001000
	103613-01-000	EA DETECTOR-LP GAS

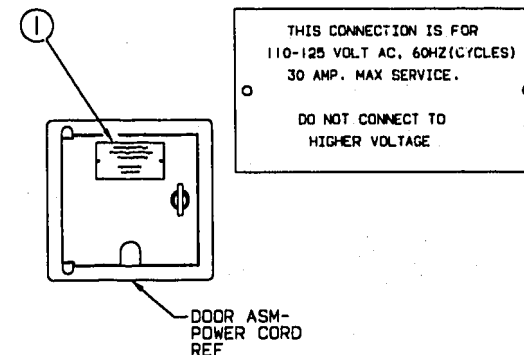
FLOOR COVERINGS & MATS

KEY	PART NUMBER	U/M DESCRIPTION
	096060-97-000	SY CARPET-12' ROLL, INCREMENTS OF 4 SY - JUBILATION, LAPIS (FB1)
	096060-A1-000	SY CARPET-12' ROLL, INCREMENTS OF 4 SY - JUBILATION,ARTIC GRAY (FC1)
	075233-01-000	SY PAD-CARPET, 3/8" X 6' ROLL
	047034-02-000	SF PLASTIC-CARPET, 4' WIDE - CLEAR POLY

LABELS GROUP



KEY	PART NUMBER	U/M DESCRIPTION
	1 050225-01-000	EA LABEL-WARNING - STOVE VENT - US
	1 050222-01-000	EA LABEL-WARNING - STOVE VENT - CANADIAN

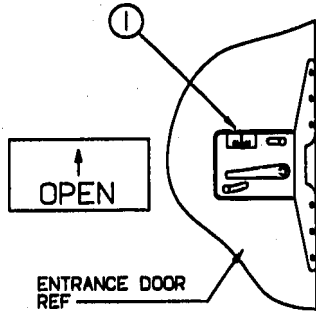


KEY	PART NUMBER	U/M DESCRIPTION
	1 006062-01-000	EA TAG-ELECTRIC - 110V CONNECTION

MISCELLANEOUS LABELS

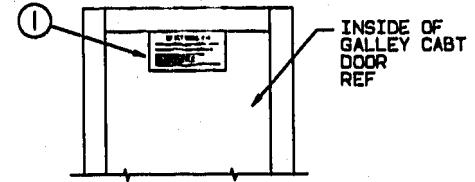
KEY	PART NUMBER	U/M DESCRIPTION
	061606-01-000	EA LABEL-OVERLAY - VEHICLE CERTIFICATION - ADHESIVE BACKED
	091243-01-000	EA LABEL-A/C COVER - "AIR CONDITIONING CIRCUIT, ETC."
	098641-01-000	EA LABEL-FUEL - UNLEADED - DASH
	106411-01-000	EA LABEL-BUMPER OVERLOADING WARNING
	109522-01-000	EA LABEL-BUMPER, SEE OWNERS MANUAL

LABELS GROUP (CONTINUED)



KEY	PART NUMBER	U/M DESCRIPTION
1	040944-01-000	EA LABEL-ENTRANCE DOOR - "OPEN"

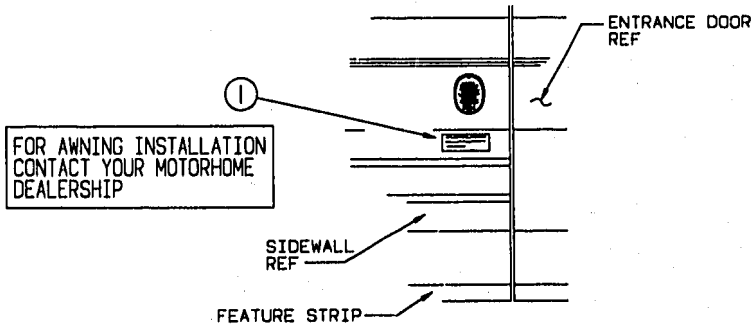
LABELS GROUP (CONTINUED)



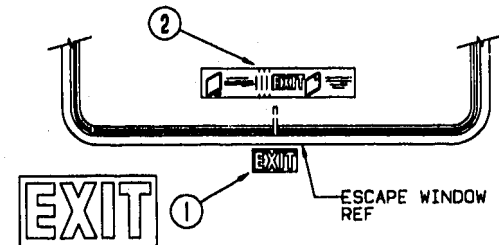
IF YOU SMELL GAS

1. EXTINGUISH ANY OPEN FLAME, PILOT LIGHTS AND ALL SMOKING MATERIALS.
2. SHUT OFF THE GAS SUPPLY AT THE TANK VALVE (OR GAS SUPPLY CONNECTION).
3. OPEN DOORS AND OTHER VENTILATING OPENINGS.
4. DO NOT TOUCH ELECTRICAL SWITCHES.
5. LEAVE THE AREA UNTIL ODOR CLEARS.
6. HAVE THE GAS SYSTEM CHECKED AND LEAKAGE SOURCE CORRECTED BEFORE USING AGAIN.

KEY	PART NUMBER	U/M DESCRIPTION
1	073998-01-000	EA LABEL-LPG ODOR WARNING

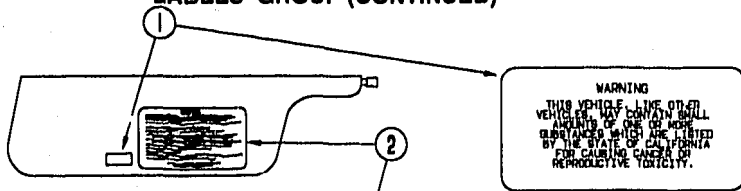


KEY	PART NUMBER	U/M DESCRIPTION
1	089509-01-000	EA LABEL-AWNING INSTALLATION



KEY	PART NUMBER	U/M DESCRIPTION
1	039290-01-000	EA LABEL-WARNING - EXIT
2	107571-01-000	EA LABEL-ESCAPE EXIT - WINDOW

LABELS GROUP (CONTINUED)



WARNING
 THIS VEHICLE IS NOT ANOTHER
 VEHICLE. IT CONTAINS SMALL
 AMOUNTS OF ONE OR MORE
 SUBSTANCES WHICH ARE LISTED
 BY THE STATE OF CALIFORNIA
 FOR CAUSING CANCER OR
 REPRODUCTIVE TOXICITY.

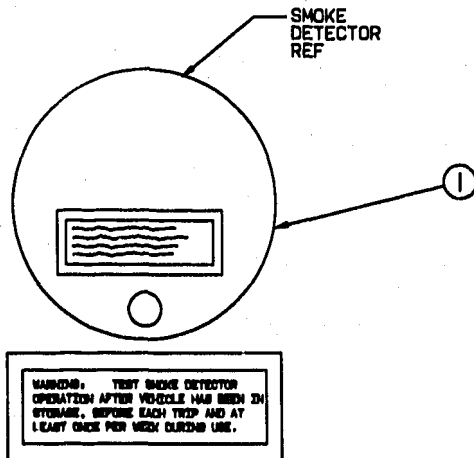
CAUTION

THIS MOTOR HOME HAS BEEN DESIGNED, MANUFACTURED AND TESTED WITH CONCERN FOR THE PROTECTION OF IT'S OCCUPANTS. WE RECOMMEND YOU PERFORM THE FOLLOWING INSPECTIONS FOR YOUR SAFETY AND THE SAFETY OF YOUR PASSENGERS BEFORE STARTING YOUR VEHICLE.

1. LP GAS SYSTEM- TURN OFF AT TANK FOR TRAVELING. TEST FOR LEAKS UPON ARRIVAL AT DESTINATION. BEFORE LIGHTING PILOTS.
2. WHEELS- INSPECT FOR DAMAGE AND CHECK LUG NUTS FOR TIGHTNESS.
3. TIRES- INSPECT FOR WEAR AND DAMAGE AND CHECK FOR RECOMMENDED AIR PRESSURE.
4. LIGHTING- TEST FOR PROPER OPERATION OF ALL INTERIOR AND EXTERIOR LIGHTS INCLUDING DASH LIGHTS, HEADLIGHTS, TAIL LIGHTS, BRAKE LIGHTS, CLEARANCE LIGHTS AND TURN SIGNALS.
5. EXITS- INSPECT RELEASE MECHANISM ON EMERGENCY EXIT WINDOW. TEST BOTH LOCKS ON MAIN ENTRANCE DOOR FOR EASE OF OPERATION AND INSTRUCT PASSENGERS HOW TO USE BOTH MEANS OF EXIT.
6. SEAT BELTS- DIRECT PASSENGERS TO DESIGNATED SEATS AND REQUIRE USE OF SEAT BELTS.
7. APPLIANCES- TURN OFF AND LATCH OR LOCK DOORS WHERE PROVIDED.
8. LOOSE PARCELS- STORE SECURELY.
9. UTILITY SUPPLY LINES- DISCONNECT ALL ELECTRIC, BEVER AND WATER LINES AND SECURE PROPERLY.
10. ENTRANCE DOOR STEP- PLACE IN RETRACTED POSITION FOR TRAVELING.

READ YOUR MOTOR HOME AND CHASSIS OWNER'S MANUAL FOR FURTHER PRECAUTIONS

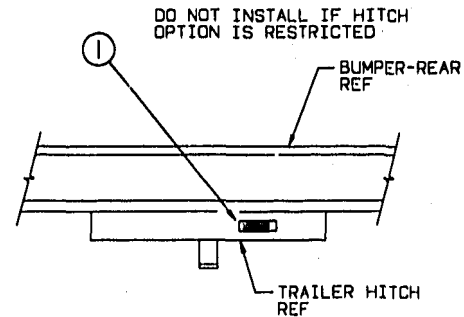
KEY PART NUMBER	U/M DESCRIPTION
1 099689-01-000	EA LABEL-WARNING - CANCER/TOXICITY
2 056259-01-000	EA LABEL-SAFETY CHECK LIST



WARNING: TEST SMOKE DETECTOR OPERATION AFTER VEHICLE HAS BEEN IN STORAGE, BEFORE EACH TRIP AND AT LEAST CHECK PER WEEK DURING USE.

KEY PART NUMBER	U/M DESCRIPTION
1 077956-01-000	EA LABEL-WARNING - SMOKE DETECTOR

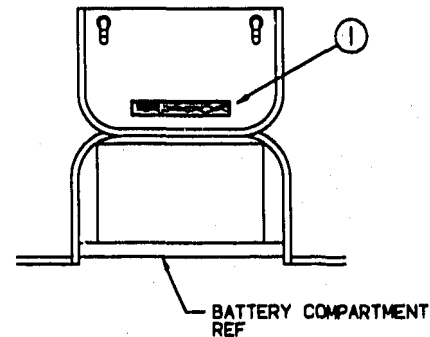
LABELS GROUP (CONTINUED)



DO NOT USE HITCH BEFORE READING OWNERS MANUAL REGARDING VEHICLE LOADING AND TOWING

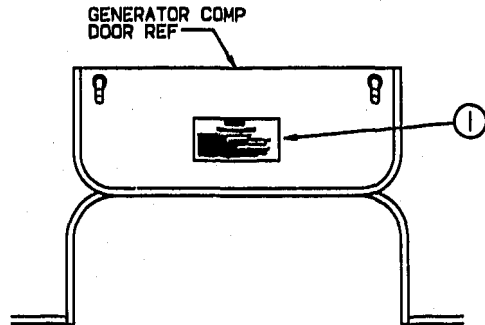
KEY PART NUMBER	U/M DESCRIPTION
1 111104-01-000	EA LABEL-HITCH - READ MANUAL

WARNING DISCONNECT BATTERIES BEFORE CONNECTING EXTERNAL CHARGING EQUIPMENT.



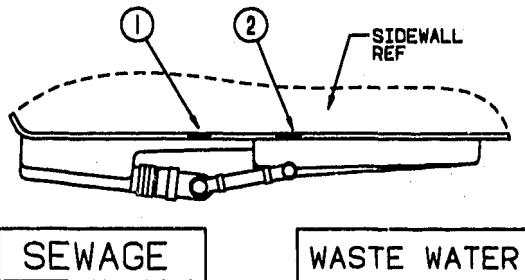
KEY PART NUMBER	U/M DESCRIPTION
1 065748-01-000	EA LABEL-CAUTION - BATTERY CHARGING

LABELS GROUP (CONTINUED)



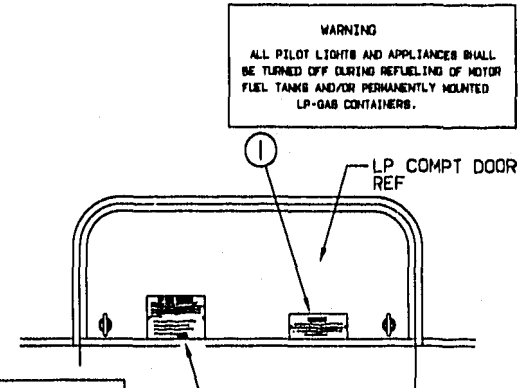
WARNING
WHEN ADDING A GENERATOR SET:
 HIGH VOLTAGE—USE EXTREME CAUTION WHEN WORKING ON ELECTRICAL COMPONENTS.
 HAVE ALL ELECTRICAL INSTALLATION PERFORMED BY A QUALIFIED LICENSED ELECTRICIAN—FOLLOW ALL STATE AND LOCAL CODES.
 ONLY INITIAL GENERATOR SET APPROVED FOR R.V. APPLICATION, HAVE INSTALLED BY QUALIFIED TECHNICIAN.
 TO AVOID HEAT BUILD-UP AND TO GUARANTEE AN ADEQUATE AIR SUPPLY TO THE GENERATOR COMPARTMENT, FOLLOW INSTALLATION INSTRUCTIONS.
 GENERATOR EXHAUST GASKETS ARE TOUGH AND MUST NOT THERMATE UNDER THE VEHICLE—DISCHARGE EXHAUST AWAY FROM VEHICLE.

KEY PART NUMBER	U/M DESCRIPTION
1 077510-01-000	EA LABEL-GENERATOR PREP



KEY PART NUMBER	U/M DESCRIPTION
1 006187-01-000	EA LABEL-SEWAGE
2 006188-01-000	EA LABEL-WASTE WATER

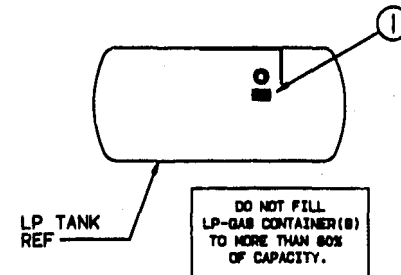
LABELS GROUP (CONTINUED)



WARNING
 ALL PILOT LIGHTS AND APPLIANCES SHALL BE TURNED OFF DURING REFUELING OF MOTOR FUEL TANKS AND/OR PERMANENTLY MOUNTED LP-GAS CONTAINERS.

LP-GAS SYSTEM
 THIS GAS PIPING SYSTEM IS DESIGNED FOR USE OF LIQUEFIED PETROLEUM GAS ONLY. DO NOT CONNECT NATURAL GAS TO THIS SYSTEM.
 SECURELY CAP INLET(S) WHEN NOT CONNECTED FOR USE. AFTER TURNING ON GAS, EXCEPT AFTER NORMAL CONTAINER REPLACEMENT, TEST GAS PIPING AND CONNECTIONS TO APPLIANCE FOR LEAKAGE WITH SOAPY WATER OR BUBBLE SOLUTION. DO NOT USE PRODUCTS THAT CONTAIN AMMONIA OR CHLORINE.
 P.N. 04631

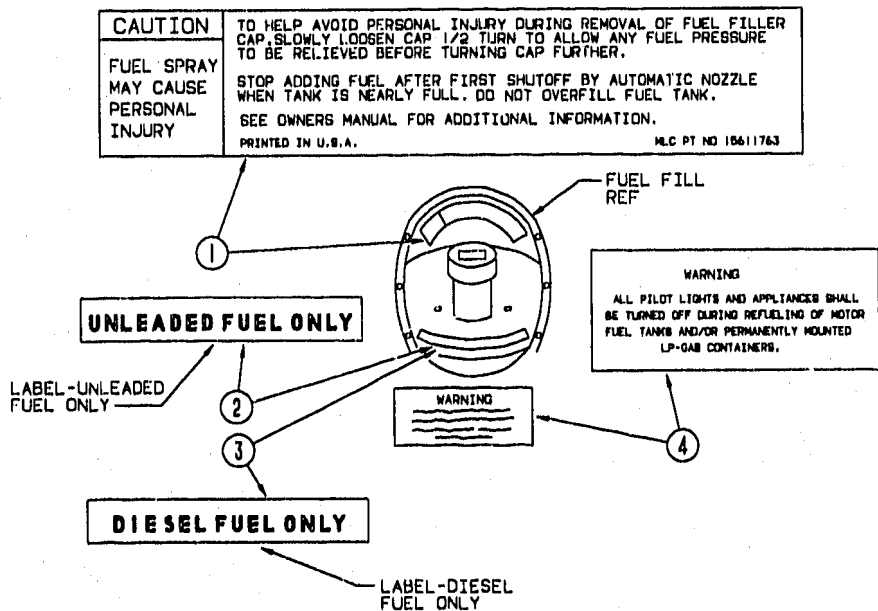
KEY PART NUMBER	U/M DESCRIPTION
1 006040-01-000	EA TAG-GAS REFUELING WARNING
1 006040-02-000	EA TAG-GAS REFUEL WARNING - CANADIAN
2 054531-01-000	EA LABEL-LP GAS ONLY
2 023789-01-000	EA LABEL-WARNING - LPG - CANADIAN



DO NOT FILL LP-GAS CONTAINER(S) TO MORE THAN 80% OF CAPACITY.

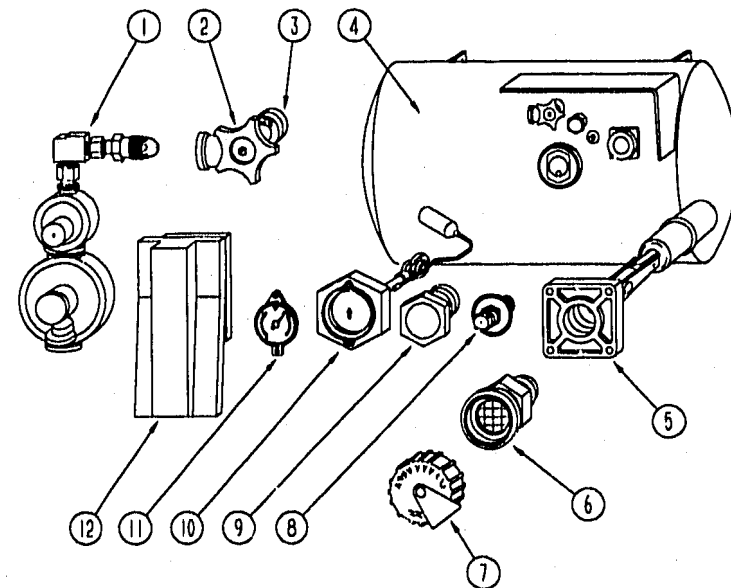
KEY PART NUMBER	U/M DESCRIPTION
1 079965-01-000	EA LABEL-LPG 80% CAPACITY

LABELS GROUP (CONTINUED)



KEY	PART NUMBER	U/M DESCRIPTION
1	087207-05-000	EA LABEL-FUEL CAP REMOVAL - GM--15611763
2	082043-01-000	EA LABEL-FUEL - UNLEADED
3	N/A	EA LABEL-DIESEL FUEL-GM---557005
4	006040-01-000	EA TAG-GAS REFUELING WARNING
4	006040-02-000	EA TAG-GAS REFUEL WARNING - CANADIAN

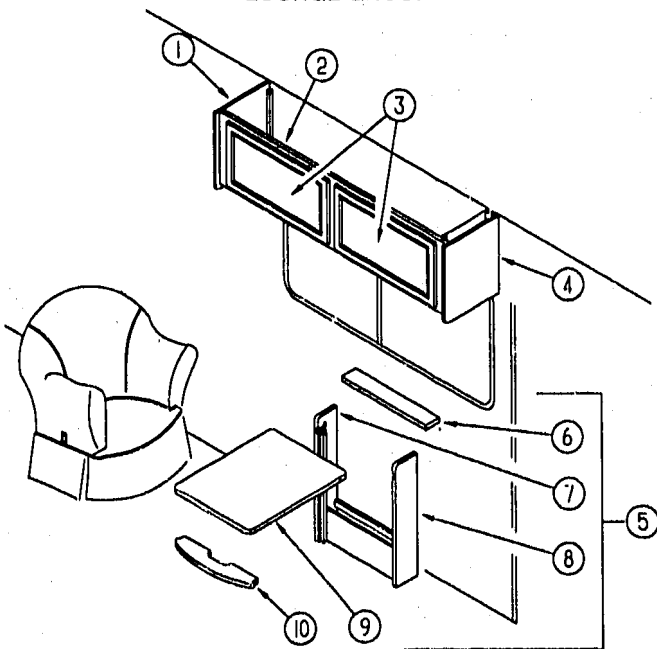
LP GROUP



LP TANK & SYSTEM COMPONENTS

KEY	PART NUMBER	U/M DESCRIPTION
1	106150-01-000	EA REGULATOR-TWO STAGE, MARSHALL BRASS 283-00
2	040421-01-708	EA HANDWHEEL-SERVICE VALVE, BRUNNER G-1015-A
3	040421-01-712	EA VALVE-SERVICE W/O VAPOR RELIEF, 290000853
4	088253-01-000	EA TANK-LP, 80 LB - 18" DIAMETER X 30" - BRUNNER
5	040421-01-711	EA VALVE - 80% W/FLOAT, PLATE - BOLTS & GASKET - BRUNNER
6	040421-01-701	EA VALVE-SHORT LP FILLER, W/YELLOW CAP - BRUNNER 75478
7	040421-01-702	EA CAP-LP FILLER VALVE, PLASTIC - YELLOW - BRUNNER G-1014-A
8	040421-01-700	EA VALVE-LIQUID LEVEL, 20% LP - BRUNNER G-1013
9	040421-01-713	EA VALVE-VAPOR ONLY, 290000537
10	074142-01-700	EA FLOAT GAUGE-SCREW ON-MACHINE 13C-SCR
11	040421-01-706	EA DIAL-LP TANK VOLUME, VISIBLE FACE (5-1789) - BRUNNER MA-8 ROCHESTER
12	105658-01-000	EA COMPARTMENT-LP REGULATOR
	010323-01-000	EA ADAPTER-BRASS, 3/8F X 1/2MPT
	010377-02-000	EA NUT-BRASS, 3/8 FEMALE - FORGED
	010380-02-000	EA NUT-BRASS, 1/2 FEMALE - FORGED
	010320-01-000	EA ADAPTER-BRASS, 1/2F X 1/2MPT
	010265-01-000	EA ELBOW - 90 DEGREE, 3/8" F TO 1/2" FPT - BRASS
	085318-02-000	EA ELBOW - 90 DEGREE, 3/8" MPT TO 3/8" FPT
	035340-01-000	EA ELBOW, 3/8" MPT X 1/2" F - BRASS
	095624-01-000	EA ELBOW - 90 DEGREE, 1/4" FPT X 1/4" FPT - BRASS
	103613-01-000	EA DETECTOR-LP GAS
	071391-02-000	EA NIPPLE-HEX, 1/4 PIPE - 3325 X 4 WEATHERHEAD

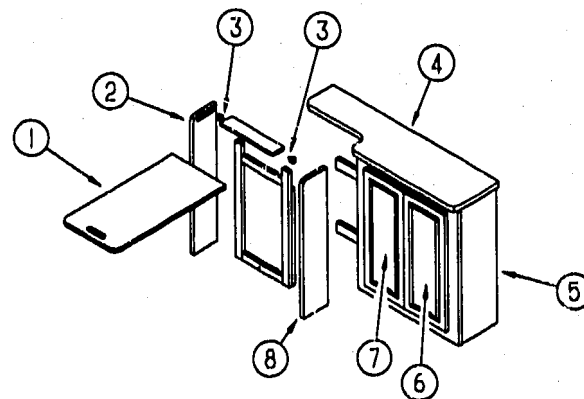
LOUNGE GROUP



LOUNGE OVERHEAD & TABLE

KEY	PART NUMBER	U/M DESCRIPTION
1	109908-34-FB1	EA CAP ASM - END - OVERHEAD
2	P17001-01-FB1	EA CABINET ASM-OVHD, LOUNGE
3	110140-59-F15	EA DOOR ASM-MITERED - VINYL WRAP - 0365 X 0680
4	109908-33-FB1	EA CAP ASM - END - OVERHEAD
5	M96873-01-E07	EA TABLE ASM-PULLOUT
	016804-05-000	EA BRACE-SEAT, OFF/WHITE
6	096873-15-B87	EA COUNTERTOP - UPPER
7	096873-14-B87	EA END-TABLE, LEFT
8	096873-13-B87	EA END-TABLE, RIGHT
9	096873-18-B87	EA TABLE TOP - PULL OUT
10	096873-12-B87	EA SHELF - LOWER COUNTERTOP
	007021-01-000	EA BELT-ASM-SEAT 2IN X 90IN BLK

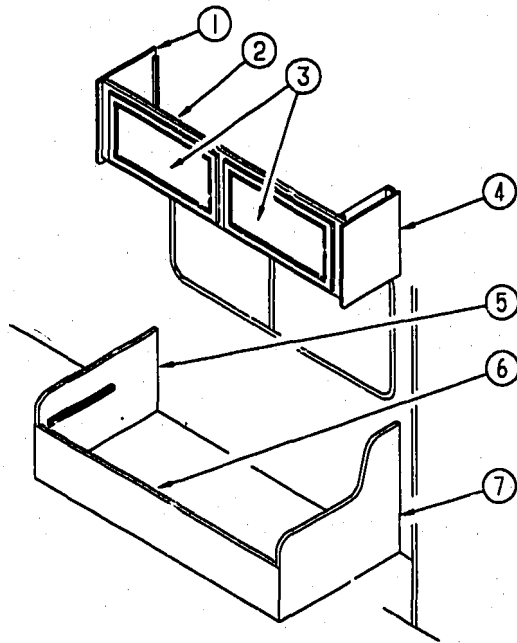
LOUNGE GROUP (CONTINUED)



HUTCH W/TABLE

KEY	PART NUMBER	U/M DESCRIPTION
1	114796-15-E02	EA TABLE ASM. PULLOUT
2	114796-12-E01	EA END - TABLE - LEFT
3	079921-01-000	EA ROLLER - NYLON - W/SHAFT
3	076790-01-000	EA SCREW - 6-20 X 1 1/4 PPH BLACK
4	114796-11-E02	EA COUNTERTOP ASM - HUTCH
5	114796-01-FB1	EA CABINET ASM-HUTCH
6	110140-01-E01	EA DOOR ASM-MITERED - VINYL WRAP - 0255 X 0640
7	110140-01-E01	EA DOOR ASM-MITERED - VINYL WRAP - 0255 X 0640
8	114796-13-F01	EA END - TABLE - RIGHT

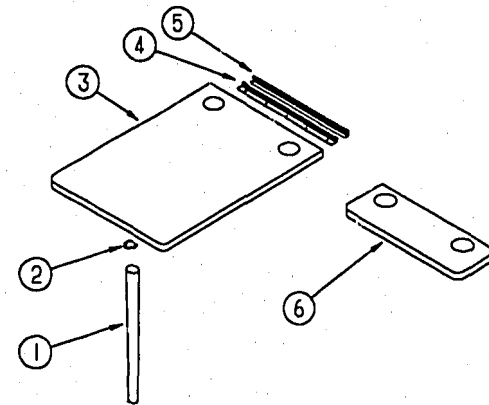
LOUNGE GROUP (CONTINUED)



COUCH HARDWARE (SIDE FACING) & OVERHEAD

KEY	PART NUMBER	U/M DESCRIPTION
1	109908-34-FB1	EA CAP ASM - END - OVERHEAD
2	P17091-01-FB1	EA CABINET ASM-OVHD,LOUNGE
3	110140-59-F15	EA DOOR ASM-MITERED - VINYL WRAP - 0365 X 0680
4	109908-33-FB1	EA CAP ASM - END - OVERHEAD
5	M04187-64-F15	EA COUCH CABINET - FRONT - W/FABRIC - FB1
5	M04187-64-F16	EA COUCH CABINET -FRONT - W/FABRIC - FC1
6	M04187-63-F15	EA COUCH CABINET -FACE - W/FABRIC - FB1
6	M04187-63-F16	EA COUCH CABINET -FACE - W/FABRIC - FC1
7	M04187-65-F15	EA COUCH CABINET -REAR - W/FABRIC - FB1
7	M04187-65-F16	EA COUCH CABINET -REAR - W/FABRIC - FC1
	056271-01-000	EA BELT ASM-SEAT 2INX102IN BLK
	082525-01-000	EA BRACE-COUCH,FLOOR
	083125-07-000	EA BRACE-COUCH,O/W

LOUNGE GROUP (CONTINUED)



LOUNGE TABLE (DRIVERS SIDE)

KEY	PART NUMBER	U/M DESCRIPTION
1	114724-01-02A	EA LEG - TABLE - WOOD - ASH
2	114724-02-000	EA PLATE - LEG - METAL - THREADED
3	081322-14-FB1	EA TABLE ASM - DINNING - W/SUPPORT
4	102201-04-02A	EA SUPPORT - HINGE CATCH - OFF WHITE
5	118933-01-01A	EA SUPPORT - HINGE LOCK - OFF WHITE
6	114681-01-FB1	EA TABLE ASM - W/SUPPORT

SEALANTS & FASTENERS GROUP

ADHESIVE AND FASTENERS

KEY	PART NUMBER	U/M DESCRIPTION
	062917-03-000	EA ADHESIVE-LOCTITE 242
	053768-08-000	EA BEDDING COMPOUND-TUBE - GRAY - SCHNEE# 5522
	087211-01-000	GL PROMOTER-ADHESIVE
	034552-02-000	EA SILICONE-TUBE - 300 ML - CLEAR
	034552-06-000	EA SILICONE-TUBE - 300 ML - OFF WHITE
	102352-01-000	EA SEALER-PUMPABLE - BLACK - COLORIMETRIC MS101
	069640-01-000	FT SEALER-RIBBON - 1/4" DIAMETER - INCREMENTS OF 30'
	069640-02-000	FT SEALER-RIBBON - 1/2" X 1/8" - INCREMENTS OF 30' OR 60'
	069640-03-000	FT SEALER-RIBBON - 3/4" X 1/8" - INCREMENTS OF 60'
	069640-07-000	FT SEALER-RIBBON - 2" X 3/32" - INCREMENTS OF 30' OR 45'
	069640-09-000	FT SEALER-RIBBON - 1/32" X 2 1/2" - INCREMENTS OF 80'
	069640-11-000	FT SEALER-TAPE - 3/16" X 3/8" - BLACK
	069640-14-000	FT SEALER-TAPE - 1/16" X 1" - GRAY
	110744-01-000	EA SEALANT-FOAM - POLYURETHANE
	072889-01-000	EA SEALANT-URETHANE - BLACK - 1/10 - ESSEX 552.2
	076314-02-000	FT TAPE-CARPET SEAM - HEAT-BOND - 4" WIDE
	076322-02-000	FT TAPE-FOAM - DOUBLE COATED ADHESIVE BACKED - 1" X 108'
	076322-05-000	FT TAPE-FOAM - DOUBLE COATED - .025" X 1.5" X 108'
	002707-02-000	FT TAPE-SEALER - 5/16" X 1/2" - INCREMENTS OF 50'
	900390-01-000	EA TIP - 2 1/2" X 1/8" ORIFICE - ELLSWORTH#TS216
	900390-02-000	EA TIP - 6"LN - 1/16" X 1/4" ORFICE - SEMCO#8607
	900390-03-000	EA NOZZLES-SILICONE TUBE - CSL# D10

BOLTS, NUTS & WASHERS

KEY	PART NUMBER	U/M DESCRIPTION
	051387-06-000	EA BOLT-CARRIAGE - W/O HOLE - 5/16-18 X 9.5 ZINC
	000C12-05-12B	EA BOLT-HEX - 5/16 - 18 X .75" - ZINC 5
	000C12-05-16B	EA BOLT-HEX - 5/16 - 18 X 1" - ZINC 5
	000C12-05-40B	EA BOLT-HEX - 5/16 - 18 X 2.5" - ZINC 5
	000C12-07-20B	EA BOLT-HEX - 7/16 - 14 X 1.25" - ZINC5
	000C12-08-24B	EA BOLT-HEX - 1/2 - 13 X 1.50" - ZINC 5
	000C13-07-48B	EA BOLT-HEX - 7/16 - 20 X 3" - ZINC 5
	000C13-07-24B	EA BOLT-HEX - 7/16 - 20 X 1 1/2" - GR 5
	000C13-07-48B	EA BOLT-HEX - 7/16 - 20 X 3" - ZINC 5
	000C26-04-10B	EA BOLT-HEX - SERRATED FLANGE - 1/4-20 X 5/8" - ZINC
	000C26-05-12B	EA BOLT-HEX - SERRATED FLANGE 5/16-18 X 3/4" - ZINC
	000C26-06-28B	EA BOLT-HEX - SERRATED FLANGE 3/8-16 X 1.75" - ZINC
	000D14-05-00B	EA NUT-HEX - 5/16-18 - ZINC 5
	000D24-10-00B	EA NUT-HEX - SELF LOCKING - 10-32 ZINC
	000D39-04-00B	EA NUT-HEX - SERRATED FLANGE LOCKING 1/4" - 20 - ZINC
	000D39-05-00B	EA NUT-HEX - SERRATED FLANGE LOCKING - 5/16" - 18 - ZINC
	000D39-06-00B	EA NUT-HEX - SERRATED FLANGE LOCKING - 3/8" - 16 - ZINC
	000D39-08-00B	EA NUT-HEX - SERRATED FLANGE LOCKING - 1/2" - 13 - ZINC
	000D44-07-00B	EA NUT-HEX - SERRATED FLANGE LOCKING - 7/16" - 20 - ZINC
	104369-01-000	EA NUT-HEX - HEAVY - 5/8" - 11 UNC - SPARE TIRE INSTL
	063253-07-000	EA NUT-J - #8A .120-.130 PNL THICK
	040921-04-000	EA NUT-SPEED - U TYPE - NO. 8 - .59" LENGTH X .44" WIDTH
	044364-02-000	EA NUT-SPEED - FLAT - ROUND
	044533-01-000	EA WASHER-PLASTIC - 1 3/8" OD - FOR BUTTONS
	000E11-07-00B	EA WASHER-LOCKING - 7/16" MEDIUM SPLIT - ZINC
	000E13-20-00B	EA WASHER-FLANGE - 7/16" WIDE - ZINC
	106649-01-000	EA WASHER-SEALING - GALVANIZED - 5/8" ID

SEALANTS & FASTENERS GROUP (CONTINUED)

SCREWS

KEY	PART NUMBER	U/M DESCRIPTION
	000G68-06-10G	EA SCREW - 6-18 X 5/8" POH - ANTIQUE BRASS
	000G12-06-08T	EA SCREW - 6-20 X .50" POH - BLACK
	000G13-06-08B	EA SCREW - 6-20 X .50" PFH - ZINC
	000G13-07-12B	EA SCREW - 7-19 X 3/4" PFH - ZINC
	000G11-08-06B	EA SCREW - 8-18 X 3/8" PPH - ZINC
	000G11-08-08B	EA SCREW - 8-18 X 1/2" PPH - ZINC
	000G11-08-12B	EA SCREW - 8-18 X 3/4" PPH - ZINC
	000G11-08-12D	EA SCREW - 8-18 X 3/4" PPH - BLACK
	000G11-08-12S	EA SCREW - 8-18 X 3/4" PPH - OFF WHITE
	000G11-08-12T	EA SCREW - 8-18 X 3/4" PPH - BLACK
	000G12-08-16S	EA SCREW - 8-18 X 1" POH - OFF WHITE
	000G13-08-10B	EA SCREW - 8-18 X 5/8" PFH - ZINC
	000G67-10-08B	EA SCREW - 10-12 X 1/2" PPH - ZINC
	000G67-10-10B	EA SCREW - 10-12 X 5/8" PPH - ZINC - TYPE A
	000G67-10-10R	EA SCREW - 10-12 X 5/8" PPH - TYPE A - BEIGE
	000G67-10-10S	EA SCREW - 10-12 X 5/8" PPH - OFF WHITE
	000G67-10-12B	EA SCREW - 10-12 X 3/4" PPH - ZINC
	000G67-10-120	EA SCREW - 10-12 X .75" PPH - TAN
	000G67-10-12P	EA SCREW - 10-12 X .75" PPH - DARK BROWN
	000G67-10-20D	EA SCREW - 10-12 X 1.25" PPH - BLACK
	000G67-10-36T	EA SCREW - 10-12 X 2.25" PPH - BLACK
	000G67-10-48B	EA SCREW - 10-12 X 3" PPH - ZINC
	000G57-10-16B	EA SCREW - 10-13 X 1" PFH - ZINC
	000G11-10-12S	EA SCREW - 10-16 X .75" PPH - OFF WHITE
	000G13-10-12B	EA SCREW - 10-16 X 3/4" PFH - ZINC
	000G11-10-40B	EA SCREW - 10-16 X 2.5" PPH - CAD
	000G36-10-12E	EA SCREW - 10-24 X 3/4" PFH - TYPE 23 - CHROME PLATED
	000G19-10-20B	EA SCREW-MACHINE - 10-32 X 1 1/14" - PPH - STAINLESS STEEL
	075908-01-000	EA SCREW-MACHINE - 10-32 X .56" PTH - ZINC EXTERNAL TOOTH
	000G50-04-12B	EA SCREW-MACHINE - 1/4-20 X 3/4" PPH - ZINC
	000G53-04-06B	EA SCREW-MACHINE - 1/4-20 X 3/8" PPH - ZINC - UNDERCUT HEAD
	000G39-06-08B	EA SCREW-DR - 6-18 X 1/2" - ZINC
	000G39-06-10T	EA SCREW-SF/DR - 6-20 X 5/8" PPH - BLACK
	000G39-08-08B	EA SCREW-SF/DR - 8-18 X .50" PPH - ZINC
	000G39-08-08R	EA SCREW-SF/DR - 8-18 X .50" PPH - BEIGE
	000G39-08-08S	EA SCREW-SF/DR - 8-18 X .50" PPH - OFF WHITE
	000G39-08-12B	EA SCREW-SF/DR - 8-18 X 3/4" PPH - ZINC
	000G39-08-16B	EA SCREW-SF/DR - 8-18 X 1" PPH - ZINC
	000G39-08-16T	EA SCREW-SF/DR - 8-18 X 1" PPH - BLACK
	000G39-10-12D	EA SCREW-SF/DR - 10-16 X 3/4" PPH - BLACK
	000G39-10-10B	EA SCREW-SF/DR - 10-16 X .625" PPH - ZINC
	000G60-10-28T	EA SCREW-SF/DR - 10-16 X 1.75" - BLACK
	000G42-04-16B	EA SCREW-SF/DR - 1/4-14 X 1" HWH - ZINC
	000G42-04-24B	EA SCREW-SF/DR - 1/4-14 X 1 1/2" - ZINC
	000G42-04-20B	EA SCREW-SF/DR - 1/4-14 X 1 1/4" - ZINC
	000G42-04-12B	EA SCREW-SF/DR - 1/4-14 X 3/4" HWH - ZINC
	000G54-04-20B	EA SCREW - 1/4-20 X 1 1/4" PTH - TYPE 23 - ZINC PLATED
	049465-01-000	EA SCREW - 10-16 W/WASHER PTH - DARK BROWN
	096526-01-000	EA SCREW-HEX - 1/4 - 28 UNF
	079382-01-000	EA SCREW-SOCKET - 8-18 X 1" - BLACK

SEALANTS & FASTENERS GROUP (CONTINUED)

CLAMPS, GROMMETS AND FASTENERS

KEY	PART NUMBER	U/M	DESCRIPTION
	007125-03-000	EA	CLAMP-MUFFLER - 1.5" DIA
	007125-04-000	EA	CLAMP-MUFFLER - 1.1" DIA
	007161-01-000	EA	CLAMP-HOSE - SPRING TYPE - 1/2"
	010497-01-000	EA	CLAMP-CLOSED - 5/8" ID
	010497-03-000	EA	CLAMP-CLOSED - 1" ID - CUSHIONED
	010497-04-000	EA	CLAMP-CLOSED - 1.62 ID ADEL - 945-2717
	010497-05-000	EA	CLAMP-CLOSED - 1/2" ID
	010499-01-000	EA	CLAMP-CLOSED - 3/8" ID
	062401-01-000	EA	CLAMP-HOSE - WORMGEAR .25" - 1"
	062401-04-000	EA	CLAMP-HOSE - WORMGEAR .69" - 1.25"
	062401-06-000	EA	CLAMP-HOSE - WORMGEAR .22" - .62"
	062401-08-000	EA	CLAMP-HOSE - WORMGEAR 4.06" - 5.0"
	083609-01-000	EA	CLAMP-WIRE - DUAL EQUAL - 5/8" DIAMETER
	083610-01-000	EA	CLAMP-WIRE - DUAL - UNEQUAL DIAMETERS - .75" & 1.25"
	016188-05-000	EA	GROMMET-L/P LINE - 3/8" HOLE X 1 1/4" LONG - RUBBER
	061603-01-000	EA	GROMMET-SNAP - 3/16" ID - 3/8" HOLE - PLASTIC - BLACK
	023942-01-000	EA	GROMMET-RUBBER - 2" OD
	071015-11-000	EA	GROMMET-1.00" ID - FITS .12" MATERIAL - MINOR RUBBER Z-3065
	075148-02-000	EA	CLAMP-GROUNDING - BRONZE SCREWS
	077955-01-000	EA	CLIP-J - VINYL COATED - 3/8" - USED TO SUPPORT WIRING TO LIGHTS
	080734-02-000	EA	CLIP-WIRE - NYLON
	094362-02-000	EA	CLIP-CHRISTMAS TREE - FLAT HEAD - .5" X .95"
	029094-04-000	YD	VELCRO TAPE-LOOP - 1" WIDE - BLACK
	029094-03-000	YD	VELCRO TAPE-HOOK - 1" WIDE - BLACK
	081211-05-000	EA	PLUG-PLASTIC, .188 DIAMETER - NATURAL
	008343-01-000	EA	TIE-WIRE - 6"
	008343-02-000	EA	TIE-WIRE - 14"

WATER & SEWAGE GROUP

WATER SYSTEM

KEY	PART NUMBER	U/M	DESCRIPTION
	101814-01-000	EA	COUPLING-FEMALE, 1/2" X 1/2" FPT W/COMP. SLEEVE - GRAY
	114430-02-000	EA	ADAPTER-SWIVEL, 1/2P X 1/2FPT FLAIR-IT -02873
	010219-01-000	EA	ELBOW - 1 1/4" MPT X 1 1/4" BARB, WATER FILL - PLASTIC
	035539-01-000	EA	ELBOW-PLASTIC, 3/8" MPT X 3/8" BARB
	074462-02-000	FT	TUBING-VINYL, 3/8" ID - CLEAR
	077954-02-000	EA	FILTER-WATER TANK, SCREEN IN TANK
	079381-01-000	FT	TUBING-SMOOTH FLEXIBLE, 1 1/4" ID X 20'
	042989-03-000	EA	FITTING-WATER TANK, SPINWELD - 1 1/4" NPT - PLASTIC - WHITE
	042989-04-000	EA	FITTING-WATER TANK, SPINWELD - 3/8" FPT - PLASTIC - WHITE
	042989-05-000	EA	FITTING-WATER TANK, SPINWELD - 1/2" FPT - PLASTIC - WHITE
	049032-01-000	EA	PATCH-SPINWELD, 3/8" - PLASTIC
	114430-03-000	EA	ADAPTER - 1/2P X 1/2MPT FLAIR-IT 02842
	110915-01-01A	EA	FILL-CITY-WATER CHROME KEVCO 64713
	039800-02-000	FT	TUBING-POLYBUTYL, 5/8" OD - INCREMENTS OF 20' - BLACK
	046128-01-000	EA	VALVE-DRAIN, PLASTIC - 1/2" FPT
	114428-01-000	EA	TEE - 1/2P X 1/2P X 1/2P FLAIR-IT 02820
	114428-03-000	EA	TEE : 1/2P X 1/2P X 1/2MPT FLAIR-IT 02822
	114429-01-000	EA	ELBOW-1/2P X 1/2P FLAIR-IT 02800
	114429-03-000	EA	ELBOW-SWIVEL, 1/2P X 1/2FPT FLAIR-IT 02816
	114430-02-000	EA	ADAPTER-SWIVEL, 1/2P X 1/2FPT FLAIR-IT -02873
	114431-01-000	EA	V ALVE-LINE DRAIN 1/2P FLAIR-IT 02914
	114431-03-000	EA	VALVE-1/2P X 1.2P FLAIR-IT 02884

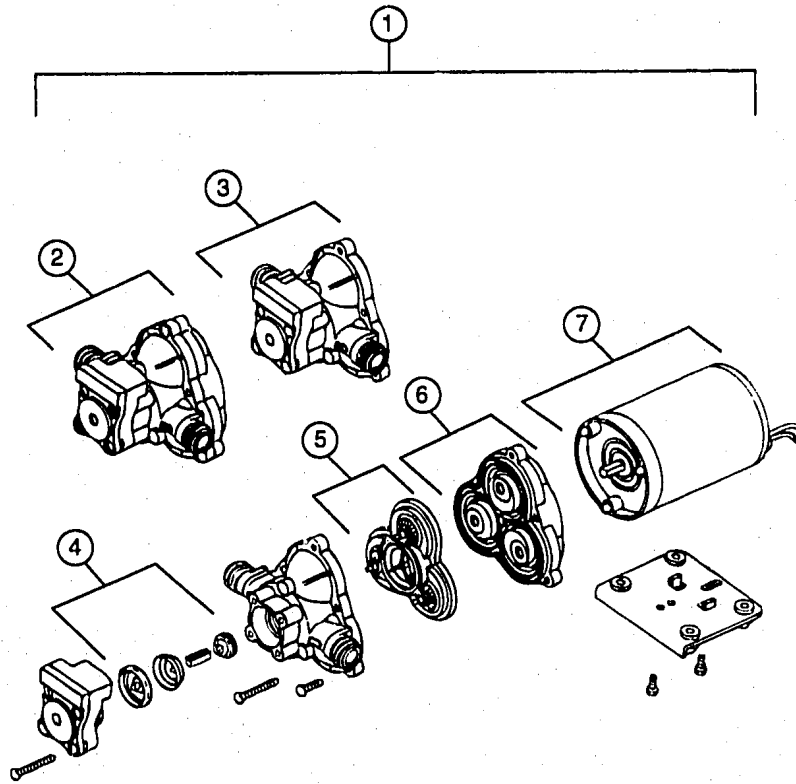
WATER TANK

KEY	PART NUMBER	U/M	DESCRIPTION
	116700-01-000	EA	TANK - WATER - 59 GAL (BLANK)
	116700-02-000	EA	TANK ASM-WATER - 59 GAL
	039861-01-000	EA	SENDING UNIT-W/SCREW - WASHER, WELL NUT, & TERMINAL RING
	049032-01-000	EA	PATCH-SPINWELD - 3/8" - PLASTIC
	042989-03-000	EA	FITTING-WATER TANK - SPINWELD - 1 1/4" NPT - PLASTIC - WHITE
	042989-04-000	EA	FITTING-WATER TANK - SPINWELD - 3/8" FPT - PLASTIC - WHITE
	042989-05-000	EA	FITTING-WATER TANK - SPINWELD - 1/2" FPT - PLASTIC - WHITE
	077954-02-000	EA	FILTER-WATER TANK - SCREEN IN TANK

WATER HEATER W/MOTOR AID ATWOOD (G6A-7E)

KEY	PART NUMBER	U/M	DESCRIPTION	ATWOOD VENDOR NO.
	051391-01-A00	EA	WATER HTR ATWOOD G6A	
	051391-01-700	EA	H ^{1/2} .GE KIT, (PIN & CLIP)	92568&92559
	051391-01-702	EA	TANK-INNER F/G6A-2E-3E-6E	91412
	051391-01-704	EA	VALVE-RELIEF, 1/2" FITTING	91604
	051391-01-705	EA	FASTENER-CAMLOCK	92609
	051391-01-709	EA	PILOT ASM. W/THERMOCOUPLER	91603
	051391-01-710	EA	ORIFICE-MAIN BURNER	92742
	051391-01-711	EA	ELBOW-ORIFICE, MAIN BURNER	92741
	051391-01-712	EA	THERMOSTAT-3/8" NPT INLET	91601
	051391-01-714	EA	FITTING-ELBOW 45 - 3/8F X 3/8 MPT	91044
	051391-01-715	EA	PLUG-DRAIN - 2 PER PKG	91857
	051391-01-717	EA	GRILLE, F/WATER HEATER DOOR	92640
	051391-04-703	EA	BURNER-MAIN, 4E & 6E	91638
	051391-04-707	EA	KIT (FLU & GASKET)F/EXHAUST	90960
	111129-01-711	EA	BRACKET-CORNER, SET OF FOUR	91928

WATER & SEWAGE GROUP (CONTINUED)

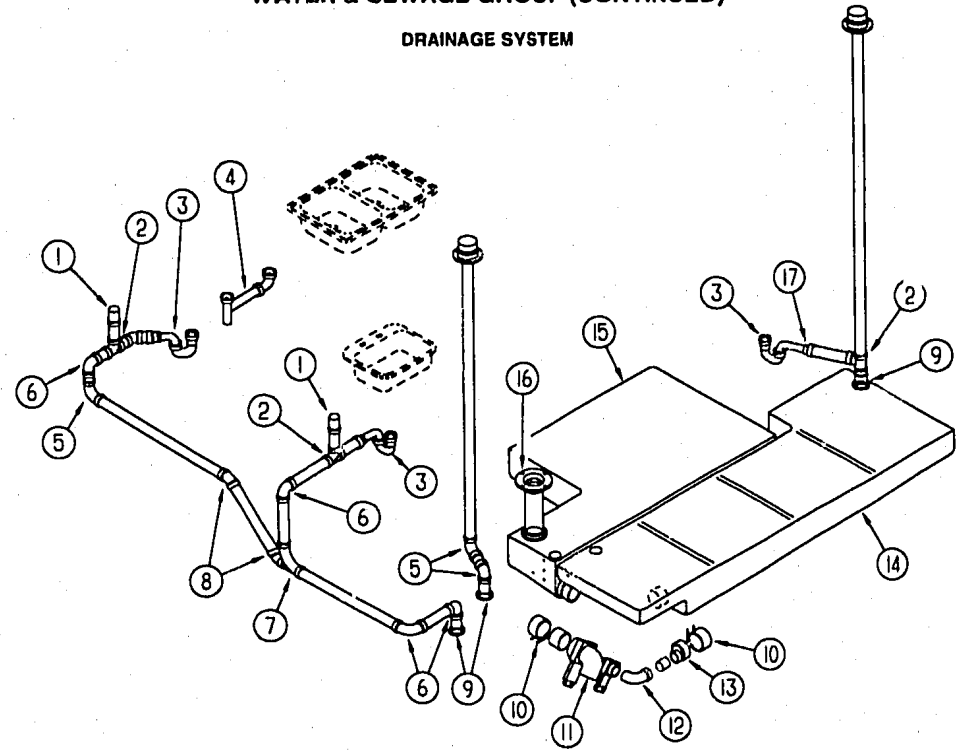


WATER PUMP (SHURFLOW)

KEY	PART NUMBER	U/M DESCRIPTION
1	098607-01-000	EA PUMP - WATER - W/5"MP T FITTING - FLOW 2.8 GPM - UL
	098607-01-701	EA DRIVE ASSEMBLY 94-234-03
	098607-01-704	EA HOUSING-UPPER 94-231-01
2	098607-01-700	EA PUMPHEAD - REPLACEMENT 94-236-08
3	098607-01-708	EA UPPER HOUSING/ SWITCH KIT 94-231-20
4	098607-01-705	EA CHECK VALVE - KIT 94-237-00
5	098607-01-703	EA VALVE ASM 94-232-00
6	098607-01-702	EA DIAPHRAGM KIT W/DRIVE 94-238-04
7	098607-01-707	EA MOTOR/ BASEPLATE REPLACEMENT 94-235-03

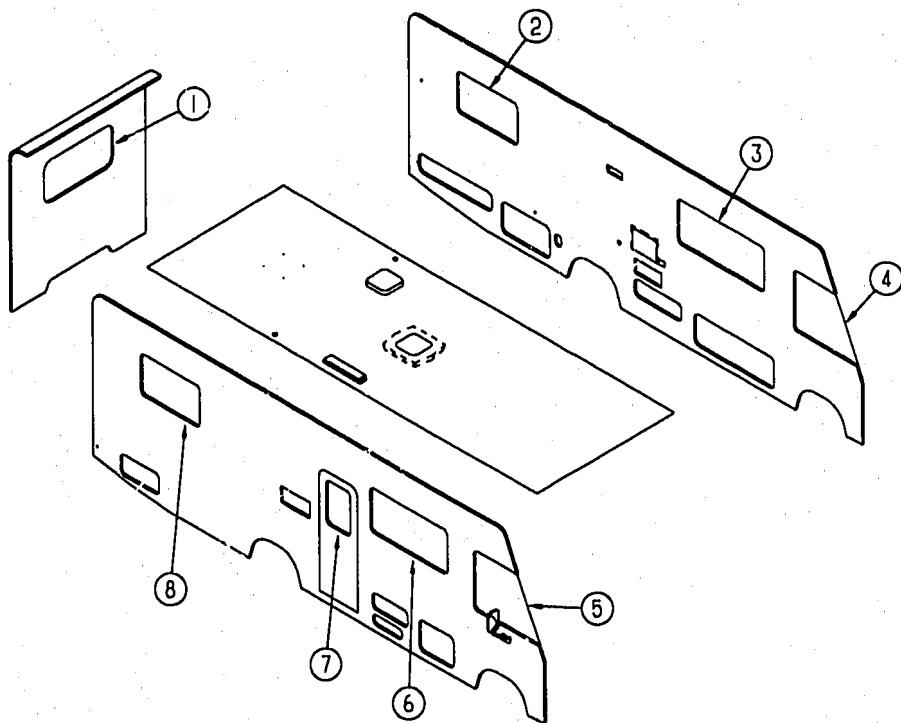
WATER & SEWAGE GROUP (CONTINUED)

DRAINAGE SYSTEM



KEY	PART NUMBER	U/M DESCRIPTION
1	079968-01-000	EA VENT-MECHANICAL TRAP ARM - ANTI-SIPHON - 2" DIA X 7.3" - PLASTIC
2	010071-01-000	EA TEE-SANITARY - 1 1/2" HUB X HUB X HUB - PLASTIC - BLACK
3	107538-01-000	EA P-TRAP-PLASTIC - 1 1/4" W/EXT ARM (US)
3	011066-03-700	EA P-TRAP - 1 1/2" TRAP X 1 1/4" SOCKET - PLASTIC (CSA)
3	109571-01-000	EA ADAPTER-P-TRAP - 1 1/2" P X 1 1/4" MPT (US)
4	011091-03-000	EA PIPE-DRAIN - W/SEALS - DOUBLE SINK - EXTENDS 9" TO 16"
4	011091-02-000	EA PIPE-DRAIN - DOUBLE SINK - BAFFLE TEE - 1 1/2"
5	010008-01-000	EA ELBOW - 90 DEGREE - 1/4 BEND - 1 1/2" HUB X HUB - BLACK PLASTIC
6	034250-01-000	EA ELBOW - 90 DEGREE - LONG TURN - 1 1/2" HUB X HUB - ABS
7	031365 02 000	EA TEE-PLAS, 1 1/2 EXT LG TURN
8	010006-01-000	EA ELBOW - 45 DEGREE - 1/8 BEND - 1 1/2" HUB X HUB - BLACK PLASTIC
8	010051-01-000	EA ELBOW - 45 DEGREE BEND - 1 1/2" SPIGOT AND HUB - PLASTIC - BLACK
9	081607-01-000	EA GROMMET-HOLDING TANK - 1 1/2" NPS
10	078406-01-000	EA COUPLER-RUBBER - W/CLAMPS - 3" X 3"
11	070916-01-000	EA VALVE-DUAL - 3.00 & 1.50
12	010008-01-000	EA ELBOW-PLAS-1/4BD 1 1/2 X 90 XLT
13	062422-01-000	EA ADAPTER-OFFSET REDUCER - 3" X 1 1/2" - PLASTIC - BLACK
14	116703-01-000	EA TANK-HOLDING, 41 GAL
15	116705-01-000	EA TANK-HOLDING - 38 GAL - BLANK
16	081607-02-000	EA GROMMET-HOLDING TANK - 3" NPS
16	024676-01-000	EA FLANGE-CLOSET - TOILET - 4" X 3" - RED
16	024676-02-000	EA FLANGE-CLOSET - 4" X 3" - ABS - CANADIAN
17	109571-01-000	EA ADAPTER-11/2P X 11/4MPT
	082415-01-000	EA CAP-SEWER - 3" DIAMETER
	062415-01-700	EA STRING-SEWER CAP - SV7 STRAP
	011069-02-000	EA TAILPIECE-TUB/SHOWER - 1 1/2" X 1 1/4" X 4" - BRASS
	010115-01-000	EA COUPLING - 1 1/2" HUB X HUB - PLASTIC

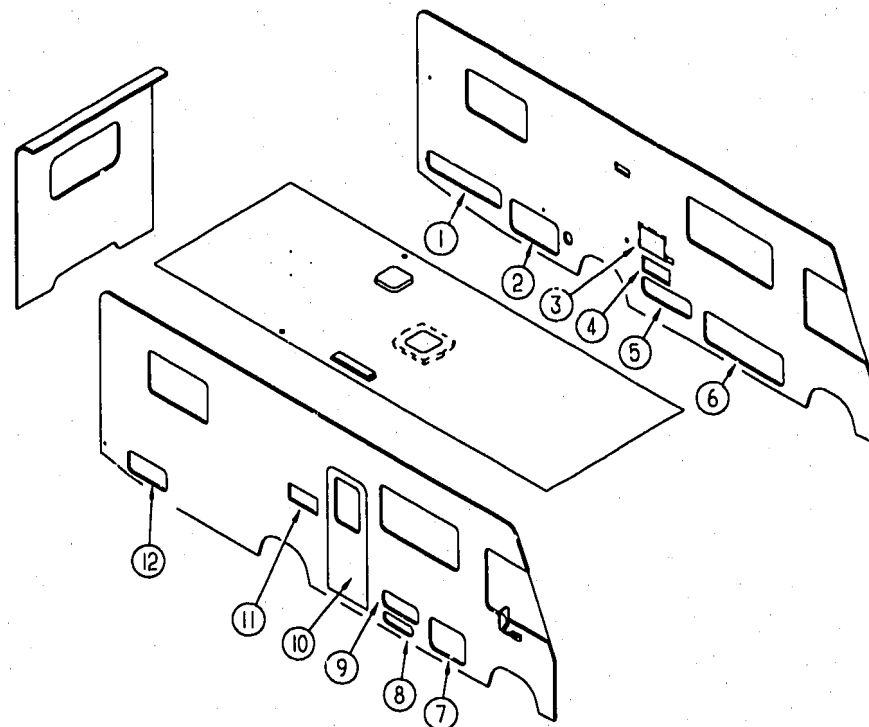
WINDOW, VENT & EXTERIOR DOOR GROUP



EXTERIOR WINDOWS

KEY	PART NUMBER	U/M DESCRIPTION
1	078528-07-F15	EA WINDOW ASM-ESCAPE CLEAR USED WITH QUEEN BED / TWIN BED
1	116976-01-01A	EA WINDOW ASM-ESCAPE SINGLE USED WITH DOUBLE BED / BUNK BEDS
2	098647-30-01A	EA WINDOW ASM-SLIDER - HORIZONTAL
3	098647-28-01A	EA WINDOW ASM-SLIDER - HORIZONTAL EXCEL H287-C1W66L
4	103658-09-01A	EA WINDOW ASM-CAB - DRIVER
5	103658-10-01A	EA WINDOW ASM-CAB - PASSENGER
6	098647-26-01A	EA WINDOW ASM-SLIDER - HORIZONTAL - EXCEL H415-C1W66R
7	117053-04-FB1	EA WINDOW ASM-PICTURE - ENTRANCE DOOR
	117054 02 02A	EA FRAME-WINDOW,INSIDE BRIGHT/WHITE - ENTRANCE DOOR
8	098647-29-01A	EA WINDOW ASM-SLIDER - HORIZONTAL

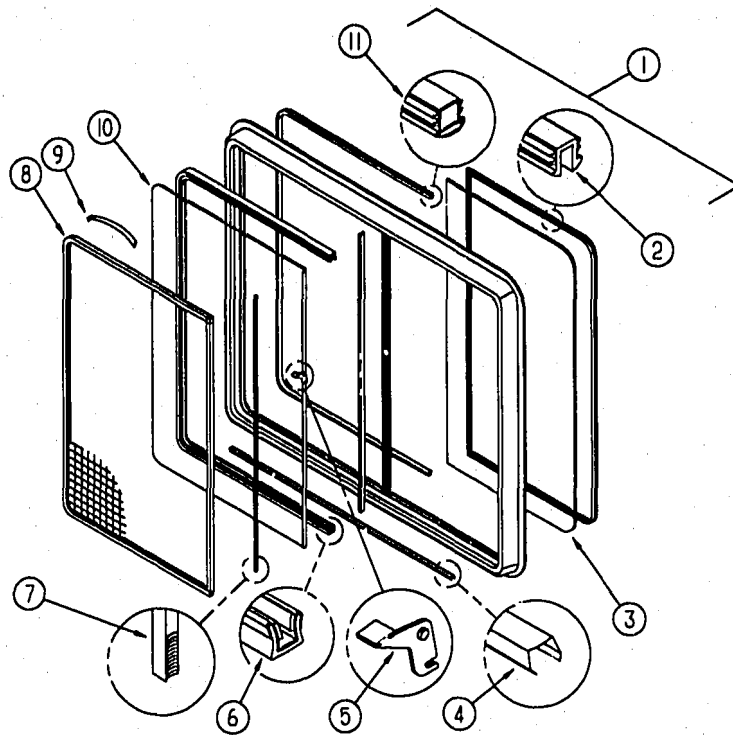
WINDOW, VENT & EXTERIOR DOOR GROUP (CONTINUED)



EXTERIOR DOORS & VENTS

KEY	PART NUMBER	U/M DESCRIPTION
1	104558-27-FB1	EA DOOR ASM-STORAGE - BRIGHT WHITE
2	104558-25-FB1	EA DOOR ASM-STORAGE - BRIGHT WHITE
3	052009-06-000	EA DOOR-WATER HEATER - ATWOOD 5576-27 - BRIGHT WHITE
4	098668-23-000	EA DOOR - FURNACE - BRIGHT WHITE - SUBURBAN 520574
5	104558-30-FB1	EA DOOR ASM-STORAGE - BRIGHT WHITE
6	104558-24-FB1	EA DOOR ASM-STORAGE
7	104558-26-FB1	EA DOOR ASM-STORAGE
8	111009-01-F24	EA DOOR-COMPARTMENT - LP - 16.9" X 5.4" - ALUMINUM - BRIGHT WHITE
9	104558-29-FB1	EA DOOR ASM-STORAGE
10	115108-02-FB1	EA DOOR-ENTRANCE W/O WINDOW - W/SCREEN - FLAT - BRIGHT WHITE
11	084103-08-000	EA DOOR-REFRIGERATOR - VENTED - W/O JAMB - BRIGHT WHITE
	084104-08-000	EA JAMB-DOOR - REFRIGERATOR - BRIGHT WHITE
12	104558-31-FB1	EA DOOR ASM-STORAGE
	084104-01-700	EA LOCK-MALE - FASTENER - REFRIGERATOR DOOR
	084104-01-701	EA LOCK-FEMALE - FASTENER - REFRIGERATOR DOOR
	081240-16-000	EA DOOR-WATER FILL - LOCKABLE - BRIGHT WHITE
	103385-01-02A	EA VENT-RANGE HOOD, OUTSIDE - BRIGHT WHITE - VENTLINE

WINDOW, VENT & EXTERIOR DOOR GROUP (CONTINUED)



SINGLE SLIDER WINDOW (EXCEL)

KEY	PART NUMBER	U/M DESCRIPTION
	098647-30-01A	EA WINDOW ASM - SLIDER - W/ INSIDE FRAME (OFF WHITE) 26 3/8" HIGH
1	098647-30-700	EA WINDOW W/O TRIM H287-G2L
	098647-29-701	EA TRIM - INSIDE FRAME W28766
2	098644-01-705	FT GLAZING STRIP 132-010723
3	098647-29-702	EA GLASS-STATIONARY 106-017622
4	098644-01-710	FT TRACK-SPACER, FOR SCREEN 12' 132-017135 EXCEL
5	098644-01-700	EA LATCH REPAIR KIT (BLACK)B801-CK EXCEL
6	098644-01-708	FT CHANNEL-RUN, PIERCED - GLASS 122-016543 EXCEL
7	098644-01-711	FT WEATHERSTRIP-SCREEN, BLACK 171-016965 EXCEL
8	098647-29-704	EA SCREEN W/SPRING & WEATHERSTRIP 410-019066
9	098644-01-713	EA SCREEN CLIPS (METAL)(BLK) 226-016966 EXCEL
10	098647-29-703	EA GLASS SLIDING,W/SASH & LATCH H287-G9
11	098644-01-708	FT WEATHERSTRIP-GLASS 171-010668 EXCEL
	098644-01-716	FT PLUG-FILLER 132-014470
	098644-01-717	FT SPLINE-SCREEN MFG 132-004716

WINDOW, VENT & EXTERIOR DOOR GROUP (CONTINUED)

SINGLE SLIDER WINDOW (EXCEL)

KEY	PART NUMBER	U/M DESCRIPTION
	098647-28-01A	EA WINDOW ASM - SLIDER - W/ INSIDE FRAME (OFF WHITE) 26 3/8" HIGH
1	098647-28-700	EA WINDOW W/O TRIM H287-G2L
	098647-27-701	EA TRIM - INSIDE FRAME W28766
2	098644-01-705	FT GLAZING STRIP 132-010723
3	098647-27-703	EA GLASS-STATIONARY 106-017622
4	098644-01-710	FT TRACK-SPACER, FOR SCREEN 12' 132-017135 EXCEL
5	098644-01-700	EA LATCH REPAIR KIT (BLACK)B801-CK EXCEL
6	098644-01-708	FT CHANNEL-RUN, PIERCED - GLASS 122-016543 EXCEL
7	098644-01-711	FT WEATHERSTRIP-SCREEN, BLACK 171-016965 EXCEL
8	098647-23-704	EA SCREEN W/SPRING & WEATHERSTRIP 410-019066
9	098644-01-713	EA SCREEN CLIPS (METAL)(BLK) 226-016966 EXCEL
10	098647-27-703	EA GLASS SLIDING,W/SASH & LATCH H287-G9
11	098644-01-706	FT WEATHERSTRIP-GLASS 171-010668 EXCEL
	098644-01-716	FT PLUG-FILLER 132-014470
	098644-01-717	FT SPLINE-SCREEN MFG 132-004716

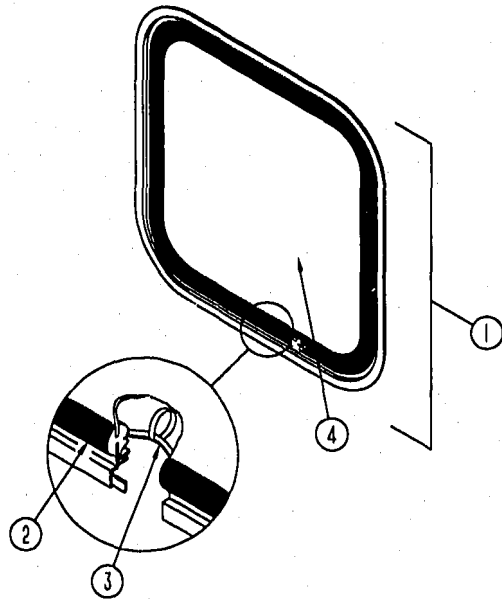
SINGLE SLIDER WINDOW (EXCEL)

KEY	PART NUMBER	U/M DESCRIPTION
	098647-29-01A	EA WINDOW ASM - SLIDER - W/ INSIDE FRAME (OFF WHITE) 26 3/8" HIGH
1	098647-29-700	EA WINDOW W/O TRIM H287-G2L
	098647-29-701	EA TRIM - INSIDE FRAME W28766
2	098644-01-705	FT GLAZING STRIP 132-010723
3	098647-29-702	EA GLASS-STATIONARY 106-017622
4	098644-01-710	FT TRACK-SPACER, FOR SCREEN 12' 132-017135 EXCEL
5	098644-01-700	EA LATCH REPAIR KIT (BLACK)B801-CK EXCEL
6	098644-01-708	FT CHANNEL-RUN, PIERCED - GLASS 122-016543 EXCEL
7	098644-01-711	FT WEATHERSTRIP-SCREEN, BLACK 171-016965 EXCEL
8	098647-29-704	EA SCREEN W/SPRING & WEATHERSTRIP 410-019066
9	098644-01-713	EA SCREEN CLIPS (METAL)(BLK) 226-016966 EXCEL
10	098647-29-703	EA GLASS SLIDING,W/SASH & LATCH H287-G9
11	098644-01-706	FT WEATHERSTRIP-GLASS 171-010668 EXCEL
	098644-01-716	FT PLUG-FILLER 132-014470
	098644-01-717	FT SPLINE-SCREEN MFG 132-004716

SINGLE SLIDER WINDOW (EXCEL)

KEY	PART NUMBER	U/M DESCRIPTION
	098647-26-01A	EA WINDOW ASM - SLIDER - W/ INSIDE FRAME (OFF WHITE) 26 3/8" HIGH
	098644-01-700	EA LATCH-REPAIR KIT (BLACK) B801-CK
	098644-01-705	FT STRIP-GLAZING 132-010723
	098644-01-706	FT WEATHERSTRIP-GLASS 171-010668
	098644-01-708	FT CHANNEL-RUN, PIERCED 122-016543
	098644-01-710	FT TRACK-SCREEN SPACER, 12' 132-017135
	098644-01-711	FT WEATHERSTRIP-SCREEN, BLACK 171-016965
	098644-01-713	EA CLIP-SPRING, BLACK PLASTIC 226-016966
	098644-01-716	FT PLUG-FILLER 132-014470
	098644-01-717	FT SPLINE-SCREEN 132-004716

WINDOW, VENT & EXTERIOR DOOR GROUP (CONTINUED)



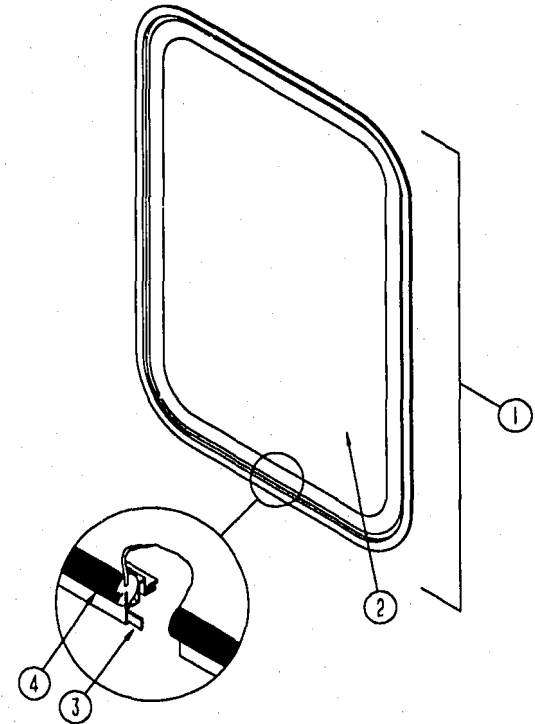
ESCAPE WINDOW

KEY	PART NUMBER	U/M DESCRIPTION
	074816-11-000	EA INSIDE FRAME- WINDOW - OFF WHITE
1	078529-07-F15	EA WINDOW-ESCAPE - W/O INSIDE FRAME
2	076337 13 000	EA GLASS-EGRESS 1157 X 54
3	002285-01-000	FT FILLER-WEATHER STRIP - RUBBER - BLACK
4	002282-09-000	EA WEATHERSTRIP-.125" X 133.25" - BLACK
	077066-01-702	EA TAPE ASM-ESCAPE WINDOW - RED

ESCAPE WINDOW

KEY	PART NUMBER	U/M DESCRIPTION
	118976-01-01A	EA WINDOW ASM-ESCAPE SINGLE USED WITH DOUBLE BED / BUNK BEDS
	118976-01-701	EA TRIM - INSIDE FRAME W38653
	100322-01-701	FT SEAL-VENT 122-016071
	112898-06-704	EA HANDLE-LATCH, RED-RH 182-11293
	112898-06-705	EA HANDLE-LATCH, RED-LH 182-11294
	118976-01-700	EA GLASS 096-018786
	118976-01-702	FT FILLER PLUG 132-016065

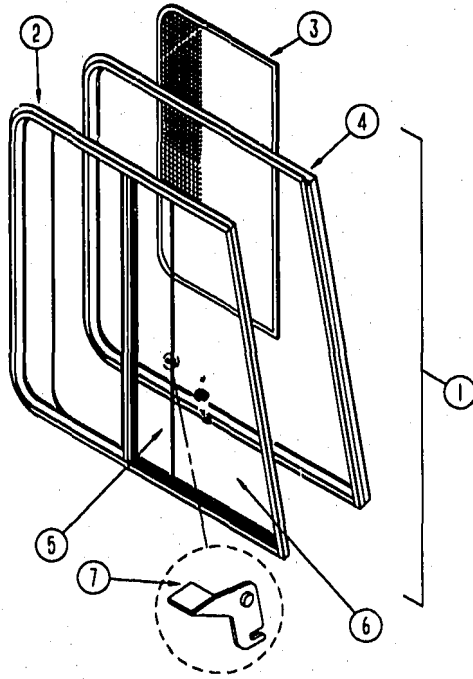
WINDOW, VENT & EXTERIOR DOOR GROUP (CONTINUED)



ENTRY DOOR WINDOW

KEY	PART NUMBER	U/M DESCRIPTION
	117054 02 02A	EA FRAME-WINDOW,INSIDE BRIGHT/WHITE - ENTRANCE DOOR
1	117053-04-FB1	EA WINDOW-ENTRANCE DOOR - PICTURE
2	002181-27-000	EA GLASS-PICTURE 655 X 417
3	069640-11-000	FT SEALER-TAPE - 3/16" X 3/8" BLACK
4	087561-01-000	FT SEAL-GLASS - EXTERIOR - .5" WIDE - VINYL - BLACK

WINDOW, VENT & EXTERIOR DOOR GROUP (CONTINUED)



FRONT CAB WINDOWS (EXCEL)

KEY	PART NUMBER	U/M DESCRIPTION
1	103658-09-01A	EA WINDOW ASM. - CAB - W/INSIDE FRAME - DRIVER SIDE - EXCEL H373-ARL
1	103658-10-01A	EA WINDOW ASM. - CAB - W/INSIDE FRAME - PASSENGER SIDE - EXCEL H373-ARR
2	103658-09-702	EA WINDOW ASM. - SLIDER - W/O INSIDE FRAME - DRIVER SIDE
2	103658-10-700	EA WINDOW ASM. - SLIDER - W/O INSIDE FRAME - PASSENGER SIDE
3	103658-09-705	EA SCREEN ASM. - WINDOW - DRIVER SIDE
3	103658-10-704	EA SCREEN ASM. - WINDOW - PASSENGER SIDE
	098644-01-717	FT SCREEN SPLINE
	098644-01-713	EA SCREEN CLIPS (METAL)(BLACK)
	098644-01-710	FT TRACK - SPACER - FOR SCREEN 12"
	098644-01-711	FT WEATHERSTRIP - SCREEN - BLACK
4	103658-09-702	EA INSIDE FRAME - DRIVER SIDE
4	103658-10-701	EA INSIDE FRAME - PASSENGER SIDE
5	103658-10-702	EA GLASS - SLIDING - W/SASH & LATCH - PASSENGER
5	103658-09-704	EA GLASS - SLIDING - W/SASH & LATCH - DRIVER
6	103658-09-700	EA GLASS - STATIONARY - BOTTOM - DRIVER OR PASSENGER SIDE
7	098644-01-700	EA LATCH - REPAIR KIT
	098644-01-708	FT CHANNEL - PIERCED RUN
	098644-01-706	FT WEATHERSTRIP - GLASS
	098644-01-716	FT PLUG - FILLER

WINDOW, VENT & EXTERIOR DOOR GROUP (CONTINUED)

NONPOWERED ROOF VENT

KEY	PART NUMBER	U/M DESCRIPTION
	110051-01-01A	EA VENT-ROOF, NONPOWERED - 2' ROOF - JENSEN 7724 WHE
	064470-01-700	EA COVER ROOF VENT, 7291
	110051-01-701	EA GARNISH W/SCREEN & FRAME 2'
	110051-01-702	EA HAND CRANK & OPERATOR ASM.
	110051-01-703	EA HANDLE CRANK

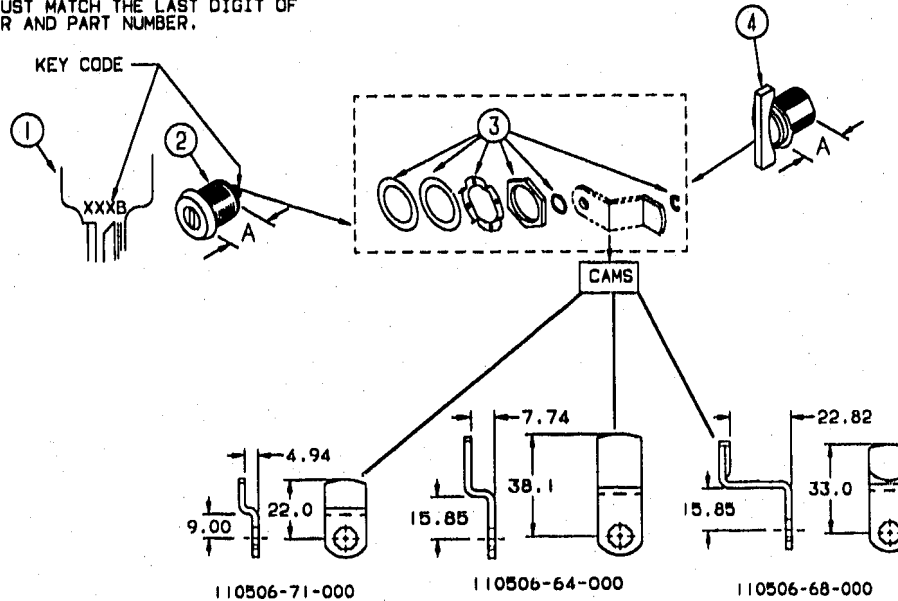
VENTS & SHROUDS

KEY	PART NUMBER	U/M DESCRIPTION
	083558-03-000	EA VENT-PLUMBING PIPE ROOF, W/COVER - OFF WHITE
	083558-07-000	EA VENT-PLUMBING PIPE ROOF, W/COVER - BRIGHT WHITE
	084073-03-000	EA COVER-ROOF VENT, REFRIGERATOR - OFF WHITE - NORCOLD
	084073-07-000	EA COVER-ROOF VENT, REFRIGERATOR - BRIGHT WHITE - NORCOLD
	084073-04-000	EA BASE-ROOF VENT, REFRIGERATOR - BLACK - NORCOLD
	105028-01-000	EA FLASHING ASM-VENT, REFRIGERATOR
	103385-01-02A	EA VENT-RANGE HOOD, OUTSIDE - BRIGHT WHITE - VENTLINE

WINDOW, VENT & EXTERIOR DOOR GROUP (CONTINUED)

BRIGGS & STRATTON LOCKS & COMPONENTS

NOTE:
 WHEN ORDERING THE LOCK CASE, THE KEY CODE MUST MATCH THE LAST DIGIT OF THE UNIT'S SERIAL NUMBER AND PART NUMBER; WHEN ORDERING THE KEYS, THE THIRD DIGIT OF THE KEY CODE MUST MATCH THE LAST DIGIT OF THE UNIT'S SERIAL NUMBER AND PART NUMBER.

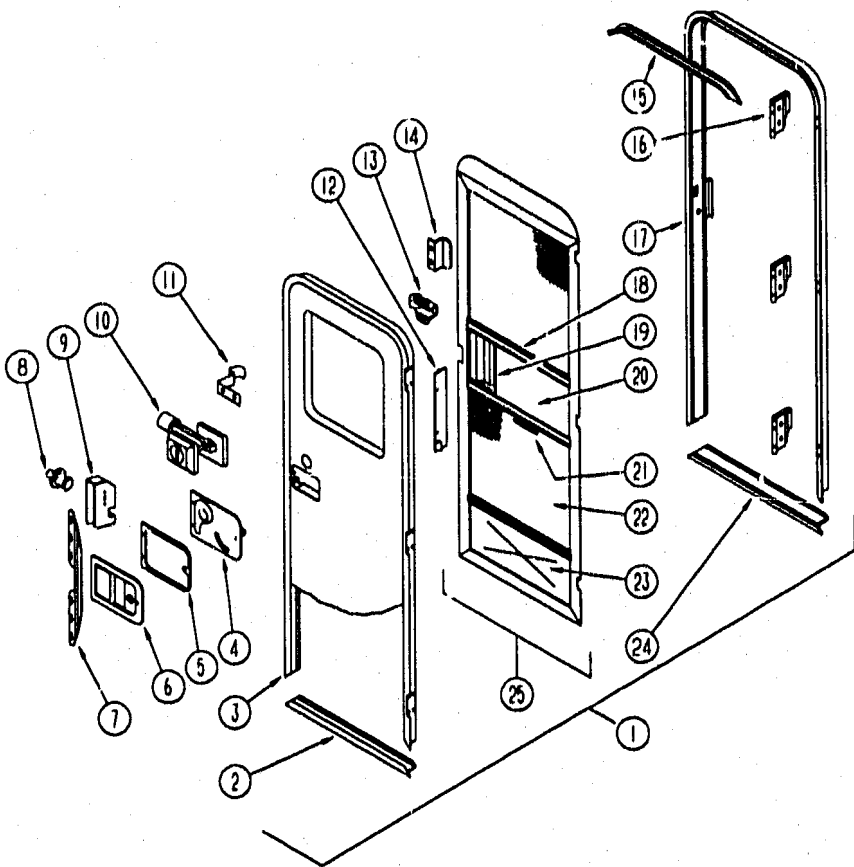


KEY	PART NUMBER	U/M DESCRIPTION
1	110508-59-000	EA KEYS - SET OF TWO - 596720
2	110508-52-000	EA CASE - LOCK - A= 17 MM - 702370
2	110508-53-000	EA CASE - LOCK - A= 25 MM - 702380
1	110508-59-001	EA KEYS - SET OF TWO - 596721
2	110508-52-001	EA CASE - LOCK - A= 17 MM - 702371
2	110508-53-001	EA CASE - LOCK - A= 25 MM - 702381
1	110506-59-002	EA KEYS - SET OF TWO - 596722
2	110506-52-002	EA CASE - LOCK - A= 17 MM - 702372
2	110506-53-002	EA CASE - LOCK - A= 25 MM - 702382
1	110506-59-003	EA KEYS - SET OF TWO - 596723
2	110506-52-003	EA CASE - LOCK - A= 17 MM - 702373
2	110506-53-003	EA CASE - LOCK - A= 25 MM - 702383
1	110508-59-004	EA KEYS - SET OF TWO - 596724
2	110508-52-004	EA CASE - LOCK - A= 17 MM - 702374
2	110508-53-004	EA CASE - LOCK - A= 25 MM - 702384
1	110506-59-005	EA KEYS - SET OF TWO - 596725
2	110506-52-005	EA CASE - LOCK - A= 17 MM - 702375
2	110506-53-005	EA CASE - LOCK - A= 25 MM - 702385
1	110508-59-006	EA KEYS - SET OF TWO - 596726
2	110508-52-006	EA CASE - LOCK - A= 17 MM - 702376
2	110508-53-006	EA CASE - LOCK - A= 25 MM - 702386

KEY	PART NUMBER	U/M DESCRIPTION
1	110508-59-007	EA KEYS - SET OF TWO - 596727
2	110508-52-007	EA CASE - LOCK - A= 17 MM - 702377
2	110508-53-007	EA CASE - LOCK - A= 25 MM - 702387
1	110508-59-008	EA KEYS - SET OF TWO - 596728
2	110508-52-008	EA CASE - LOCK - A= 17 MM - 702378
2	110508-53-008	EA CASE - LOCK - A= 25 MM - 702388
1	110506-59-009	EA KEYS - SET OF TWO - 596729
2	110506-52-009	EA CASE - LOCK - A= 17 MM - 702379
2	110506-53-009	EA CASE - LOCK - A= 25 MM - 702389
3	110508-40-700	EA HARDWARE KIT
4	110508-50-000	EA CASE - TWIST LOCK - A= 17 MM - 596952
4	110508-51-000	EA CASE - TWIST LOCK - A= 25 MM - 596669
	110506-40-000	EA CLIP-E - LOCK ASM. - 93981
	110506-64-000	EA CAM - LOCK - 322280
	110506-68-000	EA CAM - LOCK - 322284
	110508-71-000	EA CAM - LOCK - 322287
	110508-59-701	EA KEY BLANK - GOLD

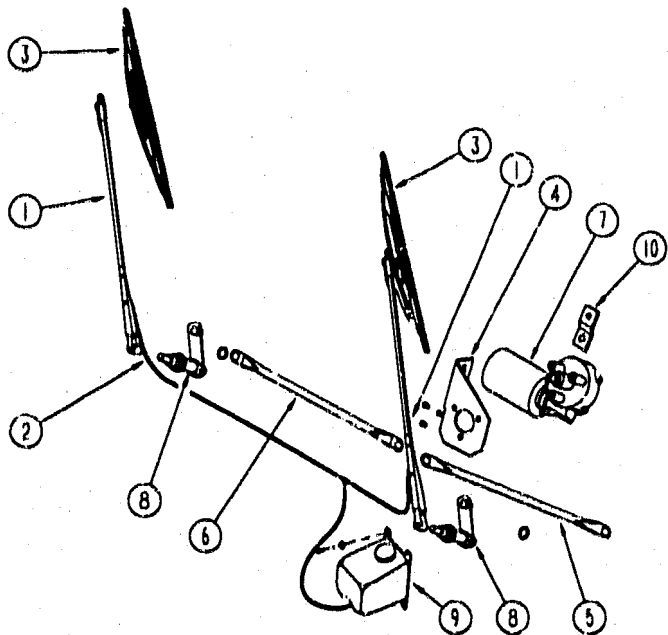
WINDOW, VENT & EXTERIOR DOOR GROUP (CONTINUED)

ENTRANCE DOOR



KEY	PART NUMBER	U/M DESCRIPTION
1	115108-02-FB1	EA DOOR-ENTRANCE, W/O WINDOW & SCREEN - FLAT - BRIGHT WHITE
2	08074P-21-000	EA FRAME-DOOR, ENTRANCE - BOTTOM - BRIGHT WHITE
	090340-01-000	FT SEAL-FOAM, CLOSED CELL - 1/4" X 1/2" X 50'
3	095278-00-08A	EA FRAME-DOOR, ENTRANCE - TOP & SIDES - BRIGHT WHITE
4	030070-04-000	EA COVER-INTERIOR LATCH, W/TRIP ARM - RIGHT - BLACK
	039084-01-000	EA CAP-ROUND, VINYL - 28" ID X 82" LONG - BLACK
	041548-05-000	EA BRACKET-DOOR ANGLE, 5" X 1 9" - METAL
	041548-05-000	EA BRACKET-DOOR ANGLE, 5" X 1 9" - BRIGHT WHITE - METAL
5	096810-01-01A	EA PLATE-LATCH, ENTRANCE DOOR - PLASTIC - BLACK
6	045017-11-000	EA LATCH-ENTRANCE DOOR, MECHANISM W/LOCK & KEY - BLACK
	045017-11-701	EA KEY-BLANK
	058025-02-000	EA CLIP-ROLLER LATCH CATCH, SCREEN DOOR
	083720-04-000	EA RIVNUT, 10-32 UNF - 010-080
	075871-04-000	FT SEAL-SPONGE, LAZY I SHAPE - W/ADHESIVE STRIPE - 5" WIDE
7	098173-01-04A	EA STIFFENER-ENTRANCE DOOR, SUPPORTS LATCH/STRIKE AREA - OFF WHITE
7	098173-01-07A	EA STIFFENER-ENTRANCE DOOR, SUPPORTS LATCH/STRIKE AREA - BRIGHT WHITE
	100128-02-000	FT SEAL-PILE, ADHESIVE BACK - SCREEN DOOR - GRAY
8	030539-01-000	EA STRIKE-LOCK, ENTRY DOOR - ROUND W/THREADED WASHER
9	039540-01-000	EA LATCH MECHANISM-HOOK, ENTRY DOOR - INTERIOR
	039715-01-000	EA NUT-SERT, 1/4" DIAMETER - 20 THREADS
10	101145-01-01A	EA DEADBOLT-ENTRANCE DOOR, W/2 KEYS W/O BACK SET BOLT OR SCREWS FROM 00-00-00 THRU 09-10-95
10	101145-01-08A	EA DEADBOLT-ENTRANCE DOOR, W/2 KEYS W/O BACK SET BOLT OR SCREWS FROM 09-11-95 THRU 09-09-99
	095220-01-700	EA KEY BLANK
	101147-01-000	EA BOLT-SECURITY, 4 12" BACKSET
	058806-01-000	EA PLUG-TAPERED, FOR DEADBOLT - PLASTIC - 9/4" DIAMETER - RED
	102524-01-000	EA BUMPER-RUBBER, FLAT - BLACK
11	100412-01-000	EA CATCH-SCREEN DOOR, THUMB CI P W/BLACK PLASTIC CAP
	056746-01-000	EA PLUG-CAP, 1" DIAMETER
	039984-01-000	EA CAP-ROUND, VINYL - 28" ID X 82" LONG - BLACK
	102788-01-000	EA HOLDER-ENTRY DOOR, METAL - MILL FINISH
12	079087-03-000	EA STRIKE-SLIDER, W/LIP FOR ELBOW CATCH - 1 5" X 8 6" - BRIGHT WHITE
13	100412-01-000	EA CATCH-SCREEN DOOR
14	050712-06-000	EA HANDLE-SCREEN DOOR, ALUMINUM - BRIGHT WHITE
15	044582-44-000	EA CAP-D RIP, DOOR JAMB MOUNTED - BRIGHT WHITE
	115222-05-01A	EA GARNISH-RADIUS, ENTRANCE DOOR - OFF WHITE FROM 00-00-00 THRU 03-12-95
	115222-09-01A	EA GARNISH-RADIUS, ENTRANCE DOOR - OFF WHITE FROM 03-13-95 THRU 09-09-99
	077461-03-000	EA COVER-STRIKE, ENTRANCE DOOR - 6 5" X 2 5" - PLASTIC - WHITE
	090340-01-000	FT SEAL-FOAM, CLOSED CELL - 1/4" X 1/2" X 50'
	091876-01-000	EA RETAINER-DOOR, 1 9" X 8" - METAL
16	106719-01-01A	EA HINGE-ENTRANCE DOOR, UNPAINTED
	102248-01-000	EA SHIM-DOOR
17	095277-04-06A	EA JAMB-ENTRANCE DOOR, BRIGHT WHITE
18	078777-01-000	EA CHANNEL-SLIDE, SCREEN DOOR CENTER SLIDER COVER - 17 4"
19	079088-03-000	EA SLIDER-SCREEN DOOR
20	016454-01-030	EA INSERT-CENTER, 10 25" X 16 31" - BRIGHT WHITE
20	001014-01-013	EA INSERT-CENTER, 10 25" X 16 31" - UNPAINTED
21	002294-01-000	FT SPLINE-SCREENING, 135" X 138" - BLACK
	002748-01-000	EA CORNER KEY-DOOR
22	002293-02-000	SF SCREENING-WINDOW & DOOR, 28" - CHARCOAL
23	078552-03-000	EA INSERT-SCREEN DOOR, LOWER - UNPAINTED
	078595-01-000	EA PLATE-SCREEN DOOR
24	051049-01-000	EA JAMB-ENTRANCE DOOR, BOTTOM - UNPAINTED
25	079012-05-F01	EA DOOR-SCREEN - BRIGHT WHITE

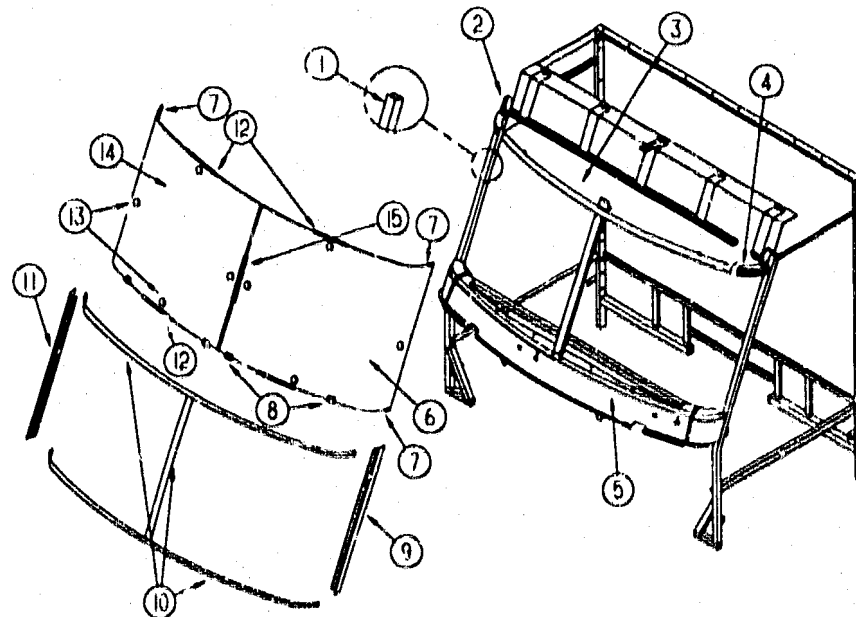
WINDSHIELD & WIPER GROUP



WIPER COMPONENTS

KEY	PART NUMBER	U/M DESCRIPTION
1	103671-01-000	EA ARM-WIPER - 24" - UT 62179-20LE27WC
2	096931-01-700	EA HOSE-WIPER - TO BLADE
	096931-01-701	EA NOZZLE-HARDWARE KIT - INCLUDES NOZZEL,NUT,SCREWS AND PLASTIC CAP
	110742-01-000	EA GASKET-WIPER
3	095964-01-000	EA BLADE-WIPER - WINDSHIELD - 24"
	095964-01-700	EA BLADE-REFILL 2-1" (PAIR) - 12360
4	104549-01-000	EA BRACKET ASM-WIPER
	096528-01-000	EA SCREW-HEX - 1/4 - 28
5	103672-01-000	EA LINK ASM-CONNECTING - 21.85" - DRIVER SIDE - 62506-20-LK25WJ
6	103672-02-000	EA LINK ASM-CONNECTING 21.85 - PASSENGER SIDE - 62539-20-LK25WJ
7	104346-02-000	EA MOTOR-WIPER - 63098-20-M012WJ
8	096505-07-000	EA PIVOT SHAFT ASM - PASSENGER - 62901-20-SH25WJ
8	096505-08-000	EA PIVOT SHAFT ASM - DRIVER SIDE - 62900-20-SH25WJ
9	056000-04-000	EA WASHER-WINDSHIELD - BOTTLE & PUMP
	056000-01-700	EA VACUUM HOSE 7/64 - 5/32
10	104347-01-000	EA ARM-DRIVE - WIPER MOTOR - 1.54" - 62543-20-LE25WJ
	110178-01-000	EA HOUSING-WIPER MOTOR - UT6237440-EC25WJ
	067188-01-000	EA STUD-CRANK - WIPER - WINDSHIELD - AMBAC 1903424SD27WC
	061603-01-000	EA GROMMET-SNAP - 3/16" ID - 3/8" HOLE - HEYCO SB-375-3

WINDSHIELD & WIPER GROUP (CONTINUED)



WINDSHIELD MOLDINGS & GLASS

KEY	PART NUMBER	U/M DESCRIPTION
1	098788-06-000	EA CHANNEL - 49" PCV
2	077922-03-000	EA HEADER-WINDSHIELD - RIGHT END
3	077922-05-000	EA HEADER-WINDSHIELD - CENTER
4	077922-04-000	EA HEADER-WINDSHIELD - LEFT END
5	077847-02-000	EA SUPPORT-WINDSHIELD - LOWER - W/O BRACKETS
6	088793-04-000	EA GLASS-WINDSHIELD - DRIVER
7	110268-01-000	EA WINDSHIELD CARRIER
8	104449-01-000	EA SUPPORT-WINDSHIELD
9	103107-02-01A	EA TRIM-WINDSHIELD - SIDE BLACK
10	102936-01-000	FT MOLDING-REVEAL - WINDSHIELD
11	103107-01-01A	EA TRIM-WINDSHIELD - SIDE BLK
12	110268-07-000	EA WINDSHIELD CARRIER - 42 1"
13	081914-01-000	EA BUMPER-RUBBER - ROUND - 43" DIAMETER - BLACK
14	088793-03-000	EA GLASS-WINDSHIELD - PASSENGER
15	110268-01-000	EA WINDSHIELD CARRIER