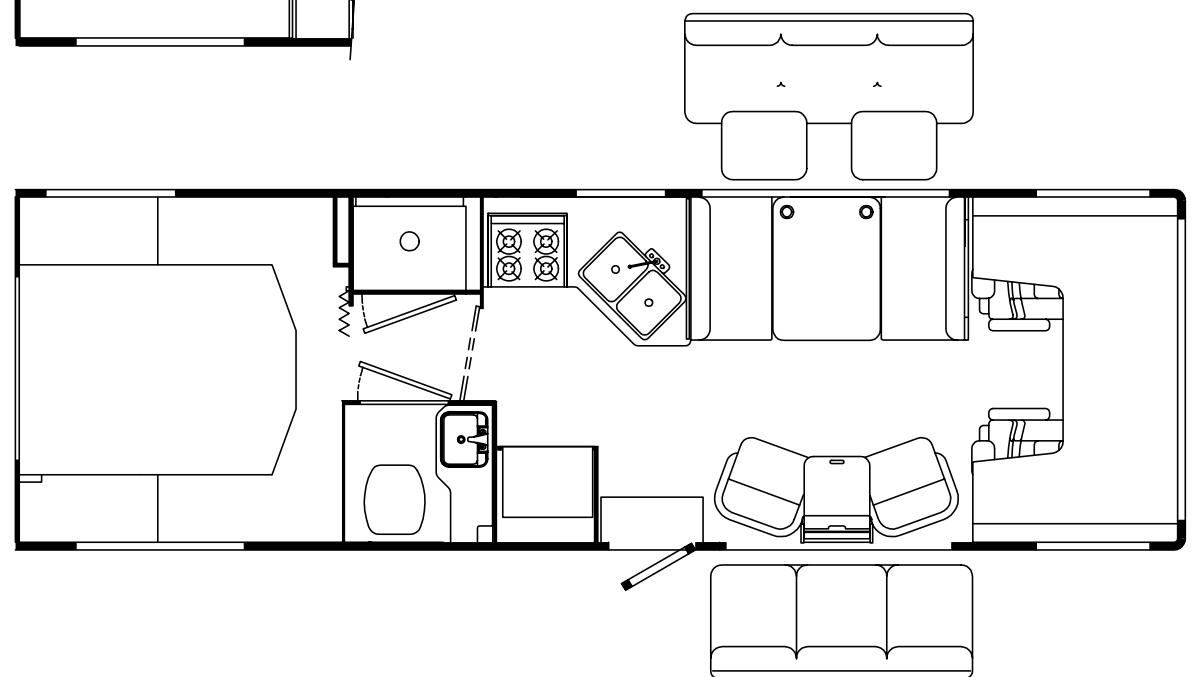
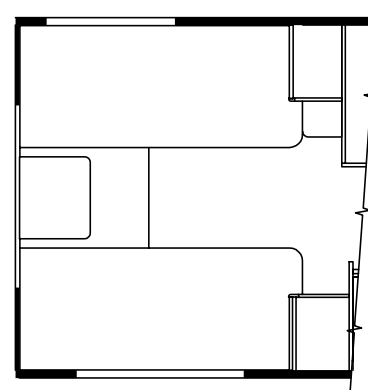
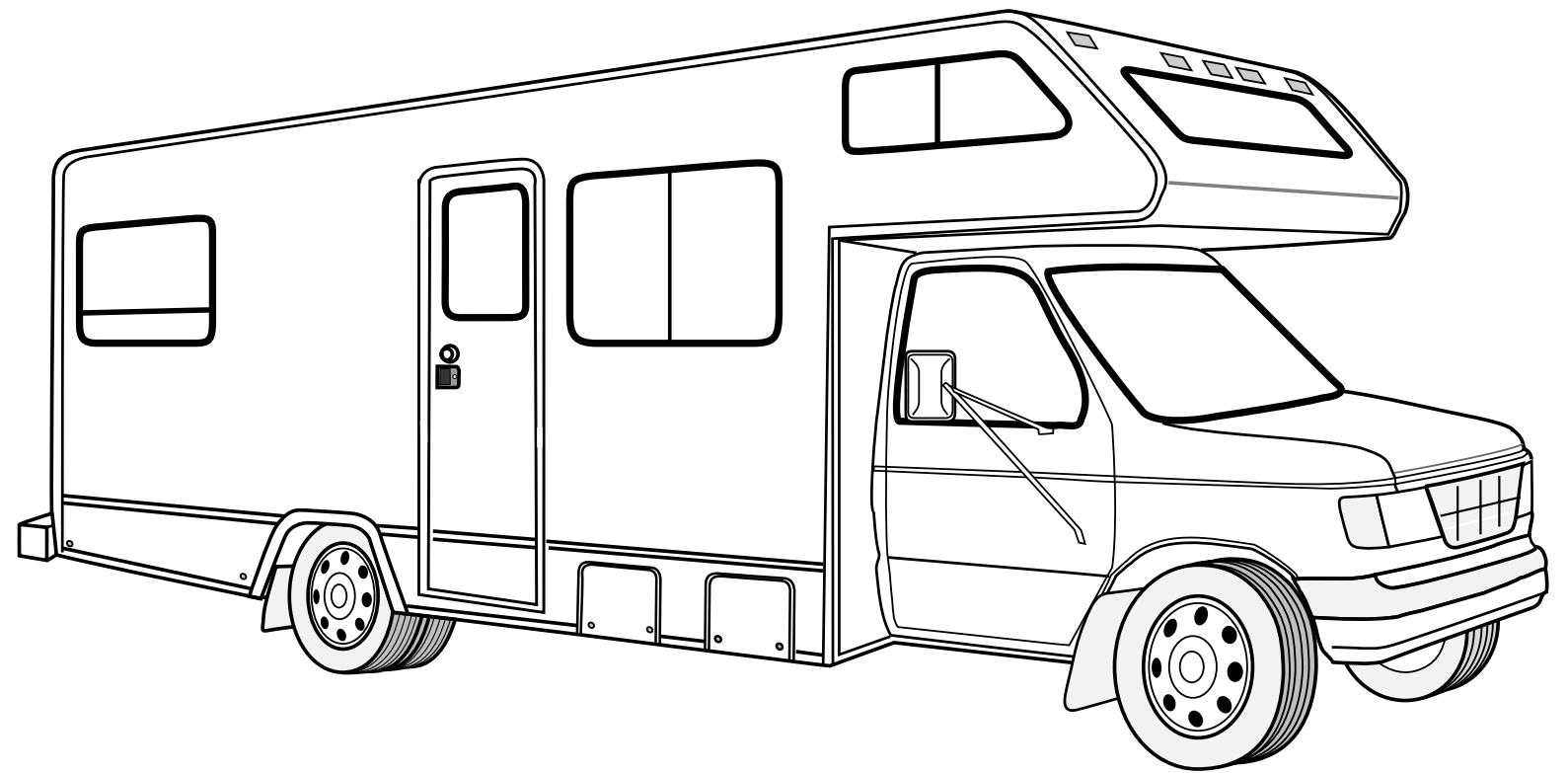


1995
IF428RQ
F21
F22



ACCESSORIES GROUP

OPERATORS MANUAL

KEY	PART NUMBER	U/M	DESCRIPTION
	054185-C9-000	EA	MANUAL-OPERATOR - 1995 SUNDANCER
	092318-01-000	EA	BINDER - 3 RING - MOTOR HOME MANUAL
	092319-01-000	EA	PAGE-POCKET - 3 RING BINDER - PLASTIC
	114284-01-000	DW	TOP LEVEL DRAWING - 1995 C-BODY

AUDIO VIDEO GROUP

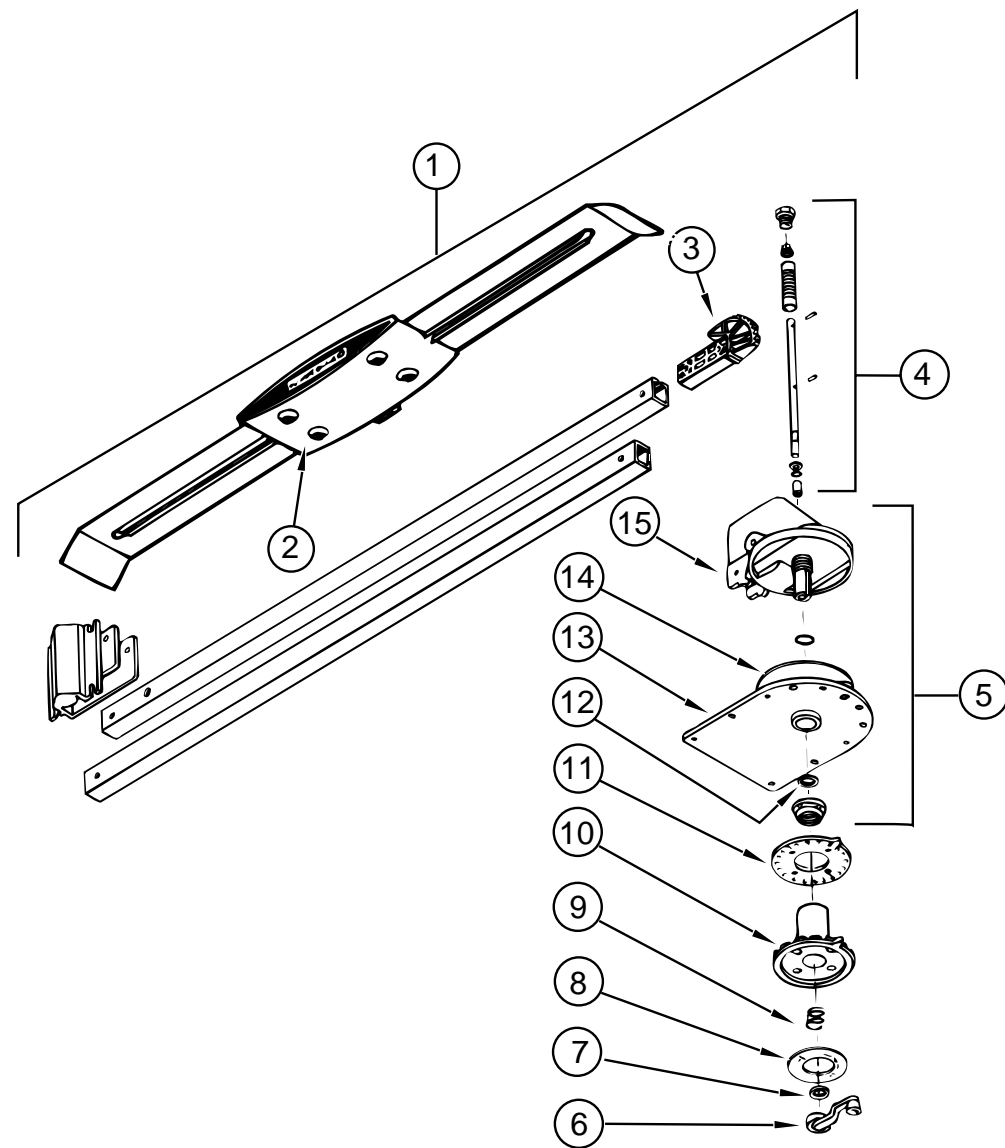
RADIO SYSTEM & ANTENNA

KEY	PART NUMBER	U/M	DESCRIPTION
	108137-01-000	EA	PLUG-ANTENNA HOLE (FORD)
	111177-01-01A	EA	GRILLE-SPEAKER -OVAL 5" X 7" GRAY - MAGNADYNE SB68
	087683-01-000	EA	RADIO-AM/FM STEREO W/CASSETTE AUDIOVOX 144D1559
	090944-01-000	EA	ANTENNA-RADIO - 16" RUBBER (PATIO ENTERTAINMENT)
	077069-02-000	EA	CABLE-ANTENNA - RADIO - EXTENSION 96" - ARA 6700667
	108847-01-000	EA	BRACKET-ANTENNA GROUND
	109889-01-000	EA	ANTENNA-SHAFT EXTENDER 1"- MAGNADYNE RV71EX1
	110469-01-000	EA	SPEAKER-OVAL - 4" X 6" - MAGNADYNE F46XB-12
	110470-01-01A	EA	GRILLE-SPEAKER - OVAL - 4" X 6" - BLACK - MAGNADYNE G46WI
	074979-01-000	EA	SHIELD-SPEAKER - BACK - MOLDED PLASTIC - 8" X 9" - BEIGE

TV & VCR SYSTEMS

KEY	PART NUMBER	U/M	DESCRIPTION
	113684-01-000	EA	TV-COLOR - 19" - UL & CSA
	113684-01-700	EA	REMOTE FOR TV - MAGNAVOX 8822345
	098446-06-000	EA	VCR-VHS CABLE READY -REMOTE - MAGNAVOX VR9210 FROM: 00-00-00 THRU: 10-03-94
	098446-06-700	EA	REMOTE FOR MODEL #9210
	098446-07-000	EA	VCR-VHS - CABLE READY - REMOTE -MAGNAVOX VR9320 FROM: 10-04-94 THRU: 05-07-95
	098446-07-700	EA	REMOTE FOR MODEL #9320
	119120-01-000	EA	VCR-VHS - CABLE READY - REMOTE -AUDIOVOX AVR-1075 FROM: 05-08-95 THRU: 99-99-99
	082134-01-000	EA	ADAPTER-TV - CABLE TO CABLE - WINEGARD F-81M
	082136-01-000	EA	NUT-HEX JAM 3/8-32 - WINEGARD
	076319-08-000	EA	WALLPLATE-CABLE RECEPTACLE - TV - SINGLE - IVORY
	086777-02-000	EA	WALLPLATE-TV CABLE - W/ANTENNA SWITCH - BROWN
	076319-12-000	EA	CONNECTOR-COAXIAL- ONE PIECE
	086756-01-000	EA	SPLITTER-TV - 2 WAY
	086757-03-000	EA	CONTROL CENTER-SWITCH - VCR/TV - MAGNADYNE VCS-6

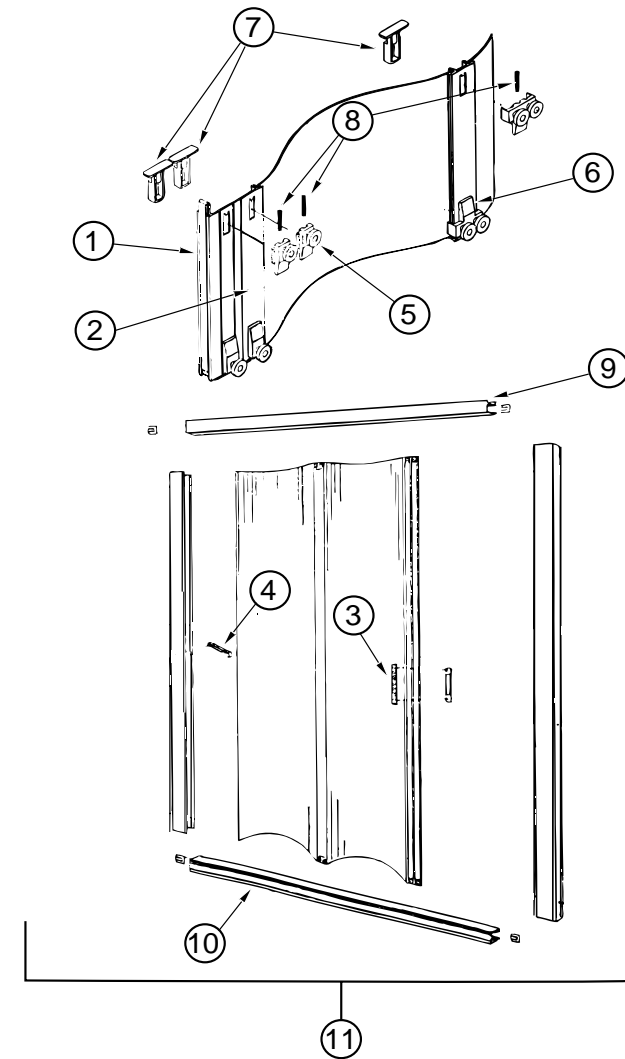
AUDIO VIDEO GROUP (CONTINUED)



TV ANTENNA

KEY	PART NUMBER	U/M	DESCRIPTION
1	076319-01-000	EA	ANTENNA-TV - ROOF MOUNT - 44.5" MAST - RVA W02
2	076319-01-700	EA	HEAD-ANTENNA - AMPLIFIED - WINEGARD# RVSA U/V
3	076319-01-701	EA	GEAR-ELEVATING - PLASTIC - WINEGARD# 2200046
4	076319-01-702	EA	SHAFT ASM-ELEVATING - WINEGARD# RVP-400A
5	076319-01-711	EA	BASE & LIFT ASM - WINEGARD# 2762802
6	076319-01-706	EA	CRANK-ELEVATING - W/SET SCREW - WINEGARD# 5755100
7	076319-01-705	EA	GROMMET-NYLON - 7/8" ID - WINEGARD# 3200658
8	076319-01-708	EA	DECAL- CRANK - WINEGARD # 5413002
9	076319-01-707	EA	SPRING-HANDLE - WINEGARD# 5160800
10	076319-01-709	EA	PLATE-DIRECTIONAL - FOR HEAD - WINEGARD #3200644
11	076319-01-712	EA	PLATE-CEILING - WINEGARD# 3200608
12	076319-01-704	EA	BEARING-NYLON - 1.25"OD - WINEGARD# 3200657
13	076319-01-713	EA	BASE PLATE - WINEGARD# 3100523
14	076319-01-703	EA	BEARING-NYLON - .5" OD - WINEGARD# 3200656
15	076319-01-714	EA	HOUSING - ROTATING GEAR - WINEGARD# 2200049
	076319-03-000	FT	CABLE-COAXIAL - 75 OHM
	076319-12-000	EA	CONNECTOR-COAXIAL- ONE PIECE

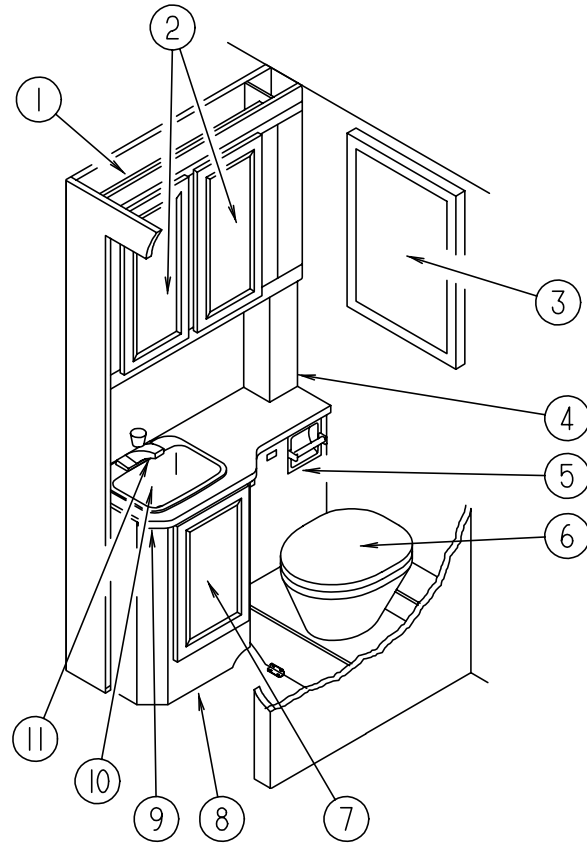
BATH GROUP



SHOWER DOOR

KEY	PART NUMBER	U/M	DESCRIPTION
1	092574-01-705	EA	MAGNETIC STRIP - COASTAL 56-7/8"
2	108351-01-700	EA	DOOR STRIKE ASM
3	108351-01-701	EA	DOOR HANDLES (SET)
4	108351-01-702	EA	DOOR LATCH
5	108351-01-703	EA	BRACKET W/SINGLE ROLLER
6	108351-01-704	EA	BRACKET W/DOUBLE ROLLER
7	108351-01-705	EA	BRACKET-ROLLER W/RETAINER CLIP
8	108351-01-706	EA	SPRING FOR ROLLER BRACKET
9	108351-02-700	EA	TRACK-TOP
10	108351-02-701	EA	TRACK-BOTTOM
11	108351-05-01A	EA	DOOR-SHOWER - FOLDING - 29.41" X 61" - COASTAL WINN

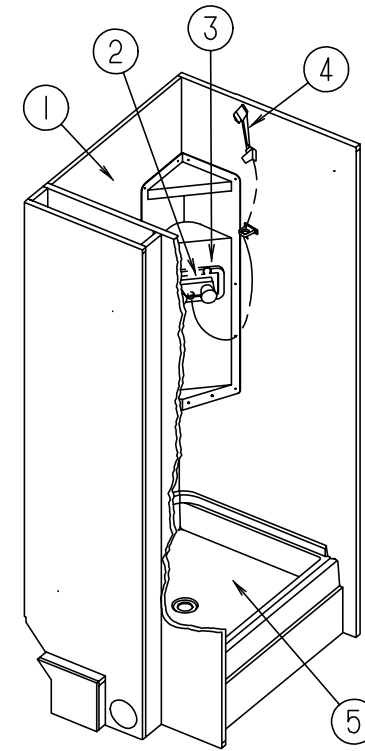
BATH GROUP (CONTINUED)



BATHROOM CABINETS & FIXTURES

KEY	PART NUMBER	U/M	DESCRIPTION
1	108996-01-D29	EA	CABINET-MEDICINE - W/O DOOR & HARDWARE
2	110140-31-E01	EA	DOOR ASM.- W/O HARDWARE - 305 X 660
	058331-90-000	EA	MIRROR-GLASS - SAFETY - 222 X 577MM
3	058331-01-000	EA	MIRROR-GLASS - SAFETY - 19" X 26"
4	109180-02-F01	EA	CABINET-PIPE COVER (F21)
4	109180-02-E04	EA	CABINET-PIPE COVER (F22)
5	075452-02-000	EA	HOLDER-TOILET TISSUE - BRASS
6	067487-01-000	EA	TOILET-12.37" - IVORY - HAND FLUSH - THETFORD 150110
7	110140-33-E01	EA	DOOR ASM. W/O HARDWARE - 305 X 555
8	P09063-01-F01	EA	CABINET-LAVATORY - W/O DOOR & HARDWARE (F21)
8	P09063-01-F02	EA	CABINET-LAVATORY - W/O DOOR & HARDWARE (F22)
9	109063-12-E01	EA	COUNTERTOP-CABINET - LAVATORY (F21)
9	109063-12-E04	EA	COUNTERTOP-CABINET - LAVATORY (F22)
10	096927-01-01A	EA	SINK-LAVATORY - RECTANGULAR - PLASTIC - BONE
	096927-01-700	EA	SINK-STOPPER
	096927-01-701	EA	TAILPIECE-SINK
	075453-02-000	EA	BAR-TOWEL - 18" BRASS
11	075240-06-000	EA	FAUCET-LAVATORY - BONE
	091253-01-000	EA	GASKET-FAUCET - LAVATORY/GALLEY

BATH GROUP (CONTINUED)



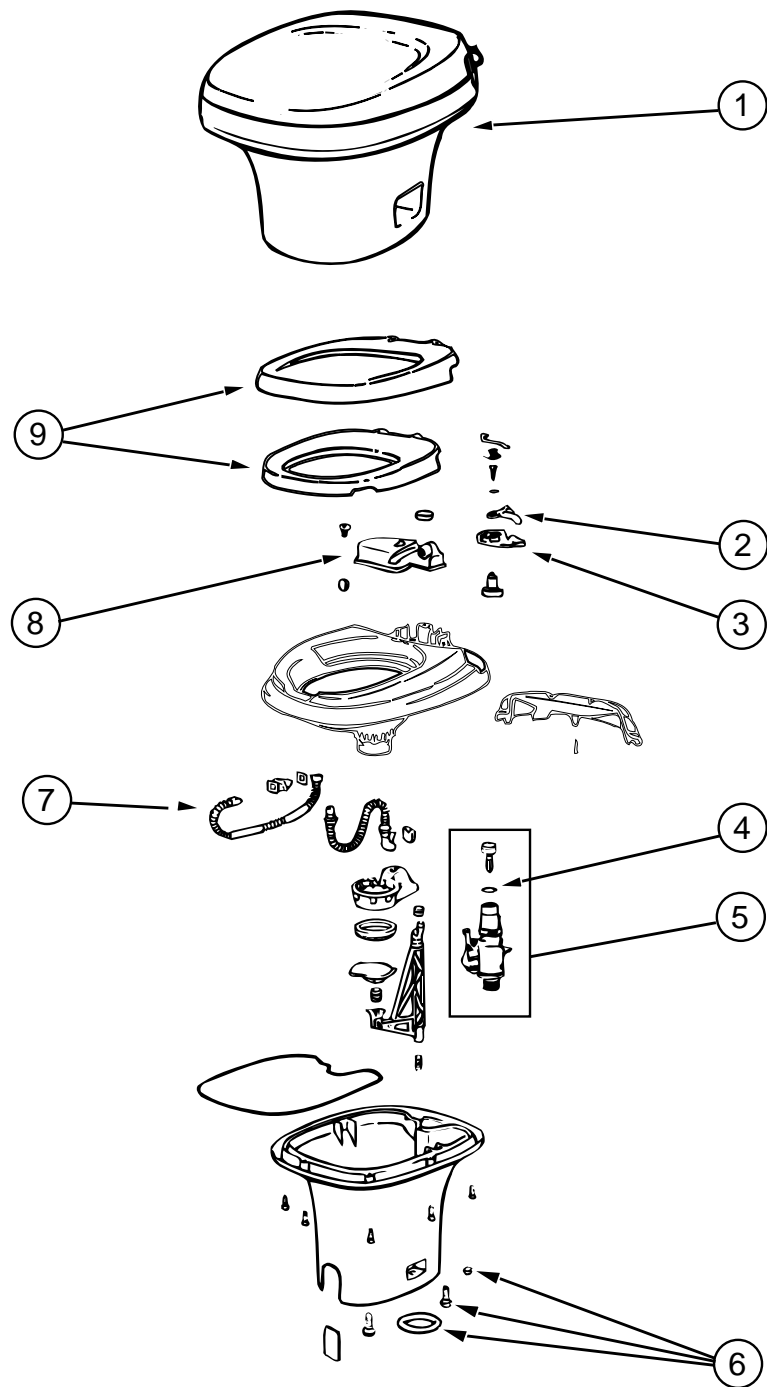
SHOWER CABINET & FIXTURES

KEY	PART NUMBER	U/M	DESCRIPTION
	080507-01-000	EA	PANEL-SKYLIGHT - OUTER - PLEXIGLASS - 23.25" X 20.3"
	080508-01-000	EA	PANEL-SKYLIGHT - INNER - PLEXIGLASS - 23.25" X 20.3"
1	105629-01-01A	EA	SURROUND-SHOWER - OFF WHITE
2	075241-05-000	EA	FAUCET-SHOWER - BONE
3	075606-01-000	EA	PANEL-FAUCET BACK - SHOWER - 5" X 9" - PLASTIC
4	103092-01-000	EA	SHOWER HEAD-W/60" HOSE (US)
4	103092-02-000	EA	SHOWER HEAD-W/60" HOSE (CANADIAN)
	103092-01-700	EA	BRACKET-SHOWER HEAD - 2328028 - CLEAR
	103092-01-701	EA	BRACKET-SHOWER HEAD - 2328029 - BONE
	103092-01-702	EA	SEALS-SPRAY HEAD - 24466
5	M02673-05-B13	EA	PAN-SHOWER - 29.8" X 22.7" .X 5.7" - OFF WHITE - PLASTIC
	066440-01-000	EA	STRAINER-SHOWER - W/RUBBER WASHER
	069735-01-000	EA	WASHER-STRAINER TO TAILPIECE PLASTIC - 1.5"
	066436-01-000	EA	NUT-SLIP - TAILPIECE - 1.5"
	057671-01-000	EA	COVER-SCREW - #8 - PLASTIC - OFF WHITE
	093527-02-000	EA	BRACKET-SQUEEGEE/SHOWER HEAD

BATH PRIVACY DOOR

KEY	PART NUMBER	U/M	DESCRIPTION
	M87868-16-E01	EA	DOOR-PRIVACY - BATH - W/O HARDWARE
	102920-01-01A	EA	HINGE-DOOR - SPRING LOADED - BRASS
	094485-03-01A	EA	KNOB-DOOR - BRASS - THUNADER L132PB

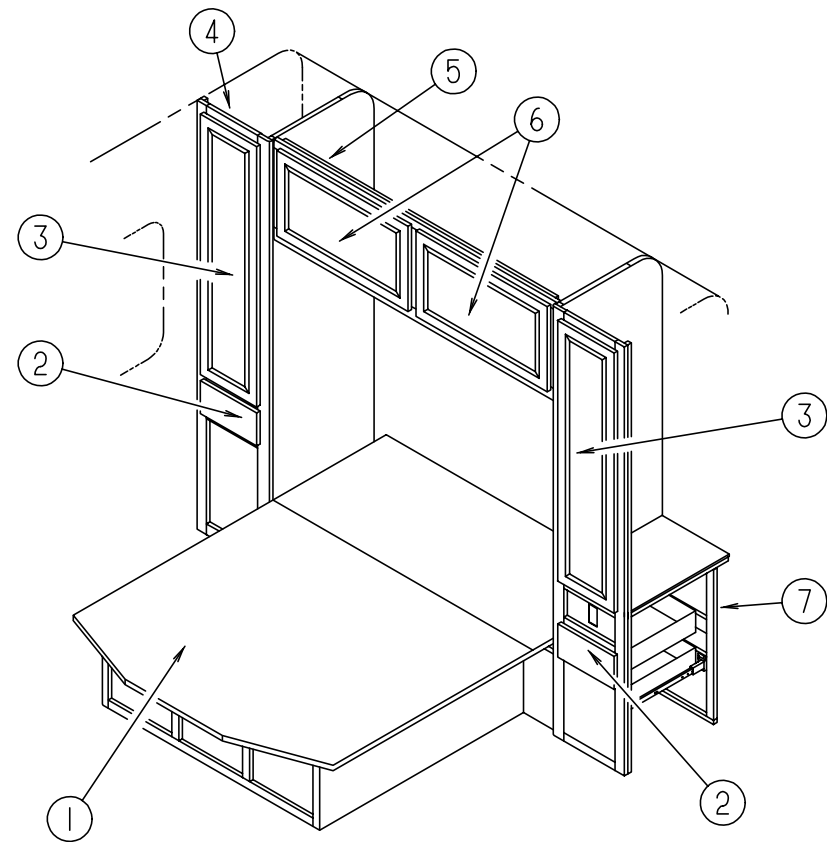
BATH GROUP (CONTINUED)



AQUA MAGIC IV LOW TOILET

KEY	PART NUMBER	U/M	DESCRIPTION
1	067487-01-000	EA	TOILET-12.37" - IVORY - HAND FLUSH - THETFORD 150110
2	063740-01-700	EA	LEVER-WATER - THETFORD 12514
3	063740-01-701	EA	LEVER-FLUSH - THETFORD 12515
4	063740-01-713	EA	SEAL-BALL VALVE TO BOWL - THETFORD 12502
5	063740-01-714	EA	VALVE ASM-WATER - THETFORD 12492
6	063740-01-706	EA	BOLT PACKAGE-CLOSET - THETFORD 12524
7	063740-01-717	EA	TUBE-FLUSH - TOILET - 12509 THETFORD
8	063740-02-702	EA	TANK-RESERVOIR - THETFORD 12507
9	063740-02-700	EA	SEAT & COVER - PARCHMENT - THETFORD 2464157

BEDROOM GROUP

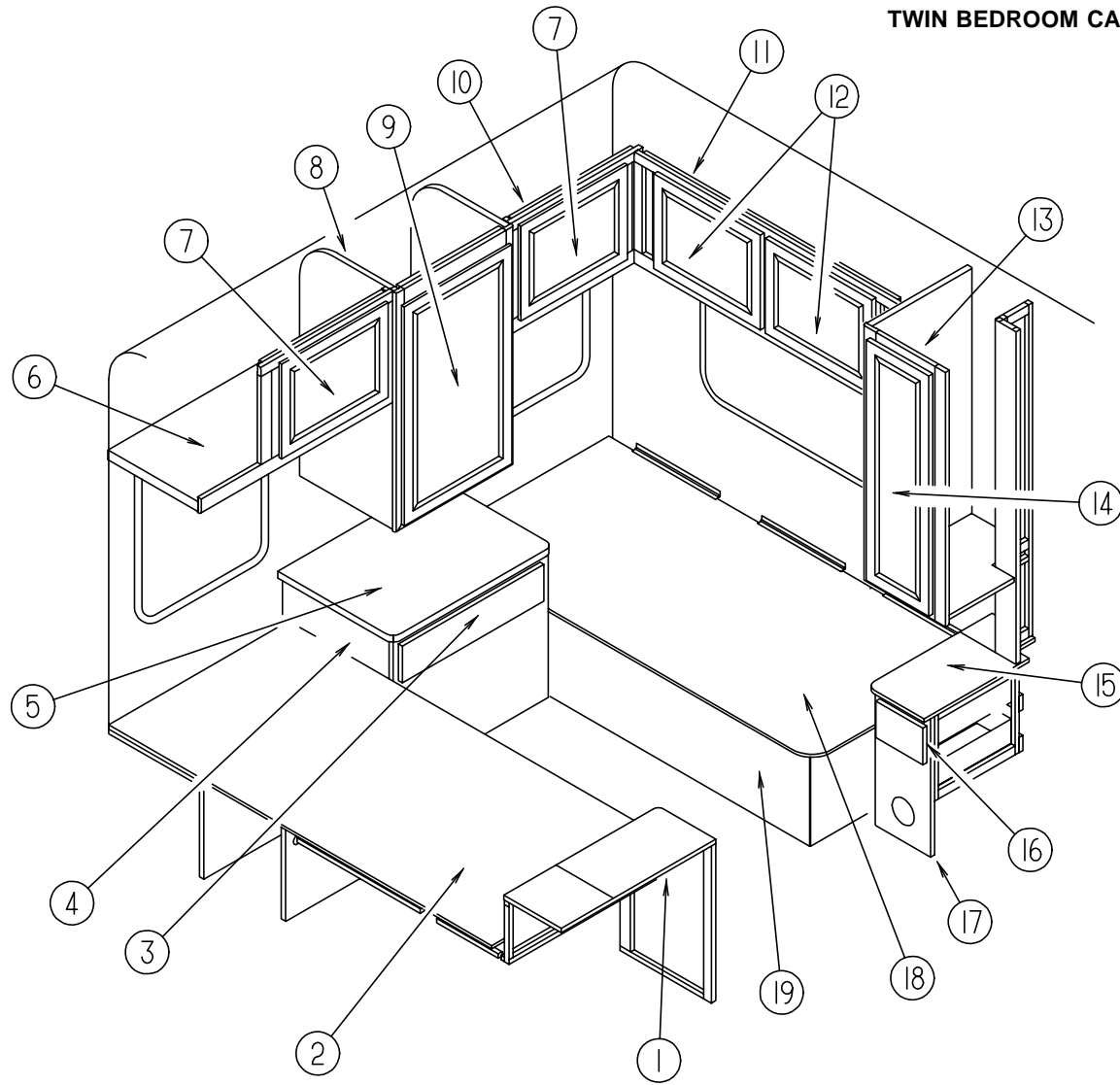


QUEEN BEDROOM CABINETS

KEY	PART NUMBER	U/M	DESCRIPTION
1	M06959-01-F15	EA	QUEEN BED TOP-DTL D
	107796-05-000	EA	BRACKET-GAS SPRING - FLAT
	107796-06-000	EA	SPRING-GAS 12" COMPRESSED/17" EXTENDED - 120 LB FROM: 00-00-00 THRU: 11-02-94
	107796-12-000	EA	GAS SPRING- 11" COMPRESSED/17" EXTENDED - 120 LB FROM: 11-03-94 THRU: 99-99-99
2	107796-07-000	EA	BRACKET-GAS SPRING
	M05970-49-E01	EA	DRAWER-CABINET - W/O HARDWARE
	009112-01-000	EA	FLANGE-1" ROD - CLOTHES - PLASTIC - OFF WHITE
3	042438-01-000	EA	DOWEL-WOOD - CLOTHES ROD - 1" DIAMETER X 4'
	110140-23-E01	EA	DOOR-CABINET - W/O HARDWARE - 305 X 1220MM
4	P14262-01-F15	EA	CABINET ASM-WARDROBE - REAR - RIGHT
5	109212-01-D29	EA	CABINET ASM-OVERHEAD - REAR
6	110140-21-F15	EA	DOOR-CABINET - W/O HARDWARE - 400 X 710MM (MIRRORED)
	108536-04-08A	EA	MIRROR-GALAXY FLOWER - 317 X 627
6	110140-18-E01	EA	DOOR-CABINET - W/O HARDWARE - 400 X 710MM (WOOD PANEL)
	P14261-01-F15	EA	CABINET ASM-WARDROBE - REAR - LEFT
7	097872-04-000	EA	DOWEL - WOOD - 1" FROM: 11-03-94 THRU: 99-99-99
	042438-01-000	EA	DOWEL-WOOD - CLOTHES ROD - 1" DIAMETER X 4'
	084357-02-E07	EA	TV STAND ASM
	084357-08-000	EA	INSERT-TV STAND - WITH SUPPORT HINGE - METAL - OFF WHITE
	084412-01-000	EA	SUPPORT HINGE KIT
	084413-01-000	EA	HINGE-CONTINUOUS - ALUMINUM - 1" X 72" - W/HOLES

BEDROOM GROUP (CONTINUED)

TWIN BEDROOM CABINETS & FOLDING PRIVACY DOOR



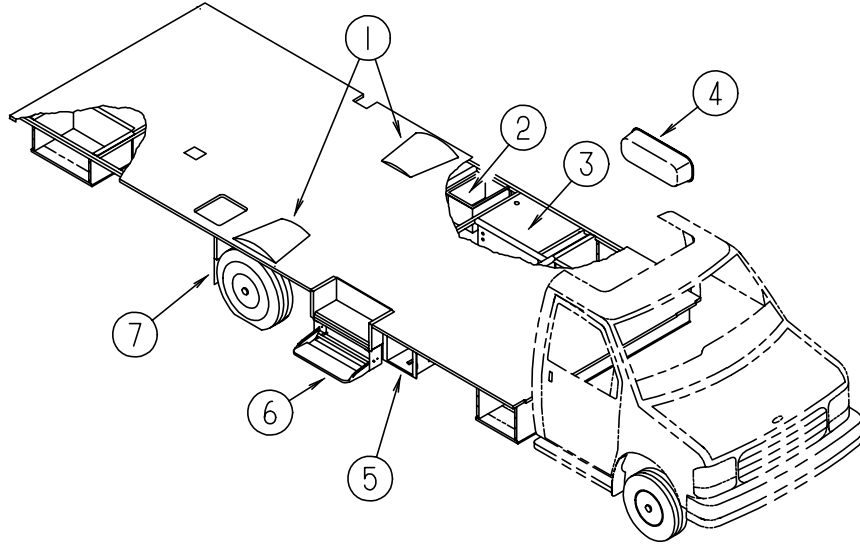
KEY	PART NUMBER	U/M	DESCRIPTION
1	114517-01-F01	EA	CABINET ASM-NIGHTSTAND - RIGHT SIDE (F21)
1	114517-01-F02	EA	CABINET ASM-NIGHTSTAND - RIGHT SIDE (F22)
	114517-11-F01	EA	COUNTERTOP ASM - LARGE SECTION (F21)
	114517-11-F02	EA	COUNTERTOP ASM - LARGE SECTION (F22)
	114517-12-F01	EA	COUNTERTOP ASM - SMALL SECTION (F21)
	114517-12-F02	EA	COUNTERTOP ASM - SMALL SECTION (F22)
2	M06960-01-000	EA	CABT ASM-TWIN BED TOP RH
	P14439-01-F15	EA	CABINET-TWIN BED - RIGHT
	P16311-01-000	EA	CABINET ASM-COMPARTMENT - TWIN BED
3	M05970-44-E01	EA	DRAWER-CABINET - W/O HARDWARE - 1 USED
4	P16329-01-F01	EA	CABINET ASM-NIGHTSTAND - TWIN (F21)
4	P16329-01-F02	EA	CABINET ASM-NIGHTSTAND - TWIN (F22)
5	116329-11-F01	EA	COUNTERTOP ASM (F21)
5	116329-11-F02	EA	COUNTERTOP ASM (F22)
6	110004-01-D29	EA	CABINET-OVERHEAD - W/O DOORS & HARDWARE - REAR - RIGHT
6	110004-03-F01	EA	CABINET - OVERHEAD - W/O DOORS & HARDWARE - REAR - RIGHT - EUROPEAN
7	110140-29-F15	EA	DOOR-CABINET - W/O HARDWARE - 400 X 520 MM (MIRRORED)
	108536-03-08A	EA	MIRROR - GALAXY DESIGN
7	110140-27-E01	EA	DOOR-CABINET - W/O HARDWARE - 400 X 520 MM (WOODPANEL)
8	P11446-01-E01	EA	CABINET ASM-SHIRT CLOSET
9	110140-40-E01	EA	DOOR ASM. W/O HARDWARE - 305 X 1015

KEY	PART NUMBER	U/M	DESCRIPTION
10	110004-02-D29	EA	CABINET-OVERHEAD - W/O DOORS & HARDWARE - REAR - LEFT
10	110004-04-F01	EA	CABINET-OVERHEAD - W/O DOORS & HARDWARE - REAR - LEFT - EUROPEAN
11	109578-02-F01	EA	CABINET-OVERHEAD - W/O DOORS & HARDWARE - REAR - LEFT SIDE (F21)
11	109578-02-E22	EA	CABINET-OVERHEAD - W/O DOORS & HARDWARE - REAR - LEFT SIDE (F22)
	104335-07-C43	EA	END CAP-CABINET - OVERHEAD - LEFT SIDE
	109578-01-F01	EA	CABINET-OVERHEAD - W/O DOORS & HARDWARE - REAR - RIGHT SIDE (F21)
	109578-01-E22	EA	CABINET-OVERHEAD - W/O DOORS & HARDWARE - REAR - RIGHT SIDE (F22)
	104335-06-C43	EA	END CAP-CABINET - OVERHEAD - RIGHT SIDE
12	110140-27-E01	EA	DOOR-CABINET - W/O HARDWARE - 520 X 220MM (RIGHT & LEFT CABINET)
13	109652-01-F15	EA	CABINET ASM - SHIRT CLOSET - LEFT SIDE
	109650-01-D29	EA	CABINET ASM - SHIRT CLOSET - RIGHT SIDE
	042438-01-000	EA	DOWEL-WOOD - CLOTHES ROD - 1" DIAMETER X 4'
	009112-01-000	EA	FLANGE-1" ROD - CLOTHES - PLASTIC - OFF WHITE
14	110140-28-E01	EA	DOOR-CABINET - W/O HARDWARE - 305 X 1015 MM (RIGHT & LEFT CABINET)
15	114516-11-F01	EA	COUNTERTOP ASM (F21)
			FROM: 00-00-00 THRU: 10-09-94
15	114516-11-F02	EA	COUNTERTOP ASM (F22)
			FROM: 00-00-00 THRU: 10-09-94
15	117137-11-F01	EA	COUNTERTOP ASM - LARGE SECTION (F21)
			FROM: 10-10-94 THRU: 99-99-99
15	117137-11-F02	EA	COUNTERTOP ASM - LARGE SECTION (F22)
			FROM: 10-10-94 THRU: 99-99-99
15	117137-14-F01	EA	COUNTERTOP ASM - SMALL SECTION (F21)
			FROM: 10-10-94 THRU: 99-99-99
15	117137-14-F02	EA	COUNTERTOP ASM - SMALL SECTION (F22)
			FROM: 10-10-94 THRU: 99-99-99
16	M05970-45-E01	EA	DRAWER-CABINET - W/O HARDWARE - 1 USED - LEFT SIDE
			FROM: 00-00-00 THRU: 10-09-94
17	P14516-01-F01	EA	CABINET ASM-NIGHTSTAND - LEFT SIDE (F21)
			FROM: 00-00-00 THRU: 10-09-94
17	P14516-01-F02	EA	CABINET ASM-NIGHTSTAND - LEFT SIDE (F22)
			FROM: 00-00-00 THRU: 10-09-94
17	P17137-01-F01	EA	CABINET ASM-NIGHTSTAND - LEFT SIDE (F21)
			FROM: 10-10-94 THRU: 99-99-99
17	P17137-01-F02	EA	CABINET ASM-NIGHTSTAND - LEFT SIDE (F22)
			FROM: 10-10-94 THRU: 99-99-99
18	M06960-02-F15	EA	CABT ASM-TWIN BED TOP - LEFT
	105376-01-02A	EA	HINGE-CONTINUOUS - 2" X 140MM - OFF WHITE
19	P14440-01-F15	EA	CABINET ASM-BED - TWIN - LEFT

BEDROOM PRIVACY DOOR

KEY	PART NUMBER	U/M	DESCRIPTION
	042488-10-000	EA	DOOR-FOLDING - FABRIC - 37" X 75" - OFF WHITE
	080224-01-703	EA	ALMOND - HANDLE W/LATCH AND CATCH
	080224-01-705	EA	ALMOND - LATCH AND CATCH

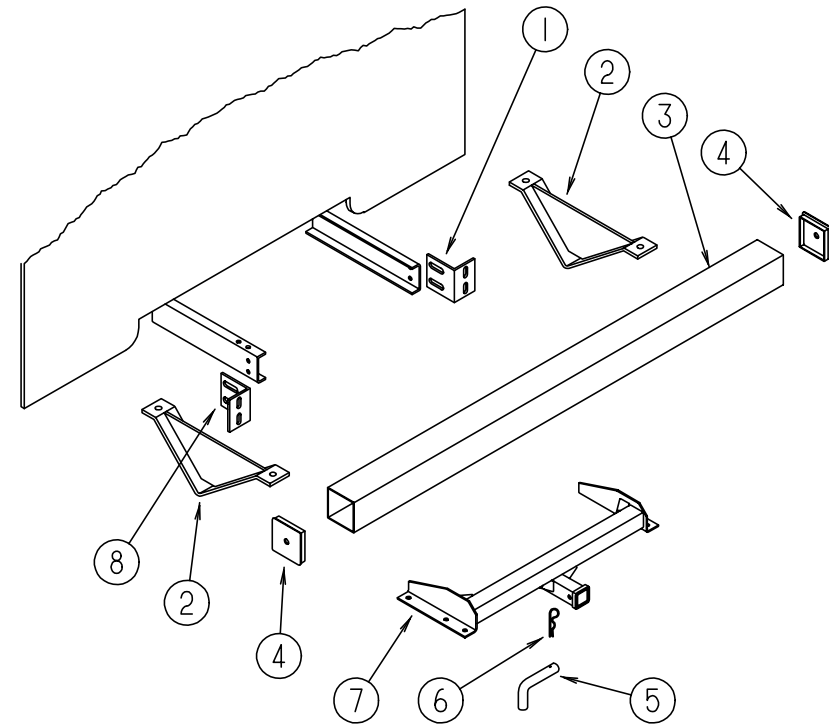
CHASSIS GROUP



COMPARTMENTS, PLUGS & SEALS

KEY	PART NUMBER	U/M	DESCRIPTION
1	112435-02-000	EA	WHEELWELL
2	102979-04-000	EA	BOX-POWER CORD
3	114072-01-02B	EA	TRAY ASM - GENERATOR
	114070-02-02B	EA	SUPPORT ASM-GENERATOR - E-CT
	114071-02-02B	EA	SUPPORT ASM-GENERATOR - RT - E-C
	056746-01-000	EA	PLUG-CAP - 1" DIAMETER
	061420-01-000	EA	PLUG-PLASTIC - 1.75" - BROWN
	061420-05-000	EA	PLUG-PLASTIC - 1.8" DIAMETER
	088270-01-000	FT	SEAL-BULB - W/WIRE RIGID U-CHANNEL - .5" - RUBBER - BLACK
4	106208-01-01A	EA	COMPARTMENT-EXTERIOR SHOWER - OFF WHITE
5	105203-01-000	EA	COMPARTMENT-BATTERY
	084993-01-000	EA	STRAP-BATTERY
	084993-02-000	EA	STRAP ASM -BATTERY
6	077848-02-000	EA	STEP-PULLOUT
	076241-13-000	EA	SUPPORT-STEP - ENTRY DOOR
	091176-01-000	EA	SUPPORT-BASE - ENTRANCE STEP
7	017516-01-000	EA	FLAP-MUD - 14" X 18" - BLACK - REAR
	056748-01-000	EA	PLUG-CAP - 1.5" DIAMETER - BLACK
	115361-01-01A	EA	PLUG-PLASTIC - CAPPLUG NO.W5
	045731-06-000	EA	GUARD-ROCK

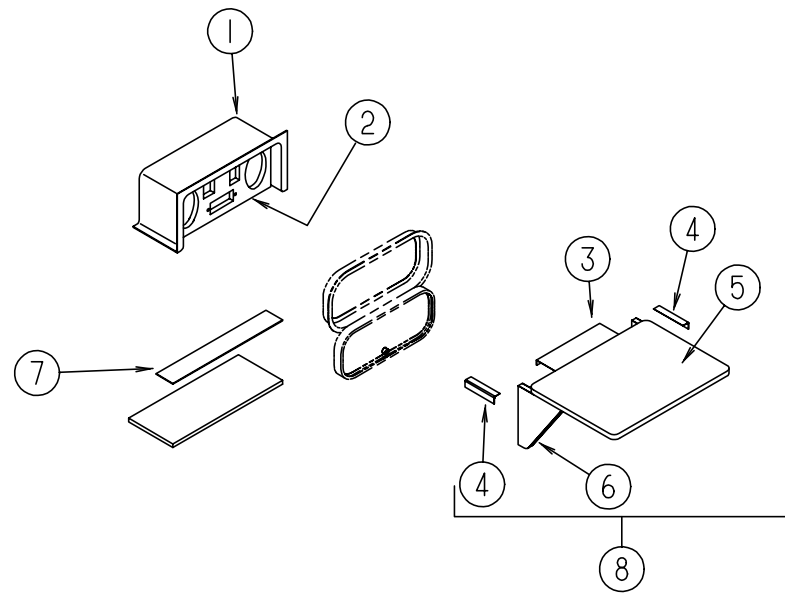
CHASSIS GROUP (CONTINUED)



REAR BUMPER & HITCH

KEY	PART NUMBER	U/M	DESCRIPTION
1	104420-01-000	EA	SUPPORT-ANGLE - BUMPER REAR - RIGHT
2	083376-01-000	EA	PLATE-SKID - 13.2" X 6" X 2" - STEEL
3	103422-05-01A	EA	BUMPER-SQUARE - ALUMINUM - OFF WHITE
3	103422-05-02A	EA	BUMPER-SQUARE - ALUMINUM - BRIGHT WHITE
4	039779-01-000	EA	CAP-BUMPER - RUBBER - 4" X 4" - BLACK
5	034512-01-000	EA	PIN-LOCKING - DRAWBAR
6	034513-01-000	EA	PIN-HITCH - 3/16" WIRE
7	107707-08-000	EA	DRAWBAR ASM-HITCH - CLASS II
8	104420-02-000	EA	SUPPORT-ANGLE - BUMPER REAR - LEFT
	097744-02-000	EA	HOUSING-TRAILER PIN - 48"
	097745-01-000	EA	HOUSING-TRAILER RECEPTACLE - 12"
	113634-01-000	EA	WIRE ASM-TRAILER - ADAPTER - INCLUDES SOCKET & RECEPTACLE HOUSING
	113589-02-000	EA	CONNECTOR-SOCKET - TRAILER - PART OF WIRE ASM 113634-01-000
	113589-01-000	EA	CONNECTOR-PLUG - TRAILER

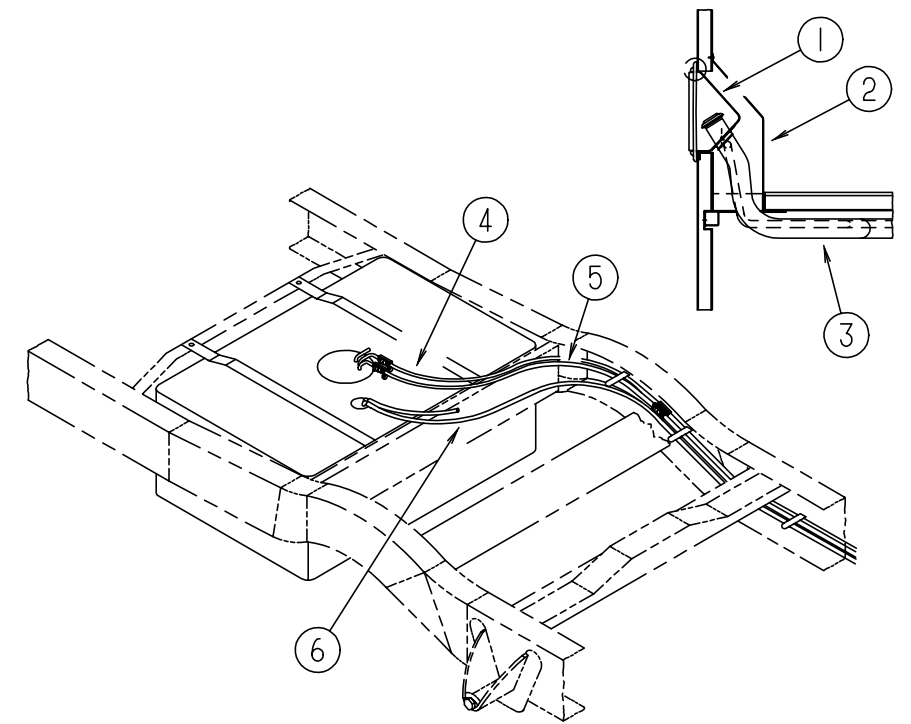
CHASSIS GROUP (CONTINUED)



ENTERTAINMENT COMPARTMENT

KEY	PART NUMBER	U/M	DESCRIPTION
1	104897-02-02A	EA	BOX-ENTERTAINMENT CENTER - BRIGHT WHITE
2	104899-01-C05	EA	PLATE-RADIO MOUNTING
3	105377-01-01A	EA	BRACKET-TABLE HANGER - OFF WHITE
4	105376-01-02A	EA	HINGE-CONTINUOUS - 2" X 140MM - OFF WHITE
5	105230-11-E01	EA	SHELF ASM
6	105230-12-F11	EA	SUPPORT ASM
7	104898-01-02A	EA	PLATE-PLASTIC BOTTOM - BRIGHT WHITE
8	105230-01-F11	EA	SHELF ASM-EXTERIOR TV

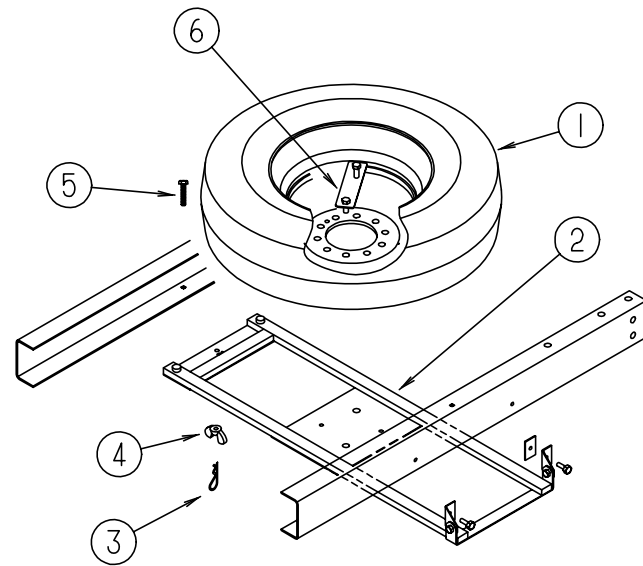
CHASSIS GROUP (CONTINUED)



FUEL SYSTEM COMPONENTS

KEY	PART NUMBER	U/M	DESCRIPTION
1	095854-01-04A	EA	SHROUD-FUEL FILL - BRIGHT WHITE
2	078040-06-000	EA	SHROUD-FUEL FILL - UPPER - PLASTIC
3	108603-01-000	EA	NECK-FUEL FILL - MAIN - GAS
3	108603-02-000	EA	NECK-FUEL FILL - MAIN - DIESEL
	078200-01-000	EA	GASKET-FUEL FILL - 3.5"OD X 2"ID
4	106389-01-000	EA	FUEL LINE ASM-FORD - 3/8 HP
5	106388-01-000	EA	FUEL LINE ASM-FORD - 5/16 HP
	088258-02-000	EA	CLIP-RETAINING - FUEL LINE SINGLE
	007063-01-000	FT	HOSE-GAS 1/4" ID X 1/2" OD
6	044317-01-000	FT	HOSE-FUEL - 3/8" ID
	084884-01-000	EA	PLUG-BRASS - 3/8"

CHASSIS GROUP (CONTINUED)



SPARE TIRE

KEY	PART NUMBER	U/M	DESCRIPTION
1	083425-09-000	EA	TIRE-LT225/75R16 LRD - MICHELIN XCH4 FROM: 00-00-00 THRU: 01-18-95
1	083425-11-000	EA	TIRE-LT225/75R16 LRD - MICHELIN LTX FROM: 01-19-95 THRU: 99-99-99
1	083617-03-000	EA	WHEEL-STEEL - 16.0" X 6" - ACCURIDE 28618
	095012-03-000	EA	EXTENSION-VALVE STEM - DUAL WHEEL
	112358-01-000	EA	WRENCH-LUG - 7/8" - L-SHAPE - FORD F2UA-17035-CA
2	116348-01-02B	EA	CRADLE ASM. - SPARE TIRE - E-COAT
3	034513-01-000	EA	PIN-HITCH - 3/16" WIRE
4	064081-03-000	EA	NUT-WING
5	000C18-06-56A	EA	BOLT-ELEVATOR
6	116338-02-02B	EA	BRACKET-CLAMP-SPARE TIRE-E-COAT
	107707-08-000	EA	DRAWBAR ASM-HITCH - CLASS II

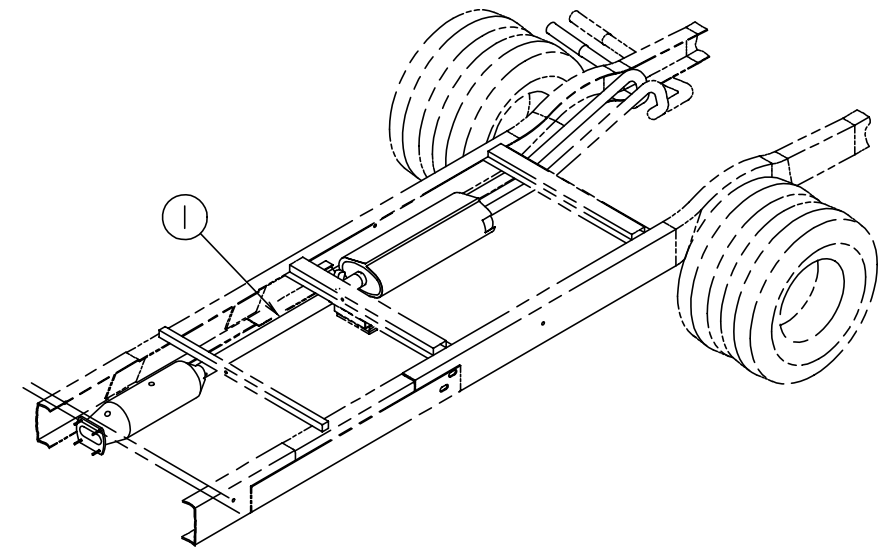
WHEEL LINERS

KEY	PART NUMBER	U/M	DESCRIPTION
	110435-02-000	EA	LINER-WHEEL - SET 4 E350 92 - DICOR V160F2
	110435-02-700	EA	WHEEL LINER - FRONT - V160F2-FWC
	110435-02-701	EA	WHEEL LINER - REAR - V160F2-RWC
	110435-02-702	EA	STUD EXT. - V160SD-STX
	110435-02-703	EA	NUT - JAMB - V160SD-JNT
	110435-02-704	EA	LUG NUT COVER - V160F0-LNC
	110435-02-705	EA	TOOL FOR JAMB NUT - INSTALLATION - V160F0-TOL

COVERS

KEY	PART NUMBER	U/M	DESCRIPTION
	109443-05-000	EA	WHEEL COVER - 4/SET - 16" STAINLESS STEEL - DICOR SHFM16
	109443-05-700	EA	COVER WHEEL 16" - SHFM16-CVR
	098532-01-700	EA	COVER-LUG NUT - FORD CHROME - DICOR SP-FM-CLN

CHASSIS GROUP (CONTINUED)



EXHAUST SYSTEM COMPONENTS

KEY	PART NUMBER	U/M	DESCRIPTION
	091182-04-000	EA	SHIELD-HEAT
	094918-06-000	EA	CLAMP-EXHAUST 3" HEAVY DUTY - HECO 24698
1	096753-06-000	EA	PIPE-EXHAUST - FORD CHASSIS - 158-190 (DIESEL) FROM: 00-00-00 THRU: 11-13-94
	098762-13-000	EA	PIPE-EXHAUST - STRAIGHT - 3.5 IN (DIESEL) FROM: 11-14-94 THRU: 99-99-99
1	111478-02-000	EA	PIPE-EXHAUST (GAS)

DRIVESHAFT & FLARE UNION

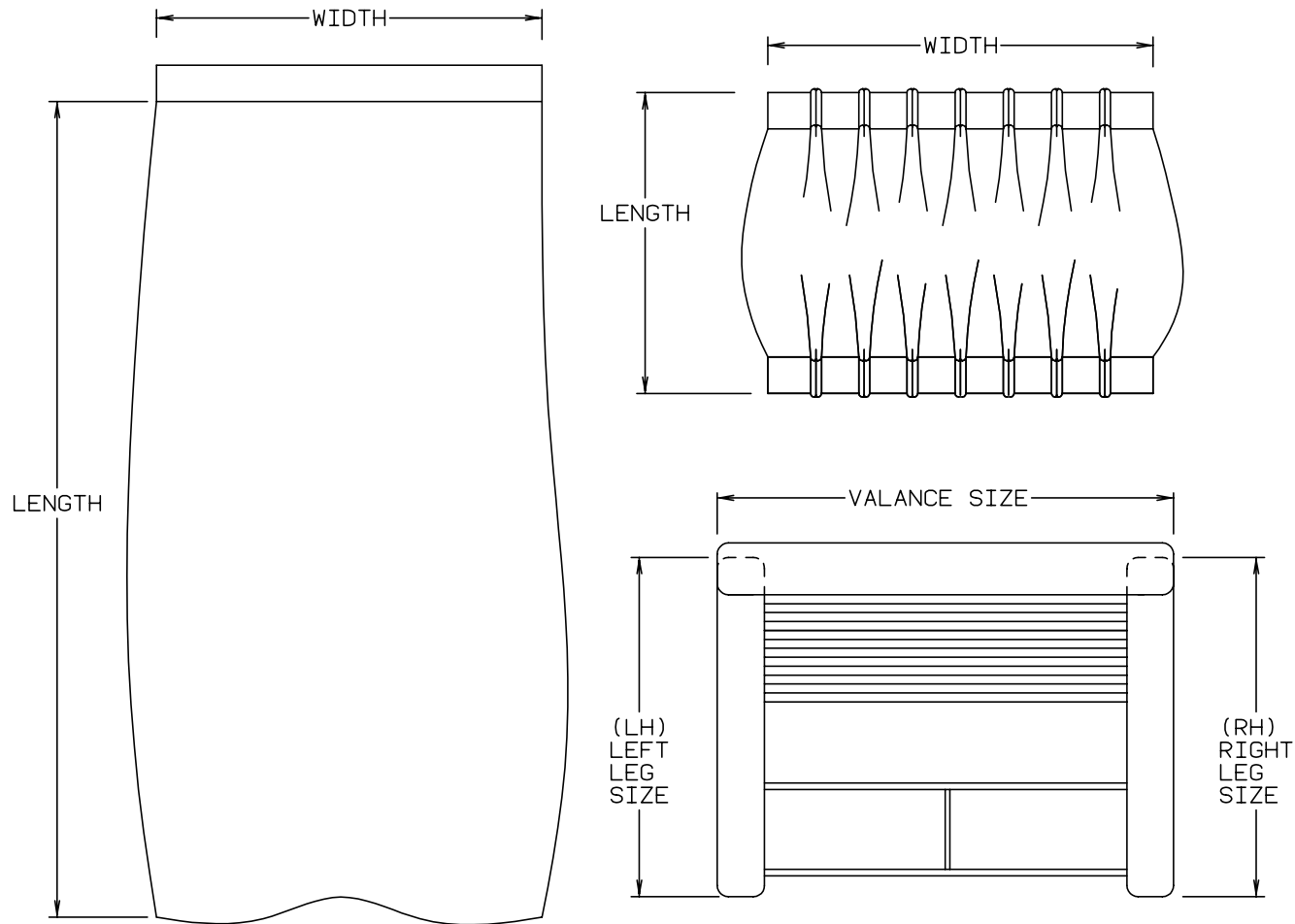
KEY	PART NUMBER	U/M	DESCRIPTION
	103653-10-000	EA	DRIVESHAFT ASM-BALANCED PAIR - 190" WHEELBASE (158) (DIESEL)
	103653-16-000	EA	DRIVESHAFT ASM-BALANCED PAIR - 190" WHEELBASE (158) (GAS)
	074833-01-000	EA	SPACER-BEARING - DRIVESHAFT - 2" X 8" X .5" THICK
	085771-03-000	EA	NUT-HEX - TORQUE - GRADE G DRIVE SHAFT
	088498-01-000	EA	UNION-INVERTED FLARE - BRASS - 3/16 - 3/8 - 24 THD - BRAKE LINE
	115043-02-000	EA	BUSHING-INCREASE 2.5 OD - 3.5 OD - NEAPCO FORD DIESEL

CURTAIN & CUSHION GROUP

NOTICE

IN ORDER TO ASSIST OUR PARTS SALES DEPT. IN PROVIDING INTERIOR SOFTWARE ITEMS, PLEASE INCLUDE THE SERIAL NUMBER AND THE COLOR CODE NUMBER FROM THE VEHICLE CERTIFICATION LABEL WHEN ORDERING. THIS LABEL IS LOCATED ON THE LEFT SIDEWALL AT THE END OF THE DASH (A-BODY), OR ON THE DRIVER'S DOOR LATCH PLATE (C-BODY).

AN EXAMPLE OF A COLOR CODE NUMBER IS B07, WHICH DESIGNATES AN OVERALL COLOR SCHEME OF A PARTICULAR UNIT. THE COLOR LISTED AFTER THE ITEM DESCRIPTION ON THE MICROFICHE, INDICATES THE OVERALL UNIT COLOR. ORDER THE ITEM YOU DESIRE ACCORDING TO UNIT COLOR CODE.



NOTE: USE THIS ILLUSTRATION WHEN DETERMINING LENGTH AND WIDTH MEASUREMENTS FOR CURTAINS. YOU WILL NOTE THE WIDTH MEASUREMENT IS TAKEN ON THE TOP OF THE CURTAIN WITH THE CURTAIN FULLY EXTENDED. THE LENGTH MEASUREMENT IS TAKEN FROM TOP TO BOTTOM. LEFT AND RIGHT WINDOW LEGS ARE DETERMINED WHEN FACING THE WINDOW.

CURTAIN & CUSHION GROUP (CONTINUED)

VINYL ASSIST HANDLE, BUTTONS, WELTING & SEATBELTS

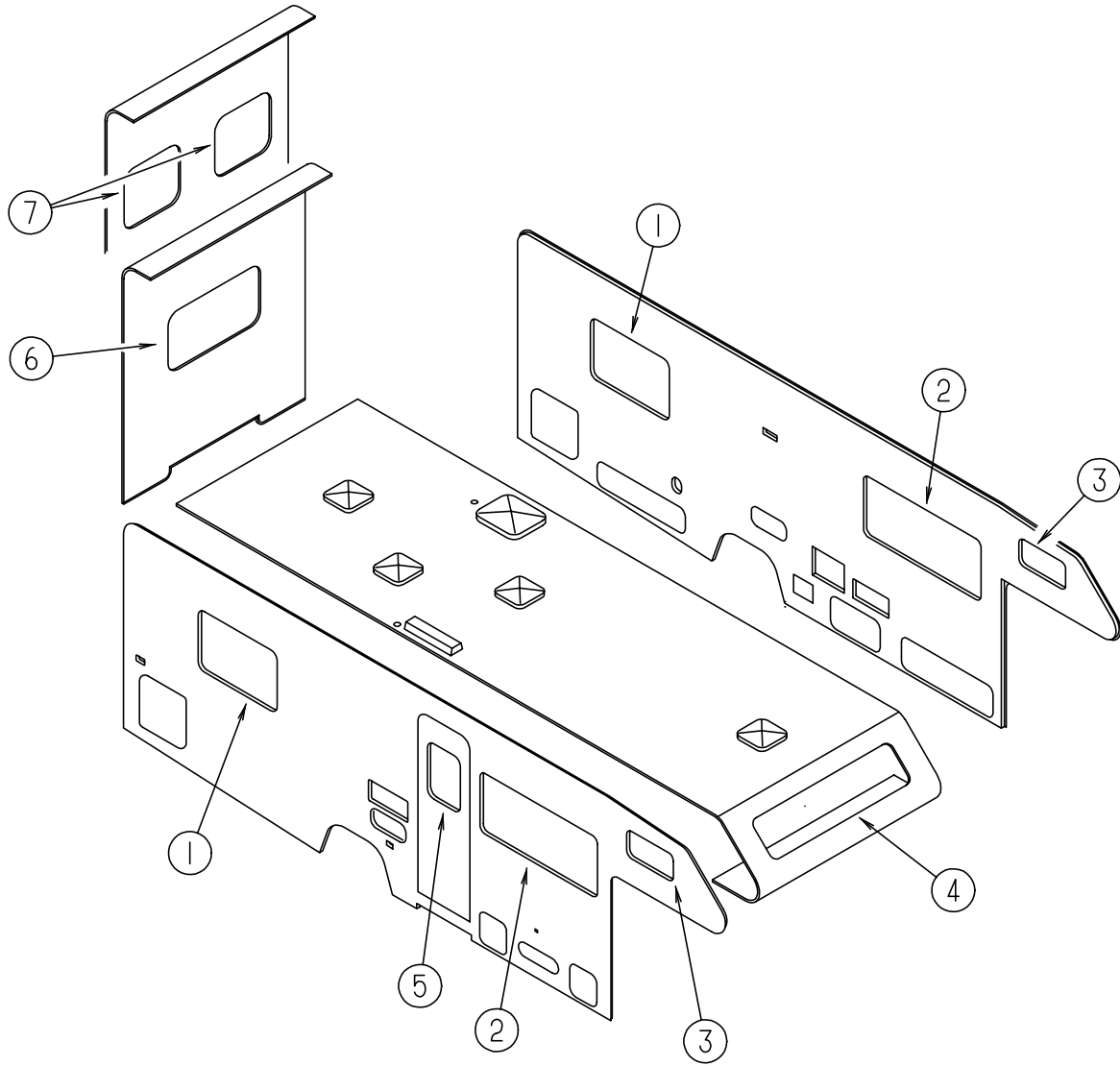
KEY	PART NUMBER	U/M	DESCRIPTION
	070578-06-AA3	EA	BUTTON-SNAP TOP - #30 - VINYL - BEIGE
	079349-04-E08	YD	WELT ASM-NARROW - ACCENT (F21)
	079349-04-F05	YD	WELT ASM-NARROW - ACCENT (F22)
	057534-01-000	EA	TIEBACK/TIEDOWN-BED/CURTAIN/DOOR - 6" - CLEAR PLASTIC
	057534-06-000	EA	TIEBACK/TIEDOWN-BED/CURTAIN/DOOR - 6" - BEIGE VINYL
	053552-02-AA8	EA	HANDLE-ASSIST - INTERIOR - ENTRY DOOR - VINYL - OFF WHITE
	000C16-07-16B	EA	BOLT-CARRIAGE - ASSIST HANDLE - 7/16" - 14 X 1" ZN
	000D20-07-00B	EA	NUT-ACORN - ASSIST HANDLE - 7/16" X 14 ZN
	057759-01-000	EA	WASHER BRACKET-SEAT BELT - 4" DIAMETER
	069178-02-000	EA	BRACKET-MOUNTING, ASSIST HANDLE - L ANGLE - W/HOLES - ST
	007021-01-000	EA	BELT-SEAT - 2" X 90" - BLACK
	056271-01-000	EA	BELT-SEAT - 2" X 102" - BLACK

FABRICS

KEY	PART NUMBER	U/M	DESCRIPTION
	072333-90-000	YD	FABRIC-CURTAIN - 54" WIDE - SUEDE (F21)
	072333-82-000	YD	FABRIC-CURTAIN - 54" WIDE - MUSHROOM (F22)
	108446-35-000	YD	FABRIC-UPHOLSTERY - MAIN - COLLISION - SESAME (F21)
	108446-A6-000	YD	FABRIC-UPHOLSTERY - MAIN - CAPE COD (F22)
	108446-A5-000	YD	FABRIC-UPHOLSTERY - ACCENT - FUSION - HAZEL (F21)
	108446-B0-000	YD	FABRIC-UPHOLSTERY - ACCENT - HARBOR - MARINE (F22)
	104233-59-000	YD	FABRIC-DRAPERY - CASHMERE (F21)
	098008-85-000	YD	FABRIC-DRAPERY - LIGHT NAVY BLUE (F22)
	105745-28-000	YD	FABRIC-BEDSPREAD/DRAPERY - MAIN - SAHARA - SAUTERNE (F21)
	105745-65-000	YD	FABRIC-BEDSPREAD/DRAPERY - MAIN - CITEAUX - WINDSOR (F22)
	105745-63-000	YD	FABRIC-BEDSPREAD - ACCENT - RADIANCE - TOAST (F21)
	105745-64-000	YD	FABRIC-BEDSPREAD - ACCENT - RADIANCE - SLATE (F22)
	087272-03-000	YD	FABRIC-LINING - CURTAIN - 54" WIDE - IVORY
	103907-01-01A	YD	FABRIC-VINYL - 54" WIDE - OFF WHITE
	079680-01-000	YD	FABRIC-VINYL - 54" WIDE - BEIGE (F21)
	079680-07-000	YD	FABRIC-VINYL - 54" WIDE - BEIGE (F22)

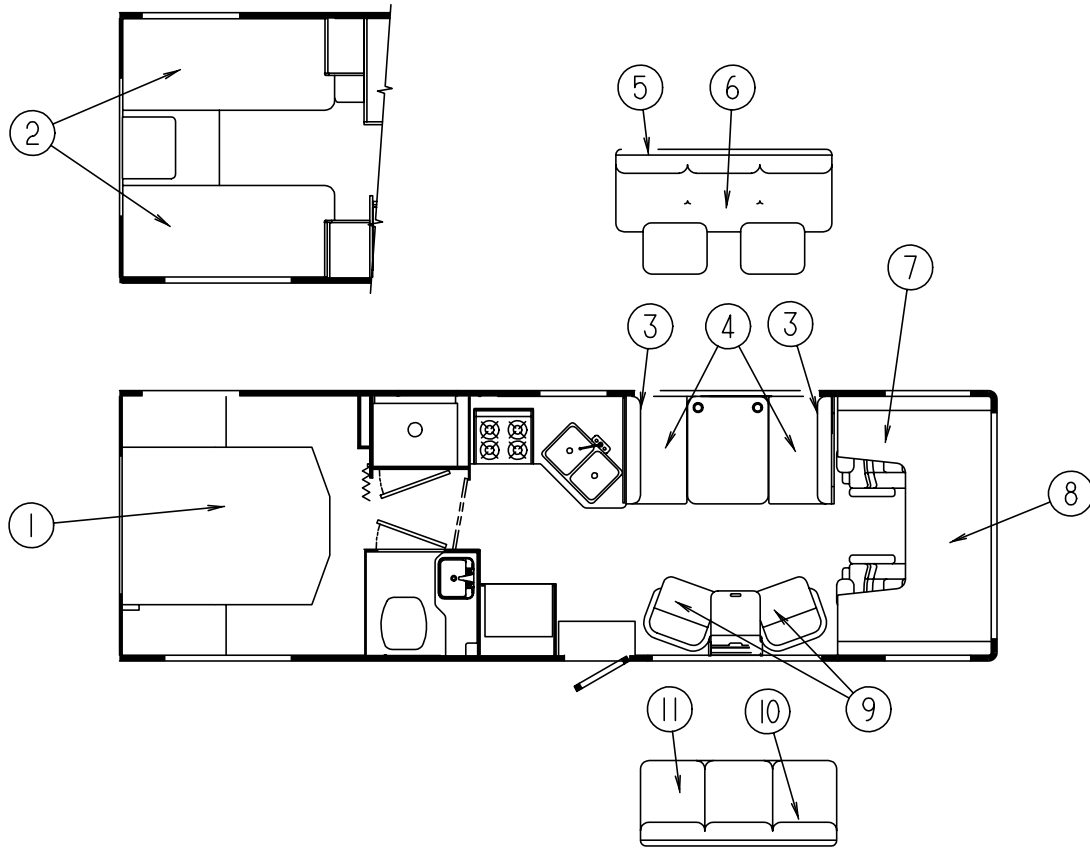
CURTAIN & CUSHION GROUP (CONTINUED)

CURTAINS & WINDOW TREATMENT



KEY	PART NUMBER	U/M	DESCRIPTION
1	114781-02-F04	EA	VALANCE ASM - 44" - SAHARA - W/HEADER (CENTER QUEEN BED)(F21)
1	114781-02-F05	EA	VALANCE ASM - 44" - SAHARA - W/HEADER (CENTER QUEEN BED)(F22)
1	114781-03-F04	EA	VALANCE ASM - 44" - SAHARA - W/O HEADER (TWIN BED)(F21)
1	114781-03-F05	EA	VALANCE ASM - 44" - SAHARA - W/O HEADER (TWIN BED)(F22)
1	112986-05-F21	EA	CURTAIN ASM-PLEATED TOP BOTTOM - 31.5" X 6" (CENTER QUEEN BED)
1	112986-05-F22	EA	CURTAIN ASM-PLEATED TOP BOTTOM - 31.5" X 6" (CENTER QUEEN BED)
1	112986-04-F04	EA	CURTAIN ASM-PLEATED TOP BOTTOM - 29.5" X 6"(TWIN BED)(F21)
1	112986-04-F05	EA	CURTAIN ASM-PLEATED TOP BOTTOM - 29.5" X 6" (TWIN BED)(F21)
1	093475-99-03A	EA	BLIND-MINI - 41" X 28.5" DROP (CENTER QUEEN BED)(F21)
1	093475-99-02A	EA	BLIND-MINI - 41" X 28.5" DROP (CENTER QUEEN BED)(F22)
1	093475-41-09A	EA	BLIND-MINI - 39" X 26" DROP (TWIN BED)(F21)
1	093475-41-08A	EA	BLIND-MINI - 39" X 26" DROP (TWIN BED)(F22)
2	105923-19-F04	EA	VALANCE-WINDOW - 63.5" RODEWAY - W/BRASS WELT (F21)
2	105923-19-F05	EA	VALANCE-WINDOW - 63.5" RODEWAY - W/BRASS WELT (F22)
2	109041-01-03A	EA	BLIND-MINI - 62" X 28.5" - BEIGE (F21)
2	109041-01-02A	EA	BLIND-MINI - 62" X 28.5" - PURE SILVER (F22)
3	101034-45-F21	EA	CURTAIN-DARTED TAPE TOP & BOTTOM - 16" X 28" - RIGHT
3	101034-45-F22	EA	CURTAIN-DARTED TAPE TOP & BOTTOM - 16" X 28" - RIGHT
3	101034-46-F21	EA	CURTAIN-DARTED TAPE TOP & BOTTOM - 16" X 28" - LEFT
3	101034-46-F22	EA	CURTAIN-DARTED TAPE TOP & BOTTOM - 16" X 28" - LEFT
4	101034-33-F21	EA	CURTAIN-DARTED TAPE TOP & BOTTOM - 21" X 60" - RIGHT (F21)
4	101034-33-E21	EA	CURTAIN-DARTED TAPE TOP & BOTTOM - 21" X 60" - RIGHT (F22)
4	101034-34-F21	EA	CURTAIN-DARTED TAPE TOP & BOTTOM - 21" X 60" - LEFT (F21)
4	101034-34-E21	EA	CURTAIN-DARTED TAPE TOP & BOTTOM - 21" X 60" - LEFT (F22)
5	113268-05-F21	EA	VALANCE-WINDOW - 31.75"
5	113268-05-F22	EA	VALANCE-WINDOW - 31.75"
5	093475-28-07A	EA	BLIND-MINI - 28" X 28" DROP (F21)
5	093475-28-06A	EA	BLIND-MINI - 28" X 28" DROP (F22)
6	114781-01-F04	EA	VALANCE ASM - 52" - SAHARA - W/O HEADER (F21)
6	114781-01-F05	EA	VALANCE ASM - 52" - SAHARA - W/O HEADER (F22)
6	112986-04-F04	EA	CURTAIN ASM-PLEATED TOP BOTTOM - 29.5" X 6"(F21)
6	112986-04-F05	EA	CURTAIN ASM-PLEATED TOP BOTTOM - 29.5" X 6"(F22)
6	093475-55-04A	EA	BLIND-MINI - 48" X 28" DROP (F21)
6	093475-55-03A	EA	BLIND-MINI - 48" X 28" DROP (F22)
7	114781-06-F21	EA	VALANCE ASM - 30" - SAHARA - W/O HEADER
7	114781-06-F22	EA	VALANCE ASM - 30" - SAHARA - W/O HEADER
7	112986-04-F04	EA	CURTAIN ASM-PLEATED TOP BOTTOM - 29.5" X 6"(F21)
7	112986-04-F05	EA	CURTAIN ASM-PLEATED TOP BOTTOM - 29.5" X 6"(F22)
7	093475-28-07A	EA	BLIND-MINI - 28" X 28" DROP (F21)
7	093475-28-06A	EA	BLIND-MINI - 28" X 28" DROP (F22)
	101668-39-E01	EA	CURTAIN - 35" X 50" - RIGHT -TAPE T - W/LINING (F21)
	101668-39-E02	EA	CURTAIN - 35" X 50" - RIGHT -TAPE T - W/LINING (F22)
	101668-40-E01	EA	CURTAIN - 35" X 50" - LEFT -TAPE T - W/LINING (F21)
	101668-40-E02	EA	CURTAIN - 35" X 50" - LEFT -TAPE T - W/LINING (F22)
	073260-23-E01	EA	TIEBACK - CURTAIN - 3" X 18" (F21)
	073260-23-B87	EA	TIEBACK - CURTAIN - 3" X 18" (F22)
	076892-20-E01	EA	CURTAIN ASM - 50" X 78" - PLAIN (F21)
	076892-20-E02	EA	CURTAIN ASM - 50" X 78" - PLAIN (F22)

CURTAIN & CUSHION GROUP (CONTINUED)



DRIVER SIDE COUCH

KEY	PART NUMBER	U/M	DESCRIPTION
5	111319-01-F21	EA	BED ASM. - JACK KNIFE BACK (F21)
5	111319-01-F22	EA	BED ASM. - JACK KNIFE BACK (F22)
	P11319-01-F21	EA	COVER-BED ASM. - JACK KNIFE BACK - 74" (F21)
	P11319-01-F22	EA	COVER-BED ASM. - JACK KNIFE BACK - 74" (F22)
	101085-10-000	EA	FRAME - 74.5" X 16" - BACK FRAME - JACK KNIFE
6	100032-43-E08	EA	SEAT-COUCH - W/O BACKREST (F21)
6	100032-43-F05	EA	SEAT-COUCH - W/O BACKREST (F22)
	P00032-43-E08	EA	COVER-SEAT - COUCH - 74" (F21)
	P00032-43-F05	EA	COVER-SEAT - COUCH - 74" (F22)
	101085-01-000	EA	FRAME-SEAT - COUCH - 74"
	101085-03-000	EA	FRAME-BASE - COUCH - 74"

NOTE: COUCH FRONT AND SIDE PANELS ARE FOUND IN THE LOUNGE GROUP.

BUNK CUSHIONS

KEY	PART NUMBER	U/M	DESCRIPTION
7	105573-10-F21	EA	CUSHION-BUNK - REAR - 27" X 23" X 80" X 5"
7	105573-10-F22	EA	CUSHION-BUNK - REAR - 27" X 23" X 80" X 5"
	P05573-10-F21	EA	COVER-CUSHION - BUNK - REAR - 27" X 23" X 80" X 5"
	P05573-10-F22	EA	COVER-CUSHION - BUNK - REAR - 27" X 23" X 80" X 5"
8	105573-09-F21	EA	CUSHION-BUNK - FRONT - 32.5" X 80" X 5"
8	105573-09-F22	EA	CUSHION-BUNK - FRONT - 32.5" X 80" X 5"
	P05573-09-F21	EA	COVER-CUSHION - BUNK - FRONT - 32.5" X 80" X 5"
	P05573-09-F22	EA	COVER-CUSHION - BUNK - FRONT - 32.5" X 80" X 5"
	079145-08-000	EA	CUSHION-BUNK - 25" X 74" X 3.5" (FRONT ENTERTAINMENT CENTER)
	M79145-08-000	EA	COVER-CUSHION - BUNK - 25" X 74" X 3.5" (FRONT ENTERTAINMENT CENTER)
	094658-02-F01	EA	HANDLE-OAK

BEDSPREAD, PILLOW & MATTRESS

KEY	PART NUMBER	U/M	DESCRIPTION
1	101123-05-000	EA	MATTRESS-QUEEN - 59" X 75" - TICKING COVERED
1	P01123-05-000	EA	COVER-MATTRESS - FOAM - QUEEN - 59" X 75"
	102410-08-E08	EA	BEDSPREAD-QUEEN - 60" (F21)
	102410-08-F22	EA	BEDSPREAD-QUEEN - 60" (F22)
2	101123-02-000	EA	MATTRESS-FOAM - TWIN - 32" X 74"
2	P01123-02-000	EA	COVER-MATTRESS - FOAM - TWIN - 32" X 74"
	102410-19-F21	EA	BEDSPREAD-TWIN - 36" - ROUNDED CORNERS
	102410-19-F22	EA	BEDSPREAD-TWIN - 36" - ROUNDED CORNERS

DINETTE CUSHIONS

KEY	PART NUMBER	U/M	DESCRIPTION
3	111897-04-F04	EA	CUSHION-BACKREST - 13.5" X 42" X 5" (F21)
3	111897-04-F05	EA	CUSHION-BACKREST - 13.5" X 42" X 5" (F22)
	P11897-04-F04	EA	COVER-CUSHION - BACKREST - 13.5" X 42" X 5" (F21)
	P11897-04-F05	EA	COVER-CUSHION - BACKREST - 13.5" X 42" X 5" (F22)
4	088927-87-F21	EA	CUSHION-SEATBASE - 23" X 38" X 5" (F21)
4	088927-87-F05	EA	CUSHION-SEATBASE - 23" X 38" X 5" (F22)
	M88927-87-F21	EA	COVER-CUSHION - SEATBASE - 23" X 38" X 5" (F21)
	M88927-87-F05	EA	COVER-CUSHION - SEATBASE - 23" X 38" X 5" (F22)
	078155-01-000	EA	STRAP-SNAP - BACKREST CUSHION

SWIVEL CHAIR

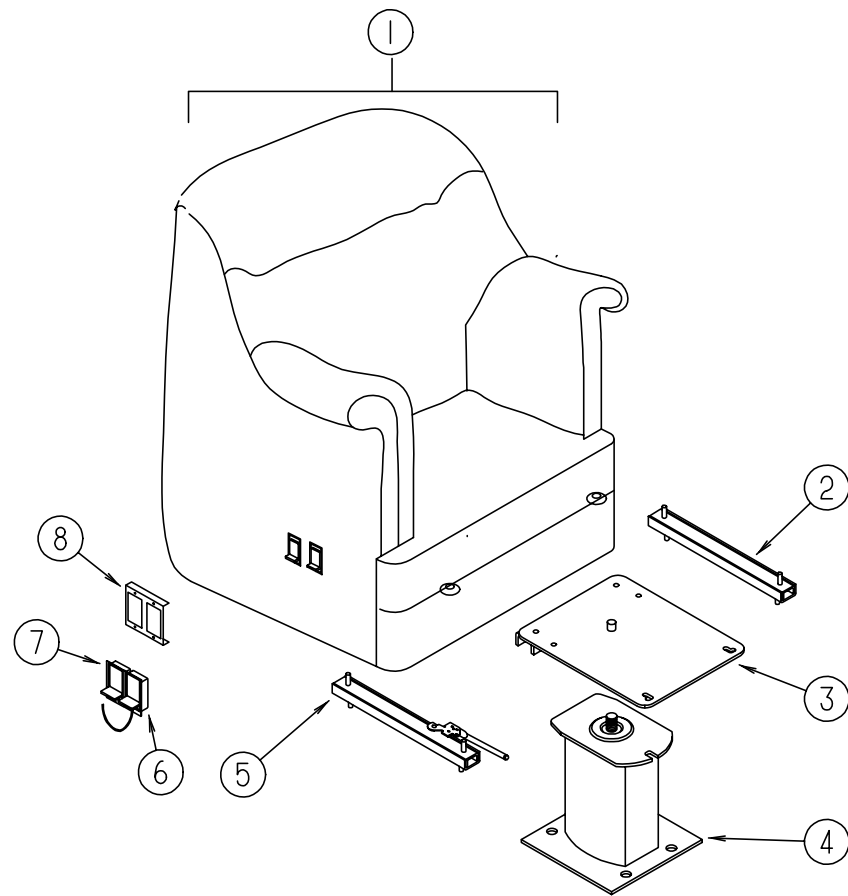
KEY	PART NUMBER	U/M	DESCRIPTION
9	115470-01-F21	EA	CHAIR ASM-SIERRA
9	115470-01-F22	EA	CHAIR ASM-SIERRA
	P15470-01-F21	EA	COVER ASM-SIERRA
	P15470-01-F22	EA	COVER ASM-SIERRA

PASSENGER SIDE COUCH

KEY	PART NUMBER	U/M	DESCRIPTION
10	111319-03-F21	EA	BED ASM - JACK KNIFE BACK (F21)
10	111319-03-F22	EA	BED ASM - JACK KNIFE BACK (F22)
	P11319-03-F21	EA	COVER-BED ASM - JACK KNIFE BACK (F21)
	P11319-03-F22	EA	COVER-BED ASM - JACK KNIFE BACK (F22)
	101085-09-000	EA	FRAME - 66.5" X 16" - BACK FRAME - JACK KNIFE
11	100032-37-E08	EA	SEAT-COUCH - W/O BACKREST (F21)
11	100032-37-F05	EA	SEAT-COUCH - W/O BACKREST (F22)
	P00032-37-E08	EA	COVER-SEAT - COUCH - 66.5" (F21)
	P00032-37-F05	EA	COVER-SEAT - COUCH - 66.5" (F22)
	101085-01-000	EA	FRAME-SEAT - COUCH - 66.5"
	101085-03-000	EA	FRAME-BASE - COUCH - 66.5"

NOTE: COUCH FRONT AND SIDE PANELS ARE FOUND IN THE LOUNGE GROUP.

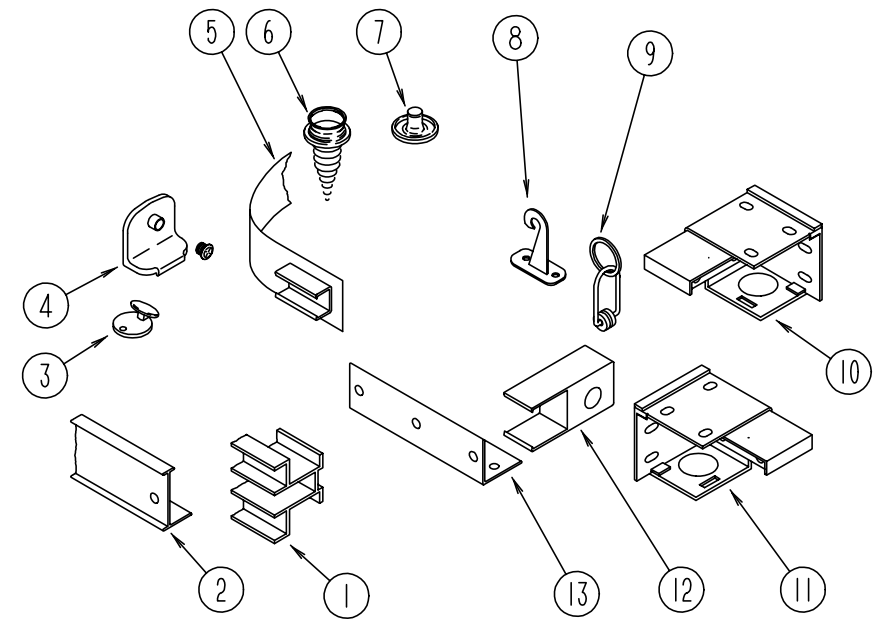
CURTAIN & CUSHION GROUP (CONTINUED)



SWIVEL CHAIR

KEY	PART NUMBER	U/M	DESCRIPTION
1	115470-01-F21	EA	CHAIR ASM-SIERRA
1	115470-01-F22	EA	CHAIR ASM-SIERRA
	P15470-01-F21	EA	COVER ASM-SIERRA
	P15470-01-F22	EA	COVER ASM-SIERRA
2	069246-06-000	EA	ADJUSTER-SWIVEL CHAIR - MANUAL - FORWARD & BACK FROM: 00-00-00 THRU: 10-16-94
2	069246-12-000	EA	ADJUSTER ASM-LOCKING - 2 STUDS - AMP #83700 FROM: 10-17-94 THRU: 99-99-99
3	107921-08-000	EA	TOP PLATE-W/O SEAT BELT BAR - FLEXSTEEL 2759PDTP
	107921-06-000	EA	BEARING KIT-PEDESTAL - FLEXSTEEL
4	107921-01-000	EA	PEDESTAL ASM-SEAT 9-3/4" - FLEXSTEEL 3060 MSPD
5	069246-08-000	EA	ADJUSTER ASM-TT - REMOTE - 1 STUD - SCHROCK FROM: 00-00-00 THRU: 10-16-94
5	069246-13-000	EA	ADJUSTER ASM-NON-LOCKING - 2 STUD - AMP #83710 FROM: 10-17-94 THRU: 99-99-99
	007221-01-000	EA	SPACER-SEAT - ADJUSTER - 4 USED PER SWIVEL CHAIR
6	108049-01-000	EA	CABLE W/SWITCH - 28" - F/FLEXSTEEL PEDESTAL
	108049-02-000	EA	CLIP-CABLE - PEDESTAL
7	089368-04-000	EA	CABLE-SWIVEL/SLIDE - W/SWITCH
8	097683-02-000	EA	BRACKET-MOUNT - REMOTE
	108445-02-000	EA	PLATE ASM-PEDESTAL - SEAT
	114889-01-000	EA	STOP BAR-UNIVERSAL - SHROCK

CURTAIN & CUSHION GROUP (CONTINUED)

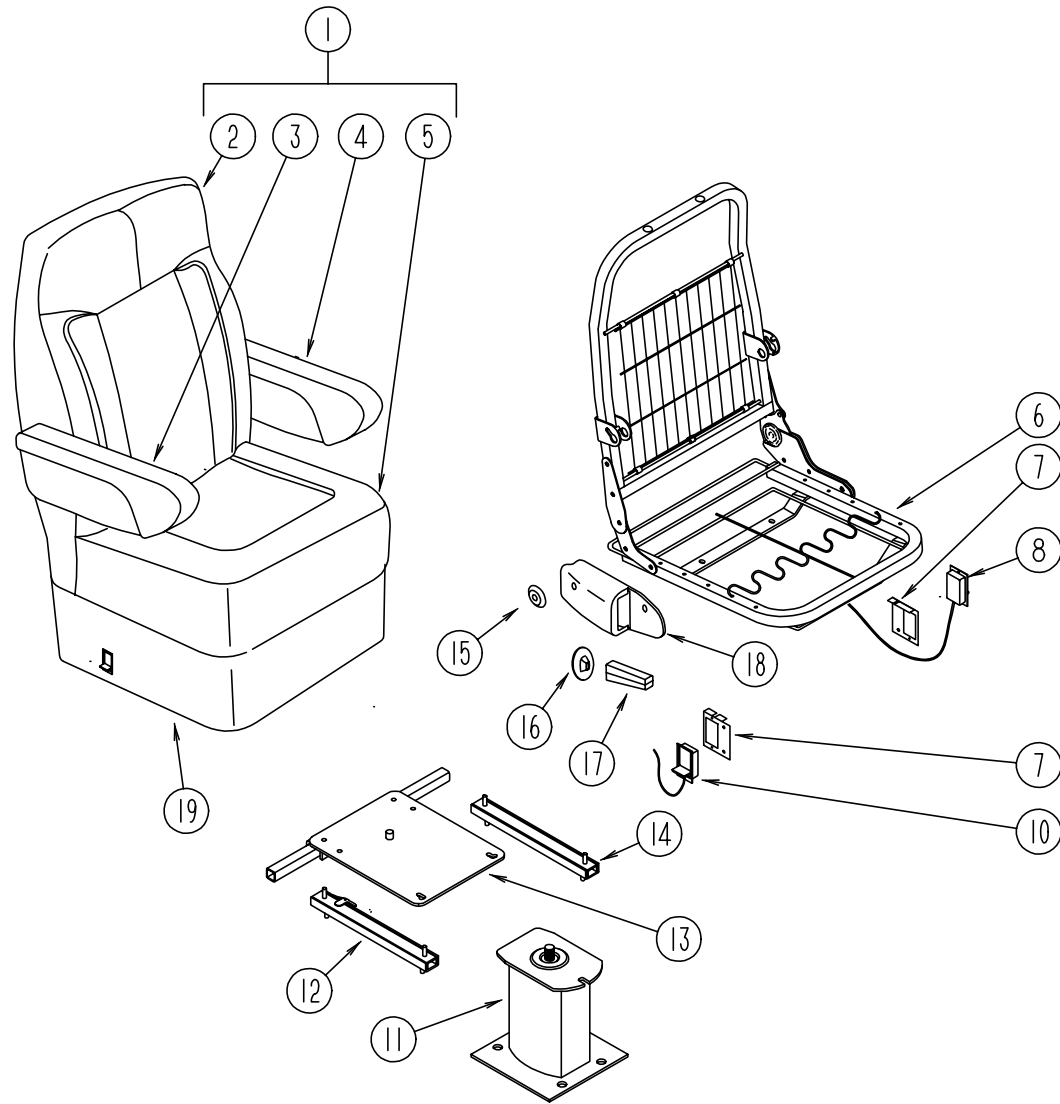


CURTAIN & BLIND HARDWARE

KEY	PART NUMBER	U/M	DESCRIPTION
1	101033-03-000	FT	TRACK-WALL - WHITE - CT225 - SHAPCO
2	105450-06-01A	EA	TRACK-CURTAIN, 88" LONG - ALUMINUM - OFF WHITE (FRONT WRAPAROUND)
3	102555-01-000	EA	CLEAT-CORD - BLIND - OFF WHITE
4	106544-01-000	EA	PULL-SHADE - BRASS
	106544-01-001	EA	SCREW-BRASS - PULL SHADE
5	101031-01-000	YD	TAPE-GLIDE - CURTAIN - 4.25" SPACING
6	029130-01-000	EA	SCREW-SNAP SOCKET - 8 PH X 5/8"
7	029155-01-000	EA	CAP-SNAP - NICKEL
8	109441-01-000	EA	HOLD DOWN-BLIND - HOOK
9	029156-01-000	EA	SOCKET-SNAP FASTENER - NICKEL
10	083170-01-000	EA	BRACKET-BLIND - RIGHT SIDE
11	083170-02-000	EA	BRACKET-BLIND - LEFT SIDE
12	101033-02-000	EA	END CAP-TRACK - CLEAR
13	105648-01-01A	EA	BRACE - VALANCE - 356 MM LONG - EXTRUDED ALUMINUM - BEIGE
	046867-01-000	EA	GROMMET-BRASS - 7/16" ID X 1" OD
	048394-02-000	YD	VELCRO TAPE-HOOK - ADHESIVE BACK - .75" WIDE - BEIGE
	088792-01-000	YD	VELCRO-HOOK - .75" WIDE - BEIGE
	088792-02-000	YD	VELCRO TAPE-LOOP - ADHESIVE BACKED - .75" WIDE - BEIGE
	096843-01-000	EA	SPRING-REWIND - ROLLER SHADE
	086276-01-000	EA	TAPE-DOUBLE SIDED - 1/2" (ON PULL SHADES)
	095567-01-000	EA	TACK-STRIP - .5" X 625' ROLL
	009702-01-000	EA	END STOP-CURTAIN CARRIER - L ROD
	076827-02-000	EA	BRACKET-LEG - 2.9" X 1.8" TRIANGLE -
	089916-01-000	EA	MOUNT-WINDOW LEG - 23.75" - ALUMINUM - BLACK
	102075-09-01A	EA	ROD-CURTAIN - SHOWER - OFF WHITE
	056003-01-000	EA	BRACKET-DRAPERY RETAINING - FRONT - METAL
	056003-02-000	EA	BRACKET-DRAPERY RETAINING - REAR - METAL
	093475-01-700	EA	WAND-BLIND - W/METAL CLIP - 8" LONG
	093475-01-701	EA	END CAP-BLIND - W/STUD
	075943-10-000	EA	BRACE-WINDOW - 20" - OFF WHITE

CURTAIN & CUSHION GROUP (CONTINUED)

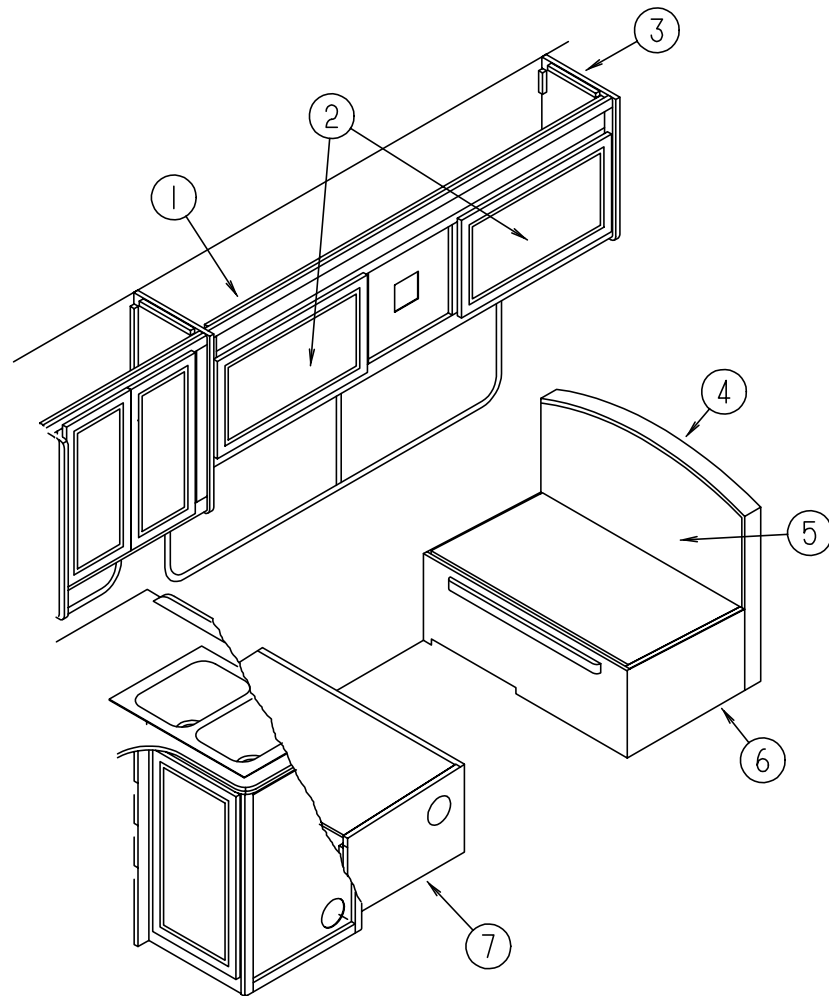
BUCKET SEATS



KEY	PART NUMBER	U/M	DESCRIPTION
12	069246-05-000	EA	ADJUSTER-SEAT/CHAIR - W/REMOTE - FORWARD & BACK FROM: 00-00-00 THRU: 10-16-94
12	069246-14-000	EA	ADJUSTER ASM-LOCKING - 4STUDS - AMP #83720 FROM: 10-17-94 THRU: 99-99-99
	069246-05-700	EA	SPRING-ADJUSTER - FOR REMOTE
	069246-05-701	EA	CLIP-CABLE - FOR REMOTE
13	107921-08-000	EA	TOP PLATE-PEDESTAL - BUCKET SEAT - W/O SEATBELT BAR
	107921-06-000	EA	BEARING KIT - PEDESTAL
14	069246-02-000	EA	ADJUSTER-SEAT/CHAIR - W/O LOCK - FORWARD & BACK FROM: 00-00-00 THRU: 10-16-94
14	069246-15-000	EA	ADJUSTER ASM-NONLOCK - 4STUDS - AMP #83730 FROM: 10-17-94 THRU: 99-99-99
15	080730-06-000	EA	SHIELD-CABLE - REMOTE RECLINER - BUCKET SEAT
	111169-05-000	EA	INSERT-OVAL - ITASCA
16	080730-09-000	EA	SHIELD - RECLINER HANDLE
17	080730-08-000	EA	HANDLE - RECLINER - BLACK
18	080730-11-000	EA	SHIELD - RUBBER BOOT
19	071126-42-F21	EA	SKIRT-BUCKET SEAT - 7" SINGLE (F21)
19	071126-42-F22	EA	SKIRT-BUCKET SEAT - 7" SINGLE (F22)
	114889-01-000	EA	STOP BAR-UNIVERSAL - SHROCK

KEY	PART NUMBER	U/M	DESCRIPTION
1	112103-03-F21	EA	SEAT-BUCKET - W/ARMREST - NON-RECLINING
1	112103-03-F22	EA	SEAT-BUCKET - W/ARMREST - NON-RECLINING
2	M05962-05-F21	EA	COVER-BACKREST - BUCKET SEAT
2	M05962-05-F22	EA	COVER-BACKREST - BUCKET SEAT
3	111320-03-E08	EA	ARMREST-BUCKET SEAT - RIGHT (F21)
3	111320-03-F22	EA	ARMREST-BUCKET SEAT - RIGHT (F22)
	P11320-03-E08	EA	COVER-ARMREST - RIGHT (F21)
	P11320-03-F05	EA	COVER-ARMREST- RIGHT (F22)
	111169-01-000	EA	PLATE-BACK - ARMREST
4	111320-04-E08	EA	ARMREST-BUCKET SEAT - LEFT (F21)
4	111320-04-F05	EA	ARMREST-BUCKET SEAT - LEFT (F22)
	P11320-04-E08	EA	COVER-ARMREST - LEFT SIDE (F21)
	P11320-04-F05	EA	COVER-ARMREST - LEFT SIDE (F22)
	111169-01-000	EA	PLATE-BACK - ARMREST
5	M05962-06-F21	EA	COVER-SEAT - BUCKET SEAT (F21)
5	M05962-06-F05	EA	COVER-SEAT - BUCKET SEAT (F22)
6	M80906-11-000	EA	FRAME-SEAT & BACK & SPRING
7	097683-02-000	EA	BRACKET-REMOTE - REMOTE
8	089368-04-000	EA	SWITCH & CABLE-SLIDE - SHROCK
	089323-01-000	FT	STRIP-POLYENTHYLENE - J-CHANNEL FLEX-O-LATORS
10	108049-01-000	EA	SWITCH & CABLE-SWIVEL - 28" - FLEXSTEEL PED 23602
	108049-02-000	EA	CLIP-CABLE - PEDESTAL - FLEXSTEEL 2592-CA
11	107921-09-000	EA	PEDESTAL ASM-SEAT FORD - FLEXSTEEL 3067-PDMB

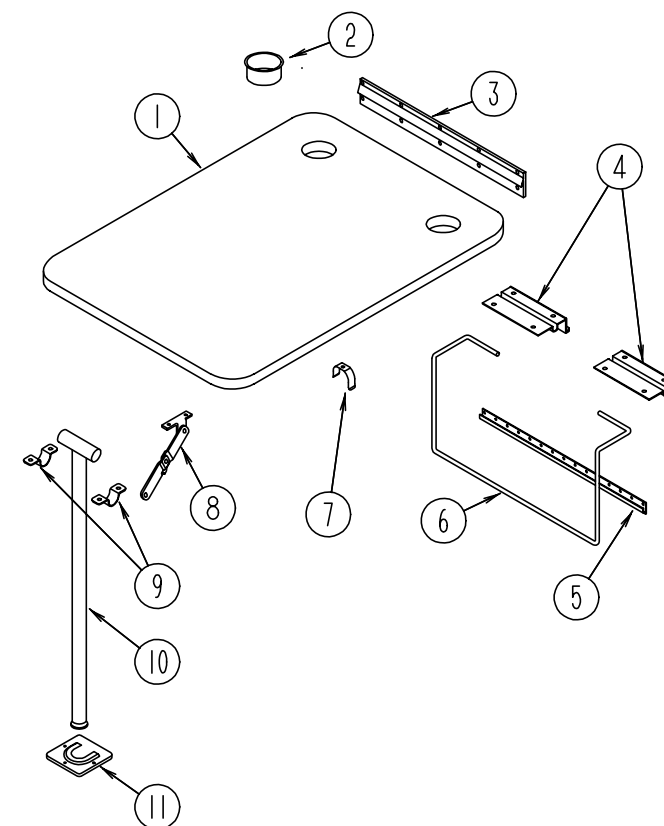
DINETTE GROUP



CABINETS & TABLE

KEY	PART NUMBER	U/M	DESCRIPTION
1	111166-03-F21	EA	CABINET ASM-OVERHEAD DINETTE
1	111166-03-F22	EA	CABINET ASM-OVERHEAD DINETTE
2	110140-21-F15	EA	DOOR ASM-MITERED - VINYL WRAP (MIRRORED)
	108536-04-08A	EA	MIRROR-GALAXY FLOWER - 317 X 627
2	110140-18-E01	EA	DOOR ASM-MITERED - 400 X 710 MM (WOODED PANEL)
3	109908-09-F01	EA	END CAP-CABINET - OVERHEAD
4	111338-01-F21	EA	PAD-BACKREST - DINETTE - USED ON BOTH SIDES
4	111338-01-F22	EA	PAD-BACKREST - DINETTE - USED ON BOTH SIDES
5	M06836-04-F21	EA	CABINET ASM-SEATBACK - RIGHT
6	M06837-04-F21	EA	CABINET ASM-SEATBASE - RIGHT
6	M06837-04-F22	EA	CABINET ASM-SEATBASE - RIGHT
	111339-14-F21	EA	CAP ASM
	111339-14-F22	EA	CAP ASM
	081295-01-AA8	EA	SUPPORT-BED - DINETTE - 712 LG
7	M06885-14-F21	EA	CABINET ASM-SEATBASE - LEFT
7	M06885-14-F22	EA	CABINET ASM-SEATBASE - LEFT
	112368-25-F21	EA	CAP ASM
	112368-25-F22	EA	CAP ASM
	083125-05-000	EA	BRACE-ANGLE - COUCH - BEIGE - 2.5"

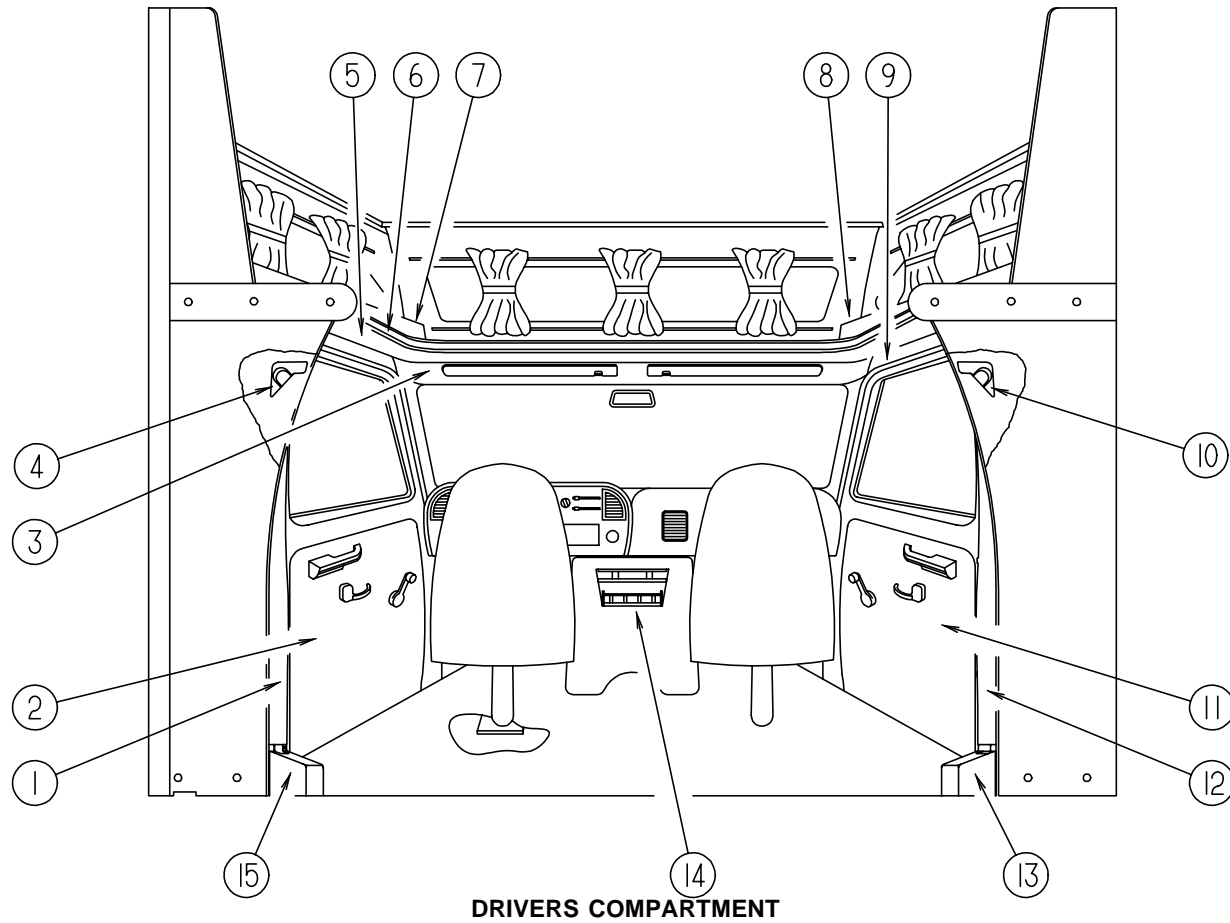
DINETTE GROUP (CONTINUED)



DINETTE TABLE & HARDWARE

KEY	PART NUMBER	U/M	DESCRIPTION
1	M02115-09-E01	EA	TABLE-DINETTE - W/O HARDWARE (F21)
1	M02115-09-E04	EA	TABLE-DINETTE - W/O HARDWARE (F22)
2	064781-06-000	EA	HOLDER-CUP - TWO STAGE - OFF WHITE
3	053200-12-000	EA	BRACKET-TABLE SUPPORT - UPPER WALL MOUNTED - 23.5" - OFF WHITE
4	088410-02-000	EA	BRACKET-LIFT - TABLE MOUNTED - OFF WHITE
5	024281-14-000	EA	BRACKET-LIFT ROD - LOWER WALL MOUNTED - 22.12" - OFF WHITE
6	024275-12-000	EA	ROD-TABLE LIFT - OFF WHITE
7	024283-01-000	EA	CLIP-LEG - 1" - 1.125" OD - BLACK
8	024282-01-000	EA	BRACE-TABLE LEG - HINGED
9	064050-05-000	EA	HINGE-TABLE LEG - OFF WHITE
10	024276-23-000	EA	LEG-TABLE - METAL - OFF WHITE
11	049493-11-700	EA	CATCH-LEG-FLOOR MOUNTED - 2.5" X 2.7" - METAL - E-COAT
	049493-12-000	EA	CATCH-TABLE LEG - OFF WHITE

DRIVERS COMPARTMENT GROUP



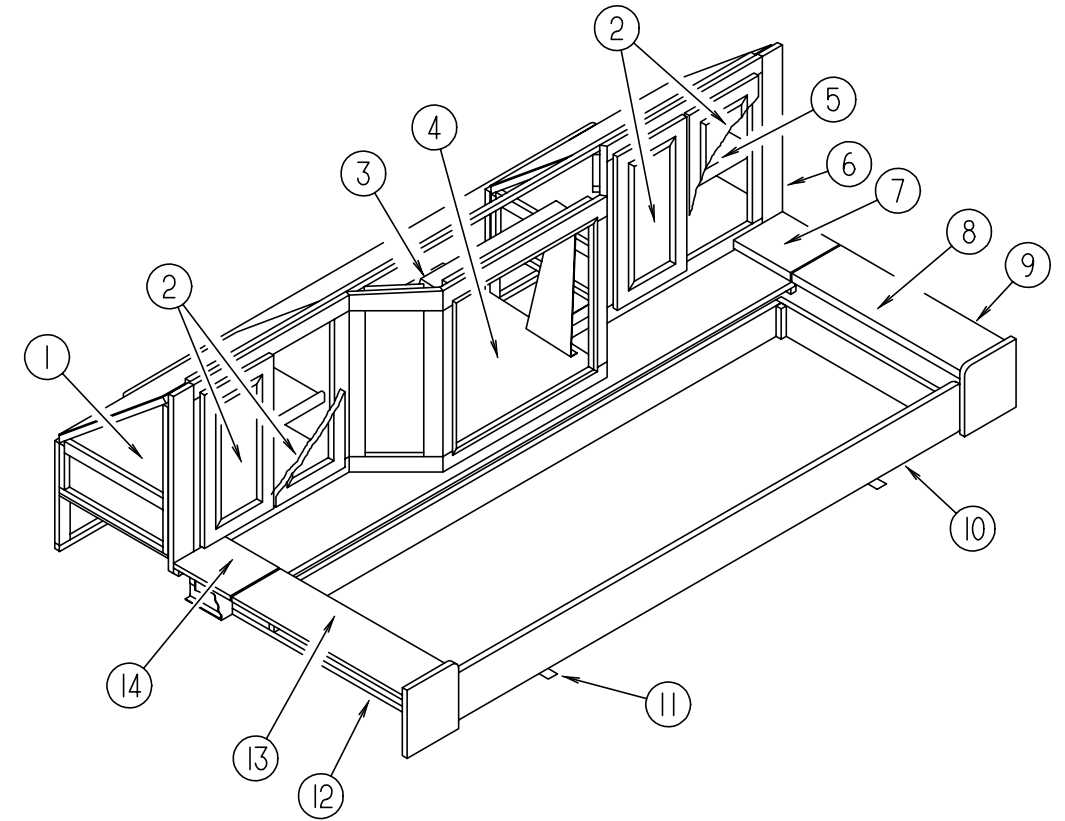
DRIVERS COMPARTMENT

KEY	PART NUMBER	U/M	DESCRIPTION
1	106446-02-C52	EA	TRIM ASM-CAB - B-PILLAR - DRIVER SIDE (FORD)
2	N/A	EA	CHASSIS SUPPLIED
3	106448-01-C52	EA	HEADLINER ASM-VINYL (FORD)
4	115038-02-01A	EA	COVER-SEAT BELT - UP - LEFT - OFF WHITE
	106445-02-C52	EA	TRIM ASM-WINGWALL WRAP - LEFT (FORD)
5	106447-02-C52	EA	TRIM ASM-CAB DOOR - UPPER - DRIVER SIDE (FORD)
6	079800-07-000	EA	TRIM-SLEEPERBOARD - INNER - OFF WHITE
6	080742-03-000	FT	TRIM-VINYL - SLEEPER BOARD - OFF WHITE
7	109894-01-F21	EA	CABINET ASM-HAMPER - DRIVER (F21)
7	109894-01-E04	EA	CABINET ASM-HAMPER - DRIVER (F22)
8	108984-01-F21	EA	PAD ASM - BUNK
8	108984-01-F22	EA	PAD ASM - BUNK
9	106447-01-C52	EA	TRIM ASM-CAB DOOR - UPPER - PASSENGER SIDE (FORD)
	082071-12-B05	EA	COVER ASM - WINGWALL
10	115038-01-01A	EA	COVER-SEAT BELT - UP - RIGHT - OFF WHITE
11	N/A	EA	CHASSIS SUPPLIED
12	106446-01-C52	EA	TRIM ASM-CAB - B-PILLAR - PASSENGER SIDE (FORD)
13	106431-01-01A	EA	COVER-SEATBELT RECOIL - PASSENGER - OFF WHITE
	106445-01-C52	EA	TRIM ASM-WINGWALL WRAP - RIGHT (FORD)
14	108899-01-E01	EA	TRAY-BEVERAGE - FORD
15	106431-02-01A	EA	COVER-SEATBELT RECOIL - DRIVER - OFF WHITE
	106025-02-01A	EA	LADDER-BUNK - BLACK - 1322 MM
	106025-01-700	EA	BRACKET SET FOR BUNK LADDER
	091952-01-000	EA	CLIP-GRIPPER - 1"

INSTRUMENT CLUSTERS - CANADIAN/JAPAN

KEY	PART NUMBER	U/M	DESCRIPTION
	094795-06-000	EA	CLUSTER-INSTRUMENT PANEL - KM - E350 - 94 CHASSIS- FORD F4UZ-10846-B
	094795-09-000	EA	CLUSTER-INSTRUMENT PANEL - KM - E350 - 95 CHASSIS- FORD F5UZ-10846-B
	100138-01-000	EA	MODULE-DAYTIME RUNNING LIGHT
	108357-09-000	EA	SWITCH-ROCKER - SPDT ON/NONE/MOM - CARLING V5D1000B-0

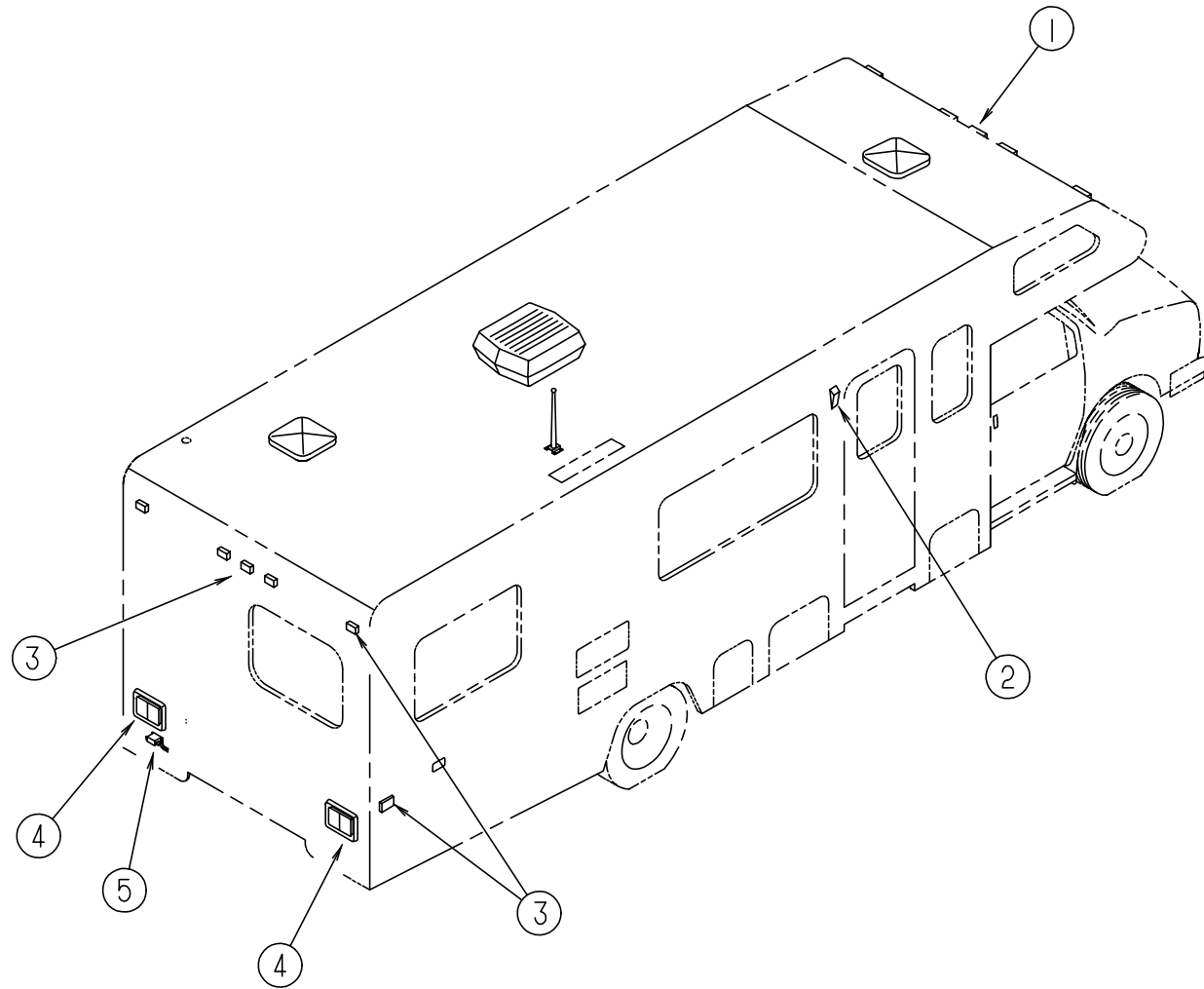
DRIVERS COMPARTMENT GROUP (CONTINUED)



FRONT ENTERTAINMENT CENTER

KEY	PART NUMBER	U/M	DESCRIPTION
1	110796-02-E21	EA	CABINET ASM-ENTERTAINMENT CENTER - SHELF
2	110140-25-E21	EA	DOOR ASM-MITERED - 275 X 365MM
3	110790-02-000	EA	BRACKET-TIEDOWN,TV
4	111356-01-E21	EA	SHELF ASM-TV
5	110796-01-E21	EA	CABINET ASM-ENTERTAINMENT CENTER - SHELF
6	110795-01-F01	EA	CABINET ASM-ENTERTAINMENT CENTER - FACE
7	110797-11-E01	EA	COUNTERTOP ASM (F21)
7	110797-11-E04	EA	COUNTERTOP ASM (F22)
8	110797-12-E01	EA	COUNTERTOP ASM (F21)
8	110797-12-E04	EA	COUNTERTOP ASM (F22)
9	110797-01-F21	EA	CABINET ASM-ENTERTAINMENT CENTER - STORAGE
9	110797-01-F22	EA	CABINET ASM-ENTERTAINMENT CENTER - STORAGE
10	100847-01-F01	EA	DRAWER-ENTERTAINMENT - FRONT
10	100847-01-F02	EA	DRAWER-ENTERTAINMENT - FRONT
11	093673-01-01A	FT	MOLDING-BODY, OFF WHITE
12	110797-02-F21	EA	CABINET ASM-ENTERTAINMENT CENTER - STORAGE
12	110797-02-F22	EA	CABINET ASM-ENTERTAINMENT CENTER - STORAGE
13	110797-23-E01	EA	COUNTERTOP ASM (F21)
13	110797-23-E04	EA	COUNTERTOP ASM (F22)
14	110797-21-E01	EA	COUNTERTOP ASM (F21)
14	110797-21-E04	EA	COUNTERTOP ASM (F22)
	106699-01-01A	EA	BRACKET-CABINET - OVERHEAD TV - OFF WHITE

ELECTRICAL GROUP



EXTERIOR LIGHTS

KEY	PART NUMBER	U/M	DESCRIPTION
1	091983-01-000	EA	GASKET-CLEARANCE/SIDEMARKER LIGHT
1	111102-01-000	EA	LAMP-MARKER -BASE - TRIPLEX 117XAS
1	111102-02-000	EA	LAMP-MARKER -LENS -AMBER - TRIPLEX 118A
	036196-01-000	EA	BULB-12 V - NO. 194 - .27 AMP - BAYONETTE
2	097917-01-06A	EA	LIGHT-PORCH - ENTRY DOOR - BRIGHT WHITE
2	008215-01-000	EA	BULB-12V - #1003 - .94AMP
2	097917-01-700	EA	LENS-LIGHT - CLEAR
3	091983-01-000	EA	GASKET-CLEARANCE/SIDEMARKER LIGHT
3	111102-01-000	EA	LAMP-MARKER -BASE - TRIPLEX 117XAS
3	111102-03-000	EA	LAMP MARKER -LENS -RED - TRIPLEX 117R
	008213-01-000	EA	BULB-12 V - NO. 57 - .24 AMP
4	081638-01-000	EA	TAILLIGHT-DOUBLE - W/BLACK TRIM - DRIVER & PASSENGER SIDE
	037934-01-000	EA	BULB# 1156 (BACK UP & TURN SIGNAL)
	037935-01-000	EA	BULB# 2057 OR #1157 (BRAKE LIGHT)
4	081638-01-700	EA	LENS-TAILLIGHT - RED - BARGMAN 30-84-010
4	081638-01-701	EA	LENS-TAILLIGHT - W/BACKUP - BARGMAN 30-84-700
	103355-01-05A	EA	POD-TAILLIGHT BRIGHT WHITE
5	066432-02-000	EA	LIGHT-LICENSE BLACK
	066432-03-000	EA	BRACKET-LICENSE PLATE - BARGMAN 30-60-030

ELECTRICAL GROUP (CONTINUED)

INTERIOR LIGHTS

KEY	PART NUMBER	U/M	DESCRIPTION
	098024-01-01A	EA	LIGHT-DOME - 1 BULB - US - IVORY
	008218-01-000	EA	BULB-DOME LIGHT - 12V - NUMBER 1141
	098024-01-700	EA	LENS-DOME LIGHT
	098024-03-01A	EA	LIGHT-DOME - 2 BULB - IVORY
	008218-01-000	EA	BULB-DOME LIGHT - 12V - NUMBER 1141
	098024-01-700	EA	LENS-DOME LIGHT
	086280-01-000	EA	LIGHT-SURFACE MOUNT - 12V - JENSEN 1236
	086280-01-700	EA	BULB - 12 VOLT - 6 WATT

SWITCHES & RECEPTACLES

KEY	PART NUMBER	U/M	DESCRIPTION
	112822-01-01A	EA	RECEPTACLE - DUPLEX - IVORY - WIRECON WDRU15IV
	112824-01-03A	EA	COVER-EXTERIOR DUPLEX RECEPTACLE - WHITE - P&S 3780-SC-WH
	054250-04-000	EA	COVER-ANGLED - W/O HOLE - 3.6" X 4.5" - PLASTIC - OFF WHITE
	024924-02-000	EA	RECEPTACLE-POWER CORD - W/PARTIAL PLATE
	058707-01-000	EA	RECEPTACLE-ELECTRIC - SINGLE - BROWN
	058707-02-000	EA	RECEPTACLE-BLANK -JUNCTION WIRECON WDJ20BR
	058708-01-000	EA	RECEPTACLE-ELECTRIC - DOUBLE - BROWN
	058708-02-000	EA	RECEPTACLE-ELECTRIC - DOUBLE - IVORY
	080015-02-000	EA	RECEPTACLE-FLAG - .185 - 16/14 GA - AMP 3
	080015-03-000	EA	RECEPTACLE-FLAG - .250 - 14/16 GA
	084076-02-000	EA	RECEPTACLE-GFI - 15A - 125V - IVORY
	075723-01-000	EA	SPACER-SWITCH - W/O HOLE - .2" X .9" X 2" - METAL - OFF WHITE
	079364-01-000	EA	SWITCH-ON/OFF ROCKER - 2 PRONGS - BROWN
	107165-01-01A	EA	BOX-CIRCUIT BREAKER MOUNT - 14.6" X 4" - BLACK PLASTIC
	108355-01-000	EA	HOUSING-SWITCH
	108356-02-01A	EA	ACTUATOR-SWITCH - DIMPLE II-CARLING VVAZC00 BLACK (GENERATOR)
	108357-08-000	EA	ROCKER SWITCH-DPDT - ON/NONE/ON - CARLING VDD1S00C-0 (GENERATOR)
	108356-07-01A	EA	SWITCH COVER - W/2 DIMPLES - CARLING VVAZCXX-XWB (AUX BATTERY)
	098351-01-01A	EA	PLATE-SWITCH - 1 GANG - POLISHED BRASS
	098351-05-01A	EA	PLATE-SWITCH - 3 GANG - POLISHED BRASS - JENSEN
	081994-06-000	EA	PLATE-SWITCH - AUX START

POWER CONVERTER & INVERTER

KEY	PART NUMBER	U/M	DESCRIPTION
	083208-01-000	EA	CONVERTER-POWER - 32A - 120V/12V - BW 6332
	099048-01-000	EA	INVERTER-100 WATT
			FROM: 00-00-00 THRU: 09-24-94
	099048-02-000	EA	INVERTER-100 WATT - DUI-12 - 100TLW
			FROM: 09-25-94 THRU: 99-99-99

WIRING ASSEMBLIES

KEY	PART NUMBER	U/M	DESCRIPTION
	103328-06-000	EA	WIRE ASM-PUMP - EXTERIOR SHOWER
	106851-01-000	EA	WIRE ASM-DAYTIME RUNNING LIGHTS - W/FUSE
	097618-01-000	EA	WIRE ASM-MONITOR PANEL - W/4 WIRES & BLACK RESISTOR - LVS
	096449-01-000	EA	WIRE ASSEMBLY-WATER TANK TO MONITOR PANEL
	116894-01-000	EA	WIRE ASM-SPEED SENSOR EXTEND JFB L-322B
			FROM: 10-12-94 THRU: 99-99-99

ELECTRICAL GROUP (CONTINUED)**FUSES & CIRCUIT BREAKERS**

KEY	PART NUMBER	U/M	DESCRIPTION
	062901-02-000	EA	FUSE - 5 AMP-AUTOMOTIVE
	062901-05-000	EA	FUSE - 15 AMP-AUTOMOTIVE
	008235-01-000	EA	FUSE - 15 AMP-AUTOMOTIVE-12V
	100341-01-000	EA	FUSE HOLDER - IN LINE TYPE - WESCO 8931-92020
	093654-01-000	EA	BREAKER-CIRCUIT - 6 AMP - HOUSE CONTROL PANEL
	093654-02-000	EA	BREAKER-CIRCUIT - 15A - 12V - USD 17415-4E12A2A FROM: 00-00-00 THRU: 10-31-94
	093654-03-000	EA	BREAKER-CIRCUIT - 20A - 12V - USD 17420-4E12A2A FROM: 11-01-94 THRU: 99-99-99
	083209-02-000	EA	BREAKER-CIRCUIT - 15/15AMP - 120V - BW - 0-15/15
	083209-03-000	EA	BREAKER-CIRCUIT - 15/20AMP - 120V - BW - 0-15/20
	083209-04-000	EA	BREAKER-CIRCUIT - 30A - 120V - BW L-30
	083209-06-000	EA	BREAKER-CIRCUIT - 30/15 AMP - 120V - BW D-30/15
	093655-02-000	EA	BREAKER-CIRCUIT - 30 AMP - HOUSE CONTROL PANEL

ELECTRIC BOXES, COVERS & POWER CORDS

KEY	PART NUMBER	U/M	DESCRIPTION
	008289-01-000	EA	BOX-ELECTRIC - STEEL - 1/2" AND 3/4" KNOCKOUTS - 4" X 4"
	008289-02-000	EA	BOX-ELECTRICAL - 4" X 4" - 1/2" & 3/4" KNOCKOUTS - CANADIAN
	091910-02-000	EA	BOX-ELECTRIC - 57 X 88 MM - PLASTIC
	093603-01-000	EA	BOX-ELECTRIC - STEEL - 4" X 2 1/8" X 2 1/8"
	107165-01-01A	EA	BOX-CIRCUIT BREAKER MOUNT, 14.6" X 4" - BLACK PLASTIC
	087949-01-000	EA	BUSS BARB - 2 POSITION - .6" X 1.5" - ALUMINUM
	008054-01-000	EA	CORD-POWER - 10/3 - 30 AMP - 25'
	008052-01-000	EA	CORD-POWER - 10/3 - 30 AMP - 25' - CANADIAN
	102979-04-000	EA	BOX-POWER CORD
	069238-01-000	EA	COVER-ELECTRICAL BOX - W/HOLE - 4" X 4" - GRAY
	008294-02-000	EA	COVER-ELECTRICAL BOX - BLANK STEEL - 4" X 4" - CANADIAN
	008188-01-000	EA	SOLENOID - 3 POST - BATTERY CHANGE OVER

CONDUIT

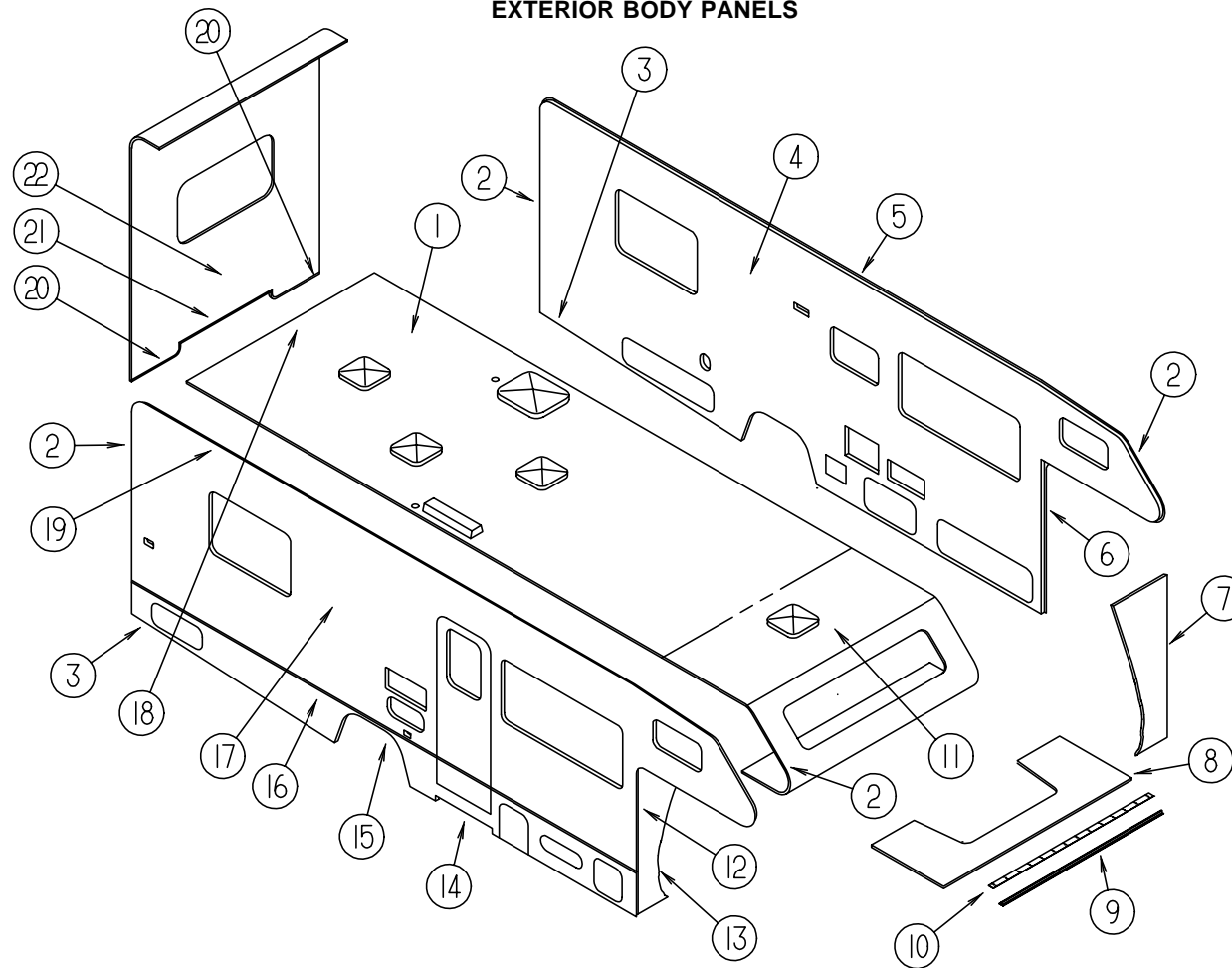
KEY	PART NUMBER	U/M	DESCRIPTION
	041953-01-000	FT	CONDUIT-CONVOLUTE SLIT - .5" ID
	041953-03-000	FT	CONDUIT-CONVOLUTE SLIT - 1" ID (CLOTHES ROD COVER)
	041953-04-000	FT	CONDUIT-CONVOLUTE -SLIT - .50"ID
	041953-05-000	FT	CONDUIT-CONVOLUTE SOLID - .62" ID
	041953-06-000	FT	CONDUIT-CONVOLUTE SLIT - .375" ID
	041953-07-000	FT	CONDUIT-CONVOLUTE SLIT - .25" ID
	041953-08-000	FT	CONDUIT-CONVOLUTE SLIT - 1.50" ID
	041953-09-000	FT	CONDUIT-CONVOLUTE SLIT - .50" ID
	041953-10-000	FT	CONDUIT-CONVOLUTE SLIT - .75" ID
	041953-11-000	FT	CONDUIT-CONVOLUTE SLIT - 1.06" ID
	041953-12-000	FT	CONDUIT-CONVOLUTE - NON SLIT 1.1" ID

ELECTRICAL GROUP (CONTINUED)**CONNECTORS, HOUSINGS, & TERMINALS**

KEY	PART NUMBER	U/M	DESCRIPTION
	077479-01-000	EA	BOOT-BATTERY TERMINAL - DOUBLE CABLE
	077479-02-000	EA	BOOT-BATTERY TERMINAL - SINGLE CABLE
	008355-01-000	EA	CONNECTOR-CABLE CLAMPING - 3/4"
	041480-01-000	EA	CONNECTOR-STRAIGHT - 1/2" FLEX CONDUIT
	058028-01-000	EA	CONNECTOR-ELECTRICAL PIGTAIL - NYLON - CLEAR
	088475-01-000	EA	CONNECTOR-PIN - 14 TO 20 AWG
	088475-02-000	EA	CONNECTOR-PIN - 10 TO 12 AWG
	008356-01-000	EA	CONNECTOR-PLASTIC - 3/8" AVG
	088476-01-000	EA	CONNECTOR-SOCKET - BRASS - PRE-TIN
	088476-02-000	EA	CONNECTOR-SOCKET - 12-10 GA - PHOS. BRZ - PRE-TIN
	008311-01-000	EA	CONNECTOR-WIRE NUT - INSULATED - RED
	008314-01-000	EA	CONNECTOR-WIRE NUT - INSULATED - GRAY
	063910-01-000	EA	HOUSING-RELAY - BOSCH 3 334 485 008
	088473-03-000	EA	HOUSING-PIN - 9 POSITION
	088473-05-000	EA	HOUSING-PIN - 6 POSITION (SINGLE ROW)
	088473-06-000	EA	HOUSING-PIN - 6 POSITION (TWO ROWS OF THREE)
	088473-08-000	EA	HOUSING-PIN - 4 POSITION
	088473-09-000	EA	HOUSING-PIN - 3 POSITION (SINGLE ROW)
	088473-10-000	EA	HOUSING-PIN - 2 POSITION
	088474-03-000	EA	HOUSING-SOCKET, 9 CAVITY - AMP 1-480707-0
	088474-06-000	EA	HOUSING-SOCKET - 6 CAVITY - AMP 1-480705-0
	088474-07-000	EA	HOUSING-SOCKET - 5 CAVITY - AMP 1-480764-0
	088474-08-000	EA	HOUSING-SOCKET - 4 CAVITY - AMP 1-480703-0
	088474-09-000	EA	HOUSING-SOCKET - 3 CAVITY - AMP 1-480701-0
	088474-10-000	EA	HOUSING-SOCKET - 2 CAVITY - AMP 1-480699-0
	007956-05-000	EA	INSULATOR-SHRINK .25 ID X 1.50 - BLACK
	112823-01-000	EA	SPLICE-REDUCER 16-14 TO 18-22 - ETC BA-631X
	007940-01-000	EA	RECEPTACLE-SLIDE - 16 TO 12 AWG - FEMALE END
	008326-01-000	EA	TERMINAL-RING - 16/14 WIRE - 3/8" STUD
	008328-01-000	EA	TERMINAL-RING - 12/10 WIRE - #10 STUD FIT
	008331-01-000	EA	TERMINAL-RING - TONGUE - #4 WIRE - 3/8" STUD - COPPER
	008348-01-000	EA	TERMINAL-RING - 3/8" STUD - #2 WIRE
	102777-02-000	EA	TERMINAL-RING #6 STUD, 10 AWG
	035416-04-000	EA	TERMINAL-RING #10 STUD FIT - INSULATED BARREL #16/14
	047443-01-000	EA	TERMINAL-.250 RECEPTACLE FIT - INSULATED - 16/14 AWG

EXTERIOR BODY GROUP

EXTERIOR BODY PANELS

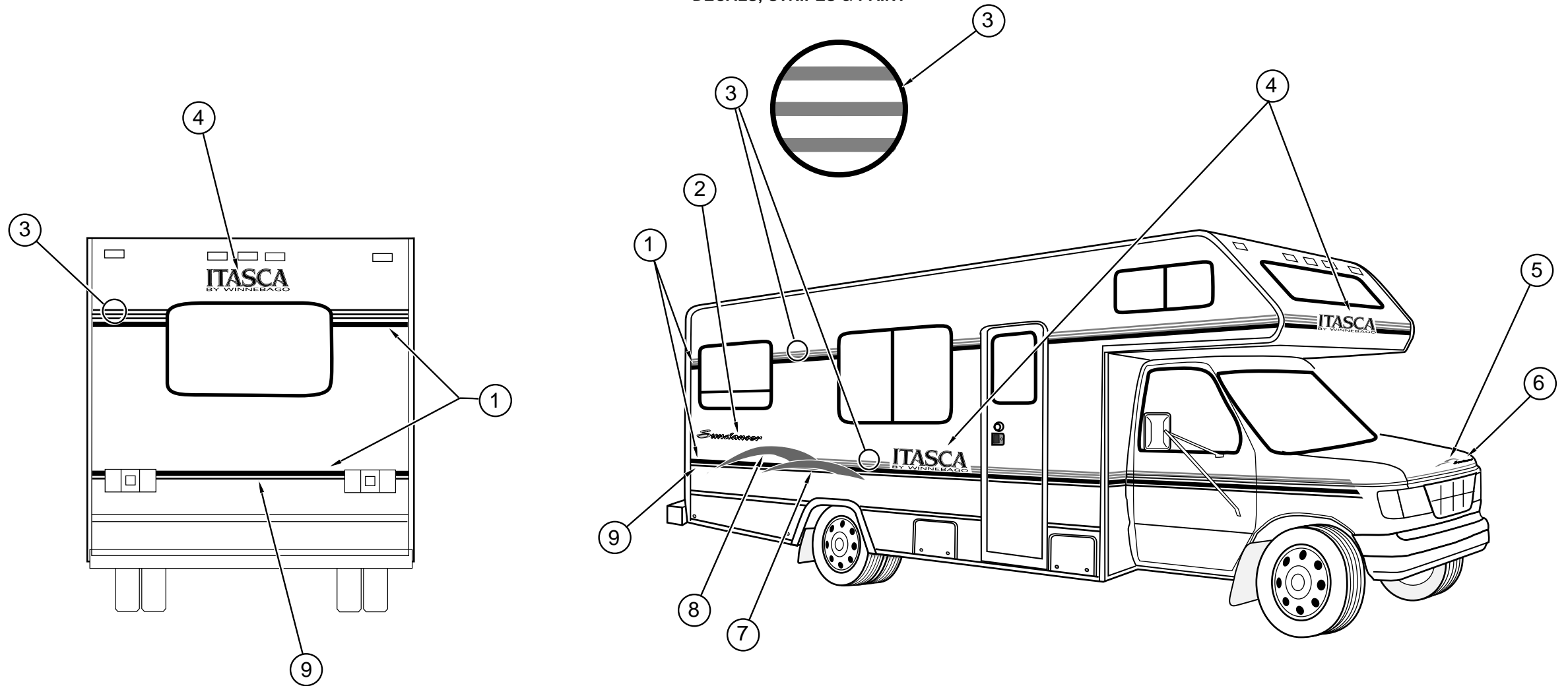


KEY	PART NUMBER	U/M	DESCRIPTION
1	P16420-02-F01	EA	ROOF ASM W/BASES
2	096854-01-02A	EA	TRIM-CONTOUR - W/O VINYL INSERT - 108" - BRIGHT WHITE
2	105312-01-07A	FT	INSERT-TRIM - VINYL - BRIGHT WHITE
3	098072-55-004	EA	EXTR-CHANNEL - BRIGHT WHITE - 2900 MM - 6063T0
4	P16421-01-F01	EA	SIDEWALL ASM-LEFT (F21)
4	P16421-01-F22	EA	SIDEWALL ASM-LEFT (F22)
5	096864-01-02A	EA	TRIM-CONTOUR - ROOF TO SIDEWALL - 133.8" - BRIGHT WHITE
5	096864-02-02A	EA	TRIM-CONTOUR - ROOF TO SIDEWALL - 133.8" - BRIGHT WHITE
	064675-54-003	EA	STEEL-ANGLE ROOF JOINT 1220 MM - OFF WHITE
6	104479-06-02A	EA	TRIM-CONTOUR - FRONT - BRIGHT WHITE
7	M07423-06-F15	EA	WINGWALL ASM-LEFT
8	M07422-01-F01	EA	SLEEPERBOARD ASM-BRIGHT WHITE
9	100086-02-02A	EA	TRIM-SLEEPERBOARD - 2" X 90.7" - BRIGHT WHITE
10	100085-03-01A	EA	TRIM-SLEEPERBOARD - FLAT - 2.5" X 87.5" - OFF WHITE
11	M76177-01-700	EA	CAP-FRONT - OVERHEAD CAB TO FIRST SEAM OF ROOF
12	104479-05-02A	EA	TRIM-CONTOUR - FRONT - BRIGHT WHITE
13	M07423-05-F15	EA	WINGWALL ASM-RIGHT
14	105025-10-F15	EA	TRIM ASM-SIDEWALL

KEY	PART NUMBER	U/M	DESCRIPTION
15	105100-02-02A	EA	TRIM-WHEELWELL - BRIGHT WHITE
16	108651-01-01A	EA	CAP-FEATURE STRIP - MILL
16	105312-01-07A	EA	INSERT-FEATURE STRIP - 17' LONG - VINYL - BRIGHT WHITE
16	108688-01-03A	EA	STRIP-FEATURE - BRIGHT WHITE
17	P16417-01-F01	EA	SIDEWALL ASM-RIGHT (F21)
17	P16471-01-F22	EA	SIDEWALL ASM-RIGHT (F22)
18	078580-01-000	EA	TRIM-ROOF TO BACKWALL/FRONT CAP - MILL FINISH
19	100483-02-02A	EA	TRIM-CONTOUR - ROOF - BRIGHT WHITE
19	100483-01-02A	EA	TRIM-CONTOUR - ROOF (AWNING) - BRIGHT WHITE
	099583-55-004	EA	RAIL-AWNING - 10' - BRIGHT WHITE
20	103334-02-02A	EA	TRIM-BACKWALL - LOWER - BRIGHT WHITE
21	103335-02-02A	EA	TRIM-BACKWALL - LOWER - BRIGHT WHITE
22	M06971-04-F21	EA	BACKWALL ASM - TWIN BED
22	M06971-04-F22	EA	BACKWALL ASM - TWIN BED
22	M06971-07-F21	EA	BACKWALL ASM - QUEEN BED
22	M06971-07-F22	EA	BACKWALL ASM - QUEEN BED
	069362-06-000	EA	TUBE-SUPPORT - FLOOR TO VALANCE PANEL - 17"
	002726-01-001	EA	U-CHANNEL-GARNISH - 1.38" X 19' - SERRATED - MILL ALUMINUM
	002754-01-001	EA	ANGLE-EXTRUDED - .75" X .75" X 18' - MILL ALUMINUM
	002365-03-006	EA	EXTR-PDR - U CHANNEL - 1.00 X 192.00

EXTERIOR BODY GROUP (CONTINUED)

DECALS, STRIPES & PAINT

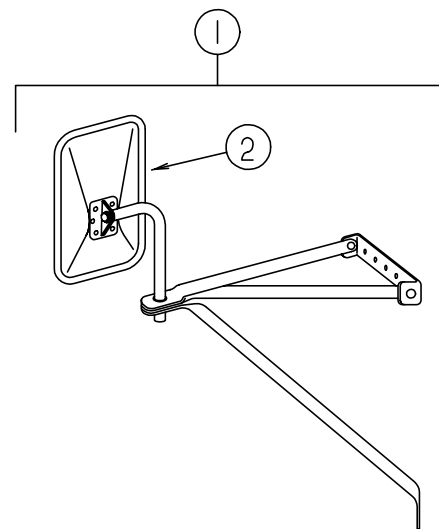


KEY	PART NUMBER	U/M	DESCRIPTION
1	093681-40-02A	FT	FILM - 50.8 MM X 150 FT - DARK PURPLE
2	115214-01-01A	EA	DECAL-LOGO - SUNDANCER
3	094443-29-01A	FT	FILM-MULTISTRIPE 76.2 MM X 150' - ORCHID MIST
4	111588-03-11A	EA	DECAL-LOGO - ITASCA - LARGE - DARK PURPLE/BRIGHT WHITE/DARK PURPLE
	114698-01-03A	EA	DECAL-LOGO - "BY WINNEBAGO" - DARK PURPLE
5	115215-01-01A	EA	DECAL-SWEEPS - HOOD - ORCHID MIST/BLUE
6	115214-02-01A	EA	DECAL-LOGO - SUNDANCER - SMALL - BLUE
7	115216-01-01A	EA	DECAL-SWEEPS - FRONT - RIGHT HAND - BLUE
	115216-02-01A	EA	DECAL-SWEEPS - FRONT - LEFT HAND - BLUE
8	115216-03-01A	EA	DECAL-SWEEPS - REAR - RIGHT HAND - ORCHID MIST
	115216-04-01A	EA	DECAL-SWEEPS - REAR - LEFT HAND - ORCHID MIST
9	093681-41-01A	FT	FILM - 12.7"MM X 150 FT - BLUE - BLUE
	041561-03-000	EA	PAINT-LOW BAKE - OFF WHITE
	044486-03-000	EA	PAINT-LOW BAKE - BEIGE
	083581-03-000	GL	PAINT-OFF WHITE - USE DUPONT L8723 TO OBTAIN LOCALLY

DUPONT COLOR CODES

OFF WHITE L8723A
 BRIGHT WHITE B8951

EXTERIOR BODY GROUP (CONTINUED)



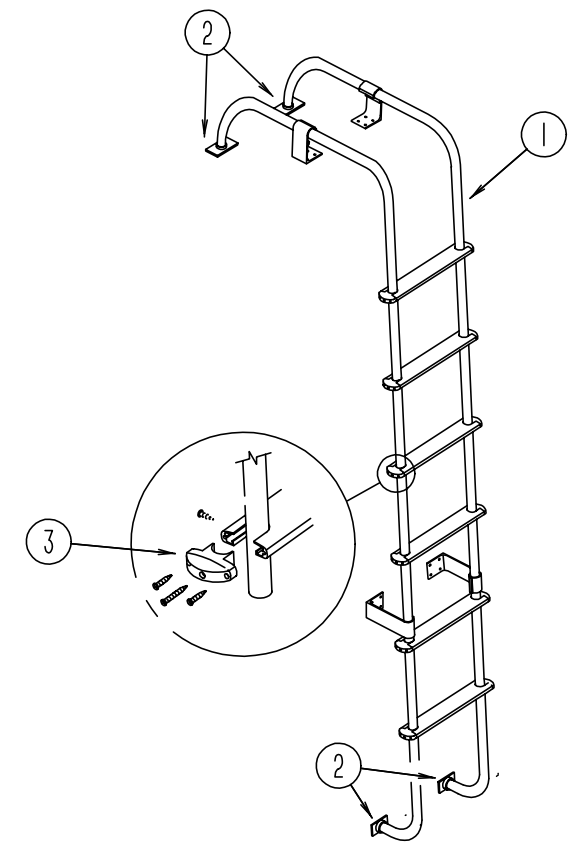
EXTERIOR MIRRORS

KEY	PART NUMBER	U/M	DESCRIPTION
1	106860-02-02A	EA	MIRROR ASM-STAR HEAD LOW MOUNT - VELVAC 713137 FROM: 00-00-00 THRU: 01-31-95
2	106860-02-700	EA	MIRROR HEAD ONLY L.H.(STAR) - D747283-9 VELVAC
2	106860-02-701	EA	MIRROR HEAD ONLY R.H.(STAR) - D747284-9 VELVAC
	106860-02-702	EA	GLASS-FLAT - REPL. L & R STAR - 702086-8 VELVAC
	106860-02-703	EA	MIRROR ASM. - LEFT COMPLETE - 713373
	106860-02-704	EA	MIRROR ASM. - RIGHT COMPLETE - 713374
1	106860-01-02A	EA	MIRROR ASM-REGULAR HEAD LOW MOUNT - VELVAC 713139 FROM: 02-01-95 THRU: 99-99-99
2	106860-01-707	EA	MIRROR HEAD - BRIGHT WHITE - 7092760
	106860-01-702	EA	HARDWARE PKG - FOR/REG & STAR - 748230
	106860-01-708	EA	ARM - BRIGHT WHITE - L7805210
	106860-01-709	EA	BRACE LOWER FORWARD LEFT SIDE - L7809910 - BRIGHT WHITE
	106860-01-710	EA	BRACE LOWER FORWARD RIGHT SIDE - L7809920
	106860-01-711	EA	MIRROR ASM. LEFT SIDE - BRIGHT WHITE - 7133630
	106860-01-712	EA	MIRROR ASM. RIGHT SIDE - BRIGHT WHITE - 7133640
	105439-01-000	EA	MIRROR-AUX - CONVEX STICK-ON - VELVAC 723068-6

RUNNING BOARDS

KEY	PART NUMBER	U/M	DESCRIPTION
	072884-27-000	EA	RUNNING BOARD-FORD 39.00 - KEM K12 15539
	072884-27-700	EA	BRACKET SET 12" - RB2BRK/M
	072884-27-701	EA	39" UNIVERSAL RUNNING BOARD ONLY (LH/RH)(1 ONLY) FORD
	072884-27-702	FT	TREAD TAPE - RB9202
	072884-27-703	EA	MUD FLAP W/HOLES - 1EA=PAIR - 99171
	072884-27-704	EA	CAP-ENDS - 1EA=PAIR - 99148

EXTERIOR BODY GROUP (CONTINUED)



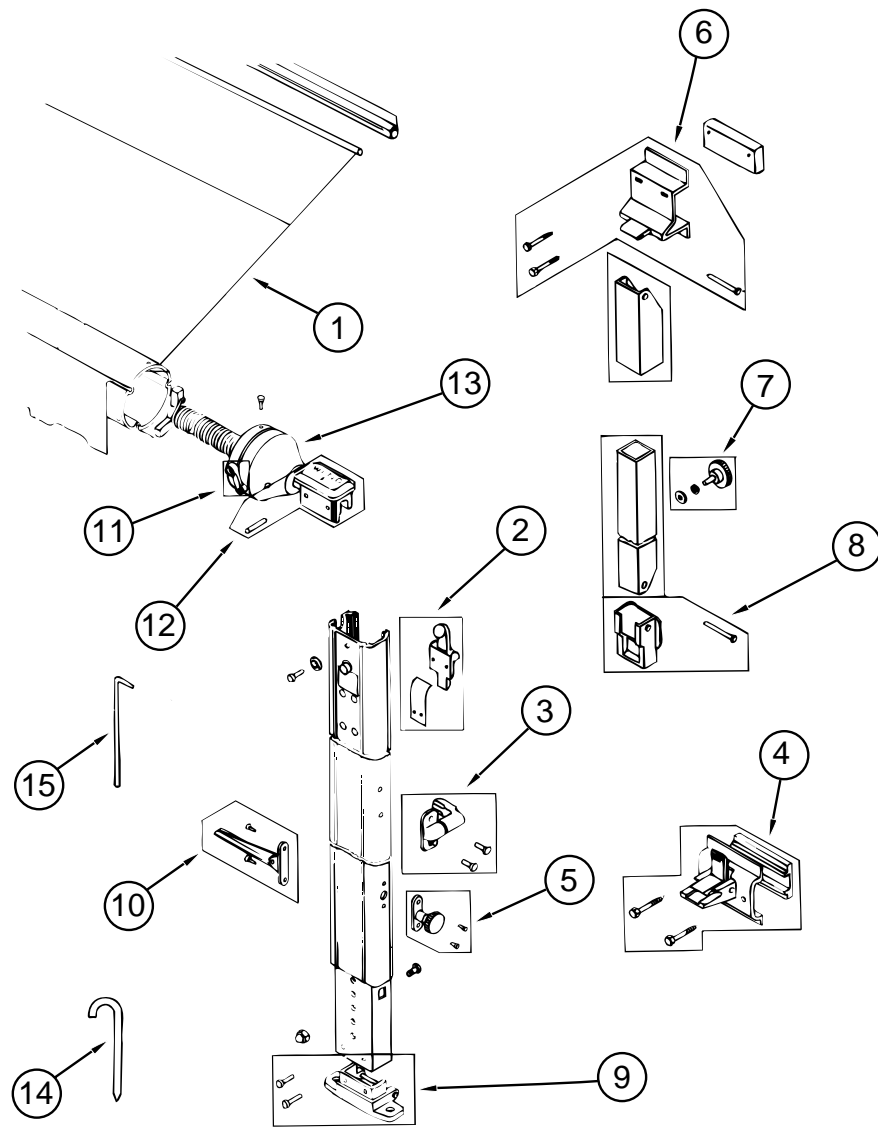
LADDER

KEY	PART NUMBER	U/M	DESCRIPTION
1	102953-10-F15	EA	LADDER ASM
2	067165-01-000	EA	MOUNTING BRACKET-LADDER - LOWER
	000G39-06-10T	EA	SCREW-SF/DR - 6-20 X 5/8 PPH - BLACK
	000G68-10-36T	EA	SCREW-10-12 X 2.25 POH BLACK
3	076980-02-000	EA	END CAP-STEP - BLACK
	081114-01-000	EA	PLUG-ROUND - RACK & LADDER ENDS - PLASTIC - 1" DIA.

FIBERGLASS & STYROFOAM

KEY	PART NUMBER	U/M	DESCRIPTION
	077517-62-000	EA	SHEET-FIBERGLASS - FLAT - 48" X 96" - BRIGHT WHITE
	076054-P9-000	EA	FIBERGLASS SHEET - 37.4" X 99.25" - BRIGHT WHITE
	076054-N5-000	EA	FIBERGLASS SHEET - 102" X 313.8" - BRIGHT WHITE
	076054-N9-000	EA	FIBERGLASS SHEET - 96" X 102" - BRIGHT WHITE
	076054-R1-000	EA	FIBERGLASS SHEET - 24" X 65.9" - BRIGHT WHITE
	100619-01-000	BF	FOAM-EXPANDED POLYSTYRENE - 48" X 96" X 1.34"
	100619-04-000	BF	FOAM-EXPANDED POLYSTYRENE - EPS 48" X 96" X .5
	100619-05-000	BF	FOAM-EXPANDED POLYSTYRENE - 48" X 96" X .75"
	000870-08-000	SF	STYROFOAM - .75 X 48" X 96" - PLANED
	083574-03-000	SF	STYROFOAM - 3/4" X 48" X 96" - INCREMENTS OF 32 SF
	044487-01-001	EA	ALUMINUM SHEET - .019" X 96" X 360" - MILL FINISH
	044487-01-002	EA	ALUMINUM SHEET - .24" X 96" X 432" - OFF WHITE
	033381-17-001	FT	STL-TUBE 16GA - 1.5" X 1.5" X 192" - HOT FORMED ASTM A50
	089297-01-000	SF	PLYWOOD-LUAN - OVERLAY GRADE - 4' X 8'
	055278-51-259	FT	TUBING-STEEL - .75" X 1.5" X 12.5'

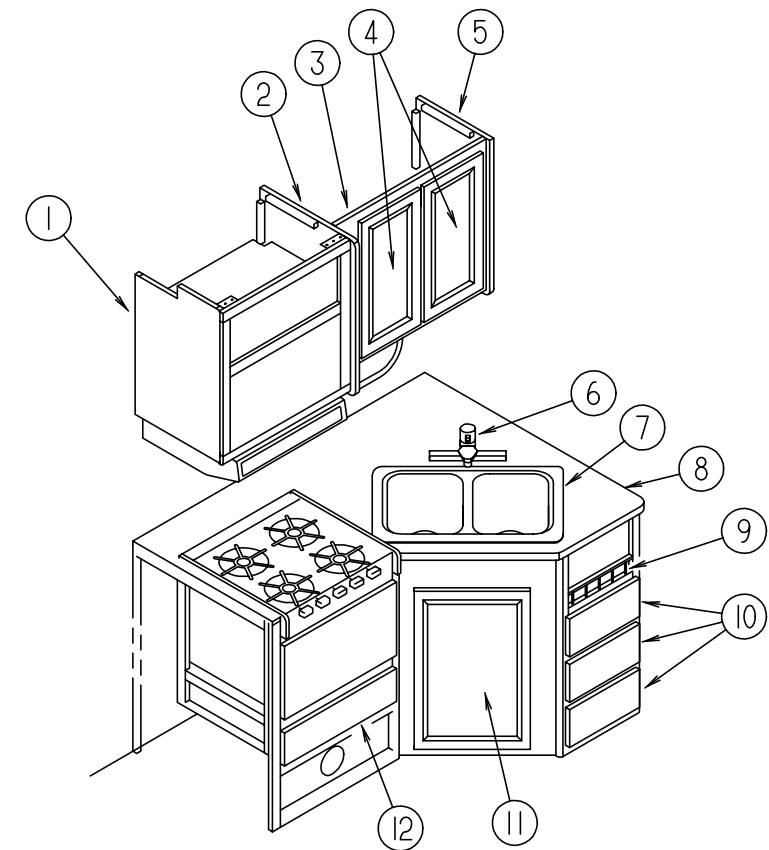
EXTERIOR BODY GROUP (CONTINUED)



AWNING & HARDWARE

KEY	PART NUMBER	U/M	DESCRIPTION
1	110634-08-11A	EA	AWNING-ROLLER ASM - 14' - BRIGHT WHITE - BOYSENBERRY
	110634-02-04A	EA	AWNING-HARDWARE KIT - BRIGHT WHITE
2	110634-01-700	EA	RAFTER LOCKING MECHANICAL KIT - 7605-0001
3	110634-01-701	EA	SAFETY LATCH KIT - 7509-0001
4	110634-01-702	EA	BRACKET KIT - BOTTOM - 7512-0001
	111038-01-01A	EA	SPACER-AWNING - LOWER - BLACK
5	110634-01-703	EA	HANDLE KIT - HEIGHT CONTROL - 7510-0001
6	110634-01-704	EA	BRACKET KIT - UPPER W/BOLTS - 7505-0001
7	110634-01-705	EA	KNOB KIT-RAFTER - ULTRA - 7508-0001
8	110634-01-706	EA	SLIDE KIT - RAFTER
9	110634-01-707	EA	BRACKET-GROUND KIT - 7511-0001
10	110634-01-708	EA	HANDLE-LIFT - W/RIVETS - 7000-0001
11	110634-01-709	EA	HANDLE-RACHET KIT - 7507-0001
12	110634-01-710	EA	CAP-ARM KIT - 7503-0001
13	110634-01-711	EA	SPRING ASSEMBLY - FRONT - 6598-0001
	110634-01-712	EA	SPRING ASSEMBLY REAR - 6599-0001
	110634-01-713	EA	CAP KIT - REAR END - 7504-0001
14	110634-01-714	EA	STAKE-(4 PER BAG) - 5208-0001
15	110634-01-715	EA	WAND - PULL DOWN - 7604-0001

GALLEY GROUP

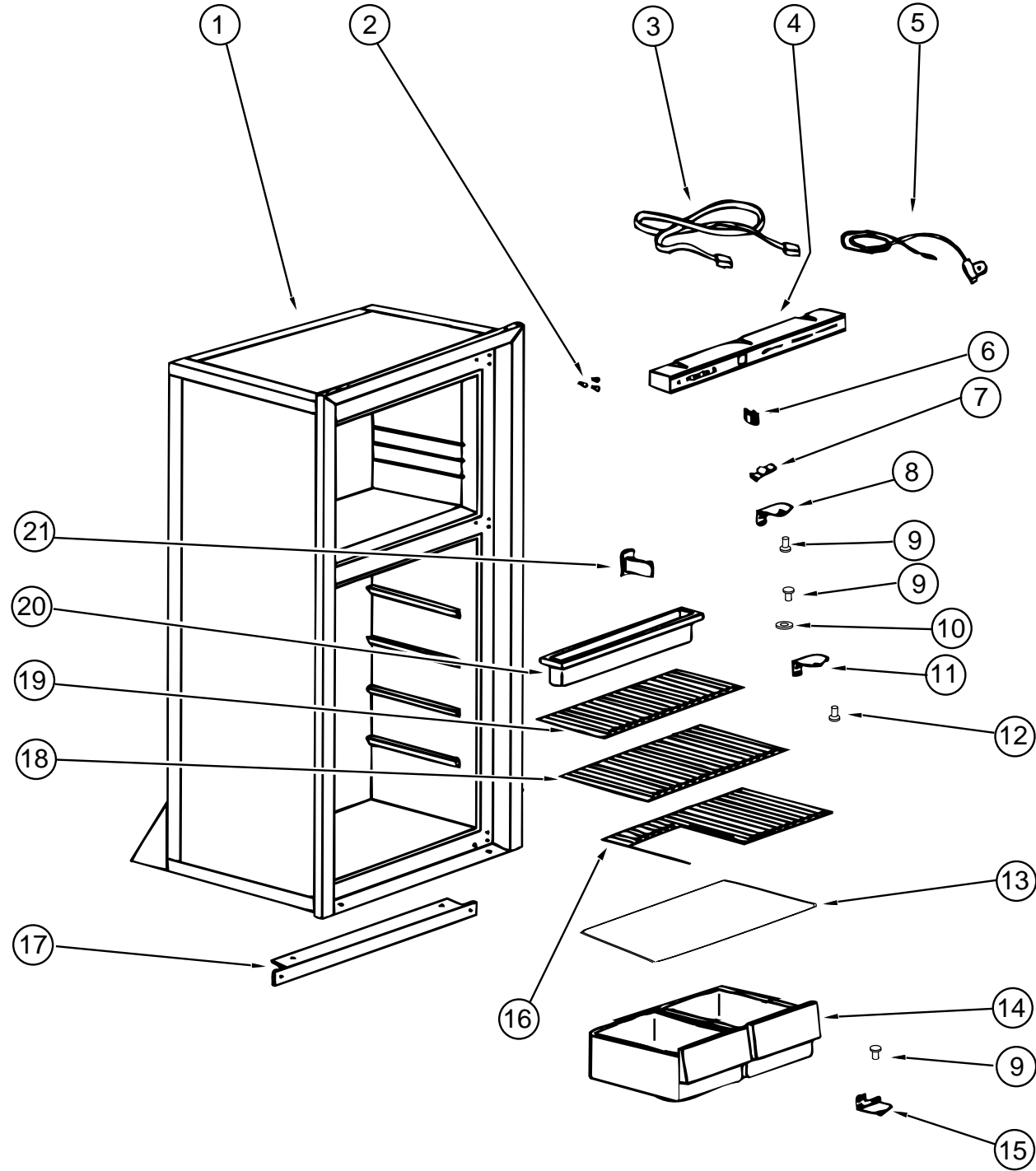


GALLEY CABINETS & FIXTURES

KEY	PART NUMBER	U/M	DESCRIPTION
1	115956-01-F01	EA	CABINET-OVERHEAD - MICROWAVE
2	115956-12-F01	EA	END CAP-CABINET - OVERHEAD
			FROM: 00-00-00 THRU: 04-23-95
2	109908-21-F01	EA	END CAP-CABINET - OVERHEAD
			FROM: 04-24-95 THRU: 99-99-99
3	116397-01-F01	EA	CABINET-OVERHEAD - GALLEY
	081321-32-F01	EA	SHELF ASM - CABINET
4	110140-68-F01	EA	DOOR-CABINET - W/O HARDWARE
5	109908-14-F15	EA	END CAP-CABINET - OVERHEAD
6	104114-02-01A	EA	FAUCET-GALLEY - SINGLE CONTROL - 8" CHROME
7	104113-01-000	EA	SINK-DOUBLE - STAINLESS STEEL
	092303-01-000	EA	STRAINER-SINK
	103610-01-E01	EA	COVER ASM-SINK (F21)
	103610-01-E04	EA	COVER ASM-SINK (F22)
8	M06957-06-F01	EA	CABINET ASM-GALLEY - W/COUCH (F21)
8	M06957-06-F22	EA	CABINET ASM-GALLEY - W/COUCH (F22)
8	M06957-05-F01	EA	CABINET-GALLEY - W/O DOORS & HARDWARE - W/DINETTE (F21)
8	M06957-05-F22	EA	CABINET-GALLEY - W/O DOORS & HARDWARE - W/DINETTE (F22)
8	114008-12-F01	EA	COUNTERTOP ASM (F21)
8	114008-12-F02	EA	COUNTERTOP ASM (F22)
9	114008-14-F15	EA	SPICE RACK ASM
	098335-03-F01	EA	GALLEY RAIL
			FROM: 03-06-95 THRU: 99-99-99
	098335-03-F02	EA	GALLEY RAIL
			FROM: 03-06-95 THRU: 99-99-99
10	M05970-47-E01	EA	DRAWER-CABINET - W/O HARDWARE
11	110140-15-E01	EA	DOOR ASM. W/O HARDWARE - 390 X 650
12	M05970-48-E01	EA	DRAWER-CABINET - W/O HARDWARE
	090329-01-000	FT	SEAL-T- REFRIGERATOR CABINET - .6" WIDE TOP X 2" TAIL
	091257-08-000	EA	HANDLE-ASSIST - RAMBLING OAK

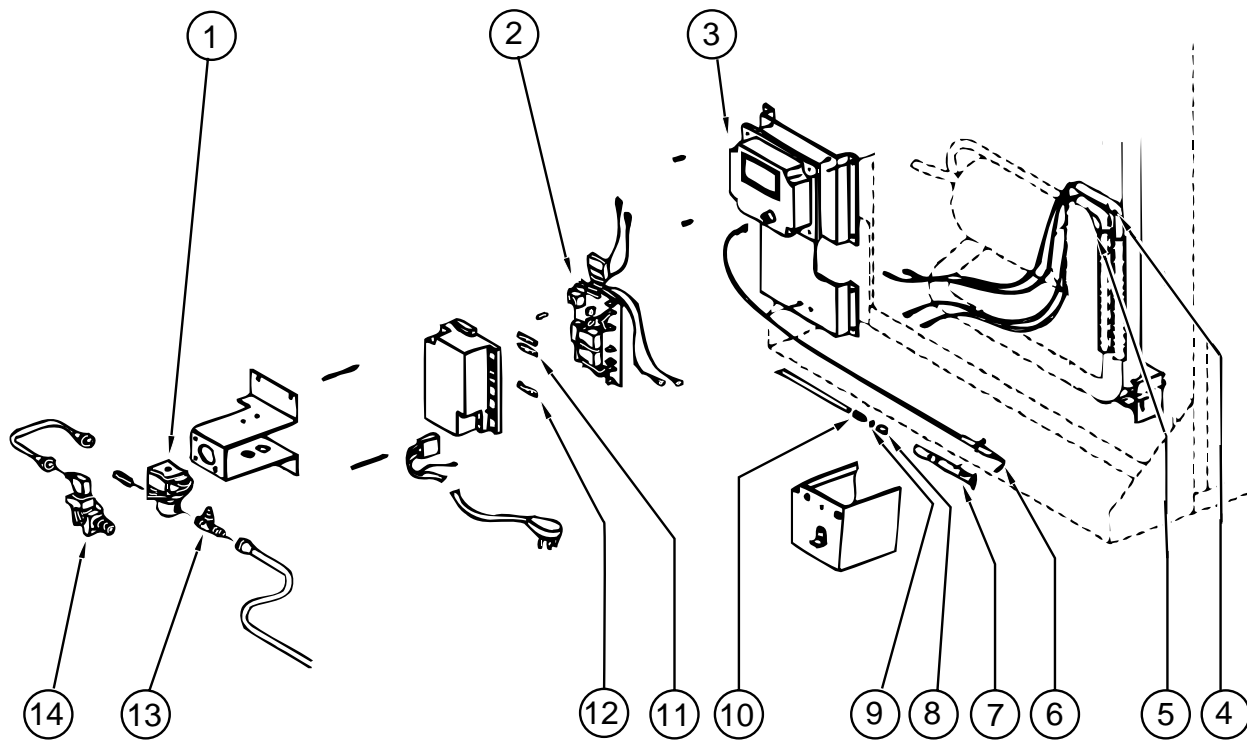
GALLEY GROUP (CONTINUED)

REFRIGERATOR



KEY	PART NUMBER	U/M	DESCRIPTION
1	104138-04-01A	EA	REFRIGERATOR - SMALL DOUBLE DOOR - 2-WAY - NORCOLD 6162 RH BL
2	094039-01-722	EA	HOLE PLUG - BLACK - HINGE HOLES - NORCOLD 61582030
3	084880-01-746	EA	CABLE - NORCOLD 61571522
4	104137-06-700	EA	EYEBROW SHELL - 2-WAY - W/ HUMIDITY SWITCH HOLE - NORCOLD 61669822
4	094039-04-701	EA	EYEBROW SHELL - 2-WAY - W/O HUMIDITY SWITCH HOLE - NORCOLD 61726622
5	084880-01-753	EA	THERMISTER 78" - NORCOLD 61697822
6	075217-01-738	EA	SWITCH-HUMIDITY - NORCOLD 61525922
7	084880-01-760	EA	CLIP - THERMISTER - NORCOLD 61689122
8	094039-01-723	EA	HINGE BRACKET - TOP RIGHT- BOTTOM LEFT - BLACK - NORCOLD 61580838
9	094039-01-725	EA	HINGE PIN - BLACK - MALE - NORCOLD 61578130
	084880-03-702	EA	HINGE PIN TOP/BOTTOM FEMALE - NORCOLD 61580630
10	084880-01-749	EA	HINGE BUSHING - NORCOLD 61580722
11	094039-01-728	EA	HINGE BRACKET- BLACK - CENTER HINGE - NORCOLD 61566530
12	094039-01-730	EA	HINGE PIN SHAFT- BLACK - CENTER HINGE - NORCOLD 61566730
13	084880-01-722	EA	CRISPER COVER - NORCOLD 61564122
14	104137-06-707	EA	CRISPER - WHITE - NORCOLD 61571325
15	094039-01-724	EA	BRACKET-HINGE - TOP LEFT - BOTTOM RIGHT - BLACK - NORCOLD 61580938
16	094039-01-739	EA	SHELF - CUTOUT - NORCOLD 61646722
17	094039-01-732	EA	FRONT COVER - BLACK - BOTTOM TRIM - NORCOLD 61622130
18	094039-01-733	EA	WIRE SHELF - MIDDLE - NORCOLD 61563822
19	104137-06-706	EA	WIRE SHELF - SHORT - NORCOLD 61718222
20	094039-01-735	EA	INSIDE DRIP TRAY - WHITE - NORCOLD 61572830
21	084880-01-732	EA	LATCH - NORCOLD 61578522
	094039-01-726	EA	SHELF-FREEZER EVAPORATOR - NORCOLD 61523622
	094039-01-734	EA	WIRE SHELF - TOP - W/RISER - NORCOLD 61563722
	094039-01-736	EA	SWITCH-LIGHT - BLACK - NORCOLD 61581022
	104138-04-701	EA	FOAMED CAB ASM - BLACK W/WHITE - NORCOLD 61725038
	084879-03-700	EA	COOLING UNIT - HORIZONTAL BURNER - NORCOLD 61687237
	104137-06-709	EA	VALVE-SHUT OFF - MANUAL- NORCOLD 61694922
	084880-01-726	EA	HINGE BRACKET - CENTER HINGE - NORCOLD 61566523
	084880-02-700	EA	LOWER FLANGE 8663 & 8683 - NORCOLD 61622123
	088248-01-706	EA	BURNER-HORIZONTAL - NORCOLD 61588122
	088248-01-707	EA	ELECTRODE-SENSOR - HORIZONTAL - NORCOLD 61573322
	116751-02-01A	EA	TRAY-REFRIGERATOR BLACK
			FROM: 01-23-95 THRU: 99-99-99
	117089-01-000	EA	DRAIN HOSE-REFRIGERATOR TRAY
	054450-01-000	EA	LEVEL-REFRIGERATOR
	065225-02-000	EA	PLATE-TIEDOWN - REFRIGERATOR
	093646-01-000	EA	BRACKET ASM-TIEDOWN - REFRIGERATOR
	093646-02-000	EA	BRACKET ASM-TIEDOWN - REFRIGERATOR

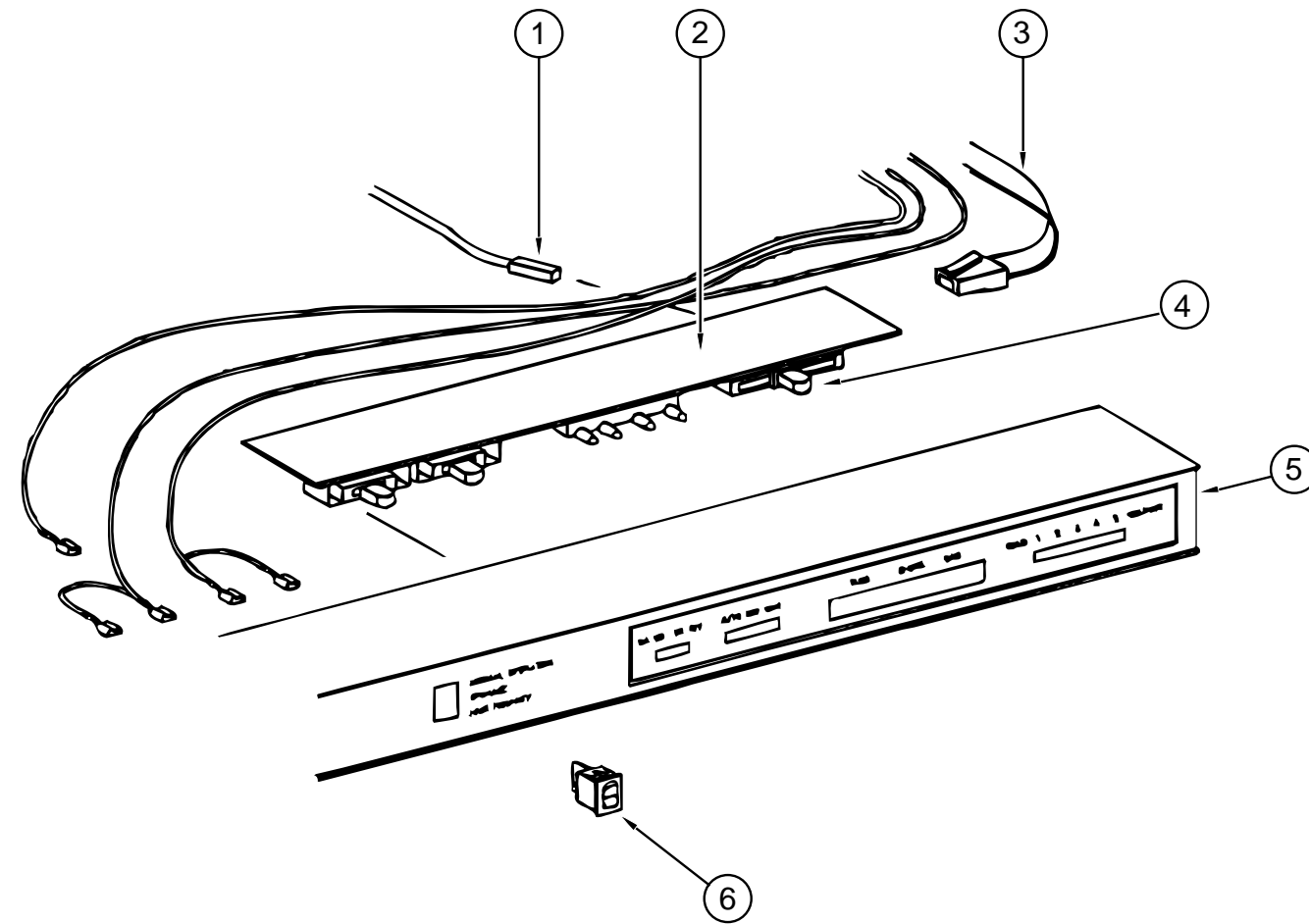
GALLEY GROUP (CONTINUED)



REFRIGERATOR CONTROL CENTER

KEY	PART NUMBER	U/M	DESCRIPTION
1	084880-01-718	EA	VALVE-GAS - NORCOLD 61551822
2	094039-04-702	EA	POWER SUPPLY - 2 WAY - NORCOLD 61647422
3	102621-01-702	EA	IGNITION MODULE - NORCOLD 61688922
4	088248-01-710	EA	HEATER-DC - HORIZONTAL - 3 WAY - NORCOLD 61562822
5	088248-01-709	EA	HEATER-AC - HORIZONTAL - NORCOLD 61562722
6	104137-06-715	EA	SPARK/SENSE ELECTRODE- SINGLE - NORCOLD 61692222
7	104137-06-714	EA	BURNER ASSEMBLY - 5-SLOT - NORCOLD 61705222
8	084880-01-705	EA	ORIFICE - NORCOLD 61452222
9	104137-06-713	EA	ORIFICE GASKET - NORCOLD 61475122
10	104137-06-712	EA	FITTING-GAS TUBE CONNECTION - NORCOLD 61692722
11	075217-01-734	EA	FUSE - 3 AMP - NORCOLD 61538822
12	104137-06-711	EA	FUSE 5 AMP - NORCOLD 61611622
13	104137-06-710	EA	PRESSURE TAP - NORCOLD 61594422
14	104137-06-709	EA	VALVE SHUT - OFF - MANUAL ASM - NORCOLD 61694922

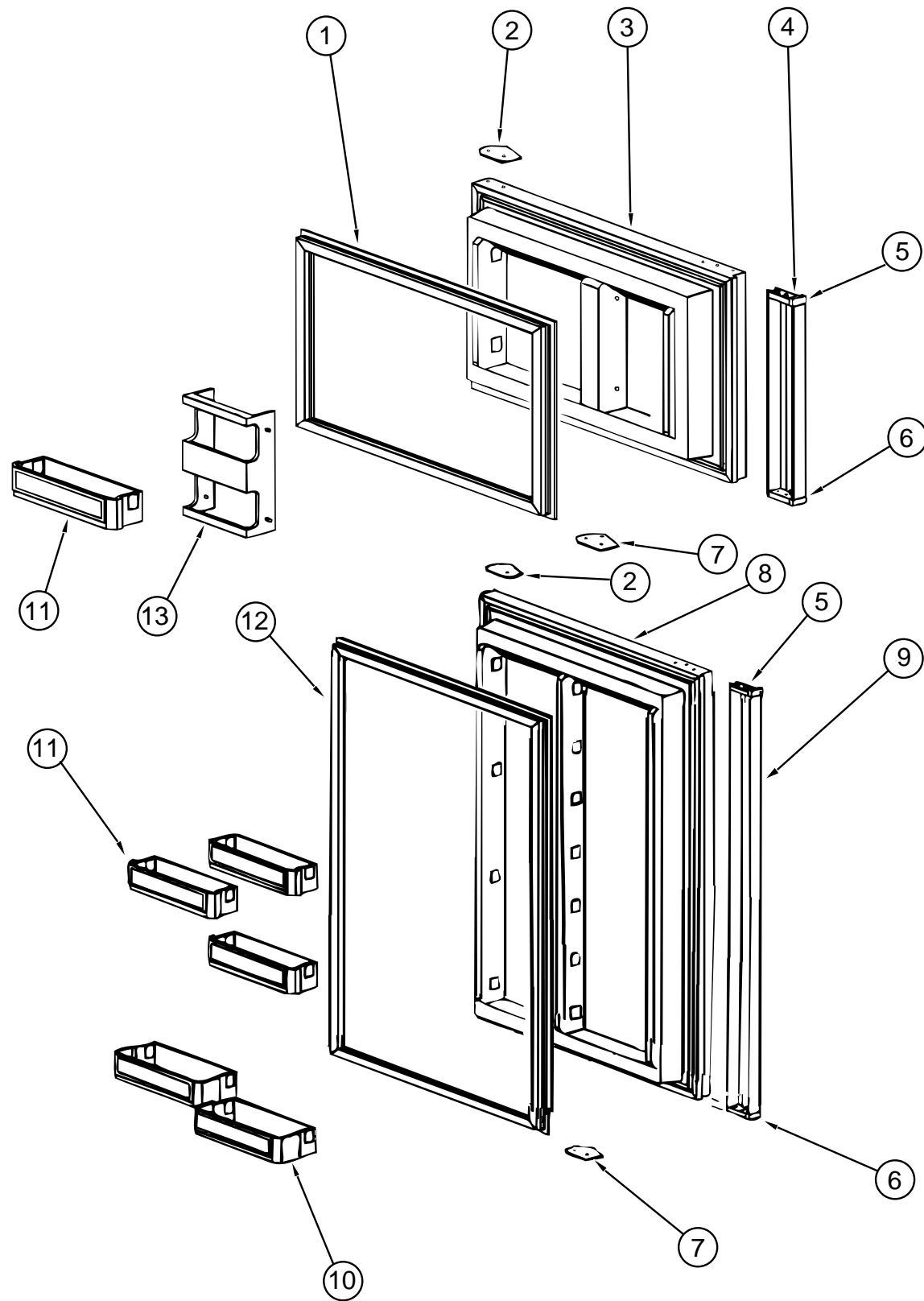
GALLEY GROUP (CONTINUED)



EYEBROW ASSEMBLY

KEY	PART NUMBER	U/M	DESCRIPTION
1	084880-01-753	EA	THERMISTER 78" - NORCOLD 61697822
	084880-01-760	EA	CLIP - THERMISTER - NORCOLD 61689122
2	094039-04-700	EA	PRINTED CIRCUIT BOARD - 2 WAY - NORCOLD 61647322
3	084880-01-746	EA	CABLE - NORCOLD 61571522
4	102621-01-703	EA	BUTTON-THERMOSTAT - ADJUSTABLE - NORCOLD 61587422
5	104137-06-700	EA	EYEBROW SHELL - 2-WAY - W/ HUMIDITY SWITCH HOLE - NORCOLD 61669822
5	094039-04-701	EA	EYEBROW SHELL - 2-WAY - W/O HUMIDITY SWITCH HOLE - NORCOLD 61726622
6	075217-01-738	EA	SWITCH-HUMIDITY - NORCOLD 61525922

GALLEY GROUP (CONTINUED)



GALLEY GROUP (CONTINUED)

REFRIGERATOR DOOR

KEY	PART NUMBER	U/M	DESCRIPTION
1	094039-01-702	EA	GASKET - GRAY - UPPER - NORCOLD 61567830
2	094039-01-710	EA	PLATE-HINGE - BLACK - NORCOLD 61631330
3	094039-01-706	EA	UPPER DOOR LINER - WHITE - BLACK - NORCOLD 61581838-B
4	094039-01-708	EA	HANDLE-DOOR - UPPER - BLACK - NORCOLD 61650038
5	084880-01-761	EA	END CAP - SPRING CATCH - BLACK 61593730
6	084880-01-720	EA	SPRING - FOR DOOR HANDLE - NORCOLD 61558822
7	094039-01-704	EA	PLATE-HINGE - RIGHT - BLACK - NORCOLD 61631430
8	094038-01-702	EA	LINER-DOOR - LOWER - BLACK/WHITE - NORCOLD 61581938-B
9	094038-01-704	EA	HANDLE-DOOR - LOWER - BLACK - NORCOLD 61650138
10	104137-06-704	EA	BIN-MILK - WHITE - NORCOLD 61579425
11	104137-06-703	EA	BIN-DOOR SHELF - WHITE - NORCOLD 61564025
12	094038-01-700	EA	GASKET-LOWER - GRAY - NORCOLD 61567930
13	104137-06-702	EA	RACK-JUICE - WHITE - NORCOLD 61580525

MONITOR PANEL

KEY	PART NUMBER	U/M	DESCRIPTION
	097618-01-000	EA	WIRE ASM-MONITOR PANEL - W/4 WIRES & BLACK RESISTOR - LVS
	102765-04-01A	EA	PANEL-MONITOR - W/PLUG - FOR 2 TANKS & WATER HEATER - LVS
	097617 01 701	EA	SWITCH-ON/OFF - ALMOND - 106
	097617 01 702	EA	SWITCH (ALMOND) - 107
	102765 01 700	EA	SWITCH-ON-ON - ALMOND - 110-01
	102765-04-700	EA	CIRCUIT BOARD - LVS 5076-11

MICROWAVE

KEY	PART NUMBER	U/M	DESCRIPTION
	115303-01-000	EA	OVEN-MICROWAVE - MCD-DM15K-7B
	115303-01-700	EA	TRIM F/VENT TOP - 2100309
	115401-01-01A	EA	TRIM-MICROWAVE BLACK
	098916-14-01A	EA	BRACE-MICROWAVE CABINET E-COAT
	098916-15-01A	EA	BRACE-MICROWAVE CABINET E-COAT
	094750-07-000	EA	BRACKET-MICROWAVE - 89 DEGREE

GALLEY GROUP (CONTINUED)

RANGE HOOD

KEY	PART NUMBER	U/M	DESCRIPTION
	100258-16-01A	EA	HOOD-RANGE - W/O MONITOR PANEL - VENTLINE - US TCS5008NAD - US FROM: 00-00-00 THRU: 11-06-94
	100258-16-03A	EA	HOOD-RANGE - W/O MONTITOR PANEL TEX - VENT TCS-5008-NADLG - US FROM: 11-07-94 THRU: 99-99-99
	100258-17-01A	EA	HOOD-RANGE - W/O MONITOR PANEL - VENTLINE - CANADIAN FROM: 00-00-00 THRU: 09-25-94
	100258-17-03A	EA	HOOD-RANGE - W/O MONITOR PANEL TEX - VENT TCS-5008-NACLG - CANADIAN FROM: 09-26-94 THRU: 99-99-99
	100258-18-02A	EA	HOOD-RANGE - W/O MONITOR PANEL TEX - VENT TPS-5009-SADLG - EXPORT
	090973-01-700	EA	MOTOR - LVS CA508-1
	090973-01-702	EA	BLADE-FAN - LVS VA183-1
	092696-01-709	EA	BULB - 912 - VENTLINE VA415
	092696-01-710	EA	SOCKET-LIGHT - VENTLINE CB267-2
	096983-01-700	EA	SWITCH-ON/OFF - VENTLINE 108
	096983-01-702	EA	SWITCH-TWO WAY MOMENTARY - VENTLINE 112
	096983-01-707	EA	FILTER-GREASE - 8" X 8" - LVS CC246
	096986-02-701	EA	LENS-LAMP - VENTLINE CC179
	100258-01-700	EA	HOOD NOSE LABEL
	100258-10-01A	EA	METER-HOUR - VENTLINE 150

RANGE

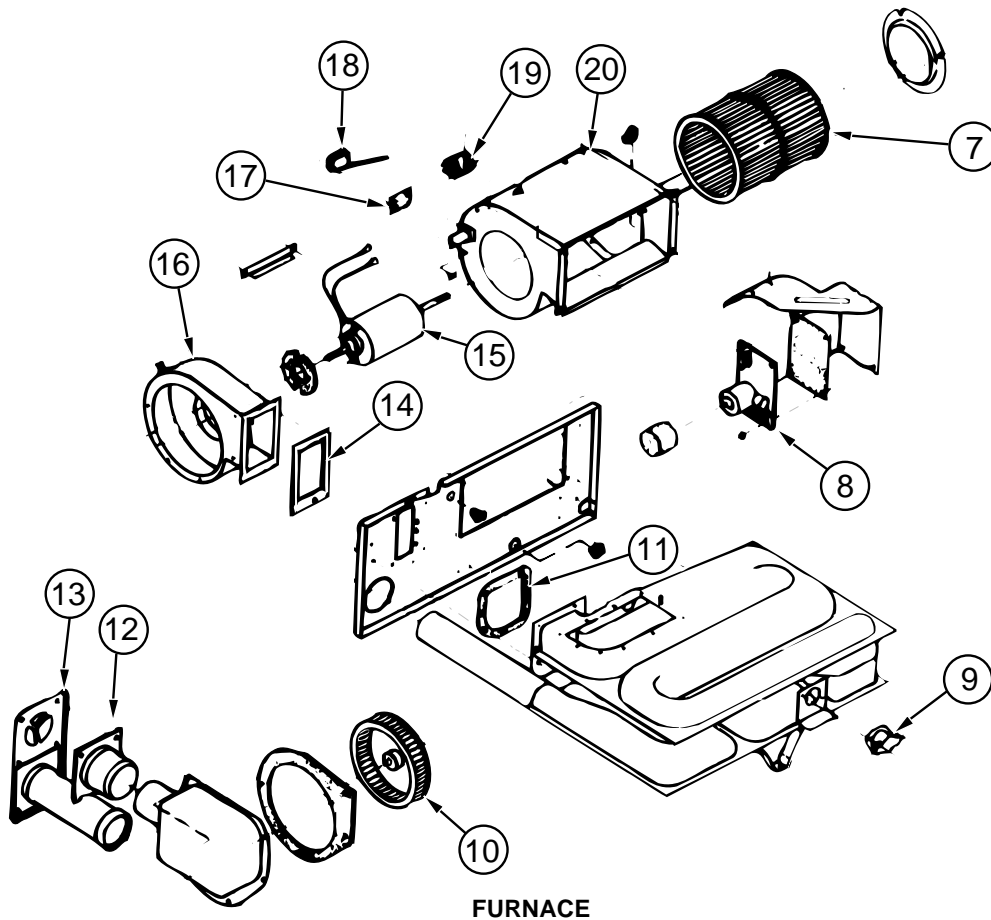
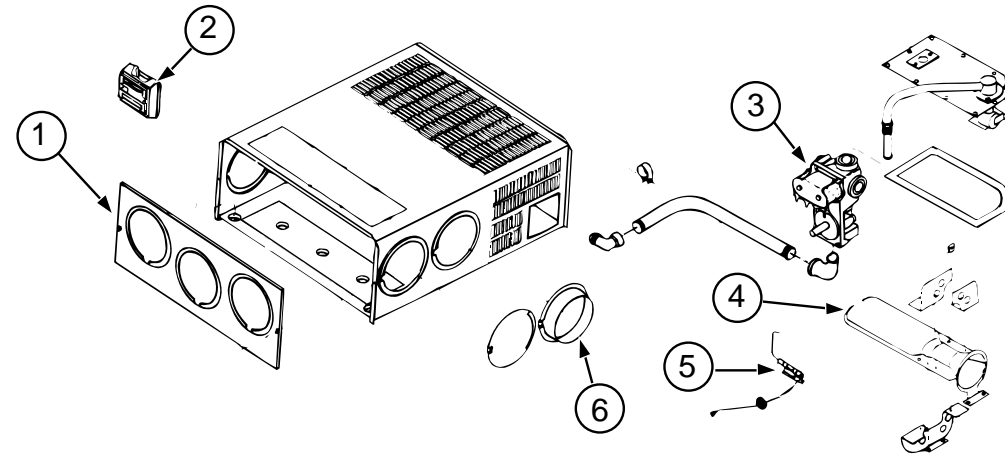
KEY	PART NUMBER	U/M	DESCRIPTION
	112881-01-03A	EA	RANGE - 16" - 3 BURNER ALMOND DOOR BLACK TEX - MAGIC CHEF 16RA-3B49
	055282-04-700	EA	PANEL-OVEN DOOR ALMOND - MAGIC CHEF 50-20577-2A
	102020-01-700	EA	SHELF-OVEN - MAGIC CHEF 7801-P027-60
	102020-01-701	EA	HANDLE-DOOR - MAGIC CHEF 7701P092-60
	102020-01-709	EA	BUMPER-GRATE - MAGIC CHEF 8007P018-60
	102020-01-711	EA	GRATE-TOP - MAGIC CHEF 7518P012-60
	102020-01-722	EA	VALVE-TOP BURNER - MAGIC CHEF 7502P095-60
	102020-01-724	EA	BUMPER-MAIN TOP - MAGIC CHEF 8003P008-60
	102022-01-708	EA	REGUALTOR PRESSURE 1/4IN - 1/2 OUT - MAGIC CHEF 7510P041-60
	112881-01-700	EA	TOP-MAIN - ALMOND - MAGIC CHEF 2001F110-84
	112881-01-701	EA	MANIFOLD PANEL - MAGIC CHEF 2616F091-70
	112881-01-702	EA	VALVE-MERCURY - SAFETY VALVE - MAGIC CHEF 7501-P121-70
	112881-01-703	EA	VALVE-TOP BURNER HI-OUTPUT - MAGIC CHEF 7502P180-60
	112881-01-704	EA	KNOB-THERMOSTAT - MAGIC CHEF 7731P067-60
	112881-01-705	EA	KNOB-TOP BURNER - MAGIC CHEF 7733P072-60
	112881-01-706	EA	THERMOSTAT - MAGIC CHEF 12400026
	112881-01-707	EA	TRIM-FLAT - LEFT - BLACK - MAGIC CHEF 3608W035-70
	112881-01-708	EA	TRIM-FLAT - RIGHT - BLACK - MAGIC CHEF 3608W036-70
	112881-01-709	EA	PIPE-MANIFOLD - MAGIC CHEF 7513P097-60
	112881-01-710	EA	OVEN PILOT - MAGIC CHEF 7505P202-60
	112881-01-711	EA	OVEN BURNER - MAGIC CHEF 3404W025045
	112881-01-715	EA	THERMOSTAT - REF. SER. # 3C - 7515P037-60
	112881-01-716	EA	KNOB - THERMOSTAT-SER# 3C - 7731P107-60
	105458-01-000	EA	BRACKET-TIEDOWN - STOVE
	105458-02-000	EA	BRACKET-TIEDOWN - STOVE

GENERATOR GROUP

4.0 KW ONAN GENERATOR

KEY	PART NUMBER	U/M	DESCRIPTION
	109982-05-000	EA	GENERATOR - 3.3 MICROLITE - ONAN KY-FR/26119 B - EXPORT
	109982-03-000	EA	GENERATOR - 4.0 MICROLITE - ONAN KY-FA/26100 B
	109982-04-000	EA	GENERATOR - 3.6 MICROLITE - ONAN KY-FA/26120 B
	105958-10-000	EA	PIPE-EXHAUST - GENERATOR
	007067-01-000	SF	INSULATION-FIBERGLASS - 1" THICK X 4' - INCREMENTS OF 4 SF
	007125-03-000	EA	CLAMP-MUFFLER - 1.5" DIA
	007125-04-000	EA	CLAMP-MUFFLER - 1.1" DIA.
	008401-01-000	EA	STRAP-CONDUIT - 3/4" - 1 HOLE - GALVANIZED STEEL

HEATING & AIR CONDITIONING GROUP



FURNACE

KEY	PART NUMBER	U/M	DESCRIPTION
	098668-20-000	EA	FURNACE - 30,000 BTU - SUBURBAN SF-30 2273
1	098668-01-700	EA	CABINET FRONT - SUBURBAN 101242
2	115764-01-01A	EA	THERMOSTAT-FURNACE - SUBURBAN
3	098668-01-714	EA	GAS VALVE (WHITE ROGERS) - 161070
4	098668-02-700	EA	BURNER ASM COMPLETE (SF-30/SF35) - SUBURBAN 010745
5	098668-01-715	EA	ELECTRODE ASM.(SGL PROBE) - 232166
6	075696-02-703	EA	COLLAR-DUCT - SUBURBAN #050715
7	098668-01-711	EA	WHEEL -ROOM AIR - SUBURBAN 350123
8	098668-01-712	EA	BOARD-MODULE - SUBURBAN 231741
9	098668-21-701	EA	LIMIT SWITCH - SUBURBAN 231799
10	098668-01-706	EA	WHEEL-COMBUSTION AIR - SUBURBAN 350122
11	098668-01-716	EA	GASKET FIREWALL(CHAMBER SIDE) - SUBURBAN 070808
12	098668-01-713	EA	INTAKE VENT TUBE ASM - SUBURBAN 051044
13	098668-01-707	EA	VENT CAP & EXHAUST TUBE ASM - SUBURBAN 260193

HEATING & AIR CONDITIONING GROUP (CONTINUED)

FURNACE (CONTINUED)

KEY	PART NUMBER	U/M	DESCRIPTION
14	098668-01-717	EA	GASKET FIREWALL(BLOWER SIDE) - SUBURBAN 070809
15	098668-01-709	EA	MOTOR ASM.-FOR SF-25 - SF-30 - SUBURBAN 231706
16	098668-01-708	EA	BLOWER ASM (COMBUSTION AIR) - SUBURBAN 390441
17	101990-01-714	EA	MICROSWITCH GASKET - SUBURBAN 230877
18	098668-21-700	EA	MICROSWITCH - W/O FLAG 3 1/4" - SUBURBAN 232261
19	074466-01-702	EA	RELAY-TIME DELAY - SUBURBAN# 230625
20	098668-01-710	EA	BLOWER ASM (ROOM AIR) - SUBURBAN 390440
	092300-02-701	EA	ORFICE - MAIN BURNER - SUBURBAN 1802214
	098668-23-000	EA	DOOR-ACCESS - FURNACE - BRIGHT WHITE - SUBURBAN 520574
	056464-05-000	EA	REGISTER-PLASTIC W/O DAMPER - 4" DIAMETER - GOLDEN FROM: 00-00-00 THRU: 04-16-95
	056464-10-000	EA	REGISTER-4IN DIA - PLASTIC - W/O DAMPER DURA-BEI FROM: 04-17-95 THRU: 99-99-99

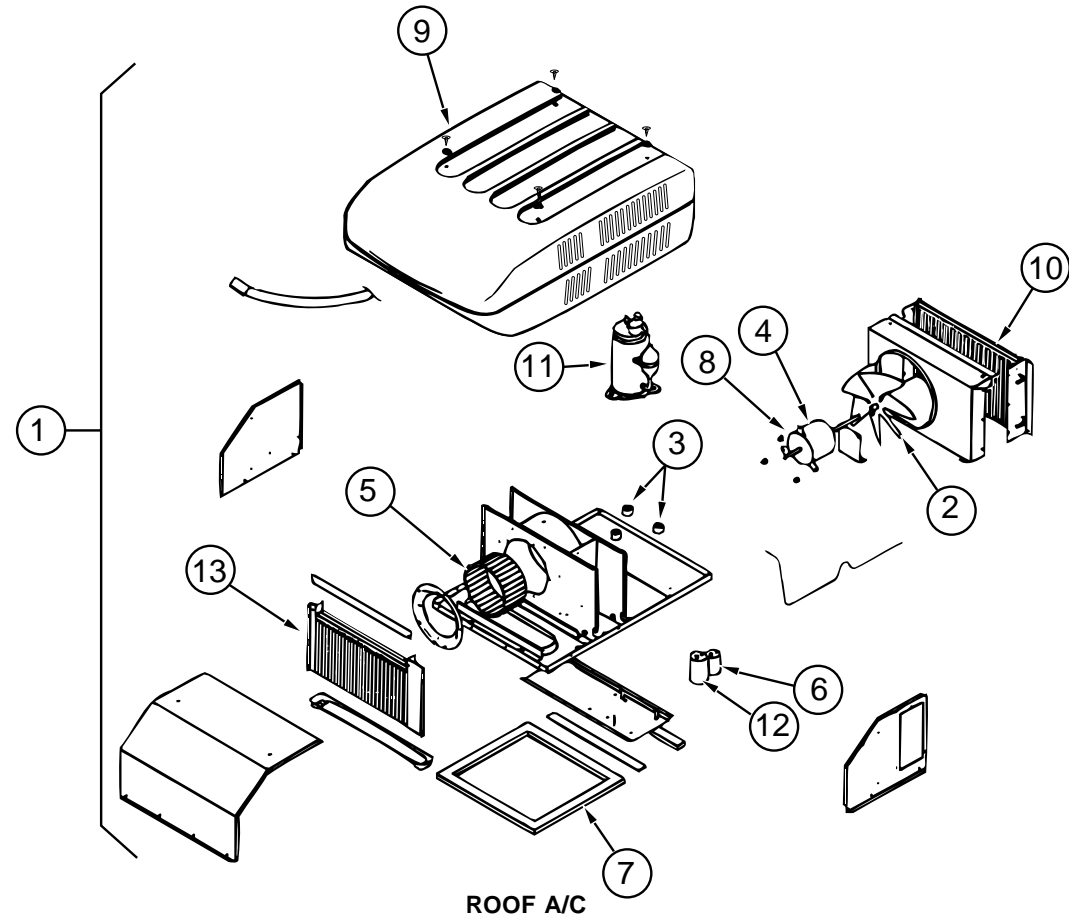
A/C-13,500 BTU & CEILING ASM - EUROPE

KEY	PART NUMBER	U/M	DESCRIPTION
	108889-02-03A	EA	A/C-ROOF - 13,500 TSR 220 BRIGHT WHITE - COLEMAN 7373(EXPORT)
	108891-01-01A	EA	CEILING ASM-A/C COOL TSR HO - COLEMAN 7330-714 IV
	042204-01-709	EA	THERMOSTAT-IN 64 OUT 58 - COLEMAN# 6701-3401
	063903-01-702	EA	LOUVER - COLEMAN# 6703A5191
	073742-01-701	EA	SELECTOR SWITCH (5 TERMINAL) - COLEMAN# 6759-3251
	073742-01-702	EA	DECAL COOL ONLY - COLEMAN# 6759C3431
	081606-01-712	EA	CEILING SHROUD (IVORY) - COLEMAN# 6769-5061
	091225-01-713	EA	KNOB (2 PER PACKAGE) - COLEMAN# 6701-3351
	091225-01-717	EA	DECAL (THERMOSTAT) COOL ONLY - COLEMAN# 6799A3441
	093766-02-701	EA	DECAL-LEFT SIDE - COLEMAN #6799-3971
	108891-01-700	EA	SINGLE PARTS PACKAGE (KNOBS & NUTS) - COLEMAN 6792-5991
	108891-01-701	EA	RETAINER CLIPS F/FILTER (6 PER) - COLEMAN 6799-3141

HEATING COMPONENTS

KEY	PART NUMBER	U/M	DESCRIPTION
	089367-01-000	EA	TEE - 4" OD - 7" LONG
	069636-02-000	EA	CONNECTOR-DUCT - 4" ID - SUBURBAN 050715
	009198-01-000	FT	DUCT-HEAT - FLEXIBLE - 4" ID X 25 FT
	093614-01-01A	EA	GRILL-RETURN AIR - FURNACE - 15.6" X 7.6" - BROWN FROM: 00-00-00 THRU: 04-16-95
	093614-01-02A	EA	GRILL-RETURN AIR DURA-BEIGE - LIMA - 19H-14X6BR-RAG FROM: 04-17-95 THRU: 99-99-99
	079059-01-000	EA	HOSE - 90 DEGREE - 5/8"ID X 4" X 36"
	007108-01-000	FT	HOSE-HEATER - 5/8" ID - HI-TEMP - FORD ESE-M2D192-A
	056464-05-000	EA	REGISTER-PLASTIC - W/O DAMPER - 4" DIAMETER - GOLDEN
	009200-01-000	EA	TAPE-FURNACE, 1 1/2"
	088753-01-000	FT	TUBE-ALUMINIZED STEEL - 5/8" - 18 GAUGE
	008042-01-000	FT	TUBING-VINYL - .65" ID

HEATING & AIR CONDITIONING GROUP (CONTINUED)



KEY	PART NUMBER	U/M	DESCRIPTION
1	115219-01-03A	EA	A/C-ROOF - 14,800 MACH 15 BRIGHT WHITE - COLEMAN 7335A697
2	093763-01-712	EA	FAN BLADE-CONDENSER - COLEMAN #6733-3221
3	105620-01-706	EA	FOOT PKG-COMPRESSOR - 3 PER PKG- COLEMAN #6759-3081
4	108889-01-705	EA	MOTOR (115 - 60HZ) COLEMAN #1468-3049
5	108889-01-706	EA	IMPELLOR - COLEMAN #1472-1041
6	093763-01-704	EA	FAN CAPACITOR - COLEMAN #1499-5461
	108889-01-710	EA	FILLER PAD-COND AIR SEAL - COLEMAN #6759A3971
7	108889-01-711	EA	GASKET PKG - COLEMAN #6792-3301
8	108889-01-715	EA	MOTOR MOUNT & SHAFT SEAL KIT - COLEMAN #6792-3361
9	108889-05-700	EA	SHROUD - COLEMAN #7333-4601 - BRIGHT WHITE
10	115219-01-700	EA	CONDENSER COIL
11	115219-01-701	EA	COMPRESSOR - PANASONIC
12	115219-01-702	EA	RUN CAP - COMP-50 MFD/370V
	115219-01-703	EA	START RELAY
13	115219-01-704	EA	EVAPORATOR COIL
	115219-01-705	EA	SUCTION LINE - LOWER
	115219-01-706	EA	SUCTION LINE - UPPER
	115219-01-707	EA	DISCHARGE LINE ASSY.
	093306-01-701	EA	DECAL PKG - LEFT & RIGHT - COLEMAN 6798B3591
	093306-01-720	EA	START CAPACITOR 21-25 MFD/33 1497-3351
	102289-01-000	EA	SPRING-SCREW - ROOF A/C GASKET - COLEMAN 6757-150
	022756-02-000	EA	COVER-PROTECTIVE - 5.5" ENDS X 8.2" - PLASTIC - OFF WHITE
	022756-03-000	EA	COVER-A/C - PLASTIC - OFF WHITE
	084077-03-000	EA	COVER-BLANK - ROOF A/C - 5.2" X 3.5" - IVORY

REAR HEATER

KEY	PART NUMBER	U/M	DESCRIPTION
	084405-01-000	EA	HEATER ASM-REAR - DUCTED - W/MOTOR AID - EVANS
	084405-01-700	EA	HEATER CORE - FT200229
	084405-01-701	EA	FAN - HV029931
	084405-01-702	EA	MOTOR-12 VOLT ASSY - R0200180
	087202-01-000	EA	SWITCH-4 POSITION - W/KNOB

INTERIOR FINISH GROUP

PANELING, LAMINATES & PLASTIC

KEY	PART NUMBER	U/M	DESCRIPTION
	074497-25-000	SF	PANELING-CEILING TIGA BEND - PEARL 2.7 MM X 48" X 108"
	074497-27-000	SF	PANELING-CEILING TIGA BEND - PEARL 3 MM X 48" X 96"
	074497-21-000	SF	PANELING-WOODGRAIN - 4' X 8' - INCREMENTS OF 32 SF
	074498-34-000	SF	LAMINATE-PLASTIC - 5' X 8' - WOODGRAIN - RAMBLING OAK
	074498-54-000	SF	LAMINATE-PLASTIC - SAND - AT921 PIONITE (F21)
	074498-62-000	SF	LAMINATE-PLASTIC - GREY FINISS - 4613-6 WILSONART (F22)
	074498-67-000	SF	LAMINATE-PLASTIC - ORCHID MIST
	088272-B8-000	SF	PANELING-DESERT - SESAME - ROBERT WEED (F21)
	088272-C9-000	SF	PANELING - ASPEN - SAPPHIRE (F22)
	088272-98-000	SF	PANELING-SHOWER - OFF WHITE - 4' X 7' - INC OF 28 SQ FT
	089297-01-000	SF	PLYWOOD-LUAN - OVERLAY GRADE - 4' X 8' - INC OF 32 SF
	093743-02-01A	SF	PLASTIC-ABS - 20" WIDE ROLL - OFF WHITE
	000885-61-000	SF	PART BD - 3/4 X 48 X 96 WINNI OAK - VINYL 2 SIDES
	000885-56-000	SF	PART BD - 3/8 X 48 X 96 WINNI OAK - VINYL 1 SIDE
	095688-01-000	SF	VENEER-FLAT LUANA - 48" X 96"

CARPETING & FLOOR MATS

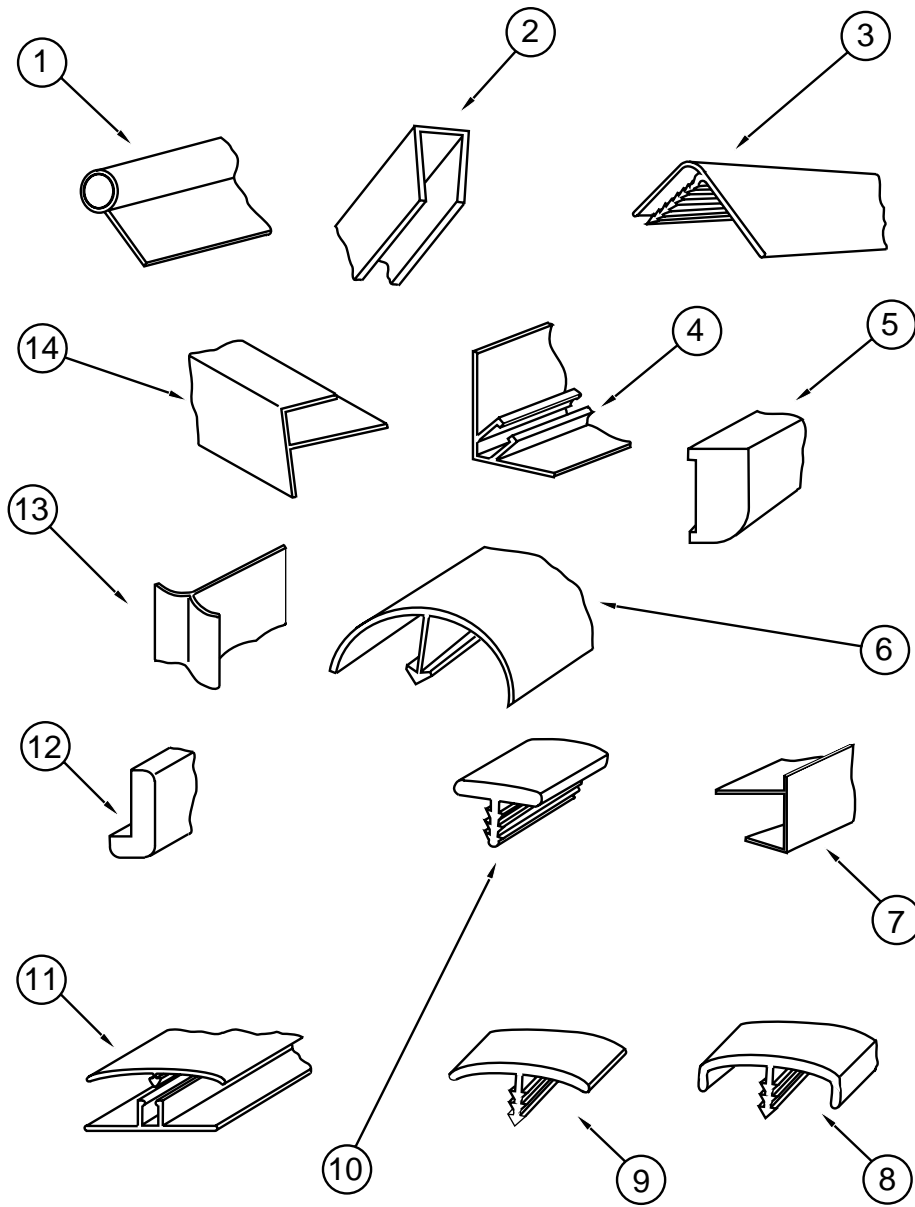
KEY	PART NUMBER	U/M	DESCRIPTION
	096060-95-000	SY	CARPET-JUBILATION - DOESKIN - CARRIAGE (F21)
	096060-97-000	SY	CARPET-JUBILATION - LAPIS - CARRIAGE (F22)
	093486-01-000	SY	CARPET-COMPARTMENT - 54" WIDE - DARK GRAY
	047034-06-000	SF	PLASTIC-CARPET - 2' WIDE - CLEAR POLY
	081075-04-000	EA	MAT-FLOOR ENTRANCE - ITASCA - PLASTICOLOR GRAY (CAB TRIM GROUP)
	106884-03-000	EA	MAT-FLOOR - PASSENGER - "I" - FORD
	106884-04-000	EA	MAT-FLOOR - DRIVER - "I" - FORD

FIRE EXTINGUISHER, CLOCK & DETECTORS

KEY	PART NUMBER	U/M	DESCRIPTION
	072852-01-000	EA	DETECTOR-SMOKE - W/9 VOLT BATTERY (US)
	072852-02-000	EA	DETECTOR-SMOKE - W/9 VOLT BATTERY (CANADIAN)
	094499-01-000	EA	EXTINGUISHER-FIRE - DRY W/MOUNTING BRACKET - 10 BC
	094499-02-000	EA	EXTINGUISHER-FIRE - DRY - 1A10BC - CANADIAN
	094499-01-700	EA	BRACKET-MOUNTING - W/PLASTIC STRAP - FIRE EXTINGUISHER
	100793-02-01A	EA	CLOCK-WALL - BOLDEN - ROUND 11"
	112320-01-000	EA	DETECTOR-CO GAS - MODEL 9B-I - COSTAR 940000000
	112320-02-000	EA	BATTERY/SENSOR-CO GAS - COSTAR 940001000

INTERIOR FINISH GROUP (CONTINUED)

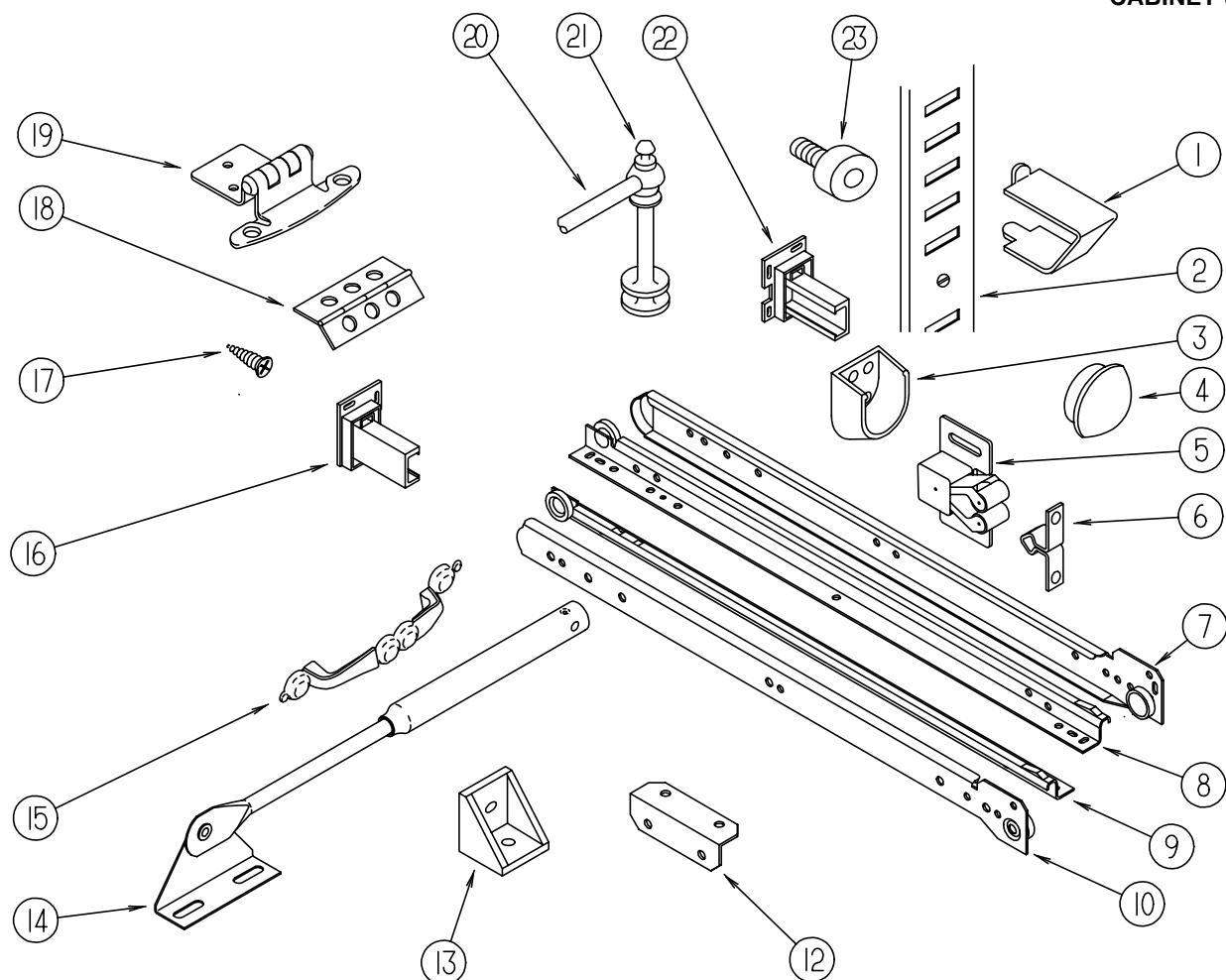
MOLDINGS & TRIMS



KEY	PART NUMBER	U/M	DESCRIPTION
1	009767-12-000	FT	MOLDING-SIDEWALL TO CEILING/CABINET - WELTING - OFF WHITE
2	009778-12-000	FT	U CHANNEL-PLASTIC - 1" WIDE X 8' INCREMENTS - WOODGRAIN
2	009778-20-000	FT	U-CHANNEL - 1" X 55" - MODERN IVORY
3	009809-21-000	EA	MOLDING-CORNER - OUTSIDE - 1" - PLASTIC - WOODGRAIN
3	009809-23-000	EA	MOLDING-CORNER - OUTSIDE - 1" - PLASTIC - IVORY
4	081521-02-007	EA	MOUNT-METAL MOLDING - FOR RADIUS CORNER MOLDING - 12.5'
5	100041-01-000	EA	MOLDING-VINYL WRAPPED - .7" X 1.57" X 84.02" - RAMBLING OAK
5	100041-02-000	EA	MOLDING-VINYL WRAPPED - .7" X 2.5" X 84" - RAMBLING OAK
6	042357-15-000	EA	MOLDING-CORNER - RADIUS - 1.5" X 7' - PLASTIC - WOODGRAIN
7	103186-01-01A	FT	MOLDING-EDGE - SHELF - .78" WIDE - PLASTIC - RAMBLING OAK
8	104676-02-01A	FT	MOLDING-T - 1/2" RIGID - GOLD
8	083620-07-000	FT	MOLDING-T - END CAP EDGE - W/EDGE LIPS - .75" - THOR PECAN
8	083620-09-000	FT	T-MOLDING - 3/4 W/EDGE LIPS - MODERN IVORY
9	009815-09-000	FT	MOLDING-T - .75" - IVORY
9	105709-09-000	FT	T-MOLDING - 1" - MODERN IVORY
10	104676-01-01A	FT	T-MOLDING - 5/16 RIGID - GOLD
11	086229-01-000	EA	RETAINER-BATTEN - CEILING - .75" WIDE - 7.6'
11	086229-04-000	EA	BATTEN-CEILING - 1" WIDE - IVORY - 7.6'
12	077840-01-E07	EA	MOLDING-CAP -WALL 2438
13	022992-01-000	FT	MOLDING-REVERSE COVE - T-SHAPED - VINYL - WHITE
13	022992-11-000	FT	MOLDING-REVERSE COVE - T-SHAPED - VINYL - IVORY
13	022992-14-000	FT	MOLDING-REVERSE COVE - T-SHAPED - VINYL - BRIGHT WHITE
14	009812-22-000	EA	MOLDING-CORNER - OUTSIDE - .5" X 7' - PLASTIC - BROWN
14	009812-24-000	EA	MOLDING-PLASTIC - OUTSIDE CORNER - .50" - IVORY
	052372-02-000	BF	LUMBER-CLASS II - 1 X 4 X RL - CONSTRUCTION GRADE
	069733-80-000	EA	BATT STRIP-WOODGRAIN - 8' - WINNI OAK
	070504-01-000	FT	U-CHANNEL-PLASTIC - .065" WIDE - LIGHT BROWN - INC OF 8'
	070504-18-000	FT	U-CHANNEL-PLASTIC - .065" WIDE - IVORY - INC OF 8'
	070504-19-000	FT	U-CHANNEL-PLASTIC - .815" WIDE - BROWN - INC OF 8'
	076325-25-000	FT	MOLDING-EDGE BAND - 1 5/16" RAMBLING OAK
	076325-44-000	FT	MOLDING-EDGE BAND - 1032 SAND - .875 X .024 X 600 (F21)
	076325-47-000	FT	MOLDING-EDGE BAND - 1032 SAND - 1 5/16 X .030 X 600 (F21)
	076325-43-000	FT	MOLDING-EDGE BAND - 1035 CLOUD - .876 X .024 X 600 (F22)
	076325-46-000	FT	MOLDING-EDGE BAND - 1035 CLOUD - 1 5/16 X .030 X 600 (F22)
	076325-31-000	FT	MOLDING-EDGE BAND - RAMBLING OAK - .093 X .024 X 600' (HUTCH)
	076325-34-000	FT	MOLDING-EDGE BAND - ORCHID - 1 5/16 X .030 (EXTERIOR ENTERTAINMENT)
	079653-09-000	EA	BATT STRIP-KERFED - WOODGRAIN
	105004-01-02A	EA	MOLDING - VINYL WRAP
	088263-B6-000	EA	BATT-STRIP - TIGA BEND-PEARL - DECOR (ROOF)
	085284-A7-000	FT	STRIP-TAPE - TIGA BEND-PEARL - DECOR (ROOF)
	085284-76-000	FT	BATT STRIP - SHOWER - ADHESIVE BACKED - OFF WHITE (BATH)
	088263-96-000	EA	BATT-STRIP - DESERT -SESAME - ROBERT WEED (F21)
	085284-86-000	FT	STRIP-TAPE - DESERT -SESAME - ROBERT WEED (F21)
	088263-A7-000	EA	BATT-STRIP - ASPINE - SAPPHIRE (F22)
	085284-98-000	FT	STRIP-TAPE - ASPINE - SAPPHIRE (F22)
	112198-01-000	FT	MOLDING - #90227 J-MOLDING - CRILA PLASTICS
	085284-67-000	FT	STRIP-TAPE - WINNI OAK
	100818-01-02A	EA	MOLDING-VINYL WRAPPED - 1.65" X .4" X 7' - RAMBLING OAK
	100819-01-02A	EA	MOLDING-VINYL WRAPPED - L-SHAPED - 1.5" X 1.5" X 7' - OAK
	100040-01-000	EA	LUMBER-VINYL WRAPPED - .7" X 1.5" X 8' - RAMBLING OAK
	100040-03-000	EA	LUMBER-VINYL WRAPPED - .71" X 2" X 8' - RAMBLING OAK
	100040-06-000	EA	LUMBER-VINYL WRAPPED - 766 RAMBLING OAK
	100040-07-000	EA	LUMBER-VINYL WRAPPED - RAMBLING OAK
	109332-02-01A	FT	TRIM-J - MIRROR - BRASS
	081294-02-000	EA	MOLDING-SHELF - NOTCHED WOOD - 8' LONG
	085746-04-000	FT	TRIM-J - CARPET - 1.2" X .5" ANGLE - 12' LONG - OFF WHITE

INTERIOR FINISH GROUP (CONTINUED)

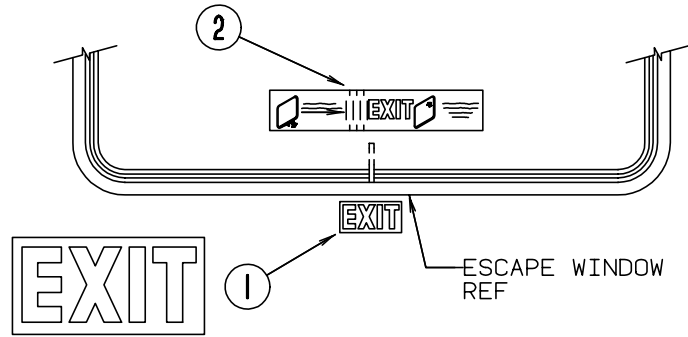
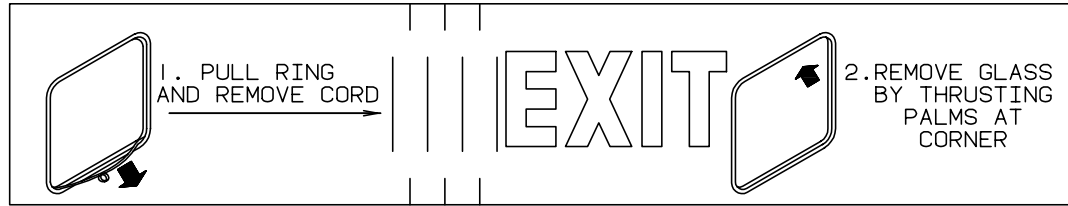
CABINET & TABLE HARDWARE



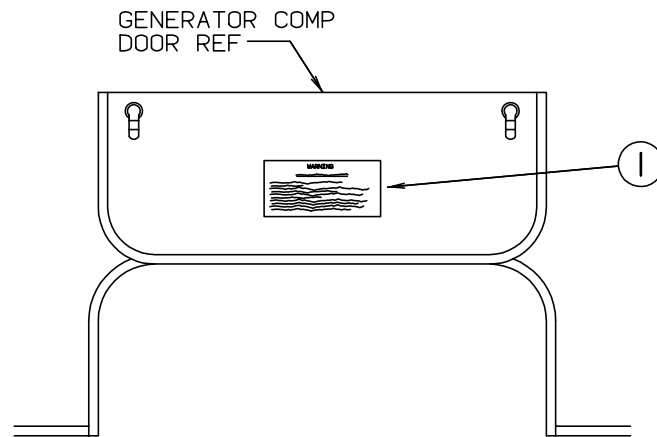
KEY	PART NUMBER	U/M	DESCRIPTION
1	098979-01-000	EA	CLIP-ADJUSTABLE SHELF
2	098980-01-000	EA	PILASTER-ADJUSTABLE SHELF - 18" LONG
3	113236-01-01A	EA	BRACKET-CLOTHES ROD
4	042356-01-000	EA	PLUG-BUTTON - MAHOGANY - 3/8" DIAMETER - WOOD
5	093586-03-000	EA	CATCH-SPRING - ROLLER
5	093586-06-000	EA	CATCH-SPRING - ROLLER FROM: 00-00-00 THRU: 01-15-95 FASTEC C411-AC FROM: 01-16-95 THRU: 99-99-99
6	093586-04-000	EA	STRIKE-SPRING STEEL
6	093586-05-000	EA	STRIKE-SPRING STEEL FROM: 00-00-00 THRU: 01-15-95 FASTEC S411-AC FROM: 01-16-95 THRU: 99-99-99
7	114031-02-000	EA	SLIDE-DRAWER - CABINET MOUNTED - RIGHT SIDE - 12" N/A ORDER #114031-01-700 SLIDE DRAWER KIT
7	114031-10-000	EA	SLIDE-DRAWER - CABINET MOUNTED - RIGHT SIDE - 16" N/A ORDER #114031-09-700 SLIDE DRAWER KIT
7	114031-14-000	EA	SLIDE-DRAWER - CABINET MOUNTED - RIGHT SIDE - 18" N/A ORDER #114031-13-700 SLIDE DRAWER KIT
8	114031-04-000	EA	SLIDE-DRAWER - DRAWER MOUNTED - RIGHT SIDE - 12" N/A ORDER #114031-01-700 SLIDE DRAWER KIT
8	114031-12-000	EA	SLIDE-DRAWER - DRAWER MOUNTED - RIGHT SIDE - 16" N/A ORDER #114031-09-700 SLIDE DRAWER KIT
8	114031-16-000	EA	SLIDE-DRAWER - DRAWER MOUNTED - RIGHT SIDE - 18" N/A ORDER #114031-13-700 SLIDE DRAWER KIT
9	114031-03-000	EA	SLIDE-DRAWER - DRAWER MOUNTED - LEFT SIDE - 12" N/A ORDER #114031-01-700 SLIDE DRAWER KIT
9	114031-11-000	EA	SLIDE-DRAWER - DRAWER MOUNTED - LEFT SIDE - 16" N/A ORDER #114031-09-700 SLIDE DRAWER KIT

KEY	PART NUMBER	U/M	DESCRIPTION
9	114031-15-000	EA	SLIDE-DRAWER - DRAWER MOUNTED - LEFT SIDE - 18" N/A ORDER #114031-13-700 SLIDE DRAWER KIT
10	114031-01-000	EA	SLIDE-DRAWER - CABINET MOUNTED - LEFT SIDE - 12" N/A ORDER #114031-01-700 SLIDE DRAWER KIT
10	114031-09-000	EA	SLIDE-DRAWER - CABINET MOUNTED - LEFT SIDE - 16" N/A ORDER #114031-09-700 SLIDE DRAWER KIT
10	114031-13-000	EA	SLIDE-DRAWER - CABINET MOUNTED - LEFT SIDE - 18" N/A ORDER #114031-13-700 SLIDE DRAWER KIT
12	016604-01-000	EA	BRACE-CABINET - ANGLE - 2.5" - METAL - UNPAINTED
12	016604-03-000	EA	BRACE-CABINET - ANGLE - 2.5" - METAL - BEIGE
12	016604-05-000	EA	BRACE-CABINET - L ANGLE - 2.5" - METAL - OFF WHITE
13	065740-01-000	EA	BRACE-CABINET CORNER - PLASTIC
14	074493-02-000	EA	SUPPORT-PISTON SPRING - CABINET DOOR
15	111765-01-000	EA	PULL-CABINET - BRASS - AMEROCK D1390-3
16	114045-01-000	EA	BACKSOCKET-ADJUSTABLE - LEFT - HOUCK 751-1 N/A USE KIT #114031-700 DUE TO MANUFACTURING CHANGES - SEE MCNL FOR PROPER LENGTH KIT
17	000G13-06-08G	EA	SCREW - 6-20 X 5/8 PFH - ANTIQUE BRASS
18	009059-01-000	EA	HINGE-DOOR - 2" X 1.4" - BRASS
18	009059-02-000	EA	HINGE-DOOR - 2" X 2.7" - BRASS
19	108138-01-000	EA	HINGE-DOOR - CABINET - BURNISHED BRASS
22	114045-02-000	EA	BACKSOCKET-ADJUSTABLE - RIGHT - HOUCK 751-2 N/A USE KIT #114031-700 DUE TO MANUFACTURING CHANGES - SEE MCNL FOR PROPER LENGTH KIT
23	079921-01-000	EA	ROLLER-NYLON - W/STEEL SHAFT - BARBED
	042438-01-000	EA	DOWEL-WOOD - CLOTHES ROD - 1" DIAMETER X 4'
	042438-02-000	EA	DOWEL-WOOD - 2" X 2"
	076790-01-000	EA	SCREW - 6-20 X 1 1/4 PPH - BLACK
	023320-01-000	EA	PAD-FELT - 3/8" DIAMETER - BROWN
	009112-01-000	EA	FLANGE-1" ROD - CLOTHES - PLASTIC - OFF WHITE
	000G13-06-10G	EA	SCREW - 6-20 X 5/8 PFH - ANTIQUE BRASS
	004354-01-000	EA	BUMPER-RUBBER - .5" DIA - BROWN
	103256-01-000	EA	LATCH-SLIDE
	094856-06-02A	EA	TRACK- FOLDING DOOR - 37.6" - OFF WHITE
	091261-01-000	FT	SLIPNOT-ANTISLIP - 1' WIDE (100' ROLL)

LABELS GROUP



KEY	PART NUMBER	U/M	DESCRIPTION
1	039290-01-000	EA	LABEL-WARNING-EXIT
2	107571-01-000	EA	LABEL-EXIT-ESCAPE WINDOW



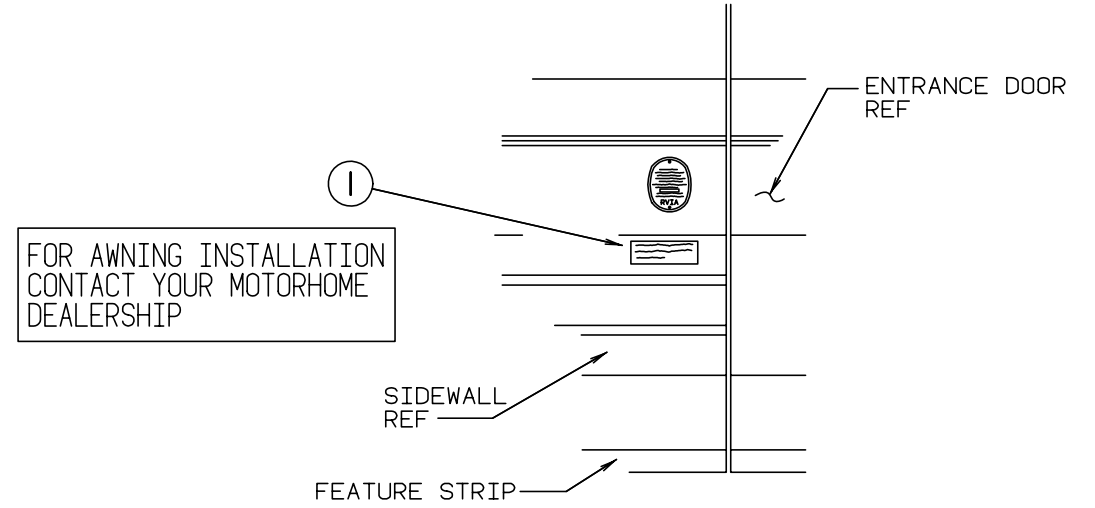
WARNING

WHEN ADDING A GENERATOR SET:

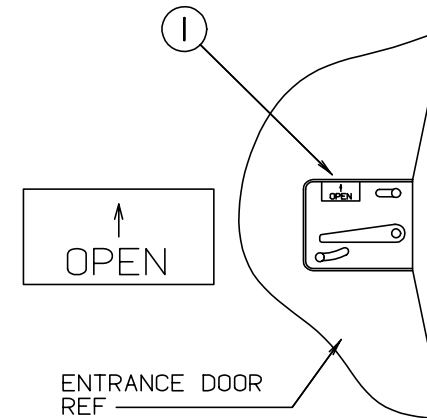
HIGH VOLTAGE-USE EXTREME CAUTION WHEN WORKING ON ELECTRICAL COMPONENTS.
 HAVE ALL ELECTRICAL INSTALLATION PERFORMED BY A QUALIFIED LICENSED ELECTRICIAN-FOLLOW ALL STATE AND LOCAL CODES.
 ONLY INSTALL GENERATOR SET APPROVED FOR R.V. APPLICATION. HAVE INSTALLED BY QUALIFIED TECHNICIAN.
 TO AVOID HEAT BUILD-UP AND TO GUARANTEE AN ADEQUATE AIR SUPPLY TO THE GENERATOR CARBURETOR, FOLLOW INSTALLATION INSTRUCTIONS.
 GENERATOR ENGINE EXHAUST GASES ARE TOXIC AND MUST NOT TERMINATE UNDER THE VEHICLE-DISCHARGE EXHAUST AWAY FROM VEHICLE.

KEY	PART NUMBER	U/M	DESCRIPTION
1	077510-01-000	EA	LABEL-GENERATOR PREP

LABELS GROUP (CONTINUED)

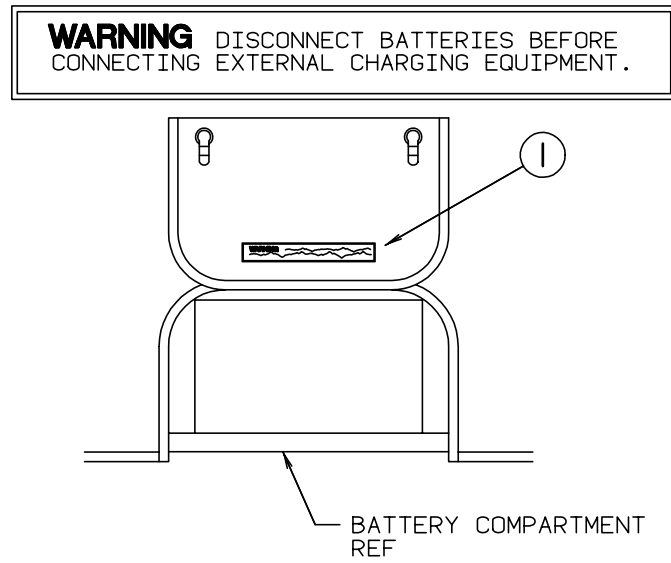


KEY	PART NUMBER	U/M	DESCRIPTION
1	099509-01-000	EA	LABEL-AWNING INSTALLATION

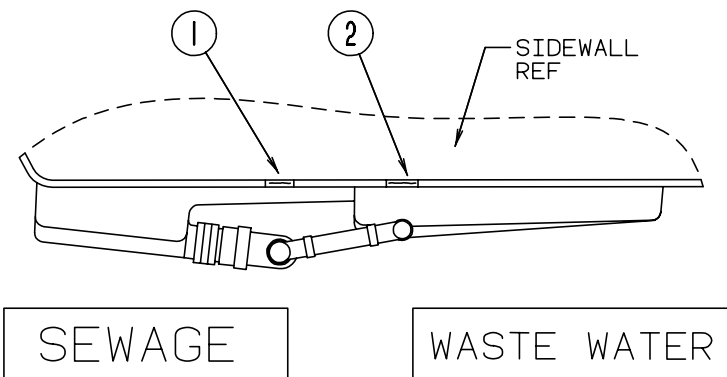


KEY	PART NUMBER	U/M	DESCRIPTION
1	040944-01-000	EA	LABEL-ENTRANCE DOOR - "OPEN"

LABELS GROUP (CONTINUED)

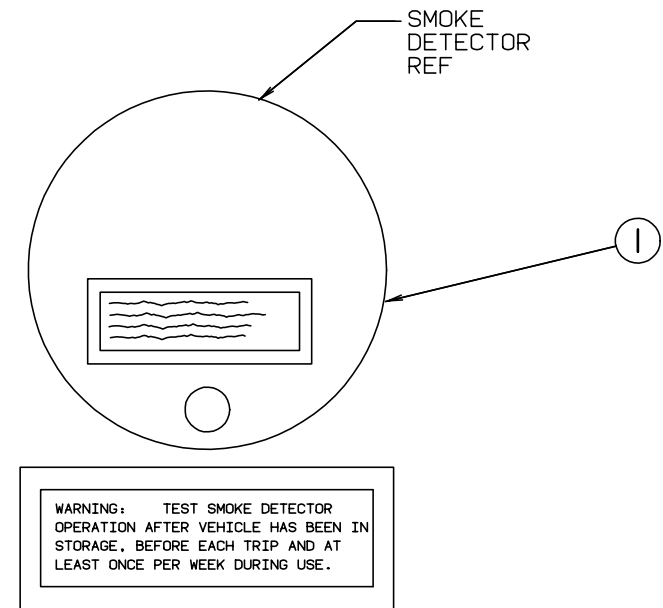


KEY	PART NUMBER	U/M	DESCRIPTION
1	065748-01-000	EA	LABEL-CAUTION-BATTERY CHARGING



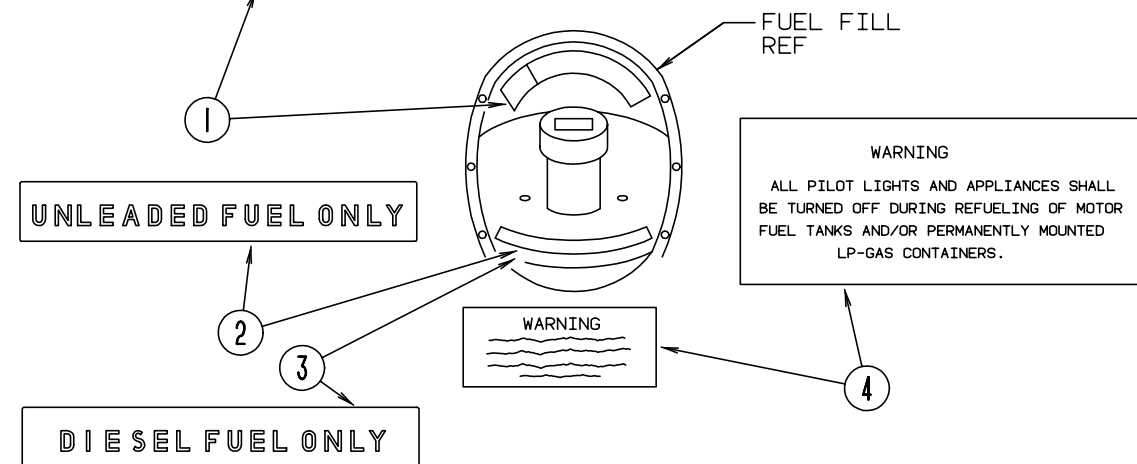
KEY	PART NUMBER	U/M	DESCRIPTION
1	006187-01-000	EA	LABEL-SEWAGE
2	006188-01-000	EA	LABEL-WASTE WATER

LABELS GROUP (CONTINUED)



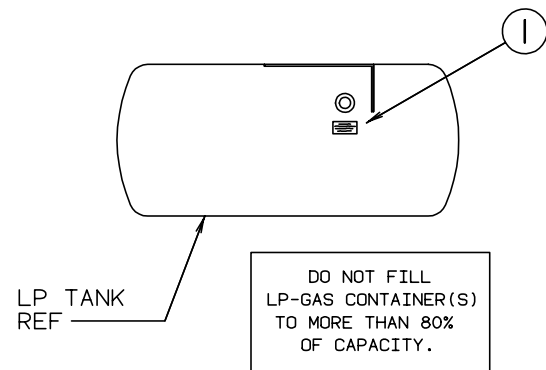
KEY	PART NUMBER	U/M	DESCRIPTION
1	077956-01-000	EA	LABEL-WARNING-SMOKE DETECTOR

CAUTION	TO HELP AVOID PERSONAL INJURY DURING REMOVAL OF FUEL FILLER CAP, SLOWLY LOOSEN CAP 1/2 TURN TO ALLOW ANY FUEL PRESSURE TO BE RELIEVED BEFORE TURNING CAP FURTHER.
FUEL SPRAY MAY CAUSE PERSONAL INJURY	STOP ADDING FUEL AFTER FIRST SHUTOFF BY AUTOMATIC NOZZLE WHEN TANK IS NEARLY FULL. DO NOT OVERFILL FUEL TANK. SEE OWNERS MANUAL FOR ADDITIONAL INFORMATION.
	PRINTED IN U.S.A. MLC PT NO 15611763



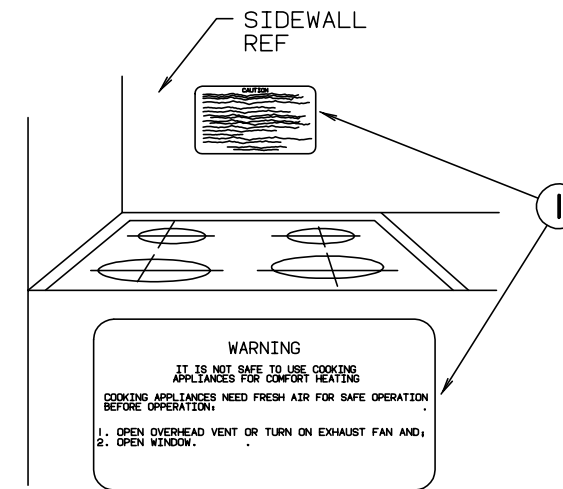
KEY	PART NUMBER	U/M	DESCRIPTION
1	087207-05-000	EA	LABEL-FUEL CAP REMOVAL
2			CHASSIS SUPPLIED
3			CHASSIS SUPPLIED
4	006040-01-000	EA	REFUEL WARNING - USA
4	006040-02-000	EA	REFUEL WARNING - CSA

LABELS GROUP (CONTINUED)

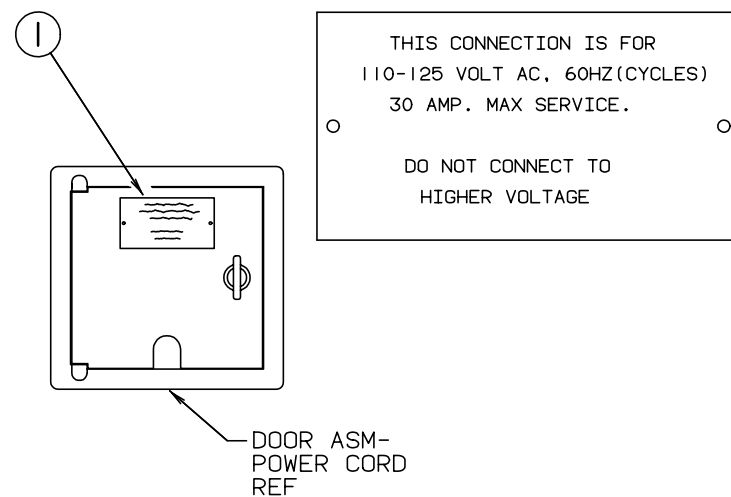


KEY	PART NUMBER	U/M	DESCRIPTION
1	079965-01-000	EA	LABEL-LPG - 80% CAPACITY

LABELS GROUP (CONTINUED)



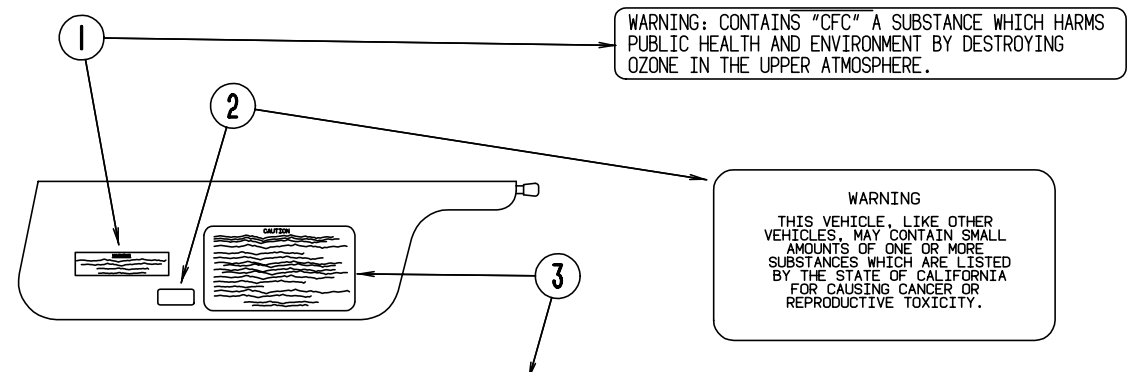
KEY	PART NUMBER	U/M	DESCRIPTION
1	050225-01-000	EA	LABEL-WARNING-STOVE VENT - US



KEY	PART NUMBER	U/M	DESCRIPTION
1	006062-01-000	EA	TAG-ELECTRIC-110V CONNECTION

MISCELLANEOUS LABELS

KEY	PART NUMBER	U/M	DESCRIPTION
	104236-01-000	EA	LABEL-GENERATOR CIRCUIT
	006064-01-000	EA	LABEL-SEAT W/O SEATBELT (US)
	006064-02-000	EA	LABEL-SEAT W/O SEATBELT (CSA)
			NOT INTENDED FOR USE WHILE COACH IN MOTION
	091224-02-000	EA	LABEL-TRAILER LIGHTING
	091243-01-000	EA	LABEL-A/C COVER - "AIR CONDITIONING CIRCUIT. ETC."
	091243-02-000	EA	LABEL-COVER - "MICROWAVE CIRCUIT. ETC."
	093236-08-000	EA	LABEL-CIRCUIT BREAKER
	098641-01-000	EA	LABEL-FUEL - UNLEADED - DASH
	073998-01-000	EA	LABEL-LPG ODOR WARNING
	087236-01-000	EA	LABEL-CABLE - INPUT
	061417-01-000	EA	LABEL-FUEL - ON FUEL FILL DOOR
	006040-01-000	EA	TAG-GAS REFUELING WARNING (US)
	006040-02-000	EA	TAG-GAS REFUEL WARNING (CANADIAN)



CAUTION

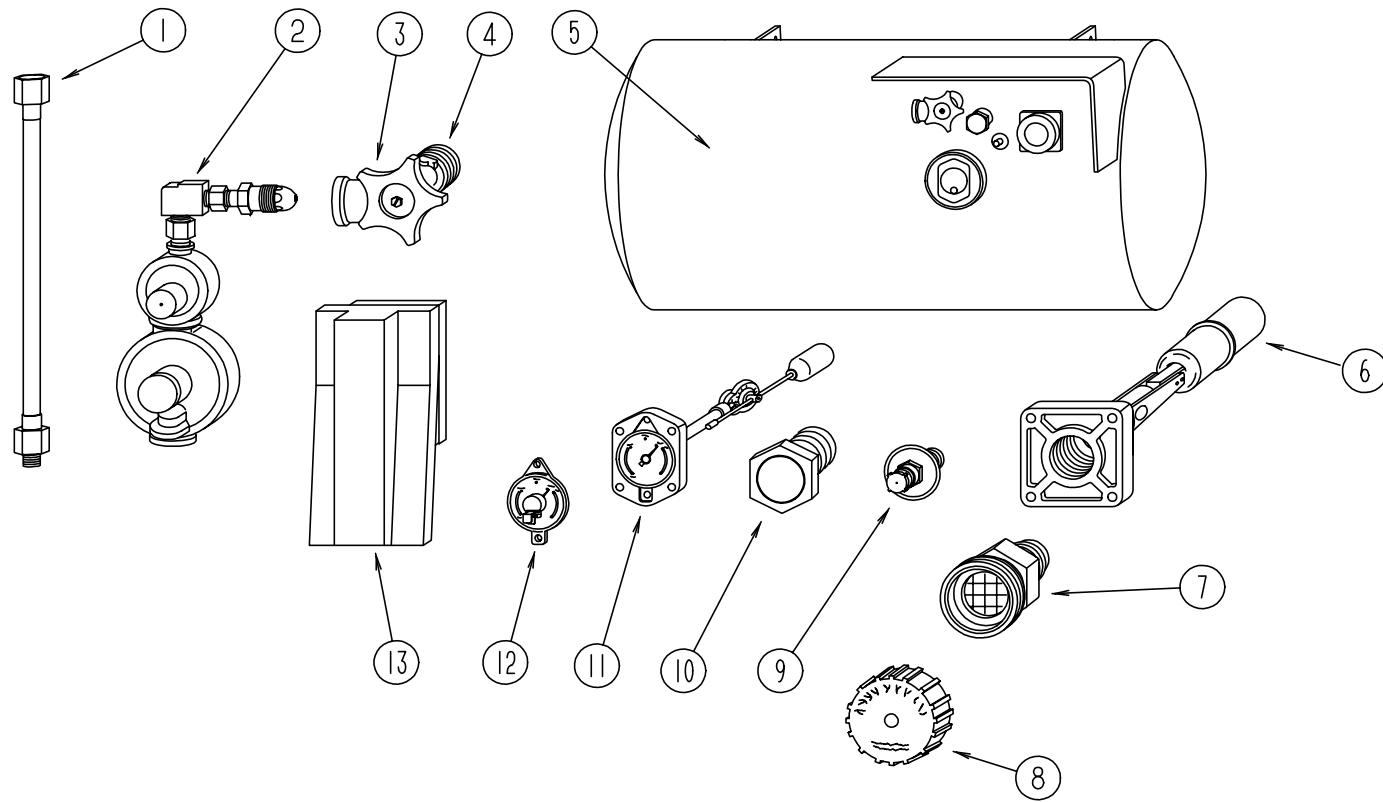
THIS MOTOR HOME HAS BEEN DESIGNED, MANUFACTURED AND TESTED WITH CONCERN FOR THE PROTECTION OF IT'S OCCUPANTS. WE RECOMMEND YOU PERFORM THE FOLLOWING INSPECTIONS FOR YOUR SAFETY AND THE SAFETY OF YOUR PASSENGERS BEFORE STARTING YOUR VEHICLE.

1. LP GAS SYSTEM- TURN OFF AT TANK FOR TRAVELING. TEST FOR LEAKS UPON ARRIVAL AT DESTINATION. BEFORE LIGHTING PILOTS.
2. WHEELS- INSPECT FOR DAMAGE AND CHECK LUG NUTS FOR TIGHTNESS.
3. TIRES- INSPECT FOR WEAR AND DAMAGE AND CHECK FOR RECOMMENDED AIR PRESSURE.
4. LIGHTING- TEST FOR PROPER OPERATION OF ALL INTERIOR AND EXTERIOR LIGHTS INCLUDING DASH LIGHTS, HEADLIGHTS, TAIL LIGHTS, BRAKE LIGHTS, CLEARANCE LIGHTS AND TURN SIGNALS.
5. EXITS- INSPECT RELEASE MECHANISM ON EMERGENCY EXIT WINDOW. TEST BOTH LOCKS ON MAIN ENTRANCE DOOR FOR EASE OF OPERATION AND INSTRUCT PASSENGERS HOW TO USE BOTH MEANS OF EXIT.
6. SEAT BELTS- DIRECT PASSENGERS TO DESIGNATED SEATS AND REQUIRE USE OF SEAT BELTS.
7. APPLIANCES- TURN OFF AND LATCH OR LOCK DOORS WHERE PROVIDED.
8. LOOSE PARCELS- STORE SECURELY.
9. UTILITY SUPPLY LINES- DISCONNECT ALL ELECTRIC, SEWER AND WATER LINES AND SECURE PROPERLY.
10. ENTRANCE DOOR STEP- PLACE IN RETRACTED POSITION FOR TRAVELING.

READ YOUR MOTOR HOME AND CHASSIS OWNER'S MANUAL FOR FURTHER PRECAUTIONS

KEY	PART NUMBER	U/M	DESCRIPTION
1	111802-01-000	EA	LABEL-CFC WARNING
2	099689-01-000	EA	LABEL-WARNING-CANCER/TOXICITY
3	056259-01-000	EA	LABEL-SAFETY CHECK LIST

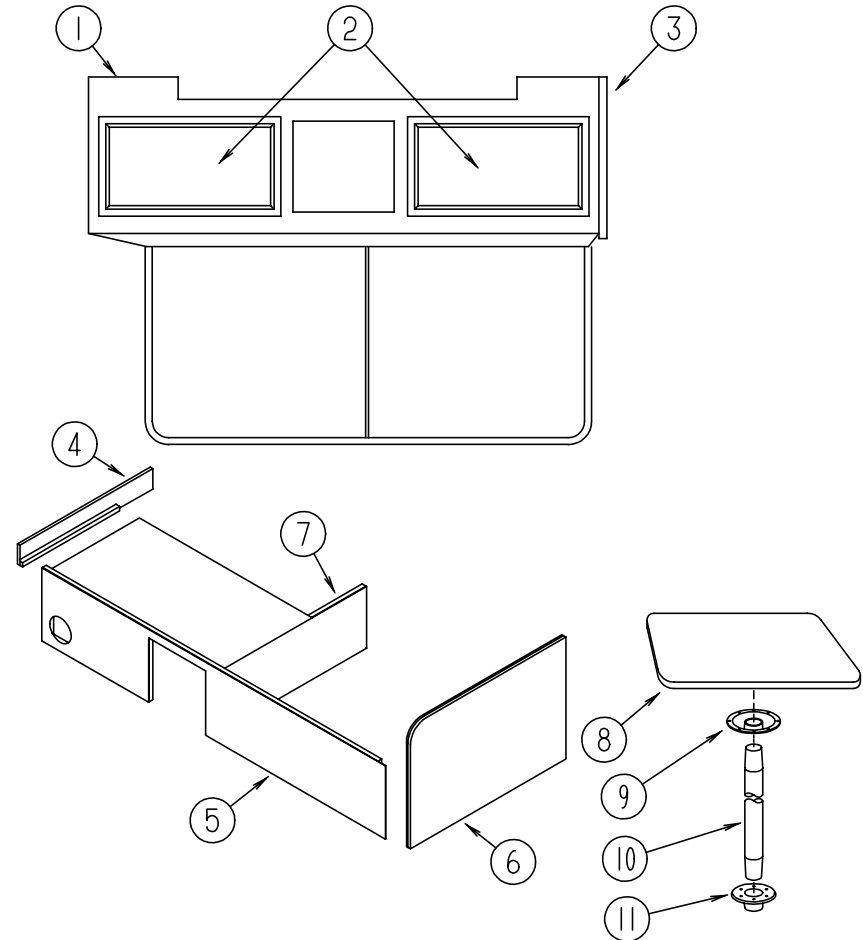
LP GROUP



LP SYSTEM

KEY	PART NUMBER	U/M	DESCRIPTION
1	045703-05-000	EA	HOSE-LP - 3/8" ID X 28" - 3/8" MPT X 1/2" F SWIVEL (US)
1	045703-06-000	EA	HOSE-LP - 3/8" ID X 28" - 3/8" MPT X 1/2" F SWIVEL (CANADA)
1	045703-09-000	EA	HOSE ASM-LP - 3/8" ID X 24" - US & CSA - 3/8" F SWI X 3/8" F SWI FROM: 01-03-95 THRU: 99-99-99
2	106150-01-000	EA	REGULATOR-TWO STAGE - M'BRASS 293-00
3	040421-01-708	EA	HANDWHEEL-SERVICE VALVE - BRUNNER G-1015-A
4	040421-01-712	EA	VALVE-SERVICE W/O VAPOR RELIEF - 29000853
5	080450-01-000	EA	TANK-LP - 42 LB - 13" DIA X 24" LONG
6	040421-01-711	EA	VALVE - 80% W/FLOAT - PLATE - BOLTS & GASKET - BRUNNER
7	040421-01-701	EA	VALVE-SHORT LP FILLER W/YELLOW CAP - BRUNNER 75478
8	040421-01-702	EA	CAP-LP FILLER VALVE - PLASTIC - YELLOW - BRUNNER G-1014-A
9	040421-01-700	EA	VALVE-LIQUID LEVEL - 20% LP - BRUNNER G-1013
10	040421-01-713	EA	VALVE-VAPOR ONLY - 29000587
11	074142-01-700	EA	FLOAT GUAGE-SCREW ON-MACHINE 13C-SCR
	074142-01-701	EA	FLOAT ASM - BOLT ON - 13C-BLT
12	040440-02-000	EA	TRANSMITTER-DIAL - 0-90 OHM
13	105658-01-000	EA	COMPARTMENT-LP REGULATOR
	010323-01-000	EA	ADAPTER-BRASS - 3/8" F X 1/2" MPT
	010377-02-000	EA	NUT-BRASS - 3/8" FEMALE - FORGED
	010380-02-000	EA	NUT-BRASS - 1/2" FEMALE - FORGED
	010329-01-000	EA	ADAPTER-BRASS-1/2" F X 1/2" MPT
	065318-02-000	EA	ELBOW - 90 DEGREE - 3/8" MPT TO 3/8" FPT
	010265-01-000	EA	ELBOW-BRASS - 90 DEGREE - 3/8" F TO 1/2" FPT
	095624-01-000	EA	ELBOW - 90 DEGREE - 1/4" FPT X 1/4" FPT - BRASS
	010252-01-000	EA	ELBOW-BRASS - 90 3/8" F X 1/2" MPT
	071391-02-000	EA	NIPPLE-HEX - 1/4" PIPE - 3325 X 4 WEATHERHEAD
	008042-01-000	FT	TUBING-VINYL - .65" ID
	103613-01-000	EA	DETECTOR-LEAK - LP GAS
	040440-02-000	EA	TRANSMITTER-DIAL - 0-90 OHM
	106150-02-000	EA	REGULATOR-TWO STAGE - M'BRASS 290-00

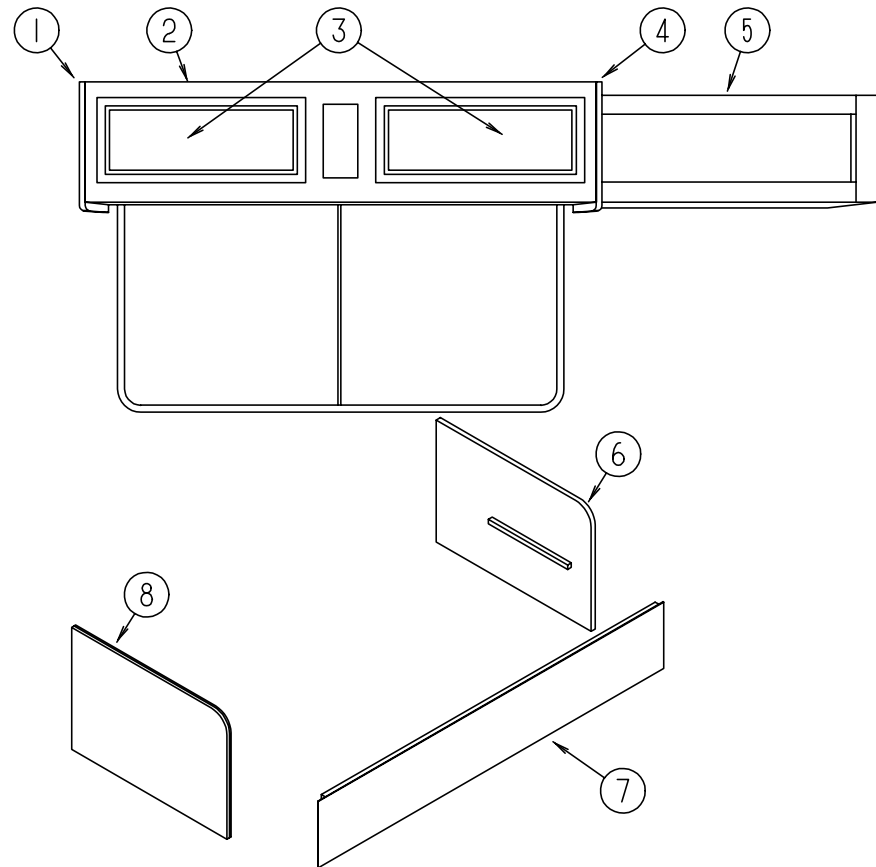
LOUNGE GROUP



DRIVER SIDE COUCH CABINETS & TABLES

KEY	PART NUMBER	U/M	DESCRIPTION
1	111166-03-F21	EA	CABINET ASM-OVERHEAD DINETTE
1	111166-03-F22	EA	CABINET ASM-OVERHEAD DINETTE
2	110140-21-F15	EA	DOOR ASM-MITERED - VINYL WRAP (MIRRORED)
	108536-04-08A	EA	MIRROR-GALAXY FLOWER - 317 X 627
2	110140-18-E01	EA	DOOR ASM-MITERED - 400 X 710 MM (WOODED PANEL)
3	109908-09-F01	EA	END CAP-CABINET - OVERHEAD
4	M04187-68-F21	EA	CABINET-COUCH W/FABRIC
4	M04187-68-F22	EA	CABINET-COUCH W/FABRIC
5	M04187-66-F21	EA	CABINET-COUCH W/FABRIC
5	M04187-66-F22	EA	CABINET-COUCH W/FABRIC
6	M04187-67-F21	EA	CABINET-COUCH W/FABRIC
6	M04187-67-F22	EA	CABINET-COUCH W/FABRIC
7	M04187-70-D29	EA	CABINET-COUCH
	082525-01-000	EA	BRACE-COUCH - FLOOR MOUNT - ANGLE 3" LONG - METAL
	083125-05-000	EA	BRACE-ANGLE - COUCH - 2.5" - BEIGE FROM: 00-00-00 THRU: 10-30-94
	083125-07-000	EA	BRACE-COUCH - OFF WHITE FROM: 10-31-94 THRU: 99-99-99
8	081298-01-E01	EA	TABLE-PEDESTAL - W/O HARDWARE & LEG (F21)
8	081298-01-E04	EA	TABLE-PEDESTAL - W/O HARDWARE & LEG (F22)
9	009040-03-000	EA	BASE-TABLE - RAISED - TABLE MOUNTED
10	009040-02-000	EA	LEG-TABLE - 27.5" X 2.25" DIA - CHROME
11	041194-01-000	EA	BASE-TABLE - FLUSH - FLOOR MOUNTED
	062046-01-000	EA	CLIP-LEG - PEDESTAL - 1.7" X 2.2" - DIA. FROM 2" TO 2.5"
	042438-02-000	EA	DOWEL-WOOD - 2" X 2"

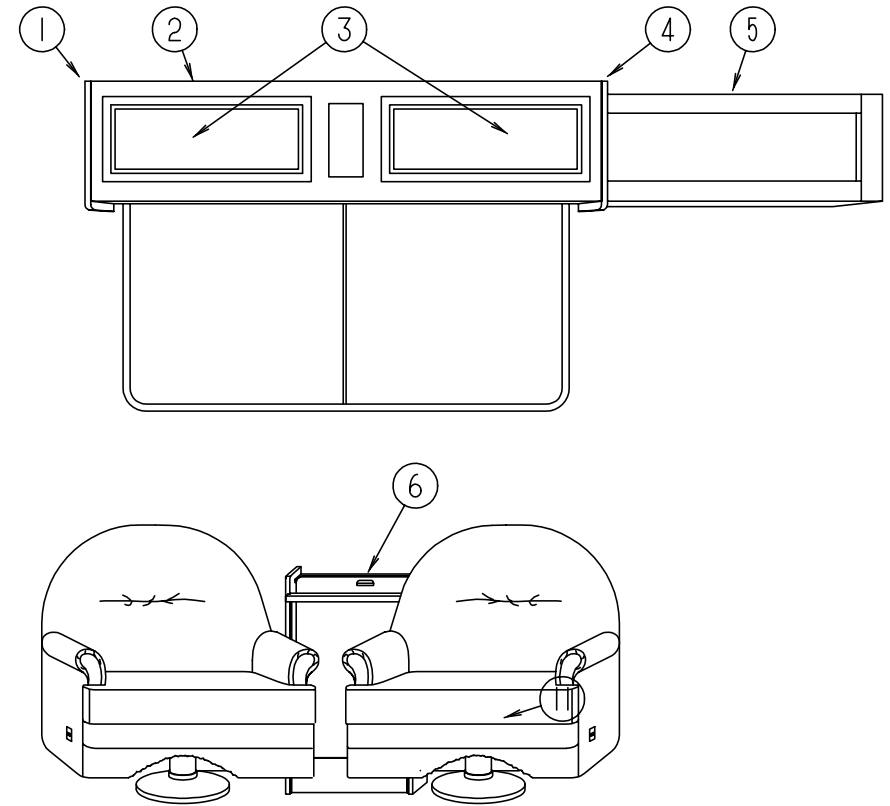
LOUNGE GROUP (CONTINUED)



PASSENGER SIDE COUCH CABINETS

KEY	PART NUMBER	U/M	DESCRIPTION
1	109908-08-F01	EA	END CAP-CABINET - OVERHEAD
2	111167-02-F21	EA	CABINET-OVERHEAD - W/O DOOR & HARDWARE
2	111167-02-F22	EA	CABINET-OVERHEAD - W/O DOOR & HARDWARE
3	110140-38-E01	EA	DOOR ASM. W/O HARDWARE - 290 X 715
4	109908-09-F01	EA	END CAP-CABINET - OVERHEAD
5	112964-01-E01	EA	CABINET ASM-OVERHEAD - ENTRANCE
6	M04187-65-F21	EA	CABINET-COUCH W/FABRIC
6	M04187-65-F22	EA	CABINET-COUCH W/FABRIC
7	M04187-63-F21	EA	CABINET-COUCH W/FABRIC
7	M04187-63-F22	EA	CABINET-COUCH W/FABRIC
8	M04187-64-F21	EA	CABINET-COUCH W/FABRIC
8	M04187-64-F22	EA	CABINET-COUCH W/FABRIC
	082525-01-000	EA	BRACE-COUCH - FLOOR MOUNT - ANGLE 3" LONG - METAL
	083125-05-000	EA	BRACE-ANGLE - COUCH - 2.5" - BEIGE
			FROM: 00-00-00 THRU: 10-30-94
	083125-07-000	EA	BRACE-COUCH - OFF WHITE
			FROM: 10-31-94 THRU: 99-99-99
	105947-01-000	EA	BRACKET-HOLD DOWN - COUCH (CANADIAN OPTION)

LOUNGE GROUP (CONTINUED)



PASSENGER SIDE SWIVEL CHAIR CABINETS & TABLE

KEY	PART NUMBER	U/M	DESCRIPTION
1	109908-08-F01	EA	END CAP-CABINET - OVERHEAD
2	111167-02-F21	EA	CABINET-OVERHEAD - W/O DOOR & HARDWARE
2	111167-02-F22	EA	CABINET-OVERHEAD - W/O DOOR & HARDWARE
3	110140-38-E01	EA	DOOR ASM. W/O HARDWARE - 290 X 715
4	109908-09-F01	EA	END CAP-CABINET - OVERHEAD
5	112964-01-E01	EA	CABINET ASM-OVERHEAD - ENTRANCE
6	M96873-01-E07	EA	TABLE-PULLOUT - W/O PULLOUT TOP PANEL
	096873-11-E01	EA	TOP PANEL - PULL OUT
	096873-13-B87	EA	END-TABLE - RIGHT
	096873-14-B87	EA	END-TABLE - LEFT
	096873-15-B87	EA	LUMBER
	096873-16-B87	EA	PANEL-ASM
	096873-12-B87	EA	SHELF
	080736-01-000	EA	PULL-RECESSED - 1.25" X 4" - OAK

SEALANTS & FASTENERS GROUP

SCREWS

KEY	PART NUMBER	U/M	DESCRIPTION
	000G54-04-20B	EA	SCREW - 1/4-20 X 1 1/4" PTH - TYPE 23 - ZINC PLATED
	000G13-05-10B	EA	SCREW - 5-12 X 5/8" PFH - ZINC
	000G11-05-08B	EA	SCREW - 5-20 X 1/2" PPH - ZINC
	000G68-06-10G	EA	SCREW - 6-18 X 5/8 POH - ANTIQUE BRASS
	000G11-06-08B	EA	SCREW - 6-20 X 1/2" PPH - ZINC
	000G13-06-08B	EA	SCREW - 6-20 X 1/2" PFH - ZINC
	000G12-06-08T	EA	SCREW - 6-20 X 1/2" POH - BLACK
	000G12-06-14A	EA	SCREW - 6-20 X .87" POH - PLAIN
	000G11-06-06B	EA	SCREW - 6-20 X 3/8" PPH - ZINC
	000G11-06-10J	EA	SCREW - 6-20 X 5/8" PPH - BRASS
	000G13-06-16J	EA	SCREW - 6-20 X 1.00" PFH - BRASS
	000G13-06-24J	EA	SCREW - 6-20 X 1.50" PFH - BRASS
	000G11-07-08B	EA	SCREW - 7-19 X .50" PPH - ZINC
	000G13-07-12B	EA	SCREW - 7-19 X .75" PFH - ZINC
	000G11-08-06B	EA	SCREW - 8-18 X 3/8" PPH - ZINC
	000G11-08-08B	EA	SCREW - 8-18 X .50" PPH - ZINC
	000G12-08-12S	EA	SCREW - 8-18 X .75" POH - OFF WHITE
	000G11-08-12B	EA	SCREW - 8-18 X .75" PPH - ZINC
	000G11-08-12T	EA	SCREW - 8-18 X .75" PPH - BLACK
	000G11-08-12S	EA	SCREW - 8-18 X .75" PPH - OFF WHITE
	000G11-08-12E	EA	SCREW - 8-18 X .75" PPH - CHROME
	000G11-08-12P	EA	SCREW - 8-18 X .75" PPH - DARK BROWN
	OG1108-12-170	EA	SCREW - 8-18 X .75" PPH - BRIGHT WHITE
	OG1208-12-170	EA	SCREW - 8-18 X .75" POH - BRIGHT WHITE
	000G13-08-10B	EA	SCREW - 8-18 X 5/8" PFH - ZINC
	000G11-08-16S	EA	SCREW - 8-18 X 1.00" PPH - OFF WHITE
	000G11-08-20B	EA	SCREW - 8-18 X 1.25" PPH - ZINC
	074046-01-000	EA	SCREW - 8-18 X 1.50 PFH - BRONZE
	000G67-10-08B	EA	SCREW - 10-12 X .50" PPH - ZINC
	000G67-10-08R	EA	SCREW - 10-12 X .50" PPH - BEIGE - TYPE A
	OG6710-08-170	EA	SCREW - 10-12 X .50" PPH - BRIGHT WHITE - TYPE A
	000G67-10-10B	EA	SCREW - 10-12 X 5/8 PPH ZINC - TYPE A
	000G67-10-10D	EA	SCREW - 10-12 X 5/8 PPH - BLACK - TYPE A
	000G67-10-10S	EA	SCREW - 10-12 X 5/8" - PPH - OFF WHITE
	000G67-10-120	EA	SCREW - 10-12 X .75" PPH - TAN
	000G67-10-12B	EA	SCREW - 10-12 X .75" PPH - ZINC
	000G67-10-12P	EA	SCREW - 10-12 X .75" - PPH - DARK BROWN
	000G67-10-12R	EA	SCREW - 10-12 X .75 PPH - BEIGE
	000G67-10-16B	EA	SCREW - 10-12 X 1" PPH - ZINC
	000G67-10-16P	EA	SCREW - 10-12 X 1" PPH - DARK BROWN
	000G67-10-20D	EA	SCREW - 10-12 X 1.25" PPH - BLACK
	000G67-10-24B	EA	SCREW - 10-12 X 1.50" PPH - ZINC
	000G67-10-32B	EA	SCREW - 10-12 X 2" PPH - ZINC
	000G67-10-36T	EA	SCREW - 10-12 X 2.25" PPH - BLACK
	000G11-10-12S	EA	SCREW - 10-16 X .75" PPH - OFF WHITE
	000G11-10-16B	EA	SCREW - 10-16 X 1.00" PPH - ZINC
	000G32-10-06B	EA	SCREW - 10-32 X 3/8" PPH - ZINC
	000G42-04-12B	EA	SCREW - SF/DR - 1/4-14 X .75" HWH - ZINC
	000G42-04-16B	EA	SCREW - SF/DR - 1/4-14 X 1" HWH - ZINC
	000G39-06-08B	EA	SCREW - SF/DR - 6-18 X 1/2" - ZINC
	000G39-06-10T	EA	SCREW - SF/DR - 6-20 X 5/8" PPH - BLACK
	OG3908-08-170	EA	SCREW - SF/DR - 8-18 X .50" PPH - BRIGHT WHITE
	000G39-08-08B	EA	SCREW - SF/DR - 8-18 X .50" PPH - ZINC
	000G39-08-08S	EA	SCREW - SF/DR - 8-18 X .50" PPH - OFF WHITE
	000G39-08-06B	EA	SCREW - SF/DR - 8-18 X 3/8" PPH - ZINC
	000G39-08-12B	EA	SCREW - SF/DR - 8-18 X .75" PPH - ZINC
	000G39-08-16B	EA	SCREW - SF/DR - 8-18 X 1" PPH - ZINC
	OG3908-16-170	EA	SCREW - SF/DR - 8-18 X 1.00" PPH - BRIGHT WHITE
	000G39-08-16S	EA	SCREW - SF/DR - 8-18 X 1.00" PPH - OFF WHITE
	000G39-08-24B	EA	SCREW - SF/DR - 8-18 X 1 1/2" PPH - ZINC
	000G39-10-08B	EA	SCREW - SF/DR - 10-16 X .50" P&H - ZINC
	OG3910-12-170	EA	SCREW - SF/DR - 10-16 X .75" PPH - BRIGHT WHITE
	000G39-10-12D	EA	SCREW - SF/DR - 10-16 X .75" PPH - BLACK

SEALANTS & FASTENERS GROUP (CONTINUED)

SCREWS (CONTINUED)

KEY	PART NUMBER	U/M	DESCRIPTION
	000G39-10-12R	EA	SCREW - SF/DR - 10-16 X .75" PPH - BEIGE
	000G39-10-20B	EA	SCREW - SF/DR - 10-16 X 1.25" PPH - ZINC
	000G60-10-28T	EA	SCREW - SF/DR - 10-16 X 1.75" - BLACK
	000G39-12-12E	EA	SCREW - SF/DR - 12-14 X .75" PPH - CHROME
	000G46-08-24T	EA	SCREW - MACHINE - 8-32-1.50" PFH - BLACK
	000G50-04-12B	EA	SCREW - MACHINE - 1/4-20 X .75" PPH - ZINC
	000G52-08-18B	EA	SCREW - MACHINE - 8-32 X 11/8" PTH - ZINC
	000G53-04-06B	EA	SCREW - MACHINE - 1/4-20 X 3/8" PPH - ZINC - UNDERCUT HEAD
	075908-01-000	EA	SCREW - MACHINE - 10-32 X .56 PTH - ZINC - EXTERNAL TOOTH
	000G56-12-48B	EA	SCREW - WOOD - 12-11 X 3" POH - SPECIAL HARDENED
	087721-01-000	EA	SCREW - FLAT HEAD - TAPPING - 1/4" X 1 1/4" LG - ZINC
	097974-01-000	EA	SCREW - PART BD - 7-9 X .75 PPH - FHM 0543 PLAIN
	101618-01-000	EA	SCREW - 1/4-20 X 3/4 - HEX/TAPPING - STALGARD TYPE F

BOLTS, NUTS & WASHERS

KEY	PART NUMBER	U/M	DESCRIPTION
	000G45-05-16B	EA	BOLT-LAG - 5/16" - 9 X 1 ZN
	000C12-05-16B	EA	BOLT-HEX - 5/16"-18 X 1" - ZINC 5
	000C12-06-32B	EA	BOLT-HEX - 3/8"-16 X 2" LG - ZINC 5
	000C12-06-16B	EA	BOLT-HEX - 3/8"-16 X 1" LG - ZINC 5
	000C12-07-24B	EA	BOLT-HEX - 7/16"-14 X 1.50" - ZINC 5
	000C12-08-24B	EA	BOLT-HEX - 1/2"-13 X 1 1/2" - ZINC 5
	000C12-09-20B	EA	BOLT-HEX - 9/16"-12 X 1 1/4" - ZINC 5
	000C12-10-24B	EA	BOLT-HEX - 5/8"-11 X 1 1/2" - ZINC 5
	000C13-07-48B	EA	BOLT-HEX - 7/16"-20 X 3" - ZINC 5
	0MC31K-08-020	EA	BOLT-HEX - SERRATED FLANGE - M8 X 020
	000C26-04-10B	EA	BOLT-HEX - SERRATED FLANGE - 1/4" 20 X 5/8" - ZINC
	000C26-04-14B	EA	BOLT-HEX - SERRATED FLANGE - 1/4" X 20 X 7/8" - ZINC
	000C26-05-16B	EA	BOLT-HEX - SERRATED FLANGE - 5/16" 18 X 1" - ZINC
	000C26-05-12B	EA	BOLT-HEX - SERRATED FLANGE - 5/16" 18 X 3/4" - ZINC
	000C26-06-12B	EA	BOLT-HEX - SERRATED FLANGE - 3/8" 16 X 3/4" - ZINC
	000C18-05-40A	EA	BOLT-ELEVATOR - 5/16"-18 X 2 1/2" PL
	000C18-06-48B	EA	BOLT-ELEVATOR - 3/8"-16 X 3" ZINC - GRADE 5
	000D34-06-00B	EA	NUT-HEX -LOCKING - 3/8 - 16 GRADE C ZN - PREVAILING TORQUE
	000D24-10-00B	EA	NUT-HEX - SF/LOCKING - 10-32 ZINC
	000D29-09-00B	EA	NUT-HEX - SF/LOCKING - 9/16 - 12 ZINC
	000D39-04-00B	EA	NUT-HEX - SERRATED FLANGE LOCKING - 1/4-20 - ZINC
	000D39-05-00B	EA	NUT-HEX - SERRATED FLANGE LOCKING - 5/16-18 - ZINC
	000D39-06-00B	EA	NUT-HEX - SERRATED FLANGE LOCKING - 3/8-16 - ZINC
	000D39-08-00B	EA	NUT-HEX - SERRATED FLANGE LOCKING - 1/2-13 - ZINC
	000D44-07-00B	EA	NUT-HEX - SERRATED FLANGE LOCKING - 7/16-20 - ZINC
	000D46-04-00A	EA	NUT-HEX - WELD - 1/4-20 - PLAIN - SHORT PILOT
	000E11-07-00B	EA	WASHER-LOCKING - 7/16" - MED SPLIT - ZINC
	000E11-08-00B	EA	WASHER-LOCKING - 1/2" MED SPLIT - ZINC
	000E14-10-00B	EA	WASHER-LOCKING - NO 10 EXT TOOTH - ZINC
	000E13-14-00B	EA	WASHER-FLANGE - 1/4" WIDE - ZINC
	000E13-17-00B	EA	WASHER-FLANGE - 3/8" AR - ZINC
	000E13-20-00B	EA	WASHER-FLANGE - 7/16" WIDE - ZINC
	000E13-21-00B	EA	WASHER-FLANGE - W/2 NAR - ZINC
	041322-01-000	EA	WASHER-FLANGE - 15/32" ID X 2 3/8" OD - FOR SEAT BELT MOUNT
	000E13-18-00B	EA	WASHER-FLANGE - 3/8" WIDE - ZINC
	044533-01-000	EA	WASHER-PLASTIC - 1 3/8" OD - FOR BUTTONS

SEALANTS & FASTENERS GROUP (CONTINUED)

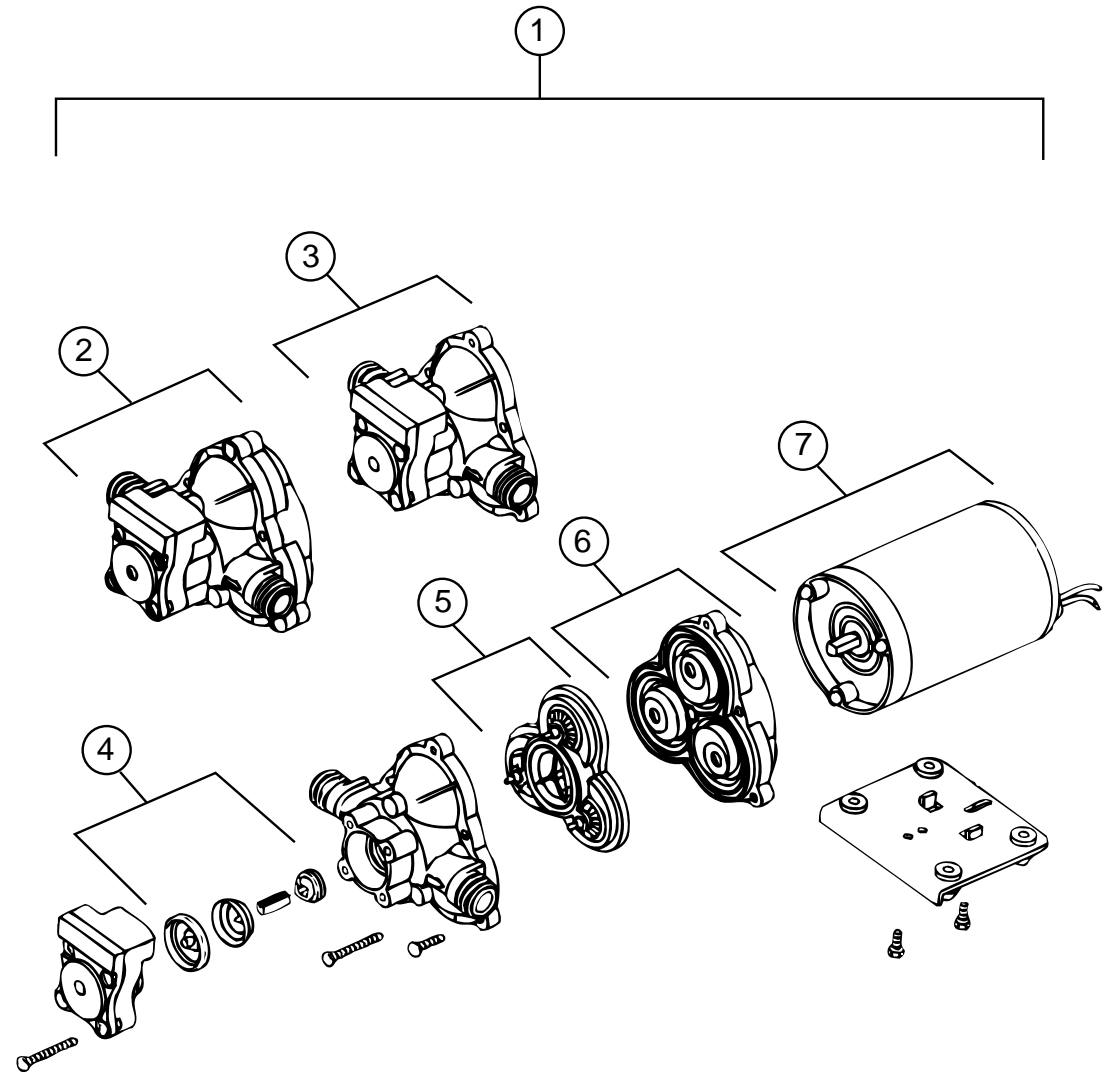
ADHESIVE & FASTENERS

KEY	PART NUMBER	U/M	DESCRIPTION
	114311-01-000	GL	ADHESIVE-GLUE #72-7843 NATL STARC
	034552-02-000	EA	SILICONE-TUBE - 300 ML - W/O NOZZLE - CLEAR
	034552-06-000	EA	SILICONE-TUBE - 300 ML - W/O NOZZLE - OFF WHITE
	034552-15-000	EA	SILICONE - TUBE 300 ML - W/O NOZZLE - BRIGHT WHITE
	900390-01-000	EA	TIP - 2 1/2" X 1/8" ORIFICE
	900390-03-000	EA	NOZZLES-#CSL D10
	002707-02-000	FT	TAPE-SEALER - 6/16" X 1/2"
	053766-02-000	EA	BEDDING COMPOUND-TUBE - WHITE SCHNEE# 5522
	053766-06-000	EA	BEDDING COMPOUND-TUBE - CLEAR
	053766-08-000	EA	BEDDING COMPOUND-TUBE - GRAY - SCHNEE# 5522
	063642-01-000	FT	TAPE-ADHESIVE - 10 MM X 1.5" WIDE X 180'
	091255-02-000	FT	SEAL-ADHESIVE BACKED FOAM, .18" THICK X 1.5" WIDE
	069640-01-000	FT	SEALER-RIBBON - 1/4" DIAMETER - INCREMENTS OF 30'
	069640-02-000	FT	SEALER-RIBBON - 1/2" X 1/8" - INCREMENTS OF 60'
	069640-03-000	FT	SEALER-RIBBON - 3/4" X 1/8" - INCREMENTS OF 60'
	069640-07-000	FT	SEALER-RIBBON - 2" X 3/32" - INCREMENTS OF 45'
	069640-10-000	FT	SEALER-RIBBON - 2" X 3/32" - INCREMENTS OF 45'
	069640-11-000	FT	SEALER-TAPE - 3/16" X 3/8" - BLACK - MANUS
	076314-02-000	FT	TAPE-CARPET SEAM - HEAT-BOND - 4" WIDE
	076322-01-000	FT	TAPE-FOAM - DOUBLE COATED ADHESIVE BACKED - .75" X 216'
	076322-03-000	FT	TAPE-FOAM - DOUBLE COATED ADHESIVE BACKED - .5" X 108'
	076322-05-000	FT	TAPE-FOAM - DOUBLE COATED ADHESIVE BACKED - .025" X 1.5" X 108'
	087211-01-000	GL	PROMOTER-ADHESIVE
	094401-01-000	EA	SEALER-BODY SEAM SEALER
	102352-01-000	EA	SEALER-PUMPABLE - BLACK - COLORIMETRIC MS101
	108716-01-000	EA	SILICONE-TUBE - OFF WHITE LEVEL - CSL 510

CLAMPS, GROMMETS, CLIPS, HOLDERS & RIVETS

KEY	PART NUMBER	U/M	DESCRIPTION
	008343-01-000	EA	TIE-WIRE - 6"
	000H16-04-06R	EA	RIVET-POP - AL 1/8 X .313-.375
	069592-02-000	EA	RIVET-T - POP - 1/4" X .093" X .156"
	108046-01-000	EA	CABLE TIE-SCREW MOUNT 8" DENNISON 08415
	108046-02-000	EA	CABLE TIE-SCREW MOUNT 15" DENNISON 10035
	007161-01-000	EA	CLAMP-HOSE - SPRING TYPE - 1/2"
	062401-03-000	EA	CLAMP-HOSE, WORMGEAR - .22" - 1"
	062401-11-000	EA	CLAMP-HOSE, WORMGEAR 3.56" - 4.5"
	010495-01-000	EA	CLAMP-CABLE - 9/16"
	010497-01-000	EA	CLAMP-CLOSED - 5/8" ID
	010499-01-000	EA	CLAMP-CLOSED - 3/8" ID
	010497-03-000	EA	CLAMP-CLOSED - 1" ID - CUSHIONED
	010497-04-000	EA	CLAMP-CLOSED, 1.62 ID ADEL, 945-2717
	083610-02-000	EA	CLAMP-WIRE -DUAL UNEQUAL DIA
	085774-01-000	FT	FASTENER-DUAL HOOK, 1" WIDE - ADHESIVE BACK - BLACK
	085774-02-000	FT	FASTENER-DUAL LOOP, 1" WIDE - ADHESIVE BACK - BLACK
	016188-03-000	EA	GROMMET-L/P LINE - 3/8" HOLE X 2 1/2" LONG - RUBBER
	071015-26-000	EA	GROMMET- RUBBER - 1.5" X 2.12" OD W/.06 GROOVE - BLACK
	056134-01-000	EA	HOLDER-RING - 3.6" DIAMETER - METAL
	062401-01-000	EA	CLAMP-HOSE - WORMGEAR .25" - 1"
	062401-04-000	EA	CLAMP-HOSE - WORMGEAR .69" - 1.25"
	062401-06-000	EA	CLAMP-HOSE - WORMGEAR .22"-.62"
	023942-01-000	EA	GROMMET-RUBBER, 2" OD
	114208-02-000	EA	GROMMET-EDGE LINER, FITS .625 HEYCO 2073
	077953-01-000	EA	GROMMET-EDGE LINER, FITS 1"
	075148-02-000	EA	CLAMP-GROUNDING - BRONZE SCREWS
	080734-02-000	EA	CLIP-WIRE - NYLON
	101447-01-000	EA	CLIP-U TYPE - TINNEMAN
	083609-01-000	EA	CLAMP-WIRE - DUAL EQUAL - 5/8" DIAMETER
	083610-01-000	EA	CLAMP-WIRE - DUAL - UNEQUAL DIAMETERS - .75" & 1.25"
	091952-01-000	EA	CLIP-GRIPPER - 1"
	091952-02-000	EA	CLIP-GRIPPER - 3/4"

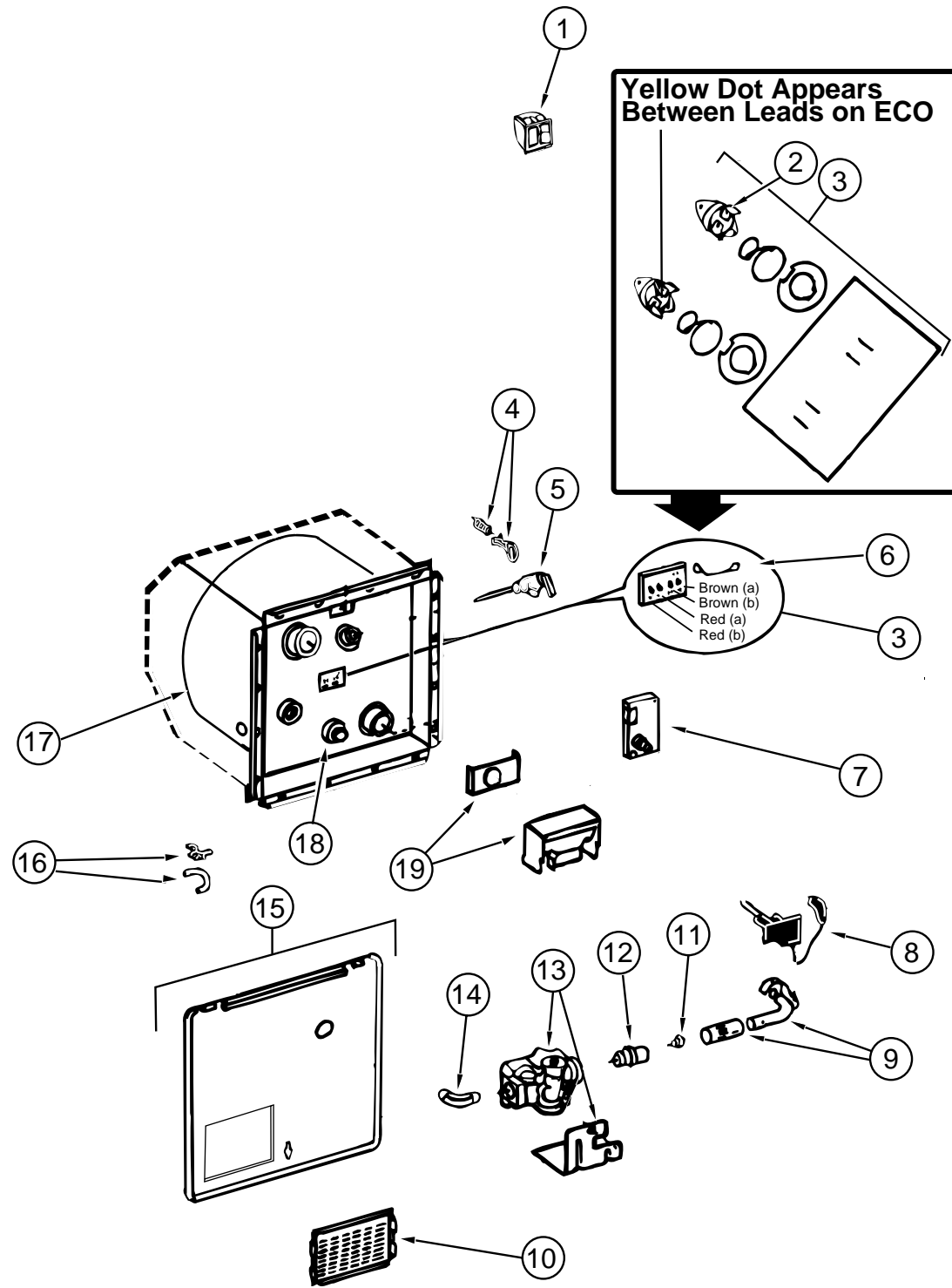
WATER & SEWAGE GROUP



WATER PUMP

KEY	PART NUMBER	U/M	DESCRIPTION
1	098607-01-000	EA	PUMP-WATER - W/.5" MPT FITTING - FLOW 2.8 GPM - UL
2	098607-01-700	EA	PUMPHEAD-REPLACEMENT - SHURFLO 94-236-08
3	098607-01-706	EA	SWITCH ASM-COMplete - SHURFLO 94-230-00
4	098607-01-705	EA	CHECK VALVE-KIT - SHURFLO 94-237-00
5	098607-01-703	EA	VALVE ASM - SHURFLO 94-232-00
6	098607-01-702	EA	DIAPHRAGM-KIT - SHURFLO 94-233-10
7	098607-01-707	EA	MOTOR/BASEPLATE REPLACEMENT - SHURFLO 94-234-03

WATER & SEWAGE GROUP (CONTINUED)



WATER HEATER W/ELECTRIC IGNITION

KEY	PART NUMBER	U/M	DESCRIPTION
	051391-03-000	EA	HEATER-WATER - W/ELECTRIC IGNITION - ATWOOD G6A-7E
1	097967-01-000	EA	SWITCH-WATER HEATER - REMOTE W/LIGHT - ATWOOD 91959
2	051391-04-701	EA	THERMOSTAT 12 VDC-120 PRESET - ATWOOD# 91470
3	051393-01-721	EA	ECO & THERMOSTAT ASM-FRONT MOUNT, 140 DEGREE - ATWOOD# 91447
4	051391-01-705	EA	FASTENER-CAMLOC - ATWOOD# 92609
5	051391-01-704	EA	VALVE-RELIEF - 1/2" FITTING - ATWOOD# 91604
6	051393-01-723	EA	SWITCH-THERMAL-CUT OFF (2/PKG) - ATWOOD# 93866
7	051393-01-724	EA	CIRCUIT BOARD-SPADE TERMINAL - ATWOOD# 93867-ELECTRIC IGNITION
8	051393-01-725	EA	ELECTRODE-SINGLE SPADE CONNECT. - ATWOOD# 93868-SPARK PROBE
9	051391-04-703	EA	BURNER-MAIN - ATWOOD# 91638
10	051391-01-717	EA	GRILLE ONLY(GOES ON THE DOOR)
11	051391-01-710	EA	ORIFICE-MAIN BURNER - ATWOOD# 92742

WATER & SEWAGE GROUP (CONTINUED)

WATER HEATER W/ELECTRIC IGNITION (CONTINUED)

KEY	PART NUMBER	U/M	DESCRIPTION
12	051391-03-700	EA	ORFICE-HOLDER - ATWOOD# 91563
13	051393-01-726	EA	SOLENOID VALVE AND BRACKET - ATWOOD# 93870-WHITE-ROGERS
14	051391-01-714	EA	ELBOW - 45 DEGREE - 3/8"F X 3/8"MPT - ATWOOD 91044
15	052009-01-000	EA	DOOR-WATER HEATER - ATWOOD 5576-27 - OFF WHITE
15	052009-06-000	EA	DOOR-WATER HEATER - ATWOOD - BRIGHT WHITE
	116424-01-000	EA	PROTECTOR-WATER HEATER LATCH
16	051391-01-700	EA	HINGE KIT-W/CLIP - ATWOOD # 92568 & 92559
17	051391-04-706	EA	TANK-INNER - G6A-3E - FRONT MOUNT - ATWOOD# 91641
18	051391-01-715	EA	DRAIN PLUG - ATWOOD# 91561
19	051391-01-706	EA	KIT-FLUE - & GASKET - ATWOOD# 92787

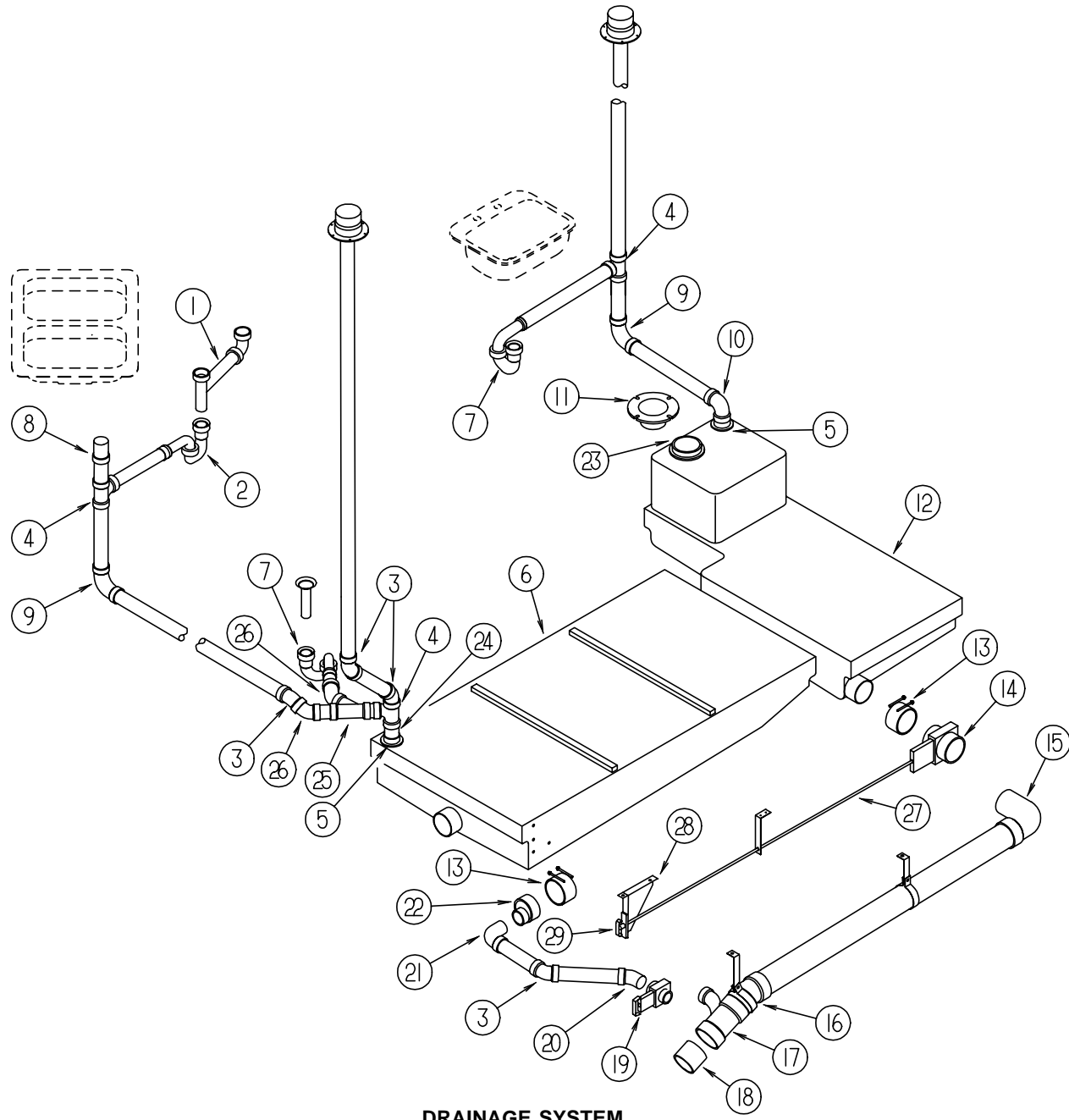
WATER HEATER W/MOTOR AID

KEY	PART NUMBER	U/M	DESCRIPTION
	051393-01-000	EA	WATER HEATER - ATWOOD GH6-7E - ELECT IGNITION
1	097967-01-000	EA	SWITCH-WATER HEATER - REMOTE W/LIGHT - ATWOOD 91959
2	051391-04-701	EA	THERMOSTAT 12 VDC-120 PRESET - ATWOOD# 91470
3	051393-01-721	EA	ECO & THERMOSTAT ASM-FRONT MOUNT - 140 DEGREE - ATWOOD# 91447
4	051391-01-705	EA	FASTENER-CAMLOC - ATWOOD# 92609
5	051391-01-704	EA	VALVE-RELIEF - 1/2" FITTING - ATWOOD# 91604
6	051393-01-723	EA	SWITCH-THERMAL-CUT OFF (2/PKG) - ATWOOD# 93866
7	051393-01-724	EA	CIRCUIT BOARD-SPADE TERMINAL - ATWOOD# 93867-ELECTRIC IGNITION
8	051393-01-725	EA	ELECTRODE-SINGLE SPADE CONNECT. - ATWOOD# 93868-SPARK PROBE
9	051391-04-703	EA	BURNER-MAIN - ATWOOD# 91638 - 4E AND 6E MODELS
10	051391-01-717	EA	GRILLE ONLY(GOES ON THE DOOR)
11	051391-01-710	EA	ORIFICE-MAIN BURNER - ATWOOD# 92742
12	051391-03-700	EA	ORFICE-HOLDER - ATWOOD# 91563
13	051393-01-726	EA	SOLENOID VALVE AND BRACKET - ATWOOD# 93870-WHITE-ROGERS
14	051391-01-714	EA	ELBOW - 45 DEGREE - 3/8"F X 3/8"MPT - ATWOOD 91044
15	052009-01-000	EA	DOOR-WATER HEATER - ATWOOD 5576-27 - OFF WHITE
15	052009-06-000	EA	DOOR-WATER HEATER - ATWOOD - BRIGHT WHITE
	116424-01-000	EA	PROTECTOR-WATER HEATER LATCH
16	051391-01-700	EA	HINGE KIT-W/CLIP - ATWOOD # 92568 & 92559
17	051393-03-703	EA	TANK-INNER - FRONT MOUNT - GH6-4E & 6E - ATWOOD 91642
18	051391-01-715	EA	DRAIN PLUG - ATWOOD# 91561
19	051391-01-706	EA	KIT-FLUE - & GASKET - ATWOOD# 92787

EXTERIOR SHOWER

KEY	PART NUMBER	U/M	DESCRIPTION
	103092-01-000	EA	HEAD-SHOWER - W/60" HOSE
	103092-02-000	EA	HEAD-SHOWER - W/60" HOSE - CANADIAN
	103092-01-700	EA	BRACKET-SHOWER HEAD - CLEAR
	103092-01-701	EA	BRACKET-SHOWER HEAD - BONE
	103092-01-702	EA	SEALS-SPRAY HEAD
	075241-05-000	EA	FAUCET-SHOWER - BONE
	093527-02-000	EA	BRACKET-SHOWER HEAD

WATER & SEWAGE GROUP (CONTINUED)



DRAINAGE SYSTEM

KEY	PART NUMBER	U/M	DESCRIPTION
1	011091-02-000	EA	PIPE-DRAIN - W/SEALS - DOUBLE SINK - EXTENDS 9" TO 16" (U.S.)
1	011091-03-000	EA	PIPE-DRAIN - W/SEALS - DOUBLE SINK - EXTENDS 9" TO 16" (CANADIAN)
2	109571-01-000	EA	ADAPTER-P TRAP - 1.5" P X 1 1/4" MPT
2	107538-01-000	EA	P-TRAP-PLASTIC - 1 1/4" W/EXT ARM (US)
2	011071-01-000	EA	P-TRAP - 1.5" - PLASTIC (CSA)
3	010006-01-000	EA	ELBOW - 45 DEGREE - 1/8 BEND - 1.5" HUB X HUB - BLACK PLASTIC
4	010071-01-000	EA	TEE-SANITARY - 1.5" HUB X HUB X HUB - PLASTIC - BLACK
5	061607-01-000	EA	GROMMET-HOLDING TANK - 1.5" NPS
6	102762-01-000	EA	TANK-HOLDING - 42 GALLON - 57.4" X 8.4" X 29"
7	109571-01-000	EA	ADAPTER-P TRAP - 1.5" P X 1 1/4" MPT
7	107538-01-000	EA	P-TRAP-PLASTIC - 1 1/4" W/EXT ARM (US)
7	011066-03-700	EA	P-TRAP-1 1/4" HUB X SLIP JOINT - W/UNION - ABS (CSA)
7	011069-02-000	EA	TAILPIECE-TUB/SHOWER - 1 1/2" X 1 1/4" X 4" - BRASS
8	079968-01-000	EA	VENT-MECHANICAL TRAP ARM - ANTI-SIPHON - 2" DIA X 7.3" - PLASTIC
9	010008-01-000	EA	ELBOW - 90 DEGREE - 1/4 BEND - 1.5" HUB X HUB - BLACK PLASTIC
10	034250-01-000	EA	ELBOW - 90 DEGREE - LONG TURN - 1.5" HUB X HUB - ABS
11	063641-01-000	EA	FLANGE-TOILET
12	108593-01-000	EA	TANK-HOLDING - 27 GALLON

WATER & SEWAGE GROUP (CONTINUED)

DRAINAGE SYSTEM (CONTINUED)

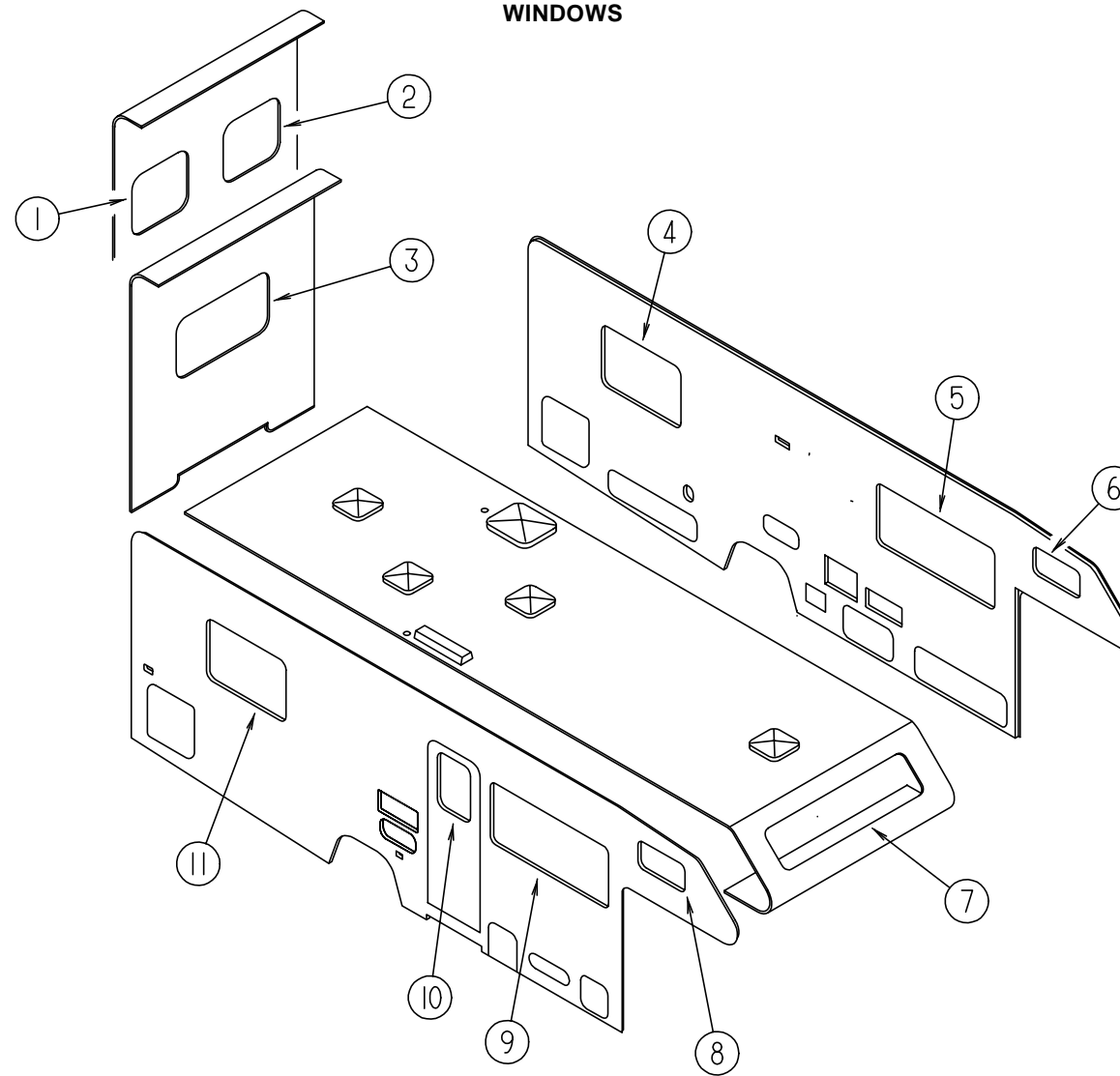
KEY	PART NUMBER	U/M	DESCRIPTION
13	078406-01-000	EA	COUPLER-RUBBER - W/CLAMPS - 3" X 3"
14	062418-02-000	EA	VALVE-DUMP - 3" - W/O HANDLE
15	041956-01-000	EA	ELBOW-STREET - PLASTIC - 1/4" BD 3 X 90 XLT
16	010023-01-000	EA	ELBOW-PLASTIC - ST 1/16 BD 3 X 22.5' - NIBCO 5808-3
17	031365-01-000	EA	TEE-PLASTIC - 3" X 3" X 1.5" EXTRA LONG TURN - NICO 5812-LR-3-3-2
18	109450-01-000	EA	ADAPTER-PLASTIC HOSE - SEWER - KEVCO 40738
18	062416-01-000	EA	HOSE ADAPTER - 3"
18	010201-01-000	EA	HOSE-SEWER - 3" ID X 8'
19	062421-01-000	EA	VALVE-DUMP - 1.5" - W/HANDLE
20	010051-01-000	EA	ELBOW - 45 DEGREE BEND - 1.5" SPIGOT AND HUB - PLASTIC - BLACK
21	033761-01-000	EA	ELBOW-TURN - 1/4 BEND X 1.5"HUB X 1.5"SPIGOT - BLK PLASTIC
22	062422-01-000	EA	ADAPTER-OFFSET REDUCER - 3" X 1 1/2" - PLASTIC - BLACK
23	061607-02-000	EA	GROMMET-HOLDING TANK - 3" NPS
24	010115-01-000	EA	COUPLING - 1 1/2" HUB X HUB - PLASTIC
25	010073-01-000	EA	WYE - 45 DEGREE - 1 1/2" HUB X HUB X HUB - PLASTIC - BLACK
26	010051-01-000	EA	ELBOW - 45 DEGREE BEND - 1.5" SPIGOT AND HUB - PLASTIC - BLACK
27	062419-04-000	EA	HANDLE-EXTENSION - W/TAPPED END - KEVCO 1046UP
28	062419-05-000	EA	BRACKET-VALVE - LOCKING - KEVCO T1003-UC
29	062419-06-000	EA	HANDLE-T - KEVCO CT1003-6

FRESH WATER TANK & WATER SYSTEM

KEY	PART NUMBER	U/M	DESCRIPTION
	064214-10-000	EA	TANK-WATER - W/FITTINGS - 31 GALLON (TWIN BED)
	064214-13-000	EA	TANK-WATER - W/FITTINGS - 31 GALLON (QUEEN BED)
	064214-01-000	EA	TANK-WATER - W/O FITTINGS - 31 GALLONS - 24" X 12.75" X 30"
	077954-02-000	EA	FILTER-WATER TANK - SCREEN IN TANK
	042989-03-000	EA	FITTING-WATER TANK - SPINWELD - 1 1/4"NPT - PLASTIC - WHITE
	042989-04-000	EA	FITTING-WATER TANK - SPINWELD - 3/8" FPT - PLASTIC - WHITE
	042989-05-000	EA	FITTING-WATER TANK - SPINWELD - 1/2" FPT - PLASTIC - WHIT
	049032-01-000	EA	PATCH-SPINWELD - 3/8" - PLASTIC
	039861-01-000	EA	SENDING UNIT - W/SCREW - WASHER- WELL NUT AND TERMINAL RING
	052959-02-000	EA	CONNECTOR - 1/2" F X 1/2" MPT - PLASTIC - GRAY
	114430-03-000	EA	ADAPTER-1/2" P X 1/2" MPT - FLAIR-IT 02842
	010224-01-000	EA	ADAPTER-HOSE TO PIPE - 3/8" MPT X 3/8" BARB - PLASTIC BLACK
	044927-01-000	EA	ADAPTER-HOSE TO PIPE - 1 1/4"MPT X 1 1/4"BARB-BLACK PLASTIC
	101814-01-000	EA	COUPLING-FEMALE - 1/2" X 1/2" FPT
	114429-01-000	EA	ELBOW-1/2" P X 1/2" P - FLAIR-IT 02800
	114429-02-000	EA	ELBOW-1/2" P X 1/2" MPT - FLAIR-IT 02803
	114429-03-000	EA	ELBOW-SWIVEL - 1/2" P X 1/2" FPT - FLAIR-IT 02816
	110915-01-01A	EA	FILL-WATER CITY - OFF WHITE
	057457-01-000	EA	ELBOW-UNION - 1/2" X 1/2" FLARE
	039808-03-000	EA	ELBOW-1/2" MPT X 1/2" MPT - PLASTIC
	114428-03-000	EA	TEE-1/2"P X 1/2" P X 1/2" MPT - FLAIR-IT 02822
	039800-02-000	FT	TUBING-POLYBUTYL - 5/8" OD - INCREMENTS OF 20' - BLACK
	079381-01-000	FT	TUBING-SMOOTH - FLEXIBLE 1 1/4" ID
	074462-02-000	FT	TUBING-VINYL - 3/8" ID - CLEAR
	114431-01-000	EA	WATER VALVE - 3 POSITION - "DRAIN VALVE"
	114431-03-000	EA	WATER VALVE - 90 DEGREE ELBOW - "WATER DRAIN VALVE"
	091208-01-000	EA	WASHER-RUBBER, .06" X .75" X .5"

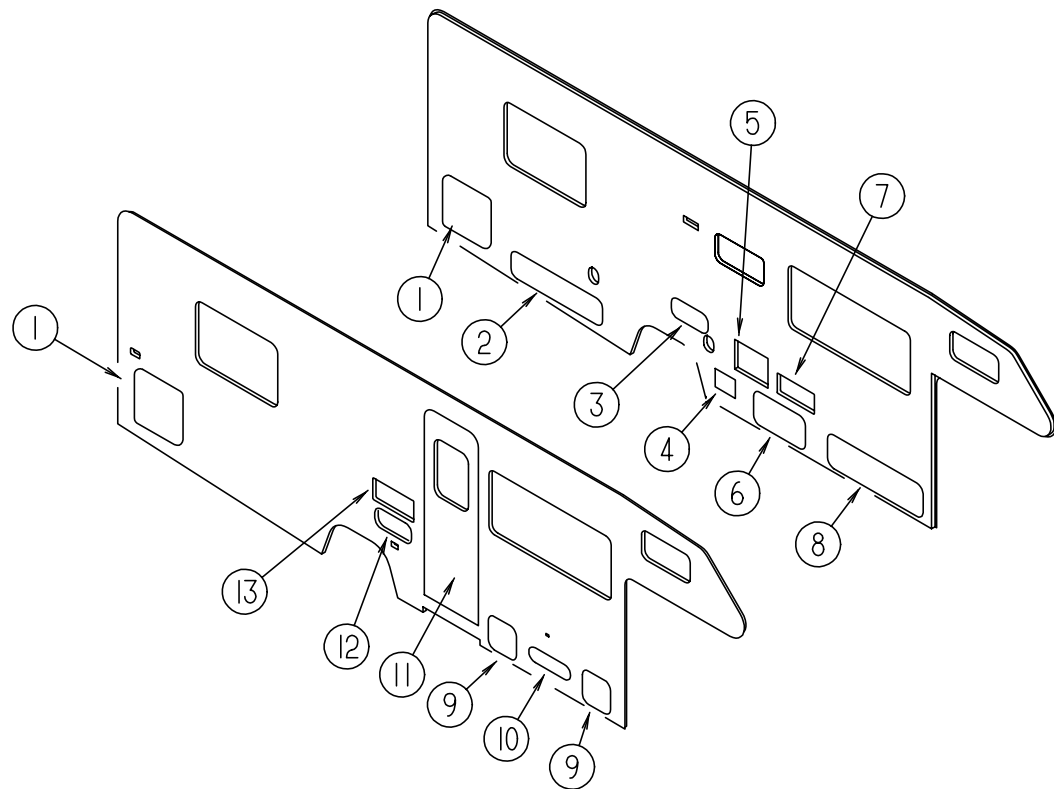
WINDOW, VENT & EXTERIOR DOOR GROUP

WINDOWS



KEY	PART NUMBER	U/M	DESCRIPTION	KEY	PART NUMBER	U/M	DESCRIPTION
1	078528-08-F01	EA	WINDOW ASM-ESCAPE (TWIN BED)	7	103313-01-B05	EA	WINDOW-PICTURE - W/O INSIDE FRAME
			FROM: 00-00-00 THRU: 10-16-94				FROM: 00-00-00 THRU: 01-08-95
1	116976-02-01A	EA	WINDOW ASM-REAR ESCAPE - SINGLE - EXCEL H386-G2W53 (TWIN BED)	7	103313-03-F15	EA	WINDOW ASM-PICTURE
			FROM: 10-17-94 THRU: 99-99-99				FROM: 01-09-95 THRU: 99-99-99
1	113502-04-01A	EA	WINDOW ASM-REAR ESCAPE - THERMOPANE - EXCEL DH449-G2W58 (TWIN BED)	7	115630-01-01A	EA	WINDOW ASM-STATIONARY BUTYL - EXCEL DH438-G2W59
2	078528-09-F01	EA	WINDOW ASM-ESCAPE (TWIN BED)	8	098647-33-01A	EA	WINDOW ASM-SLIDER - HORIZONTAL - EXCEL H425-G2W66R
			FROM: 00-00-00 THRU: 10-16-94	8	112795-19-01A	EA	WINDOW ASM-SLIDER - HORIZONTAL - THERMOPANE - EXCEL DC29-G2W66R
2	116976-04-01A	EA	WINDOW ASM-REAR PICTURE SINGLE - EXCEL H400-G2W60 (TWIN BED)	9	098647-23-01A	EA	WINDOW ASM-SLIDER - HORIZONTAL - B/OW - EXCEL H287-G2W66R
			FROM: 10-17-94 THRU: 99-99-99	9	112795-16-01A	EA	WINDOW ASM-SLIDER - HORIZONTAL - THERMOPANE - EXCEL DH287-G2W66R
3	078528-06-E10	EA	WINDOW ASM-ESCAPE (QUEEN BED)	10	079733-15-F04	EA	WINDOW-ENTRY DOOR - W/O INSIDE FRAME - 17" X 25"
3	113502-01-01A	EA	WINDOW ASM-REAR ESCAPE-THERMOPANE-EXCEL DH153-G2W60 (QUEEN BED)				FROM: 00-00-00 THRU: 12-18-94
4	113500-01-01A	EA	WINDOW ASM-TIPOUT - DOUBLE - B/OW - EXCEL CH04-G2W59	10	117053-02-F36	EA	WINDOW-ENTRY DOOR - W/O INSIDE FRAME - 17" X 25"
4	112795-23-01A	EA	WINDOW ASM-SLIDER - HORIZONTAL - THERMOPANE - EXCEL DC04-G2W66L				FROM: 12-19-94 THRU: 99-99-99
5	098647-22-01A	EA	WINDOW ASM-SLIDER - HORIZONTAL - B/OW - EXCEL H287-G2W66L	10	113733-01-01A	EA	WINDOW ASM-PICTURE - THERMOPANE - EXCEL DH416-G2W66
5	112795-15-01A	EA	WINDOW ASM-SLIDER - HORIZONTAL - THERMOPANE - EXCEL DH287-G2W66L	11	113500-01-01A	EA	WINDOW ASM-TIPOUT - DOUBLE - B/OW - EXCEL CH04-G2W59
6	098647-34-01A	EA	WINDOW ASM-SLIDER - HORIZONTAL - EXCEL H425-G2W66L	11	112795-21-01A	EA	WINDOW ASM-SLIDER - HORIZONTAL - THERMOPANE - EXCEL DC04-G2W66R
6	112795-20-01A	EA	WINDOW ASM-SLIDER - HORIZONTAL - THERMOPANE - EXCEL DC29-G2W66L				

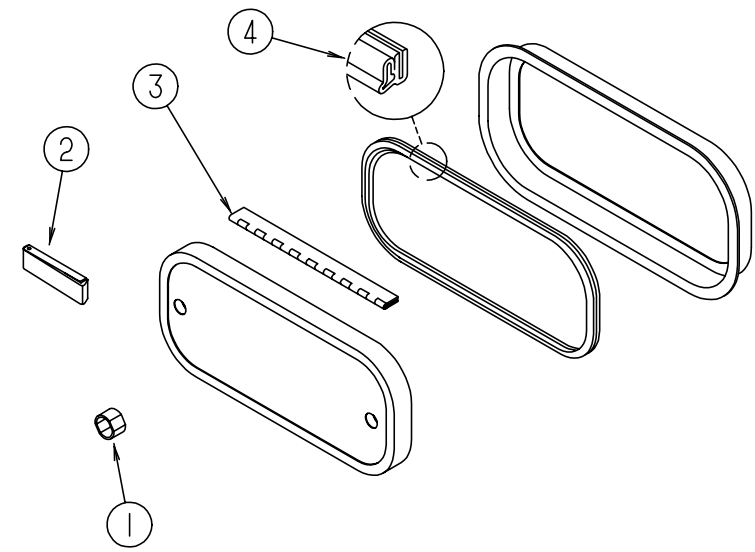
WINDOW, VENT & EXTERIOR DOOR GROUP (CONTINUED)



ENTRANCE & COMPARTMENT DOORS

KEY	PART NUMBER	U/M	DESCRIPTION
1	111013-22-F01	EA	DOOR ASM-STORAGE
2	104558-16-F16	EA	DOOR ASM-STORAGE
2	104564-17-02A	EA	JAMB-DOOR STORAGE - BRIGHT WHITE
3	111017-02-F24	EA	DOOR-COMPARTMENT - EXTERIOR SHOWER
3	079775-D3-000	EA	JAMB-DOOR STORAGE - BRIGHT WHITE
4	088794-06-000	EA	DOOR ASM-POWER CORD - W/HATCH - 11" X 9.2" - OFF WHITE
5	052009-06-000	EA	DOOR-WATER HEATER - BRIGHT WHITE
6	098668-23-000	EA	DOOR-ACCESS - FURNACE - BRIGHT WHITE - SUBURBAN 520574
7	104558-12-F16	EA	DOOR ASM-STORAGE
7	104564-13-02A	EA	JAMB-DOOR STORAGE - BRIGHT WHITE
8	104558-13-F16	EA	DOOR-COMPARTMENT - LOWER - FRONT
8	104564-14-02A	EA	JAMB-DOOR STORAGE - BRIGHT WHITE
9	104558-14-F16	EA	DOOR-STORAGE
9	104564-15-02A	EA	JAMB-DOOR STORAGE - BRIGHT WHITE
10	111009-01-F24	EA	DOOR ASM - LP
11	115108-02-FA1	EA	DOOR-ENTRANCE - W/O WINDOW (F21)
			FROM: 00-00-00 THRU: 10-23-94
11	115108-02-FC2	EA	DOOR-ENTRANCE - W/O WINDOW (F22)
			FROM: 00-00-00 THRU: 10-23-94
11	115108-06-F21	EA	DOOR-ENTRANCE - W/O WINDOW
			FROM: 10-24-94 THRU: 99-99-99
11	115108-06-F22	EA	DOOR-ENTRANCE - W/O WINDOW
			FROM: 10-24-94 THRU: 99-99-99
12	111017-01-F24	EA	DOOR-STORAGE
12	079775-D3-000	EA	JAMB-DOOR STORAGE - BRIGHT WHITE
13	084103-08-000	EA	DOOR-REFRIGERATOR - VENTED - BRIGHT WHITE
13	084104-08-000	EA	JAMB-DOOR - REFRIGERATOR - BRIGHT WHITE
13	084104-01-700	EA	LOCK-MALE - FASTENER - REFRIGERATOR DOOR
13	084104-01-701	EA	LOCK-FEMALE - FASTENER - REFRIGERATOR DOOR
	081240-16-000	EA	FILL-WATER - LOCKABLE W/O LOCK - BRIGHT WHITE

WINDOW, VENT & EXTERIOR DOOR GROUP (CONTINUED)

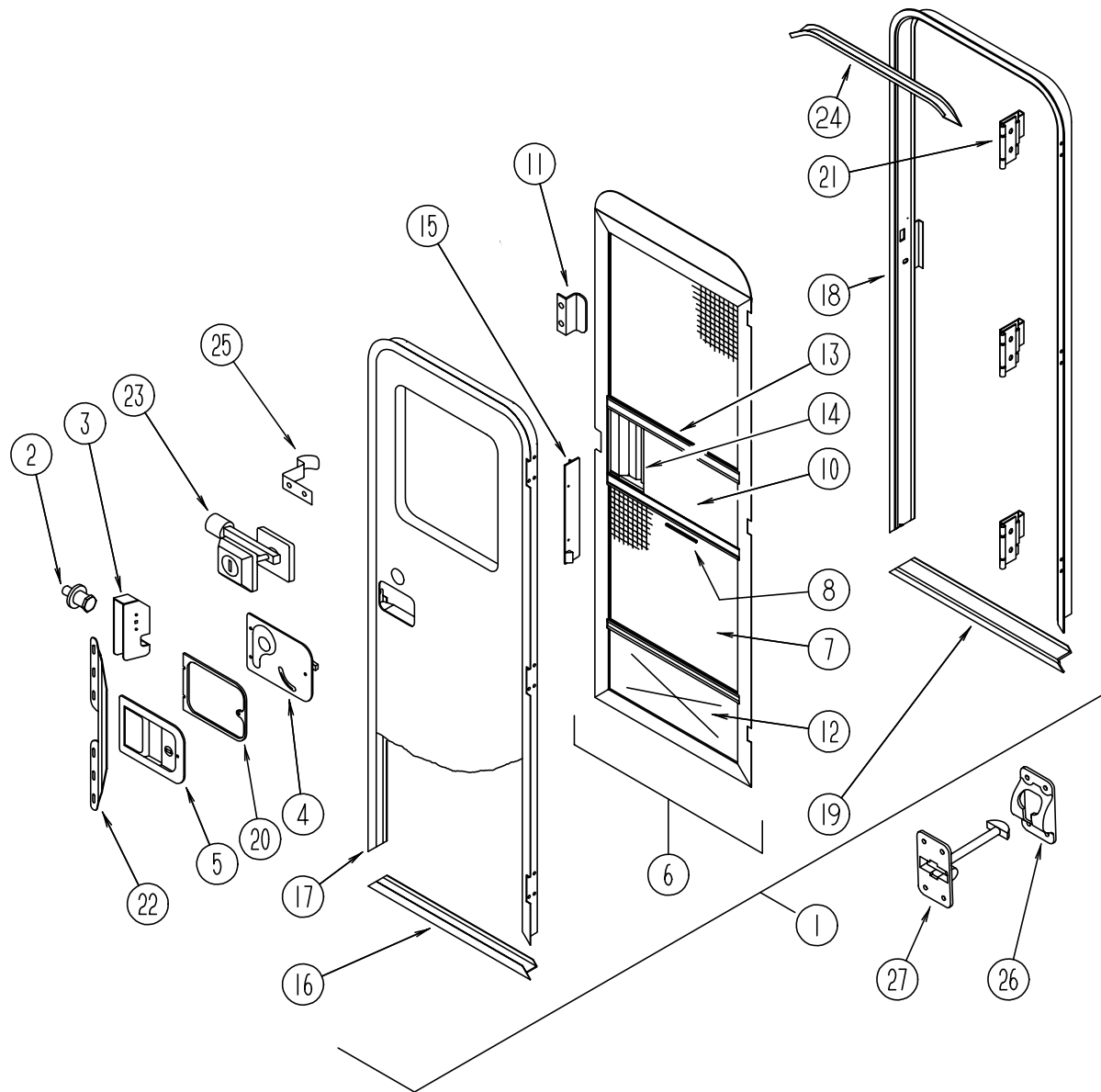


EXTERIOR DOORS

KEY	PART NUMBER	U/M	DESCRIPTION
1	107997-51-001	EA	SPACER-EXTRUDED - 0015 - 24
2	102768-01-000	EA	HOLDER-COMPARTMENT/ENTRY DOOR - METAL - MILL FINISH
3	081801-02-000	EA	HINGE-PIANO - CONTINUOUS - 2" X 96" OFF WHITE
3	081801-V3-000	EA	HINGE-AL - 2" X 2438 MM - BRIGHT WHITE
3	009065-01-000	EA	HINGE-CONTINUOUS - 1 1/2" X 96" - UNPAINTED
3	034007-B3-000	EA	HINGE-CONTINUOUS - 1 1/2" X 96" - ALUMINUM - BRIGHT WHITE
4	064075-07-000	FT	SEAL-BULB - W/WIRED U-CHANNEL - .3" X .5" CHANNEL - BLACK
4	090340-01-000	FT	SEAL-FOAM - CLOSED CELL - 1/4" X 1/2" X 50'
	104692-01-000	FT	SEAL-ADHESIVE BACK - 3/4" X 3/4"
	099418-01-000	FT	D-SECTION SEAL W/ ADHESIVE BACK - .44" X .44" -BLK RUBBER
	106850-01-000	FT	SEAL-E - 11 X 19 - SPONGE RUBBER
	091255-02-000	FT	SEAL-ADHESIVE BACKED FOAM - 18" THICK X 1.5" WIDE

WINDOW, VENT & EXTERIOR DOOR GROUP (CONTINUED)

ENTRY DOOR



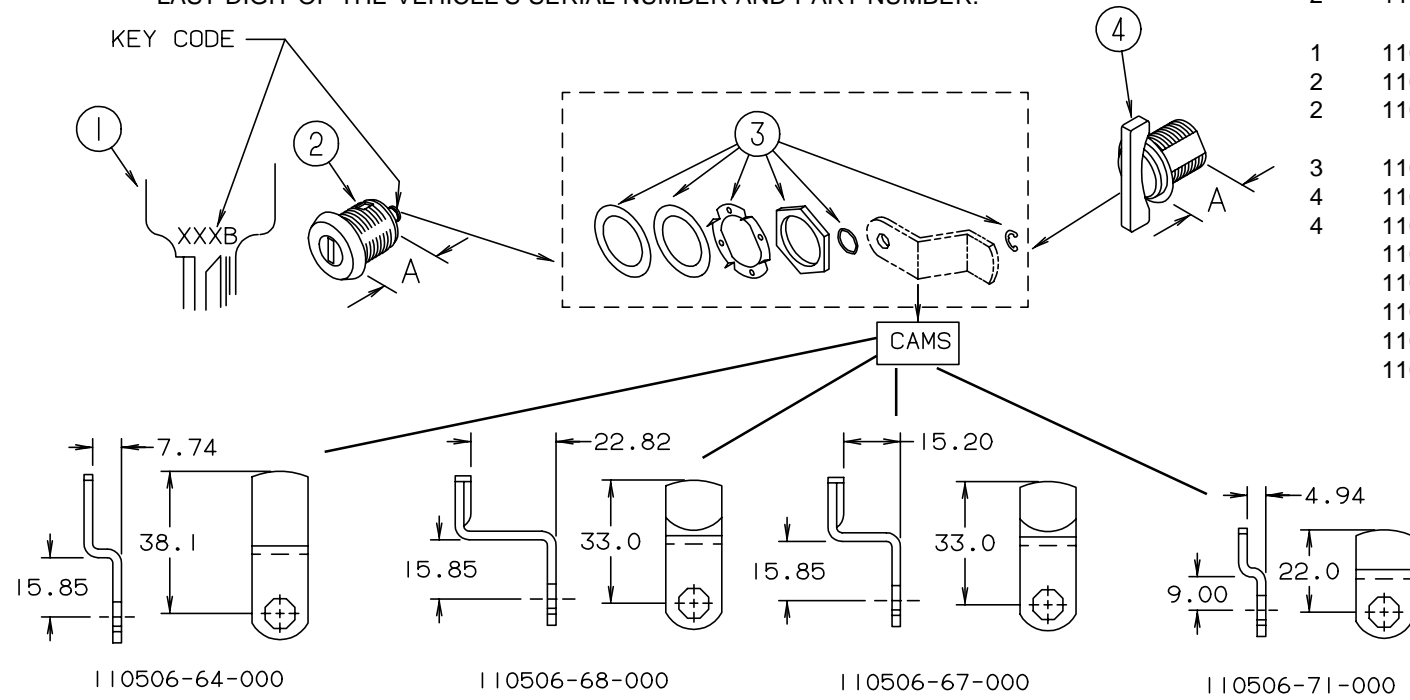
KEY	PART NUMBER	U/M	DESCRIPTION
1	115108-02-FA1	EA	DOOR-ENTRY - W/O WINDOW - SCREEN & JAMB - BRIGHT WHITE(F21) FROM: 00-00-00 THRU: 10-23-94
1	115108-02-FC2	EA	DOOR-ENTRY - W/O WINDOW - SCREEN & JAMB - BRIGHT WHITE(F22) FROM: 00-00-00 THRU: 10-23-94
1	115108-06-F21	EA	DOOR-ENTRY - W/O WINDOW - SCREEN & JAMB - BRIGHT WHITE FROM: 10-24-94 THRU: 99-99-99
1	115108-06-F22	EA	DOOR-ENTRY - W/O WINDOW - SCREEN & JAMB - BRIGHT WHITE FROM: 10-24-94 THRU: 99-99-99
2	039539-01-000	EA	STRIKE-LOCK - ENTRY DOOR - ROUND/THREADED WASHER
3	039540-01-000	EA	LATCH MECHANISM-HOOK - ENTRY DOOR - INTERIOR
	039715-01-000	EA	NUT-SERT - 1/4" DIAMETER - 20 THREADS
4	039979-04-000	EA	COVER-INTERIOR LATCH - W/TRIP ARM - RIGHT - BLACK
	039984-01-000	EA	CAP-ROUND - VINYL - .28" ID X .62" LONG - BLACK
	041546-05-000	EA	BRACKET-DOOR ANGLE - 5" X 1.9" - OFF WHITE - METAL
5	045017-11-000	EA	LATCH-ENTRY DOOR - MECHANISM W/LOCK & KEY - BLACK
	045017-11-701	EA	KEY-BLANK - ROUND TOP - SILVER - TRI/MARK
	109403-01-000	EA	CATCH-SINGLE ROLLER - SCREEN DOOR
	063729-04-000	EA	RIVNUT - 10-32 UNF - 010- 080
	075671-04-000	FT	SEAL-SPONGE - LAZY T SHAPE - W/ADHESIVE STRIPE - .5" WIDE
6	079012-05-F01	EA	DOOR-SCREEN - BRIGHT WHITE
7	002293-02-000	SF	SCREENING-WINDOW/DOOR - 26" - CHARCOAL
8	002294-01-000	FT	SPLINE-SCREENING - .135" X .138" - BLACK
10	001014-01-013	EA	INSERT-CENTER - 10.25" X 16.31" - UNPAINTED
11	050712-06-000	EA	HANDLE-SCREEN DOOR - ALUMINUM - BRIGHT WHITE
12	078552-03-000	EA	INSERT-SCREEN DOOR - LOWER - MILL
	078595-01-000	EA	PLATE-SCREEN DOOR
13	078777-01-000	EA	CHANNEL-SLIDE - SCREEN DOOR CENTER SLIDER COVER - 17.4"
14	079086-03-000	EA	SLIDER-SCREEN DOOR - BRIGHT WHITE
15	079087-03-000	EA	STRIKE-SLIDER - W/LIP FOR ELBOW CATCH - 1.5" X 8.6" - BRIGHT WHITE
16	089748-21-000	EA	FRAME-DOOR - ENTRANCE - BOTTOM - BRIGHT WHITE
	090340-01-000	FT	SEAL-FOAM - CLOSED CELL - 1/4" X 1/2" X 50'
17	095276-03-06A	EA	FRAME-DOOR - ENTRANCE - TOP & SIDES - BRIGHT WHITE
18	095277-10-01A	EA	JAMB-ENTRY DOOR - W/BOTTOM - BRIGHT WHITE
19	051049-01-000	EA	JAMB-DOOR - ENTRANCE - BOTTOM - 25.9 - UNPAINTED
20	096810-01-01A	EA	PLATE-LATCH - ENTRY DOOR - PLASTIC - BLACK
21	106719-01-01A	EA	HINGE-ENTRY DOOR - MILL
22	098173-01-07A	EA	STIFFENER-ENTRY DOOR - SUPPORTS LATCH/STRIKE - BRIGHT WHITE
	100128-02-000	FT	SEAL-PILE - ADHESIVE BACK - SCREEN DOOR - GRAY
23	101145-01-01A	EA	DEADBOLT-ENTRY DOOR - W/2 KEYS W/O BOLT OR SCREWS
	101147-01-000	EA	BOLT-SECURITY - 4.12" BACKSET
	102524-01-000	EA	BUMPER-RUBBER - FLAT - BLACK
24	044582-44-000	EA	CAP-DRIP - DOOR JAMB MOUNTED - BRIGHT WHITE
	115222-05-01A	EA	GARNISH-ENTRANCE DOOR - OFF WHITE
25	100412-01-000	EA	CATCH-SCREEN DOOR - THUMB CLIP W/BLACK PLASTIC CAP
	077461-05-000	EA	COVER-STRIKE - ENTRY DOOR - 6.5" X 2.5" - PLASTIC - OFF WHITE
26	104099-02-04A	EA	CATCH-DOOR HOLDER - RETAINER - PLASTIC - BRIGHT WHITE
27	104099-01-04A	EA	CATCH-DOOR HOLDER - STRIKE - PLASTIC - BRIGHT WHITE
	009126-02-000	EA	HANDLE-ASSIST - ENTRY DOOR - BLACK
	102248-01-000	EA	SHIM-DOOR

WINDOW, VENT & EXTERIOR DOOR GROUP (CONTINUED)

BRIGGS & STRATTON LOCKS & COMPONENTS

NOTE:

WHEN ORDERING THE LOCK CASE, THE KEY CODE MUST MATCH THE LAST DIGIT OF THE VEHICLE'S SERIAL NUMBER AND PART NUMBER; WHEN ORDERING THE KEYS, THE THIRD DIGIT OF THE KEY CODE MUST MATCH THE LAST DIGIT OF THE VEHICLE'S SERIAL NUMBER AND PART NUMBER.



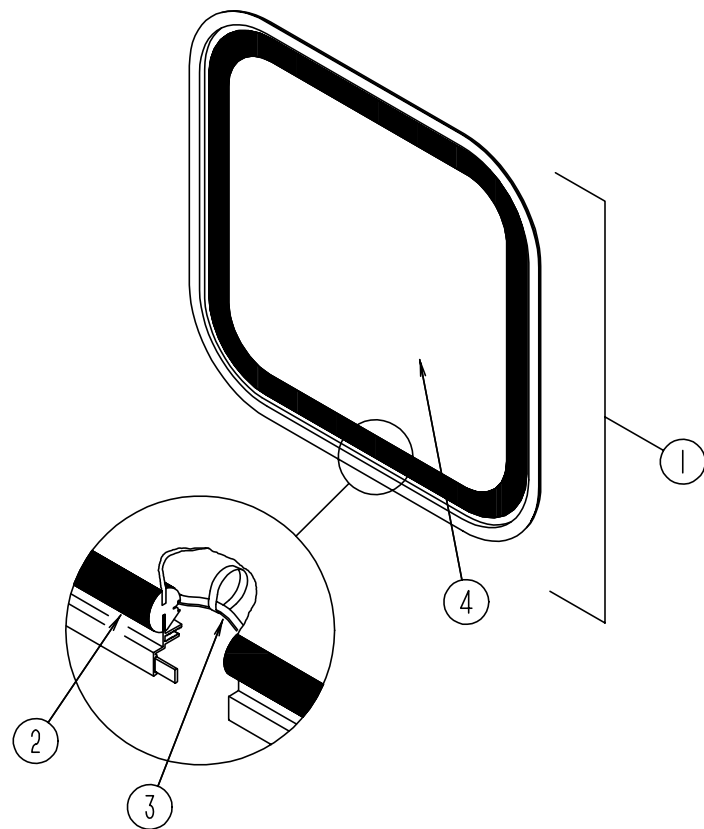
WINDOW, VENT & EXTERIOR DOOR GROUP (CONTINUED)

BRIGGS & STRATTON LOCKS & COMPONENTS (CONTINUED)

KEY	PART NUMBER	U/M	DESCRIPTION
1	110506-59-008	EA	KEYS-SET OF 2 - 596728
2	110506-52-008	EA	CASE - A=17MM - 702378
2	110506-53-008	EA	CASE - A=25MM - 702388
1	110506-59-009	EA	KEYS-SET OF 2 - 596729
2	110506-52-009	EA	CASE - A=17MM - 702379
2	110506-53-009	EA	CASE - A=25MM - 702389
3	110506-40-700	EA	HARDWARE KIT- CONTAINS: NUT - WASHERS - E-RING - AND GASKET
4	110506-50-000	EA	CASE ASM-TWIST LOCK 17 MM - #596932
4	110506-51-000	EA	CASE ASM-TWIST LOCK 25 MM - #596669
	110506-64-000	EA	CAM-LOCK - # 322280
	110506-67-000	EA	CAM-LOCK - # 322283
	110506-68-000	EA	CAM-LOCK - # 322284
	110506-71-000	EA	CAM-LOCK - # 322287
	110506-59-701	EA	KEY BLANK - GOLD

KEY	PART NUMBER	U/M	DESCRIPTION
1	110506-59-000	EA	KEYS-SET OF 2 - 596720
2	110506-52-000	EA	CASE - A=17MM - 702370
2	110506-53-000	EA	CASE - A=25MM - 702380
1	110506-59-001	EA	KEYS-SET OF 2 - 596721
2	110506-52-001	EA	CASE - A=17MM - 702371
2	110506-53-001	EA	CASE - A=25MM - 702381
1	110506-59-002	EA	KEYS-SET OF 2 - 596722
2	110506-52-002	EA	CASE - A=17MM - 702372
2	110506-53-002	EA	CASE - A=25MM - 702382
1	110506-59-003	EA	KEYS-SET OF 2 - 596723
2	110506-52-003	EA	CASE - A=17MM - 702373
2	110506-53-003	EA	CASE - A=25MM - 702383
1	110506-59-004	EA	KEYS-SET OF 2 - 596724
2	110506-52-004	EA	CASE - A=17MM - 702374
2	110506-53-004	EA	CASE - A=25MM - 702384
1	110506-59-005	EA	KEYS-SET OF 2 - 596725
2	110506-52-005	EA	CASE - A=17MM - 702375
2	110506-53-005	EA	CASE - A=25MM - 702385
1	110506-59-006	EA	KEYS-SET OF 2 - 596726
2	110506-52-006	EA	CASE - A=17MM - 702376
2	110506-53-006	EA	CASE - A=25MM - 702386
1	110506-59-007	EA	KEYS-SET OF 2 - 596727
2	110506-52-007	EA	CASE - A=17MM - 702377
2	110506-53-007	EA	CASE - A=25MM - 702387

WINDOW, VENT & EXTERIOR DOOR GROUP (CONTINUED)



CENTER BED BACKWALL ESCAPE WINDOW

KEY	PART NUMBER	U/M	DESCRIPTION
1	074816-06-000	EA	FRAME-INSIDE - ESCAPE - BLACK
	078528-08-F01	EA	WINDOW ASM-ESCAPE
			FROM: 00-00-00 THRU: 10-16-94
	078528-09-F01	EA	WINDOW ASM-ESCAPE
			FROM: 00-00-00 THRU: 10-16-94
2	002282-03-000	EA	WEATHERSTRIP - .125" - BLACK
	077066-01-702	EA	TAPE ASM-ESCAPE - WINDOW
3	002285-01-000	FT	FILLER-WEATHER STRIP - RUBBER - BLACK
4	076337-14-000	EA	GLASS-WINDOW - ESCAPE - 587 X 587 MM

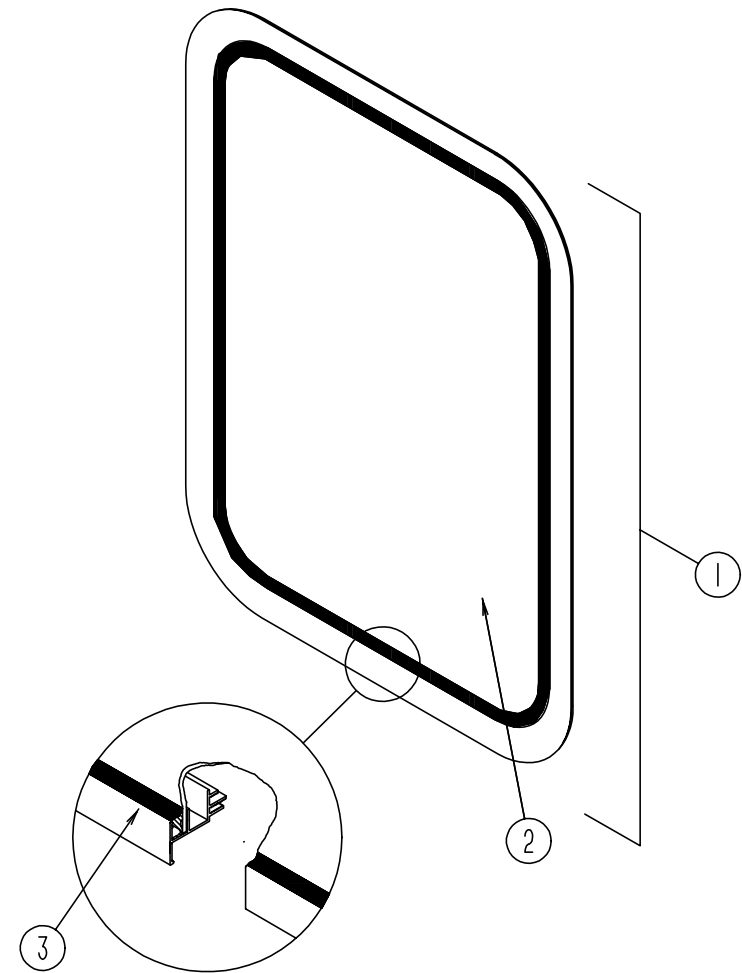
TWIN BED BACKWALL ESCAPE WINDOW

KEY	PART NUMBER	U/M	DESCRIPTION
1	116976-01-701	EA	TRIM - EXCEL W38653
	116976-02-01A	EA	WINDOW ASM-REAR ESCAPE - SINGLE - EXCEL H386-G2W53
			FROM: 10-17-94 THRU: 99-99-99
2	100322-01-701	FT	SEAL-VENT - EXCEL 122-016071
	112898-06-704	EA	LOCK-HANDLE CAM RED RH - EXCEL 182-11293
	112898-06-705	EA	LOCK-HANDLE CAM RED LH - EXCEL 182-11294
3	116976-01-702	FT	FILLER PLUG - EXCEL 132-016065
4	116976-02-700	EA	GLASS - EXCEL 106-018785

TWIN BED BACKWALL PICTURE WINDOW

KEY	PART NUMBER	U/M	DESCRIPTION
1	113733-02-701	EA	TRIM - EXCEL W38660
	116976-04-01A	EA	WINDOW ASM-REAR PICTURE - SINGLE - EXCEL H386-G2W53
			FROM: 10-17-94 THRU: 99-99-99
	116976-03-701	FT	GLAZING VINYL - EXCEL 132-016071
	116976-04-700	EA	GLASS - EXCEL 106-019678

WINDOW, VENT & EXTERIOR DOOR GROUP (CONTINUED)



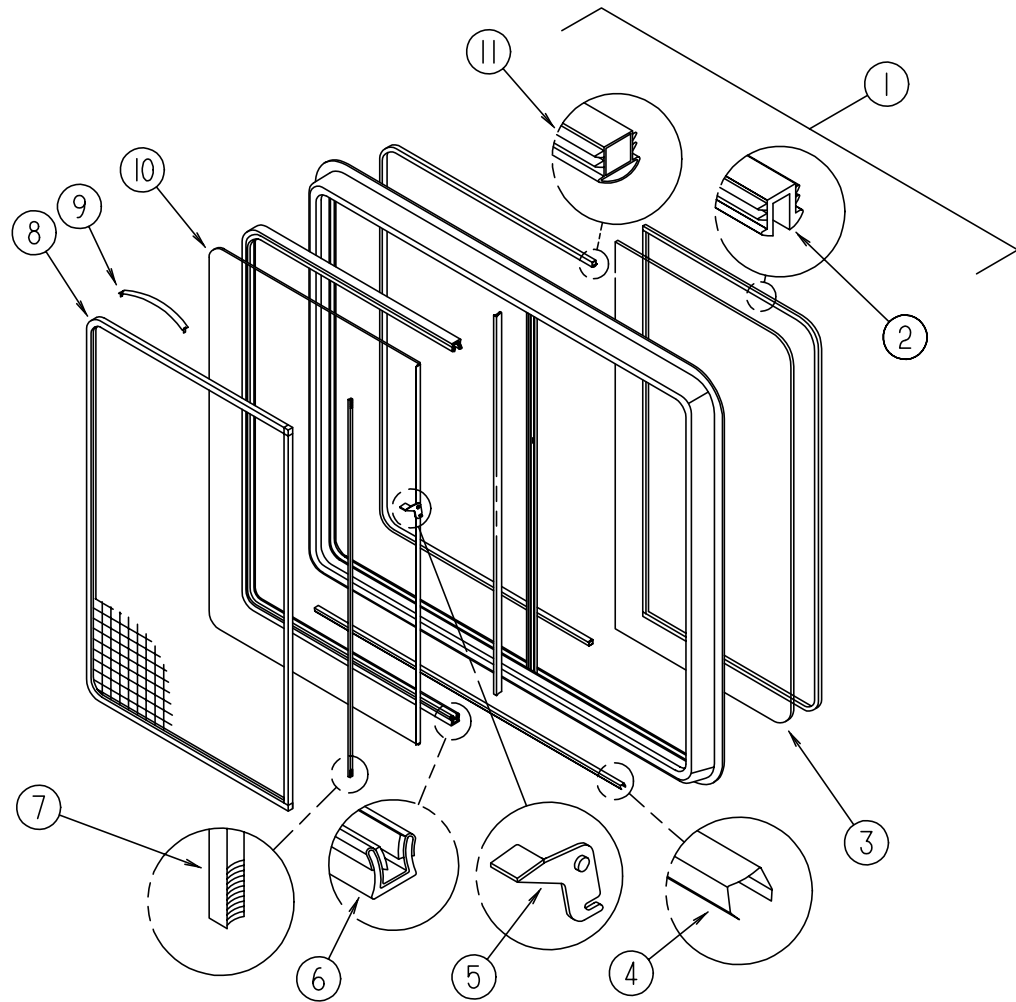
PICTURE WINDOW

KEY	PART NUMBER	U/M	DESCRIPTION
	067609-39-000	EA	FRAME-WINDOW - ENTRY DOOR - BRIGHT WHITE
			FROM: 00-00-00 THRU: 12-18-94
	117054-02-02A	EA	FRAME-WINDOW - ENTRY DOOR - BRIGHT WHITE
			FROM: 12-19-94 THRU: 99-99-99
1	079733-15-F04	EA	WINDOW-ENTRY DOOR - W/O INSIDE FRAME - 17" X 25"
			FROM: 00-00-00 THRU: 12-18-94
1	117053-02-F36	EA	WINDOW-ENTRY DOOR - W/O INSIDE FRAME - 17" X 25"
			FROM: 12-19-94 THRU: 99-99-99
2	002181-22-000	EA	GLASS-WINDOW - 687.4 X 449.4 - GRAY
			FROM: 00-00-00 THRU: 12-18-94
2	002181-25-000	EA	GLASS-WINDOW - 655 X 417 - GRAY
			FROM: 12-19-94 THRU: 99-99-99
	069640-11-000	FT	SEALER-TAPE - 3/16" X 3/8" - BLACK
3	087561-01-000	FT	SEAL-GLASS - EXTERIOR - .5" WIDE - VINYL - BLACK

THERMOPANE ENTRY DOOR WINDOW

KEY	PART NUMBER	U/M	DESCRIPTION
	113733-01-01A	EA	WINDOW ASM-PICTURE - THERMOPANE - EXCEL DH416-G2W66
	113733-01-700	EA	WINDOW ASM-PICTURE - W/O TRIM - EXCEL DH416-G2
	113733-01-701	EA	WINDOW ASM-PICTURE - THERMOPANE - EXCEL W41666
	113733-01-702	EA	GLASS - STATIONARY - EXCEL 390-019187

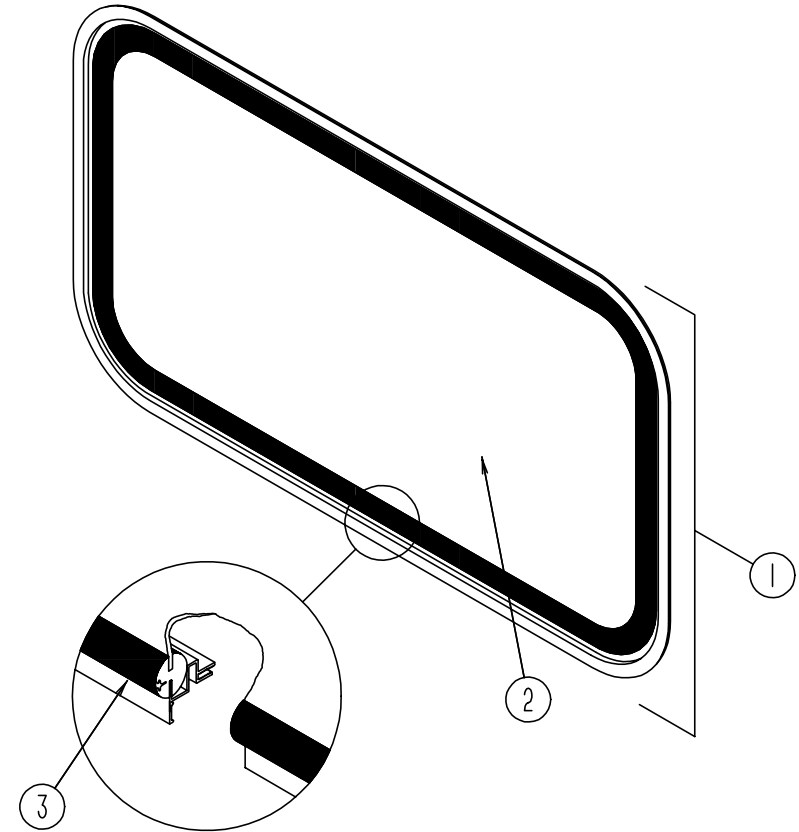
WINDOW, VENT & EXTERIOR DOOR GROUP (CONTINUED)



DRIVER/PASSENGER SIDE WINDOW

KEY	PART NUMBER	U/M	DESCRIPTION
1	098647-22-01A	EA	WINDOW ASM - SLIDER - W/INSIDE FRAME (OFF WHITE)
	098647-22-700	EA	WINDOW ASM - SLIDER - W/O INSIDE FRAME
	098647-23-702	EA	FRAME - INSIDE (OFF WHITE)
2	100322-01-703	FT	GLAZING STRIP
3	098647-23-703	EA	GLASS - STATIONARY
4	098644-01-710	FT	TRACK - SCREEN SPACER - 12' LENGTH
5	098644-01-700	EA	LATCH - REPAIR KIT
6	098644-01-708	FT	CHANNEL - PIERCED RUN
7	098644-01-711	FT	WEATHERSTRIP - SCREEN - BLACK
8	098647-23-704	EA	SCREEN W/SPRINGS & WEATHERSTRIP
9	098644-01-713	EA	SPRING - SCREEN FRAME (CLIP)
10	098647-23-700	EA	GLASS - SLIDING - W/SASH & LATCH
11	098644-01-706	FT	WEATHERSTRIP
	098644-01-716	FT	PLUG - FILLER
	098644-01-717	FT	SPLINE - SCREEN

WINDOW, VENT & EXTERIOR DOOR GROUP (CONTINUED)



OVERHEAD FRONT PICTURE WINDOW

KEY	PART NUMBER	U/M	DESCRIPTION
	067609-33-000	EA	FRAME-INSIDE - WINDOW
	117054-01-01A	EA	FRAME-INSIDE - WINDOW
			FROM: 00-00-00 THRU: 01-08-95
1	103313-01-B05	EA	WINDOW-PICTURE - W/O INSIDE FRAME
			FROM: 01-09-95 THRU: 99-99-99
1	103313-03-F15	EA	WINDOW-PICTURE - W/O INSIDE FRAME
			FROM: 00-00-00 THRU: 01-08-95
			FROM: 01-09-95 THRU: 99-99-99
	077066-01-702	EA	TAPE ASM-ESCAPE WINDOW, RED
2	002181-15-000	EA	GLASS-PICTURE - 11.25" X 58.1" - GRAY
			FROM: 00-00-00 THRU: 01-08-95
2	002181-29-000	EA	GLASS-PICTURE - 1808 X 416 - GRAY - 31%
			FROM: 01-09-95 THRU: 99-99-99
	069640-11-000	FT	SEALER-TAPE - 3/16" X 3/8" - BLACK
3	099154-01-000	FT	CHANNEL-GLAZING - STATIONARY GLASS - .62" X .45" - BLACK

WINDOW, VENT & EXTERIOR DOOR GROUP (CONTINUED)

THERMOPANE OVERHEAD FRONT PICTURE WINDOW

KEY	PART NUMBER	U/M	DESCRIPTION
	115630-01-01A	EA	WINDOW ASM-SLIDER - THERMOPANE - EXCEL DH438-G2W59
	115630-01-700	EA	WINDOW ASM-SLIDER - TW/O TRIM - EXCEL DH438-G2
	100322-01-703	FT	GLAZING STRIP - EXCEL 132-010723
	115630-01-701	EA	TRIM - EXCEL W43858
	115630-01-702	EA	GLASS - STATIONARY - EXCEL 390-019467

DRIVER & PASSENGER OVERHEAD BUNK WINDOWS

KEY	PART NUMBER	U/M	DESCRIPTION
	098647-34-01A	EA	WINDOW-SLIDER - DRIVER SIDE - W/INSIDE FRAME - OFF WHITE
	098647-33-01A	EA	WINDOW-SLIDER - PASSENGER SIDE - W/INSIDE FRAME - OFF WHITE
	098644-01-700	EA	LATCH REPAIR KIT (BLACK) - EXCEL B801-CK
	100322-01-703	FT	GLAZING STRIP - EXCEL 132-010723
	098644-01-706	FT	WEATHERSTRIP-GLASS - EXCEL 171-010668
	098644-01-708	FT	CHANNEL-RUN - PIERCED - GLASS - V 122-016543
	098644-01-710	FT	TRACK-SPACER - FOR SCREEN 12' - EXCEL 132-017135
	098644-01-711	FT	WEATHERSTRIP-SCREEN - BLACK - EXCEL 171-016965
	098644-01-713	EA	SCREEN CLIPS (METAL)(BLACK) - EXCEL 226-016966 EXCEL
	098644-01-716	FT	PLUG-FILLER - EXCEL 132-014470
	098644-01-717	FT	SPLINE-SCREEN MFG- EXCEL 132-004716
	098647-33-701	EA	TRIM - EXCEL CW2966
	098647-33-702	EA	GLASS-STATIONARY - EXCEL 106-019297
	098647-33-703	EA	SLIDE ASSEMBLY - EXCEL H425-G9
	098647-33-704	EA	SCREEN ASSEMBLY - EXCEL 410-019134
	098647-34-700	EA	WINDOW - DRIVER - W/O TRIM - EXCEL H425-G2L
	098647-33-700	EA	WINDOW - PASSENGER - W/O TRIM - EXCEL H425-G2R

DRIVER & PASSENGER THERMOPANE OVERHEAD BUNK WINDOWS

KEY	PART NUMBER	U/M	DESCRIPTION
	112795-20-01A	EA	WINDOW ASM-SLIDER - THERMOPANE - DRIVER SIDE - EXCEL DC29-G2W66L
	112795-19-01A	EA	WINDOW ASM-SLIDER-THERMOPANE-PASSENGER SIDE - EXCEL DC29-G2W66R
	098647-31-701	EA	TRIM - EXCEL CW2966
	098647-31-704	EA	SCREEN ASSEMBLY - EXCEL 410-019128
	112795-01-700	EA	LATCH ASSY. (BLACK) - EXCEL DH287-CK
	112795-01-701	FT	SLIDE-STOP - EXCEL 132-019092
	112795-01-702	FT	FILLER PLUG - EXCEL 122-018737
	112795-01-703	FT	RUN CHANNEL - EXCEL 122-018736
	112795-01-704	FT	VINYL-GLAZING - EXCEL 132-018280
	112795-19-701	EA	GLASS-STATIONARY - EXCEL 390-019134
	112795-19-702	EA	SLIDE ASSEMBLY - EXCEL DC29-G9
	112795-20-700	EA	WINDOW - DRIVER - W/O TRIM - EXCEL DC29-G2L
	112795-19-700	EA	WINDOW - PASSENGER - W/O TRIM - EXCEL DC29-G2R

THERMOPANE DRIVER/PASSENGER SIDE WINDOW

KEY	PART NUMBER	U/M	DESCRIPTION
	112795-15-01A	EA	WINDOW ASM-SLIDER - THERMOPANE - EXCEL DH287-G2W66L
	112795-16-01A	EA	WINDOW ASM-SLIDER - THERMOPANE - EXCEL DH287-G2W66R
	098644-01-713	EA	SCREEN CLIPS - METAL - BLACK - EXCEL 226-016966
	098647-23-702	EA	TRIM - EXCEL W28766
	098647-23-704	EA	SCREEN W/SPRING & WEATHERSTRIP - EXCEL 410-019066
	112795-01-700	EA	LATCH ASSY.(BLACK) - EXCEL DH287-CK
	112795-01-701	FT	SLIDE-STOP - EXCEL 132-019092
	112795-01-702	FT	FILLER PLUG - EXCEL 122-018737
	112795-01-703	FT	RUN CHANNEL - EXCEL 122-018736
	112795-01-704	FT	VINYL-GLAZING - EXCEL 132-018280
	112795-15-701	EA	GLASS-STATIONARY - EXCEL 390-019045
	112795-15-702	EA	GLASS-SLIDING - W/SASH & LATCH - EXCEL DH287-G9
	112795-15-700	EA	WINDOW W/O TRIM - EXCEL DH287-G2L
	112795-16-700	EA	WINDOW W/O TRIM - EXCEL DH287-G2R

WINDOW, VENT & EXTERIOR DOOR GROUP (CONTINUED)

SIDE BEDROOM TIPOUT WINDOW

KEY	PART NUMBER	U/M	DESCRIPTION
	113500-01-01A	EA	WINDOW ASM-TIPOUT-DOUBLE - B/OW - EXCEL CH04-G2W59
	098644-01-716	FT	PLUG-FILLER - EXCEL 132-014470
	100322-01-701	FT	SEAL-VENT - EXCEL 122-016071
	100322-01-702	FT	WEATHERSTRIP-HORIZONTAL RAIL - EXCEL 132-015976
	100322-01-703	EA	STRIP-GLAZING - BUTYL - EXCEL 132-010723
	100322-01-704	EA	TAPE-BUTYL - EXCEL 154-016083
	100322-01-717	EA	E-RING - EXCEL 245-015975
	100322-01-718	EA	HANDLE-DIAL - EXCEL 410-016081
	112519-01-702	EA	VENT OPERATOR - EXCEL 410-016123
	113500-01-700	EA	SCREEN ASM. - EXCEL 410-016020
	113500-01-701	EA	WINDOW W/O TRIM - EXCEL CH04-G2
	113500-01-702	EA	TRIM - EXCEL CW0459
	113500-01-703	EA	TOP GLASS-STATIONARY - EXCEL 106-015970
	113500-01-704	EA	UPPER VENT GLASS ASSEMBLY - EXCEL CH04-G7
	113500-01-705	EA	LOWER VENT GLASS ASSEMBLY - EXCEL CH04-G9
	113500-01-706	EA	OPERATOR & BAR ASSEMBLY - EXCEL CH04-18
	113500-01-707	EA	TORQUE BAR SUPPORT - EXCEL 132-015979
	113500-01-708	EA	TORQUE BAR SUPPORT - EXCEL 132-015978
	117054-01-01A	EA	FRAME-WINDOW - INSIDE WHITE

FROM: 01-09-95 THRU: 99-99-99

SIDE BEDROOM THERMOPANE SLIDER WINDOW

KEY	PART NUMBER	U/M	DESCRIPTION
	112795-21-01A	EA	WINDOW ASM-SLIDER - THERMOPANE - DRIVER - EXCEL DC04-G2W66R
	112795-23-01A	EA	WINDOW ASM-SLIDER-THERMOPANE - PASSENGER - EXCEL DC04-G2W66L
	098644-01-713	EA	SCREEN CLIPS - METAL - BLACK - EXCEL 226-016966
	098647-29-701	EA	TRIM - EXCEL CW0466
	098647-29-704	EA	SCREEN ASSEMBLY - EXCEL 410-018864
	112795-01-700	EA	LATCH ASSY. (BLACK) - EXCEL DH287-CK
	112795-01-701	FT	SLIDE-STOP - EXCEL 132-019092
	112795-01-702	FT	FILLER PLUG - EXCEL 122-018737
	112795-01-703	FT	RUN CHANNEL - EXCEL 122-018736
	112795-01-704	FT	VINYL-GLAZING - EXCEL 132-018280
	112795-21-701	EA	GLASS-STATIONARY - EXCEL 390-019132
	112795-21-702	EA	SLIDE ASSEMBLY - EXCEL DC04-G9
	112898-06-704	EA	LOCK-HANDLE CAM RED - RIGHT - EXCEL 182-11293
	112898-06-705	EA	LOCK-HANDLE CAM RED - LEFT - EXCEL 182-11294
	112795-23-700	EA	WINDOW - DRIVER - W/O TRIM - EXCEL DC04-G2L
	112795-21-700	EA	WINDOW - PASSENGER - W/O TRIM - EXCEL DC04-G2R

WINDOW, VENT & EXTERIOR DOOR GROUP (CONTINUED)

TWIN BED THERMOPANE BACKWALL ESCAPE WINDOW

KEY	PART NUMBER	U/M	DESCRIPTION
	113502-04-01A	EA	WINDOW ASM-REAR ESCAPE B/OW - EXCEL DH449-G2W58
	100322-01-703	FT	GLAZING STRIP - EXCEL 132-010723
	112898-06-704	EA	LOCK-HANDLE CAM RED RH - EXCEL 182-11293
	112898-06-705	EA	LOCK-HANDLE CAM RED LH - EXCEL 182-11294
	113502-04-700	EA	WINDOW W/O TRIM - EXCEL DH449-G2
	113502-04-701	EA	TRIM - EXCEL W44958
	113502-04-702	EA	GLASS-STATIONARY - EXCEL 390-019460

TWIN BED THERMOPANE PICTURE WINDOW

KEY	PART NUMBER	U/M	DESCRIPTION
	113733-02-01A	EA	WINDOW ASM-STATIONARY - THERMOPANE - EXCEL DH400-G2W60
	113733-02-700	EA	WINDOW TRIM W/O TRIM - EXCEL DH400-G2
	113733-02-701	EA	TRIM - EXCEL W38660
	113733-02-702	EA	GLASS - EXCEL 390-019461

QUEEN BED THERMOPANE ESCAPE WINDOW

KEY	PART NUMBER	U/M	DESCRIPTION
	113502-01-01A	EA	WINDOW ASM-ESCAPE-THERMOPANE- DH449-G2W58 (CENTER QUEEN BED)
	098644-01-705	FT	STRIP-GLAZING - BUTYL - EXCEL 132-010723
	112898-06-704	EA	LOCK-HANDLE CAM RED RH - EXCEL 182-11293
	112898-06-705	EA	LOCK-HANDLE CAM RED LH - EXCEL 182-11294

NONPOWERED ROOF VENT

KEY	PART NUMBER	U/M	DESCRIPTION
	110051-01-01A	EA	VENT-ROOF - NONPOWERED - 2" ROOF - JENSEN 7724 WHE
	064470-01-700	EA	COVER-ROOF VENT - JENSEN 7291
	110051-01-701	EA	GARNISH W/SCREEN & FRAME 2" - JENSEN 29-800-01
	110051-01-702	EA	HAND CRANK & OPERATOR ASM. - JENSEN RP-1000B
	110051-01-703	EA	HANDLE CRANK - JENSEN RP-1031-B

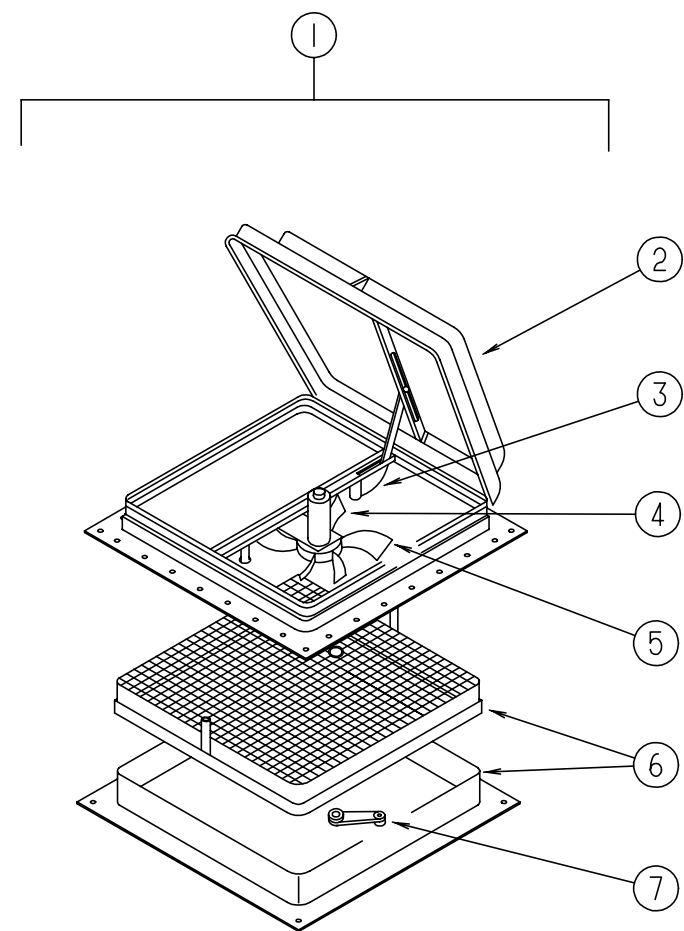
VENTS, SHROUDS AND ROOF COVERS

KEY	PART NUMBER	U/M	DESCRIPTION
	084073-07-000	EA	COVER-ROOF VENT - REFRIGERATOR - BRIGHT WHITE - NORCOLD
	084073-04-000	EA	BASE-ROOF VENT - REFRIGERATOR - BLACK - NORCOLD
	084616-07-000	EA	SHROUD-RANGE HOOD VENT - BRIGHT WHITE
	084878-09-000	EA	VENT-RANGE HOOD - SHORT - LVS
	083558-03-000	EA	VENT-PLUMBING PIPE ROOF W/COVER - OFF WHITE

CEILING EXHAUST VENT - US & CSA

KEY	PART NUMBER	U/M	DESCRIPTION
	084079-03-000	EA	VENT-CEILING - POWERED EXHAUST - OFF WHITE - FANTASTIC VENT
	084079-08-000	EA	VENT-CEILING - EXHAUST POWER - OFF WHITE - CSA - 014000-1-OW-CSA
	084079-01-700	EA	VENT COVER - FANTASTIC 1020-19
	084079-01-703	EA	CRANK-EXTERIOR - FANTASTIC 1060-09
	084079-01-705	EA	MOTOR - FANTASTIC 1080-00 - US
	084079-08-700	EA	MOTOR THIN ROOF FANTASTIC 101703 - CSA
	084079-01-704	EA	BLADE-FAN - FANTASTIC 1070-00
	084079-01-701	EA	SCREEN ASM WHITE - FANTASTIC 1030-80
	084079-01-707	EA	SWITCH-SAFETY - FANTASTIC 1120.00
	084079-01-709	EA	SWITCH-ON & OFF - MAIN POWER - FANTASTIC 1100.00
	084079-01-711	EA	H-MOLDING - MOTOR MOUNT - PLASTIC - FANTASTIC
	084079-01-712	EA	GARNISH-INTERIOR - 1 7/8" - OFF WHITE

WINDOW, VENT & EXTERIOR DOOR GROUP (CONTINUED)



POWERED ROOF VENT

KEY	PART NUMBER	U/M	DESCRIPTION
1	110051-03-01A	EA	VENT-ROOF - POWERED - 2" ROOF - JENSEN 7757
1	110051-05-01A	EA	VENT-ROOF - POWERED - 2" ROOF - JENSEN C7757 (CANADIAN)
2	064470-01-700	EA	COVER-ROOF VENT - JENSEN 7291
	064470-01-701	EA	SLIDE BAR
3	110051-01-702	EA	HAND CRANK & OPERATOR ASM. - JENSEN RP-10000B
4	048648-01-000	EA	MOTOR-12V NONVENTED 1/8 SFT
5	048649-01-000	EA	FAN-PLASTIC - 6" - 6 BLADED
6	110051-01-700	EA	ROOF VENT SCREEN F/MANUAL CRANK ASSEMBLIES
7	110051-01-703	EA	HANDLE CRANK - JENSEN RP1031-B