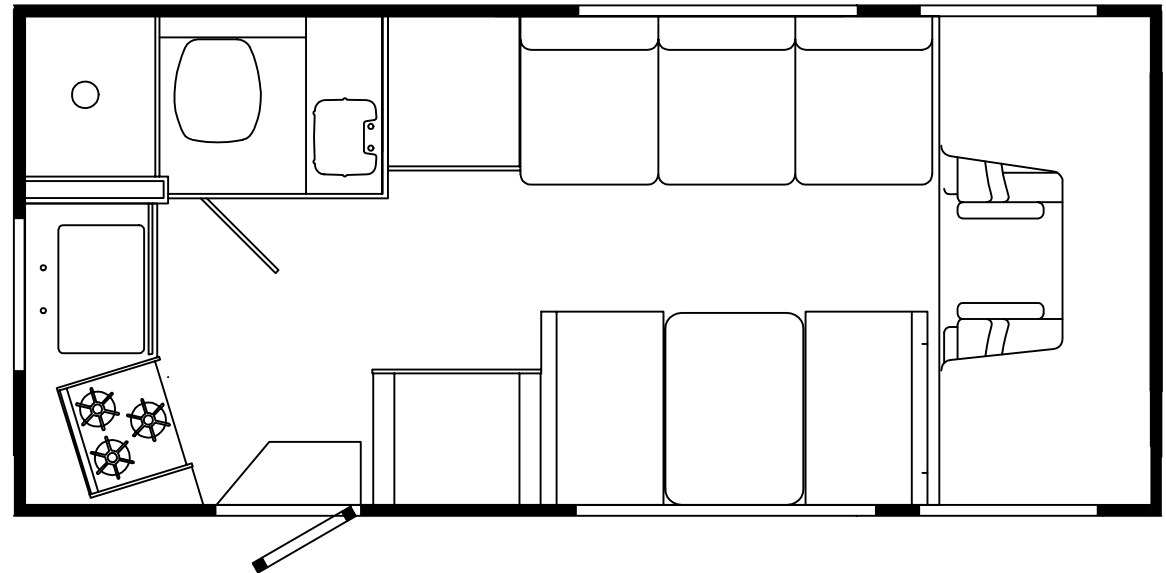
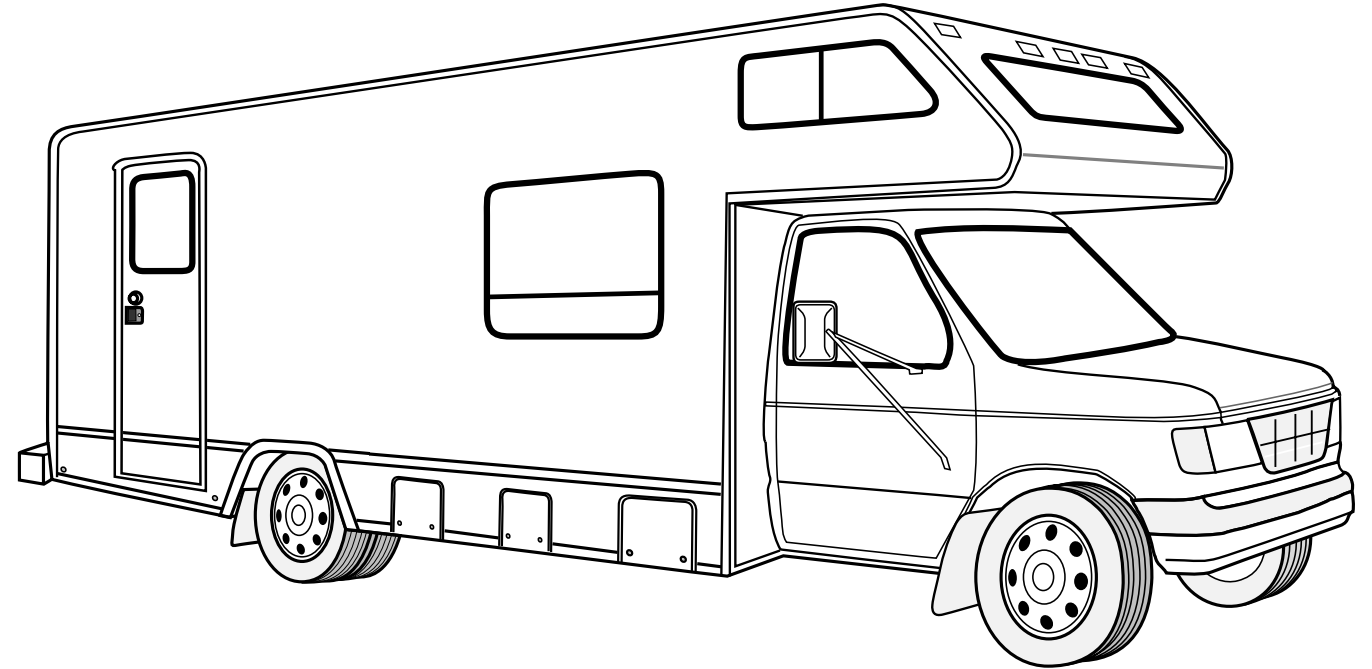


**1995
IC321RK**

F15

F16



**ACCESSORIES GROUP
OPERATORS MANUAL**

KEY	PART NUMBER	U/M	DESCRIPTION
	054185-C8-000	EA	MANUAL-OPERATOR, 1995 SPIRIT
	092318-01-000	EA	BINDER - 3 RING, MOTOR HOME MANUAL
	092319-01-000	EA	PAGE-POCKET, 3 RING BINDER - PLASTIC
	114284-01-000	DW	TOP LEVEL DRAWING - 1995 C BODY

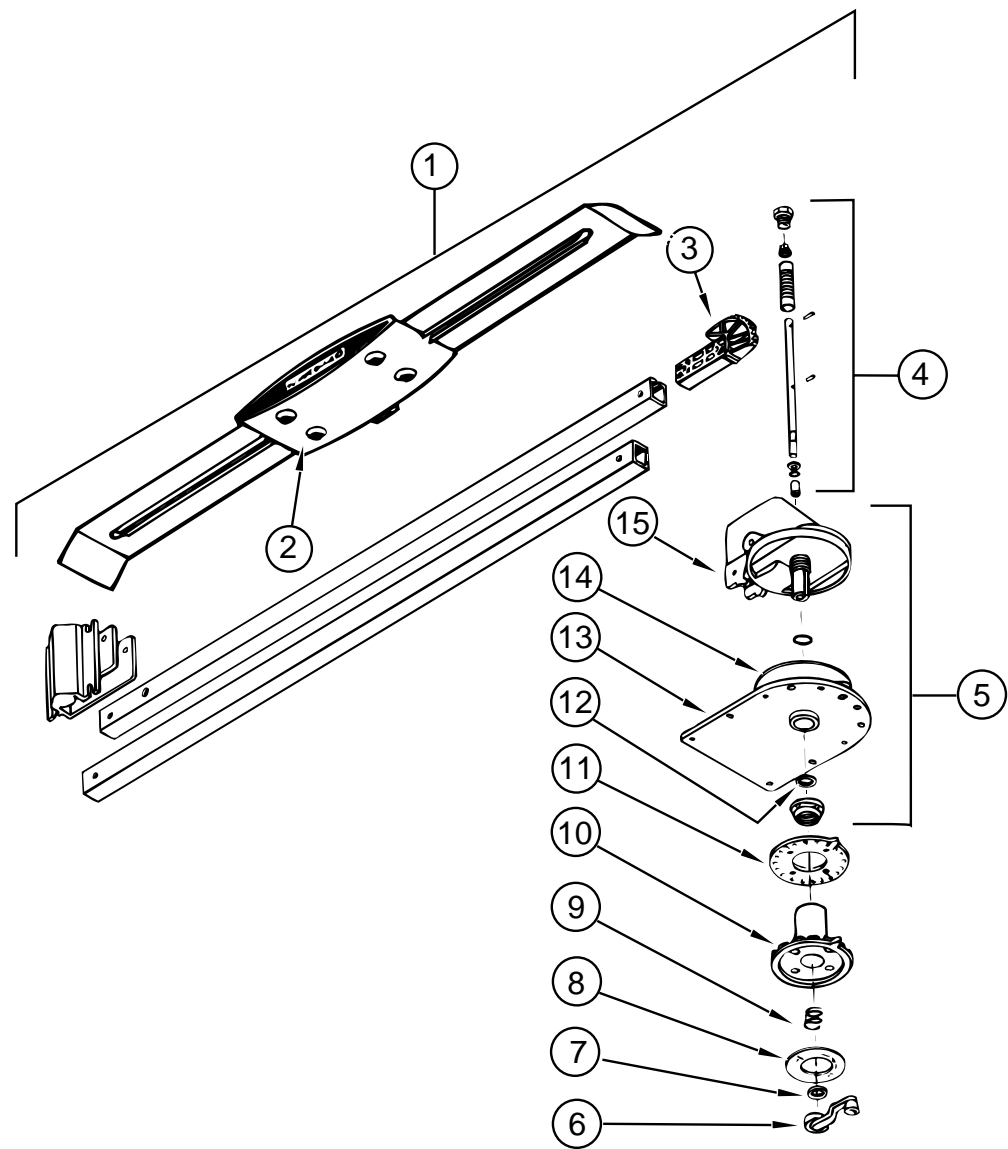
**AUDIO VIDEO GROUP
RADIO SYSTEM & ANTENNA**

KEY	PART NUMBER	U/M	DESCRIPTION
	007004-01-000	EA	ANTENNA-AUTO
	115307-01-000	EA	RADIO-WIRING, REAR SPEAKER - GM ASA 1700030
	115305-01-000	EA	RADIO-AM/FM CASSETTE, ELECTRON - GM - AUDIOVOX GMA-CXF
	115306-01-000	EA	RADIO-MOUNTING KIT, GM - AUDIOVOX - GMA
	115307-01-000	EA	RADIO-WIRING, REAR SPEAKER - GM ASA 1700030
	094097-01-000	EA	SPEAKER-RADIO, W/O GRILLE - 5.25" DIAMETER - AUDIOVOX 110C3030
	111177-01-01A	EA	GRILLE-SPEAKER, OVAL - 5" X 7' - GRAY - MAGNADYNE SB68

TV INSTALLATION COMPONENTS

KEY	PART NUMBER	U/M	DESCRIPTION
	076319-03-000	FT	CABLE-COAXIAL, 75 OHM
	076319-12-000	EA	CONNECTOR-COAXIAL, ONE PIECE
	076319-06-000	EA	ADAPTER-CABLE ROOF PLATE, WINEGARD RPJ-1
	082134-01-000	EA	ADAPTER-TV, CABLE TO CABLE - WINEGARD F-81M
	082136-01-000	EA	NUT-HEX JAM, 3/8-32, WINEGARD
	086777-02-000	EA	WALLPLATE-TV CABLE, W/ANTENNA SWITCH - BROWN

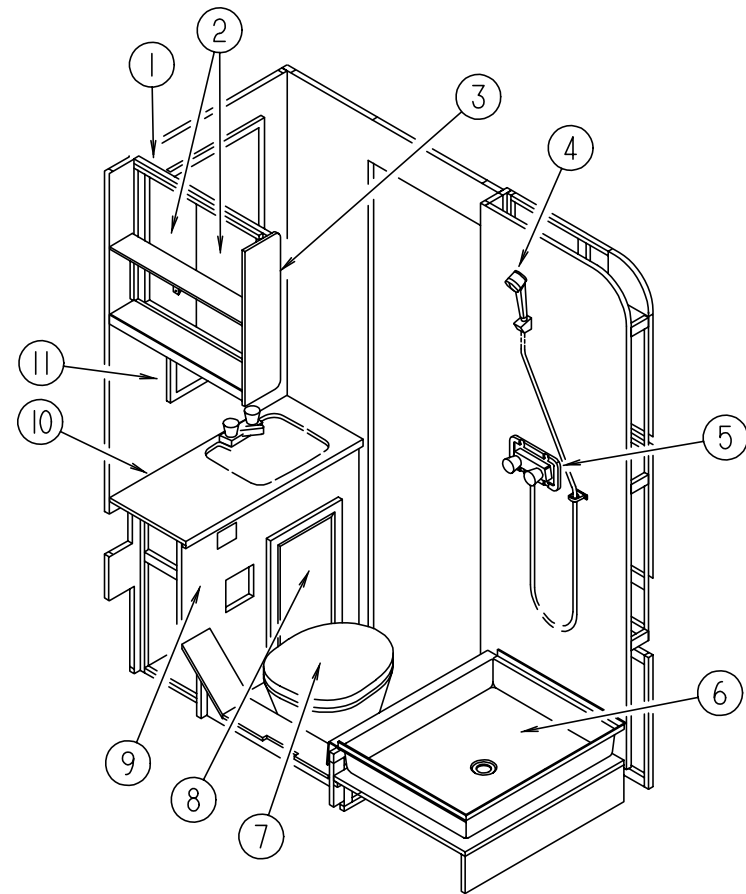
AUDIO VIDEO GROUP (CONTINUED)



TV ANTENNA

KEY	PART NUMBER	U/M	DESCRIPTION
1	076319-01-000	EA	ANTENNA-TV, ROOF MOUNT - 44.5" MAST - RVA W02
2	076319-01-700	EA	HEAD-ANTENNA, AMPLIFIED - WINEGARD RVSA U/V
3	076319-01-701	EA	GEAR-ELEVATING, PLASTIC - WINEGARD 2200046
4	076319-01-702	EA	SHAFT ASSEMBLY-ELEVATING, WINEGARD RVP-400A
5	076319-01-711	EA	BASE & LIFT ASSEMBLY 2762802
6	076319-01-706	EA	CRANK-ELEVATING, W/SET SCREW - WINEGARD 5755100
7	076319-01-705	EA	GROMMET-NYLON, 7/8" ID - WINEGARD 200658
8	076319-01-708	EA	DECAL-CRANK 5413002
9	076319-01-707	EA	SPRING-HANDLE, WINEGARD 5160800
10	076319-01-709	EA	PLATE-DIRECTIONAL, FOR HEAD - WINEGARD 3200644
11	076319-01-712	EA	PLATE-CEILING, WINEGARD 3200608
12	076319-01-704	EA	BEARING-NYLON, 1.25" OD - WINEGARD 3200657
13	076319-01-713	EA	PLATE-BASE, STEEL - WINEGARD 3100523
14	076319-01-703	EA	BEARING-NYLON, 5" OD - WINEGARD 3200656
15	076319-01-714	EA	HOUSING, ROTATING GEAR WINEGARD 2200049

BATH GROUP



BATHROOM CABINETS & FIXTURES

KEY	PART NUMBER	U/M	DESCRIPTION
1	116893-01-F15	EA	CABINET-MEDICINE
2	110140-26-E01	EA	DOOR-MEDICINE CABINET, 280MM X 555MM
3	109908-29-F15	EA	END CAP-MEDICINE CABINET
4	103092-02-000	EA	SHOWER HEAD-W/HOSE, CANADIAN
4	103092-01-000	EA	SHOWER HEAD-W/60" HOSE
	103092-01-700	EA	BRACKET ONLY-CLEAR, SHOWER HEAD - 2328028
	011048-03-700	EA	BRACKET ONLY-BONE, SHOWER HEAD 2328029
5	075241-05-000	EA	FAUCET-SHOWER, BONE
6	M02673-05-B13	EA	PAN-SHOWER, 29.8" X 22.7" .X 5.7" - OFF WHITE - PLASTIC
	066436-01-000	EA	NUT-SLIP, TAILPIECE - 1.5"
	066440-01-000	EA	STRAINER-SHOWER, W/RUBBER WASHER
	069735-01-000	EA	WASHER-STRAINER TO TAILPIECE PLASTIC, 1.5"
	057671-01-000	EA	COVER-SCREW, #8 - PLASTIC - OFF WHITE
7	063740-01-000	EA	TOILET-HIGH, HAND FLUSH - THETFORD 150120
8	110140-09-E01	EA	DOOR-LAVATORY CABINET
9	P17068-01-F15	EA	CABINET-LAVATORY, W/O DOORS OR HARDWARE
10	117068-11-F15	EA	COUNTERTOP-LAVATORY CABINET
11	058331-01-000	EA	MIRROR-GLASS, SAFETY - 19" X 26"
	075453-02-000	EA	BAR-TOWEL, 18" BRASS
	085278-01-000	EA	HOLDER-TOILET PAPER, RECESSED - BRASS

BATH GROUP (CONTINUED)
LAVATORY SINK & FAUCET

KEY	PART NUMBER	U/M	DESCRIPTION
	075240-06-000	EA	FAUCET-LAVATORY, BONE
	091253-01-000	EA	GASKET-FAUCET, LAVATORY/GALLEY
	096927-01-01A	EA	SINK-LAVATORY, RECTANGULAR - PLASTIC - BONE
	096927-01-700	EA	SINK-STOPPER
	096927-01-701	EA	TAILPIECE-SINK

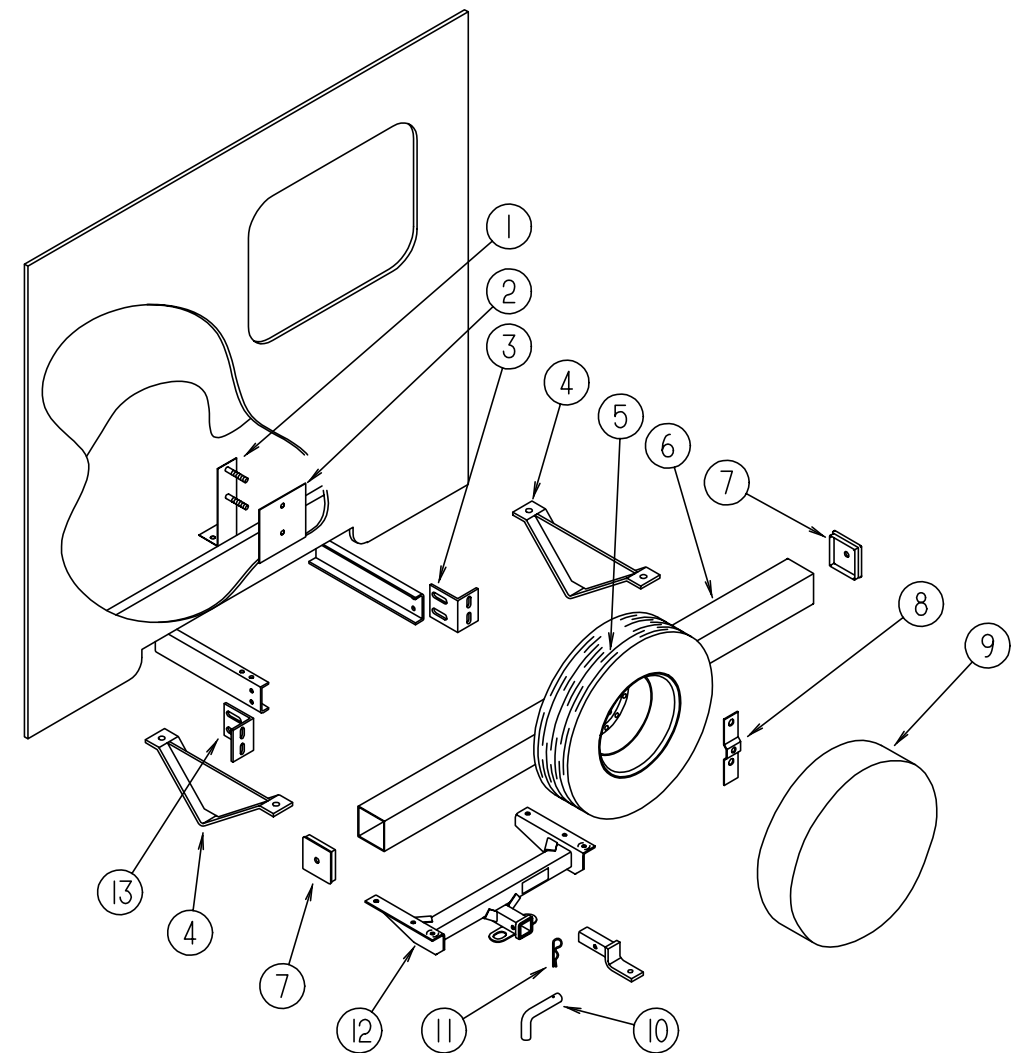
TOILET & COMPONENTS

KEY	PART NUMBER	U/M	DESCRIPTION
	063740-01-000	EA	TOILET-HIGH, HAND FLUSH - THETFORD 150120
	063740-01-700	EA	LEVER-WATER, THETFORD 12514
	063740-01-701	EA	LEVER-FLUSH, THETFORD 12515
	063740-01-706	EA	BOLT PACKAGE-CLOSET, THETFORD 12524
	063740-01-710	EA	LINK-THETFORD 12513
	063740-01-711	EA	SPRING-RETURN LEVER, THETFORD 12523
	063740-01-713	EA	SEAL-BALL VALVE TO BOWL, THETFORD 12502
	063740-01-714	EA	VALVE ASSEMBLY-WATER, THETFORD 12492
	063740-01-716	EA	SEAT & COVER, IVORY - THETFORD 15017
	063740-01-717	EA	TUBE-FLUSH, TOILET - THETFORD 12509
	063740-02-700	EA	SEAT & COVER, PARCHMENT - THETFORD 20829

PRIVACY DOOR

KEY	PART NUMBER	U/M	DESCRIPTION
	100494-10-F15	EA	DOOR-BATH PRIVACY
	009151-01-000	EA	GUARD-WARP, CABINET/PRIVACY DOOR - 48"
	058335-02-000	EA	LATCH-SHOWER/BATH DOOR, W/O LOCK - PLASTIC - BROWN

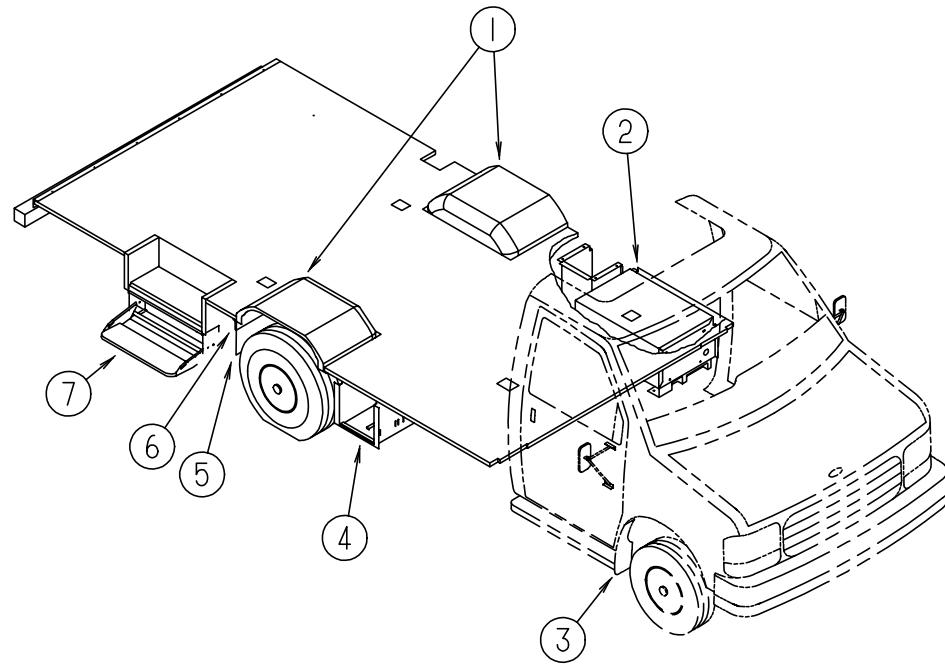
CHASSIS GROUP



REAR BUMPER, HITCH & SPARE TIRE CARRIER

KEY	PART NUMBER	U/M	DESCRIPTION
1	105209-04-C52	EA	BRACKET ASSEMBLY-SPARE TIRE, CHEVY
1	105209-06-C52	EA	BRACKET ASSEMBLY-SPARE TIRE, FORD
2	105208-01-000	EA	PLATE-SPARE TIRE
3	104420-01-000	EA	SUPPORT-ANGLE, BUMPER REAR - RIGHT
4	083376-01-000	EA	PLATE-SKID, 13.2" X 6" X 2" - STEEL
5	083425-09-000	EA	TIRE - LT225/75R16 LRD, MICHELIN XCH4
6	103422-02-02A	EA	BUMPER-SQUARE, ALUMINUM - BRIGHT WHITE
7	039779-01-000	EA	CAP-BUMPER, RUBBER - 4" X 4" - BLACK
8	105531-02-000	EA	RETAINER ASSEMBLY-SPARE TIRE, FORD ONLY
9	073322-07-F15	EA	COVER-TIRE, 31"
10	034512-01-000	EA	PIN-LOCKING, DRAWBAR
11	034513-01-000	EA	PIN-HITCH, 3/16" WIRE
12	107707-08-000	EA	HITCH-TRAILER, W/O DRAWBAR
13	104420-02-000	EA	SUPPORT-ANGLE, BUMPER REAR - LEFT
	097745-02-000	EA	HOUSING-RECEPTACLE, TRAILER - 48" WIRE LENGTH
	097744-02-000	EA	HOUSING-TRAILER PIN, 48"
	113589-01-000	EA	CONNECTOR-PLUG, TRAILER - GENERAL 433501
	113589-02-000	EA	CONNECTOR-SOCKET, TRAILER - GENERAL 433601
	113634-01-000	EA	WIRE ASSEMBLY-TRAILER, ADAPTER

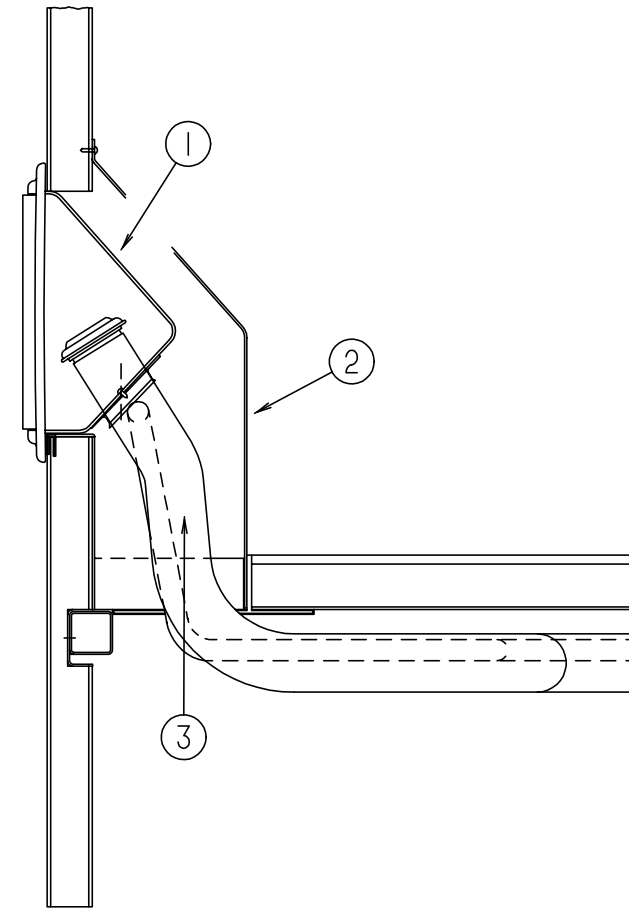
CHASSIS GROUP (CONTINUED)



COMPARTMENTS, PLUGS & SEALS

KEY	PART NUMBER	U/M	DESCRIPTION
1	096322-01-000	EA	WHEELWELL-REAR, DRIVER OR PASSENGER - PLASTIC
2	114394-01-02B	EA	COMPARTMENT-GENERATOR, E-COAT
	114070-02-02B	EA	SUPPORT ASM-GENERATOR, LH - E-COAT
	114071-02-02B	EA	SUPPORT ASM-GENERATOR, RH - E-COAT
	061420-01-000	EA	PLUG-PLASTIC, 1.75" - BROWN
3	072884-27-703	EA	MUD FLAPS-W/HOLES, PAIR - 99171
4	105203-04-000	EA	COMPARTMENT-BATTERY
	084993-01-000	EA	STRAP ASSEMBLY-BATTERY, WEBBING & BUCKLE - 1100MM X 1" WIDE
	084993-02-000	EA	STRAP ASSEMBLY-BATTERY, WEBBING & BUCKLE - 1400MM X 1" WIDE
5	017516-01-000	EA	FLAP-MUD, 14" X 18" - BLACK
6	045731-05-000	EA	GUARD-ROCK
7	091176-01-000	EA	SUPPORT-BASE, ENTRANCE STEP
	077848-02-000	EA	STEP-PULLOUT
	115361-01-01A	EA	PLUG-PLASTIC, CAPPLUG NO.W5

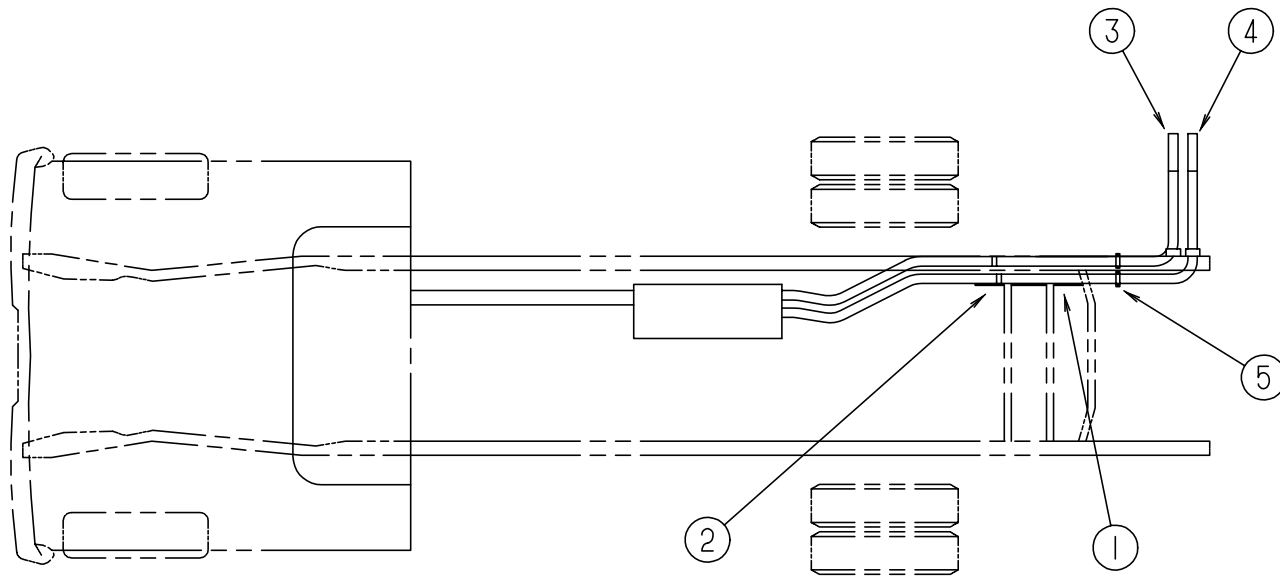
CHASSIS GROUP (CONTINUED)



FUEL SYSTEM COMPONENTS

KEY	PART NUMBER	U/M	DESCRIPTION
1	095854-01-04A	EA	SHROUD-FUEL FILL, PLASTIC - BRIGHT WHITE
2	078040-05-000	EA	SHROUD-FUEL FILL, UPPER - PLASTIC
3	106413-01-000	EA	NECK-FUEL FILL, MAIN - GAS - FORD
3	106413-02-000	EA	NECK-FUEL FILL, MAIN - DIESEL - FORD
	078200-01-000	EA	GASKET-FUEL FILL, 3.5" OD X 2" ID
	007063-01-000	FT	HOSE-GAS, 1/4" ID X 1/2" OD
	084884-01-000	EA	PLUG-BRASS, 3/8"
	087269-01-000	EA	TEE - 1/4" X 1/4" X 1/4" - BRASS

CHASSIS GROUP (CONTINUED)



EXHAUST SYSTEM COMPONENTS

KEY	PART NUMBER	U/M	DESCRIPTION
1	111848-02-000	EA	SHIELD-HEAT, EXHAUST
2	111848-01-000	EA	SHIELD-HEAT, EXHAUST
3	111836-01-000	EA	PIPE-EXHAUST, TAIL - FORD - DUAL
4	111836-02-000	EA	PIPE-EXHAUST, TAIL - FORD - DUAL
5	007125-05-000	EA	CLAMP-MUFFLER, 2.00" DIAMETER - GAS
	007131 01 000	EA	HANGER-TAILPIPE, 6 SLOTS
	101884-03-000	EA	PIPE-EXHAUST, TAIL - FORD REAR - DIESEL
			FROM: 00-00-00 THRU: 12-14-94
	101884-04-000	EA	PIPE-EXHAUST, TAIL - FORD REAR - DIESEL
			FROM: 12-15-94 THRU: 99-99-99
	007125-07-000	EA	CLAMP-MUFFLER, 2.50" DIAMETER - USED W/DIESEL
	016379-02-000	EA	STRAP-HANGER EXTENSION, 2" X 1" - STEEL

CHASSIS GROUP (CONTINUED)

WHEEL LINERS & COVERS - FORD

KEY	PART NUMBER	U/M	DESCRIPTION
	110435-02-000	EA	LINER-WHEEL, SET 4 - DICOR V160F2
	110435-02-700	EA	WHEEL COVER-FRONT, V160F2-FWC
	110435-02-701	EA	WHEEL COVER-REAR, V160F2-RWC
	110435-02-702	EA	STUD EXTENSION - V160SD - STX
	110435-02-703	EA	NUT-JAMB, V160SD - JNT
	110435-02-704	EA	COVER-LUG NUT, V160F0 - LNC
	110435-02-705	EA	TOOL-JAMB NUT INSTALLATION - V160F0-TOL

WHEEL - FORD

KEY	PART NUMBER	U/M	DESCRIPTION
	083617-03-000	EA	WHEEL-STEEL, 16.0 X 6 - ACCURIDE 28618 - FORD
	095012-03-000	EA	EXTENSION-VALVE STEM, DUAL WHEEL

WHEEL COVERS - CHEVY

KEY	PART NUMBER	U/M	DESCRIPTION
	109443-05-000	EA	WHEEL COVER - 4/ SET, 16" SS - DICOR SHFM16
	109443-05-700	EA	COVER WHEEL - 16", SHFM16 - CVR
	109443-05-701	EA	COVER-LUG NUT, ABS PLATED - SP-FM-LNC
	051377-03-000	EA	STEM-VALVE, TR 600 - CHEVY

LUG WRENCH

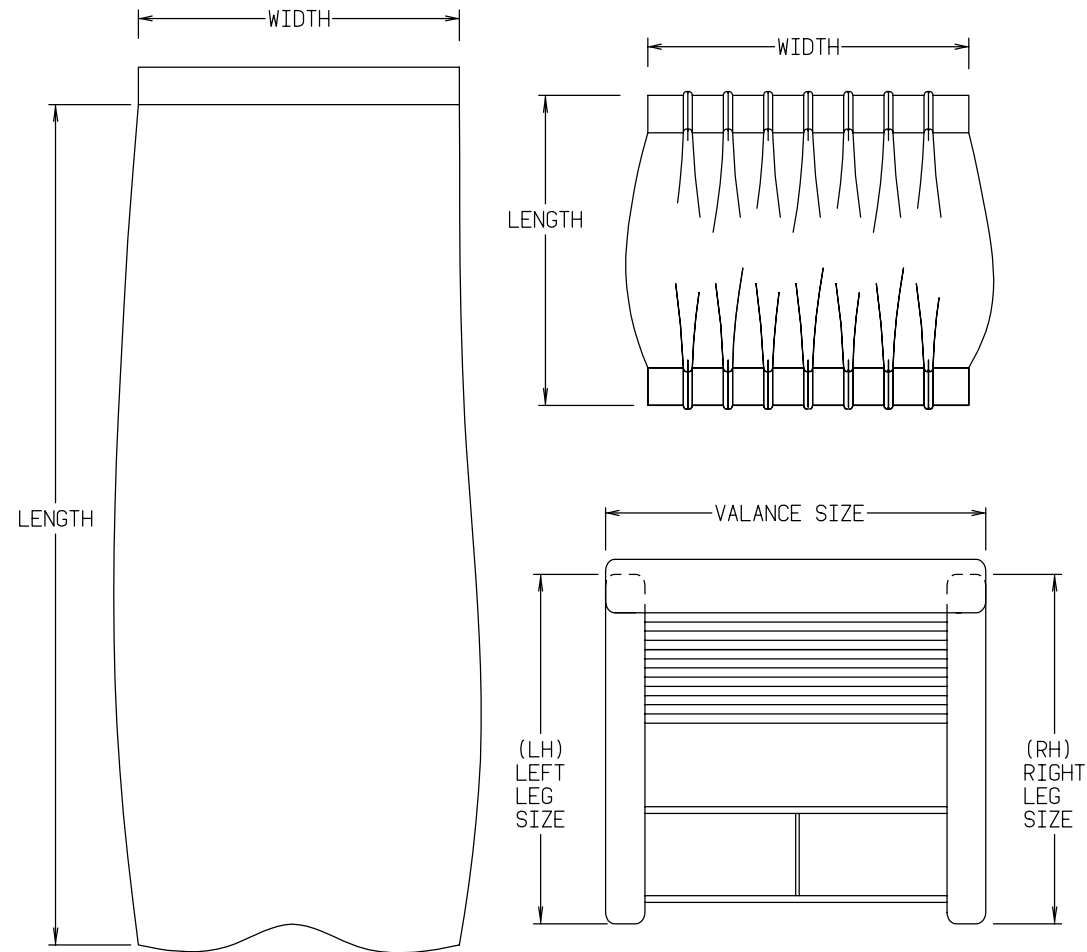
KEY	PART NUMBER	U/M	DESCRIPTION
	080208-01-000	EA	WRENCH-LUG, 1.06 X 1.00 - CHEVY
	080208-02-000	EA	BAR-LEVERAGE, LUG WRENCH - CHEVY
	112358-01-000	EA	WRENCH-LUG, 7/8 - L-SHAPE - FORD

CURTAIN & CUSHION GROUP

NOTICE

IN ORDER TO ASSIST OUR PARTS SALES DEPT. IN PROVIDING INTERIOR SOFTWARE ITEMS, PLEASE INCLUDE THE SERIAL NUMBER AND THE COLOR CODE NUMBER FROM THE VEHICLE CERTIFICATION LABEL WHEN ORDERING. THIS LABEL IS LOCATED ON THE LEFT SIDEWALL AT THE END OF THE DASH (A-BODY), OR ON THE DRIVER'S DOOR LATCH PLATE (C-BODY).

AN EXAMPLE OF A COLOR CODE NUMBER IS B07, WHICH DESIGNATES AN OVERALL COLOR SCHEME OF A PARTICULAR UNIT. THE COLOR LISTED AFTER THE ITEM DESCRIPTION ON THE MICROFICHE, INDICATES THE OVERALL UNIT COLOR. ORDER THE ITEM YOU DESIRE ACCORDING TO UNIT COLOR CODE.



NOTE: USE THIS ILLUSTRATION WHEN DETERMINING LENGTH AND WIDTH MEASUREMENTS FOR CURTAINS. YOU WILL NOTE THE WIDTH MEASUREMENT IS TAKEN ON THE TOP OF THE CURTAIN WITH THE CURTAIN FULLY EXTENDED. THE LENGTH MEASUREMENT IS TAKEN FROM TOP TO BOTTOM. LEFT AND RIGHT WINDOW LEGS ARE DETERMINED WHEN FACING THE WINDOW.

CURTAIN & CUSHION GROUP (CONTINUED)

FABRICS

KEY	PART NUMBER	U/M	DESCRIPTION
	087272-03-000	YD	LINING-DRAPERY, 54" - IVORY
	105745-64-000	YD	FABRIC-BEDSPREAD, DRAPERY & PRIVACY CURTAIN - SLATE (F15)
	105745-62-000	YD	FABRIC-BEDSPREAD, DRAPERY & PRIVACY CURTAIN - LILAC (F16)
	105745-85-000	YD	FABRIC-BEDSPREAD, MAIN - OPAL (F15)
	105745-86-000	YD	FABRIC-BEDSPREAD, MAIN - DUSK (F16)
	108446-B3-000	YD	FABRIC-UPHOLSTERY, MAIN - GULF (F15)
	108446-B8-000	YD	FABRIC-UPHOLSTERY, MAIN - IVORY (F16)
	108446-49-000	YD	FABRIC-UPHOLSTERY, PLAIN ACCENT - TWILIGHT (F15)
	108446-B4-000	YD	FABRIC-UPHOLSTERY, PLAIN ACCENT - SMOKE (F16)
	108446-B5-000	YD	FABRIC-UPHOLSTERY, PATTERN ACCENT - GULF (F15)
	108446-B6-000	YD	FABRIC-UPHOLSTERY, PATTERN ACCENT - IVORY (F16)
	079680-01-000	YD	FABRIC-VINYL, 54" WIDE - BEIGE
	103907-01-01A	YD	FABRIC-VINYL, 54" WIDE - OFF WHITE

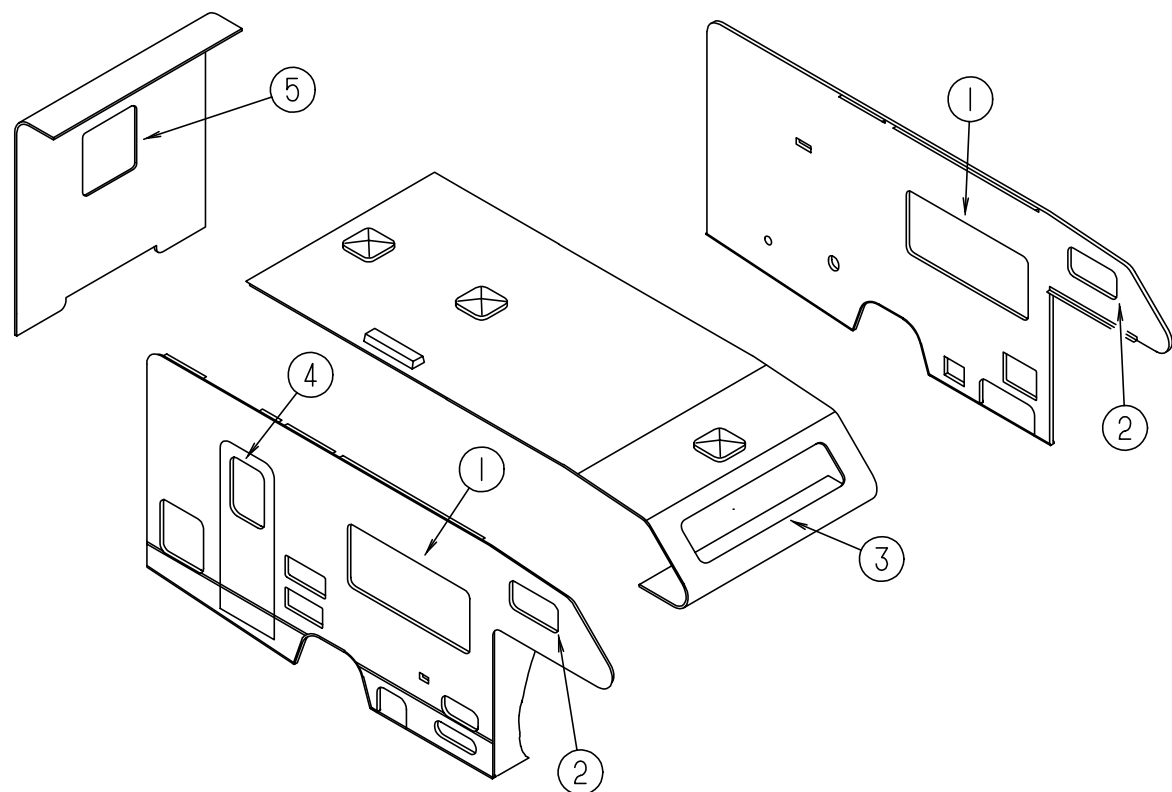
WELTING & BUTTONS

KEY	PART NUMBER	U/M	DESCRIPTION
	079349-04-E27	YD	WELTING-FABRIC (F15)
	079349-04-F16	YD	WELTING-FABRIC (F16)
	070578-11-B18	EA	BUTTON-SNAP TOP - #30 - VINYL - OFF WHITE

ASSIST HANDLE & SEATBELTS

KEY	PART NUMBER	U/M	DESCRIPTION
	053552-02-AA8	EA	HANDLE-ASSIST, INTERIOR - ENTRY DOOR - VINYL - OFF WHITE
	069178-02-000	EA	BRACKET-MOUNTING, ASSIST HANDLE - L ANGLE - W/HOLES - STEEL
	000C16-07-16B	EA	BOLT-CARRIAGE, ASSIST HANDLE - 7/16" - 14 X 1" - ZINC
	000D20-07-00B	EA	NUT-ACORN, ASSIST HANDLE - 7/16" X 14 - ZINC
	057759-01-000	EA	WASHER BRACKET-SEAT BELT, 4" DIAMETER
	007021-01-000	EA	BELT-SEAT, 2" X 90" - BLACK
	056271-01-000	EA	BELT-SEAT, 2" X 102" - BLACK

CURTAIN & CUSHION GROUP (CONTINUED)



CURTAINS & WINDOW TREATMENT

KEY	PART NUMBER	U/M DESCRIPTION
1	105923-24-F15	EA VALANCE-WINDOW, RODEWAY - 63.5" - W/1" INSERT
1	105923-24-F16	EA VALANCE-WINDOW, RODEWAY - 63.5" - W/1" INSERT
1	076892-21-FB1	EA CURTAIN-WINDOW, PLAIN HEM TOP & BOTTOM - 30" X 15" (F15)
1	076892-21-FC1	EA CURTAIN-WINDOW, PLAIN HEM TOP & BOTTOM - 30" X 15" (F16)
1	084755-76-F15	EA SHADE-PULL, 62.25" - W/O TRIM
2	101034-45-F15	EA CURTAIN-WINDOW, DARTED TAPE TOP - W/LINING - 20" X 34" - RH
2	101034-45-F16	EA CURTAIN-WINDOW, DARTED TAPE TOP - W/LINING - 20" X 34" - RH
2	101034-46-F15	EA CURTAIN-WINDOW, DARTED TAPE TOP - W/LINING - 20" X 34" - LH
2	101034-46-F16	EA CURTAIN-WINDOW, DARTED TAPE TOP - W/LINING - 20" X 34" - LH
3	101034-33-F15	EA CURTAIN-WINDOW, DART TAPE TOP & BOTTOM - 21" X 60" - RIGHT
3	101034-33-F16	EA CURTAIN-WINDOW, DART TAPE TOP & BOTTOM - 21" X 60" - RIGHT
3	101034-34-F15	EA CURTAIN-WINDOW, DART TAPE TOP & BOTTOM - 21" X 60" - LEFT
3	101034-34-F16	EA CURTAIN-WINDOW, DART TAPE TOP & BOTTOM - 21" X 60" - LEFT
4	105923-28-F15	EA VALANCE-DOOR, RODEWAY - 29" - W/1" INSERT
4	105923-28-F16	EA VALANCE-DOOR, RODEWAY - 29" - W/1" INSERT
4	084755-57-E07	EA SHADE-PULL, 27.25"
5	109041-20-01A	EA BLIND-MINI, 31" X 18" DROP - PURE SILVER
	109353-07-01A	EA VALANCE-BLIND, 31" SLAT - PURE SILVER
	109353-04-000	EA CLIP-VALANCE SLAT MOUNTING, CLEAR PLASTIC

**CURTAIN & CUSHION GROUP (CONTINUED)
PRIVACY CURTAINS**

KEY	PART NUMBER	U/M DESCRIPTION
	076892-20-F15	EA CURTAIN-BUNK PRIVACY, SNAP TOP - PLAIN - W/LINING - 50" X 78"
	076892-20-F16	EA CURTAIN-BUNK PRIVACY, SNAP TOP - PLAIN - W/LINING - 50" X 78"
	101668-39-F15	EA CURTAIN-BUNK PRIVACY, TAPE TOP - W/LINING - 35" X 50" - RIGHT
	101668-40-F15	EA CURTAIN-BUNK PRIVACY, TAPE TOP - W/LINING - 35" X 50" - LEFT
	101668-39-F16	EA CURTAIN-BUNK PRIVACY, TAPE TOP - W/LINING - 35" X 50" - RIGHT
	101668-40-F16	EA CURTAIN-BUNK PRIVACY, TAPE TOP - W/LINING - 35" X 50" - LEFT
	101668-48-F15	EA CURTAIN-ROOM DIVIDER, TAPE TOP - W/LINING - 70" X 60"
	101668-48-F16	EA CURTAIN-ROOM DIVIDER, TAPE TOP - W/LINING - 70" X 60"

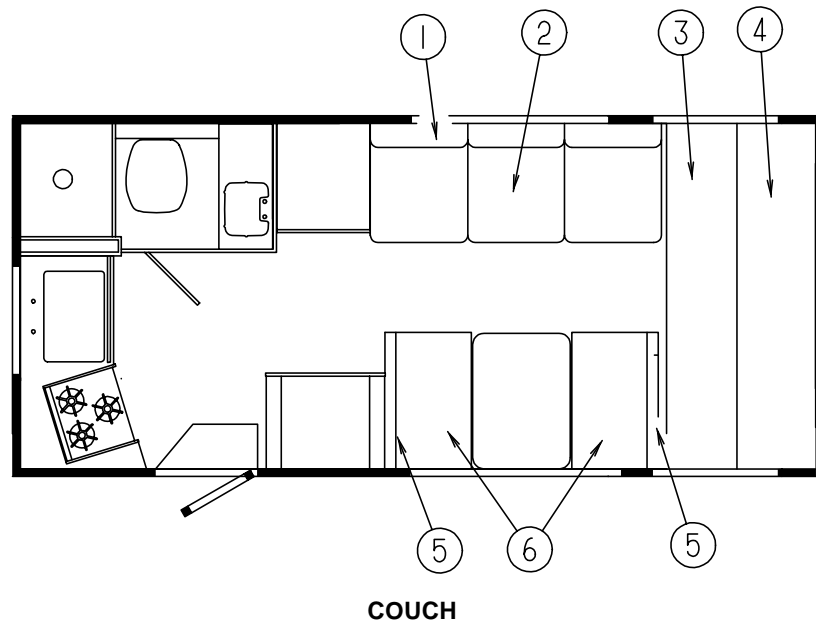
SHOWER CURTAINS

KEY	PART NUMBER	U/M DESCRIPTION
	084481-24-C24	EA CURTAIN-SHOWER, 72" X 42" (F15)
	084481-24-D05	EA CURTAIN-SHOWER, 72" X 42" (F16)

CURTAIN TIEBACKS

KEY	PART NUMBER	U/M DESCRIPTION
	073260-54-C30	EA TIEBACK-SHOWER CURTAIN, 3" X 16" (F15)
	073260-54-D36	EA TIEBACK-SHOWER CURTAIN, 3" X 16" (F16)
	073260-63-FB1	EA TIEBACK-ROOM DIVIDER CURTAIN, 4" X 15" (F15)
	073260-63-FC1	EA TIEBACK-ROOM DIVIDER CURTAIN, 4" X 15" (F16)
	073260-23-F15	EA TIEBACK-BUNK PRIVACY CURTAIN, 3" X 18"
	073260-23-F16	EA TIEBACK-BUNK PRIVACY CURTAIN, 3" X 18"
	057534-01-000	EA TIEBACK/TIEDOWN-BED/CURTAIN/DOOR - 6" - PLASTIC - CLEAR

CURTAIN & CUSHION GROUP (CONTINUED)



KEY	PART NUMBER	U/M	DESCRIPTION
1	100032-42-F15	EA	BACKREST-COUCH, 74"
1	100032-42-F16	EA	BACKREST-COUCH, 74"
	P00032-42-F15	EA	COVER-BACKREST, 74"
	P00032-42-F16	EA	COVER-BACKREST, 74"
	101085-10-000	EA	FRAME-BACK, COUCH - 74.5" X 16"
2	100032-43-F15	EA	SEAT-COUCH, W/O BACKREST - 74"
2	100032-43-F16	EA	SEAT-COUCH, W/O BACKREST - 74"
	P00032-43-F15	EA	COVER-SEAT, COUCH - 74"
	P00032-43-F16	EA	COVER-SEAT, COUCH - 74"
	101085-04-000	EA	FRAME-SEAT, COUCH - 74.75"
	101085-06-000	EA	FRAME-BASE, COUCH - 74.75"
	105947-01-000	EA	BRACKET-HOLD DOWN, COUCH - CANADIAN

NOTE: COUCH FRONT AND SIDE PANELS ARE FOUND IN LOUNGE GROUP

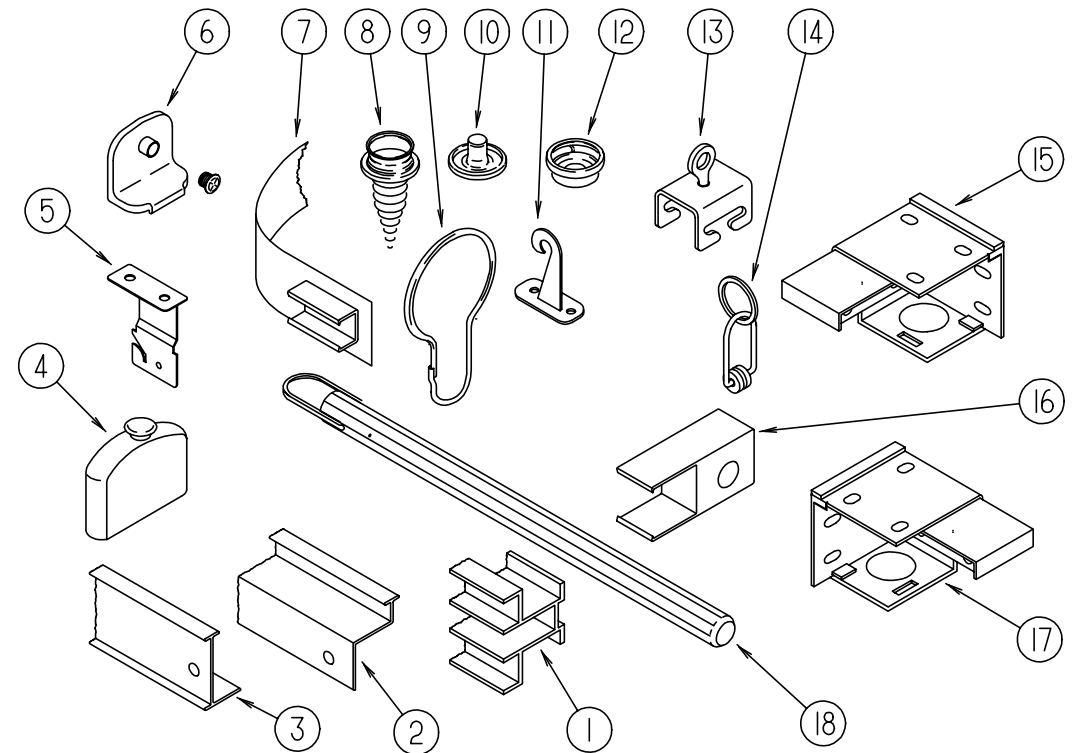
OVERHEAD BUNK CUSHIONS

KEY	PART NUMBER	U/M	DESCRIPTION
3	105573-10-F15	EA	CUSHION-OVERHEAD BUNK, REAR - 27" X 23" X 80" X 5"
3	105573-10-F16	EA	CUSHION-OVERHEAD BUNK, REAR - 27" X 23" X 80" X 5"
	P05573-10-F15	EA	COVER-CUSHION, OVERHEAD BUNK - REAR - 27" X 23" X 80" X 5"
	P05573-10-F16	EA	COVER-CUSHION, OVERHEAD BUNK - REAR - 27" X 23" X 80" X 5"
4	105573-09-F15	EA	CUSHION-OVERHEAD BUNK, FRONT - DOUBLE ANGLED - 32.5" X 80" X 5"
4	105573-09-F16	EA	CUSHION-OVERHEAD BUNK, FRONT - DOUBLE ANGLED - 32.5" X 80" X 5"
	P05573-09-F15	EA	COVER-CUSHION, FRONT - DOUBLE ANGLED - 32.5" X 80" X 5"
	P05573-09-F16	EA	COVER-CUSHION, FRONT - DOUBLE ANGLED - 32.5" X 80" X 5"

DINETTE CUSHIONS

KEY	PART NUMBER	U/M	DESCRIPTION
5	116134-01-FB1	EA	CUSHION-BACKREST, 13.5" X 37.5" X 5" (F15)
5	116134-01-FC1	EA	CUSHION-BACKREST, 13.5" X 37.5" X 5" (F16)
	P16134-01-FB1	EA	COVER-CUSHION, BACKREST - 13.5" X 37.5" X 5" (F15)
	P16134-01-FC1	EA	COVER-CUSHION, BACKREST - 13.5" X 37.5" X 5" (F16)
	078155-01-000	EA	STRAP-SNAP, BACKREST CUSHION
6	088927-87-F15	EA	CUSHION-SEATBASE, 23" X 38" X 5"
6	088927-87-F16	EA	CUSHION-SEATBASE, 23" X 38" X 5"
	M88927-87-F15	EA	COVER-CUSHION, SEATBASE - 23" X 38" X 5"
	M88927-87-F16	EA	COVER-CUSHION, SEATBASE - 23" X 38" X 5"

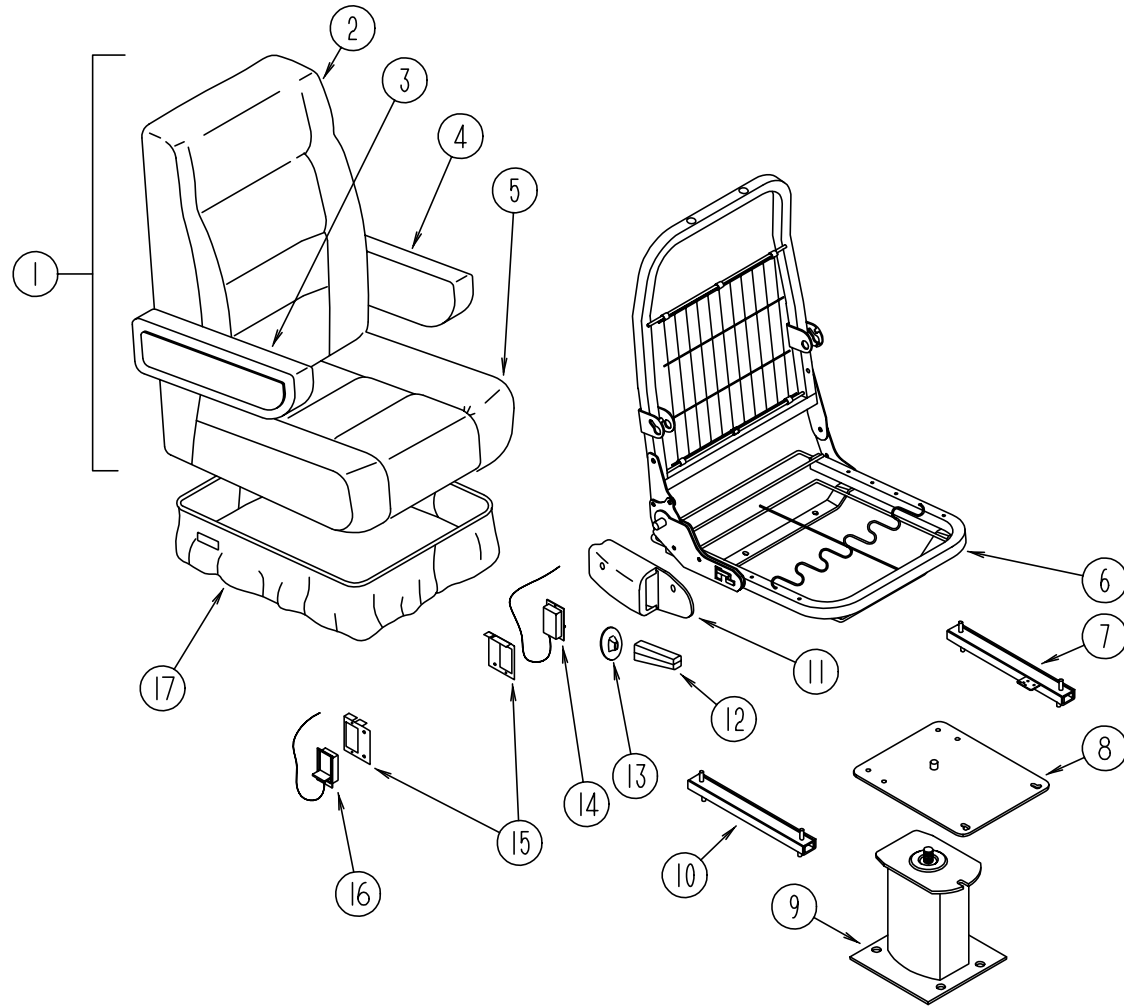
CURTAIN & CUSHION GROUP (CONTINUED)



KEY	PART NUMBER	U/M	DESCRIPTION
1	101033-03-000	FT	TRACK-WALL, WHITE - CT225 - SHAPCO
2	105450-06-01A	EA	TRACK-CURTAIN, 88" LONG - ALUMINUM - OFF WHITE
2	105450-03-01A	EA	TRACK-CURTAIN, 50" LONG - ALUMINUM - OFF WHITE
2	105450-08-01A	EA	TRACK-CURTAIN, 38" LONG - ALUMINUM - OFF WHITE
3	009700-04-007	EA	TRACK-L-SHAPED, 125" - OFF WHITE
	092464-02-01A	EA	TRACK-SHOWER, CURVED - OFF WHITE
4	093475-01-701	EA	END CAP-BLIND, W/STUD
5	084434-01-000	EA	BRACKET-MOUNTING, ROLLER SHADE - 1 3/8"
6	106544-01-000	EA	PULL-SHADE, BRASS
	106544-01-001	EA	SCREW-SHADE, BRASS
	084433-05-000	EA	SHADE-ROLLER, 72.25"
	096843-01-000	EA	SPRING-REWIND, ROLLER SHADE
7	101031-01-000	YD	TAPE-GLIDE, CURTAIN - 4.25" SPACING
8	029130-01-000	EA	SCREW-SNAP SOCKET, 8 PH X 5/8"
9	009136-02-000	EA	HANGER-RING, PIN TYPE - CURTAIN - BRASS
10	029155-01-000	EA	CAP-SNAP, NICKEL
11	109441-01-000	EA	HOLD DOWN-BLIND, HOOK
12	029156-01-000	EA	SOCKET-SNAP FASTENER, NICKEL
13	009702-01-000	EA	END STOP-CURTAIN CARRIER, L ROD
14	009701-01-000	EA	CARRIER-CURTAIN, L ROD
15	083170-01-000	EA	BRACKET-BLIND, RIGHT SIDE
16	101033-02-000	EA	END CAP-TRACK, CLEAR
17	083170-02-000	EA	BRACKET-BLIND, LEFT SIDE
18	093475-01-700	EA	WAND-BLIND, W/METAL CLIP - 8" LONG
	046867-01-000	EA	GROMMET-BRASS, 7/16" ID X 1" OD
	048394-02-000	YD	VELCRO TAPE-HOOK, ADHESIVE BACK - .75" WIDE - BEIGE
	088792-01-000	YD	VELCRO-HOOK, .75" WIDE - BEIGE
	088792-02-000	YD	VELCRO TAPE-LOOP, ADHESIVE BACKED - .75" WIDE - BEIGE
	056003-04-000	EA	BRACKET-DRAPERY, RETAINER RIGHT - 1.5" EXTENSION
	056003-05-000	EA	BRACKET-DRAPERY, RETAINER LEFT - 1.5" EXTENSION
	076827-02-000	EA	BRACKET-CURTAIN, 2.9" X 1.8" TRIANGLE
	086276-01-000	EA	TAPE-DOUBLE SIDED, 1/2"

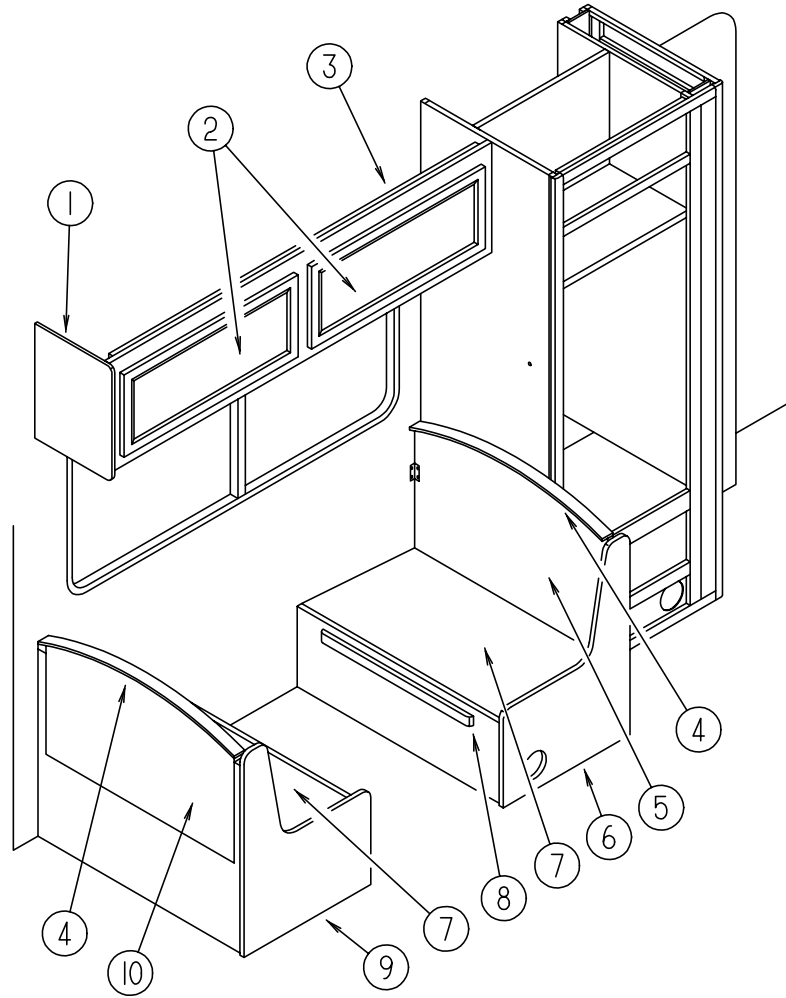
CURTAIN & CUSHION GROUP (CONTINUED)

BUCKET SEAT



KEY	PART NUMBER	U/M	DESCRIPTION
1	110148-05-F15	EA	SEAT-ECONOMIZER II, W/ARMREST - PASSENGER SIDE - CHEVY
1	110148-05-F16	EA	SEAT-ECONOMIZER II, W/ARMREST - PASSENGER SIDE - CHEVY
1	110148-06-F15	EA	SEAT-ECONOMIZER II, W/ARMREST - DRIVER SIDE - CHEVY
1	110148-06-F16	EA	SEAT-ECONOMIZER II, W/ARMREST - DRIVER SIDE - CHEVY
1	110148-04-F15	EA	SEAT-ECONOMIZER II, W/ARMRESTS - PASSENGER OR DRIVERSIDE - FORD
1	110148-04-F16	EA	SEAT-ECONOMIZER II, W/ARMRESTS - PASSENGER OR DRIVERSIDE - FORD
2	M05962-17-F15	EA	COVER-BACK, ECONOMIZER II
2	M05962-17-F16	EA	COVER-BACK, ECONOMIZER II
3	115520-01-FB1	EA	ARMREST-RIGHT HAND (F15)
3	115520-01-FC1	EA	ARMREST-RIGHT HAND (F16)
3	P15520-01-FB1	EA	COVER-ARMREST, RIGHT HAND (F15)
3	P15520-01-FC1	EA	COVER-ARMREST, RIGHT HAND (F16)
4	115520-02-FB1	EA	ARMREST-LEFT HAND (F15)
4	115520-02-FC1	EA	ARMREST-LEFT HAND (F16)
4	P15520-02-FB1	EA	COVER-ARMREST, LEFT HAND (F15)
4	P15520-02-FC1	EA	COVER-ARMREST, LEFT HAND (F16)
5	M05962-18-F15	EA	COVER-SEAT, ECONOMIZER II
5	M05962-18-F16	EA	COVER-SEAT, ECONOMIZER II
6	M80906-11-000	EA	FRAME-SEAT, BACK & SPRING
7	069246-14-000	EA	ADJUSTER ASSEMBLY-LOCKING, 4 STUDS AMP #83720
	069246-99-000	EA	SPRING-ADJUSTER, FOR REMOTE - LIGHT BLUE
	117125-01-02B	EA	BRACKET-CABLE HOLDER, E-COAT
8	107921-08-000	EA	TOP PLATE-PEDESTAL
9	107921-09-000	EA	PEDESTAL-FLOOR MOUNTED, RIGHT OR LEFT SIDE - FORD
9	107921-10-000	EA	PEDESTAL-FLOOR MOUNTED, LEFT SIDE - CHEVY
9	107921-11-000	EA	PEDESTAL-FLOOR MOUNTED, RIGHT SIDE - CHEVY
	107921-06-000	EA	BEARING KIT-PEDESTAL
10	069246-15-000	EA	ADJUSTER ASSEMBLY-NONLOCK, 4 STUDS AMP #83730
	114889-01-000	EA	STOP BAR-UNIVERSAL, ADJUSTER SIDE
11	080730-09-000	EA	SHIELD-RECLINER HANDLE
	080730-10-000	EA	SCREW-RECLINER HANDLE SHIELD
12	080730-08-000	EA	HANDLE-RECLINER, BLACK
13	080730-11-000	EA	SHIELD-RUBBER BOOT
14	089368-04-000	EA	REMOTE & CABLE-SWIVEL/SLIDE
15	097683-02-000	EA	BRACKET-REMOTE, SIDE MOUNT - SINGLE
16	108049-03-000	EA	CABLE - 20", Z END - FLEXSTEEL PEDESTAL
	108049-02-000	EA	CLIP-CABLE
17	071126-42-F15	EA	SKIRT-SINGLE, 7" - W/SLIT

DINETTE GROUP



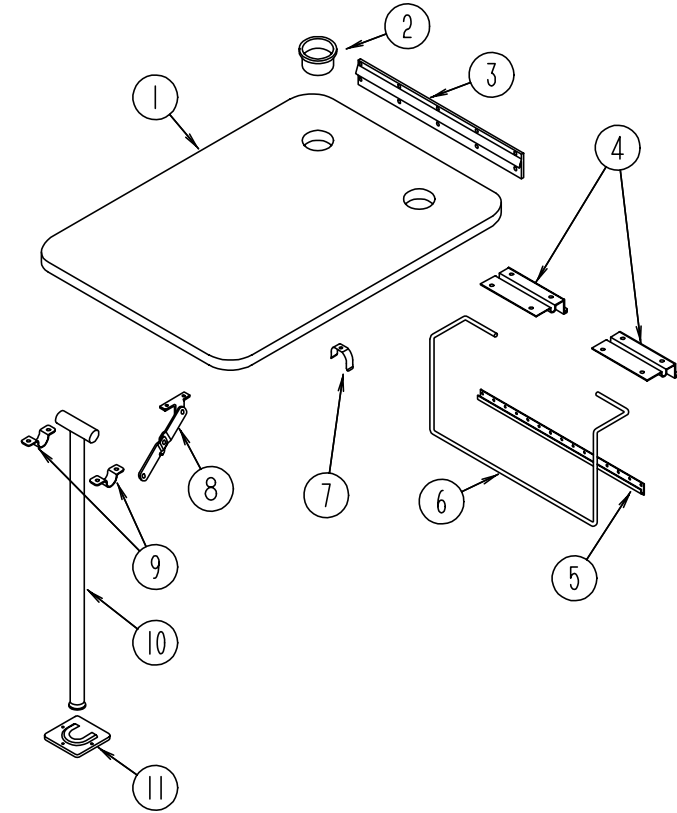
DINETTE CABINETS

KEY	PART NUMBER	U/M	DESCRIPTION
1	109908-26-F15	EA	END CAP-CABINET
2	110140-05-EB1	EA	DOOR-MITERED, VINYL WRAP - W/O HARDWARE - 365MM X 850MM
3	116803-01-F15	EA	CABINET-OVERHEAD, DINETTE - W/O DOORS OR HARDWARE
4	111338-09-F15	EA	PAD-DINETTE CABINET
4	111338-09-F16	EA	PAD-DINETTE CABINET
5	M06884-11-F15	EA	CABINET-SEATBACK, RIGHT
6	M06885-23-F15	EA	CABINET-SEATBASE, RIGHT
7	081518-18-E01	EA	SEAT-DINETTE
7	081518-13-EB1	EA	SEAT-DINETTE
8	081295-01-AA8	EA	SUPPORT-BED, DINETTE
9	M06837-10-F15	EA	CABINET-SEATBASE, LEFT
10	M06837-07-F15	EA	CABINET-SEATBACK, LEFT

FROM: 00-00-00 THRU: 11-28-94

FROM: 11-29-94 THRU: 99-99-99

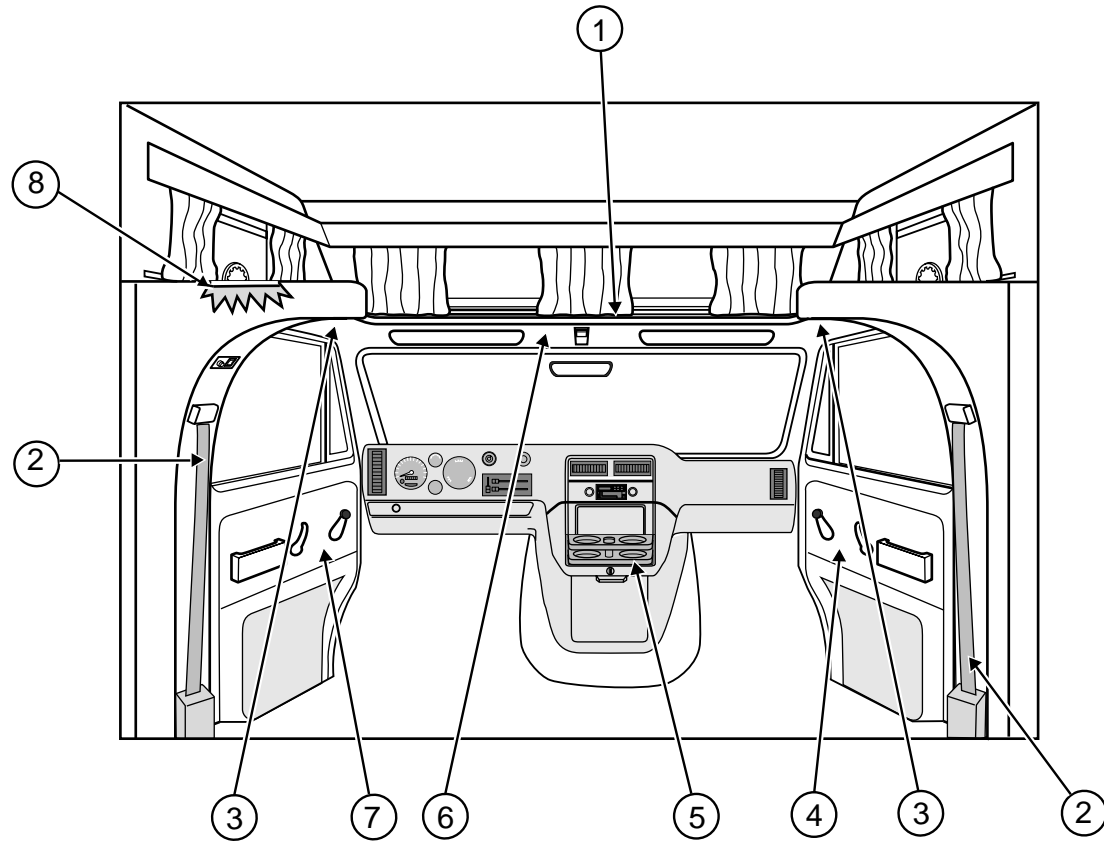
DINETTE GROUP (CONTINUED)



DINETTE TABLE & HARDWARE

KEY	PART NUMBER	U/M	DESCRIPTION
1	M02115-09-F15	EA	TABLE-DINETTE, W/O HARDWARE
2	064781-06-000	EA	HOLDER-CUP, TWO STEP - OFF WHITE
3	049493-12-000	EA	BRACKET-TABLE SUPPORT, UPPER WALL MOUNTED - 23.5" - OFF WHITE
4	088410-02-000	EA	BRACKET-LIFT, TABLE MOUNTED - OFF WHITE
5	024281-15-000	EA	BRACKET-LIFT ROD, LOWER WALL MOUNTED - 22.12" - OFF WHITE
6	024275-13-000	EA	ROD-TABLE LIFT, OFF WHITE
7	024283-01-000	EA	CLIP-LEG, 1" - 1.125" OD - BLACK
8	024282-01-000	EA	BRACE-TABLE LEG, HINGED
9	064050-05-000	EA	HINGE-TABLE LEG, OFF WHITE
10	024276-23-000	EA	LEG-TABLE, OFF WHITE
11	049493-11-700	EA	CATCH-LEG, FLOOR MOUNTED - 2.5" X 2.7" - METAL - E COAT
	053200-13-000	EA	CATCH-TABLE LEG, 18.50" - OFF WHITE

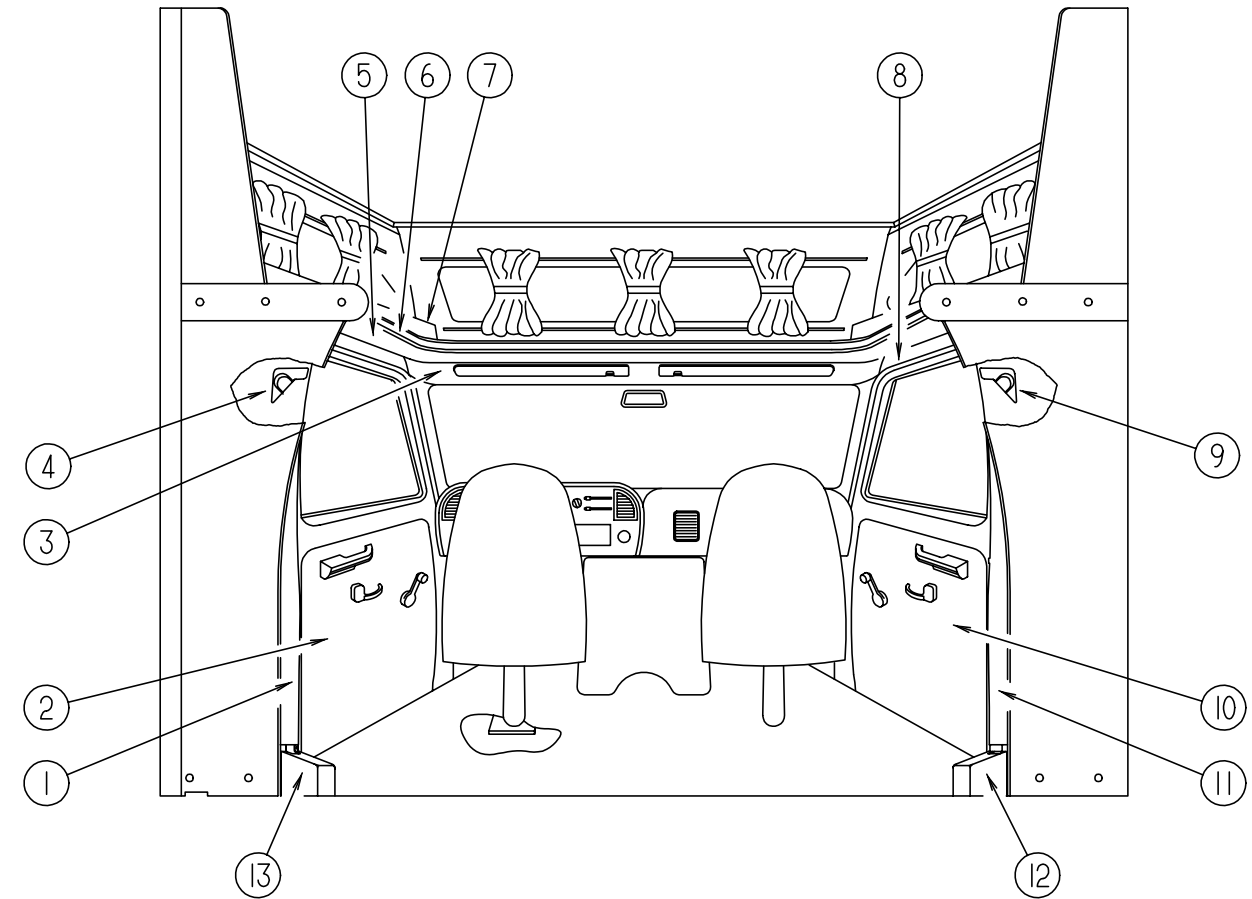
DRIVERS COMPARTMENT GROUP



CHEVY DRIVERS COMPARTMENT

KEY	PART NUMBER	U/M	DESCRIPTION
1	079800-07-000	EA	TRIM-SLEEPERBOARD, INNER - METAL - OFF WHITE
1	080742-03-000	FT	TRIM INSERT-VINYL, SLEEPER BOARD - OFF WHITE
2	076302-03-000	EA	BELT-SEAT, DRIVER AND PASSENGER
	087932-03-000	EA	BRACKET ASM-SHOULDER HARNESS, ANGLE W/WELD NUT & GUSSET - LEFT
	087932-04-000	EA	BRACKET ASM-SHOULDER HARNESS, ANGLE W/WELD NUT & GUSSET - RIGHT
3	091825-02-AA5	EA	HEADLINER-VINYL COVERED, SIDE - 2 USED - OFF WHITE
4	059491-01-F15	EA	PANEL-SIDE, DOOR - RIGHT
4	059491-01-F16	EA	PANEL-SIDE, DOOR - RIGHT
5	100516-01-F15	EA	TRAY-BEVERAGE
	M04194-01-F15	EA	TRAY ASM-BEVERAGE, UNSTAINED
6	091829-01-B05	EA	HEADLINER-VINYL COVERED, FRONT - OFF WHITE
7	059492-01-F15	EA	PANEL-SIDE, DOOR - LEFT
7	059492-01-F16	EA	PANEL-SIDE, DOOR - LEFT
8	109894-02-F15	EA	CABINET-HAMPER, FRONT

DRIVERS COMPARTMENT GROUP (CONTINUED)



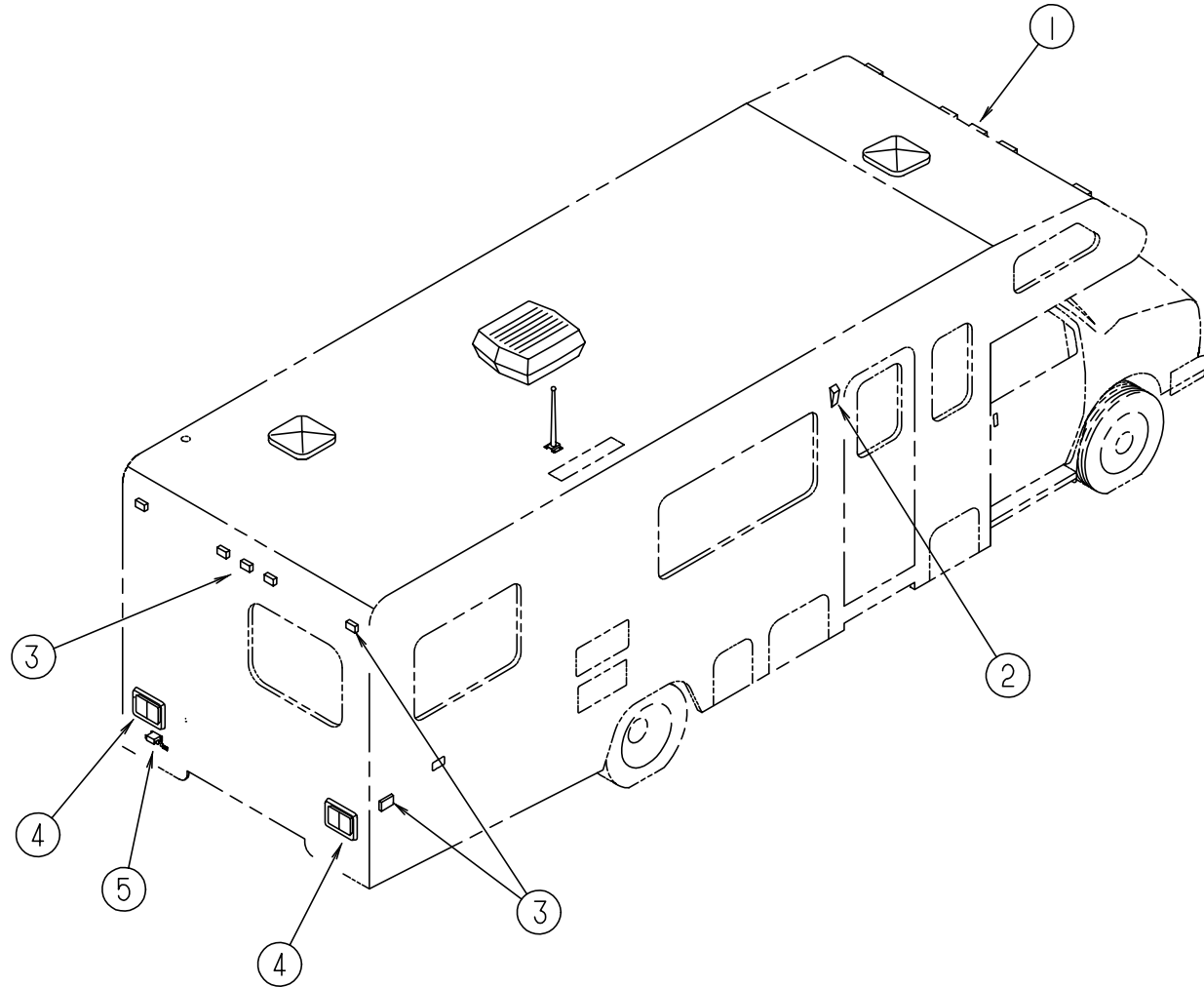
FORD DRIVERS COMPARTMENT

KEY	PART NUMBER	U/M	DESCRIPTION
1	106446-02-C03	EA	TRIM ASSEMBLY-CAB, B-PILLAR - LEFT HAND
	106445-02-C03	EA	TRIM ASSEMBLY-WINGWALL WRAP, BETWEEN CAB STEEL & B PILLAR TRIM
2	106432-02-F15	EA	PANEL ASSEMBLY-DOOR, INNER - LEFT HAND
2	106432-02-F16	EA	PANEL ASSEMBLY-DOOR, INNER - LEFT HAND
3	106448-01-C03	EA	HEADLINER-VINYL COVERED, FRONT - OFF WHITE
4	115038-02-01A	EA	COVER-SEAT BELT, UPPER - LH - OFF WHITE
5	106447-02-C03	EA	TRIM ASSEMBLY-CAB DOOR, UPPER - LEFT
6	079800-07-000	EA	TRIM-SLEEPERBOARD, INNER - OFF WHITE
	080742-03-000	FT	INSERT-TRIM, SLEEPER BOARD - VINYL - OFF WHITE
7	109894-01-F15	EA	CABINET ASSEMBLY-HAMPER, FRONT
8	106447-01-C03	EA	TRIM ASSEMBLY-CAB DOOR, UPPER - RIGHT
9	115038-01-01A	EA	COVER-SEAT BELT, UPPER - RH - OFF WHITE
10	106432-01-F15	EA	PANEL ASSEMBLY-DOOR, INNER - RIGHT HAND
10	106432-01-F16	EA	PANEL ASSEMBLY-DOOR, INNER - RIGHT HAND
11	106446-01-C03	EA	TRIM ASSEMBLY-CAB, B-PILLAR - RIGHT
	106445-01-C03	EA	TRIM ASSEMBLY-WINGWALL WRAP, BETWEEN CAB STEEL & B PILLAR TRIM
12	106431-01-01A	EA	COVER-SEATBELT RECOIL, RIGHT - OFF WHITE
13	106431-02-01A	EA	COVER-SEATBELT RECOIL, LEFT - OFF WHITE

INSTRUMENT CLUSTERS

KEY	PART NUMBER	U/M	DESCRIPTION
	094795-06-000	EA	CLUSTER-INSTRUMENT PANEL, KM - GAS/DIESEL - FORD F4UZ-10849-B FROM: 00-00-00 THRU: 12-18-94
	094795-09-000	EA	CLUSTER-INSTRUMENT PANEL, KM - GAS/DIESEL - FORD F5UZ-10849-B FROM: 12-19-94 THRU: 99-99-99
	100138-01-000	EA	MODULE-DAYTIME RUNNING LIGHT

ELECTRICAL GROUP



EXTERIOR LIGHTS

KEY	PART NUMBER	U/M	DESCRIPTION
1	111102-01-000	EA	LAMP-MARKER, BASE - TRIPLEX 117XAS
1	111102-02-000	EA	LAMP-MARKER, LENS - AMBER - TRIPLEX 118A
	036196-01-000	EA	BULB - 12V, #194 - .27 AMP - BAYONETTE
	112823-01-000	EA	SPLICE-REDUCER, 16-14T018-22 ETC BA-631X
2	097917-01-06A	EA	LIGHT-PORCH, ENTRY DOOR - BRIGHT WHITE
2	097917-01-700	EA	LENS-LIGHT, PORCH
2	008215-01-000	EA	BULB - 12V, #1003 - .94 AMP
3	111102-01-000	EA	LAMP-MARKER, BASE - TRIPLEX 117XAS
3	111102-03-000	EA	LENS-MARKER LAMP, RED - TRIPLEX 117R
	036196-01-000	EA	BULB - 12V, #194 - .27 AMP - BAYONETTE
	112823-01-000	EA	SPLICE-REDUCER, 16-14T018-22 ETC BA-631X
4	081638-01-000	EA	TAILLIGHT-DOUBLE, W/BLACK TRIM - DRIVER & PASSENGER SIDE
	037934-01-000	EA	BULB-BACK UP & TURN SIGNAL, # 1156
	037935-01-000	EA	BULB-BRAKE LIGHT, # 2057 OR #1157
4	081638-01-700	EA	LENS-TAILLIGHT, RED - BARGMAN 30-84-010
4	081638-01-701	EA	LENS-TAILLIGHT, W/BACKUP - BARGMAN 30-84-700
	103355-01-05A	EA	POD-TAILLIGHT, BRIGHT WHITE
5	066432-02-000	EA	LIGHT-LICENSE, BLACK
	066432-03-000	EA	BRACKET-LICENSE PLATE, BARGMAN 30-60-030

ELECTRICAL GROUP (CONTINUED)

INTERIOR LIGHTS

KEY	PART NUMBER	U/M	DESCRIPTION
	098024-01-01A	EA	LIGHT-DOME, 1 BULB - US - IVORY
	008218-01-000	EA	BULB-DOME LIGHT, 12V - NUMBER 1141
	098024-01-700	EA	LENS-DOME LIGHT
	098024-03-01A	EA	LIGHT-DOME, 2 BULB - IVORY
	086280-01-000	EA	LIGHT-SURFACE MOUNT, 12V - JENSEN 1236
	086280-01-700	EA	BULB - 12V, 6 WATT

SWITCHES & RECEPTACLES

KEY	PART NUMBER	U/M	DESCRIPTION
	079364-01-000	EA	SWITCH-ON/OFF ROCKER, 2 PRONGS - BROWN
	081994-06-000	EA	PLATE-SWITCH, AUXILIARY START
	098351-01-01A	EA	PLATE-SWITCH, 1 GANG - JENSEN - POLISHED BRASS
	098351-06-01A	EA	PLATE-SWITCH, 2 GANG W/LABEL - JENSEN - POLISHED BRASS
	098351-07-01A	EA	PLATE-SWITCH, GENERATOR SWITCH - JENSEN - POLISHED BRASS
	108355-01-000	EA	HOUSING-SWITCH, CARLING VCH
	073626-04-000	EA	COVER-ELECTRIC, 10.4" X 7.8" - BEIGE PLASTIC
	108356-07-01A	EA	SWITCH COVER -W/2 DIMPLES - CARLING VVAZCXX-XWB
	024924-02-000	EA	RECEPTACLE-POWER CORD, W/PARTIAL PLATE
	058707-01-000	EA	RECEPTACLE-ELECTRIC, SINGLE - BROWN
	058707-02-000	EA	RECEPTACLE-BLANK, JUNCTION WIRECON WDJ20BR
	058708-01-000	EA	RECEPTACLE-ELECTRIC, DOUBLE - BROWN
	084076-02-000	EA	RECEPTACLE-GFI, 15A - 125V - BROWN
	112822-01-01A	EA	RECEPTACLE-DUPLEX, IVORY - WIRECON WDRU15IV
	112824-01-03A	EA	COVER-EXTERIOR DUPLEX RECEPTACLE, WHITE - P & S 3780-SC-WH
	097734-01-02A	EA	EXTENSION-RECEPTACLE, LEVITON 6197-B - BROWN - CANADIAN

POWER CONVERTER & LOAD CENTER

KEY	PART NUMBER	U/M	DESCRIPTION
	083208-01-000	EA	CONVERTER-POWER, 32A - 120V/12V - BW 6332

WIRING ASSEMBLIES

KEY	PART NUMBER	U/M	DESCRIPTION
	106851-01-000	EA	WIRE ASSEMBLY-DAYTIME RUNNING LIGHTS, W/FUSE
	097618-01-000	EA	WIRE ASSEMBLY-MONITOR PANEL, W/4 WIRES & BLACK RESISTOR - LVS
	096449-01-000	EA	WIRE ASSEMBLY-WATER TANK TO MONITOR PANEL

ELECTRICAL GROUP (CONTINUED)
FUSES & CIRCUIT BREAKERS

KEY	PART NUMBER	U/M	DESCRIPTION
	008235-01-000	EA	FUSE-AUTOMOTIVE, 12V - 15 AMP
	062901-02-000	EA	FUSE-AUTOMOTIVE, 5 AMPS
	062901-05-000	EA	FUSE-AUTOMOTIVE, 15 AMPS
	100341-01-000	EA	FUSE HOLDER-IN LINE TYPE, WESCO 8931-92020
	062037-01-000	EA	HOUSING-AUTO FUSE, NATURAL
	083209-02-000	EA	CIRCUIT BREAKER - 15/15AMP, 120V - BW H-15/15
	083209-03-000	EA	CIRCUIT BREAKER - 15/20AMP, 120V - BW 0-15/20
	083209-05-000	EA	CIRCUIT BREAKER - 20A, 120V - BW J-20
	083209-06-000	EA	CIRCUIT BREAKER - 30/15 AMP, 120V - BW D-30/15
	083209-07-000	EA	CIRCUIT BREAKER - 20/20A, 120V - BW K-20/20
	093654-01-000	EA	CIRCUIT BREAKER - 6A, 12V - USD 17406-4E12A2A
	093655-02-000	EA	CIRCUIT BREAKER - 30A, 12V - USD 17430-4E03A2A

ELECTRIC BOXES, COVERS & POWER CORDS

KEY	PART NUMBER	U/M	DESCRIPTION
	008052-01-000	EA	CORD-POWER, 10/3 - 30 AMP - 25' - CANADIAN
	008054-01-000	EA	CORD-POWER, 10/3 - 30 AMP - 25' - US
	008289-01-000	EA	BOX-ELECTRIC, STEEL - 1/2" AND 3/4" KNOCKOUTS - 4" X 4"
	008294-01-000	EA	COVER-ELECTRICAL BOX, BLANK/STEEL - 4" X 4" - GRAY
	069238-01-000	EA	COVER-ELECTRICAL BOX, W/HOLE - 4" X 4" - GRAY USED WITH 30 AMP RECEPTACLE
	091910-02-000	EA	BOX-ELECTRICAL, PLASTIC - 57 X 88MM
	093603-01-000	EA	BOX-ELECTRIC, 4" X 2 1/8" X 2 1/8" - STEEL
	107165-01-01A	EA	BOX-CIRCUIT BREAKER MOUNT, 14.6" X 4" - BLACK PLASTIC

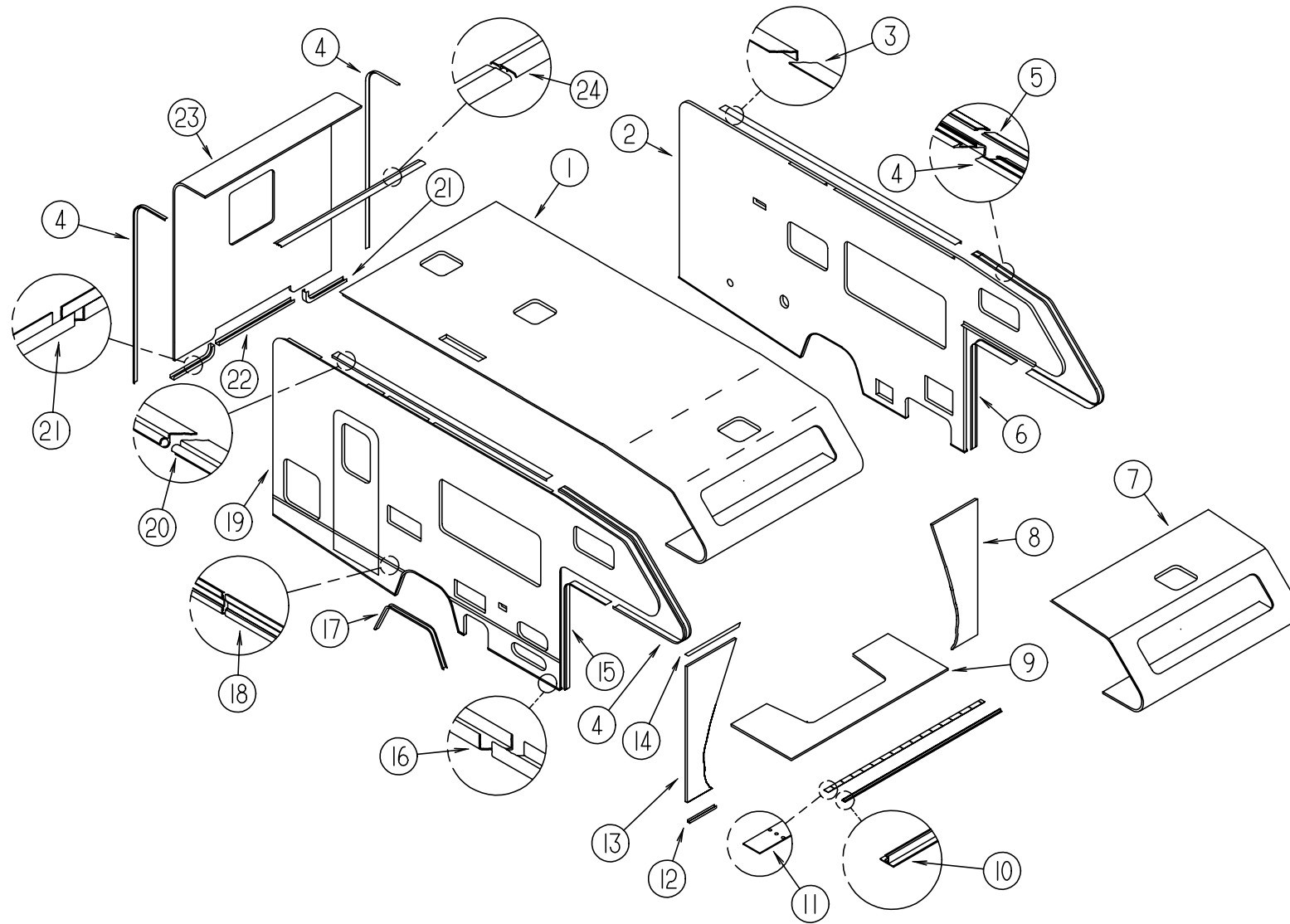
CONDUIT & SOLENOID

KEY	PART NUMBER	U/M	DESCRIPTION
	041953-01-000	FT	CONDUIT-CONVOLUTE, SLIT - .5" ID
	041953-01-000	FT	CONDUIT-CONVOLUTE, SLIT - .5" ID
	041953-03-000	FT	CONDUIT-CONVOLUTE, SLIT - 1" ID (CLOTHES ROD COVER)
	041953-05-000	FT	CONDUIT-CONVOLUTE, NON SLIT - .62" ID
	041953-06-000	FT	CONDUIT-CONVOLUTE, SLIT - .375" ID
	041953-07-000	FT	CONDUIT-CONVOLUTE, SLIT - .25" ID
	041953-08-000	FT	CONDUIT-CONVOLUTE, SLIT - 1.50" ID
	041953-09-000	FT	CONDUIT-CONVOLUTE, SLIT - .50" ID
	041953-10-000	FT	CONDUIT-CONVOLUTE, SLIT - .75" ID
	041953-12-000	FT	CONDUIT-CONVOLUTE, NON SLIT - 1.1" ID
	008188-01-000	EA	SOLENOID - 3 POST, BATTERY CHANGE OVER

ELECTRICAL GROUP (CONTINUED)
CONNECTORS, HOUSINGS, & TERMINALS

KEY	PART NUMBER	U/M	DESCRIPTION
	008326-01-000	EA	TERMINAL-RING, 16/14 WIRE - 3/8" STUD
	008328-01-000	EA	TERMINAL-RING, 12/10 WIRE - #10 STUD FIT
	008331-01-000	EA	TERMINAL-RING, TONGUE - #4 WIRE - 3/8" STUD - COPPER
	008348-01-000	EA	TERMINAL-RING, 3/8" STUD - #2 WIRE
	035416-04-000	EA	TERMINAL-RING, #10 STUD FIT, INSULATED BARREL #16/14
	047443-01-000	EA	TERMINAL - .250 RECEPTACLE FIT, INSULATED - 16/14 AWG
	062036-02-000	EA	TERMINAL-PACK CON, 16/14 AWG - PACKARD 08917021
	008311-01-000	EA	CONNECTOR-WIRE NUT, INSULATED - RED
	008314-01-000	EA	CONNECTOR-WIRE NUT, INSULATED - GRAY
	008355-01-000	EA	CONNECTOR-CABLE CLAMPING, 3/4"
	008356-01-000	EA	CONNECTOR-PLASTIC, 3/8" AVG
	041480-01-000	EA	CONNECTOR-STRAIGHT, 1/2" FLEX CONDUIT
	058028-01-000	EA	CONNECTOR-ELECTRICAL PIGTAIL, NYLON - CLEAR
	077479-01-000	EA	BOOT-BATTERY TERMINAL, DOUBLE CABLE
	077479-02-000	EA	BOOT-BATTERY TERMINAL, SINGLE CABLE
	080015-02-000	EA	RECEPTACLE-FLAG, .185 - 16/14 GA - AMP 3
	080015-03-000	EA	RECEPTACLE-FLAG, .250 - 14/16 GA
	007940-01-000	EA	RECEPTACLE-SLIDE, 16 TO 12 AWG - FEMALE END
	087225-01-000	FT	SLEEVING - 1/2", TYPE H - VARFLEX
	087949-01-000	EA	BUSS BAR - 2 POSITION, .6" X 1.5" - ALUMINUM
	088473-05-000	EA	HOUSING-PIN, 6 CAVITY - AMP 640585-1
	088473-06-000	EA	HOUSING-PIN, 6 CAVITY - AMP 1-480704-0
	088473-08-000	EA	HOUSING-PIN, 4 CAVITY - AMP 1-480702-0
	088473-09-000	EA	HOUSING-PIN, 3 CAVITY - AMP 1-480700-0
	088473-10-000	EA	HOUSING-PIN, 2 CAVITY - AMP 1-480698-0
	088474-02-000	EA	HOUSING-SOCKET, 12 CAVITY - AMP 1-480711-0
	088474-06-000	EA	HOUSING-SOCKET, 6 CAVITY - AMP 1-480705-0
	088474-07-000	EA	HOUSING-SOCKET, 5 CAVITY - AMP 1-480764-0
	088474-08-000	EA	HOUSING-SOCKET, 4 CAVITY - AMP 1-480703-0
	088474-09-000	EA	HOUSING-SOCKET, 3 CAVITY - AMP 1-480701-0
	088474-10-000	EA	HOUSING-SOCKET, 2 CAVITY - AMP 1-480699-0
	063910-01-000	EA	HOUSING-RELAY, BOSCH 3 334 485 008
	088475-01-000	EA	PIN-CONNECTOR, 14 TO 20 AWG
	088476-01-000	EA	SOCKET-CONNECTOR, BRASS - PRE-TIN

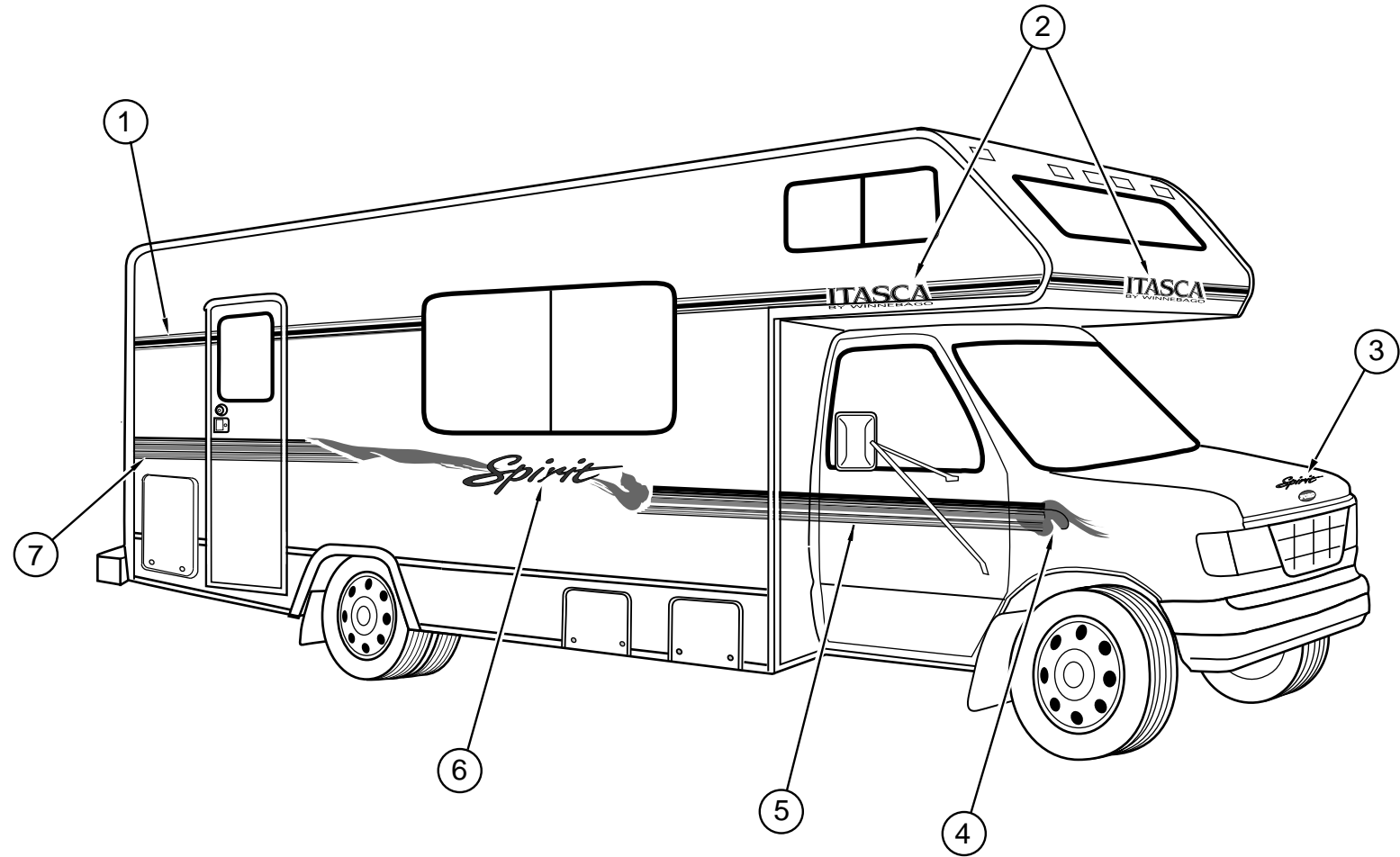
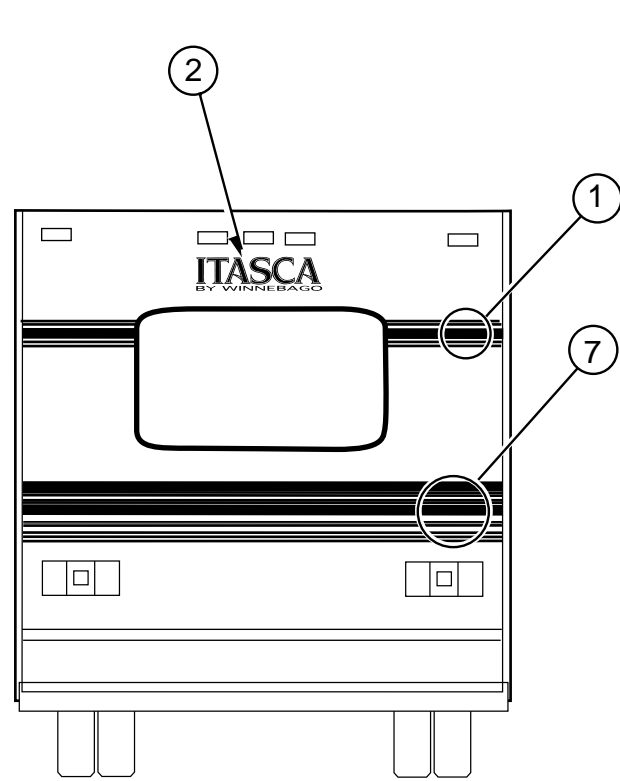
EXTERIOR BODY GROUP
EXTERIOR BODY PANELS



KEY	PART NUMBER	U/M	DESCRIPTION
1	M06976-07-F15	EA	ROOF ASSEMBLY-BRIGHT WHITE
2	P16419-01-F15	EA	SIDEWALL ASSEMBLY-DRIVER SIDE, BRIGHT WHITE
3	096864-01-02A	EA	TRIM-CONTOUR, ROOF TO SIDEWALL - 120" - BRIGHT WHITE
4	096854-01-02A	EA	TRIM-CONTOUR, W/O VINYL INSERT - 108" - BRIGHT WHITE
5	105312-01-07A	FT	INSERT-TRIM, VINYL - BRIGHT WHITE
6	104479-06-02A	EA	TRIM-CONTOUR, FRONT - BRIGHT WHITE
7	M76177-01-700	EA	ROOF SECTION-FRONT, UNIVERSAL
8	M07423-02-F15	EA	WINGWALL-DRIVER SIDE, CHEVY - BRIGHT WHITE
8	M07423-04-F15	EA	WINGWALL-DRIVER SIDE, FORD - BRIGHT WHITE
9	M07422-01-F15	EA	SLEEPERBOARD-BRIGHT WHITE
10	100086-02-02A	EA	TRIM-SLEEPERBOARD, 2" X 90.7" - BRIGHT WHITE
11	100085-03-01A	EA	TRIM-SLEEPERBOARD, FLAT - 2.5" X 87.5"
12	002365-03-006	EA	U CHANNEL-EXTRUDED, 1.00 X 192.00 6063T5 - BRIGHT WHITE
13	M07423-01-F15	EA	WINGWALL-PASSENGER SIDE, CHEVY - BRIGHT WHITE
13	M07423-03-F15	EA	WINGWALL-PASSENGER SIDE, FORD - BRIGHT WHITE
14	022992-14-000	FT	MOLDING-REVERSE COVE, T-SHAPED - BRIGHT WHITE
	089334-02-000	FT	VINYL-EXTERIOR, BETWEEN WINGWALL & CAB SEAL - BRIGHT WHITE
	096945-01-01A	EA	TRIM-L ANGLED, PASSENGERS WINGWALL

KEY	PART NUMBER	U/M	DESCRIPTION
15	104479-05-02A	EA	TRIM-CONTOUR, FRONT - BRIGHT WHITE
16	098072-55-003	EA	U CHANNEL-EXTRUDED, 4877 MM - BRIGHT WHITE
17	105100-02-02A	EA	TRIM-WHEELWELL, BRIGHT WHITE
18	108688-01-03A	EA	FEATURE STRIP-BRIGHT WHITE
	108651-01-01A	EA	CAP-FEATURE STRIP, MILL
	105312-01-07A	FT	INSERT-FEATURE STRIP, VINYL - BRIGHT WHITE
19	P16683-01-F15	EA	SIDEWALL ASSEMBLY-PASSENGER SIDE, BRIGHT WHITE
	064675-54-004	EA	STEEL-ANGLE ROOF JOINT, 545 MM
	064675-54-005	EA	STEEL-ANGLE ROOF JOINT, 1575 MM
20	099583-55-003	EA	RAIL-AWNING, 10' - BRIGHT WHITE
21	103334-02-02A	EA	TRIM-BACKWALL, LOWER - BRIGHT WHITE
22	103335-02-02A	EA	TRIM-BACKWALL, LOWER - BRIGHT WHITE
23	M06975-08-F15	EA	BACKWALL ASSEMBLY-BRIGHT WHITE
24	078250-01-000	EA	TRIM-ROOF TO BACKWALL, MILL FINISH
	105846-01-04A	EA	TRIM-TAIL LIGHT, REAR - BRIGHT WHITE

EXTERIOR BODY GROUP (CONTINUED)
DECALS, STRIPES & PAINT

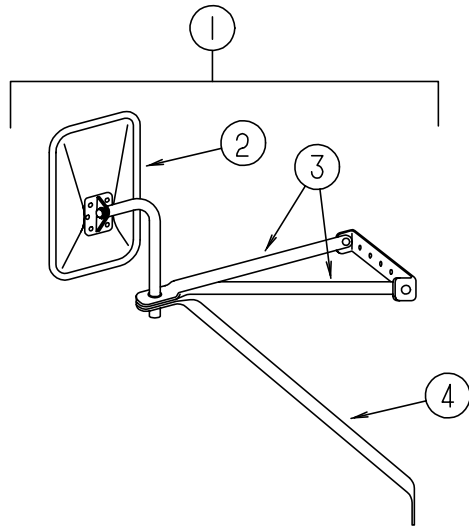


DUPONT PAINT COLOR CODES

KEY	PART NUMBER	U/M	DESCRIPTION
1	115129-01-01A	FT	FILM-MULTISTRIPE, 69.9 MM - ROYAL PURPLE/PLUM BAY/REGGAE BLUE
2	115172-01-01A	EA	DECAL-LOGO, ITASCA - W/BY WINNEBAGO - PLUM BAY/REGGAE BLUE
3	115130-01-01A	EA	DECAL-LOGO, SPIRIT - REGGAE BLUE
4	115132-01-01A	EA	DECAL-SPLASH, RH - REGGAE BLUE/PLUM BAY/PURPLE
4	115132-02-01A	EA	DECAL-SPLASH, LH - REGGAE BLUE/PLUM BAY/PURPLE
5	116030-01-01A	EA	DECAL-DOOR, RH - REGGAE BLUE/PLUM BAY/PURPLE
5	116030-02-01A	EA	DECAL-DOOR, LH - REGGAE BLUE/PLUM BAY/PURPLE
6	115131-01-01A	EA	DECAL-SPIRIT W/SPLASH, RH - REGGAE BLUE/PURPLE/PLUM BAY
6	115131-02-01A	EA	DECAL-SPIRIT W/SPLASH, LH - REGGAE BLUE/PURPLE/PLUM BAY
7	115128-01-01A	FT	FILM-MULTISTRIPE, 190.5 MM - REGGAE BLUE/PLUM BAY/ROYAL PURPLE

BRIGHT WHITE DUPONT B8951U

EXTERIOR BODY GROUP (CONTINUED)



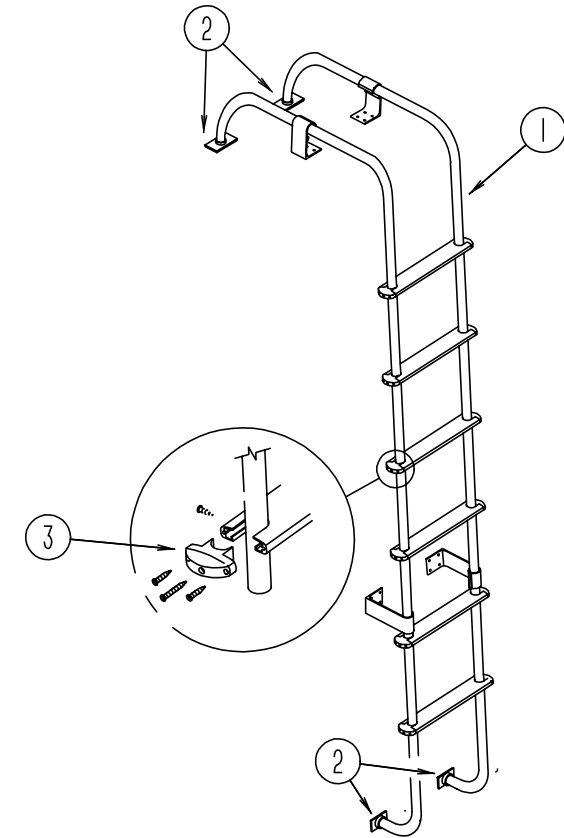
FORD EXTERIOR MIRRORS

KEY	PART NUMBER	U/M	DESCRIPTION
1	106860-01-02A	EA	MIRROR-EXTERIOR, LOW MOUNT - BRIGHT WHITE
2	106860-01-707	EA	MIRROR-HEAD, EXTERIOR - BRIGHT WHITE
3	106860-01-708	EA	ARM-MIRROR, BRIGHT WHITE
4	106860-01-709	EA	BRACE-LOWER FORWARD, DRIVER - BRIGHT WHITE
4	106860-01-710	EA	BRACE-LOWER FORWARD, PASSENGER - BRIGHT WHITE
	106860-01-702	EA	HARDWARE PACKAGE
	106860-01-711	EA	MIRROR ASSEMBLY-LEFT SIDE COMPLETE, BRIGHT WHITE
	106860-01-712	EA	MIRROR ASSEMBLY-RIGHT SIDE COMPLETE, BRIGHT WHITE
	105439-01-000	EA	MIRROR-AUXILIARY, CONVEX STICK-ON - VELVAC 723068-6

CHEVROLET EXTERIOR MIRRORS

KEY	PART NUMBER	U/M	DESCRIPTION
	106860-03-02A	EA	MIRROR-REGULAR HEAD, LOW MOUNT - VELVAC 712620
	106860-03-706	EA	MIRROR HEAD, 7.5 X 10.0 7090040
	106860-03-707	EA	ARM-BENT W7805210
	106860-03-708	EA	BRACE-UPPER FORWARD RH & UPPER-REAR LH - W7806920
	106860-03-709	EA	BRACE-UPPER-REAR RH & UPPER FORWARD LH - W7806930

EXTERIOR BODY GROUP (CONTINUED)



LADDER

KEY	PART NUMBER	U/M	DESCRIPTION
1	102953-10-F15	EA	LADDER ASSEMBLY
2	067165-01-000	EA	MOUNTING BRACKET-LADDER, LOWER
3	076980-02-000	EA	END CAP-STEP, BLACK
	000G39-06-10T	EA	SCREW-SF/DR - 6-20 X 5/8 PPH, BLACK
	000G68-10-36T	EA	SCREW - 10-12 X 2.25 POH, BLACK

EXTERIOR BODY GROUP (CONTINUED)

FIBERGLASS, STYROFOAM, ALUMINUM, PLYWOOD, CHANNEL & STEEL TUBES

KEY	PART NUMBER	U/M	DESCRIPTION
	044487-01-001	LB	ALUMINUM SHEET - .019" X 96" X 360" - MILL FINISH
	044487-01-002	LB	ALUMINUM SHEET - .019" X 96" X 432" - MILL FINISH
	076054-N9-000	EA	FIBERGLASS-SHEET, 2438 X 2591 - BRIGHT WHITE
	076054-P4-000	EA	FIBERGLASS-SHEET, 2438 X 2463 - BRIGHT WHITE
	076054-P9-000	EA	FIBERGLASS-SHEET, 950 X 2521 - BRIGHT WHITE
	076054-R1-000	EA	FIBERGLASS-SHEET, 609 X 1674 - BRIGHT WHITE
	076054-R2-000	EA	FIBERGLASS-SHEET, 492 X 1674 - BRIGHT WHITE
	077517-62-000	EA	FIBERGLASS-SHEET, 48 X 96 - FLAT - BRIGHT WHITE
	083574-03-000	SF	STYROFOAM - 3/4" X 48" X 96"
	000870-08-000	SF	STYROFOAM - .75" X 48" X 96", PLANED
	089297-01-000	SF	PLYWOOD-LUAN, OVERLAY GRADE - 4' X 8'
	089297-02-000	SF	PLYWOOD-LUAN, GRADE CC LFE - 2.7MM X 48 X 108
	100619-01-000	BF	FOAM-EXPANDED POLYSTYRENE, 48" X 96" X 1.34"
	100619-04-000	BF	FOAM-EXPANDED POLYSTYRENE, 48" X 96" X .5"
	100619-05-000	BF	FOAM-EXPANDED POLYSTYRENE, 48" X 96" X .75"
	002726-01-001	EA	GARNISH-U CHANNEL, 1.38" X 19' - SERRATED - MILL ALUMINUM
	055278-01-001	FT	TUBING-STEEL, .75" X 1.5" X 12.5'

RUNNING BOARDS - FORD

KEY	PART NUMBER	U/M	DESCRIPTION
	072884-27-000	EA	RUNNING BOARD - 39", FORD - KEM K12 15539
	072884-27-700	EA	BRACKET SET - 12", RB2BRK/M
	072884-27-701	EA	UNIVERSAL RUNNING BOARD ONLY-39", LH/RH - 1 ONLY - FORD
	072884-27-702	FT	TAPE-TREAD RB9202
	072884-27-703	EA	MUD FLAPS-W/HOLES, PAIR 99171
	072884-27-704	EA	END CAPS-PAIR 99148

RUNNING BOARDS - CHEVY

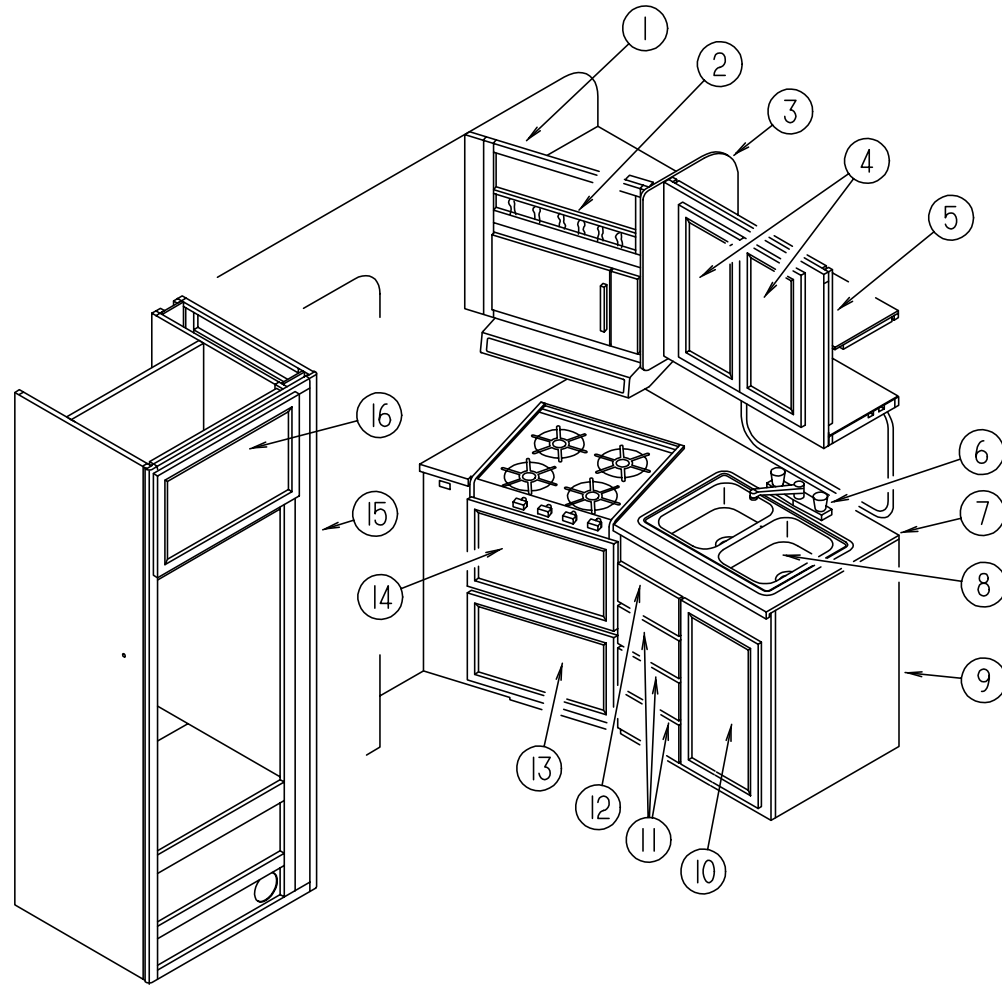
KEY	PART NUMBER	U/M	DESCRIPTION
	072884-26-000	EA	RUNNING BOARD - 27", CHEVY - KEM K12 15527
	072884-26-700	EA	UNIVERSAL RUNNING BOARD ONLY - 27", LH/RH - 1 ONLY - CHEVY
	072884-27-700	EA	BRACKET SET-12", RB2BRK/M
	072884-27-702	FT	TREAD-TAPE RB9202
	072884-27-703	EA	MUD FLAPS-W/HOLES, PAIR 99171
	072884-27-704	EA	END CAPS-PAIR 99148

EXTERIOR BODY GROUP (CONTINUED)

AWNING

KEY	PART NUMBER	U/M	DESCRIPTION
	110634-02-04A	EA	AWNING-HARDWARE KIT, BRIGHT WHITE
	110634-01-700	EA	RAFTER LOCKING MECHANISM KIT 7605-0001
	110634-01-701	EA	SAFETY & LATCH KIT 7509-0001
	110634-01-702	EA	BOTTOM BRACKET KIT 7512-0001
	110634-01-703	EA	HEIGHT LOCK HANDLE KIT 7510-0001
	110634-01-704	EA	UPPER BRACKET KIT-W/BOLTS 7505-0001
	110634-01-705	EA	ULTRA RAFTER KNOB KIT 7508-0001
	110634-01-706	EA	RAFTER SLIDE KIT
	110634-01-707	EA	GROUND BRACKET KIT 7511-0001
	110634-01-708	EA	LIFT HANDLES-W/RIVETS 7000-0001
	110634-01-709	EA	RATCHET HANDLE KIT 7507-0001
	110634-01-710	EA	ARM CAP KIT 7503-0001
	110634-01-711	EA	FRONT SPRING ASSEMBLY 6598-0001
	110634-01-712	EA	REAR SPRING ASSEMBLY 6599-0001
	110634-01-713	EA	REAR END CAP KIT 7504-0001
	110634-01-714	EA	STAKE - 4 PER BAG 5208-0001
	110634-01-715	EA	PULL DOWN WAND 7604-0001
	110634-11-04A	EA	AWNING ROLLER ASSEMBLY, 11' - BRIGHT WHITE FROM: 00-00-00 THRU: 11-30-94
	110634-14-04A	EA	AWNING-ROLLER ASSEMBLY, 11.5' - BRIGHT WHITE FROM: 12-01-94 THRU: 99-99-99
	111037-01-01A	EA	SPACER-AWNING, UPPER BLACK
	111038-01-01A	EA	SPACER-AWNING, LOWER BLACK

GALLEY GROUP



GALLEY CABINETS & FIXTURES

KEY	PART NUMBER	U/M	DESCRIPTION
1	116844-01-F15	EA	CABINET-OVERHEAD, MICROWAVE
2	111775-01-01A	EA	RAIL-DECORATIVE, 1830 MM - OAK
3	116844-13-F15	EA	END CAP-MICROWAVE CABINET
4	110140-34-E01	EA	DOOR-CABINET, W/O HARDWARE - 330 X 660 MM
5	116852-01-F15	EA	CABINET-OVERHEAD, GALLEY - W/O DOORS OR HARDWARE
6	103243-01-000	EA	FAUCET-GALLEY, DUAL CONTROL - 8" CENTER SET
7	116858-11-F15	EA	COUNTERTOP-GALLEY CABINET
8	102551-01-000	EA	SINK-STAINLESS STEEL, DOUBLE - 17" X 25"
	066437-01-000	EA	STRAINER-SINK, W/BASKET
	110012-02-F15	EA	COVER-SINK
9	M07496-01-F15	EA	CABINET-GALLEY, W/RANGE TOP
9	M07496-02-F15	EA	CABINET- GALLEY, W/OVEN
10	110140-42-E01	EA	DOOR-CABINET, W/O HARDWARE - 365MM X 680MM
11	P10163-M8-F15	EA	DRAWER-CABINET, W/O HARDWARE
12	P10163-M9-F15	EA	DRAWER-CABINET, W/O HARDWARE
13	110140-16-E01	EA	DOOR-CABINET, W/O HARDWARE - 555MM X 380MM
14	110140-06-EB1	EA	DOOR-CABINET, W/O HARDWARE - 555MM X 280MM
15	110140-71-F15	EA	DOOR-REFRIGERATOR CABINET SIDE STORAGE, W/O HARDWARE - 525MM X 1220MM
16	110140-01-E01	EA	DOOR-REFRIGERATOR, W/O HARDWARE - 255MM X 640MM
	090329-01-000	FT	SEAL-T, REFRIGERATOR CABINET - .6" WIDE TOP X 2" TAIL

GALLEY GROUP (CONTINUED)

REFRIGERATOR-SINGLE DOOR

KEY	PART NUMBER	U/M	DESCRIPTION
	102621-04-01A	EA	REFRIGERATOR-LARGE, SINGLE DOOR 2-WAY - NORCOLD 6052 - RH
	064473-01-702	EA	ORIFICE-NORCOLD 61452122
	064473-03-701	EA	HEATER AC-HORIZONTAL BURNER, NORCOLD 615625
	064473-03-718	EA	COOLING UNIT-HORIZONTAL BURNER, NORCOLD 61687137
	075217-01-734	EA	FUSE - 3 AMP, NORCOLD 61538822
	084880-01-718	EA	VALVE-GAS, NORCOLD 61551822
	084880-01-720	EA	SPRING-DOOR HANDLE 61558822
	084880-01-722	EA	COVER-CRISPER, NORCOLD 615641
	084880-01-732	EA	LATCH-NORCOLD 61578522
	084880-01-740	EA	END CAP-STOP CATCH 61593830
	084880-01-746	EA	CABLE-NORCOLD 61571522
	084880-01-753	EA	THERMISTER - 78", NORCOLD 61693822
	084880-01-760	EA	CLIP-THERMISTER 61689122
	084880-01-761	EA	END CAP-SPRING CATCH, BLACK 61593730
	084880-03-702	EA	PIN-HINGE, TOP/BOTTOM - FEMALE 61580630
	094039-01-704	EA	PLATE-HINGE, BLACK - NORCOLD 61631430
	094039-01-710	EA	PLATE-HINGE, BLACK - NORCOLD 61631330
	094039-01-713	EA	DOOR GASKET-LOWER, GRAY - NORCOLD 61568030
	094039-01-715	EA	DOOR LINER-LOWER, BLACK/WHITE - NORCOLD 61581738-B
	094039-01-717	EA	DOOR HANDLE ASSEMBLY-LOWER, BLACK - NORCOLD 61649938
	094039-01-722	EA	HOLE PLUG-HINGE HOLES, BLACK - NORCOLD 61582030
	094039-01-723	EA	BRACKET-HINGE, TOP RH - BOTTOM LH - BLACK - NORCOLD 61580838
	094039-01-724	EA	BRACKET-HINGE, TOP LH - BOTTOM RH - BLACK - NORCOLD 61580938
	094039-01-725	EA	PIN-HINGE, MALE - BLACK - NORCOLD 61578130
	094039-01-732	EA	COVER-FRONT, BLACK BOTTOM TRIM - NORCOLD 61622130
	094039-01-739	EA	SHELF-CUTOUT 61646722
	094039-04-700	EA	PRINTED CIRCUIT BOARD - 2 WAY, NORCOLD 61647322
	094039-04-701	EA	EYEBROW-SHELL, 2 WAY - NORCOLD 61669822
	094039-04-702	EA	POWER SUPPLY - 2 WAY - NORCOLD 61647422
	102621-01-700	EA	DOOR ASSEMBLY-EVAPORATOR 61620738
	102621-01-701	EA	CABINET ASSEMBLY-FOAMED, BLACK 61620238
	104137-02-700	EA	MODULE-CONTROL, CHANNEL - NORCOLD 61717037
	102621-04-703	EA	HOLDER-SPRING, RH - WHITE 61632830
	102621-04-704	EA	TRAY-DRIP, WHITE 61619930
	102621-04-705	EA	RETAINER-GLASS SHELF 61580322
	102621-04-706	EA	SPRING-EVAPORATOR DOOR, TORSION - LH 61633122
	102621-04-707	EA	HOLDER-SPRING, EVAPORATOR DOOR - LH - WHITE 61632730
	102621-04-708	EA	CLIP MOUNTING, EVAPORATOR DOOR - LH - WHITE 61633030
	102621-04-709	EA	CLIP MOUNTING, EVAPORATOR DOOR - RH - WHITE 61632930
	102621-04-710	EA	PIN-SPRING 61632622
	102621-04-711	EA	SPRING-EVAPORATOR DOOR, TORSION - RH 61633222
	102621-04-712	EA	HEATER-DC, HORIZONTAL BURNER 61562622
	104137-06-703	EA	BIN-DOOR SHELF, WHITE 61564025
	104137-06-704	EA	BIN-MILK, WHITE 61579425
	104137-06-706	EA	WIRE SHELF-SHORT 61718222
	104137-06-707	EA	CRISPER-WHITE 61571325
	104137-06-709	EA	VALVE ASSEMBLY-SHUT OFF, MANUAL 61694922
	104137-06-710	EA	TAP-PRESSURE 61594422
	104137-06-711	EA	FUSE - 5 AMP 61611622
	104137-06-712	EA	FITTING-GAS TUBE CONNECTION 61692722
	104137-06-713	EA	GASKET-ORFICE 61475122
	104137-06-714	EA	BURNER ASSEMBLY - 5-SLOT 61705222
	104137-06-715	EA	SPARK/SENSE ELECTRODE-SINGLE 61692222
	093646-01-000	EA	BRACKET-TIEDOWN, REFRIGERATOR
	093646-02-000	EA	BRACKET-TIEDOWN, REFRIGERATOR
	054450-01-000	EA	LEVEL-REFRIGERATOR
	065225-02-000	EA	PLATE-TIEDOWN, REFRIGERATOR
	116751-01-01A	EA	TRAY-DRIP, REFRIGERATOR - 24.6" X 6.3" - PLASTIC - BLACK

GALLEY GROUP (CONTINUED)
REFRIGERATOR-DOUBLE DOOR

KEY	PART NUMBER	U/M	DESCRIPTION
	104138-05-01A	EA	REFRIGERATOR-SMALL, DOUBLE DOOR - 2 WAY - NORCOLD 6162 LH BL
	075217-01-734	EA	FUSE - 3 AMP, NORCOLD 61538822
	075217-01-738	EA	SWITCH-HUMIDITY, NORCOLD 61525922
	084879-03-700	EA	COOLING UNIT-HORIZONTAL BURNER, NORCOLD 61687237
	084880-01-705	EA	ORIFICE-NORCOLD 614522
	084880-01-713	EA	CONNECTOR-MALE, INLET FITTING - NORCOLD 615256
	084880-01-718	EA	VALVE-GAS, NORCOLD 61551822
	084880-01-720	EA	SPRING-FOR DOOR HANDLE 61558822
	084880-01-722	EA	COVER-CRISPER, NORCOLD 615641
	084880-01-726	EA	BRACKET-HINGE, CENTER HINGE - NORCOLD 61566523
	084880-01-731	EA	PIN-HINGE, NORCOLD 61578123
	084880-01-732	EA	LATCH-NORCOLD 61578522
	084880-01-734	EA	BRACKET-HINGE, TOP RH - BOTTOM LH - BROWN - NORCOLD 61580837
	084880-01-735	EA	BRACKET-HINGE, TOP LH - BOTTOM RH - BROWN - NORCOLD 61580937
	084880-01-739	EA	END CAP-SPRING CATCH, BROWN 61593722
	084880-01-740	EA	END CAP-STOP CATCH 61593830
	084880-01-746	EA	CABLE-NORCOLD 61571522
	084880-01-747	EA	PLUG-HOLE, NORCOLD 61582022
	084880-01-749	EA	BUSHING-HINGE, NORCOLD 615807
	084880-01-753	EA	THERMISTER - 78", NORCOLD 61693822
	084880-01-760	EA	CLIP-THERMISTER 61689122
	084880-01-761	EA	END CAP-SPRING CATCH, BLACK 61593730
	084880-02-700	EA	FLANGE-LOWER, 8663 & 8683 - NORCOLD 61622123
	084880-03-702	EA	HINGE PIN-TOP/BOTTOM, FEMALE 61580630
	084880-03-705	EA	BRACKET-INTERIOR REFRIGERATOR LIGHT - NORCOLD 61629722
	084880-03-706	EA	LAMP-BULB, NORCOLD 61628922
	084880-03-707	EA	COVER-LAMP OR BULB, NORCOLD 61627922
	088248-01-706	EA	BURNER-HORIZONTAL, NORCOLD 61588122
	088248-01-707	EA	ELECTRODE-SENSOR, HORIZONTAL - NORCOLD 61573322
	088248-01-709	EA	HEATER-AC, HORIZONTAL - NORCOLD 615627
	088248-01-710	EA	HEATER-DC, HORIZONTAL - 3 WAY - NORCOLD 615628
	094038-01-700	EA	GASKET-LOWER, GRAY - NORCOLD 61567930
	094038-01-701	EA	LINER-DOOR, LOWER - BROWN/WHITE - NORCOLD 61581937-B
	094038-01-702	EA	LINER-DOOR, LOWER - BLACK/WHITE - NORCOLD 61581938-B
	094038-01-703	EA	HANDLE-DOOR, LOWER - BROWN - NORCOLD 61650137
	094038-01-704	EA	HANDLE-DOOR, LOWER - BLACK - NORCOLD 61650138
	094039-01-702	EA	GASKET-UPPER, GRAY - NORCOLD 61567830
	094039-01-703	EA	PLATE-HINGE, LH - BROWN - NORCOLD 61631422
	094039-01-704	EA	PLATE-HINGE, BLACK - NORCOLD 61631430
	094039-01-706	EA	DOOR LINER-UPPER WHITE/BLACK - NORCOLD 61581838-B
	094039-01-708	EA	HANDLE-DOOR, UPPER - BLACK - NORCOLD 61650038
	094039-01-709	EA	PLATE-HINGE, TOP RH - LH BOTTOM - BROWN - NORCOLD 61631322
	094039-01-710	EA	PLATE-HINGE, BLACK - NORCOLD 61631330
	094039-01-722	EA	HOLE PLUG-HINGE HOLES, BLACK - NORCOLD 61582030
	094039-01-723	EA	BRACKET-HINGE, TOP RH - BOTTOM LH - BLACK - NORCOLD 61580838
	094039-01-724	EA	BRACKET-HINGE, TOP LH - BOTTOM RH - BLACK - NORCOLD 61580938
	094039-01-725	EA	HINGE PIN-MALE, BLACK - NORCOLD 61578130
	094039-01-726	EA	SHELF-FREEZER EVAPORATOR, NORCOLD 615236
	094039-01-730	EA	SHAFT-HINGE PIN, CENTER HINGE - BLACK - NORCOLD 61566730
	094039-01-732	EA	COVER-FRONT, BLACK BOTTOM TRIM - NORCOLD 61622130
	094039-01-733	EA	WIRE SHELF-MIDDLE, NORCOLD 61563822
	094039-01-734	EA	WIRE SHELF-TOP, W/RISER - NORCOLD 61563722
	094039-01-735	EA	DRIP TRAY-INSIDE, WHITE 61572830
	094039-01-736	EA	SWITCH-LIGHT, BLACK - NORCOLD 615810
	094039-01-739	EA	SHELF-CUTOUT 61646722
	094039-04-700	EA	PRINTED CIRCUIT BOARD - 2 WAY, NORCOLD 61647322
	094039-04-701	EA	EYEBROW-SHELL, 2 WAY - NORCOLD 61669822
	094039-04-702	EA	POWER SUPPLY - 2 WAY - NORCOLD 61647422
	104137-02-700	EA	MODULE-CONTROL, CHANNEL - NORCOLD 61717037
	104137-06-700	EA	EYEBROW SHELL - 2-WAY 61726622
	104137-06-702	EA	RACK-JUICE, WHITE 61580525
	104137-06-703	EA	BIN-DOOR SHELF, WHITE 61564025

GALLEY GROUP (CONTINUED)
REFRIGERATOR (CONTINUED)

KEY	PART NUMBER	U/M	DESCRIPTION
	104137-06-706	EA	WIRE SHELF-SHORT 61718222
	104137-06-707	EA	CRISPER-WHITE 61571325
	104137-06-709	EA	VALVE ASSEMBLY-SHUT OFF, MANUAL 61694922
	104137-06-710	EA	TAP-PRESSURE 61594422
	104137-06-711	EA	FUSE - 5 AMP 61611622
	104137-06-712	EA	FITTING-GAS TUBE CONNECTION 61692722
	104137-06-713	EA	GASKET-ORFICE 61475122
	104137-06-714	EA	BURNER ASSEMBLY - 5 SLOT 61705222
	104137-06-715	EA	SPARK/SENSE ELECTRODE-SINGLE 61692222
	104138-04-701	EA	CABINET ASSEMBLY-FOAMED, BLACK W/WHITE 61725038
	093646-01-000	EA	BRACKET-TIEDOWN, REFRIGERATOR
	093646-02-000	EA	BRACKET-TIEDOWN, REFRIGERATOR
	054450-01-000	EA	LEVEL-REFRIGERATOR
	065225-02-000	EA	PLATE-TIEDOWN, REFRIGERATOR
	116751-01-01A	EA	TRAY-DRIP, REFRIGERATOR - 24.6" X 6.3" - PLASTIC - BLACK

MICROWAVE

KEY	PART NUMBER	U/M	DESCRIPTION
	115303-01-000	EA	OVEN-MICROWAVE MCD-DM15K-7B
	115303-01-700	EA	TRIM-VENT TOP OR GRILL 2100309
	115401-01-01A	EA	TRIM-MICROWAVE, BLACK
	098916-12-01A	EA	BRACE-MICROWAVE CABINET, E-COAT
	098916-13-01A	EA	BRACE-MICROWAVE CABINET, E-COAT

RANGE HOOD - HOUR METER W/SWITCH

KEY	PART NUMBER	U/M	DESCRIPTION
	100258-31-01A	EA	HOOD-RANGE, 22 - W/O MONITOR PANEL - TEXTURED TCR 5041 NADLG - US
	100258-32-01A	EA	HOOD-RANGE, 22 - W/O MONITOR PANEL - TEXTURED TCR 5041 NACL - CSA
	100258-33-01A	EA	HOOD-RANGE, 22 - W/O MONITOR PANEL - TEXTURED TPR 5042 NADLG USED W/GENERATOR
	090973-01-700	EA	MOTOR-LVS CA508-1
	090973-01-702	EA	BLADE-FAN, LVS VA183-1
	092696-01-709	EA	BULB - 912, VENTLINE VA415
	092696-01-710	EA	SOCKET-LIGHT, VENTLINE CB267-2
	092696-02-701	EA	LENS-LAMP, LVS CC179
	096983-01-700	EA	SWITCH-ON/OFF, VENTLINE 108
	096983-01-702	EA	SWITCH-TWO WAY MOMENTARY, VENTLINE 112
	097944-03-700	EA	PLATE-COVER, FOR HOUR METER - VENTLINE L6052
	100258-05-700	EA	FILTER-CHARCOAL
	100258-10-01A	EA	METER-HOUR, W/SWITCH VENTLINE 150

MONITOR PANEL

KEY	PART NUMBER	U/M	DESCRIPTION
	102765-04-01A	EA	PANEL-MONITOR, W/PLUG - FOR 2 TANKS & WATER HEATER - LVS
	075470-01-703	EA	SWITCH-ON/MOMENTARY, JENSEN AND VENTLINE
	096983-01-700	EA	SWITCH-ON/OFF, VENTLINE 108
	102765-04-700	EA	CIRCUIT BOARD, LVS 5076-11

GALLEY GROUP (CONTINUED)
RANGE - 3 BURNER

KEY	PART NUMBER	U/M	DESCRIPTION
	114030-01-01A	EA	RANGE-3 BURNER, W/O OVEN - ALMOND - MAGIC CHEF 85RA-3B
	102019-01-705	EA	TRIM-REAR, BLACK - MAGIC CHEF 3608F009-70
	102020-01-709	EA	BUMPER-GRATE, MAGIC CHEF 8007P018-60
	102020-01-710	EA	FILTER-PILOT, MAGIC CHEF 7507P046-60
	102020-01-711	EA	GRATE-TOP, MAGIC CHEF 7518P012-60
	102020-01-721	EA	VALVE-SHUT OFF, MAGIC CHEF 7506F096-60
	102020-01-722	EA	VALVE-TOP BURNER, MAGIC CHEF 7502P095-60
	102020-01-724	EA	BUMPER-MAIN TOP, MAGIC CHEF 8003P008-60
	102022-01-708	EA	REGULATOR-PRESSURE, 1/4 IN - 1/2 OUT 7510P041-60
	112881-01-700	EA	TOP-MAIN, ALMOND 2001F110-84
	112881-01-703	EA	VALVE-TOP BURNER, HI-OUTPUT 7502P180-60
	112881-01-705	EA	KNOB-TOP BURNER 7733P072-60
	112881-01-709	EA	PIPE-MANIFOLD 7513P097-60
	114030-01-700	EA	PILOT-BURNER 7505P147-60
	114030-01-701	EA	PANEL-MANIFOLD 2616F078-70
	114030-01-702	EA	TRIM-RIGHT, BLACK 3608W040-70
	114030-01-703	EA	TRIM-LEFT, BLACK 3608W039-70
	116885-01-01B	EA	BRACKET-TIEDOWN, RANGE - MILL FINISH
	116885-02-01B	EA	BRACKET-TIEDOWN, RANGE - MILL FINISH

RANGE W/OVEN - 3 BURNER

KEY	PART NUMBER	U/M	DESCRIPTION
	112881-01-03A	EA	RANGE - 16", 3 BURNER - ALMOND DOOR - BLACK TEXTURED - M'CHEF 16RA-3B49
	055282-04-700	EA	PANEL-OVEN DOOR, ALMOND - MAGIC CHEF 50-26577-2A
	102020-01-700	EA	SHELF-OVEN, MAGIC CHEF - 7801-P027-60
	102020-01-701	EA	HANDLE-DOOR, MAGIC CHEF - 7701P092-60
	102020-01-709	EA	BUMPER-GRATE, MAGIC CHEF 8007P018-60
	102020-01-711	EA	GRATE-TOP, MAGIC CHEF 7518P012-60
	102020-01-722	EA	VALVE-TOP BURNER, MAGIC CHEF 7502P095-60
	102020-01-724	EA	BUMPER-MAIN TOP, MAGIC CHEF 8003P008-60
	102022-01-708	EA	REGULATOR-PRESSURE, 1/4 IN - 1/2 OUT 7510P041-60
	112881-01-700	EA	TOP-MAIN, ALMOND 2001F110-84
	112881-01-701	EA	PANEL-MANIFOLD 2616F091-70
	112881-01-702	EA	VALVE-MERCURY, SAFETY VALVE 7501-P121-60
	112881-01-703	EA	VALVE-TOP BURNER, HI-OUTPUT 7502P180-60
	112881-01-704	EA	KNOB-THERMOSTAT 7731P067-60
	112881-01-705	EA	KNOB-TOP BURNER 7733P072-60
	112881-01-706	EA	THERMOSTAT 12400026
	112881-01-707	EA	TRIM-FLAT, LEFT - BLACK 3608W035-70
	112881-01-708	EA	TRIM-FLAT, RIGHT - BLACK 3608W036-70
	112881-01-709	EA	PIPE-MANIFOLD 7513P097-60
	112881-01-710	EA	PILOT-OVEN 7505P202-60
	112881-01-711	EA	BURNER-OVEN 3404W025045
	112881-01-713	EA	DOOR-OVEN, TEXTURED 2401F126-70
	116884-01-01B	EA	BRACKET-TIEDOWN, RANGE W/OVEN - MILL FINISH
	116884-02-01B	EA	BRACKET-TIEDOWN, RANGE W/OVEN - MILL FINISH

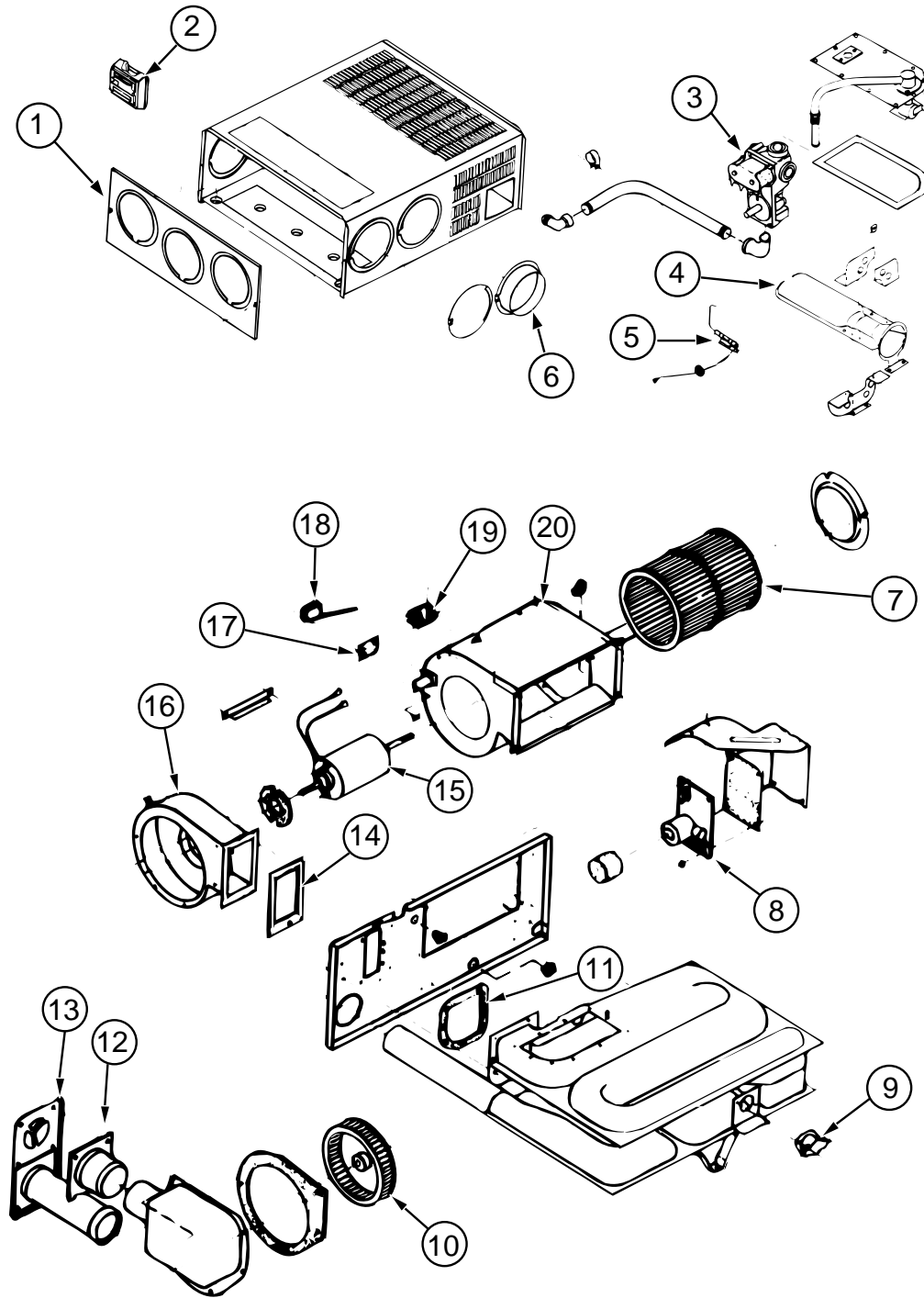
GENERATOR GROUP
3.3 KW ONAN GENERATOR - EXPORT

KEY	PART NUMBER	U/M	DESCRIPTION
	109982-05-000	EA	GENERATOR - 3.3 MICROLITE, ONAN KY-FR/26119 B
	007067-01-000	SF	INSULATION-FIBERGLASS, 1" THICK X 4' - INCREMENTS OF 4 SF
	007131-01-000	EA	HANGER-TAILPIPE, 6 SLOTS
	007125-03-000	EA	CLAMP-MUFFLER, 1.5" DIAMETER
	007125-04-000	EA	CLAMP-MUFFLER, 1.1" DIAMETER
	105958-10-000	EA	PIPE-EXHAUST, GENERATOR

4.0 KW ONAN GENERATOR - US & CANADIAN

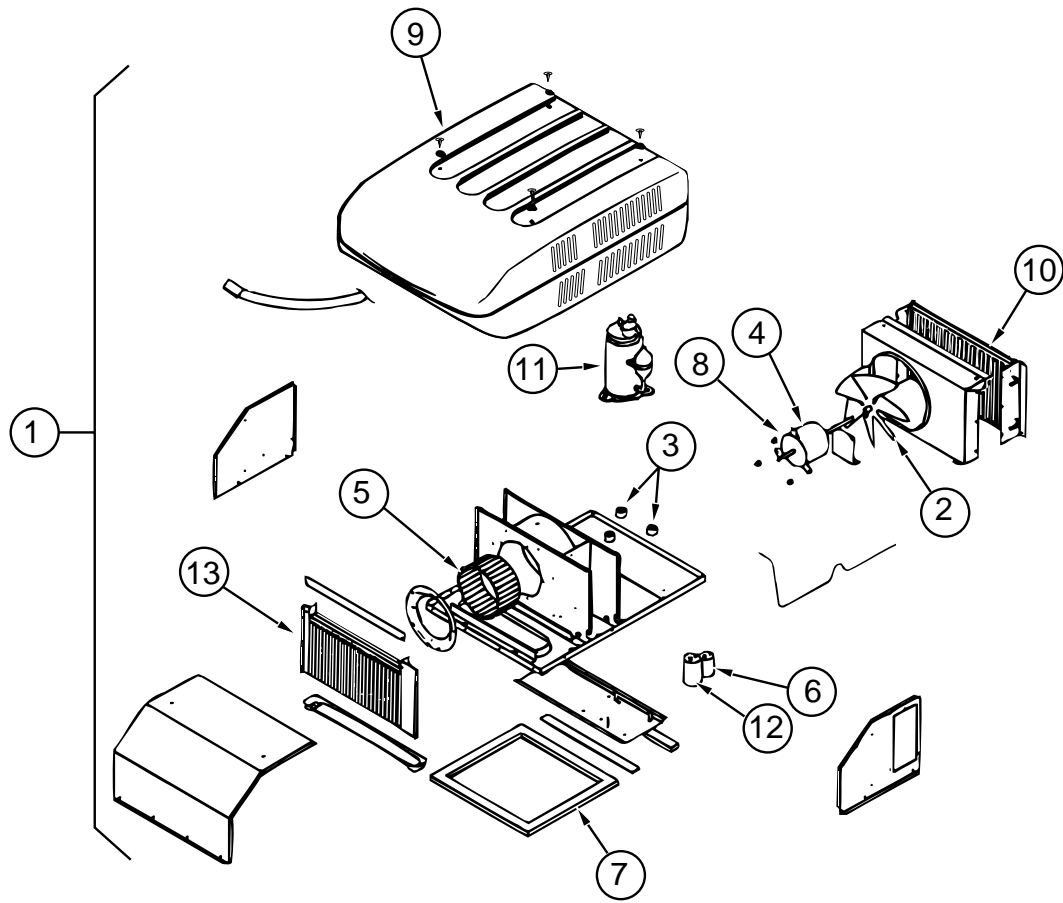
KEY	PART NUMBER	U/M	DESCRIPTION
	109982-03-000	EA	GENERATOR - 4.0 MICROLITE, ONAN KY-FA/26100 B
	007067-01-000	SF	INSULATION-FIBERGLASS, 1" THICK X 4' - INCREMENTS OF 4 SF
	007125-03-000	EA	CLAMP-MUFFLER, 1.5" DIAMETER
	007125-04-000	EA	CLAMP-MUFFLER, 1.1" DIAMETER
	105958-10-000	EA	PIPE-EXHAUST, GENERATOR

**HEATING & AIR CONDITIONING GROUP
FURNACE**



KEY	PART NUMBER	U/M	DESCRIPTION
	098668-19-000	EA	FURNACE - 25000 BTU SUBURBAN SF-25 2272
1	098668-01-700	EA	CABINET-FRONT, SUBURBAN 101242
2	115764-01-01A	EA	THERMOSTAT-FURNACE, SUBURBAN
3	098668-01-714	EA	GAS VALVE FOR SF MODELS S.N. 921401821 AND UP
4	098668-01-703	EA	BURNER ASSMBLY-COMLETE - SF-25 010762
5	098668-01-715	EA	ELECTRODE ASSMBLY-SINGLE PROBE, F/SF MODELS S.N. 921401821 & UP
6	075696-02-703	EA	COLLAR-DUCT, SUBURBAN #050715
7	098668-01-711	EA	WHEEL-ROOM AIR, SUBURBAN 350123
8	098668-01-712	EA	BOARD-MODULE, SUBURBAN 231741
9	098668-21-701	EA	SWITCH-LIMIT 231799
10	098668-01-706	EA	WHEEL-COMBUSTION AIR, SUBURBAN 350122
11	098668-01-716	EA	GASKET-FIREWALL, CHAMBER SIDE 070808
12	098668-01-713	EA	TUBE ASSMBLY-INTAKE VENT 051248
13	098668-01-707	EA	VENT CAP & EXHAUST TUBE ASSMBLY, SUBURBAN 260193
14	098668-01-717	EA	GASKET-FIREWALL, BLOWER SIDE 070809
15	098668-01-709	EA	MOTOR ASSMBLY-FOR SF-25, SF-30 - SUBURBAN 231706
16	098668-01-708	EA	BLOWER ASSMBLY-COMBUSTION AIR, SUBURBAN 390441
17	101990-01-714	EA	GASKET-MICROSWITCH, SUBURBAN 230877
18	098668-21-700	EA	MICROSWITCH, W/O FLAG, 3 1/4" 232261
19	074466-01-702	EA	RELAY-TIME DELAY, SUBURBAN 230625
20	098668-01-710	EA	BLOWER ASSMBLY-ROOM AIR, SUBURBAN 390440
	090039-01-703	EA	ORFICE-MAIN BURNER, SUBURBAN 180193
	098668-23-000	EA	DOOR-ACCESS, FURNACE - SUBURBAN 520574 - BRIGHT WHITE
	093614-01-01A	EA	GRILLE-RETURN AIR, FURNACE - 15.6" X 7.6" - BROWN
	056464-05-000	EA	REGISTER-W/O DAMPER, 4" DIAMETER - PLASTIC - GOLDEN
	009198-01-000	FT	DUCT-HEAT, FLEXIBLE - 4" ID X 25 FT
	009200-01-000	EA	TAPE-FURNACE, 1 1/2"
	069636-02-000	EA	CONNECTOR-DUCT, 4" ID - SUBURBAN 050715

HEATING & AIR CONDITIONING GROUP (CONTINUED)



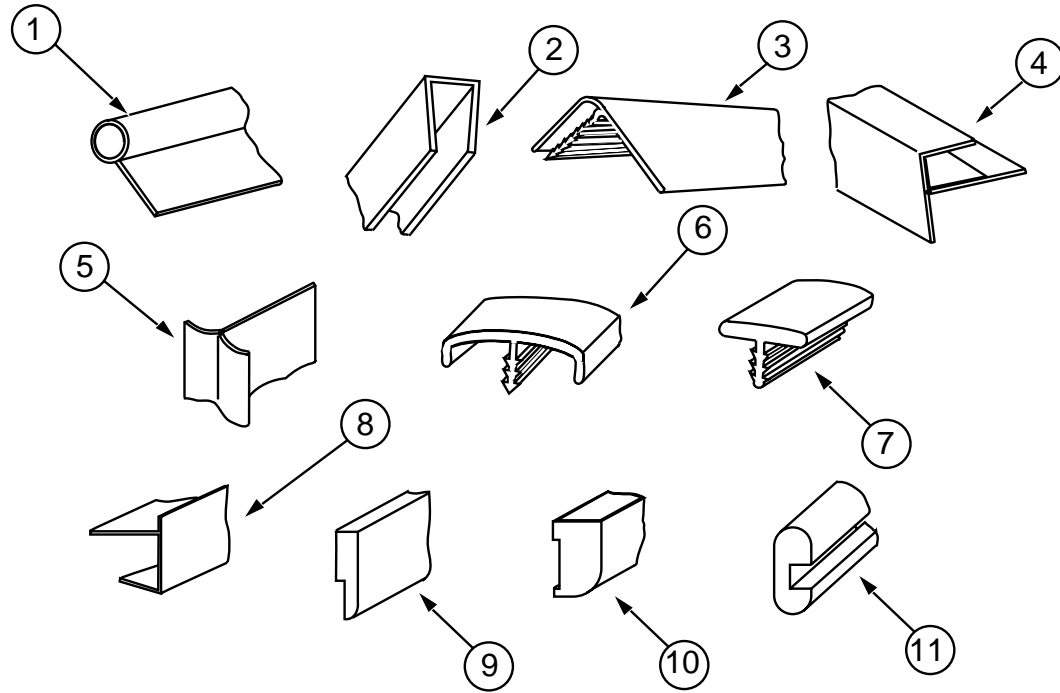
ROOF A/C

KEY	PART NUMBER	U/M DESCRIPTION
1	108889-01-05A	EA A/C-ROOF, 13,500 - TSR HO - BRIGHT WHITE - COLEMAN 7333
2	093763-01-712	EA FAN BLADE-CONDENSER, COLEMAN 6733-3221
3	105620-01-706	EA FOOT PACKAGE-COMPRESSOR, 3 PER PKG- COLEMAN 6759-3081
4	108889-01-705	EA MOTOR - 115, 60HZ 1468-3049
5	108889-01-706	EA IMPELLOR 1472-1041
6	093763-01-704	EA CAPACITOR-FAN, COLEMAN 1499-3461
7	108889-01-710	EA FILLER PAD-CONDITIONER AIR SEAL 6759A3971
8	108889-01-711	EA GASKET PACKAGE 6792-3301
9	108889-01-715	EA SEAL KIT-MOTOR MOUNT & SHAFT 6792-3361
10	108889-05-700	EA SHROUD-LESS LOGO, BRIGHT WHITE 7333-4601
11	108889-01-703	EA CONDENSER COIL 1452A1301
12	105620-01-704	EA COMPRESSOR-RH & LH - COLEMAN 1450-2009
13	108889-01-707	EA RUN CAPACITOR-COMPRESSOR, 25MFD/370 1499-5661
	091225-01-709	EA START RELAY, COLEMAN 1497-4131
	108889-01-709	EA EVAPORATOR COIL 1452A1311
	102289-01-000	EA SPRING-SCREW, ROOF A/C GASKET - COLEMAN 6757-150
	091225-01-710	EA START CAPACITOR, COLEMAN 1497-0881
	093306-01-701	EA DECAL PKG, LEFT & RIGHT - COLEMAN 6798B3591
	108889-01-704	EA OVERLOAD-MRA #98693 6749-3541
	108889-01-712	EA SUCTION LINE REDUCER - 3/8" X 1/2" 1215-2161
	108889-01-713	EA SUCTION LINE - 3/8" OD X .032" WALL 6792-130
	108889-01-714	EA DISCHARGE LINE ASSEMBLY 6792-531

CEILING AIR CONDITIONING ASSEMBLY

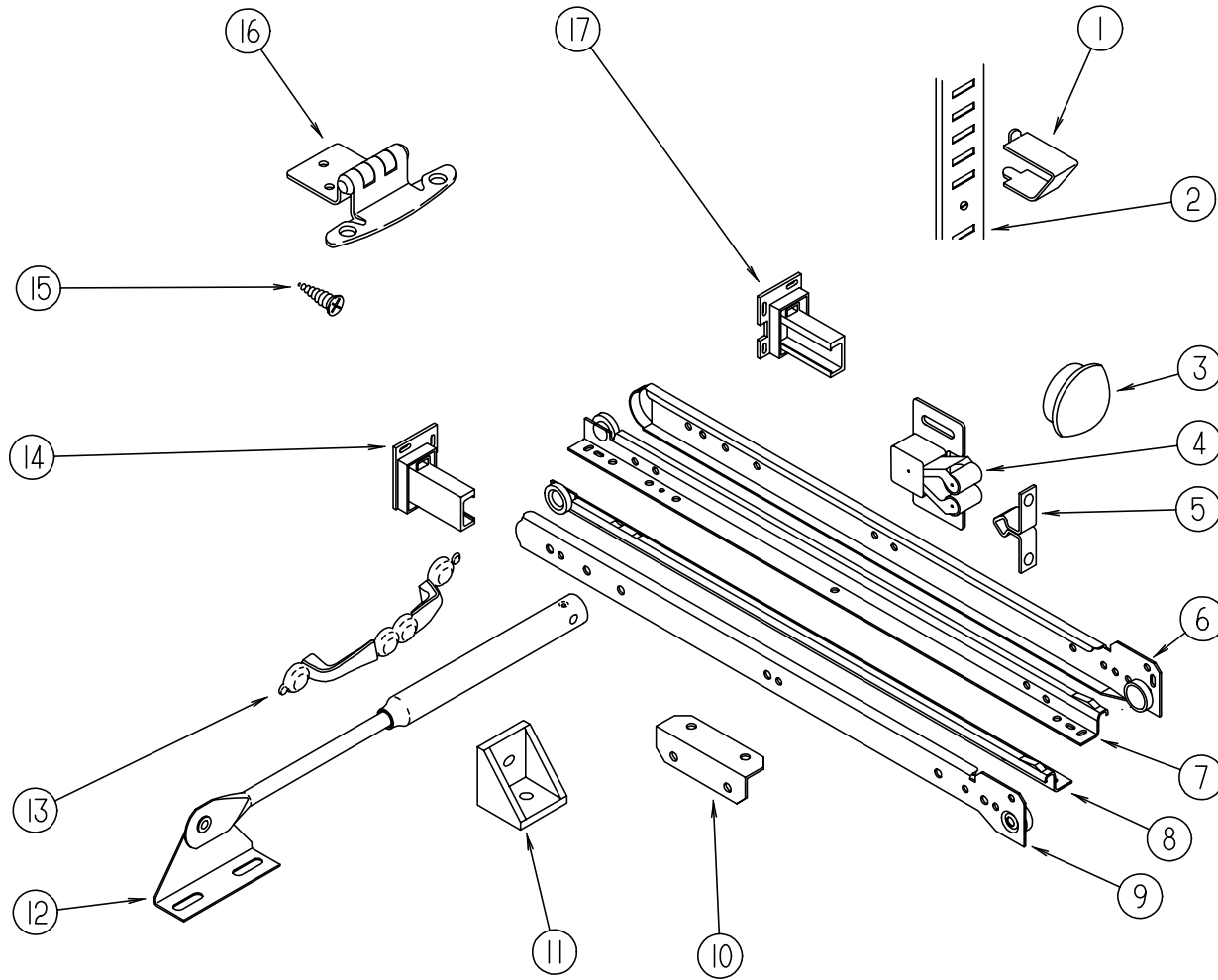
KEY	PART NUMBER	U/M DESCRIPTION
	108891-01-01A	EA CEILING ASSEMBLY-A/C, COOL TSR HO - COLEMAN 7330-714 IV
	042204-01-709	EA THERMOSTAT-IN 64 OUT 58, COLEMAN 6701-3401
	063903-01-702	EA LOUVER-COLEMAN 6703A5191
	073742-01-701	EA SELECTOR SWITCH - 5 TERMINAL, COLEMAN 6759-3251
	073742-01-702	EA DECAL-COOL ONLY, COLEMAN 6759C3431
	081606-01-712	EA CEILING SHROUD-IVORY, COLEMAN 6769-5061
	091225-01-713	EA KNOB - 2 PER PACKAGE, COLEMAN 6701-3351
	091225-01-717	EA DECAL-THERMOSTAT, COOL ONLY - COLEMAN 6799A3441
	093766-02-701	EA DECAL-LEFT SIDE, COLEMAN 6799-3971
	108891-01-700	EA SINGLE PARTS PACKAGE-KNOBS & NUTS, COLEMAN 6792-5991
	108891-01-701	EA RETAINER CLIPS-FILTER, 6 PER - COLEMAN 6799-3141
	084077-03-000	EA COVER-BLANK, ROOF A/C - 5.2" X 3.5" - IVORY

INTERIOR FINISH GROUP
MOLDINGS & TRIMS



KEY	PART NUMBER	U/M	DESCRIPTION
1	009767-12-000	FT	MOLDING-SIDEWALL TO CEILING/CABINET - WELTING - OFF WHITE
2	009778-12-000	FT	U CHANNEL-PLASTIC, 1" WIDE X 8' - WOODGRAIN
2	070504-18-000	FT	U CHANNEL-PLASTIC, .065" WIDE - IVORY
2	070504-19-000	FT	U CHANNEL-PLASTIC, .815" WIDE - BROWN
2	009778-20-000	FT	U CHANNEL - 1" X 55", MODERN IVORY
3	009809-21-000	EA	MOLDING-CORNER, OUTSIDE - 1" - PLASTIC - WOODGRAIN
3	009809-23-000	EA	MOLDING-CORNER, OUTSIDE - 1" - PLASTIC - IVORY
4	009812-22-000	EA	MOLDING-CORNER, OUTSIDE - .5" X 7' - PLASTIC - BROWN
5	022992-11-000	FT	MOLDING-REVERSE COVE, T-SHAPED - VINYL - IVORY
5	022992-01-000	FT	MOLDING-REVERSE COVE, T-SHAPED - VINYL - WHITE
6	083620-07-000	FT	MOLDING-T, END CAP EDGE - W/EDGE LIPS - .75" - THOR PECAN
6	083620-09-000	FT	T-MOLDING, 3/4 W/EDGE LIPS - MODERN IVORY
7	104676-02-01A	FT	T-MOLDING, 1/2" X 7'
7	104676-01-01A	FT	T-MOLDING, 5/16 - RIGID - GOLD
8	103186-01-01A	FT	MOLDING-EDGE, SHELF - .78" WIDE - PLASTIC - RAMBLING OAK
9	105004-01-02A	EA	MOLDING-VINYL WRAPPED, RAMBLING OAK
10	100041-01-000	EA	MOLDING-VINYL WRAPPED, .7" X 1.57" X 84.02" - RAMBLING OAK
10	100041-02-000	EA	MOLDING-VINYL WRAPPED, .7" X 2.5" X 84" - RAMBLING OAK
11	081294-02-000	EA	MOLDING-SHELF, NOTCHED WOOD - 8' LONG
	076325-34-000	FT	MOLDING-EDGE BAND, 1 5/16" WIDE - ORCHID
	076325-35-000	FT	MOLDING EDGEBAND, RECESSED SINK - ORCHID
	112198-01-000	FT	MOLDING - J, 90227 - CRILA PLASTICS
	009815-09-000	FT	T-MOLDING, .75" - IVORY
	100040-01-000	EA	LUMBER-VINYL WRAPPED, .71" X 1.5" X 8' - RAMBLING OAK
	100040-03-000	EA	LUMBER-VINYL WRAPPED, .71" X 2" X 8' - RAMBLING OAK
	100040-06-000	EA	LUMBER-VINYL WRAPPED, RAMBLING OAK

INTERIOR FINISH GROUP (CONTINUED)



CABINET HARDWARE

KEY	PART NUMBER	U/M DESCRIPTION
1	098979-01-000	EA CLIP-ADJUSTABLE SHELF
2	098980-04-000	EA PILASTER-ADJUSTABLE SHELF, 48" LONG - WOODGRAIN
3	093586-03-000	EA CATCH-SPRING, ROLLER
3	093586-06-000	EA CATCH-SPRING, ROLLER - FASTEC C411-AC FROM: 00-00-00 THRU: 01-15-95
4	093586-04-000	EA STRIKE-SPRING, STEEL FROM: 01-16-95 THRU: 99-99-99
4	093586-05-000	EA STRIKE-SPRING, STEEL - FASTEC S411-AC FROM: 00-00-00 THRU: 01-15-95 FROM: 01-16-95 THRU: 99-99-99
5	093586-04-000	EA STRIKE-SPRING STEEL
6	114031-14-000	EA SLIDE-DRAWER, 18" - RIGHT - CABINET MOUNTED HOUCK 7200-RV-2
7	114031-16-000	EA SLIDE-DRAWER, 18" - RIGHT - DRAWER MOUNTED HOUCK 7200-RV-4
8	114031-15-000	EA SLIDE-DRAWER, 18" - LEFT - DRAWER MOUNTED HOUCK 7200-RV-3
9	114031-13-000	EA SLIDE-DRAWER, 18" - LEFT - CABINET MOUNTED HOUCK 7200-RV-1
10	016604-01-000	EA BRACE-CABINET, ANGLE - 2.5" - METAL - UNPAINTED
10	016604-03-000	EA BRACE-CABINET, ANGLE - 2.5" - METAL - BEIGE
10	016604-05-000	EA BRACE-CABINET, ANGLE - 2.5" - METAL - OFF WHITE
11	065740-01-000	EA BRACE-CABINET, CORNER - PLASTIC
12	074493-02-000	EA SUPPORT-PISTON SPRING, CABINET DOOR
13	112146-01-000	EA PULL-CABINET, BRASS - AMEROCK D-1180-3
14	114045-01-000	EA BACKSOCKET-ADJUSTABLE, LEFT - HOUCK 751-1
15	000G13-06-08G	EA SCREW - 6-20 X 5/8 PFH, ANTIQUE BRASS
16	108138-01-000	EA HINGE-DOOR, CABINET - BURNISHED BRASS
17	114045-02-000	EA BACKSOCKET-ADJUSTABLE, RIGHT - HOUCK 751-2

INTERIOR FINISH GROUP (CONTINUED)

CABINET HARDWARE (CONTINUED)

KEY	PART NUMBER	U/M DESCRIPTION
	076790-01-000	EA SCREW - 6-20 X 1 1/4 PPH - BLACK
	004354-01-000	EA BUMPER-RUBBER, .5" DIAMETER - BROWN
	023320-01-000	EA PAD-FELT, 3/8" DIAMETER - BROWN
	000G13-06-10G	EA SCREW - 6-20 X 5/8 PFH - ANTIQUE BRASS
	074045-07-000	EA PLUG-WOOD, 1/2"
	103256-01-000	EA LATCH-SLIDE
	009112-01-000	EA FLANGE-ROD, 1" - COTHES ROD - PLASTIC - OFF WHITE
	042438-01-000	EA DOWEL-WOOD, CLOTHES ROD - 1" DIAMETER X 4'
	009063-01-000	EA HINGE-CONTINUOUS, 1 1/2" X 72" - UNPAINTED

PANELING, LAMINATES & PLASTIC

KEY	PART NUMBER	U/M DESCRIPTION
	074497-21-000	SF PANELING-WOODGRAIN, 4' X 8' - 32 SF
	088272-D7-000	SF PANELING-DECORATIVE, FRESCO - SILVERADO - MAIN WALL
	074497-27-000	EA PANELING-DECORATIVE, TIGA BEND - PEARL - CEILING
	088272-98-000	SF PANELING-SHOWER, OFF WHITE - 4' X 7' - 28 SQ FT
	074498-67-000	SF LAMINATE-PLASTIC, ORCHID MIST
	093743-02-01A	SF PLASTIC-ABS, 20" WIDE - OFF WHITE
	093743-03-01A	SF PLASTIC-ABS, 10.8" WIDE - OFF WHITE
	000885-56-000	SF PARTICLE BOARD-VINYL 1 SIDE, 3/8" X 48" X 96" - WINNIE OAK
	000885-61-000	SF PARTICLE BOARD-VINYL 2 SIDES, 3/4" X 48" X 96" - WINNE OAK

CARPETING & FLOOR MATS

KEY	PART NUMBER	U/M DESCRIPTION
	096060-97-000	SY CARPET-JUBILATION, LAPIS - CARRIAGE (F15)
	096060-A1-000	SY CARPET-JUBILATION, ARTIC - GRAY (F16)
	093486-01-000	SY CARPET-COMPARTMENT, 54" WIDE - DARK GRAY
	047034-06-000	SF POLY-CLEAR, ROLL SIZE 2FT X .010
	083218-03-000	EA MAT-FLOOR, PASSENGER - WITH "I" LOGO - CHEVY
	083218-04-000	EA MAT-FLOOR, DRIVER - WITH "I" LOGO - CHEVY
	106884-03-000	EA MAT-FLOOR, PASSENGER - WITH "I" LOGO - FORD
	106884-04-000	EA MAT-FLOOR, DRIVER - WITH "I" LOGO - FORD
	044860-01-000	EA MAT-STEPWELL, LH - RUBBER - BLACK - CHEVY
	044860-02-000	EA MAT-STEPWELL, RH - RUBBER - BLACK - CHEVY

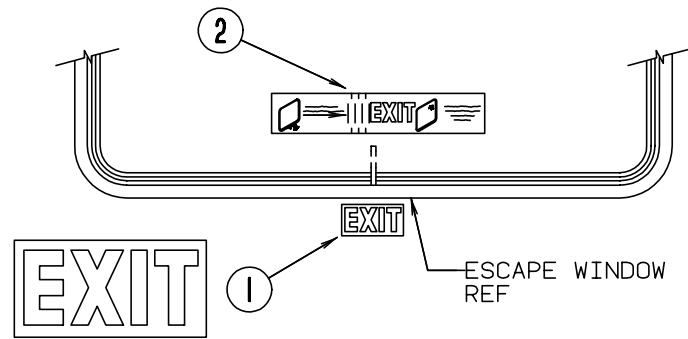
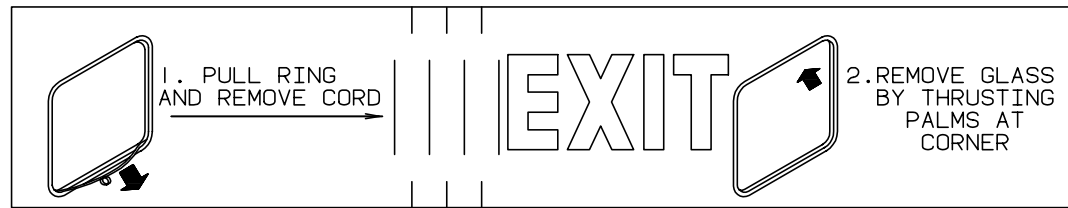
BATT STRIPS

KEY	PART NUMBER	U/M DESCRIPTION
	088263-B4-000	EA BATT STRIP-DECORATIVE, FRESCO - SILVERADO - MAIN WALL
	088263-B6-000	EA BATT STRIP-DECORATIVE, TIGA BEND - PEARL - CEILING
	069733-80-000	EA BATT STRIP-WOODGRAIN, 8' - WINNIE OAK
	085284-76-000	FT BATT STRIP-SHOWER, ADHESIVE BACKED - OFF WHITE
	085284-A5-000	FT STRIP-TAPE, DECORATIVE, FRESCO - SILVERADO - MAIN WALL
	085284-A7-000	FT STRIP-TAPE, TIGA BEND - PEARL - CEILING
	085284-67-000	FT STRIP-TAPE, PLUSWOOD - WINNIE OAK
	086229-01-000	EA RETAINER-BATTEN, CEILING - .75" WIDE - 7.6'
	086229-04-000	EA BATTEN-CEILING, 1" WIDE - IVORY - 7.6'

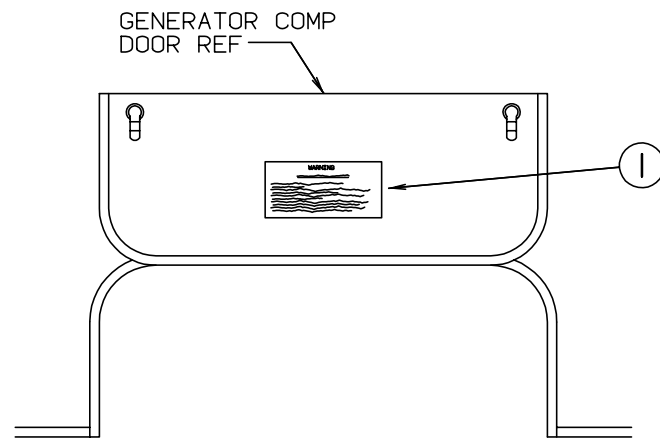
FIRE EXTINGUISHER, CLOCK & DETECTORS

KEY	PART NUMBER	U/M DESCRIPTION
	072852-02-000	EA DETECTOR-SMOKE, W/ 9 VOLT BATTERY - CANADIAN
	094499-02-000	EA EXTINGUISHER-FIRE, DRY - 1A10BC - CANADIAN
	094499-01-700	EA BRACKET-MOUNTING, W/PLASTIC STRAP - FIRE EXTINGUISHER
	072852-01-000	EA DETECTOR-SMOKE, W/9 VOLT BATTERY - US
	094499-01-000	EA EXTINGUISHER-FIRE, DRY W/MOUNTING BRACKET - 10 BC
	094499-01-700	EA BRACKET-MOUNTING, W/PLASTIC STRAP - FIRE EXTINGUISHER
	112320-01-000	EA DETECTOR-CO GAS, MODEL 9B-I - COSTAR 940000000
	112320-02-000	EA BATTERY/SENSOR-CO GAS, COSTAR 940001000

LABELS GROUP



KEY	PART NUMBER	U/M DESCRIPTION
1	039290-01-000	EA LABEL-WARNING, EXIT
2	107571-01-000	EA LABEL-EXIT, ESCAPE WINDOW



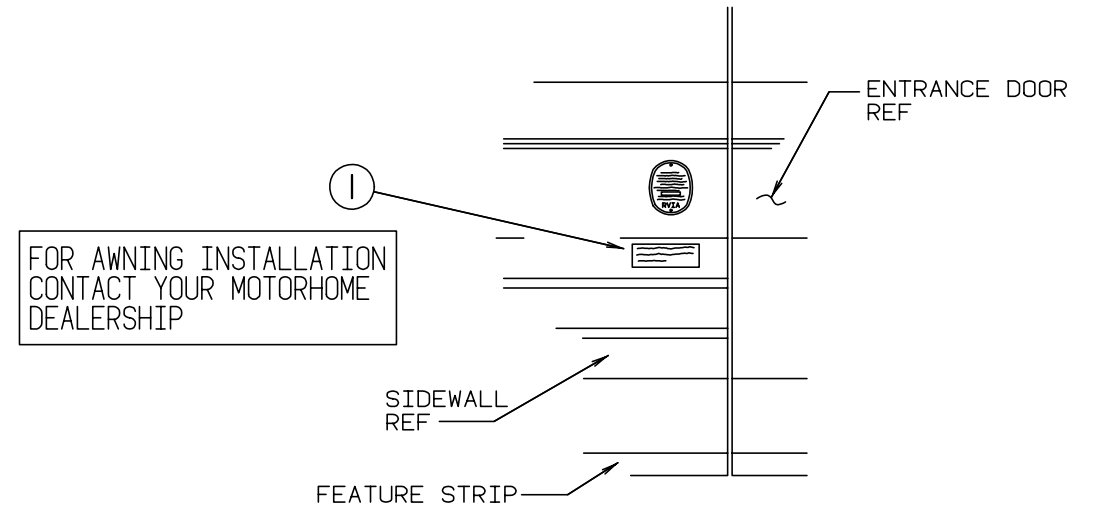
WARNING

WHEN ADDING A GENERATOR SET:

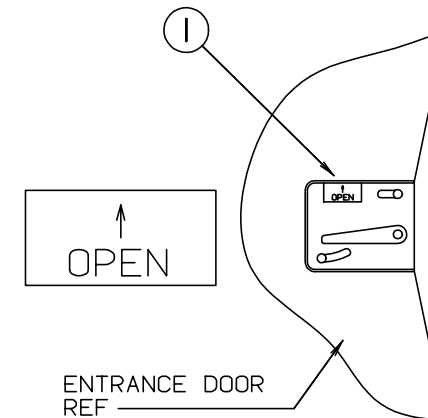
HIGH VOLTAGE-USE EXTREME CAUTION WHEN WORKING ON ELECTRICAL COMPONENTS.
 HAVE ALL ELECTRICAL INSTALLATION PERFORMED BY A QUALIFIED LICENSED ELECTRICIAN-FOLLOW ALL STATE AND LOCAL CODES.
 ONLY INSTALL GENERATOR SET APPROVED FOR R.V. APPLICATION. HAVE INSTALLED BY QUALIFIED TECHNICIAN.
 TO AVOID HEAT BUILD-UP AND TO GUARANTEE AN ADEQUATE AIR SUPPLY TO THE GENERATOR CARBURETOR, FOLLOW INSTALLATION INSTRUCTIONS.
 GENERATOR ENGINE EXHAUST GASES ARE TOXIC AND MUST NOT TERMINATE UNDER THE VEHICLE-DISCHARGE EXHAUST AWAY FROM VEHICLE.

KEY	PART NUMBER	U/M DESCRIPTION
1	077510-01-000	EA LABEL-GENERATOR PREP

LABELS GROUP (CONTINUED)

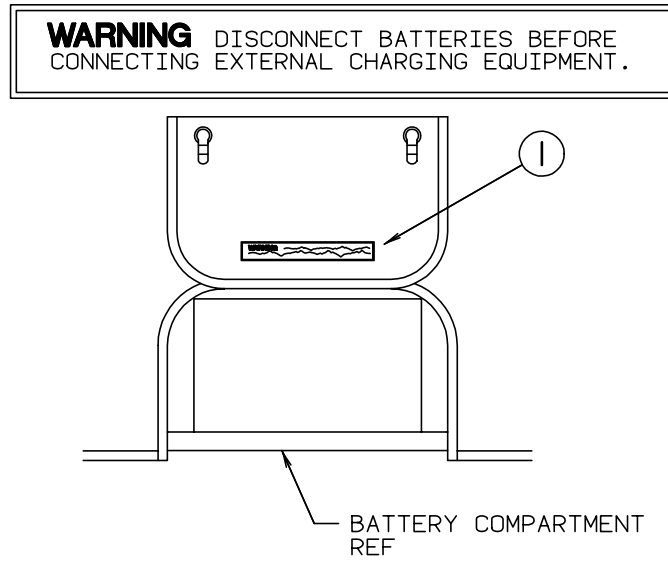


KEY	PART NUMBER	U/M DESCRIPTION
1	099509-01-000	EA LABEL-AWNING INSTALLATION



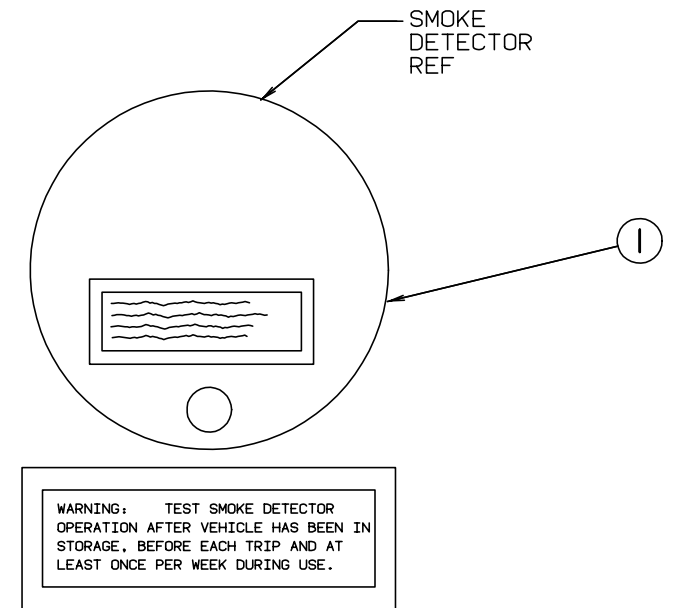
KEY	PART NUMBER	U/M DESCRIPTION
1	040944-01-000	EA LABEL-ENTRANCE DOOR, "OPEN"

LABELS GROUP (CONTINUED)

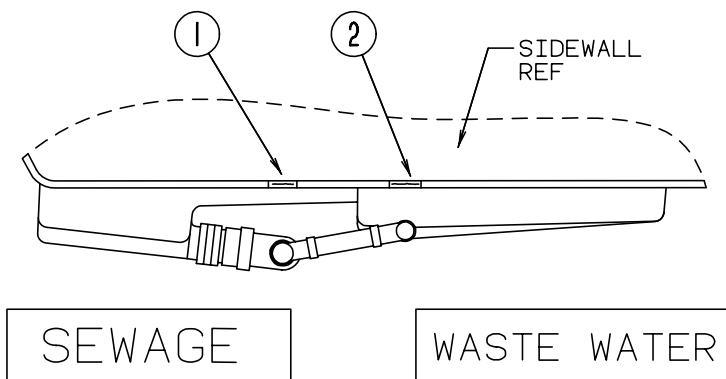


KEY	PART NUMBER	U/M	DESCRIPTION
1	065748-01-000	EA	LABEL-CAUTION, BATTERY CHARGING

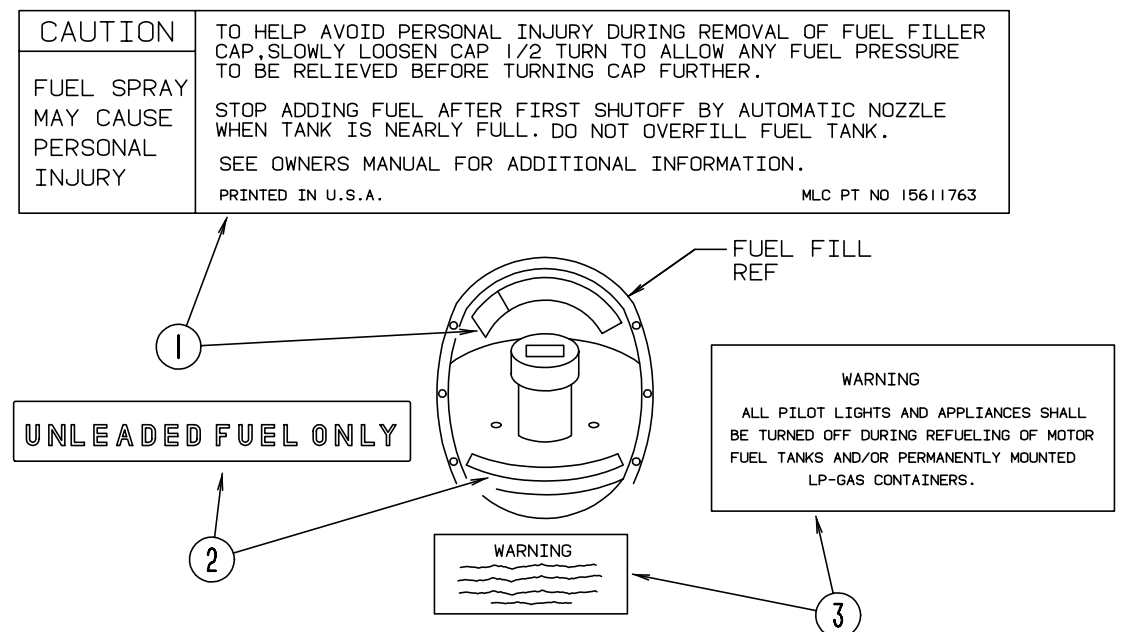
LABELS GROUP (CONTINUED)



KEY	PART NUMBER	U/M	DESCRIPTION
1	077956-01-000	EA	LABEL-WARNING, SMOKE DETECTOR

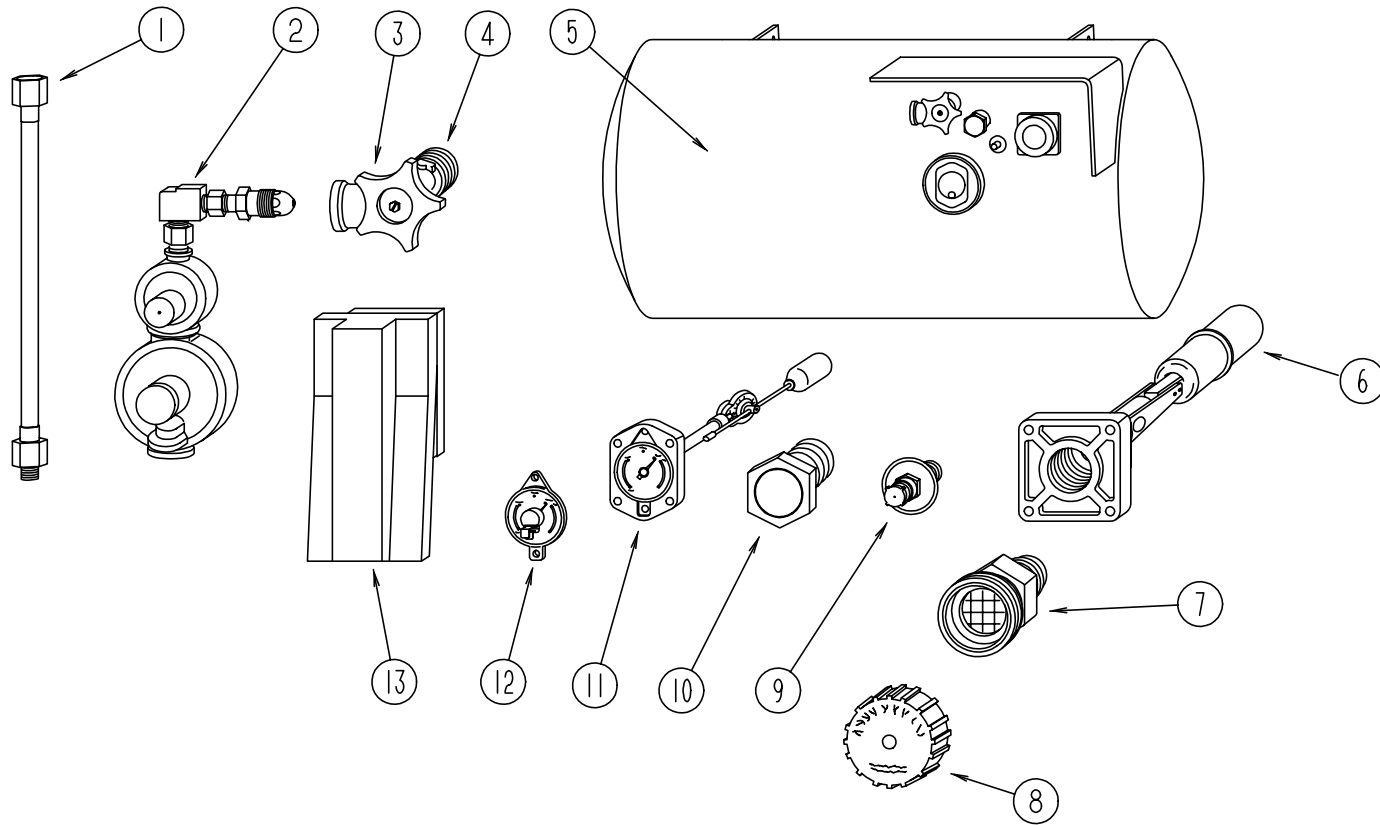


KEY	PART NUMBER	U/M	DESCRIPTION
1	006187-01-000	EA	LABEL-SEWAGE
2	006188-01-000	EA	LABEL-WASTE WATER



KEY	PART NUMBER	U/M	DESCRIPTION
1	087207-05-000	EA	LABEL-FUEL CAP REMOVAL
2	062043-01-000	EA	LABEL-FUEL, UNLEADED
3	006040-01-000	EA	TAG-GAS REFUELING WARNING
3	006040-02-000	EA	TAG-GAS REFUELING WARNING - CANADIAN

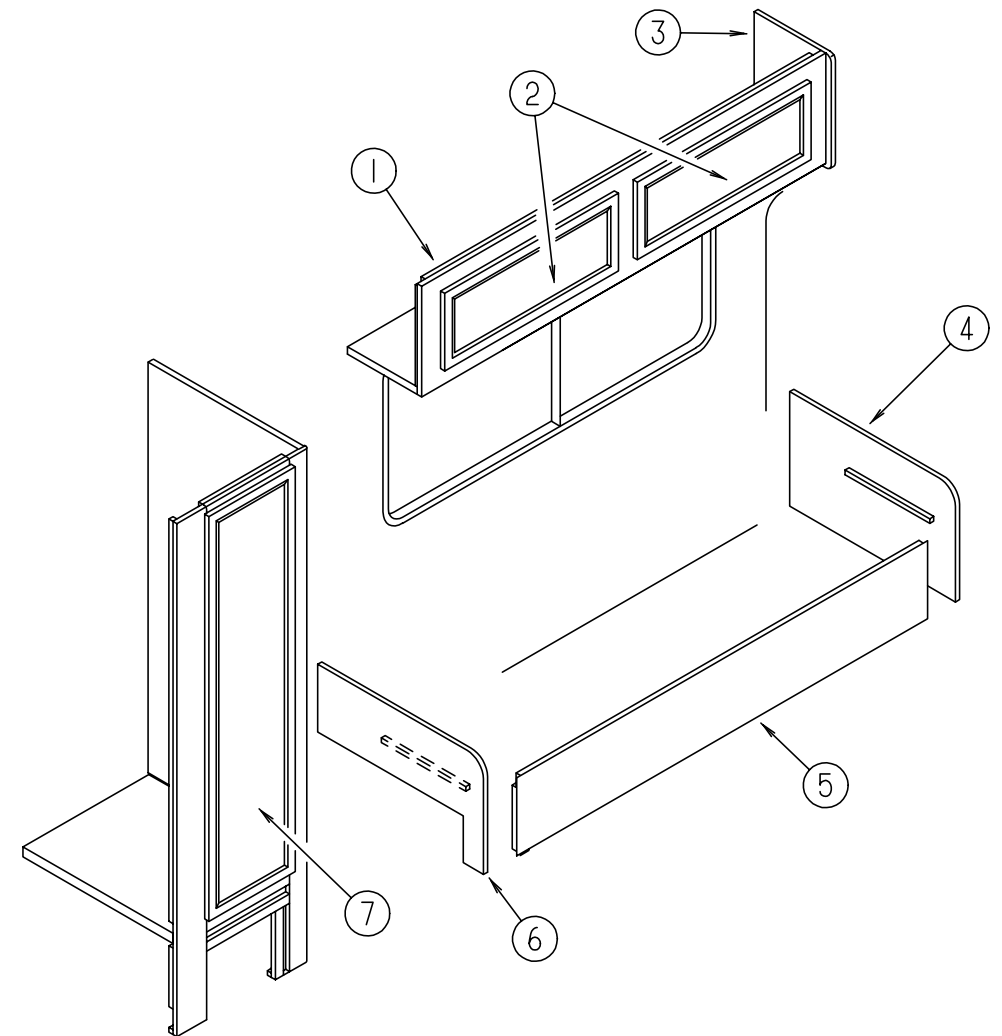
LP GROUP



LP TANK & COMPONENTS

KEY	PART NUMBER	U/M	DESCRIPTION
1	045703-01-000	EA	HOSE-LP, 3/8" ID X 24" - 3/8 MPT X 1/2 F SWIVEL U.S.
1	045703-02-000	EA	HOSE-LP, 3/8" ID X 24" - 3/8" MPT X 1/2" F SWIVEL CANADA
2	106150-01-000	EA	REGULATOR-TWO STAGE, M'BRASS 293-00
3	040421-01-708	EA	HANDWHEEL-SERVICE VALVE, BRUNNER G-1015-A
4	040421-01-712	EA	VALVE-SERVICE, W/O VAPOR RELIEF - 29000853
5	080450-01-000	EA	TANK-LP, 42 LB - 13" DIAMETER X 24" LONG
6	040421-01-711	EA	VALVE - 80% W/FLOAT, PLATE - BOLTS & GASKET - BRUNNER
7	040421-01-701	EA	VALVE-SHORT, LP FILLER W/YELLOW CAP - BRUNNER 75478
8	040421-01-702	EA	CAP-LP FILLER VALVE, PLASTIC - YELLOW - BRUNNER G-1014-A
9	040421-01-700	EA	VALVE-LIQUID LEVEL, 20% LP - BRUNNER G-1013
10	040421-01-713	EA	VALVE-VAPOR ONLY, 29000587
11	074142-01-700	EA	FLOAT GAUGE, SCREW ON - MACHINE - 13C-SCR
	074142-01-701	EA	FLOAT ASSEMBLY-BOLT ON 13C-BLT
12	040440-02-000	EA	TRANSMITTER-DIAL, 0 - 90 OHM - USED W/MONITOR PANEL
12	040421-01-706	EA	DIAL-LP TANK VOLUME, VISIBLE FACE (5-1789) - BRUNNER MA-8
13	105658-01-000	EA	COMPARTMENT-LP REGULATOR
	010323-01-000	EA	ADAPTER-BRASS, 3/8" F X 1/2" MPT
	010329-01-000	EA	ADAPTER-BRASS, 1/2" F X 1/2" MPT
	010377-02-000	EA	NUT-BRASS, 3/8" FEMALE - FORGED
	010380-02-000	EA	NUT-BRASS, 1/2" FEMALE - FORGED
	010252-01-000	EA	ELBOW-BRASS, 90 DEGREE - 3/8" F X 1/2" MPT
	065318-02-000	EA	ELBOW - 90 DEGREE, 3/8" MPT TO 3/8" FPT
	095624-01-000	EA	ELBOW - 90 DEGREE, 1/4" FPT X 1/4" FPT - BRASS
	103613-01-000	EA	DETECTOR-LEAK, LP GAS
	071391-02-000	EA	NIPPLE-HEX, 1/4 PIPE

LOUNGE GROUP



DRIVER SIDE LOUNGE CABINETS

KEY	PART NUMBER	U/M	DESCRIPTION
1	114604-01-F15	EA	CABINET-OVERHEAD, LOUNGE - W/O DOORS & HARDWARE
2	110140-65-F15	EA	DOOR-CABINET, W/O HARDWARE - 365MM X 850MM
	108536-13-08A	EA	MIRROR-GLASS, GALAXY FLOWER - 282MM X 767MM
3	109908-25-F15	EA	END CAP-CABINET, OVERHEAD
4	M06963-09-F15	EA	CABINET-COUCH, SIDE
4	M06963-09-F16	EA	CABINET-COUCH, SIDE
5	M06963-11-F15	EA	CABINET-COUCH, FRONT
5	M06963-11-F16	EA	CABINET-COUCH, FRONT
6	M06963-10-F15	EA	CABINET-COUCH, SIDE
6	M06963-10-F16	EA	CABINET-COUCH, SIDE
	083125-07-000	EA	BRACE-COUCH, OFF WHITE
	105947-01-000	EA	BRACKET-HOLD DOWN, COUCH - CANADIAN
7	110140-52-E01	EA	DOOR-WARDROBE CABINET, W/MIRROR - W/O HARDWARE - 410MM X 1660MM

**SEALANTS & FASTENERS GROUP
SCREWS**

KEY	PART NUMBER	U/M	DESCRIPTION
	0G1108-12-170	EA	SCREW, 8-18 X .75 PPH - BRIGHT WHITE
	0G1208-12-170	EA	SCREW, 8-18 X .75 POH - BRIGHT WHITE
	0G3908-08-170	EA	SCREW-SF/DR, 8-18 X 1/2 PPH - BRIGHT WHITE
	0G3908-16-170	EA	SCREW-SF/DR, 8-18 X 1.00 PPH - BRIGHT WHITE
	0G3908-24-170	EA	SCREW-SF/DR, 8-18 X 1.50 PPH - BRIGHT WHITE
	0G3910-12-170	EA	SCREW-SF/DR, 10-16 X .75 PPH - BRIGHT WHITE
	0G6710-08-170	EA	SCREW, 10-12 X 1/2 PPH - BRIGHT WHITE TYPE A
	000G11-04-10B	EA	SCREW, 4-24 X 5/8 PPH - ZINC
	000G11-06-10J	EA	SCREW, 6-20 X 5/8 PPH - BRASS
	000G11-06-06B	EA	SCREW, 6-20 X 3/8 PPH - ZINC
	000G11-07-08B	EA	SCREW, 7-19 X 1/2 PPH - ZINC
	000G11-08-06B	EA	SCREW, 8-18 X 3/8 PPH - ZINC
	000G11-08-12E	EA	SCREW, 8-18 X .75 PPH CHROME ES0025.4
	000G11-08-12D	EA	SCREW, 8-18 X 3/4 PPH - BLACK
	000G11-08-12B	EA	SCREW, 8-18 X 3/4 PPH - ZINC
	000G11-08-08B	EA	SCREW, 8-18 X 1/2 PPH - ZINC
	000G11-08-20B	EA	SCREW, 8-18 X 11/4 PPH - ZINC 05031-01-000
	000G11-08-16S	EA	SCREW, 8-18 X 1.00 PPH - OFF WHITE
	000G11-08-12T	EA	SCREW, 8-18 X 3/4 PPH - BLACK
	000G11-08-12S	EA	SCREW, 8-18 X 3/4 PPH - OFF WHITE
	000G11-10-16B	EA	SCREW, 10-16 X 1 PPH - ZINC
	000G11-10-12S	EA	SCREW, 10-16 X .75 PPH OFF WHT
	000G12-06-08T	EA	SCREW, 6-20 X .50 POH - BLACK
	000G12-08-12S	EA	SCREW, 8-18 X 3/4 POH - OFF WHITE
	000G13-06-24J	EA	SCREW, 6-20 X 1.50 PFH BRASS
	000G13-06-16J	EA	SCREW, 6-20 X 1.00 PFH - BRASS
	000G13-07-10H	EA	SCREW, 7-19 X 5/8 PFH, BLACK
	000G13-07-12B	EA	SCREW, 7-19 X 3/4 PFH - ZINC
	000G32-10-06B	EA	SCREW, 10-32 X 3/8 PPH - ZINC
	000G39-06-10T	EA	SCREW-SF/DR, 6-20 X 5/8 PPH - BLACK
	000G39-08-08B	EA	SCREW-SF/DR, 8-18 X 1/2 PPH - ZINC
	000G39-08-24B	EA	SCREW-SF/DR, 8-18 X 1 1/2 PPH - ZINC
	000G39-08-16S	EA	SCREW-SF/DR, 8-18 X 1.00 PPH, OFF WHITE
	000G39-08-16B	EA	SCREW-SF/DR, 8-18 X 1 PPH - ZINC
	000G39-08-12B	EA	SCREW-SF/DR, 8-18 X 3/4 PPH - ZINC
	000G39-10-209	EA	SCREW-SF/DR, 10-16 X 1.25 PPH FLUOROCARBON SILVER
	000G39-10-20B	EA	SCREW-SF/DR, 10-16 X 1 1/4 PPH - ZINC
	000G39-10-12D	EA	SCREW-SF/DR, 10-16 X 3/4 PPH - BLACK
	000G39-10-12B	EA	SCREW-SF/DR, 10-16 X .75 PPH - ZINC
	000G39-10-10S	EA	SCREW-SF/DR, 10-16 X .62 PPH - OFF WHITE
	000G39-12-12E	EA	SCREW-SF/DR, 12-14 X 3/4 PPH - CHROME
	000G42-04-16B	EA	SCREW-SF/DR, 1/4-14 X 1 HWH - ZINC
	000G42-04-12B	EA	SCREW-SF/DR, 1/4-14 X 3/4 HWH - ZINC
	000G46-08-24T	EA	SCREW-MACHINE, 8-32 X 1.50 PFH - BLACK
	000G50-04-12B	EA	SCREW-MACHINE, 1/4-20 X 3/4 PPH - ZINC
	000G52-08-18B	EA	SCREW-MACHINE, 8-32 X 11/8 PTH - ZINC
	000G53-04-06B	EA	SCREW-MACHINE, 1/4-20 X 3/8 PPH - ZINC - UNDERCUT HEAD
	000G54-04-20B	EA	SCREW, 1/4-20 X 1 1/4 PTH - TYPE 23 - ZINC PLATED
	000G60-10-28T	EA	SCREW-SF/DR, 10-16 X 1.75 - BLACK
	000G67-08-32B	EA	SCREW, 8-15 X 2 PPH - ZINC
	000G67-10-24B	EA	SCREW, 10-12 X 1 1/2 PPH - ZINC
	000G67-10-20D	EA	SCREW, 10-12 X 1 1/4 PPH - BLACK
	000G67-10-16P	EA	SCREW, 10-12 X 1 PPH - DARK BROWN
	000G67-10-16B	EA	SCREW, 10-12 X 1 PPH - ZINC
	000G67-10-120	EA	SCREW, 10-12 X .75 PPH - TAN
	000G67-10-12S	EA	SCREW, 10-12 X .75 PPH OFF WHITE
	000G67-10-12P	EA	SCREW, 10-12 X .75 PPH - DARK BROWN
	000G67-10-12B	EA	SCREW, 10-12 X 3/4 PPH - ZINC
	000G67-10-10S	EA	SCREW, 10-12 X 5/8 PPH - OFF WHITE
	000G67-10-10B	EA	SCREW, 10-12 X 5/8 PPH - ZINC - TYPE A

**SEALANTS & FASTENERS GROUP (CONTINUED)
SCREWS (CONTINUED)**

KEY	PART NUMBER	U/M	DESCRIPTION
	000G67-10-08R	EA	SCREW, 10-12 X 1/2 PPH - BEIGE - TYPE A
	000G67-10-08B	EA	SCREW, 10-12 X 1/2 PPH - ZINC
	000G67-10-36T	EA	SCREW, 10-12 X 2.25 PPH - BLACK STALGARD
	000G67-10-32B	EA	SCREW, 10-12 X 2 PPH - ZINC
	000G68-06-10G	EA	SCREW, 6-18 X 5/8 POH - ANTIQUE BRASS
	000G68-10-36T	EA	SCREW, 10-12 X 2.25 POH - BLACK
	049465-04-000	EA	SCREW, 10-16 X 1 PTH - W/WASHER - BEIGE
	074046-01-000	EA	SCREW, 8-18 X 1 1/2 PFH - BRONZE REF: G13-08-24B
	075908-01-000	EA	SCREW-MACHINE, 10-32 X .56 PTH - ZINC EXTERNAL TOOTH
	087721-01-000	EA	SCREW-FLAT HEAD, TAPPING - 1/4" X 1 1/4" LAG - ZINC
	101618-01-000	EA	SCREW, 1/4-20 X 3/4 HEX/TAPPING - STALGARD TYPE F

CLAMPS, CLIPS & HOLDERS

KEY	PART NUMBER	U/M	DESCRIPTION
	007161-01-000	EA	CLAMP-HOSE, SPRING TYPE - 1/2"
	010495-01-000	EA	CLAMP-CABLE, 9/16"
	010497-01-000	EA	CLAMP-CLOSED, 5/8" ID
	010497-01-000	EA	CLAMP-CLOSED, 5/8" ID
	010497-03-000	EA	CLAMP-CLOSED, 1" ID - CUSHIONED
	010497-04-000	EA	CLAMP-CLOSED, 1.62" ID - ADEL 945-2717
	010499-01-000	EA	CLAMP-CLOSED, 3/8" ID
	062401-01-000	EA	CLAMP-HOSE, WORMGEAR - .25" - 1"
	062401-02-000	EA	CLAMP-HOSE, WORMGEAR - 1.56" - 2.5"
	062401-03-000	EA	CLAMP-HOSE, WORMGEAR - .22" - 1"
	062401-06-000	EA	CLAMP-HOSE, WORMGEAR - .22"-.62"
	062401-11-000	EA	CLAMP-HOSE, WORMGEAR - 3.56"- 4.5"
	075148-02-000	EA	CLAMP-GROUNDING, BRONZE SCREWS
	080211-05-000	EA	CLIP-XMAS TREE, 36MM - FASNAP 09-280297
	080734-02-000	EA	CLIP-WIRE, NYLON
	083609-01-000	EA	CLAMP-WIRE, DUAL - EQUAL DIAMETERS - 5/8"
	083610-01-000	EA	CLAMP-WIRE, DUAL - UNEQUAL DIAMETERS - .75" & 1.25"
	008343-01-000	EA	TIE-WIRE, 6"
	085774-01-000	FT	FASTENER-DUAL HOOK, 1" WIDE - ADHESIVE BACK - BLACK
	085774-02-000	FT	FASTENER-DUAL LOOP, 1" WIDE - ADHESIVE BACK - BLACK
	108046-02-000	EA	CABLE TIE-SCREW MOUNT - 15" DENNISON 10035

GROMMETS

KEY	PART NUMBER	U/M	DESCRIPTION
	016188-03-000	EA	GROMMET-LP LINE, 3/8" HOLE X 2 1/2" LONG - RUBBER
	016188-05-000	EA	GROMMET-LP LINE, 3/8" HOLE X 1 1/4" LONG - RUBBER
	023942-01-000	EA	GROMMET-RUBBER, 2" OD
	071015-26-000	EA	GROMMET-RUBBER, 1.5" ID X 2.12" OD W/.06" GROOVE - BLACK
	114208-02-000	EA	GROMMET-EDGE LINER, FITS .265

WASHERS

KEY	PART NUMBER	U/M	DESCRIPTION
	000E11-07-00B	EA	WASHER-LOCK, 7/16" MED SPLIT - ZINC 05114-01-000
	000E11-08-00B	EA	WASHER-LOCK, 1/2" MED SPLIT - ZINC
	000E13-17-00B	EA	WASHER-FLAT, 3/8" AR - ZINC
	000E13-18-00B	EA	WASHER-FLAT, 3/8" WIDE - ZINC 05113-01-000
	000E13-20-00B	EA	WASHER-FLAT, 7/16" WIDE - ZINC
	000E13-21-00B	EA	WASHER-FLAT, W/2 NAR - ZINC
	000E14-10-00B	EA	WASHER-LOCK, NO 10 EXT TOOTH - ZINC
	044533-01-000	EA	WASHER-PLASTIC, 1 3/8" OD - FOR BUTTONS

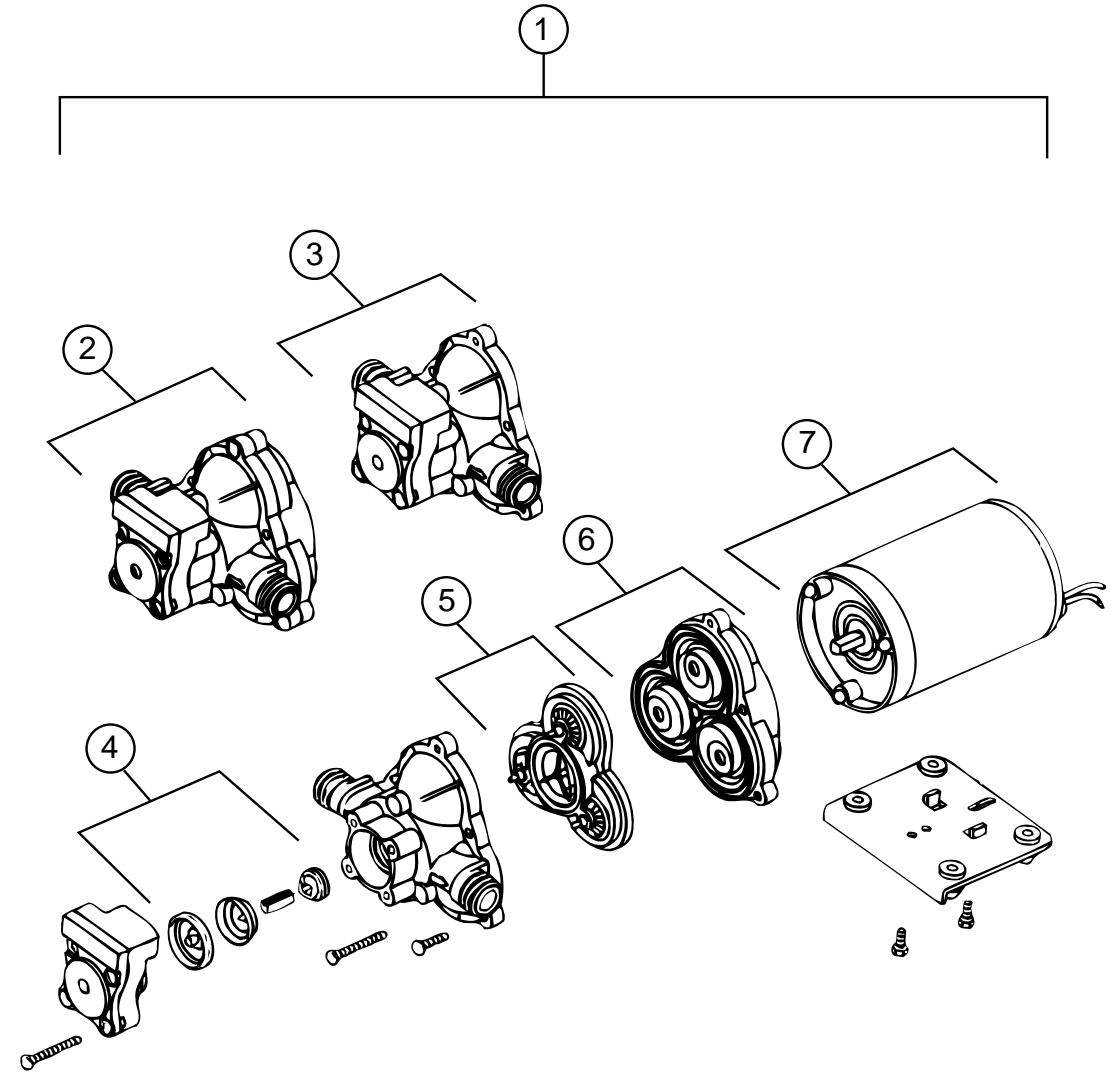
SEALANTS & FASTENERS GROUP (CONTINUED)
ADHESIVES

KEY	PART NUMBER	U/M DESCRIPTION
	004020-01-000	QT ADHESIVE-ABS CEMENT, QUART
	114311-01-000	GL ADHESIVE-GLUE, #72-7843 NATL STARC
	102352-01-000	EA SEALER-PUMPABLE, BLACK - COLORIMETRIC MS101
	053766-08-000	EA BEDDING COMPOUND-TUBE, GRAY - SCHNEE# 5522
	069640-01-000	FT SEALER-RIBBON, 1/4" DIAMETER - INCREMENTS OF 30'
	069640-02-000	FT SEALER-RIBBON, 1/2" X 1/8" - INCREMENTS OF 60'
	069640-03-000	FT SEALER-RIBBON, 3/4" X 1/8" - INCREMENTS OF 60'
	069640-07-000	FT SEALER-RIBBON, 2" X 3/32" - INCREMENTS OF 45'
	069640-10-000	FT SEALER-RIBBON, 1/32" X 1 1/2" - INCREMENTS OF 90'
	076314-02-000	FT TAPE-CARPET SEAM, HEAT-BOND - 4" WIDE
	076322-01-000	FT TAPE-FOAM, DOUBLE COATED - ADHESIVE BACKED - .75" X 216'
	002707-02-000	FT TAPE-SEALER, 5/16" X 1/2" - INCREMENTS OF 50 FT
	063642-01-000	FT TAPE-ADHESIVE, 10 MM X 1.5" WIDE X 180'
	091255-02-000	FT SEAL-ADHESIVE BACKED FOAM, .18" THICK X 1.5" WIDE
	108716-01-000	EA SILICONE-TUBE, OFF WHITE - SELF LEVELING - CSL 510
	034552-02-000	EA SILICONE-TUBE, 300 ML - CLEAR
	034552-06-000	EA SILICONE-TUBE, 300 ML - OFF WHITE
	034552-15-000	EA SILICONE-TUBE, 300 ML - BRIGHT WHITE - CSL302
	900390-01-000	EA TIP - 2 1/2" X 1/8" ORIFICE, ELLSWORTH #TS216
	900390-03-000	EA NOZZLES-SILICONE TUBE, CSL# D10

BOLTS, NUTS & RIVETS

KEY	PART NUMBER	U/M DESCRIPTION
	000C12-05-16B	EA BOLT-HEX, 5/16-18 X 1 - ZINC 5
	000C12-06-16B	EA BOLT-HEX, 3/8-16 X 1 LAG - ZINC 5
	000C12-07-24B	EA BOLT-HEX, 7/16-14 X 1.50 - ZINC 5 MC-90
	000C12-08-24B	EA BOLT-HEX, 1/2-13 X 1 1/2 - ZINC 5
	000C12-10-64B	EA BOLT-HEX, 5/8-11 X 4.0 - ZINC 5
	000C12-10-24B	EA BOLT-HEX, 5/8-11 X 1 1/2 - ZINC 5
	000C13-07-48B	EA BOLT-HEX, 7/16-20 X 3 - ZINC 5
	000C18-05-40A	EA BOLT-ELEV, 5/16-18 X 2 1/2 PL
	000C18-06-48B	EA BOLT-ELEV, 3/8-16 X 3 - ZINC - GDE 5
	000C26-04-10B	EA BOLT-HEX, SERRATED FLANGE - 1/4-20 X 5/8 - ZINC
	000C26-04-14B	EA BOLT-HEX, SERRATED FLANGE - 1/4 X 20 X 7/8 - ZINC
	000C26-05-12B	EA BOLT-HEX, SERRATED FLANGE - 5/16-18 X 3/4 - ZINC
	000G45-05-16B	EA BOLT-LAG, 5/16-9 X 1 - ZINC
	000D24-10-00B	EA NUT-HEX, SELF LOCK - 10-32 - ZINC
	000D29-06-00B	EA NUT-HEX, W/NYLON LOCK - 3/8-16 - ZINC
	000D29-09-00B	EA NUT-HEX, SELF LOCK - 9/16-12 - ZINC
	000D39-04-00B	EA NUT-HEX, SERRATED FLANGE LOCK - 1/4-20 - ZINC
	000D39-05-00B	EA NUT-HEX, SERRATED FLANGE LOCK - 5/16-18 - ZINC
	000D39-06-00B	EA NUT-HEX, SERRATED FLANGE LOCK - 3/8-16 - ZINC
	000D39-08-00B	EA NUT-HEX, SERRATED FLANGE LOCK - 1/2-13 - ZINC
	000D44-07-00B	EA NUT-HEX, SERRATED FLANGE LOCK - 7/16-20 - ZINC
	000D46-04-00A	EA NUT-HEX, WELD - 1/4-20 - PLAIN SHORT PILOT
	104369-01-000	EA NUT-HEX, HEAVY - 5/8-11 UNC - SPARE TIRE INSTALLATION
	000H16-04-06R	EA RIVET-POP, ALUMINUM - 1/8 X .313 X .375

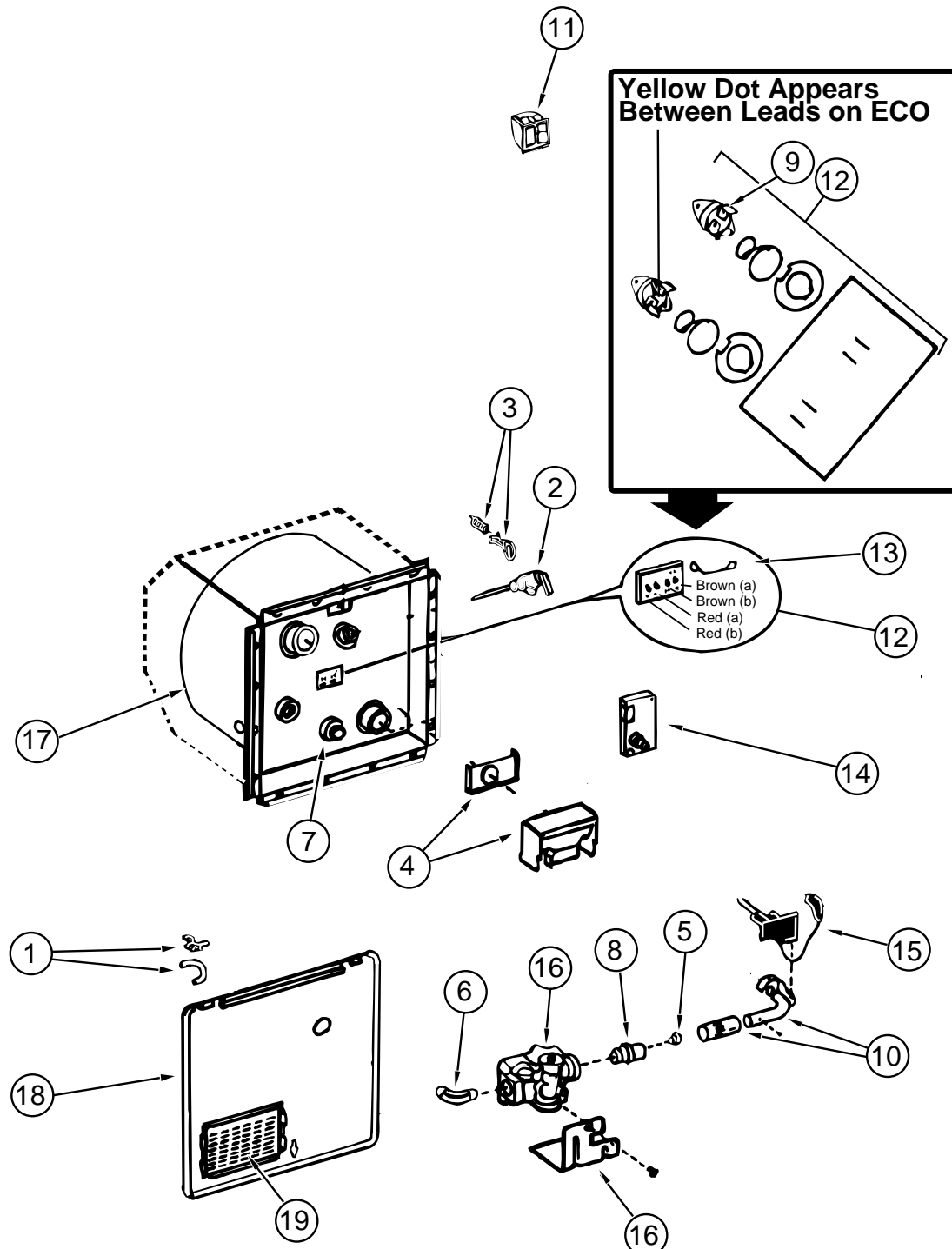
WATER & SEWAGE GROUP



WATER PUMP

KEY	PART NUMBER	U/M DESCRIPTION
1	098607-01-000	EA PUMP-WATER, W/.5" MPT FITTING - FLOW 2.8 GPM - UL
2	098607-01-700	EA PUMPHEAD-REPLACEMENT, SHURFLO# 94-236-08
3	098607-01-706	EA SWITCH ASM-COMplete, SHURFLO# 94-230-00
4	098607-01-705	EA CHECK VALVE-KIT, SHURFLO# 94-237-00
5	098607-01-703	EA VALVE ASM, SHURFLO# 94-232-00
6	098607-01-702	EA DIAPHRAGM-KIT, SHURFLO# 94-233-10
7	098607-01-707	EA MOTOR/BASEPLATE REPLACEMENT, SHURFLO# 94-234-03

WATER & SEWAGE GROUP (CONTINUED)
WATER HEATER W/O MOTOR AID - ATWOOD



KEY	PART NUMBER	U/M	DESCRIPTION
	051391-03-000	EA	HEATER-WATER, W/ELECTRIC IGNITION
1	051391-01-700	EA	HINGE KIT-W/CLIP, ATWOOD 92568 & 92559
2	051391-01-704	EA	VALVE-RELIEF, 1/2" FITTING - ATWOOD 91604
3	051391-01-705	EA	FASTENER-CAMLOC, ATWOOD 92609
4	051391-04-707	EA	KIT-GRILLE, FLUE & GASKET - ATWOOD 90960
5	051391-01-710	EA	ORIFICE-MAIN BURNER, ATWOOD 92742
6	051391-01-714	EA	ELBOW - 45 DEGREE, 3/8" F X 3/8" MPT - ATWOOD 91044
7	051391-01-715	EA	DRAIN PLUG, ATWOOD 91561
8	051391-03-700	EA	ORFICE-HOLDER 91563
9	051391-04-701	EA	THERMOSTAT - 12 VDC-120 PRESET, ATWOOD 91470
10	051391-04-703	EA	BURNER-MAIN, ATWOOD 91638
11	097967-01-000	EA	SWITCH-WATER HEATER, REMOTE W/LIGHT - ATWOOD 91959
12	051393-01-721	EA	ECO & THERMOSTAT-FRONT MOUNT, 140 DEGREE - ATWOOD 91447
13	051393-01-723	EA	SWITCH-THERMAL CUT OFF, 2/PKG 93866
14	051393-01-724	EA	CIRCUIT BOARD-SPADE TERMINAL, 93867 - ELECTRIC IGNITION
15	051393-01-725	EA	ELECTRODE-SINGLE SPADE CONNECTOR, 93868 - SPARK PROBE
16	051393-01-726	EA	SOLENOID VALVE AND BRACKET, 93870 - WHITE ROGERS
17	051391-04-706	EA	TANK-INNER, FRONT MOUNT - ATWOOD 91642
18	052009-01-000	EA	DOOR-WATER HEATER, OFF WHITE - ATWOOD 5576-27
19	051391-01-717	EA	GRILL ONLY-GOES ON THE DOOR 92640

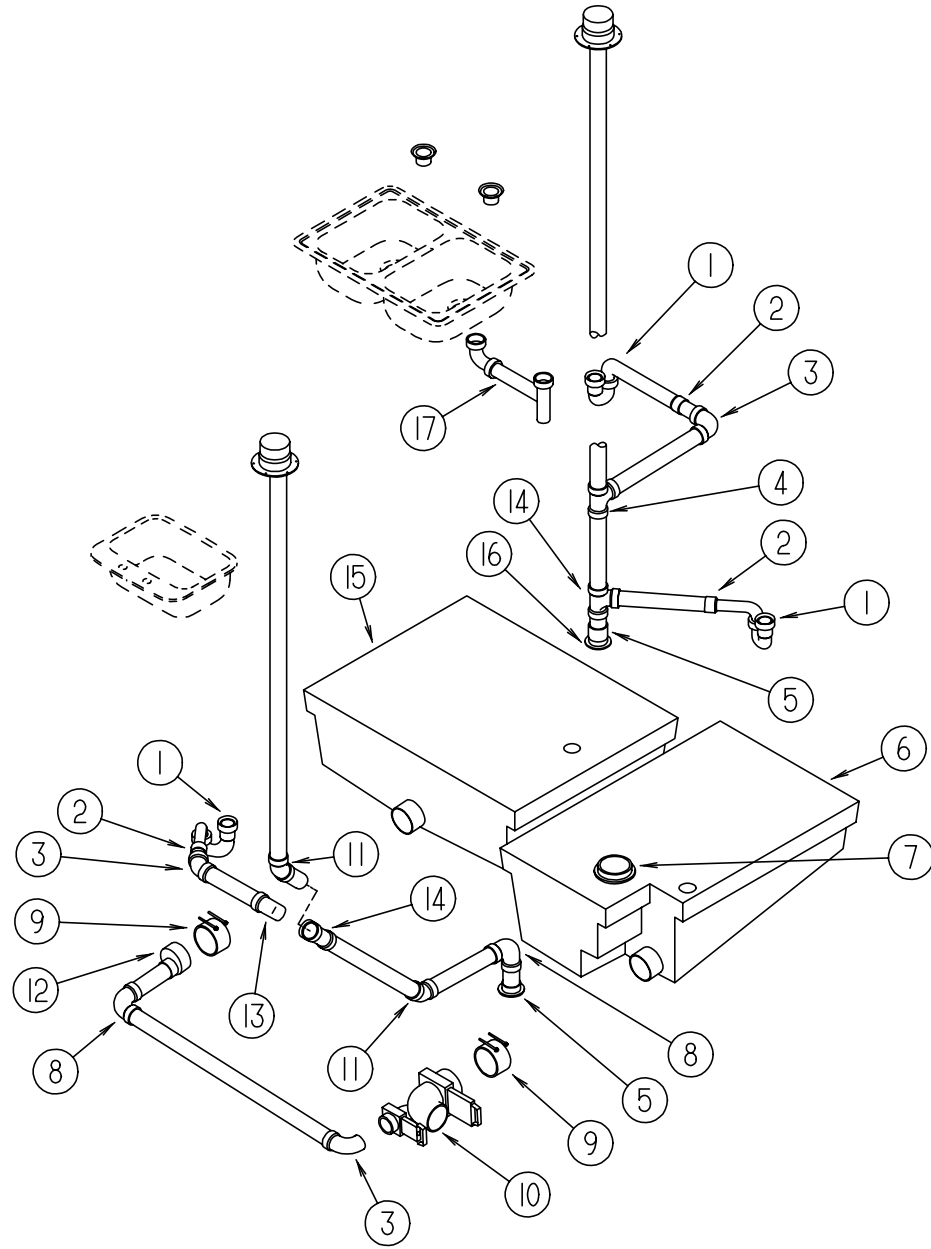
FRESH WATER TANK & WATER SYSTEM

KEY	PART NUMBER	U/M	DESCRIPTION
	109606-01-000	EA	TANK-WATER, 30 GAL
	077954-02-000	EA	FILTER-WATER TANK, SCREEN IN TANK
	042989-03-000	EA	FITTING-WATER TANK, SPINWELD - 1 1/4"NPT - PLASTIC - WHITE
	042989-04-000	EA	FITTING-WATER TANK, SPINWELD - 3/8" FPT - PLASTIC - WHITE
	042989-05-000	EA	FITTING-WATER TANK, SPINWELD - 1/2" FPT - PLASTIC - WHITE
	049032-01-000	EA	PATCH-SPINWELD, 3/8" - PLASTIC
	039861-01-000	EA	SENDING UNIT-W/SCREW, WASHER, WELL NUT & TERMINAL RING

WATER SYSTEM COMPONENTS

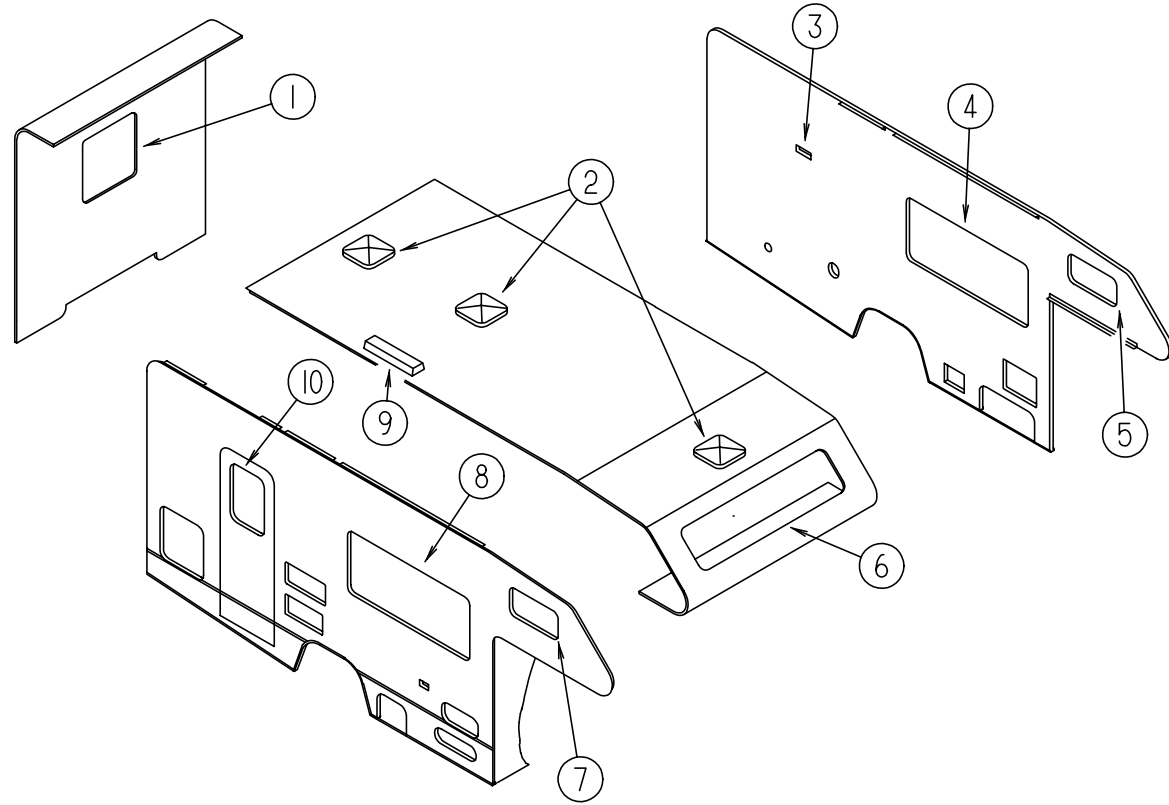
KEY	PART NUMBER	U/M	DESCRIPTION
	010224-01-000	EA	ADAPTER-HOSE TO PIPE, 3/8" MPT X 3/8" BARB - BLACK PLASTIC
	044927-01-000	EA	ADAPTER-HOSE TO PIPE, 1 1/4" MPT X 1 1/4" BARB - BLACK PLASTIC
	114430-02-000	EA	ADAPTER-SWIVEL, 1/2 P X 1/2 FPT FLAIR-IT -02873
	114430-03-000	EA	ADAPTER - 1/2 P X 1/2 MPT FLAIR-IT 02842
	074462-02-000	FT	TUBING-VINYL, 3/8" ID - CLEAR
	039800-02-000	FT	TUBING-POLYBUTYL, 5/8" OD - INCREMENTS OF 20' - BLACK
	079381-01-000	FT	TUBING-SMOOTH FLEXIBLE, 1 1/4" ID X 20'
	114428-01-000	EA	TEE - 1/2 P X 1/2 P X 1/2 P FLAIR-IT 02820
	114428-02-000	EA	TEE-SWIVEL, 1/2 P X 1/2 P X 1/2 FPT FLAIR-IT 02821
	114429-01-000	EA	ELBOW - 1/2 P X 1/2 P FLAIR-IT 02800
	114429-02-000	EA	ELBOW - 1/2 P X 1/2 MPT FLAIR-IT 02803
	114429-03-000	EA	ELBOW-SWIVEL, 1/2 P X 1/2 FPT FLAIR-IT 02816
	091208-01-000	EA	WASHER-RUBBER, .06" X .75" X .5"
	114431-01-000	EA	WATER VALVE - 3 POSITION - "DRAIN VALVE"
	114431-03-000	EA	WATER VALVE - 90 DEGREE ELBOW - "WATER DRAIN VALVE"
	110915-01-01A	EA	FILL-WATER, CITY - CHROME - KEVCO 64713
	117089-01-000	EA	HOSE - 1/2 ID, GARDEN KEVCO 49154

WATER & SEWAGE GROUP (CONTINUED)
DRAINAGE SYSTEM



KEY	PART NUMBER	U/M	DESCRIPTION
1	107538-01-000	EA	P TRAP-PLASTIC, 1 1/4" W/EXTENDED ARM KEVCO P814 1-1/4"
1	011066-03-700	EA	P TRAP KIT, 1 1/2" X 1 1/2" P TRAP W/1 1/2 TO 1 1/4 REDUCER - CANADIAN
2	109571-01-000	EA	ADAPTER-P TRAP, 1 1/2" P X 1 1/4" MPT
3	033761-01-000	EA	ELBOW-TURN, 1/4 BEND X 1.5" HUB X 1.5" SPIGOT - BLACK PLASTIC
4	010071-02-000	EA	TEE-PLASTIC, 1 1/2 W/BAFFLE H X H X H KEVCO 3927-7
5	010115-01-000	EA	COUPLING - 1 1/2" HUB X HUB, PLASTIC
6	074870-01-000	EA	TANK-HOLDING, MAIN - W/O GROMMETS - 30 GAL - 36.5" X 13.3" X 23"
7	061607-02-000	EA	GROMMET-HOLDING TANK, 3" NPS
8	010008-01-000	EA	ELBOW - 90 DEGREE, 1/4 BEND - 1 1/2" HUB X HUB - BLACK PLASTIC
9	078406-01-000	EA	COUPLER-RUBBER, W/CLAMPS - 3" X 3"
10	070916-02-000	EA	VALVE-DUAL, 3.00 & 1.50
	062415-01-000	EA	CAP-SEWER, 3" DIAMETER
	062415-01-700	EA	STRING-SEWER CAP, SV7 STRAP
	070916-01-700	EA	VALVE ONLY, 3"
	070916-01-701	EA	VALVE ONLY, 1 1/2"
	062419-05-000	EA	BRACKET-VALVE, LOCKING KEVCO T1003-UC
	062419-06-000	EA	HANDLE-T KEVCO CT1003-6
	062416-01-000	EA	ADAPTER-SEWER HOSE TO 3" PIPE
	010201-01-000	EA	HOSE-SEWER, 3" ID X 8'
11	010006-01-000	EA	ELBOW - 45 DEGREE, 1/8 BEND - 1 1/2" HUB X HUB - BLACK PLASTIC
12	062422-01-000	EA	ADAPTER-OFFSET REDUCER, 3" X 1 1/2" - PLASTIC - BLACK
13	010051-01-000	EA	ELBOW-TURN, 45 DEGREE BEND X 1.5" SPIGOT AND HUB - BLACK PLASTIC
14	010071-01-000	EA	TEE-SANITARY, 1 1/2" HUB X HUB X HUB - PLASTIC - BLACK
15	074861-01-000	EA	TANK-HOLDING, AUXILIARY - W/O GROMMETS - 36 GALLON - 35" X 11" X 27"
16	061607-01-000	EA	GROMMET-HOLDING TANK, 1 1/2" NPS
17	011091-02-000	EA	PIPE-DRAIN, DOUBLE SINK - BAFFLE TEE - 1 1/2" ONE PIPE W/TEE TO DRAIN BOTH SIDES OF SINK
17	011091-03-000	EA	PIPE-DRAIN, W/SEALS - DOUBLE SINK - EXTENDS 9" TO 16" - CANADIAN
	116644-01-000	EA	FLANGE-CLOSET, 4" X 3" SEALAND 345892
	024676-02-000	EA	FLANGE-CLOSET, 4" X 3" - ABS - CANADIAN

WINDOW, VENT & EXTERIOR DOOR GROUP
WINDOWS & VENTS



KEY	PART NUMBER	U/M	DESCRIPTION
1	079733-17-F15	EA	WINDOW-STATIONARY FROM: 00-00-00 THRU: 01-01-95
1	117053-04-FB1	EA	WINDOW-STATIONARY FROM: 01-02-95 THRU: 99-99-99
1	113733-05-01A	EA	WINDOW-STATIONARY, THERMO - EXCEL DH455-G2W59
2	110051-01-01A	EA	VENT-ROOF, NONPOWERED - 2" ROOF - JENSEN
2	110051-03-01A	EA	VENT-ROOF, POWERED - US
2	110051-05-01A	EA	VENT-ROOF, POWERED - CANADIAN
3	084878-09-000	EA	VENT-RANGE HOOD, SHORT - LVS
	084616-07-000	EA	SHROUD-VENT, RANGE HOOD - BRIGHT WHITE
4	098647-28-01A	EA	WINDOW-SLIDER, HORIZONTAL - CLEAR - EXCEL H287-C1W66L
4	112795-15-01A	EA	WINDOW-SLIDER, HORIZONTAL - THERMO - EXCEL DH287-G2W66L
5	098647-32-01A	EA	WINDOW-SLIDER, HORIZONTAL - CLEAR - EXCEL H425-C1W66L
5	112795-20-01A	EA	WINDOW-SLIDER, HORIZONTAL - THERMO - EXCEL DC29-G2W66L
6	103313-01-B05	EA	WINDOW-STATIONARY FROM: 00-00-00 THRU: 01-08-95
6	103313-03-F15	EA	WINDOW-STATIONARY FROM: 01-09-95 THRU: 99-99-99
6	115630-01-01A	EA	WINDOW-STATIONARY, EXCEL DH438-G2W59
7	098647-31-01A	EA	WINDOW-SLIDER, HORIZONTAL - CLEAR - EXCEL H425-C1W66R
7	112795-19-01A	EA	WINDOW-SLIDER, HORIZONTAL - THERMO - EXCEL DC29-G2W66R
8	098647 27 01A	EA	WINDOW-SLIDER, HORIZONTAL - CLEAR - EXCEL H287-C1W66R
8	112795-16-01A	EA	WINDOW-SLIDER, HORIZONTAL - THERMO - EXCEL DH287-G2W66R
9	084073-07-000	EA	COVER-ROOF VENT, REFRIGERATOR - BRIGHT WHITE - NORCOLD
	084073-04-000	EA	BASE-ROOF VENT, REFRIGERATOR - BLACK - NORCOLD
10	079733-17-F15	EA	WINDOW-STATIONARY FROM: 00-00-00 THRU: 01-01-95
10	117053-04-FB1	EA	WINDOW-STATIONARY FROM: 01-02-95 THRU: 99-99-99
10	113733-01-01A	EA	WINDOW-STATIONARY, THERMO - EXCEL DH455-G2W59
	083558-07-000	EA	VENT-PLUMBING PIPE ROOF, W/COVER - BRIGHT WHITE

WINDOW , VENT & EXTERIOR DOOR GROUP (CONTINUED)

SINGLE SLIDER WINDOW - DINETTE

KEY	PART NUMBER	U/M	DESCRIPTION
	098647-27-01A	EA	WINDOW-SLIDER, HORIZONTAL - CLEAR - EXCEL H287-C1W66R
1	098647-27-700	EA	WINDOW-W/O FRAME H287-C1R
	098647-27-701	EA	FRAME-INSIDE
2	098647-27-702	EA	GLASS-STATIONARY 096-017868
3	098644-01-710	FT	TRACK-SCREEN SPACER, 12' LENGTH - EXCEL M401-31
4	098644-01-700	EA	LATCH-REPAIR KIT, EXCEL B801-CK
5	098644-01-708	FT	CHANNEL-PIERCED RUN, EXCEL 122-016543
6	098644-01-711	FT	WEATHERSTRIP-SCREEN, BLACK - EXCEL 171-016965
7	098647-23-704	EA	SCREEN-W/SPRING & WEATHERSTRIP 410-019066
8	098644-01-713	EA	SPRING-SCREEN FRAME, CLIP - PLASTIC - BLACK - EXCEL 226-016966
9	098647-27-703	EA	GLASS-SLIDING, W/SASH & LATCH H287-C8
10	098644-01-706	FT	WEATHERSTRIP-EXCEL 171-010668
	098644-01-716	FT	PLUG-FILLER, EXCEL 132-014470
	098644-01-717	FT	SPLINE-SCREEN, EXCEL 132-004716

SINGLE SLIDER WINDOW - OVERHEAD BUNK - DRIVER SIDE

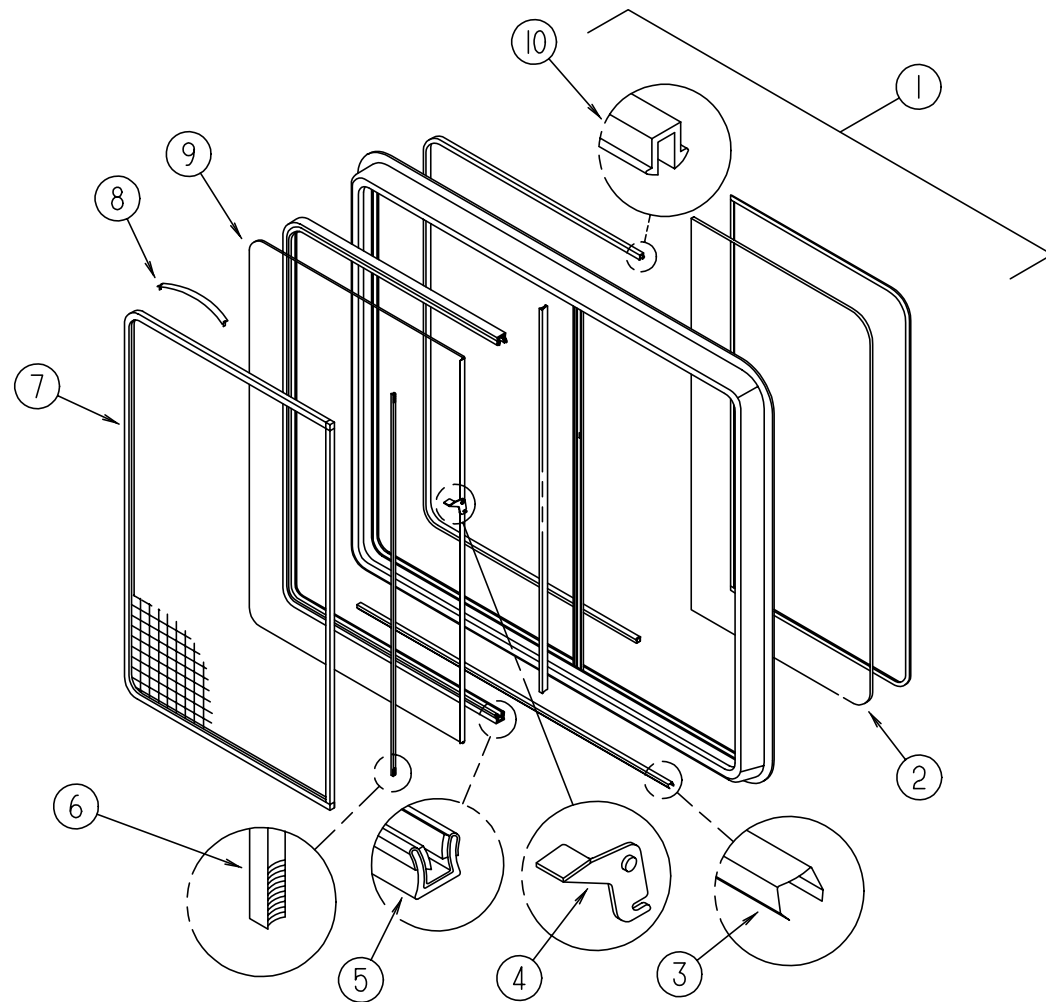
KEY	PART NUMBER	U/M	DESCRIPTION
	098647-32-01A	EA	WINDOW-SLIDER, HORIZONTAL - CLEAR - EXCEL H425-C1W66L
1	098647-32-700	EA	WINDOW-W/O TRIM H425-C1L
	098647-31-701	EA	FRAME-INSIDE CW2966
2	098647-31-702	EA	GLASS-STATIONARY 096-019299
3	098644-01-710	FT	TRACK-SCREEN SPACER, 12' LENGTH - EXCEL M401-31
4	098644-01-700	EA	LATCH-REPAIR KIT, EXCEL B801-CK
5	098644-01-708	FT	CHANNEL-PIERCED RUN, EXCEL 122-016543
6	098644-01-711	FT	WEATHERSTRIP-SCREEN, BLACK - EXCEL 171-016965
7	098647-31-704	EA	SCREEN-W/SPRING & WEATHERSTRIP 410-019128
8	098644-01-713	EA	SPRING-SCREEN FRAME, CLIP - PLASTIC - BLACK - EXCEL 226-016966
9	098647-31-703	EA	GLASS-SLIDING, W/SASH & LATCH H425-C8
10	098644-01-706	FT	WEATHERSTRIP, EXCEL 171-010668
	098644-01-716	FT	PLUG-FILLER, EXCEL 132-014470
	098644-01-717	FT	SPLINE-SCREEN, EXCEL 132-004716

SINGLE SLIDER WINDOW - OVERHEAD BUNK - PASSENGER SIDE

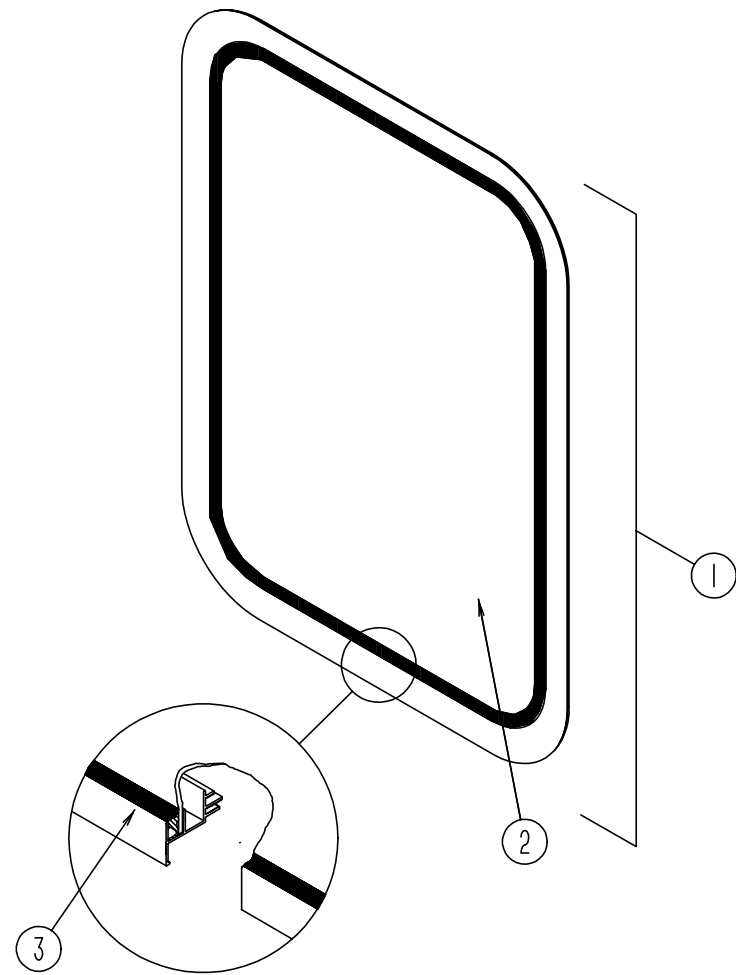
KEY	PART NUMBER	U/M	DESCRIPTION
	098647-31-01A	EA	WINDOW-SLIDER, HORIZONTAL - CLEAR - EXCEL H425-C1W66R
1	098647-31-700	EA	WINDOW-W/O TRIM H425-C1R
	098647-31-701	EA	FRAME-INSIDE CW2966
2	098647-31-702	EA	GLASS-STATIONARY 096-019299
3	098644-01-710	FT	TRACK-SCREEN SPACER, 12' LENGTH - EXCEL M401-31
4	098644-01-700	EA	LATCH-REPAIR KIT, EXCEL B801-CK
5	098644-01-708	FT	CHANNEL-PIERCED RUN, EXCEL 122-016543
6	098644-01-711	FT	WEATHERSTRIP-SCREEN, BLACK - EXCEL 171-016965
7	098647-31-704	EA	SCREEN-W/SPRING & WEATHERSTRIP 410-019128
8	098644-01-713	EA	SPRING-SCREEN FRAME, CLIP - PLASTIC - BLACK - EXCEL 226-016966
9	098647-31-703	EA	GLASS-SLIDING, W/SASH & LATCH H425-C8
10	098644-01-706	FT	WEATHERSTRIP-EXCEL 171-010668
	098644-01-716	FT	PLUG-FILLER, EXCEL 132-014470
	098644-01-717	FT	SPLINE-SCREEN, EXCEL 132-004716

SINGLE SLIDER WINDOW - LOUNGE

KEY	PART NUMBER	U/M	DESCRIPTION
	098647-28-01A	EA	WINDOW-SLIDER, HORIZONTAL - CLEAR - EXCEL H287-C1W66L
1	098647-28-700	EA	WINDOW-W/O TRIM H287-C1L
	098647-27-701	EA	FRAME-INSIDE W28766
2	098647-27-702	EA	GLASS-STATIONARY 096-017868
3	098644-01-710	FT	TRACK-SCREEN SPACER, 12' LENGTH - EXCEL M401-31
4	098644-01-700	EA	LATCH-REPAIR KIT, EXCEL B801-CK
5	098644-01-708	FT	CHANNEL-PIERCED RUN, EXCEL 122-016543
6	098644-01-711	FT	WEATHERSTRIP-SCREEN, BLACK - EXCEL 171-016965
7	098647-23-704	EA	SCREEN-W/SPRING & WEATHERSTRIP 410-019066
8	098644-01-713	EA	SPRING-SCREEN FRAME, CLIP - PLASTIC - BLACK - EXCEL 226-016966
9	098647-27-703	EA	GLASS-SLIDING, W/SASH & LATCH H287-C8
10	098644-01-706	FT	WEATHERSTRIP, EXCEL 171-010668
	098644-01-716	FT	PLUG-FILLER, EXCEL 132-014470
	098644-01-717	FT	SPLINE-SCREEN, EXCEL 132-004716



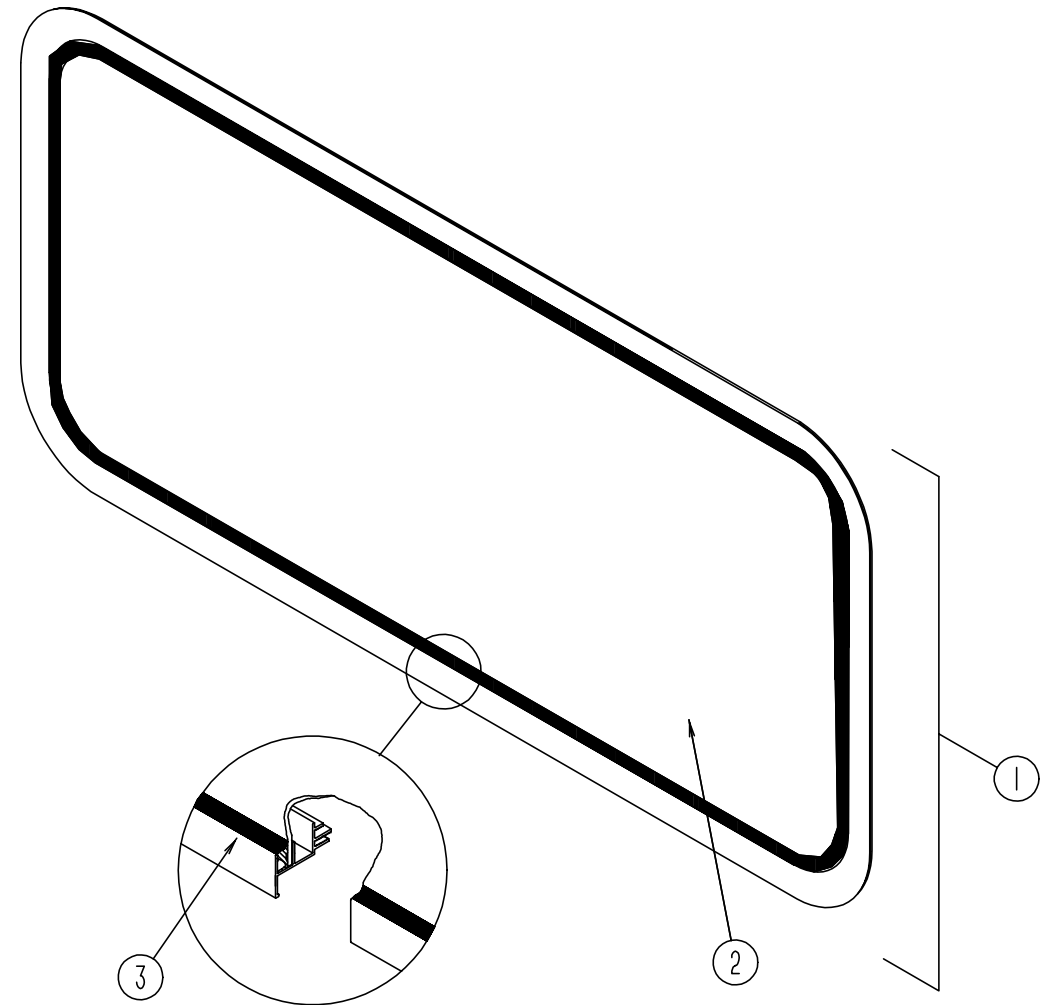
WINDOW, VENT & EXTERIOR DOOR GROUP (CONTINUED)



ENTRY DOOR & BACKWALL WINDOW

KEY	PART NUMBER	U/M	DESCRIPTION
1	079733-17-F15	EA	WINDOW-STATIONARY
			FROM: 00-00-00 THRU: 01-01-95
	067609-39-000	EA	FRAME-INSIDE WINDOW, BRIGHT WHITE
			FROM: 00-00-00 THRU: 01-01-95
2	002181-24-000	EA	GLASS-PICTURE, 27.1 X 17.7
1	117053-04-FB1	EA	WINDOW-STATIONARY
			FROM: 01-02-95 THRU: 99-99-99
2	002181-27-000	EA	GLASS-PICTURE, 25.8 X 16.4
	117054-02-01A	EA	FRAME-WINDOW, INSIDE - WHITE
			FROM: 01-02-95 THRU: 99-99-99
3	087561-01-000	FT	SEAL-GLASS, EXTERIOR - .5" WIDE - VINYL - BLACK

WINDOW, VENT & EXTERIOR DOOR GROUP (CONTINUED)



OVERHEAD BUNK FRONT WINDOW

KEY	PART NUMBER	U/M	DESCRIPTION
1	103313-01-B05	EA	WINDOW-PICTURE
			FROM: 00-00-00 THRU: 01-08-95
	067609-33-000	EA	FRAME-INSIDE WINDOW, OFF WHITE
2	002181-15-000	EA	GLASS-PICTURE, 11.25" X 58.1" - GRAY
1	103313-03-F15	EA	WINDOW-PICTURE
			FROM: 01-09-95 THRU: 99-99-99
	117054-01-01A	EA	FRAME-WINDOW, INSIDE WHITE
2	002181-29-000	EA	GLASS-PICTURE, 71.2" X 16.4" - GRAY
3	099154-01-000	FT	CHANNEL-GLAZING, STATIONARY GLASS - .62" X .45" - BLACK

WINDOW, VENT & EXTERIOR DOOR GROUP (CONTINUED)
ENTRY DOOR WINDOW - THERMO

KEY	PART NUMBER	U/M	DESCRIPTION
	113733-01-01A	EA	WINDOW-STATIONARY, THERMO - EXCEL DH416-G2W66
	113733-01-700	EA	WINDOW-W/O TRIM DH416-G2
	113733-01-701	EA	FRAME-INSIDE W W41666
	113733-01-702	EA	GLASS-STATIONARY 390-019187

SINGLE SLIDER WINDOW - LOUNGE - THERMO

KEY	PART NUMBER	U/M	DESCRIPTION
	112795-15-01A	EA	WINDOW-SLIDER, HORIZONTAL - THERMO - EXCEL DH287-G2W66L
	098647-23-702	EA	FRAME-INSIDE W28766
	098647-23-704	EA	SCREEN-W/SPRING & WEATHERSTRIP 410-019066
	112795-01-700	EA	LATCH ASSEMBLY - BLACK DH287-CK
	112795-01-701	FT	SLIDE-STOP 132-019092
	112795-01-702	FT	PLUG-FILLER 122-018737
	112795-01-703	FT	RUN CHANNEL 122-018736
	112795-01-704	FT	VINYL-GLAZING 132-018280
	112795-15-700	EA	WINDOW-W/O TRIM DH287-G2L
	112795-15-701	EA	GLASS-STATIONARY 390-019045
	112795-15-702	EA	GLASS-SLIDING, W/SASH & LATCH DH287-G9

SINGLE SLIDER WINDOW - DINETTE - THERMO

KEY	PART NUMBER	U/M	DESCRIPTION
	112795-16-01A	EA	WINDOW-SLIDER, HORIZONTAL - THERMO - EXCEL DH287-G2W66R
	098647-23-702	EA	FRAME-INSIDE W28766
	098647-23-704	EA	SCREEN W/SPRING & WEATHERSTRIP 410-019066
	112795-01-700	EA	LATCH ASSEMBLY - BLACK DH287-CK
	112795-01-701	FT	SLIDE-STOP 132-019092
	112795-01-702	FT	PLUG-FILLER 122-018737
	112795-01-703	FT	RUN CHANNEL 122-018736
	112795-01-704	FT	VINYL-GLAZING 132-018280
	112795-15-701	EA	GLASS-STATIONARY 390-019045
	112795-15-702	EA	GLASS-SLIDING, W/SASH & LATCH DH287-G9
	112795-16-700	EA	WINDOW-W/O TRIM DH287-G2R

SINGLE SLIDER WINDOW - OVERHEAD BUNK - PASSENGER SIDE - THERMO

KEY	PART NUMBER	U/M	DESCRIPTION
	112795-19-01A	EA	WINDOW-SLIDER, HORIZONTAL - THERMO - EXCEL DC29-G2W66R
	098647-31-701	EA	FRAME-INSIDE CW2966
	098647-31-704	EA	SCREEN W/SPRING & WEATHERSTRIP 410-019128
	112795-01-700	EA	LATCH ASSEMBLY - BLACK DH287-CK
	112795-01-701	FT	SLIDE-STOP 132-019092
	112795-01-702	FT	PLUG-FILLER 122-018737
	112795-01-703	FT	RUN CHANNEL 122-018736
	112795-01-704	FT	VINYL-GLAZING 132-018280
	112795-19-700	EA	WINDOW-W/O TRIM DC29-G2R
	112795-19-701	EA	GLASS-STATIONARY 390-019134
	112795-19-702	EA	GLASS-SLIDING, W/SASH & LATCH DC29-G9

WINDOW, VENT & EXTERIOR DOOR GROUP (CONTINUED)
SINGLE SLIDER WINDOW - OVERHEAD BUNK - DRIVER SIDE - THERMO

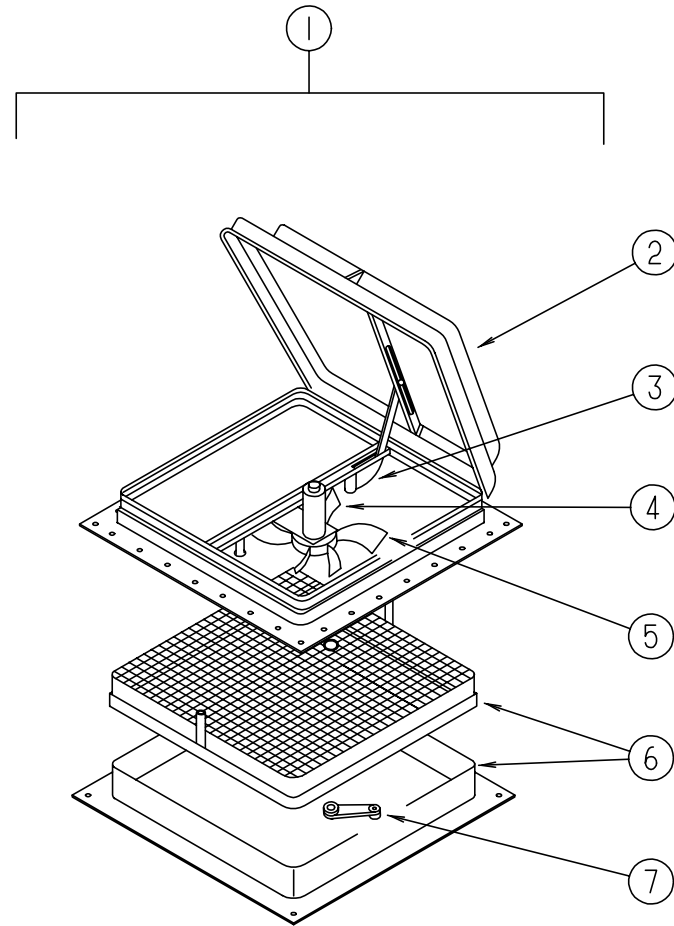
KEY	PART NUMBER	U/M	DESCRIPTION
	112795-20-01A	EA	WINDOW-SLIDER, HORIZONTAL - THERMO - EXCEL DC29-G2W66L
	098647-31-701	EA	FRAME-INSIDE CW2966
	098647-31-704	EA	SCREEN-W/SPRING & WEATHERSTRIP 410-019128
	112795-01-700	EA	LATCH ASSEMBLY - BLACK DH287-CK
	112795-01-701	FT	SLIDE-STOP 132-019092
	112795-01-702	FT	PLUG-FILLER 122-018737
	112795-01-703	FT	RUN CHANNEL 122-018736
	112795-01-704	FT	VINYL-GLAZING 132-018280
	112795-19-701	EA	GLASS-STATIONARY 390-019134
	112795-19-702	EA	GLASS-SLIDING, W/SASH & LATCH DC29-G9
	112795-20-700	EA	WINDOW-W/O TRIM DC29-G2L

FRONT WINDOW - OVERHEAD BUNK

KEY	PART NUMBER	U/M	DESCRIPTION
	115630-01-01A	EA	WINDOW-STATIONARY, EXCEL DH438-G2W59
	115630-01-700	EA	WINDOW-W/O TRIM DH438-G2
	115630-01-701	EA	FRAME-INSIDE W43858
	115630-01-702	EA	GLASS-STATIONARY 390-019467

WINDOW, VENT & EXTERIOR DOOR GROUP (CONTINUED)

WINDOW, VENT & EXTERIOR DOOR GROUP (CONTINUED)
NON-POWERED ROOF VENT



KEY	PART NUMBER	U/M	DESCRIPTION
	110051-01-01A	EA	VENT-ROOF, NONPOWERED - 2" ROOF - JENSEN 7724 WHE
	064470-01-700	EA	COVER-ROOF VENT, W/O WITHOUT SLIDE BAR - JENSEN 7291
	064470-01-701	EA	SLIDE BAR
	110051-01-700	EA	ROOF VENT SCREEN-MANUAL CRANK ASSEMBLIES
	110051-01-702	EA	LIFT ASSEMBLY-VENT LID W/O CRANK, JENSEN RP-1000B
	110051-01-703	EA	CRANK HANDLE-ROOF VENT, JENSEN RP-1031-B

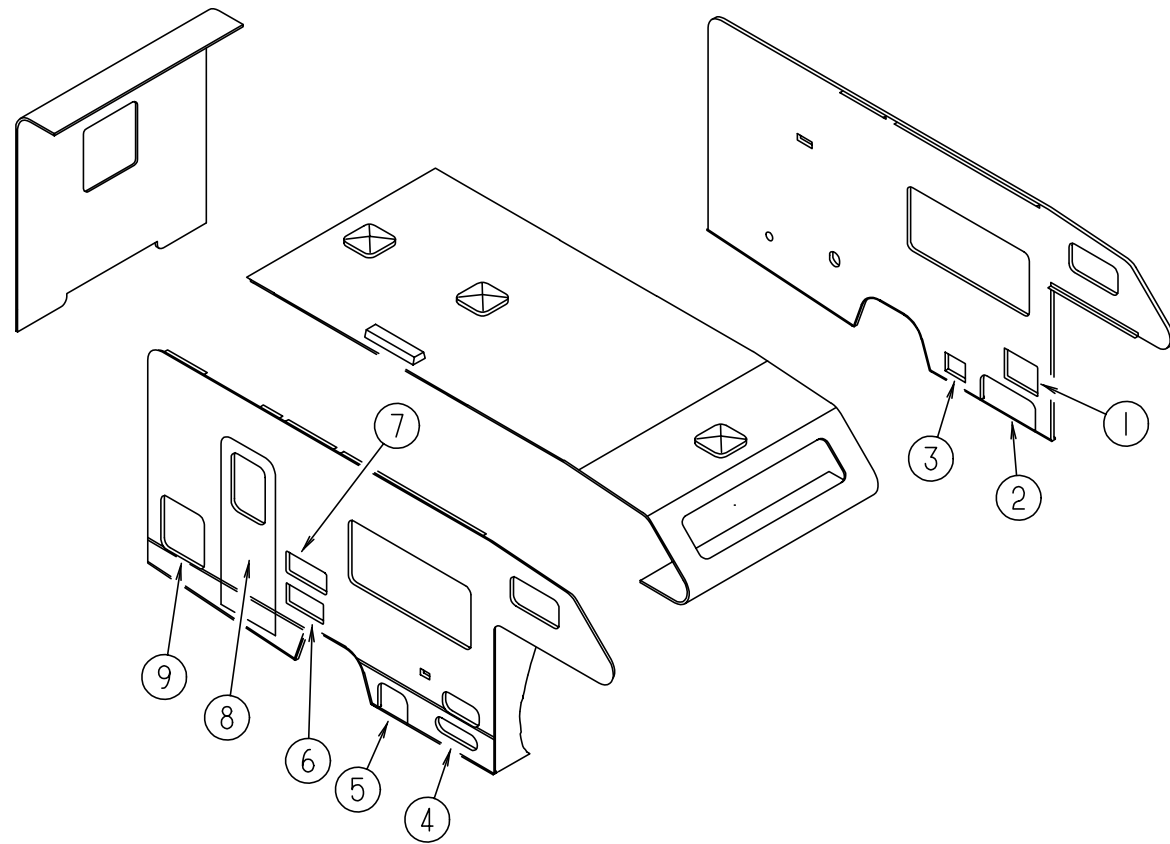
POWERED ROOF VENT - US

KEY	PART NUMBER	U/M	DESCRIPTION
1	110051-03-01A	EA	VENT-ROOF, POWERED - 2" ROOF - JENSEN 7757 WHE
2	064470-01-700	EA	COVER-ROOF VENT, W/O WITHOUT SLIDE BAR - JENSEN 7291
	064470-01-701	EA	SLIDE BAR
3	110051-01-702	EA	LIFT ASSEMBLY-VENT LID W/O CRANK, JENSEN RP-1000B
4	048648-01-000	EA	MOTOR-ROOF VENT, 1/8 SHAFT - 12V - JENSEN
5	048649-01-000	EA	FAN-ROOF VENT, 6 BLADES - 6" - JENSEN
6	110051-01-700	EA	ROOF VENT SCREEN-MANUAL CRANK ASSEMBLIES
7	110051-01-703	EA	CRANK HANDLE-ROOF VENT, JENSEN RP-1031-B

POWERED ROOF VENT - CANADIAN

KEY	PART NUMBER	U/M	DESCRIPTION
1	110051-05-01A	EA	VENT-ROOF, POWERED - 2" ROOF - CSA - JENSEN C7757 WHE
2	064470-01-700	EA	COVER-ROOF VENT, W/O WITHOUT SLIDE BAR - JENSEN 7291
	064470-01-701	EA	SLIDE BAR
3	110051-01-702	EA	LIFT ASSEMBLY-VENT LID W/O CRANK, JENSEN RP-1000B
4	048648-01-000	EA	MOTOR-ROOF VENT, 1/8 SHAFT - 12V - JENSEN
5	048649-01-000	EA	FAN-ROOF VENT, 6 BLADES - 6" - JENSEN
6	110051-01-700	EA	ROOF VENT SCREEN-MANUAL CRANK ASSEMBLIES
7	110051-01-703	EA	CRANK HANDLE-ROOF VENT, JENSEN RP-1031-B

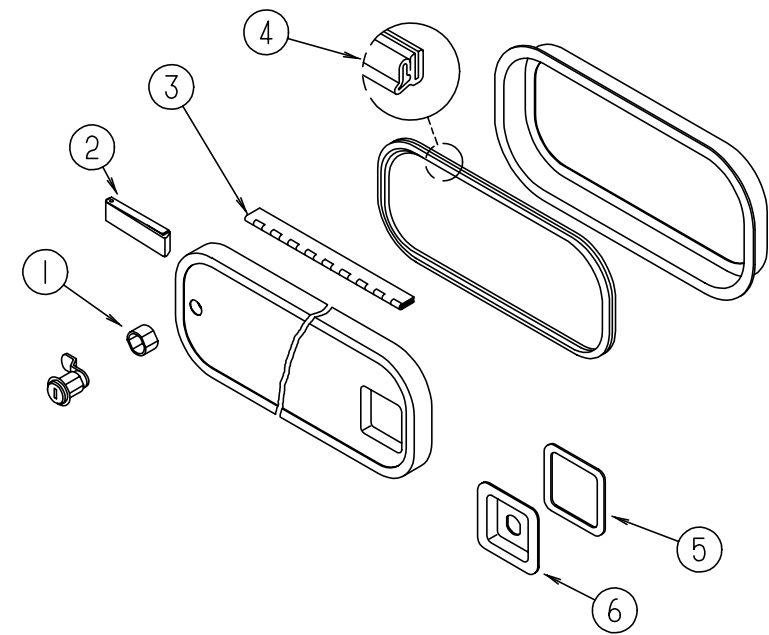
WINDOW, VENT & EXTERIOR DOOR GROUP (CONTINUED)



EXTERIOR DOORS

KEY	PART NUMBER	U/M	DESCRIPTION
1	104558-18-F16	EA	DOOR-STORAGE, BRIGHT WHITE
2	111014-16-F15	EA	DOOR-STORAGE, LOWER FRONT - BRIGHT WHITE
3	088794-06-000	EA	DOOR-POWER CORD, W/HATCH - 11" X 9.2" - BRIGHT WHITE
4	111009-01-F24	EA	DOOR-COMPARTMENT, LP - 16.9" X 5.4" - ALUMINUM - BRIGHT WHITE
5	111014-15-F15	EA	DOOR-STORAGE, LOWER FRONT - BRIGHT WHITE
6	098668-23-000	EA	DOOR-ACCESS, FURNACE - SUBURBAN 520574 - BRIGHT WHITE
7	084103-08-000	EA	DOOR-REFRIGERATOR, VENTED - W/O JAMB - BRIGHT WHITE
	084104-08-000	EA	JAMB-DOOR, REFRIGERATOR - BRIGHT WHITE
8	115108 01 F15	EA	DOOR-ENTRY, W/O WINDOW - W/SCREEN DOOR - BRIGHT WHITE
9	052009-06-000	EA	DOOR-WATER HEATER, BRIGHT WHITE - ATWOOD 5576-27
	081240-16-000	EA	FILL-WATER, LOCKABLE W/O LOCK - BRIGHT WHITE

WINDOW, VENT & EXTERIOR DOOR GROUP (CONTINUED)



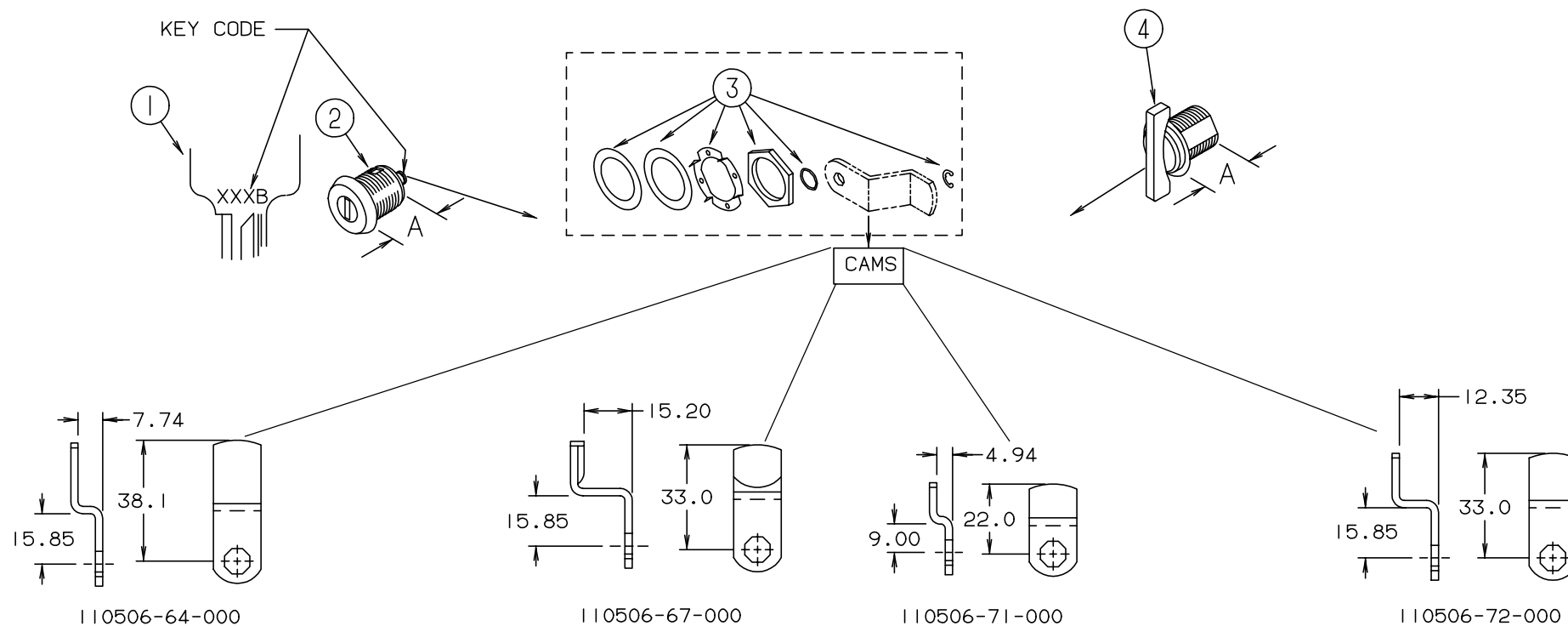
EXTERIOR COMPARTMENT DOOR COMPONENTS

KEY	PART NUMBER	U/M	DESCRIPTION
1	107997-51-001	EA	SPACER - .86" X .6" - ALUMINUM
2	102768-01-000	EA	HOLDER-COMPARTMENT/ENTRY DOOR, METAL - MILL FINISH
3	081801-02-000	EA	HINGE-PIANO, 2" X 96" - ALUMINUM
4	064075-07-000	FT	SEAL-BULB, W/WIRED U CHANNEL - .3" X .5" CHANNEL - BLACK
5	098338-01-000	EA	GASKET-LOCK POCKET
6	097111-01-04A	EA	POCKET-LOCK VALANCE, BRIGHT WHITE
	096217-55-006	EA	U-CHANNEL, 17.5' - BRIGHT WHITE

WINDOW, VENT & EXTERIOR DOOR GROUP (CONTINUED)

LOCKS & COMPONENTS

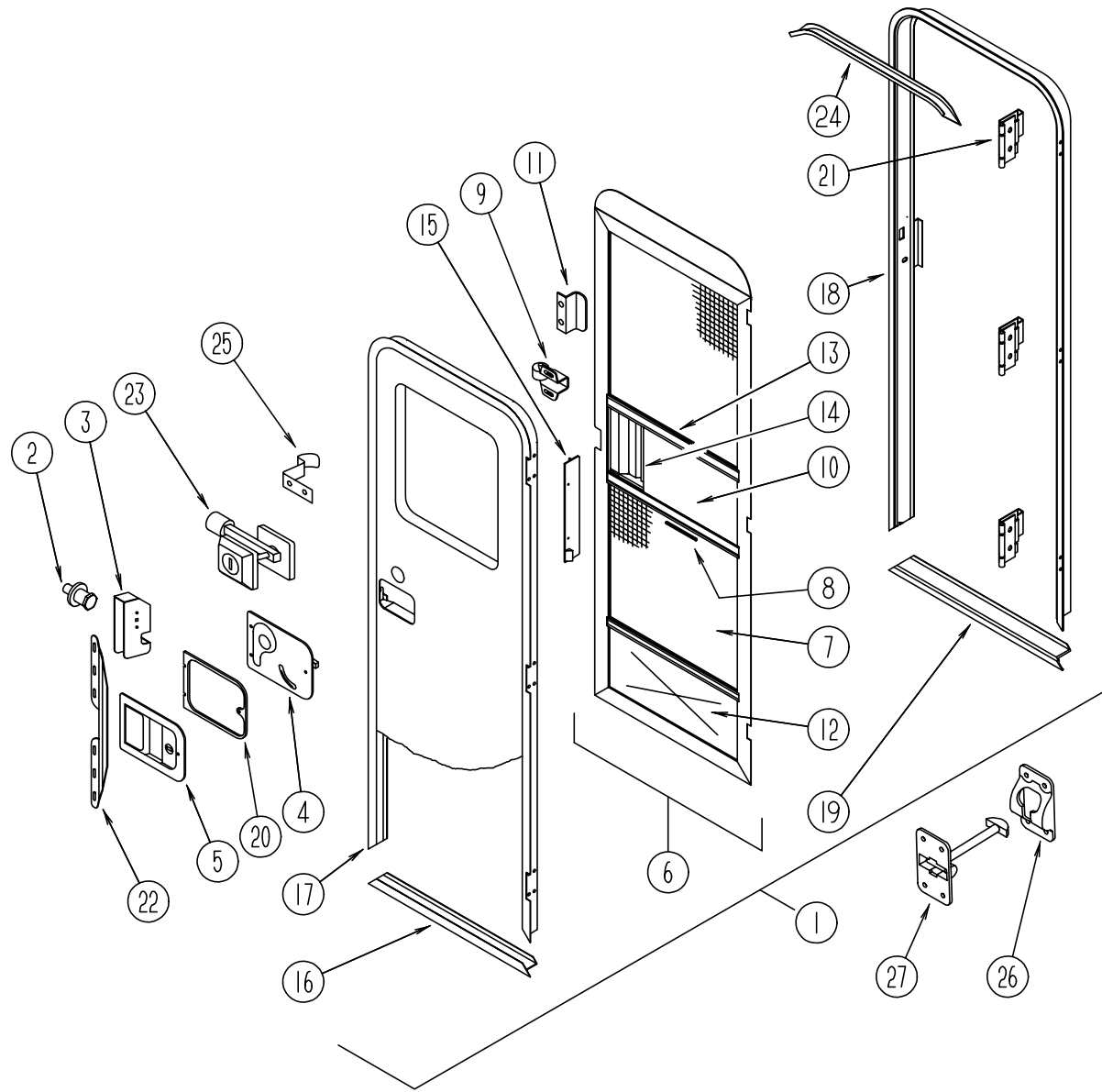
NOTE:
 WHEN ORDERING THE LOCK CASE, THE KEY CODE MUST MATCH THE LAST DIGIT OF THE VEHICLE'S SERIAL NUMBER AND VENDER NUMBER; WHEN ORDERING THE KEYS, THE THIR DIGIT OF THE KEY CODE MUST MATCH THE LAST DIGIT OF THE VEHICLE'S SERIAL NUMBER AND VENDER NUMBER.



KEY	PART NUMBER	U/M	DESCRIPTION
1	110506-59-000	EA	KEYS - SET OF TWO, BRIGGS & STRATTON 596720
2	110506-52-000	EA	CASE-LOCK, A = 17 MM - BRIGGS & STRATTON 702370
2	110506-53-000	EA	CASE-LOCK, A = 25 MM - BRIGGS & STRATTON 702380
1	110506-59-001	EA	KEYS-SET OF TWO, BRIGGS & STRATTON 596721
2	110506-52-001	EA	CASE-LOCK, A = 17 MM - BRIGGS & STRATTON 702371
2	110506-53-001	EA	CASE-LOCK, A = 25 MM - BRIGGS & STRATTON 702381
1	110506-59-002	EA	KEYS-SET OF TWO, BRIGGS & STRATTON 596722
2	110506-52-002	EA	CASE-LOCK, A = 17 MM - BRIGGS & STRATTON 702372
2	110506-53-002	EA	CASE-LOCK, A = 25 MM - BRIGGS & STRATTON 702382
1	110506-59-003	EA	KEYS-SET OF TWO, BRIGGS & STRATTON 596723
2	110506-52-003	EA	CASE-LOCK, A = 17 MM - BRIGGS & STRATTON 702373
2	110506-53-003	EA	CASE-LOCK, A = 25 MM - BRIGGS & STRATTON 702383
1	110506-59-004	EA	KEYS-SET OF TWO, BRIGGS & STRATTON 596724
2	110506-52-004	EA	CASE-LOCK, A = 17 MM - BRIGGS & STRATTON 702374
2	110506-53-004	EA	CASE-LOCK, A = 25 MM - BRIGGS & STRATTON 702384
1	110506-59-005	EA	KEYS-SET OF TWO, BRIGGS & STRATTON 596725
2	110506-52-005	EA	CASE-LOCK, A = 17 MM - BRIGGS & STRATTON 702375
2	110506-53-005	EA	CASE-LOCK, A = 25 MM - BRIGGS & STRATTON 702385
1	110506-59-006	EA	KEYS-SET OF TWO - BRIGGS & STRATTON 596726
2	110506-52-006	EA	CASE-LOCK, A = 17 MM - BRIGGS & STRATTON 702376
2	110506-53-006	EA	CASE-LOCK, A = 25 MM - BRIGGS & STRATTON 702386

KEY	PART NUMBER	U/M	DESCRIPTION
1	110506-59-007	EA	KEYS-SET OF TWO, BRIGGS & STRATTON 596727
2	110506-52-007	EA	CASE-LOCK, A = 17 MM - BRIGGS & STRATTON 702377
2	110506-53-007	EA	CASE-LOCK, A = 25 MM - BRIGGS & STRATTON 702387
1	110506-59-008	EA	KEYS-SET OF TWO, BRIGGS & STRATTON 596728
2	110506-52-008	EA	CASE-LOCK, A = 17 MM - BRIGGS & STRATTON 702378
2	110506-53-008	EA	CASE-LOCK, A = 25 MM - BRIGGS & STRATTON 702388
1	110506-59-009	EA	KEYS-SET OF TWO, BRIGGS & STRATTON 596729
2	110506-52-009	EA	CASE-LOCK - A = 17 MM - BRIGGS & STRATTON 702379
2	110506-53-009	EA	CASE-LOCK - A = 25 MM - BRIGGS & STRATTON 702389
3	110506-40-700	EA	HARDWARE KIT
4	110506-50-000	EA	CASE-TWIST LOCK, A = 17 MM - BRIGGS & STRATTON 596952
4	110506-51-000	EA	CASE-TWIST LOCK, A = 25 MM - BRIGGS & STRATTON 596669
	110506-40-000	EA	CLIP-E LOCK ASSEMBLY, BRIGGS & STRATTON 93981
	110506-64-000	EA	CAM-LOCK, BRIGGS & STRATTON 322280
	110506-67-000	EA	CAM-LOCK, BRIGGS & STRATTON 322283
	110506-71-000	EA	CAM-LOCK, BRIGGS & STRATTON 322287
	110506-72-000	EA	CAM-LOCK, BRIGGS & STRATTON 322354
	110506-59-701	EA	KEY-BLANK, GOLD

WINDOW, VENT & EXTERIOR DOOR GROUP (CONTINUED)
ENTRY DOOR W/O WINDOW



KEY	PART NUMBER	U/M	DESCRIPTION
1	115108-01-F15	EA	DOOR-ENTRY, W/O WINDOW - W/SCREEN DOOR - BRIGHT WHITE
2	039539-01-000	EA	STRIKE-LOCK, ENTRY DOOR - ROUND/THREADED WASHER
	077461-05-000	EA	COVER-STRIKE, ENTRY DOOR - 6.5" X 2.5" - PLASTIC - BRIGHT WHITE
3	039540-01-000	EA	LATCH MECHANISM-HOOK, ENTRY DOOR - INTERIOR
	039715-01-000	EA	NUT-SERT, 1/4" DIAMETER - 20 THREADS
4	039979-04-000	EA	COVER-INTERIOR LATCH, W/TRIP ARM - RIGHT - BLACK
	039984-01-000	EA	CAP-ROUND, VINYL - .28" ID X .62" LONG - BLACK
	041546-05-000	EA	BRACKET-DOOR ANGLE, OFF WHITE
5	045017-11-000	EA	LATCH-ENTRY DOOR, MECHANISM W/LOCK & KEY - BLACK
	045017-11-701	EA	KEY-BLANK, ROUND TOP - SILVER - TRI/MARK
	063729-04-000	EA	RIVNUT, 10-32 UNF - .010-.080
	039715-01-000	EA	NUT-SERT, 1/4" DIAMETER - 20 THREADS
	075671-04-000	FT	SEAL-SPONGE, LAZY T SHAPE - W/ADHESIVE STRIPE - .5" WIDE
6	079012-09-F24	EA	DOOR-SCREEN
7	002293-02-000	SF	SCREENING-WINDOW/DOOR, 26" - CHARCOAL
8	002294-01-000	FT	SPLINE-SCREENING, .135" X .138" - BLACK
9	100412-01-000	EA	CATCH-SCREEN DOOR
10	016454-01-000	EA	INSERT-CENTER, LEATHER GRAIN ALUMINUM - UNPAINTED
10	001014-01-013	EA	INSERT-CENTER, 10.25" X 16.31" - UNPAINTED
11	050712-06-000	EA	HANDLE-SCREEN DOOR, ALUMINUM
12	078552-03-000	EA	KICK PANEL-SCREEN DOOR, LOWER INSERT - UNPAINTED
	078595-01-000	EA	TOP PLATE-SCREEN DOOR, CURVED TOP - 4.7" X 25.35"
13	078777-01-000	EA	CHANNEL-SLIDE, SCREEN DOOR CENTER SLIDER COVER - 17.4"
14	079086-03-000	EA	SLIDER-SCREEN DOOR, BRIGHT WHITE
15	079087-03-000	EA	STRIKE-SLIDER, W/LIP FOR ELBOW CATCH - 1.5" X 8.6"
	081914-01-000	EA	BUMPER-RUBBER, ROUND - .43" DIAMETER - BLACK
16	089748-21-000	EA	FRAME-DOOR, ENTRANCE - BOTTOM - BRIGHT WHITE
	090340-01-000	FT	SEAL-FOAM, CLOSED CELL - 1/4" X 1/2" X 50'
17	095276-07-03A	EA	FRAME-DOOR, ENTRANCE - TOP & SIDES - BRIGHT WHITE
18	095277-08-03A	EA	JAMB-ENTRY DOOR, 25.9" X 74.5" W/BOTTOM - BRIGHT WHITE
19	051049-01-000	EA	JAMB-DOOR, ENTRANCE - BOTTOM - 25.9 - UNPAINTED
20	096810-01-01A	EA	SPACER-DOOR LOCK, PLASTIC - BLACK
21	106719-01-01A	EA	HINGE-ENTRY DOOR, UNPAINTED
22	098173-01-04A	EA	STIFFENER-ENTRY DOOR, SUPPORTS LATCH/STRIKE AREA - UNPAINTED
	100128-02-000	FT	SEAL-PILE, ADHESIVE BACK - SCREEN DOOR - GRAY
23	101145-01-01A	EA	DEADBOLT- ENTRY DOOR, W/2 KEYS - W/O BOLT OR SCREWS
	095229-01-700	EA	KEY-BLANK
	101147-01-000	EA	BOLT-SECURITY, 4.12" BACKSET
	102524-01-000	EA	BUMPER-RUBBER, FLAT - BLACK
24	044582-44-000	EA	CAP-DRIP, DOOR JAMB MOUNTED - BRIGHT WHITE
	115222-04-02A	EA	GARNISH-ENTRANCE DOOR, BRIGHT WHITE
25	100412-01-000	EA	CATCH-SCREEN DOOR, THUMB CLIP
26	104099-02-04A	EA	CATCH-DOOR HOLDER, RETAINER - PLASTIC - BRIGHT WHITE
27	104099-01-04A	EA	CATCH-DOOR HOLDER, STRIKE - PLASTIC - BRIGHT WHITE
	009126-02-000	EA	HANDLE-ASSIST, ENTRY DOOR - BLACK