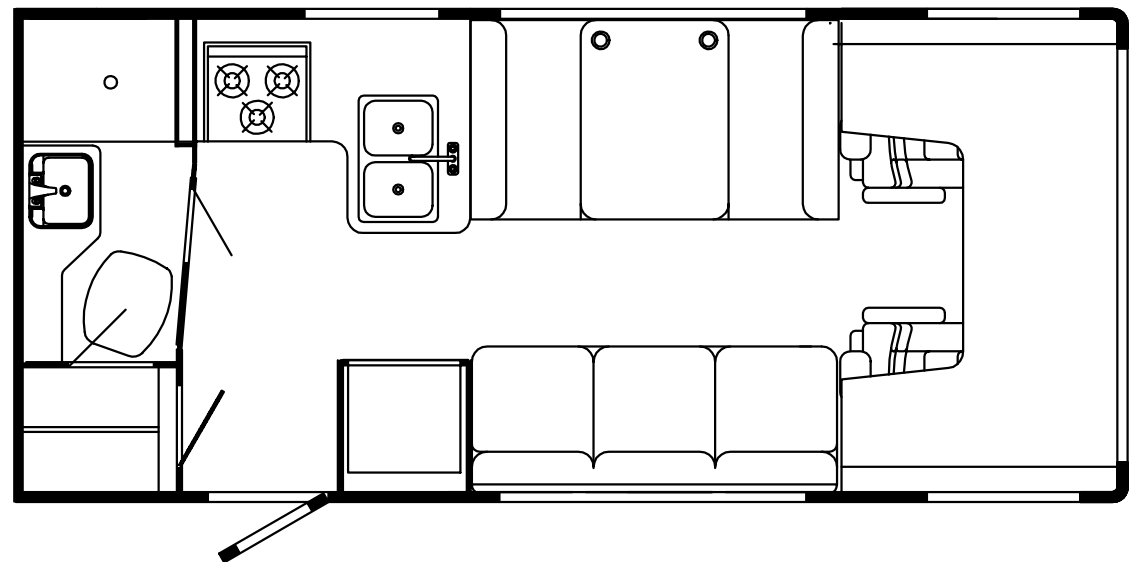
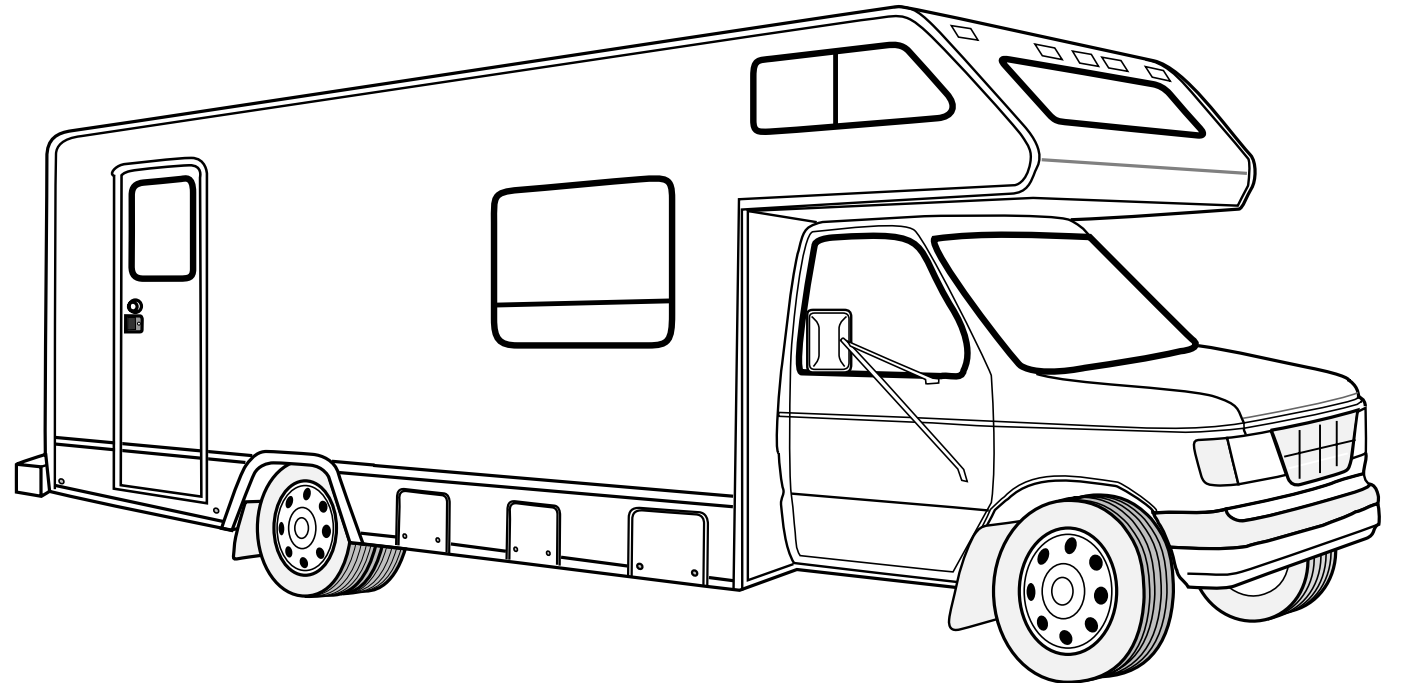


**1995  
IC321RB**

**F15**

**F16**



**ACCESSORIES GROUP  
OPERATORS MANUAL**

KEY	PART NUMBER	UM	DESCRIPTION
	054185-C8-000	EA	MANUAL-OPERATOR, 1995 SPIRIT - 300 SERIES
	092318-01-000	EA	BINDER - 3 RING, MOTOR HOME MANUAL
	092319-01-000	EA	POCKET PAGE - 3 RING BINDER, PLASTIC
	114284-01-000	DW	TOP LEVEL DRAWING - 1995 C BODY

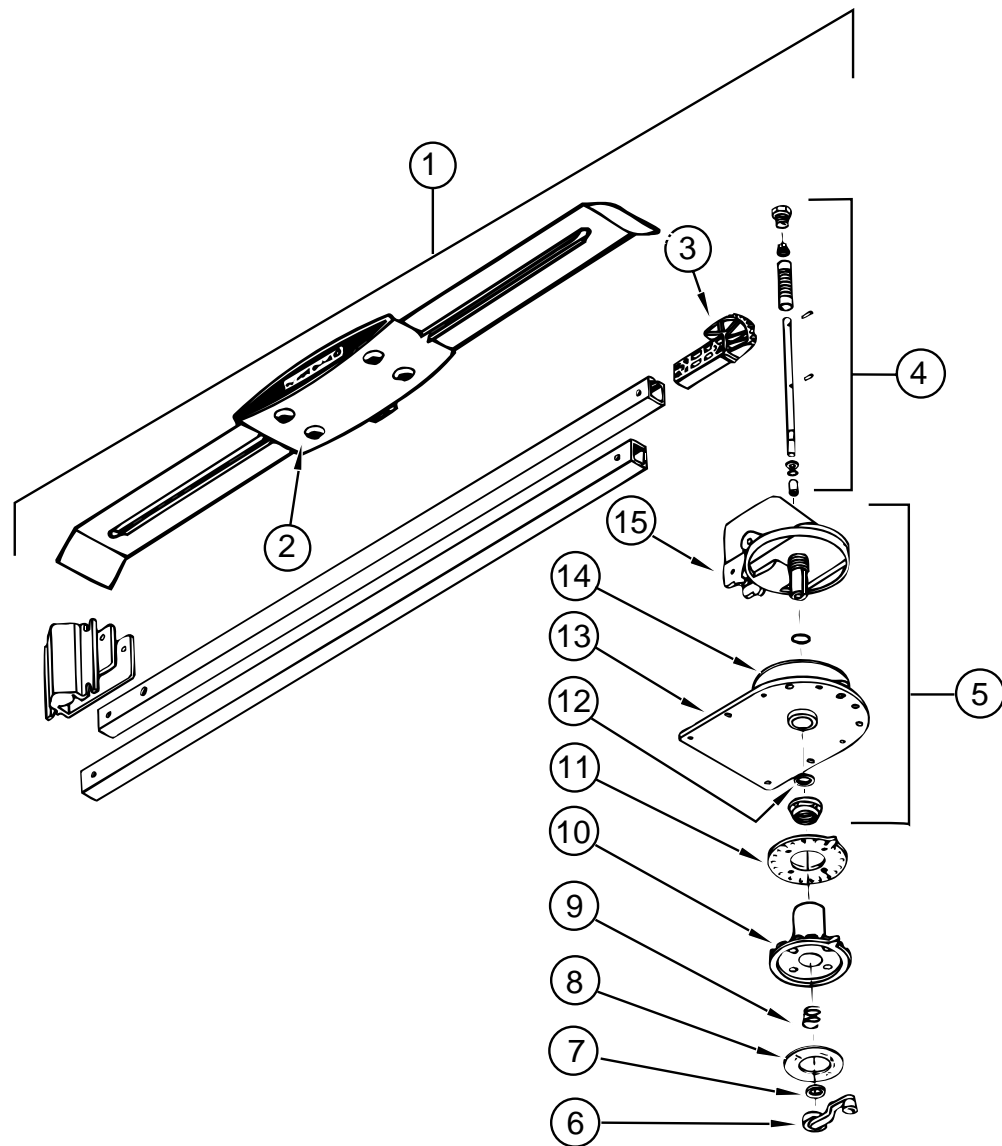
**AUDIO VIDEO GROUP  
RADIO SYSTEM & ANTENNA**

KEY	PART NUMBER	U/M	DESCRIPTION	VENDOR NUMBERS
	115305-01-000	EA	RADIO-AM/FM CASS, ELECTRON AUDIOVOX	GMA-CXF
			FROM: 00-00-00 THRU: 04-25-95	
	115305-02-000	EA	RADIO-AM/FM CASS, ELECTRON AUDIOVOX	GMA-100
			FROM: 04-26-95 THRU: 99-99-99	
	115306-01-000	EA	RADIO-MOUNTING KIT, AUDIOVOX	GMA-94-CH
	115307-01-000	EA	RADIO-WIRING, REAR SPEAKER	ASA 1700030
	094097-01-000	EA	SPEAKER-RADIO, W/O GRILLE - 5.25" DIA - AUDIOVOX	110C3030
	111177-01-01A	EA	GRILLE-SPEAKER, OVAL 5 X 7 GRAY - MAGNADYNE	SB68
	007004-01-000	EA	ANTENNA-AUTO	
	108137-01-000	EA	PLUG-ANTENNA HOLE	

**WINEGARD TV INSTALLATION COMPONENTS**

KEY	PART NUMBER	U/M	DESCRIPTION	VENDOR NUMBERS
	076319-06-000	EA	ADAPTOR-CABLE ROOF PLATE,	RPJ-1
	082134-01-000	EA	ADAPTER-TV, CABLE TO CABLE - WINEGARD	F-81M
	082136-01-000	EA	NUT-HEX JAM 3/8-32, WINEGARD	
	076319-03-000	FT	CABLE-COAXIAL, 75 OHM	
	076319-12-000	EA	CONNECTOR-COAXIAL, ONE PIECE	
	086777-02-000	EA	WALLPLATE-TV CABLE, W/ANTENNA SWITCH - BROWN	

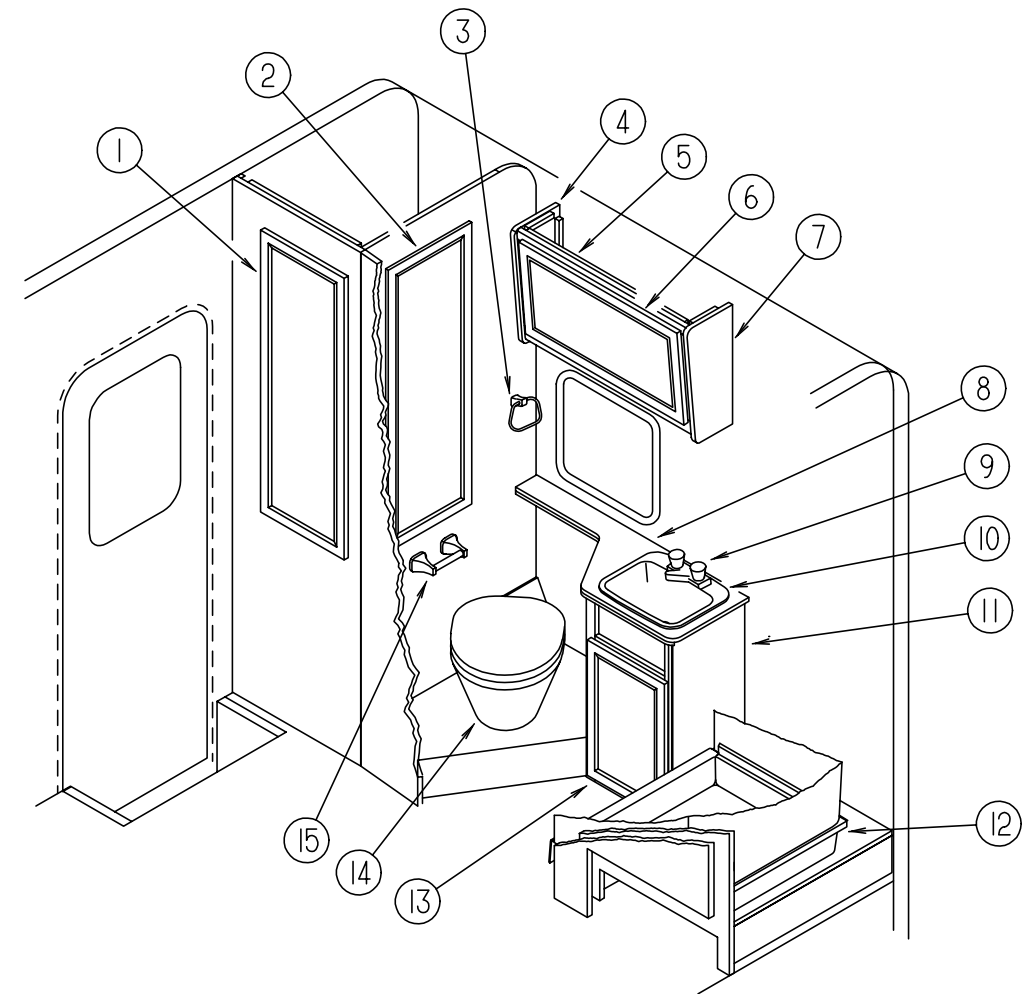
## AUDIO VIDEO GROUP(CONTINUED)



TV ANTENNA - WINEGARD

KEY	PART NUMBER	U/M	DESCRIPTION	VENDOR NUMBERS
1	076319-01-000	EA	ANTENNA-TV, ROOF MOUNT - 44.5" MAST	RVA W02
2	076319-01-700	EA	HEAD-ANTENNA, AMPLIFIED	RVSA U/V
3	076319-01-701	EA	GEAR-ELEVATING, PLASTIC	2200046
4	076319-01-702	EA	SHAFT ASSEMBLY-ELEVATING	RVP-400A
5	076319-01-711	EA	BASE & LIFT ASSEMBLY	2762802
6	076319-01-706	EA	CRANK-ELEVATING, W/SET SCREW	5755100
7	076319-01-705	EA	GROMMET-NYLON, 7/8" ID	200658
8	076319-01-708	EA	DECAL-CRANK	5413002
9	076319-01-707	EA	SPRING-HANDLE	5160800
10	076319-01-709	EA	PLATE-DIRECTIONAL, FOR HEAD	3200644
11	076319-01-712	EA	PLATE-CEILING	3200608
12	076319-01-704	EA	BEARING-NYLON, 1.25" OD	3200657
13	076319-01-713	EA	PLATE-BASE, STEEL	3100523
14	076319-01-703	EA	BEARING-NYLON, 5" OD	3200656
15	076319-01-714	EA	HOUSING, ROTATING GEAR	2200049

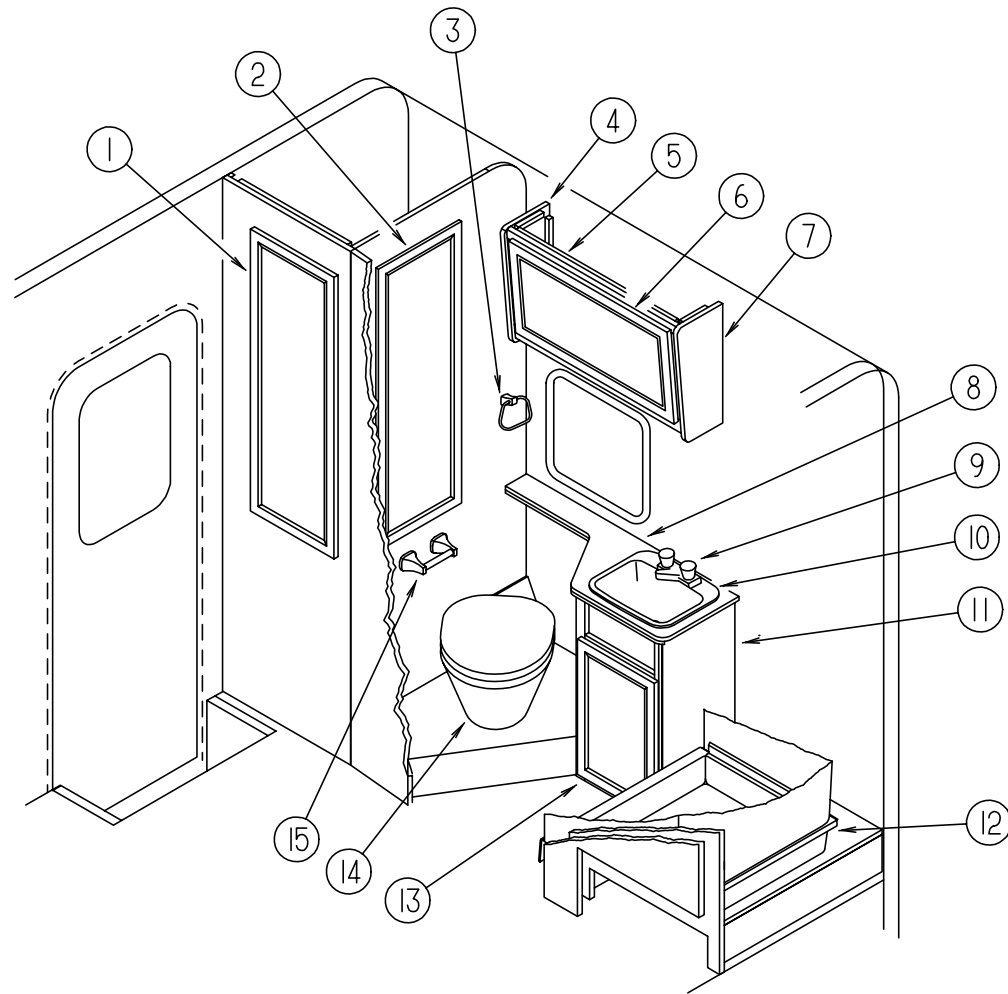
## BATH GROUP



BATHROOM CABINETS & FIXTURES

KEY	PART NUMBER	U/M	DESCRIPTION
1	110140-35-E01	EA	DOOR-WARDROBE, W/O HARDWARE - 395MM X 1155MM
2	110140-39-E01	EA	DOOR-WARDROBE, W/MIRROR - W/O HARDWARE - 425MM X 1220MM
	058331-A3-000	EA	MIRROR-SAFETY GLASS, 342MM X 1137MM
	059783-01-000	FT	ROD-CLOTHES, ALUMINUM - SLOTTED - 7 FT
3	075454-02-000	EA	RING-TOWEL, W/MOUNTING HARDWARE - BRASS
4	110948-12-F15	EA	END CAP-MEDICINE CABINET
5	M05954-08-F15	EA	CABINET-MEDICINE, W/O DOOR OR HARDWARE
6	110140-24-E01	EA	DOOR-MEDICINE CABINET, W/MIRROR - 395MM X 750MM
	110948-11-E01	EA	SHELF-MEDICINE CABINET
7	110948-13-F15	EA	END CAP-MEDICINE CABINET
8	110942-11-F15	EA	COUNTERTOP-LAVATORY CABINET
9	075240-06-000	EA	FAUCET-LAVATORY, BONE
	091253-01-000	EA	GASKET-LAVATORY FAUCET
10	096927-01-01A	EA	SINK-LAVATORY, RECTANGULAR - PLASTIC - BONE
	096927-01-700	EA	STOPPER-SINK
	096927-01-701	EA	TAILPIECE-SINK
11	P10942-01-F15	EA	CABINET-LAVATORY, W/O DOOR OR HARDWARE

**BATH GROUP (CONTINUED)**



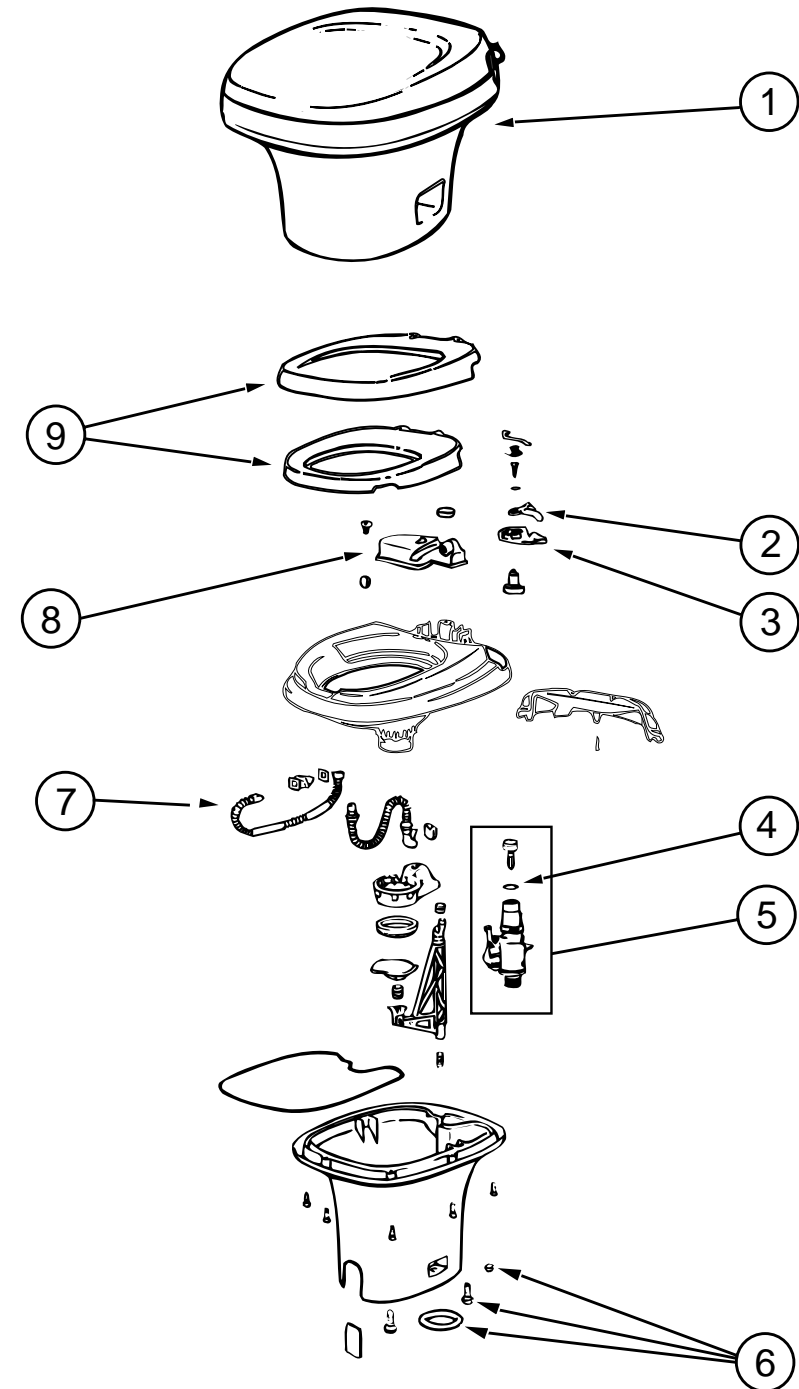
**BATHROOM CABINETS & FIXTURES (CONTINUED)**

KEY	PART NUMBER	U/M	DESCRIPTION
12	M02429-07-000	EA	PAN-SHOWER, PLASTIC - OFF WHITE
	011069-02-000	EA	TAILPIECE-TUB/SHOWER, 1 1/2" X 1 1/4" X 4" - BRASS
	066436-01-000	EA	NUT-SLIP, TAILPIECE - 1.5"
	066440-01-000	EA	STRAINER-SHOWER, W/RUBBER WASHER
	057671-01-000	EA	COVER-SCREW, #8 - PLASTIC - OFF WHITE
	103092-01-000	EA	SHOWER HEAD-W/60" HOSE
	103092-01-700	EA	BRACKET-SHOWER HEAD, CLEAR - 2328028
	011048-03-700	EA	BRACKET-SHOWER HEAD, BONE - 2328029
	075241-05-000	EA	FAUCET-SHOWER, BONE
	075606-01-000	EA	PANEL-FAUCET BACK, SHOWER - 5" X 9" - PLASTIC
	075453-02-000	EA	BAR-TOWEL, 18" BRASS
13	110140-04-EB1	EA	DOOR-LAVATORY CABINET, W/O HARDWARE - 365MM X 555MM
14	067487-01-000	EA	TOILET-HAND FLUSH, 12.37" - IVORY
15	075452-02-000	EA	HOLDER-TOILET TISSUE, BRASS

**PRIVACY DOOR**

KEY	PART NUMBER	U/M	DESCRIPTION
	100494-07-F15	EA	DOOR-BATH PRIVACY
	009151-01-000	EA	GUARD-WARP, CABINET/PRIVACY DOOR - 48"
	058335-02-000	EA	LATCH-SHOWER/BATH DOOR, W/O LOCK - PLASTIC - BROWN

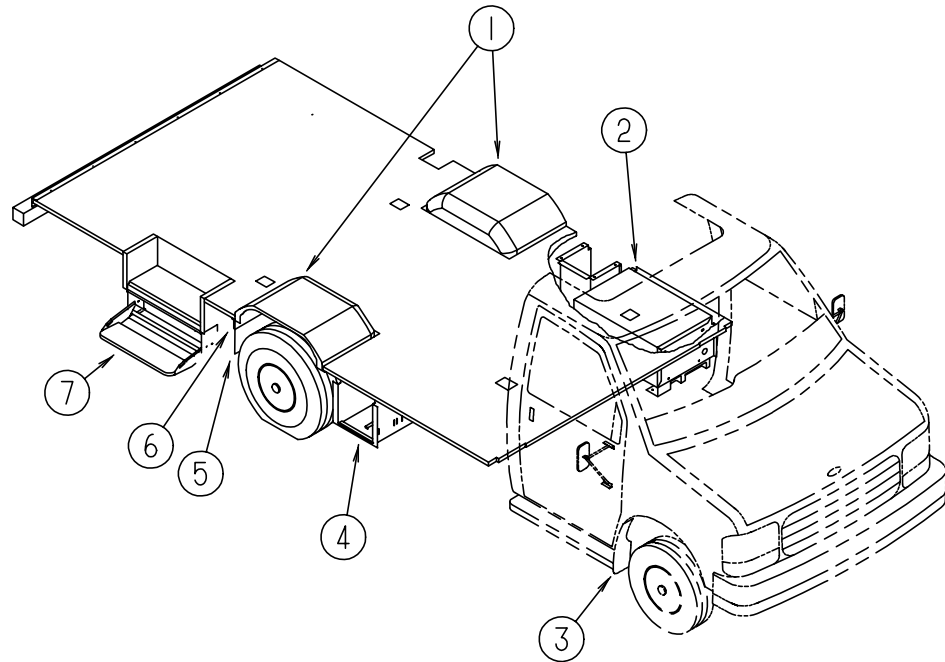
**BATH GROUP (CONTINUED)**



**TOILET & COMPONENTS - THETFORD**

KEY	PART NUMBER	U/M	DESCRIPTION	VENDOR NUMBERS
1	067487-01-000	EA	TOILET - 12.37", IVORY - HAND FLUSH	150110
2	063740-01-700	EA	LEVER-WATER	12514
3	063740-01-701	EA	LEVER-FLUSH	12515
4	063740-01-713	EA	SEAL-BALL VALVE TO BOWL	12502
5	063740-01-714	EA	VALVE ASSEMBLY-WATER	12492
6	063740-01-706	EA	BOLT PACKAGE-CLOSET	12524
7	063740-01-717	EA	TUBE-FLUSH, TOILET	12509
8	067487-02-702	EA	TANK-RESERVOIR	12507
9	063740-02-700	EA	SEAT & COVER, PARCHMENT	2464157

## CHASSIS GROUP



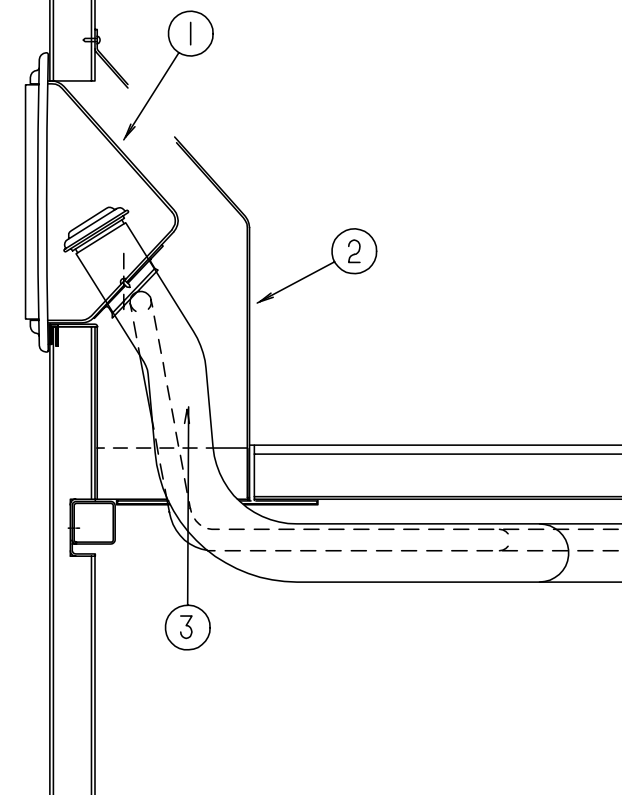
### COMPARTMENTS, PLUGS & SEALS

KEY	PART NUMBER	U/M	DESCRIPTION
1	096322-01-000	EA	WHEELWELL-REAR, DRIVER OR PASSENGER - PLASTIC
2	114394-01-02B	EA	COMPARTMENT-GENERATOR, E-COAT
	114070-02-02B	EA	SUPPORT-GENERATOR, LH - E-COAT
	114071-02-02B	EA	SUPPORT-GENERATOR, RH - E-COAT
	061420-01-000	EA	PLUG-PLASTIC, 1.75" - BROWN
3	072884-27-703	EA	MUD FLAPS-W/HOLES, PAIR - 99171
4	105203-02-000	EA	COMPARTMENT-BATTERY
4	105203-04-000	EA	COMPARTMENT-BATTERY
			FROM: 00-00-00 THRU: 11-13-94
	084993-01-000	EA	STRAP ASSEMBLY-BATTERY, WEBBING & BUCKLE - 1100MM X 1" WIDE
	084993-02-000	EA	STRAP ASSEMBLY-BATTERY, WEBBING & BUCKLE - 1400MM X 1" WIDE
5	017516-01-000	EA	FLAP-MUD, 14" X 18" - BLACK
6	045731-05-000	EA	GUARD-ROCK
7	077848-02-000	EA	STEP-PULLOUT
	076241-14-000	EA	SUPPORT-ENTRANCE STEP
	091176-01-000	EA	SUPPORT-BASE, ENTRANCE STEP
	115361-01-01A	EA	PLUG-PLASTIC

### LUG WRENCH

KEY	PART NUMBER	U/M	DESCRIPTION
	080208-01-000	EA	WRENCH-LUG, 1.06 X 1.00 - CHEVY
	080208-02-000	EA	BAR-LEVERAGE, LUG WRENCH - CHEVY
	112358-01-000	EA	WRENCH-LUG, 7/8 - L-SHAPE - FORD

## CHASSIS GROUP (CONTINUED)



### FUEL SYSTEM COMPONENTS

KEY	PART NUMBER	U/M	DESCRIPTION
1	095854-01-02A	EA	SHROUD-FUEL FILL, PLASTIC - OFF WHITE
1	095854-01-04A	EA	SHROUD-FUEL FILL, PLASTIC - BRIGHT WHITE
2	078040-05-000	EA	SHROUD-FUEL FILL, UPPER - PLASTIC
3	106413-01-000	EA	NECK-FUEL FILL, MAIN - GAS - FORD
3	106413-02-000	EA	NECK-FUEL FILL, MAIN - DIESEL - FORD
	078200-01-000	EA	GASKET-FUEL FILL, 3.5" OD X 2" ID
	007063-01-000	FT	HOSE-GAS, 1/4" ID X 1/2" OD
	084884-01-000	EA	PLUG-BRASS, 3/8"
	087269-01-000	EA	TEE - 1/4" X 1/4" X 1/4" - BRASS

### WHEEL LINERS & COVERS - FORD

KEY	PART NUMBER	U/M	DESCRIPTION
	110435-02-000	EA	LINER-WHEEL, SET 4 - DICOR V160F2
	110435-02-700	EA	WHEEL COVER-FRONT, V160F2-FWC
	110435-02-701	EA	WHEEL COVER-REAR, V160F2-RWC
	110435-02-702	EA	STUD EXTENSION - V160SD - STX
	110435-02-703	EA	NUT-JAMB, V160SD - JNT
	110435-02-704	EA	COVER-LUG NUT, V160F0 - LNC
	110435-02-705	EA	TOOL-JAMB NUT INSTALLATION - V160F0-TOL

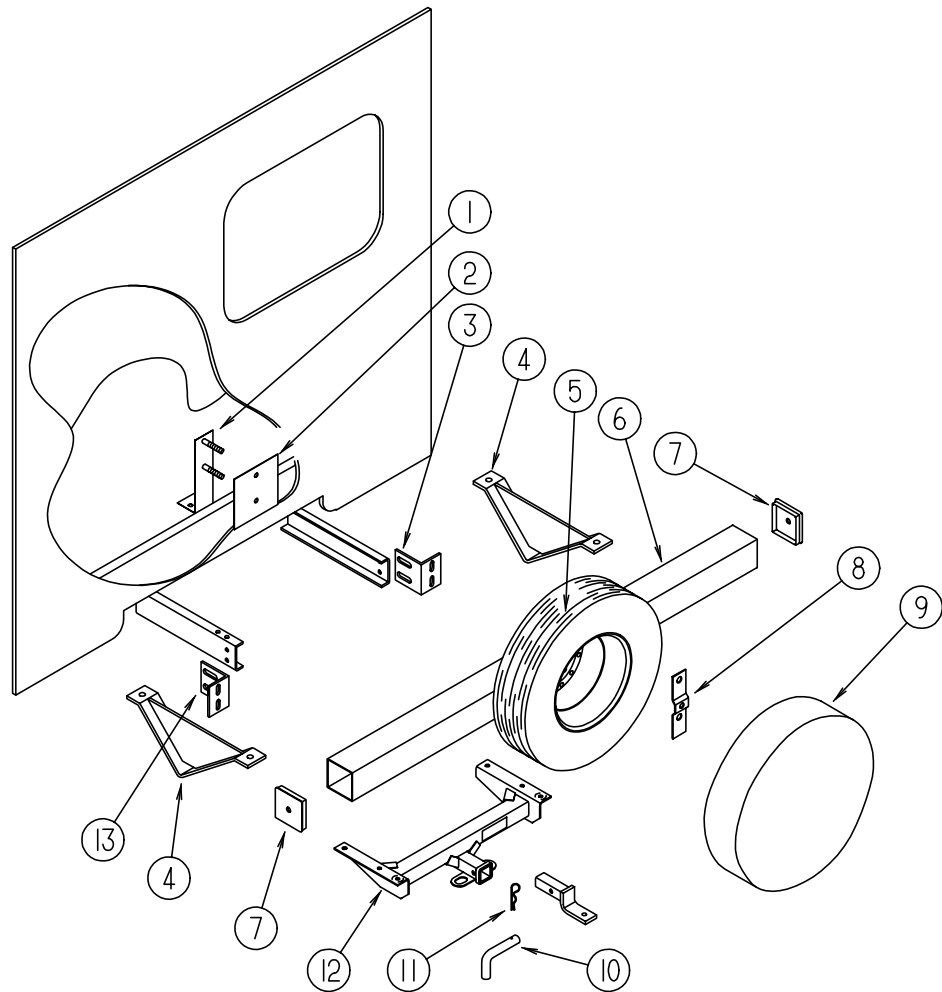
### WHEEL - FORD

KEY	PART NUMBER	U/M	DESCRIPTION
	083617-03-000	EA	WHEEL-STEEL, 16.0 X 6 - ACCURIDE 28618 - FORD
	095012-03-000	EA	EXTENSION-VALVE STEM, DUAL WHEEL

### WHEEL COVERS - CHEVY

KEY	PART NUMBER	U/M	DESCRIPTION
	109443-05-000	EA	WHEEL COVER - 4/ SET, 16" SS - DICOR SHFM16
	109443-05-700	EA	COVER WHEEL - 16", SHFM16 - CVR
	109443-05-701	EA	COVER-LUG NUT, ABS PLATED - SP-FM-LNC
	051377-03-000	EA	STEM-VALVE, TR 600 - CHEVY

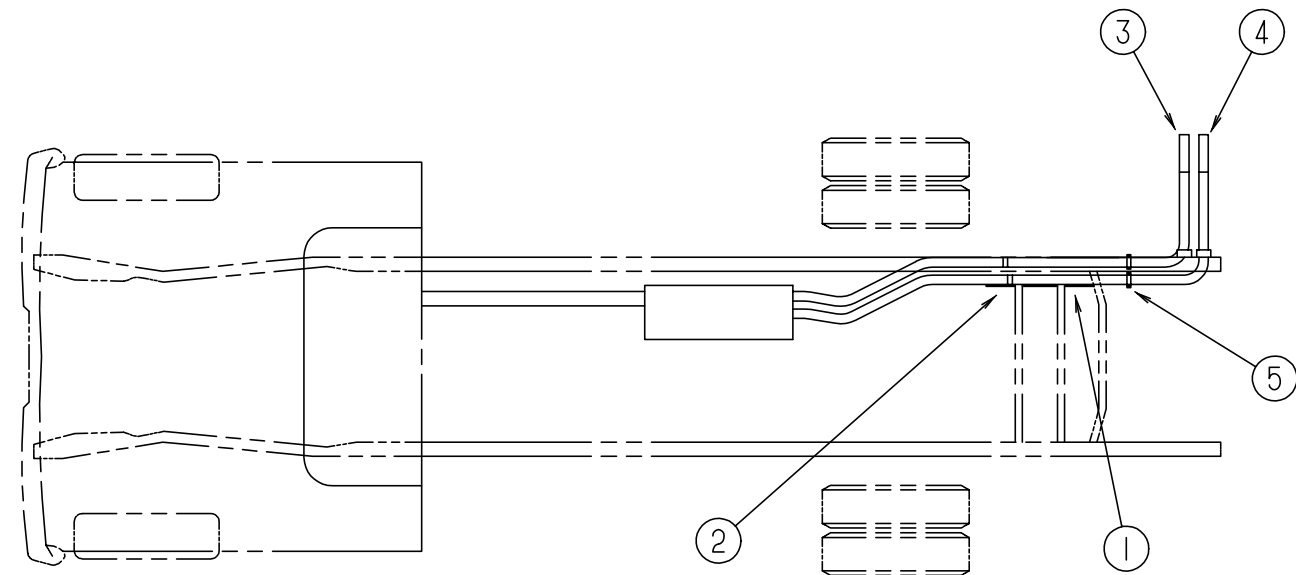
### CHASSIS GROUP (CONTINUED)



#### REAR BUMPER, HITCH & SPARE TIRE CARRIER

KEY	PART NUMBER	U/M	DESCRIPTION
1	105209-04-C52	EA	BRACKET ASSEMBLY-SPARE TIRE, CHEVY
1	105209-06-C52	EA	BRACKET ASSEMBLY-SPARE TIRE, FORD
2	105208-01-000	EA	PLATE-SPARE TIRE
3	104420-01-000	EA	SUPPORT-ANGLE, BUMPER REAR - RIGHT
4	083376-01-000	EA	PLATE-SKID, 13.2" X 6" X 2" - STEEL
5	083425-09-000	EA	TIRE - LT225/75R16 LRD, MICHELIN XCH4
			FROM: 00-00-00 THRU: 01-20-95
5	083425-11-000	EA	TIRE - LT225/75R16 LRD, MICHELIN XTX A/S OB
			FROM: 01-21-95 THRU: 99-99-99
6	103422-02-01A	EA	BUMPER-SQUARE, ALUMINUM - OFF WHITE
6	103422-02-02A	EA	BUMPER-SQUARE, ALUMINUM - BRIGHT WHITE
7	039779-01-000	EA	CAP-BUMPER, RUBBER - 4" X 4" - BLACK
8	105531-02-000	EA	RETAINER ASSEMBLY-SPARE TIRE, FORD ONLY
9	073322-07-F15	EA	COVER-TIRE, 31" - ICE WHITE
10	034512-01-000	EA	PIN-LOCKING, DRAWBAR
11	034513-01-000	EA	PIN-HITCH, 3/16" WIRE
12	107707-08-000	EA	HITCH-TRAILER, W/O DRAWBAR
13	104420-02-000	EA	SUPPORT-ANGLE, BUMPER REAR - LEFT
	097745-02-000	EA	HOUSING-RECEPTACLE, TRAILER - 48" WIRE LENGTH
	097744-02-000	EA	HOUSING-TRAILER PIN, 48"
	113589-01-000	EA	CONNECTOR-PLUG, TRAILER - GENERAL 433501
	113589-02-000	EA	CONNECTOR-SOCKET, TRAILER - GENERAL 433601
	113634-01-000	EA	WIRE ASSEMBLY-TRAILER, ADAPTER

### CHASSIS GROUP (CONTINUED)



#### EXHAUST SYSTEM COMPONENTS

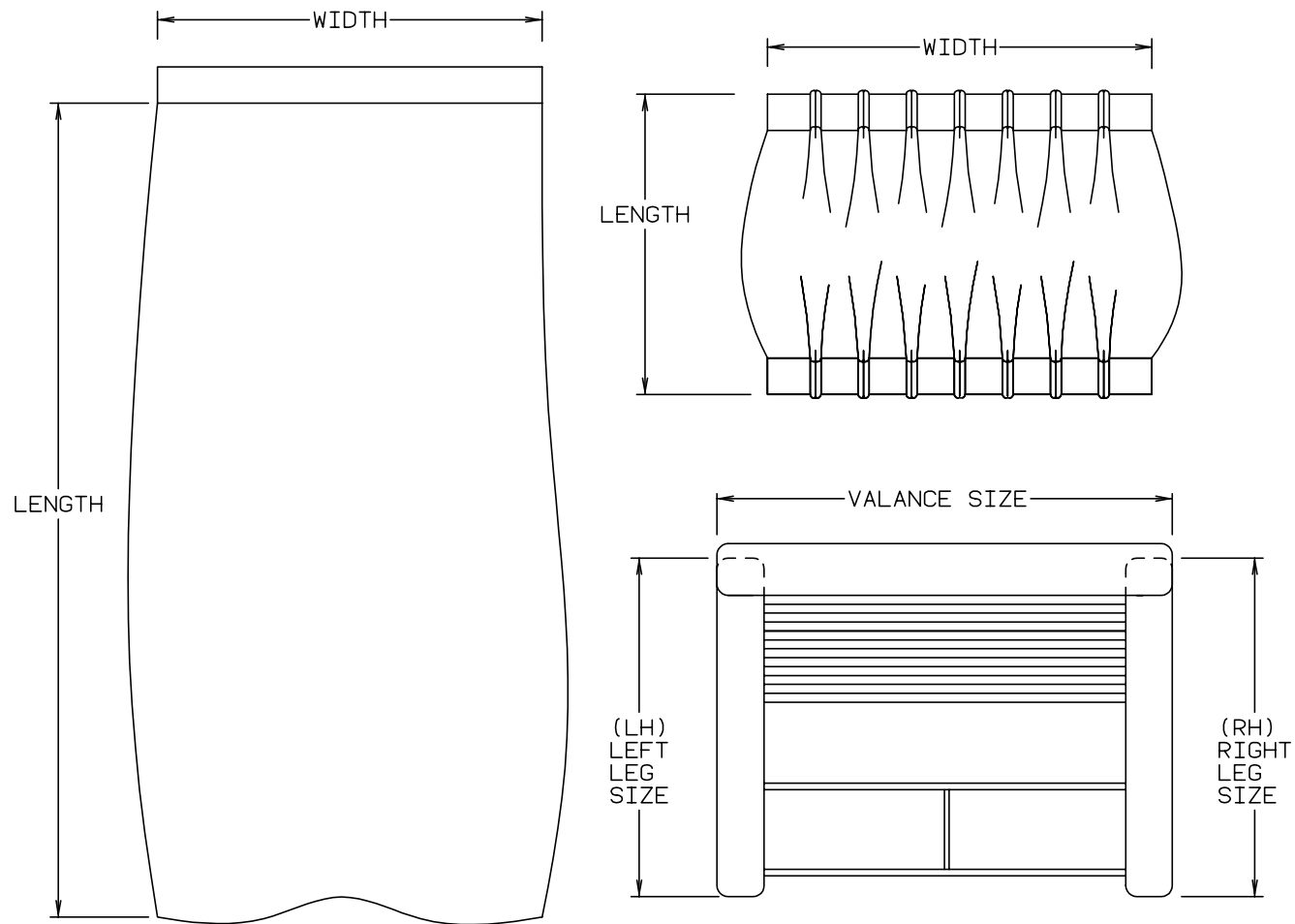
KEY	PART NUMBER	U/M	DESCRIPTION
1	111848-02-000	EA	SHIELD-HEAT, EXHAUST
2	111848-01-000	EA	SHIELD-HEAT, EXHAUST
3	111836-01-000	EA	PIPE-EXHAUST, TAIL - FORD - DUAL
4	111836-02-000	EA	PIPE-EXHAUST, TAIL - FORD - DUAL
5	007125-05-000	EA	CLAMP-MUFFLER, 2.00" DIAMETER - GAS
	007131 01 000	EA	HANGER-TAILPIPE, 6 SLOTS
	101884-03-000	EA	PIPE-EXHAUST, TAIL - FORD - DIESEL
			FROM: 00-00-00 THRU: 12-14-94
	101884-04-000	EA	PIPE-EXHAUST, TAIL - FORD - DIESEL
			FROM: 12-15-94 THRU: 99-99-99
	007125-07-000	EA	CLAMP-MUFFLER, 2.50" DIAMETER - USED W/DIESEL
	016379-02-000	EA	STRAP-HANGER EXTENSION, 2" X 1" - STEEL

## CURTAIN & CUSHION GROUP

### NOTICE

IN ORDER TO ASSIST OUR PARTS SALES DEPT. IN PROVIDING INTERIOR SOFTWARE ITEMS, PLEASE INCLUDE THE SERIAL NUMBER AND THE COLOR CODE NUMBER FROM THE VEHICLE CERTIFICATION LABEL WHEN ORDERING. THIS LABEL IS LOCATED ON THE LEFT SIDEWALL AT THE END OF THE DASH (A-BODY), OR ON THE DRIVER'S DOOR LATCH PLATE (C-BODY).

AN EXAMPLE OF A COLOR CODE NUMBER IS B07, WHICH DESIGNATES AN OVERALL COLOR SCHEME OF A PARTICULAR UNIT. THE COLOR LISTED AFTER THE ITEM DESCRIPTION ON THE MICROFICHE, INDICATES THE OVERALL UNIT COLOR. ORDER THE ITEM YOU DESIRE ACCORDING TO UNIT COLOR CODE.



NOTE: USE THIS ILLUSTRATION WHEN DETERMINING LENGTH AND WIDTH MEASUREMENTS FOR CURTAINS. YOU WILL NOTE THE WIDTH MEASUREMENT IS TAKEN ON THE TOP OF THE CURTAIN WITH THE CURTAIN FULLY EXTENDED. THE LENGTH MEASUREMENT IS TAKEN FROM TOP TO BOTTOM. LEFT AND RIGHT WINDOW LEGS ARE DETERMINED WHEN FACING THE WINDOW.

## CURTAIN & CUSHION GROUP (CONTINUED)

### FABRICS

KEY	PART NUMBER	U/M DESCRIPTION
	087272-03-000	YD LINING-DRAPERY, 54" - IVORY
	105745-64-000	YD FABRIC-BEDSPREAD, DRAPERY & PRIVACY CURTAIN - SLATE (F15)
	105745-62-000	YD FABRIC-BEDSPREAD, DRAPERY & PRIVACY CURTAIN - LILAC (F16)
	105745-85-000	YD FABRIC-BEDSPREAD, MAIN - OPAL (F15)
	105745-86-000	YD FABRIC-BEDSPREAD, MAIN - DUSK (F16)
	108446-B3-000	YD FABRIC-UPHOLSTERY, MAIN - GULF (F15)
	108446-B8-000	YD FABRIC-UPHOLSTERY, MAIN - IVORY (F16)
	108446-49-000	YD FABRIC-UPHOLSTERY, PLAIN ACCENT - TWILIGHT (F15)
	108446-B4-000	YD FABRIC-UPHOLSTERY, PLAIN ACCENT - SMOKE (F16)
	108446-B5-000	YD FABRIC-UPHOLSTERY, PATTERN ACCENT - GULF (F15)
	108446-B6-000	YD FABRIC-UPHOLSTERY, PATTERN ACCENT - IVORY (F16)
	079680-01-000	YD FABRIC-VINYL, 54" WIDE - BEIGE
	103907-01-01A	YD FABRIC-VINYL, 54" WIDE - OFF WHITE

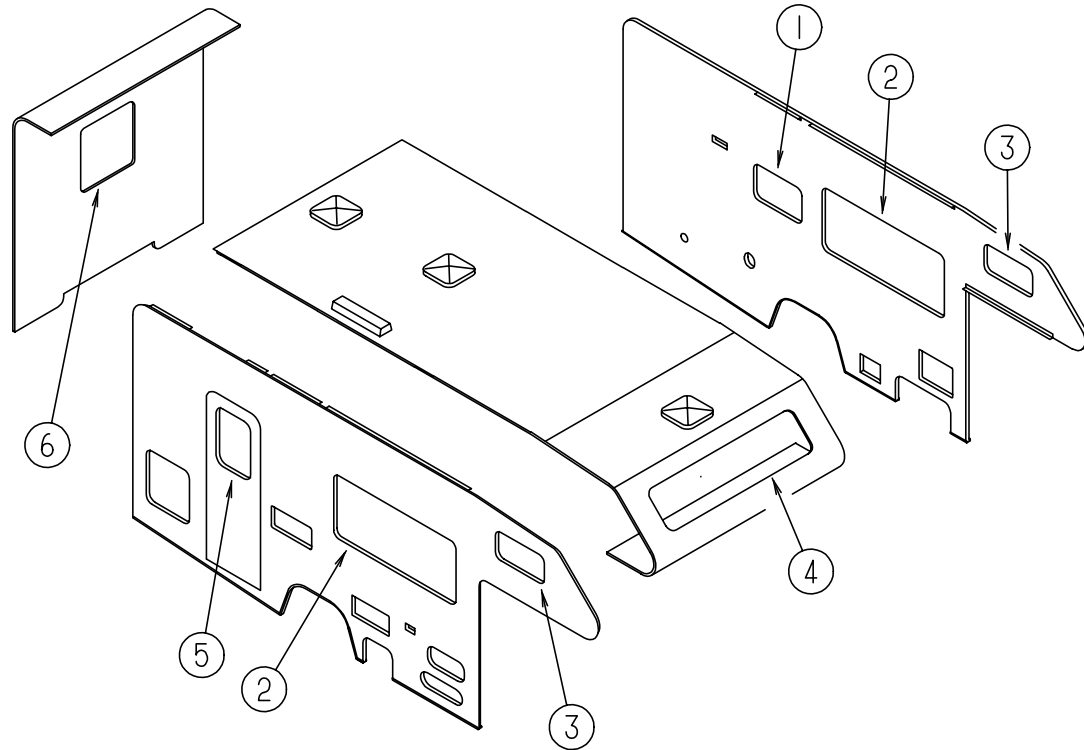
### WELTING & BUTTONS

KEY	PART NUMBER	U/M DESCRIPTION
	079349-04-E27	YD WELTING-FABRIC (F15)
	079349-04-F16	YD WELTING-FABRIC (F16)
	070578-10-F15	EA BUTTON-SCREW STUD, #30
	070578-10-F16	EA BUTTON-SCREW STUD, #30

### ASSIST HANDLE & SEATBELTS

KEY	PART NUMBER	U/M DESCRIPTION
	053552-02-AA8	EA HANDLE-ASSIST, INTERIOR - ENTRY DOOR - VINYL - OFF WHITE
	069178-02-000	EA BRACKET-MOUNTING, ASSIST HANDLE - L ANGLE - W/HOLES - STEEL
	000C16-07-16B	EA BOLT-CARRIAGE, ASSIST HANDLE - 7/16" - 14 X 1" - ZINC
	000D20-07-00B	EA NUT-ACORN, ASSIST HANDLE - 7/16" X 14 - ZINC
	057759-01-000	EA WASHER BRACKET-SEAT BELT, 4" DIAMETER
	007021-01-000	EA BELT-SEAT, 2" X 90" - BLACK

## CURTAIN & CUSHION GROUP (CONTINUED)



## CURTAIN & CUSHION GROUP (CONTINUED) PRIVACY CURTAINS

KEY	PART NUMBER	U/M	DESCRIPTION
	076892-20-F15	EA	CURTAIN-BUNK PRIVACY, SNAP TOP - PLAIN - W/LINING - 50" X 78"
	076892-20-F16	EA	CURTAIN-BUNK PRIVACY, SNAP TOP - PLAIN - W/LINING - 50" X 78"
	101668-39-F15	EA	CURTAIN-BUNK PRIVACY, TAPE TOP - W/LINING - 35" X 50" - RIGHT
	101668-40-F15	EA	CURTAIN-BUNK PRIVACY, TAPE TOP - W/LINING - 35" X 50" - LEFT
	101668-39-F16	EA	CURTAIN-BUNK PRIVACY, TAPE TOP - W/LINING - 35" X 50" - RIGHT
	101668-40-F16	EA	CURTAIN-BUNK PRIVACY, TAPE TOP - W/LINING - 35" X 50" - LEFT

### SHOWER CURTAINS

KEY	PART NUMBER	U/M	DESCRIPTION
	084481-24-C24	EA	CURTAIN-SHOWER, 72" X 42" (F15)
	084481-24-D05	EA	CURTAIN-SHOWER, 72" X 42" (F16)

### CURTAIN TIEBACKS

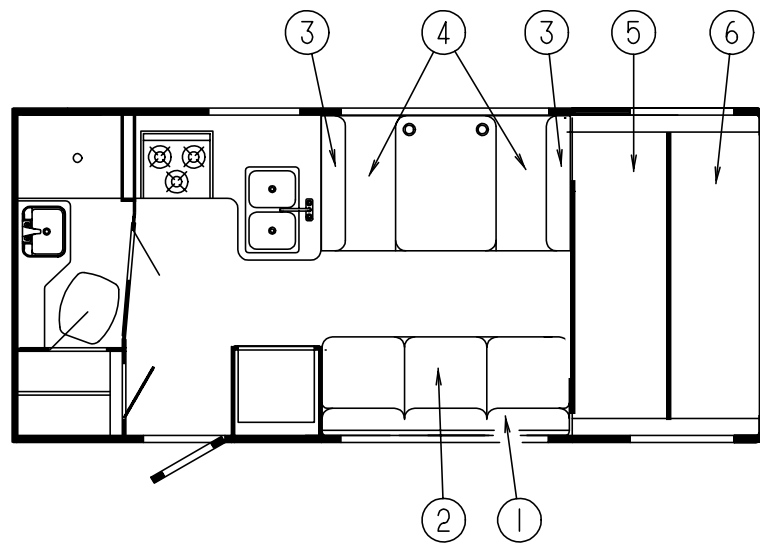
KEY	PART NUMBER	U/M	DESCRIPTION
	073260-54-C30	EA	TIEBACK-SHOWER CURTAIN, 3" X 16" (F15)
	073260-54-D36	EA	TIEBACK-SHOWER CURTAIN, 3" X 16" (F16)
	073260-63-FB1	EA	TIEBACK-ROOM DIVIDER CURTAIN, 4" X 15" (F15)
	073260-63-FC1	EA	TIEBACK-ROOM DIVIDER CURTAIN, 4" X 15" (F16)
	073260-23-F15	EA	TIEBACK-BUNK PRIVACY CURTAIN, 3" X 18"
	073260-23-F16	EA	TIEBACK-BUNK PRIVACY CURTAIN, 3" X 18"
	057534-01-000	EA	TIEBACK/TIEDOWN-BED/CURTAIN/DOOR, 6" - PLASTIC - CLEAR

## CURTAINS & WINDOW TREATMENT

KEY	PART NUMBER	U/M	DESCRIPTION
1	109041-20-01A	EA	BLIND-MINI, 31" X 18" DROP - PURE SILVER FROM: 00-00-00 THRU: 02-05-95
	109353-07-01A	EA	SLATS-BLIND, 31" - PURE SILVER
	109353-04-000	EA	CLIP-VALANCE, SLAT MOUNTING - CLEAR PLASTIC - PAIR
1	109041-36-01A	EA	BLIND-MINI, 31" X 18" DROP - PURE SILVER FROM: 02-06-95 THRU: 99-99-99
	109353-08-01A	EA	SLATS-BLIND, 31" - PURE SILVER
	109353-04-000	EA	CLIP-VALANCE, SLAT MOUNTING - CLEAR PLASTIC - PAIR
2	105923-24-F15	EA	VALANCE-WINDOW, RODEWAY - 63.5" - W/1" INSERT
2	105923-24-F16	EA	VALANCE-WINDOW, RODEWAY - 63.5" - W/1" INSERT
2	076892-21-FB1	EA	CURTAIN-WINDOW, PLAIN HEM TOP & BOTTOM - 30" X 15" (F15)
2	076892-21-FC1	EA	CURTAIN-WINDOW, PLAIN HEM TOP & BOTTOM - 30" X 15" (F16)
2	084755-76-F15	EA	SHADE-PULL, 62.25" - W/O TRIM
3	101034-45-F15	EA	CURTAIN-WINDOW, DARTED TAPE TOP - W/LINING - 20" X 34" - RH
3	101034-45-F16	EA	CURTAIN-WINDOW, DARTED TAPE TOP - W/LINING - 20" X 34" - RH
3	101034-46-F15	EA	CURTAIN-WINDOW, DARTED TAPE TOP - W/LINING - 20" X 34" - LH
3	101034-46-F16	EA	CURTAIN-WINDOW, DARTED TAPE TOP - W/LINING - 20" X 34" - LH
4	101034-33-F15	EA	CURTAIN-WINDOW, DART TAPE TOP & BOTTOM - 21" X 60" - RIGHT
4	101034-33-F16	EA	CURTAIN-WINDOW, DART TAPE TOP & BOTTOM - 21" X 60" - RIGHT
4	101034-34-F15	EA	CURTAIN-WINDOW, DART TAPE TOP & BOTTOM - 21" X 60" - LEFT
4	101034-34-F16	EA	CURTAIN-WINDOW, DART TAPE TOP & BOTTOM - 21" X 60" - LEFT
5	105923-28-F15	EA	VALANCE-DOOR, RODEWAY - 29" - W/1" INSERT
5	105923-28-F16	EA	VALANCE-DOOR, RODEWAY - 29" - W/1" INSERT
5	084755-57-E07	EA	SHADE-PULL, 27.25"
6	109041-20-01A	EA	BLIND-MINI, 31" X 18" DROP - PURE SILVER
	109353-07-01A	EA	VALANCE-BLIND, 31" SLAT - PURE SILVER
	109353-04-000	EA	CLIP-VALANCE SLAT MOUNTING, CLEAR PLASTIC



**CURTAIN & CUSHION GROUP (CONTINUED)**



**COUCH**

KEY	PART NUMBER	U/M	DESCRIPTION
1	100032-42-F15	EA	BACKREST-COUCH, 74"
1	100032-42-F16	EA	BACKREST-COUCH, 74"
	P00032-42-F15	EA	COVER-BACKREST, 74"
	P00032-42-F16	EA	COVER-BACKREST, 74"
	101085-10-000	EA	FRAME-BACK, COUCH - 74.5" X 16"
2	100032-43-F15	EA	SEAT-COUCH, W/O BACKREST - 74"
2	100032-43-F16	EA	SEAT-COUCH, W/O BACKREST - 74"
	P00032-43-F15	EA	COVER-SEAT, COUCH - 74"
	P00032-43-F16	EA	COVER-SEAT, COUCH - 74"
	101085-04-000	EA	FRAME-SEAT, COUCH - 74.75"
	101085-06-000	EA	FRAME-BASE, COUCH - 74.75"
	105947-01-000	EA	BRACKET-HOLD DOWN, COUCH - CANADIAN

NOTE: COUCH FRONT AND SIDE PANELS ARE FOUND IN LOUNGE GROUP

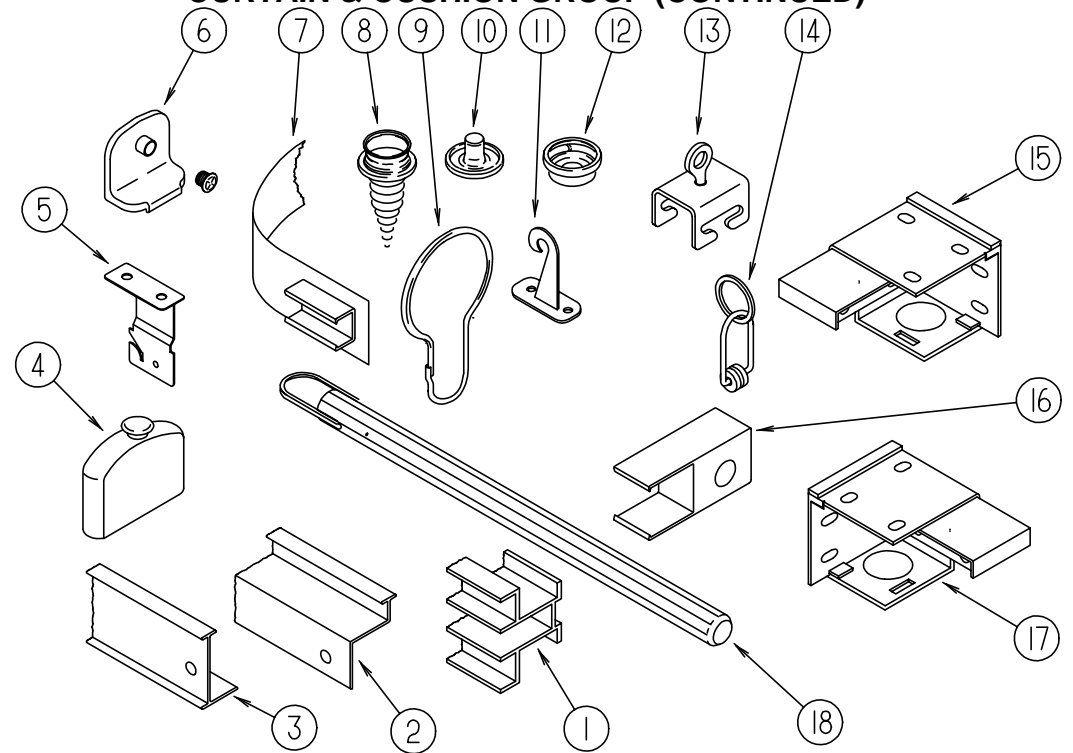
**DINETTE CUSHIONS**

KEY	PART NUMBER	U/M	DESCRIPTION
3	116134-01-FB1	EA	CUSHION-BACKREST, 13.5" X 37.5" X 5" (F15)
3	116134-01-FC1	EA	CUSHION-BACKREST, 13.5" X 37.5" X 5" (F16)
	P16134-01-FB1	EA	COVER-CUSHION, BACKREST - 13.5" X 37.5" X 5" (F15)
	P16134-01-FC1	EA	COVER-CUSHION, BACKREST - 13.5" X 37.5" X 5" (F16)
	078155-01-000	EA	STRAP-SNAP, BACKREST CUSHION
4	088927-87-F15	EA	CUSHION-SEATBASE, 23" X 38" X 5"
4	088927-87-F16	EA	CUSHION-SEATBASE, 23" X 38" X 5"
	M88927-87-F15	EA	COVER-CUSHION, SEATBASE - 23" X 38" X 5"
	M88927-87-F16	EA	COVER-CUSHION, SEATBASE - 23" X 38" X 5"

**FRONT BUNK CUSHIONS**

KEY	PART NUMBER	U/M	DESCRIPTION
5	105573-10-F15	EA	CUSHION-OVERHEAD BUNK, REAR - 27" X 23" X 80" X 5"
5	105573-10-F16	EA	CUSHION-OVERHEAD BUNK, REAR - 27" X 23" X 80" X 5"
	P05573-10-F15	EA	COVER-CUSHION, OVERHEAD BUNK - REAR - 27" X 23" X 80" X 5"
	P05573-10-F16	EA	COVER-CUSHION, OVERHEAD BUNK - REAR - 27" X 23" X 80" X 5"
6	105573-09-F15	EA	CUSHION-OVERHEAD BUNK, FRONT - DOUBLE ANGLED - 32.5" X 80" X 5"
6	105573-09-F16	EA	CUSHION-OVERHEAD BUNK, FRONT - DOUBLE ANGLED - 32.5" X 80" X 5"
	P05573-09-F15	EA	COVER-CUSHION, FRONT - DOUBLE ANGLED - 32.5" X 80" X 5"
	P05573-09-F16	EA	COVER-CUSHION, FRONT - DOUBLE ANGLED - 32.5" X 80" X 5"

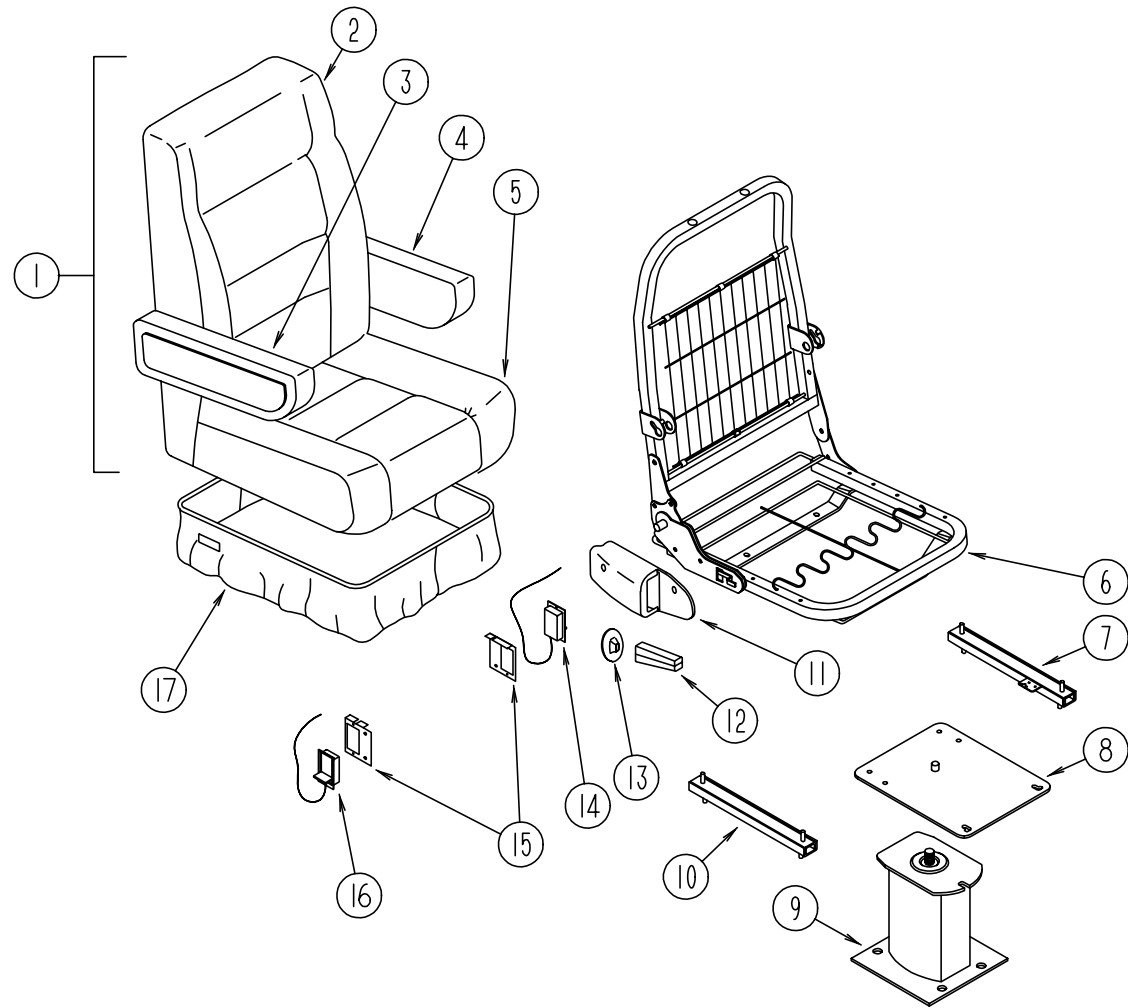
**CURTAIN & CUSHION GROUP (CONTINUED)**



**CURTAIN & BLIND HARDWARE**

KEY	PART NUMBER	U/M	DESCRIPTION
1	101033-03-000	FT	TRACK-WALL, WHITE - CT225 - SHAPCO
2	105450-06-01A	EA	TRACK-CURTAIN, 88" LONG - ALUMINUM - OFF WHITE
3	009700-04-007	EA	TRACK-L-SHAPED, 125" - OFF WHITE
	092464-07-01A	EA	TRACK-SHOWER, CURVED - OFF WHITE
4	093475-01-701	EA	END CAP-BLIND, W/ STUD
5	084434-01-000	EA	BRACKET-MOUNTING, ROLLER SHADE - 1 3/8"
6	106544-01-000	EA	PULL-SHADE, BRASS
	106544-01-001	EA	SCREW-SHADE, BRASS
	084433-05-000	EA	SHADE-ROLLER, 72.25"
	096843-01-000	EA	SPRING-REWIND, ROLLER SHADE
7	101031-01-000	YD	TAPE-GLIDE, CURTAIN - 4.25" SPACING
8	029130-01-000	EA	SCREW-SNAP SOCKET, 8 PH X 5/8"
9	009136-02-000	EA	HANGER-RING, PIN TYPE - CURTAIN - BRASS
10	029155-01-000	EA	CAP-SNAP, NICKEL
11	109441-01-000	EA	HOLD DOWN-BLIND, HOOK
12	029156-01-000	EA	SOCKET-SNAP FASTENER, NICKEL
13	009702-01-000	EA	END STOP-CURTAIN CARRIER, L ROD
14	009701-01-000	EA	CARRIER-CURTAIN, L ROD
15	083170-01-000	EA	BRACKET-BLIND, RIGHT SIDE
16	101033-02-000	EA	END CAP-TRACK, CLEAR
17	083170-02-000	EA	BRACKET-BLIND, LEFT SIDE
18	093475-01-700	EA	WAND-BLIND, W/METAL CLIP - 8" LONG
	046867-01-000	EA	GROMMET-BRASS, 7/16" ID X 1" OD
	048394-02-000	YD	VELCRO TAPE-HOOK, ADHESIVE BACK - .75" WIDE - BEIGE
	088792-01-000	YD	VELCRO-HOOK, .75" WIDE - BEIGE
	088792-02-000	YD	VELCRO TAPE-LOOP, ADHESIVE BACKED - .75" WIDE - BEIGE
	056003-01-000	EA	BRACKET-DRAPERY RETAINING, RIGHT - METAL
	056003-02-000	EA	BRACKET-DRAPERY RETAINING, LEFT - METAL
	076827-02-000	EA	BRACKET-LEG, 2.9" X 1.8" TRIANGLE
	086276-01-000	EA	TAPE-DOUBLE SIDED, 1/2"
	097564-01-000	EA	HANDLE-T, EZ LIFT SHADE
	075943-10-000	EA	BRACE-WINDOW VALANCE, 20" - ALUMINUM - OFF WHITE

**CURTAIN & CUSHION GROUP (CONTINUED)**



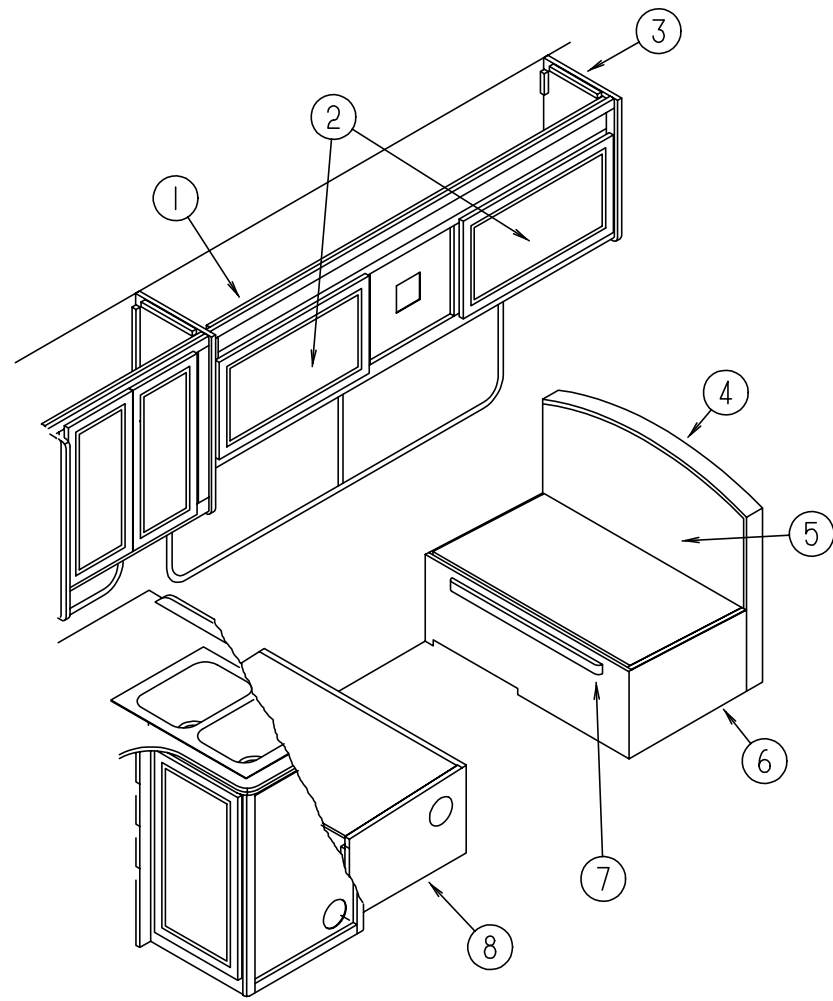
**BUCKET SEAT**

KEY	PART NUMBER	U/M DESCRIPTION
1	110148-05-F15	EA SEAT-ECONOMIZER II, W/ARMREST - PASSENGER SIDE - CHEVY
1	110148-05-F16	EA SEAT-ECONOMIZER II, W/ARMREST - PASSENGER SIDE - CHEVY
1	110148-06-F15	EA SEAT-ECONOMIZER II, W/ARMREST - DRIVER SIDE - CHEVY
1	110148-06-F16	EA SEAT-ECONOMIZER II, W/ARMREST - DRIVER SIDE - CHEVY
1	110148-04-F15	EA SEAT-ECONOMIZER II, W/ARMRESTS - PASSENGER OR DRIVERSIDE - FORD
1	110148-04-F16	EA SEAT-ECONOMIZER II, W/ARMRESTS - PASSENGER OR DRIVERSIDE - FORD
2	M05962-17-F15	EA COVER-BACK, ECONOMIZER II
2	M05962-17-F16	EA COVER-BACK, ECONOMIZER II
3	115520-01-FB1	EA ARMREST-RIGHT HAND (F15)
3	115520-01-FC1	EA ARMREST-RIGHT HAND (F16)
	P15520-01-FB1	EA COVER-ARMREST, RIGHT HAND (F15)
	P15520-01-FC1	EA COVER-ARMREST, RIGHT HAND (F16)
4	115520-02-FB1	EA ARMREST-LEFT HAND (F15)
4	115520-02-FC1	EA ARMREST-LEFT HAND (F16)
	P15520-02-FB1	EA COVER-ARMREST, LEFT HAND (F15)
	P15520-02-FC1	EA COVER-ARMREST, LEFT HAND (F16)

**CURTAIN & CUSHION GROUP (CONTINUED)**  
**BUCKET SEAT (CONTINUED)**

KEY	PART NUMBER	U/M DESCRIPTION
5	M05962-18-F15	EA COVER-SEAT, ECONOMIZER II
5	M05962-18-F16	EA COVER-SEAT, ECONOMIZER II
6	M80906-11-000	EA FRAME-SEAT, BACK & SPRING
7	069246-14-000	EA ADJUSTER ASSEMBLY-LOCKING, 4 STUDS AMP #83720
	069246-99-000	EA SPRING-ADJUSTER, FOR REMOTE - LIGHT BLUE
	117125-01-02B	EA BRACKET-CABLE HOLDER, E-COAT
8	107921-08-000	EA TOP PLATE-PEDESTAL
9	107921-09-000	EA PEDESTAL-FLOOR MOUNTED, RIGHT OR LEFT SIDE - FORD
9	107921-10-000	EA PEDESTAL-FLOOR MOUNTED, LEFT SIDE - CHEVY
9	107921-11-000	EA PEDESTAL-FLOOR MOUNTED, RIGHT SIDE - CHEVY
	107921-06-000	EA BEARING KIT-PEDESTAL
10	069246-15-000	EA ADJUSTER ASSEMBLY-NONLOCK, 4 STUDS AMP #83730
	114889-01-000	EA STOP BAR-UNIVERSAL, ADJUSTER SIDE
11	080730-09-000	EA SHIELD-RECLINER HANDLE
	080730-10-000	EA SCREW-RECLINER HANDLE SHIELD
12	080730-08-000	EA HANDLE-RECLINER, BLACK
13	080730-11-000	EA SHIELD-RUBBER BOOT
14	089368-04-000	EA REMOTE & CABLE-SWIVEL/SLIDE
15	097683-02-000	EA BRACKET-REMOTE, SIDE MOUNT - SINGLE
16	108049-01-000	EA CABLE-W/SWITCH- 28" - FLEXSTEEL PEDESTAL
		FROM: 00-00-00 THRU: 11-13-94
16	108049-03-000	EA CABLE - 20", Z END - FLEXSTEEL PEDESTAL
		FROM: 11-14-94 THRU: 99-99-99
	108049-02-000	EA CLIP-CABLE
17	071126-41-F15	EA SKIRT-SINGLE, 7" - W/SLIT - CHEVY
17	071126-41-F16	EA SKIRT-SINGLE, 7" - W/SLIT - CHEVY
17	071126-42-F15	EA SKIRT-SINGLE, 7" - W/SLIT - FORD
17	071126-42-F16	EA SKIRT-SINGLE, 7" - W/SLIT - FORD

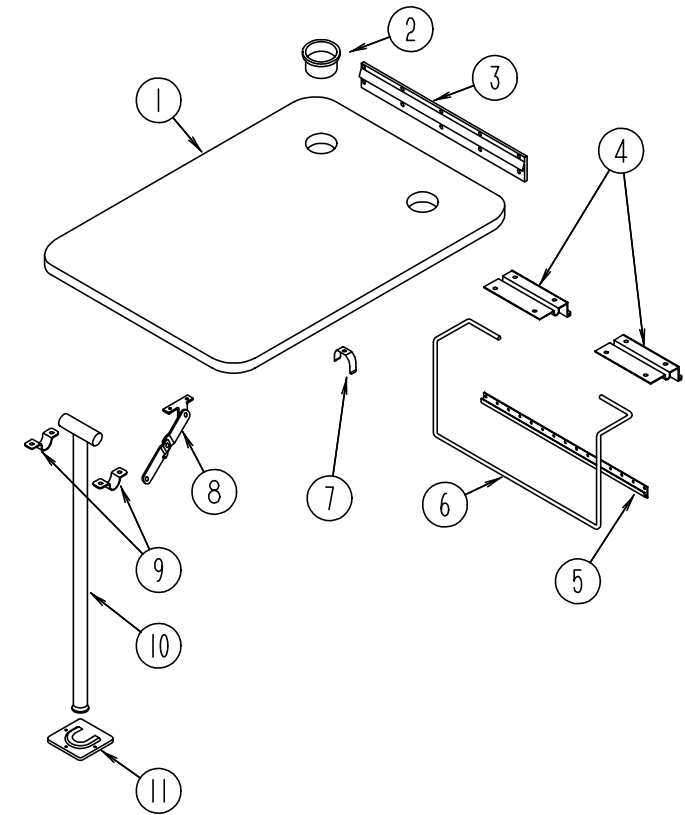
## DINETTE GROUP



### DINETTE CABINETS

KEY	PART NUMBER	U/M	DESCRIPTION
1	114604-01-F15	EA	CABINET-OVERHEAD, DINETTE
2	110140-65-F15	EA	DOOR-CABINET, W/MIRROR - W/O HARDWARE
2	110140-05-EB1	EA	DOOR-CABINET, W/O HARDWARE - EXPORT DOOR EXCHANGE
3	109908 25 F15	EA	END CAP-OVERHEAD CABINET
4	111338-09-F15	EA	PAD-DINETTE
4	111338-09-F16	EA	PAD-DINETTE
5	M06836-08-F15	EA	CABINET-SEATBACK, RIGHT
6	M06837-08-F15	EA	CABINET-SEATBASE, RIGHT
7	081295-01-AA8	EA	SUPPORT-BED, DINETTE
8	M06885-19-F15	EA	CABINET-SEATBASE, LEFT

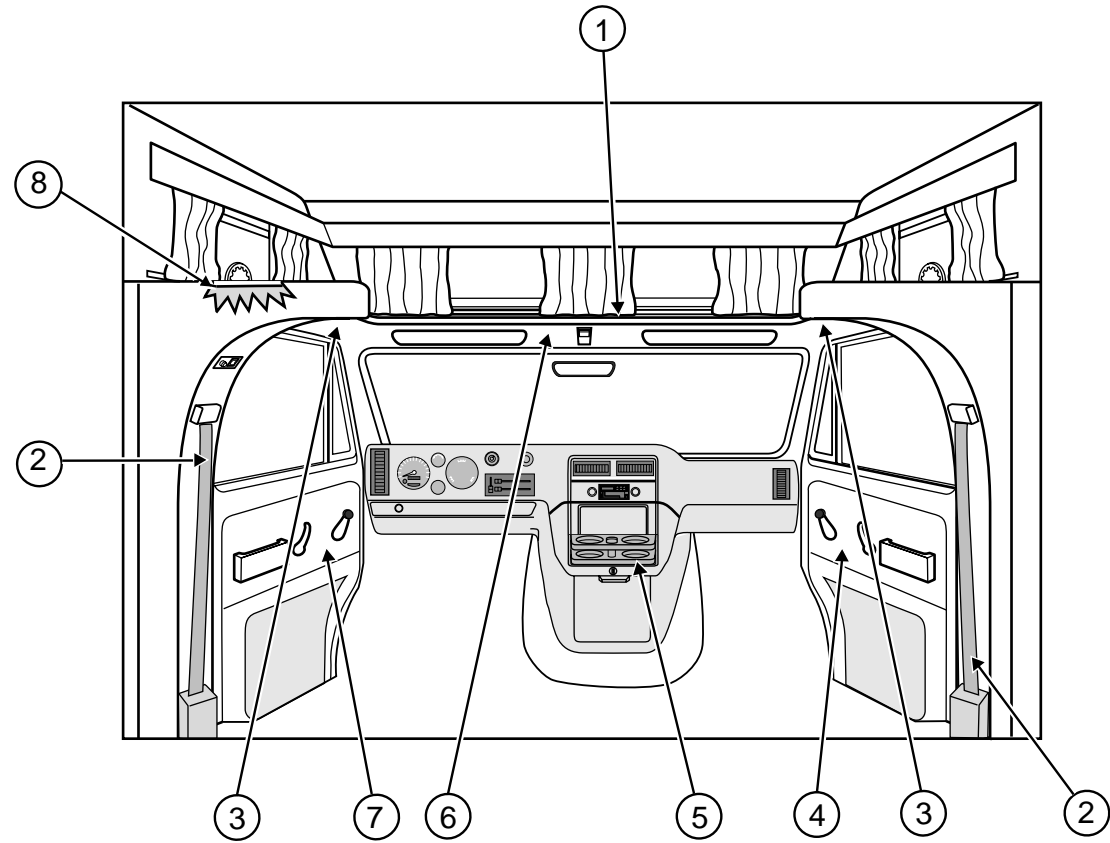
## DINETTE GROUP (CONTINUED)



### DINETTE TABLE & HARDWARE

KEY	PART NUMBER	U/M	DESCRIPTION
1	M81299-13-F15	EA	TABLE-DINETTE, W/O HARDWARE
2	064781-06-000	EA	HOLDER-CUP, TWO STEP - OFF WHITE
3	049493-12-000	EA	BRACKET-TABLE SUPPORT, UPPER WALL MOUNTED - 23.5" - OFF WHITE
4	088410-02-000	EA	BRACKET-LIFT, TABLE MOUNTED - OFF WHITE
5	024281-14-000	EA	BRACKET-LIFT ROD, LOWER WALL MOUNTED - 22.12" - OFF WHITE
6	024275-12-000	EA	ROD-TABLE LIFT, OFF WHITE
7	024283-01-000	EA	CLIP-LEG, 1" - 1.125" OD - BLACK
8	024282-01-000	EA	BRACE-TABLE LEG, HINGED
9	064050-05-000	EA	HINGE-TABLE LEG, OFF WHITE
10	024276-22-000	EA	LEG-TABLE, OFF WHITE
11	049493-12-000	EA	CATCH-LEG, FLOOR MOUNTED - OFF WHITE
	049493-11-700	EA	CATCH-LEG, FLOOR MOUNTED - 2.5" X 2.7" - METAL - E COAT
	053200-12-000	EA	SUPPORT-TABLE LEG, 23.50" - OFF WHITE

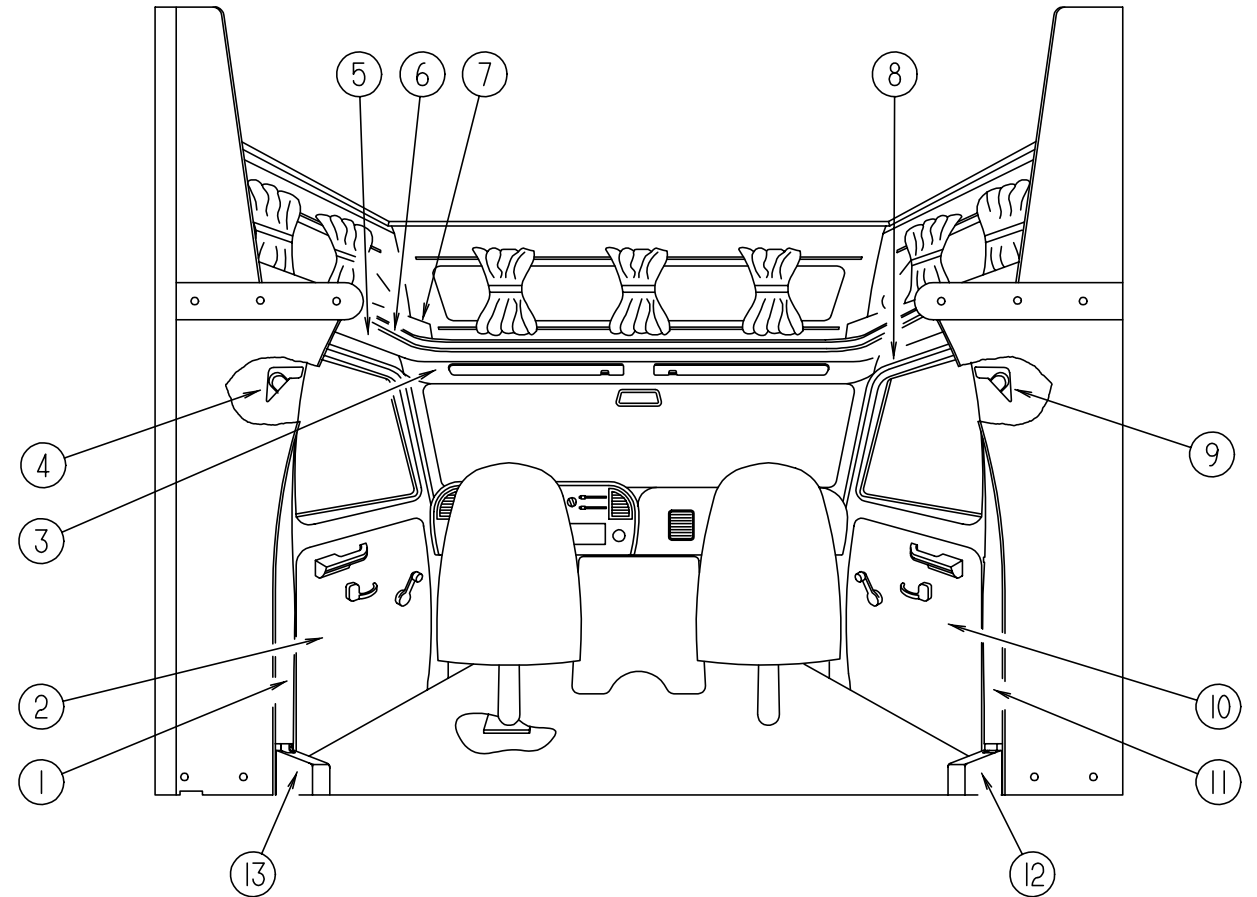
## DRIVERS COMPARTMENT GROUP



### CHEVY DRIVERS COMPARTMENT

KEY	PART NUMBER	U/M	DESCRIPTION
1	079800-07-000	EA	TRIM-SLEEPERBOARD, INNER - METAL - OFF WHITE
1	080742-03-000	FT	TRIM INSERT-VINYL, SLEEPER BOARD - OFF WHITE
2	076302-03-000	EA	BELT-SEAT, DRIVER AND PASSENGER
	087932-03-000	EA	BRACKET-SHOULDER HARNESS, ANGLE W/WELD NUT & GUSSET - LEFT
	087932-04-000	EA	BRACKET-SHOULDER HARNESS, ANGLE W/WELD NUT & GUSSET - RIGHT
3	091825-02-AA5	EA	HEADLINER-SIDE, VINYL COVERED - 2 USED - OFF WHITE
4	059491-01-F15	EA	PANEL-SIDE, DOOR - RIGHT
4	059491-01-F16	EA	PANEL-SIDE, DOOR - RIGHT
5	100516-01-F15	EA	TRAY-BEVERAGE
	M04194-01-F15	EA	TRAY-BEVERAGE, UNSTAINED
6	091829-01-B05	EA	HEADLINER-FRONT, VINYL COVERED - OFF WHITE
7	059492-01-F15	EA	PANEL-SIDE, DOOR - LEFT
7	059492-01-F16	EA	PANEL-SIDE, DOOR - LEFT
8	109894-02-F15	EA	CABINET-HAMPER, FRONT
	044860-01-000	EA	MAT-STEPWELL, RUBBER - BLACK - LH
	044860-02-000	EA	MAT-STEPWELL, RUBBER - BLACK - RH

## DRIVERS COMPARTMENT GROUP (CONTINUED)



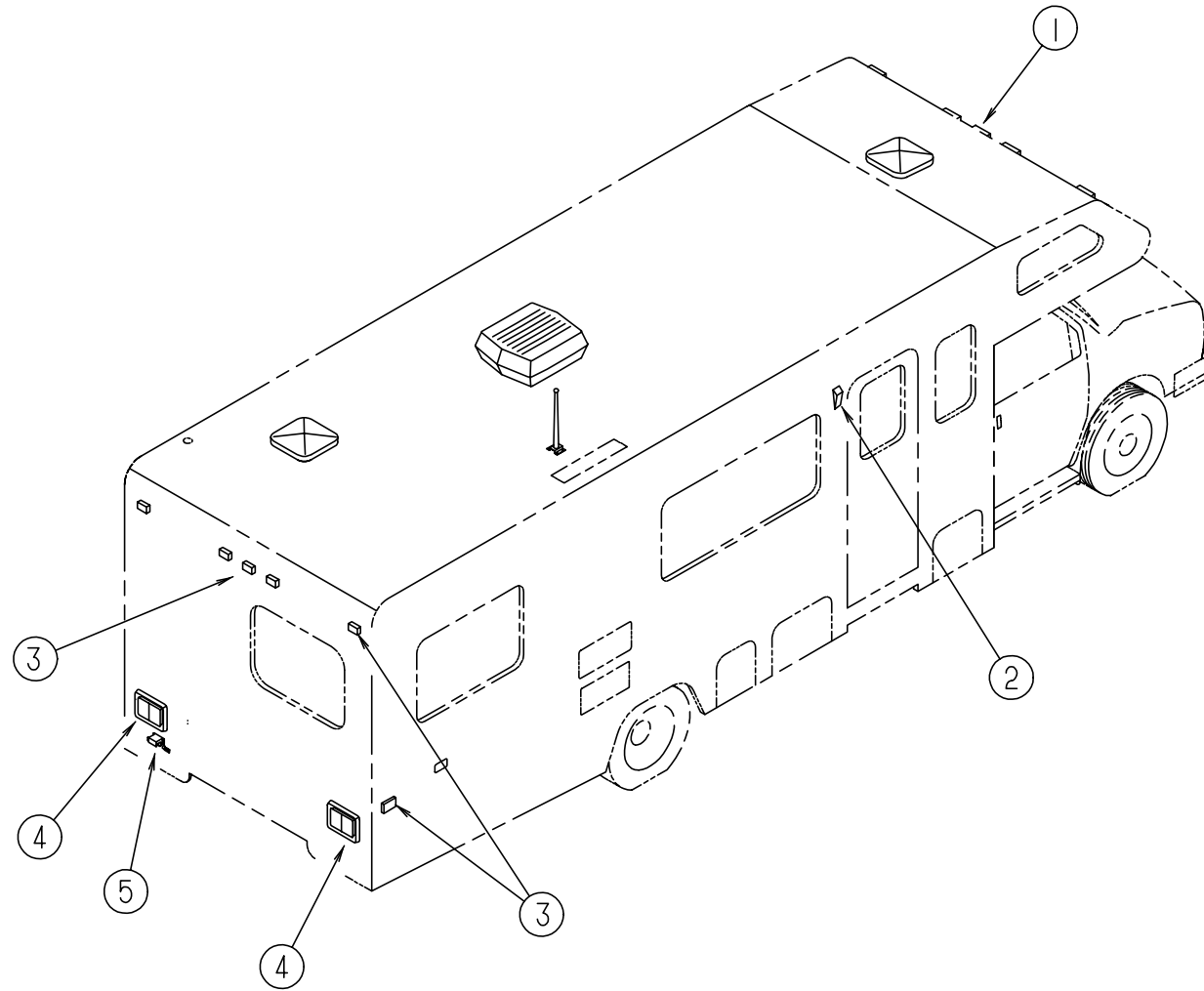
### FORD DRIVERS COMPARTMENT

KEY	PART NUMBER	U/M	DESCRIPTION
1	106446-02-C03	EA	TRIM ASSEMBLY-CAB, B-PILLAR - LEFT HAND
	106445-02-C03	EA	TRIM ASSEMBLY-WINGWALL WRAP, BETWEEN CAB STEEL & B PILLAR TRIM
2	106432-02-F15	EA	PANEL ASSEMBLY-DOOR, INNER - LEFT HAND
2	106432-02-F16	EA	PANEL ASSEMBLY-DOOR, INNER - LEFT HAND
3	106448-01-C03	EA	HEADLINER-FRONT, VINYL COVERED - OFF WHITE
4	115038-02-01A	EA	COVER-SEAT BELT, UPPER - LH - OFF WHITE
5	106447-02-C03	EA	TRIM ASSEMBLY-CAB DOOR, UPPER - LEFT
6	079800-07-000	EA	TRIM-SLEEPERBOARD, INNER - OFF WHITE
	080742-03-000	FT	INSERT-TRIM, SLEEPER BOARD - VINYL - OFF WHITE
7	109894-01-F15	EA	CABINET ASSEMBLY-HAMPER, FRONT
8	106447-01-C03	EA	TRIM ASSEMBLY-CAB DOOR, UPPER - RIGHT
9	115038-01-01A	EA	COVER-SEAT BELT, UPPER - RH - OFF WHITE
10	106432-01-F15	EA	PANEL ASSEMBLY-DOOR, INNER - RIGHT HAND
10	106432-01-F16	EA	PANEL ASSEMBLY-DOOR, INNER - RIGHT HAND
11	106446-01-C03	EA	TRIM ASSEMBLY-CAB, B-PILLAR - RIGHT
	106445-01-C03	EA	TRIM ASSEMBLY-WINGWALL WRAP, BETWEEN CAB STEEL & B PILLAR TRIM
12	106431-01-01A	EA	COVER-SEATBELT RECOIL, RIGHT - OFF WHITE
13	106431-02-01A	EA	COVER-SEATBELT RECOIL, LEFT - OFF WHITE

### INSTRUMENT CLUSTERS

KEY	PART NUMBER	U/M	DESCRIPTION
	094795-06-000	EA	CLUSTER-INSTRUMENT PANEL, KM - GAS/DIESEL - FORD F4UZ-10849-B FROM: 00-00-00 THRU: 12-18-94
	094795-09-000	EA	CLUSTER-INSTRUMENT PANEL, KM - GAS/DIESEL - FORD F5UZ-10849-B FROM: 12-19-94 THRU: 99-99-99
	100138-01-000	EA	MODULE-DAYTIME RUNNING LIGHT

## ELECTRICAL GROUP



### EXTERIOR LIGHTS

KEY	PART NUMBER	U/M DESCRIPTION
1	111102-01-000	EA LAMP-MARKER, BASE - TRIPLEX 117XAS
1	111102-02-000	EA LAMP-MARKER, LENS - AMBER - TRIPLEX 118A
	036196-01-000	EA BULB-BAYONETTE, 12V - #194 - .27 AMP
	112823-01-000	EA SPLICE-REDUCER, 16-14T018-22 ETC BA-631X
2	097917-01-01A	EA LIGHT-PORCH, ENTRY DOOR - OFF WHITE
2	097917-01-06A	EA LIGHT-PORCH, ENTRY DOOR - BRIGHT WHITE
	097917-01-700	EA LENS-LIGHT, PORCH
	008215-01-000	EA BULB - 12V, #1003 - .94 AMP
3	111102-01-000	EA LAMP-MARKER, BASE - TRIPLEX 117XAS
3	111102-03-000	EA LENS-MARKER LAMP, RED - TRIPLEX 117R
	036196-01-000	EA BULB - 12V, #194 - .27 AMP - BAYONETTE
	112823-01-000	EA SPLICE-REDUCER, 16-14T018-22 ETC BA-631X
4	081638-01-000	EA TAILLIGHT-DOUBLE, W/BLACK TRIM - DRIVER & PASSENGER SIDE
	037934-01-000	EA BULB-BACK UP & TURN SIGNAL, 12V, #1156 - 2.1AMP - CLEAR GLASS
	037935-01-000	EA BULB-BRAKE LIGHT, 12V, #1157 OR #2057 - 2.1AMP - CLEAR GLASS
	081638-01-700	EA LENS-TAILLIGHT, RED - BARGMAN 30-84-010
	081638-01-701	EA LENS-TAILLIGHT, W/BACKUP - BARGMAN 30-84-700
	103355-01-01A	EA POD-TAILLIGHT, OFF WHITE
	103355-01-05A	EA POD-TAILLIGHT, BRIGHT WHITE
5	066432-02-000	EA LIGHT-LICENSE, BLACK
	066432-03-000	EA BRACKET-LICENSE PLATE, BARGMAN 30-60-030

## ELECTRICAL GROUP (CONTINUED) INTERIOR LIGHTS

KEY	PART NUMBER	U/M DESCRIPTION
	098024-01-01A	EA LIGHT-DOME, 1 BULB - US - IVORY
	008218-01-000	EA BULB-DOME LIGHT, 12V - NUMBER 1141
	098024-01-700	EA LENS-DOME LIGHT
	098024-03-01A	EA LIGHT-DOME, 2 BULB - IVORY
	086280-01-000	EA LIGHT-SURFACE MOUNT, 12V - JENSEN 1236
	086280-01-700	EA BULB - 12V, 6 WATT

### POWER CONVERTER & LOAD CENTER

KEY	PART NUMBER	U/M DESCRIPTION
	051912-01-000	EA TRANSFORMER-DRY CONTROL, OVERSEAS EXPORT
	083208-01-000	EA CONVERTOR-POWER, 32 AMP - 120V/12V - BW 6332
	094809-01-000	EA LOAD CENTER - 240V - 125 AMP - TPL412CT

### FUSES & CIRCUIT BREAKERS

KEY	PART NUMBER	U/M DESCRIPTION
	008235-01-000	EA FUSE-AUTOMOTIVE, 12V - 15AMP
	062901-02-000	EA FUSE-AUTOMOTIVE, 5 AMP
	062901-05-000	EA FUSE-AUTOMOTIVE, 15 AMP
	062901-06-000	EA FUSE-AUTOMOTIVE, 20 AMP
	062037-01-000	EA HOUSING-AUTO FUSE, NATURAL
	100341-01-000	EA FUSE HOLDER-IN LINE TYPE, WESCO 8931-92020
	083209-02-000	EA CIRCUIT BREAKER - 15/15 AMP, 120V - BW H-15/15
	083209-03-000	EA CIRCUIT BREAKER - 15/20 AMP, 120V - BW 0-15/20
	083209-06-000	EA CIRCUIT BREAKER - 30/15 AMP, 120V - BW D-30/15
	083209-07-000	EA CIRCUIT BREAKER - 20/20 AMP, 120V - BW K-20/20
	083209-08-000	EA CIRCUIT BREAKER, BLANK - BW
	093654-01-000	EA CIRCUIT BREAKER - 6 AMP, 12V - USD 17406-4E12A2A
	093655-02-000	EA CIRCUIT BREAKER - 30 AMP, 12V - USD 17430-4E03A2A
	094810-01-000	EA CIRCUIT BREAKER - 30 AMP, 120V - GE THQL2130
	094811-01-000	EA CIRCUIT BREAKER - 20/20 AMP, 120V - GE THQL2120

### ELECTRIC BOXES, COVERS & POWER CORDS

KEY	PART NUMBER	U/M DESCRIPTION
	008052-01-000	EA CORD-POWER, 10/3 - 30 AMP - 25' - CANADIAN
	008054-01-000	EA CORD-POWER, 10/3 - 30 AMP - 25'
	008289-01-000	EA BOX-ELECTRIC, STEEL - 1/2" AND 3/4" KNOCKOUTS - 4" X 4"
	008294-01-000	EA COVER-ELECTRICAL BOX, BLANK/STEEL - 4" X 4" - GRAY
	069238-01-000	EA COVER-ELECTRICAL BOX, W/HOLE - 4" X 4" - USED W/30AMP RECEPTACLE
	091910-02-000	EA BOX-ELECTRICAL, PLASTIC - 57MM X 88MM
	093603-01-000	EA BOX-ELECTRIC, 4" X 2 1/8" X 2 1/8" - STEEL
	107165-01-01A	EA BOX-CIRCUIT BREAKER MOUNT, 14.6" X 4" - BLACK PLASTIC

**ELECTRICAL GROUP (CONTINUED)**  
**SWITCHES & RECEPTACLES**

KEY	PART NUMBER	U/M	DESCRIPTION
	075723-01-000	EA	SPACER-SWITCH, W/O HOLE - .2" X.9"X 2" - METAL - OFF WHITE
	095188-01-01A	EA	SPACER-SWITCH, 2.3" X 3.4" - PLASTIC - DARK BROWN
	081994-06-000	EA	PLATE-SWITCH, AUXILIARY START - FORD
	098351-06-01A	EA	PLATE-SWITCH, 2 GANG W/LABEL - JENSEN - POLISHED BRASS
	098351-07-01A	EA	PLATE-SWITCH, GENERATOR SWITCH - JENSEN - POLISHED BRASS
	108355-01-000	EA	HOUSING-SWITCH, CARLING VCH
	108356-02-01A	EA	SWITCH COVER, W/2 DIMPLES - CARLING CCAZC00
	108356-07-01A	EA	SWITCH COVER, W/2 DIMPLES - CARLING VVAZCXX-XWB
	108357-08-000	EA	ROCKER SWITCH, DPDT ON/NONE/ON - CARLING VDD1S00C-0
	073626-04-000	EA	COVER-ELECTRIC, 10.4" X 7.8" - BEIGE PLASTIC
	024924-02-000	EA	RECEPTACLE-POWER CORD, W/PARTIAL PLATE
	058707-01-000	EA	RECEPTACLE-ELECTRIC, SINGLE - BROWN
	058707-02-000	EA	RECEPTACLE-BLANK, JUNCTION - WIRECON WDJ20BR
	058708-01-000	EA	RECEPTACLE-ELECTRIC, DOUBLE - BROWN
	084076-01-000	EA	RECEPTACLE - GFI, 15AMP - 125V - IVORY
	084076-02-000	EA	RECEPTACLE-GFI, 15AMP - 125V - BROWN
	097734-01-01A	EA	EXTENSION-RECEPTACLE, 3.2" X 5" X .7" - PLASTIC - IVORY
	112822-01-01A	EA	RECEPTACLE-DUPLEX, IVORY - WIRECON WDRU15IV
	112824-01-03A	EA	COVER-EXTERIOR DUPLEX RECEPTACLE, WHITE - P&S 3780-SC-WH

**CONDUIT & SOLENOID**

KEY	PART NUMBER	U/M	DESCRIPTION
	041953-01-000	FT	CONDUIT-CONVOLUTE, SLIT - .5" ID
	041953-03-000	FT	CONDUIT-CONVOLUTE, SLIT - 1" ID (CLOTHES ROD COVER)
	041953-05-000	FT	CONDUIT-CONVOLUTE, SOLID - .62" ID
	041953-06-000	FT	CONDUIT-CONVOLUTE, SLIT - .375" ID
	041953-07-000	FT	CONDUIT-CONVOLUTE, SLIT - .25" ID
	041953-08-000	FT	CONDUIT-CONVOLUTE, SLIT - 1.50" ID
	041953-09-000	FT	CONDUIT-CONVOLUTE, SLIT - .50" ID
	041953-10-000	FT	CONDUIT-CONVOLUTE, SLIT - .75" ID
	008188-01-000	EA	SOLENOID - 3 POST, BATTERY CHANGE OVER

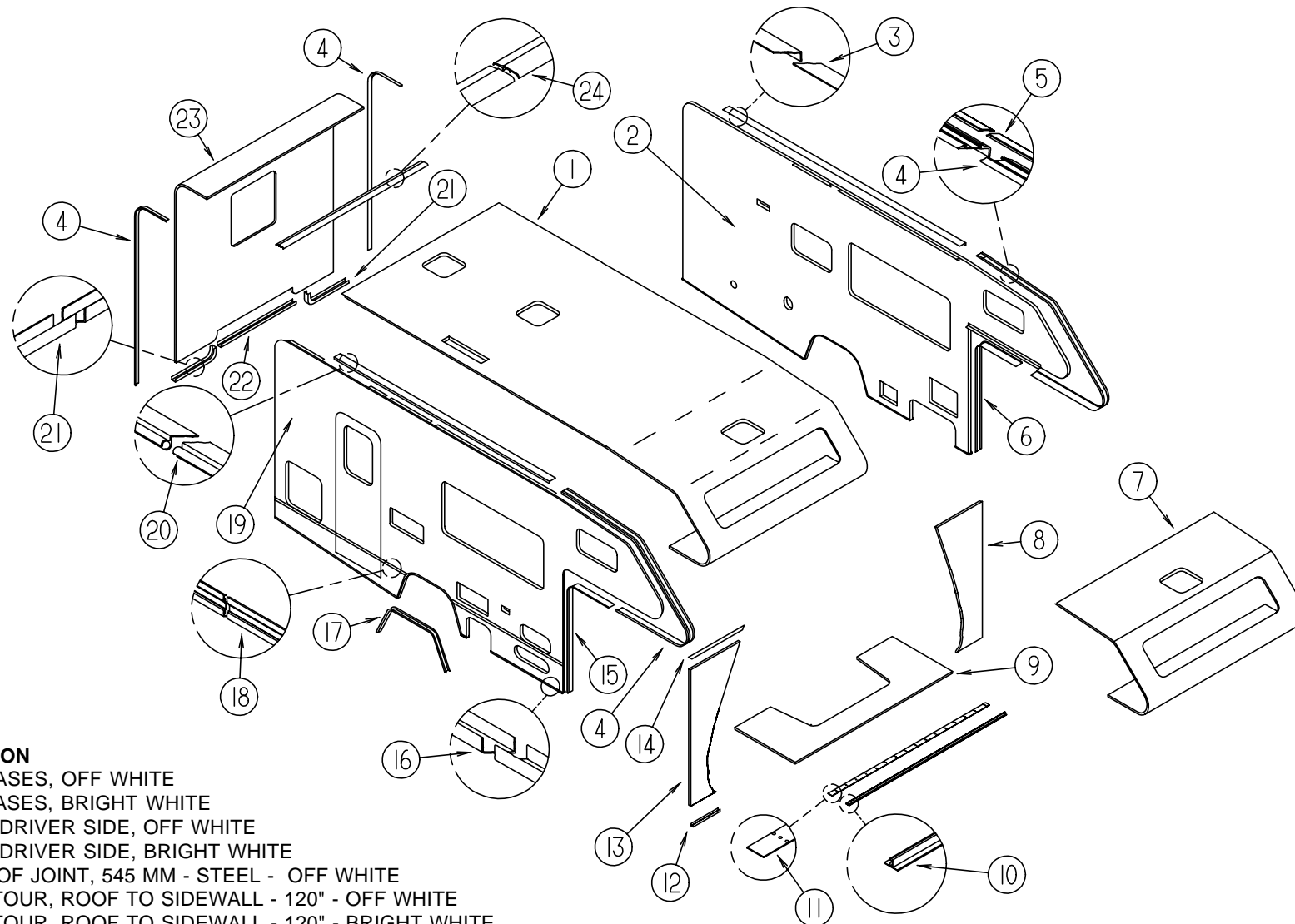
**WIRING ASSEMBLIES**

KEY	PART NUMBER	U/M	DESCRIPTION
	096449-01-000	EA	WIRE ASSEMBLY-WATER TANK TO MONITOR PANEL
	097618-01-000	EA	WIRE ASSEMBLY-MONITOR PANEL, W/3 WIRES & ORANGE RESISTOR- LVS
	106851-01-000	EA	WIRE ASSEMBLY-DAY RUN LAMP, FUSE

**ELECTRICAL GROUP (CONTINUED)**  
**CONNECTORS, HOUSINGS, & TERMINALS**

KEY	PART NUMBER	U/M	DESCRIPTION
	007940-01-000	EA	RECEPTACLE-SLIDE, 16 TO 12 AWG - FEMALE END
	080015-03-000	EA	RECEPTACLE-FLAG, .250 - 14/16 GA
	007942-01-000	EA	TAB-WIRE, 18 TO 14 AWG
	008311-01-000	EA	CONNECTOR-WIRE NUT, INSULATED - RED
	008314-01-000	EA	CONNECTOR-WIRE NUT, INSULATED - GRAY
	008355-01-000	EA	CONNECTOR-CABLE CLAMPING, 3/4"
	008356-01-000	EA	CONNECTOR-PLASTIC, 3/8" AVG
	041480-01-000	EA	CONNECTOR-STRAIGHT, 1/2" FLEX CONDUIT
	058028-01-000	EA	CONNECTOR-ELECTRICAL PIGTAIL, NYLON - CLEAR
	008326-01-000	EA	TERMINAL-RING, 16/14 WIRE - 3/8" STUD
	008328-01-000	EA	TERMINAL-RING, 12/10 WIRE - #10 STUD FIT
	008331-01-000	EA	TERMINAL-RING,TONGUE - #4 WIRE - 3/8" STUD - COPPER
	008348-01-000	EA	TERMINAL-RING, 3/8" STUD - #2 WIRE
	035416-04-000	EA	TERMINAL-RING #10 STUD FIT, INSULATED BARREL #16/14
	047443-01-000	EA	TERMINAL - .250 RECEPTACLE FIT, INSULATED - 16/14 AWG
	047443-02-000	EA	TERMINAL - .250 RECEPTACLE FIT, INSULATED - 12/10 AWG
	062036-02-000	EA	TERMINAL-PACK CON, 16/14 AWG - PACKARD 08917021
	077479-01-000	EA	BOOT-BATTERY TERMINAL, DOUBLE CABLE
	077479-02-000	EA	BOOT-BATTERY TERMINAL, SINGLE CABLE
	087225-01-000	FT	SLEEVING - 1/2", TYPE H - VARFLEX
	087949-01-000	EA	BUSS BAR - 2 POSITION, .6' X 1.5" - ALUMINUM
	088473-03-000	EA	HOUSING-PIN, 9 CAVITY - AMP 1-480706-0
	088473-05-000	EA	HOUSING-PIN, 6 CAVITY - AMP 640585-1
	088473-06-000	EA	HOUSING-PIN, 6 CAVITY - AMP 1-480704-0
	088473-08-000	EA	HOUSING-PIN, 4 CAVITY - AMP 1-480702-0
	088473-09-000	EA	HOUSING-PIN, 3 CAVITY - AMP 1-480700-0
	088473-10-000	EA	HOUSING-PIN, 2 CAVITY - AMP 1-480698-0
	088474-03-000	EA	HOUSING-SOCKET, 9 CAVITY - AMP 1-480707-0
	088474-06-000	EA	HOUSING-SOCKET, 6 CAVITY - AMP 1-480705-0
	088474-07-000	EA	HOUSING-SOCKET, 5 CAVITY - AMP 1-480764-0
	088474-08-000	EA	HOUSING-SOCKET, 4 CAVITY - AMP 1-480703-0
	088474-09-000	EA	HOUSING-SOCKET, 3 CAVITY - AMP 1-480701-0
	088474-10-000	EA	HOUSING-SOCKET, 2 CAVITY - AMP 1-480699-0
	088475-01-000	EA	PIN-CONNECTOR, 14 TO 20 AWG
	088475-02-000	EA	PIN-CONNECTOR, 10 TO 12 AWG
	088476-01-000	EA	SOCKET-CONNECTOR, BRASS - PRE-TIN
	088476-02-000	EA	SOCKET-CONNECTOR, 12-10 GA - PHOS. BRZ - PRE-TIN
	063910-01-000	EA	HOUSING-RELAY, BOSCH 3 334 485 008

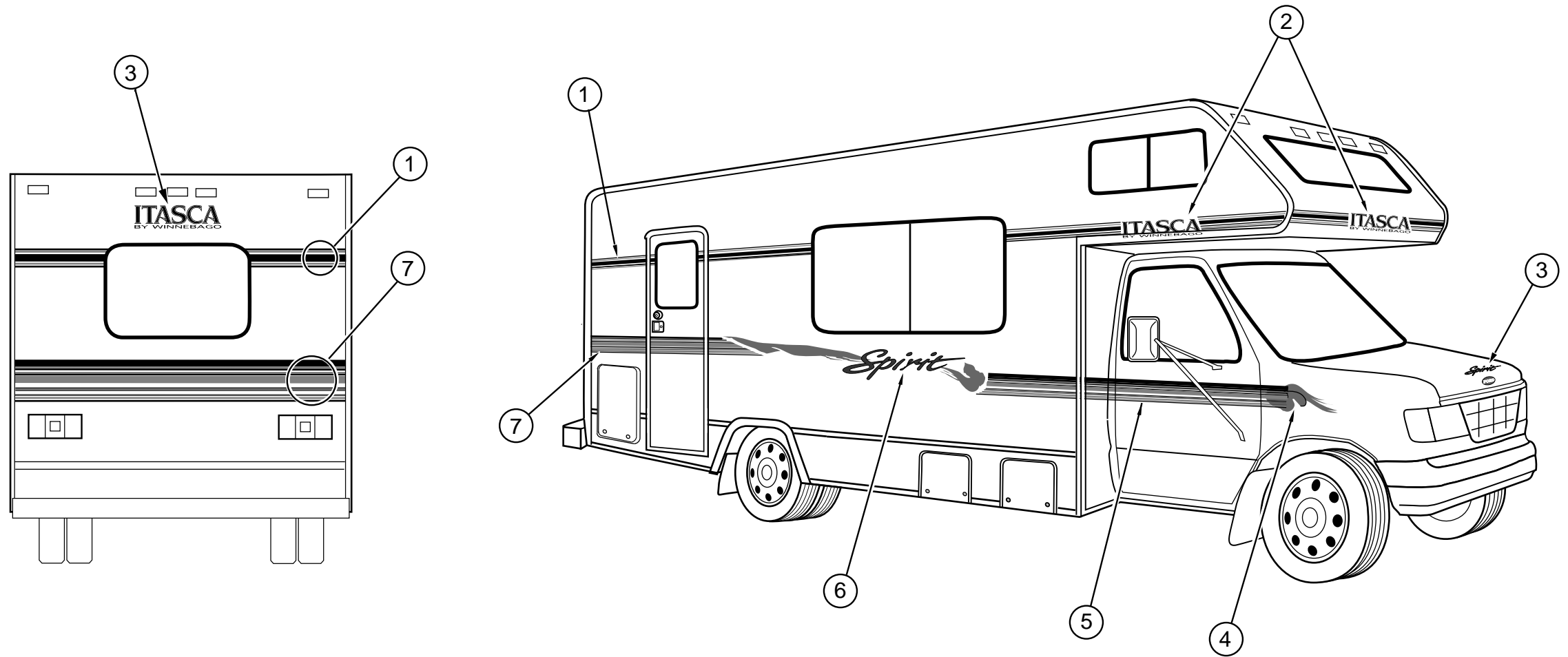
**EXTERIOR BODY GROUP  
EXTERIOR BODY PANELS**



KEY	PART NUMBER	U/M	DESCRIPTION
1	P13823-01-F15	EA	ROOF-W/BASES, OFF WHITE
1	M06976-04-F15	EA	ROOF-W/BASES, BRIGHT WHITE
2	P13824-01-F15	EA	SIDEWALL-DRIVER SIDE, OFF WHITE
2	M07421-01-F15	EA	SIDEWALL-DRIVER SIDE, BRIGHT WHITE
	064675-54-004	EA	ANGLE-ROOF JOINT, 545 MM - STEEL - OFF WHITE
3	096864-01-01A	EA	TRIM-CONTOUR, ROOF TO SIDEWALL - 120" - OFF WHITE
3	096864-01-02A	EA	TRIM-CONTOUR, ROOF TO SIDEWALL - 120" - BRIGHT WHITE
4	096854-01-01A	EA	TRIM-CONTOUR, W/O VINYL INSERT - 108" - OFF WHITE
4	096854-01-02A	EA	TRIM-CONTOUR, W/O VINYL INSERT - 108" - BRIGHT WHITE
5	105312-01-01A	FT	INSERT-TRIM, VINYL - OFF WHITE
5	105312-01-07A	FT	INSERT-TRIM, VINYL - BRIGHT WHITE
6	104479-06-01A	EA	TRIM-CONTOUR, FRONT - OFF WHITE
6	104479-06-02A	EA	TRIM-CONTOUR, FRONT - BRIGHT WHITE
7	M76177-01-700	EA	ROOF SECTION-FRONT, UNIVERSAL
8	P09858-02-D04	EA	WINGWALL-DRIVER SIDE, CHEVY - OFF WHITE
8	M07423-02-F15	EA	WINGWALL-DRIVER SIDE, CHEVY - BRIGHT WHITE
8	109659-02-D04	EA	WINGWALL-DRIVER SIDE, FORD - OFF WHITE
8	M07423-04-F15	EA	WINGWALL-DRIVER SIDE, FORD - BRIGHT WHITE
9	P09658-01-F15	EA	SLEEPERBOARD-OFF WHITE
9	M07422-01-F15	EA	SLEEPERBOARD-BRIGHT WHITE
10	100086-02-01A	EA	TRIM-SLEEPERBOARD, 2" X 90.7" - OFF WHITE
10	100086-02-02A	EA	TRIM-SLEEPERBOARD, 2" X 90.7" - BRIGHT WHITE
11	100085-03-01A	EA	TRIM-SLEEPERBOARD, FLAT - 2.5" X 87.5" - OFF WHITE
12	002365-03-003	EA	U CHANNEL-EXTRUDED, 1.00" X 192" - OFF WHITE
12	002365-03-006	EA	U CHANNEL-EXTRUDED, 1.00" X 192" - BRIGHT WHITE
13	P09858-01-D04	EA	WINGWALL-PASSENGER SIDE, CHEVY - OFF WHITE
13	M07423-01-F15	EA	WINGWALL-PASSENGER SIDE, CHEVY - BRIGHT WHITE
13	109659-01-D04	EA	WINGWALL-PASSENGER SIDE, FORD - OFF WHITE
13	M07423-03-F15	EA	WINGWALL-PASSENGER SIDE, FORD - BRIGHT WHITE
14	022992-01-000	FT	MOLDING-REVERSE COVE, T-SHAPED - OFF WHITE
14	022992-14-000	FT	MOLDING-REVERSE COVE, T-SHAPED - BRIGHT WHITE
	089334-01-000	FT	VINYL-EXTERIOR, BETWEEN WINGWALL & CAB SEAL - OFF WHITE
	089334-02-000	FT	VINYL-EXTERIOR, BETWEEN WINGWALL & CAB SEAL - BRIGHT WHITE
	096945-01-01A	EA	TRIM-L ANGLED, PASSENGER WINGWALL

KEY	PART NUMBER	U/M	DESCRIPTION
15	104479-05-01A	EA	TRIM-CONTOUR - FRONT - OFF WHITE
15	104479-05-02A	EA	TRIM-CONTOUR - FRONT - BRIGHT WHITE
16	098072-55-001	EA	U CHANNEL-EXTRUDED, 4877 MM - OFF WHITE
16	098072-55-003	EA	U CHANNEL-EXTRUDED, 4877 MM - BRIGHT WHITE
17	105100-02-01A	EA	TRIM-WHEELWELL - OFF WHITE
17	105100-02-02A	EA	TRIM-WHEELWELL - BRIGHT WHITE
18	108688-01-01A	EA	FEATURE STRIP-OFF WHITE
	108651-01-01A	EA	CAP-FEATURE STRIP, MILL
	105312-01-01A	FT	INSERT-FEATURE STRIP, VINYL - OFF WHITE
18	108688-01-03A	EA	FEATURE STRIP-BRIGHT WHITE
	108651-01-01A	EA	CAP-FEATURE STRIP, MILL
	105312-01-07A	FT	INSERT-FEATURE STRIP, VINYL - BRIGHT WHITE
19	P13825-01-F15	EA	SIDEWALL-PASSENGER SIDE, OFF WHITE
19	M07421-02-F15	EA	SIDEWALL-PASSENGER SIDE, BRIGHT WHITE
20	099583-55-001	EA	RAIL-AWNING, 10' - OFF WHITE
20	099583-55-003	EA	RAIL-AWNING, 10' - BRIGHT WHITE
21	103334-02-01A	EA	TRIM-BACKWALL, LOWER - OFF WHITE
21	103334-02-02A	EA	TRIM-BACKWALL, LOWER - BRIGHT WHITE
22	103335-02-01A	EA	TRIM-BACKWALL, LOWER - OFF WHITE
22	103335-02-02A	EA	TRIM-BACKWALL, LOWER - BRIGHT WHITE
23	M06975-01-F15	EA	BACKWALL-W/O LIGHTS AND DECALS, OFF WHITE
23	M06975-05-F15	EA	BACKWALL-W/O LIGHTS AND DECALS, BRIGHT WHITE
24	078580-01-000	EA	TRIM - ROOF TO BACKWALL, MILL FINISH

## EXTERIOR BODY GROUP (CONTINUED)



### DECALS, STRIPES & PAINT

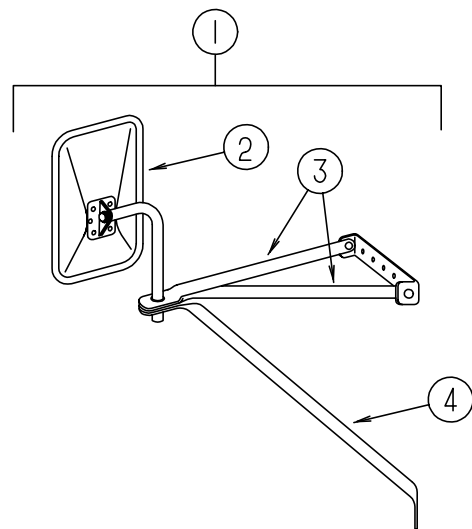
KEY	PART NUMBER	U/M	DESCRIPTION
1	115129-01-01A	FT	FILM-MULTISTRIPE, 69.9 MM - ROYAL PURPLE/PLUM BAY/REGGAE BLUE
2	115172-01-01A	EA	DECAL-LOGO, ITASCA - W/BY WINNEBAGO - PLUM BAY/REGGAE BLUE
3	115130-01-01A	EA	DECAL-LOGO, SPIRIT - REGGAE BLUE
4	115132-01-01A	EA	DECAL-SPLASH, RH - REGGAE BLUE/PLUM BAY/PURPLE
4	115132-02-01A	EA	DECAL-SPLASH, LH - REGGAE BLUE/PLUM BAY/PURPLE
5	116030-01-01A	EA	DECAL-DOOR, RH - REGGAE BLUE/PLUM BAY/PURPLE
5	116030-02-01A	EA	DECAL-DOOR, LH - REGGAE BLUE/PLUM BAY/PURPLE
6	115131-01-01A	EA	DECAL-SPIRIT W/SPLASH, RH - REGGAE BLUE/PURPLE/PLUM BAY
6	115131-02-01A	EA	DECAL-SPIRIT W/SPLASH, LH - REGGAE BLUE/PURPLE/PLUM BAY
7	115128-01-01A	FT	FILM-MULTISTRIPE, 190.5 MM - REGGAE BLUE/PLUM BAY/ROYAL PURPLE

### DUPONT PAINT COLOR CODES

BRIGHT WHITE      DUPONT B8951U



**EXTERIOR BODY GROUP (CONTINUED)**



**FORD EXTERIOR MIRRORS**

KEY	PART NUMBER	U/M DESCRIPTION
1	106860-01-01A	EA MIRROR-EXTERIOR, LOW MOUNT - PAIR - OFF WHITE
1	106860-01-02A	EA MIRROR-EXTERIOR, LOW MOUNT - PAIR - BRIGHT WHITE
2	106860-01-700	EA MIRROR-HEAD, EXTERIOR - OFF WHITE
2	106860-01-707	EA MIRROR-HEAD, EXTERIOR - BRIGHT WHITE
3	106860-01-701	EA ARM-MIRROR - OFF WHITE
3	106860-01-708	EA ARM-MIRROR - BRIGHT WHITE
4	106860-01-703	EA BRACE LOWER FORWARD - DRIVER - OFF WHITE
4	106860-01-709	EA BRACE LOWER FORWARD - DRIVER - BRIGHT WHITE
4	106860-01-704	EA BRACE LOWER FORWARD - PASSENGER - OFF WHITE
4	106860-01-710	EA BRACE LOWER FORWARD - PASSENGER - BRIGHT WHITE
	106860-01-702	EA HARDWARE PACKAGE
	106860-01-705	EA MIRROR ASSEMBLY-LEFT SIDE COMPLETE - OFF WHITE
	106860-01-711	EA MIRROR ASSEMBLY-LEFT SIDE COMPLETE - BRIGHT WHITE
	106860-01-706	EA MIRROR ASSEMBLY-RIGHT SIDE COMPLETE - OFF WHITE
	106860-01-712	EA MIRROR ASSEMBLY-RIGHT SIDE COMPLETE - BRIGHT WHITE
	117051-01-700	EA MIRROR-AUXILIARY, CONVEX STICK-ON - VELVAC 723068-4

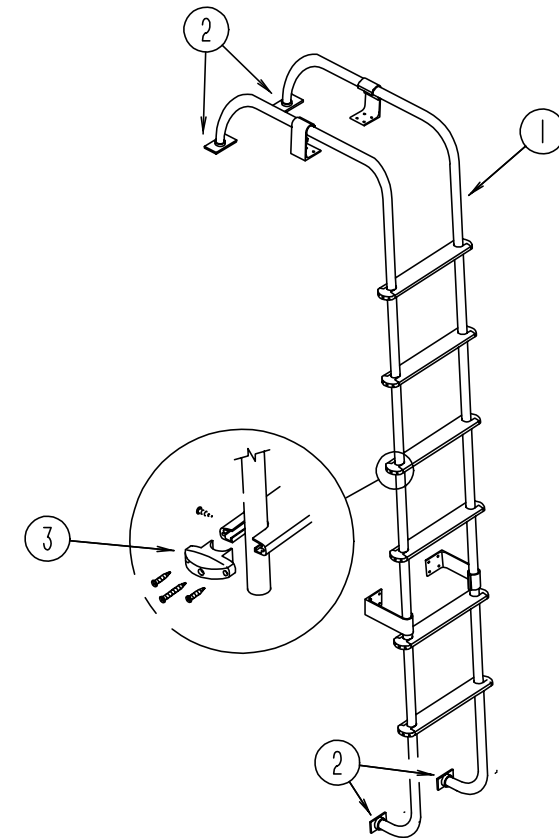
**CHEVROLET EXTERIOR MIRRORS - VELVAC - OFF WHITE**

KEY	PART NUMBER	U/M DESCRIPTION	VENDOR NUMBERS
	106860-03-01A	EA MIRROR-REGULAR HEAD, LOW MOUNT - OFF WHITE	712477
	106860-03-700	EA MIRROR-HEAD, DRIVER OR PASSENGER - 7.5" X 10"	7090050
	106860-03-701	EA MIRROR ASSEMBLY-RIGHT SIDE	7133580
	106860-03-702	EA MIRROR ASSEMBLY-LEFT SIDE	7133570
	106860-03-703	EA ARM	D7805210
	106860-03-704	EA BRACE-UPPER FORWARD RH & UPPER REAR LH	D7806920
	106860-03-705	EA BRACE-UPPER REAR RH & UPPER FORWARD LH	D7806930

**CHEVROLET EXTERIOR MIRRORS -VELVAC - BRIGHT WHITE**

KEY	PART NUMBER	U/M DESCRIPTION	VENDOR NUMBERS
	106860-03-02A	EA MIRROR-REGULAR HEAD, LOW MOUNT - BRIGHT WHITE	712620
	106860-03-706	EA MIRROR HEAD, 7.5 X 10.0	7090040
	106860-03-707	EA ARM-BENT	W7805210
	106860-03-708	EA BRACE-UPPER FORWARD RH & UPPER REAR LH	W7806920
	106860-03-709	EA BRACE-UPPER REAR RH & UPPER FORWARD LH	W7806930

**EXTERIOR BODY GROUP (CONTINUED)**



**LADDER**

KEY	PART NUMBER	U/M DESCRIPTION
1	102953-10-F15	EA LADDER ASSEMBLY
2	067165-01-000	EA MOUNTING BRACKET-LADDER, LOWER
3	076980-02-000	EA END CAP-STEP, BLACK
	000G39-06-10T	EA SCREW-SF/DR - 6-20 X 5/8 PPH, BLACK
	000G68-10-36T	EA SCREW - 10-12 X 2.25 POH, BLACK

**RUNNING BOARDS - FORD**

KEY	PART NUMBER	U/M DESCRIPTION	VENDOR NUMBERS
	072884-27-000	EA RUNNING BOARD - 39", FORD	KEM K12 15539
	072884-27-700	EA BRACKET SET - 12"	RB2BRK/M
	072884-27-701	EA UNIVERSAL RUNNING BOARD ONLY - 39", LH/RH - FORD	
	072884-27-702	FT TAPE-TREAD	RB9202
	072884-27-703	EA MUD FLAPS-W/HOLES, PAIR	99171
	072884-27-704	EA END CAPS-PAIR	99148

**RUNNING BOARDS - CHEVY**

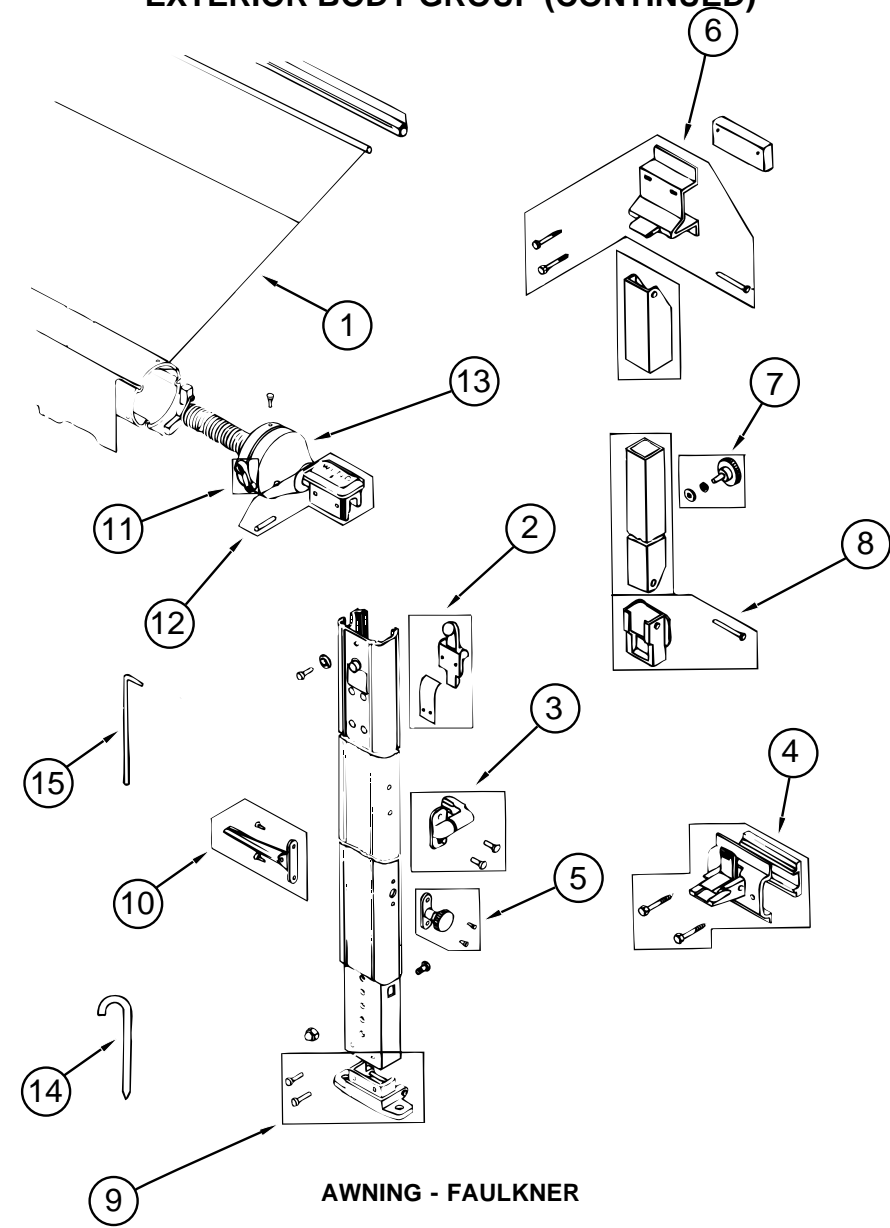
KEY	PART NUMBER	U/M DESCRIPTION	VENDOR NUMBERS
	072884-26-000	EA RUNNING BOARD - 27", CHEVY	KEM K12 15527
	072884-26-700	EA UNIVERSAL RUNNING BOARD ONLY - 27", LH/RH - CHEVY	
	072884-27-700	EA BRACKET SET - 12"	RB2BRK/M
	072884-27-702	FT TREAD-TAPE	RB9202
	072884-27-703	EA MUD FLAPS-W/HOLES, PAIR	99171
	072884-27-704	EA END CAPS-PAIR	99148

## EXTERIOR BODY GROUP (CONTINUED)

FIBERGLASS, STYROFOAM, ALUMINUM, PLYWOOD, CHANNEL & STEEL TUBES

KEY	PART NUMBER	U/M	DESCRIPTION
	076054-P3-000	EA	FIBERGLASS-SHEET, 96" X 97" - OFF WHITE
	077517-24-000	EA	FIBERGLASS-SHEET, FLAT - 48" X 96" - OFF WHITE
	076054-D3-001	EA	FIBERGLASS-SHEET, 48" X 96" - OFF WHITE
	076054-D3-002	EA	FIBERGLASS-SHEET, 24" X 96" - OFF WHITE
	076054-D3-003	EA	FIBERGLASS-SHEET, 24" X 288" - OFF WHITE
	076054-D3-004	EA	FIBERGLASS-SHEET, 24" X 384" - OFF WHITE
	076054-D3-005	EA	FIBERGLASS-SHEET, 48" X 224" - OFF WHITE
	076054-D3-006	EA	FIBERGLASS-SHEET, 48" X 298" - OFF WHITE
	076054-P4-000	EA	FIBERGLASS-SHEET, 96" X 97" - BRIGHT WHITE
	076054-P9-000	EA	FIBERGLASS-SHEET, 37" X 99" - BRIGHT WHITE
	076054-R1-000	EA	FIBERGLASS-SHEET, 24" X 66" - BRIGHT WHITE
	077517-62-000	EA	FIBERGLASS-SHEET, FLAT - 48" X 96" - BRIGHT WHITE
	076054-N9-000	EA	FIBERGLASS-SHEET, 96" X 102" - BRIGHT WHITE
	076054-N3-000	EA	FIBERGLASS-SHEET, 102" X 234" - BRIGHT WHITE
	000870-08-000	SF	STYROFOAM-PLANED, .75" X 48" X 96"
	083574-03-000	SF	STYROFOAM - 3/4" X 48" X 96"
	100619-01-000	BF	FOAM-EXPANDED POLYSTYRENE, 48" X 96" X 1.34"
	100619-04-000	BF	FOAM-EXPANDED POLYSTYRENE, 48" X 96" X .5"
	100619-05-000	BF	FOAM-EXPANDED POLYSTYRENE, 48" X 96" X .75"
	044487-01-001	EA	ALUMINUM-SHEET, .019" X 96" X 360" - MILL FINISH
	044487-01-002	EA	ALUMINUM-SHEET, .019" X 14.014" X 30.199" - MILL FINISH
	089297-01-000	SF	PLYWOOD-LUAN, OVERLAY GRADE - 4' X 8'
	089297-02-000	SF	PLYWOOD-LUAN, GRADE CC LFE - 2.7MM X 48" X 108"
	002726-01-001	EA	GARNISH-U CHANNEL, 1.38" X 19' - SERRATED - MILL ALUMINUM
	055278-51-259	EA	TUBING-STEEL, .75" X 1.5" X 12.5'

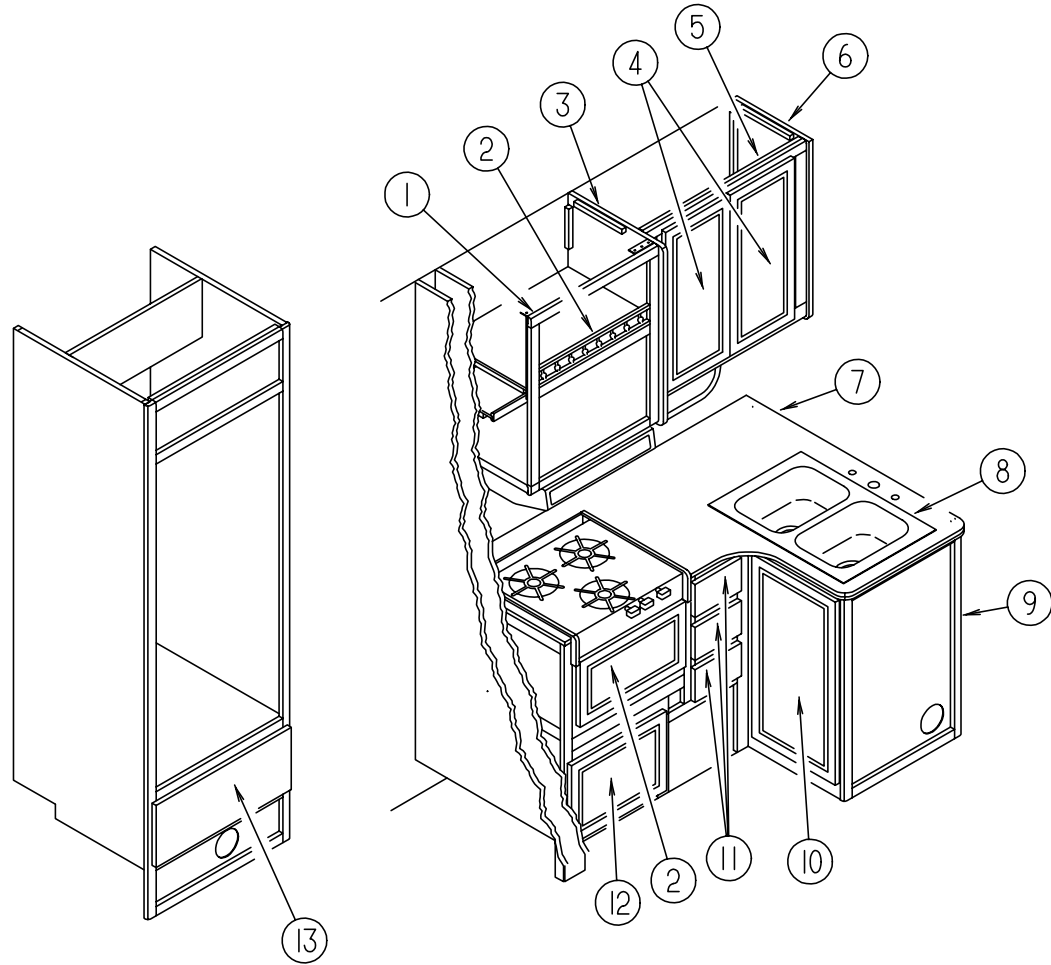
## EXTERIOR BODY GROUP (CONTINUED)



**AWNING - FAULKNER**

KEY	PART NUMBER	U/M	DESCRIPTION	VENDOR NUMBERS
1	110634-11-04A	EA	ROLLER ASSEMBLY-AWNING, 11' - TEAL	
				FROM: 00-00-00 THRU: 11-30-94
1	110634-14-04A	EA	ROLLER ASSEMBLY-AWNING, 11'	
				FROM: 12-01-94 THRU: 99-99-99
	111037-01-01A	EA	SPACER-AWNING, UPPER - BLACK	
	111038-01-01A	EA	SPACER-AWNING, LOWER - BLACK	
	110634-02-02A	EA	AWNING-HARDWARE KIT, OFF WHITE	
	110634-02-04A	EA	AWNING-HARDWARE KIT, BRIGHT WHITE	
2	110634-01-700	EA	RAFTER LOCKING MECHANISM KIT	7605-0001
3	110634-01-701	EA	SAFETY & LATCH KIT	7509-0001
4	110634-01-702	EA	BOTTOM BRACKET KIT	7512-0001
5	110634-01-703	EA	HEIGHT LOCK HANDLE KIT	7510-0001
6	110634-01-704	EA	UPPER BRACKET KIT W/BOLTS	7505-0001
7	110634-01-705	EA	ULTRA RAFTER KNOB KIT	7522-0001
8	110634-01-706	EA	RAFTER SLIDE KIT	
9	110634-01-707	EA	GROUND BRACKET KIT	7511-0001
10	110634-01-708	EA	LIFT HANDLES-W/RIVETS	7000-0001
11	110634-01-709	EA	RATCHET HANDLE KIT	7507-0001
12	110634-01-710	EA	ARM CAP KIT	7503-0001
13	110634-01-711	EA	FRONT SPRING ASSEMBLY	6598-0001
13	110634-01-712	EA	REAR SPRING ASSEMBLY	6599-0001
13	110634-01-713	EA	REAR END CAP KIT	7504-0001
14	110634-01-714	EA	STAKE - 4 PER BAG	5208-0001
15	110634-01-715	EA	PULL DOWN WAND	7604-0001

**GALLEY GROUP**  
**GALLEY CABINETS & FIXTURES**



KEY	PART NUMBER	U/M	DESCRIPTION
1	114774-02-F15	EA	CABINET-OVERHEAD, MICROWAVE FROM: 00-00-00 THRU: 06-12-94
1	114774-01-F15	EA	CABINET-OVERHEAD, MICROWAVE FROM: 06-13-94 THRU: 99-99-99
2	111775-01-01A	EA	RAIL-DECORATIVE, 1830 MM - OAK
3	109908-19-F15	EA	END CAP-CABINET, OVERHEAD
4	110140-34-E01	EA	DOOR-CABINET, W/O HARDWARE - 330MM X 660MM
5	114775-01-F15	EA	CABINET-OVERHEAD, W/O DOORS OR HARDWARE
6	109908-20-F15	EA	END CAP-OVERHEAD CABINET
7	114672-11-F15	EA	COUNTERTOP-GALLEY CABINET
8	104113-01-000	EA	SINK-STAINLESS STEEL, DOUBLE
	092303-01-000	EA	STRAINER-SINK
	103243-01-000	EA	FAUCET-GALLEY, DUAL CONTROL - 8" CENTERSET
	103610-01-F15	EA	COVER-SINK
9	P14672-01-F15	EA	CABINET-GALLEY, W/RANGE TOP
9	M07412-02-F15	EA	CABINET-GALLEY, W/RANGE & OVEN
10	110140-37-E01	EA	DOOR-CABINET, W/O HARDWARE - 395MM X 750MM
11	P10163-H6-F15	EA	DRAWER-CABINET, W/O HARDWARE
12	110140-36-E01	EA	DOOR-CABINET, W/O HARDWARE - 325MM X 450MM
13	110140-06-EB1	EA	DOOR-CABINET, W/O HARDWARE - 255MM X 640MM
	090329-01-000	FT	T-SEAL, REFRIGERATOR CABINET - .6" WIDE TOP X 2" TAIL

**GALLEY GROUP (CONTINUED)**  
**MICROWAVE**

KEY	PART NUMBER	U/M DESCRIPTION	VENDOR NUMBERS
	115303-01-000	EA OVEN-MICROWAVE	MCD-DM15K-7B
	115303-01-700	EA TRIM-VENT, TOP OR GRILL	2100309
	115401-01-01A	EA TRIM-MICROWAVE, BLACK	
	098916-12-01A	EA BRACE-MICROWAVE CABINET, E-COAT	
	098916-13-01A	EA BRACE-MICROWAVE CABINET, E-COAT	
	098916-07-01A	EA BRACE-MICROWAVE CABINET, E-COAT	
	094750-07-000	EA BRACKET-MICROWAVE, 89 DEGREE	

**RANGE HOOD**

KEY	PART NUMBER	U/M DESCRIPTION	VENDOR NUMBERS
	100258-16-01A	EA HOOD-RANGE, W/O MONITOR PANEL - VENTLINE - US FROM: 00-00-00 THRU: 11-06-94	TCS5008NAD
	100258-16-03A	EA HOOD-RANGE, W/O MONITOR PANEL - VENTLINE FROM: 11-07-94 THRU: 99-99-99	TCS-5008-NADLG
	100258-17-01A	EA HOOD-RANGE, W/O MONITOR PANEL - VENTLINE - CSA FROM: 00-00-00 THRU: 09-25-94	TCS5008NA
	100258-17-03A	EA HOOD-RANGE, W/O MONITOR PANEL W/HOUR METER FROM: 09-26-94 THRU: 99-99-99	TCS-5008-NACLG
	100258-18-02A	EA HOOD-RANGE, W/O MONITOR PANEL - W/HOUR METER	TPS-5009-SADLG
	100258-10-01A	EA GAUGE-HOUR METER, W/SWITCH - SCREW ON VENTLINE 150	
	100258-10-701	EA GAUGE-HOUR METER, CLIP ON L0775-00	
	117806-01-000	EA BULB - 12V NO.912 1.0 AMPS	
	090973-01-700	EA MOTOR-LVS	CA508-1
	090973-01-702	EA BLADE-FAN, LVS	VA183-1
	092696-01-710	EA SOCKET-LIGHT, VENTLINE	CB267-2
	092696-02-701	EA LENS-LAMP, LVS	CC179
	096983-01-700	EA SWITCH-ON/OFF, VENTLINE	108
	096983-01-702	EA SWITCH-TWO WAY MOMENTARY, VENTLINE	112
	096983-01-707	EA FILTER-GREASE, 8" X 8" - LVS	CC246
	100258-01-700	EA HOOD-NOSE LABEL	CC428

**MONITOR PANEL - LVS**

KEY	PART NUMBER	U/M DESCRIPTION	VENDOR NUMBERS
	102765-04-01A	EA MONITOR PANEL - W/PLUG - FOR 2 TANKS & AUX HEATER & MOTOR AID - LVS	
	075470-01-703	EA SWITCH-ON/MOMENTARY - JENSEN AND VENTLINE	
	096983-01-700	EA SWITCH-ON/OFF - VENTLINE	108
	102765-04-700	EA CIRCUIT BOARD - LVS	5076-11

**GALLEY GROUP (CONTINUED)**  
**RANGE - 3 BURNER - MAGIC CHEF**

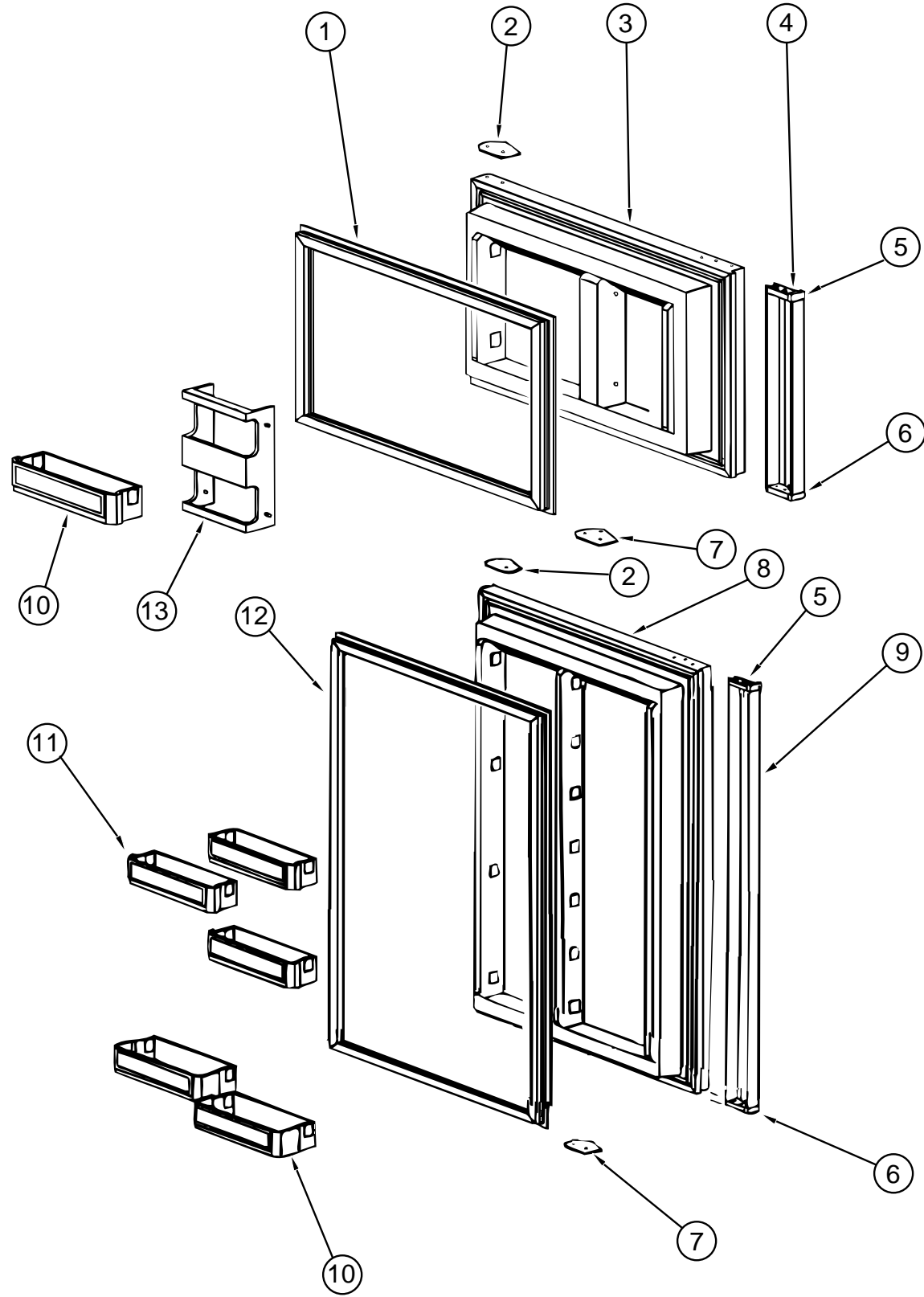
KEY	PART NUMBER	U/M DESCRIPTION	VENDOR NUMBERS
	114030-01-01A	EA RANGE-W/O OVEN, 3 BURNER - ALMOND - MAGIC CHEF	85RA-3B
	102019-01-705	EA TRIM-REAR, BLACK - MAGIC CHEF	3608F009-70
	102020-01-709	EA BUMPER-GRATE, MAGIC CHEF	8007P018-60
	102020-01-710	EA FILTER-PILOT, MAGIC CHEF	7507P046-60
	102020-01-711	EA GRATE-TOP, MAGIC CHEF	7518P012-60
	102020-01-721	EA VALVE-SHUT OFF, MAGIC CHEF	7506F096-60
	102020-01-722	EA VALVE-TOP BURNER, MAGIC CHEF	7502P095-60
	102020-01-724	EA BUMPER-MAIN TOP, MAGIC CHEF	8003P008-60
	102022-01-708	EA REGULATOR-PRESSURE, 1/4 IN - 1/2 OUT	7510P041-60
	112881-01-700	EA TOP-MAIN, ALMOND	2001F110-84
	112881-01-703	EA VALVE-TOP BURNER, HI-OUTPUT	7502P180-60
	112881-01-705	EA KNOB-TOP BURNER	7733P072-60
	112881-01-709	EA PIPE-MANIFOLD	7513P097-60
	114030-01-700	EA PILOT-BURNER	7505P147-60
	114030-01-701	EA PANEL-MANIFOLD	2616F078-70
	114030-01-702	EA TRIM-RIGHT, BLACK	3608W040-70
	114030-01-703	EA TRIM-LEFT, BLACK	3608W039-70
	081587-03-000	EA BRACKET-TIEDOWN, RANGE - RH	
	081587-04-000	EA BRACKET-TIEDOWN, RANGE - LH	

**RANGE - 3 BURNER W/OVEN - MAGIC CHEF**

KEY	PART NUMBER	U/M DESCRIPTION	VENDOR NUMBERS
	112881-01-03A	EA RANGE - 16", 3 BURNER - ALMOND DOOR - MAGIC CHEF	16RA-3B49
	055282-04-700	EA PANEL-OVEN DOOR, ALMOND - MAGIC CHEF	50-26577-2A
	102020-01-700	EA SHELF-OVEN, MAGIC CHEF	7801-P027-60
	102020-01-701	EA HANDLE-DOOR, MAGIC CHEF	7701P092-60
	102020-01-709	EA BUMPER-GRATE, MAGIC CHEF	8007P018-60
	102020-01-711	EA GRATE-TOP, MAGIC CHEF	7518P012-60
	102020-01-722	EA VALVE-TOP BURNER, MAGIC CHEF	7502P095-60
	102020-01-724	EA BUMPER-MAIN TOP, MAGIC CHEF	8003P008-60
	102022-01-708	EA REGULATOR-PRESSURE, 1/4 IN - 1/2 OUT	7510P041-60
	112881-01-700	EA TOP-MAIN, ALMOND	2001F110-84
	112881-01-701	EA PANEL-MANIFOLD	2616F091-70
	112881-01-702	EA VALVE-MERCURY, SAFETY VALVE	7501-P121-60
	112881-01-703	EA VALVE-TOP BURNER, HI-OUTPUT	7502P180-60
	112881-01-704	EA KNOB-THERMOSTAT	7731P067-60
	112881-01-705	EA KNOB-TOP BURNER	7733P072-60
	112881-01-706	EA THERMOSTAT	12400026
	112881-01-707	EA TRIM-FLAT, LEFT - BLACK	3608W035-70
	112881-01-708	EA TRIM-FLAT, RIGHT - BLACK	3608W036-70
	112881-01-709	EA PIPE-MANIFOLD	7513P097-60
	112881-01-710	EA PILOT-OVEN	7505P202-60
	112881-01-711	EA BURNER-OVEN	3404W025045
	112881-01-713	EA DOOR-OVEN, TEXTURED	2401F126-70
	112881-01-715	EA THERMOSTAT	7515P037-60
	112881-01-716	EA KNOB-THERMOSTAT	7731P107-60
	105458-01-000	EA BRACKET-TIEDOWN, STOVE	
		FROM: 00-00-00 THRU: 10-16-94	
	105458-02-000	EA BRACKET-TIEDOWN, STOVE	
		FROM: 00-00-00 THRU: 10-16-94	
	105458-03-000	EA BRACKET-TIEDOWN, STOVE - RIGHT	
		FROM: 10-17-94 THRU: 99-99-99	
	105458-04-000	EA BRACKET-TIEDOWN, STOVE - LEFT	
		FROM: 10-17-94 THRU: 99-99-99	

**GALLEY GROUP (CONTINUED)**  
**REFRIGERATOR-SMALL DBL DOOR, 2-WAY - NORCOLD 6162 LH BL**

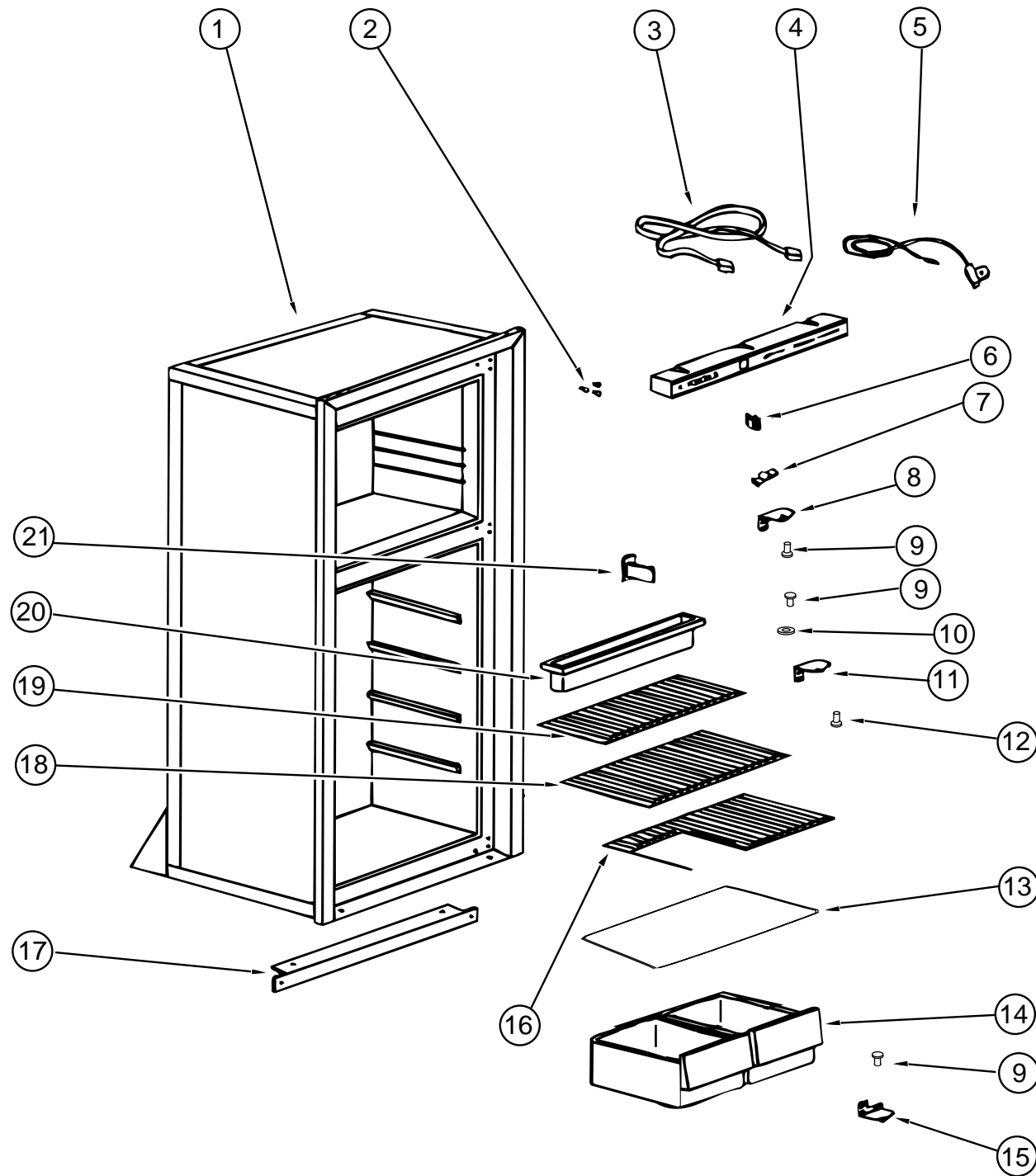
**NORCOLD 6162 LH BL REFRIGERATOR DOORS**



KEY	PART NUMBER	U/M	DESCRIPTION	VENDOR NUMBERS
1	094039-01-702	EA	GASKET-UPPER, GRAY	61567830
2	094039-01-710	EA	PLATE-HINGE, BLACK	61631330
2	094039-01-703	EA	PLATE-HINGE, LH - BROWN	61631422
3	094039-01-706	EA	LINER-UPPER DOOR, WHITE/BLACK	61581838-B
3	094039-01-705	EA	LINER-UPPER DOOR, BROWN/WHITE	61581837-B
4	094039-01-708	EA	HANDLE-DOOR, UPPER - BLACK	61650038
4	084880-03-704	EA	HANDLE-DOOR, UPPER - BROWN	61592937
5	084880-01-761	EA	END CAP-SPRING CATCH, UPPER - BLACK	61593730
5	084880-01-739	EA	END CAP-SPRING CATCH, UPPER - BROWN	61593722
	084880-01-720	EA	SPRING-DOOR HANDLE	61558822
6	084880-01-740	EA	END CAP-STOP CATCH	61593830
7	094039-01-704	EA	PLATE-HINGE, BLACK	61631430
7	094039-01-709	EA	PLATE-HINGE, BROWN	61631322
8	094038-01-702	EA	LINER-DOOR, LOWER - BLACK/WHITE	61581938-B
8	094038-01-701	EA	LINER-DOOR, LOWER - BROWN/WHITE	61581937-B
9	094038-01-704	EA	HANDLE-DOOR, LOWER - BLACK	61650138
9	094038-01-703	EA	HANDLE-DOOR, LOWER - BROWN	61650137
10	104137-06-703	EA	BIN-MILK, WHITE	61579425
11	104137-06-704	EA	BIN-DOOR SHELF, WHITE	61564025
12	094038-01-700	EA	GASKET-LOWER, GRAY	61567930
13	104137-06-702	EA	RACK-JUICE, WHITE	61580525

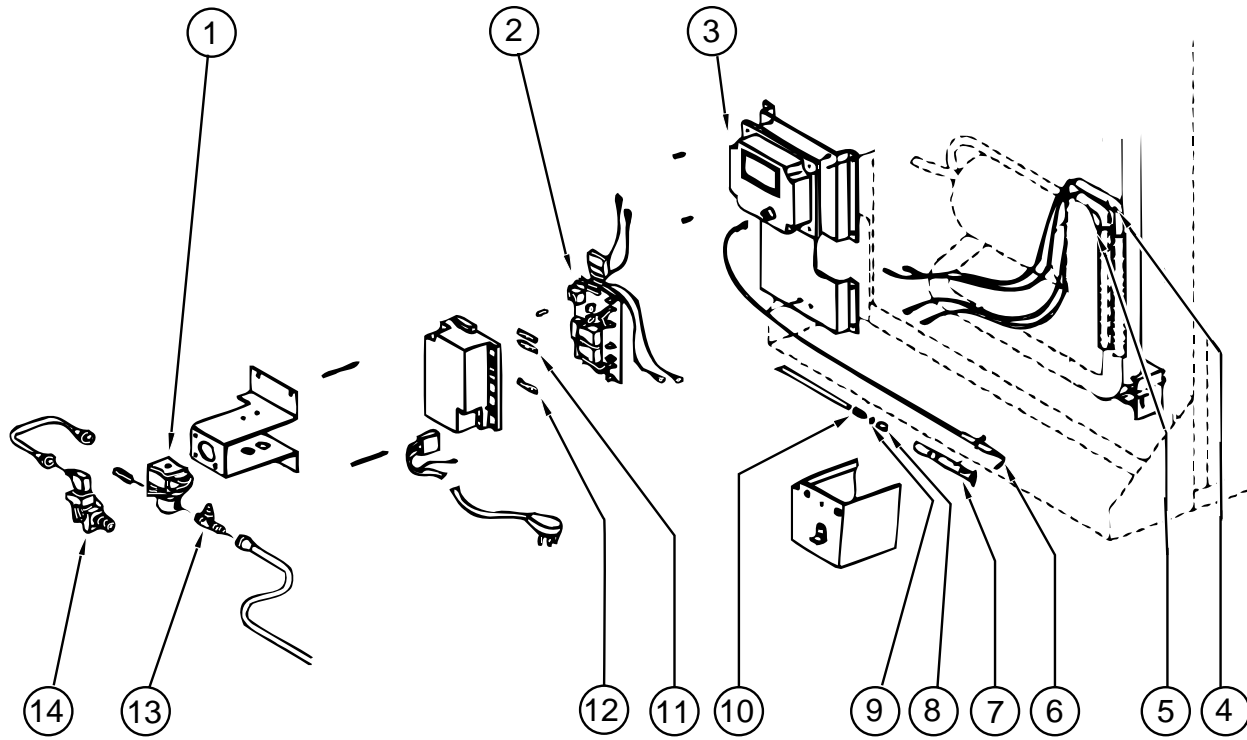
## GALLEY GROUP (CONTINUED)

### NORCOLD 6162 LH REFRIGERATOR CABINET ASSEMBLY



KEY	PART NUMBER	U/M	DESCRIPTION	VENDOR NUMBERS
	104138-05-01A	EA	REFRIGERATOR, SMALL DOUBLE DOOR - 2-WAY - LH	6162LH BL
1	104138-04-701	EA	FOAMED CABINET ASSEMBLY-BLACK W/WHITE	61725038
2	094039-01-722	EA	HOLE PLUG-BLACK HINGE HOLES	61582030
2	084880-01-747	EA	PLUG-HOLE	61582022
3	084880-01-746	EA	CABLE-NORCOLD	61571522
4	094039-04-701	EA	EYEBROW SHELL, 2-WAY - W/O HUMIDITY SWITCH HOLE	61669822
4	104137-06-700	EA	EYEBROW SHELL, 2-WAY - W/HUMIDITY SWITCH HOLE	61726622
5	084880-01-753	EA	THERMISTER 78"	61693822
6	075217-01-738	EA	SWITCH-HUMIDITY	61525922
7	084880-01-760	EA	CLIP-THERMISTER	61689122
8	094039-01-723	EA	BRACKET-HINGE, TOP RH - BOTTOM LH - BLACK	61580838
9	094039-01-725	EA	HINGE PIN-MALE, BLACK	61578130
	084880-03-702	EA	HINGE PIN-TOP/BOTTOM FEMALE	61580630
10	084880-01-749	EA	BUSHING-HINGE	61580722
11	094039-01-728	EA	BRACKET-HINGE, CENTER - BLACK	61566530
12	094039-01-730	EA	HINGE PIN SHAFT-CENTER HINGE, BLACK	61566730
13	084880-01-722	EA	COVER-CRISPER	61564122
14	104137-06-707	EA	CRISPER, WHITE	61571325
15	094039-01-724	EA	BRACKET-HINGE, TOP LH - BOTTOM RH - BLACK	61580938
16	094039-01-739	EA	SHELF-CUTOUT	61646722
17	094039-01-732	EA	COVER-FRONT, BLACK BOTTOM TRIM	61622130
18	094039-01-733	EA	WIRE SHELF-MIDDLE	61563822
19	094039-01-734	EA	WIRE SHELF-TOP W/RISER	61563722
20	094039-01-735	EA	DRIP TRAY-INSIDE, WHITE	61572830
21	084880-01-732	EA	LATCH-NORCOLD	61578522
	094039-01-726	EA	SHELF-FREEZER EVAPORATOR	61523622
	084879-03-700	EA	COOLING UNIT-HORIZONTAL BURNER	61687237
	088248-01-706	EA	BURNER-HORIZONTAL	61588122
	088248-01-707	EA	ELECTRODE-SENSOR, HORIZONTAL	61573322
	104137-06-706	EA	WIRE SHELF-SHORT	61718222
	054450-01-000	EA	LEVEL-REFRIGERATOR	
	065225-02-000	EA	PLATE-TIEDOWN, REFRIGERATOR	
	093646-01-000	EA	BRACKET-TIEDOWN, REFRIGERATOR	
	093646-02-000	EA	BRACKET-TIEDOWN, REFRIGERATOR	
	116751-01-01A	EA	TRAY-DRIP, REFRIGERATOR - 24.6" X 6.3" - PLASTIC - BLACK	

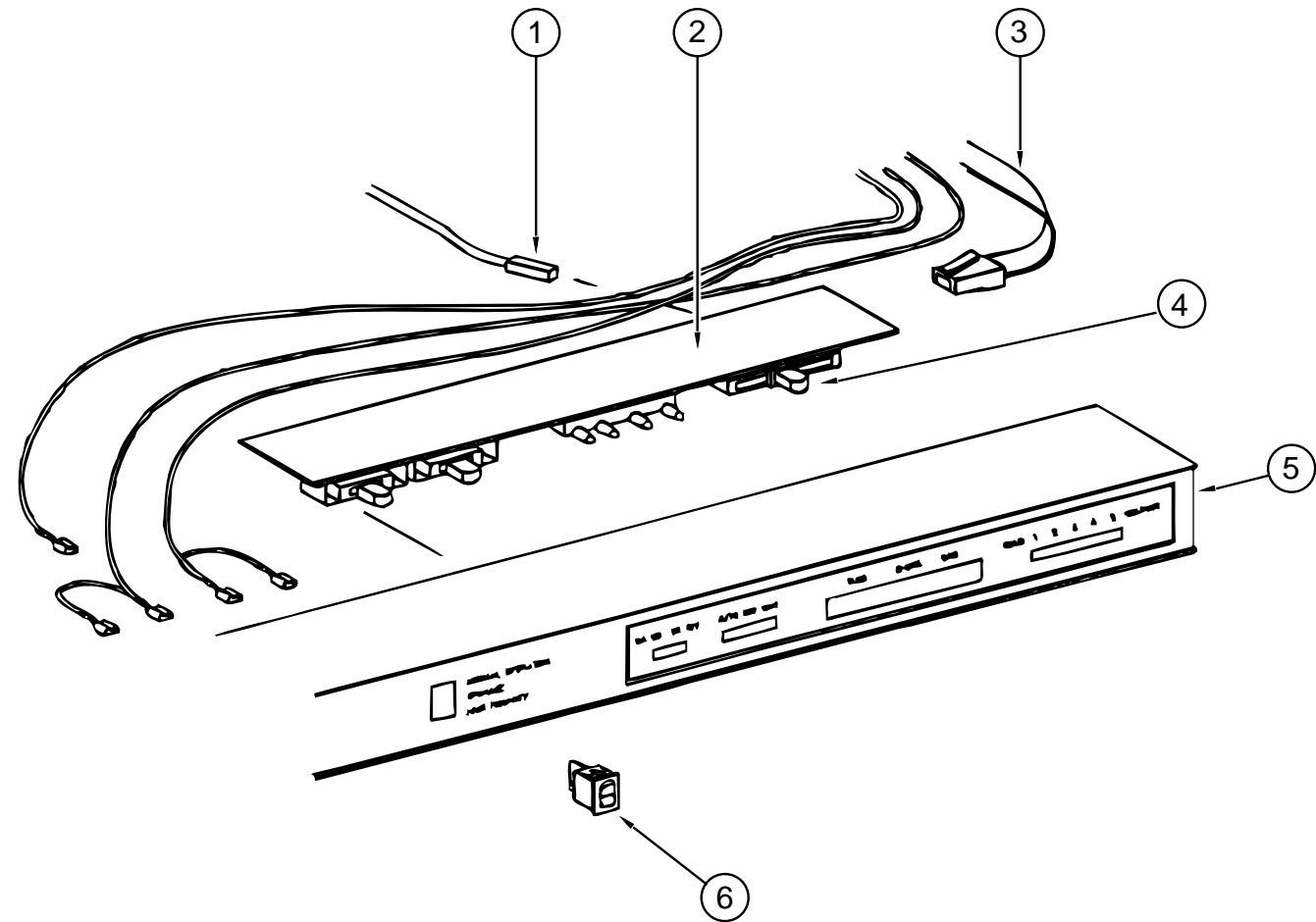
### GALLEY GROUP (CONTINUED)



**NORCOLD 6162 LH REFRIGERATOR CONTROL ASSEMBLY**

KEY	PART NUMBER	U/M	DESCRIPTION	VENDOR NUMBERS
1	084880-01-718	EA	VALVE-GAS	61551822
2	094039-04-702	EA	POWER SUPPLY - 2 WAY	61647422
3	102621-01-702	EA	MODULE-IGNITION	61688922
4	088248-01-710	EA	HEATER-DC, HORIZONTAL - 3 WAY	61562822
5	088248-01-709	EA	HEATER-AC, HORIZONTAL	61562722
6	104137-06-715	EA	SPARK/SENSE ELECTRODE-SINGLE	61692222
7	104137-06-714	EA	BURNER ASSEMBLY - 5-SLOT	61705222
8	084880-01-705	EA	ORIFICE	61452222
9	104137-06-713	EA	GASKET-ORIFICE	61475122
10	104137-06-712	EA	FITTING-GAS TUBE CONNECTION	61692722
11	075217-01-734	EA	FUSE-3 AMP	61538822
12	104137-06-711	EA	FUSE - 5 AMP	61611622
13	104137-06-710	EA	PRESSURE TAP	61594422
14	104137-06-709	EA	VALVE-SHUT OFF, MANUAL	61694922
	084880-01-713	EA	CONNECTOR-MALE, INLET FITTING - NORCOLD	615256

### GALLEY GROUP (CONTINUED)

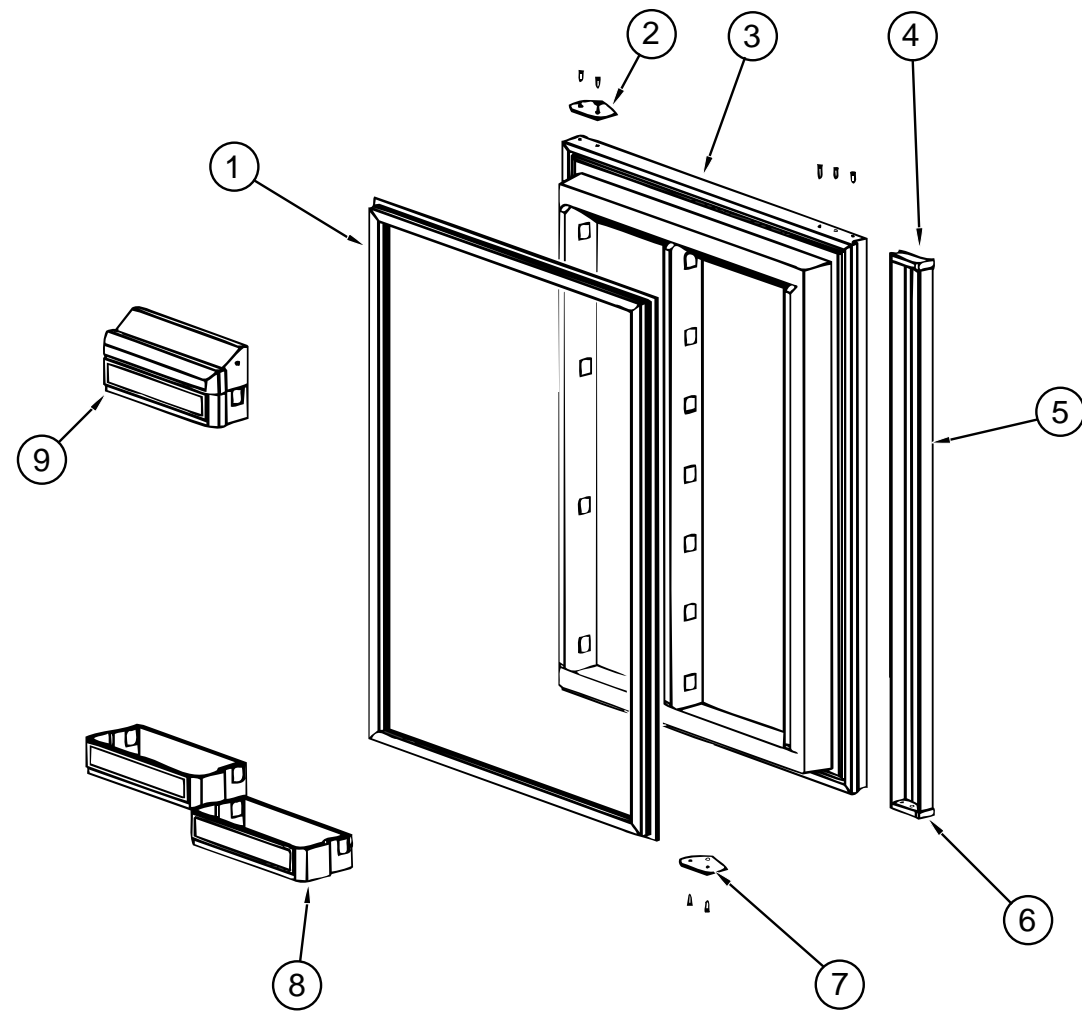


**NORCOLD 6162 LH REFRIGERATOR EYEBROW ASSEMBLY**

KEY	PART NUMBER	U/M	DESCRIPTION	VENDOR NUMBERS
1	084880-01-753	EA	THERMISTER 78"	61693822
	084880-01-760	EA	CLIP-THERMISTER	61689122
2	094039-04-700	EA	PRINTED CIRCUIT BOARD - 2 WAY	61647322
3	084880-01-746	EA	CABLE-NORCOLD	61571522
4	102621-01-703	EA	BUTTON-THERMOSTAT, ADJUSTABLE	61587422
5	094039-04-701	EA	EYEBROW SHELL, 2-WAY - W/O HUMIDITY SWITCH HOLE	61669822
5	104137-06-700	EA	EYEBROW SHELL, 2-WAY - W/HUMIDITY SWITCH HOLE	61726622
6	075217-01-738	EA	SWITCH-HUMIDITY	61525922

**GALLEY GROUP (CONTINUED)**  
**NORCOLD 6052 SINGLE DOOR REFRIGERATOR - 2-WAY**

**NORCOLD 6052 SINGLE DOOR REFRIGERATOR DOOR**

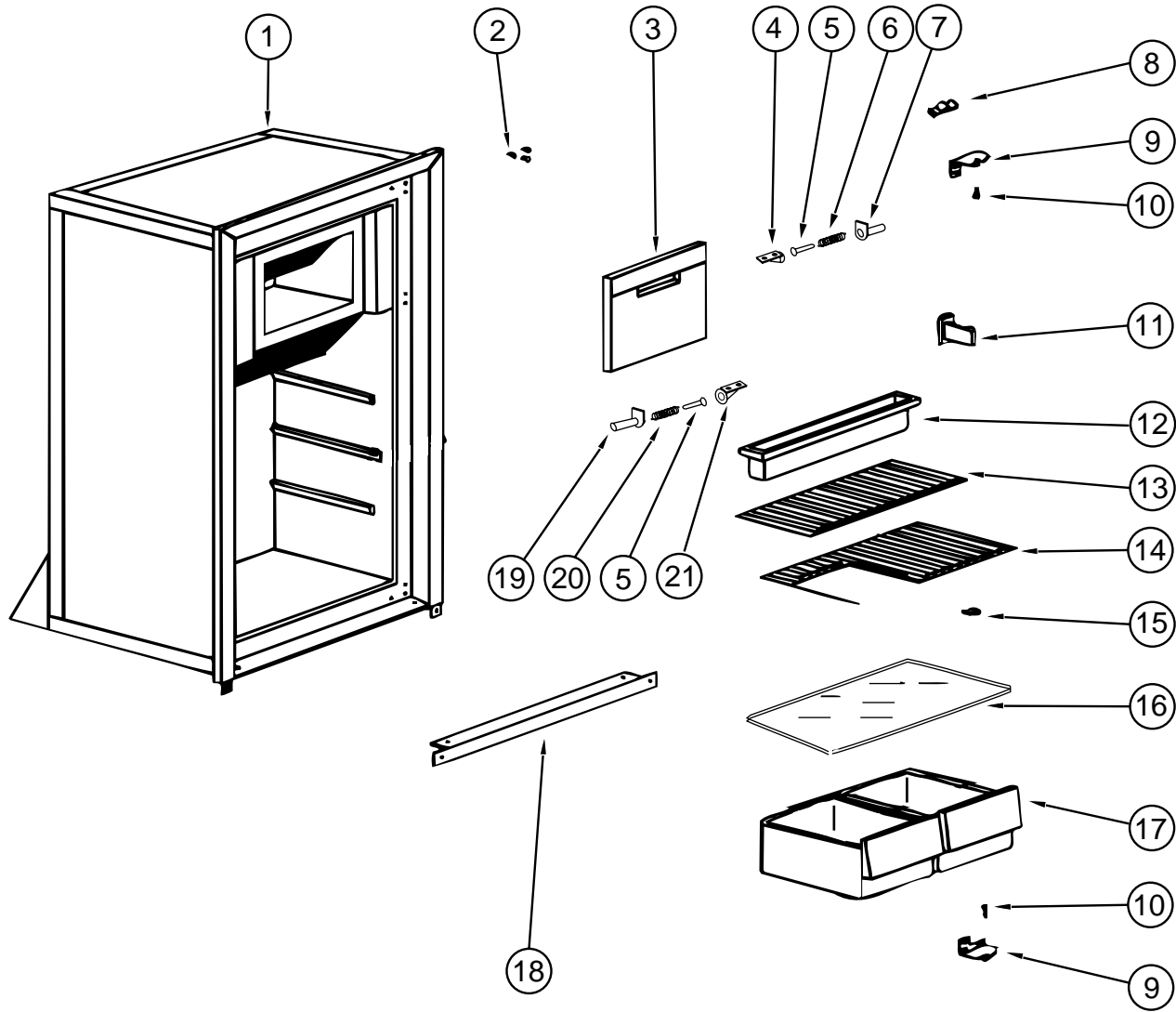


KEY	PART NUMBER	U/M	DESCRIPTION	VENDOR NUMBERS
1	094039-01-713	EA	DOOR GASKET-LOWER, GRAY	61568030
2	094039-01-710	EA	PLATE-HINGE, BLACK	61631330
3	094039-01-715	EA	LINER-LOWER DOOR, FOAMED BLACK/WHITE	61581738-B
4	084880-01-761	EA	END CAP-SPRING CATCH, UPPER - BLACK	61593730
5	094039-01-717	EA	HANDLE-W/CAP & SPRING, BLACK	61649938
	084880-01-720	EA	SPRING-DOOR HANDLE	61558822
6	084880-01-740	EA	END CAP-STOP CATCH	61593830
7	094039-01-704	EA	PLATE-HINGE, BLACK	61631430
8	104137-06-703	EA	BIN-DOOR SHELF, WHITE	61564025
9	104137-06-704	EA	BIN-MILK, WHITE	61579425



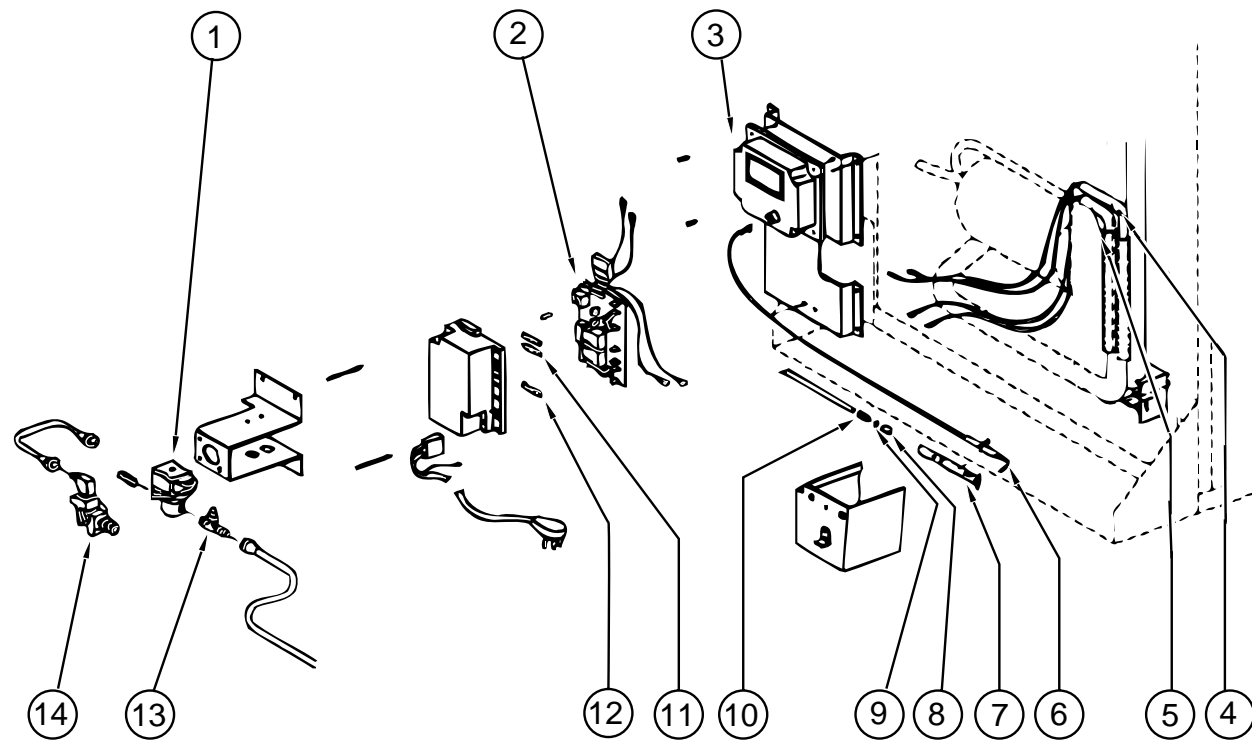
## GALLEY GROUP (CONTINUED)

### NORCOLD 6052 SINGLE DOOR REFRIGERATOR CABINET ASSEMBLY



KEY	PART NUMBER	U/M	DESCRIPTION	VENDOR NUMBERS
1	102621-04-01A	EA	REFRIGERATOR-LARGE SINGLE DOOR, 2-WAY	6052 RH
2	102621-01-701	EA	CABINET-FOAMED, BLACK	61620238
3	094039-01-722	EA	HOLE PLUG-HINGE HOLES, BLACK	61582030
4	102621-01-700	EA	DOOR-EVAPORATOR ASM	61620738
5	102621-04-709	EA	CLIPMOUNTING, EVAPORATOR DOOR - RH - WHITE	61632930
6	102621-04-710	EA	SPRING-PIN	61632622
7	102621-04-711	EA	SPRING TORSION-EVAPORATOR DOOR, RH	61633222
8	102621-04-703	EA	HOLDER-SPRING, RH - WHITE	61632830
9	084880-01-760	EA	CLIP-THERMISTER	61689122
10	094039-01-723	EA	BRACKET-HINGE, TOP RH - BOTTOM LH - BLACK	61580838
11	094039-01-724	EA	BRACKET-HINGE TOP LH - BOTTOM RH - BLACK	61580938
12	094039-01-725	EA	PIN-HINGE, MALE - BLACK	61578130
13	084880-03-702	EA	PIN-HINGE, TOP/BOTTOM - FEMALE	61580630
14	084880-01-732	EA	LATCH	61578522
15	102621-04-704	EA	TRAY-DRIP, WHITE	61619930
16	104137-06-706	EA	WIRE SHELF-SHORT	61718222
17	094039-01-739	EA	SHELF-CUTOUT	61646722
18	102621-04-705	EA	RETAINER-GLASS SHELF	61580322
19	084880-01-722	EA	COVER-CRISPER	61564122
20	104137-06-707	EA	CRISPER-WHITE	61571325
21	094039-01-732	EA	FRONT COVER-BOTTOM TRIM, BLACK	61622130
	102621-04-707	EA	HOLDER-SPRING, EVAPORATOR DOOR - LH	61632730
	102621-04-706	EA	SPRING-EVAPORATOR DOOR, TORSION - LH	61633122
	102621-04-708	EA	CLIP-MOUNTING, EVAPORATOR DOOR - LH	61633030
	093646-01-000	EA	BRACKET-TIEDOWN - REFRIGERATOR	
	093646-02-000	EA	BRACKET-TIEDOWN - REFRIGERATOR	
	065225-02-000	EA	PLATE - TIEDOWN - REFRIGERATOR	
	054450-01-000	EA	LEVEL-REFRIGERATOR	
	116751-01-01A	EA	TRAY-DRIP, REFRIGERATOR - 24.6" X 6.3" - PLASTIC - BLACK	

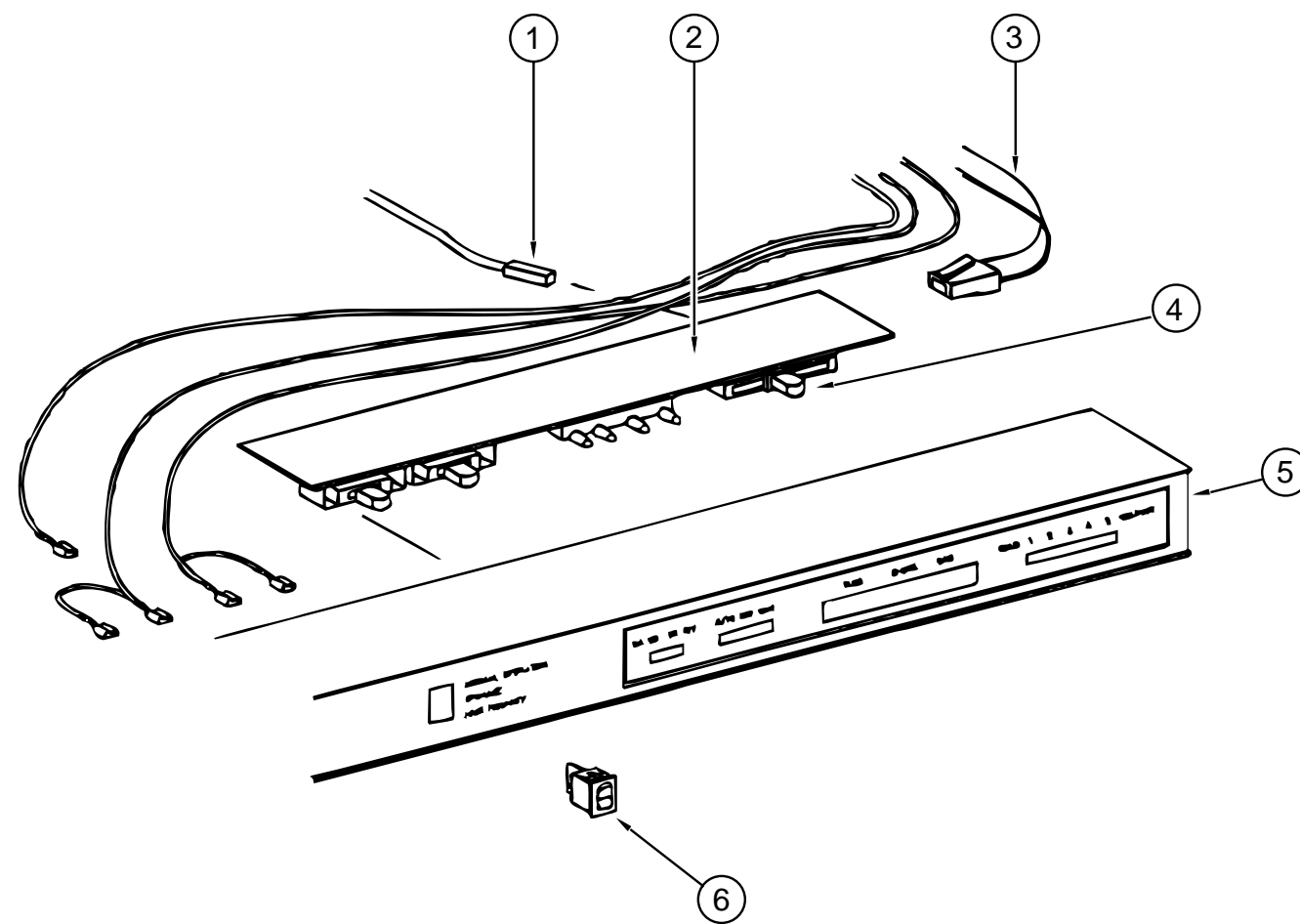
**GALLEY GROUP (CONTINUED)**



**NORCOLD 6052 REFRIGERATOR CONTROL ASSEMBLY**

KEY	PART NUMBER	U/M	DESCRIPTION	VENDOR NUMBERS
1	084880-01-718	EA	VALVE-GAS	61551822
2	094039-04-702	EA	POWER SUPPLY - 2 WAY	61647422
3	102621-01-702	EA	MODULE-IGNITION	61688922
4	104137-02-700	EA	MODULE-CONTROL, CHANNEL - NORCOLD	61717037
4	102621-04-712	EA	HEATER-DC, HORIZONTAL BURNER	61562622
5	064473-03-701	EA	HEATER-AC, HORIZONTAL BURNER	61562522
5	064473-03-718	EA	COOLING UNIT-HORIZONTAL BURNER	61687137
6	104137-06-715	EA	SPARK/SENSE ELECTRODE-SINGLE	61692222
7	104137-06-714	EA	BURNER ASSEMBLY - 5-SLOT	61705222
8	064473-01-702	EA	ORFICE - 6EG-2	61452122
9	104137-06-713	EA	GASKET-ORIFICE	61475122
10	104137-06-712	EA	FITTING-GAS TUBE CONNECTION	61692722
11	075217-01-734	EA	FUSE-3 AMP	61538822
12	104137-06-711	EA	FUSE - 5 AMP	61611622
13	104137-06-710	EA	PRESSURE TAP	61594422
14	104137-06-709	EA	VALVE-SHUT OFF, MANUAL	61694922

**GALLEY GROUP (CONTINUED)**



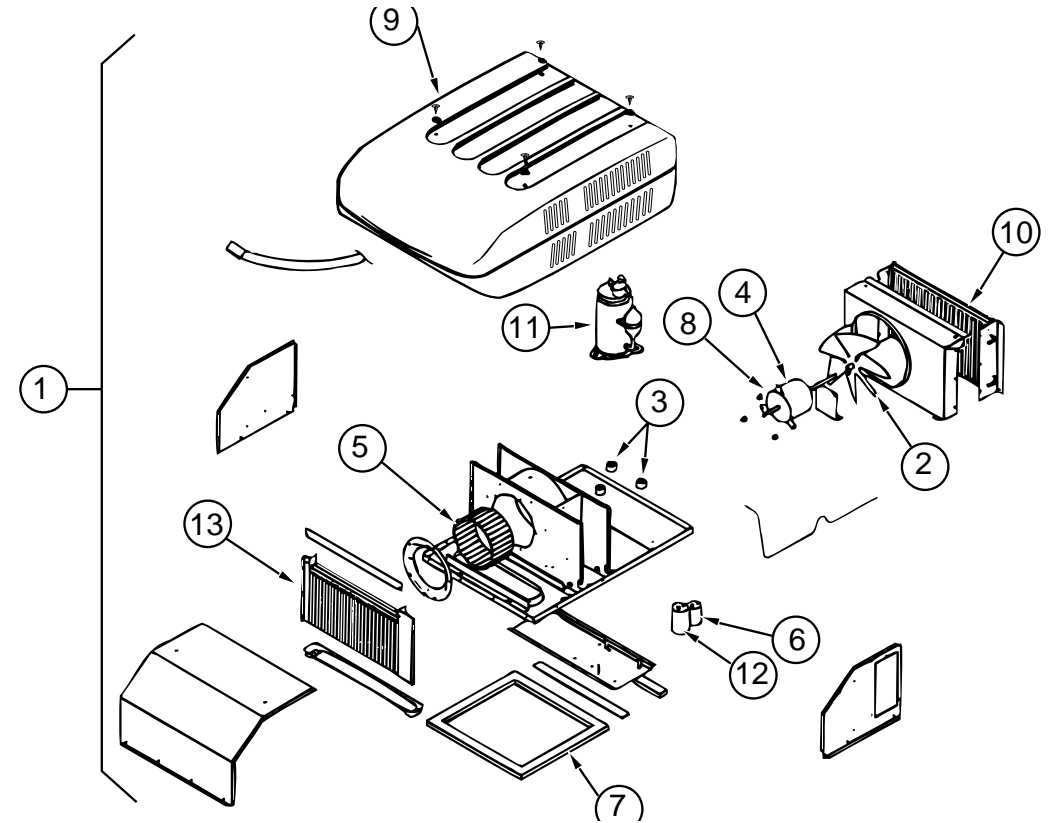
**NORCOLD 6052 REFRIGERATOR EYEBROW ASSEMBLY**

KEY	PART NUMBER	U/M	DESCRIPTION	VENDOR NUMBERS
1	084880-01-753	EA	THERMISTER 78"	61693822
	084880-01-760	EA	CLIP-THERMISTER	61689122
2	094039-04-700	EA	PRINTED CIRCUIT BOARD - 2 WAY	61647322
3	084880-01-746	EA	CABLE-NORCOLD	61571522
4	102621-01-703	EA	BUTTON-THERMOSTAT, ADJUSTABLE	61587422
5	094039-04-701	EA	EYEBROW SHELL, 2-WAY - W/O HUMIDITY SWITCH HOLE	61669822
5	104137-06-700	EA	EYEBROW SHELL, 2-WAY - W/HUMIDITY SWITCH HOLE	61726622
6	075217-01-738	EA	SWITCH-HUMIDITY	61525922

**GENERATOR GROUP**  
4.0 KW MICROLITE GENERATOR - US & CANADIAN

KEY	PART NUMBER	U/M	DESCRIPTION
	109982-03-000	EA	GENERATOR - 4.0 MICROLITE ONAN KY-FA/26100 B
	007067-01-000	SF	INSULATION-FIBERGLASS, 1" THICK X 4' - INCREMENTS OF 4 SF
	105958-10-000	EA	PIPE-EXHAUST,GENERATOR
	007125-03-000	EA	CLAMP-MUFFLER, 1.5" DIAMETER
	007125-04-000	EA	CLAMP-MUFFLER, 1.1" DIAMETER
	007161-01-000	EA	CLAMP-HOSE, SPRING TYPE - 112

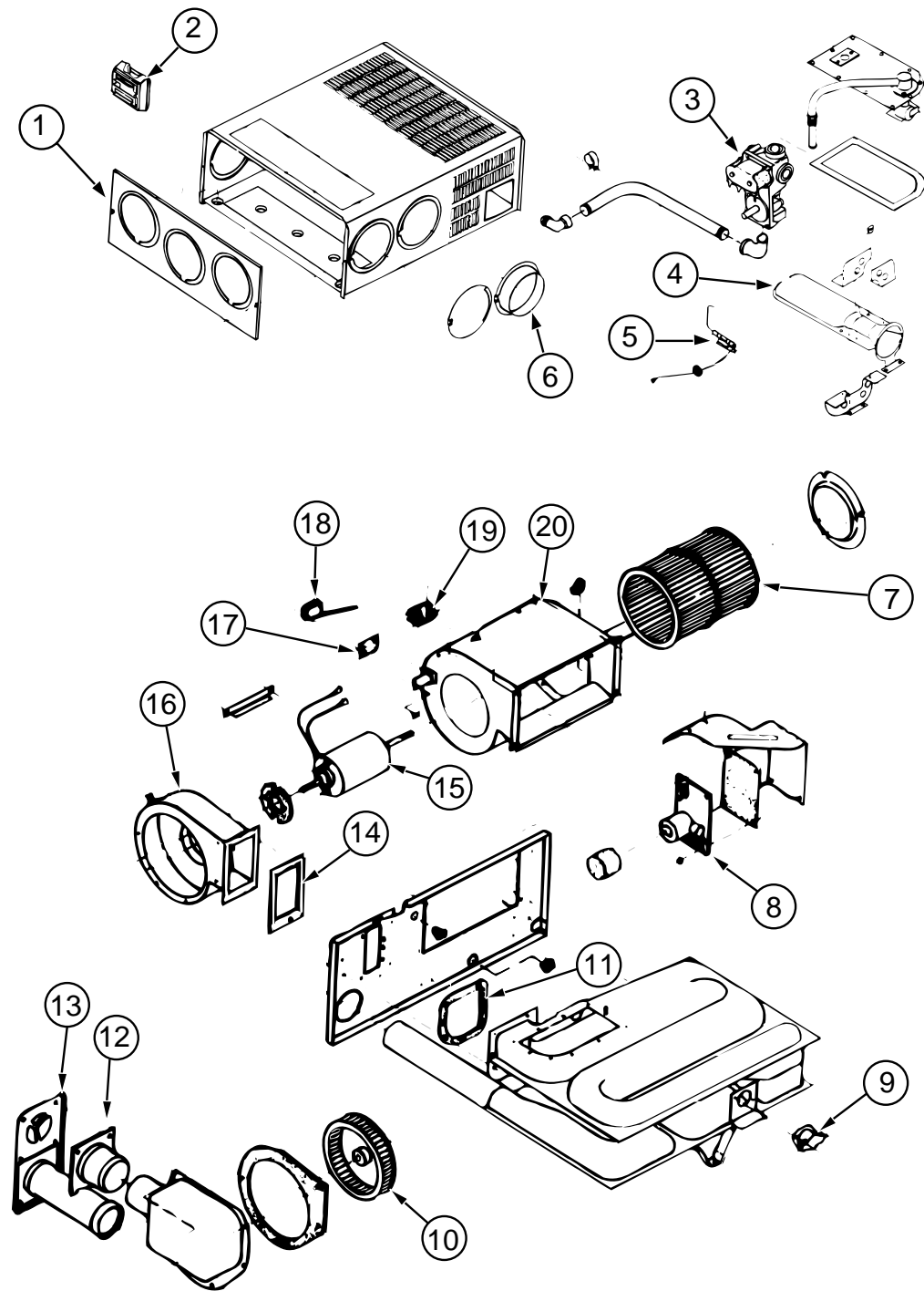
**HEATING & AIR CONDITIONING GROUP**



**ROOF AIR CONDITIONER - COLEMAN**

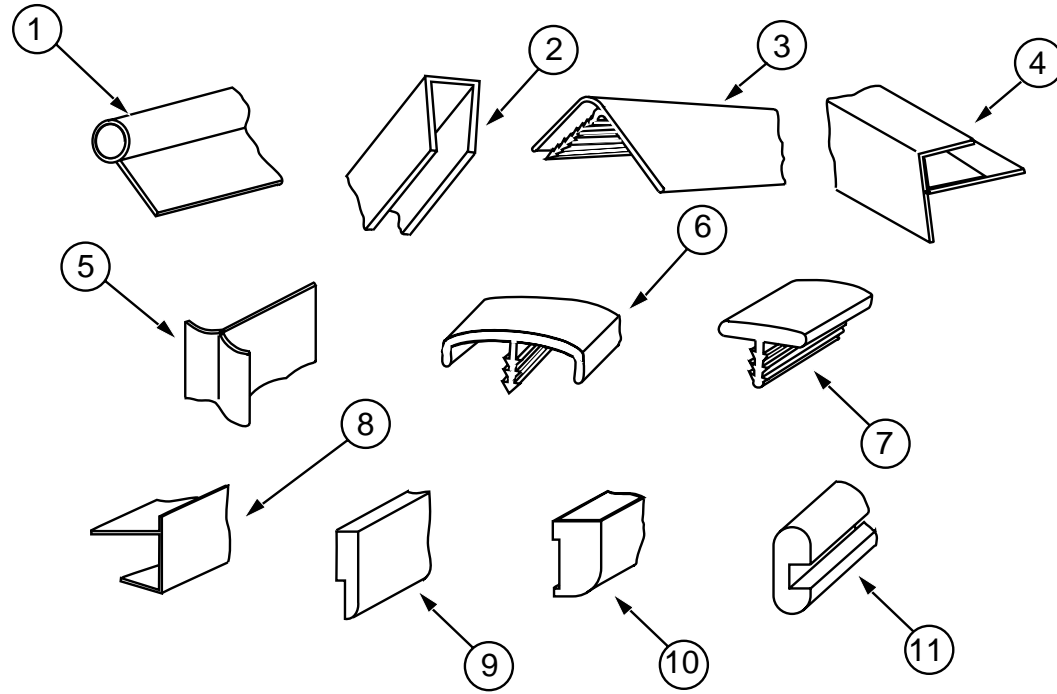
KEY	PART NUMBER	U/M	DESCRIPTION	VENDOR NUMBERS
1	108889-01-01A	EA	A/C-ROOF, 13,500 TSR HO - IVORY - OFF WHITE	7333-887
1	108889-01-05A	EA	A/C-ROOF, 13,500 - TSR HO - BRIGHT WHITE	7333
2	093763-01-712	EA	FAN BLADE-CONDENSER, COLEMAN	6733-3221
3	105620-01-706	EA	FOOT PACKAGE-COMPRESSOR, 3 PER PK	6759-3081
4	108889-01-705	EA	MOTOR - 115, 60HZ	1468-3049
5	108889-01-706	EA	IMPELLOR	1472-1041
6	093763-01-704	EA	CAPACITOR-FAN, COLEMAN	1499-3461
	108889-01-710	EA	FILLER PAD-CONDITIONER AIR SEAL	6759A3971
7	108889-01-711	EA	GASKET PACKAGE	6792-3301
8	108889-01-715	EA	SEAL KIT-MOTOR MOUNT & SHAFT	6792-3361
9	063903-01-700	EA	SHROUD	6759-4601
9	108889-05-700	EA	SHROUD-LESS LOGO, BRIGHT WHITE	7333-4601
10	108889-01-703	EA	CONDENSER COIL	1452A1301
11	105620-01-704	EA	COMPRESSOR-RH & LH - COLEMA	1450-2009
12	108889-01-707	EA	RUN CAPACITOR-COMPRESSOR, 25MFD/370	1499-5661
	091225-01-709	EA	START RELAY, COLEMAN	1497-4131
13	108889-01-709	EA	EVAPORATOR COIL	1452A1311
	102289-01-000	EA	SPRING-SCREW, ROOF A/C GASKET - COLEMAN	6757-150
	091225-01-710	EA	START CAPACITOR, COLEMAN	1497-0881
	093306-01-701	EA	DECAL PACKAGE, LEFT & RIGHT - COLEMAN	6798B3591
	108889-01-704	EA	OVERLOAD-MRA #98693	6749-3541
	108889-01-712	EA	SUCTION LINE REDUCER - 3/8" X 1/2"	1215-2161
	108889-01-713	EA	SUCTION LINE - 3/8" OD X .032" WALL	6792-130
	108889-01-714	EA	DISCHARGE LINE ASSEMBLY	6792-531
	108891-01-01A	EA	CEILING ASM-A/C COOL TSR HO - COLEMAN	7330-714 IV
	042204-01-709	EA	THERMOSTAT-IN 64 OUT 58 - COLEMAN	6701-3401
	073742-01-701	EA	SELECTOR SWITCH-5 TERMINAL, COLEMAN	6759-3251
	073742-01-702	EA	DECAL-COOL ONLY, COLEMAN	6759C3431
	081606-01-712	EA	CEILING SHROUD-IVORY, COLEMAN	6769-5061
	091225-01-713	EA	KNOB - 2 PER PACKAGE, COLEMAN	6701-3351
	091225-01-717	EA	DECAL-THERMOSTAT, COOL ONLY - COLEMAN	6799A3441
	093766-02-701	EA	DECAL-LEFT SIDE, COLEMAN	6799-3971
	108891-01-700	EA	SINGLE PARTS PACKAGE-KNOBS & NUTS	6792-5991
	108891-01-701	EA	RETAINER CLIPS-FILTER, 6 PER - COLEMAN	6799-3141
	084077-03-000	EA	COVER-BLANK - ROOF A/C - 5.2" X 3.5" - IVORY	

**HEATING & AIR CONDITIONING GROUP (CONTINUED)**  
**FURNACE - 25,000 BTU - SUBURBAN**



KEY	PART NUMBER	U/M	DESCRIPTION	VENDOR NUMBERS
	098668-19-000	EA	FURNACE - 25,000 BTU SUBURBAN	SF-25 2272
1	098668-01-700	EA	CABINET FRONT, SUBURBAN	101242
2	115764-01-01A	EA	THERMOSTAT-FURNACE SUBURBAN	160902
3	098668-01-714	EA	VALVE-GAS	161070
4	098668-01-703	EA	BURNER ASSEMBLY-COMplete	010762
5	098668-01-715	EA	ELECTRODE ASSEMBLY-SINGLE PROBE	232166
6	075696-02-703	EA	COLLAR-DUCT, SUBURBAN	050715
7	098668-01-711	EA	WHEEL-ROOM AIR, SUBURBAN	350123
8	098668-01-712	EA	BOARD-MODULE, SUBURBAN	231741
9	098668-21-701	EA	SWITCH-LIMIT	231799
10	098668-01-706	EA	WHEEL-COMBUSTION AIR, SUBURBAN	350122
11	098668-01-716	EA	GASKET-FIREWALL, CHAMBER SIDE	070808
12	098668-01-713	EA	TUBE ASSEMBLY-INTAKE VENT	051248
13	098668-01-707	EA	VENT CAP & EXHAUST TUBE ASSEMBLY	260193
14	098668-01-717	EA	GASKET-FIREWALL, BLOWER SIDE	070809
15	098668-01-709	EA	MOTOR ASSEMBLY	231706
16	098668-01-708	EA	BLOWER ASSEMBLY-COMBUSTION AIR	390441
17	101990-01-714	EA	GASKET-MICROSWITCH, SUBURBAN	230877
18	098668-21-700	EA	MICROSWITCH-W/O FLAG, 3 1/4"	232261
19	074466-01-702	EA	RELAY-TIME DELAY, SUBURBAN	230625
20	098668-01-710	EA	BLOWER ASSEMBLY-ROOM AIR	390440
	090039-01-703	EA	ORIFICE-MAIN BURNER	180193
	098668-06-000	EA	DOOR-ACCESS, FURNACE - OFF WHITE	520574
	098668-23-000	EA	DOOR-ACCESS, FURNACE - BRIGHT WHITE	520574
	069636-02-000	EA	CONNECTOR-DUCT, 4" ID 050715	
	093614-01-01A	EA	GRILLE-RETURN AIR, FURNACE - 15.6" X 7.6" - BROWN	
			FROM: 00-00-00 THRU: 04-16-95	
	093614-01-02A	EA	GRILLE-RETURN AIR, FURNACE - BEIGE	
			FROM: 04-17-95 THRU: 99-99-99	
	056464-05-000	EA	REGISTER-PLASTIC, W/O DAMPER - 4" DIAMETER - GOLDEN	
			FROM: 00-00-00 THRU: 04-16-95	
	056464-10-000	EA	REGISTER-PLASTIC, W/O DAMPER - 4" DIAMETER	
			FROM: 04-17-95 THRU: 99-99-99	
	009198-01-000	FT	DUCT-HEAT, FLEXIBLE - 4" ID X 25 FT	
	009200-01-000	EA	TAPE-FURNACE, 1 1/2"	

## INTERIOR FINISH GROUP



**MOLDINGS & TRIMS**

KEY	PART NUMBER	U/M DESCRIPTION
1	009767-12-000	FT MOLDING-SIDEWALL TO CEILING/CABINET - WELTING - OFF WHITE
2	009778-12-000	FT U CHANNEL-PLASTIC, 1" WIDE X 8' - WOODGRAIN
2	070504-18-000	FT U CHANNEL-PLASTIC, .065" WIDE - IVORY
2	070504-19-000	FT U CHANNEL-PLASTIC, .815" WIDE - BROWN
2	009778-20-000	FT U CHANNEL - 1" X 55", MODERN IVORY
3	009809-21-000	EA MOLDING-CORNER, OUTSIDE - 1" - PLASTIC - WOODGRAIN
3	009809-23-000	EA MOLDING-CORNER, OUTSIDE - 1" - PLASTIC - IVORY
4	009812-22-000	EA MOLDING-CORNER, OUTSIDE - .5" X 7' - PLASTIC - BROWN
5	022992-11-000	FT MOLDING-REVERSE COVE, T-SHAPED - VINYL - IVORY
5	022992-01-000	FT MOLDING-REVERSE COVE, T-SHAPED - VINYL - WHITE
6	083620-07-000	FT MOLDING-T, END CAP EDGE - W/EDGE LIPS - .75" - THOR PECAN
6	083620-09-000	FT MOLDING-T, 3/4 W/EDGE LIPS - MODERN IVORY
7	104676-02-01A	FT MOLDING-T, 1/2" X 7'
7	104676-01-01A	FT MOLDING-T, 5/16 - RIGID - GOLD
8	103186-01-01A	FT MOLDING-EDGE, SHELF - .78" WIDE - PLASTIC - RAMBLING OAK
9	105004-01-02A	EA MOLDING-VINYL WRAPPED, RAMBLING OAK
10	100041-01-000	EA MOLDING-VINYL WRAPPED, .7" X 1.57" X 84.02" - RAMBLING OAK
10	100041-02-000	EA MOLDING-VINYL WRAPPED, .7" X 2.5" X 84" - RAMBLING OAK
11	081294-02-000	EA MOLDING-SHELF, NOTCHED WOOD - 8' LONG
	076325-34-000	FT MOLDING-EDGE BAND, 1 5/16" WIDE - ORCHID
	076325-35-000	FT MOLDING-EDGE BAND, RECESSED SINK - ORCHID
	112198-01-000	FT MOLDING-J, 90227 - CRILA PLASTICS
	009815-09-000	FT MOLDING-T, .75" - IVORY
	100040-01-000	EA LUMBER-VINYL WRAPPED, .71" X 1.5" X 8' - RAMBLING OAK
	100040-03-000	EA LUMBER-VINYL WRAPPED, .71" X 2" X 8' - RAMBLING OAK
	100040-06-000	EA LUMBER-VINYL WRAPPED, RAMBLING OAK

## INTERIOR FINISH GROUP (CONTINUED) PANELING, LAMINATES & PLASTIC

KEY	PART NUMBER	U/M DESCRIPTION
	074497-21-000	SF PANELING-WOODGRAIN, 4' X 8' - 32 SF
	088272-D7-000	SF PANELING-DECORATIVE, FRESCO - SILVERADO - MAIN WALL
	074497-27-000	EA PANELING-DECORATIVE, TIGA BEND - PEARL - CEILING
	088272-98-000	SF PANELING-SHOWER, OFF WHITE - 4' X 7' - 28 SQ FT
	074498-67-000	SF LAMINATE-PLASTIC, ORCHID MIST
	093743-02-01A	SF PLASTIC-ABS, 20" WIDE - OFF WHITE
	000885-56-000	SF PARTICLE BOARD-VINYL 1 SIDE, 3/8" X 48" X 96" - WINNIE OAK
	000885-61-000	SF PARTICLE BOARD-VINYL 2 SIDES, 3/4" X 48" X 96" - WINNE OAK

### CARPETING & FLOOR MATS

KEY	PART NUMBER	U/M DESCRIPTION
	096060-97-000	SY CARPET-JUBILATION, LAPIS - CARRIAGE (F15)
	096060-A1-000	SY CARPET-JUBILATION, ARTIC - GRAY (F16)
	093486-01-000	SY CARPET-COMPARTMENT, 54" WIDE - DARK GRAY
	047034-02-000	SF PLASTIC-CARPET, 4'WIDE - CLEAR POLY
	083218-03-000	EA MAT-FLOOR, PASSENGER - W/1" LOGO - CHEVY
	083218-04-000	EA MAT-FLOOR, DRIVER - W/1" LOGO - CHEVY
	106884-03-000	EA MAT-FLOOR, PASSENGER - W/1" LOGO - FORD
	106884-04-000	EA MAT-FLOOR, DRIVER - W/1" LOGO - FORD
	044860-01-000	EA MAT-STEPWELL, LH - RUBBER - BLACK - CHEVY
	044860-02-000	EA MAT-STEPWELL, RH - RUBBER - BLACK - CHEVY

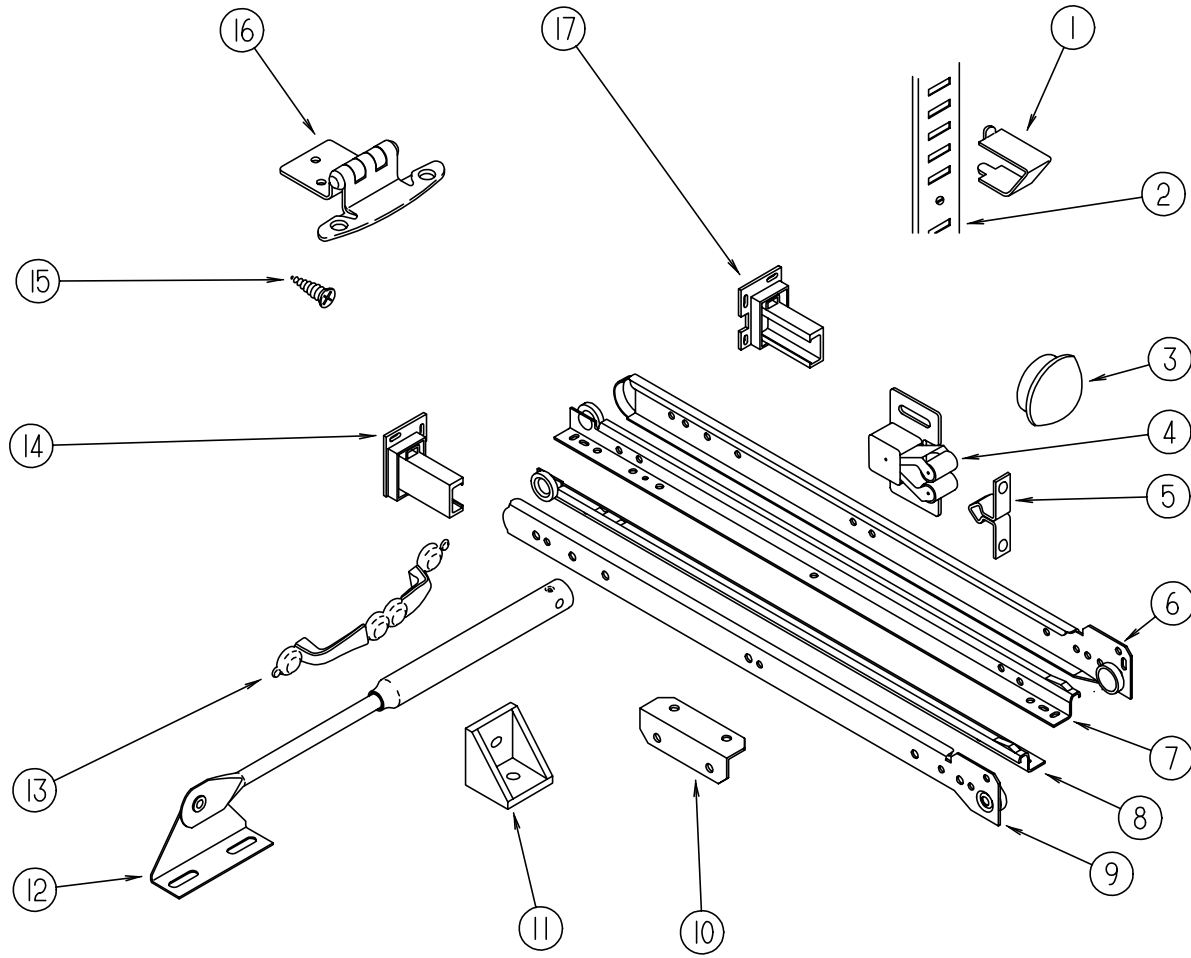
### BATT STRIPS

KEY	PART NUMBER	U/M DESCRIPTION
	088263-B4-000	EA BATT STRIP-DECORATIVE, FRESCO - SILVERADO - MAIN WALL
	088263-B6-000	EA BATT STRIP-DECORATIVE, TIGA BEND - PEARL - CEILING
	069733-80-000	EA BATT STRIP-WOODGRAIN, 8' - WINNIE OAK
	085284-76-000	FT BATT STRIP-SHOWER, ADHESIVE BACKED - OFF WHITE
	085284-A5-000	FT STRIP-TAPE, DECORATIVE, FRESCO - SILVERADO - MAIN WALL
	085284-A7-000	FT STRIP-TAPE, TIGA BEND - PEARL - CEILING
	085284-67-000	FT STRIP-TAPE, PLUSWOOD - WINNIE OAK
	086229-01-000	EA RETAINER-BATTEN, CEILING - .75" WIDE - 7.6'
	086229-04-000	EA BATTEN-CEILING, 1" WIDE - IVORY - 7.6'

### FIRE EXTINGUISHER, CLOCK & DETECTORS

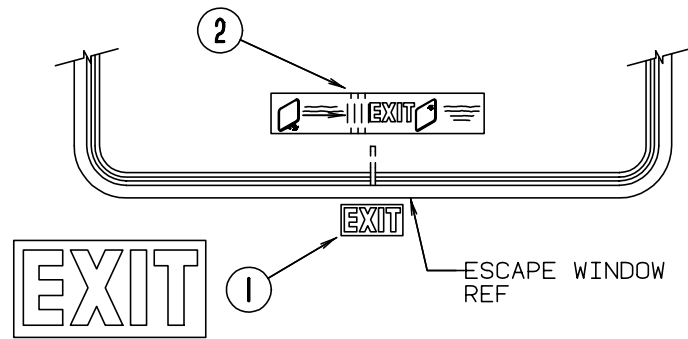
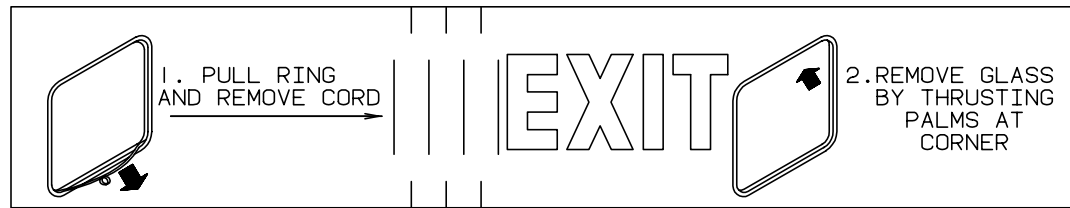
KEY	PART NUMBER	U/M DESCRIPTION
	072852-02-000	EA DETECTOR-SMOKE, W/9 VOLT BATTERY - CANADIAN
	094499-02-000	EA EXTINGUISHER-FIRE, DRY - 1A10BC - CANADIAN
	094499-01-700	EA BRACKET-MOUNTING, W/PLASTIC STRAP - FIRE EXTINGUISHER
	072852-01-000	EA DETECTOR-SMOKE, W/9 VOLT BATTERY - US
	094499-01-000	EA EXTINGUISHER-FIRE, DRY W/MOUNTING BRACKET - 10 BC
	094499-01-700	EA BRACKET-MOUNTING, W/PLASTIC STRAP - FIRE EXTINGUISHER
	112320-01-000	EA DETECTOR-CO GAS, MODEL 9B-I - COSTAR 940000000
	112320-02-000	EA BATTERY/SENSOR-CO GAS, COSTAR 940001000

**INTERIOR FINISH GROUP (CONTINUED)**  
**CABINET & TABLE HARDWARE**

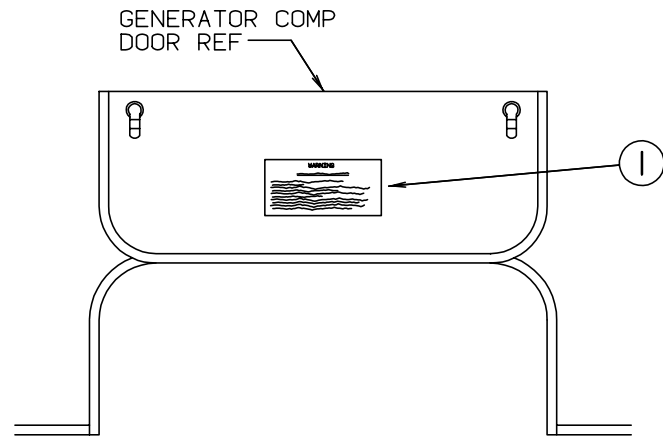


KEY	PART NUMBER	U/M	DESCRIPTION
1	098979-01-000	EA	CLIP-ADJUSTABLE SHELF
2	098980-01-000	EA	PILASTER-ADJUSTABLE SHELF, 18" LONG - WOODGRAIN APPEARANCE
3	042356-01-000	EA	PLUG-BUTTON, MAHOGANY - 3/8" DIAMETER - WOOD
3	074045-07-000	EA	PLUG-WOOD, 1/2"
4	093586-03-000	EA	CATCH-SPRING, ROLLER
5	093586-04-000	EA	STRIKE-SPRING STEEL
6	114031-14-000	EA	SLIDE-DRAWER, CABINET MOUNTED - RIGHT SIDE - 18"
7	114031-16-000	EA	SLIDE-DRAWER, DRAWER MOUNTED - RIGHT SIDE - 18"
8	114031-15-000	EA	SLIDE-DRAWER, DRAWER MOUNTED - LEFT SIDE - 18"
9	114031-13-000	EA	SLIDE-DRAWER, CABINET MOUNTED - LEFT SIDE - 18"
10	016604-01-000	EA	BRACE-CABINET, ANGLE - 2.5" - METAL - UNPAINTED
10	016604-03-000	EA	BRACE-CABINET, ANGLE - 2.5" - METAL - BEIGE
10	016604-05-000	EA	BRACE-CABINET, L ANGLE - 2.5" - METAL - OFF WHITE
11	065740-01-000	EA	BRACE-CABINET CORNER, PLASTIC
12	074493-02-000	EA	SUPPORT-PISTON SPRING, CABINET DOOR
13	112146-01-000	EA	PULL-CABINET, BRASS - AMEROCK D-1180-3
14	114045-01-000	EA	BACKSOCKET-ADJUSTABLE, LEFT - HOUCK 751-1
15	000G13-06-08G	EA	SCREW - 6-20 X 5/8 PFH - ANTIQUE BRASS
16	009059-01-000	EA	HINGE-DOOR, 2" X 1.4" - BRASS
16	108138-01-000	EA	HINGE-DOOR, CABINET - BURNISHED BRASS
17	114045-02-000	EA	BACKSOCKET-ADJUSTABLE, RIGHT - HOUCK 751-2
	009063-01-000	EA	HINGE-CONTINUOUS, 1 1/2" X 72" - UNPAINTED
	076790-01-000	EA	SCREW - 6-20 X 1 1/4 PPH - BLACK
	004354-01-000	EA	BUMPER-RUBBER, .5" DIAMETER - BROWN
	069726-02-000	EA	BUMPER - .88" DIAMETER X .40" - BLACK
	023320-01-000	EA	PAD-FELT, 3/8" DIAMETER - BROWN
	009112-01-000	EA	FLANGE - 1" CLOTHES ROD - PLASTIC - OFF WHITE
	000G13-06-10G	EA	SCREW - 6-20 X 5/8 PFH - ANTIQUE BRASS
	103256-01-000	EA	LATCH-SLIDE
	113374-01-01A	EA	LATCH-MEDICINE CABINET, JENSEN RP1096B
	047034-06-000	EA	POLY-CLEAR, ROLL SIZE - 2FT
	105037-01-000	EA	FASTENER-WOOD, CORNER - METAL - .5" X .5"
	042438-01-000	EA	DOWEL-WOOD, CLOTHES ROD - 1" DIAMETER X 4'
	042438-02-000	EA	DOWEL-WOOD, 2" X 2"
	008042-01-000	FT	TUBING-VINYL, .65" ID

**LABELS GROUP**



KEY	PART NUMBER	U/M DESCRIPTION
1	039290-01-000	EA LABEL-WARNING-EXIT
2	107571-01-000	EA LABEL-EXIT-ESCAPE WINDOW



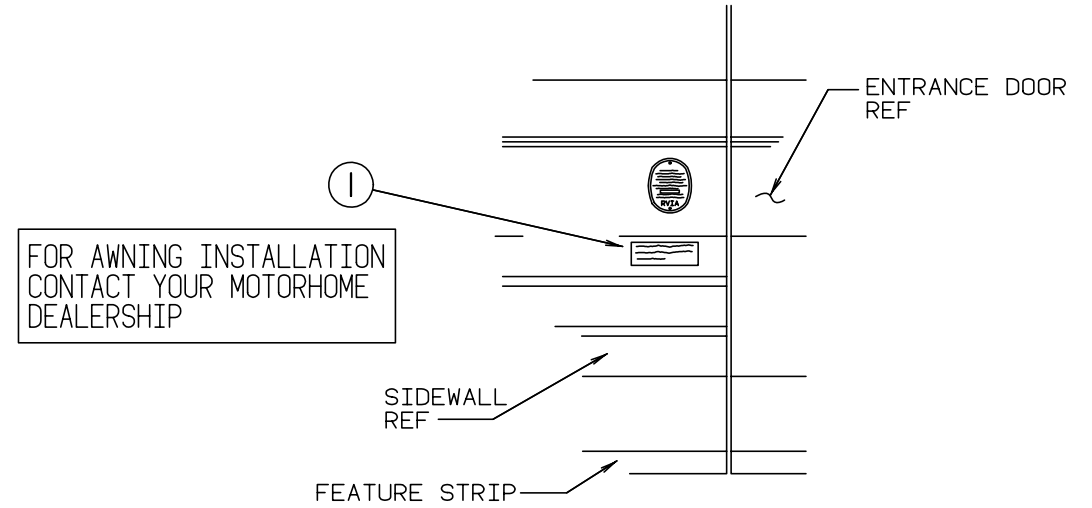
**WARNING**

WHEN ADDING A GENERATOR SET:

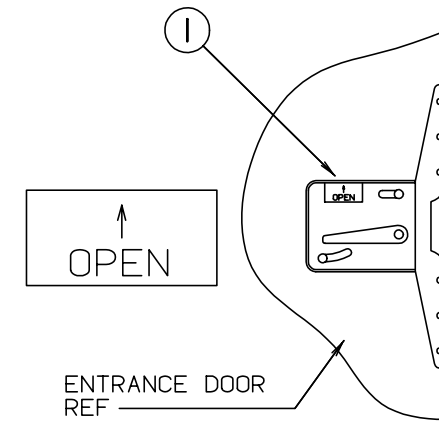
HIGH VOLTAGE-USE EXTREME CAUTION WHEN WORKING ON ELECTRICAL COMPONENTS.  
 HAVE ALL ELECTRICAL INSTALLATION PERFORMED BY A QUALIFIED LICENSED ELECTRICIAN-FOLLOW ALL STATE AND LOCAL CODES.  
 ONLY INSTALL GENERATOR SET APPROVED FOR R.V. APPLICATION. HAVE INSTALLED BY QUALIFIED TECHNICIAN.  
 TO AVOID HEAT BUILD-UP AND TO GUARANTEE AN ADEQUATE AIR SUPPLY TO THE GENERATOR CARBURETOR, FOLLOW INSTALLATION INSTRUCTIONS.  
 GENERATOR ENGINE EXHAUST GASES ARE TOXIC AND MUST NOT TERMINATE UNDER THE VEHICLE-DISCHARGE EXHAUST AWAY FROM VEHICLE.

KEY	PART NUMBER	U/M DESCRIPTION
1	077510-01-000	EA LABEL-GENERATOR PREP

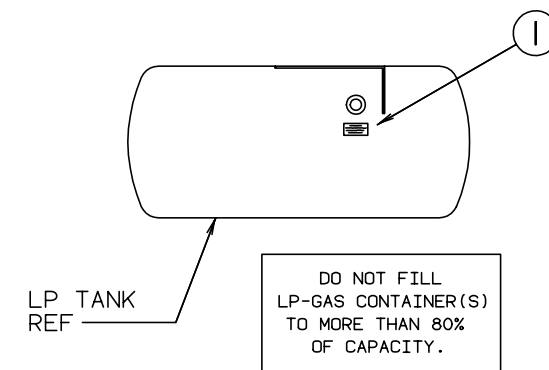
**LABELS GROUP (CONTINUED)**



KEY	PART NUMBER	U/M DESCRIPTION
1	099509-01-000	EA LABEL-AWNING INSTALLATION



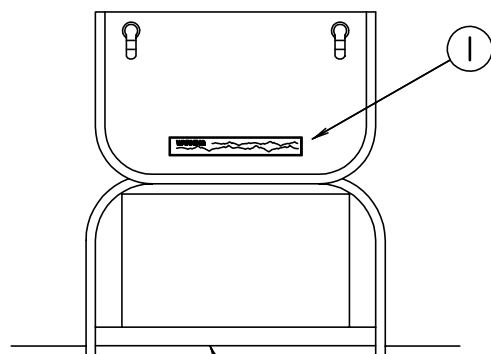
KEY	PART NUMBER	U/M DESCRIPTION
1	040944-01-000	EA LABEL-ENTRANCE DOOR - "OPEN"



KEY	PART NUMBER	U/M DESCRIPTION
1	079965-01-000	EA LABEL-LPG, 80% CAPACITY

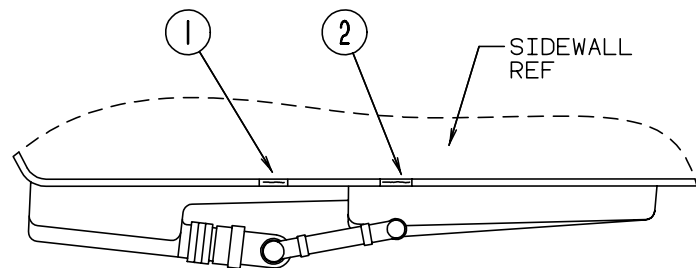
**LABELS GROUP (CONTINUED)**

**WARNING** DISCONNECT BATTERIES BEFORE CONNECTING EXTERNAL CHARGING EQUIPMENT.



BATTERY COMPARTMENT REF

KEY	PART NUMBER	U/M DESCRIPTION
1	065748-01-000	EA LABEL-CAUTION-BATTERY CHARGING

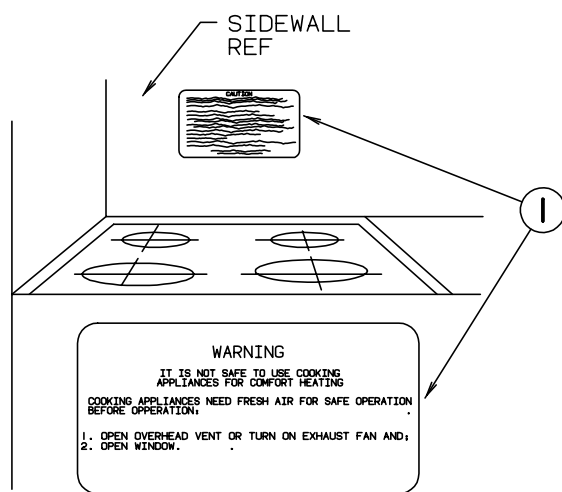


SIDEWALL REF

SEWAGE

WASTE WATER

KEY	PART NUMBER	U/M DESCRIPTION
1	006187-01-000	EA LABEL-SEWAGE
2	006188-01-000	EA LABEL-WASTE WATER

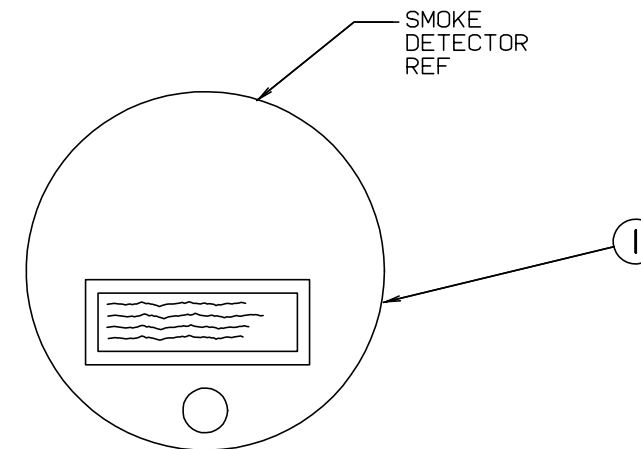


SIDEWALL REF

**WARNING**  
IT IS NOT SAFE TO USE COOKING APPLIANCES FOR COMFORT HEATING BEFORE OPERATION.  
COOKING APPLIANCES NEED FRESH AIR FOR SAFE OPERATION BEFORE OPERATION:  
1. OPEN OVERHEAD VENT OR TURN ON EXHAUST FAN AND;  
2. OPEN WINDOW.

KEY	PART NUMBER	U/M DESCRIPTION
1	050225-01-000	EA LABEL-WARNING, STOVE VENT - US
1	050222-01-000	EA LABEL-WARNING, STOVE VENT - CANADIAN

**LABELS GROUP (CONTINUED)**



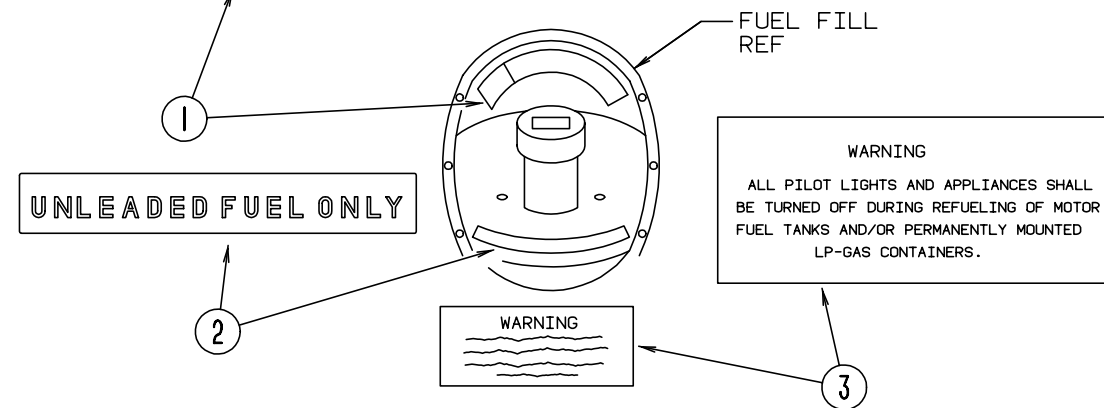
SMOKE DETECTOR REF

**WARNING:** TEST SMOKE DETECTOR OPERATION AFTER VEHICLE HAS BEEN IN STORAGE, BEFORE EACH TRIP AND AT LEAST ONCE PER WEEK DURING USE.

KEY	PART NUMBER	U/M DESCRIPTION
1	077956-01-000	EA LABEL-WARNING-SMOKE DETECTOR

**CAUTION**  
TO HELP AVOID PERSONAL INJURY DURING REMOVAL OF FUEL FILLER CAP, SLOWLY LOOSEN CAP 1/2 TURN TO ALLOW ANY FUEL PRESSURE TO BE RELIEVED BEFORE TURNING CAP FURTHER.

**FUEL SPRAY MAY CAUSE PERSONAL INJURY**  
STOP ADDING FUEL AFTER FIRST SHUTOFF BY AUTOMATIC NOZZLE WHEN TANK IS NEARLY FULL. DO NOT OVERFILL FUEL TANK.  
SEE OWNERS MANUAL FOR ADDITIONAL INFORMATION.  
PRINTED IN U.S.A. MLC PT NO 15611763



FUEL FILLER REF

UNLEADED FUEL ONLY

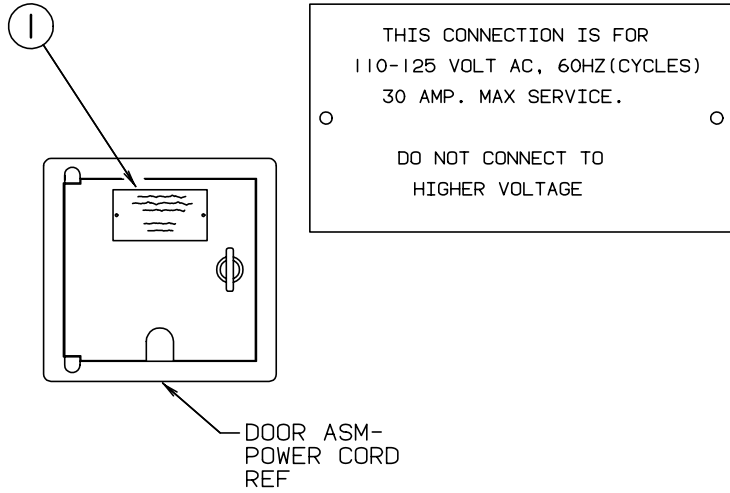
**WARNING**

**WARNING**  
ALL PILOT LIGHTS AND APPLIANCES SHALL BE TURNED OFF DURING REFUELING OF MOTOR FUEL TANKS AND/OR PERMANENTLY MOUNTED LP-GAS CONTAINERS.

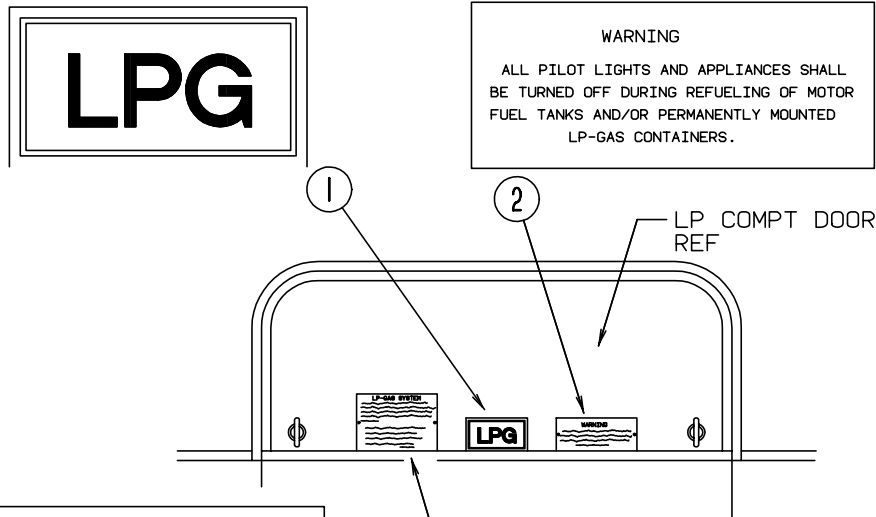
KEY	PART NUMBER	U/M DESCRIPTION
1	087207-05-000	EA LABEL - FUEL CAP REMOVAL
2	062043-01-000	EA LABEL - FUEL - UNLEADED
3	006040-01-000	EA TAG - GAS REFUELING WARNING
3	006040-02-000	EA TAG - GAS REFUELING WARNING (CANADIAN)



**LABELS GROUP (CONTINUED)**

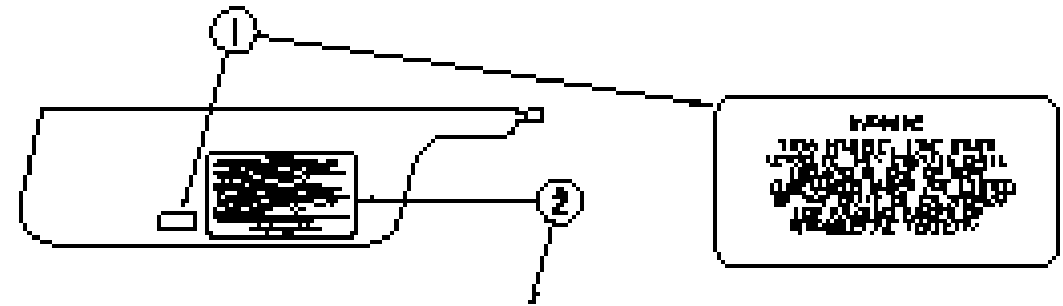


KEY	PART NUMBER	U/M DESCRIPTION
1	006062-01-000	EA TAG-ELECTRIC-110V CONNECTION



KEY	PART NUMBER	U/M DESCRIPTION
1	074559-01-000	EA DECAL-LOGO, LPG - RED - CALIF. CODE
2	006040-01-000	EA TAG-GAS REFUELING WARNING
2	006040-02-000	EA TAG-GAS REFUELING WARNING - CANADIAN
3	054531-01-000	EA LABEL-LP GAS ONLY
3	023769-01-000	EA LABEL-WARNING, LPG - CANADIAN

**LABELS GROUP (CONTINUED)**



**CAUTION**

THIS FUEL TANK IS NOT TO BE USED FOR FUELING OF MOTOR FUEL TANKS AND/OR PERMANENTLY MOUNTED LP-GAS CONTAINERS. THE FOLLOWING INSTRUCTIONS FOR YOUR SAFETY AND THE SAFETY OF YOUR PASSENGERS SHOULD BE READ AND UNDERSTOOD BEFORE LEAVING THE TRUCK.

1. LP GAS CONTAINERS: NEVER USE A FLAME FOR TESTING THE LEAK OF AN LP GAS CONTAINER OR CONNECTION BEFORE LEAVING THE TRUCK.
2. WARNING: NEVER USE A FLAME TO TEST FOR LEAKS IN THE TRUCK.
3. LEAKS: NEVER USE A FLAME TO TEST FOR LEAKS IN THE TRUCK. IF A LEAK IS DETECTED, TURN OFF THE GAS SUPPLY AND CONTACT THE TRUCK MANUFACTURER FOR ASSISTANCE.
4. FUEL TANK: NEVER USE A FLAME TO TEST FOR LEAKS IN THE TRUCK. IF A LEAK IS DETECTED, TURN OFF THE GAS SUPPLY AND CONTACT THE TRUCK MANUFACTURER FOR ASSISTANCE.
5. FUEL TANK: NEVER USE A FLAME TO TEST FOR LEAKS IN THE TRUCK. IF A LEAK IS DETECTED, TURN OFF THE GAS SUPPLY AND CONTACT THE TRUCK MANUFACTURER FOR ASSISTANCE.
6. FUEL TANK: NEVER USE A FLAME TO TEST FOR LEAKS IN THE TRUCK. IF A LEAK IS DETECTED, TURN OFF THE GAS SUPPLY AND CONTACT THE TRUCK MANUFACTURER FOR ASSISTANCE.
7. FUEL TANK: NEVER USE A FLAME TO TEST FOR LEAKS IN THE TRUCK. IF A LEAK IS DETECTED, TURN OFF THE GAS SUPPLY AND CONTACT THE TRUCK MANUFACTURER FOR ASSISTANCE.
8. FUEL TANK: NEVER USE A FLAME TO TEST FOR LEAKS IN THE TRUCK. IF A LEAK IS DETECTED, TURN OFF THE GAS SUPPLY AND CONTACT THE TRUCK MANUFACTURER FOR ASSISTANCE.
9. FUEL TANK: NEVER USE A FLAME TO TEST FOR LEAKS IN THE TRUCK. IF A LEAK IS DETECTED, TURN OFF THE GAS SUPPLY AND CONTACT THE TRUCK MANUFACTURER FOR ASSISTANCE.
10. FUEL TANK: NEVER USE A FLAME TO TEST FOR LEAKS IN THE TRUCK. IF A LEAK IS DETECTED, TURN OFF THE GAS SUPPLY AND CONTACT THE TRUCK MANUFACTURER FOR ASSISTANCE.

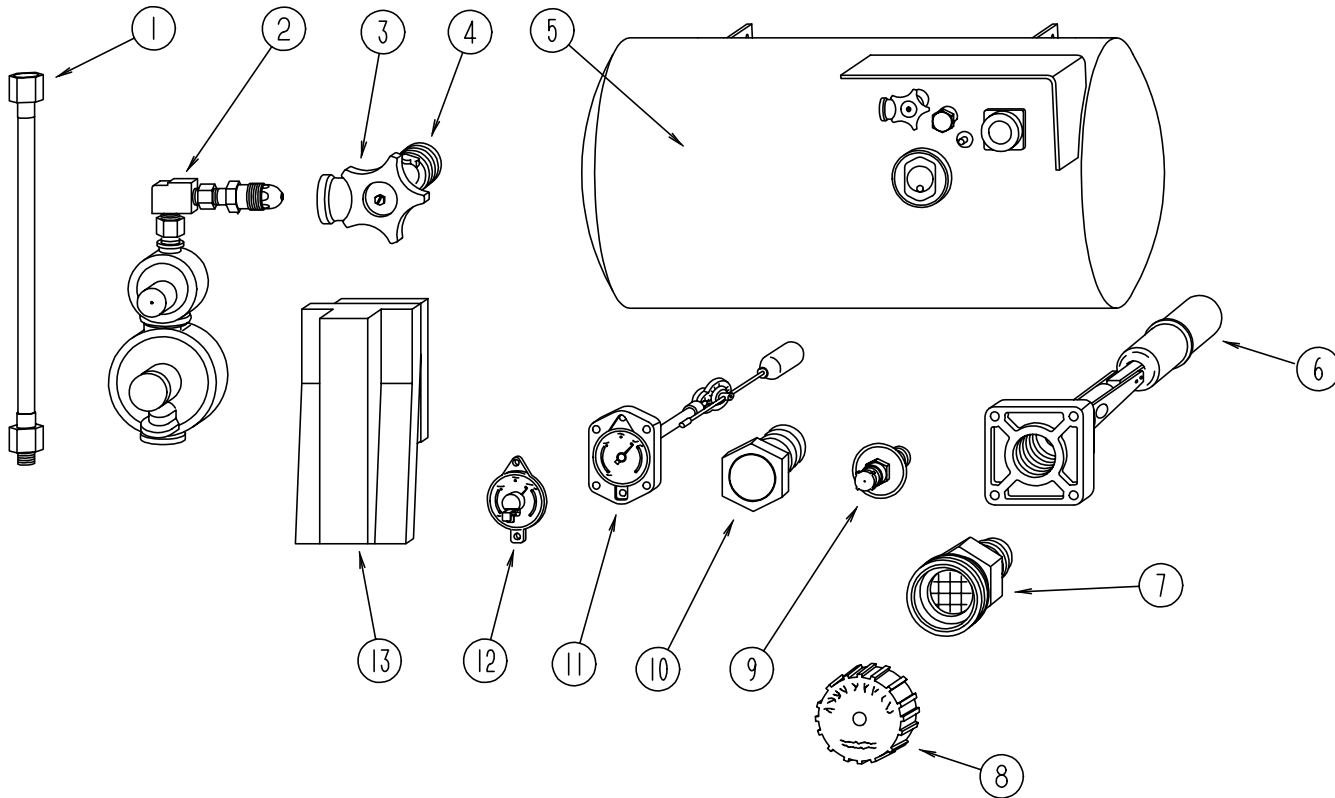
READ YOUR OPERATING AND SAFETY MANUAL FOR FURTHER INSTRUCTIONS.

KEY	PART NUMBER	U/M DESCRIPTION
1	099689-01-000	EA LABEL-WARNING, CANCER/TOXICITY
2	056259-01-000	EA LABEL -SAFETY CHECK LIST

**MISCELLANEOUS LABELS**

KEY	PART NUMBER	U/M DESCRIPTION
	104236-01-000	EA LABEL-GENERATOR CIRCUIT
	006064-01-000	EA LABEL-SEAT W/O SEATBELT (US)
	091224-02-000	EA LABEL-TRAILER LIGHTING
	091243-01-000	EA LABEL-A/C COVER - "AIR CONDITIONING CIRCUIT. ETC."
	093236-08-000	EA LABEL-CIRCUIT BREAKER
	098641-01-000	EA LABEL-FUEL - UNLEADED - DASH
	073998-01-000	EA LABEL-LPG ODOR WARNING
	087236-01-000	EA LABEL-CABLE - INPUT
	061417-01-000	EA LABEL-FUEL - ON FUEL FILL DOOR
	023769-01-000	EA LABEL-WARNING, LPG - CANADIAN
	111104-01-000	EA LABEL-HITCH,READ MANUAL
	054531-01-000	EA LABEL-LP GAS ONLY
	112518-01-000	EA LABEL-HANG TAG, CO DETECTOR
	087207-06-000	EA LABEL-GAS OVERFILL
	111802-01-000	EA LABEL-CFC WARNING

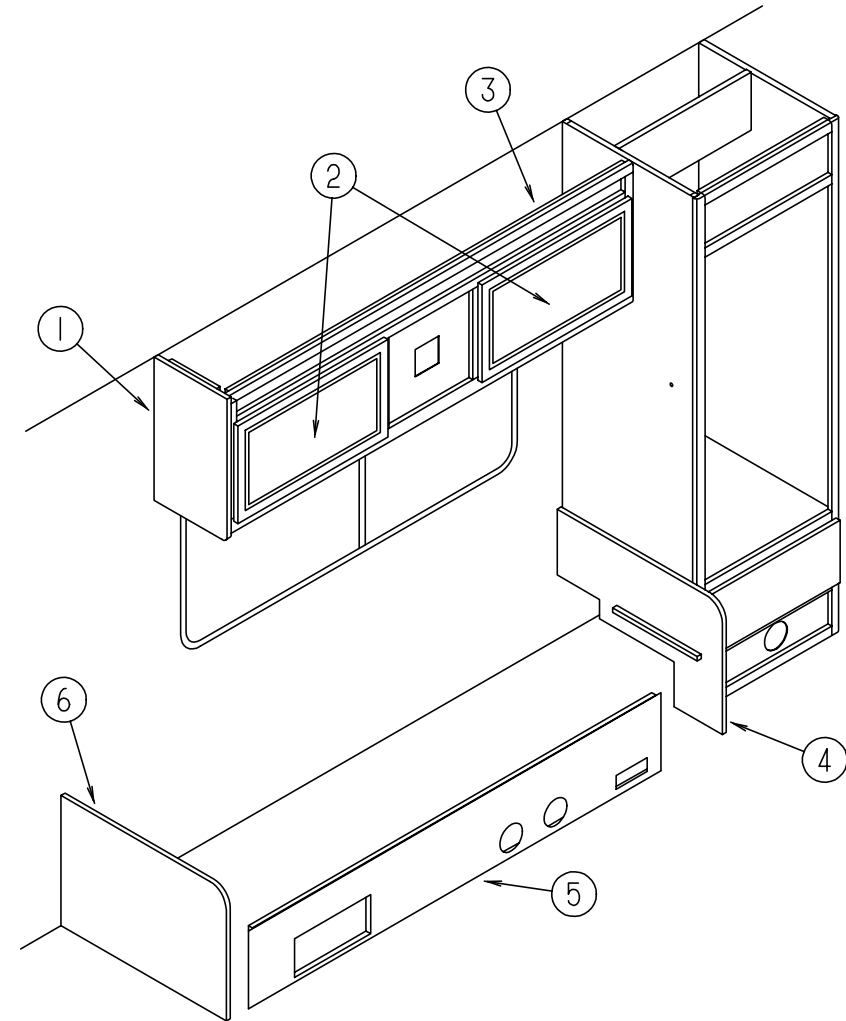
## LP GROUP



### LP TANK & COMPONENTS

KEY	PART NUMBER	U/M DESCRIPTION	VENDOR NUMBERS
1	045703-02-000	EA HOSE-LP, 3/8" ID X 24" - 3/8" MPT X 1/2" F SWIVEL - CANADA	
1	045703-01-000	EA HOSE-LP, 3/8" ID X 24" - 3/8" MPT X 1/2" F SWIVEL - U.S.	
1	045703-09-000	EA HOSE-LP, 3/8" ID X 24" - 3/8" MPT X 3/8" F SWIVEL - US & EXPORT	
2	106150-01-000	EA REGULATOR-TWO STAGE M'BRASS	290-303
3	040421-01-708	EA HANDWHEEL-SERVICE VALVE, BRUNNER	G-1015-A
4	040421-01-712	EA VALVE-SERVICE W/O VAPOR RELIEF	29000853
5	080450-01-000	EA TANK-LP, 42LB - 13" DIAMETER X 24" LONG	
6	040421-01-711	EA VALVE - 80% W/FLOAT, PLATE, BOLTS & GASKET - BRUNNER	
7	040421-01-701	EA VALVE-SHORT LP FILLER W/YELLOW CAP - BRUNNER	75478
8	040421-01-702	EA CAP-LP FILLER VALVE, PLASTIC - YELLOW - BRUNNER	G-1014-A
9	040421-01-700	EA VALVE-LIQUID LEVEL, 20% LP - BRUNNER	G-1013
10	040421-01-713	EA VALVE-VAPOR ONLY	29000587
11	074142-01-700	EA FLOAT-GAUGE, SCREW ON - MACHINE	13C-SCR
	074142-01-701	EA FLOAT ASSEMBLY-BOLT ON	13C-BLT
12	040440-02-000	EA TRANSMITTER-DIAL, 0-90 OHM - USED W/MONITOR PANEL	
12	040421-01-706	EA DIAL-LP TANK VOLUME, VISIBLE FACE (5-1789) - USED W/O MONITOR PANEL	
13	105658-01-000	EA COMPARTMENT-LP REGULATOR	
	065318-02-000	EA ELBOW - 90 DEGREE, 3/8" MPT TO 3/8" FPT	
	095624-01-000	EA ELBOW - 90 DEGREE, 1/4" FPT X 1/4" FPT - BRASS	
	010377-02-000	EA NUT-BRASS, 3/8" FLARE - FORGED	
	010329-01-000	EA ADAPTER-BRASS, 1/2" F X 1/2" MPT	
	010380-02-000	EA NUT-BRASS, 1/2" FLARE - FORGED	
	103613-01-000	EA DETECTOR-LP GAS	
	010252-01-000	EA ELBOW-BRASS - 90 3/8" F X 1/2" MPT	
	010323-01-000	EA ADAPTER-BRASS, 3/8" F X 1/2" MPT	
	071391-02-000	EA NIPPLE-HEX, 1/4" PIPE	
	024250-01-000	EA ADAPTER-BRASS, 3/8" F X 1/2" FPT	
	010323-01-000	EA ADAPTER-BRASS, 3/8" F X 1/2" MPT	
	057042-01-000	EA ADAPTER-CROSS, 1/2" PIPE	
	010326-01-000	EA ADAPTER-FLARE, W/CONE GASKET - 3/8" FEMALE X 1/2" MALE	
	010265-01-000	EA ELBOW-BRASS, 90 DEGREE - 3/8" F X 1/2" FPT	

## LOUNGE GROUP



### DRIVER SIDE LOUNGE CABINETS

KEY	PART NUMBER	U/M DESCRIPTION
1	109908-26-F15	EA END CAP-OVERHEAD CABINET
2	110140-05-EB1	EA DOOR-CABINET, W/O HARDWARE - 365MM X 850MM
3	114605-01-F15	EA CABINET-OVERHEAD, LOUNGE - W/O DOORS OR HARDWARE
4	M05968-05-F15	EA CABINET-COUCH, SIDE
4	M05968-05-F16	EA CABINET-COUCH, SIDE
5	M05968-06-F15	EA CABINET-COUCH, FRONT
5	M05968-06-F16	EA CABINET-COUCH, FRONT
6	M05968-04-F15	EA CABINET-COUCH, SIDE
6	M05968-04-F16	EA CABINET-COUCH, SIDE
	083125-07-000	EA BRACE-ANGLE, COUCH - OFF WHITE
	105947-01-000	EA BRACKET-HOLD DOWN, COUCH - CANADIAN

**SEALANTS & FASTENERS GROUP  
ADHESIVES**

KEY	PART NUMBER	U/M	DESCRIPTION
	004020-01-000	QT	ADHESIVE-ABS CEMENT, QUART
	114311-01-000	GL	ADHESIVE-GLUE, 72-7843 NATIONAL STARCH
	102352-01-000	EA	SEALER-PUMPABLE, BLACK - COLORIMETRIC MS101
	053766-08-000	EA	BEDDING COMPOUND-TUBE, GRAY - SCHNEE# 5522
	069640-02-000	FT	SEALER-RIBBON, 1/2" X 1/8" X 60'
	069640-03-000	FT	SEALER-RIBBON, 3/4" X 1/8" X 60'
	069640-07-000	FT	SEALER-RIBBON, 2" X 3/32" X 45'
	069640-10-000	FT	SEALER-RIBBON, 1/32" X 1 1/2" X 90'
	069640-11-000	FT	SEALER-TAPE, 3/16" X 3/8" - BLACK - MANUS
	069640-14-000	FT	SEALER-TAPE, 1/16" X 1" X 100' MANUS,GRAY
	091255-02-000	FT	SEAL-ADHESIVE BACKED FOAM, .18" THICK X 1.5" WIDE
	063642-01-000	FT	TAPE-ADHESIVE, 10 MM X 1.5" WIDE X 180'
	002707-02-000	FT	TAPE-SEALER, 5/16" X 1/2" X 50'
	076314-02-000	FT	TAPE-CARPET SEAM, HEAT-BOND - 4" WIDE
	076322-01-000	FT	TAPE-FOAM, DOUBLE COATED ADHESIVE BACKED - .75" X 216'
	076322-05-000	FT	TAPE-FOAM, DOUBLE COATED - .025" X 1.5" X 108'
	120074-01-01A	EA	SILICONE-TUBE, OFF WHITE
	108716-01-000	EA	SILICONE-TUBE, OFF WHITE - SELF LEVELING - CSL 510
	034552-15-000	EA	SILICONE-TUBE, 300 ML - BRIGHT WHITE - CSL302
	034552-02-000	EA	SILICONE-TUBE, 300 ML - CLEAR - W/O NOZZLE
	034552-06-000	EA	SILICONE-TUBE, 300 ML - OFF WHITE - W/O NOZZLE
	900390-01-000	EA	TIP - 2 1/2" X 1/8" ORIFICE, ELLSWORTH #TS216
	900390-03-000	EA	NOZZLES-SILICONE TUBE, CSL #D10
	085774-01-000	FT	FASTENER-DUAL HOOK, 1" WIDE - ADHESIVE BACK - BLACK
	085774-02-000	FT	FASTENER-DUAL LOOP, 1" WIDE - ADHESIVE BACK - BLACK

**BOLTS, NUTS & RIVETS**

KEY	PART NUMBER	U/M	DESCRIPTION
	0MC31K-08-020	EA	BOLT-HEX, SERRATED FLANGE - M8 X 020
	000C12-05-16B	EA	BOLT-HEX, 5/16-18 X 1 - ZINC 5
	000C12-06-16B	EA	BOLT-HEX, 3/8-16 X 1LAG - ZINC 5
	000C12-07-24B	EA	BOLT-HEX, 7/16-14 X 1.50 - ZINC 5 MC-90
	000C12-08-24B	EA	BOLT-HEX, 1/2-13 X 1 1/2 - ZINC 5
	000C12-10-64B	EA	BOLT-HEX, 5/8-11 X 4.0 - ZINC 5
	000C12-10-24B	EA	BOLT-HEX, 5/8-11 X 1 1/2 - ZINC 5
	000C13-07-48B	EA	BOLT-HEX, 7/16-20 X 3 - ZINC 5
	000C18-05-40A	EA	BOLT-ELEV, 5/16-18 X 2 1/2 PL
	000C18-06-48B	EA	BOLT-ELEV, 3/8-16 X 3 - ZINC - GDE 5
	000C26-04-14B	EA	BOLT-HEX, SERRATED FLANGE - 1/4-20 X 7/8 - ZINC
	000C26-04-10B	EA	BOLT-HEX, SERRATED FLANGE - 1/4-20 X 5/8 - ZINC
	000C26-05-16B	EA	BOLT-HEX, SERRATED FLANGE - 5/16-18 X 1 - ZINC
	000C26-05-12B	EA	BOLT-HEX, SERRATED FLANGE - 5/16-18 X 3/4 - ZINC
	000C26-06-12B	EA	BOLT-HEX, SERRATED FLANGE - 3/8-16 X 3/4 - ZINC
	000G45-05-16B	EA	BOLT-LAG, 5/16-9 X 1 - ZINC
	000D24-10-00B	EA	NUT-HEX, SERRATED FLANGE/LOCK - 10-32 - ZINC
	000D29-06-00B	EA	NUT-HEX, W/NYLON LOCK - 3/8-16 - ZINC
	000D29-09-00B	EA	NUT-HEX, SELF LOCK - 9/16-12 - ZINC
	000D39-04-00B	EA	NUT-HEX, SERRATED FLANGE LOCK - 1/4-20 - ZINC
	000D39-05-00B	EA	NUT-HEX, SERRATED FLANGE LOCK - 5/16-18 - ZINC
	000D39-06-00B	EA	NUT-HEX, SERRATED FLANGE LOCK - 3/8-16 - ZINC
	000D39-08-00B	EA	NUT-HEX, SERRATED FLANGE LOCK - 1/2-13 - ZINC
	000D44-07-00B	EA	NUT-HEX, SERRATED FLANGE LOCK - 7/16-20 - ZINC
	000D46-04-00A	EA	NUT-HEX, WELD - 1/4-20 - PLAIN - SHORT PILOT
	000D60-05-00A	EA	NUT-HEX, WELD LOCK - 5/16-18 UNC - SHORT PILOT
	104369-01-000	EA	NUT-HEX, HEAVY - 5/8-11 UNC - SPARE TIRE INSTALLATION
	069592-02-000	EA	RIVET-T, POP - 1/4 X .093 - .156
	000H16-04-06R	EA	RIVET-POP, AL 1/8 X .313-.375

**SEALANTS & FASTENERS GROUP (CONTINUED)  
SCREWS**

KEY	PART NUMBER	U/M	DESCRIPTION
	0G1108-12-170	EA	SCREW, 8-18 X .75 PPH - BRIGHT WHITE
	0G3908-08-170	EA	SCREW-SF/DR, 8-18 X 1/2 PPH - BRIGHT WHITE
	0G3908-16-170	EA	SCREW-SF/DR, 8-18 X 1.00 PPH - BRIGHT WHITE
	0G6710-08-170	EA	SCREW, 10-12 X 1/2 PPH - BRIGHT WHITE - TYPE A
	000G11-04-10B	EA	SCREW, 4 - 24 X 5/8 PPH - ZINC
	000G11-05-08B	EA	SCREW, 5-20 X 1/2 PPH - ZINC 05005-01-000
	000G11-06-10J	EA	SCREW, 6-20 X 5/8 PPH - BRASS
	000G11-06-08B	EA	SCREW, 6-20 X 1/2 PPH - ZINC
	000G11-06-06B	EA	SCREW, 6-20 X 3/8 PPH - ZINC
	000G11-07-08B	EA	SCREW, 7-19 X 1/2 PPH - ZINC
	000G11-08-12B	EA	SCREW, 8-18 X 3/4 PPH - ZINC
	000G11-08-08B	EA	SCREW, 8-18 X 1/2 PPH - ZINC
	000G11-08-06B	EA	SCREW, 8-18 X 3/8 PPH - ZINC
	000G11-08-20B	EA	SCREW, 8-18 X 11/4 PPH - ZINC - 05031-01-000
	000G11-08-16S	EA	SCREW, 8-18 X 1.00 PPH - OFF WHITE
	000G11-08-12T	EA	SCREW, 8-18 X 3/4 PPH - BLACK
	000G11-08-12S	EA	SCREW, 8-18 X 3/4 PPH - OFF WHITE
	000G11-08-12E	EA	SCREW, 8-18 X.75 PPH - CHROME ES0025.4
	000G11-08-12D	EA	SCREW, 8-18 X 3/4 PPH - BLACK
	000G11-10-16B	EA	SCREW, 10-16 X 1 PPH - ZINC
	000G11-10-12S	EA	SCREW, 10-16 X .75 PPH - OFF WHITE
	000G12-08-12S	EA	SCREW, 8-18 X 3/4 POH - OFF WHITE
	000G13-06-24J	EA	SCREW, 6-20 X 1.50 PFH - BRASS
	000G13-06-16J	EA	SCREW, 6-20 X 1.00 PFH - BRASS
	000G13-07-12B	EA	SCREW, 7-19 X 3/4 PFH - ZINC
	000G13-07-10H	EA	SCREW, 7-19 X 5/8 PFH - BLACK
	000G32-10-06B	EA	SCREW, 10-32 X 3/8 - PPH - ZINC
	000G39-06-10T	EA	SCREW-SF/DR, 6-20 X 5/8 PPH - BLACK
	000G39-06-16T	EA	SCREW-SF/DR, 6-20 X 1 PPH - BLACK
	000G39-06-10T	EA	SCREW-SF/DR, 6-20 X 5/8 PPH - BLACK
	000G39-08-12B	EA	SCREW-SF/DR, 8-18 X 3/4 PPH - ZINC
	000G39-08-08S	EA	SCREW-SF/DR, 8-18 X 1/2 PPH - OFF WHITE
	000G39-08-08B	EA	SCREW-SF/DR, 8-18 X 1/2 PPH - ZINC
	000G39-08-24S	EA	SCREW-SF/DR, 8-18 X 1.50 - OFF WHITE
	000G39-08-24B	EA	SCREW-SF/DR, 8-18 X 1 1/2 PPH - ZINC
	000G39-08-16S	EA	SCREW-SF/DR, 8-18 X 1.00 PPH - OFF WHITE
	000G39-08-16B	EA	SCREW-SF/DR, 8-18 X 1 PPH - ZINC
	000G39-10-08B	EA	SCREW, 10-16 X .50 PH - ZINC
	000G39-10-12B	EA	SCREW-SF/DR, 10-16 X .75 PPH - ZINC
	000G39-10-12D	EA	SCREW-SF/DR, 10-16 X 3/4 PPH - BLACK
	000G39-10-10S	EA	SCREW-SF/DR, 10-16 X .62 PPH - OFF WHITE
	000G39-10-209	EA	SCREW-SF/DR, 10-16 X 1.25 PPH - FLUOROCARBON SILVER
	000G39-10-20B	EA	SCREW-SF/DR, 10-16 X 1 1/4 PPH - ZINC
	000G39-12-12E	EA	SCREW-SF/DR, 12-14 X 3/4 PPH - CHROME
	000G42-04-12B	EA	SCREW-SF/DR, 1/4-14 X 3/4 HWH - ZINC
	000G42-04-16B	EA	SCREW-SF/DR, 1/4-14 X 1 HWH - ZINC
	000G46-08-24T	EA	SCREW-MACHINE, 8-32 X 1.50 PFH - BLACK
	000G50-04-12B	EA	SCREW-MACHINE, 1/4-20 X 3/4 PPH - ZINC
	000G52-08-18B	EA	SCREW-MACHINE, 8-32 X 11/8 PTH - ZINC
	000G53-04-06B	EA	SCREW-MACHINE, 1/4-20 X 3/8 PPH - ZINC - UNDERCUT HEAD
	000G54-04-20B	EA	SCREW, 1/4-20 X 1 1/4 PTH - TYPE 23 - ZINC PLATED
	000G60-10-28T	EA	SCREW-SF/DR, 10-16 X 1.75 - BLACK
	000G67-10-10B	EA	SCREW, 10-12 X 5/8 PPH - ZINC - TYPE A
	000G67-10-08R	EA	SCREW, 10-12 X 1/2 PPH - BEIGE - TYPE A
	000G67-10-08B	EA	SCREW, 10-12 X 1/2 PPH - ZINC
	000G67-10-36T	EA	SCREW, 10-12 X 2.25 PPH - BLACK - STALGARD
	000G67-10-32B	EA	SCREW, 10-12 X 2 PPH - ZINC
	000G67-10-24B	EA	SCREW, 10-12 X 1 1/2 PPH - ZINC

**SEALANTS & FASTENERS GROUP (CONTINUED)**  
**SCREWS (CONTINUED)**

KEY	PART NUMBER	U/M DESCRIPTION
	000G67-10-20D	EA SCREW, 10-12 X 1 1/4 PPH - BLACK
	000G67-10-16P	EA SCREW, 10-12 X 1 PPH - DARK BROWN
	000G67-10-16B	EA SCREW, 10-12 X 1 PPH - ZINC
	000G67-10-120	EA SCREW, 10-12 X .75 PPH - TAN
	000G67-10-12S	EA SCREW, 10-12 X .75 PPH - OFF WHITE
	000G67-10-12R	EA SCREW, 10-12 X .75 PPH - BEIGE
	000G67-10-12P	EA SCREW, 10-12 X .75 PPH - DARK BROWN
	000G67-10-12B	EA SCREW, 10-12 X 3/4 PPH - ZINC
	000G67-10-10S	EA SCREW, 10-12 X 5/8 PPH - OFF WHITE
	000G68-06-10G	EA SCREW, 6-18 X 5/8 POH - ANTIQUE BRASS
	000G68-10-36T	EA SCREW, 10-12 X 2.25 POH - BLACK
	049465-04-000	EA SCREW, 10-16 X 1 PTH - W/WASHER - BEIGE
	074046-01-000	EA SCREW, 8-18 X 1 1/2 PFH - BRONZE
	075908-01-000	EA SCREW-MACHINE, 10-32 X .56 PTH - ZINC EXTERNAL TOOTH
	087721-01-000	EA SCREW-FLAT HEAD, TAPPING - 1/4 X 1 1/4 LAG - ZINC
	101618-01-000	EA SCREW, 1/4-20 X 3/4 HEX/TAPPING - STALGARD TYPE F

**GROMMETS**

KEY	PART NUMBER	U/M DESCRIPTION
	016188-03-000	EA GROMMET-L P LINE, 3/8" HOLE X 2 1/2" LONG - RUBBER
	016188-05-000	EA GROMMET-L P LINE, 3/8" HOLE X 1 1/4" LONG - RUBBER
	023942-01-000	EA GROMMET-RUBBER, 2" OD
	071015-26-000	EA GROMMET-RUBBER, 1.5" ID X 2.12" OD W/.06" GROOVE - BLACK
	008384-01-000	EA GROMMET-SNAP, 3/4" DIAMETER - NYLON
	114208-02-000	EA GROMMET-EDGE LINER, FITS .625 HEYCO 2073

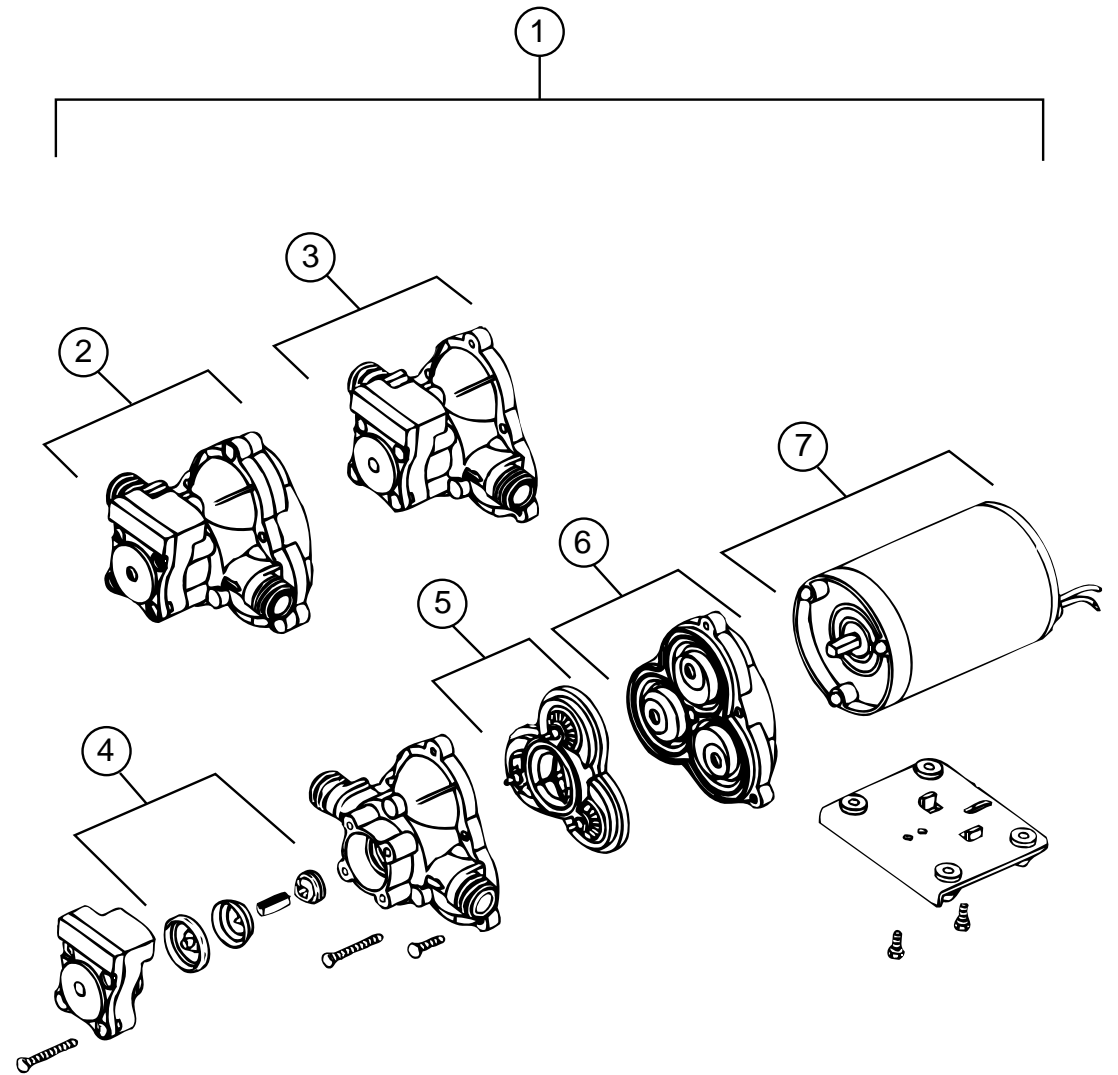
**CLAMPS, CLIPS & HOLDERS**

KEY	PART NUMBER	U/M DESCRIPTION
	007161-01-000	EA CLAMP-HOSE, SPRING TYPE - 1/2"
	010495-01-000	EA CLAMP-CABLE, 9/16"
	010497-01-000	EA CLAMP-CLOSED, 5/8" ID
	010497-03-000	EA CLAMP-CLOSED, 1" ID - CUSHIONED
	010497-04-000	EA CLAMP-CLOSED, 1.62" ID
	010499-01-000	EA CLAMP-CLOSED, 3/8" ID
	056134-01-000	EA HOLDER-RING, 3.6" DIAMETER - METAL
	062401-01-000	EA CLAMP-HOSE, WORMGEAR - .25" - 1"
	062401-02-000	EA CLAMP-HOSE, WORMGEAR - 1.56" - 2.5"
	062401-03-000	EA CLAMP-HOSE, WORMGEAR - .22" - 1"
	062401-04-000	EA CLAMP-HOSE, WORMGEAR - .69" - 1.25"
	062401-06-000	EA CLAMP-HOSE, WORMGEAR - .22" - .62"
	062401-11-000	EA CLAMP-HOSE, WORMGEAR - 3.56" - 4.5"
	075148-02-000	EA CLAMP-GROUNDING, BRONZE SCREWS
	080211-03-000	EA CLIP-MOUNTING, XMAS TREE - DECORATIVE PADS
	080211-05-000	EA CLIP-XMAS TREE, 36MM FASNAP 09-280297
	080734-02-000	EA CLIP-WIRE, NYLON
	083609-01-000	EA CLAMP-WIRE, DUAL EQUAL - 5/8" DIAMETER
	083610-01-000	EA CLAMP-WIRE, DUAL UNEQUAL DIAMETERS - .75" & 1.25"
	091952-02-000	EA CLIP-GRIPPER, 3/4"
	008343-01-000	EA TIE-WIRE, 6"
	108046-02-000	EA CABLE TIE-SCREW MOUNT 15" DENNISON 10035

**WASHERS**

KEY	PART NUMBER	U/M DESCRIPTION
	000E11-07-00B	EA WASHER-LOCK, 7/16 MED SPLIT - ZINC
	000E11-08-00B	EA WASHER-LOCK, 1/2 MED SPLIT - ZINC
	000E13-17-00B	EA WASHER-FLAT, 3/8 AR - ZINC
	000E13-18-00B	EA WASHER-FLAT, 3/8 WIDE - ZINC
	000E13-20-00B	EA WASHER-FLAT, 7/16 WIDE - ZINC
	000E13-21-00B	EA WASHER-FLAT, W/2 NAR - ZINC
	000E14-10-00B	EA WASHER-LOCK, NO 10 EXT TOOTH - ZINC
	044533-01-000	EA WASHER-PLASTIC, 1 3/8 OD - FOR BUTTONS

**WATER & SEWAGE GROUP**



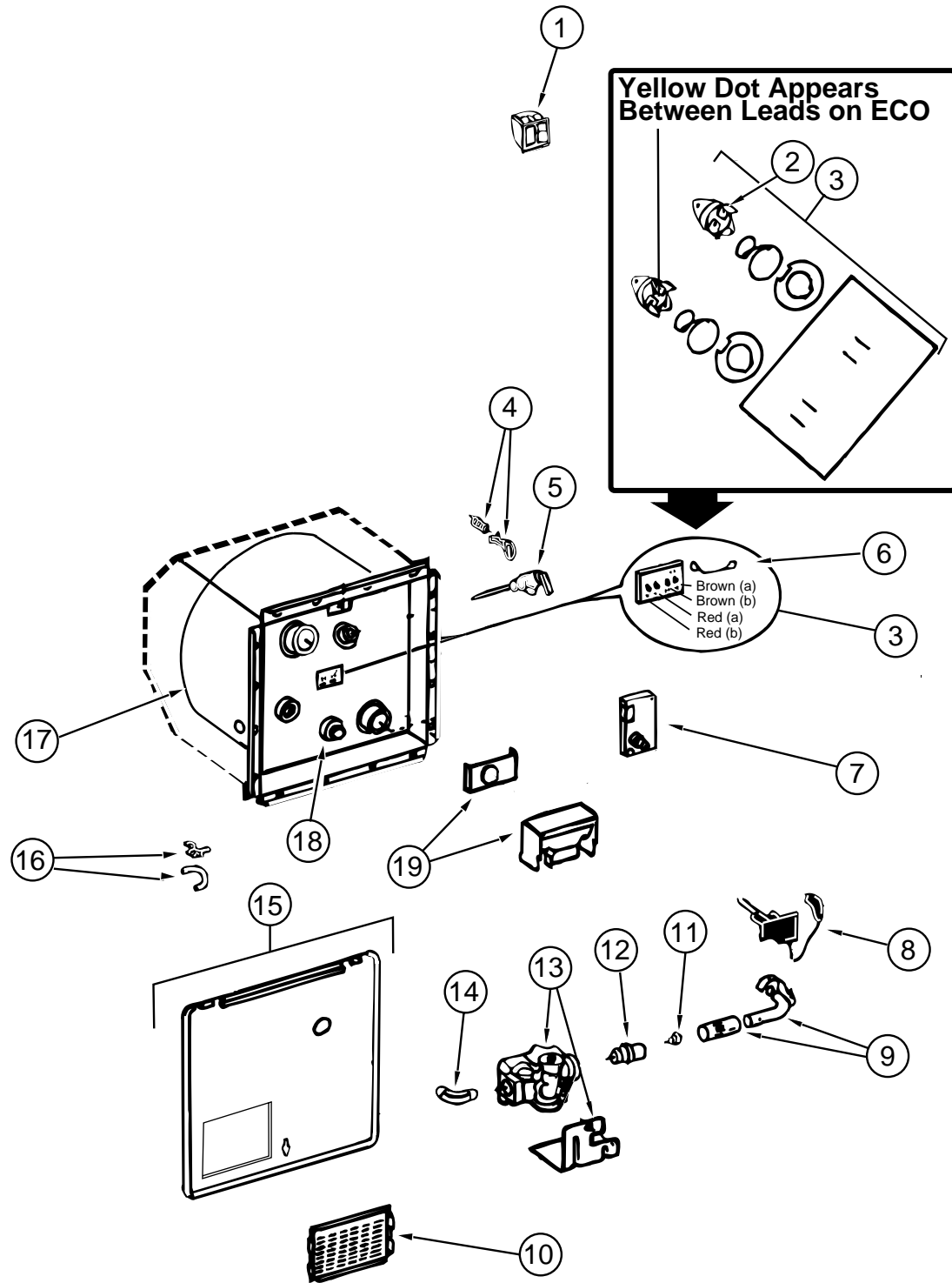
**WATER PUMP-SHURFLOW**

KEY	PART NUMBER	U/M DESCRIPTION	VENDOR NUMBERS
1	098607-01-000	EA PUMP - WATER - W/.5" MPT FITTING - FLOW 2.8 GPM - UL	
2	098607-01-700	EA PUMPHEAD-REPLACEMENT	94-236-08
3	098607-01-706	EA UPPER HOUSING/SWITCH-KIT	94-231-20
4	098607-01-705	EA CHECK VALVE-KIT	94-237-00
5	098607-01-703	EA VALVE ASM	94-232-00
6	098607-01-702	EA DIAPHRAGM-KIT	94-238-04
7	098607-01-707	EA MOTOR/ BASEPLATE REPLACEMENT	94-235-03

## WATER & SEWAGE GROUP (CONTINUED)

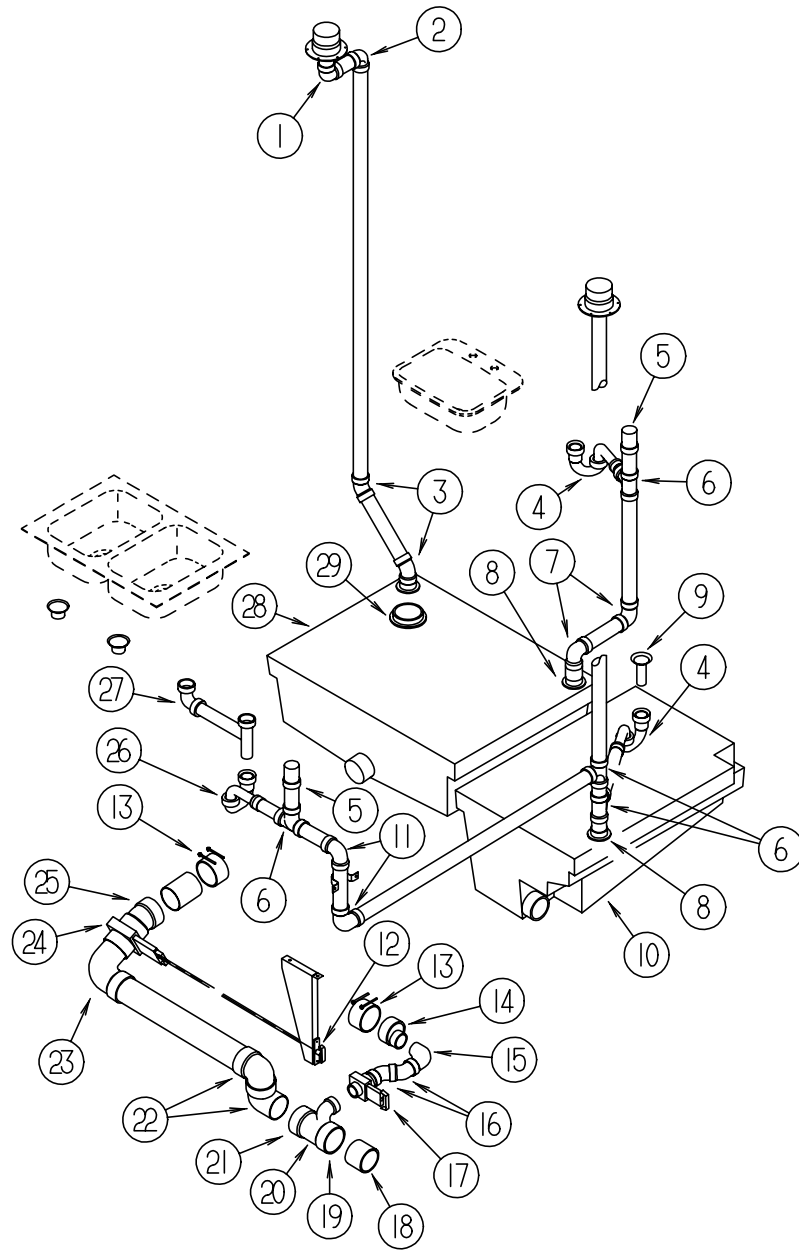
### WATER HEATER W/ELECTRIC IGNITION - ATWOOD

KEY	PART NUMBER	U/M	DESCRIPTION	VENDOR NUMBERS
	051391-03-000	EA	HEATER-WATER, W/ELECTRIC IGNITION	
1	097967-01-000	EA	SWITCH-WATER HEATER, REMOTE W/LIGHT	91959
2	051391-04-701	EA	THERMOSTAT - 12 VDC-120 PRESET, ATWOOD	91470
3	051393-01-721	EA	ECO & THERMOSTAT-FRONT MOUNT, 140 DEGREE	91447
4	051391-01-705	EA	FASTENER-CAMLOC, ATWOOD	92609
5	051391-01-704	EA	VALVE-RELIEF, 1/2" FITTING - ATWOOD	91604
6	051393-01-723	EA	SWITCH-THERMAL CUT OFF, 2/PACKAGE	93866
7	051393-01-724	EA	CIRCUIT BOARD-SPADE TERMINAL, ELECTRIC IGNITION	93867
8	051393-01-725	EA	ELECTRODE-SINGLE SPADE CONNECTOR, SPARK PROBE	93868
9	051391-04-703	EA	BURNER-MAIN, ATWOOD	91638
10	051391-01-717	EA	GRILLE ONLY-GOES ON THE DOOR	92640
11	051391-01-710	EA	ORIFICE-MAIN BURNER, ATWOOD	92742
12	051391-03-700	EA	ORIFICE-HOLDER	91563
13	051393-01-726	EA	SOLENOID VALVE AND BRACKET, WHITE ROGERS	93870
14	051391-01-714	EA	ELBOW - 45 DEGREE, 3/8" F X 3/8" MPT - ATWOOD	91044
15	052009-01-000	EA	DOOR-WATER HEATER, OFF WHITE - ATWOOD	5576-27
16	051391-01-700	EA	HINGE KIT-W/CLIP, ATWOOD	92568 & 92559
17	051391-04-706	EA	TANK-INNER, FRONT MOUNT - ATWOOD	91642
18	051391-01-715	EA	DRAIN PLUG, ATWOOD	91561
19	051391-04-707	EA	KIT-GRILLE, FLUE & GASKET - ATWOOD	90960



# WATER & SEWAGE GROUP (CONTINUED)

## DRAINAGE SYSTEM



KEY	PART NUMBER	U/M	DESCRIPTION
1	037101-01-000	EA	ELBOW-VENT, 1/4" BEND 11/2H - PLASTIC SLOANE 2201
2	034250-01-000	EA	ELBOW-LONG TURN, 90 DEGREE - 1 1/2" HUB X HUB - ABS
3	010006-01-000	EA	ELBOW - 45 DEGREE, 1/8 BEND - 1 1/2" HUB X HUB - BLACK PLASTIC
4	107538-01-000	EA	P TRAP-W/EXT ARM, 1 1/4 - PLASTIC KEVCO P814
	109571-01-000	EA	ADAPTER-P TRAP, 1 1/2" P X 1 1/4" MPT
4	011066-03-700	EA	KIT-P TRAP, 1 1/2" X 1 1/2" P TRAP W/1 1/2 TO 1 1/4 REDUCER - CANADIAN
5	079968-01-000	EA	VENT-MECHANICAL TRAP ARM, ANTI-SIPHON - 2" DIAMETER X 7.3" - PLASTIC
6	010071-01-000	EA	TEE-SANITARY, 1 1/2" HUB X HUB X HUB - PLASTIC - BLACK
7	010008-01-000	EA	ELBOW - 90 DEG, 1/4 BEND - 1 1/2" HUB X HUB - BLACK PLASTIC
8	061607-01-000	EA	GROMMET-HOLDING TANK, 1 1/2" NPS
9	011069-02-000	EA	TAILPIECE-TUB/SHOWER, 1 1/2" X 1 1/4" X 4" - BRASS
10	071271-01-000	EA	TANK-HOLDING, GRAY WATER - 31 GALLON
11	010008-01-000	EA	ELBOW - 90 DEGREE, 1/4 BEND - 1 1/2" HUB X HUB - BLACK PLASTIC
12	062419-05-000	EA	BRACKET-VALVE, LOCKING KEVCO T1003-UC
	062419-06-000	EA	HANDLE-T KEVCO CT1003-6
	062419-07-000	EA	HANDLE-EXTENSION, W/TAPPED END KEVCO
13	078406-01-000	EA	COUPLER-RUBBER, W/CLAMPS - 3" X 3"
14	062422-01-000	EA	ADAPTER-OFFSET REDUCER, 3" X 1 1/2" - PLASTIC - BLACK
15	033761-01-000	EA	ELBOW-TURN, 1/4 BEND X 1.5" HUB X 1.5" SPIGOT - BLACK PLASTIC
16	010051-01-000	EA	ELBOW - 45 DEGREE BEND, 1 1/2" SPIGOT AND HUB - PLASTIC - BLACK
17	062421-01-000	EA	VALVE-DUMP, W/HANDLE - 1 1/2" - PLASTIC - BLACK
18	062415-01-000	EA	CAP-SEWER, 3" DIAMETER
	062415-01-700	EA	STRING-SEWER CAP, SV7 STRAP
19	062416-01-000	EA	ADAPTER-SEWER HOSE TO 3" PIPE
	010201-01-000	EA	HOSE-SEWER, 3" ID X 8'
20	031365-01-000	EA	TEE-PLAS, EXTRA LONG TURN - 3" X 3" X 11/2" NICO 5812-LR-3-3-2
21	109450-01-000	EA	ADAPTER-SEWER HOSE, PLASTIC KEVCO 40738
22	010061-01-000	EA	ELBOW-STREET, 45 DEGREE - 1/8 BEND - 3" S X H - PLASTIC
23	041956-01-000	EA	ELBOW-STREET, PLASTIC - 1/4 BEND - 3" X 90 XLT
24	062418-01-000	EA	VALVE-DUMP, W/HANDLE - 3" - PLASTIC - BLACK
25	010023-01-000	EA	ELBOW-PLAS, ST 1/16 BEND 3" X 22.5' NIBCO 5808-3
26	107538-01-000	EA	P TRAP-W/EXTENDED ARM, 1 1/4 - PLASTIC KEVCO P814 1-1/4"
	109571-01-000	EA	ADAPTER-P TRAP, 1 1/2" P X 1 1/4" MPT
26	011071-01-000	EA	P TRAP-PLASTIC 1 1/2 NIBCO 5892 1 1/2 - CANADIAN
27	011091-02-000	EA	PIPE-DRAIN, DOUBLE SINK - BAFFLE TEE - 1 1/2" ONE PIPE W/TEE TO DRAIN BOTH SIDES OF SINK
27	011091-03-000	EA	PIPE-DRAIN, W/SEALS - DOUBLE SINK - EXTENDS 9" TO 16" - CANADIAN
28	074861-01-000	EA	TANK-HOLDING, W/O GROMMETS - 35 GALLON - 35" X 11" X 27"
29	061607-02-000	EA	GROMMET-HOLDING TANK, 3" NPS
	116644-01-000	EA	FLANGE-CLOSET, 4" X 3" SEALAND 345892

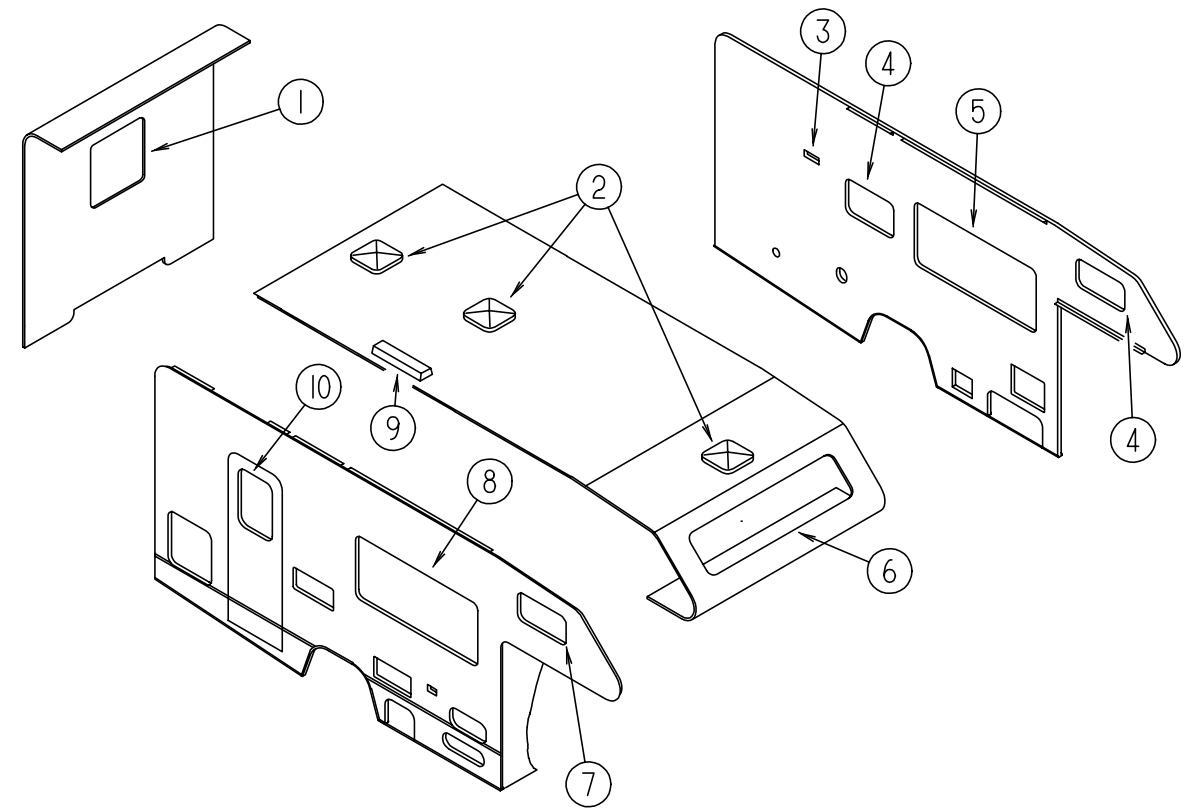
**WATER & SEWAGE GROUP (CONTINUED)**  
**FRESH WATER TANK**

KEY	PART NUMBER	U/M	DESCRIPTION
	077908-08-000	EA	TANK-WATER, W/FITTINGS - 33 GAL - 36" X 22.6" X 10.5"
	077908-01-000	EA	TANK-WATER, W/O FITTINGS - 33 GAL - 36" X 22.6" X 10.5"
	042989-03-000	EA	FITTING-WATER TANK, SPINWELD - 1 1/4" NPT - PLASTIC - WHITE
	042989-04-000	EA	FITTING-WATER TANK, SPINWELD - 3/8" FPT - PLASTIC - WHITE
	042989-05-000	EA	FITTING-WATER TANK, SPINWELD - 1/2" FPT - PLASTIC - WHITE
	049032-01-000	EA	PATCH-SPINWELD, 3/8" - PLASTIC
	077954-02-000	EA	FILTER-WATER TANK, SCREEN IN TANK
	039861-01-000	EA	SENDING UNIT-W/SCREW, WASHER, WELL NUT & TERMINAL RING

**WATER SYSTEM COMPONENTS**

KEY	PART NUMBER	U/M	DESCRIPTION	VENDOR NUMBERS
	117089-01-000	FT	HOSE-GARDEN, 1/2" ID - KEVCO	49154
	052961-01-701	EA	ADAPTER - 3/8" P X 1/2" MPT	H02870
	114430-02-000	EA	ADAPTER-SWIVEL, 1/2" P X 1/2" FPT FLAIR-IT	02873
	114430-03-000	EA	ADAPTER - 1/2" P X 1/2" MPT FLAIR-IT	02842
	114429-01-000	EA	ELBOW - 1/2" P X 1/2" P FLAIR-IT	02800
	114429-02-000	EA	ELBOW - 1/2" P X 1/2" MPT FLAIR-IT	02803
	114429-03-000	EA	ELBOW-SWIVEL, 1/2" P X 1/2" FPT FLAIR-IT	02816
	091208-01-000	EA	WASHER-RUBBER, .06" X .75" X .5"	
	110915-01-01A	EA	FILL-WATER, CITY - CHROME - KEVCO	64713
	114428-01-000	EA	TEE - 1/2" P X 1/2" P X 1/2" P FLAIR-IT	02820
	052961-01-700	EA	TEE - 3/8" P X 3/8" P X 3/8" P	H02831
	039800-02-000	FT	TUBING-POLYBUTYL, 5/8" OD X 20' - BLACK	
	074462-02-000	FT	TUBING-VINYL, 3/8" ID - CLEAR	
	079381-01-000	FT	TUBING-SMOOTH FL EXIBLE, 1 1/4" ID X 20'	
	113698-01-000	EA	VALVE-WATER, LINE DRAIN - 1/2" F X 1/2" F - PLASTIC	
	114431-01-000	EA	VALVE-WATER, 3 POSITION - "DRAIN VALVE"	
	114431-03-000	EA	VALVE-WATER, 90 DEGREE ELBOW - "WATER DRAIN VALVE"	
	114431-04-000	EA	VALVE-WATER, STRAIGHT THRU - "SHUT OFF VALVE"	

**WINDOW, VENT & EXTERIOR DOOR GROUP**



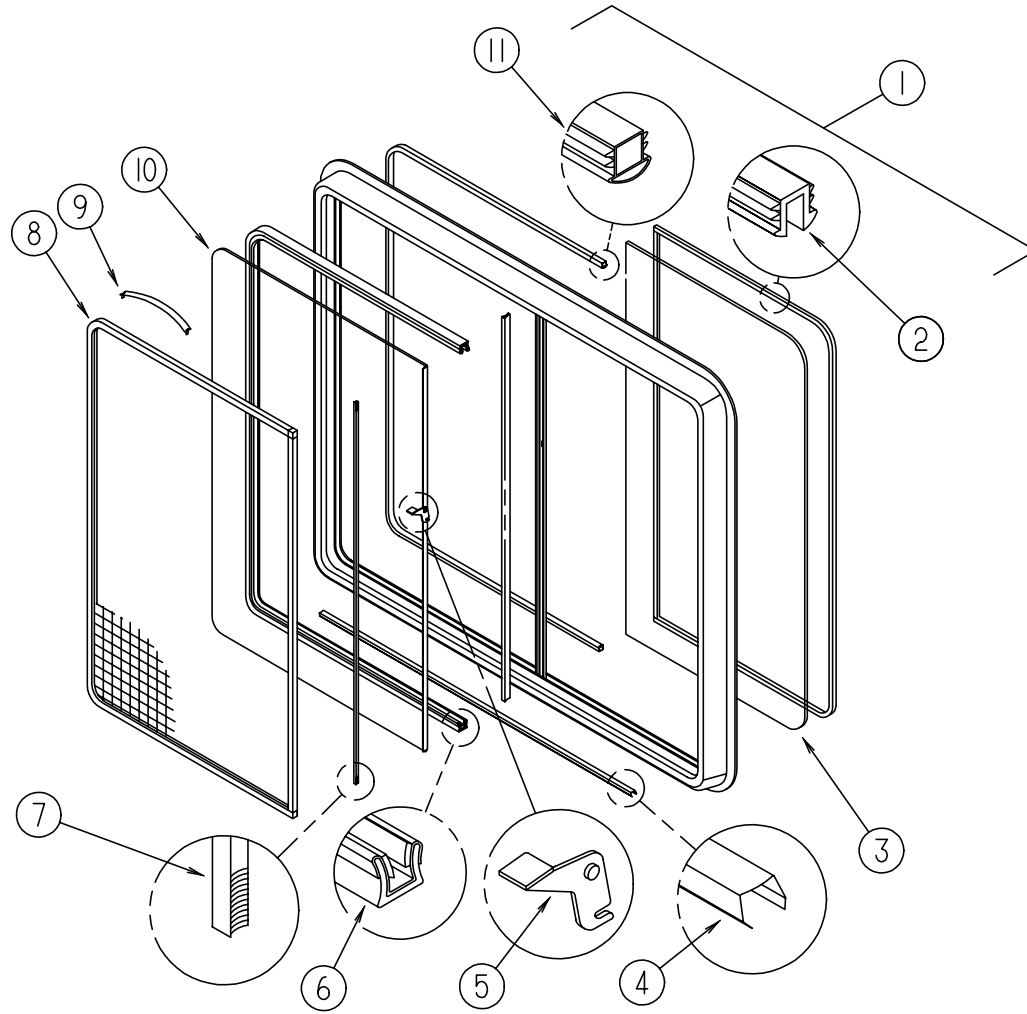
**WINDOWS & VENTS**

KEY	PART NUMBER	U/M	DESCRIPTION	VENDOR NUMBERS
1	079733-17-F15	EA	WINDOW-STATIONARY	
				FROM: 00-00-00 THRU: 01-01-95
1	117053-04-FB1	EA	WINDOW-STATIONARY	
				FROM: 01-02-95 THRU: 99-99-99
1	113733-05-01A	EA	WINDOW-STATIONARY, THERMO - EXCEL	DH455-G2W59
2	110051-01-01A	EA	VENT-ROOF, NONPOWERED - 2" ROOF - JENSEN	
2	110051-03-01A	EA	VENT-ROOF, POWERED - US	
2	110051-05-01A	EA	VENT-ROOF, POWERED - CANADIAN	
3	084878-09-000	EA	VENT-RANGE HOOD, SHORT - LVS	
	084616-01-000	EA	SHROUD-VENT, RANGE HOOD - OFF WHITE	
	084616-07-000	EA	SHROUD-VENT, RANGE HOOD - BRIGHT WHITE	
4	098647-32-01A	EA	WINDOW-SLIDER, HORIZONTAL - CLEAR - EXCEL	H425-C1W66L
4	112795-20-01A	EA	WINDOW-SLIDER, HORIZONTAL - THERMO - EXCEL	DC29-G2W66L
5	098647-28-01A	EA	WINDOW-SLIDER, HORIZONTAL - CLEAR - EXCEL	H287-C1W66L
5	112795-15-01A	EA	WINDOW-SLIDER, HORIZONTAL - THERMO - EXCEL	DH287-G2W66L
6	103313-01-B05	EA	WINDOW-STATIONARY	
				FROM: 00-00-00 THRU: 01-08-95
6	103313-03-F15	EA	WINDOW-STATIONARY	
				FROM: 01-09-95 THRU: 99-99-99
6	115630-01-01A	EA	WINDOW-STATIONARY, THERMO - EXCEL	DH438-G2W59
7	098647-31-01A	EA	WINDOW-SLIDER, HORIZONTAL - CLEAR - EXCEL	H425-C1W66R
7	112795-19-01A	EA	WINDOW-SLIDER, HORIZONTAL - THERMO - EXCEL	DC29-G2W66R
8	098647 27 01A	EA	WINDOW-SLIDER, HORIZONTAL - CLEAR - EXCEL	H287-C1W66R
8	112795-16-01A	EA	WINDOW-SLIDER, HORIZONTAL - THERMO - EXCEL	DH287-G2W66R
9	084073-03-000	EA	COVER-ROOF VENT, REFRIGERATOR - OFF WHITE - NORCOLD	
9	084073-07-000	EA	COVER-ROOF VENT, REFRIGERATOR - BRIGHT WHITE - NORCOLD	
	084073-04-000	EA	BASE-ROOF VENT, REFRIGERATOR - BLACK - NORCOLD	
10	079733-17-F15	EA	WINDOW-STATIONARY	
				FROM: 00-00-00 THRU: 01-01-95
10	117053-04-FB1	EA	WINDOW-STATIONARY	
				FROM: 01-02-95 THRU: 99-99-99
10	113733-01-01A	EA	WINDOW-STATIONARY, THERMO - EXCEL	DH455-G2W59
	083558-03-000	EA	VENT - PLUMBING PIPE ROOF - W/COVER - OFF WHITE	
	083558-07-000	EA	VENT-PLUMBING PIPE ROOF, W/COVER - BRIGHT WHITE	

## WINDOW, VENT & EXTERIOR DOOR GROUP (CONTINUED)

### SINGLE SLIDER WINDOW - DINETTE - EXCEL

KEY	PART NUMBER	U/M DESCRIPTION	VENDOR NUMBERS
	098647-27-01A	EA WINDOW-SLIDER, HORIZONTAL - CLEAR	H287-C1W66R
1	098647-27-700	EA WINDOW-W/O FRAME	H287-C1R
	098647-27-701	EA FRAME-INSIDE	
2	100322-01-703	FT STRIP-GLAZING, BUTYL EXCEL 132-010723	
3	098647-27-702	EA GLASS-STATIONARY	096-017868
4	098644-01-710	FT TRACK-SCREEN SPACER, 12' LENGTH - EXCEL	M401-31
5	098644-01-700	EA LATCH-REPAIR KIT, EXCEL	B801-CK
6	098644-01-708	FT CHANNEL-PIERCED RUN, EXCEL	122-016543
7	098644-01-711	FT WEATHERSTRIP-SCREEN, BLACK - EXCEL	171-016965
8	098647-23-704	EA SCREEN-W/SPRING & WEATHERSTRIP	410-019066
9	098644-01-713	EA SPRING-SCREEN FRAME, CLIP - PLASTIC - BLACK	226-016966
10	098647-27-703	EA GLASS-SLIDING, W/SASH & LATCH	H287-C8
11	098644-01-706	FT WEATHERSTRIP-EXCEL	171-010668
	098644-01-716	FT PLUG-FILLER, EXCEL	132-014470
	098644-01-717	FT SPLINE-SCREEN, EXCEL	132-004716



### SINGLE SLIDER WINDOW - GALLEY & OVERHEAD BUNK - DRIVER SIDE - EXCEL

KEY	PART NUMBER	U/M DESCRIPTION	VENDOR NUMBERS
	098647-32-01A	EA WINDOW-SLIDER, HORIZONTAL - CLEAR - EXCEL	H425-C1W66L
1	098647-32-700	EA WINDOW-W/O FRAME	H425-C1L
	098647-31-701	EA FRAME-INSIDE	CW2966
2	100322-01-703	FT STRIP-GLAZING, BUTYL EXCEL 132-010723	
3	098647-31-702	EA GLASS-STATIONARY	096-019299
4	098644-01-710	FT TRACK-SCREEN SPACER, 12' LENGTH - EXCEL	M401-31
5	098644-01-700	EA LATCH-REPAIR KIT, EXCEL	B801-CK
6	098644-01-708	FT CHANNEL-PIERCED RUN, EXCEL	122-016543
7	098644-01-711	FT WEATHERSTRIP-SCREEN, BLACK - EXCEL	171-016965
8	098647-31-704	EA SCREEN-W/SPRING & WEATHERSTRIP	410-019128
9	098644-01-713	EA SPRING-SCREEN FRAME, CLIP - PLASTIC - BLACK - EXCEL	226-016966
10	098647-31-703	EA GLASS-SLIDING, W/SASH & LATCH	H425-C8
11	098644-01-706	FT WEATHERSTRIP, EXCEL	171-010668
	098644-01-716	FT PLUG-FILLER, EXCEL	132-014470
	098644-01-717	FT SPLINE-SCREEN, EXCEL	132-004716

### SINGLE SLIDER WINDOW - OVERHEAD BUNK - PASSENGER SIDE - EXCEL

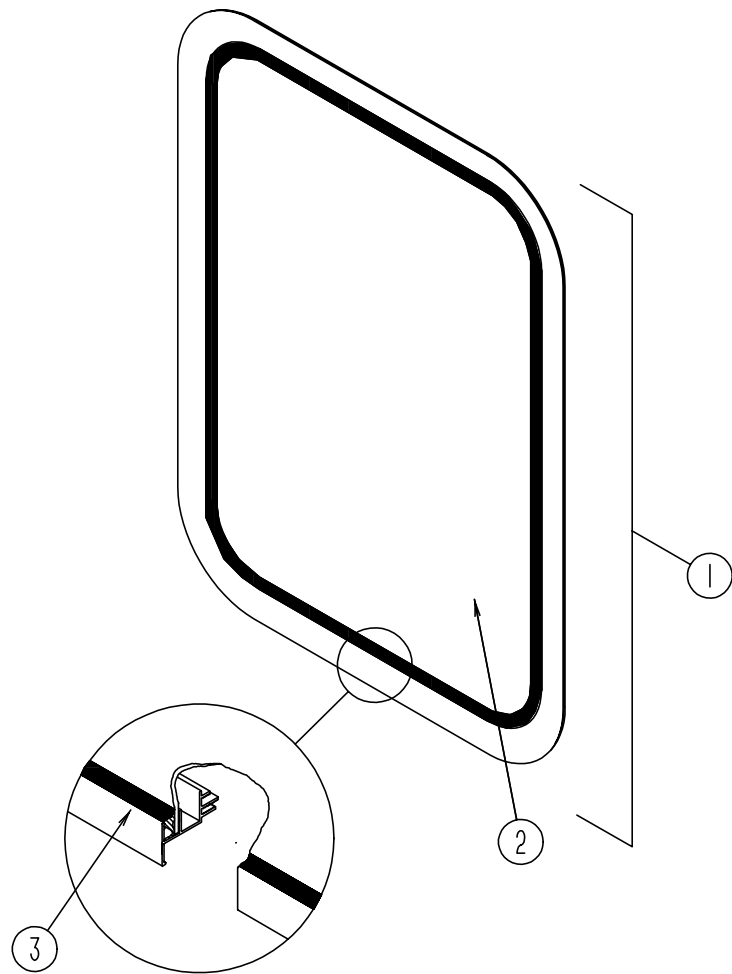
KEY	PART NUMBER	U/M DESCRIPTION	VENDOR NUMBERS
	098647-31-01A	EA WINDOW-SLIDER, HORIZONTAL - CLEAR - EXCEL	H425-C1W66R
1	098647-31-700	EA WINDOW-W/O FRAME	H425-C1R
	098647-31-701	EA FRAME-INSIDE	CW2966
2	100322-01-703	FT STRIP-GLAZING, BUTYL EXCEL 132-010723	
3	098647-31-702	EA GLASS-STATIONARY	096-019299
4	098644-01-710	FT TRACK-SCREEN SPACER, 12' LENGTH - EXCEL	M401-31
5	098644-01-700	EA LATCH-REPAIR KIT, EXCEL	B801-CK
6	098644-01-708	FT CHANNEL-PIERCED RUN, EXCEL	122-016543
7	098644-01-711	FT WEATHERSTRIP-SCREEN, BLACK - EXCEL	171-016965
8	098647-31-704	EA SCREEN-W/SPRING & WEATHERSTRIP	410-019128
9	098644-01-713	EA SPRING-SCREEN FRAME, CLIP - PLASTIC - BLACK - EXCEL	226-016966
10	098647-31-703	EA GLASS-SLIDING, W/SASH & LATCH	H425-C8
11	098644-01-706	FT WEATHERSTRIP-EXCEL	171-010668
	098644-01-716	FT PLUG-FILLER, EXCEL	132-014470
	098644-01-717	FT SPLINE-SCREEN, EXCEL	132-004716

### SINGLE SLIDER WINDOW - LOUNGE - EXCEL

KEY	PART NUMBER	U/M DESCRIPTION	VENDOR NUMBERS
	098647-28-01A	EA WINDOW-SLIDER, HORIZONTAL - CLEAR	H287-C1W66L
1	098647-28-700	EA WINDOW-W/O FRAME	H287-C1L
	098647-27-701	EA FRAME-INSIDE	W28766
2	100322-01-703	FT STRIP-GLAZING, BUTYL EXCEL 132-010723	
3	098647-27-702	EA GLASS-STATIONARY	096-017868
4	098644-01-710	FT TRACK-SCREEN SPACER, 12' LENGTH	M401-31
5	098644-01-700	EA LATCH-REPAIR KIT, EXCEL	B801-CK
6	098644-01-708	FT CHANNEL-PIERCED RUN, EXCEL	122-016543
7	098644-01-711	FT WEATHERSTRIP-SCREEN, BLACK - EXCEL	171-016965
8	098647-23-704	EA SCREEN-W/SPRING & WEATHERSTRIP	410-019066
9	098644-01-713	EA SPRING-SCREEN FRAME, CLIP - PLASTIC - BLACK	226-016966
10	098647-27-703	EA GLASS-SLIDING, W/SASH & LATCH	H287-C8
11	098644-01-706	FT WEATHERSTRIP, EXCEL	171-010668
	098644-01-716	FT PLUG-FILLER, EXCEL	132-014470
	098644-01-717	FT SPLINE-SCREEN, EXCEL	132-004716



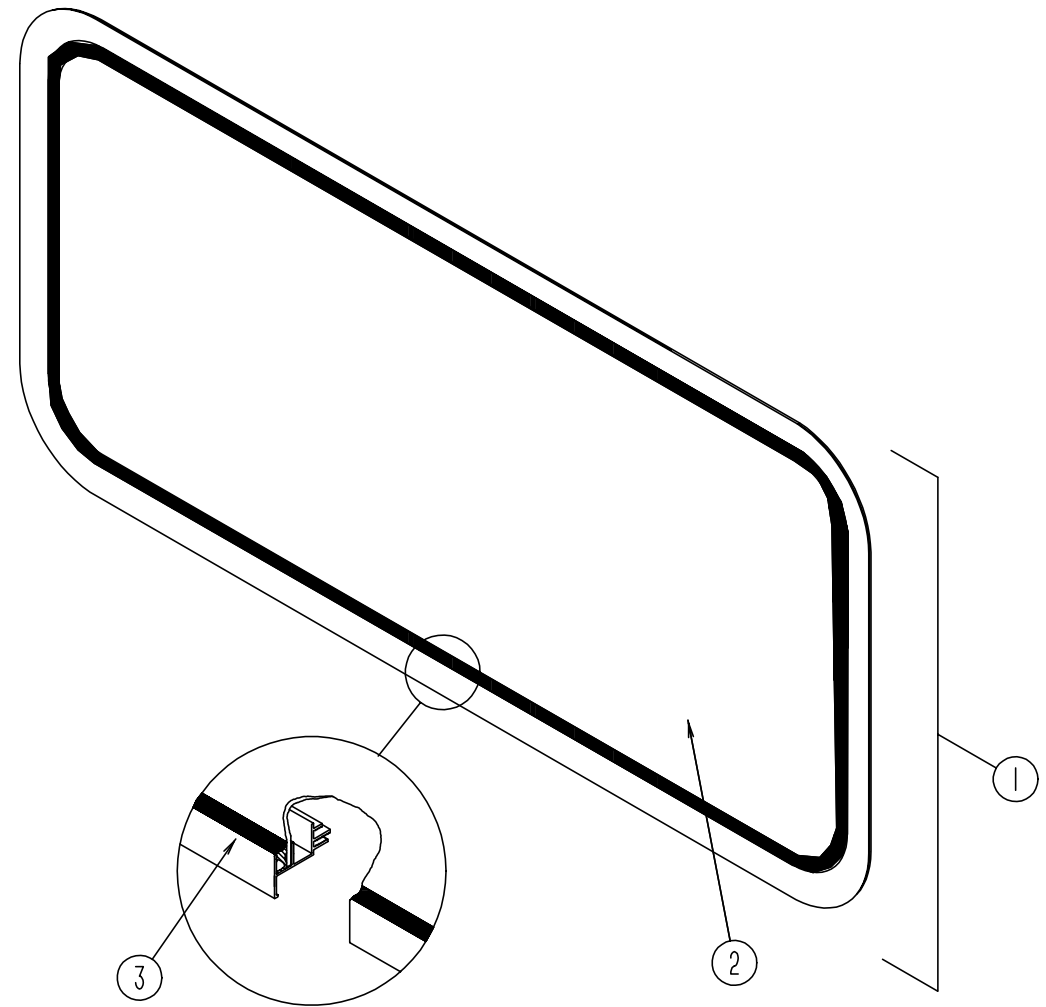
WINDOW, VENT & EXTERIOR DOOR GROUP (CONTINUED)



ENTRY DOOR & BACKWALL WINDOW

KEY	PART NUMBER	U/M	DESCRIPTION
1	079733-17-F15	EA	WINDOW-STATIONARY FROM: 00-00-00 THRU: 01-01-95
	067609-39-000	EA	FRAME-INSIDE WINDOW, BRIGHT WHITE
2	002181-24-000	EA	GLASS-PICTURE, 27.1" X 17.7"
1	117053-04-FB1	EA	WINDOW-STATIONARY FROM: 01-02-95 THRU: 99-99-99
2	002181-27-000	EA	GLASS-PICTURE, 25.8" X 16.4"
	117054-02-01A	EA	FRAME-WINDOW, INSIDE - WHITE FROM: 01-02-95 THRU: 99-99-99
3	087561-01-000	FT	SEAL-GLASS, EXTERIOR - .5" WIDE - VINYL - BLACK

WINDOW, VENT & EXTERIOR DOOR GROUP (CONTINUED)



OVERHEAD BUNK FRONT WINDOW

KEY	PART NUMBER	U/M	DESCRIPTION
1	103313-01-B05	EA	WINDOW-PICTURE FROM: 00-00-00 THRU: 01-08-95
	067609-33-000	EA	FRAME-INSIDE WINDOW, OFF WHITE
2	002181-15-000	EA	GLASS-PICTURE, 11.25" X 58.1" - GRAY
1	103313-03-F15	EA	WINDOW-PICTURE FROM: 01-09-95 THRU: 99-99-99
	117054-01-01A	EA	FRAME-WINDOW, INSIDE WHITE
2	002181-29-000	EA	GLASS-PICTURE, 71.2" X 16.4" - GRAY
3	099154-01-000	FT	CHANNEL-GLAZING, STATIONARY GLASS - .62" X .45" - BLACK

**WINDOW, VENT & EXTERIOR DOOR GROUP (CONTINUED)****ENTRY DOOR WINDOW - THERMO - EXCEL**

KEY	PART NUMBER	U/M DESCRIPTION	VENDOR NUMBERS
	113733-01-01A	EA WINDOW-STATIONARY, THERMO - EXCEL	DH416-G2W66
	113733-01-700	EA WINDOW-W/O FRAME	DH416-G2
	113733-01-701	EA FRAME-INSIDE	W41666
	113733-01-702	EA GLASS-STATIONARY	390-019187

**SINGLE SLIDER WINDOW - LOUNGE - THERMO - EXCEL**

KEY	PART NUMBER	U/M DESCRIPTION	VENDOR NUMBERS
	112795-15-01A	EA WINDOW-SLIDER, HORIZONTAL - THERMO	DH287-G2W66L
	098647-23-702	EA FRAME-INSIDE	W28766
	098647-23-704	EA SCREEN-W/SPRING & WEATHERSTRIP	410-019066
	112795-01-700	EA LATCH ASSEMBLY - BLACK	DH287-CK
	112795-01-701	EA SLIDE-STOP	132-019092
	112795-01-702	FT PLUG-FILLER	122-018737
	112795-01-703	FT RUN CHANNEL	122-018736
	112795-01-704	FT VINYL-GLAZING	132-018280
	112795-15-700	EA WINDOW-W/O FRAME	DH287-G2L
	112795-15-701	EA GLASS-STATIONARY	390-019045
	112795-15-702	EA GLASS-SLIDING, W/SASH & LATCH	DH287-G9
	098644-01-713	EA SPRING-SCREEN FRAME (CLIP), PLASTIC - BLACK	

**SINGLE SLIDER WINDOW - DINETTE - THERMO - EXCEL**

KEY	PART NUMBER	U/M DESCRIPTION	VENDOR NUMBERS
	112795-16-01A	EA WINDOW-SLIDER, HORIZONTAL - THERMO	DH287-G2W66R
	098647-23-702	EA FRAME-INSIDE	W28766
	098647-23-704	EA SCREEN W/SPRING & WEATHERSTRIP	410-019066
	112795-01-700	EA LATCH ASSEMBLY - BLACK	DH287-CK
	112795-01-701	EA SLIDE-STOP	132-019092
	112795-01-702	FT PLUG-FILLER	122-018737
	112795-01-703	FT RUN CHANNEL	122-018736
	112795-01-704	FT VINYL-GLAZING	132-018280
	112795-15-701	EA GLASS-STATIONARY	390-019045
	112795-15-702	EA GLASS-SLIDING, W/SASH & LATCH	DH287-G9
	112795-16-700	EA WINDOW-W/O FRAME	DH287-G2R
	098644-01-713	EA SPRING-SCREEN FRAME (CLIP), PLASTIC - BLACK	

**SINGLE SLIDER WINDOW - OVERHEAD BUNK - PASSENGER SIDE - THERMO - EXCEL**

KEY	PART NUMBER	U/M DESCRIPTION	VENDOR NUMBERS
	112795-19-01A	EA WINDOW-SLIDER, HORIZONTAL - THERMO	DC29-G2W66R
	098647-31-701	EA FRAME-INSIDE	CW2966
	098647-31-704	EA SCREEN W/SPRING & WEATHERSTRIP	410-019128
	112795-01-700	EA LATCH ASSEMBLY - BLACK	DH287-CK
	112795-01-701	EA SLIDE-STOP	132-019092
	112795-01-702	FT PLUG-FILLER	122-018737
	112795-01-703	FT RUN CHANNEL	122-018736
	112795-01-704	FT VINYL-GLAZING	132-018280
	112795-19-700	EA WINDOW-W/O FRAME	DC29-G2R
	112795-19-701	EA GLASS-STATIONARY	390-019134
	112795-19-702	EA GLASS-SLIDING, W/SASH & LATCH	DC29-G9
	098644-01-713	EA SPRING-SCREEN FRAME (CLIP), PLASTIC - BLACK	

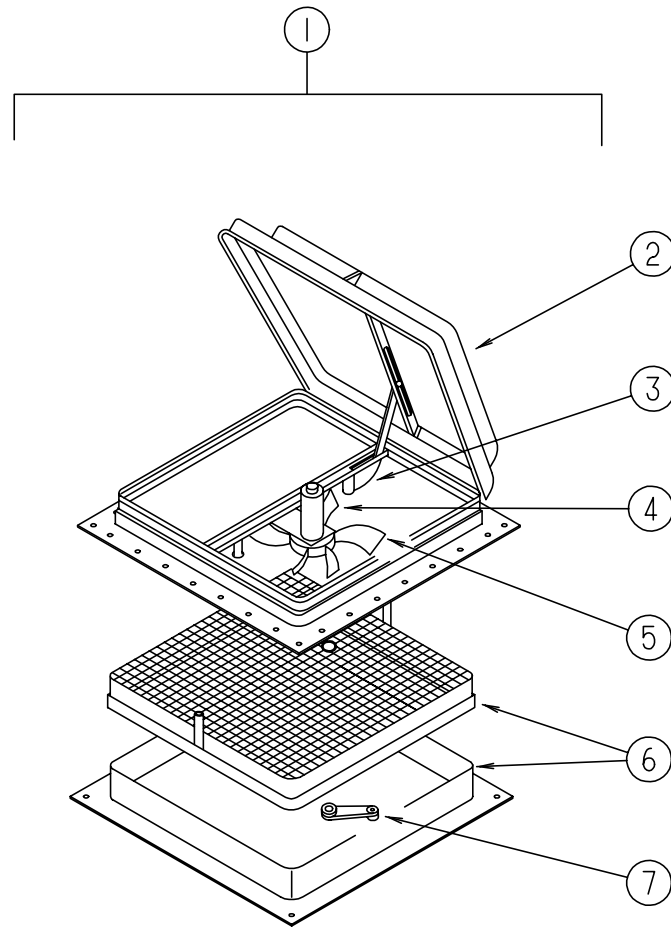
**WINDOW, VENT & EXTERIOR DOOR GROUP (CONTINUED)****SINGLE SLIDER WINDOW - GALLEY & OVERHEAD BUNK - DRIVER SIDE - THERMO - EXCEL**

KEY	PART NUMBER	U/M DESCRIPTION	VENDOR NUMBERS
	112795-20-01A	EA WINDOW-SLIDER, HORIZONTAL - THERMO	DC29-G2W66L
	098647-31-701	EA FRAME-INSIDE	CW2966
	098647-31-704	EA SCREEN-W/SPRING & WEATHERSTRIP	410-019128
	112795-01-700	EA LATCH ASSEMBLY - BLACK	DH287-CK
	112795-01-701	EA SLIDE-STOP	132-019092
	112795-01-702	FT PLUG-FILLER	122-018737
	112795-01-703	FT RUN CHANNEL	122-018736
	112795-01-704	FT VINYL-GLAZING	132-018280
	112795-19-701	EA GLASS-STATIONARY	390-019134
	112795-19-702	EA GLASS-SLIDING, W/SASH & LATCH	DC29-G9
	112795-20-700	EA WINDOW-W/O FRAME	DC29-G2L
	098644-01-713	EA SPRING-SCREEN FRAME (CLIP), PLASTIC - BLACK	

**FRONT WINDOW - OVERHEAD BUNK- THERMO - EXCEL**

KEY	PART NUMBER	U/M DESCRIPTION	VENDOR NUMBERS
	115630-01-01A	EA WINDOW-STATIONARY, EXCEL	DH438-G2W59
	115630-01-700	EA WINDOW-W/O FRAME	DH438-G2
	115630-01-701	EA FRAME-INSIDE	W43858
	115630-01-702	EA GLASS-STATIONARY	390-019467

**WINDOW, VENT & EXTERIOR DOOR GROUP (CONTINUED)**



**WINDOW, VENT & EXTERIOR DOOR GROUP (CONTINUED)**  
NONPOWERED ROOF VENT - JENSEN

KEY	PART NUMBER	U/M DESCRIPTION	VENDOR NUMBERS
	110051-01-01A	EA VENT-ROOF, NONPOWERED - 2" ROOF -	7724 WHE
	064470-01-700	EA COVER-ROOF VENT, WITHOUT SLIDE BAR - JENSEN	7291
	064470-01-701	EA SLIDE BAR	1111-492-01
	110051-01-700	EA ROOF VENT SCREEN-MANUAL CRANK ASSEMBLIE	S29-800-02
	110051-01-702	EA LIFT ASSEMBLY-VENT LID W/O CRANK, JENSEN	RP-1000B
	110051-01-703	EA CRANK HANDLE-ROOF VENT, JENSEN	RP-1031-B

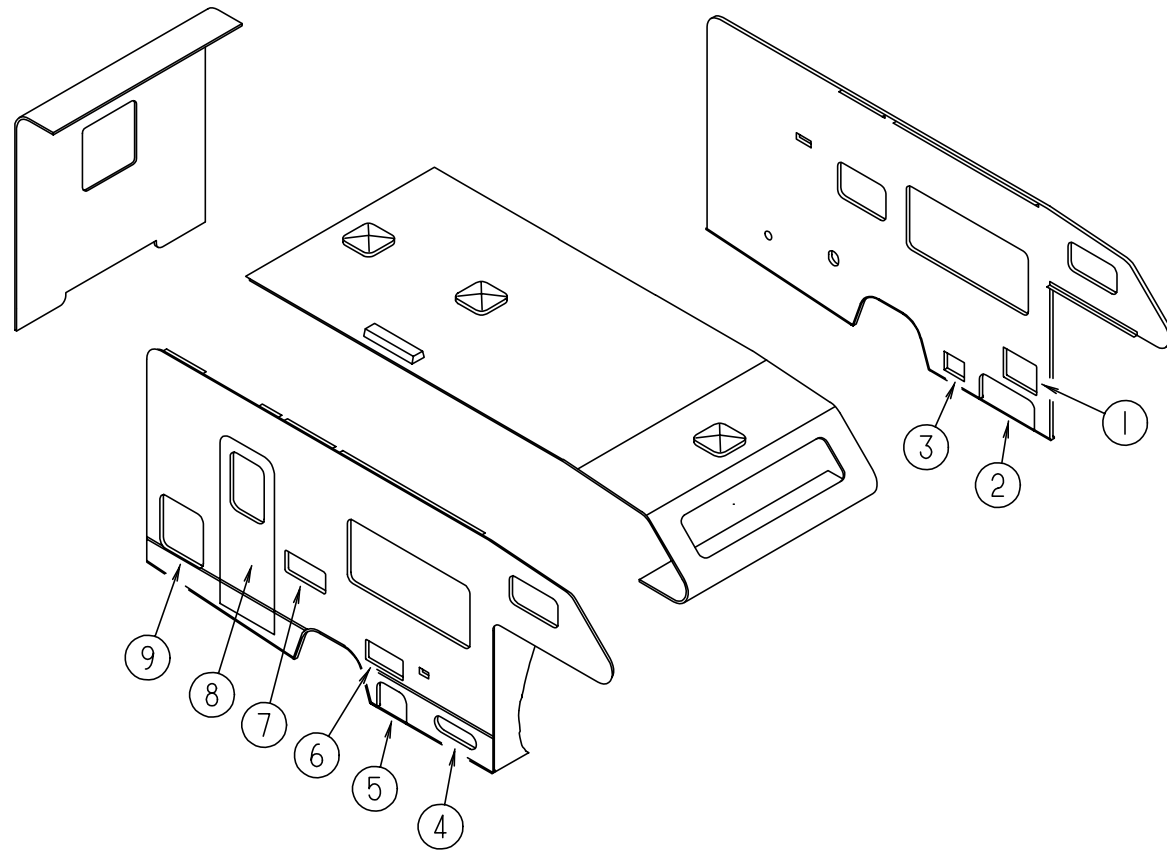
**POWERED ROOF VENT - JENSEN - US**

KEY	PART NUMBER	U/M DESCRIPTION	VENDOR NUMBERS
1	110051-03-01A	EA VENT-ROOF, POWERED - 2" ROOF	7757 WHE
2	064470-01-700	EA COVER-ROOF VENT, WITHOUT SLIDE BAR	7291
	064470-01-701	EA SLIDE BAR	1111-492-01
3	110051-01-702	EA LIFT ASSEMBLY-VENT LID W/O CRANK, JENSEN	RP-1000B
4	048648-01-000	EA MOTOR-ROOF VENT, 1/8 SHAFT - 12V - JENSEN	
5	048649-01-000	EA FAN-ROOF VENT, 6 BLADES - 6" - JENSEN	
6	110051-01-700	EA ROOF VENT SCREEN-MANUAL CRANK ASSEMBLIES	29-800-02
7	110051-01-703	EA CRANK HANDLE-ROOF VENT, JENSEN	RP-1031-B

**POWERED ROOF VENT - JENSEN - CANADIAN**

KEY	PART NUMBER	U/M DESCRIPTION	VENDOR NUMBERS
1	110051-05-01A	EA VENT-ROOF, POWERED - 2" ROOF - CSA - JENSEN	C7757 WHE
2	064470-01-700	EA COVER-ROOF VENT, WITHOUT SLIDE BAR	7291
	064470-01-701	EA SLIDE BAR	1111-492-01
3	110051-01-702	EA LIFT ASSEMBLY-VENT LID W/O CRANK, JENSEN	RP-1000B
4	048648-01-000	EA MOTOR-ROOF VENT, 1/8 SHAFT - 12V - JENSEN	
5	048649-01-000	EA FAN-ROOF VENT, 6 BLADES - 6" - JENSEN	
6	110051-01-700	EA ROOF VENT SCREEN-MANUAL CRANK ASSEMBLIES	29-800-02
7	110051-01-703	EA CRANK HANDLE-ROOF VENT, JENSEN	RP-1031-B

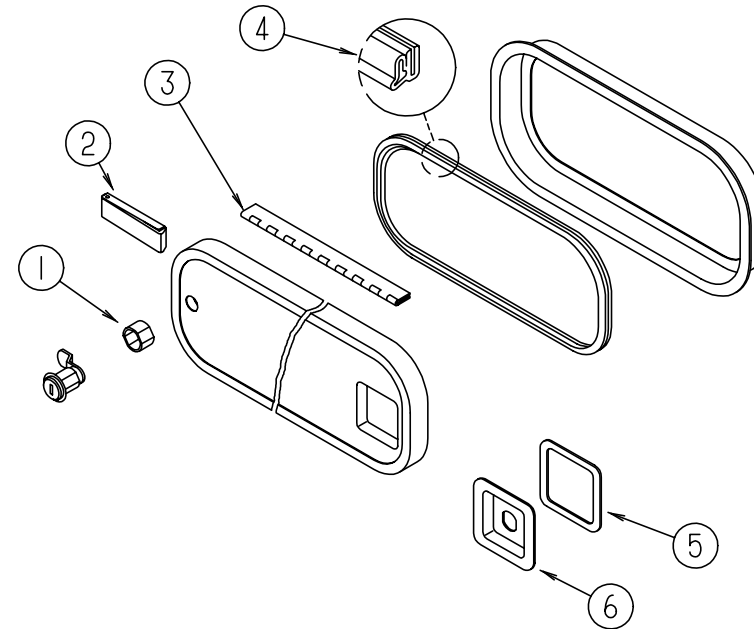
**WINDOW, VENT & EXTERIOR DOOR GROUP (CONTINUED)**



**EXTERIOR DOORS**

KEY	PART NUMBER	U/M	DESCRIPTION
1	052009-01-000	EA	DOOR-WATER HEATER, OFF WHITE - ATWOOD 5576-27
1	052009-06-000	EA	DOOR-WATER HEATER, BRIGHT WHITE - ATWOOD 5576-27
2	111014-16-E01	EA	DOOR-STORAGE, LOWER FRONT - OFF WHITE
2	111014-16-F15	EA	DOOR-STORAGE, LOWER FRONT - BRIGHT WHITE
3	088794-01-000	EA	DOOR-POWER CORD, W/HATCH - 11" X 9.2" - OFF WHITE
3	088794-06-000	EA	DOOR-POWER CORD, W/HATCH - 11" X 9.2" - BRIGHT WHITE
4	111009-01-E01	EA	DOOR-COMPARTMENT, LP - 16.9" X 5.4" - ALUMINUM - OFF WHITE
4	111009-01-F24	EA	DOOR-COMPARTMENT, LP - 16.9" X 5.4" - ALUMINUM - BRIGHT WHITE
5	111014-15-E01	EA	DOOR-STORAGE, LOWER FRONT - OFF WHITE
5	111014-15-F15	EA	DOOR-STORAGE, LOWER FRONT - BRIGHT WHITE
6	098668-06-000	EA	DOOR-ACCESS, FURNACE - OFF WHITE - SUBURBAN 520574
6	098668-23-000	EA	DOOR-ACCESS, FURNACE - BRIGHT WHITE - SUBURBAN 520574
7	084103-03-000	EA	DOOR-REFRIGERATOR, VENTED - W/O JAMB - OFF WHITE
7	084103-08-000	EA	DOOR-REFRIGERATOR, VENTED - W/O JAMB - BRIGHT WHITE
	084104-03-000	EA	JAMB-REFRIGERATOR DOOR, OFF WHITE
	084104-08-000	EA	JAMB-REFRIGERATOR DOOR, BRIGHT WHITE
	084104-01-700	EA	LOCK-MALE, FASTENER - REFRIGERATOR DOOR
	084104-01-701	EA	LOCK-FEMALE, FASTENER - REFRIGERATOR DOOR
8	115108-01-FB1	EA	DOOR-ENTRY, W/O WINDOW - W/SCREEN DOOR - OFF WHITE
8	115108-01-F15	EA	DOOR-ENTRY, W/O WINDOW - W/SCREEN DOOR - BRIGHT WHITE
9	104558-17-F15	EA	DOOR-STORAGE, OFF WHITE
9	104558-17-F16	EA	DOOR-STORAGE, BRIGHT WHITE
	081240-11-000	EA	FILL-WATER, LOCKABLE W/O LOCK - OFF WHITE
	081240-16-000	EA	FILL-WATER, LOCKABLE W/O LOCK - BRIGHT WHITE

**WINDOW, VENT & EXTERIOR DOOR GROUP (CONTINUED)**

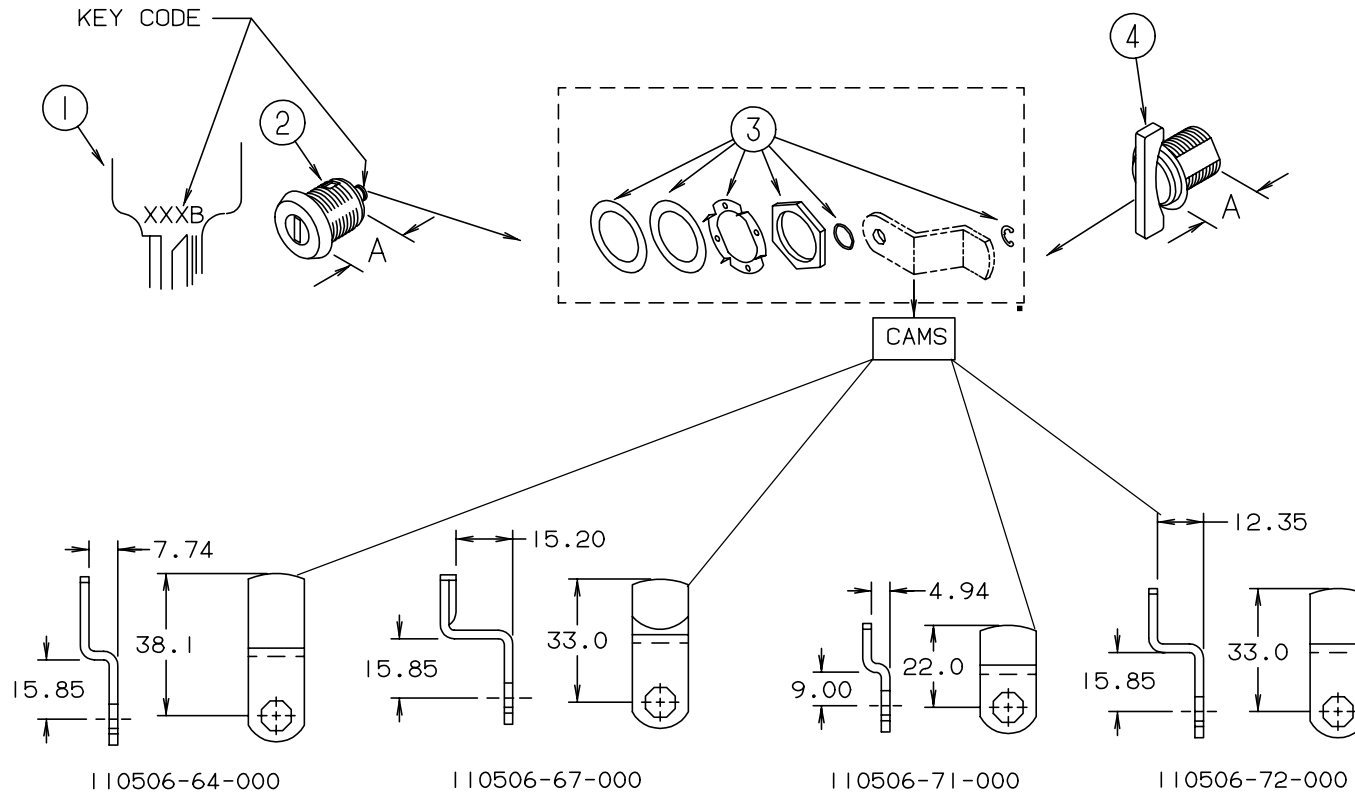


**EXTERIOR COMPARTMENT DOOR COMPONENTS**

KEY	PART NUMBER	U/M	DESCRIPTION
1	107997-51-001	EA	SPACER - .86" X .6" - ALUMINUM
2	102768-01-000	EA	HOLDER-COMPARTMENT/ENTRY DOOR, METAL - MILL FINISH
3	081801-02-000	EA	HINGE-PIANO, 2" X 96" - ALUMINUM
4	064075-07-000	FT	SEAL-BULB, W/WIRED U CHANNEL - .3" X .5" CHANNEL - BLACK
5	098338-01-000	EA	GASKET-LOCK POCKET
6	097111-01-01A	EA	POCKET-LOCK VALANCE, OFF WHITE
6	097111-01-04A	EA	POCKET-LOCK VALANCE, BRIGHT WHITE
	096217-55-001	EA	U CHANNEL, 17.5' - OFF WHITE
	096217-55-006	EA	U CHANNEL, 17.5' - BRIGHT WHITE
	116424-01-000	EA	PROTECTOR-WATER HEATER LATCH ATWOOD 92611

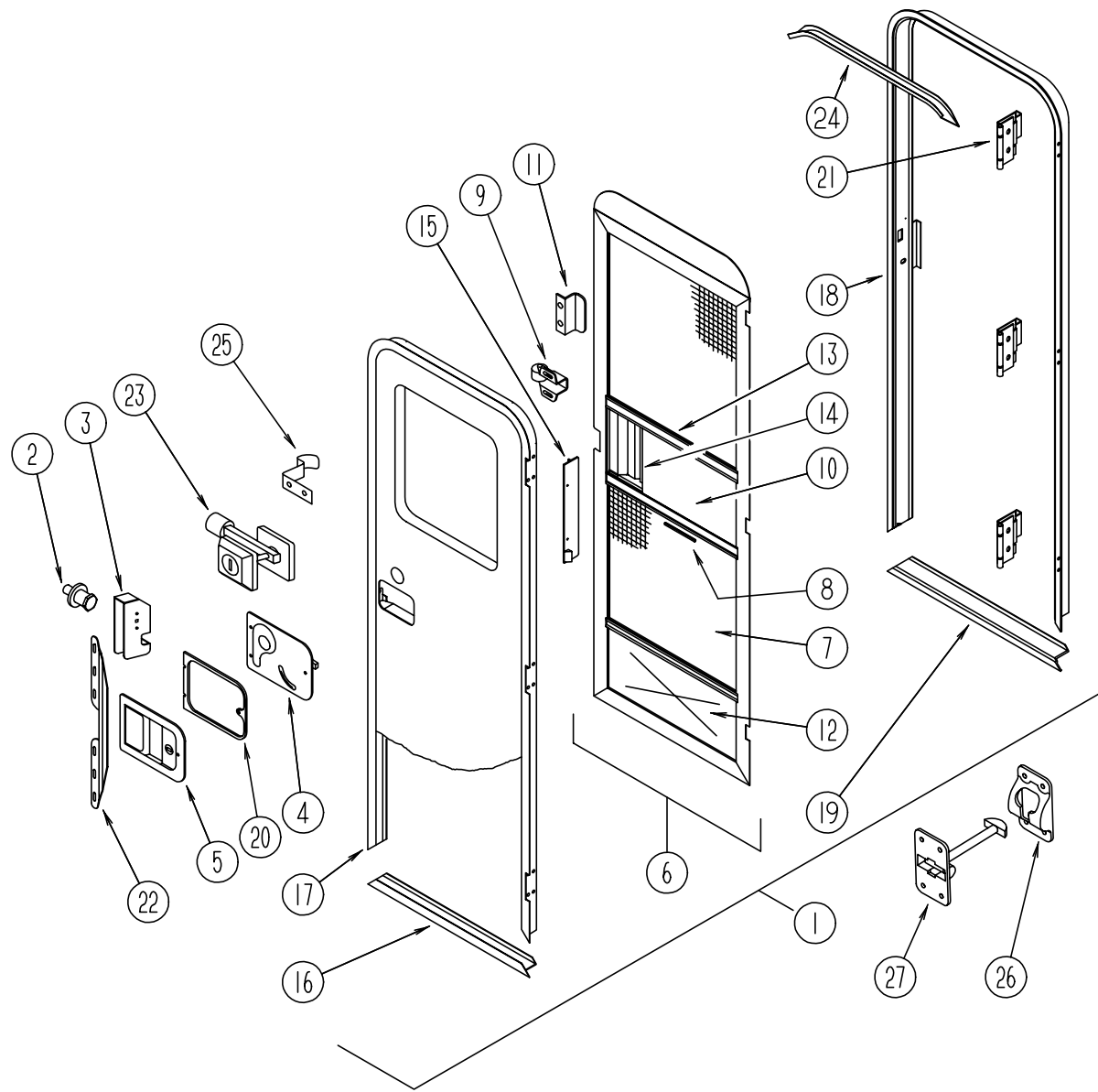
**WINDOW, VENT & EXTERIOR DOOR GROUP (CONTINUED)**  
**BRIGGS & STRATTON LOCKS & COMPONENTS**

NOTE:  
 WHEN ORDERING THE LOCK CASE, THE KEY CODE MUST MATCH THE LAST DIGIT OF THE VEHICLE'S SERIAL NUMBER AND PART NUMBER; WHEN ORDERING THE KEYS, THE THIRD DIGIT OF THE KEY CODE MUST MATCH THE LAST DIGIT OF THE VEHICLE'S SERIAL NUMBER AND PART NUMBER



KEY	PART NUMBER	U/M	DESCRIPTION	VENDOR NUMBERS	KEY	PART NUMBER	U/M	DESCRIPTION	VENDOR NUMBERS
1	110506-59-000	EA	KEYS-SET OF TWO	596720	1	110506-59-007	EA	KEYS-SET OF TWO	596727
2	110506-52-000	EA	CASE-LOCK, A = 17 MM	702370	2	110506-52-007	EA	CASE-LOCK, A = 17 MM	702377
2	110506-53-000	EA	CASE-LOCK, A = 25 MM	702380	2	110506-53-007	EA	CASE-LOCK, A = 25 MM	702387
1	110506-59-001	EA	KEYS-SET OF TWO	596721	1	110506-59-008	EA	KEYS-SET OF TWO	596728
2	110506-52-001	EA	CASE-LOCK, A = 17 MM	702371	2	110506-52-008	EA	CASE-LOCK, A = 17 MM	702378
2	110506-53-001	EA	CASE-LOCK, A = 25 MM	702381	2	110506-53-008	EA	CASE-LOCK, A = 25 MM	702388
1	110506-59-002	EA	KEYS-SET OF TWO	596722	1	110506-59-009	EA	KEYS-SET OF TWO	596729
2	110506-52-002	EA	CASE-LOCK, A = 17 MM	702372	2	110506-52-009	EA	CASE-LOCK - A = 17 MM	702379
2	110506-53-002	EA	CASE-LOCK, A = 25 MM	702382	2	110506-53-009	EA	CASE-LOCK - A = 25 MM	702389
1	110506-59-003	EA	KEYS-SET OF TWO	596723	3	110506-40-700	EA	HARDWARE KIT	
2	110506-52-003	EA	CASE-LOCK, A = 17 MM	702373	4	110506-50-000	EA	CASE-TWIST LOCK, A = 17 MM	596952
2	110506-53-003	EA	CASE-LOCK, A = 25 MM	702383	4	110506-51-000	EA	CASE-TWIST LOCK, A = 25 MM	596669
1	110506-59-004	EA	KEYS-SET OF TWO	596724		110506-40-000	EA	CLIP-E LOCK ASSEMBLY	93981
2	110506-52-004	EA	CASE-LOCK, A = 17 MM	702374		110506-64-000	EA	CAM-LOCK	322280
2	110506-53-004	EA	CASE-LOCK, A = 25 MM	702384		110506-67-000	EA	CAM-LOCK	322283
1	110506-59-005	EA	KEYS-SET OF TWO	596725		110506-71-000	EA	CAM-LOCK	322287
2	110506-52-005	EA	CASE-LOCK, A = 17 MM	702375		110506-72-000	EA	CAM-LOCK	322354
2	110506-53-005	EA	CASE-LOCK, A = 25 MM	702385		110506-59-701	EA	KEY-BLANK, GOLD	
1	110506-59-006	EA	KEYS-SET OF TWO	596726					
2	110506-52-006	EA	CASE-LOCK, A = 17 MM	702376					
2	110506-53-006	EA	CASE-LOCK, A = 25 MM	702386					

**WINDOW, VENT & EXTERIOR DOOR GROUP (CONTINUED)**  
**ENTRY DOOR W/O WINDOW**



KEY	PART NUMBER	U/M	DESCRIPTION
1	115108-01-FB1	EA	DOOR-ENTRY, W/O WINDOW - W/SCREEN DOOR - OFF WHITE
1	115108-01-F15	EA	DOOR-ENTRY, W/O WINDOW - W/SCREEN DOOR - BRIGHT WHITE
2	039539-01-000	EA	STRIKE-LOCK, ENTRY DOOR - ROUND/THREADED WASHER
	077461-03-000	EA	COVER-STRIKE, ENTRY DOOR - 6.5" X 2.5" - PLASTIC - WHITE
	077461-05-000	EA	COVER-STRIKE, ENTRY DOOR - 6.5" X 2.5" - PLASTIC - BRIGHT WHITE
3	039540-01-000	EA	LATCH MECHANISM-HOOK, ENTRY DOOR - INTERIOR
	039715-01-000	EA	NUT-SERT, 1/4" DIAMETER - 20 THREADS
4	039979-04-000	EA	COVER-INTERIOR LATCH, W/TRIP ARM - RIGHT - BLACK
	039984-01-000	EA	CAP-ROUND, VINYL - .28" ID X .62" LONG - BLACK
	041546-05-000	EA	BRACKET-DOOR ANGLE, OFF WHITE
5	045017-11-000	EA	LATCH-ENTRY DOOR, MECHANISM W/LOCK & KEY - BLACK
	045017-11-701	EA	KEY-BLANK, ROUND TOP - SILVER - TRI/MARK
	063729-04-000	EA	RIVNUT, 10-32 UNF - .010-.080
	039715-01-000	EA	NUT-SERT, 1/4" DIAMETER - 20 THREADS
	075671-04-000	FT	SEAL-SPONGE, LAZY T SHAPE - W/ADHESIVE STRIP - .5" WIDE
6	079012-09-F15	EA	DOOR-SCREEN, OFF WHITE
6	079012-09-F24	EA	DOOR-SCREEN, BRIGHT WHITE
7	002293-02-000	SF	SCREENING-WINDOW/DOOR, 26" - CHARCOAL
8	002294-01-000	FT	SPLINE-SCREENING, .135" X .138" - BLACK
9	100412-01-000	EA	CATCH-SCREEN DOOR
10	016454-01-000	EA	INSERT-CENTER, LEATHER GRAIN ALUMINUM - UNPAINTED
10	001014-01-013	EA	INSERT-CENTER, 10.25" X 16.31" - UNPAINTED
11	050712-04-000	EA	HANDLE-SCREEN DOOR, ALUMINUM - OFF WHITE
11	050712-06-000	EA	HANDLE-SCREEN DOOR, ALUMINUM - BRIGHT WHITE
12	078552-03-000	EA	KICK PANEL-SCREEN DOOR, LOWER INSERT - UNPAINTED
	078595-01-000	EA	TOP PLATE-SCREEN DOOR, CURVED TOP - 4.7" X 25.35"
13	078777-01-000	EA	CHANNEL-SLIDE, SCREEN DOOR CENTER SLIDER COVER - 17.4"
14	079086-02-000	EA	SLIDER-SCREEN DOOR - OFF WHITE
14	079086-03-000	EA	SLIDER-SCREEN DOOR, BRIGHT WHITE
15	079087-03-000	EA	STRIKE-SLIDER, W/LIP FOR ELBOW CATCH - 1.5" X 8.6"
	081914-01-000	EA	BUMPER-RUBBER, ROUND - .43" DIAMETER - BLACK
16	089748-01-000	EA	FRAME-DOOR, ENTRANCE - BOTTOM - OFF WHITE
16	089748-21-000	EA	FRAME-DOOR, ENTRANCE - BOTTOM - BRIGHT WHITE
	090340-01-000	FT	SEAL-FOAM, CLOSED CELL - 1/4" X 1/2" X 50'
17	095276-01-01A	EA	FRAME-DOOR, ENTRANCE - TOP & SIDES - OFF WHITE
17	095276-07-03A	EA	FRAME-DOOR, ENTRANCE - TOP & SIDES - BRIGHT WHITE
18	095277-08-01A	EA	JAMB-ENTRY DOOR, 25.9" X 74.5" W/BOTTOM - OFF WHITE
18	095277-08-03A	EA	JAMB-ENTRY DOOR, 25.9" X 74.5" W/BOTTOM - BRIGHT WHITE
19	051049-01-000	EA	JAMB-DOOR, ENTRANCE - BOTTOM - 25.9 - UNPAINTED
20	096810-01-01A	EA	SPACER-DOOR LOCK, PLASTIC - BLACK
21	106719-01-01A	EA	HINGE-ENTRY DOOR, UNPAINTED
22	098173-01-04A	EA	STIFFENER-ENTRY DOOR, SUPPORTS LATCH/STRIKE AREA - UNPAINTED
	100128-02-000	FT	SEAL-PILE, ADHESIVE BACK - SCREEN DOOR - GRAY
23	101145-01-01A	EA	DEADBOLT-ENTRY DOOR, W/2 KEYS - W/O BOLT OR SCREWS
	095229-01-700	EA	KEY-BLANK
	101147-01-000	EA	BOLT-SECURITY, 4.12" BACKSET
	102524-01-000	EA	BUMPER-RUBBER, FLAT - BLACK
24	044582-17-000	EA	CAP-DRIP, DOOR JAMB MOUNTED - OFF WHITE
24	044582-44-000	EA	CAP-DRIP, DOOR JAMB MOUNTED - BRIGHT WHITE
	115222-04-01A	EA	GARNISH-ENTRANCE DOOR, OFF WHITE
	115222-04-02A	EA	GARNISH-ENTRANCE DOOR, BRIGHT WHITE
25	100412-01-000	EA	CATCH-SCREEN DOOR, THUMB CLIP
26	104099-02-01A	EA	CATCH-DOOR HOLDER, RETAINER - PLASTIC - OFF WHITE
26	104099-02-04A	EA	CATCH-DOOR HOLDER, RETAINER - PLASTIC - BRIGHT WHITE
27	104099-01-01A	EA	CATCH-DOOR HOLDER, STRIKE - PLASTIC - OFF WHITE
27	104099-01-04A	EA	CATCH-DOOR HOLDER, STRIKE - PLASTIC - BRIGHT WHITE
	009126-02-000	EA	HANDLE-ASSIST, ENTRY DOOR - BLACK
	102248-01-000	EA	SHIM-DOOR
	104692-01-000	FT	SEAL-3/4" X 3/4", ADHESIVE BACK FOAM SEAL