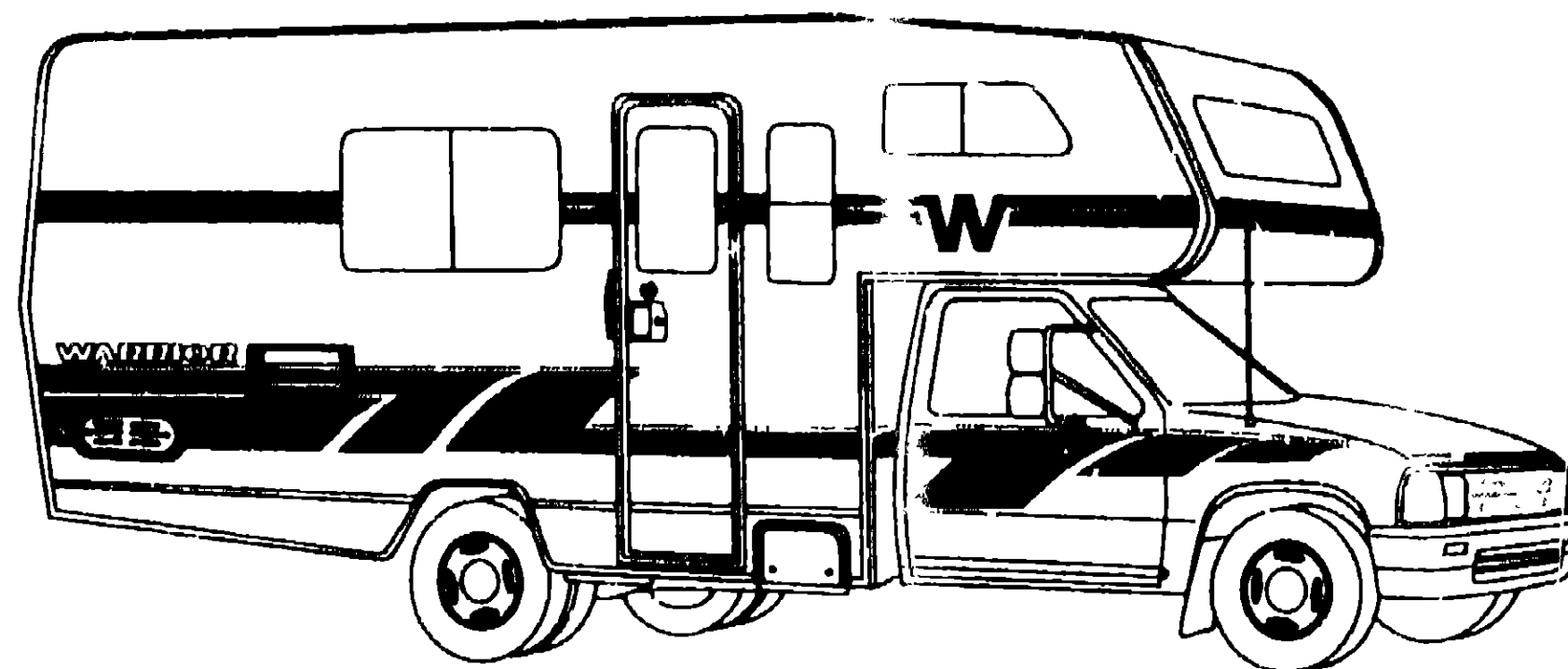


**1993 WINNEBAGO
TABLE OF CONTENTS**

INTRODUCTION	A-01	A-02
ABBREVIATIONS		A-03
ALPHABETICAL INDEX	A-04	A-08
WT321RB	A-07	C-22
WT321RL	C-23	F-16
WT321RD	F-17	I-10



**1993
WT321RL**

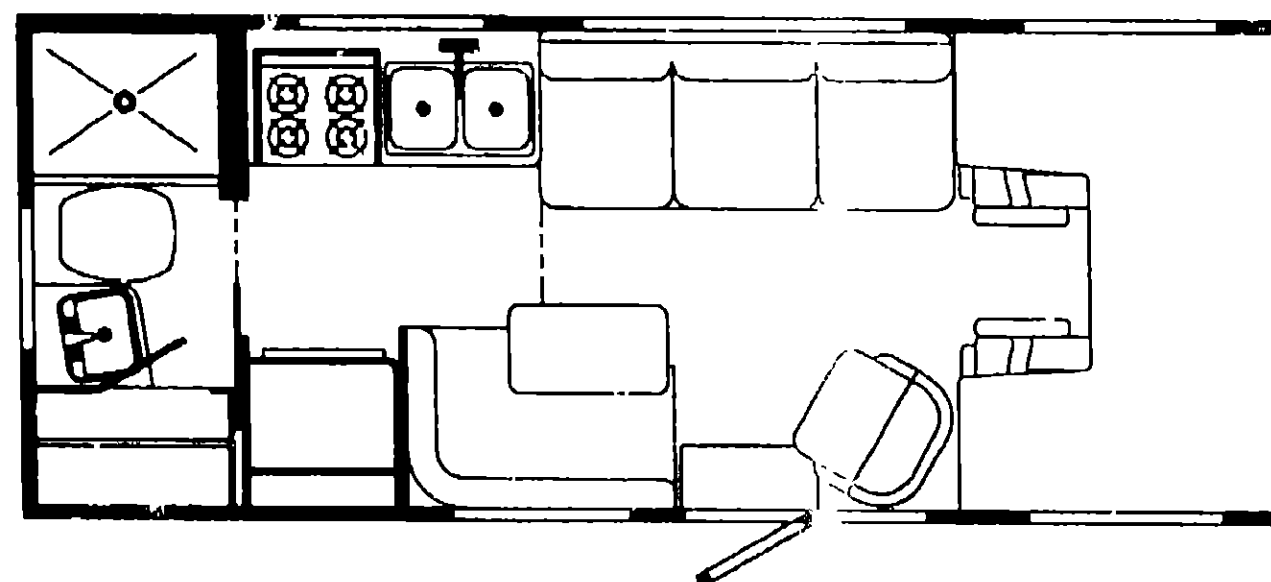
D01

D02

D03

1993 WT321RL INDEX

FLOOR PLAN	C-23	C-24
ACCESSORIES		D-01
AUDIO VIDEO		D-02
BATH	D-03	D-04
CHASSIS	D-05	D-08
CURTAIN & CUSHION	D-07	D-13
DINETTE		D-14
DRIVERS COMPARTMENT		D-15
ELECTRICAL	D-16	D-19
EXTERIOR BODY	D-20	D-24
GALLEY	E-01	E-05
GENERATOR		E-06
HEATING & A/C		E-07
INTERIOR FINISH	E-08	E-10
LACELS	E-11	E-16
LF		E-17
LOUNGE		E-18
SEALANTS & FASTENERS	E-19	E-20
WATER & SEWAGE	E-21	E-24
WINDOW, VENT AND EXTERIOR DOOR	F-01	F-16



ACCESSORIES GROUP
OPERATORS MANUAL & BINDER

KEY	PART NUMBER	U/M DESCRIPTION
	054185-08-000	EA MANUAL-OPERATOR, 1993 WARRIOR
	082318-01-000	EA BINDER-3 RING, MOTOR HOME MANUAL
	082319-01-000	EA POCKET PAGE-3 RING BINDER, PLASTIC
	107581-01-000	DW TOP LEVEL DRAWING FOR 1993 MICRO-MINIS

AUDIO VIDEO GROUP
RADIO SYSTEM COMPONENTS & ANTENNA

KEY	PART NUMBER	U/M DESCRIPTION
	090060-01-000	EA ANTENNA-RADIO, TOYOTA - AUDIOVOX FMF22T
	090061-02-000	EA SPEAKER-4" ROUND, AUDIOVOX
	089340-02-000	EA GRILLE-SPEAKER, 8 5" SQUARE
	094097-01-000	EA SPEAKER-RADIO, W/O GRILLE - 5 25" DIA - AUDIOVOX 110C3030
	074979-01-000	EA SHIELD-SPEAKER, BACK - MOLDED PLASTIC - 8" X 8" - BEIGE
	090062-05-000	EA MOUNT-TRIM KIT, RADIO - TOYOTA - AUDIOVOX IM-TOY-92 FROM 00-00-00 THRU 12-08-92
	104089-01-000	EA RADIO-AM/FM STEREO, CASSETTE - AUDIOVOX IM-DXF FROM 00-00-00 THRU 12-08-92
	110287-01-000	EA RADIO-AM/FM STEREO, AUDIOVOX IM-200 FROM 12-07-92 THRU 99-99-99
	097459-01-000	EA RADIO-AM/FM STEREO, CASSETTE - AUDIOVOX IM-DXA - CAB TRIM OPTION FROM 00-00-00 THRU 01-10-93
	110287-02-000	EA RADIO-AM/FM STEREO, AUDIOVOX IM-300 - CAB TRIM OPTION FROM 01-11-93 THRU 99-99-99

TV ANTENNA

KEY	PART NUMBER	U/M DESCRIPTION
	078319-02-000	EA ANTENNA-TV, ROOF MOUNT - 23 5" MAST - WINEGARD RVA-W01
	078319-01-700	EA HEAD-ANTENNA, AMPLIFIED - WINEGARD # VSA UV
	078319-01-701	EA GEAR-ELEVATING, PLASTIC - WINEGARD #2200048
	078319-01-702	EA SHAFT ASM-ELEVATING, WINEGARD# VP-400A
	078319-01-703	EA BEARING-NYLON, 5"OD - WINEGARD # 3200858
	078319-01-705	EA GROMMET-NYLON, 7/8"ID - WINEGARD # 3200858
	078319-01-706	EA CRANK-ELEVATING, W/SET SCREW - WINEGARD #6755100
	078319-01-707	EA SPRING-HANDLE, WINEGARD# 5180800
	078319-01-709	EA PLATE-DIRECTIONAL, FOR HEAD - WINEGARD #3200844
	078319-01-710	EA CRANK-ELEVATING, HALF MOON - WINEGARD #2750897
	082134-01-000	EA ADAPTER-TV, CABLE TO CABLE - WINEGARD F-81M
	082138-01-000	EA NUT-HEX JAM 3/8-32 WINEGARD
	078319-03-000	FT CABLE-COAXIAL, 75 OHM
	078319-12-000	EA CONNECTOR-COAXIAL, ONE PIECE
	086777-02-000	EA WALLPLATE-TV CABLE, W/ANTENNA SWITCH - BROWN

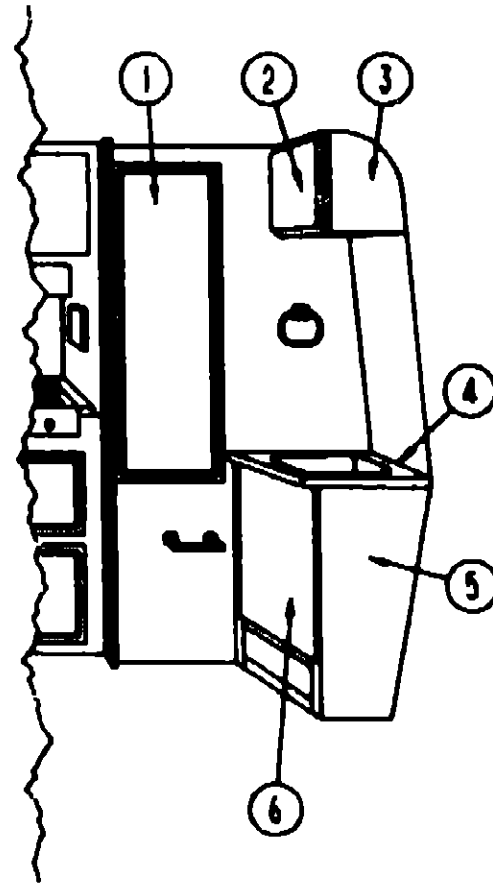
1993 WINNEBAGO
TABLE OF CONTENTS

INTRODUCTION	A-01 -	A-02
ABBREVIATIONS		A-03
ALPHABETICAL INDEX	A-04 -	A-08
WT321RB	A-07 -	C-22
WT321RL	C-23 -	F-16
WT321RD	F-17 -	I-10

1993 WT321RL INDEX

FLOOR PLAN	C-23 -	C-24
ACCESSORIES		D-01
AUDIO VIDEO		D-02
BATH	D-03 -	D-04
CHASSIS	D-05 -	D-06
CURTAIN & CUSHION	D-07 -	D-13
DINETTE		D-14
DRIVERS COMPARTMENT		D-15
ELECTRICAL	D-18 -	D-19
EXTERIOR BODY	D-20 -	D-24
GALLEY	E-01 -	E-06
GENERATOR		E-08
HEATING & A/C		E-07
INTERIOR FINISH	E-08 -	E-10
LABELS	E-11 -	E-18
LP		E-17
LOUNGE		E-18
SEALANTS & FASTENERS	E-19 -	E-20
WATER & SEWAGE	E-21 -	E-24
WINDOW, VENT AND EXTERIOR DOOR	F-01 -	F-16

BATH GROUP



BATH CABINETS & FIXTURES

KEY	PART NUMBER	U/M DESCRIPTION
	009148-01-000	EA PULL-FINGER, 75° DIAMETER - BRASS
	009410-01-01A	EA PULL-FINGER, OVAL - BRASS
	059783-01-000	FT ROD-CLOTHES, SLOTTED - ALUMINUM - 7' LENGTH
	082484-03-01A	EA TRACK-SHOWER, CURVED - OFF WHITE
	009700-04-002	EA TRACK, L-SHAPED 195.2" - STRAIGHT - OFF WHITE
	009138-02-000	EA HANGER-RING, PIN TYPE - CURTAIN - BRASS
	009701-01-000	EA CARRIER-CURTAIN, L ROD
	009702-01-000	EA END STOP-CURTAIN CARRIER, L ROD
	039175-02-000	EA BRACKET-CURTAIN ROD, EXTENDING CAFE - DELUXE OPTION
	039175-03-000	EA MOD-CAFE, CURTAIN - EXTENDS 28" TO 48" - DELUXE OPTION
	039175-05-000	EA BRACKET-CURTAIN ROD, CENTER CAFE

TOILET

KEY	PART NUMBER	U/M DESCRIPTION
	063740-01-000	EA TOILET-HIGH, HAND FLUSH - THETFORD 150120
	063740-01-700	EA LEVER-WATER, THETFORD 12514
	063740-01-701	EA LEVER-FLUSH, THETFORD 12515
	063740-01-706	EA BOLT PACKAGE-CLOSET, THETFORD 12524
	063740-01-710	EA LINK, THETFORD 12513
	063740-01-711	EA SPRING-RETURN LEVER, THETFORD 12523
	063740-01-713	EA SEAL-BALL VALVE TO BOWL, THETFORD 12502
	063740-01-714	EA VALVE ASM-WATER, THETFORD 12482
	033740-01-716	EA SEAT & COVER, THETFORD 15017 - IVORY
	063740-01-717	EA TUBE-FLUSH, TOILET
	063740-02-700	EA SEAT & COVER, PARCHMENT - THETFORD 20820
	063641-01-000	EA FLANGE-CLOSET, 4" X 3"

SHOWER COMPONENTS

KEY	PART NUMBER	U/M DESCRIPTION
	075463-02-000	EA BAR-TOWEL, 18" BRASS
	103092-01-000	EA SHOWER HEAD-W/80" HOSE
	103092-01-700	EA BRACKET ONLY-CLEAR, F/SHOWER HEAD - 2328028
	075241-05-000	EA FAUCET-SHOWER, BONE
	075608-01-000	EA PANEL-FAUCET BACK, SHOWER - 5" X 8" - PLASTIC
	M02630-03-U28	EA SHOWER PAN W/NUT, STRAINER & WASHER
	066438-01-000	EA NUT-SLIP, TAILPIECE - 1 5"
	066440-01-000	EA STRAINER-SHOWER, W/RUBBER WASHER
	089735-01-000	EA WASHER-STRAINER TO TAILPIECE PLASTIC, 1.5"
	057871-01-000	EA COVER-SCREW, #8 - PLASTIC - OFF WHITE
	084724-02-000	EA TRIM-SHOWER, OFF WHITE
	080549-07 B05	EA PANEL-DOOR, W/PULL

**1993 WINNEBAGO
TABLE OF CONTENTS**

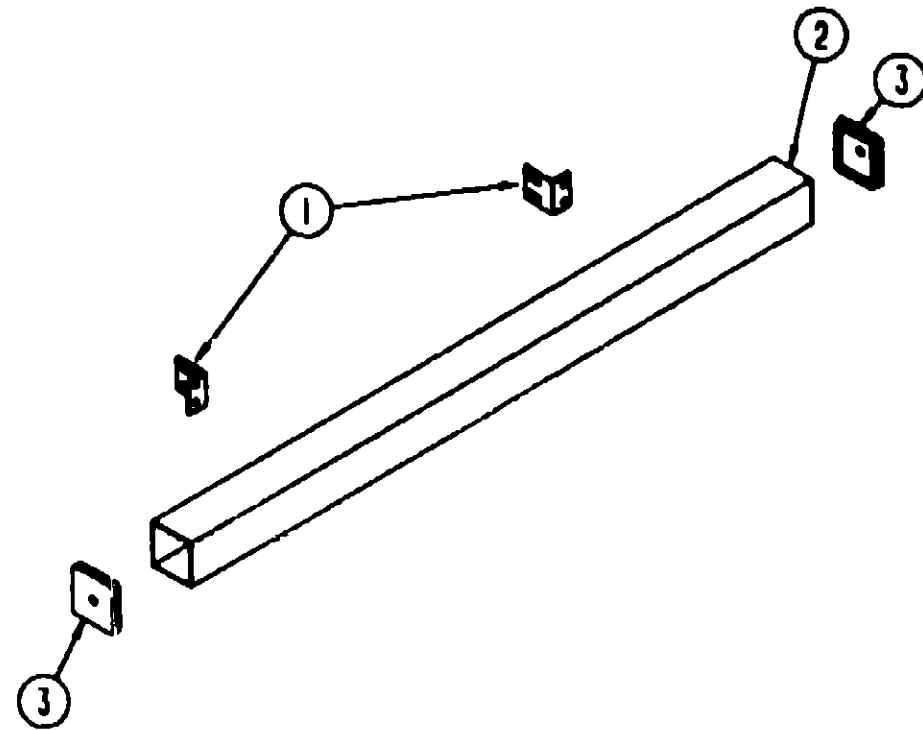
INTRODUCTION	A-01	A-02
ABBREVIATIONS		A-03
ALPHABETICAL INDEX	A-04	A-08
WT321RB	A-07	C-22
WT321RL	C-23	F-16
WT321RD	F-17	I-10

1993 WT321RL INDEX

FLOOR PLAN	C-23	C-24
ACCESSORIES		D-01
AUDIO VIDEO		D-02
BATH	D-03	D-04
CHASSIS	D-05	D-06
CURTAIN & CUSHION	D-07	D-13
DINETTE		D-14
DRIVERS COMPARTMENT		D-15
ELECTRICAL	D-16	D-19
EXTERIOR BODY	D-20	D-24
GALLEY	E-01	E-06
GENERATOR		E-08
HEATING & AC		E-07
INTERIOR FINISH	E-09	E-10
LABELS	E-11	E-16
LP		E-17
LOUNGE		E-18
SEALANTS & FASTENERS	E-19	E-20
WATER & SEWAGE	E-21	E-24
WINDOW, VENT AND EXTERIOR DOOR	F-01	F-16

KEY	PART NUMBER	U/M DESCRIPTION
1	P04746-66-D01	EA DOOR-CABINET, MIRROR - W/O HARDWARE - 15 5" X 45 5"
2	P04746-70-D01	EA DOOR-CABINET, MIRROR - W/O HARDWARE - 12" X 29 1"
3	M05159-05-D01	EA CABINET-OVERHEAD, MEDICINE - W/O DOORS OR HARDWARE
4	099928-11-D01	EA COUNTERTOP-LAVATORY CABINET
5	M99928-03-D01	EA CABINET-LAVATORY W/COUNTERTOP
5	M99928-03-D02	EA CABINET-LAVATORY W/COUNTERTOP
5	M99928-03-D03	EA CABINET-LAVATORY W/COUNTERTOP
6	PJ3701-71-D01	EA DOOR-CABINET, W/O HARDWARE - 12" X 21 8"
	078238-23-D01	EA PANEL-ACCESS, 368 MM X 182 MM
	099928-01-D01	EA DOOR-SLIDING, 680 MM X 1780 MM - W/PULL
	103874-01-000	EA HANGER-SLIDING DOOR
	064487-01-000	EA GUIDE-POCKET, SLIDING DOOR - WALL MOUNTED
	103888-06-01A	EA TRACK-SLIDING DOOR, 51 2" - OFF WHITE
	075452-02-000	EA HOLDER, TOILET TISSUE, BRASS
	075454-02-000	EA RING-TOWEL, W/MOUNTING HARDWARE - BRASS
	075240-08-000	EA FAUCET-LAVATORY, BONE
	091253-01-000	EA GASKET-FAUCET, LAVATORY/GALLEY
	089927-01-01A	EA SINK-LAVATORY, RECTANGULAR - PLASTIC - BONE
	089927-01-700	EA SINK-STOPPER
	089927-01-701	EA TAILPIECE-SINK

CHASSIS GROUP



REAR BUMPER & BRACKETS

KEY	PART NUMBER	U/M DESCRIPTION
1	108782-01-01A	EA BRACKET-BUMPER, OFF WHITE
2	103422-03-01A	EA BUMPER-REAR, OFF WHITE
3	039779-01-000	EA CAP-BUMPER, RUBBER - 4" X 4" - BLACK

SPARE TIRE WRIM & MOUNTING BRACKET

KEY	PART NUMBER	U/M DESCRIPTION
	M00080-85-000	EA TIRE-SPARE, W/RIM - 185R14LT - BRIDGESTONE
	M00080-85-700	EA CARRIER-SPARE TIRE, TOYOTA
	M00080-85-701	EA TIRE-SPARE, W/RIM - 185R14LT - DUNLOP
	084773-01-000	EA BRACKET-MOUNTING, SPARE TIRE

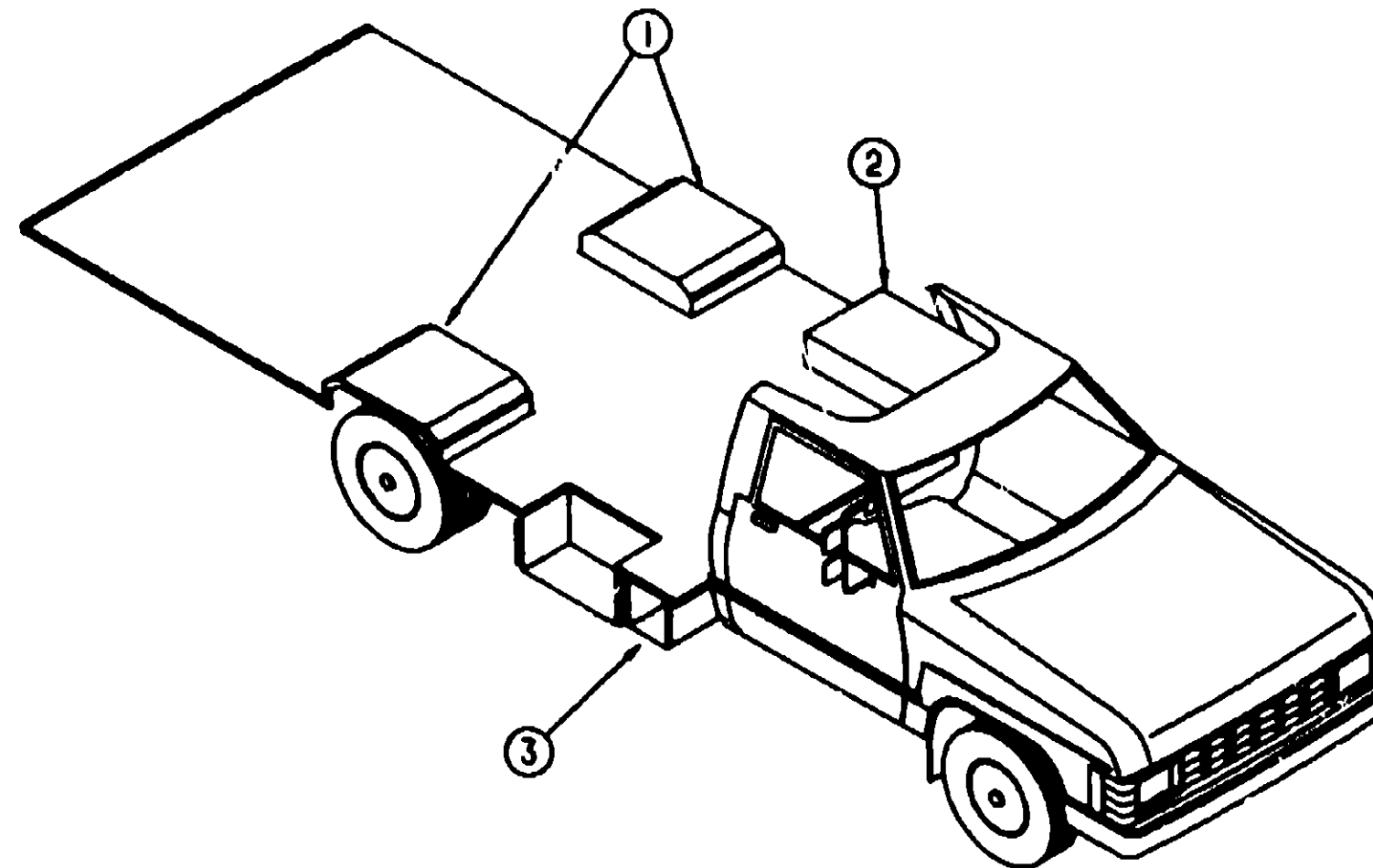
FUEL SYSTEM COMPONENTS

KEY	PART NUMBER	U/M DESCRIPTION
	007083-01-000	FT HOSE-GAS 1/4"ID X 1/2"OD
	084884-01-000	EA PLUG-BRASS, 3/8"
	087289-01-000	EA TEE-1/4" X 1/4" X 1/4", BRASS
	100699-01-000	EA NECK-FILLER, MAIN - UNLEADED FUEL
	078200-01-000	EA GASKET-FUEL FILL, 3 5/8"OD X 2 1/2"
	096864-01-02A	EA SHROUD-FUEL FILL, OFF WHITE

MISCELLANEOUS CHASSIS COMPONENTS

KEY	PART NUMBER	U/M DESCRIPTION
	083048-04-000	EA PLATE ASM-SKID
	088780-01-000	EA GUARD-SPLASH, RUBBER - TOYOTA - SET OF 2 - BLACK
	102827-01-01A	EA COVER-HUB W/BOLT - GRAY - KAPER II
	102827-01-700	EA BOLT-HUB COVER, KAPER II
	086278-51-259	EA TUBING-STEEL, 75" X 1.5" X 12.5"
	008042-01-000	FT TUBING-VINYL, 65" ID

CHASSIS GROUP (CONTINUED)



COMPARTMENTS, WHEELWELL & STEP LINER

KEY	PART NUMBER	U/M DESCRIPTION
1	084837-01-000	EA WHEELWELL-PLASTIC
2	083886-02-000	EA TRAY-GENERATOR/STORAGE COMPARTMENT
2	098302-03-000	EA COMPARTMENT-GENERATOR, 25 1" WIDE X 17 7" DEEP
2	098304-01-000	EA COVER-BAFFLE, GENERATOR
	077953-01-000	EA GROMMET-EDGE LINER, FITS 1"
	058027-01-000	FT SEAL, D SHAPED - HOLLOW - SPONGE RUBBER - BLACK
	099418-01-000	EA SEAL-D, W/SIDE ADHESIVE - 4" X .10" - SPONGE RUBBER - BLACK
		FROM: 00-00-00 THRU 03-15-93
		FROM: 03-16-93 THRU 99-99-99
3	100824-01-000	EA COMPARTMENT-BATTERY, PLASTIC
	084993-01-000	EA STRAP-BATTERY
	106208-01-01A	EA COMPARTMENT-SHOWER, EXTERIOR - OFF WHITE

EXHAUST SYSTEM COMPONENTS

KEY	PART NUMBER	U/M DESCRIPTION
	007126-08-000	EA CLAMP-MUFFLER, 2 26" DIAMETER
	084898-02-000	EA EXTENSION-TAILPIPE, 2" DIAMETER

REAR AIR BAG SYSTEM

KEY	PART NUMBER	U/M DESCRIPTION
	100293-02-000	EA AIRSPRING SYSTEM-4" DIAMETER, MICRO MINI - 3-T'S 9E3 POS
	100293-01-701	EA HOSE, W/MALE VALVES - 3T T9AL
	100293-02-700	EA AIR BAG KIT, BAG W/CABLE - 3T RK-E3
	100332-01-000	EA PLATE-VALVE, AIR SPRING

1993 WINNEBAGO TABLE OF CONTENTS

INTRODUCTION	A-01	A-02
ABBREVIATIONS		A-03
ALPHABETICAL INDEX	A-04	A-08
WT321RB	A-07	C-22
WT321RL	C-23	F-18
WT321RD	F-17	I-10

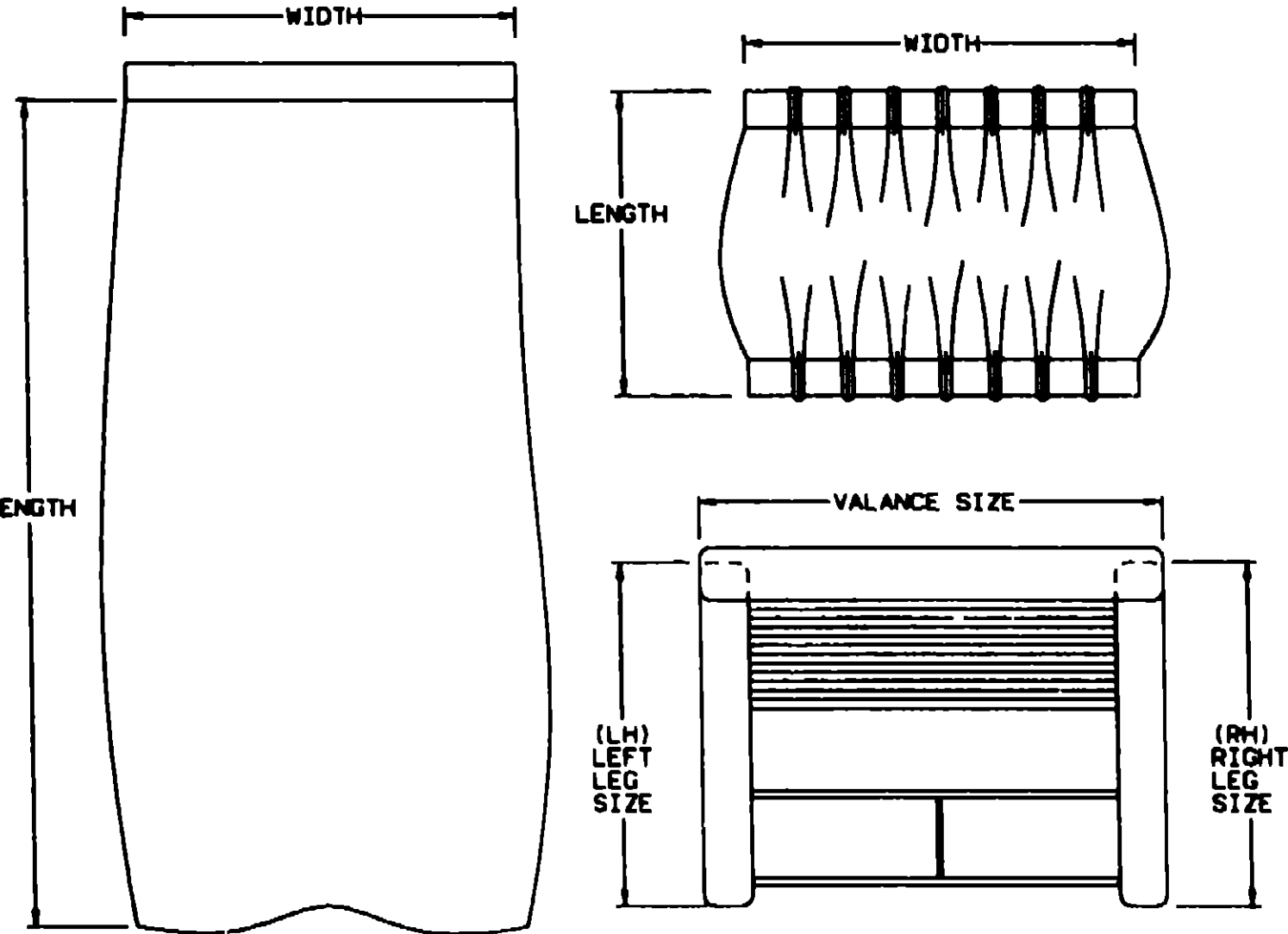
1993 WT321RL INDEX

FLOOR PLAN	C-23	C-24
ACCESSORIES		D-01
AUDIO VIDEO		D-02
BATH	D-03	D-04
CHASSIS	D-05	D-08
CURTAIN & CUSHION	D-07	D-13
DINETTE		D-14
DRIVERS COMPARTMENT		D-15
ELECTRICAL	D-18	D-19
EXTERIOR BODY	D-20	D-24
GALLEY	E-01	E-06
GENERATOR		E-08
HEATING & A/C		E-07
INTERIOR FINISH	E-08	E-10
LABELS	E-11	E-18
LP		E-17
LOUNGE		E-18
SEALANTS & FASTENERS	E-19	E-20
WATER & SEWAGE	E-21	E-24
WINDOW, VENT AND		
EXTERIOR DOOR	F-01	F-18

**CURTAIN & CUSHION GROUP
NOTICE**

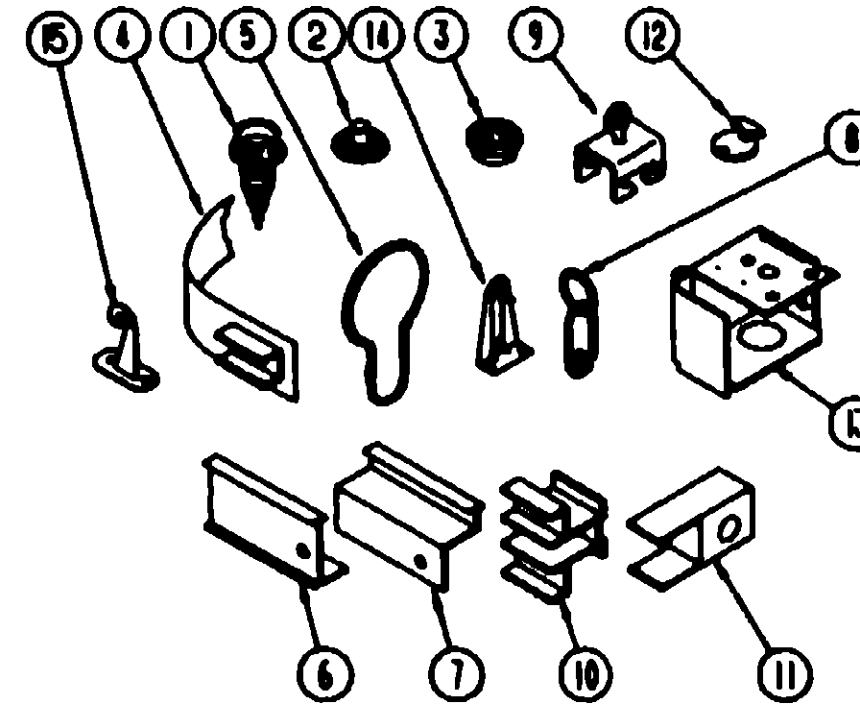
IN ORDER TO ASSIST OUR PARTS SALES DEPT. IN PROVIDING INTERIOR SOFTGOODS ITEMS, PLEASE INCLUDE THE SERIAL NUMBER AND THE COLOR CODE NUMBER FROM THE VEHICLE CERTIFICATION LABEL WHEN ORDERING. THIS LABEL IS LOCATED ON THE LEFT SIDEWALL AT THE END OF THE DASH (A-BODY), OR ON THE DRIVER'S DOOR LATCH PLATE (C-BODY).

AN EXAMPLE OF A COLOR CODE NUMBER IS B07, WHICH DESIGNATES AN OVERALL COLOR SCHEME OF A PARTICULAR UNIT. THE COLOR LISTED AFTER THE ITEM DESCRIPTION ON THE MICROFICHE, INDICATES THE OVERALL UNIT COLOR. ORDER THE ITEM YOU DESIRE ACCORDING TO UNIT COLOR CODE.



NOTE: USE THIS ILLUSTRATION WHEN DETERMINING LENGTH AND WIDTH MEASUREMENTS FOR CURTAINS. YOU WILL NOTE THE WIDTH MEASUREMENT IS TAKEN ON THE TOP OF THE CURTAIN WITH THE CURTAIN FULLY EXTENDED. THE LENGTH MEASUREMENT IS TAKEN FROM TOP TO BOTTOM. LEFT AND RIGHT WINDOW LEGS ARE DETERMINED WHEN FACING THE WINDOW.

CURTAIN & CUSHION GROUP (CONTINUED)



CURTAIN, BLIND & SHADE HARDWARE

KEY	PART NUMBER	U/M	DESCRIPTION
1	029130-01-000	EA	SCREW-SNAP SOCKET 8 PH X 5/8"
2	029155-01-000	EA	CAP-SNAP NICKEL
3	029158-01-000	EA	SOCKET-SNAP FASTENER NICKEL
4	101031-01-000	YD	TAPE-GLIDE CURTAIN- 4.25" SPACING
5	009138-02-000	EA	HANGER-RING, PIN TYPE - CURTAIN - BRASS
6	092484-03-01A	EA	TRACK-SHOWER, CURVED - OFF WHITE
6	009700-04-002	EA	TRACK, L-SHAPED 195.2" - STRAIGHT - OFF WHITE
7	105480-06-01A	EA	TRACK-CURTAIN, 79" LONG - ALUMINUM - OFF WHITE
8	009701-01-000	EA	CARRIER-CURTAIN L ROD
9	009702-01-000	EA	END STOP-CURTAIN CARRIER L ROD
10	101033-03-000	FT	TRACK-CURTAIN LOW PROFILE - WHITE
11	101033-02-000	EA	END CAP-TRACK CLEAR
12	102555-01-000	EA	CLEAT-CORD, BLIND - OFF WHITE
13	083170-01-000	EA	BRACKET-BLIND, RIGHT SIDE
13	083170-02-000	EA	BRACKET-BLIND, LEFT SIDE
	083475-01-700	EA	WAND-BLIND, W/METAL CLIP - 8" LONG
	083475-01-701	EA	END CAP-BLIND, W/STUD
14	095591-02-000	EA	BRACKET-HOLD DOWN, W/PIN - BLIND - METAL
			FROM: 00-00-00 THRU: 07-19-82
15	109441-01-000	EA	HOLD DOWN-BLIND, HOOK
			FROM: 07-20-82 THRU 99-99-99
	089522-03-000	EA	PANEL-LEG, TWO SIDE 27" LONG - PLASTIC - BLACK
	089522-04-000	EA	PANEL-LEG, TWO SIDE 31 5" LONG - PLASTIC - BLACK
	089918-01-000	EA	MOUNT-WINDOW LEG, 23.75" - ALUMINUM - BLACK 23.75" LONG - 8.3" BETWEEN SCREW HOLES
	103986-01-000	FT	TRIM-VALANCE, U-CHANNEL - .75" WIDE - BRASS
	048867-01-000	EA	GROMMET-BRASS - 7/16" ID X 1" OD
	088792-01-000	YD	VELCRO TAPE-HOOK, .75" WIDE - BEIGE
	048394-02-000	YD	VELCRO TAPE-HOOK, ADHESIVE BACK - .75" WIDE - BEIGE
	088792-02-000	YD	VELCRO TAPE-LOOP, ADHESIVE BACKED - .75" WIDE - BEIGE
	039175-02-000	EA	BRACKET-CURTAIN ROD, EXTENDING CAFE - DELUXE OPTION
	039175-03-000	EA	ROD-CAFE, CURTAIN - EXTENDS 28" TO 48" - DELUXE OPTION
	039175-06-000	EA	BRACKET-CURTAIN ROD, CENTER CAFE - DELUXE OPTION

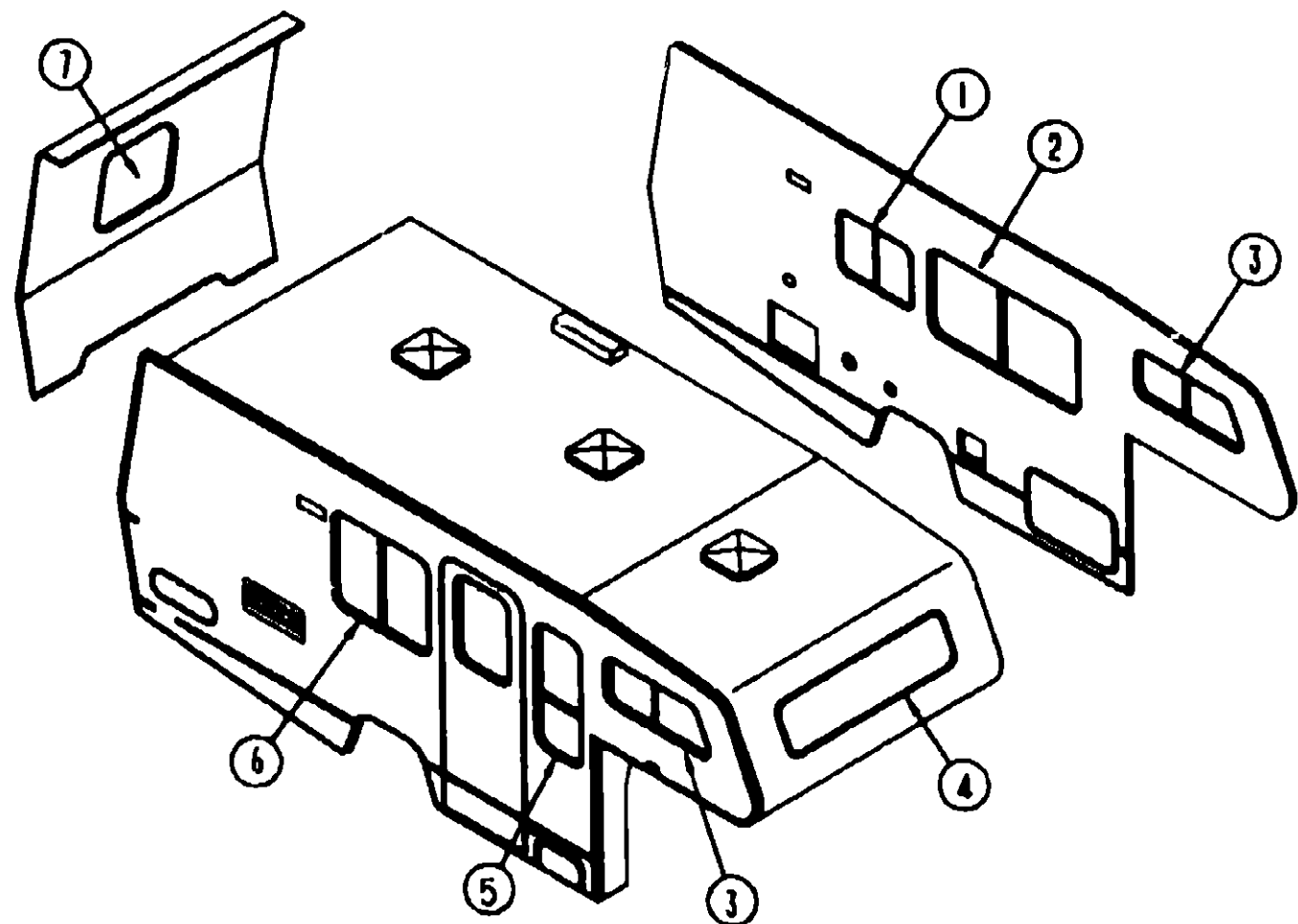
**1993 WINNEBAGO
TABLE OF CONTENTS**

INTRODUCTION	A-01 -	A-02
ABBREVIATIONS		A-03
ALPHABETICAL INDEX	A-04 -	A-08
WT321RB	A-07 -	C-22
WT321RL	C-23 -	F-18
WT321RD	F-17 -	I-10

1993 WT321RL INDEX

FLOOR PLAN	C-23 -	C-24
ACCESSORIES		D-01
AUDIO VIDEO		D-02
BATH	D-03 -	D-04
CHASSIS	D-05 -	D-08
CURTAIN & CUSHION	D-07 -	D-13
DINETTE		D-14
DRIVERS COMPARTMENT		D-15
ELECTRICAL	D-16 -	D-19
EXTERIOR BODY	D-20 -	D-24
GALLEY	E-01 -	E-05
GENERATOR		E-06
HEATING & A/C		E-07
INTERIOR FINISH	E-08 -	E-10
LABELS	E-11 -	E-18
LP		E-17
LOUNGE		E-18
SEALANTS & FASTENERS	E-19 -	E-20
WATER & SEWAGE	E-21 -	E-24
WINDOW, VENT AND EXTERIOR DOOR	F-01 -	F-16

CURTAIN & CUSHION GROUP (CONTINUED)
WINDOW TREATMENT



**1993 WINNEBAGO
TABLE OF CONTENTS**

INTRODUCTION	A-01 -	A-02
ABBREVIATIONS		A-03
ALPHABETICAL INDEX	A-04 -	A-06
WT321R8	A-07 -	C-22
WT321RL	C-23 -	F-16
WT321RD	F-17 -	I-10

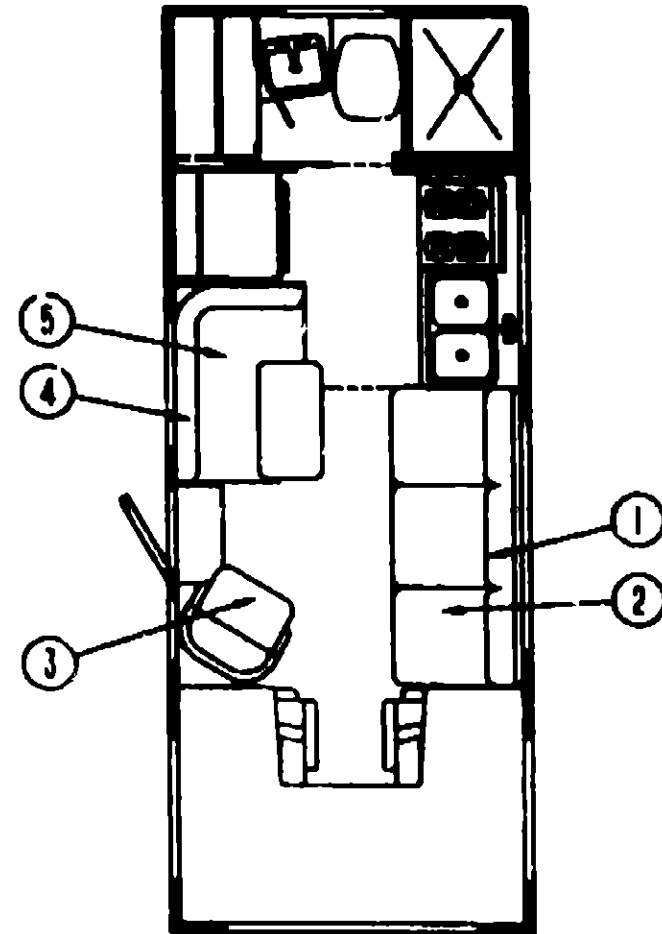
KEY	PART NUMBER	U/M DESCRIPTION
1	103986-53-D01	EA VALANCE-28.5", WBRASS TRIM
1	103986-54-D02	EA VALANCE-28.5", WBRASS TRIM
1	103986-54-D03	EA VALANCE-28.5", WBRASS TRIM
1	093475-32-12A	EA BLIND-MINI, 27" X 18.5" DROP (D01)
1	093475-32-14A	EA BLIND-MINI, 27" X 18.5" DROP (D02)
1	093475-32-13A	EA BLIND-MINI, 27" X 18.5" DROP (D03)
2	103986-51-D01	EA VALANCE-53", WBRASS TRIM
2	103986-52-D02	EA VALANCE-53", WBRASS TRIM
2	103986-52-D03	EA VALANCE-53", WBRASS TRIM
2	100281-45-D01	EA LEG-RIGHT (D01)
2	100281-45-C05	EA LEG-RIGHT (D02)
2	100281-45-D03	EA LEG-RIGHT (D03)
2	100281-46-D01	EA LEG-LEFT (D01)
2	100281-46-C06	EA LEG-LEFT (D02)
2	100281-46-D03	EA LEG-LEFT (D03)
2	093475-42-04A	EA BLIND-MINI, 49" X 29" DROP (D01/D03)
2	093475-42-06A	EA BLIND-MINI, 49" X 29" DROP (D02)
3	101034-08-D01	EA CURTAIN-16" X 28", TAPE TOP & BOTTOM
		FROM: 00-00-00 THRU: 09-13-92
3	101034-08-D02	EA CURTAIN-16" X 28", TAPE TOP & BOTTOM
		FROM: 00-00-00 THRU: 09-13-92
3	101034-08-D03	EA CURTAIN-16" X 28", TAPE TOP & BOTTOM
		FROM: 00-00-00 THRU: 09-13-92
3	101034-31-D01	EA CURTAIN-16" X 28", TAPE TOP & BOTTOM - RIGHT
		FROM: 09-14-92 THRU: 99-99-99
3	101034-31-D02	EA CURTAIN-16" X 28", TAPE TOP & BOTTOM - RIGHT
		FROM: 09-14-92 THRU: 99-99-99
3	101034-31-D03	EA CURTAIN-16" X 28", TAPE TOP & BOTTOM - RIGHT
		FROM: 09-14-92 THRU: 99-99-99
3	101034-32-D01	EA CURTAIN-16" X 28", TAPE TOP & BOTTOM - LEFT
		FROM: 09-14-92 THRU: 99-99-99
3	101034-32-D02	EA CURTAIN-16" X 28", TAPE TOP & BOTTOM - LEFT
		FROM: 09-14-92 THRU: 99-99-99
3	101034-32-D03	EA CURTAIN-16" X 28", TAPE TOP & BOTTOM - LEFT
		FROM: 09-14-92 THRU: 99-99-99

4	101034-08-D01	EA CURTAIN-16" X 28", TAPE TOP & BOTTOM
		FROM: 00-00-00 THRU: 09-13-92
4	101034-08-D02	EA CURTAIN-16" X 28", TAPE TOP & BOTTOM
		FROM: 00-00-00 THRU: 09-13-92
4	101034-08-D03	EA CURTAIN-16" X 28", TAPE TOP & BOTTOM
		FROM: 00-00-00 THRU: 09-13-92
4	101034-29-D01	EA CURTAIN-16" X 50", TAPE TOP & BOTTOM - RIGHT
		FROM: 09-14-92 THRU: 99-99-99
4	101034-29-D02	EA CURTAIN-16" X 50", TAPE TOP & BOTTOM - RIGHT
		FROM: 09-14-92 THRU: 99-99-99
4	101034-29-D03	EA CURTAIN-16" X 50", TAPE TOP & BOTTOM - RIGHT
		FROM: 09-14-92 THRU: 99-99-99
4	101034-30-D01	EA CURTAIN-16" X 50", TAPE TOP & BOTTOM - LEFT
		FROM: 09-14-92 THRU: 99-99-99
4	101034-30-D02	EA CURTAIN-16" X 50", TAPE TOP & BOTTOM - LEFT
		FROM: 09-14-92 THRU: 99-99-99
4	101034-30-D03	EA CURTAIN-16" X 50", TAPE TOP & BOTTOM - LEFT
		FROM: 09-14-92 THRU: 99-99-99
5	103986-57-D01	EA VALANCE-20", WBRASS TRIM
5	103986-58-D02	EA VALANCE-20", WBRASS TRIM
5	103986-58-D03	EA VALANCE-20", WBRASS TRIM
5	093475-85-08A	EA BLIND-MINI, 17" X 36" DROP (D01/D03)
5	093475-85-07A	EA BLIND-MINI, 17" X 36" DROP (D02)
6	103986-59-D01	EA VALANCE-34", WBRASS TRIM
6	103986-60-D02	EA VALANCE-34", WBRASS TRIM
6	103986-60-D03	EA VALANCE-34", WBRASS TRIM
6	100281-43-D01	EA LEG-31.5" TALL, RIGHT SIDE (D01)
6	100281-43-C06	EA LEG-31.5" TALL, RIGHT SIDE (D02)
6	100281-43-D03	EA LEG-31.5" TALL, RIGHT SIDE (D03)
6	100281-44-D01	EA LEG-31.5" TALL, LEFT SIDE (D01)
6	100281-44-C05	EA LEG-31.5" TALL, LEFT SIDE (D02)
6	100281-44-D03	EA LEG-31.5" TALL, LEFT SIDE (D03)
6	093475-53-04A	EA BLIND-MINI, 30" X 29" DROP (D01/D03)
6	093475-53-05A	EA BLIND-MINI, 30" X 29" DROP (D02)
7	103986-53-D01	EA VALANCE-28.5", WBRASS TRIM
7	103986-54-D02	EA VALANCE-28.5", WBRASS TRIM
7	103986-54-D03	EA VALANCE-28.5", WBRASS TRIM
7	093475-43-05A	EA BLIND-MINI, 28.5" X 24" DROP (D01)
7	093475-43-06A	EA BLIND-MINI, 28.5" X 24" DROP (D02)
7	093475-43-08A	EA BLIND-MINI, 28.5" X 24" DROP (D03)
	078892-03-D01	EA CURTAIN-SNAP TOP, 35" X 55" - BEIGE (D01)
	078892-03-C09	EA CURTAIN-SNAP TOP, 35" X 55" - BEIGE (D02/D03)
	101868-18-D01	EA CURTAIN-38.5" X 50", RIGHT - TAPE TOP
	101868-18-D02	EA CURTAIN-38.5" X 50", RIGHT - TAPE TOP
	101868-18-D03	EA CURTAIN-38.5" X 50", RIGHT - TAPE TOP
	101868-19-D01	EA CURTAIN-38.5" X 50", LEFT - TAPE TOP
	101868-19-D02	EA CURTAIN-38.5" X 50", LEFT - TAPE TOP
	101868-19-D03	EA CURTAIN-38.5" X 50", LEFT - TAPE TOP
	086226-53-D01	EA VALANCE-ROD POCKET TOP, 8" X 80" - DELUXE OPTION
	086226-53-D02	EA VALANCE-ROD POCKET TOP, 8" X 80" - DELUXE OPTION
	086226-53-D03	EA VALANCE-ROD POCKET TOP, 8" X 80" - DELUXE OPTION
	084481-14-C09	EA CURTAIN-SHOWER, VINYL - 65" X 42" (D01)
	084481-14-D02	EA CURTAIN-SHOWER, VINYL - 65" X 42" (D02)
	084481-14-C10	EA CURTAIN-SHOWER, VINYL - 65" X 42" (D03)
	073280-84-C09	EA TIEBACK-CURTAIN, SHOWER - 3" X 18" (D01)
	073280-84-D36	EA TIEBACK-CURTAIN, SHOWER - 3" X 18" (D02)
	073280-84-C10	EA TIEBACK-CURTAIN, SHOWER - 3" X 18" (D03)
	073280-49-D01	EA TIEBACK-CURTAIN, 3" X 18"
	073280-49-D02	EA TIEBACK-CURTAIN, 3" X 18"
	073280-49-D03	EA TIEBACK-CURTAIN, 3" X 18"
	067534-01-000	EA TIEBACK/TIEDOWN-BED/CURTAIN/DOOR, 6" - PLASTIC - CLEAR
	084415-43-000	YD TRIM-BRAID, CURTAIN - MAUVE (D01)
	084415-44-000	YD TRIM-BRAID, CURTAIN - EGGPLANT (D02)
	084415-45-000	YD TRIM-BRAID, CURTAIN - TEAL (D03)

1993 WT321RL INDEX

FLOOR PLAN	C-23 -	C-24
ACCESSORIES		D-01
AUDIO VIDEO		D-02
BATH	D-03 -	D-04
CHASSIS	D-05 -	D-06
CURTAIN & CUSHION	D-07 -	D-13
DINETTE		D-14
DRIVERS COMPARTMENT		D-15
ELECTRICAL	D-16 -	D-19
EXTERIOR BODY	U-20 -	D-24
GALLEY	E-01 -	E-06
GENERATOR		E-08
HEATING & A/C		E-07
INTERIOR FINISH	E-08 -	E-10
LABELS	E-11 -	E-16
LP		E-17
LOUNGE		E-18
SEALANTS & FASTENERS	E-19 -	E-20
WATER & SEWAGE	E-21 -	E-24
WINDOW, VENT AND EXTERIOR DOOR	F-01 -	F-16

CURTAIN & CUSHION GROUP (CONTINUED)



COUCH & COUCH PILLOWS

KEY	PART NUMBER	U/M DESCRIPTION
1	100032-31-D01	EA COUCH-BACKREST, W/O ARMS - 66.5" (D01)
1	100032-31-D10	EA COUCH-BACKREST, W/O ARMS - 66.5" (D02)
1	100032-31-D11	EA COUCH-BACKREST, W/O ARMS - 66.5" (D03)
	P00032-31-D01	EA COVER-COUCH, BACKREST - W/O ARMS - 66.5" (D01)
	P00032-31-D10	EA COVER-COUCH, BACKREST - W/O ARMS - 66.5" (D02)
	P00032-31-D11	EA COVER-COUCH, BACKREST - W/O ARMS - 66.5" (D03)
	101085-09-000	EA FRAME-BACK, COUCH - 66.5"
2	100032-32-D01	EA COUCH-SEAT, W/O ARMS - 66.5"
2	100032-34-D02	EA COUCH-SEAT, W/O ARMS - 66.5"
2	100032-34-D03	EA COUCH-SEAT, W/O ARMS - 66.5"
	P00032-32-D01	EA COVER-COUCH, SEAT - W/O ARMS - 66.5"
	P00032-34-D02	EA COVER-COUCH, SEAT - W/O ARMS - 66.5"
	P00032-34-D03	EA COVER-COUCH, SEAT - W/O ARMS - 66.5"
	101085-01-000	EA FRAME-SEAT, COUCH - 66.5"
	101085-03-000	EA FRAME-BASE, COUCH - 66.5"
	103889-10-D09	EA PILLOW-THROW, 16" X 16" (D01)
	103889-01-C03	EA PILLOW-THROW, 16" X 16" (D02)
	103889-01-D11	EA PILLOW-THROW, 16" X 16" (D03)
	085080-05-D01	EA PILLOW-THROW, 15" X 15" (D01)
	085080-05-C09	EA PILLOW-THROW, 15" X 15" (D02)
	085080-05-B04	EA PILLOW-THROW, 15" X 15" (D03)

SWIVEL CHAIR

KEY	PART NUMBER	U/M DESCRIPTION
3	088100-05-D01	EA CHAIR-SWIVEL, W/O PEDESTAL OR SKIRT
3	088100-06-D02	EA CHAIR-SWIVEL, W/O PEDESTAL OR SKIRT
3	088100-06-D03	EA CHAIR-SWIVEL, W/O PEDESTAL OR SKIRT
	M88100-05-D01	EA COVER-SWIVEL CHAIR
	M88100-06-D02	EA COVER-SWIVEL CHAIR
	M88100-06-D03	EA COVER-SWIVEL CHAIR
	088245-01-100	EA BASE-CHAIR, SWIVEL - W/LEGS
	007221-01-100	EA SPACER-SEAT, ADJUSTER
	088248-08-C00	EA ADJUSTER-SWIVEL CHAIR, MANUAL - FORWARD & BACK
	088248-07-000	EA ADJUSTER-SWIVEL CHAIR, W/LOCKING ARM - FORWARD & BACK
	088705-02-000	EA BAR-SEAT BELT, 2.5" X 12.75"
	087330-01-000	EA BRACKET-STOP, SLIDING TRACK
	088245-03-000	EA PLATE-TOP, SWIVEL W/O TILT - W/LOCK
	088245-07-000	EA EXTENSION-BASE TO TOP PLATE, 6" LONG

DINETTE CUSHIONS

KEY	PART NUMBER	U/M DESCRIPTION
4	088642-11-D01	EA CUSHION-BACK, L-SHAPE(D) (D01)
4	088642-11-D02	EA CUSHION-BACK, L-SHAPE(D) (D02/D03)
	M88642-11-D01	EA COVER-CUSHION, L-SHAPED BACK (D01)
	M88642-11-D02	EA COVER-CUSHION, L-SHAPED BACK (D02/D03)
5	088642-08-D01	EA CUSHION-SEAT (D01)
5	088642-08-D02	EA CUSHION-SEAT (D02/D03)
	M88642-08-D01	EA COVER-CUSHION, SEAT (D01)
	M88642-08-D02	EA COVER-CUSHION, SEAT (D02/D03)

BUNK CUSHIONS & BUNK PILLOWS

KEY	PART NUMBER	U/M DESCRIPTION
	084753-34-D01	EA CUSHION-53.5" X 81.5" X 5", U-SHAPED BUNK
	084753-34-D02	EA CUSHION-53.5" X 81.5" X 5", U-SHAPED BUNK
	084753-34-D03	EA CUSHION-53.5" X 81.5" X 5", U-SHAPED BUNK
	M84753-34-D01	EA COVER-CUSHION, U-SHAPED - 53.5" X 81.5" X 5"
	M84753-34-D02	EA COVER-CUSHION, U-SHAPED - 53.5" X 81.5" X 5"
	M84753-34-D03	EA COVER-CUSHION, U-SHAPED - 53.5" X 81.5" X 5"
	084753-33-D01	EA CUSHION-24.5" X 44.5" X 5", BUNK FILLER
	084753-33-D02	EA CUSHION-24.5" X 44.5" X 5", BUNK FILLER
	084753-33-D03	EA CUSHION-24.5" X 44.5" X 5", BUNK FILLER
	M84753-33-D01	EA COVER-CUSHION, FILLER - 24.5" X 44.5" X 5"
	M84753-33-D02	EA COVER-CUSHION, FILLER - 24.5" X 44.5" X 5"
	M84753-33-D03	EA COVER-CUSHION, FILLER - 24.5" X 44.5" X 5"
	085080-04-D01	EA PILLOW-THROW, 15" X 15"
	085080-04-D02	EA PILLOW-THROW, 15" X 15"
	085080-04-D03	EA PILLOW-THROW, 15" X 15"

**1993 WINNEBAGO
TABLE OF CONTENTS**

INTRODUCTION	A-01 -	A-02
ABBREVIATIONS		A-03
ALPHABETICAL INDEX	A-04 -	A-08
WT321RB	A-07 -	C-22
WT321RL	C-23 -	F-18
WT321RD	F-17 -	I-10

1993 WT321RL INDEX

FLOOR PLAN	C-23 -	C-24
ACCESSORIES		D-01
AUDIO VIDEO		D-02
BATH	D-03 -	D-04
CHASSIS	D-05 -	D-08
CURTAIN & CUSHION	D-07 -	D-13
DINETTE		D-14
DRIVERS COMPARTMENT		D-15
ELECTRICAL	D-16 -	D-19
EXTERIOR BODY	D-20 -	D-24
GALLEY	E-01 -	E-05
GENERATOR		E-08
HEATING & A/C		E-07
INTERIOR FINISH	E-09 -	E-10
LABELS	E-11 -	E-16
LP		E-17
LOUNGE		E-18
SEALANTS & FASTENERS	E-19 -	E-20
WATER & SEWAGE	E-21 -	E-24
WINDOW, VENT AND EXTERIOR DOOR	F-01 -	F-16

CURTAIN & CUSHION GROUP (CONTINUED)

BUCKET SEAT COVERS

KEY	PART NUMBER	U/M DESCRIPTION
	086740-09-D01	EA COVER ASM-SEAT & HEADREST, DRIVER
	086740-09-D02	EA COVER ASM-SEAT & HEADREST, DRIVER
	086740-09-D03	EA COVER ASM-SEAT & HEADREST, DRIVER
	M86740-09-D01	EA COVER-SEAT, DRIVER
	M86740-09-D02	EA COVER-SEAT, DRIVER
	M86740-09-D03	EA COVER-SEAT, DRIVER
	102880-01-D01	EA COVER-HEADREST
	102880-01-D02	EA COVER-HEADREST
	102880-01-D03	EA COVER-HEADREST
	086740-08-D01	EA COVER ASM-SEAT & HEADREST, PASSENGER
	086740-08-D02	EA COVER ASM-SEAT & HEADREST, PASSENGER
	086740-08-D03	EA COVER ASM-SEAT & HEADREST, PASSENGER
	M86740-08-D01	EA COVER-SEAT, PASSENGER
	M86740-08-D02	EA COVER-SEAT, PASSENGER
	M86740-08-D03	EA COVER-SEAT, PASSENGER
	102880-01-D01	EA COVER-HEADREST
	102880-01-D02	EA COVER-HEADREST
	102880-01-D03	EA COVER-HEADREST

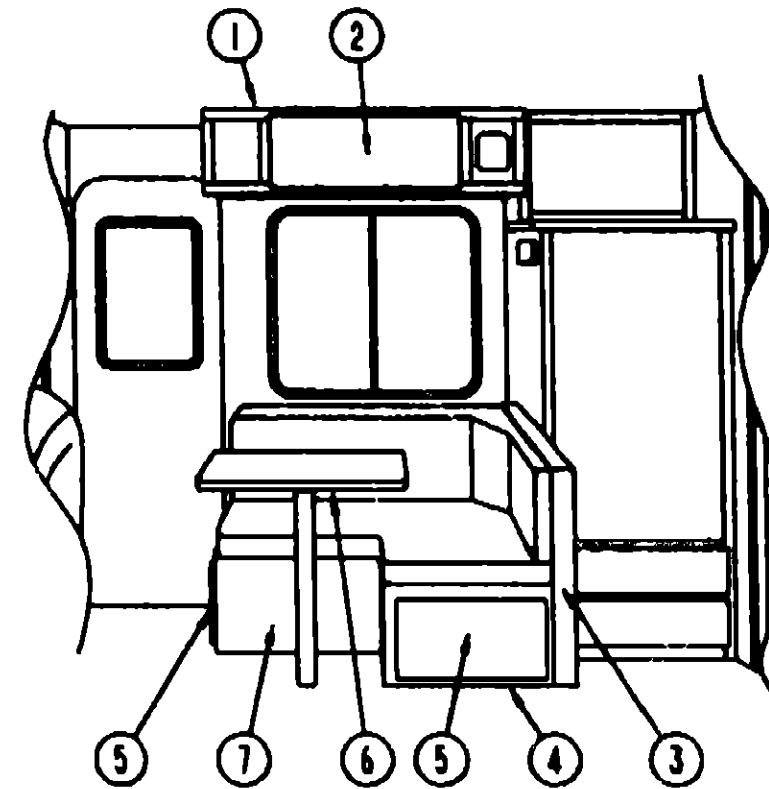
FABRIC

KEY	PART NUMBER	U/M DESCRIPTION
	029219-01-000	YD FABRIC-VINYL, 54" WIDE - WHITE
	103807-01-01A	YD FABRIC-VINYL, 54" WIDE - OFF WHITE
	072333-90-000	YD FABRIC-CURTAIN, 54" WIDE - TAN (D01)
	072333-82-000	YD FABRIC-CURTAIN, 54" WIDE - BEIGE (D02/D03)
	104233-80-000	YD FABRIC-UPHOLSTERY, PATTERN VELOUR - 54" WIDE (D01)
	104233-84-000	YD FABRIC-UPHOLSTERY, WOVEN PATTERN - 54" WIDE (D02/D03)
	104233-81-000	YD FABRIC-UPHOLSTERY, PLAIN MAUVE VELOUR - 54" WIDE (D01)
	104233-74-000	YD FABRIC-UPHOLSTERY, PLAIN BEIGE VELOUR - 54" WIDE (D01)
	104233-29-000	YD FABRIC-UPHOLSTERY, PLAIN VELOUR - 54" WIDE (D02)
	104233-30-000	YD FABRIC-UPHOLSTERY, PLAIN VELOUR - 54" WIDE (D03)
	104233-82-000	YD FABRIC-UPHOLSTERY, CRISSCROSS VELOUR - 54" WIDE (D01)
	104233-85-000	YD FABRIC-UPHOLSTERY, CRISSCROSS VELOUR - 54" WIDE (D02)
	104233-87-000	YD FABRIC-UPHOLSTERY, CRISSCROSS VELOUR - 54" WIDE (D03)
	104233-83-000	YD FABRIC-UPHOLSTERY, STRIPED WOVEN - 54" WIDE (D01)
	104233-88-000	YD FABRIC-UPHOLSTERY, STRIPED WOVEN - 54" WIDE (D02)
	108448-23-000	YD FABRIC-UPHOLSTERY, CRISSCROSS WOVEN - 54" WIDE (D03) FROM: 00-00-00 THRU: 07-28-82
	104233-88-000	YD FABRIC-UPHOLSTERY, STRIPED WOVEN - 54" WIDE (D03) FROM: 07-29-82 THRU: 99-99-99
	104233-75-000	YD FABRIC-UPHOLSTERY, "W" - VELOUR (D01)
	104233-78-000	YD FABRIC-UPHOLSTERY, "W" - VELOUR (D02)
	104233-77-000	YD FABRIC-UPHOLSTERY, "W" - VELOUR (D03)
	105745-12-000	YD FABRIC-CURTAIN/BEDSPREAD, PATTERNED - 54" WIDE (D01)
	105745-30-000	YD FABRIC-CURTAIN/BEDSPREAD, PATTERNED - 54" WIDE (D02)
	105745-14-000	YD FABRIC-CURTAIN/BEDSPREAD, PATTERNED - 54" WIDE (D03)

ASSIST HANDLE, SEATBELTS & BUTTONS

KEY	PART NUMBER	U/M DESCRIPTION
	053552-02-AA8	EA HANDLE-ASSIST, INTERIOR - ENTRY DOOR - VINYL - OFF WHITE
	069178-02-000	EA BRACKET-MOUNTING, ASSIST HANDLE - L ANGLE - STEEL
	000C18-07-188	EA CARRIAGE BOLT-ASSIST HANDLE
	000D20-07-008	EA NUT-ACORN, ASSIST HANDLE
	007021-01-000	EA BELT-BEAT 2" X 90" - BLACK
	068271-01-000	EA BELT-BEAT, 2" X 102" - BLACK
	078300-03-000	EA BRACKET-SEATBELT
	067789-01-000	EA WASHER BRACKET-SEAT BELT 4" DIAMETER
	070678-01-D01	EA BUTTON-SCREW STUD, #30 (D01)
	070678-01-D02	EA BUTTON-SCREW STUD, #30 (D02)
	070678-01-D03	EA BUTTON-SCREW STUD, #30 (D03)

DINETTE GROUP



CABINETS & PADS

KEY	PART NUMBER	U/M DESCRIPTION
	1 M05159-30-D01	EA CABINET-OVERHEAD, W/O DOORS OR HARDWARE
	1 M05159-30-D02	EA CABINET-OVERHEAD, W/O DOORS OR HARDWARE
	1 M05159-30-D03	EA CABINET-OVERHEAD, W/O DOORS OR HARDWARE
	2 P03701-73-D01	EA DOOR-CABINET, W/O HARDWARE - 10" X 25 2"
	106847-01-C05	EA KEY RING HOLDER - DELUXE OPTION
	103130-01-000	EA HOOK-CUP, BRASS - 1 25" - DELUXE OPTION
	103889-03-D01	EA PAD-DINETTE
	103889-03-D02	EA PAD-DINETTE
	103889-03-D03	EA PAD-DINETTE
	3 M04138-08-D01	EA CABINET-BACKREST, DINETTE
	4 M04139-04-D01	EA CABINET-SEATBASE, REAR DINETTE - W/O DOOR - NEXT TO REFRIGERATOR
	5 P03701-13-D01	EA DOOR-CABINET, W/O HARDWARE - 10" X 10"
	6 081298-10-D01	EA TABLE-DINETTE, PEDESTAL
	7 M04139-03-D01	EA CABINET-SEATBASE, FRONT DINETTE - W/O DOOR - NEAR ENTRY DOOR
	041194-01-000	EA BASE-TABLE, FLUSH - FLOOR MOUNTED
	009040-03-000	EA BASE-TABLE, RAISED - TABLE MOUNTED
	009040-02-000	EA LEG-TABLE, PEDESTAL - 27 5" X 2 25" OD - CHROME
	081518-04-B42	EA SEAT-DINETTE TOP, PLYWOOD

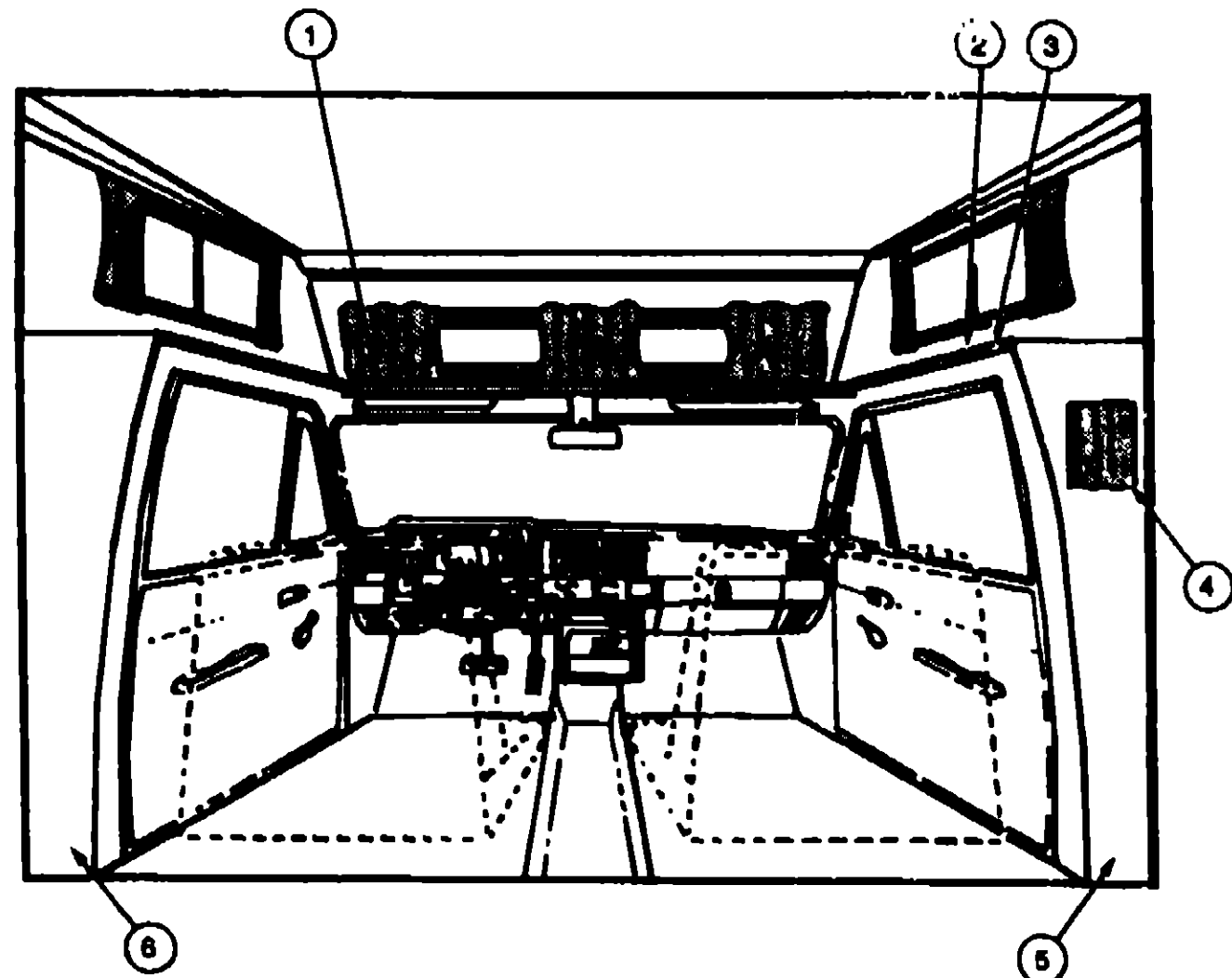
**1993 WINNEBAGO
TABLE OF CONTENTS**

INTRODUCTION	A-01 -	A-02
ABBREVIATIONS		A-03
ALPHABETICAL INDEX	A-04 -	A-06
WT321RB	A-07 -	C-22
WT321RL	C-23 -	F-16
WT321RD	F-17 -	I-10

1993 WT321RL INDEX

FLOOR PLAN	C-23 -	C-24
ACCESSORIES		D-01
AUDIO VIDEO		D-02
BATH	D-03 -	D-04
CHASSIS	D-05 -	D-06
CURTAIN & CUSHION	D-07 -	D-13
DINETTE		D-14
DRIVERS COMPARTMENT		D-15
ELECTRICAL	D-18 -	D-19
EXTERIOR BODY	D-20 -	D-24
GALLEY	E-01 -	E-06
GENERATOR		E-08
HEATING & A/C		E-07
INTERIOR FINISH	E-08 -	E-10
LABELS	E-11 -	E-16
LP		E-17
LOUNGE		E-18
SEALANTS & FASTENERS	E-19 -	E-20
WATER & SEWAGE	E-21 -	E-24
WINDOW, VENT AND EXTERIOR DOOR	F-01 -	F-16

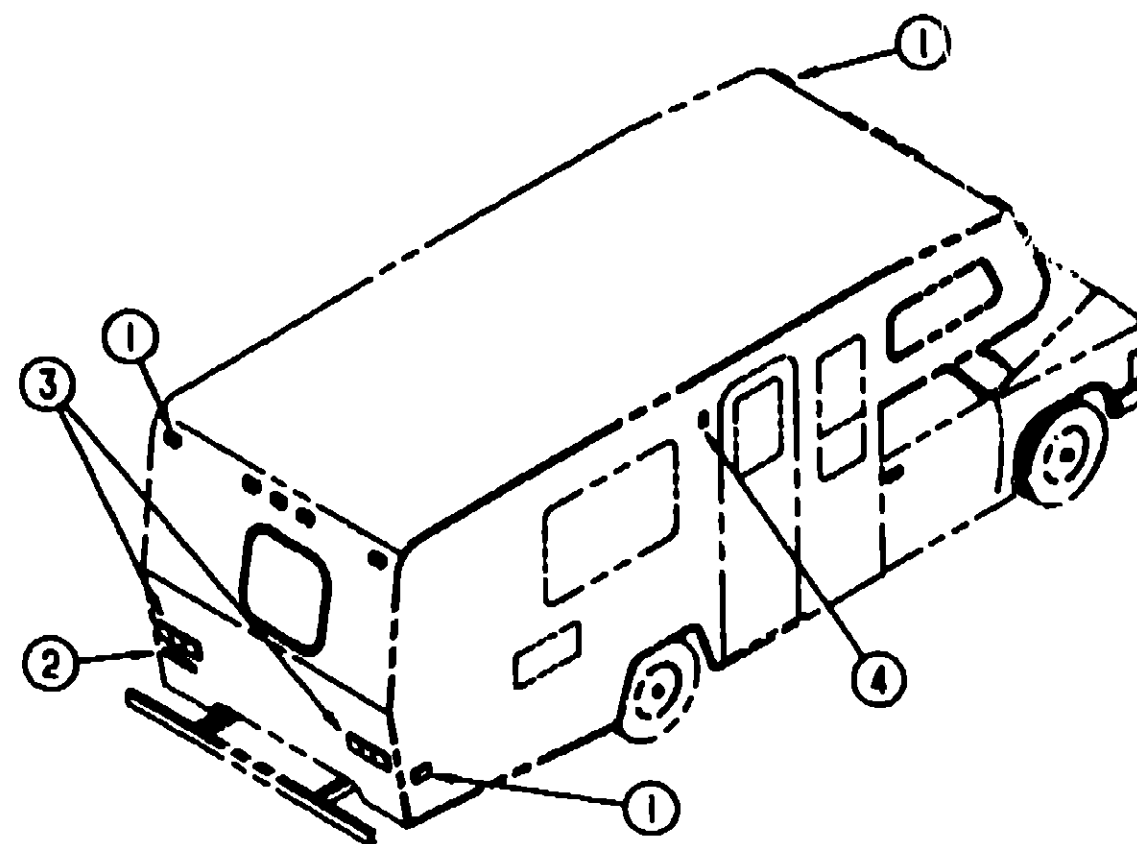
DRIVERS COMPARTMENT GROUP



DRIVERS COMPARTMENT

KEY	PART NUMBER	U/M DESCRIPTION
1	P00072-01-805	EA PANEL-SLEEPERBOARD, W/O INTERIOR TRIM
	100085-01-01A	EA TRIM-STRAP, SLEEPERBOARD - FLAT W/SCREW HOLES
	100088-01-01A	EA TRIM-SLEEPERBOARD TO ROOF - OFF WHITE
2	079800-08-000	EA TRIM-SLEEPERBOARD INNER - OFF WHITE
3	080742-03-000	FT TRIM-VINYL-SLEEPER BOARD - OFF WHITE
4	088120-01-D01	EA PAD ASM-MAP POCKET, 12" X 18" (D01)
4	088120-01-D02	EA PAD ASM-MAP POCKET, 12" X 18" (D02)
4	088120-01-D03	EA PAD ASM-MAP POCKET, 12" X 18" (D03)
	M88120-01-D01	EA COVER-MAP POCKET (D01)
	M88120-01-D02	EA COVER-MAP POCKET (D02)
	M88120-01-D03	EA COVER-MAP POCKET (D03)
6	M95402-03-000	EA WINGWALL-INNER, PASSENGER - W/O CARPET
6	M95402-02-000	EA WINGWALL-INNER, DRIVER - W/O CARPET
	100138-01-000	EA MODULE-DAYTIME RUNNING LIGHT - CANADIAN
	100169-05-000	EA WIRE ASM-DAYTIME RUNNING LIGHTS, W/FUSE - CANADIAN
	100715-03-000	EA SPEEDOMETER-KILOMETER, TOYOTA 83110-35220

ELECTRICAL GROUP



EXTERIOR LIGHTS

KEY	PART NUMBER	U/M DESCRIPTION
1	091983-01-000	EA GASKET-CLEARANCE/SIDEMARKER LIGHT
1	042405-01-000	EA LENS-CLEARANCE/SIDEMARKER LIGHT W/REFLEX - RED
1	042405-02-000	EA LENS-CLEARANCE/SIDEMARKER LIGHT W/REFLEX - AMBER
1	042405-03-000	EA BASE-CLEARANCE/SIDEMARKER LIGHT W/BULB - PLASTIC - WHITE
1	008213-01-000	EA BULB-12V, .024 AMP - #57
2	088432-01-000	EA LIGHT-LICENSE PLATE W/BACKET, OFF WHITE
3	081838-02-000	EA TAILLIGHT-TRIPLE, W/OFF WHITE TRIM - DRIVER & PASSENGER SIDE
3	081838-01-700	EA LENS-TAILLIGHT, RED - BARGMAN 30-84-010
3	081838-01-701	EA LENS-TAILLIGHT, W/BACKUP - BARGMAN 30-84-700
3	081838-02-700	EA LENS-TAILLIGHT, AMBER - BARGMAN 30-84-018
3	037934-01-000	EA BULB-12V, - 2.1 AMP - #1156 - CLEAR GLASS (BACK UP & TURN SIGNAL)
3	039735-01-000	EA BULB-12V, 2.1 AMP - #2057 OR 1157 CLEAR GLASS (BRAKE LIGHT)
3	081838-03-000	EA WEDGE-TAILLIGHT, OFF WHITE - DRIVER OR PASSENGER SIDE
4	097917-01-01A	EA LIGHT-PORCH, ENTRY DOOR - OFF WHITE
4	097917-01-700	EA LENS-LIGHT, PORCH
4	008215-01-000	EA BULB-12V, #4 AMP - #1003

1993 WINNEBAGO TABLE OF CONTENTS

INTRODUCTION	A-01 -	A-02
ABBREVIATIONS		A-03
ALPHABETICAL INDEX	A-04 -	A-08
WT321RB	A-07 -	C-22
WT321RL	C-23 -	F-18
WT321RD	F-17 -	I-10

1993 WT321RL INDEX

FLOOR PLAN	C-23 -	C-24
ACCESSORIES		D-01
AUDIO VIDEO		D-02
BATH	D-03 -	D-04
CHASSIS	D-05 -	D-08
CURTAIN & CUSHION	D-07 -	D-13
DINETTE		D-14
DRIVERS COMPARTMENT		D-15
ELECTRICAL	D-16 -	D-19
EXTERIOR BODY	D-20 -	D-24
GALLEY	E-01 -	E-06
GENERATOR		E-08
HEATING & A/C		E-07
INTERIOR FINISH	E-08 -	E-10
LABELS	E-11 -	E-18
LP		E-17
LOUNGE		E-18
SEALANTS & FASTENERS	E-19 -	E-20
WATER & SEWAGE	E-21 -	E-24
WINDOW, VENT AND EXTERIOR DOOR	F-01 -	F-16

ELECTRICAL GROUP (CONTINUED)
EXPORT ELECTRIC CONVERSION OPTION L048

KEY	PART NUMBER	U/M DESCRIPTION
	082815-01-000	EA CONVERTER 40 AMP, W/CHARGER - B-W 32400P
	084808-01-000	EA CENTER-LOAD 240V - 125A - TPL412CT
	084810-01-000	EA BREAKER-CIRCUIT, DOUBLE 30 AMP - GE THQL2130
	084811-01-000	EA BREAKER-CIRCUIT, DOUBLE 20 AMP - GE THQL2120

CANADIAN OPTION L286

KEY	PART NUMBER	U/M DESCRIPTION
	088288-02-000	EA BOX-ELECTRICAL, 4" X 4" - 1/2" X 3/4" KNOCKOUTS
	088289-02-000	EA COVER-ELECTRICAL BOX, BLANK STEEL - 4" X 4"
	083208-02-000	EA CIRCUIT BREAKER-15/15AMP, 120V - B-W H-15/15
	083209-05-000	EA CIRCUIT BREAKER-30/15 AMP, 120V - B-W D-30/15
	083210-02-000	EA CIRCUIT BREAKER-GFI, 15A - 120V - BW U-15

INTERIOR LIGHTS, SWITCHES & RECEPTACLES

KEY	PART NUMBER	U/M DESCRIPTION
	104173-01-01A	EA LIGHT-DESIGNER, BRASS - #81-905 - U S
	088215-01-000	EA BULB-12V, 94 AMP - #1003
	104172-01-01A	EA LIGHT-BULLET, BEIGE - #787 SERIES - CANADIAN
	088215-01-000	EA BULB-12V, 94 AMP - #1003
	088024-01-01A	EA LIGHT-DOME, 1 BULB - US - IVORY
	088024-03-01A	EA LIGHT-DOME, 2 BULB - IVORY
	088024-01-700	EA LENS-DOME LIGHT
	088218-01-000	EA BULB-DOME LIGHT, 12V - #1141
	075723-01-000	EA SPACER-SWITCH, W/O HOLE - 2" X 0" X 2" - METAL - OFF WHITE
	085188-01-01A	EA SPACER-SWITCH, 2 3" X 3.4" - PLASTIC - DARK BROWN
	078384-01-000	EA SWITCH-ON/OFF ROCKER, 2 PRONGS - BROWN
	088351-01-01A	EA PLATE-SWITCH, 1 GANG - POLISHED BRASS
	081894-02-000	EA PLATE-SWITCH, EXTERIOR SHOWER
FROM: 00-00-00 THRU: 01-00		
	108356-02-01A	EA COVER-SWITCH W/DIMPLES - EXTERIOR SHOWER - CARLING VVAZC (U.S.A)
	108357-08-000	EA SWITCH-ROCKER, DPDT ON/NONE/ON - EXTERIOR SHOWER CARLING VDD1500C-0
	075738-02-000	EA COVER-EXTERIOR RECEPTACLE, OFF WHITE
	088708-01-000	EA RECEPTACLE-ELECTRIC, DOUBLE - BROWN
	088708-02-000	EA RECEPTACLE-ELECTRIC, DOUBLE - IVORY
	088707-01-000	EA RECEPTACLE-ELECTRIC, SINGLE - BROWN
	087734-01-01A	EA EXTENSION-RECEPTACLE, 3 2" X 5" X 7" - PLASTIC - IVORY
	084076-01-000	EA RECEPTACLE-GFI, 15A - 125V - IVORY
	084076-02-000	EA RECEPTACLE-GFI, 15A - 125V - BROWN
	084077-01-000	EA PLATE-COVER RECEPTACLE - GFI - IVORY
	084077-02-000	EA PLATE-COVER RECEPTACLE - GFI - BROWN
	024824-02-000	EA RECEPTACLE-POWER CORD W/PARTIAL PLATE

ELECTRICAL GROUP (CONTINUED)
CIRCUIT BREAKERS & FUSES

KEY	PART NUMBER	U/M DESCRIPTION
	083865-02-000	EA CIRCUIT BREAKER-30 AMP, HOUSE CONTROL PANEL
	083208-03-000	EA CIRCUIT BREAKER-15/20AMP, 120V - BW 0-15/20
	083209-04-000	EA CIRCUIT BREAKER-30A, 120V - BW L-30
	083209-05-000	EA CIRCUIT BREAKER-20A, 120V - BW J-20
	008235-01-000	EA FUSE-AUTOMOTIVE 12V - 15AMP
	082801-02-000	EA FUSE-5 AMPS, AUTOMOTIVE
	082801-05-000	EA FUSE-15 AMPS, AUTOMOTIVE
	100341-01-000	EA FUSE HOLDER-IN LINE TYPE
	107333-01-01A	EA MOUNT-CIRCUIT BREAKER, 3 8" X 2" - BLACK PLASTIC
	087848-01-000	EA BUSS BAR-2 POSITION, 6" X 1 5" - ALUMINUM

ELECTRICAL CONNECTORS

KEY	PART NUMBER	U/M DESCRIPTION
	007840-01-000	EA RECEPTACLE-SLIDE, 16 TO 12 AWG - FEMALE END
	008311-01-000	EA CONNECTOR-WIRE NUT, INSULATED - RED
	008314-01-000	EA CONNECTOR-WIRE NUT, INSULATED - GRAY
	008328-01-000	EA TERMINAL-RING, 16/14 WIRE - 3/8" STUD
	008328-01-000	EA TERMINAL-RING, 12/10 WIRE - #10 STUD FIT
	008331-01-000	EA TERMINAL-RING, TONGUE - #4 WIRE - 3/8" STUD - COPPER
	008348-01-000	EA TERMINAL-RING, 3/8" STUD - #2 WIRE CONNECTS CABLE TO DISCONNECT RELAY AND BATTERY
	008356-01-000	EA CONNECTOR-CABLE CLAMPING, 3/4"
	008356-01-000	EA CONNECTOR-PLASTIC, 3/8" AVC1
	008398-01-000	EA CONNECTOR-1/2" X 90 DEGREE, FLEX CONDUIT - UL (AND) CSA
	035416-04-000	EA TERMINAL-RING #10 STUD FIT, INSULATED BARREL (1/2" X 1/4")
	047443-01-000	EA TERMINAL-250 RECEPT FIT, INSULATED - 16/14 AWG
	058028-01-000	EA CONNECTOR-ELECTRICAL PIGTAIL, NYLON - CLEAR
	083910-01-000	EA HOUSING-RELAY, BOSCH 3 334 465 C08
	080015-02-000	EA RECEPTACLE-FLAG, 185 - 16/14 GA - AMF 3
	088473-03-000	EA HOUSING-PIN, 9-POSITION
	088473-08-000	EA HOUSING-PIN, 4 POSITION
	088473-10-000	EA PIN-HOUSING, 2 POSITION
	088474-03-000	EA HOUSING-SOCKET, 9-POSITION
	088474-07-000	EA HOUSING-SOCKET, 5 CAVITY - AMP 1-480784-0
	088474-08-000	EA SOCKET-HOUSING, 4 POSITION (BANK/LE ROW)
	088474-09-000	EA HOUSING-SOCKET, 3 POSITION
	088474-10-000	EA HOUSING-SOCKET, 2 POSITION
	088475-01-000	EA PIN-CONNECTOR, 14 TO 20 AWG
	088476-01-000	EA SOCKET-CONNECTOR, BRASS - PRE-TIN
	088476-02-000	EA SOCKET-CONNECTOR, 12-10 GA - PHOS. BRONZE - PRE-TIN
	088474-10-000	EA HOUSING-SOCKET, 2 POSITION

**1993 WINNEBAGO
TABLE OF CONTENTS:**

INTRODUCTION	A-01 -	A-02
ABBREVIATIONS		A-03
ALPHABETICAL INDEX	A-04 -	A-08
WT321RB	A-07 -	C-22
WT321RL	C-23 -	F-16
WT321RD	F-17 -	I-10

1993 WT321RL INDEX

FLOOR PLAN	C-23 -	C-24
ACCESSORIES		D-01
AUDIO VIDEO		D-02
BATH	D-03 -	D-04
CHASSIS	D-05 -	D-06
CURTAIN & CUSHION	D-07 -	D-13
DINETTE		D-14
DRIVERS COMPARTMENT		D-15
ELECTRICAL	D-16 -	D-19
EXTERIOR BODY	D-20 -	D-24
GALLEY	E-01 -	E-06
GENERATOR		E-08
HEATING & AC		E-07
INTERIOR FINISH	E-08 -	E-10
LABELS	E-11 -	E-18
LP		E-17
LOUNGE		E-18
SEALANTS & FASTENERS	E-19 -	E-20
WATER & SEWAGE	E-21 -	E-24
WINDOW, VENT AND EXTERIOR DOOR	F-01 -	F-16

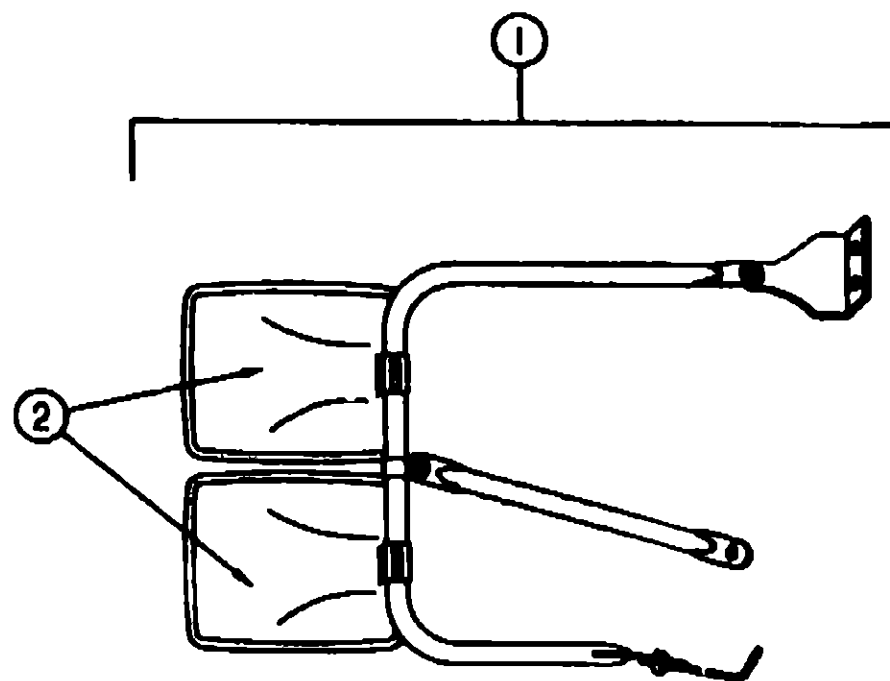
ELECTRICAL GROUP (CONTINUED)
BOXES, CONDUIT & COVERS

KEY	PART NUMBER	U/M DESCRIPTION
	008288-01-000	EA BOX-PLASTIC ELECTRIC, 3" X 3 1/2"
	008289-01-000	EA BOX-ELECTRIC, STEEL - 1/2" AND 3/4" KNOCKOUTS - 4" X 4"
	068048-01-000	EA BOX-ELECTRIC SWITCH, 2" X 3" X 2.25"
	081910-01-000	EA BOX-ELECTRIC, 3 7/8" X 3 5/8" X 1 7/8" - PLASTIC
	063803-01-000	EA BOX-ELECTRIC, 4" X 2 1/8" X 2 1/8" - STEEL
	107186-01-01A	EA BOX-CIRCUIT BREAKER MOUNT, 14 6" X 4" - BLACK PLASTIC
	041953-01-000	FT CONDUIT-CONVOLUTE SLIT, 5/8" ID
	041953-03-000	FT CONDUIT-CONVOLUTE SLIT, 1" ID (CLOTHES ROD COVER)
	041953-05-000	FT CONDUIT-CONVOLUTE SOLID, 6/8" ID
	041953-06-000	FT CONDUIT-CONVOLUTE, SLIT 3/8" ID
	041953-07-000	FT CONDUIT-CONVOLUTE, SLIT - 25" ID
	041953-09-000	FT CONDUIT-CONVOLUTE, SLIT 50" ID
	008294-01-000	EA COVER-ELECTRICAL BOX, BLANK/STEEL - 4" X 4" - GRAY
	054250-04-000	EA COVER-ANGLED, W/O HOLE - 3 6" X 4.5" - PLASTIC - OFF WHITE ELECTRICAL PLATE SUPPORT
	088238-01-000	EA COVER-ELECTRICAL BOX, WHOLE - 4" X 4" - GRAY USED WITH 30 AMP RECEPTACLE
	073826-04-000	EA COVER-ELECTRIC, 10 4" X 7 8" - BEIGE PLASTIC

SOLENOID, POWER CONVERTER & POWER CORDS

KEY	PART NUMBER	U/M DESCRIPTION
	008188-01-000	EA SOLENOID-3 POST, BATTERY CHANGE OVER
	083208-01-000	EA CONVERTER-POWER 32A -120V/12V - BW 8332
	008052-01-000	EA CORD-POWER, 10/3 - 30 AMP - 25' - CANADIAN
	008054-02-000	EA CORD-POWER, 10-3 - 30 AMP - 33'

EXTERIOR BODY GROUP



EXTERIOR MIRRORS

KEY	PART NUMBER	U/M DESCRIPTION
	084445-03-000	EA MIRROR-EXTERIOR, PASSENGER SIDE - VELVAC 712724-7
	084445-04-000	EA MIRROR-EXTERIOR, DRIVER SIDE - VELVAC 712725-7
	084445-03-700	EA HEAD-MIRROR, FLAT GLASS - DRIVER OR PASS SIDE - VELVAC 704176-5
	084445-03-701	EA HEAD-MIRROR, CONVEX GLASS - DRIVER OR PASS SIDE - VELVAC 704187-5

ALUMINUM, FIBERGLASS & STYROFOAM

KEY	PART NUMBER	U/M DESCRIPTION
	044487-01-001	EA SHEET-ALUMINUM, (ROOF) - 019" X 98" X 360" - MILL FINISH
	001054-01-011	EA SHEET-ALUMINUM, FLAT - 024" X 48" X 98" - OFF WHITE
	077517-24-000	EA SHEET-FIBERGLASS, FLAT - 48" X 98" - OFF WHITE
	078064-03-005	EA SHEET-FIBERGLASS, FLAT - 48" X 224" - OFF WHITE
	078064-07-001	EA SHEET-FIBERGLASS, FLAT - 41" X 27" - OFF WHITE
	078064-A2-000	EA SHEET-FIBERGLASS, FLAT - 26" X 48" - OFF WHITE
	000870-02-000	SF STYROFOAM-1 1/2" X 48" X 98", INCREMENTS OF 32 SF
	000870-05-000	SF STYROFOAM-5" X 24" X 98" - INCREMENTS OF 16 SF
	083574-03-000	SF STYROFOAM-3/4" X 48" X 98" - INCREMENTS OF 32 SF

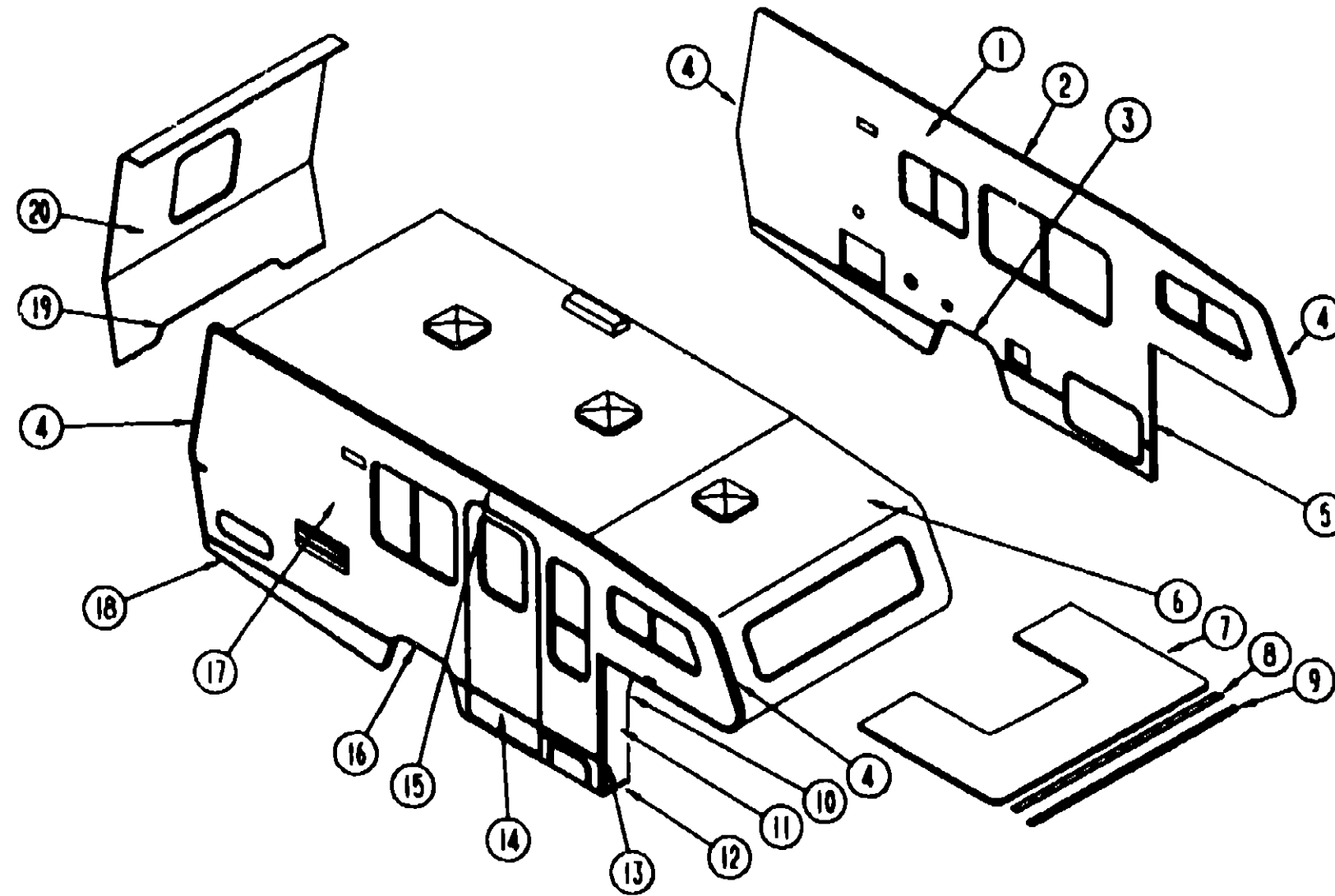
1983 WINNEBAGO
TABLE OF CONTENTS

INTRODUCTION	A-01 -	A-02
ABBREVIATIONS		A-03
ALPHABETICAL INDEX	A-04 -	A-08
WT321RB	A-07 -	C-22
WT321RL	C-23 -	F-16
WT321RD	F-17 -	I-10

1983 WT321RL INDEX

FLOOR PLAN	C-23 -	C-24
ACCESSORIES		D-01
AUDIO VIDEO		D-02
BATH	D-03 -	D-04
CHASSIS	D-05 -	D-06
CURTAIN & CUSHION	D-07 -	D-13
DINETTE		D-14
DRIVERS COMPARTMENT		D-15
ELECTRICAL	D-16 -	D-19
EXTERIOR BODY	D-20 -	D-24
GALLEY	E-01 -	E-05
GENERATOR		E-08
HEATING & A/C		E-07
INTERIOR FINISH	E-08 -	E-10
LABELS	E-11 -	E-18
LP		E-17
LOUNGE		E-18
SEALANTS & FASTENERS	E-19 -	E-20
WATER & SEWAGE	E-21 -	E-24
WINDOW, VENT AND EXTERIOR DOOR	F-01 -	F-16

EXTERIOR BODY GROUP (CONTINUED)
EXTERIOR BODY PANELS & TRIM



**1993 WINNEBAGO
TABLE OF CONTENTS**

INTRODUCTION	A-01 -	A-02
ABBREVIATIONS		A-03
ALPHABETICAL INDEX	A-04 -	A-08
WT321RB	A-07 -	C-22
WT321RL	C-23 -	F-16
WT321RD	E-17 -	I-10

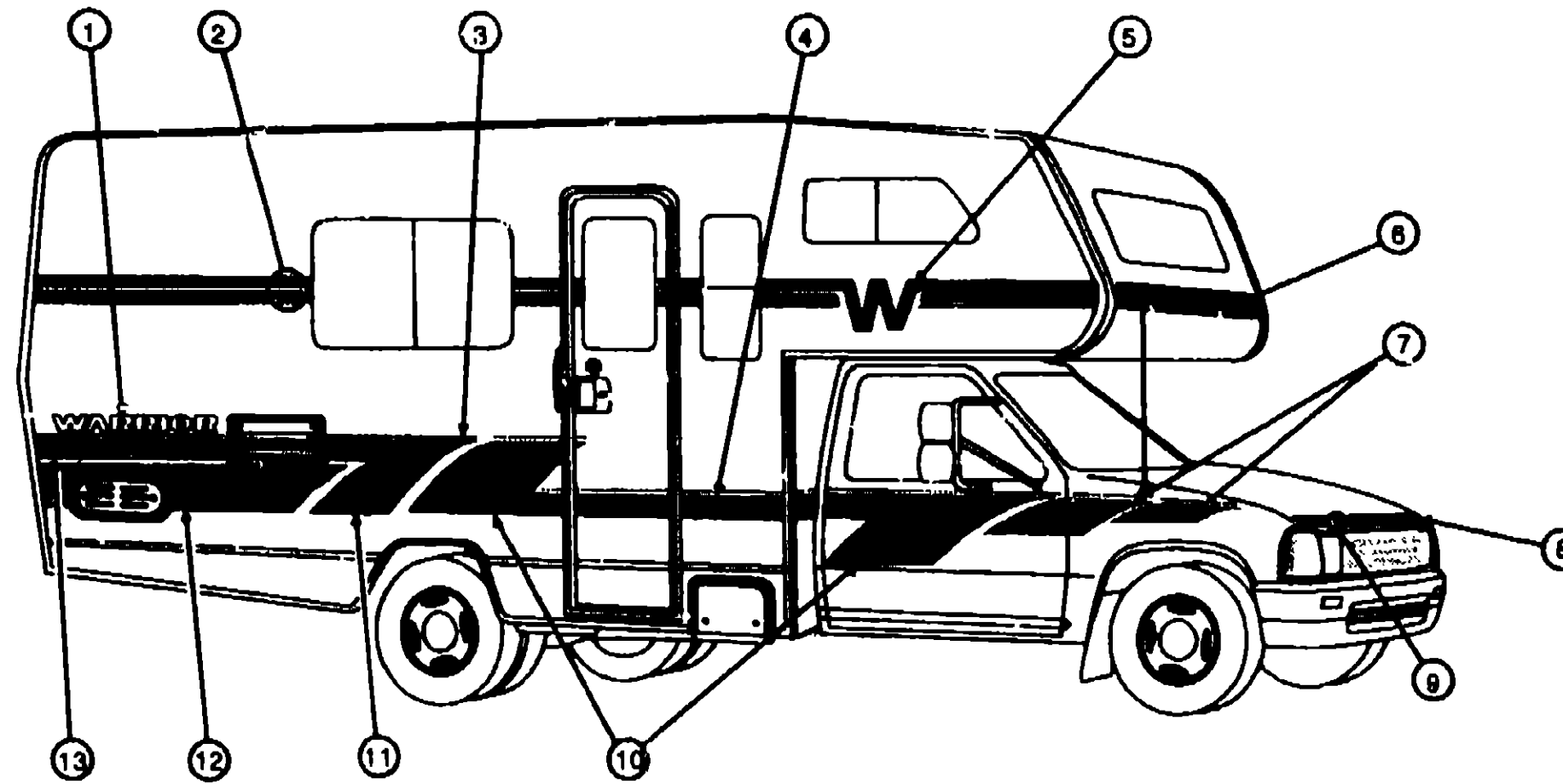
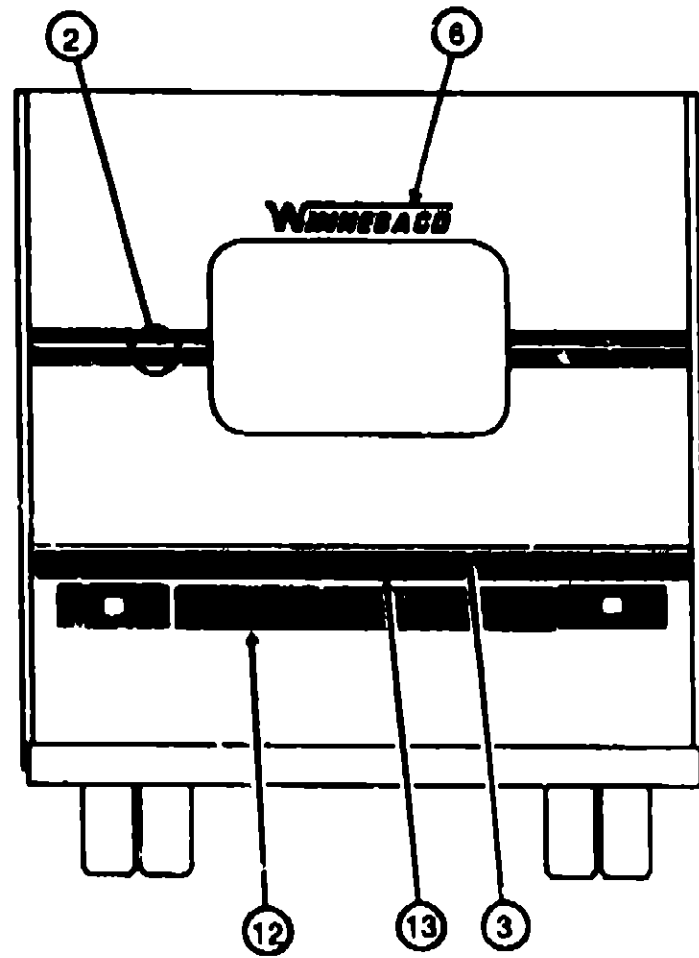
1993 WT321RL INDEX

FLOOR PLAN	C-23 -	C-24
ACCESSORIES		D-01
AUDIO VIDEO		D-02
BATH	D-03 -	D-04
CHASSIS	D-05 -	D-08
CURTAIN & CUSHION	D-07 -	D-13
DINETTE		D-14
DRIVERS COMPARTMENT		D-15
ELECTRICAL	D-16 -	D-19
EXTERIOR BODY	D-20 -	D-24
GALLEY	E-01 -	E-08
GENERATOR		E-08
HEATING & AC		E-07
INTERIOR FINISH	E-08 -	E-10
LABELS	E-11 -	E-16
LP		E-17
LOUNGE		E-18
SEALANTS & FASTENERS	E-19 -	E-20
WATER & SEWAGE	E-21 -	E-24
WINDOW, VENT AND EXTERIOR DOOR	F-01 -	F-16

KEY	PART NUMBER	U/M DESCRIPTION
1	P03587-01-001	EA SIDEWALL-DRIVER SIDE, W/O DOORS OR WINDOWS
	002726-01-001	EA GARNISH-U-CHANNEL, 1 3/8" X 1 1/2" - SERRATED - MILL ALUMINUM
2	098894-01-01A	EA TRIM-CONTOUR, ROOF TO SIDEWALL - DR OR PASS - 120"
3	100800-02-01A	EA TRIM-WHEELWELL, REAR - DRIVER SIDE - OFF WHITE
4	098854-01-01A	EA TRIM-CONTOUR, W/O VINYL INSERT - 108" - OFF WHITE
	105312-01-01A	FT INSERT-TRIM, VINYL - OFF WHITE
5	098970-06-01A	EA TRIM-WINGWALL, DRIVER SIDE VERTICAL - 48.5" - OFF WHITE
		FROM: 00-00-00 THRU: 09-27-92
6	104479-08-01A	EA TRIM-WINGWALL, DRIVER SIDE - VERTICAL - OFF WHITE
		FROM: 09-28-92 THRU: 99-99-99
8	P07830-01-001	EA ROOF ASSEMBLY-W/O VENTS OR LIGHTS
	M78177-01-700	EA SECTION-ROOF, OVER CAB TO FIRST ROOF SEAM
7	P00072-01-806	EA PANEL-SLEEPERBOARD, W/O INTERIOR TRIM
8	100085-01-01A	EA TRIM-STRAP, SLEEPERBOARD - FLAT W/SCREW HOLES
9	100086-01-01A	EA TRIM-SLEEPERBOARD TO ROOF - OFF WHITE
10	098334-01-000	FT VINYL-EXTERIOR, BETWEEN WINGWALL & CAB SEAL - WHITE
	080287-11-000	EA TRIM-SIDEWALL, U-CHANNEL - 5 1/4" - OFF WHITE
	002754-01-001	EA ANGLE-EXTRUDED, .75" X .75" X 1 1/2" - MILL ALUMINUM
11	100882-01-806	EA WINGWALL-PASSENGER
	100882-02-806	EA WINGWALL-DRIVER

KEY	PART NUMBER	U/M DESCRIPTION
12	084704-02-000	EA TRIM-WINGWALL, OFF WHITE - DRIVER OR PASS SIDE
13	098970-06-01A	EA TRIM-WINGWALL, PASSENGER SIDE VERTICAL - 48.5" - OFF WHITE
		FROM: 00-00-00 THRU: 09-27-92
	104479-07-01A	EA TRIM-WINGWALL, PASSENGER SIDE - VERTICAL - OFF WHITE
		FROM: 09-28-92 THRU: 99-99-99
14	002444-04-002	EA STRIP-FEATURE, W/O INSERT - 15' LONG - OFF WHITE
	009731-01-000	EA END CAP-FEATURE STRIP
	001030-02-003	EA INSERT-FEATURE STRIP, 17' LONG - OFF WHITE
	108851-01-000	EA CAP-FEATURE STRIP, MILL
		FROM: 03-17-93 THRU: 99-99-99
	103888-01-01A	EA STRIP-FEATURE, W/O INSERT - 15' LONG - OFF WHITE
		FROM: 03-17-93 THRU: 99-99-99
	098728-02-000	EA BUMPER-.88" DIAMETER X .40", BLACK
15	100483-01-01A	EA TRIM-CONTOUR, ROOF (AWNING) - OFF WHITE
	098583-55-001	EA RAIL-AWNING, 10' LONG - OFF WHITE
16	100800-01-01A	EA TRIM-WHEELWELL, REAR - PASS SIDE - OFF WHITE
17	P07588-01-001	EA SIDEWALL-PASSENGER SIDE, W/O DOORS OR WINDOWS
18	002778-03-012	EA EXTRUSION-U CHANNEL, 1.75" X 1.92" - OFF WHITE
	102788-51-001	EA EXTRUSION-U CHANNEL, 1.5" X 1.2" LONG - MILL ALUMINUM
	098787-51-001	EA EXTRUSION-U CHANNEL, 10 DEGREE ANGLE - 1 1/8" X 1 1/2" LONG - MILL ALUMINUM
19	085004-01-000	EA TRIM-BACKWALL, LOWER - OFF WHITE - DRIVER OR PASSENGER SIDE
	002385-01-001	EA U-CHANNEL, 1" X 1 1/2" - SERRATED - MILL ALUMINUM
20	P07584-01-001	EA BACKWALL-W/O WINDOW, LIGHTS, OR DECALS

EXTERIOR BODY GROUP (CONTINUED)
DECALS, STRIPES & PAINT



1993 WINNEBAGO
TABLE OF CONTENTS

INTRODUCTION	A-01 -	A-02
ABBREVIATIONS		A-03
ALPHABETICAL INDEX	A-04 -	A-06
WT321RB	A-07 -	C-22
WT321RL	C-23 -	F-16
WT321RD	F-17 -	I-10

1993 WT321RL INDEX

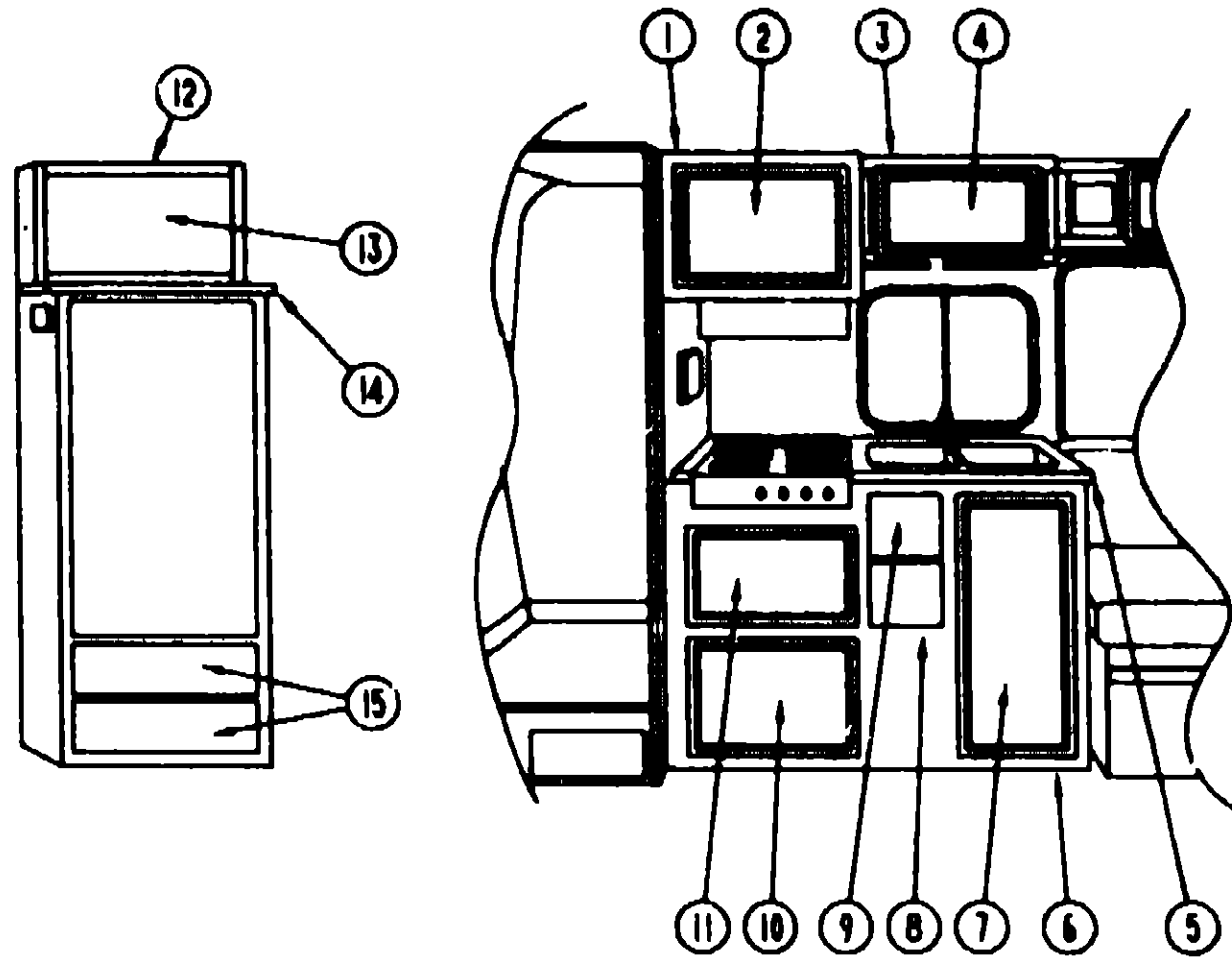
FLOOR PLAN	C-23 -	C-24
ACCESSORIES		D-01
AUDIO VIDEO		D-02
BATH	D-03 -	D-04
CHASSIS	D-05 -	D-06
CURTAIN & CUSHION	D-07 -	D-13
DINETTE		D-14
DRIVERS COMPARTMENT		D-15
ELECTRICAL	D-16 -	D-19
EXTERIOR BODY	D-20 -	D-24
GALLEY	E-01 -	E-05
GENERATOR		E-06
HEATING & A/C		E-07
INTERIOR FINISH	E-08 -	E-10
LABELS	E-11 -	E-16
LP		E-17
LOUNGE		E-18
SEALANTS & FASTENERS	E-19 -	E-20
WATER & SEWAGE	E-21 -	E-24
WINDOW, VENT AND		
EXTERIOR DOOR	F-01 -	F-16

KEY	PART NUMBER	U/M	DESCRIPTION
1	107384-01-01A	EA	DECAL-LOGO, WARRIOR - LARGE
2	004443-12-01A	FT	FILM-MULTISTRIPE, 3 STRIPES - 146.1 MM
3	107385-01-01A	FT	STRIPE-1 LINE, 12.4 MM
4	107385-03-01A	FT	STRIPE-1 LINE, 69.9 MM
5	093001-06-01A	EA	DECAL-FLYING W, 184.2 MM HIGH
6	050313-53-000	EA	DECAL-LOGO, WINNEBAGO - 2.8" HIGH
7	107372-01-01A	EA	DECAL-FENDER, PASSENGER SIDE
	107372-02-01A	EA	DECAL-FENDER, DRIVER SIDE
8	107384-02-01A	EA	DECAL-LOGO, WARRIOR - SMALL
9	105781-06-01A	FT	FILM-MULTISTRIPE, 2 STRIPES - 44.5 MM
10	107383-01-01A	EA	DECAL-ANGLE, PASSENGER SIDE
	107383-02-01A	EA	DECAL-ANGLE, DRIVER SIDE
11	107383-01-02A	EA	DECAL-ANGLE, PASSENGER SIDE
	107383-02-02A	EA	DECAL-ANGLE, DRIVER SIDE
12	107385-04-01A	FT	STRIPE-1 LINE, 171.5 MM
13	107385-02-01A	FT	STRIPE-1 LINE, 50.8 MM

DUPONT COLOR CODES

OFF WHITE	LB723
SURF BLUE	G9954
LIGHT RUTILE	G9859K
LIGHT JADESTAR	G9848

GALLEY GROUP
GALLEY CABINETS & COMPONENTS



1993 WINNEBAGO
TABLE OF CONTENTS

INTRODUCTION	A-01 -	A-02
ABBREVIATIONS		A-78
ALPHABETICAL INDEX	A-04 -	A-08
WT321RB	A-07 -	C-22
WT321RL	C-23 -	F-16
WT321RD	F-17 -	I-10

1993 WT321RL INDEX

FLOOR PLAN	C-23 -	C-24
ACCESSORIES		D-01
AUDIO VIDEO		D-02
BATH	D-03 -	D-04
CHASSIS	D-05 -	D-06
CURTAIN & CUSHION	D-07 -	D-13
DINETTE		D-14
DRIVERS COMPARTMENT		D-15
ELECTRICAL	D-16 -	D-19
EXTERIOR BODY	D-20 -	D-24
GALLEY	E-01 -	E-06
GENERATOR		E-06
HEATING & A/C		E-07
INTERIOR FINISH	E-08 -	E-10
LABELS	E-11 -	E-16
LP		E-17
LOUNGE		E-18
SEALANTS & FASTENERS	E-19 -	E-20
WATER & SEWAGE	E-21 -	E-24
WINDOW, VENT AND EXTERIOR DOOR	F-01 -	F-16

KEY	PART NUMBER	U/M DESCRIPTION
1	M05159-04-D01	EA CABINET-OVERHEAD, W/O DOORS OR HARDWARE
2	P03701-77-D01	EA DOOR-CABINET, W/O HARDWARE - 14 9" X 21 8"
3	M05159-03-D01	EA CABINET-OVERHEAD, W/O DOORS OR HARDWARE
4	P03701-78-D01	EA DOOR-CABINET, W/O HARDWARE - 12" X 21 8"
	103235-01-B05	EA RACK-SPICE - DELUXE OPTION
5	107556-11-D01	EA COUNTERTOP-GALLEY CABINET
6	M04164-23-D01	EA CABINET-GALLEY, W/O DOORS OR HARDWARE - STANDARD US
6	M04164-24-D01	EA CABINET-GALLEY, W/O DOORS OR HARDWARE - CANADIAN OPTION FROM 00-00-00 THRU 03-07-93
6	M04164-23-D01	EA CABINET-GALLEY, W/O DOORS OR HARDWARE - CANADIAN OPTION FROM 03-08-93 THRU 99-99-99
6	M04164-27-D01	EA CABINET-GALLEY, W/O DOORS OR HARDWARE - RANGE W/OVEN OPTION US
6	M04164-28-D01	EA CABINET-GALLEY, W/O DOORS OR HARDWARE - RANGE W/OVEN OPTION CANADA FROM 00-00-00 THRU 03-07-93
6	M04164-27-D01	EA CABINET-GALLEY, W/O DOORS OR HARDWARE - RANGE W/OVEN OPTION CANADA FROM 03-08-93 THRU 99-99-99
6	M04164-25-D01	EA CABINET-GALLEY, W/O DOORS OR HARDWARE MICROWAVE OVEN & POWER PACK OPTIONS US
6	M04164-26-D01	EA CABINET-GALLEY, W/O DOORS OR HARDWARE MICROWAVE OVEN & POWER PACK OPTIONS - CANADIAN FROM 00-00-00 THRU 03-07-93
6	M04164-25-D01	EA CABINET-GALLEY, W/O DOORS OR HARDWARE MICROWAVE OVEN & POWER PACK OPTIONS - CANADIAN FROM 03-08-93 THRU 99-99-99
7	P03701-15-D01	EA DOOR-CABINET, W/O HARDWARE - 12" X 25 9"
8	P07104-C3-D01	EA DRAWER-CABINET, W/O HARDWARE - 6 1" X 12" FACE SIZE
9	P07104-C5-D01	EA DRAWER-CABINET, W/O HARDWARE - 6 1" X 12" FACE SIZE

KEY	PART NUMBER	U/M DESCRIPTION
10	P03701-76-D01	EA DOOR-CABINET, W/O HARDWARE - 21 8" X 14 9"
11	P03701-75-D01	EA DOOR-CABINET, W/O HARDWARE - 21 8" X 12"
	099858-02-000	EA STRAP-TIEDOWN, MICROWAVE - BLACK
	098335-02-D09	EA RAIL-GALLEY, 22 2" LONG
	103243-01-000	EA FAUCET-GALLEY, DUAL CONTROL - 8" CENTERSET
	066437-01-000	EA S'RAINER-SINK, GALLEY W/BASKET
	066437-01-700	EA BASKET-STRAINER, GALLEY SINK
	066435-01-000	EA NUT-STRAINER
	102551-03-000	EA SINK-GALLEY, DOUBLE W/MOUNTING HARDWARE - STAINLESS STEEL
	102551-04-000	EA SINK-GALLEY, DOUBLE W/MOUNTING HARDWARE - STAINLESS STEEL - CANADIAN
	103610-02-D01	EA COVER-SINK
	090329-01-000	FT SEAL-T, REFRIGERATOR CABINET - 6" WIDE TOP X 2" TAIL
	006380-01-000	EA GROMMET-RUBBER, 5/8" HOLE X 1 1/2" DIAMETER - BLACK
12	M05159-11-D01	EA CABINET-OVERHEAD, W/O DOOR OR HARDWARE - DELUXE OPTION
13	P03701-79-D01	EA DOOR-CABINET, W/O HARDWARE - 10" X 19 1" - DELUXE OPTION
	058331-18-000	EA MIRROR-GLASS, SAFETY - 11 25" X 22 4" - DELUXE OPTION
	058331-46-000	EA MIRROR-GLASS, SAFETY - 9 8" X 22 4" - DELUXE OPTION
14	107557-11-D01	EA COUNTERTOP-REFRIGERATOR CABINET
	084070-01-000	EA POST-CENTER, 2 4" - BRASS - DELUXE OPTION
	084070-02-000	EA POST-END, 2 4" - BRASS - DELUXE OPTION
	084071-07-000	EA ROD-BRASS, 18 1" LONG - DELUXE OPTION
	084071-10-000	EA ROD-BRASS, 588 MM LONG - DELUXE OPTION
	084071-11-000	EA ROD-BRASS, 356 MM LONG - DELUXE OPTION
15	P07104-C1-D01	EA DRAWER-CABINET, W/O HARDWARE - 6 1" X 23" FACE SIZE

GALLEY GROUP (CONTINUED)
STANDARD REFRIGERATOR

KEY	PART NUMBER	U/M DESCRIPTION
	101991-02-000	EA REFRIGERATOR-2 WAY, 4 CU FT - DOMETIC RM2410
	101991-01-713	EA DRIP CHUTE, DOMETIC 2007807003
	101991-01-718	EA SHELF LOCK, OUTER - DOMETIC 2007389018
	101991-01-718	EA SHELF LOCK, INNER - DOMETIC 2007389018
	101991-01-717	EA SPRING HOUSING, LH - DOMETIC 2002238004
	101991-01-718	EA SPRING HOUSING, RH - DOMETIC 2002238012
	101991-01-719	EA SPRING, LH - DOMETIC 2002237002
	101991-01-720	EA SPRING, RH - DOMETIC 2002237010
	101991-01-721	EA CARRIER, DOMETIC 2002238000
	101991-01-725	EA SHUTTER, CPL/WHITE - DOMETIC 2012238005
	101991-01-728	EA HINGE, DOMETIC 2002244008
	101991-01-727	EA G/SHKET, DOMETIC 2000917019
	101991-01-728	EA PUSH BUTTON, GRAY/BROWN - DOMETIC 2007478064
	101991-01-730	EA KNOB-SELECTOR, 12/120V - GRAY/BROWN - DOMETIC 2007480177
	101991-01-740	EA THERMO ELECTRIC SAFETY VALVE, DOMETIC 2007422005
	101991-01-742	EA COUPLING, DOMETIC 2007518000
	101991-01-743	EA THERMOSTAT-DUAL, DOMETIC 2007199009
	101991-01-744	EA BYPASS SCREW, DOMETIC 0172818039
	101991-01-745	EA CUTOFF VALVE, DOMETIC 2007430008
	101991-01-746	EA SWITCH, DOMETIC 2007430004
	101991-01-747	EA SPRING, DOMETIC 2007577014
	101991-01-748	EA SPRING, DOMETIC 2007578004
	101991-01-749	EA LIGHTER, DOMETIC 2007423003
	101991-01-750	EA SPRING, DOMETIC 2007425008
	101991-01-752	EA ELECTRODE, DOMETIC 2030379009
	101991-01-753	EA SEALING RING, DOMETIC 0140748005
	101991-01-754	EA SNAP CATCH FOR 12/120V, DOMETIC 2030068028
	101991-01-756	EA BURNER RETAINER, DOMETIC 2007851009
	101991-01-757	EA BURNER JET NO 39 FOR PROPANE, DOMETIC 2007419159
	101991-01-759	EA HEATER, 120V/180W - DOMETIC 0173758018
	101991-02-700	EA DECORATION-#14, DOMETIC 2031583-03/9
	101991-02-701	EA HANDLE-#8, DOMETIC 2031800-01/5
	101991-02-702	EA DOOR-#1, DOMETIC 2031586-11/5
	101991-02-703	EA FRONT PANEL-#19, DOMETIC 2031293-02/7
	101991-02-708	EA COOLING UNIT, 335A - DOMETIC 203433599/9
	101991-02-707	EA HOLDER-BOTTLE, 7 1/2" - DOMETIC 2030715-05/3
	101991-02-708	EA HOLDER-BOTTLE, 8" - DOMETIC 2030715-08/1
	101991-02-709	EA SHELF-DOOR, DOMETIC 2002281-22/8
	101991-02-710	EA SHELF-DOOR, DOMETIC 2000571-22/0
	101991-02-711	EA KNOB, DOMETIC 2007480-21/9
	101991-02-714	EA HINGE-UPPER, DOMETIC 203129101/3
	101991-02-715	EA PLATE-MOUNTING, RIGHT - DOMETIC 203129701/0
	101991-02-716	EA PLATE-MOUNTING, LEFT - DOMETIC 203129702/8
	101991-02-717	EA PIN-HINGE, UPPER - DOMETIC 203128801/9
	101991-02-718	EA HINGE-LOWER, RIGHT - DOMETIC 203153801/5
	101991-02-719	EA HINGE-LOWER, LEFT - DOMETIC 203153801/7
	101991-02-720	EA PIN-HINGE, LOWER - DOMETIC 203128801/3
	101991-02-721	EA PLUG - DOMETIC 203151003/2
	101991-02-722	EA SEALING - DOMETIC 2031574012
	101991-02-723	EA BASE-FRONT, DOMETIC 2031528018
	101991-02-724	EA CATCH - DOMETIC 2031511014
	101991-02-725	EA SHELF W/NOTCH OUT - DOMETIC 2030133133
	101991-02-726	EA SHELF - DOMETIC 2002652333
	101991-02-727	EA THERMOCOUPLE, DOMETIC 2007417005
	101991-02-728	EA TERMINAL BLOCK, DOMETIC 7827202582
	101991-02-730	EA TERMINAL BLOCK, DOMETIC 2002833010
	101991-02-731	EA SHAFT-THERMOSTAT, DOMETIC 20074771002
	101991-02-732	EA SHAFT-SWITCH, DOMETIC 20074775003
	103251-01-01A	EA INSERT-1/8" X 20 3" X 27 8", BLACK ACRYLIC - DELUXE OPTION

GALLEY GROUP (CONTINUED)
JAPAN EXPORT OPTION L&S

KEY	PART NUMBER	U/M DESCRIPTION
	084473-04-000	EA REFRIGERATOR-3 WAY, 4.8 CU FT - NORCOLD 878-EG3
	084473-03-700	EA ELECTRODE ASSY, NORCOLD 818078
	084473-03-701	EA HEATER-AC (HORIZONTAL BURNER), NORCOLD 818625
	084473-03-704	EA DOOR GASKET (ALMOND)
	084473-03-709	EA PIN & CHAIN TRAVEL LOCK
	084473-03-710	EA RH BREAKER STRIP(BRN)
	084473-03-712	EA DOOR ASM-FREEZER, BROWN - NORCOLD 818248
	084473-03-714	EA MODE SELECTOR KNOB
	084473-03-715	EA THERMOSTAT KNOB
	084473-03-718	EA SWITCH-3-WAY, F/EG-2 & EG-3 - NORCOLD 818113
	084473-03-718	EA COOLING UNIT (HORIZONTAL BURNER) - NORCOLD 81887137
	084473-03-719	EA FLUE-HORIZONTAL BURNER, NORCOLD 818182
	084473-03-720	EA RELIGHTER, NORCOLD 818088
	084473-03-721	EA COMBINATION CONTROL - NORCOLD 818084
	084473-03-724	EA DOOR ASM-FREEZER, BLACK
	084473-03-727	EA LATCH-TRAVEL, MIDDLE - BLACK
	048955-01-713	EA PIN-HINGE, NORCOLD 811148
	084472-01-700	EA THERMOCOUPLE, NORCOLD 814363
	084472-01-728	EA HINGE TOP-LH CTR-LH LOWER RH, NORCOLD 81352922
	084472-03-700	EA HINGE PIN-BOTTOM, NORCOLD 818807
	084473-01-702	EA ORIFICE, NORCOLD 81482122
	084473-01-708	EA TOP BREAKER STRIP, NORCOLD 813538-32
	084473-01-718	EA CRISPER-COFFEE, 4 & 8 EG 2 - NORCOLD 815191
	084473-01-717	EA HINGE PINS, NORCOLD 814738
	084473-01-720	EA DAIRY KEEPER, BROWN, NORCOLD 81488837
	084473-01-721	EA DOOR GASKET, NORCOLD 813507-30
	084473-01-726	EA DOOR FRAME, NORCOLD 814288
	084473-01-727	EA CRISPER, NORCOLD 815180
	084880-01-713	EA MALE CONNECTOR(INLET FITTING) - NORCOLD 815258222
	084880-01-715	EA VALVE-SHUT OFF, MANUAL - NORCOLD 81887822
	088248-01-706	EA BURNER-HORIZONTAL, NORCOLD 81588122

REFRIGERATOR HARDWARE

KEY	PART NUMBER	U/M DESCRIPTION
	054450-01-000	EA LEVEL-REFRIGERATOR
	065225-03-000	EA PLATE-TIEDOWN, REFRIGERATOR
	083848-05-000	EA BRACKET ASM-TIEDOWN - REFRIGERATOR

MONITOR PANEL

KEY	PART NUMBER	U/M DESCRIPTION
	097818-01-000	EA WIRE ASM-MONITOR PANEL W/3 WIRES & ORANGE RESISTOR - LVS
	098449-01-000	EA WIRE ASSEMBLY-WATER TANK TO MONITOR PANEL
	102785-02-01A	EA PANEL-MONITOR, W/PLUG - FOR 2 TANKS - LVS
	102785-01-700	EA SWITCH-ON/OFF ALMOND - LVS 110-01
	097817-01-702	EA SWITCH-1/WAY ALMOND - LVS 107
	097817-01-703	EA CIRCUIT BOARD - LVS 5078-01

RANGE HOODS

KEY	PART NUMBER	U/M DESCRIPTION
	100258-16-01A	EA HOOD-RANGE, W/O MONITOR PANEL - VENTLINE - US TC55008NAD
	100258-17-01A	EA HOOD-RANGE, W/O MONITOR PANEL - VENTLINE - CANADIAN
	090973-01-700	EA MOTOR - LVS CA508-1
	090973-01-702	EA BLADE-FAN, LVS VA183-1
	082898-01-709	EA BULB-912, VENTLINE VA415
	082898-01-710	EA SOCKET-LIGHT, VENTLINE CB287-2
	098983-01-700	EA SWITCH-ON/OFF, VENTLINE 108
	098983-01-702	EA SWITCH-TWO WAY MOMENTARY, VENTLINE 112
	098983-01-707	EA FILTER-GREASE, 8" X 8" - LVS CC246
	098983-01-708	EA LENS-LAMP, VENTLINE CC179
	100258-01-700	EA HOOD-NOSE LABEL, CC428
	100258-10-01A	EA METER-HOUR, VENTLINE 150

1993 WINNEBAGO
TABLE OF CONTENTS

INTRODUCTION	A-01	A-02
ABBREVIATIONS		A-03
ALPHABETICAL INDEX	A-04	A-08
WT321RB	A-07	C-22
WT321RL	C-25	F-18
WT321RD	F-17	I-10

1993 WT321RL INDEX

FLOOR PLAN	C-23	C-24
ACCESSORIES		D-01
AUDIO VIDEO		D-02
BATH	D-03	D-04
CHASSIS	D-05	D-08
CURTAIN & CUSHION	D-07	D-13
DINETTE		D-14
DRIVERS COMPARTMENT		D-15
ELECTRICAL	D-18	D-19
EXTERIOR BODY	D-20	D-24
GALLEY	E-01	E-05
GENERATOR		E-06
HEATING & A/C		E-07
INTERIOR FINISH	E-08	E-10
LABELS	E-11	E-16
LP		E-17
LOUNGE		E-18
SEALANTS & FASTENERS	E-19	E-20
WATER & SEWAGE	E-21	E-24
WINDOW, VENT AND EXTERIOR DOOR	F-01	F-16

GALLEY GROUP (CONTINUED)
RANGE WOVEN OPTION L138

KEY	PART NUMBER	U/M DESCRIPTION
	102022-01-02A	EA RANGE-18", 4 BURNER - MAGIC CHEF BT18RA-4Z
	066382-03-705	EA TRIM-CABINET, LEFT - BLACK - MAGIC CHEF 3808F011-70
	066382-03-707	EA TRIM-CABINET, RIGHT - BLACK - MAGIC CHEF 3808F012-70
	089807-02-701	EA INSERT-BURNER (BLOTTED VENT), MAGIC CHEF 7214P015-80
	102020-01-700	EA SHELF-OVEN, MAGIC CHEF 7801-P027-80
	102020-01-701	EA HANDLE-DOOR, MAGIC CHEF 7701P022-80
	102020-01-702	EA PANEL-MANIFOLD, MAGIC CHEF 2816F020-70
	102020-01-704	EA PANEL-DOOR, BLACK - MAGIC CHEF 2401F073-70
	102020-01-708	EA BURNER ASSEMBLY-OVEN, MAGIC CHEF 3403W003-45
	102020-01-711	EA GRATE-TOP, MAGIC CHEF 7518P012-80
	102020-01-712	EA KNOB-BURNER VALVE, MAGIC CHEF 7733P044-80
	102020-01-713	EA KNOB-THERMOSTAT, MAGIC CHEF 7731P042-80
	102020-01-714	EA PILOT-OVEN, MAGIC CHEF 888-143
	102020-01-715	EA PIPE-MANIFOLD, MAGIC CHEF 7513P025-80
	102020-01-717	EA THERMOSTAT, MAGIC CHEF 7515P024-80
	102020-01-718	EA TOP-MAIN, ALMOND - MAGIC CHEF 2001F085-84
	102020-01-720	EA VALVE-MERCURY CONTROL, MAGIC CHEF 7501P056-80
	102020-01-722	EA VALVE-TOP BURNER, MAGIC CHEF 7502P025-80
	102020-01-723	EA PILOT-BURNER, MAGIC CHEF 7505P147-80
	102020-01-724	EA BUMPER-MAIN TOP, MAGIC CHEF 8003P008-80
	102022-01-702	EA PIPE-MANIFOLD, MAGIC CHEF 7513P025-80
	102022-01-703	EA REGULATOR-PRESSURE, MAGIC CHEF 7510P031-80
	102022-01-708	EA TRIM-LEFT, FLAT - MAGIC CHEF 3808W022-70
	102022-01-707	EA TRIM-RIGHT, FLAT - MAGIC CHEF 3808W023-70
	066518-03-000	EA BRACKET-REAR TIEDOWN, RANGE WOVEN FROM 00-00-00 THRU 01-03-93
	066518-04-000	EA BRACKET-FRONT TIEDOWN, RANGE WOVEN FROM 00-00-00 THRU 01-03-93
	105458-03-000	EA BRACKET-TIEDOWN, STOVE - RIGHT FROM 01-04-93 THRU 99-99-99
	105458-04-000	EA BRACKET-TIEDOWN, STOVE - LEFT FROM 01-04-93 THRU 99-99-99

STANDARD RANGE

KEY	PART NUMBER	U/M DESCRIPTION
	102019-01-01A	EA TOP-RANGE, ALMOND TOP W/ALMOND TRIM - MAGIC CHEF BT85RA-4
	062583-04-701	EA KNOB-TOP BURNER, MAGIC CHEF 7733P039-80
	102019-01-700	EA TRIM-RIGHT, ALMOND - MAGIC CHEF 3808F015-74
	102019-01-701	EA TRIM-LEFT, ALMOND - MAGIC CHEF 3808F016-74
	102019-01-702	EA TRIM-REAR, ALMOND - MAGIC CHEF 3808F009-74
	102020-01-702	EA PANEL-MANIFOLD, MAGIC CHEF 2816F020-70
	102020-01-709	EA BUMPER-GRATE, MAGIC CHEF 8007P018-80
	102020-01-711	EA GRATE-TOP, MAGIC CHEF 7518P012-80
	102020-01-718	EA TOP-MAIN, ALMOND - MAGIC CHEF 2001F085-84
	102020-01-721	EA VALVE-SHUT OFF, MAGIC CHEF 7506F028-80
	102020-01-722	EA VALVE-TOP BURNER, MAGIC CHEF 7502P025-80
	102020-01-724	EA BUMPER-MAIN TOP, MAGIC CHEF 8003P008-80
	102022-01-703	EA REGULATOR-PRESSURE, MAGIC CHEF 7510P031-80
	081587-03-000	EA BRACKET-TIEDOWN, RANGE - RIGHT
	081587-04-000	EA BRACKET-TIEDOWN, RANGE - LEFT

MICROWAVE OVEN

KEY	PART NUMBER	U/M DESCRIPTION
	103049-01-000	EA OVEN-MICROWAVE, QUASAR MQS-0803W

GENERATOR GROUP
2,500 WATT KOHLER GENERATOR OPTION L32Y

KEY	PART NUMBER	U/M DESCRIPTION
	007087-01-000	SF INSULATION-FIBERGLASS, 1" THICK X 4' - INCREMENTS OF 4 SF
	080882-03-000	EA PIPE-EXHAUST, GENERATOR
	080749-02-000	EA MUFFLER-KOHLER, 2 5CM - 21 - KOHLER PA-228158
	080749-03-000	EA HARDWARE KIT-MUFFLER, 2 5 KOHLER - PA-228228
	083881-04-000	EA GENERATOR-2.5KW KOHLER, PA-177111 - W/CONTROL PANEL ASM.

POWER PACK PACKAGE OPTION L32J

KEY	PART NUMBER	U/M DESCRIPTION
	007087-01-000	SF INSULATION-FIBERGLASS, 1" THICK X 4' - INCREMENTS OF 4 SF
	080882-03-000	EA PIPE-EXHAUST, GENERATOR
	080749-02-000	EA MUFFLER-KOHLER, 2 5CM - 21 - KOHLER PA-228158
	080749-03-000	EA HARDWARE KIT-MUFFLER, 2 5 KOHLER - PA-228228
	083881-04-000	EA GENERATOR-2.5KW KOHLER, PA-177111 - W/CONTROL PANEL ASM

1993 WINNEBAGO
TABLE OF CONTENTS

INTRODUCTION	A-01 -	A-02
ABBREVIATIONS		A-03
ALPHABETICAL INDEX	A-04 -	A-06
WT321RS	A-07 -	C-22
WT321RL	C-23 -	F-16
WT321RD	F-17 -	I-10

1993 WT321RL INDEX

FLOOR PLAN	C-23 -	C-24
ACCESSORIES		D-01
AUDIO VIDEO		D-02
BATH	D-03 -	D-04
CHASSIS	D-05 -	D-06
CURTAIN & CUSHION	D-07 -	D-13
DINETTE		D-14
DRIVERS COMPARTMENT		D-15
ELECTRICAL	D-16 -	D-19
EXTERIOR BODY	D-20 -	D-24
GALLEY	E-01 -	E-05
GENERATOR		E-06
HEATING & A/C		E-07
INTERIOR FINISH	E-08 -	E-10
LABELS	E-11 -	E-16
LP		E-17
LOUNGE		E-18
SEALANTS & FASTENERS	E-19 -	E-20
WATER & SEWAGE	E-21 -	E-24
WINDOW, VENT AND EXTERIOR DOOR	F-01 -	F-16

HEATING & AIR CONDITIONING GROUP

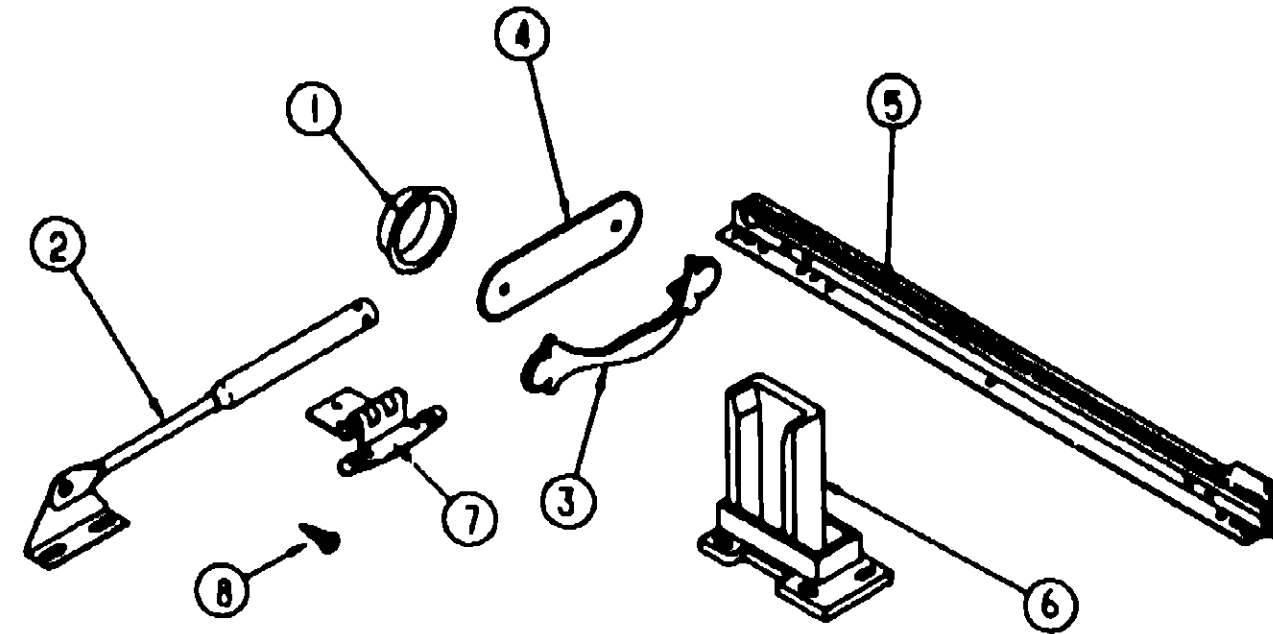
ROOF A/C

KEY	PART NUMBER	U/M	DESCRIPTION
	093308-01-01A	EA	A/C ROOF 7100 BTU - ROTARY - IVORY - COLEMAN 6727D709
	093308-01-700	EA	SHROUD-IVORY / BRONZE - W/O LOGO - COLEMAN 6727A5721
	093308-01-701	EA	DECAL PKG, LEFT & RIGHT - COLEMAN 6798B3691
	093308-01-702	EA	FAN CAPACITOR, FAN & MFD - COLEMAN 14994421
	093308-01-703	EA	FAN-4 BLADE, 9" DIAMETER - COLEMAN 67073321
	093308-01-704	EA	OVERLOAD, COLEMAN 6707A3751
	093308-01-705	EA	MOTOR-115V1 6A80H2-RPM - COLEMAN 67273119
	093308-01-706	EA	BLOWER WHEEL, 6 5/16" X 2 7/8" WVD - COLEMAN 67073281
	093308-01-707	EA	START CAPACITOR, 47 - 58 MFD - 280 - COLEMAN 62803421
	093308-01-708	EA	START RELAY, COLEMAN 9438-3151
	093308-01-711	EA	CONDENSER COIL - COLEMAN 14620701
	093308-01-717	EA	COMPRESSOR-PANASONIC, COLEMAN 1460-2019
	093308-01-718	EA	COMPRESSOR-TECUMBEH, COLEMAN 6727-3689
	093308-01-712	EA	COMPRESSOR, COLEMAN 6707C3679
	073742-02-704	EA	RUN CAPACITOR (COMPRESSOR), COLEMAN 14994861
	093308-01-713	EA	EVAPORATOR, COLEMAN 14620801
	037848-01-714	EA	PACKAGE-GASKET, COLEMAN 6759-3281
	093307-01-000	EA	CEILING ASM-A/C COOL, IVORY - COLEMAN 6727D714
	093308-01-709	EA	DECAL F/THERMOSTAT AND SELECTOR, COLEMAN 6727A3341
	076303-01-710	EA	THERMOSTAT, COLEMAN 67333411
	076303-01-707	EA	FILTER-6" X 14 7/8" X 5", 12 PER PKG - COLEMAN 6703A3151
	093308-01-710	EA	SHROUL-CEILING, IVORY W/DECAL - COLEMAN 67273511
	093308-01-714	EA	SWITCH-SELECTOR, COLEMAN 67273251
	076303-01-708	EA	KNOB & BOLT PKG, COLEMAN 67275841
	076303-01-701	EA	KNOB-CONTROL, COLEMAN 67333241
	102289-01-000	EA	SPRING-SCREW, ROOF A/C GASKET - COLEMAN 6757-150

FURNACE

KEY	PART NUMBER	U/M	DESCRIPTION
	101990-01-000	EA	FURNACE-17,000 BTU, SUBURBAN DO-17DS1
	099634-01-708	EA	MODULE BOARD, SUBURBAN 231427
	099634-01-718	EA	VALVE-MANUAL SHUTOFF, SUBURBAN 160740
	101990-01-700	EA	MICROSWITCH, SUBURBAN 231759
	101990-01-701	EA	COMBUSTION AIR WHEEL, SUBURBAN 350128
	101990-01-702	EA	BURNER, SUBURBAN 010783
	101990-01-7J3	EA	ROOM AIR IMPELLER, SUBURBAN 350125
	101990-01-704	EA	MOTOR, SUBURBAN 231781
	101990-01-705	EA	TIME DELAY RELAY, SUBURBAN 231769
	101990-01-706	EA	TERMINAL STRIP, SUBURBAN 231770
	101990-01-707	EA	VALVE, SUBURBAN 160852
	101990-01-708	EA	ELECTRODE, SUBURBAN 231762
	101990-01-709	EA	GRILLE ASSEMBLY, SUBURBAN 030769
	101990-01-710	EA	LIMIT SWITCH, SUBURBAN 231788
	101990-01-711	EA	ORIFICE, SUBURBAN 530415
	101990-01-713	EA	MOTOR GASKET, SUBURBAN 070849
	101990-01-714	EA	MICROSWITCH GASKET, SUBURBAN 230877
	101990-01-715	EA	COMBUSTION AIR GASKET - FRONT - SUBURBAN 390638
	101990-01-716	EA	COMBUSTION AIR GASKET - REAR - SUBURBAN 070860
	101990-01-717	EA	MANIFOLD GASKET, SUBURBAN 070847
	101990-01-718	EA	BURNER ACCESS DOOR GASKET, SUBURBAN 070850
	101990-01-719	EA	MODULE BOARD (IF BEFORE DATE CODE 9112), SUBURBAN 231328
	101990-02-000	EA	VENT-FURNACE, OUTSIDE - 4-6" - SUBURBAN 260198

INTERIOR FINISH GROUP



CABINET DOOR & DRAWER HARDWARE

KEY	PART NUMBER	U/M	DESCRIPTION
	1	009148-01-000	EA PULL-FINGER, 75" DIAMETER - BRASS
	2	074483-02-000	EA SUPPORT-PISTON SPRING, CABINET DOOR
	3	107435-01-000	EA PULL-CABINET, BRASS
	4	100995-01-000	EA BACKPLATE-PULL, CABINET DOOR - 5 7" - BRASS
FROM 00-00-00 THRU 08-16-92			
	5	106913-05-000	EA SLIDE-DRAWER, CABINET - LEFT SIDE - 18"
	5	106913-08-000	EA SLIDE-DRAWER, CABINET - RIGHT SIDE - 18"
	5	106913-07-000	EA SLIDE-DRAWER, DRAWER MOUNT - LEFT SIDE - 18"
	5	106913-08-000	EA SLIDE-DRAWER, DRAWER MOUNT - RIGHT SIDE - 18"
	5	106913-09-000	EA SLIDE-DRAWER, CABINET - LEFT SIDE - 16"
	5	106913-10-000	EA SLIDE-DRAWER, CABINET - RIGHT SIDE - 16"
	5	106913-11-000	EA SLIDE-DRAWER, DRAWER MOUNT - LEFT SIDE - 16"
	5	106913-12-000	EA SLIDE-DRAWER, DRAWER MOUNT - RIGHT SIDE - 16"
	6	107030-01-000	EA BACKSOCKET-ADJUSTABLE, LEFT SIDE
	6	107030-02-000	EA BACKSOCKET-ADJUSTABLE, RIGHT SIDE
	7	108138-01-000	EA HINGE-CABINET DOOR, BURNISHED BRASS
	8	000G13-06-06G	EA SCREW-8-20 X 5/8 PFH - ANTIQUE BRASS
		105037-02-000	EA FASTENER-WOOD, CORNER - METAL - 5" X 8"
		004354-01-000	EA BUMPER-RUBBER, 5" DIA - BROWN
		023320-01-000	EA PAD-FELT, 3/8" DIAMETER - BROWN
		016604-01-000	EA BRACE-CABINET, ANGLE - 2 5" - METAL - UNPAINTED
		016604-03-000	EA BRACE-CABINET, ANGLE - 2 5" - METAL - BEIGE

1993 WINNEBAGO TABLE OF CONTENTS

INTRODUCTION	A-01 -	A-02
ABBREVIATIONS		A-03
ALPHABETICAL INDEX	A-04 -	A-08
WT321RB	A-07 -	C-22
WT321RL	C-23 -	F-16
WT321RD	F-17 -	I-10

1993 WT321RL INDEX

FLOOR PLAN	C-23 -	C-24
ACCESSORIES		D-01
AUDIO VIDEO		D-02
BATH	D-03	D-04
CHASSIS	D-05	D-08
CURTAIN & CUSHION	D-07	D-13
DINETTE		D-14
DRIVERS COMPARTMENT		D-15
ELECTRICAL	D-16	D-19
EXTERIOR BODY	D-20	D-24
GALLEY	E-01	E-05
GENERATOR		E-08
HEATING & A/C		E-07
INTERIOR FINISH	E-08	E-10
LABELS	E-11	E-18
LP		E-17
LOUNGE		E-18
SEALANTS & FASTENERS	E-19	E-20
WATER & SEWAGE	E-21	E-24
WINDOW, VENT AND EXTERIOR DOOR	F-01	F-16

INTERIOR FINISH GROUP (CONTINUED)
MOLDINGS & TRIMS

KEY	PART NUMBER	U/M DESCRIPTION
	006787-12-000	FT MOLDING-SIDEWALL TO CEILING/CABINET - WELTING - OFF WHITE
	006776-11-000	FT U-CHANNEL-PLASTIC 1" WIDE X 8" INCREMENTS - IVORY
	006808-23-000	EA MOLDING-CORNER, OUTSIDE - 1" - PLASTIC - IVORY
	006808-24-000	EA MOLDING-CORNER, OUTSIDE - 1" - PLASTIC - THOR PECAN
	006812-24-000	EA MOLDING-CORNER, OUTSIDE - .5" - PLASTIC - IVORY
	006812-25-000	EA MOLDING-CORNER, OUTSIDE - .5" - PLASTIC - PECAN
	022062-11-000	FT MOLDING-REVERSE COVE, T-SHAPED - VINYL - IVORY
	070804-01-000	FT U-CHANNEL-PLASTIC, .086" WIDE - LIGHT BROWN - INC. OF 8"
	070804-18-000	FT U-CHANNEL-PLASTIC, .086" WIDE - IVORY - INC. OF 8"
	070804-24-000	FT U-CHANNEL-PLASTIC, .078" WIDE - THOR PECAN - INC. OF 8"
	089733-79-000	EA BATT STRIP-WOODGRAIN, 8" LONG - FOREST OAK
	089284-78-000	FT BATT STRIP-SHOWER, ADHESIVE BACKED - OFF WHITE
	089284-80-000	FT BATT STRIP-CEILING, ADHESIVE BACKED
	089284-82-000	FT BATT STRIP-DECORATIVE, PLAIN - ADHESIVE BACKED
	089284-83-000	FT BATT STRIP-DECORATIVE, W/FLOWERS - ADHESIVE BACKED
	089283-78-000	EA BATT STRIP-SHOWER, 8" LONG - OFF WHITE
	089283-71-000	EA BATT STRIP-CEILING, 8" LONG - FAWN
	089283-74-000	EA BATT STRIP-DECORATIVE, PLAIN - 8" LONG
	089283-75-000	EA BATT STRIP-DECORATIVE, W/FLOWERS - 8" LONG
	082330-D2-438	EA LUMBER-VINYL WRAPPED, .7" X 1.5" X 8" - WOODGRAIN
	082330-03-000	EA LUMBER-VINYL WRAPPED, 2" X 88" - WOODGRAIN
	082331-D2-134	EA MOLDING-VINYL WRAPPED, .7" X 1.57" X 84" - WOODGRAIN
	082331-F2-134	EA MOLDING-VINYL WRAPPED, .7" X 2.5" X 7" - WOODGRAIN
	085748-01-000	FT TRIM-J, CARPET - 1 2" X 5" ANGLE - 10' LONG - PVC - BEIGE
	100659-01-805	EA TRIM-FLOOR, 72" X 1" X 1/2" - WOOD
	089279-02-000	FT TRIM-INSERT, 9" - PLASTIC - OFF WHITE
	089229-01-000	EA RETAINER-BATTEN, CEILING - 75" WIDE - 7 6" LONG

CARPETING & FLOOR MATS

KEY	PART NUMBER	U/M DESCRIPTION
	098080-47-000	SY CARPET-12' ROLL, INCREMENTS OF 4 SY (D01)
	098080-41-000	SY CARPET-12' ROLL, INCREMENTS OF 4 SY (D02)
	098080-42-000	SY CARPET-12' ROLL, INCREMENTS OF 4 SY (D03)
	047034-02-000	SF PLASTIC-CARPET, 4" WIDE - CLEAR POLY
	091178-01-D01	EA MAT-FLOOR, DRIVER (D01)
	091178-01-C09	EA MAT-FLOOR, DRIVER (D02)
	091178-01-D03	EA MAT-FLOOR, DRIVER (D03)
	091179-01-D01	EA MAT-FLOOR, PASSENGER (D01)
	091179-01-C09	EA MAT-FLOOR, PASSENGER (D02)
	091179-01-D03	EA MAT-FLOOR, PASSENGER (D03)
	091281-01-000	FT SLIPNOT-ANTISLIP-1' WIDE (100' ROLL)

INTERIOR FINISH GROUP (CONTINUED)
FIRE EXTINGUISHER, SMOKE DETECTOR & CLOCK

KEY	PART NUMBER	U/M DESCRIPTION
	094489-02-000	EA EXTINGUISHER-FIRE, DRY - 1A10BC - CANADIAN
	094489-01-000	EA EXTINGUISHER-FIRE, DRY W/MOUNTING BRACKET - 10 BC
	094489-01-700	EA BRACKET-MOUNTING, W/PLASTIC STRAP - FIRE EXTINGUISHER
	072882-01-000	EA DETECTOR-SMOKE, W/9 VOLT BATTERY
	072882-02-000	EA DETECTOR-SMOKE, W/9 VOLT BATTERY - CANADIAN
	101333-01-000	EA BACKPLATE-CLOCK, 6" X 6" - PLASTIC - BLACK
	104784-01-01A	EA CLOCK-WALL, 8PARTUS 8816-42
	038327-01-000	EA TAPE-ANTI SLIP, 2" X 80'

PANELING, LAMINATES & PLASTIC

KEY	PART NUMBER	U/M DESCRIPTION
	074487-19-000	SF PANELING-CEILING, 4' X 8' - INCREMENTS OF 32 SF
	074487-20-000	SF PANELING-WOODGRAIN, 4' X 8' - INCREMENTS OF 32 SF
	076888-02-000	SF PANELING-CLOSET, SOLID CEDAR - 4' X 8' - INCREMENTS OF 32 SF
	083618-02-000	SF PLYWOOD-OAK, 1 SIDE FINISHED - 3/16" X 4' X 8' - INCREMENTS OF 32 SF
	089272-98-000	SF PANELING-SHOWER, OFF WHITE - 4' X 7' - INCREMENTS OF 28 SF
	089272-94-000	SF PANELING-DECORATIVE, PLAIN - 4' X 7' - INCREMENTS OF 28 SF
	089272-96-000	SF PANELING-DECORATIVE, W/FLOWERS - 4' X 7' - INCREMENTS OF 28 SF
	074488-48-000	SF LAMINATE-PLASTIC, 5' X 8' - TAUPE - INCREMENTS OF 40 SF
	076325-37-000	FT MOLDING-EDGE BAND, 1 5/16" WIDE
	076325-38-000	FT MOLDING-EDGE BAND, 875" WIDE
	000885-55-000	SF PARTICLE BOARD-3/4" X 48" X 97", 1 SIDE VINYL - WOODGRAIN - INC OF 33 SF
	089287-01-000	SF PLYWOOD-LUAN, OVL 9LAY GRADE - 2 7 MM X 4' X 8' - INCREMENTS OF 32 SF
	093743-01-02A	SF PLASTIC-ABS 11 5" WIDE ROLL - OFF WHITE
	093743-02-01A	SF PLASTIC-ABS 20" WIDE ROLL - OFF WHITE

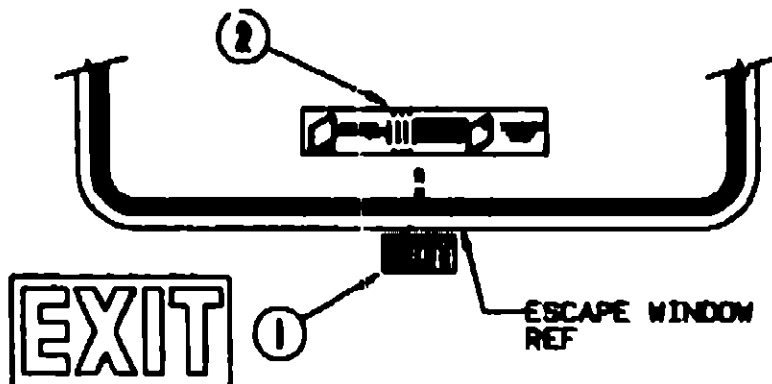
1993 WINNEBAGO
TABLE OF CONTENTS

INTRODUCTION	A-01	A-02
ABBREVIATIONS		A-08
ALPHABETICAL INDEX	A-04	A-08
WT321RS	A-07	C-22
WT321RL	C-23	F-18
WT321RD	F-17	I-10

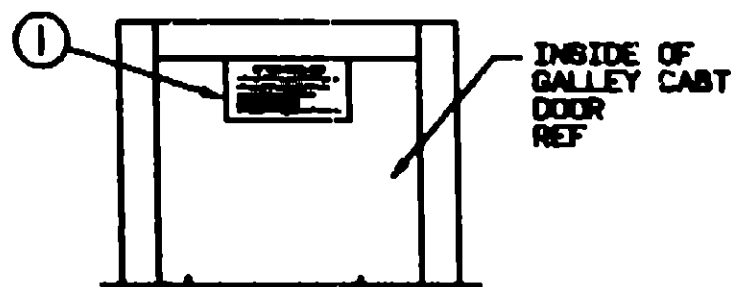
1993 WT321RL INDEX

FLOOR PLAN	C-23	C-24
ACCESSORIES		D-01
AUDIO VIDEO		D-02
BATH	D-03	D-04
CHASSIS	D-05	D-08
CURTAIN & CUSHION	D-07	D-13
DINETTE		D-14
DRIVERS COMPARTMENT		D-15
ELECTRICAL	D-16	D-19
EXTERIOR BODY	D-20	D-24
GALLEY	E-01	E-06
GENERATOR		E-08
HEATING & AC		E-07
INTERIOR FINISH	E-08	E-10
LABELS	E-11	E-18
LP		E-17
LOUNGE		E-18
SEALANTS & FASTENERS	E-19	E-20
WATER & SEWAGE	E-21	E-24
WINDOW, VENT AND		
EXTERIOR DOOR	F-01	F-16

LABELS GROUP



KEY	PART NUMBER	U/M DESCRIPTION
1	039290-01-000	EA LABEL-WARNING, EXIT
2	107571-01-000	EA LABEL-ESCAPE/EXIT WINDOW

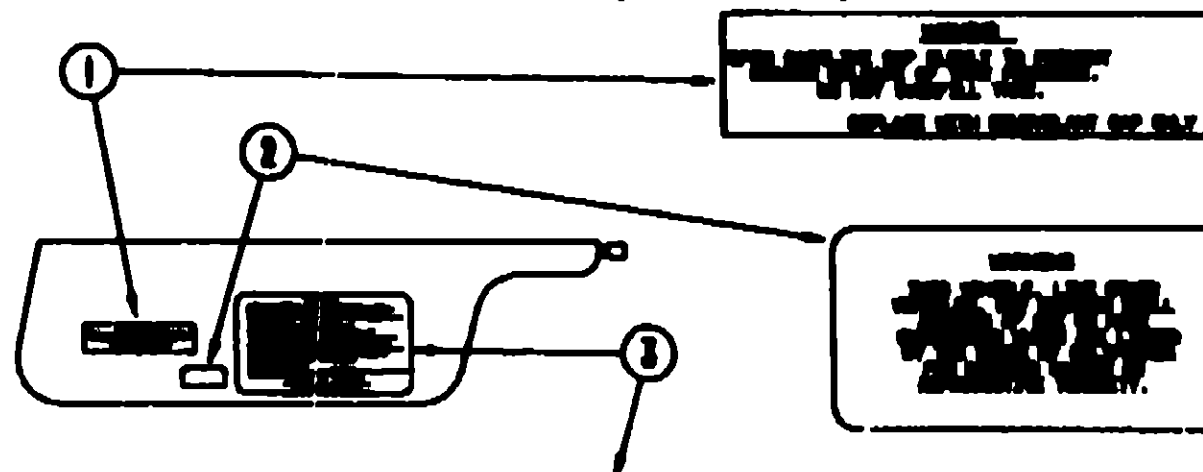


IF YOU SMELL GAS

1. DETERMINE ANY OPEN FLAME, PILOT LIGHTS AND ALL OTHER APPLIANCES.
2. SHUT OFF THE GAS SUPPLY AT THE TRUCK VALVE OR GAS SUPPLY CONNECTION.
3. OPEN DOORS AND OTHER VENTILATED OPENINGS.
4. DO NOT TOUCH ELECTRICAL SWITCHES.
5. LEAVE THE AREA UNTIL AIR IS CLEAR.
6. HAVE THE GAS SYSTEM CHECKED AND LEAKAGE SOURCE CORRECTED BEFORE TRIP RESUMES.

KEY	PART NUMBER	U/M DESCRIPTION
1	073998-01-000	EA LABEL-LPG ODOR WARNING

LABELS GROUP (CONTINUED)



CAUTION

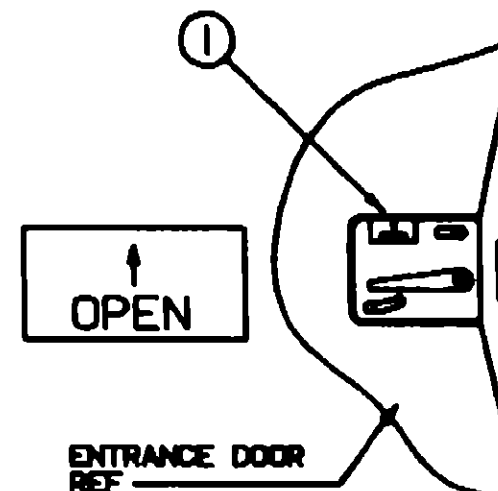
THIS VEHICLE MUST BE OPERATED, MAINTAINED AND REPAIRED WITH CARE FOR THE PROTECTION OF IT'S OPERATOR. BE AWARE OF THE FOLLOWING INFORMATION FOR YOUR SAFETY AND THE SAFETY OF YOUR PASSENGERS BEFORE OPERATING THIS VEHICLE.

1. LP GAS SYSTEM- TURN OFF AT TRUCK FOR TRAVELING. TEST FOR LEAKS UPON ARRIVAL AT DESTINATION. BEFORE LEAVING PLACE.
2. WHEELS- INSPECT FOR DAMAGE AND CHECK AIR PRESSURE FOR TIREWEAR.
3. TIRES- INSPECT FOR WEAR AND DAMAGE AND CHECK FOR OVERWEIGHT AND PRESSURE.
4. LIGHTS- TEST FOR PROPER OPERATION OF ALL EXTERIOR AND INTERIOR LIGHTS INCLUDING BRAKE LIGHTS, HEADLIGHTS, TAIL LIGHTS, TURN LIGHTS, CLEARANCE LIGHTS AND TURN SIGNALS.
5. SEATS- SAFETY BELT RELEASE MECHANISM ON EMERGENCY EXIT GENERAL. TEST WITH LEVER ON REAR SEATBACK (SEEK FOR MARK OF OPERATION AND INSTRUCT PASSENGERS HOW TO USE SEAT BELTS OF SEAT).
6. SEAT BELTS- SEATBELT FASTENERS TO REMOVED SEATS AND REMOVE USE OF SEAT BELTS.
7. APPLIANCES- TURN OFF AND LATCH OR LOCK WHEN TRIP FINISHED.
8. LAISSEZ PASSELS- STORE SECURELY.
9. UTILITY SUPPLY LINES- DISCONNECT ALL ELECTRIC, WATER AND SEWER LINES AND SECURE PROPERLY.
10. SERVICE CHECK SHEET- PLACE IN SERVICE POSITION FOR TRAVELING.

READ THIS OWNER MANUAL AND CONSULT OWNER'S MANUAL FOR FURTHER PRECAUTIONS

KEY	PART NUMBER	U/M DESCRIPTION
1	087207-05-000	EA LABEL-FUEL CAP REMOVAL
2	099689-01-000	EA LABEL-WARNING, CANCER/TOXICITY
3	056250-01-000	EA LABEL-SAFETY CHECK LIST

FROM 00-00-00 THRU 08-10-92



KEY	PART NUMBER	U/M DESCRIPTION
1	040944-01-000	EA LABEL-ENTRANCE DOOR, "OPEN"

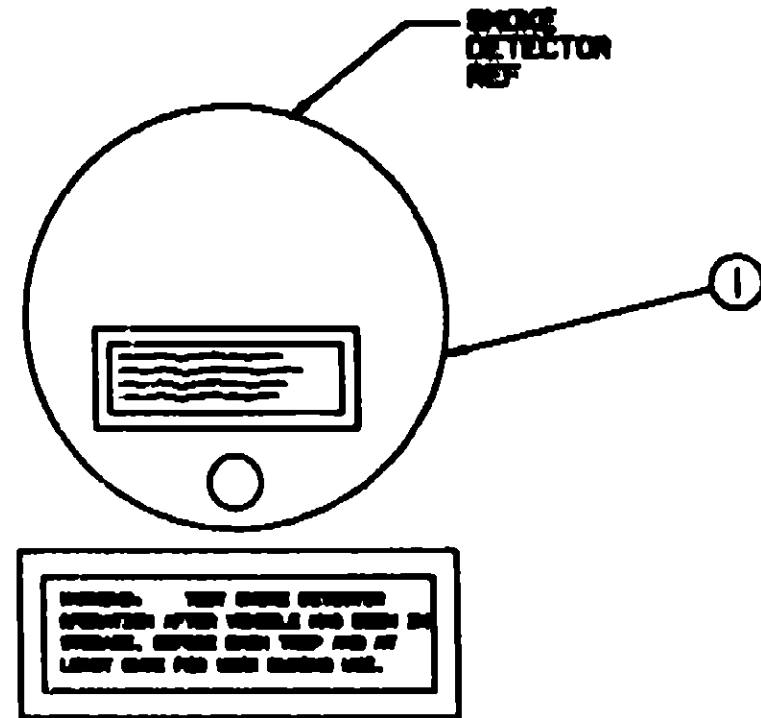
1993 WINNEBAGO TABLE OF CONTENTS

INTRODUCTION	A-01	A-02
ABBREVIATIONS	A-04	A-08
ALPHABETICAL INDEX	A-04	A-08
WT321RB	A-07	C-22
WT321RL	C-23	F-16
WT321RD	F-17	I-10

1993 WT321RL INDEX

FLOOR PLAN	C-23	C-24
ACCESSORIES		D-01
AUDIO VIDEO		D-02
BATH	D-03	D-04
CHASSIS	D-05	D-06
CURTAIN & CUSHION	D-07	D-13
DINETTE		D-14
DRIVERS COMPARTMENT		D-15
ELECTRICAL	D-18	D-19
EXTERIOR BODY	D-20	D-24
GALLEY	E-01	E-05
GENERATOR		E-06
HEATING & A/C		E-07
INTERIOR FINISH	E-08	E-10
LABELS	E-11	E-18
LP		E-17
LOUNGE		E-18
SEALANTS & FASTENERS	E-19	E-20
WATER & SEWAGE	E-21	E-24
WINDOW, VENT AND EXTERIOR DOOR	F-01	F-16

LABELS GROUP (CONTINUED)



KEY	PART NUMBER	U/M DESCRIPTION
1	077968-01-000	EA LABEL-WARNING, SMOKE DETECTOR

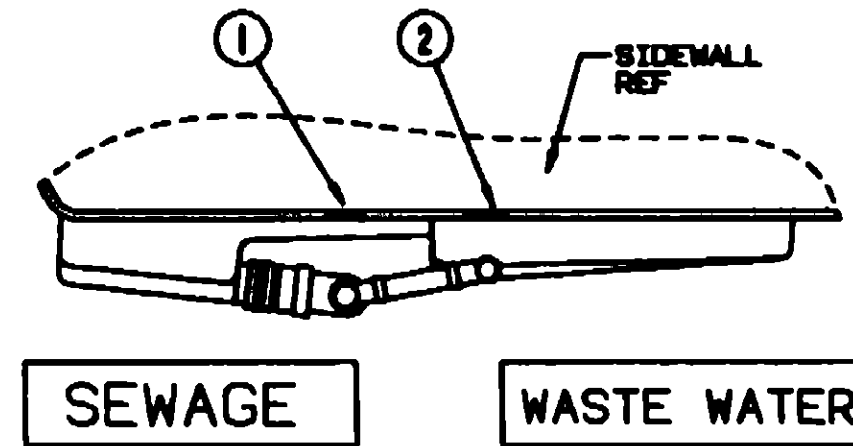
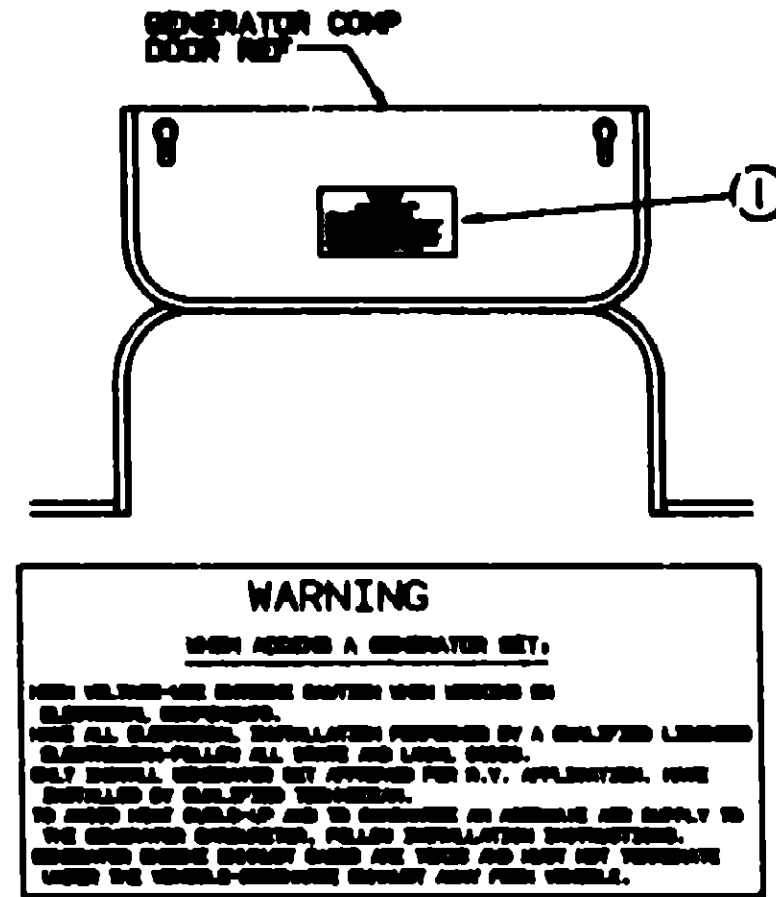
MISCELLANEOUS LABELS

KEY	PART NUMBER	U/M DESCRIPTION
	091243-01-000	EA LABEL-AC COVER
	091243-02-000	EA LABEL-COVER, "MICROWAVE CIRCUIT ETC"
	109522-01-000	EA LABEL-"WHEN INSTALLING LOAD CARRYING EQUIPMENT"
	098841-01-000	EA LABEL-FUEL, UNLEADED - DASH
	008082-01-000	EA LABEL-ELECTRIC, 110V CONNECTION
	009609-01-000	EA LABEL-AWNING INSTALLATION
	008084-01-000	EA LABEL-SEAT W/O SEATBELT
	008084-02-000	EA LABEL-SEAT W/O SEATBELT, CANADIAN
	093237-08-000	EA LABEL-CIRCUIT BREAKER, FRONT - REAR PANEL
	093237-07-000	EA LABEL-CIRCUIT BREAKER, FRONT - REAR PNL/CONV

KEY	PART NUMBER	U/M DESCRIPTION
1	077510-01-000	EA LABEL-GENERATOR PREP

KEY	PART NUMBER	U/M DESCRIPTION
1	008187-01-000	EA LABEL-SEWAGE
1	008188-01-000	EA LABEL-WASTE WATER

LABELS GROUP (CONTINUED)



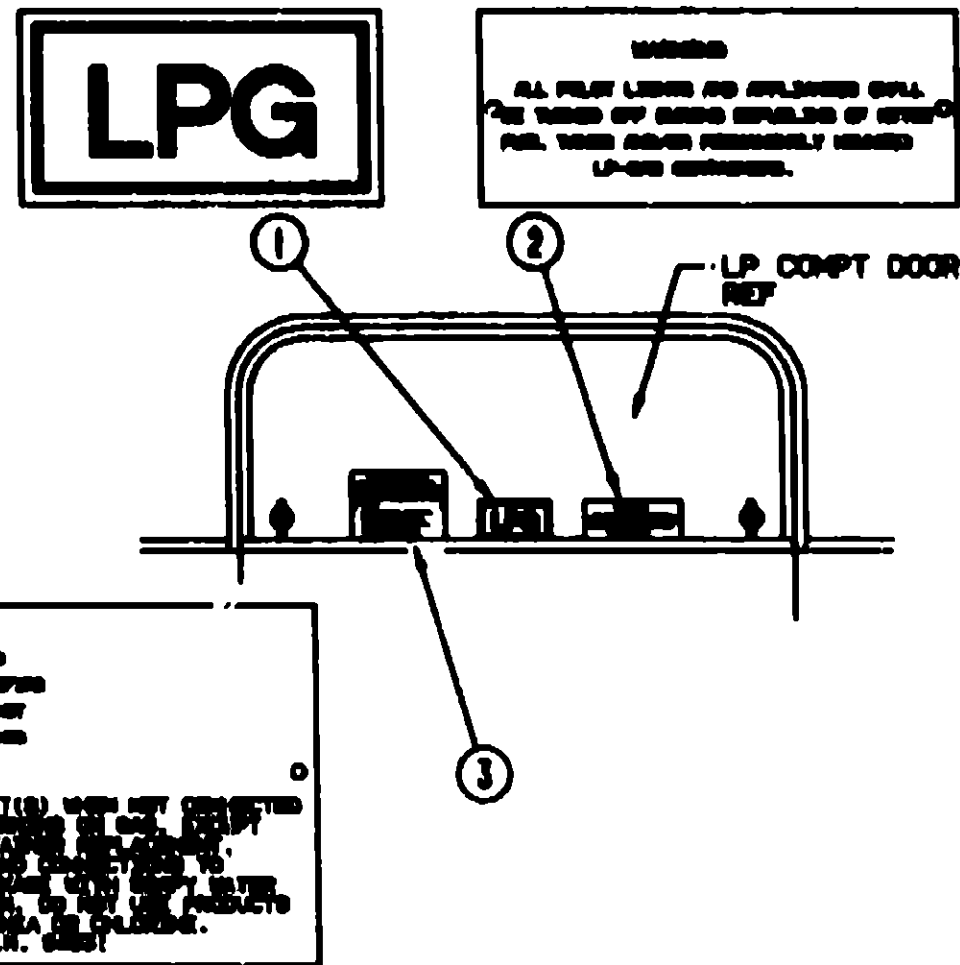
**1993 WINNEBAGO
TABLE OF CONTENTS**

INTRODUCTION	A-01 -	A-02
ABBREVIATIONS		A-03
ALPHABETICAL INDEX	A-04 -	A-08
WT321RB	A-07 -	C-22
WT321RL	C-23 -	F-16
WT321RO	F-17 -	I-10

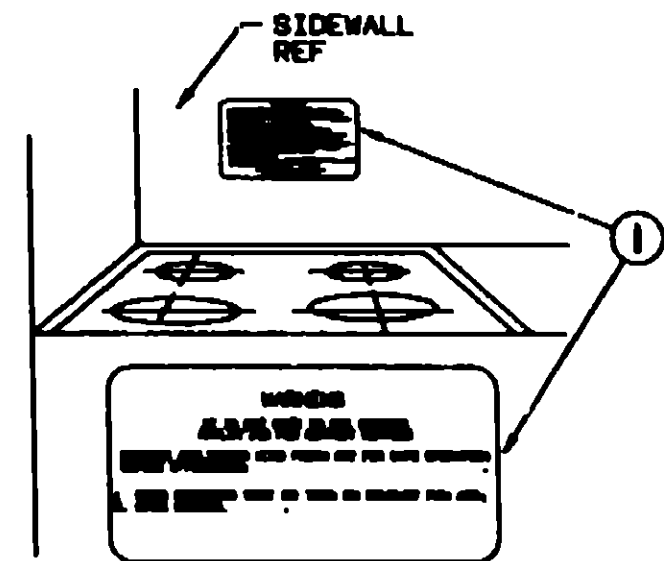
1993 WT321RL INDEX

FLOOR PLAN	C-23 -	C-24
ACCESSORIES		D-01
AUDIO VIDEO		D-02
BATH	D-03 -	D-04
CHASSIS	D-05 -	D-08
CURTAIN & CUSHION	D-07 -	D-13
DINETTE		D-14
DRIVERS COMPARTMENT		D-15
ELECTRICAL	D-16 -	D-19
EXTERIOR BODY	D-20 -	D-24
GALLEY	E-01 -	E-05
GENERATOR		E-08
HEATING & AC		E-07
INTERIOR FINISH	E-08 -	E-10
LABELS	E-11 -	E-16
LP		E-17
LOUNGE		F-18
SEALANTS & FASTENERS	E-19 -	E-20
WATER & SEWAGE	E-21 -	E-24
WINDOW, VENT AND EXTERIOR DOOR	F-01 -	F-16

LABELS GROUP (CONTINUED)

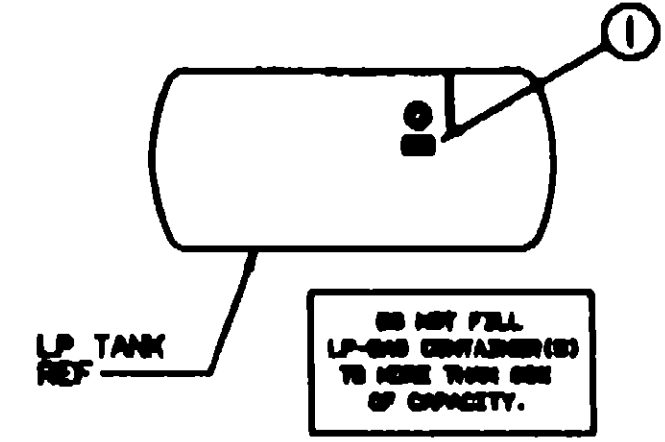


KEY	PART NUMBER	U/M DESCRIPTION
1	074659-01-000	EA DECAL-LOGO, LPG - RED - (CALIF CODE)
2	008040-01-000	EA TAG-GAS REFUELING WARNING
2	008040-02-000	EA TAG-GAS REFUEL WARNING, CANADIAN
3	054631-01-000	EA LABEL-LP GAS ONLY
3	023769-01-000	EA LABEL-WARNING, LPG - CANADIAN

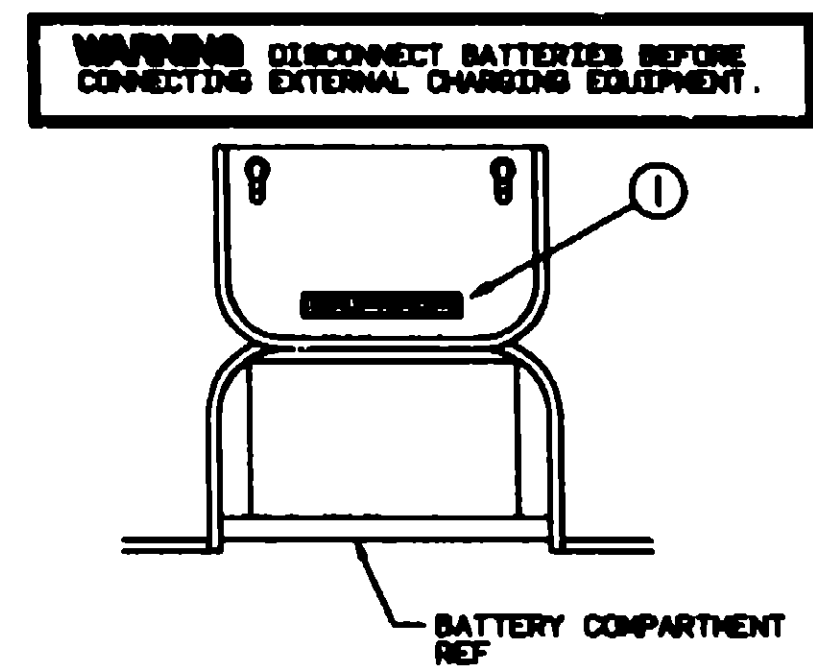


KEY	PART NUMBER	U/M DESCRIPTION
1	050225-01-000	EA LABEL-WARNING, STOVE VENT - US
1	050222-01-000	EA LABEL-WARNING, STOVE VENT - CANADIAN

LABELS GROUP (CONTINUED)



KEY PART NUMBER	U/M DESCRIPTION
1 079085-01-000	EA LABEL-LPG 80 CAPACITY



KEY PART NUMBER	U/M DESCRIPTION
1 085748-01-000	EA LABEL-CAUTION, BATTERY CHARGING

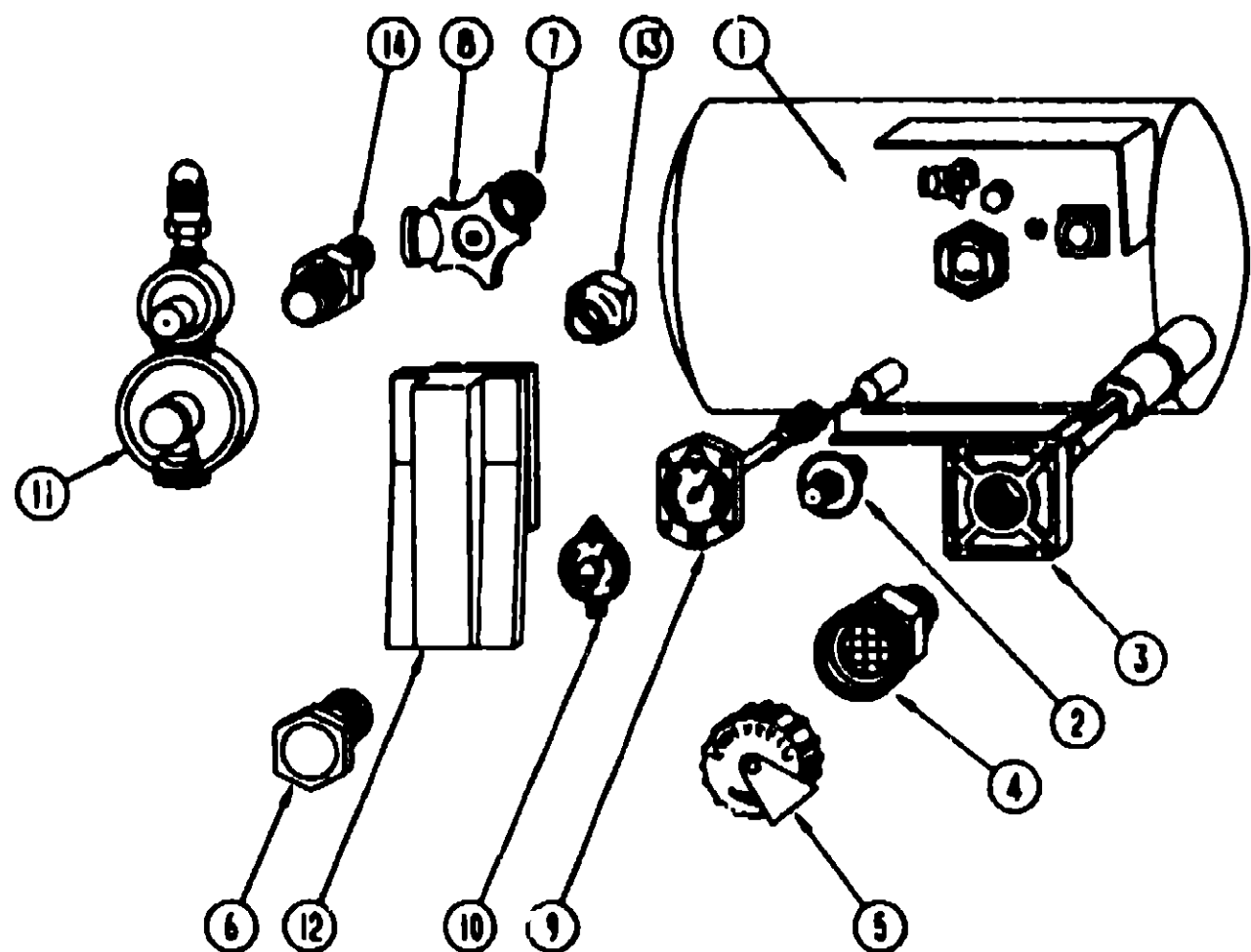
**1993 WINNEBAGO
TABLE OF CONTENTS**

INTRODUCTION	A-01 - A-02
ABBREVIATIONS	A-03
ALPHABETICAL INDEX	A-04 - A-08
WT321RB	A-07 - C-22
WT321RL	C-23 - F-18
WT321RD	F-17 - I-10

1993 V/T321RL INDEX

FLOOR PLAN	C-23 - C-24
ACCESSORIES	- D-01
AUDIO VIDEO	- D-02
BATH	D-03 - D-04
CHASSIS	D-05 - D-08
CURTAIN & CUSHION	D-07 - D-13
DINETTE	- D-14
DRIVERS COMPARTMENT	- D-15
ELECTRICAL	D-16 - D-19
EXTERIOR BODY	D-20 - D-24
GALLEY	E-01 - E-05
GENERATOR	- E-06
HEATING & A/C	- E-07
INTERIOR FINISH	E-08 - E-10
LABELS	E-11 - E-16
LP	E-17
LOUNGE	E-18
SEALANTS & FASTENERS	E-19 - E-20
WATER & SEWAGE	E-21 - E-24
WINDOW, VENT AND	
EXTERIOR DOOR	F-01 - F-18

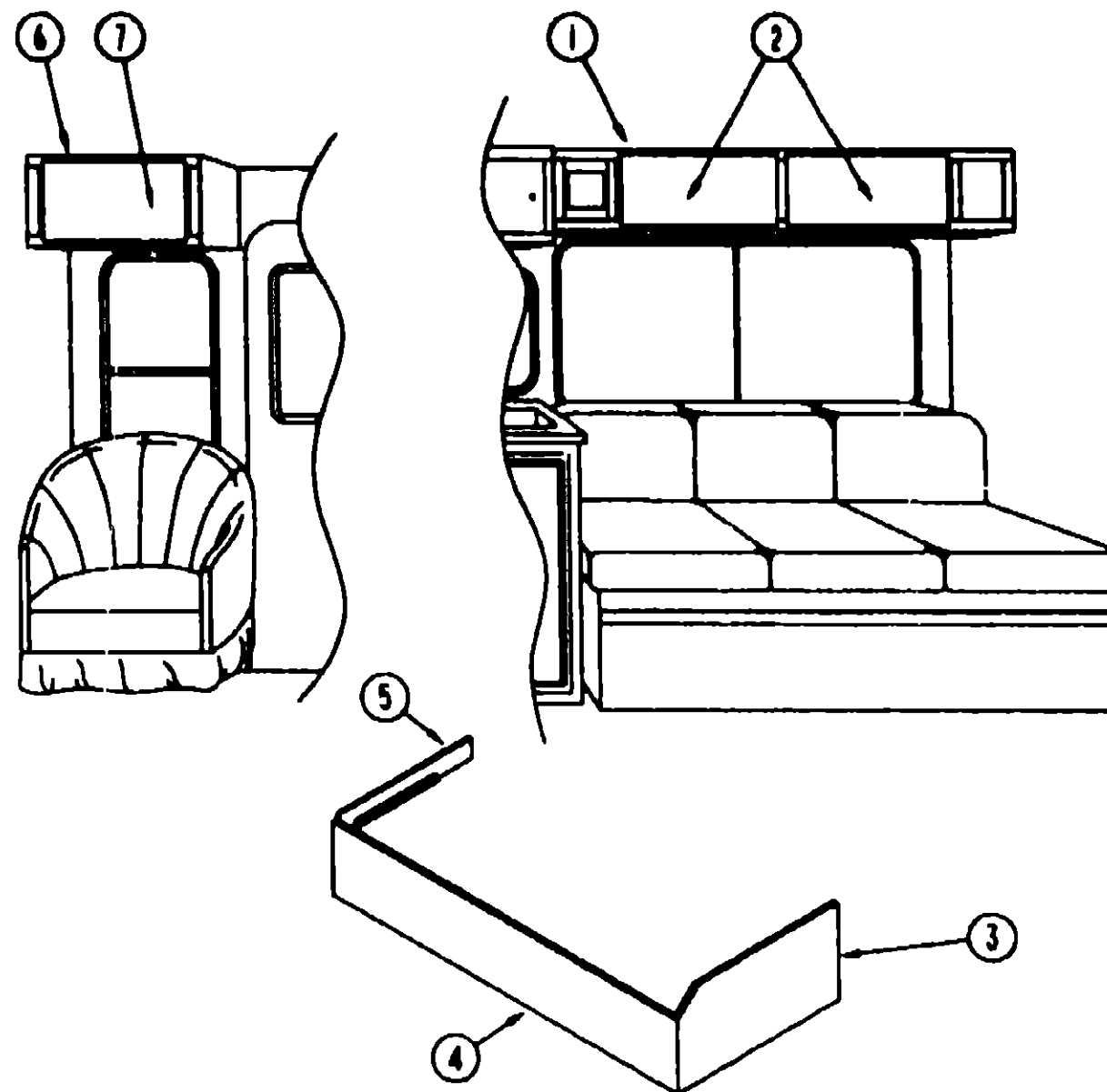
LP GROUP



LP TANK & COMPONENTS

KEY	PART NUMBER	U/M DESCRIPTION
1	074039-03-000	EA TANK-LP, 28 LB - BOTTOM MOUNT - 10" DIA X 23" LONG
2	040421-01-700	EA VALVE-LIQUID LEVEL, 20% LP - BRUNNER G-1013
3	040421-01-711	EA VALVE-80% W/FLOAT, PLATE, BOLTS & GASKET - BRUNNER
4	040421-01-701	EA VALVE-FILLER, LP SHORT - BRUNNER 75478
5	040421-01-702	EA CAP-LP FILLER VALVE, PLASTIC - YELLOW - BRUNNER G-1014-A
6	040421-01-713	EA VALVE-VAPOR ONLY, 29000587
7	040421-01-712	EA VALVE-SERVICE W/HANDWHEEL, W/O VAPOR RELIEF - 29000853
8	040421-01-708	EA HANDWHEEL-SERVICE VALVE, BRUNNER G-1015-A
9	074039-01-700	EA FLOAT ASM-BOLT ON, F/10" DIA TANK - BRUNNER 10C
10	040440-02-000	EA DIAL-TRANSMITTER, 0-90 OHM
11	108150-03-000	EA REGULATOR-TWO STAGE LPG, M/BRASS 295-00
12	105858-01-000	EA COMPARTMENT-LP REGULATOR
	103613-01-000	EA DETECTOR-LP GAS
	085741-01-000	EA GAUGE-DIAPHRAGM PRESSURE - MARSHALLTOWN MFG
	085742-01-000	EA TEE, 3/8" F X 3/8" F X 25" FPT BRASS
13	010377-02-000	EA NUT-BRASS, 3/8 FEMALE - FORGED
14	010323-01-000	EA ADAPTER-BRASS, 3/8" F X 1/2" MPT
	010285-01-000	EA ELBOW-BRASS, 90 DEGREE - 3/8" F X 1/2" FPT
	010251-01-000	EA ELBOW-BRASS, 90 DEGREE - 3/8" F X 3/8" MPT
	008042-01-000	FT TUBING-VINYL, 65" ID

LOUNGE GROUP



LOUNGE CABINETS

KEY	PART NUMBER	U/M DESCRIPTION
1	M05159-13-D01	EA CABINET-OVERHEAD, W/O DOORS OR HARDWARE
1	M05159-13-D02	EA CABINET-OVERHEAD, W/O DOORS OR HARDWARE
1	M05159-13-D03	EA CABINET-OVERHEAD, W/O DOORS OR HARDWARE
2	P03701-73-D01	EA DOOR-CABINET, W/O HARDWARE - 10" X 25 2"
3	M04187-61-D01	EA CABINET-COUCH, LEFT SIDE W/FABRIC (D01)
3	M04187-61-D02	EA CABINET-COUCH, LEFT SIDE W/FABRIC (D02/D03)
4	M04187-60-D01	EA CABINET-COUCH, FRONT FACE W/FABRIC (D01)
4	M04187-60-D02	EA CABINET-COUCH, FRONT FACE W/FABRIC (D02/D03)
5	M04187-62-D01	EA CABINET-COUCH, RIGHT SIDE W/FABRIC (D01)
5	M04187-62-D02	EA CABINET-COUCH, RIGHT SIDE W/FABRIC (D02/D03)
	082525-02-000	EA BRACE-COUCH, FLOOR MOUNT - ANGLE 3" LONG - METAL
	050101-01-002	EA EXTRUSION-L SHAPED, 182" - ALUMINUM
	083125-05-000	EA BRACE-ANGLE, COUCH - 2 5" - BEIGE
6	M05159-09-D01	EA CABINET-OVERHEAD, W/O DOORS OR HARDWARE
7	P03701-79-D01	EA DOOR-CABINET, W/O HARDWARE - 10" X 19 1"

**1983 W/3NEBAGO
TABLE OF CONTENTS**

INTRODUCTION	A-01	A-02
ABBREVIATIONS	A-03	A-03
ALPHABETICAL INDEX	A-04	A-08
WT321FB	A-07	C-22
WT321RL	C-23	F-16
WT321RD	F-17	I-10

1983 WT321RL INDEX

FLOOR PLAN	C-23	C-24
ACCESSORIES		D-01
AUDIO VIDEO		D-02
BATH	D-03	D-04
CHASSIS	D-05	D-06
CURTAIN & CUSHION	D-07	D-13
DINETTE		D-14
DRIVERS COMPARTMENT		D-15
ELECTRICAL	D-16	D-19
EXTERIOR BODY	D-20	D-24
GALLEY	E-01	E-05
GENERATOR		E-08
HEATING & A/C		E-07
INTERIOR FINISH	E-08	E-10
LABELS	E-11	E-16
LP		E-17
LOUNGE		E-18
SEALANTS & FASTENERS	E-19	E-20
WATER & S/WAGE	E-21	E-24
WINDOW, VENT AND EXTERIOR DOOR	F-01	F-16

**SEALANTS & FASTENERS GROUP
SCREWS**

KEY	PART NUMBER	U/M DESCRIPTION
	000G09-08-10G	EA SCREW-6-18 X 5/8 POH - ANTIQUE BRASS
	000G13-08-08B	EA SCREW-6-20 X 3/8 PFH - ZINC
	000G13-08-08B	EA SCREW-6-20 X 1/2 PFH - ZINC
	000G13-08-08G	EA SCREW-6-20 X 5/8 PFH - ANTIQUE BRASS
	000G13-07-12B	EA SCREW-7-18 X 3/4 PFH - ZINC
	000G11-08-10B	EA SCREW, 6-20 X 5/8 PPH ZN
	000G11-08-10J	EA SCREW-7-18 X 1/2 PPH - ZINC
	000G11-08-08B	EA SCREW, 6-18 X 3/8 PPH ZN
	000G11-08-12B	EA SCREW, 6-18 X 3/4 PPH ZN
	000G11-08-12F	EA SCREW, 6-18 X 3/4 PPH - BEIGE
	000G11-08-12B	EA SCREW-6-18 X .75 PPH, OFF WHITE
	000G11-08-18B	EA SCREW, 6-18 X 1.00 PPH - OFF WHITE
	000G12-08-12B	EA SCREW-6-18X 7/8 POH OFF WHITE
	000G12-08-18B	EA SCREW, 6-18 X 1.00 POH - OFF WHITE
	000G13-08-18B	EA SCREW-6-18 X 1 PFH - ZINC
	000G67-10-08B	EA SCREW, 10-12 X 1/2 PPH ZN
	000G67-10-08R	EA SCREW, 10-12 X 1/2 PPH - BEIGE - TYPE A
	000G67-10-10B	EA SCREW, 10-12 X 5/8 PPH ZN - TYPE A
	000G67-10-10R	EA SCREW, 10-12 X 5/8 PPH - TYPE A - BEIGE
	000G67-10-10B	EA SCREW, 10-12 X 5/8" - PPH - OFF WHITE
	000G67-10-12B	EA SCREW, 10-12 X 3/4" PPH - ZN
	000G67-10-12P	EA SCREW, 10-12 X 7/8" - PPH - DARK BROWN
	000G67-10-18B	EA SCREW, 10-12 X 1 PPH - ZN
	000G67-10-24B	EA SCREW, 10-12 X 1 1/2 PPH - ZN
	000G67-10-32B	EA SCREW, 10-12 X 2 PPH - ZN
	000G11-10-12D	EA SCREW-10-16 X 3/4 PPH - BLACK
	000G36-10-12E	EA SCREW-10 -24, X 3/4 PFH TYPE 23 - CHROME PLATED
	000G32-10-08B	EA SCREW-10 -32 X 3/8" - PPH - ZINC
	000G18-08-12B	EA SCREW-MACHINE-8-32 X 3/4" PPH ZINC
	000G53-04-08B	EA SCREW-MACHINE-1/4-20 X 3/8 PPH -ZINC - UNDERCUT HEAD
	000G39-08-08B	EA SCREW-DR-6-18X1/2 ZN
	000G39-08-08B	EA SCREW-SF/DR, 6-18 X 1/2 PPH ZN
	000G39-08-08R	EA SCREW-SF/DR, 6-18 X 1/2 PPH - BEIGE
	000G39-08-08S	EA SCREW-SF/DR, 6-18 X 1/2 PPH - OFF WHITE
	000G39-08-12B	EA SCREW-SF/DR, 6-18 X 3/4 PPH ZN
	000G55-08-12M	EA SCREW-SF/DR-6-18 X 7/8 PPH - GRAY
	000G39-08-16S	EA SCREW-SF/DR 6-18 X 1.00 PPH - OFF WHITE
	000G39-08-24S	EA SCREW-SF/DR-6-18 X 1.50 - OFF WHITE
	000G39-10-10S	EA SCREW-SF/DR 10-16 X .62" PPH - OFF WHITE
	000G39-10-12D	EA SCREW-SF/DR 10-16 X 3/4 PPH - BLACK
	000G39-10-12R	EA SCREW-SF/DR, 10-16 X 3/4 PPH - BEIGE
	000G39-10-20B	EA SCREW-SF/DR 10-16 X 1 1/4 PPH - ZINC
	000G42-04-18B	EA SCREW-SF/DR 1/4-14 X 1 HWH - ZINC
	000G54-04-20B	EA SCREW 1/4-20 X 1 1/4 PTH - TYPE 23 - ZINC PLATED
	087721-01-000	EA SCREW-FLAT HEAD TAPPING - 1/4" X 1 1/4" LG ZINC
	075928-01-000	EA SCREW-MACHINE 10-32 X 5/8 PTH - ZINC EXTERNAL TOOTH
	078790-01-000	EA SCREW, 6-20 X 1 1/4 PPH - BLACK
	101289-01-01A	EA SCREW-MACHINE, 6-32 X 4 - POH - BRASS - FOR EXTENDED KNOB

ADHESIVE AND SEALANTS

KEY	PART NUMBER	U/M DESCRIPTION
	002707-02-000	FT TAPE-SEALER 5/16" X 1/2" - INCREMENTS OF 50 FT
	004020-01-000	QT ADHESIVE-ABS CEMENT QUART
	034552-02-000	EA SILICONE-TUBE 300 ML - CLEAR
	034552-08-000	EA SILICONE-TUBE 300 ML - OFF WHITE
	039518-01-000	EA SILICONE-TUBE 300 ML - BLACK
	108718-01-000	EA SILICONE-TUBE, OFF WHITE LEVEL - CSL 510
	053788-02-000	EA BEDDING COMPOUND-TUBE - WHITE

**SEALANTS & FASTENERS GROUP (CONTINUED)
ADHESIVE AND SEALANTS CONT'D**

KEY	PART NUMBER	U/M DESCRIPTION
	063788-08-000	EA BEDDING COMPOUND-TUBE - GRAY
	063842-01-000	FT TAPE-ADHESIVE 10MM X 15" WIDE
	066840-10-000	FT SEALER-RIBBON 1/32" X 1 1/2" INCREMENTS OF 60'
	066840-01-000	FT SEALER-RIBBON 1/4" DIAMETER - INCREMENTS OF 30'
	066840-02-000	FT SEALER-RIBBON 1/2" X 1/8" - INCREMENTS OF 30' OR 60'
	066840-03-000	FT SEALER-RIBBON 3/4" X 1/8" - INCREMENTS OF 60'
	066840-07-000	FT SEALER-RIBBON 2" X 3/32" - INCREMENTS OF 30' OR 48'
	066840-11-000	FT SEALER-RIBBON 3/16" X 3/8" - BLACK
	066840-12-000	FT SEALER-RIBBON 1/8" X 1.5" - GRAY - INCREMENTS OF 30'
		FROM: 00-00-00 THRU: 09-21-82
	066840-14-000	FT SEALER-RIBBON 1/16" X 1" - GRAY
		FROM: 09-22-82 THRU 99-99-99
	072889-01-000	EA SEALANT-URETHANE, BLACK - 1/10 - E88EX 552 2
	076322-01-000	FT TAPE-FOAM, DOUBLE COATED ADHESIVE BACKED - .75" X 216"
	076322-02-000	FT TAPE-FOAM, DOUBLE COATED ADHESIVE BACKED - 1" X 108"
	076322-05-000	FT TAPE-FOAM, DOUBLE COATED - .025" X 1 5"
	091255-02-000	FT SEAL-ADHESIVE BACKED FOAM, 18" THICK X 1 5' WIDE
	087211-01-000	GL PROMOTER-ADHESIVE
	102352-01-000	EA SEALER-PUMPABLE BLACK

NUTS, BOLTS AND GROMMETS

KEY	PART NUMBER	U/M DESCRIPTION
	040921-04-000	EA NUT-SPEED U TYPE - NO 8 - 50" LENGTH X 44" WIDTH
	005081-01-000	EA NUT-SPEED C TYPE - NO 8 SCREW
	000D24-10-00B	EA NUT-HEX, SF/LK - 10-32 ZN
	000D39-05-00B	EA NUT-HEX, SER FLG LK - 5/16 - 18 ZN
	000D39-08-00B	EA NUT-HEX, SER FLG LK - 3/8-18 ZN
	000D39-08-00B	EA NUT-HEX, SER FLG LK - 1/2-13 ZN
	000D44-07-00B	EA NUT-HEX, SER FLG LK - 7/16-20 ZN
	000C12-05-12B	EA BOLT-HEX-5/16-18X3/4 ZN 5
	000C12-08-32B	EA BOLT-HEX-3/8-18X2LG,ZN 5
	000C13-07-48B	EA BOLT-HEX, 7/16 - 20 X 3 - ZN 5
	000C18-05-40A	EA BOLT-ELEV, 5/16"-18 X 2 1/2" PL
	000C28-05-12B	EA BOLT-HEX-SER FLG 5/16-18X3/4 ZN
	000C28-05-20B	EA BOLT-HEX, SER FLG 5/16 - 18 X 1 1/4 ZINC
	071015-04-000	EA GROMMET-RUBBER 18" ID X 88" OD W/3" GROOVE - BLACK

MISCELLANEOUS FASTENERS

KEY	PART NUMBER	U/M DESCRIPTION
	044533-01-000	EA WASHER-PLASTIC 1 3/8"OD - FOR BUTTONS
	000E13-11-00B	EA WASHER-FLAT, 3/16" WIDE - ZN
	000E13-20-00B	EA WASHER-FL, 7/16" WIDE - ZN
	041322-01-000	EA WASHER-FL, 15/32" ID X 2 3/8" OD - FOR SEAT BELT MOUNT
	058134-01-000	EA HOLDER-RING 36" DIAMETER - METAL
	007161-01-000	EA CLAMP-HOSE, SPRING TYPE - 1/2"
	010495-01-000	EA CLAMP-CABLE, 9/16"
	010497-01-000	EA CLAMP-CLOSED, 5/8" ID
	010497-03-000	EA CLAMP-CLOSED, 1" ID - CUSHIONED
	010499-01-000	EA CLAMP-CLOSED, 3/8" ID
	062401-01-000	EA CLAMP-HOSE, WORMGEAR, 25" - 1"
	062401-02-000	EA CLAMP-HOSE, WORMGEAR, 1 5/8" - 2 5"
	062401-08-000	EA CLAMP-HOSE, WORMGEAR, 22" - 62"
	075148-02-000	EA CLAMP-GROUNDING BRONZE SCREWS
	083809-01-000	EA CLAMP-WIRE, DUAL EQUAL - 5/8" DIAMETER
	080734-02-000	EA CLIP-WIRE NYLON

**1993 WINNEBAGO
TABLE OF CONTENTS**

INTRODUCTION	A-01 -	A-02
ABBREVIATIONS		A-03
ALPHABETICAL INDEX	A-04 -	A-08
WT321FB	A-07 -	C-22
WT321RL	C-23 -	F-16
WT321RD	F-17 -	I-10

1993 WT321RL INDEX

FLOOR PLAN	C-23 -	C-24
ACCESSORIES		D-01
AUDIO VIDEO		D-02
BATH	D-03 -	D-04
CHASSIS	D-05 -	D-06
CURTAIN & CUSHION	D-07 -	D-13
DINETTE		D-14
DRIVERS COMPARTMENT		D-15
ELECTRICAL	D-16 -	D-19
EXTERIOR BODY	D-20 -	D-24
GALLEY	E-01 -	E-05
GENERATOR		E-06
HEATING & AC		E-07
INTERIOR FINISH	E-08 -	E-10
LABELS	E-11 -	E-16
LP		E-17
LOUNGE		E-18
SEALANTS & FASTENERS	E-19 -	E-20
WATER & SEWAGE	E-21 -	E-24
WINDOW, VENT AND EXTERIOR DOOR	F-01 -	F-16

WATER & SEWAGE GROUP
FRESH WATER TANK

KEY	PART NUMBER	U/M DESCRIPTION
	084877-03-000	EA TANK-WATER, W/FITTINGS - 14 GALLON - 11" X 20" X 18"
	084877-01-000	EA TANK-WATER, 12.5 GALLON - W/O FITTINGS - 11" X 20" X 18"
	077984-02-000	EA FILTER-WATER TANK, SCREEN IN TANK
	079981-01-000	FT TUBING-SMOOTH, FLEXIBLE - 1 1/4" ID
	042989-03-000	EA FITTING-WATER TANK, SPINWELD - 1 1/4"NPT - PLASTIC - WHITE
	042989-04-000	EA FITTING-WATER TANK, SPINWELD - 3/8" FPT - PLASTIC - WHITE
	042989-06-000	EA FITTING-WATER TANK, SPINWELD - 1/2" FPT - PLASTIC - WHITE
	048032-01-000	EA PATCH-SPINWELD 3/8" - PLASTIC
	039881-01-000	EA SENDING UNIT W/SCREW, WASHER, WELL NUT AND TERMINAL RING

WATER SYSTEM

KEY	PART NUMBER	U/M DESCRIPTION
	106258-01-000	EA CAP-INSERTABLE, 1/2" FLARE
	010224-01-000	EA ADAPTER-HOSE TO PIPE, 3/8" MPT X 3/8" BARB - BLACK PLASTIC
	044827-01-000	EA ADAPTER-HOSE TO PIPE 1 1/4" MPT X 1 1/4" BARB - BLACK PLASTIC
	079317-01-000	EA ADAPTER-SWIVEL, 1/2" TUBE X 1/2" FPT - PLASTIC - GRAY
	052980-01-000	EA DRAIN VALVE-IN LINE, HEADER - 1/2" F X 1/2" F - GRAY PLASTIC
	052981-01-000	EA DRAIN VALVE-IN LINE, HEADER - 1/2"F X 1/2"F X 1/2"F X 1/2"F - PLASTIC
	091208-01-000	EA WASHER-RUBBER, 08" X 75" X 5"
	088417-01-000	EA CONNECTOR-5/8" F X 1/2" MPT, PLASTIC - KEVCO
	098420-01-000	EA CONNECTOR-SWIVEL, 1/2" FPT X 5/8" TUBE - PLASTIC
	101814-01-000	EA COUPLING-FEMALE, 1/2" X 1/2" FPT
	055290-01-000	EA ELBOW-5/8" F X 1/2" MPT
	057457-01-000	EA ELBOW-UNION, 1/2" X 1/2" FLARE
	087859-04-000	EA FILL-WATER, CITY - OFF WHITE
	085120-01-000	EA ELBOW-SWIVEL 1/2" FPT X 1/2" FLARE - PLASTIC - GRAY
	052952-01-000	EA NUT-PLASTIC, 1/2" F X 1/2" TUBE - GRAY
	052952-02-000	EA NUT-PLASTIC, 5/8" FLARE
	052953-01-000	EA NUT-FAUCET, 1/2" TUBE X 1/2" FPT - PLASTIC - GRAY
	062954-01-000	EA ADAPTER-NOSE CONE, 3/8" OR 1/2" TUBING - PLASTIC - GRAY
	039798-01-000	EA TEE-1/2" MPT X 1/2" MPT X 1/2" MPT, PLASTIC
	052955-01-000	EA TEE-WATER 1/2" F X 1/2" F X 1/2" MPT - PLASTIC - GRAY
	055291-01-000	EA TEE-PLASTIC, 5/8" F X 5/8" F X 5/8" F
	057974-01-000	EA TEE-5/8" F X 1/2" F X 1/2" F, PLASTIC
	052955-03-000	EA TEE-5/8" F X 5/8" F X 1/2" MPT - PLASTIC
	052958-01-000	EA TEE 1/2" F X 1/2" F X 1/2" F - PLASTIC - GRAY
	039800-01-000	FT TUBING-POLYBUTYL, 1/2" OD - INCREMENTS OF 20' - BLACK
	039800-02-000	FT TUBING-POLYBUTYL, 5/8" OD - INCREMENTS OF 20' - BLACK
	074462-02-000	FT TUBING VINYL 3/8" ID - CLEAR

WATER PUMP

KEY	PART NUMBER	U/M DESCRIPTION
	098807-01-000	EA PUMP-WATER W/ 5" MPT FITTING - FLOW 2.8 GPM
	098807-01-700	EA PUMPHEAD-REPLACEMENT SHURFLO® 94-233-08
	098807-01-701	EA DRIVE ASM SHURFLO® 94-234-03
	098807-01-702	EA DIAPHRAGM-KIT SHURFLO® 94-233-10
	098807-01-703	EA VALVE ASM SHURFLO® 94-232-00
	098807-01-704	EA HOUSING-UPPER SHURFLO® 94-231-01
	098807-01-705	EA CHECK VALVE-KIT SHURFLO® 94-237-00
	098807-01-706	EA SWITCH ASM-COMPLETE SHURFLO® 94-230-00
	098807-01-707	EA MOTOR/BASEPLATE REPLACEMENT SHURFLO® 94-234-03

WATER & SEWAGE GROUP (CONTINUED)
WATER HEATER W/MOTOR AND

KEY	PART NUMBER	U/M DESCRIPTION
	051391-02-000	EA HEATER-WATER, ATWOOD G4-8M
	051391-01-700	EA HINGE KIT-W/CLIP, ATWOOD® 92688 & 92689
	051391-01-704	EA VALVE-RELIEF, 1/2" FITTING - ATWOOD® 91804
	051391-01-705	EA FASTENER-CAMLOC, ATWOOD® 92809
	051391-01-708	EA GRILLE-EXHAUST, ATWOOD® 92787
	051391-01-708	EA BURNER-MAIN, 3E ONLY - ATWOOD® 92815
	051391-01-709	EA PILOT ASM-W/THRMOCOUPLE & TUBE - ATWOOD® 91803
	051391-01-710	EA ORIFICE-MAIN BURNER, ATWOOD® 92742
	051391-01-711	EA ELBOW-ORIFICE, MAIN BURNER - ATWOOD® 92741
	051391-01-712	EA THERMOSTAT-3/8"NPT INLET - ATWOOD® 91801
	051391-01-714	EA ELBOW-45 DEGREE, 3/8" F X 3/8" MPT - ATWOOD® 91044
	051391-01-715	EA DRAIN PLUG, ATWOOD® 91581
	051391-02-700	EA TANK-INNER FOR G48M - ATWOOD® 91414
	008042-01-000	FT TUBING-VINYL, 65" ID

EXTERIOR SHOWER OPTION L84R

KEY	PART NUMBER	U/M DESCRIPTION
	048128-01-000	EA VALVE-DRAIN, PLASTIC - 1/2" FPT
	052959-02-000	EA CONNECTOR, 1/2" F X 1/2" MPT - PLASTIC - GRAY
	075241-05-000	EA FAUCET-SHOWER, BONE
	103082-01-000	EA SHOWER HEAD-W/80" HOSE
	103092-01-700	EA BRACKET ONLY-CLEAR, F/SHOWER HEAD - 232802B
	093527-02-000	EA BRACKET-SQUEEGEE/S/SHOWER HEAD
		FROM 10-02-92 THRU 99-99-96
	091952-02-000	EA CLIP-GRIPPER, 3/4"
		FROM 10-02 92 THRU 99-99-99
	081994-02-000	EA PLATE-SWITCH, EXTERIOR SHOWER
		FROM 00-00-00 THRU 01-08-93
	108356-02-01A	EA COVER-SWITCH W/DIMPLES, CARLING VVAZC00 BLA
	108357-08-000	EA SWITCH-ROCKER, DPDT ON/NONE/OFF - CARLING VDD1S00C-0

1993 WINNEBAGO
TABLE OF CONTENTS

INTRODUCTION	A-01	A-02
ABBREVIATIONS		A-03
ALPHABETICAL INDEX	A-04	A-08
WT321RB	A-07	C-22
WT321RL	C-23	F-18
WT321RD	F-17	I-10

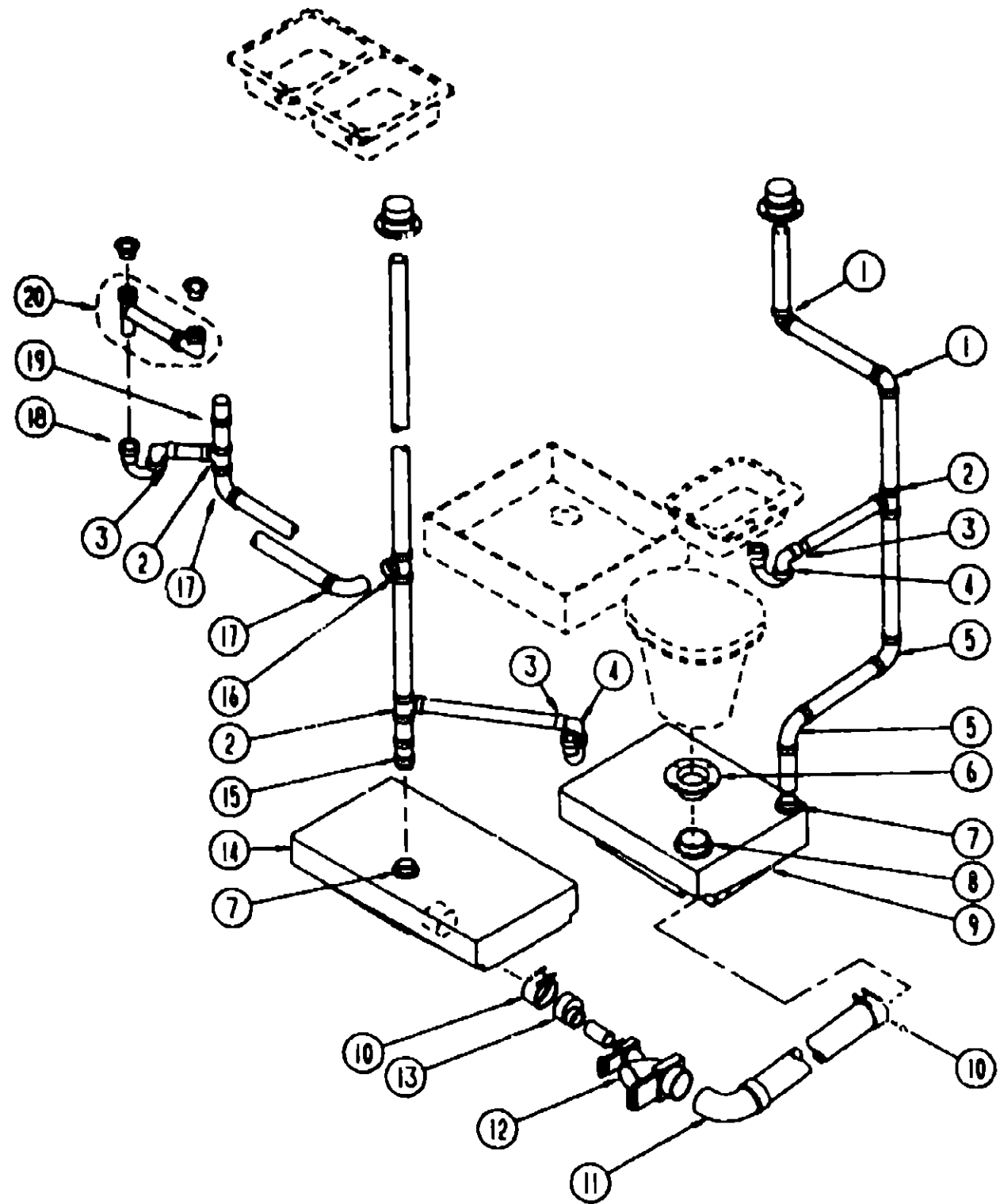
1993 WT321RL INDEX

FLOOR PLAN	C-23	C-24
ACCESSORIES		D-01
AUDIO VIDEO		D-02
BATH	D-03	D-04
CHASSIS	D-05	D-08
CURTAIN & CUSHION	D-07	D-13
DINETTE		D-14
DRIVERS COMPARTMENT		D-15
ELECTRICAL	D-16	D-19
EXTERIOR BODY	D-20	D-24
GAULEY	E-01	E-05
GENERATOR		E-08
HEATING & AC		E-07
INTERIOR FINISH	E-08	E-10
LABELS	E-11	E-18
LP		E-17
LOUNGE		E-18
SEALANTS & FASTENERS	E-19	E-20
WATER & SEWAGE	E-21	E-24
WINDOW, VENT AND		
EXTERIOR DOOR	F-01	F-16

WATER & SEWAGE GROUP (CONTINUED)

DRAINAGE SYSTEM

**1993 WINNEBAGO
TABLE OF CONTENTS**



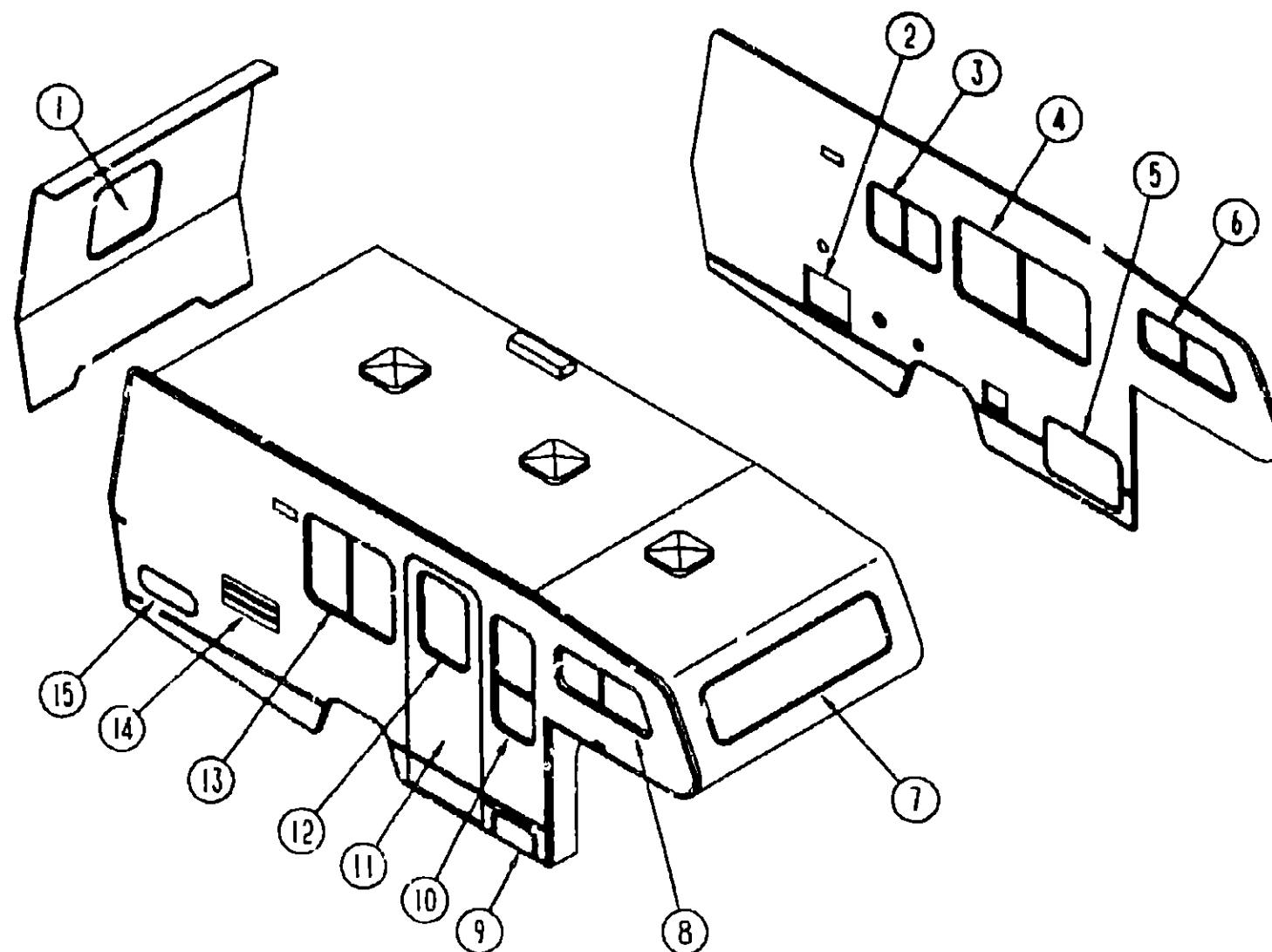
KEY	PART NUMBER	U/M DESCRIPTION
1	010008-01-000	EA ELBOW-45 DEG, 1/8 BEND - 1 1/2" HUB X HUB - BLACK PLASTIC
2	010079-01-000	EA TEE-SANITARY 1 1/2" H X 1 1/2" H X 1 1/4" H - PLASTIC - BLACK FROM: 00-00-00 THRU: 12-15-92
2	010071-01-000	EA TEE-SANITARY, 1 1/2" HUB X HUB X HUB - PLASTIC - BLACK FROM: 12-16-92 THRU: 99-99-99
3	107537-01-000	EA ADAPTER-P-TRAP, 1 1/4" SLP - US FROM: 00-00-00 THRU: 12-15-92
3	109671-01-000	EA ADAPTER-P-TRAP, 1 1/2" P X 1 1/4" MPT - US FROM: 12-16-92 THRU 99-99-99
4	011098-03-700	EA P-TRAP KIT-1 1/2" X 1 1/4" P-TRAP W/1 1/2 TO 1 1/4 REDUCER - CANADIAN
4	107538-01-000	EA P-TRAP-PLASTIC, 1 1/4" W/EXT ARM - US
4	011089-03-000	EA TAILPIECE-SHOWERTUB, 1 1/2" X 1 3/4" - PLASTIC
5	010008-01-000	EA ELBOW-90/ DEG, 1/4 BEND - 1 1/2" HUB X HUB - BLACK PLASTIC
6	063641-01-000	EA FLANGE-CLOSET, 4" X 3"
7	061607-01-000	EA GROMMET-HOLDING TANK, 1 1/2" NPS
8	061607-02-000	EA GROMMET-HOLDING TANK, 3" NPS
9	074300-01-000	EA TANK-HOLDING, 12 GALLON - 10 15" X 24 64" X 19 68"
10	078406-01-000	EA COUPLER-RUBBER, W/CLAMPS - 3" X 3"
11	041956-01-000	EA ELBOW-STREET, PLASTIC - 1/4" BD 3 X 90 XLT
12	070918-01-000	EA VALVE-DUAL DUMP, W/CAP - 3" X 1 1/2" - PLASTIC - BLACK
	070716-01-700	EA VALVE ONLY, 3"
	070916-01-701	EA VALVE ONLY, 1 1/2"
13	002422-01-000	EA ADAPTER-OFFSET REDUCER, 3" X 1 1/2" - PLASTIC - BLACK
	062415-01-000	EA CAP-SEWER 3" DIAMETER
	062415-01-700	EA STPING SEWER CAP
	010201-01-000	EA HOSE-SEWER 3" ID X 8'
	062416-01-000	EA ADAPTER-SEWER HOSE TO 3" PIPE
14	064679-01-000	EA TANK-HOLDING, 12 GALLON - 31 6" X 17 7" X 10 1"
	039661-01-000	EA SENDING UNIT W/SCREW, WASHER, WELL NUT AND TERMINAL RING
15	010115-01-000	EA COUPLING-1 1/2" HUB X HUB, PLASTIC FROM 12-16-92 THRU 99-99-99
16	010071-01-000	EA TEE-SANITARY, 1 1/2" HUB X HUB X HUB - PLASTIC - BLACK
17	033781-01-000	EA ELBOW-TURN, 1/4 BEND X 1 5" HUB X 1 5" SPIGOT - PLASTIC - BLACK
18	107538-01-000	EA P-TRAP-PLASTIC, 1 1/4" W/EXT ARM - US
18	011071-01-000	EA P-TRAP-1 1/2, PLASTIC - CANADIAN
19	079968-01-000	EA VENT-MECH TRAP ARM ANTI-SIPHON - 2" DIA X 73" - PLASTIC
20	011091-02-000	EA PIPE-DRAIN, DOUBLE SINK - BAFFLE TEE - 1 1/2" - US
20	011091-03-000	EA PIPE-DRAIN, W/SEALS - DOUBLE SINK - EXTENDS 9" TO 16" - CANADIAN
	066435-01-000	EA NUT-STRAINER

INTRODUCTION	A-01	A-01
ABBREVIATIONS		A-04
ALPHABETICAL INDEX	A-04	A-07
WT321RB	A-07	C-22
WT321RL	C-23	F-16
WT321RD	F-17	I-10

1993 WT321RL INDEX

FLOOR PLAN	C-23	C-24
ACCESSORIES		D-01
AUDIO VIDEO		D-02
BATH	D-03	D-04
CHASSIS	D-05	D-06
CURTAIN & CUSHION	D-07	D-13
DINETTE		D-14
DRIVERS COMPARTMENT		D-15
ELECTRIC/L	D-16	D-19
EXTERIOR BODY	D-20	D-24
GALLEY	E-01	E-06
GENERATOR		E-08
HEATING & A/C		E-07
INTERIOR FINISH	E-08	E-10
LABELS	E-11	E-16
LP		E-17
LOUNGE		E-18
SEALANTS & FASTENERS	E-19	E-20
WATER & SEWAGE	E-21	E-24
WINDOW, VENT AND		
EXTERIOR DOOR	F-01	F-16

WINDOW, VENT & EXTERIOR DOOR GROUP
WINDOWS & DOORS



**1993 WINNEBAGO
TABLE OF CONTENTS**

INTRODUCTION	A-01 - A-02
ABBREVIATIONS	A-03
ALPHABETICAL INDEX	A-04 - A-08
WT321RB	A-07 - C-22
WT321RL	C-23 - F-16
WT321RD	F-17 - I-10

1993 WT321RL INDEX

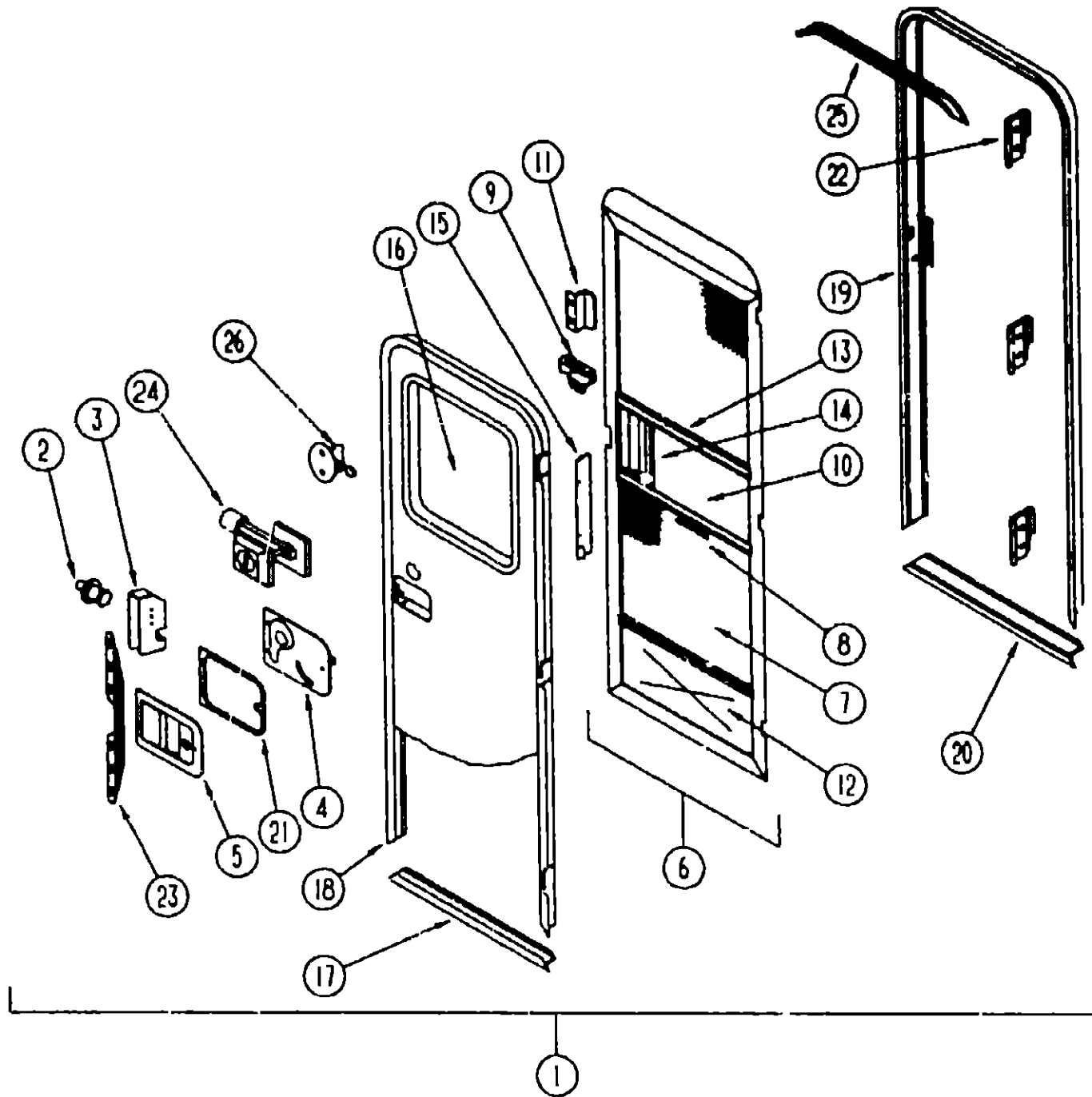
FLOOR PLAN	C-23 - C-24
ACCESSORIES	- D-01
AUDIO VIDEO	- D-02
BATH	D-03 - D-04
CHASSIS	D-05 - D-06
CURTAIN & CUSHION	D-07 - D-13
DINETTE	- D-14
DRIVERS COMPARTMENT	- D-15
ELECTRICAL	D-16 - D-19
EXTERIOR BODY	D-20 - D-24
GALLEY	E-01 - E-05
GENERATOR	- E-06
HEATING & A/C	- E-07
INTERIOR FINISH	E-08 - E-10
LABELS	E-11 - E-16
LP	E-17
LOUNGE	E-18
SEALANTS & FASTENERS	E-19 - E-20
WATER & SEWAGE	E-21 - E-24
WINDOW, VENT AND EXTERIOR DOOR	F-01 - F-16

KEY	PART NUMBER	U/M DESCRIPTION
1	079729-02-T03	EA WINDOW-ESCAPE REAR - 22" X 24"
2	052009-01-000	EA DOOR-WATER HEATER, OFF WHITE - ATWOOD 5576 27
3	098647-07-02A	EA WINDOW-SLIDING W/OFF WHITE INSIDE FRAME - EXCEL B969-PRL
4	098647-12-02A	EA WINDOW-SLIDING W/OFF WHITE INSIDE FRAME - EXCEL H023-PRL
5	102038-01-B05	EA DOOR-GENERATOR W/POWER CORD HATCH, 24" X 15 7" - OFF WHITE
5	102038-02-B05	EA DOOR-LUGGAGE W/POWER CORD HATCH, 16 1" X 24 5" - OFF WHITE
5	009426-02-000	EA HATCH-DOOR POWER CORD - OFF WHITE
6	098646-04-02A	EA WINDOW-DRIVER SIDE W/OFF WHITE INSIDE FRAME - EXCEL H245-MRL FROM 00-00 00 THRU 07-19 92
6	098647-19-01A	EA WINDOW DRIVER SIDE, W/WHITE INSIDE FRAME - EXCEL B951-PRL FROM 07-20 92 THRU 99 99-99
7	103313-02-C09	EA WINDOW PICTURE 58 6" X 11 6" - W/O INSIDE FRAME
8	098646-03-02A	EA WINDOW PASSENGER SIDE W/OFF WHITE INSIDE FRAME - EXCEL H245-MRR FROM 00-00 00 THRU 07-19 92
8	098647-18-01A	EA WINDOW PASSENGER SIDE W/WHITE INSIDE FRAME - EXCEL B951-PRR FROM 07-20-92 THRU 99 99 99

KEY	PART NUMBER	U/M DESCRIPTION
9	079455-09-B05	EA DOOR-BATTERY, 13 2" X 8" - OFF WHITE
10	098644-02-02A	EA WINDOW-VERTICAL SLIDER W/O/WHITE I/S FRAME - EXCEL H079-PR
11	M01970-38-D01	EA DOOR-ENTRANCE, W/WINDOW & SCREEN DOOR
12	079733-07-AA8	EA WINDOW-ENTRY DOOR, 17" X 25" - FROSTED GLASS - W/O INSIDE FRAME
13	098647-08-02A	EA WINDOW-SLIDING, W/OFF WHITE INSIDE FRAME - EXCEL H022-PRR
14	084103-03-000	EA DOOR REFRIGERATOR, VENTED W/O JAMB - OFF WHITE
	084104-01-700	EA LOCK-MALE, FASTENER - REFRIGERATOR DOOR
	084104-01-701	EA LOCK-FEMALE, FASTENER - REFRIGERATOR DOOR
	054104-03-000	EA JAMB-DOOR, REFRIGERATOR - OFF WHITE
15	078720-02-T15	EA DOOR-COMPARTMENT, LP - 16 9" X 5 4" - ALUMINUM - O/W
	102763-01-000	EA HOLDER COMPARTMENT/ENTRY DOOR, METAL - MILL FINISH
	081240-03-000	EA DOOR-WATER FILL, LOCKABLE 4" X 4 5/8" - OFF WHITE
	105118-02-C05	EA DOOR-EXTERIOR SHOWER, 17 5" X 7 6"

WINDOW, VENT & EXTERIOR DOOR GROUP (CONTINUED)

ENTRY DOOR



KEY	PART NUMBER	U/M DESCRIPTION
1	M01870-38-001	EA DOOR-ENTRANCE, W/WINDOW & SCREEN DOOR
2	039539-01-000	EA STRIKE-LOCK ENTRY DOOR - ROUND/THREADED WASHER
3	039540-01-000	EA LATCH MECHANISM-HOOK, ENTRY DOOR - INTERIOR
	039715-01-000	EA NUT-SERT, 1/4" DIAMETER - 20 THREADS
4	039979-04-000	EA COVER-INTERIOR LATCH, W/TRIP ARM - RIGHT - BLACK
	039984-01-000	EA CAP-ROUND, VINYL - 28" ID X .62" LONG - BLACK
	041548-03-000	EA BRACKET-DOOR ANGLE, 5" X 1 9" - BEIGE - METAL
5	045017-11-000	EA LATCH-ENTRY DOOR MECHANISM W/LOCK & KEY - BLACK
	045017-11-701	EA KEY-BLANK ROUND TOP - SILVER - TRIMARK
	056746-01-000	EA PLUG-CAP, 1" DIAMETER
	058025-02-000	EA CLIP-ROLLER LATCH CATCH, SCREEN DOOR
	058806-01-000	EA PLUG-TAPERED, FOR DEADBOLT - PLASTIC - .66" DIA - RED
	058806-03-000	EA PLUG-TAPERED, PLASTIC - RED
	063729-04-000	EA RIVNUT, 10-32 UNF - 010-080
	072893-01-000	EA NUTSERT-M5 X 0.8
	075671-04-000	FT SEAL-SPONGE, LAZY T SHAPE - W/ADHESIVE STRIPE - 5" W/DE
6	079012-04-AA3	EA DOOR-SCREEN
7	002293-02-000	SF SCREENING-WINDOW/DOOR, 26" - CHARCOAL
8	002294-01-000	FT SPLINE-SCREENING, 135" X 138" - BLACK
	002748-01-000	EA CORNER KEY-DOOR
9	009018-01-000	EA CATCH-SINGLE ROLLER, SCREEN DOOR
10	001014-01-013	EA INSERT-CENTER, 10 25" X 16 31" - UNPAINTED
11	050712-04-000	EA HANDLE-SCREEN DOOR, ALUMINUM - OFF WHITE
11	050712-05-000	EA HANDLE-SCREEN DOOR, UNPAINTED
12	078552-05-000	EA INSERT-SCREEN DOOR, LOWER - MILL
	078595-02-000	EA PLATE-SCREEN DOOR
13	078777-03-000	EA CHANNEL-SLIDE, SCREEN DOOR CENTER SLIDER COVER - 17 4"
14	079086-02-000	EA SLIDER-SCREEN DOOR OFF WHITE
15	079087-02-000	EA STRIKE-SLIDER, W/LIP FOR ELBOW CATCH - 1 5" X 8 6" - OFF WHITE
16	067609-32-000	EA FRAME-WINDOW, ENTRY DOOR - OFF WHITE
16	079733-07-AA8	EA WINDOW-ENTRY DOOR, 17" X 25" - FROSTED GLASS
16	002191-07-000	EA GLASS-WINDOW, 182" X 16 25" X 24" - FROSTED
16	087561-01-000	FT SEAL-GLASS, EXTERIOR - 5" WIDE - VINYL - BLACK
16	079370-04-000	FT COVER-SCREW, WINDOW - VINYL - BLACK
	081914-01-000	EA BUMPER-RUBBER, ROUND - 43" DIAMETER - BLACK
17	089748-05-000	EA FRAME-DOOR, ENTRANCE - BOTTOM - OFF WHITE
	090340-01-000	FT SEAL-FOAM, CLOSED CELL - 1/4" X 1/2" X 50'
18	095276-02-01A	EA FRAME-DOOR, ENTRANCE - TOP & SIDES - OFF WHITE
19	095277-03-01A	EA JAMB-ENTRY DOOR W/BOTTOM OFF WHITE
20	051049-04-000	EA JAMB DOOR, ENTRANCE - BOTTOM - UNPAINTED
	079207-01-000	EA STRIKER ROLLER CATCH, WELDED TO DOOR JAMB - 4" X 1 15"
21	096810-01-01A	EA PLATE-LATCH, ENTRY DOOR - PLASTIC - BLACK
22	097724-01-04A	EA HINGE-ENTRY DOOR, UNPAINTED
23	098173-01-04A	EA STIFFENER ENTRY DOOR, SUPPORTS LATCH/STRIKE - UNPAINTED
	100128-02-000	FT SEAL-PILE, ADHESIVE BACK - SCREEN DOOR - GRAY
24	101145-01-01A	EA DEADBOLT-ENTRY DOOR W/2 KEYS W/O BOLT OR SCREWS
	095229-01-700	EA KEY-BLANK, DEADBOLT
	101147-01-000	EA BOLT-SECURITY, 4 12" BACKSET
	102524-01-000	EA BUMPER-RUBBER, FLAT - BLACK
25	044582-26-000	EA CAP-DRIP, DOOR JAMB MOUNTED - OFF WHITE
	075639-12-000	EA GARNISH-ENTRANCE DOOR, OFF WHITE
26	100412-01-000	EA CATCH-SCREEN DOOR, THUMB CLIP W/BLACK PLASTIC CAP
	076725-01-000	EA COVER-ACCESS/HINGE - 6" X 3 2" - PLASTIC - BEIGE
	009126-02-000	EA HANDLE-ASSIST ENTRY DOOR - BLACK
	077461-03-000	EA COVER-STRIKE ENTRY DOOR - 6 5" X 2 5" - PLASTIC - WHITE
	102248-01-000	EA SHIM-DOOR

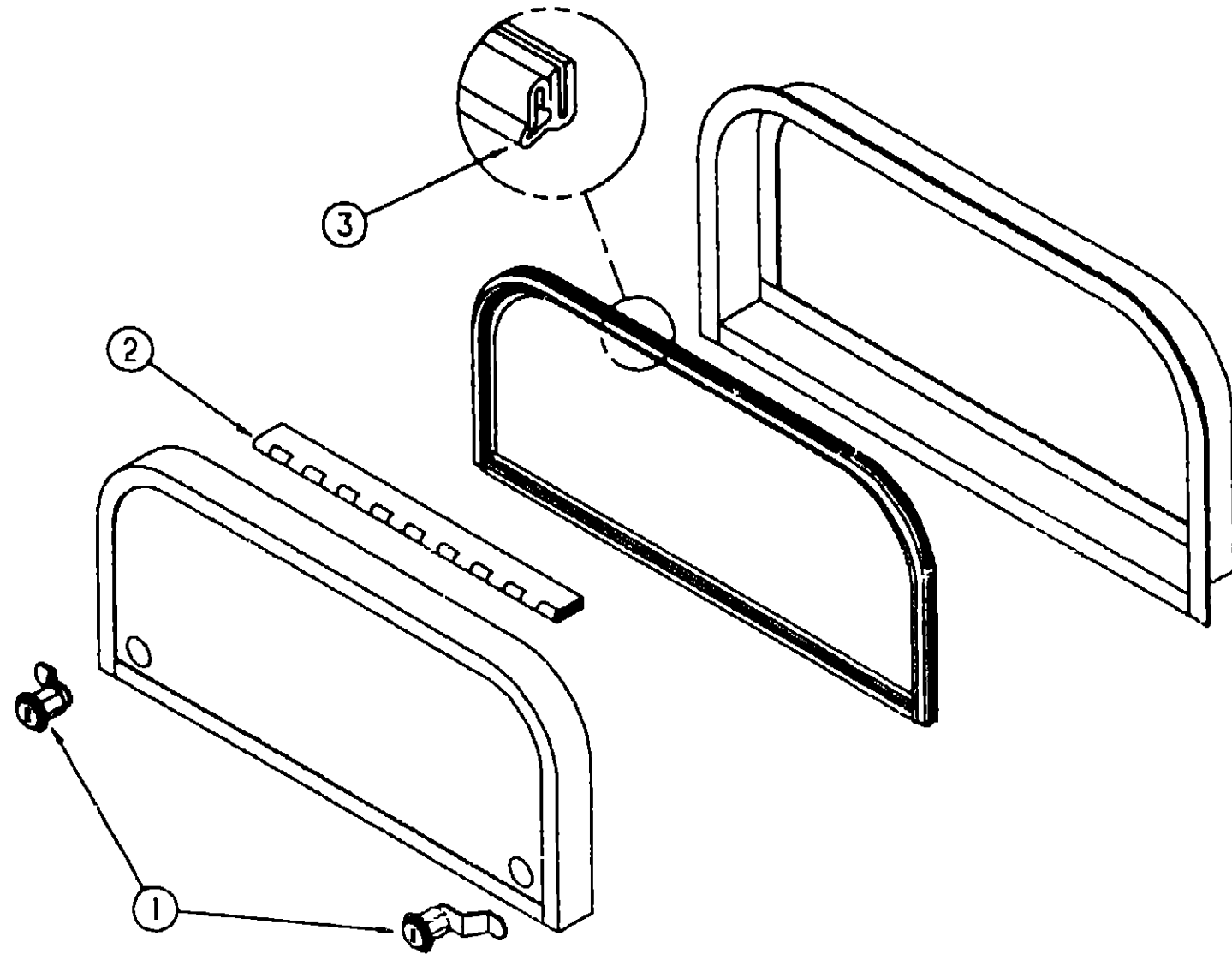
**1993 WINNEBAGO
TABLE OF CONTENTS**

INTRODUCTION	A-01	A-02
ABBREVIATIONS		A-03
ALPHABETICAL INDEX	A-04	A-08
WT321RB	A-07	C-22
WT321RL	C-23	F-18
WT321RD	F-17	I-10

1993 WT321RL INDEX

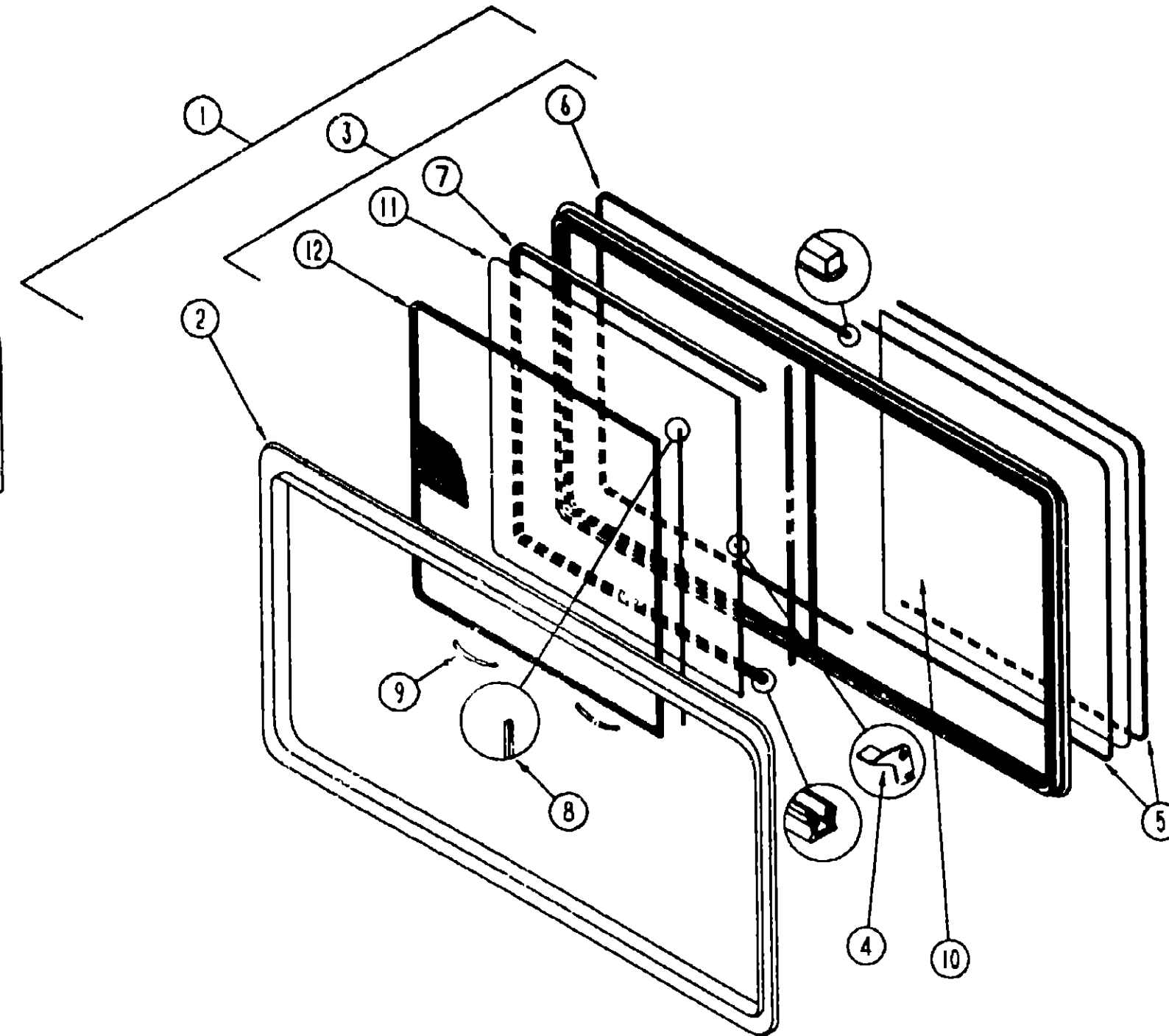
FLOOR PLAN	C-23	C-24
ACCESSORIES		D-01
AUDIO VIDEO		D-02
BATH	D-03	D-04
CHASSIS	D-05	D-06
CURTAIN & CUSHION	D-07	D-13
DINETTE		D-14
DRIVERS COMPARTMENT		D-15
ELECTRICAL	D-16	D-19
EXTERIOR BODY	D-20	D-24
GALLEY	E-01	E-05
GENERATOR		E-06
HEATING & A/C		E-07
INTERIOR FINISH	E-08	E-10
LABELS	E-11	E-16
LP		E-17
LOUNGE		E-18
SEALANTS & FASTENERS	E-19	E-20
WATER & SEWAGE	E-21	E-24
WINDOW, VENT AND EXTERIOR DOOR	F-01	F-16

WINDOW, VENT & EXTERIOR DOOR GROUP (CONTINUED)



EXTERIOR DOORS

WINDOW, VENT & EXTERIOR DOOR GROUP (CONTINUED)



LOUNGE SINGLE SLIDING WINDOW

**1993 WINNEBAGO
TABLE OF CONTENTS**

INTRODUCTION	A-01 -	A-02
ABBREVIATIONS		A-03
ALPHABETICAL INDEX	A-04 -	A-08
WT321RB	A-07 -	C-22
WT321RL	C-23 -	F-16
WT321RD	F-17 -	I-10

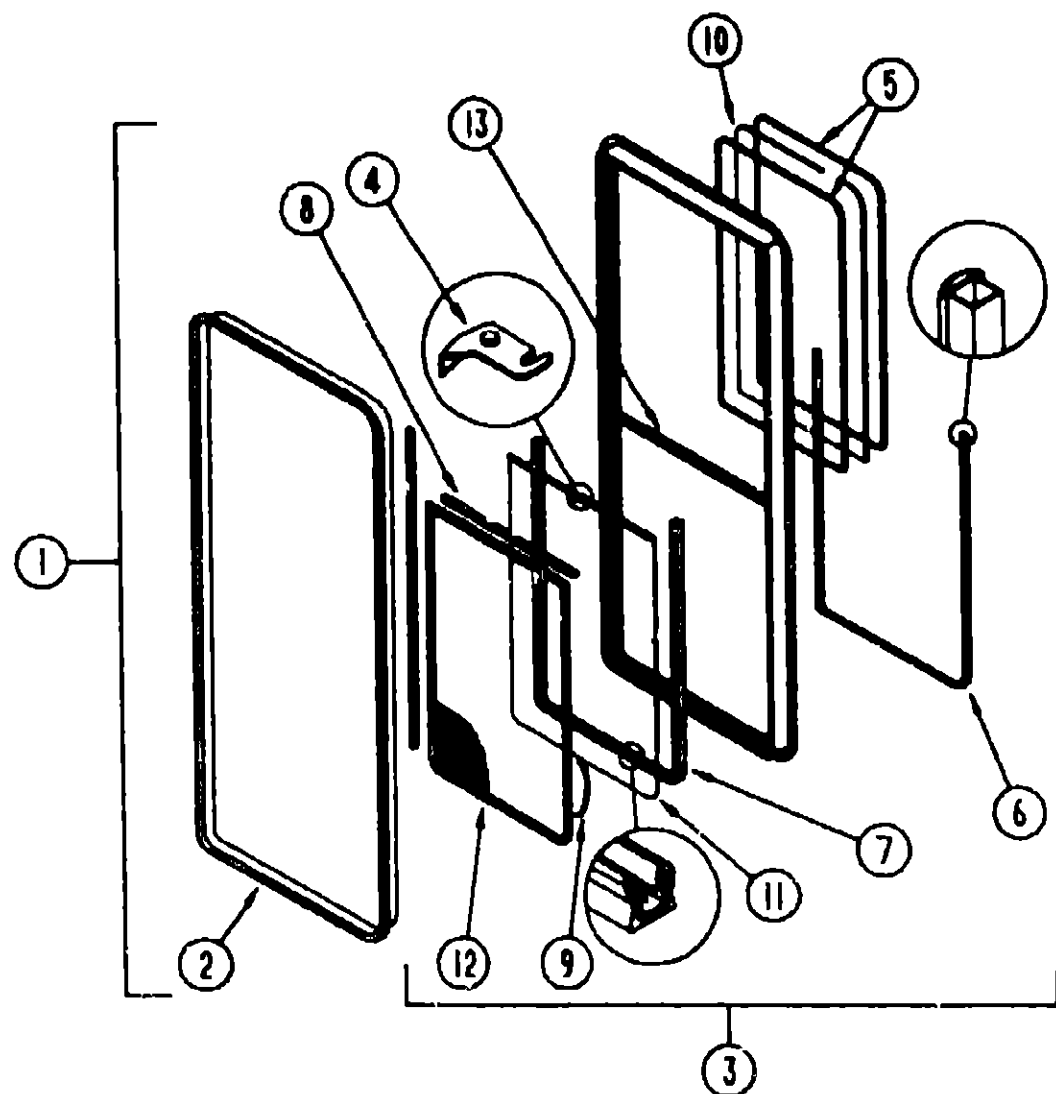
1993 WT321RL INDEX

FLOOR PLAN	C-23 -	C-24
ACCESSORIES		D-01
AUDIO VIDEO		D-02
BATH	D-03 -	D-04
CHASSIS	D-05 -	D-06
CURTAIN & CUSHION	D-07 -	D-13
DINETTE		D-14
DRIVERS COMPARTMENT		D-15
ELECTRICAL	D-16 -	D-19
EXTERIOR BODY	D-20 -	D-24
GALLEY	E-01 -	E-05
GENERATOR		E-06
HEATING & A/C		E-07
INTERIOR FINISH	E-08 -	E-10
LABELS	E-11 -	E-16
LIP		E-17
LOUNGE		E-18
SEALANTS & FASTENERS	E-19 -	E-20
WATER & SEWAGE	E-21 -	E-24
WINDOW, VENT AND EXTERIOR DOOR	F-01 -	F-16

KEY	PART NUMBER	U/M	DESCRIPTION
1	079366-04-000	EA	LOCK DOOR, KEY TYPE W/O KEYS - 1 9 OFF SET
	083223-03-000	EA	LOCK-KEY TYPE (SET OF 1) W/O KEY (LUGGAGE DOOR)
	082684-01-700	EA	KEY-COMPARTMENT DOOR LOCK, BH024
	009003-01-000	EA	LOCK-TWIST TYPE W/CLIP
2	034007-40-000	EA	HINGE-PIANO, 1 5" X 96" - ALUMINUM - OFF WHITE
2	009065-01-000	EA	HINGE-ALUMINUM, 1 1/2" X 96" - UNPAINTED
2	081801-02-000	EA	HINGE-2" X 96", OFF WHITE
3	064075-07-000	FT	SEAL-BULB W/WIRED U-CHANNEL - 3" X 5" CHANNEL BLACK
	002748-01-000	EA	CORNER KEY-DOOR
	103226-51-003	EA	TRIM-EXTRUDED, Z ANGLE - 41MM - ALUMINUM - EXTERIOR SHOWER
	091876-01-000	EA	RETAINER-DOOR, 1 9" X 8" - METAL
	090340-01-000	FT	SEAL-FOAM, CLOSED CELL - 1/4" X 1/2" X 50'
	104692-01-000	FT	SEAL-ADHESIVE BACK, 3/4" X 34"
	107997-51-001	EA	SPACER- 86" X 6", ALUMINUM - EXTERIOR SHOWER
	109833-01-000	EA	BEAUTY RING 67" X 78" ID - STAINLESS STEEL - HUDSON LOCK EXTERIOR SHOWER
	109834-01-000	EA	WASHER- 64" X 752" ID, STAINLESS STEEL - EXTERIOR SHOWER

KEY	PART NUMBER	U/M	DESCRIPTION
1	098647-12-02A	EA	WINDOW-SLIDING W/OFF WHITE INSIDE FRAME - EXCEL H023-PRL
2	098647-11-705	EA	FRAME-INSIDE OFF WHITE - EXCEL W023-67
3	098647-12-700	EA	WINDOW-SLIDING, SINGLE - W/O INSIDE FRAME - 27" X 49" - EXCEL H023-GGL
4	098644-01-700	EA	LATCH-REPAIR KIT, EXCEL B801-CK
	098644-01-716	FT	PLUG FILLER, EXCEL 132-014470
	098644-01-717	FT	SPLINE-SCREEN, EXCEL 132-004716
5	098644-01-705	FT	GLAZING STRIP, EXCEL M926-12
6	098644-01-706	FT	WEATHERSTRIP, EXCEL 171-010668
7	098644-01-708	FT	CHANNEL-PIERCED RUN, EXCEL 122-016543
	098644-01-710	FT	TRACK-SCREEN SPACER, 12' LENGTH - EXCEL M401-31
	098644-01-711	FT	WEATHERSTRIP-SCREEN, BLACK - EXCEL 171-016965
8	098644-01-713	EA	SPRING-SCREEN FRAME (CLIP), PLASTIC - BLACK
9	098647-12-701	EA	GLASS-STATIONARY, EXCEL 106-017262
10	098647-08-705	EA	RAIL-LOCKING W/WEATHERSTRIP, EXCEL H022-17
11	098647-11-701	EA	GLASS-SLIDING, W/SASH & LOCK - EXCEL H023-69
12	098647-11-704	EA	SCREEN-W/SPRING & WEATHERSTRIP - EXCEL 410016-463

WINDOW, VENT & EXTERIOR DOOR GROUP (CONTINUED)
LOUNGE VERTICAL SLIDING WINDOW



KEY	PART NUMBER	U/M	DESCRIPTION
1	098644-02-02A	EA	WINDOW-VERTICAL SLIDER W/WHITE INSIDE FRAME, EXCEL H079-PR
2	098644-02-708	EA	FRAME-INSIDE, OFF WHITE - EXCEL V961-87
3	098644-02-705	EA	WINDOW-VERTICAL SLIDER W/O INSIDE FRAME, 34 25" X 15" - EXCEL H079-GR
4	098644-01-700	EA	LATCH-REPAIR KIT, EXCEL B901-CK
	098644-01-716	FT	PLUG-FILLER, EXCEL 132-014470
	098644-01-717	FT	SPLINE-SCREEN, EXCEL 132-004718
5	098644-01-705	FT	GLAZING STRIP, EXCEL M926-12
6	098644-01-706	FT	WEATHERSTRIP, EXCEL 171-010688
7	098644-01-708	FT	CHANNEL-PIERCED RUN, EXCEL 122-018543
	098644-01-710	FT	TRACK-SCREEN SPACER, 12' LENGTH - EXCEL M401-31
8	098644-01-711	FT	WEATHERSTRIP-SCREEN, BLACK - EXCEL 171-018965
9	098644-01-713	EA	SPRING-SCREEN FRAME (CLIP), PLASTIC - BLACK - EXCEL 226-018986
10	098644-02-700	EA	GLASS-STATIONARY, 16 15" X 13 77" - EXCEL 106-011864
11	098644-02-701	EA	GLASS-SLIDING, W/SASH & LATCH - EXCEL B961-G9
12	098644-02-703	EA	SCREEN W/WEATHERSTRIP & FRAME SPRING (CLIP), EXCEL 410-016
13	098644-01-707	EA	RAIL-LOCKING, W/WEATHERSTRIP - EXCEL B370-17

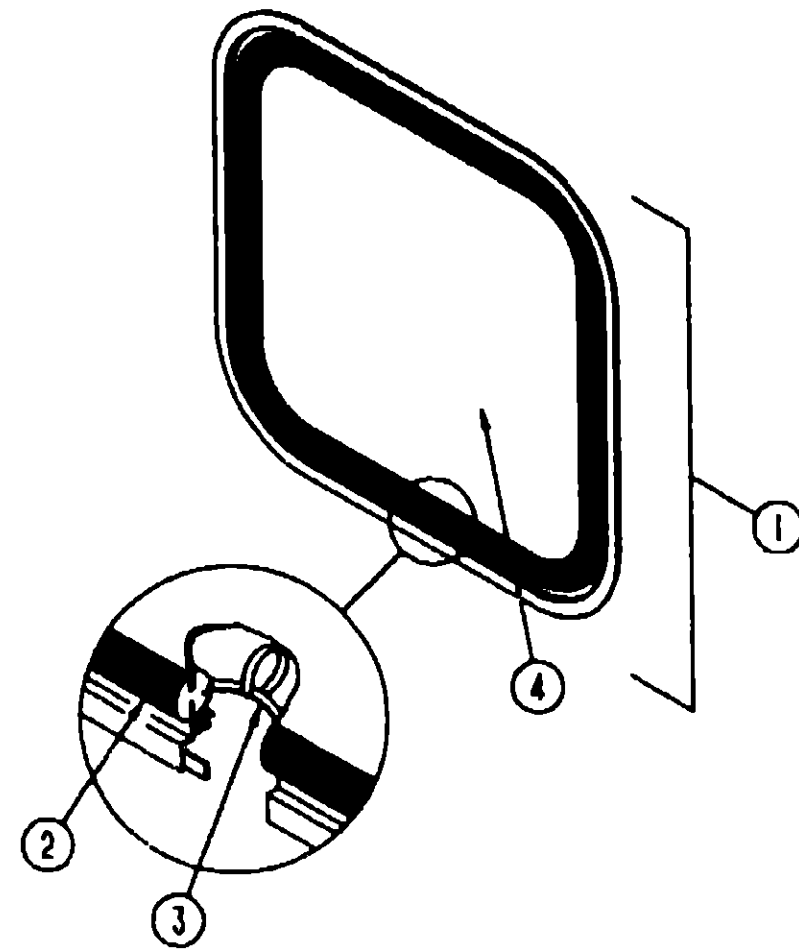
1993 WINNEBAGO
TABLE OF CONTENTS

INTRODUCTION	A-01 -	A-02
ABBREVIATIONS		A-03
ALPHABETICAL INDEX	A-04 -	A-06
WT321RB	A-07 -	C-22
WT321RL	C-23 -	F-18
WT321RD	F-17 -	I-10

1993 WT321RL INDEX

FLOOR PLAN	C-23 -	C-24
ACCESSORIES		D-01
AUDIO VIDEO		D-02
BATH	D-03 -	D-04
CHASSIS	D-05 -	D-06
CURTAIN & CUSHION	D-07 -	D-13
DINETTE		D-14
DRIVERS COMPARTMENT		D-15
ELECTRICAL	D-16 -	D-19
EXTERIOR BODY	D-20 -	D-24
GALLEY	E-01 -	E-05
GENERATOR		E-06
HEATING & A/C		E-07
INTERIOR FINISH	E-08 -	E-10
LABELS	E-11 -	E-16
LP		E-17
LOUNGE		E-18
SEALANTS & FASTENERS	E-19 -	E-20
WATER & SEWAGE	E-21 -	E-24
WINDOW, VENT AND		
EXTERIOR DOOR	F-01 -	F-16

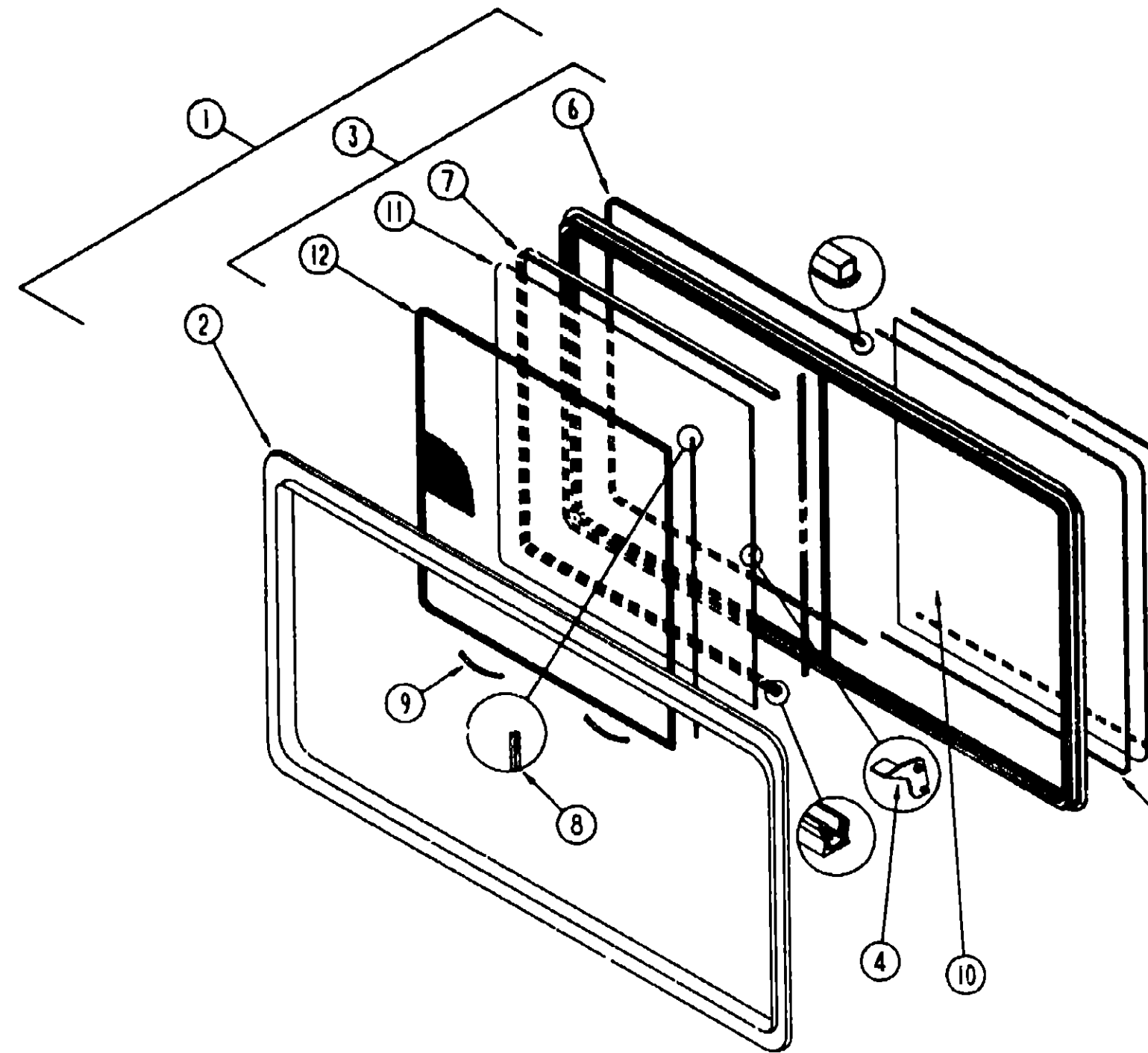
WINDOW, VENT & EXTERIOR DOOR GROUP (CONTINUED)



BACKWALL ESCAPE WINDOW

KEY	PART NUMBER	U/M DESCRIPTION
	020749-10-000	EA FRAME-WINDOW INSIDE - OFF WHITE
1	079729-02-T03	EA WINDOW-ESCAPE, REAR - 22" X 24"
2	002282-02-000	EA WEATHERSTRIP-WINDOW, 125' VULCANIZED - 79 1" LONG - BLACK
	077066-01-702	EA TAPE ASM-ESCAPE WINDOW, RED
3	002285-01-000	FT FILLER WEATHER STRIP, RUBBER - BLACK
4	041392-03-000	EA GLASS WINDOW, 1/8" X 2: 65" X 19 61"

WINDOW, VENT & EXTERIOR DOOR GROUP (CONTINUED)



GALLEY SINGLE SLIDING WINDOW

KEY	PART NUMBER	U/M DESCRIPTION
1	098647-07-02A	EA WINDOW-SLIDING W/OFF WHITE INSIDE FRAME - EXCEL B969-PRL
2	098647-06-706	EA FRAME-INSIDE, OFF WHITE - EXCEL V969-67
3	098647-07-700	EA WINDOW-SLIDING, SINGLE - W/O INSIDE FRAME - 15" X 23 75" - EXCEL B969-G2L
4	098644-01-700	EA LATCH-REPAIR KIT, EXCEL B801-CK
	098644-01-716	FT PLUG-FILLER, EXCEL 132-014470
	098644-01-717	FT SPLINE-SCREEN, EXCEL 132-004716
5	098644-01-705	FT GLAZING STRIP, EXCEL M926-12
6	098644-01-706	FT WEATHERSTRIP, EXCEL 171-010668
7	098644-01-703	FT CHANNEL-PIERCED RUN, EXCEL 122-016543
	098644-01-710	FT TRACK-SCREEN SPACER, 12' LENGTH - EXCEL M401-31
8	098644-01-711	FT WEATHERSTRIP-SCREEN, BLACK - EXCEL 171-016965
9	098644-01-713	EA SPRING-SCREEN FRAME (CLIP), PLASTIC - BLACK
10	098647-06-700	EA GLASS-STATIONARY, 10 91" X 13 77" - EXCEL 106-016921
	098647-06-701	EA RAIL-LOCKING W/WEATHERSTRIP, EXCEL B938-17
11	098647-06-702	EA GLASS-SLIDING, W/SASH & LATCH - EXCEL B969-G9
12	098647-06-703	EA SCREEN W/WEATHERSTRIP & FRAME SPRING (CLIP), EXCEL 410-016

1993 WINNEBAGO
TABLE OF CONTENTS

INTRODUCTION	A-01 -	A-02
ABBREVIATIONS		A-03
ALPHABETICAL INDEX	A-04 -	A-06
WT321RB	A-07 -	C-22
WT321RL	C-23 -	F-16
WT321RD	F-17 -	I-10

1993 WT321RL INDEX

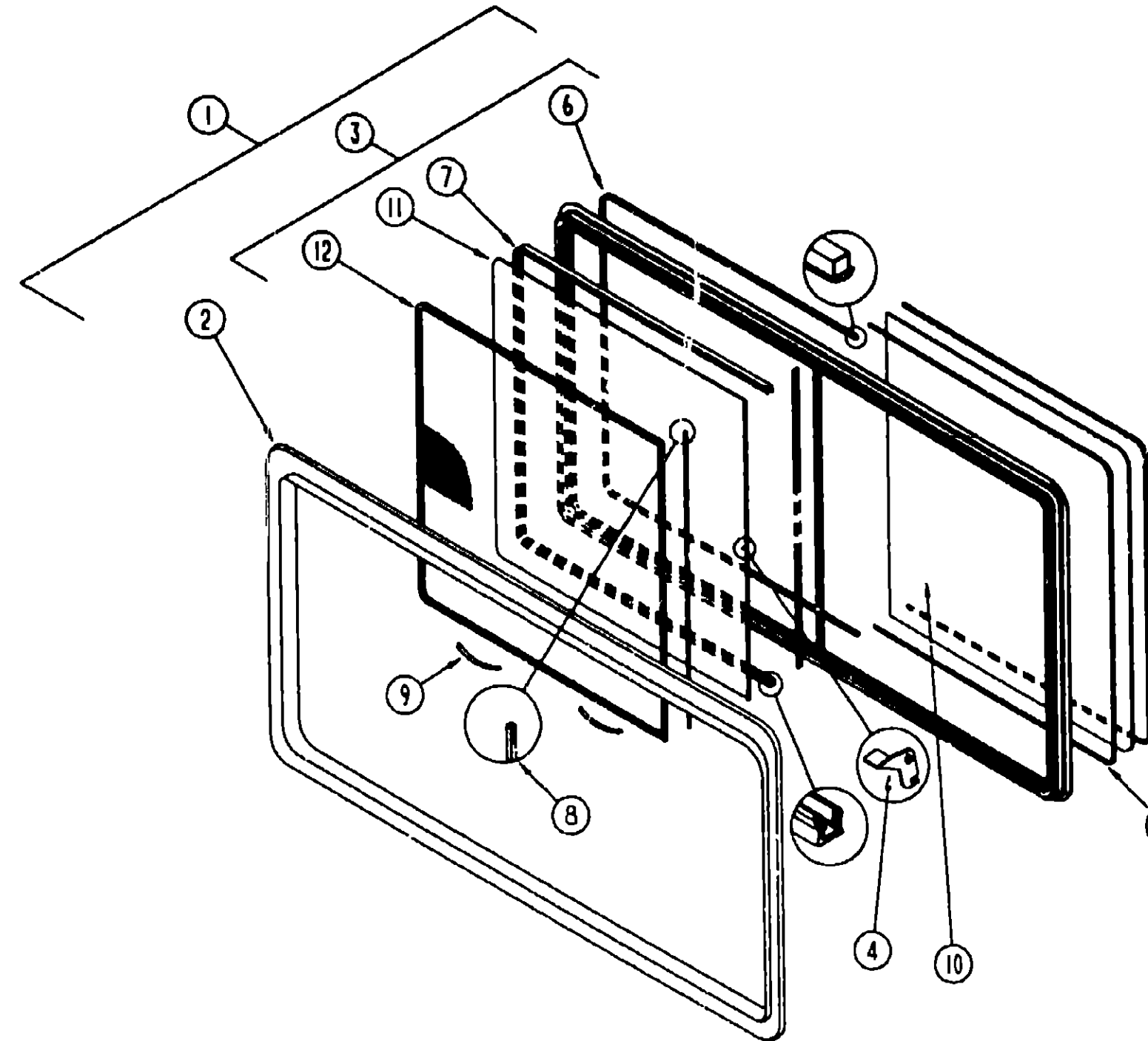
FLOOR PLAN	C-23 -	C-24
ACCESSORIES		D-01
AUDIO VIDEO		D-02
BATH	D-03 -	D-04
CHASSIS	D-05 -	D-06
CURTAIN & CUSHION	D-07 -	D-13
DINETTE		D-14
DRIVEPS COMPARTMENT		D-15
ELECTRICAL	D-16 -	D-19
EXTERIOR BODY	D-20 -	D-24
GALLEY	E-01 -	E-05
GENERATOR		E-06
HEATING & A/C		E-07
INTERIOR FINISH	E-08 -	E-10
LABELS	E-11 -	E-16
LP		E-17
LOUNGE		E-18
SEALANTS & FASTENERS	E-19 -	E-20
WATER & SEWAGE	E-21 -	E-24
WINDOW, VENT AND EXTERIOR DOOR	F-01 -	F-16

WINDOW, VENT & EXTERIOR DOOR GROUP (CONTINUED)
PASSENGER SIDE BUNK SLANTED SLIDER WINDOWS

WINDOW, VENT & EXTERIOR DOOR GROUP (CONTINUED)

1993 WINNEBAGO
TABLE OF CONTENTS

INTRODUCTION	A-01 -	A-02
ABBREVIATIONS		A-03
ALPHABETICAL INDEX	A-04 -	A-06
WT321RB	A-07 -	C-22
WT321RL	C-23 -	F-18
WT321RD	F-17 -	I-10



BUNK SLIDING WINDOWS

1993 WT321RL INDEX

FLOOR PLAN	C-23 -	C-24
ACCESSORIES		D-01
AUDIO VIDEO		D-02
BATH	D-03 -	D-04
CHASSIS	D-05 -	D-06
CURTAIN & CUSHION	D-07 -	D-13
DINETTE		D-14
DRIVERS COMPARTMENT		D-15
ELECTRICAL	D-16 -	D-19
EXTERIOR BODY	D-20 -	D-24
GALLEY	E-01 -	E-05
GENERATOR		E-06
HEATING & A/C		E-07
INTERIOR FINISH	E-08 -	E-10
LABELS	E-11 -	E-16
LP		E-17
LOUNGE		E-18
SEALANTS & FASTENERS	E-19 -	E-20
WATER & SEWAGE	E-21 -	E-24
WINDOW VENT AND EXTERIOR DOOR	F-01 -	F-16

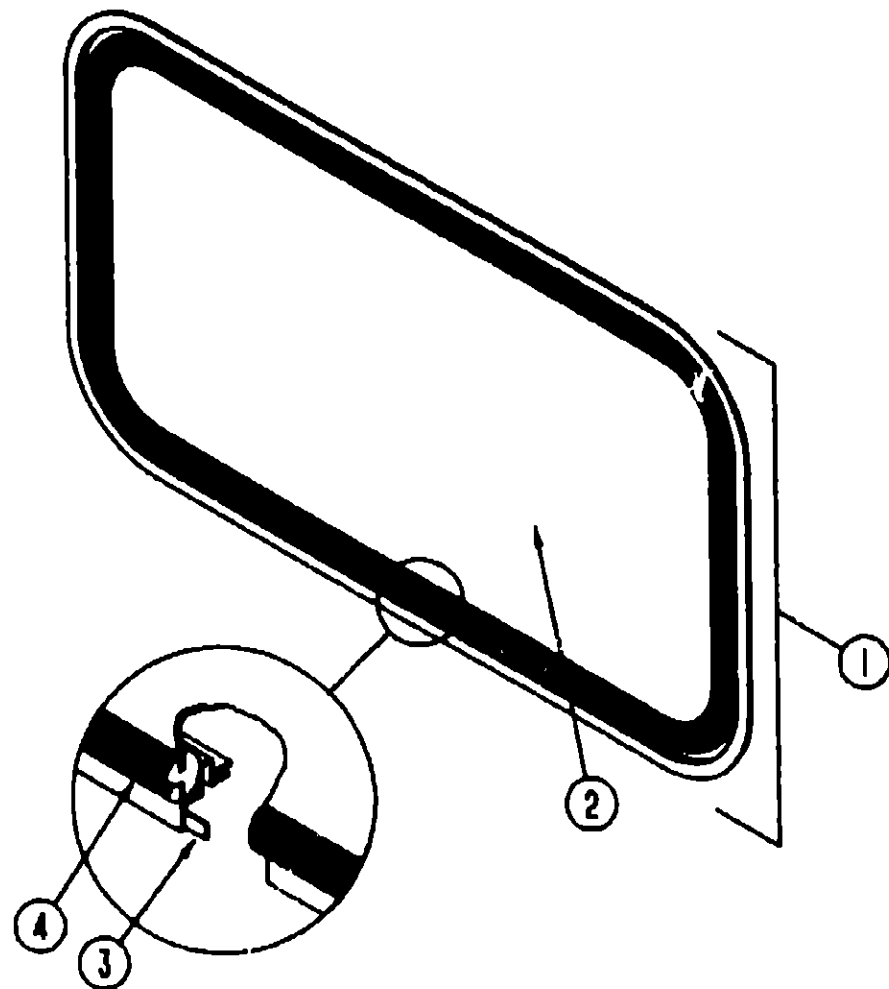
KEY	PART NUMBER	U/M DESCRIPTION
	098646-03-02A	EA WINDOW-PASSENGER SIDE, W/OFF WHITE INSIDE FRAME - EXCEL H245-MRR FROM 00-00-00 THRU 07-19-92
	098646-03-703	EA TRIM-INSIDE, PASSENGER SIDE - OFF WHITE - EXCEL W245-67R
	098646-03-707	EA WINDOW-SLIDING, W/O INSIDE FRAME - EXCEL H245G1R
	098644-01-700	EA LATCH-REPAIR KIT, EXCEL B801-CK
	098644-05-701	EA GLASS-SLIDING, W/SASH & LATCH - EXCEL B948-G8
	098644-01-705	FT GLAZING STRIP, EXCEL M926-12
	098644-01-706	FT WEATHERSTRIP, EXCEL 171-010668
	098644-01-708	FT CHANNEL-PIERCED RUN, EXCEL 122-018543
	098644-01-710	FT TRACK-SCREEN SPACER, 12' LENGTH - EXCEL M401-31
	098644-01-711	FT WEATHERSTRIP-SCREEN, BLACK - EXCEL 171-016965
	098644-01-713	EA SPRING-SCREEN FRAME (CLIP), PLASTIC - BLACK
	098644-01-716	FT PLUG-FILLER, EXCEL 132-014470
	098644-01-717	FT SPLINE-SCREEN, EXCEL 132-004716
	098646-03-700	EA FILLER STRIP, EXCEL G03726
	098646-03-705	EA SCREEN ASSEMBLY - EXCEL 410016475
	098646-03-704	EA GLASS-STATIONARY, EXCEL 106017492

DRIVER SIDE BUNK SLANTED SLIDER WINDOWS

KEY	PART NUMBER	U/M DESCRIPTION
	098646-04-02A	EA WINDOW DRIVER SIDE, W/OFF WHITE INSIDE FRAME - EXCEL H245-MRL FROM 00-00-00 THRU 07-19-92
	098646-04-702	EA TRIM-INSIDE, PASSENGER SIDE - OFF WHITE - EXCEL W245-67L
	098646-04-703	EA WINDOW-SLIDING, W/O INSIDE FRAME - EXCEL H245G1R
	098644-01-700	EA LATCH-REPAIR KIT, EXCEL B801-CK
	098644-05-701	EA GLASS-SLIDING, W/SASH & LATCH - EXCEL B948-G8
	098644-01-705	FT GLAZING STRIP, EXCEL M926-12
	098644-01-706	FT WEATHERSTRIP, EXCEL 171-010668
	098644-01-708	FT CHANNEL-PIERCED RUN, EXCEL 122-016543
	098644-01-710	FT TRACK-SCREEN SPACER, 12' LENGTH - EXCEL M401-31
	098644-01-711	FT WEATHERSTRIP-SCREEN, BLACK - EXCEL 171-016965
	098644-01-713	EA SPRING-SCREEN FRAME (CLIP), PLASTIC - BLACK
	098644-01-716	FT PLUG-FILLER, EXCEL 132-014470
	098644-01-717	FT SPLINE-SCREEN, EXCEL 132-004716
	098646-03-700	EA FILLER STRIP, EXCEL G03726
	098646-03-705	EA SCREEN ASSEMBLY - EXCEL 410016475
	098646-03-704	EA GLASS-STATIONARY, EXCEL 106017492

KEY	PART NUMBER	U/M DESCRIPTION	
1	098647-18-01A	EA WINDOW-PASSENGER SIDE, W/WHITE INSIDE FRAME - EXCEL B951-PRR FROM 07-20 92 THRU 99-99-99	
1	098647-19-01A	EA WINDOW-DRIVER SIDE, W/WHITE INSIDE FRAME - EXCEL B951-PRL FROM 07-20-92 THRU 99-99-99	
2	098647-18-700	EA FRAME-WINDOW, INSIDE - WHITE - EXCEL V951-67	
3	098647-18-702	EA WINDOW SLIDING, W/O INSIDE FRAME - PASS SIDE - 12" X 24" - EXCEL B951-G2R	
3	098647-19-700	EA WINDOW-SLIDING, W/O INSIDE FRAME - DRIVER SIDE - 12" X 24" - EXCEL B951-PRL	
4	098644-01-700	EA LATCH-REPAIR KIT, EXCEL B801-CK	
5	098644-01-705	FT GLAZING STRIP, EXCEL M926-12	
6	098644-01-706	FT WEATHERSTRIP, EXCEL 171-010668	
7	098644-01-708	FT CHANNEL-PIERCED RUN, EXCEL 122-016543	
8	098644-01-711	FT WEATHERSTRIP-SCREEN, BLACK - EXCEL 171-016965	
9	098644-01-713	EA SPRING-SCREEN FRAME (CLIP), PLASTIC - BLACK - EXCEL 226-016966	
10	098647-18-701	EA GLASS-STATIONARY, EXCEL 106011829	
	098646-01-701	EA RAIL-LOCKING W/WEATHERSTRIP, EXCEL B862-17	
	098644-01-716	FT PLUG-FILLER, EXCEL 132-014470	
	098644-01-710	FT TRACK-SCREEN SPACER, 12' LENGTH - EXCEL M401-31	
	098644-01-717	FT SPLINE-SCREEN, EXCEL 132-004716	
11	098646-01-702	EA GLASS-SLIDING, W/SASH & LOCK - EXCEL B948-G9	
F-11	12	098646-03-705	EA SCREEN ASSEMBLY - EXCEL 410016475

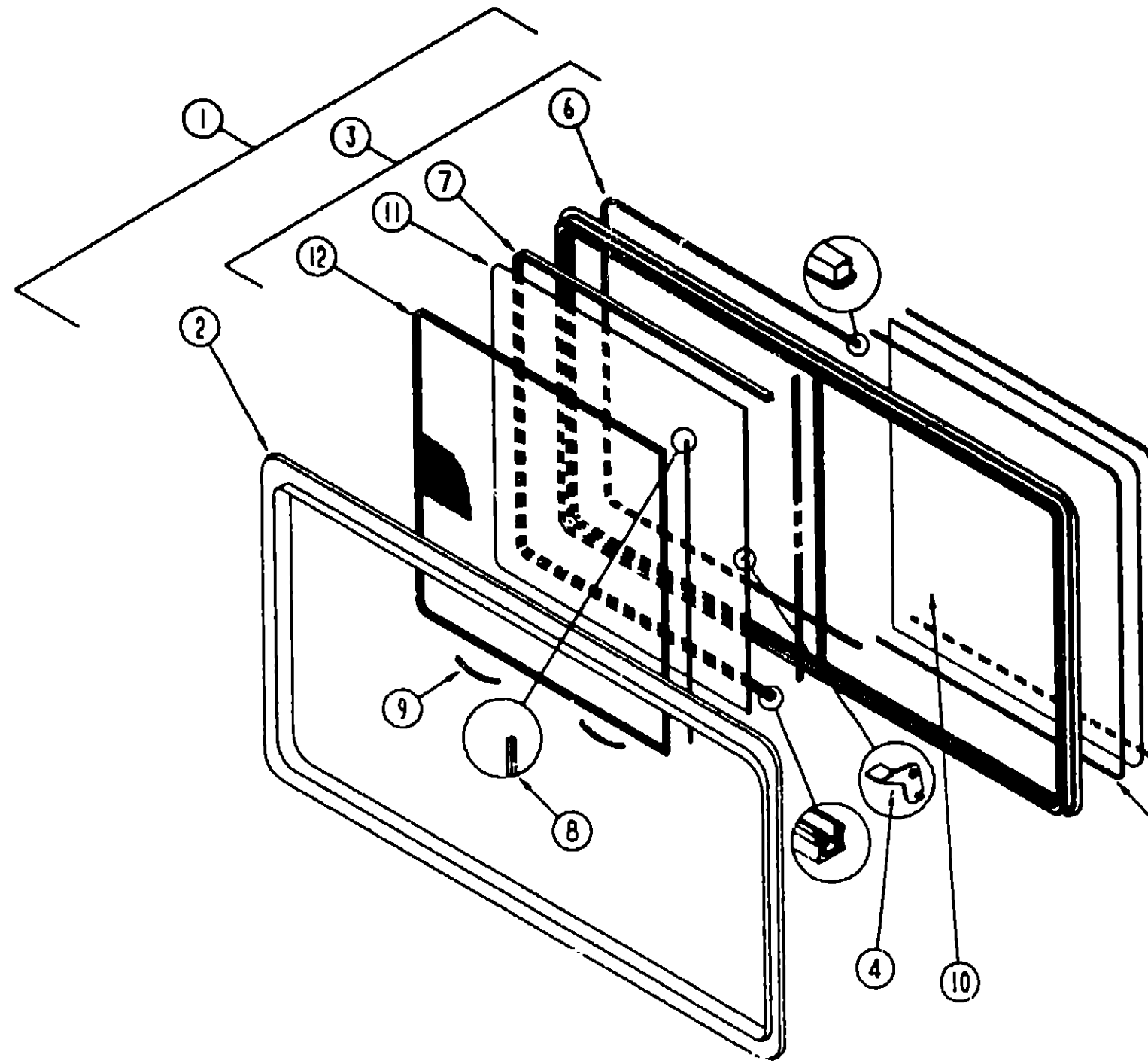
WINDOW, VENT & EXTERIOR DOOR GROUP (CONTINUED)



OVERHEAD BUNK FRONT WINDOW

KEY	PART NUMBER	U/M DESCRIPTION
	067609-34-000	EA FRAME-WINDOW, INSIDE - OFF WHITE
1	103313-02-C09	EA WINDOW-PICTURE, 58 6" X 11 6" - W/O INSIDE FRAME
2	002181-16-000	EA GLASS-PICTURE, 11 25" X 58 1" - GRAY
3	069640-11-000	FT SEALER-TAPE, 3/16" X 3/8" BLACK
4	099154-01-000	FT CHANNEL-GLAZING, STATIONARY GLASS - 62" X 45" - BLACK

WINDOW, VENT & EXTERIOR DOOR GROUP (CONTINUED)



DINETTE SINGLE SLIDING WINDOW

KEY	PART NUMBER	U/M DESCRIPTION
1	098647-08-02A	EA WINDOW-SLIDING, W/OFF WHITE INSIDE FRAME - EXCEL H022 PRF
2	098647-08-704	EA FRAME-INSIDE, OFF WHITE - EXCEL W022-E7
3	098647-08-701	EA WINDOW-SLIDING, W/O INSIDE FRAME - EXCEL H022 GRR
4	098644-01-700	EA LATCH REPAIR KIT, EXCEL B801-CK
	098644-01-716	PLUG-FILLER, EXCEL 132-014470
	098644-01-717	SPLINE-SCREEN, EXCEL 132-004716
5	098644-01-705	FT GLAZING STRIP, EXCEL M926-12
6	098644-01-706	FT WEATHERSTRIP, EXCEL 171-010668
7	098644-01-708	FT CHANNEL-PIERCED RUN, EXCEL 122-016543
	098644-01-710	FT TRACK-SCREEN SPACER, 12' LENGTH - EXCEL M401-31
8	098644-01-711	FT WEATHERSTRIP-SCREEN, BLACK - EXCEL 171-016965
9	098644-01-713	EA SPRING-SCREEN FRAME (CLIP) PLASTIC - BLACK
10	098647-08-700	EA GLASS-STATIONARY, EXCEL 106-014759
	098647-08-705	EA RAIL LOCKING W/WEATHERSTRIP, EXCEL H022-17
11	098647-08-703	EA GLASS-SLIDING, W/SASH & LOCK - EXCEL H022-G9
12	098647-08-706	EA SCREEN W/WEATHERSTRIP&SPRING - EXCEL 410-016-462

**1993 WINNEBAGO
TABLE OF CONTENTS**

INTRODUCTION	A-01 - A-02
ABBREVIATIONS	A-03
ALPHABETICAL INDEX	A-04 - A-06
WT321RB	A-07 - C-22
WT321RL	C-23 - F-16
WT321RD	F-17 - I-10

1993 WT321RL INDEX

FLOOR PLAN	C-23 - C-24
ACCESSORIES	- D-01
AUDIO VIDEO	- D-02
BATH	D-03 - D-04
CHASSIS	D-05 - D-06
CURTAIN & CUSHION	D-07 - D-13
DINETTE	- D-14
DRIVERS COMPARTMENT	- D-15
ELECTRICAL	D-16 - D-19
EXTERIOR BODY	D-20 - D-24
GALLEY	E-01 - E-05
GENERATOR	- E-06
HEATING & A/C	- E-07
INTERIOR FINISH	E-08 - E-10
LABELS	E-11 - E-16
LP	E-17
LOUNGE	E-18
SEALANTS & FASTENERS	E-19 - E-20
WATER & SEWAGE	E-21 - E-24
WINDOW, VENT AND EXTERIOR DOOR	F-01 - F-16

WINDOW, VENT & EXTERIOR DOOR GROUP (CONTINUED)

POWERED ROOF VENT FROM: 00-00-00 THRU: 10-04-92

KEY	PART NUMBER	U/M DESCRIPTION
	090394-01-Y12	EA VENT-ROOF, POWERED
	002825-01-000	EA WEATHER STRIP-ROOF VENT, GRAY
	008196-01-000	EA SWITCH-ROOF VENT, PUSH BUTTON, 12V
	008343-01-000	EA TIE-WIRE, 6"
	008388-01-000	EA GROMMET-SNAP, 3/8"
	009440-01-000	EA GEAR/ARM-VENT COVER, LIFT
	015910-03-000	EA BRACKET-HANDLE, ROOF VENT - OFF WHITE
	015911-01-000	EA TRACK-LIFT ARM, SLIDE - ROOF VENT
	048648-01-000	EA MOTOR-ROOF VENT, 1/8 SHAFT - 12V - JENSEN
	048649-01-000	EA FAN-ROOF VENT, 6 BLADES - 8" - JENSEN
	055218-01-000	EA COVER-ROOF VENT
	052639-01-200	EA HINGE-EXTRUSION, ROOF VENT 7"
	052639-01-001	EA HINGE-VENT COVER, 16"
	061803-01-000	EA GROMMET-SNAP, 3/16"ID - 3/8" HOLE - PLASTIC - BLACK
	078785-01-Y12	EA SCREEN-ROOF VENT, POWERED
	002291-02-000	SF SCREENING-ROOF VENT/WINDOW, 16" - BLACK
	002298-02-000	FT SPLINE-VENT/WINDOW SCREEN, 128 DIAMETER - BLACK
	009439-01-000	EA CRANK HANDLE-ROOF VENT
	009439-03-000	EA EXTENSION-CRANK HANDLE ROOF VENT - 9" - MILL
	009439-04-000	EA SCREW 8-32 X 1 1/4" POH

POWERED ROOF VENT (FROM: 10-05-92 THRU: 99-99-99)

KEY	PART NUMBER	U/M DESCRIPTION
	110051-03-01A	EA VENT-ROOF, POWERED - 2" ROOF - JENSEN 7757 WHE
	048648-01-000	EA MOTOR-ROOF VENT, 1/8 SHAFT - 12V - JENSEN
	048649-01-000	EA FAN-ROOF VENT, 6 BLADES - 6" - JENSEN
	064470-01-700	EA COVER-ROOF VENT, JENSEN 7291
	110051-01-701	EA GARNISH W/SCREEN & FRAME-2", JENSEN 29-800-01
	110051-01-702	EA LIFT ASM-VENT LID W/O CRANK, JENSEN RP-1000B
	110051-01-703	EA CRANK JENSEN RP-1031-B

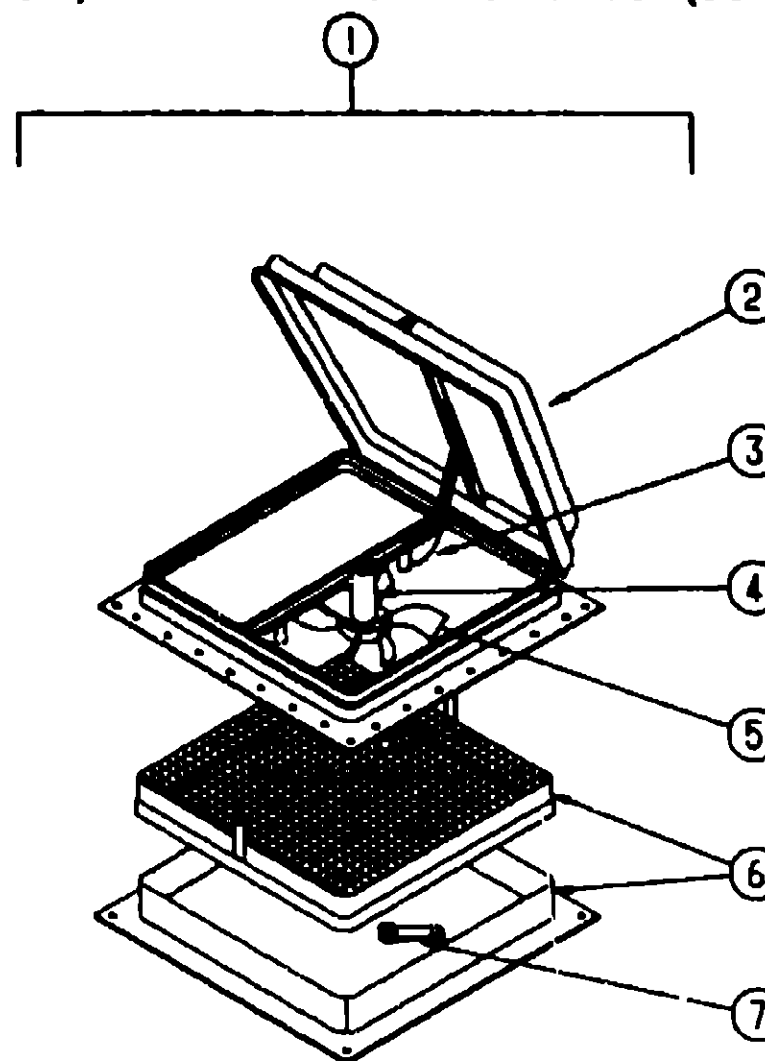
NONPOWERED ROOF VENT (FROM: 00-00-00 THRU: 10-04-92)

KEY	PART NUMBER	U/M DESCRIPTION
	090395-01-Y12	EA VENT-ROOF, NONPOWERED
	009439-01-000	EA CRANK HANDLE-ROOF VENT
	009439-03-000	EA EXTENSION-CRANK HANDLE ROOF VENT - 9" - MILL
	009439-04-000	EA SCREW 8-32 X 1 1/4" POH
	002825-01-000	EA WEATHER STRIP-ROOF VENT, GRAY
	009440-01-000	EA GEAR/ARM-VENT COVER, LIFT
	015910-03-000	EA BRACKET-HANDLE, ROOF VENT - OFF WHITE
	015911-01-000	EA TRACK-LIFT ARM, SLIDE - ROOF VENT
	055218-01-000	EA COVER-ROOF VENT
	052639-01-001	EA HINGE-VENT COVER, 16"
	052639-01-200	EA HINGE-EXTRUSION, ROOF VENT 7"
	078786-01-Y12	EA SCREEN ROOF VENT, NON POWERED - WHITE
	002291-02-000	SF SCREENING-ROOF VENT/WINDOW, 16" - BLACK
	002298-02-000	FT SPLINE-VENT/WINDOW SCREEN, 128 DIAMETER - BLACK

POWERED ROOF VENT (FROM: 10-05-92 THRU: 99-99-99)

KEY	PART NUMBER	U/M DESCRIPTION
	110051-01-01A	EA VENT-ROOF, NONPOWERED - 2" ROOF - JENSEN 7724 WHC
	064470-01-700	EA COVER-ROOF VENT, JENSEN 7291
	110051-01-701	EA GARNISH W/SCREEN & FRAME-2", JENSEN 29-800 01
	110051-01-702	EA LIFT ASM-VENT LID W/O CRANK, JENSEN RP-1000B
	110051-01-703	EA CRANK, JENSEN RP-1031-B

WINDOW, VENT & EXTERIOR DOOR GROUP (CONTINUED)



POWERED ROOF VENT - JENSEN - CANADIAN

KEY	PART NUMBER	U/M DESCRIPTION
1	064469-08-000	EA VENT-ROOF, POWERED - 14" X 14" - 12V - JENSEN C-727 - CSA FROM 00-00-00 THRU 10-04-92
1	110051-05-01A	EA VENT-ROOF, POWERED - 2" ROOF - CSA - JENSEN C7757 WHE FROM 10-05-92 THRU 99-99-99
2	064469-03-702	EA LID-VENT, WHITE - JENSEN 290-WH FROM 00-00-00 THRU 10-04-92
2	064470-01-700	EA COVER-ROOF VENT, JENSEN 7291 FROM 10-05 92 THRU 99-99-99
3	064469-03-706	EA LIFT MECHANISM FROM 00-00-00 THRU 10-04 92
3	110051-01-702	EA LIFT ASM-VENT LID W/O CRANK, JENSEN RP-1000B FROM 10-05-92 THRU 99-99-99
4	048648-01-000	EA MOTOR-ROOF VENT, 1/8 SHAFT - 12V
5	048649-01-000	EA FAN-ROOF VENT, 6 BLADES - 6"
6	110051-01-701	EA GARNISH W/SCREEN & FRAME-2", JENSEN 29-800-01
7	009439-01-000	EA CRANK HANDLE-ROOF VENT FROM 00-00-00 THRU 10-04 92
	110051-01-703	EA CRANK HANDLE-ROOF VENT, JENSEN RP-1031-B FROM 10-05-92 THRU 99 99-99
	009439-04-000	EA SCREW 8-32 X 1 1/4" POH FROM 00-00-00 THRU 10-04-92
	009439-03-000	EA EXTENSION-CRANK HANDLE ROOF VENT - 9" - MILL FROM 00-00-00 THRU 10-04-92

REFRIGERATOR, RANGE HOOD & PLUMBING VENTS

KEY	PART NUMBER	U/M DESCRIPTION
	065103-03-000	EA BASE-VENT, REFRIGERATOR - ROOF - DOMETIC 3100529 01
	065103-04-000	EA CAP-VENT, REFRIGERATOR - ROOF - DOMETIC 3100520 019
	084616-01-000	EA SHROUD-RANGE HOOD VENT, OFF WHITE
	004878-09-000	EA VENT-RANGE HOOD, SHORT - LVS
	083558-03-000	EA VENT-PLUMBING PIPE ROOF W/COVER - OFF WHITE

1993 WINNEBAGO TABLE OF CONTENTS

INTRODUCTION	A-01 -	A-02
ABBREVIATIONS		A-03
ALPHABETICAL INDEX	A-04 -	A-06
WT321R8	A-07 -	C-22
WT321RL	C-23 -	F-16
WT321RD	F-17 -	I-10

1993 WT321RL INDEX

FLOOR PLAN	C-23 -	C-24
ACCESSORIES		D-01
AUDIO VIDEO		D-02
BATH	D-03 -	D-04
CHASSIS	D-05 -	D-06
CURTAIN & CUSHION	D-07 -	D-13
DINETTE		D-14
DRIVERS COMPARTMENT		D-15
ELECTRICAL	D-16 -	D-19
EXTERIOR BODY	D-20 -	D-24
GALLEY	E-01 -	E-05
GENERATOR		E-06
HEATING & A/C		E-07
INTERIOR FINISH	E-08 -	E-10
LABELS	E-11 -	E-16
LP		E-17
LOUNGE		E-18
SEALANTS & FASTENERS	E-19 -	E-20
WATER & SEWAGE	E-21 -	E-24
WINDOW, VENT AND EXTERIOR DOOR	F-01 -	F-16