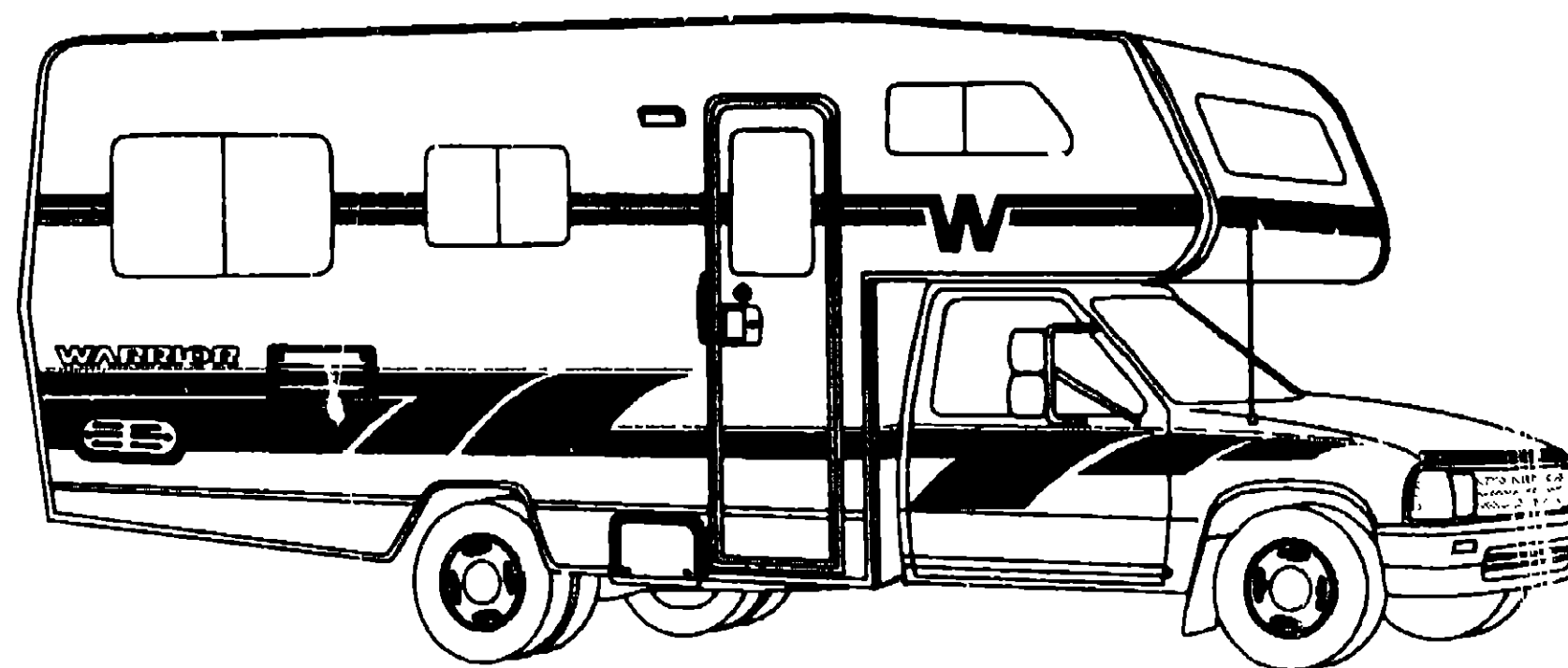


**1993 WINNEBAGO  
TABLE OF CONTENTS**

INTRODUCTION	A-01	A-02
ABBREVIATIONS		A-03
ALPHABETICAL INDEX	A-04	A-08
WT321RB	A-07	C-22
WT321RL	C-23	F-18
WT321RD	F-17	I-10

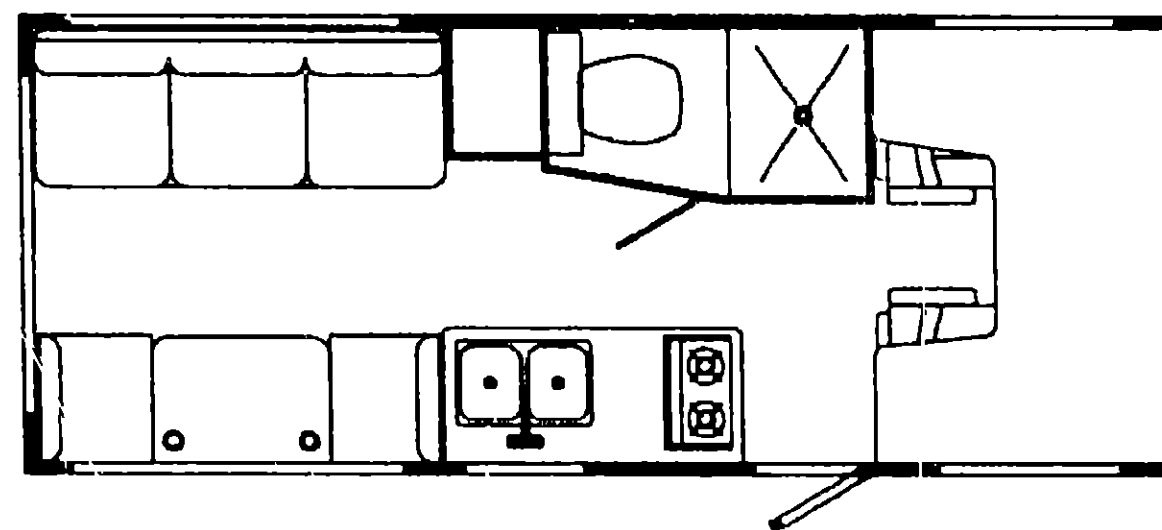
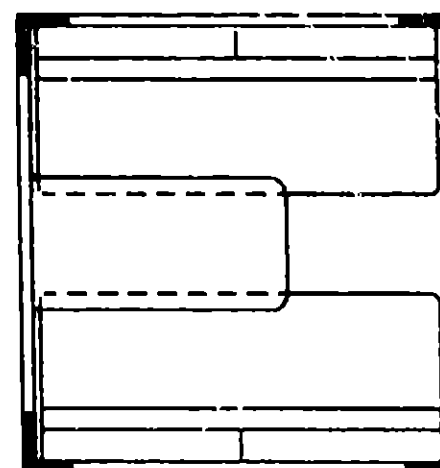


**1993  
WT321RD**

**D01**

**D02**

**D03**



**1993 WT321RD INDEX**

FLOOR PLAN	F-17	F-18
ACCESSORIES		F-19
AUDIO VIDEO		F-20
BATH	F-21	F-22
CHASSIS	F-23	F-24
CURTAIN & CUSHION	G-01	G-07
DINETTE	G-08	G-10
DRIVERS COMPARTMENT		G-11
ELECTRICAL	G-12	G-15
EXTERIOR BODY	G-16	G-20
GALLEY	G-21	G-24
GENERATOR		H-01
HEATING & A/C		H-02
INTERIOR FINISH	H-03	H-06
LABELS	H-07	H-12
LP		H-13
LOUNGE		H-14
SEALANTS & FASTENERS	H-15	H-16
WATER & SEWAGE	H-17	H-20
WINDOW VENT AND EXTERIOR DOOR	H-21	I-10

**ACCESSORIES GROUP**  
OPERATORS MANUAL & BINDER

KEY	PART NUMBER	U/M DESCRIPTION
	054185-08-000	EA MANUAL-OPERATOR, 1993 WARRIOR
	092318-01-000	EA BINDER-3 RING, MOTOR HOME MANUAL
	092319-01-000	EA POCKET PAGE-3 RING BINDER, PLASTIC
	107581-01-000	DW TOP LEVEL DRAWING FOR 1993 MICRO-MINIS

**AUDIO VIDEO GROUP**  
RADIO SYSTEM COMPONENTS & ANTENNA

KEY	PART NUMBER	U/M DESCRIPTION
	090050-01-000	EA ANTENNA-RADIO, TOYOTA - AUDIOVOX FMF22T
	090061-02-000	EA SPEAKER-4" ROUND, AUDIOVOX
	088340-02-000	EA GRILLE-SPEAKER, 8.5" SQUARE
	094087-01-000	EA SPEAKER-RADIO, W/O GRILLE - 5.25" DIA - AUDIOVOX 110C3030
	074979-01-000	EA SHIELD-SPEAKER, BACK - MOLDED PLASTIC - 8" X 9" - BEIGE
	090052-05-000	EA MOUNT-TRIM KIT, RADIO - TOYOTA - AUDIOVOX IM-TOY-92 FROM: 00-00-00 THRU: 12-06-92
	104089-01-000	EA RADIO-AM/FM STEREO, CASSETTE - AUDIOVOX IM-DXF FROM: 00-00-00 THRU: 12-06-92
	110267-01-000	EA RADIO-AM/FM STEREO, AUDIOVOX IM-200 FROM: 12-07-92 THRU: 99-99-99
	097459-01-000	EA RADIO-AM/FM STEREO, CASSETTE - AUDIOVOX IM-DXA - CAB TRIM OPTION FROM: 00-00-00 THRU: 01-10-93
	110267-02-000	EA RADIO-AM/FM STEREO, AUDIOVOX IM-300 - CAB TRIM OPTION FROM: 01-11-93 THRU: 99-99-99

**TV ANTENNA**

KEY	PART NUMBER	U/M DESCRIPTION
	076319-02-000	EA ANTENNA-TV, ROOF MOUNT - 23.5" MAST - WINEGARD RVA-W01
	076319-01-700	EA HEAD-ANTENNA, AMPLIFIED - WINEGARD # VSA U/V
	076319-01-701	EA GEAR-ELEVATING, PLASTIC - WINEGARD #2200046
	076319-01-702	EA SHAFT ASM-ELEVATING, WINEGARD# VP-400A
	076319-01-703	EA BEARING-NYLON, 5"OD - WINEGARD # 3200656
	076319-01-705	EA GROMMET-NYLON, 7/8"ID - WINEGARD # 3200658
	076319-01-706	EA CRANK-ELEVATING, W/SET SCREW - WINEGARD #5755100
	076319-01-707	EA SPRING-HANDLE, WINEGARD# 5160800
	076319-01-709	EA PLATE-DIRECTIONAL, FOR HEAD - WINEGARD #3200644
	076319-01-710	EA CRANK-ELEVATING, HALF MOON - WINEGARD #2750897
	082134-01-000	EA ADAPTER-TV, CABLE TO CABLE - WINEGARD F-81M
	082136-01-000	EA NUT-HEX JAM 3/8-32 - WINEGARD
	076319-03-000	FT CABLE-COAXIAL, 75 OHM
	076319-12-000	EA CONNECTOR-COAXIAL, ONE PIECE
	086777-02-000	EA WALLPLATE-TV CABLE, W/ANTENNA SWITCH - BROWN

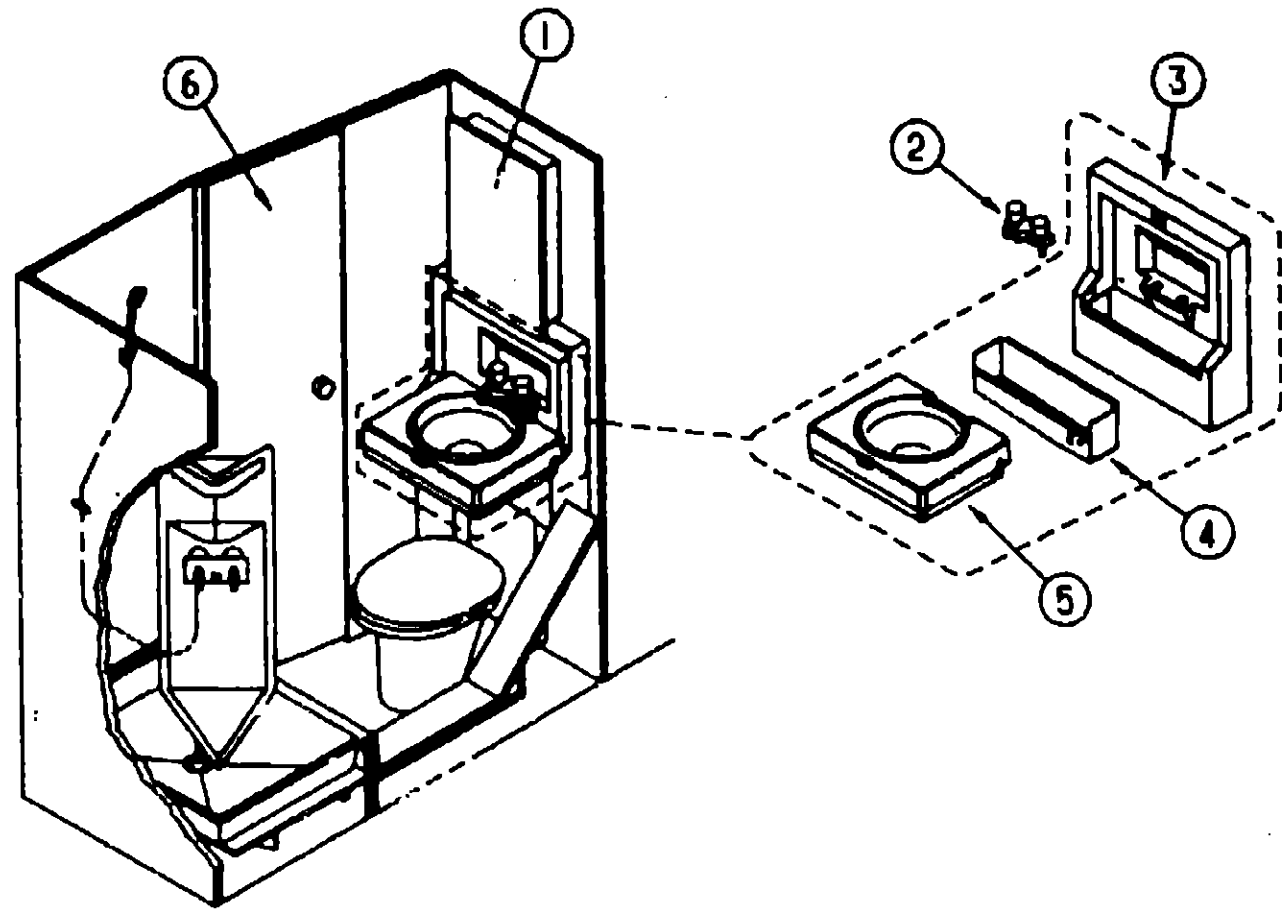
**1993 WINNEBAGO**  
**TABLE OF CONTENTS**

INTRODUCTION	A-01 -	A-02
ABBREVIATIONS		A-03
ALPHABETICAL INDEX	A-04 -	A-06
WT321RB	A-07 -	C-22
WT321RL	C-23 -	F-18
WT321RD	F-17 -	I-10

**1993 WT321RD INDEX**

FLOOR PLAN	F-17 -	F-18
ACCESSORIES		F-19
AUDIO VIDEO		F-20
BATH	F-21 -	F-22
CHASSIS	F-23 -	F-24
CURTAIN & CUSHION	G-01 -	G-07
DINETTE	G-08 -	G-10
DRIVERS COMPARTMENT		G-11
ELECTRICAL	G-12 -	G-15
EXTERIOR BODY	G-16 -	G-20
GALLEY	G-21 -	G-24
GENERATOR		H-01
HEATING & A/C		H-02
INTERIOR FINISH	H-03 -	H-06
LABELS	H-07 -	H-12
LP		H-13
LOUNGE		H-14
SEALANTS & FASTENERS	H-15 -	H-16
WATER & SEWAGE	H-17 -	H-20
WINDOW, VENT AND EXTERIOR DOOR	H-21 -	I-10

**BATH GROUP**



**BATH CABINETS & FIXTURES**

KEY	PART NUMBER	U/M DESCRIPTION
1	009006-01-01A	EA CABINET-MEDICINE, METAL FRAME - W/DOOR
2	075240-06-000	EA FAUCET-LAVATORY, BONE
3	101418-01-01A	EA BACKSPASH-LAVATORY, PLASTIC - OFF WHITE
	101330-01-000	EA LATCH-PADDLE, FOLD UP SINK
	057898-01-000	EA STRIKE-PADDLE LATCH, PLASTIC - BLACK
4	101419-01-01A	EA CATCH BASIN-FOLD UP SINK
	011083-01-000	EA PLUG-SINK, W/TAIPIECE - 1 25" X 5"
5	101413-01-B05	EA SINK ASM-FOLD UP, LAVATORY
	101414-01-01A	EA SINK-FOLD UP, TOP - OFF WHITE
	101415-01-01A	EA SINK-FOLD UP, LOWER - OFF WHITE
	074470-03-000	EA PULL-PIN, HINGE RELEASE - RIGHT SIDE
	074470-04-000	EA PULL-PIN, HINGE RELEASE - LEFT SIDE
	075454-02-000	EA RING-TOWEL, W/MOUNTING HARDWARE - BRASS
	075452-02-000	EA HOLDER-TOILET TISSUE, BRASS
	075453-02-000	EA BAR-TOWEL, 18" BRASS
6	M87868-15-D01	EA DOOR-BATH, 1811 MM X 479 MM - W/O HARDWARE
	094485-01-01A	EA KNOB-DOOR, POLISHED BRASS
		FROM: 00-00-00 THRU: 09-23-92
	094485-02-01A	EA KNOB-DOOR, BRASS - INTERTEK YDLC20
		FROM: 09-24-92 THRU: 99-99-99
	009059-02-000	EA HINGE-DOOR, 2" X 2 7" - BRASS
	103257-01-000	EA STOP-DOOR
	105394-01-01A	EA JAMB-DOOR, 7' LONG - OAK PLASTIC

**BATH GROUP (CONTINUED)**  
**BATH CABINET HARDWARE**

KEY	PART NUMBER	U/M DESCRIPTION
	092464-05-01A	EA TRACK-SHOWER, CURVED - OFF WHITE
	009700-04-002	EA TRACK, L-SHAPED 195.2" - STRAIGHT - OFF WHITE
	009138-02-000	EA HANGER-RING, PIN TYPE - CURTAIN - BRASS
	009701-01-000	EA CARRIER-CURTAIN, L ROD
	009702-01-000	EA END STOP-CURTAIN CARRIER, L ROD

**TOILET**

KEY	PART NUMBER	U/M DESCRIPTION
	063740-01-000	EA TOILET-HIGH, HAND FLUSH - THETFORD, 150120
	063740-01-700	EA LEVER-WATER, THETFORD 12514
	063740-01-701	EA LEVER-FLUSH, THETFORD 12515
	063740-01-706	EA BOLT PACKAGE-CLOSET, THETFORD 12524
	063740-01-710	EA LINK, THETFORD 12513
	063740-01-711	EA SPRING-RETURN LEVER, THETFORD 12523
	063740-01-713	EA SEAL-BALL VALVE TO BOWL, THETFORD 12502
	063740-01-714	EA VALVE ASM-WATER, THETFORD 12492
	063740-01-716	EA SEAT & COVER, THETFORD 15017 - IVORY
	063740-01-717	EA TUBE-FLUSH, TOILET
	063740-02-700	EA SEAT & COVER, PARCHMENT - THETFORD 20829
	063541-01-000	EA FLANGE-CLOSET, 4" X 3"

**SHOWER COMPONENTS**

KEY	PART NUMBER	U/M DESCRIPTION
	103092-01-000	EA SHOWER HEAD-W/60" HOSE
	103092-01-700	EA BRACKET ONLY-CLEAR, F/SHOWER HEAD - 2328028
	075241-05-000	EA FAUCET-SHOWER, BONE
	105707-01-01A	EA CADDY-SHOWER, CORNER - OFF WHITE PLASTIC
	075606-01-000	EA PANEL-FAUCET BACK, SHOWER - 5" X 9" - PLASTIC
	M02673-05-B13	EA SHOWER PAN W/NUT, STRAINER & WASHER
	066436-01-000	EA NUT-SLIP, TAILPIECE - 1.5"
	066440-01-000	EA STRAINER-SHOWER, W/RUBBER WASHER
	069735-01-000	EA WASHER-STRAINER TO TAILPIECE PLASTIC, 1.5"
	066435-01-000	EA NUT-STRAINER
	057671-01-000	EA COVER-SCREW, #8 - PLASTIC - OFF WHITE
	084724-02-000	EA TRIM-SHOWER, OFF WHITE
	108536-09-02A	EA MIRROR-GLASS, FLORAL - 432 MM X 1143 MM
	105004-01-01A	EA MOLDING-VINYL WRAP, MIRROR TRIM - OAK

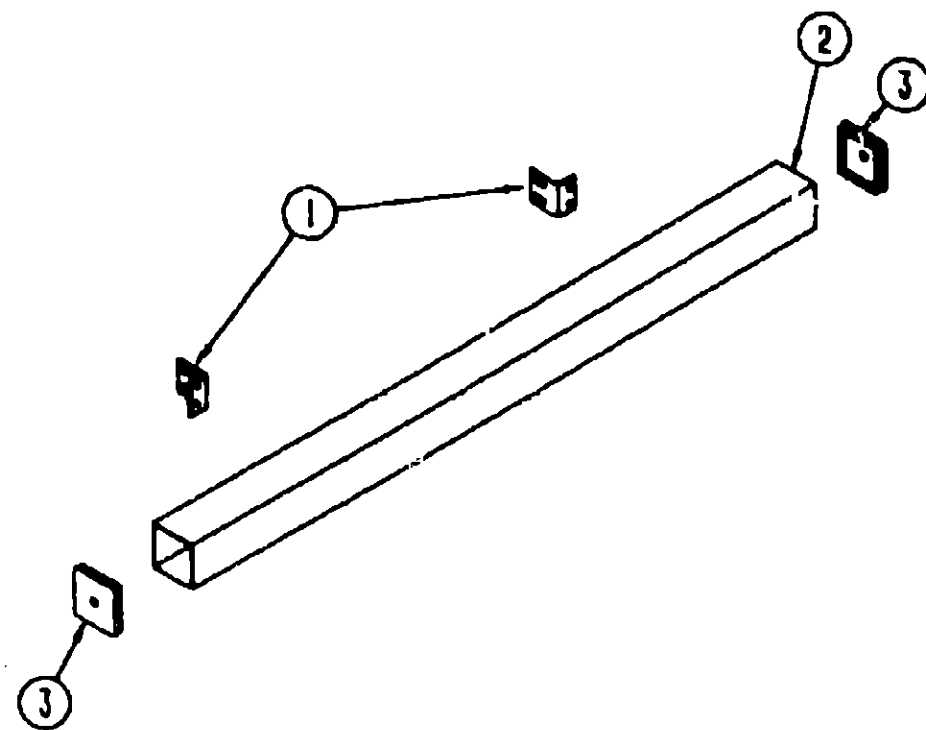
**1993 WINNEBAGO**  
**TABLE OF CONTENTS**

INTRODUCTION	A-01	A-02
ABBREVIATIONS		A-03
ALPHABETICAL INDEX	A-04	A-06
WT321RB	A-07	C-22
WT321RL	C-23	F-18
WT321RD	F-17	I-10

**1993 WT321RD INDEX**

FLOOR PLAN	F-17	F-18
ACCESSORIES		F-19
AUDIO VIDEO		F-20
BATH	F-21	F-22
CHASSIS	F-23	F-24
CURTAIN & CUSHION	G-01	G-07
DINETTE	G-08	G-10
DRIVERS COMPARTMENT		G-11
ELECTRICAL	G-12	G-15
EXTERIOR BODY	G-16	G-20
GALLEY	G-21	G-24
GENERATOR		H-01
HEATING & A/C		H-02
INTERIOR FINISH	H-03	H-06
LABELS	H-07	H-12
LP		H-13
LOUNGE		H-14
SEALANTS & FASTENERS	H-15	H-16
WATER & SEWAGE	H-17	H-20
WINDOW, VENT AND EXTERIOR DOOR	H-21	I-10

## CHASSIS GROUP



### REAR BUMPER & BRACKETS

KEY	PART NUMBER	U/M DESCRIPTION
1	108762-01-01A	EA BRACKET-BUMPER, OFF WHITE
2	103422-03-01A	EA BUMPER-REAR, OFF WHITE
3	039779-01-000	EA CAP-BUMPER, RUBBER - 4" X 4" - BLACK

### SPARE TIRE W/RIM & MOUNTING BRACKET

KEY	PART NUMBER	U/M DESCRIPTION
	M00080-65-000	EA TIRE-SPARE, W/RIM - 185R14LT - BRIDGESTONE
	M00080-65-700	EA CARRIER-SPARE TIRE, TOYOTA
	M00080-65-701	EA TIRE-SPARE, W/RIM - 185R14LT - DUNLOP
	084773-01-000	EA BRACKET-MOUNTING, SPARE TIRE

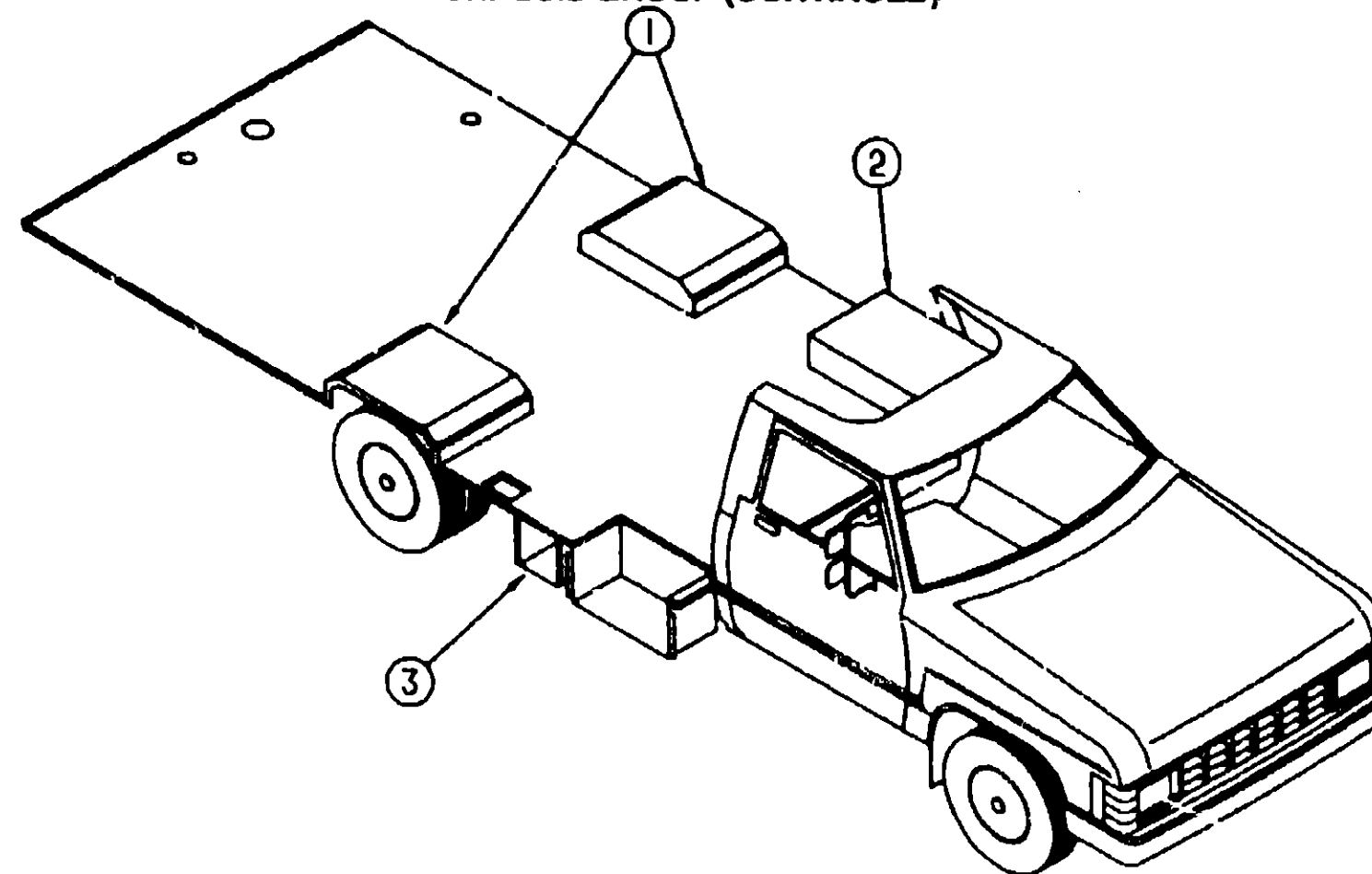
### FUEL SYSTEM COMPONENTS

KEY	PART NUMBER	U/M DESCRIPTION
	007063-01-000	FT HOSE-GAS 1/4" ID X 1/2" OD
	007111-03-000	EA HOSE-FUEL FILL, 1.75" ID X 3'
	066732-01-000	F1 HOSE-FUEL FILL, .62" ID
	084884-01-000	EA PLUG-BRASS, 3/8"
	087269-01-000	EA TEE-1/4" X 1/4" X 1/4", BRASS
	078200-01-000	EA GASKET-FUEL FILL, 3.5" OD X 2" ID
	095854-01-02A	EA SHROUD-FUEL FILL, OFF WHITE

### MISCELLANEOUS CHASSIS COMPONENTS

KEY	PART NUMBER	U/M DESCRIPTION
	093048-04-000	EA PLATE ASM-SKID
	066780-01-000	EA GUARD-SPLASH, RUBBER - TOYOTA - SET OF 2 - BLACK
	102627-01-01A	EA COVER-HUB W/BOLT - GRAY - KAPER II
	102627-01-700	EA BOLT-HUB COVER, KAPER II
	055278-51-259	EA TUBING-STEEL, .75" X 1.5" X 12.5'
	008042-01-000	FT TUBING-VINYL, .65" ID

## CHASSIS GROUP (CONTINUED)



### COMPARTMENTS, WHEELWELL & STEP LINER

KEY	PART NUMBER	U/M DESCRIPTION
1	084637-01-000	EA WHEELWELL-PLASTIC
2	083665-02-000	EA TRAY-GENERATOR/STORAGE COMPARTMENT
2	096302-03-000	EA COMPARTMENT-GENERATOR, 25.1" WIDE X 17.7" DEEP
2	096304-01-000	EA COVER-BAFFLE, GENERATOR
	077953-01-000	EA GROMMET-EDGE LINER, FITS 1"
	058027-01-000	FT SEAL D SHAPED - HOLLOW - SPONGE RUBBER - BLACK
	099418-01-000	EA SEAL-D, W/SIDE ADHESIVE - .4" X .10" - SPONGE RUBBER - BLACK
		FROM: 00-00-00 THRU: 03-15-93
		FROM: 03-16-93 THRU: 99-99-99
3	100824-01-000	EA COMPARTMENT-BATTERY, PLASTIC
	084993-01-000	EA STRAP-BATTERY
	106208-01-01A	EA COMPARTMENT-SHOWER, EXTERIOR - OFF WHITE

### EXHAUST SYSTEM COMPONENTS

KEY	PART NUMBER	U/M DESCRIPTION
	007125-05-000	EA CLAMP-MUFFLER, 2.00" DIAMETER
	007131-01-000	EA HANGER-TAILPIPE, 6 SLOTS

### REAR AIR BAG SYSTEM

KEY	PART NUMBER	U/M DESCRIPTION
	100293-02-000	EA AIRSPRING SYSTEM-4" DIAMETER, MICRO MINI - 3-T'S 9E3 POS
	100293-01-701	EA HOSE, W/MALE VALVES - 3T T9AL
	100293-02-700	EA AIR BAG KIT, BAG W/CABLE - 3T RK-E3
	100332-01-000	EA PLATE-VALVE, AIR SPRING

## 1993 WINNEBAGO TABLE OF CONTENTS

INTRODUCTION	A-01 - A-02
ABBREVIATIONS	A-03
ALPHABETICAL INDEX	A-04 - A-08
WT321RB	A-07 - C-22
WT321RL	C-23 - F-16
WT321RD	F-17 - I-10

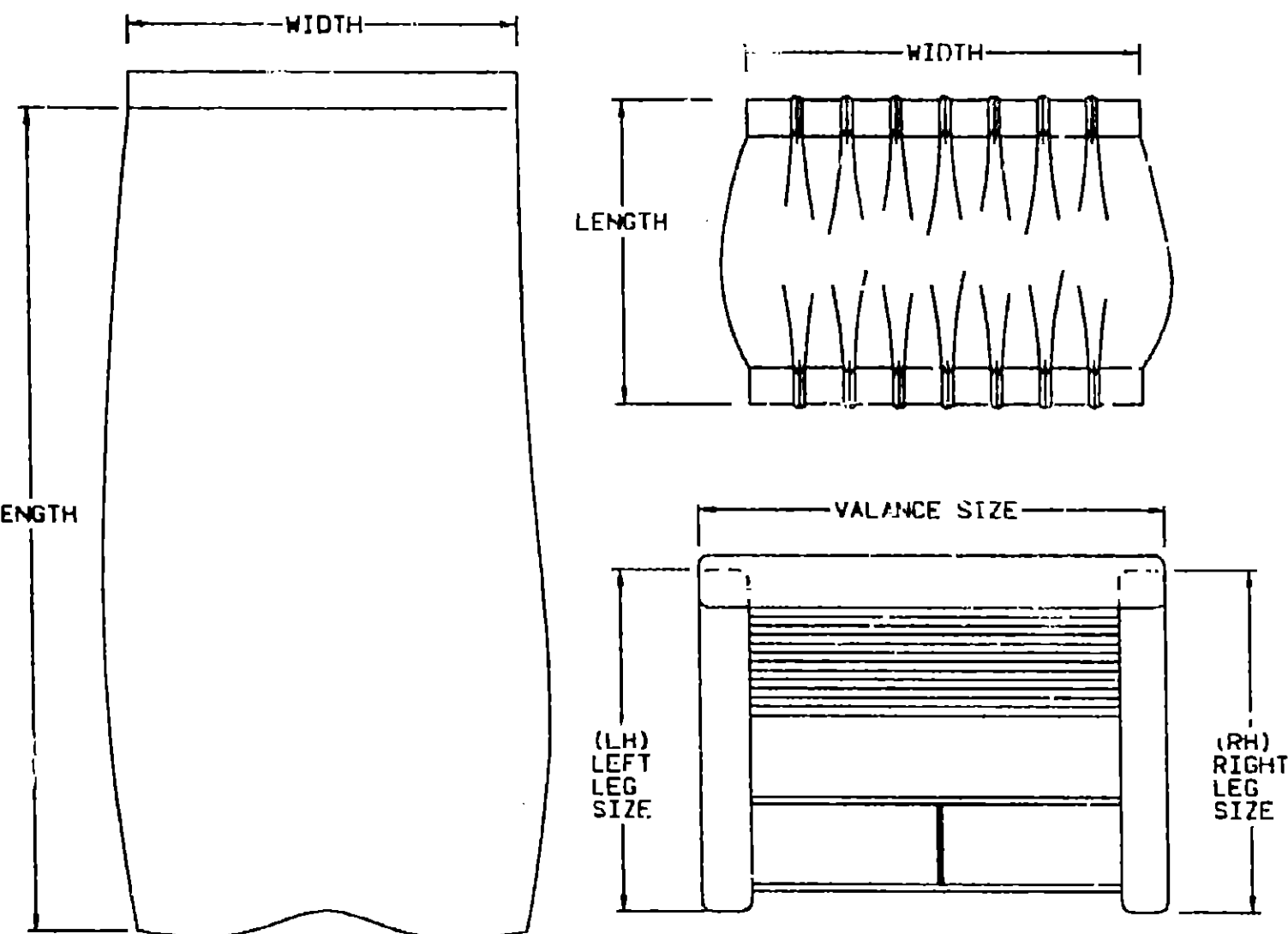
## 1993 WT321RD INDEX

FLOOR PLAN	F-17 - F-18
ACCESSORIES	F-19
AUDIO VIDEO	F-20
BATH	F-21 - F-22
CHASSIS	F-23 - F-24
CURTAIN & CUSHION	G-01 - G-07
DINETTE	G-08 - G-10
DRIVERS COMPARTMENT	G-11
ELECTRICAL	G-12 - G-15
EXTERIOR BODY	G-16 - G-20
GALLEY	G-21 - G-24
GENERATOR	H-01
HEATING & A/C	H-02
INTERIOR FINISH	H-03 - H-06
LABELS	H-07 - H-12
LP	H-13
LOUNGE	H-14
SEALANTS & FASTENERS	H-15 - H-18
WATER & SEWAGE	H-17 - H-20
WINDOW, VENT AND EXTERIOR DOOR	H-21 - I-10

**CURTAIN & CUSHION GROUP  
NOTICE**

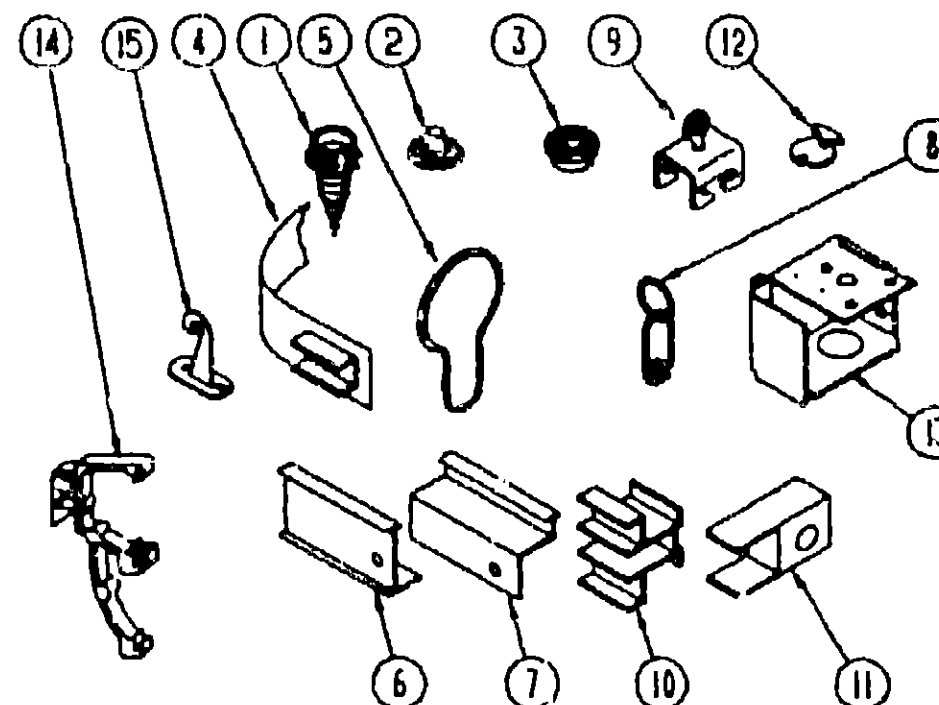
IN ORDER TO ASSIST OUR PARTS SALES DEPT. IN PROVIDING INTERIOR SOFTGOODS ITEMS, PLEASE INCLUDE THE SERIAL NUMBER AND THE COLOR CODE NUMBER FROM THE VEHICLE CERTIFICATION LABEL WHEN ORDERING. THIS LABEL IS LOCATED ON THE LEFT SIDEWALL AT THE END OF THE DASH (A-BODY), OR ON THE DRIVER'S DOOR LATCH PLATE (C-BODY).

AN EXAMPLE OF A COLOR CODE NUMBER IS B07, WHICH DESIGNATES AN OVERALL COLOR SCHEME OF A PARTICULAR UNIT. THE COLOR LISTED AFTER THE ITEM DESCRIPTION ON THE MICROFICHE, INDICATES THE OVERALL UNIT COLOR. ORDER THE ITEM YOU DESIRE ACCORDING TO UNIT COLOR CODE.



NOTE: USE THIS ILLUSTRATION WHEN DETERMINING LENGTH AND WIDTH MEASUREMENTS FOR CURTAINS. YOU WILL NOTE THE WIDTH MEASUREMENT IS TAKEN ON THE TOP OF THE CURTAIN WITH THE CURTAIN FULLY EXTENDED. THE LENGTH MEASUREMENT IS TAKEN FROM TOP TO BOTTOM. LEFT AND RIGHT WINDOW LEGS ARE DETERMINED WHEN FACING THE WINDOW.

**CURTAIN & CUSHION GROUP (CONTINUED)**



**CURTAIN, BLIND & SHADE HARDWARE**

KEY	PART NUMBER	U/M	DESCRIPTION
1	029130-01-000	EA	SCREW-SNAP SOCKET 8 PH X 5/8"
2	029155-01-000	EA	CAP-SNAP NICKEL
3	029156-01-000	EA	SOCKET-SNAP FASTENER NICKEL
4	101031-01-000	YD	TAPE-GLIDE CURTAIN-4.25" SPACING
5	009136-02-000	EA	HANGER-RING, PIN TYPE - CURTAIN - BRASS
6	092464-05-01A	EA	TRACK-SHOWER, CURVED - OFF WHITE
7	009700-04-002	EA	TRACK, L-SHAPED 195 2" - STRAIGHT - OFF WHITE
8	105450-05-01A	EA	TRACK-CURTAIN, 79" LONG - ALUMINUM - OFF WHITE
9	009701-01-000	EA	CARRIER-CURTAIN L ROD
10	009702-01-000	EA	END STOP-CURTAIN CARRIER L ROD
11	101033-03-000	FT	TRACK-CURTAIN LOW PROFILE - WHITE
12	101033-02-000	EA	END CAP-TRACK CLEAR
13	102555-01-000	EA	CLEAT-CORD, BLIND - OFF WHITE
14	083170-01-000	EA	BRACKET-BLIND, RIGHT SIDE
15	083170-02-000	EA	BRACKET-BLIND, LEFT SIDE
	109353-04-000	EA	CLIP-VALANCE SLAT MOUNTING, PAR
	109441-01-000	EA	HOLD DOWN-BLIND, HOOK
	103900-01-000	FT	TRIM-VALANCE, U-CHANNEL - .75" WIDE - BRASS
	043267-01-000	EA	GROMMET-BRASS - 7/16" ID X 1" OD
	088732-01-000	YD	VELCRO-HOOK, .75" WIDE - BEIGE
	048394-02-000	YD	VELCRO TAPE-HOOK, ADHESIVE BACK - .75" WIDE - BEIGE
	088792-02-000	YD	VELCRO TAPE-LOOP, ADHESIVE BACKED - .75" WIDE - BEIGE

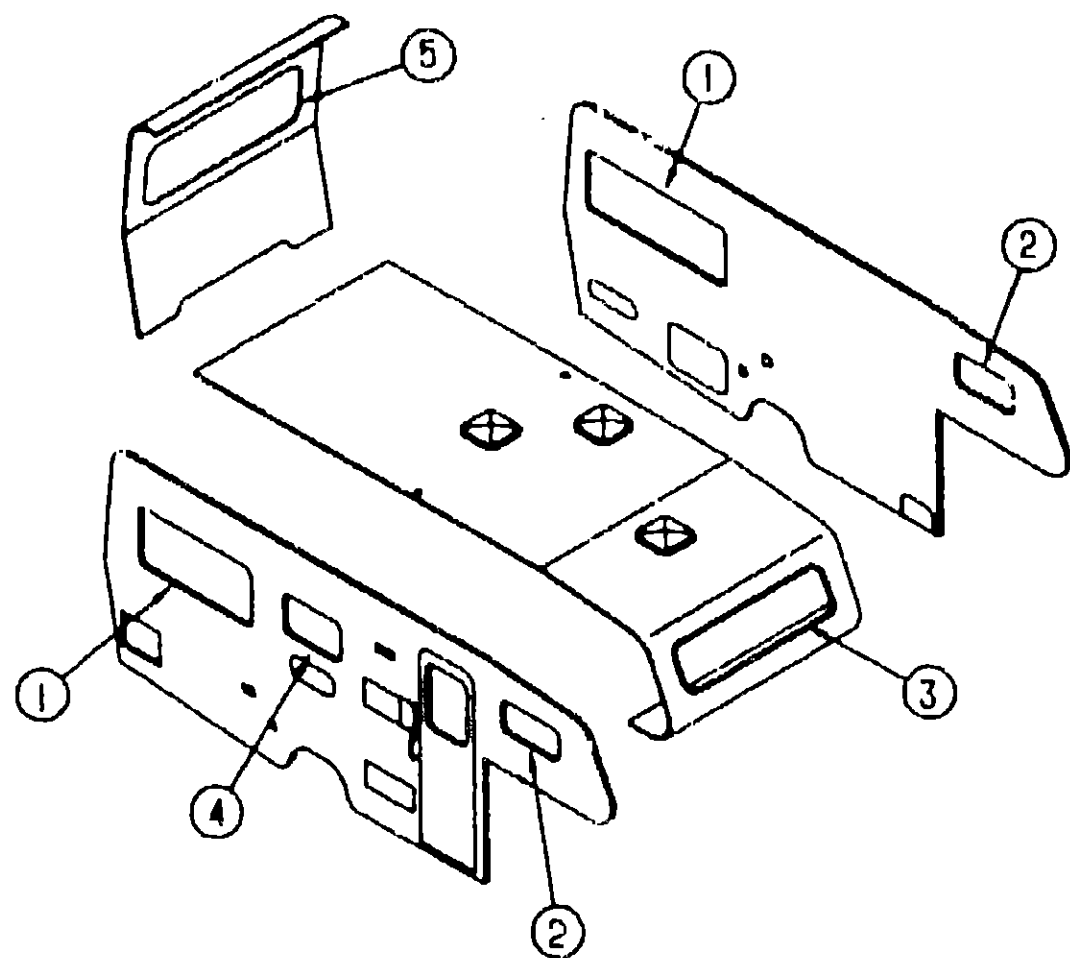
**1993 WINNEBAGO  
TABLE OF CONTENTS**

INTRODUCTION	A-01 -	A-02
ABBREVIATIONS		A-03
ALPHABETICAL INDEX	A-04 -	A-06
WT321RB	A-07 -	C-22
WT321RL	C-23 -	F-16
WT321RD	F-17 -	I-10

**1993 WT321RD INDEX**

FLOOR PLAN	F-17 -	F-18
ACCESSORIES		F-19
AUDIO VIDEO		F-20
BATH	F-21 -	F-22
CHASSIS	F-23 -	F-24
CURTAIN & CUSHION	G-01 -	G-07
DINETTE	G-08 -	G-10
DRIVERS COMPARTMENT		G-11
ELECTRICAL	G-12 -	G-15
EXTERIOR BODY	G-16 -	G-20
GALLEY	G-21 -	G-24
GENERATOR		H-01
HEATING & A/C		H-02
INTERIOR FINISH	H-03 -	H-06
LABELS	H-07 -	H-12
LP		H-13
LOUNGE		H-14
SEALANTS & FASTENERS	H-15 -	H-16
WATER & SEWAGE	H-17 -	H-20
WINDOW, VENT AND EXTERIOR DOOR	H-21 -	I-10

**CURTAIN & CUSHION GROUP (CONTINUED)**  
WINDOW TREATMENT



KEY	PART NUMBER	U/M DESCRIPTION
4	109353-05-01A	EA VALANCE-SLAT, 25.5" LONG (D01/D03)
4	109353-05-02A	EA VALANCE-SLAT, 25.5" LONG (D02)
4	109041-08-01A	EA BLIND-MINI, 25.5" X 20" DROP (D01) FROM: 00-00-00 THRU: 10-25-92
4	109041-08-03A	EA BLIND-MINI, 25.5" X 20" DROP (D01) FROM: 10-26-92 THRU: 99-99-99
4	109041-08-02A	EA BLIND-MINI, 25.5" X 20" DROP (D02) FROM: 00-00-00 THRU: 10-25-92
4	109041-08-04A	EA BLIND-MINI, 25.5" X 20" DROP (D02) FROM: 10-26-92 THRU: 99-99-99
4	109041-08-01A	EA BLIND-MINI, 25.5" X 20" DROP (D03) FROM: 00-00-00 THRU: 10-25-92
4	109041-08-05A	EA BLIND-MINI, 25.5" X 20" DROP (D03) FROM: 10-26-92 THRU: 99-99-99
5	103966-67-D01	EA VALANCE-73", W/BRASS TRIM
5	103966-68-D02	EA VALANCE-73", W/BRASS TRIM
5	103966-68-D03	EA VALANCE-73", W/BRASS TRIM
5	109041-07-01A	EA BLIND-MINI, 71" X 27" DROP (D01/D03)
5	109041-07-02A	EA BLIND-MINI, 71" X 27" DROP (D02)
	076892-03-D01	EA CURTAIN-SNAP TOP, 35" X 55" - TAN (D01)
	076892-03-C09	EA CURTAIN-SNAP TOP, 35" X 55" - BEIGE (D02/D03)
	101668-18-D01	EA CURTAIN-38.5" X 50", RIGHT - TAPE TOP
	101668-18-D02	EA CURTAIN-38.5" X 50", RIGHT - TAPE TOP
	101668-18-D03	EA CURTAIN-38.5" X 50", RIGHT - TAPE TOP
	101668-19-D01	EA CURTAIN-38.5" X 50", LEFT - TAPE TOP
	101668-19-D02	EA CURTAIN-38.5" X 50", LEFT - TAPE TOP
	101668-19-D03	EA CURTAIN-38.5" X 50", LEFT - TAPE TOP
	C94481-22-C07	EA CURTAIN-SHOWER, VINYL - 65" X 40" (D01)
	084481-22-D36	EA CURTAIN-SHOWER, VINYL - 65" X 40" (D02)
	084481-22-C27	EA CURTAIN-SHOWER, VINYL - 65" X 40" (D03)
	073260-54-C09	EA TIEBACK-CURTAIN, SHOWER - 3" X 16" (D01)
	073260-54-D36	EA TIEBACK-CURTAIN, SHOWER - 3" X 16" (D02)
	073260-54-C10	EA TIEBACK-CURTAIN, SHOWER - 3" X 16" (D03)
	073260-49-D01	EA TIEBACK-CURTAIN, 3" X 18"
	073260-49-D02	EA TIEBACK-CURTAIN, 3" X 18"
	073260-49-D03	EA TIEBACK-CURTAIN, 3" X 18"
	057534-01-000	EA TIEBACK/TIEDOWN-BED/CURTAIN/DOOR, 6" - PLASTIC - CLEAR
	084415-43-000	YD TRIM-BRAID, CURTAIN - MAUVE (D01)
	084415-44-000	YD TRIM-BRAID, CURTAIN - EGGPLANT (D02)
	084415-45-000	YD TRIM-BRAID, CURTAIN - TEAL (D03)

**1993 WINNEBAGO  
TABLE OF CONTENTS**

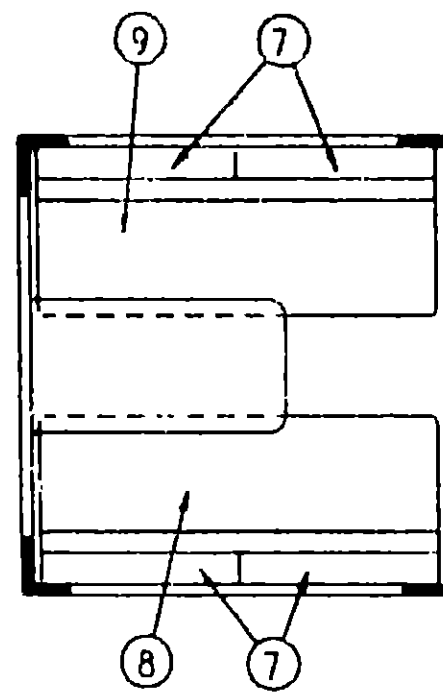
INTRODUCTION	A-01	A-02
ABBREVIATIONS		A-03
ALPHABETICAL INDEX	A-04	A-06
WT321RB	A-07	C-22
WT321RL	C-23	F-16
WT321RD	F-17	I-10

**1993 WT321RD INDEX**

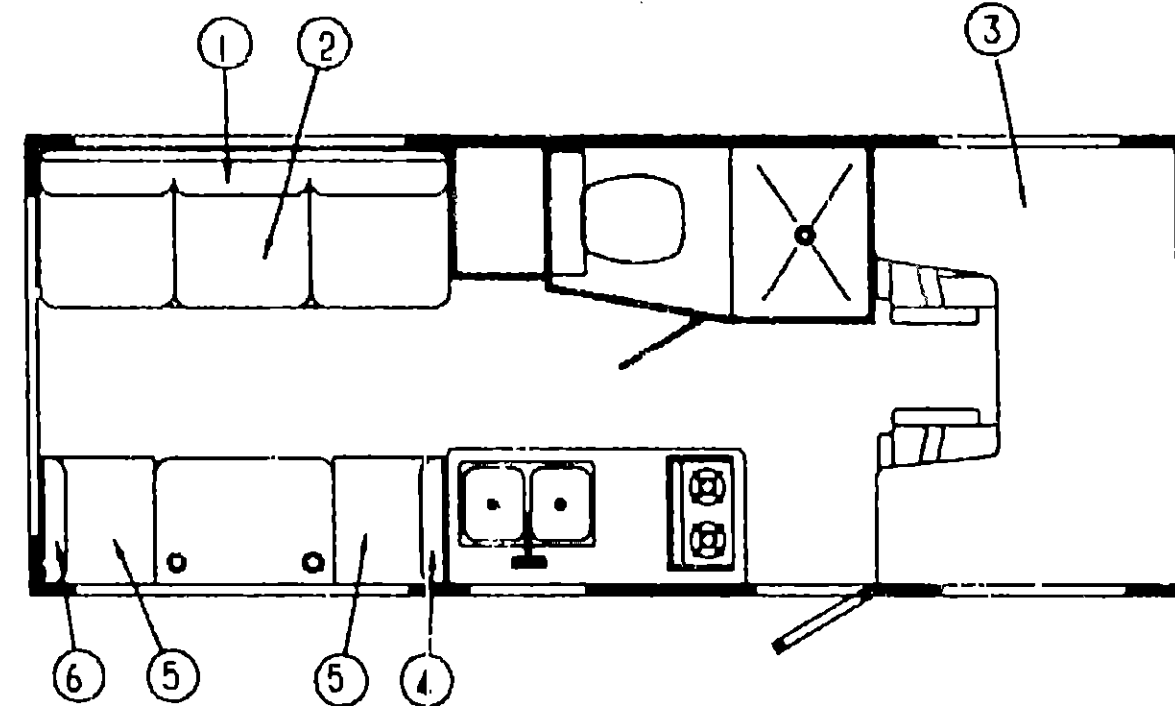
FLOOR PLAN	F-17	F-18
ACCESSORIES		F-19
AUDIO VIDEO		F-20
BATH	F-21	F-22
CHASSIS	F-23	F-24
CURTAIN & CUSHION	G-01	G-07
DINETTE	G-08	G-10
DRIVERS COMPARTMENT		G-11
ELECTRICAL	G-12	G-15
EXTERIOR BODY	G-16	G-20
GALLEY	G-21	G-24
GENERATOR		H-01
HEATING & A/C		H-02
INTERIOR FINISH	H-03	H-06
LABELS	H-07	H-12
LP		H-13
LOUNGE		H-14
SEALANTS & FASTENERS	H-15	H-16
WATER & SEWAGE	H-17	H-20
WINDOW, VENT AND EXTERIOR DOOR	H-21	I-10

KEY	PART NUMBER	U/M DESCRIPTION
1	103966-28-D09	EA VALANCE-65", W/BRASS TRIM (D01)
1	103966-45-D10	EA VALANCE-65", W/BRASS TRIM (D02)
1	103966-45-D11	EA VALANCE-65", W/BRASS TRIM (D03)
1	109041-10-01A	EA BLIND-MINI, 63" X 27" DROP (D01/D03)
1	109041-10-02A	EA BLIND-MINI, 63" X 27" DROP (D02)
2	101034-31-D01	EA CURTAIN-16" X 28", TAPE TOP & BOTTOM - RIGHT
2	101034-31-D02	EA CURTAIN-16" X 28", TAPE TOP & BOTTOM - RIGHT
2	101034-31-D03	EA CURTAIN-16" X 28", TAPE TOP & BOTTOM - RIGHT
2	101034-32-D01	EA CURTAIN-16" X 28", TAPE TOP & BOTTOM - LEFT
2	101034-32-D02	EA CURTAIN-16" X 28", TAPE TOP & BOTTOM - LEFT
2	101034-32-D03	EA CURTAIN-16" X 28", TAPE TOP & BOTTOM - LEFT
3	101034-29-D01	EA CURTAIN-16" X 50", TAPE TOP & BOTTOM - RIGHT
3	101034-29-D02	EA CURTAIN-16" X 50", TAPE TOP & BOTTOM - RIGHT
3	101034-29-D03	EA CURTAIN-16" X 50", TAPE TOP & BOTTOM - RIGHT
3	101034-30-D01	EA CURTAIN-16" X 50", TAPE TOP & BOTTOM - LEFT
3	101034-30-D02	EA CURTAIN-16" X 50", TAPE TOP & BOTTOM - LEFT
3	101034-30-D03	EA CURTAIN-16" X 50", TAPE TOP & BOTTOM - LEFT

**CURTAIN & CUSHION GROUP (CONTINUED)**



**COUCH & COUCH PILLOWS**



**DINETTE CUSHIONS**

**1993 WINNEBAGO  
TABLE OF CONTENTS**

INTRODUCTION	A-01 -	A-02
ABBREVIATIONS		A-03
ALPHABETICAL INDEX	A-04 -	A-08
WT321RB	A-07 -	C-22
WT321RL	C-23 -	F-16
WT321RD	F-17 -	I-10

KEY	PART NUMBER	U/M DESCRIPTION
1	100032-25-D01	EA COUCH-BACKREST, W/O ARMS - 74"
1	100032-27-D02	EA COUCH-BACKREST, W/O ARMS - 74"
1	100032-27-D03	EA COUCH-BACKREST, W/O ARMS - 74"
	P00032-25-D01	EA COVER-COUCH, BACKREST - W/O ARMS - 74"
	P00032-27-D02	EA COVER-COUCH, BACKREST - W/O ARMS - 74"
	P00032-27-D03	EA COVER-COUCH, BACKREST - W/O ARMS - 74"
	101085-10-000	EA FRAME-BACK, COUCH - 74.5"
2	100032-26-D01	EA COUCH-SEAT, W/O ARMS - 74"
2	100032-28-D02	EA COUCH-SEAT, W/O ARMS - 74"
2	100032-28-D03	EA COUCH-SEAT, W/O ARMS - 74"
	P00032-26-D01	EA COVER-COUCH, SEAT - W/O ARMS - 74"
	P00032-28-D02	EA COVER-COUCH, SEAT - W/O ARMS - 74"
	P00032-28-D03	EA COVER-COUCH, SEAT - W/O ARMS - 74"
	101085-04-000	EA FRAME-SEAT, COUCH - 74.75"
	101085-06-000	EA FRAME-BASE, COUCH - 74.75"
	103669-10-D01	EA PILLOW-THROW, 16" X 16" (D01)
	103669-01-C03	EA PILLOW-THROW, 16" X 16" (D02)
	103666-01-D11	EA PILLOW-THROW, 16" X 16" (D03)

**BUNK CUSHIONS**

KEY	PART NUMBER	U/M DESCRIPTION
3	084753-34-D01	EA CUSHION-53.5" X 81.5" X 5", U-SHAPED BUNK
3	084753-34-D02	EA CUSHION-53.5" X 81.5" X 5", U-SHAPED BUNK
3	084753-34-D03	EA CUSHION-53.5" X 81.5" X 5", U-SHAPED BUNK
	M84753-34-D01	EA COVER-CUSHION, U-SHAPED - 53.5" X 81.5" X 5"
	M84753-34-D02	EA COVER-CUSHION, U-SHAPED - 53.5" X 81.5" X 5"
	M84753-34-D03	EA COVER-CUSHION, U-SHAPED - 53.5" X 81.5" X 5"
3	084753-33-D01	EA CUSHION-24.5" X 44.5" X 5", BUNK FILLER
3	084753-33-D02	EA CUSHION-24.5" X 44.5" X 5", BUNK FILLER
3	084753-33-D03	EA CUSHION-24.5" X 44.5" X 5", BUNK FILLER
	M84753-33-D01	EA COVER-CUSHION, FILLER - 24.5" X 44.5" X 5"
	M84753-33-D02	EA COVER-CUSHION, FILLER - 24.5" X 44.5" X 5"
	M84753-33-D03	EA COVER-CUSHION, FILLER - 24.5" X 44.5" X 5"

KEY	PART NUMBER	U/M DESCRIPTION
4	108141-03-D01	EA CUSHION-BACK, 13.5" X 24.5" X 5"
4	108141-03-D02	EA CUSHION-BACK, 13.5" X 24.5" X 5"
4	108141-03-D03	EA CUSHION-BACK, 13.5" X 24.5" X 5"
	P08141-03-D01	EA COVER-CUSHION, FRONT BACKREST - 13.5" X 24.5" X 5"
	P08141-03-D02	EA COVER-CUSHION, FRONT BACKREST - 13.5" X 24.5" X 5"
	P08141-03-D03	EA COVER-CUSHION, FRONT BACKREST - 13.5" X 24.5" X 5"
5	105603-05-D01	EA CUSHION-SEAT, 23" X 24.5" X 5"
5	105603-05-D02	EA CUSHION-SEAT, 23" X 24.5" X 5"
5	105603-05-D03	EA CUSHION-SEAT, 23" X 24.5" X 5"
	P05603-05-D01	EA COVER-CUSHION, SEAT - 23" X 24.5" X 5"
	P05603-05-D02	EA COVER-CUSHION, SEAT - 23" X 24.5" X 5"
	P05603-05-D03	EA COVER-CUSHION, SEAT - 23" X 24.5" X 5"
6	108141-04-D01	EA CUSHION-BACK, 13.5" X 24.5" X 5"
6	108141-04-D02	EA CUSHION-BACK, 13.5" X 24.5" X 5"
6	108141-04-D03	EA CUSHION-BACK, 13.5" X 24.5" X 5"
	P08141-04-D01	EA COVER-CUSHION, REAR BACKREST - 13.5" X 24.5" X 5"
	P08141-04-D02	EA COVER-CUSHION, REAR BACKREST - 13.5" X 24.5" X 5"
	P08141-04-D03	EA COVER-CUSHION, REAR BACKREST - 13.5" X 24.5" X 5"
	078155-01-000	EA STRAP-SNAP, BACKREST CUSHION

**TWIN BED OPTION CUSHIONS**

KEY	PART NUMBER	U/M DESCRIPTION
7	109785-01-D01	EA CUSHION-BACK BOLSTER, 12" X 9" X 6" X 37" (D01)
7	109785-01-D02	EA CUSHION-BACK BOLSTER, 12" X 9" X 6" X 37" (D02/D03)
	P09785-01-D01	EA COVER-CUSHION, BACK BOLSTER - 12" X 9" X 6" X 37" (D01)
	P09785-01-D02	EA COVER-CUSHION, BACK BOLSTER - 12" X 9" X 6" X 37" (D02/D03)
8	105603-04-D01	EA CUSHION-SEAT, PASSENGER SIDE - 29.5" X 74" X 3.5" (D01)
8	105603-04-D02	EA CUSHION-SEAT, PASSENGER SIDE - 29.5" X 74" X 3.5" (D02/D03)
	P05603-04-D01	EA COVER-CUSHION, SEAT - PASSENGER SIDE - 29.5" X 74" X 3.5" (D01)
	P05603-04-D02	EA COVER-CUSHION, SEAT - PASSENGER SIDE - 29.5" X 74" X 3.5" (D02/D03)
9	105603-08-D01	EA CUSHION-SEAT, DRIVER SIDE - 29.5" X 78" X 3.5" (D01)
9	105603-08-D02	EA CUSHION-SEAT, DRIVER SIDE - 29.5" X 78" X 3.5" (D02/D03)
	P05603-08-D01	EA COVER-CUSHION, SEAT - DRIVER SIDE - 29.5" X 78" X 3.5" (D01)
	P05603-08-D02	EA COVER-CUSHION, SEAT - DRIVER SIDE - 29.5" X 78" X 3.5" (D02/D03)

**1993 WT321RD INDEX**

FLOOR PLAN	F-17 -	F-18
ACCESSORIES		F-19
AUDIO VIDEO		F-20
BATH	F-21 -	F-22
CHASSIS	F-23 -	F-24
CURTAIN & CUSHION	G-01 -	G-07
DINETTE	G-08 -	G-10
DRIVERS COMPARTMENT		G-11
ELECTRICAL	G-12 -	G-15
EXTERIOR BODY	G-16 -	G-20
GALLEY	G-21 -	G-24
GENERATOR		H-01
HEATING & A/C		H-02
INTERIOR FINISH	H-03 -	H-08
LABELS	H-07 -	H-12
LP		H-13
LOUNGE		H-14
SEALANTS & FASTENERS	H-15 -	H-16
WATER & SEWAGE	H-17 -	H-20
WINDOW, VENT AND EXTERIOR DOOR	H-21 -	I-10

**CURTAIN & CUSHION GROUP (CONTINUED)**  
**BUCKET SEAT COVERS**

KEY	PART NUMBER	U/M DESCRIPTION
	086740-09-D01	EA COVER ASM-SEAT & HEADREST, DRIVER
	086740-09-D02	EA COVER ASM-SEAT & HEADREST, DRIVER
	086740-09-D03	EA COVER ASM-SEAT & HEADREST, DRIVER
	M86740-09-D01	EA COVER-SEAT, DRIVER
	M86740-09-D02	EA COVER-SEAT, DRIVER
	M86740-09-D03	EA COVER-SEAT, DRIVER
	102860-01-D01	EA COVER-HEADREST
	102860-01-D02	EA COVER-HEADREST
	102860-01-D03	EA COVER-HEADREST
	086740-08-D01	EA COVER ASM-SEAT & HEADREST, PASSENGER
	086740-08-D02	EA COVER ASM-SEAT & HEADREST, PASSENGER
	086740-08-D03	EA COVER ASM-SEAT & HEADREST, PASSENGER
	M86740-08-D01	EA COVER-SEAT, PASSENGER
	M86740-08-D02	EA COVER-SEAT, PASSENGER
	M86740-08-D03	EA COVER-SEAT, PASSENGER
	102860-01-D01	EA COVER-HEADREST
	102860-01-D02	EA COVER-HEADREST
	102860-01-D03	EA COVER-HEADREST

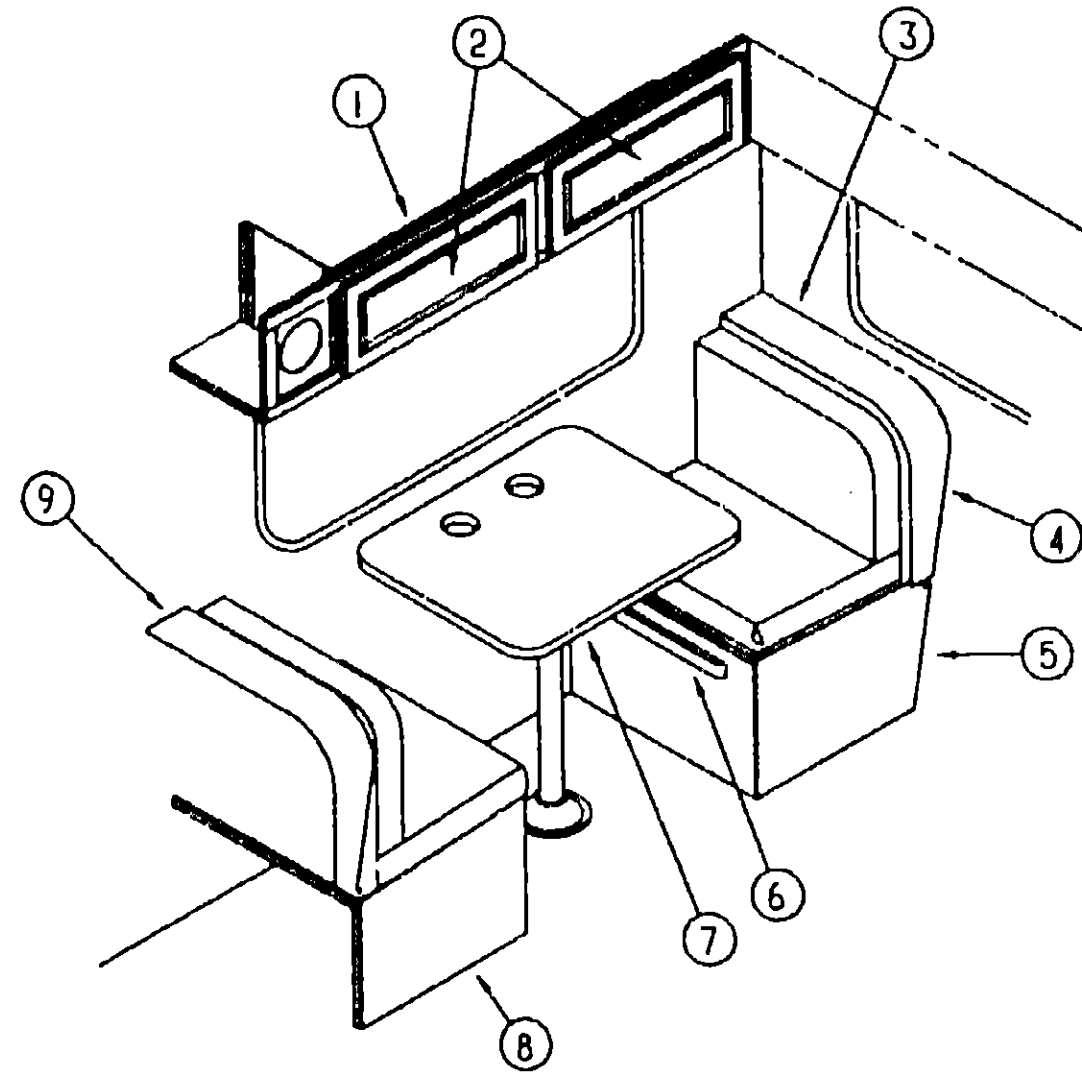
**FABRIC**

KEY	PART NUMBER	U/M DESCRIPTION
	072333-90-000	YD FABRIC-CURTAIN, 54" WIDE - TAN (D01)
	072333-82-000	YD FABRIC-CURTAIN, 54" WIDE - BEIGE (D02/D03)
	104233-60-000	YD FABRIC-UPHOLSTERY, PATTERN VELOUR - 54" WIDE (D01)
	104233-64-000	YD FABRIC-UPHOLSTERY, WOVEN PATTERN - 54" WIDE (D02/D03)
	104233-74-000	YD FABRIC-UPHOLSTERY, PLAIN BEIGE VELOUR - 54" WIDE (D01)
	104233-29-000	YD FABRIC-UPHOLSTERY, PLAIN VELOUR - 54" WIDE (D02)
	104233-30-000	YD FABRIC-UPHOLSTERY, PLAIN VELOUR - 54" WIDE (D03)
	104233-62-000	YD FABRIC-UPHOLSTERY, CRISSCROSS VELOUR - 54" WIDE (D01)
	104233-65-000	YD FABRIC-UPHOLSTERY, CRISSCROSS VELOUR - 54" WIDE (D02)
	104233-67-000	YD FABRIC-UPHOLSTERY, CRISSCROSS VELOUR - 54" WIDE (D03)
	104233-63-000	YD FABRIC-UPHOLSTERY, STRIPED WOVEN - 54" WIDE (D01)
	104233-66-000	YD FABRIC-UPHOLSTERY, STRIPED WOVEN - 54" WIDE (D02)
	104233-68-000	YD FABRIC-UPHOLSTERY, STRIPED WOVEN - 54" WIDE (D03)
	104233-75-000	YD FABRIC-UPHOLSTERY, "W" - VELOUR (D01)
	104233-76-000	YD FABRIC-UPHOLSTERY, "W" - VELOUR (D02)
	104233-77-000	YD FABRIC-UPHOLSTERY, "W" - VELOUR (D03)
	105745-12-000	YD FABRIC-CURTAIN/BEDSPREAD, PATTERNED - 54" WIDE (D01)
	105745-30-000	YD FABRIC-CURTAIN/BEDSPREAD, PATTERNED - 54" WIDE (D02)
	105745-14-000	YD FABRIC-CURTAIN/BEDSPREAD, PATTERNED - 54" WIDE (D03)

**SEATBELTS & BUTTONS**

KEY	PART NUMBER	U/M DESCRIPTION
	007021-01-000	EA BELT-SEAT, 2" X 90" - BLACK
	056271-01-000	EA BELT-SEAT, 2" X 102" - BLACK
	078300-04-000	EA BRACKET-SEATBELT
	070578-01-D01	EA BUTTON-SCREW STUD, #30 (D01)
	070578-01-C03	EA BUTTON-SCREW STUD, #30 (D02)
	070578-01-B06	EA BUTTON-SCREW STUD, #30 (D03)

**DINETTE GROUP**



**CABINETS & PADS**

KEY	PART NUMBER	U/M DESCRIPTION
	M05159-35-D01	EA CABINET-OVERHEAD, W/O DOORS OR HARDWARE
	M05159-35-D02	EA CABINET-OVERHEAD, W/O DOORS OR HARDWARE
	M05159-35-D03	EA CABINET-OVERHEAD, W/O DOORS OR HARDWARE
	P03701-73-D01	EA DOOR-CABINET, W/O HARDWARE - 10" X 25 2"
	109106-01-D01	EA PAD-DINETTE
	109106-01-D02	EA PAD-DINETTE
	109106-01-D03	EA PAD-DINETTE
	M04174-39-D01	EA CABINET-BACKREST, REAR
	M04175-39-D01	EA CABINET-SEATBASE, REAR
	081295-07-C07	EA SUPPORT-BASE, DINETTE - 1.5" X 19.1" - WOOD
	061298-11-D01	EA TABLE-DINETTE, W/O CUPHOLDERS
	064781-06-000	EA HOLDER-CUP, TWO STEP - OFF WHITE
	009040-03-000	EA BASE-TABLE, RAISED
	009040-02-000	EA LEG-TABLE, PEDESTAL - 27.5" X 2.25" DIA - CHROME
	M04175-38-D01	EA CABINET-SEATBASE, FRONT
	081518-12-D01	EA SEAT-DINETTE TOP, PLYWOOD
	103869-05-D01	EA PAD-DINETTE
	103869-05-D02	EA PAD-DINETTE
	103869-05-D03	EA PAD-DINETTE

**1983 WINNEBAGO**  
**TABLE OF CONTENTS**

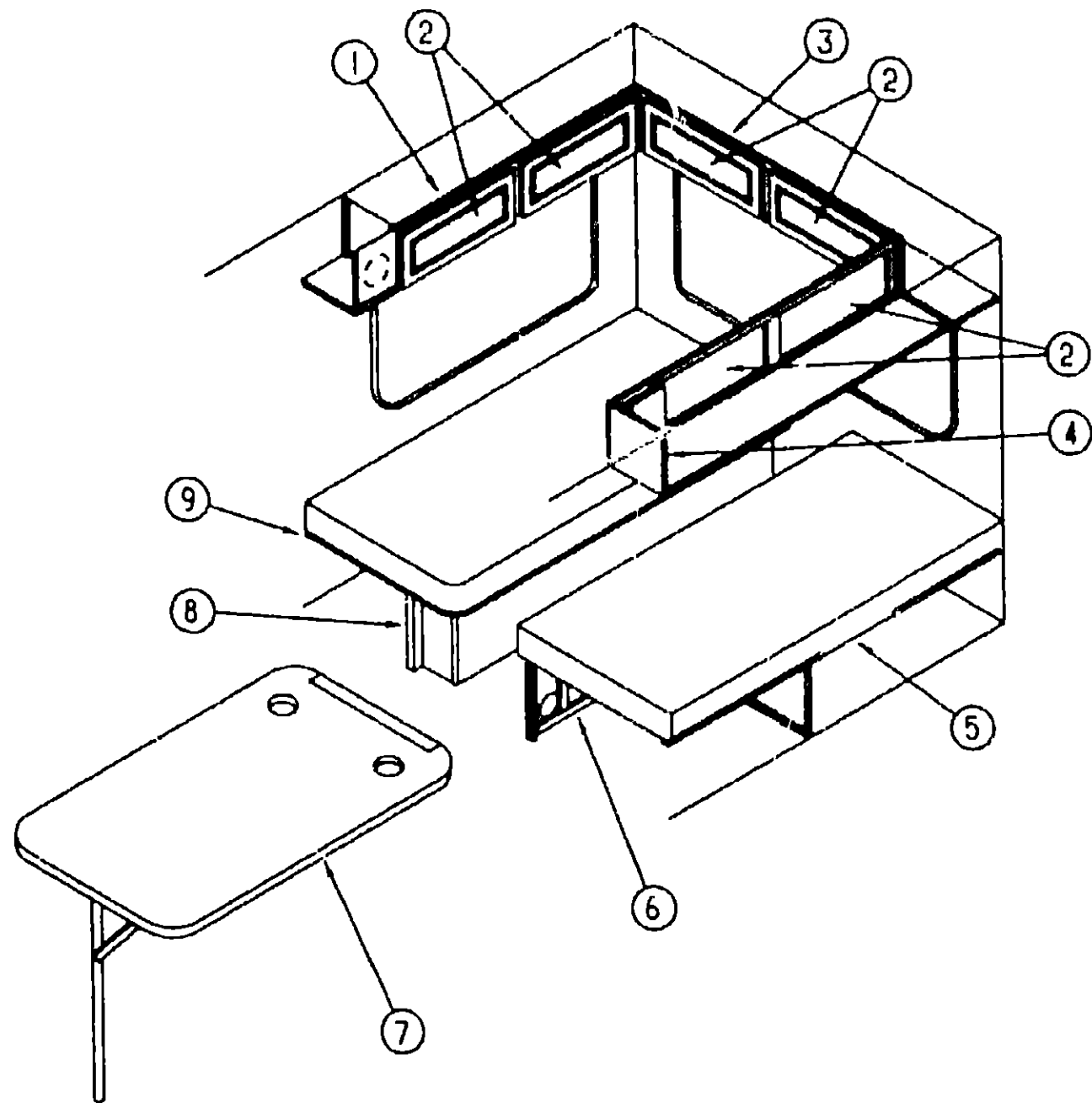
INTRODUCTION	A-01	A-02
ABBREVIATIONS		A-03
ALPHABETICAL INDEX	A-04	A-06
WT321RB	A-07	C-22
WT321RL	C-23	F-18
WT321RD	F-17	I-10

**1983 WT321RD INDEX**

FLOOR PLAN	F-17	F-18
ACCESSORIES		F-19
AUDIO VIDEO		F-20
BATH	F-21	F-22
CHASSIS	F-23	F-24
CURTAIN & CUSHION	G-01	G-07
DINETTE	G-08	G-10
DRIVERS COMPARTMENT		G-11
ELECTRICAL	G-12	G-15
EXTERIOR BODY	G-16	G-20
GALLEY	G-21	G-24
GENERATOR		H-01
HEATING & A/C		H-02
INTERIOR FINISH	H-03	H-06
LABELS	H-07	H-12
LP		H-13
LOUNGE		H-14
SEALANTS & FASTENERS	H-15	H-16
WATER & SEWAGE	H-17	H-20
WINDOW, VENT AND EXTERIOR DOOR	H-21	I-10

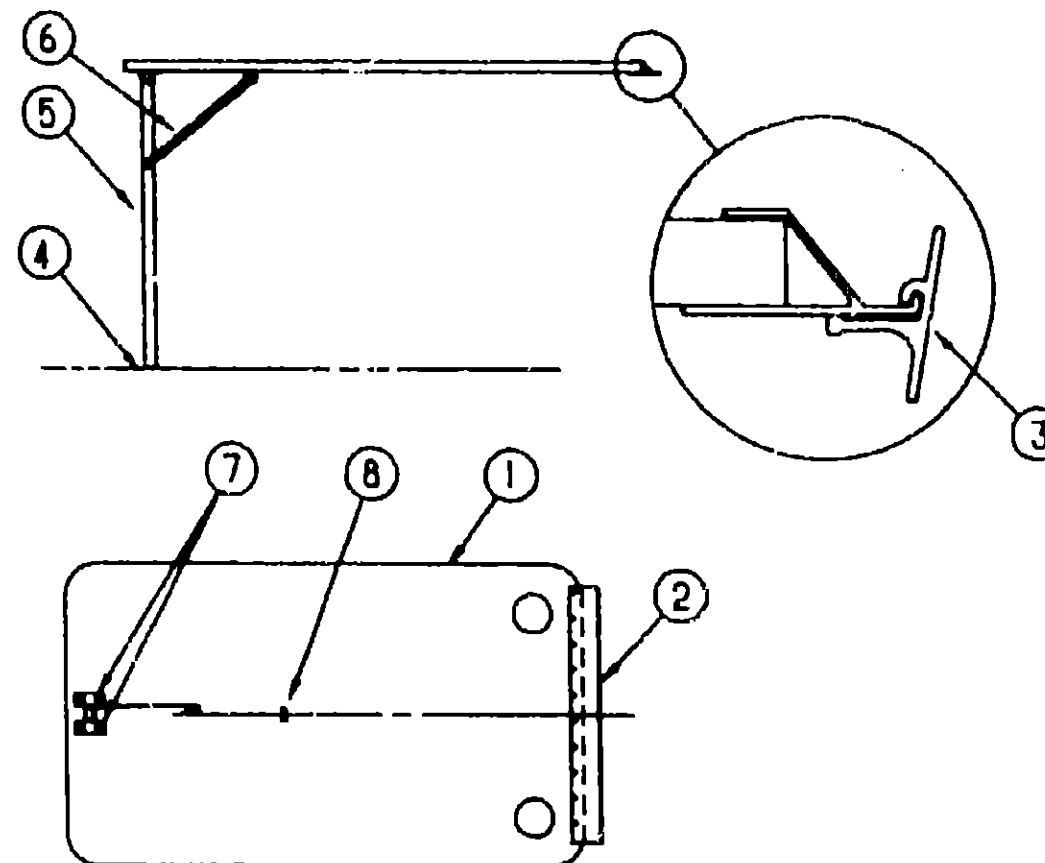


**DINETTE GROUP (CONTINUED)**



**TWIN BED OPTION CABINETS**

**DINETTE GROUP (CONTINUED)**



**TWIN BED OPTION TABLE**

**1993 WINNEBAGO  
TABLE OF CONTENTS**

INTRODUCTION	A-01 -	A-02
ABBREVIATIONS		A-03
ALPHABETICAL INDEX	A-04 -	A-08
WT321RB	A-07 -	C-22
WT321RL	C-23 -	F-16
WT321RD	F-17 -	I-10

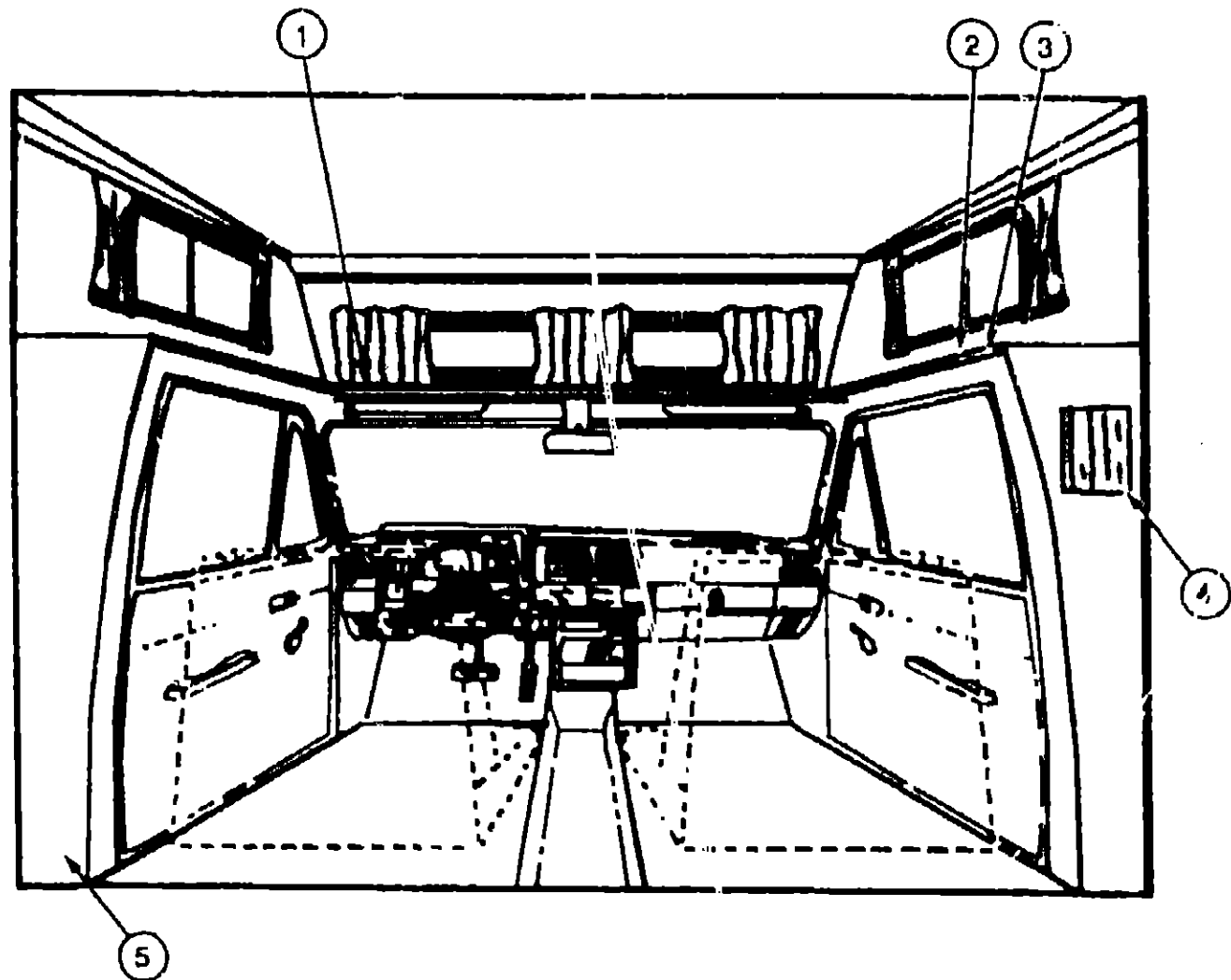
**1993 WT321RD INDEX**

FLOOR PLAN	F-17 -	F-18
ACCESSORIES		F-19
AUDIO VIDEO		F-20
BATH	F-21 -	F-22
CHASSIS	F-23 -	F-24
CURTAIN & CUSHION	G-01 -	G-07
DINETTE	G-08 -	G-10
DRIVERS COMPARTMENT		G-11
ELECTRICAL	G-12 -	G-15
EXTERIOR BODY	G-16 -	G-20
GALLEY	G-21 -	G-24
GENERATOR		H-01
HEATING & A/C		H-02
INTERIOR FINISH	H-03 -	H-06
LABELS	H-07 -	H-12
LP		H-13
LOUNGE		H-14
SEALANTS & FASTENERS	H-15 -	H-16
WATER & SEWAGE	H-17 -	H-20
WINDOW, VENT AND EXTERIOR DOOR	H-21 -	I-10

KEY	PART NUMBER	U/M DESCRIPTION
1	M05159-35-D01	EA CABINET-OVERHEAD, W/O DOORS OR HARDWARE
1	M05159-35-D02	EA CABINET-OVERHEAD, W/O DOORS OR HARDWARE
1	M05159-35-D03	EA CABINET-OVERHEAD, W/O DOORS OR HARDWARE
2	P03701-73-D01	EA DOOR-CABINET, W/O HARDWARE - 10" X 25.2"
3	M05159-37-D01	EA CABINET-OVERHEAD, W/O DOORS OR HARDWARE
4	M05159-36-D01	EA CABINET-OVERHEAD, W/O DOORS OR HARDWARE
4	M05159-36-D02	EA CABINET-OVERHEAD, W/O DOORS OR HARDWARE
4	M05159-36-D03	EA CABINET-OVERHEAD, W/O DOORS OR HARDWARE
5	M05923-02-000	EA TOP-TWIN BED, DRIVER SIDE
	057205-03-000	EA ANGLE-SUPPORT, BED - 1" X 1.5" X 74" - METAL - OFF WHITE
6	P10037-01-D01	EA CABINET-TWIN BED, DRIVER SIDE
	P03701-46-D01	EA DOOR-CABINET, W/O HARDWARE - 12" X 26"
7	081322-11-D01	EA TABLE-DINETTE, W/O CUPHOLDERS
8	P10036-01-D01	EA CABINET-TWIN BED, PASSENGER SIDE
9	M05923-01-000	EA TOP-TWIN BED, PASSENGER SIDE

KEY	PART NUMBER	U/M DESCRIPTION
1	081322-11-D01	EA TABLE-DINETTE, W/O CUPHOLDERS
	064781-06-000	EA HOLDER-CUP, TWO STEP - OFF WHITE
2	074581-06-000	EA HANGER-TABLE, 600 MM - OFF WHITE
3	074579-07-000	EA SUPPORT-TABLE, WALL MOUNTED - 24.75" LONG - OFF WHITE
4	049493-13-000	EA CATCH-TABLE LEG, OFF WHITE
5	024276-23-000	EA LEG-TABLE, OFF WHITE
6	024282-01-000	EA BRACE-TABLE LEG, HINGED
7	064050-05-000	EA HINGE-TABLE LEG, OFF WHITE
8	024283-01-000	EA CLIP-LEG, 1" - 1.125" OD - BLACK

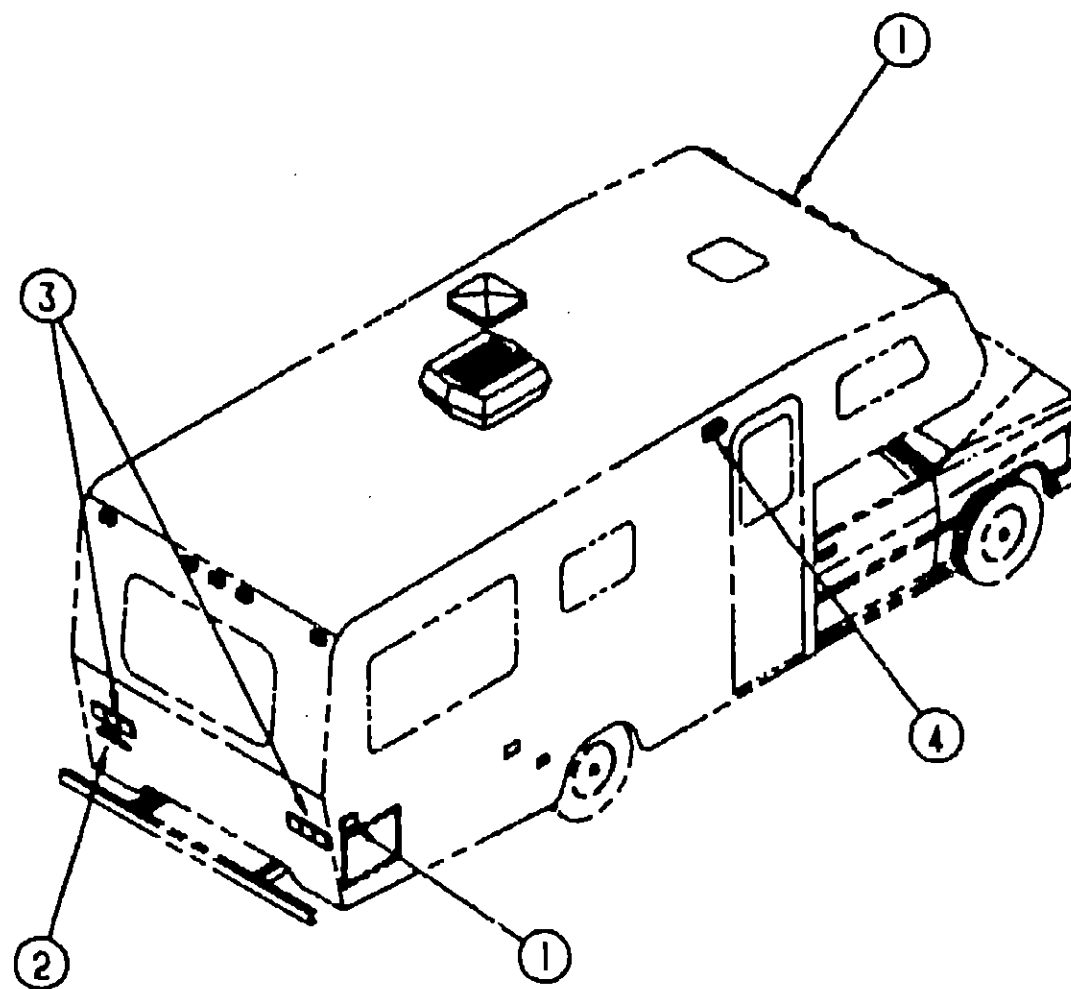
**DRIVERS COMPARTMENT GROUP**



**DRIVERS COMPARTMENT**

KEY	PART NUMBER	U/M DESCRIPTION
1	P00072-01-B05	EA PANEL-SLEEPERBOARD, W/O INTERIOR TRIM
	100085-01-01A	EA TRIM-STRAP, SLEEPERBOARD - FLAT W/SCREW HOLES
	100086-01-01A	EA TRIM-SLEEPERBOARD TO ROOF - OFF WHITE
2	079800-06-000	EA TRIM-SLEEPERBOARD INNER - OFF WHITE
3	080742-03-000	FT TRIM-VINYL-SLEEPER BOARD - OFF WHITE
4	086120-01-D01	EA PAD ASM-MAP POCKET, 12" X 16" (D01)
4	086120-01-D02	EA PAD ASM-MAP POCKET, 12" X 16" (D02)
4	086120-01-B08	EA PAD ASM-MAP POCKET, 12" X 16" (D03)
	M86120-01-D01	EA COVER-MAP POCKET (D01)
	M86120-01-C05	EA COVER-MAP POCKET (D02)
	M86120-01-B06	EA COVER-MAP POCKET (D03)
5	M95402-02-000	EA WINGWALL-INNER, DRIVER - W/O CARPET
	100138-01-000	EA MODULE-DAYTIME RUNNING LIGHT - CANADIAN
	100159-05-000	EA WIRE ASM-DAYTIME RUNNING LIGHTS, W/FUSE - CANADIAN
	100715-03-000	EA SPEEDOMETER-KILOMETER, TOYOTA 83110-35220

**ELECTRICAL GROUP**



**EXTERIOR LIGHTS**

KEY	PART NUMBER	U/M DESCRIPTION
1	091983-01-000	EA GASKET-CLEARANCE/SIDEMARKER LIGHT
1	042405-01-000	EA LENS-CLEARANCE/SIDEMARKER LIGHT W/REFLEX - RED
1	042405-02-000	EA LENS-CLEARANCE/SIDEMARKER LIGHT W/REFLEX - AMBER
1	042405-03-000	EA BASE-CLEARANCE/SIDEMARKER LIGHT W/BULB - PLASTIC - WHITE
1	008213-01-000	EA BULB-12V, .024 AMP - #57
2	066432-01-000	EA LIGHT-LICENSE PLATE W/BRACKET, OFF WHITE
3	081638-02-000	EA TAILLIGHT-TRIPLE, W/OFF WHITE TRIM - DRIVER & PASSENGER SIDE
3	081638-01-700	EA LENS-TAILLIGHT, RED - BARGMAN 30-84-010
3	081638-01-701	EA LENS-TAILLIGHT, W/BACKUP - BARGMAN 30-84-700
3	081638-02-700	EA LENS-TAILLIGHT, AMBER - BARGMAN 30-84-016
3	037934-01-000	EA BULB-12V, - 2.1 AMP - #1156 - CLEAR GLASS (BACK LIGHT & TURN SIGNAL)
3	039735-01-000	EA BULB-12V, 2.1 AMP - #2057 OR 1157 CLEAR GLASS (BRAKE LIGHT)
3	081638-03-000	EA WEDGE-TAILLIGHT, OFF WHITE - DRIVER OR PASSENGER SIDE
4	087917-01-01A	EA LIGHT-PORCH, ENTRY DOOR - OFF WHITE
4	087917-01-700	EA LENS-LIGHT, PORCH
4	008215-01-000	EA BULB-12V, .94 AMP - #1003

**1993 WINNEBAGO  
TABLE OF CONTENTS**

INTRODUCTION	A-01 -	A-02
ABBREVIATIONS		A-03
ALPHABETICAL INDEX	A-04 -	A-06
WT321RB	A-07 -	C-22
WT321RL	C-23 -	F-16
WT321RD	F-17 -	I-10

**1993 WT321RD INDEX**

FLOOR PLAN	F-17 -	F-18
ACCESSORIES		F-19
AUDIO VIDEO		F-20
BATH	F-21 -	F-22
CHASSIS	F-23 -	F-24
CURTAIN & CUSHION	G-01 -	G-07
DINETTE	G-08 -	G-10
DRIVERS COMPARTMENT		G-11
ELECTRICAL	G-12 -	G-15
EXTERIOR BODY	G-16 -	G-20
GALLEY	G-21 -	G-24
GENERATOR		H-01
HEATING & A/C		H-02
INTERIOR FINISH	H-03 -	H-06
LABELS	H-07 -	H-12
LP		H-13
LOUNGE		H-14
SEALANTS & FASTENERS	H-15 -	H-16
WATER & SEWAGE	H-17 -	H-20
WINDOW, VENT AND EXTERIOR DOOR	H-21 -	I-10

**ELECTRICAL GROUP (CONTINUED)**  
CANADIAN OPTION L285

KEY	PART NUMBER	U/M DESCRIPTION
	008289-02-000	EA BOX-ELECTRICAL, 4' X 4' - 1/2" X 3/4" KNOCKOUTS
	008294-02-000	EA COVER-ELECTRICAL BOX, BLANK STEEL - 4' X 4'
	083209-02-000	EA CIRCUIT BREAKER-15/15AMP, 120V - B-W H-15/15
	083209-06-000	EA CIRCUIT BREAKER-30/15 AMP, 120V - R-W D-30/15
<b>INTERIOR LIGHTS, SWITCHES &amp; RECEPTACLES</b>		
KEY	PART NUMBER	U/M DESCRIPTION
	104173-01-01A	EA LIGHT-DESIGNER, BRASS - #81-905 - U.S.
	008215-01-000	EA BULB-12V, .94 AMP - #1003
	104172-01-01A	EA LIGHT-BULLET, BEIGE - #787 SERIES - CANADIAN
	008215-01-000	EA BULB-12V, .94 AMP - #1003
	098024-01-01A	EA LIGHT-DOME, 1 BULB - US - IVORY
	098024-03-01A	EA LIGHT-DOME, 2 BULB - IVORY
	098024-01-700	EA LENS-DOME LIGHT
	008218-01-000	EA BULB-DOME LIGHT, 12V - #1141
	075723-01-000	EA SPACER-SWITCH, W/O HOLE - .2" X .9" X 2" - METAL - OFF WHITE
	095188-01-01A	EA SPACER-SWITCH, 2.3" X 3.4" - PLASTIC - DARK BROWN
	079364-01-000	EA SWITCH-ON/OFF ROCKER, 2 PRONGS - BROWN
	096241-03-000	EA SWITCH-BLANK
	098351-01-01A	EA PLATE-SWITCH, 1 GANG - POLISHED BRASS
	108356-02-01A	EA COVER-SWITCH W/DIMPLES - EXTERIOR SHOWER - CARLING VVAZC00 BLA
	108357-08-000	EA SWITCH-ROCKER, DPDT ON/NONE/ON - EXTERIOR SHOWER CARLING VDD1S00C-0
	075736-02-000	EA COVER-EXTERIOR RECEPTACLE, OFF WHITE
	058708-01-000	EA RECEPTACLE-ELECTRIC, DOUBLE - BROWN
	058708-02-000	EA RECEPTACLE-ELECTRIC, DOUBLE - IVORY
	058707-01-000	EA RECEPTACLE-ELECTRIC, SINGLE - BROWN
	097734-01-01A	EA EXTENSION-RECEPTACLE, 3.2" X 5" X .7" - PLASTIC - IVORY
	084076-01-000	EA RECEPTACLE-GFI, 15A - 125V - IVORY
	084076-02-000	EA RECEPTACLE-GFI, 15A - 125V - BROWN
	084077-01-000	EA PLATE-COVER RECEPTACLE - GFI - IVORY
	084077-02-000	EA PLATE-COVER RECEPTACLE - GFI - BROWN

**ELECTRICAL GROUP (CONTINUED)**  
CIRCUIT BREAKERS & FUSES

KEY	PART NUMBER	U/M DESCRIPTION
	093655-03-000	EA CIRCUIT BREAKER-40 AMP, USD 1744J-4E03A2A
	083209-03-000	EA CIRCUIT BREAKER-15/20AMP, 120V - BW O-15/20
	083209-05-000	EA CIRCUIT BREAKER-20A, 120V - BW J-20
	083209-07-000	EA CIRCUIT BREAKER-20/20A, 120V - BW K-20/20
	008235-01-000	EA FUSE-AUTOMOTIVE 12V - 15AMP
	062901-02-000	EA FUSE-5 AMPS, AUTOMOTIVE
	062901-05-000	EA FUSE-15 AMPS, AUTOMOTIVE
	100341-01-000	EA FUSE HOLDER-IN LINE TYPE
	107333-01-01A	EA MOUNT-CIRCUIT BREAKER, 3.9" X 2" - BLACK PLASTIC

**ELECTRICAL CONNECTORS**

KEY	PART NUMBER	U/M DESCRIPTION
	007940-01-000	EA RECEPTACLE-SLIDE, 16 TO 12 AWG - FEMALE END
	008311-01-000	EA CONNECTOR-WIRE NUT, INSULATED - RED
	008314-01-000	EA CONNECTOR-WIRE NUT, INSULATED - GRAY
	008326-01-000	EA TERMINAL-RING, 16/14 WIRE - 3/8" STUD
	008328-01-000	EA TERMINAL-RING, 12/10 WIRE - #10 STUD FIT
	008331-01-000	EA TERMINAL-RING, TONGUE - #4 WIRE - 3/8" STUD - COPPER
	008348-01-000	EA TERMINAL-RING, 3/16" STUD - #2 WIRE CONNECTS CABLE TO DISCONNECT RELAY AND BATTERY
	008355-01-000	EA CONNECTOR-CABLE CLAMPING, 3/4"
	008358-01-000	EA CONNECTOR-PLASTIC, 3/8" AVG
	008398-01-000	EA CONNECTOR-1/2" X 90 DEGREE, FLEX CONDUIT - UL AND CSA
	035416-04-000	EA TERMINAL-RING, #10 STUD FIT, INSULATED BARREL #16/14
	047443-01-000	EA TERMINAL-25% RECEPT. FIT, INSULATED - 16/14 AWG
	058028-01-000	EA CONNECTOR-ELECTRICAL PIGTAIL, NYLON - CLEAR
	063910-01-000	EA HOUSING-RELAY, BOSCH 3 334 485 008
	080015-02-000	EA RECEPTACLE-FLAG, .185 - 16/14 GA - AMP 3
	088473-07-000	EA HOUSING-PIN, 5 CAVITY - AMP 1-480763-0
	088473-08-000	EA HOUSING-PIN, 4 POSITION
	088473-10-000	EA PIN-HOUSING, 2 POSITION
	088474-07-000	EA HOUSING-SOCKET, 5 CAVITY - AMP 1-480764-0
	088474-08-000	EA SOCKET-HOUSING, 4 POSITION (SINGLE ROW)
	088474-09-000	EA HOUSING-SOCKET, 3 POSITION
	088474-10-000	EA HOUSING-SOCKET, 2 POSITION
	088474-10-000	EA HOUSING-SOCKET, 2 POSITION
	088475-01-000	EA PIN-CONNECTOR, 14 TO 20 AWG
	088475-02-000	EA PIN-CONNECTOR, 10 TO 12 AWG
	088476-01-000	EA SOCKET-CONNECTOR, BRASS - PRE-TIN
	088476-02-000	EA SOCKET-CONNECTOR, 12-10 GA - PHOS. BRONZE - PRE-TIN

**1993 WINNEBAGO  
TABLE OF CONTENTS**

INTRODUCTION	A-01 -	A-02
ABBREVIATIONS		A-03
ALPHABETICAL INDEX	A-04 -	A-08
WT321RB	A-07 -	C-22
WT321RL	C-23 -	F-18
WT321RD	F-17 -	I-10

**1993 WT321RD INDEX**

FLOOR PLAN	F-17 -	F-18
ACCESSORIES		F-19
AUDIO VIDEO		F-20
BATH	F-21 -	F-22
CHASSIS	F-23 -	F-24
CURTAIN & CUSHION	G-01 -	G-07
DINETTE	G-08 -	G-10
DRIVERS COMPARTMENT		G-11
ELECTRICAL	G-12 -	G-15
EXTERIOR BODY	G-16 -	G-20
GALLEY	G-21 -	G-24
GENERATOR		H-01
HEATING & A/C		H-02
INTERIOR FINISH	H-03 -	H-06
LABELS	H-07 -	H-12
LP		H-13
LOUNGE		H-14
SEALANTS & FASTENERS	H-15 -	H-16
WATER & SEWAGE	H-17 -	H-20
WINDOW, VENT AND EXTERIOR DOOR	H-21 -	I-10

## ELECTRICAL GROUP (CONTINUED)

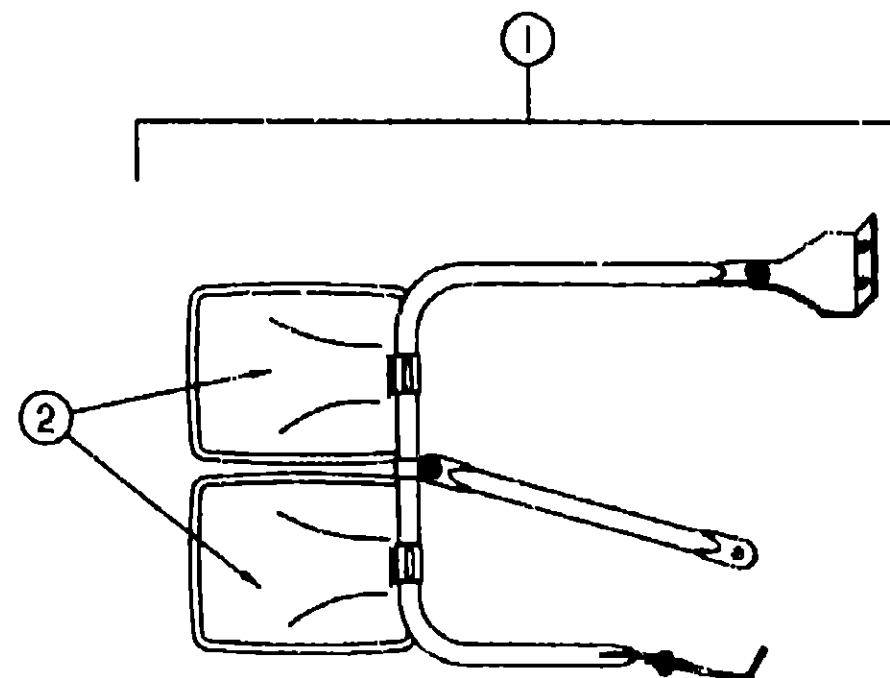
### BOXES, CONDUIT & COVERS

KEY	PART NUMBER	U/M DESCRIPTION
	008288-01-000	EA BOX-PLASTIC ELECTRIC, 3" X 3 1/2"
	008289-01-000	EA BOX-ELECTRIC, STEEL - 1/2" AND 3/4" KNOCKOUTS - 4" X 4"
	008049-01-000	EA BOX-ELECTRIC SWITCH, 2" X 3" X 2.25"
	061910-01-000	EA BOX-ELECTRIC, 3.75" X 3.5" X 1.75" - PLASTIC
	093603-01-000	EA BOX-ELECTRIC, 4" X 2 1/8" X 2 1/8" - STEEL
	093257-02-000	EA BOX-ELECTRIC, CIRCUIT BREAKER - B&W RV80-9
	107185-01-01A	EA BOX-CIRCUIT BREAKER MOUNT, 14.6" X 4" - BLACK PLASTIC
	041953-01-000	FT CONDUIT-CONVOLUTE SLIT, .5" ID
	041953-05-000	FT CONDUIT-CONVOLUTE SOLID, .62" ID
	041953-07-000	FT CONDUIT-CONVOLUTE SLIT, .25" ID
	041953-09-000	FT CONDUIT-CONVOLUTE SLIT, .50" ID
	008294-01-000	EA COVER-ELECTRICAL BOX, BLANK/STEEL - 4" X 4" - GRAY
	054250-04-000	EA COVER-ANGLED, W/O HOLE - 3.6" X 4.5" - PLASTIC - OFF WHITE ELECTRICAL PLATE SUPPORT
	073626-04-000	EA COVER-ELECTRIC, 10.4" X 7.8" - BEIGE PLASTIC

### SOLENOID, POWER CONVERTER & POWER CORDS

KEY	PART NUMBER	U/M DESCRIPTION
	008188-01-000	EA SOLENOID-3 POST, BATTERY CHANGE OVER
	109171-01-000	EA CONVERTER-40 AMP, ELECTRONIC - MAGNETEK 7240X
	008052-01-000	EA CORD-POWER, 10/3 - 30 AMP - 25' - CANADIAN
	008054-01-000	EA CORD-POWER, 10-3 - 30 AMP - 25'

## EXTERIOR BODY GROUP



## 1993 WINNEBAGO TABLE OF CONTENTS

INTRODUCTION	A-01 -	A-02
ABBREVIATIONS		A-03
ALPHABETICAL INDEX	A-04 -	A-06
WT321FIB	A-07 -	C-27
WT321RL	C-23 -	F-16
WT321RD	F-17 -	I-10

## EXTERIOR MIRRORS

KEY	PART NUMBER	U/M DESCRIPTION
	084445-03-000	EA MIRROR-EXTERIOR, PASSENGER SIDE - VELVAC 712724-7
	084445-04-000	EA MIRROR-EXTERIOR, DRIVER SIDE - VELVAC 712725-7
	084445-03-700	EA HEAD-MIRROR, FLAT GLASS - DRIVER OR PASS SIDE - VELVAC 704176-5
	084445-03-701	EA HEAD-MIRROR, CONVEX GLASS - DRIVER OR PASS SIDE - VELVAC 704187-5

## ALUMINUM, FIBERGLASS & STYROFOAM

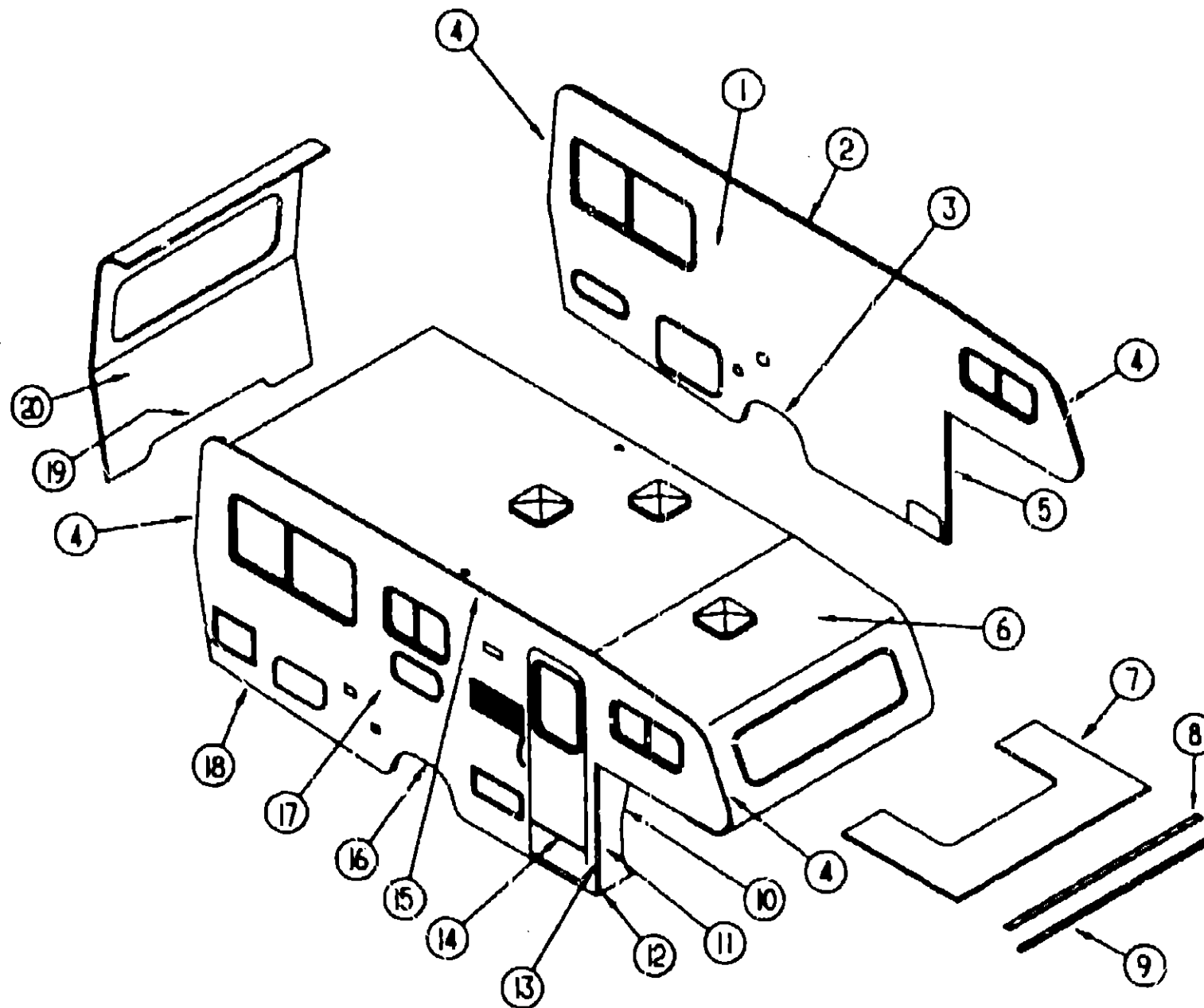
KEY	PART NUMBER	U/M DESCRIPTION
	044487-01-001	EA SHEET-ALUMINUM, (ROOF) - .019" X 96" X 360" - MILL FINISH
	001054-01-011	EA SHEET-ALUMINUM, FLAT - .024" X 48" X 96" - OFF WHITE
	077517-24-000	EA SHEET-FIBERGLASS, FLAT - 48" X 96" - OFF WHITE
	076054-D3-005	EA SHEET-FIBERGLASS, FLAT - 48" X 224" - OFF WHITE
	076054-G7-001	EA SHEET-FIBERGLASS, FLAT - 41" X 27" - OFF WHITE
	076054-A2-000	EA SHEET-FIBERGLASS, FLAT - 25" X 48" - OFF WHITE
	000870-02-000	SF STYROFOAM-1 1/2" X 48" X 96" - INCREMENTS OF 32 SF
	000870-05-000	SF STYROFOAM-5" X 24" X 96" - INCREMENTS OF 16 SF
	083574-03-000	SF STYROFOAM-3/4" X 48" X 96" - INCREMENTS OF 32 SF

## 1993 WT321RD INDEX

FLOOR PLAN	F-17 -	F-18
ACCESSORIES		F-19
AUDIO VIDEO		F-20
BATH	F-21 -	F-22
CHASSIS	F-23 -	F-24
CURTAIN & CUSHION	G-01 -	G-07
DINETTE	G-08 -	G-10
DRIVERS COMPARTMENT		G-11
ELECTRICAL	G-12 -	G-15
EXTERIOR BODY	G-16 -	G-20
GALLEY	G-21 -	G-24
GENERATOR		H-01
HEATING & A/C		H-02
INTERIOR FINISH	H-03 -	H-06
LABELS	H-07 -	H-12
LP		H-13
LOUNGE		H-14
SEALANTS & FASTENERS	H-15 -	H-16
WATER & SEWAGE	H-17 -	H-20
WINDOW, VENT AND EXTERIOR DOOR,	H-21 -	I-10

EXTERIOR BODY GROUP (CONTINUED)

EXTERIOR BODY PANELS & TRIM



1993 WINNEBAGO  
TABLE OF CONTENTS

INTRODUCTION	A-01	A-02
ABBREVIATIONS		A-03
ALPHABETICAL INDEX	A-04	A-06
WT321RB	A-07	C-22
WT321RL	C-23	F-16
WT321RD	F-17	I-10

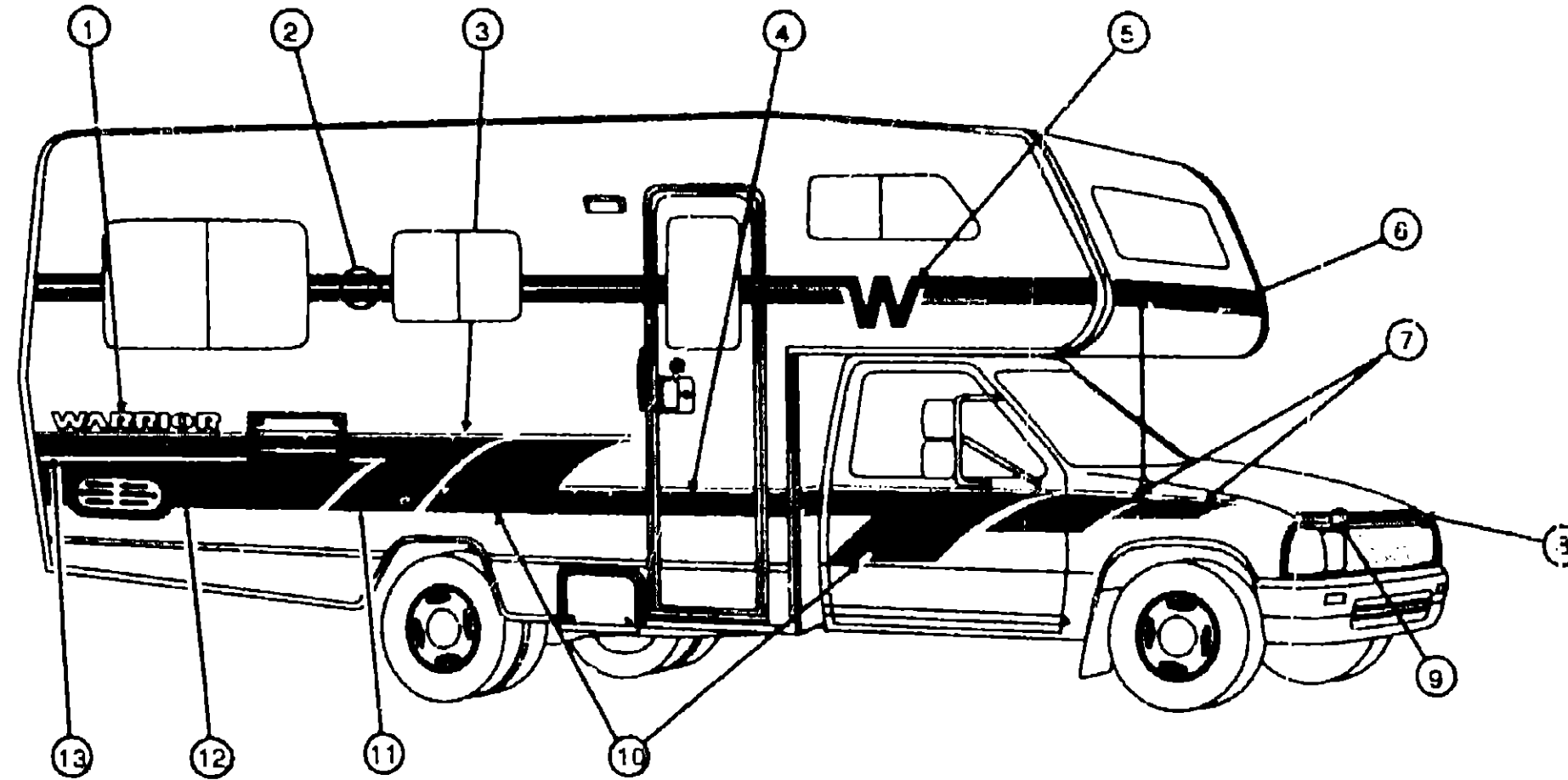
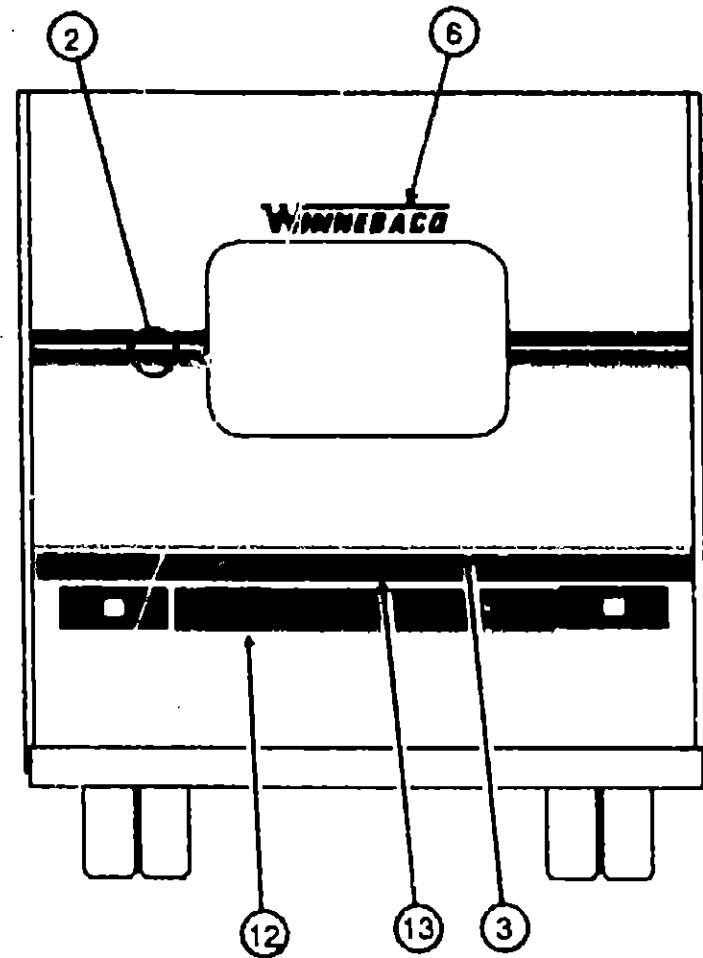
1993 WT321RD INDEX

FLOOR PLAN	F-17	F-18
ACCESSORIES		F-19
AUDIO VIDEO		F-20
BATH	F-21	F-22
CHASSIS	F-23	F-24
CURTAIN & CUSHION	G-01	G-07
DINETTE	G-08	G-10
DRIVERS COMPARTMENT		G-11
ELECTRICAL	G-12	G-15
EXTERIOR BODY	G-16	G-20
GALLEY	G-21	G-24
GENERATOR		H-01
HEATING & A/C		H-02
INTERIOR FINISH	H-03	H-06
LABELS	H-07	H-12
LP		H-13
LOUNGE		H-14
SEALANTS & FASTENERS	H-15	H-16
WATER & SEWAGE	H-17	H-20
WINDOW, VENT AND EXTERIOR DOOR	H-21	I-10

KEY	PART NUMBER	U/M DESCRIPTION
1	P08632-01-D01	EA SIDEWALL-DRIVER SIDE, W/O DOORS OR WINDOWS
	002726-01-001	EA GARNISH-U-CHANNEL, 1.38" X 1 1/2" - SERRATED - MILL ALUMINUM
2	096864-01-01A	EA TRIM-CONTOUR, ROOF TO SIDEWALL - DR OR PASS - 120"
3	100800-09-01A	EA TRIM-WHEELWELL, REAR - DRIVER SIDE - OFF WHITE
4	096854-01-01A	EA TRIM-CONTOUR, W/O VINYL INSERT - 108" - OFF WHITE
	105312-01-01A	FT INSERT-TRIM, VINYL - OFF WHITE
5	096970-08-01A	EA TRIM-WINGWALL, DRIVER SIDE VERTICAL - 46.5" - OFF WHITE
		FROM: 00-00-00 THRU: 09-27-92
5	104479-08-01A	EA TRIM-WINGWALL, DRIVER SIDE VERTICAL - OFF WHITE
		FROM: 09-28-92 THRU: 99-99-99
6	P08807-01-D01	EA ROOF ASSEMBLY-W/O VENTS OR LIGHTS
	M76177-01-700	EA SECTION-ROOF, OVER CAB TO FIRST ROOF SEAM
7	P00072-01-B05	EA PANEL-SLEEPERBOARD, W/O INTERIOR TRIM
8	100085-01-01A	EA TRIM-STRAP, SLEEPERBOARD - FLAT W/SCREW HOLES
9	100086-01-01A	EA TRIM-SLEEPERBOARD TO ROOF - OFF WHITE
10	089334-01-000	FT VINYL-EXTERIOR, BETWEEN WINGWALL & CAB SEAL - WHITE
11	100882-03-D01	EA WINGWALL-PASSENGER
	100882-02-B05	EA WINGWALL-DRIVER
12	084704-02-000	EA TRIM-WINGWALL, OFF WHITE - DRIVER OR PASS. SIDE
13	086970-05-01A	EA TRIM-WINGWALL, PASSENGER SIDE VERTICAL - 46.5" - OFF WHITE
		FROM: 00-00-00 THRU: 09-27-92
13	104479-07-01A	EA TRIM-WINGWALL, PASSENGER SIDE VERTICAL - OFF WHITE
		FROM: 09-28-92 THRU: 99-99-99

KEY	PART NUMBER	U/M DESCRIPTION
14	002444-04-002	EA STRIP-FEATURE, W/O INSERT - 15' LONG - OFF WHITE
		FROM: 00-00-00 THRU: 03-16-93
	009731-01-000	EA END CAP-FEATURE STRIP
		FROM: 00-00-00 THRU: 03-16-93
	001030-02-003	EA INSERT-FEATURE STRIP, 17' LONG - OFF WHITE
	108651-01-000	EA CAP-FEATURE STRIP, MILL
		FROM: 03-17-93 THRU: 99-99-99
	108688-01-01A	EA STRIP-FEATURE, W/O INSERT - 15' LONG - OFF WHITE
		FROM: 03-17-93 THRU: 99-99-99
	069726-02-000	EA BUMPER-.88" DIAMETER X .40", BLACK
	053278-51-259	EA TUBING-STEEL, .75" X 1.5" X 12.5"
15	100483-01-01A	EA TRIM-CONTOUR, ROOF (AWNING) - OFF WHITE
	099583-55-001	EA RAIL-AWNING, 10' LONG - OFF WHITE
16	100800-08-01A	EA TRIM-WHEELWELL, REAR - PASS SIDE - OFF WHITE
17	P08631-01-D01	EA SIDEWALL-PASSENGER SIDE, W/O DOORS OR WINDOWS
18	002776-03-012	EA EXTRUSION-U CHANNEL, 1.75" X 1 1/2" - OFF WHITE
	102788-51-001	EA EXTRUSION-U CHANNEL, 1.5" X 12' LONG - MILL ALUMINUM
	096787-51-001	EA EXTRUSION-U CHANNEL, 10 DEGREE ANGLE - 1.28" X 15' LONG - MILL ALUMINUM
	002754-01-001	EA ANGLE-EXTRUDED, .75" X .75" X 18" - MILL ALUMINUM
19	085004-01-000	EA TRIM-BACKWALL, LOWER - OFF WHITE - DRIVER OR PASSENGER SIDE
	002365-01-001	EA U-CHANNEL, 1" X 1 1/2" - SERRATED - MILL ALUMINUM
20	P08808-01-D01	EA BACKWALL-W/O WINDOW, LIGHTS, OR DECALS

EXTERIOR BODY GROUP (CONTINUED)  
DECALS, STRIPES & PAINT



1993 WINNEBAGO  
TABLE OF CONTENTS

INTRODUCTION	A-01 -	A-02
ABBREVIATIONS		A-03
ALPHABETICAL INDEX	A-04 -	A-05
WT321RB	A-07 -	C-22
WT321RL	C-23 -	F-16
WT321RD	F-17 -	I-10

1993 WT321RD INDEX

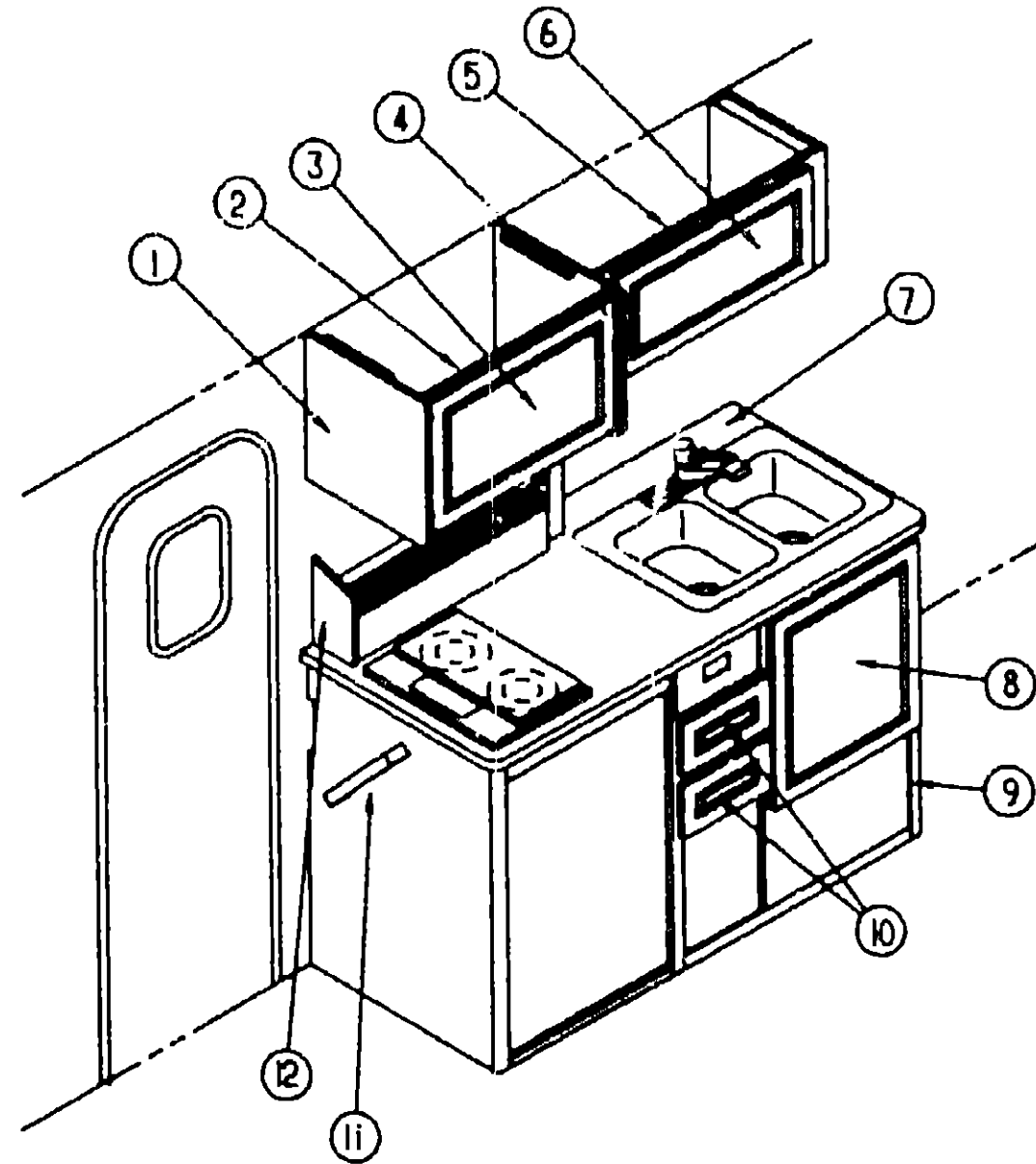
FLOOR PLAN	F-17 -	F-18
ACCESSORIES		F-19
AUDIO VIDEO		F-20
BATH	F-21 -	F-22
CHASSIS	F-23 -	F-24
CURTAIN & CUSHION	G-01 -	G-07
DINETTE	G-08 -	G-10
DRIVERS COMPARTMENT		G-11
ELECTRICAL	G-12 -	G-15
EXTERIOR BODY	G-16 -	G-20
GALLEY	G-21 -	G-24
GENERATOR		H-01
HEATING & AC		H-02
INTERIOR FINISH	H-03 -	H-06
LABELS	H-07 -	H-12
LP		H-13
LOUNGE		H-14
SEALANTS & FASTENERS	H-15 -	H-16
WATER & SEWAGE	H-17 -	H-20
WINDOW, VENT AND EXTERIOR DOOR	H-21 -	I-10

KEY	PART NUMBER	U/M	DESCRIPTION
1	107384-01-01A	EA	DECAL-LOGO, WARRIOR - LARGE
2	094443-12-01A	FT	FILM-MULTISTRIPE, 3 STRIPES - 146.1 MM
3	107385-01-01A	FT	STRIPE-1 LINE, 12.4 MM
4	107385-03-01A	FT	STRIPE-1 LINE, 69.9 MM
5	093691-08-01A	EA	DECAL-FLYING W, 184.2 MM HIGH
6	050313-53-000	EA	DECAL-LOGO, WINNEBAGO - 2.8' HIGH
7	107372-01-01A	EA	DECAL-FENDER, PASSENGER SIDE
	107372-02-01A	EA	DECAL-FENDER, DRIVER SIDE
8	107384-02-01A	EA	DECAL-LOGO, WARRIOR - SMALL
9	105781-06-01A	FT	FILM-MULTISTRIPE, 2 STRIPES - 44.5 MM
10	107383-01-01A	EA	DECAL-ANGLE, PASSENGER SIDE
	107383-02-01A	EA	DECAL-ANGLE, DRIVER SIDE
11	107383-01-02A	EA	DECAL-ANGLE, PASSENGER SIDE
	107383-02-02A	EA	DECAL-ANGLE, DRIVER SIDE
12	107385-04-01A	FT	STRIPE-1 LINE, 171.5 MM
13	107385-02-01A	FT	STRIPE-1 LINE, 50.8 MM

DUPONT COLOR CODES

OFF WHITE	L8723
SURF BLUE	G9954
LIGHT RUTILE	G9859K
LIGHT JADESTAR	G9848

**GALLEY GROUP**  
GALLEY CABINETS & COMPONENTS



**1993 WINNEBAGO**  
**TABLE OF CONTENTS**

INTRODUCTION	A-01 -	A-02
ABBREVIATIONS		A-03
ALPHABETICAL INDEX	A-04 -	A-06
WT321RB	A-07 -	C-22
WT321RL	C-23 -	F-16
WT321RD	F-17 -	I-10

**1993 WT321RD INDEX**

FLOOR PLAN	F-17 -	F-18
ACCESSORIES		F-19
AUDIO VIDEO		F-20
BATH	F-21 -	F-22
CHASSIS	F-23 -	F-24
CURTAIN & CUSHION	G-01 -	G-07
DINETTE	G-08 -	G-10
DRIVERS COMPARTMENT		G-11
ELECTRICAL	G-12 -	G-15
EXTERIOR BODY	G-16 -	G-20
GALLEY	G-21 -	G-24
GENERATOR		H-01
HEATING & A/C		H-02
INTERIOR FINISH	H-03 -	H-06
LABELS	H-07 -	H-12
LP		H-13
LOUNGE		H-14
SEALANTS & FASTENERS	H-15 -	H-16
WATER & SEWAGE	H-17 -	H-20
WINDOW, VENT AND		
EXTERIOR DOOR	H-21 -	I-10

KEY	PART NUMBER	U/M	DESCRIPTION
1	104335-25-D01	EA	CAP-END, OVERHEAD CABINET - MICROWAVE OVEN OPTION ONLY
2	M05159-38-D01	EA	CABINET-OVERHEAD, W/O DOORS OR HARDWARE
3	P03701-36-D01	EA	DOOR-CABINET, W/O HARDWARE - 12" X 21.8"
4	104335-24-D01	EA	CAP-END, OVERHEAD CABINET
5	M05159-34-D01	EA	CABINET-OVERHEAD, W/O DOORS OR HARDWARE
6	P03701-C3-D01	EA	DOOR-CABINET, W/O HARDWARE - 12" X 26"
7	108744-11-D01	EA	COUNTERTOP-GALLEY CABINET
8	P03701-C4-D01	EA	DOOR-CABINET, W/O HARDWARE - 19.9" X 21.8"
9	M05926-01-D01	EA	CABINET-GALLEY, W/O DOORS OR HARDWARE
9	M05926-02-D01	EA	CABINET-GALLEY, W/O DOORS OR HARDWARE - TWIN BED OPTION

KEY	PART NUMBER	U/M	DESCRIPTION
	103243-01-000	EA	FAUCET-GALLEY, DUAL CONTROL - 8" CENTERSET
	066437-01-000	EA	STRAINER-SINK, GALLEY W/BASKET
	066437-01-700	EA	BASKET-STRAINER, GALLEY SINK
	066435-01-000	EA	NUT-STRAINER
	102551-03-000	EA	SINK-GALLEY, DOUBLE W/MOUNTING HARDWARE - STAINLESS STEEL
	102551-04-000	EA	SINK-GALLEY, DOUBLE W/MOUNTING HARDWARE - STAINLESS STEEL - CANADIAN
	103610-02-D01	EA	COVER-SINK
	090329-01-000	FT	SEAL-T, REFRIGERATOR CABINET - .6" WIDE TOP X 2" TAIL
	008390-01-000	EA	GROMMET-RUBBER, 5/8" HOLE X 1 1/2" DIAMETER - BLACK
10	P07104-S4-D01	EA	DRAWER-CABINET, W/O HARDWARE - 6.1" X 11.6" FACE SIZE
11	091257-05-000	EA	HANDLE-ASSIST, WOOD
12	108994-01-D01	EA	RACK-SPICE W/RAILING
	075249-01-000	EA	RAILING-SPICE RACK, OAK - 72" LONG - UNFINISHED

**GALLEY GROUP (CONTINUED)**  
**REFRIGERATOR**

KEY	PART NUMBER	U/M DESCRIPTION
	101991-02-000	EA REFRIGERATOR-2 WAY, 4 CU FT - DOMETIC RM2410
	101991-01-713	EA DRIP CHUTE, DOMETIC 2007507003
	101991-01-715	EA SHELF LOCK, OUTER - DOMETIC 2007393016
	101991-01-716	EA SHELF LOCK, INNER - DOMETIC 2007392018
	101991-01-717	EA SPRING HOUSING, LH - DOMETIC 2002236004
	101991-01-718	EA SPRING HOUSING, RH - DOMETIC 2002236012
	101991-01-719	EA SPRING, LH - DOMETIC 2002237002
	101991-01-720	EA SPRING, RH - DOMETIC 2002237010
	101991-01-721	EA CARRIER, DOMETIC 2002238000
	101991-01-725	EA SHUTTER, CPL/W/WHITE - DOMETIC 2002239065
	101991-01-726	EA HINGE, DOMETIC 2002244008
	101991-01-727	EA GASKET, DOMETIC 2000917019
	101991-01-728	EA PUSH BUTTON, GRAY/BROWN - DOMETIC 2007479054
	101991-01-730	EA KNOB-SELECTOR, 12/120V - GRAY/BROWN - DOMETIC 2007480177
	101991-01-740	EA THERMO ELECTRIC SAFETY VALVE, DOMETIC 2007422005
	101991-01-742	EA COUPLING, DOMETIC 2007518000
	101991-01-743	EA THERMOSTAT-DUAL, DOMETIC 2007199009
	101991-01-744	EA BYPASS SCREW, DOMETIC 0172819005
	101991-01-745	EA CUTOFF VALVE, DOMETIC 2007430008
	101991-01-746	EA SWITCH, DOMETIC 2007432004
	101991-01-747	EA SPRING, DOMETIC 2007577014
	101991-01-748	EA SPRING, DOMETIC 2007578004
	101991-01-749	EA LIGHTER, DOMETIC 2007423003
	101991-01-750	EA SPRING, DOMETIC 2007425008
	101991-01-752	EA ELECTRODE, DOMETIC 2930379009
	101991-01-753	EA SEALING RING, DOMETIC 0140748005
	101991-01-754	EA SNAP CATCH FOR 12/120V, DOMETIC 2930066028
	101991-01-756	EA BURNER RETAINER, DOMETIC 2007651009
	101991-01-757	EA BURNER JET NO.39 FOR PROPANE, DOMETIC 2007419159
	101991-01-759	EA HEATER, 120V/160W - DOMETIC 0173756016
	101991-02-700	EA DECORATION-#14, DOMETIC 2931583-03/9
	101991-02-701	EA HANDLE-#8, DOMETIC 2931600-01/5
	101991-02-702	EA DOOR-#1, DOMETIC 2931586-11/5
	101991-02-703	EA FRONT PANEL-#19, DOMETIC 2931293-02/7
	101991-02-706	EA COOLING UNIT, 335A - DOMETIC 293433599/9
	101991-02-707	EA HOLDER-BOTTLE, 7 1/2" - DOMETIC 2930715-05/3
	101991-02-708	EA HOLDER-BOTTLE, 8" - DOMETIC 2930715-06/1
	101991-02-709	EA SHELF-DOOR, DOMETIC 2002261-22/6
	101991-02-710	EA SHELF-DOOR, DOMETIC 2000571-22/0
	101991-02-711	EA KNOB, DOMETIC 2007480-21/9
	101991-02-714	EA HINGE-UPPER, DOMETIC 293129101/3
	101991-02-715	EA PLATE-MOUNTING, RIGHT - DOMETIC 293129701/0
	101991-02-716	EA PLATE-MOUNTING, LEFT - DOMETIC 293129702/8
	101991-02-717	EA PIN-HINGE, UPPER - DOMETIC 293128801/9
	101991-02-718	EA HINGE-LOWER, RIGHT - DOMETIC 293153901/5
	101991-02-719	EA HINGE-LOWER, LEFT - DOMETIC 293153801/7
	101991-02-720	EA PIN-HINGE, LOWER - DOMETIC 293128601/3
	101991-02-721	EA PLUG - DOMETIC 293151003/2
	101991-02-722	EA SEALING - DOMETIC 2931574012
	101991-02-723	EA BASE-FRONT, DOMETIC 2931528018
	101991-02-724	EA CATCH - DOMETIC 2931511014
	101991-02-725	EA SHELF W/NOTCH OUT - DOMETIC 2930133133
	101991-02-726	EA SHELF - DOMETIC 2002652333
	101991-02-727	EA THERMOCOUPLE, DOMETIC 2007417005
	101991-02-728	EA TERMINAL BLOCK, DOMETIC 7627202562
	101991-02-730	EA TERMINAL BLOCK, DOMETIC 2002633010
	101991-02-731	EA SHAFT-THERMOSTAT, DOMETIC 20074771002
	101991-02-732	EA SHAFT-SWITCH, DOMETIC 20074775003

**REFRIGERATOR LEVEL & VENTILATOR**

KEY	PART NUMBER	U/M DESCRIPTION
	054450-01-000	EA LEVEL-REFRIGERATOR
	110421-01-000	EA VENTILATOR-POWERED, REFRIGERATOR - DOMETIC 3104726.009

**GALLEY GROUP (CONTINUED)**  
**RANGE**

KEY	PART NUMBER	U/M DESCRIPTION
	101593-01-000	EA RANGE-2 BURNER, W/O OVEN - WEDGEWOOD D25C
	101593-01-700	EA GRATE-DESIGNER STYLE, WEDGEWOOD 53304
	101593-01-701	EA SCREW-THUMB, WEDGEWOOD 52537
	101593-01-702	EA TOP-BRUSHED CHROME, WEDGEWOOD 53305
	101593-01-703	EA KNOB-BURNER, WEDGEWOOD 53000
	101593-01-704	EA VALVE-BURNER, WEDGEWOOD 52506
	101593-01-705	EA MANIFOLD, WEDGEWOOD 52503
	101593-01-706	EA TOP-ALMOND, WEDGEWOOD 53307

**MONITOR PANEL**

KEY	PART NUMBER	U/M DESCRIPTION
	097618-01-000	EA WIRE ASM-MONITOR PANEL W/3 WIRES & ORANGE RESISTOR - LVS
	096449-01-000	EA WIRE ASSEMBLY-WATER TANK TO MONITOR PANEL
	102765-02-01A	EA PANEL-MONITOR, W/PLUG - FOR 2 TANKS - LVS
	102765-01-700	EA SWITCH-ON/OFF ALMOND - LVS 110-01
	097617-01-702	EA SWITCH-1/WAY ALMOND - LVS 107
	097517-01-703	EA CIRCUIT BOARD - LVS 5076-01

**RANGE HOODS**

KEY	PART NUMBER	U/M DESCRIPTION
	100258-16-02A	EA HOOD-RANGE, W/O MONITOR PANEL - VENTLINE - US
	100258-17-02A	EA HOOD-RANGE, W/O MONITOR PANEL - VENTLINE - CANADIAN
	090973-01-700	EA MOTOR - LVS CA508-1
	090973-01-702	EA BLADE-FAN, LVS VA183-1
	092696-01-709	EA BULB-912, VENTLINE VA415
	092696-01-710	EA SOCKET-LIGHT, VENTLINE CE267-2
	096983-01-700	EA SWITCH-ON/OFF, VENTLINE 108
	096983-01-702	EA SWITCH-TWO WAY MOMENTARY, VENTLINE 112
	096983-01-707	EA FILTER-GREASE, 8" X 8" - LVS CC246
	096983-01-708	EA LENS-LAMP, VENTLINE CC179
	100258-01-700	EA HOOD-NOSE LABEL, CC426
	100258-10-01A	EA METER-HOUR, VENTLINE 150

**1993 WINNEBAGO**  
**TABLE OF CONTENTS**

INTRODUCTION	A-01 -	A-02
ABBREVIATIONS		A-03
ALPHABETICAL INDEX	A-04 -	A-08
WT321RB	A-07 -	C-22
WT321RL	C-23 -	F-16
WT321RD	F-17 -	I-10

**1993 WT321RD INDEX**

FLOOR PLAN	F-17 -	F-18
ACCESSORIES		F-19
AUDIO VIDEO		F-20
BATH	F-21 -	F-22
CHASSIS	F-23 -	F-24
CURTAIN & CUSHION	G-01 -	G-07
DINETTE	G-08 -	G-10
DRIVERS COMPARTMENT		G-11
ELECTRICAL	G-12 -	G-15
EXTERIOR BODY	G-16 -	G-20
GALLEY	G-21 -	G-24
GENERATOR		H-01
HEATING & A/C		H-02
INTERIOR FINISH	H-03 -	H-06
LABELS	H-07 -	H-12
LP		H-13
LOUNGE		H-14
SEALANTS & FASTENERS	H-15 -	H-16
WATER & SEWAGE	H-17 -	H-20
WINDOW, VENT AND EXTERIOR DOOR	H-21 -	I-10



**GENERATOR GROUP**  
2,500 WATT KOHLER GENERATOR OPTION L32Y

KEY	PART NUMBER	U/M DESCRIPTION
	007067-01-000	SF INSULATION-FIBERGLASS, 1" THICK X 4' - INCREMENTS OF 4 SF
	060662-03-000	EA PIPE-EXHAUST, GENERATOR
	060749-02-000	EA MUFFLER-KOHLER, 2.5CM - 21 - KOHLER PA-228158
	060749-03-000	EA HARDWARE KIT-MUFFLER, 2.5 KOHLER - PA-228296
	063561-04-000	EA GENERATOR-2.5KW KOHLER, PA-177111 - W/CONTROL PANEL ASM.

**POWER PACK PACKAGE OPTION L30R**

KEY	PART NUMBER	U/M DESCRIPTION
	007067-01-000	SF INSULATION-FIBERGLASS, 1" THICK X 4' - INCREMENTS OF 4 SF
	060662-03-000	EA PIPE-EXHAUST, GENERATOR
	060749-02-000	EA MUFFLER-KOHLER, 2.5CM - 21 - KOHLER PA-228158
	060749-03-000	EA HARDWARE KIT-MUFFLER, 2.5 KOHLER - PA-228296
	063561-04-000	EA GENERATOR-2.5KW KOHLER, PA-177111 - W/CONTROL PANEL ASM.

**HEATING & AIR CONDITIONING GROUP**  
ROOF AC

KEY	PART NUMBER	U/M DESCRIPTION
	063306-01-01A	EA A/C ROOF 7100 BTU - ROTARY - IVORY - COLEMAN 6727D709
	063306-01-700	EA SHROUD-IVORY / BRONZE - W/O LOGO - COLEMAN 6727A5721
	063306-01-701	EA DECAL PKG, LEFT & RIGHT - COLEMAN 6798B3591
	063306-01-702	EA FAN CAPACITOR, FAN 5 MFD - COLEMAN 14994421
	063306-01-703	EA FAN-4 BLADE, 6" DIAMETER - COLEMAN 67073321
	063306-01-704	EA OVERLOAD, COLEMAN 6707A3751
	063306-01-705	EA MOTOR-115V1 8A80H2-RPM - COLEMAN 67273119
	063306-01-706	EA BLOWER WHEEL, 6 5/16" X 2 7/8" WVD - COLEMAN 67073281
	063306-01-707	EA START CAPACITOR, 47 - 56 MFD - 250 - COLEMAN 62503421
	063306-01-708	EA START RELAY, COLEMAN 9436-3151
	063306-01-711	EA CONDENSER COIL - COLEMAN 14530701
	063306-01-717	EA COMPRESSOR-PANASONIC, COLEMAN 1450-2019
	063306-01-716	EA COMPRESSOR-TECUMSEH, COLEMAN 6727-3659
	063306-01-712	EA COMPRESSOR, COLEMAN 6707C3679
	073742-02-704	EA RUN CAPACITOR (COMPRESSOR), COLEMAN 14994661
	063306-01-713	EA EVAPORATOR, COLEMAN 14520801
	037648-01-714	EA PACKAGE-GASKET, COLEMAN 6759-3281
	063307-01-000	EA CEILING ASM-A/C COUL, IVORY - COLEMAN 6727D714
	063306-01-709	EA DECAL F/THERMOSTAT AND SELECTOR, COLEMAN 6727A3341
	076303-01-710	EA THERMOSTAT, COLEMAN 67333411
	076303-01-707	EA FILTER-6" X 14.75" X .5", 12 PER PKG - COLEMAN 6703A3151
	063306-01-710	EA SHROUD-CEILING, IVORY W/DECAL - COLEMAN 67273511
	063306-01-714	EA SWITCH-SELECTOR, COLEMAN 67273251
	076303-01-708	EA KNOB & BOLT PKG, COLEMAN 67275841
	076303-01-701	EA KNOB-CONTROL, COLEMAN 67333241
	102289-01-000	EA SPRING-SCREW, ROOF A/C GASKET - COLEMAN 6757-150

**FURNACE**

KEY	PART NUMBER	U/M DESCRIPTION
	101990-01-000	EA FURNACE-17,000 BTU, SUBURBAN DD-17DSI
	069634-01-706	EA MODULE BOARD, SUBURBAN 231427
	069634-01-716	EA VALVE-MANUAL SHUTOFF, SUBURBAN 160740
	101990-01-700	EA MICROSWITCH, SUBURBAN 231759
	101990-01-701	EA COMBUSTION AIR WHEEL, SUBURBAN 350126
	101990-01-702	EA BURNER, SUBURBAN 010763
	101990-01-703	EA ROOM AIR IMPELLER, SUBURBAN 350125
	101990-01-704	EA MOTOR, SUBURBAN 231761
	101990-01-705	EA TIME DELAY RELAY, SUBURBAN 231769
	101990-01-706	EA TERMINAL STRIP, SUBURBAN 231770
	101990-01-707	EA VALVE, SUBURBAN 160952
	101990-01-708	EA ELECTRODE, SUBURBAN 231762
	101990-01-709	EA GRILLE ASSEMBLY, SUBURBAN 030769
	101990-01-710	EA LIMIT SWITCH, SUBURBAN 231768
	101990-01-711	EA ORIFICE, SUBURBAN 530415
	101990-01-713	EA MOTOR GASKET, SUBURBAN 070849
	101990-01-714	EA MICROSWITCH GASKET, SUBURBAN 230877
	101990-01-715	EA COMBUSTION AIR GASKET - FRONT - SUBURBAN 390536
	101990-01-716	EA COMBUSTION AIR GASKET - REAR - SUBURBAN 070860
	101990-01-717	EA MANIFOLD GASKET, SUBURBAN 070847
	101990-01-718	EA BURNER ACCESS DOOR GASKET, SUBURBAN 070850
	101990-01-719	EA MODULE BOARD (IF BEFORE DATE CODE 9112), SUBURBAN 231326
	101990-02-000	EA VENT-FURNACE, OUTSIDE - 4-6" - SUBURBAN 250198

**1993 WINNEBAGO**  
**TABLE OF CONTENTS**

INTRODUCTION	A-01 -	A-02
ABBREVIATIONS		A-03
ALPHABETICAL INDEX	A-04 -	A-08
WT321R8	A-07 -	C-22
WT321RL	C-23 -	F-16
WT321RD	F-17 -	I-10

**1993 WT321RD INDEX**

FLOOR PLAN	F-17 -	F-18
ACCESSORIES		F-19
AUDIO VIDEO		F-20
BATH	F-21 -	F-22
CHASSIS	F-23 -	F-24
CURTAIN & CUSHION	G-01 -	G-07
DINETTE	G-08 -	G-10
DRIVERS COMPARTMENT		G-11
ELECTRICAL	G-12 -	G-15
EXTERIOR BODY	G-16 -	G-20
GALLEY	G-21 -	G-24
GENERATOR		H-01
HEATING & A/C		H-02
INTERIOR FINISH	H-03 -	H-06
LABELS	H-07 -	H-12
LP		H-13
LOUNGE		H-14
SEALANTS & FASTENERS	H-15 -	H-16
WATER & SEWAGE	H-17 -	H-20
WINDOW, VENT AND EXTERIOR DOOR	H-21 -	I-10

**INTERIOR FINISH GROUP  
MOLDINGS & TRIMS**

KEY	PART NUMBER	U/M	DESCRIPTION
	009787-12-000	FT	MOLDING-SIDEWALL TO CEILING/CABINET - WELTING - OFF WHITE
	009809-24-000	EA	MOLDING-CORNER, OUTSIDE - 1' - PLASTIC - THOR PECAN
	009812-25-000	EA	MOLDING-CORNER, OUTSIDE - .5' - PLASTIC - PECAN
	022992-11-000	FT	MOLDING-REVERSE COVE, T-SHAPED - VINYL - IVORY
	070804-20-000	FT	U-CHANNEL-PLASTIC, .815" WIDE - THOR PECAN - INC. OF 8'
	070804-24-000	FT	U-CHANNEL-PLASTIC, .875" WIDE - THOR PECAN - INC. OF 8'
	075249-01-000	EA	RAILING-OAK, 72" LONG - UNFINISHED
	079863-04-000	EA	BATT STRIP-KERFED, WOODGRAIN
	069733-79-000	EA	BATT STRIP-WOODGRAIN, 8' LONG - FOREST OAK
	086284-59-000	FT	BATT STRIP-CEILING, ADHESIVE BACKED
	086284-62-000	FT	BATT STRIP-DECORATIVE, PLAIN - ADHESIVE BACKED
	088283-78-000	EA	BATT STRIP-SHOWER, 8' LONG - OFF WHITE
	088283-71-000	EA	BATT STRIP-CEILING, 8' LONG - FAWN
	088283-74-000	EA	BATT STRIP-DECORATIVE, PLAIN - 8' LONG
	088283-75-000	EA	BATT STRIP-DECORATIVE, W/FLOWERS - 8' LONG
	105394-01-01A	EA	JAMB-DOOR, 7' LONG - OAK PLASTIC
	092330-D2-438	EA	LUMBER-VINYL WRAPPED, .7" X 1.5" X 9' - WOODGRAIN
	092330-03-000	EA	LUMBER-VINYL WRAPPED, 2" X 98" - WOODGRAIN
	092331-D2-134	EA	MOLDING-VINYL WRAPPED, .7" X 1.57" X 84" - WOODGRAIN
	092331-F2-134	EA	MOLDING-VINYL WRAPPED, .7" X 2.5" X 7" - WOODGRAIN
	083620-07-000	FT	MOLDING-T, END CAP EDGE - WEDGE LIPS - .75" - THOR PECAN
	105760-01-000	FT	T-MOLDING-1", MODERN IVORY
	105004-01-01A	EA	MOLDING-VINYL WRAP, MIRROR TRIM - OAK
	077309-02-000	EA	TRIM-STEPWELL, ENTRY DOOR
	100659-01-B05	EA	TRIM-FLOOR, 72" X 1" X 1/2" - WOOD
	086279-02-000	FT	TRIM-INSERT, .9" - PLASTIC - OFF WHITE
	086229-01-000	EA	RETAINER-BATTEN, CEILING - .75" WIDE - 7.6' LONG

**CARPETING & FLOOR MATS**

KEY	PART NUMBER	U/M	DESCRIPTION
	096080-47-000	SY	CARPET-12' ROLL, INCREMENTS OF 4 SY (D01)
	096080-41-000	SY	CARPET-12' ROLL, INCREMENTS OF 4 SY (D02)
	096080-42-000	SY	CARPET-12' ROLL, INCREMENTS OF 4 SY (D03)
	047034-02-000	SF	PLASTIC-CARPET, 4' WIDE - CLEAR POLY
	091178-01-D01	EA	MAT-FLOOR, DRIVER (D01)
	091178-01-C09	EA	MAT-FLOOR, DRIVER (D02)
	091178-01-D03	EA	MAT-FLOOR, DRIVER (D03)
	091179-01-D01	EA	MAT-FLOOR, PASSENGER (D01)
	091179-01-C09	EA	MAT-FLOOR, PASSENGER (D02)
	091179-01-D03	EA	MAT-FLOOR, PASSENGER (D03)
	091261-01-000	FT	SLIPNOT-ANTISLIP, 1' WIDE (100' ROLL)

**INTERIOR FINISH GROUP (CONTINUED)  
FIRE EXTINGUISHER & SMOKE DETECTOR**

KEY	PART NUMBER	U/M	DESCRIPTION
	094499-02-000	EA	EXTINGUISHER-FIRE, DRY - 1A10BC - CANADIAN
	094499-01-000	EA	EXTINGUISHER-FIRE, DRY W/MOUNTING BRACKET - 10 BC
	094499-01-700	EA	BRACKET-MOUNTING, W/PLASTIC STRAP - FIRE EXTINGUISHER
	072852-01-000	EA	DETECTOR-SMOKE, W/9 VOLT BATTERY
	072852-02-000	EA	DETECTOR-SMOKE, W/9 VOLT BATTERY - CANADIAN

**PANELING, LAMINATES & PLASTIC**

KEY	PART NUMBER	U/M	DESCRIPTION
	074497-19-000	SF	PANELING-CEILING, 4' X 8' - INCREMENTS OF 32 SF
	074497-20-000	SF	PANELING-WOODGRAIN, 4' X 8' - INCREMENTS OF 32 SF
	083618-02-000	SF	PLYWOOD-OAK, 1 SIDE FINISHED - 3/16" X 4' X 8' - INCREMENTS OF 32 SF
	088272-98-000	SF	PANELING-SHOWER, OFF WHITE - 4' X 7' - INCREMENTS OF 28 SF
	088272-94-000	SF	PANELING-DECORATIVE, PLAIN - 4' X 7' - INCREMENTS OF 28 SF
	088272-95-000	SF	PANELING-DECORATIVE, W/FLOWERS - 4' X 7' - INCREMENTS OF 28 SF
	074498-24-000	SF	LAMINATE-PLASTIC, 5' X 8' - OAK - INCREMENTS OF 40 SF
	074498-46-000	SF	LAMINATE-PLASTIC, 5' X 8' - TAUPE - INCREMENTS OF 40 SF
	078325-37-000	FT	MOLDING-EDGE BAND, 1 5/16" WIDE
	000885-55-000	SF	PARTICLE BOARD-3/8" X 48" X 97", 1 SIDE VINYL - WOODGRAIN - INC OF 33 SF
	000885-59-000	SF	PARTICLE BOARD-3/4" X 80" X 98", 1 SIDE VINYL - WOODGRAIN - INC OF 40 SF
	089297-01-000	SF	PLYWOOD-LUAN, OVERLAY GRADE - 2.7 MM X 4' X 8' - INCREMENTS OF 32 SF
	083743-01-02A	SF	PLASTIC-ABS 11.5" WIDE ROLL - OFF WHITE
	083743-02-01A	SF	PLASTIC-ABS 20" WIDE ROLL - OFF WHITE

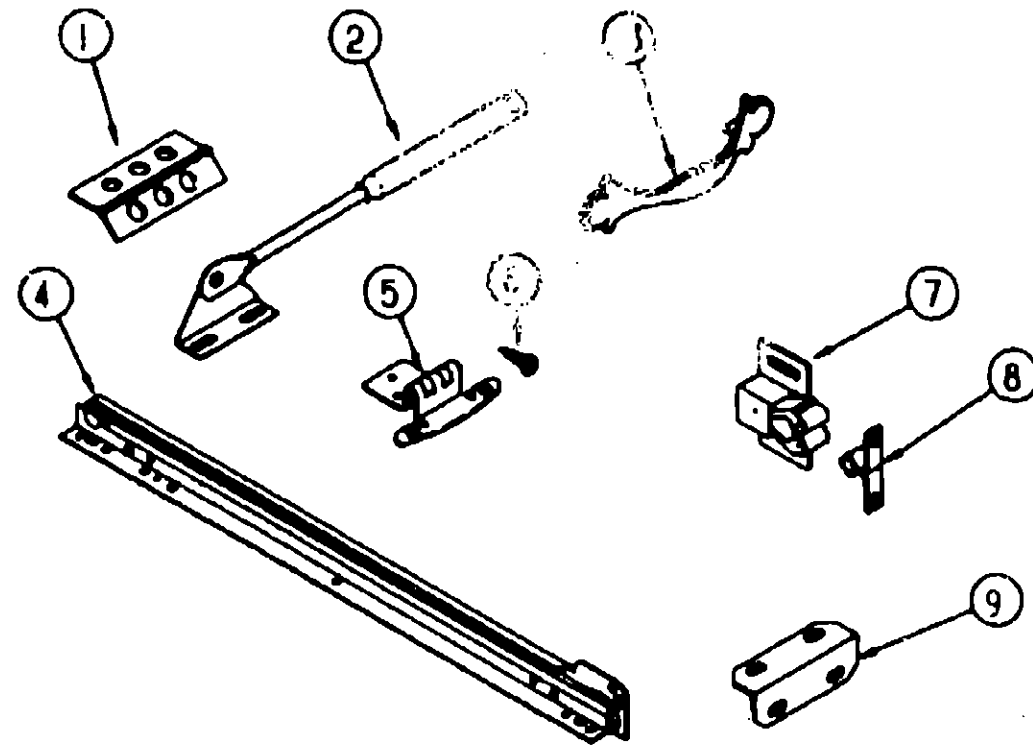
**1993 WINNEBAGO  
TABLE OF CONTENTS**

INTRODUCTION	A-01	A-02
ABBREVIATIONS		A-03
ALPHABETICAL INDEX	A-04	A-06
WT321RB	A-07	C-22
WT321RL	C-23	F-18
WT321RD	F-17	I-10

**1993 WT321RD INDEX**

FLOOR PLAN	F-17	F-18
ACCESSORIES		F-19
AUDIO VIDEO		F-20
BATH	F-21	F-22
CHASSIS	F-23	F-24
CURTAIN & CUSHION	G-01	G-07
DINETTE	G-08	G-10
DRIVERS COMPARTMENT		G-11
ELECTRICAL	G-12	G-15
EXTERIOR BODY	G-16	G-20
GALLEY	G-21	G-24
GENERATOR		H-01
HEATING & A/C		H-02
INTERIOR FINISH	H-03	H-08
LABELS	H-07	H-12
LP		H-13
LOUNGE		H-14
SEALANTS & FASTENERS	H-15	H-16
WATER & SEWAGE	H-17	H-20
WINDOW, VENT AND EXTERIOR DOOR	H-21	I-10

**INTERIOR FINISH GROUP (CONTINUED)**  
**CABINET DOOR & DRAWER HARDWARE**



KEY	PART NUMBER	U/M	DESCRIPTION
1	009059-02-000	EA	HINGE-DOOR, 2" X 2.7" - BRASS
2	074483-02-000	EA	SUPPORT-PISTON SPRING, CABINET DOOR
3	107435-01-000	EA	PULL-CABINET, BRASS
4	108913-09-000	EA	SLIDE-DRAWER, CABINET - LEFT SIDE - 16"
4	108913-10-000	EA	SLIDE-DRAWER, CABINET - RIGHT SIDE - 16"
4	108913-11-000	EA	SLIDE-DRAWER, DRAWER MOUNT - LEFT SIDE - 16"
4	108913-12-000	EA	SLIDE-DRAWER, DRAWER MOUNT - RIGHT SIDE - 16"
5	108138-01-000	EA	HINGE-CABINET DOOR, BURNISHED BRASS
6	000913-08-08G	EA	SCREW-#20 X 5/8 PFH - ANTIQUE BRASS
7	093598-03-000	EA	CATCH-SPRING, ROLLER
8	093588-04-000	EA	STRIKE-SPRING STEEL
9	016804-01-000	EA	BRACE-CABINET, ANGLE - 2.5" - METAL - UNPAINTED
9	016804-03-000	EA	BRACE-CABINET, ANGLE - 2.5" - METAL - BEIGE
	004354-01-000	EA	BUMPER-RUBBER, .5" DIA - BROWN
	023320-01-000	EA	PAD-FELT, 3/8" DIAMETER - BROWN

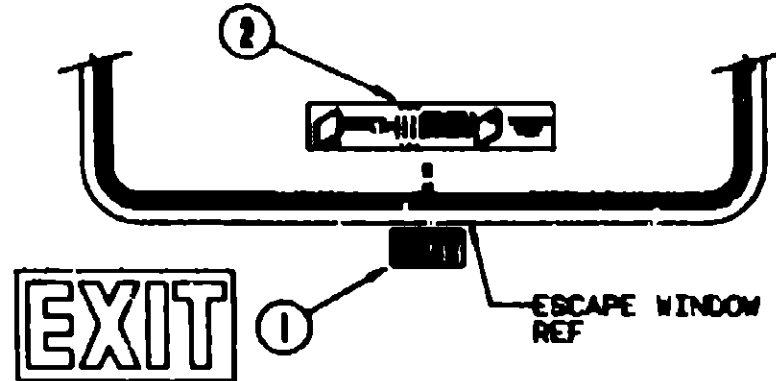
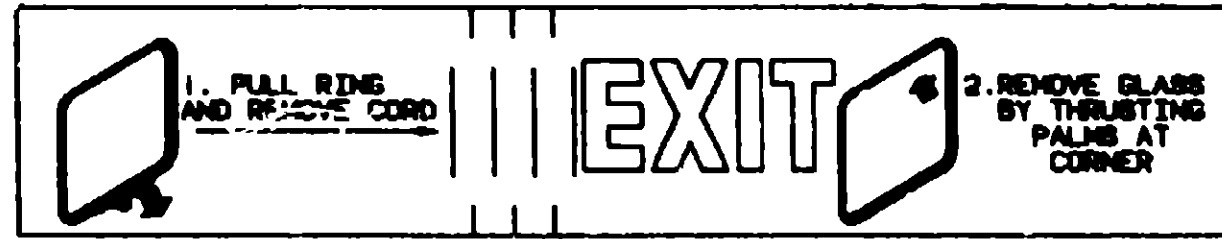
**1983 WINNEBAGO**  
**TABLE OF CONTENTS**

INTRODUCTION	A-01 -	A-02
ABBREVIATIONS		A-03
ALPHABETICAL INDEX	A-04 -	A-08
WT321RB	A-07 -	C-22
WT321RL	C-23 -	F-16
WT321RD	F-17 -	I-10

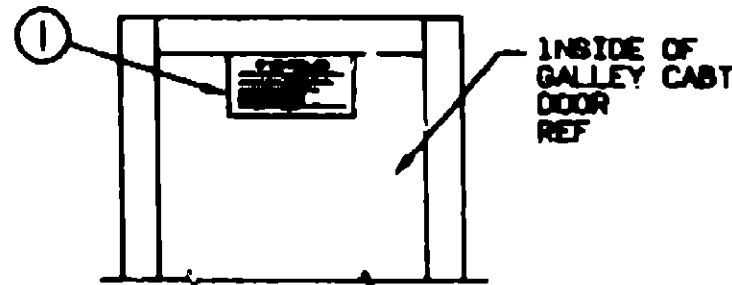
**1983 WT321RD INDEX**

FLOOR PLAN	F-17 -	F-18
ACCESSORIES		F-19
AUDIO VIDEO		F-20
BATH	F-21 -	F-22
CHASSIS	F-23 -	F-24
CURTAIN & CUSHION	G-01 -	G-07
DINETTE	G-08 -	G-10
DRIVERS COMPARTMENT		G-11
ELECTRICAL	G-12 -	G-15
EXTERIOR BODY	G-16 -	G-20
GALLEY	G-21 -	G-24
GENERATOR		H-01
HEATING & AC		H-02
INTERIOR FINISH	H-03 -	H-08
LABELS	H-07 -	H-12
LP		H-13
LOUNGE		H-14
SEALANTS & FASTENERS	H-15 -	H-16
WATER & SEWAGE	H-17 -	H-20
WINDOW, VENT AND		
EXTERIOR DOOR	H-21 -	I-10

**LABELS GROUP**



KEY	PART NUMBER	U/M DESCRIPTION
1	038280-01-000	EA LABEL-WARNING, EXIT
2	107571-01-000	EA LABEL-ESCAPE/EXIT WINDOW

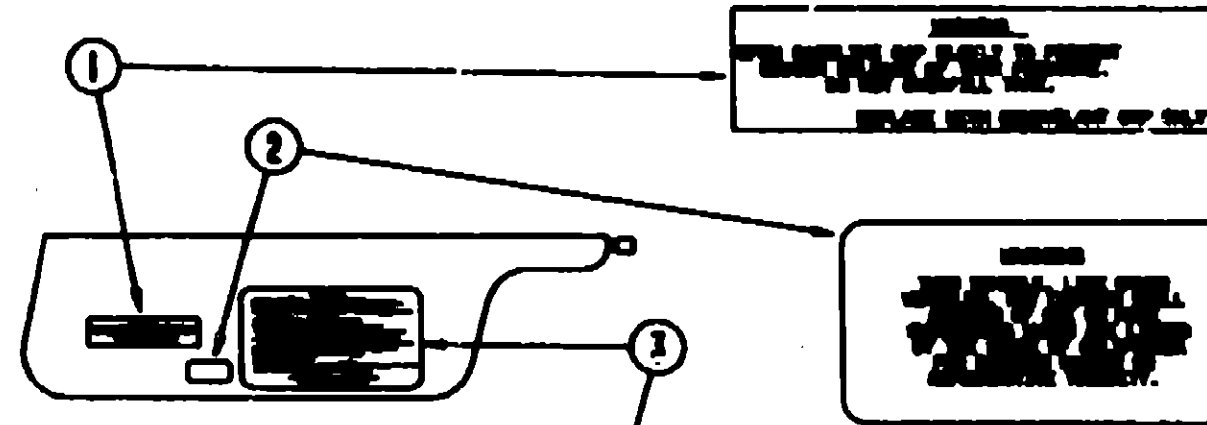


**IF YOU SMELL GAS**

1. DETERMINE ANY OPEN FLAME, PILOT LIGHTS AND ALL OTHERS.
2. SHUT OFF THE GAS SUPPLY AT THE TANK VALVE OR GAS SUPPLY CONTROL VALVE.
3. OPEN DOORS AND OTHER VENTILATED OPENINGS.
4. DO NOT TOUCH ELECTRICAL SWITCHES.
5. LEAVE THE AREA UNTIL GAS CLEARS.
6. HAVE THE GAS SYSTEM CHECKED AND LEAKAGE SOURCE CORRECTED BEFORE LEAVING AGAIN.

KEY	PART NUMBER	U/M DESCRIPTION
1	073998-01-000	EA LABEL-LPG ODOR WARNING

**LABELS GROUP (CONTINUED)**



**CAUTION**

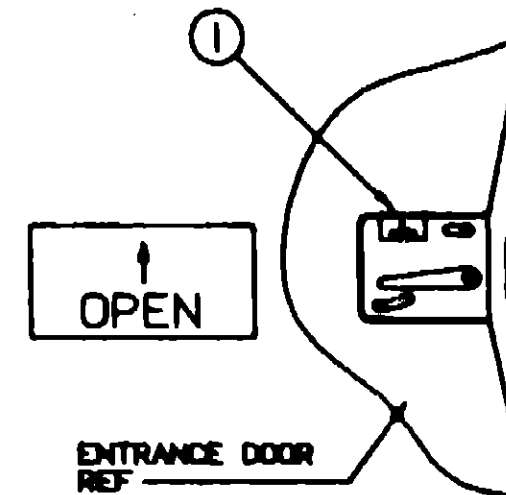
THIS MANUAL HAS BEEN DESIGNED, DEVELOPED AND TESTED WITH CARE FOR THE PROTECTION OF IT'S OPERATOR. BY OBSERVING THE FOLLOWING PRECAUTIONS FOR YOUR SAFETY AND THE SAFETY OF YOUR PASSENGERS BEFORE OPERATING THIS VEHICLE.

1. LP GAS SYSTEM- TURN OFF AT TANK FOR TRAVELING. TEST FOR LEAKS UPON ARRIVAL AT DESTINATION. BEFORE LIGHTING PILOTS.
2. WHEELS- DEFLECT PER OWNER AND OWNER LAD HANS FOR TRAVELING.
3. TIRES- DEFLECT PER OWNER AND OWNER LAD HANS FOR TRAVELING AND PRESSURE.
4. LIGHTS- TEST FOR PROPER OPERATION OF ALL LIGHTS AND SWITCHES LIGHTS INCLUDING MAIN LIGHTS, HEADLIGHTS, TAIL LIGHTS, BRAKE LIGHTS, CLEARANCE LIGHTS AND TURN SIGNALS.
5. BATTERY- DEFLECT RELAYE METERWORK ON CHASSIS BY GUY WHEELS. TEST BOTH LEADS ON EACH BATTERY OVER PER CASE OF OPERATION AND DEFLECT PRESSURE TO USE BOTH HEADS OF BATT.
6. BATT. BELTS- CHECK PRESSURE TO OPERATED BATT. AND CHECK USE OF BATT. BELTS.
7. APPLIANCE- TURN OFF AND LOCK OR LOCK BARRIERS WHEN TRAVELING.
8. LAUNE PANELS- OPERE CAREFULLY.
9. UTILITY SUPPLY LEADS- SECUREMENT ALL ELECTRICAL, WIRING AND WASH LEADS AND SECURE PROPERLY.
10. SERVICE BARRIERS- PLACE IN EXTENDED POSITION FOR TRAVELING.

READ THIS MANUAL CARE AND OBSERVE OWNER'S MANUAL FOR FURTHER PRECAUTIONS

KEY	PART NUMBER	U/M DESCRIPTION
1	087207-05-000	EA LABEL-FUEL CAP REMOVAL
2	099889-01-000	EA LABEL-WARNING, CANCER/TOXICITY
3	058259-01-000	EA LABEL-SAFETY CHECK LIST

FROM: 00-00-00 THRU: 08-10-02



KEY	PART NUMBER	U/M DESCRIPTION
1	040944-01-000	EA LABEL-ENTRANCE DOOR, "OPEN"

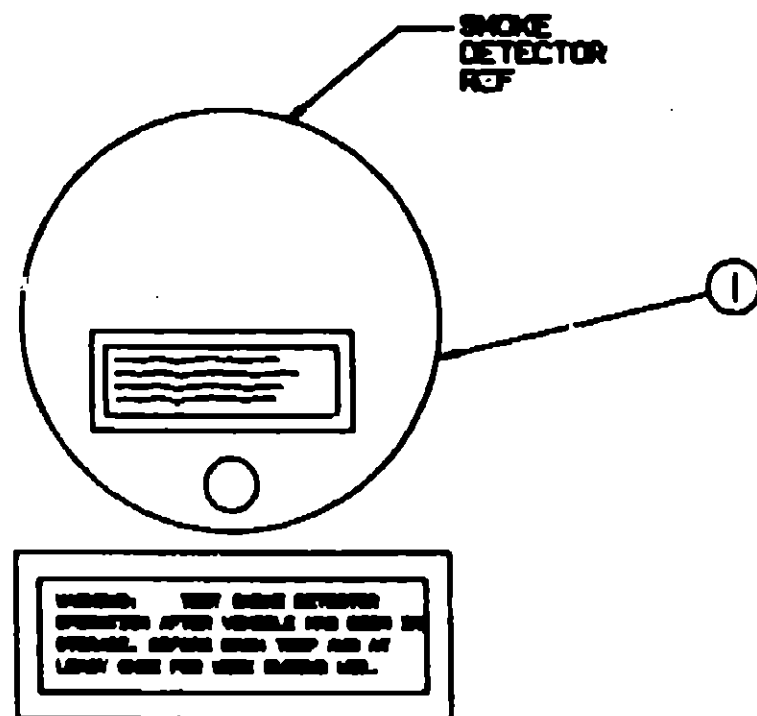
**1993 WINNEBAGO  
TABLE OF CONTENTS**

INTRODUCTION	A-01 -	A-02
ABBREVIATIONS		A-03
ALPHABETICAL INDEX	A-04 -	A-08
WT321RB	A-07 -	C-22
WT321RL	C-23 -	F-16
WT321RD	F-17 -	I-10

**1993 WT321RD INDEX**

FLOOR PLAN	F-17 -	F-18
ACCESSORIES		F-19
AUDIO VIDEO		F-20
BATH	F-21 -	F-22
CHASSIS	F-23 -	F-24
CURTAIN & CUSHION	G-01 -	G-07
DINETTE	G-08 -	G-10
DRIVERS COMPARTMENT		G-11
ELECTRICAL	G-12 -	G-15
EXTERIOR BODY	G-18 -	G-20
GALLEY	G-21 -	G-24
GENERATOR		H-01
HEATING & AC		H-02
INTERIOR FINISH	H-03 -	H-08
LABELS	H-07 -	H-12
LP		H-13
LOUNGE		H-14
SEALANTS & FASTENERS	H-15 -	H-18
WATER & SEWAGE	H-17 -	H-20
WINDOW, VENT AND EXTERIOR DOOR	H-21 -	I-10

**LABELS GROUP (CONTINUED)**

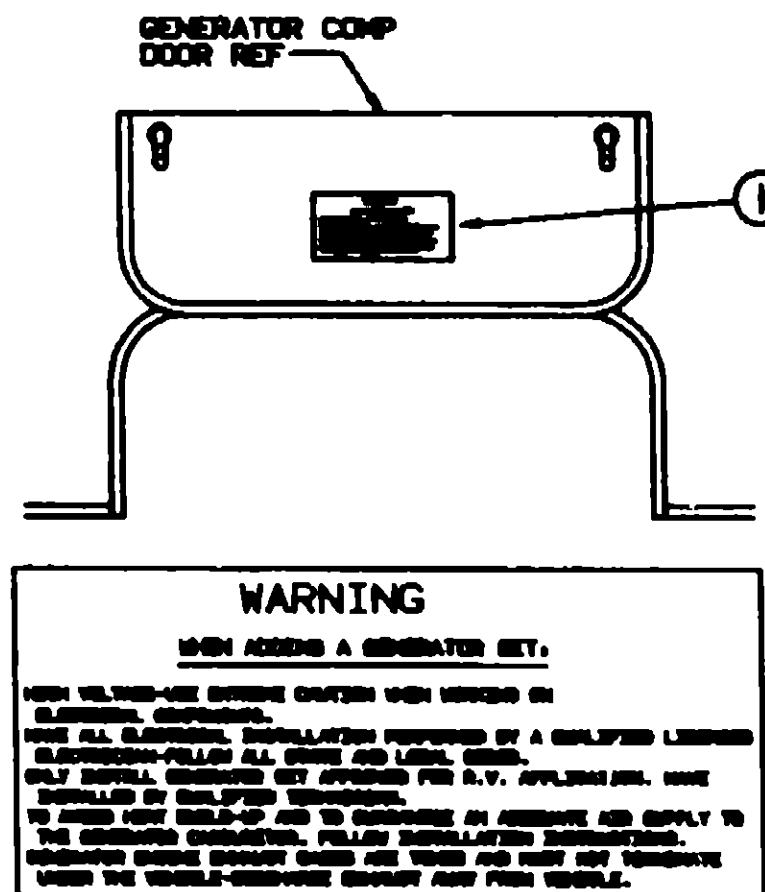


KEY	PART NUMBER	U/M DESCRIPTION
1	077966-01-000	EA LABEL-WARNING, SMOKE DETECTOR

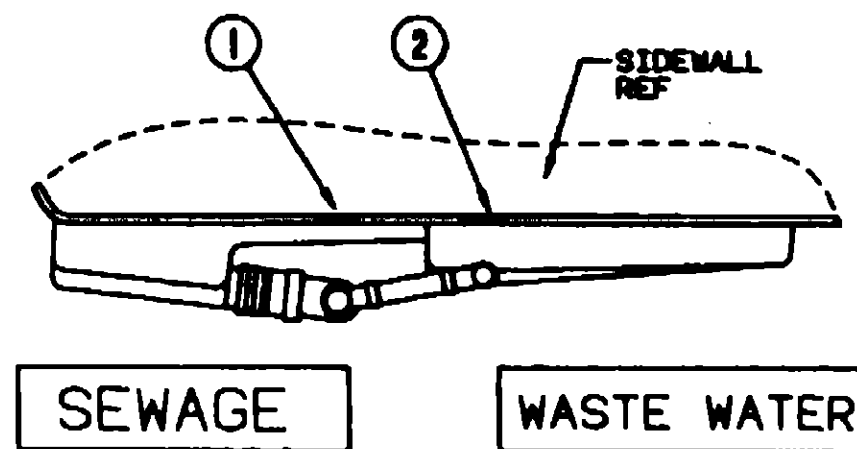
**MISCELLANEOUS LABELS**

KEY	PART NUMBER	U/M DESCRIPTION
	091243-01-000	EA LABEL-AC COVER
	091243-02-000	EA LABEL-COVER, "MICROWAVE CIRCUIT, ETC."
	109522-01-000	EA LABEL-"WHEN INSTALLING LOAD CARRYING EQUIPMENT..."
	008641-01-000	EA LABEL-FUEL, UNLEADED - DASH
	008062-01-000	EA LABEL-ELECTRIC, 110V CONNECTION
	008509-01-000	EA LABEL-ALARMING INSTALLATION
	008084-01-000	EA LABEL-SEAT W/O SEATBELT
	008084-02-000	EA LABEL-SEAT W/O SEATBELT, CANADIAN
	093237-06-000	EA LABEL-CIRCUIT BREAKER, FRONT - REAR PANEL
	093237-07-000	EA LABEL-CIRCUIT BREAKER, FRONT - REAR PNL/CONV

**LABELS GROUP (CONTINUED)**



KEY	PART NUMBER	U/M DESCRIPTION
1	077510-01-000	EA LABEL-GENERATOR PREP



KEY	PART NUMBER	U/M DESCRIPTION
1	006187-01-000	EA LABEL-SEWAGE
2	006188-01-000	EA LABEL-WASTE WATER

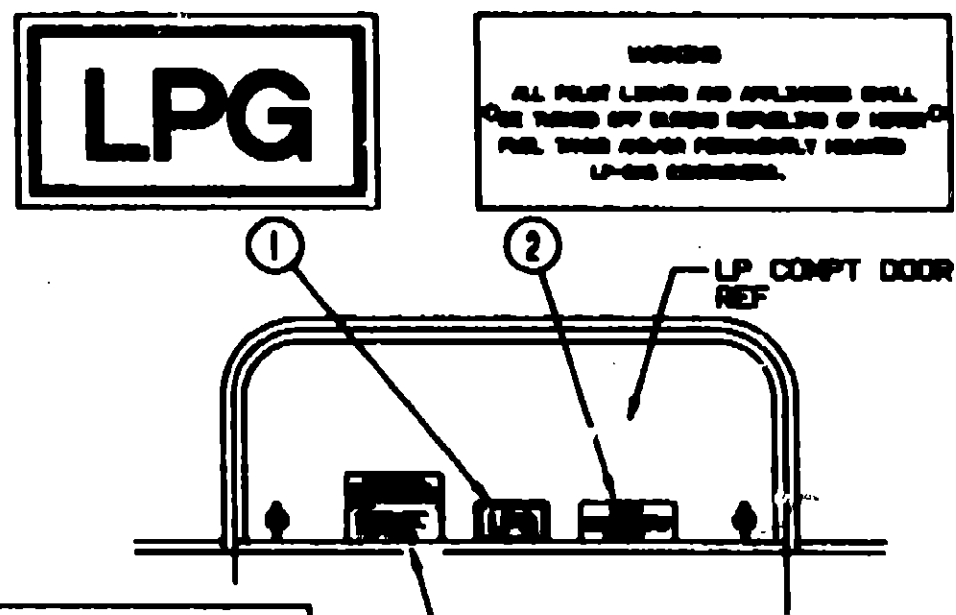
**1993 WINNEBAGO TABLE OF CONTENTS**

INTRODUCTION	A-01 -	A-02
ABBREVIATIONS		A-03
ALPHABETICAL INDEX	A-04 -	A-06
WT321RB	A-07 -	C-22
WT321RL	C-23 -	F-16
WT321RD	F-17 -	I-10

**1993 WT321RD INDEX**

FLOOR PLAN	F-17 -	F-18
ACCESSORIES		F-19
AUDIO VIDEO		F-20
BATH	F-21 -	F-22
CHASSIS	F-23 -	F-24
CURTAIN & CUSHION	G-01 -	G-07
DINETTE	G-08 -	G-10
DRIVERS COMPARTMENT		G-11
ELECTRICAL	G-12 -	G-15
EXTERIOR BODY	G-16 -	G-20
GALLEY	G-21 -	G-24
GENERATOR		H-01
HEATING & AC		H-02
INTERIOR FINISH	H-03 -	H-06
LABELS	H-07 -	H-12
LP		H-13
LOUNGE		H-14
SEALANTS & FASTENERS	H-15 -	H-16
WATER & SEWAGE	H-17 -	H-20
WINDOW, VENT AND EXTERIOR DOOR	H-21 -	I-10

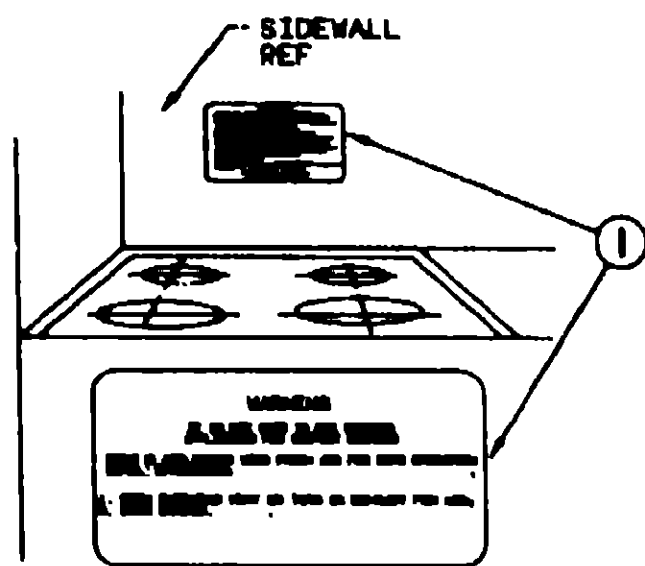
**LABELS GROUP (CONTINUED)**



**LP-GAS SYSTEM**  
THIS GAS SYSTEM IS  
DESIGNED FOR USE OF LIQUEFIED  
PETROLEUM GAS ONLY. DO NOT  
REPAIR OR ALTER GAS TO THIS  
SYSTEM.

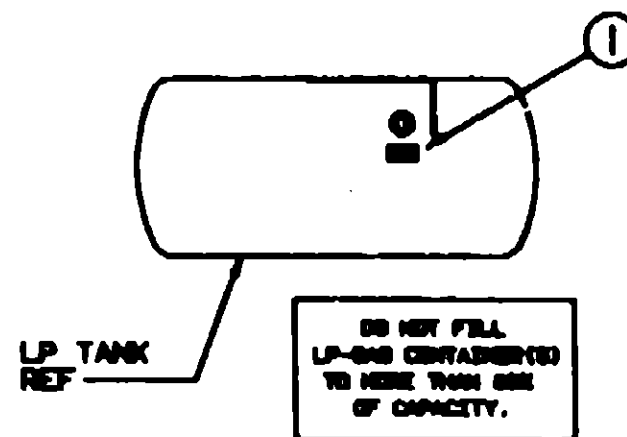
**SECURELY CAP INLET(S) WHEN NOT CONNECTED**  
TO LINE. AFTER FILLING OF GAS, CAPS  
OF ALL INLETS, CONTAINERS, REGULATOR,  
AND GAS PIPING AND CONNECTIONS TO  
THEY SHALL BE LOCKED WITH KEY TO  
PREVENT GAS LEAKAGE. DO NOT BUY GAS  
OR BURNER EQUIPMENT OR BUY LP-GAS PRODUCTS  
WHICH CONTAIN ARSENIC OR CHLORINE.  
P. N. 68881

KEY	PART NUMBER	U/M DESCRIPTION
1	074550-01-000	EA DECAL-LOGO, LPG - RED - (CALIF CODE)
2	008040-01-000	EA TAG-GAS REFUELING WARNING
2	008040-02-000	EA TAG-GAS REFUEL WARNING, CANADIAN
3	064531-01-000	EA LABEL-LP GAS ONLY
3	023789-01-000	EA LABEL-WARNING, LPG - CANADIAN



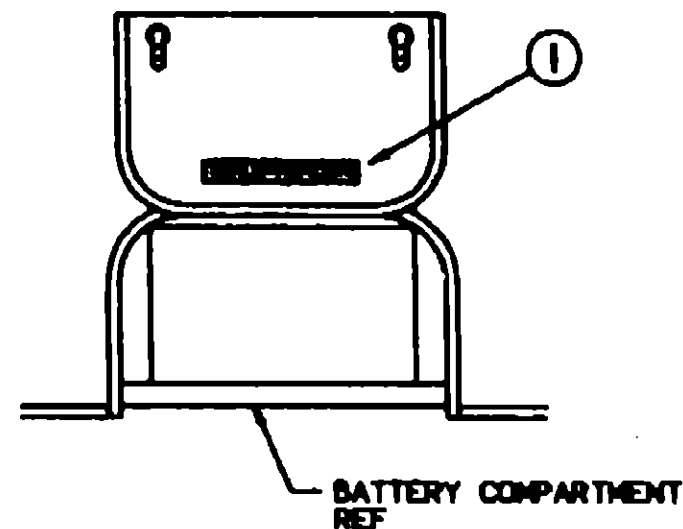
KEY	PART NUMBER	U/M DESCRIPTION
1	050225-01-000	EA LABEL-WARNING, STOVE VENT - US
1	050222-01-000	EA LABEL-WARNING, STOVE VENT - CANADIAN

**LABELS GROUP (CONTINUED)**



KEY PART NUMBER	U/M DESCRIPTION
1 070065-01-000	EA LABEL-LPG 80 CAPACITY

**WARNING DISCONNECT BATTERIES BEFORE  
CONNECTING EXTERNAL CHARGING EQUIPMENT.**



KEY PART NUMBER	U/M DESCRIPTION
1 065748-01-000	EA LABEL-CAUTION, BATTERY CHARGING

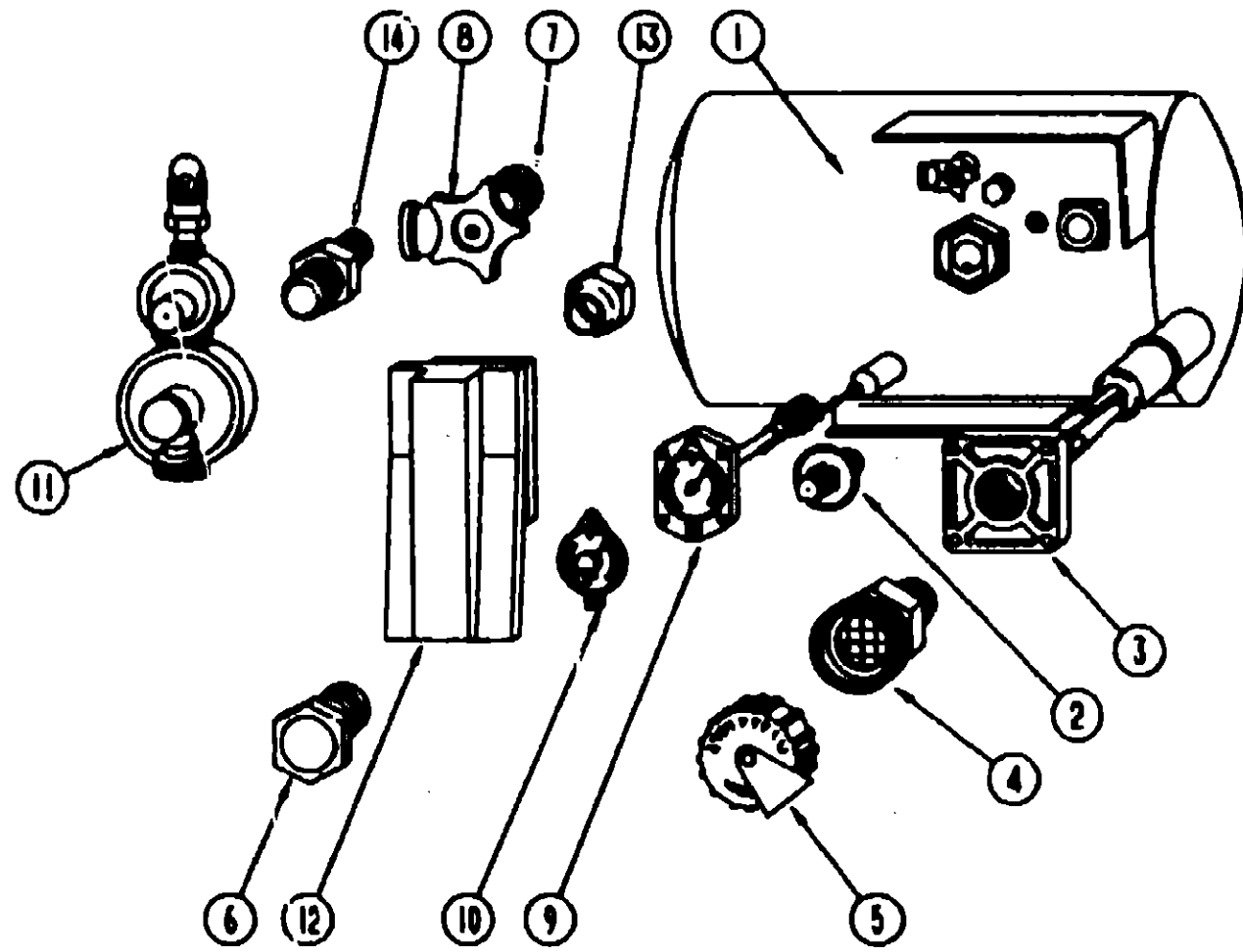
**1993 WINNEBAGO  
TABLE OF CONTENTS**

INTRODUCTION	A-01 -	A-02
ABBREVIATIONS		A-03
ALPHABETICAL INDEX	A-04 -	A-06
WT321RB	A-07 -	C-22
WT321RL	C-23 -	F-18
WT321RD	F-17 -	I-10

**1993 WT321RD INDEX**

FLOOR PLAN	F-17 -	F-18
ACCESSORIES		F-19
AUDIO VIDEO		F-20
BATH	F-21 -	F-22
CHASSIS	F-23 -	F-24
CURTAIN & CUSHION	G-01 -	G-07
DINETTE	G-08 -	G-10
DRIVERS COMPARTMENT		G-11
ELECTRICAL	G-12 -	G-15
EXTERIOR BODY	G-16 -	G-20
GALLEY	G-21 -	G-24
GENERATOR		H-01
HEATING & A/C		H-02
INTERIOR FINISH	H-03 -	H-08
LABELS	H-07 -	H-12
LP		H-13
LOUNGE		H-14
SEALANTS & FASTENERS	H-15 -	H-16
WATER & SEWAGE	H-17 -	H-20
WINDOW, VENT AND EXTERIOR DOOR	H-21 -	I-10

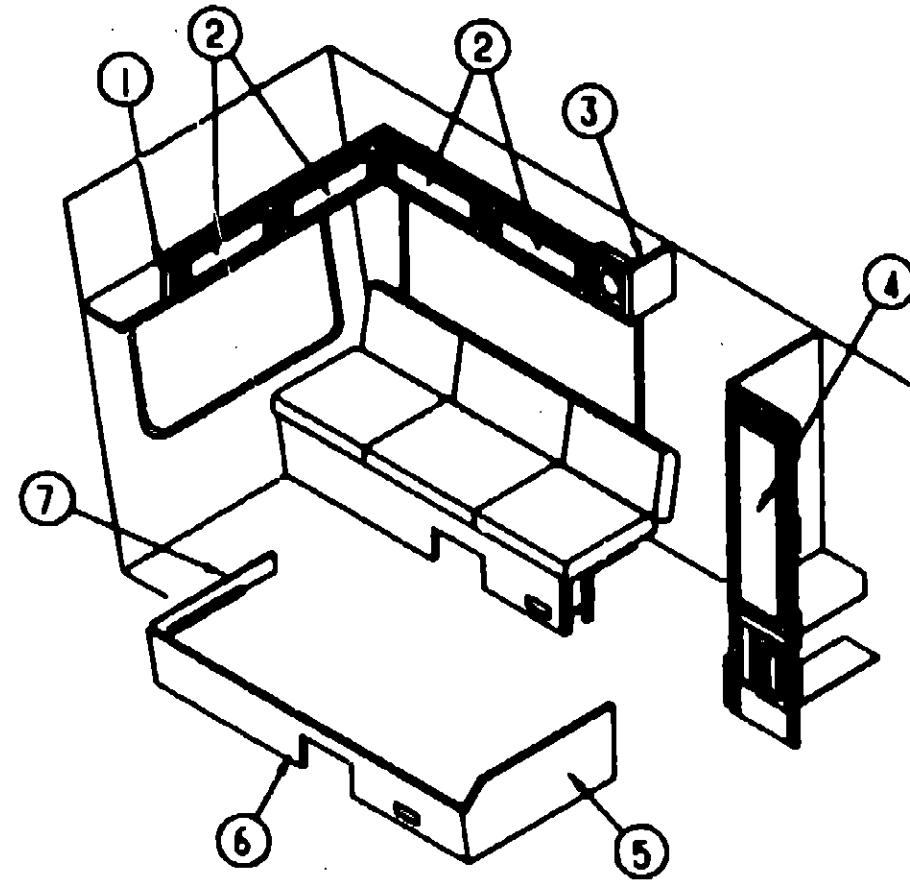
**LP GROUP**



**LP TANK & COMPONENTS**

KEY	PART NUMBER	U/M DESCRIPTION
1	074039-03-000	EA TANK-LP, 28 LB - BOTTOM MOUNT - 10" DIA X 23" LONG
2	040421-01-700	EA VALVE-LIQUID LEVEL, 20% LP - BRUNNER G-1013
3	040421-01-711	EA VALVE-80% W/FLOAT, PLATE, BOLTS & GASKET - BRUNNER
4	040421-01-701	EA VALVE-FILLER, LP SHORT - BRUNNER 75478
5	040421-01-702	EA CAP-LP FILLER VALVE, PLASTIC - YELLOW - BRUNNER G-1014-A
6	040421-01-713	EA VALVE-VAPOR ONLY, 29000587
7	040421-01-712	EA VALVE-SERVICE W/HANDWHEEL, W/O VAPOR RELIEF - 29000853
8	040421-01-708	EA HANDWHEEL-SERVICE VALVE, BRUNNER G-1015-A
9	074039-01-700	EA FLOAT ASM-BOLT ON, F/10" DIA TANK - BRUNNER 10C
10	040440-02-000	EA DIAL-TRANSMITTER, 0-90 OHM
11	108150-03-000	EA REGULATOR-TWO STAGE LPG, M <sup>2</sup> BRASS 295-00
12	106858-01-000	EA COMPARTMENT-LP REGULATOR
	103813-01-000	EA DETECTOR-LP GAS
	085741-01-000	EA GAUGE-DIAPHRAGM PRESSURE - MARSHALLTOWN MFG
	085742-01-000	EA TEE, .38" F X .38" F X .25" FPT - BRASS
13	010377-02-000	EA NUT-BRASS, 3/8 FEMALE - FORGED
14	010323-01-000	EA ADAPTER-BRASS, 3/8" F X 1/2" MPT
14	010329-01-000	EA ADAPTER-BRASS, 1/2" F X 1/2" MPT
	010380-02-000	EA NUT-BRASS, 1/2" FEMALE - FORGED
	010251-01-000	EA ELBOW-BRASS, 90 DEGREE - 3/16" F X 3/8" MPT
	071391-02-000	EA NIPPLE-HEX, 1/4 PIPE - 3325X4 W/ W/NERHEAD
	008042-01-000	FT TUBING-VINYL, .65" ID

**LOUNGE GROUP**



**LOUNGE CABINETS**

KEY	PART NUMBER	U/M DESCRIPTION
1	M05159-37-001	EA CABINET-OVERHEAD, W/O DOORS OR HARDWARE
2	P03701-73-D01	EA DOOR-CABINET, W/O HARDWARE - 10" X 25.2"
3	M05159-36-D01	EA CABINET-OVERHEAD, W/O DOORS OR HARDWARE
3	M05159-36-D02	EA CABINET-OVERHEAD, W/O DOORS OR HARDWARE
3	M05159-36-D03	EA CABINET-OVERHEAD, W/O DOORS OR HARDWARE
4	P03701-C8-D01	EA DOOR-CABINET, W/O HARDWARE - 395 MM X 1155 MM
	059783-01-000	FT ROD-CLOTHES, SLOTTED - ALUMINUM - 7" LENGTH
5	M04187-50-D01	EA CABINET-COUCH, LEFT SIDE W/FABRIC
5	M04187-50-D02	EA CABINET-COUCH, LEFT SIDE W/FABRIC
5	M04187-50-D03	EA CABINET-COUCH, LEFT SIDE W/FABRIC
6	M04187-49-D01	EA CABINET-COUCH, FRONT FACE W/FABRIC
6	M04187-49-D02	EA CABINET-COUCH, FRONT FACE W/FABRIC
6	M04187-49-D03	EA CABINET-COUCH, FRONT FACE W/FABRIC
7	M04187-51-D01	EA CABINET-COUCH, RIGHT SIDE W/FABRIC
7	M04187-51-D02	EA CABINET-COUCH, RIGHT SIDE W/FABRIC
7	M04187-51-D03	EA CABINET-COUCH, RIGHT SIDE W/FABRIC
	082525-01-000	EA BRACE-COUCH, FLOOR MOUNT - ANGLE 3" LONG - METAL
	050101-01-002	EA EXTRUSION-L SHAPED, 192" - ALUMINUM
	083125-05-000	EA BRACE-ANGLE, COUCH - 2.5" - BEIGE

**1993 WINNEBAGO  
TABLE OF CONTENTS**

INTRODUCTION	A-01 -	A-02
ABBREVIATIONS		A-03
ALPHABETICAL INDEX	A-04 -	A-08
WT321RB	A-07 -	C-22
WT321RL	C-23 -	F-18
WT321RD	F-17 -	I-10

**1993 WT321RD INDEX**

FLOOR PLAN	F-17 -	F-18
ACCESSORIES		F-19
AUDIO VIDEO		F-20
BATH	F-21 -	F-22
CHASSIS	F-23 -	F-24
CURTAIN & CUSHION	G-01 -	G-07
DINETTE	G-08 -	G-10
DRIVERS COMPARTMENT		G-11
ELECTRICAL	G-12 -	G-13
EXTERIOR BODY	G-16 -	G-20
GALLEY	G-21 -	G-24
GENERATOR		H-01
HEATING & A/C		H-02
INTERIOR FINISH	H-03 -	H-08
LABELS	H-07 -	H-12
LP		H-13
LOUNGE		H-14
SEALANTS & FASTENERS	H-15 -	H-18
WATER & SEWAGE	H-17 -	H-20
WINDOW, VENT AND EXTERIOR DOOR	H-21 -	I-10

**SEALANTS & FASTENERS GROUP**

**SCREWS**

KEY	PART NUMBER	U/M DESCRIPTION
	000G08-08-10G	EA SCREW-8-18 X 5/8 PPH - ANTIQUE BRASS
	000G13-08-08B	EA SCREW-8-20 X 1/2 PPH - ZINC
	000G13-08-08G	EA SCREW-8-20 X 5/8 PPH - ANTIQUE BRASS
	000G13-08-16J	EA SCREW, 8-20 X 1.00 PPH - BRASS
	000G13-07-12B	EA SCREW-7-19 X 3/4 PPH - ZINC
	000G11-08-10B	EA SCREW, 8-20 X 5/8 PPH ZN
	000G11-08-10J	EA SCREW-7-19 X 1/2 PPH - ZINC
	000G11-08-08B	EA SCREW, 8-18 X 3/8 PPH ZN
	000G11-08-12B	EA SCREW, 8-18 X 3/4 PPH ZN
	000G11-08-12P	EA SCREW, 8-18 X .75 PPH - DARK BROWN
	000G11-08-12R	EA SCREW, 8-18 X 3/4 PPH - BEIGE
	000G11-08-12S	EA SCREW-8-18 X .75 PPH, OFF WHITE
	000G11-08-18S	EA SCREW, 8-18 X 1.00 PPH - OFF WHITE
	000G11-10-12D	EA SCREW-10-18 X 3/4 PPH - BLACK
	000G11-10-12S	EA SCREW-10-18X.75 PPH OFF WHITE
	000G12-08-12S	EA SCREW-8-18X.75 PPH OFF WHITE
	000G12-08-18S	EA SCREW, 8-18 X 1.00 PPH - OFF WHITE
	000G13-08-16B	EA SCREW-8-18 X 1 PPH - ZINC
	000G18-08-22B	EA SCREW-MACH, 8-32 X 1 3/8 PPH ZN
	000G39-08-10T	EA SCREW-SF/DR, 8-20 X 5/8 PPH - BLACK
	000G39-10-32B	EA SCREW-SF/DR, 10 - 18 X 2.00 PPH - ZINC
	000G67-10-08B	EA SCREW, 10-12 X 1/2 PPH ZN
	000G67-10-08R	EA SCREW, 10-12 X 1/2 PPH - BEIGE - TYPE A
	000G67-10-10D	EA SCREW, 10-12 X 5/8 PPH - BLACK - TYPE A
	000G67-10-10R	EA SCREW, 10-12 X 5/8 PPH - TYPE A - BEIGE
	000G67-10-10S	EA SCREW, 10-12 X 5/8" - PPH - OFF WHITE
	000G67-10-12B	EA SCREW, 10-12 X 3/4" PPH - ZN
	000G67-10-12P	EA SCREW, 10-12 X .75" - PPH - DARK BROWN
	000G67-10-16B	EA SCREW, 10-12 X 1 PPH - ZN
	000G67-10-24B	EA SCREW, 10-12 X 1 1/2 PPH - ZN
	000G67-10-32B	EA SCREW, 10-12 X 2 PPH - ZN
	000G38-10-12E	EA SCREW-10 -24 X 3/4 PPH TYPE 23 - CHROME PLATED
	000G32-10-06B	EA SCREW-10 -32 X 3/8" - PPH - ZINC
	000G18-08-12B	EA SCREW-MACHINE-8-32 X 3/4" PPH ZINC
	000G53-04-06B	EA SCREW-MACHINE-1/4-20 X 3/8 PPH -ZINC - UNDERCUT HEAD
	000G39-06-08B	EA SCREW-DR-6-18X1/2 ZN
	000G39-08-08B	EA SCREW-SF/DR, 8-18 X 1/2 PPH ZN
	000G39-00-08R	EA SCREW-SF/DR, 8-18 X 1/2 PPH - BEIGE
	000G39-08-08S	EA SCREW-SF/DR, 8-18 X 1/2 PPH - OFF WHITE
	000G39-08-12B	EA SCREW-SF/DR, 8-18 X 3/4 PPH ZN
	000G55-08-12M	EA SCREW-SF/DR-8-18 X.75 PPH - GRAY
	000G39-08-16S	EA SCREW-SF/DR 8-18 X 1.00 PPH - OFF WHITE
	000G39-08-24S	EA SCREW-SF/DR-8-18 X1.50 - OFF WHITE
	000G39-10-10S	EA SCREW-SF/DR 10-16 X .82" PPH - OFF WHITE
	000G39-10-12D	EA SCREW-SF/DR 10-16 X 3/4 PPH - BLACK
	000G39-10-20B	EA SCREW-SF/DR 10-16 X 1 1/4 PPH - ZINC
	000G42-04-16B	EA SCREW-SF/DR 1/4-14 X 1 HWH - ZINC
	000G54-04-20B	EA SCREW 1/4-20 X 1 1/4 PTH - TYPE 23 - ZINC PLATED
	087721-01-000	EA SCREW-FLAT HEAD TAPPING - 1/4" X 1 1/4" LG ZINC
	075908-01-000	EA SCREW-MACHINE 10-32 X .53 PTH - ZINC EXTERNAL TOOTH
	078790-01-000	EA SCREW, 8-20 X 1 1/4 PPH - BLACK
	101289-01-01A	EA SCREW-MACHINE, 8-32 X 4 - PPH - BRASS - FOR EXTENDED KNOB

**ADHESIVE AND SEALANTS**

KEY	PART NUMBER	U/M DESCRIPTION
	002707-02-000	FT TAPE-SEALER 5/16" X 1/2" - INCREMENTS OF 50 FT
	004020-01-000	QT ADHESIVE-ABS CEMENT QUART
	034552-02-000	EA SILICONE-TUBE 300 ML - CLEAR
	034552-06-000	EA SILICONE-TUBE 300 ML - OFF WHITE
	039518-01-000	EA SILICONE-TUBE 300 ML - BLACK
	053766-02-000	EA BEDDING COMPOUND-TUBE - WHITE

**SEALANTS & FASTENERS GROUP (CONTINUED)**

**ADHESIVE AND SEALANTS CONT'D**

KEY	PART NUMBER	U/M DESCRIPTION
	053766-08-000	EA BEDDING COMPOUND-TUBE, CLEAR
	063642-01-000	FT TAPE-ADHESIVE 10MM X 15" WIDE
	069840-10-000	FT SEALER-RIBBON 1/32" X 1 1/2" INCREMENTS OF 90'
	069840-09-000	FT SEALER-RIBBON 1/32" X 2 1/2" - INCREMENTS OF 80'
	069840-01-000	FT SEALER-RIBBON 1/4" DIAMETER - INCREMENTS OF 30'
	069840-02-000	FT SEALER-RIBBON 1/2" X 1/8" - INCREMENTS OF 30' OR 60'
	069840-03-000	FT SEALER-RIBBON 3/4" X 1/8" - INCREMENTS OF 60'
	069840-07-000	FT SEALER-RIBBON 2" X 3/32" - INCREMENTS OF 30' OR 45'
	069840-11-000	FT SEALER-RIBBON 3/16" X 3/8" - BLACK
	072889-01-000	EA SEALANT-URETHANE, BLACK - 1/10 - ESSEX 552.2
	076322-01-000	FT TAPE-FOAM, DOUBLE COATED ADHESIVE BACKED - .75" X 216"
	076322-02-000	FT TAPE-FOAM, DOUBLE COATED ADHESIVE BACKED - 1" X 108"
	076322-03-000	FT TAPE-FOAM, DOUBLE COATED ADHESIVE BACKED - .5" X 108"
	076322-05-000	FT TAPE-FOAM, DOUBLE COATED - .025" X 1.5"
	087211-01-000	GL PROMOTER-ADHESIVE
	102362-01-000	EA SEALER-PUMPABLE, BLACK

**NUTS, BOLTS AND GROMMETS**

KEY	PART NUMBER	U/M DESCRIPTION
	040821-04-000	EA NUT-SPEED U TYPE - NO 8 - 59° LENGTH X 44° WIDTH
	005081-01-000	EA NUT-SPEED C TYPE - NO 8 SCREW
	000024-10-00B	EA NUT-HEX, SF/LK - 10-32 ZN
	000039-05-00B	EA NUT-HEX, SER FLG LK - 5/16 - 18 ZN
	000039-08-00B	EA NUT-HEX, SER FLG LK - 3/8-18 ZN
	000039-08-00B	EA NUT-HEX, SER FLG LK - 1/2-13 ZN
	000044-07-00B	EA NUT-HEX, SER FLG LK - 7/16-20 ZN
	000C12-05-12B	EA BOLT-HEX-5/16-18X3/4 ZN 5
	000C12-05-16B	EA BOLT-HEX, 5/16-18 X 1 - ZINC 5
	000C12-06-32B	EA BOLT-HEX-3/8-18X2LG.ZN 5
	000C12-06-44B	EA BOLT-HEX-3/8-18X2 3/4 ZN 5
	000C13-07-48B	EA BOLT-HEX, 7/16 - 20 X 3 - ZN 5
	000C18-05-40A	EA BOLT-ELEV, 5/16"-18 X 2 1/2" PL
	000C26-05-12B	EA BOLT-HEX-SER FLG 5/16-18X3/4 ZN
	000C26-05-20B	EA BOLT-HEX, SER FLG 5/16 - 18 X 1 1/4 ZINC
	071015-04-000	EA GROMMET-RUBBER 18" ID X 88" OD W/3" GROOVE - BLACK

**MISCELLANEOUS FASTENERS**

KEY	PART NUMBER	U/M DESCRIPTION
	044533-01-000	EA WASHER-PLASTIC 1 3/8"OD - FOR BUTTONS
	000E13-11-00B	EA WASHER-FLAT, 3/16" WIDE - ZN
	000E13-20-00B	EA WASHER-FL, 7/16 WIDE - ZN
	041322-01-000	EA WASHER-FL, 15/32" ID X 2 3/8" OD - FOR SEAT BELT MOUNT
	056134-02-000	EA HOLDER-RING 1.8" DIAMETER - METAL
	007161-01-000	EA CLAMP-HOSE, SPRING TYPE - 1/2"
	010495-01-000	EA CLAMP-CABLE, 9/16"
	010497-01-000	EA CLAMP-CLOSED, 5/8" ID
	010497-03-000	EA CLAMP-CLOSED, 1" ID - CUSHIONED
	062401-01-000	EA CLAMP-HOSE, WORMGEAR, 25" - 1"
	062401-02-000	EA CLAMP-HOSE, WORMGEAR, 1.56" - 2.5"
	062401-03-000	EA CLAMP-HOSE, WORMGEAR, 22" - 1"
	062401-08-000	EA CLAMP-HOSE, WORMGEAR, 22" - .52"
	075148-02-000	EA CLAMP-GROUNDING BRONZE SCREWS
	083809-01-000	EA CLAMP-WIRE, DUAL EQUAL - 5/8" DIAMETER
	080734-02-000	EA CLIP-WIRE NYLON

**1993 WINNEBAGO  
TABLE OF CONTENTS**

INTRODUCTION	A-01	A-02
ABBREVIATIONS		A-03
ALPHABETICAL INDEX	A-04	A-08
WT321RB	A-07	C-22
WT321RL	C-23	F-16
WT321RD	F-17	I-10

**1993 WT321RD INDEX**

FLOOR PLAN	F-17	F-18
ACCESSORIES		F-19
AUDIO VIDEO		F-20
BATH	F-21	F-22
CHASSIS	F-23	F-24
CURTAIN & CUSHION	G-01	G-07
DINETTE	G-08	G-10
DRIVERS COMPARTMENT		G-11
ELECTRICAL	G-12	G-15
EXTERIOR BODY	G-18	G-20
GALLEY	G-21	G-24
GENERATOR		H-01
HEATING & A/C		H-02
INTERIOR FINISH	H-03	H-06
LABELS	H-07	H-12
LP		H-13
LOUNGE		H-14
SEALANTS & FASTENERS	H-15	H-16
WATER & SEWAGE	H-17	H-20
WINDOW, VENT AND EXTERIOR DOOR	H-21	I-10



**WATER & SEWAGE GROUP**  
FRESH WATER TANK

KEY	PART NUMBER	U/M DESCRIPTION
	084577-03-000	EA TANK-WATER, 12.5 GALLON - W/FITTINGS - 11" X 20" X 16"
	084577-01-000	EA TANK-WATER, 12.5 GALLON - W/O FITTINGS - 11" X 20" X 16"
	077954-02-000	EA FILTER-WATER TANK, SCREEN IN TANK
	079381-01-000	FT TUBING-SMOOTH, FLEXIBLE - 1 1/4" ID
	042989-03-000	EA FITTING-WATER TANK, SPINWELD - 1 1/4"NPT - PLASTIC - WHITE
	042989-04-000	EA FITTING-WATER TANK, SPINWELD - 3/8" FPT - PLASTIC - WHITE
	042989-05-000	EA FITTING-WATER TANK, SPINWELD - 1/2" FPT - PLASTIC - WHITE
	048032-01-000	EA PATCH-SPINWELD 3/8" - PLASTIC
	039881-01-000	EA SENDING UNIT W/SCREW, WASHER, WELL NUT AND TERMINAL RING

**WATER SYSTEM**

KEY	PART NUMBER	U/M DESCRIPTION
	106258-01-000	EA CAP-INSERTABLE, 1/2" FLARE
	044927-01-000	EA ADAPTER-HOSE TO PIPE 1 1/4" MPT X 1 1/4" BARB - BLACK PLASTIC
	052980-01-000	EA DRAIN VALVE-IN LINE, HEADER - 1/2" F X 1/2" F - GRAY PLASTIC
	052981-01-000	EA DRAIN VALVE-IN LINE, HEADER - 1/2" F X 1/2" F X 1/2" F - PLASTIC
	098420-01-000	EA CONNECTOR-SWIVEL, 1/2" FPT X 5/8" TUBE - PLASTIC
	101814-01-000	EA COUPLING-FEMALE, 1/2" X 1/2" FPT
	010219-01-000	EA ELBOW-1 1/4" MPT X 1 1/4" BARB, WATER FILL - PLASTIC
	055290-01-000	EA ELBOW-5/8" F X 1/2" MPT
	057457-01-000	EA ELBOW-UNION, 1/2" X 1/2" FLARE
	087859-04-000	EA FILL-WATER, CITY - OFF WHITE
	065120-01-000	EA ELBOW-SWIVEL 1/2" FPT X 1/2" FLARE - PLASTIC - GRAY
	052952-01-000	EA NUT-PLASTIC, 1/2" F X 1/2" TUBE - GRAY
	052952-02-000	EA NUT-PLASTIC, 5/8" FLARE
	052953-01-000	EA NUT-FAUCET, 1/2" TUBE X 1/2" FPT - PLASTIC - GRAY
	052954-01-000	EA ADAPTER-NOSE CONE, 3/8" OR 1/2" TUBING - PLASTIC - GRAY
	052955-01-000	EA TEE-1/2" F X 1/2" MPT X 1/2" F - PLASTIC
	052957-01-000	EA ELBOW-PLASTIC, 1/2" F X 3/8" MPT
	052957-02-000	EA ELBOW-MALE, 1/2" F X 1/2" MPT - PLASTIC - GRAY
	039798-01-000	EA TEE-1/2" MPT X 1/2" MPT X 1/2" MPT, PLASTIC
	052955-01-000	EA TEE-WATER 1/2" F X 1/2" F X 1/2" MPT - PLASTIC - GRAY
	052958-01-000	EA TEE 1/2" F X 1/2" F X 1/2" F - PLASTIC - GRAY
	093217-01-000	EA TEE-SWIVEL, 1/2" - PLASTIC
	039800-01-000	FT TUBING-POLYBUTYL, 1/2" OD - INCREMENTS OF 20' - BLACK
	039800-02-000	FT TUBING-POLYBUTYL, 5/8" OD - INCREMENTS OF 20' - BLACK
	074462-02-000	FT TUBING-VINYL 3/8" ID - CLEAR

**WATER PUMP**

KEY	PART NUMBER	U/M DESCRIPTION
	098807-01-000	EA PUMP-WATER W/ 5" MPT FITTING - FLOW 2.8 GPM
	098807-01-700	EA PUMPHEAD-REPLACEMENT SHURFLO# 94-236-08
	098807-01-701	EA DRIVE ASM SHURFLO# 94-234-03
	098807-01-702	EA DIAPHRAGM-KIT SHURFLO# 94-233-10
	098807-01-703	EA VALVE ASM SHURFLO# 94-232-00
	098807-01-704	EA HOUSING-UPPER SHURFLO# 94-231-01
	098807-01-705	EA CHECK VALVE-KIT SHURFLO# 94-237-00
	098807-01-706	EA SWITCH ASM-COMplete SHURFLO# 94-230-00
	098807-01-707	EA MOTOR-BASE/PLATE REPLACEMENT SHURFLO# 94-234-03

**WATER & SEWAGE GROUP (CONTINUED)**  
WATER HEATER W/MOTOR AID

KEY	PART NUMBER	U/M DESCRIPTION
	051391-02-000	EA HEATER-WATER, ATWOOD G4-SM
	051391-01-700	EA HINGE KIT-W/CLIP, ATWOOD# 92588 & 92589
	051391-01-704	EA VALVE-RELIEF, 1/2" FITTING - ATWOOD# 91604
	051391-01-705	EA FASTENER-CAMLOC, ATWOOD# 92809
	051391-01-708	EA GRILLE-EXHAUST, ATWOOD# 92787
	051391-01-708	EA BURNER-MAIN, 3E ONLY - ATWOOD# 92815
	051391-01-709	EA PILOT ASM-W/THRMOCOUPLE & TUBE - ATWOOD# 91603
	051391-01-710	EA ORIFICE-MAIN BURNER, ATWOOD# 92742
	051391-01-711	EA ELBOW-ORIFICE, MAIN BURNER - ATWOOD# 92741
	051391-01-712	EA THERMOSTAT-3/8"NPT INLET - ATWOOD# 91801
	051391-01-714	EA ELBOW-45 DEGREE, 3/8" F X 3/8" MPT - ATWOOD# 91044
	051391-01-715	EA DRAIN PLUG, ATWOOD# 91581
	051391-02-700	EA TANK-INNER FOR G4SM - ATWOOD# 91414
	008042-01-000	FT TUBING-VINYL, .65" ID

**EXTERIOR SHOWER OPTION L84R**

KEY	PART NUMBER	U/M DESCRIPTION
	046128-01-000	EA VALVE-DRAIN, PLASTIC - 1/2" FPT
	075241-05-000	EA FAUCET-SHOWER, BONE
	103092-01-000	EA SHOWER HEAD-W/60" HOSE
	103092-01-700	EA BRACKET ONLY-CLEAR, F/SHOWER HEAD - 2328028
	063527-02-000	EA BRACKET-SQUEEGEE/SHOWER HEAD
		FROM: 10-02-92 THRU: 99-99-99
	091952-02-000	EA CLIP-GRIPPER, 3/4"
		FROM: 10-02-92 THRU: 99-99-99
	108356-02-01A	EA COVER-SWITCH W/DIMPLES, CARLING VVAZC00 BLA
	108357-08-000	EA SWITCH-ROCKER, DPDT - ON/NONE/ON - CARLING VDD1S00C-0
	096241-03-000	EA SWITCH-BLANK

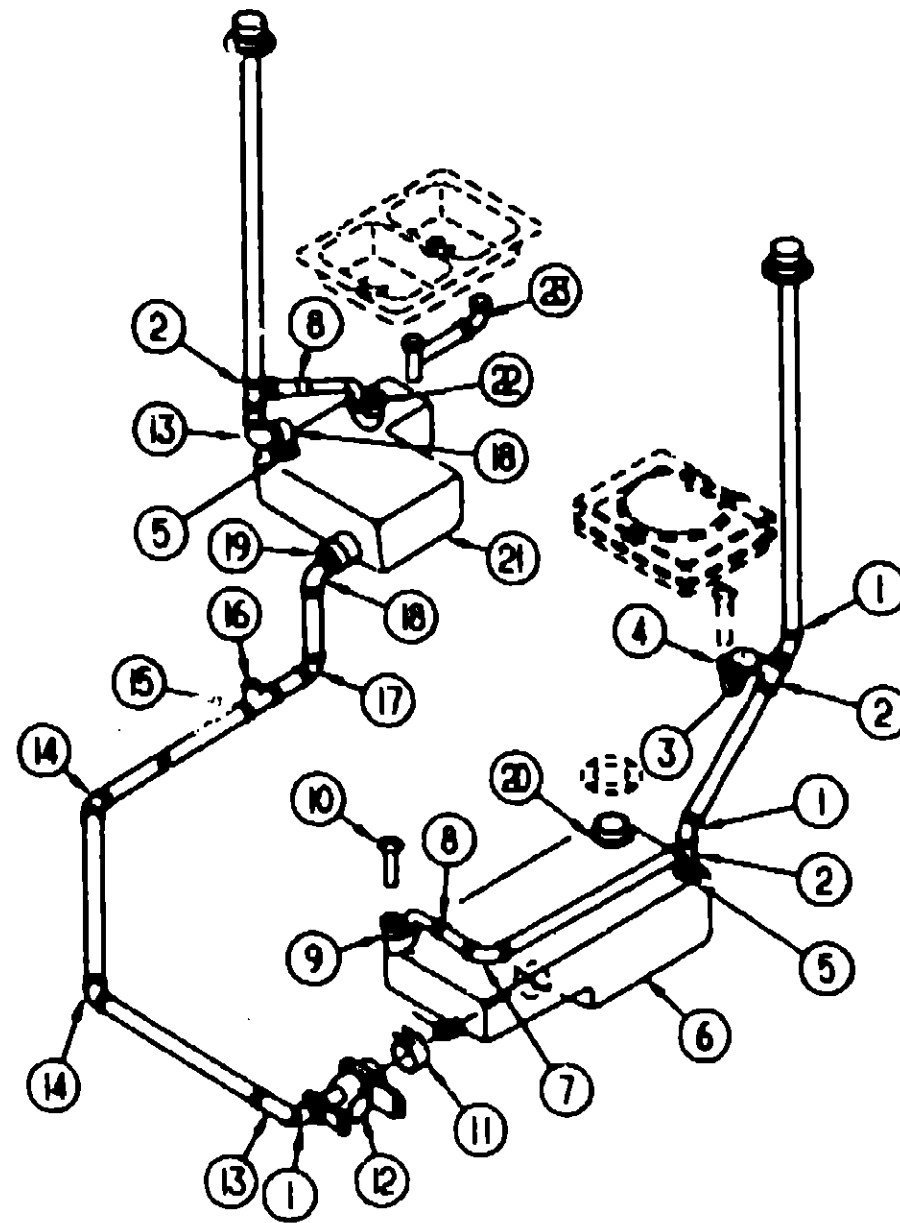
**1993 WINNEBAGO**  
**TABLE OF CONTENTS**

INTRODUCTION	A-01 -	A-02
ABBREVIATIONS		A-03
ALPHABETICAL INDEX	A-04 -	A-08
WT321RB	A-07 -	C-22
WT321RL	C-23 -	F-16
WT321RD	F-17 -	I-10

**1993 WT321RD INDEX**

FLOOR PLAN	F-17 -	F-18
ACCESSORIES		F-19
AUDIO VIDEO		F-20
BATH	F-21 -	F-22
CHASSIS	F-23 -	F-24
CURTAIN & CUSHION	G-01 -	G-07
DINETTE	G-08 -	G-10
DRIVERS COMPARTMENT		G-11
ELECTRICAL	G-12 -	G-15
EXTERIOR BODY	G-16 -	G-20
GALLEY	G-21 -	G-24
GENERATOR		H-01
HEATING & A/C		H-02
INTERIOR FINISH	H-03 -	H-08
LABELS	H-07 -	H-12
LP		H-13
LOUNGE		H-14
SEALANTS & FASTENERS	H-15 -	H-16
WATER & SEWAGE	H-17 -	H-20
WINDOW, VENT AND		
EXTERIOR DOOR	H-21 -	I-10

**WATER & SEWAGE GROUP (CONTINUED)**  
**DRAINAGE SYSTEM**



KEY	PART NUMBER	U/M DESCRIPTION
1	010061-01-000	EA ELBOW-45 DEG BEND, 1 1/2" SPIGOT AND HUB - PLASTIC - BLACK
2	010079-01-000	EA TEE-SANITARY 1 1/2" H X 1 1/2" H X 1 1/4" H - PLASTIC - BLACK
3	109571-01-000	EA ADAPTER-P TRAP, 1 1/2" P X 1 1/4" MPT
4	053336-01-000	EA P-TRAP, 1 1/4" HUB X HUB, W/HUNK
5	061807-01-000	EA GROMMET-HOLDING TANK, 1 1/2" NPS
6	106387-01-000	EA TANK-HOLDING, 20 GAL - 954 MM X 413 MM X 284 MM
7	039961-01-000	EA SENDING UNIT W/SCREW, WASHER, WELL NUT AND TERMINAL RING
8	031111-01-000	EA ELBOW-90 DEG, 1/4 BEND - 1 1/4" - BLACK PLASTIC
9	107537-01-000	EA ADAPTER-P TRAP, 1 1/4" SLIP
9	107538-01-000	EA P-TRAP-PLASTIC, 1 1/4" W/EXT ARM - US
9	011099-03-700	EA P-TRAP KIT-1 1/2" X 1 1/4" P-TRAP W/1 1/2 TO 1 1/4 REDUCER - CANADIAN
10	011099-03-000	EA TAILPIECE-SHOWER/TUB, 1 1/2" X 1 3/4" - PLASTIC
11	078408-01-000	EA COUPLER-RUBBER, W/CLAMPS - 3" X 3"
12	070916-01-000	EA VALVE-DUAL DUMP, W/CAP - 3" X 1 1/2" - PLASTIC - BLACK
	070916-01-700	EA VALVE ONLY, 3"
	070916-01-701	EA VALVE ONLY, 1 1/2"
	062415-01-000	EA CAP-SEWER 3" DIAMETER
	062415-01-700	EA STRING SEWER CAP
	010201-01-000	EA HOSE-SEWER 3" ID X 8'
	062416-01-000	EA ADAPTER-SEWER HOSE TO 3" PIPE
13	033781-01-000	EA ELBOW-TURN, 1/4 BEND X 1.5" HUB X 1.5" SPIGOT - PLASTIC - BLACK
14	010006-01-000	EA ELBOW-45 DEG, 1/8 BEND - 1 1/2" HUB X HUB - BLACK PLASTIC
15	010073-01-000	EA WYE-45 DEG, 1 1/2" HUB X HUB X HUB - BLACK PLASTIC
16	010108-01-000	EA PLUG-THREADED, 1 1/4" DIAMETER - PLASTIC - BLACK
16	010121-01-000	EA BUSHING-REDUCER, 1 1/2" SMOOTH X 1 1/4" HUB - PLASTIC - BLACK
16	050787-01-000	EA ADAPTER-CLEANOUT, NIBCO 5803-2
17	010008-01-000	EA ELBOW-90 DEG, 1/4 BEND - 1 1/2" HUB X HUB - BLACK PLASTIC
18	034250-01-000	EA ELBOW-90 DEG, LONG TURN - 1 1/2" HUB X HUB - ABS
19	062422-01-000	EA ADAPTER-OFFSET REDUCER, 3" X 1 1/2" - PLASTIC - BLACK
20	061807-02-000	EA GROMMET-HOLDING TANK, 3" NPS
21	106388-01-000	EA TANK-HOLDING, 8 GAL - 532 MM X 500 MM X 188 MM
	039961-01-000	EA SENDING UNIT W/SCREW, WASHER, WELL NUT AND TERMINAL RING
22	107538-01-000	EA P-TRAP-PLASTIC, 1 1/4" W/EXT ARM - US
22	011071-01-000	EA P-TRAP-1 1/2, PLASTIC - CANADIAN
23	011091-02-000	EA PIPE-DRAIN, DOUBLE SINK - BAFFLE TEE - 1 1/2" - US
23	011091-03-000	EA PIPE-DRAIN, W/SEALS - DOUBLE SINK - EXTENDS 9" TO 18" - CANADIAN

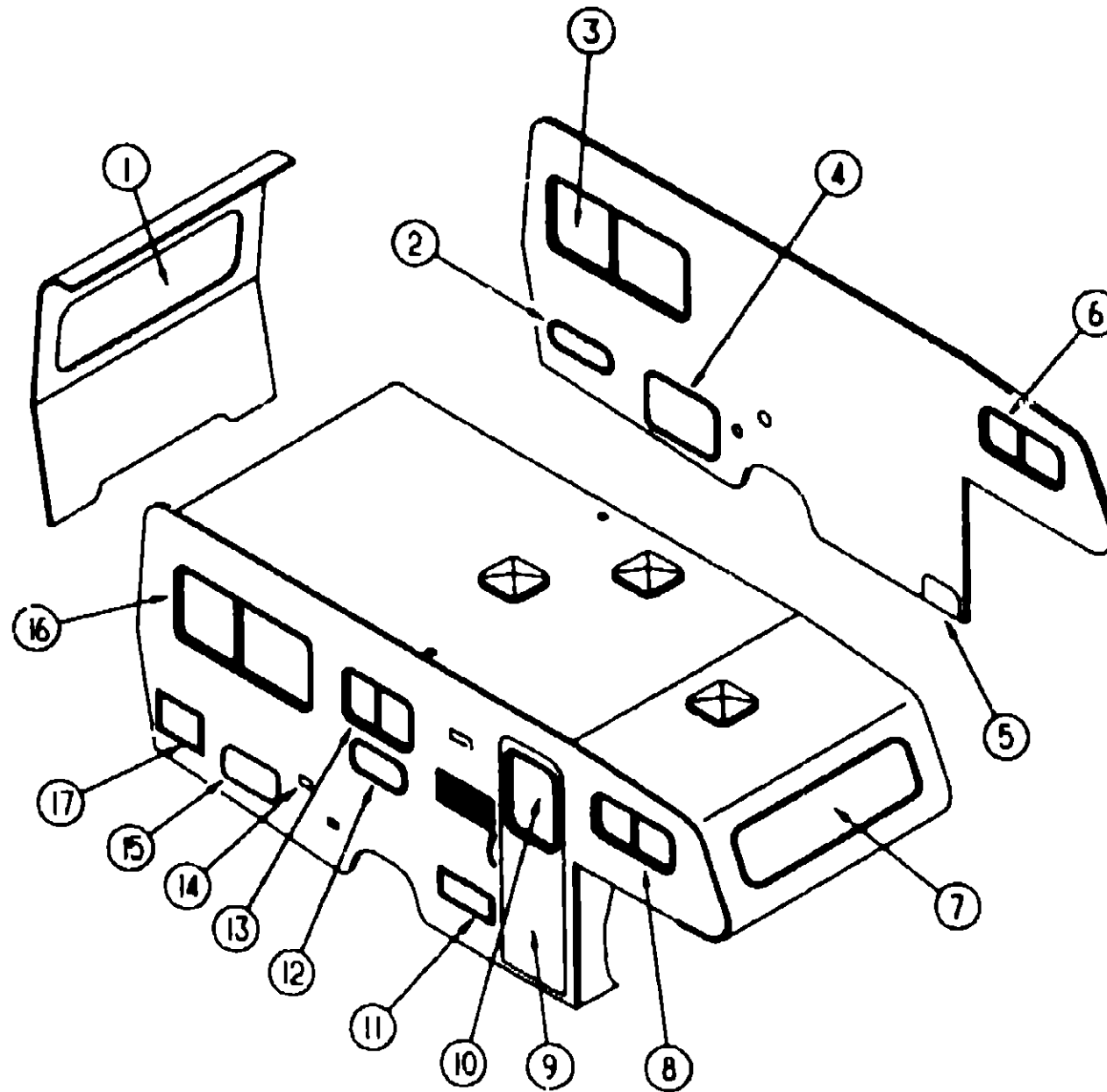
**1993 WINNEBAGO**  
**TABLE OF CONTENTS**

INTRODUCTION	A-01 - A-02
ABBREVIATIONS	A-03
ALPHABETICAL INDEX	A-04 - A-08
WT321RB	A-07 - C-22
WT321RL	C-23 - F-16
WT321RD	F-17 - I-10

**1993 WT321RD INDEX**

FLOOR PLAN	F-17 - F-18
ACCESSORIES	- F-19
AUDIO VIDEO	- F-20
BATH	F-21 - F-22
CHASSIS	F-23 - F-24
CURTAIN & CUSHION	G-01 - G-07
DINETTE	G-08 - G-10
DRIVERS COMPARTMENT	- G-11
ELECTRICAL	G-12 - G-15
EXTERIOR BODY	G-16 - G-20
GALLEY	G-21 - G-24
GENERATOR	- H-01
HEATING & A/C	- H-02
INTERIOR FINISH	H-03 - H-06
LABELS	H-07 - H-12
LP	H-13
LOUNGE	H-14
SEALANTS & FASTENERS	H-15 - H-16
WATER & SEWAGE	H-17 - H-20
WINDOW, VENT AND EXTERIOR DOOR	H-21 - I-10

**WINDOW, VENT & EXTERIOR DOOR GROUP**  
WINDOWS & DOORS



**1983 WINNEBAGO  
TABLE OF CONTENTS**

INTRODUCTION	A-01 -	A-02
ABBREVIATIONS		A-03
ALPHABETICAL INDEX	A-04 -	A-08
WT321RB	A-07 -	C-22
WT321RL	C-23 -	F-18
WT321RD	F-17 -	I-10

**1983 WT321RD INDEX**

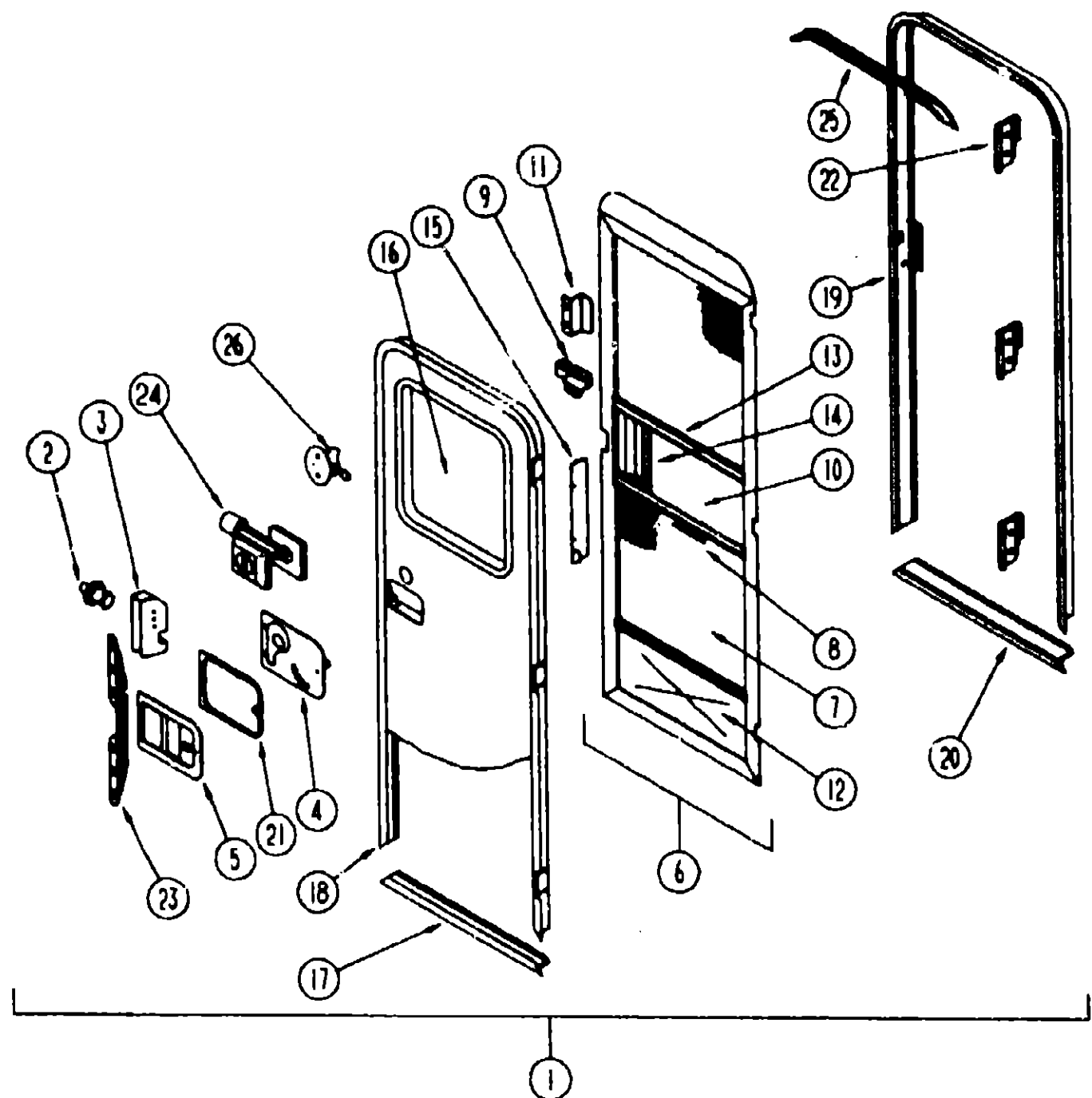
FLOOR PLAN	F-17 -	F-18
ACCESSORIES		F-19
AUDIO VIDEO		F-20
BATH	F-21 -	F-22
CHASSIS	F-23 -	F-24
CURTAIN & CUSHION	G-01 -	G-07
DINETTE	G-08 -	G-10
DRIVERS COMPARTMENT		G-11
ELECTRICAL	G-12 -	G-15
EXTERIOR BODY	G-16 -	G-20
GALLEY	G-21 -	G-24
GENERATOR		H-01
HEATING & A/C		H-02
INTERIOR FINISH	H-03 -	H-08
LABELS	H-07 -	H-12
LP		H-13
LOUNGE		H-14
SEALANTS & FASTENERS	H-15 -	H-18
WATER & SEWAGE	H-17 -	H-20
WINDOW, VENT AND EXTERIOR DOOR	H-21 -	I-10

KEY	PART NUMBER	U/M	DESCRIPTION
1	078536-01-T03	EA	WINDOW-ESCAPE, BACKWALL - 23" X 68"
2	078720-02-T15	EA	DOOR-COMPARTMENT, LP - 16.9" X 5.4" - ALUMINUM - OFF WHITE
3	098647-17-01A	EA	WINDOW-SLIDING, W/WHITE INSIDE FRAME - EXCEL H021-PRL
4	102038-01-B05	EA	DOOR-GENERATOR W/POWER CORD HATCH, 24" X 15.7" - OFF WHITE
4	102038-02-B05	EA	DOOR-LUGGAGE W/POWER CORD HATCH, 18.1" X 24.5" - OFF WHITE
4	009426-02-000	EA	HATCH-DOOR, POWER CORD - OFF WHITE
5	079455-09-B05	EA	DOOR-BATTERY, 13.2" X 8" - OFF WHITE
6	098647-18-01A	EA	WINDOW-DRIVER SIDE, W/WHITE INSIDE FRAME - EXCEL B951-PRL
7	103313-02-C09	EA	WINDOW-PICTURE, 58.6" X 11.8" - W/O INSIDE FRAME
8	098647-16-01A	EA	WINDOW-PASSENGER SIDE, W/WHITE INSIDE FRAME - EXCEL B951-PRR
9	M01870-38-D01	EA	DOOR-ENTRANCE, W/WINDOW & SCREEN DOOR
10	079733-07-AA8	EA	WINDOW-ENTRY DOOR, 17" X 25" - FROSTED GLASS - W/O INSIDE FRAME
	102766-01-000	EA	HOLDER-COMPARTMENT/ENTRY DOOR, METAL - MILL FINISH

KEY	PART NUMBER	U/M	DESCRIPTION
11	084103-03-000	EA	DOOR-REFRIGERATOR, VENTED W/O JAMB - OFF WHITE
	084104-01-700	EA	LOCK-MALE, FASTENER - REFRIGERATOR DOOR
	084104-01-701	EA	LOCK-FEMALE, FASTENER - REFRIGERATOR DOOR
11	084104-03-000	EA	JAMB-DOOR, REFRIGERATOR - OFF WHITE
12	105118-02-C05	EA	DOOR-EXTERIOR SHOWER, 17.5" X 7.8"
13	098647-06-02A	EA	WINDOW-SLIDING, W/OFF WHITE INSIDE FRAME - EXCEL B980-PRR
14	081240-03-000	EA	DOOR-WATER FILL, LOCKABLE, 4" X 4 5/8" - OFF WHITE
15	108987-01-C05	EA	DOOR-STORAGE, 22.1" X 11.8" - OFF WHITE - TWIN BED OPTION
16	098647-16-01A	EA	WINDOW-SLIDING, W/WHITE INSIDE FRAME - EXCEL H021-PRR
17	052009-01-000	EA	DOOR-WATER HEATER OFF WHITE - ATWOOD 557B-27

**WINDOW, VENT & EXTERIOR DOOR GROUP (CONTINUED)**

**ENTRY DOOR**



KEY	PART NUMBER	U/M DESCRIPTION
1	M01870-38-001	EA DOOR-ENTRANCE, W/WINDOW & SCREEN DOOR
2	039539-01-000	EA STRIKE-LOCK ENTRY DOOR - ROUND/THEADED WASHER
3	039540-01-000	EA LATCH MECHANISM-HOOK, ENTRY DOOR - INTERIOR
	039715-01-000	EA NUT-SERT, 1/4" DIAMETER - 20 THREADS
4	039979-04-000	EA COVER-INTERIOR LATCH, W/TRIP ARM - RIGHT - BLACK
	039384-01-000	EA CAP-ROUND, VINYL - .28" ID X .62" LONG - BLACK
	041548-03-000	EA BRACKET-DOOR ANGLE, 5" X 1.9" - BEIGE - METAL
5	045017-11-000	EA LATCH-ENTRY DOOR MECHANISM W/LOCK & KEY - BLACK
	045017-11-701	EA KEY-BLANK ROUND TOP - SILVER - TRIMARK
	056748-01-000	EA PLUG-CAP, 1" DIAMETER
	058025-02-000	EA CLIP-ROLLER LATCH CATCH, SCREEN DOOR
	058806-01-000	EA PLUG-TAPERED, PLASTIC - .94" DIA - RED
	058806-03-000	EA PLUG-TAPERED, PLASTIC - 1.06" DIA - RED
	063729-04-000	EA RIVNUT, 10-32 UNF - 010-060
	072693-01-000	EA NUTSERT-M5 X 0, 8
	075671-04-000	FT SEAL-SPONGE, LAZY T SHAPE - W/ADHESIVE STRIPE - .5" WIDE
6	079012-04-AA3	EA DOOR-SCREEN
7	002293-02-000	SF SCREENING-WINDOW/DOOR, 26" - CHARCOAL
8	002294-01-000	FT SPLINE-SCREENING, .135" X .138" - BLACK
	002748-01-000	EA CORNER KEY-DOOR
9	109403-01-000	EA CATCH-SINGLE ROLLER, SCREEN DOOR
10	001014-01-013	EA INSERT-CENTER, 10.25" X 16.31" - UNPAINTED
11	050712-04-000	EA HANDLE-SCREEN DOOR, ALUMINUM - OFF WHITE
11	050712-05-000	EA HANDLE-SCREEN DOOR, UNPAINTED
12	078552-05-000	EA INSERT-SCREEN DOOR, LOWER - MILL
	078595-02-000	EA PLATE-SCREEN DOOR
13	078777-03-000	EA CHANNEL-SLIDE, SCREEN DOOR CENTER SLIDER COVER - 17.4"
14	079086-02-000	EA SLIDER-SCREEN DOOR, OFF WHITE
15	079087-02-000	EA STRIKE-SLIDER, W/CLIP FOR ELBOW CATCH - 1.5" X 8.6" - OFF WHITE
16	067609-32-000	EA FRAME-WINDOW, ENTRY DOOR - OFF WHITE
16	079733-07-AA8	EA WINDOW-ENTRY DOOR, 17" X 25" - FROSTED GLASS
16	002181-07-000	EA GLASS-WINDOW, .182" X 16.25" X 24" - FROSTED
16	087561-01-000	FT SEAL-GLASS, EXTERIOR - .5" WIDE - VINYL - BLACK
16	079370-04-000	FT COVER-SCREW, WINDOW - VINYL - BLACK
	081914-01-000	EA BUMPER-RUBBER, ROUND - .43" DIAMETER - BLACK
17	089748-05-000	EA FRAME-DOOR, ENTRANCE - BOTTOM - OFF WHITE
	090340-01-000	FT SEAL-FOAM, CLOSED CELL - 1/4" X 1/2" X 50"
18	095276-02-01A	EA FRAME-DOOR, ENTRANCE - TOP & SIDES - OFF WHITE
19	095277-03-01A	EA JAMB-ENTRY DOOR W/BOTTOM, OFF WHITE
20	051049-04-000	EA JAMB-DOOR, ENTRANCE - BOTTOM - UNPAINTED
	079207-01-000	EA STRIKER-ROLLER CATCH, WELDED TO DOOR JAMB - 4" X 1.15"
21	096810-01-01A	EA PLATE-LATCH, ENTRY DOOR - PLASTIC - BLACK
22	097724-01-04A	EA HINGE-ENTRY DOOR, UNPAINTED
23	098173-01-04A	EA STIFFENER-ENTRY DOOR, SUPPORTS LATCH/STRIKE - UNPAINTED
	100128-02-000	FT SEAL-PILE, ADHESIVE BACK - SCREEN DOOR - GRAY
24	101145-01-01A	EA DEADBOLT-ENTRY DOOR, W/2 KEYS W/O BOLT OR SCREWS
	095279-01-700	EA KEY-BLANK, DEADBOLT
	101147-01-000	EA BOLT-SECURITY, 4.12" BACKSET
	102524-01-000	EA BUMPER-RUBBER, FLAT - BLACK
25	044582-26-000	EA CAP-DRIP, DOOR JAMB MOUNTED - OFF WHITE
	075639-12-000	EA GARNISH-ENTRANCE DOOR, OFF WHITE
26	100412-01-000	EA CATCH-SCREEN DOOR, THUMB CLIP W/BLACK PLASTIC CAP
	076725-01-000	EA COVER-ACCESS/HINGE - 6" X 3 2" - PLASTIC - BEIGE
	009126-02-000	EA HANDLE-ASSIST, ENTRY DOOR - BLACK
	077481-03-000	EA COVER-STRIKE ENTRY DOOR - 6 5" X 2 5" - PLASTIC - WHITE
	102248-01-000	EA SHIM-DOOR

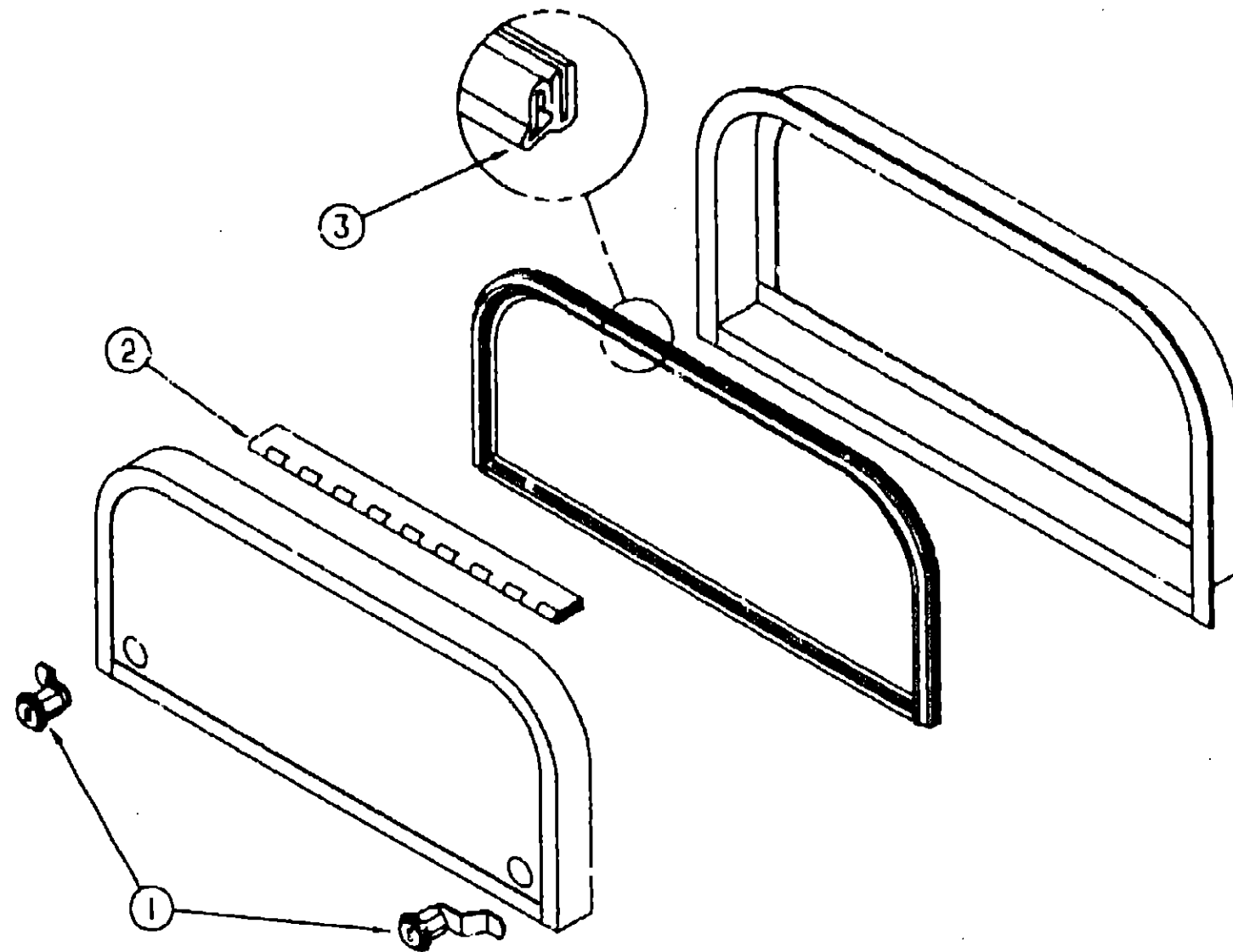
**1993 WINNEBAGO  
TABLE OF CONTENTS**

INTRODUCTION	A-01	A-02
ABBREVIATIONS		A-03
ALPHABETICAL INDEX	A-04	A-06
WT321RB	A-07	C-22
WT321RL	C-23	F-18
WT321RD	F-17	I-10

**1993 WT321RD INDEX**

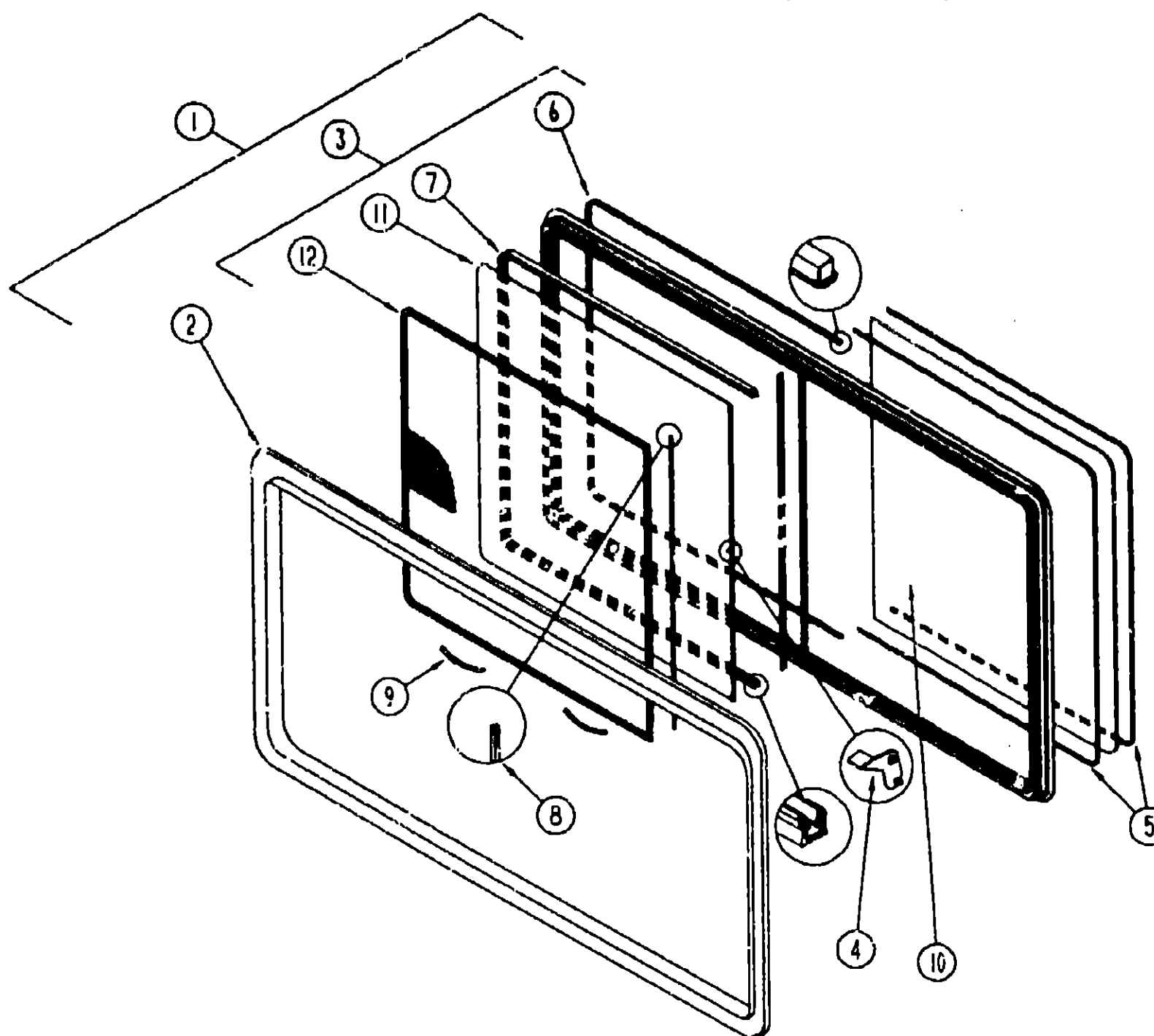
FLOOR PLAN	F-17	F-18
ACCESSORIES		F-19
AUDIO VIDEO		F-20
BATH	F-21	F-22
CHASSIS	F-23	F-24
CURTAIN & CUSHION	G-01	G-07
DINETTE	G-08	G-10
DRIVERS COMPARTMENT		G-11
ELECTRICAL	G-12	G-15
EXTERIOR BODY	G-16	G-20
GALLEY	G-21	G-24
GENERATOR		H-04
HEATING & A/C		H-02
INTERIOR FINISH	H-03	H-05
LABELS	H-07	H-12
LP		H-13
LOUNGE		H-14
SEALANTS & FASTENERS	H-15	H-18
WATER & SEWAGE	H-17	H-20
WINDOW VENT AND EXTERIOR DOOR	H-21	I-10

WINDOW, VENT & EXTERIOR DOOR GROUP (CONTINUED)



EXTERIOR DOORS

WINDOW, VENT & EXTERIOR DOOR GROUP (CONTINUED)



DRIVER SIDE REAR SINGLE SLIDING WINDOW

1983 WINNEBAGO  
TABLE OF CONTENTS

INTRODUCTION	A-01 -	A-02
ABBREVIATIONS		A-03
ALPHABETICAL INDEX	A-04 -	A-06
WT321RE	A-07 -	C-22
WT321RL	C-23 -	F-16
WT321RD	F-17 -	I-10

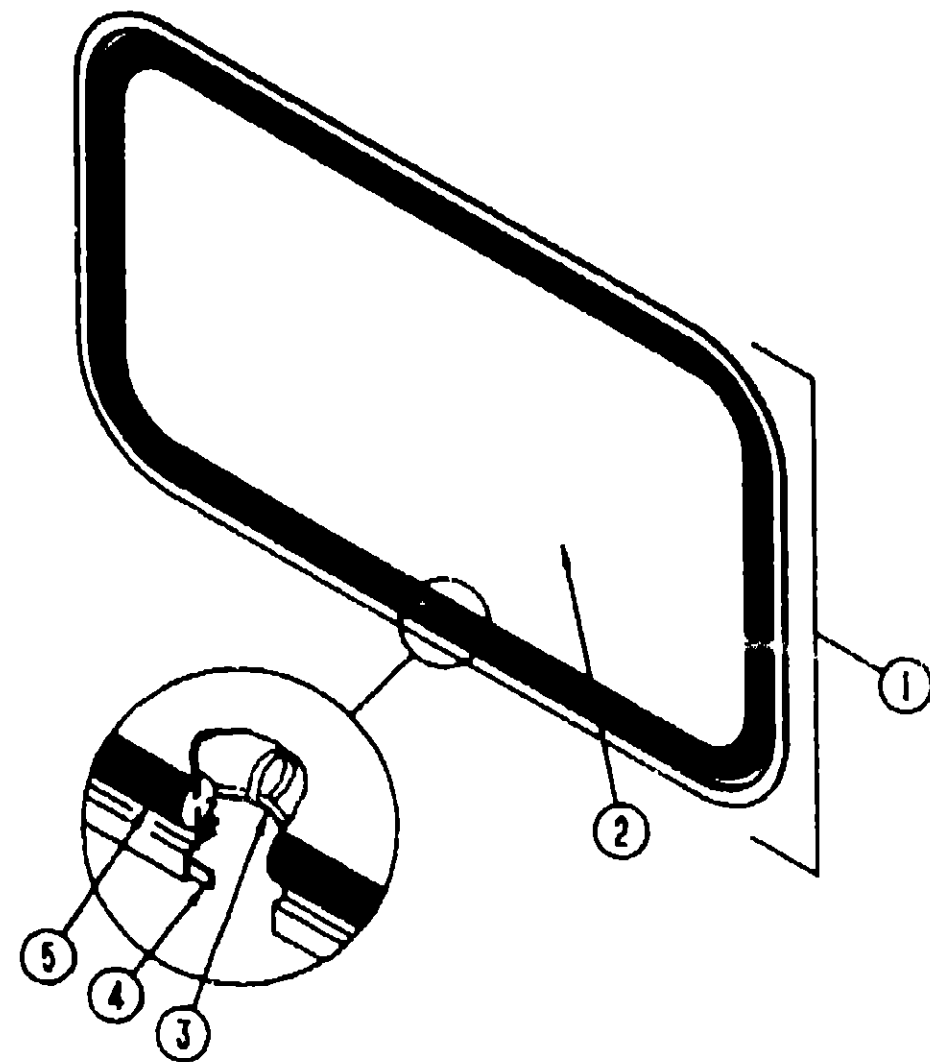
1983 WT321RD INDEX

FLOOR PLAN	F-17 -	F-18
ACCESSORIES		F-19
AUDIO VIDEO		F-20
BATH	F-21 -	F-22
CHASSIS	F-23 -	F-24
CURTAIN & CUSHION	G-01 -	G-07
DINETTE	G-03 -	G-10
DRIVERS COMPARTMENT		G-11
ELECTRICAL	G-12 -	G-15
EXTERIOR BODY	G-16 -	G-20
GALLEY	G-21 -	G-24
GENERATOR		H-01
HEATING & A/C		H-02
INTERIOR FINISH	H-03 -	H-06
LABELS	H-07 -	H-12
LP		H-13
LOUNGE		H-14
SEALANTS & FASTENERS	H-15 -	H-16
WATER & SEWAGE	H-17 -	H-20
WINDOW, VENT AND EXTERIOR DOOR	H-21 -	I-10

KEY	PART NUMBER	U/M	DESCRIPTION
1	079366-04-000	EA	LOCK-DOOR, KEY TYPE W/O KEYS - 1.9 OFF SET
	083223-03-000	EA	LOCK-KEY TYPE (SET OF 1) W/O KEY (LUGGAGE DOOR)
	082684-01-700	EA	KEY-COMPARTMENT DOOR LOCK, BH024
	009003-01-000	EA	LOCK-TWIST TYPE W/CLIP
	079927-03-000	EA	LOCK-TWIST TYPE, DOUBLE CAM - 2.10" OFF SET - TWIN BED OPTION
2	034007-40-000	EA	HINGE-PIANO, 1.5" X 96" - ALUMINUM - OFF WHITE
2	009065-01-000	EA	HINGE-ALUMINUM, 1 1/2" X 96" - UNPAINTED
2	081801-02-000	EA	HINGE-2" X 96", OFF WHITE
3	064075-07-000	FT	SEAL-BULB W/WIRED U-CHANNEL - .3" X .5" CHANNEL - BLACK
	002748-01-000	EA	CORNER KEY-DOOR
	051876-01-000	EA	RETAINER-DOOR, 1.9" X .8" - METAL
	090340-01-000	FT	SEAL-FOAM, CLOSED CELI. - 1/4" X 1/2" X 50'
	104692-01-000	FT	SEAL-ADHESIVE BACK, 3/4" X 3/4"
	107997-51-001	EA	SPACER-.86" X .6", ALUMINUM - EXTERIOR SHOWER
	109833-01-000	EA	BEAUTY RING, .67" X .78" ID - STAINLESS STEEL - HUDSON LOCK EXTERIOR SHOWER
	109834-01-000	EA	WASHER-.64" X .752" ID, STAINLESS STEEL - EXTERIOR SHOWER

KEY	PART NUMBER	U/M	DESCRIPTION
1	098647-17-01A	EA	WINDOW-SLIDING, W/WHITE INSIDE FRAME - EXCEL H021-PRL
2	098647-16-700	EA	FRAME-INSIDE, WHITE - EXCEL V402-67
3	098647-17-700	EA	WINDOW-SINGLE SLIDER W/O INSIDE FRAME, EXCEL H021-G2L
4	098644-01-700	EA	LATCH-REPAIR KIT, EXCEL B801-CK
	098644-01-716	FT	PLUG-FILLER, EXCEL 132-014470
	098644-01-717	FT	SPLINE-SCREEN, EXCEL 132-004716
5	098644-01-705	FT	GLAZING STRIP, EXCEL M926-12
6	098644-01-706	FT	WEATHERSTRIP, EXCEL 171-010668
7	098644-01-708	FT	CHANNEL-PIERCED RUN, EXCEL 122-016543
	098644-01-710	FT	TRACK-SCREEN SPACER, 12' LENGTH - EXCEL M401-31
8	098644-01-711	FT	WEATHERSTRIP-SCREEN, BLACK - EXCEL 171-016965
9	098644-01-713	EA	SPRING-SCREEN FRAME (CLIP), PLASTIC - BLACK
10	098647-16-701	EA	GLASS-STATIONARY, EXCEL 106018466
	098647-08-705	EA	RAIL-LOCKING W/WEATHERSTRIP, EXCEL H022-17
11	098647-16-702	EA	GLASS-SLIDING, W/SASH & LATCH - EXCEL B881-G9
12	098647-16-703	EA	SCREEN W/WEATHERSTRIP & FRAME SPRING, EXCEL 10016428

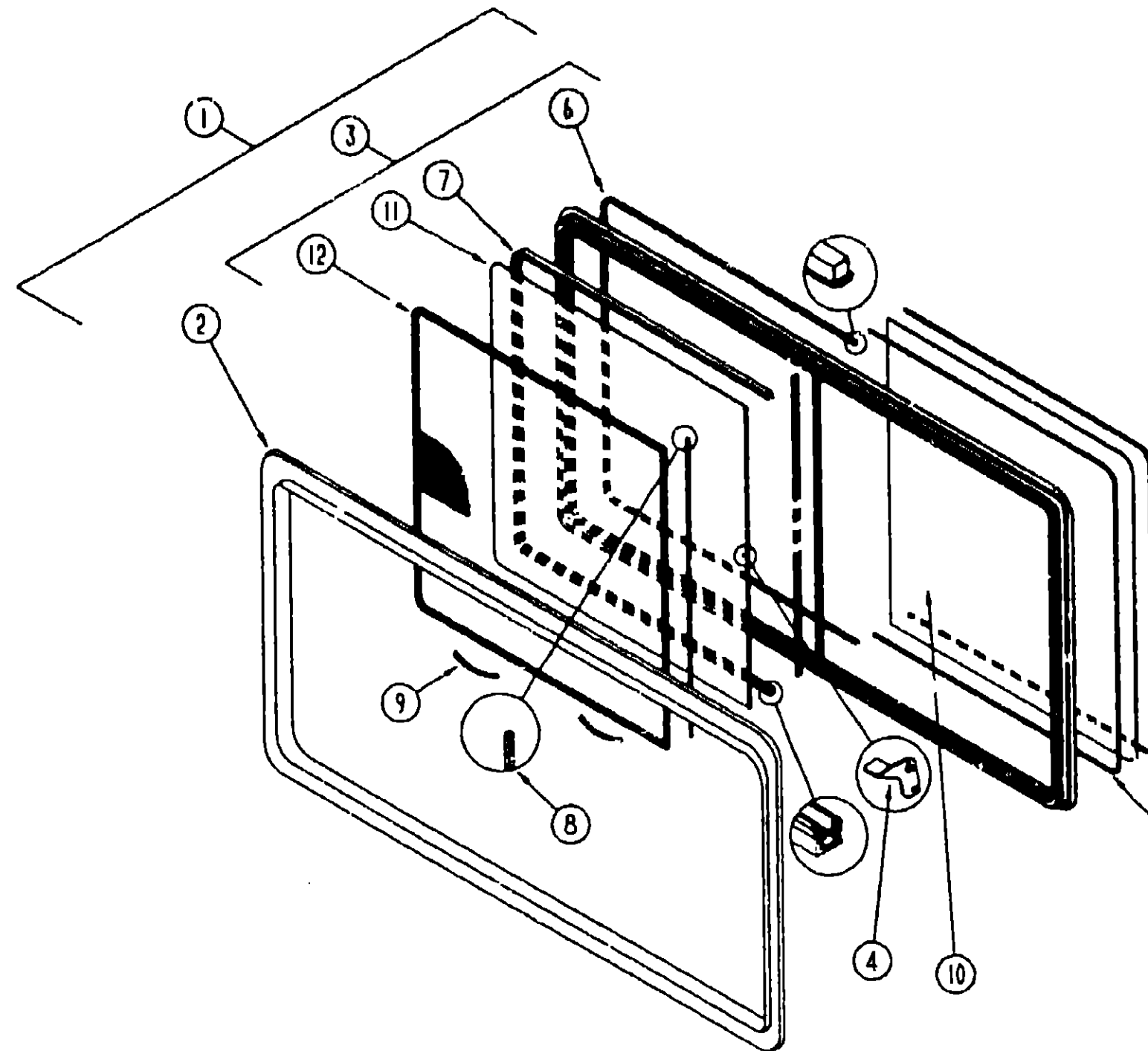
WINDOW, VENT & EXTERIOR DOOR GROUP (CONTINUED)



BACKWALL ESCAPE WINDOW

KEY	PART NUMBER	U/M DESCRIPTION
	042027-13-000	EA FRAME-WINDOW, INSIDE - 68" X 24.5" - OFF WHITE
1	078536-01-T03	EA WINDOW-ESCAPE, BACKWALL - 23" X 68"
2	002178-01-000	EA GLASS-19.6" X 64.8"
3	002285-01-000	FT FILLER-WEATHER STRIP, RUBBER - BLACK
4	069640-11-000	FT SEALER-TAPE, 3/16"X3/8" BLACK
5	002282-08-000	EA WEATHERSTRIP-WINDOW, .125" - BLACK
	077066-01-702	EA TAPE ASM-ESCAPE WINDOW, RED

WINDOW, VENT & EXTERIOR DOOR GROUP (CONTINUED)



GALLEY SINGLE SLIDING WINDOW

KEY	PART NUMBER	U/M DESCRIPTION
1	098647-06-02A	EA WINDOW-SLIDING, W/OFF WHITE INSIDE FRAME - EXCEL B969PRR
2	098647-06-706	EA FRAME-INSIDE, OFF WHITE - EXCEL V969-67
3	098647-06-705	EA WINDOW-SLIDING, SINGLE - W/O INSIDE FRAME - 15" X 23.75" - EXCEL B969-G2R
4	098644-01-700	EA LATCH-REPAIR KIT, EXCEL B801-CK
	098644-01-716	FT PLUG-FILLER, EXCEL 132-014470
	098644-01-717	FT SPLINE-SCREEN, EXCEL 132-004716
5	098644-01-705	FT GLAZING STRIP, EXCEL M926-12
6	098644-01-706	FT WEATHERSTRIP, EXCEL 171-010668
7	098644-01-708	FT CHANNEL-PIERCED RUN, EXCEL 122-016543
	098644-01-710	FT TRACK-SCREEN SPACER, 12" LENGTH - EXCEL M401-31
8	098644-01-711	FT WEATHERSTRIP-SCREEN, BLACK - EXCEL 171-016965
9	098644-01-713	EA SPRING-SCREEN FRAME (CLIP), PLASTIC - BLACK
10	098647-06-700	EA GLASS-STATIONARY, 10.91" X 13.77" - EXCEL 106-016921
	098647-06-701	EA RAIL-LOCKING W/WEATHERSTRIP, EXCEL B908-17
11	098647-06-702	EA GLASS-SLIDING, W/SASH & LATCH - EXCEL B969-G9
12	098647-06-703	EA SCREEN W/WEATHERSTRIP & FRAME SPRING (CLIP), EXCEL 410-016

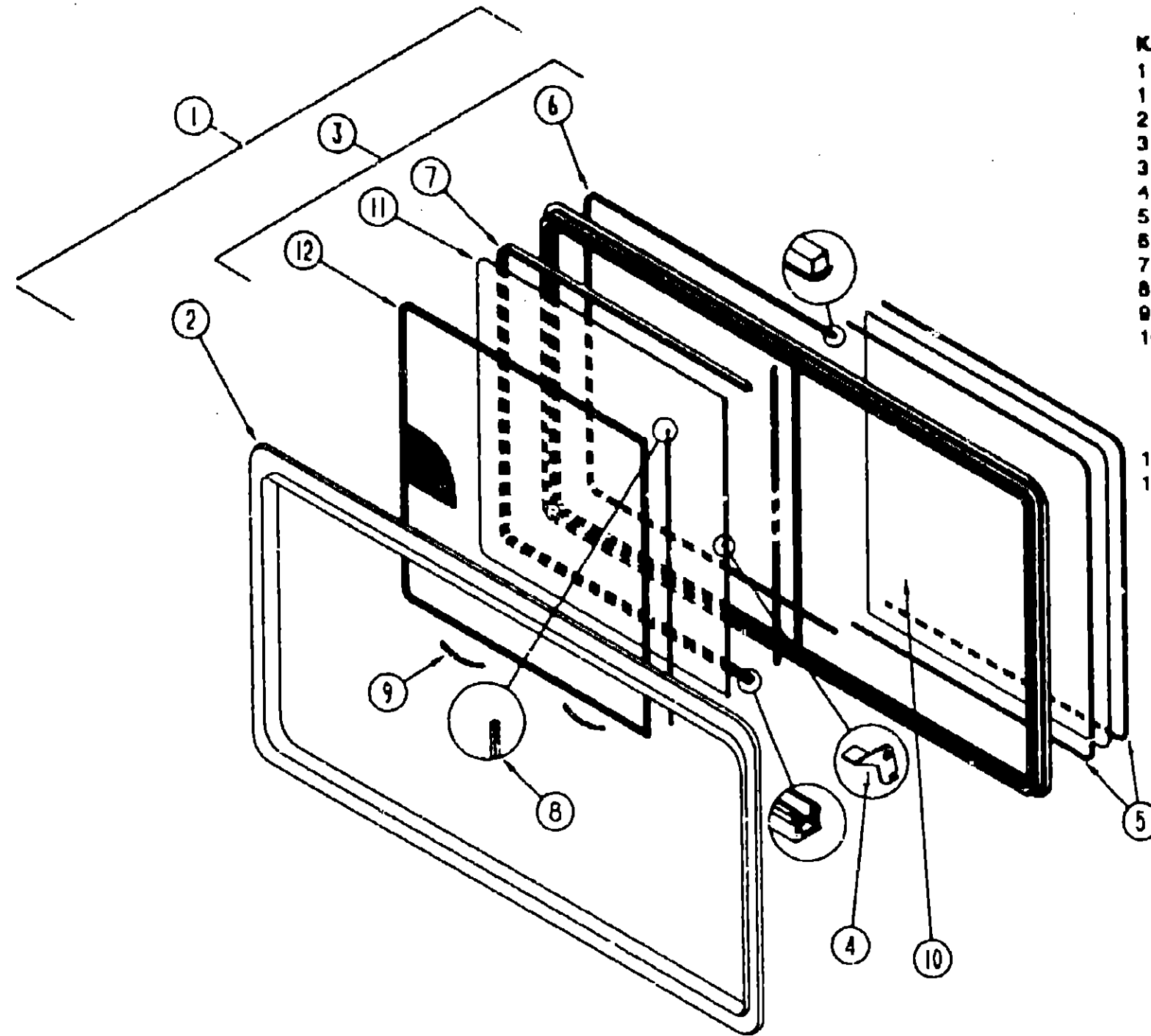
1993 WINNEBAGO  
TABLE OF CONTENTS

INTRODUCTION	A-01 -	A-02
ABBREVIATIONS		A-03
ALPHABETICAL INDEX	A-04 -	A-08
WT321RB	A-07 -	C-22
WT321RL	C-23 -	F-18
WT321RD	F-17 -	I-10

1993 WT321RD INDEX

FLOOR PLAN	F-17 -	F-18
ACCESSORIES		F-19
AUDIO VIDEO		F-20
BATH	F-21 -	F-22
CHASSIS	F-23 -	F-24
CURTAIN & CUSHION	G-01 -	G-07
DINETTE	G-08 -	G-10
DRIVERS COMPARTMENT		G-11
ELECTRICAL	G-12 -	G-15
EXTERIOR BODY	G-16 -	G-20
GALLEY	G-21 -	G-24
GENERATOR		H-01
HEATING & A/C		H-02
INTERIOR FINISH	H-03 -	H-06
LABELS	H-07 -	H-12
LP		H-13
LOUNGE		H-14
SEALANTS & FASTENERS	H-15 -	H-16
WATER & SEWAGE	H-17 -	H-20
WINDOW, VENT AND EXTERIOR DOOR	H-21 -	I-10

**WINDOW, VENT & EXTERIOR DOOR GROUP (CONTINUED)**  
**BUNK SLIDING WINDOWS**



KEY	PART NUMBER	U/M DESCRIPTION
1	098647-18-01A	EA WINDOW-PASSENGER SIDE, W/WHITE INSIDE FRAME - EXCEL B951-PRH
1	098647-18-01A	EA WINDOW-DRIVER SIDE, W/WHITE INSIDE FRAME - EXCEL B951-PRL
2	098647-18-700	EA FRAME-WINDOW, INSIDE - WHITE - EXCEL V951-87
3	098647-18-702	EA WINDOW-SLIDING, W/O INSIDE FRAME - PASS SIDE - 12" X 24" - EXCEL B951-G2R
3	098647-18-700	EA WINDOW-SLIDING, W/O INSIDE FRAME - DRIVER SIDE - 12" X 24" - EXCEL B951-PRL
4	098644-01-700	EA LATCH-REPAIR KIT, EXCEL M801-CK
5	098644-01-705	FT GLAZING STRIP, EXCEL M826-12
6	098644-01-708	FT WEATHERSTRIP, EXCEL 171-010888
7	098644-01-708	FT CHANNEL-PIERCED RUN, EXCEL 122-018543
8	098644-01-711	FT WEATHERSTRIP-SCREEN, BLACK - EXCEL 171-018985
9	098644-01-713	EA SPRING-SCREEN FRAME (CLIP), PLASTIC - BLACK - EXCEL 226-018966
10	098647-18-701	EA GLASS-STATIONARY, EXCEL 100011829
	098646-01-701	EA RAIL-LOCKING W/WEATHERSTRIP, EXCEL B862-17
	098644-01-718	FT PLUG-FILLER, EXCEL 132-014470
	098644-01-710	FT TRACK-SCREEN SPACER, 12" LENGTH - EXCEL M401-31
	098644-01-717	FT SPLINE-SCREEN, EXCEL 132-004718
11	098646-01-702	EA GLASS-SLIDING, W/SASH & LOCK - EXCEL B948-G9
12	098646-03-705	EA SCREEN ASSEMBLY - EXCEL 410016475

**1993 WINNEBAGO**  
**TABLE OF CONTENTS**

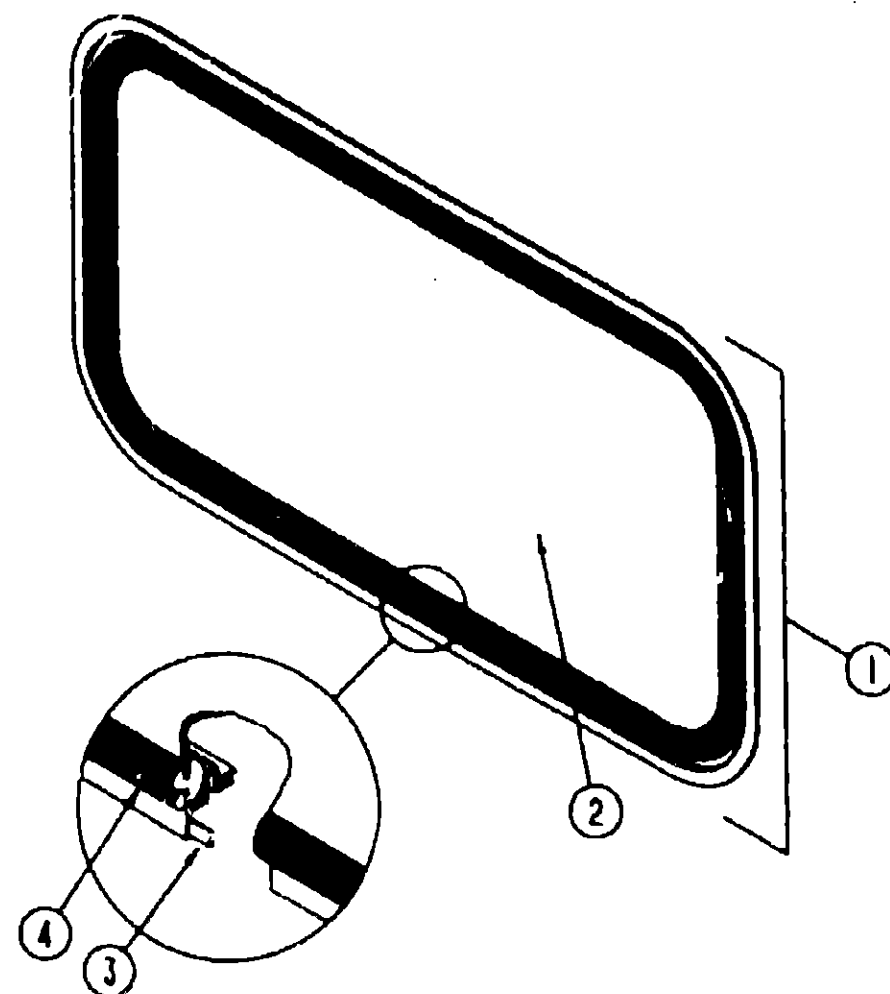
INTRODUCTION	A-01 - A-02
ABBREVIATIONS	A-03
ALPHABETICAL INDEX	A-04 - A-08
WT321RB	A-07 - C-22
WT321RL	C-23 - F-16
WT321RD	F-17 - I-10

**1993 WT321RD INDEX**

FLOOR PLAN	F-17 - F-18
ACCESSORIES	- F-19
AUDIO VIDEO	- F-20
BATH	F-21 - F-22
CHASSIS	F-23 - F-24
CURTAIN & CUSHION	G-01 - G-07
DINETTE	G-08 - G-10
DRIVERS COMPARTMENT	- G-11
ELECTRICAL	G-12 - G-15
EXTERIOR BODY	G-16 - G-20
GALLEY	G-21 - G-24
GENERATOR	- H-01
HEATING & A/C	- H-02
INTERIOR FINISH	H-03 - H-03
LABELS	H-07 - H-12
LP	H-13
LOUNGE	H-14
SEALANTS & FASTENERS	H-15 - H-16
WATER & SEWAGE	H-17 - H-20
WINDOW, VENT AND EXTERIOR DOOR	H-21 - I-10

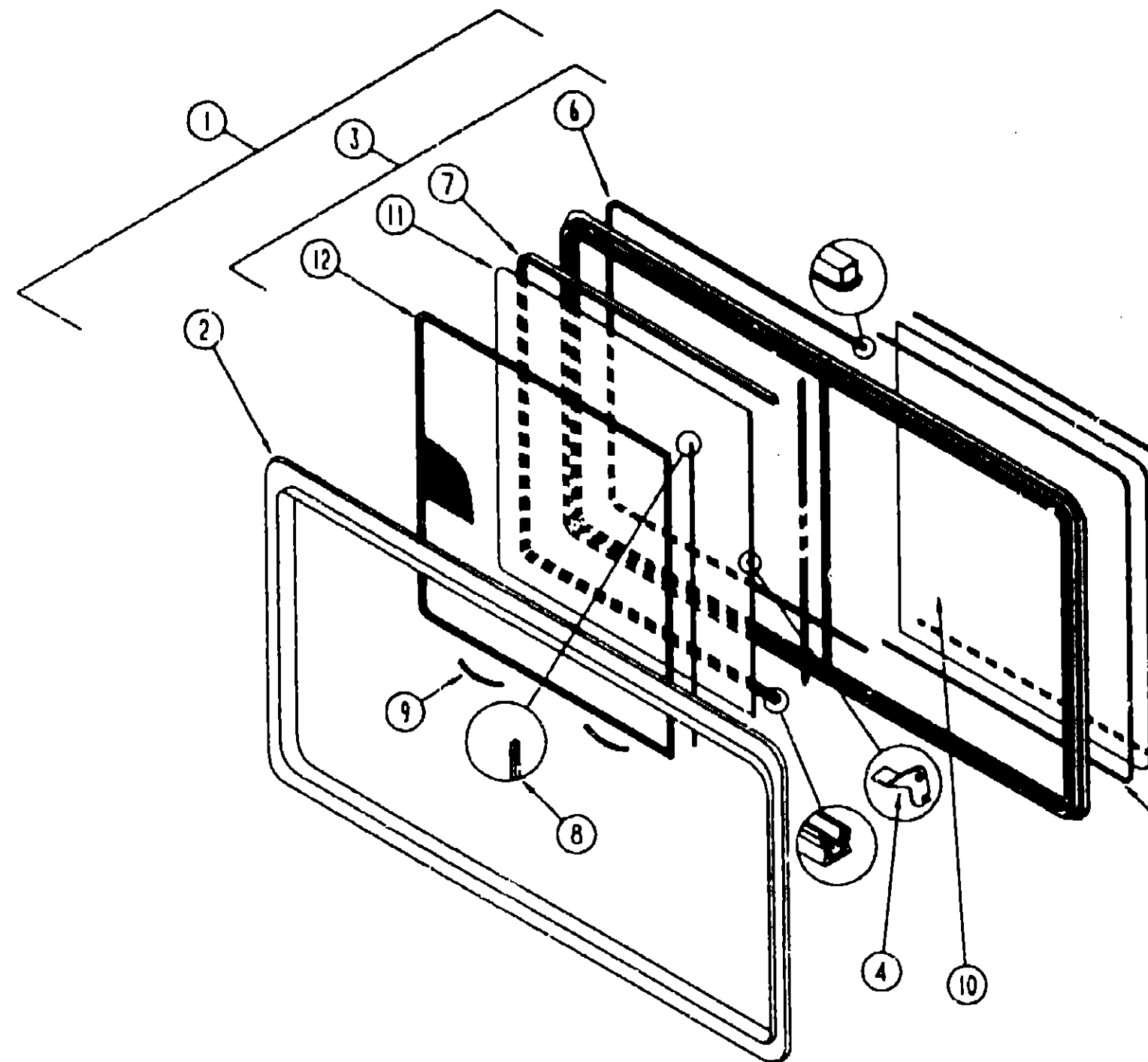
**1983 WINNEBAGO  
TABLE OF CONTENTS**

INTRODUCTION	A-01 -	A-02
ABBREVIATIONS		A-03
ALPHABETICAL INDEX	A-04 -	A-08
WT321RB	A-07 -	C-22
WT321RL	C-23 -	F-16
WT321RD	F-17 -	I-10



**OVERHEAD BUNK FRONT WINDOW**

KEY	PART NUMBER	U/M DESCRIPTION
	067609-34-000	EA FRAME-WINDOW, INSIDE - OFF WHITE
1	103313-C2-C09	EA WINDOW-PICTURE, 58.6" X 11.6" - W/O INSIDE FRAME
2	002181-16-000	EA GLASS-PICTURE, 11.25" X 58.1" - GRAY
3	069540-11-000	FT SEALER-TAPE, 3/16" X 3/8" BLACK
4	099154-01-000	FT CHANNEL-GLAZING, STATIONARY GLASS - 62" X .45" - BLACK



**PASSENGER SIDE REAR SINGLE SLIDING WINDOW**

KEY	PART NUMBER	U/M DESCRIPTION
1	098647-16-01A	EA WINDOW-SLIDING, W/WHITE INSIDE FRAME - EXCEL H021-PRR
2	098647-16-700	EA FRAME-INSIDE, WHITE - EXCEL V402-67
3	098647-16-704	EA WINDOW-SINGLE SLIDER W/O INSIDE FRAME, EXCEL H021-G2L
4	098644-01-700	EA LATCH-REPAIR KIT, EXCEL B801-CK
	098644-01-716	FT PLUG-FILLER, EXCEL 132-014470
	098644-01-717	FT SPLINE-SCREEN, EXCEL 132-004716
5	098644-01-705	FT GLAZING STRIP, EXCEL M926-12
6	098644-01-706	FT WEATHERSTRIP, EXCEL 171-010668
7	098644-01-708	FT CHANNEL-PIERCED RUN, EXCEL 122-016543
	098644-01-710	FT TRACK-SCREEN SPACER, 12" LENGTH - EXCEL M401-31
8	098644-01-711	FT WEATHERSTRIP-SCREEN, BLACK - EXCEL 171-016965
9	098644-01-713	EA SPRING-SCREEN FRAME (CLIP), PLASTIC - BLACK
10	098647-16-701	EA GLASS-STATIONARY, EXCEL 106018466
	098647-08-705	EA RAIL-LOCKING W/WEATHERSTRIP, EXCEL H022-17
11	098647-16-702	EA GLASS-SLIDING, WSASH & LATCH - EXCEL B881-G9
12	098647-16-703	EA SCREEN W/WEATHERSTRIP & FRAME SPRING, EXCEL 40016428

**1983 WT321RD INDEX**

FLOOR PLAN	F-17 -	F-18
ACCESSORIES		F-19
AUDIO VIDEO		F-20
BATH	F-21 -	F-22
CHASSIS	F-23 -	F-24
CURTAIN & CUSHION	G-01 -	G-07
DINETTE	G-08 -	G-10
DRIVERS COMPARTMENT		G-11
ELECTRICAL	G-12 -	G-15
EXTERIOR BODY	G-16 -	G-20
GALLEY	G-21 -	G-24
GENERATOR		H-01
HEATING & A/C		H-02
INTERIOR FINISH	H-03 -	H-06
LABELS	H-07 -	H-12
LP		H-13
LOUNGE		H-14
SEALANTS & FASTENERS	H-15 -	H-16
WATER & SEWAGE	H-17 -	H-20
WINDOW, VENT AND EXTERIOR DOOR	H-21 -	I-10



**WINDOW, VENT & EXTERIOR DOOR GROUP (CONTINUED)**

POWERED ROOF VENT ( FROM: 00-00-00 THRU: 10-04-92 )

KEY	PART NUMBER	U/M DESCRIPTION
	090384-01-Y12	EA VENT-ROOF, POWERED
	002825-01-000	EA WEATHER STRIP-ROOF VENT, GRAY
	008185-01-000	EA SWITCH-ROOF VENT, PUSH BUTTON, 12V
	008343-01-000	EA TIE-WIRE, 8"
	008388-01-000	EA GROMMET-SNAP, 3/8"
	008440-01-000	EA GEAR/ARM-VENT COVER, LIFT
	015910-03-000	EA BRACKET-HANDLE, ROOF VENT - OFF WHITE
	015911-01-000	EA TRACK-LIFT ARM, SLIDE - ROOF VENT
	048648-01-000	EA MOTOR-ROOF VENT, 1/8 SHAFT - 12V - JENSEN
	048649-01-000	EA FAN-ROOF VENT, 6 BLADES - 6" - JENSEN
	055218-01-000	EA COVER-ROOF VENT
	052639-01-200	EA HINGE-EXTRUSION, ROOF VENT 7"
	052639-01-001	EA HINGE-VENT COVER, 16"
	061803-01-000	EA GROMMET-SNAP, 3/16"ID - 3/8" HOLE - PLASTIC - BLACK
	078785-01-Y12	EA SCREEN-ROOF VENT, POWERED
	002291-02-000	SF SCREENING-ROOF VENT/WINDOW, 16" - BLACK
	002298-02-000	FT SPLINE-VENT/WINDOW SCREEN, .128 DIAMETER - BLACK
	009439-01-000	EA CRANK HANDLE-ROOF VENT
	009439-03-000	EA EXTENSION-CRANK HANDLE ROOF VENT - 9" - MILL
	009439-04-000	EA SCREW 8-32 X 1 1/4" POH

POWERED ROOF VENT ( FROM: 10-05-92 THRU: 99-99-99 )

KEY	PART NUMBER	U/M DESCRIPTION
	110051-03-01A	EA VENT-ROOF, POWERED - 2" ROOF - JENSEN 7757 WHE
	048648-01-000	EA MOTOR-ROOF VENT, 1/8 SHAFT - 12V - JENSEN
	048649-01-000	EA FAN-ROOF VENT, 6 BLADES - 6" - JENSEN
	064470-01-700	EA COVER-ROOF VENT, JENSEN 7291
	110051-01-701	EA GARNISH W/SCREEN & FRAME-2", JENSEN 29-800-01
	110051-01-702	EA LIFT ASM-VENT LID W/O CRANK, JENSEN RP-1000B
	110051-01-703	EA CRANK, JENSEN RP-1031-B

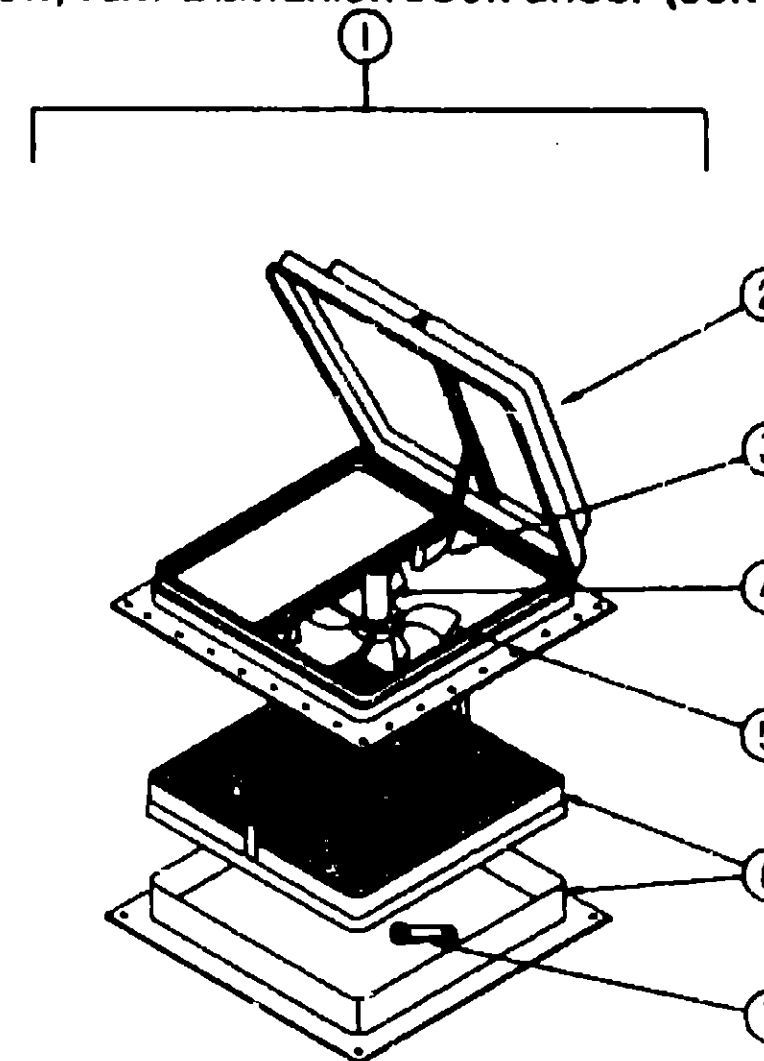
NONPOWERED ROOF VENT ( FROM: 00-00-00 THRU: 10-04-92 )

KEY	PART NUMBER	U/M DESCRIPTION
	090395-01-Y12	EA VENT-ROOF, NONPOWERED
	009439-01-000	EA CRANK HANDLE-ROOF VENT
	009439-03-000	EA EXTENSION-CRANK HANDLE ROOF VENT - 9" - MILL
	009439-04-000	EA SCREW 8-32 X 1 1/4" POH
	002825-01-000	EA WEATHER STRIP-ROOF VENT, GRAY
	008440-01-000	EA GEAR/ARM-VENT COVER, LIFT
	015910-03-000	EA BRACKET-HANDLE, ROOF VENT - OFF WHITE
	015911-01-000	EA TRACK-LIFT ARM, SLIDE - ROOF VENT
	055218-01-000	EA COVER-ROOF VENT
	052639-01-001	EA HINGE-VENT COVER, 16"
	052639-01-200	EA HINGE-EXTRUSION, ROOF VENT 7"
	078786-01-Y12	EA SCREEN-ROOF VENT, NON POWERED - WHITE
	002291-02-000	SF SCREENING-ROOF VENT/WINDOW, 16" - BLACK
	002298-02-000	FT SPLINE-VENT/WINDOW SCREEN, .128 DIAMETER - BLACK

NONPOWERED ROOF VENT ( FROM: 10-05-92 THRU: 99-99-99 )

KEY	PART NUMBER	U/M DESCRIPTION
	110051-01-01A	EA VENT-ROOF, NONPOWERED - 2" ROOF - JENSEN 7724 WHE
	064470-01-700	EA COVER-ROOF VENT, JENSEN 7291
	110051-01-701	EA GARNISH W/SCREEN & FRAME-2", JENSEN 29-800-01
	110051-01-702	EA LIFT ASM-VENT LID W/O CRANK, JENSEN RP-1000B
	110051-01-703	EA CRANK, JENSEN RP-1031-B

**WINDOW, VENT & EXTERIOR DOOR GROUP (CONTINUED)**



POWERED ROOF VENT - JENSEN - CANADIAN

KEY	PART NUMBER	U/M DESCRIPTION
1	064469-08-000	EA VENT-ROOF, POWERED - 14" X 14" - 12V - JENSEN C-727 - CSA FROM: 00-00-00 THRU: 10-04-92
1	110051-05-01A	EA VENT-ROOF, POWERED - 2" ROOF - CSA - JENSEN C7757 WHE FROM: 10-05-92 THRU: 99-99-99
2	064469-03-702	EA LID-VENT, WHITE - JENSEN 290-WH FROM: 00-00-00 THRU: 10-04-92
2	064470-01-700	EA COVER-ROOF VENT, JENSEN 7291 FROM: 10-05-92 THRU: 99-99-99
3	064469-03-706	EA LIFT MECHANISM FROM: 00-00-00 THRU: 10-04-92
3	110051-01-702	EA LIFT ASM-VENT LID W/O CRANK, JENSEN RP-1000B FROM: 10-05-92 THRU: 99-99-99
4	048648-01-000	EA MOTOR-ROOF VENT, 1/8 SHAFT - 12V
5	048649-01-000	EA FAN-ROOF VENT, 6 BLADES - 6"
6	110051-01-701	EA GARNISH W/SCREEN & FRAME-2", JENSEN 29-800-01
7	009439-01-000	EA CRANK HANDLE-ROOF VENT FROM: 00-00-00 THRU: 10-04-92
	110051-01-703	EA CRANK HANDLE-ROOF VENT, JENSEN RP-1031-B FROM: 10-05-92 THRU: 99-99-99
	009439-04-000	EA SCREW 8-32 X 1 1/4" POH FROM: 00-00-00 THRU: 10-04-92
	009439-03-000	EA EXTENSION-CRANK HANDLE ROOF VENT - 9" - MILL FROM: 00-00-00 THRU: 10-04-92

**REFRIGERATOR, RANGE HOOD & PLUMBING VENTS**

KEY	PART NUMBER	U/M DESCRIPTION
	109582-01-01A	EA VENT-PANEL, LOUVERED - DOMETIC #123
	084616-01-000	EA SHROUD-RANGE HOOD VENT, OFF WHITE
	084878-09-000	EA VENT-RANGE HOOD, SHORT - LVS
	083558-03-000	EA VENT-PLUMBING PIPE 5/8" W/COVER - OFF WHITE

**1993 WINNEBAGO  
TABLE OF CONTENTS**

INTRODUCTION	A-01 -	A-02
ABBREVIATIONS		A-03
ALPHABETICAL INDEX	A-04 -	A-06
WT321RB	A-07 -	C-22
WT321RL	C-23 -	F-16
WT321RD	F-17 -	I-10

**1993 WT321RD INDEX**

FLOOR PLAN	F-17 -	F-19
ACCESSORIES		F-19
AUDIO VIDEO		F-20
BATH	F-21 -	F-22
CHASSIS	F-23 -	F-24
CURTAIN & CUSHION	G-01 -	G-07
DINETTE	G-08 -	G-10
DRIVERS COMPARTMENT		G-11
ELECTRICAL	G-12 -	G-15
EXTERIOR BODY	G-16 -	G-20
GALLEY	G-21 -	G-24
GENERATOR		H-01
HEATING & A/C		H-02
INTERIOR FINISH	H-03 -	H-06
LABELS	H-07 -	H-12
LP		H-13
LOUNGE		H-14
SEALANTS & FASTENERS	H-15 -	H-16
WATER & SEWAGE	H-17 -	H-20
WINDOW, VENT AND EXTERIOR DOOR	H-21 -	I-10