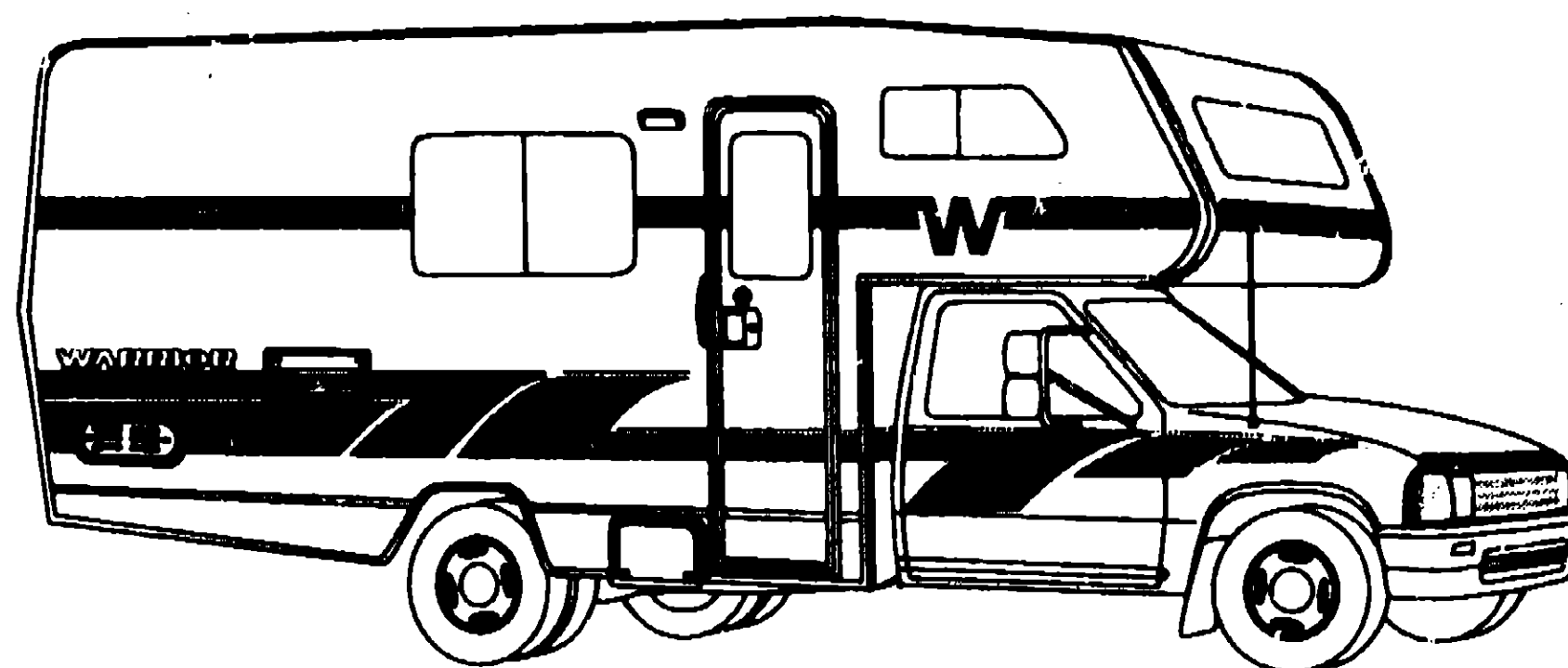


**1993 WINNEBAGO
TABLE OF CONTENTS**

INTRODUCTION	A-01	A-02
ABBREVIATIONS		A-03
ALPHABETICAL INDEX	A-04	A-06
WT321RB	A-07	C-22
WT321RL	C-23	F-18
WT321RD	F-17	I-10

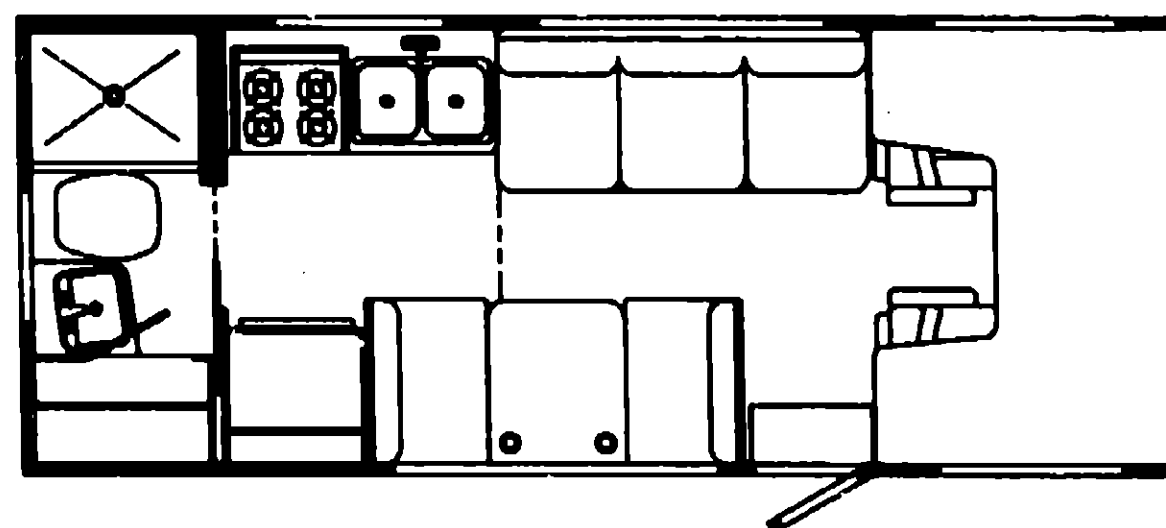


**1993
WT321RB**

D01

D02

D03



1993 WT321RB INDEX

FLOOR PLAN	A-07	A-08
ACCESSORIES		A-09
AUDIO VIDEO		A-10
BATH	A-11	A-12
CHASSIS	A-13	A-14
CURTAIN & CUSHION	A-15	A-21
DINETTE		A-22
DRIVERS COMPARTMENT		A-23
ELECTRICAL	A-24	B-03
EXTERIOR BODY	B-04	B-08
GALLEY	B-09	B-13
GENERATOR		B-14
HEATING & A/C		B-15
INTERIOR FINISH	B-16	B-18
LABELS	B-19	B-24
LP		C-01
LOUNGE		C-02
SEALANTS & FASTENERS	C-03	C-04
WATER & SEWAGE	C-05	C-06
WINDOW, VENT AND EXTERIOR DOOR	C-09	C-22

ACCESSORIES GROUP
OPERATE AS MANUAL & BINDER

KEY	PART NUMBER	U/M DESCRIPTION
	054185-08-000	EA MANUAL-OPERATOR, 1993 WARRIOR
	092318-01-000	EA BINDER-3 RING, MOTOR HOME MANUAL
	092319-01-000	EA POCKET PAGE-3 RING BINDER, PLASTIC
	107531-01-000	DMV TOP LEVEL DRAWING FOR 1993 MICRO-MINI 8

AUDIO VIDEO GROUP
RADIO SYSTEM COMPONENTS & ANTENNA

KEY	PART NUMBER	U/M DESCRIPTION
	090060-01-000	EA ANTENNA-RADIO, TOYOTA - AUDIOVOX FMF22T
	090061-02-000	EA SPEAKER-4" ROUND, AUDIOVOX
	099040-02-000	EA GRILLE-SPEAKER, 8.5" SQUARE
	094097-01-000	EA SPEAKER-RADIO, W/O GRILLE - 5.25" DIA - AUDIOVOX 11073030
	074979-01-000	EA SHIELD-SPEAKER, BACK - MOLDED PLASTIC - 8" X 8" - BEIGE
	030062-08-000	EA MOUNT-TRIM KIT, RADIO - TOYOTA - AUDIOVOX IM-TOY-92 FROM: 00-00-00 THRU: 12-08-92
	104089-01-000	EA RADIO-AM/FM STEREO, CASSETTE - AUDIOVOX IM-DXF FROM: 00-00-00 THRU: 12-08-92
	110287-01-000	EA RADIO-AM/FM STEREO, AUDIOVOX IM-200 FROM: 12-07-92 THRU: 99-99-99
	097459-01-000	EA RADIO-AM/FM STEREO, CASSETTE - AUDIOVOX IM-DXA - CAB TRIM OPTION FROM: 00-00-00 THRU: 01-10-93
	110287-02-000	EA RADIO-AM/FM STEREO, AUDIOVOX IM-300 - CAB TRIM OPTION FROM: 01-11-93 THRU: 99-99-99

TV ANTENNA

KEY	PART NUMBER	U/M DESCRIPTION
	078319-02-000	EA ANTENNA-TV, ROOF MOUNT - 23.5' MAST - WINEGARD HVA-W01
	078319-01-700	EA HEAD-ANTENNA, AMPLIFIED - WINEGARD # V8A UV
	078319-01-701	EA GEAR-ELEVATING, PLASTIC - WINEGARD #220004G
	078319-01-702	EA SHAFT ASM-ELEVATING, WINEGARD# VP-400A
	078319-01-703	EA BEARING-NYLON, 5"OD - WINEGARD # 3200868
	078319-01-705	EA GROMMET-NYLON, 7/8"ID - WINEGARD # 3200858
	078319-01-708	EA CRANK-ELEVATING, W/BET SCREW - WINEGARD #5755100
	078319-01-707	EA SPRING-HANDLE, WINEGARD# 5160800
	078319-01-709	EA PLATE-DIRECTIONAL, FOR HEAD - WINEGARD #3200644
	078319-01-710	EA CRANK-ELEVATING, HALF MOON - WINEGARD #2750897
	082134-01-000	EA ADAPTER-TV, CABLE TO CABLE - WINEGARD F-81M
	082136-01-000	EA NUT-HEX JAM 3/8-32 - WINEGARD
	078319-03-000	FT CABLE-COAXIAL, 75 OHM
	078319-12-000	EA CONNECTOR-COAXIAL, ONE PIECE
	096777-02-000	EA WALLPLATE-TV CABLE, W/ANTENNA SWITCH - BROWN

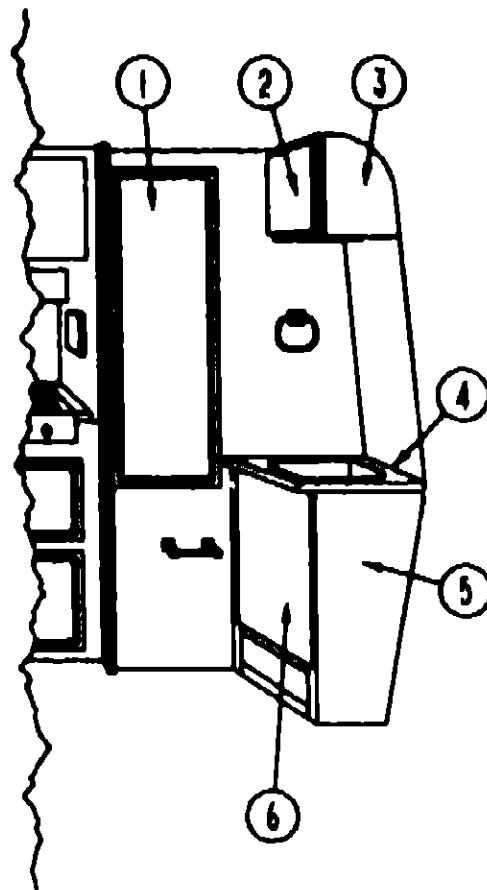
1993 WINNEBAGO
TABLE OF CONTENTS

INTRODUCTION	A-01	A-02
ABBREVIATIONS		A-03
ALPHABETICAL INDEX	A-04	A-08
WT321RB	A-07	C-22
WT321RL	C-23	F-18
WT321RD	F-17	I-10

1993 WT321RB INDEX

FLOOR PLAN	A-07	A-08
ACCESSORIES		A-09
AUDIO VIDEO		A-10
BATH	A-11	A-12
CHASSIS	A-13	A-14
CURTAIN & CUSHION	A-15	A-21
DINETTE		A-22
DRIVERS COMPARTMENT		A-23
ELECTRICAL	A-24	B-03
EXTERIOR BODY	B-04	B-08
GALLEY	B-09	B-13
GENERATOR		B-14
HEATING & AC		B-15
INTERIOR FINISH	B-16	B-18
LABELS	B-19	B-24
LP		C-01
LOUNGE		C-02
SEALANTS & FASTENERS	C-03	C-04
WATER & SEWAGE	C-05	C-08
WINDOW, VENT AND EXTERIOR DOOR	C-09	C-22

BATH GROUP



BATH CABINETS & FIXTURES

KEY	PART NUMBER	U/M DESCRIPTION
1	P04746-58-D01	EA DOOR-CABINET, MIRROR - W/O HARDWARE - 15.5" X 45.5"
2	P04746-70-D01	EA DOOR-CABINET, MIRROR - W/O HARDWARE - 12" X 29.1"
3	M06159-05-D01	EA CABINET-OVERHEAD, MEDICINE - W/O DOORS OR HARDWARE
4	099928-11-D01	EA COUNTERTOP-LAVATORY CABINET
5	M99928-03-D01	EA CABINET-LAVATORY W/COUNTERTOP
5	M99928-03-D02	EA CABINET-LAVATORY W/COUNTERTOP
5	M99928-03-D03	EA CABINET-LAVATORY W/COUNTERTOP
6	P03701-71-D01	EA DOOR-CABINET, W/O HARDWARE - 12" X 21.8"
	078238-23-D01	EA PANEL-ACCESS, 358 MM X 182 MM
	099988-01-D01	EA DOOR-SLIDING, 880 MM X 1780 MM - W/PULL
	103874-01-000	EA HANGER-SLIDING DOOR
	084487-01-000	EA GUIDE-POCKET, SLIDING DOOR - WALL MOUNTED
	103868-08-01A	EA TRACK-SLIDING DOOR, 51.2" - OFF WHITE
	075452-02-000	EA HOLDER-TOILET TISSUE, BRASS
	075454-02-000	EA RING-TOWEL, W/MOUNTING HARDWARE - BRASS
	075240-08-000	EA FAUCET-LAVATORY, BONE
	091253-01-000	EA GASKET-FAUCET, LAVATORY/GALLEY
	066927-01-01A	EA SINK-LAVATORY, RECTANGULAR - PLASTIC - BONE
	066927-01-700	EA SINK-STOPPER
	066927-01-701	EA TAILPIECE-SINK

BATH GROUP (CONTINUED)

BATH CABINET HARDWARE

KEY	PART NUMBER	U/M DESCRIPTION
	009148-01-000	EA PULL-FINGER, .75" DIAMETER - BRASS
	088410-01-01A	EA PULL-FINGER, OVAL - BRASS
	068783-01-000	FT ROD-CLOTHES, SLOTTED - ALUMINUM - 7' LENGTH
	082484-03-01A	EA TRACK-SHOWER, CURVED - OFF WHITE
	008700-04-002	EA TRACK, L-SHAPED 198.2" - STRAIGHT - OFF WHITE
	009138-02-000	EA HANGER-RING, PIN TYPE - CURTAIN - BRASS
	008701-01-000	EA CARRIER-CURTAIN, L ROD
	008702-01-000	EA END STOP-CURTAIN CARRIER, L ROD
	039175-02-000	EA BRACKET-CURTAIN ROD, EXTENDING CAFE - DELUXE OPTION
	039175-03-000	EA ROD-CAFE, CURTAIN - EXTENDS 28" TO 42" - DELUXE OPTION
	039175-05-000	EA BRACKET-CURTAIN ROD, CENTER CAFE - DELUXE OPTION

TOILET

KEY	PART NUMBER	U/M DESCRIPTION
	083740-01-000	EA TOILET-HIGH, HAND FLUSH - THETFORD 150120
	083740-01-700	EA LEVER-WATER, THETFORD 12514
	083740-01-701	EA LEVER-FLUSH, THETFORD 12515
	083740-01-708	EA BOLT PACKAGE-CLOSET, THETFORD 12524
	083740-01-710	EA LINK, THETFORD 12513
	083740-01-711	EA SPRING-RETURN LEVER, THETFORD 12523
	083740-01-713	EA SEAL-BALL VALVE TO BOWL, THETFORD 12502
	083740-01-714	EA VALVE ASH-WATER, THETFORD 12492
	083740-01-718	EA SEAT & COVER, IVORY - THETFORD 15017
	083740-01-717	EA TUBE-FLUSH, TOILET
	083740-02-700	EA SEAT & COVER, PARCHMENT - THETFORD 20829
	083641-01-000	EA FLANGE-CLOSET, 4" X 3"

SHOWER COMPONENTS

KEY	PART NUMBER	U/M DESCRIPTION
	075453-02-000	EA BAR-TOWEL, 18" BRASS
	103092-01-000	EA SHOWER HEAD-W/5' HOSE
	103092-01-700	EA BRACKET ONLY-CLEAR, F/SHOWER HEAD - 2328028
	075241-05-000	EA FAUCET-SHOWER, BONE
	075806-01-000	EA PANEL-FAUCET BACK, SHOWER - 5" X 8" - PLASTIC
	M02830-03-U28	EA SHOWER PAN W/NUT, STRAINER & WASHER
	086438-01-000	EA NUT-SLIP, TAILPIECE - 1.5"
	086440-01-000	EA STRAINER-SHOWER, W/RUBBER WASHER
	089735-01-000	EA WASHER-STRAINER TO TAILPIECE PLASTIC, 1.5"
	057871-01-000	EA COVER-SCREW, #8 - PLASTIC - OFF WHITE
	084724-02-000	EA TRIM-SHOWER, OFF WHITE
	080649-07-806	EA PANEL-DOOR, W/PULL

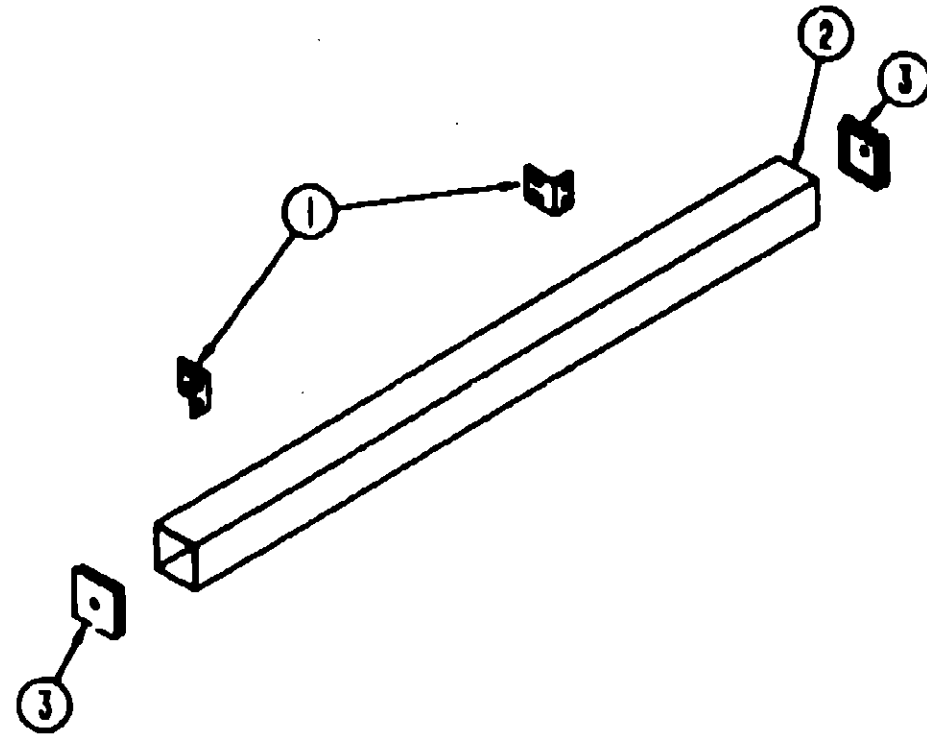
**1993 WINNEBAGO
TABLE OF CONTENTS**

INTRODUCTION	A-01	A-02
ABBREVIATIONS		A-03
ALPHABETICAL INDEX	A-04	A-08
WT321RB	A-07	C-22
WT321RL	C-23	F-18
WT321RD	F-17	I-10

1993 WT321RB INDEX

FLOOR PLAN	A-07	A-08
ACCESSORIES		A-09
AUDIO VIDEO		A-10
BATH	A-11	A-12
CHASSIS	A-13	A-14
CURTAIN & CUSHION	A-15	A-21
DINETTE		A-22
DRIVERS COMPARTMENT		A-23
ELECTRICAL	A-24	B-03
EXTERIOR BODY	B-04	B-08
GALLEY	B-09	B-13
GENERATOR		B-14
HEATING & A/C		B-15
INTERIOR FINISH	B-16	B-18
LABELS	B-19	B-24
LP		C-01
LOUNGE		C-02
SEALANTS & FASTENERS	C-03	C-04
WATER & SEWAGE	C-05	C-08
WINDOW, VENT AND EXTERIOR DOOR	C-09	C-22

CHASSIS GROUP



REAR BUMPER & BRACKETS

KEY	PART NUMBER	U/M DESCRIPTION
1	108782-01-01A	EA BRACKET-BUMPER, OFF WHITE
2	103422-03-01A	EA BUMPER-REAR, OFF WHITE
3	039779-01-000	EA CAP-BUMPER, RUBBER - 4" X 4" - BLACK

SPARE TIRE W/RIM & MOUNTING BRACKET

KEY	PART NUMBER	U/M DESCRIPTION
	M00080-85-000	EA TIRE-SPARE, W/RIM - 185R14LT - BRIDGESTONE
	M00080-85-700	EA CARRIER-SPARE TIRE, TOYOTA
	M00080-85-701	EA TIRE-SPARE, W/RIM - 185R14LT - DUNLOP
	084773-01-000	EA BRACKET-MOUNTING, SPARE TIRE

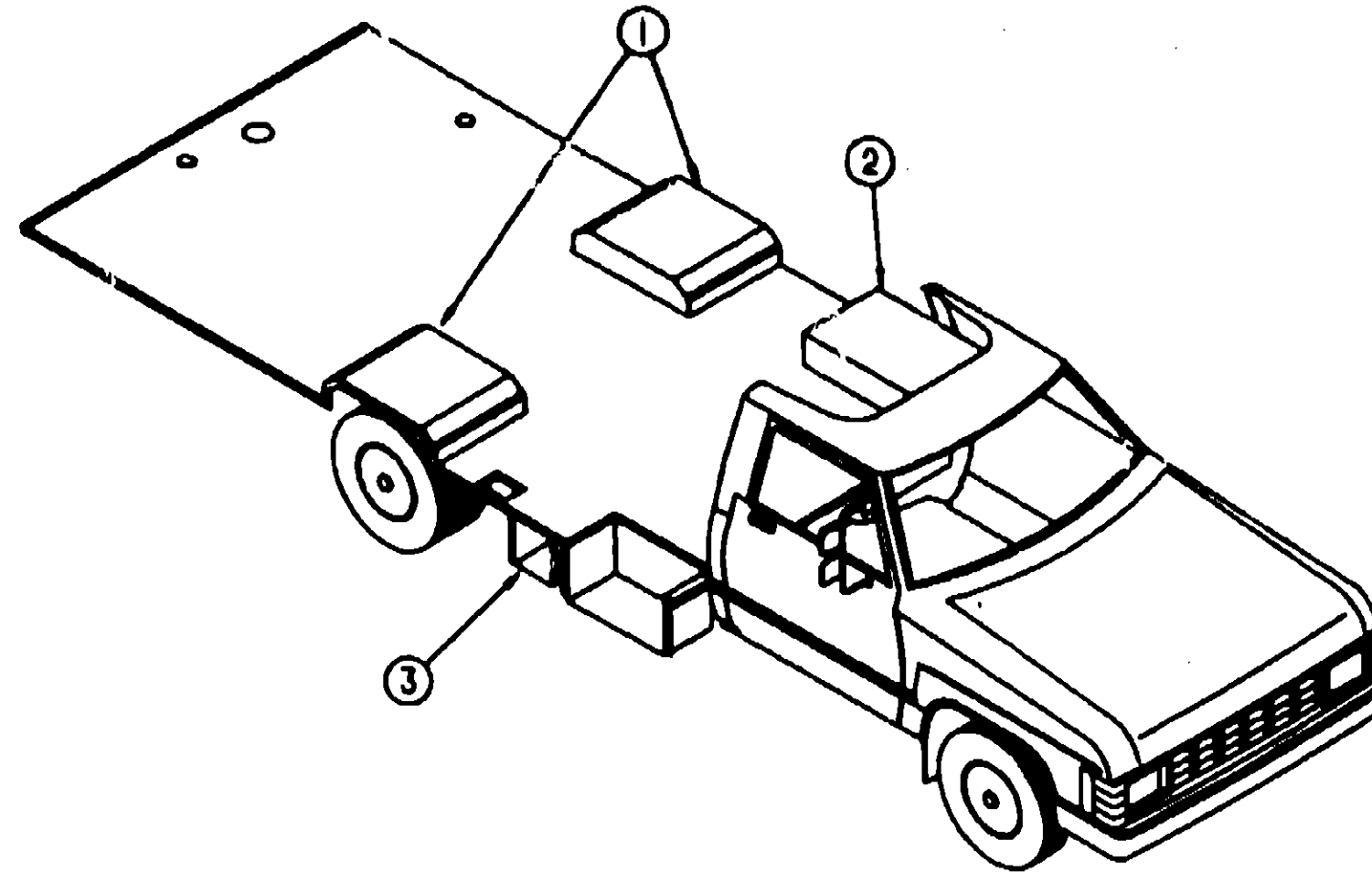
FUEL SYSTEM COMPONENTS

KEY	PART NUMBER	U/M DESCRIPTION
	007063-01-000	FT HOSE-GAS 1/4"ID X 1/2"OD
	084884-01-000	EA PLUG-BRASS, 3/8"
	067289-01-000	EA TEE-1/4" X 1/4" X 1/4", BRASS
	100939-01-000	EA NECK-FILLER, FUEL - MAIN - UNLEADED
	079040-03-000	EA SHROUD-FUEL FILL, UPPER
	078200-01-000	EA GASKET-FUEL FILL, 3.5"OD X 2"ID
	085854-01-02A	EA SHROUD-FUEL FILL, OFF WHITE

MISCELLANEOUS CHASSIS COMPONENTS

KEY	PART NUMBER	U/M DESCRIPTION
	093048-04-000	EA PLATE ASM-SKID
	088780-01-000	EA GUARD-SPLASH, RUBBER - TOYOTA - SET OF 2 - BLACK
	102827-01-01A	EA COVER-HUB W/BOLT - GRAY - KAPER II
	102827-01-700	EA BOLT-HUB COVER, KAPER II
	055278-51-259	EA TUBING-STEEL, .75" X 1.5" X 12.5'
	008042-01-000	FT TUBING-VINYL, .65" ID

CHASSIS GROUP (CONTINUED)



COMPARTMENTS, WHEELWELL & STEP LINER

KEY	PART NUMBER	U/M DESCRIPTION
1	084837-01-000	EA WHEELWELL-PLASTIC
2	083885-02-000	EA TRAY-GENERATOR/STORAGE COMPARTMENT
2	096302-03-000	EA COMPARTMENT-GENERATOR, 25.1" WIDE X 17.7" DEEP
2	096304-01-000	EA COVER-BAFFLE, GENERATOR
	077853 01-000	EA GROMMET-EDGE LINER, FITS 1"
	058027-01-000	FT SEAL, D SHAPED - HOLLOW - SPONGE RUBBER - BLACK FROM: 00-00-00 THRU: 03-15-93
	099418-01-000	EA SEAL-D, W/SIDE ADHESIVE - .4" X .10" - SPONGE RUBBER - BLACK FROM: 03-16-93 THRU: 99-99-99
3	100824-01-000	EA COMPARTMENT-BATTERY, PLASTIC
	084993-01-000	EA STRAP-BATTERY
	106208-01-01A	EA COMPARTMENT-SHOWER, EXTERIOR - OFF WHITE

EXHAUST SYSTEM COMPONENTS

KEY	PART NUMBER	U/M DESCRIPTION
	007125-08-000	EA CLAMP-MUFFLER, 2.25" DIAMETER
	084898-02-000	EA EXTENSION-TAILPIPE, 2" DIAMETER

REAR AIR BAG SYSTEM

KEY	PART NUMBER	U/M DESCRIPTION
	100293-02-000	EA AIRSPRING SYSTEM-4" DIAMETER, MICRO MINI - 3-T'S 9E3 POS
	100293-01-701	EA HOSE, W/MALE VALVES - 3T T9AL
	100293-02-700	EA AIR BAG KIT, BAG W/CABLE - 3T RK-E3
	100332-01-000	EA PLATE-VALVE, AIR SPRING

1993 WINNEBAGO TABLE OF CONTENTS

INTRODUCTION	A-01 -	A-02
ABBREVIATIONS		A-03
ALPHABETICAL INDEX	A-04 -	A-08
WT321RB	A-07 -	C-22
WT321RL	C-23 -	F-18
WT321RD	F-17 -	I-10

1993 WT321RB INDEX

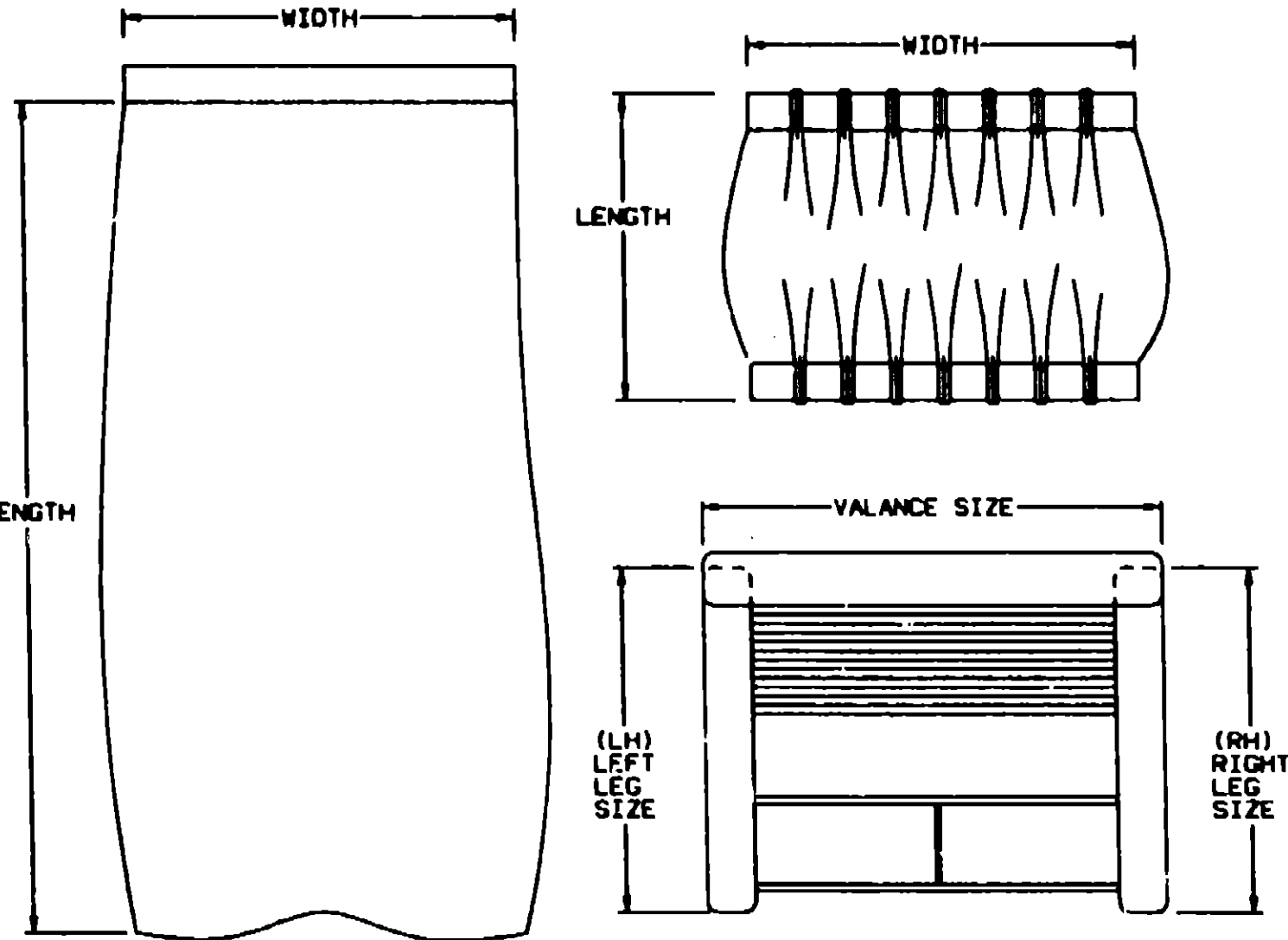
FLOOR PLAN	A-07 -	A-08
ACCESSORIES		A-09
AUDIO VIDEO		A-10
BATH	A-11 -	A-12
CHASSIS	A-13 -	A-14
CURTAIN & CUSHION	A-15 -	A-21
DINETTE		A-22
DRIVERS COMPARTMENT		A-23
ELECTRICAL	A-24 -	B-03
EXTERIOR BODY	B-04 -	B-08
GALLEY	B-09 -	B-13
GENERATOR		B-14
HEATING & AC		B-15
INTERIOR FINISH	B-16 -	B-18
LABELS	B-19 -	B-24
LP		C-01
LOUNGE		C-02
SEALANTS & FASTENERS	C-03 -	C-04
WATER & SEWAGE	C-05 -	C-08
WINDOW, VENT AND EXTERIOR DOOR	C-09 -	C-22

CURTAIN & CUSHION GROUP

NOTICE

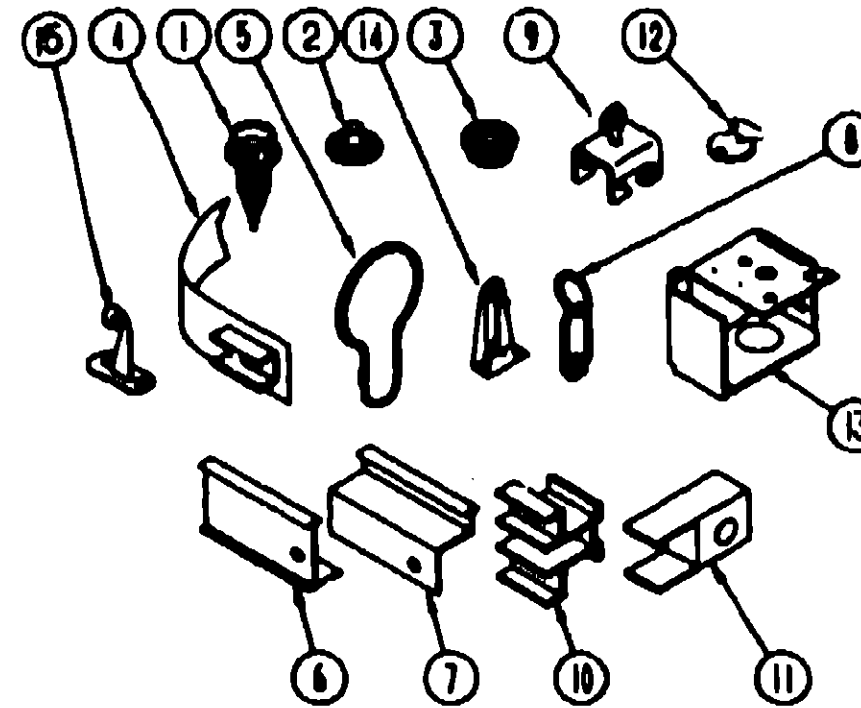
IN ORDER TO ASSIST OUR PARTS SALES DEPT. IN PROVIDING INTERIOR SOFTGOODS ITEMS, PLEASE INCLUDE THE SERIAL NUMBER AND THE COLOR CODE NUMBER FROM THE VEHICLE CERTIFICATION LABEL WHEN ORDERING. THIS LABEL IS LOCATED ON THE LEFT SIDE WALL AT THE END OF THE DASH (A-BODY), OR ON THE DRIVER'S DOOR LATCH PLATE (C-BODY).

AN EXAMPLE OF A COLOR CODE NUMBER IS B07, WHICH DESIGNATES AN OVERALL COLOR SCHEME OF A PARTICULAR UNIT. THE COLOR LISTED AFTER THE ITEM DESCRIPTION ON THE MICROFICHE, INDICATES THE OVERALL UNIT COLOR. ORDER THE ITEM YOU DESIRE ACCORDING TO UNIT COLOR CODE.



NOTE: USE THIS ILLUSTRATION WHEN DETERMINING LENGTH AND WIDTH MEASUREMENTS FOR CURTAINS. YOU WILL NOTE THE WIDTH MEASUREMENT IS TAKEN ON THE TOP OF THE CURTAIN WITH THE CURTAIN FULLY EXTENDED. THE LENGTH MEASUREMENT IS TAKEN FROM TOP TO BOTTOM. LEFT AND RIGHT WINDOW LEGS ARE DETERMINED WHEN FACING THE WINDOW.

CURTAIN & CUSHION GROUP (CONTINUED)



CURTAIN, BLIND & SHADE HARDWARE

KEY	PART NUMBER	U/M DESCRIPTION
1	029130-01-000	EA SCREW-SNAP SOCKET 8 PH X 5/8"
2	029155-01-000	EA CAP-SNAP NICKEL
3	029156-01-000	EA SOCKET-SNAP FASTENER NICKEL
4	101031-01-000	YD TAPE-GLIDE CURTAIN- 4.25" SPACING
5	009136-02-000	EA HANGER-RING, PIN TYPE - CURTAIN - BRASS
6	082484-03-01A	EA TRACK-SHOWER, CURVED - OFF WHITE
6	009700-04-002	EA TRACK, L-SHAPED 196.2" - STRAIGHT - OFF WHITE
7	105450-06-01A	EA TRACK-CURTAIN, 79" LONG - ALUMINUM - OFF WHITE
8	009701-01-000	EA CARRIER-CURTAIN L ROD
9	009702-01-000	EA END STOP-CURTAIN CARRIER L ROD
10	101033-03-000	FT TRACK-CURTAIN LOW PROFILE - WHITE
11	101033-02-000	EA END CAP-TRACK CLEAR
12	102556-01-000	EA CLEAT-CORD, BLIND - OFF WHITE
13	083170-01-000	EA BRACKET-BLIND, RIGHT SIDE
13	083170-02-000	EA BRACKET-BLIND, LEFT SIDE
	083475-01-700	EA WAND-BLIND, W/METAL CLIP - 8" LONG
	083475-01-701	EA END CAP-BLIND, W/STUD
14	085591-02-000	EA BRACKET-HOLD DOWN, W/PIN - BLIND - METAL
		FROM: 00-00-00 THRU: 07-19-92
15	109441-01-000	EA HOLD DOWN-BLIND, HOOK
		FROM: 07-20-92 THRU: 99-99-99
	089522-03-000	EA PANEL-LEG, TWO SIDE 27" LONG - PLASTIC - BLACK
	089916-01-000	EA MOUNT-WINDOW LEG, 23.75" - ALUMINUM - BLACK
		23.75" LONG - 6.3" BETWEEN SCREW HOLES
	103988-01-000	FT TRIM-VALANCE, U-CHANNEL - .75" WIDE - BRASS
	046867-01-000	EA GROMMET-BRASS - 7/16" ID X 1" OD
	088792-01-000	YD VELCRO-HOOK, .75" WIDE - BEIGE
	048394-02-000	YD VELCRO TAPE-HOOK, ADHESIVE BACK - .75" WIDE - BEIGE
	088792-02-000	YD VELCRO TAPE-LOOP, ADHESIVE BACKED - .75" WIDE - BEIGE
	039175-02-000	EA BRACKET-CURTAIN ROD, EXTENDING CAFE - DELUXE OPTION
	039175-03-000	EA ROD-CAFE, CURTAIN - EXTENDS 28" TO 48" - DELUXE OPTION
	039175-05-000	EA BRACKET-CURTAIN ROD, CENTER CAFE - DELUXE OPTION

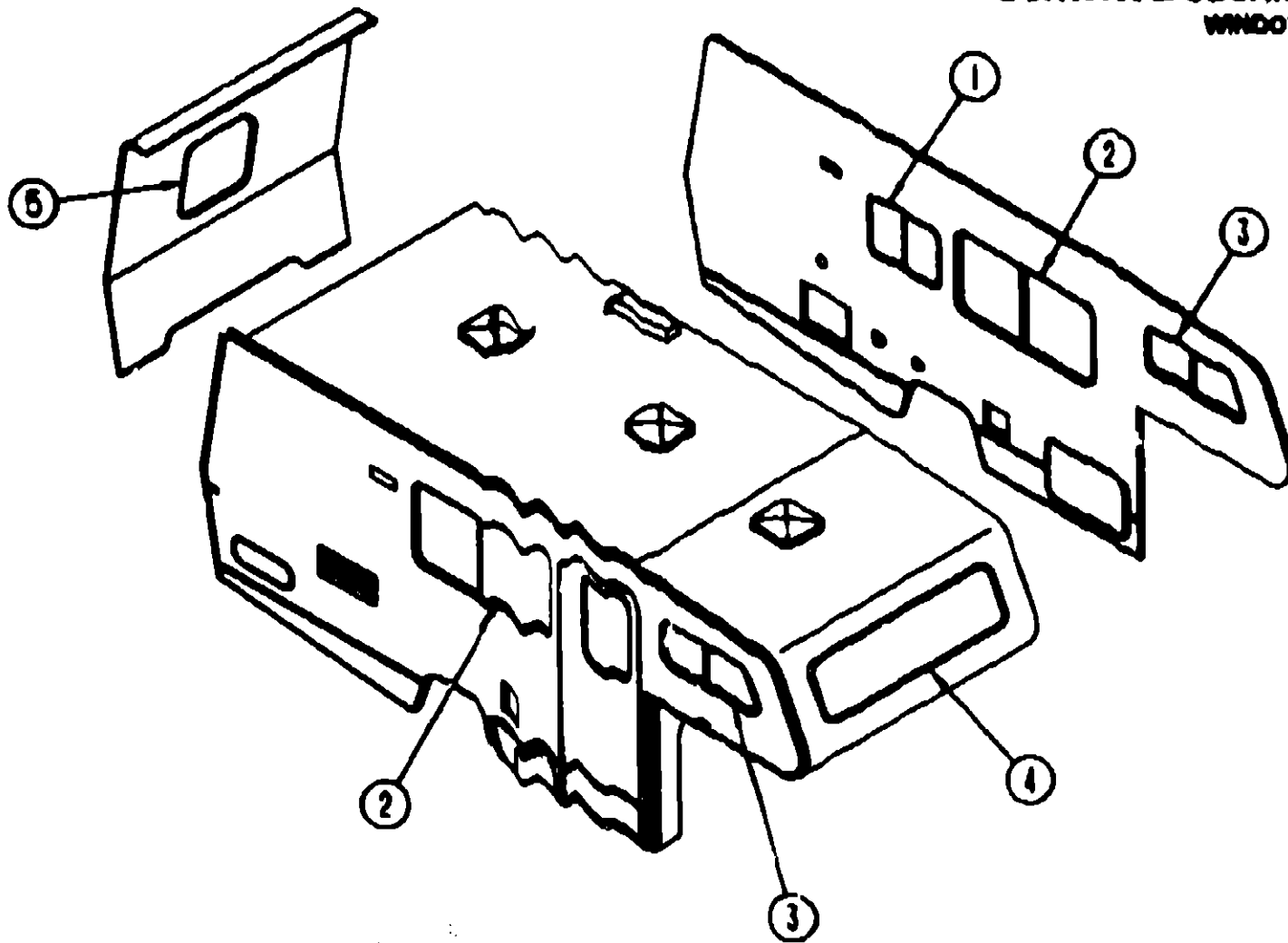
1993 WINNEBAGO TABLE OF CONTENTS

INTRODUCTION	A-01 -	A-02
ABBREVIATIONS		A-03
ALPHABETICAL INDEX	A-04 -	A-08
WT321RB	A-07 -	C-22
WT321RL	C-23 -	F-16
WT321RD	F-17 -	I-10

1993 WT321RB INDEX

FLOOR PLAN	A-07 -	A-08
ACCESSORIES		A-09
AUDIO VIDEO		A-10
BATH	A-11 -	A-12
CHASSIS	A-13 -	A-14
CURTAIN & CUSHION	A-15 -	A-21
DINETTE		A-22
DRIVERS COMPARTMENT		A-23
ELECTRICAL	A-24 -	B-03
EXTERIOR BODY	B-04 -	B-06
GALLEY	B-09 -	B-13
GENERATOR		B-14
HEATING & A/C		B-15
INTERIOR FINISH	B-16 -	B-18
LABELS	B-19 -	B-24
LP		C-01
LOUNGE		C-02
SEALANTS & FASTENERS	C-03 -	C-04
WATER & SEWAGE	C-05 -	C-08
WINDOW, VENT AND		
EXTERIOR DOOR	C-09 -	C-22

CURTAIN & CUSHION GROUP (CONTINUED)
WINDOW TREATMENT



KEY	PART NUMBER	WM DESCRIPTION
4	101034-08-D01	EA CURTAIN-16" X 28", TAPE TOP & BOTTOM FROM: 00-00-00 THRU: 09-13-92
4	101034-08-D02	EA CURTAIN-16" X 28", TAPE TOP & BOTTOM FROM: 00-00-00 THRU: 09-13-92
4	101034-08-D03	EA CURTAIN-16" X 28", TAPE TOP & BOTTOM FROM: 00-00-00 THRU: 09-13-92
4	101034-29-D01	EA CURTAIN-16" X 50", TAPE TOP & BOTTOM - RIGHT FROM: 09-14-92 THRU: 99-99-99
4	101034-29-D02	EA CURTAIN-16" X 50", TAPE TOP & BOTTOM - RIGHT FROM: 09-14-92 THRU: 99-99-99
4	101034-29-D03	EA CURTAIN-16" X 50", TAPE TOP & BOTTOM - RIGHT FROM: 09-14-92 THRU: 99-99-99
4	101034-30-D01	EA CURTAIN-16" X 50", TAPE TOP & BOTTOM - LEFT FROM: 09-14-92 THRU: 99-99-99
4	101034-30-D02	EA CURTAIN-16" X 50", TAPE TOP & BOTTOM - LEFT FROM: 09-14-92 THRU: 99-99-99
4	101034-30-D03	EA CURTAIN-16" X 50", TAPE TOP & BOTTOM - LEFT FROM: 09-14-92 THRU: 99-99-99
5	103988-53-D01	EA VALANCE-28.5", W/BRASS TRIM
5	103988-54-D02	EA VALANCE-28.5", W/BRASS TRIM
5	103988-54-D03	EA VALANCE-28.5", W/BRASS TRIM
5	093475-43-05A	EA BLIND-MINI, 28.5" X 24" DROP (D01)
5	093475-43-05A	EA BLIND-MINI, 28.5" X 24" DROP (D02)
5	093475-43-07A	EA BLIND-MINI, 28.5" X 24" DROP (D03)
	078892-03-D01	EA CURTAIN-SNAP TOP, 35" X 55" - TAN (D01)
	078892-03-D02	EA CURTAIN-SNAP TOP, 35" X 55" - BEIGE (D02/D03)
	101888-18-D01	EA CURTAIN-38.5" X 50", RIGHT - TAPE TOP
	101888-18-D02	EA CURTAIN-38.5" X 50", RIGHT - TAPE TOP
	101888-18-D03	EA CURTAIN-38.5" X 50", RIGHT - TAPE TOP
	101888-19-D01	EA CURTAIN-38.5" X 50", LEFT - TAPE TOP
	101888-19-D02	EA CURTAIN-38.5" X 50", LEFT - TAPE TOP
	101888-19-D03	EA CURTAIN-38.5" X 50", LEFT - TAPE TOP
	086226-53-D01	EA VALANCE-ROD POCKET TOP, 8" X 80" - DELUXE OPTION
	086226-53-D02	EA VALANCE-ROD POCKET TOP, 8" X 80" - DELUXE OPTION
	086226-53-D03	EA VALANCE-ROD POCKET TOP, 8" X 80" - DELUXE OPTION
	084481-14-C09	EA CURTAIN-SHOWER, VINYL - 65" X 42" (D01)
	084481-14-D02	EA CURTAIN-SHOWER, VINYL - 65" X 42" (D02)
	084481-14-C10	EA CURTAIN-SHOWER, VINYL - 65" X 42" (D03)
	073280-54-C09	EA TIEBACK-CURTAIN, SHOWER - 3" X 16" (D01)
	073280-54-D03	EA TIEBACK-CURTAIN, SHOWER - 3" X 16" (D02)
	073280-54-C10	EA TIEBACK-CURTAIN, SHOWER - 3" X 16" (D03)
	073280-49-D01	EA TIEBACK-CURTAIN, 3" X 16"
	073280-49-D02	EA TIEBACK-CURTAIN, 3" X 16"
	073280-49-D03	EA TIEBACK-CURTAIN, 3" X 16"
	057534-01-000	EA TIEBACK/TIEDOWN-BED/CURTAIN/DOOR, 6" - PLASTIC - CLEAR
	084415-43-000	YO TRIM-BRAID, CURTAIN - MALIVE (D01)
	084415-44-000	YO TRIM-BRAID, CURTAIN - EGGPLANT (D02)
	084415-45-000	YO TRIM-BRAID, CURTAIN - TEAL (D03)

**1993 WINNEBAGO
TABLE OF CONTENTS**

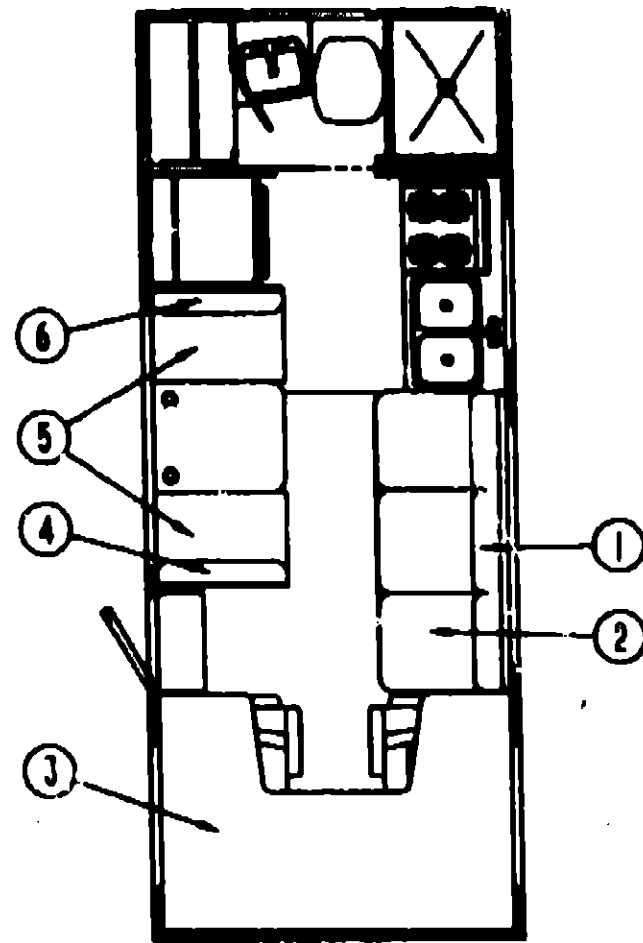
INTRODUCTION	A-01 -	A-02
ABBREVIATIONS		A-03
ALPHABETICAL INDEX	A-04 -	A-08
WT321RB	A-07 -	C-22
WT321RL	C-23 -	I-16
WT321RD	F-17 -	I-10

1993 WT321RB INDEX

FLOOR PLAN	A-07 -	A-08
ACCESSORIES		A-09
AUDIO VIDEO		A-10
BATH	A-11 -	A-12
CHASSIS	A-13 -	A-14
CURTAIN & CUSHION	A-15 -	A-21
DINETTE		A-22
DRIVERS COMPARTMENT		A-23
ELECTRICAL	A-24 -	B-03
EXTERIOR BODY	B-04 -	B-08
GALLEY	B-09 -	B-13
GENERATOR		B-14
HEATING & A/C		B-15
INTERIOR FINISH	B-16 -	B-18
LABELS	B-19 -	B-24
LP		C-01
LOUNGE		C-02
SEALANTS & FASTENERS	C-03 -	C-04
WATER & SEWAGE	C-05 -	C-08
WINDOW, VENT AND EXTERIOR DOOR	C-09 -	C-22

KEY	PART NUMBER	WM DESCRIPTION
1	103988-53-D01	EA VALANCE-28.5", W/BRASS TRIM
1	103988-54-D02	EA VALANCE-28.5", W/BRASS TRIM
1	103988-54-D03	EA VALANCE-28.5", W/BRASS TRIM
1	093475-32-12A	EA BLIND-MINI, 27" X 18.5" DROP (D01)
1	093475-32-14A	EA BLIND-MINI, 27" X 18.5" DROP (D02)
1	093475-32-13A	EA BLIND-MINI, 27" X 18.5" DROP (D03)
2	103988-51-D01	EA VALANCE-53", W/BRASS TRIM
2	103988-52-D02	EA VALANCE-53", W/BRASS TRIM
2	103988-52-D03	EA VALANCE-53", W/BRASS TRIM
2	100281-45-D01	EA LEG-RIGHT (D01)
2	100281-45-C05	EA LEG-RIGHT (D02)
2	100281-45-D03	EA LEG-RIGHT (D03)
2	100281-46-D01	EA LEG-LEFT (D01)
2	100281-46-C05	EA LEG-LEFT (D02)
2	100281-46-D03	EA LEG-LEFT (D03)
2	093475-42-04A	EA BLIND-MINI, 49" X 29" DROP (D01/D03)
2	093475-42-05A	EA BLIND-MINI, 49" X 29" DROP (D02)
3	101034-08-D01	EA CURTAIN-16" X 28", TAPE TOP & BOTTOM FROM: 00-00-00 THRU: 09-13-92
3	101034-08-D02	EA CURTAIN-16" X 28", TAPE TOP & BOTTOM FROM: 00-00-00 THRU: 09-13-92
3	101034-08-D03	EA CURTAIN-16" X 28", TAPE TOP & BOTTOM FROM: 00-00-00 THRU: 09-13-92
3	101034-31-D01	EA CURTAIN-16" X 28", TAPE TOP & BOTTOM - RIGHT FROM: 09-14-92 THRU: 99-99-99
3	101034-31-D02	EA CURTAIN-16" X 28", TAPE TOP & BOTTOM - RIGHT FROM: 09-14-92 THRU: 99-99-99
3	101034-31-D03	EA CURTAIN-16" X 28", TAPE TOP & BOTTOM - RIGHT FROM: 09-14-92 THRU: 99-99-99
3	101034-32-D01	EA CURTAIN-16" X 28", TAPE TOP & BOTTOM - LEFT FROM: 09-14-92 THRU: 99-99-99
3	101034-32-D02	EA CURTAIN-16" X 28", TAPE TOP & BOTTOM - LEFT FROM: 09-14-92 THRU: 99-99-99
3	101034-32-D03	EA CURTAIN-16" X 28", TAPE TOP & BOTTOM - LEFT FROM: 09-14-92 THRU: 99-99-99

CURTAIN & CUSHION GROUP (CONTINUED)



COUCH & COUCH PILLOWS

KEY	PART NUMBER	U/M DESCRIPTION
1	100032-31-D01	EA COUCH-BACKREST, W/O ARMS - 66.5" (D01)
1	100032-31-D10	EA COUCH-BACKREST, W/O ARMS - 66.5" (D02)
1	100032-31-D11	EA COUCH-BACKREST, W/O ARMS - 66.5" (D03)
	P00032-31-D01	EA COVER-COUCH, BACKREST - W/O ARMS - 66.5" (D01)
	P00032-31-D10	EA COVER-COUCH, BACKREST - W/O ARMS - 66.5" (D02)
	P00032-31-D11	EA COVER-COUCH, BACKREST - W/O ARMS - 66.5" (D03)
	101085-09-000	EA FRAME-BACK, COUCH - 66.5"
2	100032-32-D01	EA COUCH-SEAT, W/O ARMS - 66.5"
2	100032-34-D02	EA COUCH-SEAT, W/O ARMS - 66.5"
2	100032-34-D03	EA COUCH-SEAT, W/O ARMS - 66.5"
	P00032-32-D01	EA COVER-COUCH, SEAT - W/O ARMS - 66.5"
	P00032-34-D02	EA COVER-COUCH, SEAT - W/O ARMS - 66.5"
	P00032-34-D03	EA COVER-COUCH, SEAT - W/O ARMS - 66.5"
	101085-01-000	EA FRAME-SEAT, COUCH - 66.5"
	101085-03-000	EA FRAME-BASE, COUCH - 66.5"
	103669-10-D09	EA PILLOW-THROW, 16" X 16" (D01)
	103669-01-C03	EA PILLOW-THROW, 16" X 16" (D02)
	103669-01-D11	EA PILLOW-THROW, 16" X 16" (D03)
	085080-05-D01	EA PILLOW-THROW, 15" X 15" (D01)
	085080-05-C09	EA PILLOW-THROW, 15" X 15" (D02)
	085080-05-B04	EA PILLOW-THROW, 15" X 15" (D03)

BUNK CUSHIONS & BUNK PILLOWS

KEY	PART NUMBER	U/M DESCRIPTION
3	084753-34-D01	EA CUSHION-53.5" X 81.5" X 5", U-SHAPED BUNK
3	084753-34-D02	EA CUSHION-53.5" X 81.5" X 5", U-SHAPED BUNK
3	084753-34-D03	EA CUSHION-53.5" X 81.5" X 5", U-SHAPED BUNK
	M84753-34-D01	EA COVER-CUSHION, U-SHAPED - 53.5" X 81.5" X 5"
	M84753-34-D02	EA COVER-CUSHION, U-SHAPED - 53.5" X 81.5" X 5"
	M84753-34-D03	EA COVER-CUSHION, U-SHAPED - 53.5" X 81.5" X 5"
3	084753-33-D01	EA CUSHION-24.5" X 44.5" X 5", BUNK FILLER
3	084753-33-D02	EA CUSHION-24.5" X 44.5" X 5", BUNK FILLER
3	084753-33-D03	EA CUSHION-24.5" X 44.5" X 5", BUNK FILLER
	M84753-33-D01	EA COVER-CUSHION, FILLER - 24.5" X 44.5" X 5"
	M84753-33-D02	EA COVER-CUSHION, FILLER - 24.5" X 44.5" X 5"
	M84753-33-D03	EA COVER-CUSHION, FILLER - 24.5" X 44.5" X 5"
	085080-04-D01	EA PILLOW-THROW, 15" X 15"
	085080-04-D02	EA PILLOW-THROW, 15" X 15"
	085080-04-D03	EA PILLOW-THROW, 15" X 15"

DINETTE CUSHIONS

KEY	PART NUMBER	U/M DESCRIPTION
4	088927-91-D01	EA CUSHION-BACK, 13" X 30.5" X 5" (D01)
4	088927-91-D02	EA CUSHION-BACK, 13" X 30.5" X 5" (D02/D03)
	M88927-91-D01	EA COVER-CUSHION, FRONT BACKREST - 13" X 30.5" X 5" (D01)
	M88927-91-D02	EA COVER-CUSHION, FRONT BACKREST - 13" X 30.5" X 5" (D02/D03)
5	088927-84-D01	EA CUSHION-SEAT, 22" X 30.5" X 5" (D01)
5	088927-84-D02	EA CUSHION-SEAT, 22" X 30.5" X 5" (D02/D03)
	M88927-84-D01	EA COVER-CUSHION, SEAT - 22" X 30.5" X 5" (D01)
	M88927-84-D02	EA COVER-CUSHION, SEAT - 22" X 30.5" X 5" (D02/D03)
6	088927-90-D01	EA CUSHION-BACK, 13" X 30.5" X 5" (D01)
6	088927-90-D02	EA CUSHION-BACK, 13" X 30.5" X 5" (D02/D03)
	M88927-90-D01	EA COVER-CUSHION, REAR BACKREST - 13" X 30.5" X 5" (D01)
	M88927-90-D02	EA COVER-CUSHION, REAR BACKREST - 13" X 30.5" X 5" (D02/D03)
	078155-01-000	EA STRAP-SNAP, BACKREST CUSHION

**1993 WINNEBAGO
TABLE OF CONTENTS**

INTRODUCTION	A-01	A-02
ABBREVIATIONS		A-03
ALPHABETICAL INDEX	A-04	A-06
WT321RB	A-07	C-22
WT321RL	C-23	F-16
WT321RD	F-17	I-10

1993 WT321RB INDEX

FLOOR PLAN	A-07	A-08
ACCESSORIES		A-09
AUDIO VIDEO		A-10
BATH	A-11	A-12
CHASSIS	A-13	A-14
CURTAIN & CUSHION	A-15	A-21
DINETTE		A-22
DRIVERS COMPARTMENT		A-23
ELECTRICAL	A-24	B-03
EXTERIOR BODY	B-04	B-08
GALLEY	B-09	B-13
GENERATOR		B-14
HEATING & A/C		B-15
INTERIOR FINISH	B-16	B-18
LABELS	B-19	B-24
LP		C-01
LOUNGE		C-02
SEALANTS & FASTENERS	C-03	C-04
WATER & SEWAGE	C-05	C-08
WINDOW, VENT AND EXTERIOR DOOR	C-09	C-22

CURTAIN & CUSHION GROUP (CONTINUED)
BUCKET SEAT COVERS

KEY	PART NUMBER	U/M DESCRIPTION
	086740-08-D01	EA COVER ASM-SEAT & HEADREST, DRIVER
	086740-08-D02	EA COVER ASM-SEAT & HEADREST, DRIVER
	086740-08-D03	EA COVER ASM-SEAT & HEADREST, DRIVER
	M86740-08-D01	EA COVER-SEAT, DRIVER
	M86740-08-D02	EA COVER-SEAT, DRIVER
	M86740-08-D03	EA COVER-SEAT, DRIVER
	102860-01-D01	EA COVER-HEADREST
	102860-01-D02	EA COVER-HEADREST
	102860-01-D03	EA COVER-HEADREST
	086740-08-D01	EA COVER ASM-SEAT & HEADREST, PASSENGER
	086740-08-D02	EA COVER ASM-SEAT & HEADREST, PASSENGER
	086740-08-D03	EA COVER ASM-SEAT & HEADREST, PASSENGER
	M86740-08-D01	EA COVER-SEAT, PASSENGER
	M86740-08-D02	EA COVER-SEAT, PASSENGER
	M86740-08-D03	EA COVER-SEAT, PASSENGER
	102860-01-D01	EA COVER-HEADREST
	102860-01-D02	EA COVER-HEADREST
	102860-01-D03	EA COVER-HEADREST

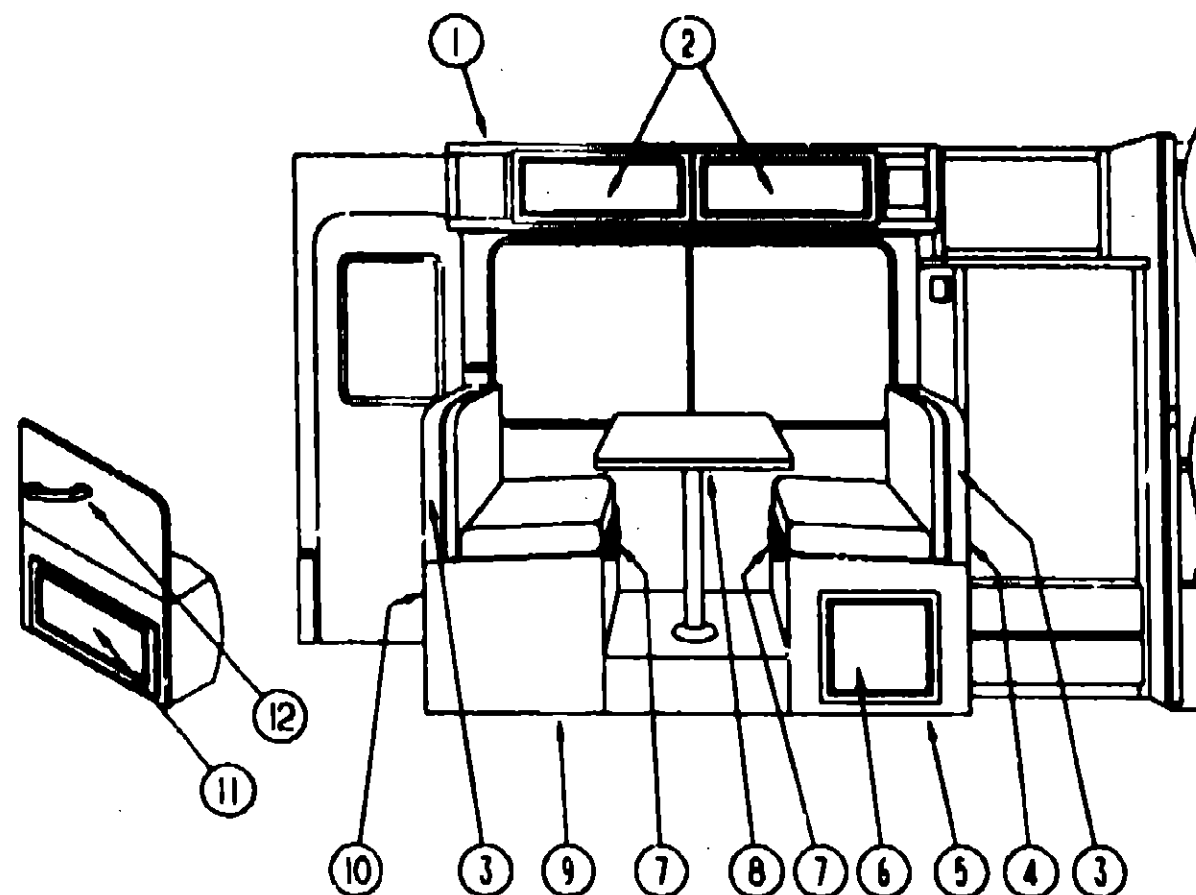
FABRIC

KEY	PART NUMBER	U/M DESCRIPTION
	029218-01-000	YD FABRIC-VINYL, 54" WIDE - WHITE
	103907-01-01A	YD FABRIC-VINYL, 54" WIDE - OFF WHITE
	072333-80-000	YD FABRIC-CURTAIN, 54" WIDE - TAN (D01)
	072333-82-000	YD FABRIC-CURTAIN, 54" WIDE - BEIGE (D02/D03)
	104233-80-000	YD FABRIC-UPHOLSTERY, PATTERN VELOUR - 54" WIDE (D01)
	104233-84-000	YD FABRIC-UPHOLSTERY, WOVEN PATTERN - 54" WIDE (D02/D03)
	104233-81-000	YD FABRIC-UPHOLSTERY, PLAIN MAUVE VELOUR - 54" WIDE (D01)
	104233-74-000	YD FABRIC-UPHOLSTERY, PLAIN BEIGE VELOUR - 54" WIDE (D01)
	104233-29-000	YD FABRIC-UPHOLSTERY, PLAIN VELOUR - 54" WIDE (D02)
	104233-30-000	YD FABRIC-UPHOLSTERY, PLAIN VELOUR - 54" WIDE (D03)
	104233-62-000	YD FABRIC-UPHOLSTERY, CRISSCROSS VELOUR - 54" WIDE (D01)
	104233-65-000	YD FABRIC-UPHOLSTERY, CRISSCROSS VELOUR - 54" WIDE (D02)
	104233-67-000	YD FABRIC-UPHOLSTERY, CRISSCROSS VELOUR - 54" WIDE (D03)
	104233-63-000	YD FABRIC-UPHOLSTERY, STRIPED WOVEN - 54" WIDE (D01)
	104233-68-000	YD FABRIC-UPHOLSTERY, STRIPED WOVEN - 54" WIDE (D02)
	108446-23-000	YD FABRIC-UPHOLSTERY, CRISSCROSS WOVEN - 54" WIDE (D03) FROM: 00-00-00 THRU: 07-28-92
	104233-68-000	YD FABRIC-UPHOLSTERY, STRIPED WOVEN - 54" WIDE (D03) FROM: 07-29-92 THRU: 99-99-99
	104233-75-000	YD FABRIC-UPHOLSTERY, "W" - VELOUR (D01)
	104233-76-000	YD FABRIC-UPHOLSTERY, "W" - VELOUR (D02)
	104233-77-000	YD FABRIC-UPHOLSTERY, "W" - VELOUR (D03)
	105745-12-000	YD FABRIC-CURTAIN/BEDSPREAD, PATTERNED - 54" WIDE (D01)
	105745-30-000	YD FABRIC-CURTAIN/BEDSPREAD, PATTERNED - 54" WIDE (D02)
	105745-14-000	YD FABRIC-CURTAIN/BEDSPREAD, PATTERNED - 54" WIDE (D03)

ASSIST HANDLE, SEATBELTS & BUTTONS

KEY	PART NUMBER	U/M DESCRIPTION
	053552-02-AA8	EA HANDLE-ASSIST, INTERIOR - ENTRY DOOR - VINYL - OFF WHITE
	069178-02-000	EA BRACKET-MOUNTING, ASSIST HANDLE - L ANGLE - STEEL
	000C16-07-188	EA CARRIAGE BOLT-ASSIST HANDLE
	000D20-07-008	EA NUT-ACORN, ASSIST HANDLE
	007021-01-000	EA BELT-SEAT, 2" X 90" - BLACK
	065271-01-000	EA BELT-SEAT, 2" X 102" - BLACK
	076300-03-000	EA BRACKET-SEATBELT
	057750-01-000	EA WASHER BRACKET-SEAT BELT 4" DIAMETER
	070578-01-D01	EA BUTTON-SCREW STUD, #30 (D01)
	070578-01-C03	EA BUTTON-SCREW STUD, #30 (D02)
	070578-01-B08	EA BUTTON-SCREW STUD, #30 (D03)

DINETTE GROUP



CABINETS & PADS

KEY	PART NUMBER	U/M DESCRIPTION
	1 M05159-29-D01	EA CABINET-OVERHEAD, W/O DOORS OR HARDWARE
	1 M05159-29-D02	EA CABINET-OVERHEAD, W/O DOORS OR HARDWARE
	1 M05159-29-D03	EA CABINET-OVERHEAD, W/O DOORS OR HARDWARE
	2 P03701-73-D01	EA DOOR-CABINET, W/O HARDWARE - 10" X 25.2"
	105847-01-C05	EA KEY RING HOLDER - DELUXE OPTION
	103130-01-000	EA HOOK-CUP, BRASS - 1.25" - DELUXE OPTION
	3 103889-01-D01	EA PAD-DINETTE
	3 103889-01-D02	EA PAD-DINETTE
	3 103889-01-D03	EA PAD-DINETTE
	4 M04136-08-D01	EA CABINET-BACKREST, REAR
	5 M04136-01-B05	EA CABINET-SEATBASE, REAR
	6 P03701-73-D01	EA DOOR-CABINET, W/O HARDWARE - 15.7" X 20.5"
	7 081295-08-B27	EA SUPPORT-BASE, DINETTE - 1.5" X 25.2" - WOOD
	8 081298-09-D01	EA TABLE-DINETTE, W/O CUPHOLDERS
	064781-08-000	EA HOLDER-CUP, TWO STEP - OFF WHITE
	009040-03-000	EA BASE-TABLE, RAISED
	009040-01-000	EA LEG-TABLE, PEDESTAL - 25.5" - CHROME
	9 M04136-02-B05	EA CABINET-SEATBASE, FRONT
	081518-04-B42	EA SEAT-DINETTE TOP, FLYWOOD
	10 M04136-07-D01	EA CABINET-BACKREST, FRONT - W/O DOORS OR HARDWARE
	11 P03701-43-D01	EA DOOR-CABINET, W/O HARDWARE - 14.4" X 26.8"
	103236-01-B05	EA RACK-MAGAZINE, STAINED - DELUXE OPTION
	P03236-01-000	EA RACK-MAGAZINE, UNSTAINED - DELUXE OPTION
	12 091257-05-000	EA HANDLE-ASSIST, WOOD

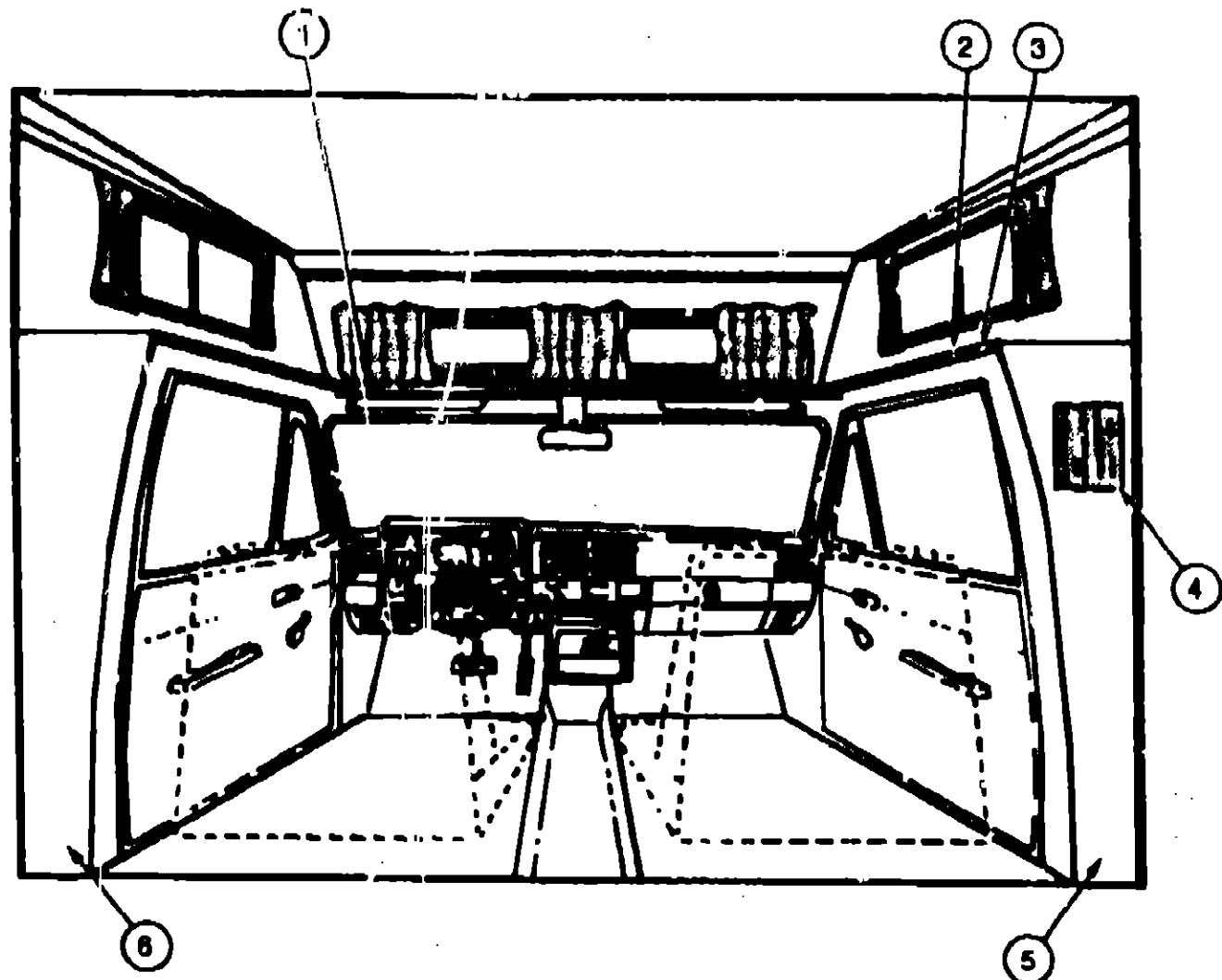
1993 WINNEBAGO
TABLE OF CONTENTS

INTRODUCTION	A-01	A-02
ABBREVIATIONS		A-03
ALPHABETICAL INDEX	A-04	A-06
WT321RB	A-07	C-22
WT321RL	C-23	F-18
WT321RD	F-17	I-10

1993 WT321RB INDEX

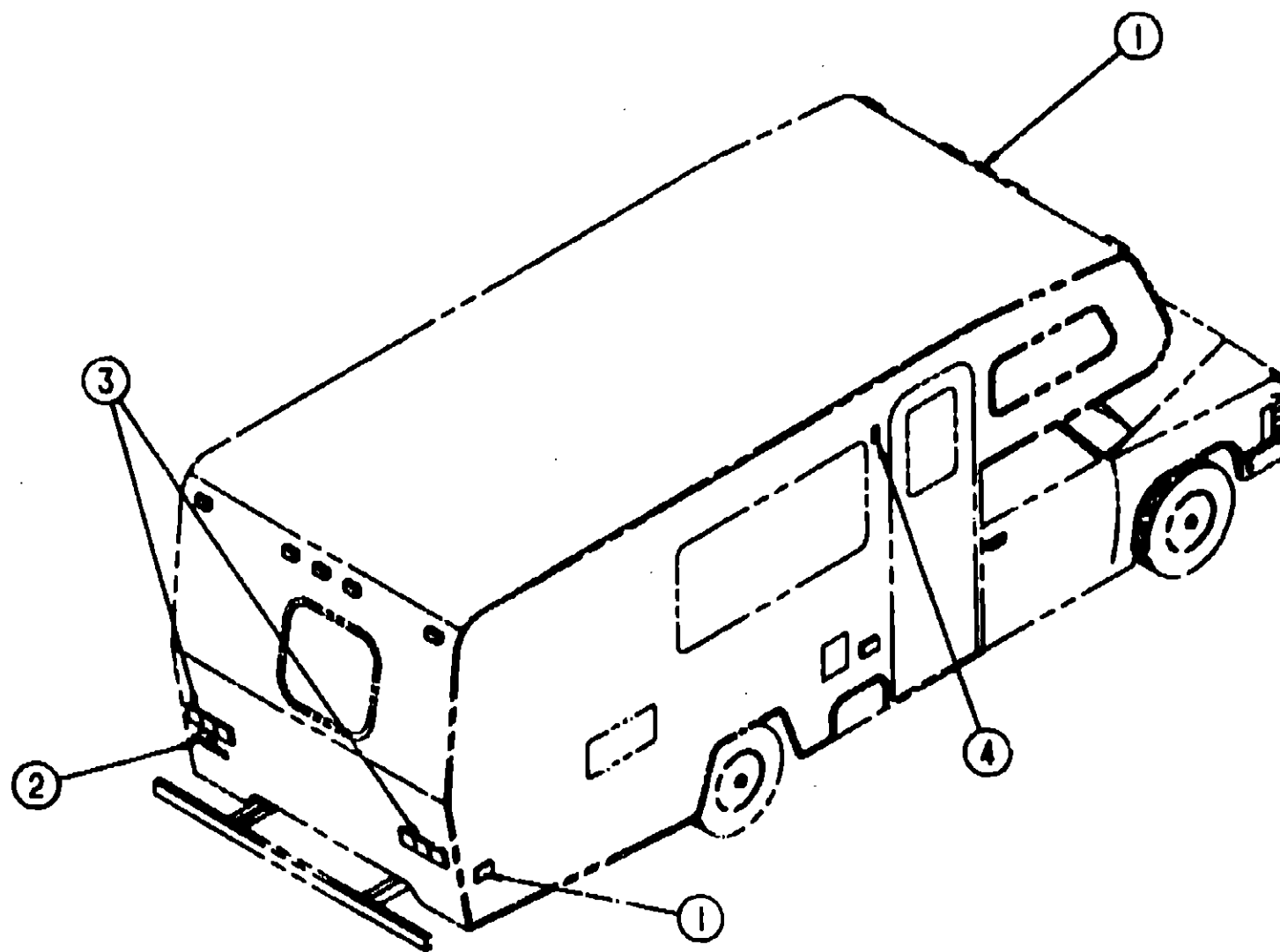
FLOOR PLAN	A-07	A-08
ACCESSORIES		A-09
AUDIO VIDEO		A-10
BATH	A-11	A-12
CHASSIS	A-13	A-14
CURTAIN & CUSHION	A-15	A-21
DINETTE		A-22
DRIVERS COMPARTMENT		A-23
ELECTRICAL	A-24	B-03
EXTERIOR BODY	B-04	B-06
GALLEY	B-09	B-13
GENERATOR		B-14
HEATING & A/C		B-15
INTERIOR FINISH	B-16	B-18
LABELS	B-19	B-24
LP		C-01
LOUNGE		C-02
SEALANTS & FASTENERS	C-03	C-04
WATER & SEWAGE	C-05	C-08
WINDOW, VENT AND EXTERIOR DOOR	C-09	C-22

DRIVERS COMPARTMENT GROUP



DRIVERS COMPARTMENT

ELECTRICAL GROUP



EXTERIOR LIGHTS

**1993 WINNEBAGO
TABLE OF CONTENTS**

INTRODUCTION	A-01 -	A-02
ABBREVIATIONS		A-03
ALPHABETICAL INDEX	A-04 -	A-06
WT321RB	A-07 -	C-22
WT321RL	C-23 -	F-16
WT321RD	F-17 -	I-10

1993 WT321RB INDEX

FLOOR PLAN	A-07 -	A-08
ACCESSORIES		A-09
AUDIO VIDEO		A-10
BATH	A-11 -	A-12
CHASSIS	A-13 -	A-14
CURTAIN & CUSHION	A-15 -	A-21
DINETTE		A-22
DRIVERS COMPARTMENT		A-23
ELECTRICAL	A-24 -	B-03
EXTERIOR BODY	B-04 -	B-08
GALLEY	B-09 -	B-13
GENERATOR		B-14
HEATING & A/C		B-15
INTERIOR FINISH	B-16 -	B-18
LABELS	B-19 -	B-24
LP		C-01
LOUNGE		C-02
SEALANTS & FASTENERS	C-03 -	C-04
WATER & SEWAGE	C-05 -	C-08
WINDOW, VENT AND		
EXTERIOR DOOR	C-09 -	C-22

KEY	PART NUMBER	U/M DESCRIPTION
1	P0072-01-805	EA PANEL-SLEEPERBOARD, W/O INTERIOR TRIM
	100085-01-01A	EA TRIM-STRAP, SLEEPERBOARD - FLAT W/SCREW HOLES
	100086-01-01A	EA TRIM-SLEEPERBOARD TO ROOF - OFF WHITE
2	079800-08-000	EA TRIM-SLEEPERBOARD INNER - OFF WHITE
3	080742-03-000	FT TRIM-VINYL-SLEEPER BOARD - OFF WHITE
4	086120-01-D01	EA PAD ASM-MAP POCKET, 12" X 16" (D01)
4	086120-01-D02	EA PAD ASM-MAP POCKET, 12" X 16" (D02)
4	086120-01-B06	EA PAD ASM-MAP POCKET, 12" X 16" (D03)
	M86120-01-D01	EA COVER-MAP POCKET (D01)
	M86120-01-C06	EA COVER-MAP POCKET (D02)
	M86120-01-B06	EA COVER-MAP POCKET (D03)
6	M95402-03-000	EA WINGWALL-INNER, PASSENGER - W/O CARPET
		FROM: 00-00-00 THRU: 07-01-92
5	M95402-01-000	EA WINGWALL-INNER, PASSENGER - W/O CARPET
		FROM: 07-02-92 THRU: 99-99-99
6	M95402-02-000	EA WINGWALL-INNER, DRIVER - W/O CARPET
	10J138-01-000	EA MODULE-DAYTIME RUNNING LIGHT - CANADIAN
	10J159-05-000	EA WIRE ASM-DAYTIME RUNNING LIGHTS, W/FUSE - CANADIAN
	100715-03-000	EA SPEEDOMETER-KILOMETER, TOYOTA 83110-35220

KEY	PART NUMBER	U/M DESCRIPTION
1	091983-01-000	EA GASKET-CLEARANCE/SIDEMARKER LIGHT
1	042405-01-000	EA LENS-CLEARANCE/SIDEMARKER LIGHT W/REFLEX - RED
1	042405-02-000	EA LENS-CLEARANCE/SIDEMARKER LIGHT W/REFLEX - AMBER
1	042405-03-000	EA BASE-CLEARANCE/SIDEMARKER LIGHT W/BULB - PLASTIC - WHITE
1	008213-01-000	EA BULB-12V, .024 AMP - #57
2	066432-01-000	EA LIGHT-LICENSE PLATE W/BRACKET, OFF WHITE
3	081838-02-000	EA TAILLIGHT-TRIPLE, W/OFF WHITE TRIM - DRIVER & PASSENGER SIDE
3	081838-01-700	EA LENS-TAILLIGHT, RED - BARGMAN 30-84-01U
3	081838-01-701	EA LENS-TAILLIGHT, W/BACKUP - BARGMAN 30-84-700
3	081838-02-700	EA LENS-TAILLIGHT, AMBER - BARGMAN 30-84-016
3	037934-01-000	EA BULB-12V, - 2.1 AMP - #1156 - CLEAR GLASS (BACK UP & TURN SIGNAL)
3	039735-01-000	EA BULB-12V, 2.1 AMP - #2057 OR 1157 CLEAR GLASS (BRAKE LIGHT)
3	081838-03-000	EA WEDGE-TAILLIGHT, OFF WHITE - DRIVER OR PASSENGER SIDE
4	097917-01-01A	EA LIGHT-PORCH, ENTRY DOOR - OFF WHITE
4	097917-01-700	EA LENS-LIGHT, PORCH
4	008215-01-000	EA BULB-12V, .94 AMP - #1003

ELECTRICAL GROUP (CONTINUED)
EXPORT ELECTRIC CONVERSION OPTION L049

KEY	PART NUMBER	U/M DESCRIPTION
	002615-01-000	EA CONVERTER-40 AMP, W/CHARGER - B-W 32400P
	004809-01-000	EA CENTER-LOAD, 240V - 125A - TPL412CT
	004810-01-000	EA BREAKER-CIRCUIT, DOUBLE 30 AMP - GE THQL2130
	004811-01-000	EA BREAKER-CIRCUIT, DOUBLE 20 AMP - GE THQL2120

CANADIAN OPTION L285

KEY	PART NUMBER	U/M DESCRIPTION
	008289-02-000	EA BOX-ELECTRICAL, 4' X 4' - 1/2" X 3/4" KNOCKOUTS
	008294-02-000	EA COVER-ELECTRICAL BOX, BLANK STEEL - 4' X 4'
	083209-02-000	EA CIRCUIT BREAKER-15/15AMP, 120V - B-W H-15/15
	083209-06-000	EA CIRCUIT BREAKER-30/15 AMP, 120V - B-W D-30/15
	083210-02-000	EA CIRCUIT BREAKER-GFI, 15A - 120V - BW U-15

INTERIOR LIGHTS, SWITCHES & RECEPTACLES

KEY	PART NUMBER	U/M DESCRIPTION
	104173-01-01A	EA LIGHT-DESIGNER, BRASS - #61-905 - U.S.
	008215-01-000	EA BULB-12V, 94 AMP - #1003
	104172-01-01A	EA LIGHT-BULLET, BEIGE - #787 SERIES - CANADIAN
	008215-01-000	EA BULB-12V, 94 AMP - #1003
	008024-01-01A	EA LIGHT-DOME, 1 BULB - US - IVORY
	008024-03-01A	EA LIGHT-DOME, 2 BULB - IVORY
	008024-01-7C0	EA LENS-DOME LIGHT
	008218-01-000	EA BULB-DOME LIGHT, 12V - #1141
	075723-01-000	EA SPACER-SWITCH, W/O HOLE - .2" X .9" X 2" - METAL - OFF WHITE
	095168-01-01A	EA SPACER-SWITCH, 2.3" X 3.4" - PLASTIC - DARK BROWN
	079384-01-000	EA SWITCH-ON/OFF ROCKER, 2 PRONGS - BROWN
	008351-01-01A	EA PLATE-SWITCH, 1 GANG - POLISHED BRASS
	081994-02-000	EA PLATE-SWITCH, EXTERIOR SHOWER
FROM: 00-00-00 THRU 01-06-93		
	108356-02-01A	EA COVER-SWITCH W/DIMPLES - EXTERIOR SHOWER - CARLING VVAZC00 BLA
	108357-08-000	EA SWITCH-ROCKER, DPDT - ON/NONE/ON - EXTERIOR SHOWER CARLING VDD1S00C-0
	075738-02-000	EA COVER-EXTERIOR RECEPTACLE, OFF WHITE
	068708-01-000	EA RECEPTACLE-ELECTRIC, DOUBLE - BROWN
	068708-02-000	EA RECEPTACLE-ELECTRIC, DOUBLE - IVORY
	068707-01-000	EA RECEPTACLE-ELECTRIC, SINGLE - BROWN
	097734-01-01A	EA EXTENSION-RECEPTACLE, 3.2" X 5" X .7" - PLASTIC - IVORY
	084076-01-000	EA RECEPTACLE-GFI, 15A - 125V - IVORY
	084076-02-000	EA RECEPTACLE-GFI, 15A - 125V - BROWN
	084077-01-000	EA PLATE-COVER RECEPTACLE - GFI - IVORY
	084077-02-000	EA PLATE-COVER RECEPTACLE - GFI - BROWN
	024924-02-000	EA RECEPTACLE-POWER CORD W/PARTIAL PLATE

ELECTRICAL GROUP (CONTINUED)
CIRCUIT BREAKERS & FUSES

KEY	PART NUMBER	U/M DESCRIPTION
	003855-02-000	EA CIRCUIT BREAKER-30 AMP, HOUSE CONTROL PANEL
	083209-03-000	EA CIRCUIT BREAKER-15/20AMP, 120V - BW 0-15/20
	083209-04-000	EA CIRCUIT BREAKER-30A, 120V - BW L-30
	083209-05-000	EA CIRCUIT BREAKER-20A, 120V - BW J-20
	008235-01-000	EA FUSE-AUTOMOTIVE 12V - 15AMP
	062901-02-000	EA FUSE-5 AMPS, AUTOMOTIVE
	062901-06-000	EA FUSE-15 AMPS, AUTOMOTIVE
	100341-01-000	EA FUSE HOLDER-IN LINE TYPE
	107333-01-01A	EA MOUNT-CIRCUIT BREAKER, 3.9" X 2" - BLACK PLASTIC
	087949-01-000	EA BUSS BAR-2 POSITION, .8" X 1.5" - ALUMINUM

ELECTRICAL CONNECTORS

KEY	PART NUMBER	U/M DESCRIPTION
	007940-01-000	EA RECEPTACLE-SLIDE, 18 TO 12 AWG - FEMALE END
	008311-01-000	EA CONNECTOR-WIRE NUT, INSULATED - RED
	008314-01-000	EA CONNECTOR-WIRE NUT, INSULATED - GRAY
	008328-01-000	EA TERMINAL-RING, 18/14 WIRE - 3/8" STUD
	008328-01-000	EA TERMINAL-RING, 12/10 WIRE - #10 STUD FIT
	008331-01-000	EA TERMINAL-RING, TONGUE - #4 WIRE - 3/8" STUD - COPPER
	008348-01-000	EA TERMINAL-RING, 3/8" STUD - #2 WIRE
	008356-01-000	EA CONNECTOR-CABLE CLAMPING, 3/4"
	008368-01-000	EA CONNECTOR-PLASTIC, 3/8" AVG
	008398-01-000	EA CONNECTOR-1/2" X 90 DEGREE, FLEX CONDUIT - UL AND CSA
	035416-04-000	EA TERMINAL-RING #10 STUD FIT, INSULATED BARREL #18/14
	047443-01-000	EA TERMINAL-.250 RECEP. FIT, INSULATED - 18/14 AWG
	058028-01-000	EA CONNECTOR-ELECTRICAL PIGTAIL, NYLON - CLEAR
	083910-01-000	EA HOUSING-RELAY, BOSCH 3 334 485 008
	080015-02-000	EA RECEPTACLE-FLAG, .185 - 18/14 GA - AMP 3
	088473-03-000	EA HOUSING-PIN, 9-POSITION
	088473-08-000	EA HOUSING-PIN, 4 POSITION
	088473-10-000	EA PIN-HOUSING, 2 POSITION
	088474-03-000	EA HOUSING-SOCKET, 9-POSITION
	088474-07-000	EA HOUSING-SOCKET, 5 CAVITY - AMP 1-480784-0
	088474-08-000	EA SOCKET-HOUSING, 4 POSITION (SINGLE ROW)
	088474-09-000	EA HOUSING-SOCKET, 3 POSITION
	088474-10-000	EA HOUSING-SOCKET, 2 POSITION
	088475-01-000	EA PIN-CONNECTOR, 14 TO 20 AWG
	088476-01-000	EA SOCKET-CONNECTOR, BRASS - PRE-TIN
	088476-02-000	EA SOCKET-CONNECTOR, 12-10 GA - PHOS. BRONZE - PRE-TIN
	088474-10-000	EA HOUSING-SOCKET, 2 POSITION

1993 WINNEBAGO
TABLE OF CONTENTS

INTRODUCTION	A-01	A-02
ABBREVIATIONS		A-03
ALPHABETICAL INDEX	A-04	A-08
WT321RB	A-07	C-22
WT321RL	C-23	F-16
WT321RD	F-17	I-10

1993 WT321RB INDEX

FLOOR PLAN	A-07	A-08
ACCESSORIES		A-09
AUDIO VIDEO		A-10
BATH	A-11	A-12
CHASSIS	A-13	A-14
CURTAIN & CUSHION	A-15	A-21
DINETTE		A-22
DRIVERS COMPARTMENT		A-23
ELECTRICAL	A-24	B-03
EXTERIOR BODY	B-04	B-08
GALLEY	B-09	B-13
GENERATOR		B-14
HEATING & A/C		B-15
INTERIOR FINISH	B-16	B-18
LABELS	B-19	B-24
LP		C-01
LOUNGE		C-02
SEALANTS & FASTENERS	C-03	C-04
WATER & SEWAGE	C-05	C-08
WINDOW, VENT AND		
EXTERIOR DOOR	C-09	C-22

ELECTRICAL GROUP (CONTINUED)

BOXES, CONDUIT & COVERS

KEY	PART NUMBER	U/M DESCRIPTION
	008289-01-000	EA BOX-PLASTIC ELECTRIC, 3' X 3 1/2'
	008289-01-000	EA BOX-ELECTRIC, STEEL - 1/2" AND 3/4" KNOCKOUTS - 4' X 4'
	068040-01-000	EA BOX-ELECTRIC SWITCH, 2' X 3' X 2.25"
	091910-01-000	EA BOX-ELECTRIC, 3.75' X 3.5' X 1.75' - PLASTIC
	003803-01-000	EA BOX-ELECTRIC, 4' X 2 1/8' X 2 1/8' - STEEL
	107186-01-01A	EA BOX-CIRCUIT BREAKER MOUNT, 14.6" X 4" - BLACK PLASTIC
	041953-01-000	FT CONDUIT-CONVOLUTE SLIT, .5" ID
	041953-03-000	FT CONDUIT-CONVOLUTE SLIT, 1" ID (CLOTHES ROD COVER)
	041953-05-000	FT CONDUIT-CONVOLUTE SOLID, .62" ID
	041953-06-000	FT CONDUIT-CONVOLUTE SLIT, .375" ID
	041953-07-000	FT CONDUIT-CONVOLUTE SLIT, .25" ID
	041953-09-000	FT CONDUIT-CONVOLUTE SLIT, .50" ID
	008294-01-000	EA COVER-ELECTRICAL BOX, BLANK/STEEL - 4' X 4' - GRAY
	054250-04-000	EA COVER-ANGLED, W/O HOLE - 3.6" X 4.5" - PLASTIC - OFF WHITE ELECTRICAL PLATE SUPPORT
	069238-01-000	EA COVER-ELECTRICAL BOX, WHOLE - 4' X 4' - GRAY USED WITH 30 AMP RECEPTACLE
	073816-04-000	EA COVER-ELECTRIC, 10.4" X 7.8" - BEIGE PLASTIC

SOLENOID, POWER CONVERTER & POWER CORDS

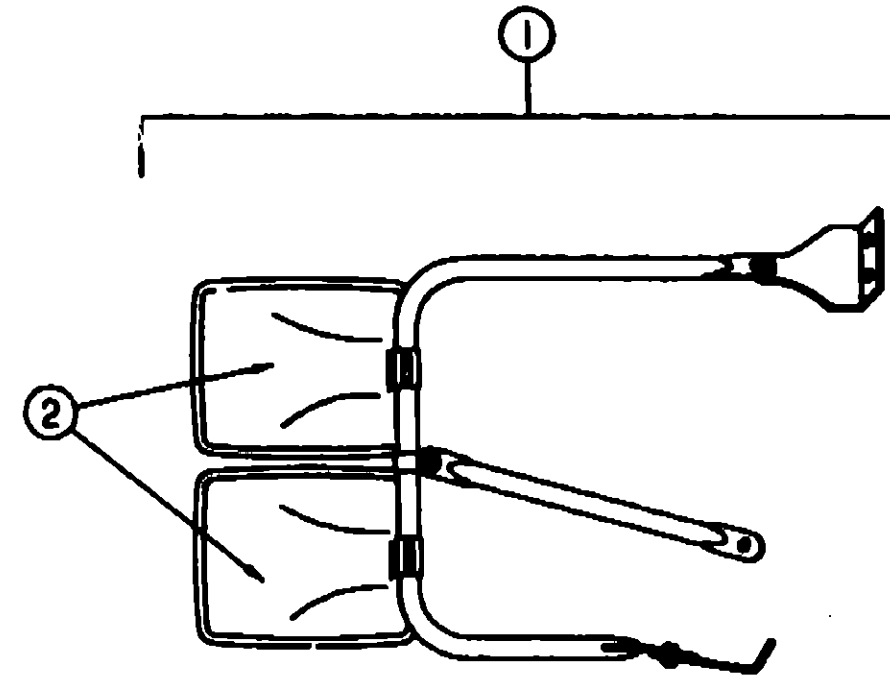
KEY	PART NUMBER	U/M DESCRIPTION
	008188-01-000	EA SOLENOID-3 POST, BATTERY CHANGE OVER
	083208-01-000	EA CONVERTER-POWER 32A -120V/12V - BW 8332
	008062-01-000	EA CORD-POWER, 10/3 - 30 AMP - 25' - CANADIAN
	008064-02-000	EA CORD-POWER, 10-3 - 30 AMP - 33'

KEY	PART NUMBER	U/M DESCRIPTION
	1 084445-01-000	EA MIRROR-EXT. MIRROR, PASSENGER SIDE - VELVAC 712724-7
	1 084445-04-000	EA MIRROR-EXT. MIRROR, DRIVER SIDE - VELVAC 712725-7
	2 084445-03-700	EA HEAD-MIRROR, FLAT GLASS - DRIVER OR PASS SIDE - VELVAC 704178-5
	2 084445-03-701	EA HEAD-MIRROR, CONVEX GLASS - DRIVER OR PASS SIDE - VELVAC 704187-5

ALUMINUM, FIBERGLASS & STYROFOAM

KEY	PART NUMBER	U/M DESCRIPTION
	044487-01-001	EA SHEET-ALUMINUM, (ROOF) - .010" X 96" X 360" - MILL FINISH
	001064-01-011	EA SHEET-ALUMINUM, FLAT - .024" X 48" X 96" - OFF WHITE
	077517-24-000	EA SHEET-FIBERGLASS, FLAT - 48" X 96" - OFF WHITE
	078054-03-005	EA SHEET-FIBERGLASS, FLAT - 48" X 224" - OFF WHITE
	078054-07-001	EA SHEET-FIBERGLASS, FLAT - 41" X 27" - OFF WHITE
	078054-A2-000	EA SHEET-FIBERGLASS, FLAT - 25" X 48" - OFF WHITE
	000870-02-000	SF STYROFOAM-1 1/2" X 48" X 96" - INCREMENTS OF 32 SF
	000870-05-000	SF STYROFOAM-.5" X 24" X 96" - INCREMENTS OF 16 SF
	083574-03-000	SF STYROFOAM-3/4" X 45" X 96" - INCREMENTS OF 32 SF

EXTERIOR BODY GROUP



EXTERIOR MIRRORS

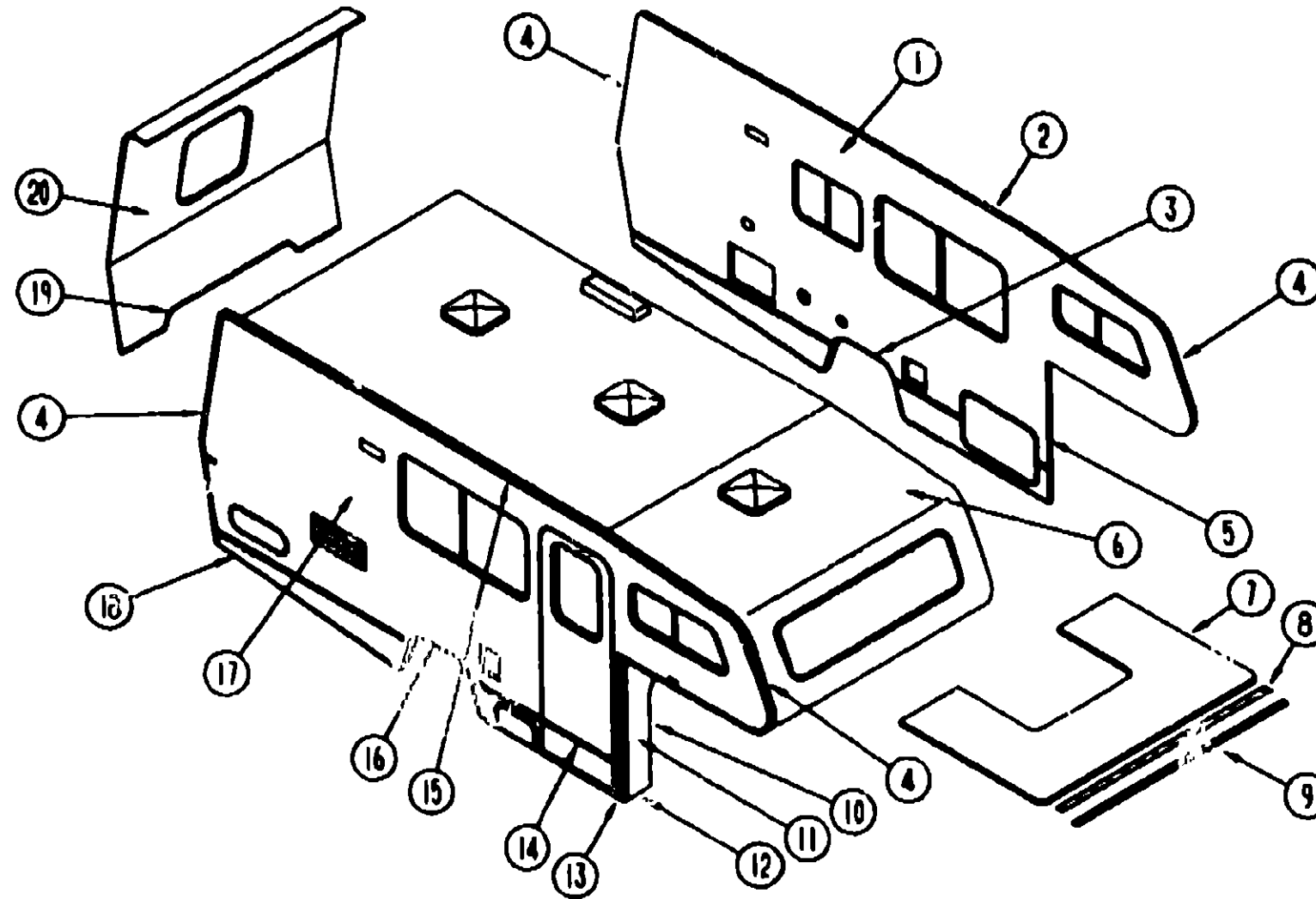
1993 WINNEBAGO TABLE OF CONTENTS

INTRODUCTION	A-01	A-02
ABBREVIATIONS		A-03
ALPHABETICAL INDEX	A-04	A-08
WT321RB	A-07	C-22
WT321RL	C-23	F-16
WT321RD	F-17	I-10

1993 WT321RB INDEX

FLOOR PLAN	A-07	A-08
ACCESSORIES		A-09
AUDIO VIDEO		A-10
BATH	A-11	A-12
CHASSIS	A-13	A-14
CURTAIN & CUSHION	A-15	A-21
DINETTE		A-22
DRIVERS COMPARTMENT		A-23
ELECTRICAL	A-24	B-03
EXTERIOR BODY	B-04	B-08
GALLEY	B-09	B-13
GENERATOR		B-14
HEATING & A/C		B-15
INTERIOR FINISH	B-16	B-18
LABELS	B-19	B-24
LP		C-01
LOUNGE		C-02
SEALANTS & FASTENERS	C-03	C-04
WATER & SEWAGE	C-05	C-08
WINDOW, VENT AND		
EXTERIOR DOOR	C-09	C-22

EXTERIOR BODY GROUP (CONTINUED)
EXTERIOR BODY PANELS & TRIM



**1993 WINNEBAGO
TABLE OF CONTENTS**

INTRODUCTION	A-01 -	A-02
ABBREVIATIONS		A-03
ALPHABETICAL INDEX	A-04 -	A-08
WT321RB	A-07 -	C-22
WT321RL	C-23 -	F-16
WT321RD	F-17 -	I-10

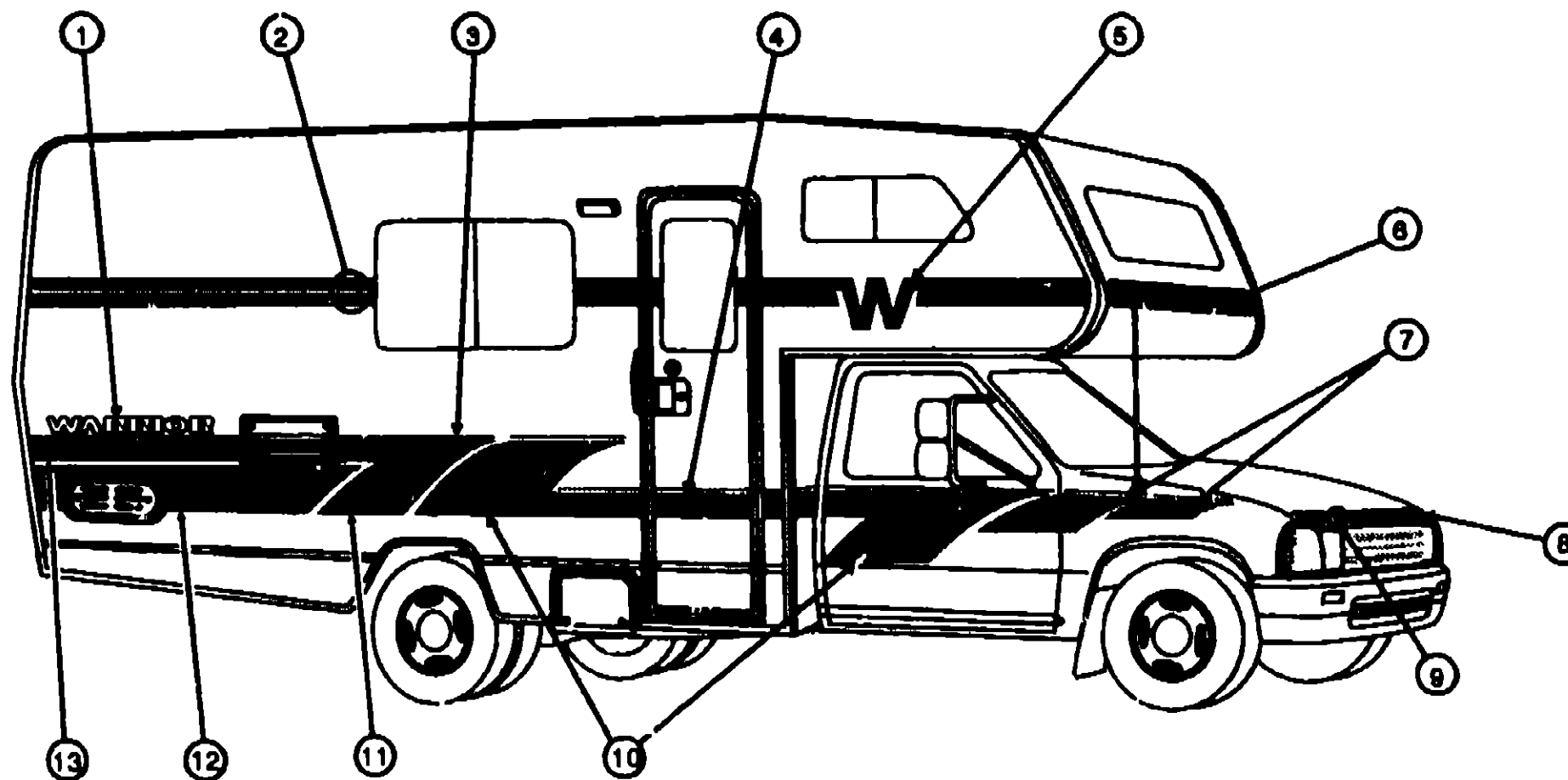
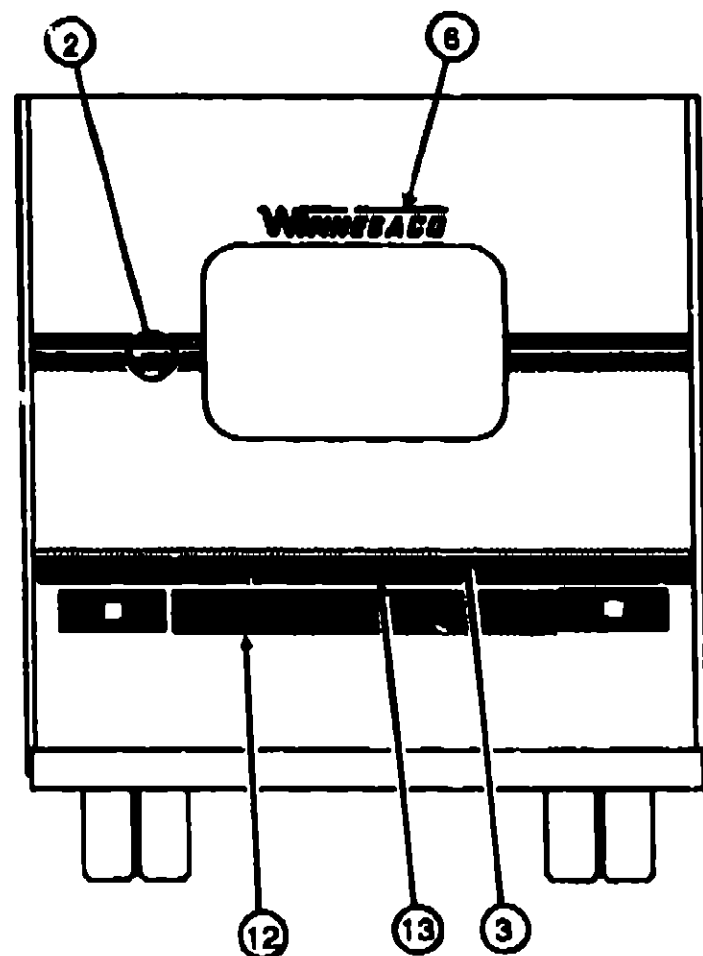
1993 WT321RB INDEX

FLOOR PLAN	A-07 -	A-08
ACCESSORIES		A-09
AUDIO VIDEO		A-10
BATH	A-11 -	A-12
CHASSIS	A-13 -	A-14
CURTAIN & CUSHION	A-15 -	A-21
DINETTE		A-22
DRIVERS COMPARTMENT		A-23
ELECTRICAL	A-24 -	B-03
EXTERIOR BODY	B-04 -	B-08
GALLEY	B-09 -	B-13
GENERATOR		B-14
HEATING & A/C		B-15
INTERIOR FINISH	B-16 -	B-18
LABELS	B-19 -	B-24
LP		C-01
LOUNGE		C-02
SEALANTS & FASTENERS	C-03 -	C-04
WATER & SEWAGE	C-05 -	C-08
WINDOW, VENT AND EXTERIOR DOOR	C-09 -	C-22

KEY	PART NUMBER	U/M DESCRIPTION
1	P03587-01-D01	EA SIDEWALL-DRIVER SIDE, W/O DOORS OR WINDOWS
	002728-01-001	EA GARNISH-U-CHANNEL, 1.38" X 1.0" - SERRATED - MILL ALUMINUM
2	098864-01-01A	EA TRIM-CONTOUR, ROOF TO SIDEWALL - DR OR PASS - 120"
3	100800-02-01A	EA TRIM-WHEELWELL, REAR - DRIVER SIDE - OFF WHITE
4	099864-01-01A	EA TRIM-CONTOUR, W/O VINYL INSERT - 108" - OFF WHITE
	106312-01-01A	FT INSERT-TRIM, VINYL - OFF WHITE
5	098970-06-01A	EA TRIM-WINGWALL, DRIVER SIDE VERTICAL - 48 5" - OFF WHITE FROM: 00-00-00 THRU 09-27-92
5	104479-06-01A	EA TRIM-WINGWALL, DRIVER SIDE VERTICAL - OFF WHITE FROM: 09-28-92 THRU 99-99-99
6	P07830-01-D01	EA ROOF ASSEMBLY-W/O VENTS OR LIGHTS
	M78177-01-70J	EA SECTION ROOF, OVER CAB TO FIRST ROOF SEAM
7	P00072-01-B05	EA PANEL-SLEEPERBOARD, W/O INTERIOR TRIM
8	100086-01-01A	EA TRIM-STRIP, SLEEPERBOARD - FLAT W/SCREW HOLES
9	100086-01-01A	EA TRIM-SLEEPERBOARD TO ROOF - OFF WHITE
10	099334-01-000	FT VINYL-EXTERIOR, BETWEEN WINGWALL & CAB SEAL - WHITE
11	100882-01-B05	EA WINGWALL-PASSENGER
	100882-02-B05	EA WINGWALL-DRIVER
12	084704-02-000	EA TRIM-WINGWALL, OFF WHITE - DRIVER OR PASS SIDE
13	098970-05-01A	EA TRIM-WINGWALL, PASSENGER SIDE VERTICAL - 48 5" - OFF WHITE FROM: 00-00-00 THRU: 09-27-92
13	104479-07-01A	EA TRIM-WINGWALL, PASSENGER SIDE VERTICAL - OFF WHITE FROM 09 28 92 THRU 99-99-99

KEY	PART NUMBER	U/M DESCRIPTION
14	002444-04-002	EA STRIP-FEATURE, W/O INSERT - 15' LONG - OFF WHITE FROM 00-00-00 THRU 03-16-93
	009731-01-000	EA END CAP-FEATURE STRIP FROM: 00-00-00 THRU 03-16-93
	001030-02-003	EA INSERT-FEATURE STRIP, 17' LONG - OFF WHITE
	108851-01-000	EA CAP-FEATURE STRIP, MILL FROM: 03-17-93 THRU: 99-99-99
	108888-01-01A	EA STRIP-FEATURE, W/O INSERT - 15' LONG - OFF WHITE FROM: 03-17-93 THRU 99-99-99
	069726-02-000	EA BUMPER-88" DIAMETER X .40", BLACK
15	100483-01-01A	EA TRIM-CONTOUR, ROOF (AWNING) - OFF WHITE
	099583-55-001	EA RAIL-AWNING, 10' LONG - OFF WHITE
16	100800-03-01A	EA TRIM-WHEELWELL, REAR - PASS SIDE - OFF WHITE
17	P07585-01-D01	EA SIDEWALL-PASSENGER SIDE, W/O DOORS OR WINDOWS
18	002776-03-012	EA EXTRUSION-U CHANNEL, 1.75" X 1.92" - OFF WHITE
	102786-51-001	EA EXTRUSION-U CHANNEL, 1.5" X 12' LONG - MILL ALUMINUM
	098787-51-001	EA EXTRUSION-U CHANNEL, 10 DEGREE ANGLE - 1.26" X 15' LONG - MILL ALUMINUM
19	085004-01-000	EA TRIM-BACKWALL, LOWER - OFF WHITE - DRIVER OR PASSENGER SIDE
	002385-01-001	EA U-CHANNEL, 1" X 1.8" - SERRATED - MILL ALUMINUM
20	P07584-01-D01	EA BACKWALL-W/O WINDOW, LIGHTS, OR DECALS

EXTERIOR BODY GROUP (CONTINUED)
DECALS STRIPES & PAINT



1993 WINNEBAGO
TABLE OF CONTENTS

INTRODUCTION	A-01 -	A-02
ABBREVIATIONS		A-03
ALPHABETICAL INDEX	A-04 -	A-08
WT321RB	A-07 -	C-22
WT321RL	C-23 -	F-18
WT321RD	F-17 -	I-10

1993 WT321RB INDEX

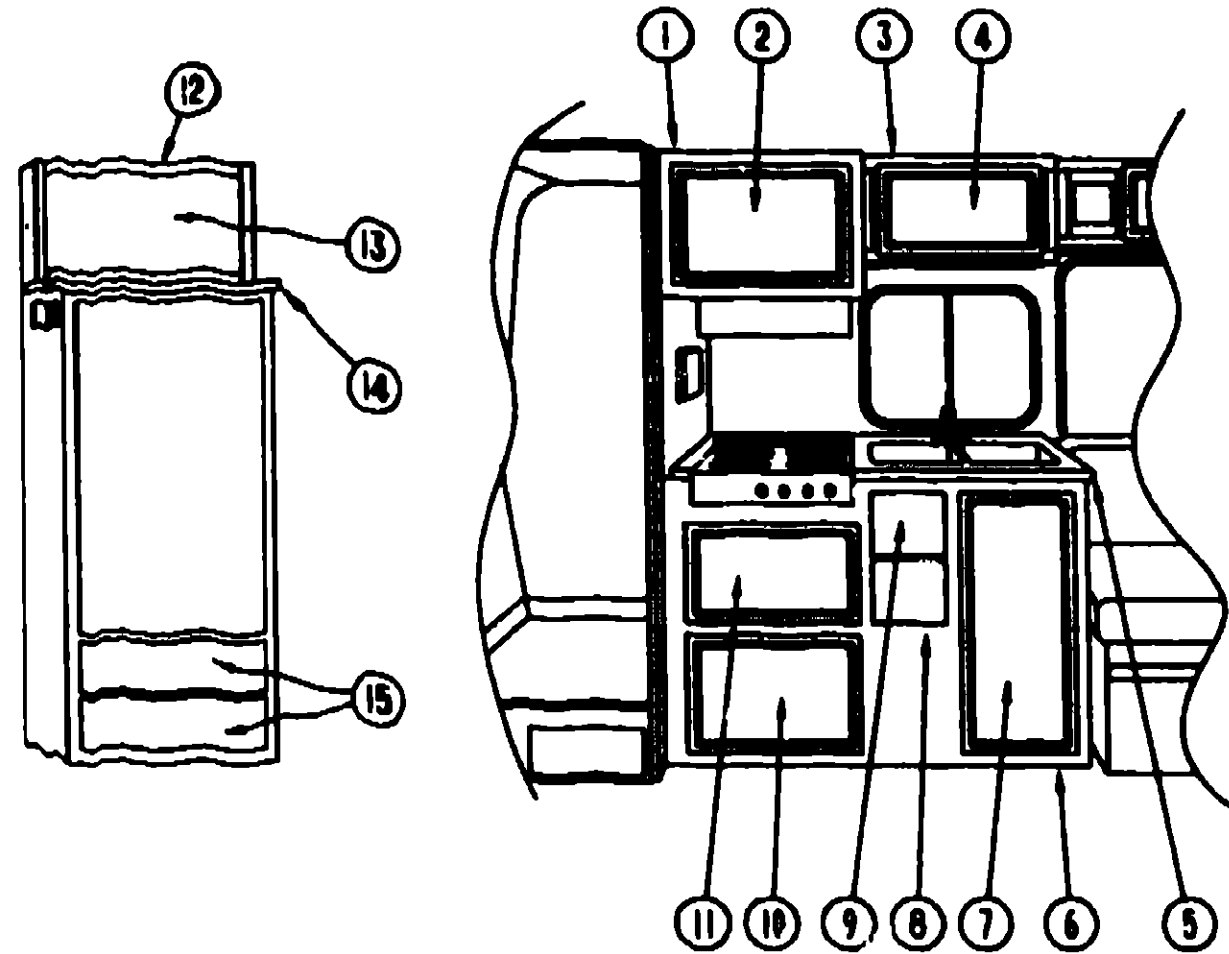
FLOOR PLAN	A-07 -	A-08
ACCESSORIES		A-09
AUDIO VIDEO		A-10
BATH	A-11 -	A-12
CHASSIS	A-13 -	A-14
CURTAIN & CUSHION	A-15 -	A-21
DINETTE		A-22
DRIVERS COMPARTMENT		A-23
ELECTRICAL	A-24 -	B-03
EXTERIOR BODY	B-04 -	B-08
GALLEY	B-09 -	B-13
GENERATOR		B-14
HEATING & AC		B-18
INTERIOR FINISH	B-19 -	B-18
LABELS	B-19 -	B-24
LP		C-01
LOUNGE		C-02
SEALANTS & FASTENERS	C-03 -	C-04
WATER & SEWAGE	C-05 -	C-08
WINDOW, VENT AND		
EXTERIOR DOOR	C-09 -	C-22

KEY	PART NUMBER	UM DESCRIPTION
1	107384-01-01A	EA DECAL-LOGO, WARRIOR - LARGE
2	094443-12-01A	FT FILM-MULTISTRIPE, 3 STRIPES - 148.1 MM
3	107385-01-01A	FT STRIPE-1 LINE, 12.4 MM
4	107385-03-01A	FT STRIPE-1 LINE, 69.9 MM
5	063891-08-01A	EA DECAL-FLYING W, 184.2 MM HIGH
6	060313-53-000	EA DECAL-LOGO, WINNEBAGO - 2 8" HIGH
7	107372-01-01A	EA DECAL-FENDER, PASSENGER SIDE
	107372-02-01A	EA DECAL-FENDER, DRIVER SIDE
8	107384-02-01A	EA DECAL-LOGO, WARRIOR - SMALL
9	105781-06-01A	FT FILM-MULTISTRIPE, 2 STRIPES - 44.5 MM
10	107383-01-01A	EA DECAL-ANGLE, PASSENGER SIDE
	107383-02-01A	EA DECAL-ANGLE, DRIVER SIDE
11	107383-01-02A	EA DECAL-ANGLE, PASSENGER SIDE
	107383-02-02A	EA DECAL-ANGLE, DRIVER SIDE
12	107385-04-01A	FT STRIPE-1 LINE, 171.5 MM
13	107385-02-01A	FT STRIPE-1 LINE, 50.8 MM

DUPONT COLOR CODES

OFF WHITE	L8723
SURF BLUE	G9064
LIGHT RUTILE	G9859K
LIGHT JADESTAR	G9848

GALLEY GROUP
GALLEY CABINETS & COMPONENTS



1993 WINNEBAGO
TABLE OF CONTENTS

INTRODUCTION	A-01 -	A-02
ABBREVIATIONS		A-03
ALPHABETICAL INDEX	A-04 -	A-05
WT321RB	A-07 -	C-22
WT321RL	C-23 -	F-16
WT321RD	F-17 -	I-10

1993 WT321RB INDEX

FLOOR PLAN	A-07 -	A-08
ACCESSORIES		A-09
AUDIO VIDEO		A-10
BATH	A-11 -	A-12
CHASSIS	A-13 -	A-14
CURTAIN & CUSHION	A-15 -	A-21
DINETTE		A-22
DRIVERS COMPARTMENT		A-23
ELECTRICAL	A-24 -	B-03
EXTERIOR BODY	B-04 -	B-06
GALLEY	B-06 -	B-13
GENERATOR		B-14
HEATING & A/C		B-15
INTERIOR FINISH	B-16 -	B-18
LABELS	B-19 -	B-24
LP		C-01
LOUNGE		C-02
SEALANTS & FASTENERS	C-03 -	C-04
WATER & SEWAGE	C-05 -	C-06
WINDOW, VENT AND EXTERIOR DOOR	C-09 -	C-22

KEY	PART NUMBER	U/M DESCRIPTION
1	M06159-04-D01	EA CABINET-OVERHEAD, W/O DOORS OR HARDWARE
2	P03701-77-D01	EA DOOR-CABINET, W/O HARDWARE - 14.9" X 21.8"
3	M06159-03-D01	EA CABINET-OVERHEAD, W/O DOORS OR HARDWARE
4	P03701-78-D01	EA DOOR-CABINET, W/O HARDWARE - 12" X 21.8"
	103235-01-B06	EA RACK-SPACE - DELUXE OPTION
5	107558-11-D01	EA COUNTERTOP-GALLEY CABINET
6	M04164-23-D01	EA CABINET-GALLEY, W/O DOORS OR HARDWARE - STANDARD US
6	M04164-24-D01	EA CABINET-GALLEY, W/O DOORS OR HARDWARE - CANADIAN OPTION FROM: 00-00-00 THRU: 03-07-93
6	M04164-23-D01	EA CABINET-GALLEY, W/O DOORS OR HARDWARE - CANADIAN OPTION FROM: 03-08-93 THRU: 99-99-99
6	M04164-27-D01	EA CABINET-GALLEY, W/O DOORS OR HARDWARE - RANGE WOVEN OPTION US
6	M04164-28-D01	EA CABINET-GALLEY, W/O DOORS OR HARDWARE - RANGE WOVEN OPTION CANADA FROM: 00-00-00 THRU: 03-07-93
6	M04164-27-D01	EA CABINET-GALLEY, W/O DOORS OR HARDWARE - RANGE WOVEN OPTION CANADA FROM: 03-08-93 THRU: 99-99-99
6	M04164-25-D01	EA CABINET-GALLEY, W/O DOORS OR HARDWARE MICROWAVE OVEN & POWER PACK OPTIONS US
6	M04164-25-D01	EA CABINET-GALLEY, W/O DOORS OR HARDWARE MICROWAVE OVEN & POWER PACK OPTIONS - CANADIAN FROM: 00-00-00 THRU: 03-07-93
6	M04164-25-D01	EA CABINET-GALLEY, W/O DOORS OR HARDWARE MICROWAVE OVEN & POWER PACK OPTIONS - CANADIAN FROM: 03-08-93 THRU: 99-99-99
7	P03701-15-D01	EA DOOR-CABINET, W/O HARDWARE - 12" X 25.9"
8	P07104-C3-D01	EA DRAWER-CABINET, W/O HARDWARE - 6.1" X 12" FACE SIZE
9	P07104-C5-D01	EA DRAWER-CABINET, W/O HARDWARE - 6.1" X 12" FACE SIZE

KEY	PART NUMBER	U/M DESCRIPTION
10	P03701-78-D01	EA DOOR-CABINET, W/O HARDWARE - 21.8" X 14.9"
11	P03701-75-D01	EA DOOR-CABINET, W/O HARDWARE - 21.8" X 12"
	099858-02-000	EA STRAP-TIEDOWN, MICROWAVE - BLACK
	098335-02-D09	EA RAIL-GALLEY, 22.2" LONG
	103243-01-000	EA FAUCET-GALLEY, DUAL CONTROL - 8" CENTERSET
	086437-01-000	EA STRAINER-SINK, GALLEY W/BASKET
	086437-01-700	EA BASKET-STRAINER, GALLEY SINK
	086435-01-000	EA NUT-STRAINER
	102551-03-000	EA SINK-GALLEY, DOUBLE W/MOUNTING HARDWARE - STAINLESS STEEL
	102551-04-300	EA SINK-GALLEY, DOUBLE W/MOUNTING HARDWARE - STAINLESS STEEL - CANADIAN
	103610-02-D01	EA COVER-SINK
	080329-01-000	FT SEAL-T, REFRIGERATOR CABINET - 6" WIDE TOP X 2" TAIL
	006380-01-000	EA GROMMET-RUBBER, 5/8" HOLE X 1 1/2" DIAMETER - BLACK
12	M06159-11-D01	EA CABINET-OVERHEAD, W/O DOOR OR HARDWARE - DELUXE OPTION
13	P03701-79-D01	EA DOOR-CABINET, W/O HARDWARE - 10" X 19 1/2" - DELUXE OPTION
	058331-18-000	EA MIRROR-GLASS, SAFETY - 11 25" X 22 4" - DELUXE OPTION
	058331-46-000	EA MIRROR-GLASS, SAFETY - 9.8" X 22.4" - DELUXE OPTION
14	107557-11-D01	EA COUNTERTOP-REFRIGERATOR CABINET
	084070-01-000	EA POST-CENTER, 2 4" - BRASS - DELUXE OPTION
	084070-02-000	EA POST-END, 2 4" - BRASS - DELUXE OPTION
	084071-07-000	EA ROD-BRASS, 18.1" LONG - DELUXE OPTION
	084071-10-000	EA ROD-BRASS, 588 MM LONG - DELUXE OPTION
	084071-11-000	EA ROD-BRASS, 358 MM LONG - DELUXE OPTION
15	P07104-C1-D01	EA DRAWER-CABINET, W/O HARDWARE - 6.1" X 23" FACE SIZE

GALLEY GROUP (CONTINUED)

STANDARD REFRIGERATOR

KEY	PART NUMBER	U/M DESCRIPTION
	101991-02-000	EA REFRIGERATOR-2 WAY, 4 CU FT - DOMETIC RM2410
	101991-01-713	EA DRIP CHUTE, DOMETIC 2007507003
	101991-01-715	EA SHELF LOCK, OUTER - DOMETIC 2007389018
	101991-01-716	EA SHELF LOCK, INNER - DOMETIC 2007382018
	101991-01-717	EA SPRING HOUSING, LH - DOMETIC 2002238004
	101991-01-718	EA SPRING HOUSING, RH - DOMETIC 2002238012
	101991-01-719	EA SPRING, LH - DOMETIC 2002237002
	101991-01-720	EA SPRING, RH - DOMETIC 2002237010
	101991-01-721	EA CARRIER, DOMETIC 2002238000
	101991-01-725	EA SHUTTER, CPL/WHITE - DOMETIC 2002238085
	101991-01-728	EA HINGE, DOMETIC 2002244008
	101991-01-727	EA GASKET, DOMETIC 2000917019
	101991-01-728	EA PUSH BUTTON, GRAY/BROWN - DOMETIC 2007479054
	101991-01-730	EA KNOB-SELECTOR, 12/120V - GRAY/BROWN - DOMETIC 2007480177
	101991-01-740	EA THERMO ELECTRIC SAFETY VALVE, DOMETIC 2007422005
	101991-01-742	EA COUPLING, DOMETIC 2007518000
	101991-01-743	EA THERMOSTAT-DUAL, DOMETIC 2007198009
	101991-01-744	EA BYPASS SCREW, DOMETIC 0172819039
	101991-01-745	EA CUTOFF VALVE, DOMETIC 2007430008
	101991-01-746	EA SWITCH, DOMETIC 2007432004
	101991-01-747	EA SPRING, DOMETIC 2007577014
	101991-01-748	EA SPRING, DOMETIC 2007578004
	101991-01-749	EA LIGHTER, DOMETIC 2007422003
	101991-01-750	EA SPRING, DOMETIC 2007422008
	101991-01-752	EA ELECTRODE, DOMETIC 2000379009
	101991-01-753	EA SEALING RING, DOMETIC 0140748005
	101991-01-754	EA SNAP CATCH FOR 12/120V, DOMETIC 2930066028
	101991-01-756	EA BURNER RETAINER, DOMETIC 2007851009
	101991-01-757	EA BURNER JET NO 39 FOR PROPANE, DOMETIC 2007419159
	101991-01-759	EA HEATER, 120V/180W - DOMETIC 0173758018
	101991-02-700	EA DECORATION-#14, DOMETIC 2931583-03/9
	101991-02-701	EA HANDLE-#8, DOMETIC 2931800-01/5
	101991-02-702	EA DOOR-#1, DOMETIC 2931588-11/5
	101991-02-703	EA FRONT PANEL-#19, DOMETIC 2931293-02/7
	101991-02-706	EA COOLING UNIT, 335A - DOMETIC 293433699/9
	101991-02-707	EA HOLDER-BOTTLE, 7 1/2" - DOMETIC 2930715-05/3
	101991-02-708	EA HOLDER-BOTTLE, 8" - DOMETIC 2930715-00/1
	101991-02-709	EA SHELF-DOOR, DOMETIC 2002281-22/8
	101991-02-710	EA SHELF-DOOR, DOMETIC 2000571-22/0
	101991-02-711	EA KNOB, DOMETIC 2007480-21/9
	101991-02-714	EA HINGE-UPPER, DOMETIC 293129101/3
	101991-02-715	EA PLATE-MOUNTING, RIGHT - DOMETIC 293129701/0
	101991-02-716	EA PLATE-MOUNTING, LEFT - DOMETIC 293129702/8
	101991-02-717	EA PIN-HINGE, UPPER - DOMETIC 293128801/9
	101991-02-718	EA HINGE-LOWER, RIGHT - DOMETIC 293153901/5
	101991-02-719	EA HINGE-LOWER, LEFT - DOMETIC 293153901/7
	101991-02-720	EA PIN-HINGE, LOWER - DOMETIC 293128801/3
	101991-02-721	EA PLUG - DOMETIC 293151003/2
	101991-02-722	EA SEALING - DOMETIC 2931574012
	101991-02-723	EA BASE-FRONT, DOMETIC 2931528018
	101991-02-724	EA CATCH - DOMETIC 2931511014
	101991-02-725	EA SHELF W/NOTCH OUT - DOMETIC 2930133133
	101991-02-726	EA SHELF - DOMETIC 2002652333
	101991-02-727	EA THERMOCOUPLE, DOMETIC 2007417006
	101991-02-728	EA TERMINAL BLOCK, DOMETIC 7827202582
	101991-02-730	EA TERMINAL BLOCK, DOMETIC 2002633010
	101991-02-731	EA SHAFT-THERMOSTAT, DOMETIC 20074771002
	101991-02-732	EA SHAFT-SWITCH, DOMETIC 20074775003
	103251-01-01A	EA INSERT-1/8" X 20 3/4" X 27.8", BLACK ACRYLIC - DELUXE OPTION

GALLEY GROUP (CONTINUED)

JAPAN EXPORT OPTION L048

KEY	PART NUMBER	U/M DESCRIPTION
	084473-04-000	EA REFRIGERATOR-3 WAY, 4.3 CU FT - NORCOLD 875-EG3
	084473-03-700	EA ELECTRODE ASSY, NORCOLD 818378
	084473-03-701	EA HEATER-AC (HORIZONTAL BURNER), NORCOLD 815825
	084473-03-704	EA DOOR GASKET (ALMOND)
	084473-03-709	EA PIN & CHAIN TRAVEL LOCK
	084473-03-710	EA RH BREAKER STRIP(BRN)
	084473-03-712	EA DOOR ASM-FREEZER, BROWN - NORCOLD 815248
	084473-03-714	EA MODE SELECTOR KNOB
	084473-03-715	EA THERMOSTAT KNOB
	084473-03-718	EA SWITCH-3-WAY, F/EG-2 & EG-3 - NORCOLD 818113
	084473-03-718	EA COOLING UNIT (HORIZONTAL BURNER) - NORCOLD 81887137
	084473-03-719	EA FLUE-HORIZONTAL BURNER, NORCOLD 816182
	084473-03-720	EA RELIGHTER, NORCOLD 818088
	084473-03-721	EA COMBINATION CONTROL - NORCOLD 818084
	084473-03-724	EA DOOR ASM-FREEZER, BLACK
	084473-03-727	EA LATCH-TRAVEL, MIDDLE - BLACK
	048865-01-713	EA PIN-HINGE, NORCOLD 811148
	084472-01-700	EA THERMOCOUPLE, NORCOLD 814363
	084472-01-728	EA HINGE TOP-LH CTR-LH LOWER RH, NORCOLD 81362822
	084472-03-700	EA HINGE PIN-BOTTOM, NORCOLD 815507
	084473-01-702	EA ORIFICE, NORCOLD 81452122
	084473-01-708	EA TOP BREAKER STRIP, NORCOLD 813438-32
	084473-01-716	EA CRISPER-COFFEE, 4 & 8 EG-2 - NORCOLD 815191
	084473-01-717	EA HILITE PINS, NORCOLD 814738
	084473-01-720	EA DAIRY KEEPER, BROWN, NORCOLD 81488837
	084473-01-721	EA DOOR GASKET, NORCOLD 813607-30
	084473-01-728	EA DOOR FRAME, NORCOLD 814288
	084473-01-727	EA CRISPER, NORCOLD 815180
	084890-01-713	EA MALE CONNECTOR(INLET FITTING) - NORCOLD 815258222
	084890-01-715	EA VALVE-SHUT OFF, MANUAL - NORCOLD 81887822
	088248-01-708	EA BURNER-HORIZONTAL, NORCOLD 81538122

REFRIGERATOR HARDWARE

KEY	PART NUMBER	U/M DESCRIPTION
	054480-01-000	EA LEVEL-REFRIGERATOR
	088225-03-000	EA PLATE-TIEDOWN, REFRIGERATOR
	083848-05-000	EA BRACKET ASM-TIEDOWN - REFRIGERATOR

MONITOR PANEL

KEY	PART NUMBER	U/M DESCRIPTION
	097818-01-000	EA WIRE ASM-MONITOR PANEL W/3 WIRES & ORANGE RESISTOR - LVS
	098449-01-000	EA WIRE ASSEMBLY-WATER TANK TO MONITOR PANEL
	102785-02-01A	EA PANEL-MONITOR, W/PLUG - FOR 2 TANKS - LVS
	102785-01-700	EA SWITCH-ON/OFF ALMOND - LVS 110-01
	097817-01-702	EA SWITCH-1/WAY ALMOND - LVS 107
	097817-01-703	EA CIRCUIT BOARD - LVS 5078-01

RANGE HOODS

KEY	PART NUMBER	U/M DESCRIPTION
	100258-16-01A	EA HOOD-RANGE, W/O MONITOR PANEL - VENTLINE - US TC85008NAD
	100258-17-01A	EA HOOD-RANGE, W/O MONITOR PANEL - VENTLINE - CANADIAN
	090973-01-700	EA MOTOR - LVS CA508-1
	090973-01-702	EA BLADE-FAN, LVS VA183-1
	092898-01-709	EA BULB-912, VENTLINE VA415
	092898-01-710	EA SOCKET-LIGHT, VENTLINE CB287-2
	098983-01-700	EA SWITCH-ON/OFF, VENTLINE 108
	098983-01-702	EA SWITCH-TWO WAY MOMENTARY, VENTLINE 112
	098983-01-707	EA FILTER-GREASE, 8" X 8" - LVS CC248
	098983-01-708	EA LENS-LAMP, VENTLINE CC179
	100258-01-700	EA HOOD-NOSE LABEL, CCA28
	100258-10-01A	EA METER-HOUR, VENTLINE 150

**1993 WINNEBAGO
TABLE OF CONTENTS**

INTRODUCTION	A-01 -	A-02
ABBREVIATIONS		A-03
ALPHABETICAL INDEX	A-04 -	A-08
WT321RB	A-07 -	C-22
WT321RL	C-23 -	F-18
WT321RD	F-17 -	I-10

1993 WT321RB INDEX

FLOOR PLAN	A-07 -	A-08
ACCESSORIES		A-09
AUDIO VIDEO		A-10
BATH	A-11 -	A-12
CHASSIS	A-13 -	A-14
CURTAIN & CUSHION	A-15 -	A-21
DINETTE		A-22
DRIVERS COMPARTMENT		A-23
ELECTRICAL	A-24 -	B-03
EXTERIOR BODY	B-04 -	B-08
GALLEY	B-09 -	B-13
GENERATOR		B-14
HEATING & A/C		B-15
INTERIOR FINISH	B-16 -	B-18
LABELS	B-19 -	B-24
LP		C-01
LOUNGE		C-02
SEALANTS & FASTENERS	C-03 -	C-04
WATER & SEWAGE	C-05 -	C-08
WINDOW, VENT AND		
EXTERIOR DOOR	C-09 -	C-22

GALLEY GROUP (CONTINUED)

RANGE WOVEN OPTION L13B

KEY	PART NUMBER	U/M DESCRIPTION
	102022-01-02A	EA RANGE-16", 4 BURNER - MAGIC CHEF BT16RA-4Z
	065282-03-705	EA TRIM-CABINET, LEFT - BLACK - MAGIC CHEF 3608F011-70
	065282-03-707	EA TRIM-CABINET, RIGHT - BLACK - MAGIC CHEF 3608F012-70
	088507-02-701	EA INSERT-BURNER (SLOTTED VENT), MAGIC CHEF 7214P015-60
	102020-01-700	EA SHELF-OVEN, MAGIC CHEF 7801-P027-60
	102020-01-701	EA HANDLE-DOOR, MAGIC CHEF 7701P082-60
	102020-01-702	EA PANEL-MANIFOLD, MAGIC CHEF 2616F060-70
	102020-01-704	EA PANEL-DOOR, BLACK - MAGIC CHEF 2401F075-70
	102020-01-708	EA BURNER ASSEMBLY-OVEN, MAGIC CHEF 3403W003-45
	102020-01-711	EA GRATE-TOP, MAGIC CHEF 7518P012-60
	102020-01-712	EA KNOB-BURNER VALVE, MAGIC CHEF 7733P044-60
	102020-01-713	EA KNOB-THERMOSTAT, MAGIC CHEF 7731P042-60
	102020-01-714	EA PILOT-OVEN, MAGIC CHEF 108-143
	102020-01-715	EA PIPE-MANIFOLD, MAGIC CHEF 7513P085-60
	102020-01-717	EA THERMOSTAT, MAGIC CHEF 7515P024-60
	102020-01-718	EA TOP-MAIN, ALMOND - MAGIC CHEF 2001F085-84
	102020-01-720	EA VALVE-MERCURY CONTROL, MAGIC CHEF 7501P056-60
	102020-01-722	EA VALVE-TOP BURNER, MAGIC CHEF 7502P095-60
	102020-01-723	EA PILOT-BURNER, MAGIC CHEF 7505P147-60
	102020-01-724	EA BUMPER-MAIN TOP, MAGIC CHEF 8003P006-60
	102022-01-702	EA PIPE-MANIFOLD, MAGIC CHEF 7513P085-60
	102022-01-703	EA REGULATOR-PRESSURE, MAGIC CHEF 7510P031-60
	102022-01-708	EA TRIM-LEFT, FLAT - MAGIC CHEF 3608W022-70
	102022-01-709	EA TRIM-RIGHT FLAT - MAGIC CHEF 3608W023-70
	055516-03-000	EA BRACKET-TIEDOWN, RANGE WOVEN FROM 00-00-00 THRU: 01-03-93
	055516-04-000	EA BRACKET-FRONT TIEDOWN, RANGE WOVEN FROM 00-00-00 THRU: 01-03-93
	105458-03-000	EA BRACKET-TIEDOWN, STOVE - RIGHT FROM 01-04-93 THRU 99-99-99
	105458-04-000	EA BRACKET-TIEDOWN, STOVE - LEFT FROM 01-04-93 THRU: 99-99-99

STANDARD RANGE

KEY	PART NUMBER	U/M DESCRIPTION
	102019-01-01A	EA TOP-RANGE, ALMOND TOP W/ALMOND TRIM - MAGIC CHEF BT85RA-4
	052583-04-701	EA KNOB-TOP BURNER, MAGIC CHEF 7733P039-60
	102019-01-700	EA TRIM-RIGHT, ALMOND - MAGIC CHEF 3608F015-74
	102019-01-701	EA TRIM-LEFT, ALMOND - MAGIC CHEF 3608F016-74
	102019-01-702	EA TRIM-REAR, ALMOND - MAGIC CHEF 3608F009-74
	102020-01-702	EA PANEL-MANIFOLD, MAGIC CHEF 2616F060-70
	102020-01-709	EA BUMPER-GRATE, MAGIC CHEF 8007P018-60
	102020-01-711	EA GRATE-TOP, MAGIC CHEF 7518P012-60
	102020-01-718	EA TOP-MAIN, ALMOND - MAGIC CHEF 2001F085-84
	102020-01-721	EA VALVE-SHUT OFF, MAGIC CHEF 7508F096-60
	102020-01-722	EA VALVE-TOP BURNER, MAGIC CHEF 7502P095-60
	102020-01-724	EA BUMPER-MAIN TOP, MAGIC CHEF 8003P006-60
	102022-01-703	EA REGULATOR-PRESSURE, MAGIC CHEF 7510P031-60
	051587-03-000	EA BRACKET-TIEDOWN, RANGE - RIGHT
	051587-04-000	EA BRACKET-TIEDOWN, RANGE - LEFT

MICROWAVE OVEN

KEY	PART NUMBER	U/M DESCRIPTION
	103049-01-000	EA OVEN-MICROWAVE, QUASAR MQS-0803W

GENERATOR GROUP

2,500 WATT KOHLER GENERATOR OPTION L32Y

KEY	PART NUMBER	U/M DESCRIPTION
	007087-01-000	SF INSULATION-FIBERGLASS, 1" THICK X 4' - INCREMENTS OF 4 SF
	080882-03-000	EA PIPE-EXHAUST, GENERATOR
	080749-02-000	EA MUFFLER-KOHLER, 2.5CM - 21 - KOHLER PA-228158
	080749-03-000	EA HARDWARE KIT-MUFFLER, 2.5 KOHLER - PA-228296
	083681-04-000	EA GENERATOR-2.5KW KOHLER, PA-177111 - W/CONTROL PANEL ASM

POWER PACK PACKAGE OPTION L36J

KEY	PART NUMBER	U/M DESCRIPTION
	007087-01-000	SF INSULATION-FIBERGLASS, 1" THICK X 4' - INCREMENTS OF 4 SF
	080882-03-000	EA PIPE-EXHAUST, GENERATOR
	080749-02-000	EA MUFFLER-KOHLER, 2.5CM - 21 - KOHLER PA-228158
	080749-03-000	EA HARDWARE KIT-MUFFLER, 2.5 KOHLER - PA-228296
	083681-04-000	EA GENERATOR-2.5KW KOHLER, PA-177111 - W/CONTROL PANEL ASM

**1993 WINNEBAGO
TABLE OF CONTENTS**

INTRODUCTION	A-01	A-02
ABBREVIATIONS		A-03
ALPHABETICAL INDEX	A-04	A-06
WT321RB	A-07	C-22
WT321RL	C-23	F-16
WT321RD	F-17	I-10

1993 WT321RB INDEX

FLOOR PLAN	A-07	A-08
ACCESSORIES		A-09
AUDIO VIDEO		A-10
BATH	A-11	A-12
CHASSIS	A-13	A-14
CURTAIN & CUSHION	A-15	A-21
DINETTE		A-22
DRIVERS COMPARTMENT		A-23
ELECTRICAL	A-24	B-03
EXTERIOR BODY	B-04	B-08
GALLEY	B-09	B-13
GENERATOR		B-14
HEATING & A/C		B-15
INTERIOR FINISH	B-16	B-18
LABELS	B-19	B-24
LP		C-01
LOUNGE		C-02
SEALANTS & FASTENERS	C-03	C-04
WATER & SEWAGE	C-05	C-06
WINDOW, VENT AND EXTERIOR DOOR	C-09	C-22

HEATING & AIR CONDITIONING GROUP

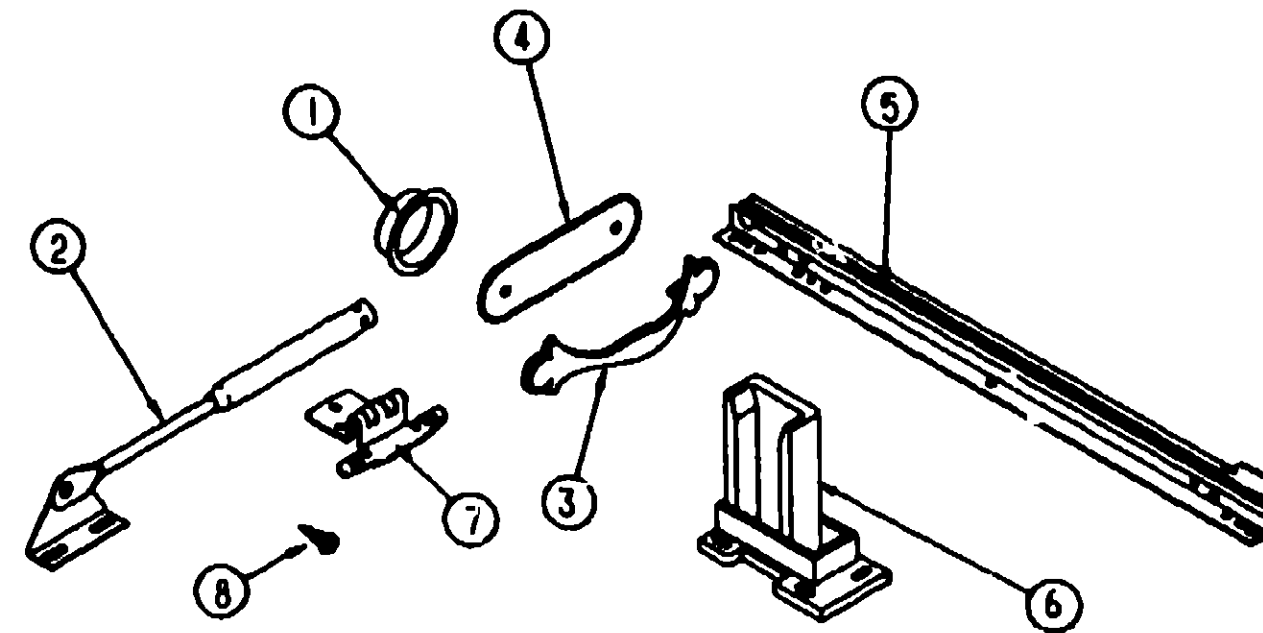
ROOF A/C

KEY	PART NUMBER	U/M DESCRIPTION
	093308-01-01A	EA AC ROOF 7100 BTU - ROTARY - IVORY - COLEMAN 6727D709
	093308-01-700	EA SHROUD-IVORY / BRONZE - W/O LOGO - COLEMAN 6727A5721
	093308-01-701	EA DECAL PKG. LEFT & RIGHT - COLEMAN 6799B3691
	093308-01-702	EA FAN CAPACITOR, FAN 5 MFD - COLEMAN 14994421
	093308-01-703	EA FAN-4 BLADE, 9" DIAMETER - COLEMAN 67073321
	093308-01-704	EA OVERLOAD, COLEMAN 6707A3751
	093308-01-705	EA MOTOR-115V1 BABDH2-PPM - COLEMAN 67273119
	093308-01-706	EA BLOWER WHEEL, 6 5/16" X 2 7/8" WVD - COLEMAN 67073281
	093308-01-707	EA START CAPACITOR, 47 - 56 MFD - 250 - COLEMAN 62503421
	093308-01-708	EA START RELAY, COLEMAN 9436-3151
	093308-01-711	EA CONDENSER COIL - COLEMAN 14520701
	093308-01-717	EA COMPRESSOR-PANASONIC, COLEMAN 1450-2019
	093308-01-716	EA COMPRESSOR-TECUMSEH, COLEMAN 6727-3669
	093308-01-712	EA COMPRESSOR, COLEMAN 6707C3579
	073742-02-704	EA RUN CAPACITOR (COMPRESSOR), COLEMAN 14994881
	093308-01-713	EA EVAPORATOR, COLEMAN 14520801
	037848-01-714	EA PACKAGE-GASKET, COLEMAN 6759-3281
	093307-01-000	EA CEILING ASM-AC COOL, IVORY - COLEMAN 6727D714
	093308-01-709	EA DECAL F/THERMOSTAT AND SELECTOR, COLEMAN 6727A3341
	076303-01-710	EA THERMOSTAT, COLEMAN 67330411
	076303-01-707	EA FILTER-6" X 14 7/8" X 5", 12 PER PKG - COLEMAN 6703A3151
	093308-01-710	EA SHROUD-CEILING, IVORY W/DECAL - COLEMAN 67273511
	093308-01-714	EA SWITCH-SELECTOR, COLEMAN 67273251
	076303-01-706	EA KNOB & BOLT PKG, COLEMAN 67275841
	076303-01-701	EA KNOB-CONTROL, COLEMAN 67333241
	102299-01-000	EA SPRING-SCREW, ROOF A/C GASKET - COLEMAN 6757-150

FURNACE

KEY	PART NUMBER	U/M DESCRIPTION
	101990-01-000	EA FURNACE-17,000 BTU, SUBURBAN DD-17D81
	089534-01-708	EA MODULE BOARD, SUBURBAN 231427
	089534-01-716	EA VALVE-MANUAL SHUTOFF, SUBURBAN 160740
	101990-01-700	EA MICROSWITCH, SUBURBAN 231759
	101790-01-701	EA COMBUSTION AIR WHEEL, SUBURBAN 350126
	101990-01-702	EA BURNER, SUBURBAN 010783
	101990-01-703	EA ROOM AIR IMPELLER, SUBURBAN 360125
	101990-01-704	EA MOTOR, SUBURBAN 231781
	101990-01-705	EA TIME DELAY RELAY, SUBURBAN 231769
	101990-01-706	EA TERMINAL STRIP, SUBURBAN 231770
	101990-01-707	EA VALVE, SUBURBAN 160952
	101990-01-708	EA ELECTRODE, SUBURBAN 231782
	101990-01-709	EA GRILLE ASSEMBLY, SUBURBAN 030789
	101990-01-710	EA LIMIT SWITCH, SUBURBAN 231768
	101990-01-711	EA ORIFICE, SUBURBAN 530415
	101990-01-713	EA MOTOR GASKET, SUBURBAN 070849
	101990-01-714	EA MICROSWITCH GASKET, SUBURBAN 230877
	101990-01-715	EA COMBUSTION AIR GASKET - FRONT - SUBURBAN 390536
	101990-01-716	EA COMBUSTION AIR GASKET - REAR - SUBURBAN 070860
	101990-01-717	EA MANIFOLD GASKET, SUBURBAN 070847
	101990-01-718	EA BURNER ACCESS DOOR GASKET, SUBURBAN 070860
	101990-01-719	EA MODULE BOARD (IF BEFORE DATE CODE 9112), SUBURBAN 231320
	101990-02-000	EA VENT-FURNACE, OUTSIDE - 4-6" - SUBURBAN 280198

INTERIOR FINISH GROUP



CABINET DOOR & DRAWER HARDWARE

KEY	PART NUMBER	U/M DESCRIPTION
1	009148-01-000	EA PULL-FINGER, .75" DIAMETER - BRASS
2	074493-02-000	EA SUPPORT-PISTON SPRING, CABINET DOOR
3	107436-01-000	EA PULL-CABINET, BRASS
4	100995-01-000	EA BACKPLATE-PULL, CABINET DOOR - 5.7" - BRASS FROM 00-00-00 THRU 08-16-92
5	108913-06-000	EA SLIDE-DRAWER, CABINET - LEFT SIDE - 18"
5	108913-08-000	EA SLIDE-DRAWER, CABINET - RIGHT SIDE - 18"
5	108913-07-000	EA SLIDE-DRAWER, DRAWER MOUNT - LEFT SIDE - 18"
5	108913-08-000	EA SLIDE-DRAWER, DRAWER MOUNT - RIGHT SIDE - 18"
5	108913-09-000	EA SLIDE-DRAWER, CABINET - LEFT SIDE - 18"
5	108913-10-000	EA SLIDE-DRAWER, CABINET - RIGHT SIDE - 18"
5	108913-11-000	EA SLIDE-DRAWER, DRAWER MOUNT - LEFT SIDE - 18"
5	108913-12-000	EA SLIDE-DRAWER, DRAWER MOUNT - RIGHT SIDE - 18"
6	107030-01-000	EA BACKSOCKET-ADJUSTABLE, LEFT SIDE
6	107030-02-000	EA BACKSOCKET-ADJUSTABLE, RIGHT SIDE
7	108138-01-000	EA HINGE-CABINET DOOR, BURNISHED BRASS
8	000G13-08-08G	EA SCREW-8-20 X 5/8 PFH - ANTIQUE BRASS
	105037-02-000	EA FASTENER-WOOD, CORNER - METAL - .5" X .6"
	004354-01-000	EA BUMPER-RUBBER, .5" DIA - BROWN
	023320-01-000	EA PAD-FELT, 3/8" DIAMETER - BROWN
	018604-01-000	EA BRACE-CABINET, ANGLE - 2 5" - METAL - UNPAINTED
	018604-03-000	EA BRACE-CABINET, ANGLE - 2 5" - METAL - BEIGE

1993 WINNEBAGO TABLE OF CONTENTS

INTRODUCTION	A-01	A-02
ABBREVIATIONS		A-03
ALPHABETICAL INDEX	A-04	A-06
WT321RB	A-07	C-22
WT321RL	C-23	F-16
WT321RD	F-17	I-10

1993 WT321RB INDEX

FLOOR PLAN	A-07	A-08
ACCESSORIES		A-09
AUDIO VIDEO		A-10
BATH	A-11	A-12
CHASSIS	A-13	A-14
CURTAIN & CUSHION	A-15	A-21
DINETTE		A-22
DRIVERS COMPARTMENT		A-23
ELECTRICAL	A-24	B-03
EXTERIOR BODY	B-04	B-06
GALLEY	B-09	B-13
GENERATOR		B-14
HEATING & AC		B-15
INTERIOR FINISH	B-16	B-18
LABELS	B-19	B-24
LP		C-01
LOUNGE		C-02
SEALANTS & FASTENERS	C-03	C-04
WATER & SEWAGE	C-05	C-08
WINDOW, VENT AND EXTERIOR DOOR	C-09	C-22

INTERIOR FINISH GROUP (CONTINUED)
MOLDINGS & TRIMS

KEY	PART NUMBER	U/M DESCRIPTION
	009787-12-000	FI MOLDING-SIDEWALL TO CEILING/CABINET - WELTING - OFF WHITE
	009778-11-000	FT U-CHANNEL-PLASTIC 1" WIDE X 8" INCREMENTS - IVORY
	009809-23-000	EA MOLDING-CORNER, OUTSIDE - 1" - PLASTIC - IVORY
	009809-24-000	EA MOLDING-CORNER, OUTSIDE - 1" - PLASTIC - THOR PECAN
	009812-17-000	EA MOLDING-CORNER, OUTSIDE - .5" - PLASTIC - LIGHT OAK
	009812-24-000	EA MOLDING-CORNER, OUTSIDE - .5" - PLASTIC - IVORY
	009812-25-000	EA MOLDING-CORNER, OUTSIDE - .5" - PLASTIC - PECAN
	022992-11-000	FT MOLDING-REVERSE COVE, T-SHAPED - VINYL - IVORY
	070604-01-000	FT U-CHANNEL-PLASTIC, .085" WIDE - LIGHT BROWN - INC OF 8"
	070604-08-000	FT U-CHANNEL-PLASTIC, .815" WIDE - LIGHT OAK - INC OF 8"
	070604-20-000	FT U-CHANNEL-PLASTIC, .815" WIDE - THOR PECAN - INC. OF 8"
	070604-24-000	FT U-CHANNEL-PLASTIC, .875" WIDE - THOR PECAN - INC OF 8"
	089733-78-000	EA BATT STRIP-WOODGRAIN, 8" LONG - FOREST OAK
	086284-78-000	FI BATT STRIP-SHOWER, ADHESIVE BACKED - OFF WHITE
	086284-69-000	FT BATT STRIP-CEILING, ADHESIVE BACKED
	086284-82-000	FT BATT STRIP-DECORATIVE, PLAIN - ADHESIVE BACKED
	086284-83-000	FT BATT STRIP-DECORATIVE, W/FLOWERS - ADHESIVE BACKED
	088283-78-000	EA BATT STRIP-SHOWER, 8" LONG - OFF WHITE
	088283-71-000	EA BATT STRIP-CEILING, 8" LONG - FAWN
	088283-74-000	EA BATT STRIP-DECORATIVE, PLAIN - 8" LONG
	088283-75-000	EA BATT STRIP-DECORATIVE, W/FLOWERS - 8" LONG
	088230-77-438	EA LUMBER-VINYL WRAPPED, 7" X 1 5/8" X 8" - WOODGRAIN
	082311-01-000	EA LUMBER-VINYL WRAPPED, 2" X 88" - WOODGRAIN
	082311-02-000	EA MOLDING-VINYL WRAPPED, 7" X 1 5/8" X 84" - WOODGRAIN
	082311-03-000	EA MOLDING-VINYL WRAPPED, 7" X 2 5/8" X 7" - WOODGRAIN
	065740-01-000	FT TRIM-J, CARPET - 1/2" X 5/8" ANGLE - 10" LONG - PVC - BEIGE
	100185-01-805	EA TRIM-FLOOR, 7/8" X 1" X 1/2" - WOOD
	088279-02-000	FT TRIM-INSERT, 8" - PLASTIC - OFF WHITE
	088229-01-000	EA RETAINER-BATTERY, CEILING - .75" WIDE - 7 8/16" LONG

CARPETING & FLOOR MATS

KEY	PART NUMBER	U/M DESCRIPTION
	088080-47-000	SY CARPET-12" ROLL INCREMENTS OF 4 SY (D01)
	088080-41-000	SY CARPET-12" ROLL INCREMENTS OF 4 SY (D02)
	088080-42-000	SY CARPET-12" ROLL INCREMENTS OF 4 SY (D03)
	047034-02-000	SF PLASTIC-CARPET, 4" WIDE - CLEAR POLY
	091178-01-D01	EA MAT-FLOOR, DRIVER (D01)
	091178-01-C09	EA MAT-FLOOR, DRIVER (D02)
	091178-01-D03	EA MAT-FLOOR, DRIVER (D03)
	091178-01-D01	EA MAT-FLOOR, PASSENGER (D01)
	091178-01-C09	EA MAT-FLOOR, PASSENGER (D02)
	091178-01-D03	EA MAT-FLOOR, PASSENGER (D03)
	081281-01-000	FT SLIPNOT-ANTI-SLIP 1" WIDE (100' ROLL)

INTERIOR FINISH GROUP (CONTINUED)
FIRE EXTINGUISHER, SMOKE DETECTOR & CLOCK

KEY	PART NUMBER	U/M DESCRIPTION
	084488-02-000	EA EXTINGUISHER-FIRE, DRY - 1A10BC - CANADIAN
	084488-01-000	EA EXTINGUISHER-FIRE, DRY W/MOUNTING BRACKET - 10 BC
	084488-01-700	EA BRACKET-MOUNTING, W/PLASTIC STRAP - FIRE EXTINGUISHER
	086014-02-000	EA HOLDER ASM-RECESSED, FIRE EXTINGUISHER W/STRAP FROM 07-01-82 THRU 90-89-89
	108283-01-000	EA STRAP-TIEDOWN, FIRE EXTINGUISHER
	084651-01-000	EA HOLDER-RECESSED, FIRE EXTINGUISHER - PLASTIC - OFF WHITE
	072852-01-000	EA DETECTOR-SMOKE, W/9 VOLT BATTERY
	072852-02-000	EA DETECTOR-SMOKE, W/9 VOLT BATTERY - CANADIAN
	101333-01-000	EA BACKPLATE-CLOCK, 6" X 6" - PLASTIC - BLACK
	104784-01-01A	EA CLOCK-WALL, SPARTAN 5816-42
	038327-01-000	EA TAPE-ANTI SLIP, 2" X 60"

PANELING, LAMINATES & PLASTIC

KEY	PART NUMBER	U/M DESCRIPTION
	074497-13-000	SF PANELING-CEILING, 4' X 8" - INCREMENTS OF 32 SF
	074497-20-000	SF PANELING-WOODGRAIN, 4' X 8" - INCREMENTS OF 32 SF
	078088-02-000	SF PANELING-CLOSET, SOLID CEDAR - 4' X 8" - INCREMENTS OF 32 SF
	083818-02-000	SF PLYWOOD-OAK, 1 SIDE FINISHED - 3/16" X 4' X 8" - INCREMENTS OF 32 SF
	088272-68-000	SF PANELING-SHOWER, OFF WHITE - 4' X 7" - INCREMENTS OF 28 SF
	088272-64-000	SF PANELING-DECORATIVE, PLAIN - 4' X 7" - INCREMENTS OF 28 SF
	088272-65-000	SF PANELING-DECORATIVE, W/FLOWERS - 4' X 7" - INCREMENTS OF 28 SF
	074498-48-000	SF LAMINATE-PLASTIC, 5' X 8" - TAUPE - INCREMENTS OF 40 SF
	078325-37-000	FT MOLDING-EDGE BAND, 1 5/16" WIDE
	078325-38-000	FT MOLDING-EDGE BAND, .875" WIDE
	000885-65-000	SF PARTICLE BOARD-3/8" X 48" X 87", 1 SIDE VINYL - WOODGRAIN - INC OF 33 SF
	088297-01-000	SF PLYWOOD-LUAN, OVERLAY GRADE - 2 / MM X 4' X 8" - INCREMENTS OF 32 SF
	083743-01-02A	SF PLASTIC-ABS 11 5/8" WIDE ROLL - OFF WHITE
	083743-02-01A	SF PLASTIC-ABS 20" WIDE ROLL - OFF WHITE

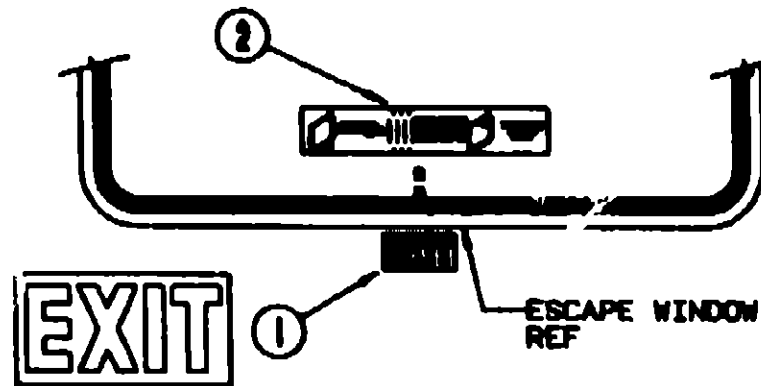
1993 WINNEBAGO
TABLE OF CONTENTS

INTRODUCTION	A-01	A-02
ABBREVIATIONS		A-03
ALPHABETICAL INDEX	A-04	A-08
WT321RB	A-07	C-22
WT321RL	C-23	F-16
WT321RD	F-17	I-10

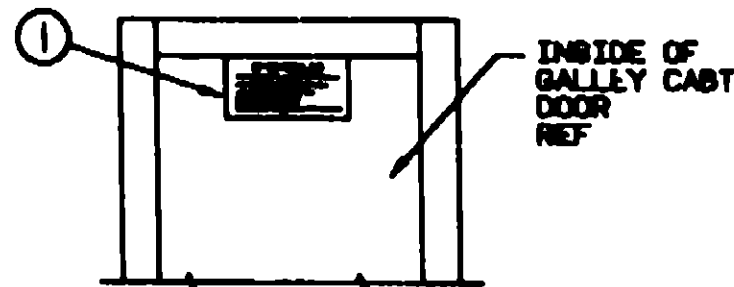
1993 WT321RB INDEX

FLOOR PLAN	A-07	A-08
ACCESSORIES		A-09
AUDIO VIDEO		A-10
BATH	A-11	A-12
CHASSIS	A-13	A-14
CURTAIN & CUSHION	A-15	A-21
DINETTE		A-22
DRIVERS COMPARTMENT		A-23
ELECTRICAL	A-24	B-03
EXTERIOR BODY	B-01	B-08
GALLEY	B-09	B-13
GENERATOR		B-14
HEATING & A/C		B-15
INTERIOR FINISH	B-16	B-18
LABELS	B-19	B-24
LP		C-01
LOUNGE		C-02
SEALANTS & FASTENERS	C-03	C-04
WATER & SEWAGE	C-05	C-08
WINDOW, VENT AND		
EXTERIOR DOOR	C-09	C-22

LABELS GROUP



KEY	PART NUMBER	U/M DESCRIPTION
1	030290-01-000	EA LABEL-WARNING, EXIT
2	107671-01-000	EA LABEL-ESCAPE/EXIT WINDOW

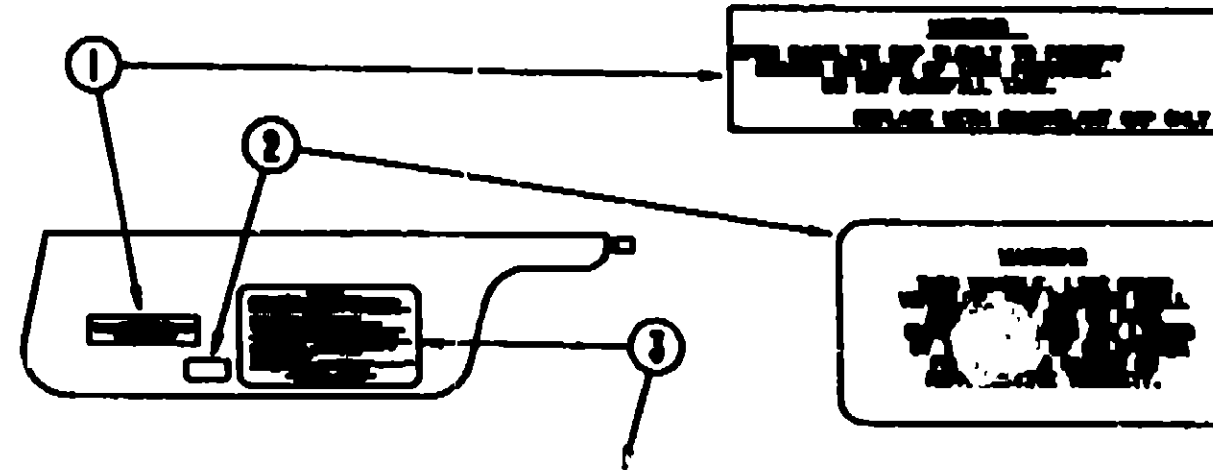


IF YOU SMELL GAS

1. STOP ANY OPEN FLAME, PELLET LIGHTS AND ALL OTHER SOURCES.
2. TURN OFF THE GAS SUPPLY AT THE TANK VALVE OR GAS SHUT-OFF VALVE.
3. OPEN DOORS AND OTHER VENTILATING DEVICES.
4. DO NOT TOUCH ELECTRICAL DEVICES.
5. LEAVE THE AREA UNTIL GASES CLEAR.
6. HAVE THE GAS SYSTEM CHECKED AND LEAKAGE SOURCE CORRECTED BEFORE USING AGAIN.

KEY	PART NUMBER	U/M DESCRIPTION
1	073998-01-000	EA LABEL-LPG ODOR WARNING

LABELS GROUP (CONTINUED)



CAUTION

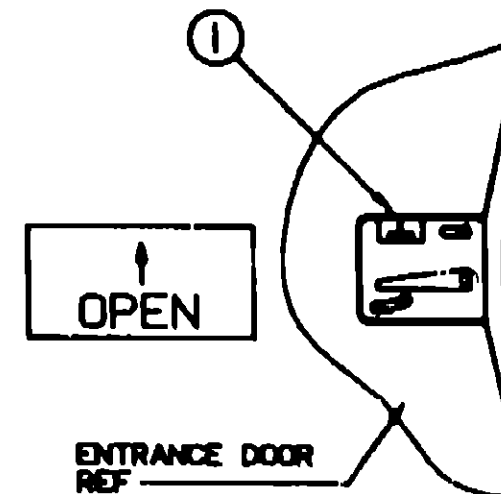
THIS MOTOR HOME HAS BEEN DESIGNED, MANUFACTURED AND TESTED WITH CARE FOR THE PROTECTION OF IT'S OCCUPANTS. TO ASSURE YOU PERSONS THE FOLLOWING INSTRUCTIONS FOR YOUR SAFETY AND THE SAFETY OF YOUR PASSENGERS BEFORE STARTING YOUR VEHICLE.

1. LP GAS SYSTEM- TURN OFF AT TIME FOR TRAVEL. GET FUP LINES UPON ARRIVAL AT DESTINATION. BEFORE LEAVING PARK.
2. WHEELS- INSPECT FOR DAMAGE AND CHECK AIR PADS FOR TIGHTNESS.
3. TIRES- INSPECT 1/2 HOUR AND CHECK AND CHECK FOR IMPROPERLY AIR PRESSURE.
4. LIGHTS- TEST FOR PROPER OPERATION OF ALL STOPPED AND BRAKING LIGHTS INCLUDING BRAKE LIGHTS, HEADLIGHTS, TAIL LIGHTS, SIGNAL LIGHTS, CLEARANCE LIGHTS AND TURN SIGNALS.
5. BELTS- INSPECT BELT TENSION ON ENGINE AND VEHICLE BELTS. TEST BELTS ON 1/2 HOUR BEFORE EACH FUP OR 1/2 OF OPERATION AND INSPECT PASSENGER 1/2 HOURS BEFORE EACH FUP.
6. SEAT BELTS- CHECK PASSENGERS TO ENSURE SEATS AND SEATBELT USE OF SEAT BELTS.
7. APPLIANCE- TURN OFF AND LATCH OR LOCK DOWN WHEN FINISHED.
8. LOCK PANELS- OPERATE PROPERLY.
9. UTILITY SUPPLY LINES- INSPECT ALL ELECTRICAL, GY/1 AND WATER LINES AND CHECK PROPERLY.
10. OVERHEAD DOOR OPEN- PLACE IN RETRACTED POSITION 1/2 TRAVEL.

READ YOUR MOTOR HOME AND CHECK OWNER'S MANUAL FOR FURTHER PRECAUTIONS

KEY	PART NUMBER	U/M DESCRIPTION
1	087207-06-000	EA LABEL-FUEL CAP REMOVAL
2	000689-01-000	EA LABEL-WARNING, CANCER/TOXICITY
3	058259-01-000	EA LABEL-SAFETY CHECK LIST

FROM 00-00-00 THRU 08-10-92



KEY	PART NUMBER	U/M DESCRIPTION
1	040944-01-000	EA LABEL-ENTRANCE DOOR, "OPEN"

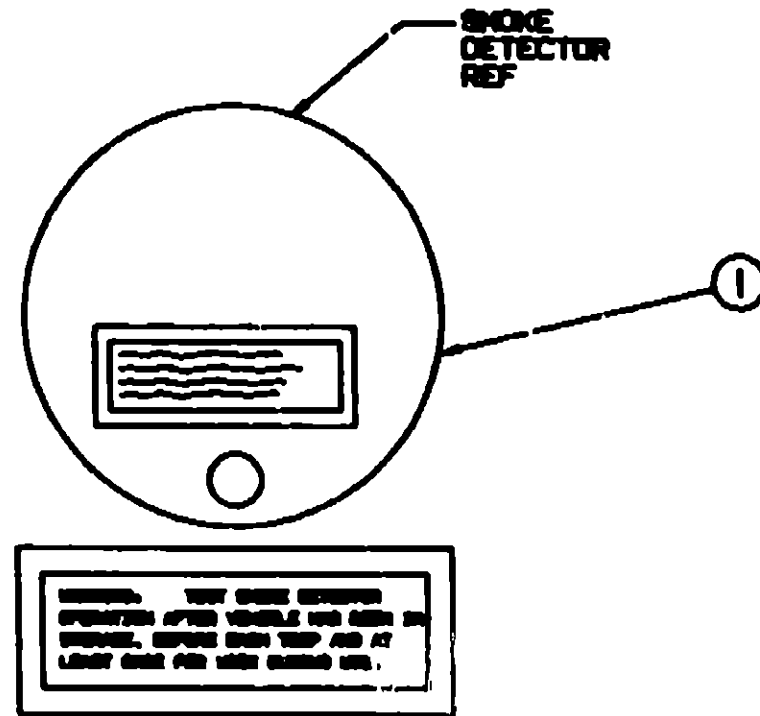
**1993 WINNEBAGO
TABLE OF CONTENTS**

INTRODUCTION	A-01 - A-02
ABBREVIATIONS	A-03
ALPHABETICAL INDEX	A-04 - A-08
WT321RB	A-07 - C-22
WT321RL	C-23 - F-16
WT321RD	F-17 - I-10

1993 WT321RB INDEX

FLOOR PLAN	A-07 - A-08
ACCESSORIES	- A-09
AUDIO VIDEO	- A-10
BATH	A-11 - A-12
CHASSIS	A-13 - A-14
CURTAIN & CUSHION	A-15 - A-21
DINETTE	- A-22
DRIVERS COMPARTMENT	- A-23
ELECTRICAL	A-24 - B-03
EXTERIOR BODY	B-04 - B-08
GALLEY	B-09 - B-13
GENERATOR	- B-14
HEATING & A/C	- B-15
INTERIOR FINISH	B-16 - B-18
LABELS	B-19 - B-24
LP	C-01
LOUNGE	C-02
SEALANTS & FASTENERS	C-03 - C-04
WATER & SEWAGE	C-05 - C-08
WINDOW, VENT AND EXTERIOR DOOR	C-09 - C-22

LABELS GROUP (CONTINUED)



KEY	PART NUMBER	U/M DESCRIPTION
1	077858-01-000	EA LABEL-WARNING, SMOKE DETECTOR

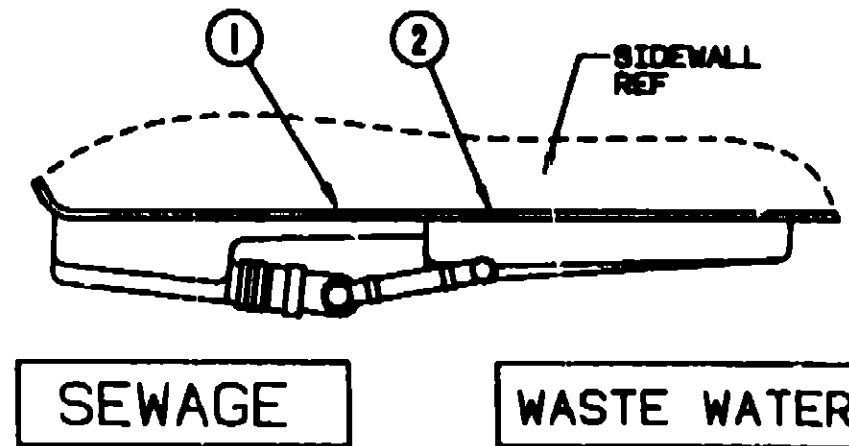
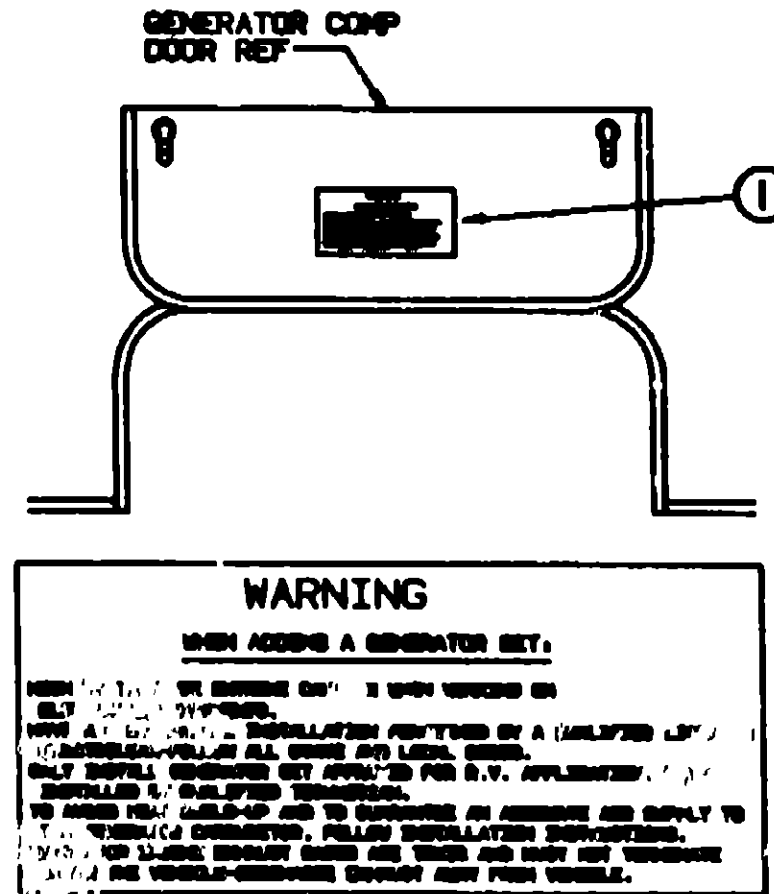
MISCELLANEOUS LABELS

KEY	PART NUMBER	U/M DESCRIPTION
	091243-01-000	EA LABEL-AC COVER
	091243-02-000	EA LABEL-COVER, "MICROWAVE CIRCUIT ETC."
	109522-01-000	EA LABEL-"WHEN INSTALLING LOAD CARRYING EQUIPMENT"
	090841-01-000	EA LABEL-FUEL, UNLEADED - DASH
	008082-01-000	EA LABEL-ELECTRIC, 110V CONNECTION
	099509-01-000	EA LABEL-AWNING INSTALLATION
	008084-01-000	EA LABEL-SEAT TWO SEATBELT
	008084-02-000	EA LABEL-SEAT TWO SEATBELT, CANADIAN
	093237-08-000	EA LABEL-CIRCUIT BREAKER, FRONT - REAR PANEL
	093237-07-000	EA LABEL-CIRCUIT BREAKER, FRONT - REAR PNL/CONV

KEY	PART NUMBER	U/M DESCRIPTION
1	077510-01-000	EA LABEL-GENERATOR PREP

KEY	PART NUMBER	U/M DESCRIPTION
1	008187-01-000	EA LABEL-SEWAGE
2	008188-01-000	EA LABEL-WASTE WATER

LABELS GROUP (CONTINUED)



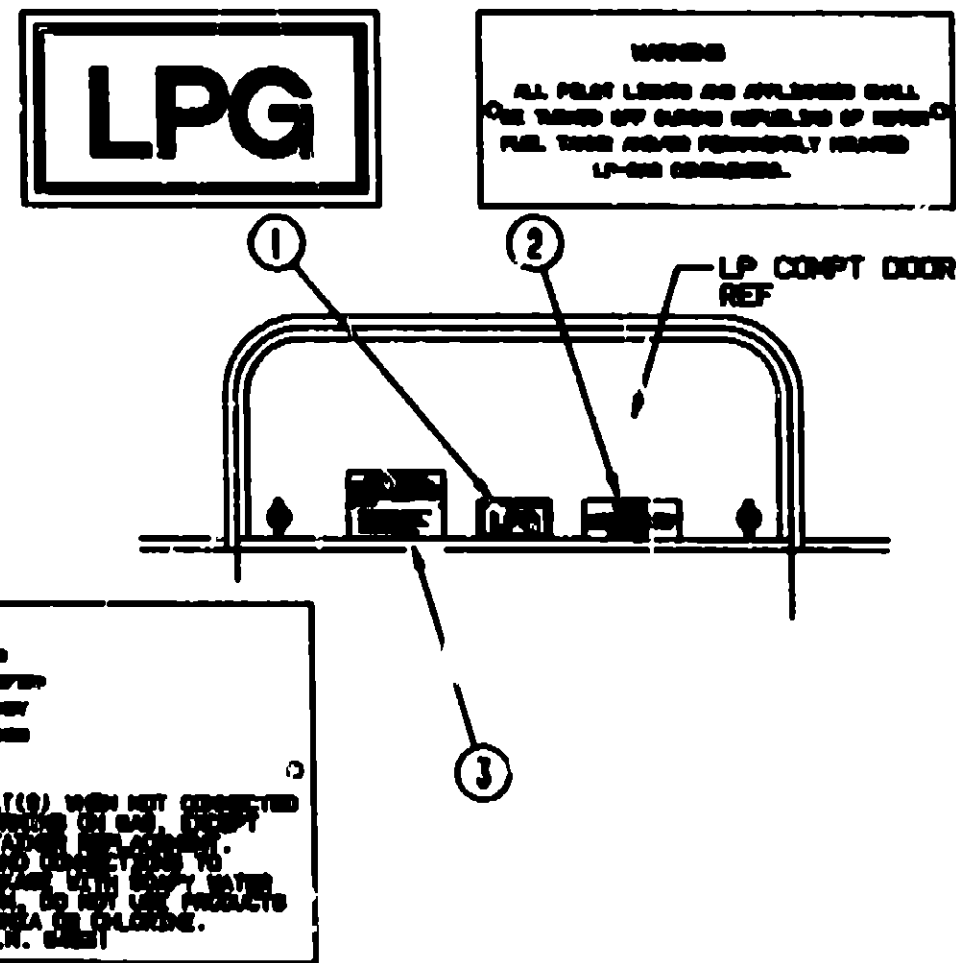
1993 WINNEBAGO TABLE OF CONTENTS

INTRODUCTION	A-01 - A-02
ABBREVIATIONS	A-03
ALPHABETICAL INDEX	A-04 - A-08
WT321RB	A-07 - C-22
WT321RL	C-23 - F-18
WT321RD	F-17 - I-10

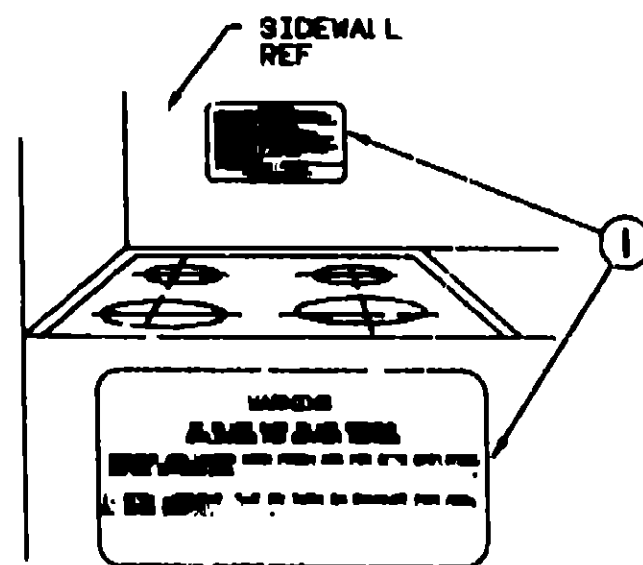
1993 WT321RB INDEX

FLOOR PLAN	A-07 - A-08
ACCESSORIES	- A-09
AUDIO VIDEO	- / 10
BATH	A-11 - A-12
CHASSIS	A-13 - A-14
CURTAIN & CUSHION	A-15 - A-21
DINETTE	- A-22
DRIVERS COMPARTMENT	- A-23
ELECTRICAL	A-24 - B-03
EXTERIOR BODY	B-04 - B-08
GALLEY	B-09 - B-13
GENERATOR	- B-14
HEATING & AC	- B-15
INTERIOR FINISH	B-16 - B-18
LABELS	B-19 - B-24
LP	C-01
LOUNGE	C-02
SEALANTS & FASTENERS	C-03 - C-04
WATER & SEWAGE	C-05 - C-08
WINDOW, VENT AND EXTERIOR DOOR	C-09 - C-22

LABELS GROUP (CONTINUED)

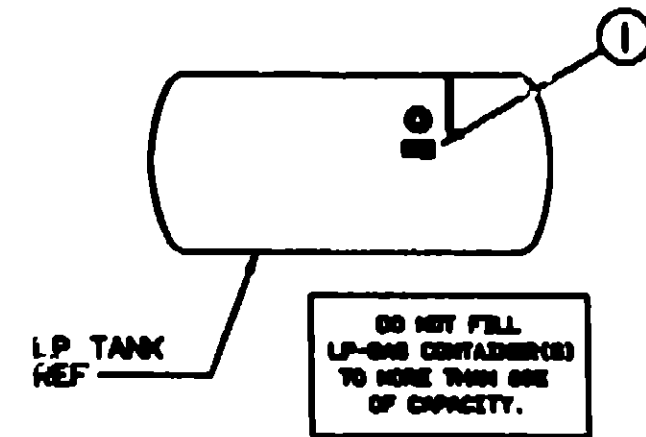


KEY	PART NUMBER	U/M DESCRIPTION
1	074559-01-000	EA DECAL-LOGO, LPG - RED - (CALIF CODE)
2	008040-01-000	EA TAG-GAS REFUELING WARNING
2	008040-02-000	EA TAG-GAS REFUEL WARNING, CANADIAN
3	054831-01-000	EA LABEL-LP GAS ONLY
3	023789-01-000	EA LABEL-WARNING, LPG CANADIAN

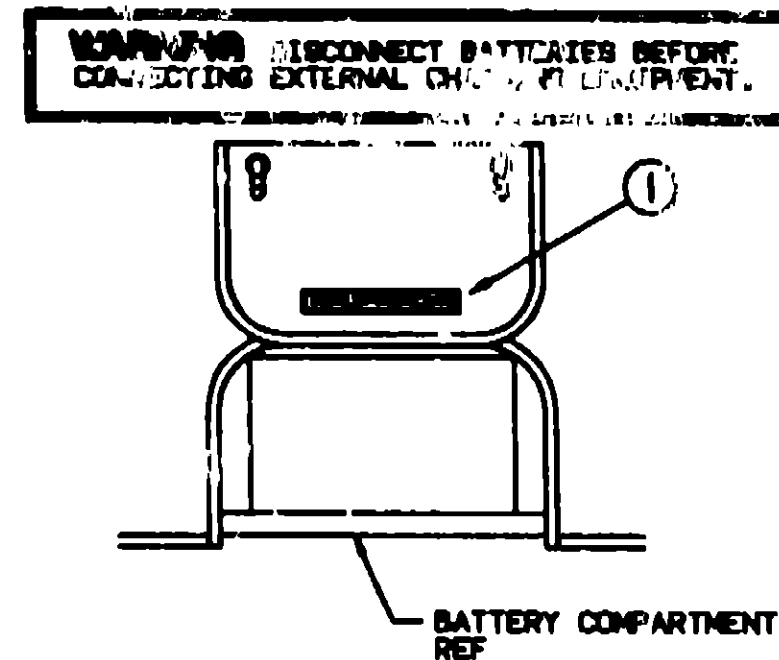


KEY	PART NUMBER	U/M DESCRIPTION
1	050225-01-000	EA LABEL-WARNING, STOVE VENT - US
1	050222-01-000	EA LABEL-WARNING, STOVE VENT - CANADIAN

LABELS GROUP (CONTINUED)



KEY PART NUMBER	U/M DESCRIPTION
1 079085-01-000	EA LABEL-LPG 80 CAPACITY



KEY PART NUMBER	U/M DESCRIPTION
1 085748-01-000	EA LABEL-CAUTION, BATTERY CHARGING

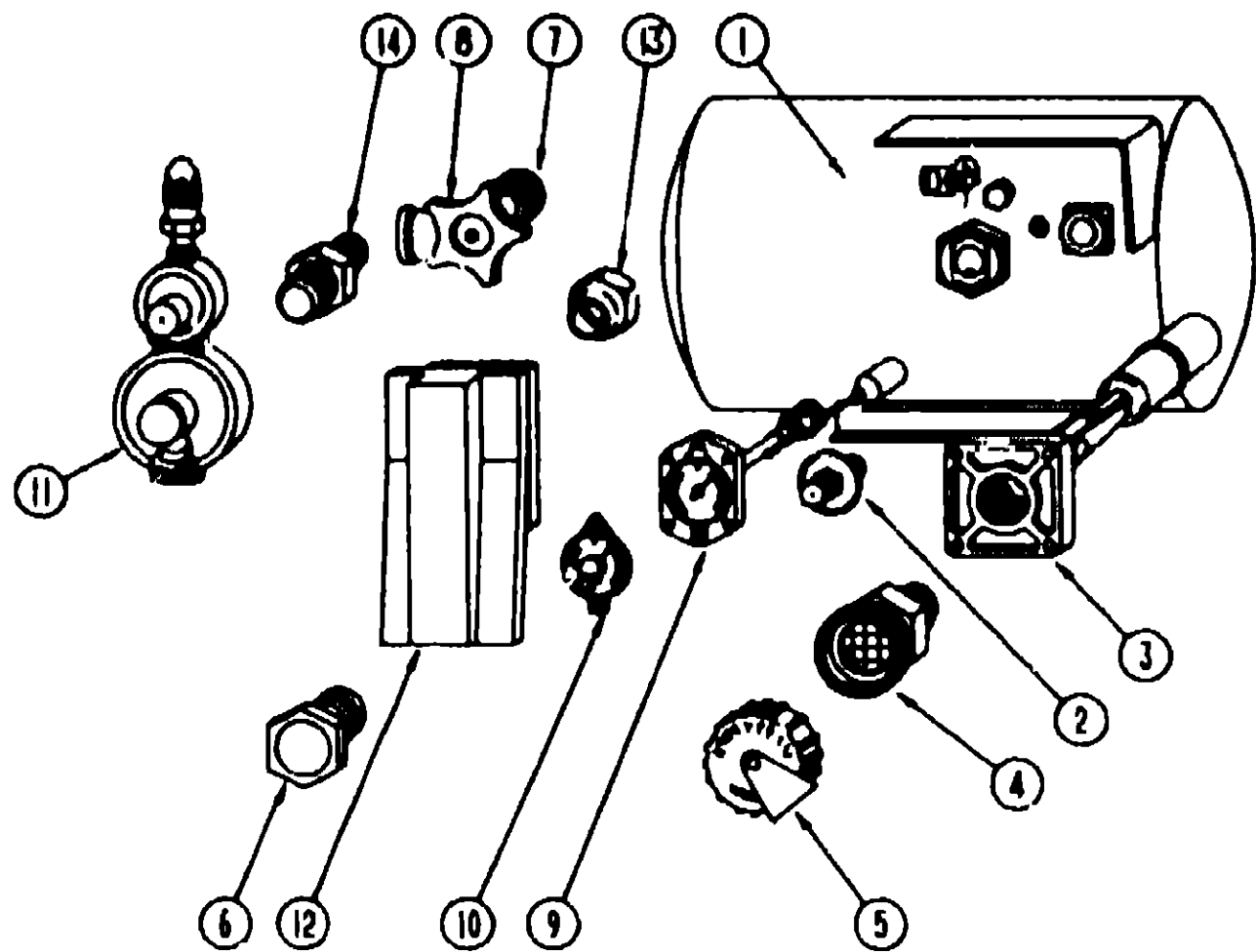
1993 WINNEBAGO TABLE OF CONTENTS

INTRODUCTION	A-01 - A-02
ABBREVIATIONS	A-03
ALPHABETICAL INDEX	A-04 - A-08
WT321RB	A-07 - C-22
WT321RL	C-23 - F-16
WT321RD	F-17 - I-10

1993 WT321RB INDEX

FLOOR PLAN	A-07 - A-08
ACCESSORIES	- A-09
AUDIO VIDEO	- A-10
BATH	A-11 - A-12
CHASSIS	A-13 - A-14
CURTAIN & CUSHION	A-15 - A-21
DINETTE	- A-22
DRIVERS COMPARTMENT	- A-23
ELECTRICAL	A-24 - B-03
EXTERIOR BODY	B-04 - B-08
GALLEY	B-09 - B-13
GENERATOR	- B-14
HEATING & A/C	- B-15
INTERIOR FINISH	B-16 - B-18
LABELS	B-19 - B-24
LP	C-01
LOUNGE	C-02
SEALANTS & FASTENERS	C-03 - C-04
WATER & SEWAGE	C-05 - C-08
WINDOW VENT AND	
EXTERIOR DOOR	C-09 - C-22

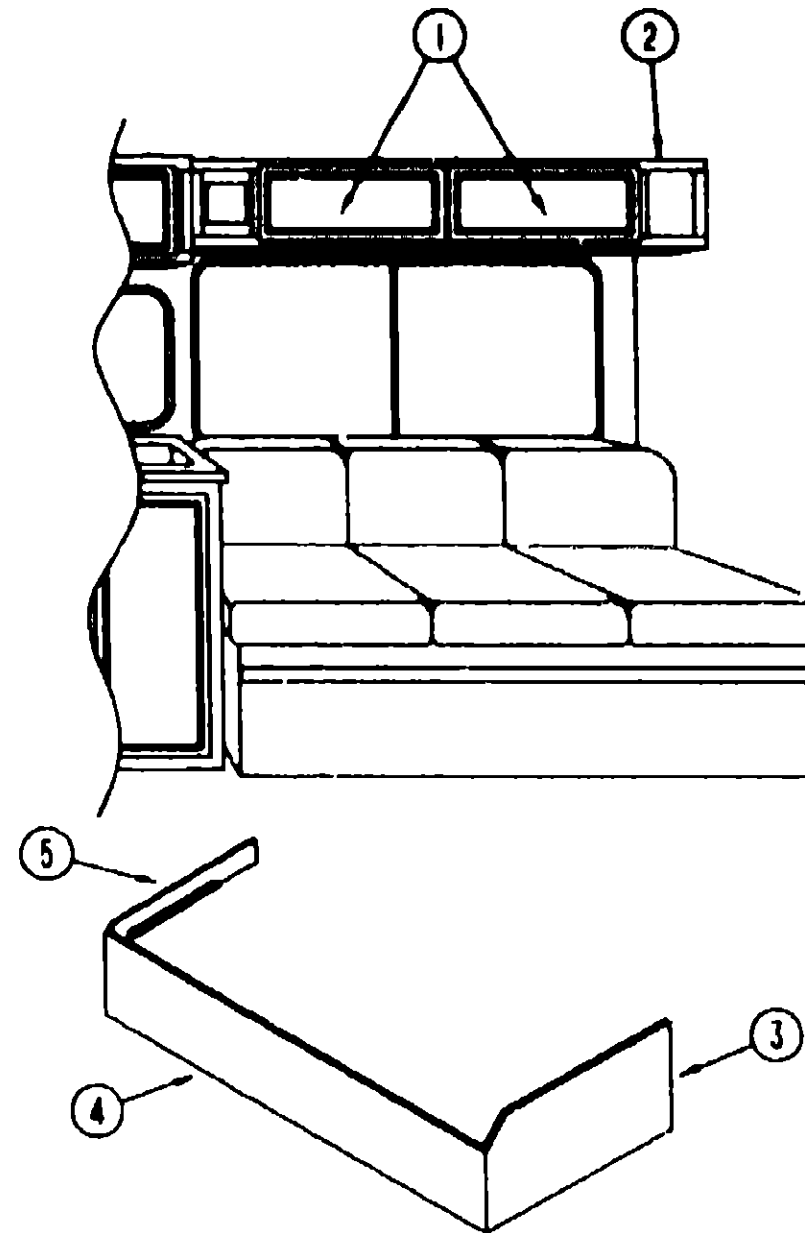
LP GROUP



LP TANK & COMPONENTS

KEY	PART NUMBER	U/M DESCRIPTION
1	074039-03-000	EA TANK-LP, 28 LB - BOTTOM MOUNT - 10" DIA X 23" LONG
2	040421-01-700	EA VALVE-LIQUID LEVEL, 20% LP - BRUNNER G-1013
3	040421-01-711	EA VALVE-80% W/FLOAT, PLATE, BOLTS & GASKET - BRUNNER
4	040421-01-701	EA VALVE-FILLER, LP SHORT - BRUNNER 75478
5	040421-01-702	EA CAP-LP FILLER VALVE, PLASTIC - YELLOW - BRUNNER G-1014-A
6	040421-01-713	EA VALVE-VAPOR ONLY, 29000687
7	040421-01-712	EA VALVE-SERVICE W/HANDWHEEL, W/O VAPOR RELIEF - 29000853
8	040421-01-708	EA HANDWHEEL-SERVICE VALVE, BRUNNER G-1015-A
9	074039-01-700	EA FLOAT ASM-BOLT ON, F/10" DIA TANK - BRUNNER 10C
10	040440-02-000	EA DIAL-TRANSMITTER, 0-90 OHM
11	108150-03-000	EA REGULATOR-TWO STAGE LPG, M'BRASS 295-00
12	105858-01-000	EA COMPARTMENT-LP REGULATOR
	103813-01-000	EA DETECTOR-LP GAS
	065741-01-000	EA GAUGE-DIAPHRAGM PRESSURE - MARSHALLTOWN MFG
	065742-01-000	EA TEE, 3/8" F X 3/8" F X 25" FPT - BRASS
13	010377-02-000	EA NUT-BRASS, 3/8 FEMALE - FORGED
14	010323-01-000	EA ADAPTER BRASS, 3/8" F X 1/2" MPT
	010265-01-000	EA ELBOW-BRASS, 90 DEGREE - 3/8" F X 1/2" FPT
	074458-01-000	EA ELBOW-3/8M FL TO 3/8F FL SVL ANCHOR BRASS A800
	010251-01-000	EA ELBOW-BRASS, 90 DEGREE - 3/8" F X 3/8" MPT
	008042-01-000	FT TUBING-VINYL, 65" ID

LOUNGE GROUP



LOUNGE CABINETS

KEY	PART NUMBER	U/M DESCRIPTION
1	P03701-73 D01	EA DOOR CABINET, W/O HARDWARE - 10" X 25 2"
2	M05159-13-D01	EA CABINET-OVERHEAD, W/O DOORS OR HARDWARE
2	M05159-13-D02	EA CABINET-OVERHEAD, W/O DOORS OR HARDWARE
2	M05159-13-D03	EA CABINET-OVERHEAD, W/O DOORS OR HARDWARE
3	M04187-61-D01	EA CABINET-COUCH, LEFT SIDE W/FABRIC (D01)
3	M04187-61-D02	EA CABINET-COUCH, LEFT SIDE W/FABRIC (D02/D03)
4	M04187-60-D01	EA CABINET-COUCH, FRONT FACE W/FABRIC (D01)
4	M04187-60-D02	EA CABINET-COUCH, FRONT FACE W/FABRIC (D02/D03)
4	M04187-62-D01	EA CABINET-COUCH, RIGHT SIDE W/FABRIC (D01)
4	M04187-62-D02	EA CABINET-COUCH, RIGHT SIDE W/FABRIC (D02/D03)
5	082525-02-000	EA BRACE-COUCH, FLOOR MOUNT - ANGLE 3" LONG - METAL
	050101-01-002	EA EXTRUSION-L SHAPED, 1 1/2" - ALUMINUM
	083125-05-000	EA BRACE-ANGLE, COUCH - 2 5" - BEIGE

**1993 WINNEBAGO
TABLE OF CONTENTS**

INTRODUCTION	A-01 -	A-02
ABBREVIATIONS		A-03
ALPHABETICAL INDEX	A-04 -	A-08
WT321RB	A-07 -	C-22
WT321RL	C-23 -	F-18
WT321RD	F-17 -	I-10

1993 WT321RB INDEX

FLOOR PLAN	A-07 -	A-10
ACCESSORIES		A-09
AUDIO VIDEO		A-10
BATH	A-11 -	A-12
CHASSIS	A-13 -	A-14
CURTAIN & CURTAIN HOOK	A-15 -	A-21
DINETTE		A-22
DRIVERS COMPARTMENT		A-23
ELECTRICAL	A-24 -	B-03
EXTERIOR BODY	B-04 -	B-08
GALLEY	B-09 -	B-13
GENERATOR		B-14
HEATING & A/C		B-15
INTERIOR FINISH	B-16 -	B-18
LABELS	B-19 -	B-24
LP		C-01
LOUNGE		C-02
SEALANTS & FASTENERS	C-03 -	C-04
WATER & SEWAGE	C-05 -	C-08
WINDOW, VENT AND EXTERIOR DOOR	C-09 -	C-22

**SEALANTS & FASTENERS GROUP
SCREWS**

KEY	PART NUMBER	U/M DESCRIPTION
	000088-08-10G	EA SCREW-8-18 X 5/8 POH - ANTIQUE BRASS
	000G13-08-08B	EA SCREW-8-20 X 3/8 PFH - ZINC
	000G13-08-08B	EA SCREW-8-20 X 1/2 PFH - ZINC
	000G13-08-08G	EA SCREW-8-20 X 80 PFH - ANTIQUE BRASS
	000G13-07-12B	EA SCREW-7-19 X 3/4 PFH - ZINC
	000G11-08-10B	EA SCREW, 8-20 X 5/8 PPH ZN
	000G11-08-10J	EA SCREW-7-19 X 1/2 PPH - ZINC
	000G11-08-08B	EA SCREW, 8-18 X 3/8 PPH ZN
	000G11-08-12B	EA SCREW, 8-18 X 3/4 PPH ZN
	000G11-08-12F	EA SCREW, 8-18 X 3/4 PPH - BEIGE
	000G11-08-12B	EA SCREW-8-18 X .75 PPH, OFF WHITE
	000G11-08-18B	EA SCREW, 8-18 X 1.00 PPH - OFF WHITE
	000G12-08-12B	EA SCREW-8-18X.75 POH OFF WHITE
	000G12-08-18B	EA SCREW, 8-18 X 1.00 POH - OFF WHITE
	000G13-08-18B	EA SCREW-8-18 X 1 PFH - ZINC
	000G87-10-08B	EA SCREW, 10-12 X 1/2 PPH ZN
	000G87-10-08R	EA SCREW, 10-12 X 1/2 PPH - BEIGE - TYPE A
	000G87-10-10B	EA SCREW, 10-12 X 5/8 PPH ZN - TYPE A
	000G87-10-10R	EA SCREW, 10-12 X 5/8 PPH - TYPE A - BEIGE
	000G87-10-10S	EA SCREW, 10-12 X 5/8" - PPH - OFF WHITE
	000G87-10-12B	EA SCREW, 10-12 X 3/4" PPH - ZN
	000G87-10-12P	EA SCREW, 10-12 X 75" - PPH - DARK BROWN
	000G87-10-18B	EA SCREW, 10-12 X 1 PPH - ZN
	000G87-10-24B	EA SCREW, 10-12 X 1 1/2 PPH - ZN
	000G87-10-32B	EA SCREW, 10-12 X 2 PPH - ZN
	000G11-10-12D	EA SCREW-10-18 X 3/4 PPH - BLACK
	000G38-10-12E	EA SCREW-10-24 X 3/4 PFH TYPE 23 - CHROME PLATED
	000G32-10-08B	EA SCREW-10-32 X 3/8" - PPH - ZINC
	000G18-08-12B	EA SCREW-MACHINE-8-32 X 3/4" PPH ZINC
	000G53-04-08B	EA SCREW-MACHINE-1/4-20 X 3/8 PPH -ZINC - UNDERCUT HEAD
	000G39-08-08B	EA SCREW-DR-8-18X1/2 ZN
	000G39-08-08B	EA SCREW SF/DR, 8-18 X 1/2 PPH ZN
	000G39-08-08R	EA SCREW-SF/DR, 8-18 X 1/2 PPH - BEIGE
	000G39-08-08S	EA SCREW-SF/DR, 8-18 X 1/2 PPH - OFF WHITE
	000G39-08-12B	EA SCREW-SF/DR, 8-18 X 3/4 PPH ZN
	000G55-08-12M	EA SCREW-SF/DR-8-18 X 75 PWH - GRAY
	000G39-08-16S	EA SCREW-SF/DR 8-18 X 1.00 PPH - OFF WHITE
	000G39-08-24S	EA SCREW-SF/DR-8-18 X1.50 - OFF WHITE
	000G39-10-10S	EA SCREW-SF/DR 10-18 X 82" PPH - OFF WHITE
	000G39-10-12D	EA SCREW-SF/DR 10-18 X 3/4 PPH - BLACK
	000G39-10-20B	EA SCREW-SF/DR 10-16 X 1 1/4 PPH - ZINC
	000G42-04-18B	EA SCREW-SF/DR 1/4-14 X 1 HWH - ZINC
	000G54-04-20B	EA SCREW 1/4-20 X 1 1/4 PTH - TYPE 23 - ZINC PLATED
	087721-01-000	EA SCREW-FLAT HEAD TAPPING - 1/4" X 1 1/4" LG ZINC
	075908-01-000	EA SCREW-MACHINE 10-32 X 56 PTH - ZINC EXTERNAL TOOTH
	076790-01-000	EA SCREW, 8-20 X 1 1/4 PPH - BLACK
	101289-01-01A	EA SCREW-MACHINE, 8-32 X 4 - POH - BRASS - FOR EXTENDED KNOB

ADHESIVE AND SEALANTS

KEY	PART NUMBER	U/M DESCRIPTION
	002707-02-000	FT TAPE-SEALER 5/16" X 1/2" - INCREMENTS OF 50 FT
	004020-01-000	QT ADHESIVE-ABS CEMENT QUART
	034552-02-000	EA SILICONE-TUBE 300 ML - CLEAR
	034552-06-000	EA SILICONE-TUBE 300 ML - OFF WHITE
	039518-01-000	EA SILICONE-TUBE 300 ML - BLACK
	108716-01-000	EA SILICONE-TUBE, OFF WHITE LEVEL - CSL 510
	053788-02-000	EA BEDDING COMPOUND-TUBE - WHITE

**SEALANTS & FASTENERS GROUP (CONTINUED)
ADHESIVE AND SEALANTS CONTD**

KEY	PART NUMBER	U/M DESCRIPTION
	063788-08-000	EA BEDDING COMPOUND-TUBE - GRAY
	083842-01-000	FT TAPE-ADHESIVE 10MM X 15" WIDE
	088840-10-000	FT SEALER-RIBBON 1/32" X 1 1/2" INCREMENTS OF 80'
	088840-08-000	FT SEALER-RIBBON 1/32" X 2 1/2" - INCREMENTS OF 80'
	088840-01-000	FT SEALER-RIBBON 1/4" DIAMETER - INCREMENTS OF 30'
	088840-02-000	FT SEALER-RIBBON 1/2" X 1/8" - INCREMENTS OF 30' OR 60'
	088840-03-000	FT SEALER-RIBBON 3/4" X 1/8" - INCREMENTS OF 80'
	088840-07-000	FT SEALER-RIBBON 2" X 3/32" - INCREMENTS OF 30' OR 45'
	088840-11-000	FT SEALER-RIBBON 3/16" X 3/8" - BLACK
	088840 12-000	FT SEALER-RIBBON 1/8" X 1.5" - GRAY - INCREMENTS OF 30' FROM: 00-00-00 THRU: 08-21-92
	088840-14-000	FT SEALER-RIBBON 1/16" X 1" - GRAY FROM: 08-22-92 THRU: 09-09-99
	072889-01-000	EA SEALANT-URETHANE, BLACK - 1/10 - E88EX 862.2
	078322-01-000	FT TAPE-FOAM, DOUBLE COATED ADHESIVE BACKED - .75" X 216'
	078322-02-000	FT TAPE-FOAM, DOUBLE COATED ADHESIVE BACKED - 1" X 108'
	078322-05-000	FT TAPE-FOAM, DOUBLE COATED - .025" X 1.5'
	091256-02-000	FT SEAL-ADHESIVE BACKED FOAM, .18" THICK X 1 5' WIDE
	087211-01-000	GL PROMOTER-ADHESIVE
	102352-01-000	EA SEALER-PUMPABLE BLACK

NUTS, BOLTS AND GROMMETS

KEY	PART NUMBER	U/M DESCRIPTION
	040921-04-000	EA NUT-SPEED U TYPE - NO 8 - 59" LENGTH X 44" WIDTH
	005081-01-000	EA NUT-SPEED C TYPE - NO 8 SCREW
	000D24-10-00B	EA NUT-HEX, SF/LK - 10-32 ZN
	000D39-05-00B	EA NUT-HEX, SER FLG LK - 5/16 - 18 ZN
	000D39-08-00B	EA NUT-HEX, SER FLG LK - 3/8-18 ZN
	000D39-08-00B	EA NUT-HEX, SER FLG LK - 1/2-13 ZN
	000D44-07-00B	EA NUT-HEX, SER FLG LK - 7/16 20 ZN
	000C12-05-12B	EA BOLT-HEX-5/16-18X3/4 ZN 5
	000C12-05-18B	EA BOLT HEX, 5/16-18 X 1 - ZINC 5
	000C12-08-32B	EA BOLT-HEX 3/8-16X2LG,ZN 5
	000C13-07-48B	EA BOLT-HEX, 7/16 - 20 X 3 - ZN 5
	000C18-05-40A	EA BOLT-ELEV, 5/16"-18 X 2 1/2" PL
	000C26-05-12B	EA BOLT-HEX-SER FLG 5/16-18X3/4 ZN
	000C26-05-20B	EA BOLT-HEX, SER FLG 5/16 - 18 X 1 1/4 ZINC
	071015-04-000	EA GROMMET RUBBER 18" ID X 88" OD W/3" GROOVE - BLACK

MISCELLANEOUS FASTENERS

KEY	PART NUMBER	U/M DESCRIPTION
	044533-01-000	EA WASHER-PLASTIC 1 3/8"OD - FOR BUTTONS
	000E13-04-00F	EA WASHER-FLAT, 1/4" WIDE - SS
	000E13-11-00B	EA WASHER-FLAT, 3/16" WIDE - ZN
	000E13-20-00B	EA WASHER-FL, 7/16" WIDE - ZN
	041322-01-000	EA WASHER-FL, 15/32" ID X 2 3/8" OD - FOR SEAT BELT MOUNT
	056134-01-000	EA HOLDER-RING 3 8" DIAMETER - METAL
	007161-01-000	EA CLAMP-HOSE, SPRING TYPE - 1/2"
	010495-01-000	EA CLAMP-CABLE, 9/16"
	010497-01-000	EA CLAMP-CLOSED, 5/8" ID
	010497-03-000	EA CLAMP-CLOSED, 1" ID - CUSHIONED
	010499-01-000	EA CLAMP-CLOSED, 3/8" ID
	062401-01-000	EA CLAMP-HOSE, WORMGEAR, 25" - 1"
	062401-02-000	EA CLAMP-HOSE, WORMGEAR, 1 58" - 2 5"
	062401-06-000	EA CLAMP-HOSE, WORMGEAR, 22" - 62"
	075148-02-000	EA CLAMP-GROUNDING BRONZE SCREWS
	083809-01-000	EA CLAMP-WIRE, DUAL EQUAL - 5/8" DIAMETER
	080734-02-000	EA CLIP-WIRE NYLON

**1993 WINNEBAGO
TABLE OF CONTENTS**

INTRODUCTION	A-01 -	A-02
ABBREVIATIONS		A-03
ALPHABETICAL INDEX	A-04 -	A-08
WT321RB	A-07 -	C-22
WT321RL	C-23 -	F-16
WT321RD	F-17 -	I-10

1993 WT321RB INDEX

FLOOR PLAN	A-07 -	A-08
ACCESSORIES		A-09
AUDIO VIDEO		A-10
BATH	A-11 -	A-12
CHASSIS	A-13 -	A-14
CURTAIN & CUSHION	A-15 -	A-21
DINETTE		A-22
DRIVERS COMPARTMENT		A-23
ELECTRICAL	A-24 -	B-03
EXTERIOR BODY	B-04 -	B-08
GALLEY	B-09 -	B-13
GENERATOR		B-14
HEATING & A/C		B-15
INTERIOR FINISH	B-16 -	B-18
LABELS	B-19 -	B-24
LP		C-01
LOUNGE		C-02
SEALANTS & FASTENERS	C-03 -	C-04
WATER & SEWAGE	C-05 -	C-08
WINDOW, VENT AND EXTERIOR DOOR	C-09 -	C-22

WATER & SEWAGE GROUP
FRESH WATER TANK

KEY	PART NUMBER	U/M DESCRIPTION
	084877-03-000	EA TANK-WATER, W/FITTINGS - 14 GALLON - 11" X 20" X 18"
	084877-01-000	EA TANK-WATER, 12.5 GALLON - W/O FITTINGS - 11" X 20" X 18"
	077964-02-000	EA FILTER-WATER TANK, SCREEN IN TANK
	078381-01-000	FT TUBING-SMOOTH, FLEXIBLE - 1 1/4" ID
	042989-03-000	EA FITTING-WATER TANK, SPINWELD - 1 1/4"NPT - PLASTIC - WHITE
	042989-04-000	EA FITTING-WATER TANK, SPINWELD - 3/8" FPT - PLASTIC - WHITE
	042989-05-000	EA FITTING-WATER TANK, SPINWELD - 1/2" FPT - PLASTIC - WHITE
	046032-01-000	EA PATCH-SPINWELD 3/8" - PLASTIC
	039781-01-000	EA SENDING UNIT W/SCREW, WASHER, WELL NUT AND TERMINAL RING

WATER SYSTEM

KEY	PART NUMBER	U/M DESCRIPTION
	108258-01-000	EA CAP-INSERTABLE, 1/2" FLARE
	010224-01-000	EA ADAPTER-HOSE TO PIPE, 3/8" MPT X 3/8" BARB - BLACK PLASTIC
	044927-01-000	EA ADAPTER-HOSE TO PIPE 1 1/4" MPT X 1 1/4" BARB - BLACK PLASTIC
	079317-01-000	EA ADAPTER-SWIVEL, 1/2" TUBE X 1/2" FPT - PLASTIC - GRAY
	052990-01-000	EA DRAIN VALVE-IN LINE, HEADER - 1/2" F X 1/2" F - GRAY PLASTIC
	052991-01-000	EA DRAIN VALVE-IN LINE, HEADER - 1/2" F X 1/2" F X 1/2" F - PLASTIC
	098417-01-000	EA CONNECTOR-5/8" F X 1/2" MPT, PLASTIC - KEVCO
	098420-01-000	EA CONNECTOR-SWIVEL, 1/2" FPT X 5/8" TUBE - PLASTIC
	101814-01-000	EA COUPLING-FEMALE, 1/2" X 1/2" FPT
	055290-01-000	EA ELBOW-5/8" F X 1/2" MPT
	057457-01-000	EA ELBOW-UNION, 1/2" X 1/2" FLARE
	087859-04-000	EA FILL-WATER, CITY - OFF WHITE
	055120-01-000	EA ELBOW-SWIVEL 1/2" FPT X 1/2" FLARE - PLASTIC - GRAY
	052962-01-000	EA NUT-PLASTIC, 1/2" F X 1/2" TUBE - GRAY
	052952-02-000	EA NUT-PLASTIC, 5/8" FLARE
	052963-01-000	EA NUT-FAUCET, 1/2" TUBE X 1/2" FPT - PLASTIC - GRAY
	052954-01-000	EA ADAPTER-NOSE CONE, 3/8" OR 1/2" TUBING - PLASTIC - GRAY
	039798-01-000	EA TEE-1/2" MPT X 1/2" MPT X 1/2" MPT, PLASTIC
	052955-01-000	EA TEE-WATER 1/2" F X 1/2" F X 1/2" MPT - PLASTIC - GRAY
	055291-01-000	EA TEE-PLASTIC, 5/8" F X 5/8" F X 5/8" F
	057974-01-000	EA TEE-5/8" F X 1/2" F X 1/2" F, PLASTIC
	052955-03-000	EA TEE-5/8" F X 5/8" F X 1/2" MPT - PLASTIC
	052958-01-000	EA TEE 1/2" F X 1/2" F X 1/2" F - PLASTIC - GRAY
	039800-01-000	FT TUBING-POLYBUTYL, 1/2" OD - INCREMENTS OF 20' - BLACK
	039800-02-000	FT TUBING-POLYBUTYL, 5/8" OD - INCREMENTS OF 20' - BLACK
	074462-02-000	FT TUBING VINYL 3/8" ID - CLEAR

WATER PUMP

KEY	PART NUMBER	U/M DESCRIPTION
	098607-01-000	EA PUMP-WATER W/ 5" MPT FITTING - FLOW 2.8 GPM
	098607-01-700	EA PUMPHEAD-REPLACEMENT SHURFLO# 94-236-08
	098607-01-701	EA DRIVE ASM SHURFLO# 94-234-03
	098607-01-702	EA DIAPHRAGM-KIT SHURFLO# 94-233-10
	098607-01-703	EA VALVE ASM SHURFLO# 94-232-00
	098607-01-704	EA HOUSING-UPPER SHURFLO# 94-231-01
	098607-01-705	EA CHECK VALVE-KIT SHURFLO# 94-237-00
	098607-01-706	EA SWITCH ASM-COMplete SHURFLO# 94-230-00
	098607-01-707	EA MOTOR/BASEPLATE REPLACEMENT SHURFLO# 94-234-03

WATER & SEWAGE GROUP (CONTINUED)
WATER HEATER W/MOTOR AID

KEY	PART NUMBER	U/M DESCRIPTION
	051391-02-000	EA HEATER-WATER, ATWOOD G4-8M
	051391-01-700	EA HINGE KIT-W/CLIP, ATWOOD# 92588 & 92559
	051391-01-704	EA VALVE-RELIEF, 1/2" FITTING - ATWOOD# 91804
	051391-01-705	EA FASTENER-CAMLOC, ATWOOD# 92809
	051391-01-708	EA GRILLE-EXHAUST, ATWOOD# 92787
	051391-01-709	EA BURNER-MAIN, 3E ONLY - ATWOOD# 92815
	051391-01-709	EA PILOT ASM-W/THRMOCOUPLE & TUBE - ATWOOD# 91803
	051391-01-710	EA ORIFICE-MAIN BURNER, ATWOOD# 92742
	051391-01-711	EA ELBOW-ORIFICE, MAIN BURNER - ATWOOD# 92741
	051391-01-712	EA THERMOSTAT-3/8" NPT INLET - ATWOOD# 91801
	051391-01-714	EA ELBOW-45 DEGREE, 3/8" F X 3/8" MPT - ATWOOD# 91044
	051391-01-715	EA DRAIN PLUG, ATWOOD# 91581
	051391-02-700	EA TANK-INNER FOR G48M - ATWOOD# 91414
	008042-01-000	FT TUBING-VINYL, 85" ID

EXTERIOR SHOWER OPTION L64R

KEY	PART NUMBER	U/M DESCRIPTION
	046128-01-000	EA VALVE-DRAIN, PLASTIC - 1/2" FPT
	052959-02-000	EA CONNECTOR, 1/2" F X 1/2" MPT - PLASTIC - GRAY
	075241-05-000	EA FAUCET-SHOWER, BONE
	103092-01-000	EA SHOWER HEAD-W/80" HOSE
	103092-01-700	EA BRACKET ONLY-CLEAR, F/SHOWER HEAD - 2328028
	093527-02-000	EA BRACKET-SQUEEGEE/SHOWER HEAD
	091952-02-000	EA CLIP-GRIPPER, 3/4" FROM 10-02-92 THRU: 99-99-99
	081994-02-000	EA PLATE-SWITCH, EXTERIOR SHOWER FROM 10-02-92 THRU 99-99-99
	108358-02-01A	EA COVER-SWITCH W/DIMPLES, CARLING VVAZC00 BLA FROM: 00-00-00 THRU: 01-08-93
	108357-08-000	EA SWITCH-ROCKER, DPDT - ON/NONE/ON - CARLING VDD1500C-0

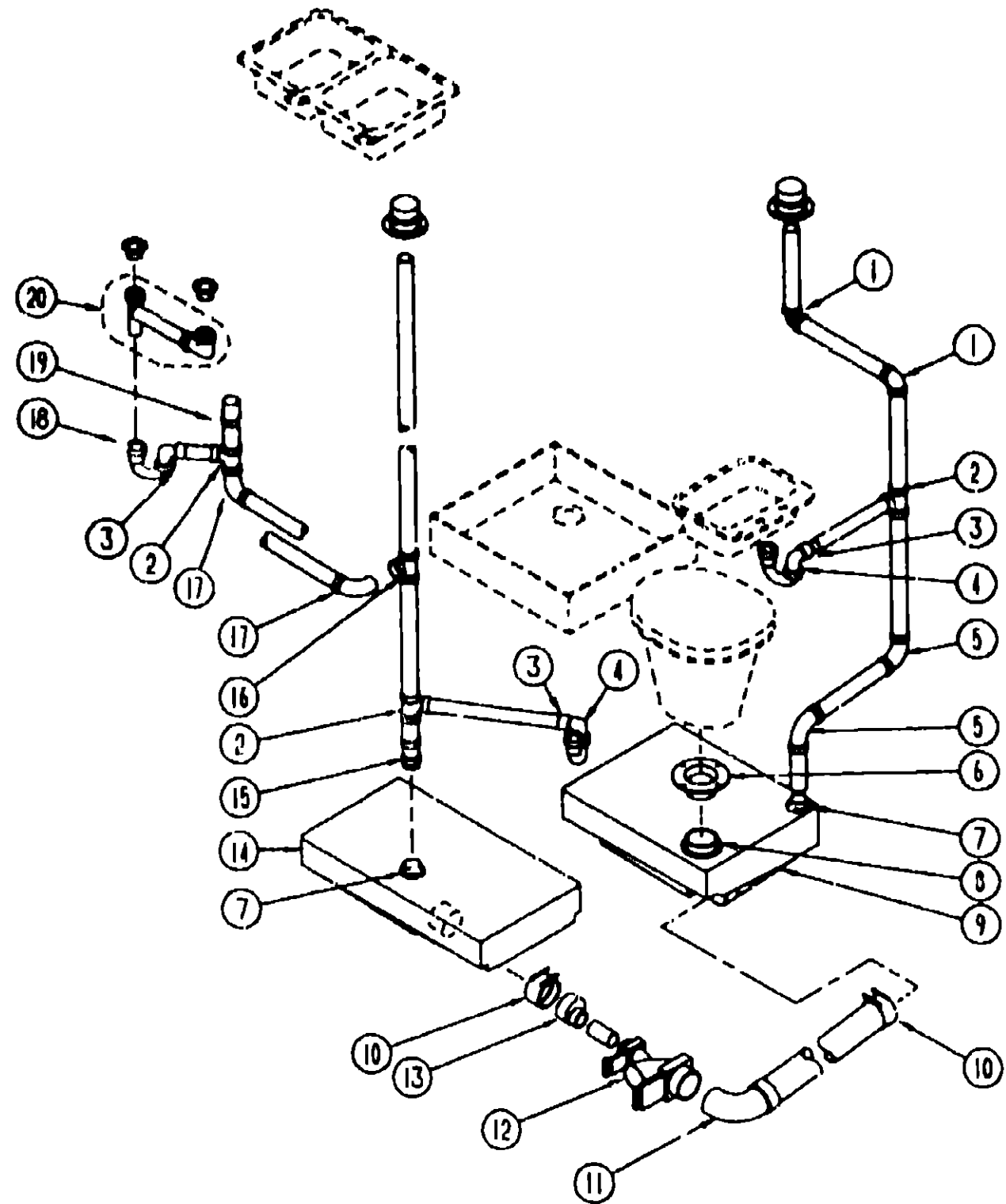
1993 WINNEBAGO
TABLE OF CONTENTS

INTRODUCTION	A-01 -	A-08
ABBREVIATIONS		A-09
ALPHABETICAL INDEX	A-04 -	A-08
WT321RB	A-07 -	C-22
WT321RL	C-23 -	F-18
WT321RD	F-17 -	I-10

1993 WT321RE INDEX

FLOOR PLAN	A-07 -	A-08
ACCESSORIES		A-09
AUDIO VIDEO		A-10
BATH	A-11 -	A-12
CHASSIS	A-13 -	A-14
CURTAIN & CUSHION	A-15 -	A-21
DINETTE		A-22
DRIVERS COMPARTMENT		A-23
ELECTRICAL	A-24 -	B-03
EXTERIOR BODY	B-04 -	B-08
GALLEY	B-09 -	B-13
GENERATOR		B-14
HEATING & A/C		B-15
INTERIOR FINISH	B-18 -	B-18
LABELS	B-19 -	B-24
LP		C-01
LOUNGE		C-02
SEALANTS & FASTENERS	C-03 -	C-04
WATER & SEWAGE	C-05 -	C-08
WINDOW, VENT AND		
EXTERIOR DOOR	C-09 -	C-22

WATER & SEWAGE GROUP (CONTINUED)



DRAINAGE SYSTEM

KEY	PART NUMBER	U/M	DESCRIPTION
1	010008-01-000	EA	ELBOW-45 DEG, 1/8 BEND - 1 1/2" HUB X HUB - BLACK PLASTIC
2	010079-01-000	EA	TEE-SANITARY 1 1/2" H X 1 1/2" H X 1 1/4" H - PLASTIC - BLACK FROM: 00-00-00 THRU: 12-15-92
2	010071-01-000	EA	TEE-SANITARY, 1 1/2" HUB X HUB X HUB - PLASTIC - BLACK FROM: 12-15-92 THRU: 99-99-99
3	107537-01-000	EA	ADAPTER-P-TRAP, 1 1/4" SLIP - US FROM: 00-00-00 THRU: 12-15-92
3	106671-01-000	EA	ADAPTER-P-TRAP, 1 1/2" F. : 1 1/4" MPT - US FROM: 12-15-92 THRU: 99-99-99
4	011066-03-700	EA	P-TRAP KIT-1 1/2" X 1 1/4" P-TRAP W/1 1/2 TO 1 1/4 REDUCER - CANADIAN
4	107538-01-000	EA	P-TRAP-PLASTIC, 1 1/4" W/EXT ARM - US
4	011069-03-700	EA	TAILPIECE-SHOWER/TUB, 1 1/2" X 1 3/4" - PLASTIC
5	010008-01-000	EA	ELBOW-90 DEG, 1/4 BEND - 1 1/2" HUB X HUB - BLACK PLASTIC
6	063841-01-000	EA	FLANGE-CLOSET, 4" X 3"
7	061807-01-000	EA	GROMMET-HOLDING TANK, 1 1/2" NPS
8	061807-02-000	EA	GROMMET-HOLDING TANK, 3" NPS
9	074300-01-000	EA	TANK-HOLDING, 12 GALLON - 10.15" X 24.64" X 19.68"
10	078408-01-000	EA	COUPLER-RUBBER, W/CLAMPS - 3" X 3"
11	041058-01-000	EA	ELBOW-STREET, PLASTIC - 1/4" BD 3 X 90 XLT
12	070918-01-000	EA	VALVE-DUAL DUMP, W/CAP - 3" X 1 1/2" - PLASTIC - BLACK
	070918-01-700	EA	VALVE ONLY, 3"
	070918-01-701	EA	VALVE ONLY, 1 1/2"
13	062422-01-000	EA	ADAPTER-OFFSET REDUCER, 3" X 1 1/2" - PLASTIC - BLACK
	092415-01-000	EA	CAP-SEWER 3" DIAMETER
	062415-01-700	EA	STRING SEWER CAP
	010201-01-000	EA	HOSE-SEWER 3" ID X 8'
	062416-01-000	EA	ADAPTER-SEWER HOSE TO 3" PIPE
14	084679-01-000	EA	TANK-HOLDING, 12 GALLON - 31.9" X 17.7" X 10.1"
	039881-01-000	EA	SENDING UNIT W/SCREW, WASHER, WELL NUT AND TERMINAL RING
15	010115-01-000	EA	COUPLING-1 1/2" HUB X HUB, PLASTIC FROM 12-15-92 THRU 99-99-99
16	010071-01-000	EA	TEE-SANITARY, 1 1/2" HUB X HUB X HUB - PLASTIC - BLACK
17	033781-01-000	EA	ELBOW-TURN, 1/4 BEND X 1 5" HUB X 1 5" SPIGOT - PLASTIC - BLACK
18	107538-01-000	EA	P-TRAP-PLASTIC, 1 1/4" W/EXT ARM - US
18	011071-01-000	EA	P-TRAP-1 1/2", PLASTIC - CANADIAN
19	076968-01-000	EA	VENT-MECH TRAP ARM ANTI-SIPHON - 2" DIA X 73" - PLASTIC
20	011091-02-000	EA	PIPE-DRAIN, DOUBLE SINK - BAFFLE TEE - 1 1/2" - US
20	011091-03-000	EA	PIPE-DRAIN, W/SEALS - DOUBLE SINK - EXTENDS 9" TO 16" - CANADIAN
	066435-01-000	EA	NUT-STRAINER

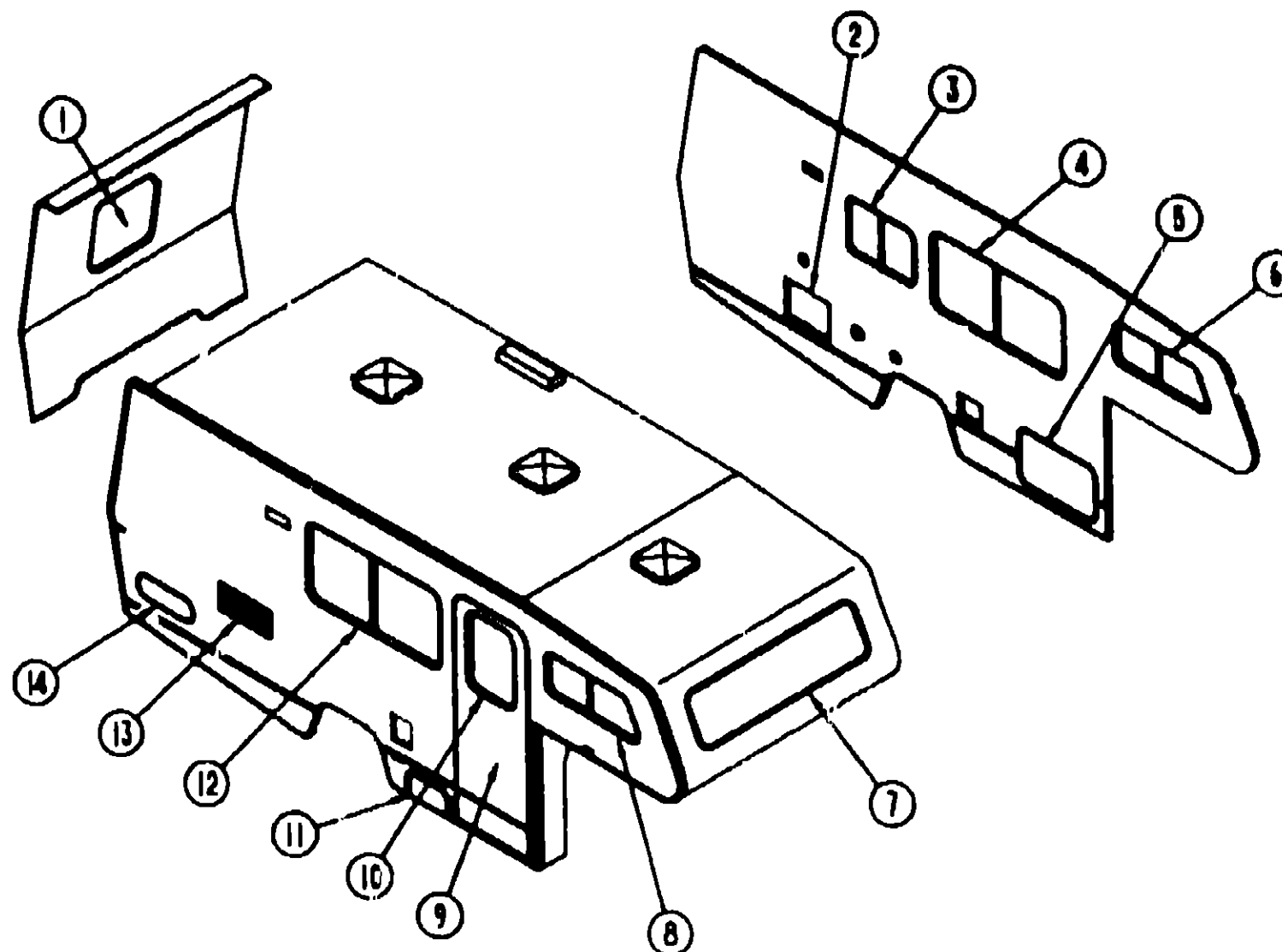
**1993 WINNEBAGO
TABLE OF CONTENTS**

INTRODUCTION	A-01 -	A-02
ABBREVIATIONS		A-03
ALPHABETICAL INDEX	A-04 -	A-06
WT321RB	A-07 -	C-22
WT321RL	C-23 -	F-18
WT321RD	F-17 -	I-10

1993 WT321RB INDEX

FLOOR PLAN	A-07 -	A-08
ACCESSORIES		A-09
AUDIO VIDEO		A-10
BATH	A-11 -	A-12
CHASSIS	A-13 -	A-14
CURTAIN & CUSHION	A-15 -	A-21
DINETTE		A-22
DRIVERS COMPARTMENT		A-23
ELECTRICAL	A-24 -	B-03
EXTERIOR BODY	B-04 -	B-08
GALLEY	B-09 -	B-13
GENERATOR		B-14
HEATING & A/C		B-15
INTERIOR FINISH	B-16 -	B-18
LABELS	B-19 -	B-24
LP		C-01
LOUNGE		C-02
SEALANTS & FASTENERS	C-03 -	C-04
WATER & SEWAGE	C-05 -	C-08
WINDOW, VENT AND		
EXTERIOR DOOR	C-09 -	C-22

WINDOW, VENT & EXTERIOR DOOR GROUP
WINDOWS & DOORS



**1993 WINNEBAGO
TABLE OF CONTENTS**

INTRODUCTION	A-01 -	A-02
ABBREVIATIONS		A-03
ALPHABETICAL INDEX	A-04 -	A-08
WT321RB	A-07 -	C-22
WT321RL	C-23 -	F-18
WT321RD	F-17 -	I-10

1993 WT321RB INDEX

FLOOR PLAN	A-07 -	A-08
ACCESSORIES		A-09
AUDIO VIDEO		A-10
BATH	A-11 -	A-12
CHASSIS	A-13 -	A-14
CURTAIN & CUSHION	A-15 -	A-21
DINETTE		A-22
DRIVERS COMPARTMENT		A-23
ELECTRICAL	A-24 -	B-03
EXTERIOR BODY	B-04 -	B-08
GALLEY	B-09 -	B-13
GENERATOR		B-14
HEATING & A/C		B-15
INTERIOR FINISH	B-16 -	B-18
LABELS	B-19 -	B-24
LP		C-01
LOUNGE		C-02
SEALANTS & FASTENERS	C-03 -	C-04
WATER & SEWAGE	C-05 -	C-08
WINDOW, VENT AND EXTERIOR DOOR	C-09 -	C-22

KEY	PART NUMBER	U/M DESCRIPTION
1	079729-02-T03	EA WINDOW-ESCAPE REAR - 22" X 24"
2	052009-01-000	EA DOOR-WATER HEATER OFF WHITE - ATWOOD 5576-27
3	098647-07-02A	EA WINDOW-SLIDING, W/OFF WHITE INSIDE FRAME - EXCEL B969-PRL
4	098647-12-02A	EA WINDOW-SLIDING W/OFF WHITE INSIDE FRAME - EXCEL H023-PRL
5	102038-01-B05	EA DOOR-GENERATOR W/POWER CORD HATCH, 24" X 15 7" - OFF WHITE
5	102038-02-B05	EA DOOR-LUGGAGE W/POWER CORD HATCH, 16 1" X 24 5" - OFF WHITE
5	009426-02-000	EA HATCH-DOOR, POWER CORD - OFF WHITE
6	098648-04-02A	EA WINDOW-DRIVER SIDE, W/OFF WHITE INSIDE FRAME - EXCEL I1245-MRL FROM 00-00-00 THRU 07-19-92
6	098647-19-01A	EA WINDOW-DRIVER SIDE, W/WHITE INSIDE FRAME - EXCEL B951-PRL FROM 07-20-92 THRU 99-99-99
7	103313-02-C09	EA WINDOW-PICTURE, 58 6" X 11 6" - W/O INSIDE FRAME
8	098648-03-02A	EA WINDOW-PASSENGER SIDE, W/OFF WHITE INSIDE FRAME - EXCEL H245-MRR FROM 00-00-00 THRU 07-19-92
8	098647-18-01A	EA WINDOW-PASSENGER SIDE, W/WHITE INSIDE FRAME - EXCEL B951-PRL FROM 07-20-92 THRU 99-99-99

KEY	PART NUMBER	U/M DESCRIPTION
9	M01870-38-D01	EA DOOR-ENTRANCE, W/WINDOW & SCREEN DOOR
10	079733-07-AA8	EA WINDOW-ENTRY DOOR, 17" X 25" - FROSTED GLASS - W/O INSIDE FRAME
11	079455-09-B05	EA DOOR-BATTERY, 13 2" X 8" - OFF WHITE
12	098647-11-02A	EA WINDOW-SLIDING, W/OFF WHITE INSIDE FRAME - EXCEL H023-PRR
13	084103-03-000	EA DOOR-REFRIGERATOR, VENTED W/O JAMB - OFF WHITE
	084104-01-700	EA LOCK-MALE, FASTENER - REFRIGERATOR DOOR
	084104-01-701	EA LOCK-FEMALE, FASTENER - REFRIGERATOR DOOR
	084104-03-000	EA JAMB-DOOR, REFRIGERATOR - OFF WHITE
14	078720-02-T15	EA DOOR-COMPARTMENT, LP - 18 9" X 5 4" - ALUMINUM - O/W
	102768-01-000	EA HOLDER-COMPARTMENT/ENTRY DOOR, METAL - MILL FINISH
	081240-03-000	EA DOOR-WATER FILL, LOCKABLE, 4" X 4 5/8" - OFF WHITE
	105118-02-C05	EA DOOR-EXTERIOR SHOWER, 17 5" X 7 6"

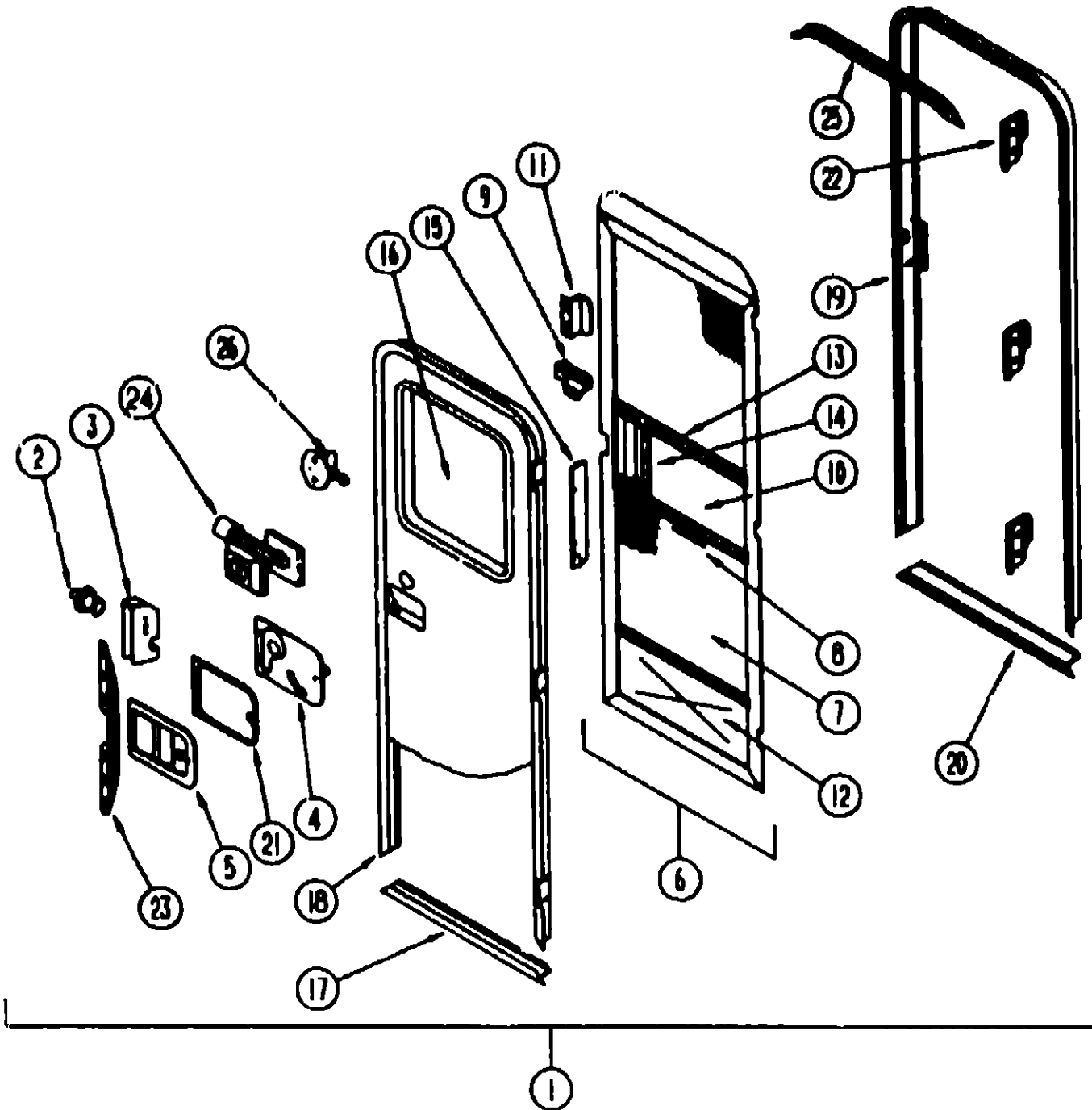
WINDOW, VENT & EXTERIOR DOOR GROUP (CONTINUED)
ENTRY DOOR

1993 WINNEBAGO
TABLE OF CONTENTS

INTRODUCTION	A-01	A-02
ABBREVIATIONS		A-03
ALPHABETICAL INDEX	A-04	A-08
WT321RB	A-07	C-22
WT321RL	C-23	F-16
WT321RD	F-17	I-10

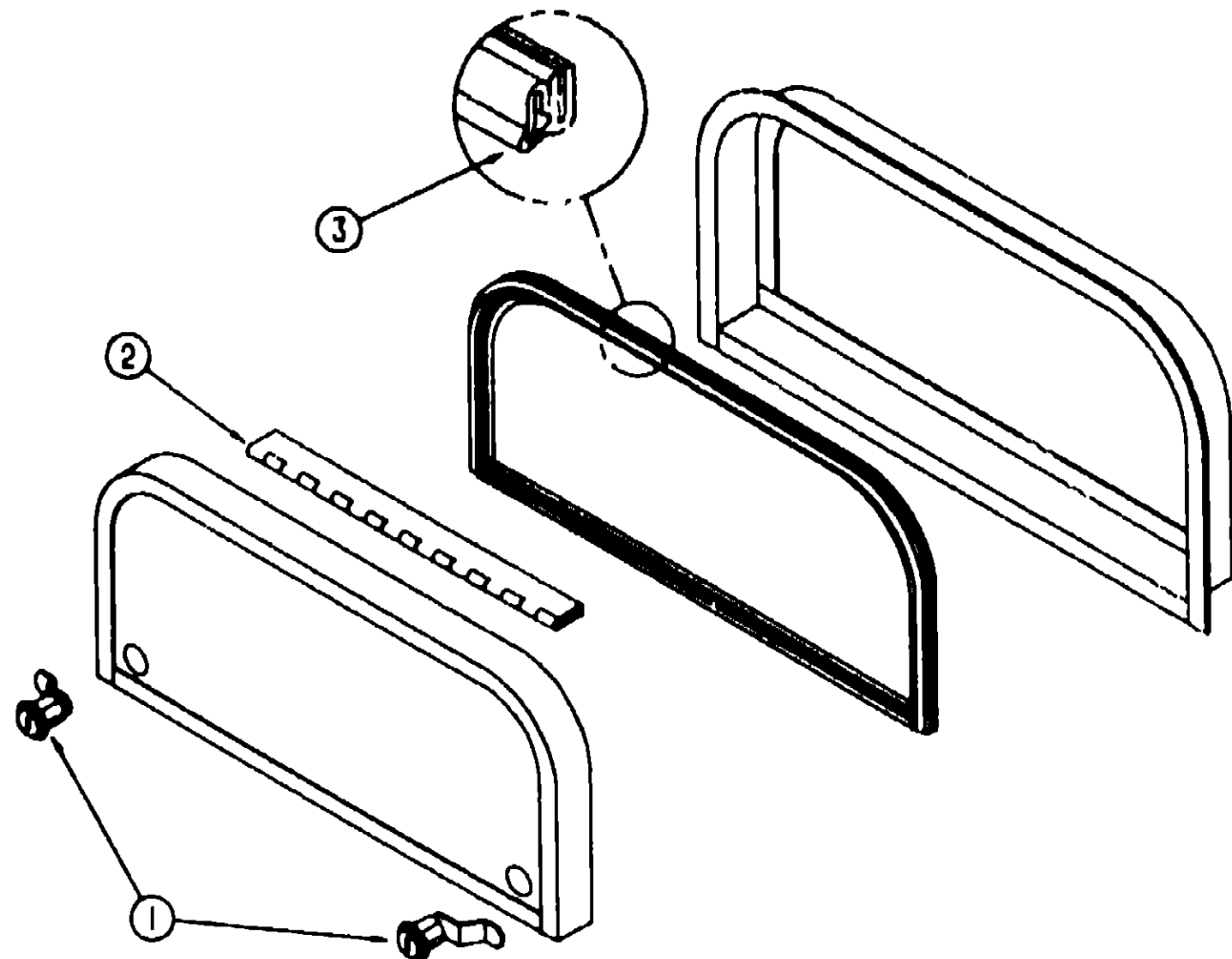
1993 WT321RB INDEX

FLOOR PLAN	A-07	A-08
ACCESSORIES		A-09
AUDIO VIDEO		A-10
BATH	A-11	A-12
CHASSIS	A-13	A-14
CURTAIN & CUSHION	A-15	A-21
DINETTE		A-22
DRIVERS COMPARTMENT		A-23
ELECTRICAL	A-24	B-03
EXTERIOR BODY	B-04	B-08
GALLEY	B-09	B-13
GENERATOR		B-14
HEATING & A/C		B-15
INTERIOR FINISH	B-16	B-18
LABELS	B-19	B-24
LP		C-01
LOUNGE		C-02
SEALANTS & FASTENERS	C-03	C-04
WATER & SEWAGE	C-05	C-08
WINDOW, VENT AND EXTERIOR DOOR	C-09	C-22



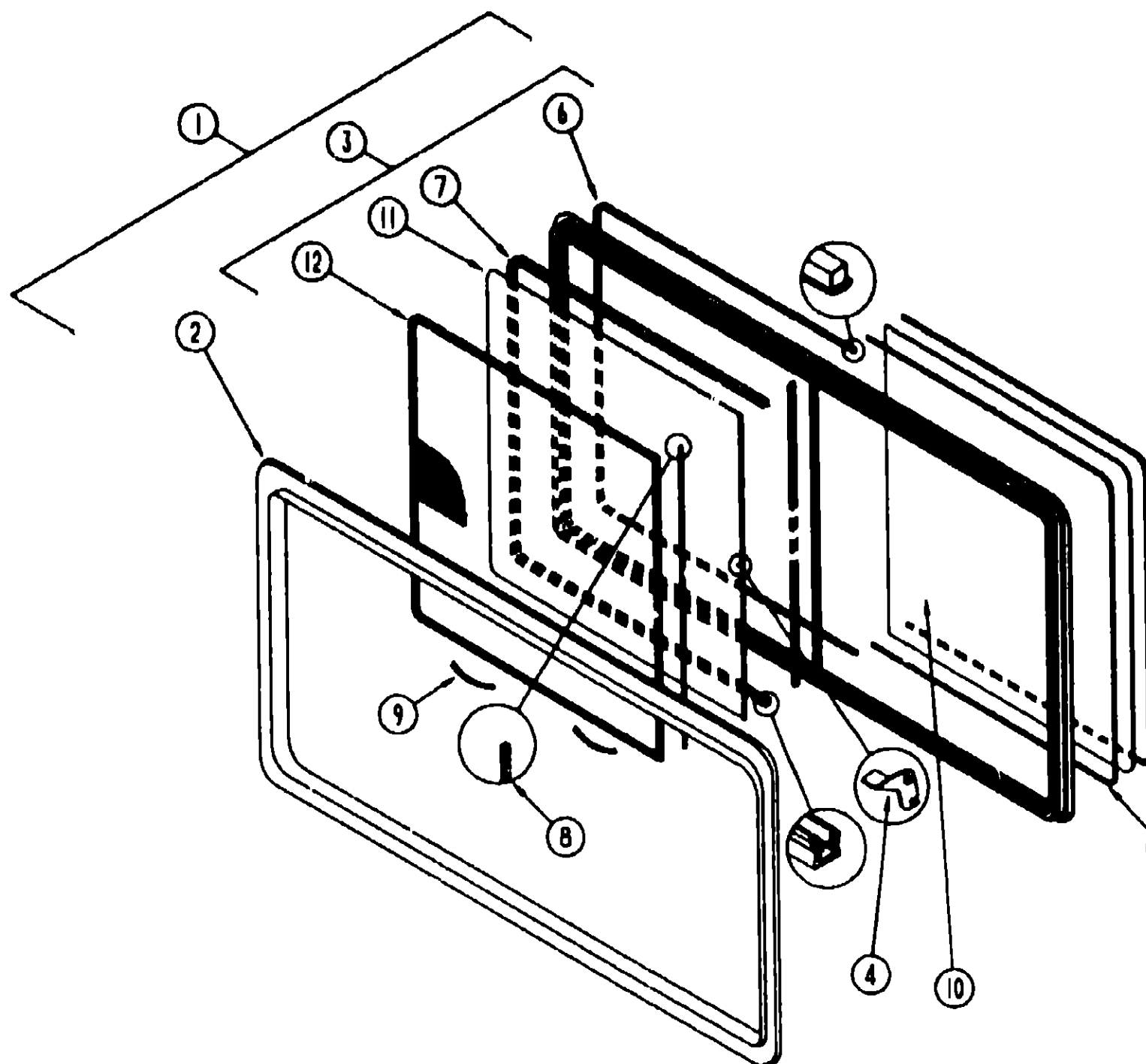
KEY	PART NUMBER	U/M	DESCRIPTION
1	M01870-38-001	EA	DOOR-ENTRANCE, W/WINDOW & SCREEN DOOR
2	038538-01-000	EA	STRIKE-LOCK ENTRY DOOR - ROUND/THREADED WASHER
3	038540-01-000	EA	LATCH MECHANISM-HOOK, ENTRY DOOR - INTERIOR
	038715-01-000	EA	NUT-BERT, 1/4" DIAMETER - 20 THREADS
4	038878-04-000	EA	COVER-INTERIOR LATCH, W/TRIP ARM - RIGHT - BLACK
	038884-01-000	EA	CAP-ROUND, VINYL - .28" ID X .62" LONG - BLACK
	041548-03-000	EA	BRACKET-DOOR ANGLE, 8" X 1.8" - BEIGE - METAL
5	046017-11-000	EA	LATCH-ENTRY DOOR MECHANISM W/LOCK & KEY - BLACK
	046017-11-701	EA	KEY-BLANK ROUND TOP - SILVER - TRIMARK
	068748-01-000	EA	PLUG-CAP, 1" DIAMETER
	068025-02-000	EA	CLIP-ROLLER LATCH CATCH, SCREEN DOOR
	068808-01-000	EA	PLUG-TAPERED, PLASTIC - .94" DIA - RED
	068808-03-000	EA	PLUG-TAPERED, PLASTIC - 1.08" DIA - RED
	083729-04-000	EA	RIVNUT, 10-32 UNF - 010-080
	072893-01-000	EA	NUTBERT-M8 X 0, 8
	075671-04-000	FT	SEAL-SPONGE, LAZY T SHAPE - W/ADHESIVE STRIPE - .5" WIDE
6	079012-04-AA3	EA	DOOR-SCREEN
7	002293-02-000	BF	SCREENING-WINDOW/DOOR, 28" - CHARCOAL
8	002294-01-000	FT	SPLINE-SCREENING, .135" X .138" - BLACK
	002748-01-000	EA	CORNER KEY-DOOR
9	109403-01-000	EA	CATCH-SINGLE ROLLER, SCREEN DOOR
10	001014-01-013	EA	INSERT-CENTER, 10.25" X 16.31" - UNPAINTED
11	050712-04-000	EA	HANDLE-SCREEN DOOR, ALUMINUM - OFF WHITE
11	050712-05-000	EA	HANDLE-SCREEN DOOR, UNPAINTED
12	078552-05-000	EA	INSERT-SCREEN DOOR, LOWER - MILL
	078595-02-000	EA	PLATE-SCREEN DOOR
13	078777-03-000	EA	CHANNEL-SLIDE, SCREEN DOOR CENTER SLIDER COVER - 17.4"
14	079088-02-000	EA	SLIDER-SCREEN DOOR, OFF WHITE
15	079087-02-000	EA	STRIKE-SLIDER, W/LIP FOR ELBOW CATCH - 1.5" X 8.8" - OFF WHITE
16	0017809-32-000	EA	FRAME-WINDOW, ENTRY DOOR - OFF WHITE
16	079733-07-AA8	EA	WINDOW-ENTRY DOOR, 17" X 25" - FROSTED GLASS
16	002181-07-000	EA	GLASS-WINDOW, .162" X 16.25" X 24" - FROSTED
16	007581-01-000	FT	SEAL-GLASS, EXTERIOR - .5" WIDE - VINYL - BLACK
16	079370-04-000	FT	COVER-SCREW, WINDOW - VINYL - BLACK
	081914-01-000	EA	BUMPER-RUBBER, ROUND - .43" DIAMETER - BLACK
17	089748-05-000	EA	FRAME-DOOR, ENTRANCE - BOTTOM - OFF WHITE
	090340-01-000	FT	SEAL-FOAM, CLOSED CELL - 1/4" X 1/2" X 50'
18	095276-02-01A	EA	FRAME-DOOR, ENTRANCE - TOP & SIDES - OFF WHITE
19	095277-03-01A	EA	JAMB-ENTRY DOOR W/BOTTOM, OFF WHITE
20	051049-04-000	EA	JAMB-DOOR, ENTRANCE - BOTTOM - UNPAINTED
	0719207-01-000	EA	STRIKER-ROLLER CATCH, WELDED TO DOOR JAMB - 4" X 1.15"
21	090810-01-01A	EA	PLATE-LATCH, ENTRY DOOR - PLASTIC - BLACK
22	097724-01-04A	EA	HINGE-ENTRY DOOR, UNPAINTED
23	086173-01-04A	EA	STIFFENER-ENTRY DOOR, SUPPORTS LATCH/STRIKE - UNPAINTED
	100128-02-000	FT	SEAL-PILE, ADHESIVE BACK - SCREEN DOOR - GRAY
24	101145-01-01A	EA	DEADBOLT-ENTRY DOOR, W/2 KEYS W/O BOLT OR SCREWS
	095229-01-700	EA	KEY-BLANK, DEADBOLT
	101147-01-000	EA	BOLT-SECURITY, 4 1/2" BACKSET
	102524-01-000	EA	BUMPER-RUBBER, FLAT - BLACK
25	044582-28-000	EA	CAP-DRIP, DOOR JAMB MOUNTED - OFF WHITE
	075639-12-000	EA	GARNISH-ENTRANCE DOOR, OFF WHITE
26	100412-01-000	EA	CATCH-SCREEN DOOR, THUMB CLIP W/BLACK PLASTIC CAP
	076725-01-000	EA	COVER-ACCESSHINGE - 8" X 3.2" - PLASTIC - BEIGE
	009126-02-000	EA	HANDLE-ASSIST, ENTRY DOOR - BLACK
	077481-03-000	EA	COVER-STRIKE ENTRY DOOR - 6.5" X 2.5" - PLASTIC - WHITE
	102248-01-000	EA	SHIM-DOOR

WINDOW, VENT & EXTERIOR DOOR GROUP (CONTINUED)



EXTERIOR DOORS

WINDOW, VENT & EXTERIOR DOOR GROUP (CONTINUED)



LOUNGE SINGLE SLIDING WINDOW

1993 WINNEBAGO
TABLE OF CONTENTS

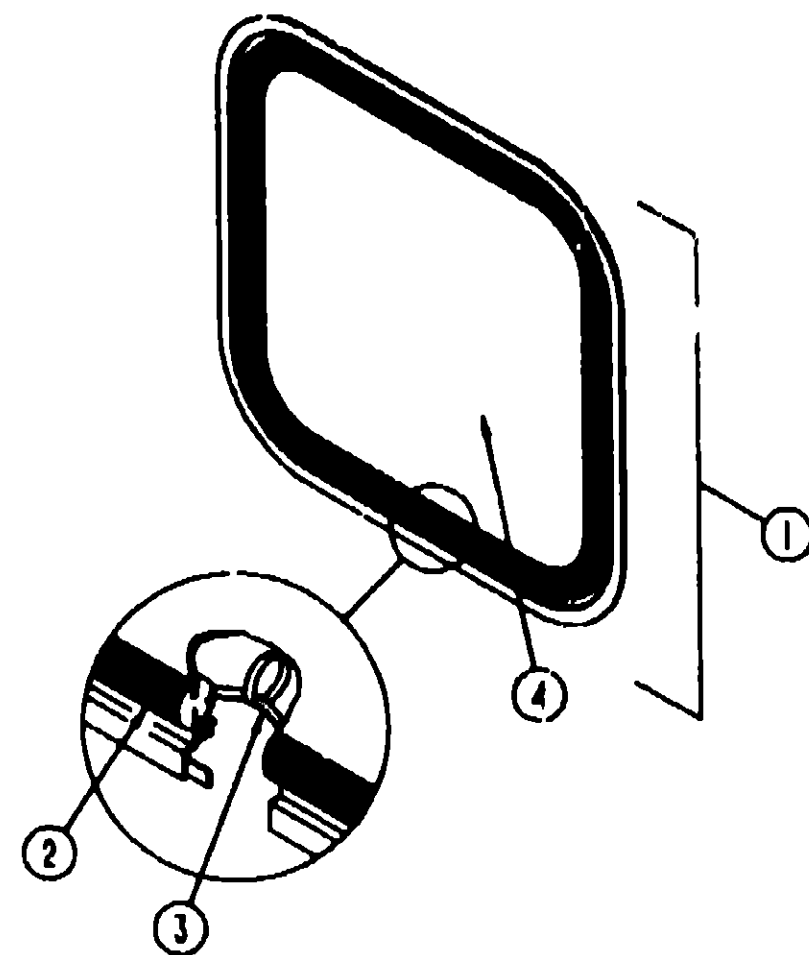
INTRODUCTION	A-01 - A-02
ABBREVIATIONS	A-03
ALPHABETICAL INDEX	A-04 - A-08
WT321RB	A-07 - C-22
WT321RL	C-23 - F-16
WT321RD	F-17 - I-10

1993 WT321RB INDEX

FLOOR PLAN	A-07 - A-08
ACCESSORIES	- A-09
AUDIO VIDEO	- A-10
BATH	A-11 - A-12
CHASSIS	A-13 - A-14
CURTAIN & CUSHION	A-15 - A-21
DINETTE	- A-22
DRIVERS COMPARTMENT	- A-23
ELECTRICAL	A-24 - B-03
EXTERIOR BODY	B-04 - B-08
GALLEY	B-09 - B-13
GENERATOR	- B-14
HEATING & A/C	- B-15
INTERIOR FINISH	B-16 - B-18
LABELS	B-19 - B-24
LP	C-01
LOUNGE	C-02
SEALANTS & FASTENERS	C-03 - C-04
WATER & SEWAGE	C-05 - C-08
WINDOW, VENT AND EXTERIOR DOOR	C-09 - C-22

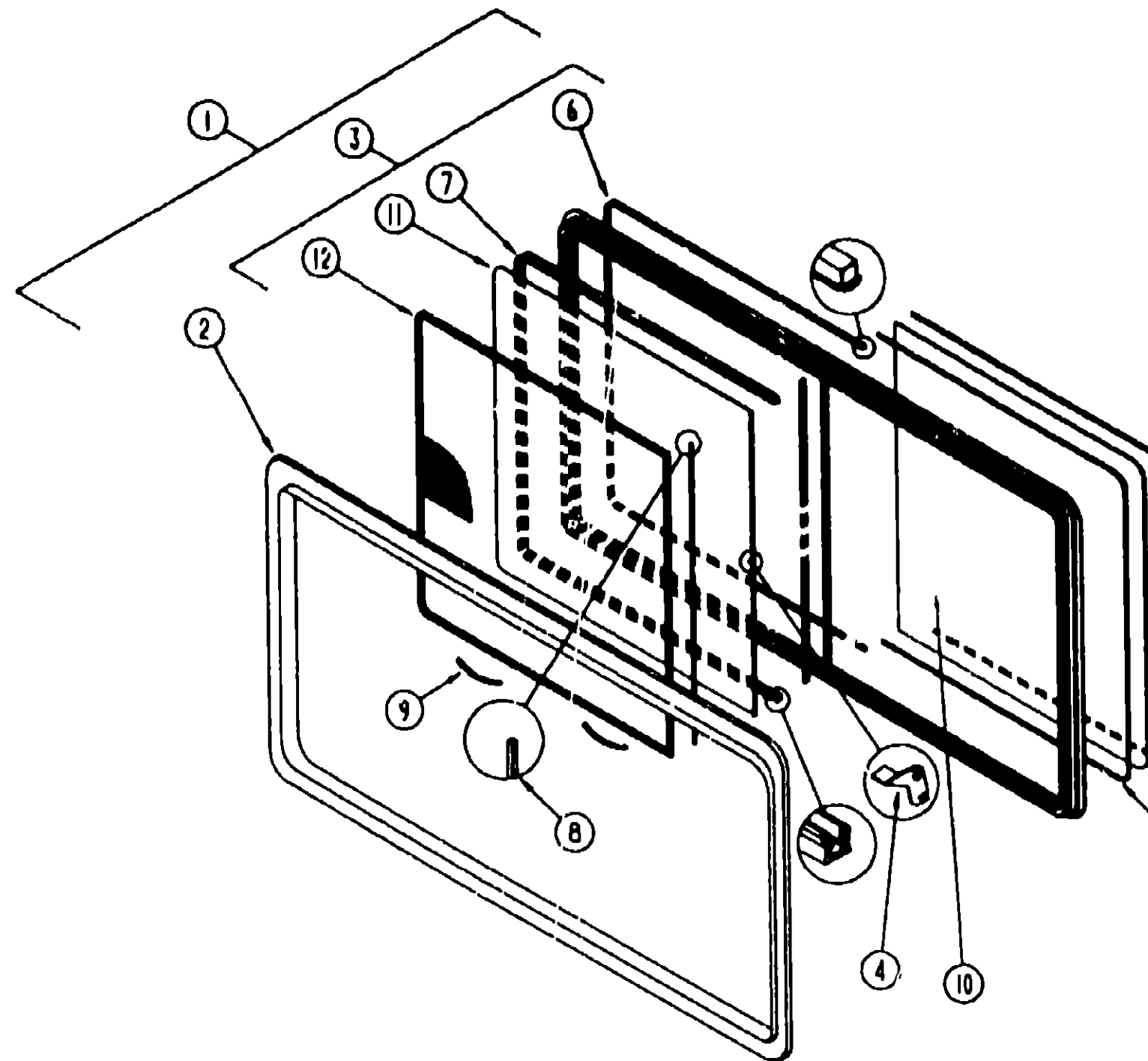
KEY	PART NUMBER	U/M DESCRIPTION
1	079368-04-000	EA LOCK-DOOR, KEY TYPE W/O KEYS - 1 9 OFF SET
	083223-03-000	EA LOCK-KEY TYPE (SET OF 1) W/O KEY (LUGGAGE DOOR)
	082884-01-700	EA KEY-COMPARTMENT DOOR LOCK, BK24
	052950-01-000	EA LOCK-TWIST TYPE WHITE - PLASTIC
		FROM 00-00-00 THRU 06-13-92
	009003-01-000	EA LOCK-TWIST TYPE W/CLIP
		FROM 06-14-92 THRU 99-99-99
2	034007-40-000	EA HINGE-PIANO, 1 5" X 96" - ALUMINUM - OFF WHITE
2	007065-01-000	EA HINGE-ALUMINUM, 1 1/2" X 96" - UNPAINTED
2	081801-02-000	EA HINGE-2" X 96", OFF WHITE
3	084075-07-000	FT SEAL-BULB W/WIRED U-CHANNEL - 3" X 5" CHANNEL - BLACK
	002748-01-000	EA CORNER KEY-DOOR
	091878-01-000	EA RETAINER-DOOR, 1 9" X 8" - METAL
	080340-01-000	FT SEAL-FOAM, CLOSED CELL - 1/4" X 1/2" X 50'
	104692-01-000	FT SEAL-ADHESIVE BACK, 3/4" X 34"
	107997-51-001	EA SPACER- 86" X 6", ALUMINUM - EXTERIOR SHOWER
	109833-01-000	EA BEAUTY RING, 67" X 78" ID - STAINLESS STEEL - HUDSON LOCK EXTERIOR SHOWER
	109834-01-000	EA WASHER- 64" X 752" ID, STAINLESS STEEL - EXTERIOR SHOWER

KEY	PART NUMBER	U/M DESCRIPTION
1	098647-12-02A	EA WINDOW-SLIDING W/OFF WHITE INSIDE FRAME - EXCEL H023-PRL
2	098647-11-705	EA FRAME-INSIDE, OFF WHITE - EXCEL W023-67
3	098647-12-700	EA WINDOW-SLIDING, SINGLE - W/O INSIDE FRAME - 27" X 49" - EXCEL H023-GGL
4	098644-01-700	EA LATCH-REPAIR KIT, EXCEL B801-CK
	098644-01-716	FT PLUG-FILLER, EXCEL 132-014470
	098644-01-717	FT SPLINE-SCREEN, EXCEL 132-004718
5	098644-01-705	FT GLAZING STRIP, EXCEL M926-12
6	098644-01-708	FT WEATHERSTRIP, EXCEL 171-010868
7	098644-01-708	FT CHANNEL-PIERCED RUN, EXCEL 122-016543
	098644-01-710	FT TRACK-SCREEN SPACER, 12" LENGTH - EXCEL M401-31
8	098644-01-711	FT WEATHERSTRIP-SCREEN, BLACK - EXCEL 171-016885
9	098644-01-713	EA SPRING-SCREEN FRAME (CLIP), PLASTIC - BLACK
10	098647-12-701	EA GLASS-STATIONARY, EXCEL 108-017262
	098647-08-705	EA RAIL-LOCKING W/WEATHERSTRIP, EXCEL H022-17
11	098647-11-701	EA GLASS-SLIDING, W/SASH & LOCK - EXCEL H023-69
12	098647-11-704	EA SCREEN-W/SPRING & WEATHERSTRIP - EXCEL 410016-463



BACKWALL ESCAPE WINDOW

KEY	PART NUMBER	U/M DESCRIPTION
	020749-10-000	EA FRAME-WINDOW INSIDE - OFF WHITE
1	079729-02-T03	EA WINDOW-ESCAPE, REAR - 22" X 24"
2	002282-02-000	EA WEATHERSTRIP-WINDOW, .125" VULCANIZED - 79 1" LONG - BLACK
	077066-01-702	EA TAPE ASM-ESCAPE WINDOW, RED
3	002285-01-000	FT FILLER-WEATHER STRIP, RUBBER - BLACK
4	041392-03-000	EA GLASS-WINDOW, 1/8" X 21 65" X 19 61"



GALLEY SINGLE SLIDING WINDOW

KEY	PART NUMBER	U/M DESCRIPTION
1	098647-07-02A	EA WINDOW-SLIDING W/OFF WHITE INSIDE FRAME - EXCEL B969-PRL
2	098647-06-706	EA FRAME-INSIDE, OFF WHITE - EXCEL V969-67
3	098647-07-700	EA WINDOW-SLIDING, SINGLE - W/O INSIDE FRAME - 15" X 23 75" - EXCEL B969-G2L
4	098644-01-700	EA LATCH-REPAIR KIT, EXCEL B801-CK
	098644-01-716	FT PLUG-FILLER, EXCEL 132-014470
	098644-01-717	FT SPLINE-SCREEN, EXCEL 132-004716
5	098644-01-705	FT GLAZING STRIP, EXCEL M928-12
6	098644-01-706	FT WEATHERSTRIP, EXCEL 171-010668
7	098644-01-708	FT CHANNEL-PIERCED RUN, EXCEL 122-016543
	098644-01-710	FT TRACK-SCREEN SPACER, 12" LENGTH - EXCEL M401-31
8	098644-01-711	FT WEATHERSTRIP-SCREEN, BLACK - EXCEL 171-018065
9	098644-01-713	EA SPRING-SCREEN FRAME (CLIP), PLASTIC - BLACK
10	098647-06-700	EA GLASS-STATIONARY, 10 91" X 13 77" - EXCEL 106-016921
	098647-06-701	EA RAIL-LOCKING W/WEATHERSTRIP, EXCEL B938-17
11	098647-06-702	EA GLASS-SLIDING, 1/8" SASH & LATCH - EXCEL B969-G9
12	098647-06-703	EA SCREEN W/WEATHERSTRIP & FRAME SPRING (CLIP), EXCEL 410-016

1993 WINNEBAGO
TABLE OF CONTENTS

INTRODUCTION	A-01	A-02
ABBREVIATIONS		A-03
ALPHABETICAL INDEX	A-04	A-06
WT321RB	A-07	C-22
WT321RL	C-23	F-16
WT321RD	F-17	I-10

1993 WT321RB INDEX

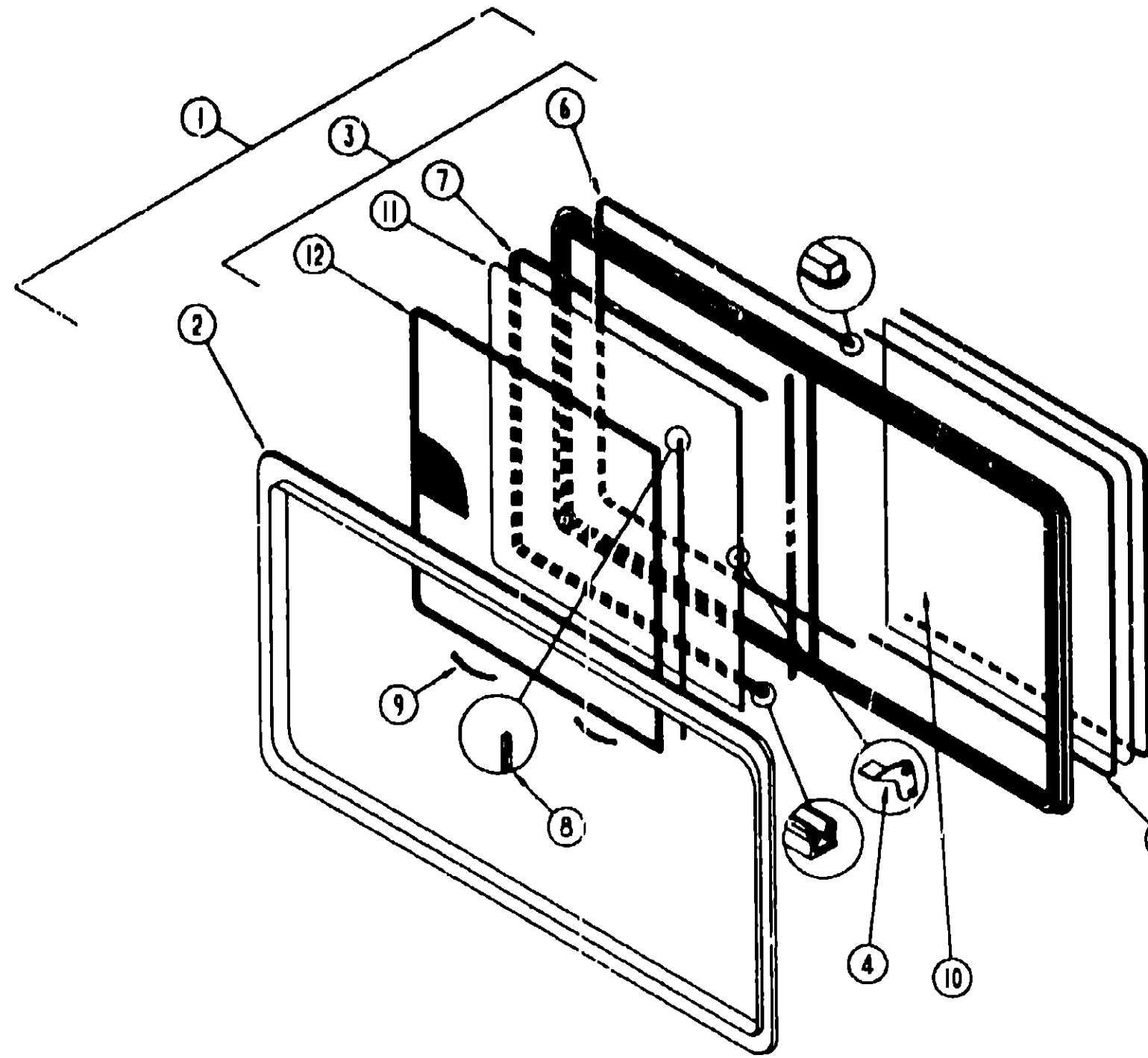
FLOOR PLAN	A-07	A-08
ACCESSORIES		A-09
AUDIO VIDEO		A-10
BATH	A-11	A-12
CHASSIS	A-13	A-14
CURTAIN & CUSHION	A-15	A-21
DINETTE		A-22
DRIVERS COMPARTMENT		A-23
ELECTRICAL	A-24	B-03
EXTERIOR BODY	B-04	B-06
GALLEY	B-09	B-13
GENERATOR		B-14
HEATING & A/C		B-15
INTERIOR FINISH	B-16	B-18
LABELS	B-19	B-24
LP		C-01
LOUNGE		C-02
SEALANTS & FASTENERS	C-03	C-04
WATER & SEWAGE	C-05	C-08
WINDOW, VENT AND EXTERIOR DOOR	C-09	C-22

WINDOW, VENT & EXTERIOR DOOR GROUP (CONTINUED)
PASSENGER SIDE BUNK SLANTED SLIDER WINDOWS

WINDOW, VENT & EXTERIOR DOOR GROUP (CONTINUED)

1993 WINNEBAGO
TABLE OF CONTENTS

INTRODUCTION	A-01	A-02
ABBREVIATIONS		A-01
ALPHABETICAL INDEX	A-04	A-08
WT321RB	A-07	C-22
WT321RL	C-23	F-18
WT321RD	F-17	I-10



BUNK SLIDING WINDOWS

1993 WT321RB INDEX

FLOOR PLAN	A-07	A-08
ACCESSORIES		A-09
AUDIO VIDEO		A-10
BATH	A-11	A-12
CHASSIS	A-13	A-14
CURTAIN & CUSHION	A-15	A-21
DINETTE		A-22
DRIVERS COMPARTMENT		A-23
ELECTRICAL	A-24	B-03
EXTERIOR BODY	B-04	B-08
GALLEY	B-09	B-13
GENERATOR		B-14
HEATING & A/C		B-15
INTERIOR FINISH	B-16	B-18
LABELS	B-19	B-24
I.P.		C-01
LOUNGE		C-02
SEALANTS & FASTENERS	C-03	C-04
WATER & SEWAGE	C-05	C-08
WINDOW, VENT AND EXTERIOR DOOR	C-09	C-22

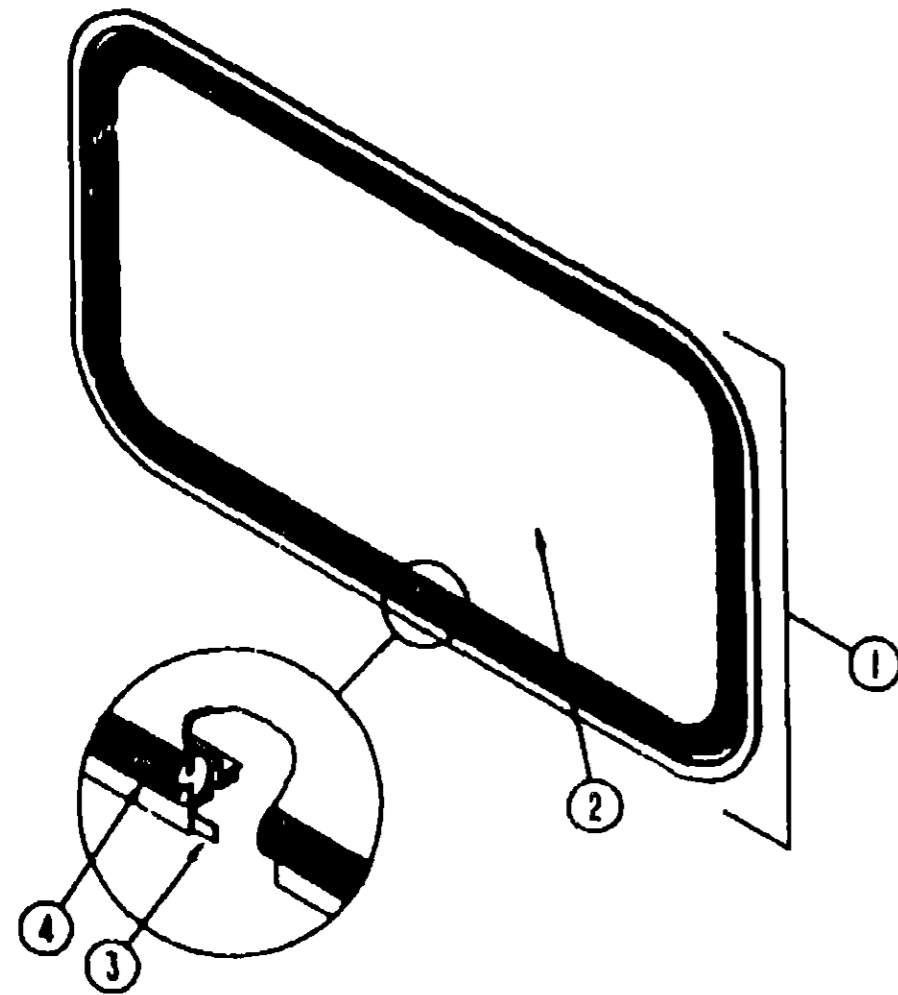
KEY	PART NUMBER	U/M DESCRIPTION
	098646-03-02A	EA WINDOW-PASSENGER SIDE, W/OFF WHITE INSIDE FRAME - EXCEL H245-MPR FROM: 00-00-00 THRU: 07-19-92
	098646-03-703	EA TRIM-INSIDE, PASSENGER SIDE - OFF WHITE - EXCEL W245-B7R
	098646-03-707	EA WINDOW-SLIDING, W/O INSIDE FRAME - EXCEL H245G1R
	098644-01-700	EA LATCH-REPAIR KIT, EXCEL B801-CK
	098644-05-701	EA GLASS-SLIDING, W/SASH & LATCH - EXCEL B948-G8
	098644-01-705	FT GLAZING STRIP, EXCEL M926-12
	098644-01-706	FT WEATHERSTRIP, EXCEL 171-010668
	098644-01-708	FT CHANNEL-PIERCED RUN, EXCEL 122-018543
	098644-01-710	FT TRACK-SCREEN SPACER, 12' LENGTH - EXCEL M401-31
	098644-01-711	FT WEATHERSTRIP-SCREEN, BLACK - EXCEL 171-018685
	098644-01-713	EA SPRING-SCREEN FRAME (CLIP), PLASTIC - BLACK
	098644-01-716	FT PLUG-FILLER, EXCEL 132-014470
	098644-01-717	FT SPLINE-SCREEN, EXCEL 132-004718
	098646-03-700	EA FILLER STRIP, EXCEL G03726
	098646-03-705	EA SCREEN ASSEMBLY - EXCEL 410018475
	098646-03-704	EA GLASS-STATIONARY, EXCEL 106017492

DRIVER SIDE BUNK SLANTED SLIDER WINDOWS

KEY	PART NUMBER	U/M DESCRIPTION
	098646-04-02A	EA WINDOW-DRIVER SIDE, W/OFF WHITE INSIDE FRAME - EXCEL H245-MRL FROM: 00-00-00 THRU: 07-19-92
	098646-04-702	EA TRIM-INSIDE, PASSENGER SIDE - OFF WHITE - EXCEL W245-B7L
	098646-04-703	EA WINDOW-SLIDING, W/O INSIDE FRAME - EXCEL H245G1R
	098644-01-700	EA LATCH-REPAIR KIT, EXCEL B801-CK
	098644-05-701	EA GLASS-SLIDING, W/SASH & LATCH - EXCEL B948-G8
	098644-01-705	FT GLAZING STRIP, EXCEL M926-12
	098644-01-706	FT WEATHERSTRIP, EXCEL 171-010668
	098644-01-708	FT CHANNEL-PIERCED RUN, EXCEL 122-018543
	098644-01-710	FT TRACK-SCREEN SPACER, 12' LENGTH - EXCEL M401-31
	098644-01-711	FT WEATHERSTRIP-SCREEN, BLACK - EXCEL 171-018685
	098644-01-713	EA SPRING-SCREEN FRAME (CLIP), PLASTIC - BLACK
	098644-01-716	FT PLUG-FILLER, EXCEL 132-014470
	098644-01-717	FT SPLINE-SCREEN, EXCEL 132-004718
	098646-03-700	EA FILLER STRIP, EXCEL G03726
	098646-03-705	EA SCREEN ASSEMBLY - EXCEL 410018475
	098646-03-704	EA GLASS-STATIONARY, EXCEL 106017492

KEY	PART NUMBER	U/M DESCRIPTION
1	098647-18-01A	EA WINDOW-PASSENGER SIDE, W/WHITE INSIDE FRAME - EXCEL B951-PRR FROM: 07-20-92 THRU 99-99-99
1	098647-19-01A	EA WINDOW-DRIVER SIDE, W/WHITE INSIDE FRAME - EXCEL B951-PRL FROM 07-20-92 THRU: 99-99-99
2	098647-18-700	EA FRAME-WINDOW, INSIDE - WHITE - EXCEL V951-67
3	098647-18-702	EA WINDOW-SLIDING, W/O INSIDE FRAME - PASS SIDE - 12" X 24" - EXCEL B951-G2R
3	098647-19-700	EA WINDOW-SLIDING, W/O INSIDE FRAME - DRIVER SIDE - 12" X 24" - EXCEL B951-PRL
4	098644-01-700	EA LATCH-REPAIR KIT, EXCEL B801-CK
5	098644-01-705	FT GLAZING STRIP, EXCEL M926-12
6	098644-01-706	FT WEATHERSTRIP, EXCEL 171-010668
7	098644-01-708	FT CHANNEL-PIERCED RUN, EXCEL 122-018543
8	098644-01-711	FT WEATHERSTRIP-SCREEN, BLACK - EXCEL 171-018685
9	098644-01-713	EA SPRING-SCREEN FRAME (CLIP), PLASTIC - BLACK - EXCEL 228 018686
10	098647-18-701	EA GLASS-STATIONARY, EXCEL 106011829
	098646-01-701	EA RAIL-LOCKING W/WEATHERSTRIP, EXCEL B862-17
	098644-01-716	FT PLUG-FILLER, EXCEL 132-014470
	098644-01-710	FT TRACK-SCREEN SPACER, 12' LENGTH - EXCEL M401-31
	098644-01-717	FT SPLINE-SCREEN, EXCEL 132-004718
11	098646-01-702	EA GLASS-SLIDING, W/SASH & LOCK - EXCEL B948-G9
12	098646-03-705	EA SCREEN ASSEMBLY - EXCEL 410018475

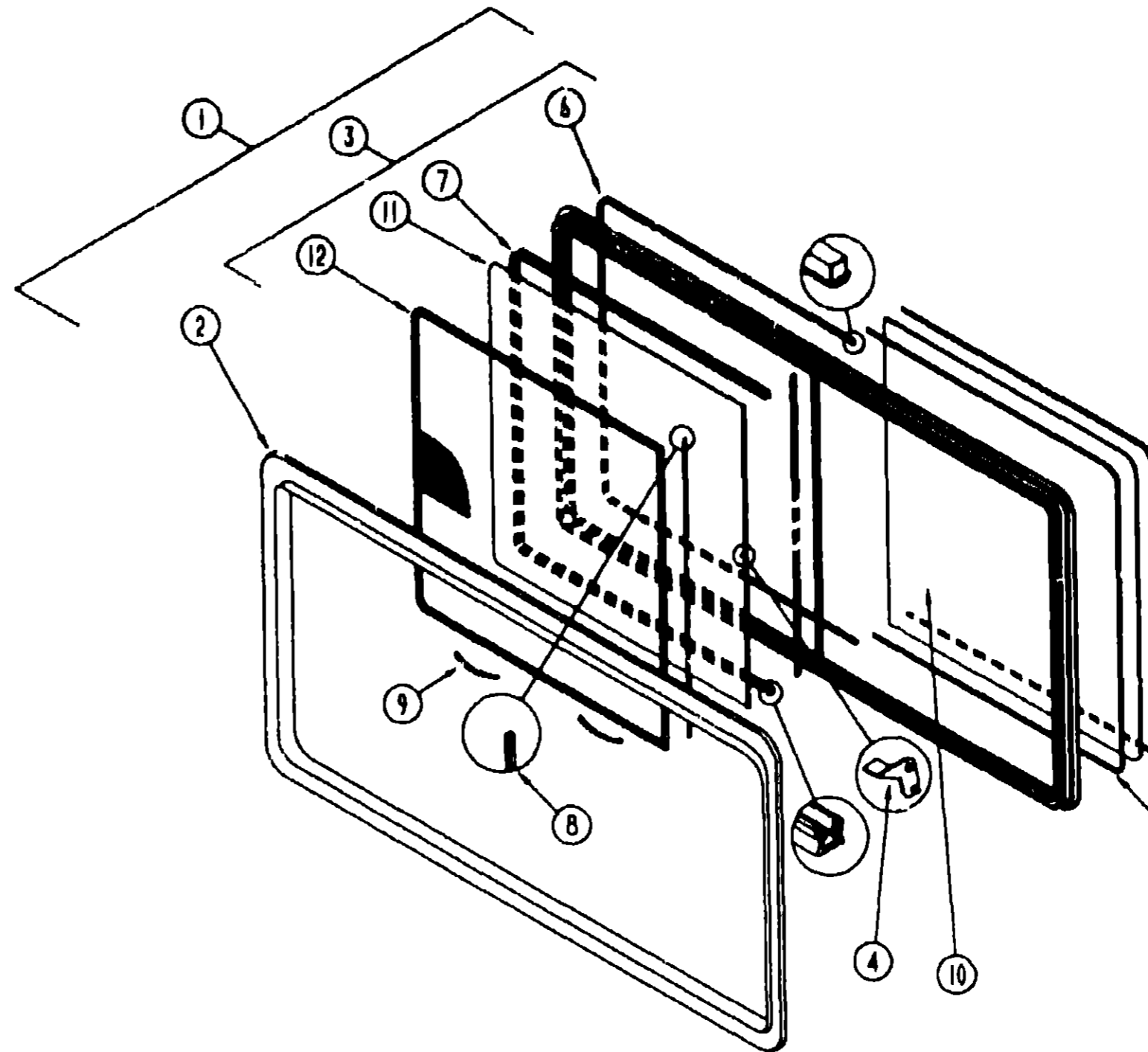
WINDOW, VENT & EXTERIOR DOOR GROUP (CONTINUED)



OVERHEAD BUNK FRONT WINDOW

KEY	PART NUMBER	U/M	DESCRIPTION
	087809-34-000	EA	FRAME-WINDOW, INSIDE - OFF WHITE
1	103313-02-C09	EA	WINDOW-PICTURE, 58 6" X 11 8" - W/O INSIDE FRAME
2	002181-18-000	EA	GLASS-PICTURE, 11 25" X 58 1" - GRAY
3	060840-11-000	FT	SEALER-TAPE, 3/16" X 3/8" BLACK
4	099154-01-000	FT	CHANNEL-GLAZING, STATIONARY GLASS - 62" X 45" - BLACK

WINDOW, VENT & EXTERIOR DOOR GROUP (CONTINUED)



DINETTE SINGLE SLIDING WINDOW

KEY	PART NUMBER	U/M	DESCRIPTION
1	090647-11-02A	EA	WINDOW-SLIDING, W/OFF WHITE INSIDE FRAME - EXCEL H023-PRR
	096647-11-705	EA	FRAME-INSIDE, OFF WHITE - EXCEL W023-67
3	090647-11-703	EA	WINDOW-SLIDING, SINGLE - W/O INSIDE FRAME - 27" X 49" - EXCEL H023-GGR
4	090644-01-700	EA	LATCH-REPAIR KIT, EXCEL B801-CK
	090644-01-716	FT	PLUG-FILLER, EXCEL 132-014470
	090644-01-717	FT	SPLINE-SCREEN, EXCEL 132-004716
5	090644-01-705	FT	GLAZING STRIP, EXCEL M028-12
6	090644-01-708	FT	WEATHERSTRIP, EXCEL 171-010668
7	090644-01-708	FT	CHANNEL-PIERCED RUN, EXCEL 122-016543
	090644-01-710	FT	TRACK-SCREEN SPACER, 12' LENGTH - EXCEL M401-31
8	090644-01-711	FT	WEATHERSTRIP-SCREEN, BLACK - EXCEL 171-016985
9	090644-01-713	EA	SPRING-SCREEN FRAME (CLIP), PLASTIC - BLACK
10	090647-12-701	EA	GLASS-STATIONARY, EXCEL 108-017262
	090647-08-705	EA	RAIL-LOCKING W/WEATHERSTRIP, EXCEL H022-17
11	090647-11-701	EA	GLASS-SLIDING, W/SASH & LOCK - EXCEL H023-69
12	090647-11-704	EA	SCREEN-W/SPRING & WEATHERSTRIP - EXCEL 410016-483

1993 WINNEBAGO
TABLE OF CONTENTS

INTRODUCTION	A-01 -	A-02
ABBREVIATIONS		A-03
ALPHABETICAL INDEX	A-04 -	A-08
WT321RB	A-07 -	C-22
WT321RL	C-23 -	F-18
WT321RD	F-17 -	I-10

1993 WT321RB INDEX

FLOOR PLAN	A-07 -	A-08
ACCESSORIES		A-09
AUDIO VIDEO		A-10
BATH	A-11 -	A-12
CHASSIS	A-13 -	A-14
CURTAIN & CUSHION	A-15 -	A-21
DINETTE		A-22
DRIVERS COMPARTMENT		A-23
ELECTRICAL	A-24 -	B-03
EXTERIOR BODY	B-04 -	B-08
GALLEY	B-09 -	B-13
GENERATOR		B-14
HEATING & A/C		B-15
INTERIOR FINISH	B-16 -	B-18
LABELS	B-19 -	B-24
LP		C-01
LOUNGE		C-02
SEALANTS & FASTENERS	C-03 -	C-04
WATER & SEWAGE	C-05 -	C-08
WINDOW, VENT AND EXTERIOR DOOR	C-09 -	C-22

WINDOW, VENT & EXTERIOR DOOR GROUP (CONTINUED)

POWERED ROOF VENT (FROM: 00-00-00 THRU: 10-04-92)

KEY	PART NUMBER	U/M DESCRIPTION
	000304-01-Y12	EA VENT-ROOF, POWERED
	002825-01-000	EA WEATHER STRIP-ROOF VENT, GRAY
	008106-01-000	EA SWITCH-ROOF VENT, PUSH BUTTON, 12V
	008343-01-000	EA TIE-WIRE, 6"
	008398-01-000	EA GROMMET-SNAP, 3/8"
	008440-01-000	EA GEAR/ARM-VENT COVER, LIFT
	015910-03-000	EA BRACKET-HANDLE, ROOF VENT - OFF WHITE
	015911-01-000	EA TRACK-LIFT ARM, SLIDE - ROOF VENT
	048648-01-000	EA MOTOR-ROOF VENT, 1/8 SHAFT - 12V - JENSEN
	048649-01-000	EA FAN-ROOF VENT, 6 BLADES - 6" - JENSEN
	055218-01-000	EA COVER-ROOF VENT
	052639-01-200	EA HINGE-EXTRUSION, ROOF VENT 7"
	052639-01-001	EA HINGE-VENT COVER, 18"
	061803-01-000	EA GROMMET-SNAP, 3/16" ID - 3/8" HOLE - PLASTIC - BLACK
	078785-01-Y12	EA SCREEN-ROOF VENT, POWERED
	002291-02-000	SF SCREENING-ROOF VENT/WINDOW, 16" - BLACK
	002298-02-000	FT SPLINE-VENT/WINDOW SCREEN, .128 DIAMETER - BLACK
	009439-01-000	EA CRANK HANDLE-ROOF VENT
	009439-03-000	EA EXTENSION-CRANK HANDLE ROOF VENT - 9" - MILL
	009439-04-000	EA SCREW 8-32 X 1 1/4" POH

POWERED ROOF VENT (FROM: 10-05-92 THRU: 99-99-99)

KEY	PART NUMBER	U/M DESCRIPTION
	110051-03-01A	EA VENT-ROOF, POWERED - 2" ROOF - JENSEN 7757 WHE
	048648-01-000	EA MOTOR-ROOF VENT, 1/8 SHAFT - 12V - JENSEN
	048649-01-000	EA FAN-ROOF VENT, 6 BLADES - 6" - JENSEN
	064470-01-700	EA COVER-ROOF VENT, JENSEN 7291
	110051-01-701	EA GARNISH W/SCREEN & FRAME-2", JENSEN 29-800-01
	110051-01-702	EA LIFT ASM-VENT LID W/O CRANK, JENSEN RP-1000B
	110051-01-703	EA CRANK, JENSEN RP-1031-B

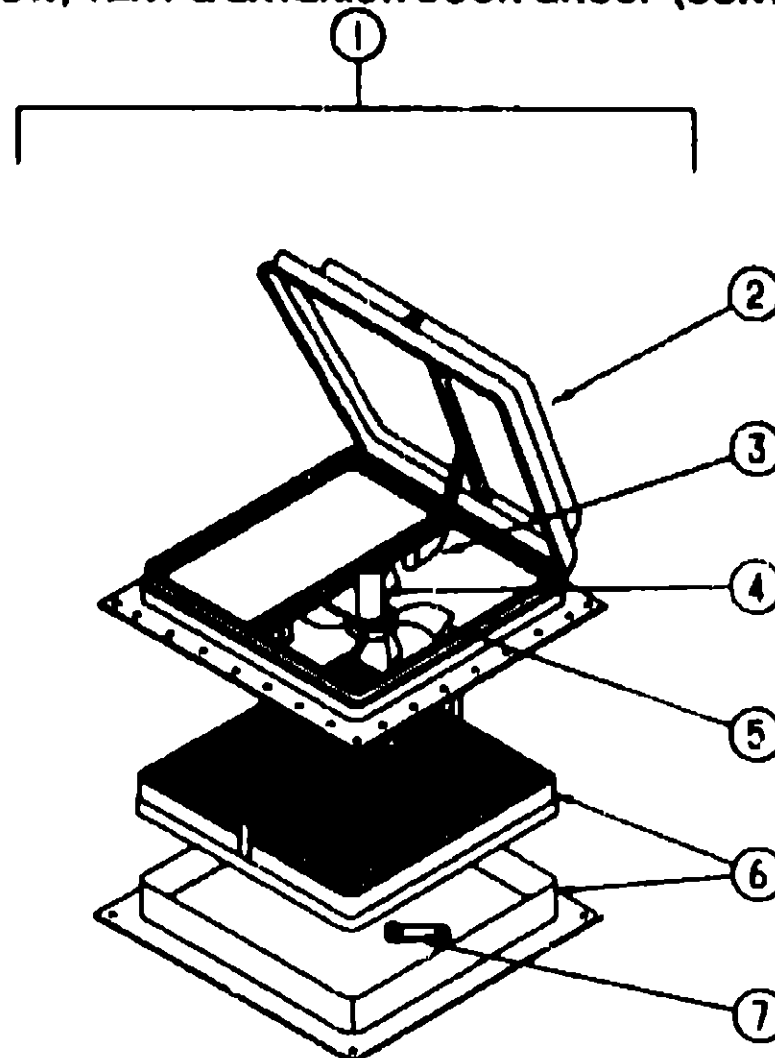
NONPOWERED ROOF VENT (FROM: 00-00-00 THRU: 10-04-92)

KEY	PART NUMBER	U/M DESCRIPTION
	000395-01-Y12	EA VENT ROOF, NONPOWERED
	009439-01-000	EA CRANK HANDLE-ROOF VENT
	009439-03-000	EA EXTENSION-CRANK HANDLE ROOF VENT - 9" - MILL
	009439-04-000	EA SCREW 8-32 X 1 1/4" POH
	002825-01-000	EA WEATHER STRIP-ROOF VENT, GRAY
	008440-01-000	EA GEAR/ARM-VENT COVER, LIFT
	015910-03-000	EA BRACKET-HANDLE, ROOF VENT - OFF WHITE
	015911-01-000	EA TRACK-LIFT ARM, SLIDE - ROOF VENT
	055218-01-000	EA COVER-ROOF VENT
	052639-01-001	EA HINGE-VENT COVER, 18"
	052639-01-200	EA HINGE-EXTRUSION, ROOF VENT 7"
	078785-01-Y12	EA SCREEN-ROOF VENT, NON POWERED - WHITE
	002291-02-000	SF SCREENING-ROOF VENT/WINDOW, 16" - BLACK
	002298-02-000	FT SPLINE-VENT/WINDOW SCREEN, .128 DIAMETER - BLACK

POWERED ROOF VENT (FROM: 10-05-92 THRU: 99-99-99)

KEY	PART NUMBER	U/M DESCRIPTION
	110051-01-01A	EA VENT-ROOF, NONPOWERED - 2" ROOF - JENSEN 7724 WHE
	064470-01-700	EA COVER-ROOF VENT, JENSEN 7291
	110051-01-701	EA GARNISH W/SCREEN & FRAME-2", JENSEN 29-800-01
	110051-01-702	EA LIFT ASM-VENT LID W/O CRANK, JENSEN RP-1000B
	110051-01-703	EA CRANK, JENSEN RP-1031-B

WINDOW, VENT & EXTERIOR DOOR GROUP (CONTINUED)



POWERED ROOF VENT - JENSEN - CANADIAN

KEY	PART NUMBER	U/M DESCRIPTION
	1	064469-08-000 EA VENT-ROOF, POWERED - 14" X 14" - 12V - JENSEN C-727 - CSA FROM 00-00-00 THRU: 10-04-92
	1	110051-05-01A EA VENT-ROOF, POWERED - 2" ROOF - CSA - JENSEN C7757 WHE FROM 10-05-92 THRU 99-99-99
	2	064469-03-702 EA LID-VENT, WHITE - JENSEN 290-WH FROM 00-00-00 THRU 10-04-92
	2	064470-01-700 EA COVER ROOF VENT, JENSEN 7291 FROM 10-05-92 THRU 99-99-99
	3	064469-03-706 EA LIFT MECHANISM FROM: 00-00-00 THRU 10-04-92
	3	110051-01-702 EA LIFT ASM-VENT LID W/O CRANK, JENSEN RP-1000B FROM 10-05-92 THRU 99-99-99
	4	048648-01-000 EA MOTOR-ROOF VENT, 1/8 SHAFT - 12V
	5	048649-01-000 EA FAN-ROOF VENT, 6 BLADES - 6"
	6	110051-01-701 EA GARNISH W/SCREEN & FRAME-2", JENSEN 29-800-01
	7	009439-01-000 EA CRANK HANDLE-ROOF VENT FROM 00-00-00 THRU 10-04-92
		110051-01-703 EA CRANK HANDLE-ROOF VENT, JENSEN RP-1031-B FROM 10-05-92 THRU 99-99-99
		009439-04-000 EA SCREW 8-32 X 1 1/4" POH FROM 00-00-00 THRU 10-04-92
		009439-03-000 EA EXTENSION-CRANK HANDLE ROOF VENT - 9" - MILL FROM 00-00-00 THRU 10-04-92

REFRIGERATOR, RANGE HOOD & PLUMBING VENTS

KEY	PART NUMBER	U/M DESCRIPTION
	065103-03-000	EA BASE-VENT, REFRIGERATOR - ROOF - DOMETIC 3100529 01
	065103-04-000	EA CAP-VENT, REFRIGERATOR - ROOF - DOMETIC 3100529 019
	064616-01-000	EA SHROUD-RANGE HOOD VENT, OFF WHITE
	064678-09-000	EA VENT-RANGE HOOD, SHORT - LVS
	063558-03-000	EA VENT-PLUMBING PIPE ROOF W/COVER - OFF WHITE

1993 WINNEBAGO TABLE OF CONTENTS

INTRODUCTION	A-01	A-02
ABBREVIATIONS		A-03
ALPHABETICAL INDEX	A-04	A-06
WT321RB	A-07	C-22
WT321RL	C-23	F-18
WT321RD	F-17	I-10

1993 WT321F:3 INDEX

FLOOR PLAN	A-07	A-08
ACCESSORIES		A-09
AUDIO VIDEO		A-10
BATH	A-11	A-12
CHASSIS	A-13	A-14
CURTAIN & CUSHION	A-15	A-21
DINETTE		A-22
DRIVERS COMPARTMENT		A-23
ELECTRICAL	A-24	B-03
EXTERIOR BODY	B-04	B-08
GALLEY	B-09	B-13
GENERATOR		B-14
HEATING & A/C		B-15
INTERIOR FINISH	B-16	B-18
LABELS	B-19	B-24
LP		C-01
LOUNGE		C-02
SEALANTS & FASTENERS	C-03	C-04
WATER & SEWAGE	C-05	C-08
WINDOW, VENT AND EXTERIOR DOOR	C-09	C-22