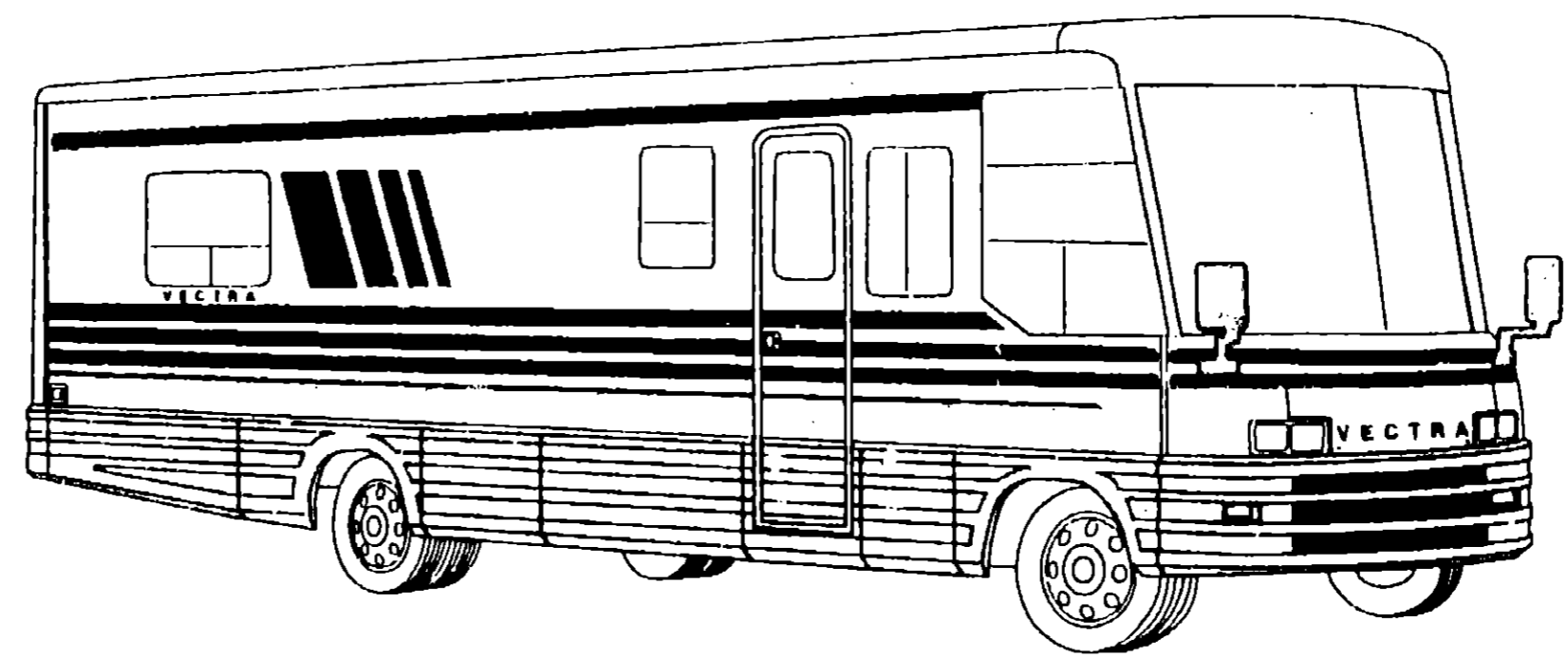
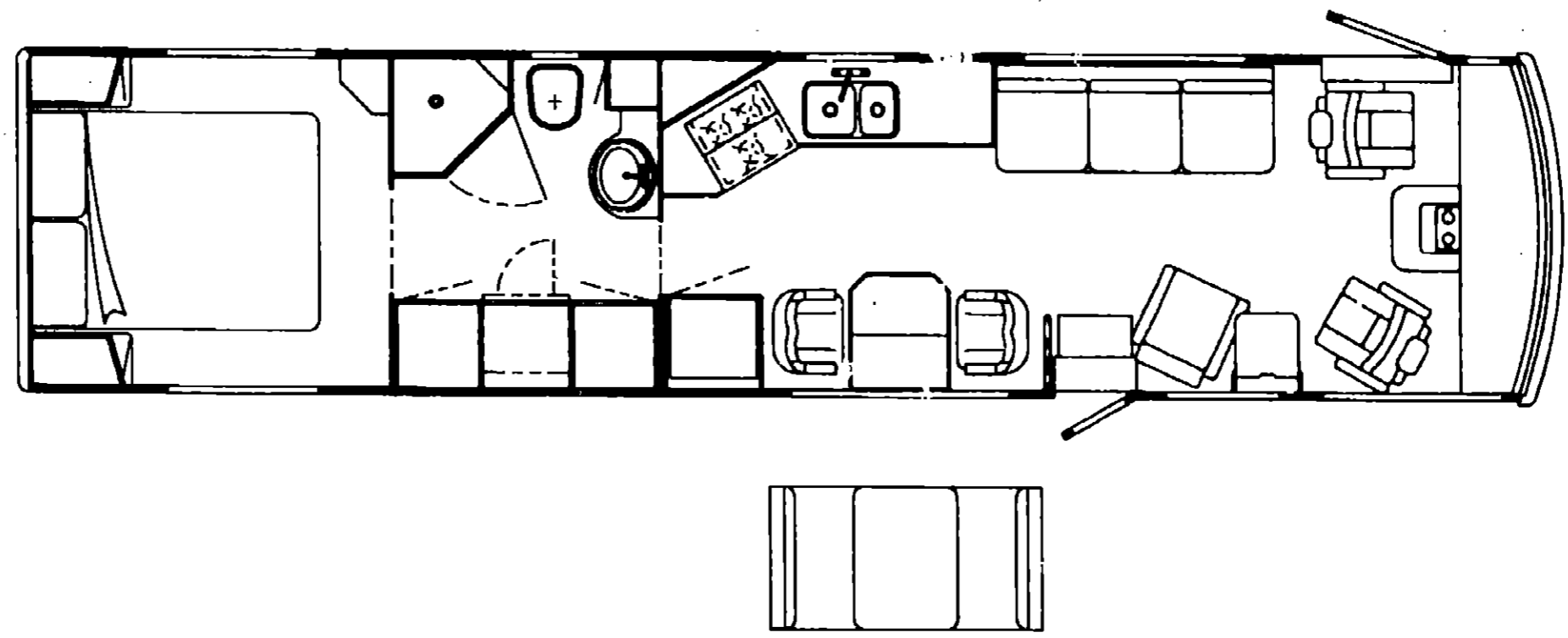


**1993 WINNEBAGO
TABLE OF CONTENTS**

INTRODUCTION	A-01 -	A-02
ABBREVIATIONS		A-03
ALPHABETICAL INDEX	A-04 -	A-08
WSM35RQ	A-07 -	F-12



**1993
WSM35RQ
D18
D19
D20**



1993 WSM35RQ INDEX

FLOOR PLAN	A-07 -	A-08
ACCESSORIES		A-09
AUDIO VIDEO	A-10	A-13
BATH	A-14 -	A-18
BEDROOM	A-19 -	A-20
CHASSIS	A-21 -	B-04
CURTAIN & CUSHION	B-05 -	B-17
DINETTE	B-18 -	B-19
DRIVERS COMPARTMENT	B-20 -	B-24
ELECTRICAL	C-01 -	C-07
EXTERIOR BODY	C-08 -	C-18
GALLEY	C-19 -	D-04
GENERATOR	D-05 -	D-06
HEATING & AC	D-07 -	D-14
INTERIOR FINISH	D-15 -	D-18
LABEL	D-19 -	E-01
LP		E-02
LOUNGE	E-03 -	E-04
SEALANTS & FASTENERS	E-05 -	E-09
WATER & SEWAGE	E-10 -	E-13
WINDOW, VENT AND EXTERIOR DOOR	E-14 -	F-08
WINDSHIELD & WIPER	F-09 -	F-12

ACCESSORIES GROUP

OPERATORS MANUAL

KEY	PART NUMBER	U/M DESCRIPTION
	054185-42-000	EA MANUAL, OPERATOR, B3 VECTRA - M SERIES
	092318-01-000	EA BINDER, 3 RING, MOTOR HOME MANUAL
	092319-01-000	EA POCKET PAGE, 3 RING BINDER, PLASTIC
	109459-01-000	DW TOP LEVEL DRAWING NUMBER FOR 1993 M SERIES

VACUUM CLEANER

KEY	PART NUMBER	U/M DESCRIPTION
	108186-01-000	EA VACUUM CLEANER-BUILT IN, HP 19-1 DELUXE
	092304-01-700	EA BAGS-VACUUM CLEANER, 6 IN BAG - #HP-4908
	092304-02-704	EA MOTOR-VACUUM CLEANER, VACUFLO #HP-5098
	108186-02-000	EA VACUUM CLEANING TOOL SET, HP W/30' HOSE
	092304-02-701	EA TOOL DUSTING, VACUUM CLEANER - VACUFLO #HP 1142
	092304-02-702	EA TOOL-RUG, VACUUM CLEANER - VACUFLO #HP 4982
	092304-02-703	EA TOOL-CREVICE, VACUUM CLEANER - VACUFLO #HP 1141
	092304-02-705	EA HOSE-VACUUM, 20' - VACUFLO 4988-20
	092304-02-709	EA HOSE-VACUUM, 30' - VACUFLO 6452-02
	092304-02-707	EA TOOL-UPHOLSTERY, VACUFLO #7029
	092304-02-708	EA WAND, VACUFLO #4978

AUDIO VIDEO GROUP

RADIO & ANTENNA COMPONENTS

KEY	PART NUMBER	U/M DESCRIPTION
	097460 02-000	EA RADIO AM/FM STEREO, CASSETTE - SONY XR-4147 (DASH) FROM: 00-00-00 THRU: 09-23-92
	097460 03-000	EA RADIO-AM/FM STEREO, CASSETTE - SONY XR-5550 (DASH) FROM: 09-24-92 THRU: 01-31-93
	097460 02-000	EA RADIO-AM/FM STEREO, CASSETTE - SONY XR-4147 (DASH) FROM: 02-01-93 THRU 09-09-99
	097820 02-000	EA BRACKET-RADIO MOUNTING, W/FACE PLATE - XR-300HMP (DASH)
	081059-02-000	EA WIRE ASM, 8 PIN, RADIO - AUDIOVOX 112B-1761
	073741-03-000	EA SPEAKER-RADIO, OVAL - AUDIOVOX 110-2074 - 4" X 6" (DASH) FROM: 00-00-00 THRU 12-20-92
	110469-01-000	EA SPEAKER-OVAL, 4" X 6" - COAXIAL - MAGNADYNE F46XB-12 (DASH) FROM: 12-21-92 THRU 99-99-99
	073741-04-000	EA GRILLE-SPEAKER, OVAL - 4" X 6" BLACK (DASH) FROM: 00-00-00 THRU: 12-20-92
	110470-01-01A	EA GRILLE-SPEAKER, OVAL - 4" X 6" - BLACK - MAGNADYNE G48W1 (DASH) FROM: 12-21-92 THRU 99-99-99
	102080 01-000	EA PLAYER COMPACT DISC, W/REMOTE - SONY CDX-A15RF (CAB)
	102080 01-700	EA COMPACT DISC MAGAZINE
	103698-01-000	EA RADIO-AM/FM, STEREO CASSETTE - ADVANTZ AE8000AR (REAR STEREO)
	089340-02-000	EA GRILLE-SPEAKER, 6 5" SQUARE (REAR STEREO)
	094097-01-000	EA SPEAKER-RADIO, W/O GRILLE - 5.25" DIA - AUDIOVOX 110C3030 (REAR STEREO)
	103698-02-000	EA WIRE ASM, 8 PIN, ADVANTZ 8000HRN (REAR STEREO)
	087683-01-000	EA RADIO AM/FM STEREO W/CASSETTE - AUDIOVOX 144D1559 (EXTERIOR ENTERTAINMENT)
	073741-03-000	EA SPEAKER-RADIO, OVAL - AUDIOVOX 110-2074 - 4" X 6" (EXTERIOR ENTERTAINMENT) FROM 00-00-00 THRU: 12-20-92
	110469-01-000	EA SPEAKER-OVAL, 4" X 6" - COAXIAL - MAGNADYNE F46XB-12 (EXTERIOR ENTERTAINMENT) FROM 12-21-92 THRU: 99-99-99
	073741-04-000	EA GRILLE-SPEAKER, OVAL - 4" X 6" - BLACK (EXTERIOR ENTERTAINMENT) FROM 00-00-00 THRU 12-20-92
	110470-01-01A	EA GRILLE-SPEAKER, OVAL - 4" X 6" - BLACK - MAGNADYNE G46W (EXTERIOR ENTERTAINMENT) FROM 12-21-92 THRU 99-99-99
	074979-15-000	EA COVER-SPEAKER, PLASTIC - LIGHT OAK (OVERHEAD CABINETS) FROM 01-04-93 THRU 99-99-99
	089340-02-000	EA GRILLE-SPEAKER, 6 5" SQUARE (OVERHEAD CABINETS)
	094097-01-000	EA SPEAKER-RADIO, W/O GRILLE - 5.25" DIA - AUDIOVOX 110C3030 (OVERHEAD CABINETS)
	090944-01-000	EA ANTENNA-RADIO, 16" RUBBER
	090862-01-000	EA BRACKET-HAT, ANTENNA - 3 1" X 3 9" - STEEL - BLACK
	104498-02-000	EA BRACKET-ANTENNA MOUNT
	108847-01-000	EA BRACKET-ANTENNA GROUND (EXTERIOR ENTERTAINMENT)
	109889-03-000	EA EXTENDER-SHAFT, ANTENNA - 4" (EXTERIOR ENTERTAINMENT)
	077069-02-000	EA CABLE-ANTENNA, RADIO - EXTENSION 96" - ARA 6700667
	105248-01-000	EA ANTENNA-CB, ADVANCE 8604

TELEPHONE SYSTEM

KEY	PART NUMBER	U/M DESCRIPTION
	093901-04-000	EA PLATE-COAXIAL CABLE, EXTERIOR
	093253-01-01A	EA PLATE-WALL, TELEPHONE - BEIGE - CAC625F2-4-50
	093254 01-000	EA HOUSING-TELEPHONE

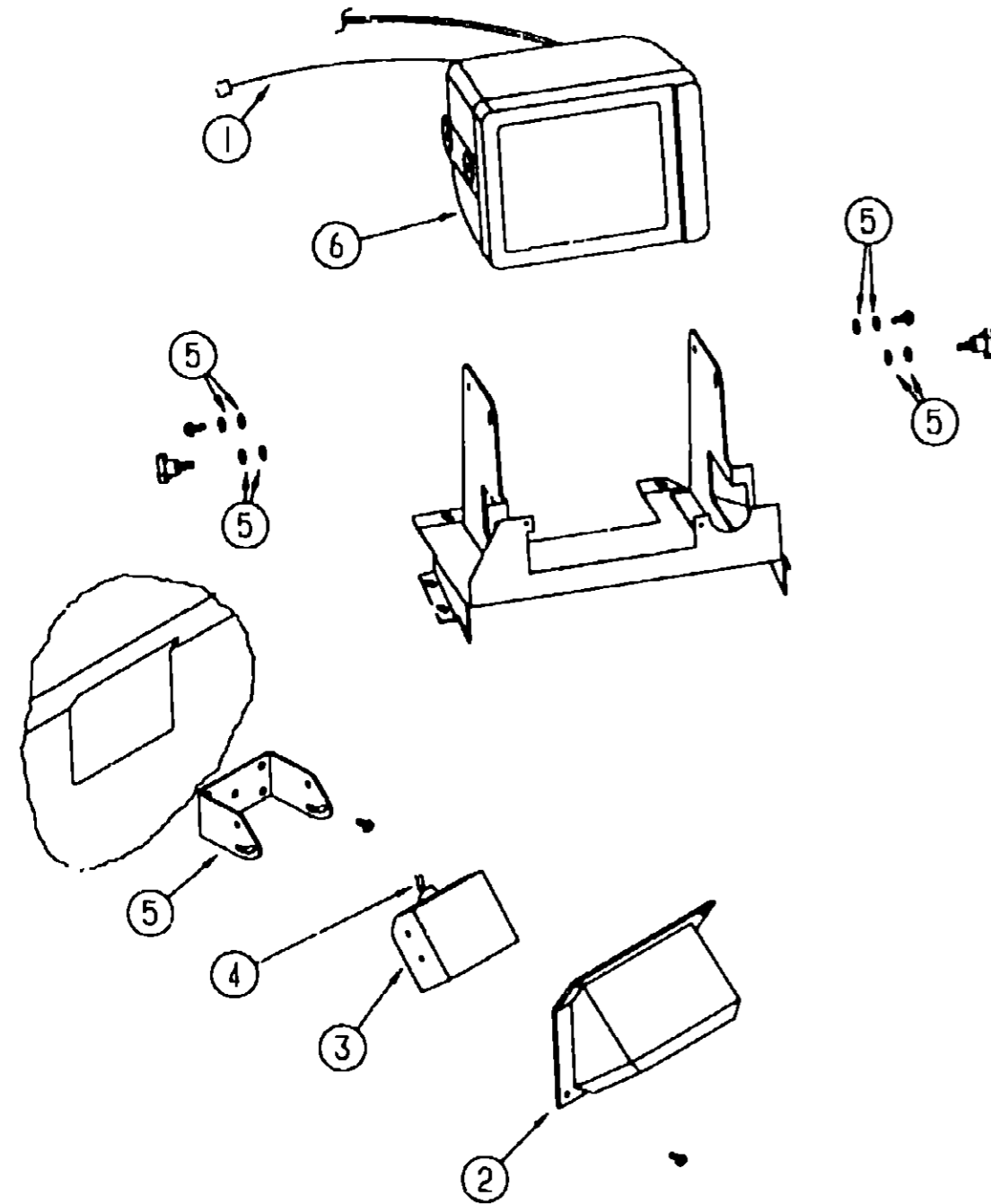
**1993 WINNEBAGO
TABLE OF CONTENTS**

INTRODUCTION	A-01 -	A-02
ABBREVIATIONS		A-03
ALPHABETICAL INDEX	A-04 -	A-08
WSM35RQ	A-07 -	F-12

1993 WSM35RQ INDEX

FLOOR PLAN	A-07 -	A-08
ACCESSORIES		A-09
AUDIO VIDEO	A-10	A-13
BATH	A-14 -	A-18
BEDROOM	A-19 -	A-20
CHASSIS	A-21 -	B-11
CURTAIN & CUSHION	B-05 -	B-17
DINETTE	B-18 -	B-19
DRIVERS COMPARTMENT	B-20 -	B-24
ELECTRICAL	C-01 -	C-07
EXTERIOR BODY	C-08 -	C-18
GALLEY	C-19 -	D-04
GENERATOR	D-05 -	D-06
HEATING & A/C	D-07 -	D-14
INTERIOR FINISH	D-15 -	D-18
LABEL	D-19 -	E-01
LP		E-02
LOUNGE	E-03 -	E-04
SEALANTS & FASTENERS	E-05 -	E-09
WATER & SEWAGE	E-10 -	E-13
WINDOW, VENT AND		
EXTERIOR DOOR	E-14 -	F-08
WINDSHIELD & WIPER	F-09 -	F-12

AUDIO VIDEO GROUP (CONTINUED)



REAR MONITOR SYSTEM

KEY	PART NUMBER	U/M	DESCRIPTION
1	096717 03-000	EA	WIRE ASM-REAR MONITOR, UPPER
	093040-06-000	EA	WIRE ASM MONITOR, SONY SM-HRN7
2	107852-01-01A	EA	SHROUD-CAMERA, OUTER - BUFF
	108529-01-01A	EA	SHROUD-CAMERA, INNER - BLACK
	093010-05-000	EA	TELEVISION SYSTEM-REAR VIEW, 7" - SONY YM-RVF7AM
3	093040-04-700	EA	CAMERA, BRACKET & WIRING
4	093041-01-000	EA	CABLE-MONITOR/CAMERA, INTERNAL USE
	093041-02-000	EA	CABLE-MONITOR/CAMERA, EXTERNAL USE
5	N/A		PARTS ARE INCLUDED W/TELEVISION SYSTEM - SONY
6	093040-05-700	EA	MONITOR, 7", W/POWER HARNESS

AUDIO VIDEO GROUP (CONTINUED)

TV & VCR SYSTEMS

KEY	PART NUMBER	U/M	DESCRIPTION
	108096 01-000	EA	TV-19" COLOR REMOTE, USA - MAGNAVOX RR1940W (CAB)
	108096-02-000	EA	TV-19" COLOR REMOTE, CSA - MAGNOVAX XR1940/1W (CAB)
	108096 01-700	EA	REMOTE-TV, ONLY
	086757-03-000	EA	CONTROL CENTER-SWITCH, VCR/TV - MAGNADYNE VCS 8 (CAB)
	102080-01-000	EA	PLAYER-COMPACT DISC, W/REMOTE - SONY CDX-A15RF (CAB)
	102080-01-700	EA	COMPACT DISC MAGAZINE
	098446-03-000	EA	VCR-VHS CABLE READY, W/REMOTE - MAGNAVOX VR9010 (CAB) FROM: 00-00-00 THRU: 10-04-92
	098446 03-700	EA	REMOTE F/MODEL #9010
	098446-04-000	EA	VCR-VHS CABLE READY, W/REMOTE - MAGNAVOX VR9110 (CAB) FROM: 10-05-92 THRU: 07-19-93
	098446 04-700	EA	REMOTE F/MODEL #9110
	098446 05-000	EA	VCR-VHS CABLE READY, W/REMOTE - MAGNAVOX VR9120 (CAB) FROM: 07-20-93 THRU: 99-99-99
	098446-05-700	EA	REMOTE F/MODEL #9120
	092310-02-000	EA	TV-COLOR, 9" - AC/DC - W/REMOTE - MAGNAVOX RD0945 (BEDROOM)
	092310-02-700	EA	REMOTE-TV, FOR MAGNAVOX RD0945 - MAGNAVOX 822334 (BEDROOM)
	098819-01-000	EA	SPEAKER, 2 WATT, 8 OHM - 4"
	093214-01-02A	EA	GRILL-SPEAKER, 4" BROWN
	086756 01-000	EA	SPLITTER-TV, 2 WAY
	086777-04-000	EA	PLATE-WALL, CABLE - W/TV ANTENNA SWITCH & BOOSTER - BROWN FROM: 00-00-00 THRU: 04-14-93
	086777-08 000	EA	PLATE-WALL, CABLE - W/TV ANTENNA SWITCH & BOOSTER - BROWN FROM: 04-15-93 THRU: 99 99 99
	075319-09-000	EA	WALLPLATE-CABLE RECEPTACLE, TV - SINGLE - BROWN
	082134-01-000	EA	ADAPTER-TV, CABLE TO CABLE - WINEGARD F-81M
	082136 01-000	EA	NUT-HEX JAM 3/8-32, WINEGARD
	086777-02-000	EA	WALLPLATE-TV CABLE, W/ANTENNA SWITCH - BROWN
	076319-03-000	FT	CABLE-COAXIAL, 75 OHM
	076319 12-000	EA	CONNECTOR-COAXIAL, ONE PIECE

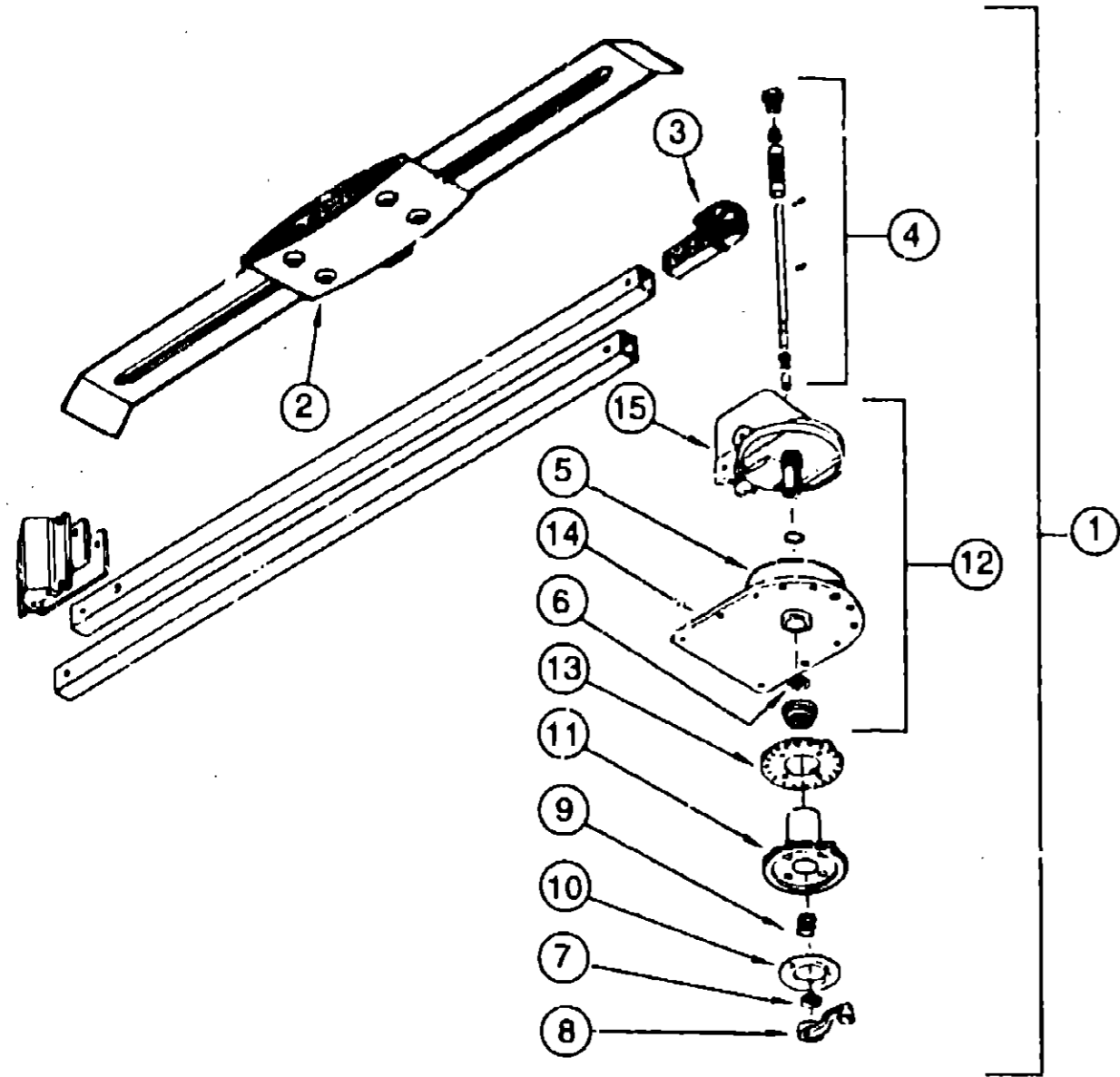
**1993 WINNEBAGO
TABLE OF CONTENTS**

INTRODUCTION	A-01 - A-02
ABBREVIATIONS	A-03
ALPHABETICAL INDEX	A-04 - A-06
WSM35RQ	A-07 - F-12

1993 WSM35RQ INDEX

FLOOR PLAN	A-07 - A-08
ACCESSORIES	A-09
AUDIO VIDEO	A-10 - A-13
BATH	A-14 - A-18
BEDROOM	A-19 - A-20
CHASSIS	A-21 - B-04
CURTAIN & CUSHION	B-05 - B-17
DINETTE	B-18 - B-19
DRIVERS COMPARTMENT	B-20 - B-24
ELECTRICAL	C-01 - C-07
EXTERIOR BODY	C-08 - C-16
GALLEY	C-19 - D-04
GENERATOR	D-05 - D-06
HEATING & A/C	D-07 - D-14
INTERIOR FINISH	D-15 - D-18
LABEL	D-19 - E-01
LP	E-02
LOUNGE	E-03 - E-04
SEALANTS & FASTENERS	E-05 - E-09
WATER & SEWAGE	E-10 - E-13
WINDOW, VENT AND	
EXTERIOR DOOR	E-14 - F-08
WINDSHIELD & WIPER	F-09 - F-12

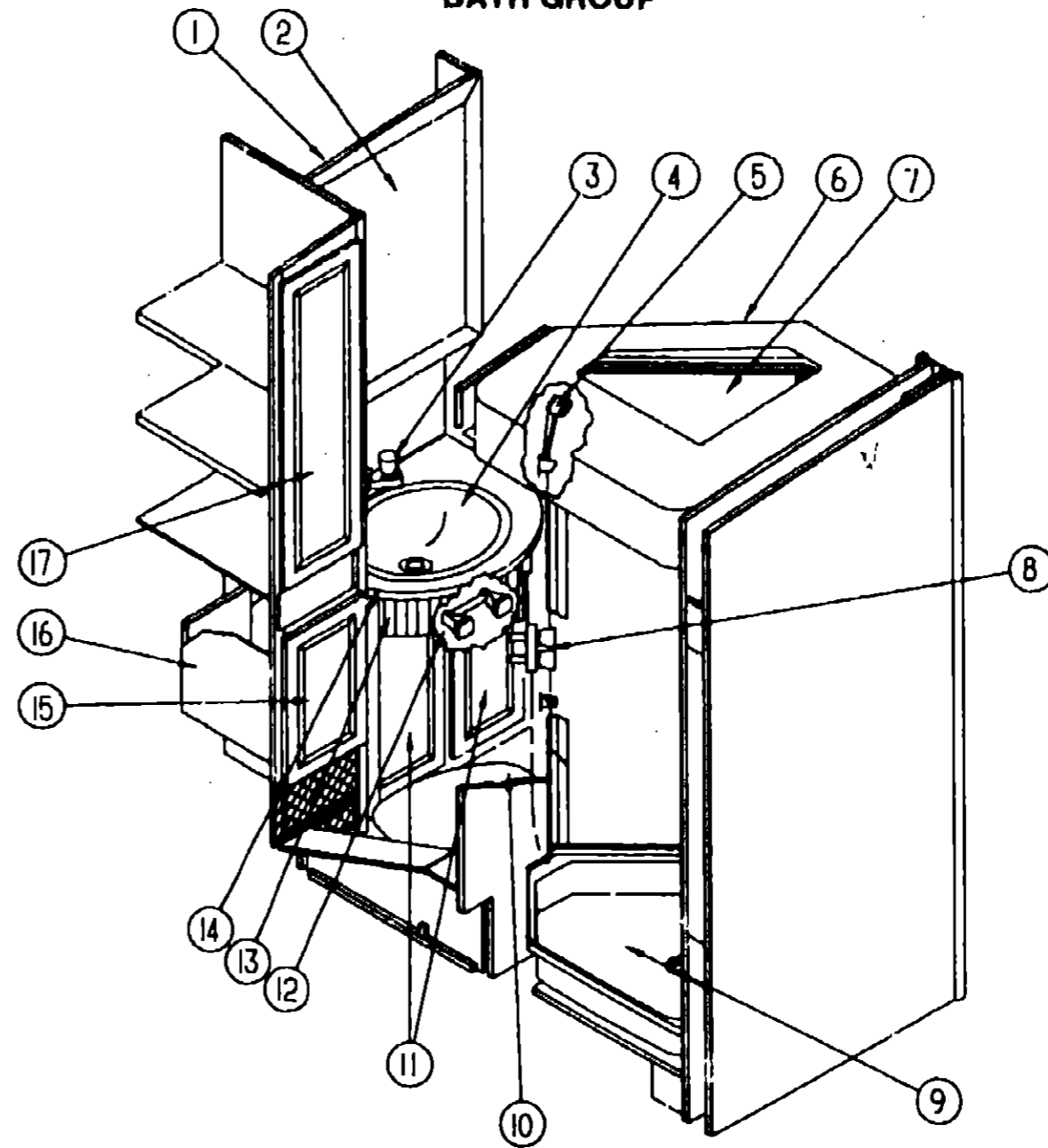
AUDIO VIDEO GROUP (CONTINUED)



TV ANTENNA

KEY	P/RT NUMBER	U/M	DESCRIPTION
1	076319-16-000	EA	ANTENNA-TV ROOF MT
2	076319-01-700	EA	HEAD-ANTENNA, AMPLIFIED - WINEGARD RVSA U/V
3	076319-01-701	EA	GEAR-ELEVATING, PLASTIC - WINEGARD 2200046
4	076319-01-702	EA	SHAFT ASM-ELEVATING, WINEGARD RVP-400A
5	076319-01-703	EA	BEARING-NYLON, 5"OD - WINEGARD 3200656
6	076319-01-704	EA	BEARING-NYLON, 1.25"OD - WINEGARD 3200657
7	076319-01-705	EA	GROMMET-NYLON, 7/8"ID - WINEGARD 3200658
8	076319-01-706	EA	CRANK-ELEVATING, W/SET SCREW - WINEGARD 5755100
9	076319-01-707	EA	SPRING-HANDLE, WINEGARD 5160800
10	076319-01-708	EA	DECAL-CRANK, WINEGARD 5413002
11	076319-01-709	EA	PLATE-DIRECTIONAL, FOR HEAD - WINEGARD 3200644
12	076319-01-711	EA	BASE & LIFT ASM, WINEGARD 2762802
13	076319-01-712	EA	CEILING PLATE (DIRECTIONAL)
14	076319-01-713	EA	BASE PLATE
15	076319-01-714	EA	HOUSING, ROTATING GEAR - WINEGARD 2200049
	076319-09-000	EA	WALLPLATE-CABLE RECEPTACLE, TV - SINGLE - BROWN
	076319-03-000	FT	CABLE-COAXIAL, 75 OHM
	076319-12-000	EA	CONNECTOR-COAXIAL, ONE PIECE

BATH GROUP



BATH CABINETS & FIXTURES

KEY	P/RT NUMBER	U/M	DESCRIPTION
1	109203-01-D18	EA	CABINET-OVERHEAD, MEDICINE - W/O DOOR & HARDWARE
	109203-11-D18	EA	SHELF-CABINET, OVERHEAD - MEDICINE
2	102326-01-000	EA	DOOR-MIRROR, 500 X 750MM
3	075240-05-000	EA	FAUCET-LAVATORY, BRASS
	105218-01-01A	EA	SPACER-FAUCET, LAVATORY SINK - 2" X 5.9" - PLASTIC
4	105921-01-01A	EA	SINK-LAVATORY, LARGE OVAL - 17" X 20" - PLASTIC - OFF WHITE
	106116-01-01A	EA	STRAINER-SINK, W/STOPPER TAILPIECE GASKET & NUT - PLASTIC
5	103092-01-000	EA	SHOWER HEAD-W/60" HOSE (U.S.)
	103092-01-700	EA	BRACKET-SHOWER HEAD, CLEAR
	103092-01-701	EA	BRACKET-SHOWER HEAD, BONE
5	103092-02-000	EA	SHOWER HEAD-W/60" HOSE (CANADIAN)
6	107848-01-01A	EA	CAP-SHOWER, OFF WHITE
7	108035-01-01A	EA	PANEL-SKYLITE, INNER - OFF WHITE
7	108661-01-01A	EA	COVER-SKYLIGHT, WHITE
	107849-01-01A	EA	ENCLOSURE-SHOWER, PLASTIC - OFF WHITE
8	075241-04-000	EA	FAUCET-SHOWER, BRASS (U.S.)
8	075241-05-000	EA	FAUCET-SHOWER, BONE (CANADIAN)
	075605-01-000	EA	PANEL-FAUCET BACK, SHOWER - 5" X 9" - PLASTIC
9	M02630-23-D18	EA	SHOWER PAN
	066440-01-000	EA	STRAINER-SHOWER, W/RUBBER WASHER
	069735-01-000	EA	WASHER-STRAINER TO TAILPIECE PLASTIC, 1.5"
	057671-01-000	EA	COVER-SCREW, #8 - PLASTIC - OFF WHITE

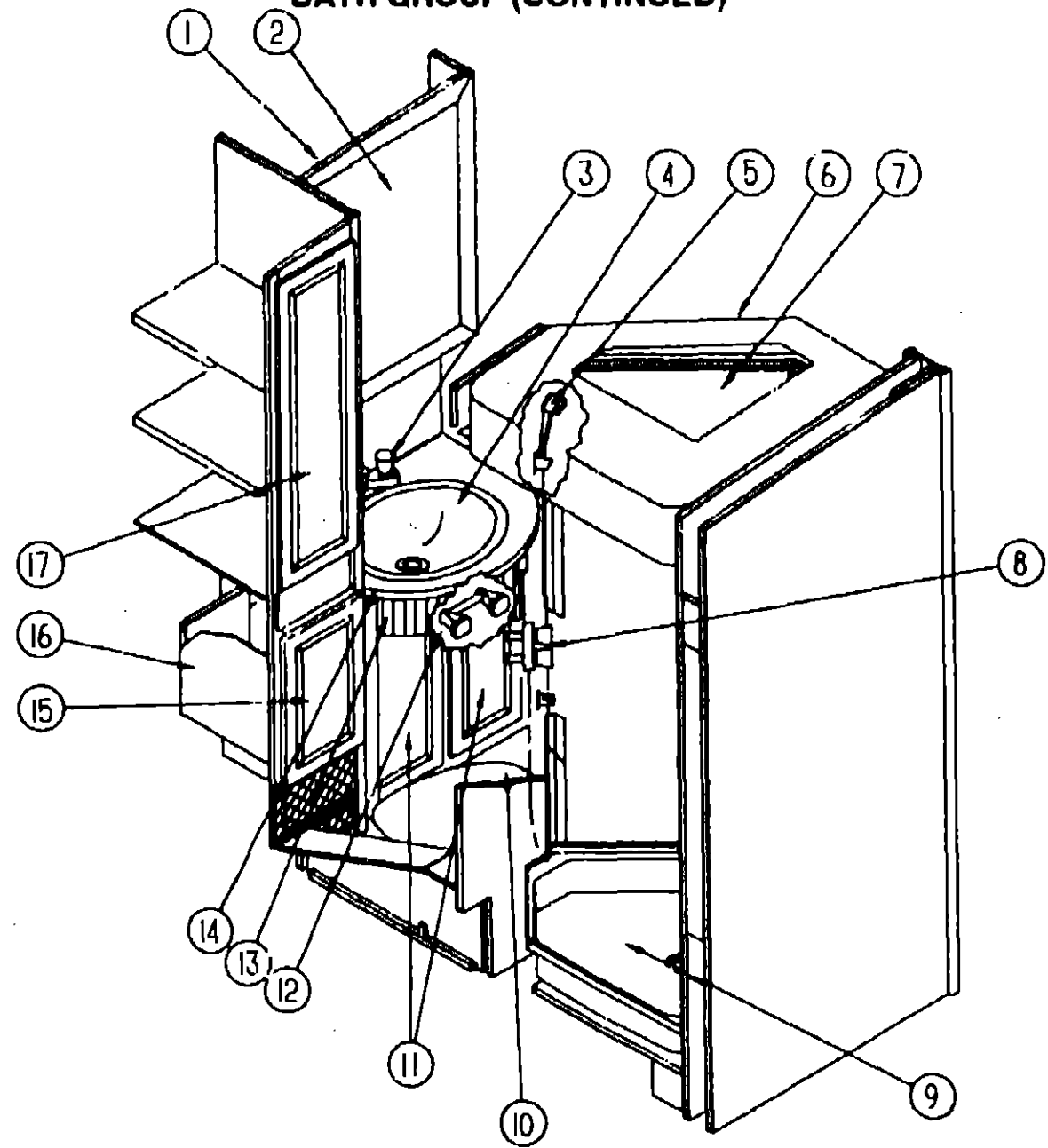
**1993 WINNEBAGO
TABLE OF CONTENTS**

INTRODUCTION	A-01 - A-02
ABBREVIATIONS	A-03
ALPHABETICAL INDEX	A-04 - A-06
WSM35RQ	A-07 - F-12

1993 WSM35RQ INDEX

FLOOR PLAN	A-07 - A-08
ACCESSORIES	A-09
AUDIO VIDEO	A-10 - A-13
BATH	A-14 - A-18
BEDROOM	A-19 - A-20
CHASSIS	A-21 - B-04
CURTAIN & CUSHION	B-05 - B-17
DINETTE	B-18 - B-19
DRIVERS COMPARTMENT	B-20 - B-24
ELECTRICAL	C-01 - C-07
EXTERIOR BODY	C-08 - C-18
GALLEY	C-19 - D-04
GENERATOR	D-05 - D-06
HEATING & A/C	D-07 - D-14
INTERIOR FINISH	D-15 - D-18
LABEL	D-19 - E-01
LP	E-02
LOUNGE	E-03 - E-04
SEALANTS & FASTENERS	E-05 - E-09
WATER & SEWAGE	E-10 - E-13
WINDOW, VENT AND	
EXTERIOR DOOR	E-14 - F-08
WINDSHIELD & WIPER	F-09 - F-12

BATH GROUP (CONTINUED)



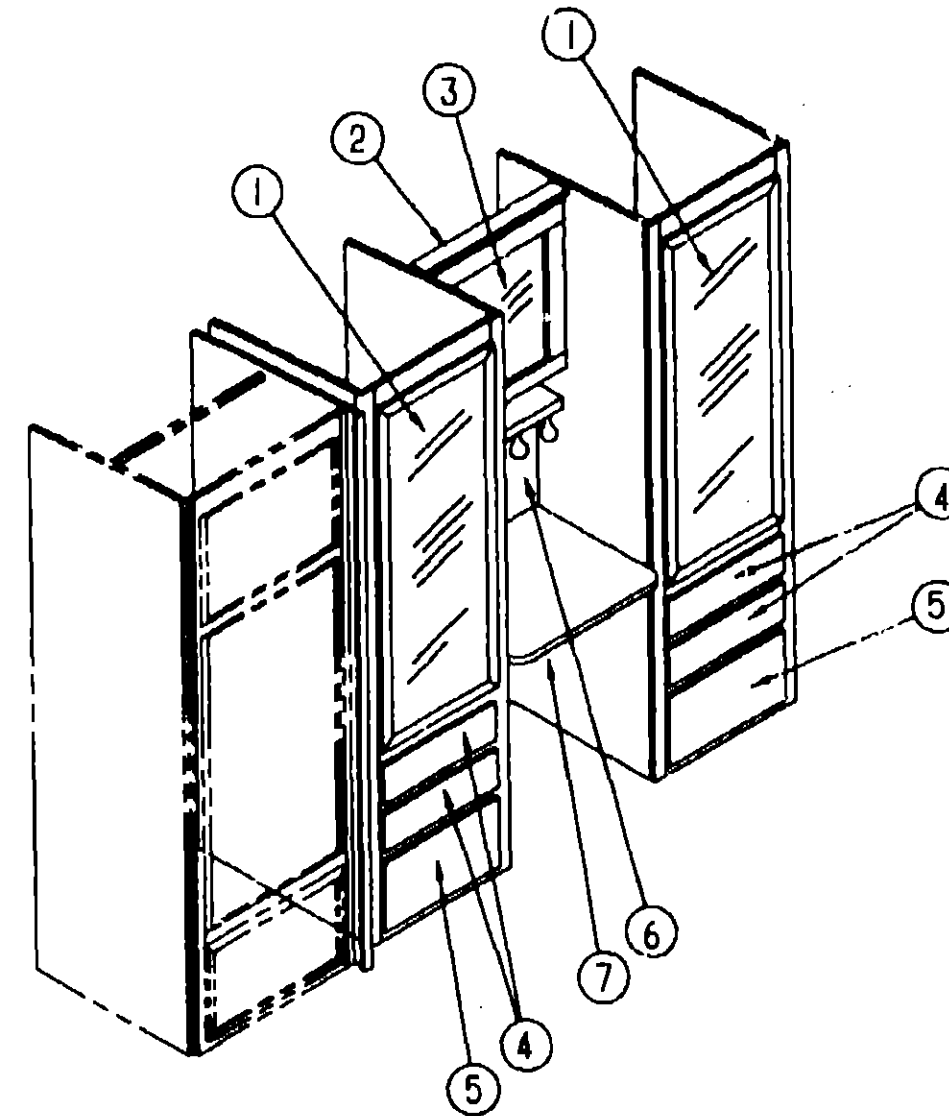
BATH CABINETS & FIXTURES (CONTINUED)

KEY	PART NUMBER	U/M	DESCRIPTION
10	039341-03-000	EA	TOILET-STARLITE, HIGH - THETFORD - PARCHMENT
	039341-02-703	EA	PLUG-HOLE, IVORY - THETFORD 03895-10
	039341-02-705	EA	MOUNTING PACKAGE, THEFORD 08975 A.M.
	039341-02-707	EA	PIN-HINGE, TOILET - THEFORD 12986
	039341-03-700	EA	COVER-TOILET, PARCHMENT 20923 THETFORD
	039341-03-701	EA	RING-SEAT, TOILET - PARCHMENT - THEFORD 1656457
	064076-01-701	EA	MECHANISM-FLUSHING, THETFORD 14622 IVORY STARLIGHT
	024676-01-000	EA	FLANGE-CLOSET, TOILET - 4" X 3" - RED
	024676-02-000	EA	FLANGE-CLOSET, 4" X 3" - ABS - CANADIAN
10	085330-02-000	EA	TOILET-CHINA, STANDARD - BONE - SEALAND ML 510
11	P00520-C3-D18	EA	DOOR-CABINET, W/O HARDWARE - 305 X 475MM
12	075452-02-000	EA	HOLDER-TOILET TISSUE, BRASS
13	P08900-01-D18	EA	CABINET-LAVATORY, W/O DOOR & HARDWARE
13	P08900-01-D19	EA	CABINET-LAVATORY, W/O DOOR & HARDWARE
13	P08900-01-D20	EA	CABINET-LAVATORY, W/O DOOR & HARDWARE
14	108900-11-D18	EA	COUNTERTOP-CABINET, LAVATORY
14	108900-11-D19	EA	COUNTERTOP-CABINET, LAVATORY
14	108900-11-D20	EA	COUNTERTOP-CABINET, LAVATORY
	109736-01-01A	FT	T-MOLDING, 1.00" - BRASS/BLACK - CRILA PLASTICS
	057882-04-000	SF	TAMBOUR-CABINET, 4' X 8' SHEET
15	P00520-C8-D18	EA	DOOR-CABINET, W/O HARDWARE - ON HAMPER DRAWER - 305 X 475MM
16	109288-01-D18	EA	CABINET-HAMPER, W/O DOOR & HARDWARE

BATH GROUP (CONTINUED)

BATH CABINETS & FIXTURES (CONTINUED)

KEY	PART NUMBER	U/M	DESCRIPTION
17	P00520-C7-D18	EA	DOOR-CABINET, W/O HARDWARE - 305 X 1015MM
	058331-91-000	EA	MIRROR-GLASS, SAFETY - 372 X 643MM - ABOVE SINK ON WALL FROM: 00-00-00 THRU: 02-21-93
	093606-12-000	EA	MIRROR-PANEL, BEVELED - 1/8" - 372 X 643MM - ABOVE SINK ON WALL FROM: 02-22-93 THRU: 99-99-99
	075454-02-000	EA	RING-TOWEL, W/MOUNTING HARDWARE - CLEAR PLASTIC & BRASS



PASSENGER SIDE BATH CABINETS & FIXTURES

KEY	PART NUMBER	U/M	DESCRIPTION
1	P04746-92-D18	EA	DOOR-CABINET, W/O HARDWARE - 525 X 1275MM
	088742-11-000	EA	MIRROR-BEVELED, SAFETY GLASS - 436 X 1186MM
2	P07737-01-D18	EA	CABINET-OVERHEAD, MAKE UP - W/O DOOR & HARDWARE
3	102326-03-000	EA	DOOR-MIRROR, 500 X 500MM - JENSEN
4	P07104-M4-D18	EA	DRAWER-CABINET, W/O HARDWARE
5	P07104-M6-D18	EA	DRAWER-CABINET, W/O HARDWARE
6	058331-88-000	EA	MIRROR-GLASS, SAFETY - 532 X 592MM FROM: 00-00-00 THRU: 02-21-93
	093606-11-000	EA	MIRROR-PANEL, BEVELED - 1/8" FROM: 02-22-93 THRU: 99-99-99
7	107480-11-D18	EA	COUNTERTOP-CABINET, VANITY/WARDROBE
7	107480-11-D19	EA	COUNTERTOP-CABINET, VANITY/WARDROBE
7	107480-11-D20	EA	COUNTERTOP-CABINET, VANITY/WARDROBE
	042438-01-000	EA	DOWEL-WOOD, CLOTHES ROD - 1" DIAMETER X 4'
	009112-01-000	EA	FLANGE-1" ROD, CLOTHES - PLASTIC - OFF WHITE

**1993 WINNEBAGO
TABLE OF CONTENTS**

INTRODUCTION	A-01	A-02
ABBREVIATIONS		A-03
ALPHABETICAL INDEX	A-04	A-08
WSM35RQ	A-07	F-12

1993 WSM35RQ INDEX

FLOOR PLAN	A-07	A-08
ACCESSORIES		A-09
AUDIO VIDEO	A-10	A-13
BATH	A-14	A-18
BEDROOM	A-19	A-20
CHASSIS	A-21	B-04
CURTAIN & CUSHION	B-05	B-17
DINETTE	B-18	B-19
DRIVERS COMPARTMENT	B-20	B-24
ELECTRICAL	C-01	C-07
EXTERIOR BODY	C-08	C-18
GALLEY	C-19	D-04
GENERATOR	D-05	D-06
HEATING & A/C	D-07	D-14
INTERIOR FINISH	D-15	D-18
LABEL	D-19	E-01
LP		E-02
LOUNGE	E-03	E-04
SEALANTS & FASTENERS	E-05	E-09
WATER & SEWAGE	E-10	E-13
WINDOW, VENT AND		
EXTERIOR DOOR	E-14	F-08
WINDSHIELD & WIPER	F-09	F-12

BATH GROUP (CONTINUED)

BATH PRIVACY DOOR

KEY	PART NUMBER	U/M	DESCRIPTION
	103908-03-C07	EA	HEADER-DOOR, WOOD
	110418-01-D18	EA	HEADER-DOOR, WOOD - BETWEEN GALLEY & BATH FROM: 00-00-00 THRU: 11-29-92
	110418-03-D18	EA	HEADER-DOOR, WOOD - BETWEEN BATH & BEDROOM FROM: 11-30-92 THRU: 99-09-99
	104013-02-C05	EA	DOOR-SLIDING PRIVACY, FRONT BETWEEN GALLEY & BATH FROM: 11-30-92 THRU: 99-99-99
	104013-03-C07	EA	DOOR-SLIDING PRIVACY, REAR BETWEEN BATH & BEDROOM
	103868-03-01A	EA	TRACK-DOOR, 1250MM - OFF WHITE - FRONT BETWEEN GALLEY & BATH
	103868-05-01A	EA	TRACK-DOOR, 1353MM - OFF WHITE - REAR BETWEEN BATH & BEDROOM
	064467-01-000	EA	GUIDE-POCKET, SLIDING DOOR - WALL MOUNTED
	103874-01-000	EA	HANGER-SLIDING DOOR
	057534-01-000	EA	TIEBACK/TIEDOWN-BED/CURTAIN/DOOR, 6" - PLASTIC - CLEAR

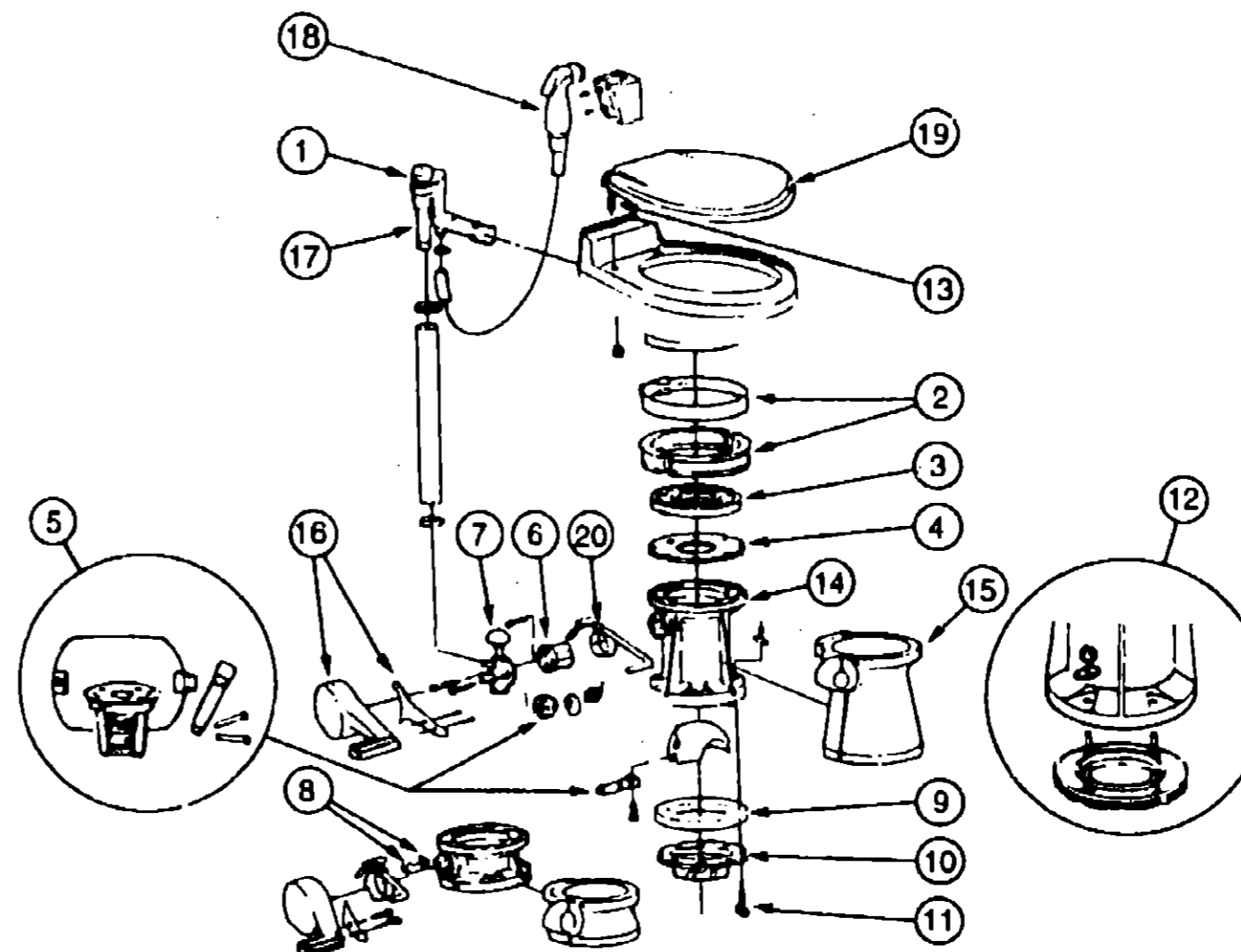
SHOWER DOOR

KEY	PART NUMBER	U/M	DESCRIPTION
	107878-01-01A	EA	DOOR-SHOWER, COASTAL
	089318-01-701	FT	VINYL SWEEP, COASTAL C171G RL
	089318-01-701	FT	VINYL SWEEP, COASTAL C171G RL
	092574-01-700	EA	KNOB F/SAFETY LATCH, COASTAL 972B
	092574-01-704	EA	SCREW-GOLD #6 3/8, COASTAL 638G
	092574-01-705	EA	MAGNETIC STRIP 56-7/8", COASTAL 98-41
	092574-01-707	EA	PIVOT BUSHING, COASTAL 18712B
	092574-01-703	EA	DOOR PULL, COASTAL 1849
	092574-01-701	EA	TOWEL BAR BRACKETS, COASTAL 1841
	107878-01-702	EA	TOWEL BAR, COASTAL 68

EXTERIOR SHOWER COMPONENTS

KEY	PART NUMBER	U/M	DESCRIPTION
	103092-01-000	EA	SHOWER HEAD-W/60" HOSE
	075241-05-000	EA	FAUCET-SHOWER, BONE
	104044-01-000	EA	BRACKET-SUPPORT, FAUCET
	091952-02-000	EA	CLIP-GRIPPER, 3/4" (EXTERIOR SHOWER)

BATH GROUP (CONTINUED)



OPTIONAL TOILET

KEY	PART NUMBER	U/M	DESCRIPTION
	085330-02-000	EA	TOILET-CHINA, STANDARD - BONE - SEALAND ML 510
1	085330-01-701	EA	KIT-VACUUM BREAKER, SEALAND 385318065
2	085330-01-703	EA	RING & HALF CLAMPS ASM-BONE, SEALAND 385310048
3	085330-01-704	EA	TEFLON & RUBBER SEALS, SEALAND 385316140
4	085330-01-705	EA	SUPPORT-SEAL, PLASTIC - SEALAND 390346405
5	085330-01-706	EA	BALL, SHAFT, & CARTRIDGE, SEALAND 385318162
6	085330-01-707	EA	CARTRIDGE-SPRING, SEALAND 381236096
7	085330-01-709	EA	VALVE-WATER, SEALAND 385314349
8	085330-01-710	EA	PLUG-DRAIN, & CAP - W/SEAL - SEALAND# 385316142
9	085330-01-714	EA	SEAL-FLANGE, FLOOR - SEALAND 390343892
10	085330-01-716	EA	FLANGE-FLOOR, 3" MPT - SEALAND 390346056
11	085330-01-717	EA	BOLT MOUNTING PACKAGE-SEALAND 385310064
12	085330-01-718	EA	SEAL-BASE & MOUNTING HARDWARE, SEALAND 385310063
13	085330-01-720	EA	HINGE HARDWARE, (BONE) SET, SEALAND 341707
14	085330-02-700	EA	BASE ASM
15	085330-02-702	EA	PEDESTAL COVER KIT BONE 510
16	085330-02-703	EA	PEDAL COVER KIT, BONE - SEALAND 310115
17	085330-04-700	EA	VACUUM BREAKER FOR HANDSPRAY
18	085330-04-701	EA	HAND SPRAY W/HOSE
19	085330-04-707	EA	SEAT ASM, BONE - SEALAND 340816
20	085330-06-703	EA	FLUSH LEVER

1993 WINNEBAGO TABLE OF CONTENTS

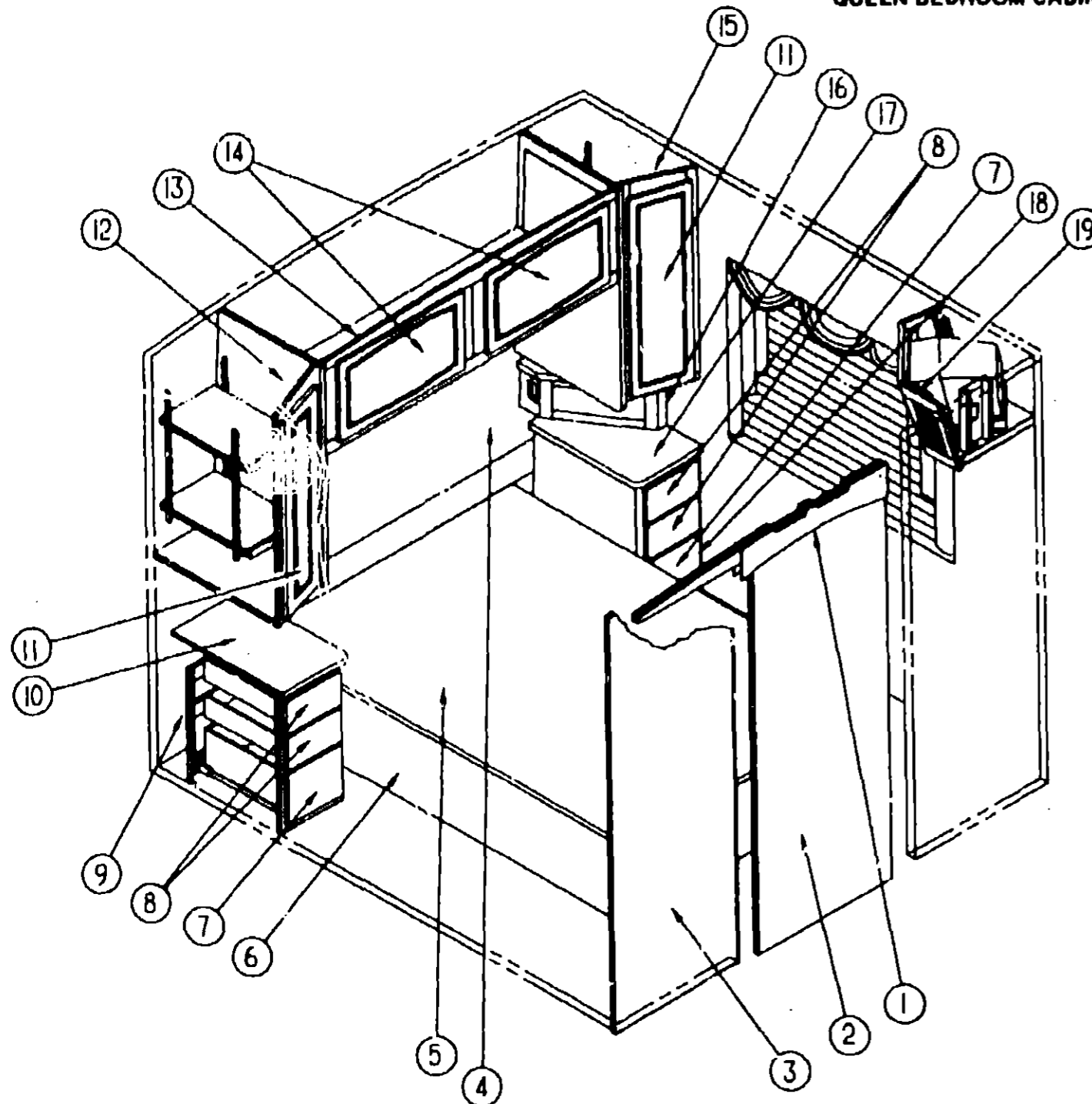
INTRODUCTION	A-01 - A-02
ABBREVIATIONS	A-03
ALPHABETICAL INDEX	A-04 - A-06
WSM35RQ	A-07 - F-12

1993 WSM35RQ INDEX

FLOOR PLAN	A-07 - A-08
ACCESSORIES	A-09
AUDIO VIDEO	A-10 - A-13
BATH	A-14 - A-18
BEDROOM	A-19 - A-20
CHASSIS	A-21 - B-04
CURTAIN & CUSHION	B-05 - B-17
DINETTE	B-18 - B-19
DRIVERS COMPARTMENT	B-20 - B-24
ELECTRICAL	C-01 - C-07
EXTERIOR BODY	C-08 - C-18
GALLEY	C-19 - D-04
GENERATOR	D-05 - D-06
HEATING & A/C	D-07 - D-14
INTERIOR FINISH	D-15 - D-18
LABEL	D-19 - E-01
LP	E-02
LOUNGE	E-03 - E-04
SEALANTS & FASTENERS	E-05 - E-09
WATER & SEWAGE	E-10 - E-13
WINDOW, VENT AND	
EXTERIOR DOOR	E-14 - F-08
WINDSHIELD & WIPER	F-09 - F-12

BEDROOM GROUP

QUEEN BEDROOM CABINETS & SLIDING PRIVACY DOOR



KEY	PART NUMBER	U/M	DESCRIPTION
4	109202-01-D18	EA	MIRROR-FRAMED, ALL THREE SECTIONS FROM: 00-00-00 THRU: 10-18-92
	109202-13-000	EA	MIRRORS ONLY, THREE FROM: 00-00-00 THRU: 10-18-92
	093608-02-000	EA	MIRROR BEVELED, 25" X 28.3"
	093608-03-000	EA	MIRROR-BEVELED, 15.1" X 28.3"
4	058331-92-000	EA	MIRROR-GLASS, SAFETY - 340 X 940MM FROM: 10-19-92 THRU: 02-21-93
4	058331-93-000	EA	MIRROR-GLASS, SAFETY - 700 X 1600MM FROM: 02-22-93 THRU: 99-99-99
	100518-02-01A	EA	RETAINER-MIRROR, OFF WHITE
	110248-01-D18	EA	HEADBOARD-QUEEN BED, W/FABRIC & PANEL
5	M05905-01-D18	EA	TOP-CABINET, QUEEN BED
	041389-11-000	EA	HINGE-PIANO, QUEEN BED
	110535-01-01A	EA	ROD-PROP, BED
	110538-01-000	EA	BRACKET-PROP ROD, BED
	081114-01-000	EA	PLUG-BLACK
	091952-01-000	EA	CLIP-GRIPPER
6	P09393-01-D18	EA	CABINET-BED, QUEEN - W/O TOP
7	P07104-52-D18	EA	DRAWER-CABINET, W/O HARDWARE - NIGHTSTAND
8	P07104-50-D18	EA	DRAWER-CABINET, W/O HARDWARE - NIGHTSTAND - 2 USED
9	107017-01-D18	EA	CABINET-NIGHTSTAND, PASSENGER SIDE
9	107017-01-D19	EA	CABINET-NIGHTSTAND, PASSENGER SIDE
9	107017-01-D20	EA	CABINET-NIGHTSTAND, PASSENGER SIDE
10	107017-11-D18	EA	COUNTERTOP-NIGHTSTAND, PASSENGER SIDE
10	107017-11-D19	EA	COUNTERTOP-NIGHTSTAND, PASSENGER SIDE
10	107017-11-D20	EA	COUNTERTOP-NIGHTSTAND, PASSENGER SIDE
11	P04746-87-D18	EA	DOOR-CABINET, W/O HARDWARE - 275 X 925MM
	088742-10-000	EA	MIRROR-BEVELED, SAFETY GLASS - 186 X 836MM
12	107210-01-D18	EA	CABINET-SHIRT CLOSET, PASSENGER SIDE - W/O DOOR & HARDWARE
	009112-01-000	EA	FLANGE-1" ROD, CLOTHES - PLASTIC - OFF WHITE
	042438-01-000	EA	DOWEL-WOOD, CLOTHES ROD - 1" DIAMETER X 4'
13	P10394-01-D18	EA	CABINET-OVERHEAD, W/O DOORS & HARDWARE
14	P00971-06-D18	EA	DOOR-CABINET, W/O HARDWARE - 590 X 365MM
15	107166-01-D18	EA	CABINET-SHIRT CLOSET, DRIVER SIDE - W/O DOOR & HARDWARE
	009112-01-000	EA	FLANGE-1" ROD, CLOTHES - PLASTIC - OFF WHITE
	042438-01-000	EA	DOWEL-WOOD, CLOTHES ROD - 1" DIAMETER X 4'
16	107446-01-D18	EA	CABINET-RADIO
16	107446-01-D19	EA	CABINET-RADIO
16	107446-01-D20	EA	CABINET-RADIO
17	107018-11-D18	EA	COUNTERTOP-NIGHTSTAND, DRIVER SIDE
17	107018-11-D19	EA	COUNTERTOP-NIGHTSTAND, DRIVER SIDE
17	107018-11-D20	EA	COUNTERTOP-NIGHTSTAND, DRIVER SIDE
18	107018-01-D18	EA	CABINET-NIGHTSTAND, DRIVER SIDE - W/O DRAWERS & HARDWARE
18	107018-01-D19	EA	CABINET-NIGHTSTAND, DRIVER SIDE - W/O DRAWERS & HARDWARE
18	107018-01-D20	EA	CABINET-NIGHTSTAND, DRIVER SIDE - W/O DRAWERS & HARDWARE
19	P07445-01-D18	EA	CABINET-OVERHEAD, TV
19	P07445-01-D19	EA	CABINET-OVERHEAD, TV
19	P07445-01-D20	EA	CABINET-OVERHEAD, TV

1993 WINNEBAGO TABLE OF CONTENTS

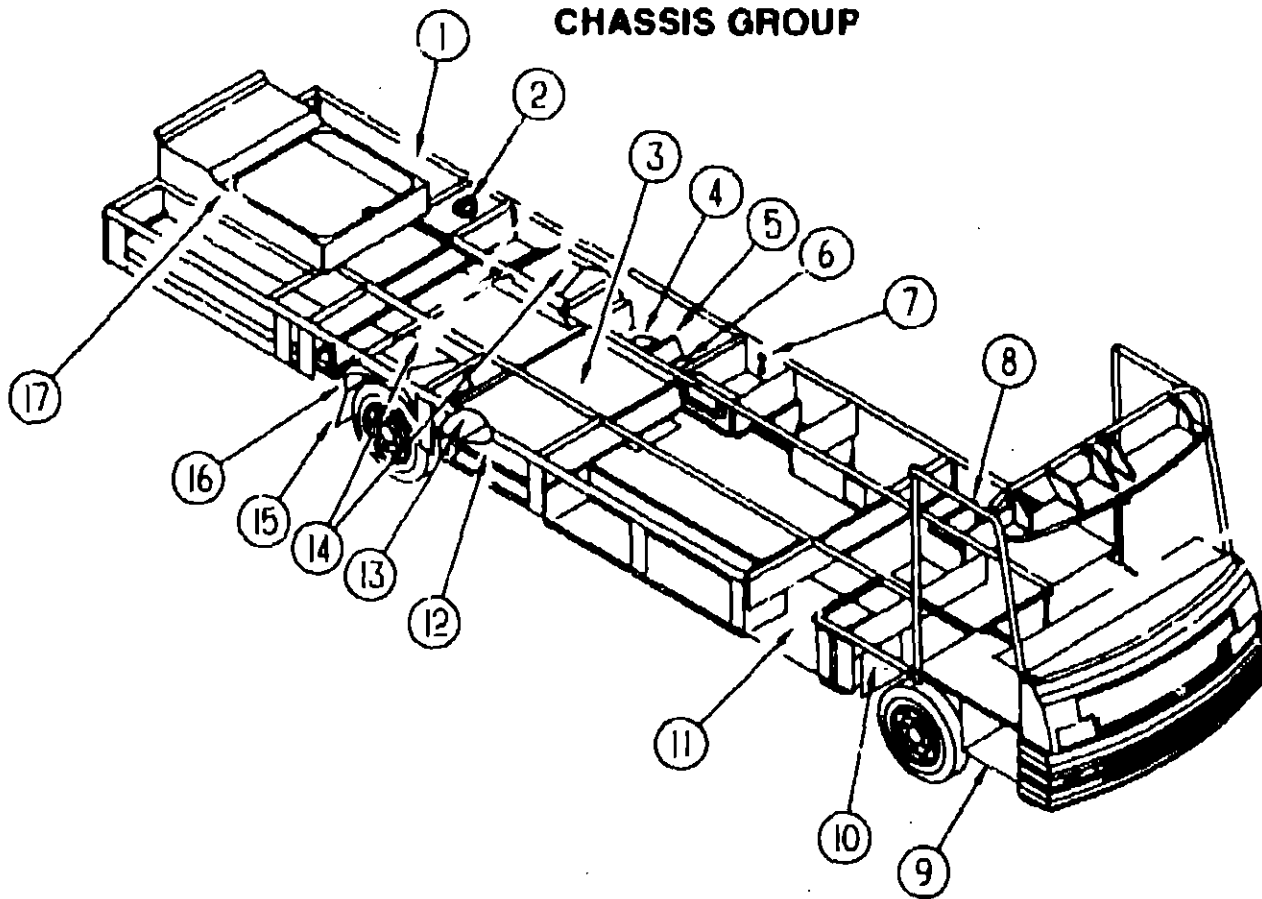
INTRODUCTION	A-01 - A-02
ABBREVIATIONS	A-03
ALPHABETICAL INDEX	A-04 - A-06
WSM35RQ	A-07 - F-12

1993 WSM35RQ INDEX

FLOOR PLAN	A-07 - A-08
ACCESSORIES	A-09
AUDIO VIDEO	A-10 - A-13
BATH	A-14 - A-18
BEDROOM	A-19 - A-20
CHASSIS	A-21 - B-04
CURTAIN & CUSHION	B-05 - B-17
DINETTE	B-18 - B-19
DRIVERS COMPARTMENT	B-20 - B-24
ELECTRICAL	C-01 - C-07
EXTERIOR BODY	C-08 - C-18
GALLEY	C-19 - D-04
GENERATOR	D-05 - D-06
HEATING & A/C	D-07 - D-14
INTERIOR FINISH	D-15 - D-18
LABEL	D-19 - E-01
LP	E-02
LOUNGE	E-03 - E-04
SEALANTS & FASTENERS	E-05 - E-09
WATER & SEWAGE	E-10 - E-13
WINDOW, VENT AND	
EXTERIOR DOOR	E-14 - F-08
WINDSHIELD & WIPER	F-09 - F-12

KEY	PART NUMBER	U/M	DESCRIPTION
1	103908-03-C07	EA	HEADER-DOOR FROM: 00-00-00 THRU: 11-29-92
	110418-03-D18	EA	HEADER-DOOR, WOOD - BETWEEN BATH & BEDROOM FROM: 11-30-92 THRU: 99-99-99
	103868-05-01A	EA	TRACK-SLIDING DOOR, 1353MM - OFF WHITE
2	104013-03-C07	EA	DOOR ASM-SLIDING
	103874-01-000	EA	HANGER-SLIDING DOOR
	064467-01-000	EA	GUIDE-POCKET, SLIDING DOOR - WALL MOUNTED
	057534-01-000	EA	TIEBACK/TIEDOWN-BED/CURTAIN/DOOR, 6" - PLASTIC - CLEAR
3	M05806-01-D18	EA	CABINET-WALL, BEDROOM
	104174-01-000	EA	HOOK-ROBE, TWIN

CHASSIS GROUP



CHASSIS GROUP (CONTINUED)

COMPARTMENTS, WHEEL WELLS & MUD FLAPS (CONTINUED)

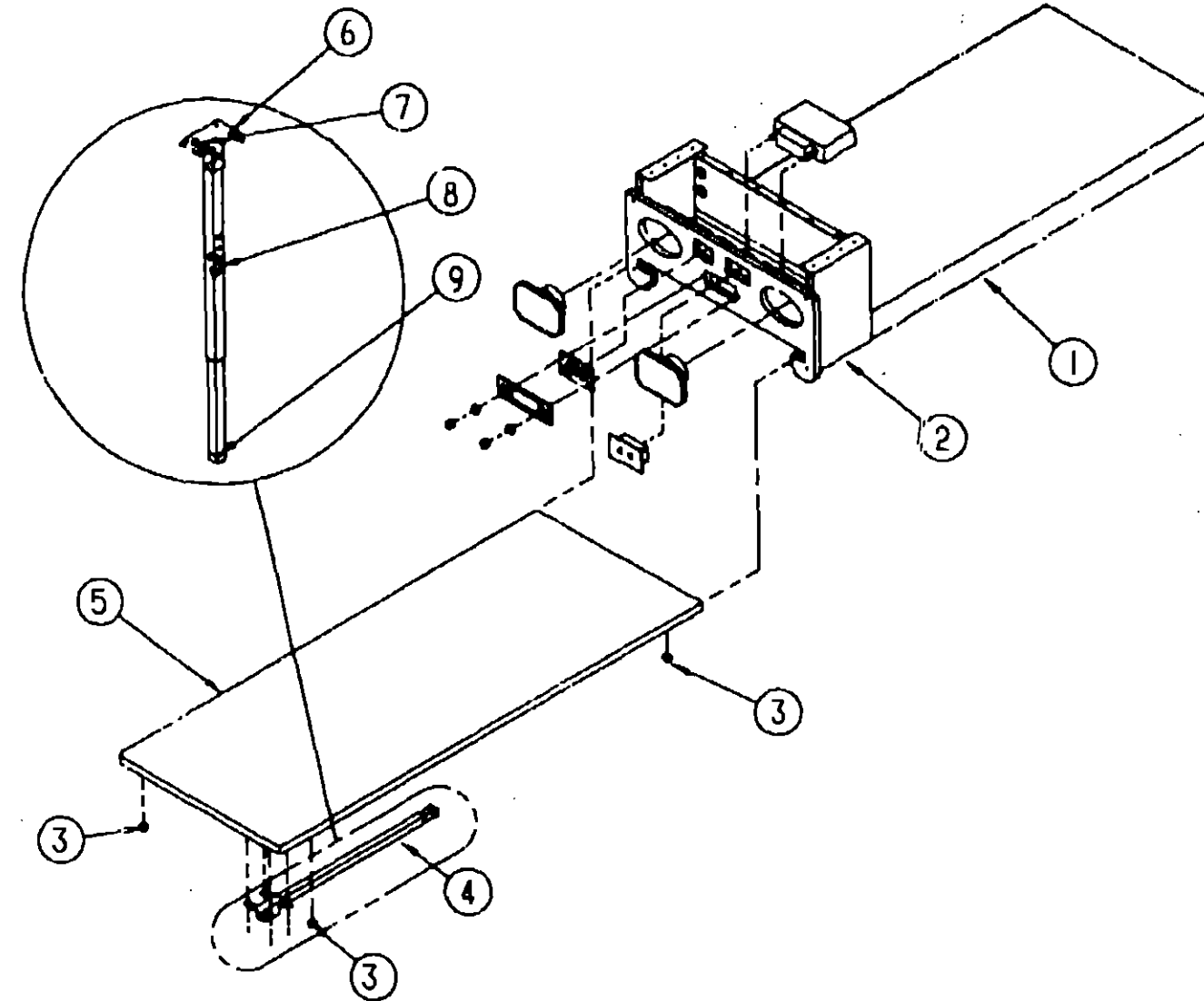
KEY	PART NUMBER	U/M DESCRIPTION
	072877-03-000	EA INSULATION-SOUND BARRIER PAD, 1.25" X 46" X 54"
	107719-01-01A	EA STRIKE-COMPARTMENT DOOR
	104491-02-03A	EA ANGLE-STRIKER, BLACK (A/C COMPARTMENT DOOR)
	P11844-01-000	EA BRACKET ASM-AIR DRYER, INCLUDES 111844 & 111845 (SPARTAN)
	111844-01-000	FA BRACKET-AIR DRYER, W/BENDS & HOLES
	111845-01-000	EA BRACKET-AIR DRYER, W/O BENDS & HOLES

1993 WINNEBAGO TABLE OF CONTENTS

INTRODUCTION	A-01 -	A-02
ABBREVIATIONS		A-03
ALPHABETICAL INDEX	A-04 -	A-08
WSM35RQ	A-07 -	F-12

COMPARTMENTS, WHEEL WELLS & MUD FLAPS

KEY	PART NUMBER	U/M DESCRIPTION
1	108986-01-000	EA SUPPORT-TUBE, LADDER - LOWER (IN STORAGE COMPARTMENT)
1	112384-01-000	EA SPONGE-BRACKET, LADDER
2	098215-02-000	EA COLLAR-CRIMPED, 5" ROUND (SPARTAN)
3	105536-01-000	EA PANEL-BOTTOM, WATER COMPARTMENT
3	105805-01-000	EA TUBE-STEEL
4	092887-01-000	EA CAP-TWIST HATCH, POWER CORD/SEWER HOSE - 6" ID - BEIGE
	092887-04-000	EA CHAIN-TWIST CAP, 9"
5	104742-01-C07	EA COMPARTMENT-STORAGE, SEWER & POWER CORD - W/HATCHES - PLASTIC
6	092887-03-000	EA CAP-TWIST HATCH, WATER FILL/SEWER COMPARTMENT - 4" ID - BLACK
	092887-04-000	EA CHAIN-TWIST CAP, 9"
7	092263-03-000	EA PANEL-EXHAUST, FURNACE
8	099717-04-001	EA TIEDOWN ASM-STRAP W/BUCKLE (LAWN CHAIR STRAP)
9	094657-02-000	EA TRAY-GENERATOR, 22.5" X 30.4" X 6.9" W/ANGLE & NUTS
10	111546-01-000	EA MAT-RUBBER, DIRT DEFLECTOR
11	094707-01-01A	EA STEP-DOUBLE, ELECTRIC W/ORANGE CONTROL BOX - KWIKEE 3218
	094707-02-700	EA MOTOR REPLACEMENT KIT - MODELS 32 & 28 - KWIKEE 9520
	094707-02-701	EA LINKAGE ASM - MODEL 32 - KWIKEE 9523
	094707-02-702	EA GEAR KIT - KWIKEE 9525
	094707-02-703	EA PARTS KIT, (BEARINGS & PINS) - KWIKEE 9530
	094707-02-704	EA CONNECTOR KIT-MOTOR, KWIKEE 9537
	094707-02-705	EA CONTROL UNIT, (ORANGE) - KWIKEE 9513
	094707-02-707	EA NON-SKID TREAD BLACK, 6" X 21"
	113285-01-01A	EA SEAL-ENTRY STEP SWITCH, ROUND FOAM RUBBER - BLACK
	041250-01-000	EA SWITCH-PUSH BUTTON, IN DOOR JAMB - METAL - CHROME
	075723-02-000	EA SPACER-SWITCH, W/HOLE - .2" X .9" X 2" - METAL - OFF WHITE
11	065450-05-000	EA TIEDOWN-BATTERY, 8.4" TUBE
11	093395-02-000	EA BRACKET-SHELF, STEP BOX - MOUNTED TO FRAME
12	107723-01-01A	EA COVER-COMPARTMENT PANEL, PLASTIC - BLACK - LP
13	020167-03-000	EA GUARD-DIRT, 279.5MM LONG
14	105743-01-000	EA WHEELWELL-PLASTIC
15	017516-01-000	EA FLAP-MUD, 14" X 18" - BLACK
16	020167-05-000	EA GUARD-DIRT, 380MM LONG
17	039623-01-000	FT SEAL-MOTOR COVER, RUBBER BULB TYPE - BLACK
	093287-03-01A	EA NET-CARGO
	056746-01-000	EA PLUG-CAP, 1" DIAMETER - PLASTIC - BLACK
	061420-05-000	EA PLUG-PLASTIC, 1.8" DIAMETER
	109644-01-000	FT TRIM-EDGE, RUBBER - TRIM-LOK X1002
	072877-01-000	EA INSULATION-SOUND BARRIER PAD, 1.25" X 46" X 54" - W/PSA



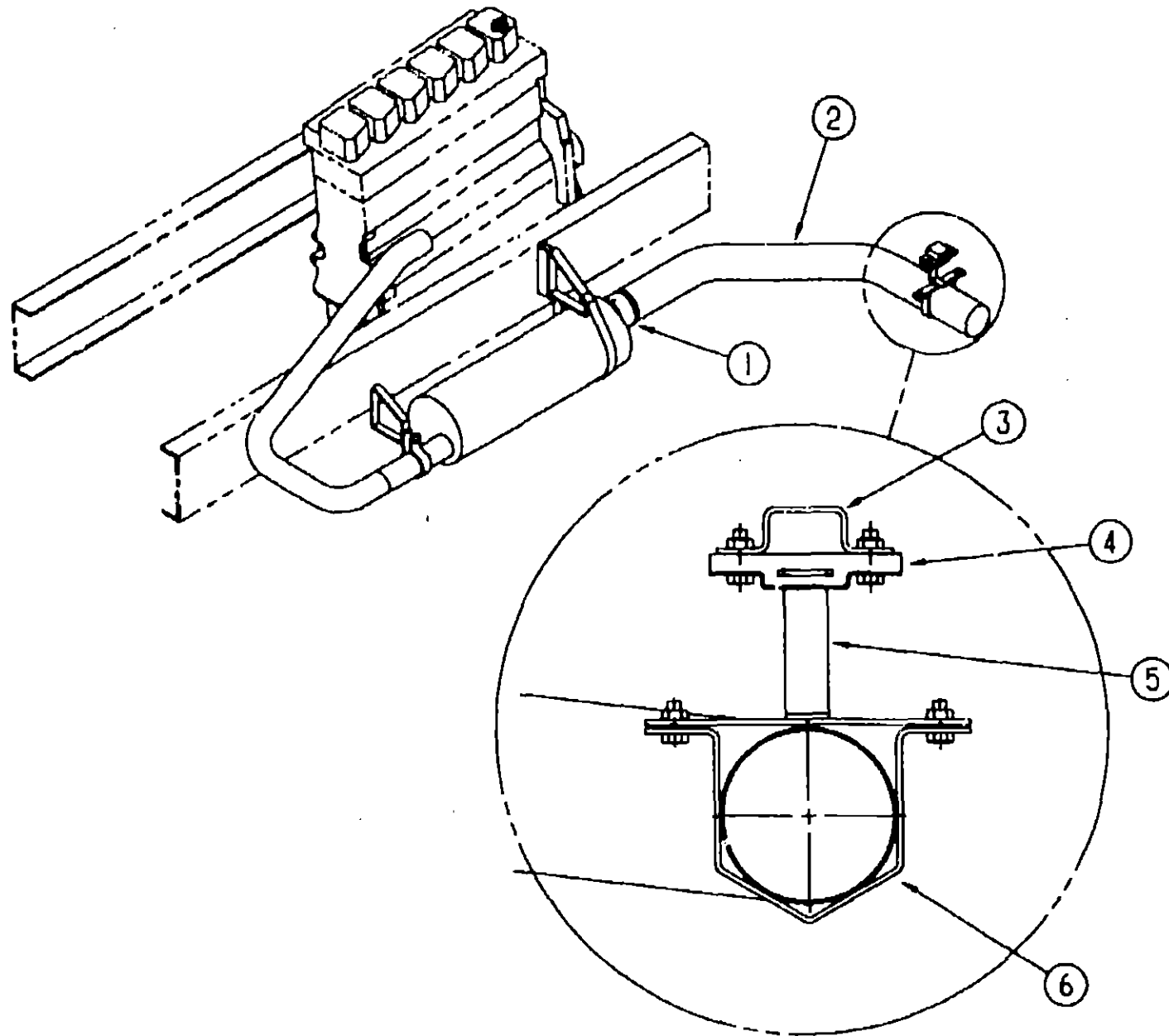
ENTERTAINMENT COMPARTMENT

KEY	PART NUMBER	U/M DESCRIPTION
1	108534-01-D18	EA FRAME-ENTERTAINMENT CENTER
2	108559-01-000	EA COVER-ENTERTAINMENT CENTER, W/BRACKET
	108506-01-D18	EA PLATE-RADIO MOUNTING, W/RADIO, SPEAKER & PLATE CUTOUTS
3	069726-02-000	EA BUMPER-RUBBER, .88" DIAMETER X .40", BLACK
4	108483-01-000	EA LEG-TABLE, ENTERTAINMENT W/FASTENERS & SPRING
		FROM: 00-00-00 THRU: 01-10-93
4	110381-01-D18	EA LEG-TABLE, ENTERTAINMENT W/FASTENERS & SPRING
		FROM: 01-11-93 THRU: 99-99-99
5	P10549-01-D18	EA TABLE-ENTERTAINMENT CENTER
6	110287-01-000	EA BRACKET-LEG, EXTERIOR TABLE
		FROM: 01-04-93 THRU: 99-99-99
7	074630-03-000	EA FASTENER-PUSH ON, .250 ROUND - TRW PZ001880PG
		FROM: 01-04-93 THRU: 99-99-99
7	110459-01-000	EA SPRING-COMPRESSION, .300 X 1.50" - LEE SG LC-030D-12-M
		FROM: 01-04-93 THRU: 99-99-99
8	110439-01-000	EA FASTENER-SNAP BUTTON, VALCO 0135-25
		FROM: 01-04-93 THRU: 99-99-99
9	110550-01-000	EA CAP-TUBE, TABLE LEG
		FROM: 01-04-93 THRU: 99-99-99

1993 WSM35RQ INDEX

FLOOR PLAN	A-07 -	A-08
ACCESSORIES		A-09
AUDIO VIDEO	A-10 -	A-13
BATH	A-14 -	A-18
BEDROOM	A-19 -	A-20
CHASSIS	A-21 -	B-04
CURTAIN & CUSHION	B-05 -	B-17
DINETTE	B-18 -	B-19
DRIVERS COMPARTMENT	B-20 -	B-24
ELECTRICAL	C-01 -	C-07
EXTERIOR BODY	C-08 -	C-18
GALLEY	C-19 -	D-04
GENERATOR	D-05 -	D-06
HEATING & A/C	D-07 -	C-14
INTERIOR FINISH	D-15 -	D-18
LABEL	D-19 -	E-01
LP		E-02
LOUNGE	E-03 -	E-04
SEALANTS & FASTENERS	E-05 -	E-09
WATER & SEWAGE	E-10 -	E-13
WINDOW, VENT AND		
EXTERIOR DOOR	E-14 -	F-08
WINDSHIELD & WIPER	F-09 -	F-12

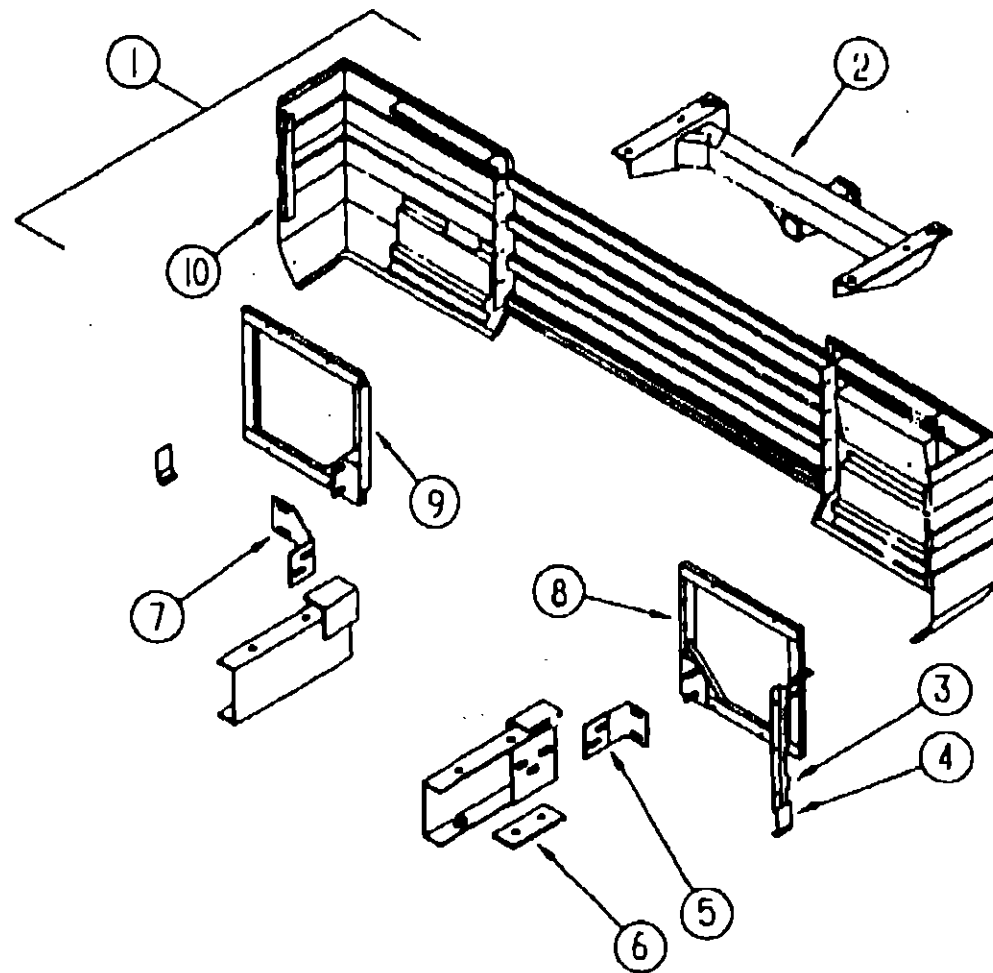
CHASSIS GROUP (CONTINUED)



SPARTAN EXHAUST SYSTEM

KEY	PART NUMBER	U/M	DESCRIPTION
1	094918-04-000	EA	CLAMP-EXHAUST, GUILLOTINE STYLE
1	094918-05-000	EA	CLAMP-EXHAUST, 4 7/16 INCH - GUILLOTINE STYLE
2	110158-01-000	EA	PIPE-EXHAUST, TAIL - SPARTAN
3	102116-02-000	EA	BRACKET ASM-EXHAUST, UPPER
4	095190-01-000	EA	HANGER-EXHAUST, 4" X 1.4"
5	110173-01-000	EA	HANGER ASM-EXHAUST
6	095223-04-000	EA	BRACKET-EXHAUST, LOWER

CHASSIS GROUP (CONTINUED)



REAR BUMPER & TRAILER HITCH

KEY	PART NUMBER	U/M	DESCRIPTION
1	M05811-02-D18	EA	BUMPER-REAR, W/FRAME
2	107707-02-000	EA	DRAWBAR ASM-HITCH, CLASS II
2	107707-03-000	EA	DRAWBAR ASM-HITCH, CLASS II
	107627-01-000	EA	TOWBAR ASM-HITCH, UNPAINTED
	097746-01-000	EA	HOUSING CAP-TRAILER PIN
	097744-02-000	EA	HOUSING-TRAILER PIN, 48"
3	107487-01-000	EA	ANGLE-ATTACHMENT, REAR
4	107665-01-000	EA	ANGLE-FORMED, BUMPER - LOWER - 2 USED
5	108938-02-000	EA	ANGLE-BUMPER, INNER - LEFT
6	108935-01-000	EA	SPACER-HITCH, DRAWER
7	108938-01-000	EA	ANGLE-BUMPER, INNER - RIGHT
8	108939-02-000	EA	FRAME ASM-BUMPER, REAR - LEFT SIDE
9	108939-01-000	EA	FRAME ASM-BUMPER, REAR - RIGHT SIDE
10	108453-04-000	EA	CAP ASM-END, REAR - RIGHT - W/UPPER ANGLE
	108453-03-000	EA	CAP ASM-END, REAR - LEFT - W/UPPER ANGLE
	034512-01-000	EA	PIN-LOCKING, DRAWBAR
	087234-01-000	EA	NUT-JACK, 1/4 X 20 THD, MOLLY - ARDEN 8-L, JN BRASS

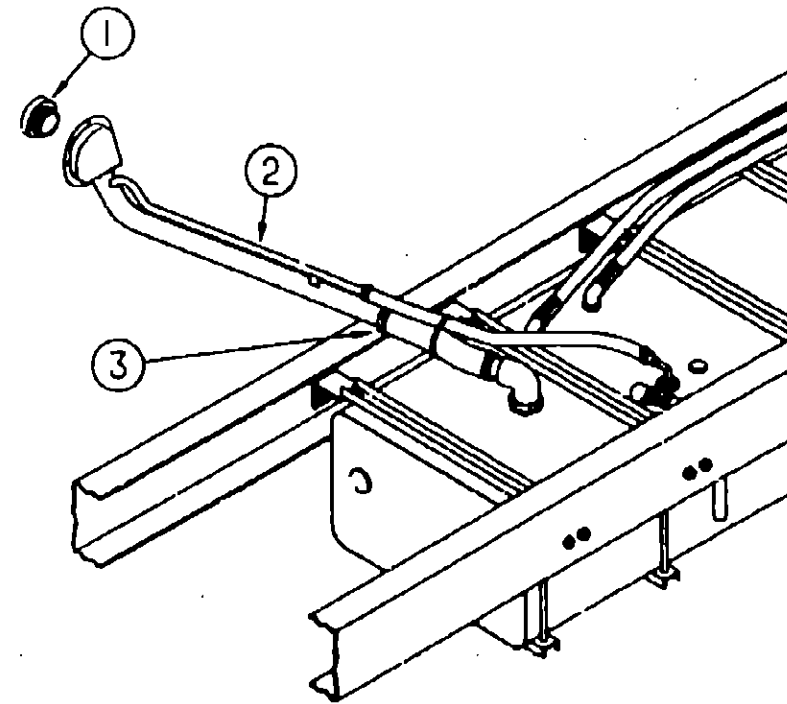
**1993 WINNEBAGO
TABLE OF CONTENTS**

INTRODUCTION	A-01 -	A-02
ABBREVIATIONS		A-03
ALPHABETICAL INDEX	A-04 -	A-06
WSM35RO	A-07 -	F-12

1993 WSM35RQ INDEX

FLOOR PLAN	A-07 -	A-08
ACCESSORIES		A-09
AUDIO VIDEO	A-10	A-13
BATH	A-14 -	A-18
BEDROOM	A-19 -	A-20
CHASSIS	A-21 -	B-04
CURTAIN & CUSHION	B-05 -	B-17
DINETTE	B-18 -	B-19
DRIVERS COMPARTMENT	B-20 -	B-24
ELECTRICAL	C-01 -	C-07
EXTERIOR BODY	C-08 -	C-18
GALLEY	C-19 -	D-04
GENERATOR	D-05 -	D-06
HEATING & A/C	D-07 -	D-14
INTERIOR FINISH	D-15 -	D-18
LABEL	D-19 -	E-01
LP		E-02
LOUNGE	E-03 -	E-04
SEALANTS & FASTENERS	E-05 -	E-09
WATER & SEWAGE	E-10 -	E-13
WINDOW, VENT AND		
EXTERIOR DOOR	E-14 -	F-08
WINDSHIELD & WIPER	F-09 -	F-12

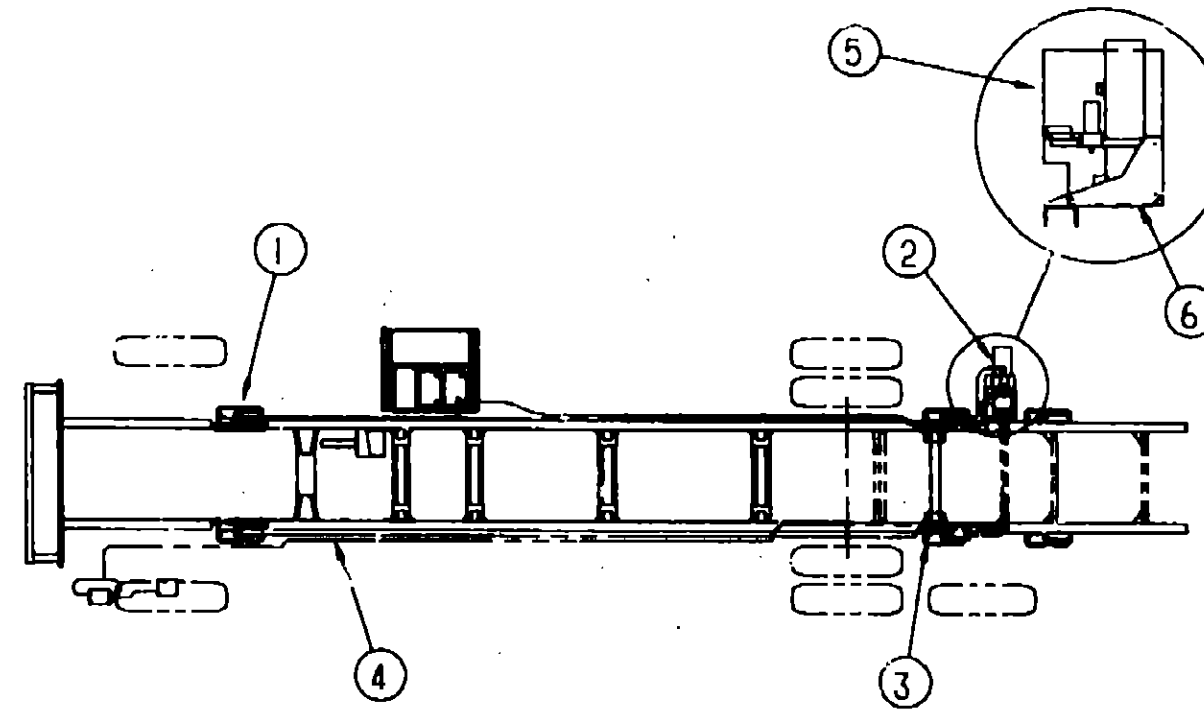
CHASSIS GROUP (CONTINUED)



SPARTAN FUEL SYSTEM

KEY	PART NUMBER	U/M	DESCRIPTION
	102951-01-01A	EA	SHROUD-FUEL, FILL - UNFINISHED
1	073220-03-000	EA	CA ² -FUEL FILL, DIESEL
2	109798-01-000	EA	NECK ASM-FUEL FILL, DIESEL
3	109797-01-000	EA	HOSE-FUEL FILL, FORMED
	007063-01-000	FT	HOSE-GAS 1/4" ID X 1/2" OD
	084884-01-000	EA	PLUG-BRASS, 3/8"
	044317-01-000	FT	HOSE-FUEL, 3/8" ID
	100559-04-000	EA	ELBOW, 90 DEGREE BEADED HOSE, 1/2 HOSE TO 1/2 PIPE
	087269-01-000	EA	TEE-BRASS, 1/4" X 1/4" X 1/4"

CHASSIS GROUP (CONTINUED)



HWH HYDRAULIC LEVELING SYSTEM

KEY	PART NUMBER	U/M	DESCRIPTION
1	100533-09-000	EA	BRACKETS-FRONT LEVELING JACK, HWH AP0180
2	100532-04-000	EA	LEVELING SYSTEM-HYDRAULIC, HWH AP0183
	100532-01-705	EA	SPRING KIT-9K JACK - HWH R1171
	100532-01-706	EA	ACTIVATOR KIT-9K JACK - HWH RAP7028
	100532-01-707	EA	ROLLER BRG KIT-9K JACK - HWH R2527
	100532-02-701	EA	SPRING KIT-6K JACK - HWH R6824
	100532-02-702	EA	ACTIVATOR KIT-6K JACK - HWH RAP7062
	100532-02-704	EA	ACTIVATOR CABLE-6K JACK - HWH RAP7194
	100532-03-700	EA	CONTROL BOX-HYD. ONLY - HWH RAP8100
	100532-03-703	EA	JACK 6K W/P SWITCH (TALL) - HWH RAP8130
	100532-03-704	EA	JACK 9K W/P SWITCH (TALL) - HWH RAP8251
	100532-03-705	EA	PUMP/MOTOR/TANK .75 GAL - HWH RAP0002
	100532-03-707	EA	MANIFOLD ASSY 4 VALVE (HYD) - HWH RAPJ358
	100532-03-710	EA	SENSING UNIT 21' MTA - HWH RAP6798
	100532-03-711	EA	PANEL-TCH MOD CABLE-HYD ONLY - HWH RAP7868
	100532-03-714	EA	MODULAR CABLE 5' - HWH RAP9226
	100532-03-716	EA	SOLENOID SGL. ESSEX - HWH RAP7505
	100532-03-717	EA	VALVE-SHUTTLE - HWH RAP7964
	100532-03-718	EA	VALVE-SOLENOID - HWH RAP8034
	100532-03-721	EA	VALVE-CHECK KIT (SGL) - HWH RAP7944
	100532-03-723	EA	MANIFOLD HDWE MTG KIT - HWH RAP9171
	100532-03-724	EA	PUMP/TANK/MANIFOLD ASM - HWH RAP0380
	100532-03-725	EA	SWITCH WARNING W/RESISTOR - HWH RAP8072
	100532-03-726	EA	SWITCH-PRESSURE - HWH RAP8003
	100532-03-727	EA	SOLENOID KIT - HWH R7572
3	100534-09-000	EA	BRACKETS-REAR LEVELING JACK - HWH AP0181
4	100536-14-000	EA	HOSE KIT-LEVELING JACKS, HWH AP0182
5	108629-01-000	EA	SHIELD-PUMP
6	107938-01-000	EA	BRACKET ASM-PUMP
	071386-06-000	EA	CONNECTOR-MALE, 1/4 TUBE X 1/4 - WEATHERHEAD 1468X4X4
	071390-04-000	FT	TUBING-AIR BRAKE, 1/4" OD - BLACK - NT10004-BK WEATHERHEAD
	085765-01-000	EA	TEE-2 F & 1 MALE ENDS, 1/4 MPT X 1/4 - BRASS - WEATHERHEAD

FROM: 00-00-00 THRU: 03-25-93

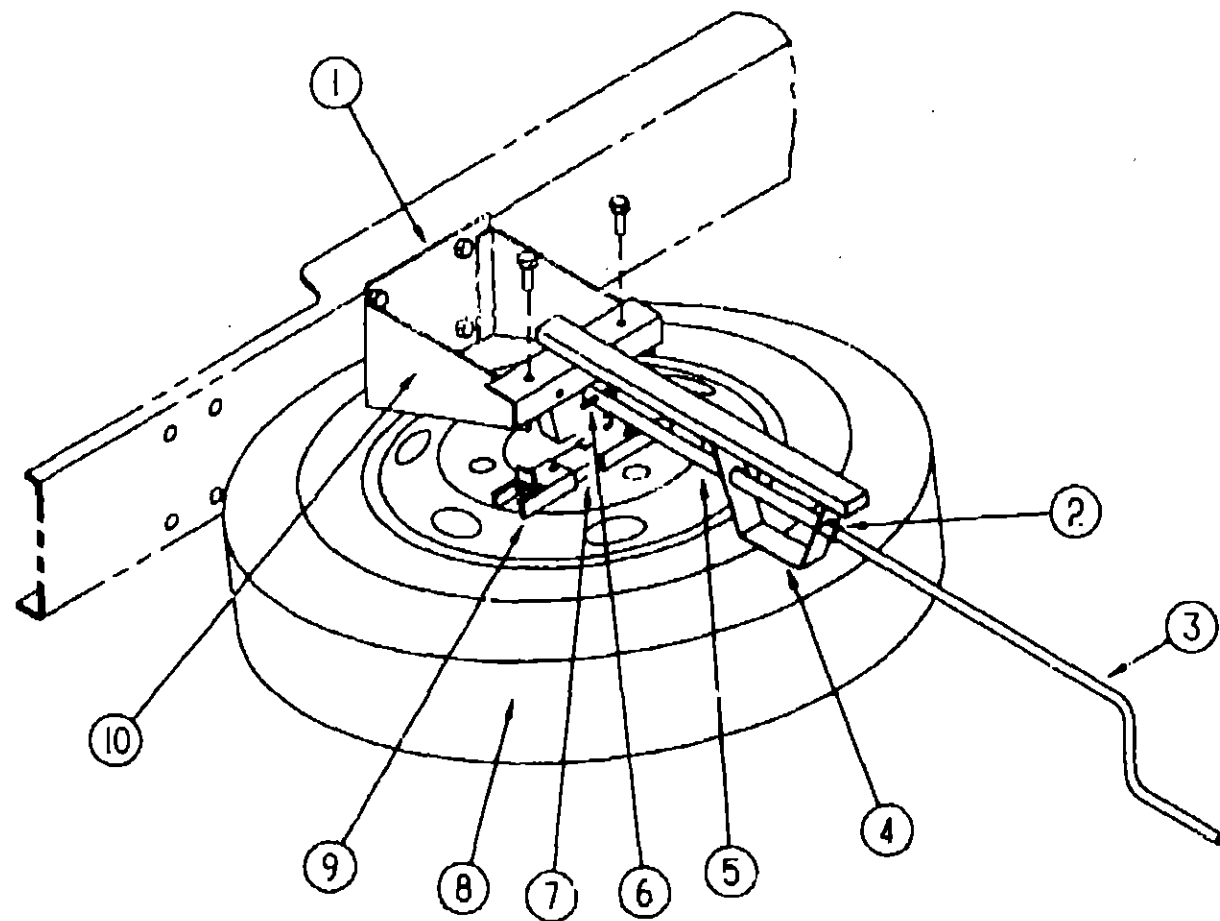
**1993 WINNEBAGO
TABLE OF CONTENTS**

INTRODUCTION	A-01 -	A-02
ABBREVIATIONS		A-03
ALPHABETICAL INDEX	A-04 -	A-06
WSM35RQ	A-07 -	F-12

1993 WSM35RQ INDEX

FLOOR PLAN	A-07 -	A-08
ACCESSORIES		A-09
AUDIC VIDEO	A-10	A-13
BATH	A-14	A-18
BEDROOM	A-19	A-20
CHASSIS	A-21	B-04
CURTAIN & CUSHION	B-05	B-17
DINETTE	B-18	B-19
DRIVERS COMPARTMENT	B-20	B-24
ELECTRICAL	C-01	C-07
EXTERIOR BODY	C-08	C-18
GALLEY	C-19	D-04
GENERATOR	D-05	D-06
HEATING & A/C	D-07	D-14
INTERIOR FINISH	D-15	D-18
LABEL	D-19	E-01
LP		E-02
LOUNGE	E-03	E-04
SEALANTS & FASTENERS	E-05	E-09
WATER & SEW/AGE	E-10	E-13
WINDOW, VENT AND		
EXTERIOR DOOR	E-14	F-08
WINDSHIELD & WIPER	F-09	F-12

CHASSIS GROUP (CONTINUED)



SPARE TIRE HOIST

KEY	PART NUMBER	U/M	DESCRIPTION
1	111579-01-000	EA	BRACKET ASM-TIRE HOIST FROM: 03-17-93 THRU: 03-21-93
1	111869-01-000	EA	BRACKET ASM-TIRE HOIST FROM: 03-22-93 THRU: 99-99-99
2	035776-01-000	EA	PIN-ROLL, .125 DIA X .750
3	033376-01-000	EA	HANDLE-CRANK, TIRE HOIST
4	111576-01-000	EA	SUPPORT-HANDLE, TIRE HOIST
5	093375-08-000	EA	EXTENSION-TIRE HOIST FROM: 00-00-00 THRU: 03-16-93
5	093375-09-000	EA	EXTENSION-TIRE HOIST FROM: 03-17-93 THRU: 99-99-99
6	000F10-02-40B	EA	PIN-COTTER
7	093267-01-000	EA	HOIST-SPARE TIRE, DEUER MFG6L201 FROM: 00-00-00 THRU: 04-25-93
7	093267-02-000	EA	HOIST-SPARE TIRE, DEUER MFG6L201 FROM: 04-26-93 THRU: 99-99-99
8	0862B1-02-000	EA	WHEEL-STEEL, 19.5 X 6.0, 8.75 - 3500 - ACCURIDE 28853 (SPARTAN)
8	007324-03-000	EA	TIRE-MICHELIN, PR 19.5 LRF (SPARTAN)
	051377-01-000	EA	STEM-VALVE, TR 500
	077030-02-000	EA	EXTENSION-VALVE STEM, 1.25"
	095012-01-000	EA	STABILIZER-VALVE EXTENSION
	095012-03-000	EA	EXTENSION-VALVE STEM, DUAL WHEEL
	080208-02-000	EA	BAR-LEVERAGE, LUG WRENCH (SPARTAN)
	080208-03-000	EA	WRENCH-LUG, 1.5" X .8" (SPARTAN)
9	105499-01-000	EA	BRACKET-TIRE HOIST
10	111868-01-000	EA	PLATE-SIDE, TIRE HOIST - PART OF 111869-01-000

CHASSIS GROUP (CONTINUED)

WHEEL COVERS

KEY	PART NUMBER	U/M	DESCRIPTION
	109443-04-000	EA	COVER-WHEEL, SET OF 4 - 19.5 - 28853 - DICOR SHOXR95
	109443-01-700	EA	COVER-WHEEL, 19.5 - 1 ONLY - FRONT OR REAR - SHAG95 LONLY DICOR
	109443-01-703	EA	CAP-CENTER, HUB - DICOR - SP-AUCAP
	109443-03-701	EA	BRACKET-REAR, SET - 1 ONLY - SHAJ95-RBS
	109443-04-700	EA	BRACKET-FRONT, SET - 1 ONLY - SHOXR95-FBK

WHEEL LINERS

KEY	PART NUMBER	U/M	DESCRIPTION
	077044-03-000	EA	COVER-LUG NUT, 1.5" - KAPER IT 46
	110435-01-000	EA	LINER-WHEEL, SET 4 - 19.5/2885 - DICOR V1950S
	110435-01-700	EA	LUG NUT COVER
	110435-01-701	EA	LINER-WHEEL, FRONT
	110435-01-702	EA	LINER-WHEEL, REAR
	110435-01-703	EA	STUD EXTENDER 1 1/8" - LEFT REAR
	110435-01-704	EA	STUD EXTENDER 1 1/8" - RIGHT REAR
	110435-01-705	EA	TOOL-INSTALLATION
	110435-01-706	EA	JAM NUT, 1 1/2 X 1 1/16 - RT REAR - V195J0-RRJ
	110435-01-707	EA	JAM NUT, 1 1/2 X 1 1/16 - LT REAR - V195J0-LRJ
	110435-01-708	EA	JAM NUT, 1 1/2 X 3/4 - RT FRONT - V195J0-RFJ
	110435-01-709	EA	JAM NUT, 1 1/2 X 3/4 - LH FRONT

ALUMINUM WHEELS

KEY	PART NUMBER	U/M	DESCRIPTION
	110468-01-000	EA	WHEEL-ALUMINUM, 19.5" X 6, 8.75 FRONT POLISHED ON CONVEX
	110468-02-000	EA	WHEEL-ALUMINUM, 19.5" X 6, 8.75 REAR OUTER POLISHED ON CONCAVE
	077045-03-000	EA	COVER-FRONT AXLE, 6 X 8.75 BC - KAPER IT 44UA FROM: 00-00-00 THRU: 06-06-93
	077045-05-000	EA	COVER-FRONT AXLE, 6 X 8.75 BC - KAPER IT 44UAH FROM: 06-07-93 THRU: 99-99-99
	077045-04-000	EA	COVER-REAR AXLE, 6 X 8.75 BC - KAPER IT 45UA
	051377-01-000	EA	STEM-VALVE, TR 500

RADIATOR BAFFLE, AIR BRAKE COMPONENTS & MISCELLANEOUS

KEY	PART NUMBER	U/M	DESCRIPTION
	110174-01-000	EA	BAFFLE-RADIATOR, TOP FROM: 00-00-00 THRU: 05-20-93
	110174-02-000	EA	BAFFLE-RADIATOR, TOP FROM: 05-21-93 THRU: 99-99-99
	076310-01-000	EA	SHEET-RUBBER, RADIATOR BAFFLE - .12" X 15" X 62" - BLACK
	076310-04-000	EA	SHEET-RUBBER, RADIATOR BAFFLE - .12" X 23" X 46" - BLACK
	P11844-01-000	EA	BRACKET-AIR DRYER
	110082-01-000	EA	HOSE-AIR INTAKE, 5" DIAMETER - FLEXFAB 3005 400 31
	111689-06-000	EA	FERRULE-TUBING, 5/8 AIR BRAKE
	098215-02-000	EA	COLLAR-CRIMPED, 5" ROUND
	105805-01-000	EA	TUBE-STEEL

**1993 WINNEBAGO
TABLE OF CONTENTS**

INTRODUCTION	A-01	A-02
ABBREVIATIONS		A-03
ALPHABETICAL INDEX	A-04	A-06
WSM35RQ	A-07	F-12

1993 WSM35RQ INDEX

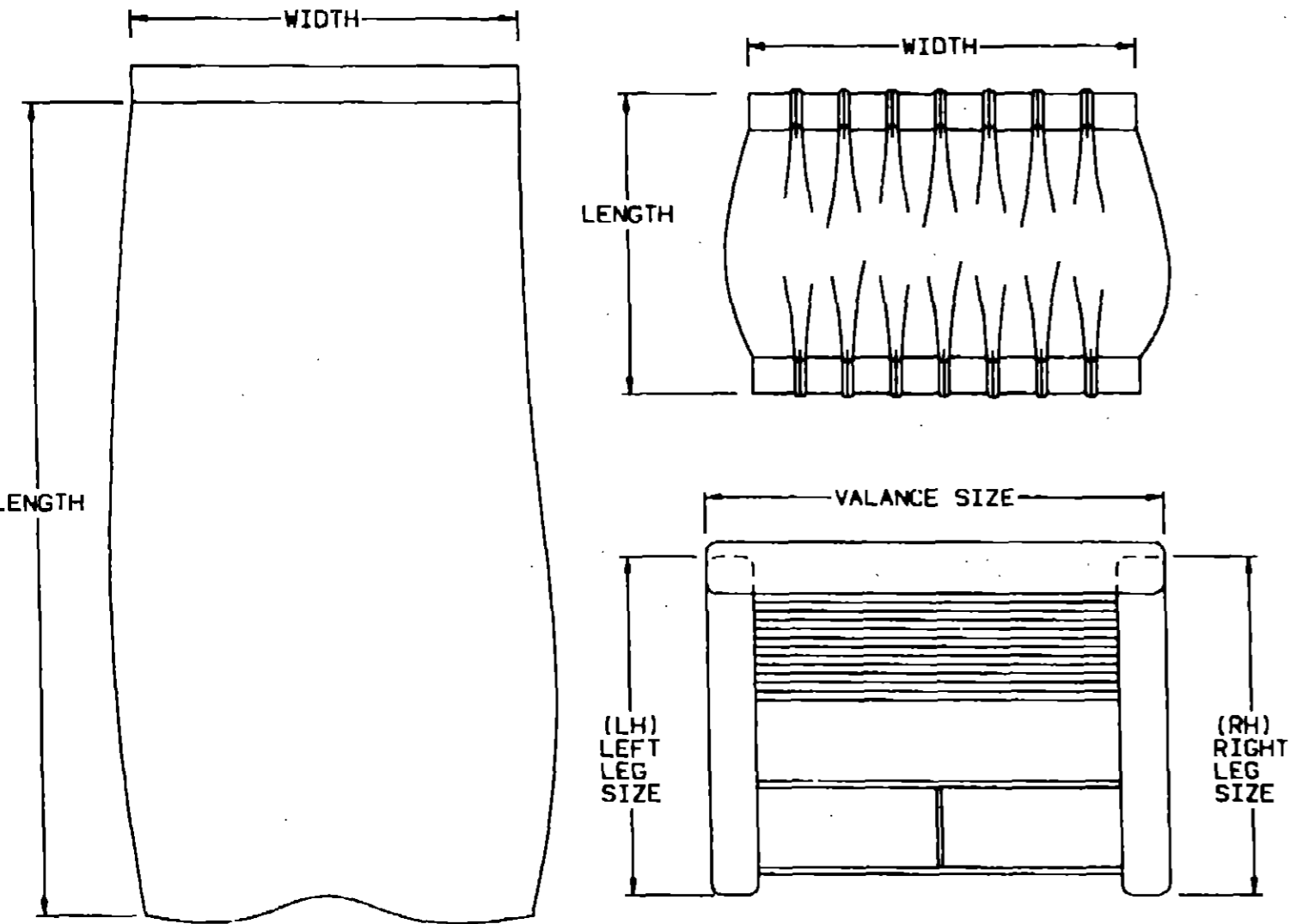
FLOOR PLAN	A-07	A-08
ACCESSORIES		A-09
AUDIO VIDEO	A-10	A-13
BATH	A-14	A-18
BEDROOM	A-19	A-20
CHASSIS	A-21	B-04
CURTAIN & CUSHION	B-05	B-17
DINETTE	B-18	B-19
DRIVERS COMPARTMENT	B-20	B-24
ELECTRICAL	C-01	C-07
EXTERIOR BODY	C-08	C-18
GALLEY	C-19	D-04
GENERATOR	D-05	D-06
HEATING & A/C	D-07	D-14
INTERIOR FINISH	D-15	D-18
LABEL	D-19	E-01
LP		E-02
LOUNGE	E-03	E-04
SEALANTS & FASTENERS	E-05	E-09
WATER & SEWAGE	E-10	E-13
WINDOW, VENT AND		
EXTERIOR DOOR	E-14	F-08
WINDSHIELD & WIPER	F-09	F-12

CURTAIN & CUSHION GROUP

NOTICE

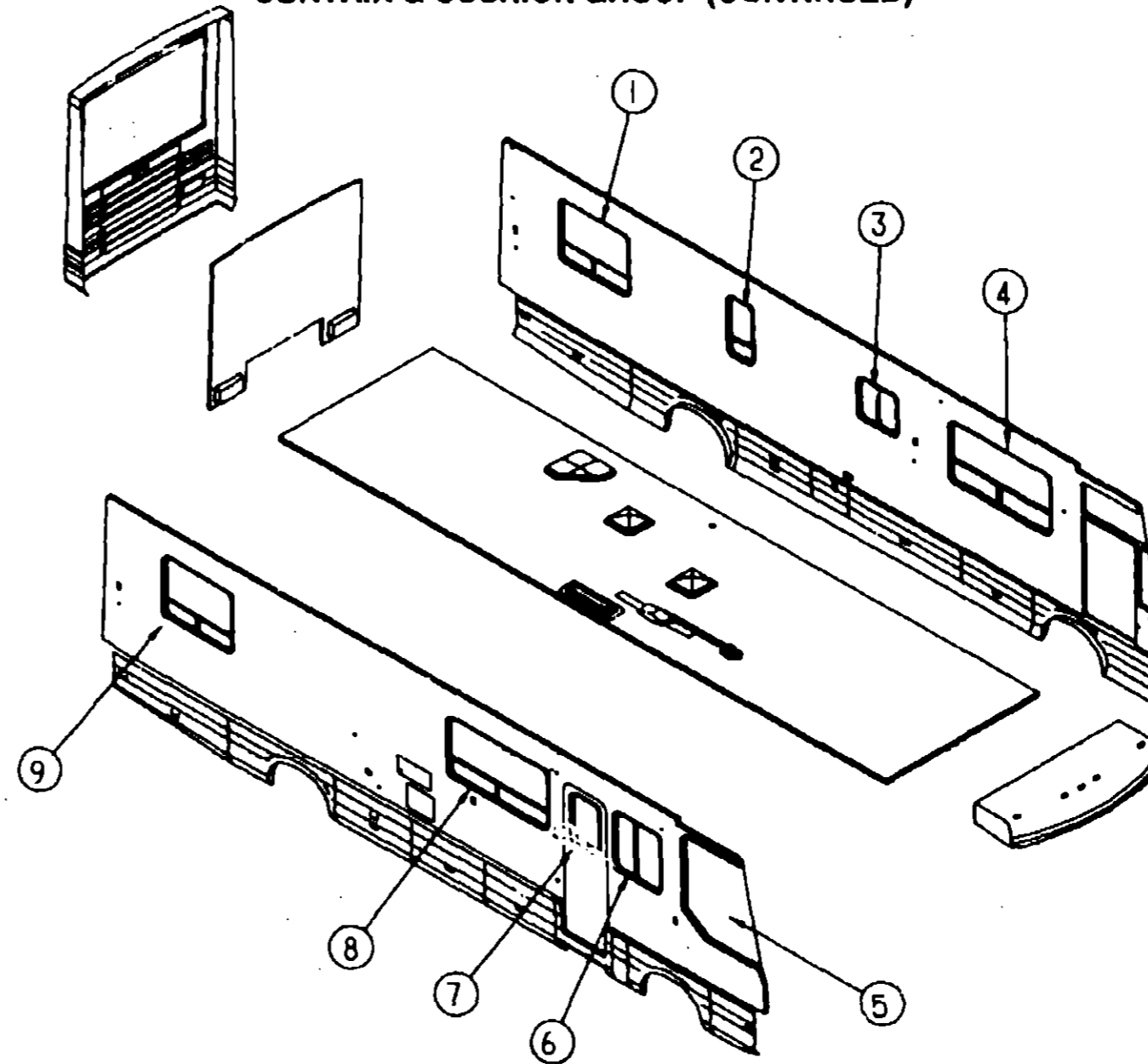
IN ORDER TO ASSIST OUR PARTS SALES DEPT. IN PROVIDING INTERIOR SOFTWARE ITEMS, PLEASE INCLUDE THE SERIAL NUMBER AND THE COLOR CODE NUMBER FROM THE VEHICLE CERTIFICATION LABEL WHEN ORDERING. THIS LABEL IS LOCATED ON THE LEFT SIDEWALL AT THE END OF THE DASH (A-BODY), OR ON THE DRIVER'S DOOR LATCH PLATE (C-BODY).

AN EXAMPLE OF A COLOR CODE NUMBER IS B07, WHICH DESIGNATES AN OVERALL COLOR SCHEME OF A PARTICULAR UNIT. THE COLOR LISTED AFTER THE ITEM DESCRIPTION ON THE MICROFICHE, INDICATES THE OVERALL UNIT COLOR. ORDER THE ITEM YOU DESIRE ACCORDING TO UNIT COLOR CODE. IF ALL COLORS USE THE SAME ITEM NO COLOR CODE WILL BE NOTED.



NOTE: USE THIS ILLUSTRATION WHEN DETERMINING LENGTH AND WIDTH MEASUREMENTS FOR CURTAINS. YOU WILL NOTE THE WIDTH MEASUREMENT IS TAKEN ON THE TOP OF THE CURTAIN WITH THE CURTAIN FULLY EXTENDED. THE LENGTH MEASUREMENT IS TAKEN FROM TOP TO BOTTOM. LEFT AND RIGHT WINDOW LEGS ARE DETERMINED WHEN FACING THE WINDOW.

CURTAIN & CUSHION GROUP (CONTINUED)



CURTAINS & WINDOW TREATMENT

KEY	PART NUMBER	U/M	DESCRIPTION
1	109006-02-D18	EA	VALANCE-WINDOW, TURKISH TWIST - W/SIDE VALANCES
1	109008-02-D19	EA	VALANCE-WINDOW, TURKISH TWIST - W/SIDE VALANCES
1	109006-05-D20	EA	VALANCE-WINDOW, TURKISH TWIST - W/SIDE VALANCES
1	109007-07-D18	EA	PANEL-CENTER, TURKISH TWIST VALANCE
1	109007-07-D19	EA	PANEL-CENTER, TURKISH TWIST VALANCE
1	109007-08-D20	EA	PANEL-CENTER, TURKISH TWIST VALANCE
1	109007-01-D18	EA	SIDE-VALANCE, TURKISH TWIST - RIGHT SIDE
1	109007-01-D19	EA	SIDE-VALANCE, TURKISH TWIST - RIGHT SIDE
1	109007-04-D20	EA	SIDE-VALANCE, TURKISH TWIST - RIGHT SIDE
1	109007-02-D18	EA	SIDE-VALANCE, TURKISH TWIST - LEFT SIDE
1	109007-02-D19	EA	SIDE-VALANCE, TURKISH TWIST - LEFT SIDE
1	109007-05-D20	EA	SIDE-VALANCE, TURKISH TWIST - LEFT SIDE
1	096803-23-D18	EA	BLIND-PLEATED, DAY/NIGHTER - 42.5" X 32" DROP
1	096803-23-D19	EA	BLIND-PLEATED, DAY/NIGHTER - 42.5" X 32" DROP
1	096803-23-D20	EA	BLIND-PLEATED, DAY/NIGHTER - 42.5" X 32" DROP
2	066226-54-D18	EA	CURTAIN-ROD POCKET, 5" X 20"
2	066226-54-D19	EA	CURTAIN-ROD POCKET, 5" X 20"
2	066226-54-D20	EA	CURTAIN-ROD POCKET, 5" X 20"
2	101778-13-01A	EA	BLIND-MINI, WOODEN, 16.5" X 35"
3	101778-11-01A	EA	BLIND-MINI, WOODEN, 24.5" X 22"
4	109004-07-D18	EA	VALANCE-WINDOW, W/CENTER PAD - 56"
4	109004-12-D19	EA	VALANCE-WINDOW, W/CENTER PAD - 56"
4	109004-09-D20	EA	VALANCE-WINDOW, W/CENTER PAD - 56"

1993 WINNEBAGO TABLE OF CONTENTS

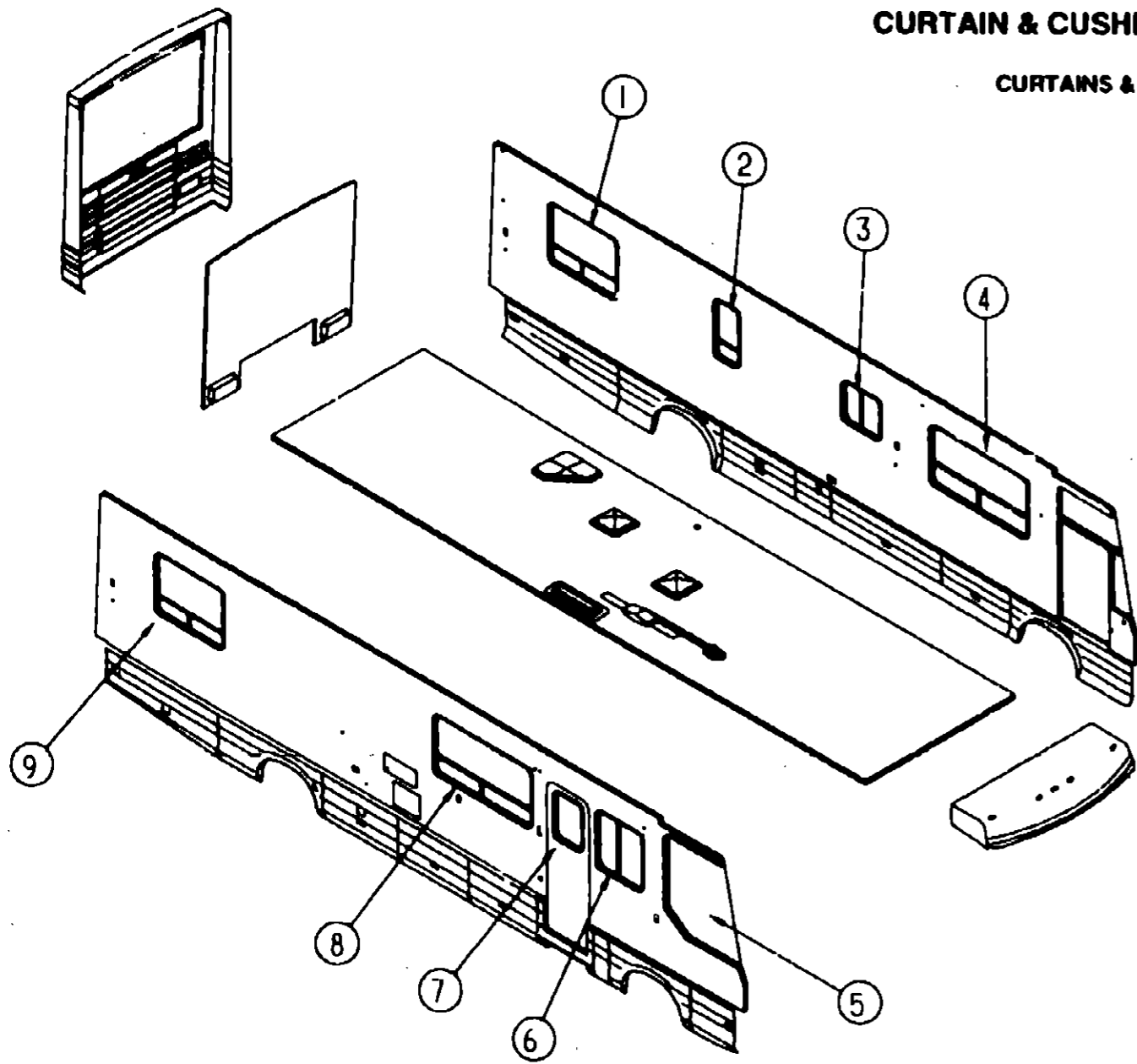
INTRODUCTION	A-01 -	A-02
ABBREVIATIONS		A-03
ALPHABETICAL INDEX	A-04 -	A-06
WSM35RQ	A-07 -	F-12

1993 WSM35RQ INDEX

FLOOR PLAN	A-07 -	A-08
ACCESSORIES		A-09
AUDIO VIDEO	A-10	A-13
BATH	A-14 -	A-18
BEDROOM	A-19 -	A-20
CHASSIS	A-21 -	B-04
CURTAIN & CUSHION	B-05 -	B-17
DINETTE	B-18 -	B-19
DRIVERS COMPARTMENT	B-20 -	B-24
ELECTRICAL	C-01 -	C-07
EXTERIOR BODY	C-08 -	C-18
GALLEY	C-19 -	D-04
GENERATOR	D-05 -	D-08
HEATING & A/C	D-07 -	D-14
INTERIOR FINISH	D-15 -	D-18
LABEL	D-19 -	E-01
LP		E-02
LOUNGE	E-03 -	E-04
SEALANTS & FASTENERS	E-05 -	E-09
WATER & SEWAGE	E-10 -	E-13
WINDOW, VENT AND		
EXTERIOR DOOR	E-14 -	F-08
WINDSHIELD & WIPER	F-09 -	F-12

CURTAIN & CUSHION GROUP (CONTINUED)

CURTAINS & WINDOW TREATMENT



KEY	PART NUMBER	U/M	DESCRIPTION
7	084755-57-DA4	EA	SHADE-WINDOW, PULL - 27.25"
7	084755-57-DA5	EA	SHADE-WINDOW, PULL - 27.25"
8	109004-01-D18	EA	VALANCE-WINDOW, W/CENTER PAD - 64.5"
8	109004-10-D19	EA	VALANCE-WINDOW, W/CENTER PAD - 64.5"
8	109004-03-D20	EA	VALANCE-WINDOW, W/CENTER PAD - 64.5"
	109005-01-000	EA	WOOD-VALANCE, 64"
8	100281-94-D18	EA	LEG-WINDOW, RIGHT SIDE - W/HOLE - 31.5"
8	109234-18-D19	EA	LEG-WINDOW, RIGHT SIDE - W/HOLE - 31.5"
8	109234-07-D20	EA	LEG-WINDOW, RIGHT SIDE - W/HOLE - 31.5"
8	100281-95-D18	EA	LEG-WINDOW, LEFT SIDE - W/HOLE - 31.5"
8	109234-19-D19	EA	LEG-WINDOW, LEFT SIDE - W/HOLE - 31.5"
8	109234-08-D20	EA	LEG-WINDOW, LEFT SIDE - W/HOLE - 31.5"
8	096803-09-D18	EA	BLIND-PLEATED, DAY/NIGHTER - 57.5" X 32"
8	096803-09-D19	EA	BLIND-PLEATED, DAY/NIGHTER - 57.5" X 32"
8	096803-09-D20	EA	BLIND-PLEATED, DAY/NIGHTER - 57.5" X 32"
9	109006-07-D18	EA	VALANCE-WINDOW, TURKISH TWIST - W/SIDE VALANCES
9	109006-07-D19	EA	VALANCE-WINDOW, TURKISH TWIST - W/SIDE VALANCES
9	109006-08-D20	EA	VALANCE-WINDOW, TURKISH TWIST - W/SIDE VALANCES
9	109007-07-D18	EA	PANEL-CENTER, TURKISH TWIST VALANCE
9	109007-07-D19	EA	PANEL-CENTER, TURKISH TWIST VALANCE
9	109007-08-D20	EA	PANEL-CENTER, TURKISH TWIST VALANCE
9	109007-01-D18	EA	SIDE-VALANCE, TURKISH TWIST - RIGHT SIDE
9	109007-01-D19	EA	SIDE-VALANCE, TURKISH TWIST - RIGHT SIDE
9	109007-04-D20	EA	SIDE-VALANCE, TURKISH TWIST - RIGHT SIDE
9	109007-02-D18	EA	SIDE-VALANCE, TURKISH TWIST - LEFT SIDE
9	109007-02-D19	EA	SIDE-VALANCE, TURKISH TWIST - LEFT SIDE
9	109007-05-D20	EA	SIDE-VALANCE, TURKISH TWIST - LEFT SIDE
9	096803-23-D18	EA	BLIND-PLEATED, DAY/NIGHTER - 42.5" X 32" DROP
9	096803-23-D19	EA	BLIND-PLEATED, DAY/NIGHTER - 42.5" X 32" DROP
9	096803-23-D20	EA	BLIND-PLEATED, DAY/NIGHTER - 42.5" X 32" DROP
	109005-02-000	EA	VALANCE-WOOD, 31"
	093487-05-02A	EA	CURTAIN-PLEATED, WINDSHIELD PRIVACY - PASS - 51" X 100" (D18)
	093487-06-02A	EA	CURTAIN-PLEATED, WINDSHIELD PRIVACY - DR - 51" X 100" (D18)
	093487-07-02A	EA	CURTAIN-PLEATED, WINDSHIELD PRIVACY - PASS - 51" X 100" (D18)
	093487-08-02A	EA	CURTAIN-PLEATED, WINDSHIELD PRIVACY - DR - 51" X 100" (D18)
	093487-05-01A	EA	CURTAIN-PLEATED, WINDSHIELD PRIVACY - PASS - 51" X 100" (D19)
	093487-06-01A	EA	CURTAIN-PLEATED, WINDSHIELD PRIVACY - DR - 51" X 100" (D19)
	093487-07-01A	EA	CURTAIN-PLEATED, WINDSHIELD PRIVACY - PASS - 51" X 100" (D19)
	093487-08-01A	EA	CURTAIN-PLEATED, WINDSHIELD PRIVACY - DR - 51" X 100" (D19)
	093487-05-01A	EA	CURTAIN-PLEATED, WINDSHIELD PRIVACY - PASS - 51" X 100" (D20)
	093487-06-01A	EA	CURTAIN-PLEATED, WINDSHIELD PRIVACY - DR - 51" X 100" (D20)
	093487-05-02A	EA	CURTAIN-PLEATED, WINDSHIELD PRIVACY - PASS - 51" X 100" (D20)
	093487-06-02A	EA	CURTAIN-PLEATED, WINDSHIELD PRIVACY - DR - 51" X 100" (D20)
	093487-07-02A	EA	CURTAIN-PLEATED, WINDSHIELD PRIVACY - PASS - 51" X 100" (D20)
	093487-08-02A	EA	CURTAIN-PLEATED, WINDSHIELD PRIVACY - DR - 51" X 100" (D20)
	093487-05-700	EA	WAND-WINDSHIELD PRIVACY CURTAIN, 30"

FROM: 08-16-92 THRU: 01-03-93

FROM: 01-04-93 THRU: 99-99-99

FROM: 01-04-93 THRU: 99-99-99

FROM: 00-00-00 THRU: 08-15-92

1993 WINNEBAGO TABLE OF CONTENTS

INTRODUCTION	A-01 -	A-02
ABBREVIATIONS		A-03
ALPHABETICAL INDEX	A-04 -	A-06
WSM35RQ	A-07 -	F-12

1993 WSM35RQ INDEX

FLOOR PLAN	A-07 -	A-08
ACCESSORIES		A-09
AUDIO VIDEO	A-10 -	A-13
BATH	A-14 -	A-18
BEDROOM	A-19 -	A-20
CHASSIS	A-21 -	B-04
CURTAIN & CUSHION	B-05 -	B-17
DINETTE	B-18 -	B-19
DRIVERS COMPARTMENT	B-20 -	B-24
ELECTRICAL	C-01 -	C-07
EXTERIOR BODY	C-08 -	C-18
GALLEY	C-19 -	D-04
GENERATOR	D-05 -	D-06
HEATING & A/C	D-07 -	D-14
INTERIOR FINISH	D-15 -	D-18
LABEL	D-19 -	E-01
LP		E-02
LOUNGE	E-03 -	E-04
SEALANTS & FASTENERS	E-05 -	E-09
WATER & SEWAGE	E-10 -	E-13
WINDOW, VENT AND EXTERIOR DOOR	E-14 -	F-08
WINDSHIELD & WIPER	F-09 -	F-12

CURTAIN & CUSHION GROUP (CONTINUED)

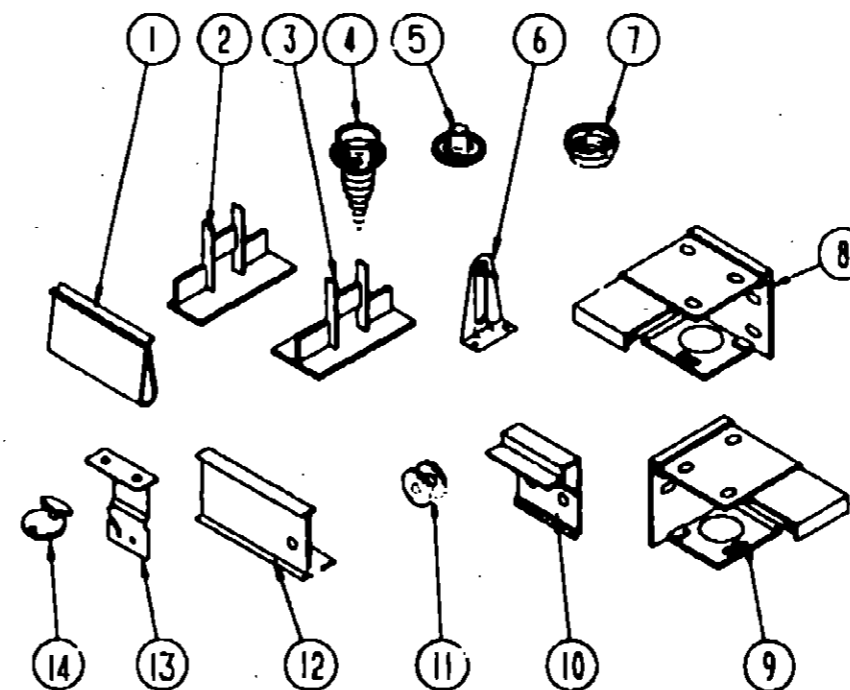
ASSIST HANDLE, BUTTONS, TRIMS & SEATBELTS

KEY	PART NUMBER	U/M	DESCRIPTION
	053552-02-AA8	EA	HANDLE-ASSIST, INTERIOR - ENTRY DOOR - VINYL - OFF WHITE
	069178-02-000	EA	BRACKET-MOUNTING, ASSIST HANDLE - L ANGLE - W/HOLES - ST
	000C16-07-16B	EA	BOLT-CARRIAGE, ASSIST HANDLE - 7/16" - 14 X 1" ZN
	000D20-07-00B	EA	NUT-ACORN, ASSIST HANDLE - 7/16" X 14 ZN
	079349-01-D18	YD	TRIM-WELT, ACCENT FABRIC - COUCH (D18)
	079349-01-Y43	YD	TRIM-WELT, ACCENT FABRIC - POWER BUCKET SEAT (D18)
	079349-01-D20	YD	TRIM-WELT, ACCENT FABRIC - COUCH & POWER BUCKET SEAT (D20)
	084415-41-000	YD	TRIM-BRAID, APPALLOOSA TAN - FRINGE ON THROW PILLOW (D18)
	084415-48-000	YD	TRIM-BRAID, AMBROSIA - FRINGE ON THROW PILLOW (D19)
	084415-50-000	YD	TRIM-BRAID, SWAN LAKE - FRINGE ON THROW PILLOW (D20)
	007021-01-000	EA	BELT-SEAT, 2" X 90" - BLACK
	057759-01-000	EA	WASHER BRACKET-SEATBELT, 4" DIAMETER
	057534-01-000	EA	TIEBACK-PLASTIC, 6" - CLEAR
	057534-03-000	EA	TIEBACK-PLASTIC, 7.5" - CLEAR
	057534-08-000	EA	TIEBACK ASM-CLEAR 16"
	079349-01-B51	YD	TRIM-WELT, ACCENT FABRIC - COUCH & POWER BUCKET SEAT (D19)

FABRICS

KEY	PART NUMBER	U/M	DESCRIPTION
	106569-03-01A	EA	VINYL-LAMINATE, DASH PANEL - MADRID WILLOW - 1/4" THK X 16" X 96"
	072333-67-000	YD	FABRIC-SPEAKER COVER, LIGHT BROWN
	088273-96-000	YD	FABRIC-BEDSPREAD, PATTERNED - BLACK/WHITE/GRAY/BEIGE (D18)
	105745-04-000	YD	FABRIC-BEDSPREAD, PLAIN - BEIGE (D18)
	088274-95-000	YD	FABRIC-UPHOLSTERY, PLAIN VELOUR - 54" - CHARCOAL (D18)
	104233-36-000	YD	FABRIC-UPHOLSTERY/CURTAIN, PATTERN WEAVE - 54" (D18)
	104233-37-000	YD	FABRIC-UPHOLSTERY/CURTAIN, PATTERN VELOUR - 54" - GRAY (D18)
	105745-20-000	YD	FABRIC-BEDSPREAD, PATTERNED - GOLD/PURPLE/BEIGE (D19)
	105745-21-000	YD	FABRIC-BEDSPREAD, PLAIN - LIGHT MAUVE (D19)
	104233-88-000	YD	FABRIC-UPHOLSTERY, PLAIN VELOUR - 54" - PLUM (D19)
	104233-86-000	YD	FABRIC-UPHOLSTERY/CURTAIN, PATTERN WEAVE - 54" (D19)
	104233-87-000	YD	FABRIC-UPHOLSTERY/CURTAIN, PATTERN VELOUR - 54" - PLUM (D19)
	105745-23-000	YD	FABRIC-BEDSPREAD, PATTERNED - PINK/BLUE/CREAM (D20)
	105745-24-000	YD	FABRIC-BEDSPREAD, STRIPPED - PINK/GREEN/CREAM/BLUE (D20)
	104233-92-000	YD	FABRIC-UPHOLSTERY, PLAIN VELOUR - 54" - DARK BLUE (D20)
	104233-91-000	YD	FABRIC-UPHOLSTERY/CURTAIN, FLORAL PATTERN VELOUR - 54" - BLUE (D20)
	072333-96-000	YD	FABRIC-DRAPERY, ANTIQUE WHITE
	103907-01-01A	YD	FABRIC-VINYL, 54" WIDE - OFF WHITE
	103907-01-03A	YD	FABRIC-VINYL, 54" WIDE - WILLOW BEIGE
	029094-04-000	YD	VELCRO TAPE-LOOP, 1" WIDE - BLACK
	095567-01-000	EA	TACK-STRIP, .5" X 625' ROLL

CURTAIN & CUSHION GROUP (CONTINUED)



CURTAIN, BLIND HARDWARE & TRACKS

KEY	PART NUMBER	U/M	DESCRIPTION
	106544-01-000	EA	PULL-SHADE, BRASS - EDI
	106544-01-001	EA	SCREW-PULL SHADE, BRASS - EDI
	084432-06-000	FT	SLAT-ROLLER SHADE, PLASTIC
	096843-01-000	EA	SPRING-REWIND, ROLLER SHADE
	094907-02-000	EA	END CAP-TOP, PLEATED BLIND - PLASTIC - GRAY
	094907-03-000	EA	END CAP-BOTTOM, PLEATED BLIND - PLASTIC - GRAY
	029130-01-000	EA	SCREW-SNAP SOCKET, 8 PH X 5/8"
	029155-01-000	EA	CAP-SNAP, 5/32" O.D. OF PIN
	095591-01-000	EA	BRACKET-HOLD DOWN, W/PIN - BLIND - CLEAR PLASTIC
	097564-01-000	EA	HANDLE-T, EZ LIFT SHADE
	029156-01-000	EA	SOCKET-SNAP, 9/16" O.D.
	083170-01-000	EA	BRACKET-BLIND, RIGHT SIDE
	083170-02-000	EA	BRACKET-BLIND, LEFT SIDE
	097565-01-000	EA	BRACKET-MOUNTING, PLEATED BLIND
	093487-05-700	EA	WAND, 30" FOR WINDSHIELD PRIVACY BLINDS
	097592-01-000	EA	SPOOL-CORD, ELEVATED BLIND HOLDUP - CLEAR PLASTIC
	094896-02-000	EA	GROMMET-CORD, PLEATED BLIND - NYLON - GRAY
	097591-01-000	EA	SPRING-EXTENSION, PLEATED BLIND
	097593-02-000	FT	CORD-BLIND, PLEATED - GRAY
	097593-06-000	FT	CORD-BLIND, PLEATED - PEWTER
	108235-01-01A	EA	TRACK-CURTAIN, DRIVER SIDE WINDSHIELD - W/BEND - OFF WHITE
	108236-01-01A	EA	TRACK-CURTAIN, PASSENGER SIDE WINDSHIELD - W/BEND - OFF WHITE
	009700-04-002	EA	TRACK-STRAIGHT, L-SHAPED - 195.2" LONG - OFF WHITE
	084434-01-000	EA	BRACKET-MOUNTING, ROLLER SHADE - 1 3/8"
	102555-01-000	EA	CLEAT-CORD, BLIND - OFF WHITE
	046887-01-000	EA	GROMMET-BRASS - 7/16" ID X 1" OD
	103986-01-000	FT	TRIM-VALANCE, U-CHANNEL - .75" WIDE - BRASS
	105648-01-01A	EA	BRACE-VALANCE, 356MM LONG - EXTRUDED ALUMINUM - BEIGE
	068716-01-001	EA	BRACE, 90 DEGREE L-ANGLE, 192" - EXTRUDED ALUMINUM
	075943-01-000	EA	BRACE-WINDOW VALANCE, 1" X 1.5" X 20" - ALUMINUM - BEIGE
	089522-02-000	EA	PANEL-LEG, TWO SIDED 31.5" LONG - PLASTIC - BLACK MUST ORDER 089916-01-000 TO MOUNT THIS PANEL TO THE WALL
	089916-01-000	EA	MOUNT-WINDOW LEG, 23.75" - ALUMINUM - BLACK 23.75" LONG - 6.3" BETWEEN SCREW HOLES
	088792-02-000	YD	VELCRO TAPE-LOOP, ADHESIVE BACKED - .75" WIDE - BEIGE
	048394-02-000	YD	VELCRO TAPE-HOOK, ADHESIVE BACK - .75" WIDE - BEIGE
	103242-01-000	EA	VELCRO-HOOK, BEIGE - VEL-STICK
	110597-01-000	EA	BRACKET-SHADE, RIGHT - METAL (FOR SUNCREEN SHADE ON PASS WINDOW)
	110597-02-000	EA	BRACKET-SHADE, LEFT - METAL (FOR SUNCREEN SHADE ON PASS WINDOW)
	086276-01-000	EA	TAPE-DOUBLE SIDED, 1/2"

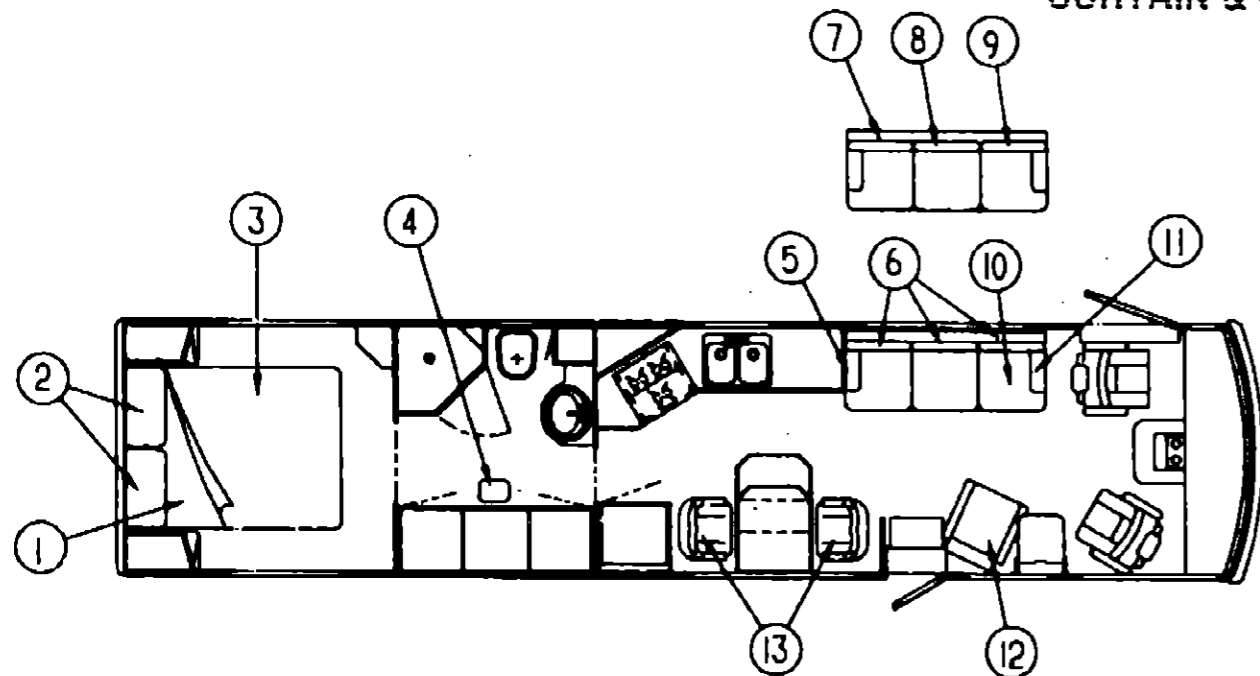
**1993 WINNEBAGO
TABLE OF CONTENTS**

INTRODUCTION	A-01 - A-02
ABBREVIATIONS	A-03
ALPHABETICAL INDEX	A-04 - A-06
WSM35RQ	A-07 - F-12

1993 WSM35RQ INDEX

FLOOR PLAN	A-07 - A-08
ACCESSORIES	A-09
AUDIO VIDEO	A-10 - A-13
BATH	A-14 - A-18
BEDROOM	A-19 - A-20
CHASSIS	A-21 - B-04
CURTAIN & CUSHION	B-05 - B-17
DINETTE	B-18 - B-19
DRIVERS COMPARTMENT	B-20 - B-24
ELECTRICAL	C-01 - C-07
EXTERIOR BODY	C-08 - C-18
GALLEY	C-19 - D-04
GENERATOR	D-05 - D-06
HEATING & A/C	D-07 - D-14
INTERIOR FINISH	D-15 - D-18
LABEL	D-19 - E-01
LP	E-02
LOUNGE	E-03 - E-04
SEALANTS & FASTENERS	E-05 - E-09
WATER & SEWAGE	E-10 - E-13
WINDOW, VENT AND	
EXTERIOR DOOR	E-14 - F-08
WINDSHIELD & WIPER	F-09 - F-12

CURTAIN & CUSHION GROUP (CONTINUED)



QUEEN BEDSPREAD, PILLOW & MATTRESS

KEY	PART NUMBER	U/M	DESCRIPTION
1	098176-05-000	EA	MATTRESS-QUEEN, INNERSPRING - 59" X 79" - SEALY
2	081997-09-D18	EA	PILLOW SHAM-W/4" RUFFLE
2	081997-11-D19	EA	PILLOW SHAM-W/2" ACCENT FLANGE
2	081997-14-D20	EA	PILLOW SHAM-W/RUFFLE & .5" ACCENT TRIM
3	106725-01-D18	EA	BEDSPEAD-QUEEN, 60" X 80" - DUVET
3	106725-01-D19	EA	BEDSPEAD-QUEEN, 60" X 80" - DUVET
3	106725-05-D20	EA	BEDSPEAD-QUEEN, 60" X 80" - DUVET
			FROM: 00-00-00 THRU: 08-09-92
3	106725-01-D20	EA	BEDSPEAD-QUEEN, 60" X 80" - DUVET
			FROM: 08-10-92 THRU: 99-99-99
	103669-09-C37	EA	PILLOW-THROW, 15" X 15" (D18)
	103669-09-D19	EA	PILLOW-THROW, 15" X 15"
	104166-03-D20	EA	PILLOW-THROW, 15" X 15" - W/2" FLANGE
	104504-05-D18	EA	PILLOW-THROW, 16" - ROUND W/FRINGE
	104504-05-D19	EA	PILLOW-THROW, 16" - ROUND W/FRINGE
	104166-01-D20	EA	PILLOW-THROW, 14" X 14" - W/2" FLANGE

VAINITY STOOL

KEY	PART NUMBER	U/M	DESCRIPTION
4	109830-01-D18	EA	COVER-VANITY STOOL
4	109830-01-D19	EA	COVER-VANITY STOOL
4	109830-02-D20	EA	COVER-VANITY STOOL

COUCH & THROW PILLOWS

KEY	PART NUMBER	U/M	DESCRIPTION
5	104653-07-D18	EA	ARMREST-SOFA, RIGHT SIDE
5	104653-07-D19	EA	ARMREST-SOFA, RIGHT SIDE
5	104653-07-D20	EA	ARMREST-SOFA, RIGHT SIDE
	P04653-07-D18	EA	COVER-ARMREST, SOFA - RIGHT SIDE
	P04653-07-D19	EA	COVER-ARMREST, SOFA - RIGHT SIDE
	P04653-07-D20	EA	COVER-ARMREST, SOFA - RIGHT SIDE
6	104655-02-D18	EA	CUSHION-BACKREST, CLUB SOFA - 3 USED
	P04655-02-D18	EA	COVER-CUSHION, BACKREST
6	104655-02-D19	EA	CUSHION-BACKREST, CLUB SOFA - 3 USED
	P04655-02-D19	EA	COVER-CUSHION, BACKREST
7	104654-04-D20	EA	CUSHION-BACKREST, RIGHT SIDE - VICTORIAN SOFA
	P04654-04-D20	EA	COVER-CUSHION, BACKREST - RIGHT SIDE
8	104654-06-D20	EA	CUSHION-BACKREST, CENTER SIDE - VICTORIAN SOFA
	P04654-06-D20	EA	COVER-CUSHION, BACKREST - CENTER

COUCH & THROW PILLOWS (CONTINUED)

KEY	PART NUMBER	U/M	DESCRIPTION
9	104654-05-D20	EA	CUSHION-BACKREST, LEFT SIDE - VICTORIAN SOFA
	P04654-05-D20	EA	COVER-CUSHION, BACKREST - LEFT SIDE
10	104705-02-D18	EA	CUSHION-SEAT, SOLID - 64" - CLUB SOFA - 1 USED
			FROM: 00-00-00 THRU: 09-13-92
	P04705-02-D18	EA	COVER-CUSHION, CLUB SOFA SEAT - 64"
			FROM: 00-00-00 THRU: 09-13-92
10	104705-05-D18	EA	CUSHION-SEAT, SOLID - 64" - CLUB SOFA W/ARM COVER CUT OUT
			FROM: 09-14-92 THRU: 99-99-99
	P04705-05-D18	EA	COVER-CUSHION, CLUB SOFA SEAT - 64" - W/ARM COVER CUT OUT
			FROM: 09-14-92 THRU: 99-99-99
10	104705-02-D19	EA	CUSHION-SEAT, SOLID - 64" - CLUB SOFA - 1 USED
			FROM: 00-00-00 THRU: 09-13-92
	P04705-02-D19	EA	COVER-CUSHION, CLUB SOFA SEAT - 64"
			FROM: 00-00-00 THRU: 09-13-92
10	104705-05-D19	EA	CUSHION-SEAT, SOLID - 64" - CLUB SOFA W/ARM COVER CUT OUT
			FROM: 09-14-92 THRU: 99-99-99
	P04705-05-D19	EA	COVER-CUSHION, CLUB SOFA SEAT - 64" - W/ARM COVER CUT OUT
			FROM: 09-14-92 THRU: 99-99-99
10	104652-02-D20	EA	CUSHION-SEAT, 3 CUSHIONED - VICTORIAN SOFA
			FROM: 00-00-00 THRU: 09-13-92
	P04652-02-D20	EA	COVER-CUSHION, VICTORIAN SOFA SEAT - 66"
			FROM: 00-00-00 THRU: 09-13-92
10	104652-05-D20	EA	CUSHION-SEAT, 3 CUSHIONED - VICTORIAN SOFA W/ARM COVER CUT OUT
			FROM: 09-14-92 THRU: 99-99-99
	P04652-05-D20	EA	COVER-CUSHION, VICTORIAN SOFA SEAT - 66" - W/ARM COVER CUT OUT
			FROM: 91-49-29 THRU: 99-99-99
	079386-02-000	EA	KIT-HARDWARE, FRAME - COUCH
	105433-02-000	EA	FRAME-COUCH, W/FLAT IRON ARM - 66" - METAL
			FROM: 00-00-00 THRU: 09-13-92
	110266-01-000	EA	FRAME-COUCH, W/ARM CUT OUT - 66" - METAL
			FROM: 09-14-92 THRU: 99-99-99
11	104653-08-D18	EA	ARMREST-SOFA, LEFT SIDE
11	104653-08-D19	EA	ARMREST-SOFA, LEFT SIDE
11	104653-08-D20	EA	ARMREST-SOFA, LEFT SIDE
	P04653-08-D18	EA	COVER-ARMREST, SOFA - LEFT SIDE
	P04653-08-D19	EA	COVER-ARMREST, SOFA - LEFT SIDE
	P04653-08-D20	EA	COVER-ARMREST, SOFA - LEFT SIDE
	029096-03-000	YD	VELCRO TAPE-HOOK, 1" WIDE - BLACK
	103669-08-C37	EA	PILLOW-THROW, 15" X 15" (D18)
	103669-08-D19	EA	PILLOW-THROW, 15" X 15"
	103669-11-D20	EA	PILLOW-THROW, 15" X 15"

SWIVEL CHAIR

KEY	PART NUMBER	U/M	DESCRIPTION
12	108140-01-D18	EA	CHAIR-SWIVEL, COMFORT ROCKER - W/O PEDESTAL
12	108140-01-D19	EA	CHAIR-SWIVEL, COMFORT ROCKER - W/O PEDESTAL
12	108140-01-D20	EA	CHAIR-SWIVEL, COMFORT ROCKER - W/O PEDESTAL

DINETTE CHAIRS

KEY	PART NUMBER	U/M	DESCRIPTION
13	109379-02-D18	EA	CHAIR-SWIVEL, COMPLETE - CHROME CRAFT II
13	109379-02-D19	EA	CHAIR-SWIVEL, COMPLETE - CHROME CRAFT II
13	109379-02-D20	EA	CHAIR-SWIVEL, COMPLETE - CHROME CRAFT II

**1993 WINNEBAGO
TABLE OF CONTENTS**

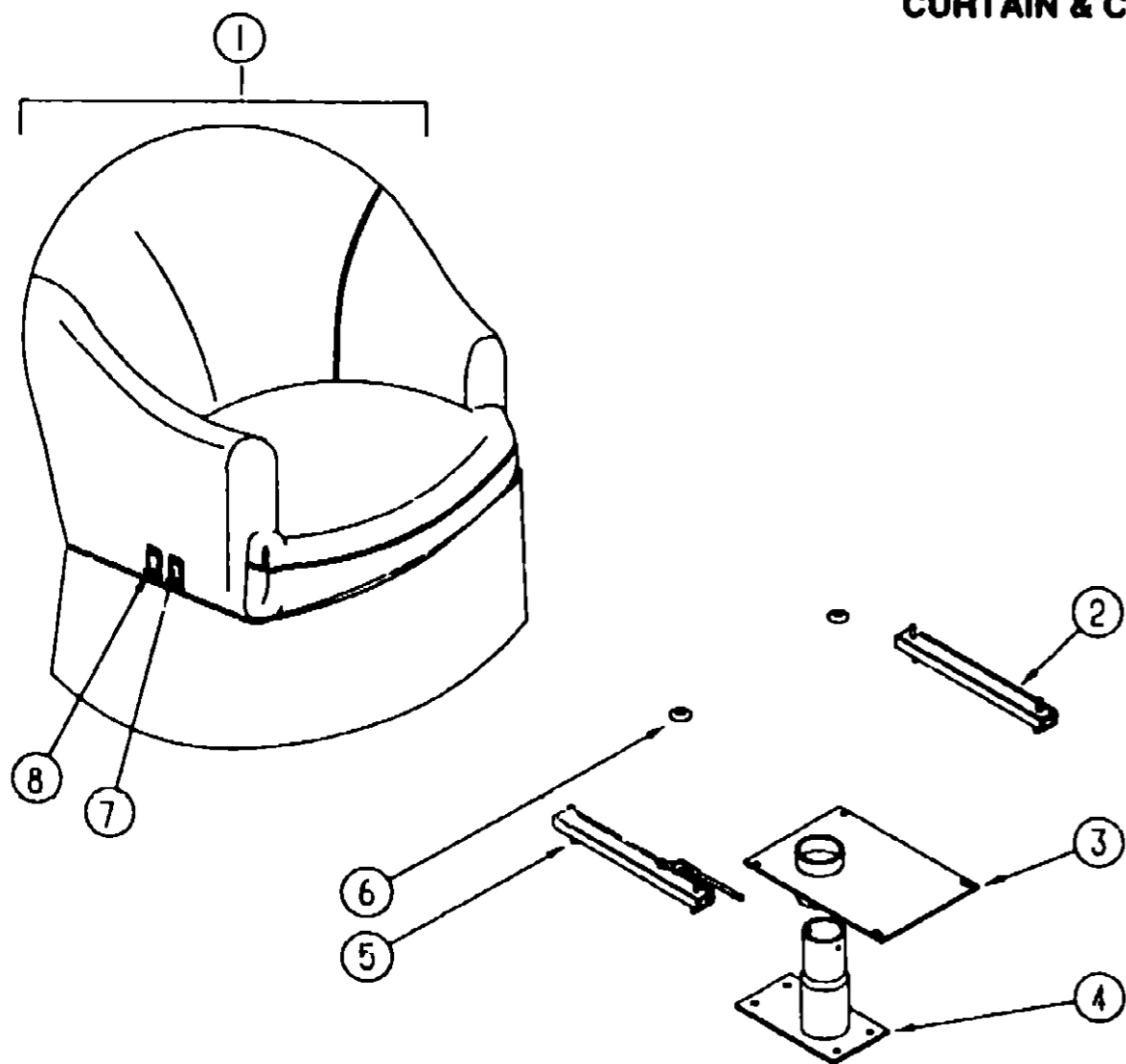
INTRODUCTION	A-01 - A-02
ABBREVIATIONS	A-03
ALPHABETICAL INDEX	A-04 - A-06
WSM35RQ	A-07 - F-12

1993 WSM35RQ INDEX

FLOOR PLAN	A-07 - A-08
ACCESSORIES	A-09
AUDIO VIDEO	A-10 - A-13
BATH	A-14 - A-18
BEDROOM	A-19 - A-20
CHASSIS	A-21 - B-04
CURTAIN & CUSHION	B-05 - B-17
DINETTE	B-18 - B-19
DRIVERS COMPARTMENT	B-20 - B-24
ELECTRICAL	C-01 - C-07
EXTERIOR BODY	C-08 - C-18
GALLEY	C-19 - D-04
GENERATOR	D-05 - D-06
HEATING & A/C	D-07 - D-14
INTERIOR FINISH	D-15 - D-18
LABEL	D-19 - E-01
LP	E-02
LOUNGE	E-03 - E-04
SEALANTS & FASTENERS	E-05 - E-09
WATER & SEWAGE	E-10 - E-13
WINDOW, VENT AND EXTERIOR DOOR	E-14 - F-08
WINDSHIELD & WIPER	F-09 - F-12

CURTAIN & CUSHION GROUP (CONTINUED)

SWIVEL CHAIR



KEY	PART NUMBER	U/M	DESCRIPTION
1	108140-01-D18	EA	CHAIR-SWIVEL, COMFORT ROCKER - W/O PEDESTAL
1	108140-01-D19	EA	CHAIR-SWIVEL, COMFORT ROCKER - W/O PEDESTAL
1	108140-01-D20	EA	CHAIR-SWIVEL, COMFORT ROCKER - W/O PEDESTAL
	108140-10-D18	EA	SEAT ASM-COMFORT ROCKER
	108140-10-D19	EA	SEAT ASM-COMFORT ROCKER
	108140-10-D20	EA	SEAT ASM-COMFORT ROCKER
	P08140-10-D18	EA	COVER-SEAT, COMFORT ROCKER
	P08140-10-D19	EA	COVER-SEAT, COMFORT ROCKER
	P08140-10-D20	EA	COVER-SEAT, COMFORT ROCKER
	P08140-01-D18	EA	COVER-SWIVEL CHAIR, ROCKER
	P08140-01-D19	EA	COVER-SWIVEL CHAIR, ROCKER
	P08140-01-D20	EA	COVER-SWIVEL CHAIR, ROCKER
	P01178-25-D18	EA	COVER-ARM CAP, ROCKER CHAIR - RIGHT
	P01178-27-D19	EA	COVER-ARM CAP, ROCKER CHAIR - RIGHT
	P01178-27-D20	EA	COVER-ARM CAP, ROCKER CHAIR - RIGHT
	P01178-26-D18	EA	COVER-ARM CAP, ROCKER CHAIR - LEFT
	P01178-28-D19	EA	COVER-ARM CAP, ROCKER CHAIR - LEFT
	P01178-28-D20	EA	COVER-ARM CAP, ROCKER CHAIR - LEFT
2	069246-02-000	EA	ADJUSTER-SEAT/CHAIR, W/O LOCK - FORWARD & BACK
3	107921-08-000	EA	TOP PLATE-W/O SEAT BELT BAR - FLEXSTEEL 2759PDTP
			FROM 00-00-00 THRU 02-14-93
3	088245-03-000	EA	TOP PLATE-SWIVEL W/O TILT - W/LOCK
			FROM 02-15-93 THRU 99-99-99
	107921-06-000	EA	BEARING KIT-PEDESTAL
4	107921-02-000	EA	PEDESTAL ASM-SEAT, 6 5" - FLEXSTEEL 3059 MSPD
	108445-02-000	EA	PLATE-PEDESTAL, SEAT - MOUNTS PEDESTAL TO FLOOR
5	069246-05-000	EA	ADJUSTER-SEAT/CHAIR, W/REMOTE - FORWARD & BACK
	069246-05-700	EA	SPRING-ADJUSTER, FOR REMOTE
	069246-05-701	EA	CLIP-CABLE, FOR REMOTE
6	007221-01-000	EA	SPACER-SEAT, ADJUSTER - 4 USED PER SWIVEL CHAIR
7	108049-01-000	EA	CABLE-SWIVEL, W/SWITCH - 28" - FLEXSTEEL 23602
	108049-02-000	EA	CLIP-CABLE, PEDESTAL - FLEXSTEEL 2592-19 CA
8	089368-04-000	EA	CABLE-SLIDE, W/SWITCH
	101187-01-000	EA	ROCKER BOX-CHAIR, SWIVEL

**1993 WINNEBAGO
TABLE OF CONTENTS**

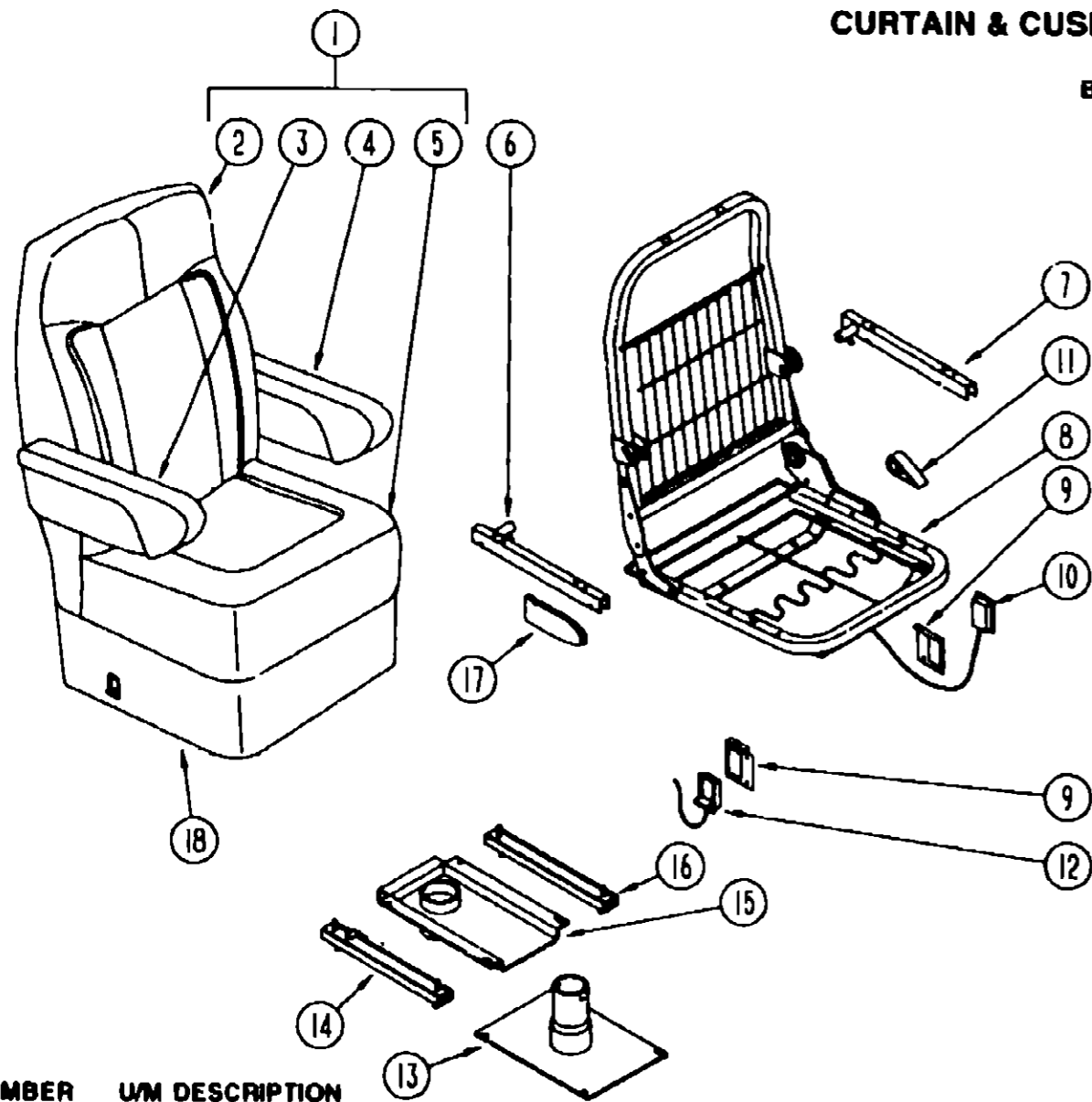
INTRODUCTION	A-01 -	A-02
ABBREVIATIONS		A-03
ALPHABETICAL INDEX	A-04 -	A-06
WSM35RQ	A-07 -	F-12

1993 WSM35RQ INDEX

FLOOR PLAN	A-07 -	A-08
ACCESSORIES		A-09
AUDIO VIDEO	A-10 -	A-13
BATH	A-14 -	A-18
BEDROOM	A-19 -	A-20
CHASSIS	A-21 -	B-04
CURTAIN & CUSHION	B-05 -	B-17
DINETTE	B-18 -	B-19
DRIVERS COMPARTMENT	B-20 -	B-24
ELECTRICAL	C-01 -	C-07
EXTERIOR BODY	C-08 -	C-18
GALLEY	C-19 -	D-04
GENERATOR	D-05 -	D-06
HEATING & A/C	D-07 -	D-14
INTERIOR FINISH	D-15 -	D-18
LABEL	D-19 -	E-01
LP		E-02
LOUNGE	E-03 -	E-04
SEALANTS & FASTENERS	E-05 -	E-09
WATER & SEWAGE	E-10 -	E-13
WINDOW, VENT AND EXTERIOR DOOR	E-14 -	F-08
WINDSHIELD & WIPER	F-09 -	F-12

CURTAIN & CUSHION GROUP (CONTINUED)

BUCKET SEATS



KEY	PART NUMBER	U/M DESCRIPTION	FROM	THRU
	M80243-49-D19	EA COVER-ARMREST, RIGHT		
	M80243-49-D20	EA COVER-ARMREST, RIGHT		
4	080243-50-C37	EA ARMREST-LEFT (D18)		
			FROM 00-00-00	THRU 07-12-92
4	080243-50-D18	EA ARMREST-LEFT		
			FROM 07-13-92	THRU 99-99-99
4	080243-50-D19	EA ARMREST-LEFT		
4	080243-50-D20	EA ARMREST-LEFT		
	M80243-50-C37	EA COVER-ARMREST, LEFT (D18)		
			FROM 00-00-00	THRU 07-12-92
	M80243-50-D18	EA COVER-ARMREST, LEFT		
			FROM 07-13-92	THRU 99-99-99
	M80243-50-D19	EA COVER-ARMREST, LEFT		
	M80243-50-D20	EA COVER-ARMREST, LEFT		
5	M03445-85-D18	EA COVER-SEAT, BUCKET		
			FROM 00-00-00	THRU 07-12-92
5	M03445-36-D18	EA COVER-SEAT, BUCKET		
			FROM 07-13-92	THRU 10-04-92
5	M03445-97-D18	EA COVER-SEAT, BUCKET		
			FROM 10-05-92	THRU 99-99-99
5	M03445-36-D19	EA COVER-SEAT, BUCKET		
			FROM 00-00-00	THRU 10-04-92
5	M03445-97-D19	EA COVER-SEAT, BUCKET		
			FROM 10-05-92	THRU 99-99-99
5	M03445-36-D20	EA COVER-SEAT, BUCKET		
			FROM 00-00-00	THRU 10-04-92
5	M03445-97-D20	EA COVER-SEAT, BUCKET		
			FROM 10-05-92	THRU 99-99-99
6	081268-01-000	EA ROD & CHANNEL-ARMREST, RIGHT - METAL		
7	081268-02-000	EA ROD & CHANNEL-ARMREST, LEFT - METAL		
	081361-01-000	EA ROD-ARMREST, METAL - RIGHT OR LEFT HAND		
8	M80906-07-000	EA FRAME-SEAT & BACK & SPRING, RECLINING		
9	097683-03-000	EA BRACKET-REMOTE, SIDE MOUNT - SINGLE		
10	089368-04-000	EA CABLE-SLIDE, W/SWITCH - BUCKET SEAT		
11	080730-03-700	EA HANDLE KIT-RECLINER		
	080730-04-000	EA SCREW-RECLINER, HANDLE		
	080730-06-000	EA SHIELD-RECLINER		
12	108049-01-000	EA CABLE-28", W/SWIVEL SWITCH - FLEXSTEEL PEDESTAL 23602		
	108049-02-000	EA CLIP-PEDESTAL CABLE, FLEXSTEEL 2592 CA		
13	107921-01-000	EA PEDESTAL-LOWER, W/SUB PLATE - 9.75" - STEEL		
13	107921-07-000	EA PEDESTAL-LOWER, W/SUB PLATE - 4 5" - STEEL - W/POWER SEAT OPTION		
14	069246-05-000	EA ADJUSTER-SEAT/CHAIR, W/REMOTE - FORWARD & BACK		
	069246-05-700	EA SPRING ADJUSTER, FOR REMOTE		
	069246-05-701	EA CLIP-CABLE, FOR REMOTE		
15	107921-05-000	EA TOP PLATE-PEDESTAL, BUCKET SEAT - W/O SEATBELT BAR		
	107921-06-000	EA BEARING KIT-PEDESTAL, FOR BUCKET SEAT		
16	069246-02-000	EA ADJUSTER-SEAT/CHAIR, W/O LOCK - FORWARD & BACK		
	007221-01-000	EA SPACER-SEAT, ADJUSTER		
17	089369-08-000	EA SHIELD-CABLE, REMOTE RECLINER - BUCKET SEAT		
	081373-03-000	EA POWER PACK-6-WAY, DRIVERS POWERED SEAT		
	081373-01-700	EA BRACKET-L F/CONTROL SWITCH - H-171		
	081373-02-700	EA ESCUTCHEON & SWITCH ASM PKG - 22063234		
	081373-02-701	EA HARNESS ASM L H. PKG - 22063235		
	081373-02-702	EA HARNESS ASM R H. PKG - 20083236		
	081373-02-703	EA HORIZONTAL ADJ. MTR PKG - 22063237		
	081373-02-704	EA VERTICAL ADJ. MTR PKG - 22083238		
18	071126-36-D18	EA SKIRT-BUCKET SEAT		
	071126-26-D18	EA SKIRT-BUCKET SEAT, W/POWER SEAT OPTION		
18	071126-38-D19	EA SKIRT-BUCKET SEAT		
	071126-26-D19	EA SKIRT-BUCKET SEAT, W/POWER SEAT OPTION		
18	071126-36-D20	EA SKIRT-BUCKET SEAT		
	071126-26-D20	EA SKIRT-BUCKET SEAT, W/POWER SEAT OPTION		
	111169-04-000	EA INSERT-OVAL, VECTRA		

**1993 WINNEBAGO
TABLE OF CONTENTS**

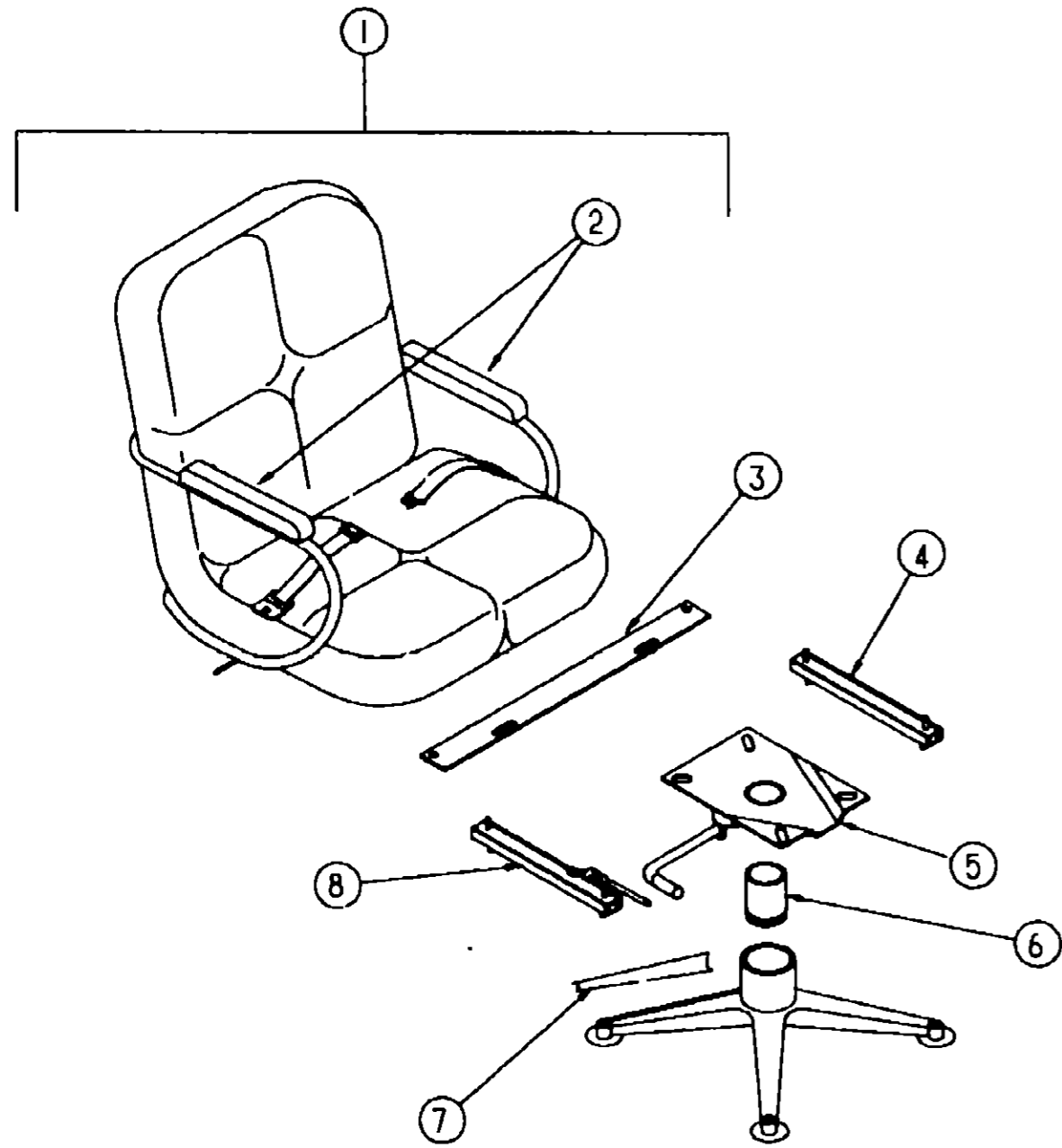
INTRODUCTION	A-01 -	A-02
ABBREVIATIONS		A-03
ALPHABETICAL INDEX	A-04 -	A-06
WSM35RQ	A-07 -	F-12

1993 WSM35RQ INDEX

FLOOR PLAN	A-07 -	A-08
ACCESSORIES		A-09
AUDIO VIDEO	A-10	A-13
BATH	A-14 -	A-18
BEDROOM	A-19 -	A-20
CHASSIS	A-21 -	B-04
CURTAIN & CUSHION	B-05 -	B-17
DINETTE	B-18 -	B-19
DRIVERS COMPARTMENT	B-20 -	B-24
ELECTRICAL	C-01 -	C-07
EXTERIOR BODY	C-08 -	C-18
GALLEY	C-19 -	D-04
GENERATOR	D-05 -	D-06
HEATING & A/C	D-07 -	D-14
INTERIOR FINISH	D-15 -	D-18
LABEL	D-19 -	E-01
LP		E-02
LOUNGE	E-03 -	E-04
SEALANTS & FASTENERS	E-05 -	E-09
WATER & SEWAGE	E-10 -	E-13
WINDOW, VENT AND EXTERIOR DOOR	E-14 -	F-08
WINDSHIELD & WIPER	F-09 -	F-12

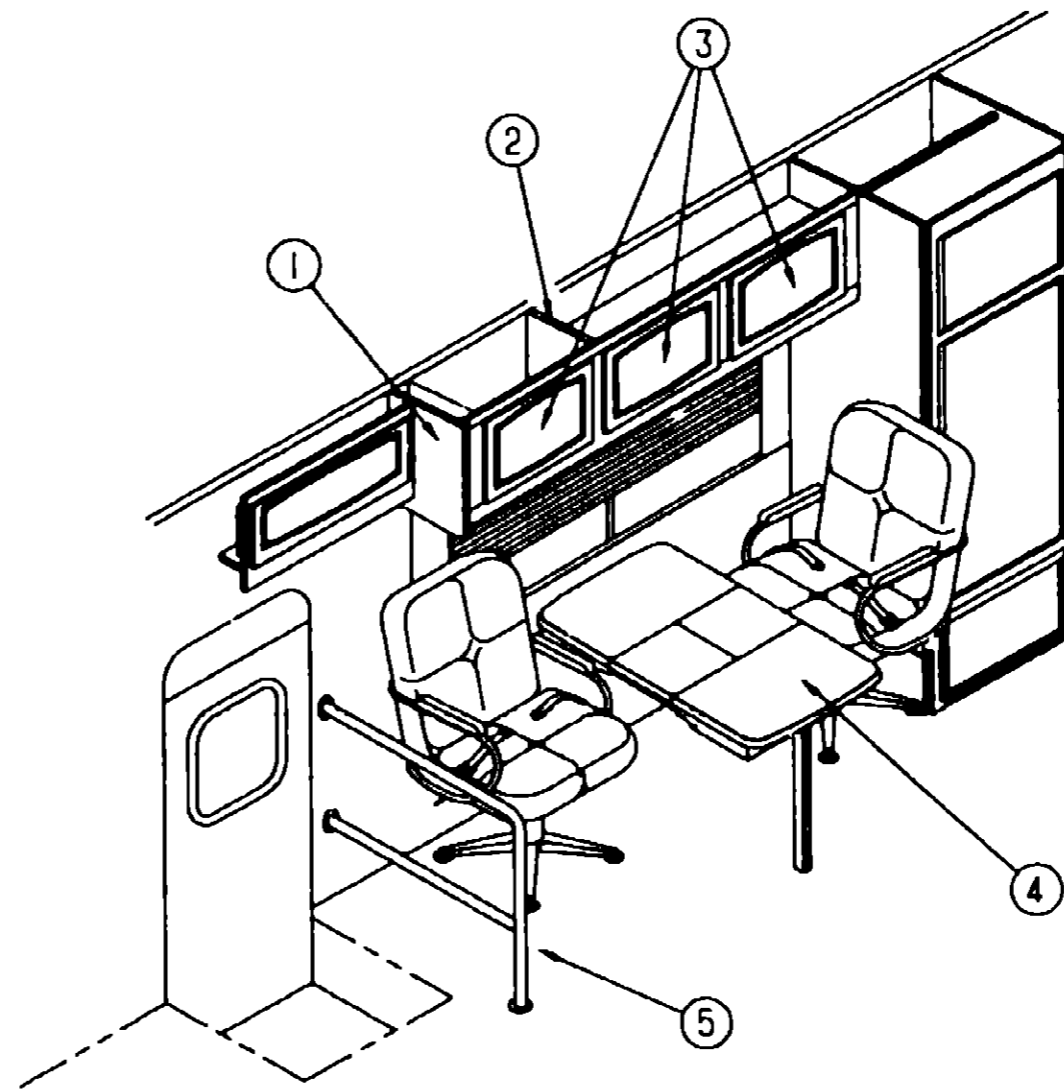
KEY	PART NUMBER	U/M DESCRIPTION	FROM	THRU
	110880-01-000	EA SEAT-BUCKET (FLEXSTEEL LEATHER SEAT OPTION)		
	110880-01-700	EA KNOB-BACK		
1	101171-09-D18	EA SEAT-BUCKET, W/O SKIRT & PEDESTAL - CONQUEST		
			FROM 00-00-00	THRU 07-12-92
1	101171-08-D18	EA SEAT-BUCKET, W/O SKIRT & PEDESTAL - CONQUEST		
			FROM 07-13-92	THRU 10-04-92
1	110159-01-D18	EA SEAT-BUCKET, W/O SKIRT & PEDESTAL - CONCORD		
			FROM 10-05-92	THRU 99-99-99
1	101171-08-D19	EA SEAT-BUCKET, W/O SKIRT & PEDESTAL - CONQUEST		
			FROM 00-00-00	THRU 10-04-92
1	110159-01-D19	EA SEAT-BUCKET, W/O SKIRT & PEDESTAL - CONCORD		
			FROM 10-05-92	THRU 99-99-99
1	101171-08-D20	EA SEAT-BUCKET, W/O SKIRT & PEDESTAL - CONQUEST		
			FROM 00-00-00	THRU 10-04-92
1	110159-01-D20	EA SEAT-BUCKET, W/O SKIRT & PEDESTAL - CONCORD		
			FROM 10-05-92	THRU 99-99-99
2	M03445-84-D18	EA COVER BACKREST, BUCKET SEAT		
			FROM 00-00-00	THRU 07-12-92
2	M03445-43-D18	EA COVER BACKREST, BUCKET SEAT		
			FROM 07-13-92	THRU 99-99-99
2	M03445-43-D19	EA COVER BACKREST, BUCKET SEAT		
2	M03445-43-D20	EA COVER BACKREST, BUCKET SEAT		
3	080243-49-C37	EA ARMREST-RIGHT (D18)		
			FROM 00-00-00	THRU 07-12-92
3	080243-49-D18	EA ARMREST-RIGHT		
			FROM 07-13-92	THRU 99-99-99
3	080243-49-D19	EA ARMREST-RIGHT		
3	080243-49-D20	EA ARMREST-RIGHT		
	M80243-49-C37	EA COVER-ARMREST, RIGHT (D18)		
			FROM 00-00-00	THRU 07-12-92
	M80243-49-D18	EA COVER-ARMREST, RIGHT		
			FROM 07-13-92	THRU 99-99-99

CURTAIN & CUSHION GROUP (CONTINUED)



DINETTE CHAIRS

DINETTE GROUP



CABINETS, PADS & TABLE

KEY	PART NUMBER	U/M	DESCRIPTION
1	107494-02-D18	EA	END CAP-CABINET, OVERHEAD - LEFT SIDE
2	P07214-03-D18	EA	CABINET-OVERHEAD, W/O DOORS & HARDWARE
3	P00971-31-D18	EA	DOOR-CABINET, W/O HARDWARE - 365 X 555MM
4	P08449-01-D18	EA	TABLE-PULLOUT
4	P08449-01-D19	EA	TABLE-PULLOUT
4	P08449-01-D20	EA	TABLE-PULLOUT
5	108808-01-01A	EA	HANDRAIL-ASSIST, METAL - BRASS

**1993 WINNEBAGO
TABLE OF CONTENTS**

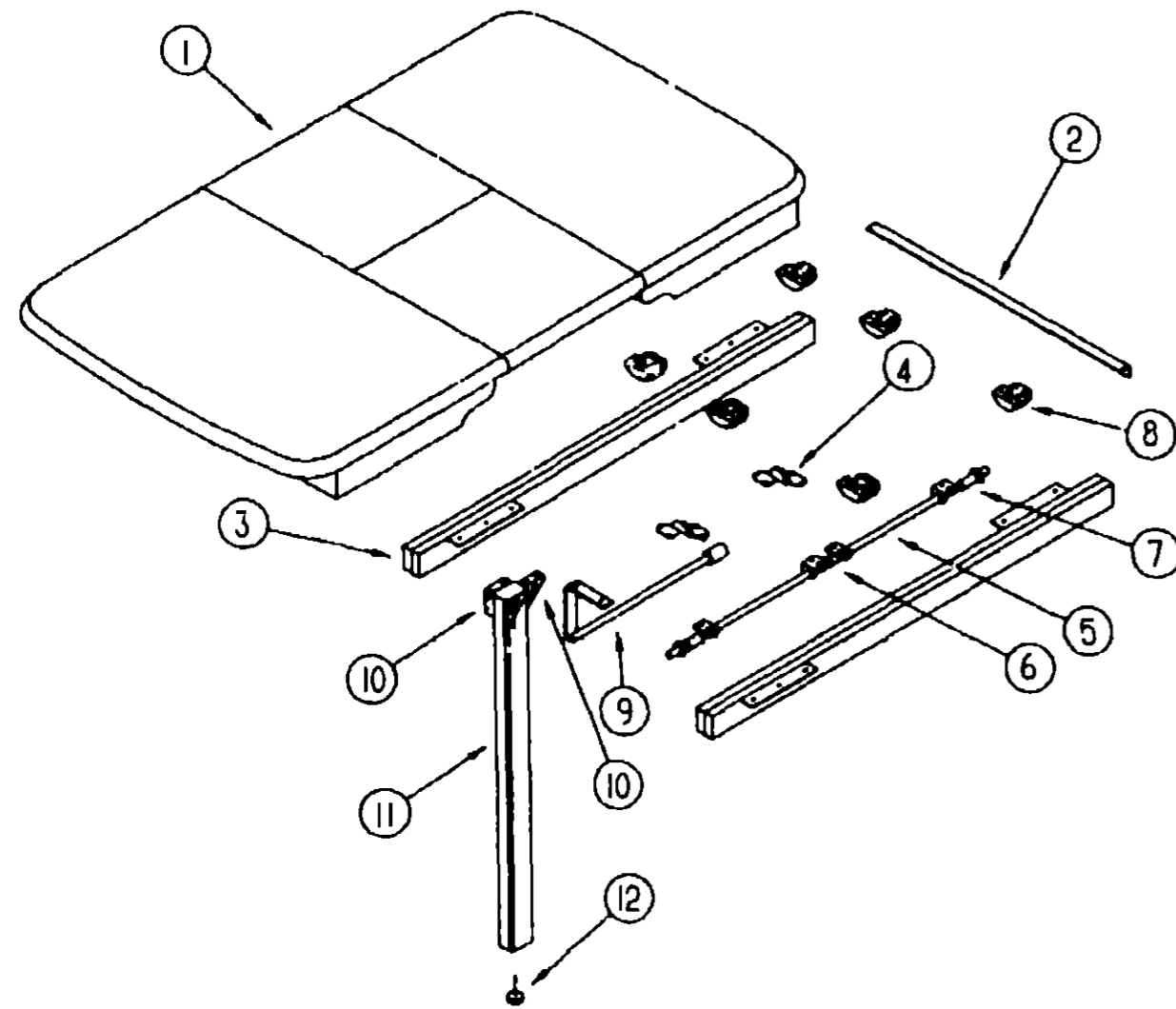
INTRODUCTION	A-01 -	A-02
ABBREVIATIONS		A-03
ALPHABETICAL INDEX	A-04 -	A-06
WSM35RQ	A-07 -	F-12

1993 WSM35RQ INDEX

FLOOR PLAN	A-07 -	A-08
ACCESSORIES		A-09
AUDIO VIDEO	A-10	A-13
BATH	A-14 -	A-18
BEDROOM	A-19 -	A-20
CHASSIS	A-21 -	B-04
CURTAIN & CUSHION	B-05 -	B-17
DINETTE	B-18 -	B-19
DRIVERS COMPARTMENT	B-20 -	B-24
ELECTRICAL	C-01 -	C-07
EXTERIOR BODY	C-08 -	C-18
GALLEY	C-19 -	D-04
GENERATOR	D-05 -	D-06
HEATING & A/C	D-07 -	D-14
INTERIOR FINISH	D-15 -	D-18
LABEL	D-19 -	E-01
LP		E-02
LOUNGE	E-03 -	E-04
SEALANTS & FASTENERS	E-05 -	E-09
WATER & SEWAGE	E-10 -	E-13
WINDOW, VENT AND		
EXTERIOR DOOR	E-14 -	F-08
WINDSHIELD & WIPER	F-09 -	F-12

KEY	PART NUMBER	U/M	DESCRIPTION
1	109379-02-D18	EA	CHAIR-SWIVEL, COMPLETE - CHROME CRAFT II
1	109379-02-D19	EA	CHAIR-SWIVEL, COMPLETE - CHROME CRAFT II
1	109379-02-D20	EA	CHAIR-SWIVEL, COMPLETE - CHROME CRAFT II
	105799-01-000	EA	CHAIR-SWIVEL, W/O FABRIC - CHROME CRAFT C157-855 BN
	105799-01-004	EA	BOLT-SEAT, CHAIR - CHROME CRAFT 723634-1
2	105799-01-700	EA	WOOD ARM PADS FOR C57-855 BN
3	069705-02-000	EA	BAR-SEAT BELT, 2 5" X 12 75"
4	069246-06-000	EA	ADJUSTER-SWIVEL CHAIR, MANUAL - FORWARD & BACK
5	105799-01-001	EA	PLATE-SWIVEL, CHAIR - CHROME CRAFT 02676463
			FROM 00-00-00 THRU 02-14-93
5	088245-03-000	EA	PLATE-TOP, SWIVEL W/O TILT - W/LOCK
			FROM 02-15-93 THRU 99-99-99
6	105799-01-002	EA	UPRIGHTS-CHAIR, CHROME CRAFT 02605650
			FROM 00-00-00 THRU 02-14-93
6	105799-01-006	EA	STEM-UPRIGHT, W/LOCKOUT
			FROM 02-15-93 THRU 99-99-99
7	105799-01-003	EA	LEG-WOOD COVER BASE, CHAIR - CHROME CRAFT 0268933
8	069246-07-000	EA	ADJUSTER-SWIVEL CHAIR, W/LOCKING ARM - FORWARD & BACK

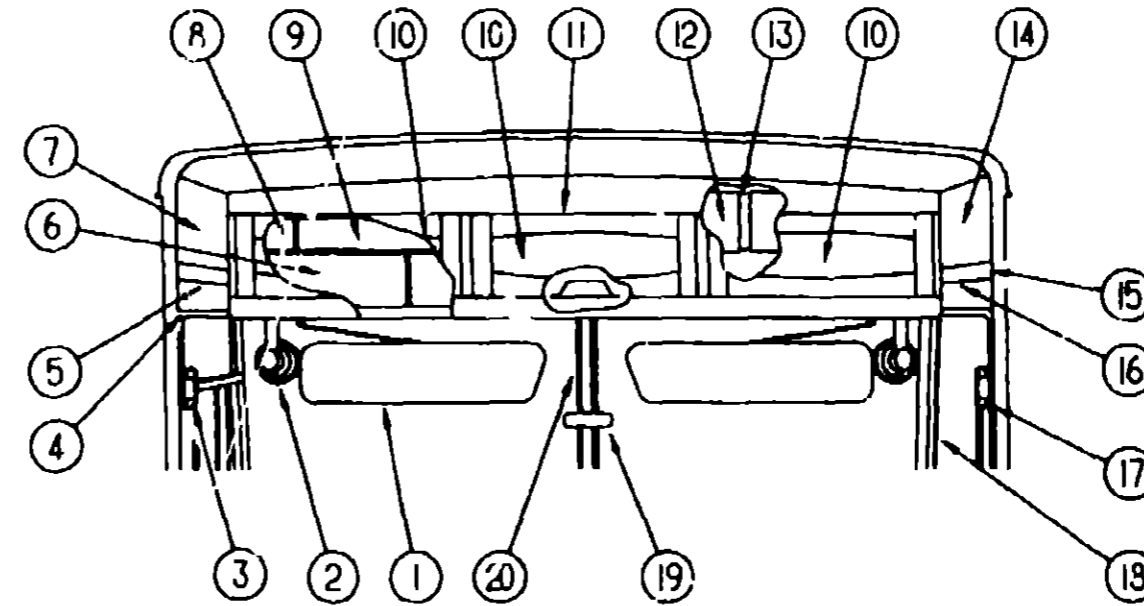
DINETTE GROUP (CONTINUED)



DINETTE TABLE

KEY	PART NUMBER	U/M DESCRIPTION
	P08449-01-D18	EA TABLE-PULLOUT
1	108449-11-D18	EA TOP-TABLE, ONLY
2	009063-01-000	EA HINGE-CONTINUOUS, 1 1/2" X 72" - UNPAINTED
3	108490 01-000	EA SLIDE-TABLE - 19' LONG - 2 USED
3	110749-01-000	EA SLIDE-TABLE - 19.75' LONG - 2 USED FROM 00-00-00 THRU 03-21-93
4	108663-01-000	EA HINGE-LEAF, FOLDING - HAFELE 341 30 526 - 2 USED FROM 03-22-93 THRU 99-99-99
5	108932-01-000	EA ROD-TABLE,
6	108874-01-000	EA BRACKET-HINGE, 4 USED
7	108664-01-000	EA SPRING-COMPRESSION, 13 X 50MM - 4 USED
8	009050 02-000	EA LEVELER-TABLE TOP, MALE END W/4 SCREWS - PLASTIC - 6 USED
8	009050-03-000	EA LEVELER-TABLE TOP, FEMALE END W/2 SCREWS - PLASTIC - 6 USED
9	108905 01 000	EA SUPPORT ASSEMBLY-TABLE
10	102810 01-02A	EA BRACE-LEG, TABLE - OFF WHITE - 3 USED FROM 00-00 00 THRU 08-18-92
10	102810 01-03A	EA BRACE-LEG, TABLE - UNPAINTED FROM 00-00 00 THRU 08-18 92
11	092708 05 D18	EA LEG-TABLE FROM 00-00-00 THRU 08-18 92
	092707-01-01A	EA MOLDING-WOOD, TABLE LEG - 27" -REGAL OAK FROM 00-00-00 THRU. 08-18-92
11	092708-12-D18	EA LEG-TABLE FROM 08-19-92 THRU 99-99 99
12	102194-01-000	EA GUIDE-PLASTIC

DRIVERS COMPARTMENT GROUP



UPPER DRIVERS COMPARTMENT

KEY	PART NUMBER	U/M DESCRIPTION
1	108170-01-000	EA SUNVISOR ASM, PREMIER PLASTIC
	108170-01-700	EA SHADE-VISOR, ONLY - W/O HARDWARE - 9" X 18" X 1/8"
	108170-01-701	EA SCREW-THUMB
2	038420-02-000	EA FAN-DEFROSTER, 2 SPEED - 6" DIAMETER
3	103961-02-01A	EA COVER-BRACKET, SEATBELT - W/DRIVER DOOR - OFF WHITE
4	024700-38-000	EA COVER-SIDEWALL ROLL BAR, PLASTIC U-CHANNEL - OFF WHITE - 15 25" LONG
5	108792-02-D18	EA PANEL-HEADLINER, LEFT - 45 X 1113MM - VINYL COVERED
6	107805-04-D18	EA PANEL-SIDE, VINYL COVERED
7	P08612-01-D18	EA CABINET-OVERHEAD, VINYL COVERED (W/O SUNSCREEN SHADE) FROM 00-00 00 THRU 01-05-93
7	110603-02-D18	EA CABINET-OVERHEAD, VINYL COVERED (W/SUNSCREEN SHADE) FROM 01-06-93 THRU 99-99-99
8	107805-01-D18	EA PANEL-END, VINYL COVERED
9	107804-01-D18	EA PANEL-TOP, VINYL COVERED
10	P00971-01-D18	EA DOOR-CABINET, W/O HARDWARE - 660 X 305MM
11	P08528-01-D18	EA CABINET-OVERHEAD, VINYL COVERED BOTTOM - W/O DOORS & HARDWARE
12	107805-06-D18	EA PANEL-SIDE, VINYL COVERED
13	110848 01-D18	EA PANEL-VINYL COVERED
14	P08612-02-D18	EA CABINET-OVERHEAD, VINYL COVERED (W/O SUNSCREEN SHADE) FROM 00-00 00 THRU 01-05-93
14	110603-01-D18	EA CABINET-OVERHEAD, VINYL COVERED (W/SUNSCREEN SHADE) FROM: 01-06-93 THRU. 99-99 99
15	024700-38-000	EA COVER-SIDEWALL ROLL BAR, PLASTIC U-CHANNEL - 15 25" LONG - OFF WHITE
16	108792-01-D18	EA PANEL-HEADLINER, RIGHT - 45 X 1113MM - VINYL COVERED
17	103961-01-01A	EA COVER-BRACKET, SEATBELT - PLASTIC - OFF WHITE
	091990-01-01A	EA SEAT BELT, 3 POINT, BLACK
	091990-03-01A	EA SEAT BELT, 3 POINT, BLACK (POWER SEAT OPTION)
	091990-01-700	EA COVER BOLT, SEATBELT - BLACK
	109146-01-000	EA BOLT-SHOULDER, SEAT BELT
18	107942-01-01A	EA COVER-INTERIOR, A-PILLAR - RIGHT - PLASTIC
	107942-02-01A	EA COVER-INTERIOR, A PILLAR - LEFT - PLASTIC
19	040714-01-000	EA MIRROR-REAR VIEW, W/ARM MOUNT & SET SCREW - GM # 911722
	067490-01-000	EA BUTTON MIRROR, REAR VIEW
20	106568-01-01A	EA TRIM-CENTER, WINDSHIELD

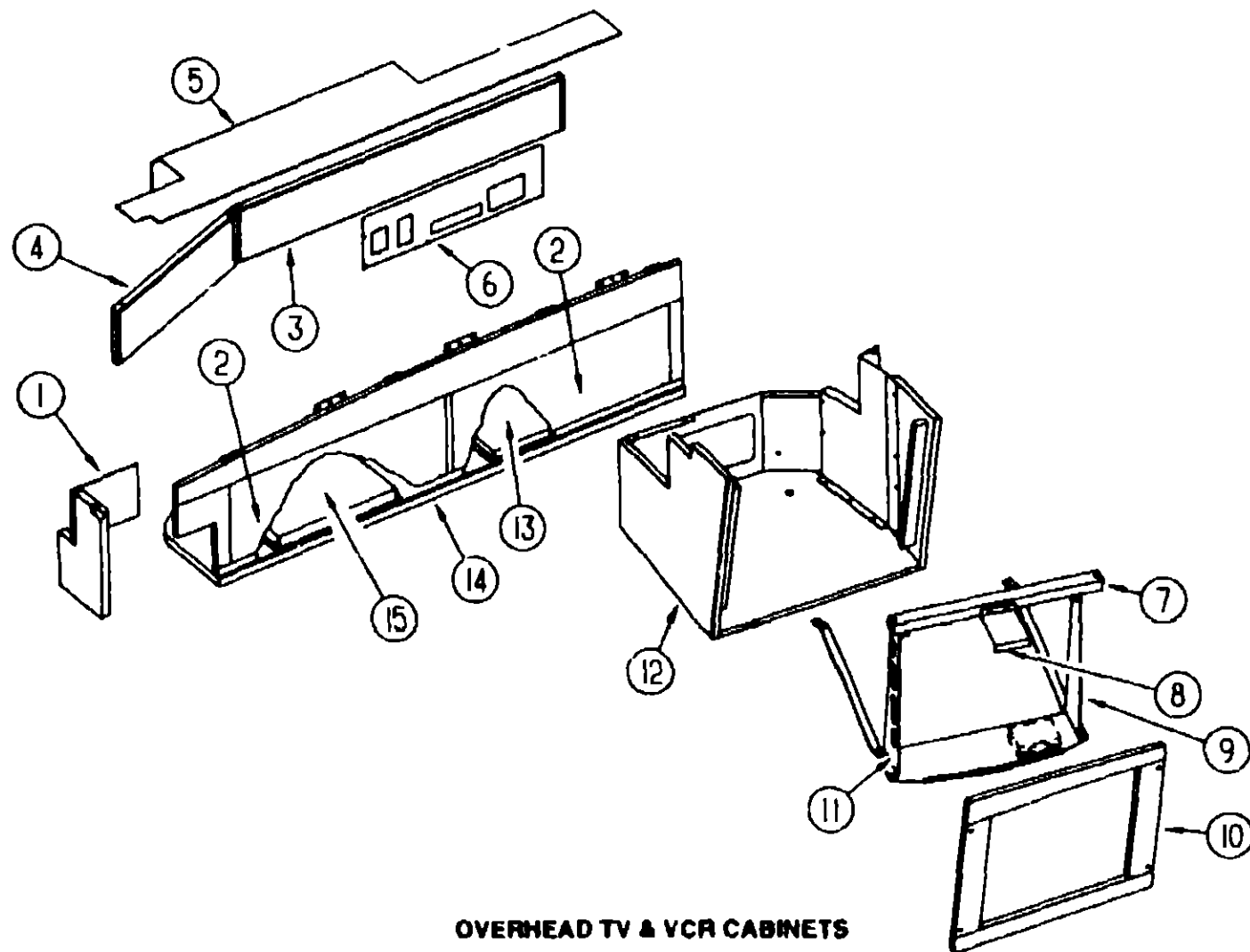
1993 WINNEBAGO TABLE OF CONTENTS

INTRODUCTION	A-01	A-02
ABBREVIATIONS		A-03
ALPHABETICAL INDEX	A-04	A-06
WSM35RQ	A-07	F-12

1993 WSM35RQ INDEX

FLOOR PLAN	A-07	A-08
ACCESSORIES		A-09
AUDIO VIDEO	A-10	A-13
BATH	A-14	A-18
BEDROOM	A-19	A-20
CHASSIS	A-21	B-04
CURTAIN & CUSHION	B 05	B-17
DINETTE	B-18	B-19
DRIVERS COMPARTMENT	B-20	B-24
ELECTRICAL	C-01	C-07
EXTERIOR BODY	C-08	C-18
GALLEY	C-19	D-04
GENERATOR	D 05	D-06
HEATING & A/C	D-07	D-14
INTERIOR FINISH	D-15	D-18
LABEL	D 19	E-01
LP		E-02
LOUNGE	E-03	E-04
SEALANTS & FASTENERS	E-05	E-09
WATER & SEWAGE	E-10	E-13
WINDOW, VENT AND		
EXTERIOR DOOR	E-14	F-08
WINDSHIELD & WIPER	F-09	F-12

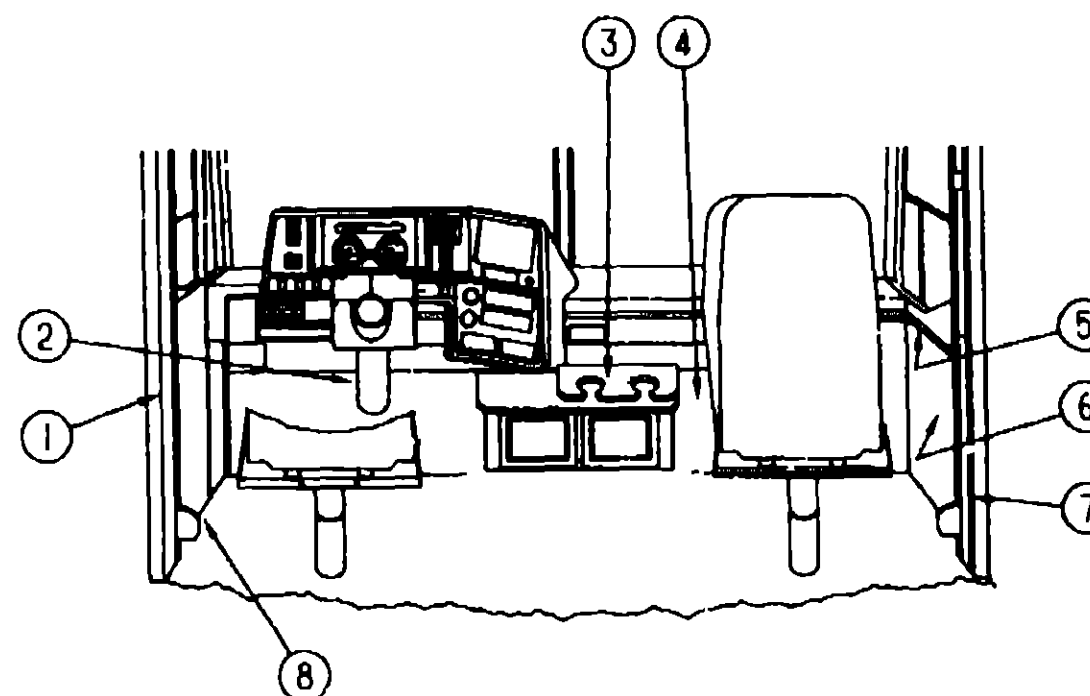
DRIVERS COMPARTMENT GROUP (CONTINUED)



OVERHEAD TV & VCR CABINETS

KEY	PART NUMBER	U/M	DESCRIPTION
1	107805-01-D18	EA	PANEL-SIDE, VINYL COVERED
2	100706 08-000	EA	DOOR-GLASS, TV CABINET - 246 X 687MM - OPG INDUSTRIES
	100710-01-01A	EA	LOCK-GLASS DOOR, TWIST TYPE - BRASS
	100711-01-01A	EA	HINGE-DOOR, GLASS
	101272-01-000	EA	CATCH-DOOR, GLASS
	101766 01-000	EA	PIN-SUPPORT, GLASS DOOR
	100707-01-000	EA	SPACER-DOOR, GLASS - 8" DIA - .3" HOLE - PLASTIC
3	107805-03-D18	EA	PANEL-SIDE, VINYL COVERED
4	107805-04-D18	EA	PANEL-SIDE, VINYL COVERED
5	107804-01-D18	EA	PANEL-TOP, VINYL COVERED
6	107803-01-D18	EA	PANEL-BACK, VINYL COVERED - W/O BOX OR INVERTER CUTOUTS
6	107803-04-D18	EA	PANEL-BACK, VINYL COVERED - W/INVERTER CUTOUTS
7	107319-01-000	EA	MOUNT ASM-TV
8	107316-01-000	EA	MOUNT-TV
9	107280-01-000	EA	BRACKET-MOUNTING,TV - RIGHT (CAB)
10	107367-01-D18	EA	FACE-CABINET, TV - W/O PLUGS
11	107281-01-000	EA	BRACKET-MOUNTING,TV - LEFT (CAB)
12	P08917-01-D18	EA	CABINET-OVERHEAD, TV W/SIDE SUPPORT PANEL & VINYL - W/O FACE
	107493 01-D18	EA	PANEL-SIDE SUPPORT, TV CABINET - METAL
13	100676-03-000	EA	STAND VCR, CENTER - METAL
14	107365 01-D18	EA	CABINET-OVERHEAD, W/O DOORS & HARDWARE
	M04102-55-D18	EA	FACE-CABINET, OVERHEAD - TV
	P07365-01-D18	EA	BOTTOM-CABINET, W/VINYL
15	100676 04-000	EA	STAND CD, LEFT SIDE - METAL
	065747-01-000	SF	INSULATION MICROFOAM, 5"
	099717-01 000	EA	TIEDOWN-TV, STRAP ON FEMALE END IS 28 7" LONG
	039984-01-000	EA	CAP-ROUND, VINYL - 28" ID X .62" LONG - BLACK

DRIVERS COMPARTMENT GROUP (CONTINUED)



LOWER DRIVERS COMPARTMENT

KEY	PART NUMBER	U/M	DESCRIPTION
1	024700-46-000	EA	COVER-SIDEWALL ROLL BAR, PLASTIC U-CHANNEL - OFF WHITE - 21 2" LONG FROM 00-00-00 THRU 04-25-93
1	024700-38-000	EA	COVER-SIDEWALL ROLL BAR, PLASTIC U-CHANNEL - OFF WHITE - 15 25" LONG FROM 04-26-93 THRU 99-99-99
1	024700-48 000	EA	COVER-SIDEWALL ROLL BAR, PLASTIC U-CHANNEL - OFF WHITE - 25" LONG
1	024700-47-000	EA	COVER-SIDEWALL ROLL BAR, PLASTIC U-CHANNEL - OFF WHITE - 18 9" LONG
2	095933-01-000	EA	COLUMN-STEERING, TILT & TELEGRAPHED - DOUGLAS B-978 FROM 00-00-00 THRU 12-01-92
2	095933-03 000	EA	COLUMN-STEERING, TILT & TELEGRAPHED - DOUGLAS 1569 FROM 12-02-92 THRU 99-99-99
2	109832-01-01A	EA	COVER-STEERING COLUMN, INNER - PLASTIC - WILLOW
	110002-01-000	EA	PATCH STEERING COLUMN, VINYL W/VELCRO
3	110160-01-D18	EA	CABINET-BEVERAGE, W/COUNTERTOP & CUP HOLDER TRAY
	110160-12-D18	EA	TRAY-CUP HOLDER, BEVERAGE TRAY CABINET
	110160-11 D18	EA	COUNTERTOP-CABINET, BEVERAGE TRAY
	P00520 D2-D18	EA	DOOR-CABINET, W/O HARDWARE - 255 X 225MM
4	095757-04 D18	EA	COVER HEATER
4	095757 04-D19	EA	COVER-HEATER
4	095757-04-D20	EA	COVER-HEATER
5	106105 02 000	EA	CLIP-TRIM, 11.8" X 1 87" - METAL
6	P08812-01-D18	EA	PANEL-INNER, CAB - RIGHT - COMPLETE W/STEEL ANGLE
6	107793 01-01A	EA	PANEL-INNER, CAB - RIGHT - PLASTIC PANEL ONLY
7	024700-46 000	EA	COVER-SIDEWALL ROLL BAR, PLASTIC U-CHANNEL - OFF WHITE - 21 2" LONG
7	024700-44 000	EA	COVER-SIDEWALL ROLL BAR, PLASTIC U-CHANNEL - OFF WHITE - 53" LONG
8	P08813-01-D18	EA	PANEL TOEKICK, CAB - LEFT SIDE - COMPLETE W/INSERT
8	107792-01 01A	EA	PANEL-TOEKICK, CAB - LEFT SIDE - W/O INSERT
8	107792-02-01A	EA	INSERT-PANEL, TOEKICK - LEFT SIDE

**1993 WINNEBAGO
TABLE OF CONTENTS**

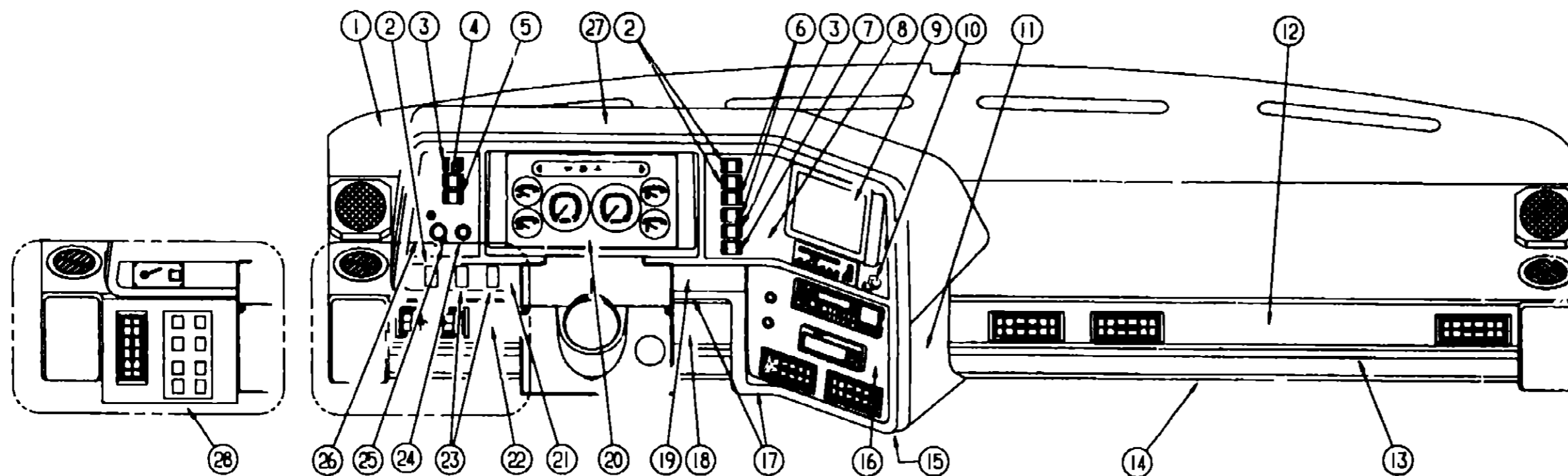
INTRODUCTION	A-01 -	A-02
ABBREVIATIONS		A-03
ALPHABETICAL INDEX	A-04 -	A-06
WSM35RQ	A-07 -	F-12

1993 WSM35RQ INDEX

FLOOR PLAN	A-07 -	A-08
ACCESSORIES		A-09
AUDIO VIDEO	A-10	A-13
BATH	A-14 -	A-18
BEDROOM	A-19 -	A-20
CHASSIS	A-21 -	B-04
CURTAIN & CUSHION	B-05 -	B-17
DINETTE	B-18 -	B-19
DRIVERS COMPARTMENT	B-20 -	B-24
ELECTRICAL	C-01 -	C-07
EXTERIOR BODY	C-08 -	C-18
GALLEY	C-19 -	D-04
GENERATOR	D-05 -	D-06
HEATING & A/C	D-07 -	D-14
INTERIOR FINISH	D-15 -	D-18
LABEL	D-19 -	E-01
LP		E-02
LOUNGE	E-03 -	E-04
SEALANTS & FASTENERS	E-05 -	E-09
WATER & SEWAGE	E-10 -	E-13
WINDOW, VENT AND EXTERIOR DOOR	E-14 -	F-08
WINDSHIELD & WIPER	F-09 -	F-12

DRIVERS COMPARTMENT GROUP (CONTINUED)

DASH



**1993 WINNEBAGO
TABLE OF CONTENTS**

INTRODUCTION	A-01 -	A-02
ABBREVIATIONS		A-03
ALPHABETICAL INDEX	A-04 -	A-06
WSM35RQ	A-07 -	F-12

KEY	PART NUMBER	U/M DESCRIPTION
1	105927-02-000	EA PANEL-DASH, TOP W/O VINYL COVERING - METAL
	106569 03-01A	EA VINYL-LAMINATE, DASH PANEL - MADRID WILLOW - 1/4" THK X 16" X 96"
	077539-01-000	EA BRACKET-MOUNTING, DASH PANEL - L/SHAPED - 2 5" X 1" X 1 5"
2	096241-03-000	EA SWITCH BLANK
2	108356-01-01A	EA ACTUATOR-SWITCH GROOVES III, CARLING VVCZC00 BLA
2	108357-03-000	EA SWITCH-ROCKER, SPDT ON/OFF/ON - CARLING V6D1000B-0
3	096241-03-000	EA SWITCH-BLANK
3	108356-01-01A	EA ACTUATOR-SWITCH GROOVES III, CARLING VVCZC00 BLA
3	108357-05-000	EA SWITCH-ROCKER, SPDT ON/NONE/ON - CARLING V4D1000B-0
4	108356-01-01A	EA ACTUATOR-SWITCH GROOVES III, CARLING VVCZC00 BLA
4	108357-04-000	EA SWITCH-ROCKER, DPDT MOM/OFFMOM - CARLING VLD1000B-0
5	103356 01-01A	EA ACTUATOR-SWITCH GROOVES III, CARLING VVCZC00 BLA
5	108357-06-000	EA SWITCH-ROCKER, SPDT ON/OFF/MOM - CARLING V7D1000B 0
6	096241-03 000	EA SWITCH BLANK
6	108356-01-01A	EA ACTUATOR-SWITCH GROOVES III, CARLING VVCZC00 BLA
6	108357-01-000	EA SWITCH-ROCKER, SPST ON/OFF - CARLING V1D1000B-0
7	096241-01-000	EA SWITCH-BLANK
7	108356 03-01A	EA ACTUATOR-SWITCH GROOVES LENS, CARLING VVCGC00
7	108357-10-000	EA SWITCH-ROCKER, SPDT MOM/OFFMOM - CARLING V8D1160B-0
8	104056-20-01A	EA APPLIQUE-BEZEL UPPER RIGHT, 6 SWITCH - BLACK VELVET
9	108015-01-01A	EA POCKET-INSTRUMENT PANEL, RIGHT - UPPER - BLACK
10	089294-01-000	EA LIGHTER ASM-CIGARETTE, CASCO C213275
11	107085 01-01A	EA POD DASH, LOWER - W/VINYL
12	107859-01-01A	EA TRIM-DASH, LOWER

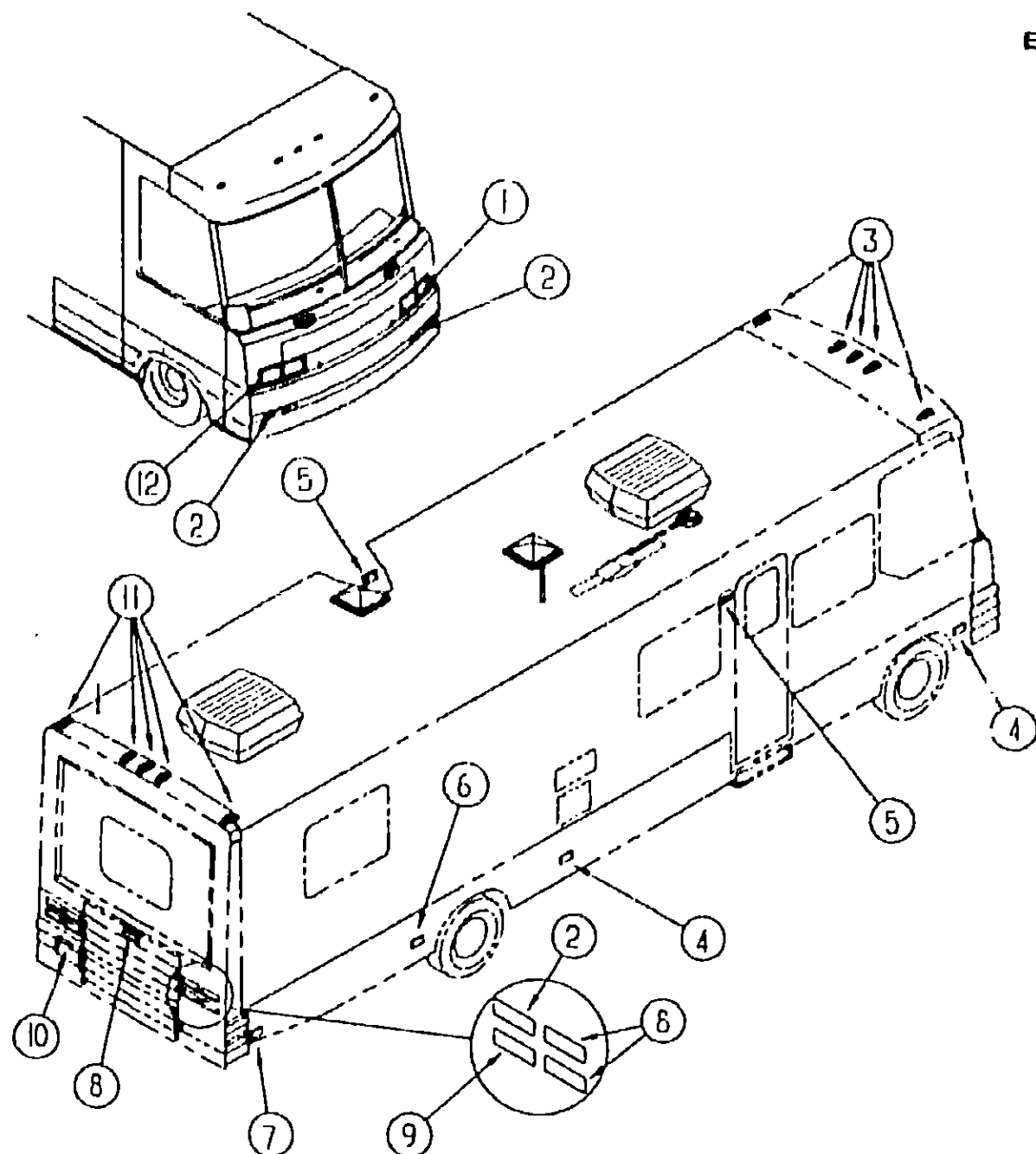
KEY	PART NUMBER	U/M DESCRIPTION
13	108132-01-01A	FT TRIM-LOWER DASH, ACCENT - PRECISION TRIM
14	105926-05-000	EA PANEL-DASH, BOTTOM RIGHT - METAL
15	107857-02-000	EA PANEL-DASH, BOTTOM LEFT - METAL
16	104056-14-01A	EA APPLIQUE-BEZEL, LOWER RIGHT WING - BLACK VELVET
17	107031-02-01A	EA BEZEL-INSTRUMENT PANEL
18	107859 12 01A	EA TRIM-DASH, LOWER
18	109969-01-01A	EA TRIM-DASH, LOWER - WILLOW
		FROM 00-00-00 THRU 11-04 92
		FROM 11-05-92 THRU, 99-99-99
19	104056-11-01A	EA APPLIQUE-BEZEL, LOWER - RIGHT - BLACK VELVET
20		STANDARD INSTRUMENT CLUSTERS ARE CHASSIS SUPPLIED
20	110528-01-000	EA CLUSTER-INSTRUMENT PANEL, KILOMETERS - DIESEL
	100138 01-000	EA MODULE-DAYTIME RUNNING LIGHT
21	104056-09 01A	EA APPLIQUE-BEZEL, LOWER - LEFT - BLACK VELVET
22	107860-03-01A	EA TRIM-DASH, LOWER
		FROM 00-00-00 THRU, 11-04-92
23	108356 01-01A	EA ACTUATOR-SWITCH GROOVES III, CARLING VVCZC00 BLA
23	108357-07-000	EA SWITCH-ROCKER, SPDT MOM/OFFMOM - CARLING V8D1000B-0
24		HEADLIGHT & DIMMER SWITCHES ARE CHASSIS SUPPLIED
25	091206-04-000	EA CONTROL-WIPER DYNAMIC PARK
26	104056-16-01A	EA APPLIQUE-BEZEL, LEFT - BLACK VELVET
27	107263-01-01A	EA POD COVER, UPPER DASH - COVERS INSTRUMENTS - W/VINYL
28	109981-01-01A	EA COVER-SHIFTER
		FROM 11-05-92 THRU 99-99-99
	108355 01-000	EA HOUSING-SWITCH, CARLING VCH
	077031-01-000	EA FILM-BLACK, 1" X 1.75"
	077031 03-000	EA FILM-WHITE 75" X 1"
	103603 01-000	EA BULB-12V, NO 74 0.12A WEDGE - GE 22 25

1993 WSM35RQ INDEX

FLOOR PLAN	A 07 -	A-08
ACCESSORIES		A-09
AUDIO VIDEO	A-10	A-13
BATH	A-14 -	A-18
BEDROOM	A-19 -	A-20
CHASSIS	A-21 -	B-04
CURTAIN & CUSHION	B-05 -	B-17
DINETTE	B-18 -	B-19
DRIVERS COMPARTMENT	B-20 -	B-24
ELECTRICAL	C-01 -	C-07
EXTERIOR BODY	C-08 -	C-18
GALLEY	C-19 -	D-04
GENERATOR	D-05 -	D-06
HEATING & A/C	D-07 -	D-14
INTERIOR FINISH	D-15 -	D-18
LABEL	D-19 -	E-01
LP		E-02
LOUNGE	E-03 -	E-04
SEALANTS & FASTENERS	E-05 -	E-09
WATER & SEWAGE	E-10 -	E-13
WINDOW, VENT AND		
EXTERIOR DOOR	E-14 -	F-08
WINDSHIELD & WIPER	F 09 -	F-12

ELECTRICAL GROUP

EXTERIOR LIGHTS



KEY	PART NUMBER	U/M	DESCRIPTION
1	049188-02-000	EA	HEADLAMP CAPSULE-DRIVER, HIGH/LOW BEAM - W/BLACK TRIM RING
1	049188-02-000	EA	HEADLAMP CAPSULE-DRIVER, HIGH BEAM - W/BLACK TRIM RING
	050030-02-000	EA	HOUSING-HEADLAMP WIRING, HIGH BEAM
	063749-01-000	EA	HOUSING-HEADLAMP WIRING, LOW BEAM
	096674-01-000	EA	NUT-HEADLAMP, BLACK
	074043-01-000	EA	INSERT-KNURLED, BRASS - #8 - 32 (FOR HEADLAMP SCREWS)
	110750-01-000	EA	SCREW ASM-HEADLAMP ADJUSTING
			FROM: 01-22-93 THRU: 99-99-99
	007157-05-000	EA	NUT-WELL, HEADLIGHT BEZEL
	106687-02-000	EA	SOCKET ASM-LIGHT, 3-W, RE
2	106688-02-000	EA	LIGHT ASM-TURN, AMBER - TRIPLEX 146-W
	037934-01-000	EA	BULB-12V, #1156 - 2.1AMP - CLEAR GLASS - BACK UP & TURN SIGNAL
	076345-02-000	EA	SOCKET-PARK/TURN LAMP
3	107749-01-000	EA	LIGHT ASM-CAB MARKER, AMBER - KD 509-0-1
	036190-01-000	EA	BULB-12V, #194 - .27AMP - BAYONETTE
4	089362-01-000	EA	LIGHT-SIDEMARKER, AMBER LENS & BASE - W/O BULB
	036190-01-000	EA	BULB-12V, #194 - .27AMP - BAYONETTE
	067789-02-000	EA	SOCKET-SIDEMARKER
5	097917-01-04A	EA	LIGHT-PORCH, ENTRY DOOR - BUFF
	008215-01-000	EA	BULB-12V, #1003 - .94AMP
	097917-01-700	EA	LENS-LIGHT, PORCH
6	106688-04-000	EA	LIGHT ASM-AUXILIARY, CLEAR - TRIPLEX 147W
	037934-01-000	EA	BULB-12V, #1156 - 2.1AMP - CLEAR GLASS - BACK UP & TURN SIGNAL
	106687-01-000	EA	SOCKET ASM-LIGHT, 2-WIRE - TRIPLEX 375X
7	089362-02-000	EA	LAMP-SIDE MARKER, RED - TRIPLEX 403-99
	089362-03-000	EA	GASKET-MARKER LIGHT - TRIPLEX 403-2
	036190-01-000	EA	BULB-12V, #194 - .27AMP - BAYONETTE
	067789-02-000	EA	SOCKET-SIDEMARKER
8	106688-03-000	EA	LIGHT ASM-STOP/TURN, RED - TRIPLEX 141-W
	037935-01-000	EA	BULB-12V, #1157 OR #2057 - 2.1AMP - CLEAR GLASS - BRAKE LIGHT
	106687-01-000	EA	SOCKET ASM-LIGHT, 2-WIRE - TRIPLEX 375X
9	106688-01-000	EA	LIGHT ASM-BACKUP, WHITE - TRIPLEX 147-DW
	037934-01-000	EA	BULB-12V, #1156 - 2.1AMP - CLEAR GLASS - BACK UP & TURN SIGNAL
	076345-02-000	EA	SOCKET-PARK/TURN LAMP
	107256-01-01A	EA	COVER-INSIDE SHIELD, BEHIND 4 TAIL LIGHTS ON EACH SIDE - BUFF PLASTIC
			FROM: 00-00-00 THRU: 04-04-93
	107256-01-03A	EA	COVER-INSIDE SHIELD, BEHIND 4 TAIL LIGHTS ON EACH SIDE - BLACK PLASTIC
			FROM: 04-05-93 THRU: 99-99-99
10	087201-01-000	EA	LIGHT-HALF ROUND, 1" X 1.7" - PLASTIC - BLACK
11	107749-02-000	EA	LIGHT ASM-CAB MARKER, RED - KD 509-0-6
	036196-01-000	EA	BULB-12V, #194 - .27AMP - BAYONETTE
12	049185-02-000	EA	HEADLAMP CAPSULE-PASS, HIGH/LOW BEAM - W/BLACK TRIM RING
12	049187-02-000	EA	HEADLAMP CAPSULE-PASS, HIGH BEAM - W/BLACK TRIM RING
	050030-02-000	EA	HOUSING-HEADLAMP WIRING, HIGH BEAM
	063749-01-000	EA	HOUSING-HEADLAMP WIRING, LOW BEAM
	096674-01-000	EA	NUT-HEADLAMP, BLACK
	074043-01-000	EA	INSERT-KNURLED, BRASS - #8 - 32 (FOR HEADLAMP SCREWS)
	007157-05-000	EA	NUT-WELL, HEADLIGHT BEZEL
	110750-01-000	EA	SCREW ASM-HEADLAMP ADJUSTING
			FROM: 01-22-93 THRU: 99-99-99
	088747-03-000	EA	LAMP-FOG, CLEAR LENS - PER LUX 550 SERIES
	088747-03-700	EA	COVER-LIGHT, FOG - PER LUX 050-005835
	088747-03-701	EA	BEZEL-LIGHT, FOG - PER LUX 050-005001
	110177-01-000	EA	LENS-REFLECTOR, RED - TRIPLEX 403-R
	110177-02-000	EA	GASKET-LENS, REFLECTOR - TRIPLEX 402-22

1993 WINNEBAGO TABLE OF CONTENTS

INTRODUCTION	A-01 -	A-02
ABBREVIATIONS		A-03
ALPHABETICAL INDEX	A-04 -	A-06
WSM35RQ	A-07 -	F-12

1993 WSM35RQ INDEX

FLOOR PLAN	A-07 -	A-08
ACCESSORIES		A-09
AUDIO VIDEO	A-10 -	A-13
BATH	A-14 -	A-18
BEDROOM	A-19 -	A-20
CHASSIS	A-21 -	B-04
CURTAIN & CUSHION	B-05 -	B-17
DINETTE	B-18 -	B-19
DRIVERS COMPARTMENT	B-20 -	B-24
ELECTRICAL	C-01 -	C-07
EXTERIOR BODY	C-08 -	C-18
GALLEY	C-19 -	D-04
GENERATOR	D-05 -	D-06
HEATING & A/C	D-07 -	D-14
INTERIOR FINISH	D-15 -	D-18
LABEL	D-19 -	E-01
LP		E-02
LOUNGE	E-03 -	E-04
SEALANTS & FASTENERS	E-05 -	E-09
WATER & SEWAGE	E-10 -	E-13
WINDOW, VENT AND		
EXTERIOR DOOR	E-14 -	F-08
WINDSHIELD & WIPER	F-09 -	F-12

ELECTRICAL GROUP (CONTINUED)

INTERIOR LIGHTS & BULBS

KEY	PART NUMBER	U/M	DESCRIPTION
	065202-24-000	EA	LAMP-WALL, BRASS - OV-531 - R B GUSTAFSON
	065202-25-000	EA	LAMP-WALL, BRASS - OV-531 - R B GUSTAFSON (CANADIAN)
	065201-12-000	EA	SHADE-LAMP, FABRIC - WHITE SWIRL
	067479-01-000	EA	BULB-12V, NUMBER 1076
	093575-03-01A	EA	LIGHT-CEILING, RECTANGULAR - GLASS & BRASS - CANADIAN
	093218-01-000	EA	BULB-DOME LIGHT, 12V - NUMBER 1141
	104172-01-01A	EA	LIGHT-BULBLET, BEIGE - #787 SERIES
	098215-01-000	EA	BULB-12V, #1003 - .94AMP
	091937-04-000	EA	LIGHT-FLUORESCENT, 12 V/30 WATT - 20 7/8" LONG - THIN LITE
	091937-05-000	EA	LIGHT-FLUORESCENT, 12V/16 WATT - 15" LONG - THIN LITE 732 LENS NOT AVAILABLE SEPARATELY
	091937-05-700	EA	BULB-FLUORESCENT, 12" - F8T5/CW
	091937-05-701	EA	LENS-LIGHT, FLUORESCENT - D-732
	061424-01-000	EA	LIGHT-AISLE, 12V - RECTANGULAR
	068103-01-000	EA	BULB-DASH/AISLE LIGHT, #53 - 12 V - .12 AMP
	081633-01-000	EA	LIGHT-MAKEUP, 4 BULBS - JENSEN 320-24BR FROM: 00-00-00 THRU: 12-13-92
	110235-02-01A	EA	LIGHT-MAKE UP, 4 BULB - PANLESS - PD PD200-622 BRASS FROM: 12-14-92 THRU: 99-99-99
	082109-01-000	EA	LIGHT-MAKE-UP, 3 BULB - JENSEN X148-16BR FROM: 00-00-00 THRU: 12-13-92
	110235-01-01A	EA	LIGHT-MAKE UP, 3 BULB - PANLESS - PD PD200-621 BRASS FROM: 12-14-92 THRU: 99-99-99
	081633-01-700	EA	BULB-MAKE UP LIGHT, ONLY
	087694-01-000	EA	LIGHT-WARDROBE/CLOSET, W/SWITCH
	087694-01-700	EA	BULB, GE5G1
	093575-02-01A	EA	LIGHT-CEILING, 514HG
	098218-01-000	EA	BULB-DOME LIGHT, 12V - NUMBER 1141
	098024-03-01A	EA	LIGHT-DOME, 2 BULB - IVORY
	098024-01-01A	EA	LIGHT-DOME, 1 BULB - US - IVORY
	098218-01-000	EA	BULB-DOME LIGHT, 12V - NUMBER 1141
	098024-01-700	EA	LENS-DOME LIGHT
	104173-01-01A	EA	LIGHT-DESIGNER, BRASS - #81-905 - BULB #93 12V
	108354-01-01A	EA	LIGHT-COURTESY - IIC B1395-B
	108354-01-700	EA	BULB-COURTESY LIGHT, 12842

FUSES & CIRCUIT BREAKERS

KEY	PART NUMBER	U/M	DESCRIPTION
	008233-01-000	EA	FUSE-12V, 6 AMP
	008235-01-000	EA	FUSE-12V - 15AMP, AUTOMOTIVE
	062901-05-000	EA	FUSE-15 AMPS, AUTOMOTIVE
	100341-01-000	EA	FUSE HOLDER-IN LINE TYPE, WESCO 8931-92020
	108669-01-000	EA	HOUSING-AUTO FUSE HOLDER - PACKARD 12010105
	111683-01-000	EA	FUSE HOLDER-GLASS, 1/4 X 1 1/4 - BLS HTB-061
	083209-01-000	EA	CIRCUIT BREAKER-15 AMP, 120V - BW L-15 - CANADIAN
	083209-02-000	EA	CIRCUIT BREAKER-15/15A, 120V - BW H-15/15
	083209-03-000	EA	CIRCUIT BREAKER-15/20AMP, 120V - BW O-15/20
	083209-04-000	EA	CIRCUIT BREAKER-30A, 120V - BW L-30
	083209-06-000	EA	CIRCUIT BREAKER-30/15 AMP, 120V - BW D-30/15
	093654-01-000	EA	CIRCUIT BREAKER-6 AMP, USD 17406-4E12A2A
	093654-02-000	EA	CIRCUIT BREAKER-15 AMP, USD 17415-4E12A2A
	093655-02-000	EA	CIRCUIT BREAKER-30 AMP, USD 17430-4E03A2A
	093655-03-000	EA	CIRCUIT BREAKER-40 AMP, USD 17440-4E03A2A
	108567-01-000	EA	CIRCUIT BREAKER-40A, TYPE II - FASCO 17414063
	108916-01-000	EA	CIRCUIT BREAKER-50A, 2 POLE - WESTINGHOUSE BR250
	110000-01-000	EA	CIRCUIT BREAKER-10A, 12V - USD 122A1000M
	110000-02-000	EA	CIRCUIT BREAKER-25A, 12V - USD 122A2500M
	093674-01-000	EA	PLATE-CIRCUIT BREAKER, HOUSE - 8.4" X 4.1" - STEEL

ELECTRICAL GROUP (CONTINUED)

BATTERY CABLE, BOOT & STUD

KEY	PART NUMBER	U/M	DESCRIPTION
	073328-B4-000	EA	CABLE ASSEMBLY-BATTERY, W/TERMINALS
	077479-01-000	EA	BOOT-BATTERY TERMINAL, DOUBLE CABLE
	077479-02-000	EA	BOOT-BATTERY TERMINAL, SINGLE CABLE
	088751-01-000	FT	CABLE-BATTERY, 1/0 AWG, STRANDED, RED
	086233-01-000	EA	STUD-ISOLATED, 3/8" X 7/8" LONG

SWITCHES

KEY	PART NUMBER	U/M	DESCRIPTION
	109294-01-01A	EA	SWITCH PANEL ASM-VENT FAN, BATHROOM - JRV J8948BR BRASS
	070304-01-000	EA	SWITCH-ON/OFF ROCKER, 2 PRONGS - BROWN
	070304-02-000	EA	SWITCH-LOCK/LOCK ROCKER, 3 PRONGS - BROWN
	070304-03-000	EA	SWITCH-ON/OFF ROCKER, 3 PRONGS - BROWN
	096241-03-000	EA	SWITCH-BLANK
	094086-01-01A	EA	PLATE-SWITCH, SINGLE GANG - 1.8" X 3" - PLASTIC - BLACK (DOOR LOCK)
	098351-01-01A	EA	PLATE-SWITCH, 1 GANG - POLISHED BRASS
	098351-02-01A	EA	PLATE-SWITCH, 2 GANG - POLISHED BRASS
	098351-05-01A	EA	PLATE-SWITCH, 3 GANG - POLISH BRASS - JENSEN
	095188-01-01A	EA	SPACER-SWITCH, 2.3" X 3.4" - PLASTIC - DARK BROWN
	095188-02-01A	EA	SPACER-SWITCH, 2.3" X 4.1" - PLASTIC - DARK BROWN
	093132-01-000	EA	SWITCH-POWER WINDOW, W/ARROW GRAPHICS
	093132-02-000	EA	SWITCH-POWER DOOR LOCK, W/ARROW GRAPHICS
	098351-04-01A	EA	PLATE-SWITCH, GENERATOR/DOOR LOCK - POLISH BRASS - JENSEN FROM: 00-00-00 THRU: 12-13-92
	108357-10-000	EA	SWITCH-ROCKER, SPDT - MOM/OFFMOM - CARLING V8D1160B-0 FROM: 12-14-92 THRU: 99-99-99
	108356-05-01A	EA	ACTUATOR-SWITCH GROOVES LENS - CARLING VVLGCXX-XWB FROM: 12-14-92 THRU: 99-99-99
	098351-07-01A	EA	PLATE-SWITCH, GENERATOR - JENSEN - POLISH BRASS FROM: 12-14-92 THRU: 99-99-99
	106071-01-000	EA	SWITCH-AUTOMATIC TRANSFER, MAGNETEK ATS 30 (GENERATOR)
	106071-02-000	EA	SWITCH-AUTOMATIC TRANSFER, MAGNETEK ATS100 (GENERATOR)
	103473-05-01A	EA	PLATE-SWITCH, LOCK - SINGLE - BLACK (DOOR LOCKS) FROM: 00-00-00 THRU: 04-18-93
	103473-08-01A	EA	PLATE-SWITCH, LOCK - SINGLE - BLACK (DOOR LOCKS) FROM: 04-19-93 THRU: 99-99-99
	087695-01-000	EA	SWITCH-EXTERIOR MIRROR, HEATER
	088246-01-000	EA	SWITCH-EXTERIOR MIRROR, REMOTE
	099982-01-01A	EA	PLATE-SWITCH, 2 GANG - 2.4" X 4.1" - ALUMINUM - BLACK (EXT. MIRROR) FROM: 00-00-00 THRU: 04-18-93
	099982-02-01A	EA	PLATE-SWITCH, 2 GANG - 2.4" X 4.1" - ALUMINUM - BLACK (EXT. MIRROR) FROM: 04-19-93 THRU: 99-99-99
	101894-01-01A	EA	SWITCH-3 WAY, BROWN - 110 V - BRYANT CS320B (DISHWASHER)
	101911-01-01A	EA	PLATE-SWITCH, 1 GANG - BROWN - LEVITON 80701 OR E (DISHWASHER)
	108356-02-01A	EA	ACTUATOR-SWITCH GROOVES III - CARLING VVCZC00 BLK (EXT. WATER PUMP)
	108357-08-000	EA	SWITCH-ROCKER, DPDT - ON/NONE/ON - CARLING VDD1S00C-0 (WATER PUMP)
	108355-01-000	EA	HOUSING-SWITCH, CARLING VCH
	108356-01-01A	EA	ACTUATOR-SWITCH GROOVES III - CARLING VVCZC00 BLK (DASH)
	108356-03-01A	EA	ACTUATOR-SWITCH GROOVES LENS - CARLING VVCGC00 (DASH)
	108357-01-000	EA	SWITCH-ROCKER, SPST - ON/OFF - CARLING V1D1000B-0 (DASH)
	108357-03-000	EA	SWITCH-ROCKER, SPDT - ON/OFF/ON - CARLING V6D1000B-0 (DASH)
	108357-04-000	EA	SWITCH-ROCKER, SPDT - ON/OFF/MOM - CARLING V7D1000B-0 (DASH)
	108357-05-000	EA	SWITCH-ROCKER, SPDT - ON/NONE/ON - CARLING V4D1000B-0 (DASH)
	108357-06-000	EA	SWITCH-ROCKER, DPDT - MOM/OFFMOM - CARLING VLD1000B-0 (DASH)

**1993 WINNEBAGO
TABLE OF CONTENTS**

INTRODUCTION	A-01 -	A-02
ABBREVIATIONS		A-03
ALPHABETICAL INDEX	A-04 -	A-06
WSM35RQ	A-07 -	F-12

1993 WSM35RQ INDEX

FLOOR PLAN	A-07 -	A-08
ACCESSORIES		A-09
AUDIO VIDEO	A-10	A-13
BATH	A-14	A-18
BEDROOM	A-19	A-20
CHASSIS	A-21	B-04
CURTAIN & CUSHION	B-05	B-17
DINETTE	B-18	B-19
DRIVERS COMPARTMENT	B-20	B-24
ELECTRICAL	C-01	C-07
EXTERIOR BODY	C-08	C-18
GALLEY	C-19	D-04
GENERATOR	D-05	D-06
HEATING & A/C	D-07	D-14
INTERIOR FINISH	D-15	D-18
LABEL	D-19	E-01
LP		E-02
LOUNGE	E-03	E-04
SEALANTS & FASTENERS	E-05	E-09
WATER & SEWAGE	E-10	E-13
WINDOW, VENT AND		
EXTERIOR DOOR	E-14	F-08
WINDSHIELD & WIPER	F-09	F-12

ELECTRICAL GROUP (CONTINUED)

WIRE ASSEMBLIES

KEY	PART NUMBER	U/M	DESCRIPTION
	090986-01-000	EA	WIRE ASM-ELECTRIC STEP
	094831-08-000	EA	WIRE ASSEMBLY-AC COMPRESSOR ADAPTER, SCS 036-0054
	097618-01-000	EA	WIRE ASM-MONITOR PANEL, W/4 WIRES & BLACK RESISTOR - LVS
	103991-02-000	EA	WIRE ASM-CRT BKR, POWER
	107306-01-000	EA	WIRE ASM-INSTRUMENT PANEL, W/DOCKING LAMPS
	103608-01-000	EA	SOCKET-WEDGE BASE W/LEADS, JKL 2944-6 OR EQUIV
	108029-01-000	EA	WIRE ASM-POWER DRIVEN SEAT
	108030-02-000	EA	WIRE ASM-FOG LAMP/AIR HORN
	108304-01-000	EA	WIRE ASM-IP, AUX FANS
	107598-01-000	EA	WIRE ASM-IP, AIR HORN

CONNECTORS & CONDUIT

KEY	PART NUMBER	U/M	DESCRIPTION
	008311-01-000	EA	CONNECTOR-WIRE NUT, INSULATED - RED
	008312-01-000	EA	CONNECTOR-WIRE NUT, INSULATED - BLUE
	008314-01-000	EA	CONNECTOR-WIRE NUT, INSULATED - GRAY
	008355-01-000	EA	CONNECTOR-CABLE CLAMPING, 3/4"
	008358-01-000	EA	CONNECTOR-PLASTIC, 3/8" AVG
	041180-01-000	EA	CONNECTOR-STRAIGHT, 1/2" FLEX CONDUIT
	058028-01-000	EA	CONNECTOR-ELECTRICAL PIGTAIL, NYLON - CLEAR
	082741-01-000	EA	CONNECTOR BODY-2 CNCT MALE SERV ELEC 2P-FYL
	008328-01-000	EA	TERMINAL-RING, 16/14 WIRE - 3/8" STUD
	008328-01-000	EA	TERMINAL-RING, 12/10 WIRE - #10 STUD FIT
	008331-01-000	EA	TERMINAL-RING, TONGUE - #4 WIRE - 3/8" STUD - COPPER
	008348-01-000	EA	TERMINAL-RING, 3/8" STUD - #2 WIRE
	035416-04-000	EA	TERMINAL-RING #10 STUD FIT, INSULATED BARREL 16/14
	047443-01-000	EA	TERMINAL-.250 RECEP. FIT, INSULATED - 16/14 AWG
	047443-02-000	EA	TERMINAL-.250 RECEP FIT, INSULATED - 12/10 AWG
	062036-01-000	EA	TERMINAL, PACK-CON, 12/10 AWG
	104100-03-000	EA	TERMINAL-75 AMP - AMP 53880-4 LOOSE
	106655-01-000	EA	TERMINAL-FUSE BLOCK, 14-16AWG, PACKARD 12020321
	041953-01-000	FT	CONDUIT-CONVOLUTE SLIT, .5" ID
	041953-03-000	FT	CONDUIT-CONVOLUTE SLIT, 1" ID (CLOTHES ROD COVER)
	041953-05-000	FT	CONDUIT-CONVOLUTE SOLID, .62" ID
	041953-06-000	FT	CONDUIT-CONVOLUTE, SLIT .375" ID
	041953-07-000	FT	CONDUIT-CONVOLUTE, SLIT - .25" ID
	041953-08-000	FT	CONDUIT-CONVOLUTE, SLIT, 1.50" ID
	041953-09-000	FT	CONDUIT-CONVOLUTE, SLIT .50" ID
	041953-10-000	FT	CONDUIT-CONVOLUTE, SLIT - .75" ID
	041953-11-000	FT	CONDUIT-CONVOLUTE, SLIT- 1.06" ID
	041953-12-000	FT	CONDUIT-CONVOLUTE, NON SLIT 1.1" ID
	007940-01-000	EA	RECEPTACLE-SLIDE, 16 TO 12 AWG - FEMALE END
	080015-02-000	EA	RECEPTACLE-FLAG, .185 - 16/14 GA - AMP 3
	080015-03-000	EA	RECEPTACLE-FLAG, .250 - 14/16 GA
	082109-01-000	EA	HOUSING, CONNECTOR, PACKARD
	089473-01-000	EA	HOUSING-PIN, 4 ROWS OF 3
	088473-02-000	EA	HOUSING-PIN, 15 POSITION
	088473-03-000	EA	HOUSING-PIN, 9-POSITION
	088473-05-000	EA	HOUSING-PIN, 6 POSITION (SINGLE ROW)
	088473-06-000	EA	HOUSING-PIN, 6 POSITION (TWO ROWS OF THREE)
	088473-07-000	EA	HOUSING-PIN, 5 CAVITY AMP 1-480763-0
	088473-08-000	EA	HOUSING-PIN, 4 POSITION
	088473-09-000	EA	HOUSING-PIN, 3 POSITION (SINGLE ROW)
	088473-10-000	EA	HOUSING-PIN, 2 POSITION
	074017-02-000	EA	HOUSING-5 POSITION, RIGHT ANGLED
	088474-01-000	EA	HOUSING-SOCKET, 12 POSITIONS
	088474-02-000	EA	HOUSING-SOCKET, 15 POSITION (3 ROWS OF 5)
	088474-03-000	EA	HOUSING-SOCKET, 9-POSITION
	088474-06-000	EA	HOUSING-SOCKET, 6 POSITION (2 ROWS OF THREE)
	088474-07-000	EA	HOUSING-SOCKET, 5 CAVITY - AMP 1-480764-0

ELECTRICAL GROUP (CONTINUED)

CONNECTORS & CONDUIT (CONTINUED)

KEY	PART NUMBER	U/M	DESCRIPTION
	088474-08-000	EA	HOUSING-SOCKET, 4 POSITION (SINGLE ROW)
	088474-09-000	EA	HOUSING-SOCKET, 3 POSITION
	088474-10-000	EA	HOUSING-SOCKET, 2 POSITION
	088475-01-000	EA	PIN-CONNECTOR, 14 TO 20 AWG
	088475-02-000	EA	PIN-CONNECTOR, 10 TO 12 AWG
	088476-01-000	EA	SOCKET-CONNECTOR, BRASS - PRE-TIN
	088476-02-000	EA	SOCKET-CONNECTOR, 12-10 GA - PHOS. BRZ - PRE-TIN
	098261-02-000	EA	SOCKET-CONNECTOR, WEATHERPACK PACKARD 12124580
	098262-01-000	EA	SEAL-CONNECTOR, WEATHER PACK PACKARD 12010293
	098264-01-000	EA	HOUSING, 2 PIN, WEATHER PACK PACKARD 12015792
	098265-02-000	EA	PIN-CONNECTOR, WEATHER PACK PACKARD 12089305
	101571-01-000	EA	HOUSING, 2 POSITION, MALE
	101751-01-000	EA	HOUSING, 1 PIN, WEATHER PACK
	101751-02-000	EA	HOUSING, 1 PIN, WEATHER PACK
	102777-02-000	EA	TERMINAL-RING #8 STUD, 10 AWG
	092786-03-000	EA	BUSS BAR-6.9" LONG
	087948-01-000	EA	BUSS BAR-2 POSITION, .6" X 1.5" - ALUMINUM
	087949-02-000	EA	BAR-BUSS, 3 POSITION
	087949-03-000	EA	BAR-BUSS, 4 POSITION
	100690-01-000	EA	HOUSING-5 PIN, WEATHER PACK
	104100-01-000	EA	HOUSING-1 POSITION, 75 AMP - AMP 53884-1
	007949-01-000	EA	TAB-HOUSING, 1 POSITION

POWER CORDS & ELECTRIC BOXES

KEY	PART NUMBER	U/M	DESCRIPTION
	008054-01-000	EA	CORD-POWER, 10/3 - 30 AMP - 25' - U.S.
	008052-01-000	EA	CORD-POWER, 10/3 - 30 AMP - 25' - CANADIAN
	108934-01-000	EA	CORD-POWER, 50A - 4-WIRE - 36 FT - WESCO K3536 (50 AMP GENERATOR)
	109172-01-000	EA	CORD-POWER, 13A - 3-WIRE - 4 FT - ELECTICORD (DISHWASHER)
	008288-01-000	EA	BOX-PLASTIC ELECTRIC, 3" X 3 1/2"
	008288-02-000	EA	BOX-ELECTRIC, PLASTIC - 3.94" X 3.13" X 1.81"
	008289-01-000	EA	BOX-ELECTRIC, STEEL - 1/2" AND 3/4" KNOCKOUTS - 4" X 4"
	008289-02-000	EA	BOX-ELECTRICAL, 4" X 4" - 1/2" & 3/4" KNOCKOUTS - CANADIAN
	058049-01-000	EA	BOX-ELECTRIC SWITCH, 2" X 3" X 2.25"
	091213-01-000	EA	BOX-CIRCUIT BREAKER- W/KNOCKOUTS - 5.3" X 11.8" X 2.5"
	091910-01-000	EA	BOX-ELECTRIC, 3.75" X 3.5" X 1.75" - PLASTIC
	091910-02-000	EA	BOX-ELECTRICAL, 57 X 88 X 43MM - PLASTIC
	104677-01-000	EA	BOX-ELECTRICAL, CIRCUIT BREAKER - 4.4" X 6.9" X 2.5" - BRYANT 2-4-50FLG
	109925-01-000	EA	DOOR-ELECTRIC BOX, METAL - BLACK
	098196-01-000	EA	LATCH-1/4 TURN, T-BAR
	008294-01-000	EA	COVER-ELECTRICAL BOX, BLANK/STEEL - 4" X 4" - GRAY
	008294-02-000	EA	COVER-ELECTRICAL BOX, BLANK/STEEL - 4" X 4" - GRAY (CANADIAN)
	092492-06-000	EA	SEAL-ELECTRICAL BOX, ALFA III (195 X 267)
	110080-01-000	EA	SEAL-ELECTRICAL BOX

CONVERTERS, INVERTER & LOAD CENTERS

KEY	PART NUMBER	U/M	DESCRIPTION
	109171-01-000	EA	CONVERTER-40 AMP ELECTRONIC - MAGNETEK 7240X
	099048-01-000	EA	INVERTER-100 WATT
	108915-01-000	EA	LOAD CENTER-120/240V, 125A - WESTINGHOUSE S816CG
	109677-01-000	EA	LOAD CENTER-120V, 40A - WESCO TT120FLGNM

1993 WINNEBAGO TABLE OF CONTENTS

INTRODUCTION	A-01	A-02
ABBREVIATIONS		A-03
ALPHABETICAL INDEX	A-04	A-08
WSM35RQ	A-07	F-12

1993 WSM35RQ INDEX

FLOOR PLAN	A-07	A-08
ACCESSORIES		A-09
AUDIO VIDEO	A-10	A-13
BATH	A-14	A-18
BEDROOM	A-19	A-20
CHASSIS	A-21	B-04
CURTAIN & CUSHION	B-05	B-17
DINETTE	B-18	B-19
DRIVERS COMPARTMENT	B-20	B-24
ELECTRICAL	C-01	C-07
EXTERIOR BODY	C-08	C-18
GALLEY	C-19	D-04
GENERATOR	D-05	D-06
HEATING & A/C	D-07	D-14
INTERIOR FINISH	D-15	D-18
LABEL	D-19	E-01
LP		E-02
LOUNGE	E-03	E-04
SEALANTS & FASTENERS	E-05	E-09
WATER & SEWAGE	E-10	E-13
WINDOW, VENT AND		
EXTERIOR DOOR	E-14	F-08
WINDSHIELD & WIPER	F-09	F-12

ELECTRICAL GROUP (CONTINUED)

RECEPTACLES

KEY	PART NUMBER	U/M DESCRIPTION
	058707-01-000	EA RECEPTACLE-ELECTRIC, SINGLE - BROWN
	058707-02-000	EA RECEPTACLE-ELECTRIC, BLANK - JUNCTION
	058708-01-000	EA RECEPTACLE-ELECTRIC, DOUBLE - BROWN
	058708-02-000	EA RECEPTACLE-ELECTRIC, DOUBLE - IVORY
	084076-01-000	EA RECEPTACLE-GFI, 15A - 125V - IVORY
	084076-02-000	EA RECEPTACLE-GFI, 15A - 125V - BROWN
	084077-01-000	EA PLATE-COVER, RECEPTACLE - GFI - IVORY
	090961-01-000	EA RECEPTACLE-DUPLEX, 125V - LEVITON 5325-1
	090964-01-000	EA COVER-RECEPTACLE, EXTERIOR
	097734-01-01A	EA EXTENSION-RECEPTACLE, 3.2" X 5" X .7" - PLASTIC - IVORY
		FROM: 00-00-00 THRU: 03-07-93
	097734-01-02A	EA EXTENSION-RECEPTACLE, 3.2" X 5" X .7" - PLASTIC - BROWN
		FROM: 03-08-93 THRU: 99-99-99
	102568-01-B10	EA SPACER-RECEPTACLE, BETWEEN SIDEWALL & PLATE - WOOD

FLASHER, SOLENOID, DIODE & RELAYS

KEY	PART NUMBER	U/M DESCRIPTION
	007093-01-000	EA FLASHER-SIGNAL, STAT
	008188-01-000	EA SOLENOID-3 POST, BATTERY CHANGE OVER
	063910-01-000	EA HOUSING-RELAY, BOSCH 3 334 485 008
	063912-02-000	EA RELAY-CANISTER, SPDT - BOSCH 0332204101
	086273-01-000	EA RELAY-BATTERY DISCONNECT

EXTERIOR BODY GROUP

AIR HORNS

KEY	PART NUMBER	U/M DESCRIPTION
	077497-02-000	EA HOSE-AUXILIARY AIR HORN, MIDLAND 891D INCLUDES 50' COILED HOSE, AIR CHUCK, NEEDLE, NOZZLE & CARRIER
	077497-03-000	EA FITTING KIT-HOSE, AUXILIARY AIR HORN, PRESSURE GAUGE & HOSE FITTINGS
	077497-01-710	EA GAUGE-PRESSURE, AIR HORN
	077497-09-000	EA TANK-AIR AND SOLENOID KIT - HADLEY H00751C
	077497-05-000	EA COMPRESSOR/TANK/SOLENOID KIT, HADLEY 852EB
	077497-01-700	EA SOLENOID-AIR TANK, HADLEY 748NS
	077497-01-703	EA TANK-AIR, HADLEY 751-N
	077497-01-704	EA COMPRESSOR W/SWITCH, HADLEY 852EC
	077497-01-708	EA VALVE & HEAD REPAIR, HADLEY H00852HV
	077497-01-707	EA BELT & SCREW COVER FOR COMPRESSOR, HADLEY H00852BR
	077497-01-708	EA FILTER & MOUNTING HARDWARE FOR COMPRESSOR, HADLEY H00852FM
	077497-01-709	EA PLUNGER & SPRING FOR SOLENOID, HADLEY H136215
	077497-08-000	EA HORN KIT-AIR, BLACK - TWIN SHORTY - HADLEY H00640S
	077497-01-701	EA SWITCH-COMPRESSOR, HADLEY 13940-S
	077497-01-702	EA SWITCH-TOGGLE, W/WIRE - HADLEY 12940-S
	081404-01-000	EA BRACKET-MOUNTING, COMPRESSOR - L SHAPED - 4" X 7.5" - ST
	109400-01-000	EA BRACKET-HORN, AIR

SQUEEGEE & BUMPER

KEY	PART NUMBER	U/M DESCRIPTION
	069726-02-000	EA BUMPER-.88" DIAMETER X .40", BLACK
	091952-02-000	EA CLIP-GRIPPER, 3/4"
	091955-02-000	EA SQUEEGEE-EXTEND HANDLE
	091955-01-700	EA HEAD-SQUEEGEE
	091955-01-701	EA HANDLE-SQUEEGEE, EXTENDS FROM 24" TO 40"
	110429-03-D18	EA BRACKET ASM-SQUEEGEE, PAINTED
	110429-01-01A	EA BRACKET-SQUEEGEE, UNPAINTED

FIBERGLASS, STYROFOAM & STEEL CHANNEL

KEY	PART NUMBER	U/M DESCRIPTION
	044487-01-001	EA SHEET-ALUMINUM, .19" X 96" X 300" - MILL FINISHED
	044487-01-002	EA SHEET-ALUMINUM, .019" X 96" X 432" - MILL FINISHED
	089297-01-000	SF PLYWOOD-LUAN, OVERLAY GRADE - 4' X 8'
	083574-02-000	SF STYROFOAM, DOW TYPE SM - 1.5" X 24" X 90.5" - INC OF 15 SF
	083574-03-000	SF STYROFOAM-3/4" X 48" X 96"
	083574-05-000	SF STYROFOAM, 2" X 48" X 96"
	000870-03-000	SF STYROFOAM-1.34" X 48" X 96" - INCREMENTS OF 32 SF
	000870-06-000	SF STYROFOAM, 1.34" X 48" X 96" - PLANED
	000870-08-000	SF STYROFOAM, .75" X 48" X 96" - PLANED
	105077-03-000	EA FOAM-PLUG, SIDEWALL TUBE
	107258-01-000	EA FOAM-COVE, ROOF - DOMBED - OUTER SECTION
	107258-02-000	EA FOAM-COVE, ROOF - ANGLED - MIDDLE SECTION
	107258-03-000	EA FOAM-COVE, ROOF - TRIANGLE - INNER SECTION
	077517-59-000	EA SHEET-FIBERGLASS, 1219 X 2438MM - BUFF
	109290-11-01A	EA SHEET-FIBERGLASS, 2016 X 10345MM - BUFF
		FROM: 00-00-00 THRU: 01-10-93
	076054-K5-000	EA SHEET-FIBERGLASS, 2016 X 10345MM - BUFF
		FROM: 01-11-93 THRU: 99-99-99
	108535-02-700	SF SHEET-FIBERGLASS, FLAT - 104" X 348" - BUFF
	058267-01-000	FT CHANNEL-STEEL, W/HOLES - SIDEWALL STIFFENER - 2" X 20"
	002726-01-001	EA GARNISH-U-CHANNEL, 1.38" X 19" - SERRATED - MILL ALUMINUM
	002754-01-001	EA ANGLE-EXTRUDED, .75" X .75" X 18" - MILL ALUMINUM
	055278-01-001	FT TUBING-STEEL, .75" X 1.5" X 288"
	033381-17-001	FT TUBE-STEEL, 16GA - 1.5 X 1.5 X 288
	072877-03-000	EA INSULATION-SOUND BARRIER PAD, 1.25" X 46" X 54"
	065747-01-000	SF INSULATION-MICROFOAM, .5" THICK X 72" X 112' ROLL

**1993 WINNEBAGO
TABLE OF CONTENTS**

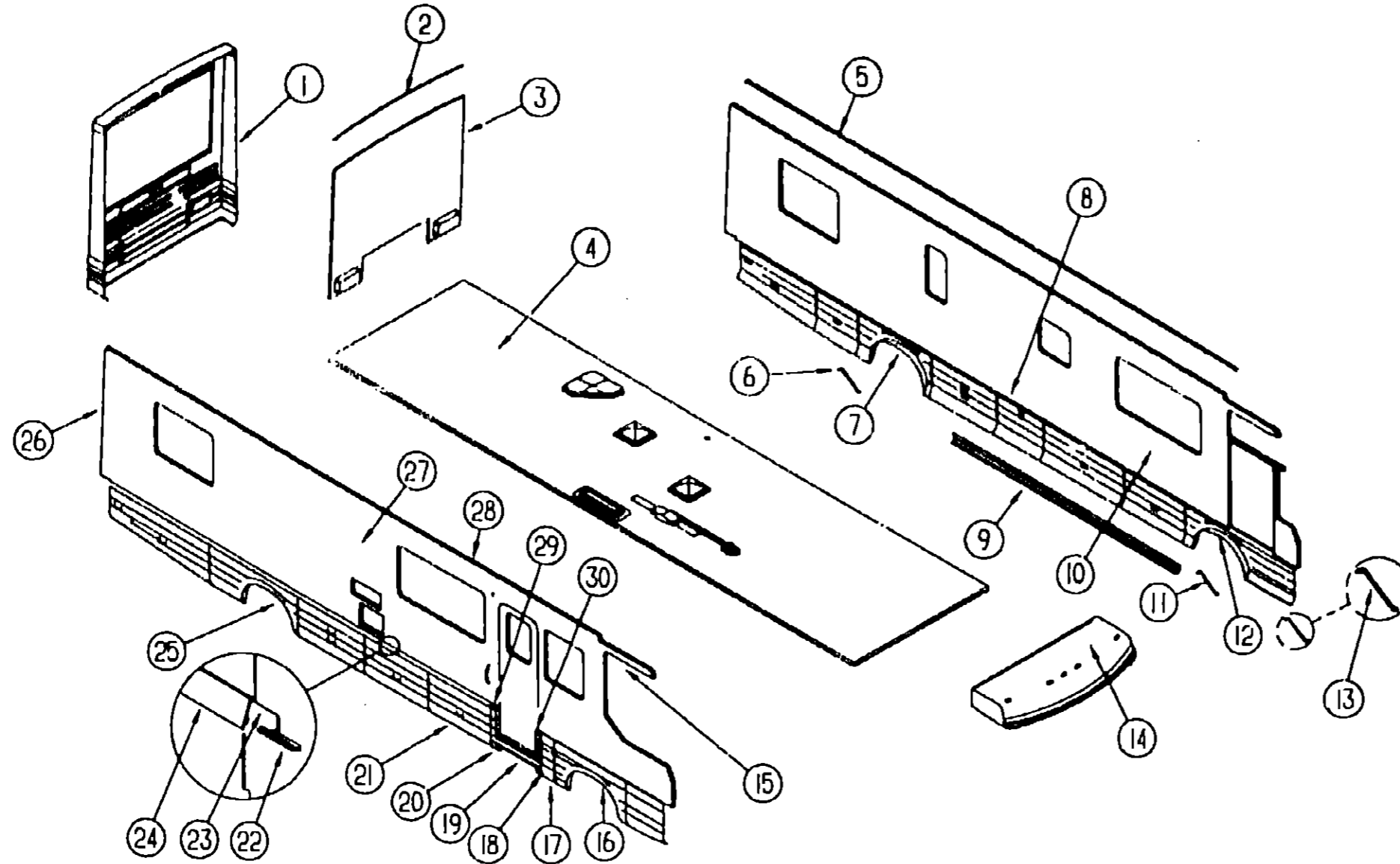
INTRODUCTION	A-01	A-02
ABBREVIATIONS		A-03
ALPHABETICAL INDEX	A-04	A-08
WSM35RQ	A-07	F-12

1993 WSM35RQ INDEX

FLOOR PLAN	A-07	A-08
ACCESSORIES		A-09
AUDIO VIDEO	A-10	A-13
BATH	A-14	A-18
BEDROOM	A-19	A-20
CHASSIS	A-21	B-04
CURTAIN & CUSHION	B-05	B-17
DINETTE	B-18	B-19
DRIVERS COMPARTMENT	B-20	B-24
ELECTRICAL	C-01	C-07
EXTERIOR BODY	C-08	C-18
GALLEY	C-19	D-04
GENERATOR	D-05	D-06
HEATING & A/C	D-07	D-14
INTERIOR FINISH	D-15	D-18
LABEL	D-19	E-01
LP		E-02
LOUNGE	E-03	E-04
SEALANTS & FASTENERS	E-05	E-09
WATER & SEWAGE	E-10	E-13
WINDOW, VENT AND		
EXTERIOR DOOR	E-14	F-08
WINDSHIELD & WIPER	F-09	F-12

EXTERIOR BODY GROUP (CONTINUED)

BODY PANELS & TRIM



1993 WINNEBAGO TABLE OF CONTENTS

INTRODUCTION	A-01 -	A-02
ABBREVIATIONS		A-03
ALPHABETICAL INDEX	A-04 -	A-06
WSM35RQ	A-07 -	F-12

1993 WSM35RQ INDEX

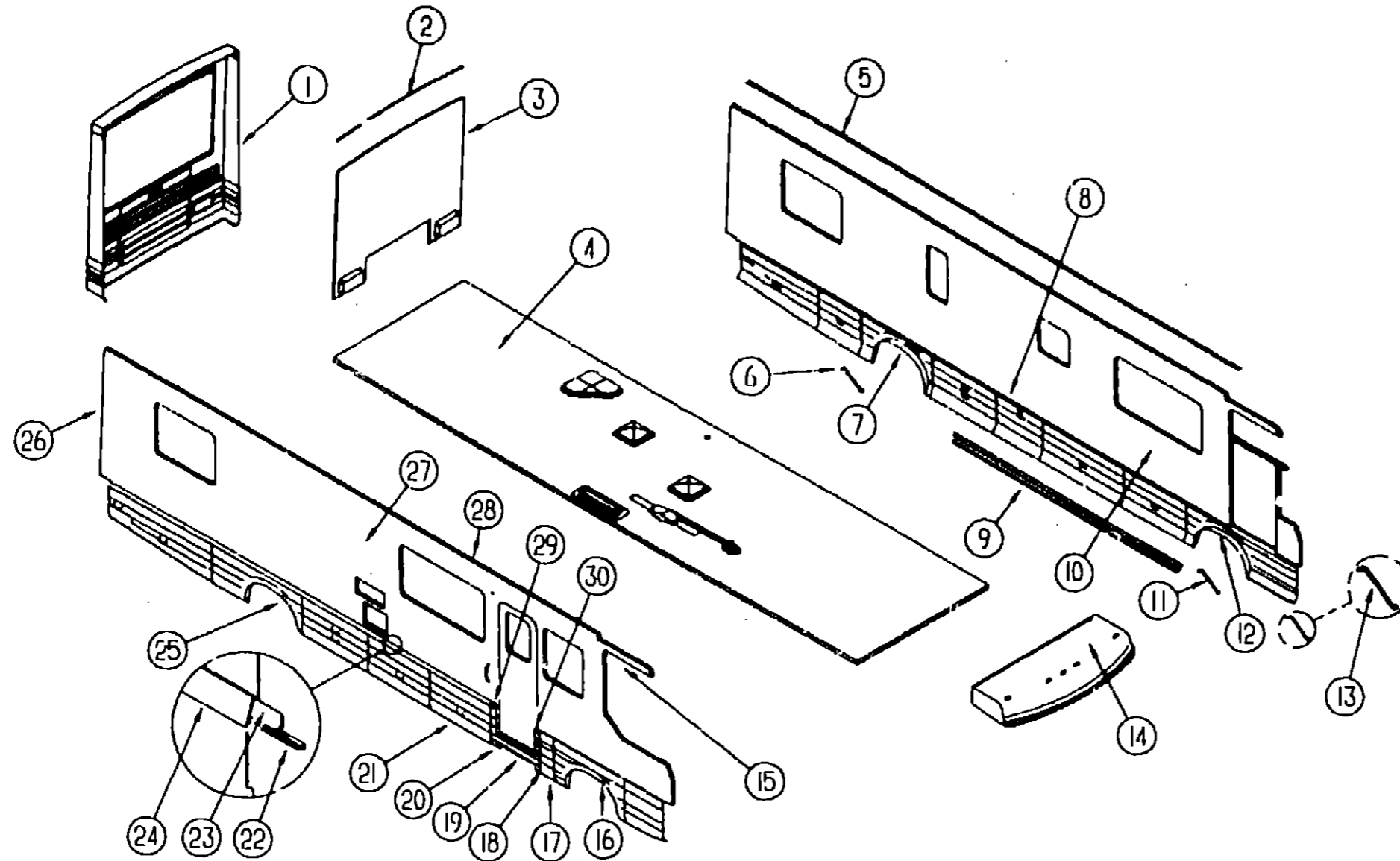
FLOOR PLAN	A-07 -	A-08
ACCESSORIES		A-09
AUDIO VIDEO	A-10	A-13
BATH	A-14 -	A-18
BEDROOM	A-19 -	A-20
CHASSIS	A-21 -	B-04
CURTAIN & CUSHION	B-05 -	B-17
DINETTE	B-18 -	B-19
DRIVERS COMPARTMENT	B-20 -	B-24
ELECTRICAL	C-01 -	C-07
EXTERIOR BODY	C-08 -	C-18
GALLEY	C-19 -	D-04
GENERATOR	D-05 -	D-06
HEATING & A/C	D-07 -	D-14
INTERIOR FINISH	D-15 -	D-18
LABEL	D-19 -	E-01
LP		E-02
LOUNGE	E-03 -	E-04
SEALANTS & FASTENERS	E-05 -	E-09
WATER & SEWAGE	E-10 -	E-13
WINDOW, VENT AND EXTERIOR DOOR	E-14 -	F-08
WINDSHIELD & WIPER	F-09 -	F-12

KEY	PART NUMBER	U/M DESCRIPTION
1	107266-02-01A	EA REAR CAP-FIBERGLASS, W/O LIGHTS
2	083805-19-000	EA TRIM-CAP, REAR CAP TO ROOF - 2202MM LONG - BUFF
3	P08683-01-D18	EA BACKWALL, FOR EARLY COACH W/LIGHT COVER
	108683-01-D18	EA BACKWALL, FOR EARLY COACH W/O LIGHT COVER
4	P09391-01-D18	EA ROOF
5	103801-01-04A	EA TRIM-ROOF TO SIDEWALL, W/DRAIN HOLES - 4877MM LONG - BUFF
6	107865-05-000	EA ROD-SUPPORT, W/BENT ENDS - VALANCE PANEL - 231.5MM LONG
7	108933-04-D18	EA WHEEL LIP ASM-DRIVER SIDE, W/CUTOUT
	108933-06-000	EA FRAME-WHEEL LIP, DRIVER SIDE
	107895-01-000	EA HINGE ASM-DOUBLE PIVOT, W/SPRING & U-CHANNEL - 90 DEGREE FROM: 00-00-00 THRU: 05-16-93
	107895-05-000	EA HINGE ASM-DOUBLE PIVOT, W/SPRING & U-CHANNEL - 90 DEGREE FROM: 05-17-93 THRU: 99-99-99
	106993-01-000	EA HINGE-DOUBLE PIVOT, SPRING - 90 DEGREE W/O U-CHANNEL FROM: 00-00-00 THRU: 06-17-93
	106993-04-000	EA HINGE-DOUBLE PIVOT, SPRING - 90 DEGREE W/O U-CHANNEL FROM: 06-18-93 THRU: 99-99-99
8	109176-01-D18	EA PANEL-VALANCE, FURNACE - BUFF
8	109177-01-01A	EA PANEL-VALANCE, FURNACE - PRIMED
9	109505-02-D18	EA PANEL-ROCKER

KEY	PART NUMBER	U/M DESCRIPTION
10	P08569-01-D18	EA SIDEWALL-DRIVER
11	107865-06-000	EA ROD-SUPPORT, W/BENT ENDS - VALANCE PANEL - 382.5MM LONG (1 USED)
12	109132-01-D18	EA PANEL ASM-WHEELWELL, FRONT - W/END CAPS, FRAME & LINER
	102569-03-000	EA MAT-ANTI SLIP, 100 X 150MM - SAFETY TRACK 3100
13	107865-11-000	EA ROD-SUPPORT, W/BENT ENDS - VALANCE PANEL - - 217.7MM LONG
14	M05794-01-D18	EA CAP ASM-FRONT, W/LIGHTS - BUFF
15	108274-01-01A	EA RAIL-DRIP, FRONT END - RIGHT SIDE - BUFF
	108274-02-01A	EA RAIL-DRIP, FRONT END - LEFT SIDE - BUFF
16	109131-01-D18	EA PANEL ASM-WHEELWELL, FRONT - W/END CAPS, FRAME & LINER
	107895-01-000	EA HINGE ASM-DOUBLE PIVOT, W/SPRING & U-CHANNEL - 90 DEGREE
17	109505-03-D18	EA PANEL-ROCKER
18	109619-03-01A	EA CAP-ROCKER, ASH GRAY FROM: 00-00-00 THRU: 03-07-93
18	109619-03-02A	EA CAP-ROCKER, BLACK FROM: 03-08-93 THRU: 99-99-99
19	M05859-01-D18	EA PANEL-VALANCE, ENTRY DOOR - INNER LOWER - ASH GRAY
19	M05820-03-D18	EA PANEL-VALANCE, ENTRY DOOR - OUTER - ASH GRAY

EXTERIOR BODY GROUP (CONTINUED)

BODY PANELS & TRIM (CONTINUED)



1993 WINNEBAGO TABLE OF CONTENTS

INTRODUCTION	A-01 - A-02
ABBREVIATIONS	A-03
ALPHABETICAL INDEX	A-04 - A-08
WSM35RQ	A-07 - F-12

1993 WSM35RQ INDEX

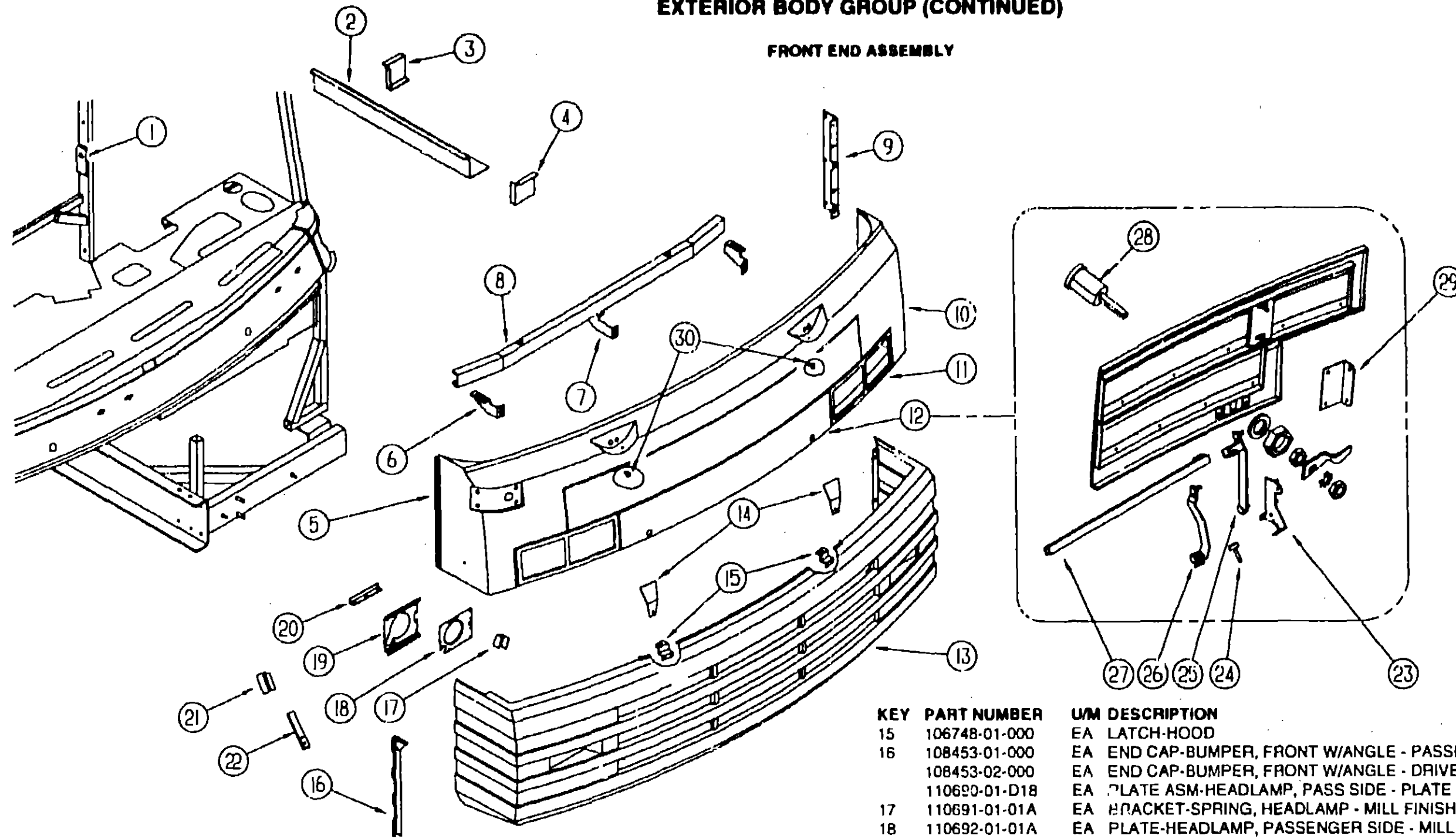
FLOOR PLAN	A-07 - A-08
ACCESSORIES	A-09
AUDIO VIDEO	A-10 - A-13
BATH	A-14 - A-18
BEDROOM	A-19 - A-20
CHASSIS	A-21 - B-04
CURTAIN & CUSHION	B-05 - B-17
DINETTE	B-18 - B-19
DRIVERS COMPARTMENT	B-20 - B-24
ELECTRICAL	C-01 - C-07
EXTERIOR BODY	C-08 - C-18
GALLEY	C-19 - D-04
GENERATOR	D-05 - D-06
HEATING & A/C	D-07 - D-14
INTERIOR FINISH	D-15 - D-18
LABEL	D-19 - E-01
LP	E-02
LOUNGE	E-03 - E-04
SEALANTS & FASTENERS	E-05 - E-09
WATER & SEWAGE	E-10 - E-13
WIND/JW, VENT AND	
EXTERIOR DOOR	E-14 - F-08
WINDSHIELD & WIPER	F-09 - F-12

KEY	PART NUMBER	U/M	DESCRIPTION
20	109619-04-01A	EA	CAP-ROCKER, ASH GRAY FROM: 00-00-00 THRU: 03-07-93
20	109619-04-02A	EA	CAP-ROCKER, BLACK FROM: 03-08-93 THRU: 99-99-99
21	109505-01-D18	EA	PANEL-ROCKER
22	107370-01-000	EA	RETAINER-TRIM, SIDEWALL - 305MM LONG - EXTRUDED ALUMINUM
23	107368-01-000	EA	HANGER-VALANCE
24	107369-01-01A	EA	COVER-TRIM, 4623MM LONG - SILVER
25	108933-03-D18	EA	WHEEL LIP ASM-PASSENGER SIDE, W/CUTOUT
	107895-05-000	EA	HINGE ASM-DOUBLE PIVOT, W/SPRING & U-CHANNEL - 90 DEGREE FROM: 05-17-93 THRU: 99-99-99
	106993-01-000	EA	HINGE-DOUBLE PIVOT, SPRING - 90 DEGREE W/O U-CHANNEL FROM: 00-00-00 THRU: 06-17-93
	106993-04-000	EA	HINGE-DOUBLE PIVOT, SPRING - 90 DEGREE W/O U-CHANNEL FROM: 06-18-93 THRU: 99-99-99
26	092041-02-01A	EA	TRIM-REAR CAP TO SIDEWALL, BUFF - 2 USED
	091985-01-04A	FT	INSERT-TRIM, REAR CAP TO SIDEWALL - BUFF

KEY	PART NUMBER	U/M	DESCRIPTION
27	P08568-01-D18	EA	SIDEWALL-PASSENGER
28	103802-02-04A	EA	RAIL-AWNING, BUFF
28	103801-03-01A	EA	TRIM-ROOF TO SIDEWALL, W/DRAIN HOLES - 643.2MM LONG - BUFF
29	108497-02-01A	EA	END CAP-COVER TRIM, LEFT - LIGHT GRAY
30	108497-01-01A	EA	END CAP-COVER TRIM, RIGHT - LIGHT GRAY
	094362-02-000	EA	CLIP-CHRISTMAS TREE, FLAT HEAD - .5" X .95"
	107865-01-000	EA	ROD-SUPPORT, W/BENT ENDS - VALANCE PANEL - 363MM LONG
	107865-07-000	EA	ROD-SUPPORT, W/BENT ENDS - VALANCE PANEL - 365MM LONG
	107865-09-000	EA	ROD-SUPPORT, W/BENT ENDS - VALANCE PANEL - 320MM LONG

EXTERIOR BODY GROUP (CONTINUED)

FRONT END ASSEMBLY



1993 WINNEBAGO TABLE OF CONTENTS

INTRODUCTION	A-01 -	A-02
ABBREVIATIONS		A-03
ALPHABETICAL INDEX	A-04 -	A-06
WSM35RQ	A-07 -	F-12

1993 WSM35RQ INDEX

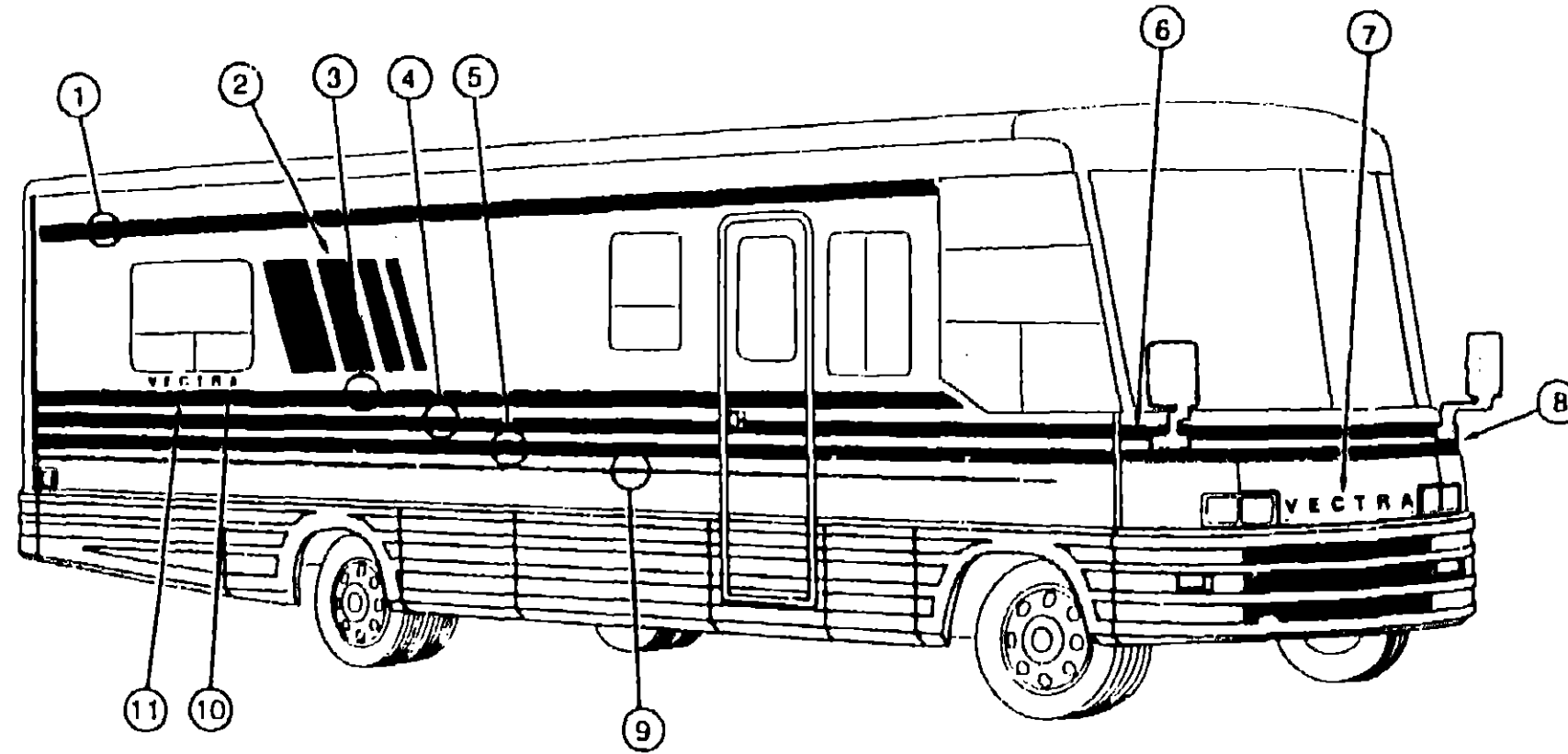
FLOOR PLAN	A-07 -	A-08
ACCESSORIES		A-09
AUDIO VIDEO	A-10 -	A-13
BATH	A-14 -	A-18
BEDROOM	A-19 -	A-20
CHASSIS	A-21 -	B-04
CURTAIN & CUSHION	B-05 -	B-17
DINETTE	B-18 -	B-19
DRIVERS COMPARTMENT	B-20 -	B-24
ELECTRICAL	C-01 -	C-07
EXTERIOR BODY	C-08 -	C-18
GALLEY	C-19 -	D-04
GENERATOR	D-05 -	D-06
HEATING & A/C	D-07 -	D-14
INTERIOR FINISH	D-15 -	D-18
LABEL	D-19 -	E-01
LP		E-02
LOUNGE	E-03 -	E-04
SEALANTS & FASTENERS	E-05 -	E-09
WATER & SEWAGE	E-10 -	E-13
WINDOW, VENT AND		
EXTERIOR DOOR	E-14 -	F-08
WINDSHIELD & WIPER	F-09 -	F-12

KEY	PART NUMBER	U/M DESCRIPTION
1	070579-06-000	EA PLATE-ANCHOR, W/7/16 WELD NUT - 1.5" X 3.3"
2	106746-01-000	EA PANEL-STEPWELL
3	106747-01-000	EA PANEL-STEPWELL, END - RIGHT
4	106747-02-000	EA PANEL-STEPWELL, END - LEFT
5	089922-15-000	EA TRIM-FRONT END TO SIDEWALL, 31.5 X 566MM - METAL - BUFF
6	107411-01-000	EA BRACKET-SUPPORT, PASSENGER SIDE - BUMPER GRILLE
	107411-02-000	EA BRACKET-SUPPORT, DRIVER SIDE - BUMPER GRILLE
7	107410-01-000	EA BRACKET-SUPPORT, CENTER - BUMPER GRILLE
8	P07408-01-000	EA CHANNEL-BUMPER, FRONT - E-COAT
9	M07225-01-000	EA BRACKET-SUPPORT, FRONT BUMPER PANEL TO WHEEL PANEL - W/LIP
10	M05746-01-D18	EA FRONT END-FIBERGLASS, W/HEADLAMPS - BUFF
	077071-01-000	EA WASHER-FENDER, 3/16" ID X 1" OD
11	106540-02-01A	EA BEZEL-HEADLAMP, DRIVER - BUFF
	106540-01-01A	EA BEZEL-HEADLAMP, PASSENGER - BUFF
	007157-05-000	EA NUT-WELL, HEADLIGHT BEZEL
12	106538-01-D18	EA PANEL ASM-HOOD, W/LATCH & PLATES
13	P10059-01-D18	EA BUMPER-FRONT, W/O FOG LAMP
13	P10059-02-D18	EA BUMPER-FRONT, W/FOG LAMP
	P07579-01-000	EA PLATE-BACKING, W/E-COAT
	107230-02-D18	EA GRILLE ASM-MESH
14	106765-01-000	EA SUPPORT-BOLT, HOOD ADJUSTING

KEY	PART NUMBER	U/M DESCRIPTION
15	106748-01-000	EA LATCH-HOOD
16	108453-01-000	EA END CAP-BUMPER, FRONT W/ANGLE - PASSENGER SIDE
	108453-02-000	EA END CAP-BUMPER, FRONT W/ANGLE - DRIVER SIDE
	110690-01-D18	EA PLATE ASM-HEADLAMP, PASS SIDE - PLATE & BRACKETS (ITEMS 12,13 & 14)
17	110691-01-01A	EA BRACKET-SPRING, HEADLAMP - MILL FINISH
18	110692-01-01A	EA PLATE-HEADLAMP, PASSENGER SIDE - MILL FINISH
	110692-02-01A	EA PLATE-HEADLAMP, DRIVER SIDE - MILL FINISH
19	110783-01-01A	EA BRACKET-HEADLAMP, PASSENGER SIDE - MILL FINISH
	110783-02-01A	EA BRACKET-HEADLAMP, DRIVER SIDE - MILL FINISH
20	110792-01-000	EA ANGLE-SUPPORT, HEADLAMP
21	107486-01-02A	EA BRACKET-VALANCE, LOWER - FRONT BUMPER & FRONT PANELS - BLACK FROM: 00-00-00 THRU: 03-27-94
22	115384-01-01A	EA STRAP-BUMPER TO WHEELWELL, BLACK FROM: 03-28-94 THRU: 99-99-99
23	106613-03-000	EA BRACKET-LINK, HINGE - HOOD PANEL - RIGHT SIDE
	106613-04-000	EA BRACKET-LINK, HINGE - HOOD PANEL - LEFT SIDE
24	058786-02-000	EA BOLT-ADJUSTING, HOOD - W/BLACK PAD - 5/16" #18 X 1.25"
25	106618-01-000	EA LINK-HINGE, UPPER - HOOD PANEL - RIGHT SIDE
	106618-02-000	EA LINK-HINGE, UPPER - HOOD PANEL - LEFT SIDE
26	106612-03-000	EA LINK-HINGE, LOWER - HOOD PANEL - RIGHT SIDE
	106612-04-000	EA LINK-HINGE, LOWER - HOOD PANEL - LEFT SIDE
27	105096-04-000	EA TUBE-TIMING, W/NUTS - HOOD PANEL
	105096-03-000	EA TUBE-TIMING, W/O NUTS - HOOD PANEL
28	102330-01-000	EA LATCH-SINGLE HOLE, VISE ACTION
	102328-01-000	EA KEY-LATCH
29	106749-01-000	EA ANGLE-LINK, HOOD PANEL - RIGHT SIDE
	106749-02-000	EA ANGLE-LINK, HOOD PANEL - LEFT SIDE
	07236C-02-000	EA TRIM-VINYL, EDGE - BLACK - GM 14004305 (ON FRONT END ASM)
30	058786-01-000	EA BOLT-ADJUSTING, HOOD - W/BLACK PAD - 5/16" #18 X 2"

EXTERIOR BODY GROUP (CONTINUED)

DECALS STRIPES & PAINT



**1993 WINNEBAGO
TABLE OF CONTENTS**

INTRODUCTION	A-01 -	A-02
ABBREVIATIONS		A-03
ALPHABETICAL INDEX	A-04 -	A-08
WSM35RQ	A-07 -	F-12

1993 WSM35RQ INDEX

FLOOR PLAN	A-07 -	A-08
ACCESSORIES		A-09
AUDIO VIDEO	A-10	A-13
BATH	A-14 -	A-18
BEDROOM	A-19 -	A-20
CHASSIS	A-21 -	B-04
CURTAIN & CUSHION	B-05 -	B-17
DINETTE	B-18 -	B-19
DRIVERS COMPARTMENT	B-20 -	B-24
ELECTRICAL	C-01 -	C-07
EXTERIOR BODY	C-08 -	C-18
GALLEY	C-19 -	D-04
GENERATOR	D-05 -	D-06
HEATING & A/C	D-07 -	D-14
INTERIOR FINISH	D-15 -	D-18
LABEL	D-19 -	E-01
LP		E-02
LOUNGE	E-03 -	E-04
SEALANTS & FASTENERS	E-05 -	E-09
WATER & SEWAGE	E-10 -	E-13
WINDOW, VENT AND		
EXTERIOR DOOR	E-14 -	F-08
WINDSHIELD & WIPER	F-09 -	F-12

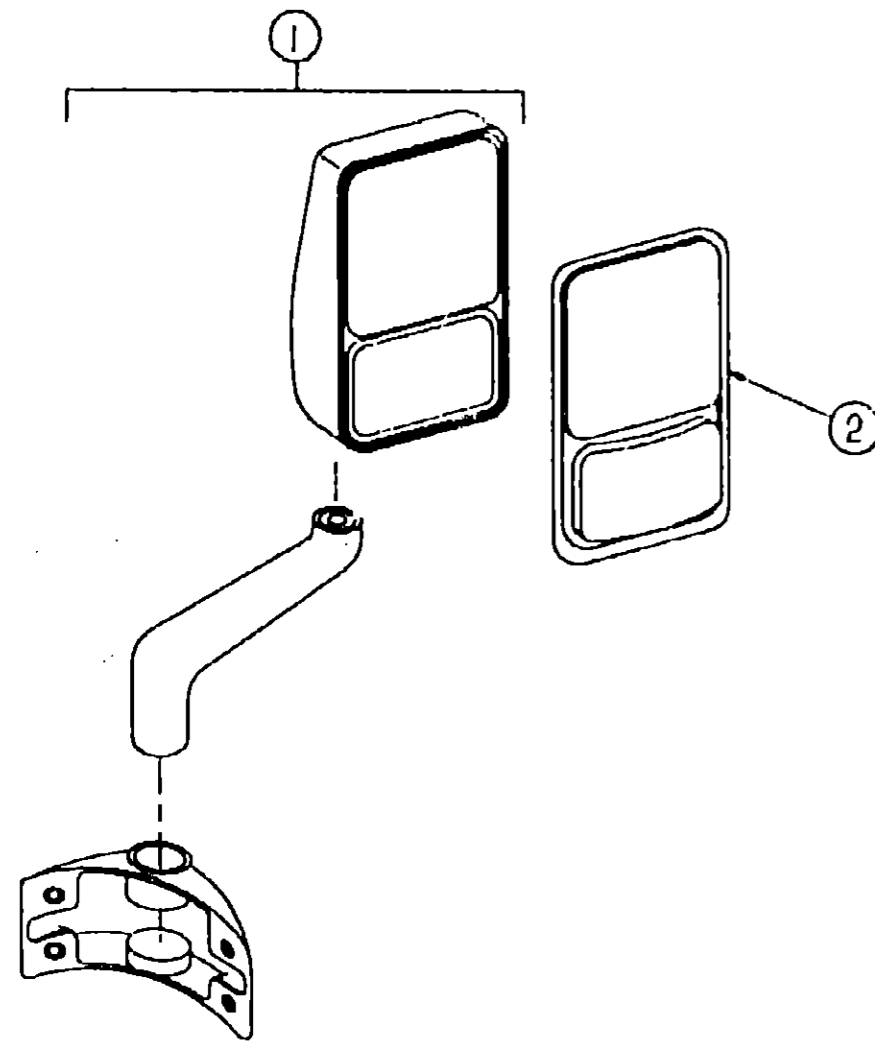
KEY	PART NUMBER	U/M DESCRIPTION
1	094443-17-01A	FT FILM-MULTISTRIPE, 114.3MM WIDE - 3 LINES OF LIGHT BLUE (D18, D19, D20)
1	094443-17-02A	FT FILM-MULTISTRIPE, 114.3MM WIDE - 3 LINES OF DARK GRAPE/QUARTZ (D19 ONLY) OPTION FOR D19 COLOR CODES ONLY
2	107565-01-01A	EA DECAL-ANGLES, PASSENGER SIDE - TOPAZ BLUE/LIGHT BLUE (D18, D19, D20)
2	107565-01-02A	EA DECAL-ANGLES, PASSENGER SIDE - DARK GRAPE/QUARTZ (D19 ONLY) OPTION FOR D19 COLOR CODES ONLY
	107565-02-01A	EA DECAL-ANGLES, DRIVER SIDE - TOPAZ BLUE/LIGHT BLUE (D18, D19, D20)
	107565-02-02A	EA DECAL-ANGLES, DRIVER SIDE - DARK GRAPE/QUARTZ (D19 ONLY) OPTION FOR D19 COLOR CODES ONLY
3	105781-13-01A	FT FILM-MULTISTRIPE, 127MM WIDE - 2 LINES OF LIGHT BLUE (D18, D19, D20)
3	105781-13-02A	FT FILM-MULTISTRIPE, 127MM WIDE - 2 LINES OF DARK GRAPE/QUARTZ (D19 ONLY) OPTION FOR D19 COLOR CODES ONLY
4	105781-14-01A	FT FILM-MULTISTRIPE, 76.2MM WIDE - 2 LINES OF BLACK/TOPAZ BLUE (D18, D19, D20)
4	105781-14-03A	FT FILM-MULTISTRIPE, 76.2MM WIDE - 2 LINES OF BLACK/DARK GRAPE (D19 ONLY) OPTION FOR D19 COLOR CODES ONLY
5	105781-14-02A	FT FILM-MULTISTRIPE, 76.2MM WIDE - 2 LINES OF BLACK/LIGHT BLUE (D18, D19, D20)
5	105781-14-04A	FT FILM-MULTISTRIPE, 76.2MM WIDE - 2 LINES OF BLACK/QUARTZ (D19 ONLY) OPTION FOR D19 COLOR CODES ONLY
6	107564-01-01A	EA DECAL-CORNER, PASSENGER FRONT - TOPAZ BLUE/LIGHT BLUE (D18, D19, D20)
6	107564-01-02A	EA DECAL-CORNER, PASSENGER FRONT - DARK GRAPE/QUARTZ/BLACK (D19 ONLY) OPTION FOR D19 COLOR CODES ONLY
7	107566-02-01A	EA DECAL-VECTRA, WHITE/GRAY/BUFF FROM: 00-00-00 THRU: 11-08-92
7	107567-01-01A	EA DECAL-VECTRA, 3-D - LARGE - BUFF FROM: 11-09-92 THRU: 99-99-99
7	107567-02-01A	EA DECAL-VECTRA, 3-D - SMALL - WILLOW

KEY	PART NUMBER	U/M DESCRIPTION
8	107564-02-01A	EA DECAL-CORNER, DRIVER FRONT - TOPAZ BLUE/LIGHT BLUE (D18, D19, D20)
8	107564-02-02A	EA DECAL-CORNER, DRIVER FRONT - DARK GRAPE/QUARTZ/BLACK (D19 ONLY) OPTION FOR D19 COLOR CODES ONLY
9	105781-11-02A	FT FILM-MULTISTRIPE, 50.8MM WIDE - 2 LINES OF SILVER (D18, D19, D20) FROM: 11-16-92 THRU: 99-99-99
9	105781-11-04A	FT FILM-MULTISTRIPE, 50.8MM WIDE - 2 LINES OF DARK GRAPE (D19 ONLY) FROM: 11-16-92 THRU: 99-99-99
		OPTION FOR D19 COLOR CODES ONLY
10	107566-01-01A	EA DECAL-VECTRA, TOPAZ BLUE (D18, D19, D20)
10	107566-01-02A	EA DECAL-VECTRA, DARK GRAPE (D19 ONLY) OPTION FOR D19 COLOR CODES ONLY
	109506-01-000	EA FILM-URETHANE, PROTECTANT FROM: 08-03-92 THRU: 99-99-99
	106149-02-01A	FT DECAL-VINYL STRIPING, 3"
	084075-01-000	EA DECAL-"BY WINNEBAGO INDUSTRIES", BLACK
	093681-39-01A	FT FILM-74MM WIDE, MATTE BLACK
11	106004-01-04A	EA DECAL-DIESEL, BUFF/TOPAZ & BLUE
	111317-01-01A	EA DECAL-TURBO FROM: 03-01-93 THRU: 99-99-99

DUPONT COLOR CODES

TOPAZ BLUE	G9849
OFF WHITE	L8723
AZTEC SILVER	45406
PEARL FAWN METALLIC	92654
BLACK	99
BUFF	G9692

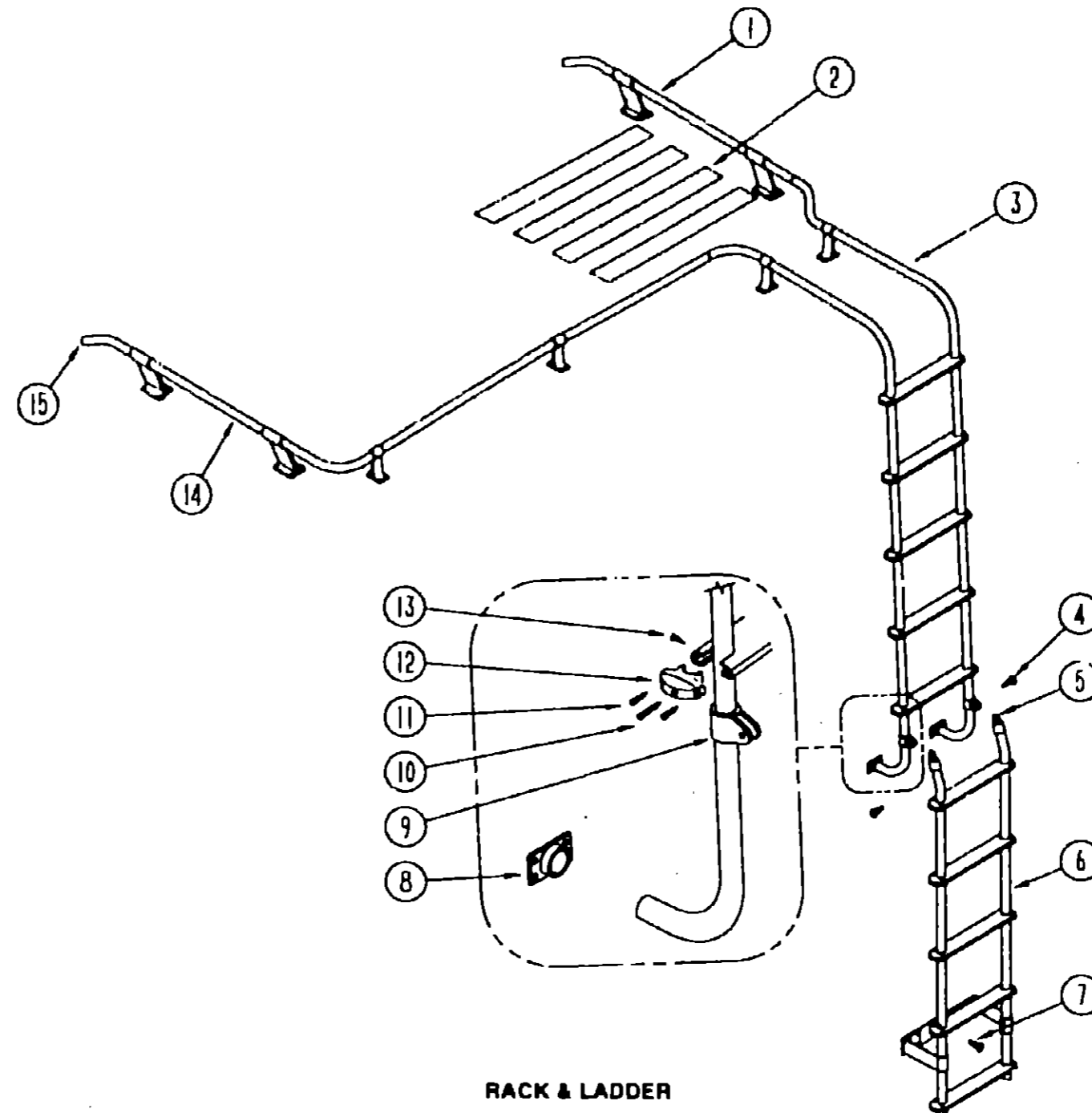
EXTERIOR BODY GROUP (CONTINUED)



EXTERIOR MIRRORS

KEY	PART NUMBER	U/M DESCRIPTION
1	108699-01-01A	EA MIRROR-EXTERIOR, ADJUSTABLE - PASS W/ARM & MOUNT - VELVAC 713224-7
2	106015-01-703	EA KIT-EXTERIOR MIRROR, W/BEZEL, FLAT & CONVEX GLASS - PASSENGER
1	108699-02-01A	EA MIRROR-EXTERIOR, ADJUSTABLE - DR W/ARM & MOUNT - VELVAC 713225-7
2	106015-02-702	EA KIT-EXTERIOR MIRROR, W/BEZEL, FLAT & CONVEX GLASS - DRIVER
1	108699-03-01A	EA MIRROR-EXTERIOR, REMOTE/HEAT - PASS W/ARM & MOUNT - VELVAC 713222-7
2	086261-01-704	EA KIT-EXTERIOR MIRROR, W/BEZEL, FLAT & CONVEX GLASS - PASSENGER
1	108699-04-01A	EA MIRROR-EXTERIOR, REMOTE/HEAT - DR W/ARM & MOUNT - VELVAC 713223-7
2	086261-02-701	EA KIT-EXTERIOR MIRROR, W/BEZEL, FLAT & CONVEX GLASS - DRIVER
	087695-01-000	EA SWITCH-HEATER, EXTERIOR MIRROR
	088246-01-000	EA SWITCH-REMOTE, EXTERIOR MIRROR - SQUARE PUSH - VELVAC 7471240
	108825-01-000	EA GASKET-MIRROR, INDUSTRIAL PRODUCTS

EXTERIOR BODY GROUP (CONTINUED)



RACK & LADDER

KEY	PART NUMBER	U/M DESCRIPTION
1	107438-14-D18	EA RACK-PASSENGER SIDE
2	038327-01-000	EA TAPE-ANTI SLIP, 2' X 60'
3	108403-01-D18	EA LADDER-UPPER
4	108985-01-000	EA PIN-QUICK RELEASE, SINGLE ACTION - HARDWELL LG4ST750
5	076767-11-000	EA CABLE ASM, 1/16 STEEL - 2 USED
6	081115-01-000	EA CAP-TOP, 1 INCH
7	108402-01-D18	EA LADDER-LOWER
7	081055-01-000	EA SPRING GRIP-INTERNAL TOOTH - LADDER
7	081056-01-000	EA PIN-QUICK RELEASE, SINGLE ACTION - LADDER
8	076767-13-000	EA CABLE ASM, 1/16 STEEL - 1 USED
8	067165-01-000	EA MOUNTING BRACKET-LADDER, LOWER
9	081116-01-000	EA SLIDE-TOP, RACK & LADDER - 1"
10	000G67-10-36T	EA SCREW-10-12 X 2.25 PPH, BLACK
11	000G39-06-10U	EA SCREW-SF/DR, 6-20 X 5/8 PPH
12	076980-02-000	EA END CAP-STEP, BLACK
13	000G39-10-16U	EA SCREW-SF/DR, 10-16 X 1.00 PPH
14	107438-15-D18	EA RACK-DRIVER SIDE
15	081114-01-000	EA PLUG-ROUND, RACK & LADDER ENDS - PLASTIC - 1" DIA.
	112384-01-000	EA SPONGE-BRACKET, RACK & LADDER

**1993 WINNEBAGO
TABLE OF CONTENTS**

INTRODUCTION	A-01 - A-02
ABBREVIATIONS	A-03
ALPHABETICAL INDEX	A-04 - A-08
WSM35RQ	A-07 - F-12

1993 WSM35RQ INDEX

FLOOR PLAN	A-07 - A-08
ACCESSORIES	A-09
AUDIO VIDEO	A-10 - A-13
BATH	A-14 - A-18
BEDROOM	A-19 - A-20
CHASSIS	A-21 - B-04
CURTAIN & CUSHION	B-05 - B-17
DINETTE	B-18 - B-19
DRIVERS COMPARTMENT	B-20 - B-24
ELECTRICAL	C-01 - C-07
EXTERIOR BODY	C-08 - C-18
GALLEY	C-19 - D-04
GENERATOR	D-05 - D-06
HEATING & A/C	D-07 - D-14
INTERIOR FINISH	D-15 - D-18
LABEL	D-19 - E-01
LP	E-02
LOUNGE	E-03 - E-04
SEALANTS & FASTENERS	E-05 - E-09
WATER & SEWAGE	E-10 - E-13
WINDOW, VENT AND	
EXTERIOR DOOR	E-14 - F-08
WINDSHIELD & WIPER	F-09 - F-12

GALLEY GROUP

NORCOLD 682 REFRIGERATOR W/ICE MAKER

KEY	PART NUMBER	U/M	DESCRIPTION
	054450-01-000	EA	LEVEL-REFRIGERATOR
	065225-02-000	EA	PLATE-TIEDOWN, REFRIGERATOR
	093646-01-000	EA	BRACKET ASM-TIEDOWN, RIGHT SIDE - REFRIGERATOR
	093646-02-000	EA	BRACKET ASM-TIEDOWN, LEFT SIDE - REFRIGERATOR
	104137-04-01A	EA	REFRIG-LARGE DOUBLE DOOR, W/ICE MAKER - NORCOLD 682-MI RHBL
	064473-01-702	EA	ORIFICE-NORCOLD 61452122
	084880-01-715	EA	VALVE-SHUT OFF, MANUAL - NORCOLD 61697922
	075217-01-734	EA	FUSE-3 AMP, NORCOLD 61538822
	075217-01-738	EA	SWITCH-HUMIDITY, NORCOLD 61525922
	084880-01-713	EA	CONNECTOR-MALE, INLET FITTING - NORCOLD 615256
	084880-01-718	EA	VALVE-GAS, NORCOLD 61551822
	084880-01-722	EA	CRISPER COVER - NORCOLD 615641
	084880-01-726	EA	HINGE BRACKET (CENTER HINGE), NORCOLD 61566523
	084880-01-731	EA	HINGE PIN, NORCOLD 61578123
	084880-01-732	EA	LATCH, NORCOLD 61578522
	084880-01-734	EA	BRACKET-HINGE, TOP RIGHT - BOTTOM LEFT - BROWN NORCOLD 61580837
	084880-01-735	EA	HINGE BRACKET, TOP LEFT-BOTTOM RIGHT BROWN - NORCOLD 61580937
	084880-01-739	EA	END CAP (SPRING CATCH) BROWN, NORCOLD 61593722
	084880-01-740	EA	END CAP (STOP CATCH), NORCOLD 61593830
	084880-01-744	EA	HINGE PIN SHAFT (CENTER HINGE), NORCOLD 61566723
	084880-01-746	EA	CABLE, NORCOLD 61571522
	064880-01-747	EA	PLUG-HOLE, NORCOLD 61582022
	084880-01-749	EA	HINGE BUSHING - NORCOLD 615807
	084880-01-753	EA	THERMISTER 78" W/CLIP - NORCOLD 61693822
	084880-01-761	EA	END CAP (SPRING CATCH) BLACK 61593730
	084880-02-700	EA	LOWER FLANGE 8663 & 8683, NORCOLD 61622123
	084880-03-701	EA	COOLING UNIT (HORIZONTAL BURNER) - NORCOLD 61687337
	084880-03-705	EA	BRACKET FOR INTERIOR REFRIGERATOR LIGHT - NORCOLD 61629722
	084880-03-706	EA	LAMP (BULB) - NORCOLD 61628922
	084880-03-707	EA	COVER F/LAMP OR BULB - NORCOLD 61627922
	088248-01-706	EA	BURNER-HORIZONTAL, NORCOLD 61588122
	088248-01-707	EA	ELECTRODE-SENSOR, (HORIZONTAL), NORCOLD 61573322
	088248-01-708	EA	ELECTRODE-IGNITION, (HORIZONTAL) - NORCOLD 61573222
	088248-01-709	EA	HEATER-AC, (HORIZONTAL) - NORCOLD 615627
	094039-01-700	EA	PRINTED CIRCUIT BOARD-3-WAY, NORCOLD 61647522
	094039-01-701	EA	EYEBROW-SHELL, 3-WAY - BLK - PLASTIC - NORCOLD 61669922
	094039-01-703	EA	PLATE-HINGE, LEFT - BROWN - NORCOLD 61631422
	094039-01-704	EA	PLATE-HINGE, BLACK - NORCOLD 61631430
	094039-01-709	EA	PLATE-HINGE, TOP RIGHT - LEFT BOTTOM - BROWN - NORCOLD 61631322
	094039-01-710	EA	PLATE-HINGE, BLACK - NORCOLD 61631330
	094039-01-712	EA	DOOR BIN (GRAY) SILVER BORDER - NORCOLD 61564060
	094039-01-713	EA	DOOR GASKET (LOWER) GRAY - NORCOLD 61568030
	094039-01-714	EA	LOWER DOOR LINER (BROWN/WHITE) - NORCOLD 61591737-B
	094039-01-715	EA	LOWER DOOR LINER (BLACK/WHITE) - NORCOLD 61581738-B
	094039-01-716	EA	LOWER DOOR HANDLE ASM. (BROWN) - NORCOLD 61649937
	094039-01-717	EA	LOWER DOOR HANDLE ASM. (BLACK) - NORCOLD 61649938
	094039-01-718	EA	MILK BIN (GRAY) W/SILVER TRIM - NORCOLD 61579460
	094039-01-719	EA	DAIRY KEEPER (GRAY) SILVER TRIM, NORCOLD 61580460
	094039-01-720	EA	CAB ASSEMBLY (BROWN FRAME/WHITE LINER) - NORCOLD 61663237
	094039-01-721	EA	CAB ASSY(BLK FRAME WHT LINER - NORCOLD 61663238
	094039-01-722	EA	HOLE PLUG (BLACK) HINGE HOLES - NORCOLD 61582030
	094039-01-723	EA	HINGE BRACKET, TOP RIGHT-BOTTOM LEFT - BROWN - NORCOLD 61580838
	094039-01-724	EA	BRACKET-HINGE, TOP LEFT - BOTTOM FRONT - BLACK - NORCOLD 61580938
	094039-01-725	EA	HINGE PIN (BLACK) (MALE) - NORCOLD 61578130
	094039-01-726	EA	SHELF-FREEZER EVAPORATOR, NORCOLD 615236
	094039-01-730	EA	HINGE PIN SHAFT (BLACK) CENTER HINGE - NORCOLD 61566730
	094039-01-731	EA	CRISPER (GRAY) SILVER TRIM - NORCOLD 61571360
	094039-01-732	EA	FRONT COVER (BLACK) BOTTOM TRIM - NORCOLD 61622130

GALLEY GROUP (CONTINUED)

NORCOLD 682 REFRIGERATOR W/ICE MAKER (CONTINUED)

KEY	PART NUMBER	U/M	DESCRIPTION
	094039-01-733	EA	WIRE SHELF (MIDDLE) - NORCOLD 61563822
	094039-01-734	EA	WIRE SHELF (TOP) W/RISE - NORCOLD 61563722
	094039-01-735	EA	INSIDE DRIP TRAY (WHITE), NORCOLD 61572830
	094039-01-736	EA	SWITCH-LIGHT, BLACK - NORCOLD 615810
	094039-01-739	EA	SHELF (CUTOUT), NORCOLD 61648722
	094039-01-742	EA	TRAY-F/CUTOUT SHELF, NORCOLD 61680922
	094039-04-700	EA	PRINTED CIRCUIT BOARD-2 WAY, NORCOLD 61647322
	094039-04-702	EA	POWER SUPPLY (2 WAY) - NORCOLD 61647422
	094039-07-700	EA	ICE MAKER, NORCOLD 61684937
	094039-07-701	EA	SHELF-WIRE, FREEZER - TALL - NORCOLD 61667722
	094039-07-702	EA	SHELF-WIRE, FREEZER - SHORT - NORCOLD 61674122
	094039-07-703	EA	SHELF-WIRE, FREEZER - SHORT - NORCOLD 61674122
	094039-07-704	EA	VALVE-WATER FILL, NORCOLD 61657022

NORCOLD 682 REFRIGERATOR

KEY	PART NUMBER	U/M	DESCRIPTION
	054450-01-000	EA	LEVEL-REFRIGERATOR
	065225-02-000	EA	PLATE-TIEDOWN, REFRIGERATOR
	093646-01-000	EA	BRACKET ASM-TIEDOWN, RIGHT SIDE - REFRIGERATOR
	093646-02-000	EA	BRACKET ASM-TIEDOWN, LEFT SIDE - REFRIGERATOR
	104137-02-01A	EA	REFRIG-LARGE DOUBLE DOOR 2-WAY - NORCOLD 682 RH BLK
	064473-01-702	EA	ORIFICE-NORCOLD 61452122
	084880-01-715	EA	VALVE-SHUT OFF, MANUAL - NORCOLD 61697922
	075217-01-734	EA	FUSE-3 AMP, NORCOLD 61538822
	075217-01-738	EA	SWITCH-HUMIDITY, NORCOLD 61525922
	084880-01-713	EA	CONNECTOR-MALE, INLET FITTING - NORCOLD 615256
	084880-01-715	EA	VALVE-SHUT OFF, MANUAL - NORCOLD 61697922
	084880-01-718	EA	VALVE-GAS, NORCOLD 61551822
	084880-01-722	EA	CRISPER COVER - NORCOLD 615641
	084880-01-726	EA	HINGE BRACKET (CENTER HINGE), NORCOLD 61566523
	084880-01-731	EA	HINGE PIN, NORCOLD 61578123
	084880-01-732	EA	LATCH, NORCOLD 61578522
	084880-01-734	EA	BRACKET-HINGE, TOP RIGHT - BOTTOM LEFT - BROWN NORCOLD 61580837
	084880-01-735	EA	HINGE BRACKET, TOP LEFT-BOTTOM RIGHT - BROWN - NORCOLD 61580937
	084880-01-739	EA	END CAP (SPRING CATCH) BROWN, NORCOLD 61593722
	084880-01-740	EA	END CAP (STOP CATCH), NORCOLD 61593830
	084880-01-744	EA	HINGE PIN SHAFT (CENTER HINGE), NORCOLD 61566723
	084880-01-746	EA	CABLE, NORCOLD 61571522
	084880-01-747	EA	PLUG-HOLE, NORCOLD 61582022
	084880-01-749	EA	HINGE BUSHING - NORCOLD 615807
	084880-01-753	EA	THERMISTER 78" W/CLIP - NORCOLD 61693822
	084880-02-700	EA	LOWER FLANGE 8663&8683, NORCOLD 61622123
	084880-03-701	EA	COOLING UNIT (HORIZONTAL BURNER) - NORCOLD 61687337
	084880-03-705	EA	BRACKET FOR INTERIOR LIGHT - NORCOLD 61629722
	084880-03-706	EA	LAMP (BULB) - NORCOLD 61628922
	084880-03-707	EA	COVER FOR LAMP OR BULB - NORCOLD 61627922
	088248-01-706	EA	BURNER-HORIZONTAL, NORCOLD 61588122
	088248-01-707	EA	ELECTRODE-SENSOR, (HORIZONTAL) - NORCOLD 61573322
	088248-01-708	EA	ELECTRODE-IGNITION, (HORIZONTAL) - NORCOLD 61573222
	088248-01-709	EA	HEATER-AC, (HORIZONTAL) - NORCOLD 615627
	094039-01-700	EA	PRINTED CIRCUIT BOARD-3-WAY, NORCOLD 61647522
	094039-01-701	EA	EYEBROW-SHELL, 3-WAY - BLACK - PLASTIC - NORCOLD 61669922
	094039-01-703	EA	PLATE-HINGE, LEFT - BROWN - NORCOLD 61631422
	094039-01-704	EA	PLATE-HINGE, BLACK - NORCOLD 61631430
	094039-01-709	EA	PLATE-HINGE, TOP RIGHT - LEFT BOTTOM - BROWN - NORCOLD 61631322
	094039-01-710	EA	PLATE-HINGE, BLACK - NORCOLD 61631330

1993 WINNERAGO TABLE OF CONTENTS

INTRODUCTION	A-01 -	A-02
ABBREVIATIONS		A-03
ALPHABETICAL INDEX	A-04 -	A-06
WSM35RQ	A-07 -	F-12

1993 WSM35RQ INDEX

FLOOR PLAN	A-07 -	A-08
ACCESSORIES		A-09
AUDIO VIDEO	A-10	A-13
BATH	A-14 -	A-18
BEDROOM	A-19 -	A-20
CHASSIS	A-21 -	B-04
CURTAIN & CUSHION	B-05 -	B-17
DINETTE	B-18 -	B-19
DRIVERS COMPARTMENT	B-20 -	B-24
ELECTRICAL	C-01 -	C-07
EXTERIOR BODY	C-08 -	C-18
GALLEY	C-19 -	D-04
GENERATOR	D-05 -	D-06
HEATING & A/C	D-07 -	D-14
INTERIOR FINISH	D-15 -	D-18
LABEL	D-19 -	E-01
LP		E-02
LOUNGE	E-03 -	E-04
SEALANTS & FASTENERS	E-05 -	E-09
WATER & SEWAGE	E-10 -	E-13
WINDOW, VENT AND		
EXTERIOR DOOR	E-14 -	F-08
WINDSHIELD & WIPER	F-09 -	F-12

GALLEY GROUP (CONTINUED)

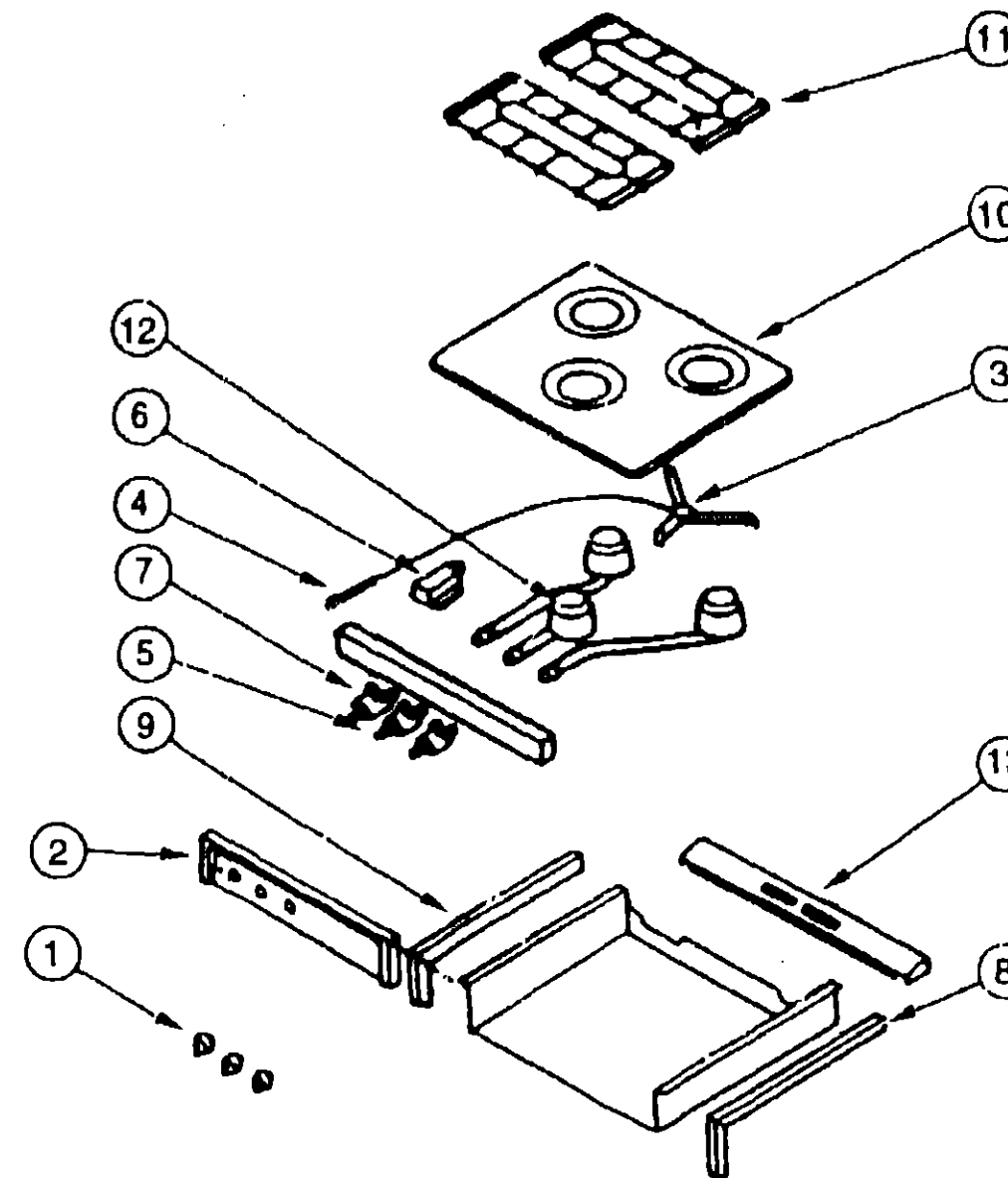
NORCOLD 682 REFRIGERATOR (CONTINUED)

KEY	PART NUMBER	U/M	DESCRIPTION
	094039-01-712	EA	DOOR BIN(GRAY)SILVER BORDER - NORCOLD 61564060
	094039-01-713	EA	DOOR GASKET(LOWER) GRAY - NORCOLD 61568030
	094039-01-714	EA	LOWER DOOR LINER (BROWN/WHITE) - NORCOLD 61581737-B
	094039-01-715	EA	LOWER DOOR LINER (BLACK/WHITE) - NORCOLD 61581738-B
	094039-01-716	EA	LOWER DOOR HANDLE ASM. (BROWN) - NORCOLD 61649937
	094039-01-717	EA	LOWER DOOR HANDLE ASM. (BLACK) - NORCOLD 61649938
	094039-01-718	EA	MILK BIN (GRAY)W/SILVER TRIM - NORCOLD 61573460
	094039-01-719	EA	DAIRY KEEPER (GRAY) SILVER TRIM, NORCOLD 61580460
	094039-01-720	EA	CAB ASSEMBLY (BROWN FRAME/WHITE LINER) - NORCOLD 61663237
	094039-01-721	EA	CAB ASM.(BLACK FRAME WHITE LINER - NORCOLD 61663238
	094039-01-722	EA	HOLE PLUG (BLACK) HINGE HOLES - NORCOLD 61582030
	094039-01-723	EA	HINGE BRACKET, TOP RIGHT BOTTOM - LEFT - BLACK - NORCOLD 61580838
	094039-01-724	EA	BRACKET-HINGE, TOP LEFT - BOTTOM RIGHT - BLACK - NORCOLD 61580938
	094039-01-725	EA	HINGE PIN (BLACK) (MALL) - NORCOLD 61578130
	094039-01-726	EA	SHELF-FREEZER EVAPORATOR, NORCOLD 615236
	094039-01-730	EA	HINGE PIN SHAFT(BLACK) CENTER HINGE - NORCOLD 61566730
	094039-01-731	EA	CRISPER (GRAY) SILVER TRIM - NORCOLD 61571360
	094039-01-732	EA	FRONT COVER(BLACK) BOTTOM TRIM - NORCOLD 61622130
	094039-01-733	EA	WIRE SHELF (MIDDLE) - NORCOLD 61563822
	094039-01-734	EA	WIRE SHELF (TOP) W/RISER - NORCOLD 61563722
	094039-01-735	EA	INSIDE DRIP TRAY (WHITE), NORCOLD 61572830
	094039-01-736	EA	SWITCH-LIGHT, BLACK - NORCOLD 615810
	094039-01-739	EA	SHELF (CUTOUT), NORCOLD 61646722
	094039-01-742	EA	TRAY-FOR CUTOUT SHELF, NORCOLD 61680922
	094039-04-700	EA	PRINTED CIRCUIT BOARD-2 WAY, NORCOLD 61647322
	094039-04-702	EA	POWER SUPPLY (2 WAY) - NORCOLD 61647422
	094039-01-726	EA	SHELF-FREEZER EVAPORATOR, NORCOLD 615236

DOMETIC ICE MAKER

KEY	PART NUMBER	U/M	DESCRIPTION
	077841-01-000	EA	BRACKET-TIEDOWN, TRIANGLE 9.5" LONG SIDE - RIGHT SIDE - STEEL
	077841-02-000	EA	BRACKET-TIEDOWN, TRIANGLE 9.5" LONG SIDE - LEFT SIDE - STEEL
	076799-01-000	EA	ICE MAKER-BLACK GLASS FRONT, 14" X 14.5" X 24.5" - DOMETIC
	076799-01-700	EA	FRAME-DOOR, DOMETIC 229
	076799-01-702	EA	PANEL-OUTER DOOR, DOMETIC 233
	076799-01-703	EA	PLATE-NAME, DOMETIC 501
	076799-01-704	EA	HINGE-PIVOT, W/TOP SCREW - DOMETIC 215
	076799-01-705	EA	HINGE-PIVOT, BOTTOM - DOMETIC 235
	076799-01-706	EA	GRILLE-VINYL COATED, DOMETIC 325
	076799-01-707	EA	CONNECTION-WATER LINE, DOMETIC 405
	076799-01-708	EA	PIN-CHAIN & LOCK, DOMETIC 41346-2
	076799-01-709	EA	TRIM KIT, DOMETIC 322
	076799-01-711	EA	MOTOR, DOMETIC 102
	076799-01-713	EA	SWITCH-S.P.D.T. - JENSEN 108 & 110 - DOMETIC
	076799-01-716	EA	VALVE-SOLENOID, DOMETIC 420
	076799-01-719	EA	CONTROL, DOMETIC 4548
	076799-01-725	EA	RELAY-TECUMSEH, DOMETIC 410
	076799-01-728	EA	GASKET-DOOR, DOMETIC 231

GALLEY GROUP (CONTINUED)



ATWOOD RANGE TOP

KEY	PART NUMBER	U/M	DESCRIPTION
	106936-03-01A	EA	BRACKET-TIEDOWN, STOVE - RIGHT SIDE - BLACK
	106936-09-01A	EA	BRACKET-TIEDOWN, STOVE - LEFT SIDE - BLACK
	106689-01-01A	EA	TOP-RANGE, 3 BURNER - BLACK - ATWOOD 53764
1	101593-01-703	EA	BURNER KNOB, ATWOOD 53000
2	106689-01-700	EA	MANIFOLD COVER, 3 BURNER - ATWOOD 53074
3	106689-01-701	EA	SPARK-IGNITOR ASM-HIGH OUTPUT, ATWOOD 53078
4	106689-01-702	EA	PIEZO PUSH BUTTON, ATWOOD 52279
5	106689-01-703	EA	VALVE-HIGH OUTPUT, ATWOOD 53047
6	106689-01-704	EA	REGULATOR W/EXTREME PRESSURE, ATWOOD 52154
7	106689-01-705	EA	VALVE-BURNER, ATWOOD 52123
8	106689-01-706	EA	TRIM-RIGHT HAND TOP & SIDE, BLACK - ATWOOD 53020
9	106689-01-707	EA	TRIM-LEFT HAND TOP & SIDE, BLACK - ATWOOD 53019
10	107246-01-700	EA	RANGE TOP (BLACK), ATWOOD 53083
11	107246-01-701	EA	GRATE, ATWOOD 53050
12	107246-01-710	EA	BURNER (HIGH OUTPUT), ATWOOD 53069
13	107323-01-705	EA	TRIM VENT, ATWOOD 53525
	107323-01-710	EA	GRATE CLIP, ATWOOD 53301
	107323-01-711	EA	RUBBER GRATE CUSHION, ATWOOD 53008

1993 WINNEBAGO TABLE OF CONTENTS

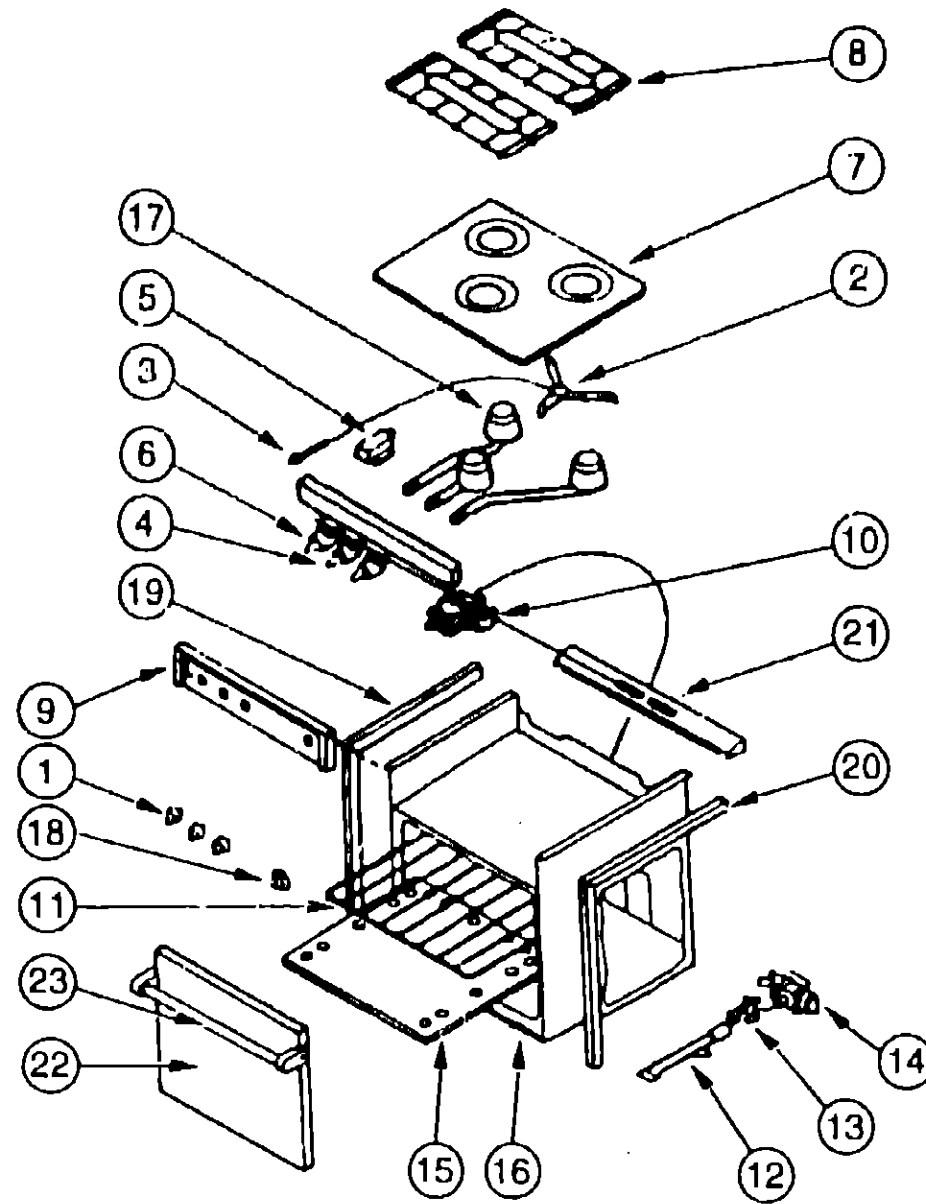
INTRODUCTION	A-01 -	A-02
ABBREVIATIONS		A-03
ALPHABETICAL INDEX	A-04 -	A-06
WSM35RQ	A-07 -	F-12

1993 WSM35RQ INDEX

FLOOR PLAN	A-07 -	A-09
ACCESSORIES		A-09
AUDIO VIDEO	A-10	A-13
BATH	A-14 -	A-18
BEDROOM	A-19 -	A-20
CHASSIS	A-21 -	B-04
CURTAIN & CUSHION	B-05 -	B-17
DINETTE	E-18 -	B-19
DRIVERS COMPARTMENT	B-20 -	B-24
ELECTRICAL	C-01 -	C-07
EXTERIOR BODY	C-08 -	C-18
GALLEY	C-19 -	D-04
GENERATOR	D-05 -	D-06
HEATING & A/C	D-07 -	D-14
INTERIOR FINISH	D-15 -	D-18
LABEL	D-19 -	E-01
LP		E-02
LOUNGE	E-03 -	E-04
SEALANTS & FASTENERS	E-05 -	E-09
WATER & SEWAGE	E-10 -	E-13
WINDOW, VENT AND		
EXTERIOR DOOR	E-14 -	F-08
WINDSHIELD & WIPER	F-09 -	F-12

GALLEY GROUP (CONTINUED)

ATWOOD RANGE W/OVEN



KEY	PART NUMBER	U/M	DESCRIPTION
	107109-09-01A	EA	BRACKET ASM-TIEDOWN, RIGHT SIDE - BLACK (RANGE W/OVEN)
	107109-15-01A	EA	BRACKET ASM-TIEDOWN, LEFT SIDE - BLACK (RANGE W/OVEN)
	107246-01-01A	EA	RANGE-W/OVEN, BLACK - ATWOOD R-2136BG
1	101593-01-703	EA	BURNER KNOB, ATWOOD 3000
2	106689-01-701	EA	SPARK-IGNITOR ASM, HIGHOUTPUT - ATWOOD 53078
3	106689-01-702	EA	PIEZO PUSH BUTTON, ATWOOD 52279
4	106689-01-703	EA	VALVE-HIGH OUTPUT, ATWOOD 53047
5	106689-01-704	EA	REGULATOR W/EXTREME PRESSURE, ATWOOD 52154
6	106689-01-705	EA	VALVE-BURNER, ATWOOD 52123
7	107246-01-700	EA	RANGE TOP (BLACK), ATWOOD 53083
8	107246-01-701	EA	GRATE, ATWOOD 53050
9	107246-01-702	EA	MANIFOLD COVER, ATWOOD 53072
10	107246-01-703	EA	THERMOSTAT, ATWOOD 52122
11	107246-01-704	EA	RACK-OVEN, ATWOOD 51069
12	107246-01-705	EA	BURNER-OVEN, ATWOOD 52018
13	107246-01-706	EA	PILOT ASSEMBLY-OVEN, ATWOOD 52242
14	107246-01-707	EA	VALVE-SAFETY, ATWOOD 51177
15	107246-01-708	EA	SHELF-OVEN, BOTTOM, ATWOOD 51657
16	107246-01-709	EA	TRIM-BOTTOM, BLACK, ATWOOD 53526D
17	107246-01-710	EA	BURNER (HIGH OUTPUT), ATWOOD 53069
18	107246-01-711	EA	KNOB, THERMOSTAT, ATWOOD 53001
19	107323-01-702	EA	TRIM-LEFT, ATWOOD 53023
20	107323-01-703	EA	TRIM-RIGHT, ATWOOD 53024
21	107323-01-705	EA	TRIM VENT, ATWOOD 53525
	107323-01-710	EA	GRATE CLIP, ATWOOD 53301
	107323-01-711	EA	RUBBER GRATE CUSHION, ATWOOD 53008
22	107323-01-713	EA	BLACKGLASS INSERT-W/HOLE, ATWOOD 53126
23	107323-01-714	EA	HANDLE FOR W/HOLE GLASS, ATWOOD 51112

1993 WINNEBAGO TABLE OF CONTENTS

INTRODUCTION	A-01 -	A-02
ABBREVIATIONS		A-03
ALPHABETICAL INDEX	A-04 -	A-06
WSM35RQ	A-07 -	F-12

1993 WSM35RQ INDEX

FLOOR PLAN	A-07 -	A-08
ACCESSORIES		A-09
AUDIO VIDEO	A-10	A-13
BATH	A-14 -	A-18
BEDROOM	A-19 -	A-20
CHASSIS	A-21 -	B-04
CURTAIN & CUSHION	B-05 -	B-17
DINETTE	B-18 -	B-19
DRIVERS COMPARTMENT	B-20 -	B-24
ELECTRICAL	C-01 -	C-07
EXTERIOR BODY	C-08 -	C-18
GALLEY	C-19 -	D-04
GENERATOR	D-05 -	D-06
HEATING & A/C	D-07 -	D-14
INTERIOR FINISH	D-15 -	D-18
LABEL	D-19 -	E-01
LP		E-02
LOUNGE	E-03 -	E-04
SEALANTS & FASTENERS	E-05 -	E-09
WATER & SEWAGE	E-10 -	E-13
WINDOW, VENT AND		
EXTERIOR DOOR	E-14 -	F-08
WINDSHIELD & WIPER	F-09 -	F-12

GALLEY GROUP (CONTINUED)

STOVE COVER

KEY	PART NUMBER	U/M	DESCRIPTION
	M05904-01-D18	EA	COVER ASM-STOVE, W/COUNTERTOP MATERIAL
	M05904-01-D19	EA	COVER ASM-STOVE, W/COUNTERTOP MATERIAL
	M05904-01-D20	EA	COVER ASM-STOVE, W/COUNTERTOP MATERIAL

RANGE HOODS

KEY	PART NUMBER	U/M	DESCRIPTION
	100258-25-01A	EA	HOOD-RANGE 22, W/MONITOR PANEL - BLACK - VENTLINE TMR5021SBD (U.S.)
	100258-26-01A	EA	HOOD-RANGE 22, W/MONITOR PANEL - BLACK - VENTLINE TMR5021SBC (CSA)
	075470-01-702	EA	SWITCH-ON/OFF, LVS CB484
	090973-01-700	EA	MOTOR - LVS CA508-1
	090973-01-702	EA	BLADE-FAN, LVS VA183-1
	092696-01-709	EA	BULB-912, VENTLINE VA415
	092696-01-710	EA	SOCKET-LIGHT, VENTLINE CB267-2
	092696-02-701	EA	LENS-LAMP, VENTLINE CC179
	075470-01-703	EA	SWITCH-ON/MOMENTARY, JENSEN RP1016
	096983-01-702	EA	SWITCH-TWO WAY MOMENTARY, VENTLINE 112
	096983-01-703	EA	SWITCH-ON/ON - JENSEN 115
	096983-01-707	EA	FILTER-GREASE, 8" X 8" - LVS CC246
	100258-11-700	EA	CIRCUIT BOARD, VENTLINE 5079-01
	100258-05-700	EA	FILTER-CHARCOAL
	100258-05-701	EA	SWITCH-FAN, 2 SPEED - RANGE HOOD - VENTLINE 117
	100258-06-700	EA	CONTROL PANEL ASM, VENTLINE 9510
	100258-06-701	EA	METAL FACE PLATE SCREENED, VENTLINE 9511
	100258-14-701	EA	PANEL ASM, VENTLINE 9078

MICROWAVE OVEN

KEY	PART NUMBER	U/M	DESCRIPTION
	102479-02-000	EA	OVEN-MICROWAVE, PANASONIC NN8500 (STANDARD)
	102479-01-000	EA	OVEN-MICROWAVE, PANASONIC NN8500 (CONVECTION)
	108888-01-000	EA	OVEN-MICROWAVE, QUASAR MQC-1103W (CONVECTION) FROM: 00-00-00 THRU: 02-07-93
	102479-01-000	EA	OVEN-MICROWAVE, PANASONIC NN8500 (CONVECTION) FROM: 02-08-93 THRU: 05-23-93
	102456-06-000	EA	BAFFLE ASM-MICROWAVE, PANASONIC
	102456-09-000	EA	BAFFLE ASM-MICROWAVE, QUASAR
	102482-04-D18	EA	FRAME-MICROWAVE, W/TRIM - METAL - PANASONIC
	102483-10-D18	EA	SHELF ASM-MICROWAVE, PANASONIC ONLY
	102458-03-000	EA	SUPPORT ASM-BOTTOM, MICROWAVE - PANASONIC
	102452-01-000	EA	STRAP-MICROWAVE, 13.1" X 2" - STEEL - PANASONIC
	094756-01-02A	EA	BRACKET-L, MICROWAVE - 4.6" LONG X 3.9" WIDE - STEEL - TAN
	102842-02-000	EA	BRACKET-BAFFLE, 22.1" X 2.5" - STEEL
	094756-02-01A	EA	BRACKET-L, MICROWAVE - 6.1" LONG X 3.9" WIDE - STEEL - TAN
	102482-06-D18	EA	FRAME-MICROWAVE, W/TRIM - METAL - QUASAR
	110740-04-000	EA	SUPPORT ASM-MICROWAVE, BOTTOM - QUASAR FROM: 02-08-93 THRU: 05-23-93

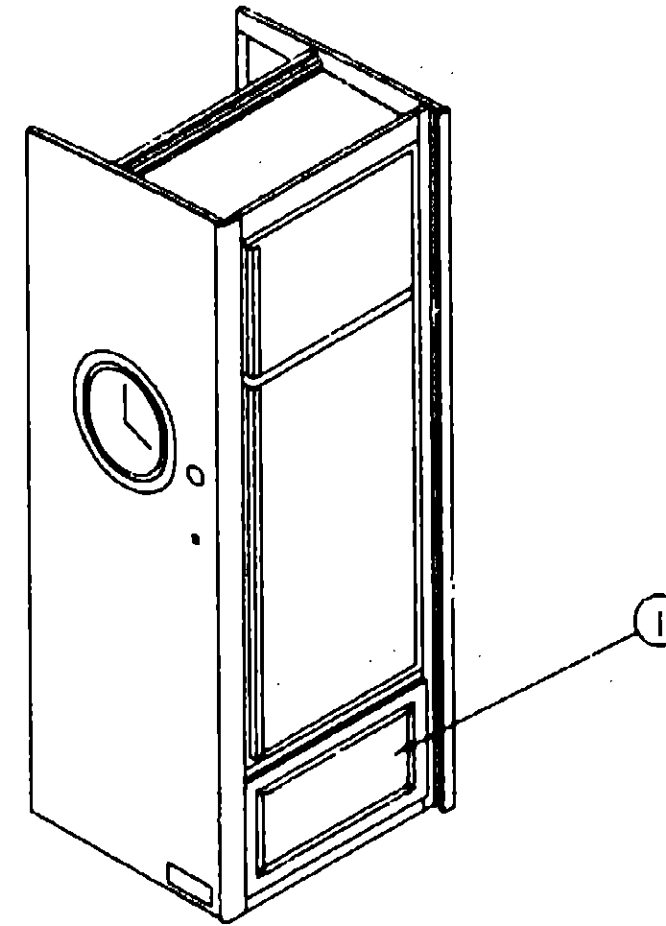
DISHWASHER

KEY	PART NUMBER	U/M	DESCRIPTION
	107752-01-01A	EA	DISHWASHER 18", WESTING HOUSE SU182NXR1

COFFEE MAKER

KEY	PART NUMBER	U/M	DESCRIPTION
	103799-01-02A	EA	COFFEE MAKER, ALMOND
	104610-01-000	EA	STRAP ASM-COFFEE MAKER
	104230-01-000	EA	MAKER-COFFEE, THERMAL CARAFE - SPACEMAKER PLUS R * P I
	104230-01-700	EA	POT-CARAFE, ONLY - CREAM - SPACEMAKER PLUS SRC40

GALLEY GROUP (CONTINUED)



1993 WINNEBAGO TABLE OF CONTENTS

INTRODUCTION	A-01 -	A-02
ABBREVIATIONS		A-03
ALPHABETICAL INDEX	A-04 -	A-06
WSM35RQ	A-07 -	F-12

REFRIGERATOR CABINET, SINK COVERS & WASTE BASKET

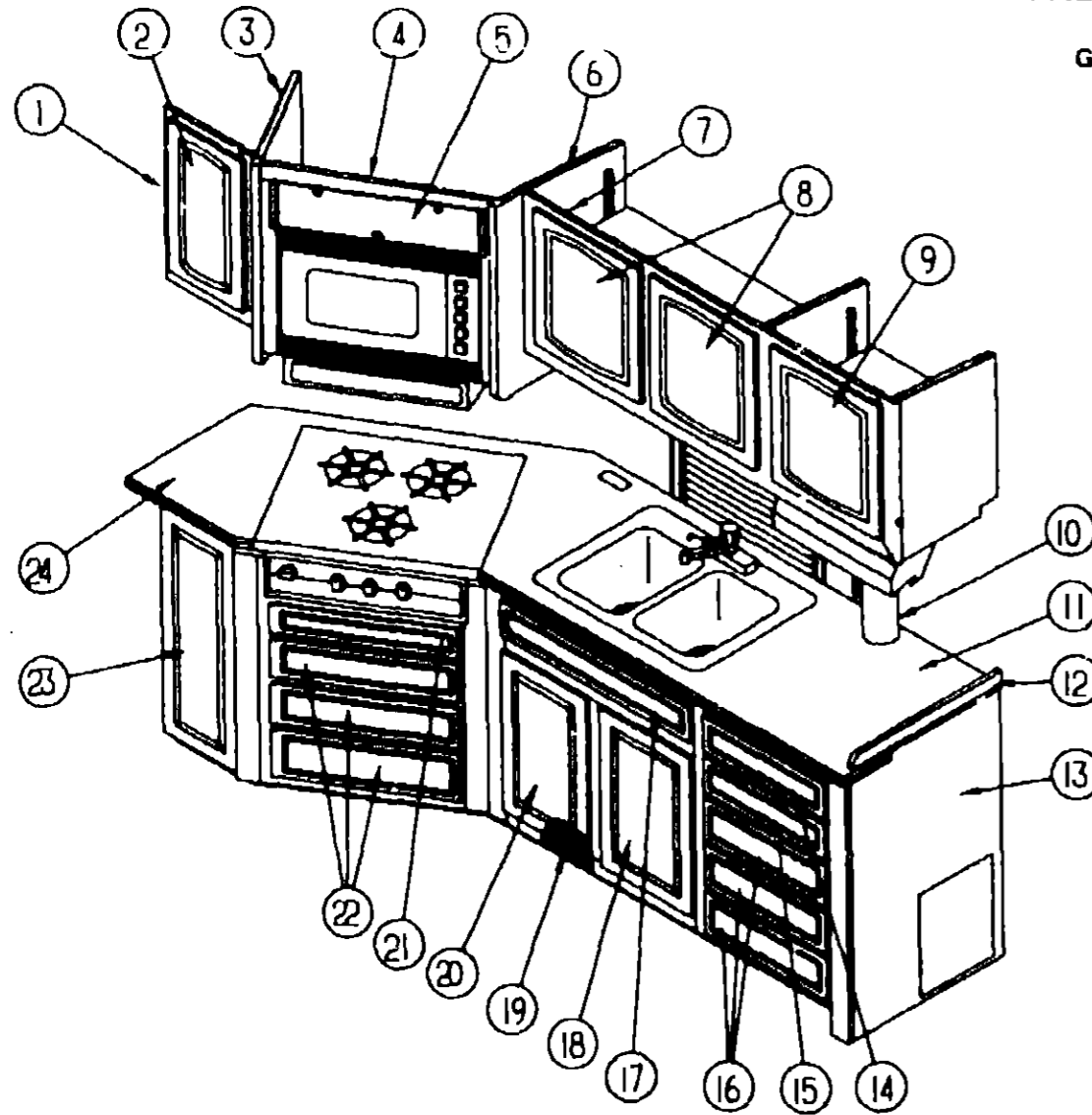
KEY	PART NUMBER	U/M	DESCRIPTION
	090329-01-000	FT	SEAL-T, REFRIGERATOR CABINET - .6" WIDE TOP X 2" TAIL
	008380-01-000	EA	GROMMET-RUBBER, 5/8" HOLE X 1 1/2" DIAMETER - BLACK
	103251-02-01A	EA	INSERT-ACRYLIC BLACK, 19.53" X 16.06"
	103251-04-01A	EA	INSERT-ACRYLIC BLACK, 12.53" X 39.20"
	081211-02-000	EA	PLUG-PLASTIC, .36" DIAMETER - BLACK
1	100520-C9-D18	EA	DOOR-CABINET, W/O HARDWARE - 590 X 350MM
	058334-01-000	EA	WASTEBASKET-9 3/4" X 7" X 10", WHITE - RUBBERMAID
	108464-01-D16	EA	COVER-SINK, GALLEY - RIGHT SIDE (D18)
	108464-01-D15	EA	COVER-SINK, GALLEY - RIGHT SIDE (D19)
	108464-01-D20	EA	COVER-SINK, GALLEY - RIGHT SIDE (D20)
	108464-02-D16	EA	COVER-SINK, GALLEY - LEFT SIDE (D18)
	108464-02-D15	EA	COVER-SINK, GALLEY - LEFT SIDE (D19)
	108464-02-D20	EA	COVER-SINK, GALLEY - LEFT SIDE (D20)

1993 WSM35RQ INDEX

FLOOR PLAN	A-07 -	A-08
ACCESSORIES		A-09
AUDIO VIDEO	A-10	A-13
BATH	A-14 -	A-18
BEDROOM	A-19 -	A-20
CHASSIS	A-21 -	B-04
CURTAIN & CUSHION	B-05 -	B-17
DINETTE	B-18 -	B-19
DRIVERS COMPARTMENT	B-20 -	B-24
ELECTRICAL	C-01 -	C-07
EXTERIOR BODY	C-08 -	C-18
GALLEY	C-19 -	D-04
GENERATOR	D-05 -	D-06
HEATING & AC	D-07 -	D-14
INTERIOR FINISH	D-15 -	D-18
LABEL	D-19 -	E-01
LP		E-02
LOUNGE	E-03 -	E-04
SEALANTS & FASTENERS	E-05 -	E-09
WATER & SEWAGE	E-10 -	E-13
WINDOW, VENT AND		
EXTERIOR DOOR	E-14 -	F-08
WINDSHIELD & WIPER	F-09 -	F-12

GALLEY GROUP (CONTINUED)

GALLEY CABINETS & FIXTURES



1993 WINNEBAGO TABLE OF CONTENTS

INTRODUCTION	A-01 -	A-02
ABBREVIATIONS		A-03
ALPHABETICAL INDEX	A-04 -	A-06
WSM35RQ	A-07 -	F-12

1993 WSM35RQ INDEX

FLOOR PLAN	A-07 -	A-08
ACCESSORIES		A-09
AUDIO VIDEO	A-10	A-13
BATH	A-14 -	A-18
BEDROOM	A-19 -	A-20
CHASSIS	A-21 -	B-04
CURTAIN & CUSHION	B-05 -	B-17
DINETTE	B-18 -	B-19
DRIVERS COMPARTMENT	B-20 -	B-24
ELECTRICAL	C-01 -	C-07
EXTERIOR BODY	C-08 -	C-18
GALLEY	C-19 -	D-04
GENERATOR	D-05 -	D-06
HEATING & A/C	D-07 -	D-14
INTERIOR FINISH	D-15 -	D-18
LABEL	D-19 -	E-01
LP		E-02
LOUNGE	E-03 -	E-04
SEALANTS & FASTENERS	E-05 -	E-09
WATER & SEWAGE	E-10 -	E-13
WINDOW, VENT AND		
EXTERIOR DOOR	E-14 -	F-08
WINDSHIELD & WIPER	F-09 -	F-12

KEY	PART NUMBER	U/M	DESCRIPTION
10	104230-01-000	EA	MAKER-COFFEE, THERMAL CARAFE - SPACEMAKER PLUS R ' P I
	104230-01-700	EA	POT-CARAFE, ONLY - CREAM - SPACEMAKER PLUS SRC40
10	103799-01-02A	EA	COFFEE MAKER, ALMOND
	104610-01-000	EA	STRAP ASM-COFFEE MAKER
11	107475-14-D18	EA	COUNTERTOP-CABINET, GALLEY
11	107475-14-D19	EA	COUNTERTOP-CABINET, GALLEY
11	107475-14-D20	EA	COUNTERTOP-CABINET, GALLEY
12	098335-02-D18	EA	RAIL-COUNTERTOP, GALLEY
12	098335-02-D19	EA	RAIL-COUNTERTOP, GALLEY
12	098335-02-D20	EA	RAIL-COUNTERTOP, GALLEY
13	M05830-02-D18	EA	CABINET-GALLEY, W/O DOORS & HARDWARE (RANGE & OVEN STANDARD)
13	M05830-02-D19	EA	CABINET-GALLEY, W/O DOORS & HARDWARE (RANGE & OVEN STANDARD)
13	M05830-02-D20	EA	CABINET-GALLEY, W/O DOORS & HARDWARE (RANGE & OVEN STANDARD)
13	M05830-01-D18	EA	CABINET-GALLEY, W/O DOORS & HARDWARE (RANGE TOP W/DRAWER)
13	M05830-01-D19	EA	CABINET-GALLEY, W/O DOORS & HARDWARE (RANGE TOP W/DRAWER)
13	M05830-01-D20	EA	CABINET-GALLEY, W/O DOORS & HARDWARE (RANGE TOP W/DRAWER)
13	M05830-05-D18	EA	CABINET-GALLEY, W/O DOORS & HARDWARE (RANGE TOP W/DISHWASHER)
13	M05830-05-D19	EA	CABINET-GALLEY, W/O DOORS & HARDWARE (RANGE TOP W/DISHWASHER)
13	M05830-05-D20	EA	CABINET-GALLEY, W/O DOORS & HARDWARE (RANGE TOP W/DISHWASHER)
13	M05830-03-D18	EA	CABINET-GALLEY, W/O DOORS & HARDWARE (RANGE TOP W/ICE MAKER)
13	M05830-03-D19	EA	CABINET-GALLEY, W/O DOORS & HARDWARE (RANGE TOP W/ICE MAKER)
13	M05830-03-D20	EA	CABINET-GALLEY, W/O DOORS & HARDWARE (RANGE TOP W/ICE MAKER)
13	M05830-06-D18	EA	CABINET-GALLEY, W/O DOORS & HARDWARE (RANGE & OVEN W/DISHWASHER)
13	M05830-06-D19	EA	CABINET-GALLEY, W/O DOORS & HARDWARE (RANGE & OVEN W/DISHWASHER)
13	M05830-06-D20	EA	CABINET-GALLEY, W/O DOORS & HARDWARE (RANGE & OVEN W/DISHWASHER)
13	M05830-04-D18	EA	CABINET-GALLEY, W/O DOORS & HARDWARE (RANGE & OVEN W/ICE MAKER)
13	M05830-04-D19	EA	CABINET-GALLEY, W/O DOORS & HARDWARE (RANGE & OVEN W/ICE MAKER)
13	M05830-04-D20	EA	CABINET-GALLEY, W/O DOORS & HARDWARE (RANGE & OVEN W/ICE MAKER)
14	P09079-04-D18	EA	DRAWER-CABINET, CUTTING BOARD - W/O HARDWARE
	102778-04-000	EA	BOARD-CUTTING, MAPLE
15	P07104-L6-D18	EA	DRAWER-CABINET, W/O HARDWARE
	100081-01-01A	EA	TRAY-SILVERWARE, 9" X 13.3" - PLASTIC - ALMOND - RUBBERMAID
16	P07104-M0-D18	EA	DRAWER-CABINET, W/O HARDWARE - 3 USED
17	108117-04-D18	EA	DRAWER-CABINET, TIPOUT - W/O HARDWARE
	108126-01-000	EA	HINGE-TRAY, AMEROCK CMB488-2G
	108127-01-01A	EA	CAP-TRAY, AMEROCK D8490-A
	108128-01-01A	EA	TRAY-HIDDEN, AMEROCK D8489
18	P00520-C2-D18	EA	DOOR-CABINET, W/O HARDWARE - 365 X 555MM
19	104314-03-01A	EA	MESH-GRILLE, 108 X 1310MM - BLACK
19	104314-04-01A	EA	MESH-GRILLE, 108 X 792MM - BLACK
	093605-02-01A	EA	RACK-TOWEL, WIRE - ALMOND
20	P00520-C1-D18	EA	DOOR-CABINET, W/O HARDWARE - 365 X 555MM
21	P07104-L8-D18	EA	DRAWER-CABINET, W/O HARDWARE
22	P07104-M2-D18	EA	DRAWER-CABINET, W/O HARDWARE 3 USED
23	P00520-C5-D18	EA	DOOR-CABINET, W/O HARDWARE - 305 X 704MM
24	107475-18-D18	EA	COUNTERTOP-CABINET, GALLEY RANGE SIDE
24	107475-18-D19	EA	COUNTERTOP-CABINET, GALLEY RANGE SIDE
24	107475-18-D20	EA	COUNTERTOP-CABINET, GALLEY RANGE SIDE
	058331-92-000	EA	MIRROR-SAFETY, 340 X 940MM - ON WALL BEHIND RANGE
	093606-13-000	EA	MIRROR-PANEL, BEVELED - 1/8" - ON WALL BEHIND RANGE
	064952-01-000	EA	FAUCET-GALLEY, SINGLE CONTROL
	103635-01-000	EA	FAUCET-GALLEY, SINGLE CONTROL, DRINKING WATER - EVERPURE 5435-00
	104113-01-000	EA	SINK-STAINLESS STEEL, DOUBLE
	092303-01-000	EA	STRAINER-SINK
	093238-01-Y12	EA	HOLDER-KNIFE, COUNTERTOP - OAK
	093071-01-000	FT	TAPE-BONDING, DOUBLE SIDED - 1/4" X 2"
	093282-01-000	EA	BONNET-KNIFE HOLDER, UNDER COUNTER - METAL

KEY	PART NUMBER	U/M	DESCRIPTION
1	108346-01-D18	EA	CABINET-OVERHEAD, GALLEY - W/O DOOR & HARDWARE
			FROM: 00-00-00 THRU: 02-07-93
1	111252-01-D13	EA	CABINET-OVERHEAD, GALLEY - W/O DOOR & HARDWARE
			FROM: 02-08-93 THRU: 04-30-93
1	108346-01-D18	EA	CABINET-OVERHEAD, GALLEY - W/O DOOR & HARDWARE
			FROM: 05-01-93 THRU: 99-99-99
2	P00971-35-D18	EA	DOOR-CABINET, W/O HARDWARE - 285 X 500MM
3	107494-11-D18	EA	END CAP-CABINET, OVERHEAD
	107432-08-D18	EA	TRIM-OAK, CABINET END CAP
4	P07476-01-D18	EA	CABINET-OVERHEAD, MICROWAVE - W/O DOOR & HARDWARE (PANASONIC)
			FROM: 00-00-00 THRU: 02-07-93
4	P11251-01-D18	EA	CABINET-OVERHEAD, MICROWAVE - W/O DOOR & HARDWARE (QUASAR)
			FROM: 02-08-93 THRU: 04-30-93
4	P07476-01-D18	EA	CABINET-OVERHEAD, MICROWAVE - W/O DOOR & HARDWARE (PANASONIC)
			FROM: 05-01-93 THRU: 99-99-99
5	100708-07-000	EA	DOOR-GLASS, BLACK - 246 X 687MM - OPG INDUSTRIES
	100711-01-01A	EA	HINGE-DOOR, GLASS
	100710-01-01A	EA	LOCK-GLASS DOOR, TWIST TYPE - BRASS
	101272-01-000	EA	CATCH-DOOR, GLASS
	101766-01-000	EA	PIN-SUPPORT, GLASS DOOR
	100707-01-000	EA	SPACER-DOOR, GLASS - .8" DIA - .3" HOLE - PLASTIC
6	107494-10-D18	EA	END CAP-CABINET, OVERHEAD
	107432-07-D18	EA	TRIM-OAK, CABINET END CAP
7	P07736-01-D18	EA	CABINET-OVERHEAD, GALLEY, W/O DOORS & HARDWARE
8	P00971-37-D18	EA	DOOR-CABINET, W/O HARDWARE - 415 X 450MM
9	P00971-36-D18	EA	DOOR-CABINET, W/O HARDWARE - 415 X 540MM

GENERATOR GROUP

6.5 KW ONAN MARQUIS GENERATOR

KEY	PART NUMBER	U/M	DESCRIPTION
	105559-02-000	EA	GENERATOR-7KW MARQUIS, W/TRAY - LP LIQUID - ONAN NHM IR/26116 ONAN TRAY #403-2893
	106234-01-000	EA	PIPE-EXHAUST, GENERATOR FROM: 00-00-00 THRU: 06-06-93
	111702-01-000	EA	PIPE-EXHAUST, GENERATOR FROM: 06-07-93 THRU: 99-99-99
	106235-01-000	EA	ADAPTOR-EXHAUST, GENERATOR
	010251-02-000	EA	ELBOW-BRASS, 90 3/8F X 1/4MPT
	065820-09-000	EA	HOSE ASM-HIGH PRESSURE, 28"
	007125-03-000	EA	CLAMP-MUFFLER - 1.5" DIA
	024976-01-000	EA	SWITCH-GENERATOR, W/O CIRCUIT BOARD FROM: 00-00-00 THRU: 12-13-92
	108357-10-000	EA	SWITCH-ROCKER, SPDT - MOM/OFFMOM - CARLING V8D1160B-0 FROM: 12-14-92 THRU: 99-99-99
	108356-05-01A	EA	ACTUATOR-SWITCH GROOVES LENS - CARLING VVLGCXX-XWB FROM: 12-14-92 THRU: 99-99-99
	098351-07-01A	EA	PLATE-SWITCH, GENERATOR - JENSEN-POLISH BRASS FROM: 12-14-92 THRU: 99-99-99

6.5 KW ONAN MARQUIS GENERATOR - 50 AMP

KEY	PART NUMBER	U/M	DESCRIPTION
	105559-04-000	EA	GENERATOR-6.5KW, LP LIQUID - 30/30 - W/TRAY - ONAN NHM FA/26115 ONAN TRAY #403-2893
	106234-01-000	EA	PIPE-EXHAUST, GENERATOR FROM: 00-00-00 THRU: 06-06-93
	111702-01-000	EA	PIPE-EXHAUST, GENERATOR FROM: 06-07-93 THRU: 99-99-99
	106235-01-000	EA	ADAPTOR-EXHAUST, GENERATOR
	010251-02-000	EA	ELBOW-BRASS-90, 3/8F X 1/4MPT
	065820-09-000	EA	HOSE ASM-HIGH PRESSURE, 28"
	007125-03-000	EA	CLAMP-MUFFLER - 1.5" DIA
	024976-01-000	EA	SWITCH-GENERATOR, W/O CIRCUIT BOARD FROM: 00-00-00 THRU: 12-13-92
	108357-10-000	EA	SWITCH-ROCKER, SPDT - MOM/OFFMOM - CARLING V8D1160B-0 FROM: 12-14-92 THRU: 99-99-99
	108356-05-01A	EA	ACTUATOR-SWITCH GROOVES LENS - CARLING VVLGCXX-XWB FROM: 12-14-92 THRU: 99-99-99
	098351-07-01A	EA	PLATE-SWITCH, GENERATOR - JENSEN-POLISH BRASS FROM: 12-14-92 THRU: 99-99-99

GENERATOR GROUP (CONTINUED)

6.3 KW KOHLER GENERATOR - LP

KEY	PART NUMBER	U/M	DESCRIPTION
	105525-02-000	EA	GENERATOR-6.3 LIQUID LP, LOW PRO - KOHLER 7CCKM22
	105526-01-000	EA	ARRESTER-SPARK, KOHLER 278621
	105527-02-000	EA	PIPE-EXHAUST ADAPTER, KOHLER-278979
	105530-01-000	EA	MUFFLER-SIDE EXHAUST, W/O SPARK - KOHLER 278733
	105602-01-000	EA	GASKET-EXHAUST, KOHLER-278320
	105958-03-000	EA	PIPE-EXHAUST, GENERATOR
	010251-02-000	EA	ELBOW-BRASS, 90 - 3/8F X 1/4MPT
	065820-09-000	EA	HOSE ASM-HIGH PRESSURE, 28"
	007125-03-000	EA	CLAMP-MUFFLER - 1.5" DIA
	007125-04-000	EA	CLAMP-MUFFLER, 1.1" DIA
	024976-01-000	EA	SWITCH-GENERATOR, W/O CIRCUIT BOARD FROM: 00-00-00 THRU: 12-13-92
	108357-10-000	EA	SWITCH-ROCKER, SPDT - MOM/OFFMOM - CARLING V8D1160B-0 FROM: 12-14-92 THRU: 99-99-99
	108356-05-01A	EA	ACTUATOR-SWITCH GROOVES LENS - CARLING VVLGCXX-XWB FROM: 12-14-92 THRU: 99-99-99
	098351-07-01A	EA	PLATE-SWITCH, GENERATOR - JENSEN-POLISH BRASS FROM: 12-14-92 THRU: 99-99-99

1993 WINNEBAGO TABLE OF CONTENTS

INTRODUCTION	A-01	A-02
ABBREVIATIONS		A-03
ALPHABETICAL INDEX	A-04	A-06
WSM35RQ	A-07	F-12

1993 WSM35RQ INDEX

FLOOR PLAN	A-07	A-08
ACCESSORIES		A-09
AUDIO VIDEO	A-10	A-13
BATH	A-14	A-18
BEDROOM	A-19	A-20
CHASSIS	A-21	B-04
CURTAIN & CUSHION	B-05	B-17
DINETTE	B-18	B-19
DRIVERS COMPARTMENT	B-20	B-24
ELECTRICAL	C-01	C-07
EXTERIOR BODY	C-08	C-18
GALLEY	C-19	D-04
GENERATOR	D-05	D-08
HEATING & A/C	D-07	D-14
INTERIOR FINISH	D-15	D-18
LABEL	D-19	E-01
LP		E-02
LOUNGE	E-03	E-04
SEALANTS & FASTENERS	E-05	E-08
WATER & SEWAGE	E-10	E-13
WINDOW, VENT AND		
EXTERIOR DOOR	E-14	F-08
WINDSHIELD & WIPER	F-09	F-12

HEATING & AIR CONDITIONING GROUP

EVAPORATOR, AUTO A/C & HEAT SYSTEM

KEY	PART NUMBER	U/M DESCRIPTION
	103930-05-000	EA MANUAL-OWNERS, HEATER-A/C - SCS 057-0049
	007076-01-000	EA HOSE-FLEXIBLE PVC - 2" ID - INCREMENTS OF 10'
	007281-01-000	EA HOSE-FLEXIBLE PVC, 2.5"ID X 50' - ATCOFLEX A-182-355
	024990-05-000	EA OUTLET-DEFROSTER, W/SWIVEL - 2" DIAMETER - BLACK
	024990-06-000	EA OUTLET-DEFROSTER, W/SWIVEL - 2" DIAMETER - WILLOW
	056402-05-000	EA BRACKET-HEATER VENT, ROUND - W/BEND - BLACK
	056402-06-000	EA BRACKET-HEATER VENT, ROUND - STRAIGHT - BLACK
	077075-01-000	EA GASKET-INSTRUMENT PANEL TO DEFROSTER PLENUM - .6" X 11.3" (CENTER TWO OPENINGS)
	077075-03-000	EA GASKET-INSTRUMENT PANEL TO DEFROSTER PLENUM (OUTER TWO OPENINGS)
	103016-01-000	EA PLENUM-TRANSITION
	103017-01-000	EA PLENUM-DEFROSTER
	103558-01-03A	EA VENT-DEFROSTER, ABS PLASTIC - WILLOW
	103796-01-01A	EA LOUVER ASM-A/C, CARY PROD BLACK 268-3B, 100-2-4-8
	103930-06-000	EA EVAPORATOR/HEATER ASSEMBLY, SCS 090-0048
	088227-02-701	EA BRACKET-BOWDEN CABLE MOUNTING, ARA 0409417
	094831-01-709	EA CLAMPS-ROD, 3/16" - MOTIVAIR/SCS ZGG14431
	094831-01-746	EA CLAMPS-BLEND CABLE - MOTIVAIR/SCS 77000-00
	103930-01-700	EA ROD-AIR BLEND DOOR, SCS 073-0017
	103930-01-701	EA PANEL-DOOR, FOR AIR BLEND - SCS 071-0123
	103930-01-702	EA GASKET-DOOR, FOR AIR BLEND - SCS 045-0080
	103930-01-703	EA COIL-HEATER, SCS 042-0010
	103930-01-704	EA COIL-EVAPORATOR, SCS 041-0017
	103930-01-705	EA VALVE-EXPANSION BLOCK, SCS 034-0019
	103930-01-706	EA GASKET-O-RING, #8 - SCS 045-0011
	103930-01-707	EA GASKET-O-RING, #10 - SCS 045-0012
	103930-02-708	EA MOTOR-VACUUM SERVO, A/C - SCS 030-0002
	103930-01-710	EA RESISTOR-FUSED, SCS 035-0006
	103930-01-711	EA THERMOSTAT, SCS 033-0003
	103930-01-712	EA GASKET-O-RING, SCS 045-0010
	103930-01-713	EA FITTING-QUICK CONNECT, #4 - SCS 050-003
	103930-01-715	EA SWITCH-BINARY, SCS 032-0030
	103930-01-716	EA SWITCH-PRESSURE, FAN - SCS 032-0029
	103930-01-717	EA WHEEL-CLOCK-WISE, SCS 062-0010
	103930-01-718	EA HOSE #6, SCS 051-0036
	103930-01-719	EA HOSE-#10, SCS 051-0017
	103930-01-720	EA MOTOR, SCS 030-0004
	103930-01-721	EA GASKET O-RING #12, SCS 045-0062
	103930-06-700	EA FITTING, QUICK-CONNECT #8 - 050-0082
	103930-06-701	EA CASE-FRONT ASM - SCS 086-0024
	103930-06-702	EA CASE-BACK ASM - SCS 086-0025

AUTO A/C & HEATER CONTROL PLENUM

KEY	PART NUMBER	U/M DESCRIPTION
	103930-08-000	EA CONTROL/PLENUM SET FOR M-BODY, SCS 093-00045
	072341-06-700	EA SWITCH, 4 SPEED, FAN - ARA 0883502
	103930-02-700	EA PANEL-CONTROL, SCS 032-0018
	103930-02-701	EA VALVE-CONTROL HEAD, SCS 034-0015
	103930-02-702	EA DECAL-CONTROL SETTING, SCS 058-0009
	103930-02-703	EA HARNESS-WIRE CONTROL, SCS 036-0048
	103930-02-704	EA HARNESS-VACUUM CONTROL, SCS 036-0049
	103930-02-705	EA CABLE-CONTROL, BOWDEN - SCS 074-0011
	103930-02-706	EA CLIP-CABLE, CONTROL - SCS 022-0017
	103930-02-707	EA RELAY, SCS 031-0001
	103930-02-710	EA CANISTER-VACUUM, SCS 054-0002
	103930-02-711	EA VALVE-WATER, SCS 034-00114

HEATING & AIR CONDITIONING GROUP (CONTINUED)

AUTO A/C & HEATER HOSE KIT

KEY	PART NUMBER	U/M DESCRIPTION
	103930-01-714	EA FITTING-SERVICE VALVE, #10 - SCS 050-0031
	103930-07-700	EA FITTING, #10 FOR 90 - FOR #12 HOSE - SCS 050-0111
	103930-07-701	EA FERRULE, SCS 055-0055
	103930-07-702	EA HOSE-#12, 32.42 FT - W/O FITTING - SCS 051-0018
	103930-07-703	EA FITTING, #8 QC XST - FOR #12 HOSE - SCS 050-0110
	103930-07-704	EA FITTING, QUICK CONNECT #8 - SCS 050-0081
	103930-10-700	EA HOSE KIT, #12 - SCS 085-0101
	103930-01-721	EA GASKET O-RING, #12 - SCS 045-0062

AUTO A/C/HEATER CONDENSER & COMPRESSOR WIRE

KEY	PART NUMBER	U/M DESCRIPTION
	072342-09-000	EA CONDENSER ASM-W/FANS PUSHER - SCS 091-00019
	072341-01-716	EA VALVE-DISCHARGE, 1/2" O-RING - ARA 0548325
	072342-08-700	EA COIL, CONDENSER - ARA 040-0021
	072342-08-701	EA RECEIVER-DRIER - ARA054-0011
	072342-08-702	EA FITTING, QUICK CONNECT MALE #4 - 050-0034
	072342-08-703	EA BLADE-FAN-11" - ARA062-0097
	072342-08-704	EA HOSE-#8, 36.75' (NO FITTING - ARA051-0007
	072342-09-700	EA HOSE ASM. W/FITTINGS, SCS 085-0102

FURNACE

KEY	PART NUMBER	U/M DESCRIPTION
	098668-11-000	EA FURNACE-40,000 BTU, SUBURBAN SF-40
	074466-01-702	EA RELAY-TIME DELAY, SUBURBAN# 230625
	093365-01-000	EA THERMOSTAT-WALL, FURNACE - SUBURBAN 0160902
	098668-01-700	EA CABINET FRONT, SUBURBAN 101242
	098668-01-705	EA SWITCH-LIMIT, SUBURBAN 231630
	098668-01-707	EA VENT CAP & EXHAUST TUBE ASM, SUBURBAN 260193
	098668-01-708	EA BLOWER ASM (COMBUSTION AIR), SUBURBAN 390441
	098668-01-712	EA BOARD-MODULE, SUBURBAN 231741
	098668-01-713	EA INTAKE VENT TUBE ASM, SUBURBAN 051044
	098668-01-714	EA GAS VALVE (WHITE ROGERS), SUBURBAN 161070
	098668-11-700	EA ORFICE-MAIN BURNER SF-42F, SUBURBAN 180218
	098668-11-701	EA BURNER ASM COMP (SF-42F), SUBURBAN 010799
	098668-11-702	EA MOTOR ASM COMP (SF-42F), SUBURBAN 232212
	098668-11-703	EA SWITCH-SAIL (ASM) (SF-42F), SUBURBAN 232218
	098668-11-704	EA BLOWER ASM ROOM AIR (SF-42F), SUBURBAN 390698
	098668-11-715	EA WHEEL-ROOF AIR (SF-42F), SUBURBAN 350129
	098668-11-706	EA LIMIT SWITCH (SF-42F), SUBURBAN 232217
	101990-01-714	EA MICROSWITCH GASKET, SUBURBAN 230877
	098668-13-000	EA GASKET-FIBERGLASS, .5" X 16.37" X 17.56" - SUBURBAN 070977
	098668-14-000	EA GASKET-FIBERGLASS, .5" X 18" X 18" - SUBURBAN 070976

HEATING SYSTEM COMPONENTS

KEY	PART NUMBER	U/M DESCRIPTION
	094600-01-02A	EA REGISTER-HEAT, W/O DAMPER - 3.6" X 11.2" - BROWN
	094600-02-02A	EA REGISTER-HEAT, W/DAMPER - 3.6" X 11.2" - BROWN
	056464-06-000	EA REGISTER-HEAT/A/C, ROUND W/O DAMPER - 4" - PLAS - O/WHITE
	009198-01-000	FT DUCT-HEAT- FLEXIBLE - 4" ID X 25 FT
	093614-01-01A	EA GRILLE-RETURN AIR- FURNACE - 15.6" X 7.6" - BROWN
	088753-01-000	FT TUBE-ALUMINIZED STEEL, 5/8" - 18 GAUGE
	040731-01-000	EA NIPPLE-INLET MANIFOLD, GM 3838094

**1993 WINNEBAGO
TABLE OF CONTENTS**

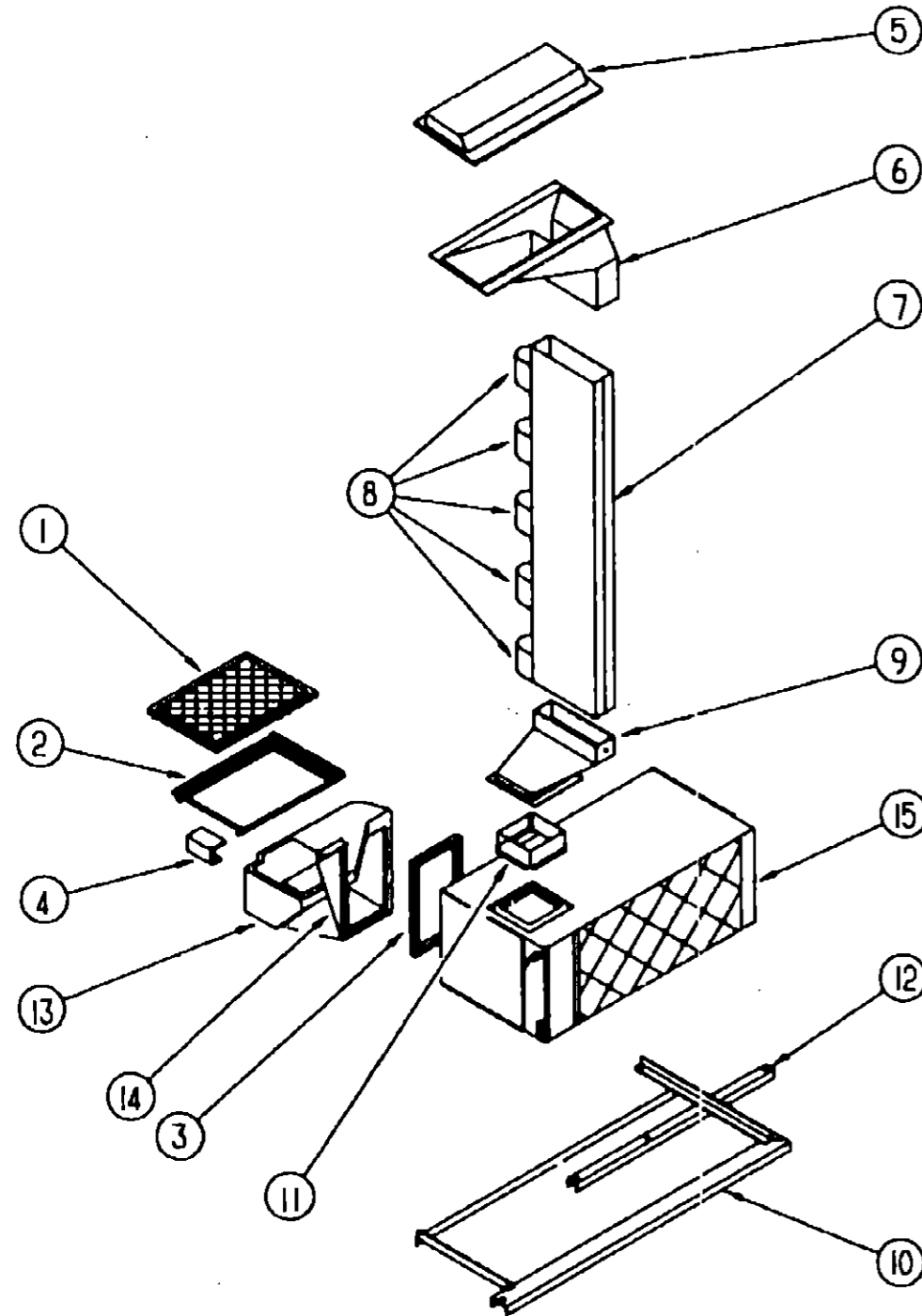
INTRODUCTION	A-01	A-02
ABBREVIATIONS		A-03
ALPHABETICAL INDEX	A-04	A-06
WSM35RQ	A-07	F-12

1993 WSM35RQ INDEX

FLOOR PLAN	A-07	A-08
ACCESSORIES		A-09
AUDIO VIDEO	A-10	A-13
BATH	A-14	A-18
BEDROOM	A-19	A-20
CHASSIS	A-21	B-04
CURTAIN & CUSHION	B-05	B-17
DINETTE	B-18	B-19
DRIVERS COMPARTMENT	B-20	B-24
ELECTRICAL	C-01	C-07
EXTERIOR BODY	C-08	C-18
GALLEY	C-19	D-04
GENERATOR	D-05	D-06
HEATING & A/C	D-07	D-14
INTERIOR FINISH	D-15	D-18
LABEL	D-19	E-01
LP		E-02
LOUNGE	E-03	E-04
SEALANTS & FASTENERS	E-05	E-09
WATER & SEWAGE	E-10	E-13
WINDOW, VENT AND EXTERIOR DOOR	E-14	F-08
WINDSHIELD & WIPER	F-09	F-12

HEATING & AIR CONDITIONING GROUP (CONTINUED)

CENTRAL A/C & HEATING SYSTEM



KEY	PART NUMBER	U/M	DESCRIPTION
1	109050-02-000	EA	FILTER-FIBERGLASS, 1" X 14" X 20"
2	109859-01-000	EA	FRAME-FILTER, A/C
3	104692-02-000	FT	SEAL, 3/4" X 1", ADHESIVE ON ONE SIDE
	104692-01-000	FT	SEAL, 3/4" X 3/4", ADHESIVE ON ONE SIDE
4	109752-01-000	EA	CHANNEL-SUPPORT, A/C
5	109009-01-000	EA	DEFLECTOR-A/C, ROOF
6	P09011-01-000	EA	PLENUM-A/C, SUPPLY - UPPER - W/FOAM
7	109017-01-000	EA	PLENUM ASM-A/C, SUPPLY
8	109085-01-000	EA	FOAM-SUPPORT, PLENUM - A/C
9	P09010-02-000	EA	PLENUM-A/C, SUPPLY - LOWER - W/FOAM
10	109182-01-000	EA	CRADLE ASM-A/C
11	109019-01-000	EA	COLLAR ASM-SUPPLY, A/C
12	109520-01-000	EA	CHANNEL-FORMED, A/C
13	109291-01-000	EA	DUCT-CENTRAL AIR, PLASTIC
14	109575-01-000	EA	REINFORCEMENT-DUCT, RETURN - METAL
	105620-03-000	EA	THERMOSTAT-A/C AND FURNACE
15	105620-02-000	EA	A/C-CENTRAL, PACKAGE UNIT - COLEMAN LEFT 6795-832
	105620-04-000	EA	WIRE ASSEMBLY-THERMOSTAT, COLEMAN 6795-435
	108975-01-000	EA	BRACKET-A/C SUPPORT, RIGHT - TRIANGLE - 80 X 116MM - STEEL
	108975-02-000	EA	BRACKET-A/C SUPPORT, LEFT - TRIANGLE - 80 X 116MM - STEEL
	M05906-01-D18	EA	COVER, A/C - W/INSULATION
	056464-06-000	EA	REGISTER-HEAT/A/C, ROUND W/O DAMPER - 4" - PLASTIC - OFF WHITE

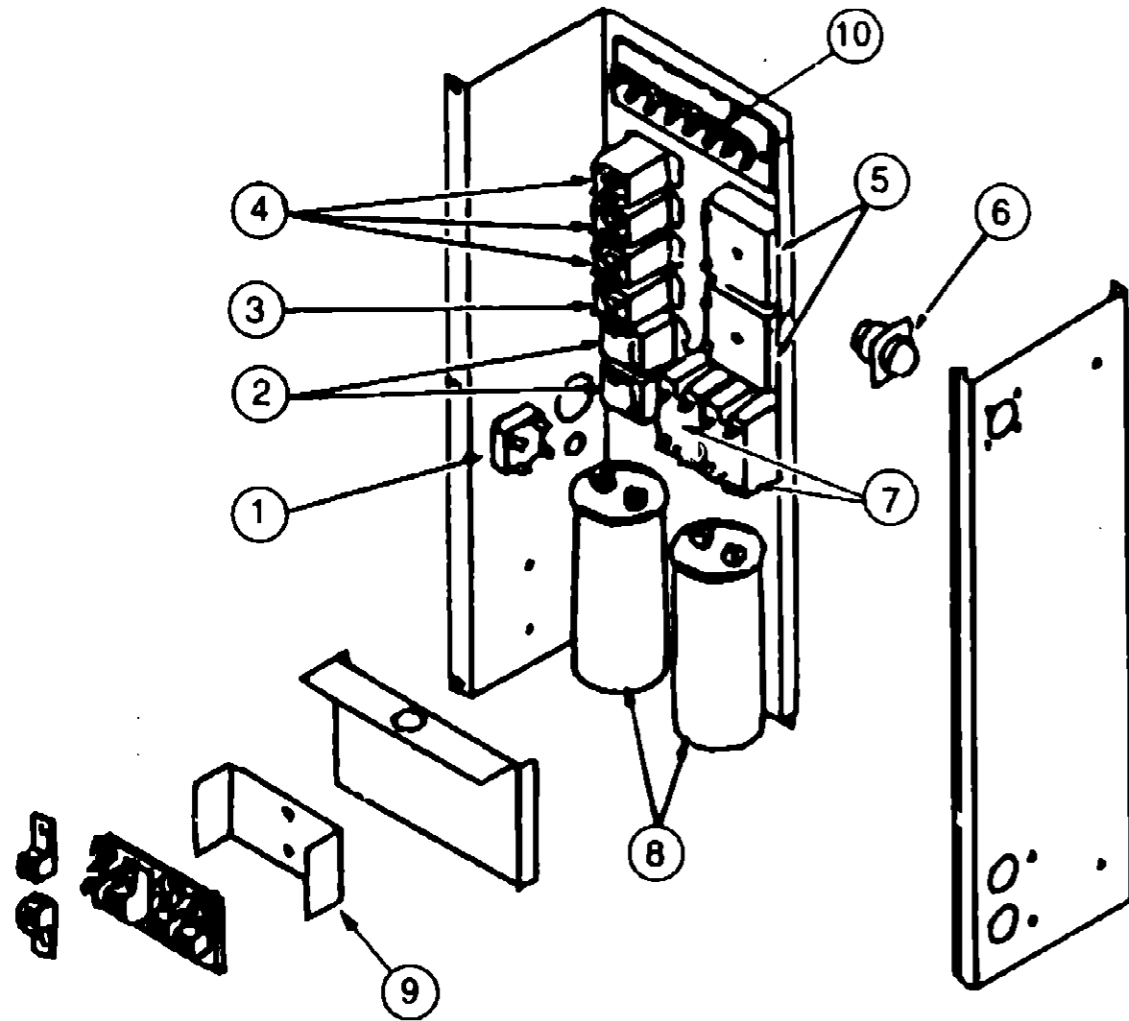
1993 WINNEBAGO TABLE OF CONTENTS

INTRODUCTION	A-01 -	A-02
ABBREVIATIONS		A-03
ALPHABETICAL INDEX	A-04 -	A-06
WSM35RQ	A-07 -	F-12

1993 WSM35RQ INDEX

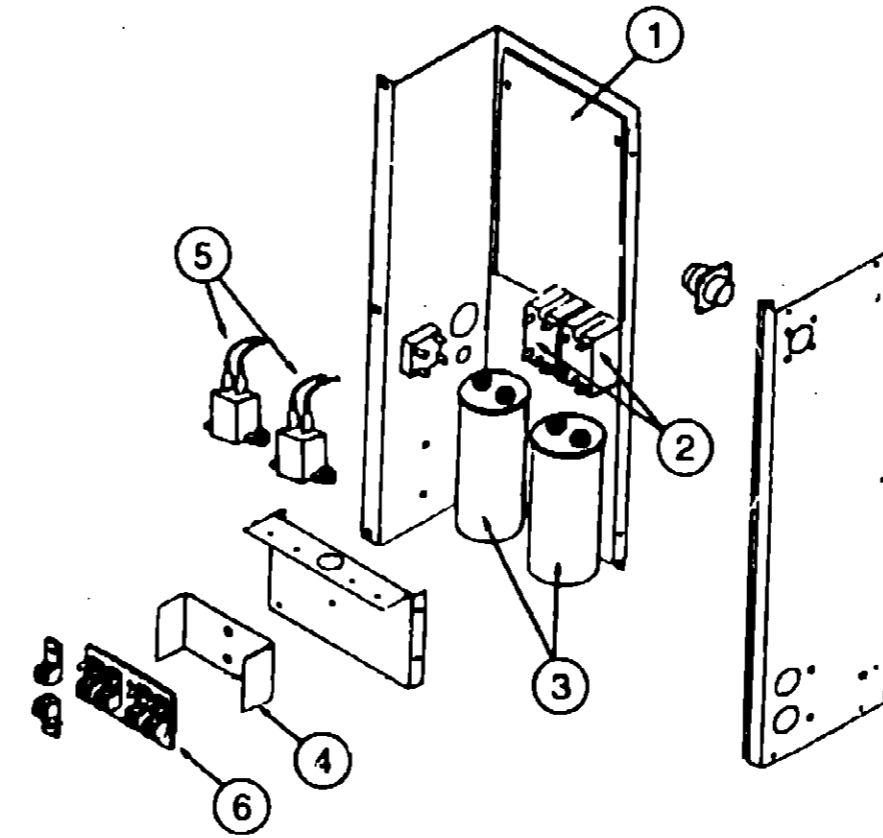
FLOOR PLAN	A-07 -	A-08
ACCESSORIES		A-09
AUDIO VIDEO	A-10	A-13
BATH	A-14 -	A-18
BEDROOM	A-19 -	A-20
CHASSIS	A-21 -	B-04
CURTAIN & CUSHION	B-05 -	B-17
DINETTE	B-18 -	B-19
DRIVERS COMPARTMENT	B-20 -	B-24
ELECTRICAL	C-01 -	C-07
EXTERIOR BODY	C-08 -	C-18
GALLEY	C-19 -	D-04
GENERATOR	D-05 -	D-06
HEATING & A/C	D-07 -	D-14
INTERIOR FINISH	D-15 -	D-18
LABEL	D-19 -	E-01
LP		E-02
LOUNGE	E-03 -	E-04
SEALANTS & FASTENERS	E-05 -	E-09
WATER & SEWAGE	E-10 -	E-13
WINDOW, VENT AND		
EXTERIOR DOOR	E-14 -	F-08
WINDSHIELD & WIPER	F-09 -	F-12

HEATING & AIR CONDITIONING GROUP (CONTINUED)



CENTRAL A/C CONTROL CENTER USED TIL 02-20-94

KEY	PART NUMBER	U/M	DESCRIPTION
1	105620-01-735	EA	AC/DC BRIDGE - COLEMAN 1460-350
2	105620-01-732	EA	RELAY-BLOWER - COLEMAN 6799-3491
3	105620-01-734	EA	RELAY-EXCLUSION - COLEMAN 1460-103
4	105620-01-731	EA	RELAY-CONTROL - COLEMAN 6799-246
5	105620-01-737	EA	DELAY-TIME, O.D. BLOWER - COLEMAN 1460-3001
6	105620-01-727	EA	RECEPTACLE ASM., W/CAP - COLEMAN 6795-324
7	105620-01-729	EA	RELAY-COMPRESSOR - COLEMAN 1460-1-1
8	108889-01-707	EA	RUN CAPACITOR (COMPRESSOR) - COLEMAN 1499-5661
9	105620-01-733	EA	ISOLATOR-HIGH VOLTAGE - COLEMAN 6795-117
10	105620-01-736	EA	LOW VOLTAGE TERMINAL BOARD, COLEMAN 6795-316



CENTRAL A/C CONTROL CENTER USED AFTER 02-21-94

KEY	PART NUMBER	U/M	DESCRIPTION
1	105620-05-700	EA	PRINTED CIRCUIT BOARD
2	105620-01-729	EA	RELAY-COMPRESSOR - COLEMAN 1460-1-1
3	108889-01-707	EA	RUN CAPACITOR (COMPRESSOR) - COLEMAN 14995661
4	105620-01-733	EA	ISOLATOR-HIGH VOLTAGE - COLEMAN 6795-117
5	105620-01-739	EA	START ASSIST, COLEMAN 9011
6	105620-01-738	EA	HIGH VOLTAGE TERMINAL BOARD

1993 WINNEBAGO TABLE OF CONTENTS

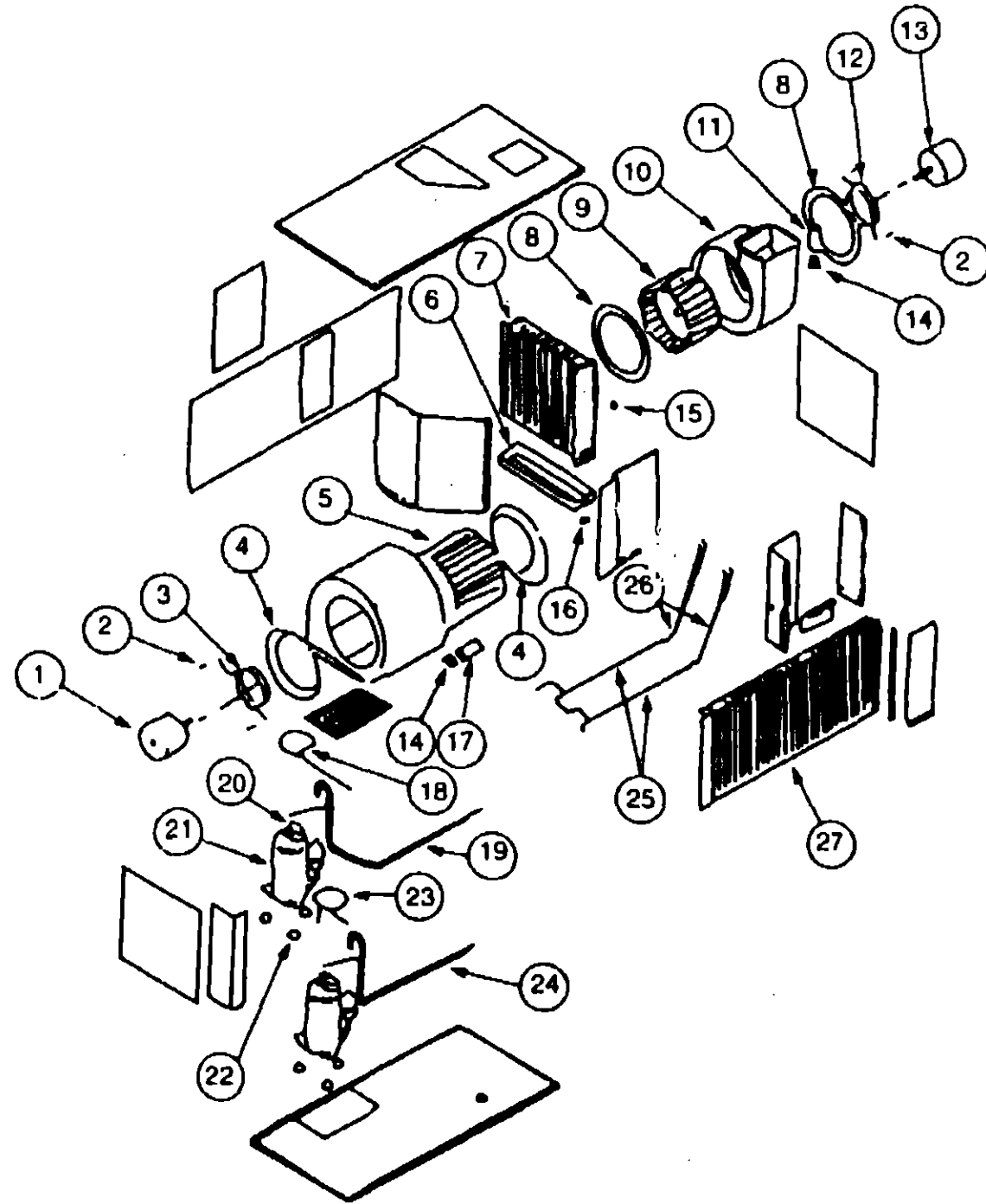
INTRODUCTION	A-01 -	A-02
ABBREVIATIONS		A-03
ALPHABETICAL INDEX	A-04 -	A-06
WSM35RQ	A-07 -	F-12

1993 WSM35RQ INDEX

FLOOR PLAN	A-07 -	A-08
ACCESSORIES		A-09
AUDIO VIDEO	A-10 -	A-13
BATH	A-14 -	A-18
BEDROOM	A-19 -	A-20
CHASSIS	A-21 -	B-04
CURTAIN & CUSHION	B-05 -	B-17
DINETTE	B-18 -	B-19
DRIVERS COMPARTMENT	B-20 -	B-24
ELECTRICAL	C-01 -	C-07
EXTERIOR BODY	C-08 -	C-18
GALLEY	C-19 -	D-04
GENERATOR	D-05 -	D-06
HEATING & A/C	D-07 -	D-14
INTERIOR FINISH	D-15 -	D-18
LABEL	D-19 -	E-01
LP		E-02
LOUNGE	E-03 -	E-04
SEALANTS & FASTENERS	E-05 -	E-09
WATER & SEWAGE	E-10 -	E-13
WINDOW, VENT AND		
EXTERIOR DOOR	E-14 -	F-08
WINDSHIELD & WIPER	F-09 -	F-12

HEATING & AIR CONDITIONING GROUP (CONTINUED)

CENTRAL A/C & HEATING SYSTEM (CONTINUED)



KEY	PART NUMBER	U/M	DESCRIPTION
1	105620-01-717	EA	MOTOR-BLOWER, O.D. - COLEMAN 1468-302
2	105620-01-716	EA	PKG-SLEEVE & GROMMET, 4 PER PKG - COLEMAN 6795-3031
3	105620-01-715	EA	MOUNT-BLOWER, O.D. - COLEMAN 6795-3011
4	105620-01-714	EA	VENTURI-BLOWER, O.D. - COLEMAN 6795-150
5	105620-01-713	EA	WHEEL-BLOWER, O.D. - COLEMAN 1472-101
6	105620-02-702	EA	PAN-DRAIN, LH - COLEMAN 6795-225
7	105620-02-701	EA	COIL-EVAPORATOR, LEFT - COLEMAN 1452-143
8	105620-01-722	EA	VENTURI-BLOWER, I.D. - COLEMAN 6795-151
9	105620-02-709	EA	WHEEL-BLOWER, I.D. - COLEMAN 1472-102
10	105620-02-708	EA	HOUSING-BLOWER, I.D. - COLEMAN 6795-519
11	106889-01-708	EA	CAPACITOR-FAN, COLEMAN 1499-5461
12	105620-01-723	EA	MOUNT-MOTOR, BLOWER I.D. - COLEMAN 6795-302
13	105620-01-724	EA	MOTOR-BLOWER, I.D. REVERSIBLE - COLEMAN 1468-312
14	105620-01-719	EA	BOOT-CAPACITOR, RUBBER - COLEMAN 1499-950
15	105620-01-726	EA	SWITCH-FREEZE, COLEMAN 6795A330
16	105620-01-703	EA	DRAIN VALVE, COLEMAN 6795-300
17	105620-01-718	EA	O.D. BLOWER CAPACITOR (12.5), COLEMAN 1499-4631
18	105620-02-704	EA	LINE-DISCHARGE, #2 - LEFT - COLEMAN 6795-233
19	105620-02-703	EA	LINE ASM-SUCTION, #2 - LEFT - COLEMAN 6795-507
20	105620-01-705	EA	OVERLOAD PROTECTOR (RH&LH), COLEMAN 6759-3791
21	105620-01-704	EA	COMPRESSOR, TECUMSEH RK157 AT-010A4
22	105620-01-706	EA	COMPRESSOR MOUNTING PKG. (3/PKG), COLEMAN 6759-3081
23	105620-02-706	EA	LINE ASM-SUCTION, #1 - LEFT - COLEMAN 6795-234
24	105620-02-705	EA	LINE ASM-SUCTION, #1 - LH - COLEMAN 6795-508
25	105620-02-707	EA	LINE ASM-LIQUID, COMPRESSOR - LEFT - COLEMAN 6795-503
26	105620-01-712	EA	CAP TUBE ASM-DISTRIBUTOR, RIGHT & LEFT - COLEMAN 6795-514
27	105620-02-700	EA	COIL-CONDENSER, LH - COLEMAN 1452-142
	105620-04-000	EA	WIRE ASSEMBLY-THERMOSTAT, COLEMAN 6795-435
	108975-01-000	EA	BRACKET-A/C SUPPORT, RIGHT - TRIANGLE - 80 X 116MM - STEEL
	108975-02-000	EA	BRACKET-A/C SUPPORT, LEFT - TRIANGLE - 80 X 116MM - STEEL
	M05906-01-D18	EA	COVER, A/C - W/INSULATION
	056464-06-000	EA	REGISTER-HEAT/A/C, ROUND W/O DAMPER - 4" - PLASTIC - OFF WHITE
	093270-02-000	EA	VALVE-DRAIN, 90 DEGREE - BRASS - 1/4MPT
	056464-06-000	EA	REGISTER-HEAT/A/C, ROUND W/O DAMPER - 4" - PLASTIC - OFF WHITE
	092633-02-02A	EA	COVER-BLANK, ROOF A/C - 5.1" X 5.1" - PLASTIC - OFF WHITE

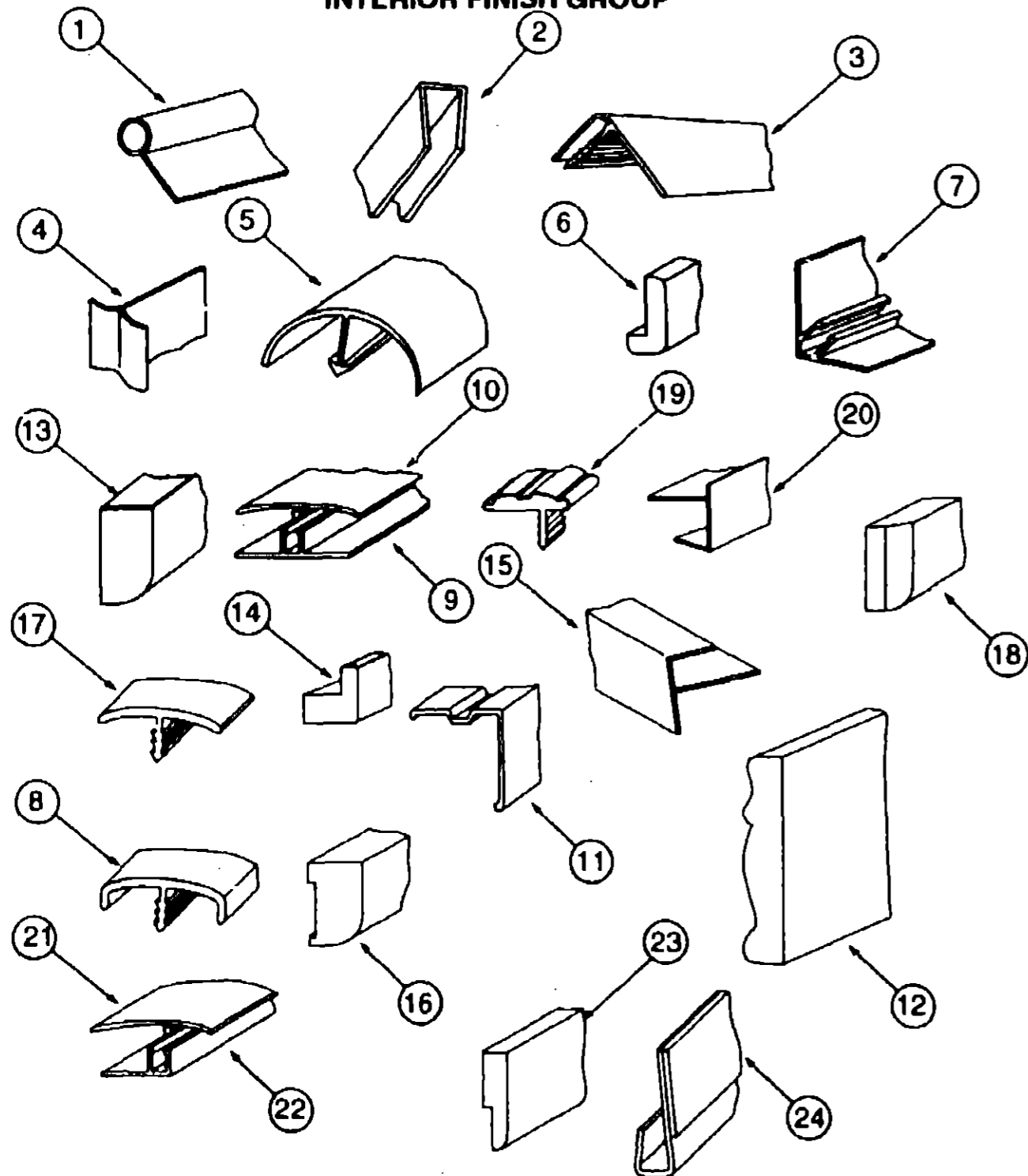
1993 WINNEBAGO TABLE OF CONTENTS

INTRODUCTION	A-01	A-02
ABBREVIATIONS		A-03
ALPHABETICAL INDEX	A-04	A-06
WSM35RQ	A-07	F-12

1993 WSM35RQ INDEX

FLOOR PLAN	A-07	A-08
ACCESSORIES		A-09
AUDIO VIDEO	A-10	A-13
BATH	A-14	A-18
BEDROOM	A-19	A-20
CHASSIS	A-21	B-04
CURTAIN & CUSHION	B-05	B-17
DINETTE	B-18	B-19
DRIVERS COMPARTMENT	B-20	B-24
ELECTRICAL	C-01	C-07
EXTERIOR BODY	C-08	C-18
GALLEY	C-19	D-04
GENERATOR	D-05	D-06
HEATING & A/C	D-07	D-14
INTERIOR FINISH	D-15	D-18
LABEL	D-19	E-01
LP		E-02
LOUNGE	E-03	E-04
SEALANTS & FASTENERS	E-05	E-09
WATER & SEWAGE	E-10	E-13
WINDOW, VENT AND		
EXTERIOR DOOR	E-14	F-08
WINDSHIELD & WIPER	F-09	F-12

INTERIOR FINISH GROUP



MOLDINGS & TRIMS

KEY	PART NUMBER	U/M DESCRIPTION
1	009767-12-000	FT MOLDING-SIDEWALL TO CEILING/CABINET, WELTING - OFF WHITE
2	008778-13-000	FT U CHANNEL-PLASTIC, 1" WIDE X 8" INCREMENTS - THOR PECAN
2	070504-19-000	FT U-CHANNEL-PLASTIC, .815" WIDE - BROWN - INC OF 8"
2	070504-24-000	FT U-CHANNEL-PLASTIC, .875" WIDE - THOR PECAN - INC OF 8"
2	070504-28-000	FT U-CHANNEL-PLASTIC, .815" WIDE - MODERN IVORY - INC OF 8"
3	009809-23-000	EA MOLDING-CORNER, OUTSIDE - 1" - PLASTIC - IVORY
4	022992-11-000	FT MOLDING-REVERSE COVE, T-SHAPED - VINYL - IVORY
5	042357-17-000	EA MOLDING-CORNER, RADIUS - 1.5" X 7" - PLASTIC - WOODGRAIN
6	077840-01-W30	EA MOLDING-WALL CAP, 1.4" X 8" LONG - L-SHAPED WOOD
7	081521-02-007	EA MOUNT-METAL MOLDING, FOR RADIUS CORNER MOLDING - 12.5" EA
	080176-03-000	EA CAP-TOP, RADIUS CORNER MOLDING - PLASTIC - PECAN
8	083620-07-000	FT MOLDING-T, END CAP EDGE - W/EDGE LIPS - .75" - THOR PECAN
9	086229-01-000	EA RETAINER-BATTEN, CEILING - .75" WIDE - 7.6' EA
10	086229-04-000	EA BATTEN-CEILING, 1" WIDE - IVORY - 7.6' EA
11	093873-01-01A	EA TRIM-CARPET, L-ANGLE - 1.1" X 1.3" X 12" - VINYL - GRAY
12	100182-10-B07	EA TRIM-CHAIR RAIL, WALL - 2.5" X 8" - WOOD

INTERIOR FINISH GROUP (CONTINUED)

MOLDINGS & TRIMS (CONTINUED)

KEY	PART NUMBER	U/M DESCRIPTION
13	100818-01-01A	EA MOLDING-VINYL WRAPPED, 1.65" X .4" X 7' - REGAL OAK
14	100819-01-01A	EA MOLDING-VINYL WRAPPED, L-SHAPED - 1.5" X 1.5" X 7' - OAK
15	009812-25-000	EA MOLDING-CORNER, OUTSIDE - .5" - PLASTIC - PECAN
16	092331-D2-134	EA MOLDING-VINYL WRAPPED, .7" X 1.57" X 84" - WOODGRAIN
16	092331-F2-134	EA MOLDING-VINYL WRAPPED, .7" X 2.5" X 7' - WOODGRAIN
16	092331-F2-438	EA MOLDING-VINYL WRAPPED, .7" X 2.5" X 96" - WOODGRAIN
17	105709-01-000	FT T-MOLDING-1", MODERN IVORY
18	100659-17-D18	EA MOLDING-TRIM, FLOOR - 1" X 28.2" - WOOD
19	109736-01-01A	FT T-MOLDING, 1.00" - BRASS/BLACK - CRILA PLASTICS
20	103186-01-02A	FT MOLDING-EDGE, SHELF - .78" WIDE - PLASTIC - REGAL OAK
21	086229-10-000	EA BATTEN-1.5", OFFSET - IVORY
22	086229-09-000	EA RETAINER-OFFSET
23	105004-01-01A	EA MOLDING-VINYL WRAP, .94" X 8" - WOODGRAIN - REGAL OAK
24	109332-02-01A	FT TRIM-J, CARPET - BLACK - B&W RN446
	092707-07-01A	EA MOLDING-OAK, REGAL
	091261-01-000	FT SLIPNOT-ANTISLIP, 1" WIDE (100' ROLL)
	085284-61-000	FT BATT STRIP-DECORATIVE, PATTERNED STRIPE - ADHESIVE BACKED
	079653-04-000	EA BATT STRIP-KERFED, WOODGRAIN
	069733-79-000	EA BATT STRIP-WOODGRAIN, 8' EA - FOREST OAK
	072368-02-000	EA TRIM-VINYL, EDGE - BLACK - GM 14004305
	076325-27-000	FT MOLDING-EDGE BAND, 1 5/16" WIDE - REGAL OAK
	076325-28-000	FT MOLDING-EDGE BAND, 1 5/16" WIDE - OFF WHITE - THERMOWEB
	076325-38-000	FT MOLDING-EDGE BAND, 1 5/16" WIDE - BLUSH/BEIGE (D18)
	076325-35-000	FT MOLDING-EDGE BAND, 1 5/16" WIDE - GRAY (D19)
	076325-40-000	FT MOLDING-EDGE BAND, 1 5/16" WIDE - SILVER/BEIGE (D20)
	109831-01-D18	EA LUMBER-MIRROR STOP, 610MM LONG
	109831-02-D18	EA LUMBER-MIRROR STOP, 900MM LONG
	092330-D2-438	EA LUMBER-VINYL WRAPPED, .7" X 1.5" X 9' - WOODGRAIN
	092330-03-000	EA LUMBER-VINYL WRAPPED, 2" X 96" - WOODGRAIN
	092330-05-000	EA LUMBER-VINYL WRAPPED, 3" X 96" - WOODGRAIN

PANELING, LAMINATES & PLASTIC

KEY	PART NUMBER	U/M DESCRIPTION
	047034-02-000	SF PLASTIC-CARPET, 4" WIDE - CLEAR POLY - MINIMUM ORDER 1,600 SF
	057882-04-000	SF TAMBOUR-DOOR, 4' X 8' SHEET
	106069-01-000	SF TAMBOUR-BRASSTONE, 4' X 8' - ALUMINUM COVERED HARDBOARD
	064970-56-012	EA PLASTIC-ABS, .04" X 52" X 52" - BEIGE
	074497-20-000	SF PANELING-WOODGRAIN, 4' X 8' - INC OF 32 SF
	074498-24-000	SF LAMINATE-PLASTIC, 5' X 8' - INC OF 40 SF
	074498-46-000	SF LAMINATE-PLASTIC, 5' X 8' - INC. OF 40 SF - TAUPE - EXTERIOR ENTERTAINMENT
	074498-48-000	SF LAMINATE-PLASTIC, 5' X 8' - INC OF 40 SF - CANYON (D18 BED & BATH)
	074498-47-000	SF LAMINATE-PLASTIC, 5' X 8' - INC OF 40 SF - GRAY MATRIX (D18 GALLEY)
	074498-41-000	SF LAMINATE-PLASTIC, 5' X 8' - INC OF 40 SF - ORCHID MIST (D19)
	074498-49-000	SF LAMINATE-PLASTIC, 5' X 8' - INC OF 40 SF - CALDERA GRAY (D20)
	076773-08-000	SF PANELING-WOODGRAIN, 554 FOREST OAK, 2 SIDED - 3MM X 48" X 96"
	080215-06-000	SF PANEL-TWO SIDED, 5MM X 4' X 8' - WOODGRAIN
	083618-02-000	SF PLYWOOD-OAK, 1 SIDE FINISHED - 3/16" X 4' X 8' - INCREMENTS OF 32 SF
	088272-98-000	SF PANELING-SHOWER, OFF WHITE - 4' X 7' - INC OF 28 SQ FT
	088272-93-000	SF PANELING-DECORATIVE, PATTERNED STRIPE - 4' X 7' - INC 28SF
	089297-01-000	SF PLYWOOD-LUAN, OVERLAY GRADE - 4' X 8' - INC OF 32 SF
	089351-03-000	YD VINYL-CEILING, DIAMOND DESIGN - 54" WIDE
	095688-01-000	SF VENEER-FLAT LUANA 48 X 96

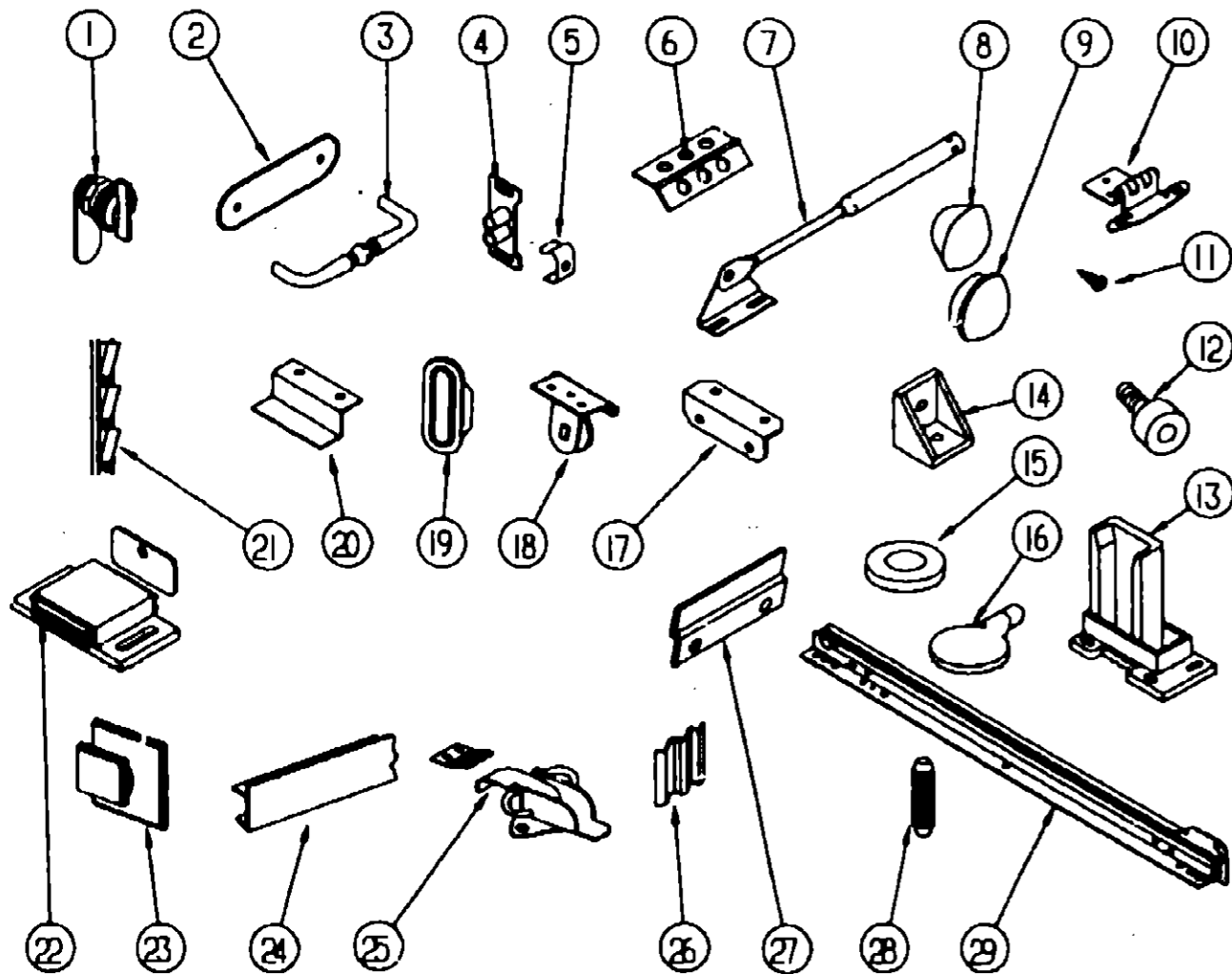
**1993 WINNEBAGO
TABLE OF CONTENTS**

INTRODUCTION	A-01 -	A-02
ABBREVIATIONS		A-03
ALPHABETICAL INDEX	A-04 -	A-06
WSM35RO	A-07 -	F-12

1993 WSM35RQ INDEX

FLOOR PLAN	A-07 -	A-08
ACCESSORIES		A-09
AUDIO VIDEO	A-10	A-13
BATH	A-14 -	A-18
BEDROOM	A-19 -	A-20
CHASSIS	A-21	B-04
CURTAIN & CUSHION	B-05 -	B-17
DINETTE	B-18 -	B-19
DRIVERS COMPARTMENT	B-20 -	B-24
ELECTRICAL	C-01 -	C-07
EXTERIOR BODY	C-08 -	C-18
GALLEY	C-19 -	D-04
GENERATOR	D-05 -	D-08
HEATING & AC	D-07 -	D-14
INTERIOR FINISH	D-15 -	D-18
LABEL	D-19 -	E-01
LP		E-02
LOUNGE	E-03 -	E-04
SEALANTS & FASTENERS	E-05 -	E-09
WATER & SEWAGE	E-10 -	E-13
WINDOW, VENT AND		
EXTERIOR DOOR	E-14 -	F-08
WINDSHIELD & WIPER	F-09 -	F-12

INTERIOR FINISH GROUP (CONTINUED)



CABINET & TABLE HARDWARE

KEY	PART NUMBER	U/M DESCRIPTION
1	100710-01-01A	EA LOCK-GLASS DOOR, TWIST TYPE - BRASS
2	081376-01-000	EA BACKPLATE-DOOR PULL, BRASS - .8" X 4.25"
3	108164-01-000	EA PULL-CABINET, BRASS
4	009021-01-000	EA CATCH-GRILL, NYLON
5	009021-02-000	EA STRIKE-SPRING STEEL
6	009066-01-000	EA HINGE-ALUMINUM, NO HOLES - 1 1/16" X 6" - UNPAINTED
7	074493-02-000	EA SUPPORT-PISTON SPRING, CABINET DOOR
8	042356-01-000	EA PLUG-BUTTON, MAHOGANY - 3/8" DIAMETER - WOOD
9	074045-01-000	EA PLUG-OAK, 1/2" DIAMETER
10	108138-01-000	EA HINGE-DOOR, CABINET - BURNISHED BRASS
11	000G13-06-08G	EA SCREW-6-20 X 5/8 PFH, ANTIQUE BRASS
12	079921-01-000	EA ROLLER-NYLON, W/STEEL SHAFT - BARBED
13	107030-01-000	EA BACKSOCKET-ADJUSTABLE, LEFT TRANSFER FLOW
13	107030-02-000	EA BACKSOCKET-ADJUSTABLE, RIGHT TRANSFER FLOW
14	065740-01-000	EA BRACE-CABINET CORNER, PLASTIC
15	100707-01-000	EA SPACER-DOOR, GLASS - .8" DIA - .3" HOLE - PLASTIC
16	101766-01-000	EA PIN-SUPPORT, GLASS DOOR
17	018604-01-000	EA BRACE-CABINET, ANGLE - 2.5" - METAL - UNPAINTED
17	016604-03-000	EA BRACE-CABINET, ANGLE - 2.5" - METAL - BEIGE
18	100711-01-01A	EA HINGE-DOOR, GLASS
19	098410-01-01A	EA PULL-FINGER, OVAL - BRASS
20	101222-01-01A	EA BRACKET-CATCH, LID - BEIGE
21	097544-01-01A	EA SUPPORT-SHELF, ADJUSTABLE - 18" X .6" - PLASTIC - BROWN
21	097544-02-01A	EA SUPPORT-SHELF, ADJUSTABLE - 24" X .6" - PLASTIC - BROWN
22	088254-01-000	EA CATCH-MAGNETIC, 1.8" X .7"
23	102327-01-01A	EA PULL-MIRROR, SQUARE
24	103188-02-02A	FT MOLDING-EDGE, SHELF - 1.3" WIDE - PLASTIC - REGAL OAK
25	103192-01-000	EA LATCH-DRAW, WITHOUT STRIKE - 3 3/64" - CHROME PLATED
28	105037-02-000	EA FASTENER-WOOD, CORNER - METAL - .5" X .6"
27	101272-01-000	EA CATCH-DOOR, GLASS
28	110072-01-000	EA DOWEL-5/16" X 1 3/16", BIRCH
29	106913-05-000	EA SLIDE-DRAWER, CABINET - LEFT SIDE - 18"

INTERIOR FINISH GROUP (CONTINUED)

CABINET & TABLE HARDWARE (CONTINUED)

KEY	PART NUMBER	U/M DESCRIPTION
29	106913-06-000	EA SLIDE-DRAWER, CABINET - RIGHT SIDE - 18"
29	106913-07-000	EA SLIDE-DRAWER, DRAWER MOUNT - LEFT SIDE - 15"
29	106913-08-000	EA SLIDE-DRAWER, DRAWER MOUNT - RIGHT SIDE - 18"
29	106913-21-000	EA SLIDE-DRAWER, 24" LEFT CABINET - TRANSFER FLOW FROM: 00-00-00 THRU: 11-15-92
29	106913-22-000	EA SLIDE-DRAWER, 24" RIGHT CABINET - TRANSFER FLOW FROM: 00-00-00 THRU: 11-15-92
29	106913-23-000	EA SLIDE-DRAWER, 24" LEFT DRAWER - TRANSFER FLOW FROM: 00-00-00 THRU: 11-15-92
29	106913-24-000	EA SLIDE-DRAWER, 24" RIGHT DRAWER - TRANSFER FLOW FROM: 00-00-00 THRU: 11-15-92
29	106913-17-000	EA SLIDE-DRAWER, 22" LEFT CABINET - TRANSFER FLOW FROM: 11-16-92 THRU: 99-99-99
29	106913-18-000	EA SLIDE-DRAWER, 22" RIGHT CABINET - TRANSFER FLOW FROM: 11-16-92 THRU: 99-99-99
29	106913-19-000	EA SLIDE-DRAWER, 22" LEFT DRAWER - TRANSFER FLOW FROM: 11-16-92 THRU: 99-99-99
29	106913-20-000	EA SLIDE-DRAWER, 22" RIGHT DRAWER - TRANSFER FLOW FROM: 11-16-92 THRU: 99-99-99
29	106913-25-000	EA SLIDE-DRAWER, 20" LEFT CABINET - TRANSFER FLOW
29	106913-26-000	EA SLIDE-DRAWER, 20" RIGHT CABINET - TRANSFER FLOW
29	106913-27-000	EA SLIDE-DRAWER, 20" LEFT DRAWER - TRANSFER FLOW
29	106913-28-000	EA SLIDE-DRAWER, 20" RIGHT DRAWER - TRANSFER FLOW
	108808-01-01A	EA HANDRAIL-ASSIST, METAL - BRASS
	023320-01-000	EA PAD-FELT, 3/8" DIAMETER - BROWN
	042541-04-000	EA LATCH-BRASS, W/O STRIKE - HASP TYPE - BRASS
	072871-01-000	EA PULL-FLUSH, CHROME - CAB FLOOR COMPARTMENT
	076790-01-000	EA SCREW, 6-20 X 1 1/4 PPH - BLACK
	009112-01-000	EA FLANGE-1" ROD, CLOTHES - PLASTIC - OFF WHITE

CARPETING & FLOOR MATS

KEY	PART NUMBER	U/M DESCRIPTION
	093486-01-000	SY CARPET-COMPARTMENT, 54" WIDE - DARK GRAY
	096060-45-000	SY CARPET-12' ROLL, INC OF 4 SY - APPALLOUSA (D18) FROM: 00-00-00 THRU: 05-31-92
	096060-55-000	SY CARPET-12' ROLL, INC OF 4 SY - ROYAL TERRACE WICKER (D18) FROM: 06-01-92 THRU: 99-99-99
	096060-56-000	SY CARPET-12' ROLL, INC OF 4 SY - ROYAL TERRACE IRIS (D19)
	096060-48-000	SY CARPET-12' ROLL, INC OF 4 SY - ASPEN BLUE (D20)
	075233-01-000	SY PAD-CARPET, 3/8" X 6" ROLL
	102895-08-000	YD TAPE-CARPET BIND, #480 MAUVE
	102895-11-000	YD TAPE-CARPET BIND, MATTRESS - 3/4" WIDE - LIGHT TAN
	105829-01-700	EA WOOD TILE 4.5" X 36" X 3/8" THICK
	105829-02-01A	SF WOOD PLANK FLOORING TILE - LIGHT OAK FROM: 00-00-00 THRU: 06-06-93 FROM: 06-07-93 THRU: 99-99-99
	108151-01-000	EA MAT-FLOOR, ENTRANCE - PLASTICOLOR
	108152-01-000	EA MAT-FLOOR, PASSENGER SIDE - PLASTICOLOR
	108152-02-000	EA MAT-FLOOR, DRIVER SIDE - PLASTICOLOR
	108152-03-000	EA MAT-FLOOR, DRIVER SIDE - PLASTICOLOR (SPARTAN ONLY)

FIRE EXTINGUISHER, SMOKE DETECTOR, CLOCK, PICTURE & HANDRAIL

KEY	PART NUMBER	U/M DESCRIPTION
	094499-01-000	EA EXTINGUISHER-FIRE, DRY W/MOUNTING BRACKET - 10 BC
	094499-01-700	EA BRACKET-MOUNTING, W/PLASTIC STRAP - FIRE EXTINGUISHER
	072852-01-000	EA DETECTOR-SMOKE, W/9 VOLT BATTERY
	072852-02-000	EA DETECTOR-SMOKE, W/9 VOLT BATTERY - CANADIAN
	100793-02-01A	EA CLOCK-WALL, ROUND - 11" - BOLDEN 9988
	108808-01-01A	EA HANDRAIL-STEP, ENTRANCE BRASS - TRANSFER FLOW
	108953-04-000	EA PICTURE-DECORATIVE, 15" X 18" - FLOWERS - KEYLINE SALES

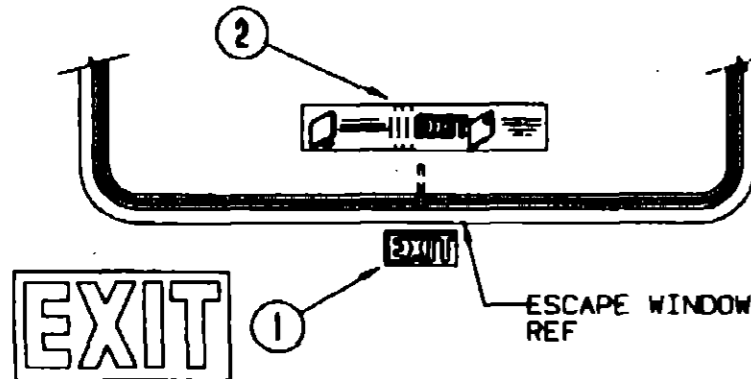
**1993 WINNEBAGO
TABLE OF CONTENTS**

INTRODUCTION	A-01 - A-02
ABBREVIATIONS	A-03
ALPHABETICAL INDEX	A-04 - A-06
WSM35RQ	A-07 - F-12

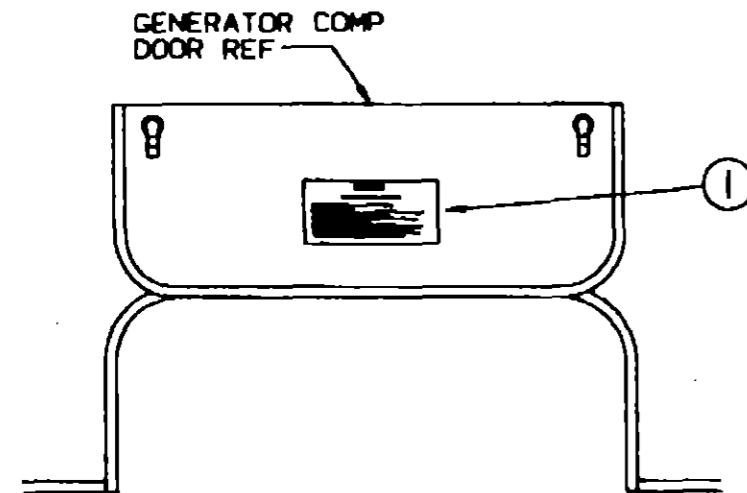
1993 WSM35RQ INDEX

FLOOR PLAN	A-07 - A-08
ACCESSORIES	A-09
AUDIO VIDEO	A-10 - A-13
BATH	A-14 - A-18
BEDROOM	A-19 - A-20
CHASSIS	A-21 - B-04
CURTAIN & CUSHION	B-05 - B-17
DINETTE	B-18 - B-19
DRIVERS COMPARTMENT	B-20 - B-24
ELECTRICAL	C-01 - C-07
EXTERIOR BODY	C-08 - C-18
GALLEY	C-19 - D-04
GENERATOR	D-05 - D-06
HEATING & A/C	D-07 - D-14
INTERIOR FINISH	D-15 - D-18
LABEL	D-19 - E-01
LP	E-02
LOUNGE	E-03 - E-04
SEALANTS & FASTENERS	E-05 - E-09
WATER & SEWAGE	E-10 - E-13
WINDOW, VENT AND EXTERIOR DOOR	E-14 - F-08
WINDSHIELD & WIPER	F-09 - F-12

LABEL GROUP



KEY	PART NUMBER	U/M DESCRIPTION
1	039290-01-000	EA LABEL-WARNING, EXIT
2	107571-01-000	EA LABEL-ESCAPE EXIT, WINDOW



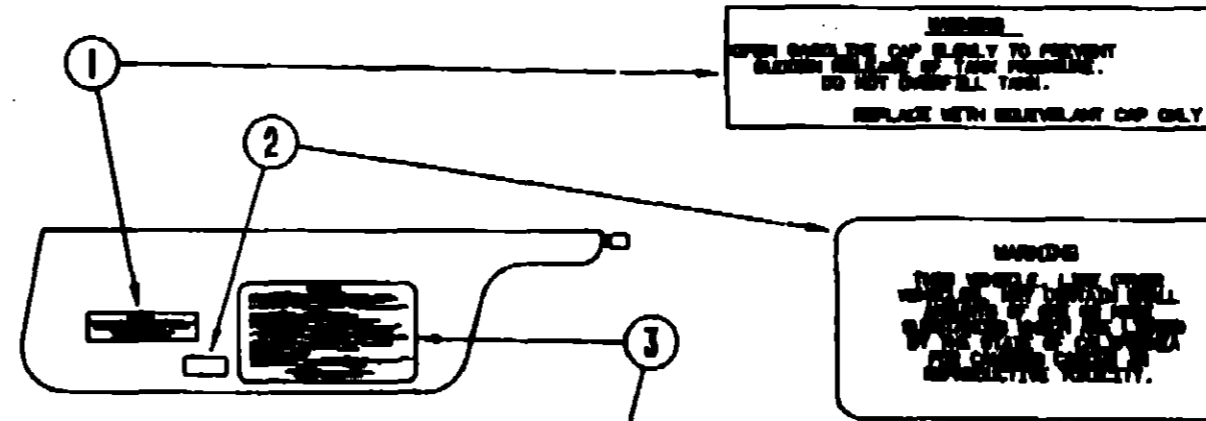
WARNING

WHEN ADDING A GENERATOR SET,

HIGH VOLTAGE—USE EXTREME CAUTION WHEN WORKING ON ELECTRICAL COMPONENTS. HAVE ALL ELECTRICAL INSTALLATION PERFORMED BY A QUALIFIED LICENSED ELECTRICIAN—FOLLOW ALL STATE AND LOCAL CODES. ONLY INSTALL GENERATOR SET APPROVED FOR R.V. APPLICATION. HAVE INSTALLED BY QUALIFIED TECHNICIAN. TO AVOID HEAT BUILD-UP AND TO GUARANTEE AN ADEQUATE AIR SUPPLY TO THE GENERATOR COMPARTMENT, FOLLOW INSTALLATION INSTRUCTIONS. GENERATOR ENGINE EXHAUST GASES ARE TOXIC AND MUST NOT TERMINATE UNDER THE VEHICLE—DISCHARGE EXHAUST AWAY FROM VEHICLE.

KEY	PART NUMBER	U/M DESCRIPTION
1	077510-01-000	EA LABEL-GENERATOR PREP

LABEL GROUP (CONTINUED)



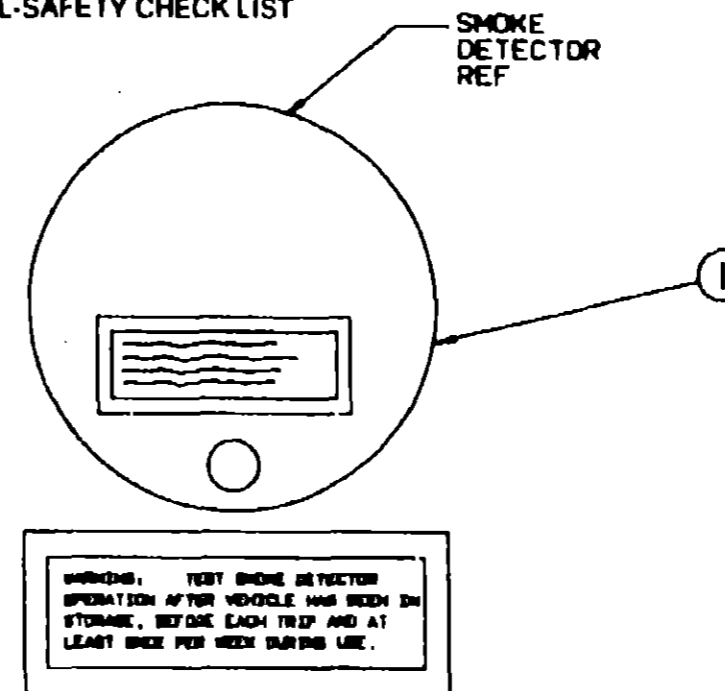
CAUTION

THIS MOTOR HOME HAS BEEN DESIGNED, MANUFACTURED AND TESTED WITH CARE FOR THE PROTECTION OF IT'S OCCUPANTS. WE REQUEST YOU PERFORM THE FOLLOWING INSPECTIONS FOR YOUR SAFETY AND THE SAFETY OF YOUR PASSENGERS BEFORE STARTING YOUR VEHICLE.

1. LP GAS SYSTEM- TURN OFF AT TANK FOR TRAVELING. TEST FOR LEAKS UPON ARRIVAL AT DESTINATION. BEFORE LEAVING FLAME.
2. WHEELS- INSPECT FOR DAMAGE AND CHECK TIRE PRESSURE.
3. TIRES- INSPECT FOR WEAR AND DAMAGE AND CHECK FOR RECOMMENDED AIR PRESSURE.
4. LIGHTS- TEST FOR PROPER OPERATION OF ALL INTERIOR AND EXTERIOR LIGHTS INCLUDING BRAKE LIGHTS, HEADLIGHTS, TAIL LIGHTS, BUMPER LIGHTS, CLEARANCE LIGHTS AND TURN SIGNALS.
5. EXITS- INSPECT RELEASE MECHANISM ON EMERGENCY EXIT WINDOW. TEST BOTH LEVERS ON EACH ENTRANCE DOOR FOR EASE OF OPERATION AND INSTRUCT PASSENGERS HOW TO USE BOTH HANDS OF EXIT.
6. SEAT BELTS- INSTRUCT PASSENGERS TO SECURE SEATS AND RELEAVE USE OF SEAT BELTS.
7. APPLIANCES- TURN OFF AND LATCH OR LOCK WHEN BEING PREPARED.
8. LOCKS/FOLDERS- OPERATE CAREFULLY.
9. UTILITY SUPPLY LINES- DISCONNECT ALL ELECTRIC, WATER AND WATER LINES AND SECURE PROPERLY.
10. ENTRANCE DOOR STOP- PLACE IN RETRACTED POSITION FOR TRAVELING.

READ YOUR OWNER'S MANUAL AND CHECK OWNER'S MANUAL FOR FURTHER PRECAUTIONS

KEY	PART NUMBER	U/M DESCRIPTION
1	087207-05-000	EA LABEL-FUEL CAP REMOVAL
2	099689-01-000	EA LABEL-WARNING, CANCER/TOXICITY
3	058259-01-000	EA LABEL-SAFETY CHECK LIST



KEY	PART NUMBER	U/M DESCRIPTION
1	077956-01-000	EA LABEL-WARNING, SMOKE DETECTOR

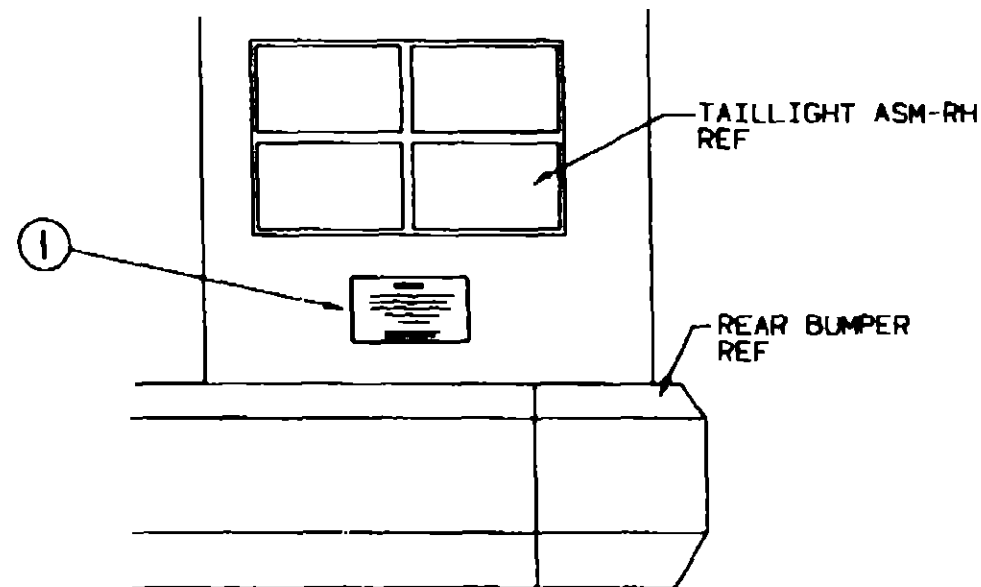
1993 WINNEBAGO TABLE OF CONTENTS

INTRODUCTION	A-01 -	A-02
ABBREVIATIONS		A-03
ALPHABETICAL INDEX	A-04 -	A-06
WSM35RQ	A-07 -	F-12

1993 WSM35RQ INDEX

FLOOR PLAN	A-07 -	A-08
ACCESSORIES		A-09
AUDIO VIDEO	A-10 -	A-13
BATH	A-14 -	A-19
BEDROOM	A-19 -	A-20
CHASSIS	A-21 -	B-04
CURTAIN & CUSHION	B-05 -	B-17
DINETTE	B-18 -	B-19
DRIVERS COMPARTMENT	B-20 -	B-24
ELECTRICAL	C-01 -	C-07
EXTERIOR BODY	C-08 -	C-18
GALLEY	C-19 -	D-04
GENERATOR	D-05 -	D-06
HEATING & A/C	D-07 -	D-14
INTERIOR FINISH	D-15 -	D-18
LABEL	D-19 -	E-01
LP		E-02
LOUNGE	E-03 -	E-04
SEALANTS & FASTENERS	E-05 -	E-09
WATER & SEWAGE	E-10 -	E-13
WINDOW, VENT AND EXTERIOR DOOR	E-14 -	F-08
WINDSHIELD & WIPER	F-09 -	F-12

LABEL GROUP (CONTINUED)

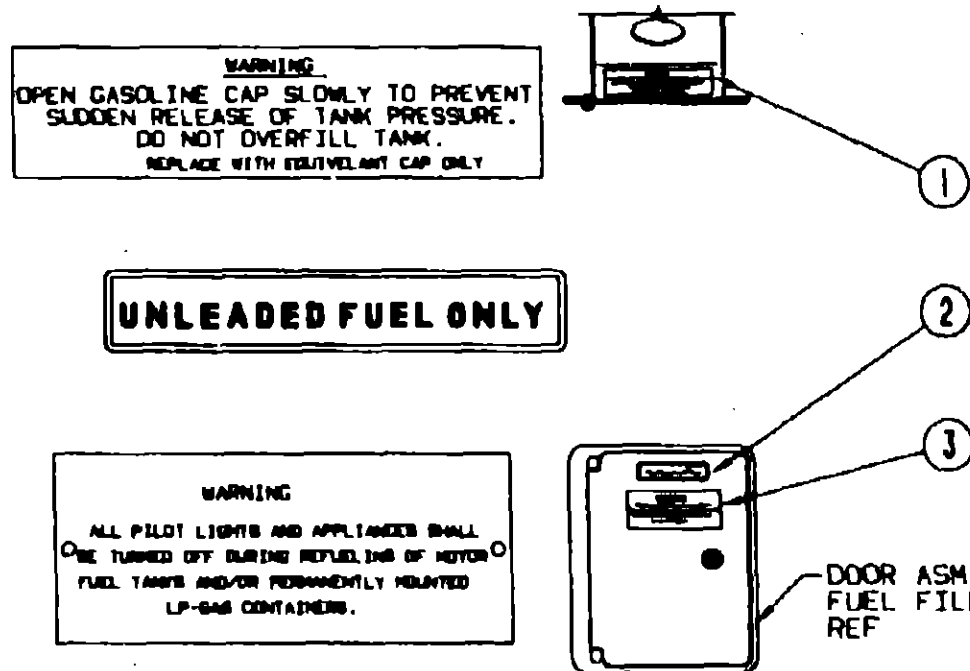


WARNING

DO NOT EXCEED THE VEHICLE WEIGHT RATINGS OR LOADING RECOMMENDATIONS (E.G., GROSS VEHICLE, GROSS AXLE, GROSS COMBINED) OF THE CHASSIS MANUFACTURER OR WINNEBAGO INC.

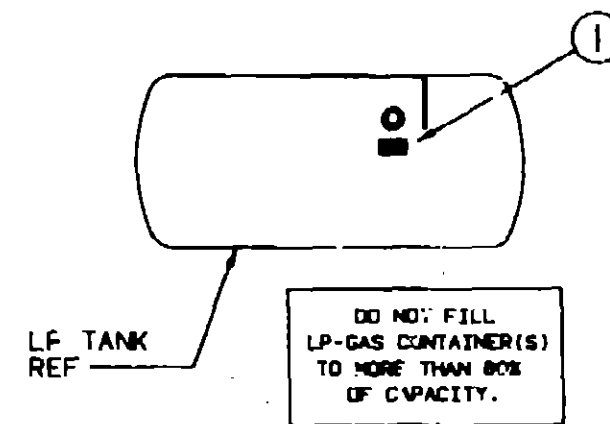
REFER TO YOUR OWNERS MANUAL, BEFORE LOADING OR TOWING.

KEY	PART NUMBER	U/M DESCRIPTION
1	075220-01-000	EA LABEL-WARNING, EXTERIOR LOAD

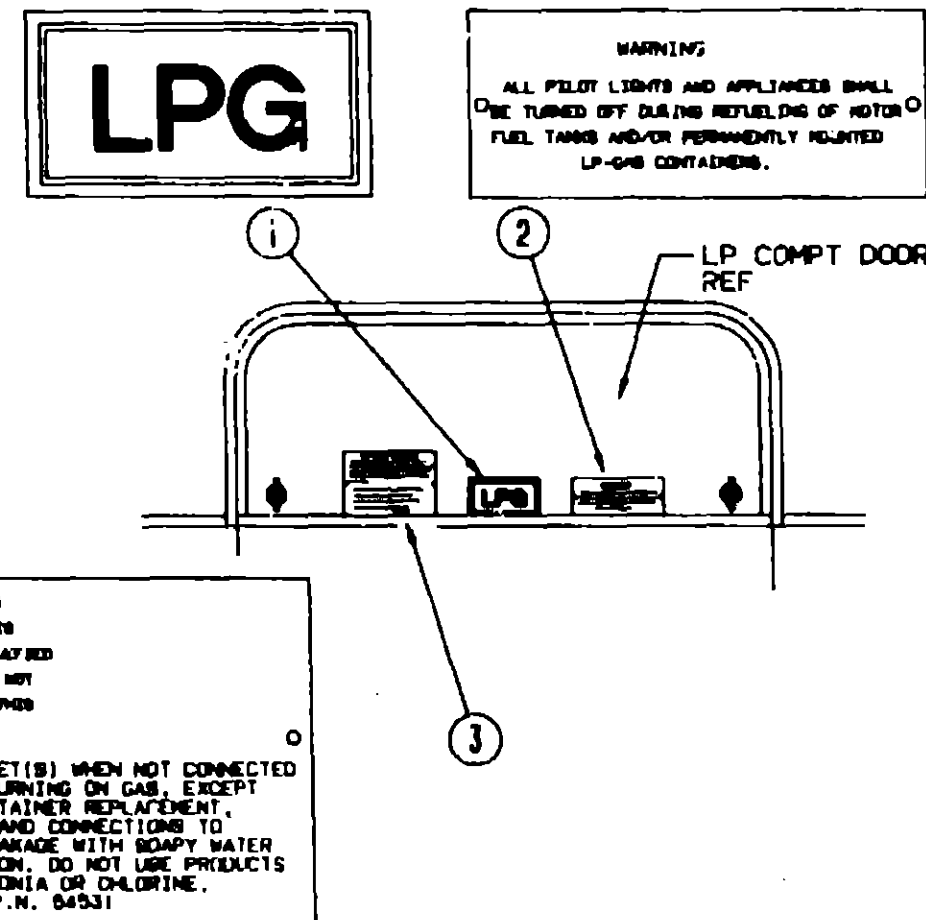


KEY	PART NUMBER	U/M DESCRIPTION
1	087207-05-000	EA LABEL-FUEL CAP REMOVAL
2	062043-01-000	EA LABEL-FUEL, UNLEADED
3	006040-01-000	EA TAG-GAS REFUELING WARNING
3	006040-02-000	EA TAG-GAS REFUEL WARNING, CANADIAN

LABEL GROUP (CONTINUED)



KEY	PART NUMBER	U/M DESCRIPTION
1	079965-01-000	EA LABEL-LPG 80 CAPACITY



KEY	PART NUMBER	U/M DESCRIPTION
1	074559-01-000	EA DECAL-LOGO, LPG - RED - (CALIF CODE)
2	006040-01-000	EA TAG-GAS REFUELING WARNING
2	006040-02-000	EA TAG-GAS REFUEL WARNING, CANADIAN
3	054531-01-000	EA LABEL-LP GAS ONLY
3	023769-01-000	EA LABEL-WARNING, LPG - CANADIAN

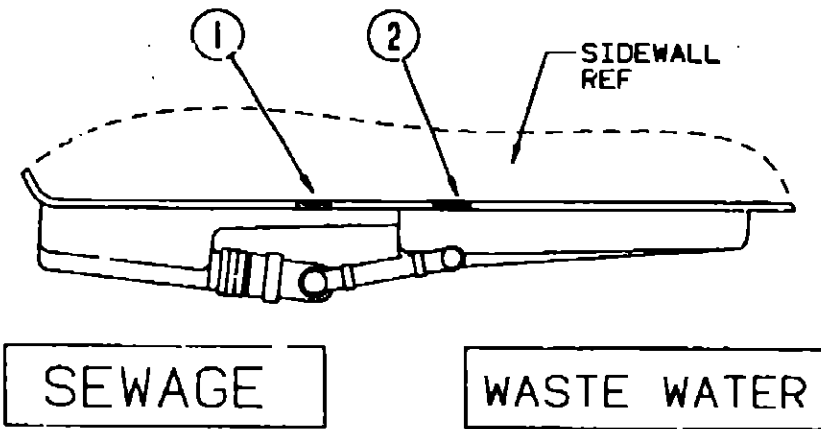
1993 WINNEBAGO TABLE OF CONTENTS

INTRODUCTION	A-01 - A-02
ABBREVIATIONS	A-03
ALPHABETICAL INDEX	A-04 - A-06
WSM35RQ	A-07 - F-12

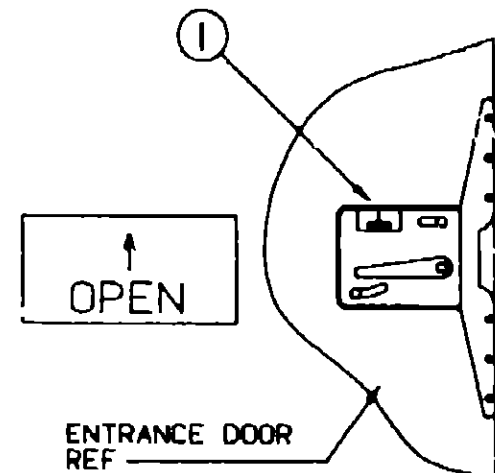
1993 WSM35RQ INDEX

FLOOR PLAN	A-07 - A-08
ACCESSORIES	A-09
AUDIO VIDEO	A-10 - A-13
BATH	A-14 - A-18
BEDROOM	A-19 - A-20
CHASSIS	A-21 - B-04
CURTAIN & CUSHION	B-05 - B-17
DINETTE	B-18 - B-19
DRIVERS COMPARTMENT	B-20 - B-24
ELECTRICAL	C-01 - C-07
EXTERIOR BODY	C-08 - C-18
GALLEY	C-19 - D-04
GENERATOR	D-05 - D-06
HEATING & A/C	D-07 - D-14
INTERIOR FINISH	D-15 - D-18
LABEL	D-19 - E-01
LP	E-02
LOUNGE	E-03 - E-04
SEALANTS & FASTENERS	E-05 - E-09
WATER & SEWAGE	E-10 - E-13
WINDOW, VENT AND EXTERIOR DOOR	E-14 - F-08
WINDSHIELD & WIPER	F-09 - F-12

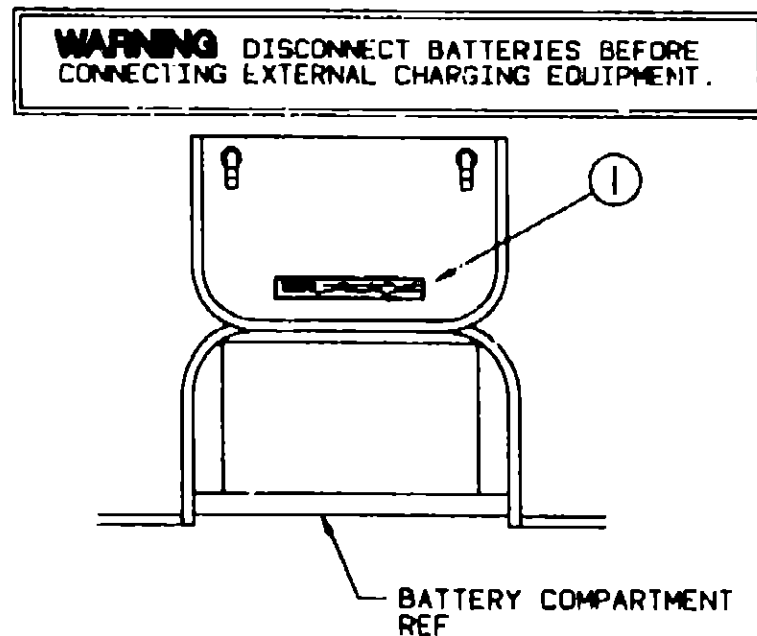
LABEL GROUP (CONTINUED)



KEY	PART NUMBER	U/M DESCRIPTION
1	006187-01-000	EA LABEL-SEWAGE
2	006188-01-000	EA LABEL-WASTE WATER

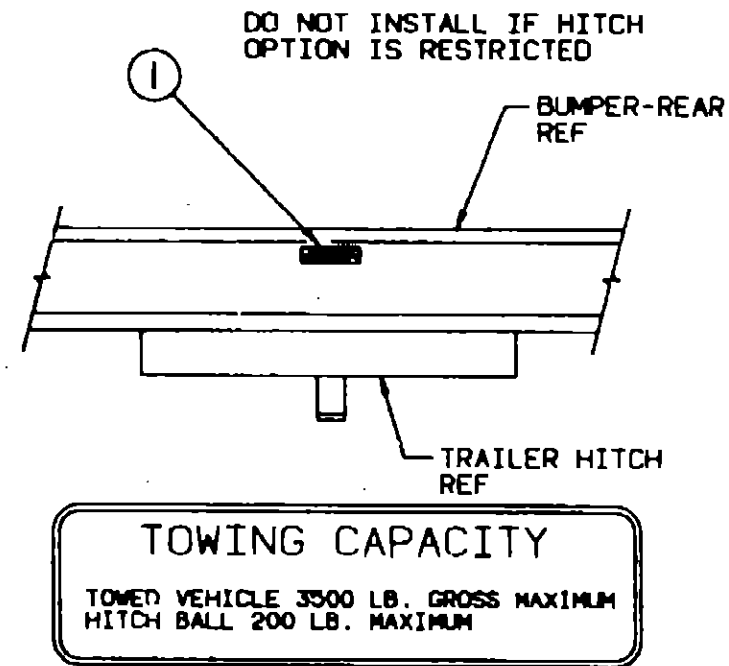


KEY	PART NUMBER	U/M DESCRIPTION
1	040944-01-000	EA LABEL-ENTRANCE DOOR, "OPEN"

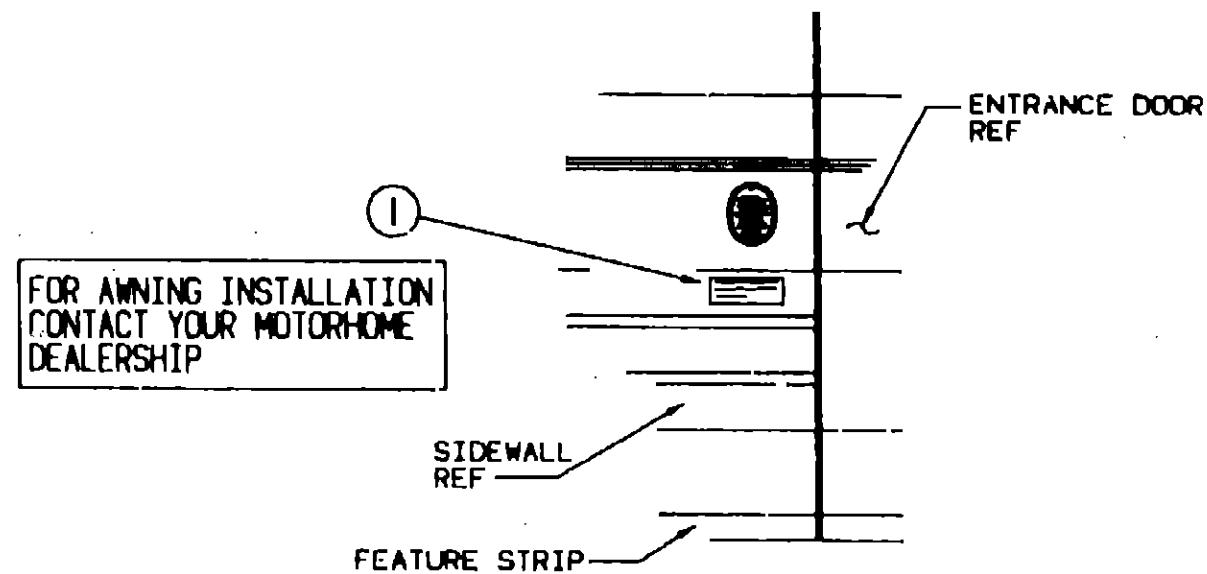


KEY	PART NUMBER	U/M DESCRIPTION
1	065748-01-000	EA LABEL-CAUTION, BATTERY CHARGING

LABEL GROUP (CONTINUED)



KEY	PART NUMBER	U/M DESCRIPTION
1	075221-03-000	EA LABEL-TOWING CAPACITY
	111104-01-000	EA LABEL-HITCH, READ MANUAL



KEY	PART NUMBER	U/M DESCRIPTION
1	099509-01-000	EA LABEL-AWNING INSTALLATION

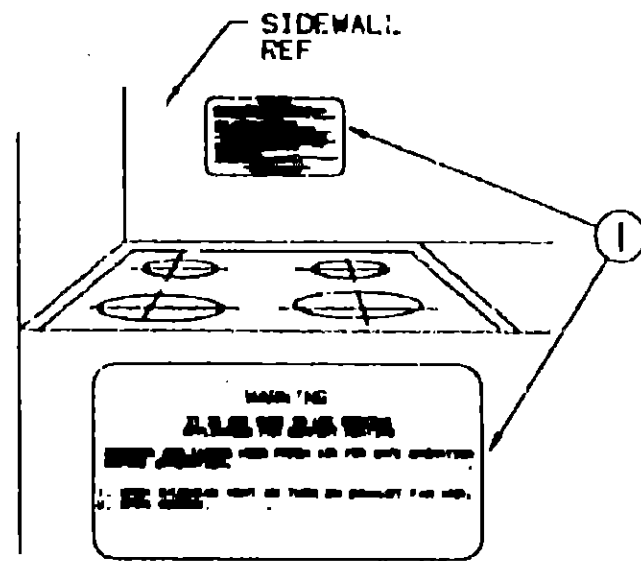
**1993 WINNEBAGO
TABLE OF CONTENTS**

INTRODUCTION	A-01 - A-02
ABBREVIATIONS	A-03
ALPHABETICAL INDEX	A-04 - A-06
WSM35RQ	A-07 - F-12

1993 WSM35RQ INDEX

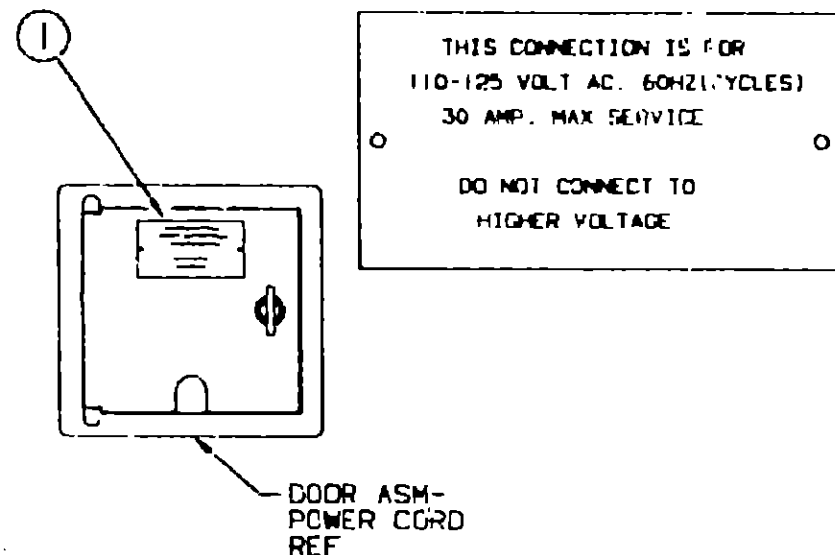
FLOOR PLAN	A-07 - A-08
ACCESSORIES	A-09
AUDIO VIDEO	A-10 - A-13
BATH	A-14 - A-18
BEDROOM	A-19 - A-20
CHASSIS	A-21 - B-04
CURTAIN & CUSHION	B-05 - B-17
DINETTE	B-18 - B-19
DRIVERS COMPARTMENT	B-20 - B-24
ELECTRICAL	C-01 - C-07
EXTERIOR BODY	C-08 - C-18
GALLEY	C-19 - D-04
GENERATOR	D-05 - D-06
HEATING & AC	D-07 - D-14
INTERIOR FINISH	D-15 - D-18
LABEL	D-19 - E-01
LP	E-02
LOUNGE	E-03 - E-04
SEALANTS & FASTENERS	E-05 - E-09
WATER & SEWAGE	E-10 - E-13
WINDOW, VENT AND EXTERIOR DOOR	E-14 - F-08
WINDSHIELD & WIPER	F-09 - F-12

LABEL GROUP (CONTINUED)



SIDE WALL REF

KEY	PART NUMBER	U/M DESCRIPTION
1	050225-01-000	EA LABEL-WARNING, STOVE VENT - US
1	050222-01-000	EA LABEL-WARNING, STOVE VENT - CANADIAN



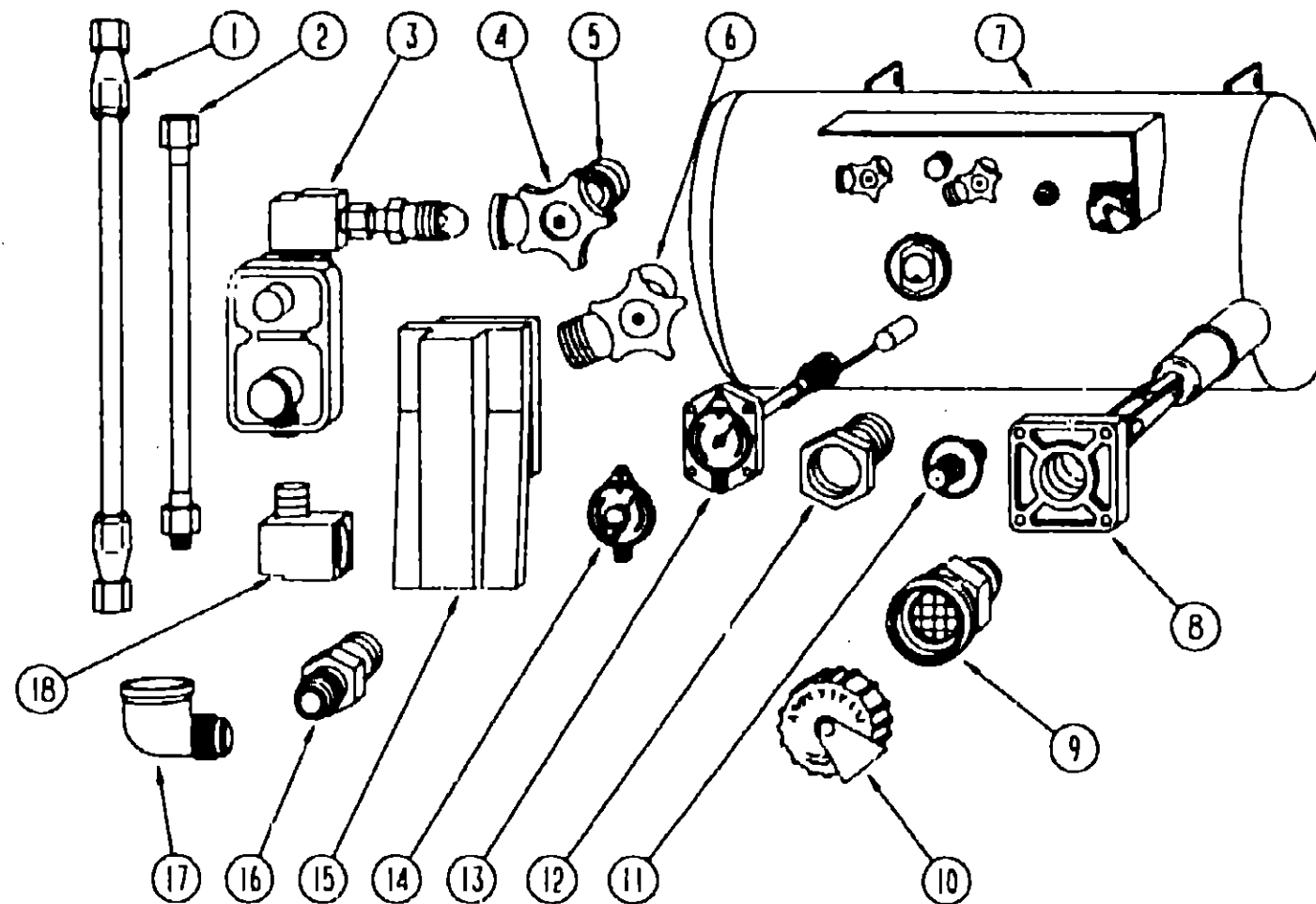
DOOR ASM-
POWER CORD
REF

KEY	PART NUMBER	U/M DESCRIPTION
1	006062-01-000	EA TAG-ELECTRIC, 110V CONNECTION

MISCELLANEOUS LABELS

KEY	PART NUMBER	U/M DESCRIPTION
	073998-01-000	EA LABEL-LPG ODOR WARNING
	091224-02-000	EA LABEL-TRAILER LIGHTING
	091243-01-000	EA LABEL-A/C COVER, *AIR CONDITIONING CIRCUIT, ETC.*
	079966-01-000	EA LABEL-WARNING, STOWED - MOTION
	093236-11-000	EA LABEL-CIRCUIT BREAKER, UNDER HOOD
	092547-04-000	EA LABEL-"CIRCUIT BREAKER", INTERIOR HOUSE PANEL
	095721-07-000	EA LABEL-CONTROL CENTER, (US)
	095721-09-000	EA LABEL-CONTROL CENTER (50A)
	098379-01-000	EA LABEL-ELECTRICAL BOX, FRONT BOX
	098379-04-000	EA LABEL-ELECTRICAL BOX, SIDE
	101955-04-000	EA LABEL-SWITCH, DISHWASHER
	109051-01-000	EA LABEL-SWITCH, 50A POWER (AIR CONDITIONER)
	109051-02-000	EA LABEL-SWITCH, 50A POWER (DISHWASHER/MICROWAVE)
	104678-01-000	EA LABEL-CB PREP

LP GROUP



LP TANK & COMPONENTS

KEY	PART NUMBER	U/M DESCRIPTION
1	045703-02-000	EA HOSE-LP, 3/8" ID X 24" - 3/8" MPT X 1/2" F SWIVEL - CANADA
1	045703-05-000	EA HOSE-LP, 3/8" ID X 28" - 3/8" MPT X 1/2" F SWIVEL - US
2	045703-01-000	EA HOSE-LP, 3/8" ID X 24" US - 3/8" MPT X 1/2" F SWIVEL
3	106150-01-000	EA REGULATOR-TWO STAGE
4	040421-01-708	EA HANDWHEEL-VAPOR RELIEF VALVE, BRUNNER G-1015-A
5	040421-01-712	EA VALVE-SERVICE W/HANDWHEEL - W/O VAPOR RELIEF - BRUNNER 29000853
6	040421-01-710	EA VALVE-LIQUID SERVICE, SHUT OFF (REGO 9101Y5) BRUNNER 91014
	P04998-03-000	EA MOUNT-LP TANK
7	088253-05-000	EA TANK-LP, 130 LB - LIQUID DRAW
8	040421-01-711	EA VALVE-80% W/FLOAT, PLATE, BOLTS & GASKET - BRUNNER
9	040421-01-701	EA VALVE-SHORT LP FILLER W/YELLOW CAP - BRUNNER 75478
10	040421-01-702	EA CAP-LP FILLER VALVE, PLASTIC - YELLOW - BRUNNER G-1014-A
11	040421-01-700	EA GAUGE-LIQUID LEVEL, 20% LP - BRUNNER G-1013
12	040421-01-713	EA PRESSURE RELIEF VALVE
13	088253-01-700	EA FLOAT GAUGE ASM, FOR 16" DIAMETER TANK - 16C
	040421-01-706	EA DIAL-LP TANK VOLUME, VISIBLE FACE (5-1789)
14	040440-02-000	EA TRANSMITTER-DIAL, 90 OHM
15	105658-01-000	EA COMPARTMENT-LP REGULATOR
16	010323-01-000	EA ADAPTER-BRASS, 3/8" F X 1/2" MPT
17	010265-01-000	EA ELBOW-BRASS, 90 DEGREE - 3/8" F X 1/2" FPT
18	065318-02-000	EA ELBOW-90 DEGREE, 3/8" MPT TO 3/8" FPT
	065742-01-000	EA TEE, .38" F X .38" F X .25" FPT - BRASS
	093380-01-000	EA COUPLER-1/2" TO 3/8" BLACK PIPE
	106846-01-000	EA VALVE-RELIEF
	106871-01-000	EA BUSHING-1/2 X 1/4 - BLACK
	010377-02-000	EA NUT-BRASS, 3/8 FEMALE - FORGED
	010326-01-000	EA ADAPTER-FLARE, W/CONE GASKET 3/8" FEMALE FL X 1/2" MALE F
	010329-01-000	EA ADAPTER-BRASS, 1/2" F X 1/2" MPT
	065741-01-000	EA GAUGE-DIAPHRAGM PRESSURE, MARSHALLTOWN MFG
	071391-02-000	EA NIPPLE-HEX, .25 PIPE
	103613-01-000	EA DETECTOR-LP GAS

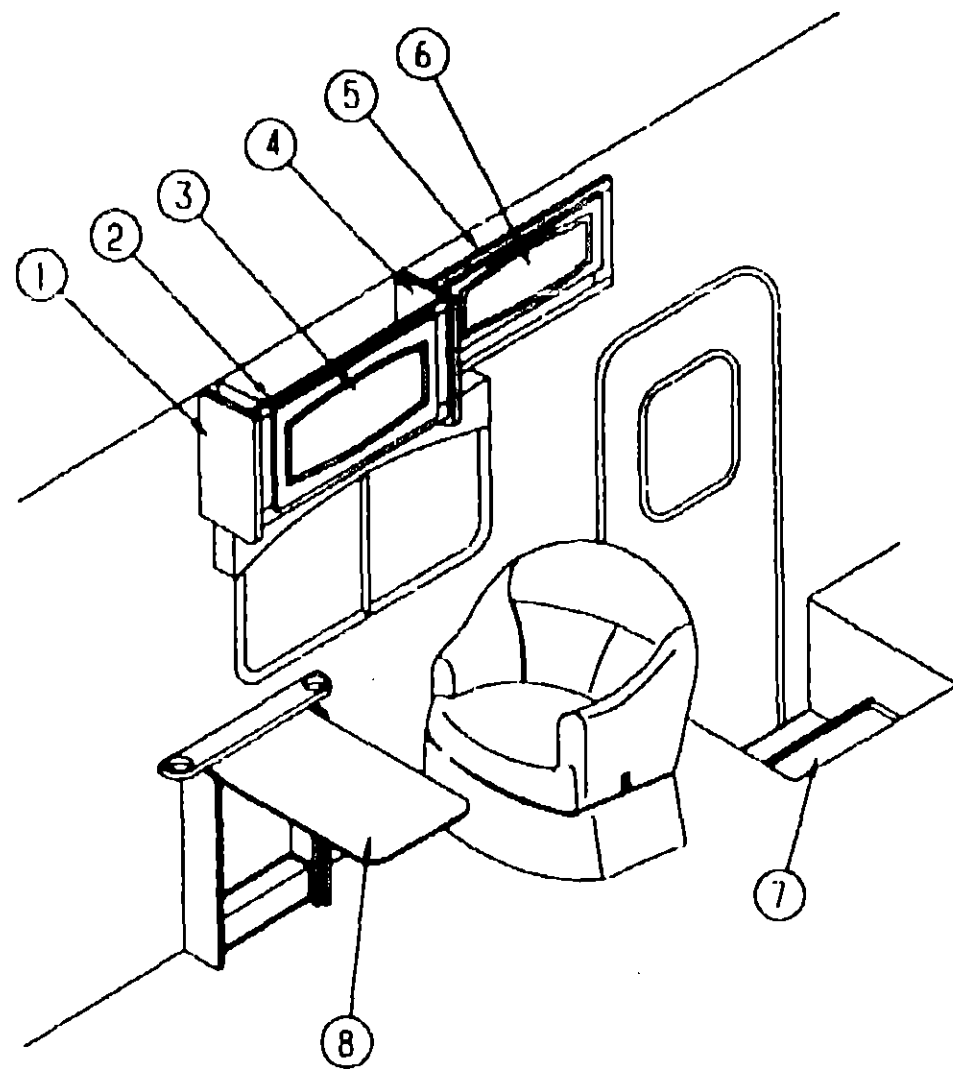
**1993 WINNEBAGO
TABLE OF CONTENTS**

INTRODUCTION	A-01 - A-02
ABBREVIATIONS	A-03
ALPHABETICAL INDEX	A-04 - A-06
WSM35RQ	A-07 - F-12

1993 WSM35RQ INDEX

FLOOR PLAN	A-07 - A-08
ACCESSORIES	A-09
AUDIO VIDEO	A-10 - A-13
BATH	A-14 - A-18
BEDROOM	A-19 - A-20
CHASSIS	A-21 - B-04
CURTAIN & CUSHION	B-05 - B-17
DINETTE	B-18 - B-19
DRIVERS COMPARTMENT	B-20 - B-24
ELECTRICAL	C-01 - C-07
EXTERIOR BODY	C-08 - C-18
GALLEY	C-19 - D-04
GENERATOR	D-05 - D-06
HEATING & A/C	D-07 - D-14
INTERIOR FINISH	D-15 - D-18
LABEL	D-19 - E-01
LP	E-02
LOUNGE	E-03 - E-04
SEALANTS & FASTENERS	E-05 - E-09
WATER & SEWAGE	E-10 - E-13
WINDOW, VENT AND	
EXTERIOR DOOR	E-14 - F-08
WINDSHIELD & WIPER	F-09 - F-12

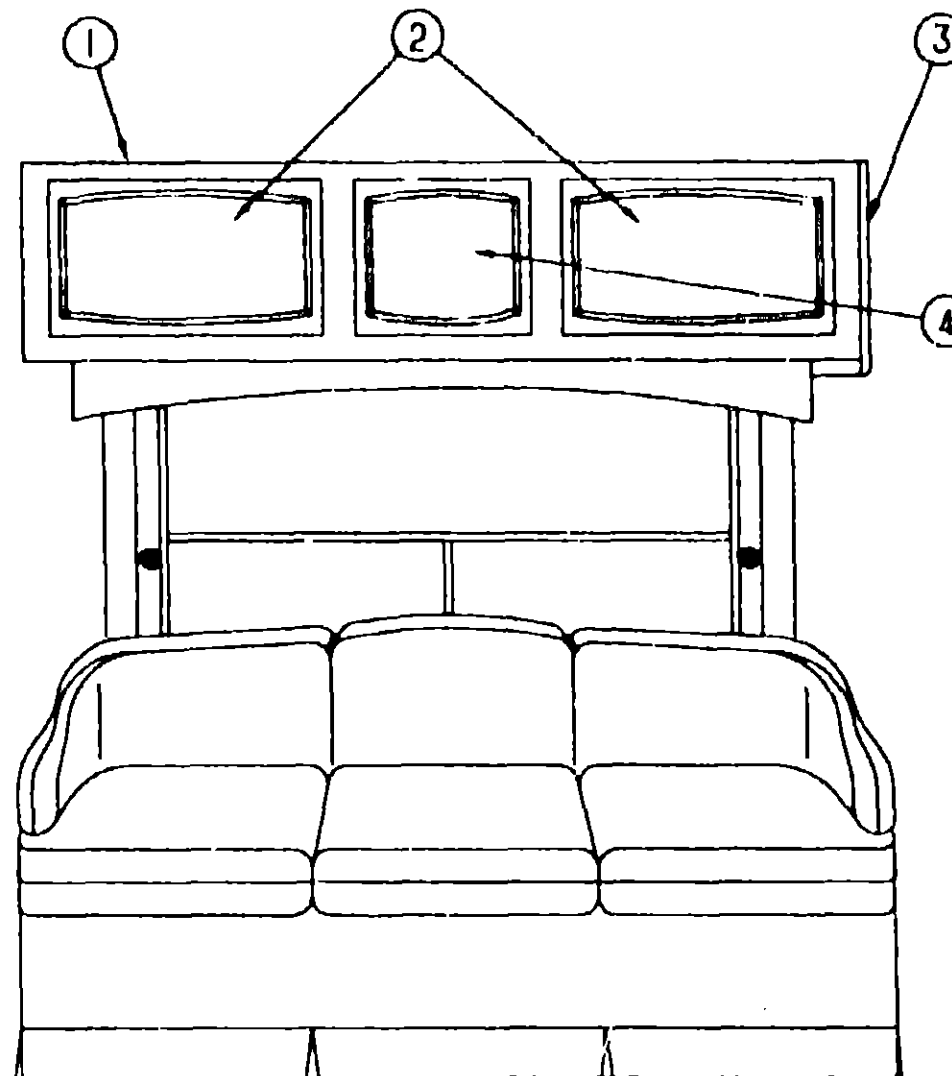
LOUNGE GROUP



PASSENGER SIDE LOUGE CABINETS & TABLE

KEY	PART NUMBER	U/M	DESCRIPTION
1	107494-13-D18	EA	END CAP-CABINET, OVERHEAD
2	P09002-01-D18	EA	CABINET-OVERHEAD, W/O DOOR OR HARDWARE
3	P00971-06-D18	EA	DOOR-CABINET, W/O HARDWARE - 680 X 365MM
4	107494-12-D18	EA	END CAP-CABINET, OVERHEAD
	107432-09-D18	EA	TRIM-OAK, CABINET END CAP
5	P09624-01-D18	EA	CABINET-OVERHEAD, W/O DOOR & HARDWARE
6	P00971-08-D18	EA	DOOR-CABINET, W/O HARDWARE - 750 X 255MM
7	104006-01-C05	EA	CABINET-LID, ENTRANCE STEP
	101222-01-01A	EA	BRACKET-CATCH, LID - BEIGE
8	M96873-01-C03	EA	CABINET-PULLOUT TABLE, W/O TABLE TOP
	096873-12-B05	EA	SHELF, SUPPORTS TOP FROM UNDERNEATH - PULLOUT TABLE
	096873-11-D18	EA	TOP-TABLE, W/PULL
	096873-11-D19	EA	TOP-TABLE, W/PULL
	096873-11-D20	EA	TOP-TABLE, W/PULL
	080736-01-000	EA	PULL-RECESSED, 1.25" X 4" - OAK
	042438-06-000	EA	DOWEL-WOOD, 1.5" X 26" - OAK

LOUNGE GROUP (CONTINUED)



DRIVER SIDE OVERHEAD CABINETS

KEY	PART NUMBER	U/M	DESCRIPTION
1	P09260-01-D18	EA	CABINET-OVERHEAD, W/O DOOR & HARDWARE
2	P00971-31-D18	EA	DOOR-CABINET, W/O HARDWARE - 365 X 555MM
3	107494-14-D18	EA	END CAP-CABINET, OVERHEAD
4	P00971-32-D18	EA	DOOR-CABINET, W/O HARDWARE - 365 X 455MM
	105947-01-000	EA	BRACKET-HOLD DOWN, COUCH (CANADIAN)
	083125-05-000	EA	BRACE-ANGLE, COUCH - 2.5" - BEIGE

1993 WINNEBAGO TABLE OF CONTENTS

INTRODUCTION	A-01	A-02
ABBREVIATIONS		A-03
ALPHABETICAL INDEX	A-04	A-06
WSM35RQ	A-07	F-12

1993 WSM35RQ INDEX

FLOOR PLAN	A-07	A-08
ACCESSORIES		A-09
AUDIO VIDEO	A-10	A-13
BATH	A-14	A-18
BEDROOM	A-19	A-20
CHASSIS	A-21	B-04
CURTAIN & CUSHION	B-05	B-17
DINETTE	B-18	B-19
DRIVERS COMPARTMENT	B-20	B-24
ELECTRICAL	C-01	C-07
EXTERIOR BODY	C-08	C-18
GALLEY	C-19	D-04
GENERATOR	D-05	D-06
HEATING & A/C	D-07	D-14
INTERIOR FINISH	D-15	D-18
LABEL	D-19	E-01
LP		E-02
LOUNGE	E-03	E-04
SEALANTS & FASTENERS	E-05	E-09
WATER & SEWAGE	E-10	E-13
WINDOW, VENT AND		
EXTERIOR DOOR	E-14	F-08
WINDSHIELD & WIPER	F-09	F-12

SEALANTS & FASTENERS GROUP

SEALANTS & ADHESIVES

KEY	PART NUMBER	U/M	DESCRIPTION
	004011-01-000	EA	ADHESIVE-3M, 4475 TUBE
	004363-01-000	FT	TAPE ADHESIVE FOAM, 1 SIDE - 3/16" X 1/2" X 50' - GRAY
	034552-02-000	EA	SILICONE-TUBE, 300 ML - CLEAR
	034552 12 000	EA	SILICONE-TUBE, 300 ML - BUFF
	053766-02-000	EA	BEDDING COMPOUND TUBE, WHITE - SCHNEE# 5522
	053766-08 000	EA	BEDDING COMPOUND-TUBE, GRAY - SCHNEE# 5522
	062917-03-000	EA	ADHESIVE-LOCTITE 242, LOCTITE 242 SIDE 41
	067788-01-000	EA	ADHESIVE-SPRAY, 3M 74 - 19.5 OUNCE CAN
	069640-01-000	FT	SEALER-RIBBON, 1/4" DIAMETER - INCREMENTS OF 30'
	069640-03-000	FT	SEALER-RIBBON, 3/4" X 1/8" - INCREMENTS OF 60'
	069640 07-000	FT	SEALER-RIBBON, 2" X 3/32" - INCREMENTS OF 30' OR 45'
	069640 09 000	FT	SEALER-RIBBON, 2 1/2" X 1/32" - INCREMENTS OF 80'
	069640-11-000	FT	SEALER TAPE, 3/16" X 3/8", BLACK - MANUS
	069640 12-000	FT	SEALER-TAPE, 1/8" X 1 5" GRAY - MANUS
	069640-14 000	FT	SEALER RIBBON, 1" X 1/16" - GRAY - INCREMENTS OF 30' OR 45'
	072889-01-000	EA	SEALANT-URETHANE, BLACK - 1/10 - ESSEX 552 2
	076322-02 000	FT	TAPE-FOAM, DOUBLE COATED ADHESIVE BACKED - 1" X 108'
	076322-03-000	FT	TAPE FOAM, DOUBLE COATED ADHESIVE BACKED - 5" X 108'
	076322-05-000	FT	TAPE FOAM, DOUBLE COATED - 025" X 1 5" X 108'
	076322 07-000	FT	TAPE-FOAM, DOUBLE COATED, 045 X 50 - 3M 4949 VHB
	076322 08-000	FT	TAPE-FOAM, DOUBLE COATED, 045 X 50 - 3M 4952 VHB
	087211-01-000	GL	PROMOTER-ADHESIVE
	088479-01-000	EA	TAPE-ALUMINUM, 3" - 3M
	091255 02-000	EA	SEAL-ADHESIVE BACKED FOAM, 18" X THICK X 1 5" X 4 8"
	094401-01-000	EA	SEALER BODY SEAM SEALER, 3M FLEXICLEAR
	104692-01-000	FT	SEAL-3/4" X 3/4", PRESSURE SENSITIVE ADHESIVE ONE SIDE
	106206 01-000	EA	SEAL-PUMPABLE, TUBE - MANUS 30A BLACK
	107828 01-000	EA	SEALANT-SB 190 EVERSEAL, SURE BOND INC
	108353-01-000	FT	SEAL-FOAM, 5/16" X 1/2" ADHESIVE BACKED - LUNDELL #4773/1129
	108353 03-000	FT	SEAL-FOAM, 4 76 X 6 35MM - LUNDELL
	108716 02 000	EA	SILICONE, (TUBE) - BUFF LEVEL - CSL 510
	110274-01-000	FT	TAPE-FOAM, DOUBLE COATED - 045 X 1 0 - NORTON V-2800
	114311-01-000	GL	ADHESIVE-GLUE, #72-7843 NATIONAL STARCH
	900390-01-000	EA	TIP, 2 1/2" X 1/8" ORIFICE
	900390-02-000	EA	TIP, 6"LN 1/16" X 1/4" ORIFICE
	900390-03-000	EA	NOZZLES-CSL D10

BOLTS, NUTS & WASHERS

KEY	PART NUMBER	U/M	DESCRIPTION
	000C12-05-12B	EA	BOLT-HEX, 5/16 - 18 X 3/4 - ZINC
	000C12-05-16B	EA	BOLT-HEX, 5/16 - 18 X 1 - ZINC
	000C12-05-24B	EA	BOLT-HEX-5/16-18 X 1 1/2 ZN 5
	000C12-06-16B	EA	BOLT-HEX, 3/8 - 16 X 1 - ZINC
	000C12-06-20B	EA	BOLT-HEX, 3/8 - 16 X 1 1/4 - ZINC
	000C12-06-32B	EA	BOLT-HEX, 3/8 - 16 X 2 LG - ZINC
	000C12-07-20B	EA	BOLT-HEX 7/16 - 14 X 1 1/4 - ZINC
	000C12-08-24B	EA	BOLT-HEX, 1/2-13 X 1 1/2 - ZINC
	000C13 07-32B	EA	BOLT-HEX, 7/16 - 20 X 2 - ZINC
	000C13-07-48B	EA	BOLT-HEX, 7/16 - 20 X 3 - ZINC
	000C14-06-32B	EA	BOLT-HEX, 3/8 - 16 X 2 00 GD 8 - ZINC
	000C26-04 10B	EA	BOLT-HEX, SER FLG - 1/4-20 X 5/8 ZINC
	000C26-04-14B	EA	BOLT-HEX, SER FLG - 1/4-20 X 7/8 ZINC
	000C26-05-12B	EA	BOLT-HEX-SER FLG 5/16-18 X 3/4 ZINC
	000C26-05-20B	EA	BOLT-HEX-SER FLG 5/16 18 X 1 1/4 ZINC
	000C26-06-12B	EA	BOLT-HEX, SER FLG 3/8 - 16 X 3/4 - ZINC
	000C26-06-20B	EA	BOLT-HEX, SER FLG 3/8 - 16 X 1 1/4 - ZINC
	000C26-06-28B	EA	BOLT-HEX, SER FLG 3/8-16 X 1 3/4 ZINC
	051387-05-000	EA	BOLT-CARRIAGE, W/O HOLE - 5/16 - 18 X 8 5 - ZINC
	051387-06-000	EA	BOLT-CARRIAGE, W/O HOLE - 5/16 - 18 X 9 5 - ZINC
	106956-01-000	EA	BOLT-HEX TAP 5/16-18NCX1 1/4 GRADE 5 FULL THREAD

E-05

SEALANTS & FASTENERS GROUP (CONTINUED)

BOLTS, NUTS & WASHERS (CONTINUED)

KEY	PART NUMBER	U/M	DESCRIPTION
	106956-03-000	EA	BOLT-HEX TAP, 1/2 - 13NC X 3 - GR5 - FULL THREAD ZINC
	000D14 04-00B	EA	NUT-HEX, 1/4 - 20 ZINC
	000D24-10-00B	EA	NUT-HEX, SF/LK - 10-32 ZINC
	000D29-06-00B	EA	NUT-HEX, W/NYLON LOCK - 3/8 16 ZINC
	000D34-06-00B	EA	NUT-HEX, LK - 3/8 - 16 GRADE C ZINC - PREVAILING TORQUE
	000D39-04-00B	EA	NUT-HEX, SER FLG LK 1/4 - 20 ZINC
	077043-03-000	EA	NUT-WHEEL, 5/16 - 18 - 2 PIECE
	000D39-05-00B	EA	NUT-HEX, SER FLG LK - 5/16 - 18 ZINC
	000D39-06-00B	EA	NUT-HEX, SER FLG LK - 3/8-16 ZINC
	000D39-08-00B	EA	NUT-HEX, SER FLG LK - 1/2-13 ZINC
	000D44-07-00B	EA	NUT-HEX, SER FLG LK - 7/16 20 ZINC
	000D46-04-00A	EA	NUT-HEX, WELD - 1/4-20 - PLAIN - SHORT PILOT
	040921-03-000	EA	NUT-SPEED, U TYPE - NO 10
	040921-05-000	EA	NUT-SPEED, U TYPE - NO 8 - .67" LENGTH X 44" WIDTH
	044364 02-000	EA	NUT-SPEED, FLAT - ROUND
	063253 07-000	EA	NUT-J, #8A 120- 130 PNL THK
	077049 01-000	EA	NUT-ACORN, 10-32 ALUMINUM
	087234-01-000	EA	NUT-JACK, 1/4 X 20 THREAD - MOLLOY - BRASS
	000E11-05-00B	EA	WASHER-LK, 5/16 MED SPI IT ZINC
	000E11-07-00B	EA	WASHER-LK, 1/4 WIDE ZINC
	000E11-08-00B	EA	WASHER-LK, 1/2 MED SPLIT ZINC
	000E13-11-00D	EA	WASHER-FL, 3/16" WIDE - ZINC
	000E13-14-00B	EA	WASHER-FL, 1/4" WIDE ZINC
	000E13 18-00B	EA	WASHER-FLARE, 3/8" WIDE ZINC
	000E13-17-00B	EA	WASHER-FLARE, 3/8" AR ZINC
	000E13 20-00B	EA	WASHER-FL, 7/16" WIDE - ZINC
	000E13 21-00B	EA	WASHER-FL, W/2 NARROW - ZINC
	000E13-22-00B	EA	WASHER-FL, 1/2 WIDE - ZINC
	000E14-10-00B	EA	WASHER-LK - NO 10 FXT TOOTH - ZINC
	041322-01-000	EA	WASHER-FL, 15/32 ID X 2 3/8 OD - FOR SEAT BELT MOUNT
	058716-02-000	EA	WASHER-FLAT NYLON - 406 X 75 X 06
	102378-01-02A	EA	WASHER-BLACK, COMPARTMENT DOORS
	107397-01-000	EA	WASHER-FENDER, 6 8"ID X 32 0"OD

SCREWS

KEY	PART NUMBER	U/M	DESCRIPTION
	000C20-06-20T	EA	SCREW, 3/8-16 X 1 1/4, FLAT SOC
	000G11-06-08B	EA	SCREW, 6-20 X 1/2 PPH ZINC
	000G11-06-05B	EA	SCREW, 6-20 X 3/8 PPH ZN
	000G11-06-10B	EA	SCREW, 6-20 X 5/8 PPH ZINC
	000G11-06-10J	EA	SCREW, 6-20 X 5/8 PPH - BRASS
	000G11-07-06B	EA	SCREW, 7-19 X 1/2 PPH - ZINC
	000G11-08-06B	EA	SCREW, 8-18 X 3/8 PPH ZINC
	000G11-08-06B	EA	SCREW, 8-18 X 1/2 PPH - ZINC
	000G11-08-08T	EA	SCREW, 8-18 X 1/2 PPH
	000G11-08-12B	EA	SCREW, 8-18 X 3/4 PPH ZINC
	000G11-08-12D	EA	SCREW, 8-18 X 3/4 PPH - BLACK
	000G11-08-12P	EA	SCREW, 8-18 X .75 PPH - DARK BROWN
	000G11-08-12F	EA	SCREW, 8-18 X 3/4 PPH - BEIGE
	000G11-08-12S	EA	SCREW, 8-18 X 3/4 PPH - OFF WHITE
	000G11-08-12T	EA	SCREW, 8-18 X 3/4 PPH - BLACK
	000G11-08-20B	EA	SCREW, 8-18 X 1 1/4 PPH ZINC
	000G11-08-16S	EA	SCREW, 8-18 X 1 00 PPH - OFF WHITE
	000G11-10-12D	EA	SCREW, 10-16 X 3/4 PPH - BLACK
	000G11-10-12S	EA	SCREW, 10-16 X 75 PPH OFF WHT
	000G11-10-16B	EA	SCREW, 10-16 X 1 - PPH ZINC
	000G11-10-40B	EA	SCREW, 10-16 X 2 1/2 PPH CAD
	000G12-06-08T	EA	SCREW, 6-20 X 50 POH - BLACK
	000G12-06-14A	EA	SCREW, 6-20 X 87 POH PLAIN
	000G13-06-06B	EA	SCREW, 6-20 X 3/8 PPH ZINC

E-06

1993 WINNEBAGO TABLE OF CONTENTS

INTRODUCTION	A-01	A-02
ABBREVIATIONS		A-03
ALPHABETICAL INDEX	A-04	A-06
WSM35RQ	A-07	F-12

1993 WSM35RQ INDEX

FLOOR PLAN	A-07	A-08
ACCESSORIES		A-09
AUDIO VIDEO	A-10	A-13
BATH	A-14	A-18
BEDROOM	A-19	A-20
CHASSIS	A-21	B-04
CURTAIN & CUSHION	B-05	B-17
DINETTE	B-18	B-19
DRIVERS COMPARTMENT	B-20	B-24
ELECTRICAL	C-01	C-07
EXTERIOR BODY	C-08	C-18
GALLEY	C-19	D-04
GENERATOR	D-05	D-06
HEATING & A/C	D-07	D-14
INTERIOR FINISH	D-15	D-18
LABEL	D-19	E-01
LP		E-02
LOUNGE	E-03	E-04
SEALANTS & FASTENERS	E-05	E-09
WATER & SEWAGE	E-10	E-13
WINDOW, VENT AND		
EXTERIOR DOOR	E-14	F-08
WINDSHIELD & WIPER	F-09	F-12

SEALANTS & FASTENERS GROUP (CONTINUED)

SCREWS (CONTINUED)

KEY	PART NUMBER	U/M	DESCRIPTION
	000G13-06-08G	EA	SCREW, 6-20 X 1/2 PFH - ANTIQUE BRASS
	000G13-06-16J	EA	SCREW, 6-20 X 1 00 PFH - BRASS
	000G13-06-24J	EA	SCREW, 6-20 X 1.50 PFH BRASS
	000G13-07-12B	EA	SCREW, 7-19 X 3/4 PFH ZINC
	000G13-08-10B	EA	SCREW, 8-18 X 5/8 PFH - ZINC
	000G13-08-16B	EA	SCREW, 8-18 X 1 PFH - ZINC
	000G16-04-24B	EA	SCREW-MACHINE, 1/4 - 20 X 1-1/2 PPH
	000G18-08-16B	EA	SCREW-MACHINE, 8 X 32 X 1, PPH ZINC
	000G18-08-22B	EA	SCREW-MACHINE, 8-32 X 1 3/8 PPH ZINC
	000G19-10-08B	EA	SCREW-MACHINE, 10-32 X 1/2 PPH ZINC
	000G19-10-10B	EA	SCREW-MACHINE, 10-32 X 5/8 - PPH - ZINC
	000G19-10-20B	EA	SCREW-MACHINE, 10-32 X 1 1/4 PPH ZINC
	000G32-10-06B	EA	SCREW-10-32 X 3/8" - PPH - ZINC
	000G32-10-06D	EA	SCREW-10 - 32 X 3/8 PPH TYPE 1 BLACK
	000G39-06-10T	EA	SCREW-SF/DR, 6-20 X 5/8 PPH - BLACK
	000G39-06-16T	EA	SCREW-SF/DR, 6-20 X 1 PPH - BLACK
	000G39-08-06B	EA	SCREW-SF/DR, 8-18 X 3/8 PPH ZINC
	000G39-08-08B	EA	SCREW-SF/DR, 8-18 X 1/2 PPH ZINC
	000G39-08-08F	EA	SCREW-SF/DR, 8-18 X 1/2 PPH - BEIGE
	000G39-08-08S	EA	SCREW-SF/DR, 8-18 X 1/2 PPH - OFF WHITE
	000G39-08-08T	EA	SCREW-SF/DR, 8-18 X 5 PPH
	000G39-08-083	EA	SCREW-SF/DR, 8-18 X 1/2 PAH - BUFF
	000G39-08-12B	EA	SCREW-SF/DR, 8-18 X 3/4 PPH ZINC
	000G39-08-16B	EA	SCREW-SF/DR, 8-18 X 1 PPH ZINC
	000G39-08-16S	EA	SCREW-SF/DR, 8-18 X 1 PPH OFF WHITE
	000G39-08-16T	EA	SCREW-SF/DR, 8-18 X 1 PPH - BLACK
	000G39-08-24B	EA	SCREW-SF/DR, 8-18 X 1 1/2 PPH ZINC
	000G39-08-32B	EA	SCREW-SF/DR, 8-18 X 2 PPH - ZINC
	000G39-10-08B	EA	SCREW-SF/DR 10-16 X 50 P&H - DRILL-FLEX F-CARBON
	000G39-10-10B	EA	SCREW-SF/DR, 10-16 X 625 PPH ZN
	000G39-10-12B	EA	SCREW-SF/DR, 10-16 X 75 PPH ZN
	000G39-10-129	EA	SCREW-SF/DR, 10-16 X 3/4 PPH - FLUOROCARBON SILVER
	000G39-10-12D	EA	SCREW-SF/DR, 10-16 X 3/4 PPH - BLACK
	000G39-10-20B	EA	SCREW-SF/DR, 10-16 X 1 1/4 PPH ZINC
	000G39-10-209	EA	SCREW-SF/DR, 10-16 X 1 25 PPH - FLUOROCARBON SILVER
	000G39-10-32B	EA	SCREW-SF/DR, 10-16 X 2 00 PPH - ZINC
	000G42-04-12B	EA	SCREW-SF/DR, 1/4 14 X 3/4 HWH ZINC
	000G42-04-16B	EA	SCREW-SF/DR, 1/4-14 X 1 HWH - ZINC
	000G46-08-24T	EA	SCREW-MACHINE, 8-32 - 1 50 IN PFH - BLACK
	000G50-04-08B	EA	SCREW-MACHINE, 1/4-20 X 1/2 PTH 2N
	000G50-04-12B	EA	SCREW-MACHINE, 1/4-20 X 3/4 PPH ZINC
	000G50-04-18B	EA	SCREW-MACHINE, 8-32 X 1 1/8 PTH ZINC
	000G51-08-08B	EA	SCREW-8-18 X 1/2 PTH ZINC
	000G52-08-06B	EA	SCREW-MACHINE, 8-32 X 3/8 PTH ZINC
	000G52-08-18B	EA	SCREW-MACHINE, 8-3 2X 11/8 PTH ZN
	000G53-04-06B	EA	SCREW-MACHINE, 1/4-20 X 3/8 PPH ZINC - UNDERCUT HEAD
	000G54-04-20B	EA	SCREW, 1/4-20 X 1 1/4 PTH - TYPE 23 - ZINC PLATED
	000G55-08-125	EA	SCREW-SF/DR, 8-18 X .75 PWH
	000G55-08-162	EA	SCREW-SF/DR, 8-18 X 1 00 - BEIGE
	000G56-10-24J	EA	SCREW-WOOD, 10-13X1 5 POH - BRIGHT BRASS
	000G56-12-48B	EA	SCREW, WOOD, 12 - 11 X 3 POH - SPECIAL HARDENED
	000G57-05-16J	EA	SCREW, 5-20 X 1 PFH - BRASS
	000G60-08-163	EA	SCREW-SF/DR, 8-18 X 1 00 POH - BUFF
	000G60-10-16J	EA	SCREW-SF DR, 10-16 X 1 POH - BRIGHT BRASS
	000G67-08-32B	EA	SCREW-8-15 X 2 PPH ZINC
	000G67-10-08B	EA	SCREW, 10-12 X 1/2 PPH ZINC
	000G67-10-08F	EA	SCREW, 10-12 X 1/2 PPH - BEIGE - TYPE A
	000G67-10-10B	EA	SCREW, 10-12 X 5/8 PPH ZINC - TYPE A
	000G67-10-10D	EA	SCREW, 10-12 X 5/8 PPH - BLACK - TYPE A
	000G67-10-10R	EA	SCREW, 10-12 X 5/8 PPH - TYPE A - BEIGE
	000G67-10-12B	EA	SCREW, 10-12 X 3/4" PPH - ZINC
	000G67-10-12D	EA	SCREW, 10-12 X 3/4" PPH - BLACK

SEALANTS & FASTENERS GROUP (CONTINUED)

SCREWS (CONTINUED)

KEY	PART NUMBER	U/M	DESCRIPTION
	000G67-10-16B	EA	SCREW, 10-12 X 1 PPH - ZINC
	000G67-10-16P	EA	SCREW, 10-12 X 1 PPH - DARK BROWN
	000G67-10-24B	EA	SCREW, 10-12 X 1 1/2 PPH - ZN
	000G67-10-32B	EA	SCREW, 10-12 X 2 PPH - ZINC
	000G67-10-20D	EA	SCREW, 10-12 X 1 1/4 PPH - ZINC
	000G67-10-36T	EA	SCREW-10-12 X 2 25 PPH - BLACK - STALGAURD
	000G67-10-48B	EA	SCREW-10-12 X 3 PPH ZINC
	000G68-08-10G	EA	SCREW, 8-18 X 5/8 POH - ANTIQUE BRASS
	049465-01-000	EA	SCREW, 10-18 W/WASHER PTH - DARK BROWN
	075908-01-000	EA	SCREW-MACHINE, 10-32 X 56 PTH - ZINC EXTERNAL TOOTH
	088256-01-000	EA	SCREW ASM-SF/DR 8 X .75 HWH - LG
	087721-01-000	EA	SCREW-FLAT HEAD, TAPPING - 1/4" X 1 1/4" LG ZINC
	091230-03-000	EA	SCREW MACHINE, 8-32 X 3/4 POH SS - BUFF
	101289-01-01A	EA	SCREW MACHINE, 8-32 X 4 - POH - BRASS - FOR EXTENDED KNOB
	101818-01-000	EA	SCREW, 1/4-20 X 3/4 - HEX/TAPPING - STALGARD TYPE F
	109152-01-000	EA	SCREW, 3/8-16 X 1 1/4 - FLAT SOC - DORRLEMATE COATED

RIVETS, CLAMPS, GROMMETS & CLIPS

KEY	PART NUMBER	U/M	DESCRIPTION
	000H14-06-14R	EA	RIVET-MANDREL BLIND, 3/16"
	000H16-04-06R	EA	RIVET-POP, AL 1/8 X 313-.375
	010495-01-000	EA	CLAMP-CABLE, 9/16"
	010497-01-000	EA	CLAMP-CLOSED, 5/8" ID
	010497-03-000	EA	CLAMP-CLOSED, 1" ID - CUSHIONED
	010497-05-000	EA	CLAMP-CLOSED, 1/2" ID
	010499-01-000	EA	CLAMP-CLOSED, 3/8" ID
	031170-01-000	EA	CLAMP-CABLE - 3/16 DIA
	062401-01-000	EA	CLAMP-HOSE, WORMGEAR 25" - 1"
	062401-02-000	EA	CLAMP-HOSE, WORMGEAR - 1.56" - 2 5"
	062401-04-000	EA	CLAMP-HOSE, WORMGEAR 69" - 1 25"
	062401-05-000	EA	CLAMP-HOSE, WORMGEAR 2" - 3"
	062401-06-000	EA	CLAMP-HOSE, WORMGEAR 22"-.62"
	062401-11-000	EA	CLAMP-HOSE, WORMGEAR 3 56" - 4 5"
	075148-02-000	EA	CLAMP-GROUNDING, BRONZE SCREWS
	083609-01-000	EA	CLAMP-WIRE, DUAL EQUAL - 5/8" DIAMETER
	083610-01-000	EA	CLAMP-WIRE, DUAL - UNEQUAL DIAMETERS - .75" & 1 25"
	083610-02-000	EA	CLAMP-WIRE, DUAL UNEQUAL DIA
	008380-01-000	EA	GROMMET-RUBBER, 5/8" HOLE X 1 1/2" DIAMETER - BLACK
	071015-19-000	EA	GROMMET- 38ID, FITS .06 MATERIAL - MINOR RUBBER Z-3065
	071015-11-000	EA	GROMMET-1.00ID, FITS 12 MATERIAL - MINOR RUBBER Z-3065
	071015-29-000	EA	GROMMET- 25ID, 1 25"OD W/ 12" GROOVE - RUBBER - BLACK
	016188-03-000	EA	GROMMET-L/P LINE, 3/8" HOLE X 2 1/2" LONG - RUBBER
	016188-05-000	EA	GROMMET-L/P LINE, 3/8" HOLE X 1 1/4" LONG - RUBBER
	023942-01-000	EA	GROMMET-RUBBER, 2" OD
	071015-21-000	EA	GROMMET-RUBBER, 5" ID X 1 06" OD W/ 19" GROOVE - BLACK
	077953-01-000	EA	GROMMET-EDGE LINER, FITS 1"
	075312-02-000	EA	CLIP-J, VINYL COATED - 3/8"
	077955-01-000	EA	CLIP-J, VINYL COATED, 3/8" - USED TO SUPPORT WIRING TO LIGHTS
	080211-03-000	EA	CLIP-MOUNTING, XMAS TREE - DECORATIVE WALL PADS
	080734-02-000	EA	CLIP-WIRE, NYLON
	091952-01-000	EA	CLIP-GRIPPER, 1"
	091952-02-000	EA	CLIP-GRIPPER, 3/4"
	094362-02-000	EA	CLIP-CHRISTMAS TREE, FLAT HEAD - 5" X 95"
	101447-01-000	EA	CLIP-U TYPE, TINNEMAN - HOLDS SHOWER SURROUND TOGETHER

**1993 WINNEBAGO
TABLE OF CONTENTS**

INTRODUCTION	A-01 -	A-02
ABBREVIATIONS		A-03
ALPHABETICAL INDEX	A-04 -	A-06
WSM35RQ	A-07 -	F-12

1993 WSM35RQ INDEX

FLOOR PLAN	A-07 -	A-08
ACCESSORIES		A-09
AUDIO VIDEO	A-10	A-13
BATH	A-14 -	A-18
BEDROOM	A-19 -	A-20
CHASSIS	A-21 -	B-04
CURTAIN & CUSHION	B-05 -	B-17
DINETTE	B-18 -	B-19
DRIVERS COMPARTMENT	B-20 -	B-24
ELECTRICAL	C-01 -	C-07
EXTERIOR BODY	C-08 -	C-18
GALLEY	C-19 -	D-04
GENERATOR	D-05 -	D-06
HEATING & A/C	D-07 -	D-14
INTERIOR FINISH	D-15 -	D-18
LABEL	D-19 -	E-01
LP		E-02
LOUNGE	E-03 -	E-04
SEALANTS & FASTENERS	E-05 -	E-09
WATER & SEWAGE	E-10 -	E-13
WINDOW, VENT AND		
EXTERIOR DOOR	E-14 -	F-08
WINDSHIELD & WIPER	F-09 -	F-12

SEALANTS & FASTENERS GROUP (CONTINUED)

MISCELLANEOUS FASTENERS

KEY	PART NUMBER	U/M DESCRIPTION
	000F10-04-16B	EA PIN-COTTER, 1/8" X 1" - ZINC
	000H16-04-06R	EA RIVET-POP, AL 1/8 X .313-.375
	008343-02-000	EA TIE-WIRE, 14"
	029094-04-000	YD VELCRO TAPE-LOOP, 1" WIDE - BLACK
	029094-03-000	YD VELCRO TAPE-HOOK, 1" WIDE - BLACK
	029094-06-000	YD VELCRO TAPE-LOOP, 2" WIDE - BLACK
	029096-03-000	YD VELCRO TAPE-HOOK, 1" WIDE - BLACK
	081211-04-000	EA PLUG-PLASTIC, .46" DIAMETER - BLACK
	085774-01-000	FT FASTENER-DUAL HOOK, 1" WIDE - ADHESIVE BACK - BLACK
	085774-02-000	FT FASTENER-DUAL LOOP, 1" WIDE - ADHESIVE BACK - BLACK
	086285-01-000	EA SPACER-NYLON, .5" OD X .257" ID
	098196-01-000	EA LATCH-1/4 TURN, T-BAR

WATER & SEWAGE GROUP

FRESH WATER TANK

KEY	PART NUMBER	U/M DESCRIPTION
	105627-02-000	EA TANK-WATER, 100 GALLON - W/FITTINGS
	105627-01-000	EA TANK-WATER, 100 GALLON - W/O /FITTINGS
	042989-03-000	EA FITTING-WATER TANK, SPINWELD - 1 1/4"NPT - PLASTIC - WHITE
	042989-04-000	EA FITTING-WATER TANK, SPINWELD - 3/8" FPT - PLASTIC - WHITE
	042989-05-000	EA FITTING-WATER TANK, SPINWELD - 1/2" FPT - PLASTIC - WHITE
	049032-01-000	EA PATCH-SPINWELD, 3/8" - PLASTIC
	039861-01-000	EA SENDING UNIT-W/SCREW, WASHER, WELL NUT & TERMINAL RING
	077954-02-000	EA FILTER-WATER TANK, SCREEN IN TANK
	079381-01-000	FT TUBING-SMOOTH FLEXIBLE, 1 1/4" ID
	096449-01-000	EA WIRE ASSEMBLY-WATER TANK TO MONITOR PANEL
	010224-01-000	EA ADAPTER-HOSE TO PIPE, 3/8" MPT X 3/8" BARB - BLACK PLASTIC
	044927-01-000	EA ADAPTER-HOSE TO PIPE, 1 1/4" MPT X 1 1/4" BARB - BLACK PLASTIC
	052959-02-000	EA CONNECTOR, 1/2" F X 1/2" MPT - PLASTIC - GRAY
	055290-01-000	EA ELBOW-5/8" F X 1/2" MPT
	074482-02-000	FT TUBING-VINYL, 3/8" ID - CLEAR

**1993 WINNEBAGO
TABLE OF CONTENTS**

INTRODUCTION	A-01	A-02
ABBREVIATIONS		A-03
ALPHABETICAL INDEX	A-04	A-06
WSM35RQ	A-07	F-12

WATER SYSTEM

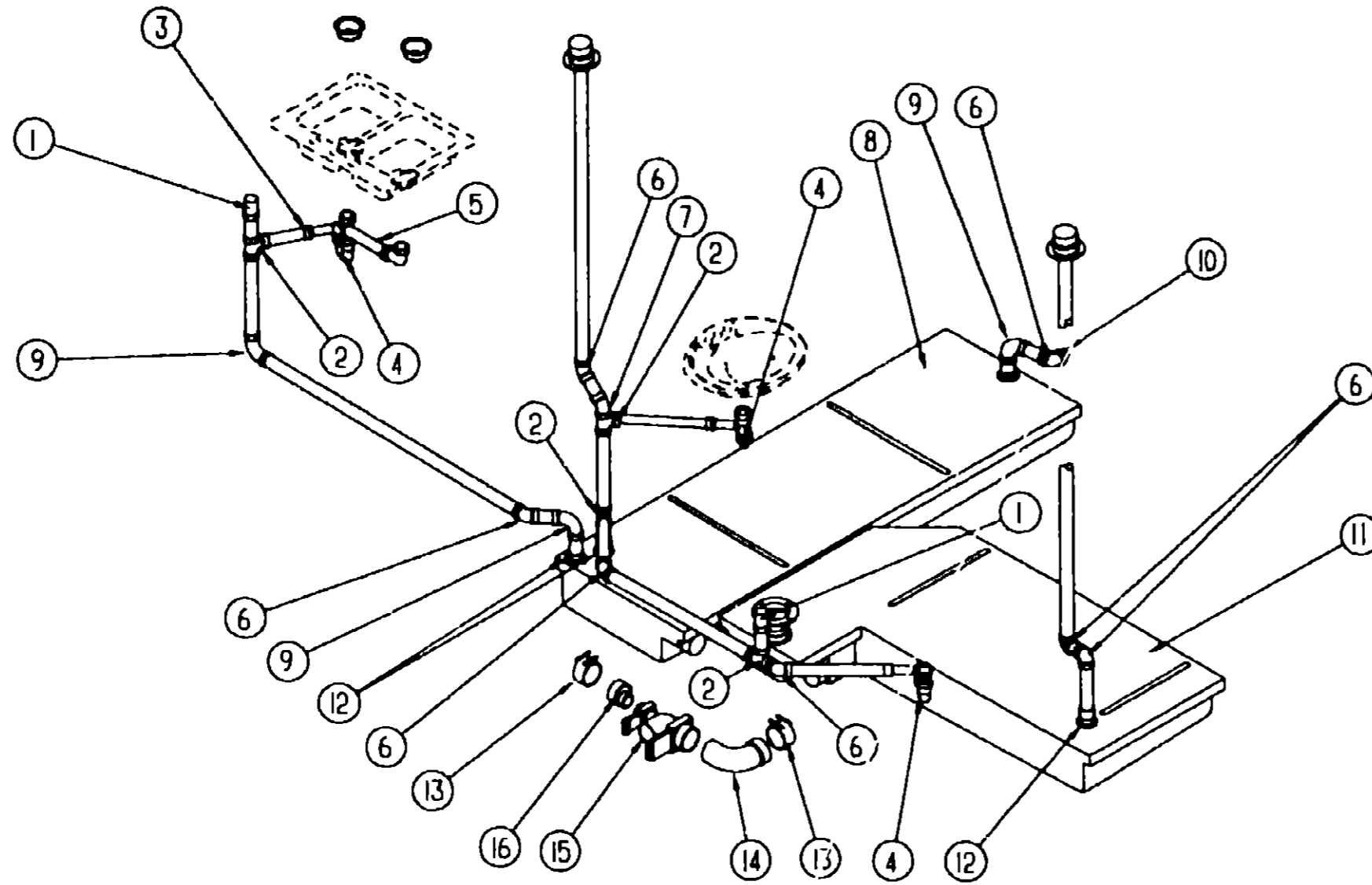
KEY	PART NUMBER	U/M DESCRIPTION
	039808-03-000	EA ELBOW-PLASTIC, 1/2" MPT X 1/2" MPT - KEVCO 17296
	055290-01-000	EA ELBOW-5/8" F X 1/2" MPT
	057457-01-000	EA ELBOW-UNION, 1/2" X 1/2" FLARE
	057457-02-000	EA ELBOW-UNION, 5/8" X 5/8" FL - WATER
	065120-01-000	EA ELBOW-SWIVEL, 1/2" FPT X 1/2" FLARE - PLASTIC - GRAY
	052957-01-000	EA ELBOW-PLASTIC, 1/2" F X 3/8" MPT
	052957-02-000	EA ELBOW-MALE, 1/2" F X 1/2" MPT - PLASTIC - GRAY
	055290-01-000	EA ELBOW-5/8" F X 1/2" MPT
	052959-01-000	EA CONNECTOR-PLASTIC, 1/2" F X 1/4" MPT
	052959-02-000	EA CONNECTOR, 1/2" F X 1/2" MPT - PLASTIC - GRAY
	052959-03-000	EA CONNECTOR, 1/2" F X 3/8" MPT - PLASTIC - GRAY
	098417-01-000	EA CONNECTOR-5/8" F X 1/2" MPT, PLASTIC - KEVCO
	077054-01-000	EA VALVE-PLASTIC, 1/2" M X 1/2" M - 1/4" COMP
	046128-01-000	EA VALVE-DRAIN, PLASTIC - 1/2" FPT
	101814-01-000	EA COUPLING-FEMALE, 1/2" X 1/2" FPT
	010227-01-000	EA TEE-PLAS, BARB 5/8" OR 3/4" HOSE
	055291-01-000	EA TEE-PLASTIC, 5/8" F X 5/8" F X 5/8" F
	052958-01-000	EA TEE, 1/2" F X 1/2" F X 1/2" F - PLASTIC - GRAY
	039798-01-000	EA TEE-1/2" MPT X 1/2" MPT X 1/2" MPT, PLASTIC
	052955-01-000	EA TEE-WATER, 1/2" F X 1/2" F X 1/2" MPT - PLASTIC - GRAY
	052955-03-000	EA TEE-5/8" F X 5/8" F X 1/2" MPT - PLASTIC
	052956-01-000	EA TEE-1/2" F X 1/2" MPT X 1/2" F - PLASTIC
	055291-01-000	EA TEE-PLASTIC, 5/8" F X 5/8" F X 5/8" F
	052954-01-000	EA ADAPTER-NOSE CONE, 3/8" OR 1/2" TUBING - PLASTIC - GRAY
	079317-01-000	EA ADAPTER-SWIVEL, 1/2" TUBE X 1/2" FPT - PLASTIC - GRAY
	052960-01-000	EA DRAIN VALVE-IN LINE, HEADER - 1/2" F X 1/2" F - GRAY PLAS
	052960-03-000	EA DRAIN VALVE-IN LINE, HEADER - 5/8" F X 5/8" F - PLASTIC
	010230-05-000	EA FILL-CITY-WATER, SURF. SILVER *M*BRASS 324-00
	039800-01-000	FT TUBING-POLYBUTYL, 1/2" OD - INCREMENTS OF 20' - BLACK
	039800-02-000	FT TUBING-POLYBUTYL, 5/8" OD - INCREMENTS OF 20' - BLACK
	039800-04-000	FT TUBING-POLYBUTYL, 1/4" OD - INCREMENTS OF 20' - BLACK
	074462-02-000	FT TUBING-VINYL, 3/8" ID - CLEAR
	052952-01-000	EA NUT-PLASTIC, 1/2" F X 1/2" TUBE - GRAY
	052952-02-000	EA NUT-PLASTIC, 5/8" FLARE
	093345-01-000	EA BRACKET-VALVE
	106258-01-000	EA CAP-INSERTABLE, 1/2" FLARE

1993 WSM35RQ INDEX

FLOOR PLAN	A-07	A-08
ACCESSORIES		A-09
AUDIO VIDEO	A-10	A-13
BATH	A-14	A-18
BEDROOM	A-19	A-20
CHASSIS	A-21	B-04
CURTAIN & CUSHION	B-05	B-17
DINETTE	B-18	B-19
DRIVERS COMPARTMENT	B-20	B-24
ELECTRICAL	C-01	C-07
EXTERIOR BODY	C-08	C-18
GALLEY	C-19	D-04
GENERATOR	D-05	D-06
HEATING & A/C	D-07	D-14
INTERIOR FINISH	D-15	D-18
LABEL	D-19	E-01
LP		E-02
LOUNGE	E-03	E-04
SEALANTS & FASTENERS	E-05	E-09
WATER & SEWAGE	E-10	E-13
WINDOW, VENT AND		
EXTERIOR DOOR	E-14	F-08
WINDSHIELD & WIPER	F-09	F-12

WATER & SEWAGE GROUP (CONTINUED)

DRAINAGE SYSTEM



1993 WINNEBAGO TABLE OF CONTENTS

INTRODUCTION	A-01	A-02
ABBREVIATIONS		A-03
ALPHABETICAL INDEX	A-04	A-08
WSM35RQ	A-07	F-12

1993 WSM35RQ INDEX

FLOOR PLAN	A-07	A-08
ACCESSORIES		A-09
AUDIO VIDEO	A-10	A-13
BATH	A-14	A-18
BEDROOM	A-19	A-20
CHASSIS	A-21	B-04
CURTAIN & CUSHION	B-05	B-17
DINETTE	B-18	B-19
DRIVERS COMPARTMENT	B-20	B-24
ELECTRICAL	C-01	C-07
EXTERIOR BODY	C-08	C-18
GALLEY	C-19	D-04
GENERATOR	D-05	D-06
HEATING & AC	D-07	D-14
INTERIOR FINISH	D-15	D-18
LABEL	D-19	E-01
LP		E-02
LOUNGE	E-03	E-04
SEALANTS & FASTENERS	E-05	E-09
WATER & SEWAGE	E-10	E-13
WINDOW, VENT AND EXTERIOR DOOR	E-14	F-08
WINDSHIELD & WIPER	F-09	F-12

KEY	PART NUMBER	U/M	DESCRIPTION
1	079968-01-000	EA	VENT-MECH TRAP ARM, ANTI-SIPHON - 2" DIA X 7' 3" - PLASTIC
2	010071-01-000	EA	TEE-SANITARY, 1 1/2" HUB X HUB X HUB - PLASTIC - BLACK
3	109571-01-000	EA	ADAPTER-P TRAP, 1 1/2" P X 1 1/4" MPT
4	107537-01-000	EA	P-TRAP ADAPTER-1 1/4" SLIP
4	107538-01-000	EA	P-TRAP-PLASTIC, 1 1/4" W/EXT ARM
4	011066-03-700	EA	P-TRAP-1 1/4" HUB X SLIP JOINT, W/UNION - ABS - CANADIAN
5	011091-02-000	EA	PIPE-DRAIN, DOUBLE SINK - BAFFLE TEE - 1 1/2" - U S ONE PIPE W/TEE TO DRAIN BOTH SIDES OF SINK
5	011091-03-000	EA	PIPE-DRAIN, W/SEALS - DOUBLE SINK - EXTENDS 9" TO 16" - CANADIAN
5	011091-04-000	EA	WASTE-CONTINUOUS, DOUBLE SINK - DISHWASHER - JAMECO 15493TW'2
6	010006-01-000	EA	ELBOW-45 DEG, 1/8 BEND - 1 1/2" HUB X HUB - BLACK PLASTIC
7	010051-01-000	EA	ELBOW-45 DEG BEND, 1 1/2" SPIGOT AND HUB - PLASTIC - BLACK
8	104352-01-000	EA	TANK-HOLDING, 50 GALLON - W/O GROMMETS
9	010008-01-000	EA	ELBOW-90 DEG, 1/4 BEND - 1 1/2" HUB X HUB - BLACK PLASTIC

KEY	PART NUMBER	U/M	DESCRIPTION
10	010166-01-000	EA	PLUG-THREADED, 1 1/4" DIAMETER - PLASTIC - BLACK
10	050787-01-000	EA	ADAPTER-CLEANOUT, NIBCO 5803-2
11	104351-01-000	EA	TANK-HOLDING, 55 GALLON - W/O GROMMETS
12	061607-01-000	EA	GROMMET-HOLDING TANK, 1 1/2" NPS
12	010115-01-000	EA	COUPLING-1 1/2" HUB X HUB, PLASTIC
	061607-02-000	EA	GROMMET-HOLDING TANK, 3" NPS
13	078406-01-000	EA	COUPLER-RUBBER, W/CLAMPS - 3" X 3"
14	041956-01-000	EA	ELBOW-STREET, PLASTIC - 1/4" BD 3 X 90 XLT
15	070916-01-000	EA	VALVE-DUAL DUMP, W/CAP - 3" X 1 1/2" - PLASTIC - BLACK
	070916-01-700	EA	VALVE ONLY, 3"
	070916-01-701	EA	VALVE ONLY, 1 1/2"
16	062422-01-000	EA	ADAPTER-OFFSET REDUCER, 3" X 1 1/2" - PLASTIC - BLACK
	010024-01-000	EA	ELBOW-PLASTIC, 1/8 BD - 3 X 45 - H X H
	011069-04-000	EA	TAILPIECE, 1 1/2 X 1 1/4 X 8 - BRASS
	011069-02-000	EA	TAILPIECE-TUB/SHOWER, 1 1/2" X 1 1/4" X 4" - BRASS
	010201-02-000	EA	HOSE-SEWER, 3" ID X 20 FEET
	103354-01-000	EA	CONNECTOR-HOSE, SEWER
	010024-01-000	EA	ELBOW-PLASTIC, 1/8 BD - 3 X 45 - H X H
	010072-01-000	EA	TEE-SANITARY, 1 1/2 H X 1 1/4 H X 1 1/2 H - PLASTIC
	062416-01-000	EA	ADAPTER-SEWER HOSE TO 3" PIPE

WATER & SEWAGE GROUP (CONTINUED)

WATER HEATER W/O MOTOR AID

KEY	PART NUMBER	U/M	DESCRIPTION
	051391-03-000	EA	HEATER-WATER, W/ELECTRIC IGNITION - ATWOOD G6A-3E
	051391-01-700	EA	HINGE KIT-W/CLIP, ATWOOD # 92568 & 92569
	051391-01-704	EA	VALVE-RELIEF, 1/2" FITTING - ATWOOD# G1604
	051391-01-705	EA	FASTENER-CAMLOC, ATWOOD# 92609
	051391-01-706	EA	GRILLE-EXHAUST, ATWOOD# 92787
	051391-01-708	EA	BURNER-MAIN, 3E ONLY - ATWOOD# 92815
	051391-01-710	EA	ORIFICE-MAIN BURNER, ATWOOD# 92742
	051391-01-715	EA	DRAIN PLUG, ATWOOD# 91561
	051391-04-700	EA	TANK-INNER (G6A 3E), FRT MT - ATWOOD# 91608
	051391-04-701	EA	THERMOSTAT 12 VDC-120 PRESET, ATWOOD# 91470
	051391-04-706	EA	TANK-INNER, G6A-4E & 6E - FRONT MOUNT - ATWOOD# 91641
	051393-01-702	EA	SWITCH-ENERGY CUT-OFF, ATWOOD# 91951
	051393-01-703	EA	THERMOSTAT-REAR MOUNT, ATWOOD# 91952
	051393-01-704	EA	CIRCUIT BOARD-W/BLACK BOX, ATWOOD# 91420
	051393-01-705	EA	ORIFICE HOLDER-ATWOOD# 91925
	051393-01-716	EA	SPARK & PROBE ASM, ATWOOD# 91606
	051393-01-718	EA	VALVE-DUAL SOLENOID, ATWOOD# 91605
	051393-01-721	EA	ECO & THERMOSTAT ASM-FRONT MOUNT, 140 DEGREE - ATWOOD# 91447
	051393-03-700	EA	TANK-INNER (G6A-3E), REAR MT - ATWOOD# 91409
	097967-01-000	EA	SWITCH-WATER HEATER, ATWOOD 91959

WATER PUMP

KEY	PART NUMBER	U/M	DESCRIPTION
	098607-01-000	EA	PUMP-WATER, W/ 5" MPT FITTING - FLOW 2.8 GPM - UL
	098607-01-700	EA	PUMPHEAD-REPLACEMENT, FLOW 94 236-08
	098607-01-701	EA	DRIVE ASSEMBLY, FLOW 94-234-03
	098607-01-702	EA	DIAPHRAGM KIT, FLOW 94-233-10
	098607-01-703	EA	VALVE ASSEMBLY, FLOW 94-232-00
	098607-01-704	EA	HOUSING-UPPER, FLOW 94-231-01
	098607-01-705	EA	CHECK VALVE KIT, FLOW 94-237-00
	098607-01-706	EA	UPPER HOUSING/SWITCH KIT, FLOW 94-231-20
	098607-01-707	EA	MOTOR/BASEPLATE REPLACEMENT, FLOW 94-235-03

WATER HEATER BYPASS KIT

KEY	PART NUMBER	U/M	DESCRIPTION
	099729-01-000	EA	BYPASS KIT-WATER HEATER, COMPLETE W/VALVE & TUBING
	099729-01-700	EA	VALVE ONLY CHECK PLASTIC, RVK-100
	099729-02-000	EA	BYPASS KIT-WATER HEATER, SWAN IND (CANADIAN)
	099729-02-700	EA	VALVE ONLY CHECK BRASS, RVC-4
	103259-01-000	EA	BRACKET-BYPASS, WATER HEATER

WATER PURIFICATION

KEY	PART NUMBER	U/M	DESCRIPTION
	701069-01-000	EA	WATER PURIFICATION SYSTEM, 9252
	701069-03-700	EA	CARTRIDGE-WATER FILTER, AC, EVERPURE 9601-11

WINDOW, VENT & EXTERIOR DOOR GROUP

**JENSEN ROOF VENT W/O POWER LIFT
USED UP THRU 03-26-93**

KEY	PART NUMBER	U/M	DESCRIPTION
	064469-13-000	EA	VENT-ROOF, W/O POWER LIFT FOR 4" ROOF - JENSEN V2420 41B4 (U.S.)
	064469-11-700	EA	COVER-DOME, VENT - JENSEN VA503-1
	064469-13-700	EA	SCREEN ASM ROOF VENT, JENSEN VA144-1
	064469-11-703	EA	OPERATOR ASM-ROOF VENT, JENSEN V115-4

**JENSEN ROOF VENT W/O POWER LIFT
USED FROM 03-27-93 TO END OF YEAR**

KEY	PART NUMBER	U/M	DESCRIPTION
	110051-02-01A	EA	VENT-ROOF, W/O POWER LIFT FOR 4" ROOF - JENSEN 7727 (U.S.)
	064470-01-700	EA	COVER ROOF VENT, JENSEN 7291
	110051-01-704	EA	GARNISH W/SCREEN & FRAME - JENSEN 29-688-03
	110051-01-702	EA	CRANK ASM -HANDLE, ROOF VENT
	110051-01-703	EA	CRANK ONLY

**JENSEN ROOF VENT W/POWER LIFT
USED UP THRU 03-26-93**

KEY	PART NUMBER	U/M	DESCRIPTION
	064469-11-000	EA	VENT-ROOF, W/POWER LIFT FOR 4" ROOF - JENSEN V2420 41B4 (U.S.)
	064469-12-000	EA	VENT-ROOF, W/POWER LIFT FOR 4" ROOF - JENSEN V2420-41B4CS (CSA)
	090973-01-701	EA	MOTOR-12 VOLT, CSA & UL - JENSEN VA187-1
	064469-11-705	EA	FAN BLADE, 6" DIAMETER - JENSEN VA163
	064469-11-704	EA	POWER LIFT GEAR MOTOR, JENSEN VA452 (US)
	064469-12-700	EA	POWER LIFT GEAR MOTOR, JENSEN VB516 (CSA)
	064469-11-702	EA	GEAR, JENSEN VA456
	064469-11-700	EA	COVER ROOF VENT - JENSEN VA503-1
	064469-11-701	EA	SCREEN ASM-ROOF VENT, JENSEN VA444-4

**JENSEN ROOF VENT W/POWER LIFT
USED FROM 03-27-93 TO END OF YEAR**

KEY	PART NUMBER	U/M	DESCRIPTION
	110051-08-01A	EA	VENT-ROOF, W/POWER LIFT FOR 4" ROOF - JENSEN 7727 (U.S.)
	110051-10-01A	EA	VENT-ROOF, W/POWER LIFT FOR 4" ROOF - JENSEN CX7258 (CSA)
	048648-01-000	EA	MOTOR-12V NONVENTED 1/8 SFT
	048649-01-000	EA	FAN-PLASTIC, 6" DIAMETER - 6 BLADED
	064469-03-707	EA	MOTOR-LIFT - JENSEN RP-1023
	064469-03-708	EA	GEAR - DRIVE - JENSEN RP-1024
	064469-03-709	EA	GEAR-MOTOR PINION - JENSEN RP-1025
	064470-01-700	EA	COVER ROOF VENT - JENSEN 7291
	110051-01-705	EA	SCREEN-FRAME, GARNISH - JENSEN 29-688-04A

FANTASTIC ROOF VENTILATOR

KEY	PART NUMBER	U/M	DESCRIPTION
	084079-07-000	EA	VENT-CEILING, POWER EXHAUST - FANTASTIC (US)
	084079-10-000	EA	VENT-CEILING, POWER EXHAUST - FANTASTIC (CANADIAN)
	084079-01-700	EA	VENT COVER - FANTASTIC 1020-19
	084079-01-701	EA	SCREEN ASM WHITE - FANTASTIC 1030-80
	084079-01-703	EA	CRANK-EXTERIOR, FANTASTIC 1060-09
	084079-01-704	EA	BLADE-FAN, FANTASTIC 1070-00
	084079-01-705	EA	MOTOR, FANTASTIC 1080-00
	084079-01-706	EA	PLUG-12 VOLT, FANTASTIC 1090
	084079-01-707	EA	SWITCH-SAFETY, FANTASTIC 1120 00
	084079-01-709	EA	SWITCH-ON & OFF, MAIN POWER - FANTASTIC 1100 00
	084079-01-711	EA	H-MOLDING, MOTOR MOUNT - PLASTIC - FANTASTIC
	084079-07-700	EA	GARNISH-INTERIOR 4" O/W

**1993 WINNEBAGO
TABLE OF CONTENTS**

INTRODUCTION	A 01 -	A 02
ABBREVIATIONS		A-03
ALPHABETICAL INDEX	A-04 -	A-06
WSM35RQ	A-07 -	F-12

1993 WSM35RQ INDEX

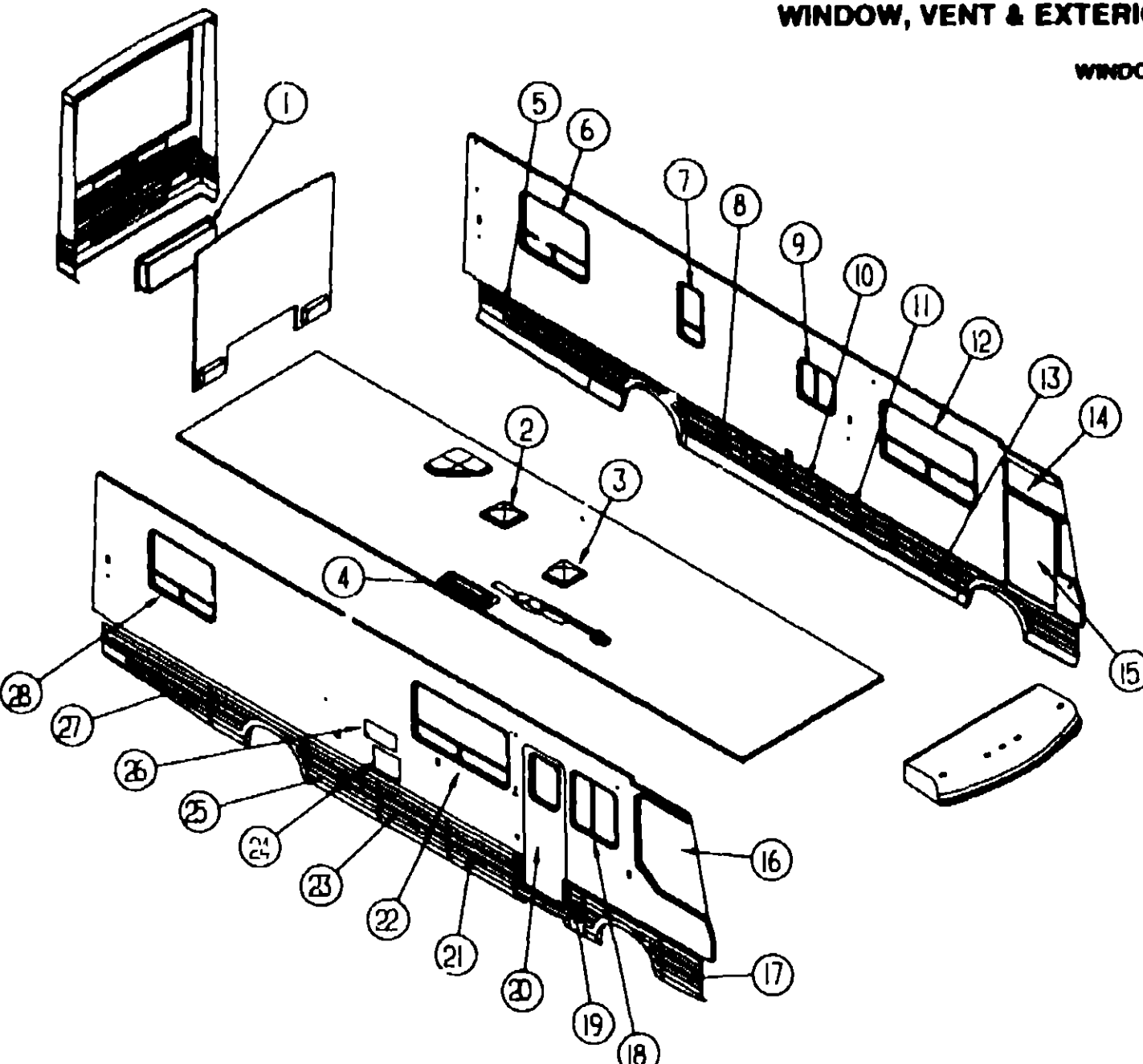
FLOOR PLAN	A-07 -	A-08
ACCESSORIES		A-09
AUDIO VIDEO	A-10	A-13
BATH	A-14 -	A-18
BEDROOM	A-19 -	A-20
CHASSIS	A-21 -	B-04
CURTAIN & CUSHION	B-05 -	B-17
DINETTE	B-18 -	B-19
DRIVERS COMPARTMENT	B-20 -	B-24
ELECTRICAL	C-01 -	C-07
EXTERIOR BODY	C-08 -	C-18
GALLEY	C-19 -	D-04
GENERATOR	D-05 -	D-06
HEATING & A/C	D-07 -	D-14
INTERIOR FINISH	D-15 -	D-18
L/BEL	D-19 -	E-01
LP		E-02
LOUNGE	E-03 -	E-04
SEALANTS & FASTENERS	E-05 -	E-09
WATER & SEWAGE	E-10 -	E-13
WINDOW, VENT AND		
EXTERIOR DOOR	E-14 -	F-08
WINDSHIELD & WIPER	F-09 -	F-12

WINDOW, VENT & EXTERIOR DOOR GROUP (CONTINUED)

WINDOWS & DOORS

1993 WINNEBAGO TABLE OF CONTENTS

INTRODUCTION	A-01 -	A-02
ABBREVIATIONS		A-03
ALPHABETICAL INDEX	A-04 -	A-06
WSM35RQ	A-07 -	F-12



KEY	PART NUMBER	U/M	DESCRIPTION
2	064469-12-000	EA	VENT-ROOF, W/POWER LIFT FOR 4' ROOF - JENSEN V2420-41B4CS (CSA) FROM: 00-00-00 THRU: 03-26-93
2	110051-10-01A	EA	VENT-ROOF, W/POWER LIFT FOR 4' ROOF - JENSEN CX7258 (CSA) FROM: 03-27-93 THRU: 99-99-99
2	064469-11-000	EA	VENT-ROOF, W/POWER LIFT FOR 4' ROOF - JENSEN V2420-41B4 (U.S.) FROM: 00-00-00 THRU: 03-26-93
2	110051-08-01A	EA	VENT-ROOF, W/POWER LIFT FOR 4' ROOF - JENSEN 7727 (U.S.) FROM: 03-27-93 THRU: 99-99-99
2	064469-13-000	EA	VENT-ROOF, W/O POWER LIFT FOR 4' ROOF - JENSEN V2420-41B4 (U.S.) FROM: 00-00-00 THRU: 03-26-93
2	110051-02-01A	EA	VENT-ROOF, W/O POWER LIFT FOR 4' ROOF - JENSEN 7727 (U.S.) FROM: 03-27-93 THRU: 99-99-99
2	064469-13-000	EA	VENT-ROOF, W/O POWER LIFT FOR 4' ROOF - JENSEN V2420-41B4 (U.S.) FROM: 00-00-00 THRU: 03-26-93
2	110051-02-01A	EA	VENT-ROOF, W/O POWER LIFT FOR 4' ROOF - JENSEN 7727 (U.S.) FROM: 03-27-93 THRU: 99-99-99
3	084079-07-000	EA	VENT-CEILING, POWER EXHAUST - FANTASTIC (US)
3	084079-10-000	EA	VENT-CEILING, POWER EXHAUST - FANTASTIC (CANADIAN)
4	084073-04-000	EA	BASE-ROOF VENT, REFRIGERATOR - BLACK - NORCOLD
4	084073-05-000	EA	COVER-ROOF VENT, REFRIGERATOR - BUFF - NORCOLD
5	109712-08-D18	EA	DOOR-COMPARTMENT, REAR TAPERED - W/HARDWARE & LATCHES
6	104691-05-01A	EA	WINDOW-TIPOUT, ESCAPE - W/INSIDE FRAME - EXCEL CH70-MK
7	108929-01-01A	EA	WINDOW-TIPOUT, SINGLE - W/INSIDE FRAME
8	109404-09-D18	EA	DOOR-COMPARTMENT, W/HARDWARE & LATCHES
9	092235-20-D18	EA	WINDOW-SINGLE TIPOUT, W/O INSIDE FRAME
10	109404-12-D18	EA	DOOR-COMPARTMENT, W/HARDWARE & LATCHES
11	109155-01-D18	EA	DOOR-COMPARTMENT, CENTRAL A/C - W/HARDWARE & LATCHES
	102378-01-02A	EA	WASHER-BLACK, SOUTHCOE3-23-201
	104491-02-03A	EA	STRIKER-COMPARTMENT DOOR, BLACK - USED ON A/C DOOR PANEL
12	092234-13-D18	EA	WINDOW-DOUBLE TIPOUT, W/O INSIDE FRAME
13	109404-11-D18	EA	DOOR-COMPARTMENT, W/HARDWARE & LATCHES
14	106467-01-01A	EA	WINDOW-VISTA, LEFT - W/INSIDE FRAME - EXCEL
15	106469-01-01A	EA	DOOR-DRIVERS, W/O INNER PANELS & HANDLE - BLACK - EXCEL
16	106466-01-01A	EA	WINDOW-CAB, PASSENGER - W/INSIDE FRAME - EXCEL & MRQ1482
17	109088-01-D18	EA	DOOR-COMPARTMENT, GENERATOR - W/HARDWARE & LATCHES
18	099480-03-000	EA	WINDOW-SLIDER, RIGHT - EXCEL H150-MRR
19	109129-01-D18	EA	DOOR-FUEL FILL
	077408-01-000	EA	LOCK-KEY TYPE
	107895-01-000	EA	HINGE-DOUBLE PIVOT
	107895-03-000	EA	HINGE-DOUBLE PIVOT
			FROM 00-00-00 THRU 05-30-93
			FROM 05-31-93 THRU 99-99-99
20	M01870-65-D18	EA	DOOR-ENTRY, W/SCREEN DOOR & JAMB
21	109404-13-D18	EA	DOOR-COMPARTMENT, W/HARDWARE & LATCHES
22	092234-12-D18	EA	WINDOW-DOUBLE TIPOUT, W/O INSIDE FRAME
23	109404-14-D18	EA	DOOR-COMPARTMENT, W/HARDWARE & LATCHES
24	052009-04-000	EA	DOOR-WATER HEATER, 18" X 14 6" - METAL - BUFF
25	109404-06-D18	EA	DOOR-COMPARTMENT, W/HARDWARE & LATCHES
26	084104-06-000	EA	JAMB-DOOR, REFRIGERATOR - BUFF
26	084103-06-000	EA	DOOR-REFRIGERATOR, VENTED - W/O JAMB - BUFF
	084104-01-700	EA	LOCK-MALE, FASTENER - REFRIGERATOR DOOR
	084104-01-701	EA	LOCK-FEMALE, FASTENER - REFRIGERATOR DOOR
27	109712-07-D18	EA	DOOR-COMPARTMENT, REAR TAPERED - W/HARDWARE & LATCHES
28	104691-06-01A	EA	WINDOW-TIPOUT, ESCAPE - W/INSIDE FRAME - EXCEL CH70 MK
	081240-09-000	EA	DOOR-WATER FILL, LOCKABLE - BUFF

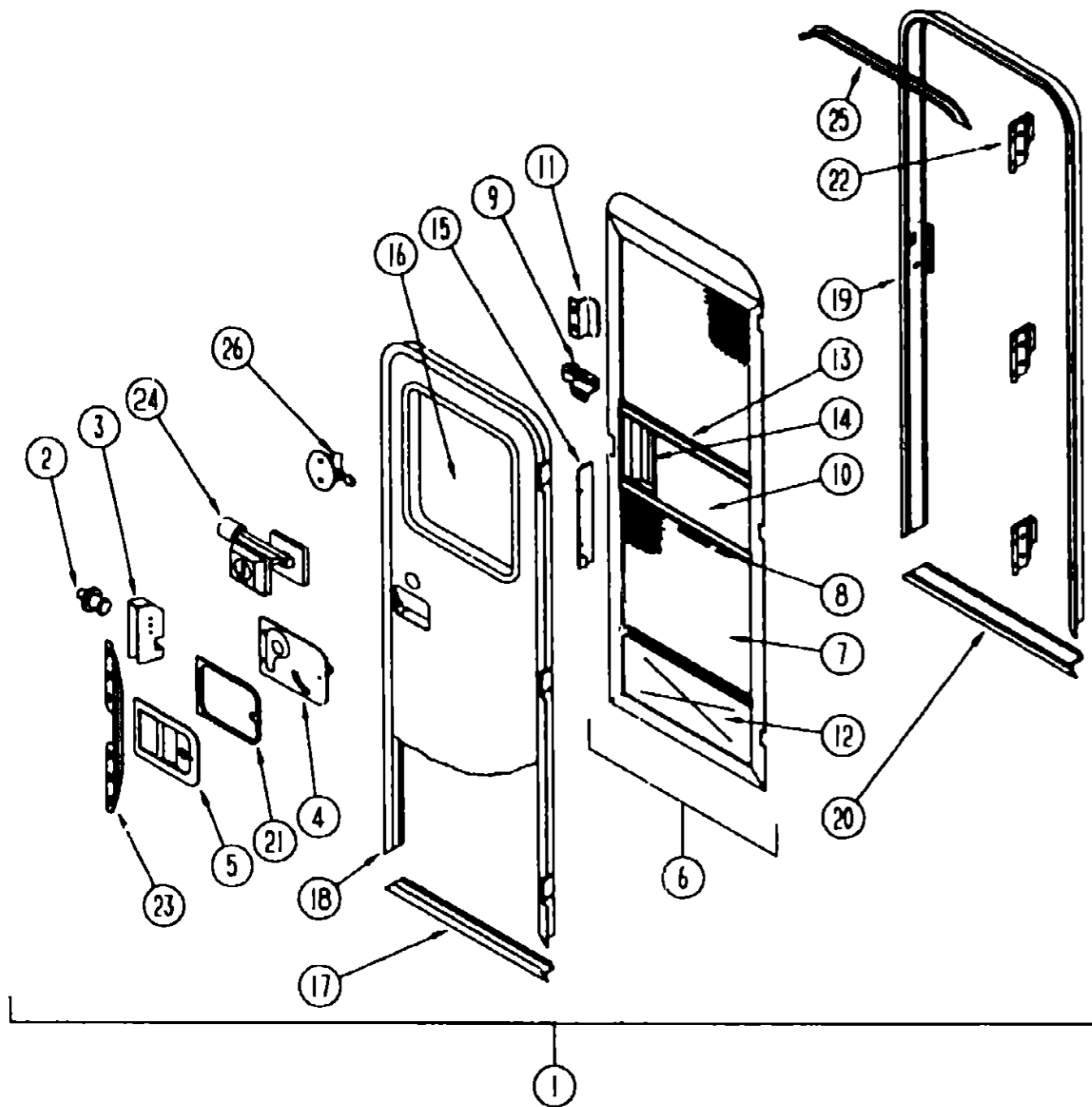
1993 WSM35RQ INDEX

FLOOR PLAN	A-07 -	A-08
ACCESSORIES		A-09
AUDIO VIDEO	A-10	A-13
BATH	A-14	A-18
BEDROOM	A-19	A-20
CHASSIS	A-21	B-04
CURTAIN & CUSHION	B-05	B-17
DINETTE	B-18	B-19
DRIVERS COMPARTMENT	B-20	B-24
ELECTRICAL	C-01	C-07
EXTERIOR BODY	C-08	C-18
GALLEY	C-19	D-04
GENERATOR	D-05	D-06
HEATING & A/C	D-07	D-14
INTERIOR FINISH	D-15	D-18
LABEL	D-19	E-01
LP		E-02
LOUNGE	E-03	E-04
SEALANTS & FASTENERS	E-05	E-09
WATER & SEWAGE	E-10	E-13
WINDOW, VENT AND EXTERIOR DOOR	E-14	F-08
WINDSHIELD & WIPER	F-09	F-12

KEY	PART NUMBER	U/M	DESCRIPTION
1	P07501-01-D18	EA	DOOR-COMPARTMENT, BACKWALL - W/O HARDWARE & LATCH FROM 00-00-00 THRU 06-27-93
1	P12279-01-E37	EA	DOOR-ENGINE COMPARTMENT FROM 06-28-93 THRU 99-99-99
	108998-04-000	EA	SPRING-GAS, SPD-5300-60
	100128-01-000	FT	SEAL-PILE, ADHESIVE BACK - GRAY
	101348-01-000	EA	BOLT-SLIDE, LATCH - NYLON - W/SPRING & BRKT
	101355-01-04A	EA	LATCH-PADDLE, 2 POINT - BLACK
	102265-01-000	EA	CLIP-ROD END, 5/32" - PLASTIC - BLACK
	102266-01-000	EA	PUSHNUT-RING, RETAINING - TRVARC
	102325-02-05A	EA	HINGE-TRUNK DOOR, 6" - BUFF
	104692-01-000	FT	SEAL-ADHESIVE BACK, 3/4" X 34"
	102330-01-000	EA	LATCH-SINGLE HOLE, VISE ACTION
	104692-02-000	FT	SEAL-3/4 X 1, ADHESIVE ON ONE SIDE
	108561-01-000	EA	TURNBUCKLE, 10-24 THREAD
	108562-07-000	EA	ROD-LATCH, THREADED - LEFT
	108562-12-000	EA	ROD-LATCH, THREADED - RIGHT
	108678-01-000	EA	GASKET-LATCH, INDUSTRIAL PRODUCTS
	108692-01-01A	EA	SHROUD-LIGHT, DOOR - BACKWALL - BLACK
	110081-01-01A	EA	COVER-LATCH ASM, PLASTIC - BLACK
	108998-02-000	EA	BRACKET-L, W/BALL STUD
	108998-03-000	EA	BRACKET-FLAT, W/BALL STUD

WINDOW, VENT & EXTERIOR DOOR GROUP (CONTINUED)

ENTRY DOOR



KEY	PART NUMBER	U/M DESCRIPTION
5	045017-11-000	EA LATCH-ENTRY DOOR, MECHANISM W/LOCK & KEY - BLACK
	045017-11-701	EA KEY BLANK
6	056746-01-000	EA PLUG-CAP, 1" DIAMETER
	058025-02-000	EA CLIP-ROLLER LATCH CATCH, SCREEN DOOR
7	083729-04-000	EA RIVNUT, 10-32 UNF - 010- 080
	072893-01-000	EA NUTSERT-M5 X 0, 8
8	075671-04-000	FT SEAL-SPONGE, LAZY T SHAPE - W/ADHESIVE STRIPE - 5" WIDE
	079012-05-B10	EA DOOR-SCREEN
9	002293-02-000	SF SCREENING-WINDOW/DOOR, 26" - CHARCOAL
	002294-01-000	FT SPLINE-SCREENING, 135" X 138" - BLACK
10	002748-01-000	EA CORNER KEY-DOOR
	109403-01-000	EA CATCH-ASM-SINGLE ROLLER
11	016454-01-000	EA INSERT-CENTER, LEATHER GRAIN ALUMINUM - UNPAINTED
	001014-01-013	EA INSERT-CENTER, 10.25" X 16 31" - UNPAINTED
12	050712-04-000	EA HANDLE-SCREEN DOOR, ALUMINUM - OFF WHITE
	050712-05-000	EA HANDLE-SCREEN DOOR, UNPAINTED
13	078552-03-000	EA KICK PANEL-SCREEN DOOR, LOWER INSERT - UNPAINTED
	078595-01-000	EA TOP PLATE-SCREEN DOOR, CURVED TOP - 4 7" X 25 35"
14	078777-01-000	EA CHANNEL-SLIDE, SCREEN DOOR CENTER SLIDER COVER
	079086-02-000	EA SLIDER-SCREEN DOOR, OFF WHITE
15	079087-02-000	EA STRIKE-SLIDER, W/LIP FOR ELBOW CATCH - 1 5" X 8 6" - OFF WHITE
	009016 01-000	EA CATCH-ELBOW, SPRING LOADED - SCREEN DOOR CATCH
16	079733-11-D18	EA WINDOW-PICTURE, W/O INSIDE FRAME - 17" X 25"
	002181-18-000	EA GLASS-WINDOW
17	087609-35-000	EA FRAME-INSIDE, WINDOW - OFF WHITE
	087561-01-000	FT SEAL-VINYL, EXTERIOR WINDOW
18	081914-01-000	EA BUMPER-RUBBER, ROUND - .43" DIAMETER - BLACK
	089748-09-000	EA FRAME-BOTTOM, ENTRY DOOR - 24 8" LONG - OFF WHITE
19	090340-01-000	FT SEAL-FOAM, CLOSED CELL - 1/4" X 1/2" X 50"
	095276-03-05A	EA FRAME-ENTRY DOOR, W/O BOTTOM - OFF WHITE
20	095277-04-05A	EA JAMB-ENTRY DOOR, W/BOTTOM - 25 9" X 74 5" - OFF WHITE
	051049-01-000	EA JAMB-BOTTOM, ENTRY DOOR - 25 9" - UNPAINTED
21	079207-01-000	EA STRIKER-POLLER CATCH, WELDED TO DOOR JAMB - 4" X 1 15"
	112502-01-000	EA STRIKER-ROLLER CATCH WELDED TO DOOR JAMB - 4" X 1 15"
22		FROM 00-00-00 THRU 06-21-93
		FROM 06-22-93 THRU 99-99-99
23	095278-03-01A	EA JAMB-DOOR, ENTRANCE - 25 9" X 74 6" - W/O BOTTOM - UNPAINTED
	096810-01-01A	EA PLATE-LATCH, ENTRY DOOR - PLASTIC - BLACK
24	106719-01-01A	EA HINGE-ENTRY DOOR, UNPAINTED
	098173-01-04A	EA STIFFENER-ENTRY DOOR, SUPPORTS LATCH/STRIKE AREA - UNPAINTED
25	100128-02-000	FT SEAL-FILE, ADHESIVE BACK - SCREEN DOOR - GRAY
	101145-01-01A	EA DEADBOLT-ENTRY DOOR, W/2 KEYS W/O BACK SET BOLT OR SCREWS
26	095229-01-700	EA KEY BLANK FOR DEADBOLT
	101147-01-000	EA BOLT-SECURITY, 4 12" BACKSET
27	102524-01-000	EA BUMPER-RUBBER, FLAT - BLACK
	044582-33-000	EA CAP-DRIP, ENTRY DOOR - JAMB MOUNTED - ALUMINUM - OFF WHITE
28	064075-07-000	FT SEAL-BULB, W/WIRED U CHANNEL - .3" X 5" CHANNEL - BLACK
	075639-14-000	EA GARNISH-RADIUS, ENTRY DOOR - OFF WHITE
29	077461-03-000	EA COVER-STRIKE, ENTRY DOOR - 6 5" X 2 5" - PLASTIC - WHITE
	076725-02-000	EA COVER-HINGE, ENTRY DOOR - 6" X 3 2" - PLASTIC - OFF WHITE
30	091876-01-000	EA RETAINER-DOOR, 1 9" X 8" - METAL
	100412-01-000	EA CATCH-SCREEN DOOR, THUMB CLIP W/BLACK PLASTIC CAP
31	104692-01-000	FT SEAL-ADHESIVE BACK, 3/4" X 34"
	102768-01-000	EA HOLDER-COMPARTMENT/ENTRY DOOR, METAL - MILL FINISH
32	009126-02-000	EA HANDLE-ASSIST, ENTRY DOOR - BLACK
	090340-02-000	FT SEAL-FCAM, CLOSED CELL - 3/8" X 1/2"
33	091876-01-000	EA RETAINER-DOOR, 1 9" X 8" - METAL

1993 WINNEBAGO TABLE OF CONTENTS

INTRODUCTION	A-01 -	A-02
ABBREVIATIONS		A-03
ALPHABETICAL INDEX	A-04 -	A-08
WSM35RQ	A-07 -	F-12

1993 WSM35RQ INDEX

FLOOR PLAN	A-07 -	A-08
ACCESSORIES		A-09
AUDIO VIDEO	A-10	A-13
BATH	A-14 -	A-18
BEDROOM	A-19 -	A-20
CHASSIS	A-21 -	B-04
CURTAIN & CUSHION	B-05 -	B-17
DINETTE	B-18 -	B-19
DRIVERS COMPARTMENT	B-20 -	B-24
ELECTRICAL	C-01 -	C-07
EXTERIOR BODY	C-08 -	C-18
GALLEY	C-19 -	D-04
GENERATOR	D-05 -	D-06
HEATING & A/C	D-07 -	D-14
INTERIOR FINISH	D-15 -	D-18
LABEL	D-19 -	E-01
LP		E-02
LOUNGE	E-03 -	E-04
SEALANTS & FASTENERS	E-05 -	E-09
WATER & SEWAGE	E-10 -	E-13
WINDOW, VENT AND EXTERIOR DOOR	E-14 -	F-08
WINDSHIELD & WIPER	F-09 -	F-12

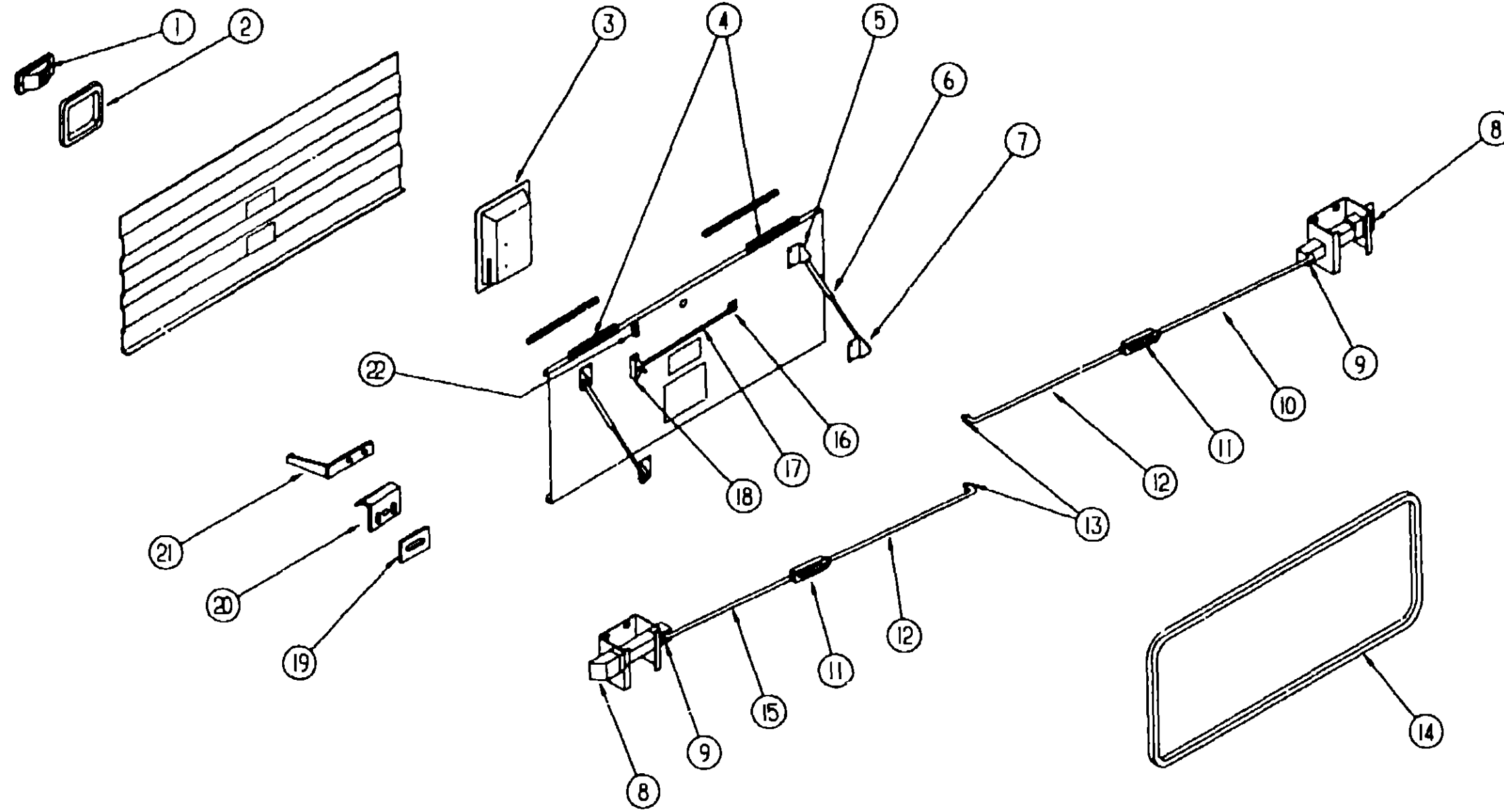
KEY	PART NUMBER	U/M DESCRIPTION
1	M01870-65-D18	EA DOOR-ENTRY W/SCREEN DOOR & JAMB
2	039539-01-000	EA STRIKE-LOCK, ENTRY DOOR - ROUND W/THREADED WASHER
3	039540-01-000	EA LATCH MECHANISM-HOOK, ENTRY DOOR - INTERIOR
4	039715-01-000	EA NUT-SERT, 1/4" DIAMETER - 20 THREADS
	039979-04-000	EA COVER-INTERIOR LATCH, W/TRIP ARM - RIGHT - BLACK
5	039984-01-000	EA CAP-ROUND, VINYL - 28" ID X .62" LONG - BLACK
	041546-03-000	EA BRACKET-DOOR ANGLE, 5" X 1 9" - BEIGE - METAL

WINDOW, VENT & EXTERIOR DOOR GROUP (CONTINUED)

EXTERIOR DOOR COMPONENTS & HOLDER

1993 WINNEBAGO TABLE OF CONTENTS

INTRODUCTION	A-01 - A-02
ABBREVIATIONS	A-03
ALPHABETICAL INDEX	A-04 - A-06
WSM35RQ	A-07 - F-12



1993 WSM35RQ INDEX

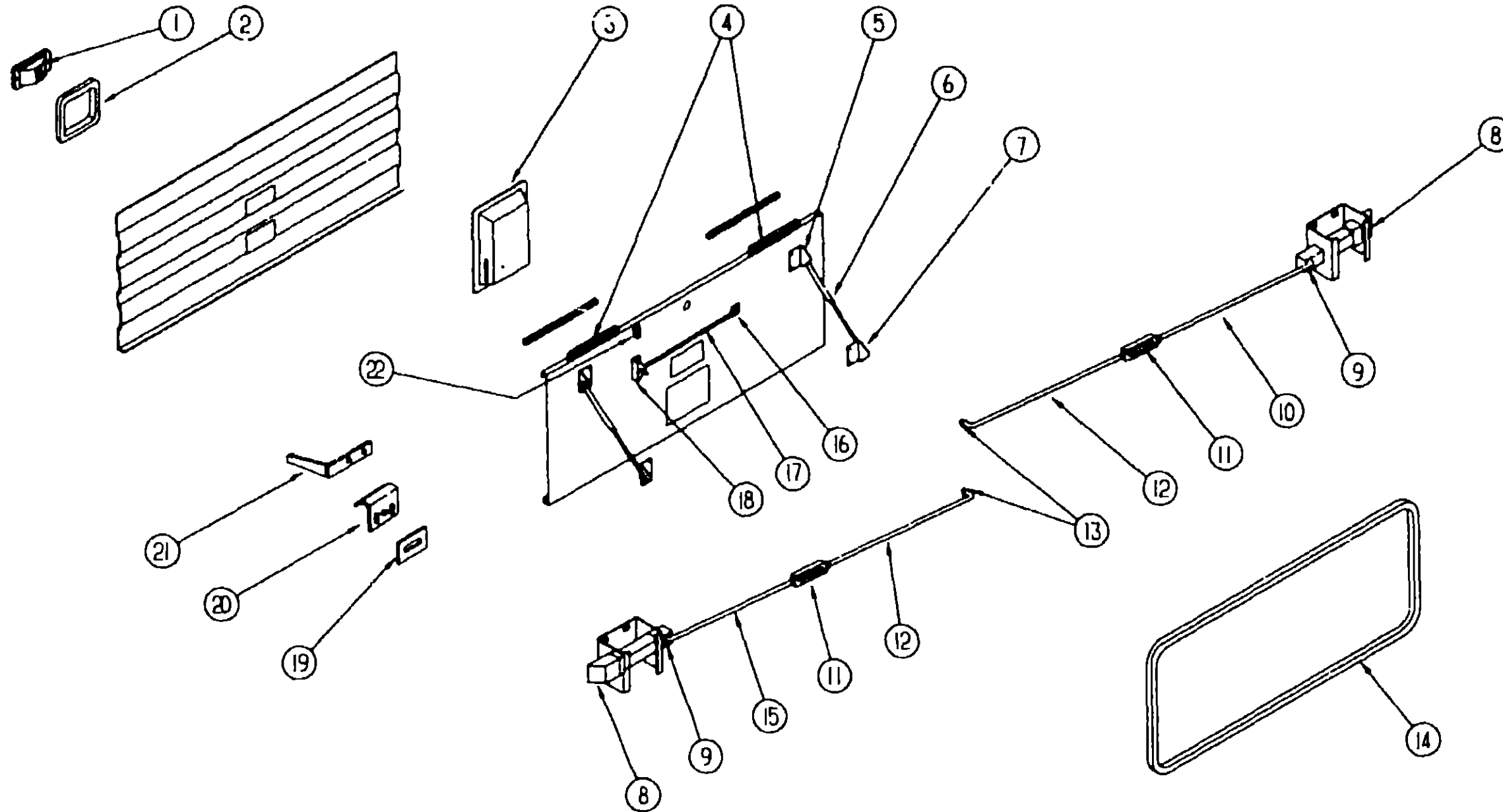
FLOOR PLAN	A-07 - A-08
ACCESSORIES	A-09
AUDIO VIDEO	A-10 - A-13
BATH	A-14 - A-18
BEDROOM	A-19 - A-20
CHASSIS	A-21 - B-04
CURTAIN & CUSHION	B-05 - B-17
DINETTE	B-18 - B-19
DRIVERS COMPARTMENT	B-20 - B-24
ELECTRICAL	C-01 - C-07
EXTERIOR BODY	C-08 - C-18
GALLEY	C-19 - D-04
GENERATOR	D-05 - D-06
HEATING & A/C	D-07 - D-14
INTERIOR FINISH	D-15 - D-18
LABEL	D-19 - E-01
LP	E-02
LOUNGE	E-03 - E-04
SEALANTS & FASTENERS	E-05 - E-09
WATER & SEWAGE	E-10 - E-13
WINDOW, VENT AND EXTERIOR DOOR	E-14 - F-08
WINDSHIELD & WIPER	F-09 - F-12

KEY	PART NUMBER	U/M DESCRIPTION
1	101355-03-01A	EA LATCH-PADDLE, W/O KEY LOCK - GRAY
1	101355-01-01A	EA LATCH-PADDLE, 2 POINT - W/KEY LOCK - PLASTIC - GRAY
	045017-01-701	EA KEY BLANK
	108615-01-000	EA LATCH-PLATE, COMPARTMENT DOOR
2	108678-01-000	EA GASKET-LATCH, INDUSTRIAL PRODUCTS
3	107221-01-01A	EA COVER-LATCH, VALANCE DOOR - 181 X 229MM - PLASTIC - BLACK FROM 00-00-00 THRU 05-30-93
3	107221-07-01A	EA COVER-LATCH, VALANCE DOOR - 181 X 229MM - PLASTIC - BLACK FROM 05-31-93 THRU 99-99-99
3	107221-02-01A	EA COVER-LATCH, VALANCE DOOR - 300 X 229MM - PLASTIC - BLACK
3	107221-03-01A	EA COVER-LATCH, VALANCE DOOR - TAPERED - 156 X 229MM - PLASTIC - BLACK
4	107895-01-000	EA HINGE-DOUBLE PIVOT, W/U-CHANNEL - 2 TORSION SPRING ON 1 SIDE
4	107895-03-000	EA HINGE-DOUBLE PIVOT, W/U-CHANNEL - 1 TORSION SPRING ON EACH SIDE
4	107895-04-000	EA HINGE-DOUBLE PIVOT, W/U-CHANNEL - 254MM LONG (REAR SIDE DOOR ONLY)
4	107895-05-000	EA HINGE-DOUBLE PIVOT, W/U-CHANNEL - W/O TORSION SPRING
5	107796-02-000	EA BRACKET-GAS SPRING, LARGE - SPDI SPD-1060
6	107796-01-000	EA SPRING-GAS, SPDI SPD-5200-40
7	107796-03-000	EA BRACKET-GAS SPRING, SMALL - SPDI SPD-1015
8	101348-01-000	EA BOLT-SLIDE, LATCH - NYLON - W/SPRING & BRACKET
9	102266-01-000	EA PUSHNUT-RING, RETAINING - 5/32 - TRVARC
10	108562-07-000	EA ROD-LATCH, LEFT THREADED - 303MM LONG
10	108562-08-000	EA ROD-LATCH, LEFT THREADED - 348MM LONG

KEY	PART NUMBER	U/M DESCRIPTION
10	108562-13-000	EA ROD-LATCH, LEFT THREADED - 171MM LONG
10	108562-14-000	EA ROD-LATCH, LEFT THREADED - 207MM LONG
10	108562-16-000	EA ROD-LATCH, RIGHT THREADED - 288MM LONG (REAR TAPERED DOORS)
10	108562-17-000	EA ROD-LATCH, LEFT THREADED - 261MM LONG
10	108562-19-000	EA ROD-LATCH, RIGHT THREADED - 98MM LONG (GENERATOR DOOR)
10	108562-20-000	EA ROD-LATCH, LEFT THREADED - 61MM LONG (DR SIDE SMALL CENTER DOOR); FROM 00-00-00 THRU 03-05-93
10	101356-05-000	EA ROD-LINKAGE (DR SIDE SMALL CENTER DOOR) FROM 03-06-93 THRU 99-99-99
11	108561-01-000	EA TURNBUCKLE, 10-24 THREAD
12	108562-01-000	EA ROD-LATCH, RIGHT THREADED - 121MM LONG
12	108562-10-000	EA ROD-LATCH, LEFT THREADED - 458MM LONG (REAR TAPERED DOORS)
12	108562-18-000	EA ROD-LATCH, RIGHT THREADED - 61MM LONG (DR SIDE SMALL CENTER DOOR) FROM 00-00-00 THRU 03-05-93
12	101356-05-000	EA ROD-LINKAGE (DR SIDE SMALL CENTER DOOR) FROM 03-06-93 THRU 99-99-99
12	101356-16-000	EA ROD-LINKAGE (GENERATOR DOOR) FROM 00-00-00 THRU 02-28-93
12	108562-19-000	EA ROD-LATCH, RIGHT THREADED - 98MM LONG (GENERATOR DOOR) FROM 03-01-93 THRU 99-99-99
13	102265-01-000	EA CLIP-ROD END, 5/32" - PLASTIC - BLACK

WINDOW, VENT & EXTERIOR DOOR GROUP (CONTINUED)

EXTERIOR DOOR COMPONENTS & HOLDER (CONTINUED)



**1993 WINNEBAGO
TABLE OF CONTENTS**

INTRODUCTION	A-01 -	A-02
ABBREVIATIONS		A-03
ALPHABETICAL INDEX	A-04 -	A-06
WSM35RQ	A-07 -	F-12

1993 WSM35RQ INDEX

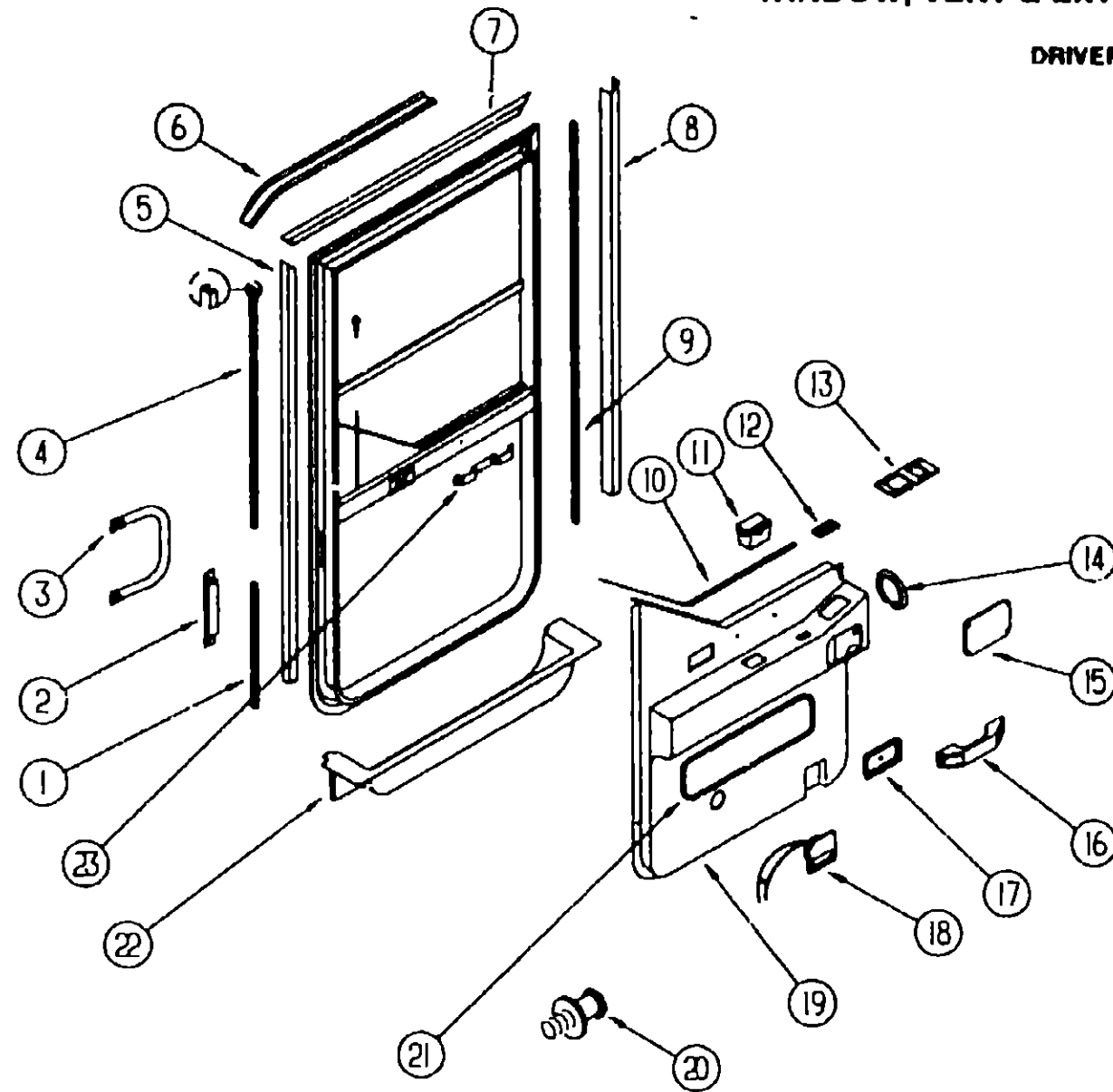
FLOOR PLAN	A-07 -	A-08
ACCESSORIES		A-09
AUDIO VIDEO	A-10	A-13
BATH	A-14 -	A-18
BEDROOM	A-19 -	A-20
CHASSIS	A-21 -	B-04
CURTAIN & CUSHION	B-05 -	B-17
DINETTE	B-18 -	B-19
DRIVERS COMPARTMENT	B-20 -	B-24
ELECTRICAL	C-01 -	C-07
EXTERIOR BODY	C-08 -	C-18
GALLEY	C-19 -	D-04
GENERATOR	D-05 -	D-06
HEATING & A/C	D-07 -	D-14
INTERIOR FINISH	D-15 -	D-18
LABEL	D-19 -	E-01
LP		E-02
LOUNGE	E-03 -	E-04
SEALANTS & FASTENERS	E-05 -	E-09
WATER & SEWAGE	E-10 -	E-13
WINDOW, VENT AND		
EXTERIOR DOOR	E-14 -	F-08
WINDSHIELD & WIPER	F-09 -	F-12

KEY	PART NUMBER	U/M DESCRIPTION
14	107721-01-000	FT SEAL-ACCESS DOOR, D BULB W/ADHESIVE ON FLAT SIDE
15	108562-08-000	EA ROD LATCH, LEFT THREADED - 348MM LONG
15	108562-13-000	EA ROD-LATCH, LEFT THREADED - 171MM LONG
15	108562-14-000	EA ROD-LATCH, LEFT THREADED - 207MM LONG
15	108562-15-000	EA ROD-LATCH, LEFT THREADED - 261MM
15	101356-17-000	EA ROD-LINKAGE (GENERATOR DOOR)
15	108562-20-000	EA ROD-LATCH, RIGHT THREADED - 61MM LONG (GENERATOR DOOR) FROM 00-00-00 THRU 02-28-93
15	108562-20-000	EA ROD-LATCH, LEFT THREADED - 61MM LONG (DR SIDE SMALL CENTER DOOR) FROM 03-01-93 THRU 99-99-99
15	101356-05-000	EA ROD-LINKAGE (DR SIDE SMALL CENTER DOOR) FROM 00-00-00 THRU 03-05-93
15	101356-05-000	EA ROD-LINKAGE (DR SIDE SMALL CENTER DOOR) FROM 03-06-93 THRU 99-99-99
16	089329-01-000	EA CLIP-SPRING, 3/8" - METAL
17	108755-02-000	EA ROD-PROP, VALANCE DOOR - LP DOOR
	110536-01-000	EA BRACKET-PROP ROD
18	108754-01-000	EA CHANNEL-VALANCE DOOR, CENTER
19	110415-01-01A	EA SHIM-LATCH, VALANCE DOOR - BLACK
20	107719-01-01A	EA STRIKER-COMPARTMENT DOOR
	104491-02-03A	EA STRIKER-COMPARTMENT DOOR, BLACK - USED ON A/C DOOR PANEL
21	102768-01-000	EA HOLDER-COMPARTMENT/ENTRY DOOR, METAL - MILL FINISH
22	108757-01-01A	EA ANGLE-VALANCE DOOR, UPPER - BLACK

KEY	PART NUMBER	U/M DESCRIPTION
	104692-02-000	FT SEAL-3/4" X 1", PRESSURE SENSITIVE ADHESIVE ONE SIDE
	107721-01-000	FT SEAL-ACCESS DOOR

WINDOW, VENT & EXTERIOR DOOR GROUP (CONTINUED)

DRIVERS & PASSENGER DOOR



KEY	PART NUMBER	U/M	DESCRIPTION
1	108642-03-01A	EA	TRIM-DOOR, DRIVERS - BLACK
2	108654-01-01A	EA	COVER-STRIKE, DRIVERS DOOR - BLACK
3	108832-01-02A	EA	HANDLE-ASSIST, DRIVERS DOOR - METAL - OFF WHITE
3	108832-01-01A	EA	HANDLE-ASSIST, DRIVERS DOOR - METAL - MILL FINISHED
	108833-01-01A	EA	COVER HANDLE, ASSIST - OFF WHITE
4	108642-02-01A	EA	TRIM DOOR, DRIVERS - BLACK
	108119-01-D18	EA	GARNISH ASM-DRIVERS DOOR, 2 SIDES & TOP CONSISTS OF ITEM 5, 7 & 8
5	108129-01-01A	EA	GARNISH-DRIVERS DOOR - MILL
6	108275-51-001	EA	RAIL-DRIP, EXTRUDED - 4877MM LONG
7	108107-01-01A	EA	GARNISH-DRIVERS DOOR - MILL
8	108108-01-01A	EA	GARNISH-DRIVERS DOOR - MILL
9	108642-01-01A	EA	TRIM-DOOR, DRIVERS - BLACK
10	109644-01-000	FT	TRIM EDGE, RUBBER
11	046886-03-000	EA	ASHTRAY-CHROME, W/COVER
12	093132-01-000	EA	SWITCH-ROCKER, 5 TERMINAL W/ARROW GRAPHICS - TORRIX 1737
12	103473-05-01A	EA	PLATE-SWITCH, LOCK - SINGLE - BLACK
13	087695-01-000	EA	SWITCH-HEATER, EXTERIOR MIRROR
13	088246-01-000	EA	SWITCH-REMOTE, EXTERIOR MIRROR - SQUARE PUSH - VELVAC 7471290
14	093148-01-000	EA	SEAL-WIRE, CAB DOOR - GM 15592070
	093144-01-000	EA	CONDUIT WIRE, GM# 15592046
	093145-01-000	EA	SLIP-ON-WIRE, 10" LONG - PLASTIC - BLACK - GM #15590724
	093146-01-000	EA	GR/MET-WIRE, 1.7" X 3.1" - OVAL SHAPED - PLASTIC - BLK
15	107889-01-000	EA	PANEL-CONTROL, TOUCH KIT - HWH AP3443
	085759-01-000	EA	LIGHT-WARNING, "LOW AIR", HENSCHEN 510633
16	102710-01-01A	EA	HANDLE-ASSIST, DRIVERS DOOR - 6.6" LONG - BLACK
17	106469-01-707	EA	COVER-LATCH, DOOR (SUPPLIED W/DRIVERS DOOR) - EXCEL 130-081310
18	108354-01-01A	EA	LIGHT-COURTESY - ITC 81395-B
19	107791-04-01A	EA	PANEL-DOOR, INNER - DRIVERS - FOR HYDRAULIC JACKS/MIRROR - PLASTIC FROM 00-00-00 THRU 10-01-92
19	107791-02-01A	EA	PANEL-DOOR, INNER - DRIVERS - FOR HYDRAULIC JACKS - PLASTIC FROM 10-02-92 THRU 99-99-99
19	107791-03-01A	EA	PANEL-DOOR, INNER - DRIVERS - FOR POWERED MIRROR - PLASTIC
19	107791-01-01A	EA	PANEL-DOOR, INNER - DRIVERS - W/O CUTOUTS - PLASTIC
	102756-01-000	EA	SYSTEM-REMOTE KEYLESS ENTRY, COMPLETE W/REMOTE & WIRING ACTIVATES DOOR LOCKS & PORCH LIGHT SPECIFIC CRUISE SYSTEMS - 101-1661 SCS
20	106469-01-715	EA	STRIKER ASSEMBLY, (SUPPLIED W/DRIVERS DOOR) - EXCEL 248-081003
21	108633-01-D18	EA	PAD-DOOR, FABRIC
21	108633-01-D19	EA	PAD-DOOR, FABRIC
21	108633-01-D20	EA	PAD DOOR, FABRIC
	100128-02-000	FT	SEAL-PILE, ADHESIVE BACK - SCREEN DOOR - GRAY
22	107818-01-01A	EA	TRIM-STEP, DRIVERS DOOR - PLASTIC - WILLOW
	110063-01-000	EA	PLATE-STEP
	102569-03-000	EA	MAT-ANTI SLIP
	109506-01-000	EA	FILM-URETHANE, PROTECTANT - 107.9 X 679.4MM
	102569-02-000	EA	MAT-ANTI SLIP, LOWER
	108897-01-01A	EA	GARNISH-DOOR, DRIVERS - U-CHANNEL
22	108533-01-000	EA	BRACKET-HANDLE, MOUNT
	109235-01-01A	FT	COVER-SCREW, MAT BLACK - DAWN 132-081046
	103473-05-01A	EA	PLATE-SWITCH, LOCK - SINGLE - BLACK (DOOR LOCKS) FROM 00-00-00 THRU 04-18-93
	103473-08-01A	EA	PLATE-SWITCH, LOCK - SINGLE - BLACK (DOOR LOCKS) FROM 04-19-93 THRU 99-99-99

1993 WINNEBAGO TABLE OF CONTENTS

INTRODUCTION	A-01 -	A-02
ABBREVIATIONS		A-03
ALPHABETICAL INDEX	A-04 -	A-06
WSM35RQ	A-07 -	F-12

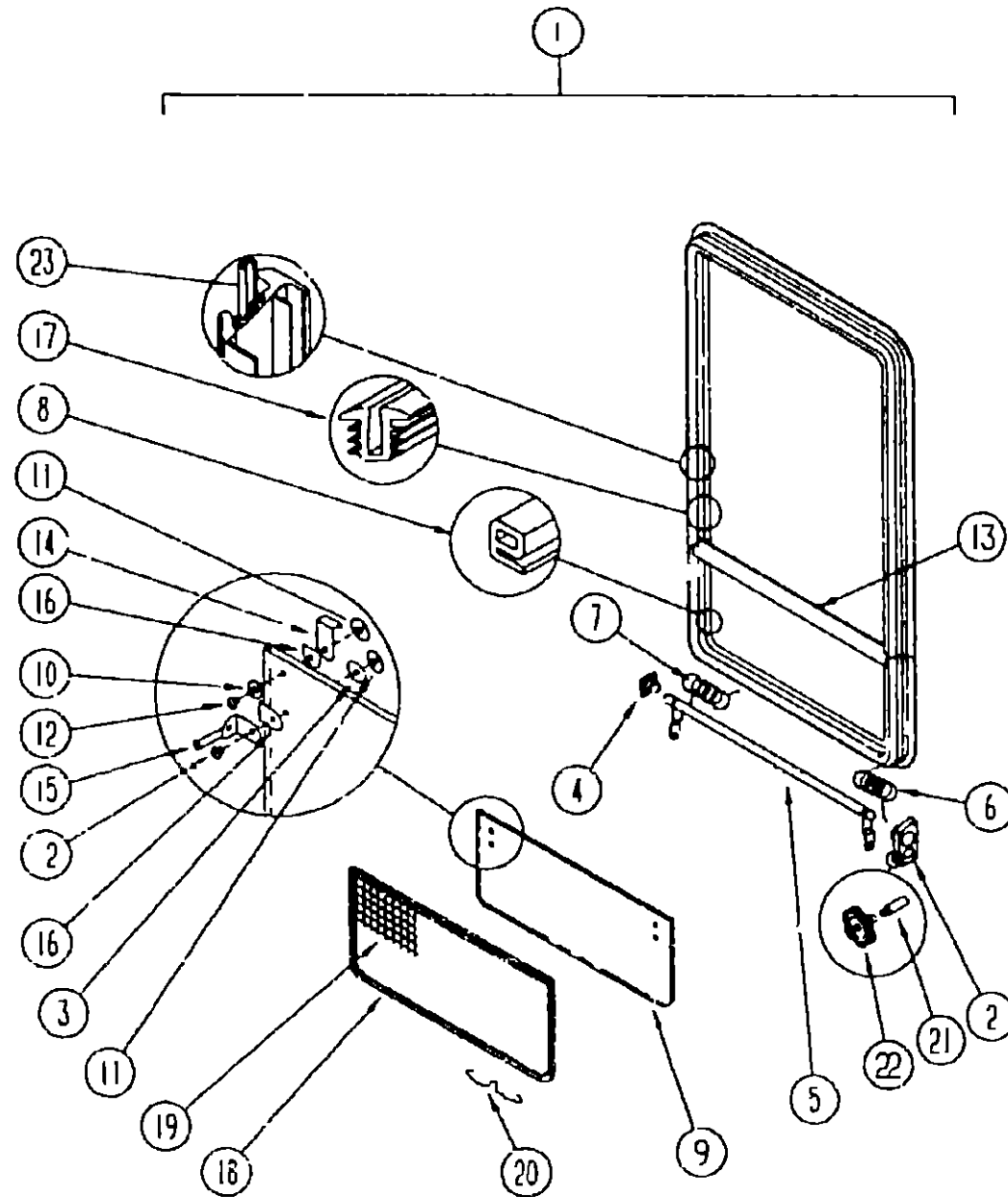
1993 WSM35RQ INDEX

FLOOR PLAN	A-07 -	A-08
ACCESSORIES		A-09
AUDIO VIDEO	A-10	A-13
BATH	A-14 -	A-18
BEDROOM	A-19 -	A-20
CHASSIS	A-21 -	B-04
CURTAIN & CUSHION	B-05 -	B-17
DINETTE	B-18 -	B-19
DRIVERS COMPARTMENT	B-20 -	B-24
ELECTRICAL	C-01 -	C-07
EXTERIOR BODY	C-08 -	C-18
GALLEY	C-19 -	D-04
GENERATOR	D-05 -	D-06
HEATING & A/C	D-07 -	D-14
INTERIOR FINISH	D-15 -	D-18
LABEL	D-19 -	E-01
LP		E-02
LOUNGE	E-03 -	E-04
SEALANTS & FASTENERS	E-05 -	E-09
WATER & SEWAGE	E-10 -	E-13
WINDOW, VENT AND EXTERIOR DOOR	E-14 -	F-08
WINDSHIELD & WIPER	F-09 -	F-12

KEY	PART NUMBER	U/M	DESCRIPTION
	106469-01-01A	EA	DOOR-DRIVERS, BLACK - EXCEL
	106469-01-700	EA	GLASS, EXCEL 106-040976
	106469-01-701	EA	TUMBLER & KEYS, EXCEL 248040557
	106469-01-702	EA	DOOR SEAL, EA=1 - EXCEL 122-040984
	106469-01-703	EA	REGULATOR ASSEMBLY, EXCEL V10389L
	106469-01-704	EA	ROLL-UP GLASS ASM W/BACKET, EXCEL V103-65L
	106469-01-705	EA	RUN-CHANNEL, EXCEL 102-010850
	106469-01-706	EA	ROD-END FASTENER, EXCEL 130-040593
	106469-01-708	EA	LOCK-BUTTON PLASTIC, EXCEL 130-081313
	106469-01-709	EA	WEATHERSTRIP FUZZY, EXCEL 171-04063
	106469-01-710	EA	LATCH-ROTARY, LEFT - EXCEL 248-081311
	106469-01-711	EA	HANDLE-OUTSIDE, LEFT EXCEL 410-081036
	106469-01-712	EA	LATCH-ROD ASM VERTICAL, EXCEL V103-49747
	106469-01-713	EA	TRIM SEAL, EXCEL 122-040747
	106469-01-714	EA	LATCH-ROD HORIZONTAL, EXCEL 203-081015
	106469-01-716	EA	HINGE 21", EXCEL 248-080807
	106469-01-717	EA	HANDLE-INTERIOR, EXCEL 248-081308
	106469-01-718	EA	KEY-BLANK (2), EXCEL 248-040558

WINDOW, VENT & EXTERIOR DOOR GROUP (CONTINUED)

DRIVER SIDE GALLEY WINDOW



KEY	PART NUMBER	U/M	DESCRIPTION
	090893-24-02A	EA	FRAME-INSIDE, WINDOW RETAINER - OFF WHITE
1	092235-20-D18	EA	WINDOW-TIPOUT, W/O INSIDE FRAME
	000H14-06-14R	EA	RIVET-MANDREL BLIND, 3/16"
2	035302-02-000	EA	OPERATOR-TORQUE, TIPOUT WINDOW
3	068927-03-000	EA	SEAL-WINDOW, RUBBER - ROUND - 80" DIA - BLACK
4	081354-01-000	EA	SLEEVE-TORQUE TUBE, TIPOUT WINDOW - 1 3/4" X 1 1/2" X 7"
	081649-01-000	EA	RING SNAP, 7/32" SHAFT DIAMETER
5	083150-14-000	EA	TUBE-TORQUE, TIPOUT WINDOW - W/SPRING & ARM
6	080918-01-000	EA	SPRING-TORQUE TUBE LEFT
7	080918-02-000	EA	SPRING-TORQUE TUBE RIGHT
8	084067-02-000	FT	SEAL-E SHAPED SPONGE - TIPOUT WINDOW - 42" X 38" - BLACK
			FROM 00-00-00 THRU 04-04-93
8	084067-03-000	FT	SEAL-E SHAPED, SPONGE RUBBER - 10 6 X 8 6MM - BLACK
			FROM 04-05-93 THRU 99-99-99
9	105509-06-000	EA	GLASS-TIPOUT, 2 9 X 55R X 485MM
10	084453-02-000	EA	WASHER-06" X 5" X 25" - PLASTIC
11	086762-01-000	EA	T NUT 10 32
12	086763-01-000	EA	SCREW-MACH, 10 - 32 X 1/4 PTH
13	087566-06-01A	EA	MULLION HORIZONTAL, TIPOUT - BLACK
14	089913-01-000	EA	HINGE-TIPOUT WINDOW, BLACK
15	097578-01-000	EA	LINKAGE-TIPOUT WINDOW
	084453-01-000	EA	WASHER-06" X 5" X 13 1/2" - PLASTIC
16	084473-01-000	EA	SEAL-FLAT, W/CENTER HOLE & ADHESIVE SIDE - 8" X 9" - BLK
	085315-01-000	EA	RIVET-SHOULDER, TIPOUT WINDOW
17	099154-01-000	FT	CHANNEL-GLAZING, STATIONARY GLASS - 62" X 45" - BLACK
18	100235-06-B07	EA	SCREEN-SINGLE TIPOUT WINDOW
19	080218-03-000	SF	SCREENING-FIBERGLASS, 12" WIDE
20	100168-01-000	EA	CLIP-SPRING, SCREEN
	100240-01-000	FT	SPLINE-SCREEN, T-SHAPED
21	009439-06-000	EA	EXTENSION-CRANK HANDLE WINDOW /ROOF VENT - BLACK
22	009439-05-000	EA	KNOB-OPERATOR TIPOUT WINDOW - W/SPRING & ARM
	009439-07-000	EA	SCREW 8-32 X 1 1/4 POH - BLACK
23	069640-11-000	FT	TAPE-SEALER 3/16" X 3/8" - BLACK

1993 WINNEBAGO TABLE OF CONTENTS

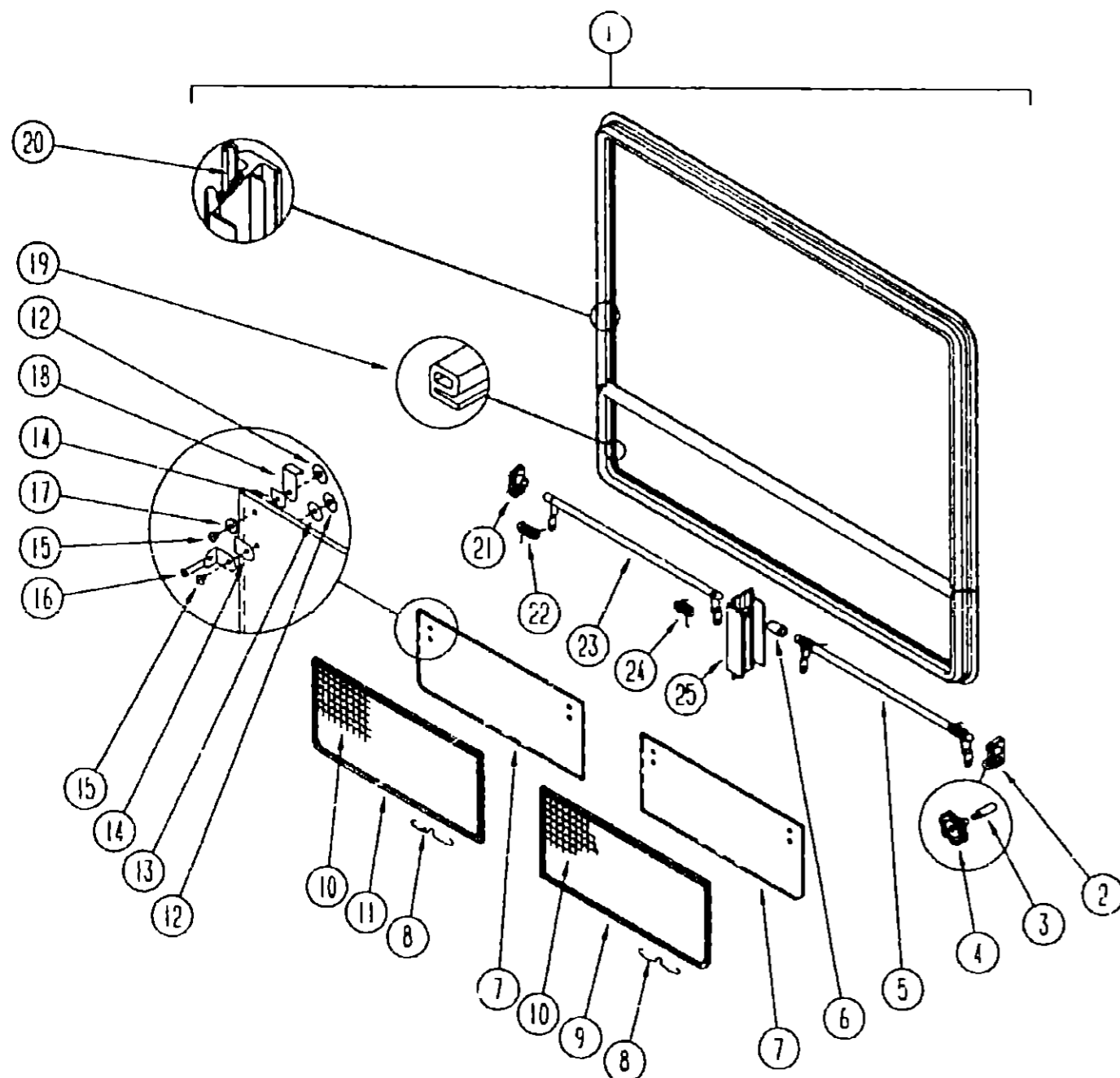
INTRODUCTION	A-01 - A-02
ABBREVIATIONS	A-03
ALPHABETICAL INDEX	A-04 - A-06
WSM35RQ	A-07 - F-12

1993 WSM35RQ INDEX

FLOOR PLAN	A-07 - A-08
ACCESSORIES	A-09
AUDIO VIDEO	A-10 - A-13
BATH	A-14 - A-18
BEDROOM	A-19 - A-20
CHASSIS	A-21 - E-04
CURTAIN & CUSHION	B-05 - B-17
DINETTE	B-18 - E-19
DRIVERS COMPARTMENT	B-20 - E-24
ELECTRICAL	C-01 - C-07
EXTERIOR BODY	C-03 - C-13
GALLEY	C-19 - D-04
GENERATOR	D-05 - D-06
HVAC & A/C	D-07 - D-14
INTERIOR FINISH	D-15 - D-18
LABEL	D-19 - E-01
LP	E-02
LOUNGE	E-03 - E-04
SEALANTS & FASTENERS	E-05 - E-09
WATER & SEWAGE	E-10 - E-13
WINDOW, VENT AND EXTERIOR DOOR	E-14 - F-08
WINDSHIELD & WIPER	F-09 - F-12

WINDOW, VENT & EXTERIOR DOOR GROUP (CONTINUED)

DRIVER SIDE LOUNGE WINDOW



KEY	PART NUMBER	U/M	DESCRIPTION
1	090893-08-02A	EA	FRAME-WINDOW, INSIDE - 31 4" X 60 9" - OFF WHITE
	092234-13 D18	EA	WINDOW-TIPOUT, DOUBLE - W/O INSIDE FRAME
	000H14-06-14R	EA	RIVET-MANDREL BLIND 3/16"
2	035302-02-000	EA	OPERATOR-TORQUE, TIPOUT WINDOW - LEFT
3	090025-01-000	EA	EXTENSION-WINDOW CONTROL
4	101290-01-01A	EA	KNOB-OPERATOR, TIPOUT WINDOW - BRASS
5	083227-07-000	EA	TUBE-TORQUE, WINDOW - RIGHT
6	088816-51-001	EA	TUBE-EXTRUDED, 62"ID X .035"OD X 1 2" LONG - ALUMINUM
7	105509-07-000	EA	GLASS-TIPOUT, 2 9 X 67 1 X 591 5MM
8	100168-01-000	EA	CLIP-SPRING, SCREEN
9	100234-04-B07	EA	SCREEN-TIPOUT WINDOW, FRONT DRIVER SIDE/REAR PASSENGER SIDE
10	080218-03-000	SF	SCREEN-FIBERGLAS S,12" WIDE
	100240-01-000	FT	SPLINE-SCREEN T-SHAPED
	081377-01-700	EA	ADHESIVE-CYANOACRYLATE, 10 GRAM TUBE
11	100234-03-B07	EA	SCREEN-TIPOUT WINDOW REAR DRIVER SIDE/FRONT PASSENGER SIDE
12	086762-01-000	EA	T NUT 10-32
13	068927-03-000	EA	SEAL-WINDOW, RUBBER - ROUND - 80" DIA - BLACK
14	084473-01-000	EA	SEAL-RUBBER TIPOUT WINDOW
15	086763-01-000	EA	SCREW-MACH 10 - 32 X 1/4 PTH
16	097578-01-000	EA	LINKAGE-TIPOUT WINDOW
	084453-01-000	EA	WASHER 060 X 50 X 135 - PLASTIC
	085315-01-000	EA	RIVET-SHOULDER TIPOUT WINDOW
	081649-01-000	EA	RING-SNAP, 7/32 SHAFT DIAMETER
	101289-01-01A	EA	SCREW-MACHINE, 8-32 X 4 - POH - BRASS - FOR EXTENDED KNOB
17	084453-02-000	EA	WASHER 060 X 50 X 135 - PLASTIC
18	089913-01-000	EA	HINGE-TIPOUT WINDOW BLACK
19	084067-02-000	FT	SEAL-E SHAPED, SPONGE - TIPOUT WINDOW - 42" X 38"-BLACK FROM 00-00-00 THRU 04-04-93
19	084067-03-000	FT	SEAL-E SHAPED SPONGE RUBBER - 10 6 X 8 6MM -BLACK FROM 04-05-93 THRU 99-99-99
20	069640-11-000	EA	SEALER-TAPE, 3/16" X 3/8" - BLACK
21	035302-01-000	EA	OPERATOR-TORQUE, TIPOUT WINDOW - RIGHT
	038886-01-000	EA	TAPE-BUTYL, 31" X 31" X 148" LONG
22	080918-02-000	EA	SPRING-TORQUE TUBE, LEFT
23	083228-07-000	EA	TUBE-TORQUE WINDOW - LEFT
24	080918-01-000	EA	SPRING-TORQUE TUBE RIGHT
25	088803-01-01A	EA	MULLION-VERTICAL, 9 5" LONG - ALUMINUM - BLACK
	099154-01-000	FT	CHANNEL-GLAZING, STATIONARY GLASS 62" X 45" - BLACK

1993 WINNEBAGO TABLE OF CONTENTS

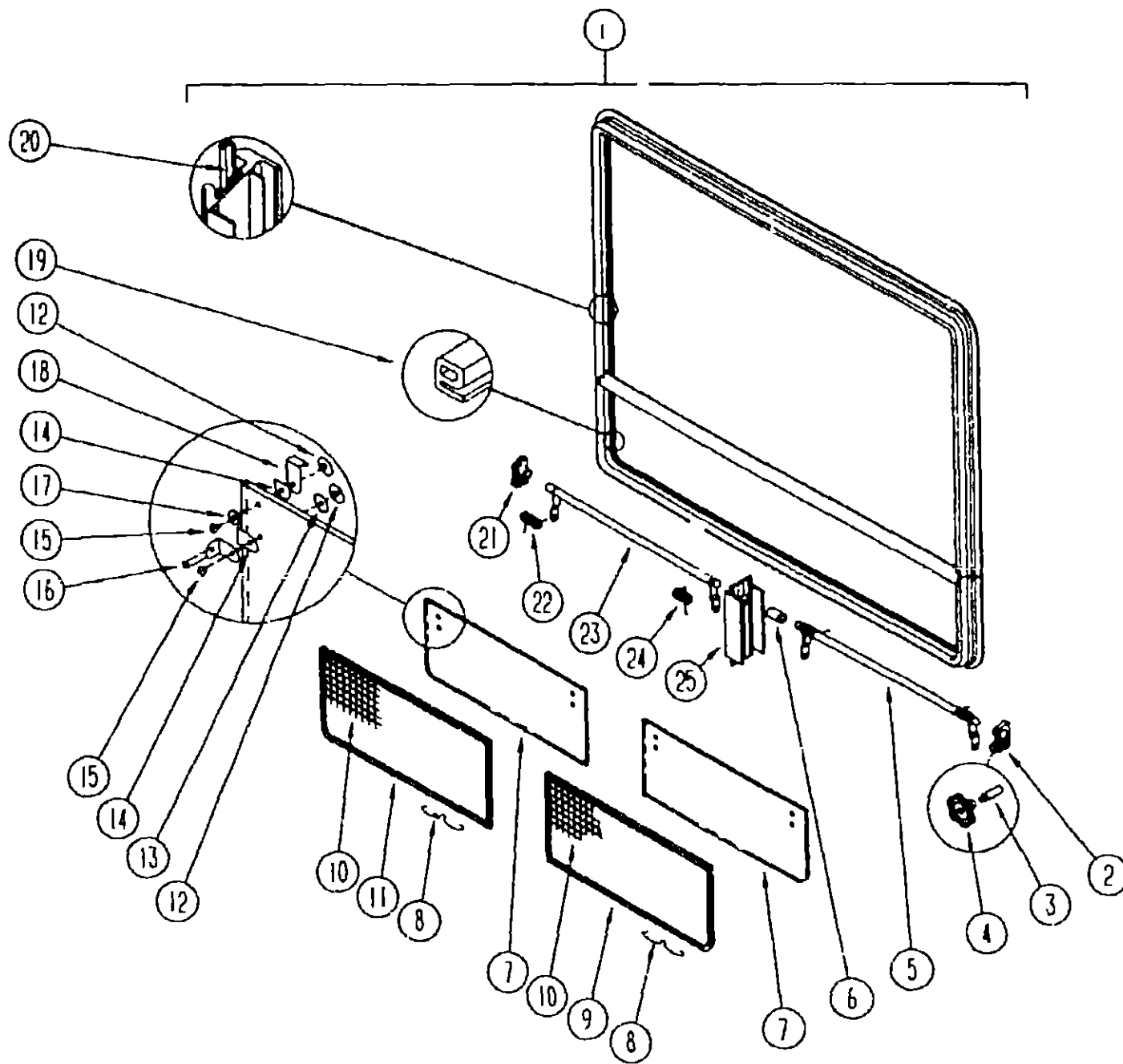
INTRODUCTION	A-01 -	A-02
ABBREVIATIONS		A-03
ALPHABETICAL INDEX	A-04 -	A-06
WSM35RQ	A-07 -	F-12

1993 WSM35RQ INDEX

FLOOR PLAN	A-07 -	A-08
ACCESSORIES		A-09
AUDIO VIDEO	A-10	A-13
BATH	A-14 -	A-18
BEDROOM	A-19 -	A-20
CHASSIS	A-21 -	B-04
CURTAIN & CUSHION	B-05 -	B-17
DINETTE	B-18 -	B-19
DRIVERS COMPARTMENT	B-20 -	B-24
ELECTRICAL	C-01 -	C-07
EXTERIOR BODY	C-08 -	C-18
GALLEY	C-19 -	D-04
GENERATOR	D-05 -	D-06
HEATING & A/C	D-07 -	D-14
INTERIOR FINISH	D-15 -	D-18
LABEL	D-19 -	E-01
LP		E-02
LOUNGE	E-03 -	E-04
SEALANTS & FASTENERS	E-05 -	E-09
WATER & SEWAGE	E-10 -	E-13
WINDOW, VENT AND EXTERIOR DOOR	E-14 -	F-08
WINDSHIELD & WIPER	F-09 -	F-12

WINDOW, VENT & EXTERIOR DOOR GROUP (CONTINUED)

PASSENGER SIDE DINETTE WINDOW



KEY PART NUMBER	U/M	DESCRIPTION
090893-09-02A	EA	FRAME-WINDOW, INSIDE - OFF WHITE
1 092234-12-D18	EA	WINDOW-TIPOUT, DOUBLE - W/O INSIDE FRAME
000H14-06-14R	EA	RIVET-MANDREL BLIND, 3/16"
2 035302-02-000	EA	OPERATOR-TORQUE, TIPOUT WINDOW - LEFT
3 090025-01-000	EA	EXTENSION-WINDOW CONTROL
4 101290-01-01A	EA	KNOB-OPERATOR TIPOUT WINDOW - BRASS
5 083228-08-000	EA	TUBE-TORQUE, WINDOW - RIGHT
6 088816-51-001	EA	TUBE-EXTRUDED, 72"ID X 035"OD X 1 2" LONG - ALUMINUM
7 105509-05-000	EA	GLASS-TIPOUT, 2 9 X 671 X 591 5MM
8 100168 01-000	EA	CLIP-SPRING, SCREEN
9 100234 05-B07	EA	SCREEN-DOUBLE TIPOUT WINDOW, REAR DR SIDE/FRONT PASS SIDE
10 080218-03-000	SF	SCREEN-FIBERGLASS, 12" WIDE
100240-01-000	FT	SPLINE-SCREEN, T-SHAPED
081377-01-700	EA	ADHESIVE-CYANOACRYLATE, 10 GRAM TUBE
11 100234-06 B07	EA	SCREEN-DOUBLE TIPOUT WINDOW, FRONT DR SIDE/REAR PASS SIDE
12 086762-01-000	EA	T NUT 10-32
13 068927-03-000	CA	SEAL-WINDOW, RUBBER - ROUND - 80" DIA - BLACK
14 084473-01-000	EA	SEAL-RUBBER, TIPOUT WINDOW
15 086763-01-000	EA	SCREW-MACH, 10 - 32 X 1/4 PT11
16 097578-01-000	EA	LINKAGE-TIPOUT WINDOW
084453-01-000	EA	WASHER- 060 X 50 X 135 - PLASTIC
085315-01-000	EA	RIVET-SHOULDER TIPOUT WINDOW
081649 01-000	EA	RING-SNAP, 7/32 SHAFT DIAMETER
101289 01-01A	EA	SCREW-MACHINE 8 32 X 4 - POH - BRASS - FOR EXTENDED KNOB
17 084453-02-000	EA	WASHER- 060 X 50 X 135 - PLASTIC
18 089913-01-000	EA	HINGE-TIPOUT WINDOW BLACK
19 084067-02-000	FT	SEAL-E SHAPED, SPONGE - TIPOUT WINDOW - 42" X 38"-BLACK FROM 00 00-00 THRU. 04-04-93
19 084067-03-000	FT	SEAL-E SHAPED, SPONGE - TIPOUT WINDOW - 10 6 X 8 6MM BLACK FROM 04-05-93 THRU 99-99-99
20 069640-11-000	EA	SEALER-TAPE, 3/16" X 3/8" - BLACK
21 035302-01-000	EA	OPERATOR-TORQUE, TIPOUT WINDOW - RIGHT
038886-01-000	EA	TAPE-BUTYL, 31" X 31" X 148" LONG
22 080918-02-000	EA	SPRING TORQUE TUBE, LEFT
23 083227-08-000	EA	TUBE-TORQUE, WINDOW - LEFT
24 080918-01-000	EA	SPRING-TORQUE TUBE, RIGHT
25 098803-01-01A	EA	MULLION-VERTICAL, 9 5" LONG - ALUMINUM - BLACK
099154-01-000	FT	CHANNEL-GLAZING, STATIONARY GLASS 62" X 45" - BLACK

1993 WINNEBAGO TABLE OF CONTENTS

INTRODUCTION	A-01 -	A-02
ABBREVIATIONS		A-03
ALPHABETICAL INDEX	A-04 -	A-06
WSM35RQ	A-07 -	F-12

1993 WSM35RQ INDEX

FLOOR PLAN	A-07 -	A-08
ACCESSORIES		A-09
AUDIO VIDEO	A-10	A-13
BATH	A-14 -	A-18
BEDROOM	A-19 -	A-20
CHASSIS	A-21 -	B-04
CURTAIN & CUSHION	B 05 -	B-17
DINETTE	B-18 -	B-19
DRIVERS COMPARTMENT	B-20 -	B-24
ELECTRICAL	C-01 -	C-07
EXTERIOR BODY	C-08 -	C-18
GALLEY	C-19 -	D-04
GENERATOR	D-05 -	D 06
HEATING & A/C	D 07 -	D-14
INTERIOR FINISH	D-15 -	D-18
LABEL	D-19 -	E 01
LP		E 02
LOUNGE	E 03 -	E-04
SEALANTS & FASTENERS	E-05 -	E-09
WATER & SEWAGE	E-10 -	E-13
WINDOW, VENT AND EXTERIOR DOOR	E-14 -	F-08
WINDSHIELD & WIPER	F 09	F-12

WINDOW, VENT & EXTERIOR DOOR GROUP (CONTINUED)

DRIVER SIDE BEDROOM ESCAPE WINDOW

KEY	PART NUMBER	U/M DESCRIPTION
	104691-05-01A	EA WINDOW-TIPOUT, ESCAPE - W/INSIDE TRIM - EXCEL CH70-MK
	098644-01-705	FT GLAZING STRIP
	104691-05-700	EA TRIM-INSIDE, WHITE - EXCEL CW70-60
	104691-05-701	EA WINDOW-TIPOUT, ESCAPE - W/O INSIDE TRIM - EXCEL CH70-G3
	104691-05-702	EA SCREEN ASSEMBLY, EXCEL 410-018382
	104691-05-703	EA LOWER VENT ASSEMBLY, EXCEL CH57-D9
	104691-05-704	EA OPERATOR & BAR ASSEMBLY, EXCEL CH57-15
	112898-06-704	EA LOCK-HANDLE CAM RED RH, EXCEL 182-11293
	112898-06-705	EA LOCK-HANDLE CAM RED LH, EXCEL 182-11294

VISTA WINDOW OVER DRIVERS DOOR

KEY	PART NUMBER	U/M DESCRIPTION
	106467-01-01A	EA WINDOW-VISTA, LEFT - W/INSIDE FRAME - EXCEL
	106467-01-700	EA FRAME-INSIDE, BLACK - EXCEL H359 27L
	106467-01-701	EA STATIONARY GLASS, EXCEL 106-018272

DRIVER SIDE BATHROOM WINDOW

KEY	PART NUMBER	U/M DESCRIPTION
	108929-01-700	EA FRAME-INSIDE, TPIM - WHITE
	108929-01-701	EA GLASS-STATIONARY TOP
	108929-01-702	EA GLASS ASM-VENT, (2)MIDDLE PANE
	108929-01-703	EA GLASS-VENT BOTTOM ONLY
	108929-01-704	EA OPERATOR & BAR ASSEMBLY
	108929-01-705	EA SCREEN ASSEMBLY

WINDOW, VENT & EXTERIOR DOOR GROUP (CONTINUED)

PASSENGER SIDE CAB WINDOW

KEY	PART NUMBER	U/M DESCRIPTION
	106466-01-01A	EA WINDOW-CAB, PASSENGER - W/INSIDE TRIM - EXCEL &MRQ1482
	098644-01-700	EA LATCH REPAIR KIT (BLACK)
	098644-01-706	FT WEATHERSTRIP-GLASS
	098644-01-708	FT CHANNEL-RUN, PIERCED - GLASS
	098644-01-710	FT TRACK-SPACER, FOR SCREEN 12'
	098644-01-711	FT WEATHERSTRIP-SCREEN, BLACK
	098644-01-713	EA SCREEN CLIPS (METAL)(BLK)
	098644-01-716	FT PLUG-FILLER
	106466-01-700	EA TRIM-FRONT, STRAIGHT RAIL - BLACK - EXCEL H357-77 FRT RAIL
	106466-01-701	EA TRIM-CURVED, BLACK - EXCEL H357-67 CURVED
	106466-01-702	EA GLASS-STATIONARY, UPPER - EXCEL 106 018267
	106466-01-703	EA GLASS-STATIONARY, LOWER - EXCEL 106-018269
	106466-01-704	EA SLIDE ASSEMBLY EXCEL H357-A9R
	106466-01-705	EA SCREEN ASSEMBLY, EXCEL H257-03R
	106466 01-706	EA GLASS-STATIONARY, MIDDLE - EXCEL 106-018268

PASSENGER SIDE LOUNGE WINDOW

KEY	PART NUMBER	U/M DESCRIPTION
	099480-03-000	EA WINDOW-SLIDER, W/INSIDE TRIM - RIGHT - EXCEL H150 MRR
	098644-01-706	FT WEATHERSTRIP-GLASS
	098644-01-708	FT CHANNEL-RUN, PIERCED - GLASS
	098644-01-710	FT TRACK-SPACER, FOR SCREEN 12'
	098644 01-711	FT WEATHERSTRIP-SCREEN, BLACK
	098644-01-713	EA SCREEN CLIPS (METAL)(BLK)
	098644-01-716	FT PLUG-FILLER
	099480 01-700	EA LATCH REPAIR KIT, EXCEL B801-CK
	099480 03 700	EA TRIM-INSIDE, WHITE - EXCEL W150 67
	099480-03-701	EA GLASS-STATIONARY, EXCEL 106-018291
	099480-03-702	EA SLIDE ASSEMBLY, EXCEL H150-G8
	099480-03-703	EA SCREEN ASM
	099480 03-703	EA SCREEN ASM

PASSENGER SIDE BEDROOM WINDOW

KEY	PART NUMBER	U/M DESCRIPTION
	104691-06 01A	EA WINDOW-TIPOUT W/INSIDE FRAME - EXCEL CH71-MK
	104691-06-700	EA TRIM-INSIDE, WHITE - EXCEL CW71-60
	104691-06-701	EA LOWER VENT ASM (TIP/OUT), EXCEL C446 D6
	104691-06 702	EA OPERATOR & BAR ASSEMBLY, EXCEL CH35-15
	104691 06-703	EA SCREEN ASSEMBLY EXCEL 410 017888
	104691-06 704	EA GLASS-STATIONARY, EXCEL 06018479

PLUMBING, RANGE HOOD & REFRIGERATOR ROOF VENTS

KEY	PART NUMBER	U/M DESCRIPTION
	092698-03-04A	EA VENT-RANGE HOOD, EXTERIOR - W/DOOR & SOLENOID - BUFF
	092698 02-700	EA FASTENER-PUSH, EXTERIOR RANGE HOOD VENT - VB430
	092698 02-701	EA CLAMP-CONDUIT, EXTERIOR RANGE HOOD VENT - VB334
	092690 03 706	EA SOLENOID-RANGE HOOD, VENTLINE UB530
	083558 04 000	EA VENT-PLUMBING PIPE ROOF, W/COVER - BUFF
	084073 04 000	EA BASE-ROOF VENT REFRIGERATOR - BLACK - NORCOLD
	084073 05-000	EA COVER ROOF VENT, REFRIGERATOR - BUFF - NORCOLD

**1993 WINNEBAGO
TABLE OF CONTENTS**

INTRODUCTION	A-01 -	A-02
ABBREVIATIONS		A-03
ALPHABETICAL INDEX	A-04 -	A-06
WSM35RQ	A-07 -	F-12

1993 WSM35RQ INDEX

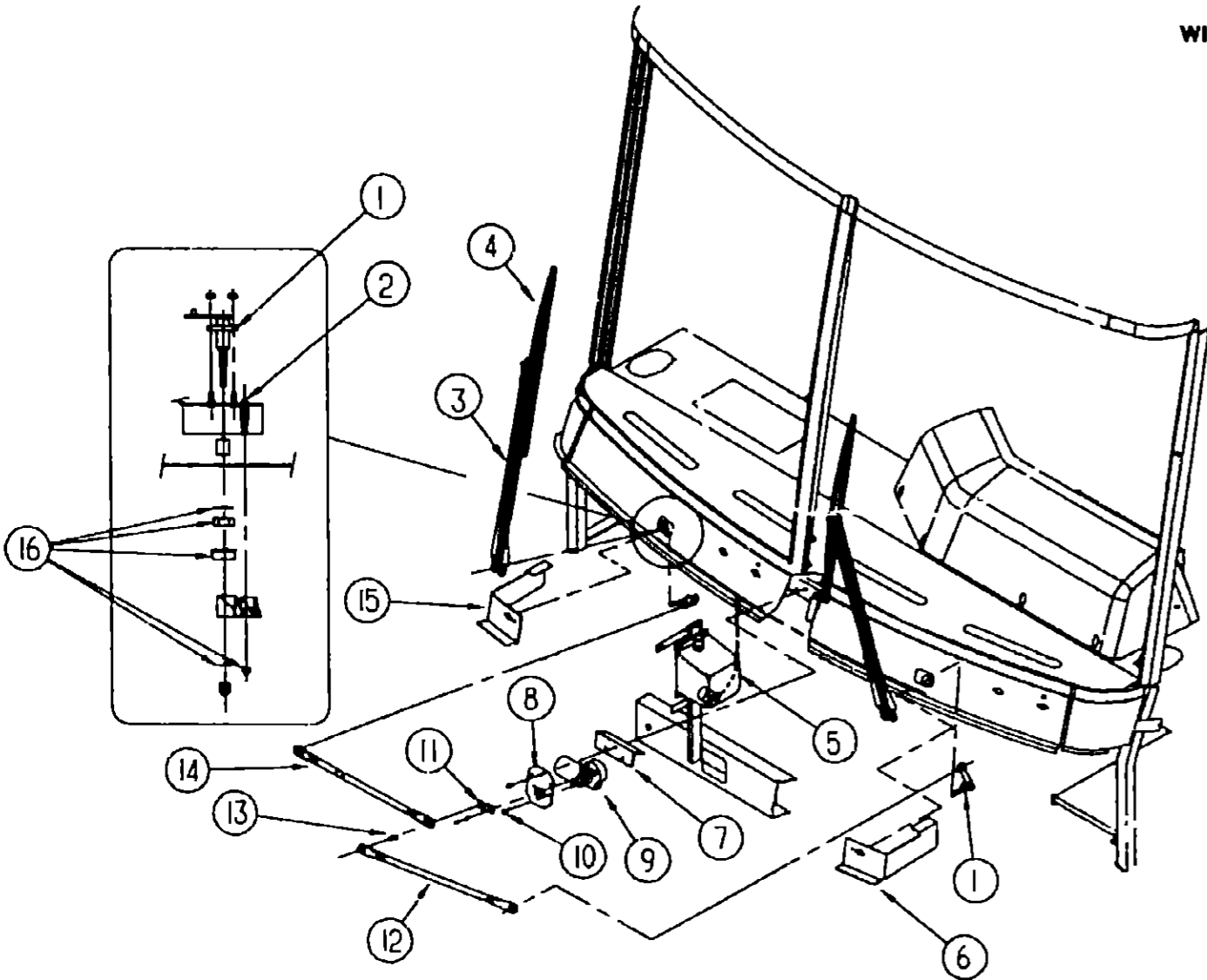
FLOOR PLAN	A-07 -	A-08
ACCESSORIES		A-09
AUDIO VIDEO	A-10	A-13
BATH	A-14 -	A-18
BEDROOM	A-19 -	A-20
CHASSIS	A-21 -	B-04
CURTAIN & CUSHION	B-05 -	B-17
DINETTE	B-18 -	B-19
DRIVERS COMPARTMENT	B-20 -	B-24
ELECTRICAL	C-01 -	C-07
EXTERIOR BODY	C-08 -	C-18
GALLEY	C-19 -	D-04
GENERATOR	D-05 -	D-06
HEATING & A/C	D-07 -	D 14
INTERIOR FINISH	D-15 -	D-18
LABEL	D-19 -	E-01
LP		E-02
LOUNGE	E-03 -	E 04
SEALANTS & FASTENERS	E 05 -	E-09
WATER & SEWAGE	E-10 -	E-13
WINDOW, VENT AND EXTERIOR DOOR	E-14 -	F-08
WINDSHIELD & WIPER	F-09 -	F 12

WINDSHIELD & WIPER GROUP

WIPER & WASHER

1993 WINNEBAGO TABLE OF CONTENTS

INTRODUCTION	A-01 - A-02
ABBREVIATIONS	A-03
ALPHABETICAL INDEX	A-04 - A-06
WSM35RQ	A-07 - F-12



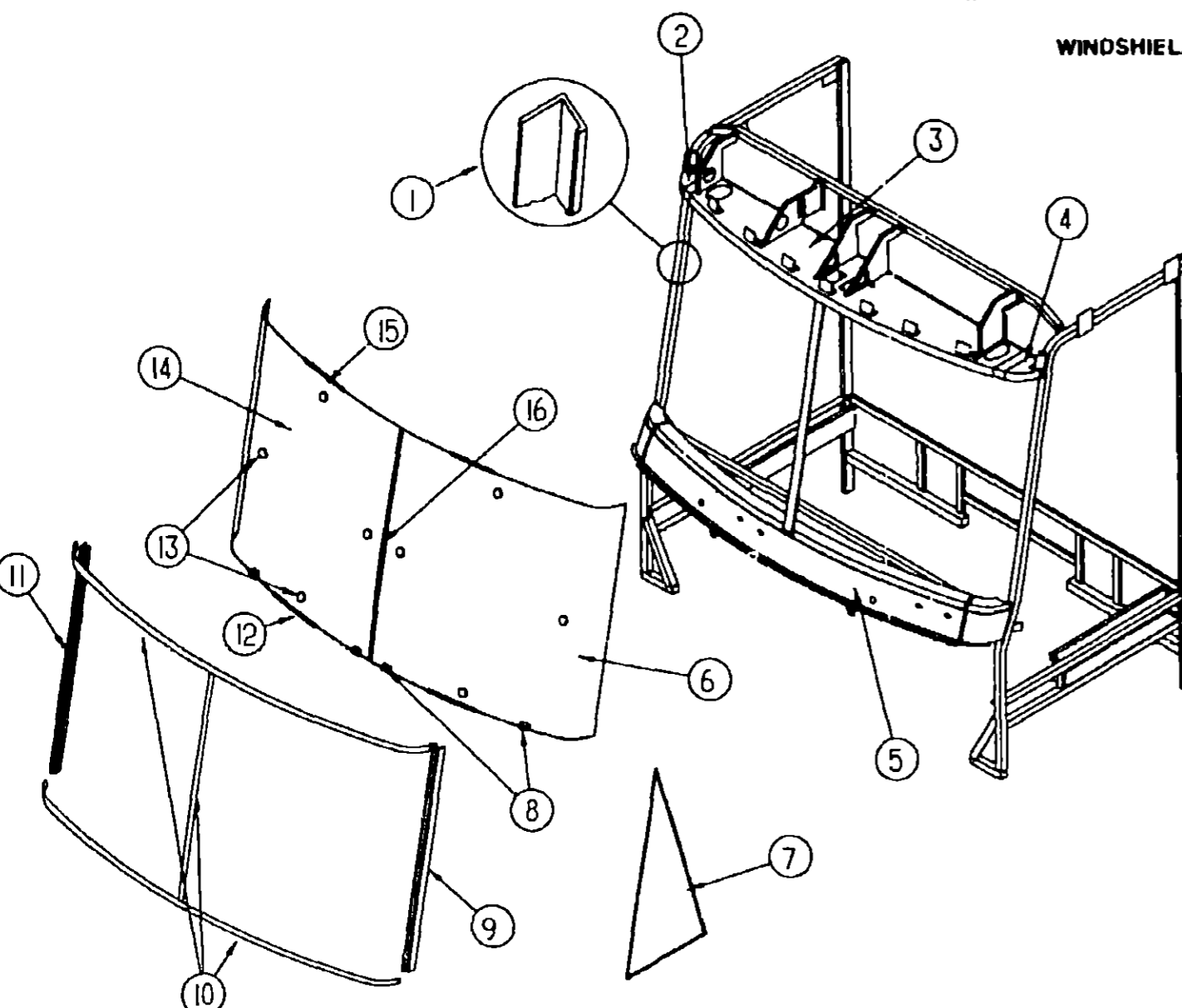
KEY	PART NUMBER	U/M DESCRIPTION
1	108168-01-000	EA PIVOT SHAFT ASM, SPRAGUE GS-3683
	077049-01-000	EA NUT-ACORN, 10-32 ALUMINUM
2	077048-02-000	EA SHAFT-ADAPTER, WIPER PANTOGRAPH ARM - ANCO 52818
3	108165-01-000	EA ARM-WIPER, PANTOGRAPH - 28 0" - SPRAGUE 9280-00-BWS
	096931-01-700	FT HOSE-WASHER, WIPER ARM
	108165-01-704	EA KIT-WASHER NOZZLE, W/NOZZLE, SCRFW & NUT
	110742-01-000	EA GASKET-WIPER
	071015-21-000	EA GROMMET-RUBBER, 5" ID X 1 06" OD W/ 19" GROOVE - BLACK
4	108166-01-000	EA BLADE-WINDSHIELD WIPER, 24" - SPRAGUE C-1755
5	056000-02-000	EA WASHER-WINDSHIELD, BOTTLE & PUMP
6	106680-02-000	EA BRACKET-MOUNT, WIPER PIVOT
7	106604-01-000	EA PLATE-WIPER, MOTOR MOUNT
8	103935-01-000	EA PLATE-MOUNTING, WIPER MOTOR (SPARTAN)
9	108164-01-000	EA MOTOR-WIPER, W/CRANK ARM - E-006 070
	108164-01-700	EA WIPER MOTOR ONLY, SPRAGUE 403 878
10	096526-01-000	EA SCREW-HEX, 1/4 - 28 UNF
11	108164-01-701	EA CRANK-MOTOR, W/DOUBLE CRANK STUD - SPRAGUE GS-2508
12	108167-02-000	EA LINK-CONNECTING, 22 00" - SPRAGUE L1-3D3-3
13	067188-01-000	EA STUD-CRANK, WIPER
14	108167-01-000	EA LINK-CONNECTING, 22 00" - SPRAGUE L1-3B4-3
15	106680-01-000	EA BRACKET-MOUNT, WIPER PIVOT
16	108169 01-000	EA HARDWARE-PIVOT SHAFT ASM, SPRAGUE GS-3706
	108169-01-700	EA NUT-ACORN, SPHAGUE C-1421-3
	108169-01-701	EA KNURLED DRIVER (ARM DRIVER), S-2280-1
	108169 01-702	EA CAP-RUBBER (WEATHER CAP), 3-2756
	108169-01-703	EA NUT, SPARGUE S-1532-1
	061603-01-000	EA GROMMET-SNAP, 3/16"ID - 3/8" HOLE - PLASTIC
	096931-01-700	FT HOSE-WIPER, TO BLADE
	045794-01-000	FT HOSE-WASHER, WINDSHIELD - 5/32" ID - BLACK
	056000-01-700	FT HOSE-WIPER, VACUUM - 7/64" - 5/32"

1993 WSM35RQ INDEX

FLOOR PLAN	A-07 - A-08
ACCESSORIES	A-09
AUDIO VIDEO	A-10 - A-13
BATH	A-14 - A-18
BEDROOM	A-19 - A-20
CHASSIS	A-21 - B-04
CURTAIN & CUSHION	B-05 - B-17
DINETTE	B-18 - B-19
DRIVERS COMPARTMENT	B-20 - B-24
ELECTRICAL	C-01 - C-07
EXTERIOR BODY	C-08 - C-18
GALLEY	C-19 - D-04
GENERATOR	D-05 - D-06
HEATING & A/C	D-07 - D-14
INTERIOR FINISH	D-15 - D-18
LABEL	D-19 - E-01
LP	E-02
LOUNGE	E-03 - E-04
SEALANTS & FASTENERS	E-05 - E-09
WATER & SEWAGE	E-10 - E-13
WINDOW, VENT AND	
EXTERIOR DOOR	E-14 - F-08
WINDSHIELD & WIPER	F-09 - F-12

WINDSHIELD & WIPER GROUP (CONTINUED)

WINDSHIELD & VENT WINDOWS



KEY	PART NUMBER	U/M	DESCRIPTION
1	098788-06-000	EA	CHANNEL-RIGID, 1243 LONG
2	077922-03-000	EA	HEADER-WINDSHIELD, RIGHT END
3	077922-05-000	EA	HEADER-WINDSHIELD, CENTER
4	077922-04-000	EA	HEADER-WINDSHIELD, LEFT END
5	077847-02-000	EA	SUPPORT-WINDSHIELD, LOWER - W/O BRACKETS
	002328-02-000	EA	BLOCK-WINDSHIELD, 98 X 362 X 50
6	105036-02-000	EA	GLASS-WINDSHIELD, DRIVER
			FROM 00-00-00 THRU 05-02-93
6	105036-04-000	EA	GLASS-WINDSHIELD, DRIVER
			FROM 05-03-93 THRU 99-99-99
7	106468-01-01A	EA	WINDOW-FRONT, SLANT - DRIVER SIDE - EXCEL
8	107285-01-000	EA	BRACKET-WINDSHIELD, SUPPORT
9	103107-06-01A	EA	TRIM-WINDSHIELD, SIDE - BLACK
10	102936-01-000	FT	MOLDING REVEAL, WINDSHIELD
11	103107-05-01A	EA	TRIM-WINDSHIELD, SIDE - BLACK
12	102935-01-000	EA	CARRIER-REVEAL, WINDSHIELD - 4 USED
			FROM 00-00-00 THRU 11-22-92
12	110268-05-000	EA	CARRIER-REVEAL, WINDSHIELD - 52MM LONG - 4 USED
			FROM 11-23-92 THRU 03-22-93
12	102935-08-000	EA	CARRIER-REVEAL, WINDSHIELD - 4 USED
			FROM 03-23-93 THRU 06-02-93
12	112385-01-000	EA	CARRIER-REVEAL, WINDSHIELD - 4 USED
			FROM 06-03-93 THRU 99-99-99
13	081914-01-000	EA	BUMPER-RUBBER, ROUND - 43" DIAMETER - BLACK
14	105036-01-000	EA	GLASS-WINDSHIELD, PASSENGER
			FROM 00-00-00 THRU 05-02-93
14	105036-03-000	EA	GLASS-WINDSHIELD PASSENGER
			FROM 05-03-93 THRU 99-99-99
15	102935-01-000	EA	CARRIER-REVEAL, WINDSHIELD - 4 USED
			FROM 00-00-00 THRU 11-22-92
15	110268-07-000	EA	CARRIER-REVEAL, WINDSHIELD - 1243MM LONG - 4 USED
			FROM 11-23-92 THRU 05-02-93
15	111771-02-000	EA	CARRIER REVEAL, WINDSHIELD - 1243MM LONG
			FROM 05-03-93 THRU 99-99-99
16	102935-07-000	EA	CARRIER REVEAL WINDSHIELD - CENTER
			FROM 00-00-00 THRU 11-22-92
16	110268-04-000	EA	CARRIER-REVEAL WINDSHIELD CENTER - 1070MM LONG
			FROM 11-23-92 THRU 05-02-93
16	111771-01-000	EA	CARRIER-REVEAL, WINDSHIELD - CENTER - 1070MM LONG
			FROM 05-03-93 THRU 99-99-99

1993 WINNEBAGO TABLE OF CONTENTS

INTRODUCTION	A-01 -	A-C2
ABBREVIATIONS		A-03
ALPHABETICAL INDEX	A-04 -	A-06
WSM35RQ	A-07 -	F-12

1993 WSM35RQ INDEX

FLOOR PLAN	A-07 -	A-08
ACCESSORIES		A-09
AUDIO VIDEO	A-10	A-13
BATH	A-14 -	A-18
BEDROOM	A-19 -	A-20
CHASSIS	A-21 -	B-04
CURTAIN & CUSHION	B-05 -	B-17
DINETTE	B-18 -	B-19
DRIVERS COMPARTMENT	B-20 -	B-24
ELECTRICAL	C-01 -	C-07
EXTERIOR BODY	C-08 -	C-18
GALLEY	C-19 -	D-04
GENERATOR	D-05 -	D-06
HEATING & A/C	D-07 -	D-14
INTERIOR FINISH	D-15 -	D-18
LABEL	D-19 -	E-01
LP		E-02
LOUNGE	E-03 -	E-04
SEALANTS & FASTENERS	E-05 -	E-09
WATER & SEWAGE	E-10 -	E-13
WINDOW, VENT AND		
EXTERIOR DOOR	E-14 -	F-08
WINDSHIELD & WIPER	F-09 -	F-12