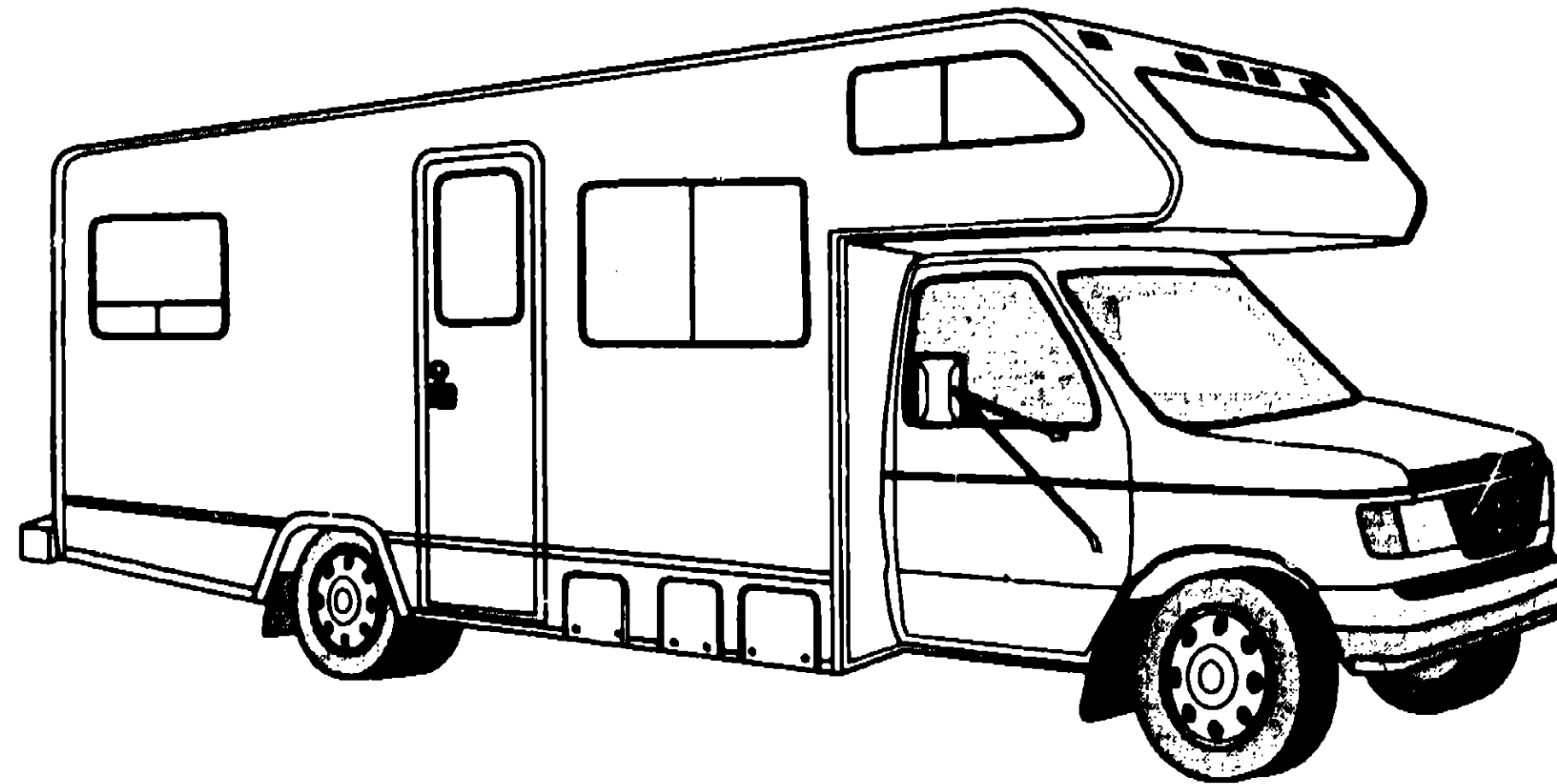
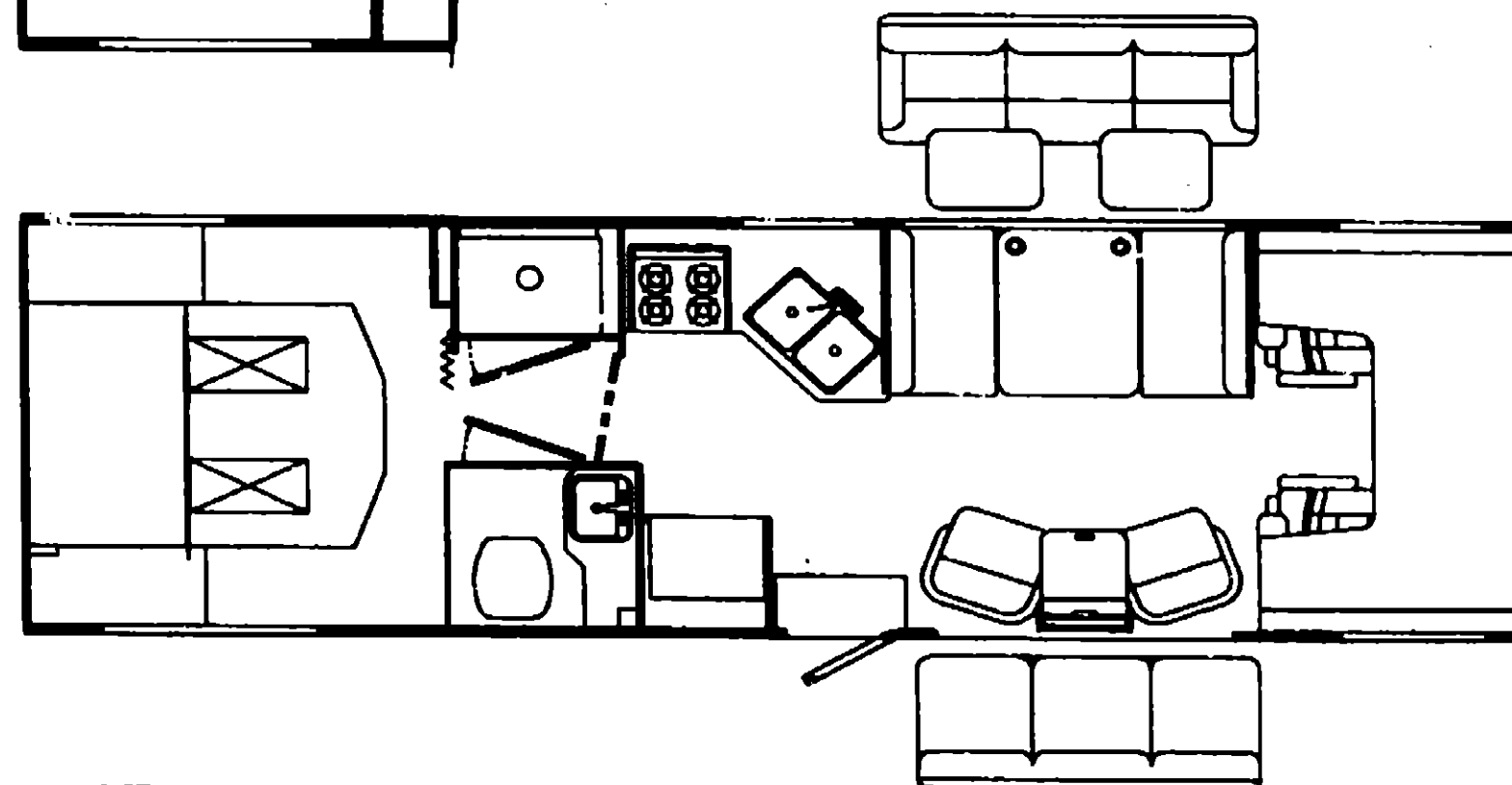
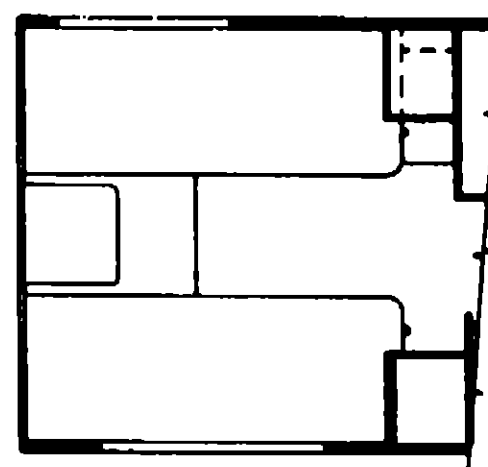


1993 WF528RQ D06 D07 D08



1993 WINNEBAGO TABLE OF CONTENTS

INTRODUCTION	A-01 - A-02
ABBREVIATIONS	A-03
ALPHABETICAL INDEX	A-04 - A-06
WF528RQ	A-07 - E-02



1993 WF528RQ INDEX

FLOOR PLAN	A-07 - A-08
ACCESSORIES	A-09
AUDIO VIDEO	A-10
BATH	A-11 - A-14
BEDROOM	A-15 - A-19
CHASSIS	A-20 - A-24
CURTAIN & CUSHION	B-01 - B-12
DINETTE	B-13 - B-14
DRIVERS COMPARTMENT	B-15 - B-16
ELECTRICAL	B-17 - B-20
EXTERIOR BODY	B-21 - C-04
GALLEY	C-05 - C-09
GENERATOR	C-10
HEATING & AC	C-11 - C-12
INTERIOR FINISH	C-13 - C-16
LABELS	C-17 - C-23
LP	C-24
LOUNGE	D-01 - D-03
SEALANTS & FASTENERS	D-04 - D-06
WATER & SEWAGE	D-07 - D-10
WINDOW, VENT AND EXTERIOR DOOR	D-11 - E-02

ACCESSORIES GROUP

OPERATORS MANUAL

KEY	PART NUMBER	U/M DESCRIPTION
	064186-37-000	EA MANUAL-OPERATOR, 1993 MINNIE WINNIE DL - 500 SERIES
	062318-01-000	EA BINDER-3 RING, MOTOR HOME MANUAL
	062318-01-000	EA POCKET PAGE-3 RING BINDER, PLASTIC
	106272-01-000	DP: TOP LEVEL DRAWING NUMBER FOR 1993 C-BODIES

AUDIO VIDEO GROUP

RADIO & ANTENNA COMPONENTS

KEY	PART NUMBER	U/M DESCRIPTION
	108460-01-000	EA RADIO-AM/FM CASSETTE, ELECTRONIC TUNE - FORD - AUDIOVOX FD-CXF
	108137-01-000	EA PLUG-ANTENNA HOLE (FORD)
	066340-02-000	EA GRILLE-SPEAKER, 8.5" SQUARE (OVHD CABINETS)
	066340-03-000	EA SPACER-SPEAKER GRILLE, TAN - MAGNADYNE G514 (OVHD CABINETS)
	094097-01-000	EA SPEAKER-RADIO, W/O GRILLE - 5.25" DIA - AUDIOVOX 110C3030 (OVHD CABINETS)
	087683-01-000	EA RADIO-AM/FM STEREO W/CASSETTE AUDIOVOX 144D1559 (PATIO ENTERTAINMENT)
	090944-01-000	EA ANTENNA-RADIO, 16" RUBBER (PATIO ENTERTAINMENT)
	077089-02-000	EA CABLE-ANTENNA, RADIO - EXTENSION 98" - ARA 8700887
	090882-01-000	EA BRACKET-HAT, ANTENNA - 3.1" X 3.9" - STEEL - BLACK (PATIO ENTERTAINMENT)
	104898-01-004	EA PLATE-RADIO MOUNTING (PATIO ENTERTAINMENT)
	073741-03-000	EA SPEAKER-OVAL, 4" X 6" - AUDIOVOX 110-2074 (PATIO ENTERTAINMENT) FROM: 00-00-00 THRU: 12-20-92
	110469-01-000	EA SPEAKER-OVAL, 4" X 6" - MAGNADYNE F48XB-12 (PATIO ENTERTAINMENT) FROM: 12-21-92 THRU: 99-99-99
	073741-04-000	EA GRILLE-SPEAKER, OVAL - 4" X 6" - AUDIOVOX 138-1157 (PATIO ENTERTAINMENT) FROM: 00-00-00 THRU: 12-20-92
	110470-01-01A	EA GRILLE-SPEAKER, OVAL - 4" X 6" - BLACK - MAGNADYNE G46W1 (PATIO ENTERTAINMENT) FROM: 12-21-92 THRU: 99-99-99

TV, VCR SYSTEMS & ANTENNA

KEY	PART NUMBER	U/M DESCRIPTION
	092310-03-000	EA TV-COLOR, 9" - AC/DC - W/SWIVEL - MAGNAVOX RDO945
	092310-02-700	EA REMOTE FOR TV
	098448-04-000	EA VCR-VHS, CABLE READY - REMOTE - MAGNAVOX VR9110 FROM: 00-00-00 THRU: 05-18-93
	098448-04-700	EA REMOTE FOR MODEL #9110
	098448-05-000	EA VCR-VHS, CABLE READY - REMOTE - MAGNAVOX VR9120 FROM: 05-17-93 THRU: 99-99-99
	098446-04-700	EA REMOTE FOR MODEL #9110 & #9120
	108433-01-000	EA BRACKET-VCR
	078319-01-000	EA ANTENNA-TV, ROOF MOUNT - 44.5" MAST - RVA W02
	078319-01-700	EA HEAD-ANTENNA, AMPLIFIED - WINEGARD# RVSA U/V
	078319-01-701	EA GEAR-ELEVATING, PLASTIC - WINEGARD# 2200048
	078319-01-702	EA SHAFT ASM-ELEVATING, WINEGARD# RVP-400A
	078319-01-703	EA BEARING-NYLON, .5"OD - WINEGARD# 3200658
	078319-01-705	EA GROMMET-NYLON, 7/8"ID - WINEGARD# 3200658
	078319-01-706	EA CRANK-ELEVATING, W/SET SCREW - WINEGARD# 5755100
	078319-01-707	EA SPRING-HANDLE, WINEGARD# 5160800
	078319-01-709	EA PLATE-DIRECTIONAL, FOR HEAD - WINEGARD #3200844
	078319-08-000	EA ADAPTER-CABLE ROOF PLATE, WINEGARD RPJ-1
	082134-01-000	EA ADAPTER-TV, CABLE TO CABLE - WINEGARD F-81M
	082136-01-000	EA NUT-HEX JAM 3/8-32, WINEGARD
	078319-08-000	EA WALLPLATE-CABLE RECEPTACLE, TV - SINGLE - IVORY
	086777-03-000	EA WALLPLATE-TV CABLE, W/ANTENNA SWITCH - IVORY
	108048-01-000	EA CABLE TIE-SCREW/MOUNT 8" DENNISON 08415
	078319-03-000	FT CABLE-COAXIAL, 75 OHM
	078319-12-000	EA CONNECTOR-COAXIAL - ONE PIECE
	086756-01-000	EA SPLITTER-TV, 2 WAY
	086757-03-000	EA CONTROL CENTER-SWITCH, VCR/TV - MAGNADYNE VCS-6
	086777-04-000	EA PLATE-WALL, ANTENNA/POWER - BROWN

1993 WINNEBAGO TABLE OF CONTENTS

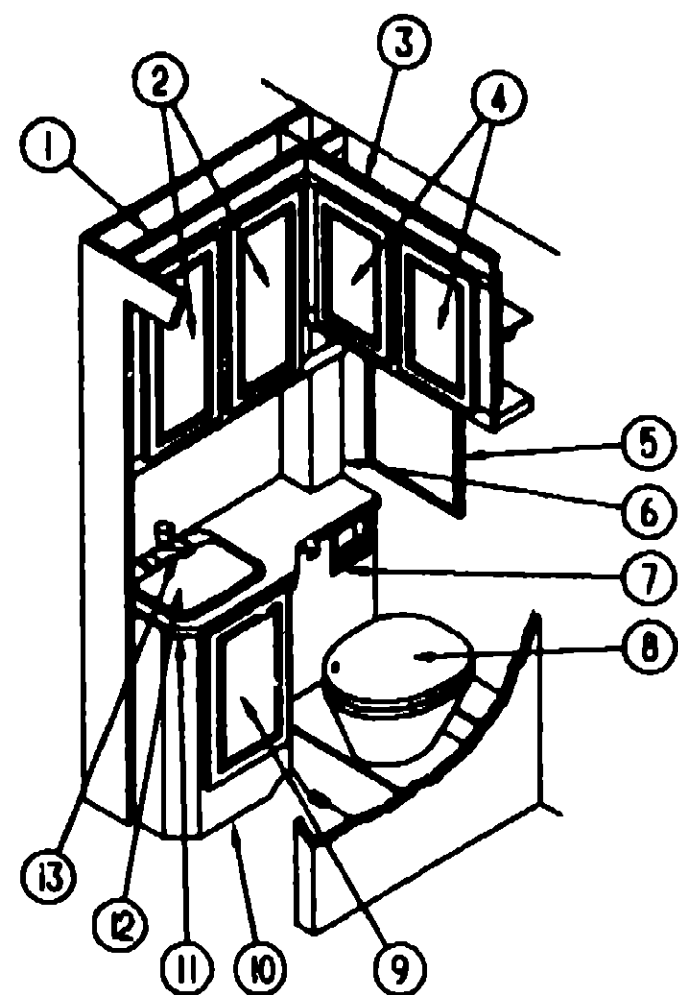
INTRODUCTION	A-01	A-02
ABBREVIATIONS		A-03
ALPHABETICAL INDEX	A-04	A-06
WF528HQ	A-07	E-02

1993 WF528RQ INDEX

FLOOR PLAN	A-07	A-08
ACCESSORIES		A-09
AUDIO VIDEO		A-10
BATH	A-11	A-14
BEDROOM	A-15	A-19
CHASSIS	A-20	A-24
CURTAIN & CUSHION	B-01	B-12
DINETTE	B-13	B-14
DRIVERS COMPARTMENT	B-15	B-16
ELECTRICAL	B-17	B-20
EXTERIOR BODY	B-21	C-04
GALLEY	C-05	C-09
GENERATOR		C-10
HEATING & A/C	C-11	C-12
INTERIOR FINISH	C-13	C-16
LABELS	C-17	C-23
LP		C-24
LOUNGE	D-01	D-03
SEALANTS & FASTENERS	D-04	D-06
WATER & SEWAGE	D-07	D-10
WINDOW, VENT AND EXTERIOR DOOR	D-11	E-02

BATH GROUP

BATH CABINETS & FIXTURES



KEY	PART NUMBER	U/M	DESCRIPTION
1	108996-01-D08	EA	CABINET-OVERHEAD, MEDICINE - W/O DOOR & HARDWARE
2	P04748-A8-D08	EA	DOOR-CABINET, W/O HARDWARE - 305 X 680MM
	068331-90-000	EA	MIRROR-GLASS, SAFETY - 222 X 577MM
3	108996-01-D08	EA	CABINET-OVERHEAD, W/O DOORS & HARDWARE
4	P04748-28-D08	EA	DOOR-CABINET, W/O HARDWARE - 325 X 460MM
5	068331-01-000	EA	MIRROR-GLASS, SAFETY - 19" X 28"
6	109180-02-D08	EA	CABINET-PIPE COVER (D06, D07)
6	109180-02-D08	EA	CABINET-PIPE COVER (D06)
7	066278-01-000	EA	HOLDER-TOILET TISSUE, RECESSED - BRASS
8	087487-01-000	EA	TOILET-12 3/4", IVORY - HAND FLUSH - THETFORD 180110
	083740-01-700	EA	LEVER-WATER, THETFORD 12514
	083740-01-701	EA	LEVER-FLUSH, THETFORD 12515
	083740-01-708	EA	BOLT PACKAGE-CLOSET, THETFORD 12524
	083740-01-710	EA	LINK-THETFORD 12513
	083740-01-711	EA	SPRING-RETURN LEVER, THETFORD 12523
	083740-01-713	EA	SEAL-ROLL VALVE TO BOWL, THETFORD 12602
	083740-01-714	EA	VALVE ASM-WATER, THETFORD 12492
	083740-01-718	EA	SEAT & COVER, THETFORD 18017
	083740-01-717	EA	TUBE-FLUSH, TOILET - 12509 THETFORD
	024878-01-000	EA	FLANGE-CLOSET, 4" X 3"
9	P04748-22-D08	EA	DOOR-CABINET, W/O HARDWARE - 305 X 555MM
10	P09083-02-D08	EA	CABINET-LAVATORY, W/O DOOR & HARDWARE
10	P09083-02-D07	EA	CABINET-LAVATORY, W/O DOOR & HARDWARE
10	P09083-02-D08	EA	CABINET-LAVATORY, W/O DOOR & HARDWARE
11	109083-12-D08	EA	COUNTERTOP-CABINET, LAVATORY
11	109083-12-D07	EA	COUNTERTOP-CABINET, LAVATORY
11	109083-12-D08	EA	COUNTERTOP-CABINET, LAVATORY
12	098927-01-01A	EA	SINK-LAVATORY, RECTANGULAR - PLASTIC - BONE
	098927-01-700	EA	SINK-STOPPER
	098927-01-701	EA	TAILPIECE-SINK
13	075240-08-000	EA	FAUCET-LAVATORY, BONE
	091253-01-000	EA	GASKET-FAUCET, LAVATORY/GALLEY

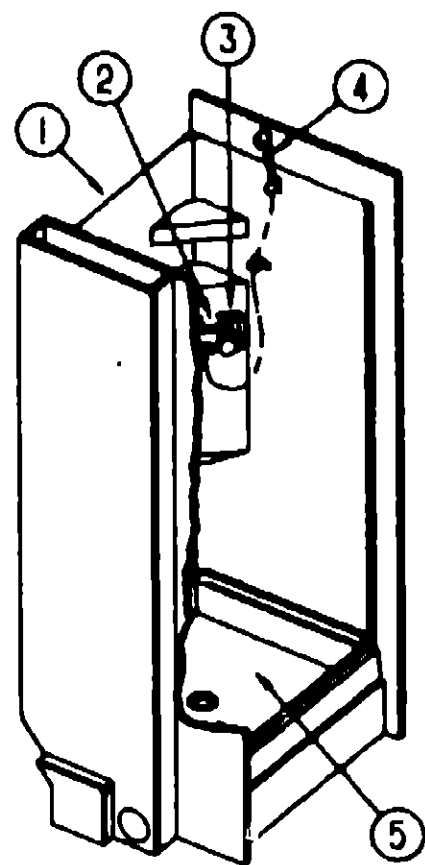
1993 WINNEBAGO TABLE OF CONTENTS

INTRODUCTION	A-01	A-02
ABBREVIATIONS		A-03
ALPHABETICAL INDEX	A-04	A-08
WF528RQ	A-07	E-02

1993 WF528RQ INDEX

FLOOR PLAN	A-07	A-08
ACCESSORIES		A-09
AUDIO VIDEO		A-10
BATH	A-11	A-14
BEDROOM	A-15	A-19
CHASSIS	A-20	A-24
CURTAIN & CUSHION	B-01	B-12
DINETTE	B-13	B-14
DRIVING COMPARTMENT	B-15	B-16
ELECTRICAL	B-17	B-20
EXTERIOR BODY	B-21	C-04
GALLEY	C-05	C-09
GENERATOR		C-10
HEATING & A/C	C-11	C-12
INTERIOR FINISH	C-13	C-16
LABELS	C-17	C-23
LP		C-24
LOUNGE	D-01	D-03
SEALANTS & FASTENERS	D-04	D-08
WATER & SEWAGE	D-07	D-10
WINDOW, VENT AND EXTERIOR DOOR	D-11	E-02

BATH GROUP (CONTINUED)



SHOWER, SHOWER DOOR & CLOTHES ROD

KEY	PART NUMBER	U/M	DESCRIPTION
	060507-01-000	EA	PANEL-SKYLIGHT, OUTER - PLEXIGLASS - 23 25" X 20 3"
	060508-01-000	EA	PANEL-SKYLIGHT, INNER - PLEXIGLASS - 23 25" X 20 3"
1	105629-01-01A	EA	SURROUND-SHOWER, THREE SIDED - PLASTIC - OFF WHITE
2	075606-01-000	EA	PANEL-FAUCET BACK, SHOWER - 5" X 8" - PLASTIC
3	075241-05-000	EA	FAUCET-SHOWER, BONE
4	103092-01-000	EA	SHOWER HEAD-W/RO IN HOSE (US)
4	103092-02-000	EA	SHOWER HEAD-W/RO IN HOSE (CANADIAN)
5	M02673-05-B13	EA	PAN-SHOWER, OFF WHITE
	066440-01-000	EA	STRAINER-SHOWER, W/RUBBER WASHER
	069735-01-000	EA	WASHER-STRAINER TO TAILPIECE PLASTIC, 1 5"
	011069-02-000	EA	TAILPIECE-TUB/SHOWER, 1 1/2" X 1 1/4" X 4" - BRASS
	068436-01-000	EA	NUT-SLIP, TAILPIECE - 1 5"
	057671-01-000	EA	COVER-SCREW, #8 - PLASTIC - OFF WHITE
	069318-01-000	EA	DOOR-SHOWER, HINGED - W/GOLD FRAME - PLASTIC INSERT - 29 8" WIDE
	069318-01-700	EA	STRAP-SHOWER DOOR
	069318-01-701	FT	SWEEP-VINYL, SHOWER DOOR
	069318-01-702	EA	BUSHING, W/ARM - SHOWER DOOR
	062574-01-703	EA	PULL-GOLD DOOR, SHOWER DOOR
	092574-01-704	EA	SCREW-GOLD, #6 3/8 - SHOWER DOOR
	092574-01-705	EA	STRIP-MAGNETIC, 56-7/8" - SHOWER DOOR
	092574-01-707	EA	BUSHING-PIVOT, SHOWER DOOR
	075680-02-000	EA	ROD-CLOTHES, 27" TO 36" - ADJUSTABLE

FROM 00-00-00 THRU 12-06-92

BATH GROUP (CONTINUED)

BATH PRIVACY DOOR

KEY	PART NUMBER	U/M	DESCRIPTION
	P08398-02-008	EA	DOOR-PRIVACY, BATH
	102089-13-B07	EA	WOOD RAIL-TOWEL RACK, RIGHT SIDE - 28"
	102089-14-B07	EA	WOOD RAIL-TOWEL RACK, LEFT SIDE - 28"
	100367-01-000	EA	ROD-TOWEL, BRASS WENDS BENT FOR BACK OF BATH DOOR
	102920-01-01A	EA	HINGE-DOOR, SPRING LOADED - BRASS
	064485-02-01A	EA	KNOB-DOOR-POLISHED BRASS
	068331-27-000	EA	MIRROR-SAFETY GLASS, 11 8" X 46 7"

EXTERIOR SHOWER COMPONENTS

KEY	PART NUMBER	U/M	DESCRIPTION
	075241-05-000	EA	FAUCET-SHOWER, BONE
	105269-02-000	EA	BRACKET-SUPPORT, FAUCET
	103092-01-000	EA	SHOWER HEAD-W/RO IN HOSE (US)
	103092-02-000	EA	SHOWER HEAD-W/RO IN HOSE (CANADIAN)
	093527-02-000	EA	BRACKET-SHOWER HEAD
	091962-02-000	EA	CLIP-GRIPPER, 3/4"

**1993 WINNEBAGO
TABLE OF CONTENTS**

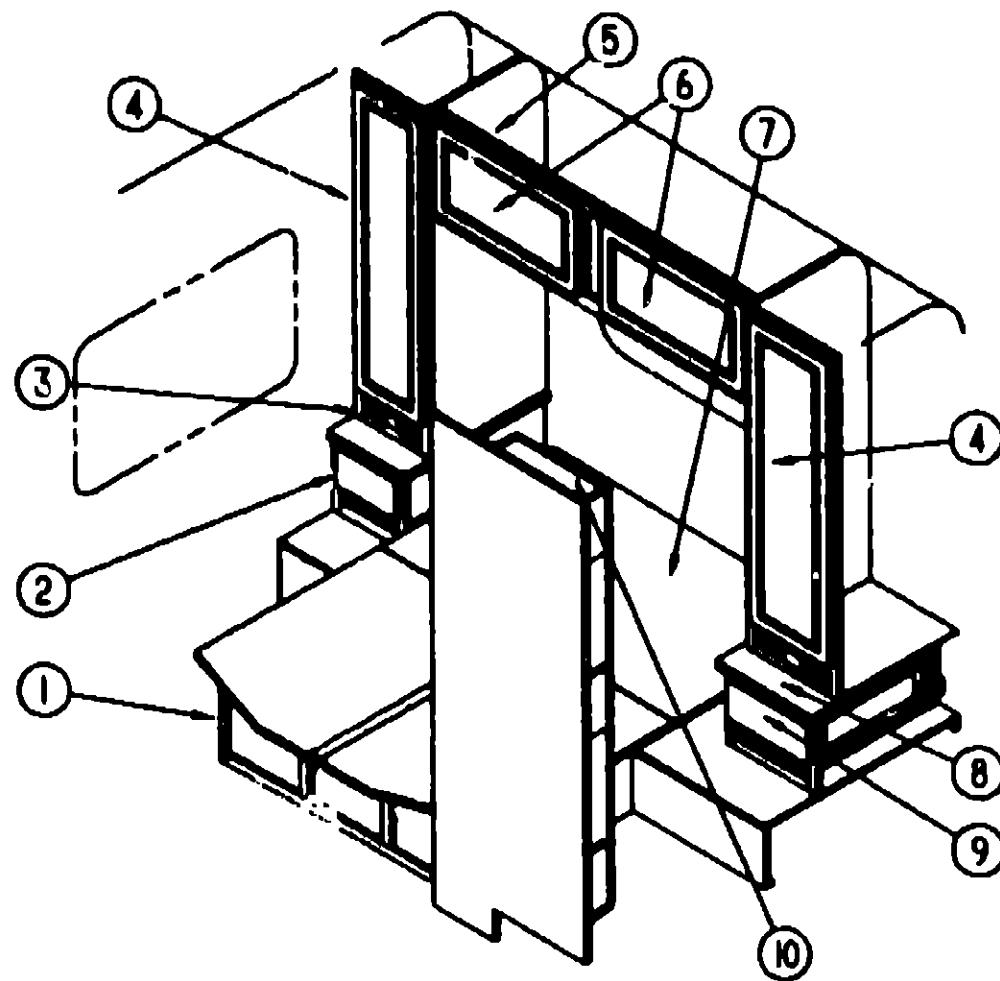
INTRODUCTION	A-01	A-02
ABBREVIATIONS		A-03
ALPHABETICAL INDEX	A-04	A-09
WF528RQ	A-07	E-02

1993 WF528RQ INDEX

FLOOR PLAN	A-07	A-08
ACCESSORIES		A-09
AUDIO VIDEO		A-10
BATH	A-11	A-14
BEDROOM	A-15	A-19
CHASSIS	A-20	A-24
CURTAIN & CUSHION	B-01	B-12
DINETTE	B-13	B-14
DRIVERS COMPARTMENT	B-15	B-16
ELECTRICAL	B-17	B-20
EXTERIOR BODY	B-21	C-04
GALLEY	C-05	C-09
GENERATOR		C-10
HEATING & A/C	C-11	C-12
INTERIOR FINISH	C-13	C-16
LABELS	C-17	C-23
LP		C-24
LOUNGE	D-01	D-03
SEALANTS & FASTENERS	D-04	D-06
WATER & SEWAGE	D-07	D-10
WINDOW, VENT AND EXTERIOR DOOR	D-11	E-02

BEDROOM GROUP

QUEEN BEDROOM CABINETS & FOLDING PRIVACY DOOR



KEY	PART NUMBER	U/M	DESCRIPTION
1	P08477-01-D08	EA	CABINET-QUEEN BED
2	P07104-V1-D08	EA	DRAWER-CABINET, W/O HARDWARE
3	109828-12-D08	EA	COUNTERTOP-CABINET, WARDROBE
3	109828-12-D07	EA	COUNTERTOP-CABINET, WARDROBE
3	109828-12-D08	EA	COUNTERTOP-CABINET, WARDROBE
	009112-01-000	EA	FLANGE-1" ROD, CLOTHES - PLASTIC - OFF WHITE
	042438-01-000	EA	DOWEL-WOOD, CLOTHES ROD - 1" DIAMETER X 4'
	041953-12-000	EA	CONDUIT-CONVOLUTE, NON SLIT 1.1" ID
4	P04748-20-D08	EA	DOOR-CABINET, W/O HARDWARE - 305 X 1220MM
5	M05779-52-D08	EA	CABINET-OVERHEAD, W/O DOOR & HARDWARE
5	M05779-82-D08	EA	CABINET-OVERHEAD, W/O DOOR & HARDWARE FROM: 00-00-00 THRU: 11-01-92 FROM: 11-02-92 THRU: 99-99-99
5	109212-01-D08	EA	CABINET-OVERHEAD, W/O DOOR & HARDWARE (EUROPE EXPORT)
6	P04748-04-D08	EA	DOOR-CABINET, W/O HARDWARE - 400 X 710MM (MIRRORED)
6	P04748-03-D08	EA	DOOR-CABINET, W/O HARDWARE - 400 X 710MM (WOOD PANEL)
7	M05845-02-000	EA	TOP-QUEEN BED, REAR SIDE
	M05845-01-000	EA	TOP-QUEEN BED, FRONT SIDE
	057205-03-000	EA	ANGLE-SUPPORT, BED - 1" X 1.5" X 74" - METAL - OFF WHITE
	057480-02-000	EA	STUD-BALL, GAS SPRING - 10MM - 5/16" - 18
	107539-01-000	EA	SPRING-GAS, 20° BLADE END - SPRING LIFT SL3-110
	107540-01-000	EA	BRACKET-GAS SPRING, 90 DEGREE ANGLE
	107541-01-000	EA	BRACKET-GAS SPRING, FLAT
	105378-01-02A	EA	HINGE-CONTINUOUS, 2" X 140MM - OFF WHITE
	091281-01-000	FT	SLIPNOT-ANTISLIP, 1' WIDE (100' ROLL)
8	109829-12-D08	EA	COUNTERTOP-CABINET, WARDROBE
8	109829-12-D07	EA	COUNTERTOP-CABINET, WARDROBE
8	109829-12-D08	EA	COUNTERTOP-CABINET, WARDROBE
	009112-01-000	EA	FLANGE-1" ROD, CLOTHES - PLASTIC - OFF WHITE
	042438-01-000	EA	DOWEL-WOOD, CLOTHES ROD - 1" DIAMETER X 4'
	041953-12-000	EA	CONDUIT-CONVOLUTE, NON SLIT 1.1" ID
9	P07104-U8-D08	EA	DRAWER-CABINET, W/O HARDWARE
10	109175-01-D08	EA	CABINET-PIPE COVER (D06, D07)
10	109175-01-D08	EA	CABINET-PIPE COVER (D08)
	042488-10-000	EA	DOOR-FOLDING - FABRIC - 37" X 75" - OFF WHITE
	080224-01-703	EA	LATCH & CATCH ASSEMBLY - ALUMINUM
	080224-01-705	EA	CATCH-DOOR JAMB, ALUMINUM

1993 WINNEBAGO TABLE OF CONTENTS

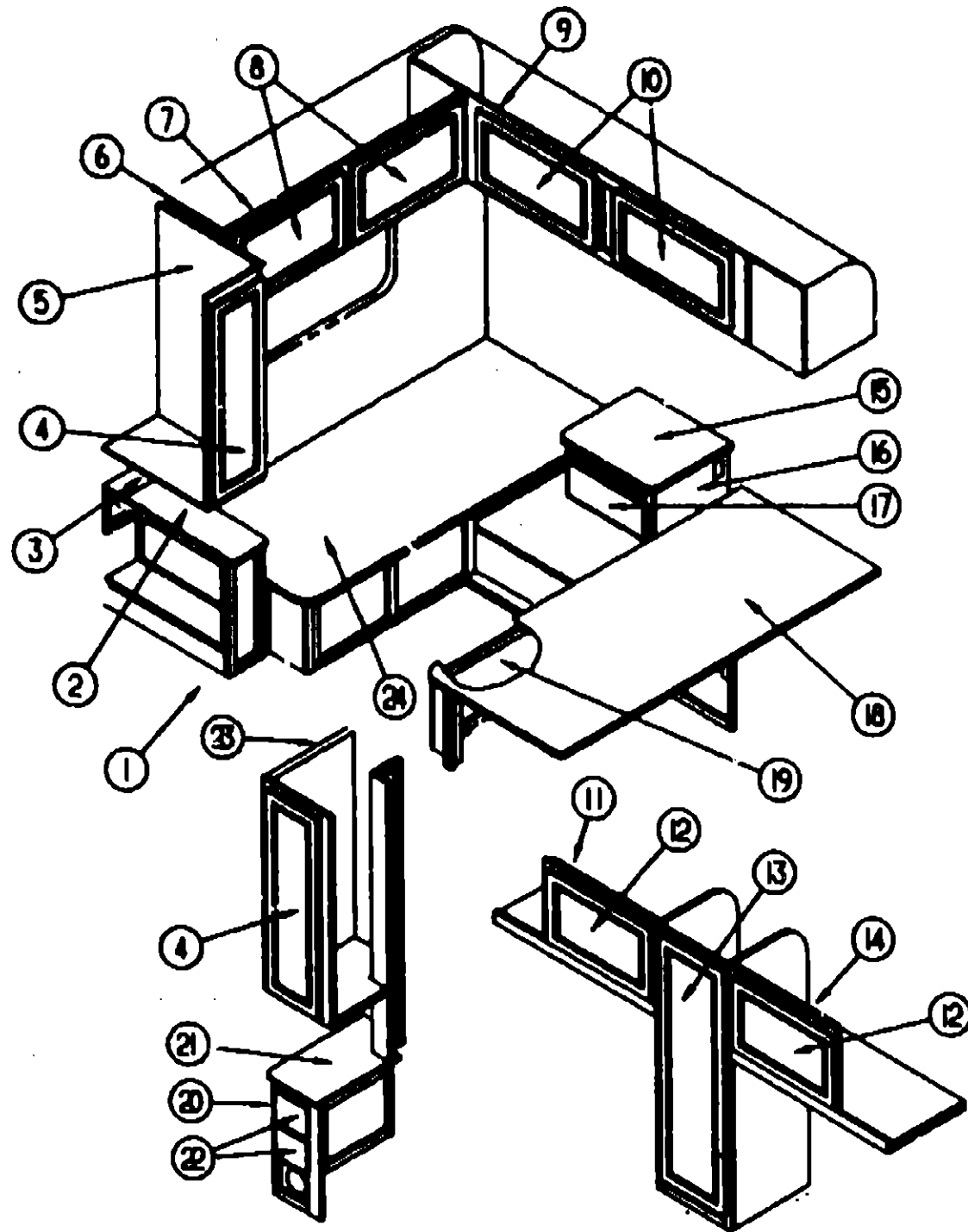
INTRODUCTION	A-01 - A-02
ABBREVIATIONS	A-03
ALPHABETICAL INDEX	A-04 - A-08
WF528HC	A-07 - E-02

1993 WF528RQ INDEX

FLOOR PLAN	A-07 - A-08
ACCESSORIES	A-09
AUDIO VIDEO	A-10
BATH	A-11 - A-14
BEDROOM	A-15 - A-19
CHASSIS	A-20 - A-24
CURTAIN & CUSHION	B-01 - B-12
DINETTE	B-13 - B-14
DRIVERS COMPARTMENT	B-15 - B-16
ELECTRICAL	B-17 - B-20
EXTERIOR BODY	B-21 - C-04
GALLEY	C-05 - C-09
GENERATOR	C-10
HEATING & AC	C-11 - C-12
INTERIOR FINISH	C-13 - C-16
LABELS	C-17 - C-23
LP	C-24
LOUNGE	D-01 - D-03
SEALANTS & FASTENERS	D-04 - D-08
WATER & SEWAGE	D-07 - D-10
WINDOW, VENT AND EXTERIOR DOOR	D-11 - E-02

BEDROOM GROUP (CONTINUED)

TWIN BEDROOM CABINET & FOLDING PRIVACY DOOR



1993 WINNEBAGO TABLE OF CONTENTS

INTRODUCTION	A-01	A-02
ABBREVIATIONS		A-03
ALPHABETICAL INDEX	A-04	A-08
WF528RQ	A-07	E-02

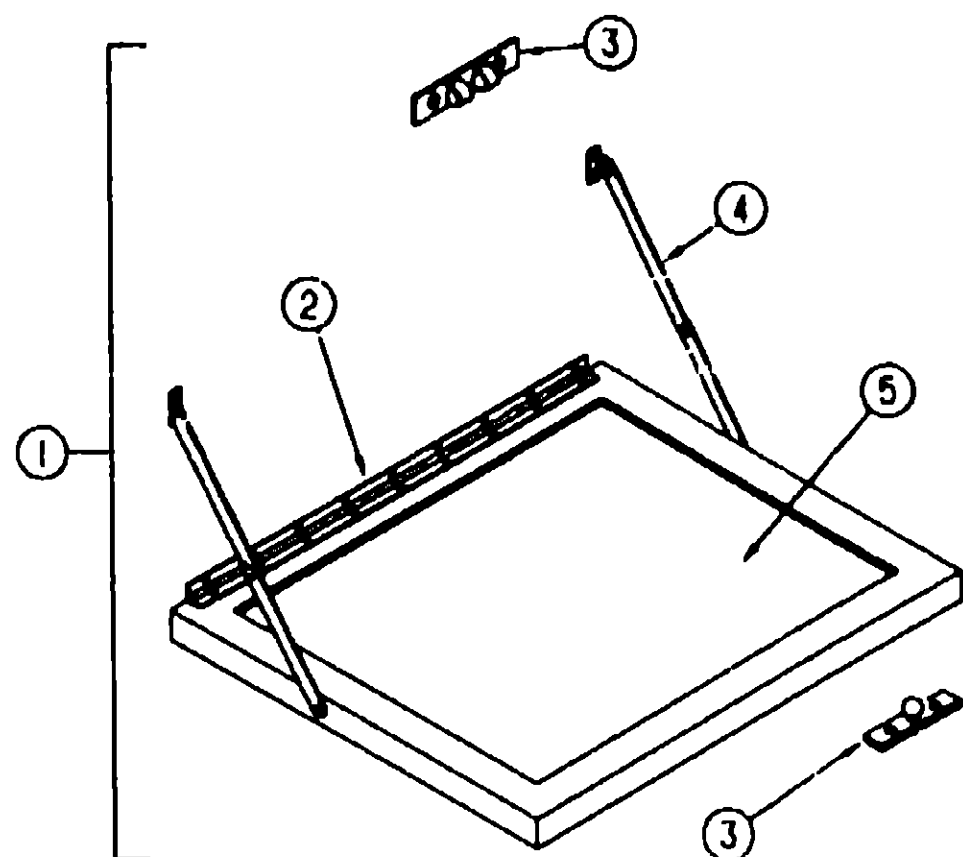
1993 WF528RQ INDEX

FLOOR PLAN	A-07	A-08
ACCESSORIES		A-09
AUDIO VIDEO		A-10
BATH	A-11	A-14
BEDROOM	A-15	A-19
CHASSIS	A-20	A-24
CURTAIN & CUSHION	B-01	B-12
DINETTE	B-13	B-14
DRIVERS COMPARTMENT	B-15	B-16
ELECTRICAL	B-17	B-20
EXTERIOR BODY	B-21	C-04
GALLEY	C-05	C-09
GENERATOR		C-10
HEATING & A/C	C-11	C-12
INTERIOR FINISH	C-13	C-16
LABELS	C-17	C-23
LP		C-24
LOUNGE	D-01	D-03
SEALANTS & FASTENERS	D-04	D-08
WATER & SEWAGE	D-07	D-10
WINDOW, VENT AND EXTERIOR DOOR	D-11	E-02

KEY	PART NUMBER	U/M	DESCRIPTION
8	104335-08-C03	EA	END CAP-CABINET, OVERHEAD - LEFT
7	M05779-58-D08	EA	CABINET-OVERHEAD, W/O DOORS & HARDWARE - REAR - RIGHT
7	M05779-58-D07	EA	CABINET-OVERHEAD, W/O DOORS & HARDWARE - REAR - RIGHT
7	M05779-58-D08	EA	CABINET-OVERHEAD, W/O DOORS & HARDWARE - REAR - RIGHT
	M05779-58-D07	EA	CABINET-OVERHEAD, W/O DOORS & HARDWARE - REAR - LEFT
	M05779-58-D07	EA	CABINET-OVERHEAD, W/O DOORS & HARDWARE - REAR - LEFT
	M05779-58-D08	EA	CABINET-OVERHEAD, W/O DOORS & HARDWARE - REAR - LEFT
	104335-07-C03	EA	END CAP-CABINET, OVERHEAD - RIGHT - DRIVER SIDE
8	P04748-02-D08	EA	DOOR-CABINET, W/O HARDWARE - 400 X 520MM - 2 USED PER CABINET
9	M05779-07-D08	EA	CABINET-OVERHEAD, W/O DOORS & HARDWARE - REAR
9	M05779-07-D07	EA	CABINET-OVERHEAD, W/O DOORS & HARDWARE - REAR
9	M05779-07-D08	EA	CABINET-OVERHEAD, W/O DOORS & HARDWARE - REAR
9	105292-01-D08	EA	CABINET-OVERHEAD, W/O DOORS & HARDWARE - REAR (EUROPE EXPORT)
9	105292-01-D07	EA	CABINET-OVERHEAD, W/O DOORS & HARDWARE - REAR (EUROPE EXPORT)
9	105292-01-D08	EA	CABINET-OVERHEAD, W/O DOORS & HARDWARE - REAR (EUROPE EXPORT)
10	P04748-04-D08	EA	DOOR-CABINET, W/O HARDWARE - 400 X 710MM (MIRRORED)
10	P04748-03-D08	EA	DOOR-CABINET, W/O HARDWARE - 400 X 710MM (WOOD PANEL)
11	110004-01-D04	EA	CABINET-OVERHEAD, W/O DOORS & HARDWARE - RIGHT REAR
12	P04748-05-D08	EA	DOOR-CABINET, W/O HARDWARE - 400 X 520MM (MIRRORED)
12	P04748-02-D08	EA	DOOR-CABINET, W/O HARDWARE - 400 X 520MM (WOOD PANEL)
13	P04748-75-D08	EA	DOOR-CABINET, W/O HARDWARE - 395 X 1156MM
14	110004-02-D04	EA	CABINET-OVERHEAD, W/O DOORS & HARDWARE - LEFT REAR
15	110006-11-D08	EA	COUNTERTOP-NIGHTSTAND
15	110006-11-D07	EA	COUNTERTOP-NIGHTSTAND
15	110006-11-D08	EA	COUNTERTOP-NIGHTSTAND
16	P10005-01-D08	EA	CABINET-NIGHTSTAND, W/O DOORS & HARDWARE
18	P10006-01-D07	EA	CABINET-NIGHTSTAND, W/O DOORS & HARDWARE
18	P10005-01-D08	EA	CABINET-NIGHTSTAND, W/O DOORS & HARDWARE
17	P07104-N4-D08	EA	DRAWER-CABINET, W/O HARDWARE
18	M05138-07-000	EA	TOP-CABINET, TWIN BED - LEFT
	052859-01-D18	FT	TRIM-VINYL, W/CORD - BEIGE
	091261-01-000	FT	SLIPNOT-ANTISLIP, 1' WIDE (100' ROLL)
	P08851-01-D08	EA	CABINET-TWIN BED, LEFT
19	P04748-23-D08	EA	DOOR-CABINET, W/O HARDWARE - 305 X 680MM
20	P08868-01-D08	EA	CABINET-NIGHTSTAND, W/O DOORS & HARDWARE
20	P08868-01-D07	EA	CABINET-NIGHTSTAND, W/O DOORS & HARDWARE
20	P08868-01-D08	EA	CABINET-NIGHTSTAND, W/O DOORS & HARDWARE
21	109866-11-D08	EA	COUNTERTOP-NIGHTSTAND
21	109866-11-D07	EA	COUNTERTOP-NIGHTSTAND
21	109866-11-D08	EA	COUNTERTOP-NIGHTSTAND
22	P07104-U0-D08	EA	DRAWER-CABINET, W/O HARDWARE
23	109652-01-D08	EA	CABINET-SHIRT, DRIVER SIDE - W/O DOORS & HARDWARE
	009112-01-000	EA	FLANGE-1" ROD, CLOTHES - PLASTIC - OFF WHITE
	042438-01-000	EA	DOWEL-WOOD, CLOTHES ROD - 1" DIAMETER X 4'
	041953-12-000	EA	CONDUIT-CONVOLITE, NON SLIT 1.1" ID
24	M05844-02-D08	EA	TOP-CABINET, TWIN BED - RIGHT
24	M05138-08-000	EA	TOP-CABINET, TWIN BED - RIGHT
			FROM: 00-00-00 THRU: 10-20-92
			FROM: 10-21-92 THRU: 99-99-99
	052859-01-D18	FT	TRIM-VINYL, W/CORD - BEIGE
	091261-01-000	FT	SLIPNOT-ANTISLIP, 1' WIDE (100' ROLL)
	P08517-01-D08	EA	CABINET-TWIN BED, RIGHT
			FROM: 00-00-00 THRU: 10-20-92
	P10383-01-D08	EA	CABINET-TWIN BED, RIGHT
			FROM: 10-21-92 THRU: 99-99-99
	042488-10-000	EA	DOOR-FOLDING, FABRIC - 37" X 75" - OFF WHIT
	080224-01-703	EA	LATCH & CATCH ASSEMBLY -ALUMINUM
	080224-01-705	EA	CATCH-DOOR JAMB, ALUMINUM

KEY	PART NUMBER	U/M	DESCRIPTION
1	109867-01-D08	EA	CABINET-NIGHTSTAND, HAMPER - W/O HARDWARE
1	109867-01-D07	EA	CABINET-NIGHTSTAND, HAMPER - W/O HARDWARE
1	109867-01-D08	EA	CABINET-NIGHTSTAND, HAMPER - W/O HARDWARE
2	109867-11-D08	EA	COUNTERTOP-NIGHTSTAND, LARGE SECTION
2	109867-11-D07	EA	COUNTERTOP-NIGHTSTAND, LARGE SECTION
2	109867-11-D08	EA	COUNTERTOP-NIGHTSTAND, LARGE SECTION
3	109867-12-D06	EA	COUNTERTOP-NIGHTSTAND, SMALL SECTION
3	109867-12-D07	EA	COUNTERTOP-NIGHTSTAND, SMALL SECTION
3	109867-12-D08	EA	COUNTERTOP-NIGHTSTAND, SMALL SECTION
4	P04748-28-D08	EA	DOOR-CABINET, W/O HARDWARE - 305 X 1015MM
5	109850-01-D08	EA	CABINET-SHIRT, PASSENGER SIDE - W/O DOORS & HARDWARE
	009112-01-000	EA	FLANGE-1" ROD, CLOTHES - PLASTIC - OFF WHITE
	042438-01-000	EA	DOWEL-WOOD, CLOTHES ROD - 1" DIAMETER X 4'
	041953-12-000	EA	CONDUIT-CONVOLITE, NON SLIT 1.1" ID

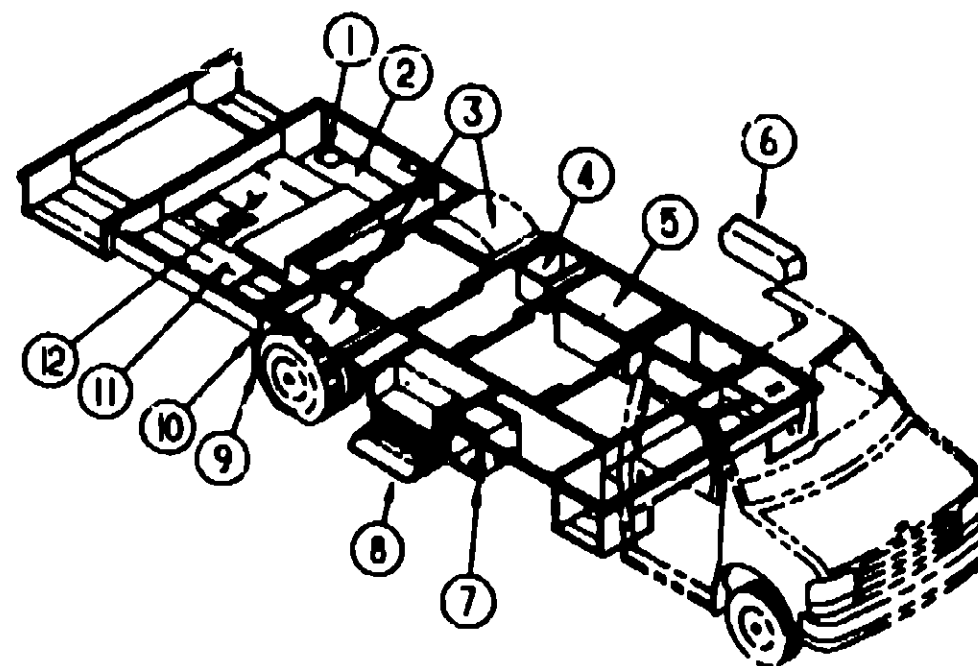
BEDROOM GROUP (CONTINUED)



TV STAND

KEY	PART NUMBER	U/M	DESCRIPTION
1	084357-02-D08	EA	TV STAND ASSEMBLY
2	084413-01-000	EA	HINGE-CONTINUOUS, W/HOLES
3	084451-01-000	EA	CATCH-TV SHELF, BRASS
4	084412-01-000	EA	SUPPORT-HINGED
5	084358-08-000	EA	INSERT-TV STAND, W/SUPPORT HINGE - METAL - OFF WHITE
5	058331-14-000	EA	MIRROR-GLASS, SAFETY - 14" X 12.7"

CHASSIS GROUP



COMPARTMENTS, PLUGS & SEALS

KEY	PART NUMBER	U/M	DESCRIPTION
1	103639-01-000	EA	DOOR-DRAINAGE COMPARTMENT, 7 9" X 7.6" - STEEL
	074470-01-000	EA	PIN-PULL, HINGE RELEASE - RIGHT SIDE
	077953-01-000	EA	GROMMET-EDGE LINER, FITS 1"
	088270-01-000	FT	SEAL-BULB, W/WIRE RIGID U-CHANNEL - 5" - RUBBER - BLACK
2	108582-01-000	EA	COMPARTMENT-DRAINAGE
3	102782-01-000	EA	WHEELWELL-PLASTIC
4	102979-02-000	EA	BOX-POWER CORD, PLASTIC
5	108607-01-000	EA	COMPARTMENT-GENERATOR
5	110369-01-000	EA	COMPARTMENT-GENERATOR
			FROM 00-00-00 THRU 11-10-92
			FROM 11-11-92 THRU 99-99-99
5	078137-02-000	EA	TRAY-STORAGE COMPARTMENT, 27 18" WIDE X 21" DEEP
6	108208-01-01A	EA	COMPARTMENT-EXTERIOR SHOWER, PLASTIC - OFF WHITE
7	105203-01-000	EA	COMPARTMENT-BATTERY
	084993-01-000	EA	STRAP-BATTERY
8	077848-02-000	EA	STEP-PULLOUT
	076241-08-000	EA	SUPPORT-STEP, ENTRY DOOR
	091176-01-000	EA	SUPPORT-BASE, ENTRANCE STEP
	094708-01-01A	EA	STEP-ENTRY DOOR, ELECTRIC - SINGLE - KWIKEE 2813
	094707-02-700	EA	MOTOR REPLACEMENT KIT
	094707-02-702	EA	GEAR KIT
	094707-02-703	EA	PARTS KIT (BEARINGS & PINS)
	094707-02-704	EA	MOTOR CONNECTOR KIT
	094707-02-705	EA	CONTROL UNIT (ORANGE)
	094707-03-700	EA	LINKAGE ASM FOR 28 SERIES
	041250-01-000	EA	SWITCH-DOOR JAMB, ELECTRIC ENTRY STEP - METAL
	075723-02-000	EA	SPACER-SWITCH, WHOLE - 2" X 9" X 2" - METAL - OFF WHITE
9	017516-01-000	EA	FLAP-MUD, 14" X 16" - BLACK
10	045731-05-000	EA	GUARD-ROCK, REAR
11	108752-01-000	EA	COMPARTMENT-STORAGE
12	108751-01-000	EA	COMPARTMENT-STORAGE, CENTER
	056748-01-000	EA	PLUG-CAP, 1 5" DIAMETER - BLACK
	081420-01-000	EA	PLUG-PLASTIC, 1 75" - BROWN

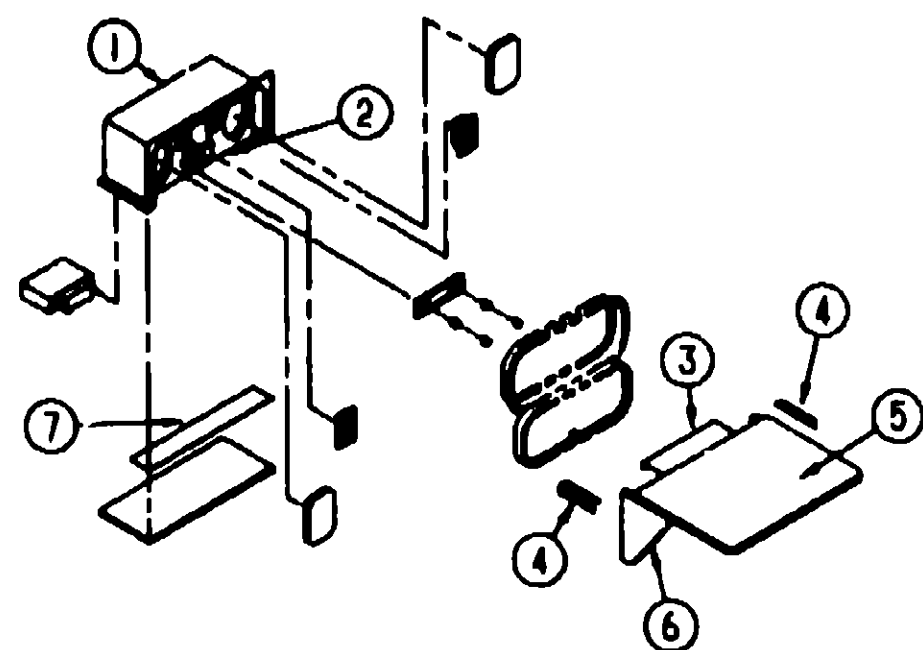
**1993 WINNEBAGO
TABLE OF CONTENTS**

INTRODUCTION	A-01 - A-02
ABBREVIATIONS	A-03
ALPHABETICAL INDEX	A-04 - A-08
WF528RQ	A-07 - E-02

1993 WF528RQ INDEX

FLOOR PLAN	A-07 - A-08
ACCESSORIES	A-09
AUDIO VIDEO	A-10
BATH	A-11 - A-14
BEDROOM	A-15 - A-19
CHASSIS	A-20 - A-24
CURTAIN & CUSHION	B-01 - B-12
DINETTE	B-13 - B-14
DRIVERS COMPARTMENT	B-15 - B-16
ELECTRICAL	B-17 - B-20
EXTERIOR BODY	B-21 - C-04
GALLEY	C-05 - C-09
GENERATOR	C-10
HEATING & A/C	C-11 - C-12
INTERIOR FINISH	C-13 - C-16
LABELS	C-17 - C-23
LP	C-24
LOUNGE	D-01 - D-03
SEALANTS & FASTENERS	D-04 - D-06
WATER & SEWAGE	D-07 - D-10
WINDOW, VENT AND EXTERIOR DOOR	D-11 - E-02

CHASSIS GROUP (CONTINUED)



ENTERTAINMENT COMPARTMENT

KEY	PART NUMBER	U/M	DESCRIPTION
1	104897-02-01A	EA	BOX-ENTERTAINMENT CENTER - OFF WHITE
2	104899-01-C05	EA	PLATE-RADIO MOUNTING
3	105377-01-01A	EA	BRACKET-TABLE HANGER - OFF WHITE
	105377-01-03A	EA	BRACKET-TABLE HANGER - MILL
4	105376-01-02A	EA	HINGE-CONTINUOUS, 2" X 140MM - OFF WHITE
5	105230-11-D06	EA	SHELF ASM
6	105230-12-D09	EA	SUPPORT ASM
7	104898-01-01A	EA	PLATE-PLASTIC BOTTOM - OFF WHITE

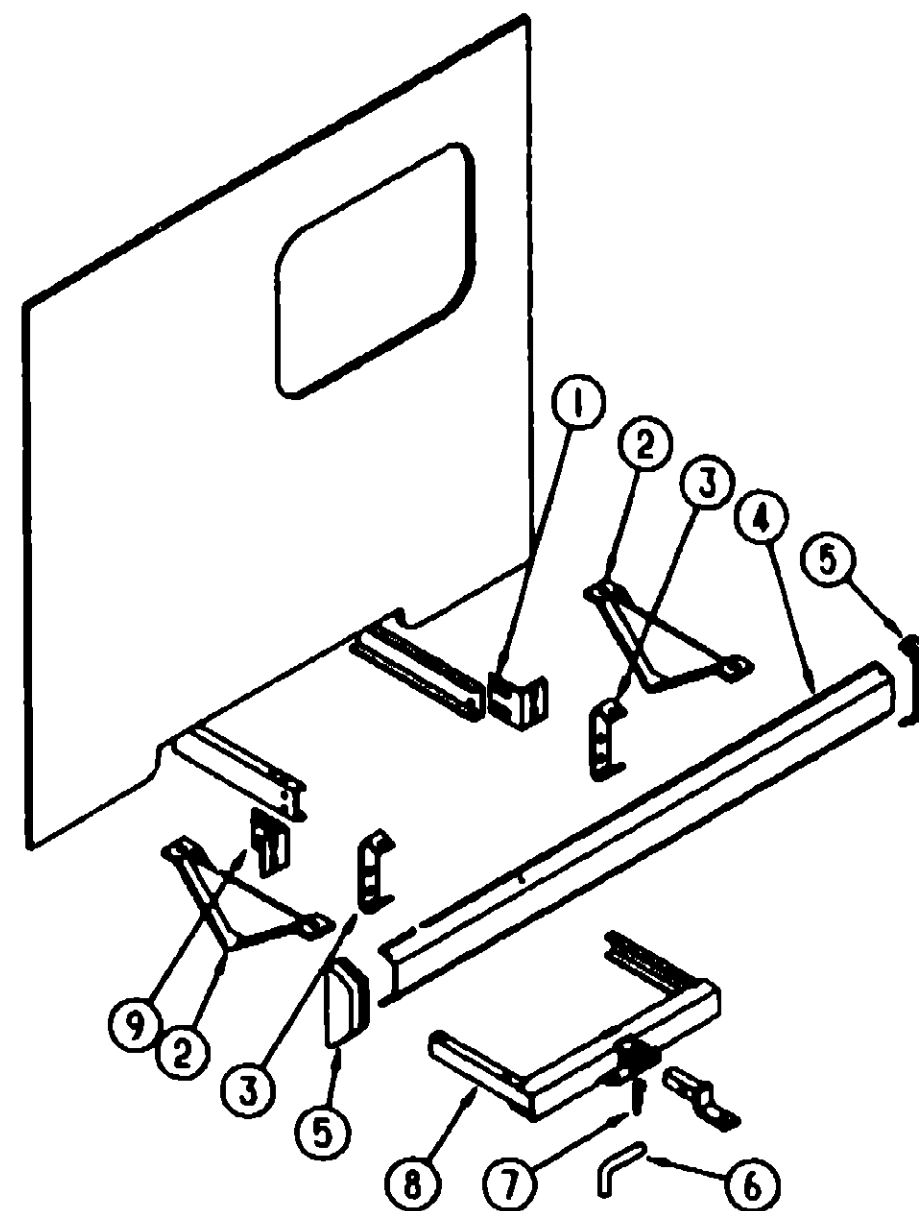
SUSPENSION SYSTEMS

KEY	PART NUMBER	U/M	DESCRIPTION
	100332-01-000	EA	PLATE-VALVE, AIR SPRING (FORD)
	108067-03-000	EA	AIRSPRING-4IN DIA TWIN (FORD)
	108067-03-700	EA	REPAIR KIT FOR TAPPED PISTON

DRIVESHAFT & FLARE UNION

KEY	PART NUMBER	U/M	DESCRIPTION
	103653-09-000	EA	DRIVESHAFT ASM-BALANCED PAIR - 188" WHEELBASE (158) FROM 00-00-00 THRU 03-08-93
	103653-10-000	EA	DRIVESHAFT ASM-BALANCED PAIR - 188" WHEELBASE (158) FROM 03-09-93 THRU 99-99-99
	074833-01-000	EA	SPACER-BEARING, DRIVESHAFT - 2" X 8" X 5" THICK
	085771-03-000	EA	NUT-HEX, FL PREV TORQUE - GRADE G DRIVER SHAFT
	088466-01-000	EA	UNION-INVERTED FLARE, BRASS - 3/16 - 3/8 - 24 THD - BRAKE LINE

CHASSIS GROUP (CONTINUED)



REAR BUMPER, SKID PLATE & TRAILER HITCH

KEY	PART NUMBER	U/M	DESCRIPTION
1	105933-01-000	EA	BRACKET-BUMPER, REAR
2	083376-01-000	EA	PLATE-SKID, 13 2" X 6" X 2" - STEEL
3	078670-02-000	EA	BRACKET-BUMPER, REAR - 2" X 6" - BENT ENDS - STEEL BLACK (2 USED)
4	103099-02-02A	EA	BUMPER-REAR, OFF WHITE
5	106147-01-01A	EA	CAP-END, BUMPER - OFF WHITE
6	034512-01-000	EA	PIN-LOCKING, DRAWBAR
7	034513-01-000	EA	PIN-HITCH, 3/16" WIRE
8	077617-02-000	EA	HITCH-TRAILER, W/O DRAWBAR - 41 1" WIDE - STEEL - BLACK
	077613-01-000	EA	DRAWBAR-HITCH, TRAILER TOWING
	097744-01-000	EA	HOUSING-TRAILER PIN, 12"
	097744-02-000	EA	HOUSING-TRAILER PIN, 48"
	097745-01-000	EA	HOUSING-TRAILER RECEPTACLE, 12"
	097746-01-000	EA	HOUSING CAP-TRAILER PIN
	097745-02-000	EA	HOUSING-RECEPTACLE, TRAILER - 48" WIRE LENGTH
9	105933-02-000	EA	BRACKET BUMPER, REAR

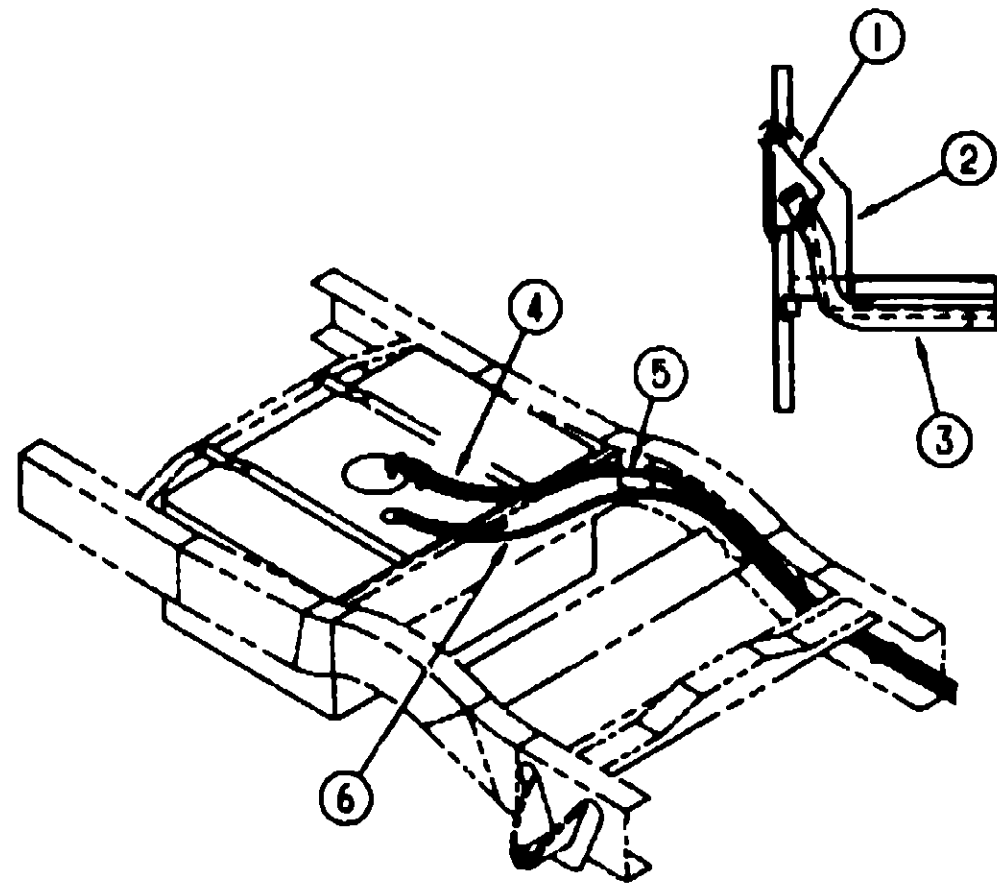
**1993 WINNEBAGO
TABLE OF CONTENTS**

INTRODUCTION	A-01	A-02
ABBREVIATIONS	A-03	A-03
ALPHABETICAL INDEX	A-04	A-08
WF528RQ	A-07	E-02

1993 WF528RQ INDEX

FLOOR PLAN	A-07	A-08
ACCESSORIES		A-09
AUDIO VIDEO		A-10
BATH	A-11	A-14
BEDROOM	A-15	A-19
CHASSIS	A-20	A-24
CURTAIN & CUSHION	B-01	B-12
DINETTE	B-13	B-14
DRIVERS COMPARTMENT	B-15	B-16
ELECTRICAL	B-17	B-20
EXTERIOR BODY	B-21	C-04
GALLEY	C-05	C-09
GENERATOR		C-10
HEATING & A/C	C-11	C-12
INTERIOR FINISH	C-13	C-16
LABELS	C-17	C-23
LP		C-24
LOUNGE	D-01	D-03
SEALANTS & FASTENERS	D-04	D-06
WATER & SEWAGE	D-07	D-10
WINDOW, VENT AND EXTERIOR DOOR	D-11	E-02

CHASSIS GROUP (CONTINUED)



FUEL SYSTEM COMPONENTS

KEY	PART NUMBER	U/M	DESCRIPTION
1	095854-01-02A	EA	SHROUD-FUEL FILL, PLASTIC - OFF WHITE
2	078040-08-000	EA	SHROUD-FUEL FILL, UPPER - PLASTIC
3	108830-01-000	EA	NECK-FUEL FILL, MAIN - GAS
3	108830-02-000	EA	NECK-FUEL FILL, MAIN - DIESEL
	078200-01-000	EA	GASKET-FUEL FILL, 3 5/8"OD X 2 1/2"ID
4	106388-01-000	EA	FUEL LINE ASM-FORD, 5/16 HP
5	106389-01-000	EA	FUEL LINE ASM-FORD, 3/8 HP
	007063-01-000	FT	HOSE-GAS 1/4"ID X 1/2"OD
6	044317-01-000	FT	HOSE-FUEL, 3/8" ID

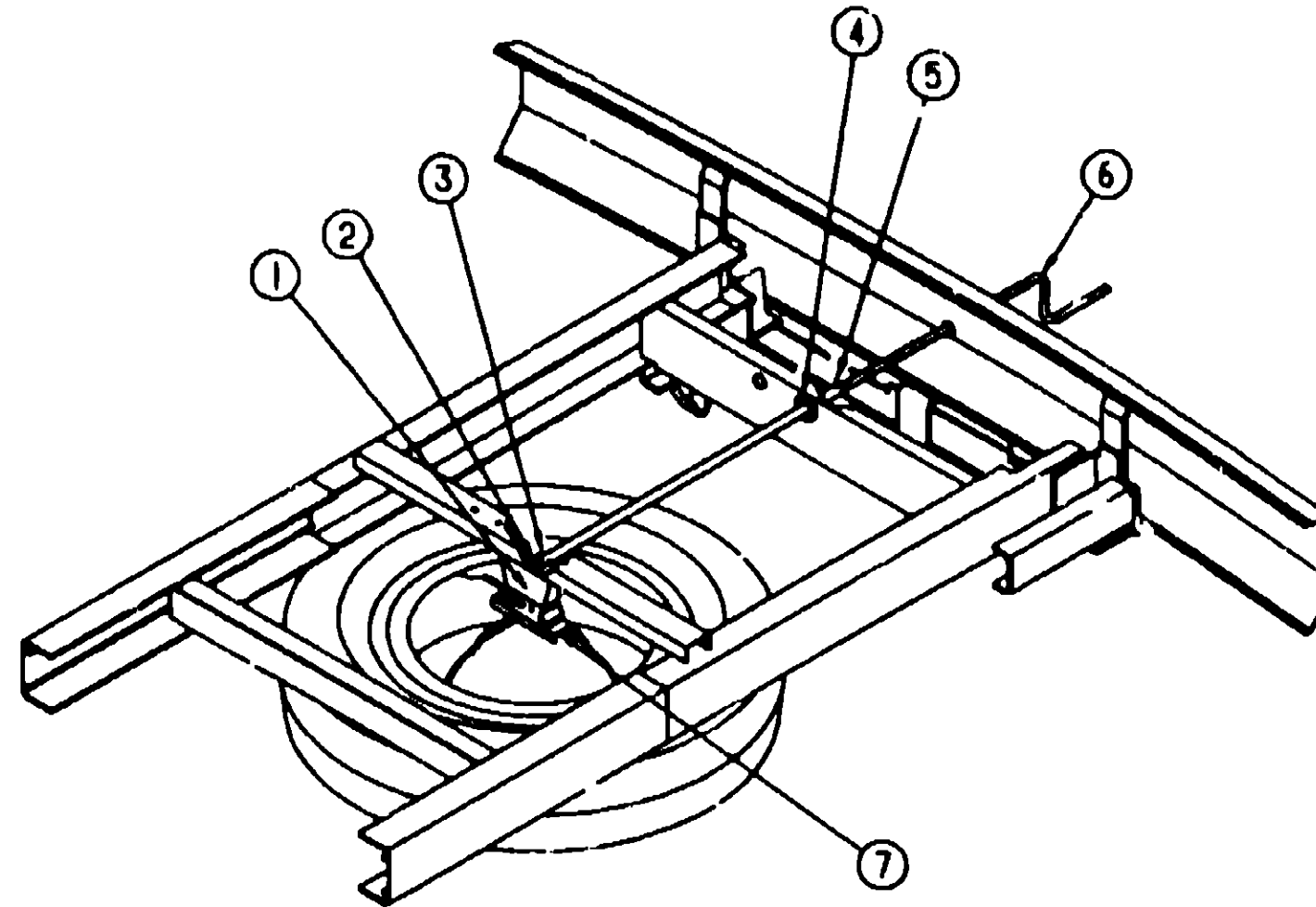
EXHAUST SYSTEM COMPONENTS

KEY	PART NUMBER	U/M	DESCRIPTION
	091182-04-000	EA	SHIELD-HEAT, LP TANK
	094918-03-000	EA	CLAMP-EXHAUST, 2 5"
	098753-06-000	EA	PIPE-EXHAUST
	111478-02-000	EA	PIPE-EXHAUST

FROM 00-00-00 THRU. 03-08-93

FROM 03-08-93 THRU 99-99-99

CHASSIS GROUP (CONTINUED)



SPARE TIRE HOIST

KEY	PART NUMBER	U/M	DESCRIPTION
1	093287-01-000	EA	HOIST-SPARE TIRE
2	000F10-08-32B	EA	PIN-COTTER, 3/16 X 2 00 ZN
3	093375-04-000	EA	EXTENSION-TIRE HOIST
4	071015-11-000	EA	GROMMET-RUBBER, 1" ID X 1 75" OD W/ 12" GROOVE - BLACK
5	035776-01-000	EA	PIN-ROLL., 125 DIA X 750
6	093376-01-000	EA	HANDLE-CRANK, TIRE HOIST
7	105499-01-000	EA	BRACKET-TIRE HOIST
	083425-09-000	EA	TIRE-LT225/75R18 LRD - MICHELIN XCH4 ORBLT
	083617-03-000	EA	WHEEL-STEEL 16 0X6, ACCURIDE 28618
	108816-01-000	EA	KNOB-HOLD DOWN, JACK

(JACK IS CHASSIS PROVIDED & MOUNTED UNDER THE HOOD)

WHEEL LINERS & COVERS

KEY	PART NUMBER	U/M	DESCRIPTION
	091209-11-000	EA	LINER-WHEEL, SET 4 F350- KAPER II (FORD)
	091209-10-700	EA	COVER-AXLE, FRONT - 8 LUG - FORD
	091209-10-701	EA	COVER-AXLE, REAR - 8 LUG - FORD
	091209-10-704	EA	NUT-LUG, W/WASHER - SHORT - KAPER 52
	091209-10-705	EA	COVER-LUG NUT
	091209-11-700	EA	LINER-WHEEL, FRONT - 8 LUG - FORD
	091209-11-701	EA	LINER-WHEEL, REAR - 8 LUG - FORD
	091209-11-702	EA	NUT-LUG, W/WASHER - LONG - KAPER 51
	108088-01-000	EA	COVER-WHEEL, 18" - SET OF 4 - DICOR #SHUB18
	108088-01-700	EA	COVER-WHEEL, 18" - 1 ONLY - SHUB16-1 DICOR

**1993 WINNEBAGO
TABLE OF CONTENTS**

INTRODUCTION	A-01 - A-02
ABBREVIATIONS	A-03
ALPHABETICAL INDEX	A-04 - A-06
WF528RQ	A-07 - E-02

1993 WF528RQ INDEX

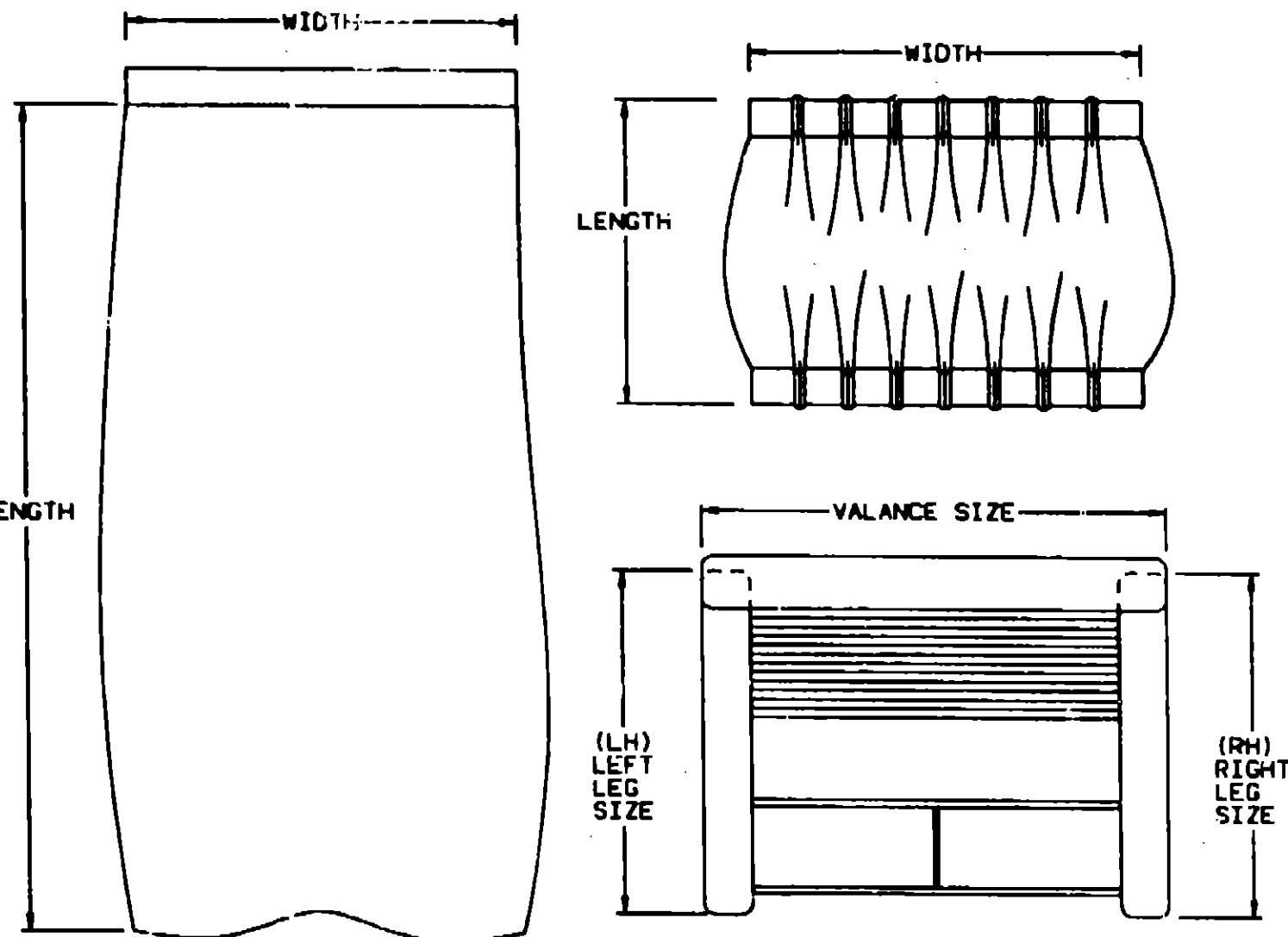
FLOOR PLAN	A-07 - A-08
ACCESSORIES	A-09
AUDIO VIDEO	A-10
BATH	A-11 - A-14
BEDROOM	A-15 - A-19
CHASSIS	A-20 - A-24
CURTAIN & CUSHION	B-01 - B-12
DINETTE	B-13 - B-14
DRIVERS COMPARTMENT	B-15 - B-16
ELECTRICAL	B-17 - B-20
EXTERIOR BODY	B-21 - C-04
GALLEY	C-05 - C-08
GENERATOR	C-10
HEATING & A/C	C-11 - C-12
INTERIOR FINISH	C-13 - C-16
LABELS	C-17 - C-23
LP	C-24
LOUNGE	D-01 - D-03
SEALANTS & FASTENERS	D-04 - D-06
WATER & SEWAGE	D-07 - D-10
WINDOW, VENT AND EXTERIOR DOOR	D-11 - E-02

CURTAIN & CUSHION GROUP

NOTICE

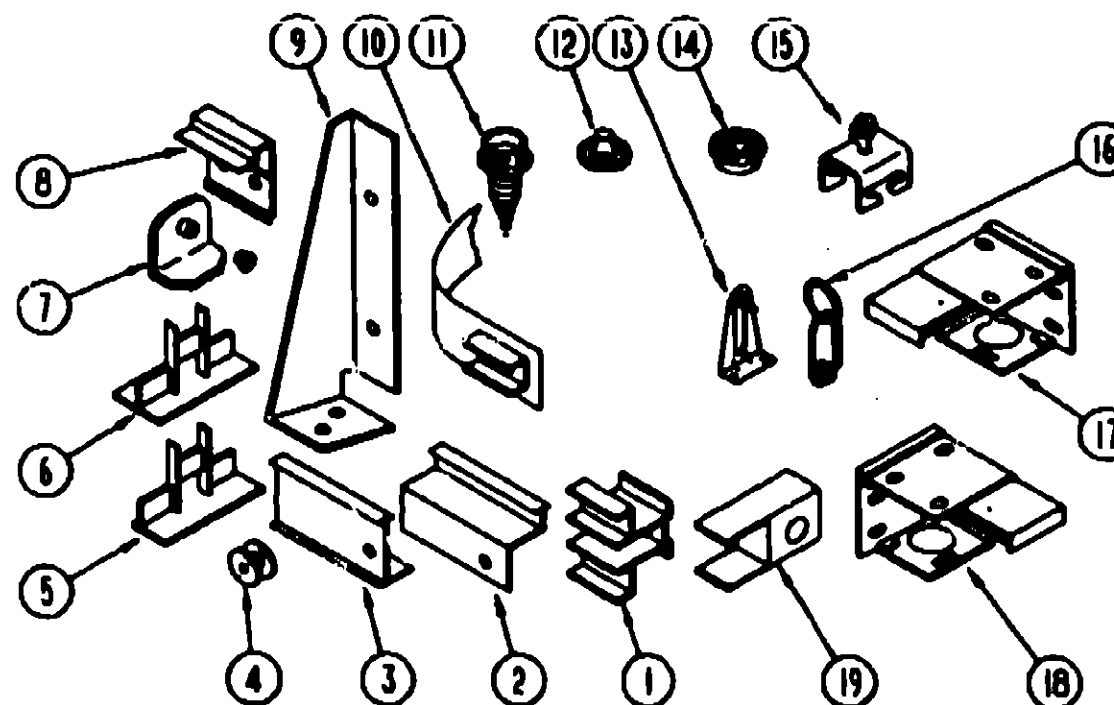
IN ORDER TO ASSIST OUR PARTS SALES DEPT. IN PROVIDING INTERIOR SOFTGOODS ITEMS, PLEASE INCLUDE THE SERIAL NUMBER AND THE COLOR CODE NUMBER FROM THE VEHICLE CERTIFICATION LABEL WHEN ORDERING. THIS LABEL IS LOCATED ON THE LEFT SIDEWALL AT THE END OF THE DASH (A-BODY), OR ON THE DRIVER'S DOOR LATCH PLATE (C-BODY).

AN EXAMPLE OF A COLOR CODE NUMBER IS B07, WHICH DESIGNATES AN OVERALL COLOR SCHEME OF A PARTICULAR UNIT. THE COLOR LISTED AFTER THE ITEM DESCRIPTION ON THE MICROFICHE, INDICATES THE OVERALL UNIT COLOR. ORDER THE ITEM YOU DESIRE ACCORDING TO UNIT COLOR CODE.



NOTE: USE THIS ILLUSTRATION WHEN DETERMINING LENGTH AND WIDTH MEASUREMENTS FOR CURTAINS. YOU WILL NOTE THE WIDTH MEASUREMENT IS TAKEN ON THE TOP OF THE CURTAIN WITH THE CURTAIN FULLY EXTENDED. THE LENGTH MEASUREMENT IS TAKEN FROM TOP TO BOTTOM. LEFT AND RIGHT WINDOW LEGS ARE DETERMINED WHEN FACING THE WINDOW.

CURTAIN & CUSHION GROUP (CONTINUED)



CURTAIN, BLIND HARDWARE & TRACKS

KEY	PART NUMBER	U/M	DESCRIPTION
1	101033-03-000	EA	TRACK-CURTAIN, WALL - WHITE - SHAPCO CT225
2	105450-02-01A	EA	TRACK-CURTAIN, 48" LONG - ALUMINUM - OFF WHITE
2	105450-05-01A	EA	TRACK-CURTAIN, 79" LONG - ALUMINUM - OFF WHITE
2	105450-06-01A	EA	TRACK-CURTAIN, 88" LONG - ALUMINUM - OFF WHITE
2	105450-08-01A	FA	TRACK-CURTAIN, 38" LONG - ALUMINUM - OFF WHITE
3	009700-04-002	EA	TRACK, L-SHAPED - 195.2" - OFF WHITE
4	097592-01-000	EA	SPOOL-CORD, ELEVATED BLIND HOLDUP - CLEAR PLASTIC
	097593-02-000	FT	CORD-BLIND, PLEATED - GRAY
	097593-08-000	FT	CORD-BLIND, PLEATED - PEWTER
	094896-02-000	EA	GROMMET-CORD, PLEATED BLIND - NYLON - GRAY
5	094907-02-000	EA	END CAP-TOP, PLEATED BLIND - PLASTIC - GRAY
6	094907-03-000	EA	END CAP-BOTTOM, PLEATED BLIND - PLASTIC - GRAY
7	106544-01-000	EA	PULL-SHADE, BRASS
	084434-01-000	EA	BRACKET-MOUNTING, ROLLER SHADE - 1 3/8"
	084432-08-000	FT	SLAT-ROLLER SHADE, PLASTIC
	084433-01-700	EA	SPRING-REWIND, ROLLER SHADE
8	097565-01-000	EA	BRACKET-MOUNTING, PLEATED BLIND
	097591-01-000	EA	SPRING-EXTENSION, PLEATED BLIND
9	076827-02-000	EA	BRACKET-LEG, 2.9" X 1.8" TRIANGLE - LEFT SIDE
	089522-02-000	EA	PANEL-LEG, TWO SIDE 31.5" LONG - PLASTIC - BLACK
10	101031-01-000	YD	TAPE-GLIDE, CURTAIN - 4.25" SPACING
11	020130-01-000	EA	SCREW-SNAP SOCKET, 8 PH X 5/8"
12	029155-01-000	EA	CAP-SNAP, NICKEL
13	095591-02-000	EA	BRACKET-HOLD DOWN, W/PIN - BLIND - METAL
14	029158-01-000	EA	SOCKET-SNAP FASTENER, NICKEL
15	009702-01-000	EA	END STOP-CURTAIN CARRIER, L ROD
16	009701-01-000	EA	CARRIER-CURTAIN, L ROD
17	083170-01-000	EA	BRACKET-BLIND, RIGHT SIDE
18	083170-02-000	EA	BRACKET-BLIND, LEFT SIDE
19	101033-02-000	EA	END CAP-TRACK, CLEAR
	103988-01-000	FT	TRIM-VALANCE, U-CHANNEL - .75" WIDE - BRASS
	046867-01-000	EA	GROMMET-BRASS, 7/16" ID X 1" OD
	088792-01-000	YD	VELCRO-HOOK, .75" WIDE - BEIGE
	088792-02-000	YD	VELCRO TAPE-LOOP, ADHESIVE BACKED - .75" WIDE - BEIGE
	048394-02-000	YD	VELCRO TAPE-HOOK, ADHESIVE BACK - .75" WIDE - BEIGE

1993 WINNEBAGO TABLE OF CONTENTS

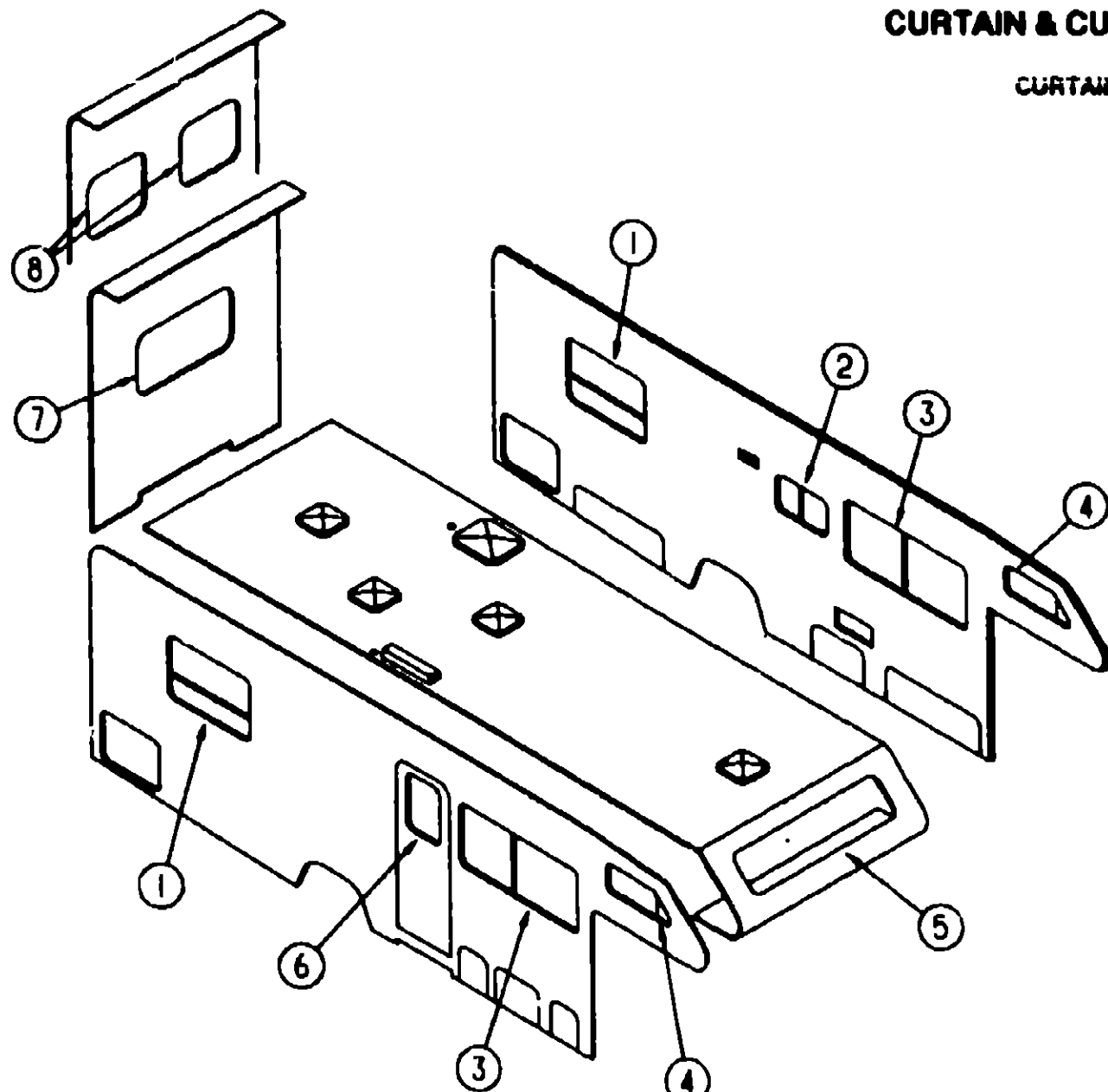
INTRODUCTION	A-01	A-02
ABBREVIATIONS		A-03
ALPHABETICAL INDEX	A-04	A-06
WF528RQ	A-07	E-02

1993 WF528RQ INDEX

FLOOR PLAN	A-07	A-08
ACCESSORIES		A-09
AUDIO VIDEO		A-10
BATH	A-11	A-14
BEDROOM	A-15	A-19
CHASSIS	A-20	A-24
CURTAIN & CUSHION	B-01	B-12
DINETTE	B-13	B-14
DRIVERS COMPARTMENT	B-15	B-18
ELECTRICAL	B-17	B-20
EXTERIOR BODY	B-21	C-04
GALLEY	C-05	C-09
GENERATOR		C-10
HEATING & A/C	C-11	C-12
INTERIOR FINISH	C-13	C-16
LABELS	C-17	C-23
LP		C-24
LOUNGE	D-01	D-03
SEALANTS & FASTENERS	D-04	D-06
WATER & SEWAGE	D-07	D-10
WINDOW, VENT AND EXTERIOR DOOR	D-11	E-02

CURTAIN & CUSHION GROUP (CONTINUED)

CURTAINS & WINDOW TREATMENT



1993 WINNEBAGO TABLE OF CONTENTS

INTRODUCTION	A-01	A-02
ABBREVIATIONS		A-03
ALPHABETICAL INDEX	A-04	A-06
WF528RQ	A-07	E-02

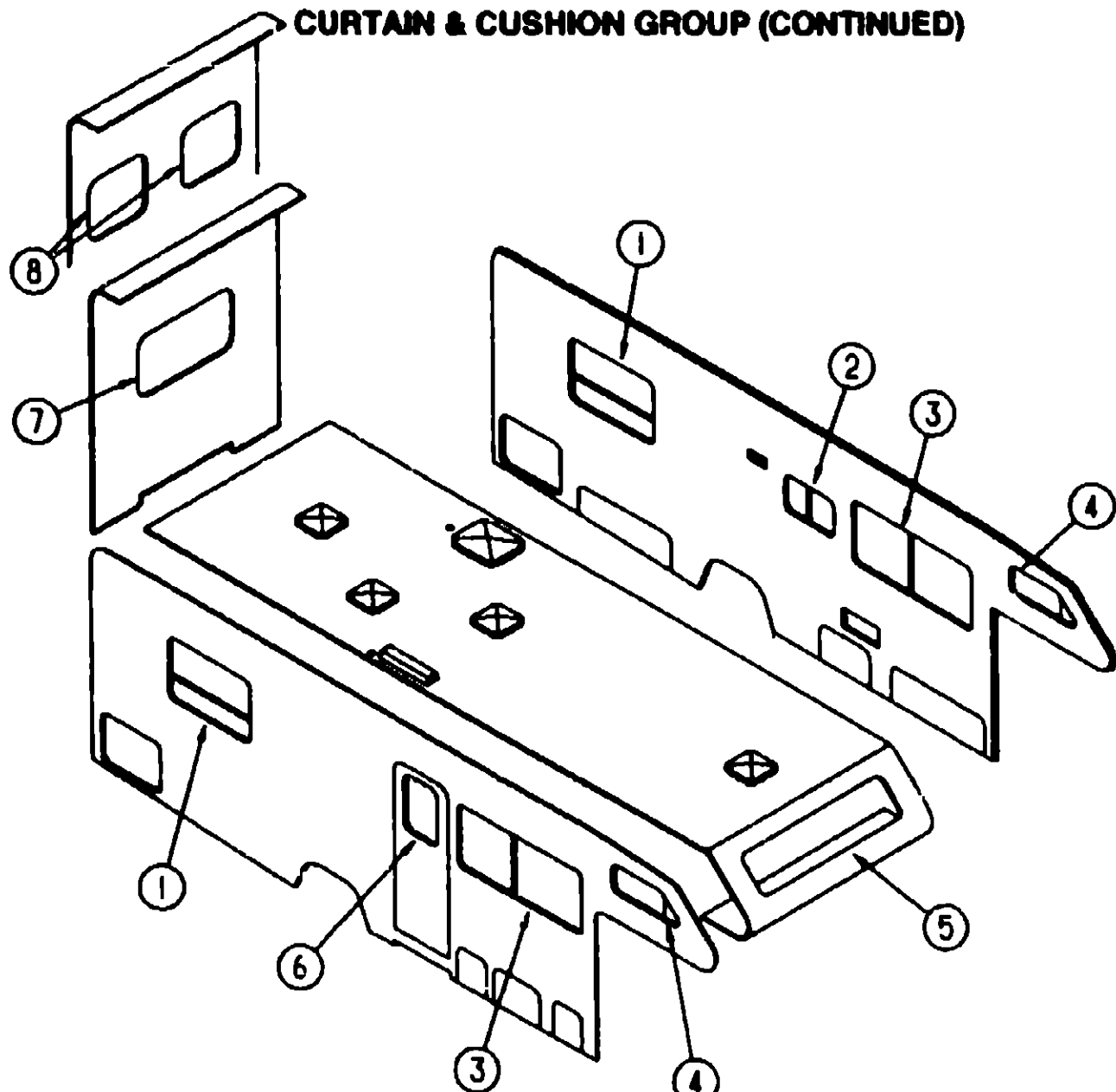
1993 WF528RQ INDEX

FLOOR PLAN	A-07	A-08
ACCESSORIES		A-09
AUDIO VIDEO		A-10
BATH	A-11	A-14
BEDROOM	A-15	A-19
CHASSIS	A-20	A-24
CURTAIN & CUSHION	B-01	B-12
DINETTE	B-13	B-14
DRIVERS COMPARTMENT	B-15	B-18
ELECTRICAL	B-17	B-20
EXTERIOR BODY	B-21	C-04
GALLEY	C-05	C-09
GENERATOR		C-10
HEATING & A/C	C-11	C-12
INTERIOR FINISH	C-13	C-18
LABELS	C-17	C-23
LP		C-24
LOUNGE	D-01	D-03
SEALANTS & FASTENERS	D-04	D-06
WATER & SEWAGE	D-07	D-10
WINDOW, VENT AND EXTERIOR DOOR	D-11	E-02

KEY	PART NUMBER	U/M DESCRIPTION
1	104657-01-D15	EA VALANCE-WINDOW, 45" - QUEEN BED (D08)
1	104657-08-D16	EA VALANCE-WINDOW, 45" - QUEEN BED (D07)
1	104657-01-D17	EA VALANCE-WINDOW, 45" - QUEEN BED (D08)
1	104657-03-D15	EA VALANCE-WINDOW, 45" - TWIN BED OPTION (D08)
1	104657-09-D16	EA VALANCE-WINDOW, 45" - TWIN BED OPTION (D07)
1	104657-03-D17	EA VALANCE-WINDOW, 45" - TWIN BED OPTION (D08)
1	100281-87-D08	EA LEG-WINDOW, RIGHT SIDE - 27" - W/HOLE (D08) FROM: 00-00-00 THRU 11-12-92
1	109234-01-D15	EA LEG-WINDOW, RIGHT SIDE - 31 5" - W/HOLE (D08) FROM 11-13-92 THRU. 99-99-99
1	100281-87-D07	EA LEG WINDOW, RIGHT SIDE - 27" - W/HOLE (D07) FROM: 00-00-00 THRU. 11-12-92
1	109234-01-D16	EA LEG-WINDOW, RIGHT SIDE - 31 5" - W/HOLE (D07) FROM 11-13-92 THRU 99 99 99
1	100281-15-D08	EA LEG-WINDOW, RIGHT SIDE - 27" - W/HOLE (D08) FROM: 00-00-00 THRU 11-12-92
1	100281-19-D17	EA LEG-WINDOW, RIGHT SIDE - 31 5" - W/HOLE (D08) FROM: 11-13-92 THRU 99-99-99

1	100281-89-D08	EA LEG-WINDOW, LEFT SIDE - 27" - W/HOLE (D08) FROM 00-00-00 THRU: 11-12-92
1	109234-02-D15	EA LEG-WINDOW, LEFT SIDE - 31 5" - W/HOLE (D08) FROM 11-13-92 THRU 99-99-99
1	100281-89-D07	EA LEG-WINDOW, LEFT SIDE - 27" - W/HOLE (D07) FROM 00-00-00 THRU 11-12-92
1	109234-02-D16	EA LEG-WINDOW, LEFT SIDE - 31 5" - W/HOLE (D07) FROM 11-13-92 THRU 99-99-99
1	100281-16-D08	EA LEG-WINDOW, LEFT SIDE - 27" - W/HOLE (D08) FROM 00-00-00 THRU 11-12-92
1	100281-20-D17	EA LEG-WINDOW, LEFT SIDE - 31 5" - W/HOLE (D08) FROM 11-13-92 THRU 99-99-99
1	098335-87-D29	EA BLIND-PLEATED, 39 5" X 36" DROP - QUEEN BED (D08)
1	098335-87-D07	EA BLIND-PLEATED, 39 5" X 35" DROP - QUEEN BED (D07)
1	098335-87-D08	EA BLIND-PLEATED, 39 5" X 35" DROP - QUEEN BED (D08)
2	093475-90-05A	EA BLIND-VENETIAN, 27" X 17 5" DROP (D08, D07) FROM 00-00-00 THRU 11-08-92
2	093475-32-16A	EA BLIND-VENETIAN, 27" X 17 5" DROP (D08, D07) FROM 11-09-92 THRU 99-99-99
2	093475-90-04A	EA BLIND-VENETIAN, 27" X 17 5" DROP (D08) FROM 00-00-00 THRU 11-08-92
2	093475-32-15A	EA BLIND-VENETIAN, 27" X 17 5" DROP (D08) FROM 11-09-92 THRU 99-99-99
3	103988-45-D08	EA VALANCE-WINDOW, 85" - W/BRASS U-CHANNEL
3	103988-45-D07	EA VALANCE-WINDOW, 85" - W/BRASS U-CHANNEL
3	103988-27-D08	EA VALANCE-WINDOW, 85" - W/BRASS U-CHANNEL
3	100281-96-D08	EA LEG-WINDOW, RIGHT SIDE - W/BRASS U-CHANNEL - 27" - W/O HOLE
3	100281-96-D07	EA LEG-WINDOW, RIGHT SIDE - W/BRASS U-CHANNEL - 27" - W/O HOLE
3	100281-98-D08	EA LEG-WINDOW, RIGHT SIDE - W/BRASS U-CHANNEL - 27" - W/O HOLE
3	100281-97-D08	EA LEG-WINDOW, LEFT SIDE - W/BRASS U-CHANNEL - 27" - W/O HOLE
3	100281-97-D07	EA LEG-WINDOW, LEFT SIDE - W/BRASS U-CHANNEL - 27" - W/O HOLE
3	100281-99-D08	EA LEG-WINDOW, LEFT SIDE - W/BRASS U-CHANNEL - 27" - W/O HOLE
3	098335-59-D08	EA BLIND-PLEATED, 80" X 28 5" DROP
3	098335-59-D07	EA BLIND-PLEATED, 80" X 28 5" DROP
3	098335-59-D08	EA BLIND-PLEATED, 80" X 28 5" DROP
4	097878-45-D08	EA VALANCE-WINDOW, DRIVER - 5 5" X 43" - W/BRASS U-CHANNEL ON BOTTOM
4	097878-45-D07	EA VALANCE-WINDOW, DRIVER - 5 5" X 43" - W/BRASS U-CHANNEL ON BOTTOM
4	097878-45-D08	EA VALANCE-WINDOW, DRIVER - 5 5" X 43" - W/BRASS U-CHANNEL ON BOTTOM
4	097878-44-D08	EA VALANCE-WINDOW, PASS - 5 5" X 43" - W/BRASS U-CHANNEL ON BOTTOM
4	097878-44-D07	EA VALANCE-WINDOW, PASS - 5 5" X 43" - W/BRASS U-CHANNEL ON BOTTOM
4	097878-44-D08	EA VALANCE-WINDOW, PASS - 5 5" X 43" - W/BRASS U-CHANNEL ON BOTTOM
4	101034-27-D08	EA CURTAIN-TAPE TOP & BOTTOM - RIGHT SIDE - 18" X 25" (1 PER WINDOW)
4	101034-28-D08	EA CURTAIN-TAPE TOP & BOTTOM - LEFT SIDE - 18" X 25" (1 PER WINDOW)
5	097878-43-D08	EA VALANCE-WINDOW, 7" X 85 5" - W/BRASS U-CHANNEL ON BOTTOM
5	097878-43-D07	EA VALANCE-WINDOW, 7" X 85 5" - W/BRASS U-CHANNEL ON BOTTOM
5	097878-43-D08	EA VALANCE-WINDOW, 7" X 85 5" - W/BRASS U-CHANNEL ON BOTTOM
5	101034-25-D08	EA CURTAIN-TAPE TOP & BOTTOM, RIGHT SIDE - 22" X 60" (1 PER WINDOW)
5	101034-26-D08	EA CURTAIN-TAPE TOP & BOTTOM, LEFT SIDE - 22" X 60" (1 PER WINDOW)
6	084755-57-DA4	EA SHADE-PULL, 27 25" (D08, D07, D08) FROM 00-00-00 THRU 01-03-93
6	084755-57-DA5	EA SHADE-PULL, 27 25" (D08, D07, D08) FROM 01-04-93 THRU 99-99-99

CURTAIN & CUSHION GROUP (CONTINUED)



CURTAINS & WINDOW TREATMENT (CONTINUED)

KEY	PART NUMBER	U/M DESCRIPTION
7	104657-02-D15	EA VALANCE-WINDOW, 52" (D08)
7	104657-07-D16	EA VALANCE-WINDOW, 52" (D07)
7	104657-02-D17	EA VALANCE-WINDOW, 52" (D08)
7	100281-82-D15	EA LEG-WINDOW, RIGHT SIDE - W/O HOLE - 31 5" (D08)
7	100281-82-D16	EA LEG-WINDOW, RIGHT SIDE - W/O HOLE - 31 5" (D07)
7	100281-17-D17	EA LEG-WINDOW, RIGHT SIDE - W/O HOLE - 31 5" (D08)
7	100281-83-D15	EA LEG-WINDOW, LEFT SIDE - W/O HOLE - 31 5" (D08)
7	100281-83-D16	EA LEG-WINDOW, LEFT SIDE - W/O HOLE - 31 5" (D07)
7	100281-18-D17	EA LEG-WINDOW, LEFT SIDE - W/O HOLE - 31 5" (D08)
7	096335-62-D06	EA BLIND-PLEATED, 48" X 30" DROP
7	096335-62-D07	EA BLIND-PLEATED, 48" X 30" DROP
7	096335-62-D08	EA BLIND-PLEATED, 48" X 30" DROP
8	104657-12-D06	EA VALANCE-WINDOW, 29"
8	104657-13-D07	EA VALANCE-WINDOW, 29"
8	104657-12-D08	EA VALANCE-WINDOW, 29"
8	100281-82-D15	EA LEG-WINDOW, RIGHT SIDE - W/O HOLE - 31.5" (D08)
8	100281-82-D16	EA LEG-WINDOW, RIGHT SIDE - W/O HOLE - 31 5" (D07)
8	100281-17-D17	EA LEG-WINDOW, RIGHT SIDE - W/O HOLE - 31 5" (D08)
8	100281-83-D15	EA LEG-WINDOW, LEFT SIDE - W/O HOLE - 31 5" (D08)
8	100281-83-D16	EA LEG-WINDOW, LEFT SIDE - W/O HOLE - 31.5" (D07)
8	100281-18-D17	EA LEG-WINDOW, LEFT SIDE - W/O HOLE - 31 5" (D08)
8	096335-66-D06	EA BLIND-PLEATED, 25" X 29" DROP
8	096335-66-D07	EA BLIND-PLEATED, 25" X 29" DROP
8	096335-66-D08	EA BLIND-PLEATED, 25" X 29" DROP

CURTAIN & CUSHION GROUP (CONTINUED)

CURTAINS & WINDOW TREATMENT (CONTINUED)

KEY	PART NUMBER	U/M DESCRIPTION
	076882-18-D06	EA CURTAIN-SNAP TOP, WINGWALL PRIVACY - W/LINING - 50" X 72"
	101688-39-D06	EA CURTAIN-TAPE TOP, WINDSHIELD PRIVACY - PASSENGER SIDE - 30" X 50"
	101688-40-D06	EA CURTAIN-TAPE TOP, WINDSHIELD PRIVACY - DRIVER SIDE - 30" X 50"
	073260-23-D06	EA TIEBACK-WINDSHIELD PRIVACY CURTAIN, 3" X 18"
	057534-01-000	EA TIEBACK/TIEDOWN-BED/CURTAIN, 6" - PLASTIC - CLEAR

ASSIST HANDLE, BUTTONS & SEATBELTS

KEY	PART NUMBER	U/M DESCRIPTION
	070578-06-B05	EA BUTTON-#30, VINYL - OFF WHITE
	070578-01-C24	EA BUTTON-SCREW STUD, #30 - FABRIC - LIGHT NAVY (D08)
	070578-01-D07	EA BUTTON-SCREW STUD, #30 - FABRIC - ALBANY (D07)
	070578-01-B06	EA BUTTON-SCREW STUD, #30 - FABRIC - TEAL (D08)
	079349-04-C28	YD WELTING-FABRIC (D08)
	079349-04-D07	YD WELTING-FABRIC (D07)
	079349-04-D28	YD WELTING-FABRIC (D08)
	084415-39-000	YD TRIM-BRAID, CURTAIN - HERON BLUE (D06)
	084415-51-000	YD TRIM-BRAID, CURTAIN - PLATINUM (D07)
	084415-52-000	YD TRIM-BRAID, CURTAIN - WILLOW (D08)
	057534-01-000	EA TIEBACK/TIEDOWN-BED/CURTAIN/DOOR, 6" - CLEAR PLASTIC
	057534-06-000	EA TIEBACK/TIEDOWN-BED/CURTAIN/DOOR, 6" - BEIGE
	063552-02-AA8	EA HANDLE-ASSIST, INTERIOR - ENTRY DOOR - VINYL - OFF WHITE
	069178-02-000	EA BRACKET-MOUNTING, ASSIST HANDLE - L ANGLE - WHOLES - ST
	000C16-07-168	EA BOLT-CARRIAGE, ASSIST HANDLE - 7/16" - 14 X 1" ZN
	000D20-07-008	EA NUT-ACORN, ASSIST HANDLE - 7/16" X 14 ZN
	007021-01-000	EA BELT-SEAT, 2" X 90" - BLACK
	068271-01-000	EA BELT-SEAT, 2" X 102" - BLACK
	057759-01-000	EA WASHER BRACKET-SEAT BELT, 4" DIAMETER

FABRICS

KEY	PART NUMBER	U/M DESCRIPTION
	C72333-86-000	YD FABRIC-CURTAIN, 54" WIDE - MUSHROOM
	079680-01-000	YD FABRIC-VINYL, 54" WIDE - BEIGE
	103907-01-01A	YD FABRIC-VINYL, 54" WIDE - OFF WHITE
	087272-03-000	YD FABRIC-DRAPERY LINING, 54" WIDE - IVORY
	098008-85-000	YD FABRIC-UPHOLSTERY/CURTAIN, PLAIN - 54" WIDE - BLUE (D06)
	104233-27-000	YD FABRIC-UPHOLSTERY, PLAIN VELOUR - 54" WIDE - BLUE (D06)
	104233-97-000	YD FABRIC-UPHOLSTERY, FLOWER PATTERN VELOUR - 54" WIDE - BLUE (D06)
	104233-98-000	YD FABRIC-UPHOLSTERY, LINE PATTERN VELOUR - 54" WIDE - BLUE (D06)
	104233-94-000	YD FABRIC-UPHOLSTERY, FLOWER PATTERN VELOUR - 54" WIDE - BROWN (D07)
	104233-95-000	YD FABRIC-UPHOLSTERY, DOTTED PATTERN VELOUR - 54" WIDE - BROWN (D07)
	104233-96-000	YD FABRIC-UPHOLSTERY, PLAIN VELOUR - 54" WIDE - BROWN (D07)
	104233-30-000	YD FABRIC-UPHOLSTERY, PLAIN VELOUR - 54" WIDE - TEAL (D08)
	104233-99-000	YD FABRIC-UPHOLSTERY, FLOWER WOVEN PATTERN - 54" WIDE - BEIGE/GRAY (D08)
	108448-01-000	YD FABRIC-UPHOLSTERY, WOVEN PATTERN - 54" WIDE - TEAL (D08)
	105745-27-000	YD FABRIC-BEDSPREAD, FLOWER PATTERN - BLUE/PINK/SILVER (D06)
	105745-29-000	YD FABRIC-BEDSPREAD, LINE PATTERN - BEIGE/BLUE/PINK (D06)
	105745-25-000	YD FABRIC-BEDSPREAD, WEAVE PATTERN - CREAM/BROWN (D07)
	105745-26-000	YD FABRIC-BEDSPREAD, PATTERNED - GREEN/RUST (D07)
	105745-18-000	YD FABRIC-BEDSPREAD, PLAIN - GREEN (D08)
	105745-28-000	YD FABRIC-BEDSPREAD, PATTERNED - GREEN/BLUE/CREAM (D06)

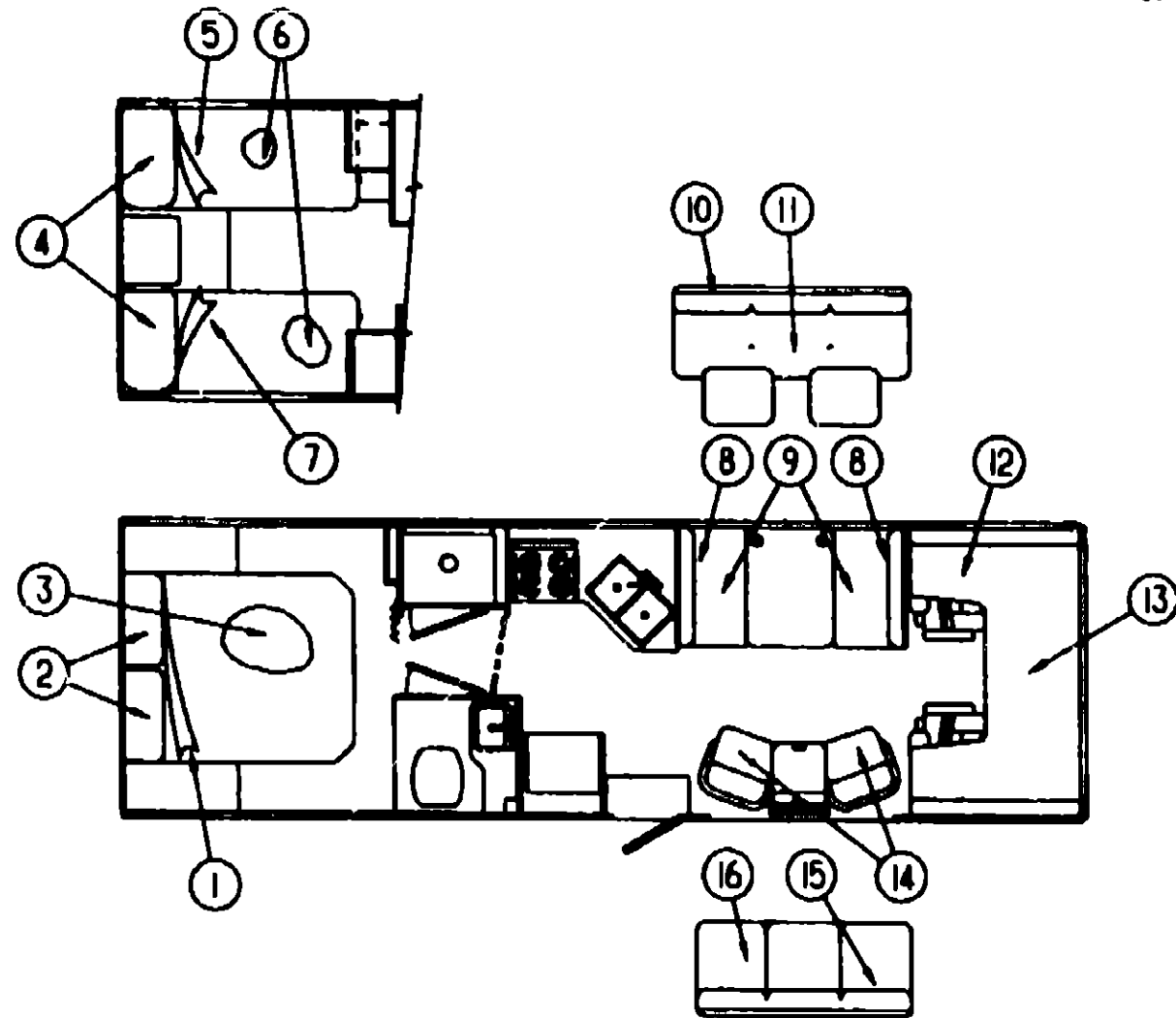
1993 WINNEBAGO TABLE OF CONTENTS

INTRODUCTION	A-01	A-02
ABBREVIATIONS		A-03
ALPHABETICAL INDEX	A-04	A-08
WF528RQ	A-07	E-02

1993 WF528RQ INDEX

FLOOR PLAN	A-07	A-08
ACCESSORIES		A-09
AUDIO VIDEO		A-10
BATH	A-11	A-14
BEDROOM	A-15	A-19
CHASSIS	A-20	A-24
CURTAIN & CUSHION	B-01	B-12
DINETTE	B-13	B-14
DRIVERS COMPARTMENT	B-15	B-16
ELECTRICAL	B-17	B-20
EXTERIOR BODY	B-21	C-04
GALLEY	C-05	C-09
GENERATOR		C-10
HEATING & A/C	C-11	C-12
INTERIOR FINISH	C-13	C-16
LABELS	C-17	C-23
LP		C-24
LOUNGE	D-01	D-03
SEALANTS & FASTENERS	D-04	D-06
WATER & SEWAGE	D-07	D-10
WINDOW, VENT AND EXTERIOR DOOR	D-11	E-02

CURTAIN & CUSHION GROUP (CONTINUED)



QUEEN BEDSPREAD, PILLOW & MATTRESS

KEY	PART NUMBER	U/M DESCRIPTION
1	109159-01-D06	EA BEDSPREAD-QUEEN, 80" W/8" RUFFLE - CUT CORNERS
1	109159-07-D07	EA BEDSPREAD-QUEEN, 80" W/8" RUFFLE - CUT CORNERS
1	109159-01-D08	EA BEDSPREAD-QUEEN, 80" W/8" RUFFLE - CUT CORNERS
2	081997-13-D08	EA PILLOW SHAM-W/4" RUFFLE
2	081997-16-D16	EA PILLOW SHAM-W/4" RUFFLE
2	081997-13-D08	EA PILLOW SHAM-W/4" RUFFLE
3	098176-09-000	EA MATTRESS-INNERSPRING, 80" X 74 5" - SEALY - CUT CORNERS

TWIN BEDSPREAD, PILLOW & MATTRESS

KEY	PART NUMBER	U/M DESCRIPTION
4	081997-13-D08	EA PILLOW SHAM-W/4" RUFFLE (D08)
4	081997-16-D16	EA PILLOW SHAM-W/4" RUFFLE (D07)
4	081997-13-D08	EA PILLOW SHAM-W/4" RUFFLE (D08)
5	083986-15-D15	EA BEDSPREAD-TWIN, 33" W/8" RUFFLE - LEFT SIDE (D08)
5	083986-15-D07	EA BEDSPREAD-TWIN, 33" W/8" RUFFLE - LEFT SIDE (D07)
5	083986-15-D08	EA BEDSPREAD-TWIN, 33" W/8" RUFFLE - LEFT SIDE (D08)
6	098176-01-000	EA MATTRESS-TWIN, 32" X 74"
7	083986-14-D15	EA BEDSPREAD-TWIN, 33" W/8" RUFFLE - RIGHT SIDE (D08)
7	083986-14-D07	EA BEDSPREAD-TWIN, 33" W/8" RUFFLE - RIGHT SIDE (D07)
7	083986-14-D08	EA BEDSPREAD-TWIN, 33" W/8" RUFFLE - RIGHT SIDE (D08)

THROW PILLOWS

KEY	PART NUMBER	U/M DESCRIPTION
	103889-08-D08	EA PILLOW-THROW, 15" X 15" - W/O RUFFLE
	103889-04-D07	EA PILLOW-THROW, 15" X 15" - W/O RUFFLE
	103889-04-D08	EA PILLOW-THROW, 15" X 15" - W/O RUFFLE
	104259-03-D08	EA PILLOW-THROW, 15" X 15" - W/RUFFLE
	104259-03-D07	EA PILLOW-THROW, 15" X 15" - W/RUFFLE
	104259-03-D08	EA PILLOW-THROW, 15" X 15" - W/RUFFLE

DINETTE CUSHIONS

KEY	PART NUMBER	U/M DESCRIPTION
8	104146-01-D15	EA CUSHION-BACKREST, 13.5" X 38" X 5" (D08)
8	104146-01-D07	EA CUSHION-BACKREST, 13.5" X 38" X 5" (D07)
8	104146-01-D08	EA CUSHION-BACKREST, 13.5" X 38" X 5" (D08)
	P04146-01-D15	EA COVER-CUSHION, BACKREST - 13.5" X 38" X 5" (D08)
	P04146-01-D07	EA COVER-CUSHION, BACKREST - 13.5" X 38" X 5" (D07)
	P04146-01-D08	EA COVER-CUSHION, BACKREST - 13.5" X 38" X 5" (D08)
	078155-01-000	EA STRAP-SNAP, BACKREST CUSHION
9	088927-87-D08	EA CUSHION-SEATBASE, 21" X 38" X 5"
9	088927-87-D07	EA CUSHION-SEATBASE, 21" X 38" X 5"
9	088927-87-D08	EA CUSHION-SEATBASE, 21" X 38" X 5"
	M88927-87-D08	EA COVER-CUSHION, SEATBASE - 21" X 38" X 5"
	M88927-87-D07	EA COVER-CUSHION, SEATBASE - 21" X 38" X 5"
	M88927-87-D08	EA COVER-CUSHION, SEATBASE - 21" X 38" X 5"

COUCH

KEY	PART NUMBER	U/M DESCRIPTION
10	100032-40-D08	EA BACKREST-COUCH, W/ARMRESTS - 74"
10	100032-40-D07	EA BACKREST-COUCH, W/ARMRESTS - 74"
10	100032-40-D08	EA BACKREST-COUCH, W/ARMRESTS - 74"
	P00032-40-D08	EA COVER-BACKREST, W/ARMRESTS - 74"
	P00032-40-D07	EA COVER-BACKREST, W/ARMRESTS - 74"
	P00032-40-D08	EA COVER-BACKREST, W/ARMRESTS - 74"
	101085-10-000	EA FRAME-BACK, COUCH - 74.5"
11	100032-41-D08	EA SEAT-COUCH, W/O BACKREST - 74"
11	100032-41-D07	EA SEAT-COUCH, W/O BACKREST - 74"
11	100032-41-D08	EA SEAT-COUCH, W/O BACKREST - 74"
	P00032-41-D08	EA COVER-SEAT, COUCH - 74"
	P00032-41-D07	EA COVER-SEAT, COUCH - 74"
	P00032-41-D08	EA COVER-SEAT, COUCH - 74"
	101085-04-000	EA FRAME-SEAT, COUCH - 74.75"
	101085-06-000	EA FRAME-BASE, COUCH - 74.75"

BUNK CUSHIONS

KEY	PART NUMBER	U/M DESCRIPTION
12	105573-10-D08	EA CUSHION-BUNK, REAR - 27" X 23" X 80" X 5"
12	105573-10-D07	EA CUSHION-BUNK, REAR - 27" X 23" X 80" X 5"
12	105573-10-D08	EA CUSHION-BUNK, REAR - 27" X 23" X 80" X 5"
	P05573-10-D08	EA COVER-CUSHION, BUNK - REAR - 27" X 23" X 80" X 5"
	P05573-10-D07	EA COVER-CUSHION, BUNK - REAR - 27" X 23" X 80" X 5"
	P05573-10-D08	EA COVER-CUSHION, BUNK - REAR - 27" X 23" X 80" X 5"
	094858-02-D08	EA HANDLE-OAK, 352MM LONG
13	105573-09-D08	EA CUSHION-BUNK, FRONT - 32.5" X 80" X 5"
13	105573-09-D07	EA CUSHION-BUNK, FRONT - 32.5" X 80" X 5"
13	105573-09-D08	EA CUSHION-BUNK, FRONT - 32.5" X 80" X 5"
	P05573-09-D08	EA COVER-CUSHION, BUNK - FRONT - 32.5" X 80" X 5"
	P05573-09-D07	EA COVER-CUSHION, BUNK - FRONT - 32.5" X 80" X 5"
	P05573-09-D08	EA COVER-CUSHION, BUNK - FRONT - 32.5" X 80" X 5"

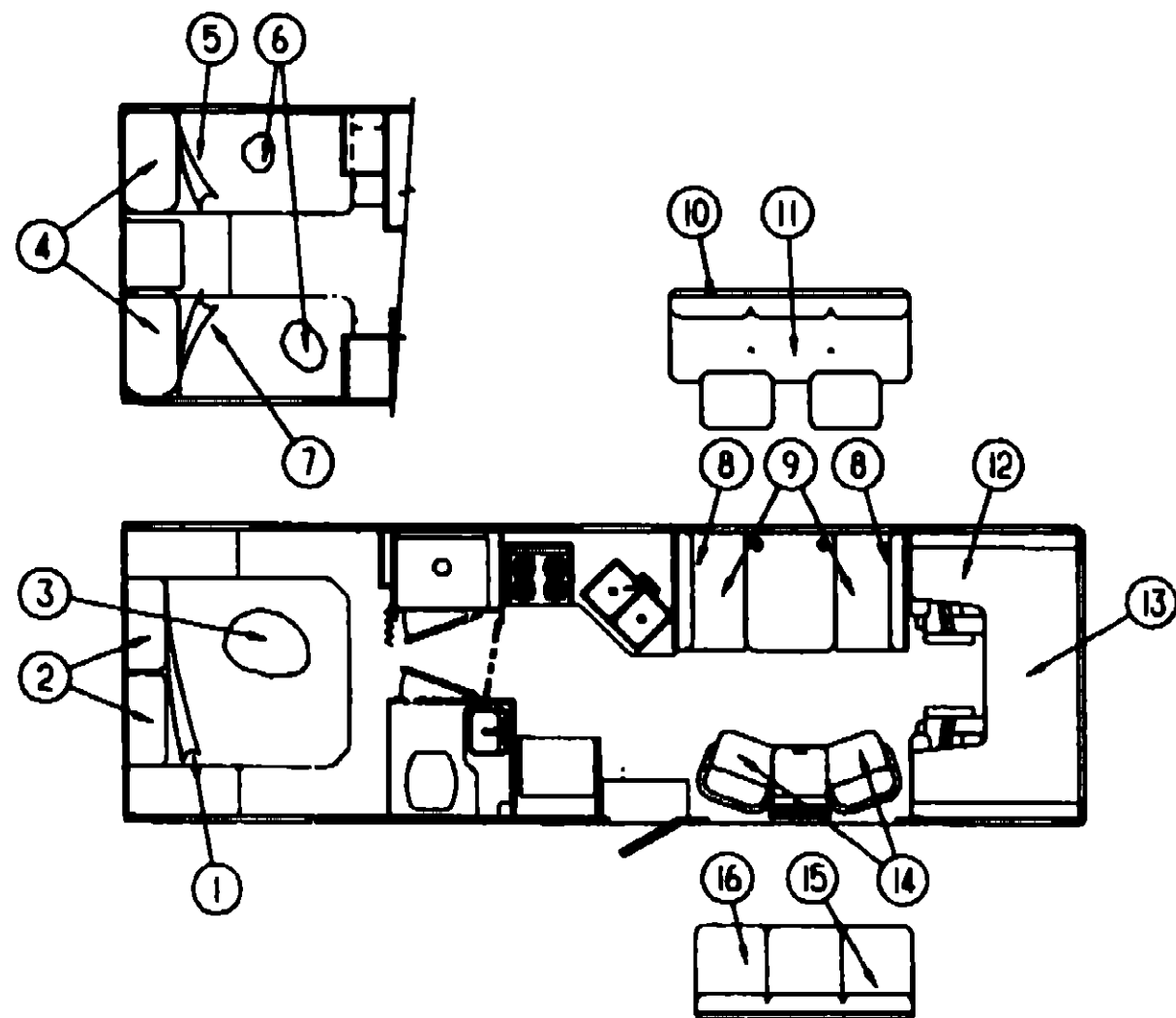
**1993 WINNEBAGO
TABLE OF CONTENTS**

INTRODUCTION	A-01 - A-02
ABBREVIATIONS	A-03
ALPHABETICAL INDEX	A-04 - A-06
WF528RQ	A-07 - E-02

1993 WF528RQ INDEX

FLOOR PLAN	A-07 - A-08
ACCESSORIES	A-09
AUDIO VIDEO	A-10
BATH	A-11 - A-14
BEDROOM	A-15 - A-19
CHASSIS	A-20 - A-24
CURTAIN & CUSHION	B-01 - B-12
DINETTE	B-13 - B-14
DRIVERS COMPARTMENT	B-15 - B-16
ELECTRICAL	B-17 - B-20
EXTERIOR BODY	B-21 - C-04
GALLEY	C-05 - C-09
GENERATOR	C-10
HEATING & A/C	C-11 - C-12
INTERIOR FINISH	C-13 - C-16
LABELS	C-17 - C-23
LP	C-24
LOUNGE	D-01 - D-03
SEALANTS & FASTENERS	D-04 - D-06
WATER & SEWAGE	D-07 - D-10
WINDOW, VENT AND EXTERIOR DOOR	D-11 - E-02

CURTAIN & CUSHION GROUP (CONTINUED)



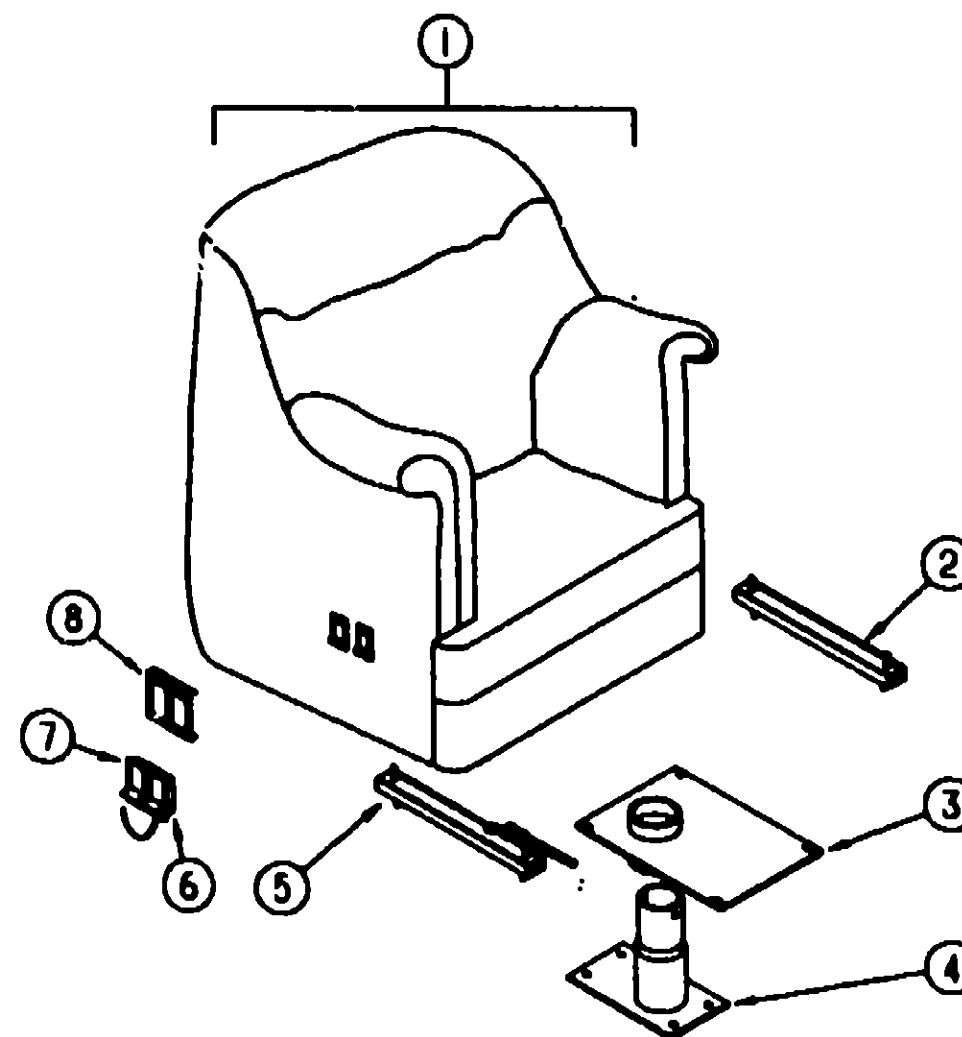
SWIVEL CHAIR

KEY	PART NUMBER	U/M	DESCRIPTION
14	107891-03-D06	EA	CHAIR-SWIVEL, W/O PEDESTAL
14	107891-03-D07	EA	CHAIR-SWIVEL, W/O PEDESTAL
14	107891-03-D08	EA	CHAIR-SWIVEL, W/O PEDESTAL

COUCH

KEY	PART NUMBER	U/M	DESCRIPTION
15	100032-38-D06	EA	BACKREST-COUCH, W/ARMRESTS - 66 5"
15	100032-38-D07	EA	BACKREST-COUCH, W/ARMRESTS - 66 5"
15	100032-38-D08	EA	BACKREST-COUCH, W/ARMRESTS - 66 5"
	P00032-38-D06	EA	COVER-BACKREST, W/ARMRESTS - 66 5"
	P00032-38-D07	EA	COVER-BACKREST, W/ARMRESTS - 66 5"
	P00032-38-D08	EA	COVER-BACKREST, W/ARMRESTS - 66 5"
	101085-09-000	EA	FRAME-BACK, COUCH - 66 5"
16	100032-39-D06	EA	SEAT-COUCH, W/O BACKREST - 66 5"
16	100032-39-D07	EA	SEAT-COUCH, W/O BACKREST - 66 5"
16	100032-39-D08	EA	SEAT-COUCH, W/O BACKREST - 66 5"
	P00032-39-D06	EA	COVER-SEAT, COUCH - 66 5"
	P00032-39-D07	EA	COVER-SEAT, COUCH - 66 5"
	P00032-39-D08	EA	COVER-SEAT, COUCH - 66 5"
	101085-01-000	EA	FRAME-SEAT, COUCH - 66 5"
	101085-03-000	EA	FRAME-BASE, COUCH - 66 5"

CURTAIN & CUSHION GROUP (CONTINUED)



SWIVEL CHAIR

KEY	PART NUMBER	U/M	DESCRIPTION
1	107891-03-D06	EA	CHAIR-SWIVEL, W/O PEDESTAL & SKIRT
1	107891-03-D07	EA	CHAIR-SWIVEL, W/O PEDESTAL & SKIRT
1	107891-03-D08	EA	CHAIR-SWIVEL, W/O PEDESTAL & SKIRT
	P07891-03-D06	EA	COVER-CHAIR, SWIVEL
	P07891-03-D07	EA	COVER-CHAIR, SWIVEL
	P07891-03-D08	EA	COVER-CHAIR, SWIVEL
2	069245-06-000	EA	ADJUSTER-SWIVEL CHAIR, MANUAL - FORWARD & BACK
3	107921-06-000	EA	TOP PLATE-W/O SEAT BELT BAR - FLEXSTEEL 2759PDTP
	107921-06-000	EA	BEARING KIT, FLEXSTEEL
4	107921-01-000	EA	BASE-PEDESTAL, W/9 75" EXTENSION - FLEXSTEEL 3080 MSPD
5	069246-06-000	EA	ADJUSTER-SWIVEL CHAIR, FORWARD & BACK - SCHROCK
	069246-05-700	EA	SPRING-REMOTE SLIDE ADJUSTER, 9ST-TS-106-5
	069246-05-701	EA	CLIP ONLY-CABLE ASM, SLIDE ADJUSTER
6	108049-01-000	EA	CABLE-SWIVEL, W/SWITCH, 28" - FLEXSTEEL PED 23802
	108049-02-000	EA	CLIP-CABLE, PEDESTAL - FLEXSTEEL 2592-CA
7	069368-04-000	EA	CABLE-SLIDE, W/SWITCH - BUCKET SEAT
8	067883-02-000	EA	BRACKET-MOUNT, REMOTE
	107892-01-D06	EA	SKIRT-CHAIR, SWIVEL
	107892-01-D07	EA	SKIRT-CHAIR, SWIVEL
	107892-01-D08	EA	SKIRT-CHAIR, SWIVEL
	007221-01-000	EA	SPACER-SEAT, ADJUSTER - 4 USED PER SWIVEL CHAIR

**1993 WINNEBAGO
TABLE OF CONTENTS**

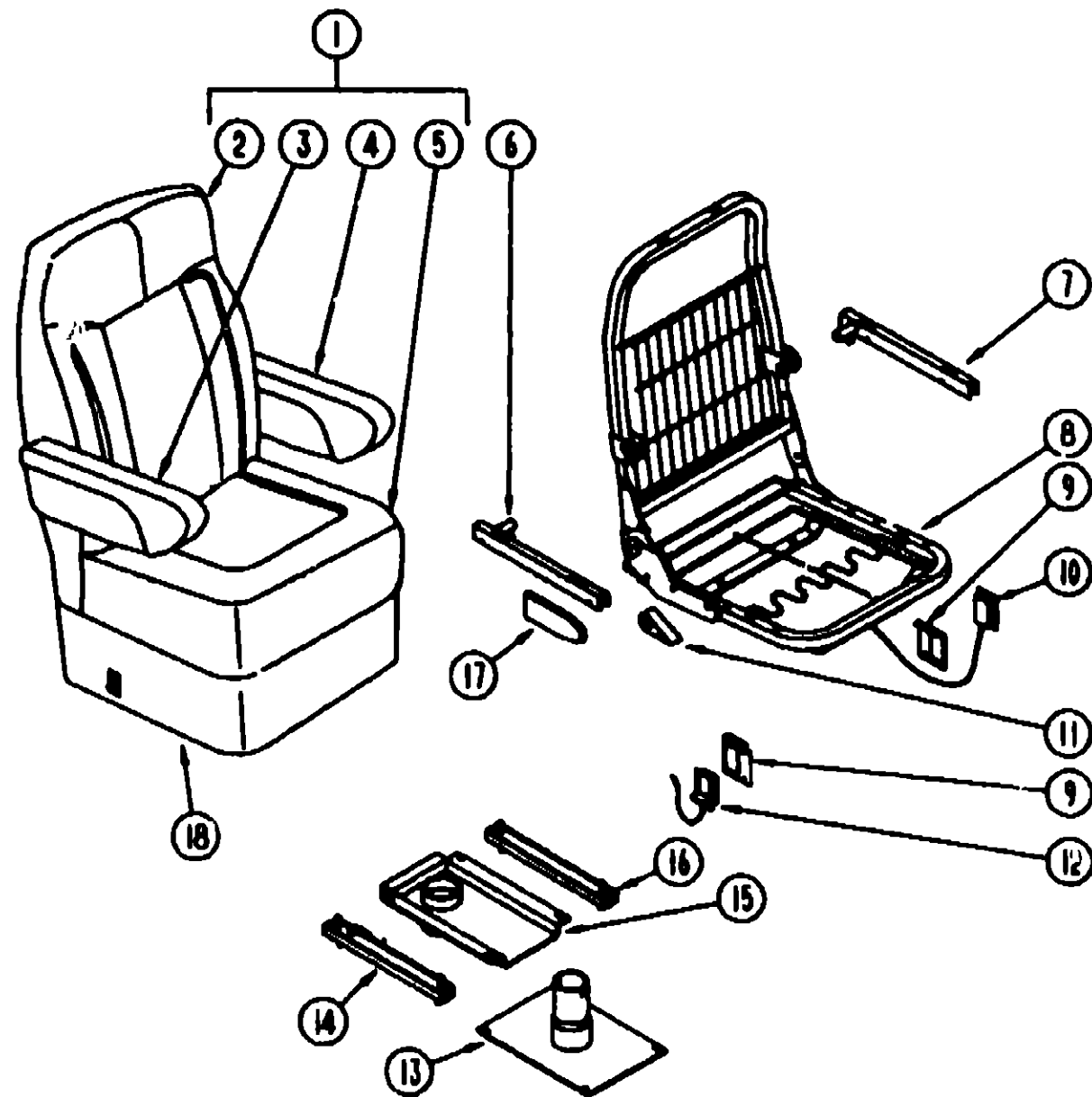
INTRODUCTION	A-01 - A-02
ABBREVIATIONS	A-03
ALPHABETICAL INDEX	A-04 - A-08
WF528RQ	A-07 - E-02

1993 WF528RQ INDEX

FLOOR PLAN	A-07 - A-08
ACCESSORIES	A-09
AUDIO VIDEO	A-10
BATH	A-11 - A-14
BEDROOM	A-15 - A-19
CHASSIS	A-20 - A-24
CURTAIN & CUSHION	B-01 - B-12
DINETTE	B-13 - B-14
DRIVERS COMPARTMENT	B-15 - B-18
ELECTRICAL	B-17 - B-20
EXTERIOR BODY	B-21 - C-04
GALLEY	C-05 - C-09
GENERATOR	C-10
HEATING & A/C	C-11 - C-12
INTERIOR FINISH	C-13 - C-16
LABELS	C-17 - C-23
LP	C-24
LOUNGE	D-01 - D-03
SEALANTS & FASTENERS	D-04 - D-06
WATER & SEWAGE	D-07 - D-10
WINDOW, VENT AND EXTERIOR DOOR	D-11 - E-02

CURTAIN & CUSHION GROUP (CONTINUED)

BUCKET SEATS



KEY	PART NUMBER	U/M	DESCRIPTION
3	080243-49-C28	EA	ARMREST-RIGHT SIDE, BUCKET SEAT (D08)
3	080243-49-D07	EA	ARMREST-RIGHT SIDE, BUCKET SEAT (D07)
3	080243-49-D11	EA	ARMREST-RIGHT SIDE, BUCKET SEAT (D08)
	M80243-49-C28	EA	COVER-ARMREST, RIGHT SIDE (D08)
	M80243-49-D07	EA	COVER-ARMREST, RIGHT SIDE (D07)
	M80243-49-D11	EA	COVER-ARMREST, RIGHT SIDE (D08)
4	080243-50-C28	EA	ARMREST-LEFT SIDE, BUCKET SEAT (D08)
4	080243-50-D07	EA	ARMREST-LEFT SIDE, BUCKET SEAT (D07)
4	080243-50-D11	EA	ARMREST-LEFT SIDE, BUCKET SEAT (D08)
	M80243-50-C28	EA	COVER-ARMREST, LEFT SIDE (D08)
	M80243-50-D07	EA	COVER-ARMREST, LEFT SIDE (D07)
	M80243-50-D11	EA	COVER-ARMREST, LEFT SIDE (D08)
5	M03445-71-D08	EA	COVER-SEAT, BUCKET SEAT
5	M03445-71-D07	EA	COVER-SEAT, BUCKET SEAT
5	M03445-71-D08	EA	COVER-SEAT, BUCKET SEAT
8	081288-01-000	EA	ROD & CHANNEL-ARMREST- RIGHT - METAL
7	081288-02-000	EA	ROD & CHANNEL-ARMREST- LEFT - METAL
	081361-01-000	EA	ROD-ARMREST- METAL - RIGHT OR LEFT HAND
8	M80908-08-000	EA	FRAME-SEAT & BACK & SPRING
8	M80908-07-000	EA	FRAME-SEAT & BACK & SPRING - RECLINING
9	097883-03-000	EA	BRACKET-REMOTE- SIDE MOUNT - SINGLE
10	089388-04-000	EA	SWITCH & CABLE-SLIDE, SHROCK
	080730-02-000	EA	RECLINER-SEAT BACK, LEFT HAND
11	080730-03-700	EA	HANDLE KIT-RECLINER
	080730-04-000	EA	SCREW-RECLINER, HANDLE - KEIPER 300818-07
12	108049-01-000	EA	SWITCH & CABLE-SWIVEL, 28° - FLEXSTEEL PED 23602
	108049-02-000	EA	CLIP-CABLE, PEDESTAL - FLEXSTEEL 2592-CA
13	089585-41-000	EA	PLATE-BASE
			FROM 00-00-00 THRU 02-21-93
	089585-03-000	EA	PEDESTAL-LOWER, W/EXTENSION - 9" X 5" - STEEL
			MOUNTS BETWEEN UPPER PEDESTAL AND BASEPLATE
			FROM 00-00-00 THRU 02-21-93
13	107921-09-000	EA	PEDESTAL ASM -SEAT FORD - W/BASE PLATE, EXTENSION & TOP PLATE
			FLEXSTEEL 3087-P0MB
			FROM 02-22-93 THRU 99-99-99
14	089248-05-000	EA	ADJUSTER-SEAT/CHAIR- W/REMOTE - FORWARD & BACK
	089248-05-700	EA	SPRING-ADJUSTER- FOR REMOTE
	089248-05-701	EA	CLIP-CABLE- FOR REMOTE
15	093481-04-000	EA	TOP PLATE-PEDESTAL, BUCKET SEAT - W/O SEATBELT BAR
			FROM 00-00-00 THRU 02-21-93
15	107921-09-000	EA	PEDESTAL ASM.-SEAT FORD - W/BASE PLATE, EXTENSION & TOP PLATE
			FLEXSTEEL 3087-P0MB
			FROM 02-22-93 THRU 99-99-99
18	089248-07-000	EA	ADJUSTER-SEAT/CHAIR- W/O LOCK - FORWARD & BACK
17	089389-08-000	EA	SHIELD-CABLE, REMOTE RECLINER - BUCKET SEAT
18	071128-37-D08	EA	SKIRT-BUCKET SEAT, 7" SINGLE (D08)
18	071128-37-D07	EA	SKIRT-BUCKET SEAT, 7" SINGLE (D07)
18	071128-37-D28	EA	SKIRT-BUCKET SEAT, 7" SINGLE (D08)

1993 WINNEBAGO TABLE OF CONTENTS

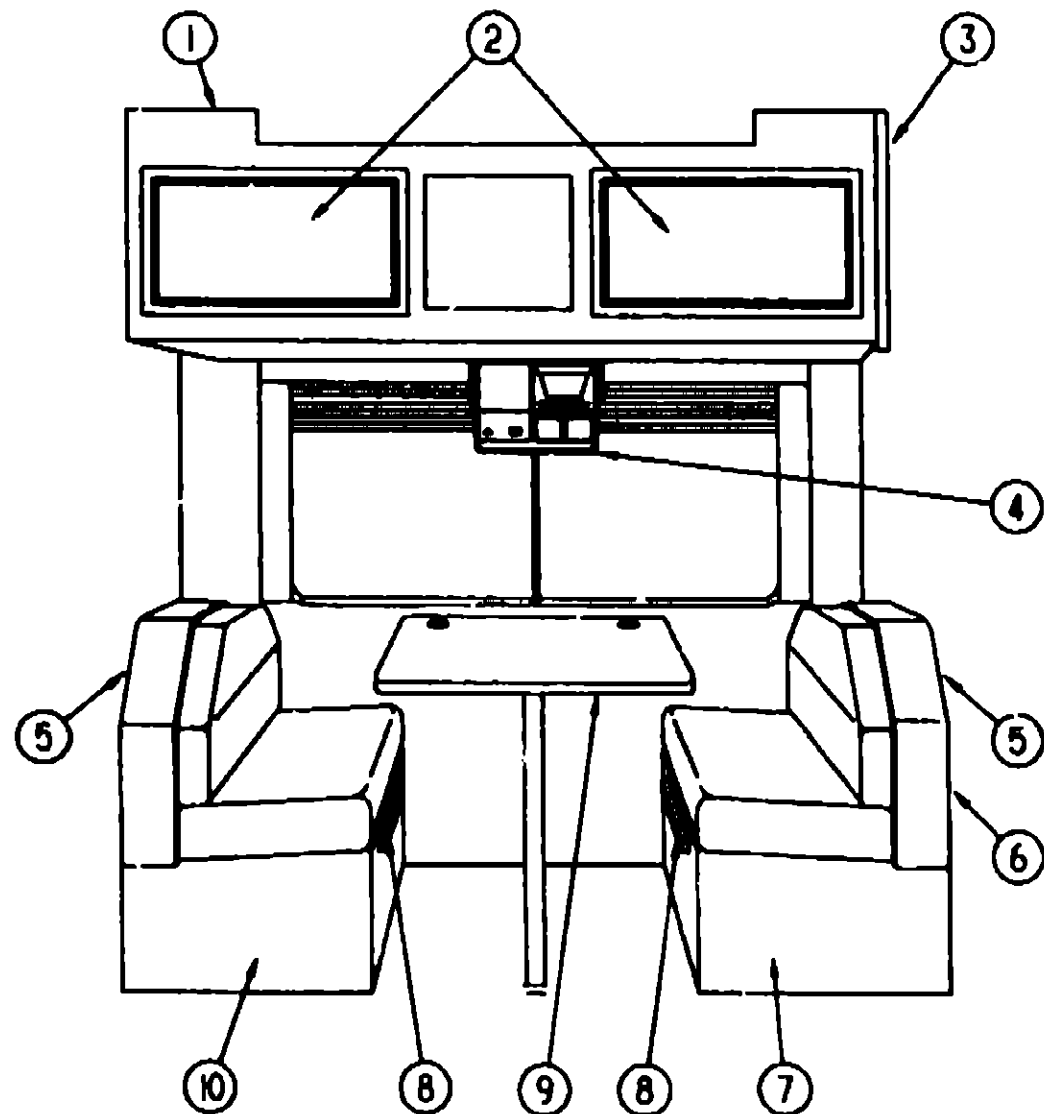
INTRODUCTION	A-01 - A-02
ABBREVIATIONS	A-03
ALPHABETICAL INDEX	A-04 - A-08
WF528RQ	A-07 - E-02

1993 WF528RQ INDEX

FLOOR PLAN	A-07 - A-08
ACCESSORIES	A-09
AUDIO VIDEO	A-10
BATH	A-11 - A-14
BEDROOM	A-15 - A-19
CHASSIS	A-20 - A-24
CURTAIN & CUSHION	B-01 - B-12
DINETTE	B-13 - B-14
DRIVERS COMPARTMENT	B-15 - B-18
ELECTRICAL	B-17 - B-20
EXTERIOR BODY	B-21 - C-04
GALLEY	C-05 - C-09
GENERATOR	C-10
HEATING & A/C	C-11 - C-12
INTERIOR FINISH	C-13 - C-16
LABELS	C-17 - C-23
LP	C-24
LOUNGE	D-01 - D-03
SEALANTS & FASTENERS	D-04 - D-06
WATER & SEWAGE	D-07 - D-10
WINDOW, VENT AND	
EXTERIOR DOOR	D-11 - E-02

KEY	PART NUMBER	U/M	DESCRIPTION
1	083909-45-D08	EA	SEAT-BUCKET, W/O PEDESTALS & SKIRTS
1	083909-45-D07	EA	SEAT-BUCKET, W/O PEDESTALS & SKIRTS
1	083909-45-D08	EA	SEAT-BUCKET, W/O PEDESTALS & SKIRTS
1	083909-46-D08	EA	SEAT-BUCKET, W/O PEDESTALS & SKIRTS (RECLINING OPTION)
1	083909-46-D07	EA	SEAT-BUCKET, W/O PEDESTALS & SKIRTS (RECLINING OPTION)
1	083909-46-D08	EA	SEAT-BUCKET, W/O PEDESTALS & SKIRTS (RECLINING OPTION)
2	M03445-70-D08	EA	COVER-BACK, BUCKET SEAT
2	M03445-70-D07	EA	COVER-BACK, BUCKET SEAT
2	M03445-70-D08	EA	COVER-BACK, BUCKET SEAT

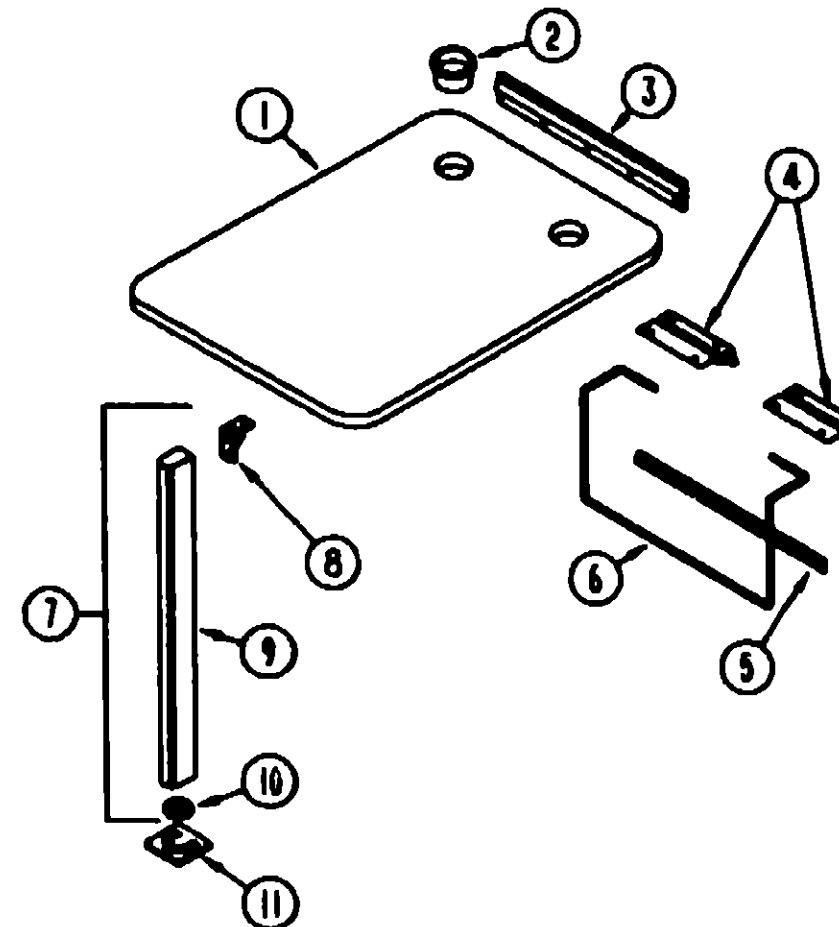
DINETTE GROUP



CABINETS, PADS & TABLE

KEY	PART NUMBER	U/M	DESCRIPTION
1	109818-02-D08	EA	CABINET-OVERHEAD, W/O DOOR & HARDWARE
1	109818-02-D07	EA	CABINET-OVERHEAD, W/O DOOR & HARDWARE
1	109818-02-D08	EA	CABINET-OVERHEAD, W/O DOOR & HARDWARE
2	P04748-A7-D08	EA	DOOR-CABINET, W/O HARDWARE - 290 X 715MM (MIRRORED)
2	P04748-B1-D08	EA	DOOR-CABINET, W/O HARDWARE - 290 X 715MM (WOOD PANEL)
3	104335-08-C03	EA	END CAP-CABINET, OVERHEAD
4	103799-01-02A	EA	COFFEE MAKER, ALMOND
	104810-01-000	EA	STRAP ASM-COFFEE MAKER
5	104787-08-D08	EA	PAD-BACKREST, DINETTE (D08)
5	104787-08-D07	EA	PAD-BACKREST, DINETTE (D07)
5	104787-08-D28	EA	PAD-BACKREST, DINETTE (D08)
6	M04174-44-D08	EA	CABINET-BACKREST, RIGHT SIDE
7	M04175-44-D08	EA	CABINET-SEATBASE, RIGHT SIDE
	081518-01-B03	EA	TOP-SEATBASE, WOOD
8	081295-01-AA8	EA	SUPPORT-TABLE, MOUNTED TO BOTH SEATBASE CABINETS
9	M02115-09-C12	EA	TABLE-DINETTE, W/O HARDWARE (D08)
9	M02115-09-D07	EA	TABLE-DINETTE, W/O HARDWARE (D07)
9	M02115-09-D09	EA	TABLE-DINETTE, W/O HARDWARE (D08)
10	M04175-45-D08	EA	CABINET-SEATBASE, LEFT SIDE
	103598-14-D08	EA	TOP-SEATBASE, WOOD
	070578-01-C24	EA	BUTTON ASM-SCREW STUD, #30 - FABRIC - LIGHT NAVY (D08)
	070578-01-D07	EA	BUTTON ASM-SCREW STUD, #30 - FABRIC - ALBANY (D07)
	070578-01-B08	EA	BUTTON ASM-SCREW STUD, #30 - FABRIC - TEAL (D08)

DINETTE GROUP (CONTINUED)



DINETTE TABLE

KEY	PART NUMBER	U/M	DESCRIPTION
1	M02115-09-C12	EA	TABLE-DINETTE, W/O HARDWARE (D08)
1	M02115-09-D07	EA	TABLE-DINETTE, W/O HARDWARE (D07)
1	M02115-09-D09	EA	TABLE-DINETTE, W/O HARDWARE (D08)
2	084781-08-000	EA	HOLDER-CUP, TWO STEP - OFF WHITE
3	053200-12-000	EA	BRACKET-TABLE SUPPORT, UPPER WALL MOUNTED - 23 5" - OFF WHITE
4	088410-02-000	EA	BRACKET-LIFT, TABLE MOUNTED - OFF WHITE
5	024281-14-000	EA	BRACKET-LIFT ROD, LOWER WALL MOUNTED - 22 12" - OFF WHITE
6	024275-12-000	EA	ROD-TABLE LIFT, OFF WHITE
7	092708-08-D81	EA	LEG-TABLE
8	093550-01-000	EA	BRACKET-HINGE, MOUNTS TO LEG & TABLE TOP - 1 7" X 2 8"
9	092707-04-02A	EA	MOLDING-OAK, RAMBLING
10	092593-01-05A	EA	CATCH-LEG, LEG MOUNTED - ROUND - 1 4" DIA - METAL - OFF WHITE
11	049493-12-000	EA	CATCH-LEG, FLOOR MOUNTED - 2 5" X 2 7" - METAL - OFF WHITE
	049493-11-700	EA	CATCH-LEG, FLOOR MOUNTED - 2 5" X 2 7" - METAL - E-COAT

**1993 WINNEBAGO
TABLE OF CONTENTS**

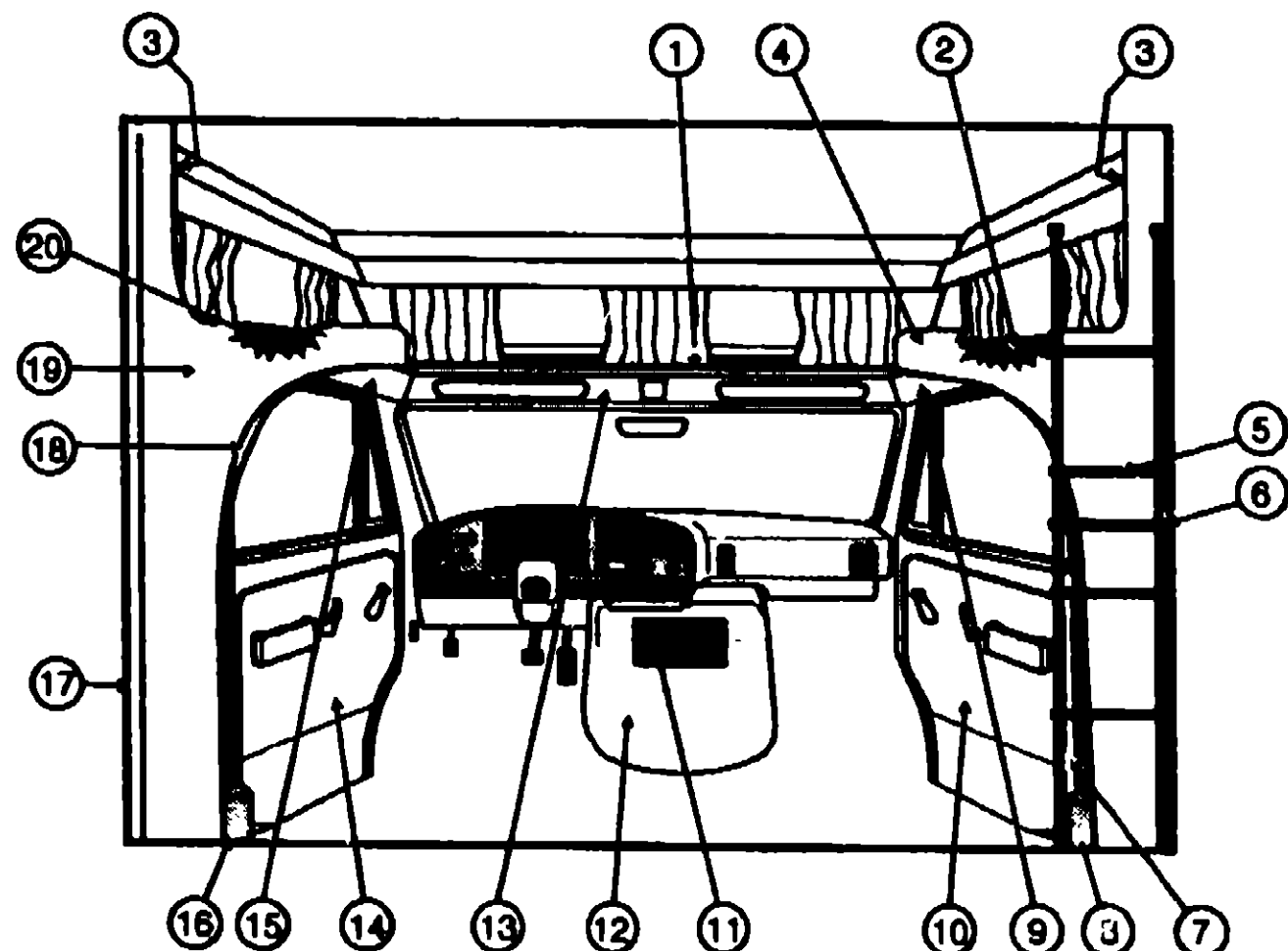
INTRODUCTION	A-01 - A-02
ABBREVIATIONS	A-03
ALPHABETICAL INDEX	A-04 - A-08
WF528RQ	A-07 - E-02

1993 WF528RQ INDEX

FLOOR PLAN	A-07 - A-08
ACCESSORIES	A-09
AUDIO VIDEO	A-10
BATH	A-11 - A-14
BEDROOM	A-15 - A-19
CHASSIS	A-20 - A-24
CURTAIN & CUSHION	B-01 - B-12
DINETTE	B-13 - B-14
DRIVERS COMPARTMENT	B-15 - B-18
ELECTRICAL	B-17 - B-20
EXTERIOR BODY	B-21 - C-04
GALLEY	C-05 - C-09
GENERATOR	C-10
HEATING & A/C	C-11 - C-12
INTERIOR FINISH	C-13 - C-16
LABELS	C-17 - C-23
LP	C-24
LOUNGE	D-01 - D-03
SEALANTS & FASTENERS	D-04 - D-06
WATER & SEWAGE	D-07 - D-10
WINDOW, VENT AND EXTERIOR DOOR	D-11 - E-02

DRIVERS COMPARTMENT GROUP

DRIVERS COMPARTMENT



KEY	PART NUMBER	U/M DESCRIPTION
6	069856-03-000	EA STRAP ASM-TIEDOWN, BUNK LADDER
7	108446-01-C03	EA TRIM ASM-CAB, B-PILLAR - RIGHT
8	108431-01-01A	EA COVER-SEATBELT RECOIL, RIGHT - OFF WHITE
9	108447-01-C03	EA TRIM ASM-CAB DOOR, UPPER - RIGHT
10	108432-01-D06	EA PANEL-DOOR, INNER - PASSENGER SIDE
10	108432-01-D07	EA PANEL-DOOR, INNER - PASSENGER SIDE
10	108432-01-D08	EA PANEL-DOOR, INNER - PASSENGER SIDE
11	107134-02-D06	EA TRAY-BEVERAGE, OAK - W/CASSETTE
12	069885-23-C24	EA COVER-MOTOR, W/POCKET (D06)
12	069885-23-D07	EA COVER-MOTOR, W/POCKET (D07)
12	069885-23-D28	EA COVER-MOTOR, W/POCKET (D08)
	046886-03-000	EA ASHTRAY-CHROME, WCOVER
13	108448-01-C03	EA HEADLINER-VINYL COVERED, FRONT - OFF WHITE
14	108432-02-D06	EA PANEL-DOOR, INNER - DRIVER SIDE
14	108432-02-D07	EA PANEL-DOOR, INNER - DRIVER SIDE
14	108432-02-D08	EA PANEL-DOOR, INNER - DRIVER SIDE
15	108447-02-C03	EA TRIM ASM-CAB DOOR, UPPER - LEFT
16	108431-02-01A	EA COVER-SEATBELT RECOIL, LEFT - OFF WHITE
17	082081-20-C52	EA COVER-WINGWALL, 2002MM LONG - VINYL - OFF WHITE
18	108446-02-C03	EA TRIM ASM-CAB, B-PILLAR - RIGHT
19	109803-01-D06	EA WINGWALL ASM-INNER, UPPER
19	109803-01-D07	EA WINGWALL ASM-INNER, UPPER
19	109803-01-D08	EA WINGWALL ASM-INNER, UPPER
19	109805-04-D06	EA WINGWALL ASM-INNER, RIGHT (D06, D07)
19	109805-04-D08	EA WINGWALL ASM-INNER, RIGHT (D08)
	108445-02-C03	EA TRIM ASM-WINGWALL WRAP, LEFT - BETWEEN CAB STEEL & B PILLAR TRIM
20	109894-01-D05	EA CABINET-HAMPER, FRONT (D06)
20	109894-01-D06	EA CABINET-HAMPER, FRONT (D07)
20	109894-01-D08	EA CABINET-HAMPER, FRONT (D08)

1993 WINNEBAGO TABLE OF CONTENTS

INTRODUCTION	A-01 - A-02
ABBREVIATIONS	A-03
ALPHABETICAL INDEX	A-04 - A-06
WF528RQ	A-07 - E-02

KEY	PART NUMBER	U/M DESCRIPTION
1	079900-07-000	EA TRIM-SLEEPERBOARD, INNER - OFF WHITE
1	080742-03-000	FT TRIM-VINYL, SLEEPERBOARD - OFF WHITE
2	108984-01-D06	EA PAD ASM -BUNK, OVERHEAD
2	108984-01-D07	EA PAD ASM -BUNK, OVERHEAD
2	108984-01-D08	EA PAD ASM -BUNK, OVERHEAD
3	082071-12-C52	EA TRIM-WINGWALL TO SIDEWALL, W/O BUTTONS - VINYL - OFF WHITE
4	109803-01-D06	EA WINGWALL ASM-INNER, UPPER
4	109803-01-D07	EA WINGWALL ASM-INNER, UPPER
4	109803-01-D08	EA WINGWALL ASM-INNER, UPPER
4	109805-03-D06	EA WINGWALL ASM-INNER, RIGHT LOWER (D06, D07)
4	109805-03-D08	EA WINGWALL ASM-INNER, RIGHT LOWER (D08)
	108445-01-C03	EA TRIM ASM-WINGWALL WRAP, RIGHT - BETWEEN CAB STEEL & B PILLAR TRIM
	109804-01-D06	EA CAP-SLEEPERBOARD, DRIVER/PASSENGER SIDE - 80 X 596MM
	109804-01-D07	EA CAP-SLEEPERBOARD, DRIVER/PASSENGER SIDE - 80 X 596MM
	109804-01-D08	EA CAP-SLEEPERBOARD, DRIVER/PASSENGER SIDE - 80 X 596MM
5	108025-02-01A	EA LADDER-BUNK, BLACK - 1322MM
	108025-01-700	EA BRACKET SET-BUNK LADDER

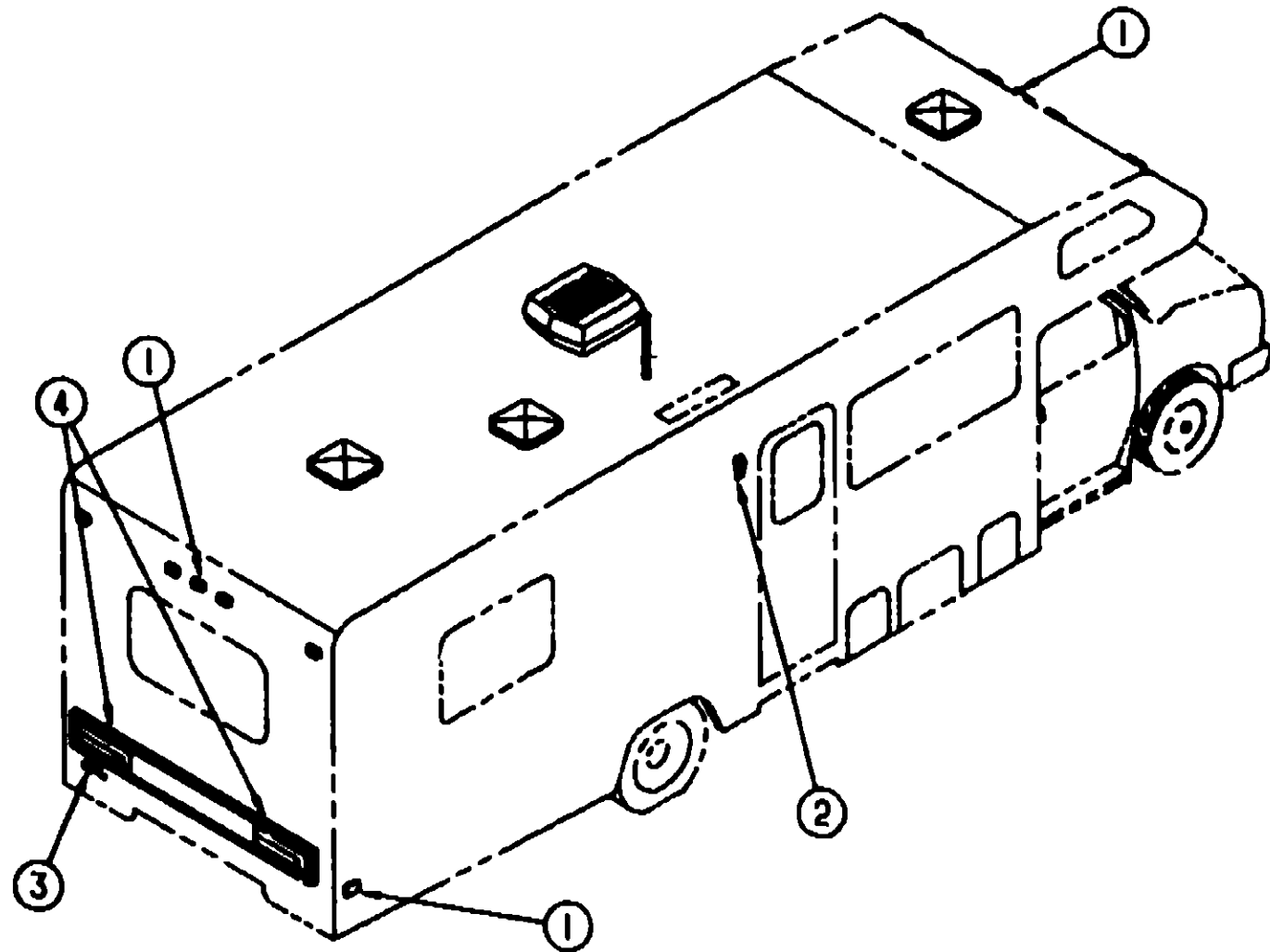
INSTRUMENT CLUSTERS

KEY	PART NUMBER	U/M DESCRIPTION
	094795-03-000	EA CLUSTER-INSTRUMENT PANEL, KILOMETER - FORD F2UF108498F FROM 00-00-00 THRU 01-31-93
	094795-04-000	EA CLUSTER-INSTRUMENT PANEL, KILOMETER - FORD 93 E350 FROM 02-01-93 THRU 99-99-99
	094795-01-000	EA SPEEDOMETER-KILOMETER (FORD)
	081082-01-000	EA PLAQUE-MOUNTING, BATTERY/FUEL SWITCH - 2 4" X 1 4" - BLK (FORD)
	100138-01-000	EA MODULE-DAYTIME RUNNING LIGHT
	024461-01-000	EA SWITCH-BATT, BATT/DUAL/MOM

1993 WF528RQ INDEX

FLOOR PLAN	A-07 - A-08
ACCESSORIES	A-09
AUDIO VIDEO	A-10
BATH	A-11 - A-14
BEDROOM	A-15 - A-19
CHASSIS	A-20 - A-24
CURTAIN & CUSHION	B-01 - B-12
DINETTE	B-13 - B-14
DRIVERS COMPARTMENT	B-15 - B-16
ELECTRICAL	B-17 - B-20
EXTERIOR BODY	B-21 - C-04
GALLEY	C-05 - C-09
GENERATOR	C-10
HEATING & A/C	C-11 - C-12
INTERIOR FINISH	C-13 - C-16
LABELS	C-17 - C-23
LP	C-24
LOUNGE	D-01 - D-03
SEALANTS & FASTENERS	D-04 - D-06
WATER & SEWAGE	D-07 - D-10
WINDOW, VENT AND EXTERIOR DOOR	D-11 - E-02

ELECTRICAL GROUP



EXTERIOR LIGHTS

KEY	PART NUMBER	U/M	DESCRIPTION
1	042405-02-000	EA	LENS-CLEARANCE/SIDEMARKER LIGHT, W/REFLEX - AMBER
1	091983-01-000	EA	GASKET-CLEARANCE/SIDEMARKER LIGHT
1	042405-01-000	EA	LENS-CLEARANCE/SIDEMARKER LIGHT, W/REFLEX - RED
1	042405-03-000	EA	BASE-CLEARANCE/SIDEMARKER LIGHT, WBULB - PLASTIC - WHITE
1	008213-01-000	EA	BULB
2	097917-01-01A	EA	LIGHT-PORCH, ENTRY DOOR - OFF WHITE
	008215-01-000	EA	BULB
	097917-01-700	EA	LENS
3	066432-01-000	EA	LIGHT-LICENSE PLATE, WBRACKET
	066432-03-000	EA	BRACKET-LIGHT, LICENSE PLATE
4	103545-01-01A	EA	TAIL LIGHT ASM-TRIPLE, HORIZONTAL - BARGMAN 30-84-103
	037934-01-000	EA	BULB-12V NO1156 2 10AMP
	037935-01-000	EA	BULB-12V NO1157 2 10AMP
	081838-01-700	EA	LENS-TAILLIGHT (RED)
	103545-01-700	EA	LENS-BACKUP

ELECTRICAL GROUP (CONTINUED)

INTERIOR LIGHTS & BULBS

KEY	PART NUMBER	U/M	DESCRIPTION
	104173-01-01A	EA	LIGHT-DESIGNER, BRASS - #81-905 *A.W. ASPLUND
	104172-01-01A	EA	LIGHT-BULLET, BEIGE - #767 SERIES - BULB #93 12V
	088280-01-000	EA	LIGHT-SURFACE MOUNT, 12V - JENSEN 1238
	088280-01-700	EA	BULB-12 VOLT, 6 WATT
	078424-02-000	EA	LIGHT-FLUORESCENT, 12V DC - 18" - ALMOND
	091937-03-000	EA	BULB-FLUORESCENT LIGHT, 12V - THIN LITE 736
	078424-02-701	EA	LENS-LIGHT, FLOURESCENT - 18"
	082189-01-000	EA	LIGHT-MAKE-UP, 3 BULB - JENSEN X148-18BR
	081833-01-700	EA	BULB-MAKE UP LIGHT, JENSEN
	098024-01-01A	EA	LIGHT-DOME, 1 BULB - US - IVORY
	098024-03-01A	EA	LIGHT-DOME, 2 BULB - IVORY
	008218-01-000	EA	BULB
	098024-01-700	EA	LENS-DOME LIGHT
	088280-01-000	EA	LIGHT-SURFACE MOUNT, 12V - JENSEN 1238
	088280-01-700	EA	BULB-12 VOLT, 6 WATT

SWITCHES & RECEPTACLES

KEY	PART NUMBER	U/M	DESCRIPTION
	079384-01-000	EA	SWITCH-ON/OFF ROCKER, 2 PRONGS - BROWN
	108358-02-01A	EA	ACTUATOR-SWITCH, DIMPLE II-CARLING VVAZCOU BLA
	108357-08-000	EA	SWITCH-ROCKER, DPDT - ON/NONE/ON - CARLING VDD1S00C-0
	098351-01-01A	EA	PLATE-SWITCH, 1 GANG - POLISHED BRASS
	098351-02-01A	EA	PLATE-SWITCH, 2 GANG - POLISHED BRASS
	098351-05-01A	EA	PLATE-SWITCH, 3 GANG - POLISH BRASS - JENSEN
	098351-08-01A	EA	PLATE-SWITCH, 2 GANG W/LABEL - JENSEN - POLISHED BRASS
	081994-02-000	EA	PLATE-SWITCH, EXTERIOR SHOWER
	075723-01-000	EA	SPACER-SWITCH, W/O HOLE - 2" X 9" X 2" - METAL - OFF WHITE
	075723-02-000	EA	SPACER-SWITCH, W/HOLE - .2" X .9" X 2" - METAL - OFF WHITE FOR ELECTRIC STEP DOOR JAMB SWITCH
	054250-04-000	EA	COVER-ANGLED, W/O HOLE - 3 8" X 4 5" - PLASTIC - OFF WHITE
	073828-04-000	EA	COVER-ELECTRIC, 10 4" X 7.8" - PLASTIC - BEIGE
	084078-01-000	EA	RECEPTACLE-GFI, 15A - 125V - IVORY
	084077-01-000	EA	PLATE-COVER, RECEPTACLE - GFI - IVORY
	058707-01-000	EA	RECEPTACLE-ELECTRIC, SINGLE - BROWN
	058708-01-010	EA	RECEPTACLE-ELECTRIC, DOUBLE - BROWN
	058708-02-000	EA	RECEPTACLE-ELECTRIC, DOUBLE - IVORY
	102588-01-B10	EA	SPACER-RECEPTACLE, BETWEEN SIDEWALL & PLATE - WOOD
	097734-01-01A	EA	EXTENSION-RECEPTACLE, 3 2" X 5" X 7" - PLASTIC - IVORY
	024924-02-000	EA	RECEPTACLE-POWER CORD, W/PARTIAL PLATE
	075738-02-000	EA	COVER-EXTERIOR RECEPTACLE, OFF WHITE

CONVERTERS & LOAD CENTER

KEY	PART NUMBER	U/M	DESCRIPTION
	083208-01-000	EA	CONVERTER-POWER, 32A - 120V/12V - BW 8332
	092615-01-000	EA	CONVERTER-40 AMP, W/CHARGER - B-W 32400P
	094809-01-000	EA	CENTER LOAD, 240V - 125A - TPL412CT

1993 WINNEBAGO TABLE OF CONTENTS

INTRODUCTION	A-01 - A-02
ABBREVIATIONS	A-03
ALPHABETICAL INDEX	A-04 - A-06
WF528RQ	A-07 - E-02

1993 WF528RQ INDEX

FLOOR PLAN	A-07 - A-08
ACCESSORIES	A-09
AUDIO VIDEO	A-10
BATH	A-11 - A-14
BEDROOM	A-15 - A-19
CHASSIS	A-20 - A-24
CURTAIN & CUSHION	B-01 - B-12
DINETTE	B-13 - B-14
DRIVERS COMPARTMENT	B-15 - B-16
ELECTRICAL	B-17 - B-20
EXTERIOR BODY	B-21 - C-04
GALLEY	C-05 - C-09
GENERATOR	C-10
HEATING & A/C	C-11 - C-12
INTERIOR FINISH	C-13 - C-18
LABELS	C-17 - C-23
LP	C-24
LOUNGE	D-01 - D-03
SEALANTS & FASTENERS	D-04 - D-06
WATER & SEWAGE	D-07 - D-10
WINDOW, VENT AND EXTERIOR DOOR	D-11 - E-02

ELECTRICAL GROUP (CONTINUED)

SOLENOID, FUSES & CIRCUIT BREAKERS

KEY	PART NUMBER	U/M	DESCRIPTION
	008188-01-000	EA	SOLENOID-3 POST, BATTERY CHANGE OVER
	083910-01-000	EA	HOUSING-RELAY, BOSCH 3 334 485 008
	008236-01-000	EA	FUSE-AUTOMOTIVE, 12V - 15AMP
	082801-02-000	EA	FUSE-5 AMP, AUTOMOTIVE
	082801-05-000	EA	FUSE-15 AMPS, AUTOMOTIVE
	100341-01-000	EA	FUSE HOLDER-IN LINE TYPE - WESCO 8931-02020
	083854-01-000	EA	BREAKER-CIRCUIT, 6 AMP - HOUSE CONTROL PANEL
	083855-02-000	EA	BREAKER-CIRCUIT, 30 AMP - HOUSE CONTROL PANEL
	083855-01-000	EA	BREAKER-CIRCUIT, 25 AMP
	083209-01-000	EA	BREAKER-CIRCUIT, 15 AMP, 120V - BW G-15 - CANADIAN
	083209-03-000	EA	BREAKER-CIRCUIT, 15/20AMP, 120V - BW G-15/20
	083209-04-000	EA	BREAKER-CIRCUIT, 30A - 120V - BW L-30
	083209-08-000	EA	BREAKER-CIRCUIT, 30/15 AMP - 120V - BW D-30/15
	083209-08-000	EA	BREAKER-CIRCUIT, BLANK - BW
	094810-01-000	EA	BREAKER-CIRCUIT, DOUBLE 30 AMP - GE THQL2130
	094811-01-000	EA	BREAKER-CIRCUIT, DOUBLE 20 AMP - GE THQL2120

POWER CORDS & ELECTRIC BOXES

KEY	PART NUMBER	U/M	DESCRIPTION
	008052-01-000	EA	CORD-POWER, 10/3 - 30 AMP - 25' - CANADIAN
	008054-01-000	EA	CORD-POWER, 10/3 - 30 AMP - 25'
	008288-01-000	EA	BOX-PLASTIC ELECTRIC, 3" X 3 1/2"
	008288-02-000	EA	BOX-PLASTIC ELECTRIC, 3 9/4" X 3 13" X 1 81"
	008289-01-000	EA	BOX-ELECTRIC, STEEL - 1/2" AND 3/4" KNOCKOUTS - 4" X 4"
	008289-02-000	EA	BOX-ELECTRICAL, 4" X 4" - 1/2" & 3/4" KNOCKOUTS - CANADIAN
	091910-01-000	EA	BOX-ELECTRIC, 3 75" X 3 5" X 1 75" - PLASTIC
	083803-01-000	EA	BOX-ELECTRIC, 4" X 2 1/2" X 2 1/8" - STEEL
	107185-01-01A	EA	BOX-CIRCUIT BREAKER, MOUNTING - BLACK
	058049-01-000	EA	BOX-ELECTRIC SWITCH, 2" X 3" X 2 25"
	008294-02-000	EA	COVER-ELECTRICAL BOX, BLANK STEEL - 4" X 4" - CANADIAN
	089238-01-000	EA	COVER-ELECTRICAL BOX, WHOLE - 4" X 4" - GRAY USED WITH 30 AMP RECEPTACLE

WIRE ASSEMBLIES

KEY	PART NUMBER	U/M	DESCRIPTION
	097818-01-000	EA	WIRE ASM-MONITOR PANEL, W/4 WIRES & BLACK RESISTOR - LVS
	108851-01-000	EA	WIRE ASM-DAYTIME RUNNING LIGHTS, W/FUSE
	103328-06-000	EA	WIRE ASM-PUMP, EXTERIOR SHOWER
	105308-01-000	EA	WIRE ASM-MONITOR PANEL ADAPT
	105321-02-000	EA	WIRE ASM-ELECTRIC STEP
	088449-02-000	EA	WIRE ASM-WATER TANK TO MONITOR PANEL

ELECTRICAL GROUP (CONTINUED)

CONNECTORS & CONDUIT

KEY	PART NUMBER	U/M	DESCRIPTION
	007940-01-000	EA	RECEPTACLE-SLIDE, 18 TO 12 AWG - FEMALE END
	080015-02-000	EA	RECEPTACLE-FLAG, 185 - 18/14 GA - AMP 3
	080016-03-000	EA	RECEPTACLE-FLAG, 250 - 14/18 GA
	008311-01-000	EA	CONNECTOR-WIRE NUT, INSULATED - RED
	008314-01-000	EA	CONNECTOR-WIRE NUT, INSULATED - GRAY
	088420-01-000	EA	CONNECTOR-SWIVEL, 1/2" FPT X 5/8" TUBE - PLASTIC
	008355-01-000	EA	CONNECTOR-CABLE CLAMPING, 3/4"
	008358-01-000	EA	CONNECTOR-PLASTIC, 3/8" AVG
	041450-01-000	EA	CONNECTOR-STRAIGHT, 1/2" FLEX CONDUIT
	058028-01-000	EA	CONNECTOR-ELECTRICAL PIGTAIL, NYLON - CLEAR
	008328-01-000	EA	TERMINAL-RING, 18/14 WIRE - 3/8" STUD
	008328-01-000	EA	TERMINAL-RING, 12/10 WIRE - #10 STUD FIT
	008331-01-000	EA	TERMINAL-RING, TONGUE - #4 WIRE - 3/8" STUD - COPPER
	008348-01-000	EA	TERMINAL-RING, 3/8" STUD - #2 WIRE CONNECTS CABLE TO DISCONNECT RELAY AND BATTERY
	035416-03-000	EA	TERMINAL-RING #10 STUD FIT
	035416-04-000	EA	TERMINAL-RING #10 STUD FIT, INSULATED BARREL #10/14
	047443-01-000	EA	TERMINAL-250 RECEPT FIT, INSULATED - 18/14 AWG
	047443-02-000	EA	TERMINAL-250 RECEPT FIT, INSULATED - 12/10 AWG
	087944-01-000	EA	BUSS BAR-2 POSITION, .6" X 1 5" - ALUMINUM
	088475-01-000	EA	PIN-CONNECTOR, 14 TO 20 AWG
	088475-02-000	EA	PIN-CONNECTOR, 10 TO 12 AWG
	088473-05-000	EA	PIN-HOUSING, 6 POSITION (SINGLE ROW)
	088473-06-000	EA	PIN-HOUSING, 6 POSITION (TWO ROWS OF THREE)
	088473-09-000	EA	PIN-HOUSING, 3 POSITION (SINGLE ROW)
	088473-10-000	EA	PIN-HOUSING, 2 POSITION
	088473-03-000	EA	HOUSING-PIN, 9-POSITION
	088473-07-000	EA	HOUSING-PIN, 5 CAVITY - AMP 1-480763-0
	088473-08-000	EA	HOUSING-PIN, 4 POSITION
	088474-02-000	EA	HOUSING-SOCKET, 15 POSITION (3 ROWS OF 5)
	088474-03-000	EA	HOUSING-SOCKET, 9-POSITION
	088474-07-000	EA	HOUSING-SOCKET, 5 CAVITY - AMP 1-480764-0
	088474-09-000	EA	HOUSING-SOCKET, 3 POSITION
	088474-10-000	EA	HOUSING-SOCKET, 2 POSITION
	088474-08-000	EA	SOCKET-HOUSING, 4 POSITION (SINGLE ROW)
	088478-01-000	EA	SOCKET-CONNECTOR, BRASS - PRE-TIN
	088478-02-000	EA	SOCKET-CONNECTOR, 12-10 GA - PHOS BRZ - PRE-TIN
	041953-01-000	FT	CONDUIT-CONVOLUTE SLIT, 57D
	041953-03-000	FT	CONDUIT-CONVOLUTE SLIT, 1" ID (CLOTHES ROD COVER)
	041953-06-000	FT	CONDUIT-CONVOLUTE, SLIT .375" ID
	041953-07-000	FT	CONDUIT-CONVOLUTE, SLIT - 25" ID
	041953-08-000	FT	CONDUIT-CONVOLUTE, SLIT, 1.50" ID
	041953-09-000	FT	CONDUIT-CONVOLUTE, SLIT 50" ID
	041953-10-000	FT	CONDUIT-CONVOLUTE, SLIT - 75" ID
	041953-11-000	FT	CONDUIT-CONVOLUTE, SLIT- 1 08" ID
	041953-12-000	FT	CONDUIT-CONVOLUTE, NON SLIT 1 1" ID

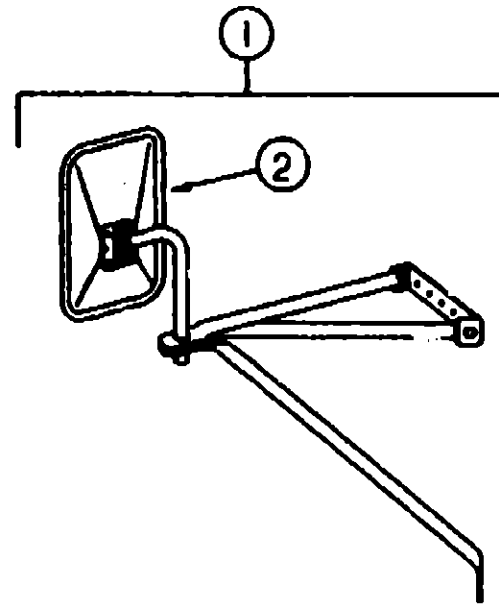
1993 WINNEBAGO TABLE OF CONTENTS

INTRODUCTION	A-01	A-02
ABBREVIATIONS		A-03
ALPHABETICAL INDEX	A-04	A-08
WF528RQ	A-07	E-02

1993 WF528RQ INDEX

FLOOR PLAN	A-07	A-08
ACCESSORIES		A-09
AUDIO VIDEO		A-10
BATH	A-11	A-14
BEDROOM	A-15	A-19
CHASSIS	A-20	A-24
CURTAIN & CUSHION	B-01	B-12
DINETTE	B-13	B-14
DRIVERS COMPARTMENT	B-15	B-18
ELECTRICAL	B-17	B-20
EXTERIOR BODY	B-21	C-04
GALLEY	C-05	C-09
GENERATOR		C-10
HEATING & A/C	C-11	C-12
INTERIOR FINISH	C-13	C-16
LABELS	C-17	C-23
LP		C-24
LOUNGE	D-01	D-03
SEALANTS & FASTENERS	D-04	D-08
WATER & SEWAGE	D-07	D-10
WINDOW, VENT AND EXTERIOR DOOR	D-11	E-02

EXTERIOR BODY GROUP



EXTERIOR MIRRORS

KEY	PART NUMBER	U/M DESCRIPTION
1	106880-02-01A	EA MIRROR ASM-STAR HEAD, LOW MOUNT - VELVAC #713157 (FORD)
2	106880-02-700	EA MIRROR HEAD ONLY, DRIVER SIDE - STAR - VELVAC D747283-9
2	106880-02-701	EA MIRROR HEAD ONLY, PASS SIDE - STAR - VELVAC D747284-9
	106880-02-702	EA GLASS-FLAT, VELVAC 702088-R
	106880-01-702	EA HARDWARE PKG (F/REG & STAIR) VELVAC 748230
	106880-01-703	EA BRACE-LOWER FORWARD - LEFT SIDE - OFF WHITE VELVAC D7809910
	106880-01-704	EA BRACE-LOWER FORWARD - RIGHT SIDE - OFF WHITE VELVAC D7809920
	105439-01-000	EA MIRROR-CONVEX, STICK ON

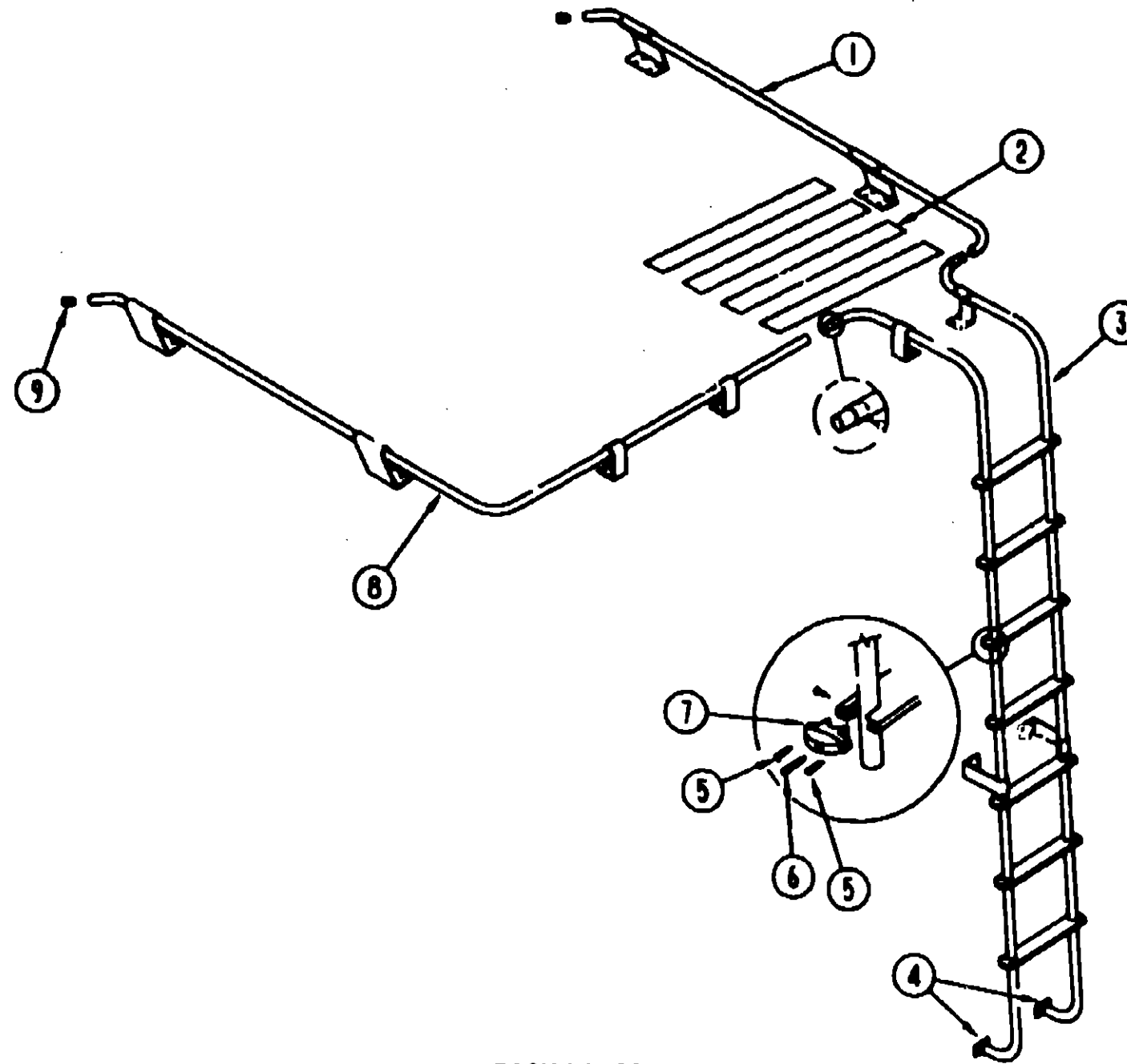
RUNNING BOARDS

KEY	PART NUMBER	U/M DESCRIPTION
	072884-20-000	EA RUNNING BOARD SET-FORD, 39" - KEMBERLY K-7 (STANDARD) FROM: 00-00-00 THRU: 01-31-93
	072884-27-000	EA RUNNING BOARD SET-FORD, 39" - KEMBERLY K-12 (STANDARD) FROM: 02-01-93 THRU: 09-09-99
	108481-01-000	EA RUNNING BOARD, FORD - RIGHT SIDE - QUALITY COMP
	108481-02-000	EA RUNNING BOARD, FORD - LEFT SIDE - QUALITY COMP
	108481-03-000	EA HARDWARE KIT-RUNNING BOARD - QUALITY COMP
	108481-04-000	EA TRIM-RUNNING BOARD
	108481-06-000	EA STRIP-NON SKID, RUNNING BOARD

ASSIST HANDLE & BUMPER

KEY	PART NUMBER	U/M DESCRIPTION
	009126-02-000	EA HANDLE-ASSIST, ENTRY DOOR - BLACK
	069726-02-000	EA BUMPER-.88"DIA X .40", BLACK

EXTERIOR BODY GROUP (CONTINUED)



RACK & LADDER

KEY	PART NUMBER	U/M DESCRIPTION
1	107438-05-C07	EA RACK ASM-PASSENGER SIDE
	069726-02-000	EA BUMPER-.88"DIA X .40", BLACK
2	038327-01-000	EA TAPE-ANTI SLIP, 2" X 60"
3	102953-02-C03	EA LADDER ASM
4	067185-01-000	EA MOUNTING BRACKET-LADDER, LOWER
5	000G39-06-10T	EA SCREW-SF/DR, 6-20 X 5/8 PPH - BLACK
6	000G68-10-36T	EA SCREW-10-12 X 2.25 POH BLACK
7	076980-02-000	EA END CAP-STEP, BLACK
8	107438-09-C03	EA RACK ASM-DRIVER SIDE
9	081114-01-000	EA PLUG-ROUND, RACK & LADDER ENDS - PLASTIC - 1" DIA.

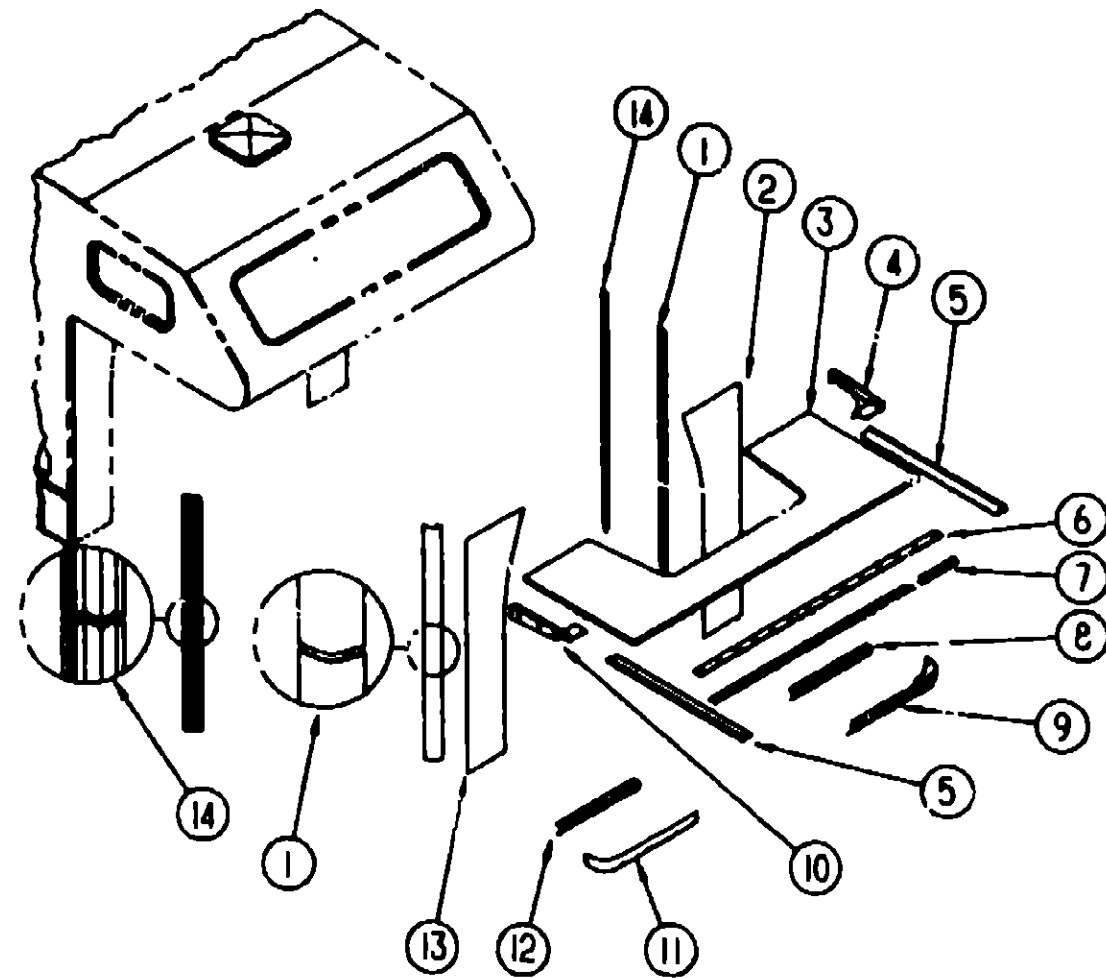
**1993 WINNEBAGO
TABLE OF CONTENTS**

INTRODUCTION	A-01 - A-02
ABBREVIATIONS	A-03
ALPHABETICAL INDEX	A-04 - A-08
WF528RQ	A-07 - E-02

1993 WF528RQ INDEX

FLOOR PLAN	A-07 - A-08
ACCESSORIES	A-09
AUDIO VIDEO	A-10
BATH	A-11 - A-14
BEDROOM	A-15 - A-19
CHASSIS	A-20 - A-24
CURTAIN & CUSHION	B-01 - B-12
DINETTE	B-13 - B-14
DRIVERS COMPARTMENT	B-15 - B-16
ELECTRICAL	B-17 - B-20
EXTERIOR BODY	B-21 - C-04
GALLEY	C-05 - C-09
GENERATOR	C-10
HEATING & A/C	C-11 - C-12
INTERIOR FINISH	C-13 - C-16
LABELS	C-17 - C-23
LP	C-24
LOUNGE	D-01 - D-03
SEALANTS & FASTENERS	D-04 - D-06
WATER & SEWAGE	D-07 - D-10
WINDOW, VENT AND EXTERIOR DOOR	D-11 - E-02

EXTERIOR BODY GROUP (CONTINUED)



WINGWALLS, SLEEPERBOARD & TRIM

KEY	PART NUMBER	U/M	DESCRIPTION
1	101037-02-01A	EA	COVER-WINGWALL, CURVED - OFF WHITE
2	106743-04-D29	EA	WINGWALL ASM, DRIVER SIDE - W/GUSSET
3	PO1658-01-D29	EA	SLEEPERBOARD ASM
4	104444-02-01A	EA	COVER-TRIM, WINGWALL - LEFT - OFF WHITE
5	105312-01-01A	FT	INSERT-TRIM, VINYL - OFF WHITE
5	096354-01-01A	EA	TRIM-CONTOUR, W/O VINYL INSERT - 108" - OFF WHITE
8	100085-03-01A	EA	TRIM-SLEEPERBOARD, FLAT - 2 5" X 87.5" - OFF WHITE
7	100086-02-01A	EA	TRIM-SLEEPERBOARD, 2" X 90 7" - OFF WHITE
8	106146-01-01A	EA	SUPPORT-COVER, WINGWALL - OFF WHITE (FORD)
9	106144-02-C52	EA	COVER ASM-WINGWALL, W/SUPPORT - LEFT - OFF WHITE (FORD)
9	106145-02-01A	EA	COVER-ASM-WINGWALL, W/O SUPPORT - LEFT - OFF WHITE (FORD)
10	104444-01-01A	EA	COVER-TRIM, WINGWALL - RIGHT - OFF WHITE
11	106144-01-C52	EA	COVER ASM-WINGWALL, W/SUPPORT - RIGHT - OFF WHITE (FORD)
11	106145-01-01A	EA	COVER ASM-WINGWALL, W/O SUPPORT - RIGHT - OFF WHITE (FORD)
12	106146-01-01A	EA	SUPPORT-COVER, WINGWALL - OFF WHITE (FORD)
13	109743-03-D29	EA	WINGWALL ASM, DRIVER SIDE - W/GUSSET
14	105015-02-01A	EA	TRIM-WINGWALL, CURVED - OFF WHITE
	089334-01-000	FT	VINYL-EXTERIOR, BETWEEN WINGWALL & CAB SEAL - WHITE

EXTERIOR BODY GROUP (CONTINUED)

FIBERGLASS, STYROFOAM & U CHANNEL

KEY	PART NUMBER	U/M	DESCRIPTION
	076064-G7-001	EA	SHEET-FIBERGLASS, 41" X 324" - OFF WHITE
	076054-H1-000	EA	SHEET-FIBERGLASS, 2438 X 2501MM - OFF WHITE
	076054-F3-000	EA	SHEET-FIBERGLASS, 2438 X 2438MM - OFF WHITE
	076054-D3-001	EA	SHEET-FIBERGLASS, 48" X 98" - OFF WHITE
	077517-24-000	EA	SHEET-FIBERGLASS, FLAT - 48" X 98" - OFF WHITE
	083574-02-000	SF	STYROFOAM-1 5" X 24" X 90 5"
	083574-03-000	SF	STYROFOAM-3/4" X 48" X 98"
	000870-03-C00	SF	STYROFOAM-1 34" X 45" X 98" - INCREMENTS OF 32 SF
	000870-06-000	SF	STYROFOAM-5" X 24" X 98", INCREMENTS OF 18 SF
	002365-01-001	EA	U-CHANNEL, 1" X 18" - SERRATED - MILL FINISHED ALUMINUM
	002754-01-001	EA	ANGLE-EXTRUDED, 75" X 75" X 18" - MILL ALUMINUM
	002728-01-001	EA	GARNISH-U-CHANNEL, 1 38" X 19" - SERRATED - MILL ALUMINUM
	002779-01-001	EA	U-CHANNEL-EXTRUDED, ALUMINUM
	055278-51-259	FT	TUBING-STEEL, 75" X 1 5" X 12 5"
	058287-01-000	FT	CHANNEL-STEEL WHOLES - SIDEWALL STIFFENER - 2" X 2 3"

**1993 WINNEBAGO
TABLE OF CONTENTS**

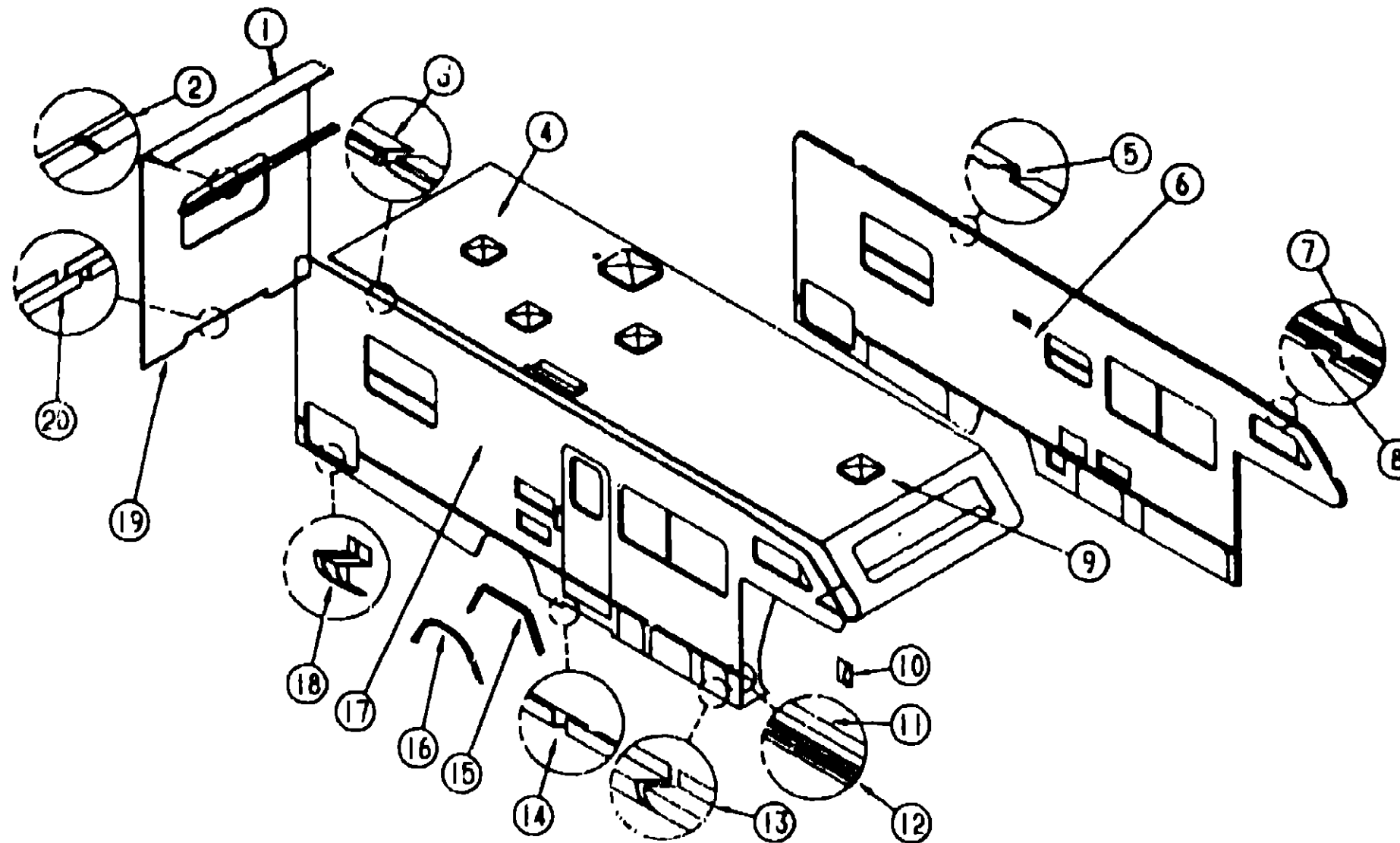
INTRODUCTION	A-01 - A-02
ABBREVIATIONS	A-03
ALPHABETICAL INDEX	A-04 - A-06
WF528RQ	A-07 - E-02

1993 WF528RQ INDEX

FLOOR PLAN	A-07 - A-08
ACCESSORIES	A-09
AUDIO VIDEO	A-10
BATH	A-11 - A-14
BEDROOM	A-15 - A-19
CHASSIS	A-20 - A-24
CURTAIN & CUSHION	B-01 - B-12
DINETTE	B-13 - B-14
DRIVERS COMPARTMENT	B-15 - B-18
ELECTRICAL	B-17 - B-20
EXTERIOR BODY	B-21 - C-04
GALLEY	C-05 - C-09
GENERATOR	C-10
HEATING & A/C	C-11 - C-12
INTERIOR FINISH	C-13 - C-16
LABELS	C-17 - C-23
LP	C-24
LOUNGE	D-01 - D-03
SEALANTS & FASTENERS	D-04 - D-06
WATER & SEWAGE	D-07 - D-10
WINDOW, VENT AND	
EXTERIOR DOOR	D-11 - E-02

EXTERIOR BODY GROUP (CONTINUED)

EXTERIOR PANELS & TRIMS



1993 WINNEBAGO TABLE OF CONTENTS

INTRODUCTION	A-01 - A-02
ABBREVIATIONS	A-03
ALPHABETICAL INDEX	A-04 - A-08
WF528RQ	A-07 - E-02

1993 WF528RQ INDEX

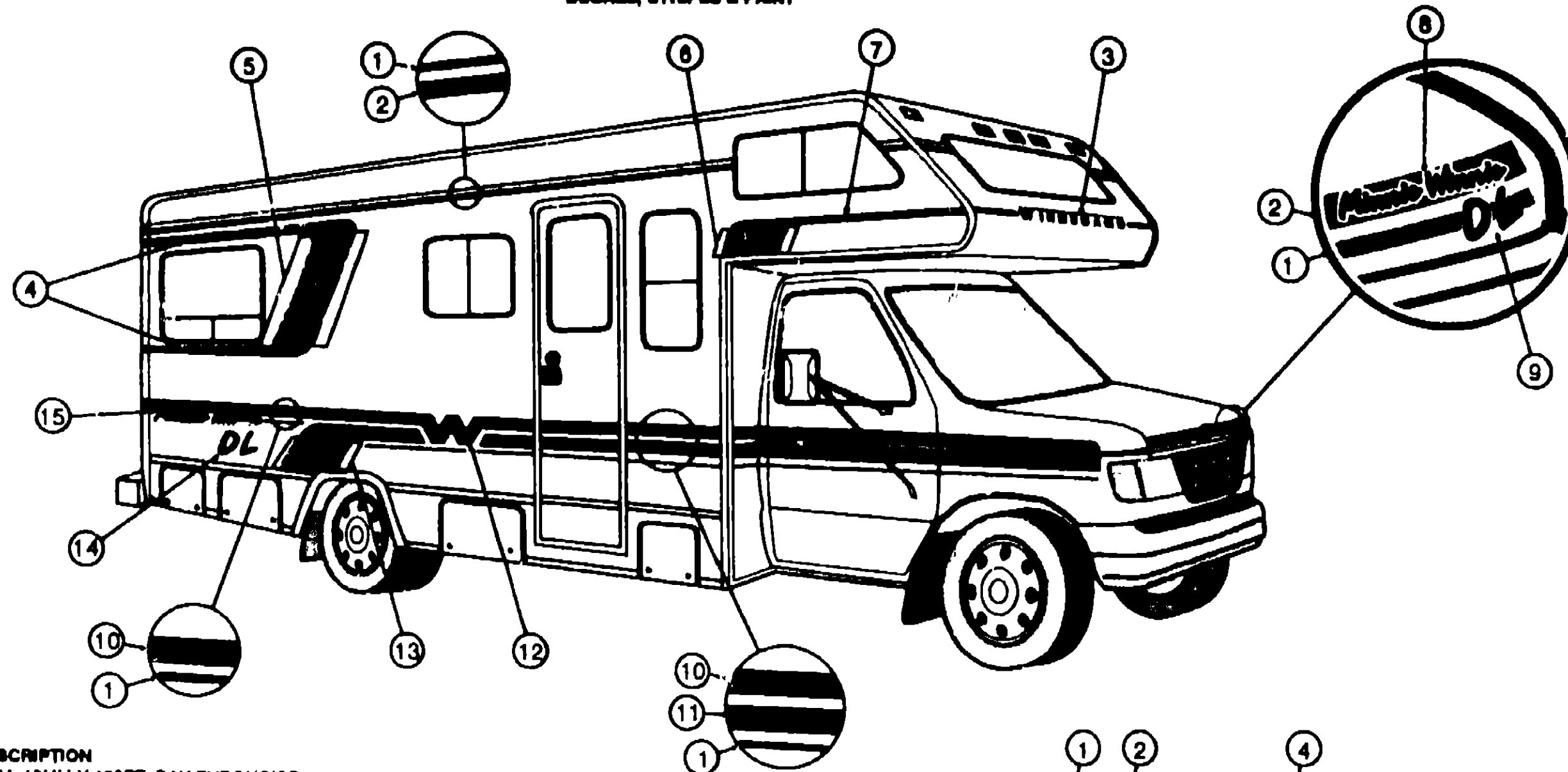
FLOOR PLAN	A-07 - A-08
ACCESSORIES	A-09
AUDIO VIDEO	A-10
BATH	A-11 - A-14
BEDROOM	A-15 - A-19
CHASSIS	A-20 - A-24
CURTAIN & CUSHION	B-01 - B-12
DINETTE	B-13 - B-14
DRIVERS COMPARTMENT	B-15 - B-18
ELECTRICAL	B-17 - B-20
EXTERIOR BODY	B-21 - C-04
GALLEY	C-05 - C-09
GENERATOR	C-10
HEATING & A/C	C-11 - C-12
INTERIOR FINISH	C-13 - C-16
LABELS	C-17 - C-23
LP	C-24
LOUNGE	D-01 - D-03
SEALANTS & FASTENERS	D-04 - D-06
WATER & SEWAGE	D-07 - D-10
WINDOW, VENT AND EXTERIOR DOOR	D-11 - E-02

KEY	PART NUMBER	U/M	DESCRIPTION
1	P09296-01-D06	EA	BACKWALL ASM W/BASES - 1 WINDOW (D06, D07)
1	P09296-01-D08	EA	BACKWALL ASM W/BASES - 1 WINDOW (D08)
1	P09296-02-D06	EA	BACKWALL ASM W/BASES - 2 WINDOWS (D06, D07)
1	P09296-02-D08	EA	BACKWALL ASM W/BASES - 2 WINDOWS (D08)
2	078580-01-000	EA	TRIM-ROOF TO BACKWALL
3	100483-01-01A	EA	TRIM-CONTOUR, ROOF (AWNING) - 102" - OFF WHITE
3	100483-02-01A	EA	TRIM-CONTOUR, ROOF (AWNING) - 133 8" - OFF WHITE
	099583-55-002	EA	RAIL-AWNING, 133 8" EA - OFF WHITE
4	P09295-01-D06	EA	ROOF ASM W/BASES
5	096864-02-01A	EA	TRIM-CONTOUR, ROOF TO SIDEWALL - 133 8" - OFF WHITE
C	P08927-01-D06	EA	SIDEWALL ASM-DRIVER SIDE (D06, D07)
6	P08927-01-D08	EA	SIDEWALL ASM-DRIVER SIDE (D08)
7	105312-01-01A	FT	INSERT-TRIM, VINYL - OFF WHITE
8	0968C4-01-01A	EA	TRIM-CONTOUR, W/O VINYL INSERT - 108" - OFF WHITE DR OR PASS - FRONT OVERHEAD CAB SECTION FROM ROOF TO WINGWALL - REAR - BACKWALL TO SIDEWALL VERTICAL SECTION
9	M76177-01-700	EA	SECTION ROOF, OVER CAB TO FIRST ROOF SEAM
10	108651-01-01A	EA	END CAP-FEATURE STRIP

KEY	PART NUMBER	U/M	DESCRIPTION
11	105312-01-01A	EA	INSERT-FEATURE STRIP, 17' LONG - VINYL - OFF WHITE
12	108688-01-01A	EA	STRIP-FEATURE, W/O INSERT - 15' LONG - OFF WHITE
13	104749-55-002	EA	PANEL-ROCKER, EXTRUDED - ALUMINUM - 5600MM - DARK GRAY
14	091162-55-003	EA	TRIM-SIDEWALL, ANGLED - 4877MM - OFF WHITE
15	105100-02-01A	EA	TRIM-WHEELWELL, OFF WHITE
16	105220-01-01A	EA	TRIM-WHEELWELL, REAR OFF WHITE
17	P08928-01-D06	EA	SIDEWALL ASM-PASSENGER SIDE (D06, D07)
17	P08928-01-D08	EA	SIDEWALL ASM PASSENGER SIDE (D08)
	105025-07-D29	EA	TRIM-SIDEWALL, BELOW ENTRY DOOR
18	106106-01-01A	EA	CAP-END, ROCKER PANEL - OFF WHITE
	106106-02-01A	EA	CAP-END, ROCKER PANEL - OFF WHITE
19	103331-02-01A	EA	TRIM-BACKWALL, LOWER - OFF WHITE
	002365-01-001	EA	U-CHANNEL, 1" X 18" - SERRATED - MILL FINISHED ALUMINUM
20	103335-02-01A	EA	TRIM-BACKWALL, LOWER - OFF WHITE
	002365-01-001	EA	U-CHANNEL, 1" X 18" - SERRATED - MILL FINISHED ALUMINUM
	002754-01-001	EA	ANGLE-EXTRUDED, 75" X 75" X 18" - MILL ALUMINUM
	002726-01-001	EA	GARNISH U-CHANNEL, 1 3/8" X 1 1/2" - SERRATED - MILL ALUMINUM
	002779-01-001	EA	EXTR-U CHANNEL, 1 7/8" X 1 1/2" - RIBBED

EXTERIOR BODY GROUP (CONTINUED)

DECALS, STRIPES & PAINT

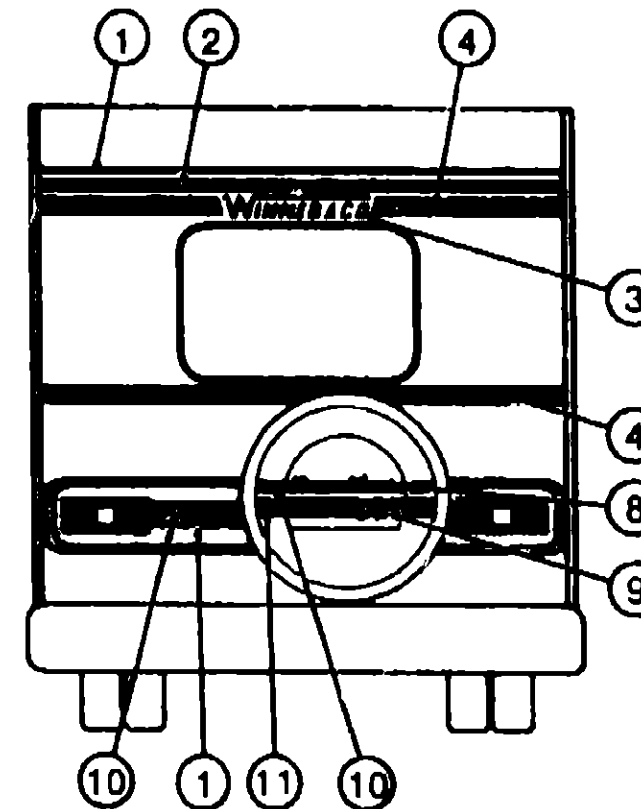


1993 WINNEBAGO TABLE OF CONTENTS

INTRODUCTION	A-01 - A-02
ABBREVIATIONS	A-03
ALPHABETICAL INDEX	A-04 - A-08
WF528RQ	A-07 - E-02

1993 WF528RQ INDEX

FLOOR PLAN	A-07 - A-08
ACCESSORIES	A-09
AUDIO VIDEO	A-10
BATH	A-11 - A-14
BEDROOM	A-15 - A-19
CHASSIS	A-20 - A-24
CURTAIN & CUSHION	B-01 - B-12
DINETTE	B-13 - B-14
DRIVERS COMPARTMENT	B-15 - B-16
ELECTRICAL	B-17 - B-20
EXTERIOR BODY	B-21 - C-04
GALLEY	C-05 - C-09
GENERATOR	C-10
HEATING & A/C	C-11 - C-12
INTERIOR FINISH	C-13 - C-16
LABELS	C-17 - C-23
LP	C-24
LOUNGE	D-01 - D-03
SEALANTS & FASTENERS	D-04 - D-06
WATER & SEWAGE	D-07 - D-10
WINDOW, VENT AND EXTERIOR DOOR	D-11 - E-02

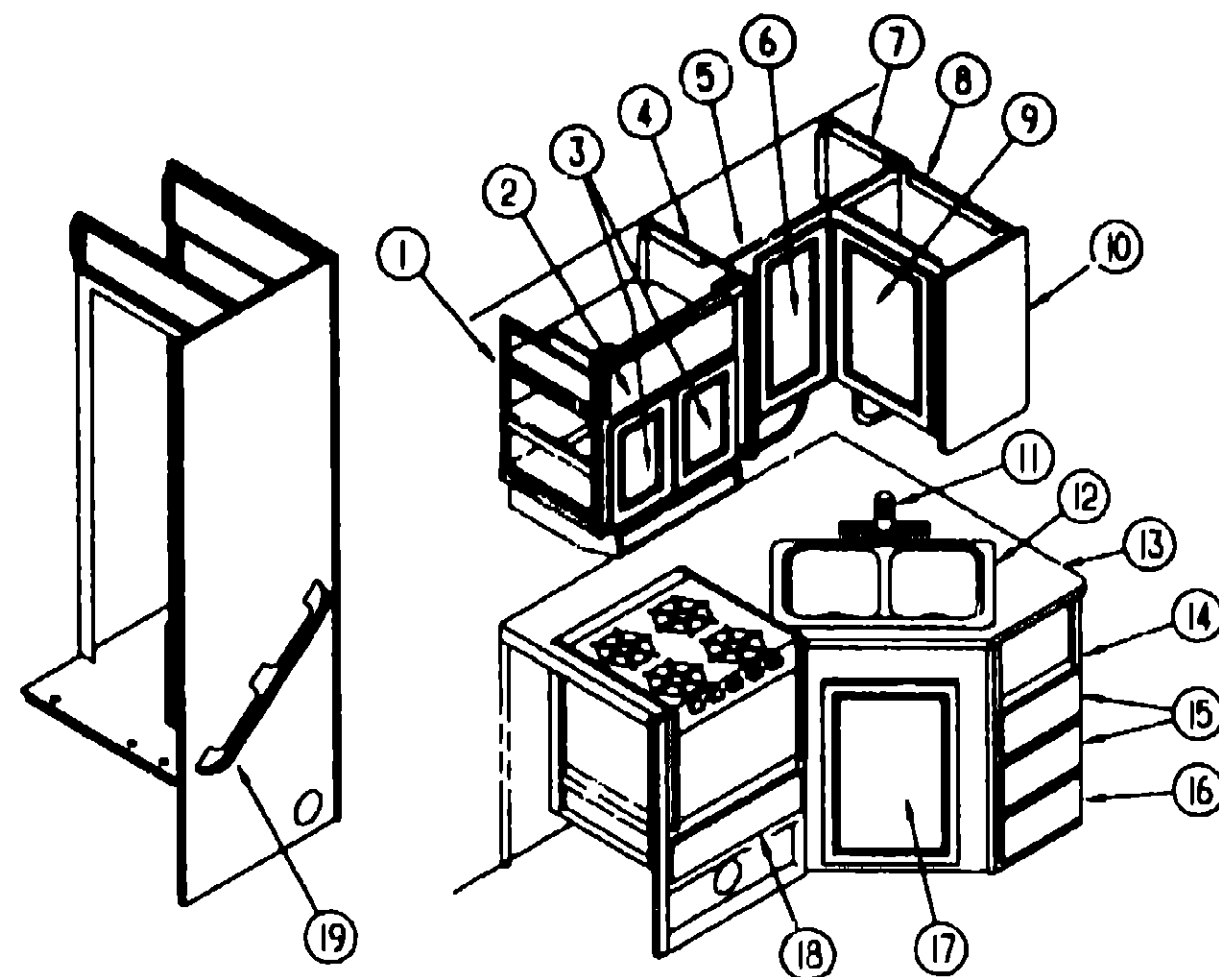


KEY	PART NUMBER	U/M	DESCRIPTION
1	093681-27-03A	FT	FILM- 191MM X 150FT, BAY TURQUOISE
2	093681-14-07A	FT	STRIPE-1 LINE, 1 5" WIDE - POTOMAC BLUE
3	050313-44-000	EA	DECAL-LOGO, "WINNEBAGO" - 2 8" TALL - BLUE
4	093681-35-01A	FT	FILM- 57MM X 150FT, DELFT BLUE
5	105482-01-01A	EA	DECAL-ANGLE, LARGE - RIGHT - DELFT BLUE/GRAY
	105482-02-01A	EA	DECAL-ANGLE, LARGE - LEFT - DELFT BLUE/GRAY
6	105484-01-01A	EA	DECAL-ANGLE, OVERHEAD - RIGHT - DELFT BLUE/GRAY
	105484-02-01A	EA	DECAL-ANGLE, OVERHEAD - LEFT - DELFT BLUE/GRAY
7	093681-14-05A	FT	FILM- 38MM X 150FT, DELFT BLUE
8	105480-02-02A	EA	DECAL-LOGO, MINNIE WINNIE - OFF WHITE/POTOMAC BLUE/BAY TURQUOISE
9	106002-02-02A	EA	DECAL-LOGO, "DL" - SMALL - OFF WHITE/POTOMAC BLUE/BAY TURQUOISE
10	093681-35-04A	FT	FILM- 57MM X 150FT, POTOMAC BLUE
11	093681-20-02A	FT	FILM- 89MM X 150FT, DELFT BLUE
12	093691-07-02A	EA	DECAL-FLYING W, 165 HIGH - POTOMAC BLUE
13	105483-01-01A	EA	DECAL-ANGLE, WHEEL - RIGHT - DELFT BLUE/GRAY
	105483-02-01A	EA	DECAL-ANGLE, WHEEL - LEFT - DELFT BLUE/GRAY
14	106002-01-02A	EA	DECAL-LOGO, "DL" - LARGE - OFF WHITE/POTOMAC BLUE/BAY TURQUOISE
15	105480-01-03A	EA	DECAL-LOGO, MINNIE WINNIE - OFF WHITE/POTOMAC BLUE/BAY TURQUOISE
	084075-01-000	EA	DECAL-"BY WINNEBAGO INDUSTRIES", BLACK
	074559-01-000	EA	DECAL-LOGO, LPG - RED - (CALIF CODE)

DUPONT COLOR CODES

POTOMAC BLUE	G9952
DELFT BLUE	K9460
BAY TURQUOISE	G9837
OFF WHITE	LB723
GRAY	H9283

GALLEY GROUP



CABINETS & FIXTURES

KEY	PART NUMBER	U/M	DESCRIPTION
1	M05779-55-D06	EA	CABINET-OVERHEAD, RANGE
1	M05779-56-D06	EA	CABINET-OVERHEAD, MICROWAVE
2	P00520-A8-D06	EA	DOOR-CABINET, W/O HARDWARE - 180 X 555MM
3	P04746-32-D06	EA	DOOR-CABINET, W/O HARDWARE - 275 X 385MM
4	104335-01-C52	EA	END CAP-CABINET, OVERHEAD
5	M05894-02-D06	EA	CABINET-OVERHEAD, W/O DOORS & HARDWARE
6	P04746-07-D06	EA	DOOR-CABINET, W/O HARDWARE - 365 X 555MM
7	104335-03-C52	EA	END CAP-CABINET, OVERHEAD
8	109654-01-D06	EA	CABINET-OVERHEAD, CENTER - W/O DOORS & HARDWARE
9	P04746-30-D06	EA	DOOR-CABINET, W/O HARDWARE - 380 X 555MM
10	100604-01-D06	EA	END PANEL-CABINET, CENTER OVERHEAD
11	104114-01-01A	EA	FAUCET-GALLEY, SINGLE CONTROL
12	104113-01-000	EA	SINK-DOUBLE, STAINLESS STEEL
	092303-01-000	EA	STRAINER-SINK
	103610-01-C08	EA	COVER-SINK (D06)
	103610-01-D07	EA	COVER-SINK (D07)
	103610-01-D08	EA	COVER-SINK (D08)

GALLEY GROUP (CONTINUED)

CABINETS & FIXTURES

KEY	PART NUMBER	U/M	DESCRIPTION
13	109631-16-D29	EA	COUNTERTOP-CABINET, GALLEY (D06)
13	109631-16-D07	EA	COUNTERTOP-CABINET, GALLEY (D07)
13	109631-16-D08	EA	COUNTERTOP-CABINET, GALLEY (D08)
14	M05903-03-D06	EA	CABINET-GALLEY, W/O DOORS & HARDWARE (US)
14	M05903-03-D07	EA	CABINET-GALLEY, W/O DOORS & HARDWARE (US)
14	M05903-03-D08	EA	CABINET-GALLEY, W/O DOORS & HARDWARE (US)
14	M05903-04-D06	EA	CABINET-GALLEY, W/O DOORS & HARDWARE (CANADIAN)
			FROM: 00-00-00 THRU: 03-07-93
14	M05903-03-D06	EA	CABINET-GALLEY, W/O DOORS & HARDWARE (CANADIAN)
			FROM: 03-08-93 THRU: 99-99-99
14	M05903-04-D07	EA	CABINET-GALLEY, W/O DOORS & HARDWARE (CANADIAN)
			FROM: 00-00-00 THRU: 03-07-93
14	M05903-03-D07	EA	CABINET-GALLEY, W/O DOORS & HARDWARE (CANADIAN)
			FROM: 03-08-93 THRU: 99-99-99
14	M05903-04-D08	EA	CABINET-GALLEY, W/O DOORS & HARDWARE (CANADIAN)
			FROM: 00-00-00 THRU: 03-07-93
14	M05903-03-D08	EA	CABINET-GALLEY, W/O DOORS & HARDWARE (CANADIAN)
			FROM: 03-08-93 THRU: 99-99-99
15	P07104-U2-D06	EA	DRAWER-CABINET, W/O HARDWARE (2 USED)
16	P07104-U4-D06	EA	DRAWER-CABINET, W/O HARDWARE
17	P04746-A8-D06	EA	DOOR-CABINET, W/O HARDWARE - 380 X 660MM
18	P07104-U6-D06	EA	DRAWER-CABINET, W/O HARDWARE
	100081-01-01A	EA	TRAY-SILVERWARE, 9" X 13.3" - PLASTIC - ALMOND - RUBBERMAID
	006380-01-000	EA	GROMMET-RUBBER, 5/8" HOLE X 1 1/2" DIAMETER - BLACK
19	091257-06-000	EA	HANDLE-ASSIST, REGAL OAK
	091257-02-000	EA	HANDLE-ASSIST, OAK - UNFINISHED
	103251-02-01A	EA	INSERT-ACRYLIC, 19 53" X 18 08" - REFRIGERATOR CABINET - BLACK
	103251-03-01A	EA	INSERT-ACRYLIC, 19 53" X 32 2" - REFRIGERATOR CABINET - BLACK
	103251-04-01A	EA	INSERT-ACRYLIC, 19 53" X 39 2" - REFRIGERATOR CABINET - BLACK
	090329-01-000	FT	SEAL-T- REFRIGERATOR CABINET - .8" WIDE TOP X 2" TAIL

RANGE HOODS

KEY	PART NUMBER	U/M	DESCRIPTION
	100258-22-02A	EA	HOOD-RANGE 22W W/MONITOR PANEL - VENTLINE US
	100258-23-02A	EA	HOOD-RANGE 22W W/MONITOR PANEL - VENTLINE CSA
	075470-01-703	EA	SWITCH-ON/MOMENTARY, JENSEN RP1016
	090973-01-700	EA	MOTOR - LVS CA506-1
	090973-01-702	EA	BLADE-FAN, LVS VA183-1
	092696-01-701	EA	KNOB LEVER, CABLE - PLASTIC - BLACK - VENTLINE CC225
	092696-01-702	EA	RESISTOR-WIRE, VENTLINE L7314
	092696-01-709	EA	BULB-912, VENTLINE VA415
	092696-01-710	EA	SOCKET-LIGHT, VENTLINE CB267-2
	096983-01-700	EA	SWITCH-ON/OFF, VENTLINE 108
	096983-01-702	EA	SWITCH-TWO WAY MOMENTARY, VENTLINE 112
	096983-01-703	EA	SWITCH-ON/ON - JENSEN 115
	096983-01-707	EA	FILTER-GREASE, 8" X 8" - LVS CC246
	096983-01-738	EA	LENS-LAMP, VENTLINE CC179
	100258-04-701	EA	BEZEL-SWITCH LEVER, CABLE TO VENT - VENTLINE CC116
	100258-04-702	EA	SWITCH-LEVER, W/CABLE - VENTLINE CB547-1
	100258-11-700	EA	CIRCUIT BOARD, VENTLINE 5079-01
	100258-12-700	EA	PANEL ASM, VENTLINE 9076
	100258-10-01A	EA	METER-HOUR, VENTLINE 150

1993 WINNEBAGO TABLE OF CONTENTS

INTRODUCTION	A-01 - A-02
ABBREVIATIONS	A-03
ALPHABETICAL INDEX	A-04 - A-06
WF528RQ	A-07 - E-02

1993 WF528RQ INDEX

FLOOR PLAN	A-07 - A-08
ACCESSORIES	A-09
AUDIO VIDEO	A-10
BATH	A-11 - A-14
BEDROOM	A-15 - A-19
CHASSIS	A-20 - A-24
CURTAIN & CUSHION	B-01 - B-12
DINETTE	B-13 - B-14
DRIVERS COMPARTMENT	B-15 - B-16
ELECTRICAL	B-17 - B-20
EXTERIOR BODY	B-21 - C-04
GALLEY	C-05 - C-09
GENERATOR	C-10
HEATING & A/C	C-11 - C-12
INTERIOR FINISH	C-13 - C-16
LABELS	C-17 - C-23
LP	C-24
LOUNGE	D-01 - D-03
SEALANTS & FASTENERS	D-04 - D-06
WATER & SEWAGE	D-07 - D-10
WINDOW, VENT AND EXTERIOR DOOR	D-11 - E-02

GALLEY GROUP (CONTINUED)

LARGE NORCOLD 662 REFRIGERATOR

KEY	PART NUMBER	U/M	DESCRIPTION
	083848-01-000	EA	BRACKET ASM-TIEDOWN, REFRIGERATOR - RIGHT
	083848-02-000	EA	BRACKET ASM-TIEDOWN, REFRIGERATOR - LEFT
	064460-01-000	EA	LEVEL-REFRIGERATOR
	104137-02-01A	EA	REFRIGERATOR-LARGE DOUBLE DOOR 2-WAY - NORCOLD 662 RH BLK
	084473-01-702	EA	ORIFICE-NORCOLD 61482122
	084880-01-716	EA	VALVE-SHUT OFF, MANUAL - NORCOLD 61697922
	075217-01-734	EA	FUSE-3 AMP, NORCOLD 61538822
	075217-01-738	EA	SWITCH-HUMIDITY, NORCOLD 61525922
	084880-01-713	EA	CONNECTOR-MALE, INLET FITTING - NORCOLD 615256
	084880-01-716	EA	VALVE-SHUT OFF, MANUAL - NORCOLD 61697922
	084880-01-718	EA	VALVE-GAS, NORCOLD 61551822
	084880-01-722	EA	CRISPER COVER - NORCOLD 615641
	084880-01-726	EA	HINGE BRACKET (CENTER HINGE), NORCOLD 61566523
	084880-01-731	EA	HINGE PIN, NORCOLD 61578123
	084880-01-732	EA	LATCH, NORCOLD 61578522
	084880-01-734	EA	BRACKET-HINGE, TOP RIGHT - BOTTOM LEFT - BROWN - NORCOLD 61580837
	084880-01-736	EA	HINGE BRACKET, TOP LEFT - BOTTOM RIGHT - BROWN - NORCOLD 61580837
	084880-01-739	EA	END CAP (SPRING CATCH) BROWN - NORCOLD 61593722
	084880-01-740	EA	END CAP (STOP CATCH) - NORCOLD 61593830
	084880-01-744	EA	HINGE PIN SHAFT (CENTER HINGE), NORCOLD 61566723
	084880-01-746	EA	CABLE, NORCOLD 61571522
	084880-01-747	EA	PLUG-HOLE, NORCOLD 61582022
	084880-01-749	EA	HINGE BUSHING - NORCOLD 615807
	084880-01-753	EA	THERMISTER 78" W/CLIP - NORCOLD 61693822
	084880-01-761	EA	END CAP (SPRING CATCH) BLACK - NORCOLD 61593730
	084880-02-700	EA	LOWER FLANGE 8863&8863, NORCOLD 61622123
	084880-03-701	EA	COOLING UNIT (HORIZONTAL BURNER) - NORCOLD 61687337
	084880-03-705	EA	BRACKET FOR INTERIOR LIGHT - NORCOLD 61629722
	084880-03-708	EA	LAMP (BULB) - NORCOLD 61628922
	084880-03-707	EA	COVER FOR LAMP OR BULB - NORCOLD 61627922
	088248-01-706	EA	BURNER-HORIZONTAL, NORCOLD 61588122
	088248-01-707	EA	ELECTRODE-SENSOR, (HORIZONTAL) - NORCOLD 61573322
	088248-01-708	EA	ELECTRODE-IGNITION, (HORIZONTAL) - NORCOLD 61573222
	088248-01-709	EA	HEATER-AC, (HORIZONTAL) - NORCOLD 615627
	094039-01-700	EA	PC BOARD-3-WAY, NORCOLD 61617522
	094039-01-701	EA	EYEBROW-SHELL, 3-WAY - BLACK - PLASTIC - NORCOLD 61669922
	094039-01-703	EA	PLATE-HINGE, LEFT - BROWN - NORCOLD 61631422
	094039-01-704	EA	PLATE-HINGE, BLACK - NORCOLD 61631430
	094039-01-709	EA	PLATE-HINGE, TOP RIGHT - LEFT BOTTOM - BROWN - NORCOLD 61631322
	094039-01-710	EA	PLATE-HINGE, BLACK - NORCOLD 61631330
	094039-01-712	EA	DOOR BIN (GRAY) SILVER BORDER - NORCOLD 61564060
	094039-01-713	EA	DOOR GASKET (LOWER) GRAY - NORCOLD 61568030
	094039-01-714	EA	LOWER DOOR LINER (BROWN/WHITE) - NORCOLD 61581737-B
	094039-01-715	EA	LOWER DOOR LINER (BLACK/WHITE) - NORCOLD 61581738-B
	094039-01-716	EA	LOWER DOOR HANDLE ASSY (BROWN) - NORCOLD 61649937
	094039-01-717	EA	LOWER DOOR HANDLE ASSY (BLACK) - NORCOLD 61649938
	094039-01-718	EA	MILK BIN (GRAY) W/SILVER TRIM - NORCOLD 61579460
	094039-01-719	EA	DAIRY KEEPER (GRAY) SILVER TRIM - NORCOLD 61580460
	094039-01-720	EA	CAB ASSEMBLY (BROWN FRAME/WHITE LINER) - NORCOLD 61663237
	094039-01-721	EA	CAB ASSEMBLY (BLACK FRAME/WHITE LINER) - NORCOLD 61663238
	094039-01-722	EA	HOLE PLUG (BLACK) HINGE HOLES - NORCOLD 61582030
	094039-01-723	EA	HINGE BRACKET, TOP RIGHT - BOTTOM LEFT - BLACK - NORCOLD 61580838
	094039-01-724	EA	BRACKET HINGE, TOP LEFT - BOTTOM RIGHT - BLACK - NORCOLD 61580838
	094039-01-725	EA	HINGE PIN (BLACK) (MALE) - NORCOLD 61578130
	094039-01-726	EA	SHELF-FREEZER EVAPORATOR, NORCOLD 615236
	094039-01-730	EA	HINGE PIN SHAFT (BLACK) CENTER HINGE - NORCOLD 61566730
	094039-01-731	EA	CRISPER (GRAY) SILVER TRIM - NORCOLD 61571360
	094039-01-732	EA	FRONT COVER (BLACK) BOTTOM TRIM - NORCOLD 61622130
	094039-01-733	EA	WIRE SHELF (MIDDLE) - NORCOLD 61563822
	094039-01-734	EA	WIRE SHELF (TOP) W/RISER - NORCOLD 61583722
	094039-01-735	EA	INSIDE DRIP TRAY (WHITE) - NORCOLD 61572630
	094039-01-736	EA	SWITCH-LIGHT, BLACK - NORCOLD 615810

GALLEY GROUP (CONTINUED)

LARGE NORCOLD 662 REFRIGERATOR (CONTINUED)

KEY	PART NUMBER	U/M	DESCRIPTION
	084039-01-739	EA	SHELF (CUTOUT) - NORCOLD 61648722
	084039-01-742	EA	TRAY-FOR CUTOUT SHELF, NORCOLD 61680822
	084039-04-700	EA	PC BOARD-2 WAY, NORCOLD 61647322
	084039-04-702	EA	POWER SUPPLY (2 WAY) - NORCOLD 61647422
	083848-01-000	EA	BRACKET ASM-TIEDOWN, REFRIGERATOR
	083848-02-000	EA	BRACKET ASM-TIEDOWN, REFRIGERATOR
	064460-01-000	EA	LEVEL-REFRIGERATOR

SMALL NORCOLD 662 REFRIGERATOR			
KEY	PART NUMBER	U/M	DESCRIPTION
	104138-02-01A	EA	REFRIGERATOR-SMALL DOUBLE DOOR 2-WAY - NORCOLD 662 RH BLK
	075217-01-734	EA	FUSE-3 AMP, NORCOLD 61538822
	075217-01-738	EA	SWITCH-HUMIDITY, NORCOLD 61525922
	084879-03-700	EA	COOLING UNIT - HORIZONTAL BURNER, NORCOLD 61687217
	084880-01-713	EA	CONNECTOR-MALE, INLET FITTING - NORCOLD 615256
	084880-01-716	EA	VALVE-SHUT OFF, MANUAL - NORCOLD 61697922
	084880-01-718	EA	VALVE-GAS, NORCOLD 61551822
	084880-01-722	EA	CRISPER COVER - NORCOLD 615641
	084880-01-726	EA	HINGE BRACKET (CENTER HINGE), NORCOLD 61566523
	084880-01-731	EA	HINGE PIN, NORCOLD 61578123
	084880-01-732	EA	LATCH, NORCOLD 61578522
	084880-01-734	EA	BRACKET-HINGE, TOP RIGHT - BOTTOM LEFT - BROWN - NORCOLD 61580837
	084880-01-735	EA	HINGE BRACKET, TOP LEFT - BOTTOM RIGHT - BROWN - NORCOLD 61580837
	084880-01-739	EA	END CAP (SPRING CATCH) BROWN - NORCOLD 61593722
	084880-01-740	EA	END CAP (STOP CATCH) - NORCOLD 61593830
	084880-01-746	EA	CABLE, NORCOLD 61571522
	084880-01-747	EA	PLUG-HOLE, NORCOLD 61582022
	084880-01-749	EA	HINGE BUSHING - NORCOLD 615807
	084880-01-753	EA	THERMISTER 78" W/CLIP - NORCOLD 61693822
	084880-01-761	EA	END CAP (SPRING CATCH) BLACK, NORCOLD 61593730
	084880-02-700	EA	LOWER FLANGE 8863&8863, NORCOLD 61622123
	084880-03-705	EA	BRACKET FOR INTERIOR LIGHT - NORCOLD 61629722
	084880-03-706	EA	LAMP (BULB) - NORCOLD 61628922
	084880-03-707	EA	COVER FOR LAMP OR BULB - NORCOLD 61627922
	088248-01-706	EA	BURNER-HORIZONTAL, NORCOLD 61588122
	088248-01-707	EA	ELECTRODE-SENSOR, (HORIZONTAL) - NORCOLD 61573322
	088248-01-708	EA	ELECTRODE-IGNITION, (HORIZONTAL) - NORCOLD 61573222
	088248-01-709	EA	HEATER-AC, (HORIZONTAL) - NORCOLD 615627
	088248-01-710	EA	HEATER-DC, (HORIZONTAL) - 3 WAY - NORCOLD 615628
	094038-01-700	EA	GASKET-LOWER, GRAY - NORCOLD 61567930
	094038-01-701	EA	LINER-DOOR, LOWER - BROWN/WHITE - NORCOLD 61581937-B
	094038-01-702	EA	LINER-DOOR, LOWER - BLACK/WHITE - NORCOLD 61581938-B
	094038-01-703	EA	HANDLE-DOOR, LOWER - BROWN - NORCOLD 61650137
	094038-01-704	EA	HANDLE-DOOR, LOWER - BLACK - NORCOLD 61650138
	094038-01-706	EA	CAB ASM-BLK, WHITE LINER - WITH FRAME - NORCOLD 61663138
	094039-01-703	EA	PLATE-HINGE, LEFT - BROWN - NORCOLD 61631422
	094039-01-704	EA	PLATE-HINGE, BLACK - NORCOLD 61631430
	094039-01-709	EA	PLATE-HINGE, TOP RIGHT - LEFT BOTTOM - BROWN - NORCOLD 61631322
	094039-01-710	EA	PLATE-HINGE, BLACK - NORCOLD 61631330
	094039-01-712	EA	DOOR BIN (GRAY) SILVER BORDER - NORCOLD 61564060
	094039-01-718	EA	MILK BIN (GRAY) W/SILVER TRIM - NORCOLD 61579460
	094039-01-719	EA	DAIRY KEEPER (GRAY) SILVER TRIM - NORCOLD 61580460
	094039-01-722	EA	HOLE PLUG (BLACK) HINGE HOLES - NORCOLD 61582030
	094039-01-723	EA	HINGE BRKT, TOP RIGHT - BOTTOM LEFT - BLACK - NORCOLD 61580838
	094039-01-724	EA	BRACKET-HINGE, TOP LEFT - BOTTOM RIGHT - BLACK - NORCOLD 61580838
	094039-01-725	EA	HINGE PIN (BLACK)(MALE) - NORCOLD 61578130
	094039-01-726	EA	SHELF-FREEZER EVAPORATOR, NORCOLD 615236
	094039-01-730	EA	HINGE PIN SHAFT (BLACK) CENTER HINGE - NORCOLD 61566730
	094039-01-732	EA	FRONT COVER (BLACK) BOTTOM TRIM - NORCOLD 61622130
	094039-01-733	EA	WIRE SHELF (MIDDLE) - NORCOLD 61563822

**1993 WINNEBAGO
TABLE OF CONTENTS**

INTRODUCTION	A-01	-	A-02
ABBREVIATIONS			A-03
ALPHABETICAL INDEX	A-04	-	A-06
WF528RQ	A-07	-	E-02

1993 WF528RQ INDEX

FLOOR PLAN	A-07	-	A-08
ACCESSORIES			A-09
AUDIO VIDEO			A-10
BATH	A-11	-	A-14
BEDROOM	A-15	-	A-19
CHASSIS	A-20	-	A-24
CURTAIN & CUSHION	B-01	-	B-12
DINETTE	B-13	-	B-14
DRIVERS COMPARTMENT	B-15	-	B-16
ELECTRICAL	B-17	-	B-20
EXTERIOR BODY	B-21	-	C-04
GALLEY	C-05	-	C-09
GENERATOR			C-10
HEATING & A/C	C-11	-	C-12
INTERIOR FINISH	C-13	-	C-16
LABELS	C-17	-	C-23
LP			C-24
LOUNGE	C-01	-	D-03
SEALANTS & FASTENERS	D-04	-	D-06
WATER & SEWAGE	D-07	-	D-10
WINDOW, VENT AND EXTERIOR DOOR	D-11	-	E-02

GALLEY GROUP (CONTINUED)

SMALL NORCOLD 662 REFRIGERATOR (CONTINUED)

KEY	PART NUMBER	U/M	DESCRIPTION
	094039-01-734	EA	WIPE SHELF (TOP) WRISER - NORCOLD 81863722
	094039-01-735	EA	INSIDE DRIP TRAY (WHITE) - NORCOLD 81872830
	094039-01-738	EA	SWITCH-LIGHT, BLACK - NORCOLD 818810
	094039-01-739	EA	SHELF (CUTOUT) - NORCOLD 81848722
	094039-04-700	EA	PC BOARD-2 WAY, NORCOLD 81847322
	094039-04-701	EA	EYEBROW (SHELL) 2 WAY - NORCOLD 81898822
	094039-04-702	EA	POWER SUPPLY (2 WAY) - NORCOLD 81847422
	093846-01-000	EA	BRACKET ASM-TIEDOWN, REFRIGERATOR
	093846-02-000	EA	BRACKET ASM-TIEDOWN, REFRIGERATOR
	054450-01-000	EA	LEVEL-REFRIGERATOR

MAGIC CHEF RANGE

KEY	PART NUMBER	U/M	DESCRIPTION
	102022-01-03A	EA	RANGE-18" 4 BURNER BLACK - MAGIC CHEF
	055282-03-706	EA	TRIM-CABINET, LEFT - BLACK - MAGIC CHEF 3808F011-70
	055282-03-707	EA	TRIM-CABINET, RIGHT - BLACK - MAGIC CHEF 3808F012-70
	098507-02-701	EA	INSERT-BURNER (SLOTTED VENT), MAGIC CHEF 7214P015-60
	102020-01-700	EA	SHELF-OVEN, MAGIC CHEF 7801-P027-60
	102020-01-701	EA	HANDLE-DOOR, MAGIC CHEF 7701P092-60
	102020-01-702	EA	PANEL-MANIFOLD, MAGIC CHEF 2818F080-70
	102020-01-704	EA	PANEL-DOOR, BLACK - MAGIC CHEF 2401F075-70
	102020-01-708	EA	BURNER ASSEMBLY-OVEN, MAGIC CHEF 3403W003-45
	102020-01-711	EA	GRATE-TOP, MAGIC CHEF 7518P012-60
	102020-01-712	EA	KNOB-BURNER VALVE, MAGIC CHEF 7733P044-60
	102020-01-713	EA	KNOB-THERMOSTAT, MAGIC CHEF 7731P042-60
	102020-01-714	EA	PILOT-OVEN, MAGIC CHEF 988-143
	102020-01-715	EA	PIPE-MANIFOLD, MAGIC CHEF 7513P095-60
	102020-01-717	EA	THERMOSTAT, MAGIC CHEF 7515P024-60
	102020-01-718	EA	TOP-MAIN, ALMOND - MAGIC CHEF 2001F085-84
	102020-01-719	EA	TOP MAIN, BLACK - MAGIC CHEF 2001F085 90
	102020-01-720	EA	VALVE-MERCURY CONTROL, MAGIC CHEF 7501P056-60
	102020-01-722	EA	VALVE-TOP BURNER, MAGIC CHEF 7502P095-60
	102020-01-723	EA	PILOT-BURNER, MAGIC CHEF 7505P147-60
	102020-01-724	EA	BUMPER-MAIN TOP, MAGIC CHEF 8003P008-60
	102022-01-702	EA	PIPE-MANIFOLD, MAGIC CHEF 7513P096-60
	102022-01-703	EA	REGULATOR-PRESSURE, MAGIC CHEF 7510P031-60
	102022-01-706	EA	TRIM-LEFT, FLAT - MAGIC CHEF 360AW022-70
	102022-01-707	EA	TRIM-RIGHT, FLAT - MAGIC CHEF 3608W023-70
	105458-01-000	EA	BRACKET-TIEDOWN, RIGHT - STOVE
	105458-02-000	EA	BRACKET-TIEDOWN, LEFT - STOVE

MICROWAVE OVEN

KEY	PART NUMBER	U/M	DESCRIPTION
	091269-05-000	EA	OVEN-MICROWAVE, MAGIC CHEF M15E-9PB
	094745-01-01A	EA	TRIM-MICROWAVE, LOWER - BLACK
	094774-03-01A	EA	TRIM-MICROWAVE, EITHER SIDE - 1 5" X 14 8" - METAL - BLACK
	098916-03-01A	EA	BRACE-MICROWAVE CABINET, LEFT - 9.4" X 7 5" - STEEL
	098916-04-01A	EA	BRACE-MICROWAVE CABINET, RIGHT - 9 4" X 7 5" - STEEL
	094750-01-000	EA	BRACKET-MICROWAVE, 90 DEGREE - STEEL

COFFEE MAKER

KEY	PART NUMBER	U/M	DESCRIPTION
	103799-01-02A	EA	COFFEE MAKER, ALMOND
	104610-01-000	EA	STRAP ASM-COFFEE MAKER

GENERATOR GROUP

4 KW MICROLITE ONAN GENERATOR

KEY	PART NUMBER	U/M	DESCRIPTION
	109982-01-000	EA	GENERATOR-4.0KW MICROLITE - ONAN KY-FA28100
	106968-06-000	EA	PIPE-EXHAUST, GENERATOR - BAUER WELDING
	007125-04-000	EA	CLAMP-MUFFLER, 1 1" DIA
	008401-01-000	EA	STRAP-CONDUIT, 3/4" - 1 HOLE - GALVANIZED STEEL
	007067-01-000	BF	INSULATION-FIBERGLASS, 1" THICK X 4' - INCREMENTS OF 4 BF

4 KW MICROLITE LP ONAN GENERATOR

KEY	PART NUMBER	U/M	DESCRIPTION
	109982-02-000	EA	GENERATOR-4.0KW MICROLITE LP - ONAN 3.8KY-FA28120
	106968-06-000	EA	PIPE-EXHAUST, GENERATOR - BAUER WELDING
	007067-01-000	BF	INSULATION-FIBERGLASS, 1" THICK X 4' - INCREMENTS OF 4 BF
	007125-04-000	EA	CLAMP-MUFFLER, 1.1" DIA
	008401-01-000	EA	STRAP-CONDUIT, 3/4" - 1 HOLE - GALVANIZED STEEL

1993 WINNEBAGO TABLE OF CONTENTS

INTRODUCTION	A-11	-	A-02
ABBREVIATIONS			A-03
ALPHABETICAL INDEX	A-04	-	A-08
WF528RQ	A-07	-	E-02

1993 WF528RQ INDEX

FLOOR PLAN	A-07	-	A-08
ACCESSORIES			A-09
AUDIO VIDEO			A-10
BATH	A-11	-	A-14
BEDROOM	A-15	-	A-19
CHASSIS	A-20	-	A-24
CURTAIN & CUSHION	B-01	-	B-12
DINETTE	B-13	-	B-14
DRIVERS COMPARTMENT	B-15	-	B-16
ELECTRICAL	B-17	-	B-20
EXTERIOR BODY	B-21	-	C-04
GALLEY	C-05	-	C-09
GENERATOR			C-10
HEATING & A/C	C-11	-	C-12
INTERIOR FINISH	C-13	-	C-16
LABELS	C-17	-	C-23
LP			C-24
LOUNGE	D-01	-	D-03
SEALANTS & FASTENERS	D-04	-	D-08
WATER & SEWAGE	D-07	-	D-10
WINDOW, VENT AND			
EXTERIOR DOOR	D-11	-	E-02

HEATING & AIR CONDITIONING GROUP

FURNACE

KEY	PART NUMBER	U/M DESCRIPTION
	093365-01-000	EA THERMOSTAT-WALL, FURNACE - SUBURBAN 0180802
	098868-08-000	EA FURNACE-36000 BTU, SUBURBAN RF-35
	069834-01-720	EA ORIFICE-MAIN BURNER, SUBURBAN 0180222
	074468-01-702	EA RELAY-TIME DELAY, SUBURBAN 230625
	075895-01-709	EA MICRO SWITCH (FOR MODELS 30 & 348) - SUBURBAN230609
	093365-01-000	EA THERMOSTAT-WALL, FURNACE - SUBURBAN 0180802
	098868-01-700	EA CABINET FRONT, SUBURBAN 101242
	098868-01-708	EA WHEEL-COMBUSTION AIR, SUBURBAN 350122
	098868-01-707	EA VENT CAP & EXHAUST TUBE ASM, SUBURBAN 260193
	098868-01-708	EA BLOWER ASM (COMBUSTION AIR), SUBURBAN 390441
	098868-01-709	EA MOTOR ASM.-FOR SF-25, SF-30 - SUBURBAN 231708
	098868-01-710	EA BLOWER ASM (ROOM AIR), SUBURBAN 390440
	098868-01-711	EA WHEEL, ROOM AIR - SUBURBAN 350123
	098868-01-712	EA BOARD-MODULE, SUBURBAN 231741
	098868-01-713	EA INTAKE VENT TUBE ASM, SUBURBAN 051044
	098868-02-700	EA BURNER ASM COMPLETE (SF-30/SF35), SUBURBAN 010745
	098868-03-700	EA MOTOR ASM-SF-35, SUBURBAN 231707
	101990-01-714	EA MICROSWITCH GASKET, SUBURBAN 230877
	098868-14-000	EA GASKET-FIBERGLASS, .5" X 18" X 18" - SUBURBAN 070978
	098868-06-000	EA DOOR-ACCESS, FURNACE - OFF WHITE - SUBURBAN 520574

REAR HEATER

KEY	PART NUMBER	U/M DESCRIPTION
	084405-01-000	EA HEATER ASM-REAR, DUCTED - W/MOTOR AID - EVANS
	084405-01-700	EA HEATER CORE
	084405-01-701	EA FAN
	084405-01-702	EA MOTOR-12 VOLT ASSY
	087202-01-000	EA SWITCH-4 POSITION, W/KNOB
	098078-01-000	EA DECAL-AUTO AIR & REAR HEATER

HEATING COMPONENTS

KEY	PART NUMBER	U/M DESCRIPTION
	023146-01-000	EA CLAMP-SCREW TYPE - 4"
	009198-01-000	FT DUCT-HEAT- FLEXIBLE - 4" ID X 25 FT
	092776-01-000	EA ADAPTER-DUCT, 2"
	092777-01-000	EA ADAPTER-DUCT, 4"
	024990-04-000	EA OUTLET-LOUVERED, HEATER/DEFROSTER - W/SWIVEL - 2" - BEIGE
	093614-01-01A	EA GRILLE-RETURN AIR- FURNACE - 15 6" X 7 6" - BROWN
	079059-01-000	EA HOSE-90 DEGREE- 5/8" ID X 4" X 36"
	007108-01-000	FT HOSE-HEATER- 5/8" ID - HI-TEMP - FORD ESE-M2D192-A
	007076-01-000	EA HOSE-FLEXIBLE PVC, 2" ID - INCREMENTS OF 50"
	058464-05-000	EA REGISTER-PLASTIC W/O DAMPER - 4" DIAMETER - GOLDEN
	094600-01-02A	EA REGISTER-HEAT, W/O DAMPER - 3 8" X 11 2" - BROWN
	009200-01-000	EA TAPE-FURNACE, 1 1/2"
	088753-01-000	FT TUBE-ALUMINIZED STEEL, 5/8" - 18 GAUGE
	006042-01-000	FT TUBING-VINYL, 65" ID

HEATING & AIR CONDITIONING GROUP (CONTINUED)

ROOF A/C

KEY	PART NUMBER	U/M DESCRIPTION
	108889-01-01A	EA A/C-ROOF, 13,800 TSR HO - IVORY - COLEMAN 7333-887
	091225-01-709	EA START RELAY, COLEMAN 1497-4131
	091225-01-710	EA START CAPACITOR, COLEMAN 1497-0881
	063308-01-701	EA DECAL PACKAGE, LEFT & RIGHT - COLEMAN 878883691
	093308-01-712	EA COMPRESSOR, COLEMAN 6707C3579
	105820-01-704	EA COMPRESSOR, RIGHT & LEFT - COLEMAN 1450-2009
	105820-01-708	EA FOOT PACKAGE-COMPRESSOR, 3 PER PACKAGE - COLEMAN 8759-3081
	108889-01-700	EA SHROUD (GREY/GREY) LESS LOGO - COLEMAN 8759-8421
	108889-01-702	EA SHROUD (BUFF/BUFF) LESS LOGO - COLEMAN 8759-8411
	108889-01-703	EA CONDENSER COIL, COLEMAN 1452-1301
	108889-01-704	EA OVERLOAD (MRA08893, COLEMAN 8759-3541
	108889-01-705	EA MOTOR (115, 50HZ), COLEMAN 1468 3049
	108889-01-706	EA IMPELLOR, COLEMAN 1472-1041
	108889-01-707	EA RUN CAPACITOR (COMP-25MFD/370), COLEMAN 1499-5881
	108889-01-708	EA FAN CAPACITOR (7.6MFD.370U), COLEMAN 1499-5481
	108889-01-709	EA EVAPORATOR COIL, COLEMAN 1452-1311
	108889-01-710	EA FILLER PAD-CONDITION AIR SEAL, COLEMAN 8759A3971
	108889-01-711	EA GASKET PACKAGE, COLEMAN 8792-3301
	108889-01-712	EA SUCTION LINE REDUCER (3/8 X 1/2), COLEMAN 1215-2181
	108889-01-713	EA SUCTION LINE (3/8OD X .032 WALL), COLEMAN 8792-130
	108889-01-714	EA DISCHARGE LINE ASM., COLEMAN 8792-531
	108889-01-715	EA MOTOR MOUNT & SHAFT SEAL KIT, COLEMAN 8792-3381
	108891-01-01A	EA CEILING ASM-A/C COOL TSR HO, COLEMAN 7330-714 IV
	042204-01-709	EA THERMOSTAT-IN 64 OUT 58, COLEMAN 8701-3401
	073742-01-701	EA SELECTOR SWITCH (5 TERMINAL), COLEMAN 8759-3251
	073742-01-702	EA DECAL COOL ONLY, COLEMAN 8759C3431
	076303-01-707	EA FILTER-6" X 14 3/4" X 1/2", 12 PER PACKAGE - COLEMAN 8703A3151
	081606-01-712	EA CEILING SHROUD (IVORY), COLEMAN 8769-5061
	091225-01-713	EA KNOB (2 PER PACKAGE), COLEMAN 8701-3351
	091225-01-717	EA DECAL (THERMOSTAT) COOL ONLY, COLEMAN 8799A3441
	093766-02-701	EA DECAL-LEFT SIDE, COLEMAN 8799-3971
	108891-01-700	EA SINGLE PARTS PACKAGE (KNOBS & NUTS), COLEMAN 8792-5991
	108891-01-701	EA RETAINER CLIPS FOR FILTER (8 PER PACKAGE), COLEMAN 8799 3141
	102289-01-000	EA SPRING-SCREW, ROOF A/C GASKET - COLEMAN 8757-150
	022758-02-000	EA COVER-PROTECTIVE, 5 5" ENDS X 8 2" - PLASTIC - OFF WHITE
	022758-03-000	EA COVER A/C - PLASTIC - OFF WHITE
	084077-03-000	EA COVER-BLANK, ROOF A/C - 5 2" X 3 5" - IVORY

A/C-13500 BTU-EUROPE

KEY	PART NUMBER	U/M DESCRIPTION
	108889-02-01A	EA A/C-ROOF, 13500 BTU - 220V - TSR - IVORY - COLEMAN 7373-597
	108891-01-01A	EA CEILING ASM-A/C, COOL - TSR - IVORY - COLEMAN 7330-714
	042204-01-709	EA THERMOSTAT-IN 64 OUT 58, COLEMAN 8701-3401
	073742-01-701	EA SELECTOR SWITCH (5 TERMINAL), COLEMAN 8759-3251
	073742-01-702	EA DECAL COOL ONLY, COLEMAN 8759C3431
	076303-01-707	EA FILTER-6" X 14 3/4" X 1/2", 12 PER PKG - COLEMAN 8703A3151
	081606-01-712	EA CEILING SHROUD (IVORY), COLEMAN 8769-5061
	091225-01-713	EA KNOB (2 PER PACKAGE), COLEMAN 8701-3351
	091225-01-717	EA DECAL (THERMOSTAT) COOL ONLY, COLEMAN 8799A3441
	093766-02-701	EA DECAL-LEFT SIDE, COLEMAN 8799-3971
	108891-01 700	EA SINGLE PARTS PACKAGE, KNOBS & NUTS, COLEMAN 8792-5991
	108891-01-701	EA RETAINER CLIPS FOR FILTER (6 PER PACKAGE), COLEMAN 8799-3141
	102289-01-000	EA SPRING-SCREW, ROOF A/C GASKET - COLEMAN 8757-150
	084077-03-000	EA COVER-BLANK ROOF A/C - 5 2" X 3 5" - IVORY

**1993 WINNEBAGO
TABLE OF CONTENT'S**

INTRODUCTION	A-01 - A-02
ABBREVIATIONS	A-03
ALPHABETICAL INDEX	A-04 - A-06
WF528RQ	A-07 - E-02

1993 WF528RQ INDEX

FLOOR PLAN	A-07 - A-08
ACCESSORIES	A-09
AUDIO VIDEO	A-10
BATH	A-11 - A-14
BEDROOM	A-15 - A-19
CHASSIS	A-20 - A-24
CURTAIN & CUSHION	B-01 - B-12
DINETTE	B-13 - B-14
DRIVERS COMPARTMENT	B-15 - B-16
ELECTRICAL	B-17 - B-20
EXTERIOR BODY	B-21 - C-04
GALLEY	C-05 - C-09
GENERATOR	C-10
HEATING & A/C	C-11 - C-12
INTERIOR FINISH	C-13 - C-16
LABELS	C-17 - C-23
LP	C-24
LOUNGE	D-01 - D-03
SEALANTS & FASTENERS	D-04 - D-06
WATER & SEWAGE	D-07 - D-10
WINDOW, VENT AND EXTERIOR DOOR	D-11 - E-02

INTERIOR FINISH GROUP

MOLDINGS & TRIMS

KEY	PART NUMBER	U/M DESCRIPTION
	009787-10-000	FT WELTING-CABINET TO WALL, MAHOAGANY
	009787-12-000	FT MOLDING-SIDEWALL TO CEILING/CABINET - WELTING - OFF WHITE
	009778-11-000	FT U CHANNEL-PLASTIC, 1" WIDE X 8" INCREMENTS - IVORY
	009778-13-000	FT U CHANNEL-PLASTIC, 1" WIDE X 8" INCREMENTS - THOR PECAN
	009809-23-000	EA MOLDING-CORNER, OUTSIDE - 1" - PLASTIC - IVORY
	009809-24-000	EA MOLDING-CORNER, OUTSIDE - 1" - PLASTIC - THOR PECAN
	009806-25-000	EA MOLDING-CORNER, OUTSIDE - 1" - PLASTIC - OFF WHITE
	009812-24-000	EA MOLDING-PLASTIC, OUTSIDE CORNER - .50" - IVORY
	009812-25-000	EA MOLDING-CORNER, OUTSIDE - .5" - PLASTIC - PECAN
	022992-01-000	FT MOLDING-REVERSE COVE, T-SHAPED - VINYL - WHITE
	022992-11-000	FT MOLDING-REVERSE COVE, T-SHAPED - VINYL - IVORY
	070604-20-000	FT U-CHANNEL-PLASTIC, .815" WIDE - THOR PECAN - INC. OF 8"
	070604-24-000	FT U-CHANNEL-PLASTIC, .875" WIDE - THOR PECAN - INC. OF 8"
	078325-16-000	FT MOLDING-EDGE BAND, 1 5/16" WIDE - WOODGRAIN - REGAL OAK
	078325-27-000	FT MOLDING-EDGE BAND, 1 5/16" WIDE - REGAL OAK
	078325-34-000	FT MOLDING-EDGE BAND, 1 5/16" WIDE - ORCHID (D06, D08)
	078325-35-000	FT MOLDING-EDGE BAND, .875" WIDE - ORCHID (D06, D08)
	078325-37-000	FT MOLDING-EDGE BAND, 1 5/16" WIDE - GRAY (D07)
	078325-38-000	FT MOLDING-EDGE BAND, .875" WIDE - GRAY (D07)
	081294-02-000	EA MOLDING-SHELF, NOTCHED WOOD - 8" LONG
	083820-07-000	FT MOLDING-T, END CAP EDGE - WEDGE LIPS - 75" - THOR PECAN
	083820-09-000	FT MOLDING-T, END CAP EDGE - WEDGE LIPS - 75" - MODERN IVORY
	085284-66-000	FT BATT STRIP-WOODGRAIN, ADHESIVE BACKED - FOREST OAK
	085284-74-000	FT BATT STRIP-MAIN, W/ADHESIVE BACK - BARCELONA BLUESTONE (D06, D07)
	085284-77-000	FT BATT STRIP-MAIN, W/ADHESIVE BACK - CHAMBRAY DESERT (D08)
	085284-75-000	FT BATT STRIP-BATH/GALLEY, W/ADHESIVE BACK - MONIQUE BLUESTONE (D06, D07)
	085284-72-000	FT BATT STRIP-BATH/GALLEY, W/ADHESIVE BACK - MONIQUE DESERT (D08)
	085284-76-000	FT BATT STRIP-BATH/SHOWER, W/ADHESIVE BACK - ANTIQUE WHITE
	085748-01-000	FT TRIM-J, CARPET - 1 2" X 5" ANGLE - 10' LONG - PVC - BEIGE
	086229-01-000	EA RETAINER-BATTEN, CEILING - 75" WIDE - 7 8" LONG
	086229-04-000	EA BATTEN-CEILING, 1" WIDE - IVORY - 7 8" LONG
	086229-08-000	EA BATTEN-CEILING, 1" WIDE - MODERN IVORY - 7 8" LONG
	089733-79-000	EA BATT STRIP-WOODGRAIN, 8' LONG - FOREST OAK
	088263-71-000	EA BATT STRIP-DECORATIVE, 8' LONG - FAWN
	088263-85-000	EA BATT STRIP-BATH & GALLEY, 8' LONG - MONIQUE BLUESTONE (D06, D07)
	088263-83-000	EA BATT STRIP-BATH & GALLEY, 8' LONG - MONIQUE DESERT (D08)
	088263-86-000	EA BATT STRIP-MAIN DECORATIVE, 8' LONG - BARCELONA BLUESTONE (D06, D07)
	088263-87-000	EA BATT STRIP-MAIN DECORATIVE, 8' LONG - CHAMBRAY DESERT (D08)
	092330-D2-438	EA LUMBER-VINYL WRAPPED, 7" X 1 5" X 9" - WOODGRAIN
	092330-D3-000	EA LUMBER-VINYL WRAPPED, 2" X 96" - WOODGRAIN - REGAL OAK
	092330-D5-000	EA LUMBER-VINYL WRAPPED, 2 9" X 96" - WOODGRAIN - REGAL OAK
	092331-D2-134	EA MOLDING-VINYL WRAPPED, 7" X 1 57" X 84" - WOODGRAIN
	092331-F2-134	EA MOLDING-VINYL WRAPPED, 7" X 2 5" X 7" - WOODGRAIN
	092331-F2-438	EA MOLDING-VINYL WRAPPED, 7" X 2 5" X 96" - WOODGRAIN
	100659-01-805	EA MOLDING-TRIM, VINYL FLOOR - 1" X 72" - WOOD
	100818-01-01A	EA MOLDING-VINYL WRAPPED, 1 65" X 4" X 7" - REGAL OAK
	100819-01-01A	EA MOLDING-VINYL WRAPPED, L-SHAPED - 1 5" X 1 5" X 7" - OAK
	103186-01-02A	FT MOLDING EDGE, SHELF - 78" WIDE - PLASTIC - REGAL OAK
	104676-01-01A	FT MOLDING-T, 5/16" RIGID - GOLD
	105004-01-01A	EA MOLDING-VINYL WRAP, 1" X 8" - REGAL OAK
	105618-01-01A	FT MOLDING-EDGE, 5/16" WIDE - W/ADHESIVE - GOLD
	105709-01-000	FT MOLDING-T, 1" - PLASTIC - MODERN IVORY

INTERIOR FINISH GROUP (CONTINUED)

PANELING, LAMINATES & PLASTIC

KEY	PART NUMBER	U/M DESCRIPTION
	000885-34-000	SF PARTICLE BOARD-3/8" X 48" X 97", 1 SIDE VINYL - WOODGRAIN - LIGHT OAK
	000885-54-000	SF PARTICLE BOARD-3/8" X 48" X 98", 2 SIDE VINYL - WOODGRAIN - FOREST OAK
	000885-55-000	SF PARTICLE BOARD-3/8" X 48" X 97", 1 SIDE VINYL - WOODGRAIN - FOREST OAK
	000885-59-000	SF PARTICLE BOARD-3/4" X 80" X 98", 2 SIDE VINYL - WOODGRAIN - FOREST OAK
	074497-18-000	SF PANELING-CEILING, 4' X 8" - INCREMENTS OF 32 SF
	074497-19-000	SF PANELING-CEILING, 4' X 8" - INCREMENTS OF 32 SF
	074497-20-000	SF PANELING-WOODGRAIN, 4' X 8"
	074498-40-000	SF LAMINATE-PLASTIC, 5' X 8" - OFF WHITE
	074498-41-000	SF LAMINATE-PLASTIC, GALLEY/DINETTE - 5' X 8" - ORCHID MIST (D06)
	074498-47-000	SF LAMINATE-PLASTIC, GALLEY/DINETTE - 5' X 8" - GRAY MATRIX (D07)
	074498-48-000	SF LAMINATE-PLASTIC, GALLEY/DINETTE - 5' X 8" - TAUPE MATRIX (D08)
	074498-45-000	SF LAMINATE-PLASTIC, BATH/BEDROOM - 5' X 8" - FAVORITE MIX (D08)
	074498-42-000	SF LAMINATE-PLASTIC, BATH/BEDROOM - 5' X 8" - GRAY KALEIDOSCOPE (D07)
	074498-43-000	SF LAMINATE-PLASTIC, BATH/BEDROOM - 5' X 8" - VERDE PATINA (D08)
	088272-A6-000	SF PANELING-BATH/GALLEY, 4" X 7" - MONIQUE BLUESTONE (D06, D07)
	088272-A2-000	SF PANELING-BATH/GALLEY, 4" X 7" - MONIQUE DESERT (D08)
	088272-A7-000	SF PANELING-MAIN, 4" X 7" - BARCELONA BLUESTONE (D06, D07)
	088272-A8-000	SF PANELING-MAIN, 4" X 7" - CHAMBRAY DESERT (D08)
	088272-98-000	SF PANELING-SHOWER, 4" X 7" - OFF WHITE
	089297-01-000	SF PLYWOOD-LUAN, OVERLAY GRADE - 4' X 8" - INC OF 32 SF
	089351-03-000	YD VINYL-CEILING, DIAMOND DESIGN - 54" WIDE
	093743-02-01A	SF PLASTIC-ABS, 20" WIDE ROLL - OFF WHITE
	093743-03-01A	SF PLASTIC-ABS, 10 8" WIDE - OFF WHITE
	098531-01-000	SF PLYWOOD-RED OAK, 1/2"

CARPETING & FLOOR MATS

KEY	PART NUMBER	U/M DESCRIPTION
	096060-50-000	SY CARPET-ROLL 12' WIDE - BLUE GRANITE (D08)
	096060-49-000	SY CARPET-ROLL 12' WIDE - MERCURY (D07)
	096060-51-000	SY CARPET-ROLL 12' WIDE - TROPIC (D08)
	093486-01-000	SY CARPET-COMPARTMENT, 54" WIDE - DARK GRAY
	102695-04-000	YD TAPE-CARPET BIND, BLUE. (D08)
	102695-10-000	YD TAPE-CARPET BIND, FAWN (D07)
	102695-05-000	YD TAPE-CARPET BIND, TEAL. (D08)
	047034-02-000	SF PLASTIC-CARPET, 4"WIDE. - CLEAR POLY
	075233-01-000	SY PAD-CARPET, 3/8" X 6" ROLL
	081075-03-000	EA MAT-FLOOR ENTRANCE, WINNEBAGO - PLASTICOLOR GRAY
	106884-01-000	EA MAT-FLOOR, PASSENGER - "W" - FORD
	106884-02-000	EA MAT-FLOOR, DRIVER - "V" - FORD

FIRE EXTINGUISHER, SMOKE DETECTOR

KEY	PART NUMBER	U/M DESCRIPTION
	072852-01-000	EA DETECTOR-SMOKE, W/9 VOLT BATTERY
	072852-02-000	EA DETECTOR-SMOKE, W/9 VOLT BATTERY (CANADIAN)
	094499-01-000	EA EXTINGUISHER-FIRE, DRY W/MOUNTING BRACKET - 10 BC
	094499-02-000	EA EXTINGUISHER-FIRE, DRY - 1A10BC - CANADIAN
	094499-01-700	EA BRACKET-MOUNTING, W/PLASTIC STRAP - FIRE EXTINGUISHER

**1993 WINNEBAGO
TABLE OF CONTENTS**

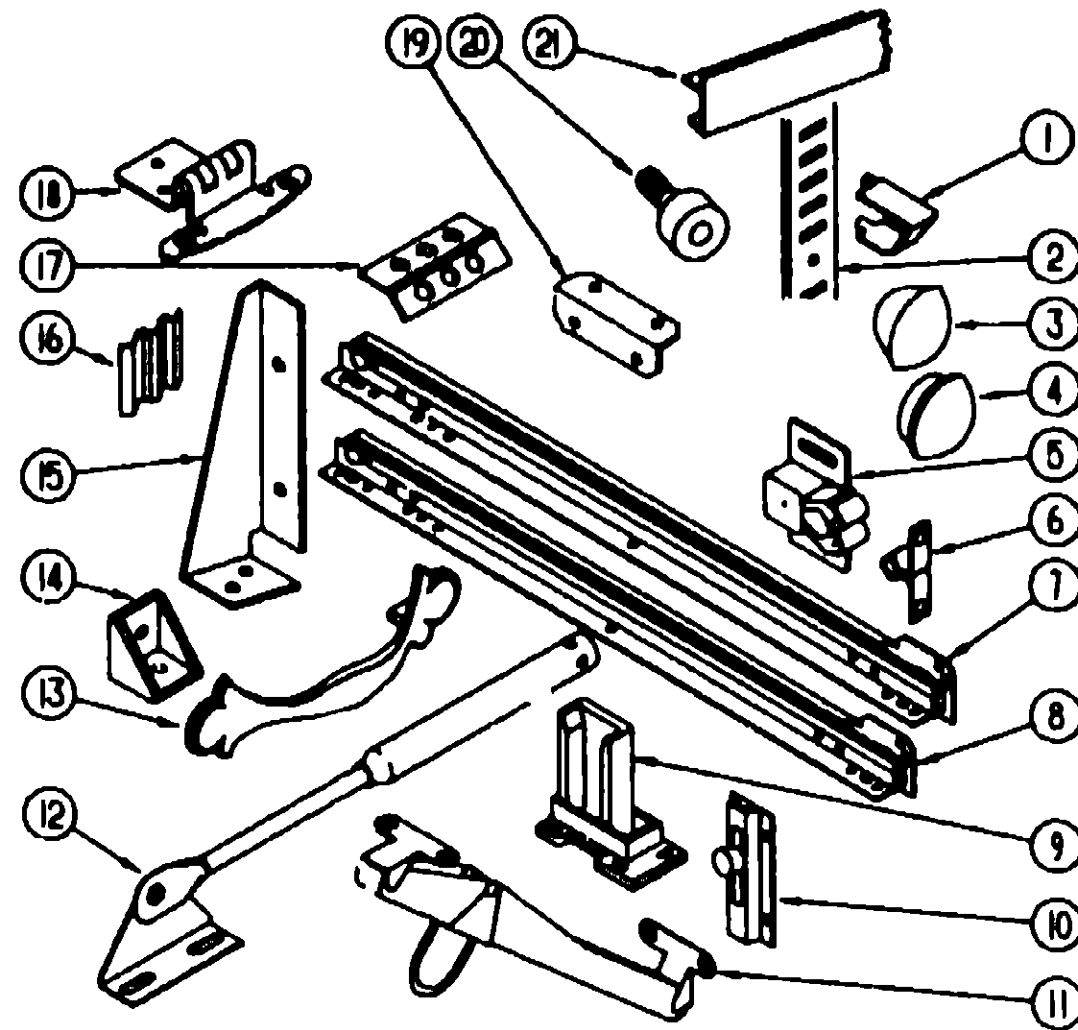
INTRODUCTION	A-01	A-02
ABBREVIATIONS		A-03
ALPHABETICAL INDEX	A-04	A-06
WF528RQ	A-07	E-02

1993 WF528RQ INDEX

FLOOR PLAN	A-07	A-08
ACCESSORIES		A-09
AUDIO VIDEO		A-10
BATH	A-11	A-14
BEDROOM	A-15	A-19
CHASSIS	A-20	A-24
CURTAIN & CUSHION	B-01	B-12
DINETTE	B-13	B-14
DRIVERS COMPARTMENT	B-15	B-16
ELECTRICAL	B-17	B-20
EXTERIOR BODY	B-21	C-04
GALLEY	C-05	C-09
GENERATOR		C-10
HEATING & A/C	C-11	C-12
INTERIOR FINISH	C-13	C-18
LABELS	C-17	C-23
LP		C-24
LOUNGE	D-01	D-03
SEALANTS & FASTENERS	D-04	D-06
WATER & SEWAGE	D-07	D-10
WINDOW, VENT AND		
EXTERIOR DOOR	D-11	E-02

INTERIOR FINISH GROUP (CONTINUED)

CABINET & TABLE HARDWARE



KEY	PART NUMBER	U/M DESCRIPTION
8	108913-01-000	EA SLIDE-DRAWER, CABINET MOUNTED - LEFT SIDE - 12"
8	108913-02-000	EA SLIDE-DRAWER, CABINET MOUNTED - RIGHT SIDE - 12"
8	108913-03-000	EA SLIDE-DRAWER, DRAWER MOUNTED - LEFT SIDE - 12"
8	108913-04-000	EA SLIDE-DRAWER, DRAWER MOUNTED - RIGHT SIDE - 12"
8	108913-05-000	EA SLIDE-DRAWER, CABINET MOUNTED - LEFT SIDE - 18"
8	108913-06-000	EA SLIDE-DRAWER, CABINET MOUNTED - RIGHT SIDE - 18"
8	108913-07-000	EA SLIDE-DRAWER, DRAWER MOUNTED - LEFT SIDE - 18"
8	108913-08-000	EA SLIDE-DRAWER, DRAWER MOUNTED - RIGHT SIDE - 18"
8	108913-09-000	EA SLIDE-DRAWER, CABINET MOUNTED - LEFT SIDE - 18"
8	108913-10-000	EA SLIDE-DRAWER, CABINET MOUNTED - RIGHT SIDE - 18"
8	108913-11-000	EA SLIDE-DRAWER, DRAWER MOUNTED - LEFT SIDE - 18"
8	108913-12-000	EA SLIDE-DRAWER, DRAWER MOUNTED - RIGHT SIDE - 18"
8	108913-17-000	EA SLIDE-DRAWER, CABINET MOUNTED - LEFT SIDE - 22"
8	108913-18-000	EA SLIDE-DRAWER, CABINET MOUNTED - RIGHT SIDE - 22"
8	108913-19-000	EA SLIDE-DRAWER, DRAWER MOUNTED - LEFT SIDE - 22"
8	108913-20-000	EA SLIDE-DRAWER, DRAWER MOUNTED - RIGHT SIDE - 22"
9	107030-01-000	EA BACKSOCKET-ADJUSTABLE, LEFT SIDE
9	107030-02-000	EA RACKSOCKET-ADJUSTABLE, RIGHT SIDE
10	081804-01-000	EA SLIDE-BOLT, ANTIQUE BRASS
11	104181-01-01A	EA SUPPORT-LEAF, 5 3" - EXTENDS TO 7 5" - SAFETY RING - METAL
12	074493-02-000	EA SUPPORT-PISTON SPRING, CABINET DOOR
13	100273-01-000	EA PULL-CABINET, ANTIQUE BRASS
14	085740-01-000	EA BRACE-CABINET CORNER, PLASTIC
15	078827-04-000	EA BRACKET-BUNK/BED, 2 9" X 1 8" TRIANGLE - METAL - OFF WHITE
16	105037-02-000	EA FASTENER-WOOD, CORNER - METAL - 5" X 6"
17	009059-01-000	EA HINGE-DOOR, 2" X 1 4" - BRASS
17	009059-02-000	EA HINGE-DOOR, 2" X 2 7" - BRASS
17	009063-01-000	EA HINGE-CONTINUOUS, 1 1/2" X 72" - UNPAINTED
17	009066-01-000	EA HINGE-CONTINUOUS, W/O HOLES - 1 1/16" X 6" - ALUMINUM
18	108138-01-000	EA HINGE-DOOR, CABINET - BURNISHED BRASS
	000G13-06-08G	EA SCREW 6-20 X 5/8 PFH, ANTIQUE BRASS (HINGE 108138-01-000)
19	016604-01-000	EA BRACE-CABINET, ANGLE - 2 5" - METAL - UNPAINTED
19	018604-03-000	EA BRACE-CABINET, ANGLE - 2 5" - METAL - BEIGE
20	079921-01-000	EA ROLLER-NYLON, W/STEEL SHAFT - BARBED
21	103186-01-02A	FT MOLDING-EDGE, SHELF - 78" WIDE - PLASTIC - REGAL OAK
	076790-01-000	EA SCREW, 6-20 X 1 1/4 PPH - BLACK
	004354-01-000	EA BUMPER-RUBBER, .5" DIA - BROWN
	023320-01-000	EA PAD-FELT, 3/8" DIAMETER - BROWN
	009112-01-000	EA FLANGE-1" ROD, CLOTHES - PLASTIC - OFF WHITE
	002766-01-001	EA ANGLE-EXTRUDED, 1" X 1 5" X 17" - ALUMINUM

KEY	PART NUMBER	U/M DESCRIPTION
1	098979-01-000	EA CLIP-ADJUSTABLE SHELF
2	098980-01-000	EA PILASTER-ADJUSTABLE SHELF, 18" LONG
2	098980-05-000	EA PILASTER-ADJUSTABLE SHELF, 15" LONG
3	042356-01-000	EA PLUG-BUTTON, MAHOGANY - 3/8" DIAMETER - WOOD
4	074045-07-000	EA PLUG-WOOD, 1/2"
5	093586-03-000	EA CATCH-SPRING, ROLLER
6	093586-04-000	EA STRIKE-SPRING, STEEL
7	101910-03-000	EA SLIDE-DRAWER, CABINET MOUNTED - SET OF 2 - 12" LONG
7	101910-04-000	EA SLIDE-DRAWER, DRAWER MOUNTED - SET OF 2 - 12" LONG

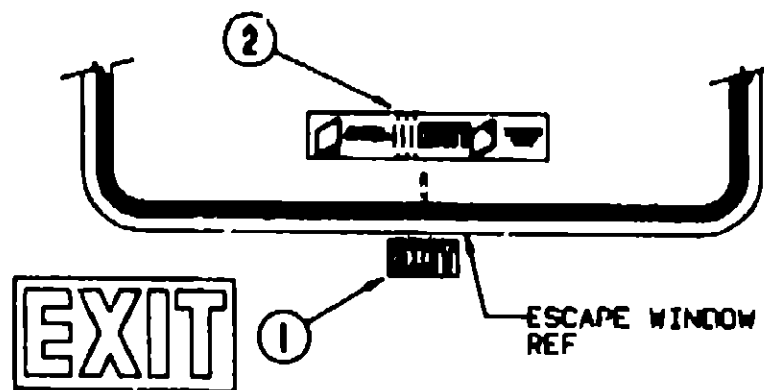
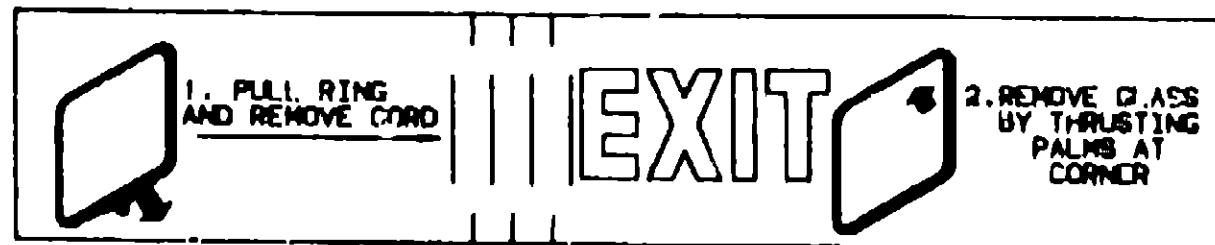
1993 WINNEBAGO TABLE OF CONTENTS

INTRODUCTION	A-01	A-02
ABBREVIATIONS		A-03
ALPHABETICAL INDEX	A-04	A-06
WF528RQ	A-07	E-02

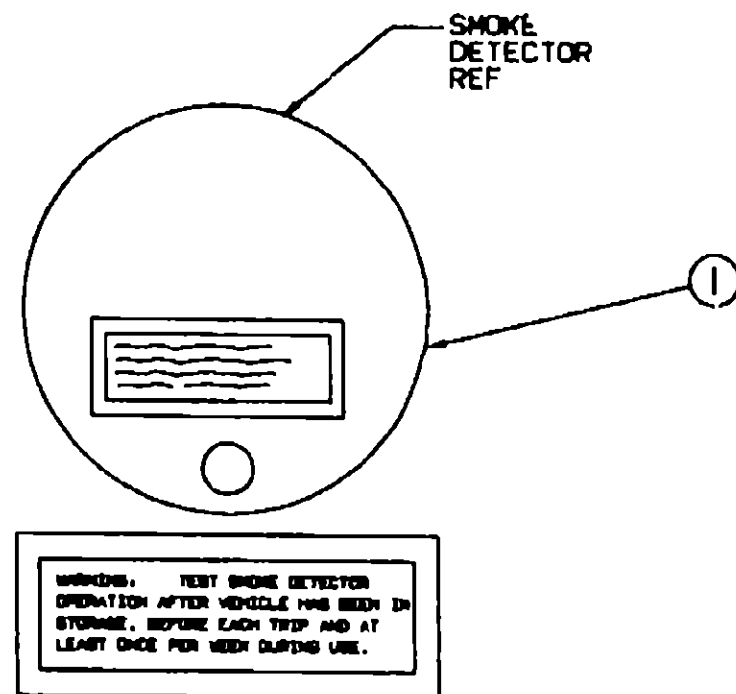
1993 WF528RQ INDEX

FLOOR PLAN	A-07	A-08
ACCESSORIES		A-09
AUDIO VIDEO		A-10
BATH	A-11	A-14
BEDROOM	A-15	A-19
CHASSIS	A-20	A-24
CURTAIN & CUSHION	B-01	B-12
DINETTE	B-13	B-14
DRIVERS COMPARTMENT	B-15	B-16
ELECTRICAL	B-17	B-20
EXTERIOR BODY	B-21	C-04
GALLEY	C-05	C-09
GENERATOR		C-10
HEATING & A/C	C-11	C-12
INTERIOR FINISH	C-13	C-16
LABELS	C-17	C-23
LP		C-24
LOUNGE	D-01	D-03
SEALANTS & FASTENERS	D-04	D-06
WATER & SEWAGE	D-07	D-10
WINDOW, VENT AND EXTERIOR DOOR	D-11	E-02

LABELS GROUP

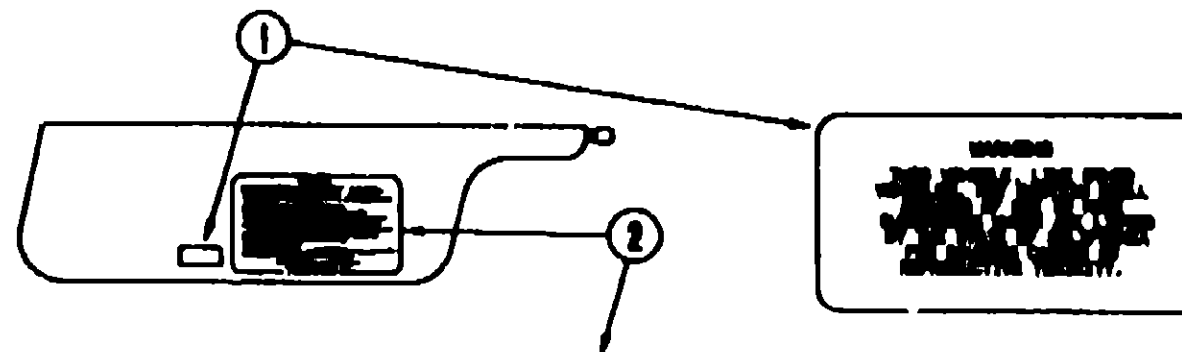


KEY	PART NUMBER	U/M DESCRIPTION
1	039290-01-000	EA LABEL-WARNING, EXIT
2	107571-01-000	EA LABEL-ESCAPE EXIT, WINDOW



KEY	PART NUMBER	U/M DESCRIPTION
1	077956-01-000	EA LABEL-WARNING, SMOKE DETECTOR

LABELS GROUP (CONTINUED)



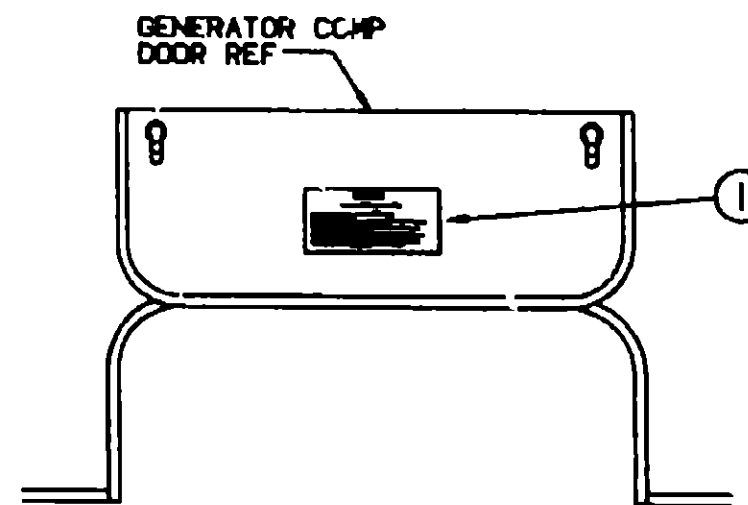
CAUTION

THIS MOTOR HOME HAS BEEN DESIGNED, MANUFACTURED AND TESTED WITH CARE FOR THE PROTECTION OF IT'S OCCUPANTS. BE SURE YOU FOLLOW THE FOLLOWING INSTRUCTIONS FOR YOUR SAFETY AND THE SAFETY OF YOUR PASSENGERS BEFORE STARTING YOUR VEHICLE.

- LP GAS SYSTEM-** TURN OFF AT TIME FOR TRAVELING. TEST FOR LEAKS UPON ARRIVAL AT DESTINATION. BEFORE LEAVING PLOTS.
- WHEELS-** INSPECT FOR DAMAGE AND CHECK LAD HATS FOR TIGHTNESS.
- TIRES-** INSPECT FOR WEAR AND DAMAGE AND CHECK FOR RECOMMENDED AIR PRESSURE.
- LIGHTS-** TEST FOR PROPER OPERATION OF ALL INTERIOR AND EXTERIOR LIGHTS INCLUDING BURN LIGHTS, HAZARDERS, TAIL LIGHTS, BRAKE LIGHTS, CLEARANCE LIGHTS AND TURN SIGNALS.
- EXITS-** INSPECT RELEASE MECHANISM ON EMERGENCY EXIT WINDOW. TEST WITH LOCKS ON EACH ENTRANCE DOOR FOR EASE OF OPERATION AND DISTRIBUTE PASSENGERS HOW TO USE WITH PLANS OF EXIT.
- SEAT BELTS-** INSPECT PASSENGERS TO UNDERSTAND SEATS AND RELEASE USE OF SEAT BELTS.
- APPLIANCES-** TURN OFF AND LATCH ON LOCK BEING WORK PROVIDED.
- LOOSE PARTS-** STORE SECURELY.
- UTILITY SUPPLY LINES-** DISCONNECT ALL ELECTRIC, SEWER AND WATER LINES AND SECURE PROPERLY.
- ENTRANCE DOOR STOP-** PLACE IN RETRACTED POSITION FOR TRAVELING.

READ YOUR MOTOR HOME AND CHASSIS OWNER'S MANUAL FOR FURTHER PRECAUTIONS

KEY	PART NUMBER	U/M DESCRIPTION
1	099689-01-000	EA LABEL-WARNING, CANCER/TOXICITY
2	058259-01-000	EA LABEL-SAFETY CHECK LIST



WARNING

WHEN ADDING A GENERATOR SET:

HIGH VOLTAGE-USE EXTREME CAUTION WHEN WORKING ON ELECTRICAL COMPONENTS.
 HAVE ALL ELECTRICAL INSTALLATION PERFORMED BY A QUALIFIED LICENSED ELECTRICIAN-FOLLOW ALL STATE AND LOCAL CODES.
 ONLY INSTALL GENERATOR SET APPROVED FOR R.V. APPLICATION. HAVE INSTALLED BY QUALIFIED TECHNICIAN.
 TO AVOID HEAT BUILD-UP AND TO GUARANTEE AN ADEQUATE AIR SUPPLY TO THE GENERATOR COMPARTMENT, FOLLOW INSTALLATION INSTRUCTIONS.
 GENERATOR ENGINE EXHAUST GASES ARE TOXIC AND MUST NOT TRIGGER UNDER THE VEHICLE-OBSCURE EXHAUST MUST FEEL FIDELLY.

KEY	PART NUMBER	U/M DESCRIPTION
1	077510-01-000	EA LABEL-GENERATOR PREP

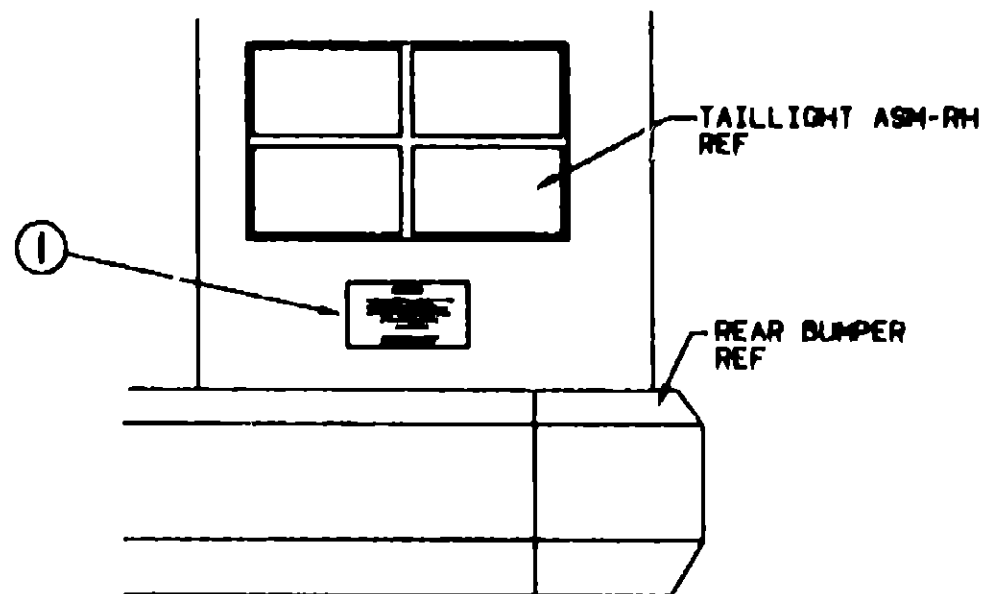
**1993 WINNEBAGO
TABLE OF CONTENTS**

INTRODUCTION	A-01 - A-02
ABBREVIATIONS	A-03
ALPHABETICAL INDEX	A-04 - A-08
WF528RQ	A-07 - E-02

1993 WF528RQ INDEX

FLOOR PLAN	A-07 - A-08
ACCESSORIES	A-09
AUDIO VIDEO	A-10
BATH	A-11 - A-14
BEDROOM	A-15 - A-19
CHASSIS	A-20 - A-24
CURTAIN & CUSHION	B-01 - B-12
DINETTE	B-13 - B-14
DRIVERS COMPARTMENT	B-15 - B-16
ELECTRICAL	B-17 - B-20
EXTERIOR BODY	B-21 - C-04
GALLEY	C-05 - C-09
GENERATOR	C-10
HEATING & A/C	C-11 - C-12
INTERIOR FINISH	C-13 - C-16
LABELS	C-17 - C-23
LP	C-24
LOUNGE	D-01 - D-03
SEALANTS & FASTENERS	D-04 - D-06
WATER & SEWAGE	D-07 - D-10
WINDOW, VENT AND EXTERIOR DOOR	D-11 - E-02

LABELS GROUP (CONTINUED)



WARNING

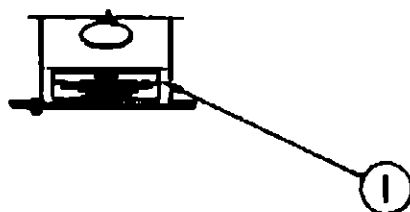
DO NOT EXCEED THE VEHICLE WEIGHT RATINGS OR LOADING RECOMMENDATIONS (E.G., GROSS VEHICLE, GROSS AXLE, GROSS COMBINED) OF THE CHASSIS MANUFACTURER OR WINNEBAGO INC.

REFER TO YOUR OWNERS MANUAL, BEFORE LOADING OR TOWING.

KEY PART NUMBER U/M DESCRIPTION
 1 075220-01-000 EA LABEL-WARNING, EXTERIOR LOAD

WARNING

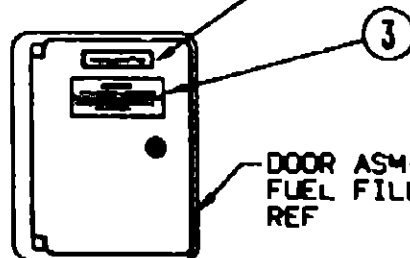
OPEN GASOLINE CAP SLOWLY TO PREVENT SUDDEN RELEASE OF TANK PRESSURE. DO NOT OVERFILL TANK. REPLACE WITH GROUNDWENT CAP ONLY



UNLEADED FUEL ONLY

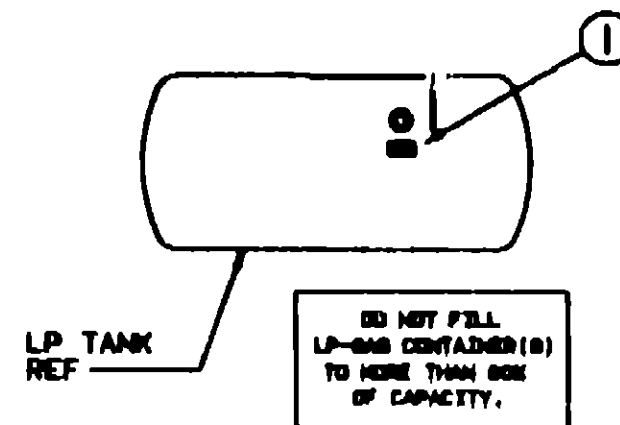
WARNING

ALL PILOT LIGHTS AND APPLIANCES SHALL BE TURNED OFF DURING REFUELING OF MOTOR FUEL TANKS AND/OR PERMANENTLY MOUNTED LP-GAS CONTAINERS

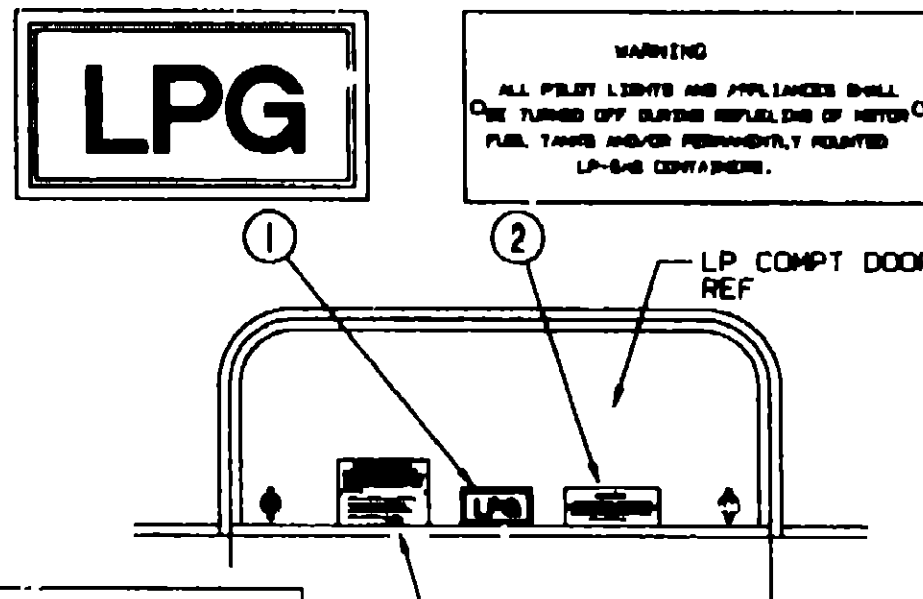


KEY PART NUMBER U/M DESCRIPTION
 1 087207-05-000 EA LABEL-FUEL CAP REMOVAL
 2 062043-01-000 EA LABEL-FUEL, UNLEADED
 3 006040-01-000 EA TAG-GAS REFUELING WARNING
 3 006040-02-000 EA TAG-GAS REFUEL WARNING, CANADIAN

LABELS GROUP (CONTINUED)



KEY PART NUMBER U/M DESCRIPTION
 1 079965-01-000 EA LABEL-LPG 80 CAPACITY



LP-GAS SYSTEM

THIS GAS PIPING SYSTEM IS DESIGNED FOR USE OF LIQUEFIED PETROLEUM GAS ONLY. DO NOT CONNECT NATURAL GAS TO THIS SYSTEM

SECURELY CAP INLET(S) WHEN NOT CONNECTED FOR USE. AFTER TURNING ON GAS, EXCEPT AFTER NORMAL CONTAINER REPLACEMENT, TEST GAS PIPING AND CONNECTIONS TO APPLIANCE FOR LEAKAGE WITH SOAPY WATER OR BUBBLE SOLUTION. DO NOT USE PRODUCTS THAT CONTAIN AMMONIA OR CHLORINE. P.N. 54531

KEY PART NUMBER U/M DESCRIPTION
 1 074559-01-000 EA DECAL-LOGO, LPG - RED - (CALIF CODE)
 2 006040-01-000 EA TAG-GAS REFUELING WARNING
 2 006040-02-000 EA TAG-GAS REFUEL WARNING, CANADIAN
 3 054531-01-000 EA LABEL-LP GAS ONLY
 3 023769-01-000 EA LABEL-WARNING, LPG - CANADIAN

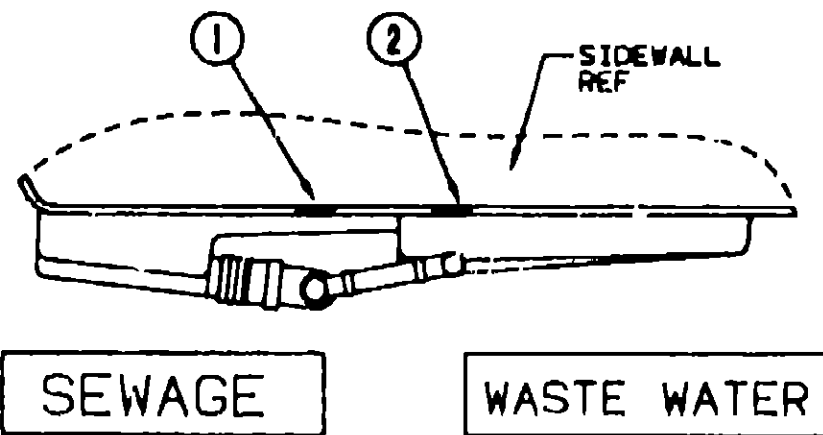
1993 WINNEBAGO TABLE OF CONTENTS

INTRODUCTION	A-01 - A-02
ABBREVIATIONS	A-03
ALPHABETICAL INDEX	A-04 - A-06
WF528RQ	A-07 - E-02

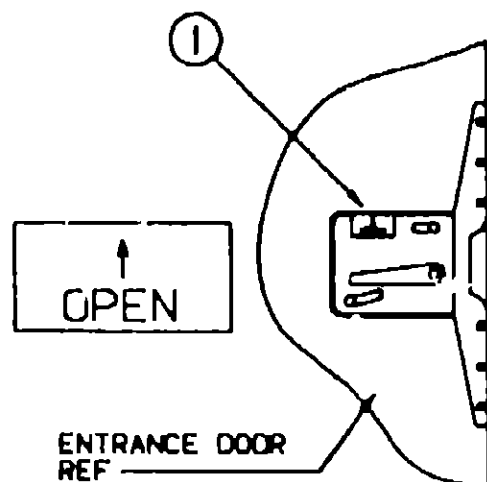
1993 WF528RQ INDEX

FLOOR PLAN	A-07 - A-08
ACCESSORIES	A-09
AUDIO VIDEO	A-10
BATH	A-11 - A-14
BEDROOM	A-15 - A-19
CHASSIS	A-20 - A-24
CURTAIN & CUSHION	B-01 - B-12
DINETTE	B-13 - B-14
DRIVERS COMPARTMENT	B-15 - B-16
ELECTRICAL	B-17 - B-20
EXTERIOR BODY	B-21 - C-04
GALLEY	C-05 - C-09
GENERATOR	C-10
HEATING & A/C	C-11 - C-12
INTERIOR FINISH	C-13 - C-16
LABELS	C-17 - C-23
LP	C-24
LOUNGE	D-01 - D-03
SEALANTS & FASTENERS	D-04 - D-06
WATER & SEWAGE	D-07 - D-10
WINDOW, VENT AND EXTERIOR DOOR	D-11 - E-02

LABELS GROUP (CONTINUED)

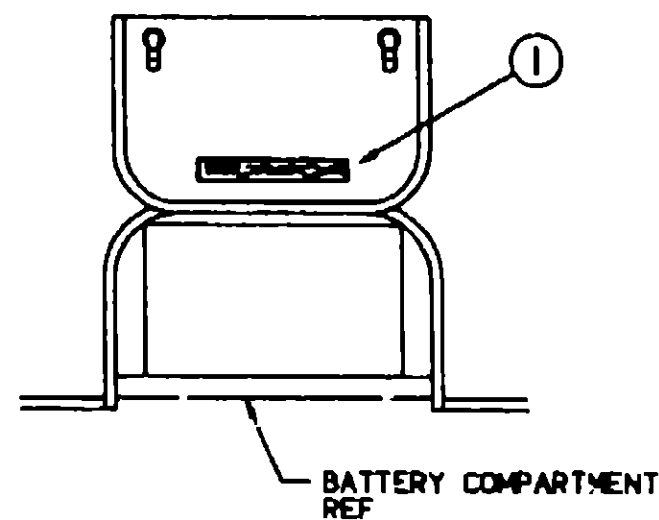


KEY	PART NUMBER	U/M DESCRIPTION
1	006187-01-000	EA LABEL-SEWAGE
2	006188-01-000	EA LABEL-WASTE WATER



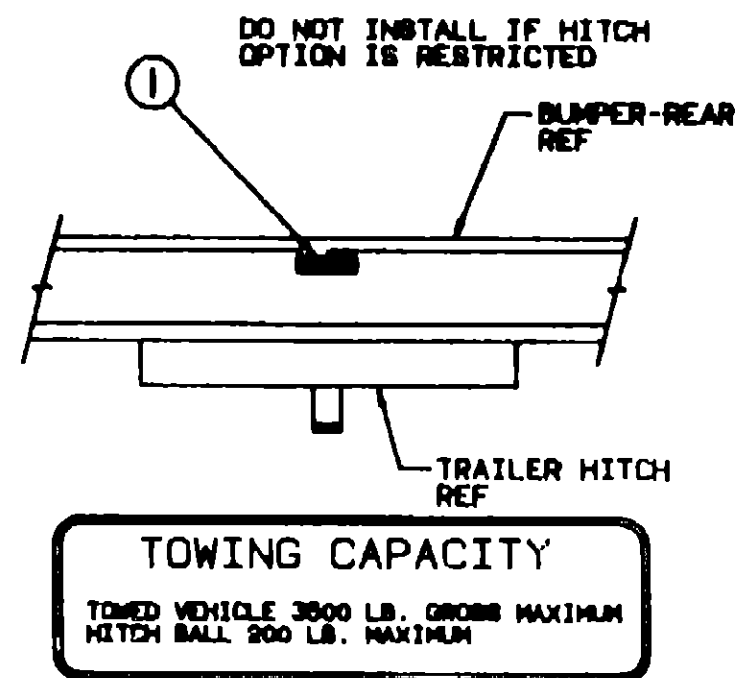
KEY	PART NUMBER	U/M DESCRIPTION
1	040944-01-000	EA LABEL-ENTRANCE DOOR, "OPEN"

WARNING DISCONNECT BATTERIES BEFORE CONNECTING EXTERNAL CHARGING EQUIPMENT.



KEY	PART NUMBER	U/M DESCRIPTION
1	065748-01-000	EA LABEL-CAUTION, BATTERY CHARGING

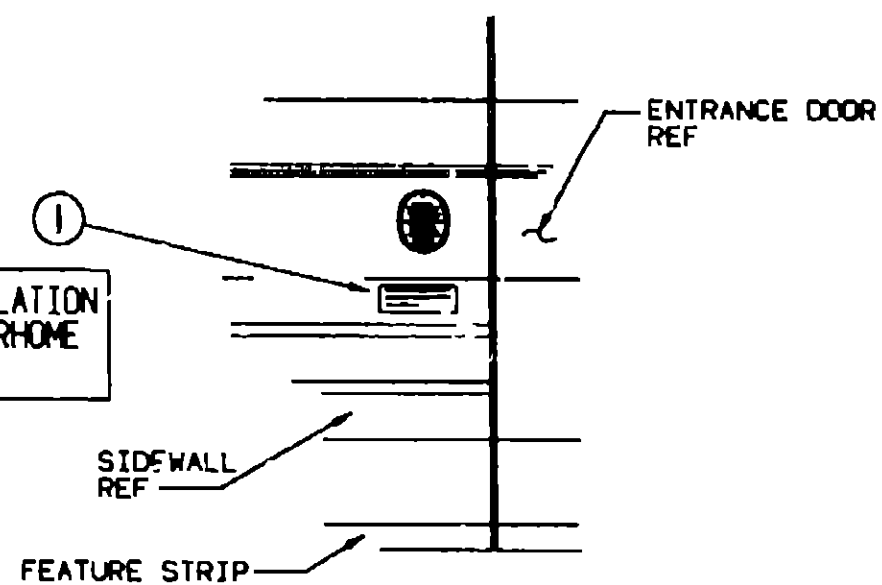
LABELS GROUP (CONTINUED)



KEY	PART NUMBER	U/M DESCRIPTION
1	075221-01-000	EA LABEL-TOWING CAPACITY



FOR AWNING INSTALLATION CONTACT YOUR MOTORHOME DEALERSHIP



KEY	PART NUMBER	U/M DESCRIPTION
1	099509-01-000	EA LABEL-AWNING INSTALLATION

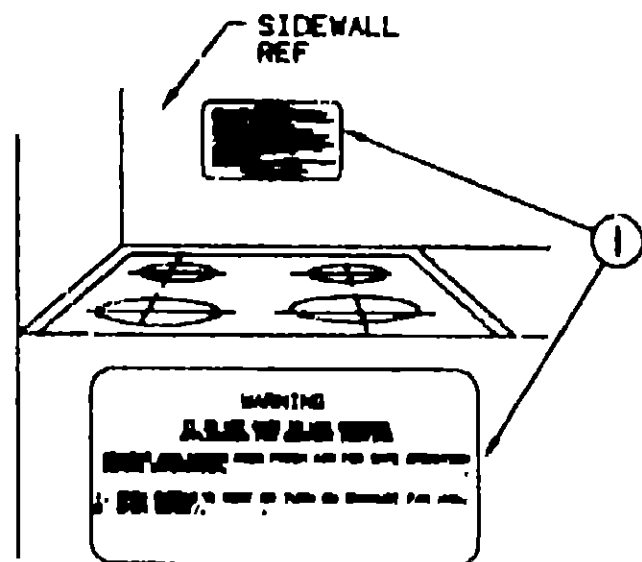
1993 WINNEBAGO TABLE OF CONTENTS

INTRODUCTION	A-01 - A-02
ABBREVIATIONS	A-03
ALPHABETICAL INDEX	A-04 - A-08
WF528RQ	A-07 - E-02

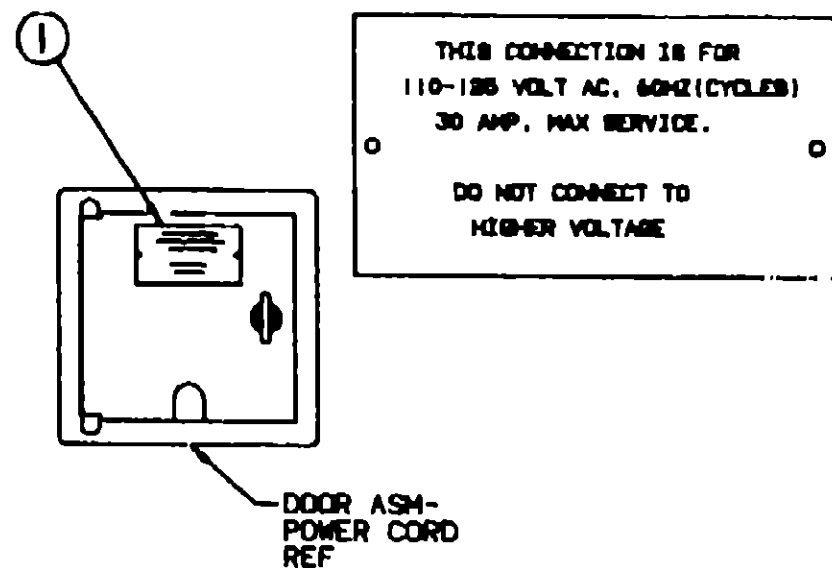
1993 WF528RQ INDEX

FLOOR PLAN	A-07 - A-08
ACCESSORIES	A-09
AUDIO VIDEO	A-10
BATH	A-11 - A-14
BEDROOM	A-15 - A-19
CHASSIS	A-20 - A-24
CURTAIN & CUSHION	B-01 - B-12
DINETTE	B-13 - B-14
DRIVERS COMPARTMENT	B-15 - B-16
ELECTRICAL	B-17 - B-20
EXTERIOR BODY	B-21 - C-04
GALLEY	C-05 - C-09
GENERATOR	C-10
HEATING & A/C	C-11 - C-12
INTERIOR FINISH	C-13 - C-16
LABFLS	C-17 - C-23
LP	C-24
LOUNGE	D-01 - D-03
SEALANTS & FASTENERS	D-04 - D-06
WATER & SEWAGE	D-07 - D-10
WINDOW, VENT AND EXTERIOR DOOR	D-11 - E-02

LABELS GROUP (CONTINUED)



KEY	PART NUMBER	U/M DESCRIPTION
1	050225-01-000	EA LABEL-WARNING, STOVE VENT - US
1	050222-01-000	EA LABEL-WARNING, STOVE VENT - CANADIAN

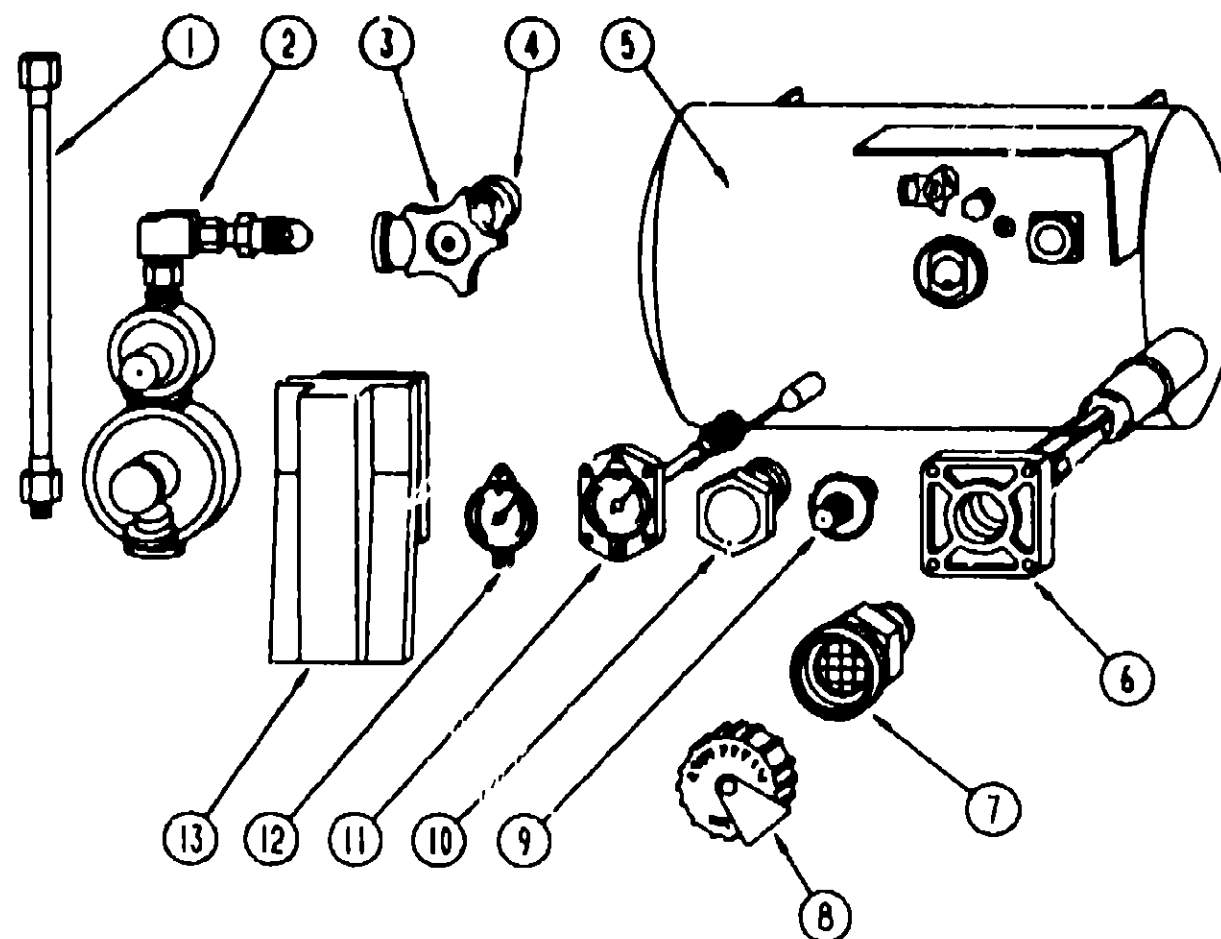


KEY	PART NUMBER	U/M DESCRIPTION
1	006062-01-000	EA TAG-ELECTRIC, 110V CONNECTION

MISCELLANEOUS LABELS

KEY	PART NUMBER	U/M DESCRIPTION
	R77005-87-699	EA LABEL-FUEL, "UNLEADED" - RNO 7700587699
	006064-01-000	EA LABEL-SEAT W/O SEATBELT NOT INTENDED FOR USE WHILE COACH IN MOTION
	006064-02-000	EA LABEL-SEAT W/O SEATBELT (CANADIAN)
	035709-01-000	EA LABEL-NO STORAGE
	061417-01-000	EA LABEL-FUEL ON FUEL FILL DOOR
	061608-01-000	EA LABEL-OVERLAY, VEHICLE CERTIFICATION - ADHESIVE BACKED
	073996-01-000	EA LABEL-LPG ODOR WARNING
	087236-01-000	EA LABEL-CABLE, INPUT
	091224-02-000	EA LABEL-TRAILER LIGHTING
	091243-01-000	EA LABEL-AC COVER, "AIR CONDITIONING CIRCUIT ETC"
	091243-02-000	EA LABEL-COVER, "MICROWAVE CIRCUIT ETC"
	093236-08-000	EA LABEL-CIRCUIT BREAKER
	098641-01-000	EA LABEL-FUEL, UNLEADED - DASH
	104236-01-000	EA LABEL-GENERATOR CIRCUIT

LP GROUP



LP TANK & COMPONENTS

KEY	PART NUMBER	U/M DESCRIPTION
1	045703-01-000	EA HOSE-LP, 3/8" ID X 24" - 3/8 MPT X 1/2" F SWIVEL - U S
1	045703-02-000	EA HOSE-LP, 3/8" ID X 24" - 3/8" MPT X 1/2" F SWIVEL - CANADA
2	106150-01-000	EA REGULATOR-TWO STAGE - M'BRASS 293-00
3	040421-01-708	EA HANDWHEEL-SERVICE VALVE, BRUNNER G-1015-A
4	040421-01-712	EA VALVE-SERVICE, W/O VAPOR RELIEF
5	097821-01-000	EA TANK-LP, 60 LB BRUNNER - 14" X 30"
6	040421-01-707	EA GAUGE-FLOAT W/VISIBLE DIAL - BRUNNER MA-9 6244-4
7	040421-01-701	EA VALVE-SHORT LP FILLER W/YELLOW CAP - BRUNNER 75478
8	040421-01-702	EA CAP-LP FILLER VALVE, PLASTIC - YELLOW - BRUNNER G-1014-A
9	040421-01-700	EA VALVE-LIQUID LEVEL, 20% LP - BRUNNER G-1013
10	040421-01-713	EA VALVE-VAPOR ONLY - 29000587
11	040421-01-711	EA VALVE-80% W/FLOAT, PLATE, BOLTS & GASKET - BRUNNER
12	040440-02-000	EA TRANSMITTER-DIAL, 0-90 OHM
13	105658-01-000	EA COMPARTMENT-LP REGULATOR
	065741-01-000	EA GAUGE-DIAPHRAGM PRESSURE - MARSHALLTOWN MFG
	103613-01-000	EA DETECTOR-LP GAS
	010323-01-000	EA ADAPTER-BRASS, 3/8" F X 1/2" MPT
	065742-01-000	EA TEE, .38" F X .38" F X .25" F - BRASS
	010377-02-000	EA NUT-BRASS, 3/8" FEMALE - FORGED
	010380-01-000	EA NUT-BRASS, 1/2" FEMALE - FORGED
	095624-01-000	EA ELBOW-90 DEGREE, 1/4" FPT X 1/4" FPT - BRASS
	065318-02-000	EA ELBOW-90 DEGREE, 3/8" MPT TO 3/8" FPT
	035340-01-000	EA ELBOW-3/8" MPT X 1/2" F - BRASS
	071391-02-000	EA NIPPLE-HEX, 1/4" PIPE - 3325X4 WEATHERHEAD
	084884-01-000	EA PLUG-BRASS, 3/8"

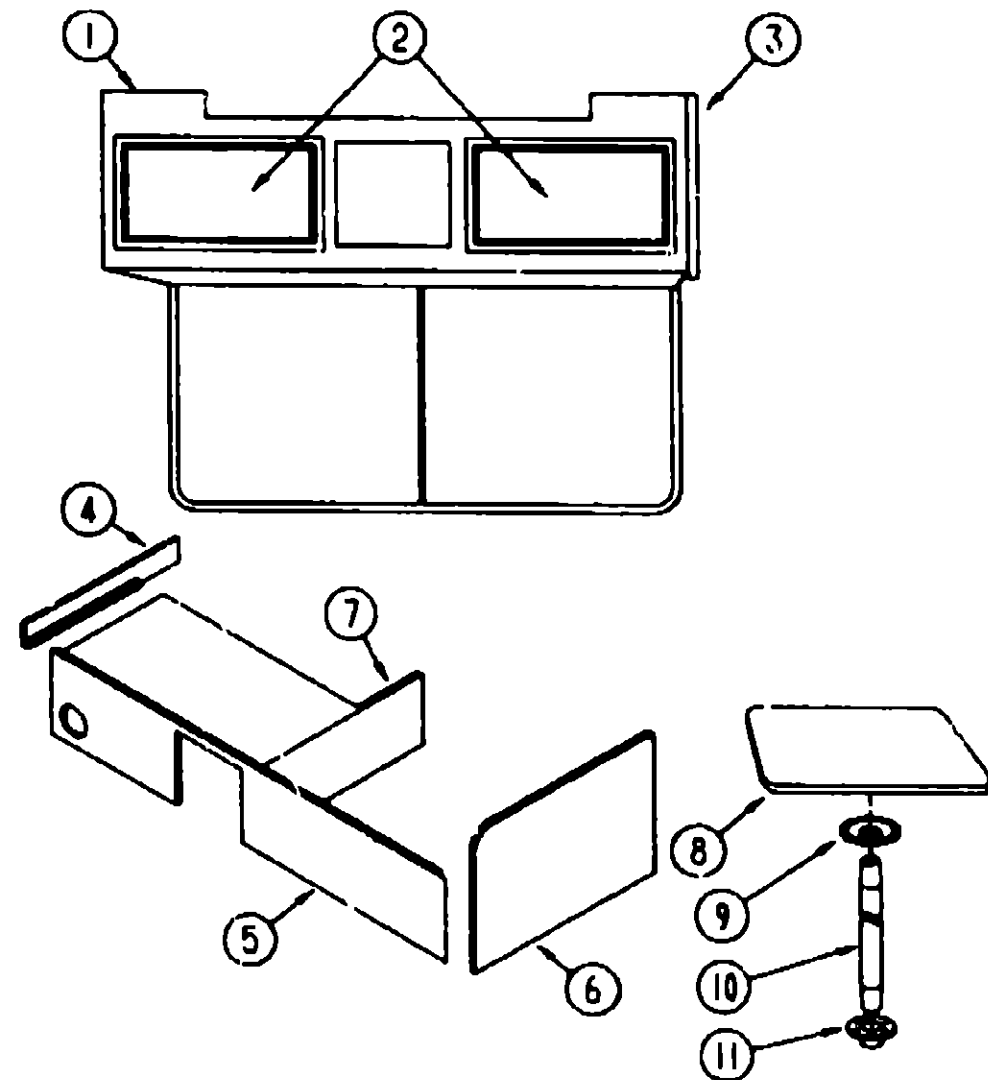
1993 WINNEBAGO TABLE OF CONTENTS

INTRODUCTION	A-01	A-02
ABBREVIATIONS		A-03
ALPHABETICAL INDEX	A-04	A-06
WF528RQ	A-07	E-02

1993 WF128RQ INDEX

FLOOR PLAN	A-07	A-08
ACCESSORIES		A-09
AUDIO VIDEO		A-10
BATH	A-11	A-14
BEDROOM	A-15	A-18
CHASSIS	A-20	A-24
CURTAIN & CUSHION	B-01	B-12
DINETTE	B-13	B-14
DRIVERS COMPARTMENT	B-15	B-16
ELECTRICAL	B-17	B-20
EXTERIOR BODY	B-21	C-04
GALLEY	C-05	C-09
GENERATOR		C-10
HEATING & A/C	C-11	C-12
INTERIOR FINISH	C-13	C-16
LABELS	C-17	C-23
LP		C-24
LOUNGE	D-01	D-03
SEALANTS & FASTENERS	D-04	D-06
WATER & SEWAGE	D-07	D-10
WINDOW, VENT AND EXTERIOR DOOR	D-11	E-02

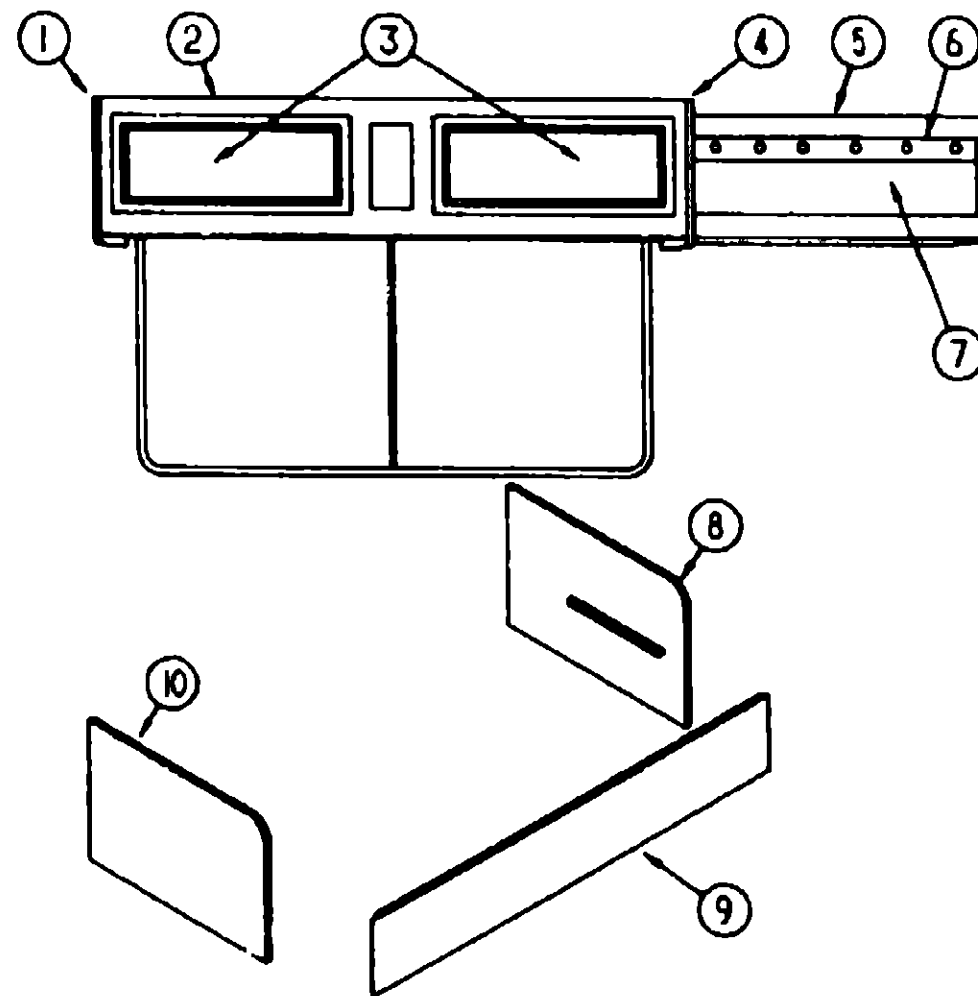
LOUNGE GROUP



DRIVER SIDE COUCH CABINETS & TABLES

KEY	PART NUMBER	U/M	DESCRIPTION
1	109818-02-D06	EA	CABINET-OVERHEAD, W/O DOOR & HARDWARE
1	109818-02-D07	EA	CABINET-OVERHEAD, W/O DOOR & HARDWARE
1	109818-02-D08	EA	CABINET-OVERHEAD, W/O DOOR & HARDWARE
2	P04746-A7-D06	EA	DOOR-CABINET, W/O HARDWARE - 290 X 715MM (MIRRORED)
2	P04746-B1-D06	EA	DOOR-CABINET, W/O HARDWARE - 290 X 715MM (WOOD PANEL)
3	104335-08-C03	EA	END CAP-CABINET, OVERHEAD
4	M04187-88-D06	EA	CABINET-COUCH W/FABRIC
4	M04187-88-D07	EA	CABINET-COUCH W/FABRIC
4	M04187-88-D08	EA	CABINET-COUCH W/FABRIC
5	M04187-88-D06	EA	CABINET-COUCH W/FABRIC
5	M04187-88-D07	EA	CABINET-COUCH W/FABRIC
5	M04187-88-D08	EA	CABINET-COUCH W/FABRIC
6	M04187-87-D06	EA	CABINET-COUCH W/FABRIC
6	M04187-87-D07	EA	CABINET-COUCH W/FABRIC
6	M04187-87-D08	EA	CABINET-COUCH W/FABRIC
7	M04187-70-D06	EA	CABINET-COUCH W/FABRIC
7	M04187-70-D07	EA	CABINET-COUCH W/FABRIC
7	M04187-70-D08	EA	CABINET-COUCH W/FABRIC
	082525-01-000	EA	BRACE-COUCH, FLOOR MOUNT - ANGLE 3" LONG - METAL
	083125-05-000	EA	BRACE-ANGLE, COUCH - 2 5" - BEIGE
8	081298-01-D06	EA	TABLE-PEDESTAL, W/O HARDWARE & LEG
8	081298-01-D07	EA	TABLE-PEDESTAL, W/O HARDWARE & LEG
8	081298-01-C11	EA	TABLE-PEDESTAL W/O HARDWARE & LEG (D08)
9	009040-03-000	EA	BASE-TABLE, RAISED - TABLE MOUNTED
10	009040-02-000	EA	LEG-TABLE, 27 5" X 2 25" DIA - CHROME
11	041194-01-000	EA	BASE-TABLE, FLUSH - FLOOR MOUNTED
	062046-01-000	EA	CLIP-LEG, PEDESTAL - 1 7" X 2 2" - DIA FROM 2" TO 2 5"
	042438-02-000	EA	DOWEL-WOOD, 2" X 2"
	078840-01-000	EA	CORD-BUNGIE, 24"

LOUNGE GROUP (CONTINUED)



PASSENGER SIDE COUCH CABINETS

KEY	PART NUMBER	U/M	DESCRIPTION
1	104335-28-D08	EA	END CAP-CABINET, OVERHEAD
2	109407-01-D06	EA	CABINET-OVERHEAD, W/O DOOR & HARDWARE
2	109407-01-D07	EA	CABINET-OVERHEAD, W/O DOOR & HARDWARE
2	109407-01-D08	EA	CABINET-OVERHEAD, W/O DOOR & HARDWARE
2	109406-01-D06	EA	CABINET-OVERHEAD, W/O DOOR & HARDWARE (W/TV OPTION)
2	109406-01-D07	EA	CABINET-OVERHEAD, W/O DOOR & HARDWARE (W/TV OPTION)
2	109406-01-D08	EA	CABINET-OVERHEAD, W/O DOOR & HARDWARE (W/TV OPTION)
3	P04746-03-D06	EA	DOOR-CABINET, W/O HARDWARE - 400 X 710MM
4	104335-27-D06	EA	END CAP-CABINET, OVERHEAD
5	109305-01-D06	EA	CABINET-OVERHEAD, ENTRANCE DOOR
5	109305-01-D07	EA	CABINET-OVERHEAD, ENTRANCE DOOR
5	109305-01-D08	EA	CABINET-OVERHEAD, ENTRANCE DOOR
6	105847-04-C05	EA	HOLDER-KEY RING
	103130-01-000	EA	HOOK-KEY RING, BRASS - 1 25"
7	109305-11-D06	EA	PANEL-BACK, CABINET - FABRIC COVERED
7	109305-11-D07	EA	PANEL-BACK, CABINET - FABRIC COVERED
7	109305-11-D08	EA	PANEL-BACK, CABINET - FABRIC COVERED
8	M04187-85-D06	EA	CABINET-COUCH W/FABRIC
8	M04187-85-D07	EA	CABINET-COUCH W/FABRIC
8	M04187-85-D08	EA	CABINET-COUCH W/FABRIC
9	M04187-83-D06	EA	CABINET-COUCH W/FABRIC
9	M04187-83-D07	EA	CABINET-COUCH W/FABRIC
9	M04187-83-D08	EA	CABINET-COUCH W/FABRIC
10	M04187-84-D06	EA	CABINET-COUCH W/FABRIC
10	M04187-84-D07	EA	CABINET-COUCH W/FABRIC
10	M04187-84-D08	EA	CABINET-COUCH W/FABRIC
	082525-01-000	EA	BRACE-COUCH, FLOOR MOUNT - ANGLE 3" LONG - METAL
	083125-05-000	EA	BRACE-ANGLE, COUCH - 2 5" - BEIGE
	105847-01-000	EA	BRACKET-HOLD DOWN, COUCH (CANADIAN OPTION)

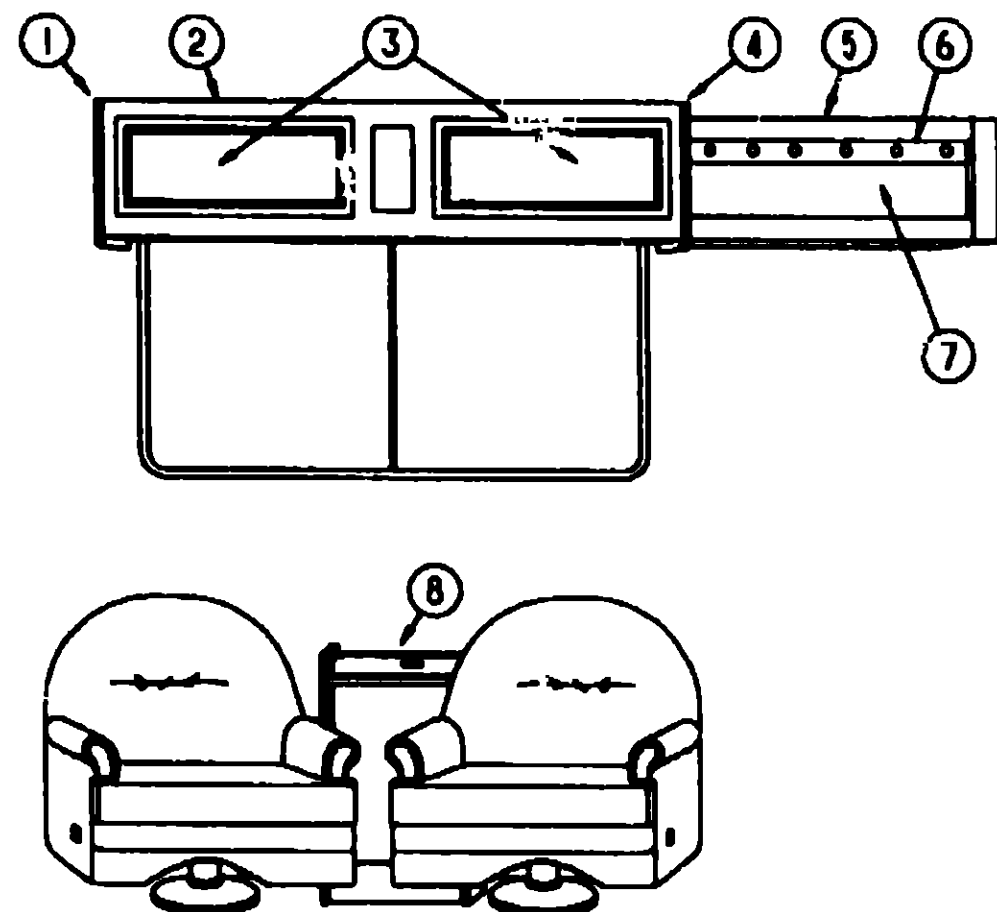
**1993 WINNEBAGO
TABLE OF CONTENTS**

INTRODUCTION	A-01 - A-02
ABBREVIATIONS	A-03
ALPHABETICAL INDEX	A-04 - A-06
WF528RQ	A-07 - E-02

1993 WF528RQ INDEX

FLOOR PLAN	A-07 - A-08
ACCESSORIES	A-09
AUDIO VIDEO	A-10
BATH	A-11 - A-14
BEDROOM	A-15 - A-19
CHASSIS	A-20 - A-24
CURTAIN & CUSHION	B-01 - B-12
DINETTE	B-13 - B-14
DRIVERS COMPARTMENT	B-15 - B-18
ELECTRICAL	B-17 - B-20
EXTERIOR BODY	B-21 - C-04
GALLEY	C-05 - C-09
GENERATOR	C-10
HEATING & A/C	C-11 - C-12
INTERIOR FINISH	C-13 - C-16
LABELS	C-17 - C-23
LP	C-24
LOUNGE	D-01 - D-03
SEALANTS & FASTENERS	D-04 - D-06
WATER & SEWAGE	D-07 - D-10
WINDOW, VENT AND EXTERIOR DOOR	D-11 - E-02

LOUNGE GROUP (CONTINUED)



PASSENGER SIDE SWIVEL CHAIR CABINETS & TABLE

KEY	PART NUMBER	U/M	DESCRIPTION
1	104335-26-D06	EA	END CAP-CABINET, OVERHEAD
2	109407-01-D06	EA	CABINET-OVERHEAD, W/O DOOR & HARDWARE
2	109407-01-D07	EA	CABINET-OVERHEAD, W/O DOOR & HARDWARE
2	109407-01-D08	EA	CABINET-OVERHEAD, W/O DOOR & HARDWARE
2	109408-01-D06	EA	CABINET-OVERHEAD, W/O DOOR & HARDWARE (W/TV OPTION)
2	109408-01-D07	EA	CABINET-OVERHEAD, W/O DOOR & HARDWARE (W/TV OPTION)
2	109408-01-D08	EA	CABINET-OVERHEAD, W/O DOOR & HARDWARE (W/TV OPTION)
3	P04746-03-D06	EA	DOOR-CABINET, W/O HARDWARE - 400 X 710MM
4	104335-27-D06	EA	END CAP-CABINET, OVERHEAD
5	109305-01-D06	EA	CABINET-OVERHEAD, ENTRANCE DOOR
5	109305-01-D07	EA	CABINET-OVERHEAD, ENTRANCE DOOR
5	109305-01-D08	EA	CABINET-OVERHEAD, ENTRANCE DOOR
6	105847-04-C05	EA	HOLDER-KEY RING
	103130-01-000	EA	HOOK-KEY RING, BRASS - 1 25"
7	109305-11-D06	EA	PANEL-BACK, CABINET - FABRIC COVERED
7	109305-11-D07	EA	PANEL-BACK, CABINET - FABRIC COVERED
7	109305-11-D08	EA	PANEL-BACK, CABINET - FABRIC COVERED
8	M98873-01-C03	EA	TABLE-PULLOUT, W/O PULLOUT TOP PANEL
	068873-11-D06	EA	TOP PANEL-PULL OUT
	080736-01-000	EA	PULL-RECESSED, 1 28" X 4" - OAK

SEALANTS & FASTENERS GROUP

ADHESIVE & FASTENERS

KEY	PART NUMBER	U/M	DESCRIPTION
	034552-02-000	EA	SILICONE-TUBE, 300 ML - W/O NOZZLE - CLEAR
	034552-06-000	EA	SILICONE-TUBE, 300 ML - W/O NOZZLE - OFF WHITE
	900390-01-000	EA	TIP-2 1/2" X 1/8" ORIFICE
	900390-02-000	EA	TIP-6"LN, 1/16" X 1/4" ORIFICE
	900390-03-000	EA	NOZZLES-#CSL D10
	063788-02-000	EA	BEDDING COMPOUND-TUBE, WHITE SCHNEE# 5522
	053788-06-000	EA	BEDDING COMPOUND-TUBE, CLEAR
	053788-08-000	EA	BEDDING COMPOUND-TUBE, GRAY - SCHNEE# 5522
	063842-01-000	FT	TAPE-ADHESIVE, 10 MM X 1 5" WIDE X 180'
	089840-01-000	FT	SEALER-RIBBON, 1/4" DIAMETER - INCREMENTS OF 30'
	089840-02-000	FT	SEALER-RIBBON, 1/2" X 1/8" - INCREMENTS OF 30' OR 60'
	089840-03-000	FT	SEALER-RIBBON, 3/4" X 1/8" - INCREMENTS OF 60'
	089840-10-000	FT	SEALER-RIBBON, 1/32" X 1 1/2" INCREMENTS OF 90'
	089840-11-000	FT	SEALER-TAPE, 3/16" X 3/5", BLACK - MANUS
	089840-12-000	FT	SEALER-TAPE, 1/8" X 1 5" GRAY - MANUS
	089840-14-000	FT	SEALER-TAPE, 1/16" X 1" GRAY - MANUS
	072889-01-000	EA	SEALANT-URETHANE, BLACK - 1/10 - ESSEX 552 2
	078314-02-000	FT	TAPE-CARPET SEAM, HEAT-BOND - 4" WIDE
	078322-01-000	FT	TAPE-FOAM, DOUBLE COATED ADHESIVE BACKED - 75" X 210'
	078322-02-000	FT	TAPE-FOAM, DOUBLE COATED ADHESIVE BACKED - 1" X 108'
	078322-03-000	FT	TAPE-FOAM, DOUBLE COATED ADHESIVE BACKED - 5" X 108'
	078322-05-000	FT	TAPE-FOAM, DOUBLE COATED ADHESIVE BACKED - 025" X 1 5" X 108'
	087211-01-000	GL	PROMOTER-ADHESIVE
	091255-02-000	FT	SEAL-ADHESIVE BACKED FOAM, 18" THICK X 1.5" WIDE
	094401-01-000	EA	SEALER-BODY SEAM SEALER, 3M FLEXICLEAR
	102352-01-000	EA	SEALER-PUMPABLE, BLACK - COLORIMETRIC MS101
	108716-01-000	EA	SILICONE-TUBE, OFF WHITE LEVEL - CSL 510

BOLTS, NUTS & WASHERS

KEY	PART NUMBER	U/M	DESCRIPTION
	000G45-05-168	EA	BOLT-LAG 5/16 - 9 X 1 ZN
	0MC31K-08-020	EA	BOLT-HEX, SER FLANGE - M8 X 020
	000C12-05-168	EA	BOLT-HEX, 5/16-18 X 1 - ZINC 5
	000C12-06-328	EA	BOLT-HEX-3/8-18X2LQ,ZN 5
	000C12-07-248	EA	BOLT-HEX,7/16-14X1.50,ZN 5 MC-80
	000C12-08-24C	EA	BOLT-HEX, 1/2-13 X 1 1/2 - ZN 5
	000C12-10-248	EA	BOLT-HEX, 5/8-11 X 1 1/2 ZN - 5
	000C13-07-488	EA	BOLT-HEX, 7/16 - 20 X 3 - ZN 5
	000C18-06-40A	EA	BOLT-ELEV, 5/16"-18 X 2 1/2" PL
	000C18-08-488	EA	BOLT-ELEV, 3/8-18 X 3 ZN - GDE 5
	000C26-04-108	EA	BOLT-HEX, SER FLG - 1/4-20 X 5/8 ZINC
	000C26-06-128	EA	BOLT-HEX-SER FLG 5/16-18X3/4 ZN
	102333-01-02A	EA	BOLT-CARRIAGE, 1/16 - 14 SST CAP - OFF WHITE
	000D24-10-008	EA	NUT-HEX, SFLK - 10-32 ZN
	000D34-06-008	EA	NUT-HEX, LK - 3/8 18 GRADE C ZN - PREVAILING TORQUE
	000D38-04-008	EA	NUT-HEX, SER FLG LK 1/4 - 20 ZN
	000D38-06-008	EA	NUT-HEX, SER FLG LK - 5/16 - 18 ZN
	000D38-08-008	EA	NUT-HEX, SER FLG LK - 3/8-18 ZN
	000D38-08-008	EA	NUT-HEX, SER FLG LK - 1/2-13 ZN
	000D44-07-008	EA	NUT-HEX, SER FLG LK - 7/16-20 ZN
	000E11-07-008	EA	WASHER-LK, 7/16 MED SPLIT ZN 06114-01-000
	000E13-14-008	EA	WASHER-FL, 1/4" WIDE ZN
	000E13-17-008	EA	WASHER-FLARE, 3/8" AR ZN
	000E13-20-008	EA	WASHER-FL, 7/16" WIDE - ZN
	000E13-21-008	EA	WASHER-FL, W/2 NAR ZN
	000E14-10-008	EA	WASHER-LK, NO 10 EXT TOOTH - ZN
	041327-01-000	EA	WASHER-FL, 15/32ID X 2 3/8 OD - FOR SEAT BELT MOUNT
	044533-01-000	EA	WASHER-PLASTIC, 1 3/8"OD - FOR BUTTONS

**1993 WINNEBAGO
TABLE OF CONTENTS**

INTRODUCTION	A-01 - A-02
ABBREVIATIONS	A-03
ALPHABETICAL INDEX	A-04 - A-06
WF528RQ	A-07 - E-02

1993 WF528RQ INDEX

FLOOR PLAN	A-07 - A-08
ACCESSORIES	A-09
AUDIO VIDEO	A-10
BATH	A-11 - A-14
BEDROOM	A-15 - A-19
CHASSIS	A-20 - A-24
CURTAIN & CUSHION	B-01 - B-12
DINETTE	B-13 - B-14
DRIVERS COMPARTMENT	B-15 - B-16
ELECTRICAL	B-17 - B-20
EXTERIOR BODY	B-21 - C-04
GALLEY	C-05 - C-08
GENERATOR	C-10
HEATING & A/C	C-11 - C-12
INTERIOR FINISH	C-13 - C-16
LABELS	C-17 - C-23
LP	C-24
LOUNGE	D-01 - D-03
SEALANTS & FASTENERS	D-04 - D-06
WATER & SEWAGE	D-07 - D-10
WINDOW, VENT AND EXTERIOR DOOR	D-11 - E-02

SEALANTS & FASTENERS GROUP (CONTINUED)

SCREWS

KEY	PART NUMBER	U/M DESCRIPTION
	000G11-08-10J	EA SCREW, 8-20 X 5/8 PPH - BRASS
	000G11-07-08B	EA SCREW, 7-18 X 1/2 PPH - ZN
	000G11-08-08B	EA SCREW, 8-18 X 3/8 PPH ZN
	000G11-08-08B	EA SCREW, 8-18 X 1/2 PPH - ZN
	000G11-08-12B	EA SCREW, 8-18 X 3/4 PPH ZN
	000G11-08-12D	EA SCREW, 8-18 X 3/4 PPH - BLACK
	000G11-08-12E	EA SCREW, 8-18 X 75 PPH CHROME ES0025 4
	000G11-08-12P	EA SCREW, 8-18 X 75 PPH - DARK BROWN
	000G11-08-12R	EA SCREW, 8-18 X 3/4 PPH - BEIGE
	000G11-08-12S	EA SCREW, 8-18 X 3/4 PPH - OFF WHITE
	000G11-08-12T	EA SCREW, 8-18 X 3/4 PPH - BLACK
	000G11-08-16S	EA SCREW, 8-18 X 1 00 PPH - OFF WHITE
	000G11-10-12S	EA SCREW, 10-18 X 75 PPH OFF WHT
	000G12-08-08T	EA SCREW, 8-20 X 50 POH - BLACK
	000G12-08-12R	EA SCREW, 8-18 X 75OH - BEIGE
	000G12-08-12S	EA SCREW, 8-18 X 3/4 POH - OFF WHITE
	000G13-08-06B	EA SCREW, 8-20 X 3/8 PFH ZN
	000G13-08-08B	EA SCREW, 8-20 X 1/2 PFH ZN
	000G13-08-08G	EA SCREW, 8-20 X 1/2 PFH - ANTIQUE BRASS
	000G13-08-16J	EA SCREW, 8-20 X 1.00 PFH - BRASS
	000G13-08-24J	EA SCREW, 8-20 X 1 50 PFH - BRASS
	000G13-07-12B	EA SCREW, 7-18 X 3/4 PFH ZN
	000G13-08-10B	EA SCREW, 8-18 X 5/8 PFH - ZN
	000G13-08-16B	EA SCREW, 8-18 X 1 PFH - ZN
	000G13-10-12B	EA SCREW, 10-18 X 3/4 PFH ZN
	000G18-08-16B	EA SCREW-MACHINE, 8 X 32 X 1, PPH ZN
	000G18-08-22B	EA SCREW-MACHINE, 8-32 X 1 3/8 PPH ZN
	000G32-10-08B	EA SCREW-10-32 X 3/8" - PPH - ZINC
	000G39-08-08B	EA SCREW-DR, 8-18 X 1/2 ZN
	000G39-08-10T	EA SCREW-SF/DR, 8-20 X 5/8 PPH - BLACK
	000G39-08-10T	EA SCREW-SF/DR, 8-20 X 5/8 PPH - BLACK
	000G39-08-16T	EA SCREW-SF/DR, 8-20 X 1 PPH - BLACK
	000G39-08-08B	EA SCREW-SF/DR, 8-18 X 3/8 PPH ZN
	000G39-08-08B	EA SCREW-SF/DR, 8-18 X 1/2 PPH ZN
	000G39-08-08R	EA SCREW-SF/DR, 8-18 X 1/2 PPH - BEIGE
	000G39-08-08S	EA SCREW-SF/DR, 8-18 X 1/2 PPH - OFF WHITE
	000G39-08-12B	EA SCREW-SF/DR, 8-18 X 3/4 PPH ZN
	000G39-08-16B	EA SCREW-SF/DR, 8-18 X 1 PPH ZN
	000G39-08-16S	EA SCREW-SF/DR, 8-18 X 1 00 PPH, OFF WHITE
	000G39-08-24B	EA SCREW-SF/DR, 8-18 X 1 1/2 PPH ZN
	000G39-10-12D	EA SCREW-SF/DR, 10-18 X 3/4 PPH - BLACK
	000G39-10-12R	EA SCREW-SF/DR, 10-18 X 3/4 PPH - BEIGE
	000G39-10-20B	EA SCREW-SF/DR, 10-18 X 1 1/4 PPH ZN
	000G39-10-32I	EA SCREW-SF/DR, 10-18 X 2.00 PPH - ZN PLATE-PASS BLACK
	000G39-12-12E	EA SCREW-SF/DR, 12 - 14 X 3/4 PPH - CHROME
	000G42-04-12B	EA SCREW-SF/DR, 1/4 - 14 X 3/4 HWH ZN
	000G42-04-16B	EA SCREW-SF/DR, 1/4-14 X 1 HWH - ZN
	000G50-04-12B	EA SCREW-MACHINE, 1/4-20 X 3/4 PPH ZN
	000G53-04-08B	EA SCREW-MACHINE, 1/4-20 X 3/8 PPH ZN - UNDERCUT HEAD
	000G54-04-20B	EA SCREW, 1/4-20 X 1 1/4 PTH - TYPE 23 - ZINC PLATED
	000G56-12-48B	EA SCREW-WOOD, 12 - 11 X 3 POH - SPECIAL HARDENED
	000G60-10-28T	EA SCREW-SF/DR, 10-18 X 1 75 - BLACK
	000G67-10-08B	EA SCREW, 10-12 X 1/2 PPH ZN
	000G67-10-08R	EA SCREW, 10-12 X 1/2 PPH - BEIGE - TYPE A
	000G67-10-10B	EA SCREW, 10-12 X 5/8 PPH ZN - TYPE A
	000G67-10-10D	EA SCREW, 10-12 X 5/8 PPH - BLACK - TYPE A
	000G67-10-10R	EA SCREW, 10-12 X 5/8 PPH - TYPE A - BEIGE
	000G67-10-10S	EA SCREW, 10-12 X 5/8" - PPH - OFF WHITE
	000G67-10-12B	EA SCREW, 10-12 X 3/4" PPH - ZN
	000G67-10-12P	EA SCREW, 10-12 X 75" - PPH - DARK BROWN
	000G67-10-12R	EA SCREW, 10-12 X 75 PPH - BEIGE
	000G67-10-16B	EA SCREW, 10-12 X 1 PPH - ZN

SEALANTS & FASTENERS GROUP (CONTINUED)

SCREWS (CONTINUED)

KEY	PART NUMBER	U/M DESCRIPTION
	000G67-10-16P	EA SCREW, 10-12 X 1 PPH - DARK BROWN
	000G67-10-20D	EA SCREW, 10-12 X 1 1/4 PPH - BLACK
	000G67-10-24B	EA SCREW, 10-12 X 1 1/2 PPH - ZN
	000G67-10-32B	EA SCREW, 10-12 X 2 PPH - ZN
	000G68-08-10G	EA SCREW, 8-18 X 5/8 POH - ANTIQUE BRASS
	000G68-10-38T	EA SCREW-10-12 X 2 25 POH BLACK
	049485-04-000	EA SCREW, 10-12 X 1 PTH WWASHER - BEIGE
	074048-01-000	EA SCREW, 8-18 X 1 1/2 PFH, BRONZE
	075908-01-000	EA SCREW-MACHINE, 10-32 X 56 PTH - ZINC EXTERNAL TOOTH
	087721-01-000	EA SCREW-FLAT HEAD, TAPPING - 1/4" X 1 1/4" LG ZN
	101289-01-01A	EA SCREW-MACHINE, 8-32 X 4 - POH - BRASS - FOR EXTENDED KNOB

CLAMPS, GROMMETS, CLIPS & RIVETS

KEY	PART NUMBER	U/M DESCRIPTION
	000H18-04-08R	EA RIVET-POP, AL 1/8 X 313-375
	007161-01-000	EA CLAMP-HOSE, SPRING TYPE - 1/2"
	010495-01-000	EA CLAMP-CABLE, 8/16"
	010497-01-000	EA CLAMP-CLOSED, 5/8" ID
	010497-03-000	EA CLAMP-CLOSED, 1" ID - CUSHIONED
	010499-01-000	EA CLAMP-CLOSED, 3/8" ID
	016188-03-000	EA GROMMET-L/P LINE, 3/8" HOLE X 2 1/2" LONG - RUBBER
	016188-05-000	EA GROMMET-L/P LINE, 3/8" HOLE X 1 1/4" LONG - RUBBER
	023942-01-000	EA GROMMET-RUBBER, 2" OD
	082401-01-000	EA CLAMP-HOSE, WORMGEAR 25" - 1"
	082401-02-000	EA CLAMP-HOSE, WORMGEAR, 1 58" - 2 5"
	082401-04-000	EA CLAMP-HOSE, WORMGEAR 69" - 1 25"
	082401-08-000	EA CLAMP-HOSE, WORMGEAR 22" - 62"
	089592-02-000	EA RIVET-T, (POP) - 1/4 X 083 - 158
	071015-11-000	EA GROMMET-1 00" ID, FITS .12 MATL - MINOR RUBBER Z-3085
	071015-28-000	EA GROMMET-RUBBER, 1 5" ID X 2 12" OD W/ 08" GROOVE - BLACK
	071015-31-000	EA GROMMET-RUBBER, 69" ID X 1 31" OD W/ 12" GROOVE - BLACK
	075148-02-000	EA CLAMP-GROUNDING, BRONZE SCREWS
	077953-01-000	EA GROMMET-EDGE LINER, FITS 1"
	080734-02-000	EA CLIP-WIRE, NYLON
	082149-01-000	EA STUD-CLINCH, 3/8" X 24 X 1 12 GD6
	083009-01-000	EA CLAMP-WIRE, DUAL EQUAL - 5/8" DIAMETER
	083810-01-000	EA CLAMP-WIRE, DUAL - UNEQUAL DIAMETERS - 75" & 1 25"
	085774-01-000	FF FASTENER-DUAL HOOK, 1" WIDE - ADHESIVE BACK - BLACK
	085774-02-000	FT FASTENER-DUAL LOOP, 1" WIDE - ADHESIVE BACK - BLACK
	091952-01-000	EA CLIP-GRIPPER, 1"
	101447-01-000	EA CLIP-U TYPE, TINNEMAN - HOLDS SHOWER SURROUND TOGETHER
	056134-01-000	EA HOLDER-RING, 3 8" DIAMETER - METAL
	056134-02-000	EA HOLDER-RING, 1 8" DIAMETER - METAL

**1993 WINNEBAGO
TABLE OF CONTENTS**

INTRODUCTION	A-01 - A-02
ABBREVIATIONS	A-03
ALPHABETICAL INDEX	A-04 - A-06
WFS&S	A-07 - E-02

1993 WF528RQ INDEX

FLOOR PLAN	A-07 - A-08
ACCESSORIES	A-09
AUDIO VIDEO	A-10
BATH	A-11 - A-14
BEDROOM	A-15 - A-19
CHASSIS	A-20 - A-24
CURTAIN & CUSHION	B-01 - B-12
DINETTE	B-13 - B-14
DRIVERS COMPARTMENT	B-15 - B-16
ELECTRICAL	B-17 - B-20
EXTERIOR BODY	B-21 - C-04
GALLEY	C-05 - C-08
GENERATOR	C-10
HEATING & A/C	C-11 - C-12
INTERIOR FINISH	C-13 - C-16
LABELS	C-17 - C-23
LP	C-24
LOUNGE	D-01 - D-03
SEALANTS & FASTENERS	D-04 - D-08
WATER & SEWAGE	D-07 - D-10
WINDOW, VENT AND EXTERIOR DOOR	D-11 - E-02

WATER & SEWAGE GROUP

FRESH WATER TANK

KEY	PART NUMBER	U/M	DESCRIPTION
	064214-13-000	EA	TANK-WATER, W/FITTINGS - 31 GALLON (QUEEN BED)
	064214-10-000	EA	TANK-WATER, W/FITTINGS - 31 GALLON (TWIN BED)
	077954-02-000	EA	FILTER-WATER TANK, SCREEN IN TANK
	042986-13-000	EA	FITTING-WATER TANK, SPINWELD - 1 1/4"NPT - PLASTIC - WHITE
	042989-07-000	EA	FITTING-WATER TANK, SPINWELD - 3/8" FPT - PLASTIC - WHITE
	042989-05-000	EA	FITTING-WATER TANK, SPINWELD - 1/2" FPT - PLASTIC - WHITE
	048032-01-000	EA	PATCH-SPINWELD, 3/8" - PLASTIC
	039861-01-000	EA	SENDING UNIT, W/SCREW, WASHER, WELL NUT AND TERMINAL RING
	068449-02-000	EA	WIRE ASM-WATER TANK TO MONITOR PANEL

WATER SYSTEM

KEY	PART NUMBER	U/M	DESCRIPTION
	036522-02-000	EA	CAP-BRASS, 1/2" FLARE
	106000-01-000	EA	CAP-FEMALE, W/CONE - 50 - KEVCO TC3F
	010224-01-000	EA	ADAPTER-HOSE TO PIPE, 3/8" MPT X 3/8" BARB - PLASTIC BLACK
	044927-01-000	EA	ADAPTER-HOSE TO PIPE, 1 1/4" MPT X 1 1/4" BARB - BLACK PLASTIC
	052954-01-000	EA	ADAPTER-NOSE CONE, 3/8" OR 1/2" TUBING - PLASTIC - GRAY
	079317-01-000	EA	ADAPTER-SWIVEL, 1/2" TUBE X 1/2" FPT - PLASTIC - GRAY
	106258-01-000	EA	CAP-INSERTABLE, 1/2" FLARE
	106258-02-000	EA	CAP-INSERTABLE, 5/8" FLARE
	068417-01-000	EA	CONNECTOR-5/8" F X 1/2" MPT, PLASTIC - KEVCO
	101814-01-000	EA	COUPLING-FEMALE, 1/2" X 1/2" FPT
	052980-03-000	EA	DRAIN VALVE-IN LINE, HEADER - 5/8" F X 5/8" F - PLASTIC
	052981-02-000	EA	DRAIN VALVE-IN LINE, HEADER - 1/2" MPT X 1/2" F X 1/2" F X 1/2" F - PLASTIC
	039808-03-000	EA	ELBOW-PLASTIC, 1/2" MPT X 1/2" MPT
	065290-01-000	EA	ELBOW-5/8" F X 1/2" MPT
	052967-02-000	EA	ELBOW-MALE, 1/2" F X 1/2" MPT - PLASTIC - GRAY
	057457-01-000	EA	ELBOW-UNION, 5/8" X 5/8" FL - WATER
	067659-04-000	EA	FILL-WATER CITY, OFF WHITE
	048128-01-000	EA	VALVE-DRAIN PLASTIC, 1/2" FPT
	085120-01-000	EA	ELBOW-SWIVEL, 1/2" FPT X 1/2" FLARE - PLASTIC - GRAY
	052963-01-000	EA	NUT-FAUCET, 1/2" TUBE X 1/2" FPT - PLASTIC - GRAY
	052962-01-000	EA	NUT-PLASTIC, 1/2" F X 1/2" TUBE - GRAY
	052962-02-000	EA	NUT-PLASTIC, 5/8" FLARE
	039798-01-000	EA	TEE-1/2" MPT X 1/2" MPT X 1/2" MPT, PLASTIC
	052968-01-000	EA	TEE-1/2" F X 1/2" F X 1/2" F, PLASTIC - GRAY
	052968-01-000	EA	TEE-PLASTIC, 1/2" F X 1/2" MPT X 1/2" MPT
	057457-01-000	EA	ELBOW-UNION, 1/2" X 1/2" FLARE
	057974-01-000	EA	TEE-5/8" F X 1/2" F X 1/2" F, PLASTIC
	074463-03-000	EA	TEE-4WAY, 1/2" FLARE X 1/2" MPT
	039800-01-000	FT	TUBING-POLYBUTYL, 1/2" OD - INCREMENTS OF 20' - BLACK
	039800-02-000	FT	TUBING-POLYBUTYL, 5/8" OD - INCREMENTS OF 20' - BLACK
	079381-01-000	FT	TUBING-SMOOTH FLEXIBLE, 1 1/4" ID
	074462-02-000	FT	TUBING-VINYL, 3/8" ID - CLEAR

WATER & SEWAGE GROUP (CONTINUED)

WATER HEATER W/O MOTOR AID

KEY	PART NUMBER	U/M	DESCRIPTION
	051391-03-000	EA	HEATER-WATER, WELECTRIC IGNITION - ATWOOD G8A-3E
	051391-01-700	EA	HINGE KIT-W/CLIP, ATWOOD 92568 & 92569
	051391-01-704	EA	VALVE-RELIEF, 1/2" FITTING - ATWOOD 91804
	051391-01-705	EA	FASTENER-CAMLOC, ATWOOD 92809
	051391-01-708	EA	GRILLE-EXHAUST, ATWOOD 92787
	051391-01-708	EA	BURNER-MAIN, 3E ONLY - ATWOOD 92815
	051391-01-710	EA	ORIFICE-MAIN BURNER, ATWOOD 92742
	051391-01-715	EA	DRAIN PLUG, ATWOOD 91581
	051391-04-700	EA	TANK-INNER (G8A-3E), FRT MT - ATWOOD 91808
	051391-04-701	EA	THERMOSTAT 12 VDC-120 PRESET, ATWOOD 91470
	051391-04-708	EA	TANK-INNER, G8A-4E & 6E - FRONT MOUNT - ATWOOD 91641
	051393-01-702	EA	SWITCH-ENERGY CUT-OFF, ATWOOD 91951
	051393-01-703	EA	THERMOSTAT-REAR MOUNT, ATWOOD 91952
	051393-01-704	EA	CIRCUIT BOARD-W/BLACK BOX, ATWOOD 91420
	051393-01-705	EA	ORIFICE HOLDER-ATWOOD 91925
	051393-01-718	EA	SPARK & PROBE ASM, ATWOOD 91808
	051393-01-718	EA	VALVE-DUAL SOLENOID, ATWOOD 91805
	051393-01-721	EA	ECO&THERMOSTAT ASM-FRONT MOUNT, 140 DEGREE - ATWOOD 91447
	051393-03-700	EA	TANK-INNER (G8A-3E), REAR MT - ATWOOD 91409
	097987-01-000	EA	SWITCH-WATER HEATER, ATWOOD 91959

WATER HEATER W/MOTOR AID & REAR HEATER

KEY	PART NUMBER	U/M	DESCRIPTION
	051393-01-000	EA	HEATER-WATER-W/MOTOR AID-ATWOOD GH8-3E, GH8-4E, OR GH8-6E
	051391-01-700	EA	HINGE KIT-W/CLIP, ATWOOD 92568 & 92569
	051391-01-704	EA	VALVE-RELIEF, 1/2" FITTING - ATWOOD 91804
	051391-01-705	EA	FASTENER-CAMLOC, ATWOOD 92809
	051391-01-708	EA	GRILLE-EXHAUST, ATWOOD 92787
	051391-01-708	EA	BURNER-MAIN, 3E ONLY - ATWOOD 92815
	051391-01-710	EA	ORIFICE-MAIN BURNER, ATWOOD 92742
	051391-01-714	EA	ELBOW-45 DEGREE, 3/8" F X 3/8" MPT - ATWOOD 91044
	051391-01-715	EA	DRAIN PLUG, ATWOOD 91581
	051391-04-701	EA	THERMOSTAT 12 VDC-120 PRESET, ATWOOD 91470
	051391-04-704	EA	TANK-INNER, FRONT MOUNT - GH8-4E & 6E - ATWOOD 91642
	051393-01-700	EA	TANK-INNER, 3E FRONT MOUNT - ATWOOD 91023
	051393-01-702	EA	SWITCH-ENERGY CUT-OFF, ATWOOD 91951
	051393-01-703	EA	THERMOSTAT-REAR MOUNT, ATWOOD 91952
	051393-01-704	EA	CIRCUIT BOARD-W/BLACK BOX, ATWOOD 91420
	051393-01-705	EA	ORIFICE HOLDER-ATWOOD 91925
	051393-01-714	EA	TANK-INNER (GH8-3E), REAR MOUNT - ATWOOD 91408
	051393-01-718	EA	SPARK & PROBE ASM, ATWOOD 91808
	051393-01-718	EA	VALVE-DUAL SOLENOID, ATWOOD 91805
	051393-01-721	EA	ECO&THERMOSTAT ASM-FRONT MOUNT, 140 DEGREE - ATWOOD 91447
	110438-01-000	EA	VALVE CHECK, BRASS

WATER PUMP

KEY	PART NUMBER	U/M	DESCRIPTION
	098807-01-000	EA	PUMP-WATER, W/ 5" MPT FITTING - FLOW 2.8 GPM - UL
	098807-01-700	EA	PUMPHEAD-REPLACEMENT, SHURFLO 94-236-08
	098807-01-701	EA	DRIVE ASM, SHURFLO 94-234-03
	098807-01-702	EA	DIAPHRAGM-KIT, SHURFLO 94-233-10
	098807-01-703	EA	VALVE ASM, SHURFLO 94-232-00
	098807-01-708	EA	SWITCH ASM-COMPLETE, SHURFLO 94-230-00
	098807-01-706	EA	CHECK VALVE-KIT, SHURFLO 94-237-00
	098807-01-708	EA	SWITCH ASM-COMPLETE, SHURFLO 94-230-00
	098807-01-707	EA	MOTOR/BASEPLATE REPLACEMENT, SHURFLO 94-234-03

1993 WINNEBAGO TABLE OF CONTENTS

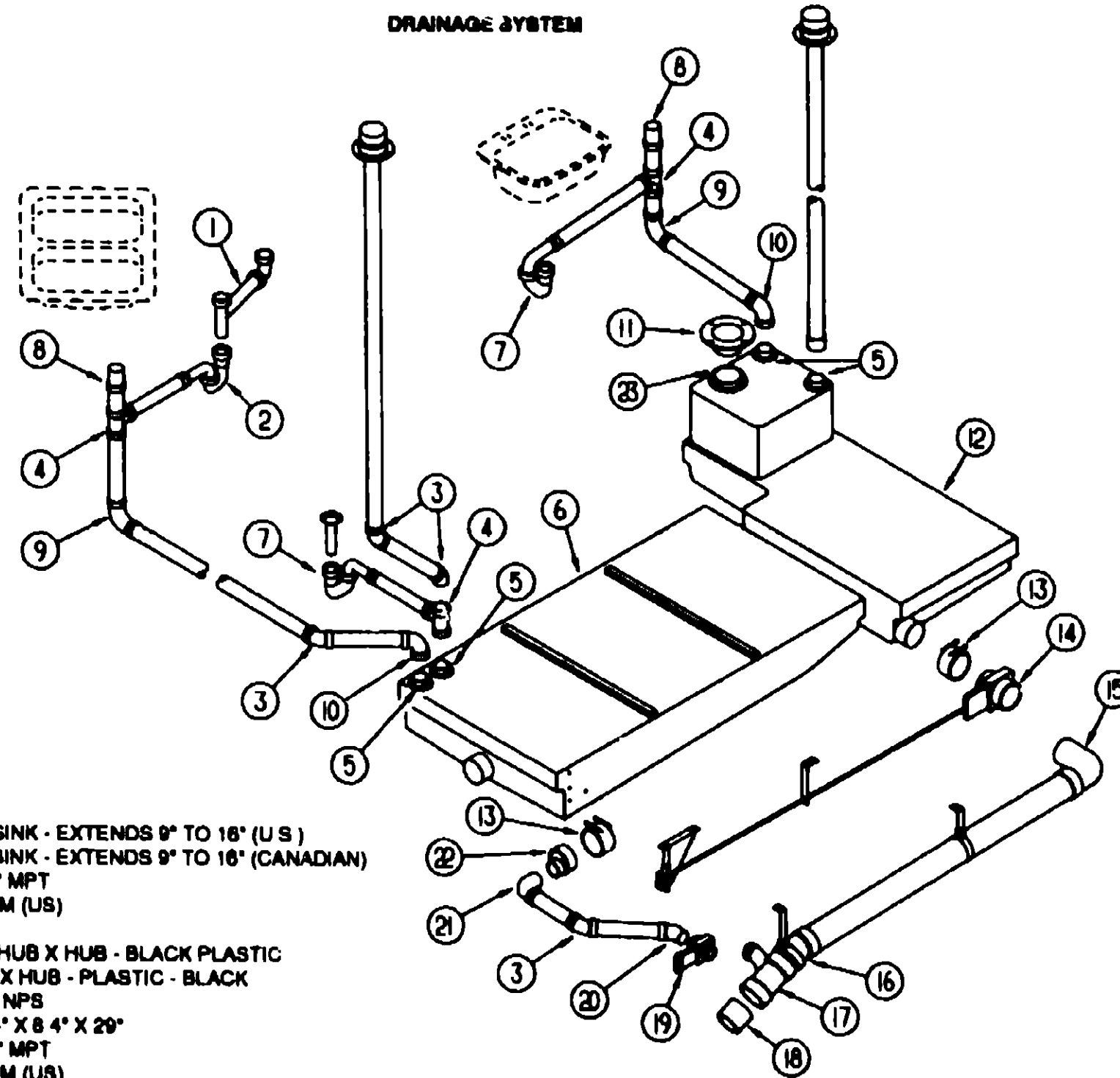
INTRODUCTION	A-01	A-02
ABBREVIATIONS		A-03
ALPHABETICAL INDEX	A-04	A-06
WF528RQ	A-07	E-02

1993 WF528RQ INDEX

FLOOR PLAN	A-07	A-08
ACCESSORIES		A-09
AUDIO VIDEO		A-10
BATH	A-11	A-14
BEDROOM	A-15	A-19
CHASSIS	A-20	A-24
CURTAIN & CUSHION	B-01	B-12
DINETTE	B-13	B-14
DRIVERS COMPARTMENT	B-15	B-18
ELECTRICAL	B-17	B-20
EXTERIOR BODY	B-21	C-04
GALLEY	C-05	C-09
GENERATOR		C-10
HEATING & A/C	C-11	C-12
INTERIOR FINISH	C-13	C-16
LABELS	C-17	C-23
LP		C-24
LOUNGE	D-01	D-03
SEALANTS & FASTENERS	D-04	D-08
WATER & SEWAGE	D-07	D-10
WINDOW, VENT AND EXTERIOR DOOR	D-11	E-02

WATER & SEWAGE GROUP (CONTINUED)

DRAINAGE SYSTEM



1993 WINNEBAGO TABLE OF CONTENTS

INTRODUCTION	A-01 - A-02
ABBREVIATIONS	A-03
ALPHABETICAL INDEX	A-04 - A-06
WF528RQ	A-07 - E-02

1993 WF528RQ INDEX

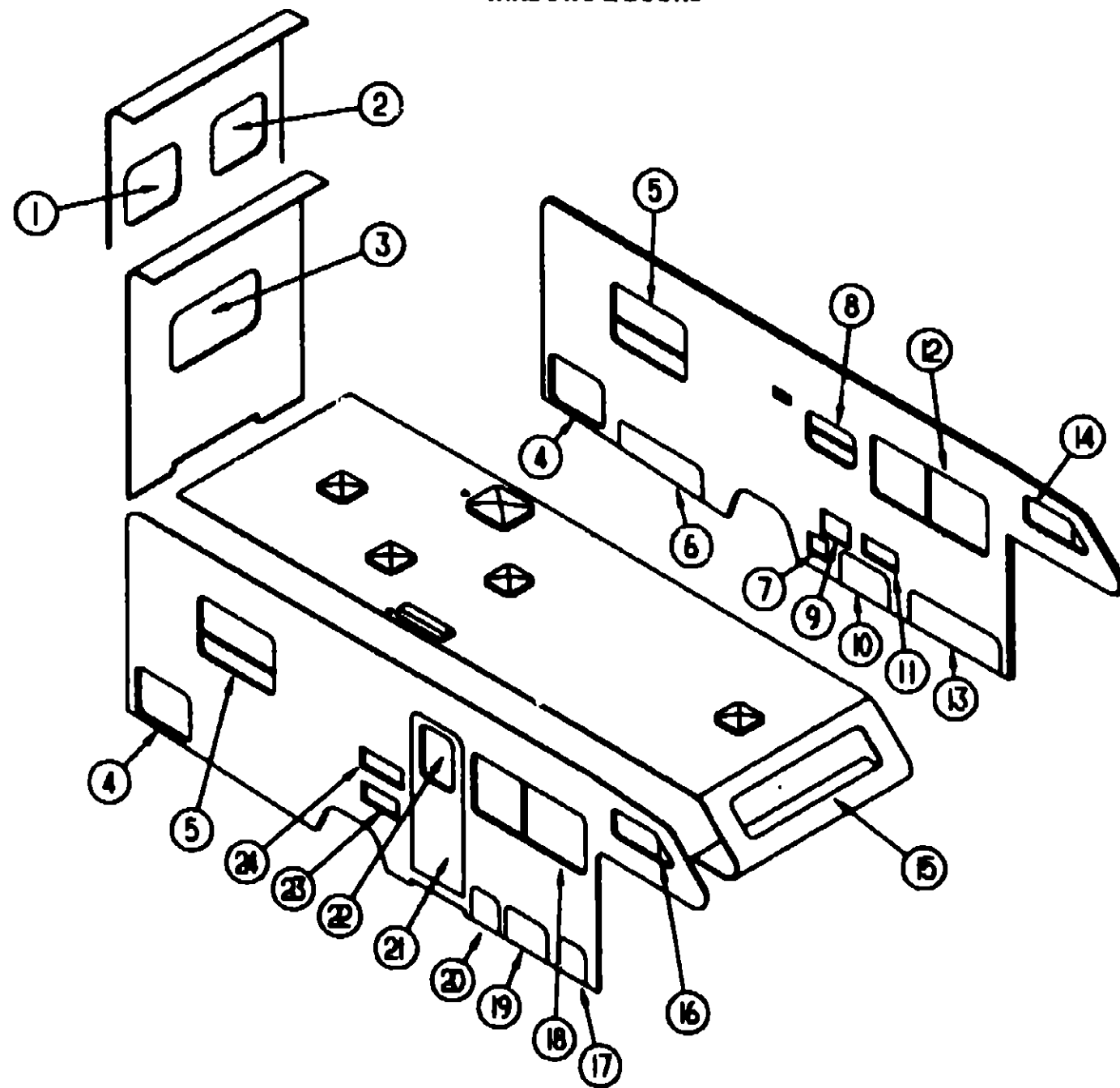
FLOOR PLAN	A-07 - A-08
ACCESSORIES	A-09
AUDIO VIDEO	A-10
BATH	A-11 - A-14
BEDROOM	A-15 - A-19
CHASSIS	A-20 - A-24
CURTAIN & CUSHION	B-01 - B-12
DINETTE	B-13 - B-14
DRIVERS COMPARTMENT	B-15 - B-16
ELECTRICAL	B-17 - B-20
EXTERIOR BODY	B-21 - C-04
GALLEY	C-05 - C-09
GENERATOR	C-10
HEATING & A/C	C-11 - C-12
INTERIOR FINISH	C-13 - C-16
LABELS	C-17 - C-23
LP	C-24
LOUNGE	D-01 - D-03
SEALANTS & FASTENERS	D-04 - D-06
WATER & SEWAGE	D-07 - D-10
WINDOW, VENT AND EXTERIOR DOOR	D-11 - E-02

KEY	PART NUMBER	U/M	DESCRIPTION
1	011091-02-000	EA	PIPE-DRAIN, W/SEALS - DOUBLE SINK - EXTENDS 9" TO 18" (U.S.)
1	011091-03-000	EA	PIPE-DRAIN, W/SEALS - DOUBLE SINK - EXTENDS 9" TO 18" (CANADIAN)
2	109571-01-000	EA	ADAPTER-P TRAP, 1 1/2" P X 1 1/4" MPT
2	107538-01-000	EA	P TRAP-PLASTIC, 1 1/4" W/EXT ARM (US)
2	011071-01-000	EA	P TRAP, 1 1/2" - PLASTIC (CSA)
3	010008-01-000	EA	ELBOW-45 DEG, 1/8 BEND - 1 1/2" HUB X HUB - BLACK PLASTIC
4	010071-01-000	EA	TEE-SANITARY, 1 1/2" HUB X HUB X HUB - PLASTIC - BLACK
5	061807-01-000	EA	GROMMET-HOLDING TANK, 1 1/2" NPS
6	102782-01-000	EA	TANK-HOLDING, 42 GALLON - 57 4" X 8 4" X 29"
7	109571-01-000	EA	ADAPTER-P TRAP, 1 1/2" P X 1 1/4" MPT
7	107538-01-000	EA	P TRAP-PLASTIC, 1 1/4" W/EXT ARM (US)
7	011088-03-700	EA	P TRAP-1 1/4" HUB X SLIP JOINT, W/UNION - ABS (CSA)
8	079988-01-000	EA	VENT-MECH TRAP ARM, ANTI-SIPHON - 2" DIA X 7 3" - PLASTIC
9	010008-01-000	EA	ELBOW-90 DEGREE, 1/4 BEND - 1 1/2" HUB X HUB - BLACK PLASTIC
10	034250-01-000	EA	ELBOW-90 DEGREE, LONG TURN - 1 1/2" HUB X HUB - ABS
11	063641-01-000	EA	FLANGE-TOILET
12	108593-01-000	EA	TANK-HOLDING, 27 GALLON
13	078408-01-000	EA	COUPLER-RUBBER, W/CLAMPS - 3" X 3"
14	062418-01-000	EA	VALVE-DUMP, 3" - W/HANDLE
	062419-04-000	EA	HANDLE-EXTENSION, W/TAPPED END - KEVCO 1048UP
	062419-06-000	EA	HANDLE-T, KEVCO CT1003-8
15	041958-01-000	EA	ELBOW-STREET, PLASTIC - 1/4" BD 3 X 90 XLT
16	010023-01-000	EA	ELBOW-PLASTIC, ST 1/16 BD 3 X 22.5" - NIBCO 5808-3
17	031365-01-000	EA	TEE-PLASTIC, 3 X 3 X 1 1/2 EXT LG TUR - NICO 5812-LR-3-3-2
18	109480-01-000	EA	ADAPTER-PLASTIC HOSE, SEWER - KEVCO 40738
	062415-01-000	EA	CAP-SEWER, 3" DIAMETER
	062415-01-700	EA	STRING-SEWER CAP, BV7 STRAP
	010201-01-000	EA	HOSE-SEWER, 3" ID X 8'

KEY	PART NUMBER	U/M	DESCRIPTION
19	062421-01-000	EA	VALVE-DUMP, 1 1/2" - W/HANDLE
	062419-04-000	EA	HANDLE-EXTENSION, W/TAPPED END - KEVCO 1048UP
	062419-06-000	EA	HANDLE-T, KEVCO CT1003-8
	070916-01-000	EA	VALVE-DUAL DUMP-W/CAP - 3" X 1 1/2" - PLASTIC - BLACK
20	010051-01-000	EA	ELBOW-45 DEG BEND, 1 1/2" SPIGOT AND HUB - PLASTIC - BLACK
21	033781-01-000	EA	ELBOW-TURN, 1/4 BEND X 1 5/8" HUB X 1 5/8" SPIGOT - BLK PLASTIC
22	062422-01-000	EA	ADAPTER-OFFSET REDUCER, 3" X 1 1/2" - PLASTIC - BLACK
	010121-01-000	EA	BUSHING-REDUCER, 1 1/2" SMOOTH X 1/4" HUB - PLASTIC - BLACK
23	061807-02-000	EA	GROMMET-HOLDING TANK, 3" NPS
	010079-01-000	EA	TEE-SANITARY, 1 1/2" X 1 1/2" X 1 1/4" H - PLASTIC - BLACK
	010081-01-000	EA	ELBOW-45 DEGREE, STREET - 1/8 BEND - 3" S X H - PLASTIC
	037101-02-000	EA	ELBOW-PLASTIC, 1/4 BEND VENT 1 1/2" HUB (CSA)
	010000-01-000	EA	ELBOW-45 DEG, 1/8 BEND - 1 1/4" HUB X HUB - BLACK PLASTIC
	033302-02-000	EA	ADAPTER ABS-STRAINER, 1 1/2" - ABS (CSA)
	107537-01-000	EA	ADAPTER-P TRAP, 1 1/4" SLIP (US)

WINDOW, VENT & EXTERIOR DOOR GROUP

WINDOWS & DOORS



1993 WINNEBAGO TABLE OF CONTENTS

INTRODUCTION	A-01 - A-02
ABBREVIATIONS	A-03
ALPHABETICAL INDEX	A-04 - A-06
WF528RQ	A-07 - E-02

1993 WF528RQ INDEX

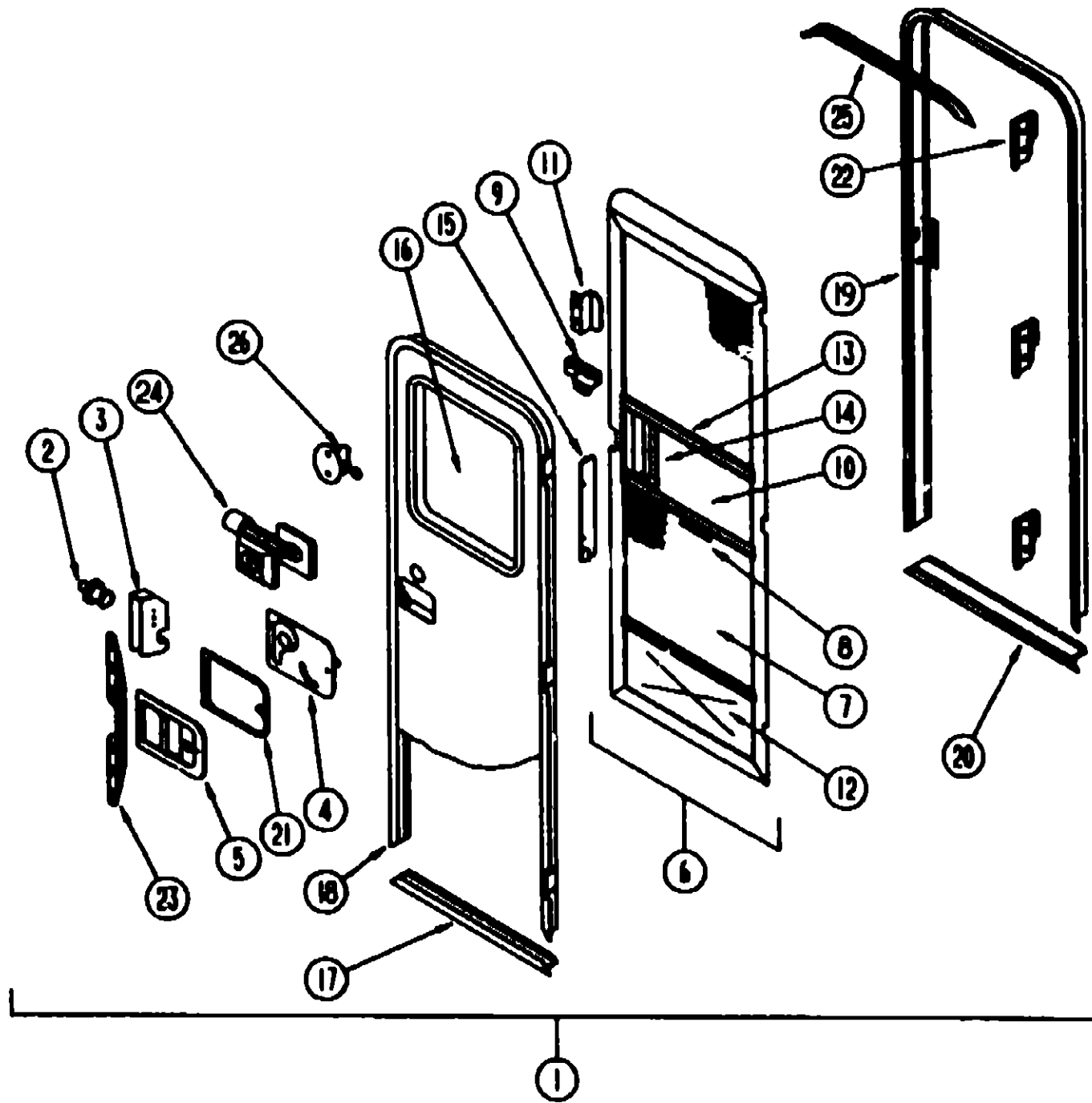
FLOOR PLAN	A-07 - A-08
ACCESSORIES	A-09
AUDIO VIDEO	A-10
BATH	A-11 - A-14
BEDROOM	A-15 - A-19
CHASSIS	A-20 - A-24
CURTAIN & CUSHION	B-01 - B-12
DINETTE	B-13 - B-14
DRIVERS COMPARTMENT	B-15 - B-16
ELECTRICAL	B-17 - B-20
EXTERIOR BODY	B-21 - C-04
GALLEY	C-05 - C-09
GENERATOR	C-10
HEATING & A/C	C-11 - C-12
INTERIOR FINISH	C-13 - C-16
LABELS	C-17 - C-23
LP	C-24
LOUNGE	D-01 - D-03
SEALANTS & FASTENERS	D-04 - D-06
WATER & SEWAGE	D-07 - D-10
WINDOW, VENT AND EXTERIOR DOOR	D-11 - E-02

KEY	PART NUMBER	U/M	DESCRIPTION
1	078528-02-W01	EA	WINDOW-ESCAPE
2	078528-05-D08	EA	WINDOW-ESCAPE
3	078528-03-Y12	EA	WINDOW-ESCAPE, 27" X 48" - W/O INSIDE FRAME
4	108271-01-D08	EA	DOOR-COMPARTMENT, STORAGE - DRIVER SIDE REAR
5	092235-12-Y12	EA	WINDOW-TIPOUT, SINGLE - W/O INSIDE FRAME
6	105175-15-D08	EA	DOOR-COMPARTMENT, LOWER - REAR
7	088784-01-000	EA	DOOR-POWER CORD, WHATCH - OFF WHITE
8	092235-11-Y12	EA	WINDOW-TIPOUT, SINGLE - W/O INSIDE FRAME
9	052009-01-000	EA	DOOR-WATER HEATER, OFF WHITE - ATWOOD 5578-27
10	105174-17-D08	EA	DOOR-COMPARTMENT, LOWER - FRONT
11	105118-02-C05	EA	DOOR-EXTERIOR SHOWER
12	098847-10-02A	EA	WINDOW-SLIDER, HORIZONTAL - W/INSIDE TRIM - OFF WHITE
13	105174-03-D08	EA	DOOR-COMPARTMENT, LOWER - FRONT
14	100322-02-700	EA	WINDOW-VENTED, 12" X 35 8" - W/O INSIDE FRAME - EXCEL CH19-DK L
15	103313-01-806	EA	WINDOW-PICTURE, W/O INSIDE FRAME

KEY	PART NUMBER	U/M	DESCRIPTION
16	100322-01-720	EA	WINDOW-VENTED, 12" X 35 8" - W/O INSIDE FRAME - EXCEL CH19-DK R
17	105174-16-D08	EA	DOOR-COMPARTMENT, LOWER - FRONT
18	098847-09-02A	EA	WINDOW-SLIDER, HORIZONTAL - W/INSIDE TRIM - OFF WHITE
19	105174-02-D08	EA	DOOR-COMPARTMENT, LOWER - FRONT
20	105174-04-D08	EA	DOOR-COMPARTMENT, LOWER - FRONT
21	M01870-83-D08	EA	DOOR-ENTRY, W/WINDOW, SCREEN & JAMB - OFF WHITE (D08, D07)
21	M01870-83-D08	EA	DOOR-ENTRY, W/WINDOW, SCREEN & JAMB - OFF WHITE (D08)
22	079733-04-T03	EA	WINDOW-ENTRY DOOR, 17" X 26" - W/O INSIDE FRAME
23	084103-03-000	EA	DOOR-VENT, REFRIGERATOR - OFF WHITE
	084104-03-000	EA	JAMB-DOOR, REFRIGERATOR - OFF WHITE
	084104-01-700	EA	LOCK-MALE, FASTENER - REFRIGERATOR DOOR
	084104-01-701	EA	LOCK-FEMALE, FASTENER - REFRIGERATOR DOOR
24	105118-01-C05	EA	DOOR-EXTERIOR ENTERTAINMENT
	081240-03-000	EA	DOOR-WATER FILL-LOCKABLE-4" X 4 5/8" - OFF WHITE
	078010-03-000	EA	DOOR-FUEL FILL, W/JAMB - OFF WHITE

WINDOW, VENT & EXTERIOR DOOR GROUP (CONTINUED)

ENTRY DOOR



KEY	PART NUMBER	U/M DESCRIPTION
5	045017-11-000	EA LATCH-ENTRY DOOR, MECHANISM W/LOCK & KEY - BLACK
	045017-11-701	EA KEY BLANK
	061025-02-000	EA CLIP-ROLLER LATCH CATCH, SCREEN DOOR
	083729-04-000	EA RIVNUT, 10-32 UNF - 010-080
	072893-01-000	EA NUTSERT-M5 X 0, 8
	075671-04-000	FT SEAL-SPONGE, LAZY T SHAPE - W/ADHESIVE STRIPE - .5" WIDE
8	079012-01-U01	EA DOOR-SCREEN
7	012293-02-000	SF SCREENING-WINDOW/DOOR, 26" - CHARCOAL
8	012294-01-000	FT SPLINE-SCREENING, 135" X .138" - BLACK
	002748-01-000	EA CORNER KEY-DOOR
9	100403-01-000	EA CATCH-ASM-SINGLE ROLLER
10	018464-01-000	EA INSERT-CENTER, LEATHER GRAIN ALUMINUM - UNPAINTED
10	001014-01-013	EA INSERT-CENTER, 10 25" X 18.31" - UNPAINTED
11	050712-04-000	EA HANDLE-SCREEN DOOR, ALUMINUM - OFF WHITE
11	050712-05-000	EA HANDLE-SCREEN DOOR, UNPAINTED
12	078662-03-000	EA KICK PANEL-SCREEN DOOR, LOWER INSERT - UNPAINTED
	078696-01-000	EA TOP PLATE-SCREEN DOOR CURVED TOP - 4.7" X 26 3/8"
13	078777-01-000	EA CHANNEL-SLIDE, SCREEN DOOR CENTER SLIDER COVER
14	079086-02-000	EA SLIDER-SCREEN DOOR, OFF WHITE
15	079087-02-000	EA STRIKE-SLIDER, W/LIP FOR ELBOW CATCH - 1 5" X 8 8" - OFF WHITE
	009018-01-000	EA CATCH-ELBOW, SPRING LOADED - SCREEN DOOR CATCH
16	079733-04-T03	EA WINDOW-PICTURE, W/O INSIDE FRAME - 17" X 25"
	081914-01-000	EA BUMPER-RUBBER, ROUND - .43" DIAMETER - BLACK
17	089748-01-000	EA FRAME-BOTTOM, ENTRY DOOR - 24 8" LONG - OFF WHITE
	090340-01-000	FT SEAL-FOAM, CLOSED CELL - 1/4" X 1/2" X 50'
18	095278-01-01A	EA FRAME-ENTRY DOOR, W/O BOTTOM - OFF WHITE
19	095277-02-01A	EA JAMB-ENTRY DOOR, W/BOTTOM - 25 9" X 74 5" - OFF WHITE
20	051049-01-000	EA JAMB-BOTTOM, ENTRY DOOR - 25 9" - UNPAINTED
	079207-01-000	EA STRIKER-ROLLER CATCH, WELDED TO DOOR JAMB - 4" X 1 1/2"
	095278-01-01A	EA JAMB-DOOR, ENTRANCE - 25 9" X 74 8" - UNPAINTED
21	096810-01-01A	EA PLATE-LATCH, ENTRY DOOR - PLASTIC - BLACK
22	097724-01-04A	EA HINGE-ENTRY DOOR, UNPAINTED
23	098173-01-04A	EA STIFFENER-ENTRY DOOR, SUPPORTS LATCH/STRIKE AREA - UNPAINTED
	100128-02-000	FT SEAL-PILE, ADHESIVE BACK - SCREEN DOOR - GRAY
24	101146-01-01A	EA DEADBOLT-ENTRY DOOR, W/2 KEYS W/O BACK SET BOLT OR SCREWS
	096229-01-700	EA KEY BLANK FOR DEADBOLT
	101147-01-000	EA BOLT-SECURITY, 4.12" BACKSET
	102524-01-000	EA BUMPER-RUBBER, FLAT - BLACK
25	044682-02-000	EA CAP-DRIP, ENTRY DOOR - JAMB MOUNTED - ALUMINUM - OFF WHITE
	084078-07-000	FT SEAL-BULB, W/WIRED U CHANNEL - 3" X 5" CHANNEL - BLACK
	075839-19-000	EA GARNISH-RADIUS, ENTRY DOOR - OFF WHITE
	077481-03-000	EA COVER-STRIKE, ENTRY DOOR - 6.5" X 2 5" - PLASTIC - WHITE
	090340-01-000	FT SEAL-FOAM, CLOSED CELL - 1/4" X 1/2" X 50'
	091878-01-000	EA RETAINER-DOOR, 1 9" X 8" - METAL
26	100412-01-000	EA CATCH-SCREEN DOOR, THUMB CLIP W/BLACK PLASTIC CAP
	104892-01-000	FT SEAL-ADHESIVE BACK, 3/4" X 34"
	104099-01-01A	EA CATCH-DOOR HOLDER, STRIKE
	104099-02-01A	EA CATCH-DOOR HOLDER, RETAINER

1993 WINNEBAGO TABLE OF CONTENTS

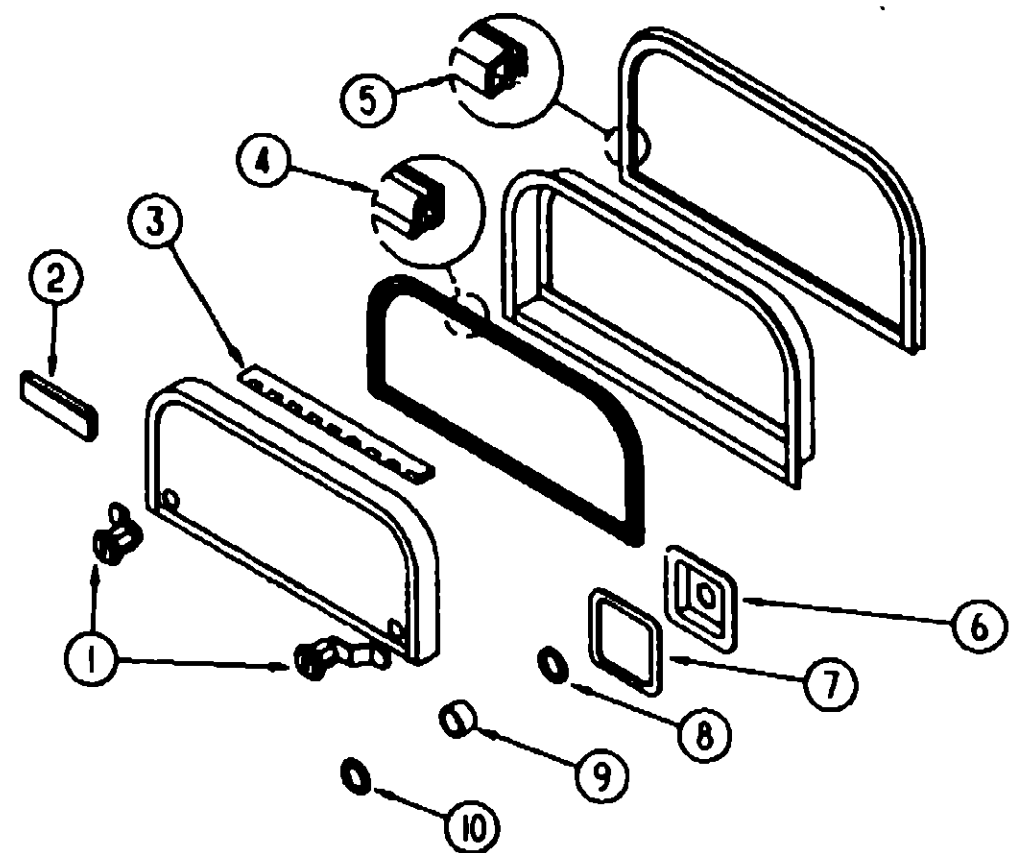
INTRODUCTION	A-01 - A-02
ABBREVIATIONS	A-03
ALPHABETICAL INDEX	A-04 - A-08
WF528RQ	A-07 - E-02

1993 WF528RQ INDEX

FLOOR PLAN	A-07 - A-08
ACCESSORIES	A-09
AUDIO VIDEO	A-10
BATH	A-11 - A-14
BEDROOM	A-15 - A-19
CHASSIS	A-20 - A-24
CURTAIN & CUSHION	B-01 - B-12
DINETTE	B-13 - B-14
DRIVERS COMPARTMENT	B-15 - B-16
ELECTRICAL	B-17 - B-20
EXTERIOR BODY	B-21 - C-04
GALLEY	C-05 - C-09
GENERATOR	C-10
HEATING & AC	C-11 - C-12
INTERIOR FINISH	C-13 - C-16
LABELS	C-17 - C-23
LP	C-24
LOUNGE	D-01 - D-03
SEALANTS & FASTENERS	D-04 - D-08
WATER & SEWAGE	D-07 - D-10
WINDOW, VENT AND EXTERIOR DOOR	D-11 - E-02

KEY	PART NUMBER	U/M DESCRIPTION
1	M01870-63-006	EA DOOR-ENTRY W/SCREEN DOOR & JAMB (D06, D07)
1	M01870-63-008	EA DOOR-ENTRY W/SCREEN DOOR & JAMB (D08)
2	039539-01-000	EA STRIKE-LOCK, ENTRY DOOR - ROUND W/THREADED WASHER
	077481-05-000	EA COVER-BRACKET, STRIKE - OFF WHITE
3	039540-01-000	EA LATCH MECHANISM-HOOK, ENTRY DOOR - INTERIOR
	039715-01-000	EA NUT-SERT, 1/4" DIAMETER - 20 THREADS
4	039979-04-000	EA COVER-INTERIOR LATCH, W/TRIP ARM - RIGHT - BLACK
	039984-01-000	EA CAP-ROUND, VINYL - 28" ID X 62" LONG - BLACK
	041548-03-000	EA BRACKET-DOOR ANGLE, 5" X 1.9" - BEIGE - METAL

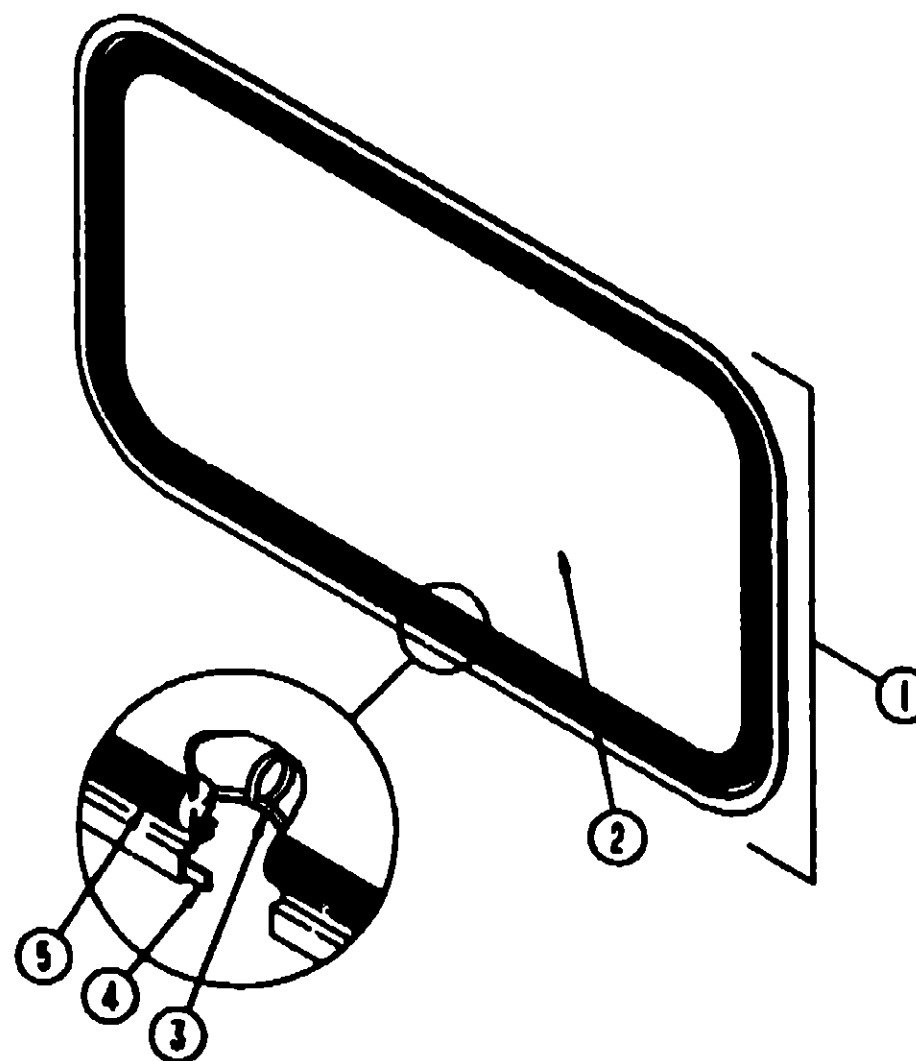
WINDOW, VENT & EXTERIOR DOOR GROUP (CONTINUED)



EXTERIOR DOOR COMPONENTS & HOLDERS

KEY	PART NUMBER	U/M DESCRIPTION
1	079388-05-000	EA LOCK-KEY TYPE W/O KEYS, 1 60 OFF SET
	082884-01-700	EA KEY BLANK
1	079927-04-000	EA LOCK-TWIST TYPE, 1 60 OFF SET - ILLINOIS LOCK
2	102788-01-000	EA HOLDER-COMPARTMENT/ENTRY DOOR, METAL - MILL FINISH
3	106378-01-02A	EA HINGE-CONTINUOUS, 2" X 140MM - OFF WHITE
	081801-02-000	EA HINGE-2" X 98", OFF WHITE
	084413-01-000	EA HINGE-CONTINUOUS, ALUMINUM - 1" X 72" - WHOLES
4	084075-07-000	FT SEAL-BULB, W/WIRED U CHANNEL - 3" X 5" CHANNEL - BLACK
5	081832-02-000	FT SEAL-BULB, DOOR - W/WIRE CARRIER - 8" WIDE - RUBBER - BLACK
6	087111-01-01A	EA POCKET-LOCK, VALANCE - OFF WHITE
7	086338-01-000	EA GASKET-LOCK POCKET
8	108834-01-000	EA WASHER .640X.752ID SST - HUDSON LOCK
9	107997-51-001	EA EXTR-SPACER, 0015 - 24
10	108833-01-000	EA BEAUTY RING 870 X 780ID - SST - HUDSON LOCK
	086217-55-001	EA U-CHANNEL, 17 5' - OFF WHITE
	086217-55-002	EA U-CHANNEL, 17 5' - DARK GRAY
	058027-01-000	FT SEAL, D SHAPED - HOLLOW - SPONGE RUBBER - BLACK

WINDOW, VENT & EXTERIOR DOOR GROUP (CONTINUED)



BACKWALL ESCAPE WINDOW

KEY	PART NUMBER	U/M DESCRIPTION
	074818-08-000	EA FRAME-WINDOW, INSIDE - ESCAPE - OFF WHITE
1	078528-03-Y12	EA WINDOW-ESCAPE, BACKWALL - W/O INSIDE FRAME
2	078337-08-000	EA GLASS-WINDOW, 44 8" X 23.5"
3	002285-01-000	FT FILLER-WEATHER STRIP, RUBBER - BLACK
	077088-01-702	EA RED POLY 006X 500INX150'ROLL
4	089840-10-000	FT SEALER-RIBBON, 1/32" X 1 1/2" INCREMENTS OF 90'
5	002282-04-000	EA WEATHERSTRIP-WINDOW, 125" X 109 25" - VULCANIZED - BLACK

BACKWALL ESCAPE WINDOWS (REAR WARDROBE OPTION)

KEY	PART NUMBER	U/M DESCRIPTION
	074818-10-000	EA FRAME-WINDOW, INSIDE - ESCAPE - OFF WHITE
1	078528-02-W01	EA WINDOW-ESCAPE, BACKWALL - W/O INSIDE FRAME
1	078528-05-008	EA WINDOW-ESCAPE, BACKWALL - W/O INSIDE FRAME
2	078337-04-000	EA GLASS-WINDOW, 558 8 X 588.9MM
3	002285-01-000	FT FILLER-WEATHER STRIP, RUBBER - BLACK
	077088-01-702	EA RED POLY 006X 500INX150'ROLL
4	089840-10-000	FT SEALER-RIBBON, 1/32" X 1 1/2" INCREMENTS OF 90'
5	002282-03-000	EA WEATHERSTRIP-WINDOW, 125" X 87.75" - VULCANIZED - BLACK

**1993 WINNEBAGO
TABLE OF CONTENTS**

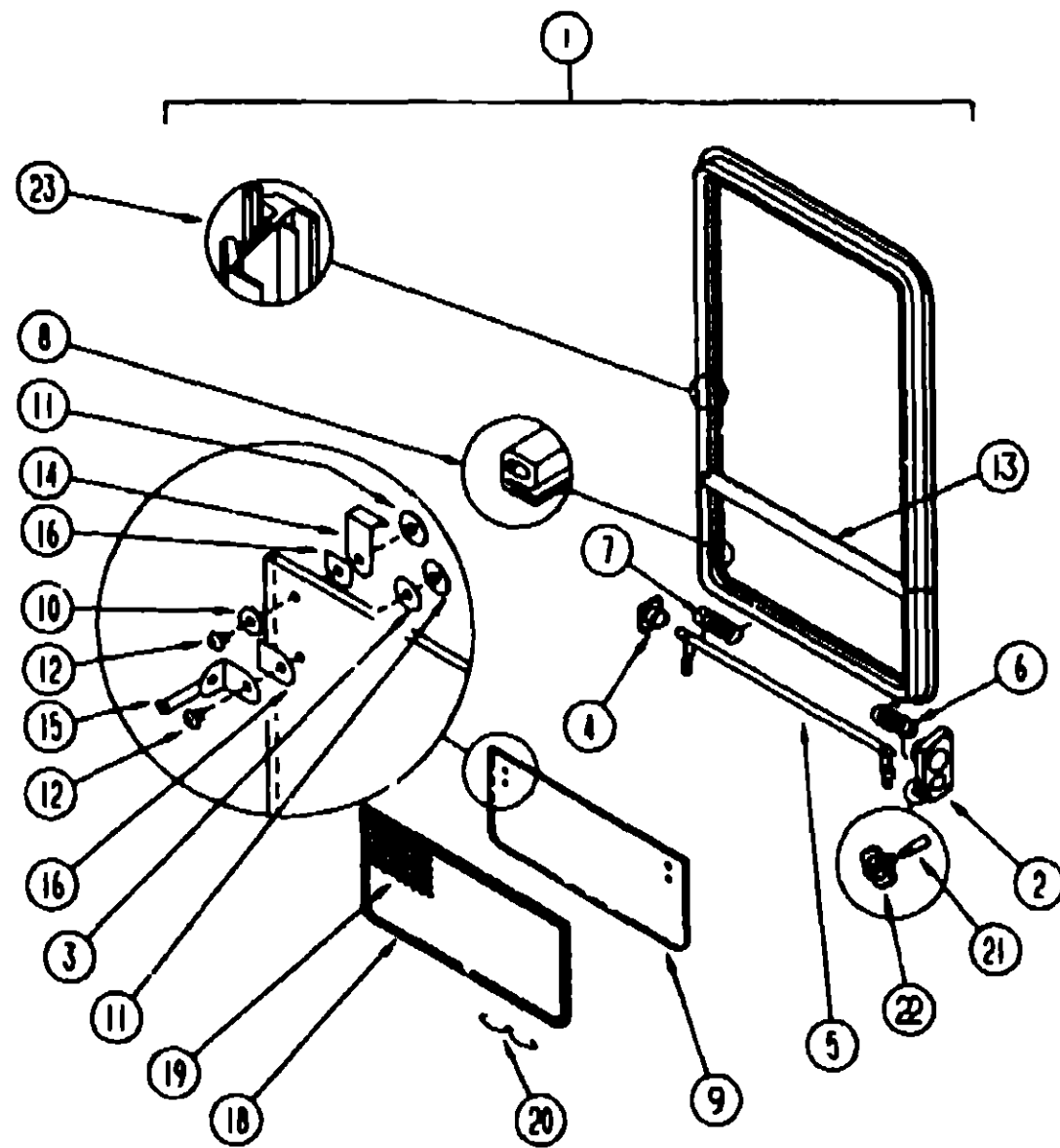
INTRODUCTION	A-01 - A-02
ABBREVIATIONS	A-03
ALPHABETICAL INDEX	A-04 - A-06
WF528RQ	A-07 - E-02

1993 WF528RQ INDEX

FLOOR PLAN	A-07 - A-08
ACCESSORIES	A-09
AUDIO VIDEO	A-10
BATH	A-11 - A-14
BEDROOM	A-15 - A-18
CHASSIS	A-20 - A-24
CURTAIN & CUSHION	B-01 - B-12
DINETTE	B-13 - B-14
DRIVERS COMPARTMENT	B-15 - B-16
ELECTRICAL	B-17 - B-20
EXTERIOR BODY	B-21 - C-04
GALLEY	C-05 - C-09
GENERATOR	C-10
HEATING & A/C	C-11 - C-12
INTERIOR FINISH	C-13 - C-16
LABELS	C-17 - C-23
LP	C-24
LOUNGE	D-01 - D-03
SEALANTS & FASTENERS	D-04 - D-06
WATER & SEWAGE	D-07 - D-10
WINDOW, VENT AND EXTERIOR DOOR	D-11 - E-02

WINDOW, VENT & EXTERIOR DOOR GROUP (CONTINUED)

DRIVER & PASSENGER SIDF. BEDROOM WINDOW



KEY	PART NUMBER	U/M	DESCRIPTION
1	090963-18-02A	EA	FRAME-INSIDE, WINDOW RETAINER - OFF WHITE
1	092235-12-Y12	EA	WINDOW-TIPOUT, W/O INSIDE FRAME
	000H14-08-14R	EA	RIVET-MANDREL BL'ND, 3/16"
2	035302-02-000	EA	OPERATOR-TORQUE, TIPOUT WINDOW
3	068927-03-000	EA	SEAL-WINDOW, RUBBER - ROUND - 80" DIA. - BLACK
4	081354-01-000	EA	SLEEVE-TORQUE TUBE, TIPOUT WINDOW - 1 3" X 1 2" X 7"
	081649-01-000	EA	RING-SNAP, 7/32 SHAFT DIAMETER
5	083150-12-000	EA	TUBE-TORQUE, TIPOUT WINDOW - W/SPRING & ARM - 22 5" LONG
6	080918-01-000	EA	SPRING-TORQUE TUBE, LEFT
7	080918-02-000	EA	SPRING-TORQUE TUBE, RIGHT
8	084087-02-000	FT	SEAL-E SHAPED, SPONGE - TIPOUT WINDOW - 42" X 38" BLACK
9	084088-17-000	EA	GLASS-TIPOUT, 9 2" X 24 5"
10	084453-02-000	EA	WASHER - 06" X 5" X 25" - PLASTIC
11	086782-01-000	EA	T NUT 10-32
12	086783-01-000	EA	SCREW-MACH, 10 - 32 X 1/4 PTH
13	087566-04-01A	EA	MULLION-HORIZONTAL, TIPOUT - BLACK
14	089913-01-000	EA	HINGE-TIPOUT WINDOW, BLACK
15	097570-01-000	EA	LINKAGE-TIPOUT WINDOW
	084453-01-000	EA	WASHER - 06" X 5" X 135" - PLASTIC
18	084473-01-000	EA	SEAL-FLAT, W/CENTER HOLE & ADHESIVE SIDE - 8" X 9" - BLK
	085315-01-000	EA	RIVET-SHOULDER, TIPOUT WINDOW
18	100235-04-B07	EA	SCREEN-SINGLE TIPOUT WINDOW
19	080218-03-000	SF	SCREENING-FIBERGLASS, 12" WIDE
20	100188-01-000	EA	CLIP-SPRING, SCREEN
	100240-01-000	FT	SPLINE-SCREEN, T-SHAPED
21	090025-01-000	EA	EXTENSION-CRANK HANDLE, WINDOW - PLASTIC - BEIGE
22	101290-01-01A	EA	KNOB-OPERATOR, TIPOUT WINDOW - W/SPRING & ARM - BRASS
	101289-01-01A	EA	SCREW-MACHINE, 8-32 X 4 POH - BRASS PLATED LEAD
23	069840-11-000	FT	TAPE-SEALER, 3/16" X 3/8" - BLACK

1993 WINNEBAGO TABLE OF CONTENTS

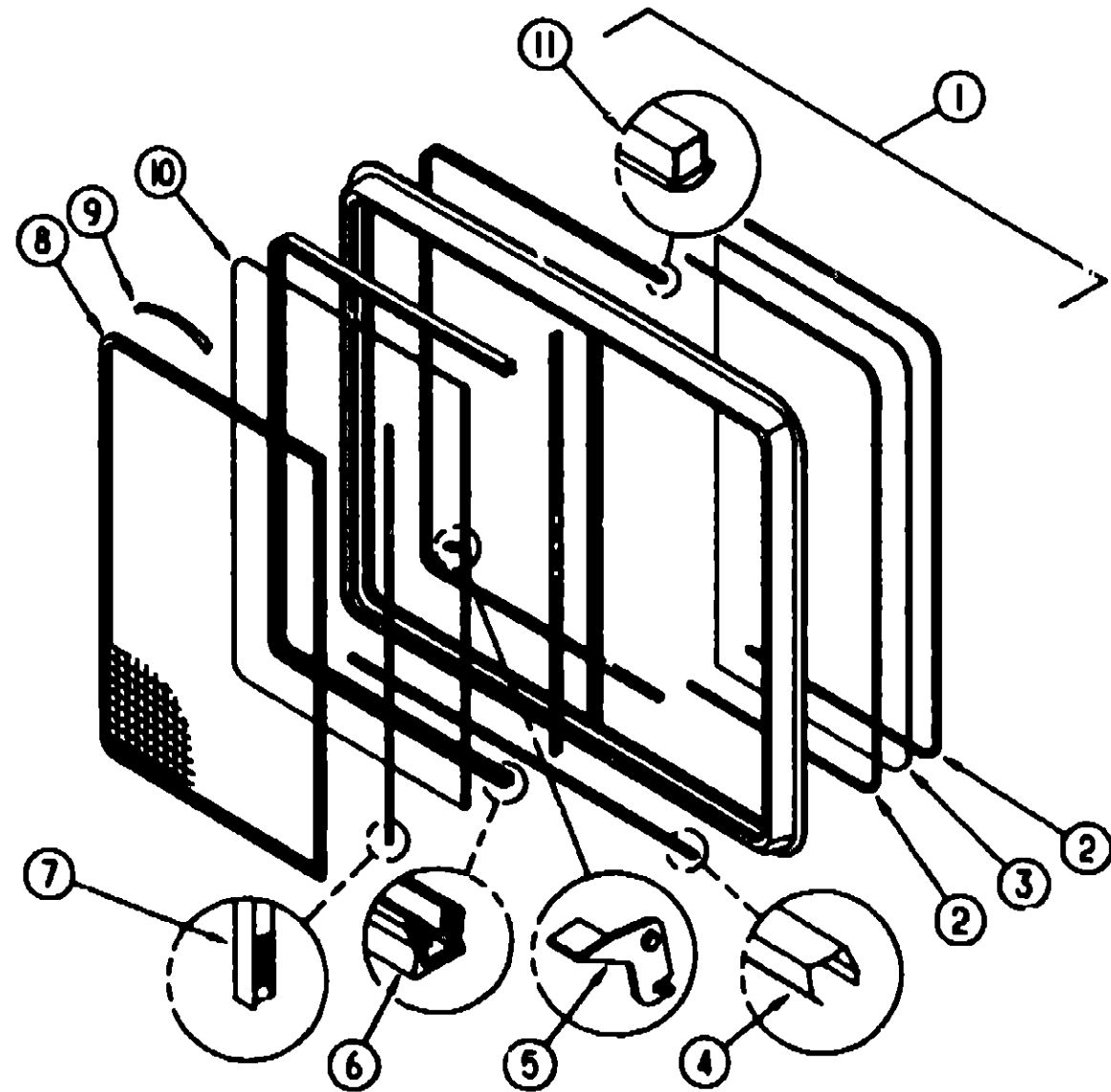
INTRODUCTION	A-01 - A-02
ABBREVIATIONS	A-03
ALPHABETICAL INDEX	A-04 - A-06
WF528RQ	A-07 - E-02

1993 WF528RQ INDEX

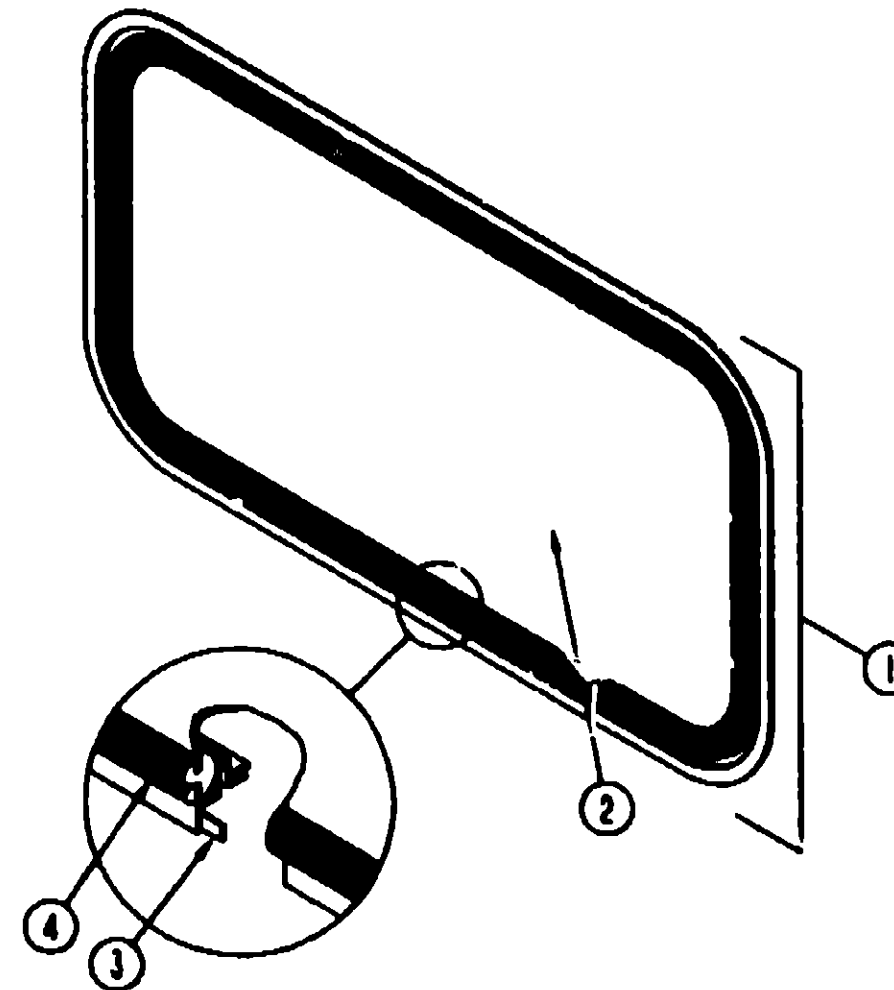
FLOOR PLAN	A-07 - A-08
ACCESSORIES	A-09
AUDIO VIDEO	A-10
BATH	A-11 - A-14
BEDROOM	A-15 - A-19
CHASSIS	A-20 - A-24
CURTAIN & CUSHION	B-01 - B-12
DINETTE	B-13 - B-14
DRIVERS COMPARTMENT	B-15 - B-16
ELECTRICAL	B-17 - B-20
EXTERIOR BODY	B-21 - C-04
GALLEY	C-05 - C-09
GENERATOR	C-10
HEATING & AC	C-11 - C-12
INTERIOR FINISH	C-13 - C-16
LABELS	C-17 - C-23
LP	C-24
LOUNGE	D-01 - D-03
SEALANTS & FASTENERS	D-04 - D-06
WATER & SEWAGE	D-07 - D-10
WINDOW, VENT AND EXTERIOR DOOR	D-11 - E-02

1993 WINNEBAGO
TABLE OF CONTENTS

INTRODUCTION	A-01 - A-02
ABBREVIATIONS	A-03
ALPHABETICAL INDEX	A-04 - A-06
WF528RQ	A-07 - E-02



DINETTE, COUCH, SWIVEL CHAIRS SINGLE SLIDING WINDOW



OVERHEAD BUNK FRONT WINDOW

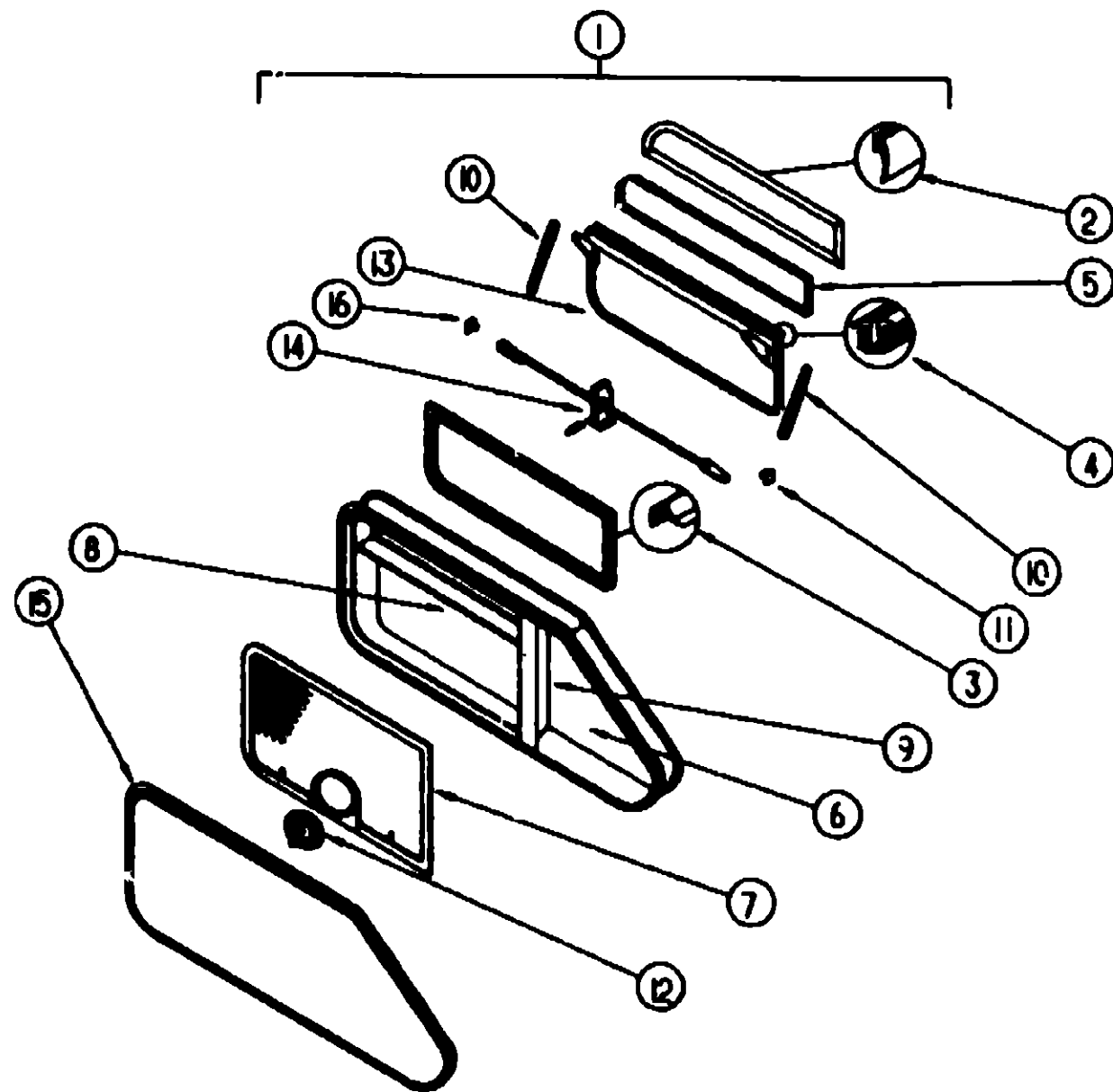
1993 WF528RQ INDEX

FLOOR PLAN	A-07 - A-08
ACCESSORIES	A-09
AUDIO VIDEO	A-10
BATH	A-11 - A-14
BEDROOM	A-15 - A-19
CHASSIS	A-20 - A-24
CURTAIN & CUSHION	B-01 - B-12
DINETTE	B-13 - B-14
DRIVERS COMPARTMENT	B-15 - B-18
ELECTRICAL	B-17 - B-20
EXTERIOR BODY	B-21 - C-04
GALLEY	C-05 - C-09
GENERATOR	C-10
HEATING & A/C	C-11 - C-12
INTERIOR FINISH	C-13 - C-16
LABELS	C-17 - C-23
LP	C-24
LOUNGE	D-01 - D-03
SEALANTS & FASTENERS	D-04 - D-08
WATER & SEWAGE	D-07 - D-10
WINDOW, VENT AND EXTERIOR DOOR	D-11 - E-02

KEY	PART NUMBER	U/M	DESCRIPTION
	098647-10-02A	EA	WINDOW-SLIDER, DRIVER SIDE - WINSIDE FRAME - OFF WHITE
	098647-09-02A	EA	WINDOW-SLIDER, PASSENGER SIDE - WINSIDE FRAME - OFF WHITE
	098647-09-704	EA	FRAME-INSIDE (OFF-WHITE) - W024-67 EXCEL-WHITE
1	098647-10-700	EA	WINDOW-SINGLE SLIDER - DRIVER - W/O INSIDE FRAME)
1	098647-09-703	EA	WINDOW-SINGLE SLIDER - PASSENGER - W/O INSIDE FRAME
2	098644-01-705	FT	GLAZING STRIP, EXCEL M926-12
3	098647-09-700	EA	GLASS-STATIONARY - 108-017193 EXCEL
4	098644-01-710	FT	TRACK-SCREEN SPACER 12' LENGTH - EXCEL M401-31
5	098644-01-700	EA	LATCH REPAIR KIT
6	098644-01-708	FT	CHANNEL-PIERCED RUN EXCEL 122-016543
7	098644-01-711	FT	WEATHERSTRIP-SCREEN BLACK - EXCEL 171-018985
8	098647-09-705	EA	SCREEN W/SPRING&WEATHERSTRIP - 410-018484 EXCEL
9	098644-01-713	EA	SPRING-SCREEN FRAME (CLIP) PLASTIC - BLACK - EXCEL 228-0117488
	098644-01-716	FT	PLUG-FILLER, EXCEL 132-014470
	098644-01-717	FT	SPLINE-SCREEN MFG, EXCEL 32-004718
10	098647-09-701	EA	GLASS-SLIDING, W/SLASH&LATCH - H024-09 EXCEL
11	098644-01-708	FT	WEATHERSTRIP EXCEL 171-018988

KEY	PART NUMBER	U/M	DESCRIPTION
	067609-33-000	EA	FRAME-INSIDE WINDOW
1	103313-01-805	EA	WINDOW-PICTURE, W/O INSIDE FRAME
2	002181-15-000	EA	GLASS-PICTURE, 11 25" X 58 1" - GRAY
3	069640-11-000	FT	SEALER-TAPE, 3/16" X 3/8" - BLACK
4	099154-01-000	FT	CHANNEL-GLAZING STATIONARY GLASS - 62" X 45" - BLACK

WINDOW, VENT & EXTERIOR DOOR GROUP (CONTINUED)



PASSENGER SIDE OVERHEAD BUNK WINDOW

KEY	PART NUMBER	U/M	DESCRIPTION
1	100322-01-720	EA	WINDOW-VENTED, 12" X 35 8 W/O INSIDE FRAME - EXCEL CH19-DK R
2	008644-01-716	FT	PLUG-FILLER, EXCEL 132-01447U
3	100322-01-701	FT	SEAL-VENT, EXCEL 122-016071
4	100322-01-702	FT	WEATHERSTRIP-HORIZONTAL RAIL, EXCEL 132-015978
	100322-01-703	EA	STRIP-GLAZING,BUTYL EXCEL 132-010723
	100322-01-704	EA	TAPE-BUTYL, EXCEL 154-018083
5	100322-01-705	EA	GLASS-STATIONARY, SMALL TOP - EXCEL 106-017284
6	100322-01-706	EA	GLASS-STATIONARY, LARGE FRONT - EXCEL 106-017285
7	100322-01-709	EA	SCREEN-PASSENGER SIDE, EXCEL 410-017270 R
8	100322-01-712	EA	RAIL-HORIZONTAL, EXCEL CH05-19 R OR L
9	100322-01-713	EA	BAR-DIVISION, VERTICAL - EXCEL CH19-20 R OR L
10	100322-01-716	EA	SUPPORT-TORQUE BAR, EXCEL 130-015979 (R)
11	100322-01-715	EA	SUPPORT-TORQUE BAR, CENTER RAIL - EXCEL 130-015980
	100322-01-717	EA	E-RING, EXCEL 246-015975
12	100322-01-718	EA	HANDLE-DIAL, EXCEL 410-016081
13	100322-01-707	EA	GLASS-VENT, RIGHT - EXCEL CH19-D6R
14	100322-01-711	EA	OPERATOR-VENT, SUB ASSEMBLY - EXCEL CH05-15 R OR L
15	100322-01-724	EA	FRAME-INSIDE, RIGHT - WHITE V998-60R EXCEL
16	100322-01-714	EA	SUPPORT-TORQUE BAR, EXCEL 130-015979 (L)
	009439-06-000	EA	EXTENSION-CRANK HANDLE, WINDOW /ROOF VENT - BLACK
	009439-07-000	EA	SCREW, 8-32 X 1 1/4 POH - BLACK

DRIVER SIDE OVERHEAD BUNK WINDOW

KEY	PART NUMBER	U/M	DESCRIPTION
1	100322-02-700	EA	WINDOW-VENTED, 12" X 35 8 W/O INSIDE FRAME - EXCEL CH19-DK L
2	008644-01-716	FT	PLUG-FILLER, EXCEL 132-014470
3	100322-01-701	FT	SEAL-VENT, EXCEL 122-016071
4	100322-01-702	FT	WEATHERSTRIP-HORIZONTAL RAIL, EXCEL 132-015978
	100322-01-703	EA	STRIP-GLAZING,BUTYL EXCEL 132-010723
	100322-01-704	EA	TAPE-BUTYL, EXCEL 154-018083
5	100322-01-705	EA	GLASS-STATIONARY, SMALL TOP - EXCEL 106-017284
6	100322-01-706	EA	GLASS-STATIONARY, LARGE FRONT - EXCEL 106-017285
7	100322-01-708	EA	SCREEN-DRIVER SIDE, EXCEL 410-017269 L
8	100322-01-712	EA	RAIL-HORIZONTAL, EXCEL CH05-19 R OR L
9	100322-01-713	EA	BAR-DIVISION, VERTICAL - EXCEL CH19-20 R OR L
10	100322-01-716	EA	SUPPORT-TORQUE BAR, CENTER RAIL - EXCEL 130-015980
11	100322-01-715	EA	SUPPORT-TORQUE BAR, EXCEL CH19-20 R OR L
	100322-01-717	EA	E-RING, EXCEL 246-015975
12	100322-01-718	EA	HANDLE-DIAL, EXCEL 410-016081
13	100322-01-722	EA	GLASS VENT, RIGHT - EXCEL 410-6081
14	100322-01-723	EA	OPERATOR-VENT, SUB ASSEMBLY - EXCEL CH05-15 R OR L
15	100322-02-701	EA	FRAME-INSIDE, RIGHT - WHITE V998-60R EXCEL
16	100322-01-714	EA	SUPPORT-TORQUE BAR, EXCEL 130-015978 (L)
	009439-06-000	EA	EXTENSION-CRANK HANDLE, WINDOW /ROOF VENT - BLACK
	009439-07-000	EA	SCREW, 8-32 X 1 1/4 POH - BLACK

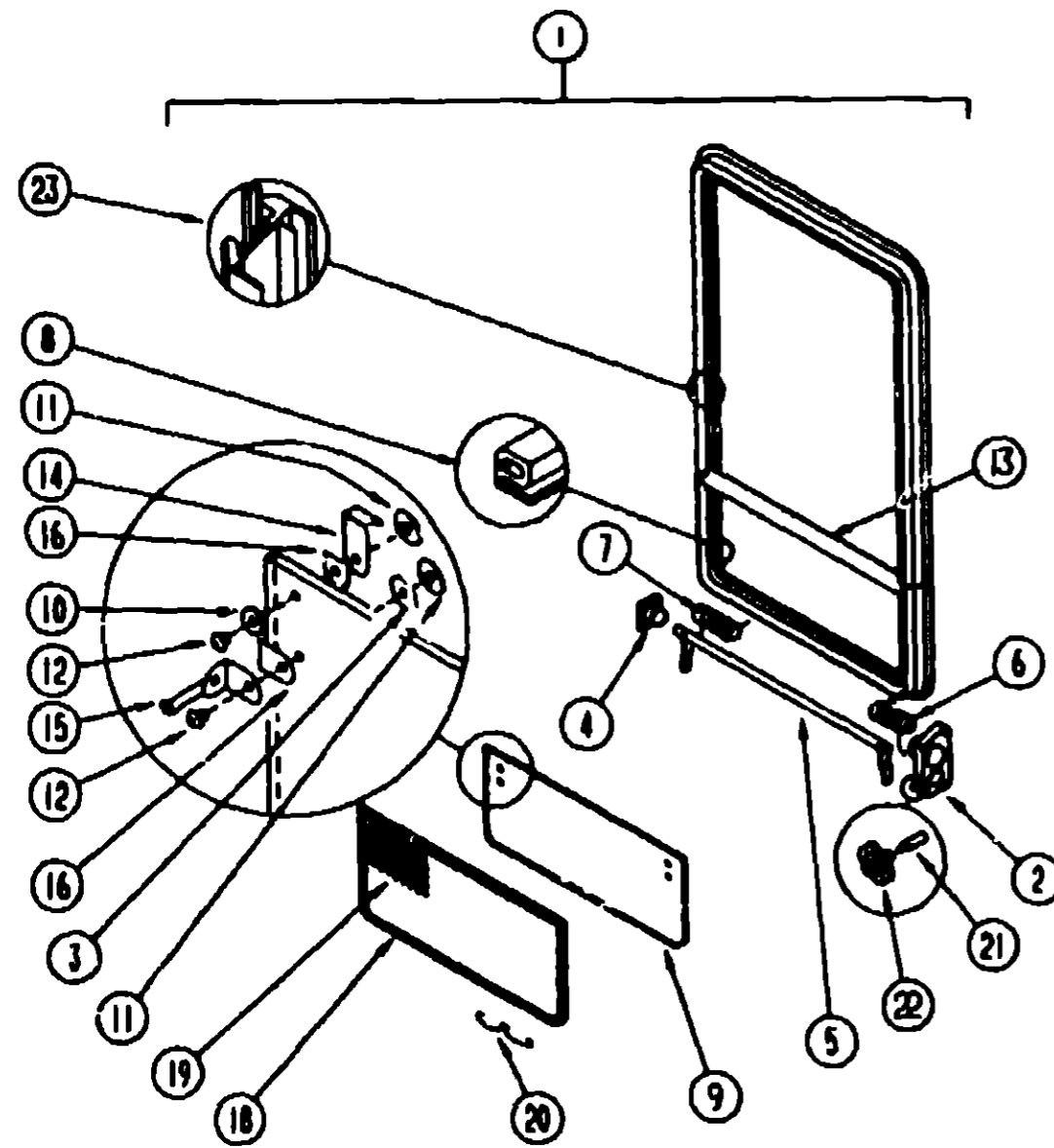
1993 WINNEBAGO TABLE OF CONTENTS

INTRODUCTION	A-01 - A-02
ABBREVIATIONS	A-03
ALPHABETICAL INDEX	A-04 - A-08
WF528RQ	A-07 - E-02

1993 WF528RQ INDEX

FLOOR PLAN	A-07 - A-08
ACCESSORIES	A-09
AUDIO VIDEO	A-10
BATH	A-11 - A-14
BEDROOM	A-15 - A-19
CHASSIS	A-20 - A-24
CURTAIN & CUSHION	B-01 - B-12
DINETTE	B-13 - B-14
DRIVERS COMPARTMENT	B-15 - B-16
ELECTRICAL	B-17 - B-20
EXTERIOR BODY	B-21 - C-04
GALLEY	C-05 - C-09
GENERATOR	C-10
HEATING & A/C	C-11 - C-12
INTERIOR FINISH	C-13 - C-16
LABELS	C-17 - C-23
LP	C-24
LOUNGE	D-01 - D-03
SEALANTS & FASTENERS	D-04 - D-06
WATER & SEWAGE	D-07 - D-10
WINDOW, VENT AND EXTERIOR DOOR	D-11 - E-02

WINDOW, VENT & EXTERIOR DOOR GROUP (CONTINUED)



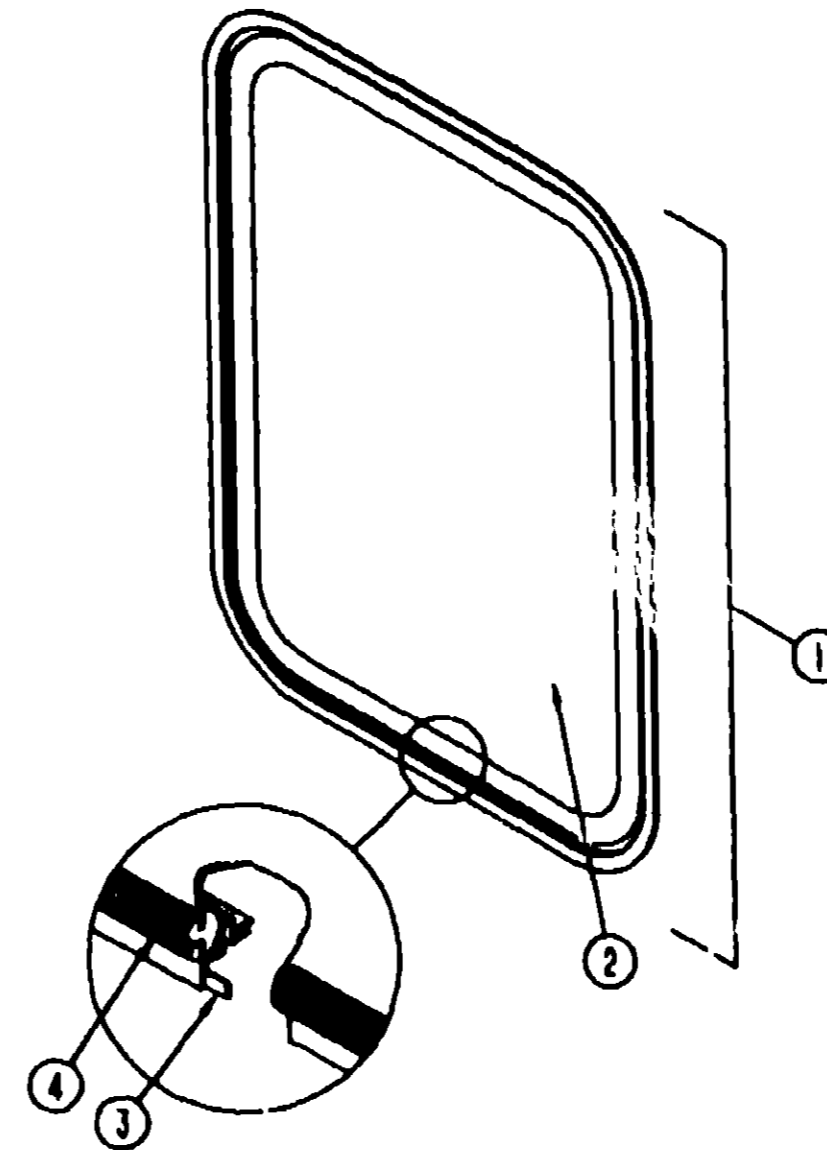
GALLEY WINDOW

KEY	PART NUMBER	U/M DESCRIPTION
	060693-17-02A	EA FRAME-INSIDE, WINDOW RETAINER - OFF WHITE
1	082235-11-Y12	EA WINDOW-TIPOUT, SINGLE - W/O INSIDE FRAME
	000H14-08-14R	EA RIVET-MANDREL BLIND, 3/16"
2	035302-02-000	EA OPERATOR-TORQUE, TIPOUT WINDOW -
3	068827-03-000	EA SEAL-WINDOW, RUBBER - ROUND - 80° DIA - BLACK
4	081354-01-000	EA SLEEVE-TORQUE TUBE, TIPOUT WINDOW - 1 3/4" X 1 1/2" X 7"
	081649-01-000	EA RING-SNAP, 7/32 SHAFT DIAMETER
5	083150-10-000	EA TUBE-TORQUE, TIPOUT WINDOW - W/SPRING & ARM - 22 5/8" LONG
8	080918-01-000	EA SPRING-TORQUE TUBE, LEFT
7	080918-02-000	EA SPRING-TORQUE TUBE, RIGHT
8	084067-02-000	FT SEAL-E SHAPED, SPONGE - TIPOUT WINDOW - 42" X 38" - BLACK
9	084068-15-000	EA GLASS-TIPOUT, 9 2/3" X 24 5/8"
10	084453-02-000	EA WASHER-08" X .5" X 25" - PLASTIC
11	088782-01-000	EA T NUT 10-32
12	088783-01-000	EA SCREW-MACH, 10 - 32 X 1/4 PTH
13	087588-02-01A	EA MULLION-HORIZONTAL, TIPOUT - BLACK
14	089913-01-000	EA HINGE-TIPOUT WINDOW, BLACK
15	097578-01-000	EA LINKAGE-TIPOUT WINDOW
	084453-01-000	EA WASHER-08" X .5" X 135" - PLASTIC

WINDOW, VENT & EXTERIOR DOOR GROUP (CONTINUED)

GALLEY WINDOW (CONTINUED)

KEY	PART NUMBER	U/M DESCRIPTION
16	084473-01-000	EA SEAL-FLAT, W/CENTER HOLE & ADHESIVE SIDE - 8" X 9" - BLK
	085315-01-000	EA RIVET-SHOULDER, TIPOUT WINDOW
18	100235-02-807	EA SCREEN-SINGLE TIPOUT WINDOW
19	080218-03-000	SF SCREENING-FIBERGLASS, 12" WIDE
20	100168-01-000	EA CLIP-SPRING, SCREEN
	100240-01-000	FT SPLINE-SCREEN, T-SHAPED
21	009439-06-000	EA EXTENSION-CRANK HANDLE, WINDOW /ROOF VENT - BLACK
22	009439-05-000	EA KNOB-OPERATOR, TIPOUT WINDOW - W/SPRING & ARM
	009439-07-000	EA SCREW, 8-32 X 1 1/4 POH - BLACK
23	089640-11-000	FT TAPE-SEALER, 3/16" X 3/8" - BLACK



ENTRY DOOR WINDOW

KEY	PART NUMBER	U/M DESCRIPTION
	087809-32-000	EA FRAME-WINDOW, ENTRY DOOR - OFF WHITE
1	079733-04-T03	EA WINDOW-PICTURE, W/O INSIDE FRAME - 17" X 25"
2	002181-06-000	EA GLASS-PICTURE WINDOW, 115" X 18 25/32" X 24"
3	089640-11-000	FT SEALER-TAPE, 3/16" X 3/8" BLACK
4	087581-01-000	FT SEAL-GLASS, EXTERIOR - 5" WIDE - VINYL - BLACK

**1993 WINNEBAGO
TABLE OF CONTENTS**

INTRODUCTION	A-01 - A-02
ABBREVIATION	A-03
ALPHABETICAL INDEX	A-04 - A-06
WF528RQ	A-07 - E-02

1993 WF528RQ INDEX

FLOOR PLAN	A-07 - A-08
ACCESSORIES	A-09
AUDIO VIDEO	A-10
BATH	A-11 - A-14
BEDROOM	A-15 - A-19
CHASSIS	A-20 - A-24
CURTAIN & CUSHION	B-01 - B-12
DINETTE	B-13 - B-14
DRIVERS COMPARTMENT	B-15 - B-18
ELECTRICAL	B-17 - B-20
EXTERIOR BODY	B-21 - C-04
GALLEY	C-06 - C-09
GENERATOR	C-10
HEATING & A/C	C-11 - C-12
INTERIOR FINISH	C-13 - C-16
LABELS	C-17 - C-23
LP	C-24
LOUNGE	D-01 - D-03
SEALANTS & FASTENERS	D-04 - D-06
WATER & SEWAGE	D-07 - D-10
WINDOW, VENT AND EXTERIOR DOOR	D-11 - E-02

WINDOW, VENT & EXTERIOR DOOR GROUP (CONTINUED)

FANTASTIC ROOF VENTILATOR

KEY	PART NUMBER	U/M DESCRIPTION
	084079-03-000	EA VENT-CEILING, POWERED EXHAUST - OFF WHITE - FANTASTIC VENT
	084079-01-700	EA VENT COVER - FANTASTIC 1020-19
	084079-01-703	EA CRANK-EXTERIOR, FANTASTIC 1080-09
	084079-01-704	EA BLADE-FAN, FANTASTIC 1070-00
	084079-01-706	EA MOTOR, FANTASTIC 1080-00
	084079-01-706	EA PLUG-12 VOLT, FANTASTIC 1090
	084079-01-707	EA SWITCH-SAFETY, FANTASTIC 1120 00
	084079-01-709	EA SWITCH-ON & OFF, MAIN POWER - FANTASTIC 1100 00
	084079-01-711	EA H-MOLDING, MOTOR MOUNT - PLASTIC - FANTASTIC
	084079-01-712	EA GARNISH INT FIN 17/B - OFF WHITE

POWERED ROOF VENT

KEY	PART NUMBER	U/M DESCRIPTION
	009439-01-000	EA CRANK HANDLE-ROOF VENT
	009439-04-000	EA SCREW 8-32 X 1 1/4" PH
	009439-02-000	EA KNOB-ROOF VENT MILL
	009439-03-000	EA EXTENSION-CRANK HANDLE ROOF VENT - 9" - MILL
	090394-01-Y12	EA VENT-ROOF POWERED
		FROM 00-00-00 THRU 10-04-92
	055218-01-000	EA COVER-ROOF VENT, PLASTIC
	002825-01-000	EA WEATHER STRIP ROOF VENT GRAY
	008195-01-000	EA SWITCH ROOF VENT PUSH BUTTON 12V
	008343-01-000	EA TIE-WIRE 8"
	008398-01-000	EA GROMMET-SNAP 3/8"
	009440-01-000	EA GEAR/ARM-VENT COVER LIFT
	015911-01-000	EA TRACK-LIFT ARM SLIDE - ROOF VENT
	048648-01-000	EA MOTOR-ROOF VENT 1/8 SHAFT - 12V - JENSEN
	048649-01-000	EA FAN-ROOF VENT 6 BLADES - 6" - JENSEN
	052639-01-001	EA HINGE-VENT COVER 16"
	052639-01-200	EA HINGE-EXTRUSION ROOF VENT 7"
	061803-01-000	EA GROMMET-SNAP 3/16"ID - 3/8" HOLE - PLASTIC - BLACK
	078785-01-Y12	EA SCREEN-ROOF VENT POWERED
	002291-02-000	SF SCREENING-ROOF VENT/WINDOW 16" - BLACK
	002298-02-000	FT SPLINE-VENT/WINDOW SCREEN 128 DIAMETER - BLACK
	110051-03-01A	EA VENT-ROOF, POWERED - 2" ROOF - JENSEN 7757
		FROM 10-05 92 THRU 99-99-99
	048648-01-000	EA MOTOR-12V NONVENTED 1/8 SFT
	048649-01-000	EA FAN-PLASTIC, 6" - 6 BLADED
	064470-01-700	EA COVER ROOF VENT, JENSEN 7291
	110051-01-701	EA GARNISH W/SCREEN & FRAME 2", JENSEN 29-800-01
	110051-01-702	EA HAND CRANK & OPERATOR ASM, JENSEN RP-10000B
	110051-01-703	EA HANDLE CRANK, JENSEN RP1031-B

WINDOW, VENT & EXTERIOR DOOR GROUP (CONTINUED)

NONPOWERED ROOF VENT

KEY	PART NUMBER	U/M DESCRIPTION
	009439-01-000	EA CRANK HANDLE-ROOF VENT
	009439-04-000	EA SCREW 8-32 X 1 1/4" PH
	009439-02-000	EA KNOB-ROOF VENT MILL
	009439-03-000	EA EXTENSION-CRANK HANDLE ROOF VENT - 9" - MILL
	009439-04-000	EA SCREW 8-32 X 1 1/4" PH
	090395-01-Y12	EA VENT-ROOF NONPOWERED
		FROM 00-00-00 THRU 10-04-92
	055218-01-000	EA COVER-ROOF VENT, PLASTIC
	002825-01-000	EA WEATHER STRIP-ROOF VENT GRAY
	009440-01-000	EA GEAR/ARM-VENT COVER LIFT
	015911-01-000	EA TRACK-LIFT ARM SLIDE - ROOF VENT
	052639-01-001	EA HINGE-VENT COVER 16"
	052639-01-200	EA HINGE-EXTRUSION ROOF VENT 7"
	078786-01-Y12	EA SCREEN-ROOF VENT NON POWERED - WHITE
	002291-02-000	SF SCREENING-ROOF VENT/WINDOW 16" - BLACK
	002298-02-000	FT SPLINE-VENT/WINDOW SCREEN 128 DIAMETER - BLACK
	110051-01-01A	EA VENT-ROOF, NONPOWERED - 2" ROOF - JENSEN 7724
		FROM 10-05-92 THRU 99-99-99
	064470-01-700	EA COVER ROOF VENT, JENSEN 7291
	110051-01-701	EA GARNISH W/SCREEN & FRAME 2", JENSEN 29-800-01
	110051-01-702	EA HAND CRANK & OPERATOR ASM, JENSEN RP-10000B
	110051-01-703	EA HANDLE CRANK, JENSEN RP-1031-B

VENTS, SHROUDS & ROOF COVERS

KEY	PART NUMBER	U/M DESCRIPTION
	083558-03-000	EA VENT-PLUMBING PIPE ROOF W/COVER - OFF WHITE
	063752-01-000	EA SHROUD-RANGE, 18 5" X 20 6" X 18 2" - METAL - OFF WHITE
	084818-01-000	EA SHROUD-RANGE HOOD VENT, PLASTIC - OFF WHITE
	084878-09-000	EA VENT-RANGE HOOD, SHORT - LVS
	084073-03-000	EA COVER-ROOF VENT, REFRIGERATOR - OFF WHITE - NORCOLD
	084073-04-000	EA BASE-ROOF VENT, REFRIGERATOR - BLACK - NORCOLD

**1993 WINNEBAGO
TABLE OF CONTENTS**

INTRODUCTION	A-01	A-02
ABBREVIATIONS		A-03
ALPHABETICAL INDEX	A-04	A-08
WF528RQ	A-07	E-02

1993 WF528RQ INDEX

FLOOR PLAN	A-07	A-08
ACCESSORIES		A-09
AUDIO VIDEO		A-10
BATH	A-11	A-14
BEDROOM	A-15	A-19
CHASSIS	A-20	A-24
CURTAIN & CUSHION	B-01	B-12
DINETTE	B-13	B-14
DRIVERS COMPARTMENT	B-15	B-16
ELECTRICAL	B-17	B-20
EXTERIOR BODY	B-21	C-04
GALLEY	C-05	C-09
GENERATOR		C-10
HEATING & A/C	C-11	C-12
INTERIOR FINISH	C-13	C-18
LABELS	C-17	C-23
LP		C-24
LOUNGE	D-01	D-03
SEALANTS & FASTENERS	D-04	D-08
WATER & SEWAGE	D-07	D-10
WINDOW, VENT AND EXTERIOR DOOR	D-11	E-02