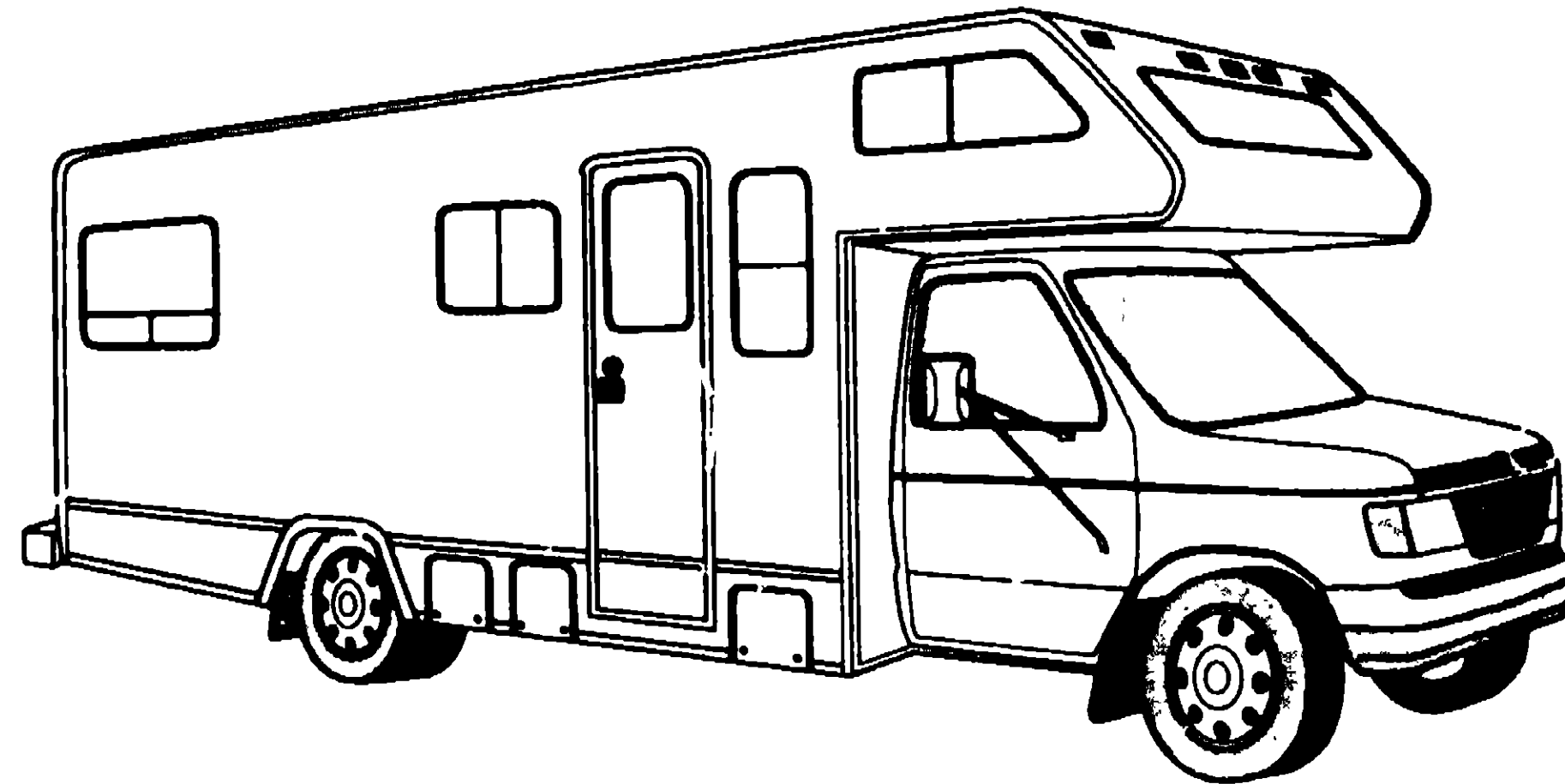


# 1993 WF527RC

**D06**

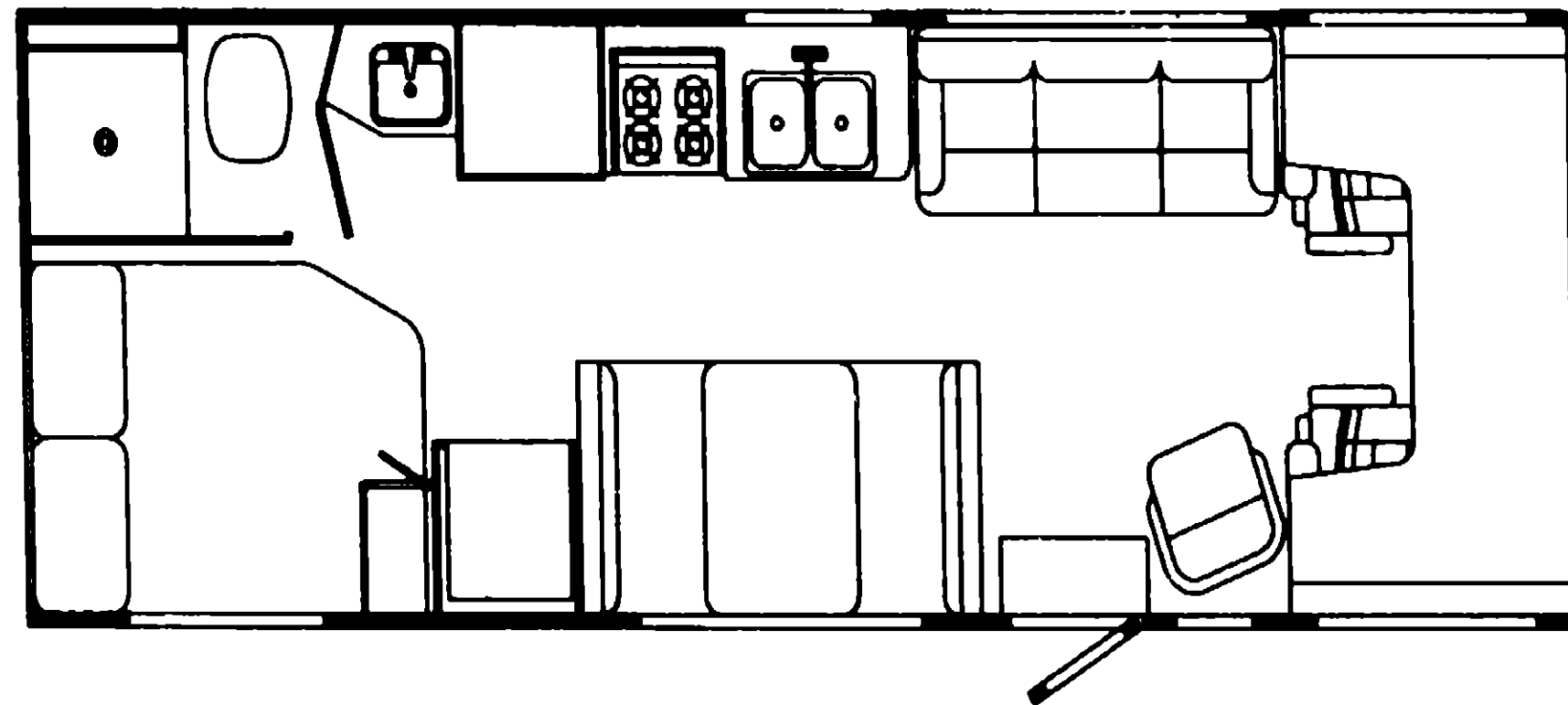
**D07**

**D08**



## 1993 WINNEBAGO TABLE OF CONTENTS

INTRODUCTION	A-01 - A-02
ABBREVIATIONS	A-03
ALPHABETICAL INDEX	A-04 - A-08
WF527RQ	A-07 - E-04
WF527RC	E-05 - H-24



## 1993 WF527RC INDEX

FLOOR PLAN	E-05 - E-08
ACCESSORIES	E-07
AUDIO VIDEO	E-08
BATH	E-09 - E-10
BEDROOM	E-11 - E-12
CHASSIS	E-13 - E-17
CURTAIN & CUSHION	E-18 - F-04
DINETTE	F-05 - F-06
DRIVERS COMPARTMENT	F-07 - F-08
ELECTRICAL	F-09 - F-12
EXTERIOR BODY	F-13 - F-22
GALLEY	F-23 - G-03
GENERATOR	G-04
HEATING & AC	G-05 - G-06
INTERIOR FINISH	G-07 - G-10
LABELS	G-11 - G-17
LP	G-18
LOUNGE	G-19 - G-20
SEALANTS & FASTENERS	G-21 - G-23
WATER & SEWAGE	G-24 - H-04
WINDOW, VENT AND EXTERIOR DOOR	H-05 - H-23

## ACCESSORIES GROUP

### OPERATORS MANUAL

KEY	PART NUMBER	U/M DESCRIPTION
	064186-37-000	EA MANUAL-OPERATOR, 1993 MINNIE WINNIE DL - 500 SERIES
	092318-01-000	EA BINDER-3 RING, MOTOR HOME MANUAL
	092319-01-000	EA POCKET PAGE-3 RING BINDER, PLASTIC
	109272-01-000	OW TOP LEVEL DRAWING NUMBER FOR 1993 C-BODIES

## AUDIO VIDEO GROUP

### RADIO & ANTENNA COMPONENTS

KEY	PART NUMBER	U/M DESCRIPTION
	108480-01-000	EA RADIO-AM/FM CASSETTE, ELECTRONIC TUNE - FORD - AUDIOVOX FD-CXF
	108137-01-000	EA PLUG-ANTENNA HOLE (FORD)
	099340-02-000	EA GRILLE-SPEAKER, 8 5" SQUARE (OVHD CABINETS)
	099340-03-000	EA SPACER-BF [AKER GRILLE, TAN - MAGNADYNE G614 (OVHD CABINETS)
	094097-01-000	EA SPEAKER-RADIO, W/O GRILLE - 8 25" DIA - AUDIOVOX 110C3030 (OVHD CABINETS)
	087883-01-000	EA RADIO-AM/FM STEREO W/CASSETTE AUDIOVOX 144D1560 (PATIO ENTERTAINMENT)
	090944-01-000	EA ANTENNA-RADIO, 16" RUBBER (PATIO ENTERTAINMENT)
	077069-02-000	EA CABLE-ANTENNA, RADIO - EXTENSION 99" - ARA 8700887
	090882-01-000	EA BRACKET-HAT, ANTENNA - 3.1" X 3 8" - STEEL - BLACK (PATIO ENTERTAINMENT)
	104899-01-004	EA PLATE-RADIO MOUNTING (PATIO ENTERTAINMENT)
	073741-03-000	EA SPEAKER-OVAL, 4" X 8" - AUDIOVOX 110-2074 (PATIO ENTERTAINMENT) FROM 00-00-00 THRU 12-20-92
	110489-01-000	EA SPEAKER-OVAL, 4" X 8" - MAGNADYNE F46XB-12 (PATIO ENTERTAINMENT) FROM 12-21-92 THRU 99-99-99
	073741-04-000	EA GRILLE-SPEAKER, OVAL - 4" X 8" - AUDIOVOX 136-1157 (PATIO ENTERTAINMENT) FROM 00-00-00 THRU 12-20-92
	110470-01-01A	EA GRILLE-SPEAKER, OVAL - 4" X 8" - BLACK - MAGNADYNE G46W1 (PATIO ENTERTAINMENT) FROM 12-21-92 THRU 99-99-99

### TV, VCR SYSTEMS & ANTENNA

KEY	PART NUMBER	U/M DESCRIPTION
	092310-03-000	EA TV-COLOR, 9" - AC/DC - W/SWIVEL - MAGNAVOX RDO945
	092310-02-700	EA REMOTE FOR TV
	098446-03-000	EA VCR-VHS, CABLE READY - REMOTE - MAGNAVOX VR9010 FROM 00-00-00 THRU 10-04-92
	098446-03-700	EA REMOTE FOR MODEL #9010 - 0974588
	098446-04-000	EA VCR-VHS CABLE READY - REMOTE - MAGNAVOX VR9110 FROM 10-05-92 THRU 05-16-93
	098446-04-700	EA REMOTE FOR MODEL #9110
	098446-05-000	EA VCR-VHS, CABLE READY - REMOTE - MAGNAVOX VR9120 FROM 05-17-93 THRU 99-99-99
	098446-04-700	EA REMOTE FOR MODEL #9110 & #9120
	106433-01-000	EA BRACKET-VCR
	076319-01-000	EA ANTENNA-TV, ROOF MOUNT - 44 5" MAST - RVA W02
	076319-01-700	EA HEAD-ANTENNA, AMPLIFIED - WINEGARD# RVSA U/V
	076319-01-701	EA GEAR-ELEVATING, PLASTIC - WINEGARD# 2200046
	076319-01-702	EA SHAFT ASM-ELEVATING, WINEGARD# RVP-400A
	076319-01-703	EA BEARING-NYLON, 5"OD - WINEGARD# 3200656
	076319-01-705	EA GROMMET-NYLON, 7/8"ID - WINEGARD# 3200658
	076319-01-706	EA CRANK-ELEVATING, WSET SCREW - WINEGARD# 5755100
	076319-01-707	EA SPRING-HANDLE, WINEGARD# 5180800
	076319-01-709	EA PLATE-DIRECTIONAL, FOR HEAD - WINEGARD# 3200644
	076319-06-000	EA ADAPTER-CABLE ROOF PLATE, WINEGARD RPJ-1
	082134-01-000	EA ADAPTER-TV, CABLE TO CABLE - WINEGARD F-81M
	082136-01-000	EA NUT-HEX JAM 3/8-32, WINEGARD
	076319-08-000	EA WALLPLATE-CABLE RECEPTACLE, TV - SINGLE - IVORY
	086777-03-000	EA WALLPLATE-TV CABLE, W/ANTENNA SWITCH - IVORY
	108046-01-000	EA CABLE TIE-SCREW MOUNT 8" DENNISON 08415
	076319-03-000	FT CABLE-COAXIAL, 75 OHM
	076319-12-000	EA CONNECTOR-COAXIAL - ONE PIECE
	086758-01-000	EA SPLITTER-TV, 2 WAY
	086757-03-000	EA CONTROL CENTER-SWITCH, VCR/TV - MAGNADYNE VCS-6
	086777-04-000	EA PLATE-WALL, ANTENNA/POWER - BROWN

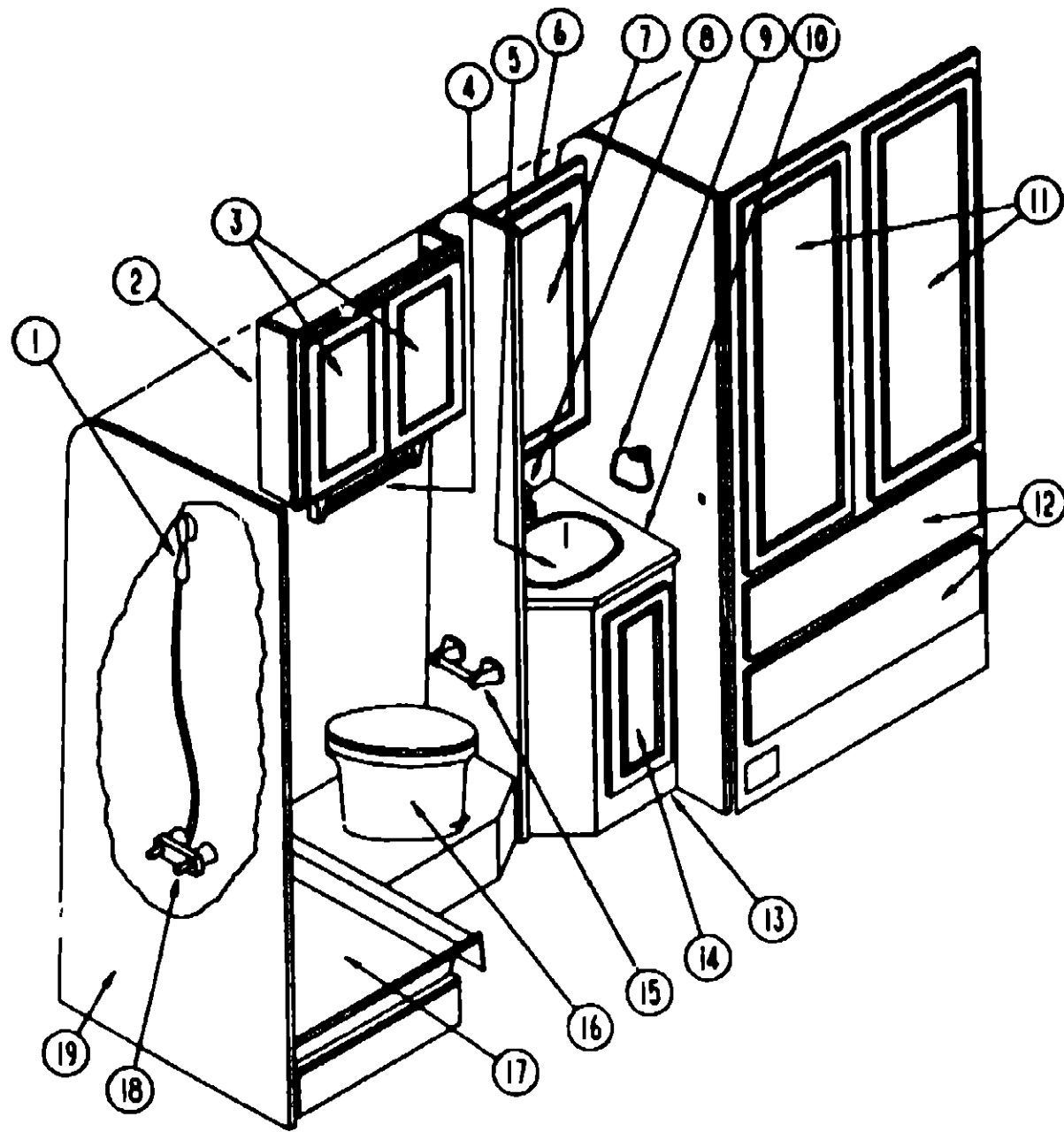
## 1993 WINNEBAGO TABLE OF CONTENTS

INTRODUCTION	A-01 - A-02
ABBREVIATIONS	A-03
ALPHABETICAL INDEX	A-04 - A-08
WF527RC	A-07 - E-04
WF527RC	E-05 - H-24

## 1993 WF527RC INDEX

FLOOR PLAN	E-05 - E-06
ACCESSORIES	E-07
AUDIO VIDEO	E-08
BATH	E-09 - E-10
BEDROOM	E-11 - E-12
CHASSIS	E-13 - E-17
CURTAIN & CUSHION	F-18 - F-04
DINETTE	F-05 - F-06
DRIVERS COMPARTMENT	F-07 - F-08
ELECTRICAL	F-09 - F-12
EXTERIOR BODY	F-13 - F-22
GALLEY	F-23 - G-03
GENERATOR	G-04
HEATING & A/C	G-05 - G-08
INTERIOR FINISH	G-07 - G-10
LABELS	G-11 - G-17
LP	G-18
LOUNGE	G-19 - G-20
SEALANTS & FASTENERS	G-21 - G-23
WATER & SEWAGE	G-24 - H-04
WINDOW, VENT AND EXTERIOR DOOR	H-05 - H-23

**BATH GROUP**



**BATH & SHOWER CABINETS & FIXTURES**

KEY	PART NUMBER	U/M	DESCRIPTION
1	103082-01-000	EA	SHOWER HEAD-W/60 IN HOSE
	103082-01-700	EA	BRACKET-SHOWER HEAD
2	P05767-01-C52	EA	CABINET-OVERHEAD, W/O DOORS & HARDWARE
3	P04746-08-D06	EA	DOOR-CABINET, W/O HARDWARE - 285 X 500MM
4	075453-02-000	EA	BAR-TOWEL, 18" BRASS
5	096927-01-01A	EA	SINK-LAVATORY, RECTANGULAR - PLASTIC - BONE
	096927-01-700	EA	SINK-STOPPER
	096927-01-701	EA	TAILPIECE-SINK
6	102821-01-C05	EA	CABINET-MEDICINE, W/O DOOR & HARDWARE
7	102326-02-000	EA	DOOR-MIRROR, 500 X 750MM
	102327-01-01A	EA	PULL-DOOR, SQUARE
8	075240-06-000	EA	FAUCET-LAVATORY-BONE
9	075454-02-000	EA	RING-TOWEL-W/MOUNTING HARDWARE - BRASS
10	105843-11-D06	EA	COUNTERTOP-CABINET, LAVATORY
10	105843-11-D07	EA	COUNTERTOP-CABINET, LAVATORY
10	105843-11-D08	EA	COUNTERTOP-CABINET, LAVATORY
11	P04746-03-D06	EA	DOOR-CABINET, W/O HARDWARE - 305 X 1015MM
12	P07104-S2-D06	EA	DRAWER-CABINET W/O HARDWARE (2 USED)

**BATH GROUP (CONTINUED)**

**BATH & SHOWER CABINETS & FIXTURES (CONTINUED)**

KEY	PART NUMBER	U/M	DESCRIPTION
13	M06884-01-D06	EA	CABINET-LAVATORY, W/O DOOR & HARDWARE - US
13	M06884-01-D07	EA	CABINET-LAVATORY, W/O DOOR & HARDWARE - US
13	M06884-01-D08	EA	CABINET-LAVATORY, W/O DOOR & HARDWARE - US
13	M06884-02-D06	EA	CABINET-LAVATORY, W/O DOOR & HARDWARE - CSA FROM: 00-00-00 THRU 03-07-93
13	M06884-02-D07	EA	CABINET-LAVATORY, W/O DOOR & HARDWARE - CSA FROM: 00-00-00 THRU 03-07-93
13	M06884-02-D08	EA	CABINET-LAVATORY, W/O DOOR & HARDWARE - CSA FROM: 00-00-00 THRU 03-07-93
13	M06884-01-D06	EA	CABINET-LAVATORY, W/O DOOR & HARDWARE - CSA FROM: 03-08-93 THRU 99-99-99
13	M06884-01-D07	EA	CABINET-LAVATORY, W/O DOOR & HARDWARE - CSA FROM: 03-08-93 THRU 99-99-99
13	M06884-01-D08	EA	CABINET-LAVATORY, W/O DOOR & HARDWARE - CSA FROM: 03-08-93 THRU 99-99-99
14	P04746-21-D06	EA	DOOR-CABINET, W/O HARDWARE - 385 X 555MM
15	075452-02-000	EA	HOLDER-TOILET TISSUE, BRASS
18	087487-01-000	EA	TOILET-12 3/4", IVORY - HAND FLUSH - THETFORD 150110
	083740-01-700	EA	LEVER-WATER, THETFORD 12514
	083740-01-701	EA	LEVER-FLUSH, THETFORD 12515
	083740-01-706	EA	BOLT PACKAGE-CLOSET, THETFORD 12524
	083740-01-710	EA	LINK-THETFORD 12513
	083740-01-711	EA	SPRING-RETURN LEVER, THETFORD 12523
	083740-01-713	EA	SEAL-BALL VALVE TO BOWL, THETFORD 12502
	083740-01-714	EA	VALVE ASM-WATER, THETFORD 12492
	083740-01-716	EA	SEAT & COVER, THETFORD 15017
	083740-01-717	EA	TUBE-FLUSH, TOILET - 12500 THETFORD
	024678-01-000	EA	FLANGE-CLOSET, TOILET - 4" X 3" - RED - US
	024678-02-000	EA	FLANGE-CLOSET, TOILET - 4" X 3" - RED - CSA
17	M02429-06-000	EA	PAN-SHOWER, OFF WHITE
	066438-01-000	EA	NUT-SLIP, TAILPIECE - 1 5"
	066440-01-000	EA	STRAINER-SHOWER, W/RUBBER WASHER
	069735-01-000	EA	WASHER-STRAINER TO TAILPIECE PLASTIC- 1 5"
	011089-02-000	EA	TAILPIECE-TUB/SHOWER, 1 1/2" X 1 1/4" X 4" - BRASS
	066436-01-000	EA	NUT-SLIP, TAILPIECE - 1 5"
18	075241-05-000	EA	FAUCET-SHOWER, BONE
	075608-01-000	EA	PANEL-FAUCET BACK, SHOWER - 5" X 9" - PLASTIC
	057671-01-000	EA	COVER-SCREW, #8 - PLASTIC - OFF WHITE
19	102046-01-01A	EA	SURROUND-SHOWER, THREE SIDED - OFF WHITE

**BATH PRIVACY DOOR**

KEY	PART NUMBER	U/M	DESCRIPTION
	P05398-01-C52	EA	DOOR-PRIVACY, BATH FROM 00-00-00 THRU 03-21-93
	P05398-03-D06	EA	DOOR-PRIVACY, BATH FROM 03-22-93 THRU 99-99-99
	102089-13-B07	EA	WOOD RAIL-TOWEL RACK, RIGHT SIDE - 28"
	102089-14-B07	EA	WOOD RAIL-TOWEL RACK, LEFT SIDE - 28"
	100357-01-000	EA	ROD-TOWEL, BRASS WENDS BENT FOR BACK OF BATH DOOR
	094485-01-01A	EA	KNOB-DOOR-POLISHED BRASS FROM 00-00-00 THRU 09-23-92
	094485-02-01A	EA	KNOB-DOOR-POLISHED BRASS FROM 09-24-92 THRU 99-99-99

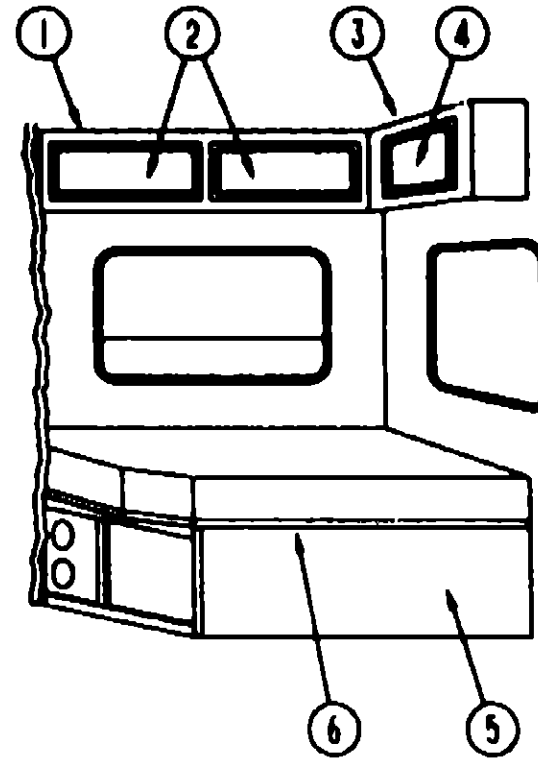
**1993 WINNEBAGO  
TABLE OF CONTENTS**

INTRODUCTION	A-01	A-02
ABBREVIATIONS		A-03
ALPHABETICAL INDEX	A-04	A-08
WF527RC	A-07	E-04
WF827RC	E-05	H-24

**1993 WF527RC INDEX**

FLOOR PLAN	E-05	E-08
ACCESSORIES		E-07
AUDIO VIDEO		E-08
BATH	E-09	E-10
BEDROOM	E-11	E-12
CHASSIS	E-13	E-17
CURTAIN & CUSHION	E-18	F-04
DINETTE	F-05	F-08
DRIVERS COMPARTMENT	F-07	F-08
ELECTRICAL	F-09	F-12
EXTERIOR BODY	F-13	F-22
GALLEY	F-23	G-03
GENERATOR		G-04
HEATING & A/C	G-05	G-06
INTERIOR FINISH	G-07	G-10
LABELS	G-11	G-17
LP		G-18
LOUNGE	G-19	G-20
SEALANTS & FASTENERS	G-21	G-23
WATER & SEWAGE	G-24	H-04
WINDOW, VENT AND EXTERIOR DOOR	H-05	H-23

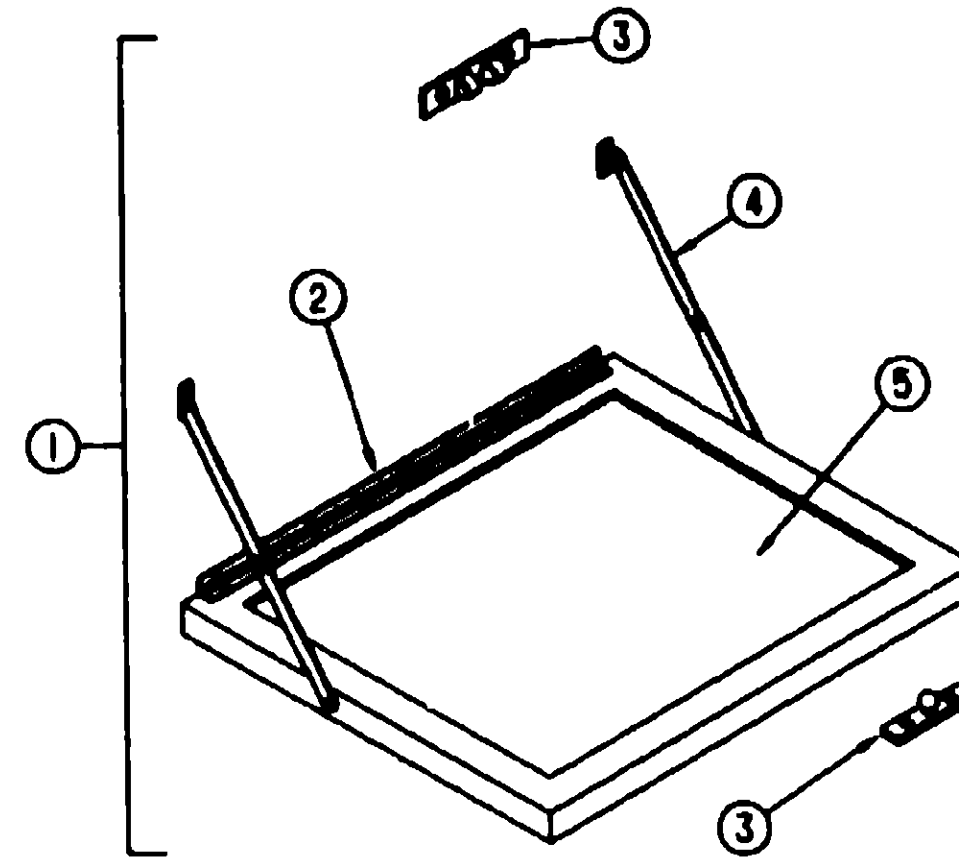
**BEDROOM GROUP**



**BEDROOM CABINETS**

KEY	PART NUMBER	U/M	DESCRIPTION
1	M05624-18-D08	EA	CABINET-OVERHEAD, W/O DOORS & HARDWARE - RIGHT REAR
2	P04746-03-D08	EA	DOOR-CABINET, W/O HARDWARE - 400 X 710MM
3	M05624-19-D06	EA	CABINET-OVERHEAD, W/O DOORS & HARDWARE - REAR
3	M05624-19-D07	EA	CABINET-OVERHEAD, W/O DOORS & HARDWARE - REAR
3	M05624-19-D08	EA	CABINET-OVERHEAD, W/O DOORS & HARDWARE - REAR
3	M06812-19-D08	EA	CABINET-OVERHEAD, W/O DOORS & HARDWARE - REAR (EUROPEAN EXPORT)
3	M06812-19-D07	EA	CABINET-OVERHEAD, W/O DOORS & HARDWARE - REAR (EUROPEAN EXPORT)
3	M06812-19-D06	EA	CABINET-OVERHEAD, W/O DOORS & HARDWARE - REAR (EUROPEAN EXPORT)
4	P04746-04-D08	EA	DOOR-CABINET, W/O HARDWARE - 400 X 710MM (MIRRORED)
4	P04746-03-D08	EA	DOOR-CABINET, W/O HARDWARE - 400 X 710MM (WOOD PANEL)
5	F08557-01-D08	EA	CABINET-DOUBLE BED
	106230-01-C52	EA	DIVIDER-CABINET, DOUBLE BED
6	M05689-04-000	EA	TOP-DOUBLE BED, DRIVER SIDE
	M05689-03-D08	EA	TOP-DOUBLE BED, PASSENGER SIDE
	089078-03-000	EA	SUPPORT-BED, H-CHANNEL - 1 96" X 72.7" - ALUMINUM - BEIGE
	057480-02-000	EA	BALL STUD-10MM BALL, 5/16 - 18 - GAS SPRING
	057490-03-000	EA	SAFETY CLIP-WIREFORM TYPE, GAS SPRING
	057480-04-000	EA	SPRING-GAS

**BEDROOM GROUP (CONTINUED)**



**TV STAND**

KEY	PART NUMBER	U/M	DESCRIPTION
1	084357-02-807	EA	TV STAND ASSEMBLY
2	084413-01-000	EA	HINGE-CONTINUOUS, WHOLES
3	084451-01-000	EA	CATCH-TV SHELF, BRASS
4	084412-01-000	EA	SUPPORT-HINGED
5	084356-08-000	EA	INSERT-TV STAND, W/SUPPORT HINGE - METAL - OFF WHITE
5	058331-14-000	EA	MIRROR-GLASS, SAFETY - 14" X 12.7"

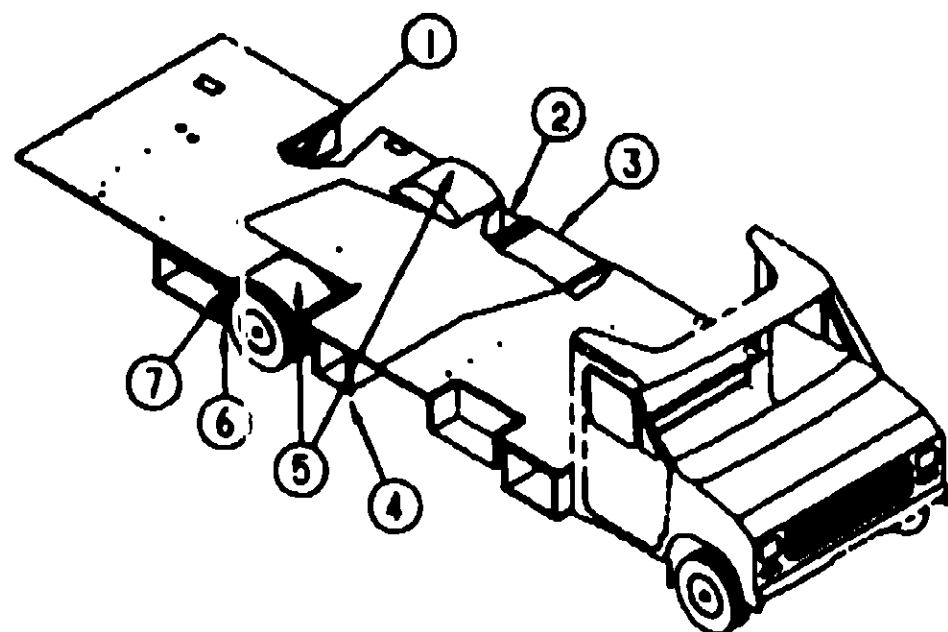
**1993 WINNEBAGO  
TABLE OF CONTENTS**

INTRODUCTION	A-01 - A-02
ABBREVIATIONS	A-03
ALPHABETICAL INDEX	A-04 - A-08
WF527RQ	A-07 - E-04
WF527RC	E-05 - H-24

**1993 WF527RC INDEX**

FLOOR PLAN	E-05 - E-08
ACCESSORIES	E-07
AUDIO VIDEO	E-08
BATH	E-09 - E-10
BEDROOM	E-11 - E-12
CHASSIS	E-13 - E-17
CURTAIN & CUSHION	E-18 - F-04
DINETTE	F-05 - F-08
DRIVERS COMPARTMENT	F-07 - F-08
ELECTRICAL	F-09 - F-12
EXTERIOR BODY	F-13 - F-22
GALLEY	F-23 - G-03
GENERATOR	G-04
HEATING & A/C	G-05 - G-08
INTERIOR FINISH	G-07 - G-10
LABELS	G-11 - G-17
LP	G-18
LOUNGE	G-19 - G-20
SEALANTS & FASTENERS	G-21 - G-23
WATER & SEWAGE	G-24 - H-04
WINDOW, VENT AND EXTERIOR DOOR	H-05 - H-23

## CHASSIS GROUP



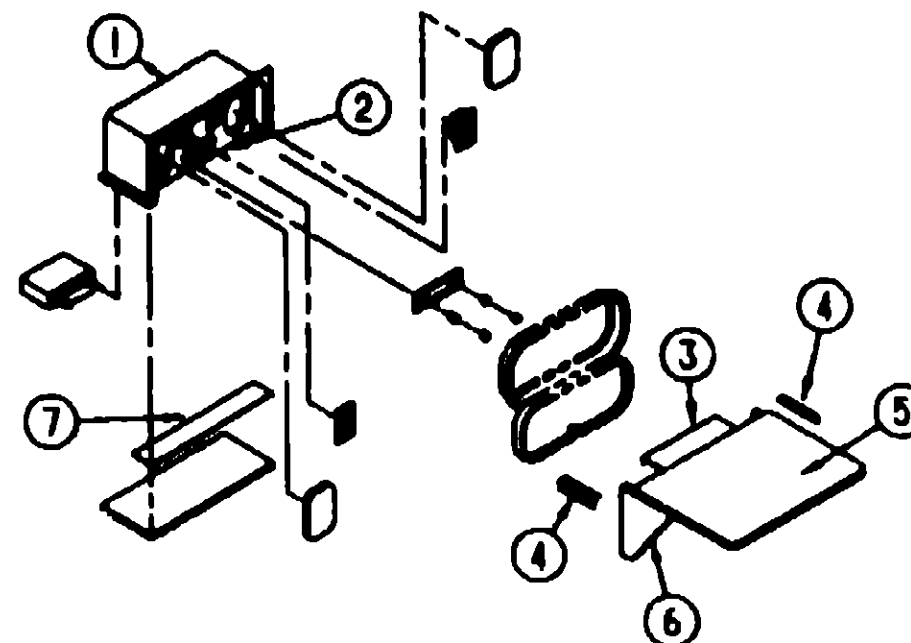
### COMPARTMENTS, PLUGS & SEALS

KEY	PART NUMBER	U/M DESCRIPTION
1	103836-01-000	EA DOOR-DRIVE COMPARTMENT, 7 8" X 7 6" - STEEL
	074470-01-000	EA PIN-PULL, HINGE RELEASE - RIGHT SIDE
2	102979-01-000	EA BOX-POWER CORD
3	105471-05-000	EA COMPARTMENT-GENERATOR
3	078137-02-000	EA TRAY-STORAGE COMPARTMENT, 27 18" WIDE X 21" DEEP
4	105203-01-000	EA COMPARTMENT-BATTERY
	084993-01-000	EA STRAP-BATTERY
	084993-02-000	EA STRAP ASM BATTERY
		FROM 00-00-00 THRU 02-01-93
		FROM 02-02-93 THRU 99-99-99
	085450-05-000	EA TIEDOWN-BATTERY, 8 4" TUBE
	077479-02-000	EA BOOT-BATTERY TERMINAL, SINGLE CABLE
	056748-01-000	EA PLUG-CAP, 1 5" DIAMETER - BLACK
	058027-01-000	FT SEAL, D SHAPED - HOLLOW - SPONGE RUBBER - BLACK
	081420-01-000	EA PLUG-PLASTIC, 1 75" - BROWN
	077953-01-000	EA GROMMET-EDGE LINER, FITS 1"
	088270-01-000	FT SEAL-BULB, W/WIRE RIGID U-CHANNEL - 5" - RUBBER - BLACK
5	102782-01-000	EA WHEELWELL-PLASTIC
6	017516-01-000	EA FLAP-MUD, 14" X 16" - BLACK
7	045731-04-000	EA GUARD-ROCK, REAR

### ENTRY STEPS

KEY	PART NUMBER	U/M DESCRIPTION
	077848-02-000	EA STEP-PULLOUT
	076241-09-000	EA SUPPORT-STEP, ENTRY DOOR
	091176-01-000	EA SUPPORT-BASE, ENTRANCE STEP
	094708-01-01A	EA STEP-ENTRY DOOR, ELECTRIC - SINGLE - KWIKEE 2813
	094707-02-700	EA MOTOR REPLACEMENT KIT
	094707-02-702	EA GEAR KIT
	094707-02-703	EA PARTS KIT (BEARINGS & PINS)
	094707-02-704	EA MOTOR CONNECTOR KIT
	094707-02-705	EA CONTROL UNIT (ORANGE)
	094707-03-700	EA LINKAGE ASM FOR 28 SERIES
	041250-01-000	EA SWITCH-DOOR JAMB, ELECTRIC ENTRY STEP - METAL
	075723-02-000	EA SPACER-SWITCH, W/HOLE - 2" X 9" X 2" - METAL - OFF WHITE

## CHASSIS GROUP (CONTINUED)



### ENTERTAINMENT COMPARTMENT

KEY	PART NUMBER	U/M DESCRIPTION
1	104897-02-01A	EA BOX-ENTERTAINMENT CENTER - OFF WHITE
2	104899-01-D04	EA PLATE-RADIO MOUNTING
3	105377-01-01A	EA BRACKET-TABLE HANGER - OFF WHITE
	105377-01-03A	EA BRACKET-TABLE HANGER - MILL
4	105378-01-02A	EA HINGE-CONTINUOUS, 2" X 140MM - OFF WHITE
5	105230-11-D05	EA SHELF ASM
6	105230-12-D09	EA SUPPORT ASM
7	104898-01-01A	EA PLATE-PLASTIC BOTTOM - OFF WHITE

### SUSPENSION SYSTEMS

KEY	PART NUMBER	U/M DESCRIPTION
	100332-01-000	EA PLATE-VALVE, AIR SPRING (FORD)
	106067-01-000	EA AIRSPRING-4IN DIA TWIN (FORD)
	106067-03-000	EA AIRSPRING-4IN DIA TWIN (FORD)
		FROM 00-00-00 THRU 08-09-92
	106067-03-700	EA REPAIR KIT FOR TAPPED PISTON
		FROM 08-10-92 THRU 99-99-99

### DRIVESHAFT & FLARE UNION

KEY	PART NUMBER	U/M DESCRIPTION
	103653-08-000	EA DRIVESHAFT ASM-BALANCED PAIR - 188" WHEELBASE (158)
		FROM 00-00-00 THRU 03-08-93
	103653-15-000	EA DRIVESHAFT ASM BALANCED PAIR - 188" WHEELBASE (158)
		FROM 03-09-93 THRU 99-99-99
	074833-01-000	EA SPACER-BEARING, DRIVESHAFT - 2" X 8" X 5" THICK
	085771-03-000	EA NUT-HEX, FL. PREV TORQUE - GRADE 6 DRIVER SHAFT
	088468-01-000	EA UNION-INVERTED FLARE, BRASS - 3/16 - 3/8 - 24 THD - BRAKE LINE

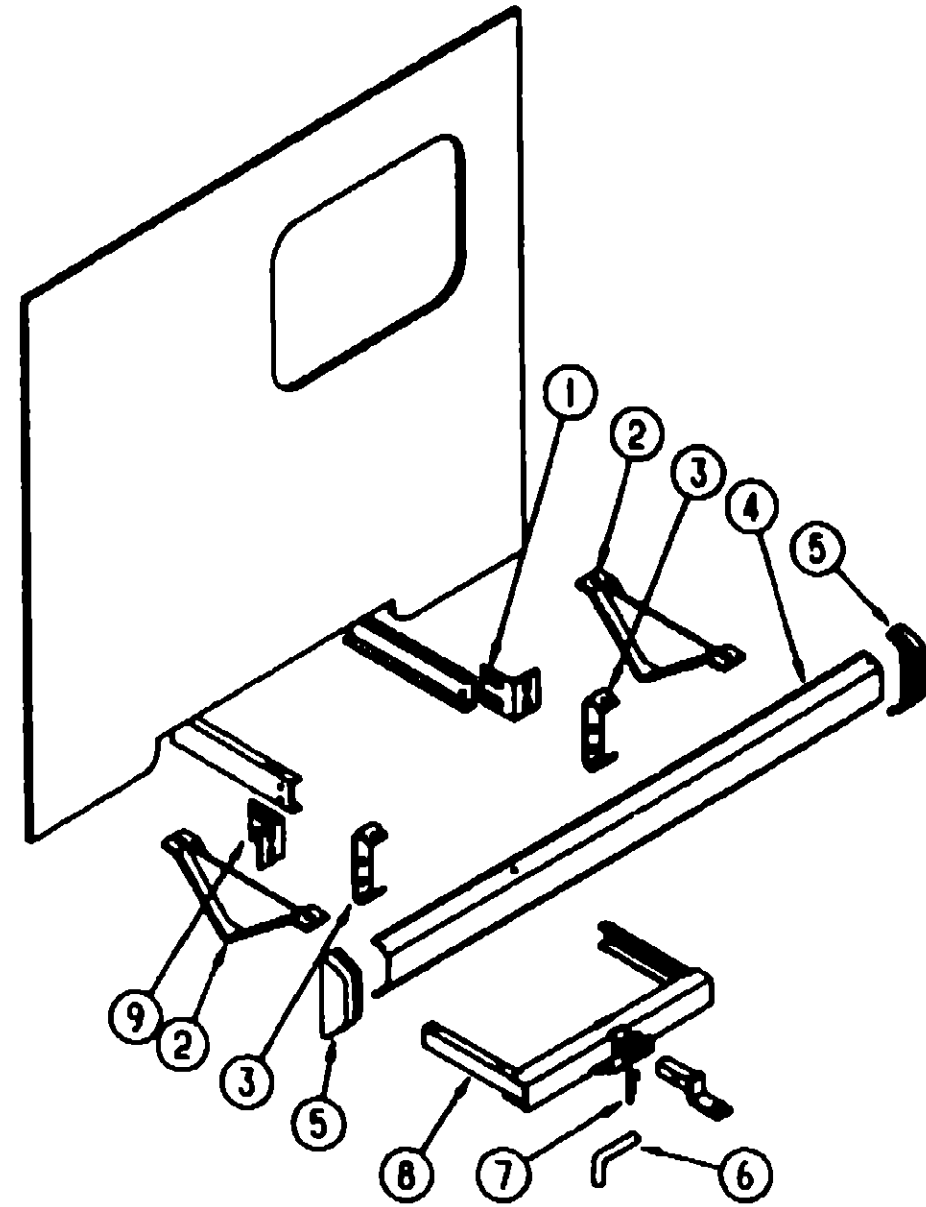
## 1993 WINNEBAGO TABLE OF CONTENTS

INTRODUCTION	A-01 - A-02
ABBREVIATIONS	A-03
ALPHABETICAL INDEX	A-04 - A-05
WF527RQ	A-07 - E-04
WF527RC	E-05 - H-24

## 1993 WF527RC INDEX

FLOOR PLAN	E-05 - E-06
ACCESSORIES	E-07
AUDIO VIDEO	E-08
BATH	E-09 - E-10
BEDROOM	E-11 - E-12
CHASSIS	E-13 - E-17
CURTAIN & CUSHION	E-18 - F-04
DINETTE	F-05 - F-06
DRIVERS COMPARTMENT	F-07 - F-08
ELECTRICAL	F-09 - F-12
EXTERIOR BODY	F-13 - F-22
GALLEY	F-23 - G-03
GENERATOR	G-04
HEATING & A/C	G-05 - G-06
INTERIOR FINISH	G-07 - G-10
LABELS	G-11 - G-17
LP	G-18
LOUNGE	G-19 - G-20
SEALANTS & FASTENERS	G-21 - G-23
WATER & SEWAGE	G-24 - H-04
WINDOW, VENT AND EXTERIOR DOOR	H-05 - H-23

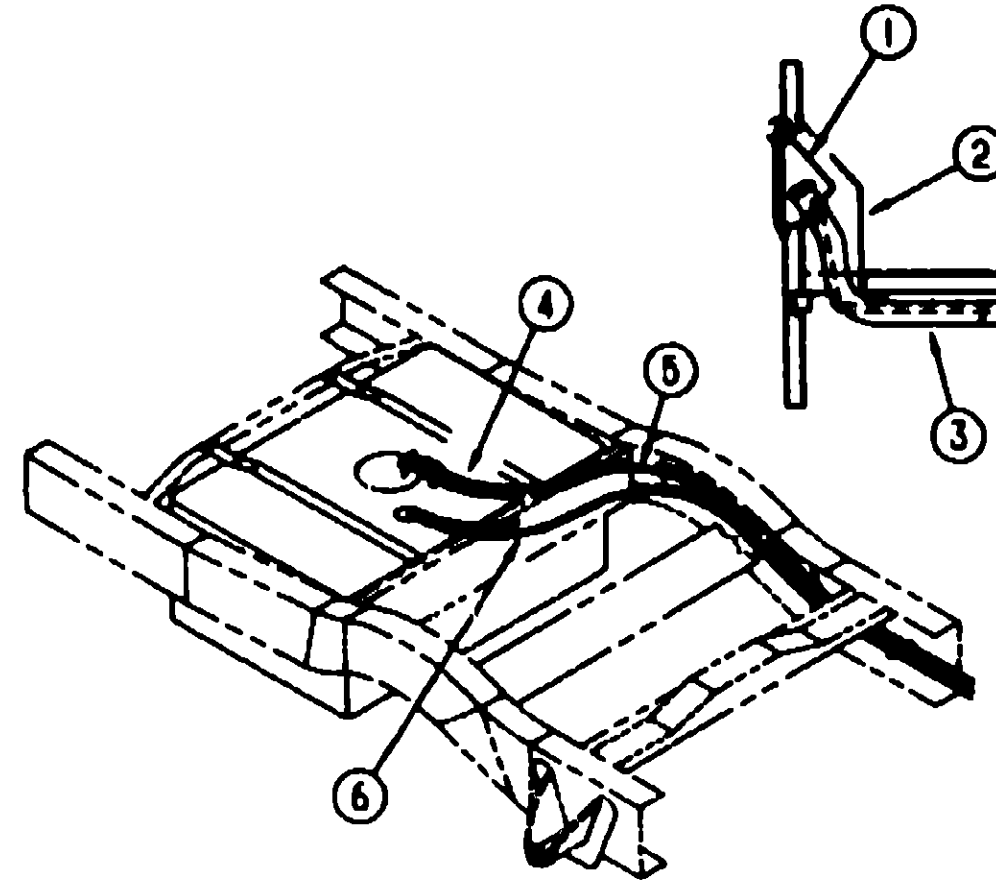
**CHASSIS GROUP (CONTINUED)**



**REAR BUMPER, SKID PLATE & TRAILER HITCH**

KEY	PART NUMBER	U/M	DESCRIPTION
1	105933-01-000	EA	BRACKET-BUMPER, REAR
2	083376-01-000	EA	PLATE-SKID, 13 2" X 6" X 2" - STEEL
3	078670-02-000	EA	BRACKET-BUMPER, REAR - 2" X 6" - BENT ENDS - STEEL BLACK (2 USED)
4	103099-02-02A	EA	BUMPER-REAR, OFF WHITE
5	106147-01-01A	EA	CAP-END, BUMPER - OFF WHITE
6	034512-01-000	EA	PIN-LOCKING, DRAWBAR
7	034513-01-000	EA	PIN-HITCH, 3/16" WIRE
8	077817-02-000	EA	HITCH-TRAILER, W/O DRAWBAR - 41 1" WIDE - STEEL - BLACK
	077813-01-000	EA	DRAWBAR-HITCH, TRAILER TOWING
	097744-01-000	EA	HOUSING-TRAILER PIN, 12"
	097744-02-000	EA	HOUSING-TRAILER PIN, 48"
	097745-01-000	EA	HOUSING-TRAILER RECP, 12"
	097746-01-000	EA	HOUSING CAP-TRAILER PIN
	097745-02-000	EA	HOUSING-RECEPTACLE, TRAILER - 48" WIRE LENGTH
9	105933-02-000	EA	BRACKET BUMPER, REAR

**CHASSIS GROUP (CONTINUED)**



**FUEL SYSTEM COMPONENTS**

KEY	PART NUMBER	U/M	DESCRIPTION
1	095854-01-02A	EA	SHROUD-FUEL FILL, PLASTIC - OFF WHITE
2	078040-06-000	EA	SHROUD-FUEL FILL, UPPER - PLASTIC
3	106413-01-000	EA	NECK-FUEL FILL, MAIN - GAS
3	106413-02-000	EA	NECK-FUEL FILL, MAIN - DIESEL
	078200-01-000	EA	GASKET-FUEL FILL, 3 5"OD X 2 1/2"
4	106389-01-000	EA	FUEL LINE ASM-FORD, 3/8 HP
5	106388-01-000	EA	FUEL LINE ASM-FORD, 5/16 HP
	007063-01-000	FT	HOSE-GAS 1/4"ID X 1/2"OD
6	044317-01-000	FT	HOSE-FUEL, 3/8" ID

**EXHAUST SYSTEM COMPONENTS**

KEY	PART NUMBER	U/M	DESCRIPTION
	007125-01-000	EA	CLAMP-MUFFLER, 1 62 DIAMETER
	091182-03-000	EA	HEAT SHIELD
	094918-03-000	EA	CLAMP-EXHAUST, 2 5"
	096753-04-000	EA	PIPE-EXHAUST
	111478-01-000	EA	PIPE-EXHAUST

FROM 00-00-00 THRU 03-08-93

FROM 03-09-93 THRU 99-99-99

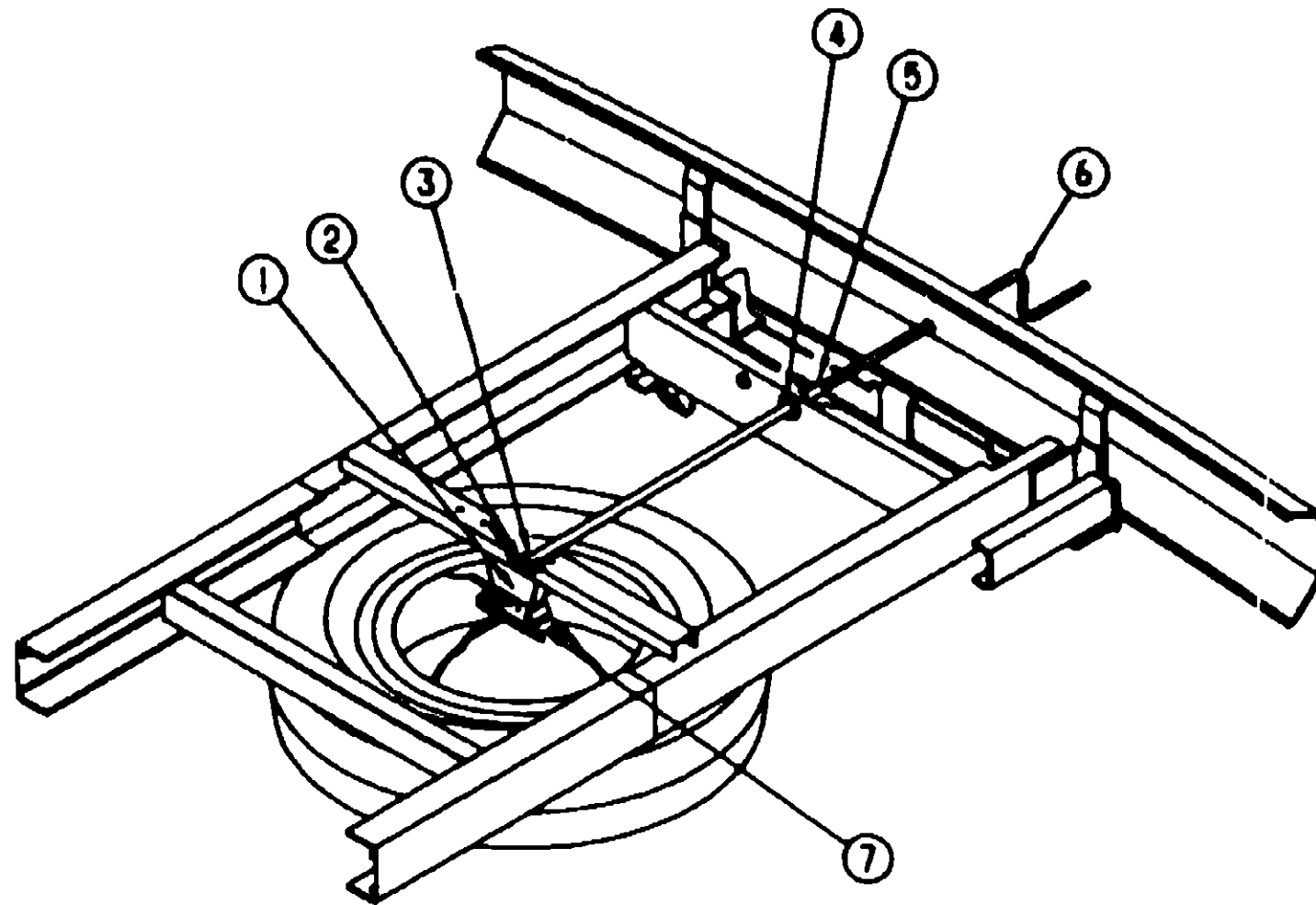
**1993 WINNEBAGO  
TABLE OF CONTENTS**

INTRODUCTION	A-01 - A-02
ABBREVIATIONS	A-03
ALPHABETICAL INDEX	A-04 - A-08
WF527RQ	A-07 - E-04
WF527RC	E-05 - H-24

**1993 WF527RC INDEX**

FLOOR PLAN	E-05 - E-06
ACCESSORIES	E-07
AUDIO VIDEO	E-08
BATH	E-09 - E-10
BEDROOM	E-11 - E-12
CHASSIS	E-13 - E-17
CURTAIN & CUSHION	E-18 - F-04
DINETTE	F-05 - F-06
DRIVERS COMPARTMENT	F-07 - F-08
ELECTRICAL	F-09 - F-12
EXTERIOR BODY	F-13 - F-22
GALLEY	F-23 - G-03
GENERATOR	G-04
HEATING & A/C	G-05 - G-06
INTERIOR FINISH	G-07 - G-10
LABELS	G-11 - G-17
LP	G-18
LOUNGE	G-19 - G-20
SEALANTS & FASTENERS	G-21 - G-23
WATER & SEWAGE	G-24 - H-04
WINDOW, VENT AND EXTERIOR DOOR	H-05 - H-23

## CHASSIS GROUP (CONTINUED)



SPARE TIRE HOIST

KEY	PART NUMBER	U/M	DESCRIPTION
1	093267-01-000	EA	HOIST-SPARE TIRE
2	000F10-06-32B	EA	PIN-COTTER, 3/16 X 2.00 ZN
3	093375-04-000	EA	EXTENSION-TIRE HOIST
4	071015-11-000	EA	GROMMET-RUBBER, 1" ID X 1.75" OD W/ 12" GROOVE - BLACK
5	035776-01-000	EA	PIN-ROLL, 125 DIA X 750
6	093376-01-000	EA	HANDLE-CRANK, TIRE HOIST
7	105499-01-000	EA	BRACKET-TIRE HOIST, ADJUSTS HOIST FOR NEW WIDER TIRE
			FROM 10-06-92 THRU 99-99-99
	083425-09-000	EA	TIRE-LT225/75R16 LRD - MICHELIN XCH4
			FROM 00-00-00 THRU 10-05-92
	083425-09-000	EA	TIRE-LT225/75R16 LRD - MICHELIN XCH4 ORBLT
			FROM 10-06-92 THRU 99-99-99
	083617-03-000	EA	WHEEL-STEEL 16.0 X 6, ACCURIDE 28818
	109816-01-000	EA	KNOB-HOLD DOWN, JACK (JACK IS CHASSIS PROVIDED & MOUNTED UNDER THE HOOD)

WHEEL LINERS & COVERS

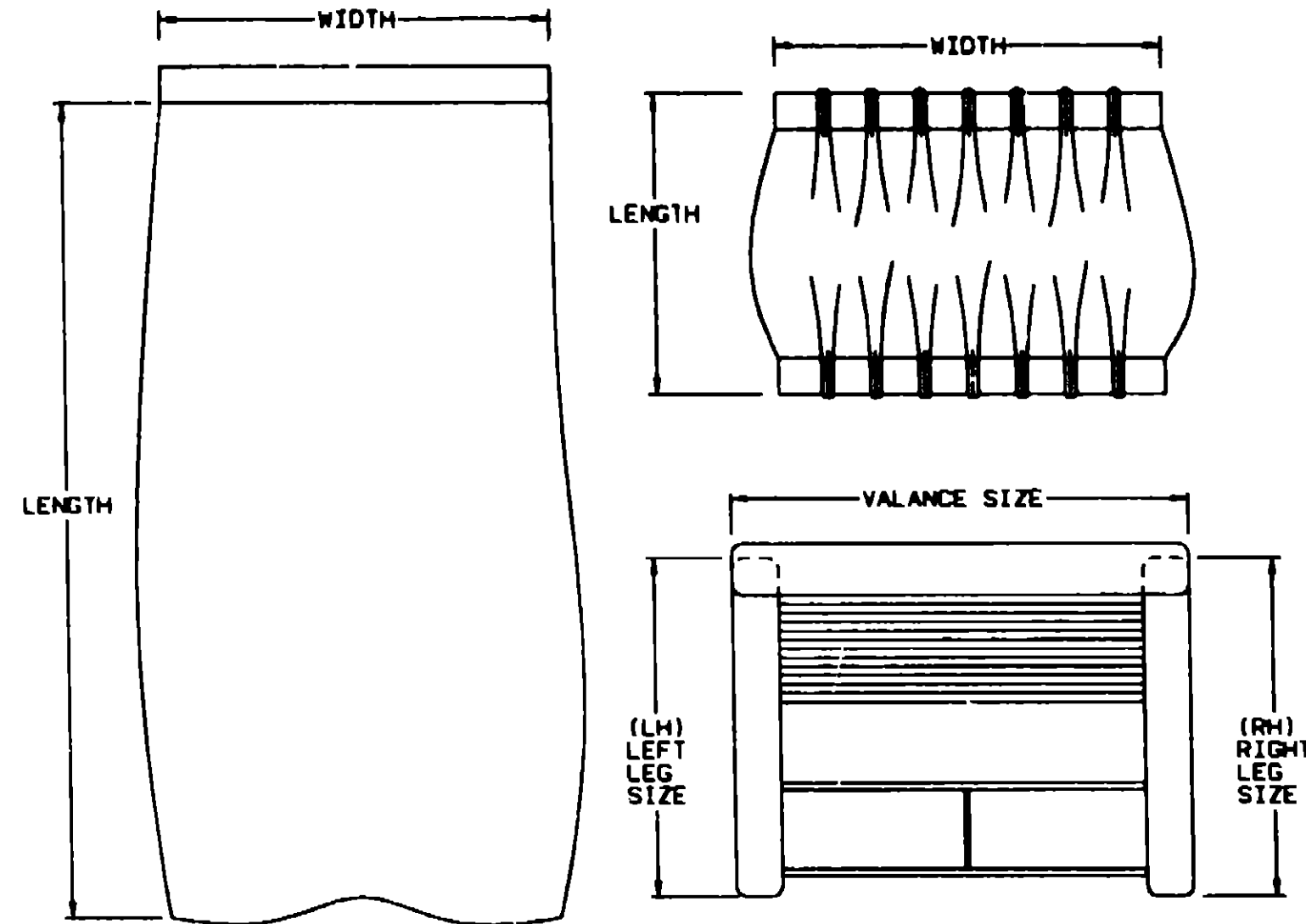
KEY	PART NUMBER	U/M	DESCRIPTION
	091209-11-010	EA	LINER-WHEEL, SET 4 E350-KAPER II (FORD)
	091209-10-700	EA	COVER-AXLE, FRONT - 8 LUG - FORD
	091209-10-701	EA	COVER-AXLE, REAR - 8 LUG - FORD
	091209-10-704	EA	NUT-LUG, W/WASHER - SHORT - KAPER 52
	091209-10-705	EA	COVER-LUG NUT
	091209-11-700	EA	LINER-WHEEL, FRONT - 8 LUG - FORD
	091209-11-701	EA	LINER-WHEEL, REAR - 8 LUG - FORD
	091209-11-702	EA	NUT-LUG, W/WASHER - LONG - KAPER 51
	108068-01-000	EA	COVER-WHEEL, 16" - SET OF 4 - DICOR #SHUB16
	108068-01-700	EA	COVER-WHEEL, 16" - 1 ONLY - SHUB16-1 DICOR

## CURTAIN & CUSHION GROUP

### NOTICE

IN ORDER TO ASSIST OUR PARTS SALES DEPT. IN PROVIDING INTERIOR SOFTGOODS ITEMS, PLEASE INCLUDE THE SERIAL NUMBER AND THE COLOR CODE NUMBER FROM THE VEHICLE CERTIFICATION LABEL WHEN ORDERING. THIS LABEL IS LOCATED ON THE LEFT SIDEWALL AT THE END OF THE DASH (A-BODY), OR ON THE DRIVER'S DOOR LATCH PLATE (C-BODY).

AN EXAMPLE OF A COLOR CODE NUMBER IS B07, WHICH DESIGNATES AN OVERALL COLOR SCHEME OF A PARTICULAR UNIT. THE COLOR LISTED AFTER THE ITEM DESCRIPTION ON THE MICROFICHE, INDICATES THE OVERALL UNIT COLOR. ORDER THE ITEM YOU DESIRE ACCORDING TO UNIT COLOR CODE.



NOTE: USE THIS ILLUSTRATION WHEN DETERMINING LENGTH AND WIDTH MEASUREMENTS FOR CURTAINS. YOU WILL NOTE THE WIDTH MEASUREMENT IS TAKEN ON THE TOP OF THE CURTAIN WITH THE CURTAIN FULLY EXTENDED. THE LENGTH MEASUREMENT IS TAKEN FROM TOP TO BOTTOM. LEFT AND RIGHT WINDOW LEGS ARE DETERMINED WHEN FACING THE WINDOW.

## 1993 WINNEBAGO TABLE OF CONTENTS

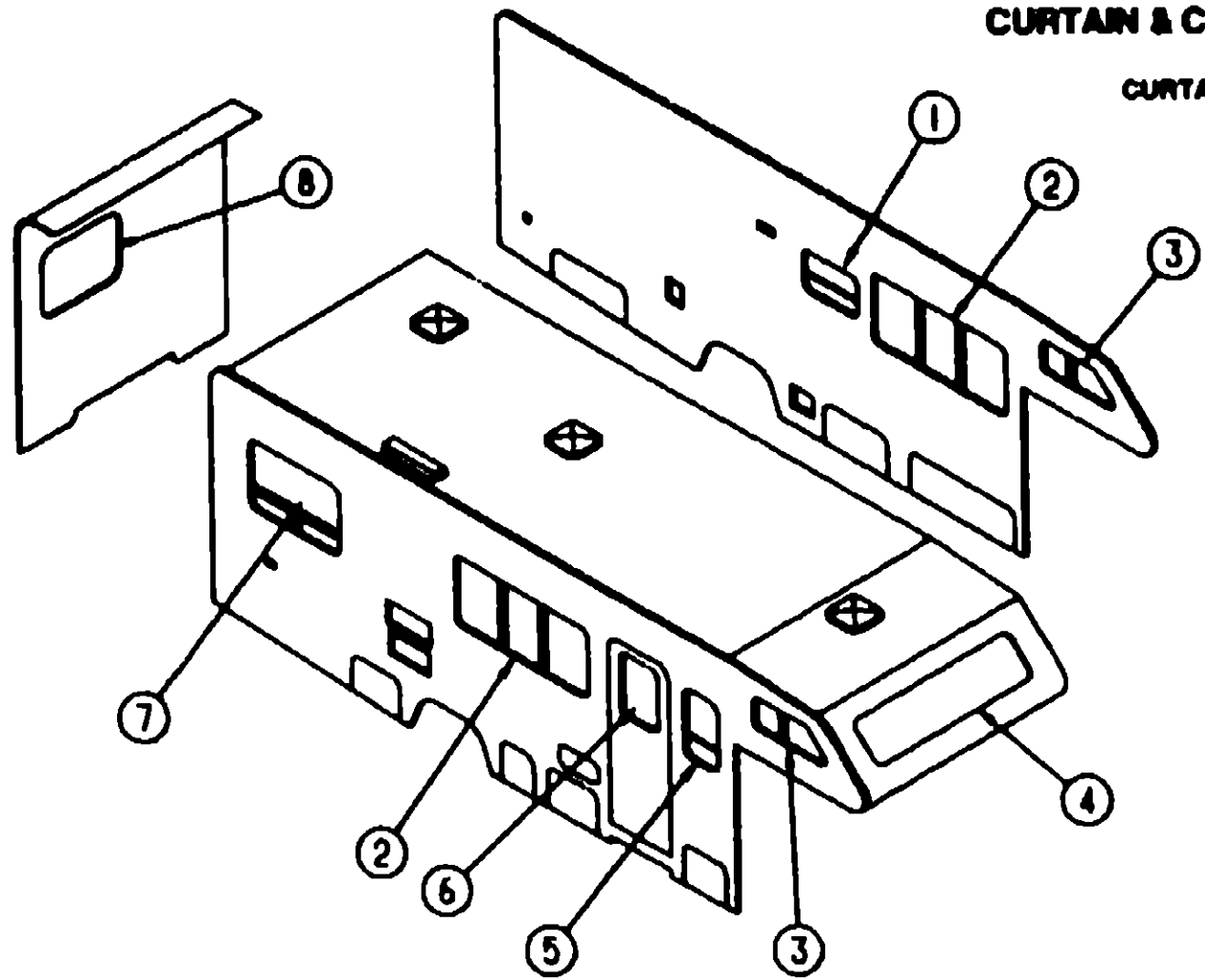
INTRODUCTION	A-01	A-02
ABBREVIATIONS		A-03
ALPHABETICAL INDEX	A-04	A-08
WF527RC	A-07	E-04
WF527RC	E-05	H-24

## 1993 WF527RC INDEX

FLOOR PLAN	E-05	E-08
ACCESSORIES		E-07
AUDIO VIDEO		E-08
BATH	E-09	E-10
BEDROOM	E-11	E-12
CHASSIS	E-13	E-17
CURTAIN & CUSHION	E-18	F-04
DINETTE	F-05	F-08
DRIVERS COMPARTMENT	F-07	F-08
ELECTRICAL	F-09	F-12
EXTERIOR BODY	F-13	F-22
GALLEY	F-23	G-03
GENERATOR		G-04
HEATING & AC	G-05	G-08
INTERIOR FINISH	G-07	G-10
LABELS	G-11	G-17
LP		G-18
LOUNGE	G-19	G-20
SEALANTS & FASTENERS	G-21	G-23
WATER & SEWAGE	G-24	H-04
WINDOW, VENT AND		
EXTERIOR DOOR	H-05	H-23

**CURTAIN & CUSHION GROUP (CONTINUED)**

**CURTAINS & WINDOW TREATMENT**



**1993 WINNEBAGO  
TABLE OF CONTENTS**

INTRODUCTION	A-01	A-02
ABBREVIATIONS		A-03
ALPHABETICAL INDEX	A-04	A-08
WF527RC	A-07	E-04
WF527RC	E-05	H-24

KEY	PART NUMBER	U/M	DESCRIPTION	
4	101034-18-D08	EA	CURTAIN-TAPE TOP & BOTTOM, 22" X 45" (2 PER WINDOW)	FROM: 00-00-00 THRU: 08-02-92
4	101034-18-D08	EA	CURTAIN-TAPE TOP & BOTTOM, 22" X 45" (2 PER WINDOW)	FROM: 08-03-92 THRU: 09-13-92
4	101034-25-D08	EA	CURTAIN-TAPE TOP & BOTTOM, RIGHT SIDE - 22" X 80" (1 PER WINDOW)	FROM 09-14-92 THRU 99-99-99
4	101034-28-D08	EA	CURTAIN-TAPE TOP & BOTTOM, LEFT SIDE - 22" X 80" (1 PER WINDOW)	FROM 09-14-92 THRU 99-99-99
5	103988-38-D08	EA	VALANCE-WINDOW, 19"	
5	103988-38-D07	EA	VALANCE-WINDOW, 19"	
5	103988-13-D08	EA	VALANCE-WINDOW, 19"	
5	098335-80-D08	EA	BLIND-PLEATED, 17.5" X 29.5" DROP	
5	098335-80-D07	EA	BLIND-PLEATED, 17.5" X 29.5" DROP	
5	098335-80-D08	EA	BLIND-PLEATED, 17.5" X 29.5" DROP	
6	103988-38-D08	EA	VALANCE-WINDOW, 31.25"	
6	103988-38-D07	EA	VALANCE-WINDOW, 31.25"	
6	103988-37-D08	EA	VALANCE-WINDOW, 31.25"	
6	084755-57-D32	EA	SHADE-PULL, 27.25" (D08, D07, D08)	FROM 00-00-00 THRU 08-16-92
6	084755-57-DA4	EA	SHADE-PULL, 27.25" (D08, D07, D08)	FROM 08-17-92 THRU 01-03-93
6	084755-57-DAS	EA	SHADE-PULL, 27.25" (D08, D07, D08)	FROM 01-04-93 THRU 99-99-99
7	109160-02-D08	EA	VALANCE-WINDOW, 45"	FROM: 00-00-00 THRU: 09-13-92
7	104657-03-D15	EA	VALANCE-WINDOW, 45" (D08)	FROM 09-14-92 THRU 99-99-99
7	109160-02-D07	EA	VALANCE-WINDOW, 45"	FROM 00-00-00 THRU 08-02-92
7	109160-05-D07	EA	VALANCE-WINDOW, 45"	FROM 08-03-92 THRU 09-13-92
7	104657-08-D16	EA	VALANCE-WINDOW, 45" (D07)	FROM 09-14-92 THRU 99-99-99
7	109160-02-D08	EA	VALANCE-WINDOW, 45"	FROM 00-00-00 THRU 09-13-92
7	104657-03-D17	EA	VALANCE-WINDOW, 45" (D08)	FROM 09-14-92 THRU 99-99-99
7	100281-37-D08	EA	LEG-WINDOW, RIGHT SIDE - 27" - W/HOLE	FROM 09-14-92 THRU 99-99-99
7	100281-87-D07	EA	LEG-WINDOW, RIGHT SIDE - 27" - W/HOLE	FROM 09-14-92 THRU 99-99-99
7	100281-15-D08	EA	LEG-WINDOW, RIGHT SIDE - 27" - W/HOLE	FROM 09-14-92 THRU 99-99-99
7	100281-88-D08	EA	LEG-WINDOW, LEFT SIDE - 27" - W/HOLE	FROM 09-14-92 THRU 99-99-99
7	100281-88-D07	EA	LEG-WINDOW, LEFT SIDE - 27" - W/HOLE	FROM 09-14-92 THRU 99-99-99
7	100281-15-D08	EA	LEG-WINDOW, LEFT SIDE - 27" - W/HOLE	FROM 09-14-92 THRU 99-99-99
7	098335-86-D15	EA	BLIND-PLEATED, 42.5" X 36" DROP (D08)	FROM 00-00-00 THRU 09-13-92
7	098335-67-D29	EA	BLIND-PLEATED, 39.5" X 35" DROP (D06)	FROM 09-14-92 THRU 99-99-99
7	098335-86-D16	EA	BLIND-PLEATED, 42.5" X 36" DROP (D07)	FROM 00-00-00 THRU 09-13-92
7	098335-87-D07	EA	BLIND-PLEATED, 39.5" X 35" DROP (D07)	FROM 09-14-92 THRU 99-99-99
7	098335-88-D17	EA	BLIND-PLEATED, 42.5" X 36" DROP (D08)	FROM 00-00-00 THRU 09-13-92
7	098335-67-D08	EA	BLIND-PLEATED, 39.5" X 35" DROP (D08)	FROM 09-14-92 THRU 99-99-99

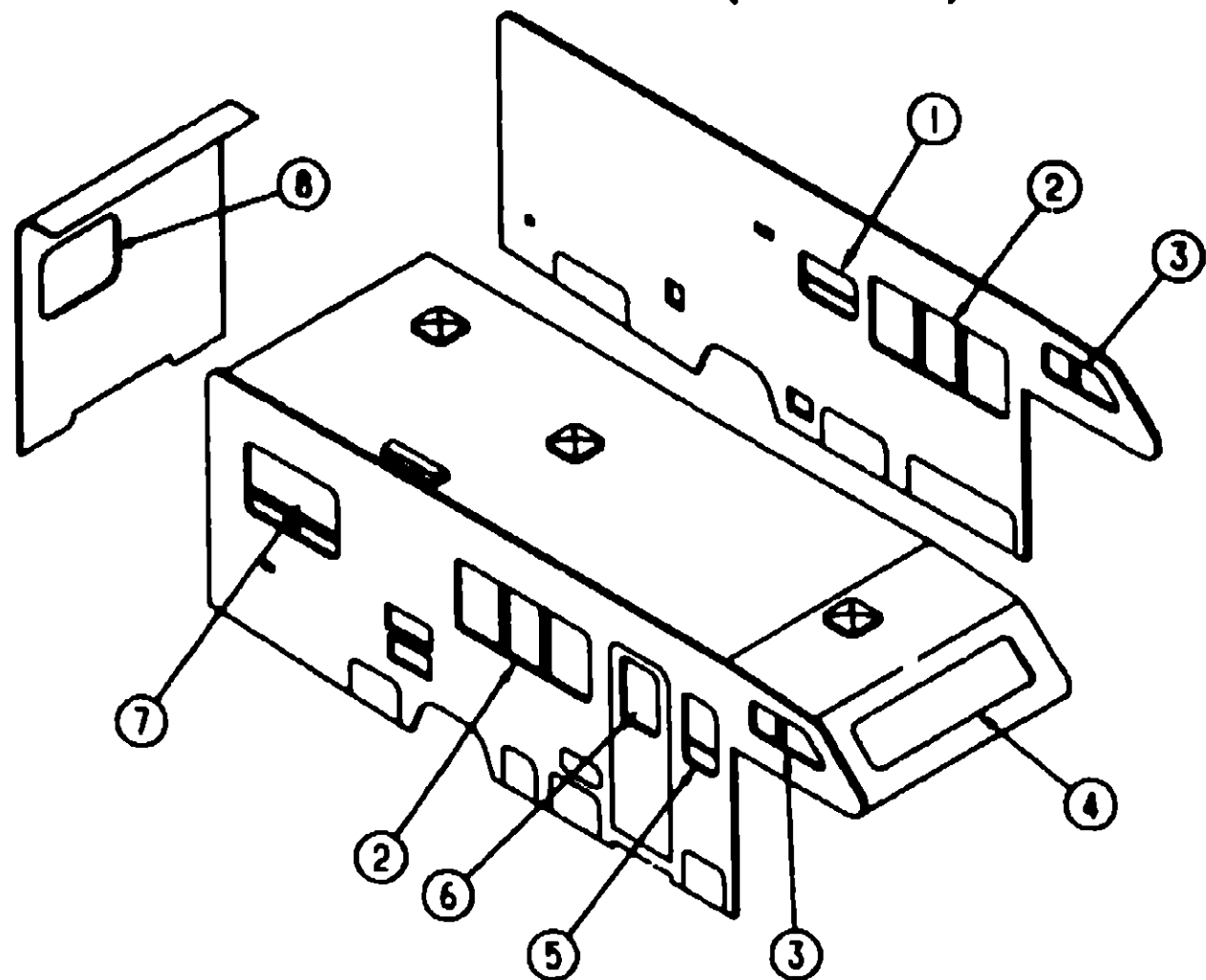
**1993 WF527RC INDEX**

FLOOR PLAN	E-05	E-08
ACCESSORIES		E-07
AUDIO VIDEO		E-08
BATH	E-09	E-10
BEDROOM	E-11	E-12
CHASSIS	E-13	E-17
CURTAIN & CUSHION	E-18	F-04
DINETTE	F-05	F-08
DRIVERS COMPARTMENT	F-07	F-08
ELECTRICAL	F-09	F-12
EXTERIOR BODY	F-13	F-22
GALLEY	F-23	G-03
GENERATOR		G-04
HEATING & A/C	G-05	G-08
INTERIOR FINISH	G-07	G-10
LABELS	G-11	G-17
LP		G-18
LOUNGE	G-19	G-20
SEALANTS & FASTENERS	G-21	G-23
WATER & SEWAGE	G-24	H-04
WINDOW, VENT AND		
EXTERIOR DOOR	H-05	H-23

KEY	PART NUMBER	U/M	DESCRIPTION
1	103988-39-D08	EA	VALANCE-WINDOW, 28.5"
1	103988-39-D07	EA	VALANCE-WINDOW, 28.5"
1	103988-05-D08	EA	VALANCE-WINDOW, 28.5"
1	093475-90-05A	EA	BLIND-VENETIAN, 27" X 17.5" DROP (D06, D07)
1	093475-90-04A	EA	BLIND-VENETIAN, 27" X 17.5" DROP (D08)
2	103988-45-D08	EA	VALANCE-WINDOW, 65" - W/BRASS U-CHANNEL
2	103988-45-D07	EA	VALANCE-WINDOW, 65" - W/BRASS U-CHANNEL
2	103988-27-D08	EA	VALANCE-WINDOW, 65" - W/BRASS U-CHANNEL
2	100281-96-D08	EA	LEG-WINDOW, RIGHT SIDE - W/BRASS U-CHANNEL - 27" - W/O HOLE
2	100281-96-D07	EA	LEG-WINDOW, RIGHT SIDE - W/BRASS U-CHANNEL - 27" - W/O HOLE
2	100281-98-D08	EA	LEG-WINDOW, RIGHT SIDE - W/BRASS U-CHANNEL - 27" - W/O HOLE
2	100281-97-D08	EA	LEG-WINDOW, LEFT SIDE - W/BRASS U-CHANNEL - 27" - W/O HOLE
2	100281-97-D07	EA	LEG-WINDOW, LEFT SIDE - W/BRASS U-CHANNEL - 27" - W/O HOLE
2	100281-99-D08	EA	LEG-WINDOW, LEFT SIDE - W/BRASS U-CHANNEL - 27" - W/O HOLE
2	098335-59-D08	EA	BLIND-PLEATED, 60" X 28.5" DROP
2	098335-59-D07	EA	BLIND-PLEATED, 60" X 28.5" DROP
2	098335-59-D08	EA	BLIND-PLEATED, 60" X 28.5" DROP
3	097878-45-D08	EA	VALANCE-WINDOW, DRIVER - 5.5" X 43" - W/BRASS U-CHANNEL ON BOTTOM
3	097878-45-D07	EA	VALANCE-WINDOW, DRIVER - 5.5" X 43" - W/BRASS U-CHANNEL ON BOTTOM
3	097878-45-D08	EA	VALANCE-WINDOW, DRIVER - 5.5" X 43" - W/BRASS U-CHANNEL ON BOTTOM
3	097878-44-D08	EA	VALANCE-WINDOW, PASS - 5.5" X 43" - W/BRASS U-CHANNEL ON BOTTOM
3	097878-44-D07	EA	VALANCE-WINDOW, PASS - 5.5" X 43" - W/BRASS U-CHANNEL ON BOTTOM
3	097878-44-D08	EA	VALANCE-WINDOW, PASS - 5.5" X 43" - W/BRASS U-CHANNEL ON BOTTOM
3	101034-17-D08	EA	CURTAIN-TAPE TOP & BOTTOM, 16" X 25" (2 PER WINDOW)
			FROM 00-00-00 THRU 08-02-92
3	101034-19-D08	EA	CURTAIN-TAPE TOP & BOTTOM, 16" X 25" (2 PER WINDOW)
			FROM 08-03-92 THRU 09-13-92
3	101034-27-D08	EA	CURTAIN-TAPE TOP & BOTTOM - RIGHT SIDE - 16" X 25" (1 PER WINDOW)
			FROM 09-14-92 THRU 99-99-99
3	101034-28-D08	EA	CURTAIN-TAPE TOP & BOTTOM - LEFT SIDE - 16" X 25" (1 PER WINDOW)
			FROM 09-14-92 THRU 99-99-99
4	097878-43-D08	EA	VALANCE-WINDOW, 7" X 85.5" - W/BRASS U-CHANNEL ON BOTTOM
4	097878-43-D07	EA	VALANCE-WINDOW, 7" X 85.5" - W/BRASS U-CHANNEL ON BOTTOM
4	097878-43-D08	EA	VALANCE-WINDOW, 7" X 85.5" - W/BRASS U-CHANNEL ON BOTTOM



**CURTAIN & CUSHION GROUP (CONTINUED)**



**CURTAINS & WINDOW TREATMENT (CONTINUED)**

KEY	PART NUMBER	U/M DESCRIPTION
8	109160-03-D06	EA VALANCE-WINDOW, 41" FROM 00-00-00 THRU 09-13-92
8	104657-10-D06	EA VALANCE-WINDOW, 41" FROM 09-14-92 THRU 99-99-99
8	109160-03-DJ7	EA VALANCE-WINDOW, 41" FROM 00-00-00 THRU 08-02-92
8	109160-06-D07	EA VALANCE-WINDOW, 41" FROM 08-03-92 THRU 09-13-92
8	104657-11-D07	EA VALANCE-WINDOW, 41" FROM 09-14-92 THRU 99-99-99
8	109160-03-D08	EA VALANCE-WINDOW, 41" FROM 00-00-00 THRU 09-13-92
8	104657-10-D08	EA VALANCE-WINDOW, 41" FROM 09-14-92 THRU 99-99-99
8	100281-82-D15	EA LEG-WINDOW, RIGHT SIDE - W/O HOLE - 31 5" (D06) FROM 09-14-92 THRU 99-99-99
8	100281-82-D16	EA LEG-WINDOW, RIGHT SIDE - W/O HOLE - 31 5" (D07) FROM 09-14-92 THRU 99-99-99
8	100281-17-D17	EA LEG-WINDOW, RIGHT SIDE - W/O HOLE - 31 5" (D08) FROM 09-14-92 THRU 99-99-99
8	100281-83-D15	EA LEG-WINDOW, LEFT SIDE - W/O HOLE - 31 5" (D06) FROM 09-14-92 THRU 99-99-99
8	100281-83-D16	EA LEG-WINDOW, LEFT SIDE - W/O HOLE - 31 5" (D07) FROM 09-14-92 THRU 99-99-99
8	100281-18-D17	EA LEG-WINDOW, LEFT SIDE - W/O HOLE - 31 5" (D08) FROM 09-14-92 THRU 99-99-99
8	096335-64-D06	EA BLIND-PLEATED, 37" X 30" DROP
8	096335-64-D07	EA BLIND-PLEATED, 37" X 30" DROP
8	096335-64-D08	EA BLIND-PLEATED, 37" X 30" DROP
8	076892-17-D06	EA CURTAIN-SNAP TOP, WINGWALL PRIVACY - 50" X 72" FROM 00-00-00 THRU 09-02-92
8	076892-18-D06	EA CURTAIN-SNAP TOP, WINGWALL PRIVACY - W/LINGING - 50" X 72" FROM 08-03-92 THRU 99-99-99

**CURTAIN & CUSHION GROUP (CONTINUED)**

**CURTAINS & WINDOW TREATMENT (CONTINUED)**

KEY	PART NUMBER	U/M DESCRIPTION
	101688-05-D06	EA CURTAIN-TAPE TOP, WINDSHIELD PRIVACY - PASSENGER SIDE - 30" X 80" FROM: 00-00-00 THRU: 07-12-92
	101688-39-D06	EA CURTAIN-TAPE TOP, WINDSHIELD PRIVACY - PASSENGER SIDE - 30" X 50" FROM: 07-13-92 THRU 99-99-99
	101688-06-D06	EA CURTAIN-TAPE TOP, WINDSHIELD PRIVACY - DRIVER SIDE - 30" X 50" FROM: 00-00-00 THRU: 07-12-92
	101688-40-D06	EA CURTAIN-TAPE TOP, WINDSHIELD PRIVACY - DRIVER SIDE - 30" X 50" FROM: 07-13-92 THRU 99-99-99
	073280-23-D06	EA TIEBACK-WINDSHIELD PRIVACY CURTAIN, 3" X 18"
	101688-20-D06	EA CURTAIN-TAPE TOP, BEDROOM PRIVACY - 70" X 60" FROM: 00-00-00 THRU: 08-02-92
	101688-38-D06	EA CURTAIN-TAPE TOP, BEDROOM PRIVACY - 70" X 60" FROM: 08-03-92 THRU 99-99-99
	073280-59-D06	EA TIEBACK-BEDROOM PRIVACY CURTAIN, 4" X 15"
	076892-06-B96	EA CURTAIN-SNAP TOP- WINGWALL PRIVACY - 40" X 72" - BEIGE
	084481-19-B88	EA CURTAIN-SHOWER, 69" X 42" (D06, D08)
	084481-19-D06	EA CURTAIN-SHOWER, 69" X 42" (D07)
	073280-54-C30	EA TIEBACK-SHOWER CURTAIN, 3" X 18" (D06, D08)
	073280-54-D38	EA TIEBACK-SHOWER CURTAIN, 3" X 18" (D07)
	057534-01-000	EA TIEBACK/TIEDOWN-BED/CURTAIN, 6" - PLASTIC - CLEAR

**ASSIST HANDLE, BUTTONS & SEATBELTS**

KEY	PART NUMBER	U/M DESCRIPTION
	070578-06-B05	EA BUTTON ASM-#30, VINYL - OFF WHITE
	079349-04-C26	YD WELTING-FABRIC (D06)
	079349-04-D07	YD WELTING-FABRIC (D07)
	079349-04-D28	YD WELTING-FABRIC (D08)
	084415-39-000	YD TRIM-BRAID, CURTAIN - HERON BLUE (D06)
	084415-51-000	YD TRIM-BRAID, CURTAIN - PLATINUM (D07)
	084415-52-000	YD TRIM-BRAID, CURTAIN - WILLOW (D08)
	057534-01-000	EA TIEBACK/TIEDOWN-BED/CURTAIN/DOOR, 6" - CLEAR PLASTIC
	053552-02-AA8	EA HANDLE-ASSIST, INTERIOR - ENTRY DOOR - VINYL - OFF WHITE
	069178-02-000	EA BRACKET-MOUNTING, ASSIST HANDLE - L ANGLE - W/HOLES - ST
	000C16-07-168	EA BOLT-CARRIAGE, ASSIST HANDLE - 7/16" - 14 X 1" ZN
	000D20-07-008	EA NUT-ACORN, ASSIST HANDLE - 7/16" X 14 ZN
	007021-01-000	EA BELT-SEAT, 2" X 80" - BLACK
	057759-01-000	EA WASHER BRACKET-SEAT BELT, 4" DIAMETER

**FABRICS**

KEY	PART NUMBER	U/M DESCRIPTION
	072333-85-000	YD FABRIC-CURTAIN, 54" WIDE - MUSHROOM
	079680-01-000	YD FABRIC-VINYL, 54" WIDE - BEIGE
	103907-01-01A	YD FABRIC-VINYL, 54" WIDE - OFF WHITE
	087272-03-000	YD FABRIC-DRAPERY LINING, 54" WIDE - IVORY
	098008-85-000	YD FABRIC-UPHOLSTERY/CURTAIN, PLAIN - 54" WIDE - BLUE (D06)
	104233-27-000	YD FABRIC-UPHOLSTERY, PLAIN VELOUR - 54" WIDE - BLUE (D06)
	104233-97-000	YD FABRIC-UPHOLSTERY, FLOWER PATTERN VELOUR - 54" WIDE - BLUE (D06)
	104233-98-000	YD FABRIC-UPHOLSTERY, LINE PATTERN VELOUR - 54" WIDE - BLUE (D08)
	104233-94-000	YD FABRIC-UPHOLSTERY, FLOWER PATTERN VELOUR - 54" WIDE - BROWN (D07)
	104233-95-000	YD FABRIC-UPHOLSTERY, DOTTED PATTERN VELOUR - 54" WIDE - BROWN (D07)
	104233-96-000	YD FABRIC-UPHOLSTERY, PLAIN VELOUR - 54" WIDE - BROWN (D07)
	104233-30-000	YD FABRIC-UPHOLSTERY, PLAIN VELOUR - 54" WIDE - TEAL (D08)
	104233-99-000	YD FABRIC-UPHOLSTERY, FLOWER WOVEN PATTERN - 54" WIDE - BEIGE/GRAY (D08)
	108448-01-000	YD FABRIC-UPHOLSTERY, WOVEN PATTERN - 54" WIDE - TEAL (D08)
	105745-27-000	YD FABRIC-BEDSPREAD, FLOWER PATTERN - BLUE/PINK/SILVER (D06)
	105745-29-000	YD FABRIC-BEDSPREAD, LINE PATTERN - BEIGE/BLUE/PINK (D06)
	105745-25-000	YD FABRIC-BEDSPREAD, WEAVE PATTERN - CREAM/BROWN (D07)
	105745-26-000	YD FABRIC-BEDSPREAD, PATTERNED - GREEN/RUST (D07)
	105745-16-000	YD FABRIC-BEDSPREAD, PLAIN - GREEN (D08)
	105745-28-000	YD FABRIC-BEDSPREAD, PATTERNED - GREEN/BLUE/CREAM (D08)

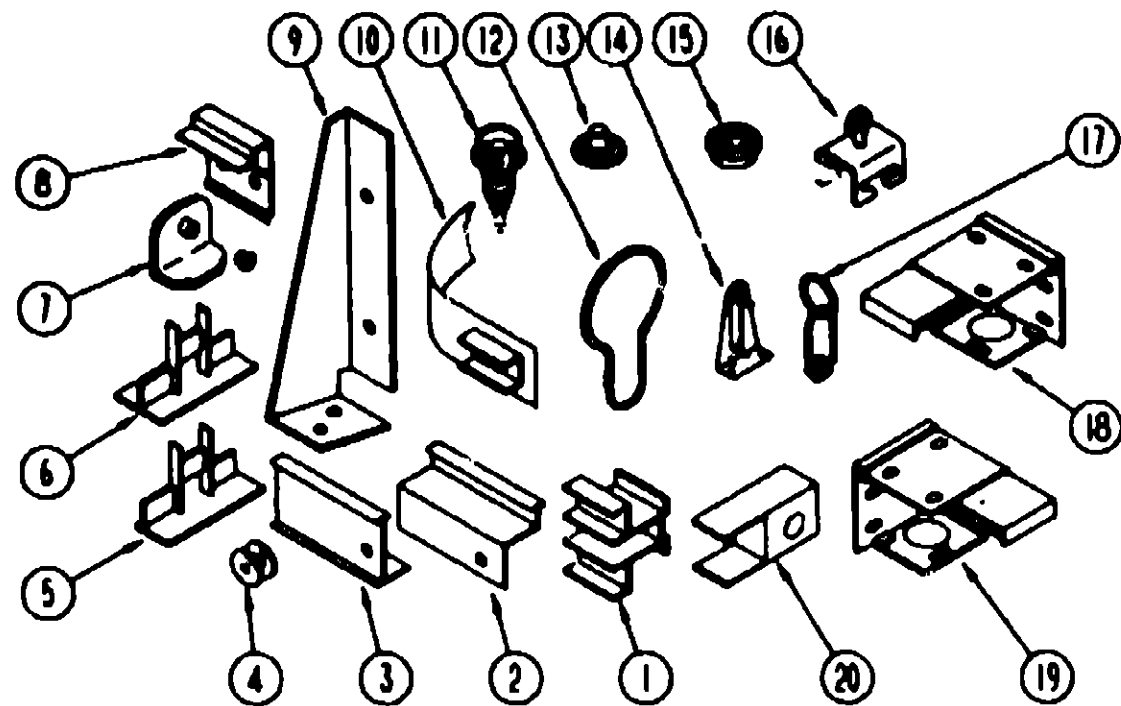
**1993 WINNEBAGO TABLE OF CONTENTS**

INTRODUCTION	A-01	A-02
ABBREVIATIONS		A-03
ALPHABETICAL INDEX	A-04	A-08
WF527RC	A-07	E-04
WF527RC	E-05	H-24

**1993 WF527RC INDEX**

FLOOR PLAN	E-05	E-08
ACCESSORIES		E-07
AUDIO VIDEO		E-08
BATH	E-09	E-10
BEDROOM	E-11	E-12
CHASSIS	E-13	E-17
CURTAIN & CUSHION	E-18	F-04
DINETTE	F-05	F-08
DRIVERS COMPARTMENT	F-07	F-08
ELECTRICAL	F-09	F-12
EXTERIOR BODY	F-13	F-22
GALLEY	F-23	G-03
GENERATOR		G-04
HEATING & A/C	G-05	G-06
INTERIOR FINISH	G-07	G-10
LABELS	G-11	G-17
LP		G-18
LOUNGE	G-19	G-20
SEALANTS & FASTENERS	G-21	G-23
WATER & SEWAGE	G-24	H-04
WINDOW, VENT AND EXTERIOR DOOR	H-05	H-23

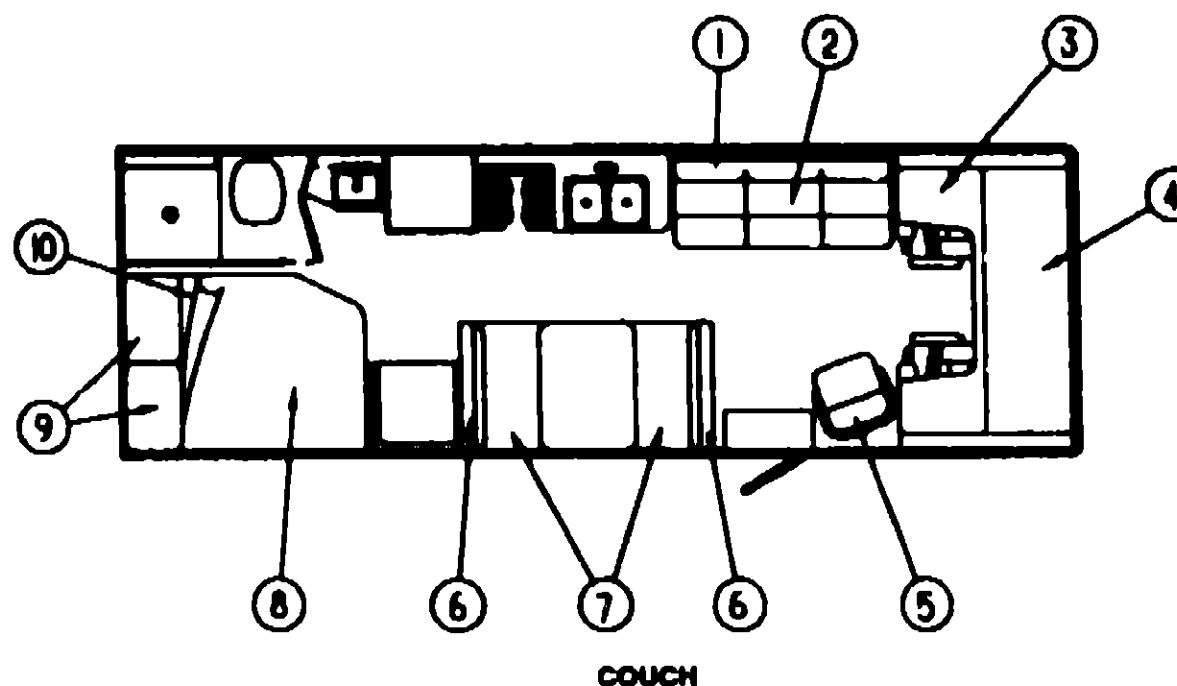
**CURTAIN & CUSHION GROUP (CONTINUED)**



**CURTAIN, BLIND HARDWARE & TRACKS**

KEY	PART NUMBER	U/M	DESCRIPTION
1	101033-03-000	EA	TRACK-CURTAIN, WALL - WHITE - SHAPCO CT225
2	105450-02-01A	EA	TRACK-CURTAIN, 48" LONG - ALUMINUM - OFF WHITE
2	105450-04-01A	EA	TRACK-CURTAIN, 58" LONG - ALUMINUM - OFF WHITE
2	105450-05-01A	EA	TRACK-CURTAIN, 79" LONG - ALUMINUM - OFF WHITE
2	105450-06-01A	EA	TRACK-CURTAIN, 88" LONG - ALUMINUM - OFF WHITE
2	105450-08-01A	EA	TRACK-CURTAIN, 38" LONG - ALUMINUM - OFF WHITE
3	092464-05-01A	EA	TRACK-SHOWER - OFF WHITE
3	009700-04-001	EA	TRACK, L-SHAPED - 192" LONG - OFF WHITE
3	009700-04-002	EA	TRACK, L-SHAPED - 195 2" - OFF WHITE
4	097592-01-000	EA	SPOOL-CORD, ELEVATED BLIND HOLDUP - CLEAR PLASTIC
	097593-02-000	FT	CORD-BLIND, PLEATED - GRAY
	097593-06-000	FT	CORD-BLIND, PLEATED - PEWTER
	094896-02-000	EA	GROMMET-CORD, PLEATED BLIND - NYLON - GRAY
5	094807-02-000	EA	END CAP-TOP, PLEATED BLIND - PLASTIC - GRAY
6	094907-03-000	EA	END CAP-BOTTOM, PLEATED BLIND - PLASTIC - GRAY
7	105544-01-000	EA	PULL-SHADE, BRASS
	084434-01-000	EA	BRACKET-MOUNTING ROLLER SHADE - 1 3/8"
	084432-06-000	FT	SLAT-ROLLER SHADE, PLASTIC
	084433-01-700	EA	SPRING-REWIND, ROLLER SHADE
8	097565-01-000	EA	BRACKET-MOUNTING, PLEATED BLIND
	097591-01-000	EA	SPRING-EXTENSION, PLEATED BLIND
9	076827-02-000	EA	BRACKET-LEG, 2 9" X 1 8" TRIANGLE - LEFT SIDE
	089522-02-000	EA	PANEL-LEG, TWO SIDE 31 5" LONG - PLASTIC - BLACK
	088716-01-001	EA	BRACE-90 DEGREE L-ANGLE, 192" - EXTRUDED ALUMINUM
	075943-01-000	EA	BRACE-ANGLE, WHOLES - 1" X 1 5" X 20" - ALUMINUM - BEIGE
10	101031-01-000	YD	TAPE-GLIDE, CURTAIN - 4 25" SPACING
11	029130-01-000	EA	SCREW-SNAP SOCKET, 8 PH X 5/8"
12	009136-02-000	EA	HANGER-RING, PIN TYPE - CURTAIN - BRASS
13	029155-01-000	EA	CAP-SNAP, NICKEL
14	095591-02-000	EA	BRACKET-HOLD DOWN, W/PIN - BLIND - METAL
15	029156-01-000	EA	SOCKET-SNAP FASTENER, NICKEL
16	009702-01-000	EA	END STOP-CURTAIN CARRIER, L ROD
17	009701-01-000	EA	CARRIER-CURTAIN, L ROD
18	083170-01-000	EA	BRACKET-BLIND, RIGHT SIDE
19	083170-02-000	EA	BRACKET-BLIND, LEFT SIDE
20	101033-02-000	EA	END CAP-TRACK, CLEAR
	103988-01-000	FT	TRIM-VALANCE, U-CHANNEL - 75" WIDE - BRASS
	046867-01-000	EA	GROMMET-BRASS, 7/16" ID X 1" OD
	088792-01-000	YD	VELCRO-HOOK, 75" WIDE - BEIGE
	088792-02-000	YD	VELCRO TAPE-LOOP, ADHESIVE BACKED - 75" WIDE - BEIGE
	048394-02-000	YD	VELCRO TAPE-HOOK, ADHESIVE BACK - 75" WIDE - BEIGE

**CURTAIN & CUSHION GROUP (CONTINUED)**



**COUCH**

KEY	PART NUMBER	U/M	DESCRIPTION
1	100032-38-D06	EA	BACKREST-COUCH, W/ARMRESTS - 66 5"
1	100032-38-D07	EA	BACKREST-COUCH, W/ARMRESTS - 66 5"
1	100032-38-D08	EA	BACKREST-COUCH, W/ARMRESTS - 66 5"
	P00032-38-D06	EA	COVER-BACKREST, W/ARMRESTS - 66 5"
	P00032-38-D07	EA	COVER-BACKREST, W/ARMRESTS - 66 5"
	P00032-38-D08	EA	COVER-BACKREST, W/ARMRESTS - 66 5"
	101085-09-000	EA	FRAME-BACK, COUCH - 66 5"
2	100032-39-D06	EA	SEAT-COUCH, W/O BACKREST - 66 5"
2	100032-39-D07	EA	SEAT-COUCH, W/O BACKREST - 66 5"
2	100032-39-D08	EA	SEAT-COUCH, W/O BACKREST - 66 5"
	P00032-39-D06	EA	COVER-SEAT, COUCH - 66 5"
	P00032-39-D07	EA	COVER-SEAT, COUCH - 66 5"
	P00032-39-D08	EA	COVER-SEAT, COUCH - 66 5"
	101085-01-000	EA	FRAME-SEAT, COUCH - 66 5"
	101085-03-000	EA	FRAME-BASE, COUCH - 66 5"

**BUNK CUSHIONS**

KEY	PART NUMBER	U/M	DESCRIPTION
3	105573-10-D06	EA	CUSHION-BUNK, REAR - 27" X 23" X 80" X 5"
3	105573-10-D07	EA	CUSHION-BUNK, REAR - 27" X 23" X 80" X 5"
3	105573-10-D08	EA	CUSHION-BUNK, REAR - 27" X 23" X 80" X 5"
	P05573-10-D06	EA	COVER-CUSHION, BUNK - REAR - 27" X 23" X 80" X 5"
	P05573-10-D07	EA	COVER-CUSHION, BUNK - REAR - 27" X 23" X 80" X 5"
	P05573-10-D08	EA	COVER-CUSHION, BUNK - REAR - 27" X 23" X 80" X 5"
	094858-02-D06	EA	HANDLE-OAK, 352MM LONG
4	105573-09-D06	EA	CUSHION-BUNK, FRONT - 32 5" X 80" X 5"
4	105573-09-D07	EA	CUSHION-BUNK, FRONT - 32 5" X 80" X 5"
4	105573-09-D08	EA	CUSHION-BUNK, FRONT - 32 5" X 80" X 5"
	P05573-09-D06	EA	COVER-CUSHION, BUNK - FRONT - 32 5" X 80" X 5"
	P05573-09-D07	EA	COVER-CUSHION, BUNK - FRONT - 32 5" X 80" X 5"
	P05573-09-D08	EA	COVER-CUSHION, BUNK - FRONT - 32 5" X 80" X 5"

**SWIVEL CHAIR**

KEY	PART NUMBER	U/M	DESCRIPTION
5	107891-03-D06	EA	CHAIR-SWIVEL, W/O PEDESTAL
5	107891-03-D07	EA	CHAIR-SWIVEL, W/O PEDESTAL
5	107891-03-D08	EA	CHAIR-SWIVEL, W/O PEDESTAL

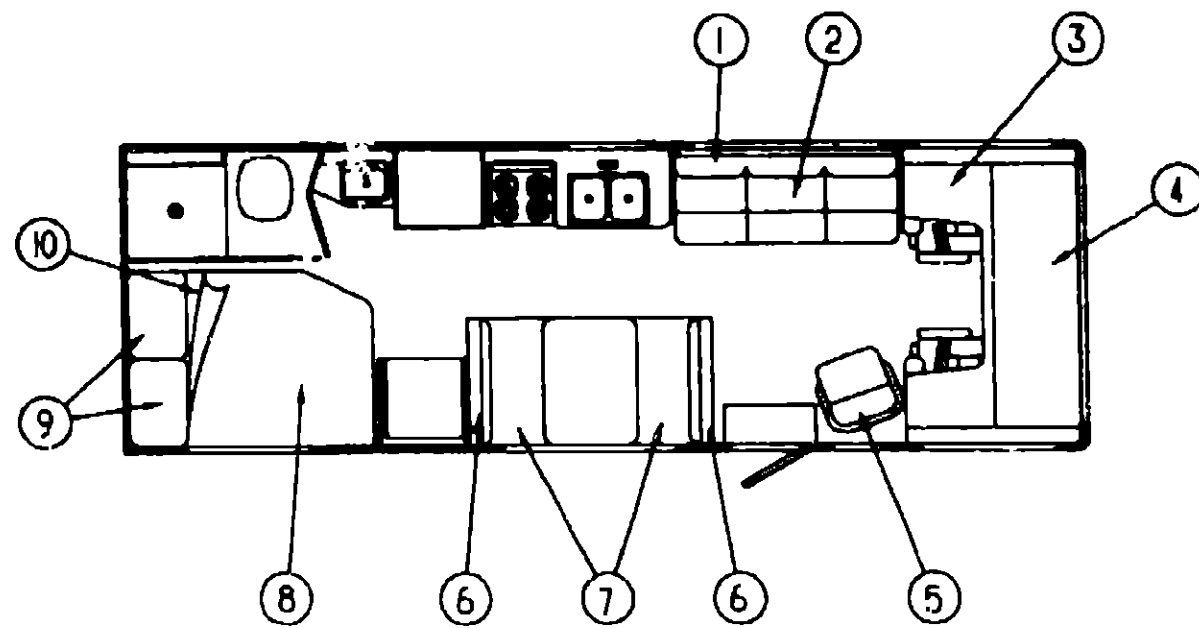
**1993 WINNEBAGO  
TABLE OF CONTENTS**

INTRODUCTION	A-01	A-02
ABBREVIATIONS	A-03	A-03
ALPHABETICAL INDEX	A-04	A-06
WF527RQ	A-07	E-04
WF527RC	E-05	H-24

**1993 WF527RC INDEX**

FLOOR PLAN	E-05	E-06
ACCESSORIES		E-07
AUDIO VIDEO		E-08
BATH	E-09	E-10
BEDROOM	E-11	E-12
CHASSIS	E-13	E-17
CURTAIN & CUSHION	E-18	F-04
DINETTE	F-05	F-06
DRIVERS COMPARTMENT	F-07	F-08
ELECTRICAL	F-09	F-12
EXTERIOR BODY	F-13	F-22
GALLEY	F-23	G-04
GENERATOR		G-04
HEATING & A/C	G-05	G-08
INTERIOR FINISH	G-07	G-10
LABELS	G-11	G-17
LP		G-18
LOUNGE	G-19	G-20
SEALANTS & FASTENERS	G-21	G-23
WATER & SEWAGE	G-24	H-04
WINDOW, VENT AND EXTERIOR DOOR	H-05	H-23

**CURTAIN & CUSHION GROUP (CONTINUED)**



**DINETTE CUSHIONS**

KEY	PART NUMBER	U/M	DESCRIPTION
6	104146-01-D15	EA	CUSHION-BACKREST, 13 5" X 38" X 5" (D06)
6	104146-01-D07	EA	CUSHION-BACKREST, 13 5" X 38" X 5" (D07)
6	104146-01-D08	EA	CUSHION-BACKREST, 13 5" X 38" X 5" (D08)
	P04146-01-D15	EA	COVER-CUSHION, BACKREST - 13 5" X 38" X 5" (D06)
	P04146-01-D07	EA	COVER-CUSHION, BACKREST - 13 5" X 38" X 5" (D07)
	P04146-01-D08	EA	COVER-CUSHION, BACKREST - 13 5" X 38" X 5" (D08)
	078155-01-000	EA	STRAP-SNAP, BACKREST CUSHION
7	088927-87-D06	EA	CUSHION-SEATBASE 23" X 38" X 5" (D06)
7	088927-87-D07	EA	CUSHION-SEATBASE 23" X 38" X 5" (D07)
7	088927-87-D08	EA	CUSHION-SEATBASE, 23" X 38" X 5" (D08)
	M68927-87-D06	EA	COVER-CUSHION, SEATBASE - 23" X 38" X 5" (D06)
	M86927-87-D07	EA	COVER-CUSHION SEATBASE - 23" X 38" X 5" (D07)
	M88927-87-D08	EA	COVER-CUSHION SEATBASE - 23" X 38" X 5" (D08)

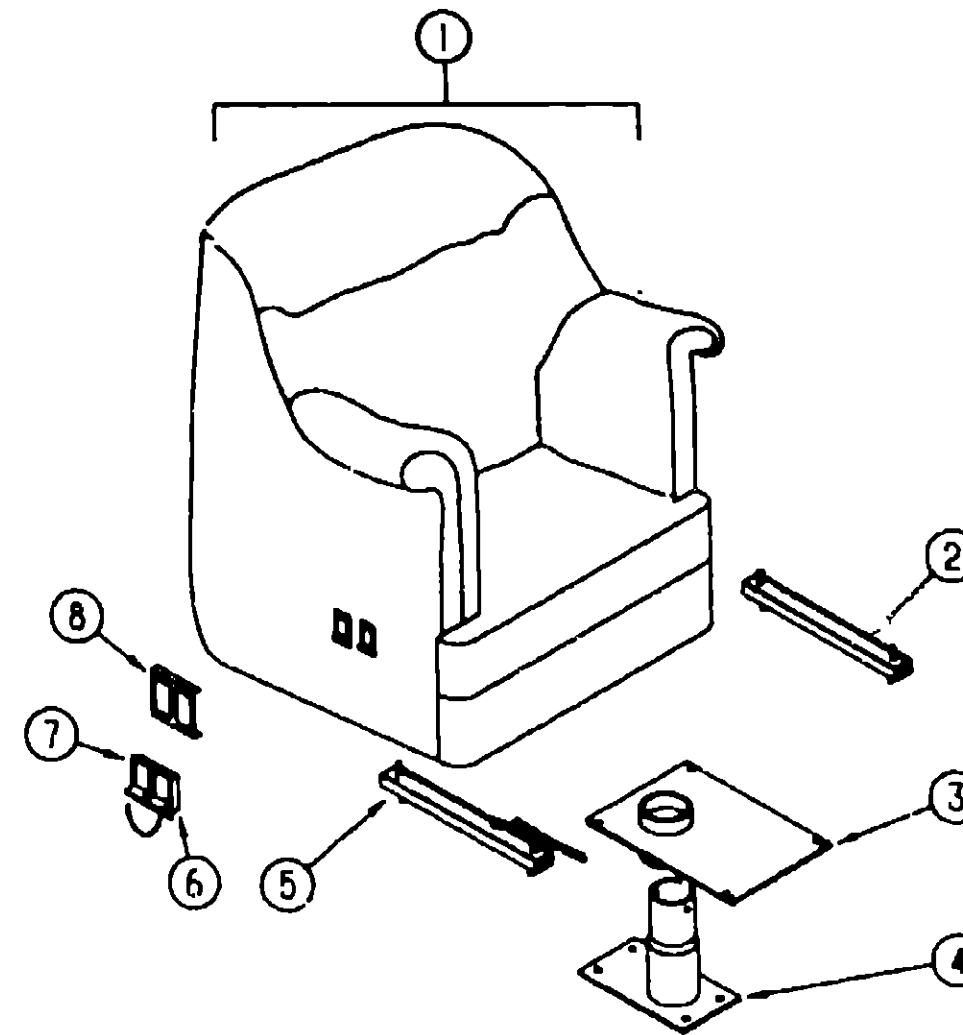
**DOUBLE BEDSPREAD, PILLOW & MATTRESS**

KEY	PART NUMBER	U/M	DESCRIPTION
8	083986-05-D06	EA	BEDSPREAD-DOUBLE, 54" W/LEFT CUT CORNER
8	083986-05-D07	EA	BEDSPREAD-DOUBLE 54" W/LEFT CUT CORNER
8	083986-05-D08	EA	BEDSPREAD-DOUBLE 54" W/LEFT CUT CORNER
9	081997-13-D06	EA	PILLOW SHAM-W/4" RUFFLE
9	081997-13-D07	EA	PILLOW SHAM-W/4" RUFFLE
9	081997-16-D1F	EA	PILLOW SHAM-W/4" RUFFLE (D07)
			FROM 00-00-00 THRU 08-02-92
			FROM 08-03-92 THRU 99-99-99
9	081997-13-D08	EA	PILLOW SHAM-W/4" RUFFLE
10	098176-06-000	EA	MATTRESS INNERSPRING, 53" X 74 5" - SEALY - CUT CORNER

**THROW PILLOWS**

KEY	PART NUMBER	U/M	DESCRIPTION
	103669-08-D06	EA	PILLOW-THROW, 15" X 15" - W/O RUFFLE
	103669-04-D07	EA	PILLOW-THROW, 15" X 15" - W/O RUFFLE
	103669-04-D08	EA	PILLOW-THROW, 15" X 15" - W/O RUFFLE
	104259-03-D06	EA	PILLOW-THROW, 15" X 15" - W/RUFFLE
	104259-03-D07	EA	PILLOW-THROW, 15" X 15" - W/RUFFLE
	104259-03-D08	EA	PILLOW-THROW, 15" X 15" - W/RUFFLE

**CURTAIN & CUSHION GROUP (CONTINUED)**



**SWIVEL CHAIR**

KEY	PART NUMBER	U/M	DESCRIPTION
1	107801-03-D06	EA	CHAIR-SWIVEL, W/O PEDESTAL & SKIRT
1	107891-03-D07	EA	CHAIR-SWIVEL, W/O PEDESTAL & SKIRT
1	107891-03-D08	EA	CHAIR-SWIVEL, W/O PEDESTAL & SKIRT
	P07891-03-D06	EA	COVER-CHAIR, SWIVEL
	P07891-03-D07	EA	COVER-CHAIR, SWIVEL
	P07891-03-D08	EA	COVER-CHAIR, SWIVEL
2	069246-06-000	EA	ADJUSTER-SWIVEL CHAIR, MANUAL - FORWARD & BACK
3	107921-08-000	EA	TOP PLATE-W/O SEAT BELT BAR - FLEXSTEEL 2759PDTP
	107921-06-000	EA	BEARING KIT, FLEXSTEEL
4	093481-02-000	EA	BASE-PEDESTAL W/10" EXTENSION
			FROM 00-00-00 THRU 08-23-92
4	107921-01-000	EA	BASE-PEDESTAL, W/9 75" EXTENSION - FLEXSTEEL 3060 MSPD
			FROM 06-24-92 THRU 99-99-99
5	069246-08-000	EA	ADJUSTER-SWIVEL CHAIR, FORWARD & BACK - SCHROCK
	069246-05-700	EA	SPRING REMOTE SLIDE ADJUSTER, 9ST-TS-108-5
	069246-05-701	EA	CLIP ONLY-CABLE ASM, SLIDE ADJUSTER
6	108049-01-000	EA	CABLE-SWIVEL, W/SWITCH 28" - FLEXSTEEL PED 23602
	108049-02-000	EA	CLIP-CABLE, PEDESTAL - FLEXSTEEL 2592-CA
7	007368-04-000	EA	CABLE-SLIDE, W/SWITCH - BUCKET SEAT
8	097683-02-000	EA	BRACKET-MOUNT, REMOTE
	107892-01-D06	EA	SKIRT-CHAIR, SWIVEL
	107892-01-D07	EA	SKIRT-CHAIR, SWIVEL
	107892-01-D08	EA	SKIRT-CHAIR, SWIVEL
	007221-01-000	EA	SPACER-SEAT, ADJUSTER - 4 USED PER SWIVEL CHAIR

**1993 WINNEBAGO  
TABLE OF CONTENTS**

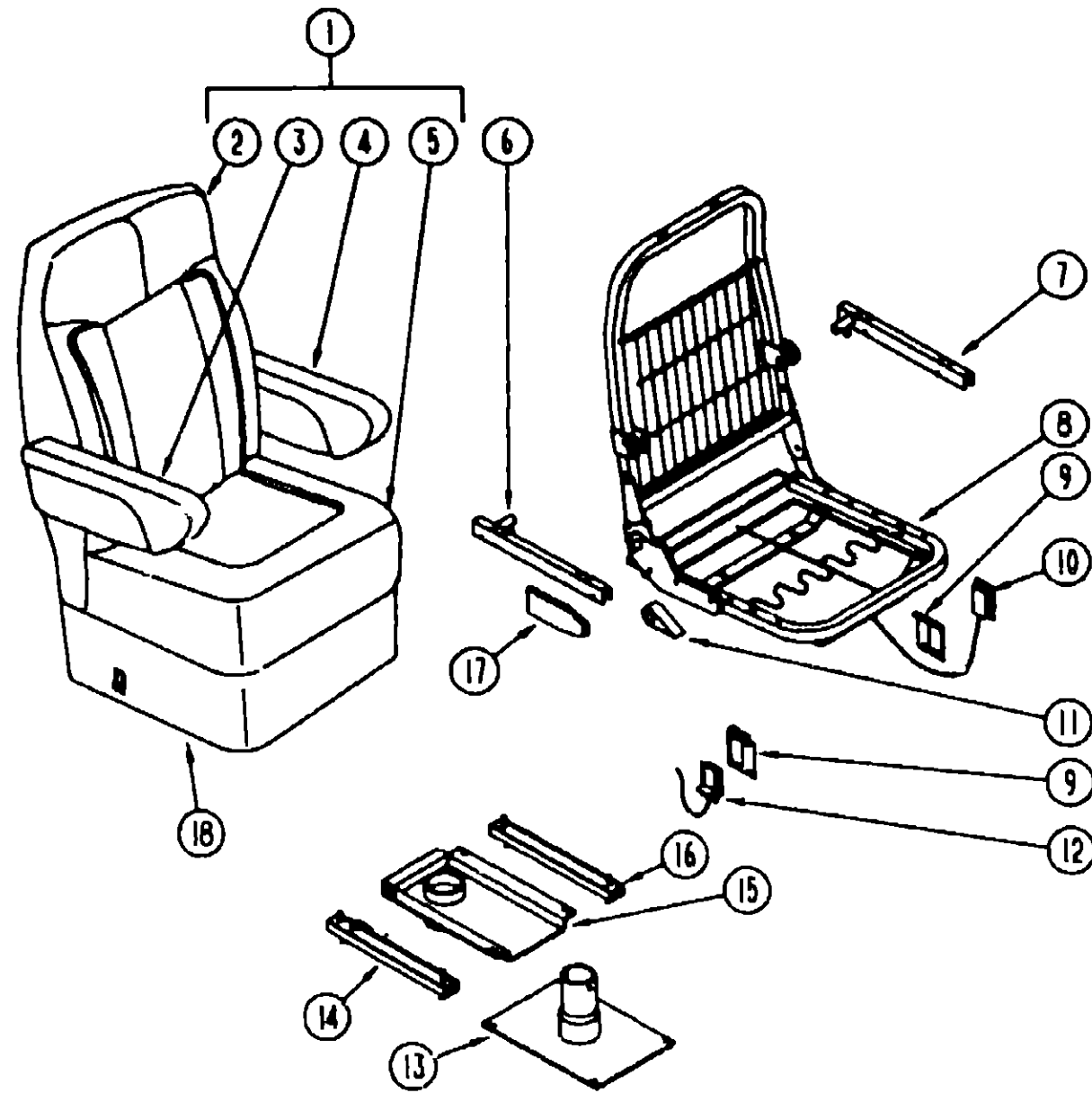
INTRODUCTION	A-01 - A-02
ABBREVIATIONS	A-03
ALPHABETICAL INDEX	A-04 - A-06
WF527RQ	A-07 - E-04
WF527RC	E-05 - H-24

**1993 WF527RC INDEX**

FLOOR PLAN	E-05 - E-06
ACCESSORIES	E-07
AUDIO VIDEO	E-08
BATH	E-09 - E-10
BEDROOM	E-11 - E-12
CHASSIS	E-13 - E-17
CURTAIN & CUSHION	E-18 - F-04
DINETTE	F-05 - F-06
DRIVERS COMPARTMENT	F-07 - F-08
ELECTRICAL	F-09 - F-12
EXTERIOR BODY	F-13 - F-22
GALLEY	F-23 - G-03
GENERATOR	G-04
HEATING & A/C	G-05 - G-06
INTERIOR FINISH	G-07 - G-10
LABELS	G-11 - G-17
LP	G-18
LOUNGE	G-19 - G-20
SEALANTS & FASTENERS	G-21 - G-23
WATER & SEWAGE	G-24 - H-04
WINDOW VENT AND EXTERIOR DOOR	H-05 - H-23

## CURTAIN & CUSHION GROUP (CONTINUED)

### BUCKET SEATS



KEY	PART NUMBER	U/M	DESCRIPTION
3	080243-49-C26	EA	ARMREST-RIGHT SIDE, BUCKET SEAT (D06)
3	080243-49-D07	EA	ARMREST-RIGHT SIDE, BUCKET SEAT (D07)
3	080243-49-D11	EA	ARMREST-RIGHT SIDE, BUCKET SEAT (D08)
	M80243-49-C26	EA	COVER-ARMREST, RIGHT SIDE (D06)
	M80243-49-D07	EA	COVER-ARMREST, RIGHT SIDE (D07)
	M80243-49-D11	EA	COVER-ARMREST, RIGHT SIDE (D08)
4	080243-50-C26	EA	ARMREST-LEFT SIDE, BUCKET SEAT (D06)
4	080243-50-D07	EA	ARMREST-LEFT SIDE, BUCKET SEAT (D07)
4	080243-50-D11	EA	ARMREST-LEFT SIDE, BUCKET SEAT (D08)
	M80243-50-C26	EA	COVER-ARMREST, LEFT SIDE (D06)
	M80243-50-D07	EA	COVER-ARMREST, LEFT SIDE (D07)
	M80243-50-D11	EA	COVER-ARMREST, LEFT SIDE (D08)
5	M03445-71-D06	EA	COVER-SEAT, BUCKET SEAT
5	M03445-71-D07	EA	COVER-SEAT, BUCKET SEAT
5	M03445-71-D08	EA	COVER-SEAT, BUCKET SEAT
6	081268-01-000	EA	ROD & CHANNEL-ARMREST- RIGHT - METAL
7	081268-02-000	EA	ROD & CHANNEL-ARMREST- LEFT - METAL
	081361-01-000	EA	ROD-ARMREST- METAL - RIGHT OR LEFT HAND
8	M80906-06-000	EA	FRAME-SEAT & BACK & SPRING
8	M80906-07-000	EA	FRAME-SEAT & BACK & SPRING - RECLINING
9	097683-03-000	EA	BRACKET-REMOTE- SIDE MOUNT - SINGLE
10	089368-04-000	EA	SWITCH & CABLE-SLIDE, SHROCK
	080730-02-000	EA	RECLINER-SEAT BACK, LEFT HAND
11	080730-03-700	EA	HANDLE KIT-RECLINER
	080730-04-000	EA	SCREW-RECLINER, HANDLE - KEIPER 300618-07
12	108049-01-000	EA	SWITCH & CABLE-SWIVEL 28° - FLEXSTEEL PED 23602
	108049-02-000	EA	CLIP-CABLE, PEDESTAL - FLEXSTEEL 2592-CA
13	069585-41-000	EA	PLATE-BASE
			FROM 00-00-00 THRU 02-21-93
	069585-03-000	EA	PEDESTAL-LOWER, W/EXTENSION - 9" X 5" - STEEL MOUNTS BETWEEN UPPER PEDESTAL AND BASEPLATE
			FROM 00-00-00 THRU 02-21-93
13	107921-09-000	EA	PEDESTAL ASM -SEAT FORD - W/BASE PLATE EXTENSION & TOP PLATE FLEXSTEEL 3067-PDMB
			FROM 02-22-93 THRU 99-99-99
14	069246-05-000	EA	ADJUSTER-SEAT/CHAIR- W/REMOTE - FORWARD & BACK
	069246-05-700	EA	SPRING-ADJUSTER- FOR REMOTE
	069246-05-701	EA	CLIP-CABLE- FOR REMOTE
15	093481-04-000	EA	TOP PLATE-PEDESTAL, BUCKET SEAT - W/O SEATBELT BAR
			FROM 00-00-00 THRU 02-21-93
15	107921-08-000	EA	TOP PLATE-PEDESTAL, BUCKET SEAT - W/O SEATBELT BAR
			FROM 02-22-93 THRU 99-99-99
16	069246-02-000	EA	ADJUSTER-SEAT/CHAIR- W/O LOCK - FORWARD & BACK
17	089369-08-000	EA	SHIELD-CABLE, REMOTE RECLINER - BUCKET SEAT
18	071126-37-D06	EA	SKIRT-BUCKET SEAT 7" SINGLE (D06)
	071126-37-D07	EA	SKIRT-BUCKET SEAT 7" SINGLE (D07)
	071126-37-D28	EA	SKIRT-BUCKET SEAT 7" SINGLE (D08)

## 1993 WINNEBAGO TABLE OF CONTENTS

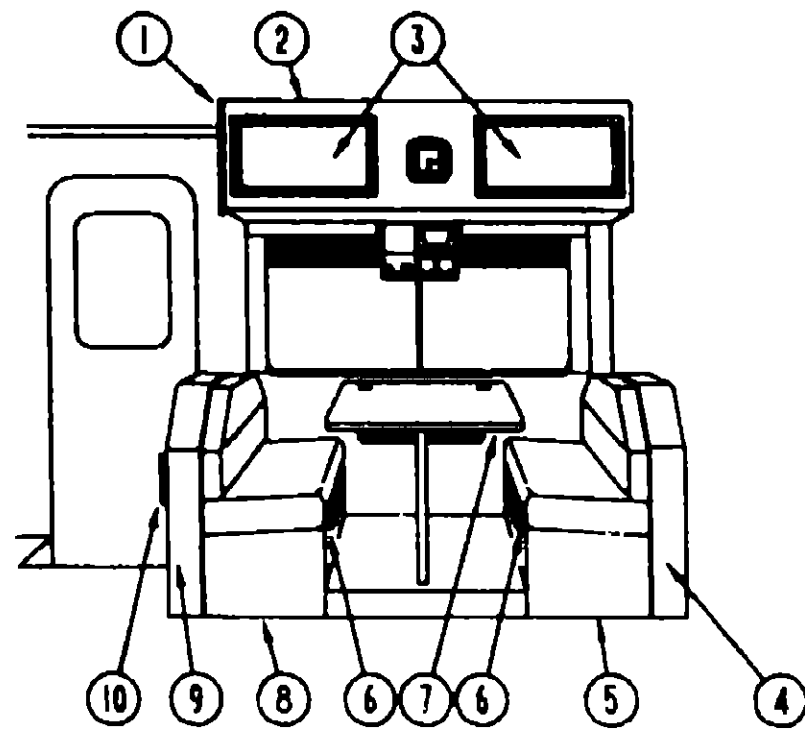
INTRODUCTION	A-01 - A-02
ABBREVIATIONS	A-03
ALPHABETICAL INDEX	A-04 - A-06
WF527RC	A-07 - E-04
WF527RC	E-05 - H-24

## 1993 WF527RC INDEX

FLOOR PLAN	E-05 - E-06
ACCESSORIES	E-07
AUDIO VIDEO	E-08
BATH	E-09 - E-10
BEDROOM	E-11 - E-12
CHASSIS	E-13 - E-17
CURTAIN & CUSHION	E-18 - F-04
DINETTE	F-05 - F-06
DRIVERS COMPARTMENT	F-07 - F-08
ELECTRICAL	F-09 - F-12
EXTERIOR BODY	F-13 - F-22
GALLEY	F-23 - G-03
GENERATOR	G-04
HEATING & A/C	G-05 - G-06
INTERIOR FINISH	G-07 - G-10
LABELS	G-11 - G-17
LP	G-18
LOUNGE	G-19 - G-20
SEALANTS & FASTENERS	G-21 - G-23
WATER & SEWAGE	G-24 - H-04
WINDOW, VENT AND	
EXTERIOR DOOR	H-05 - H-23

KEY	PART NUMBER	U/M	DESCRIPTION
1	083909-45-D06	EA	SEAT-BUCKET, W/O PEDESTALS & SKIRTS
1	083909-45-D07	EA	SEAT-BUCKET, W/O PEDESTALS & SKIRTS
1	083909-45-D08	EA	SEAT-BUCKET W/O PEDESTALS & SKIRTS
1	063909-46-D06	EA	SEAT-BUCKET W/O PEDESTALS & SKIRTS (RECLINING OPTION)
1	083909-46-D07	EA	SEAT-BUCKET, W/O PEDESTALS & SKIRTS (RECLINING OPTION)
1	083909-46-D08	EA	SEAT-BUCKET, W/O PEDESTALS & SKIRTS (RECLINING OPTION)
2	M03445-70-D06	EA	COVER-BACK, BUCKET SEAT
2	M03445-70-D07	EA	COVER-BACK, BUCKET SEAT
2	M03445-70-D08	EA	COVER-BACK, BUCKET SEAT

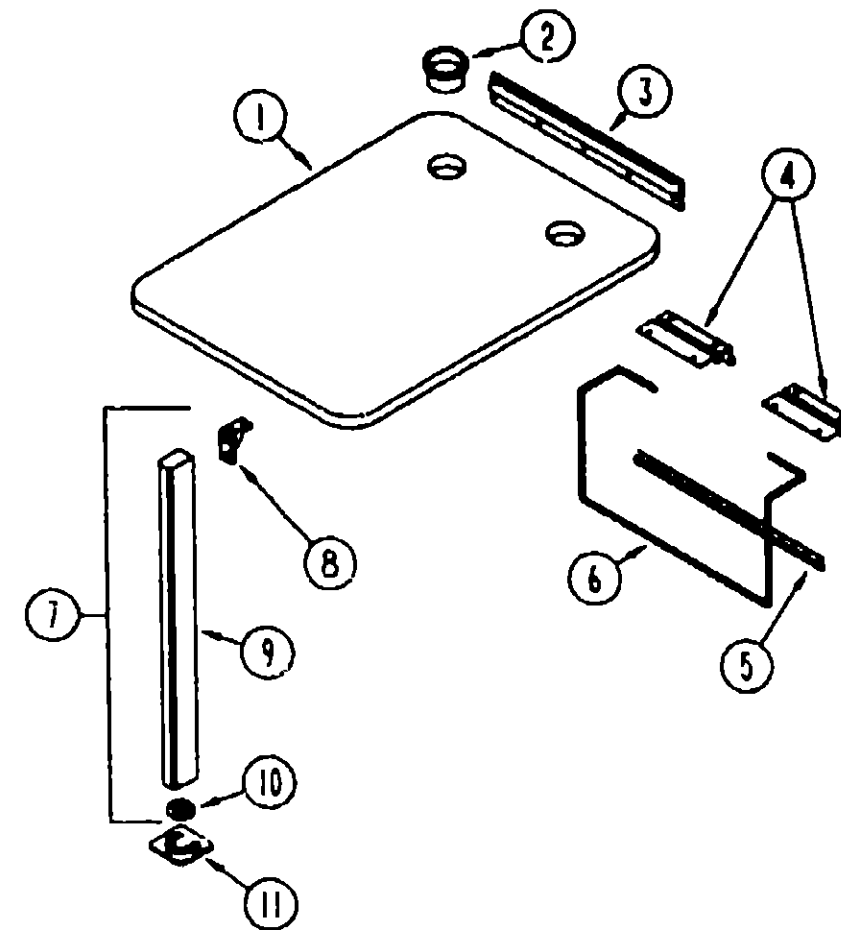
## DINETTE GROUP



### CABINETS, PADS, WALL MIRROR & TABLE

KEY	PART NUMBER	U/M	DESCRIPTION
1	104335-07-C52	EA	END CAP-CABINET, OVERHEAD
2	M05624-17-D06	EA	CABINET-OVERHEAD W/O DOORS & HARDWARE (D06) FROM 00-00-00 THRU 11-22-92
2	M05624-17-D07	EA	CABINET-OVERHEAD, W/O DOORS & HARDWARE (D07) FROM 00-00-00 THRU 11-22-92
2	M05624-17-D28	EA	CABINET-OVERHEAD W/O DOORS & HARDWARE (D08) FROM 00-00-00 THRU 11-22-92
2	M05779-63-D06	EA	CABINET-OVERHEAD, W/O DOORS & HARDWARE FROM 11-23-92 THRU 99-99-99
2	M05779-63-D07	EA	CABINET-OVERHEAD, W/O DOORS & HARDWARE FROM 11-23-92 THRU 99-99-99
2	M05779-63-D08	EA	CABINET-OVERHEAD, W/O DOORS & HARDWARE FROM 11-23-92 THRU 99-99-99
3	P04746-03-C05	EA	DOOR-CABINET, W/O HARDWARE - 400 X 710MM
	058331-47-000	EA	MIRROR-GLASS SAFETY - 562 X 384MM FROM 00-00-00 THRU 11-24-92
	104787-01-C26	EA	PAD-BACKREST (D06)
	104787-01-D07	EA	PAD-BACKREST (D07)
	104787-01-D11	EA	PAD-BACKREST (D08)
4	M04174-21-C52	EA	CABINET-BACKREST, RIGHT SIDE
5	M04175-21-C52	EA	CABINET SEATBASE, RIGHT SIDE
	081518-07-B03	EA	TOP-SEATBASE, RIGHT SIDE
6	081295-01-AA8	EA	SUPPORT-TABLE, DINETTE - 712MM LONG
7	M02115-09-C12	EA	TABLE-DINETTE, W/O EDGE BAND (D05)
7	M02115-09-D07	EA	TABLE-DINETTE, W/O EDGE BAND (D07)
7	M02115-09-D09	EA	TABLE-DINETTE, W/O EDGE BAND (D08)
8	M04175-22-C52	EA	CABINET-SEATBASE, LEFT SIDE
	103596-11-C05	EA	TOP-SEATBASE, LEFT SIDE
9	M04174-22-C52	EA	CABINET-BACKREST LEFT SIDE
	104787-02-L06	EA	PAD-BACKREST
	104787-02-D07	EA	PAD-BACKREST
	104787-02-D08	EA	PAD-BACKREST
10	091257-06-000	EA	HANDLE-ASSIST, WOOD - MOUNTED TO BACK OF DINETTE

## DINETTE GROUP (CONTINUED)



### DINETTE TABLE

KEY	PART NUMBER	U/M	DESCRIPTION
1	M02115-09-C12	EA	TABLE-DINETTE, W/O HARDWARE (D06)
1	M02115-09-D07	EA	TABLE-DINETTE W/O HARDWARE (D07)
1	M02115-09-D09	EA	TABLE-DINETTE, W/O HARDWARE (D08)
2	064781-06-000	EA	HOLDER-CUP TWO STEP - OFF WHITE
3	053200-12-000	EA	BRACKET-TABLE SUPPORT, UPPER WALL MOUNTED - 23 5" - OFF WHITE
4	088410-02-000	EA	BRACKET-LIFT, TABLE MOUNTED - OFF WHITE
5	024281-14-000	EA	BRACKET-LIFT ROD LOWER WALL MOUNTED - 22 12" - OFF WHITE
6	024275-12-000	EA	ROD-TABLE LIFT OFF WHITE
7	092708-06-D61	EA	LEG ASM-TABLE
8	093550-01-000	EA	BRACKET-HINGE MOUNTS TO LEG & TABLE TOP - 17" X 26"
9	092707-04-02A	EA	MOLDING-OAK RAMBLING
10	092593-01-05A	EA	CATCH-LEG LEG MOUNTED - ROUND - 1 4" DIA - METAL - OFF WHITE
11	049493-12-000	EA	CATCH-LEG FLOOR MOUNTED - 2 5" X 2 7" - METAL - OFF WHITE
	049493-11-700	EA	CATCH-LEG, FLOOR MOUNTED - 2 5" X 2 7" - METAL - E-COAT

## 1993 WINNEBAGO TABLE OF CONTENTS

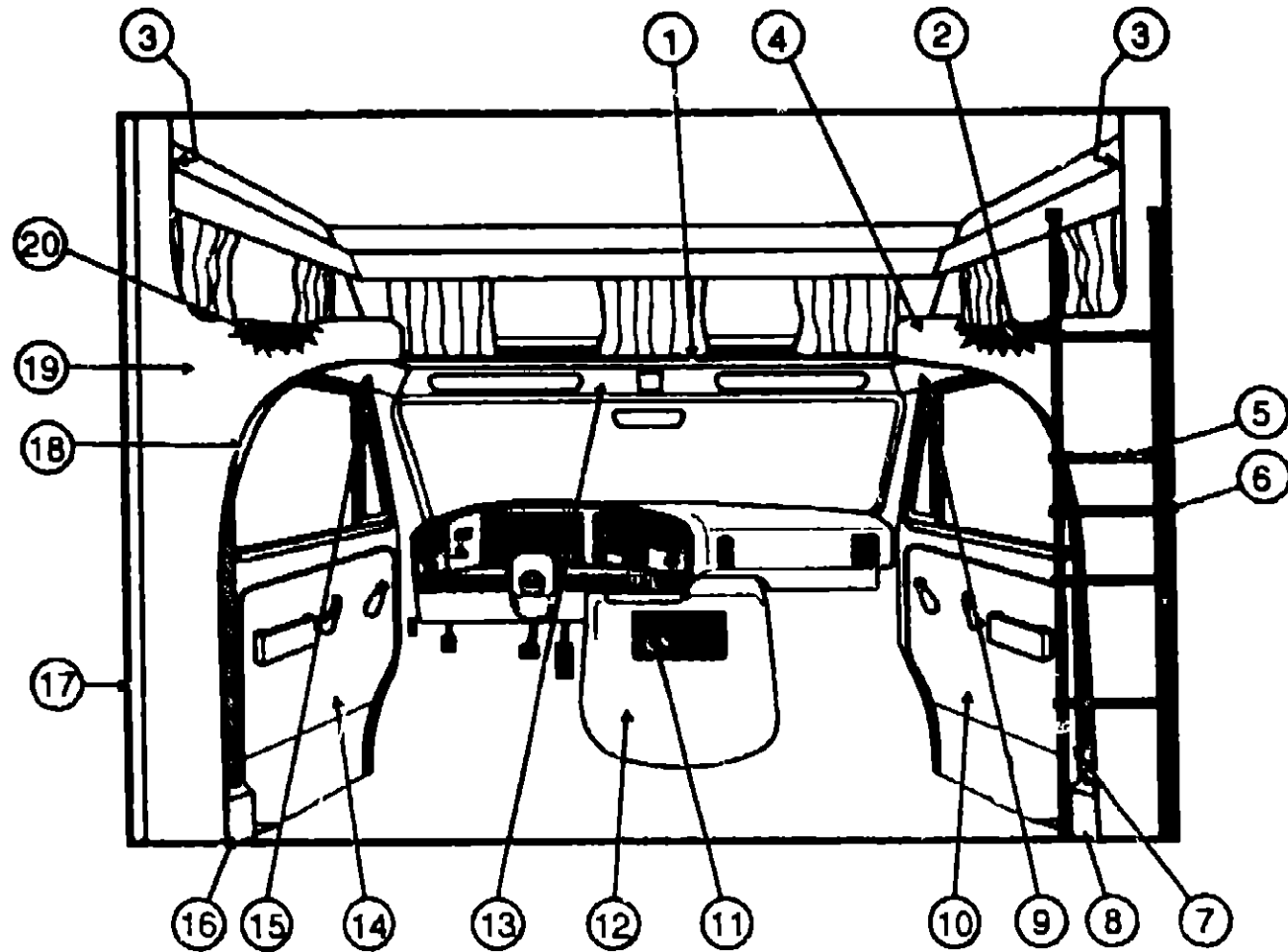
INTRODUCTION	A-01 - A-02
ABBREVIATIONS	A-03
ALPHABETICAL INDEX	A-04 - A-08
WF527RQ	A-07 - E-04
WF527RC	E-05 - H-24

## 1993 WF527RC INDEX

FLOOR PLAN	E-05 - E-06
ACCESSORIES	E-07
AUDIO VIDEO	E-08
BATH	E-09 - E-10
BEDROOM	E-11 - E-12
CHASSIS	E-13 - E-17
CURTAIN & CUSHION	E-18 - F-04
DINETTE	F-05 - F-06
DRIVERS COMPARTMENT	F-07 - F-08
ELECTRICAL	F-09 - F-12
EXTERIOR BODY	F-13 - F-22
GALLEY	F-23 - G-03
GENERATOR	G-04
HEATING & A/C	G-05 - G-06
INTERIOR FINISH	G-07 - G-10
LABELS	G-11 - G-17
LP	G-18
LOUNGE	G-19 - G-20
SEALANTS & FASTENERS	G-21 - G-23
WATER & SEWAGE	G-24 - H-04
WINDOW, VENT AND EXTERIOR DOOR	H-05 - H-23

# DRIVERS COMPARTMENT GROUP

## DRIVERS COMPARTMENT



## 1993 WINNEBAGO TABLE OF CONTENTS

INTRODUCTION	A-01	A-02
ABBREVIATIONS		A-03
ALPHABETICAL INDEX	A-04	A-06
WF527RQ	A-07	E-04
WF527RC	E-05	H-24

KEY	PART NUMBER	U/M DESCRIPTION
5	106025-02-01A 106025-01-700	EA LADDER-BUNK, BLACK - 1434 MM EA BRACKET SET FOR BUNK LADDER
6	099856-03-000	EA STRAP ASM-TIEDOWN, BUNK LADDER
7	108445-01-C03	EA TRIM ASM-CAB, B-PILLAR - RIGHT
8	106431-01-01A	EA COVER-SEATBELT RECOIL, RIGHT - OFF WHITE
9	106447-01-C03	EA TRIM ASM-CAB DOOR, UPPER - RIGHT
10	106432-01-D06	EA PANEL-DOOR, INNER - PASSENGER SIDE
10	106432-01-D07	EA PANEL-DOOR, INNER - PASSENGER SIDE
10	106432-01-D08	EA PANEL-DOOR, INNER - PASSENGER SIDE
11	107134-02-D06	EA TRAY-BEVERAGE, OAK - W/CASSETTE
12	069885-23-C24	EA COVER-MOTOR, W/POCKET (D06)
12	069885-23-D07	EA COVER-MOTOR, W/POCKET (D07)
12	069885-23-D28	EA COVER MOTOR, W/POCKET (D08)
	046886-03-000	EA ASHTRAY-CHROME, W/COVER
13	105448-01-C03	EA HEADLINER-VINYL COVERED, FRONT - OFF WHITE
14	106432-02-D06	EA PANEL-DOOR, INNER - DRIVER SIDE
14	106432-02-D07	EA PANEL-DOOR, INNER - DRIVER SIDE
14	106432-02-D08	EA PANEL-DOOR, INNER - DRIVER SIDE
15	106447-02-C03	EA TRIM ASM-CAB DOOR, UPPER - LEFT
16	106431-02-01A	EA COVER-SEATBELT RECOIL, LEFT - OFF WHITE
17	082081-20-C52	EA COVER-WINGWALL, 2002MM LONG - VINYL - OFF WHITE
18	108448-02-C03	EA TRIM ASM-CAB, B PILLAR - RIGHT
19	106440-04-D06	EA WINGWALL ASM-INNER, LEFT (D06, D07) FROM 00-00-00 THRU 09-05-92
19	106440-04-D08	EA WINGWALL ASM-INNER, LEFT (D08) FROM 00-00-00 THRU 09-05-92
19	109803-01-D06	EA WINGWALL ASM-INNER, UPPER FROM 09-06-92 THRU 99-99-99
19	109803-01-D07	EA WINGWALL ASM-INNER, UPPER FROM 09-06-92 THRU 99-99-99
19	109803-01-D08	EA WINGWALL ASM-INNER, UPPER FROM 09-06-92 THRU 99-99-99
19	109805-04-D06	EA WINGWALL ASM-INNER, RIGHT (D06, D07) FROM 09-06-92 THRU 99-99-99
19	109805-04-D08	EA WINGWALL ASM-INNER, RIGHT (D08) FROM 09-06-92 THRU 99-99-99
	106445-02-C03	EA TRIM ASM-WINGWALL WRAP, LEFT - BETWEEN CAB STEEL & B PILLAR TRIM
20	109894-01-D05	EA CABINET-HAMPER FRONT FROM 09-06-92 THRU 99-99-99
20	109894-01-D06	EA CABINET-HAMPER FRONT FROM 09-06-92 THRU 99-99-99
20	109894-01-D08	EA CABINET-HAMPER FRONT FROM 09-06-92 THRU 99-99-99

## 1993 WF527RC INDEX

FLOOR PLAN	E-05	E-06
ACCESSORIES		E-07
AUDIO VIDEO		E-08
BATH	E-09	E-10
BEDROOM	E-11	E-12
CHASSIS	E-13	E-17
CURTAIN & CUSHION	E-18	F-04
DINETTE	F-05	F-06
DRIVERS COMPARTMENT	F-07	F-08
ELECTRICAL	F-09	F-12
EXTERIOR BODY	F-13	F-22
GALLEY	F-23	G-03
GENERATOR		G-04
HEATING & A/C	G-05	G-06
INTERIOR FINISH	G-07	G-10
LABELS	G-11	G-17
LP		G-18
LOUNGE	G-19	G-20
SEALANTS & FASTENERS	G-21	G-23
WATER & SEWAGE	G-24	H-04
WINDOW, VENT AND EXTERIOR DOOR	H-05	H-23

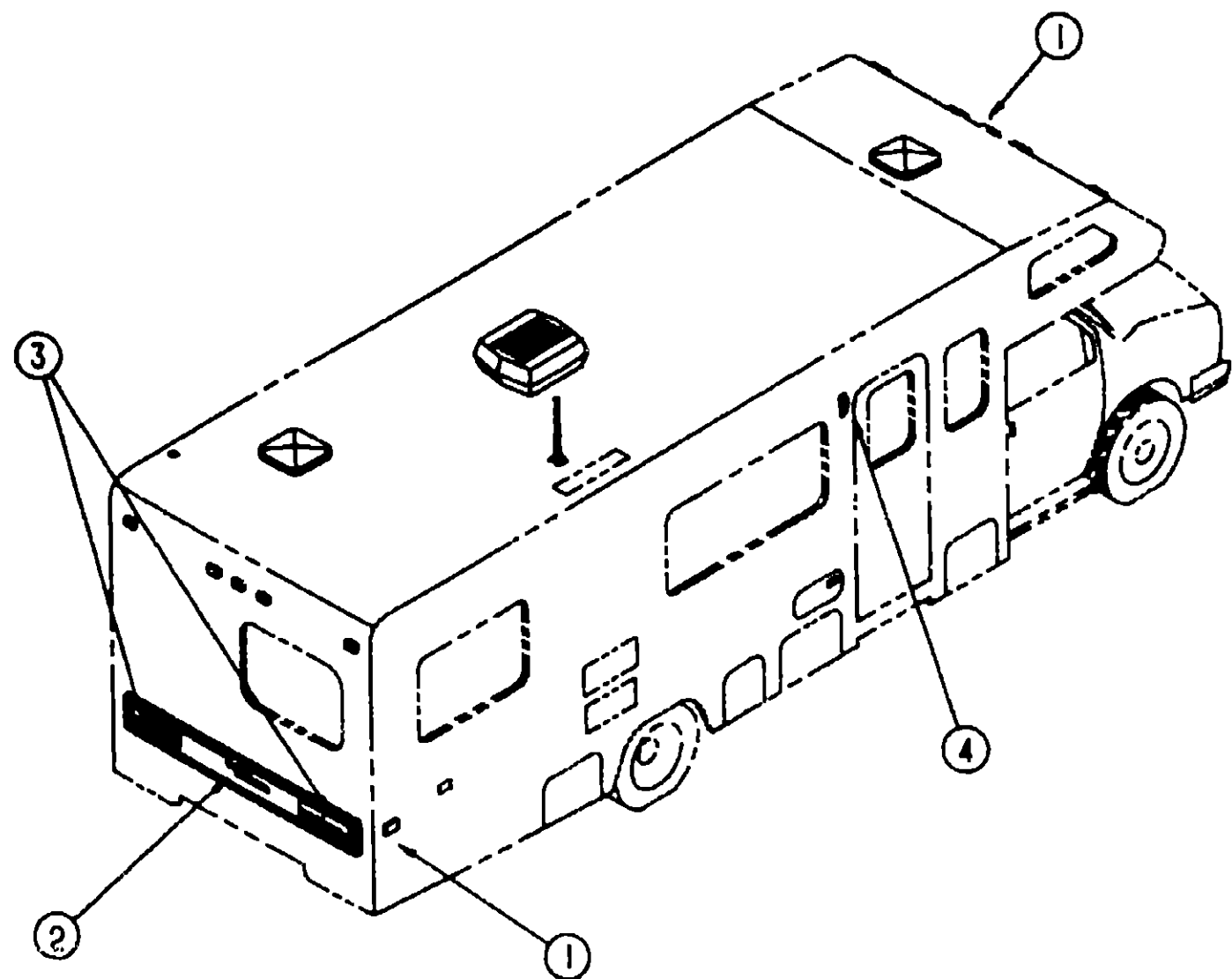
## INSTRUMENT CLUSTERS

KEY	PART NUMBER	U/M DESCRIPTION
	094795-03-000	EA CLUSTER-INSTRUMENT PANEL, KILOMETER - FORD F2UF10849BF FROM 00-00-00 THRU 01-31-93
	094795-04-000	EA CLUSTER-INSTRUMENT PANEL, KILOMETER - FORD 93 E350 FROM 02-01-93 THRU 99-99-99
	094795-01-000	EA SPEEDOMETER-KILOMETER (FORD)
	081082-01-000	EA PLAQUE-MOUNTING, BATTERY/FUEL SWITCH - 2 4" X 1 4" - BLK (FORD)
	100138-01-000	EA MODULE-DAYTIME RUNNING LIGHT
	024461-01-000	EA SWITCH-BATTERY, BATT/DUAL/MOM

KEY	PART NUMBER	U/M DESCRIPTION
1	079800-07-000	EA TRIM-SLEEPERBOARD, INNER - OFF WHITE
1	080742-03-000	FT TRIM-VINYL, SLEEPER BOARD - OFF WHITE
2	108984-01-D06	EA PAD ASM -BUNK, OVERHEAD
2	108984-01-D07	EA PAD ASM -BUNK, OVERHEAD
	108984-01-D08	EA PAD ASM -BUNK, OVERHEAD
3	082071-12-C52	EA TRIM-WINGWALL TO SIDEWALL, W/O BUTTONS - VINYL - OFF WHITE
4	106440-03-D06	EA WINGWALL ASM-INNER RIGHT (D06, D07) FROM 00-00-00 THRU 09-05-92
4	106440-03-D08	EA WINGWALL ASM-INNER RIGHT (D08) FROM 00-00-00 THRU 09-05-92
4	109803-01-D06	EA WINGWALL ASM-INNER, UPPER FROM 09-06-92 THRU 99-99-99
4	109803-01-D07	EA WINGWALL ASM-INNER, UPPER FROM 09-06-92 THRU 99-99-99
4	109803-01-D08	EA WINGWALL ASM-INNER, UPPER FROM 09-06-92 THRU 99-99-99
4	109805-03-D06	EA WINGWALL ASM-INNER RIGHT LOWER (D06, D07) FROM 09-06-92 THRU 99-99-99
4	109805-03-D08	EA WINGWALL ASM-INNER, RIGHT LOWER (D08) FROM 09-06-92 THRU 99-99-99
	106445-01-C03	EA TRIM ASM-WINGWALL WRAP, RIGHT - BETWEEN CAB STEEL & B PILLAR TRIM
	109804-01-D06	EA CAP-SLEEPERBOARD, DRIVER/PASSENGER SIDE - 80 X 596MM FROM 09-06-92 THRU 99-99-99
	109804-01-D07	EA CAP-SLEEPERBOARD, DRIVER/PASSENGER SIDE - 80 X 596MM FROM 09-06-92 THRU 99-99-99
	109804-01-D08	EA CAP-SLEEPERBOARD, DRIVER/PASSENGER SIDE - 80 X 596MM FROM 09-06-92 THRU 99-99-99



## ELECTRICAL GROUP



### EXTERIOR LIGHTS

KEY	PART NUMBER	U/M DESCRIPTION
1	042405-02-000	EA LENS-CLEARANCE/SIDEMARKER LIGHT, W/REFLEX - AMBER
1	042405-03-000	EA BASE-CLEARANCE/SIDEMARKER LIGHT, W/BULB - PLASTIC - WHITE
1	008213-01-000	EA BULB
	091983-01-000	EA GASKET-CLEARANCE/SIDEMARKER LIGHT
	042405-01-000	EA LENS-CLEARANCE/SIDEMARKER LIGHT, W/REFLEX - RED
	042405-03-000	EA BASE-CLEARANCE/SIDEMARKER LIGHT, W/BULB - PLASTIC - WHITE
	008213-01-000	EA BULB
2	066432-01-000	EA LIGHT-LICENSE PLATE W/BRACKET
	066432-03-000	EA BRACKET-LICENSE LIGHT
3	103545-01-01A	EA TAIL LIGHT ASM-TRIPLE, HORIZONTAL - BARGMAN 30-84-103
	037934-01-000	EA BULB-12V NO1156 2 10AMP
	037935-01-000	EA BULB-12V NO1157 2 10AMP
	081638-01-700	EA LENS-TAILLIGHT (RED)
	103545-01-700	EA LENS-BACKUP
4	097917-01-01A	EA LIGHT-PORCH, ENTRY DOOR - OFF WHITE
	008215-01-000	EA BULB
	097917-01-700	EA LENS

## ELECTRICAL GROUP (CONTINUED)

### INTERIOR LIGHTS & BULBS

KEY	PART NUMBER	U/M DESCRIPTION
	104173-01-01A	EA LIGHT-DESIGNER, BRASS - #61-905 'A.W ASPLUND
	104172-01-01A	EA LIGHT-BULLET, BEIGE - #787 SERIES BULB #93 12V
	086280-01-000	EA LIGHT-SURFACE MOUNT, 12V - JENSEN 1238
	086280-01-700	EA BULB-12 VOLT, 6 WATT
	078424-02-000	EA LIGHT-FLUORESCENT, 12V DC - 18" - ALMOND
	091937-03-000	EA BULB-FLUORESCENT LIGHT, 12V - THIN LITE 736
	078424-02-701	EA LENS-LIGHT, FLUORESCENT - 18"
	082169-01-000	EA LIGHT-MAKE-UP, 3 BULB - JENSEN X148-16BR
	081633-01-700	EA BULB-MAKE UP LIGHT, JENSEN
	098024-01-01A	EA LIGHT-DOME, 1 BULB - US - IVORY
	098024-03-01A	EA LIGHT-DOME, 2 BULB - IVORY
	008218-01-000	EA BULB
	098024-01-700	EA LENS-DOME LIGHT

### SWITCHES & RECEPTACLES

KEY	PART NUMBER	U/M DESCRIPTION
	079364-01-000	EA SWITCH-ON/OFF ROCKER, 2 PRONGS - BROWN
	079364-03-000	EA SWITCH-ON/OFF ROCKER, 3 PRONGS - BROWN
	096241-07-000	EA SWITCH-ROCKER, DPDT - ON/ON - BLACK
	108356-02-01A	EA ACTUATOR-SWITCH, DIMPLE II-CARLING VVAZC00 BLA
	108357-08-000	EA SWITCH-ROCKER, DPDT - ON/NONE/ON - CARLING VDD1S00C-0
	098351-01-01A	EA PLATE-SWITCH, 1 GANG - POLISHED BRASS
	098351-02-01A	EA PLATE-SWITCH, 2 GANG - POLISHED BRASS
	098351-05-01A	EA PLATE-SWITCH, 3 GANG - POLISH BRASS - JENSEN
	098351-06-01A	EA PLATE-SWITCH, 2 GANG W/LABEL - JENSEN - POLISHED BRASS
	081994-02-000	EA PLATE-SWITCH, EXTERIOR SHOWER
	095188-01-01A	EA SPACER-SWITCH, 2 3" X 3 4" - PLASTIC - DARK BROWN
	095188-02-01A	EA SPACER-SWITCH, 2 3" X 4 1" - PLASTIC - DARK BROWN
	075723-01-000	EA SPACER-SWITCH, W/O HOLE - 2" X 9" X 2" - METAL - OFF WHITE
	075723-02-000	EA SPACER-SWITCH, W/HOLE - 2" X 9" X 2" - METAL - OFF WHITE
	084076-01-000	EA RECEPTACLE-GFI, 15A - 125V - IVORY
	084076-02-000	EA RECEPTACLE-GFI, 15A - 125V - BROWN
	084077-01-000	EA PLATE-COVER, RECEPTACLE - GFI - IVORY
	084077-02-000	EA PLATE-COVER, RECEPTACLE - GFI - BROWN
	058707-01-000	EA RECEPTACLE-ELECTRIC, SINGLE - BROWN
	058708-01-000	EA RECEPTACLE-ELECTRIC, DOUBLE - BROWN
	058708-02-000	EA RECEPTACLE-ELECTRIC, DOUBLE - IVORY
	102568-01-B10	EA SPACER-RECEPTACLE, BETWEEN SIDEWALL & PLATE - WOOD
	097734-01-01A	EA EXTENSION-RECEPTACLE, 3 2" X 5" X 7" - PLASTIC - IVORY
	024924-02-000	EA RECEPTACLE-POWER CORD, W/PARTIAL PLATE
	075736-02-000	EA COVER-EXTERIOR RECEPTACLE OFF WHITE

### CONVERTERS

KEY	PART NUMBER	U/M DESCRIPTION
	083208-01-000	EA CONVERTER-POWER 32A - 120V/12V - BW 6332
	092615-01-000	EA CONVERTER-40 AMP, W/CHARGER - B-W 32400P

## 1993 WINNEBAGO TABLE OF CONTENTS

INTRODUCTION	A-01	A-02
ABBREVIATIONS		A-03
ALPHABETICAL INDEX	A-04	A-08
WF527RC	A-07	E-04
WF527RC	E-05	H-24

## 1993 WF527RC INDEX

FLOOR PLAN	E-05	E-06
ACCESSORIES		E-07
AUDIO VIDEO		E-08
BATH	E-09	E-10
BEDROOM	E-11	E-12
CHASSIS	E-13	E-17
CURTAIN & CUSHION	E-18	F-04
DINETTE	F-05	F-06
DRIVERS COMPARTMENT	F-07	F-08
ELECTRICAL	F-09	F-12
EXTERIOR BODY	F-13	F-22
GALLEY	F-23	G-03
GENERATOR		G-04
HEATING & A/C	G-05	G-06
INTERIOR FINISH	G-07	G-10
LABELS	G-11	G-17
LP		G-18
LOUNGE	G-19	G-20
SEALANTS & FASTENERS	G-21	G-23
WATER & SEWAGE	G-24	H-04
WINDOW VENT AND		
EXTERIOR DOOR	H-05	H-23

**ELECTRICAL GROUP (CONTINUED)**

**SOLENOID, FUSES & CIRCUIT BREAKERS**

KEY	PART NUMBER	U/M	DESCRIPTION
	008188-01-000	EA	SOLENOID-3 POST, BATTERY CHANGE OVER
	083910-01-000	EA	HOUSING-RELAY, BOSCH 3 334 485 008
	008235-01-000	EA	FUSE-AUTOMOTIVE, 12V - 15AMP
	082901-02-000	EA	FUSE-5 AMP, AUTOMOTIVE
	082901-05-000	EA	FUSE-15 AMPS, AUTOMOTIVE
	100341-01-000	EA	FUSE HOLDER-IN LINE TYPE - WESCO 8931-82020
	093654-01-000	EA	BREAKER-CIRCUIT, 6 AMP - HOUSE CONTROL PANEL
	093655-02-000	EA	BREAKER-CIRCUIT, 30 AMP - HOUSE CONTROL PANEL
	093655-01-000	EA	BREAKER-CIRCUIT, 25 AMP
	063209-01-000	EA	BREAKER-CIRCUIT, 15 AMP, 120V - BW G-15 - CANADIAN
	083209-03-000	EA	BREAKER-CIRCUIT, 15/20AMP, 120V - BW O-15/20
	083209-04-000	EA	BREAKER-CIRCUIT, 30A - 120V - BW L-30
	083209-05-000	EA	BREAKER-CIRCUIT, 20A - 120V - BW J-20
	083209-06-000	EA	BREAKER-CIRCUIT, 30/15 AMP - 120V - BW D-30/15

**POWER CORDS & ELECTRIC BOXES**

KEY	PART NUMBER	U/M	DESCRIPTION
	008052-01-000	EA	CORD-POWER, 10/3 - 30 AMP - 25' - CANADIAN
	008054-01-000	EA	CORD-POWER, 10/3 - 30 AMP - 25'
	008288-01-000	EA	BOX-PLASTIC ELECTRIC, 3" X 3 1/2"
	008288-02-000	EA	BOX-PLASTIC ELECTRIC, 3 9/4" X 3 13" X 1 81"
	008289-01-000	EA	BOX-ELECTRIC, STEEL - 1/2" AND 3/4" KNOCKOUTS - 4" X 4"
	008289-02-000	EA	BOX-ELECTRIC, 4" X 4" - 1/2" & 3/4" KNOCKOUTS - CANADIAN
	091910-01-000	EA	BOX-ELECTRIC, 3 75" X 3 5" X 1 75" - PLASTIC
	093603-01-000	EA	BOX-ELECTRIC, 4" X 2 1/8" X 2 1/8" - STEEL
	107165-01-01A	EA	BOX-CIRCUIT BREAKER, MOUNTING - BLACK FROM 12-06 91 THRU 99 99-99
	058049-01-000	EA	BOX-ELECTRIC SWITCH, 2" X 3" X 2 25"
	008294-01-000	EA	COVER-ELECTRICAL BOX BLANK STEEL - 4" X 4" - GRAY
	008294-02-000	EA	COVER ELECTRICAL BOX, BLANK STEEL - 4" X 4" - CANADIAN
	069238-01-000	EA	COVER ELECTRICAL BOX, WHOLE - 4" X 4" - GRAY USED WITH 30 AMP RECEPTACLE

**WIRE ASSEMBLIES**

KEY	PART NUMBER	U/M	DESCRIPTION
	097618-01-000	EA	WIRE ASM MONITOR PANEL, W/4 WIRES & BLACK RESISTOR - LVS
	100159-02-000	EA	WIRE ASM DAYTIME RUNNING LIGHTS, W/FUSE FROM 00-00-00 THRU 10-06-91
	106851-01-000	EA	WIRE ASM-DAYTIME RUNNING LIGHTS, W/FUSE FROM 10-07-91 THRU 99-99-99
	103328-06-000	EA	WIRE ASM-PU/MP, EXTERIOR SHOWER
	105306-01-000	EA	WIRE ASM-MONITOR PANEL ADAPT

**ELECTRICAL GROUP (CONTINUED)**

**CONNECTORS & CONDUIT**

KEY	PART NUMBER	U/M	DESCRIPTION
	007940-01-000	EA	RECEPTACLE-SLIDE, 16 TO 12 AWG - FEMALE END
	080015-02-000	EA	RECEPTACLE-FLAG, .185 - 16/14 GA - AMP 3
	080015-03-000	EA	RECEPTACLE-FLAG, 250 - 14/16 GA
	008311-01-000	EA	CONNECTOR-WIRE NUT, INSULATED - RED
	008314-01-000	EA	CONNECTOR-WIRE NUT, INSULATED - GRAY
	098420-01-000	EA	CONNECTOR-SWIVEL, 1/2" FPT X 5/8" TUBE - PLASTIC
	008355-01-000	EA	CONNECTOR-CABLE CLAMPING, 3/4"
	008356-01-000	EA	CONNECTOR-PLASTIC, 3/8" AVG
	041480-01-000	EA	CONNECTOR-STRAIGHT, 1/2" FLEX CONDUIT
	058028-01-000	EA	CONNECTOR-ELECTRICAL PIGTAIL, NYLON - CLEAR
	008326-01-000	EA	TERMINAL-RING, 16/14 WIRE - 3/8" STUD
	008328-01-000	EA	TERMINAL-RING, 12/10 WIRE - #10 STUD FIT
	008331-01-000	EA	TERMINAL-RING, TONGUE - #4 WIRE - 3/8" STUD - COPPER
	008348-01-000	EA	TERMINAL-RING, 3/8" STUD - #2 WIRE CONNECTS CABLE TO DISCONNECT RELAY AND BATTERY
	035416-03-000	EA	TERMINAL-RING #10 STUD FIT
	035416-04-000	EA	TERMINAL-RING #10 STUD FIT, INSULATED BARREL #16/14
	047443-01-000	EA	TERMINAL- 250 RECEP FIT, INSULATED - 16/14 AWG
	047443-02-000	EA	TERMINAL- 250 RECEP FIT, INSULATED - 12/10 AWG
	087949-01-000	EA	BUSS BAR-2 POSITION, 6" X 1 5" - ALUMINUM
	088475-01-000	EA	PIN-CONNECTOR, 14 TO 20 AWG
	088475-02-000	EA	PIN-CONNECTOR, 10 TO 12 AWG
	088473-01-000	EA	PIN-HOUSING, 4 ROWS OF 3
	088473-05-000	EA	PIN-HOUSING, 6 POSITION (SINGLE ROW)
	088473-06-000	EA	PIN-HOUSING, 6 POSITION (TWO ROWS OF THREE)
	088473-09-000	EA	PIN-HOUSING, 3 POSITION (SINGLE ROW)
	088473-10-000	EA	PIN-HOUSING, 2 POSITION
	088473-03-000	EA	HOUSING-PIN, 9 POSITION
	088473-07-000	EA	HOUSING-PIN, 5 CAVITY - AMP 1-480763-0
	088473-08-000	EA	HOUSING-PIN, 4 POSITION
	088474-02-000	EA	HOUSING-SOCKET, 15 POSITION (3 ROWS OF 5)
	088474-03-000	EA	HOUSING-SOCKET, 9-POSITION
	088474-07-000	EA	HOUSING-SOCKET, 5 CAVITY - AMP 1-480764-0
	088474-09-000	EA	HOUSING-SOCKET, 3 POSITION
	088474-10-000	EA	HOUSING-SOCKET, 2 POSITION
	088474-06-000	EA	SOCKET-HOUSING, 6 POSITION (2 ROWS OF THREE)
	088474-08-000	EA	SOCKET-HOUSING, 4 POSITION (SINGLE ROW)
	088476-01-000	EA	SOCKET-CONNECTOR, BRASS - PRE-TIN
	088476-02-000	EA	SOCKET-CONNECTOR, 12-10 GA - PHOS BRZ PRE-TIN
	041953-01-000	FT	CONDUIT-CONVOLUTE SLIT - 5" ID
	041953-03-000	FT	CONDUIT-CONVOLUTE, SLIT - 1" ID (CLOTHES ROD COVER)
	041953-06-000	FT	CONDUIT-CONVOLUTE SLIT - 3/75" ID
	041953-07-000	FT	CONDUIT-CONVOLUTE, SLIT - 25" ID
	041953-08-000	FT	CONDUIT-CONVOLUTE, SLIT - 1 50" ID
	041953-09-000	FT	CONDUIT-CONVOLUTE, SLIT - 50" ID
	041953-10-000	FT	CONDUIT-CONVOLUTE SLIT - 75" ID
	041953-11-000	FT	CONDUIT-CONVOLUTE, SLIT- 1 06" ID
	041953-12-000	FT	CONDUIT-CONVOLUTE, NON SLIT - 1 1" ID

**1993 WINNEBAGO  
TABLE OF CONTENTS**

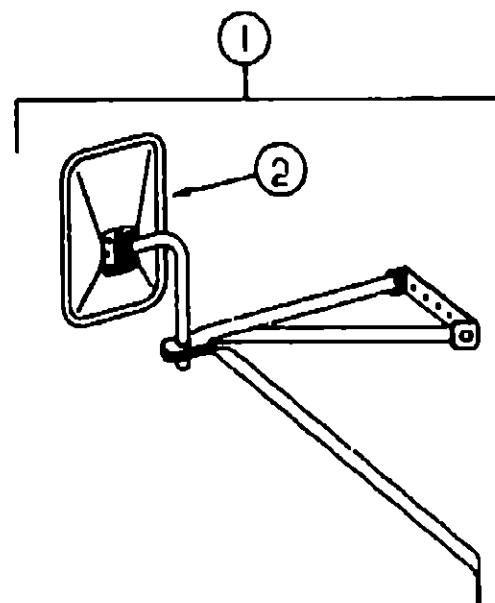
INTRODUCTION	A-01	-	A-02
ABBREVIATIONS			A-03
ALPHABETICAL INDEX	A-04	-	A-08
WF527RC	A-07	-	E-04
WF527RC	E-05	-	H-24

**1993 WF527RC INDEX**

FLOOR PLAN	E-05	-	E-06
ACCESSORIES			E-07
AUDIO VIDEO			E-08
BATH	E-09	-	E-10
BEDROOM	E-11	-	E-12
CHASSIS	E-13	-	E-17
CURTAIN & CUSHION	E-18	-	F-04
DINETTE	F-05	-	F-06
DRIVERS COMPARTMENT	F-07	-	F-08
ELECTRICAL	F-09	-	F-12
EXTERIOR BODY	F-13	-	F-22
GALLEY	F-23	-	G-03
GENERATOR			G-04
HEATING & A/C	G-05	-	G-06
INTERIOR FINISH	G-07	-	G-10
LABELS	G-11	-	G-17
LP			C-18
LOUNGE	G-19	-	G-20
SEALANTS & FASTENERS	G-21	-	G-23
WATER & SEWAGE	G-24	-	H-04
WINDOW, VENT AND EXTERIOR DOOR	H-05	-	H-23



**EXTERIOR BODY GROUP**



**EXTERIOR MIRRORS**

KEY	PART NUMBER	U/M DESCRIPTION
1	106860-02-01A	EA MIRROR ASM-STAR HEAD, LOW MOUNT - VELVAC #713157 (FORD)
2	106860-02-700	EA MIRROR HEAD ONLY, DRIVER SIDE - STAR - VELVAC D747283-9
2	106860-02-701	EA MIRROR HEAD ONLY, PASSENGER SIDE - STAR - VELVAC D747284-9
	106860-02-702	EA GLASS-FLAT, VELVAC 702086-B
	106860-01-702	EA HARDWARE PKG (F/REG & STAR) VELVAC 748230
	106860-01-703	EA BRACE-LOWER FORWARD - LEFT SIDE - OFF WHITE VELVAC D7809910
	106860-01-704	EA BRACE-LOWER FORWARD - RIGHT SIDE - OFF WHITE VELVAC D7809920
	105439-01-000	EA MIRROR-CONVEX, STICK ON

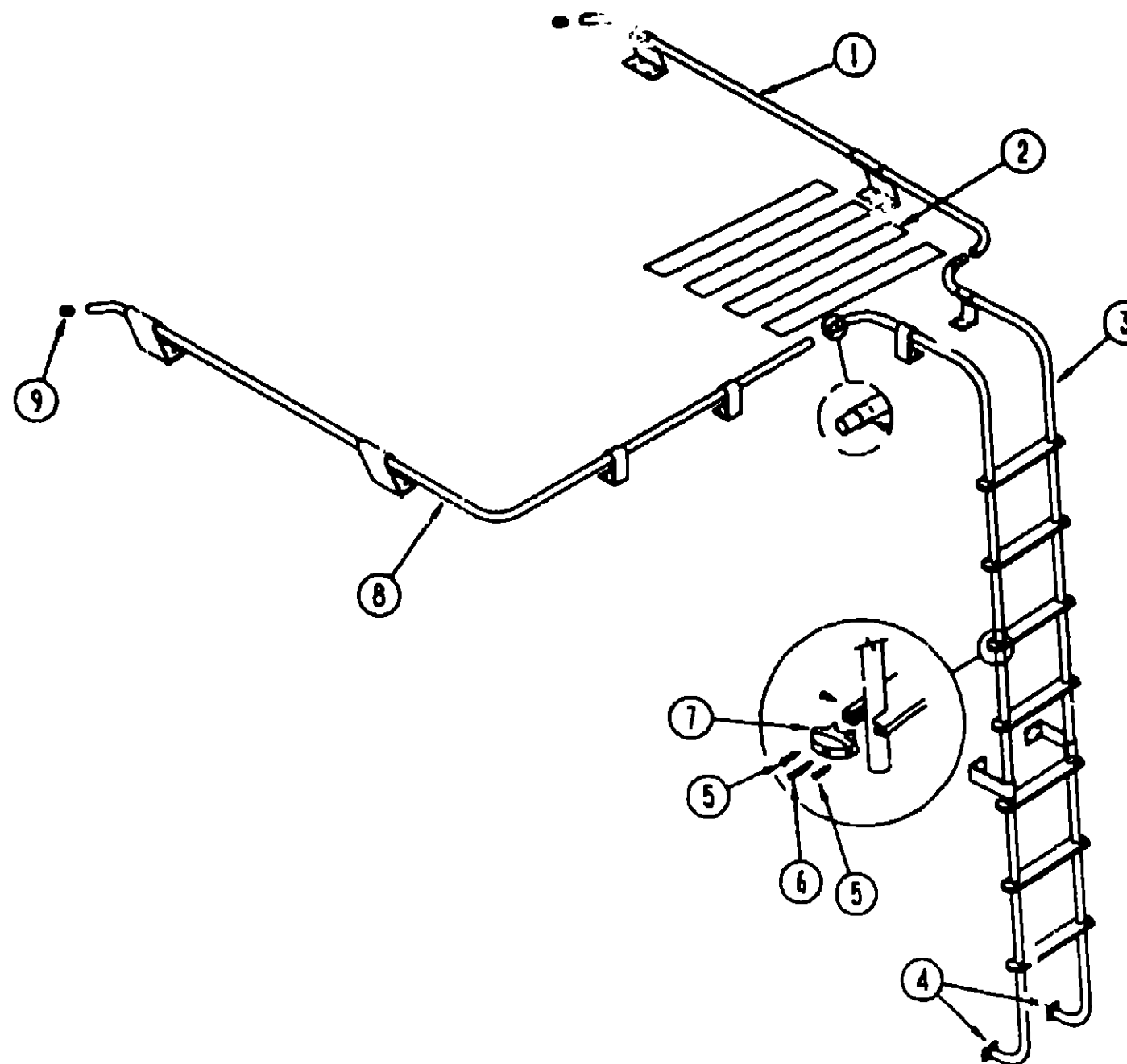
**RUNNING BOARDS**

KEY	PART NUMBER	U/M DESCRIPTION
	072884-20-000	EA RUNNING BOARD SET-FORD, 39" - KEMBERLY K-7 (STANDARD) FROM 00-00-00 THRU 01-31-93
	072884-27-000	EA RUNNING BOARD SET FORD, 39" - KEMBERLY K-12 (STANDARD) FROM 02-01-93 THRU 99-99 99
	106461-01-000	EA RUNNING BOARD, FORD - RIGHT SIDE - QUALITY COMP
	106461-02-000	EA RUNNING BOARD, FORD - LEFT SIDE - QUALITY COMP
	106461-03-000	EA HARDWARE KIT-RUNNING BOARD - QUALITY COMP
	106461-04-000	EA TRIM-RUNNING BOARD
	106461-05-000	EA STRIP-NON SKID, RUNNING BOARD

**ASSIST HANDLE & BUMPER**

KEY	PART NUMBER	U/M DESCRIPTION
	009126-02-000	EA HANDLE-ASSIST, ENTRY DOOR - BLACK
	039726-02-000	EA BUMPER- 88"DIA X 40" BLACK

**EXTERIOR BODY GROUP (CONTINUED)**



**RACK & LADDER**

KEY	PART NUMBER	U/M DESCRIPTION
1	107438-05-C07	EA RACK-PASSENGER SIDE
	069726-02-000	EA BUMPER- 88"DIA X 40", BLACK
2	038327-01-000	EA TAPE-ANTI SLIP, 2' X 60'
3	102953-02-C03	EA LADDER
4	067155-01-000	EA MOUNTING BRACKET-LADDER, LOWER
5	000G39-06-10T	EA SCREW-SF/DR, 6-20 X 5/8 PPH - BLACK
6	000G68-10-36T	EA SCREW-10-12 X 2 25 POH BLACK
7	076980-02-000	EA END CAP-STEP, BLACK
8	107438-09-C03	EA RACK ASM-DRIVER SIDE
9	081114-01-000	EA PLUG-ROUND, RACK & LADDER ENDS - PLASTIC - 1" DIA

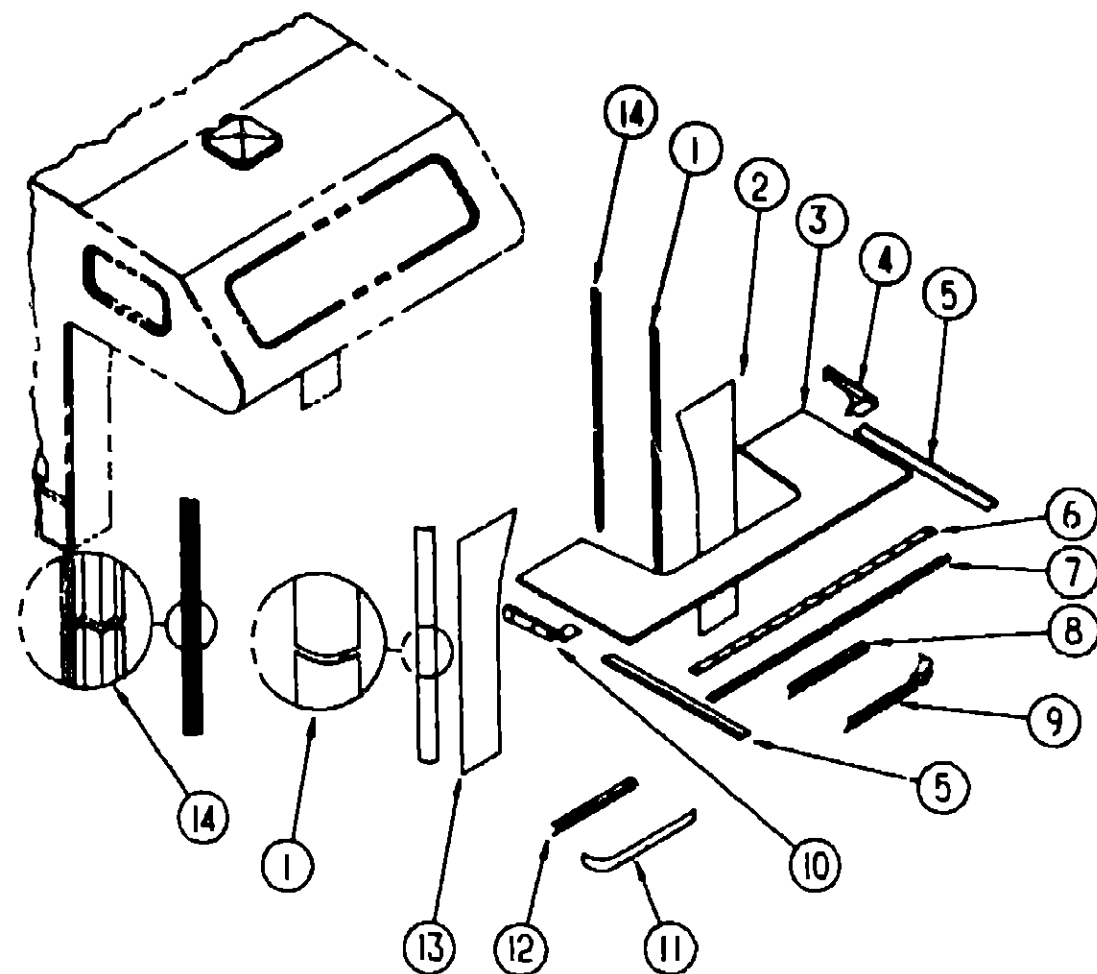
**1993 WINNEBAGO  
TABLE OF CONTENTS**

INTRODUCTION	A-01 - A-02
ABBREVIATIONS	A-03
ALPHABETICAL INDEX	A-04 - A-08
WF527RQ	A-07 - E-04
WF527RC	E-05 - H-24

**1993 WF527RC INDEX**

FLOOR PLAN	E-05 - E-06
ACCESSORIES	E-07
AUDIO VIDEO	E-08
BATH	E-09 - E-10
BEDROOM	E-11 - E-12
CHASSIS	E-13 - E-17
CURTAIN & CUSHION	E-18 - F-04
DINETTE	F-05 - F-06
DRIVERS COMPARTMENT	F-07 - F-08
ELECTRICAL	F-09 - F-12
EXTERIOR BODY	F-13 - F-22
GALLEY	F-23 - G-03
GENERATOR	G-04
HEATING & A/C	G-05 - G-06
INTERIOR FINISH	G-07 - G-10
LABELS	G-11 - G-17
LP	G-18
LOUNGE	G-19 - G-20
SEALANTS & FASTENERS	G-21 - G-23
WATER & SEWAGE	G-24 - H-04
WINDOW, VENT AND EXTERIOR DOOR	H-05 - H-23

**EXTERIOR BODY GROUP (CONTINUED)**



**WINGWALLS, SLEEPERBOARD & TRIM**

KEY	PART NUMBER	U/M DESCRIPTION
1	108037-01-01A	EA COVER-WINGWALL CURVED - OFF WHITE FROM 00-00-00 THRU 09-05-92
1	108037-02-01A	EA COVER-WINGWALL, CURVED - OFF WHITE FROM 09-06-92 THRU 99-99-99
2	108040-04-C52	EA WINGWALL ASM DRIVER SIDE - W/GUSSET FROM 00-00-00 THRU 09-05-92
2	109743-04-D29	EA WINGWALL ASM, DRIVER SIDE - W/GUSSET FROM 09-06-92 THRU 99-99-99
3	P06443-01-C03	EA SLEEPERBOARD ASM FROM 00-00-00 THRU 09-05-92
3	P09658-01-D29	EA SLEEPERBOARD ASM FROM 09-06-92 THRU 99-99-99
4	104444-02-01A	EA COVER-TRIM, WINGWALL - LEFT - OFF WHITE
5	105312-01-01A	FT INSERT-TRIM, VINYL - OFF WHITE
5	096854-01-01A	EA TRIM CONTOUR, W/O VINYL INSERT - 108" - OFF WHITE
6	100085-03-01A	EA TRIM-SLEEPERBOARD, FLAT - 2 5' X 87 5" - OFF WHITE
7	100086-02-01A	EA TRIM-SLEEPERBOARD, 2" X 90 7" - OFF WHITE
8	106146-01-01A	EA SUPPORT-COVER, WINGWALL - OFF WHITE (FORD)
9	106144-02-C52	EA COVER ASM-WINGWALL W/SUPPORT - LEFT - OFF WHITE (FORD)
9	106145-02-01A	EA COVER-ASM-WINGWALL W/O SUPPORT - LEFT - OFF WHITE (FORD)
10	104444-01-01A	EA COVER-TRIM, WINGWALL - RIGHT - OFF WHITE
11	106144-01-C52	EA COVER ASM-WINGWALL, W/SUPPORT - RIGHT - OFF WHITE (FORD)
11	106145-01-01A	EA COVER ASM-WINGWALL, W/O SUPPORT - RIGHT - OFF WHITE (FORD)
12	106146-01-01A	EA SUPPORT-COVER, WINGWALL - OFF WHITE (FORD)

**EXTERIOR BODY GROUP (CONTINUED)**

**WINGWALLS, SLEEPERBOARD & TRIM (CONTINUED)**

KEY	PART NUMBER	U/M DESCRIPTION
13	108040-03-C52	EA WINGWALL ASM, PASSENGER SIDE - W/GUSSET FROM: 00-00-00 THRU: 09-05-92
13	109743-03-D29	EA WINGWALL /ASM, DRIVER SIDE - W/GUSSET FROM 09-06-92 THRU: 99-99-99
14	105015-01-01A	EA TRIM-WINGWALL, CURVED - OFF WHITE FROM: 00-00-00 THRU: 09-05-92
14	105015-02-01A	EA TRIM-WINGWALL, CURVED - OFF WHITE FROM: 09-06-92 THRU: 99-99-99
	089334-01-000	FT VINYL-EXTERIOR, BETWEEN WINGWALL & CAB SEAL - WHITE

**FIBERGLASS, STYROFOAM & U CHANNEL**

KEY	PART NUMBER	U/M DESCRIPTION
	076054-G7-001	EA SHEET-FIBERGLASS, 41" X 32-1" - OFF WHITE
	076054-H1-000	EA SHEET-FIBERGLASS, 2438 X 2591MM - OFF WHITE
	076054-F3-000	EA SHEET-FIBERGLASS, 2438 X 2438MM - OFF WHITE
	076054-D3-001	EA SHEET-FIBERGLASS, 48" X 96" - OFF WHITE
	077517-24-000	EA SHEET-FIBERGLASS, FLAT - 48" X 96" - OFF WHITE
	083574-02-000	SF STYROFOAM-1 5" X 24" X 90 5"
	083574-03-000	SF STYROFOAM-3/4" X 48" X 96"
	000870-03-000	SF STYROFOAM-1 34" X 48" X 96" - INCREMENTS OF 32 SF
	000870-05-000	SF STYROFOAM- 5" X 24" X 96", INCREMENTS OF 16 SF
	002365-01-001	EA U-CHANNEL, 1" X 18" - SERRATED - MILL FINISHED ALUMINUM
	002754-01-001	EA ANGLE-EXTRUDED, .75" X .75" X 18" - MILL ALUMINUM
	002726-01-001	EA GARNISH-U-CHANNEL, 1 38" X 19" - SERRATED - MILL ALUMINUM
	002779-01-001	EA U-CHANNEL-EXTRUDED, ALUMINUM
	055278-51-259	FT TUBING-STEEL, 75" X 1 5" X 12 5"
	058267-01-000	FT CHANNEL-STEEL, W/HOLES - SIDEWALL STIFFENER - 2" X 20"

**1993 WINNEBAGO  
TABLE OF CONTENTS**

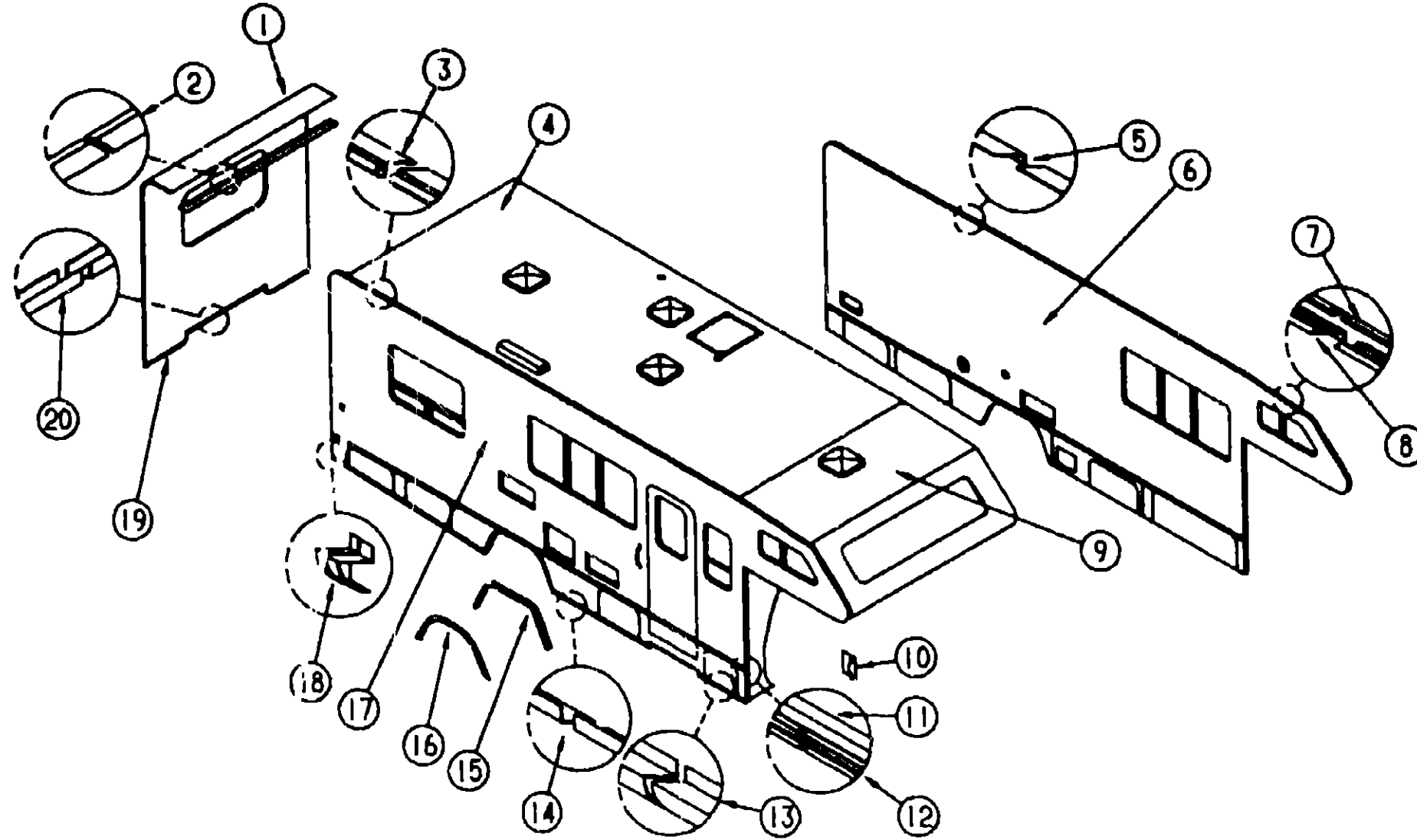
INTRODUCTION	A-01 - A-02
ABBREVIATIONS	A-03
ALPHABETICAL INDEX	A-04 - A-08
WF527RQ	A-07 - E-04
WF527RC	E-05 - H-24

**1993 WF527RC INDEX**

FLOOR PLAN	E-05 - E-06
ACCESSORIES	E-07
AUDIO VIDEO	E-08
BATH	E-09 - E-10
BEDROOM	E-11 - E-12
CHASSIS	E-13 - E-17
CURTAIN & CUSHION	E-18 - F-04
DINETTE	F-05 - F-06
DRIVERS COMPARTMENT	F-07 - F-08
ELECTRICAL	F-09 - F-12
EXTERIOR BODY	F-13 - F-22
GALLEY	F-23 - G-03
GENERATOR	G-04
HEATING & A/C	G-05 - G-06
INTERIOR FINISH	G-07 - G-10
LABELS	G-11 - G-17
LP	G-18
LOUNGE	G-19 - G-20
SEALANTS & FASTENERS	G-21 - G-23
WATER & SEWAGE	G-24 - H-04
WINDOW, VENT AND EXTERIOR DOOR	H-05 - H-23

# EXTERIOR BODY GROUP (CONTINUED)

## EXTERIOR PANELS & TRIMS



### 1993 WINNEBAGO TABLE OF CONTENTS

INTRODUCTION	A-01 - A-02
ABBREVIATIONS	A-03
ALPHABETICAL INDEX	A-04 - A-08
WF527RQ	A-07 - E-04
WF527RC	E-05 - H-24

### 1993 WF527RC INDEX

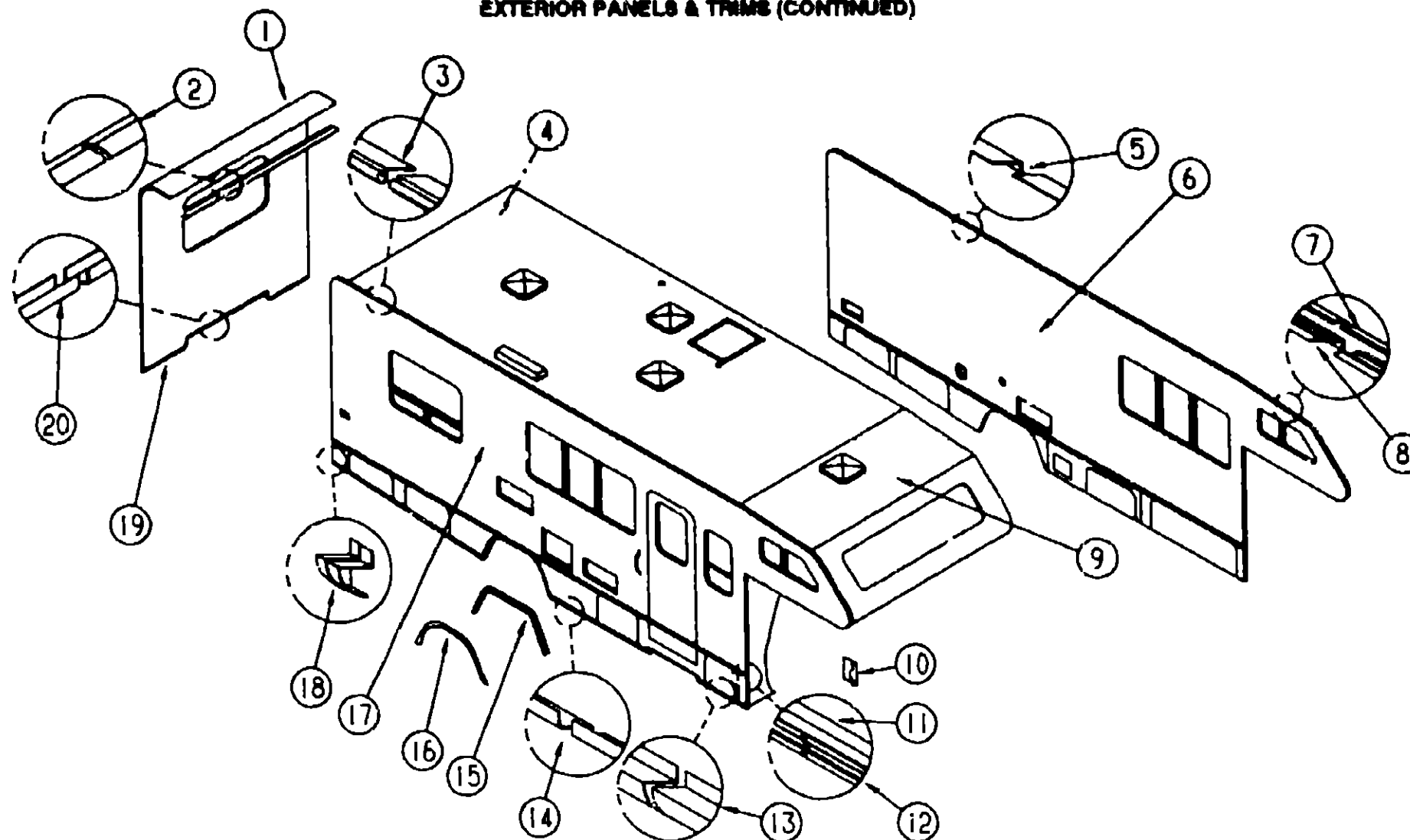
FLOOR PLAN	E-05 - E-06
ACCESSORIES	E-07
AUDIO VIDEO	E-08
BATH	E-09 - E-10
BEDROOM	E-11 - E-12
CHASSIS	E-13 - E-17
CURTAIN & CUSHION	E-18 - F-04
DINETTE	F-05 - F-06
DRIVERS COMPARTMENT	F-07 - F-08
ELECTRICAL	F-09 - F-12
EXTERIOR BODY	F-13 - F-22
GALLEY	F-23 - G-03
GENERATOR	G-04
HEATING & A/C	G-05 - G-06
INTERIOR FINISH	G-07 - G-10
LABELS	G-11 - G-17
LP	G-18
LOUNGE	G-19 - G-20
SEALANTS & FASTENERS	G-21 - G-23
WATER & SEWAGE	G-24 - H-04
WINDOW, VENT AND EXTERIOR DOOR	H-05 - H-23

KEY	PART NUMBER	U/M DESCRIPTION
1	P08609-01-D06	EA BACKWALL ASM W/BASES (D06, D07)
1	P08609-01-D08	EA BACKWALL ASM W/BASES (D08)
2	078580-01-000	EA TRIM-ROOF TO BACKWALL
3	100483-01-01A	EA TRIM-CONTOUR, ROOF (AWNING) - 120" - OFF WHITE
	099583-55-001	EA RAIL-AWNING, 120" EA - OFF WHITE
3	100483-02-01A	EA TRIM-CONTOUR, ROOF (AWNING) - 133 8" - OFF WHITE
	099583-55-002	EA RAIL-AWNING, 133 8" EA - OFF WHITE
4	P08880-01-D06	EA ROOF ASM W/BASES
		FROM 00-00-00 THRU 09-05-92
4	P09680-01-D06	EA ROOF ASM W/BASES
		FROM 09-06-92 THRU 99-99-99
5	096864-01-01A	EA TRIM-CONTOUR, ROOF TO SIDEWALL - 120" - OFF WHITE
5	096864-02-01A	EA TRIM-CONTOUR, ROOF TO SIDEWALL - 133 8" - OFF WHITE
6	P05333-01-D06	EA SIDEWALL ASM DRIVER SIDE (D06, D07)
		FROM 00-00-00 THRU 09-05-92
6	P09728-01-D06	EA SIDEWALL ASM DRIVER SIDE (D06, D07)
		FROM 09-06-92 THRU 99-99-99
6	P05333-01-D08	EA SIDEWALL ASM-DRIVER SIDE (D08)
		FROM 00-00-00 THRU 09-05-92
6	P09728-01-D08	EA SIDEWALL ASM DRIVER SIDE (D08)
		FROM 09-06-92 THRU 99-99-99

KEY	PART NUMBER	U/M DESCRIPTION
7	105312-01-01A	FT INSERT-TRIM VINYL - OFF WHITE
8	096854-01-01A	EA TRIM-CONTOUR, W/O VINYL INSERT - 108" - OFF WHITE DRIVER OR PASSENGER - FRONT OVERHEAD CAB SECTION FROM ROOF TO WINGWALL REAR - BACKWALL TO SIDEWALL VERTICAL SECTION
9	M76177-01-700	EA SECTION-ROOF, OVER CAB TO FIRST ROOF SEAM
10	009731-01-000	EA END CAP FEATURE STRIP
		FROM 00-00-00 THRU 09-07-92
10	108651-01-01A	EA END CAP FEATURE STRIP
		FROM 09-08-92 THRU 99-99-99
11	001030-02-003	EA INSERT-FEATURE STRIP, 17' LONG - OFF WHITE
		FROM 00-00-00 THRU 09-07-92
11	105312-01-01A	EA INSERT-FEATURE STRIP, 17' LONG - VINYL - OFF WHITE
		FROM 03-08-92 THRU 99-99-99
12	002444-04-002	EA STRIP-FEATURE, W/O INSERT - 15' LONG - OFF WHITE
		FROM 00-00-00 THRU 09-07-92
12	108688-01-01A	EA STRIP-FEATURE, W/O INSERT - 15' LONG - OFF WHITE
		FROM 09-08-92 THRU 99-99-99
13	104749-55-002	EA PANEL-ROCKER, EXTRUDED - ALUMINUM - 5600MM - DARK GRAY
14	091162-55-003	EA TRIM-SIDEWALL, ANGLED - 4877MM - OFF WHITE
15	105100-02-01A	EA TRIM-WHEELWELL OFF WHITE
16	105220-01-01A	EA TRIM WHEELWELL REAR - OFF WHITE

**EXTERIOR BODY GROUP (CONTINUED)**

**EXTERIOR PANELS & TRIMS (CONTINUED)**



**1993 WINNEBAGO  
TABLE OF CONTENTS**

INTRODUCTION	A-01 - A-02
ABBREVIATIONS	A-03
ALPHABETICAL INDEX	A-04 - A-06
WF527RQ	A-07 - E-04
WF527RC	E-05 - H-24

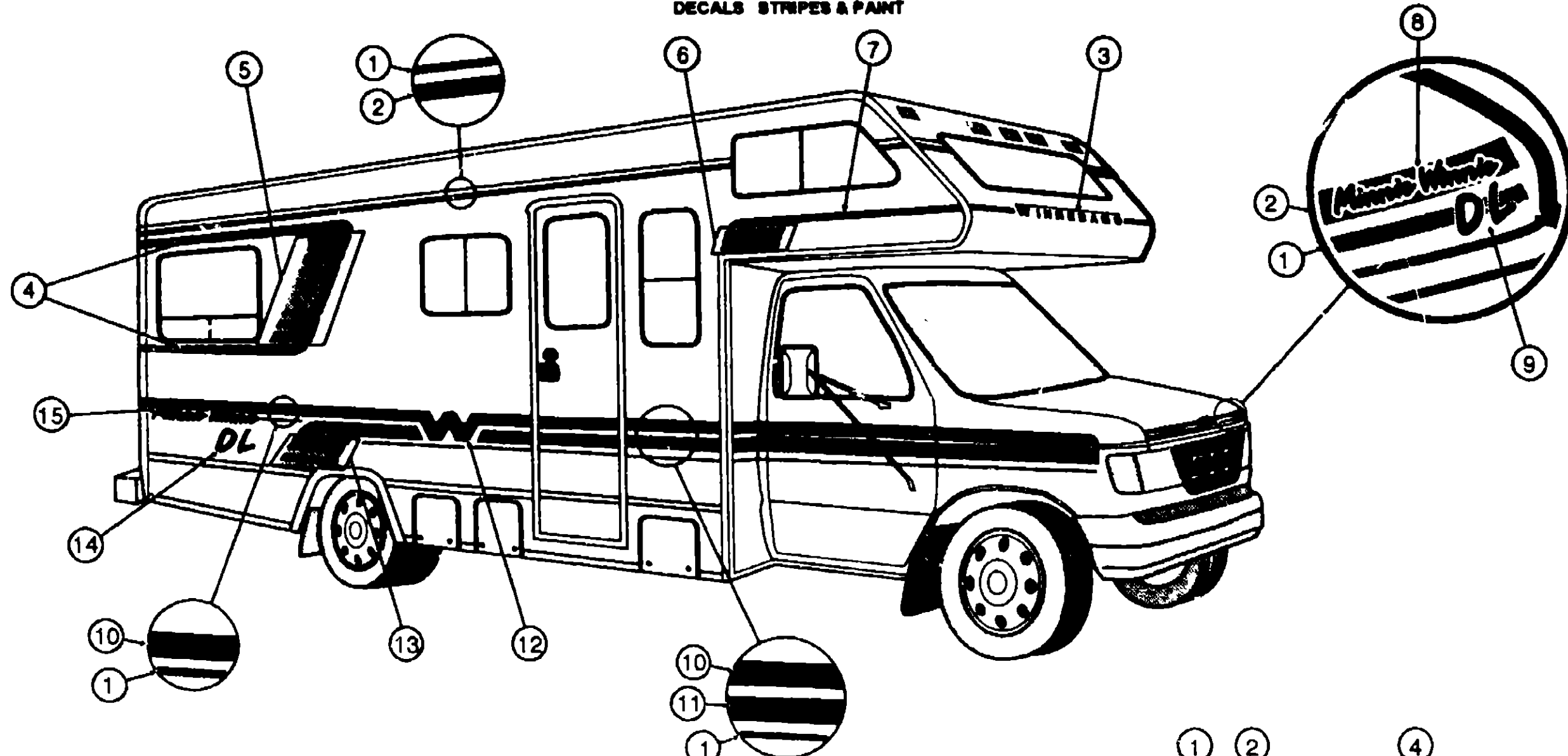
**1993 WF527RC INDEX**

FLOOR PLAN	E-05 - E-06
ACCESSORIES	E-07
AUDIO VIDEO	E-08
BATH	E-09 - E-10
BEDROOM	E-11 - E-12
CHASSIS	E-13 - E-17
CURTAIN & CUSHION	E-18 - F-04
DINETTE	F-05 - F-06
DRIVERS COMPARTMENT	F-07 - F-08
ELECTRICAL	F-09 - F-12
EXTERIOR BODY	F-13 - F-22
GALLEY	F-23 - G-03
GENERATOR	G-04
HEATING & A/C	G-05 - G-06
INTERIOR FINISH	G-07 - G-10
LABELS	G-11 - G-17
LP	G-18
LOUNGE	G-19 - G-20
SEALANTS & FASTENERS	G-21 - G-23
WATER & SEWAGE	G-24 - H-04
WINDOW, VENT AND EXTERIOR DOOR	H-05 - H-23

KEY	PART NUMBER	U/M DESCRIPTION
17	P08610-01-D06	EA SIDEWALL ASM PASSENGER SIDE (D05, D07) FROM 00-00-00 THRU 09-05-92
17	P09727-01-D06	EA SIDEWALL ASM-PASSENGER SIDE (D06, D07) FROM 09-06-92 THRU 99-99-99
17	P08610-01-D08	EA SIDEWALL ASM PASSENGER SIDE (D05) FROM 00-00-00 THRU 09-05-92
17	P09727-01-D08	EA SIDEWALL ASM PASSENGER SIDE (D08) FROM 09-06-92 THRU 99-99-99
	105025-04-C52	EA TRIM-SIDEWALL BELOW ENTRY DOOR
18	106106-01-01A	EA CAP-END, ROCKER PANEL - OFF WHITE
18	106106-02-01A	EA CAP-END, ROCKER PANEL - OFF WHITE
19	103334-02-01A	EA TRIM-BACKWALL LOWER - OFF WHITE
	002365-01-001	EA U-CHANNEL, 1" X 18' - SERRATED - MILL FINISHED ALUMINUM
	103335-02-01A	EA TRIM-BACKWALL LOWER - OFF WHITE
	002365-01-001	EA U-CHANNEL, 1" X 18' - SERRATED - MILL FINISHED ALUMINUM
	002754-01-001	EA ANGLE-EXTRUDED, 75° X 75° X 18' - MILL ALUMINUM
	002726-01-001	EA GARNISH-U-CHANNEL, 1.38" X 19' - SERRATED - MILL ALUMINUM
	002779-01-001	EA EXTR U CHANNEL, 1.75X192.00 - RIBBED

## EXTERIOR BODY GROUP (CONTINUED)

### DECALS STRIPES & PAINT

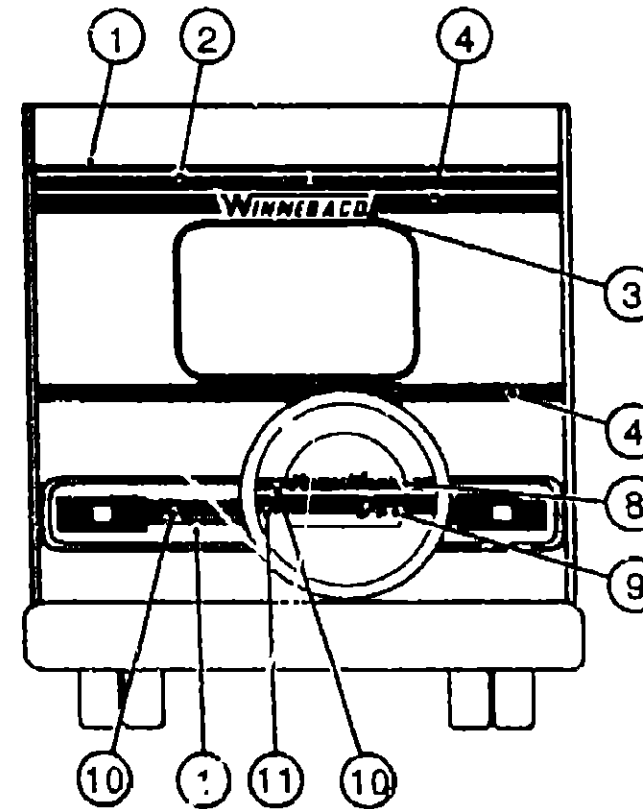


### 1993 WINNEBAGO TABLE OF CONTENTS

INTRODUCTION	A-01 - A-02
ABBREVIATIONS	A-03
ALPHABETICAL INDEX	A-04 - A-06
WF527RC	A-07 - E-04
WF527RC	E-05 - H-24

### 1993 WF527RC INDEX

FLOOR PLAN	E-05 - E-06
ACCESSORIES	E-07
AUDIO VIDEO	E-08
BATH	E-09 - E-10
BEDROOM	E-11 - E-12
CHASSIS	E-13 - E-17
CURTAIN & CUSHION	E-18 - F-04
DINETTE	F-05 - F-06
DRIVERS COMPARTMENT	F-07 - F-08
ELECTRICAL	F-09 - F-12
EXTERIOR BODY	F-13 - F-22
GALLEY	F-23 - G-03
GENERATOR	G-04
HEATING & A/C	G-05 - G-06
INTERIOR FINISH	G-07 - G-10
LABELS	G-11 - G-17
LP	G-18
LOUNGE	G-19 - G-20
SEALANTS & FASTENERS	G-21 - G-23
WATER & SEWAGE	G-24 - H-04
WINDOW, VENT AND EXTERIOR DOOR	H-05 - H-23



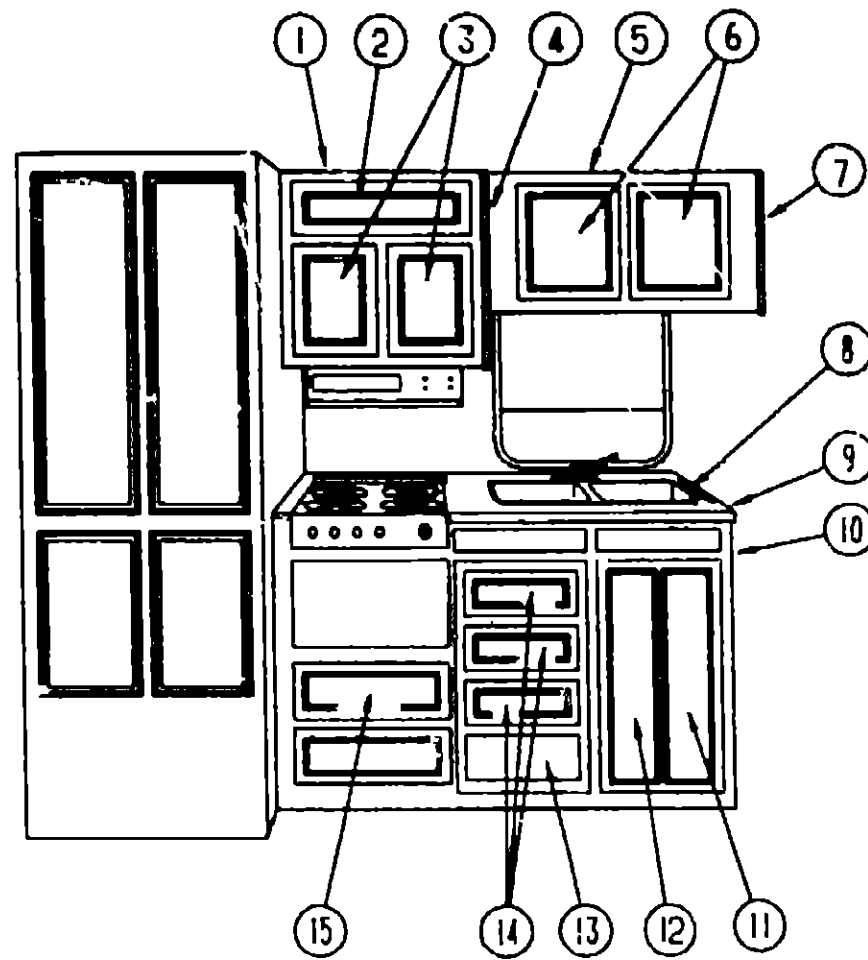
KEY	PART NUMBER	U/M	DESCRIPTION
1	093681-27-03A	FT	FILM- 19MM X 150FT, BAY TURQUOISE
2	093681-14-07A	FT	STRIPE-1 LINE, 1 5' WIDE - POTOMAC BLUE
3	050313-44-000	EA	DECAL-LOGO, "WINNEBAGO" - 2 8" TALL - BLUE
4	093681-35-01A	FT	FILM- 57MM X 150FT, DELFT BLUE
5	105482-01-01A	EA	DECAL-ANGLE,LARGE - RIGHT - DELFT BLUE/GRAY
	105482-02-01A	EA	DECAL ANGLE LARGE - LEFT - DELFT BLUE/GRAY
6	105484-01-01A	EA	DECAL-ANGLE OVERHEAD - RIGHT - DELFT BLUE/GRAY
	105484-02-01A	EA	DECAL-ANGLE, OVERHEAD - LEFT - DELFT BLUE/GRAY
7	093681-14-05A	FT	FILM- 38MM X 150FT, DELFT BLUE
8	105480-02-02A	EA	DECAL-LOGO, MINNIE WINNIE - OFF WHITE/POTOMAC BLUE/BAY TURQUOISE
9	106002-02-02A	EA	DECAL-LOGO, "DL" - SMALL - OFF WHITE/POTOMAC BLUE/BAY TURQUOISE
10	093681-35-04A	FT	FILM- 57MM X 150FT, POTOMAC BLUE
11	093681 20-02A	FT	FILM- 89MM X 150FT, DELFT BLUE
12	093691-07-02A	EA	DECAL-FLYING W 165 HIGH - POTOMAC BLUE
13	105483-01-01A	EA	DECAL-ANGLE WHEEL - RIGHT - DELFT BLUE/GRAY
	105483-02-01A	EA	DECAL-ANGLE, WHEEL - LEFT - DELFT BLUE/GRAY
14	106002-01-02A	EA	DECAL-LOGO, "DL" - LARGE - OFF WHITE/POTOMAC BLUE/BAY TURQUOISE
15	105480-01-03A	EA	DECAL-LOGO MINNIE WINNIE - OFF WHITE/POTOMAC BLUE/BAY TURQUOISE
	084075-01-000	EA	DECAL-"BY WINNEBAGO INDUSTRIES", BLACK
	074559-01-000	EA	DECAL LOGO, LPG - RED - (CALIF CODE)

#### DUPONT COLOR CODES

POTOMAC BLUE	G9952
DELFT BLUE	K9460
BAY TURQUOISE	G9837
OFF WHITE	L8723
GRAY	H9283

# GALLEY GROUP

## CABINETS & FIXTURES



KEY	PART NUMBER	U/M	DESCRIPTION
1	M05624-24-D06	EA	CABINET-OVERHEAD, RANGE - W/O DOORS & HARDWARE
1	M05624-25-D06	EA	CABINET-OVERHEAD, MICROV. AVE - W/O DOORS & HARDWARE
2	P00520-A8-D06	EA	DOOR-CABINET, W/O HARDWARE - 180 X 555MM
3	P04746-32-D06	EA	DOOR-CABINET, W/O HARDWARE - 275 X 365MM
4	104335-01-C52	EA	END CAP-CABINET, OVERHEAD
5	P05770-01-C52	EA	CABINET-OVERHEAD, SINK - W/O DOORS & HARDWARE
6	P04746-07-D06	EA	DOOR-CABINET, W/O HARDWARE - 365 X 555MM
7	104335-03-C52	EA	END CAP-CABINET, OVERHEAD
8	098335-02-D06	EA	RAIL-GALLEY, 22.2" LONG
8	098335-02-D07	EA	RAIL-GALLEY, 22.2" LONG
8	098335-02-D08	EA	RAIL-GALLEY, 22.2" LONG
9	107575-11-D06	EA	COUNTERTOP-CABINET, GALLEY
9	107575-11-D07	EA	COUNTERTOP-CABINET, GALLEY
9	107575-11-D08	EA	COUNTERTOP-CABINET, GALLEY
10	M05783-02-D06	EA	CABINET-GALLEY, W/O DOORS & HARDWARE
10	M05783-02-D07	EA	CABINET-GALLEY, W/O DOORS & HARDWARE
10	M05783-02-D08	EA	CABINET-GALLEY, W/O DOORS & HARDWARE
11	P04746-11-D06	EA	DOOR-CABINET, W/O HARDWARE - 230 X 675MM
12	P04746-12-D06	EA	DOOR-CABINET, W/O HARDWARE - 230 X 675MM
13	P07104-D3-D06	EA	DRAWER-CABINET, W/O HARDWARE
14	P07104-D0-D06	EA	DRAWER-CABINET, W/O HARDWARE
15	P07104-D6-D06	EA	DRAWER-CABINET, W/O HARDWARE
	103251-02-01A	EA	INSERT-ACRYLIC, 19.53" X 16.06" - REFRIGERATOR CABINET - BLACK
	103251-03-01A	EA	INSERT-ACRYLIC, 19.53" X 32.2" - REFRIGERATOR CABINET - BLACK
	103251-04-01A	EA	INSERT-ACRYLIC, 19.53" X 39.2" - REFRIGERATOR CABINET - BLACK
	008380-01-000	EA	GROMMET-RUBBER 5/8" HOLE X 1 1/2" DIAMETER - BLACK
	090329-01-000	FT	SEAL-T-REFRIGERATOR CABINET - 6" WIDE TOP X 2" TAIL
	092303-01-000	EA	STRAINER-SINK
	104114-01-01A	EA	FAUCET-GALLEY, SINGLE CONTROL
	104113-01-000	EA	SINK-DOUBLE, STAINLESS STEEL
	103610-01-C08	EA	COVER-SINK (D06)
	103610-01-D07	EA	COVER-SINK (D07)
	103610-01-D08	EA	COVER-SINK (D08)
	100081-01-01A	EA	TRAY-SILVERWARE 9" X 13.3" - PLASTIC - ALMOND - RUBBERMAID

## 1993 WINNEBAGO TABLE OF CONTENTS

INTRODUCTION	A-01 - A-02
ABBREVIATIONS	A-03
ALPHABETICAL INDEX	A-04 - A-06
WF527RQ	A-07 - E-04
WF527RC	E-05 - H-24

## 1993 WF527RC INDEX

FLOOR PLAN	E-05 - E-06
ACCESSORIES	E-07
AUDIO VIDEO	E-08
BATH	E-09 - E-10
BEDROOM	E-11 - E-12
CHASSIS	E-13 - E-17
CURTAIN & CUSHION	E-18 - F-04
DINETTE	F-05 - F-06
DRIVERS COMPARTMENT	F-07 - F-08
ELECTRICAL	F-09 - F-12
EXTERIOR BODY	F-13 - F-22
GALLEY	F-23 - G-03
GENERATOR	G-04
HEATING & A/C	G-05 - G-06
INTERIOR FINISH	G-07 - G-10
LABELS	G-11 - G-17
LP	G-18
LOUNGE	G-19 - G-20
SEALANTS & FASTENERS	G-21 - G-23
WATER & SEWAGE	G-24 - H-04
WINDOW, VENT AND EXTERIOR DOOR	H-05 - H-23

**GALLEY GROUP (CONTINUED)**

**LARGE NORCOLD 682 REFRIGERATOR**

KEY	PART NUMBER	U/M	DESCRIPTION
	093646-01-000	EA	BRACKET ASM-TIEDOWN, REFRIGERATOR - RIGHT
	093646-02-000	EA	BRACKET ASM-TIEDOWN, REFRIGERATOR - LEFT
	054450-01-000	EA	LEVEL-REFRIGERATOR
	104137-02-01A	EA	REFRIGERATOR LARGE DOUBLE DOOR 2 WAY - NORCOLD 682 RH BLK
	064473-01-702	EA	ORIFICE NORCOLD 61452122
	084880-J1-715	EA	VALVE-SHUT OFF MANUAL NORCOLD# 61697922
	075217-01-734	EA	FUSE-3 AMP, NORCOLD# 61538822
	075217-01-738	EA	SWITCH HUMIDITY, NORCOLD 61525922
	084880-01-713	EA	CONNECTOR MALE, INLET FITTING - NORCOLD# 615256
	084880-01-715	EA	VALVE-SHUT OFF MANUAL - NORCOLD# 61697922
	084880-01-718	EA	VALVE-GAS, NORCOLD 61551822
	084880-01-722	EA	CRISPER COVER - NORCOLD 615641
	084880-01-725	EA	HINGE BRACKET (CENTER HINGE), NORCOLD 61566523
	084880-01-731	EA	HINGE PIN NORCOLD 61578123
	084880-01-732	EA	LATCH NORCOLD 61578522
	084880-01-734	EA	BRACKET-HINGE, TOP RIGHT BOTTOM LEFT - BROWN - NORCOLD 61580937
	084880-01-735	EA	HINGE BRACKET TOP LEFT - BOTTOM RIGHT - BROWN - NORCOLD 61580937
	084880-01-739	EA	END CAP (SPRING CATCH) BROWN - NORCOLD 61593722
	084880-01-740	EA	END CAP (STOP CATCH) - NORCOLD 61593830
	084880-01-744	EA	HINGE PIN SHAFT (CENTER HINGE) NORCOLD 61566723
	084880-01-746	EA	CABLE, NORCOLD 61571522
	084880-01-747	EA	PLUG HOLE, NORCOLD 61582022
	084880-01-749	EA	HINGE BUSHING - NORCOLD 615807
	084880-01-753	EA	THERMISTER 78" W/CLIP - NORCOLD 61693822
	084880-01-761	EA	END CAP (SPRING CATCH) BLACK 61593730
	084880-02-700	EA	LOWER FLANGE 8663&8683 NORCOLD 61622123
	084880-03-701	EA	COOLING UNIT (HORIZONTAL BURNER) - NORCOLD 61687337
	084880-03-705	EA	BRACKET FOR INTERIOR LIGHT - NORCOLD 61629722
	084880-03-706	EA	LAMP (BULB) NORCOLD 61628922
	084880-03-707	EA	COVER FOR LAMP OR BULB - NORCOLD 61627922
	088248-01-706	EA	BURNER-HORIZONTAL, NORCOLD 61588122
	088248-01-707	EA	ELECTRODE-SENSOR (HORIZONTAL) NORCOLD# 61573322
	088248-01-708	EA	ELECTRODE IGNITION (HORIZONTAL) - NORCOLD# 61573222
	088248-01-709	EA	HEATER-AC (HORIZONTAL) - NORCOLD# 615627
	094039-01-700	EA	PC BOARD-3 WAY NORCOLD 61647522
	094039-01-701	EA	EYEBROW-SHELL, 3 WAY - BLACK - PLASTIC - NORCOLD 61669922
	094039-01-703	EA	PLATE-HINGE, LEFT - BROWN NORCOLD 61631422
	094039-01-704	EA	PLATE-HINGE, BLACK - NORCOLD 61631430
	094039-01-709	EA	PLATE-HINGE TOP RIGHT - LEFT BOTTOM - BROWN - NORCOLD 61631322
	094039-01-710	EA	PLATE-HINGE BLACK - NORCOLD 61631330
	094039-01-712	EA	DOOR BIN (GRAY) SILVER BORDER - NORCOLD 61564060
	094039-01-713	EA	DOOR GASKET (LOWER) GRAY - NORCOLD 61568030
	094039-01-714	EA	LOWER DOOR LINER (BROWN/WHITE) - NORCOLD# 61581737-B
	094039-01-715	EA	LOWER DOOR LINER (BLACK/WHITE) - NORCOLD 61581738-B
	094039-01-716	EA	LOWER DOOR HANDLE ASSY (BROWN) - NORCOLD# 61649937
	094039-01-717	EA	LOWER DOOR HANDLE ASSY (BLACK) - NORCOLD 61649938
	094039-01-718	EA	MILK BIN (GRAY) W/SILVER TRIM - NORCOLD 61579460
	094039-01-719	EA	DAIRY KEEPER (GRAY) SILVER TRIM - NORCOLD 61580460
	094039-01-720	EA	CAB ASSEMBLY (BROWN FRAME/WHITE LINER) - NORCOLD# 61663237
	094039-01-721	EA	CAB ASSEMBLY (BLACK FRAME/WHITE LINER) NORCOLD 61663238
	094039-01-722	EA	HOLE PLUG (BLACK) HINGE HOLES - NORCOLD 61582030
	094039-01-723	EA	HINGE BRACKET TOP RIGHT - BOTTOM LEFT - BLACK - NORCOLD 61580938
	094039-01-724	EA	BRACKET-HINGE, TOP LEFT - BOTTOM RIGHT - BLACK - NORCOLD 61580938
	094039-01-725	EA	HINGE PIN (BLACK) (MALE) - NORCOLD 61578130
	094039-01-726	EA	SHELF-FREEZER EVAPORATOR NORCOLD 615236
	094039-01-730	EA	HINGE PIN SHAFT (BLACK) CENTER HINGE - NORCOLD 61566730
	094039-01-731	EA	CRISPER (GRAY) SILVER TRIM - NORCOLD 61571260
	094039-01-732	EA	FRONT COVER (BLACK) BOTTOM TRIM - NORCOLD 61622130
	094039-01-733	EA	WIRE SHELF (MIDDLE) - NORCOLD 61563822
	094039-01-734	EA	WIRE SHELF (TOP) WRISER - NORCOLD 61563722
	094039-01-735	EA	INSIDE DRIP TRAY (WHITE) - NORCOLD 61572830
	094039-01-736	EA	SWITCH LIGHT, BLACK - NORCOLD 615810

**GALLEY GROUP (CONTINUED)**

**LARGE NORCOLD 682 REFRIGERATOR (CONTINUED)**

KEY	PART NUMBER	U/M	DESCRIPTION
	094039-01-739	EA	SHELF (CUTOUT) - NORCOLD 61646722
	094039-01-742	EA	TRAY-FOR CUTOUT SHELF, NORCOLD 61630922
	094039-04-700	EA	PC BOARD-2 WAY, NORCOLD# 61647322
	094039-04-702	EA	POWER SUPPLY (2 WAY) - NORCOLD 61647422
	093646-01-000	EA	BRACKET ASM-TIEDOWN, REFRIGERATOR
	093646-02-000	EA	BRACKET ASM-TIEDOWN, REFRIGERATOR
	054450-01-000	EA	LEVEL-REFRIGERATOR

KEY	PART NUMBER	U/M	DESCRIPTION
	104138-02-01A	EA	REFRIGERATOR-SMALL DOUBLE DOOR 2-WAY - NORCOLD 662 RH BLK
	075217-01-734	EA	FUSE-3 AMP NORCOLD 61538822
	075217-01-738	EA	SWITCH-HUMIDITY NORCOLD 61525922
	084879-03-700	EA	COOLING UNIT - HORIZONTAL BURNER NORCOLD# 61687237
	084880-01-713	EA	CONNECTOR-MALE, INLET FITTING - NORCOLD# 615256
	084880-01-715	EA	VALVE-SHUT OFF, MANUAL - NORCOLD# 61697922
	084880-01-718	EA	VALVE-GAS, NORCOLD 61551822
	084880-01-722	EA	CRISPER COVER - NORCOLD 615641
	084880-01-726	EA	HINGE BRACKET (CENTER HINGE), NORCOLD 61566523
	084880-01-731	EA	HINGE PIN, NORCOLD 61578123
	084880-01-732	EA	LATCH NORCOLD 61578522
	084880-01-734	EA	BRACKET-HINGE, TOP RIGHT - BOTTOM LEFT - BROWN - NORCOLD 61580937
	084880-01-735	EA	HINGE BRACKET, TOP LEFT - BOTTOM RIGHT - BROWN - NORCOLD 61580937
	084880-01-739	EA	END CAP (SPRING CATCH) BROWN - NORCOLD 61593722
	084880-01-740	EA	END CAP (STOP CATCH) - NORCOLD 61593830
	084880-01-746	EA	CABLE, NORCOLD 61571522
	084880-01-747	EA	PLUG-HOLE, NORCOLD 61582022
	084880-01-749	EA	HINGE BUSHING - NORCOLD 615807
	084880-01-753	EA	THERMISTER 78" W/CLIP - NORCOLD 61693822
	084880-01-761	EA	END CAP (SPRING CATCH) BLACK 61593730
	084880-02-700	EA	LOWER FLANGE 8663&8683 NORCOLD 61622123
	084880-03-705	EA	BRACKET FOR INTERIOR LIGHT - NORCOLD 61629722
	084880-03-706	EA	LAMP (BULB) - NORCOLD 61628922
	088248-01-706	EA	BURNER HORIZONTAL NORCOLD 61588122
	088248-01-707	EA	ELECTRODE-SENSOR, (HORIZONTAL), NORCOLD# 61573322
	088248-01-708	EA	ELECTRODE-IGNITION, (HORIZONTAL) - NORCOLD# 61573222
	088248-01-709	EA	HEATER-AC (HORIZONTAL) - NORCOLD# 615627
	094039-01-710	EA	HEATER-DC, (HORIZONTAL) - 3 WAY - NORCOLD# 615628
	094039-01-711	EA	GASKET-LOWER, GRAY - NORCOLD 61567930
	094039-01-701	EA	LINER-DOOR, LOWER - BROWN/WHITE - NORCOLD 61581937-B
	094039-01-702	EA	LINER-DOOR, LOWER - BLACK/WHITE - NORCOLD 61581938-B
	094039-01-703	EA	HANDLE-DOOR, LOWER - BROWN - NORCOLD 61650137
	094039-01-704	EA	HANDLE-DOOR, LOWER - BLACK - NORCOLD 61650138
	094039-01-706	EA	CAB ASM-BLK, WHITE LINER - WITH FRAME - NORCOLD 61663138
	094039-01-703	EA	PLATE-HINGE, LEFT - BROWN - NORCOLD 61631422
	094039-01-704	EA	PLATE-HINGE BLACK - NORCOLD 61631430
	094039-01-709	EA	PLATE-HINGE, TOP RIGHT - LEFT BOTTOM - BROWN - NORCOLD 61631322
	094039-01-710	EA	PLATE-HINGE, BLACK - NORCOLD 61631330
	094039-01-712	EA	DOOR BIN (GRAY) SILVER BORDER - NORCOLD 61564060
	094039-01-718	EA	MILK BIN (GRAY) W/SILVER TRIM - NORCOLD 61579460
	094039-01-719	EA	DAIRY KEEPER (GRAY) SILVER TRIM, NORCOLD 61580460
	094039-01-722	EA	HOLE PLUG (BLACK) HINGE HOLES - NORCOLD 61582030
	094039-01-723	EA	HINGE BRKT, TOP RIGHT - BOTTOM LEFT - BLACK - NORCOLD 61580938
	094039-01-724	EA	BRACKET-HINGE, TOP LEFT - BOTTOM RIGHT - BLACK - NORCOLD 61580938
	094039-01-725	EA	HINGE PIN (BLACK)(MALE) - NORCOLD 61578130
	094039-01-726	EA	SHELF FREEZER EVAPORATOR NORCOLD 615236

**1993 WINNEBAGO  
TABLE OF CONTENTS**

INTRODUCTION	A-01	A-02
ABBREVIATIONS		A-03
ALPHABETICAL INDEX	A-04	A-06
WF527RC	A-07	E-04
WF527RC	E-05	11-24

**SMALL NORCOLD 662 REFRIGERATOR**

**1993 WF527RC INDEX**

FLOOR PLAN	E-05	E-06
ACCESSORIES		E-07
AUDIO VIDEO		E-08
BATH	E-09	E-10
BEDROOM	E-11	E-12
CHASSIS	E-13	E-17
CURTAIN & CUSHION	E-18	F-04
DINETTE	F-05	F-06
DRIVERS COMPARTMENT	F-07	F-08
ELECTRICAL	F-09	F-12
EXTERIOR BODY	F-13	F-22
GALLEY	F-23	G-03
GENERATOR		G-04
HEATING & A/C	G-05	G-06
INTERIOR FINISH	G-07	G-10
LABELS	G-11	G-17
LP		G-18
LOUNGE	G-19	G-20
SEALANTS & FASTENERS	G-21	G-23
WATER & SEWAGE	G-24	H-04
WINDOW VENT AND EXTERIOR DOOR	H-05	H-23



## GALLEY GROUP (CONTINUED)

### SMALL NORCOLD 662 REFRIGERATOR (CONTINUED)

KEY	PART NUMBER	U/M	DESCRIPTION
	094039-01-730	EA	HINGE PIN SHAFT (BLACK) CENTER HINGE - NORCOLD 61566730
	094039-01-732	EA	FRONT COVER (BLACK) BOTTOM TRIM - NORCOLD 61622130
	094039-01-733	EA	WIRE SHELF (MIDDLE) - NORCOLD 61563822
	094039-01-734	EA	WIRE SHELF (TOP) W/RISER - NORCOLD 61563722
	094039-01-735	EA	INSIDE DRIP TRAY (WHITE) - NORCOLD 61572830
	094039-01-736	EA	SWITCH LIGHT, BLACK - NORCOLD 615810
	094039-01-739	EA	SHELF (CUTOUT) - NORCOLD 61646722
	094039-04-700	EA	PC BOARD-2 WAY, NORCOLD# 61647322
	094039-04-701	EA	EYEBROW (SHELL) 2 WAY - NORCOLD 61659822
	094039-04-702	EA	POWER SUPPLY (2 WAY) - NORCOLD 61647422
	093646-01-000	EA	BRACKET ASM-TIEDOWN, REFRIGERATOR
	093646-02-000	EA	BRACKET ASM-TIEDOWN, REFRIGERATOR
	054150-01-000	EA	LEVEL-REFRIGERATOR

### RANGE HOODS

KEY	PART NUMBER	U/M	DESCRIPTION
	100258-22-02A	EA	HOOD RANGE, W/MONITOR PANEL - 22" WIDE - VENTLINE US
	100258-23-02A	EA	HOOD-RANGE, W/MONITOR PANEL - 22" WIDE - VENTLINE CSA
	075470-01-703	EA	SWITCH-ON/MOMENTARY, JENSEN RP1016
	090973-01-700	EA	MOTOR - LVS CA509 1
	090973-01-702	EA	BLADE-FAN, LVS VA183-1
	092696-01-701	EA	KNOB LEVER, CABLE - PLASTIC - BLACK - VENTLINE CC225
	092696-01-702	EA	RESISTOR-WIRE, VENTLINE L7314
	092696-01-709	EA	BULB-912, VENTLINE VA415
	092696-01-710	EA	SOCKET-LIGHT, VENTLINE CB267-2
	096983-01-700	EA	SWITCH-ON/OFF, VENTLINE 106
	096983-01-702	EA	SWITCH-TWO WAY MOMENTARY VENTLINE 112
	096983-01-703	EA	SWITCH-ON/ON - JENSEN 115
	096983-01-707	EA	FILTER-GREASE 8" X 8" - LVS CC246
	096983-01-708	EA	LENS-LAMP VENTLINE CC179
	100258-04-701	EA	BEZEL SWITCH LEVER CABLE TO VENT - VENTLINE CC116
	100258-04-702	EA	SWITCH-LEVER W/CABLE - VENTLINE CB547-1
	100258-11-700	EA	CIRCUIT BOARD VENTLINE 5079-01
	100258-12-700	EA	PANEL ASM, VENTLINE 9076
	100258-10-01A	EA	METER-HOUR, VENTLINE 150

### MAGIC CHEF RANGE

KEY	PART NUMBER	U/M	DESCRIPTION
	102022-01-03A	EA	RANGE-16" 4 BURNER BLACK - MAGIC CHEF
	055282-03-705	EA	TRIM CABINET, LEFT - BLACK - MAGIC CHEF 3608F011-70
	055282-03-707	EA	TRIM-CABINET, RIGHT - BLACK - MAGIC CHEF 3608F012-70
	098507-02-701	EA	INSERT-BURNER (SLOTTED VENT), MAGIC CHEF 7214P015-60
	102020-01-700	EA	SHELF-OVEN, MAGIC CHEF - 7801-P027-60
	102020-01-701	EA	HANDLE-DOOR, MAGIC CHEF - 7701P092 60
	102020-01-702	EA	PANEL-MANIFOLD, MAGIC CHEF 2615F080-70
	102020-01-704	EA	PANEL-DOOR BLACK - MAGIC CHEF - 2401F075-/0
	102020-01-708	EA	BURNER ASSEMBLY-OVEN MAGIC CHEF 3403W003-45
	102020-01-711	EA	GRATE-TOP MAGIC CHEF 7518P012-60
	102020-01-712	EA	KNOB-BURNER VALVE, MAGIC CHEF 7733P044-60

## GENERATOR GROUP

### 4 KW KOHLER GENERATOR

KEY	PART NUMBER	U/M	DESCRIPTION
	105523-01-000	EA	GENERATOR-4KW LOW PROFILE, KOHLER 4CKM21
	105526-01-000	EA	ARRESTER-SPARK, KOHLER 278821
	105529-01-000	EA	MUFFLER FRONT EXHAUST, W/O SPARK - KOHLER 278734
	105732-01-000	EA	TRAY ASM-GENERATOR
	106172-01-000	EA	PIPE-EXHAUST ADAPTER
	007067-01-000	SF	INSULATION-FIBERGLASS, 1" THICK X 4' - INCREMENTS OF 4 SF

### 4 KW ONAN GENERATOR

KEY	PART NUMBER	U/M	DESCRIPTION
	100974-01-000	EA	GENERATOR-4 KW EMERALD PLUS, ONAN BGE FA28100G
	105732-01-000	EA	TRAY ASM-GENERATOR
	081364-01-000	EA	MUFFLER-GENERATOR, W/8 5" LONG TAILPIPE
	086252-01-000	EA	PIPE-EXHAUST, W/2 BOLT HOLE FLANGE
	086494-01-000	EA	BRACKET EXHAUST, W/DOUBLE BEND
	094059-01-000	EA	SPACER GENERATOR, ONAN
	007125-04-000	EA	CLAMP-MUFFLER - 1 1" DIA

### 4 KW ONAN GENERATOR EUROPEAN EXPORT

KEY	PART NUMBER	U/M	DESCRIPTION
	100974-04-000	EA	GENERATOR-4 KW EMERALD PLUS - ONAN BGE FN29236G
	079654-05-000	EA	PIPE-EXHAUST, ANGLED - W/FLANGE - 2" ID - ONAN 154-2539
	081364-01-000	EA	MUFFLER-GENERATOR, W/8 5" LONG TAILPIPE
	086252-01-000	EA	PIPE-EXHAUST, W/2 BOLT HOLE FLANGE
	086494-01-000	EA	BRACKET-EXHAUST, W/DOUBLE BEND
	094059-01-000	EA	SPACER-GENERATOR, ONAN
	105732-01-000	EA	TRAY ASM-GENERATOR
	007067-01-000	SF	INSULATION-FIBERGLASS, 1" THICK X 4' - INCREMENTS OF 4 SF
	007125-01-000	EA	CLAMP-MUFFLER 1 62 DIAMETER
	007125-04-000	EA	CLAMP-MUFFLER 1 1" DIA
	008401-01-000	EA	STRAP-CONDUIT, 3/4" - 1 HOLE GALVANIZED STEEL.

## 1993 WINNEBAGO TABLE OF CONTENTS

INTRODUCTION	A-01	A-02
ABBREVIATIONS		A-03
ALPHABETICAL INDEX	A-04	A-08
WF527RC	A-07	E-04
WF527RC	E-05	H-24

## 1993 WF527RC INDEX

FLOOR PLAN	E-05	E-06
ACCESSORIES		E-07
AUDIO VIDEO		E-08
BATH	E-09	E-10
BEDROOM	E-11	E-12
CHASSIS	E-13	E-17
CURTAIN & CUSHION	E-18	F-04
DINETTE	F-05	F-06
DRIVERS COMPARTMENT	F-07	F-08
ELECTRICAL	F-09	F-12
EXTERIOR BODY	F-13	F-22
GALLEY	F-23	G-03
GENERATOR		G-04
HEATING & A/C	G-05	G-06
INTERIOR FINISH	G-07	G-10
LABELS	G-11	G-17
LP		G-18
LOUNGE	G-19	G-20
SEALANTS & FASTENERS	G-21	G-23
WATER & SEWAGE	G-24	H-04
WINDOW, VENT AND		
EXTERIOR DOOR	H-05	H-23



**HEATING & AIR CONDITIONING GROUP**

**FURNACE**

KEY	PART NUMBER	U/M DESCRIPTION
	063365-01-000	EA THERMOSTAT-WALL, FURNACE - SUBURBAN 0160902
	098668-05-000	EA FURNACE-30000 BTU - SUBURBAN SF-30
	069634-01-733	EA RELAY, TIME DELAY 20&30 BTU, SUBURBAN 231202
	075695-01-709	EA MICRO SWITCH (FOR MODELS 30 & 34S) - SUBURBAN 230509
	090039-01-709	EA GASKET, OBSERVATION HOLE CUR SURBURBAN 070367
	092300-01-704	EA GASKET-ELECTRODE, SUBURBAN 070163
	092300-02-701	EA ORFICE, MAIN BURNER - SUBURBAN 180214
	098668-01-700	EA CABINET FRONT, SUBURBAN 101242
	098668-01-701	EA CABINET ASM, SUBURBAN 101299
	098668-01-702	EA ELECTRODE, SUBURBAN 231740
	098668-01-704	EA VALVE, SUBURBAN 160938
	098668-01-705	EA SWITCH LIMIT, SUBURBAN 231630
	098668-01-706	EA WHEEL-COMBUSTION AIR, SUBURBAN 350122
	098668-01-707	EA VENT CAP & EXHAUST TUBE ASM, SUBURBAN 260193
	098668-01-708	EA BLOWER ASM (COMBUSTION AIR), SUBURBAN 390441
	098668-01-709	EA MOTOR ASM FOR SF-25 SF-30 - SUBURBAN 231706
	098668-01-710	EA BLOWER ASM (ROOM AIR) SUBURBAN 330440
	098668-01-711	EA WHEEL ROOM AIR SUBURBAN 350123
	098668-01-712	EA BOARD-MODULE, SUBURBAN 231741
	098668-01-713	EA INTAKE VENT TUBE ASM - SUBURBAN 051044
	098668-02-700	EA BURNER ASM COMPLETE (SF 30/SF35), SUBURBAN 010745
	098668-05-000	EA DOOR-ACCESS FURNACE - OFF WHITE - SUBURBAN 520574

**REAR HEATER**

KEY	PART NUMBER	U/M DESCRIPTION
	084405-01-000	EA HEATER ASM-REAR DUCTED - W/MOTOR AID - EVANS
	084405-01-700	EA HEATER CORE
	084405-01-701	EA FAN
	084405-01-702	EA MOTOR-12 VOLT ASSY
	087202-01-000	EA SWITCH 4 POSITION W/KNOB
	098076-01-000	EA DECAL-AUTO AIR & REAR HEATER

**HEATING COMPONENTS**

KEY	PART NUMBER	U/M DESCRIPTION
	023146-01-000	EA CLAMP-SCREW TYPE - 4"
	069636-02-000	EA CONNECTOR DUCT- 4" ID - SUBURBAN 050715
	009198-01-000	FT DUCT-HEAT-FLEXIBLE - 4" ID X 25 FT
	092777-01-000	EA ADAPTER-DUCT, 4"
	093614-01-01A	EA GRILLE RETURN AIR- FURNACE - 15 6" X 7 6" - BROWN
	079059-13-000	EA HOSE-90 DEGREE- 61"ID X 4" X 48"
	079059-01-000	EA HOSE-90 DEGREE- 5/8"ID X 4" X 36"
	007108-01-000	FT HOSE-HEATER- 5/8" ID - HI-TEMP FORD ESE-M2D192 A
	056464-05-000	EA REGISTER-PLASTIC W/O DAMPER - 4" DIAMETER - GOLDEN
	009200-01-000	EA TAPE-FURNACE 1 1/2"
	089367-01-000	EA TEE-4" OD, 7" LONG - METAL
	088753-01-000	FT TUBE-ALUMINIZED STEEL 5/8" - 18 GAUGE
	008042-01-000	FT TUBING-VINYL 65" ID

**HEATING & AIR CONDITIONING GROUP (CONTINUED)**

**ROOF A/C**

KEY	PART NUMBER	U/M DESCRIPTION
	108889-01-01A	EA A/C-ROOF, 13 500 TSR HQ - IVORY - COLEMAN 7333-887
	091225-01-709	EA START RELAY, COLEMAN 1407-4131
	091225-01-710	EA START CAPACITOR, COLEMAN# 1407-0881
	083306-01-701	EA DECAL PACKAGE LEFT & RIGHT - COLEMAN 6798B3591
	093306-01-712	EA COMPRESSOR, COLEMAN 6707C3579
	105620-01-704	EA COMPRESSOR, RIGHT & LEFT - COLEMAN 1450-2009
	105620-01-706	EA FOOT PACKAGE-COMPRESSOR, 3 PER PACKAGE - COLEMAN 6759 3081
	108889-01-700	EA SHROUD (GREY/GREY) LESS LOGO - COLEMAN 6759-6421
	108889-01-702	EA SHROUD (BUFF/BUFF) LESS LOGO - COLEMAN 6759-6411
	108889-01-703	EA CONDENSER COIL, COLEMAN 1452-1301
	108889-01-704	EA OVERLOAD (MRA#98693, COLEMAN 6759-3541
	108889-01-705	EA MOTOR (115, 60HZ), COLEMAN 1488-3049
	108889-01-706	EA IMPELLOR, COLEMAN 1472-1041
	108889-01-707	EA RUN CAPACITOR (COMP-25MFD/370) COLEMAN 1499 5661
	108889-01-708	EA FAN CAPACITOR (7 5MFD 370U) COLEMAN 1499-5461
	108889-01-709	EA EVAPORATOR COIL, COLEMAN 1452-1311
	108889-01-710	EA FILLER PAD CONDITION AIR SEAL, COLEMAN 6759A3971
	108889-01-711	EA GASKET PACKAGE COLEMAN 6792-3301
	108889-01-712	EA SUCTION LINE REDUCER (3/8 X 1/2) COLEMAN 1215 2161
	108889-01-713	EA SUCTION LINE (3/8OD X .032 WALL), COLEMAN 6792-130
	108889-01-714	EA DISCHARGE LINE ASM, COLEMAN 6792-531
	108889-01-715	EA MOTOR MOUNT & SHAFT SEAL KIT, COLEMAN 6792-3361
	108891-01-01A	EA CEILING ASM A/C COOL TSR HQ, COLEMAN 7330-714 IV
	042204-01-709	EA THERMOSTAT IN 64 OUT 58 COLEMAN# 6701-3401
	073742-01-701	EA SELECTOR SWITCH (5 TERMINAL), COLEMAN 6759-3251
	073742-01-702	EA DECAL COOL ONLY, COLEMAN 6759C3431
	076303-01-707	EA FILTER-6" X 14 3/4" X 1/2", 12 PER PACKAGE - COLEMAN 6703A3151
	081606-01-712	EA CEILING SHROUD (IVORY), COLEMAN 6769-5061
	091225-01-713	EA KNOB (2 PER PACKAGE) COLEMAN 6701-3351
	091225-01-717	EA DECAL (THERMOSTAT) COOL ONLY, COLEMAN 6799A3441
	093766-02-701	EA DECAL-LEFT SIDE, COLEMAN 6799-3971
	108891-01-700	EA SINGLE PARTS PACKAGE (KNOBS & NUTS) COLEMAN 6792-5991
	108891-01-701	EA RETAINER CLIPS FOR FILTER (6 PER PACKAGE) COLEMAN 6799-3141
	102289-01-000	EA SPRING-SCREW ROOF A/C GASKET - COLEMAN 6757-150
	022756-02-000	EA COVER-PROTECTIVE, 5 5" ENDS X 8 2" - PLASTIC - OFF WHITE
	022756-03-000	EA COVER A/C - PLASTIC - OFF WHITE
	084077-03-000	EA COVER-BLANK, ROOF A/C - 5 2" X 3 5" - IVORY

**A/C-13500 BTU-EUROPE**

KEY	PART NUMBER	U/M DESCRIPTION
	092440-01-000	EA A/C-ROOF 13500 BTU - 220V - 50HZ - COLEMAN# 6713C750 FROM 00-00-00 THRU 08-31-92
	092441-01-000	EA CEILING ASM-A/C 220V - 50HZ - COLEMAN# 6712ET16 FROM 00-00-00 THRU 08-31-92
	108889-02-01A	EA A/C-ROOF 13500 BTU - 220V - TSR - IVORY - COLEMAN 7373-597 FROM 09-01-92 THRU 99-99-99
	108891-01-01A	EA CEILING ASM-A/C, COOL - TSR - IVORY - COLEMAN 7330-714 FROM 09-01-92 THRU 99-99-99
	042204-01-709	EA THERMOSTAT-IN 64 OUT 58, COLEMAN 6701-3401
	073742-01-701	EA SELECTOR SWITCH (5 TERMINAL) COLEMAN 6759-3251
	073742-01-702	EA DECAL COOL ONLY, COLEMAN 6759C3431
	076303-01-707	EA FILTER-6" X 14 3/4" X 1/2", 12 PER PKG - COLEMAN 6703A3151
	081606-01-712	EA CEILING SHROUD (IVORY), COLEMAN 6769-5061
	091225-01-713	EA KNOB (2 PER PACKAGE), COLEMAN 6701-3351
	091225-01-717	EA DECAL (THERMOSTAT) COOL ONLY, COLEMAN 6799A3441
	093766-02-701	EA DECAL-LEFT SIDE, COLEMAN 6799-3971
	108891-01-700	EA SINGLE PARTS PACKAGE (KNOBS & NUTS, COLEMAN 6792-5991
	108891-01-701	EA RETAINER CLIPS FOR FILTER (6 PER PACKAGE) COLEMAN 6799-3141
	102289-01-000	EA SPRING-SCREW, ROOF A/C GASKET - COLEMAN 6757-150
	084077-03-000	EA COVER BLANK, ROOF A/C - 5 2" X 3 5" - IVORY

**1993 WINNEBAGO  
TABLE OF CONTENTS**

INTRODUCTION	A-01 - A-02
ABBREVIATIONS	A-03
ALPHABETICAL INDEX	A-04 - A-06
WF527RC	A-07 - E-04
WF527RC	E-05 - H-24

**1993 WF527RC INDEX**

FLOOR PLAN	E-05 - E-06
ACCESSORIES	E-07
AUDIO VIDEO	E-08
BATH	E-09 - E-10
BEDROOM	E-11 - E-12
CHASSIS	E-13 - E-17
CURTAIN & CUSHION	E-18 - F-04
DINETTE	F-05 - F-06
DRIVERS COMPARTMENT	F-07 - F-08
ELECTRICAL	F-09 - F-12
EXTERIOR BODY	F-13 - F-22
GALLEY	F-23 - G-03
GENERATOR	G-04
HEATING & A/C	G-05 - G-06
INTERIOR FINISH	G-07 - G-10
LABELS	G-11 - G-17
LP	G-18
LOUNGE	G-19 - G-20
SEALANTS & FASTENERS	G-21 - G-23
WATER & SEWAGE	G-24 - H-04
WINDOW, VENT AND EXTERIOR DOOR	H-05 - H-23

## INTERIOR FINISH GROUP

### MOLDINGS & TRIMS

KEY	PART NUMBER	U/M DESCRIPTION
	009767-10-000	FT WELTING-CABINET TO WALL, MAHOGANY
	009767-12-000	FT MOLDING-SIDEWALL TO CEILING/CABINET - WELTING - OFF WHITE
	009809-23-000	EA MOLDING-CORNER, OUTSIDE - 1" - PLASTIC - IVORY
	009809-24-000	EA MOLDING-CORNER, OUTSIDE - 1" - PLASTIC - THOR PECAN
	009809-25-000	EA MOLDING-CORNER, OUTSIDE - 1" - PLASTIC - OFF WHITE
	009812-25-000	EA MOLDING CORNER, OUTSIDE - 5" - PLASTIC - PECAN
	022992-01-000	FT MOLDING-REVERSE COVE, T-SHAPED - VINYL - WHITE
	022992-11-000	FT MOLDING-REVERSE COVE, T-SHAPED - VINYL - IVORY
	070504-01-000	FT U-CHANNEL-PLASTIC, 065" WIDE - LIGHT BROWN - INC OF 8'
	070504-20-000	FT U CHANNEL-PLASTIC, 815" WIDE - THOR PECAN - INC OF 8'
	070504-24-000	FT U CHANNEL-PLASTIC, 875" WIDE - THOR PECAN - INC OF 8'
	076325-16-000	FT MOLDING-EDGE BAND, 1 5/16" WIDE - WOODGRAIN - REGAL OAK
	076325-34-000	FT MOLDING-EDGE BAND, 1 5/16" WIDE - ORCHID (D06, D08)
	076325-35-000	FT MOLDING-EDGE BAND, 875" WIDE - ORCHID (D06, D08)
	076325-37-000	FT MOLDING-EDGE BAND 1 5/16" WIDE - GRAY (D07)
	076325-38-000	FT MOLDING-EDGE BAND, 875" WIDE - GRAY (D07)
	083620-07-000	FT MOLDING-T, END CAP EDGE - WEDGE LIPS - 75° - THOR PECAN
	083620-09-000	FT MOLDING-T, END CAP EDGE - WEDGE LIPS - 75° - MODERN IVORY
	085284-66-000	FT BATT STRIP-WOODGRAIN, ADHESIVE BACKED - FOREST OAK
	085284-74-000	FT BATT STRIP MAIN, W/ADHESIVE BACK - BARCELONA BLUESTONE (D06 D07)
	085284-77-000	FT BATT STRIP MAIN, W/ADHESIVE BACK - CHAMBRAY DESERT (D08)
	085284-75-000	FT BATT STRIP BATH/GALLEY W/ADHESIVE BACK - MONIQUE BLUESTONE (D06, D07)
	085284-72-000	FT BATT STRIP BATH/GALLEY W/ADHESIVE BACK - MONIQUE DESERT (D08)
	085284-76-000	FT BATT STRIP-BATH/SHOWER, W/ADHESIVE BACK - ANTIQUE WHITE
	085746-01-000	FT TRIM-J, CARPET - 1 2" X 5" ANGLE - 10 LONG - PVC - BEIGE
	086229-01-000	EA RETAINER-BATTEN, CEILING - 75" WIDE - 7 6" LONG
	086229-04-000	EA BATTEN-CEILING 1" WIDE - IVORY - 7 6" LONG
	086229-08-000	EA BATTEN-CEILING, 1" WIDE - IVORY - 70" LONG
	088263-71-000	EA BATT STRIP-DECORATIVE, 8' LONG - FAWN
	088263-85-000	EA BATT STRIP-BATH & GALLEY, 8' LONG - MONIQUE BLUESTONE (D06, D07)
	088263-83-000	EA BATT STRIP BATH & GALLEY, 8' LONG - MONIQUE DESERT (D08)
	088263-96-000	EA BATT STRIP-MAIN DECORATIVE 8' LONG - BARCELONA BLUESTONE (D06 D07)
	088263-87-000	EA BATT STRIP-MAIN DECORATIVE, 8' LONG - CHAMBRAY DESERT (D08)
	092330-D2-438	EA LUMBER-VINYL WRAPPED 7" X 1 5" X 9" - WOODGRAIN
	092330-03-000	EA LUMBER-VINYL WRAPPED, 2" X 96" WOODGRAIN - REGAL OAK
	092330-05-000	EA LUMBER-VINYL WRAPPED 2 9" X 96" - WOODGRAIN - REGAL OAK
	092331-D2-134	EA MOLDING-VINYL WRAPPED, 7" X 1 57" X 84" - WOODGRAIN
	092331-F2-134	EA MOLDING-VINYL WRAPPED, 7" X 2 5" X 7" - WOODGRAIN
	092331-F2-438	EA MOLDING-VINYL WRAPPED 7" X 2 5" X 96" - WOODGRAIN
	100659-01-B05	EA MOLDING-TRIM, VINYL FLOOR - 1" X 72" - WOOD
	100818-01-01A	EA MOLDING VINYL WRAPPED 1 65" X 4" X 7" - REGAL OAK
	100819-01-01A	EA MOLDING-VINYL WRAPPED L SHAPED - 1 5" X 1 5" X 7" - OAK
	103188-01-02A	FT MOLDING-EDGE, SHELF - 78" WIDE - PLASTIC - REGAL OAK
	104676-01-01A	FT MOLDING T, 5/16" RIGID - GOLD
	105004-01-01A	EA MOLDING VINYL WRAP, 1" X 8" - REGAL OAK
	105618-01-01A	FT MOLDING EDGE, 5/16" WIDE - W/ADHESIVE - GOLD
	105709-01-000	FT MOLDING-T 1" - PLASTIC - MODERN IVORY

## INTERIOR FINISH GROUP (CONTINUED)

### PANELING, LAMINATES & PLASTIC

KEY	PART NUMBER	U/M DESCRIPTION
	000885-34-000	°F PARTICLE BOARD-3/8" X 48" X 97", 1 SIDE VINYL - WOODGRAIN - INC OF 33 SF
	000885-52-000	SF PARTICLE BOARD-2 SIDED VINYL, 3/8" X 4' X 8' - WOODGRAIN
	000885-55-000	SF PARTICLE BOARD-3/8" X 48" X 97", 1 SIDE VINYL - WOODGRAIN - INC OF 33 SF
	000885-56-000	SF PARTICLE BOARD-3/4" X 60" X 96", 2 SIDES VINYL - WOOD GRAIN
	074497-18-000	SF PANELING-CEILING, 4' X 8' - INCREMENTS OF 32 SF
	074497-19-000	SF PANELING-CEILING, 4' X 8' - INCREMENTS OF 32 SF
	074497-20-000	SF PANELING-WOODGRAIN, 4' X 8' - INCREMENTS OF 32 SF
	074499-10-000	SF LAMINATE-PLASTIC, 5' X 8' - OFF WHITE - INC OF 40 SF
	074498-41-000	SF LAMINATE-PLASTIC, GALLEY/DINETTE - 5' X 8' - ORCHID MIST (D06)
	074498-47-000	SF LAMINATE-PLASTIC, GALLEY/DINETTE - 5' X 8' - GRAY MATRIX (D07)
	074498-46-000	SF LAMINATE-PLASTIC, GALLEY/DINETTE - 5' X 8' - TAUPE MATRIX (D08)
	074498-45-000	SF LAMINATE-PLASTIC, BATH/BEDROOM - 5' X 8' - FAVORITE MIX (D08)
	074498-42-000	SF LAMINATE-PLASTIC BATH/BEDROOM - 5' X 8' - GRAY KALEIDSCOPE (D07)
	074498-43-000	SF LAMINATE-PLASTIC, BATH/BEDROOM - 5' X 8' - VERDE PATINA (D08)
	088272-A6-000	SF PANELING-BATH/GALLEY 4' X 7' - MONIQUE BLUESTONE (D06, D07)
	088272-A2-000	SF PANELING BATH/GALLEY, 4' X 7' - MONIQUE DESERT (D08)
	088272-A7-000	SF PANELING-MAIN 4' X 7' - BARCELONA BLUESTONE (D06, D07)
	088272-A8-000	SF PANELING-MAIN, 4' X 7' - CHAMBRAY DESERT (D08)
	088272-98-000	SF PANELING-SHOWER, OFF WHITE - 4' X 7' - INC OF 28 SQ FT
	089297-01-000	SF PLYWOOD LUAN, OVERLAY GRADE - 4' X 8' - INC OF 32 SF
	089351-03-000	YD VINYL-CEILING, DIAMOND DESIGN - 54" WIDE
	093743-02-01A	SF PLASTIC-ABS, 20" WIDE ROLL - OFF WHITE
	093743-03-01A	SF PLASTIC-ABS, 10 8" WIDE - OFF WHITE
	098531-01-000	SF PLYWOOD-RED OAK, 1/2"

### CARPETING & FLOOR MATS

KEY	PART NUMBER	U/M DESCRIPTION
	096060-50-000	SY CARPET-ROLL 12' WIDE - BLUE GRANITE (D06)
	096060-49-000	SY CARPET-ROLL 12' WIDE - MERCURY (D07)
	096060-51-000	SY CARPET-ROLL 12' WIDE - TROPIC (D08)
	053486-01-000	SY CARPET-COMPARTMENT 54" WIDE DARK GRAY
	102695-04-000	YD TAPE CARPET BIND, BLUE (D06)
	102695-10-000	YD TAPE-CARPET BIND, FAWN (D07)
	102695-05-000	YD TAPE-CARPET BIND, TEAL (D08)
	047034-02-000	SF PLASTIC-CARPET 4 WIDE - CLEAR POLY - MINIMUM ORDER 1 600 SF
	075233-01-000	SY PAD CARPET, 3/8" X 6" ROLL
	081075-03-000	EA MAT-FLOOR ENTRANCE WINNEBAGO - PLASTICOLOR GRAY
	106884-01-000	EA MAT-FLOOR PASSENGER "W" FORD
	106884-02-000	EA MAT FLOOR DRIVER "W" - FORD

### FIRE EXTINGUISHER, SMOKE DETECTOR & CLOCK

KEY	PART NUMBER	U/M DESCRIPTION
	072852-01-000	EA DETECTOR-SMOKE W/9 VOLT BATTERY
	072852-02-000	EA DETECTOR-SMOKE W/9 VOLT BATTERY (CANADIAN)
	094499-01-000	EA EXTINGUISHER FIRE DRY W/MOUNTING BRACKET - 10 BC
	094499-02-000	EA EXTINGUISHER FIRE DRY - 1A10BC - CANADIAN
	094499-01-700	EA BRACKET MOUNTING W/PLASTIC STRAP - FIRE EXTINGUISHER
	100793-02-01A	EA CLOCK-WALL,BOLDEN 9988 "ROUND 11"

## 1993 WINNEBAGO TABLE OF CONTENTS

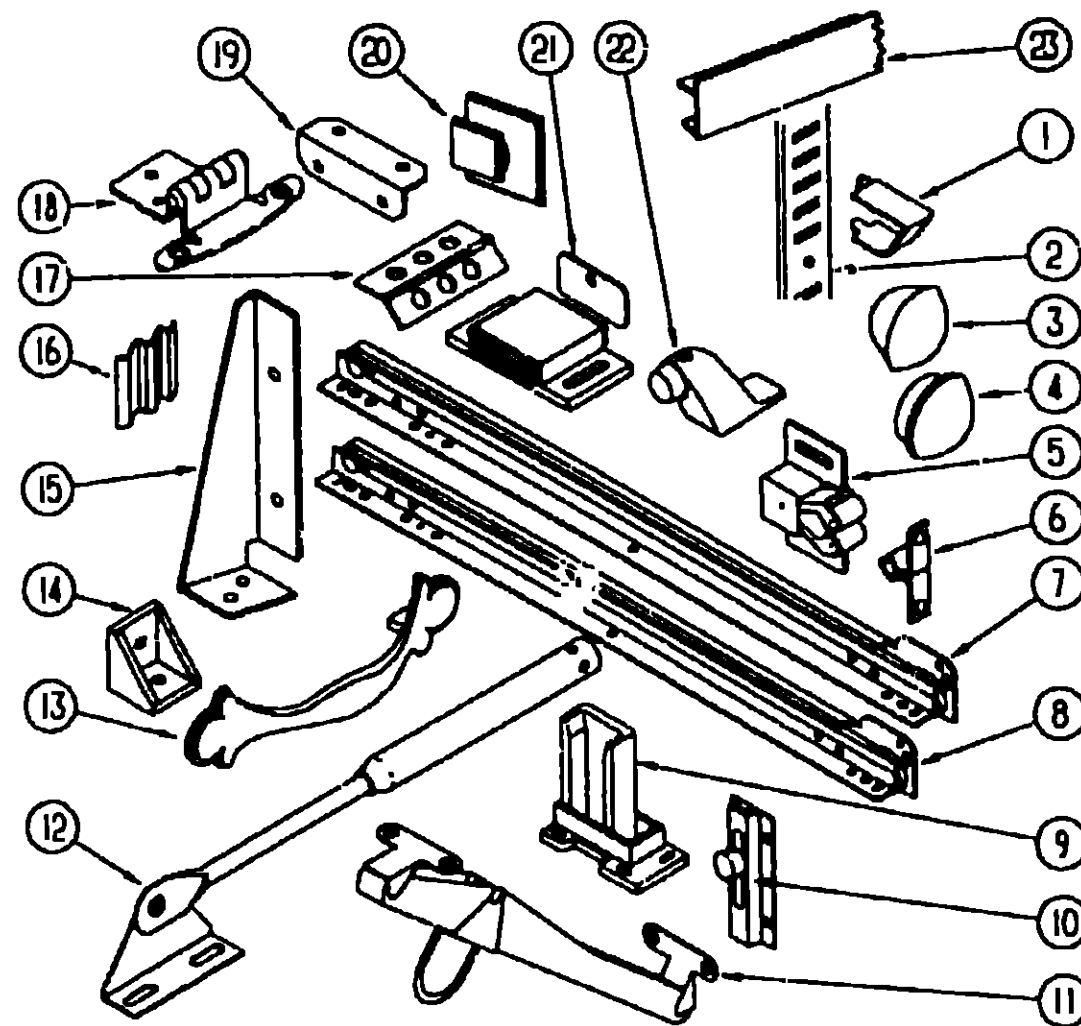
INTRODUCTION	A-01	A-02
ABBREVIATIONS		A-03
ALPHABETICAL INDEX	A-04	A-06
WF527RC	A-07	E-04
WF527RC	E-05	H-24

## 1993 WF527RC INDEX

FLOOR PLAN	E-05	E-06
ACCESSORIES		E-07
AUDIO VIDEO		E-08
BATH	E-09	E-10
BEDROOM	E-11	E-12
CHASSIS	E-13	E-17
CURTAIN & CUSHION	E-18	F-04
DINETTE	F-05	F-06
DRIVERS COMPARTMENT	F-07	F-08
ELECTRICAL	F-09	F-12
EXTERIOR BODY	F-13	F-22
GALLEY	F-23	G-03
GENERATOR		G-04
HEATING & A/C	G-05	G-06
INTERIOR FINISH	G-07	G-10
LABELS	G-11	G-17
LP		G-18
LOUNGE	G-19	G-20
SEALANTS & FASTENERS	G-21	G-23
WATER & SEWAGE	G-24	H-04
WINDOW, VENT AND		
EXTERIOR DOOR	H-05	H-23

## INTERIOR FINISH GROUP (CONTINUED)

### CABINET & TABLE HARDWARE



KEY	PART NUMBER	U/M DESCRIPTION
8	106913-05-000	EA SLIDE-DRAWER, CABINET MOUNTED - LEFT SIDE - 18"
8	106913-06-000	EA SLIDE-DRAWER, CABINET MOUNTED - RIGHT SIDE - 18"
8	106913-07-000	EA SLIDE-DRAWER, DRAWER MOUNTED - LEFT SIDE - 18"
8	106913-08-000	EA SLIDE-DRAWER, DRAWER MOUNTED - RIGHT SIDE - 18"
8	106913-09-000	EA SLIDE-DRAWER, CABINET MOUNTED - LEFT SIDE - 16"
8	106913-10-000	EA SLIDE-DRAWER, CABINET MOUNTED - RIGHT SIDE - 16"
8	106913-11-000	EA SLIDE-DRAWER, DRAWER MOUNTED - LEFT SIDE - 16"
8	106913-12-000	EA SLIDE-DRAWER, DRAWER MOUNTED - RIGHT SIDE - 16"
9	107030-01-000	EA BACKSOCKET-ADJUSTABLE, LEFT SIDE
9	107030-02-000	EA BACKSOCKET-ADJUSTABLE, RIGHT SIDE
10	061604-01-000	EA SLIDE-BOLT, ANTIQUE BRASS
11	104181-01-01A	EA SUPPORT-LEAF, 5 3" - EXTENDS TO 7 5" - SAFETY RING - METAL
12	074493-02-000	EA SUPPORT-PISTON SPRING, CABINET DOOR
13	100273-01-000	EA PULL-CABINET, ANTIQUE BRASS
14	065740-01-000	EA BRACE-CABINET CORNER, PLASTIC
15	076827-04-000	EA BRACKET-BUNK/BED, 2 9" X 1 8" TRIANGLE - METAL - OFF WHITE
16	105037-02-000	EA FASTENER-WOOD, CORNER - METAL - 5" X 6"
17	009059-01-000	EA HINGE-DOOR, 2" X 1 4" - BRASS
17	009059-02-000	EA HINGE-DOOR, 2" X 2 7" - BRASS
17	009063-01-000	EA HINGE-CONTINUOUS, 1 1/2" X 72" - UNPAINTED
17	009066-01-000	EA HINGE-CONTINUOUS W/O HOLES - 1 1/16" X 6" - ALUMINUM
18	108138-01-000	EA HINGE-DOOR, CABINET - BURNISHED BRASS
	000G13-06-08G	EA SCREW-6-20 X 5/8 PPH, ANTIQUE BRASS (HINGE 108138-01-000)
19	016604-01-000	EA BRACE-CABINET, ANGLE - 2 5" - METAL - UNPAINTED
19	016604-03-000	EA BRACE-CABINET, ANGLE - 2 5" - METAL - BEIGE
20	102327-01-01A	EA PULL-MIRROR, SQUARE
21	088254-01-000	EA CATCH-MAGNETIC, 1 8" X 7"
22	103257-01-000	EA STOP-DOOR
23	103186-01-02A	FT MOLDING-EDGE, SHELF - 78" WIDE - PLASTIC - REGAL OAK
	076790-01-000	EA SCREW, 6 20 X 1 1/4 PPH - BLACK
	004354-01-000	EA BUMPER-RUBBER 5" DIA - BROWN
	023320-01-000	EA PAD-FELT, 3/8" DIAMETER - BROWN
	009112-01-000	EA FLANGE-1" ROD CLOTHES - PLASTIC - OFF WHITE
	002766-01-001	EA ANGLE EXTRUDED 1" X 1 5" X 17" - ALUMINUM
	103130-01-000	EA HOOK-CUP, BRASS - 1 25"
	042438-01-000	EA DOWEL-WOOD, CLOTHES ROD - 1" DIAMETER X 4"
	094362-02-000	EA CLIP-CHRISTMAS TREE, FLAT HEAD - 5" X 95"

## 1993 WINNEBAGO TABLE OF CONTENTS

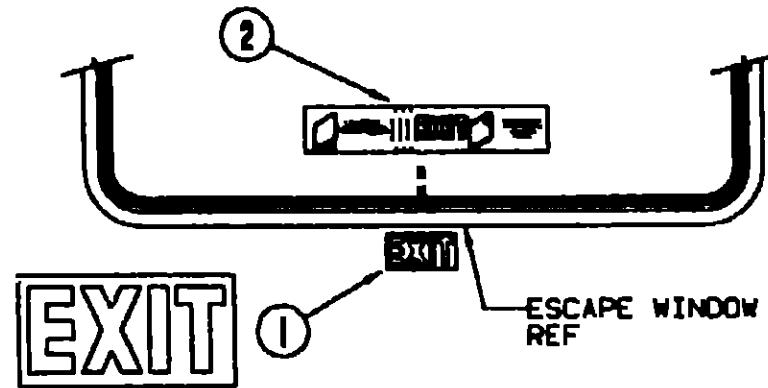
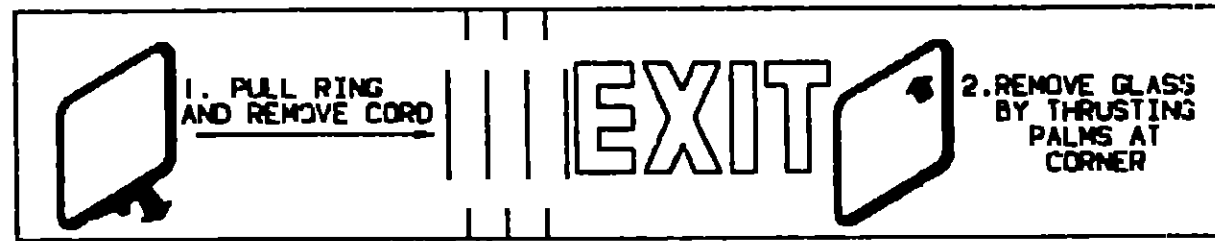
INTRODUCTION	A-01 - A-02
ABBREVIATIONS	A-03
ALPHABETICAL INDEX	A-04 - A-06
WF527RO	A-07 - E-04
WF527RC	E-05 - H-24

### 1993 WF527RC INDEX

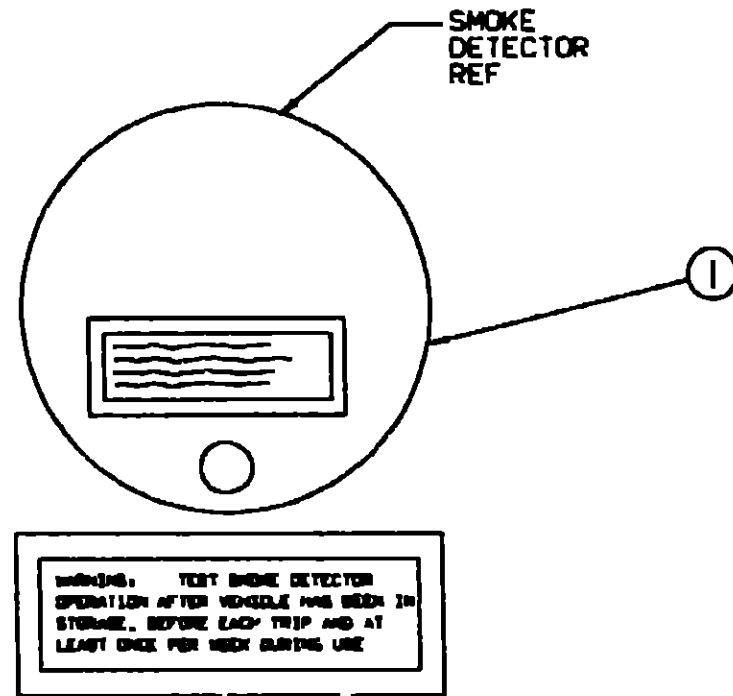
FLOOR PLAN	E-05 - E-06
ACCESSORIES	E-07
AUDIO VIDEO	E-08
BATH	E-09 - E-10
BEDROOM	E-11 - E-12
CHASSIS	E-13 - E-17
CURTAIN & CUSHION	E-18 - F-04
DINETTE	F-05 - F-06
DRIVERS COMPARTMENT	F-07 - F-08
ELECTRICAL	F-09 - F-12
EXTERIOR BODY	F-13 - F-22
GALLEY	F-23 - G-03
GENERATOR	G-04
HEATING & A/C	G-05 - G-06
INTERIOR FINISH	G-07 - G-10
LABELS	G-11 - G-17
LP	G-18
LOUNGE	G-19 - G-20
SEALANTS & FASTENERS	G-21 - G-23
WATER & SEWAGE	G-24 - H-04
WINDOW VENT AND EXTERIOR DOOR	H-05 - H-23

KEY	PART NUMBER	U/M DESCRIPTION
1	098979-01-000	EA CLIP ADJUSTABLE SHELF
2	098980-01-000	EA PILASTER-ADJUSTABLE SHELF 18" LONG
2	098980-04-000	EA PILASTER-ADJUSTABLE SHELF 48" LONG
3	042356-01-000	EA PLUG-BUTTON MAHOGANY - 3/8" DIAMETER - WOOD
4	074045-07-000	EA PLUG-WOOD, 1/2"
5	093586-03-000	EA CATCH-SPRING, ROLLER
6	093586-04-000	EA STRIKE-SPRING STEEL
7	101910-03-000	EA SLIDE-DRAWER CABINET MOUNTED - SET OF 2 - 12" LONG
7	101910-04-000	EA SLIDE-DRAWER DRAWER MOUNTED - SET OF 2 - 12" LONG

**LABELS GROUP**

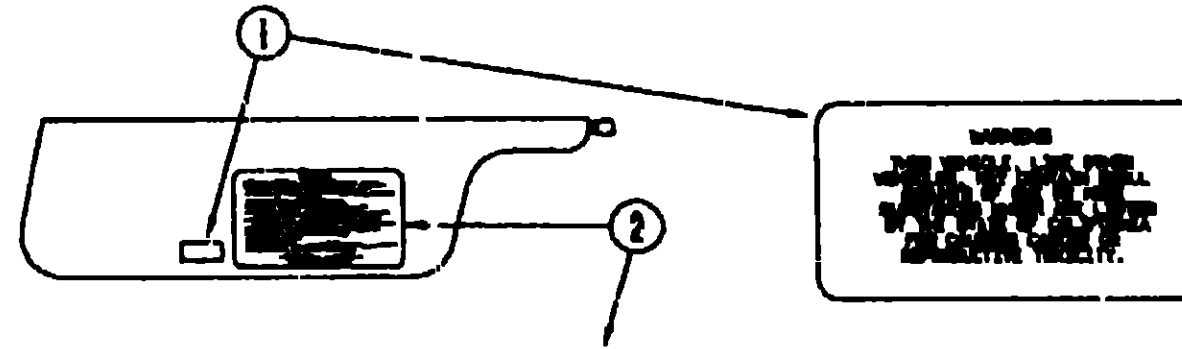


KEY	PART NUMBER	U/M DESCRIPTION
1	039290-01-000	EA LABEL-WARNING EXIT
2	107571-01-000	EA LABEL-ESCAPEEXIT, WINDOW



KEY	PART NUMBER	U/M DESCRIPTION
1	077956-01-000	EA LABEL-WARNING SMOKE DETECTOR

**LABELS GROUP (CONTINUED)**



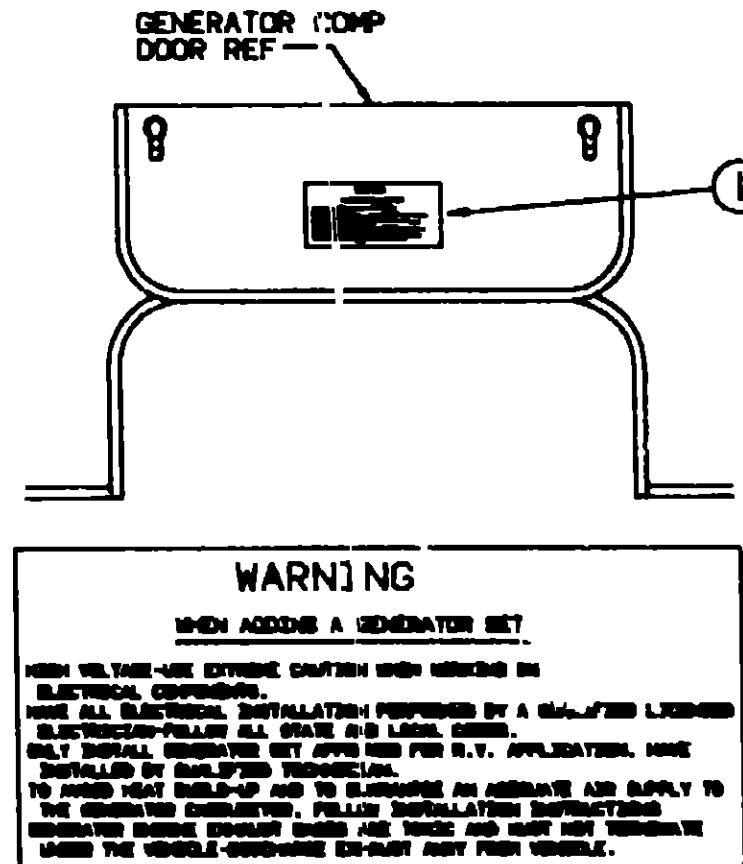
**CAUTION**

THIS NOTES HERE HAS BEEN REVISION, MANUFACTURED AND TESTED WITH CARE FOR THE PROTECTION OF IT'S OCCUPANTS. WE REQUEST YOU PERFORM THE FOLLOWING INSPECTIONS FOR YOUR SAFETY AND THE SAFETY OF YOUR PASSENGERS BEFORE STARTING YOUR VEHICLE.

1. LP GAS SYSTEM- TURN OFF AT TANK FOR TRAVELING TEST FOR LEAKS UPON ARRIVAL AT DESTINATION. BEFORE LEAVING PLATS.
2. WHEELS- INSPECT FOR WARE AND CHECK LUB OILS FOR TIGHTNESS
3. TIRES- INSPECT FOR WEAR AND DAMAGE AND CHECK FOR RECOMMENDED AIR PRESSURE
4. LIGHTING- TEST FOR PROPER OPERATION OF ALL INTERIOR AND EXTERIOR LIGHTS INCLUDING BRAKE LIGHTS, HEADLIGHTS, TAIL LIGHTS, SIGNAL LIGHTS, CLEARANCE LIGHTS AND TURN SIGNALS
5. EXITS- INSPECT RELEASE MECHANISM ON EMERGENCY EXIT SYSTEM. TEST BOTH LOCKS ON EACH ENTRANCE DOOR FOR EASE OF OPERATION AND INSTRUCT PASSENGERS HOW TO USE BOTH ENDS OF EXIT.
6. SEAT BELTS- INSTRUCT PASSENGERS TO SEPARATED SEATS AND STRAP INTO USE OF SEAT BELTS.
7. APPLIANCES- TURN OFF AND LATCH OR LOCK DOWN WHERE PROVIDED
8. LOOSE PACKS- STORE SECURELY.
9. UTILITY SUPPLY LINES- DISCONNECT ALL ELECTRIC, HEAT AND WATER LINES AND SECURE PROPERLY.
10. ENTRANCE DOOR STOP- PLACE IN RETRACTED POSITION FOR TRAVELING

READ YOUR NOTES HERE AND CHECKS OWNER'S MANUAL FOR FURTHER PRECAUTIONS

KEY	PART NUMBER	U/M DESCRIPTION
1	099689-01-000	EA LABEL-WARNING, CANCER/TOXICITY
2	056259-01-000	EA LABEL-SAFETY CHECK LIST



KEY	PART NUMBER	U/M DESCRIPTION
1	077510-01-000	EA LABEL-GENERATOR PREP

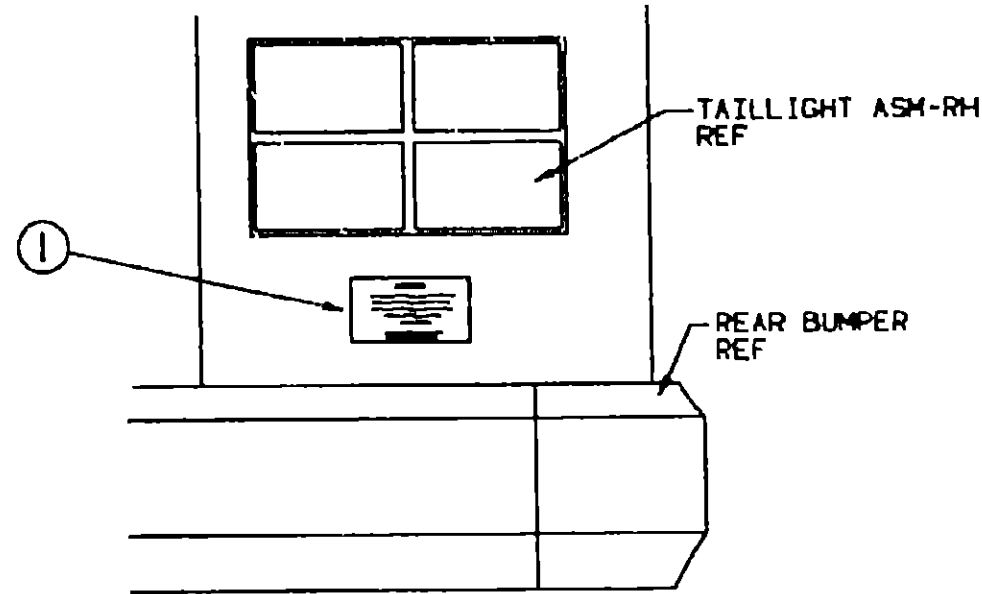
**1993 WINNEBAGO TABLE OF CONTENTS**

INTRODUCTION	A-01 - A-02
ABBREVIATIONS	A-03
ALPHABETICAL INDEX	A-04 - A-06
WF527RQ	A-07 - E-04
WF527RC	E-05 - H 24

**1993 WF527RC INDEX**

FLOOR PLAN	E-05 - E-06
ACCESSORIES	E-07
AUDIO VIDEO	E-08
BATH	E-09 - E-10
BEDROOM	E-11 - E-12
CHASSIS	E-13 - E-17
CURTAIN & CUSHION	E-18 - F-04
DINETTE	F-05 - F-06
DRIVERS COMPARTMENT	F-07 - F-08
ELECTRICAL	F-09 - F-12
EXTERIOR BODY	F-13 - F-22
GALLEY	F-23 - G-03
GENERATOR	G-04
HEATING & A/C	G-05 - G-06
INTERIOR FINISH	G-07 - G-10
LABELS	G-11 - G-17
LP	G-18
LOUNGE	G-19 - G-20
SEALANTS & FASTENERS	G-21 - G 23
WATER & SEWAGE	G-24 - H-04
WINDOW, VENT AND EXTERIOR DOOR	H-05 - H-23

**LABELS GROUP (CONTINUED)**

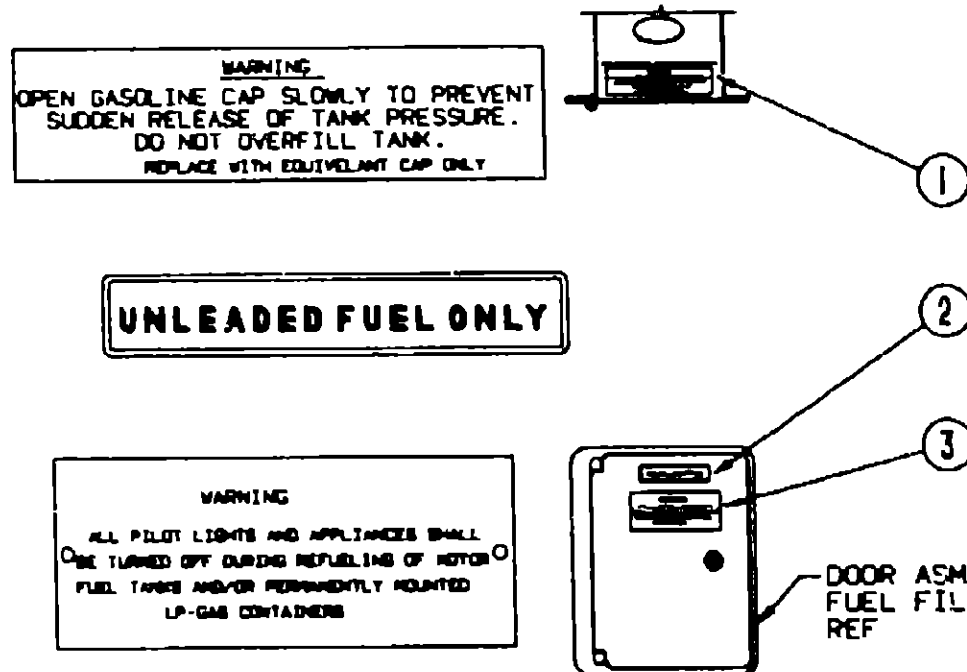


**WARNING**

DO NOT EXCEED THE VEHICLE WEIGHT RATINGS OR LOADING RECOMMENDATIONS (E.G., GROSS VEHICLE, GROSS AXLE, GROSS COMBINED) OF THE CHASSIS MANUFACTURER OR WINNEBAGO INC.

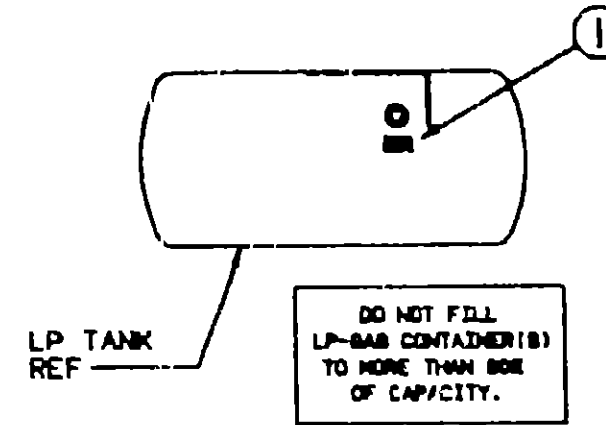
REFER TO YOUR OWNERS MANUAL, BEFORE LOADING OR TOWING.

**KEY PART NUMBER U/M DESCRIPTION**  
 1 075220-01-000 EA LABEL-WARNING EXTERIOR LOAD

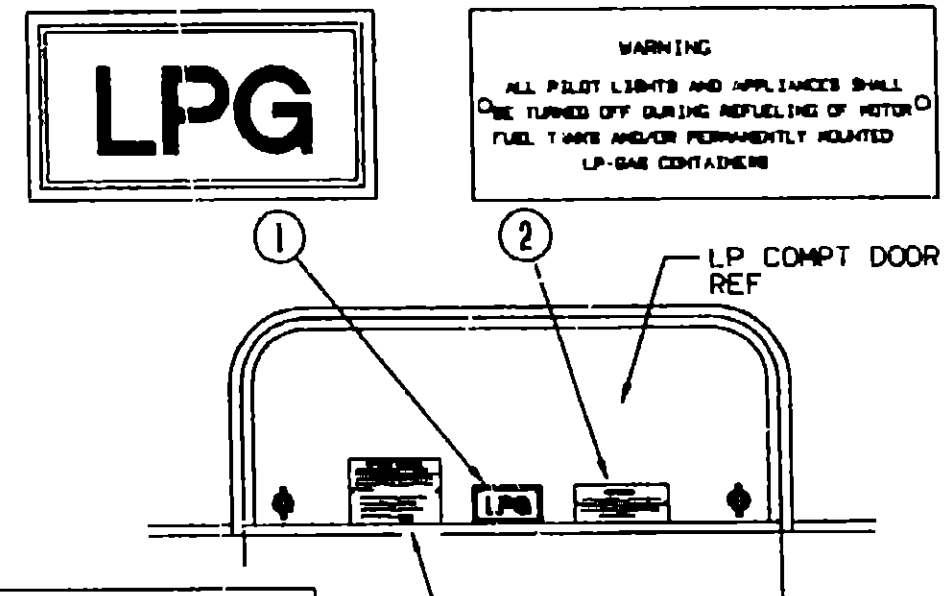


**KEY PART NUMBER U/M DESCRIPTION**  
 1 087207-05-000 EA LABEL-FUEL CAP REMOVAL  
 2 062043-01-000 EA LABEL-FUEL UNLEADED  
 3 006040-01-000 EA TAG-GAS REFUELING WARNING  
 3 006040-02-000 EA TAG-GAS REFUEL WARNING, CANADIAN

**LABELS GROUP (CONTINUED)**



**KEY PART NUMBER U/M DESCRIPTION**  
 1 079965-01-000 EA LABEL-LPG 80 CAPACITY



**LP-GAS SYSTEM**  
 THIS GAS PIPING SYSTEM IS DESIGNED FOR USE OF LIQUEFIED PETROLEUM GAS ONLY. DO NOT CONNECT NATURAL GAS TO THIS SYSTEM.

**SECURELY CAP INLET(S) WHEN NOT CONNECTED FOR USE. AFTER TURNING ON GAS, EXCEPT AFTER NORMAL CONTAINER REPLACEMENT, TEST GAS PIPING AND CONNECTIONS TO APPLIANCE FOR LEAKAGE WITH SOAPY WATER OR BUBBLE SOLUTION. DO NOT USE PRODUCTS THAT CONTAIN AMMONIA OR CHLORINE.**  
 P.N. 54L31

**KEY PART NUMBER U/M DESCRIPTION**  
 1 074559-01-000 EA DECAL-LOGO, LPG - RED - (CALIF CODE)  
 2 006040-01-000 EA TAG-GAS REFUELING WARNING  
 2 006040-02-000 EA TAG-GAS REFUEL WARNING, CANADIAN  
 3 054531-01-000 EA LABEL-LP GAS ONLY  
 3 023769-01-000 EA LABEL-WARNING, LPG - CANADIAN

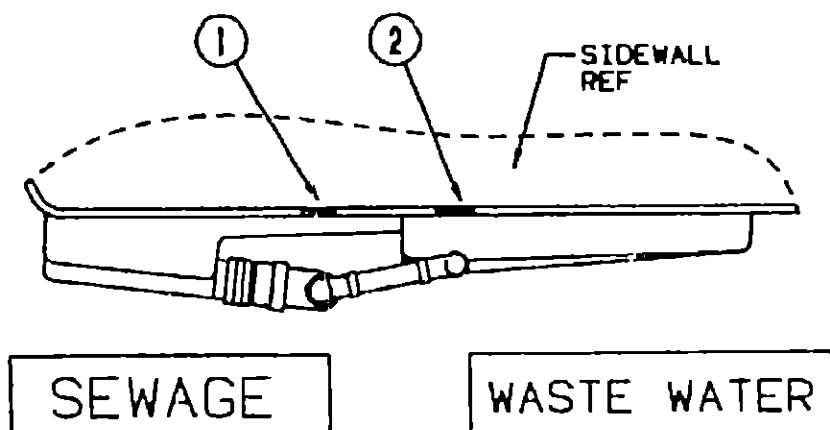
**1993 WINNEBAGO TABLE OF CONTENTS**

INTRODUCTION	A-01 - A-02
ABBREVIATIONS	A-03
ALPHABETICAL INDEX	A-04 - A-05
WF527RQ	A-07 - E-04
WF527RC	E-05 - H-24

**1993 WF527RC INDEX**

FLOOR PLAN	E-05 - E-06
ACCESSORIES	E-07
AUDIO VIDEO	E-08
BATH	E-09 - E-10
BEDROOM	E-11 - E-12
CHASSIS	E-13 - E-17
CURTAIN & CUSHION	E-18 - F-04
DINETTE	F-05 - F-06
DRIVERS COMPARTMENT	F-07 - F-08
ELECTRICAL	F-09 - F-12
EXTERIOR BODY	F-13 - F-22
GALLEY	F-23 - G-03
GENERATOR	G-04
HEATING & A/C	G-05 - G-06
INTERIOR FINISH	G-07 - G-10
LABELS	G-11 - G-17
LP	G-18
LOUNGE	G-19 - G-20
SEALANTS & FASTENERS	G-21 - G-23
WATER & SEWAGE	G-24 - H-04
WINDOW, VENT AND EXTERIOR DOOR	H-05 - H-23

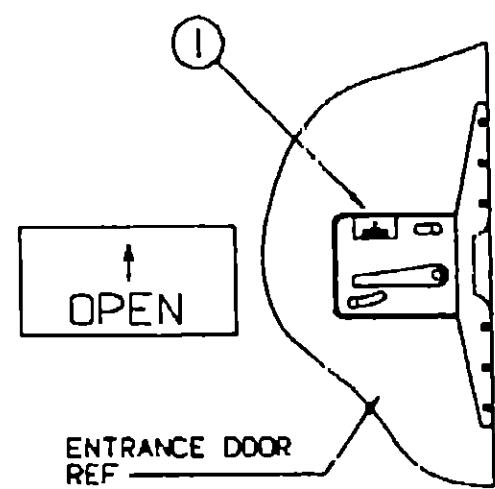
**LABELS GROUP (CONTINUED)**



**SEWAGE**

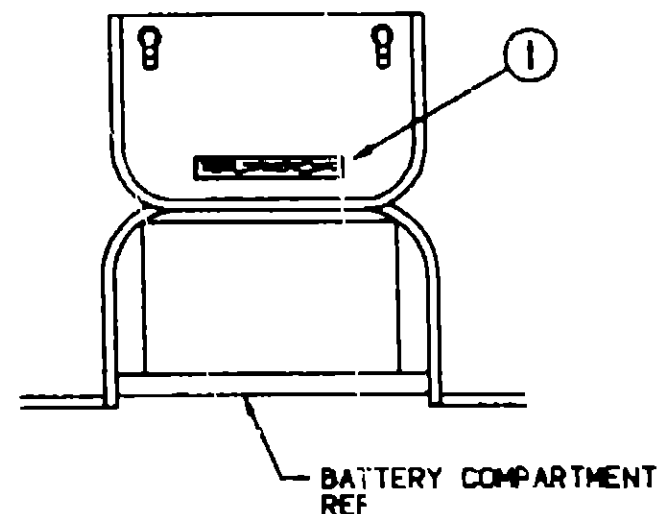
**WASTE WATER**

KEY	PART NUMBER	U/M DESCRIPTION
1	006187-01-000	EA LABEL-SEWAGE
2	006186-01-000	EA LABEL-WASTE WATER



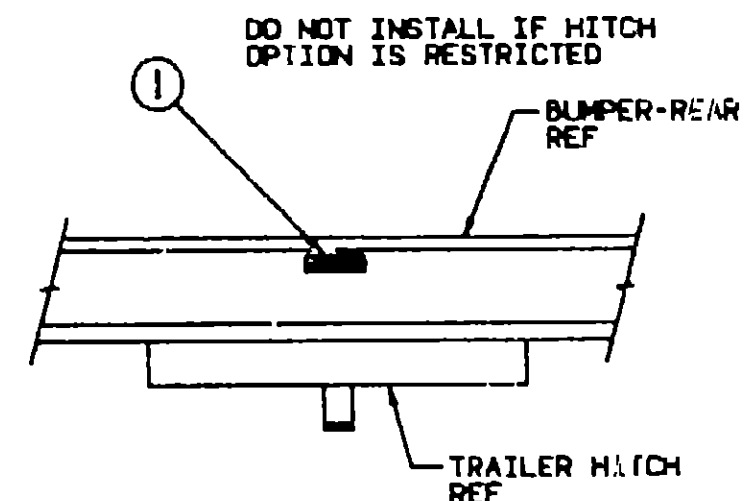
KEY	PART NUMBER	U/M DESCRIPTION
1	040944-01-000	EA LABEL-ENTRANCE DOOR, "OPEN"

**WARNING** DISCONNECT BATTERIES BEFORE CONNECTING EXTERNAL CHARGING EQUIPMENT.



KEY	PART NUMBER	U/M DESCRIPTION
1	065748-01-000	EA LABEL-CAUTION, BATTERY CHARGING

**LABELS GROUP (CONTINUED)**

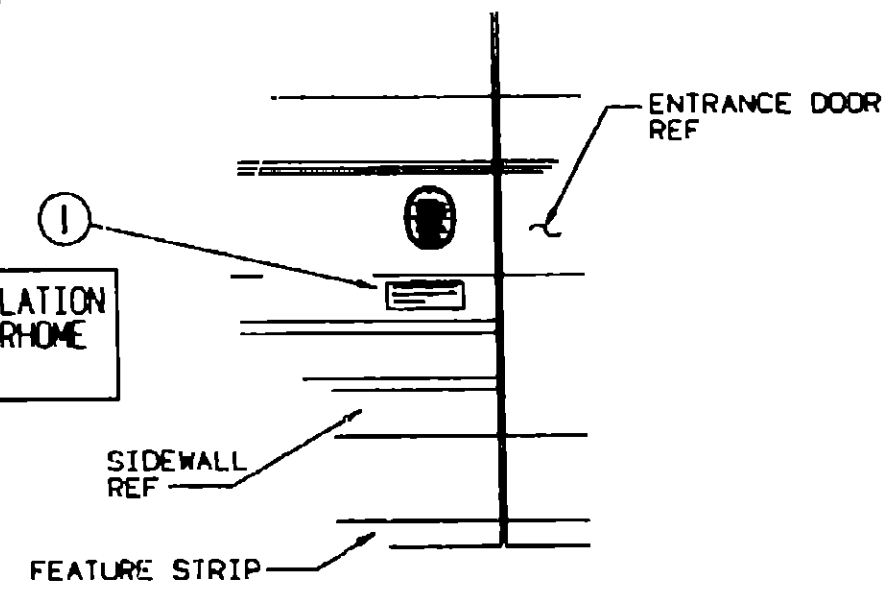


**TOWING CAPACITY**  
 TOWED VEHICLE 3500 LB. GROSS MAXIMUM  
 HITCH BALL 200 LB. MAXIMUM

KEY	PART NUMBER	U/M DESCRIPTION
1	075221-01-000	EA LABEL-TOWING CAPACITY



FOR AWNING INSTALLATION CONTACT YOUR MOTORHOME DEALERSHIP



KEY	PART NUMBER	U/M DESCRIPTION
1	099509-01-000	EA LABEL-AWNING INSTALLATION

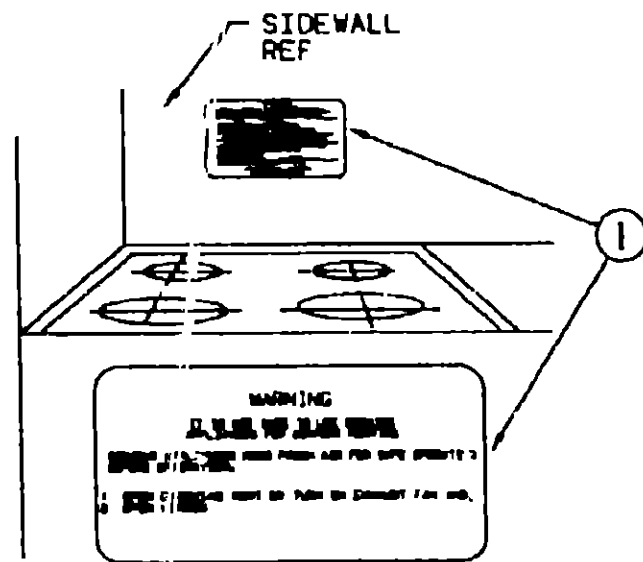
**1993 WINNEBAGO TABLE OF CONTENTS**

INTRODUCTION	A-01	A-02
ABBREVIATIONS		A-03
ALPHABETICAL INDEX	A-04	A-06
WF527RQ	A-07	E-04
WF527RC	E-05	H-24

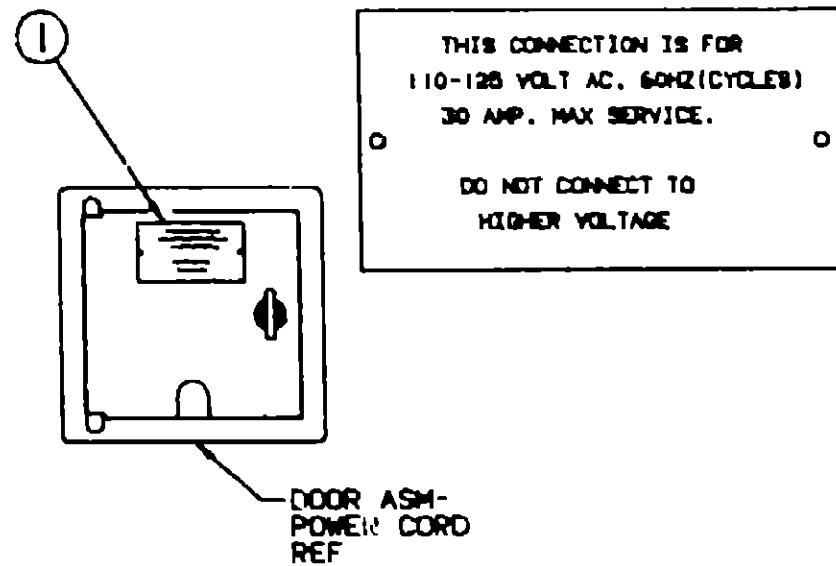
**1993 WF527RC INDEX**

FLOOR PLAN	E-05	E-06
ACCESSORIES		E-07
AUDIO VIDEO		E-08
BATH	E-09	E-10
BEDROOM	E-11	E-12
CHASSIS	E-13	E-17
CURTAIN & CUSHION	E-18	F-04
DINETTE	F-05	F-06
DRIVERS COMPARTMENT	F-07	F-08
ELECTRICAL	F-09	F-12
EXTERIOR BODY	F-13	F-22
GALLEY	F-23	G-03
GENERATOR		G-04
HEATING & AC	G-05	G-06
INTERIOR FINISH	G-07	G-10
LABELS	G-11	G-17
LP		G-18
LOUNGE	G-19	G-20
SEALANTS & FASTENERS	G-21	G-23
WATER & SEWAGE	G-24	H-04
WINDOW, VENT AND EXTERIOR DOOR	H-05	H-23

**LABELS GROUP (CONTINUED)**



KEY	PART NUMBER	U/M DESCRIPTION
1	050225-01-000	EA LABEL-WARNING: STOVE VENT - US
1	050222-01-000	EA LABEL-WARNING: STOVE VENT - CANADIAN

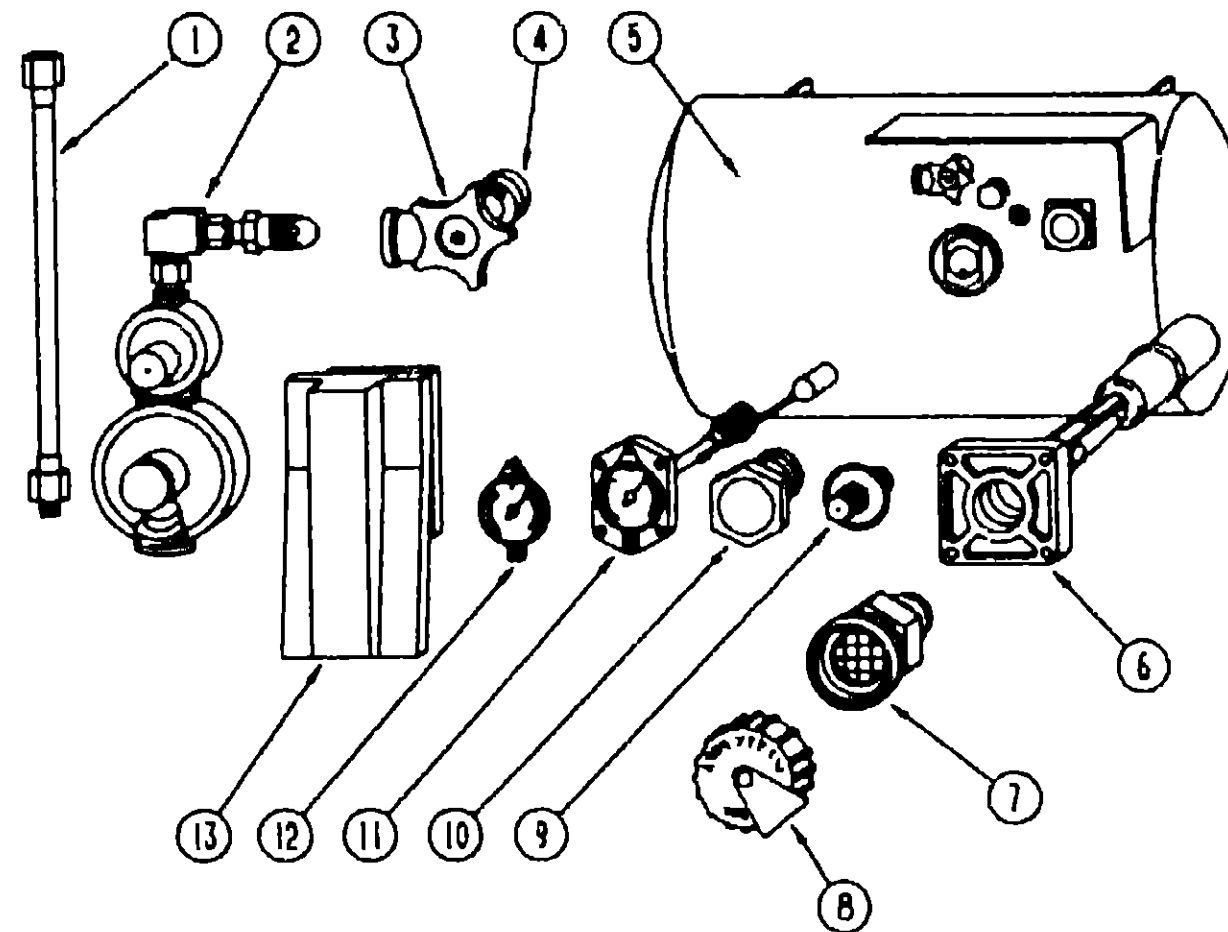


KEY	PART NUMBER	U/M DESCRIPTION
1	036062-01-000	EA TAG-ELECTRIC 110V CONNECTION

**MISCELLANEOUS LABELS**

KEY	PART NUMBER	U/M DESCRIPTION
	R77005-87-699	EA LABEL-FUEL, "UNLEADED"
	006064-01-000	EA LABEL-SEAT W/O SEATBELT NOT INTENDED FOR USE WHILE COACH IN MOTION
	006064-02-000	EA LABEL-SEAT W/O SEATBELT (CANADIAN)
	035709-01-000	EA LABEL-NO STORAGE
	061417-01-000	EA LABEL-FUEL, ON FUEL FILL DOOR
	061606-01-000	EA LABEL-OVERLAY, VEHICLE CERTIFICATION - ADHESIVE BACKED
	073998-01-000	EA LABEL-LPG ODOR WARNING
	087236-01-000	EA LABEL-CABLE, INPUT
	091224-02-000	EA LABEL-TRAILER LIGHTING
	091243-01-000	EA LABEL-AC COVER, "AIR CONDITIONING CIRCUIT ETC"
	091243-02-000	EA LABEL-COVER, "MICROWAVE CIRCUIT ETC"
	093236-08-000	EA LABEL-CIRCUIT BREAKER
	098641-01-000	EA LABEL-FUEL, UNLEADED - DASH
	104236-01-000	EA LABEL-GENERATOR CIRCUIT

**LP GROUP**



**LP TANK & COMPONENTS**

KEY	PART NUMBER	U/M DESCRIPTION
1	045703-01-000	EA HOSE-LP, 3/8" ID X 24' - 3/8 MPT X 1/2" F SWIVEL - U S
1	045703-02-000	EA HOSE LP, 3/8" ID X 24' - 3/8" MPT X 1/2" F SWIVEL - CANADA
2	106150-01-000	EA REGULATOR-TWO STAGE - M BRASS 293-00
3	040421-01-708	EA HANDWHEEL-SERVICE VALVE, BRUNNER G-1015-A
4	040421-01-712	EA VALVE-SERVICE, W/O VAPOR RELIEF
5	097821-01-000	EA TANK-LP, 60 LB BRUNNER - 14" X 30"
6	040421-01-707	EA GAUGE-FLOAT W/VISIBLE DIAL - BRUNNER MA 9 6244-4
7	040421-01-701	EA VALVE-SHORT LP FILLER W/YELLOW CAP - BRUNNER 7547B
8	040421-01-702	EA CAP-LP FILLER VALVE PLASTIC - YELLOW - BRUNNER G-1014-A
9	040421-01-700	EA VALVE-LIQUID LEVEL 20% LP - BRUNNER G-1013
10	040421-01-713	EA VALVE-VAPOR ONLY - 29000587
11	040421-01-711	EA VALVE-30% W/FLOAT, PLATE BOLTS & GASKET - BRUNNER
12	040440-02-000	EA TRANSMITTER-DIAL, 0 90 OHM
13	105658-01-000	EA COMPARTMENT-LP REGULATOR
	065741-01-000	EA GAUGE-DIAPHRAGM PRESSURE - MARSHALLTOWN MFG
	103613-01-000	EA DETECTOR-LP GAS
	010323-01-000	EA ADAPTER-BRASS, 3/8" F X 1/2" MPT
	065742-01-000	EA TEE, 3/8" F X 3/8" F X 25FPT - BRASS
	010377-02-000	EA NUT-BRASS 3/8" FEMALE - FORGED
	010380-01-000	EA NUT-BRASS, 1/2" FEMALE - FORGED
	095624-01-000	EA ELBOW-90 DEGREE, 1/4" FPT X 1/4" FPT - BRASS
	065318-02-000	EA ELBOW-90 DEGREE 3/8" MPT TO 3/8" FPT
	035340-01-000	EA ELBOW-3/8" MPT X 1/2" F - BRASS
	071391-02-000	EA NIPPLE-HEX, 1/4" PIPE - 3325X4 WEATHERHEAD
	064884-01-000	EA PLUG BRASS, 3/8"

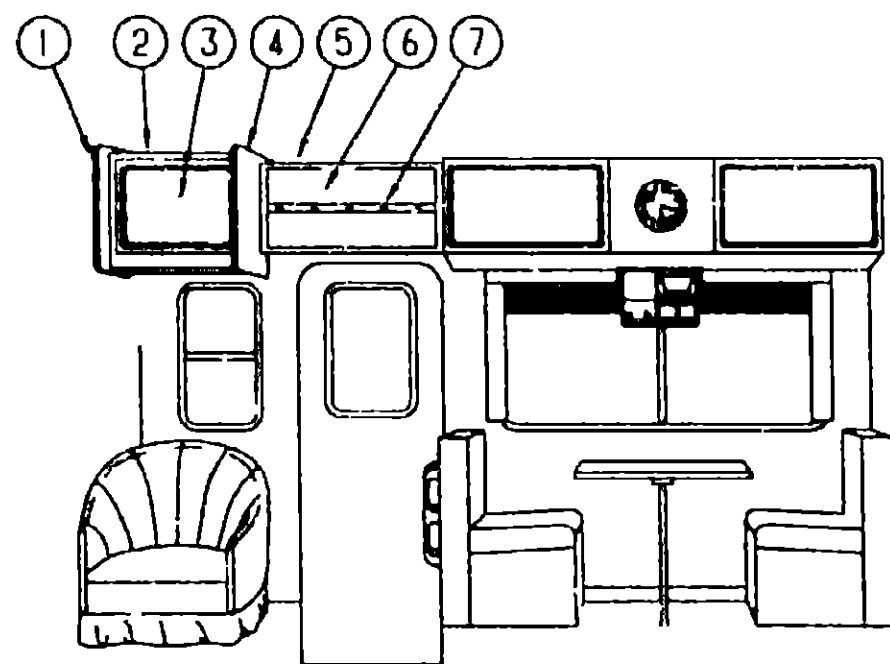
**1993 WINNEBAGO TABLE OF CONTENTS**

INTRODUCTION	A-01 - A-02
ABBREVIATIONS	A-03
ALPHABETICAL INDEX	A-04 - A-06
WF527RQ	A-07 - E-04
WF527RC	E-05 - H-24

**1993 WF527RC INDEX**

FLOOR PLAN	E-05 - E-06
ACCESSORIES	E-07
AUDIO VIDEO	E-08
BATH	E-09 - E-10
BEDROOM	E-11 - E-12
CHASSIS	E-13 - E-17
CURTAIN & CUSHION	E-18 - F-04
DINETTE	F-05 - F-06
DRIVERS COMPARTMENT	F-07 - F-08
ELECTRICAL	F-09 - F-12
EXTERIOR BODY	F-13 - F-22
GALLEY	F-23 - G-03
GENERATOR	G-04
HEATING & A/C	G-05 - G-06
INTERIOR FINISH	G-07 - G-10
LABELS	C-11 - G-17
LP	G-18
LOUNGE	G-19 - G-20
SEALANTS & FASTENERS	G-21 - G-23
WATER & SEWAGE	G-24 - H-04
WINDOW, VENT AND EXTERIOR DOOR	H-05 - H-23

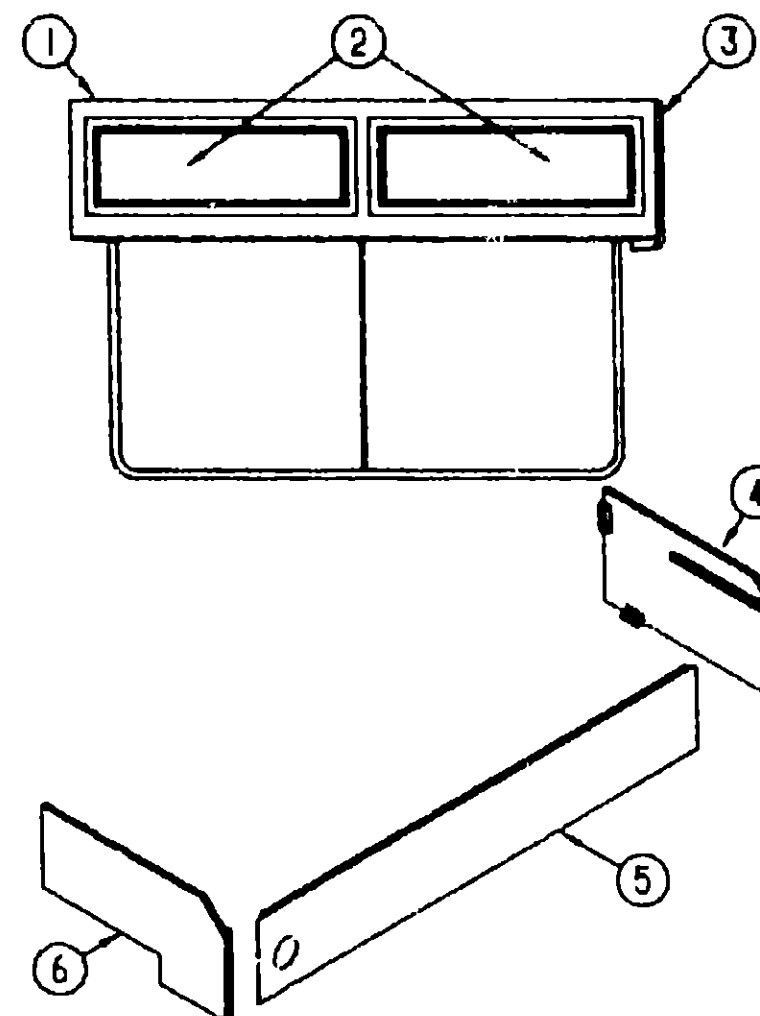
## LOUNGE GROUP



### OVERHEAD CABINETS

KEY	PART NUMBER	U/M	DESCRIPTION
1	104335-07-C03	EA	END CAP-CABINET OVERHEAD
1	104335-18-D04	EA	END CAP-CABINET OVERHEAD (TV OPTION)
2	M05624-01-D06	EA	CABINET-OVERHEAD, W/O DOOR & HARDWARE - FRONT - RIGHT
2	M05624-26-D06	EA	CABINET-OVERHEAD, W/O DOOR & HARDWARE (TV OPTION)
	106452-11-C03	EA	SHELF ASM
	061604-01-000	EA	SLIDE-BOLT, ANTIQUE BRASS
	101910-03-000	EA	SLIDE-DRAWER, CABINET MOUNTED - SET OF 2 - 12" LONG
	101910-04-000	EA	SLIDE-DRAWER, DRAWER MOUNTED - SET OF 2 - 12"
3	P04746-02-D06	EA	DOOR-CABINET, W/O HARDWARE - 400 X 520MM
4	104335-06-C03	EA	END CAP-CABINET, OVERHEAD
4	104335-17-C03	EA	END CAP-CABINET, OVERHEAD (TV OPTION)
5	109305-01-D06	EA	CABINET-OVERHEAD, ENTRANCE DOOR
5	109305-01-D07	EA	CABINET-OVERHEAD, ENTRANCE DOOR
5	109305-01-D08	EA	CABINET-OVERHEAD, ENTRANCE DOOR
6	109305-11-D06	EA	PANEL-BACK, CABINET - FABRIC COVERED
6	109305-11-D07	EA	PANEL-BACK, CABINET - FABRIC COVERED
6	109305-11-D08	EA	PANEL-BACK, CABINET - FABRIC COVERED
7	105847-04-C05	EA	HOLDER-KEY RING
	103130-01-000	EA	HOOK-KEY RING BRASS - 1 25"

## LOUNGE GROUP (CONTINUED)



### CABINETS & TABLE

KEY	PART NUMBER	U/M	DESCRIPTION
1	M05624-18-D06	EA	CABINET-OVERHEAD W/O DOOR & HARDWARE
1	M05624-18-D07	EA	CABINET-OVERHEAD W/O DOOR & HARDWARE
1	M05624-18-D08	EA	CABINET-OVERHEAD W/O DOOR & HARDWARE
1	P06812-18-D06	EA	CABINET-OVERHEAD, W/O DOOR & HARDWARE (EUROPEAN EXPORT)
1	P06812-18-D07	EA	CABINET-OVERHEAD, W/O DOOR & HARDWARE (EUROPEAN EXPORT)
1	P06812-18-D08	EA	CABINET-OVERHEAD W/O DOOR & HARDWARE (EUROPEAN EXPORT)
2	P04746-04-D06	EA	DOOR-CABINET, W/O HARDWARE - 400 X 710MM (MIRRORED)
2	P04746-03-D06	EA	DOOR-CABINET W/O HARDWARE - 400 X 710MM (WOOD PANEL)
3	104335-06-D03	EA	END CAP CABINET OVERHEAD
4	M04187-58-D06	EA	CABINET-COUCH, W/FABRIC - LEFT SIDE
4	M04187-58-D07	EA	CABINET-COUCH, W/FABRIC - LEFT SIDE
4	M04187-58-D08	EA	CABINET-COUCH W/FABRIC - LEFT SIDE
5	M04187-57-D06	EA	CABINET-COUCH, W/FABRIC - CENTER SIDE
5	M04187-57-D07	EA	CABINET-COUCH, W/FABRIC - CENTER SIDE
5	M04187-57-D08	EA	CABINET-COUCH, W/FABRIC - CENTER SIDE
6	M04187-59-D06	EA	CABINET-COUCH, W/FABRIC - RIGHT SIDE
6	M04187-59-D07	EA	CABINET-COUCH, W/FABRIC - RIGHT SIDE
6	M04187-59-D08	EA	CABINET-COUCH, W/FABRIC - RIGHT SIDE
	103513-12-B05	EA	SUPPORT ASM-COUCH
	082525-02-000	EA	BRACE-COUCH FLOOR MOUNT - ANGLE 3" LONG - METAL
	083125-03-000	EA	BRACE-COUCH TAN

## 1993 WINNEBAGO TABLE OF CONTENTS

INTRODUCTION	A-01 - A-02
ABBREVIATIONS	A-03
ALPHABETICAL INDEX	A-04 - A-06
WF527RC	A-07 - E-04
WF527RC	E-05 - H-24

## 1993 WF527RC INDEX

FLOOR PLAN	E-05 - E-06
ACCESSORIES	E-07
AUDIO VIDEO	E-08
BATH	E-09 - E-10
BEDROOM	E-11 - E-12
CHASSIS	E-13 - E-17
CURTAIN & CUSHION	E-18 - F-04
DINETTE	F-05 - F-06
DRIVERS COMPARTMENT	F-07 - F-08
ELECTRICAL	F-09 - F-12
EXTERIOR BODY	F-13 - F-22
GALLEY	F-23 - G-03
GENERATOR	G-04
HEATING & A/C	G-05 - G-06
INTERIOR FINISH	G-07 - G-10
LABELS	G-11 - G-17
LP	G-18
LOUNGE	G-19 - G-20
SEALANTS & FASTENERS	G-21 - G-23
WATER & SEWAGE	G-24 - H-04
WINDOW VENT AND EXTERIOR DOOR	H-05 - H-23



**SEALANTS & FASTENERS GROUP**

**ADHESIVE & FASTENERS**

KEY	PART NUMBER	U/M	DESCRIPTION
	034552-02-000	EA	SILICONE-TUBE, 300 ML - W/O NOZZLE - CLEAR
	034552-06-000	EA	SILICONE-TUBE 300 ML - W/O NOZZLE - OFF WHITE
	900330-01-000	EA	TIP-2 1/2" X 1/8" ORIFICE
	900390-02-000	EA	TIP-6"LN 1/16" X 1/4" ORFICE
	900390-03-000	EA	NOZZLES-#CSL D10
	053766-02-000	EA	BEDDING COMPOUND-TUBE, WHITE SCHNEE# 5522
	053766-06-000	EA	BEDDING COMPOUND-TUBE, CLEAR
	053766-08-000	EA	BEDDING COMPOUND TUBE, GRAY - SCHNEE# 5522
	063642-01-000	FT	TAPE-ADHESIVE, 10 MM X 1 5/8" WIDE X 180'
	069640-01-000	FT	SEALER-RIBBON 1/4" DIAMETER - INCREMENTS OF 30'
	069640-02-000	FT	SEALER RIBBON, 1/2" X 1/8" - INCREMENTS OF 30' OR 60'
	069640-03-000	FT	SEALER-RIBBON 3/4" X 1/8" - INCREMENTS OF 60'
	069640 10-000	FT	SEALER RIBBON 1/32" X 1 1/2" INCREMENTS OF 90'
	069640-11-000	FT	SEALER-TAPE 3/16" X 3/8", BLACK - MANUS
	069640-12-000	FT	SEALER-TAPE, 1/8" X 1 5" GRAY - MANUS
	069640-14-000	FT	SEALER-TAPE 1/16" X 1" GRAY - MANUS
	072889-01-000	EA	SEALANT-URETHANE BLACK - 1/10 - ESSEX 552 2
	076314-02-000	FT	TAPE-CARPET SEAM HEAT-BOND - 4" WIDE
	076322-01-000	FT	TAPE-FOAM, DOUBLE COATED ADHESIVE BACKED - 75' X 216
	076322-02-000	FT	TAPE-FOAM, DOUBLE COATED ADHESIVE BACKED - 1' X 108'
	076322-03-000	FT	TAPE-FOAM, DOUBLE COATED ADHESIVE BACKED - 5' X 108'
	076322-05-000	FT	TAPE-FOAM DOUBLE COATED ADHESIVE BACKED - 025" X 1 5" X 108'
	087211-01-000	GL	PROMOTER-ADHESIVE
	091255-02-000	FT	SEAL-ADHESIVE RACKED FOAM, 18" THICK X 1 5" WIDE
	094401-01-000	EA	SEALER-BODY SEAM SEALER, 3M FLEXICLEAR
	102352-01-000	EA	SEALER-PUMPABLE, BLACK - COLORIMETRIC MS101
	106716-01-000	EA	SILICONE-TUBE, OFF WHITE LEVEL CSL 510

**BOLTS, NUTS & WASHERS**

KEY	PART NUMBER	U/M	DESCRIPTION
	000G45-05 16B	EA	BOLT-LAG 5/16 - 9 X 1 ZN
	0MC31K-08-020	EA	BOLT-HEX SER FLANGE - M8 X 020
	000C12-05-16B	EA	BOLT-HEX, 5/16-18 X 1 - ZINC 5
	0X0C12-06-32B	EA	BOLT-HEX-3/8-16X2LG ZN 5
	0X0C12-07-24B	EA	BOLT HEX 7/16-14X1 50 ZN 5 MC 90
	003C12-08-24B	EA	BOLT-HEX, 1/2-13 X 1 1/2 - ZN 5
	00X12-10-24B	EA	BOLT-HEX, 5/8 11 X 1 1/2 ZN - 5
	00C13-07-48B	EA	BOLT-HEX 7/16 - 20 X 3 - ZN 5
	000C18-05-40A	EA	BOLT-ELEV 5/16"-18 X 2 1/2" PL
	000G18-06-48B	EA	BOLT-ELEV, 3/8-15 X 3 ZN - GDE 5
	000C26-04-10B	EA	BOLT HEX, SER FLG - 1/4 20 X 5/8 ZINC
	000C26-05-12B	EA	BOLT-HEX-SER FLG 5/16-18X3/4 ZN
	051307-06-000	EA	BOLT-CARRIAGE, W/O HOLE - 5/16 - 18 X 9.5 ZN
	102303-01-02A	EA	BOLT-CARRIAGE, 7/16 - 14 SST CAP - OFF WHITE BUMPER BOLT
	000D24-10-00B	EA	NUT-HEX, SF/LK - 10-32 ZN
	000D39-04-00B	EA	NUT-HEX SER FLG LK 1/4 - 20 ZN
	000D39-05-00B	EA	NUT-HEX SER FLG LK - 5/16 - 18 ZN
	000D39-06-00B	EA	NUT-HEX, SER FLG LK - 3/8-16 ZN
	030D39-08-00B	EA	NUT-HEX, SER FLG LK - 1/2 13 ZN
	000D41-07-00B	EA	NUT-HEX SER FLG LK - 7/16-20 ZN
	044365-02-000	EA	NUT-SPEED PLAT - ROUND
	000E11-07-00B	EA	WASHER-LK, 7/16 MED SPLIT ZN 05114-01-000
	000E13-14-00B	EA	WASHER-FL, 1/4" WIDE ZN
	000E13-17-00B	EA	WASHER-FLARE, 3/8" AR ZN
	000E13-20-00B	EA	WASHER-FL, 7/16" WIDE - ZN
	000E13-21-00B	EA	WASHER-FL, W/2 NAR ZN
	000E14-10-00B	EA	WASHER-LK NO 10 EXT TOOTH - ZN
	041322-01-000	EA	WASHER-FL, 15/32ID X 2 3/8 OD - FOR SEAT BELT MOUNT
	044533-01-000	EA	WASHER-PLASTIC, 1 3/8"OD - FOR BUTTONS

**SEALANTS & FASTENERS GROUP (CONTINUED)**

**SCREWS**

KEY	PART NUMBER	U/M	DESCRIPTION
	000G11-06-10J	EA	SCREW, 6-20 X 5/8 PPH - BRASS
	000G11-07-08B	EA	SCREW, 7-19 X 1/2 PPH - ZN
	000G11-08-06B	EA	SCREW, 8-18 X 3/8 PPH ZN
	000G11-08-08B	EA	SCREW, 8-18 X 1/2 PPH - ZN
	000G11-08-10B	EA	SCREW, 8-10 X 5/8 PFH ZN
	000G11-08-12B	EA	SCREW, 8-18 X 3/4 PPH ZN
	000G11-08-12D	EA	SCREW, 8-18 X 3/4 PPH - BLACK
	000G11-08-12E	EA	SCREW-8-18X 75 PPH CHROME L50025 4
	000G11-08-12P	EA	SCREW, 8-18 X 75 PPH - DARK BROWN
	000G11-08-12R	EA	SCREW, 8-18 X 3/4 PPH - BEIGE
	000G11-08-12S	EA	SCREW, 8-18 X 3/4 PPH - OFF WHITE
	000G11-08-12T	EA	SCREW, 8-18 X 3/4 PPH - BLACK
	000G11-08-16S	EA	SCREW, 8-18 X 1 00 PPH - OFF WHITE
	000G11-10-12S	EA	SCREW-10-16X 75 PPH OFF WHT
	000G12-06-08T	EA	SCREW, 6-20 X 50 POH - BLACK
	000G12-08-12R	EA	SCREW, 8-18 X 75OH - BEIGE
	000G12-08-12S	EA	SCREW, 8-18 X 3/4 POH - OFF WHITE
	000G13 06-06B	EA	SCREW 6-20 X 3/8 PFH ZN
	000G13-06-08B	EA	SCREW, 6-20 X 1/2 PFH ZN
	000G13-06-08G	EA	SCREW 6-20 X 1/2 PFH - ANTIQUE BRASS
	000G13-06-16J	EA	SCREW, 6-20 X 1 00 PFH BRASS
	000G13-07-12B	EA	SCREW, 7-19 X 3/4 PFH ZN
	000G13-08-16B	EA	SCREW, 8-18 X 1 PFH - ZN
	000G13-10-12B	EA	SCREW, 10-16 X 3/4 PFH ZN
	000G18-08-16B	EA	SCREW-MACHINE 8 X 32 X 1, PPH ZN
	000G18-08-22B	EA	SCREW-MACHINE 8-32 X 1 3/8 PPH ZN
	000G32-10-06B	EA	SCREW-10-32 X 3/8" - PPH - ZINC
	000G39-06-08B	EA	SCREW-DR 6-18 X 1/2 ZN
	000G39-06-10T	EA	SCREW-SF/DR, 6 20 X 5/8 PPH - BLACK
	000G39-06-10T	EA	SCREW-SF/DR, 6-20 X 5/8 PPH - BLACK
	000G39-06-16T	EA	SCREW-SF/DR, 6-20 X 1 PPH - BLACK
	000G39 08-06B	EA	SCREW SF/DR, 8 18 X 3/8 PPH ZN
	000G39-08-08B	EA	SCREW-SF/DR, 8-18 X 1/2 PPH ZN
	000G39-08-08R	EA	SCREW-SF/DR 8-18 X 1/2 PPH - BEIGE
	000G39-08-08S	EA	SCREW SF/DR, 8-18 X 1/2 PPH - OFF WHITE
	000G39 08-12B	EA	SCREW-SF/DR, 8-18 X 3/4 PPH ZN
	000G39-08 16B	EA	SCREW-SF/DR, 8-18 X 1 PPH ZN
	000G39-08-16S	EA	SCREW-SF/DR 8-18 X 1 00 PPH, OFF WHITE
	000G39-08 24B	EA	SCREW-SF/DR 8-18 X 1 1/2 PPH ZN
	000G39-10 12D	EA	SCREW-SF/DR, 10-16 X 3/4 PPH - BLACK
	000G39-10-12R	EA	SCREW-SF/DR, 10-16 X 3/4 PPH - BEIGE
	000G39-10-20B	EA	SCREW-SF/DR, 10-16 X 1 1/4 PPH ZN
	000G39-10-32I	EA	SCREW-SF/DR, 10-16 X 2 00 PPH - ZN PLATE PASS BLACK
	000G39-12-12E	EA	SCREW-SF/DR, 12 - 14 X 3/4 PPH - CHROME
	000G42-04-12B	EA	SCREW-SF/DR, 1/4 - 14 X 3/4 HWH ZN
	000G42-04-16B	EA	SCREW-SF/DR, 1/4-14 X 1 HWH - ZN
	000G50-04-12B	EA	SCREW-MACHINE 1/4 20 X 3/4 PPH ZN
	000G53-04-06B	EA	SCREW-MACHINE 1/4 20 X 3/8 PPH ZN - UNDERCUT HEAD
	000G54-04-20B	EA	SCREW 1/4-20 X 1 1/4 PTH - TYPE 23 - ZINC PLATED
	000G56-12-48B	EA	SCREW-WOOD, 12 - 11 X 3 POH - SPECIAL HARDENED
	000G60 10-28T	EA	SCREW-SF/DR 10-16 X 1 75 - BLACK
	000G67-10-08B	EA	SCREW, 10-12 X 1/2 PPH ZN
	000G67-10-08R	EA	SCREW, 10-12 X 1/2 PPH - BEIGE - TYPE A
	000G67-10-10B	EA	SCREW, 10-12 X 5/8 PPH ZN - TYPE A
	000G67-10-10D	EA	SCREW, 10-12 X 5/8 PPH - BLACK - TYPE A
	000G67-10-10R	EA	SCREW, 10-12 X 5/8 PPH - TYPE A - BEIGE
	000G67-10-10S	EA	SCREW, 10-12 X 5/8" - PPH - OFF WHITE
	000G67-10-12B	EA	SCREW, 10-12 X 3/4" PPH - ZN
	000G67-10-12P	EA	SCREW 10-12 X 75" - PPH - DARK BROWN
	000G67-10-12R	EA	SCREW 10-12 X 75 PPH - BEIGE
	000G67-10-16B	EA	SCREW 10-12 X 1 PPH - ZN

**1993 WINNEBAGO  
TABLE OF CONTENTS**

INTRODUCTION	A-01	A-02
ABBREVIATIONS		A-03
ALPHABETICAL INDEX	A-04	A-06
WF527RC	A-07	E-04
WF527RC	E-05	H 24

**1993 WF527RC INDEX**

FLOOR PLAN	E-05	E-06
ACCESSORIES		E-07
AUDIO VIDEO		E-08
BATH	E-09	E-10
BEDROOM	E-11	E-12
CHASSIS	E-13	E-17
CURTAIN & CUSHION	E-18	F-04
DINETTE	F-05	F-06
DRIVERS COMPARTMENT	F-07	F-08
ELECTRICAL	F-09	F-12
EXTERIOR BODY	F-13	F-22
GALLEY	F-23	G-03
GENERATOR		G-04
HEATING & A/C	G-05	G-06
INTERIOR FINISH	G-07	G-10
LABELS	G-11	G-17
LP		G-18
LOUNGE	G-19	G-20
SEALANTS & FASTENERS	G-21	G-23
WATER & SEWAGE	G-24	H-04
WINDOW, VENT AND EXTERIOR DOOR	H-05	H 23

**SEALANTS & FASTENERS GROUP (CONTINUED)**

**SCREWS (CONTINUED)**

KEY	PART NUMBER	U/M DESCRIPTION
	000G67-10 16P	EA SCREW, 10-12 X 1 PPH - DARK BROWN
	000G67-10 20D	EA SCREW, 10-12 X 1 1/4 PPH - BLACK
	000G67-10 24B	EA SCREW, 10-12 X 1 1/2 PPH - ZN
	000G67-10-32B	EA SCREW, 10-12 X 2 PPH - ZN
	000G68-06 10G	EA SCREW, 6-18 X 5/8 POH - ANTIQUE BRASS
	000G68-10-36T	EA SCREW-10-12 X 2 25 POH BLACK
	049465-04-000	EA SCREW, 10-16 X 1 PTH W/WASHER - BEIGE
	074046-01-000	EA SCREW, 8-18 X 1 1/2 PFH, BRONZE
	075908-01-000	EA SCREW-MACHINE, 10-32 X 56 PTH - ZINC EXTERNAL TOOTH
	101289-01-01A	EA SCREW-MACHINE 8-32 X 4 - POH - BRASS - FOR EXTENDED K'JOB
	087721-01-000	EA SCREW-FLAT HEAD, TAPPING - 1/4" X 1 1/4" LG ZN

**CLAMPS, GROMMETS, CLIPS, RING HOLDERS & RIVETS**

KEY	PART NUMBER	U/M DESCRIPTION
	000H16-04-06R	EA RIVET-POP, AL 1/8 X 313- 375
	007161-01-000	EA CLAMP-HOSE, SPRING TYPE - 1/2"
	010495-01-000	EA CLAMP-CABLE, 9/16"
	010497-01-000	EA CLAMP-CLOSED, 5/8" ID
	010499-01-000	EA CLAMP-CLOSED, 3/8" ID
	016188-03-000	EA GROMMET-L/P LINE, 3/8" HOLE X 2 1/2" LONG - RUBBER
	016188-05-000	EA GROMMET-L/P LINE, 3/8" HOLE X 1 1/4" LONG - RUBBER
	023942-01-000	EA GROMMET-RUBBER, 2" OD
	062401-01-000	EA CLAMP-HOSE, WORMGEAR 25" - 1"
	062401-02-000	EA CLAMP-HOSE, WORMGEAR, 1 56" - 2 5"
	062401-04-000	EA CLAMP-HOSE WORMGEAR 69" - 1 25"
	062401-06-000	EA CLAMP-HOSE, WORMGEAR 22" 62"
	056134-01-000	EA HOLDER-RING, 3 5" DIAMETER - METAL
	056134-02-000	EA HOLDER-RING 1 8" DIAMETER - METAL
	059592-02-000	EA RIVET-T, (POP) - 1/4 X 093 - 156
	071015 11-000	EA GROMMET-1" ID FITS 12 MATL - MINOR RUBBER Z-3065
	071015-26-000	EA GROMMET-RUBBER 1 5" ID X 2 12" OD W/ 05" GROOVE - BLACK
	071015 31-000	EA GROMMET-RUBBER, 69" ID X 1 31" OD W/ 12" GROOVE - BLACK
	075148-02-000	EA CLAMP-GROUNDING, BRONZE SCREWS
	077953-01-000	EA GROMMET-EDGE LINER FITS 1"
	080734-02-000	EA CLIP WIRE, NYLON
	082149-01-000	EA STUD-CLINCH 3/8" X 24 X 1 12 GD5
	083609-01-000	EA CLAMP-WIRE DUAL EQUAL - 5/8" DIAMETER
	083610-01-000	EA CLAMP-WIRE, DUAL - UNEQUAL DIAMETERS - 75" & 1 25"
	085774-01-000	FT FASTENER-DUAL HOOK 1" WIDE - ADHESIVE BACK - BLACK
	085774-02-000	FT FASTENER-DUAL LOOP 1" WIDE - ADHESIVE BACK - BLACK
	091952-01-000	EA CLIP-GRIPPER 1"
	101447-01-000	EA CLIP-U TYPE TINNEMAN - HOLDS SHOWER SURROUND TOGETHER

**WATER & SEWAGE GROUP**

**FRESH WATER TANK**

KEY	PART NUMBER	U/M DESCRIPTION
	064214-08-000	EA TANK-WATER, W/FITTINGS - 31 GALLON
	077954-02-000	EA FILTER WATER TANK, SCREEN IN TANK
	042989-03-000	EA FITTING-WATER TANK, SPINWELD - 1 1/4"NPT - PLASTIC - WHITE
	042989 04-000	EA FITTING WATER TANK SPINWELD - 3/8" FPT - PLASTIC - WHITE
	042989-05-000	EA FITTING-WATER TANK SPINWELD - 1/2" FPT - PLASTIC - WHITE
	049032-01-000	EA PATCH-SPINWELD, 3/8" - PLASTIC
	039861-01-000	EA SENDING UNIT, W/SCREW - WASHER WELL NUT AND TERMINAL RING

**WATER SYSTEM**

KEY	PART NUMBER	U/M DESCRIPTION
	036522-02-000	EA CAP-BRASS, 1/2" FLARE
	106000-01-000	EA CAP-FEMALE W/CONE 50 KEVCO TC3F
	010224-01-000	EA ADAPTER-HOSE TO PIPE 3/8" MPT X 3/8" BARB - PLASTIC BLACK
	044927-01-000	EA ADAPTER-HOSE TO PIPE, 1 1/4"MPT X 1 1/4"BARB-BLACK PLASTIC
	052954-01-000	EA ADAPTER-NOSE CONE, 3/8" OR 1/2" TUBING - PLASTIC - GRAY
	079317-01-000	EA ADAPTER-SWIVEL, 1/2" TUBE X 1/2" FPT PLASTIC - GRAY
	106258-01-000	EA CAP-INSERTABLE, 1/2 FLARE
	052953-03-000	EA CONNECTOR, 1/2" F X 3/8"MPT - PLASTIC - GRAY
	098417-01-000	EA CONNECTOR-5/8" F X 1/2" MPT, PLASTIC - KEVCO
	101814-01-000	EA COUPLING FEMALE 1/2" X 1/2" FPT
	052960-01-000	EA DRAIN VALVE-IN LINE HEADER 1/2" F X 1/2" F GRAY PLAS
	052960-03-000	EA DRAIN VALVE-IN LINE HEADER, 5/8" F X 5/8" F - GRAY PLAS
	052957-02-000	EA ELBOW MALE, 1/2" F X 1/2" MPT - PLASTIC - GRAY
	087659-04-000	EA FILL-WATER CITY OFF WHITE
	046128-01-000	EA VALVE-DRAIN, PLASTIC - 1/2" FPT
	065120-01-000	EA ELBOW SWIVEL, 1/2" FPT X 1/2" FLARE - PLASTIC - GRAY
	052952-01-000	EA NUT-PLASTIC, 1/2" F X 1/2" TUBE - GRAY
	052952-02-000	EA NUT-PLASTIC 5/3" FLARE
	039798-01-000	EA TEE-1/2"MPT X 1/2"MPT X 1/2"MPT PLASTIC
	052958-01-000	EA TEE-1/2" F X 1/2" F X 1/2" F PLASTIC - GRAY
	052955-01-000	EA TEE-1/2" F X 1/2" F X 1/2" MPT PLASTIC - GRAY
	055291-01-000	EA TEE-PLASTIC, 5/8" F X 5/8" F X 5/8" F
	055293-01-000	EA TEE-PLASTIC 5/8" F X 1/2" F X 5/8" F
	057974-01-000	EA TEE-5/8" F X 1/2" F X 1/2" F PLASTIC
	074463-02-000	EA TEE-4 WAY, 1/2" FLARE X 1/2" MPT- PLASTIC - GRAY
	074463-03-000	EA TEE-4 WAY 1/2" FLARE X 1/2" MPT
	039800-01-000	FT TUBING POLYBIJTYL 1/2" OD - INCREMENTS OF 20' - BLACK
	039800-02-000	FT TUBING POLYBIJTY 5/8" OD - INCREMENTS OF 20' - BLACK
	079381-01-000	FT TUBING SMOOTH FLEXIBLE 1 1/4" ID
	074462-02-000	FT TUBING VINYL, 3/8" ID - CLEAR

**1993 WINNEBAGO  
TABLE OF CONTENTS**

INTRODUCTION	A-01	A-02
ABBREVIATIONS		A-03
ALPHABETICAL INDEX	A-04	A-06
WF527RQ	A-07	E-04
WF527RC	E-05	H-24

**1993 WF527RC INDEX**

FLOOR PLAN	E-05	E-06
ACCESSORIES		E-07
AUDIO VIDEO		E-08
BATH	E-09	E-10
BEDROOM	E-11	E-12
CHASSIS	E-13	E-17
CURTAIN & CUSHION	F-18	F-04
DINETTE	F-05	F-06
DRIVERS COMPARTMENT	F-07	F-08
ELECTRICAL	F-09	F-12
EXTERIOR BODY	F-13	F-22
GALLEY	F-23	G-03
GENERATOR		G-04
HEATING & A/C	G-05	G-06
INTERIOR FINISH	G-07	G-10
LABELS	G-11	G-17
LP		G-18
LOUNGE	G-19	G-20
SEALANTS & FASTENERS	G-21	G-23
WATER & SEWAGE	G-24	H-04
WINDOW, VENT AND		
EXTERIOR DOOR	H-05	H-23

**WATER & SEWAGE GROUP (CONTINUED)**

**WATER HEATER W/O MOTOR AID**

KEY	PART NUMBER	U/M	DESCRIPTION
	051391-03-000	EA	HEATER-WATER W/ELECTRIC IGNITION - ATWOOD G6A-3E
	051391-01-700	EA	HINGE KIT-W/CLIP ATWOOD # 92568 & 92559
	051391-01-704	EA	VALVE-RELIEF, 1/2" FITTING - ATWOOD# 91604
	051391-01-705	EA	FASTENER-CAMLOC, ATWOOD# 92609
	051391-01-706	EA	GRILLE-EXHAUST, ATWOOD# 92787
	051391-01-708	EA	BURNER-MAIN, 3E ONLY - ATWOOD# 92615
	051391-01-710	EA	ORIFICE-MAIN BURNER, ATWOOD# 92742
	051391-01-715	EA	DRAIN PLUG, ATWOOD# 91561
	051391-04-700	EA	TANK-INNER (G6A-3E) FRONT MOUNT - ATWOOD# 91608
	051391-04-701	EA	THERMOSTAT 12 VDC-120 PRESET, ATWOOD# 91470
	051391-04-706	EA	TANK-INNER, G6A-4E & 6E - FRONT MOUNT - ATWOOD# 91641
	051393-01-702	EA	SWITCH-ENERGY CUT-OFF, ATWOOD# 91951
	051393-01-703	EA	THERMOSTAT-REAR MOUNT, ATWOOD# 91952
	051393-01-704	EA	CIRCUIT BOARD-W/BLACK BOX ATWOOD# 91420
	051393-01-705	EA	ORIFICE HOLDER-ATWOOD# 91925
	051393-01-716	EA	SPARK & PROBE ASM ATWOOD# 91606
	051393-01-718	EA	VALVE-DUAL SOLENOID, ATWOOD# 91605
	051393-01-721	EA	ECO&THERMOSTAT ASM FRONT MOUNT, 140 DEGREE - ATWOOD# 91447
	051393-03-700	EA	TANK-INNER (G6A-3E), REAR MT - ATWOOD# 91409
	097967-01-000	EA	SWITCH WATER HEATER, ATWOOD 91959

**WATER HEATER W/MOTOR AID & REAR HEATER**

KEY	PART NUMBER	U/M	DESCRIPTION
	051393-01-000	EA	HEATER WATER W/MOTOR AID-ATWOOD GH3-3E GH6-4E OR GH6-6E
	051391-01-700	EA	HINGE KIT-W/CLIP, ATWOOD # 92568 & 92559
	051391-01-704	EA	VALVE-RELIEF, 1/2" FITTING - ATWOOD# 91604
	051391-01-705	EA	FASTNER-CAMLOC, ATWOOD# 92609
	051391-01-706	EA	GRILLE EXHAUST ATWOOD# 92787
	051391-01-708	EA	BURNER-MAIN, 3E ONLY - ATWOOD# 92615
	051391-01-710	EA	ORIFICE-MAIN BURNER, ATWOOD# 92742
	051391-01-714	EA	ELBOW-45 DEGREE, 3/8" F X 3/8" MPT - ATWOOD 91044
	051391-01-715	EA	DRAIN PLUG, ATWOOD# 91561
	051391-04-701	EA	THERMOSTAT 12 VDC-120 PRESET, ATWOOD# 91470
	051391-04-704	EA	TANK-INNER, FRONT MOUNT - GH6-4E & 6E - ATWOOD 91642
	051393-01-700	EA	TANK-INNER, 3E FRONT MOUNT - ATWOOD# 91023
	051393-01-702	EA	SWITCH-ENERGY CUT-OFF ATWOOD# 91951
	051393-01-703	EA	THERMOSTAT-REAR MOUNT ATWOOD# 91952
	051393-01-704	EA	CIRCUIT BOARD-W/BLACK BOX, ATWOOD# 91420
	051393-01-705	EA	ORIFICE HOLDER-ATWOOD# 91925
	051393-01-714	EA	TANK-INNER (GH6 3E), REAR MOUNT - ATWOOD# 91408
	051393-01-716	EA	SPARK & PROBE ASM ATWOOD# 91606
	051393-01-718	EA	VALVE-DUAL SOLENOID ATWOOD# 91605
	051393-01-721	EA	ECO&THERMOSTAT ASM FRONT MOUNT, 140 DEGREE - ATWOOD# 91447

**WATER & SEWAGE GROUP (CONTINUED)**

**WATER PUMP**

KEY	PART NUMBER	U/M	DESCRIPTION
	098607-01-000	EA	PUMP-WATER, W/ 5" MPT FITTING - FLOW 2.8 GPM - UL
	098607-01-700	EA	PUMPHEAD-REPLACEMENT
	098607-01-701	EA	DRIVE ASSEMBLY
	098607-01-702	EA	DIAPHRAGM KIT
	098607-01-703	EA	VALVE ASSEMBLY
	098607-01-704	EA	HOUSING-UPPER
	098607-01-705	EA	CHECK VALVE KIT
	098607-01-706	EA	UPPER HOUSING/SWITCH KIT
	098607-01-707	EA	MOTOR/BASEPLATE REPLACEMENT

**1993 WINNEBAGO  
TABLE OF CONTENTS**

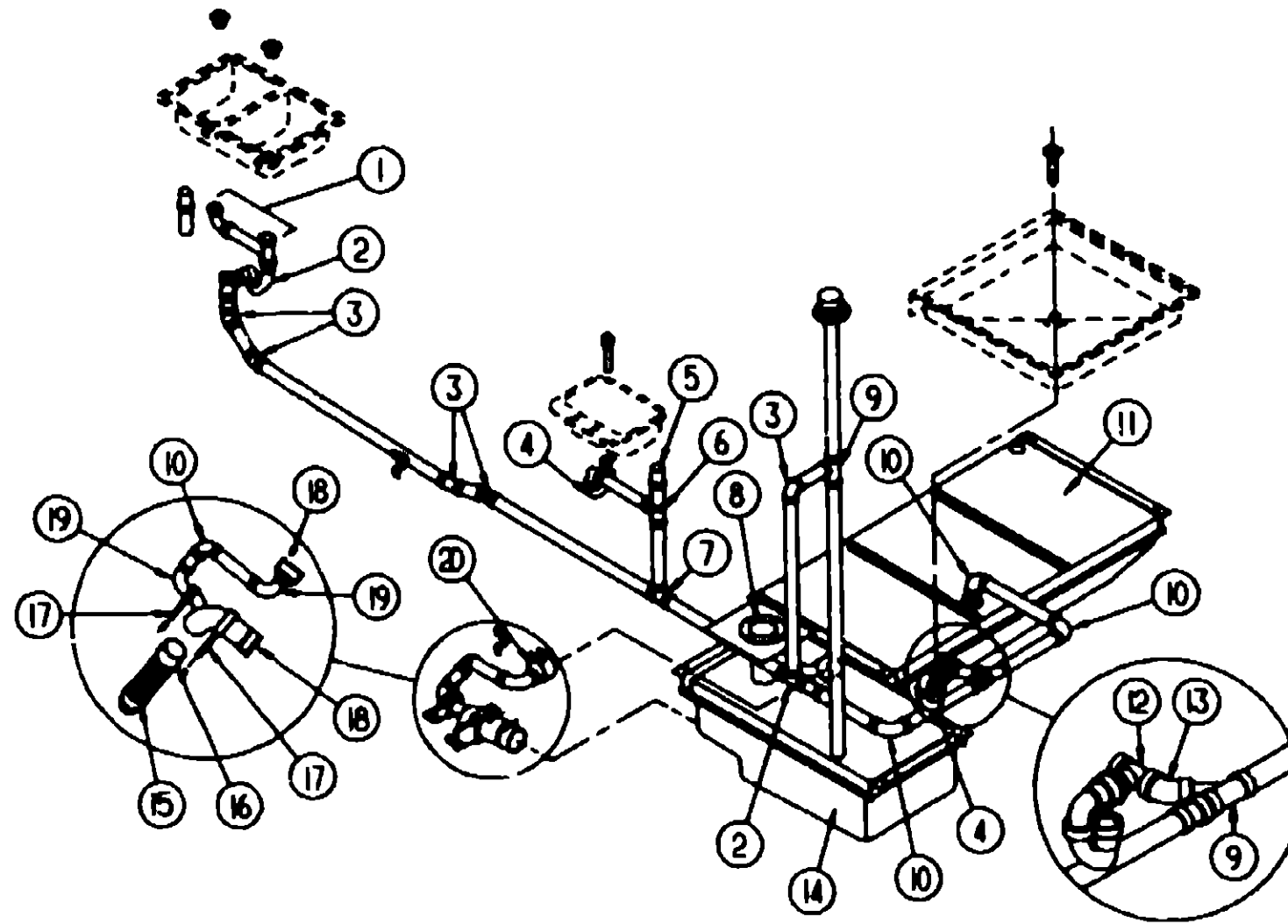
INTRODUCTION	A-01 - A-02
ABBREVIATIONS	A-03
ALPHABETICAL INDEX	A-04 - A-06
WF527RQ	A-07 - E-04
WF527RC	E-05 - H-24

**1993 WF527RC INDEX**

FLOOR PLAN	E-05 - E-06
ACCESSORIES	E-07
AUDIO VIDEO	E-08
BATH	E-09 - E-10
BEDROOM	E-11 - E-12
CHASSIS	E-13 - E-17
CURTAIN & CUSHION	E-18 - F-04
DINETTE	F-05 - F-06
DRIVERS COMPARTMENT	F-07 - F-08
ELECTRICAL	F-09 - F-12
EXTERIOR BODY	F-13 - F-22
GALLEY	F-23 - G-03
GENERATOR	G-04
HEATING & A/C	G-05 - G-06
INTERIOR FINISH	G-07 - G-10
LABELS	G-11 - G-17
LP	G-18
LOUNGE	G-19 - G-20
SEALANTS & FASTENERS	G-21 - G-23
WATER & SEWAGE	G-24 - H-04
WINDOW, VENT AND EXTERIOR DOOR	H-05 - H-23

# WATER & SEWAGE GROUP (CONTINUED)

## DRAINAGE SYSTEM



### 1993 WINNEBAGO TABLE OF CONTENTS

INTRODUCTION	A-01 - A-02
ABBREVIATIONS	A-03
ALPHABETICAL INDEX	A-04 - A-06
WF527RQ	A-07 - E-04
WF527RC	E-05 - H-24

### 1993 WF527RC INDEX

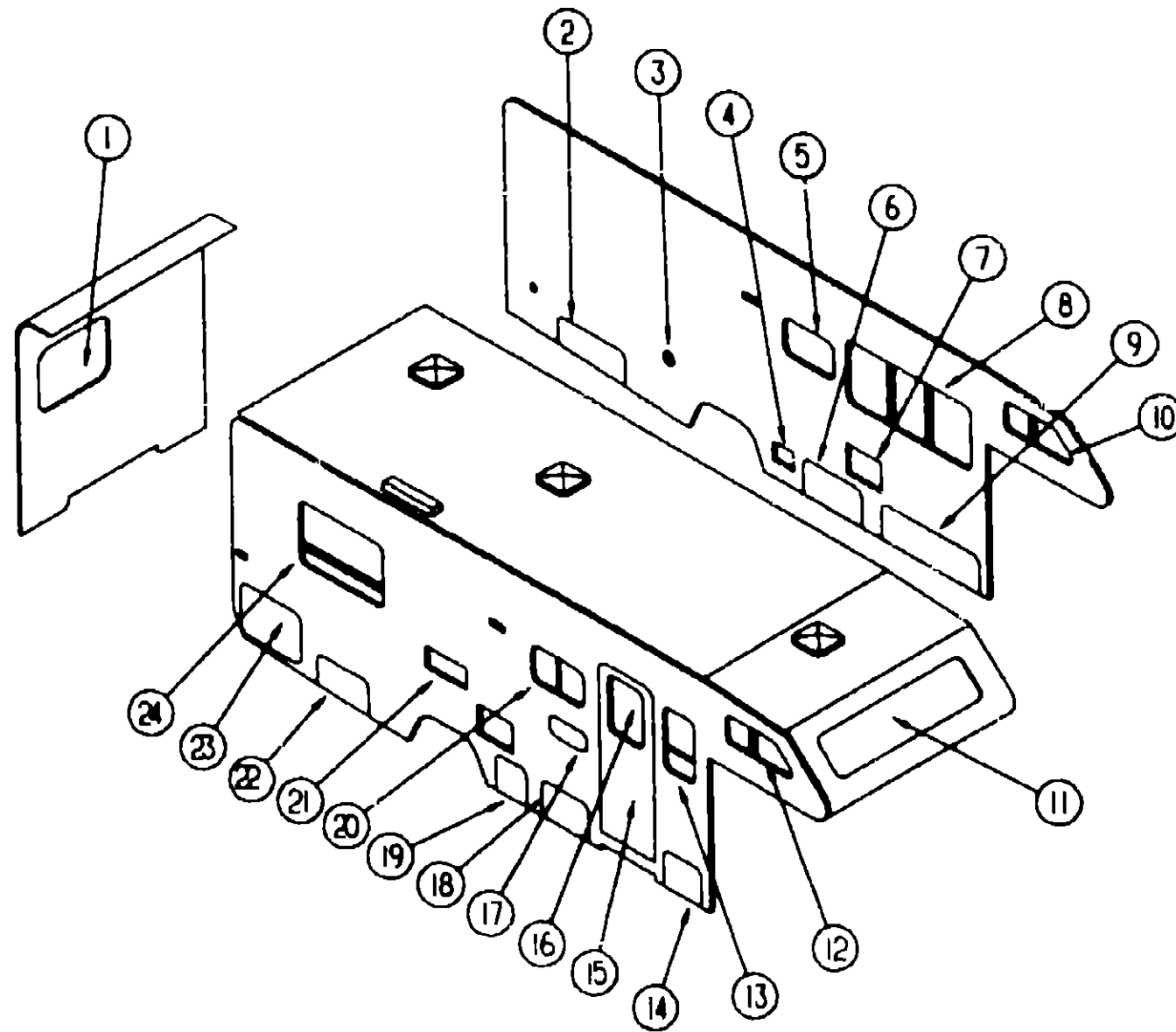
FLOOR PLAN	E-05 - E-06
ACCESSORIES	E-07
AUDIO VIDEO	E-08
BATH	E-09 - E-10
BEDROOM	E-11 - E-12
CHASSIS	E-13 - E-17
CURTAIN & CUSHION	E-18 - F-04
DINETTE	F-05 - F-06
DRIVERS COMPARTMENT	F-07 - F-08
ELECTRICAL	F-09 - F-12
EXTERIOR BODY	F-13 - F-22
GALLEY	F-23 - G-03
GENERATOR	G-04
HEATING & A/C	G-05 - G-06
INTERIOR FINISH	G-07 - G-10
LABELS	G-11 - G-17
LP	G-18
LOUNGE	G-19 - G-20
SEALANTS & FASTENERS	G-21 - G-23
WATER & SEWAGE	G-24 - H-04
WINDOW, VENT AND EXTERIOR DOOR	H-05 - H-23

KEY	PART NUMBER	U/M	DESCRIPTION
1	011091-02-000	EA	PIPE-DRAIN, W/SEALS - DOUBLE SINK - EXTENDS 9' TO 16'
1	011071-01-000	EA	P TRAP, 1 1/2" - PLASTIC (CSA)
2	107537-01-000	EA	ADAPTER P TRAP, 1 1/4" SLIP (US)
2	107538-01-000	EA	P TRAP-PLASTIC, 1 1/4" W/EXT ARM (US)
2	011071-01-000	EA	P TRAP-1 1/2" - PLASTIC (CSA)
3	010006-01-000	EA	ELBOW-45 DEG, 1/8 BEND - 1 1/2" HUB X HUB - BLACK PLASTIC
4	107537-01-000	EA	ADAPTER-P TRAP, 1 1/4" SLIP (US)
4	107538-01-000	EA	P TRAP-PLASTIC, 1 1/4" W/EXT ARM (US)
4	011066-03-700	EA	P TRAP-1 1/4" HUB X SLIP JOINT, W/UNION - ABS (CSA)
5	079968-01-000	EA	VENT-MECH TRAP ARM ANTI-SIPHON - 2" DIA X 7 3/4" - PLASTIC
6	010079-01-000	EA	TEE-SANITARY, 1 1/2" X 1 1/2" X 1 1/4" H - PLASTIC - BLACK
7	010071-01-000	EA	TEE-SANITARY, 1 1/2" HUB X HUB X HUB - PLASTIC - BLACK
8	061607-02-000	EA	GROMMET-HOLDING TANK 3" NPS
9	010073-01-000	EA	WYE-45 DEGREE 1 1/2" HUB X HUB X HUB - PLASTIC - BLACK

KEY	PART NUMBER	U/M	DESCRIPTION
10	010008-01-000	EA	ELBOW-90 DEG, 1/4 BEND - 1 1/2" HUB X HUB - BLACK PLASTIC
10	061607-01-000	EA	GROMMET-HOLDING TANK, 1 1/2" NPS
11	102762-03-000	EA	TANK-HOLDING 42 GALLON - 57 4" X 8 4" X 29"
12	010079-01-000	EA	TEE-SANITARY, 1 1/2" X 1 1/2" X 1 1/4" H - PLASTIC - BLACK
	010123-01-000	EA	BUSHING, -2" X 1 1/2" HUB - PLASTIC
13	010051-01-000	EA	ELBOW-45 DEG BEND, 1 1/2" SPIGOT AND HUB - PLASTIC - BLACK
14	104763-02-000	EA	TANK-HOLDING, 32 GALLON
15	010201-01-000	EA	HOSE-SEWER, 3" ID X 8'
16	062416-01-000	EA	ADAPTER-SEWER HOSE TO 3" PIPE
17	070916-01-000	EA	VALVE-DUAL DUMP, W/CAP - 3" X 1 1/2" - PLASTIC - BLACK
18	078406-01-000	EA	COUPLER-RUBBER, W/CLAMPS - 3" X 3"
19	033761-01-000	EA	ELBOW-TURN, 1/4 BEND X 1 5" HUB X 1 5" SPIGOT - BLK PLASTIC
20	062422-01-000	EA	ADAPTER-OFFSET REDUCER, 3" X 1 1/2" - PLASTIC - BLACK
	034250-01-000	EA	ELBOW-90 DEGREE LONG TURN - 1 1/2" HUB X HUB - ABS

# WINDOW, VENT & EXTERIOR DOOR GROUP

## WINDOWS & DOORS



## 1983 WINNEBAGO TABLE OF CONTENTS

INTRODUCTION	A-01 - A-02
ABBREVIATIONS	A-03
ALPHABETICAL INDEX	A-04 - A-08
WF527RQ	A-07 - E-04
WF527RC	E-05 - H-24

## 1983 WF527RC INDEX

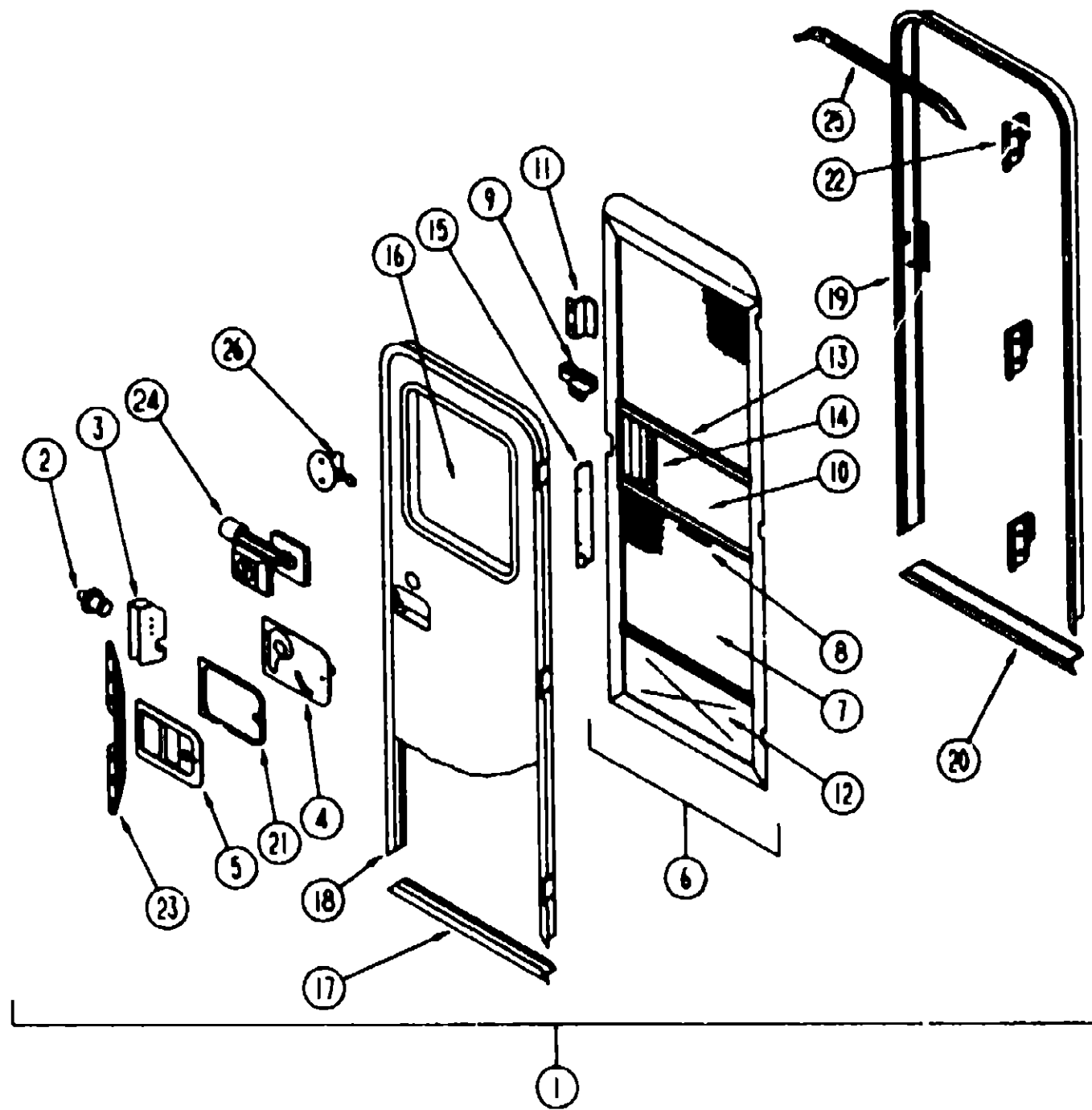
FLOOR PLAN	E-05 - E-08
ACCESSORIES	E-07
AUDIO VIDEO	E-08
BATH	E-09 - E-10
BEDROOM	E-11 - E-12
CHASSIS	E-13 - E-17
CURTAIN & CUSHION	E-18 - F-04
DINETTE	F-05 - F-06
DRIVERS COMPARTMENT	F-07 - F-08
ELECTRICAL	F-09 - F-12
EXTERIOR BODY	F-13 - F-22
GALLEY	F-23 - G-03
GENERATOR	G-04
HEATING & A/C	G-05 - G-06
INTERIOR FINISH	G-07 - G-10
LABELS	G-11 - G-17
LP	G-18
LOUNGE	G-19 - G-20
SEALANTS & FASTENERS	G-21 - G-23
WATER & SEWAGE	G-24 - H-04
WINDOW, VENT AND EXTERIOR DOOR	H-05 - H-23

KEY	PART NUMBER	U/M	DESCRIPTION
1	07B528-04-C05	EA	WINDOW-ESCAPE, 27" X 48" - W/O INSIDE FRAME
2	105175-06 D06	EA	DOOR-COMPARTMENT, STORAGE - DRIVER SIDE REAR
3	105118-02-C05	EA	DOOR-EXTERIOR SHOWER
4	088794-01-000	EA	DOOR-POWER CORD W/HATCH - OFF WHITE
5	092235-11-Y12	EA	WINDOW-TIPOUT, SINGLE - W/O INSIDE FRAME
6	105174-05 D06	EA	DOOR-COMPARTMENT LOWER - FRONT
7	052009-01-000	EA	DOOR-WATER HEATER, OFF WHITE - ATWOOD 5576-27
8	098647-10-02A	EA	WINDOW-SLIDER, HORIZONTAL - W/INSIDE TRIM - BLACK
9	105174-03-D06	EA	DOOR-COMPARTMENT, LOWER - FRONT
10	100322-02 700	EA	WINDOW-VENTED, 12" X 35 8" - W/O INSIDE FRAME - EXCEL CH19-DK L
11	103313-01 B05	EA	WINDOW-PICTURE, W/O INSIDE FRAME
12	100322-01-720	EA	WINDOW-VENTED 12" X 35 8" - W/O INSIDE FRAME - EXCEL CH19 DK R
13	098644-05-01A	EA	WINDOW-SLIDER, RAISED - W/INSIDE FRAME - EXCEL H250 PR

KEY	PART NUMBER	U/M	DESCRIPTION
14	105174-01-D06	EA	DOOR-COMPARTMENT, LOWER - FRONT
15	M01870-63-D06	EA	DOOR-ENTRY, W/WINDOW SCREEN & JAMB - OFF WHITE (D06, D07)
15	M01870-63-D08	EA	DOOR-ENTRY, W/WINDOW, SCREEN & JAMB - OFF WHITE (D08)
16	078733-04-T03	EA	WINDOW ENTRY DOOR, 17" X 25" - W/O INSIDE FRAME
17	105118-01-C05	EA	DOOR-EXTERIOR ENTERTAINMENT
18	105174-02-D06	EA	DOOR-COMPARTMENT, LOWER - FRONT
19	105174-04-D06	EA	DOOR-COMPARTMENT, LOWER - FRONT
20	098647-09-02A	EA	WINDOW-SLIDER, HORIZONTAL - W/INSIDE TRIM - BLACK
21	084103-03-000	EA	DOOR-VENT-REFRIGERATOR - OFF WHITE
	084104-03-000	EA	JAMB-DOOR-REFRIGERATOR-OFF WHITE
	084104-01-700	EA	LOCK-MALE, FASTENER - REFRIGERATOR DOOR
	084104-01-701	EA	LOCK-FEMALE, FASTENER - REFRIGERATOR DOOR
22	105175-05 D06	EA	DOOR-COMPARTMENT, LOWER - REAR
23	108271-02-D06	EA	DOOR-COMPARTMENT, STORAGE - RADIUS
24	092235-12-Y12	EA	WINDOW-TIPOUT- SINGLE - W/O INSIDE FRAME
	081240-03-000	EA	DOOR-WATER FILL LOCKABLE-4" X 4 5/8" - OFF WHITE
	078010-03-000	EA	DOOR FUEL FILL, W/JAMB - OFF WHITE

# WINDOW, VENT & EXTERIOR DOOR GROUP (CONTINUED)

## ENTRY DOOR



KEY	PART NUMBER	U/M DESCRIPTION
5	045017-11-000	EA LATCH-ENTRY DOOR, MECHANISM W/LOCK & KEY - BLACK
	045017-11-701	EA KEY BLANK
	058025-02-000	EA CLIP-ROLLER LATCH CATCH, SCREEN DOOR
	063729-04-000	EA RIVNUT, 10-32 UNF - 0:0-080
	072883-01-000	EA NUTSERT-#45 X 0, 8
	075871-04-000	FT SEAL-SPONGE, LAZY T SHAPE - W/ADHESIVE STRIPE - .5" WIDE
6	079012-01-U01	EA DOOR-SCREEN
7	002293-02-000	SF SCREENING-WINDOW/DOOR, 28" - CHARCOAL
8	002294-01-000	FT SPLINE-SCREENING, 135" X 138" - BLACK
	002748-01-000	EA CORNER KEY-DOOR
9	109403-01-000	EA CATCH-ASM-SINGLE ROLLER
10	016454-01-000	EA INSERT-CENTER, LEATHER GRAIN ALUMINUM - UNPAINTED
10	001014-01-013	EA INSERT-CENTER, 10 25" X 16 31" - UNPAINTED
11	050712-04-000	EA HANDLE-SCREEN DOOR, ALUMINUM - OFF WHITE
11	050712-05-000	EA HANDLE-SCREEN DOOR, UNPAINTED
12	078552-03-000	EA KICK PANEL-SCREEN DOOR, LOWER INSERT - UNPAINTED
	078585-01-000	EA TOP PLATE-SCREEN DOOR, CURVED TOP - 4 7" X 25 35"
13	078777-01-000	EA CHANNEL-SLIDE, SCREEN DOOR CENTER SLIDER COVER
14	079086-02-000	EA SLIDER-SCREEN DOOR, OFF WHITE
15	079087-02-000	EA STRIKE-SLIDER, W/UP FOR ELBOW CATCH - 1 5" X 8 6" - OFF WHITE
	006016-01-000	EA CATCH-ELBOW, SPRING LOADED - SCREEN DOOR CATCH
16	079733-04-T03	EA WINDOW-PICTURE, W/O INSIDE FRAME - 17" X 25"
	081914-01-000	EA BUMPER-RUBBER, ROUND - .43" DIAMETER - BLACK
17	089748-01-000	EA FRAME-BOTTOM, ENTRY DOOR - 24 8" LONG - OFF WHITE
	090340-01-000	FT SEAL-FOAM, CLOSED CELL - 1/4" X 1/2" X 50'
18	095276-01-01A	EA FRAME-ENTRY DOOR, W/O BOTTOM - OFF WHITE
19	095277-02-01A	EA JAMB-ENTRY DOOR, W/BOTTOM - 25 9" X 74 5" - OFF WHITE
20	051049-01-000	EA JAMB-BOTTOM, ENTRY DOOR - 25 9" - UNPAINTED
	079207-01-000	EA STRIKER-ROLLER CATCH, WELDED TO DOOR JAMB - 4" X 1 15"
	095278-01-01A	EA JAMB-DOOR, ENTRANCE - 25 9" X 74 8" - UNPAINTED
21	098810-01-01A	EA PLATE-LATCH, ENTRY DOOR - PLASTIC - BLACK
22	097724-01-04A	EA HINGE-ENTRY DOOR, UNPAINTED
23	098173-01-04A	EA STIFFENER-ENTRY DOOR, SUPPORTS LATCH/STRIKE AREA - UNPAINTED
	100128-02-000	FT SEAL-PILE, ADHESIVE BACK - SCREEN DOOR - GRAY
24	101145-01-01A	EA DEADBOLT-ENTRY DOOR, W/2 KEYS W/O BACK SET BOLT OR SCREWS
	095229-01-700	EA KEY BLANK FOR DEADBOLT
	101147-01-000	EA BOLT-SECURITY, 4 12" BACKSET
	102524-01-000	EA BUMPER-RUBBER, FLAT - BLACK
25	044582-02-000	EA CAP-DRIP, ENTRY DOOR - JAMB MOUNTED - ALUMINUM - OFF WHITE
	064075-07-000	FT SEAL-BULB, W/WIRED U CHANNEL - 3" X 5" CHANNEL - BLACK
	075839-19-000	EA GARNISH-RADIUS, ENTRY DOOR - OFF WHITE
	077461-03-000	EA COVER-STRIKE, ENTRY DOOR - 6 5" X 2 5" - PLASTIC - WHITE
	090340-01-000	FT SEAL-FOAM, CLOSED CELL - 1/4" X 1/2" X 50'
	091876-01-000	EA RETAINER-DOOR, 1 9" X 8" - METAL
26	100412-01-000	EA CATCH-SCREEN DOOR, THUMB CLIP W/BLACK PLASTIC CAP
	104892-01-000	FT SEAL-ADHESIVE BACK, 3/4" X 34"
	104099-01-01A	EA CATCH-DOOR HOLDER, STRIKE
	104099-02-01A	EA CATCH-DOOR HOLDER, RETAINER

## 1993 WINNEBAGO TABLE OF CONTENTS

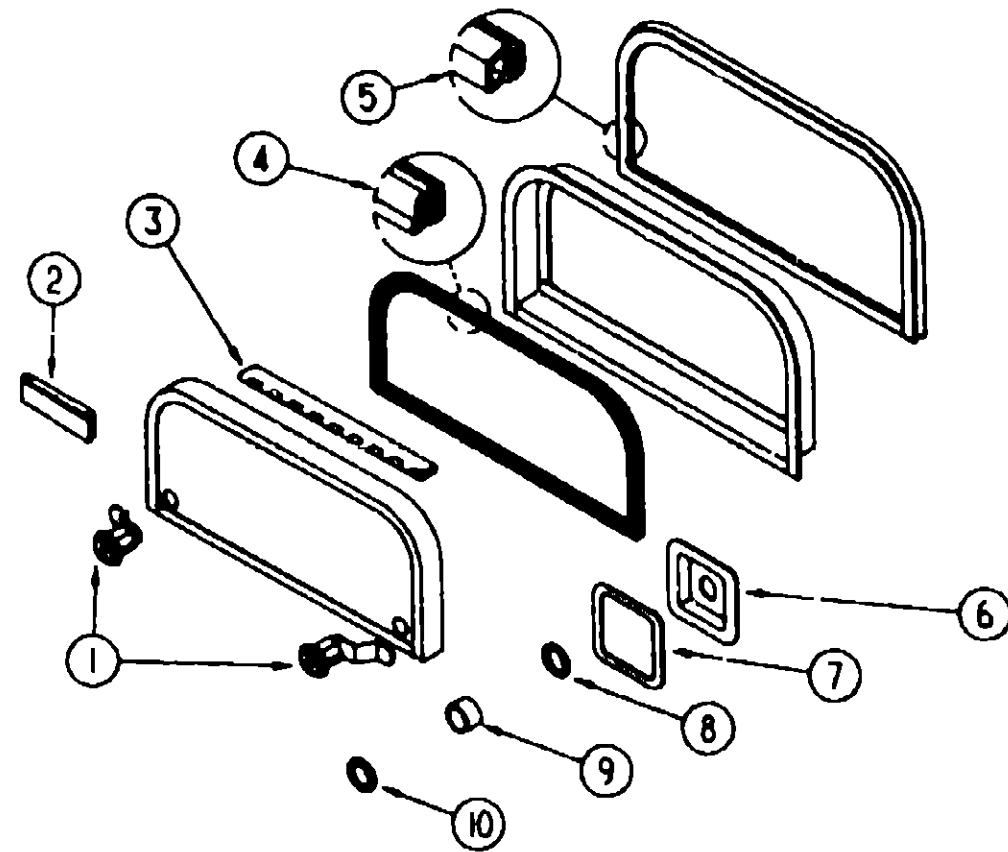
INTRODUCTION	A-01	A-02
ABBREVIATIONS		A-03
ALPHABETICAL INDEX	A-04	A-08
WF527RQ	A-07	E-04
WF527RC	E-05	H-24

## 1993 WF527RC INDEX

FLOOR PLAN	E-05	E-08
ACCESSORIES		E-07
AUDIO VIDEO		E-08
BATH	E-09	E-10
BEDROOM	E-11	E-12
CHASSIS	E-13	E-17
CURTAIN & CUSHION	E-18	F-04
DINETTE	F-05	F-08
DRIVERS COMPARTMENT	F-07	F-08
ELECTRICAL	F-09	F-12
EXTERIOR BODY	F-13	F-22
GALLEY	F-23	G-03
GENERATOR		G-04
HEATING & A/C	G-05	G-08
INTERIOR FINISH	G-07	G-10
LABELS	G-11	G-17
LP		G-18
LOUNGE	G-19	G-20
SEALANTS & FASTENERS	G-21	G-23
WATER & SEWAGE	G-24	H-04
WINDOW, VENT AND EXTERIOR DOOR	H-05	H-23

KEY	PART NUMBER	U/M DESCRIPTION
1	M01870-63-D06	EA DOOR-ENTRY W/SCREEN DOOR & JAMB (D06, D07)
1	M01870-63-D08	EA DOOR-ENTRY W/SCREEN DOOR & JAMB (D08)
2	039539-01-000	EA STRIKE-LOCK, ENTRY DOOR - ROUND W/THREADED WASHER
3	039540-01-000	EA LATCH MECHANISM-HOOK, ENTRY DOOR - INTERIOR
	039715-01-000	EA NUT-SERT, 1/4" DIAMETER - 20 THREADS
4	039979-04-000	EA COVER INTERIOR LATCH, W/TRIP ARM - RIGHT' - BLACK
	039984-01-000	EA CAP-ROUND, VINYL - 28" ID X 62" LONG - BLACK
	041546-03-000	EA BRACKET-DOOR ANGLE, 5" X 1 9" - BEIGE - METAL

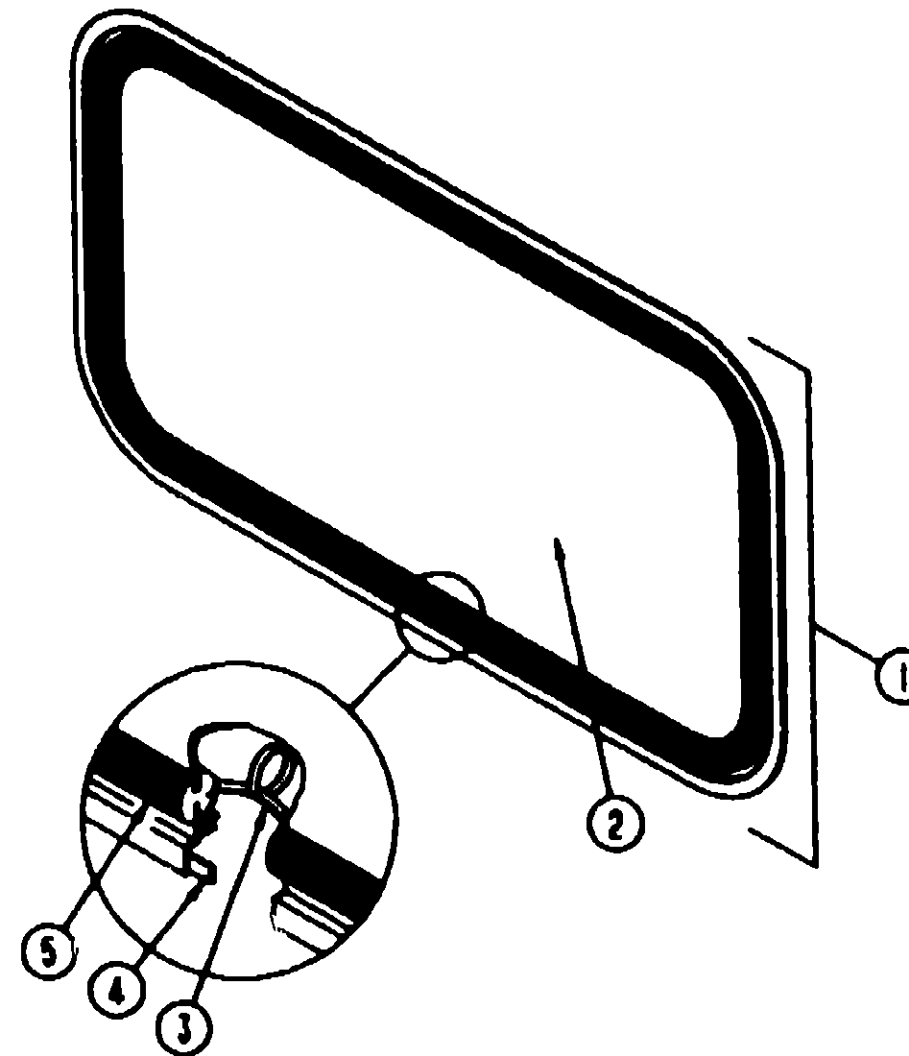
**WINDOW, VENT & EXTERIOR DOOR GROUP (CONTINUED)**



**EXTERIOR DOOR COMPONENTS & HOLDERS**

KEY	PART NUMBER	U/M DESCRIPTION
1	079356-05-000	EA LOCK-KEY TYPE W/O KEYS, 1 60 OFF SET
	082684-01-700	EA KEY BLANK
1	079927-04-000	EA LOCK-TWIST TYPE, 1 60 OFF SET - ILLINOIS LOCK
2	102768-01-000	EA HOLDER-COMPARTMENT/ENTRY DOOR, METAL - MILL FINISH
3	105376-01-02A	EA HINGE-CONTINUOUS 2" X 140MM - OFF WHITE
	081801-02-000	EA HINGE-2" X 96", OFF WHITE
	084413-01-000	EA HINGE-CONTINUOUS, ALUMINUM - 1" X 72" - W/HOLES
4	064075-07-000	FT SEAL-BULB W/WIRED U CHANNEL - 3" X 5" CHANNEL - BLACK
5	081632-02-000	FT SEAL-BULB, DOOR - W/WIRE CARRIER 8" WIDE - RUBBER - BLACK
6	097111-01-01A	EA POCKET-LOCK, VALANCE - OFF WHITE
7	098338-01-000	EA GASKET-LOCK POCKET
8	109834-01-000	EA WASHER 640X 752ID SST - HUDSON LOCK
9	107997 51-001	EA EXTR-SPACER, 0015 - 24
10	109833-01-000	EA BEAUTY RING 670 X 780ID - SST - HUDSON LOCK
	096217 55-001	EA U CHANNEL 17 5' - OFF WHITE
	096217-55-002	EA U-CHANNEL 17 5' - DARK GRAY
	058027-01-000	FT SEAL, D SHAPED - HOLLOW - SPONGE RUBBER - BLACK

**WINDOW, VENT & EXTERIOR DOOR GROUP (CONTINUED)**



**BACKWALL ESCAPE WINDOW**

KEY	PART NUMBER	U/M DESCRIPTION
	074816-09-000	EA FRAME-WINDOW, INSIDE - ESCAPE - OFF WHITE
1	078528-04-C05	EA WINDOW-ESCAPE, BACKWALL - W/O INSIDE FRAME
2	078337-09-000	EA GLASS WINDOW, 44 8" X 23 5"
3	002285-01-000	FT FILLER-WEATHER STRIP, RUBBER - BLACK
	077066-01-702	EA RED POLY 005 X 500 IN X 150' ROLL
4	069640-10-000	FT SEALER-RIBBON, 1/32" X 1 1/2" INCREMENTS OF 90'
5	002282-04-000	EA WEATHERSTRIP WINDOW, 125" X 109 25" - VULCANIZED - BLACK

**1993 WINNEBAGO  
TABLE OF CONTENTS**

INTRODUCTION	A-01 - A-02
ABBREVIATIONS	A-03
ALPHABETICAL INDEX	A-04 - A-08
WF527RQ	A-07 - E-04
WF527RC	E-05 - H-24

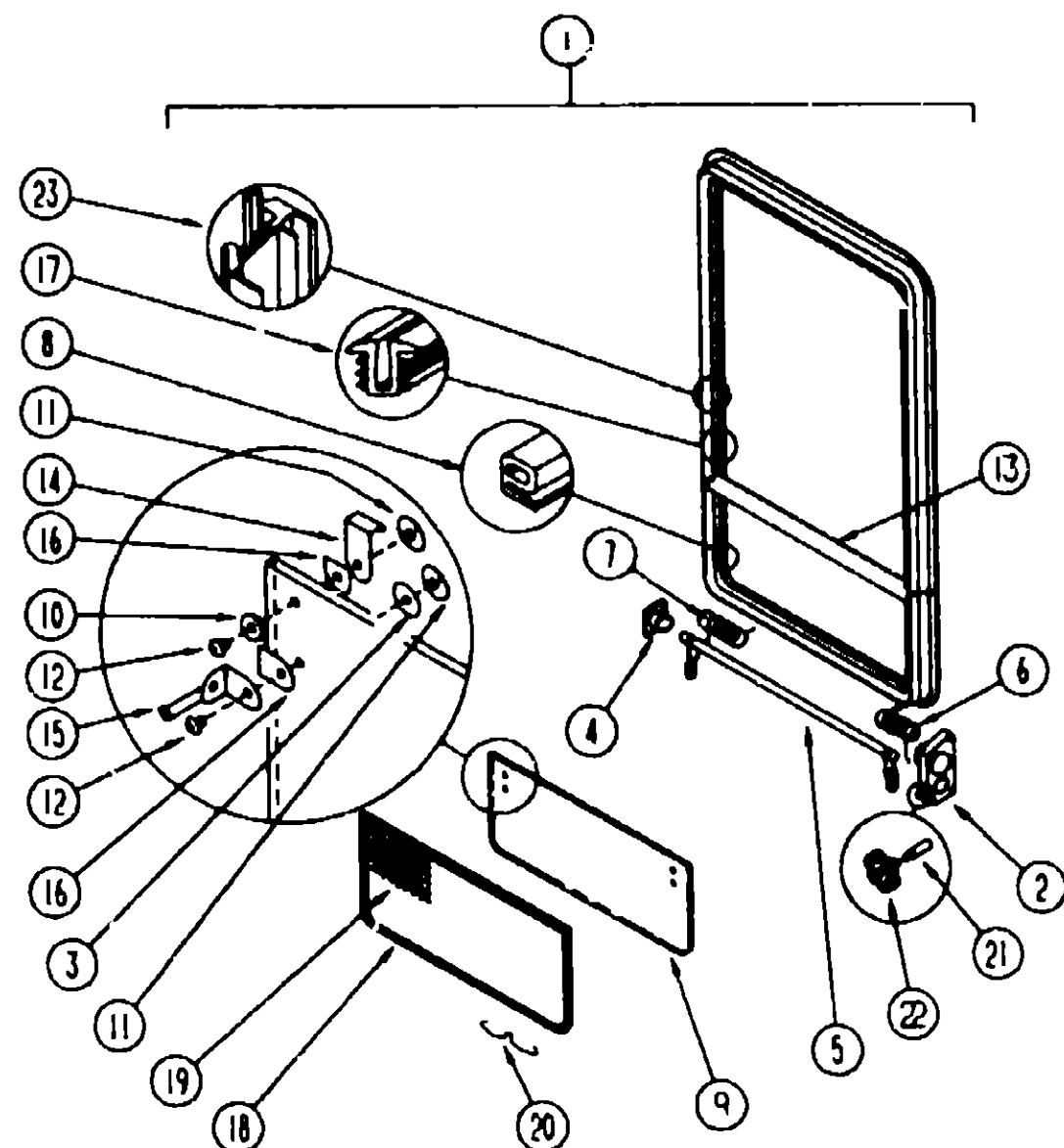
**1993 WF527RC INDEX**

FLOOR PLAN	E-05 - E-06
ACCESSORIES	E-07
AUDIO VIDEO	E-08
BATH	E-09 - E-10
BEDROOM	E-11 - E-12
CHASSIS	E-13 - E-17
CURTAIN & CUSHION	E-18 - F-04
DINETTE	F-05 - F-06
DRIVERS COMPARTMENT	F-07 - F-08
ELECTRICAL	F-09 - F-12
EXTERIOR BODY	F-13 - F-22
GALLEY	F-23 - G-03
GENERATOR	G-04
HEATING & A/C	G-05 - G-08
INTERIOR FINISH	G-07 - G-10
LABELS	G-11 - G-17
LP	G-18
LOUNGE	G-19 - G-20
SEALANTS & FASTENERS	G-21 - G-23
WATER & SEWAGE	G-24 - H-04
WINDOW VENT AND EXTERIOR DOOR	H-05 - H-23



# WINDOW, VENT & EXTERIOR DOOR GROUP (CONTINUED)

## PASSENGER SIDE BEDROOM WINDOW



KEY	PART NUMBER	U/M	DESCRIPTION
	090893-18-02A	EA	FRAME-INSIDE, WINDOW RETAINER - OFF WHITE
1	092235-12-Y12	EA	WINDOW-TIPOUT, W/O INSIDE FRAME
	000H14-08-14R	EA	RIVET-MANDREL BLIND, 3/16"
2	036302-02-000	EA	OPERATOR-TORQUE, TIPOUT WINDOW -
3	088927-03-000	EA	SEAL-WINDOW, RUBBER - ROUND - 80" DIA. - BLACK
4	081354-01-000	EA	SLEEVE-TORQUE TUBE, TIPOUT WINDOW - 1 3/4" X 1 2" X 7"
	081649-01-000	EA	RING-SNAP, 7/32 SHAFT DIAMETER
5	083150-12-000	EA	TUBE-TORQUE, TIPOUT WINDOW - W/SPRING & ARM - 22 5" LONG
6	080918-01-000	EA	SPRING-TORQUE TUBE, LEFT
7	080918-02-000	EA	SPRING-TORQUE TUBE, RIGHT
8	084087-02-000	FT	SEAL-E SHAPED, SPONGE - TIPOUT WINDOW - 42" X 38" - BLACK
9	084088-17-000	EA	GLASS-TIPOUT, 9 2" X 24 5"
10	084453-02-000	EA	WASHER-06" X 5" X 25" - PLASTIC
11	086762-01-000	EA	T NUT-10-32
12	086763-01-000	EA	SCREW-MACH, 10 - 32 X 1/4 PTH
13	087566-04-01A	EA	MULLION-HORIZONTAL, TIPOUT BLACK
14	089913-01-000	EA	HINGE-TIPOUT WINDOW, BLACK
15	097578-01-000	EA	LINKAGE-TIPOUT WINDOW
	084453-01-000	EA	WASHER-06" X 5" X 135" - PLASTIC
16	084473-01-000	EA	SEAL-FLAT, W/CENTER HOLE & ADHESIVE SIDE - 8" X 9" - BLACK
	085315-01-000	EA	RIVET-SHOULDER, TIPOUT WINDOW
17	099154-01-000	FT	CHANNEL-GLAZING, STATIONARY GLASS - 82" X .45" - BLACK
18	100235-04 B07	EA	SCREEN-SINGLE TIPOUT WINDOW
19	080218-03-000	SF	SCREENING-FIBERGLASS, 12" WIDE
20	100188-01-000	EA	CLIP-SPRING, SCREEN
	100240-01-000	FT	SPLINE-SCREEN, T-SHAPED
21	090025-01-000	EA	EXTENSION-CRANK HANDLE, WINDOW-PLASTIC-BEIGE
22	101290-01-01A	EA	KNOB-OPERATOR TIPOUT WINDOW - W/SPRING & ARM - BRASS
	101299-01-01A	EA	SCREW-MACHINE, 8-32 X 4 POH - BRASS PLATED LEAD
23	069640-11-000	FT	TAPE-SEALER, 3/16" X 3/8" - BLACK

## 1993 WINNEBAGO TABLE OF CONTENTS

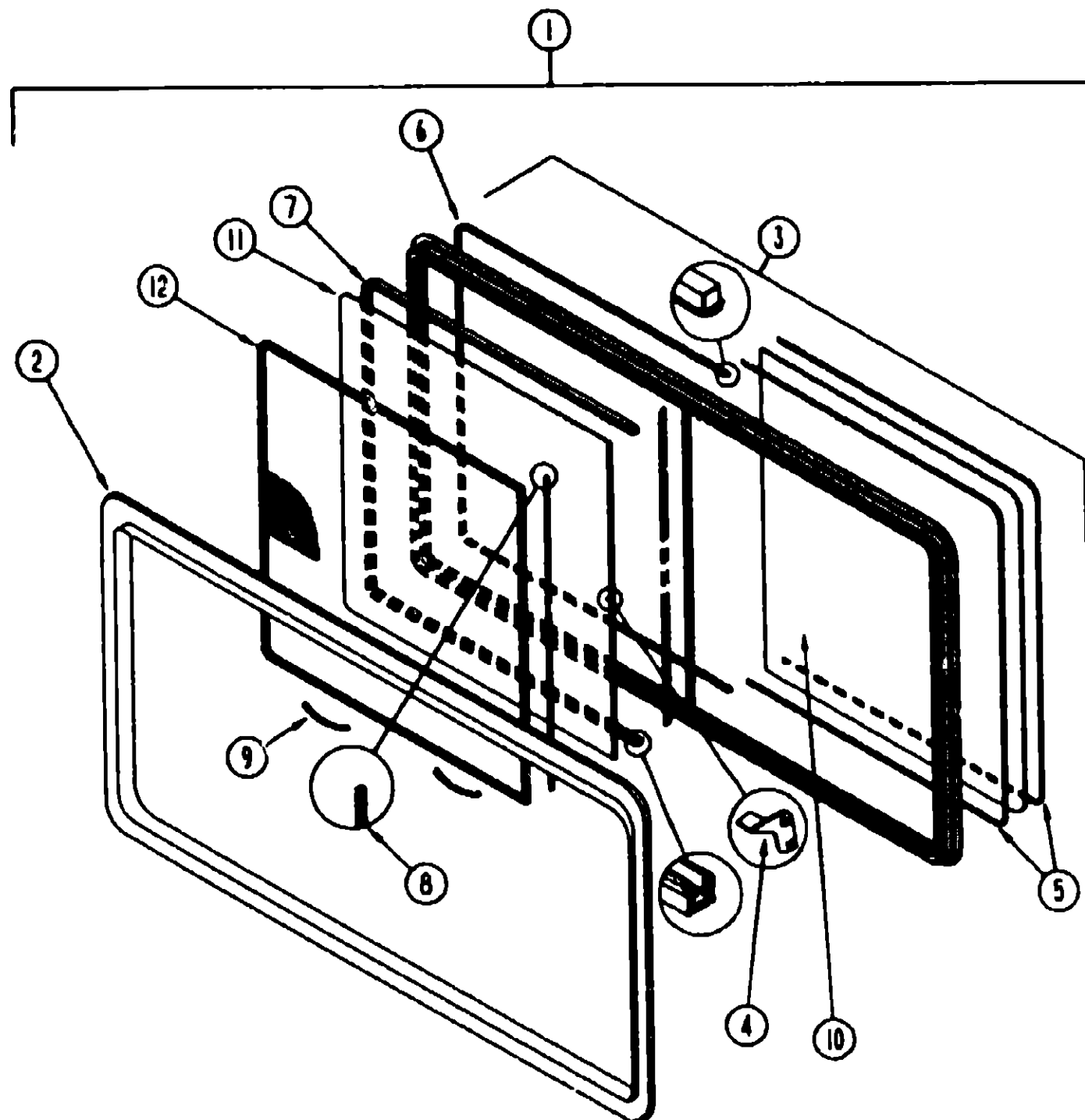
INTRODUCTION	A-01 - A-02
ABBREVIATIONS	A-03
ALPHABETICAL INDEX	A-04 - A-08
WF527RC	A-07 - E-04
WF527RC	E-05 - H-24

## 1993 WF527RC INDEX

FLOOR PLAN	E-05 - E-06
ACCESSORIES	E-07
AUDIO VIDEO	E-08
BATH	E-09 - E-10
BEDROOM	E-11 - E-12
CHASSIS	E-13 - E-17
CURTAIN & CUSHION	E-18 - F-04
DINETTE	F-05 - F-06
DRIVERS COMPARTMENT	F-07 - F-08
ELECTRICAL	F-09 - F-12
EXTERIOR BODY	F-13 - F-22
GALLEY	F-23 - G-03
GENERATOR	G-04
HEATING & A/C	G-05 - G-06
INTERIOR FINISH	G-07 - G-10
LABELS	G-11 - G-17
LP	G-18
LOUNGE	G-19 - G-20
SEALANTS & FASTENERS	G-21 - G-23
WATER & SEWAGE	G-24 - H-04
WINDOW VENT AND EXTERIOR DOOR	H-05 - H-23



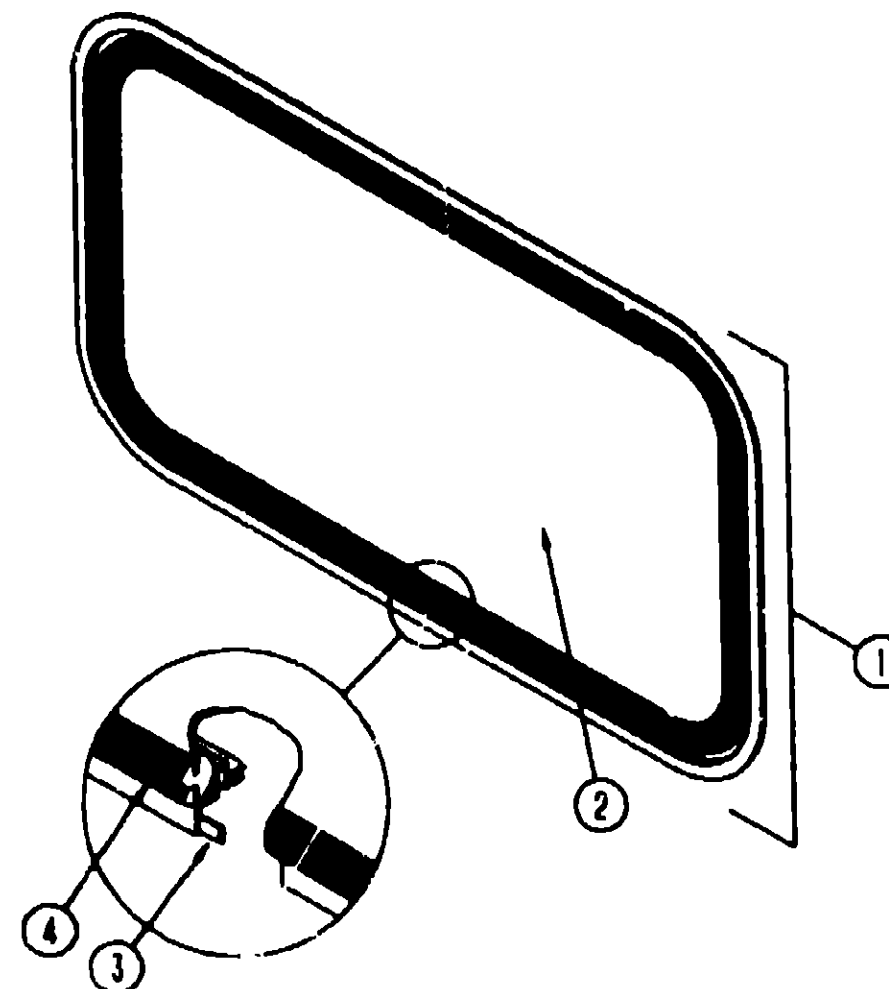
WINDOW, VENT & EXTERIOR DOOR GROUP (CONTINUED)



DRIVER SIDE COUCH SINGLE SLIDING WINDOW

KEY	PART NUMBER	U/M	DESCRIPTION
1	098647-10-02A	EA	WINDOW SLIDER, HORIZONTAL - W/INSIDE FRAME - BLACK
2	098647-09-704	EA	TRIM-INSIDE (OFF-WHITE) - W024-67 EXCEL WHITE
3	098647-10-700	EA	WINDOW-SINGLE SLIDER - LEFT (W/O INSIDE FRAME)
4	098644-01-700	EA	LATCH REPAIR KIT
5	098644-01-705	FT	GLAZING STRIP, EXCEL M926-12
6	098644-01-706	FT	WEATHERSTRIP EXCEL 171-010668
7	098644-01-708	FT	CHANNEL-PIERCED RUN EXCEL 122-016543
8	098644-01-710	FT	TRACK-SCREEN SPACER 12' LENGTH - EXCEL M401-31
	098644-01-711	FT	WEATHERSTRIP-SCREEN FRAME - EXCEL 171-016965
9	098644-01-713	EA	SPRING-SCREEN FRAME (CLIP) PLASTIC - BLACK - EXCEL 226-016966
	098644-01-716	FT	PLUG-FILLER EXCEL 132-014470
	098644-01-717	FT	SPLINE-SCREEN MFG, EXCEL 32-004716
10	098647-09-700	EA	GLASS-STATIONARY - 106-017193 EXCEL
11	098647-09-701	EA	GLASS SLIDING W/SASH&LATCH - H024-G9 EXCEL
12	098647-09-705	EA	SCREEN W/SPRING&WEATHERSTRIP - 410-016464 EXCEL

WINDOW, VENT & EXTERIOR DOOR GROUP (CONTINUED)



OVERHEAD BUNK FRONT WINDOW

KEY	PART NUMBER	U/M	DESCRIPTION
	067609-33-000	EA	FRAME-INSIDE WINDOW
1	103313-01-B05	EA	WINDOW-PICTURE, W/O INSIDE FRAME
2	002181-15-000	EA	GLASS-PICTURE, 11 25" X 58 1" - GRAY
3	069640-11-000	FT	SEALER-TAPE, 3/16" X 3/8" - BLACK
4	099154-01-000	FT	CHANNEL-GLAZING STATIONARY GLASS - 62" X 45" - BLACK

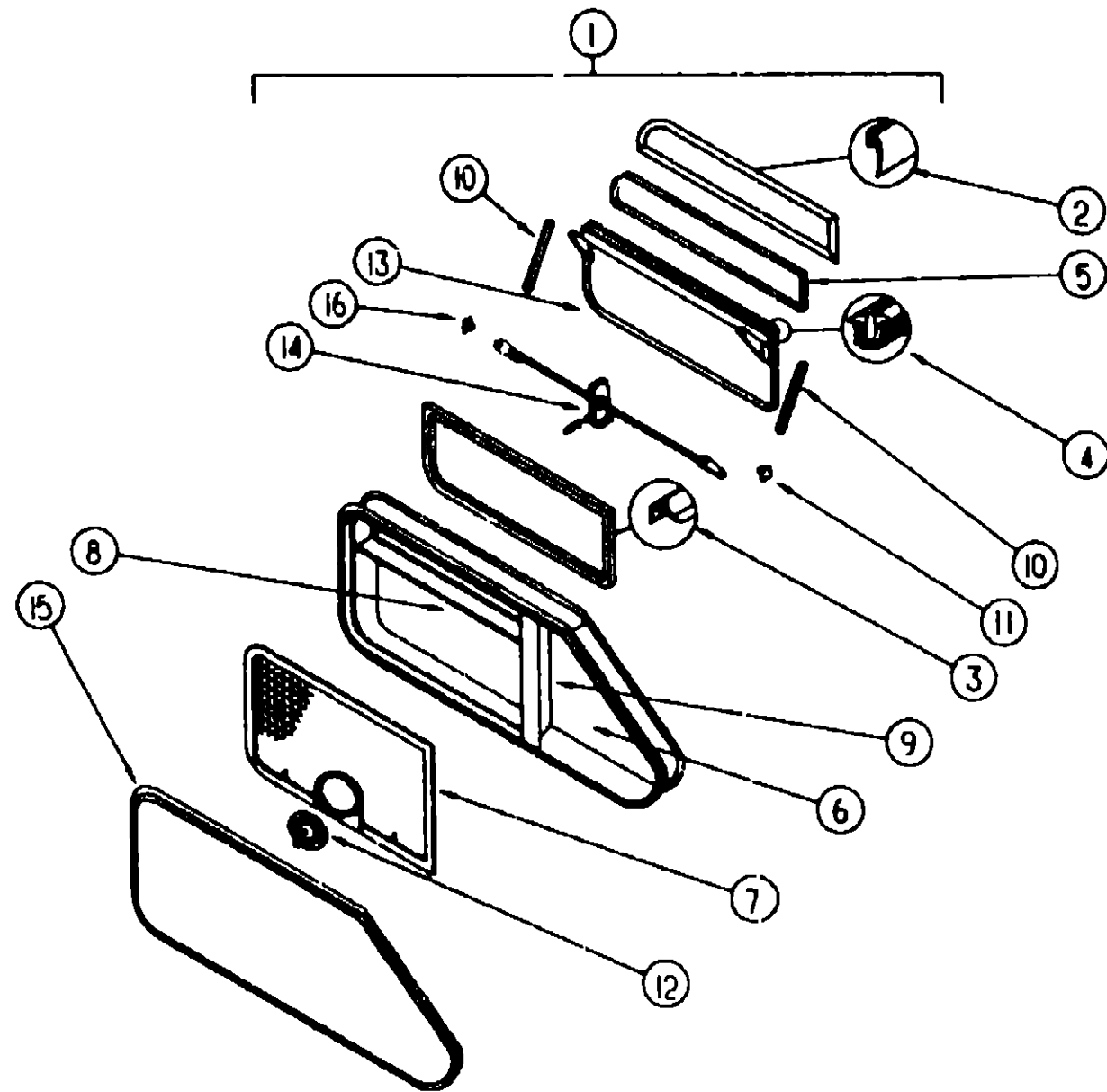
1993 WINNEBAGO  
TABLE OF CONTENTS

INTRODUCTION	A-01 - A-02
ABBREVIATIONS	A-03
ALPHABETICAL INDEX	A-04 - A-08
WF527RQ	A-07 - E-04
WF527RC	E-05 - H-24

1993 WF527RC INDEX

FLOOR PLAN	E-05 - E-08
ACCESSORIES	E-07
AUDIO VIDEO	E-08
BATH	E-09 - E-10
BEDROOM	E-11 - E-12
CHASSIS	E-13 - E-17
CURTAIN & CUSHION	E-18 - F-04
DINETTE	F-05 - F-06
DRIVERS COMPARTMENT	F-07 - F-08
ELECTRICAL	F-09 - F-12
EXTERIOR BODY	F-13 - F-22
GALLEY	F-23 - G-03
GENERATOR	G-04
HEATING & A/C	G-05 - G-06
INTERIOR FINISH	G-07 - G-10
LABELS	G-11 - G-17
LP	G-18
LOUNGE	G-19 - G-20
SEALANTS & FASTENERS	G-21 - G-23
WATER & SEWAGE	G-24 - H-04
WINDOW, VENT AND EXTERIOR DOOR	H-05 - H-23

**WINDOW, VENT & EXTERIOR DOOR GROUP (CONTINUED)**



**DRIVER SIDE OVERHEAD BUNK WINDOW**

KEY	PART NUMBER	U/M DESCRIPTION
1	100322-02-700	EA WINDOW-VENTED, 12" X 35 8 W/O INSIDE FRAME - EXCEL CH19-DK L
2	098644-01-716	FT PLUG-FILLER, EXCEL 132-014470
3	100322-01-701	FT SEAL-VENT, EXCEL 122-016071
4	100322-01-702	FT WEATHERSTRIP-HORIZONTAL RAIL, EXCEL 132-015976
	100322-01-703	EA STRIP-GLAZING BUTYL EXCEL 132-010723
	100322-01-704	EA TAPE-BUTYL EXCEL 154-016083
5	100322-01-705	EA GLASS-STATIONARY, SMALL TOP - EXCEL 106-017264
6	100322-01-706	EA GLASS-STATIONARY, LARGE FRONT - EXCEL 106-017265
7	100322-01-708	EA SCREEN-DRIVER SIDE, EXCEL 410-017269 L
8	100322-01-712	EA RAIL-HORIZONTAL, EXCEL CH05-19 R OR L
9	100322-01-713	EA BAR-DIVISION, VERTICAL - EXCEL CH19-20 R OR L
10	100322-01-716	EA SUPPORT-TORQUE BAR, CENTER RAIL - EXCEL 130-015980
11	100322-01-715	EA SUPPORT-TORQUE BAR, EXCEL 130-015979 (R)
	100322-01-717	EA E-RING, EXCEL 245-015975
12	100322-01-718	EA HANDLE-DIAL, EXCEL 410-016081
13	100322-01-722	EA GLASS ASM -VENT, LEFT - EXCEL CH19-06L
14	100322-01-723	EA OPERATOR ASM -VENT GLASS, LEFT - EXCEL CH19-15L
15	100322-02-701	EA FRAME-INSIDE, LEFT - WHITE - EXCEL V968-60L
16	100322-01-714	EA SUPPORT-TORQUE BAR, EXCEL 130-015978 (L)
	009439-06-000	EA EXTENSION-CRANK HANDLE, WINDOW /ROOF VENT - BLACK
	009439-07-000	EA SCREW, 8-32 X 1 1/4 POH - BLACK

**PASSENGER SIDE OVERHEAD BUNK WINDOW**

KEY	PART NUMBER	U/M DESCRIPTION
1	100322-01-720	EA WINDOW-VENTED, 12" X 35 8 W/O INSIDE FRAME - EXCEL CH19-DK R
2	098644-01-716	FT PLUG-FILLER, EXCEL 132-014470
3	100322-01-701	FT SEAL-VENT, EXCEL 122-016071
4	100322-01-702	FT WEATHERSTRIP-HORIZONTAL RAIL, EXCEL 132-015976
	100322-01-703	EA STRIP GLAZING BUTYL EXCEL 132-010723
	100322-01-704	EA TAPE-BUTYL, EXCEL 154-016083
5	100322-01-705	EA GLASS-STATIONARY, SMALL TOP - EXCEL 106-017264
6	100322-01-706	EA GLASS-STATIONARY, LARGE FRONT - EXCEL 106-017265
7	100322-01-709	EA SCREEN PASSENGER SIDE, EXCEL 410-017270 R
8	100322-01-712	EA RAIL-HORIZONTAL, EXCEL CH05-19 R OR L
9	100322-01-713	EA BAR-DIVISION, VERTICAL - EXCEL CH19-20 R OR L
10	100322-01-716	EA SUPPORT-TORQUE BAR, CENTER RAIL - EXCEL 130-015980
11	100322-01-715	EA SUPPORT-TORQUE BAR, EXCEL 130-015979 (R)
	100322-01-717	EA E-RING, EXCEL 245-015975
12	100322-01-718	EA HANDLE-DIAL, EXCEL 410-016081
13	100322-01-707	EA GLASS-VENT, RIGHT - EXCEL CH19 D6R
14	100322-01-711	EA OPERATOR-VENT, SUB ASSEMBLY - EXCEL CH05-15 R OR L
15	100322-01-724	EA FRAME-INSIDE, RIGHT - WHITE V968-60R EXCEL
16	100322-01-714	EA SUPPORT-TORQUE BAR, EXCEL 130-015978 (L)
	009439-06-000	EA EXTENSION-CRANK HANDLE, WINDOW /ROOF VENT - BLACK
	009439-06-000	EA EXTENSION-CRANK HANDLE, WINDOW /ROOF VENT - BLACK
	009439-07-000	EA SCREW, 8-32 X 1 1/4 POH - BLACK

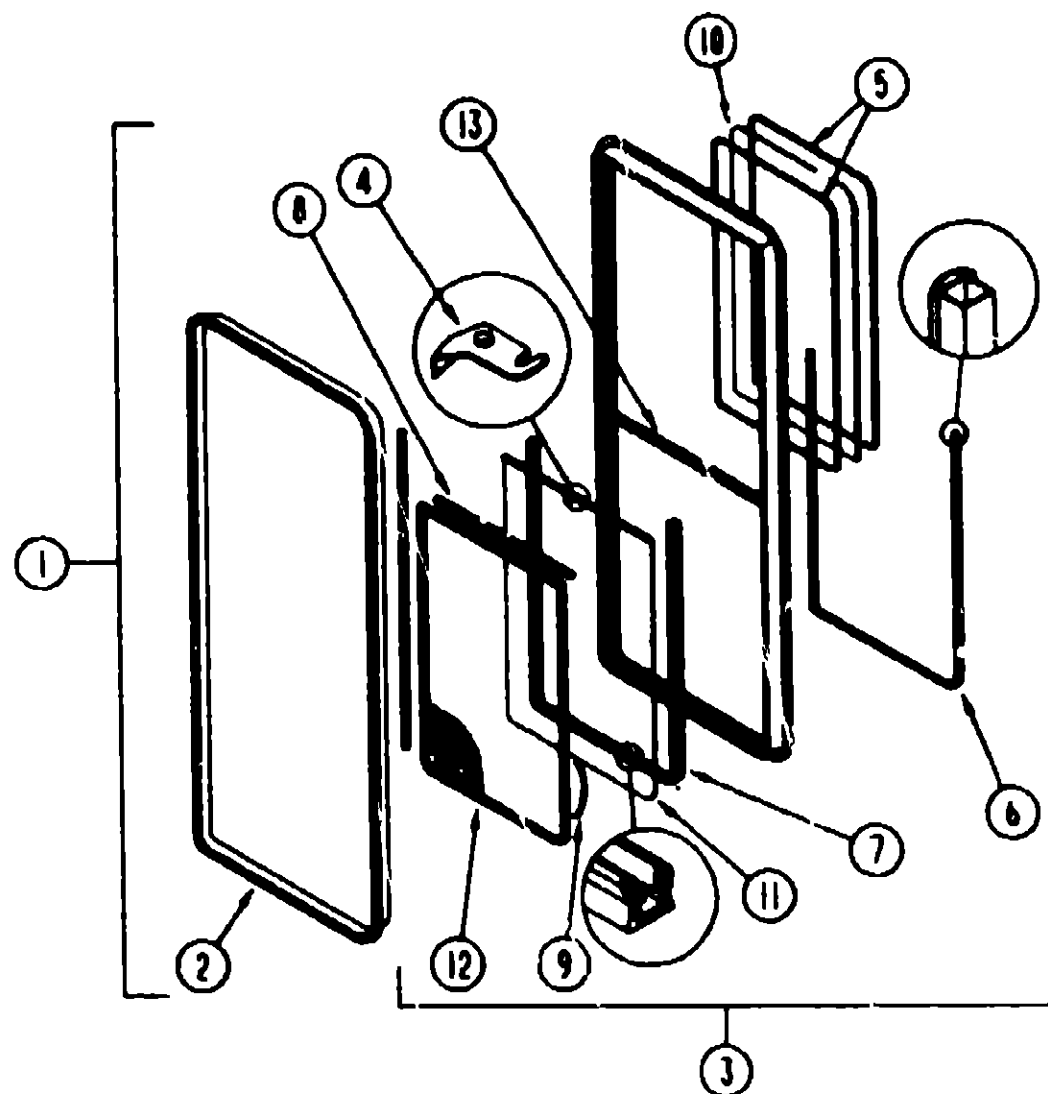
**1993 WINNEBAGO  
TABLE OF CONTENTS**

INTRODUCTION	A-01 - A-02
ABBREVIATIONS	A-03
ALPHABETICAL INDEX	A-04 - A-06
WF527RC	A-07 - E-04
WF527RC	E-05 - H-24

**1993 WF527RC INDEX**

FLOOR PLAN	E-05 - E-06
ACCESSORIES	E-07
AUDIO VIDEO	E-08
BATH	E-09 - E-10
BEDROOM	E-11 - E-12
CHASSIS	E-13 - E-17
CURTAIN & CUSHION	E-18 - F-04
DINETTE	F-05 - F-06
DRIVERS COMPARTMENT	F-07 - F-08
ELECTRICAL	F-09 - F-12
EXTERIOR BODY	F-13 - F-22
GALLEY	F-23 - G-03
GENERATOR	G-04
HEATING & A/C	G-05 - G-06
INTERIOR FINISH	G-07 - G-10
LABELS	G-11 - G-17
LP	G-18
LOUNGE	G-19 - G-20
SEALANTS & FASTENERS	G-21 - G-23
WATER & SEWAGE	G-24 - H-04
WINDOW, VENT AND EXTERIOR DOOR	H-05 - H-23

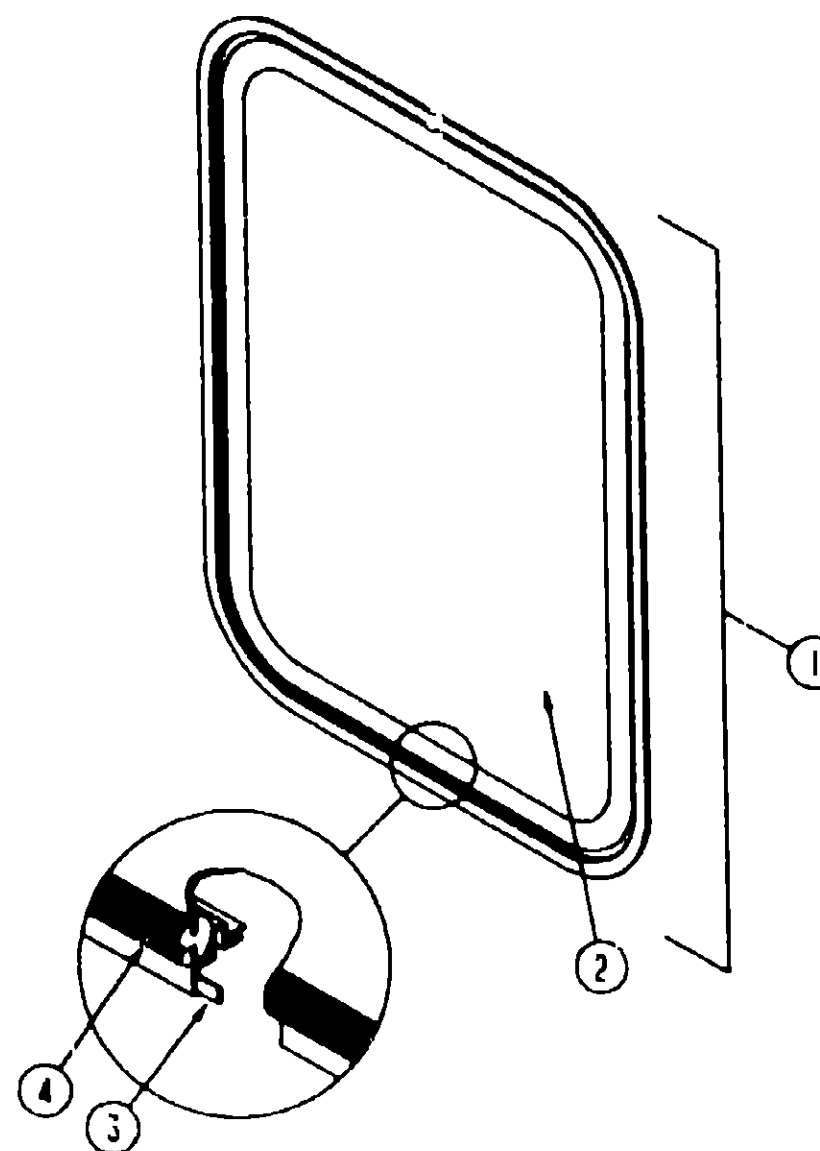
**WINDOW, VENT & EXTERIOR DOOR GROUP (CONTINUED)**



**PASSENGER SIDE SWIVEL CHAIR WINDOW**

KEY	PART NUMBER	U/M DESCRIPTION
1	098644-05-01A	EA WINDOW-SLIDER, VERTICAL W/INSIDE TRIM - EXCEL H25G PR
2	098644-05-700	EA TRIM-INSIDE (OFF-WHITE) - EXCEL W250-67
3	098644-05-704	EA WINDOW ASM W/O INSIDE TRIM - EXCEL H250-G2R
4	098644-01-700	EA LATCH REPAIR KIT, EXCEL B801-CK
5	098644-01-705	FT GLAZING STRIP, EXCEL M926 12
6	098644-01-706	FT WEATHERSTRIP, EXCEL 171-010668
7	098644-01-708	FT CHANNEL-PIERCED RUN, EXCEL 122-016543
8	098644-01-710	FT TRACK-SCREEN SPACER, 12' LENGTH - EXCEL M401-31
	098644-01-711	FT WEATHERSTRIP-SCREEN, BLACK - EXCEL 171-016965
9	098644-01-713	EA SPRING-SCREEN FRAME (CLIP) PLASTIC - BLACK
	098644-01-716	FT PLUG-FILLER, EXCEL 132-014470
	098644-01-717	FT SPLINE SCREEN MFG, EXCEL 132-004716
10	098644-05-701	EA STATIONARY GLASS, EXCEL 106-018013
11	098644-05-702	EA SLIDE ASM, EXCEL B938 G9
12	098644-05-703	EA SCREEN ASM, EXCEL 410-016478

**WINDOW, VENT & EXTERIOR DOOR GROUP (CONTINUED)**



**ENTRY DOOR WINDOW**

KEY	PART NUMBER	U/M DESCRIPTION
	067609 32-000	EA FRAME-WINDOW ENTRY DOOR - OFF WHITE
1	079733-04 T03	EA WINDOW-PICTURE W/O INSIDE FRAME - 17" X 25"
2	002181-06-000	EA GLASS-PICTURE WINDOW, 115" X 16 25" X 24"
3	069640-11-000	FT SEALER-TAPE, 3/16"
4	087561-01-000	FT SEAL-VINYL, EXTERIOR

**1983 WINNEBAGO  
TABLE OF CONTENTS**

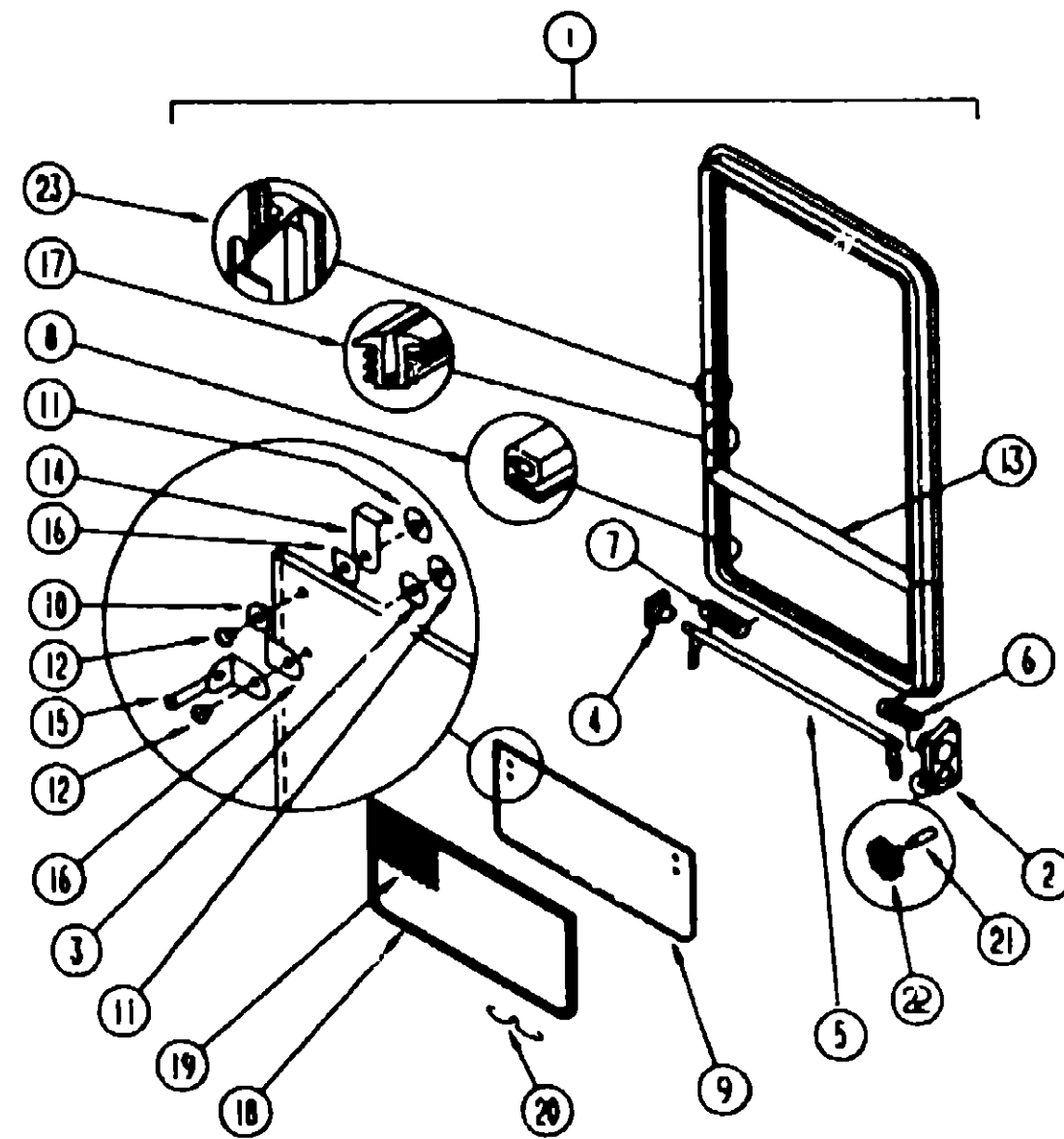
INTRODUCTION	A-01 - A-02
ABBREVIATIONS	A-03
ALPHABETICAL INDEX	A-04 - A-06
WF527RQ	A-07 - E-04
WF527RC	E-05 - H-24

**1983 WF527RC INDEX**

FLOOR PLAN	E-05 - E-06
ACCESSORIES	E-07
AUDIO VIDEO	E-08
BATH	E-09 - E-10
BEDROOM	E-11 - E-12
CHASSIS	E-13 - E-17
CURTAIN & CUSHION	E-18 - F-04
DINETTE	F-05 - F-06
DRIVERS COMPARTMENT	F-07 - F-08
ELECTRICAL	F-09 - F-12
EXTERIOR BODY	F-13 - F-22
GALLEY	F-23 - G-03
GENERATOR	G-04
HEATING & A/C	G-05 - G-06
INTERIOR FINISH	G-07 - G-10
LABELS	G-11 - G-17
LP	G-18
LOUNGE	G-19 - G-20
SEALANTS & FASTENERS	G-21 - G-23
WATER & SEWAGE	G-24 - H-04
WINDOW, VENT AND EXTERIOR DOOR	H-05 - H-23

# WINDOW, VENT & EXTERIOR DOOR GROUP (CONTINUED)

## GALLEY WINDOW



KEY	PART NUMBER	U/M	DESCRIPTION
1	090893-17-02A	EA	FRAME-INSIDE, WINDOW RETAINER - OFF WHITE
1	092235-11-Y12	EA	WINDOW-TIPOUT, SINGLE - W/O INSIDE FRAME
2	000H14-06-14R	EA	RIVET-MANDREL BLIND, 3/16"
2	035302-02-000	FA	OPERATOR-TORQUE, TIPOUT WINDOW -
3	068827-03-000	EA	SEAL-WINDOW, RUBBER - ROUND - 80" DIA. - BLACK
4	081354-01-000	EA	SLEEVE-TORQUE TUBE, TIPOUT WINDOW - 1 3/4" X 1 2" X 7"
4	081649-01-000	EA	RING-SNAP, 7/32 SHAFT DIAMETER
5	083150-10-000	EA	TUBE TORQUE, TIPOUT WINDOW - W/SPRING & ARM - 22 5" LONG
6	080918-01-000	EA	SPRING-TORQUE TUBE, LEFT
7	080918-02-000	EA	SPRING-TORQUE TUBE, RIGHT
8	084067-02-000	FT	SEAL-E SHAPED, SPONGE TIPOUT WINDOW - 42" X 38" - BLACK
9	084068-15-000	EA	GLASS-TIPOUT, 9 2" X 24 5"
10	084453-02-000	EA	WASHER- 06" X 5" X 25" - PLASTIC
11	086762-01-000	EA	T NUT-10-32
12	086763-01-000	EA	SCREW-MACH, 10 - 32 X 1/4 PTH
13	087566-02-01A	EA	MULLION-HORIZONTAL, TIPOUT - BLACK
14	089913-01-000	EA	HINGE-TIPOUT WINDOW BLACK
15	097578-01-000	EA	LINKAGE-TIPOUT WINDOW
16	084453-01-000	EA	WASHER- 06" X 5" X 135" - PLASTIC
16	084473-01-000	EA	SEAL-FLAT, W/CENTER HOLE & ADHESIVE SIDE - 8" X 9" - BLACK
17	085315-01-000	EA	RIVET-SHOULDER, TIPOUT WINDOW
18	099154-01-000	FT	CHANNEL-GLAZING, STATIONARY GLASS - 62" X 45" - BLACK
19	100235-02-807	EA	SCREEN-SINGLE TIPOUT WINDOW
20	080218-03-000	SF	SCREENING-FIBERGLASS, 12" WIDE
20	100168-01-000	EA	CLIP-SPRING, SCREEN
20	100240-01-000	FT	SPLINE-SCREEN T-SHAPED
21	009439-06-000	EA	EXTENSION CRANK HANDLE WINDOW /ROOF VENT - BLACK
22	009439-05-000	EA	KNOB-OPERATOR, TIPOUT WINDOW - W/SPRING & ARM
22	009439-07-000	EA	SCREW 8-32 X 1 1/4 POH - BLACK
23	089640-11-000	FT	TAPE-SEALER, 3/16" X 3/8" - BLACK

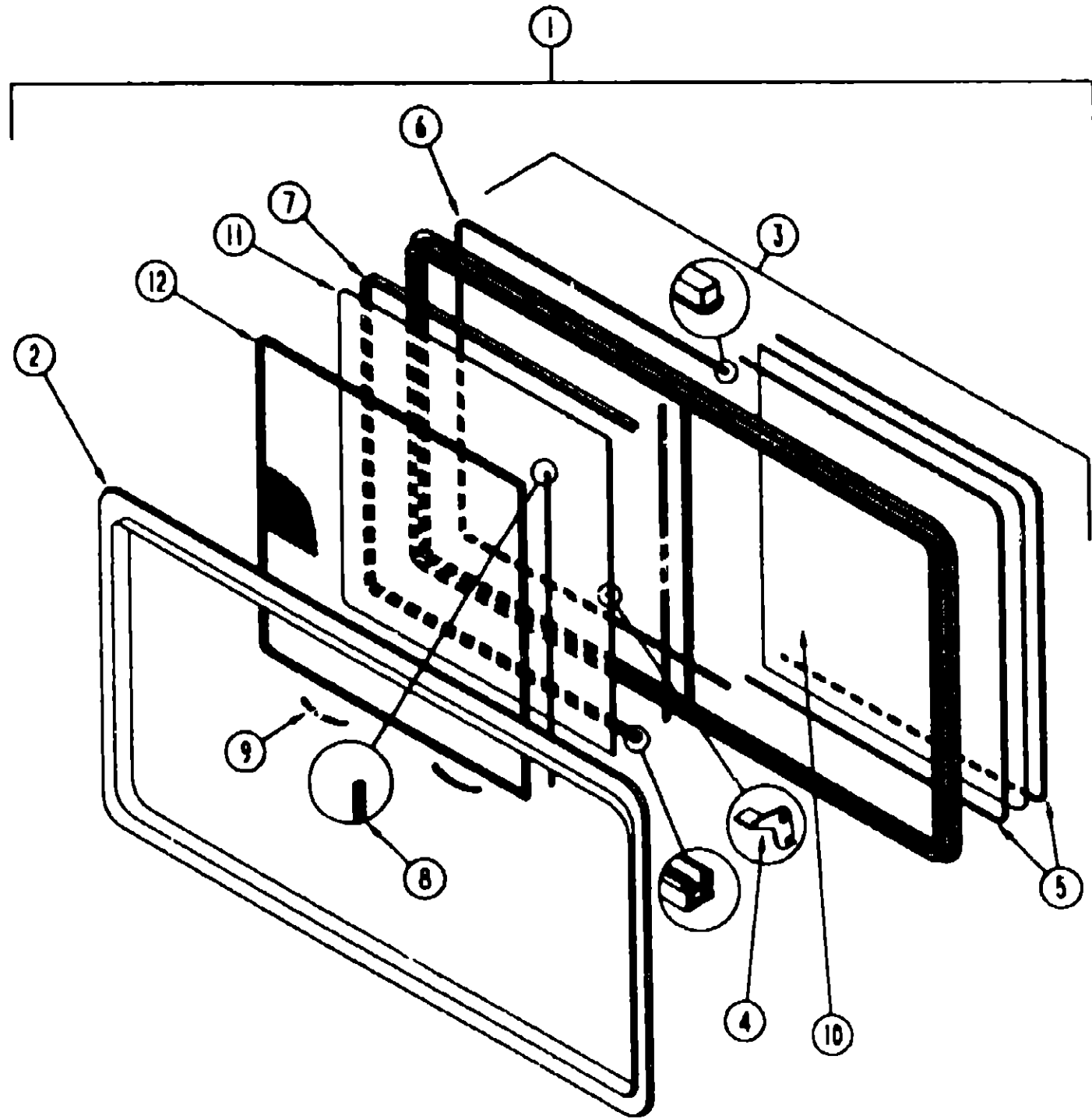
## 1993 WINNEBAGO TABLE OF CONTENTS

INTRODUCTION	A-01	A-02
ABBREVIATIONS		A-03
ALPHABETICAL INDEX	A-04	A-06
WF527RC	A-07	E-04
WF527RC	E-05	H-24

## 1993 WF527RC INDEX

FLOOR PLAN	E-05	E-06
ACCESSORIES		E-07
AUDIO VIDEO		E-08
BATH	E-09	E-10
BEDROOM	E-11	E-12
CHASSIS	E-13	E-17
CURTAIN & CUSHION	E-18	F-04
DINETTE	F-05	F-06
DRIVERS COMPARTMENT	F-07	F-08
ELECTRICAL	F-09	F-12
EXTERIOR BODY	F-13	F-22
GALLEY	F-23	G-03
GENERATOR		G-04
HEATING & A/C	G-05	G-06
INTERIOR FINISH	G-07	G-10
LABELS	G-11	G-17
LP		G-18
LOUNGE	G-19	G-20
SEALANTS & FASTENERS	G-21	G-23
WATER & SEWAGE	G-24	H-04
WINDOW, VENT AND EXTERIOR DOOR	H-05	H-23

**WINDOW, VENT & EXTERIOR DOOR GROUP (CONTINUED)**



**PASSENGER SIDE DINETTE WINDOW**

KEY	PART NUMBER	U/M DESCRIPTION
1	098647-09-02A	EA WINDOW SLIDER HORIZONTAL - W/INSIDE FRAME - BLACK
2	098647-09-704	EA TRIM INSIDE (OFF-WHITE) - W024 67 EXCEL-WHITE
3	098647-09-703	EA WINDOW SINGLE SLIDER - LEFT (W/O INSIDE FRAME)
4	098644-01-700	EA LATCH REPAIR KIT
5	098644-01-705	FT GLAZING STRIP, EXCEL M926-12
6	098644-01-706	FT WEATHERSTRIP EXCEL 171-010668
7	098644-01-708	FT CHANNEL-PIERCED RUN! EXCEL 122-016543
8	098644-01-710	FT TRACK-SCREEN SPACER 12' LENGTH EXCEL M401-31
	098644-01-711	FT WEATHERSTRIP SCREEN BLACK - EXCEL 171-016965
9	098644-01-713	EA SPRING SCREEN FRAME (CLIP) PLASTIC - BLACK - EXCEL 22G 016966
	098644-01-716	FT PLUG FILLER, EXCEL 132-014470
	098644-01-717	FT SPLINE SCREEN MFG, EXCEL 32-004716
10	098647-09-700	EA GLASS STATIONARY - 106-017193 EXCEL
11	098647-09-701	EA GLASS-SLIDING, W/SASH&LATCH - H024-G9 EXCEL
12	098647-09-705	EA SCREEN W/SPRING&WEATHERSTRIP - 410-016464 EXCEL

**WINDOW, VENT & EXTERIOR DOOR GROUP (CONTINUED)**

**FANTASTIC ROOF VENTILATOR**

KEY	PART NUMBER	U/M DESCRIPTION
	084079-03-000	EA VENT-CEILING POWERED EXHAUST - OFF WHITE - FANTASTIC VENT
	084079-01-700	EA VENT COVER - FANTASTIC 1020-19
	084079-01-703	EA CRANK-EXTERIOR, FANTASTIC 1080-09
	084079-01-704	EA BLADE-FAN, FANTASTIC 1070-00
	084079-01-705	EA MOTOR FANTASTIC 1080-00
	084079-01-706	EA PLUG-12 VOLT, FANTASTIC 1090
	084079-01-707	EA SWITCH-SAFETY, FANTASTIC 1120 00
	084079-01-709	EA SWITCH-ON & OFF, MAIN POWER - FANTASTIC 1100 00
	084079-01-711	EA H-MOLDING, MOTOR MOUNT - PLASTIC - FANTASTIC
	084079-01-712	EA GARNISH INT FIN 17/8 - OFF WHITE

**POWERED ROOF VENT**

KEY	PART NUMBER	U/M DESCRIPTION
	009439-01-000	EA CRANK HANDLE-ROOF VENT
	009439-04-000	EA SCREW 8-32 X 1 1/4" POH
	009439-02-000	EA KNOB ROOF VENT MILL
	009439-03-000	EA EXTENSION-CRANK HANDLE ROOF VENT - 9" - MILL
	090394-01-Y12	EA VENT-ROOF POWERED
		FROM 00-00-00 THRU 10-04-92
	055218-01-000	EA COVER-ROOF VENT, PLASTIC
	002825-01-000	EA WEATHER STRIP-ROOF VENT GRAY
	008195-01-000	EA SWITCH-ROOF VENT PUSH BUTTON 12V
	008343-01-000	EA TIE-WIRE 6"
	008386-01-000	EA GROMMET-SNAP 3/8"
	009440-01-000	EA GEAR/ARM-VENT COVER LIFT
	015911-01-000	EA TRACK-LIFT ARM SLIDE - ROOF VENT
	048648-01-000	EA MOTOR-ROOF VENT 1/8 SHAFT - 12V - JENSEN
	048649-01-000	EA FAN-ROOF VENT 6 BLADES - 6" - JENSEN
	052639-01-001	EA HINGE-VENT COVER 16"
	052639-01-200	EA HINGE-EXTRUSION ROOF VENT 7"
	061603-01-000	EA GROMMET-SNAP 3/16"ID - 3/8" HOLE PLASTIC - BLACK
	078785-01-Y12	EA SCREEN ROOF VENT POWERED
	002291-02-000	SF SCREENING-ROOF VENT/WINDOW 16" - BLACK
	002298-02-000	FT SPLINE-VENT/WINDOW SCREEN 128 DIAMETER - BLACK
	110051-03-01A	EA VENT-ROOF, POWERED - 2" ROOF - JENSEN 7757
		FROM 10-05-92 THRU 99-99-99
	048648-01-000	EA MOTOR-12V NONVENTED 1/8 SFT
	048649-01-000	EA FAN-PLASTIC, 6" - 6 BLADED
	064470-01-700	EA COVER ROOF VENT, JENSEN 7291
	110051-01-701	EA GARNISH W/SCREEN & FRAME 2", JENSEN 29-800-01
	110051-01-702	EA HAND CRANK & OPERATOR ASM JENSEN RP-100008
	110051-01-703	EA HANDLE CRANK, JENSEN RP1031 B

**1993 WINNEBAGO  
TABLE OF CONTENTS**

INTRODUCTION	A-01 - A-02
ABBREVIATIONS	A-03
ALPHABETICAL INDEX	A-04 - A-08
WF527RC	A-07 - E-04
WF527RC	E-05 - H-24

**1993 WF527RC INDEX**

FLOOR PLAN	E-05 - E-06
ACCESSORIES	E-07
AUDIO VIDEO	E-08
BATH	E-09 - E-10
BEDROOM	E-11 - E-12
CHASSIS	E-13 - E-17
CURTAIN & CUSHION	E-18 - F-04
DINETTE	F-05 - F-06
DRIVERS COMPARTMENT	F-07 - F-08
ELECTRICAL	F-09 - F-12
EXTERIOR BODY	F-13 - F-22
GALLEY	F-23 - G-03
GENERATOR	G-04
HEATING & A/C	G-05 - G-06
INTERIOR FINISH	G-07 - G-10
LABELS	G-11 - G-17
LP	G-18
LOUNGE	G-19 - G-20
SEALANTS & FASTENERS	G-21 - G-23
WATER & SEWAGE	G-24 - H-04
WINDOW VENT AND EXTERIOR DOOR	H-05 - H-24

**WINDOW, VENT & EXTERIOR DOOR GROUP (CONTINUED)**

**NONPOWERED ROOF VENT**

**1993 WINNEBAGO  
TABLE OF CONTENTS**

INTRODUCTION	A-01 - A-02
ABBREVIATIONS	A-03
ALPHABETICAL INDEX	A-04 - A-06
WF527RC	A-07 - E-04
WF527RC	E-05 - H-24

KEY	PART NUMBER	U/M	DESCRIPTION
	009439-01-000	EA	CRANK HANDLE-ROOF VENT
	009439-04-000	EA	SCREW 8-32 X 1 1/4" POH
	009439-02-000	EA	KNOB-ROOF VENT MILL
	009439-03-000	EA	EXTENSION-CRANK HANDLE ROOF VENT - 9" - MILL
	009439-04-000	EA	SCREW 8-32 X 1 1/4" POH
	090395-01-Y12	EA	VENT-ROOF NONPOWERED
			FROM: 00-00-00 THRU 10-01-92
	055218-01-000	EA	COVER-ROOF VENT, PLASTIC
	002825-01-000	EA	WEATHER STRIP-ROOF VENT GRAY
	009440-01-000	EA	GEAR/ARM-VENT COVER LIFT
	015911-01-000	EA	TRACK-LIFT ARM SLIDE - ROOF VENT
	052639-01-001	EA	HINGE-VENT COVER 16"
	052639-01-200	EA	HINGE-EXTRUSION ROOF VENT 7"
	078786-01-Y12	EA	SCREEN-ROOF VENT NON POWERED - WHITE
	002291-02-000	SF	SCREENING-ROOF VENT/WINDOW 16" - BLACK
	002298-02-000	FT	SPLINE-VENT/WINDOW SCREEN 128 DIAMETER - BLACK
	110051-01-01A	EA	VENT-ROOF, NONPOWERED - 2" ROOF - JENSEN 7724
			FROM: 10-05-92 THRU 99-99-99
	064470-01-700	EA	COVER ROOF VENT, JENSEN 7291
	110051-01-701	EA	GARNISH W/SCREEN & FRAME 2", JENSEN 29-300-01
	110051-01-702	EA	HAND CRANK & OPERATOR ASM, JENSEN RP-10008
	110051-01-703	EA	HANDLE CRANK, JENSEN RP-1031-B

**VENTS, SHROUDS & ROOF COVERS**

**1993 WF527RC INDEX**

FLOOR PLAN	E-05 - E-08
ACCESSORIES	E-07
AUDIO VIDEO	E-08
BATH	E-09 - E-10
BEDROOM	E-11 - E-12
CHASSIS	E-13 - E-17
CURTAIN & CUSHION	E-18 - F-04
DINETTE	F-05 - F-06
DRIVERS COMPARTMENT	F-07 - F-08
ELECTRICAL	F-09 - F-12
EXTERIOR BODY	F-13 - F-22
GALLEY	F-23 - G-03
GENERATOR	G-04
HEATING & A/C	G-05 - G-06
INTERIOR FINISH	G-07 - G-10
LABELS	G-11 - G-17
LP	G-18
LOUNGE	G-19 - G-20
SEALANTS & FASTENERS	G-21 - G-23
WATER & SEWAGE	G-24 - H-04
WINDOW, VENT AND EXTERIOR DOOR	H-05 - H-23

KEY	PART NUMBER	U/M	DESCRIPTION
	083558-03-000	EA	VENT-PLUMBING PIPE ROOF W/COVER - OFF WHITE
	063752-01-000	EA	SHROUD-RANGE, 18 5" X 20 6" X 16 2" - METAL - OFF WHITE
	084616-01-000	EA	SHROUD-RANGE HOOD VENT, PLASTIC - OFF WHITE
	084878-09-000	EA	VENT-RANGE HOOD, SHORT - LVS
	084073-03-000	EA	COVER-ROOF VENT, REFRIGERATOR - OFF WHITE - NORCOLD
	084073-04-000	EA	BASE-ROOF VENT, REFRIGERATOR - BLACK - NORCOLD