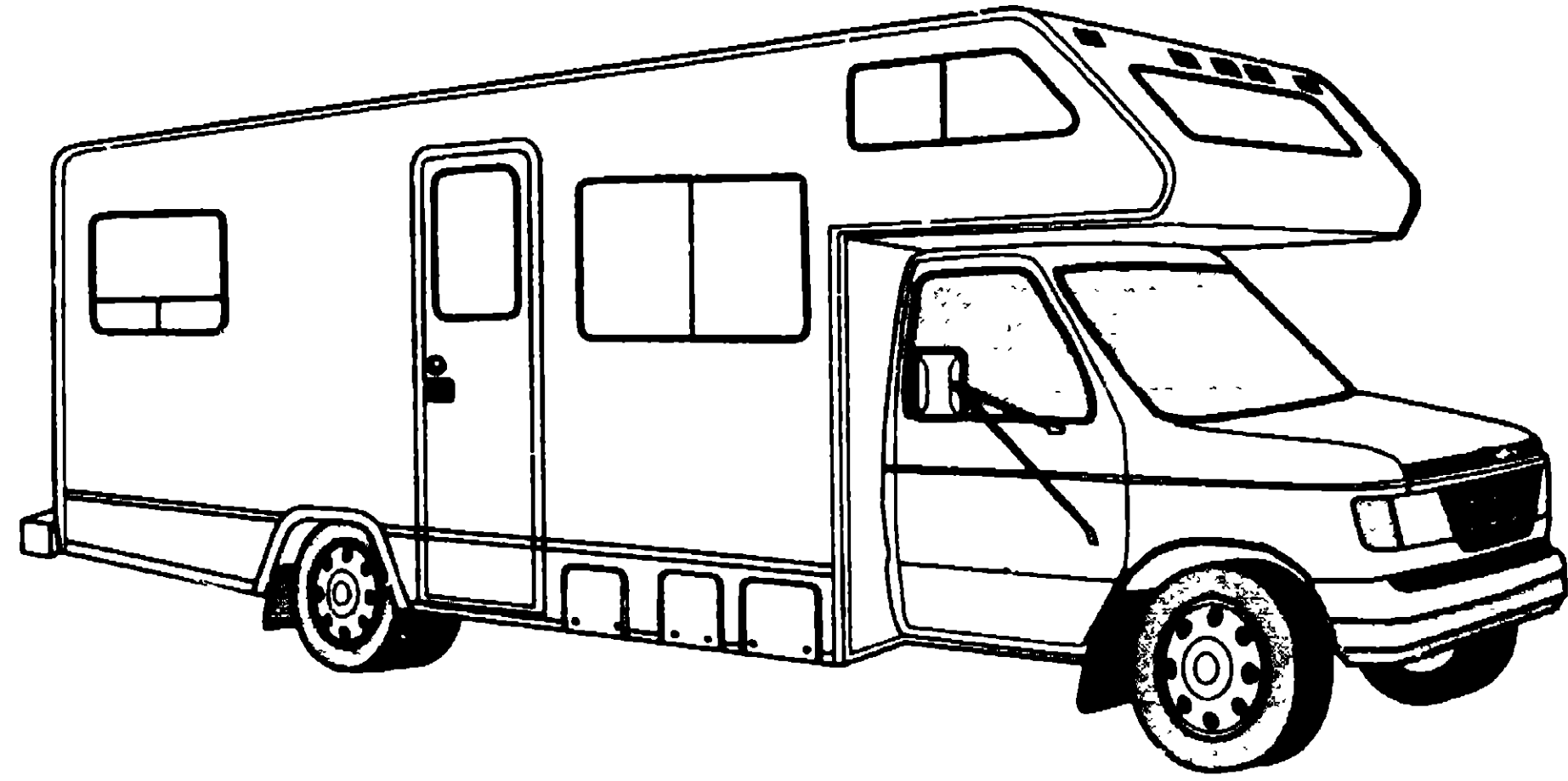
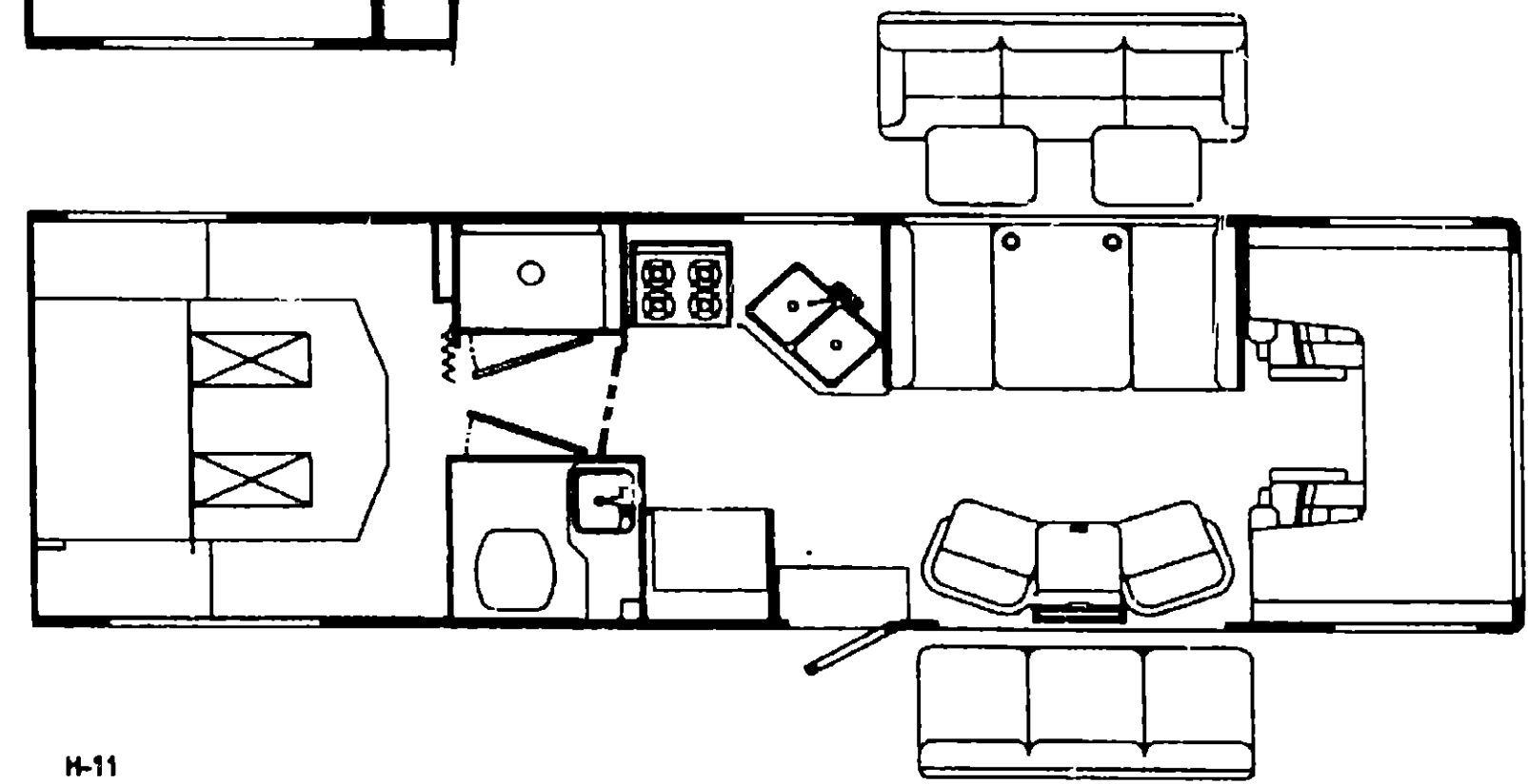
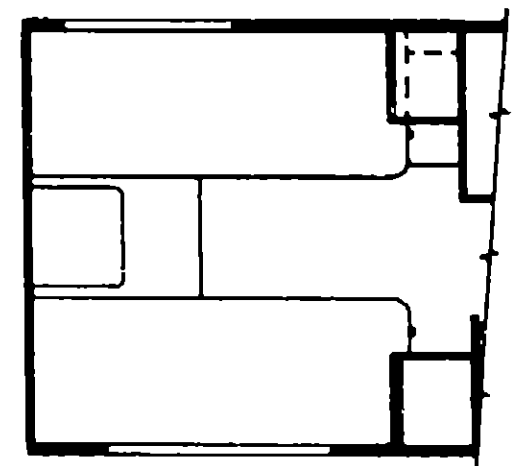


1993 WF428RQ D04 D05



1993 WINNEBAGO TABLE OF CONTENTS

| | | |
|--------------------|--------|------|
| INTRODUCTION | A-01 - | A-02 |
| ABBREVIATIONS | | A-03 |
| ALPHABETICAL INDEX | A-04 - | A-06 |
| WF427RQ | A-07 - | D-20 |
| WF427RC | D-21 - | H-10 |
| WF428RQ | H-11 - | L-02 |



1993 WF428RQ INDEX

| | | |
|-----------------------------------|--------|------|
| FLOOR PLAN | H-11 - | H-12 |
| ACCESSORIES | | H-13 |
| AUDIO VIDEO | | H-14 |
| BATH | H-15 - | H-16 |
| BEDROOM | H-17 - | H-20 |
| CHASSIS | H-21 - | H-24 |
| CURTAIN & CUSHION | I-01 - | I-12 |
| DINETTE | I-13 - | I-14 |
| DRIVERS COMPARTMENT | I-15 - | I-16 |
| ELECTRICAL | I-17 - | I-20 |
| EXTERIOR BODY | I-21 - | J-02 |
| GALLEY | J-03 - | J-06 |
| GENERATOR | | J-07 |
| HEATING & A/C | J-08 - | J-10 |
| INTERIOR FINISH | J-11 - | J-14 |
| LABELS | J-15 - | J-22 |
| LP | | J-23 |
| LOUNGE | J-24 - | K-02 |
| SEALANTS & FASTENERS | K-03 - | K-05 |
| WATER & SEWAGE | K-06 - | K-10 |
| WINDOW, VENT AND EXTERIOR DOOR | K-11 - | L-01 |

ACCESSORIES GROUP

OPERATORS MANUAL

| KEY | PART NUMBER | U/M DESCRIPTION |
|-----|---------------|---|
| | 054185-33-000 | EA MANUAL-OPERATOR, 1993 MINNIE WINNIE |
| | 082318-01-000 | EA BINDER-3 RING, MOTOR HOME MANUAL |
| | 082318-01-000 | EA PAGE-POCKET, 3 RING BINDER - PLASTIC |
| | 108272-01-000 | DW TOP LEVEL DRAWING - 1993 C-BODY |

AUDIO VIDEO GROUP

RADIO SYSTEM & ANTENNA

| KEY | PART NUMBER | U/M DESCRIPTION |
|-----|---------------|---|
| | 108450-01-000 | EA RADIO-AM/FM CASSETTE, ELECTRONIC TUNE - FORD - AUDIOVOX FD-CXF |
| | 108137-01-000 | EA PLUG-ANTENNA HOLE (FORD) |
| | 080340-02-000 | EA GRILLE-SPEAKER, 6 5" SQUARE (OVHD CABINETS) |
| | 080340-03-000 | EA SPACER-SPEAKER GRILLE, TAN - MAGNADYNE G514 (OVHD CABINETS) |
| | 094097-01-000 | EA SPEAKER-RADIO, W/O GRILLE - 5 25" DIA - AUDIOVOX 110C3030 (OVHD CABINETS) |
| | 087683-01-000 | EA RADIO-AM/FM STEREO W/CASSETTE AUDIOVOX 144D1559 (PATIO ENTERTAINMENT) |
| | 090944-01-000 | EA ANTENNA-RADIO, 16" RUBBER (PATIO ENTERTAINMENT) |
| | 077069-02-000 | EA CABLE-ANTENNA, RADIO - EXTENSION 06" - ARA 8700667 |
| | 090882-01-000 | EA BRACKET-HAT, ANTENNA - 3 1" X 3 8" - STEEL - BLACK (PATIO ENTERTAINMENT) |
| | 104899-01-004 | EA PLATE-RADIO MOUNTING (PATIO ENTERTAINMENT) |
| | 073741-03-000 | EA SPEAKER-OVAL, 4" X 6" - AUDIOVOX 110-2074 (PATIO ENTERTAINMENT) FROM 00-00-00 THRU 12-20-82 |
| | 110469-01-000 | EA SPEAKER-OVAL, 4" X 6" - MAGNADYNE F46XB-12 (PATIO ENTERTAINMENT) FROM 12-21-92 THRU 99-99-99 |
| | 073741-04-000 | EA GRILLE-SPEAKER, OVAL - 4" X 6" - AUDIOVOX 136-1157 (PATIO ENTERTAINMENT) FROM 00-00-00 THRU 12-20-82 |
| | 110470-01-01A | EA GRILLE-SPEAKER, OVAL - 4" X 6" - BLACK - MAGNADYNE G46W1 (PATIO ENTERTAINMENT) FROM 12-21-92 THRU 99-99-99 |
| | 074979-01-000 | EA SHIELD-SPEAKER, BACK - MOLDED PLASTIC - 8" X 9" - BEIGE |

TV, VCR SYSTEMS & ANTENNA

| KEY | PART NUMBER | U/M DESCRIPTION |
|-----|---------------|---|
| | 092310-03-000 | EA TV-COLOR, 9" - AC/DC - W/SWIVEL - MAGNAVOX RDO945 |
| | 092310-02-700 | EA REMOTE FOR TV |
| | 098446-03-000 | EA VCR-VHS, CABLE READY - REMOTE - MAGNAVOX VR9010 FROM 00-00-00 THRU 10-04-92 |
| | 098446-03-700 | EA REMOTE FOR MODEL 9010 - 0974588 |
| | 098446-04-000 | EA VCR-VHS, CABLE READY - REMOTE - MAGNAVOX VR9110 FROM 10-05-92 THRU 06-06-93 |
| | 098446-04-700 | EA REMOTE FOR MODEL #9110 |
| | 098446-05-000 | EA VCR-VHS, CABLE READY - REMOTE - MAGNAVOX VR9120 FROM 06-07-93 THRU 99-99-99 |
| | 098446-04-700 | EA REMOTE FOR MODEL 9110 & 9120 |
| | 106433-01-000 | EA BRACKET-VCR |
| | 076319-01-000 | EA ANTENNA-TV, ROOF MOUNT - 44 5" MAST - RVA W02 |
| | 076319-01-700 | EA HEAD-ANTENNA, AMPLIFIED - WINEGARD RVSA UV |
| | 076319-01-701 | EA GEAR-ELEVATING, PLASTIC - WINEGARD 2200046 |
| | 076319-01-702 | EA SHAFT ASM ELEVATING, WINEGARD RVP 400A |
| | 076319-01-703 | EA BEARING-NYLON, .5"OD - WINEGARD 3200656 |
| | 076319-01-705 | EA GROMMET-NYLON, 7/8"ID - WINEGARD 3200658 |
| | 076319-01-706 | EA CRANK-ELEVATING, W/SET SCREW - WINEGARD 5755100 |
| | 076319-01-707 | EA SPRING-HANDLE, WINEGARD 5160800 |
| | 076319-01-709 | EA PLATE-DIRECTIONAL, FOR HEAD - WINEGARD 3200644 |
| | 076319-06-000 | EA ADAPTER-CABLE ROOF PLATE, WINEGARD RPJ-1 |
| | 082134-01-000 | EA ADAPTER-TV, CABLE TO CABLE - WINEGARD F-81M |
| | 082136-01-000 | EA NUT-HEX JAM 3/8-32, WINEGARD |
| | 076319-08-000 | EA WALLPLATE-CABLE RECEPTACLE, TV - SINGLE - IVORY |
| | 086777-03-000 | EA WALLPLATE-TV CABLE, W/ANTENNA SWITCH - IVORY |
| | 108046-01-000 | EA CABLE TIE-SCREW MOUNT 8" DENNISON 08415 |
| | 076319-03-000 | FT CABLE-COAXIAL, 75 OHM |
| | 076319-12-000 | EA CONNECTOR-COAXIAL - ONE PIECE |
| | 086756-01-000 | EA SPLITTER-TV, 2 WAY |
| | 086757-03-000 | EA CONTROL CENTER-SWITCH, VCR/TV - MAGNADYNE VCS-8 |
| | 086777-04-000 | EA PLATE-WALL, ANTENNA/POWER - BROWN FROM 00-00-00 THRU 04-14-93 |
| | 086777-06-000 | EA PLATE-WALL, ANTENNA/POWER - BROWN - WINEGARD RV-0931 FROM 04-15-93 THRU 99-99-99 |

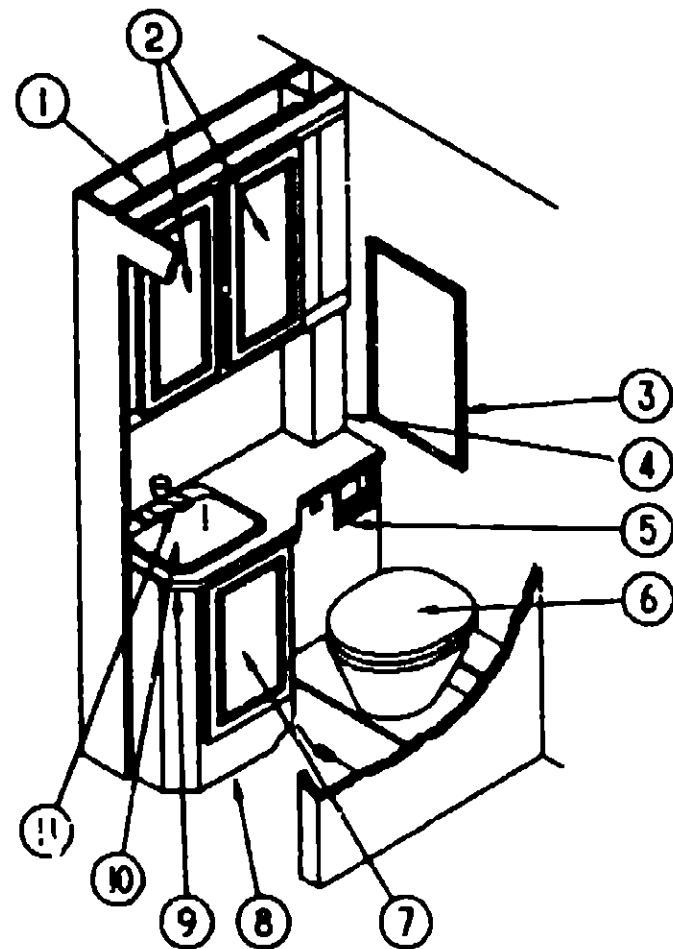
1993 WINNEBAGO TABLE OF CONTENTS

| | | |
|--------------------|--------|------|
| INTRODUCTION | A-01 - | A-02 |
| ABBREVIATIONS | | A-03 |
| ALPHABETICAL INDEX | A-04 - | A-08 |
| WF427RQ | A-07 - | D-20 |
| WF427RC | D-21 - | H-10 |
| WF428RQ | H-11 - | L-02 |

1993 WF428RQ INDEX

| | | |
|--------------------------------|--------|------|
| FLOOR PLAN | H-11 - | H-12 |
| ACCESSORIES | | H-13 |
| AUDIO VIDEO | | H-14 |
| BATH | I-15 - | H-16 |
| BEDROOM | H-17 - | H-20 |
| CHASSIS | H-21 - | H-24 |
| CURTAIN & CUSHION | I-01 - | I-12 |
| DINETTE | I-13 - | I-14 |
| DRIVERS COMPARTMENT | I-15 - | I-16 |
| ELECTRICAL | I-17 - | I-20 |
| EXTERIOR BODY | I-21 - | J-02 |
| GALLEY | J-03 - | J-06 |
| GENERATOR | | J-07 |
| HEATING & A/C | J-08 - | J-10 |
| INTERIOR FINISH | J-11 - | J-14 |
| LABELS | J-15 - | J-22 |
| LP | | J-23 |
| LOUNGE | J-24 - | K-02 |
| SEALANTS & FASTENERS | K-03 - | K-05 |
| WATER & SEWAGE | K-06 - | K-10 |
| WINDOW, VENT AND EXTERIOR DOOR | K-11 - | L-01 |

BATH GROUP



BATH CABINETS & FIXTURES

| KEY | PART NUMBER | U/M | DESCRIPTION |
|-----|---------------|-----|---|
| 1 | 108968-01-D04 | EA | CABINET-OVERHEAD, MEDICINE - W/O DOOR & HARDWARE |
| 2 | P05223-69-D04 | EA | DOOR-CABINET, W/O HARDWARE - 305 X 660MM |
| | 058331-90-000 | EA | MIRROR-GLASS, SAFETY - 222 X 577MM |
| 3 | 058331-01-000 | EA | MIRROR-GLASS, SAFETY - 19" X 26" |
| 4 | 109180-02-D04 | EA | CABINET-PIPE COVER |
| 4 | 109180-02-D05 | EA | CABINET-PIPE COVER |
| 5 | 075452-02-000 | EA | HOLDER-TOILET TISSUE, BRASS |
| 6 | 067487-01-000 | EA | TOILET-12.37", IVORY - HAND FLUSH - THETFORD 150110 |
| | 063740-01-700 | EA | LEVER-WATER, THETFORD 12514 |
| | 063740-01-701 | EA | LEVER-FLUSH, THETFORD 12515 |
| | 063740-01-706 | EA | BOLT PACKAGE-CLOSET, THETFORD 12524 |
| | 063740-01-710 | EA | LINK-THETFORD 12513 |
| | 063740-01-711 | EA | SPRING-RETURN LEVER, THETFORD 12523 |
| | 063740-01-713 | EA | SEAL-BALL VALVE TO BOWL, THETFORD 12502 |
| | 053740-01-714 | EA | VALVE ASM-WATER, THETFORD 12492 |
| | 063740-01-716 | EA | SEAT & COVER, THETFORD 15017 |
| | 063740-01-717 | EA | TUBE-FLUSH, TOILET - 12509 THETFORD |
| | 063641-01-000 | EA | FLANGE-CLOSET, 4" X 3" |
| 7 | P05223-23-C03 | EA | DOOR-CABINET, W/O HARDWARE - 305 X 555MM |
| 8 | P09063-01-D04 | EA | CABINET-LAVATORY, W/O DOOR & HARDWARE |
| 8 | P09063-01-D05 | EA | CABINET-LAVATORY, W/O DOOR & HARDWARE |
| 9 | 109063-12-D04 | EA | COUNTERTOP-CABINET, LAVATORY |
| 9 | 109063-12-D05 | EA | COUNTERTOP-CABINET, LAVATORY |
| 10 | 096927-01-01A | EA | SINK-LAVATORY, RECTANGULAR - PLASTIC - BONE |
| | 096927-01-700 | EA | SINK-STOPPER |
| | 096927-01-701 | EA | TAILPIECE-SINK |
| 11 | 075240-06-000 | EA | FAUCET-LAVATORY, BONE |
| | 091253-01-000 | EA | GASKET-FAUCET, LAVATORY/GALLEY |

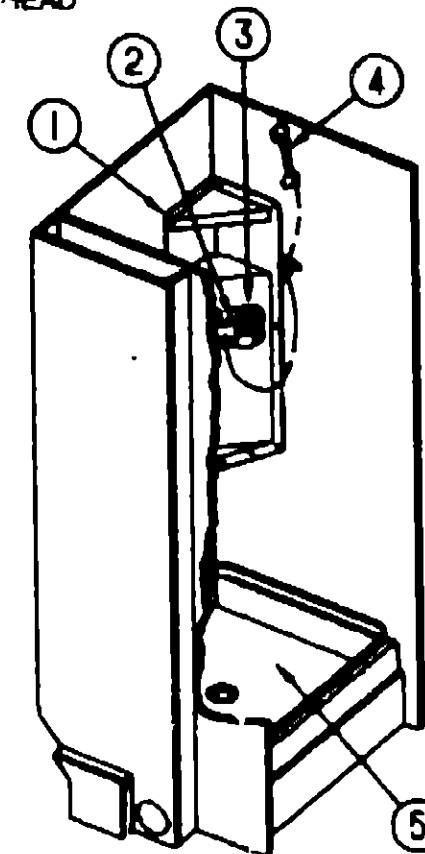
BATH GROUP (CONTINUED)

BATH PRIVACY DOOR

| KEY | PART NUMBER | U/M | DESCRIPTION |
|-----|---------------|-----|--|
| | P05398-02-D08 | EA | DOOR-PRIVACY, BATH |
| | 102089-13-807 | EA | WOOD RAIL-TOWEL RACK, RIGHT SIDE - 26" |
| | 102089-14-807 | EA | WOOD RAIL-TOWEL RACK, LEFT SIDE - 26" |
| | 100357-01-000 | EA | ROD-TOWEL, BRASS WRENDS BENT FOR BACK OF BATH DOOR |
| | 102920-01-01A | EA | HINGE-DOOR, SPRING LOADED - BRASS |
| | 091485-02-01A | EA | KNOB-DOOR-POLISHED BRASS |
| | 058131-27-000 | EA | MIRROR-SAFETY GLASS, 11 8" X 45 7" |

EXTERIOR SHOWER

| KEY | PART NUMBER | U/M | DESCRIPTION |
|-----|---------------|-----|-------------------------------|
| | 075241-05-000 | EA | FAUCET-SHOWER, BONE |
| | 105269-01-000 | EA | BRACKET-SUPPORT, FAUCET |
| | 103092-01-000 | EA | SHOWER HEAD-W/60 IN HOSE (US) |
| | 103092-01-700 | EA | BRACKET-SHOWER HEAD, CLEAR |
| | 093527-02-000 | EA | BRACKET-SHOWER HEAD |
| | 091952-02-000 | EA | CLIP-GRIPPER, 3/4" |



SHOWER CABINET & FIXTURES

| KEY | PART NUMBER | U/M | DESCRIPTION |
|-----|---------------|-----|---|
| | 080507-01-000 | EA | PANEL-SKYLIGHT, OUTER - PLEXIGLASS - 23 25" X 20 3" |
| | 080508-01-000 | EA | PANEL-SKYLIGHT, INNER - PLEXIGLASS - 23 25" X 20 3" |
| 1 | 105070-01-01A | EA | CADDY-SHOWER |
| 2 | 075606-01-000 | EA | PANEL-FAUCET BACK, SHOWER - 5" X 9" - PLASTIC |
| 3 | 075241-05-000 | EA | FAUCET-SHOWER, BONE |
| 4 | 103092-01-000 | EA | SHOWER HEAD-W/60 IN HOSE (US) |
| 4 | 103092-01-000 | EA | SHOWER HEAD-W/60 IN HOSE (CANADIAN) |
| | 103092-01-700 | EA | BRACKET-SHOWER HEAD |
| 5 | M02673-05-B13 | EA | PAN-SHOWER, OFF WHITE |
| | 066440-01-000 | EA | STRAINER-SHOWER, W/RUBBER WASHER |
| | 069735-01-000 | EA | WASHER-STRAINER TO TAILPIECE PLASTIC, 1 5" |
| | 011069-02-000 | EA | TAILPIECE-TUB/SHOWER, 1 1/2" X 1 1/4" X 4" - BRASS |
| | 066416-01-000 | EA | NUT-SLIP, TAILPIECE - 1 5" |
| | 057671-01-000 | EA | COVER-SCREW, #8 - PLASTIC - OFF WHITE |
| | 075610-02-000 | EA | ROD-CLOTHES, 27" TO 38" - ADJUSTABLE |

1993 WINNEBAGO TABLE OF CONTENTS

| | | |
|--------------------|--------|------|
| INTRODUCTION | A-01 - | A-02 |
| ABBREVIATIONS | | A-03 |
| ALPHABETICAL INDEX | A-04 - | A-06 |
| WF427RQ | A-07 - | D-20 |
| WF427RC | D-21 - | H-10 |
| WF428RQ | H-11 - | L-02 |

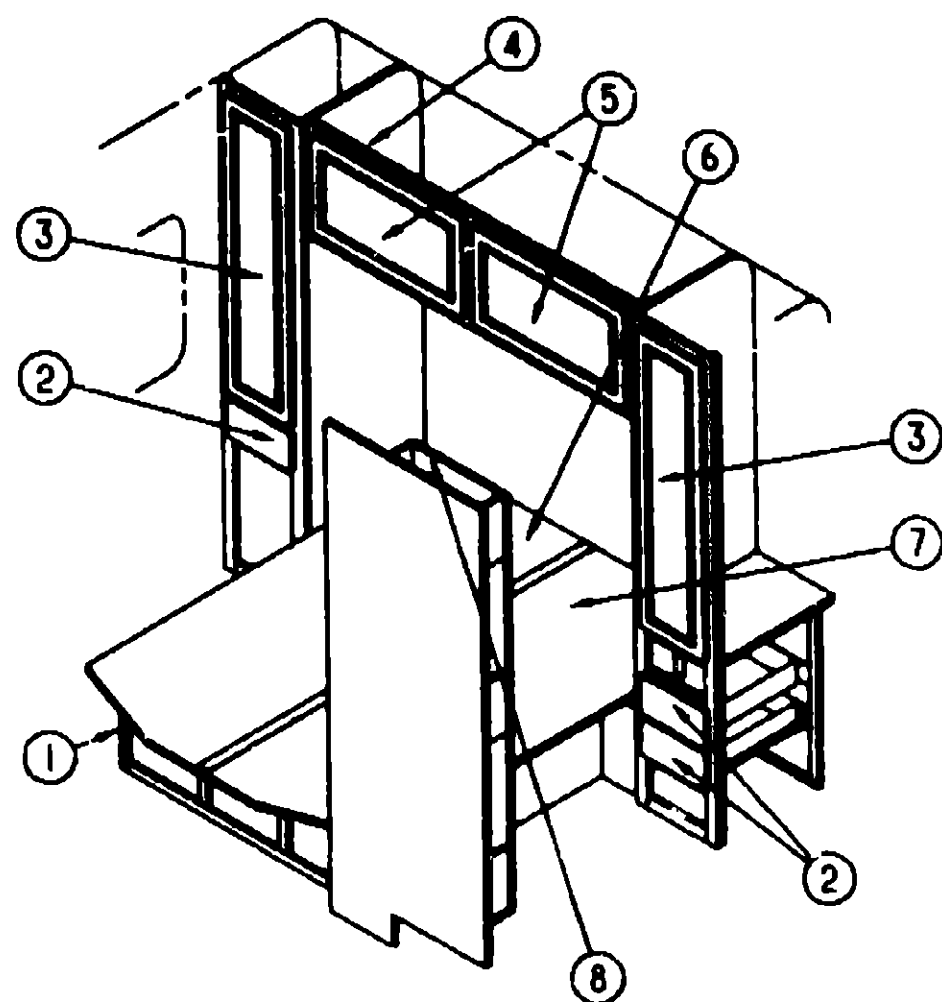
1993 WF428RQ INDEX

| | | |
|-----------------------------------|--------|------|
| FLOOR PLAN | H-11 - | H-12 |
| ACCESSORIES | | H-13 |
| AUDIO VIDEO | | H-14 |
| BATH | H-15 - | H-16 |
| BEDROOM | H-17 - | H-20 |
| CHASSIS | H-21 - | H-24 |
| CURTAIN & CUSHION | I-01 - | I-12 |
| DINETTE | I-13 - | I-14 |
| DRIVERS COMPARTMENT | I-15 - | I-16 |
| ELECTRICAL | I-17 - | I-20 |
| EXTERIOR BODY | I-21 - | J-02 |
| GALLEY | J-03 - | J-06 |
| GENERATOR | | J-07 |
| HEATING & A/C | J-08 - | J-10 |
| INTERIOR FINISH | J-11 - | J-14 |
| LABELS | J-15 - | J-22 |
| LP | | J-23 |
| LOUNGE | J-24 - | K-02 |
| SEALANTS & FASTENERS | K-03 - | K-05 |
| WATER & SEWAGE | K-06 - | K-10 |
| WINDOW, VENT AND EXTERIOR DOOR | K-11 - | L-01 |

FROM 00-00-00 THRU 12-06-92

BEDROOM GROUP

QUEEN BEDROOM CABINETS & FOLDING PRIVACY DOOR



| KEY | PART NUMBER | U/M | DESCRIPTION |
|-----|---------------|-----|---|
| 1 | P05308-01-D04 | EA | CABINET-QUEEN BED |
| 2 | P07104-V0-D04 | EA | DRAWER-CABINET, W/O HARDWARE |
| | 009112-01-000 | EA | FLANGE-1" ROD, CLOTHES - PLASTIC - OFF WHITE |
| | 042438-01-000 | EA | DOWEL-WOOD, CLOTHES ROD - 1" DIAMETER X 4' |
| | 041953-12-000 | EA | CONDUIT-CONVOLUTE, NON SLIT 1 1/4" ID |
| 3 | P05223-48-D04 | EA | DOOR-CABINET, W/O HARDWARE - 305 X 1220MM |
| 4 | 106212-01-D06 | EA | CABINET-OVERHEAD, W/O DOOR & HARDWARE (EUROPE EXPORT) |
| 5 | P05223-45-D04 | EA | DOOR-CABINET, W/O HARDWARE - 400 X 710MM (MIRRORED) |
| 5 | P05223-42-D04 | EA | DOOR-CABINET, W/O HARDWARE - 400 X 710MM (WOOD PANEL) |
| 6 | MC5631-02-C03 | EA | TOP-QUEEN BED, PASSENGER SIDE |
| 7 | M05631-01-C03 | EA | TOP-QUEEN BED, DRIVER SIDE |
| | 080076-03-000 | EA | SUPPORT-BED, H-CHANNEL - 1 9/16" X 72.7" - ALUMINUM - BEIGE |
| | 057205-03-000 | EA | ANGLE-SUPPORT, BED - 1" X 1 5/8" X 74" - METAL - OFF WHITE |
| | 057460-02-000 | EA | STUD-BALL, GAS SPRING - 10MM - 5/16" - 18 |
| | 107539-01-000 | EA | SPRING-GAS, 20" BLADE END - SPRING LIFT SL3-110 |
| | 107540-01-000 | EA | BRACKET-GAS SPRING, 90 DEGREE ANGLE |
| | 107541-01-000 | EA | BRACKET-GAS SPRING, FLAT |
| | 105376-01-02A | EA | HINGE-CONTINUOUS, 2" X 140MM - OFF WHITE |
| | 091261-01-000 | FT | SLIPNOT-ANTISLIP, 1' WIDE (100' ROLL) |
| | 009112-01-000 | EA | FLANGE-1" ROD, CLOTHES - PLASTIC - OFF WHITE |
| | 042438-01-000 | EA | DOWEL-WOOD, CLOTHES ROD - 1" DIAMETER X 4' |
| | 041953-12-000 | EA | CONDUIT-CONVOLUTE, NON SLIT 1 1/4" ID |
| 8 | 109175-01-D04 | EA | CABINET-PIPE COVER |
| 8 | 109175-01-D05 | EA | CABINET-PIPE COVER |
| | 042468-10-000 | EA | DOOR-FOLDING - FABRIC - 37" X 75" - OFF WHITE |
| | 080224-01-703 | EA | LATCH & CATCH ASSEMBLY - ALUMINUM |
| | 080224-01-705 | EA | CATCH-DOOR JAMB, ALUMINUM |

1993 WINNEBAGO TABLE OF CONTENTS

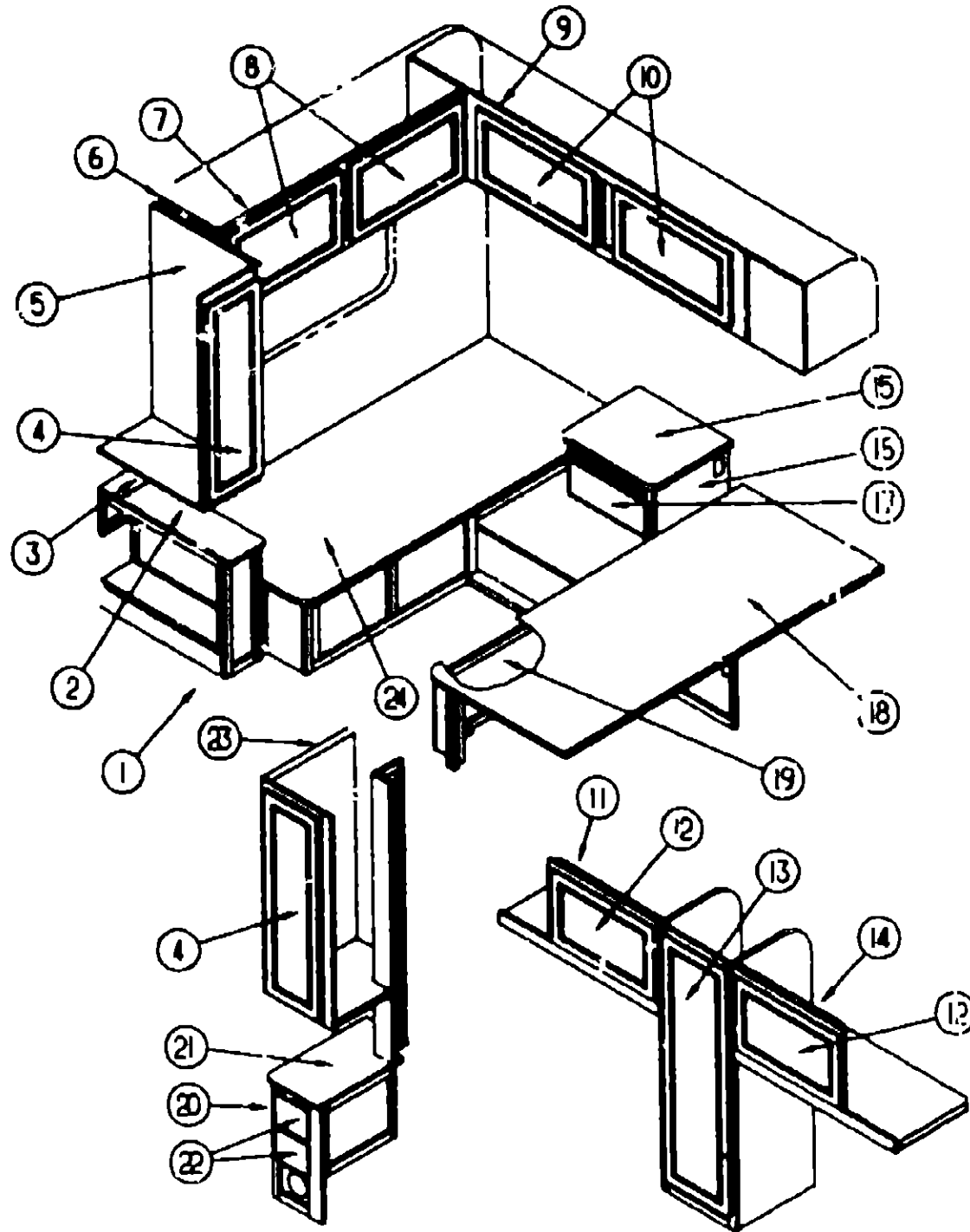
| | | |
|---------------------|------|------|
| INTRODUCTION | A-01 | A-02 |
| ABBREVIATIONS | | A-03 |
| ALPHABETICAL INDEX: | A-04 | A-05 |
| WF427RQ | A-07 | D-20 |
| WF427RC | D-21 | H-10 |
| WF428RQ | H-11 | L-02 |

1993 WF428RQ INDEX

| | | |
|-----------------------------------|------|------|
| FLOOR PLAN | H-11 | H-12 |
| ACCESSORIES | | H-13 |
| AUDIO VIDEO | | H-14 |
| BATH | H-15 | H-16 |
| BEDROOM | H-17 | H-20 |
| CHASSIS | H-21 | H-24 |
| CURTAIN & CUSHION | I-01 | I-12 |
| DINETTE | I-13 | I-14 |
| DRIVERS COMPARTMENT | I-15 | I-16 |
| ELECTRICAL | I-17 | I-20 |
| EXTERIOR BODY | I-21 | J-02 |
| GALLEY | J-03 | J-06 |
| GENERATOR | | J-07 |
| HEATING & A/C | J-08 | J-10 |
| INTERIOR FINISH | J-11 | J-14 |
| LABELS | J-15 | J-22 |
| LP | | J-23 |
| LOUNGE | J-24 | K-02 |
| SEALANTS & FASTENERS | K-03 | K-05 |
| WATER & SEWAGE | K-06 | K-10 |
| WINDOW, VENT AND EXTERIOR DOOR | L-11 | L-01 |

BEDROOM GROUP (CONTINUED)

TWIN BEDROOM CABINETS & FOLDING PRIVACY DOOR



| KEY | PART NUMBER | U/M | DESCRIPTION |
|-----|---------------|-----|--|
| 1 | 109667-01-D04 | EA | CABINET-NIGHTSTAND, HAMPER - W/O HARDWARE |
| 1 | 109667-01-D05 | EA | CABINET-NIGHTSTAND, HAMPER - W/O HARDWARE |
| 2 | 109667-11-D04 | EA | COUNTERTOP-NIGHTSTAND, LARGE SECTION |
| 2 | 109667-11-D05 | EA | COUNTERTOP-NIGHTSTAND, LARGE SECTION |
| 3 | 109667-12-D04 | EA | COUNTERTOP-NIGHTSTAND, SMALL SECTION |
| 3 | 109667-12-D05 | EA | COUNTERTOP-NIGHTSTAND, SMALL SECTION |
| 4 | P05223-49-D04 | EA | DOOR-CABINET, W/O HARDWARE - 305 X 1015MM |
| 5 | 109650-01-D04 | EA | CABINET-SHIRT, PASSENGER SIDE - W/O DOORS & HARDWARE |
| | 009112-01-000 | EA | FLANGE-1" ROD, CLOTHES - PLASTIC - OFF WHITE |
| | 042438-01-000 | EA | DOWEL-WOOD, CLOTHES ROD - 1" DIAMETER X 4' |
| | 041953-12-000 | EA | CONDUIT-CONVOLUTE, NON SLIT 1 1/2" ID |

| KEY | PART NUMBER | U/M | DESCRIPTION |
|-----|---------------|-----|---|
| 6 | 104335-06-C03 | EA | END CAP-CABINET, OVERHEAD - LEFT |
| 7 | 109578-01-D04 | EA | CABINET-OVERHEAD, W/O DOORS & HARDWARE - RIGHT |
| 7 | 109578-01-D05 | EA | CABINET-OVERHEAD, W/O DOORS & HARDWARE - RIGHT |
| | 109578-02-D04 | EA | CABINET-OVERHEAD, W/O DOORS & HARDWARE - LEFT |
| | 109578-02-D05 | EA | CABINET-OVERHEAD, W/O DOORS & HARDWARE - LEFT |
| | 104335-07-C03 | EA | END CAP-CABINET, OVERHEAD - RIGHT - DRIVER SIDE |
| 8 | P05223-43-D04 | EA | DOOR-CABINET, W/O HARDWARE - 400 X 520MM - 2 USED PER CABINET |
| 9 | 105292-01-D04 | EA | CABINET-OVERHEAD, W/O DOORS & HARDWARE - REAR |
| 9 | 105292-01-D05 | EA | CABINET-OVERHEAD, W/O DOORS & HARDWARE - REAR |
| 10 | P05223-45-D04 | EA | DOOR-CABINET, W/O HARDWARE - 400 X 710MM (MIRRORED) |
| 10 | P05223-42-D04 | EA | DOOR-CABINET, W/O HARDWARE - 400 X 710MM (WOOD PANEL) |
| 11 | 110004-01-D04 | EA | CABINET-OVERHEAD, W/O DOORS & HARDWARE - RIGHT REAR |
| 12 | P05223-51-D04 | EA | DOOR-CABINET, W/O HARDWARE - 400 X 520MM (MIRRORED) |
| 12 | P05223-43-D04 | EA | DOOR-CABINET, W/O HARDWARE - 400 X 520MM (WOOD PANEL) |
| 13 | P05223-52-D04 | EA | DOOR-CABINET, W/O HARDWARE - 395 X 1155MM |
| 14 | 110004-02-D04 | EA | CABINET-OVERHEAD, W/O DOORS & HARDWARE - LEFT REAR |
| 15 | 110008-11-D04 | EA | COUNTERTOP-NIGHTSTAND |
| 15 | 110008-11-D05 | EA | COUNTERTOP-NIGHTSTAND |
| 16 | P10006-01-D04 | EA | CABINET-NIGHTSTAND, W/O DOORS & HARDWARE |
| 16 | P10006-01-D05 | EA | CABINET-NIGHTSTAND, W/O DOORS & HARDWARE |
| 17 | P07104-N3-D04 | EA | DRAWER-CABINET, W/O HARDWARE |
| 18 | M05935-01-000 | EA | TOP-CABINET, TWIN BED - LEFT |
| | 052859-01-D18 | FT | TRIM-VINYL, W/CORD - BEIGE |
| | 091261-01-000 | FT | SLIPNOT-ANTISLIP, 1' WIDE (100' ROLL) |
| | P09653-01-D04 | EA | CABINET-TWIN BED, LEFT |
| 19 | P05223-02-D04 | EA | DOOR-CABINET, W/O HARDWARE - 305 X 660MM |
| 20 | P09666-01-D04 | EA | CABINET-NIGHTSTAND, W/O DOORS & HARDWARE |
| 20 | P09666-01-D05 | EA | CABINET-NIGHTSTAND, W/O DOORS & HARDWARE |
| 21 | 109666-11-D04 | EA | COUNTERTOP-NIGHTSTAND |
| 21 | 109666-11-D05 | EA | COUNTERTOP-NIGHTSTAND |
| 22 | P07104-U1-D04 | EA | DRAWER-CABINET, W/O HARDWARE |
| 23 | 109652-01-D04 | EA | CABINET-SHIRT, DRIVER SIDE - W/O DOORS & HARDWARE |
| | 009112-01-000 | EA | FLANGE-1" ROD, CLOTHES - PLASTIC - OFF WHITE |
| | 042438-01-000 | EA | DOWEL-WOOD, CLOTHES ROD - 1" DIAMETER X 4' |
| | 041953-12-000 | EA | CONDUIT-CONVOLUTE, NON SLIT 1 1/2" ID |
| 24 | M05138-03-000 | EA | TOP-CABINET, TWIN BED - RIGHT |
| | | | FROM 00-00-00 THRU 10-20-92 |
| 24 | M05138-09-000 | EA | TOP-CABINET, TWIN BED - RIGHT |
| | | | FROM 10-21-92 THRU 99-99-99 |
| | 052859-01-D18 | FT | TRIM-VINYL, W/CORD - BEIGE |
| | 091261-01-000 | FT | SLIPNOT-ANTISLIP, 1' WIDE (100' ROLL) |
| | P05296-01-C03 | EA | CABINET-TWIN BED RIGHT |
| | | | FROM 00-00-00 THRU 10-20-92 |
| | P10385-01-D04 | EA | CABINET-TWIN BED, RIGHT |
| | | | FROM 10-21-92 THRU 99-99-99 |
| | 042488-10-000 | EA | DOOR-FOLDING, FABRIC - 37" X 75" - OFF WHIT |
| | 080224-01-703 | EA | LATCH & CATCH ASSEMBLY -ALUMINUM |
| | 080224-01-705 | EA | CATCH-DOOR JAMB, ALUMINUM |

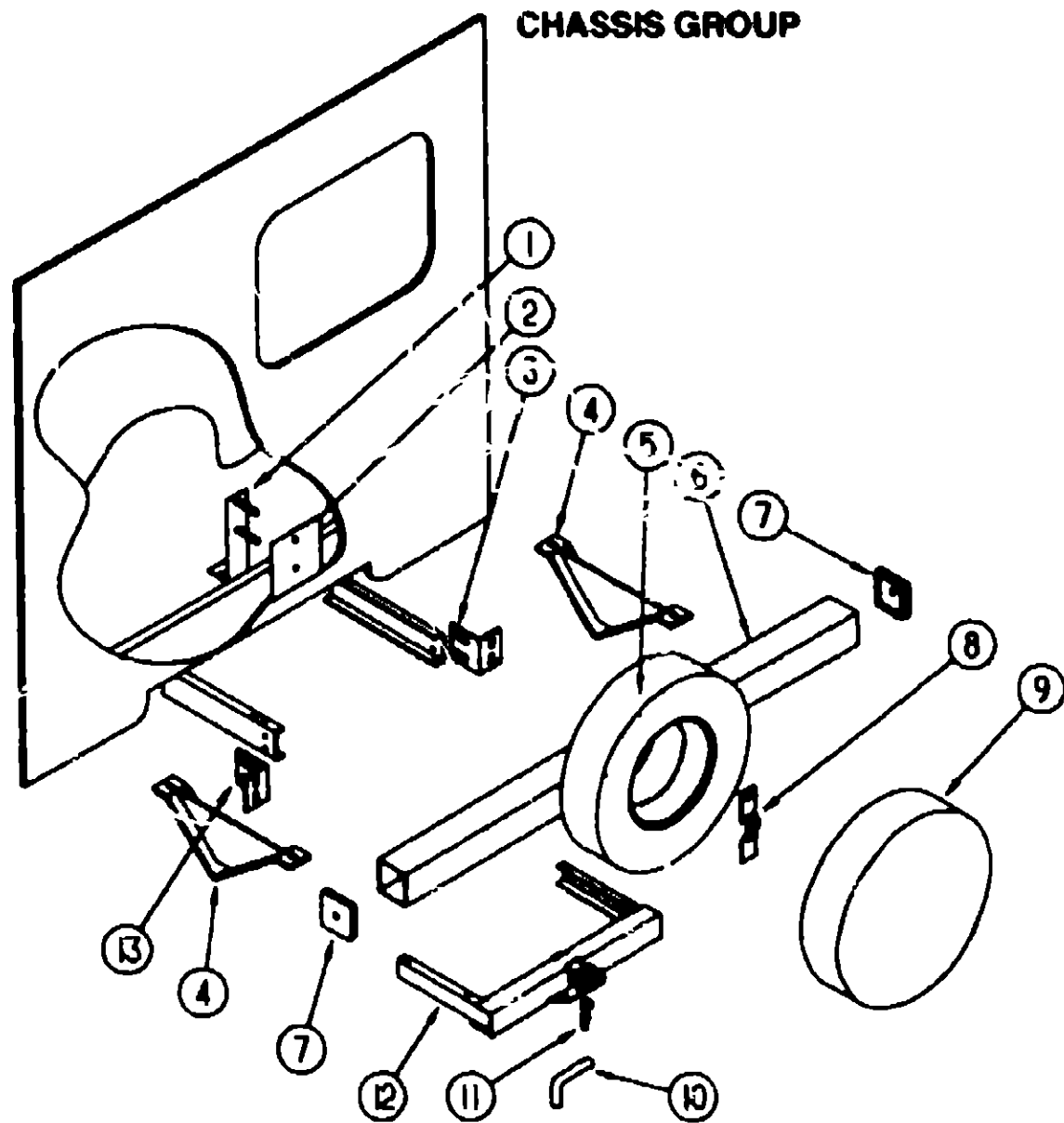
1993 WINNEBAGO TABLE OF CONTENTS

| | |
|--------------------|-------------|
| INTRODUCTION | A-01 - A-02 |
| ABBREVIATIONS | A-03 |
| ALPHABETICAL INDEX | A-04 - A-06 |
| WF427RQ | A-07 - D-20 |
| WF427RC | D-21 - H-10 |
| WF428RQ | H-11 - L-02 |

1993 WF428RQ INDEX

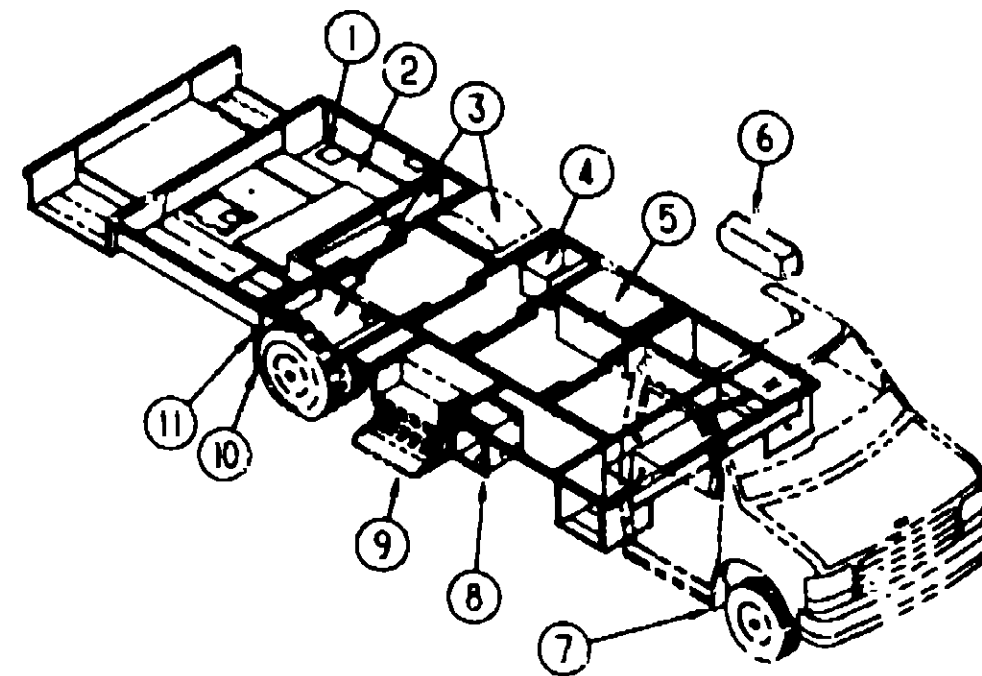
| | |
|--------------------------------|-------------|
| FLOOR PLAN | H-11 - H-12 |
| ACCESSORIES | H-13 |
| AUDIO VIDEO | H-14 |
| BATH | H-15 - H-16 |
| BEDROOM | H-17 - H-20 |
| CHASSIS | H-21 - H-24 |
| CURTAIN & CUSHION | I-01 - I-12 |
| DINETTE | I-13 - I-14 |
| DRIVERS COMPARTMENT | I-15 - I-16 |
| ELECTRICAL | I-17 - I-20 |
| EXTERIOR BODY | I-21 - J-02 |
| GALLEY | J-03 - J-06 |
| GENERATOR | J-07 |
| HEATING & A/C | J-08 - J-10 |
| INTERIOR FINISH | J-11 - J-14 |
| LABELS | J-15 - J-22 |
| LP | J-23 |
| LOUNGE | J-24 - K-02 |
| SEALANTS & FASTENERS | K-03 - K-05 |
| WATER & SEWAGE | K-06 - K-10 |
| WINDOW, VENT AND EXTERIOR DOOR | K-11 - L-01 |

CHASSIS GROUP



REAR BUMPER, HITCH & SPARE TIRE CARRIER

CHASSIS GROUP (CONTINUED)



COMPARTMENTS, PLUGS & SEALS

**1983 WINNEBAGO
TABLE OF CONTENTS**

| | | |
|--------------------|--------|------|
| INTRODUCTION | A-01 - | A-02 |
| ABBREVIATIONS | | A-03 |
| ALPHABETICAL INDEX | A-04 - | A-05 |
| WF427RQ | A-07 - | D-20 |
| WF427AC | D-21 - | H-10 |
| WF428RQ | H-11 - | L-02 |

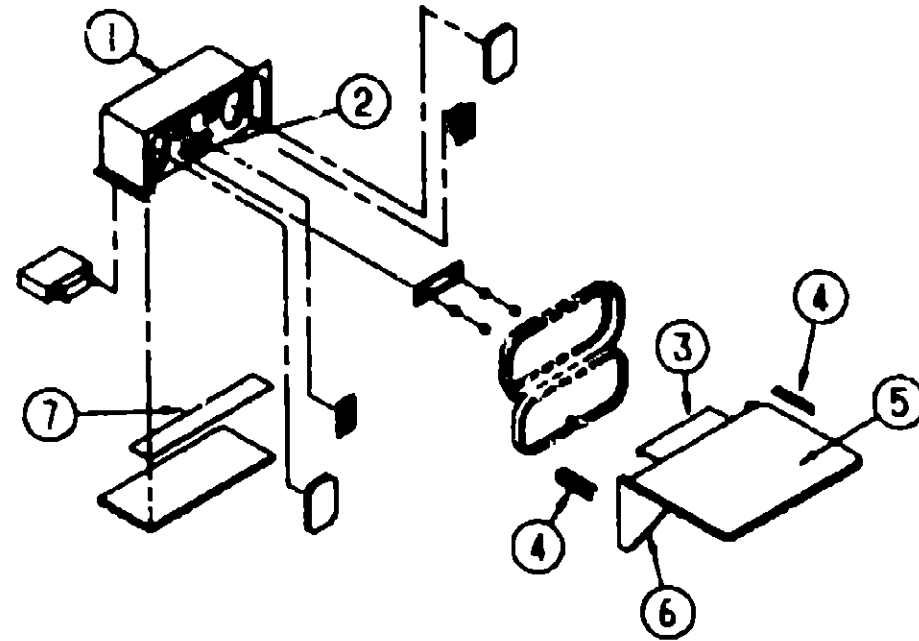
1983 WF428RQ INDEX

| | | |
|--------------------------------|--------|------|
| FLOOR PLAN | H-11 - | H-12 |
| ACCESSORIES | | H-13 |
| AUDIO VIDEO | | H-14 |
| BATH | H-15 - | H-16 |
| BEDROOM | H-17 - | H-20 |
| CHASSIS | H-21 - | H-24 |
| CURTAIN & CUSHION | I-01 - | I-12 |
| DINETTE | I-13 - | I-14 |
| DRIVERS COMPARTMENT | I-15 - | I-16 |
| ELECTRICAL | I-17 - | I-20 |
| EXTERIOR BODY | I-21 - | J-02 |
| GALLEY | J-03 - | J-06 |
| GENERATOR | | J-07 |
| HEATING & A/C | J-08 - | J-10 |
| INTERIOR FINISH | J-11 - | J-14 |
| LABELS | J-15 - | J-22 |
| LP | | J-23 |
| LOUNGE | J-24 - | K-02 |
| SEALANTS & FASTENERS | K-03 - | K-05 |
| WATER & SEWAGE | K-06 - | K-10 |
| WINDOW, VENT AND EXTERIOR DOOR | K-11 - | L-01 |

| KEY | PART NUMBER | U/M | DESCRIPTION |
|-----|---------------|-----|--|
| 1 | 105209-05-C52 | EA | BRACKET ASM-SPARE TIRE |
| 2 | 105208-01-000 | EA | PLATE-SPARE TIRE |
| 3 | 104420-01-000 | EA | SUPPORT-ANGLE, BUMPER REAR-RIGHT |
| 4 | 083376-01-000 | EA | PLATE-SKID, 13 2" X 6" X 2" - STEEL |
| 5 | 070917-04-000 | EA | TIRE-LT 215 - 85R16 LRD - 1RS - FIRESTONE (273295) |
| 5 | 083425-08-000 | EA | TIRE-LT225/75R16 LRD, MICHELIN XCH4 |
| 5 | 083425-09-000 | EA | TIRE-LT225/75R16 LRD, MICHELIN XCH4 |
| | | | FROM 00-00-00 THRU 10-05-92 |
| 5 | 083617-03-000 | EA | WHEEL-STEEL, 16 0X6 - ACCURIDE 28618 |
| | 051377-01-000 | EA | STEM-VALVE, TR 500 |
| | 077030-02-000 | EA | EXTENSION-VALVE STEM, 1 25" |
| | 095012-03-000 | EA | EXTENSION-VALVE STEM, DUAL WHEEL |
| 6 | 103422-02-01A | EA | BUMPER-SQUARE, ALUMINUM-OFF WHITE |
| 7 | 039779-01-000 | EA | CAP-BUMPER, RUBBER - 4" X 4" - BLACK |
| 8 | 105531-02-000 | EA | RETAINER ASM-SPARE TIRE |
| 9 | 104408-05-D04 | EA | COVER-TIRE, 32" MINNIE WINNIE - SILKSCREENED - OFF WHITE |
| 10 | 034512-01-000 | EA | PIN-LOCKING, DRAWBAR |
| 11 | 034513-01-000 | EA | PIN-HITCH, 3/16" WIRE |
| 12 | 077617-02-000 | EA | HITCH-TRAILER, W/O DRAWBAR - 41 1" WIDE - STEEL - BLACK |
| 13 | 104420-02-000 | EA | SUPPORT-ANGLE, BUMPER REAR-LEFT |
| | 097744-01-000 | EA | HOUSING-TRAILER PIN, 12" |
| | 097744-01-000 | EA | HOUSING-TRAILER PIN, 48" |
| | 097746-01-000 | EA | HOUSING CAP-TRAILER PIN |
| | 097745-01-000 | EA | HOUSING-RECEPTACLE, TRAILER - 12" WIRE LENGTH |
| | 097745-02-000 | EA | HOUSING-RECEPTACLE, TRAILER - 48" WIRE LENGTH |

| KEY | PART NUMBER | U/M | DESCRIPTION |
|-----|---------------|-----|---|
| 1 | 103630-01-000 | EA | DOOR-DRAINAGE COMPARTMENT, 7.9" X 7.6" - STEEL |
| | 074470-01-000 | EA | PIN-PULL, HINGE RELEASE - RIGHT SIDE |
| | 077953-01-000 | EA | GROMMET-EDGE LINER, FITS 1" |
| | 068270-01-000 | FT | SEAL-BULB, W/WIRE RIG'D U-CHANNEL - 5" - RUBBER - BLACK |
| 2 | 100582-01-000 | EA | COMPARTMENT-DRAINAGE |
| 3 | 102782-01-000 | EA | WHEELWELL-PLASTIC |
| 4 | 102979-02-000 | EA | BOX-POWER CORD, PLASTIC |
| 4 | 102979-04-000 | EA | BOX-POWER CORD, PLASTIC |
| | | | FROM 00-00-00 THRU 04-22-93 |
| 5 | 108607-01-000 | EA | COMPARTMENT-GENERATOR |
| | | | FROM 04-23-93 THRU 99-99-99 |
| 5 | 110369-01-000 | EA | COMPARTMENT-GENERATOR |
| | | | FROM 11-11-92 THRU 99-99-99 |
| 5 | 078137-02-000 | EA | TRAY-STORAGE COMPARTMENT, 27 18" WIDE X 21" DEEP |
| 6 | 106208-01-01A | EA | COMPARTMENT-EXTERIOR SHOWER, PLASTIC - OFF WHITE |
| 7 | 064089-01-700 | EA | FLAP-MUD, FRONT - SET OF 2 - RUBBER - BLACK |
| 8 | 105203-01-000 | EA | COMPARTMENT-BATTERY |
| | 084993-01-000 | EA | STRAP-BATTERY |
| 9 | 077848-02-000 | EA | STEP-PULLOUT |
| | 076241-09-000 | EA | SUPPORT-STEP, ENTRY DOOR |
| | 091176-01-000 | EA | SUPPORT-BASE, ENTRANCE STEP |
| 10 | 017516-01-000 | EA | FLAP-MUD, 14" X 18" - BLACK |
| 11 | 045731-05-000 | EA | GUARD-ROCK, REAR |
| | 036748-01-000 | EA | PLUG-CAP, 1 5" DIAMETER - BLACK |
| | 031120-01-000 | EA | PLUG-PLASTIC, 1 75" - BROWN |

CHASSIS GROUP (CONTINUED)



ENTERTAINMENT COMPARTMENT

| KEY | PART NUMBER | U/M | DESCRIPTION |
|-----|---------------|-----|--|
| 1 | 104897-02-01A | EA | BOX-ENTERTAINMENT CENTER - OFF WHITE |
| 2 | 104899-01-D04 | EA | PLATE-RADIO MOUNTING |
| 3 | 105377-01-01A | EA | BRACKET-TABLE HANGER - OFF WHITE |
| | 105377-01-03A | EA | BRACKET-TABLE HANGER - MILL |
| 4 | 105376-01-02A | EA | HINGE-CONTINUOUS, 2" X 140MM - OFF WHITE |
| 5 | 105230-11-D05 | EA | SHELF ASM |
| 6 | 105230-12-D09 | EA | SUPPORT ASM |
| 7 | 104899-01-01A | EA | PLATE-PLASTIC BOTTOM - OFF WHITE |

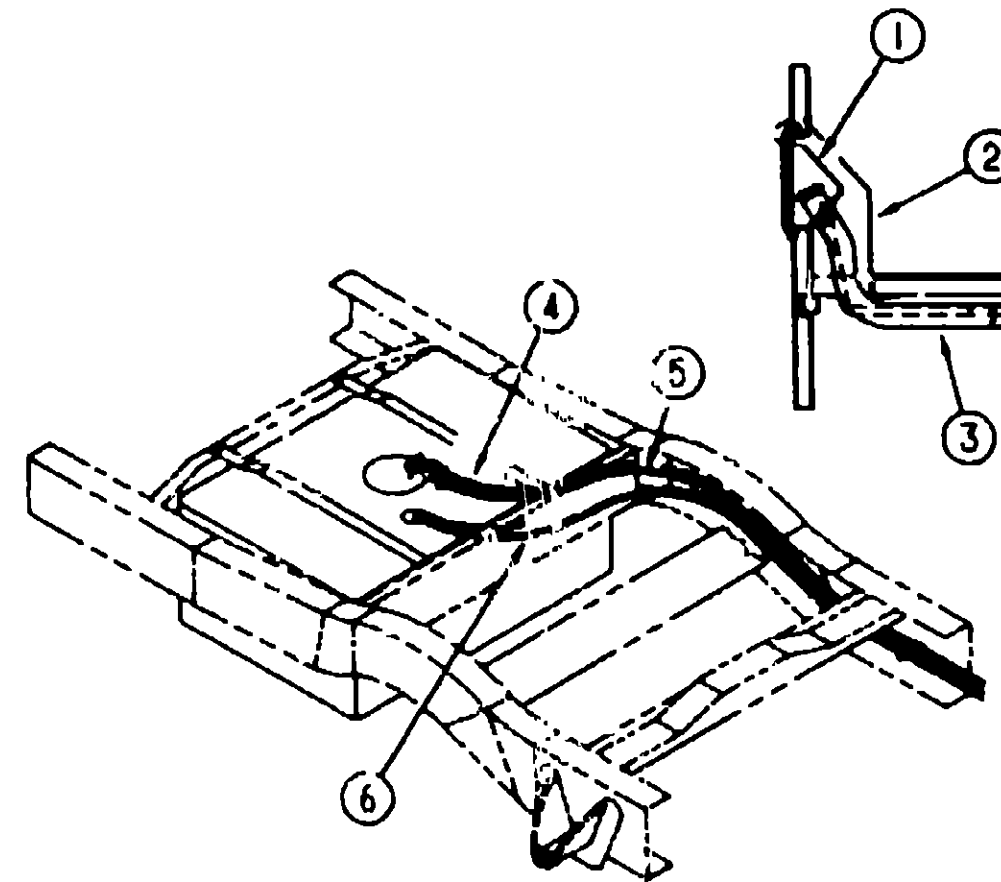
EXHAUST SYSTEM COMPONENTS

| KEY | PART NUMBER | U/M | DESCRIPTION |
|-----|---------------|-----|-----------------------------|
| | 091182-04-000 | EA | SHIELD-PEAT, LP TANK |
| | 094818-03-000 | EA | CLAMP-EXHAUST, 2.5" |
| | 096753-06-000 | EA | PIPE-EXHAUST |
| | | | FROM 00-00-00 THRU 03-08 93 |
| | 111478-02-000 | EA | PIPE-EXHAUST |
| | | | FROM 03-09-93 THRU 99-99-99 |

DRIVESHAFT & FLARE UNION

| KEY | PART NUMBER | U/M | DESCRIPTION |
|-----|---------------|-----|---|
| | 103653-11-000 | EA | DRIVESHAFT ASM-BALANCED PAIR - 190" WHEELBASE (158) |
| | | | FROM 00-00-00 THRU 03-08 93 |
| | 103653-16-000 | EA | DRIVESHAFT ASM-BALANCED PAIR - 190" WHEELBASE (158) |
| | | | FROM 03-09-93 THRU 99-99-99 |
| | 074833-01-000 | EA | SPACER-BEARING, DRIVESHAFT - 2" X 8" X 5" THICK |
| | 085771-03-000 | EA | NUT-HEX, FL PREV TORQUE - GRADE G DRIVER SHAFT |
| | 038408-01-000 | EA | UNION-INVERTED FLARE, BRASS - 3/8" - 3/8" - 24 THD - BRAKE LINE |

CHASSIS GROUP (CONTINUED)



FUEL SYSTEM COMPONENTS

| KEY | PART NUMBER | U/M | DESCRIPTION |
|-----|---------------|-----|---|
| 1 | 095854-01-02A | EA | SHROUD-FUEL FILL, PLASTIC - OFF WHITE |
| 2 | 078040-06-000 | EA | SHROUD-FUEL FILL, UPPER - PLASTIC |
| 3 | 108630-01-000 | EA | NECK-FUEL FILL, MAIN - GAS |
| | 108630-02-000 | EA | NECK-FUEL FILL, MAIN - DIESEL |
| | 078200-01-000 | EA | GASKET-FUEL FILL, 3 5/8" OD X 2 1/2" ID |
| 4 | 106388-01-000 | EA | FUEL LINE ASM-FORD, 5/16 HP |
| 5 | 106389-01-000 | EA | FUEL LINE ASM-FORD, 3/8 HP |
| | 007063-01-000 | FT | HOSE-GAS 1/4" ID X 1/2" OD |
| 6 | 044317-01-000 | FT | HOSE-FUEL, 3/8" ID |

WHEEL LINERS, COVERS & LUG WRENCH

| KEY | PART NUMBER | U/M | DESCRIPTION |
|-----|---------------|-----|---|
| | 091209-11-000 | EA | LINER-WHEEL, SET 4 E350- KAPER II (FORD) |
| | 091209-10-700 | EA | COVER-AXLE, FRONT - 8 LUG - FORD |
| | 091209-10-701 | EA | COVER-AXLE, REAR - 8 LUG - FORD |
| | 091209-10-704 | EA | NUT-LUG, W/WASHER - SHORT - KAPER 52 |
| | 091209-10-705 | EA | COVER-LUG NUT |
| | 091209-11-700 | EA | LINER-WHEEL, FRONT - 8 LUG - FORD |
| | 091209-11-701 | EA | LINER-WHEEL, REAR - 8 LUG - FORD |
| | 091209-11-702 | EA | NUT-LUG, W/WASHER - LONG - KAPER 51 |
| | 108068-01-000 | EA | COVER-WHEEL, 16" - SET OF 4 - DICOR #SHUB16 |
| | 108068-01-700 | EA | COVER-WHEEL, 16" - 1 ONLY - SHUB16-1 DICOR |
| | 112258-01-000 | EA | WRENCH-LUG, 7/8" - L-SHAPE (CHASSIS PROVIDED EARLIER) |
| | | | FROM 05-10-93 THRU 99-99-99 |

**1993 WINNEBAGO
TABLE OF CONTENTS**

| | |
|--------------------|-------------|
| INTRODUCTION | A-01 - A-02 |
| ABBREVIATIONS | A-03 |
| ALPHABETICAL INDEX | A-04 - A-06 |
| WF427RQ | A-07 - D-20 |
| WF427RC | D-21 - H-10 |
| WF428RQ | H-11 - L-32 |

1993 WF428RQ INDEX

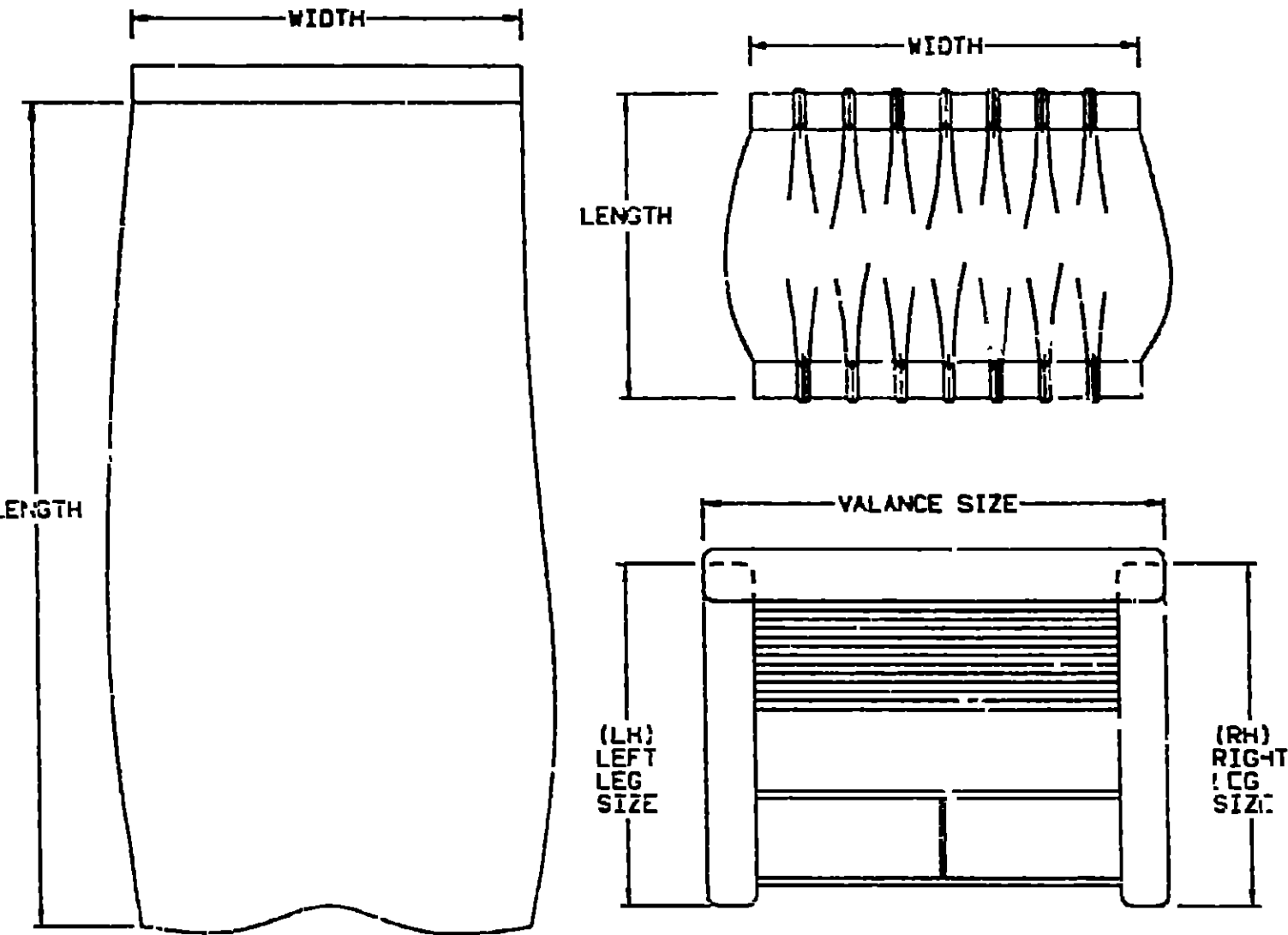
| | |
|--------------------------------|-------------|
| FLOOR PLAN | H-11 - H-12 |
| ACCESSORIES | H-13 |
| AUDIO VIDEO | H-14 |
| BATH | H-15 - H-16 |
| BEDROOM | H-17 - H-20 |
| CHASSIS | H-21 - H-24 |
| CURTAIN & CUSHION | I-01 - I-12 |
| DINETTE | I-13 - I-14 |
| DRIVERS COMPARTMENT | I-15 - I-16 |
| ELECTRICAL | I-17 - I-20 |
| EXTERIOR BODY | I-21 - J-02 |
| GALLEY | J-03 - J-06 |
| GENERATOR | J-07 |
| HEATING & A/C | J-08 - J-10 |
| INTERIOR FINISH | J-11 - J-14 |
| LABELS | J-15 - J-22 |
| LP | J-23 |
| LOUNGE | J-24 - K-02 |
| SEALANTS & FASTENERS | K-03 - K-05 |
| WATER & SEWAGE | K-06 - K-10 |
| WINDOW, VENT AND EXTERIOR DOOR | K-11 - L-01 |

CURTAIN & CUSHION GROUP

NOTICE

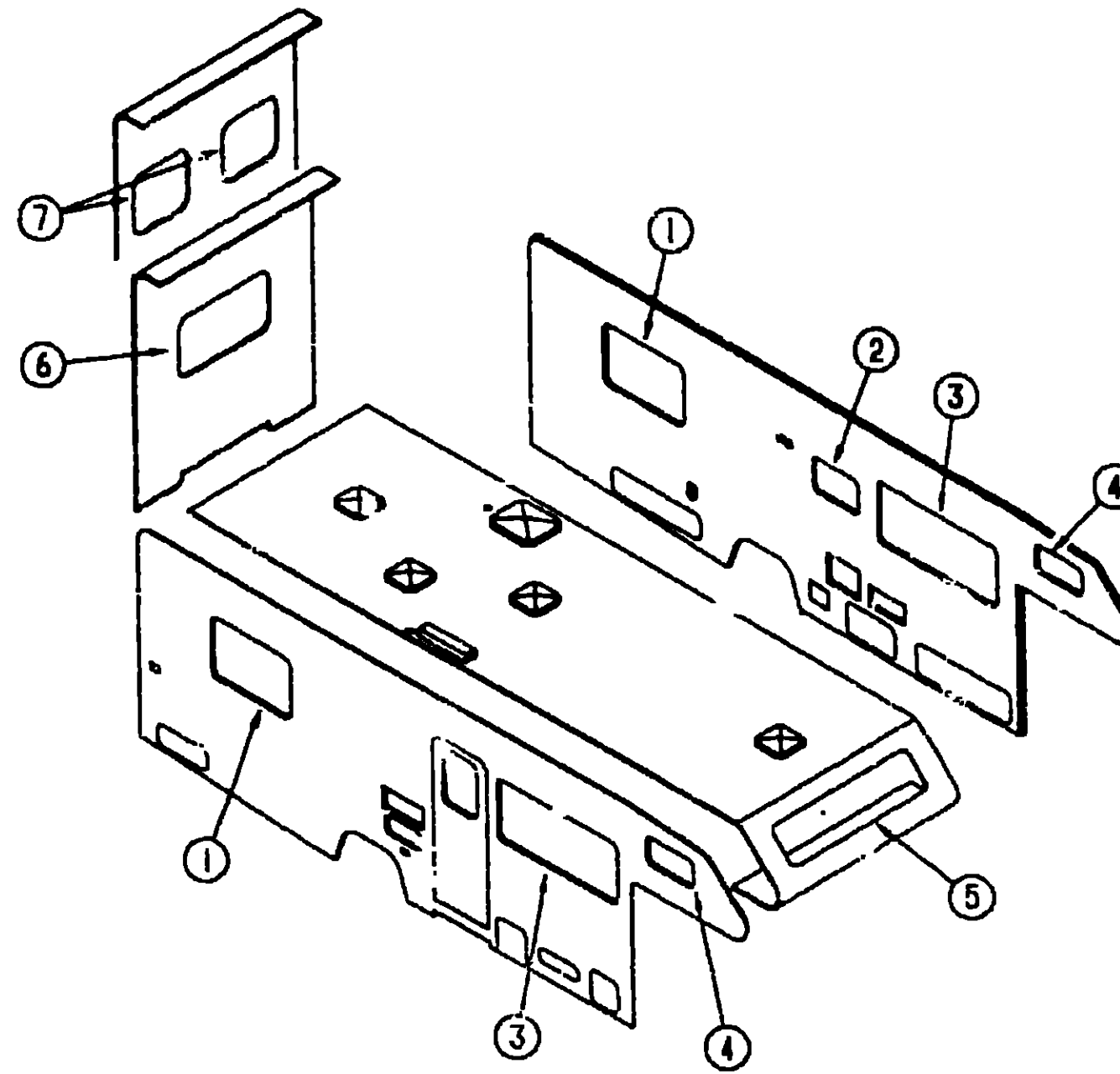
IN ORDER TO ASSIST OUR PARTS SALES DEPT. IN PROVIDING INTERIOR SOFTWARE ITEMS, PLEASE INCLUDE THE SERIAL NUMBER AND THE COLOR CODE NUMBER FROM THE VEHICLE CERTIFICATION LABEL WHEN ORDERING. THIS LABEL IS LOCATED ON THE LEFT SIDEWALL AT THE END OF THE DASH (A-BODY), OR ON THE DRIVER'S DOOR LATCH PLATE (C-BODY).

AN EXAMPLE OF A COLOR CODE NUMBER IS B07, WHICH DESIGNATES AN OVERALL COLOR SCHEME OF A PARTICULAR UNIT. THE COLOR LISTED AFTER THE ITEM DESCRIPTION ON THE MICROFICHE, INDICATES THE OVERALL UNIT COLOR. ORDER THE ITEM YOU DESIRE ACCORDING TO UNIT COLOR CODE.



NOTE USE THIS ILLUSTRATION WHEN DETERMINING LENGTH AND WIDTH MEASUREMENTS FOR CURTAINS. YOU WILL NOTE THE WIDTH MEASUREMENT IS TAKEN ON THE TOP OF THE CURTAIN WITH THE CURTAIN FULLY EXTENDED. THE LENGTH MEASUREMENT IS TAKEN FROM TOP TO BOTTOM. LEFT AND RIGHT WINDOW LEGS ARE DETERMINED WHEN FACING THE WINDOW.

CURTAIN & CUSHION GROUP (CONTINUED)



CURTAINS & WINDOW TREATMENT

| KEY | PART NUMBER | U/M | DESCRIPTION |
|-----|---------------|-----|--|
| 1 | 107893-08-C04 | EA | VALANCE-WINDOW, 45" |
| 1 | 107893-08-D05 | EA | VALANCE-WINDOW, 45" |
| 1 | 104157-01-C26 | EA | LEG-CURTAIN, 27" - RIGHT (D04) |
| 1 | 104157-01-C52 | EA | LEG-CURTAIN, 27" - RIGHT (D05) |
| 1 | 104157-02-C26 | EA | LEG-CURTAIN, 27" - LEFT (D04) |
| 1 | 104157-02-C52 | EA | LEG-CURTAIN, 27" - LEFT (D05) |
| 1 | 094755-09-DA4 | EA | SHADE-PULL, 42 25" (D04, D05) |
| 1 | 073260-52-D04 | EA | TIEBACK-CURTAIN, 3" X 15" - GATHERED |
| 1 | 073260-52-D05 | EA | TIEBACK-CURTAIN, 3" X 15" - GATHERED |
| 2 | 109353-03-02A | EA | SLATS-BLIND, 27" - PURE SILVER (D04) |
| 2 | 109353-03-01A | EA | SLATS-BLIND, 27" - GLOSS FAWN (D05) |
| 2 | 109353-04-300 | EA | CLIP-VALANCE, SLAT MOUNTING - CLEAR PLASTIC - PAIR |
| 2 | 093475-32-16A | EA | BLIND-MINI, 27" X 18 5" DROP - PURE SILVER (D04) |
| 2 | 093475-32-15A | EA | BLIND-MINI, 27" X 18 5" DROP - GLOSS FAWN (D05) |
| 3 | 107893-01-D04 | EA | VALANCE-WINDOW, 65" |
| 3 | 107893-02-D05 | EA | VALANCE-WINDOW, 65" |
| 3 | 109041-01-02A | EA | BLIND-MINI, 62" X 28 5" - PURE SILVER (D04) |
| 3 | 109041-01-01A | EA | BLIND-MINI, 62" X 28 5" - GLOSS FAWN (D05) |

1993 WINNEBAGO TABLE OF CONTENTS

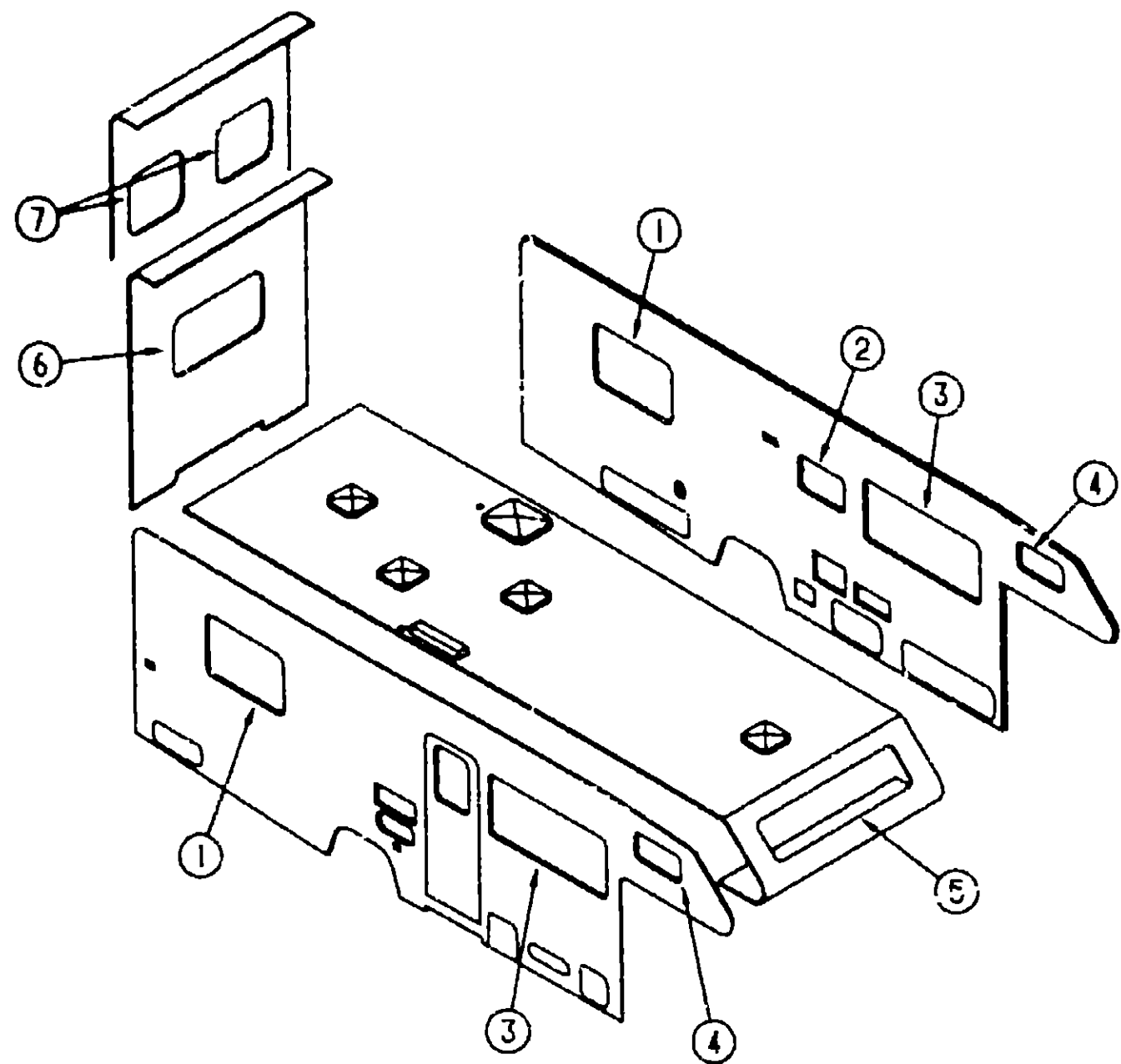
| | |
|--------------------|-------------|
| INTRODUCTION | A-01 - A-02 |
| ABBREVIATIONS | A-03 |
| ALPHABETICAL INDEX | A-04 - A-08 |
| WF427RQ | A-07 - D-20 |
| WF427RC | D-21 - H-10 |
| WF428RQ | H-11 - L-02 |

1993 WF428RQ INDEX

| | |
|--------------------------------|-------------|
| FLOOR PLAN | H-11 - H-12 |
| ACCESSORIES | H-13 |
| AUDIO VIDEO | H-14 |
| BATH | H-15 - H-16 |
| BEDROOM | H-17 - H-20 |
| CHASSIS | H-21 - H-24 |
| CURTAIN & CUSHION | I-01 - I-12 |
| DINETTE | I-13 - I-14 |
| DRIVERS COMPARTMENT | I-15 - I-16 |
| ELECTRICAL | I-17 - I-20 |
| EXTERIOR BODY | I-21 - J-02 |
| GALLEY | J-03 - J-05 |
| GENERATOR | J-07 |
| HEATING & A/C | J-08 - J-10 |
| INTERIOR FINISH | J-11 - J-14 |
| LABELS | J-15 - J-22 |
| LP | J-23 |
| LOUNGE | J-24 - K-02 |
| SEALANTS & FASTENERS | K-03 - K-05 |
| WATER & SEWAGE | K-06 - K-10 |
| WINDOW, VENT AND EXTERIOR DOOR | K-11 - L-01 |

CURTAIN & CUSHION GROUP (CONTINUED)

CURTAINS & WINDOW TREATMENT (CONTINUED)



| KEY | PART NUMBER | UOM | DESCRIPTION |
|-----|---------------|-----|--|
| 4 | 101034-22-D04 | EA | CURTAIN-DARTED TAPE TOP & BOTTOM, RIGHT - 18" X 28" |
| 4 | 101034-22-D05 | EA | CURTAIN-DARTED TAPE TOP & BOTTOM, RIGHT - 18" X 28" |
| 4 | 101034-23-D04 | EA | CURTAIN-DARTED TAPE TOP & BOTTOM, LEFT - 18" X 28" |
| 4 | 101034-23-D05 | EA | CURTAIN-DARTED TAPE TOP & BOTTOM, LEFT - 18" X 28" |
| 5 | 101034-20-D04 | EA | CURTAIN-DARTED TAPE TOP & BOTTOM, RIGHT - 21" X 50" |
| 5 | 101034-20-D05 | EA | CURTAIN-DARTED TAPE TOP & BOTTOM, RIGHT - 21" X 50" |
| 5 | 101034-21-D04 | EA | CURTAIN-DARTED TAPE TOP & BOTTOM, LEFT - 21" X 50" |
| 5 | 101034-21-D05 | EA | CURTAIN-DARTED TAPE TOP & BOTTOM, LEFT - 21" X 50" |
| 6 | 107893-09-D04 | EA | VALANCE-WINDOW, 52" |
| 6 | 107893-09-D05 | EA | VALANCE-WINDOW, 52" |
| 6 | 104157-01-C26 | EA | LEG-CURTAIN, 27" - RIGHT (D04) |
| 6 | 104157-01-C52 | EA | LEG-CURTAIN, 27" - RIGHT (D05) |
| 6 | 104157-02-C26 | EA | LEG-CURTAIN, 27" - LEFT (D04) |
| 6 | 104157-02-C52 | EA | LEG-CURTAIN, 27" - LEFT (D05) |
| 6 | 084755-87-DA4 | EA | SHADE-PULL, 49 25" |
| 6 | 073260-52-D04 | EA | TIEBACK-CURTAIN, 3" X 15" - GATHERED |
| 6 | 073260-52-D05 | EA | TIEBACK-CURTAIN, 3" X 15" - GATHERED |
| 7 | 107893-17-D04 | EA | VALANCE-WINDOW, 29" |
| 7 | 107893-17-D05 | EA | VALANCE-WINDOW, 29" |
| 7 | 104157-01-C26 | EA | LEG-CURTAIN, 27" - RIGHT (D04) |
| 7 | 104157-01-C52 | EA | LEG-CURTAIN, 27" - RIGHT (D05) |
| 7 | 104157-02-C26 | EA | LEG-CURTAIN, 27" - LEFT (D04) |
| 7 | 104157-02-C52 | EA | LEG-CURTAIN, 27" - LEFT (D05) |
| 7 | 084755-39-D04 | EA | SHADE-PULL, 26 25" |
| 7 | 073260-52-D04 | EA | TIEBACK-CURTAIN, 3" X 15" - GATHERED |
| 7 | 073260-52-D05 | EA | TIEBACK-CURTAIN, 3" X 15" - GATHERED |
| | 084481-19-B88 | EA | CURTAIN-SHOWER, 69" X 42" (D04) |
| | 084481-19-D05 | EA | CURTAIN-SHOWER, 69" X 42" (D05) |
| | 073260-54-C30 | EA | TIEBACK-CURTAIN, SHOWER - 3" X 16" (D04) |
| | 073260-54-D36 | EA | TIEBACK-CURTAIN, SHOWER - 3" X 16" (D05) |
| | 101668-39-D04 | EA | CURTAIN-TAPE TOP, PASSENGER WINDSHIELD PRIVACY - 35" X 50" |
| | 101668-39-D05 | EA | CURTAIN-TAPE TOP, PASSENGER WINDSHIELD PRIVACY - 35" X 50" |
| | 101668-40-D04 | EA | CURTAIN-TAPE TOP, DRIVER WINDSHIELD PRIVACY - 35" X 50" |
| | 101668-40-D05 | EA | CURTAIN-TAPE TOP, DRIVER WINDSHIELD PRIVACY - 35" X 50" |
| | 073260-23-D04 | EA | TIEBACK-CURTAIN, WINDSHIELD PRIVACY - 3" X 18" (D04) |
| | 073260-23-D05 | EA | TIEBACK-CURTAIN, WINDSHIELD PRIVACY - 3" X 18" (D05) |
| | 076892-18-D04 | EA | CURTAIN-SNAP TOP, BUNK PRIVACY - 50" X 72" |
| | 076892-18-D05 | EA | CURTAIN-SNAP TOP, BUNK PRIVACY - 50" X 72" |
| | 057534-01-000 | EA | TIEBACK/TIEDOWN-BED/CURTAIN/DOOR 6" - PLASTIC - CLEAR |

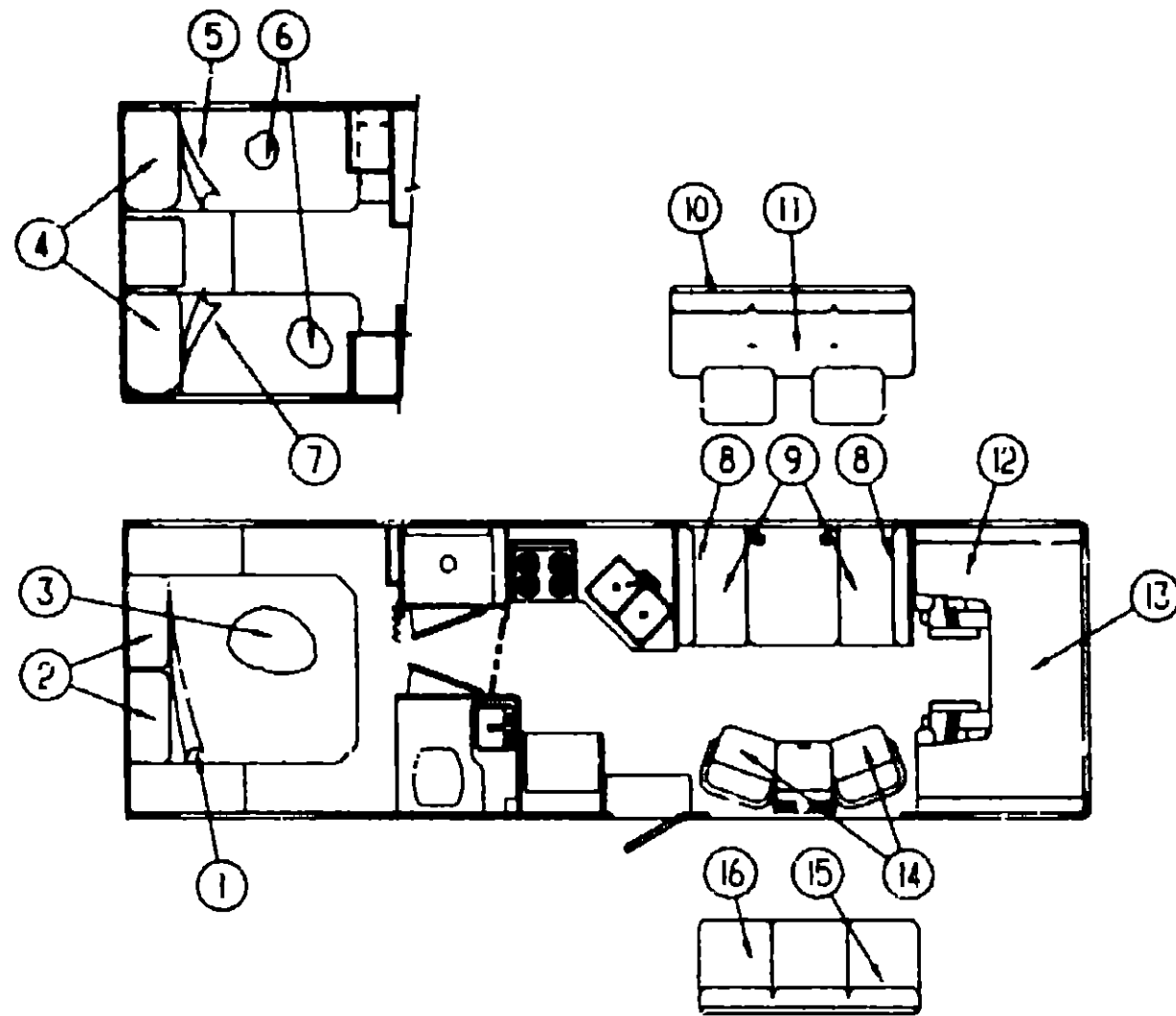
1993 WINNEBAGO TABLE OF CONTENTS

| | | |
|--------------------|--------|------|
| INTRODUCTION | A-01 - | A-02 |
| ABBREVIATIONS | | A-03 |
| ALPHABETICAL INDEX | A-04 - | A-06 |
| WF427RQ | A-07 - | D-20 |
| WF427RC | D-21 - | H-10 |
| WF428RQ | I-11 - | L-02 |

1993 WF428RQ INDEX

| | | |
|-----------------------------------|--------|------|
| FLOOR PLAN | H-11 - | H-12 |
| ACCESSORIES | | H-13 |
| AUDIO VIDEO | | H-14 |
| BATH | H-15 - | H-16 |
| BEDROOM | H-17 - | H-20 |
| CHASSIS | H-21 - | H-24 |
| CURTAIN & CUSHION | I-01 - | I-12 |
| DINETTE | I-13 - | I-14 |
| DRIVERS COMPARTMENT | I-15 - | I-18 |
| ELECTRICAL | I-17 - | I-20 |
| EXTERIOR BODY | I-21 - | J-02 |
| GALLEY | J-03 - | J-06 |
| GENERATOR | | J-07 |
| HEATING & A/C | J-08 - | J-10 |
| INTERIOR FINISH | J-11 - | J-14 |
| LABELS | J-15 - | J-22 |
| LP | | J-23 |
| LOUNGE | J-24 - | K-02 |
| SEALANTS & FASTENERS | K-03 - | K-05 |
| WATER & SEWAGE | K-06 - | K-10 |
| WINDOW, VENT AND EXTERIOR DOOR | K-11 - | L-01 |

CURTAIN & CUSHION GROUP (CONTINUED)



QUEEN BEDSPREAD, PILLOW & MATTRESS

| KEY | PART NUMBER | U/M DESCRIPTION |
|-----|---------------|--|
| 1 | 092371-27-D04 | EA BEDSPREAD-QUEEN 60" W/6" RUFFLE - CUT CORNERS |
| 1 | 092371-27-D05 | EA BEDSPREAD-QUEEN, 60" W/6" RUFFLE - CUT CORNERS |
| 2 | 081997-09-D04 | EA PILLOW SHAM-W/4" RUFFLE |
| 2 | 081997-09-D05 | EA PILLOW SHAM-W/4" RUFFLE |
| 3 | 101123-05-000 | EA MATTRESS-INNERSPRING, 59" X 74" - SEALY - CUT CORNERS |

TWIN BEDSPREAD, PILLOW & MATTRESS

| KEY | PART NUMBER | U/M DESCRIPTION |
|-----|---------------|---|
| 4 | 081997-09-D04 | EA PILLOW SHAM-W/4" RUFFLE |
| 4 | 081997-09-D05 | EA PILLOW SHAM-W/4" RUFFLE |
| 5 | 083986-15-D04 | EA BEDSPREAD-TWIN, 33" W/6" RUFFLE - LEFT SIDE |
| 5 | 083986-15-D05 | EA BEDSPREAD-TWIN, 33" W/6" RUFFLE - LEFT SIDE |
| 6 | 101123-02-000 | EA MATTRESS-TWIN, 32" X 74" |
| 7 | 083986-14-D04 | EA BEDSPREAD-TWIN 33" W/6" RUFFLE - RIGHT SIDE |
| 7 | 083986-14-D05 | EA BEDSPREAD-TWIN, 33" W/6" RUFFLE - RIGHT SIDE |

DINETTE CUSHIONS

| KEY | PART NUMBER | U/M DESCRIPTION |
|-----|---------------|---|
| 8 | 104146-01-D04 | EA CUSHION-BACKREST, 13 5" X 38" X 5" |
| 8 | 104146-01-D05 | EA CUSHION-BACKREST, 13 5" X 38" X 5" |
| | P04146-01-D04 | EA COVER-CUSHION, BACKREST - 13 5" X 38" X 5" |
| | P04146-01-D05 | EA COVER-CUSHION, BACKREST - 13 5" X 38" X 5" |
| | 078155-01-000 | EA STRAP-SNAP, BACKREST CUSHION |
| 9 | 088927-85-D04 | EA CUSHION-SEATBASE, 21" X 38" X 5" |
| 9 | 088927-85-D05 | EA CUSHION-SEATBASE, 21" X 38" X 5" |
| | M88927-86-D04 | EA COVER-CUSHION SEATBASE - 21" X 38" X 5" |
| | M88927-86-D05 | EA COVER-CUSHION, SEATBASE - 21" X 38" X 5" |

COUCH

| KEY | PART NUMBER | U/M DESCRIPTION |
|-----|---------------|-----------------------------------|
| 10 | 100032-40-D04 | EA BACKREST-COUCH, 74" |
| 10 | 100032-40-D05 | EA BACKREST-COUCH, 74" |
| | P00032-40-D04 | EA COVER-BACKREST, 74" |
| | P00032-40-D05 | EA COVER-BACKREST, 74" |
| | 101085-10-000 | EA FRAME-BACK, COUCH - 74 5" |
| 11 | 100032-41-D04 | EA SEAT-COUCH, W/O BACKREST - 74" |
| 11 | 100032-41-D05 | EA SEAT-COUCH, W/O BACKREST - 74" |
| | P00032-41-D04 | EA COVER-SEAT, COUCH - 74" |
| | P00032-41-D05 | EA COVER-SEAT, COUCH - 74" |
| | 101085-04-000 | EA FRAME-SEAT, COUCH - 74 75" |
| | 101085-06-C00 | EA FRAME-BASE, COUCH - 74 75" |

BUNK CUSHIONS

| KEY | PART NUMBER | U/M DESCRIPTION |
|-----|---------------|---|
| 12 | 105573-10-D04 | EA CUSHION-BUNK, REAR - 27" X 23" X 80" X 5" |
| 12 | 105573-10-D05 | EA CUSHION-BUNK, REAR - 27" X 23" X 80" X 5" |
| | P05573-10-D04 | EA COVER-CUSHION BUNK - REAR - 27" X 23" X 80" X 5" |
| | P05573-10-D05 | EA COVER-CUSHION BUNK - REAR - 27" X 23" X 80" X 5" |
| 13 | 105573-09-D04 | EA CUSHION-BUNK, FRONT - 32.5" X 80" X 5" |
| 13 | 105573-09-D05 | EA CUSHION-BUNK, FRONT - 32.5" X 80" X 5" |
| | P05573-09-D04 | EA COVER-CUSHION BUNK - FRONT - 32.5" X 80" X 5" |
| | P05573-09-D05 | EA COVER-CUSHION BUNK - FRONT - 32.5" X 80" X 5" |

SWIVEL CHAIR

| KEY | PART NUMBER | U/M DESCRIPTION |
|-----|---------------|---------------------------------------|
| 14 | 107891-04-D04 | EA CHAIR-SWIVEL, W/O PEDESTAL & SKIRT |
| 14 | 107891-01-D05 | EA CHAIR-SWIVEL, W/O PEDESTAL & SKIRT |

COUCH

| KEY | PART NUMBER | U/M DESCRIPTION |
|-----|---------------|---------------------------------------|
| 15 | 100032-38-D04 | EA BACKREST-COUCH, W/ARMRESTS - 66 5" |
| 15 | 100032-38-D05 | EA BACKREST-COUCH, W/ARMRESTS - 66 5" |
| | P00032-38-D04 | EA COVER-BACKREST, W/ARMRESTS - 66 5" |
| | P00032-38-D05 | EA COVER-BACKREST, W/ARMRESTS - 66 5" |
| | 101085-09-000 | EA FRAME-BACK, COUCH - 66 5" |
| 16 | 100032-39-D04 | EA SEAT-COUCH, W/O BACKREST - 66 5" |
| 16 | 100032-39-D05 | EA SEAT-COUCH, W/O BACKREST - 66 5" |
| | P00032-39-D04 | EA COVER-SEAT, COUCH - 66 5" |
| | P00032-39-D05 | EA COVER-SEAT, COUCH - 66 5" |
| | 101085-01-000 | EA FRAME-SEAT, COUCH - 66 5" |
| | 101085-03-000 | EA FRAME-BASE, COUCH - 66 5" |

**1993 WINNEBAGO
TABLE OF CONTENTS**

| | | |
|--------------------|--------|------|
| INTRODUCTION | A-01 - | A-02 |
| ABBREVIATIONS | | A-03 |
| ALPHABETICAL INDEX | A-04 - | A-06 |
| WF427RQ | A-07 - | D-20 |
| WF427RC | D-21 - | H-10 |
| WF428RQ | H-11 - | L-02 |

1993 WF428RQ INDEX

| | | |
|--------------------------------|--------|------|
| FLOOR PLAN | H-11 - | H-12 |
| ACCESSORIES | | H-13 |
| AUDIO VIDEO | | H-14 |
| BATH | H-15 - | H-16 |
| BEDROOM | H-17 - | H-20 |
| CHASSIS | H-21 - | H-24 |
| CURTAIN & CUSHION | I-01 - | I-12 |
| DINETTE | I-13 - | I-14 |
| DRIVERS COMPARTMENT | I-15 - | I-16 |
| ELECTRICAL | I-17 - | I-20 |
| EXTERIOR BODY | I-21 - | J-02 |
| GALLEY | J-03 - | J-06 |
| GENERATOR | | J-07 |
| HEATING & A/C | J-08 - | J-10 |
| INTERIOR FINISH | J-11 - | J-14 |
| LABELS | J-15 - | J-22 |
| LP | | J-23 |
| LOUNGE | J-24 - | K-02 |
| SEALANTS & FASTENERS | K-03 - | K-05 |
| WATER & SEWAGE | K-06 - | K-10 |
| WINDOW, VENT AND EXTERIOR DOOR | K-11 - | L-01 |

CURTAIN & CUSHION GROUP (CONTINUED)

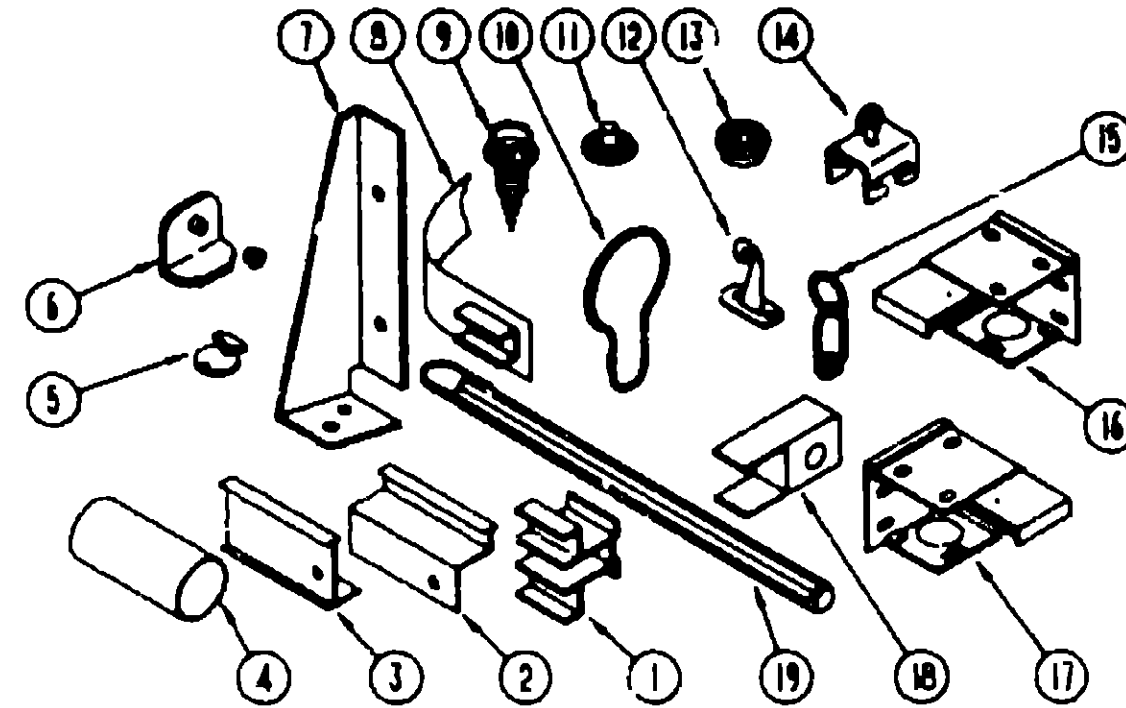
ASSIST HANDLE, SEATBELT, TRIM & BUTTONS

| KEY | PART NUMBER | U/M | DESCRIPTION |
|-----|---------------|-----|--|
| | 079340-04-AA1 | YD | WELTING-FABRIC (D04) |
| | 079349-04-C0C | YD | WELTING-FABRIC (D05) |
| | 084415-46-000 | YD | TRIM-BRAID, BLUE (D04) |
| | 084415-47-000 | YD | TRIM-BRAID, BROWN (D05) |
| | 070578-08-805 | EA | BUTTON-SNAP TOP, #30 - VINYL - OFF WHITE |
| | 057534-01-000 | EA | TIEBACK/TIEDOWN-BED/CURTAIN/DOOR, 8" - CLEAR PLASTIC |
| | 057534-08-000 | EA | TIEBACK/TIEDOWN-BED/CURTAIN/DOOR, 8" - BEIGE VINYL |
| | 063652-02-AA8 | EA | HANDLE-ASSIST, INTERIOR - ENTRY DOOR - VINYL - OFF WHITE |
| | 089178-02-000 | EA | BRACKET-MOUNTING, ASSIST HANDLE - L ANGLE - WHOLES - ST |
| | 000C16-07-188 | EA | BOLT-CARRIAGE, ASSIST HANDLE - 7/16" - 14 X 1" ZN |
| | 000D20-07-008 | EA | NUT-ACORN, ASSIST HANDLE - 7/16" X 14 ZN |
| | 057759-01-000 | EA | WASHER BRACKET-SEAT BELT, 4" DIAMETER |
| | 007021-01-000 | EA | BELT-SEAT, 2" X 90" - BLACK |
| | 056271-01-000 | EA | BELT-SEAT, 2" X 102" - BLACK |

FABRICS

| KEY | PART NUMBER | U/M | DESCRIPTION |
|-----|---------------|-----|---|
| | 072333-92-000 | YD | FABRIC-DRAPERY, BIRCHWOOD SLATE (D04) |
| | 072333-93-000 | YD | FABRIC-DRAPERY, BIRCHWOOD TAUPE (D05) |
| | 072333-96-000 | YD | FABRIC-DRAPERY, GALAXY ANTIQUE WHITE (D04, D05) |
| | 087272-01-000 | YD | FABRIC-LINING, CURTAIN - 48" WIDE - IVORY |
| | 087272-03-000 | YD | FABRIC-LINING, CURTAIN - 54" WIDE - IVORY |
| | | | FROM 00-00-00 THRU 09-30-92 |
| | | | FROM 10-01-92 THRU 99-99-99 |
| | 088273-67-000 | YD | FABRIC-BEDSPREAD/CURTAIN, PLAIN - 54" WIDE - SLATE (D04) |
| | 088273-89-000 | YD | FABRIC-BEDSPREAD/CURTAIN, PLAIN - 54" WIDE - LILAC (D05) |
| | 103907-01-01A | YD | FABRIC-VINYL, 54" WIDE - OFF WHITE |
| | 104233-31-000 | YD | FABRIC-UPHOLSTERY/CURTAIN, PLAIN VELOUR - 54" WIDE - BLUE (D04) |
| | 104233-26-000 | YD | FABRIC-UPHOLSTERY/CURTAIN, PLAIN VELOUR - 54" WIDE - BROWN (D05) |
| | 104233-70-000 | YD | FABRIC-UPHOLSTERY, STRIPED WOVEN - 54" WIDE - STEEL (D04) |
| | 108446-10-000 | YD | FABRIC-UPHOLSTERY, STRIPED WOVEN - 54" WIDE - WHEAT (D05) |
| | 104233-78-000 | YD | FABRIC-UPHOLSTERY WOVEN PATTERN - 54" WIDE - BLUE/BEIGE (D04) |
| | 104233-81-000 | YD | FABRIC-UPHOLSTERY, PATTERN VELOUR - 54" WIDE - BROWNS/BLUE (D05) |
| | 104233-80-000 | YD | FABRIC-UPHOLSTERY, PATTERN VELOUR - 54" WIDE - BLUE (D04) |
| | 104233-82-000 | YD | FABRIC-UPHOLSTERY, TEXTURED PATTERN VELOUR - 54" WIDE - BROWN (D05) |
| | 105745-17-000 | YD | FABRIC-BEDSPREAD/CURTAIN, PATTERN - CREAM/GOLD/PINK/GREEN (D04) |
| | 105745-06-000 | YD | FABRIC-BEDSPREAD/CURTAIN PATTERN - GRAY/MAUVE/TAN (D05) |

CURTAIN & CUSHION GROUP (CONTINUED)



CURTAIN & BLIND HARDWARE

| KEY | PART NUMBER | U/M | DESCRIPTION |
|-----|-------------|---------------|---|
| | 1 | 101033-03-000 | FT TRACK-WALL, WHITE - CT225 - SHAPCO |
| | 2 | 105450-06-01A | EA TRACK-CURTAIN, OFF WHITE |
| | 3 | 092464-02-01A | EA TRACK-CURTAIN, OFF WHITE |
| | | | FROM 00-00-00 THRU 12-02-92 |
| | 4 | 102075-03-01A | EA ROD SHOWER CURTAIN, 749MM LONG - OFF WHITE |
| | | | FROM 12-03-92 THRU 99-99-99 |
| | 5 | 102555-01-000 | EA CLEAT-CORD, BLIND - OFF WHITE |
| | 6 | 106544-01-000 | EA PULL-SHADE, BRASS |
| | 7 | 076827-04-000 | EA BRACKET-BED/BUNK, 2.9" X 1.8" TRIANGLE - METAL - OFF WHITE |
| | 8 | 101031-01-000 | YD TAPE-GLIDE, CURTAIN - 4 25" SPACING |
| | 9 | 029130-01-000 | EA SCREW-SNAP SOCKET, 8 PH X 5/8" |
| | 10 | 009136-02-000 | EA HANGER-RING, PIN TYPE - CURTAIN - BRASS |
| | 11 | 029155-01-000 | EA CAP-SNAP, NICKEL |
| | 12 | 109441-01-000 | EA HOLD DOWN BLIND, HOOK |
| | 13 | 029156-01-000 | EA SOCKET-SNAP FASTENER, NICKEL |
| | 14 | 009702-01-000 | EA END STOP-CURTAIN CARRIER, L ROD |
| | 15 | 009701-01-000 | EA CARRIER-CURTAIN, L ROD |
| | 16 | 083170-01-000 | EA BRACKET-BLIND, RIGHT SIDE |
| | 17 | 083170-02-000 | EA BRACKET-BLIND, LEFT SIDE |
| | 18 | 101033-02-000 | EA END CAP-TRACK CLEAR |
| | 19 | 093475-01-700 | EA WAND-BLIND, W/METAL CLIP - 8" LONG |
| | | 093475-01-701 | EA END CAP-BLIND W/STUD |
| | | 046867-01-000 | EA GROMMET-BRASS, 7/16" ID X 1" OD |
| | | 048394-02-000 | YD VELCRO TAPE-HOOK, ADHESIVE BACK - 75" WIDE - BEIGE |
| | | 056003-01-000 | EA BRACKET-DRAPERY RETAINING, RIGHT - METAL |
| | | 056003-02-000 | EA BRACKET-DRAPERY RETAINING, LEFT - METAL |
| | | 068716-01-001 | EA BRACE-90 DEGREE L-ANGLE, 192" - EXTRUDED ALUMINUM |
| | | 075943-01-000 | EA BRACE-ANGLE, WHOLES - 1" X 1 5" X 20" - ALUMINUM - BEIGE |
| | | 075943-02-000 | EA BRACE-ANGLE, WHOLES - 1" X 1 5" X 14" - ALUMINUM - BEIGE |
| | | 084432-06-000 | FT SLAT-ROLLER SHADE, PLASTIC |
| | | 084434-01-000 | EA BRACKET-MOUNTING, ROLLER SHADE - 1 3/8" |
| | | 088792-01-000 | YD VELCRO-HOOK, 75" WIDE - BEIGE |
| | | 088792-02-000 | YD VELCRO TAPE-LOOP, ADHESIVE BACKED - .75" WIDE - BEIGE |
| | | 096843-01-000 | EA SPRING-REWIND, ROLLER SHADE |

**1993 WINNEBAGO
TABLE OF CONTENTS**

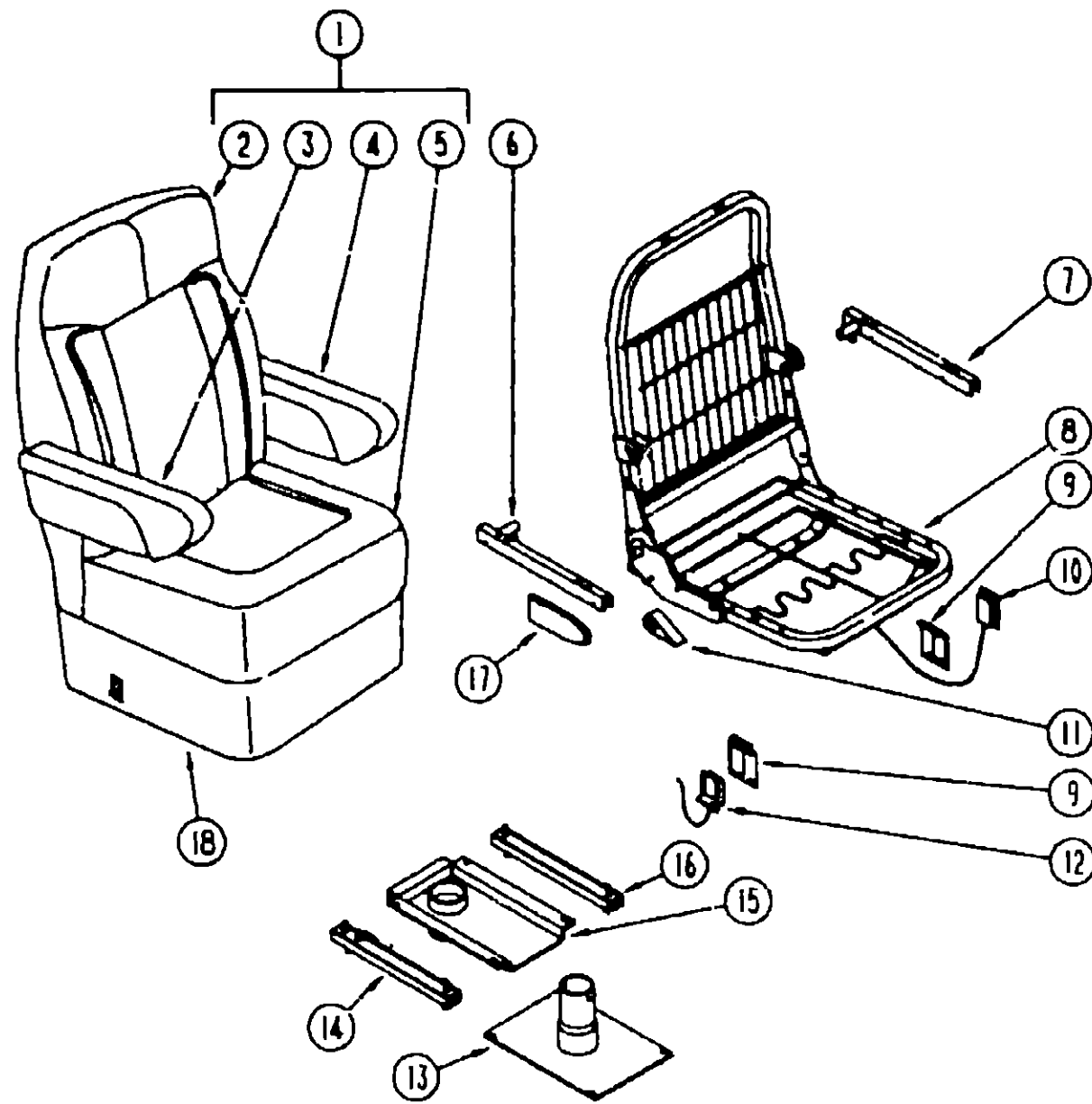
| | | |
|--------------------|--------|------|
| INTRODUCTION | A-01 - | A-02 |
| ABBREVIATIONS | | A-03 |
| ALPHABETICAL INDEX | A-04 - | A-08 |
| WF427RQ | A-07 - | D-20 |
| WF427RC | D-21 - | H-10 |
| WF428RQ | H-11 - | L-02 |

1993 WF428RQ INDEX

| | | |
|---------------------------------|--------|------|
| FLOOR PLAN | H-11 - | H-12 |
| ACCESSORIES | | H-13 |
| AUDIO VIDEO | | H-14 |
| BATH | H-15 - | H-16 |
| BEDROOM | H-17 - | H-20 |
| CHASSIS | H-21 - | H-24 |
| CURTAIN & CUSHION | I-01 - | I-12 |
| DINETTE | I-13 - | I-14 |
| DRIVERS COMPARTMENT | I-15 - | I-16 |
| ELECTRICAL | I-17 - | I-20 |
| EXTERIOR BODY | I-21 - | J-02 |
| GALLEY | J-03 - | J-06 |
| GENERATOR | | J-07 |
| HEATING & A/C | J-08 - | J-10 |
| INTERIOR FINISH | J-11 - | J-14 |
| LABELS | J-15 - | J-22 |
| LP | | J-23 |
| LOUNGE | J-24 - | K-02 |
| SEALANTS & FASTENERS | K-03 - | K-05 |
| WATER & SEWAGE | K-06 - | K-10 |
| WINDSHIELD AND EXTERIOR DOOR | K-11 - | L-01 |

CURTAIN & CUSHION GROUP (CONTINUED)

BUCKET SEATS



| KEY | PART NUMBER | U/M DESCRIPTION |
|-----|---------------|--|
| 2 | M03445-70-D04 | EA COVER-BACK, BUCKET SEAT |
| 2 | M03445-70-D05 | EA COVER-BACK, BUCKET SEAT |
| 3 | 080243-49-C17 | EA ARMREST-RIGHT SIDE, BUCKET SEAT (D04) |
| 3 | 080243-49-C08 | EA ARMREST-RIGHT SIDE, BUCKET SEAT (D05) |
| | M80243-49-C17 | EA COVER-ARMREST, RIGHT SIDE (D04) |
| | M80243-49-C08 | EA COVER-ARMREST, RIGHT SIDE (D05) |
| 4 | 080243-50-C17 | EA ARMREST-LEFT SIDE, BUCKET SEAT (D04) |
| 4 | 080243-50-C08 | EA ARMREST-LEFT SIDE, BUCKET SEAT (D05) |
| | M80243-50-C17 | EA COVER-ARMREST, LEFT SIDE (D04) |
| | M80243-50-C08 | EA COVER-ARMREST, LEFT SIDE (D05) |
| 5 | M03445-71-D04 | EA COVER-SEAT, BUCKET SEAT |
| 5 | M03445-71-D05 | EA COVER-SEAT, BUCKET SEAT |
| 6 | 081268-01-000 | EA ROD & CHANNEL-ARMREST- RIGHT - METAL |
| 7 | 081268-02-000 | EA ROD & CHANNEL-ARMREST-LEFT - METAL |
| | 081361-01-000 | EA ROD-ARMREST- METAL - RIGHT OR LEFT HAND |
| 8 | M80905-06-000 | EA FRAME-SEAT & BACK & SPRING |
| J | M80905-07-000 | EA FRAME-SEAT & BACK & SPRING - RECLINING |
| 9 | 097683-03-000 | EA BRACKET-REMOTE- SIDE MOUNT - SINGLE |
| 10 | 089368-04-000 | EA SWITCH & CABLE-SLIDE, SHROCK |
| | 080730-02-000 | EA RECLINER-SEAT BACK, LEFT HAND |
| 11 | 080730-03-700 | EA HANDLE KIT-RECLINER |
| | 080730-04-000 | EA SCREW-RECLINER, HANDLE - KEIPER 300618-07 |
| 12 | 108049-01-000 | EA SWITCH & CABLE-SWIVEL, 28" - FLEXSTEEL PED 23602 |
| | 108049-02-000 | EA CLIP-CABLE, PEDESTAL - FLEXSTEEL 2592-CA |
| 13 | 069585-41-000 | EA PLATE-BASE |
| | | FROM 00-00-00 THRU 02-21-93 |
| | 069585-03-000 | EA PEDESTAL-LOWER W/EXTENSION - 9" X 5" - STEEL MOUNTS BETWEEN UPPER PEDESTAL AND BASEPLATE |
| | | FROM 00-00-00 THRU 02-21-93 |
| 13 | 107921-09-000 | EA PEDESTAL ASM -SEAT FORD - W/BASE PLATE, EXTENSION & TOP PLATE FLEXSTEEL 3067-PDMB |
| | | FROM 02-22-93 THRU 99-99-99 |
| 14 | 069246-05-000 | EA ADJUSTER-SEAT/CHAIR- W/REMOTE - FORWARD & BACK |
| | 069246-05-700 | EA SPRING-ADJUSTER- FOR REMOTE |
| | 069246-05-701 | EA CLIP-CABLE- FOR REMOTE |
| 15 | 093491-04-000 | EA TOP PLATE-PEDESTAL, BUCKET SEAT - W/O SEATBELT BAR |
| | | FROM 00-00-00 THRU 02-21-93 |
| 15 | 107921-08-000 | EA TOP PLATE PEDESTAL, BUCKET SEAT - W/O SEATBELT BAR |
| | | FROM 02-22-93 THRU 99-99-99 |
| | 107921-06-000 | EA BEARING KIT, PEDESTAL |
| | | FROM 02-22-93 THRU 99-99-99 |
| 16 | 069246-02-000 | EA ADJUSTER-SEAT/CHAIR- W/O LOCK - FORWARD & BACK |
| 17 | 089369-08-000 | EA SHIELD-CABLE, REMOTE RECLINER - BUCKET SEAT |
| 18 | 071126-37-D04 | EA SKIRT-BUCKET SEAT, 7" SINGLE (D04) |
| 18 | 071126-37-D05 | EA SKIRT-BUCKET SEAT, 7" SINGLE (D05) |

**1993 WINNEBAGO
TABLE OF CONTENTS**

| | | |
|--------------------|--------|------|
| INTRODUCTION | A-01 - | A-02 |
| ABBREVIATIONS | | A-03 |
| ALPHABETICAL INDEX | A-04 - | A-08 |
| WF427RQ | A-07 - | D-20 |
| WF427RC | D-21 - | H-10 |
| WF428RQ | H-11 - | L-02 |

1993 WF428RQ INDEX

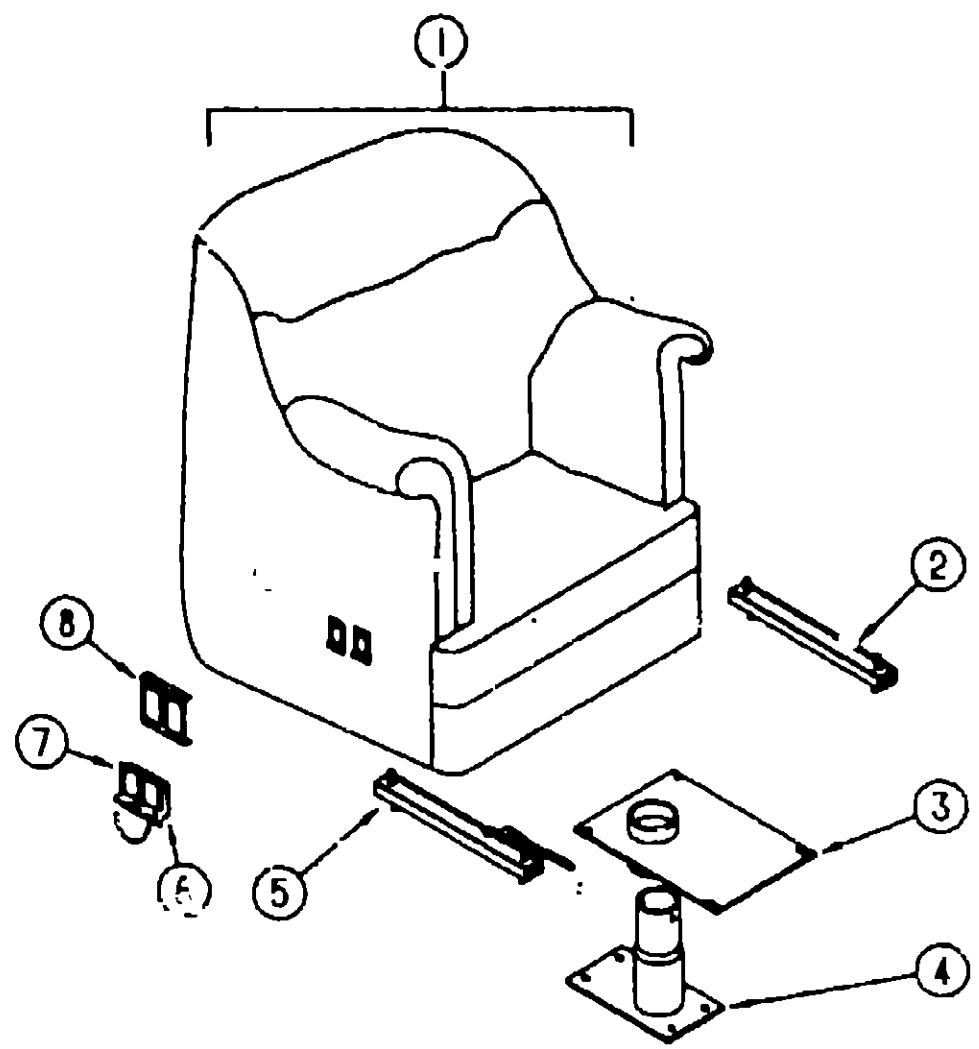
| | | |
|-----------------------------------|--------|------|
| FLOOR PLAN | H-11 - | H-12 |
| ACCESSORIES | | H-13 |
| AUDIO VIDEO | | H-14 |
| BATH | H-15 - | H-16 |
| BEDROOM | H-17 - | H-20 |
| CHASSIS | H-21 - | H-24 |
| CURTAIN & CUSHION | I-01 - | I-12 |
| DINETTE | I-13 - | I-14 |
| DRIVERS COMPARTMENT | I-15 - | I-16 |
| ELECTRICAL | I-17 - | I-20 |
| EXTERIOR BODY | I-21 - | J-02 |
| GALLEY | J-03 - | J-06 |
| GENERATOR | | J-07 |
| HEATING & A/C | J-08 - | J-10 |
| INTERIOR FINISH | J-11 - | J-14 |
| LABELS | J-15 - | J-22 |
| LP | | J-23 |
| LOUNGE | J-24 - | K-02 |
| SEALANTS & FASTENERS | K-03 - | K-05 |
| WATER & SEWAGE | K-06 - | K-10 |
| WINDOW, VENT AND EXTERIOR DOOR | K-11 - | L-01 |

| KEY | PART NUMBER | U/M DESCRIPTION |
|-----|---------------|---|
| 1 | 083909-57-D04 | EA SEAT-BUCKET, DRIVER & PASSENGER - W/O PEDESTALS & SKIRTS |
| 1 | 083909-57-D05 | EA SEAT-BUCKET, DRIVER & PASSENGER - W/O PEDESTALS & SKIRTS |
| 1 | 069109-55-D04 | EA SEAT-BUCKET, W/O PEDESTALS & SKIRTS (RECLINING OPTION) |
| 1 | 073909-46-D05 | EA SEAT-BUCKET, DR/PASS - W/O PEDESTALS & SKIRTS (RECLINING OPTION) |

CURTAIN & CUSHION GROUP (CONTINUED)

SWIVEL CHAIR

**1993 WINNEBAGO
TABLE OF CONTENTS**



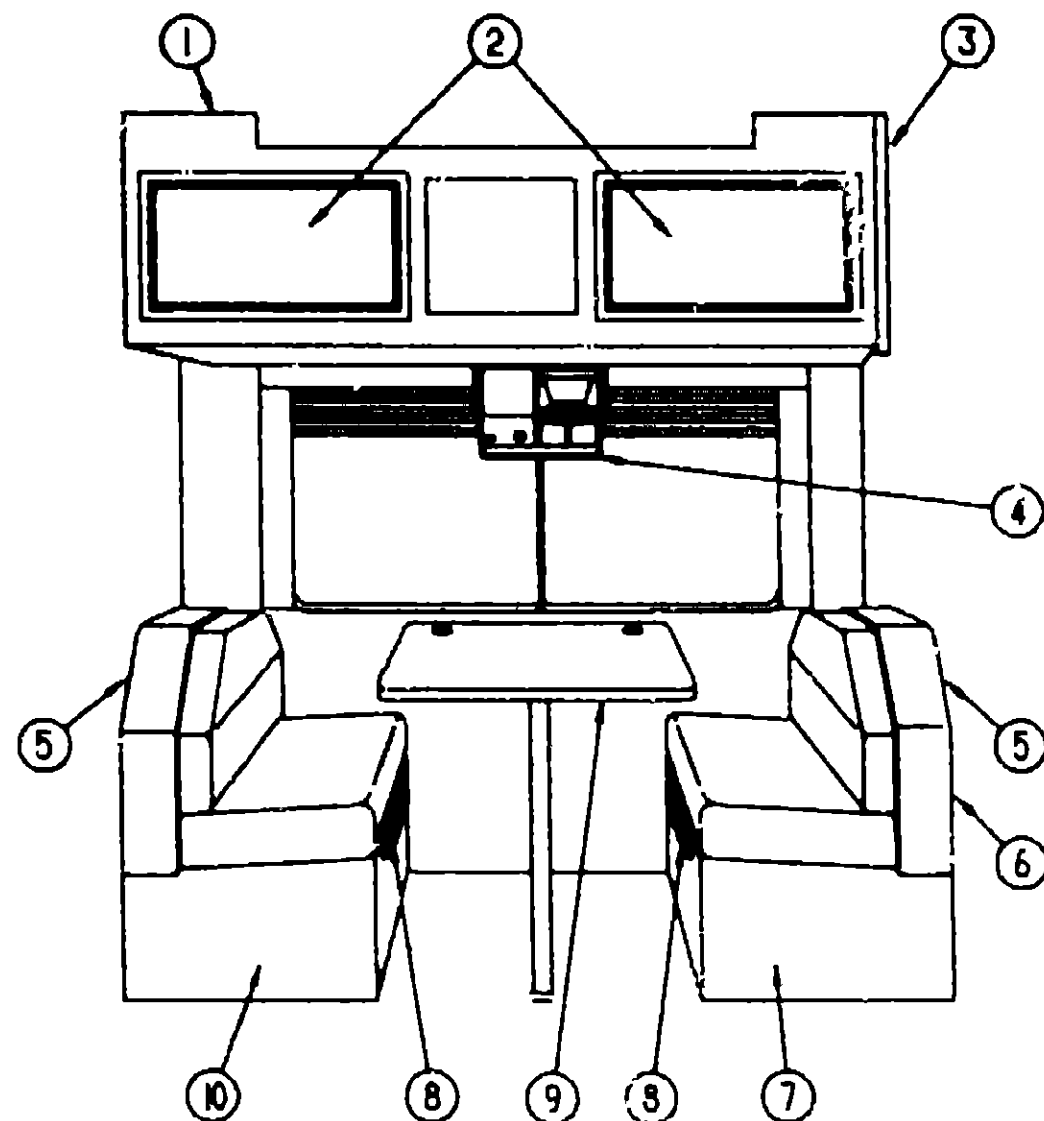
| KEY | PART NUMBER | U/M | DESCRIPTION |
|-----|---------------|-----|--|
| 1 | 107891-04-D04 | EA | CHAIR-SWIVEL, W/O PEDESTAL & SKIRT |
| 1 | 107891-01-D05 | EA | CHAIR-SWIVEL, W/O PEDESTAL & SKIRT |
| | FJ7891-04-D04 | EA | COVER-CHAIR, SWIVEL |
| | P07891-01-D05 | EA | COVER-CHAIR, SWIVEL |
| 2 | 089246-08-000 | EA | ADJUSTER-SWIVEL CHAIR, MANUAL - FORWARD & BACK |
| 3 | 107921-08-000 | EA | TOP PLATE-W/O SEAT BELT BAR - FLEXSTEEL 2759POTP |
| | 107921-06-000 | EA | BEARING KIT, FLEXSTEEL |
| 4 | 107921-01-000 | EA | BASE-PEDESTAL, W/9 75" EXTENSION - FLEXSTEEL 3080 MSPD |
| 5 | 089246-08-000 | EA | ADJUSTER-SWIVEL CHAIR, FORWARD & BACK - REMOTE - SCHROCK |
| | 069246-05-700 | EA | SPRING-REMOTE SLIDE ADJUSTER, 9ST-TS-108-5 |
| | 069246-05-701 | EA | CLIP ONLY-CABLE ASM, SLIDE ADJUSTER |
| | 007221-01-000 | EA | SPACER-SEAT, ADJUSTER - 4 USED PER SWIVEL CHAIR |
| 6 | 108049-01-000 | EA | CABLE-SWIVEL, W/SWITCH, 26" - FLEXSTEEL PED 23602 |
| | 108049-02-000 | EA | CLIP-CABLE, PEDESTAL - FLEXSTEEL 2592-CA |
| 7 | 089368-04-000 | EA | CABLE-SLIDE, W/SWITCH |
| 8 | 097683-02-000 | EA | BRACKET-MOUNT, REMOTE |
| | 107892-02-D04 | EA | SKIRT-CHAIR, SWIVEL |
| | 107892-01-D05 | EA | SKIRT-CHAIR, SWIVEL |

| | | |
|--------------------|--------|------|
| INTRODUCTION | A-01 - | A-02 |
| ABBREVIATIONS | | A-03 |
| ALPHABETICAL INDEX | A-04 - | A-06 |
| WF427RQ | A-07 - | D-20 |
| WF427RC | D-21 - | H-10 |
| WF428RQ | H-11 - | L-02 |

1993 WF428RQ INDEX

| | | |
|--------------------------------|--------|------|
| FLOOR PLAN | H-11 - | H-12 |
| ACCESSORIES | | H-13 |
| AUDIO VIDEO | | H-14 |
| BATH | H-15 - | H-16 |
| BEDROOM | H-17 - | H-20 |
| CHASSIS | H-21 - | H-24 |
| CURTAIN & CUSHION | I-01 - | I-12 |
| DINETTE | I-13 - | I-14 |
| DRIVERS COMPARTMENT | I-15 - | I-16 |
| ELECTRICAL | I-17 - | I-20 |
| EXTERIOR BODY | I-21 - | J-02 |
| GALLEY | J-03 - | J-06 |
| GENERATOR | | J-07 |
| HEATING & A/C | J-08 - | J-10 |
| INTERIOR FINISH | J-11 - | J-14 |
| LABELS | J-15 - | J-22 |
| LP | | J-23 |
| LOUNGE | J-24 - | K-02 |
| SEALANTS & FASTENERS | K-03 - | K-05 |
| WATER & SEWAGE | K-06 - | K-10 |
| WINDOW, VENT AND EXTERIOR DOOR | K-11 - | L-01 |

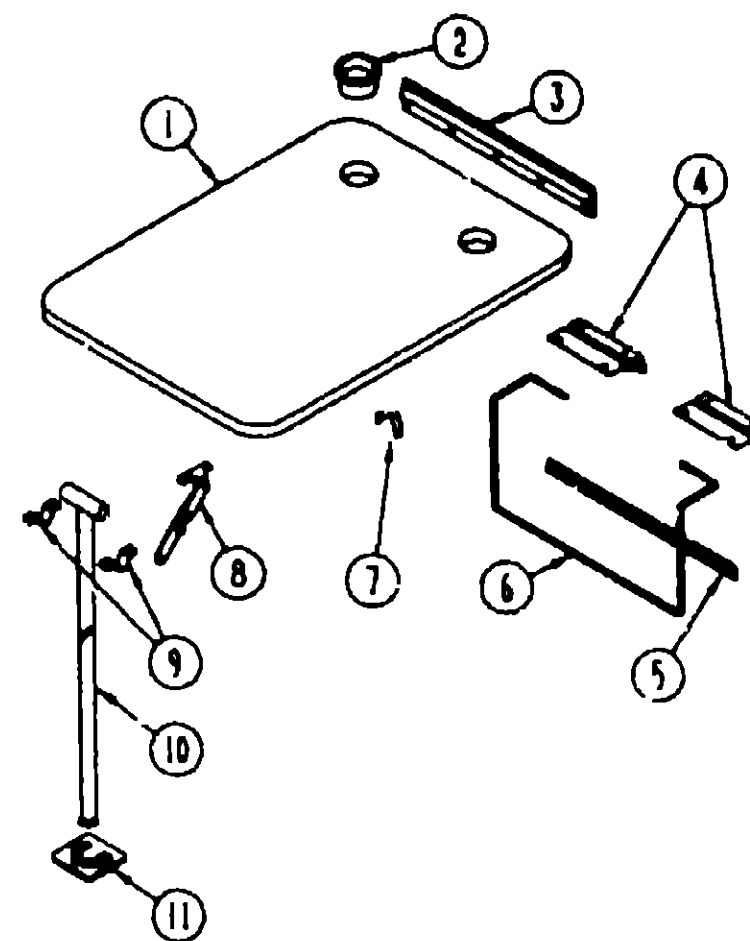
DINETTE GROUP



DINETTE CABINETS, PADS & TABLE

| KEY | PART NUMBER | U/M | DESCRIPTION |
|-----|---------------|-----|---|
| 1 | 109618-02-D04 | EA | CABINET-OVERHEAD W/O DOOR & HARDWARE |
| 1 | 109618-02-D05 | EA | CABINET-OVERHEAD, W/O DOOR & HARDWARE |
| 2 | P05223-70-D04 | EA | DOOR-CABINET, W/O HARDWARE - 290 X 715MM (MIRRORED) |
| 2 | P05223-71-D04 | EA | DOOR-CABINET, W/O HARDWARE - 290 X 715MM (WOOD PANEL) |
| 3 | 104335-06-C03 | EA | END CAP-CABINET, OVERHEAD |
| 4 | 103799-01-02A | EA | COFFEE MAKER, ALMOND |
| | 104610-01-000 | EA | STRAP ASM-COFFEE MAKER |
| 5 | 104787-06-D04 | EA | PAD-BACKREST, DINETTE |
| 5 | 104787-06-D05 | EA | PAD-BACKREST, DINETTE |
| 6 | M04174-44-D06 | EA | CABINET-BACKREST, RIGHT SIDE |
| 7 | M04175-44-D06 | EA | CABINET-SEATBASE, RIGHT SIDE |
| | 081518-01-B03 | EA | TOP-SEATBASE, WOOD |
| 8 | 081295-01-AA8 | EA | SUPPORT-TABLE MOUNTED TO BOTH SEATBASE CABINETS |
| 9 | M02115-09-D32 | EA | TABLE-DINETTE, W/O HARDWARE (D04) |
| 9 | M02115-09-D09 | EA | TABLE-DINETTE, W/O HARDWARE (D05) |
| 10 | M04175-45-D06 | EA | CABINET-SEATBASE, LEFT SIDE |
| | 103596-14-D06 | EA | TOP-SEATBASE WOOD |

DINETTE GROUP (CONTINUED)



DINETTE TABLE & HARDWARE

| KEY | PART NUMBER | U/M | DESCRIPTION |
|-----|---------------|-----|---|
| 1 | M81299-09-D32 | EA | TABLE-DINETTE, W/O HARDWARE (D04) |
| 1 | M81299-09-D09 | EA | TABLE-DINETTE, W/O HARDWARE (D05) |
| 2 | 064781-06-000 | EA | HOLDER-CUP, TWO STEP - OFF WHITE |
| 3 | 053200-12-000 | EA | BRACKET-TABLE SUPPORT, UPPER WALL MOUNTED - 23 5" - OFF WHITE |
| 4 | 088410-02-000 | EA | BRACKET-LIFT, TABLE MOUNTED - OFF WHITE |
| 5 | 024281-14-000 | EA | BRACKET-LIFT ROD, LOWER WALL MOUNTED - 22 12" - OFF WHITE |
| 6 | 024275-12-000 | EA | ROD-TABLE LIFT, OFF WHITE |
| 7 | 024283-01-000 | EA | CLIP-LEG, 1" - 1.125" OD - BLACK |
| 8 | 021282-01-000 | EA | BRACE-TABLE LEG, HINGED |
| 9 | 064050-05-000 | EA | CLAMP-SADDLE, LEG HINGE - OFF WHITE |
| 10 | 024276-23-000 | EA | LEG-TABLE, METAL - OFF WHITE |
| 11 | 049493-12-000 | EA | CATCH-LEG-FLOOR MOUNTED - 2.5" X 2.7" - OFF WHITE |
| 11 | 049493-11-700 | EA | CATCH-LEG-FLOOR MOUNTED - 2.5" X 2.7" - METAL - E-COAT |

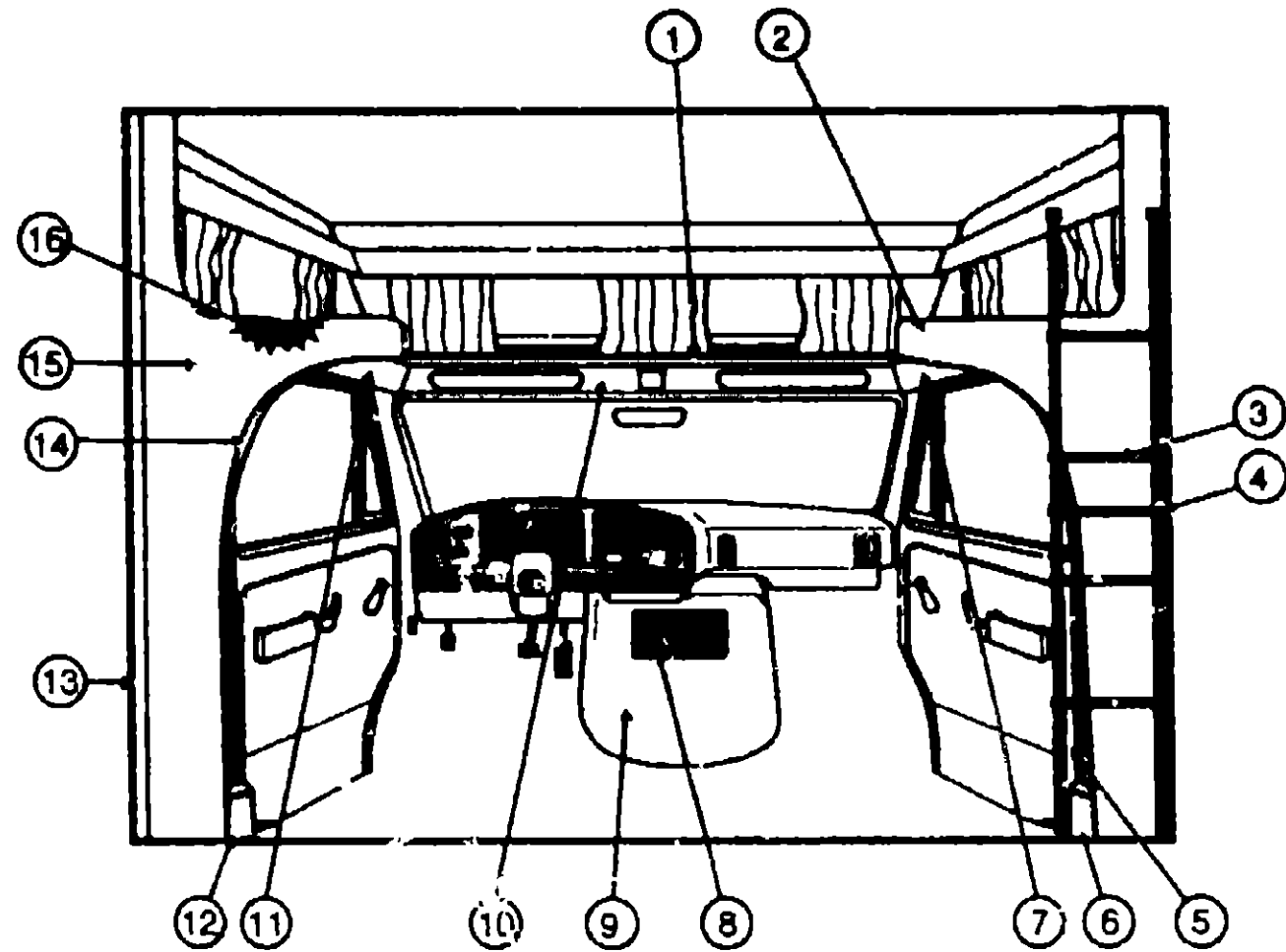
1993 WINNEBAGO TABLE OF CONTENTS

| | |
|--------------------|-------------|
| INTRODUCTION | A-01 - A-02 |
| ABBREVIATIONS | A-03 |
| ALPHABETICAL INDEX | A-04 - A-06 |
| WF427RQ | A-07 - D-20 |
| WF427RC | D-21 - H-10 |
| WF428RQ | H-11 - L-02 |

1993 WF428RQ INDEX

| | |
|-----------------------------------|-------------|
| FLOOR PLAN | H-11 - H-12 |
| ACCESSORIES | H-13 |
| AUDIO VIDEO | H-14 |
| BATH | H-15 - H-16 |
| BEDROOM | H-17 - H-20 |
| CHASSIS | H-21 - H-24 |
| CURTAIN & CUSHION | I-01 - I-12 |
| DINETTE | I-13 - I-14 |
| DRIVERS COMPARTMENT | I-15 - I-16 |
| ELECTRICAL | I-17 - I-20 |
| EXTERIOR BODY | I-21 - J-02 |
| GALLEY | J-03 - J-06 |
| GENERATOR | J-07 |
| HEATING & A/C | J-08 - J-10 |
| INTERIOR FINISH | J-11 - J-14 |
| LABELS | J-15 - J-22 |
| LP | J-23 |
| LOUNGE | J-24 - K-02 |
| SEALANTS & FASTENERS | K-03 - K-05 |
| WATER & SEWAGE | K-06 - K-10 |
| WINDOW, VENT AND EXTERIOR DOOR | K-11 - L-01 |

DRIVERS COMPARTMENT



DRIVERS COMPARTMENT

| KEY | PART NUMBER | U/M DESCRIPTION |
|-----|---------------|--|
| 1 | 079800-07-000 | EA TRIM-SLEEPERBOARD, INNER - OFF WHITE |
| 1 | 080742-03-000 | FT TRIM-VINYL, SLEEPER BOARD - OFF WHITE |
| | 082071-12-C03 | EA TRIM-WINGWALL TO SIDEWALL, W/O BUTTONS - VINYL - OFF WHITE |
| 2 | 109803-01-D31 | EA WINGWALL ASM-INNER, UPPER (D04) |
| 2 | 109803-01-D05 | EA WINGWALL ASM-INNER, UPPER (D05) |
| 2 | 109805-03-D04 | EA WINGWALL ASM-INNER RIGHT LOWER |
| 2 | 109805-03-D05 | EA WINGWALL ASM-INNER RIGHT LOWER |
| | 105445-01-C03 | EA TRIM ASM-WINGWALL WRAP, RIGHT - BETWEEN CAB STEEL & B PILLAR TRIM |
| | 109804-01-D31 | EA CAP-SLEEPER BOARD DRIVER/PASSENGER SIDE - 80 X 596MM (D04) |
| | 109804-01-D05 | EA CAP-SLEEPERBOARD, DRIVER/PASSENGER SIDE - 80 X 596MM (D05) |

DRIVERS COMPARTMENT (CONTINUED)

DRIVERS COMPARTMENT (CONTINUED)

| KEY | PART NUMBER | U/M DESCRIPTION |
|-----|---------------|---|
| 3 | 106025-02-01A | EA LADDER-BUNK, BLACK - 1434 MM |
| | 106025-01-700 | EA BRACKET SET FOR BUNK LADDER |
| 4 | 066858-03-000 | EA STRAP ASM-TIEDOWN, BUNK LADDER |
| 5 | 106446-01-C03 | EA TRIM ASM-CAB, B-PILLAR - RIGHT |
| 6 | 106431-01-01A | EA COVER-SEATBELT RECOIL, RIGHT - OFF WHITE |
| 7 | 106447-01-C03 | EA TRIM ASM-CAB DOOR, UPPER - RIGHT |
| 8 | 106899-01-D04 | EA TRAY-BEVERAGE, OAK |
| 9 | 066885-23-D04 | EA COVER-MOTOR, W/POCKET (D04) |
| 9 | 066885-23-C04 | EA COVER-MOTOR, W/POCKET (D05) |
| 10 | 106448-01-C03 | EA HEADLINER-VINYL COVERED, FRONT - OFF WHITE |
| 11 | 106447-02-C03 | EA TRIM ASM-CAB DOOR, UPPER - LEFT |
| 11 | 106431-02-01A | EA COVER-SEATBELT RECOIL LEFT - OFF WHITE |
| 13 | 082081-20-C03 | EA COVER-WINGWALL, 2002MM LONG - VINYL - OFF WHITE |
| 14 | 106446-02-C03 | EA TRIM ASM-CAB, B-PILLAR - RIGHT |
| 15 | 109803-01-D31 | EA WINGWALL ASM-INNER, UPPER (D04) |
| 15 | 109803-01-D05 | EA WINGWALL ASM-INNER, UPPER (D05) |
| 15 | 109805-03-D04 | EA WINGWALL ASM-INNER, RIGHT |
| 15 | 109805-03-D05 | EA WINGWALL ASM-INNER, RIGHT |
| | 105445-02-C03 | EA TRIM ASM-WINGWALL WRAP, LEFT - BETWEEN CAB STEEL & B PILLAR TRIM |
| 16 | 109894-01-D04 | EA CABINET-HAMPER, FRONT |
| 16 | 109894-01-D05 | EA CABINET-HAMPER, FRONT |

INSTRUMENT CLUSTERS

| KEY | PART NUMBER | U/M DESCRIPTION |
|-----|---------------|---|
| | 094755-03-000 | EA CLUSTER-INSTRUMENT PANEL, KILOMETER - FORD F2UF10849BF FROM 00-00-00 THRU 01-31-93 |
| | 094795-04-000 | EA CLUSTER-INSTRUMENT PANEL, KILOMETER - FORD 93 E350 FROM 02-01-93 THRU 99-99-99 |
| | 094795-01-000 | EA SPEEDOMETER-KILOMETER (FORD) |
| | 081082-01-000 | EA PLAQUE-MOUNTING, BATTERY/FUEL SWITCH - 2.4" X 1.4" - BLK (FORD) |
| | 100138-01-000 | EA MODULE-DAYTIME RUNNING LIGHT |
| | 024451-01-000 | EA SWITCH-BATTERY, BATT/DUAL/MOM |

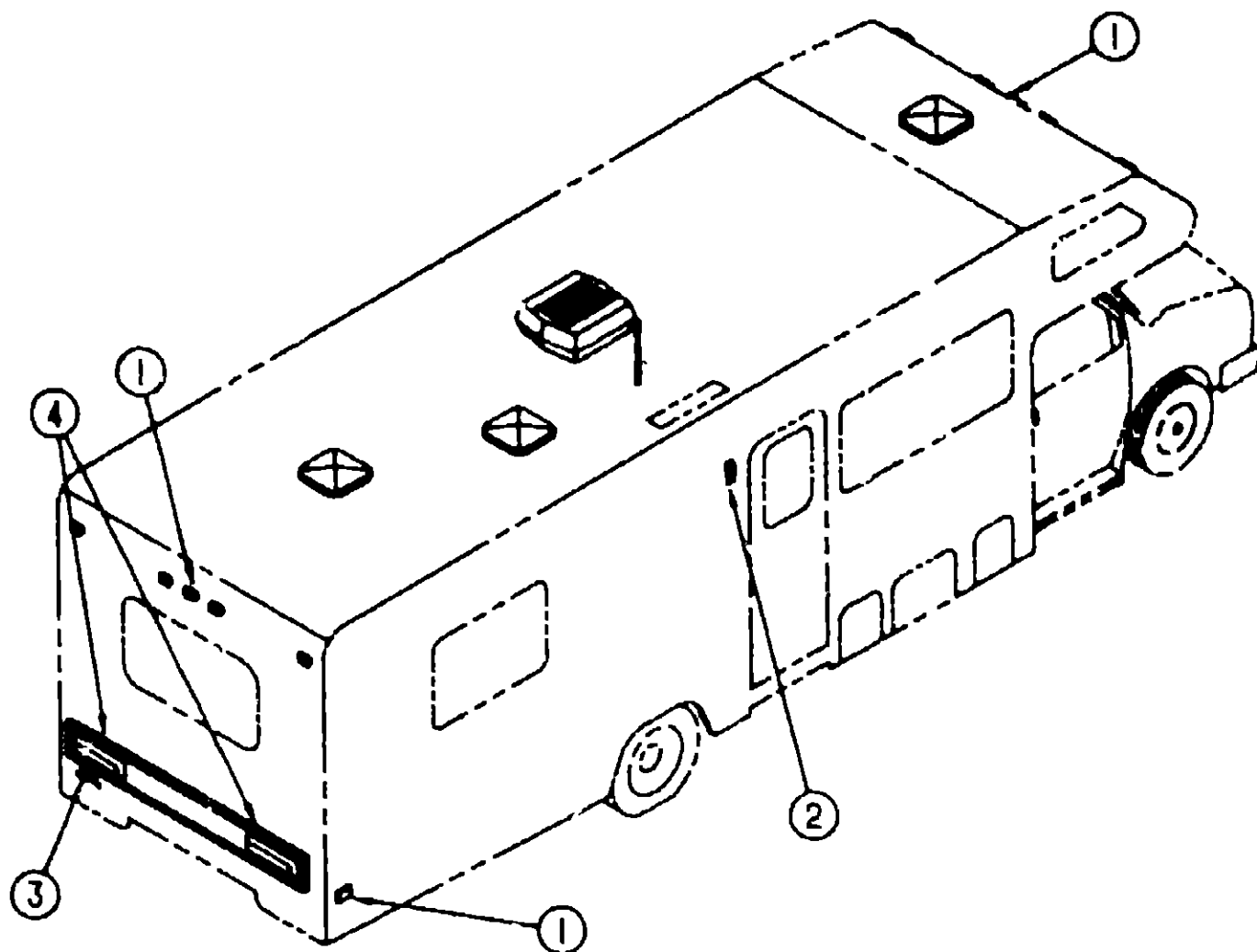
**1993 WINNEBAGO
TABLE OF CONTENTS**

| | |
|--------------------|-------------|
| INTRODUCTION | A-01 - A-02 |
| ABBREVIATIONS | A-03 |
| ALPHABETICAL INDEX | A-04 - A-08 |
| WF427RQ | A-07 - D-20 |
| WF427RC | D-21 - H-10 |
| WF428RQ | H-11 - L-02 |

1993 WF428RQ INDEX

| | |
|-------------------------------|-------------|
| FLOOR PLAN | H-11 - H-12 |
| ACCESSORIES | H-13 |
| AUDIO VIDEO | H-14 |
| BATH | H-15 - H-16 |
| BEDROOM | H-17 - H-20 |
| CHASSIS | H-21 - H-24 |
| CURTAIN & CUSHION | I-01 - I-12 |
| DINETTE | I-13 - I-14 |
| DRIVERS COMPARTMENT | I-15 - I-16 |
| ELECTRICAL | I-17 - I-20 |
| EXTERIOR BODY | I-21 - J-02 |
| GALLEY | J-03 - J-06 |
| GENERATOR | J-07 |
| HEATING & A/C | J-08 - J-10 |
| INTERIOR FINISH | J-11 - J-14 |
| LABELS | J-15 - J-22 |
| LP | J-23 |
| LOUNGE | J-24 - K-02 |
| SEALANTS & FASTENERS | K-03 - K-05 |
| WATER & SEWAGE | K-06 - K-10 |
| WINDOW VENT AND EXTERIOR DOOR | K-11 - L-01 |

ELECTRICAL GROUP



EXTERIOR LIGHTS

| KEY | PART NUMBER | U/M DESCRIPTION |
|-----|---------------|--|
| 1 | 091983-01-000 | EA GASKET-CLEARANCE/SIDEMARKER LIGHT |
| 1 | 042405-02-000 | EA LENS-CLEARANCE/SIDEMARKER LIGHT, W/REFLEX - AMBER |
| 1 | 042405-01-000 | EA LENS-CLEARANCE/SIDEMARKER LIGHT, W/REFLEX - RED |
| 1 | 042405-03-000 | EA BASE-CLEARANCE/SIDEMARKER LIGHT, W/BULB - PLASTIC - WHITE |
| | 008213-01-000 | EA BULB-12 V, NO 57 - 24 AMP |
| 2 | 097917-01-01A | EA LIGHT-PORCH ENTRY DOOR - OFF WHITE |
| 2 | 008215-01-000 | EA BULB-12V-#1003, 94 AMP |
| 2 | 097917-01-700 | EA LENS-LIGHT PORCH |
| 3 | 066432-01-000 | EA LIGHT-LICENSE PLATE W/BRACKET |
| | 066432-03-000 | EA BRACKET-LIGHT, LICENSE PLATE |
| 4 | 081638-01-000 | EA TAILLIGHT-DOUBLE, W/BLACK TRIM - DRIVER & PASS SIDE |
| | 037934-01-000 | EA BULB# 1156 (BACK UP & TURN SIGNAL) |
| | 037935-01-000 | EA BULB# 2057 OR 1157 (BRAKE LIGHT) |
| 4 | 081638-01-700 | EA LENS-TAILLIGHT, RED |
| 4 | 081638-01-701 | EA LENS-TAILLIGHT, W/BACKUP |
| | 103355-01-01A | EA POD-TAILLIGHT, OFF WHITE |

ELECTRICAL GROUP (CONTINUED)

INTERIOR LIGHTS

| KEY | PART NUMBER | U/M DESCRIPTION |
|-----|---------------|--|
| | 008103-01-000 | EA BULB-DASH/AISLE LIGHT, #63 - 12 V - .12 AMP |
| | 098024-01-01A | EA LIGHT-DOME, 1 BULB - US - IVORY |
| | 008218-01-000 | EA BULB-DOME LIGHT, 12V - NUMBER 1141 |
| | 098024-01-700 | EA LENS-DOME LIGHT |
| | 098024-03-01A | EA LIGHT-DOME, 2 BULB - IVORY |
| | 008218-01-000 | EA BULB-DOME LIGHT, 12V - NUMBER 1141 |
| | 098024-01-700 | EA LENS-DOME LIGHT |
| | 086280-01-000 | EA LIGHT-SURFACE MOUNT, 12V - JENSEN 1293 |
| | 086280-01-700 | EA BULB-12 VOLT, 6 WATT - SURFACE MOUNT LIGHT |
| | 104172-01-01A | EA LIGHT-BULLET, BEIGE - #787 SERIES |
| | 104173-01-01A | EA LIGHT-DESIGNER, BRASS - #81 005 |

SWITCHES & RECEPTACLES

| KEY | PART NUMBER | U/M DESCRIPTION |
|-----|---------------|---|
| | 079364-01-000 | EA SWITCH-ON/OFF ROCKER, 2 PRONGS - BROWN |
| | 108356-02-01A | EA ACTUATOR-SWITCH, DIMPLE II-CARLING VVAZ000 BLA |
| | 108357-08-000 | EA SWITCH-ROCKER, DPDT - ON/OFF/ON - CARLING VDD1500C-0 |
| | 098351-01-01A | EA PLATE-SWITCH, 1 GANG - POLISHED BRASS |
| | 098351-02-01A | EA PLATE-SWITCH, 2 GANG - POLISHED BRASS |
| | 098351-05-01A | EA PLATE-SWITCH, 3 GANG - POLISH BRASS - JENSEN |
| | 081994-02-000 | EA PLATE-SWITCH, EXTERIOR SHOWER |
| | 075723-01-000 | EA SPACER-SWITCH, W/O HOLE - .2" X .9" X 2" - METAL - OFF WHITE |
| | 054250-04-000 | EA COVER ANGLED, W/O HOLE - 3 1/2" X 4 5/8" - PLASTIC - OFF WHITE |
| | 073626-04-000 | EA COVER-ELECTRIC, 10 4" X 7 8" - PLASTIC - BEIGE |
| | 084076-01-000 | EA RECEPTACLE-GFI, 15A - 125V - IVORY |
| | 084077-01-000 | EA PLATE-COVER, RECEPTACLE - GFI - IVORY |
| | 058707-01-000 | EA RECEPTACLE-ELECTRIC, SINGLE - BROWN |
| | 058708-01-000 | EA RECEPTACLE-ELECTRIC, DOUBLE - BROWN |
| | 058708-02-000 | EA RECEPTACLE-ELECTRIC, DOUBLE - IVORY |
| | 102568-01-B10 | EA SPACER-RECEPTACLE, BETWEEN SIDEWALL & PLATE - WOOD |
| | 097734-01-01A | EA EXTENSION RECEPTACLE, 3 2" X 5" X 7" - PLASTIC - IVORY |
| | 024824-02-000 | EA RECEPTACLE-POWER CORD, W/PARTIAL PLATE |
| | 075736-02-000 | EA COVER-EXTERIOR RECEPTACLE, OFF WHITE |

CONVERTERS & LOAD CENTER

| KEY | PART NUMBER | U/M DESCRIPTION |
|-----|---------------|---|
| | 083208-01-000 | EA CONVERTER-POWER, 52A - 120V/12V - BW5332 |
| | 092615-01-000 | EA CONVERTER-40 AMP, W/CHARGER - B-W 32400P |
| | 094809-01-000 | EA CENTER-LOAD 240V - 125A - TPL412C7 |

1993 WINNEBAGO TABLE OF CONTENTS

| | | |
|--------------------|--------|------|
| INTRODUCTION | A-01 - | A-02 |
| ABBREVIATIONS | | A-03 |
| ALPHABETICAL INDEX | A-04 - | A-09 |
| WF427RQ | A-07 - | D-20 |
| WF427RC | D-21 - | H-10 |
| WF428RQ | H-11 - | L-02 |

1993 WF428RQ INDEX

| | | |
|-----------------------------------|--------|------|
| FLOOR PLAN | H-11 - | H-12 |
| ACCESSORIES | | H-13 |
| AUDIO VIDEO | | H-14 |
| BATH | H-15 - | H-16 |
| BEDROOM | H-17 - | H-20 |
| CHASSIS | H-21 - | H-24 |
| CURTAIN & CUSHION | I-01 - | I-12 |
| DINETTE | I-13 - | I-14 |
| DRIVERS COMPARTMENT | I-15 - | I-16 |
| ELECTRICAL | I-17 - | I-20 |
| EXTERIOR BODY | I-21 - | J-02 |
| GALLEY | J-03 - | J-06 |
| GENERATOR | | J-07 |
| HEATING & A/C | J-08 - | J-10 |
| INTERIOR FINISH | J-11 - | J-14 |
| LABELS | J-15 - | J-22 |
| LP | | J-23 |
| LOUNGE | J-24 - | K-02 |
| SEALANTS & FASTENERS | K-03 - | K-05 |
| WATER & SEWAGE | K-06 - | K-10 |
| WINDOW, VENT AND EXTERIOR DOOR | K-11 - | L-01 |

ELECTRICAL GROUP (CONTINUED)

SOLENOID, FUSES & CIRCUIT BREAKERS

| KEY | PART NUMBER | U/M | DESCRIPTION |
|-----|---------------|-----|--|
| | 008188-01-000 | EA | SOLENOID-3 POST, BATTERY CHANGE O/VTR |
| | 063910-01-000 | EA | HOUSING-RELAY, BOSCH 3 334 485 008 |
| | 008235-01-000 | EA | FUSE-AUTOMOTIVE, 12V - 15AMP |
| | 062901-02-000 | EA | FUSE-5 AMP, AUTOMOTIVE |
| | 062901-05-000 | EA | FUSE-15 AMPS, AUTOMOTIVE |
| | 100341-01-000 | EA | FUSE HOLDER-IN LINE TYPE - WESCO 0031-92020 |
| | 003854-01-000 | EA | BREAKER-CIRCUIT, 8 AMP - 12V - USD 17406 4E12A2A |
| | 003855-01-000 | EA | BREAKER-CIRCUIT, 25 AMP - 12V - USD 174250-4E03A2A |
| | 003855-02-000 | EA | BREAKER-CIRCUIT, 30 AMP - 12V - USD 17430-4E03A2A |
| | 063209-01-070 | EA | BREAKER-CIRCUIT, 15 AMP, 120V - BW G-15 - CANADIAN |
| | 063209-03-010 | EA | BREAKER-CIRCUIT, 15/20AMP, 120V - BW D-15/20 |
| | 063209-04-070 | EA | BREAKER-CIRCUIT, 30A - 120V - BW I-30 |
| | 063209-05-070 | EA | BREAKER-CIRCUIT, 30/15 AMP - 120V - BW D-30/15 |
| | 063209-08-000 | EA | BREAKER-CIRCUIT, BLANK - BW |
| | 094810-01-000 | EA | BREAKER-CIRCUIT, DOUBLE 30 AMP - GE THQL2130 |
| | 094811-01-000 | EA | BREAKER-CIRCUIT, DOUBLE 20 AMP - GE THQL2120 |

POWER CORDS & ELECTRIC BOXES

| KEY | PART NUMBER | U/M | DESCRIPTION |
|-----|---------------|-----|--|
| | 008052-01-000 | EA | CORD-POWER, 10/3 - 30 AMP - 25' - CANADIAN |
| | 008054-01-000 | EA | CORD-POWER, 10/3 - 30 AMP - 25' |
| | 008288-01-000 | EA | BOX-PLASTIC ELECTRIC, 3' X 3 1/2' |
| | 008288-02-000 | EA | BOX-PLASTIC ELECTRIC, 3 9/4" X 3 13/4" X 1 8/16" |
| | 008289-01-000 | EA | BOX-ELECTRIC, STEEL - 1/2" AND 3/4" KNOCKOUTS - 4' X 4' |
| | 008289-02-000 | EA | BOX-ELECTRICAL, 4' X 4' - 1/2" & 3/4" KNOCKOUTS - CANADIAN |
| | 091910-01-000 | EA | BOX-ELECTRIC, 3 7/8" X 3 5/8" X 1 7/8" - PLASTIC |
| | 093603-01-000 | EA | BOX-ELECTRIC, 4" X 2 1/8" X 2 1/8" - STEEL |
| | 107165-01-01A | EA | BOX-CIRCUIT BREAKER MOUNTING - BLACK |
| | 058049-01-000 | EA | BOX-ELECTRIC SWITCH, 2" X 3" X 2 25" |
| | 008294-02-000 | EA | COVER-ELECTRICAL BOX, BLANK STEEL - 4' X 4' - CANADIAN |
| | 069238-01-000 | EA | COVER-ELECTRICAL BOX, W/HOLE - 4' X 4' - GRAY USED WITH 30 AMP RECEPTACLE |

WIRE ASSEMBLIES

| KEY | PART NUMBER | U/M | DESCRIPTION |
|-----|---------------|-----|--|
| | 097616-01-000 | EA | WIRE ASM-MONITOR PANEL, W/4 WIRES & BLACK RESISTOR - LVS |
| | 106851-01-000 | EA | WIRE ASM-DAYTIME RUNNING LIGHTS, W/FUSE |
| | 103328-06-000 | EA | WIRE ASM PUMP, EXTERIOR SHOWER |
| | 105306-01-000 | EA | WIRE ASM-MONITOR PANEL ADAPT |
| | 096449-02-000 | EA | WIRE ASM-WATER TANK TO MONITOR PANEL |

ELECTRICAL GROUP (CONTINUED)

CONNECTORS & CONDUIT

| KEY | PART NUMBER | U/M | DESCRIPTION |
|-----|---------------|-----|--|
| | 007940-01-000 | EA | RECEPTACLE-SLIDE, 16 TO 12 AWG - FEMALE END |
| | 060015-02-000 | EA | RECEPTACLE-FLAG, 185 - 16/14 GA - ALP 3 |
| | 060015-03-000 | EA | RECEPTACLE-FLAG, 250 - 14/16 GA |
| | 008311-01-000 | EA | CONNECTOR-WIRE NUT, INSULATED - RED |
| | 008314-01-000 | EA | CONNECTOR-WIRE NUT, INSULATED - GRAY |
| | 068420-01-000 | EA | CONNECTOR-SWIVEL, 1/2" FPT X 5/8" TUBE - PLASTIC |
| | 008355-01-000 | EA | CONNECTOR-CABLE CLAMPING, 3/4" |
| | 008356-01-000 | EA | CONNECTOR-PLASTIC, 3/8" AVG |
| | 041480-01-000 | EA | CONNECTOR-STRAIGHT, 1/2" FLEX CONDUIT |
| | 058028-01-000 | EA | CONNECTOR-ELECTRICAL PIGTAIL, NYLON - CLEAR |
| | 008326-01-000 | EA | TERMINAL-RING, 16/14 WIRE - 3/8" STUD |
| | 008328-01-000 | EA | TERMINAL-RING, 12/10 WIRE - #10 STUD FIT |
| | 008321-01-000 | EA | TERMINAL-RING, TONGUE - #4 WIRE - 3/8" STUD - COPPER |
| | 008348-01-000 | EA | TERMINAL-RING, 3/8" STUD - #2 WIRE CONNECTS CABLE TO DISCONNECT RELAY AND BATTERY |
| | 035416-03-000 | EA | TERMINAL-RING #10 STUD FIT |
| | 035416-04-000 | EA | TERMINAL-RING #10 STUD FIT, INSULATED BARREL #16/14 |
| | 047443-01-000 | EA | TERMINAL-250 RECEPT. FIT, INSULATED - 16/14 AWG |
| | 047443-02-000 | EA | TERMINAL-250 RECEPT. FIT, INSULATED - 12/10 AWG |
| | 087949-01-000 | EA | BUSS BAR-2 POSITION, 6" X 1 5/8" - ALUMINUM |
| | 088475-01-000 | EA | PIN-CONNECTOR, 14 TO 20 AWG |
| | 088475-02-000 | EA | PIN-CONNECTOR 10 TO 12 AVG |
| | 088473-05-000 | EA | PIN-HOUSING, 6 POSITION (SINGLE ROW) |
| | 088473-06-000 | EA | PIN-HOUSING, 6 POSITION (TWO ROWS OF THREE) |
| | 088473-09-000 | EA | PIN-HOUSING, 3 POSITION (SINGLE ROW) |
| | 088473-10-000 | EA | PIN-HOUSING, 2 POSITION |
| | 088473-03-000 | EA | HOUSING-PIN, 9-POSITION |
| | 088473-07-000 | EA | HOUSING-PIN, 5 CAVITY - AMP 1-480763-0 |
| | 088473-08-000 | EA | HOUSING-PIN, 4 POSITION |
| | 088474-02-000 | EA | HOUSING-SOCKET, 15 POSITION (3 ROWS OF 5) |
| | 088474-03-000 | EA | HOUSING-SOCKET, 9-POSITION |
| | 088474-07-000 | EA | HOUSING-SOCKET 5 CAVITY - AMP 1-480764-0 |
| | 088474-09-000 | EA | HOUSING-SOCKET, 3 POSITION |
| | 088474-10-000 | EA | HOUSING-SOCKET, 2 POSITION |
| | 088474-08-000 | EA | SOCKET-HOUSING, 4 POSITION (SINGLE ROW) |
| | 088476-01-000 | EA | SOCKET-CONNECTOR BRASS - PRE-TIN |
| | 088476-02-000 | EA | SOCKET-CONNECTOR, 12-10 GA - PHOS BRZ - PRE-TIN |
| | 041953-01-000 | FT | CONDUIT-CONVOLUTE SLIT, 5" ID |
| | 041953-03-000 | FT | CONDUIT-CONVOLUTE SLIT, 1" ID (CLOTHES ROD COVER) |
| | 041953-06-000 | FT | CONDUIT-CONVOLUTE, SLIT 3/75" ID |
| | 041953-07-000 | FT | CONDUIT-CONVOLUTE, SLIT - 25" ID |
| | 041953-08-000 | FT | CONDUIT-CONVOLUTE, SLIT 1 50" ID |
| | 041953-09-000 | FT | CONDUIT-CONVOLUTE SLIT 50" ID |
| | 041953-10-000 | FT | CONDUIT-CONVOLUTE, SLIT - 75" ID |
| | 041953-11-000 | FT | CONDUIT-CONVOLUTE SLIT- 1 06" ID |
| | 041953-12-000 | FT | CONDUIT-CONVOLUTE, NON SLIT 1 1" ID |

1993 WINNEBAGO TABLE OF CONTENTS

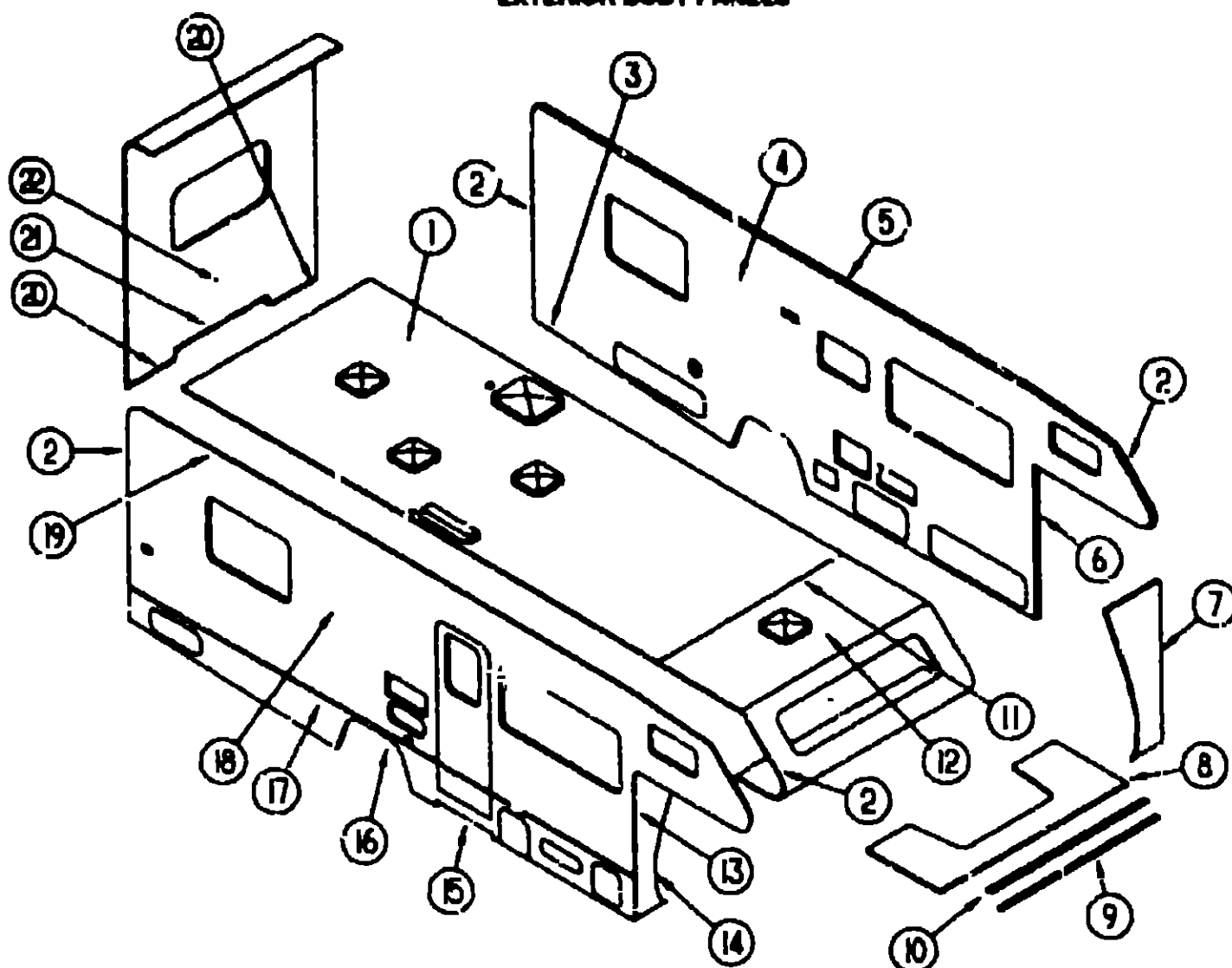
| | | |
|--------------------|--------|------|
| INTRODUCTION | A-01 - | A-02 |
| ABBREVIATIONS | | A-03 |
| ALPHABETICAL INDEX | A-04 - | A-06 |
| WF427RQ | A-07 - | D-20 |
| WF427RC | D-21 - | H-10 |
| WF428RQ | H-11 - | L-02 |

1993 WF428RQ INDEX

| | | |
|-----------------------------------|--------|------|
| FLOOR PLAN | H-11 - | H-12 |
| ACCESSORIES | | H-13 |
| AUDIO VIDEO | | H-14 |
| BATH | H-15 - | H-16 |
| BEDROOM | H-17 - | H-20 |
| CHASSIS | H-21 - | H-24 |
| CURTAIN & CUSHION | I-01 - | I-12 |
| DINETTE | I-13 - | I-14 |
| DRIVERS COMPARTMENT | I-15 - | I-16 |
| ELECTRICAL | I-17 - | I-20 |
| EXTERIOR BODY | I-21 - | J-02 |
| GALLEY | J-03 - | J-06 |
| GENERATOR | | J-07 |
| HEATING & A/C | J-09 - | J-10 |
| INTERIOR FINISH | J-11 - | J-14 |
| LABELS | J-15 - | J-22 |
| LP | | J-23 |
| LOUNGE | J-24 - | K-02 |
| SEALANTS & FASTENERS | K-03 - | K-05 |
| WATER & SEWAGE | K-06 - | K-10 |
| WINDOW, VENT AND EXTERIOR DOOR | K-11 - | L-01 |

EXTERIOR BODY GROUP

EXTERIOR BODY PANELS



1993 W/P EBAGO TABLE OF CONTENT'S

| | |
|--------------------|-------------|
| INTRODUCTION | A-01 - A-02 |
| ABBREVIATIONS | A-03 |
| ALPHABETICAL INDEX | A-04 - A-06 |
| W/ 427RQ | A-07 - D-20 |
| WF427RC | D-21 - H-10 |
| WF428RQ | H-11 - L-02 |

1993 WF428RQ INDEX

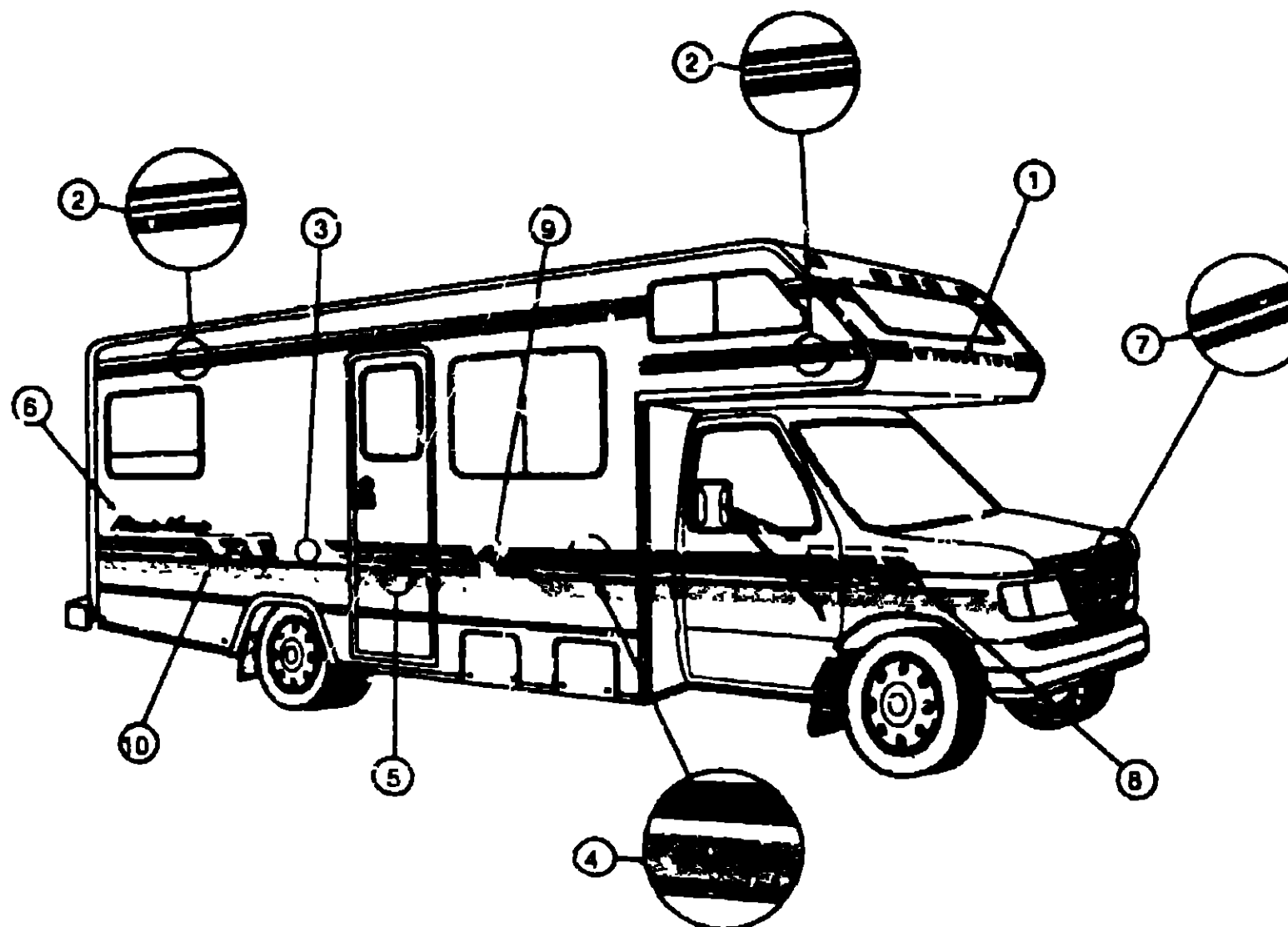
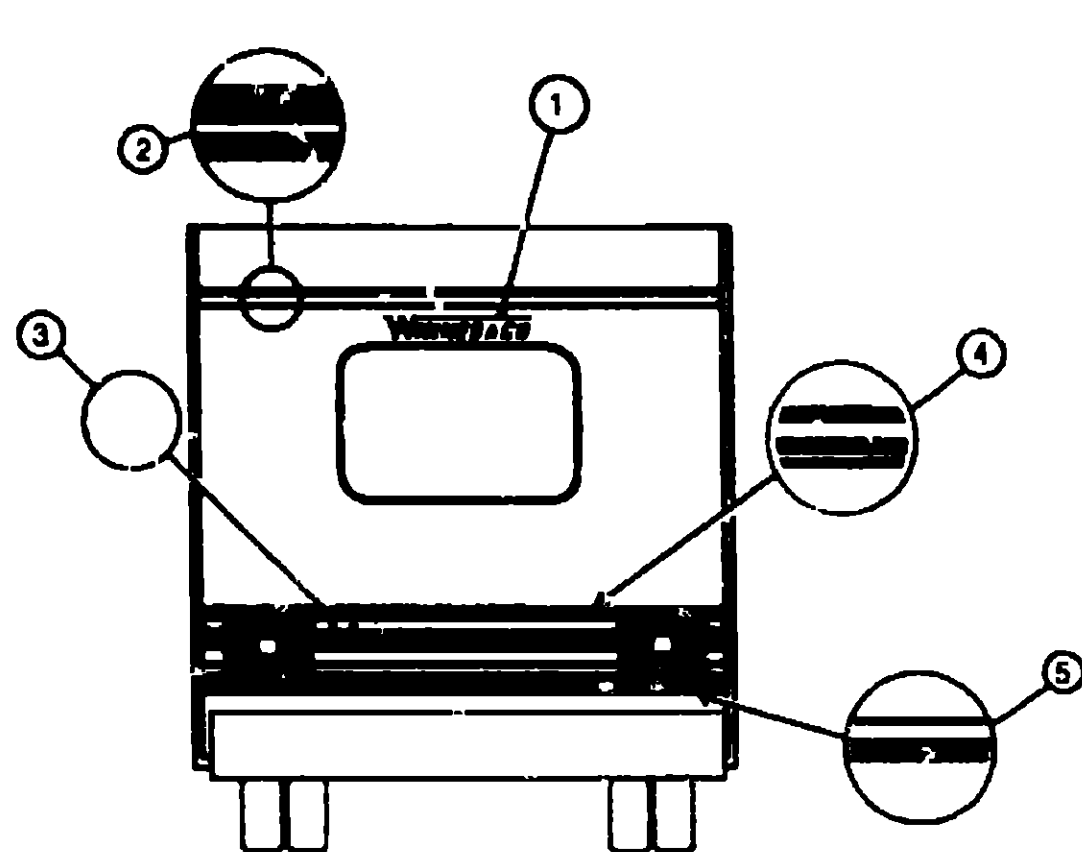
| | |
|--------------------------------|-------------|
| FLOOR PLAN | H-11 - H-12 |
| ACCESSORIES | H-13 |
| AUDIO VIDEO | H-14 |
| BATH | H-15 - H-16 |
| BEDROOM | H-17 - H-20 |
| CHASSIS | H-21 - H-24 |
| CURTAIN & CUSHION | I-01 - I-12 |
| DINETTE | I-13 - I-14 |
| DRIVERS COMPARTMENT | I-15 - I-16 |
| ELECTRICAL | I-17 - I-20 |
| EXTERIOR BODY | I-21 - J-02 |
| GALLEY | J-03 - J-06 |
| GENERATOR | J-07 |
| HEATING & A/C | J-08 - J-10 |
| INTERIOR FINISH | J-11 - J-14 |
| LABELS | J-15 - J-22 |
| LP | J-23 |
| LOUNGE | J-24 - K-02 |
| SEALANTS & FASTENERS | K-03 - K-05 |
| WATER & SEWAGE | K-06 - K-10 |
| WINDOW, VENT AND EXTERIOR DOOR | K-11 - L-01 |

| KEY | PART NUMBER | U/M DESCRIPTION |
|-----|---------------|---|
| 1 | P09295-02-D04 | EA ROOF ASM W/BASES |
| 2 | 096854-01-01A | EA TRIM-CONTOUR- W/O VINYL INSERT - 138" - OFF WHITE |
| 2 | 105312-01-01A | FT INSERT-TRIM VINYL - OFF WHITE |
| 3 | 096872-55-001 | EA U-CHANNEL, EXTRUDED - 4877MM LONG - OFF WHITE |
| 3 | 0980 2-55-002 | EA U-CHANNEL, EXTRUDED - 2900MM LONG - OFF WHITE |
| 4 | M05886-01-D04 | EA SIDEWALL-DRIVER SIDE, W/O WINDOW & DOORS (QUEEN BED) |
| 4 | M05886-02-D04 | EA SIDEWALL-DRIVER SIDE, W/O WINDOW & DOORS (TWIN BED) |
| 4 | M05886-01-D05 | EA SIDEWALL DRIVER SIDE, W/O WINDOW & DOORS (QUEEN BED) |
| 4 | M05886-02-D05 | EA SIDEWALL-DRIVER SIDE, W/O WINDOW & DOORS (TWIN BED) |
| 5 | 096864-01-01A | EA TRIM-CONTOUR ROOF TO SIDEWALL - DRIVER PASS - 120" |
| | 064675-54-003 | EA STEEL-ANGLE, ROOF JOINT - 1220MM LONG - OFF WHITE |
| | 064675-5 004 | EA STEEL-ANGLE, ROOF JOINT - 545MM LONG - OFF WHITE |
| 6 | 104479-06-01A | EA TRIM-CONTOUR FRONT - DRIVER - OFF WHITE |
| 7 | 109659-04-D04 | EA WINGWALL-DRIVER SIDE |
| | 089334-01-000 | FT VINYL-EXTERIOR, BETWEEN WINGWALL & CAB SEAL - WHITE |
| 8 | F09858-01-D29 | EA SLEEPERBOARD ASM |
| 9 | 100086-02-01A | EA TRIM-SLEEPERBOARD, 2' X 90 7" - OFF WHITE |
| 10 | 100085-03-01A | EA TRIM-SLEEPERBOARD FLAT - 2 5' X 87 5" - OFF WHITE |
| 11 | 078580-01-000 | EA TRIM-ROOF TO FRONT CAP |
| 12 | M76177-01-700 | EA CAP-FRONT, OVERHEAD CAB TO FIRST SEAM OF ROOF |
| 13 | 104479-06-01A | EA TRIM-CONTOUR, FRONT - DRIVER - OFF WHITE |
| 14 | 1C9659-03-D04 | EA WINGWALL-PASSENGER SIDE |
| | 089334-01-000 | FT VINYL-EXTERIOR- BETWEEN WINGWALL & CAB SEAL - WHITE |

| KEY | PART NUMBER | U/M DESCRIPTION |
|-----|---------------|--|
| 15 | 105025-08-D04 | EA TRIM-SIDEWALL, BELOW ENTRY DOOR |
| 16 | 105100-02-01A | EA TRIM-WHEELWELL, DRIVER & PASSENGER SIDE - OFF WHITE |
| 17 | 108651-01-01A | EA END CAP-FEATURE STRIP |
| 17 | 105312-01-01A | EA INSERT-FEATURE STRIP, 17" LONG - VINYL - OFF WHITE |
| 17 | 108688-01-01A | EA STRIP-FEATURE, W/O INSERT - 15" LONG - OFF WHITE |
| 18 | M05885-01-D04 | EA SIDEWALL-PASSENGER SIDE, W/O WINDOWS & DOORS (QUEEN BED) |
| 18 | M05885-02-D04 | EA SIDEWALL-PASSENGER SIDE, W/O WINDOWS & DOORS (TWIN BED) |
| 18 | M05885-01-D05 | EA SIDEWALL-PASSENGER SIDE, W/O WINDOWS & DOORS (QUEEN BED) |
| 18 | M05885-02-D05 | EA SIDEWALL-PASSENGER SIDE, W/O WINDOWS & DOORS (TWIN BED) |
| 19 | 100483-02-01A | EA TRIM-CONTOUR, ROOF TO SIDEWALL (WING) - OFF WHITE |
| | 099583-55-001 | EA RAIL-AWNING, 10' EA - OFF WHITE |
| 20 | 103334-02-01A | EA TRIM-BACKWALL, LOWER - OFF WHITE |
| 21 | 103335-02-01A | EA TRIM-BACKWALL, LOWER - OFF WHITE |
| 22 | P09296-01-D04 | EA BACKWALL ASM |
| 22 | P09296-01-L05 | EA BACKWALL ASM |
| 22 | P09296-02-D04 | EA BACKWALL ASM (REAR WARDROBE) |
| 22 | P09296-03-D05 | EA BACKWALL ASM (REAR WARDROBE) |
| | 002365-01-001 | EA U-CHANNEL- 1" X 18" - SERRATED - MILL FINISHED ALUMINUM |
| | 002726-01-001 | EA U-CHANNEL, GARNISH - 1 38" X 19" - SERRATED - MILL ALUMINUM |
| | 002754-01-001 | EA ANGLE-EXTRUDED, 75" X 75" X 18" - MILL ALUMINUM |

EXTERIOR BODY GROUP (CONTINUED)

DECALS, STRIPES & PAINT



**1993 WINNEBAGO
TABLE OF CONTENTS**

| | |
|--------------------|-------------|
| INTRODUCTION | A-01 - A-02 |
| ABBREVIATIONS | A-03 |
| ALPHABETICAL INDEX | A-04 - A-08 |
| WF427H | A-07 - D-20 |
| WF427RC | D-21 - H-10 |
| WF428RQ | H-11 - L-02 |

1993 WF428RQ INDEX

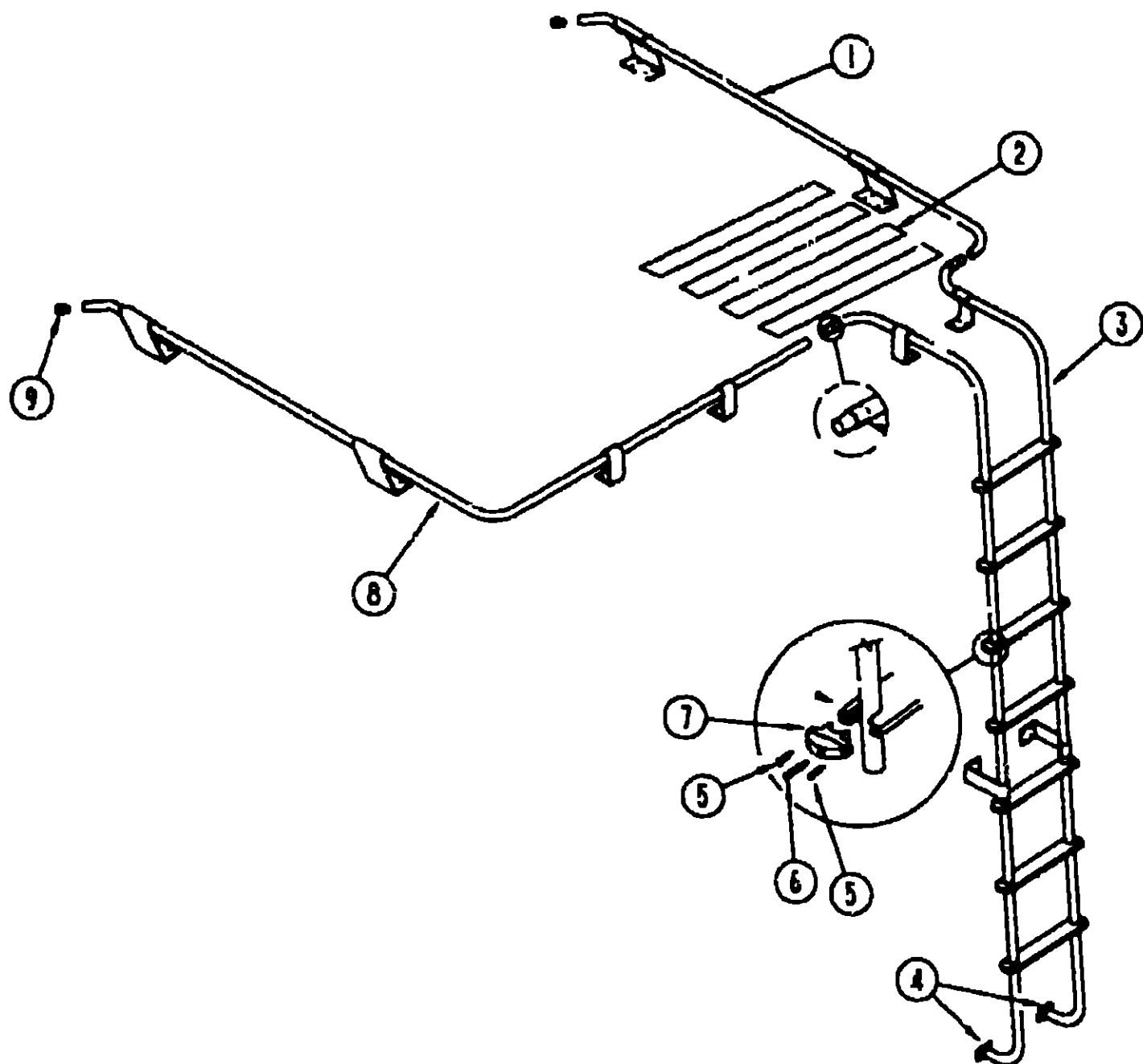
| | |
|------------------------------------|-------------|
| FLOOR PLAN | H-11 - H-12 |
| ACCESSORIES | H-13 |
| AUDIO VIDEO | H-14 |
| BATH | H-15 - H-16 |
| BEDROOM | H-17 - H-20 |
| CHASSIS | H-21 - H-24 |
| CURTAIN & CUSHION | I-01 - I-12 |
| DINETTE | I-13 - I-14 |
| DRIVERS COMPARTMENT | I-15 - I-16 |
| ELECTRICAL | I-17 - I-20 |
| EXTERIOR BODY | I-21 - J-02 |
| GALLEY | J-03 - J-06 |
| GENERATOR | J-07 |
| HEATING & A/C | J-08 - J-10 |
| INTERIOR FINISH | J-11 - J-14 |
| LABELS | J-15 - J-22 |
| LP | J-23 |
| LOUISGE | J-24 - K-02 |
| SEALANTS & FASTENERS | K-03 - K-05 |
| WATER & SEWAGE | K-06 - K-10 |
| WINDOW, VENT AND EXTERIOR DECOR | K-11 - L-01 |

| KEY | PART NUMBER | QTY | DESCRIPTION |
|-----|---------------|-----|---|
| 1 | 050313-54-000 | EA | DECAL-LOGO, WINNEBAGO - 2.80' TALL - COOL BLUE |
| 2 | 094443-14-01A | FT | MULTISTRIPE, 95.3MM WIDE - 3 LINES - SLATEGRAY/CARRIBEAN TEAL/COOL BLUE |
| 3 | 105781-20-01A | FT | MULTISTRIPE, 35.0MM WIDE - 1 LINE ORCHID/ORCHID |
| 4 | 094443-15-01A | FT | MULTISTRIPE, 146.1MM WIDE - 3 LINES - COOL BLUE/CARRIBEAN TEAL |
| 5 | 105781-10-01A | FT | MULTISTRIPE, 152.4MM WIDE - 2 LINES - CARRIBEAN TEAL/SLATE GRAY |
| 6 | 105480-01-02A | EA | DECAL-LOGO, MINNIE WINNIE - OFF WHITE/CARRIBEAN BLUE/ORCHID |
| 7 | 105781-07-02A | FT | MULTISTRIPE, 50.8MM WIDE - 2 LINES - COOL BLUE/SLATE GRAY |
| 8 | 107545-01-01A | EA | DECAL-ANGLES, FRONT - RIGHT - COOL BLUE/CARRIBEAN TEAL |
| | 107545-02-01A | EA | DECAL-ANGLES, FRONT - LEFT - COOL BLUE/CARRIBEAN TEAL |
| 9 | 033691-09-01A | EA | DECAL-FLYING W, 210MM HIGH - COOL BLUE |
| 10 | 107546-01-01A | EA | DECAL-ANGLES, REAR - RIGHT - COOL BLUE/CARRIBEAN TEAL |
| | 107546-02-01A | EA | DECAL-ANGLES, REAR - LEFT - COOL BLUE/CARRIBEAN TEAL |
| | 084075-01-000 | EA | DECAL-"BY WINNEBAGO INDUSTRIES", BLACK |
| | 041561-03-000 | EA | PAINT-LOW BAKE 16 OZ. SPRAY CAN - OFF WHITE |
| | 044486-03-000 | EA | PAINT-LOW BAKE, 15 OZ. SPRAY CAN - BEIGE |

DUPONT COLOR CODES

| | |
|----------------|--------|
| SLATE GRAY | G9955 |
| COOL BLUE | G9951 |
| CARRIBEAN TEAL | G9835 |
| ORCHID | G9956 |
| OFF WHITE | L8723A |
| BEIGE | L8729A |

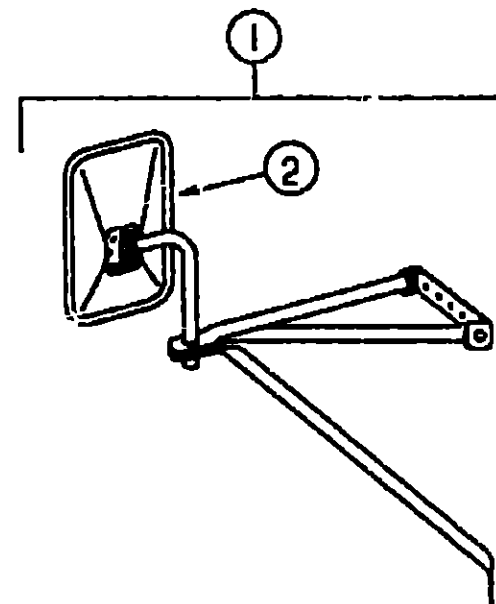
EXTERIOR BODY GROUP (CONTINUED)



RACK & LADDER

| KEY | PART NUMBER | U/M DESCRIPTION |
|-----|---------------|---|
| 1 | 107438-05-C07 | EA RACK ASM-PASSENGER SIDE |
| | 069726-02-000 | EA BUMPER- 88" DIA X 40" - BLACK |
| 2 | 038327-01-000 | EA TAPE-ANTI SLIP- 2" X 60" |
| 3 | 102953-02-C03 | EA LADDER ASM |
| 4 | 067165-01-000 | EA MOUNTING BRACKET-LADDER- LOWER |
| 5 | 030339-06-10T | EA SCREW-SF/DR- 6-20 X 5/8 PPH - BLACK |
| 6 | 000668-10-36T | EA SCREW-10-12 X 2 25 POH BLACK |
| 7 | 076980-02-000 | EA FND CAP-STEP- BLACK |
| 8 | 107438-09-C03 | EA RACK ASM-DRIVER SIDE |
| 9 | 081114-01-000 | EA PLUG-ROUND- RACK & LADDER ENDS - PLASTIC - 1" DIA. |

EXTERIOR BODY GROUP (CONTINUED)



EXTERIOR MIRRORS

| KEY | PART NUMBER | U/M DESCRIPTION |
|-----|---------------|--|
| 1 | 106860-01-01A | EA MIRROR-EXTERIOR, HEAD LOW MOUNT - OFF WHITE |
| 2 | 106860-01-700 | EA HEAD-MIRROR, EXTERIOR |
| | 106860-01-701 | EA ARM |
| | 106860-01-703 | EA BRACE LOWER FORWARD - DRIVER |
| | 106860-01-704 | EA BRACE LOWER FORWARD - PASSENGER |
| | 106860-01-702 | EA HARDWARE PACKAGE |

RUNNING BOARDS

| KEY | PART NUMBER | U/M DESCRIPTION |
|-----|---------------|--|
| | 072884-20-000 | EA RUNNING BOARD SET-FORD, 39" - KEMBERLY K-7 (STANDARD) FROM 00-00-00 THRU 01-31- |
| 93 | 072884-27-000 | EA RUNNING BOARD SET-FOHD, 39" - KEMBERLY K-12 (STANDARD) FROM 02-01-93 THRU 99-99- |
| 99 | 101396-01-000 | EA BOARD-RUNNING, FORD - PASSENGER SIDE (JAPAN EXPORT ONLY) |
| | 101396-02-000 | EA BOARD-RUNNING, FORD - DRIVER SIDE (JAPAN EXPORT ONLY) |
| | 101396-03-000 | EA KIT-HARDWARE, FORD (JAPAN EXPORT ONLY) |

FIBERGLASS & STYROFOAM

| KEY | PART NUMBER | U/M DESCRIPTION |
|-----|-----------------|--|
| | 077517-24-000 | EA SHEET FIBERGLASS, FLA1 - 48" X 96" - OFF WHITE |
| | 076054-11-000 | EA SHEET-FIBERGLASS, 2438 X 2591MM - OFF WHITE |
| | 076054-13-000 | EA SHEET-FIBERGLASS, 2438 X 2438MM - OFF WHITE |
| | 000870 : : -000 | SF STYROFOAM-1 34 X 48" X 96" - INCREMENTS OF 32 SF |
| | 000870 : : 000 | SF STYROFOAM- 5" X 24" X 96" - INCREMENTS OF 16 SF |
| | 083574-01-000 | SF STYROFOAM-DOW TYPE SM - 1 5" X 24" X 85 25" - INC OF 14 S |
| | 083574-02-000 | SF STYROFOAM-DOW TYPE SM - 1 5" X 24" X 90 5" - INC OF 15 SF |
| | 083574-03-000 | SF STYROFOAM-3/4" X 48" X 96" - INCREMENTS OF 32 SF |

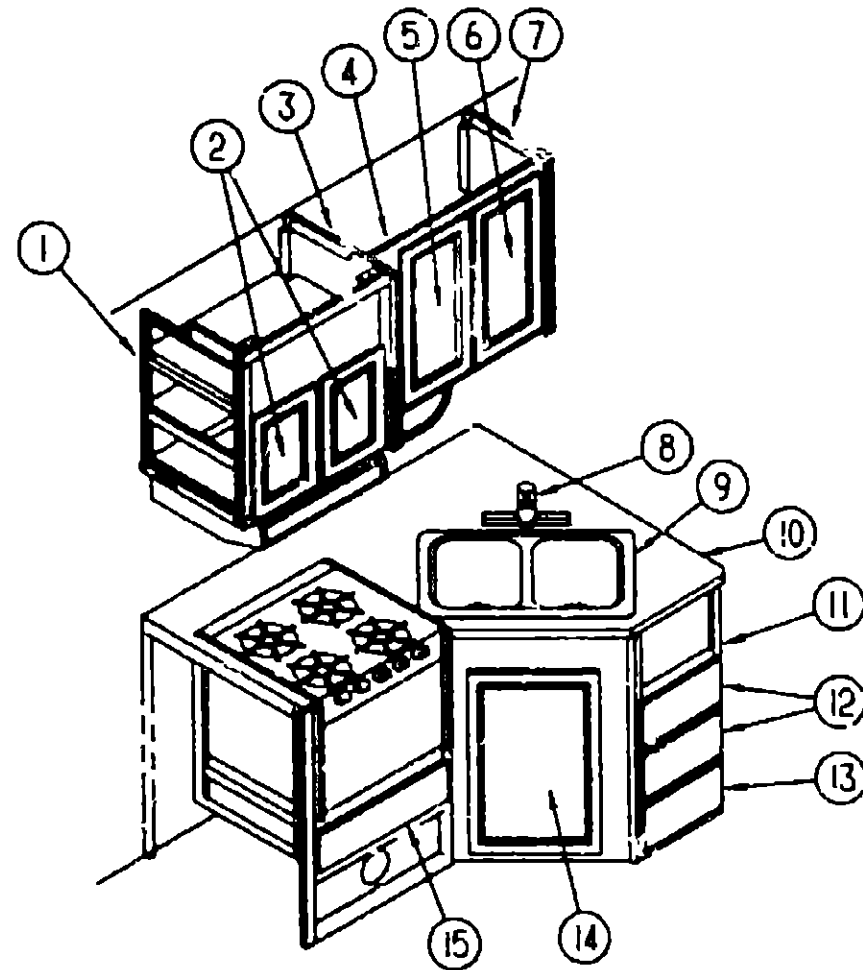
**1993 WINNEBAGO
TABLE OF CONTENTS**

| | |
|--------------------|-------------|
| INTRODUCTION | A-01 - A-02 |
| ABBREVIATIONS | A-03 |
| ALPHABETICAL INDEX | A-04 - A-06 |
| WF427RQ | A-07 - D-20 |
| WF427RC | D-21 - H-10 |
| WF428RQ | H-11 - L-02 |

1993 WF428RQ INDEX

| | |
|--------------------------------|-------------|
| FLOOR PLAN | H-11 - H-12 |
| ACCESSORIES | H-13 |
| AUDIO VIDEO | H-14 |
| BATH | H-15 - H-16 |
| BEDROOM | H-17 - H-20 |
| CHASSIS | H-21 - H-24 |
| CURTAIN & CUSHION | I-01 - I-12 |
| DINETTE | I-13 - I-14 |
| DRIVERS COMPARTMENT | I-15 - I-16 |
| ELECTRICAL | I-17 - I-20 |
| EXTERIOR BODY | I-21 - J-02 |
| GALLEY | J-03 - J-06 |
| GENERATOR | J-07 |
| HEATING & A/C | J-08 - J-10 |
| INTERIOR FINISH | J-11 - I-14 |
| LABELS | J-15 - J-22 |
| LP | J-23 |
| LOUNGE | J-24 - K-02 |
| SEALANTS & FASTENERS | K-03 - K-05 |
| WATER & SEWAGE | K-05 - K-10 |
| WINDOW, VENT AND EXTERIOR DOOR | K-11 - L-01 |

GALLEY GROUP



CABINETS & FIXTURES

| KEY | PART NUMBER | U/M | DESCRIPTION |
|-----|---------------|-----|---|
| 1 | M05779-55-D06 | EA | CABINET-OVERHEAD, RANGE |
| 1 | M05779-56-D04 | EA | CABINET-OVERHEAD, MICROWAVE |
| 2 | P05223-40-D04 | EA | DOOR-CABINET, W/O HARDWARE - 275 X 365MM |
| 3 | 104335-01-C52 | EA | END CAP-CABINET, OVERHEAD |
| 4 | M05884-01-D04 | EA | CABINET-OVERHEAD, W/O DOORS & HARDWARE |
| 5 | P05223-56-D04 | EA | DOOR-CABINET, W/O HARDWARE - 365 X 555MM |
| 6 | P05223-60-D04 | EA | DOOR-CABINET, W/O HARDWARE - 280 X 555MM |
| 7 | 104335-03-C52 | EA | END CAP-CABINET, OVERHEAD |
| 8 | 104114-01-01A | EA | FAUCET-GALLEY SINGLE CONTROL |
| 9 | 104113-01-000 | EA | SINK-DOUBLE, STAINLESS STEEL |
| | 092303-01-000 | EA | STRAINER-SINK |
| | 103610-01-D32 | EA | COVER-SINK (D04) |
| | 103610-01-D09 | EA | COVER-SINK (D05) |
| 10 | 109531-15-D04 | EA | COUNTERTOP-CABINET, GALLEY (D04) |
| 10 | 109531-15-D30 | EA | COUNTERTOP-CABINET, GALLEY (D05) |
| 11 | M05903-01-D04 | EA | CABINET-GALLEY, W/O DOORS & HARDWARE (CANADIAN) |
| 11 | M05903-01-D05 | EA | CABINET-GALLEY, W/O DOORS & HARDWARE (CANADIAN) |
| 12 | P07104-U3-D04 | EA | DRAWER-CABINET, W/O HARDWARE (2 USED) |
| 13 | P07104-U5-D04 | EA | DRAWER-CABINET W/O HARDWARE |
| 14 | P05223-66-D04 | EA | DOOR-CABINET, W/O HARDWARE - 390 X 650MM |
| 15 | P07104-U7-D04 | EA | DRAWER-CABINET, W/O HARDWARE |
| | 100081-01-01A | EA | TRAY-SILVERWARE, 9" X 13 3/4" - PLASTIC - ALMOND - RUBBERMAID |
| | 008380-01-000 | EA | GROMMET-RUBBER, 5/8" HOLE X 1 1/2" DIAMETER - BLACK |
| | 103251-02-01A | EA | INSERT-ACRYLIC, 19 5/8" X 16 08" - REFRIGERATOR CABINET - BLACK |
| | 103251-03-01A | EA | INSERT-ACRYLIC, 19 5/8" X 32 2" - REFRIGERATOR CABINET - BLACK |
| | 103251-04-01A | EA | INSERT-ACRYLIC, 19 5/8" X 39 2" - REFRIGERATOR CABINET - BLACK |
| | 090329-01-000 | FT | SEAL-T- REFRIGERATOR CABINET - 8" WIDE TOP X 2" TAIL |

GALLEY GROUP (CONTINUED)

RANGE HOOD

| KEY | PART NUMBER | U/M | DESCRIPTION |
|-----|---------------|-----|---|
| | 100258-18-01A | EA | HOOD-RANGE, W/O MONITOR PANEL - VENTLINE - US TCS5008NAD (STANDARD) |
| | 100258-17-01A | EA | HOOD-RANGE, W/O MONITOR PANEL-VENTLINE-CSA-TCS5008NAC (CANADIAN) |
| | 100258-18-01A | EA | HOOD-RANGE, W/O MONITOR PANEL-VENTLINE-US-TPSS007NAD (W/GENERATOR OPTION) |
| | 090973-01-700 | EA | MOTOR, LVS CA508-1 |
| | 090973-01-702 | EA | BLADE-FAN, LVS VA183-1 |
| | 092696-01-709 | EA | BULB-B12, VENTLINE VA415 |
| | 092696-01-710 | EA | SOCKET-LIGHT, VENTLINE CB267-2 |
| | 096983-01-700 | EA | SWITCH-ON/OFF, VENTLINE 108 |
| | 096983-01-702 | EA | SWITCH-TWO WAY MOMENTARY, VENTLINE 112 |
| | 096983-01-707 | EA | FILTER-GREASE, 8" X 8" - LVS CC246 |
| | 096983-01-708 | EA | LENS-LAMP, VENTLINE CC179 |
| | 100258-01-700 | EA | HOOD NOSE LABEL |
| | 100258-10-01A | EA | METER-HOUR, VENTLINE 150 |
| | 063752-01-000 | EA | SHROUD-RANGE, 18 5/8" X 20 6" X 16 2" - METAL - OFF WHITE |

RANGE

| KEY | PART NUMBER | U/M | DESCRIPTION |
|-----|---------------|-----|--|
| | 105458-03-000 | EA | BRACKET-TIEDOWN, STOVE - RIGHT |
| | 105458-04-000 | EA | BRACKET-TILDOWN, STOVE - LEFT |
| | 102022-01-02A | EA | RANGE-16", 4 BURNER - MAGIC CHEF BT16RA-4Z |
| | 055282-03-705 | EA | TRIM-CABINET, LEFT - BLACK - MAGIC CHEF 3608F011-70 |
| | 055282-03-707 | EA | TRIM-CABINET, RIGHT - BLACK - MAGIC CHEF 3608F012-70 |
| | 098517-02-701 | EA | INSERT-BURNER (SLOTTED VENT), MAGIC CHEF 7214P015-60 |
| | 102020-01-700 | EA | SHIELD-OVEN, MAGIC CHEF - 7801-P027-60 |
| | 102020-01-701 | EA | HANDLE-DOOR, MAGIC CHEF - 7701P092-60 |
| | 102020-01-702 | EA | PANEL-MANIFOLD, MAGIC CHEF 2616F080-70 |
| | 102020-01-704 | EA | PANEL-DOOR, BLACK - MAGIC CHEF - 2401F075-70 |
| | 102020-01-708 | EA | BURNER ASSEMBLY-OVEN, MAGIC CHEF 3403W073-45 |
| | 102020-01-711 | EA | GRATE-TOP, MAGIC CHEF 7518P012-60 |
| | 102020-01-712 | EA | KNOB-BURNER VALVE, MAGIC CHEF 7733P044-60 |
| | 102020-01-713 | EA | KNOB-THERMOSTAT, MAGIC CHEF 7731P042-60 |
| | 102020-01-714 | EA | PILOT-OVEN, MAGIC CHEF 968-143 |
| | 102020-01-715 | EA | PIPE-MANIFOLD, MAGIC CHEF 7513P095-60 |
| | 102020-01-717 | EA | THERMOSTAT, MAGIC CHEF 7515P024-60 |
| | 102020-01-718 | EA | TOP-MAIN, ALMOND - MAGIC CHEF 2001F085-84 |
| | 102020-01-720 | EA | VALVE-MERCURY CONTROL, MAGIC CHEF 7501P056-60 |
| | 102020-01-722 | EA | VALVE-TOP BURNER, MAGIC CHEF 7502P095-60 |
| | 102020-01-723 | EA | PILOT-BURNER, MAGIC CHEF 7505P147-60 |
| | 102020-01-724 | EA | BUMPER-MAIN TOP, MAGIC CHEF 8003P008-60 |
| | 102022-01-702 | EA | PIPE-MANIFOLD, MAGIC CHEF 7513P096-60 |
| | 102022-01-703 | EA | REGULATOR-PRESSURE, MAGIC CHEF 7510P031-60 |
| | 102022-01-706 | EA | TRIM-LEFT, FLAT - MAGIC CHEF 3608W022-70 |
| | 102022-01-707 | EA | TRIM-RIGHT, FLAT - MAGIC CHEF 3608W023-70 |

1993 WINNEBAGO TABLE OF CONTENTS

| | |
|--------------------|-------------|
| INTRODUCTION | A-01 - A-02 |
| ABBREVIATIONS | A-03 |
| ALPHABETICAL INDEX | A-04 - A-06 |
| WF427RQ | A-07 - D-20 |
| WF427RC | D-21 - H-10 |
| WF428RQ | H-11 - L-02 |

1993 WF428RQ INDEX

| | |
|--------------------------------|-------------|
| FLOOR PLAN | H-11 - H-12 |
| ACCESSORIES | H-13 |
| AUDIO VIDEO | H-14 |
| BATH | H-15 - H-16 |
| BEDROOM | H-17 - H-20 |
| CHASSIS | H-21 - H-24 |
| CURTAIN & CUSHION | I-01 - I-12 |
| DINETTE | I-13 - I-14 |
| DRIVERS COMPARTMENT | I-15 - I-16 |
| ELECTRICAL | I-17 - I-20 |
| EXTERIOR BODY | I-21 - J-02 |
| GALLEY | J-03 - J-06 |
| GENERATOR | J-07 |
| HEATING & A/C | J-08 - J-10 |
| INTERIOR FINISH | J-11 - J-14 |
| LABELS | J-15 - J-22 |
| LP | J-23 |
| LOUNGE | J-24 - K-02 |
| SEALANTS & FASTENERS | K-03 - K-05 |
| WATER & SEWAGE | K-06 - K-10 |
| WINDOW, VENT AND EXTERIOR DOOR | K-11 - L-01 |

GALLEY GROUP (CONTINUED)

MONITOR PANEL

| KEY | PART NUMBER | U/M | DESCRIPTION |
|-----|---------------|-----|--|
| | 102765-04-01A | EA | MONITOR PANEL, W/PLUG - FOR 2 TANKS & WATER HEATER - LVS |
| | 102765-02-01A | EA | MONITOR PANEL, W/PLUG - FOR 2 TANKS - LVS |
| | 097617-01-702 | EA | SWITCH-1/WAY, ALMOND - LVS 107 |
| | 097617-01-703 | EA | CIRCUIT BOARD - LVS 507E 01 |
| | 102765-01-700 | EA | SWITCH-ON-ON, ALMOND - 110-01 |
| | 097618-01-000 | EA | WIRE ASM-MONITOR PANEL, W/4 WIRES & BLACK RESISTOR - LVS |

MICROWAVE & COFFEE MAKER

| KEY | PART NUMBER | U/M | DESCRIPTION |
|-----|---------------|-----|--|
| | 091269-06-000 | EA | OVEN-MICROWAVE, MAGIC CHEFDM15-58 |
| | 094745-01-01A | EA | TRIM MICROWAVE, LOWER - BLACK |
| | 094774-03-01A | EA | TRIM-MICROWAVE, EITHER SIDE - 1 5" X 14 8" - METAL - BLACK |
| | 098916-03-01A | EA | BRACE-MICROWAVE CABINET, LEFT - 9 4" X 7 5" - STEEL |
| | 098916-04-01A | EA | BRACE-MICROWAVE CABINET, RIGHT - 9 4" X 7 5" - STEEL |
| | 094750-01-000 | EA | BRACKET-MICROWAVE, 90 DEGREE - STEEL |
| | 103799-01-02A | EA | MAKER-COFFEE, GRAY - W/GLASS POT |
| | 104610-01-000 | EA | STRAP ASM-COFFEE MAKER |

REFRIGERATOR

| KEY | PART NUMBER | U/M | DESCRIPTION |
|-----|---------------|-----|--|
| | 093646-01-000 | EA | BRACKET-TIEDOWN, REFRIGERATOR |
| | 093646-02-000 | EA | BRACKET-TIEDOWN, REFRIGERATOR |
| | 054450-01-000 | EA | LEVEL-REFRIGERATOR |
| | 104138-04-01A | EA | REFRIGERATOR, SMALL DOUBLE DOOR - 2-WAY - NORCOLD 6162 RH BL |
| | 075217-01-734 | EA | FUSE-3 AMP, NORCOLD 61538822 |
| | 075217-01-738 | EA | SWITCH-HUMIDITY, NORCOLD 61525922 |
| | 084879-03-700 | EA | COOLING UNIT - HORIZONTAL BURNER, NORCOLD 61687237 |
| | 084880-01-713 | EA | CONNECTOR-MALE, INLET FITTING - NORCOLD 615256 |
| | 084880-01-715 | EA | VALVE-SHUT OFF, MANUAL - NORCOLD 61697922 |
| | 084880-01-718 | EA | VALVE-GAS, NORCOLD 61551822 |
| | 084880-01-722 | EA | CRISPER COVER - NORCOLD 615641 |
| | 084880-01-726 | EA | HINGE BRACKET (CTR HINGE), NORCOLD 61566523 |
| | 084880-01-731 | EA | HINGE PIN, NORCOLD 61578123 |
| | 084880-01-732 | EA | LATCH NORCOLD 61578522 |
| | 084880-01-734 | EA | BRACKET-HINGE, TOP RH - BOTTOM LH - BROWN NORCOLD 61580837 |
| | 084880-01-735 | EA | HINGE BRKT, TOP LH-BTM RH BRN - NORCOLD 61580937 |
| | 084880-01-739 | EA | END CAP (SPRING CATCH) BRN - NORCOLD 61593722 |
| | 084880-01-740 | EA | END CAP (STOP CATCH), NORCOLD 61593830 |
| | 084880-01-746 | EA | CABLE, NORCOLD 61571522 |
| | 084880-01-747 | EA | PLUG-HOLE, NORCOLD 61582022 |
| | 084880-01-749 | EA | HINGE BUSHING - NORCOLD 615807 |
| | 084880-01-753 | EA | THERMISTER 78° - NORCOLD 61693822 |
| | 084880-01-761 | EA | END CAP (SPRING CATCH) BLACK 61593730 |
| | 084880-02-700 | EA | LOWER FLANGE 8663&8683, NORCOLD 61622123 |
| | 084880-03-705 | EA | BRACKET-INTERIOR LIGHT - NORCOLD 61629722 |
| | 084880-03-706 | EA | LAMP (BULB) - NORCOLD 61628922 |

GALLEY GROUP (CONTINUED)

REFRIGERATOR (CONTINUED)

| KEY | PART NUMBER | U/M | DESCRIPTION |
|-----|---------------|-----|--|
| | 084880-03-707 | EA | COVER FLAMP OR BULB - NORCOLD 61627822 |
| | 088248-01-706 | EA | BURNER-HORIZONTAL, NORCOLD 61588122 |
| | 088248-01-707 | EA | ELECTRODE-SENSOR, (HORIZONTAL), NORCOLD 61573322 |
| | 088248-01-708 | EA | ELECTRODE-IGNITION, (HORIZONTAL) - NORCOLD 61573222 |
| | 088248-01-709 | EA | HEATER-AC, (HORIZONTAL) - NORCOLD 615827 |
| | 088248-01-710 | EA | HEATER-DC, (HORIZONTAL) - 3 WAY - NORCOLD 615628 |
| | 094038-01-700 | EA | GASKET-LOWER, GRAY - NORCOLD 61567830 |
| | 094038-01-701 | EA | LINER-DOOR, LOWER - BROWN/WHITE - NORCOLD 61581837-B |
| | 094038-01-702 | EA | LINER-DOOR, LOWER - BLACK/WHITE - NORCOLD 61581838-B |
| | 094038-01-703 | EA | HANDLE-DOOR, LOWER - BROWN - NORCOLD 61850137 |
| | 094038-01-704 | EA | HANDLE-DOOR, LOWER - BLACK - NORCOLD 61650138 |
| | 094038-01-706 | EA | CAB ASM-BLK, WHITE LINER - WITH FRAME - NORCOLD 61663138 |
| | 094039-01-703 | EA | PLATE-HINGE, LH - BROWN - NORCOLD 61631422 |
| | 094039-01-704 | EA | PLATE-HINGE, BLACK - NORCOLD 61631430 |
| | 094039-01-709 | EA | PLATE-HINGE, TOP RH - LH BOTTOM - BROWN - NORCOLD 61631322 |
| | 094039-01-710 | EA | PLATE-HINGE, BLACK - NORCOLD 61631330 |
| | 094039-01-712 | EA | DOOR BIN(GRAY)SILVER BORDER - NORCOLD 61564060 |
| | 094039-01-718 | EA | MILK BIN (GRAY)WSILVER TRIM NORCOLD 61579460 |
| | 094039-01-719 | EA | DAIRY KEEPER (GRAY)SILVER TRIM, NORCOLD 61580460 |
| | 094039-01-722 | EA | HOLE PLUG (BLK) HINGE HOLES - NORCOLD 61582030 |
| | 094039-01-723 | EA | HINGE BRKT, TOP RH-BTM LH BLK - NORCOLD 61580838 |
| | 094039-01-724 | EA | BRACKET-HINGE, TOP LH - BOTTOM RH - BLK - NORCOLD 61580938 |
| | 094039-01-725 | EA | HINGE PIN (BLACK)(MALE) - NORCOLD 61578130 |
| | 094039-01-726 | EA | SHELF-FREEZER EVAPORATOR, NORCOLD 615236 |
| | 094039-01-730 | EA | HINGE PIN SHAFT(BLK) CTR HGE - NORCOLD 61566730 |
| | 094039-01-732 | EA | FRONT COVER(BLK) BTM TRIM - NORCOLD 61622130 |
| | 094039-01-733 | EA | WIRE SHELF (MIDDLE) - NORCOLD 61563822 |
| | 094039-01-734 | EA | WIRE SHELF (TOP) WRISER - NORCOLD 61563722 |
| | 094039-01-735 | EA | INSIDE DRIP TRAY (WHITE), NORCOLD 61572830 |
| | 094039-01-736 | EA | SWITCH-LIGHT, BLACK - NORCOLD 615810 |
| | 094039-01-739 | EA | SHELF (CUTOUT) NORCOLD 61646722 |
| | 094039-04-700 | EA | PC BOARD-2 WAY, NORCOLD 61647322 |
| | 094039-04-701 | EA | EYEBROW (SHELL) 2 WAY - NORCOLD 61669822 |
| | 094039-04-702 | EA | POWER SUPPLY (2 WAY) - NORCOLD 61647422 |

**1993 WINNEBAGO
TABLE OF CONTENTS**

| | | |
|--------------------|------|------|
| INTRODUCTION | A-01 | A-02 |
| ABBREVIATIONS | | A-03 |
| ALPHABETICAL INDEX | A-04 | A-06 |
| WF427RQ | A-07 | D-20 |
| WF427RC | D-21 | H-10 |
| WF428RQ | H-11 | L-02 |

1993 WF428RQ INDEX

| | | |
|-----------------------------------|------|------|
| FLOOR PLAN | H-11 | H-12 |
| ACCESSORIES | | H-13 |
| AUDIO VIDEO | | H-14 |
| BATH | H-15 | H-16 |
| BEDROOM | H-17 | H-20 |
| CHASSIS | H-21 | H-24 |
| CURTAIN & CUSHION | I-01 | I-12 |
| DINETTE | I-13 | I-14 |
| DRIVERS COMPARTMENT | I-15 | I-16 |
| ELECTRICAL | I-17 | I-20 |
| EXTERIOR BODY | I-21 | J-02 |
| GALLEY | J-03 | J-06 |
| GENERATOR | | J-07 |
| HEATING & A/C | J-08 | J-10 |
| INTERIOR FINISH | J-11 | J-14 |
| LABELS | J-15 | J-22 |
| LP | | J-23 |
| LOUNGE | J-24 | K-02 |
| SEALANTS & FASTENERS | K-03 | K-05 |
| WATER & SEWAGE | K-06 | K-10 |
| WINDOW, VENT AND EXTERIOR DOOR | K-11 | L-01 |

GENERATOR GROUP

4.0 KW MICROLITE ONAN GENERATOR

| KEY | PART NUMBER | U/M | DESCRIPTION |
|-----|---------------|-----|---|
| | 109982-01-000 | EA | GENERATOR-4.0 MICROLITE, ONAN KY-FA/28100 |
| | 105958-05-000 | EA | PIPE-EXHAUST, GENERATOR - BAUER WELDING |
| | 008401-01-000 | EA | STRAP-CONDUIT, 3/4" - 1 HOLE - GALVANIZED STEEL |
| | 007067-01-000 | SF | INSULATION-FIBERGLASS, 1" THICK X 4' - INCREMENTS OF 4 SF |
| | 007125-04-000 | EA | CLAMP-MUFFLER, 1 1/2" DIA |

4.0 KW MICROLITE LP ONAN GENERATOR

| KEY | PART NUMBER | U/M | DESCRIPTION |
|-----|---------------|-----|---|
| | 102982-02-000 | EA | GENERATOR-4.0 MICROLITE - LP - ONAN 3.6KY-FA/26120 |
| | 105958-05-000 | EA | PIPE-EXHAUST, GENERATOR - BAUER WELDING |
| | 007067-01-000 | SF | INSULATION-FIBERGLASS, 1" THICK X 4' - INCREMENTS OF 4 SF |
| | 007125-04-000 | EA | CLAMP-MUFFLER, 1 1/2" DIA |
| | 008401-01-000 | EA | STRAP-CONDUIT, 3/4" - 1 HOLE - GALVANIZED STEEL |

HEATING & AIR CONDITIONING GROUP

FURNACE

| KEY | PART NUMBER | U/M | DESCRIPTION |
|-----|---------------|-----|---|
| | 099668-05-000 | EA | FURNACE-30000 BTU-SUBURBAN SF-30 |
| | 061634-01-733 | EA | RELAY-TIME DELAY 20&30 BTU, SUBURBAN 231202 |
| | 075695-01-709 | EA | MICRO SWITCH (FOR MODELS 30 & 34S), SUBURBAN 230506 |
| | 090039-01-709 | EA | GASKET-OBSERVATION HOLE COVER, SUBURBAN 070367 |
| | 092300-01-704 | EA | GASKET-ELECTRODE, SUBURBAN 070163 |
| | 092300-02-701 | EA | ORIFICE, MAIN BURNER, SUBURBAN 180214 |
| | 098668-01-700 | EA | CABINET FRONT, SUBURBAN 101242 |
| | 098668-01-701 | EA | CABINET ASM, SUBURBAN 101299 |
| | 098668-01-702 | EA | ELECTRODE, SUBURBAN 231740 |
| | 098668-01-704 | EA | VALVE, SUBURBAN 160938 |
| | 098668-01-705 | EA | SWITCH-LIMIT, SUBURBAN 231630 |
| | 098668-01-706 | EA | WHEEL-COMBUSTION AIR, SUBURBAN 350122 |
| | 098668-01-707 | EA | VENT CAP & EXHAUST TUBE ASM, SUBURBAN 260193 |
| | 098668-01-708 | EA | FLOWER ASM (COMBUSTION AIR), SUBURBAN 390441 |
| | 098668-01-709 | EA | MOTOR ASM, FOR SF 25, SF-30 - SUBURBAN 231705 |
| | 098668-01-710 | EA | BLOWER ASM (ROOM AIR), SUBURBAN 390440 |
| | 098668-01-711 | EA | WHEEL-ROOM AIR, SUBURBAN 350123 |
| | 098668-01-712 | EA | BOARD-MODULE, SUBURBAN 231741 |
| | 098668-01-713 | EA | INTAKE VENT TUBE ASM, SUBURBAN 051044 |
| | 098668-02-700 | EA | BURNER ASM COMPLETE (SF-30/SF35), SUBURBAN 010745 |
| | 069634-01-720 | EA | ORIFICE-MAIN BURNER, SUBURBAN 018022 |
| | 098668-03-700 | EA | MOTOR ASM-SF-35, SUBURBAN 231707 |
| | 098668-06-000 | EA | DOOR-ACCESS, FURNACE, OFF WHITE - SUBURBAN 520574 |
| | 093365-01-000 | EA | THERMOSTAT WALL, FURNACE - SUBURBAN 0160902 |

HEATING COMPONENTS

| KEY | PART NUMBER | U/M | DESCRIPTION |
|-----|---------------|-----|--|
| | 023146-01-000 | EA | CLAMP-SCREW TYPE, 4" |
| | 069636-02-000 | EA | CONNECTOR-DUCT, 4" ID - SUBURBAN 050715 |
| | 009198-01-000 | FT | DUCT-HEAT, FLEXIBLE, 4" ID X 25 FT |
| | 093614-01-01A | EA | GRILLE-RETURN AIR FURNACE - 15 6" X 7 6" BROWN |
| | 079059-01-000 | EA | HOSE-90 DEGREE, 5/8" ID X 4" X 36" |
| | 007108-01-000 | FT | HOSE-HEATER, 5/8" ID - HI-TEMP - FORD ESE-M2D192-A |
| | 058464-05-000 | EA | REGISTER-PLASTIC, W/O DAMPER - 4" DIA METER - GOLDEN |
| | 009200-01-000 | EA | TAPE-FURNACE, 1 1/2" |
| | 069367-01-000 | EA | TEE-4" OD, 7" LONG - METAL |
| | 088753-01-000 | FT | TUBE-ALUMINIZED STEEL, 5/8" - 18 GAUGE |
| | 008042-01-000 | FT | TUBING-VINYL, 65" ID |

1993 WINNEBAGO TABLE OF CONTENTS

| | | |
|--------------------|--------|------|
| INTRODUCTION | A-01 - | A-02 |
| ABBREVIATIONS | | A-03 |
| ALPHABETICAL INDEX | A-04 - | A-06 |
| WF427RQ | A-07 - | D-20 |
| WF427RC | D-21 - | H-10 |
| WF428RQ | H-11 - | L-02 |

1993 V428RQ INDEX

| | | |
|-----------------------------------|--------|------|
| FLOOR PLAN | H-11 - | H-12 |
| ACCESSORIES | | H-13 |
| AUDIO VIDEO | | H-14 |
| BATH | H-15 - | H-16 |
| BEDROOM | H-17 - | H-20 |
| CHASSIS | H-21 - | H-24 |
| CURTAIN & CUSHION | I-01 - | I-12 |
| DINETTE | I-13 - | I-14 |
| DRIVERS COMPARTMENT | I-15 - | I-16 |
| ELECTRICAL | I-17 - | I-20 |
| EXTERIOR BODY | I-21 - | J-02 |
| GALLEY | J-03 - | J-06 |
| GENERATOR | | J-07 |
| HEATING & A/C | J-08 - | J-10 |
| INTERIOR FINISH | J-11 - | J-14 |
| LABELS | J-15 - | J-22 |
| LP | | J-23 |
| LOUNGE | J-24 - | K-02 |
| SEALANTS & FASTENERS | K-03 - | K-05 |
| WATER & SEWAGE | K-06 - | K-10 |
| WINDOW, VENT AND EXTERIOR DOOR | K-11 - | L-01 |

HEATING & AIR CONDITIONING GROUP (CONTINUED)

REAR HEATER

| KEY | PART NUMBER | U/M | DESCRIPTION |
|-----|---------------|-----|---|
| | 081405-01-000 | EA | HEATER ASM-REAR, DUCTED W/MOTOR AND . EVANS |
| | 084405-01-700 | EA | HEATER CORE, FT200229 |
| | 084405-01-701 | EA | FAN, HV025231 |
| | 084405-01-702 | EA | MOTOR-12 VOLT ASSY, R0700180 |
| | 087202-01-000 | EA | SWITCH-4 POSITION, W/KNOB |
| | 098076-01-000 | EA | DECAL-AUTO AIR & REAR HEATER |

ROOF A/C

| KEY | PART NUMBER | U/M | DESCRIPTION |
|-----|---------------|-----|--|
| | 108889-01-01A | EA | A/C-ROOF, 13,500 TSR HO - IVORY - COLEMAN 7333-887 |
| | 091225-01-709 | EA | START RELAY, COLEMAN 1497-4131 |
| | 091225-01-710 | EA | START CAPACITOR, COLEMAN # 1497-0881 |
| | 093306-01-701 | EA | DECAL PACKAGE, LEFT & RIGHT - COLEMAN 679883591 |
| | 093306-01-712 | EA | COMPRESSOR COLEMAN 6707C3579 |
| | 105620-01-704 | EA | COMPRESSOR, RIGHT & LEFT - COLEMAN 1450-2009 |
| | 105620-01-706 | EA | FOOT PACKAGE-COMPRESSOR 3 PER PACKAGE - COLEMAN 6759-3081 |
| | 108889-01-700 | EA | SHROUD (GREY/GREY) LESS LOGO - COLEMAN 6759-6421 |
| | 108889-01-702 | EA | SHROUD (BUFF/BUFF) LESS LOGO - COLEMAN 6759-6411 |
| | 108889-01-703 | EA | CONDENSER COIL, COLEMAN 1452-1301 |
| | 108889-01-704 | EA | OVERLOAD, MRA198883, COLEMAN 6759-3541 |
| | 108889-01-705 | EA | MOTOR (115, 60HZ), COLEMAN 1468-3049 |
| | 108889-01-706 | EA | IMPELLOR, COLEMAN 1472-1041 |
| | 108889-01-707 | EA | RUN CAPACITOR (COMP-25MFD/370), COLEMAN 1499-5661 |
| | 108889-01-708 | EA | FAN CAPACITOR (7.5MFD 370U), COLEMAN 1499-5461 |
| | 108889-01-709 | EA | EVAPORATOR COIL, COLEMAN 1452-1311 |
| | 108889-01-710 | EA | FILLER PAD-CONDITION AIR SEAL, COLEMAN 6759A3971 |
| | 108889-01-711 | EA | GASKET PACKAGE, COLEMAN 6792-3301 |
| | 108889-01-712 | EA | SUCTION LINE REDUCER (3/8 X 1/2), COLEMAN 1215-2161 |
| | 108889-01-713 | EA | SUCTION LINE (3/8CD X .032 WALL), COLEMAN 6792-130 |
| | 108889-01-714 | EA | DISCHARGE LINE ASM, COLEMAN 6792-531 |
| | 108889-01-715 | EA | MOTOR MOUNT & SHAFT SEAL KIT, COLEMAN 6792-3361 |
| | 108891-01-01A | EA | CEILING ASM-A/C COOL-TSR HO, COLEMAN 7330-714 IV |
| | 042204-01-709 | EA | THERMOSTAT-IN 64 OUT 58, COLEMAN 6701-3401 |
| | 073742-01-701 | EA | SELECTOR SWITCH (5 TERMINAL), COLEMAN 6759-3251 |
| | 073742-01-702 | EA | DECAL COOL ONLY, COLEMAN 6759C3431 |
| | 076303-01-707 | EA | FILTER-6" X 14 3/4" X 1/2", 12 PER PACKAGE - COLEMAN 6703A3151 |
| | 081606-01-712 | EA | CEILING SHROUD (IVORY), COLEMAN 6769-5061 |
| | 091225-01-713 | EA | KNOB (2 PER PACKAGE) COLEMAN 6701-3351 |
| | 091225-01-717 | EA | DECAL (THERMOSTAT) COOL ONLY, COLEMAN 6799A3441 |
| | 093766-02-701 | EA | DECAL-LEFT SIDE COLEMAN 6799-3971 |
| | 108891-01-700 | EA | SINGLE PARTS PACKAGE (KNOBS & NUTS), COLEMAN 6792-5991 |
| | 108891-01-701 | EA | RETAINER CLIPS FOR FILTER (6 PER PACKAGE), COLEMAN 6799-3141 |
| | 102289-01-000 | EA | SPRING-SCREW, ROOF A/C GASKET - COLEMAN 6757-150 |

HEATING & AIR CONDITIONING GROUP (CONTINUED)

A/C-13500 BTU-EUROPE

| KEY | PART NUMBER | U/M | DESCRIPTION |
|-----|---------------|-----|--|
| | 092440-01-000 | EA | A/C-ROOF, 13500 BTU - 220V - 50HZ - COLEMAN# 6713C750 FROM 00-00-00 THRU 08-31-92 |
| | 092441-01-000 | EA | CEILING ASM-A/C, 220V - 50HZ - COLEMAN# 6712ET16 FROM 00-00-00 THRU 08-31-92 |
| | 108889-02-01A | EA | A/C-ROOF, 13500 BTU - 220V - TSR - IVORY - COLEMAN 7373-587 FROM 09-01-92 THRU 99-99-99 |
| | 108891-01-01A | EA | CEILING ASM A/C, COOL - TSR - IVORY - COLEMAN 7330-714 FROM 09-01-92 THRU 99-99-99 |
| | 042204-01-709 | EA | THERMOSTAT-IN 64 OUT 58, COLEMAN 6701-3401 |
| | 073742-01-701 | EA | SELECTOR SWITCH (5 TERMINAL), COLEMAN 6759-3251 |
| | 073742-01-702 | EA | DECAL COOL ONLY, COLEMAN 6759C3431 |
| | 076303-01-707 | EA | FILTER-6" X 14 3/4" X 1/2", 12 PER PKG - COLEMAN 6703A3151 |
| | 081606-01-712 | EA | CEILING SHROUD (IVORY), COLEMAN 6769-5061 |
| | 091225-01-713 | EA | KNOB (2 PER PACKAGE), COLEMAN 6701-3351 |
| | 091225-01-717 | EA | DECAL (THERMOSTAT) COOL ONLY, COLEMAN 6799A3441 |
| | 093766-02-701 | EA | DECAL-LEFT SIDE, COLEMAN 6799-3971 |
| | 108891-01-700 | EA | SINGLE PARTS PACKAGE (KNOBS & NUTS), COLEMAN 6792-5991 |
| | 108891-01-701 | EA | RETAINER CLIPS FOR FILTER (6 PER PACKAGE) COLEMAN 6799-3141 |
| | 102289-01-000 | EA | SPRING-SCREW, ROOF A/C GASKET - COLEMAN 6757-150 |
| | 022756-03-000 | EA | COVER-BLANK, ROOF A/C - PLASTIC - IVORY |
| | 022756-02-000 | EA | COVER-PROTECTIVE, 5 5" ENDS X 8 2" - PLASTIC - OFF WHITE |

**1993 WINNEBAGO
TABLE OF CONTENTS**

| | | |
|--------------------|--------|------|
| INTRODUCTION | A-01 - | A-02 |
| ABBREVIATIONS | | A-03 |
| ALPHABETICAL INDEX | A-04 - | A-06 |
| WF427RQ | A-07 - | D-20 |
| WF427RC | D-21 - | H-10 |
| WF428RQ | H-11 - | L-02 |

1993 WF428RQ INDEX

| | | |
|-----------------------------------|--------|------|
| FLOOR PLAN | H-11 - | H-12 |
| ACCESSORIES | | H-13 |
| AUDIO VIDEO | | H-14 |
| BATH | H-15 - | H-16 |
| BEDROOM | H-17 - | H-20 |
| CHASSIS | H-21 - | H-24 |
| CURTAIN & CUSHION | I-01 - | I-12 |
| DINETTE | I-13 - | I-14 |
| DRIVERS COMPARTMENT | I-15 - | I-16 |
| ELECTRICAL | I-17 - | I-20 |
| EXTERIOR BODY | I-21 - | J-02 |
| GALLEY | J-03 - | J-06 |
| GENERATOR | | J-07 |
| HEATING & A/C | J-08 - | J-10 |
| INTERIOR FINISH | J-11 - | J-14 |
| LABELS | J-15 - | J-22 |
| LP | | J-23 |
| LOUNGE | J-24 - | K-02 |
| SEALANTS & FASTENERS | K-03 - | K-05 |
| WATER & SEWAGE | K-06 - | K-10 |
| WINDOW, VENT AND EXTERIOR DOOR | K-11 - | L-01 |

INTERIOR FINISH GROUP

MOLDINGS & TRIMS

| KEY | PART NUMBER | U/M | DESCRIPTION |
|-----|---------------|-----|---|
| | 009737-12-000 | FT | MOLDING-SIDEWALL TO CEILING/CABINET - WELTING - OFF WHITE |
| | 009778-11-000 | EA | U-CHANNEL-PLASTIC, 1" WIDE X 8' LONG - IVORY |
| | 009778-13-000 | EA | U-CHANNEL-PLASTIC, 1" WIDE X 8' LONG - THOR PECAN |
| | 009909-23-000 | EA | MOLDING-CORNER, OUTSIDE - 1" - PLASTIC - IVORY |
| | 009909-24-000 | EA | MOLDING-CORNER, OUTSIDE - 1" - PLASTIC - THOR PECAN |
| | 009812-24-000 | EA | MOLDING-CORNER, OUTSIDE - 5" - PLASTIC - IVORY |
| | 009812-25-000 | EA | MOLDING-CORNER, OUTSIDE - 5" - PLASTIC - PECAN |
| | 022992-01-000 | FT | MOLDING-REVERSE COVE, T-SHAPED - VINYL - WHITE |
| | 022992-11-000 | FT | MOLDING-REVERSE COVE, T-SHAPED - VINYL - IVORY |
| | 070504-20-000 | FT | U-CHANNEL-PLASTIC, .815" WIDE - THOR PECAN - INC OF 8' |
| | 070504-24-000 | FT | U-CHANNEL-PLASTIC, .875" WIDE - REGAL OAK - INC OF 8' |
| | 075249-01-000 | EA | RAILING-OAK, 72" LONG - UNFINISHED |
| | 076325-16-000 | FT | MOLDING-EDGE BAND, 1 5/16" WIDE - WOODGRAIN - REGAL OAK |
| | 076325-39-000 | FT | MOLDING-EDGE BAND, 1 5/16" WIDE (D04) |
| | 076325-40-000 | FT | MOLDING-EDGE BAND, 875" WIDE (D04) |
| | 076325-37-000 | FT | MOLDING-EDGE BAND, 1 5/16" WIDE (D05) |
| | 076325-38-000 | FT | MOLDING-EDGE BAND, 875" WIDE (D05) |
| | 081294-02-000 | EA | MOLDING-SHELF, NOTCHED WOOD - 8' LONG |
| | 083620-07-000 | FT | MOLDING-T, END CAP EDGE - WEDGE LIPS - .75" - THOR PECAN |
| | 083620-09-000 | FT | MOLDING-T, END CAP EDGE - WEDGE LIPS - .75" - MODERN IVORY |
| | 085284-6E-000 | FT | BATT STRIP-WOODGRAIN, ADHESIVE BACKED - FOREST OAK |
| | 085284-73-000 | FT | BATT STRIP-MAIN, W/ADHESIVE BACK - BUBBLES TWILIGHT (D04) |
| | 085284-68-000 | FT | BATT STRIP-MAIN, W/ADHESIVE BACK - ADRIAN MOCASSIN (D05) |
| | 085284-69-000 | FT | BATT STRIP-BATH/GALLEY, W/ADHESIVE BACK - FLORENCE TWILIGHT (D04) |
| | 085284-73-000 | FT | BATT STRIP-BATH/GALLEY, W/ADHESIVE BACK - GYPSY MOCASSIN (D05) |
| | 085284-76-000 | FT | BATT STRIP-BATH/SHOWER, W/ADHESIVE BACK - ANTIQUE WHITE |
| | 085284-59-000 | FT | BATT STRIP-CEILING, W/ADHESIVE BACK - TROWELL WORK FAWN |
| | 085746-01-000 | FT | TRIM-J, CARPET - 1 2" X .5" ANGLE - 10' LONG - PVC - BEIGE |
| | 089733-79-000 | EA | BATT STRIP-WOODGRAIN, 8' LONG - FOREST OAK |
| | 088263-71-000 | EA | BATT STRIP-CEILING, 8' LONG - TROWELL WORK FAWN |
| | 088263-80-000 | EA | BATT STRIP-BATH & GALLEY, 8' LONG - FLORENCE TWILIGHT (D04) |
| | 088263-81-000 | EA | BATT STRIP-BATH & GALLEY, 8' LONG - GYPSY MOCASSIN (D05) |
| | 088263-84-000 | EA | BATT STRIP-MAIN DECORATIVE, 8' LONG - BUBBLES TWILIGHT (D04) |
| | 088263-79-000 | EA | BATT STRIP-MAIN DECORATIVE, 8' LONG - ADRIAN MOCASSIN (D05) |
| | 092330-D2-438 | EA | LUMBER-VINYL WRAPPED, 7" X 1 5" X 9" - WOODGRAIN |
| | 092330-03-000 | EA | LUMBER-VINYL WRAPPED, 2" X 96" - WOODGRAIN - REGAL OAK |
| | 092330-05-000 | EA | LUMBER-VINYL WRAPPED, 2 9" X 96" - WOODGRAIN - REGAL OAK |
| | 092331-D2-134 | EA | MOLDING-VINYL WRAPPED, .7" X 1 57" X 84" - WOODGRAIN |
| | 092331-F2-134 | EA | MOLDING-VINYL WRAPPED, 7" X 2 5" X 7" - WOODGRAIN |
| | 092331-F2-438 | EA | MOLDING-VINYL WRAPPED, 7" X 2 5" X 96" - WOODGRAIN |
| | 096024-02-01A | EA | TRIM-J, 5" EXPOSED - 1" X 52.1" LONG - METAL - OFF WHITE |
| | 100041-01-000 | EA | MOLDING-VINYL WRAPPED, 7" X 1.57" X 84.02" - RAMBLING OAK |
| | 100659-01-B05 | EA | MOLDING-TRIM, VINYL FLOOR - 1" X 72" - WOOD |
| | 100818-01-01A | EA | MOLDING-VINYL WRAPPED, 1 65" X 4" X 7" - REGAL OAK |
| | 100819-01-01A | EA | MOLDING-VINYL WRAPPED, L-SHAPED - 1 5" X 1 5" X 7" - OAK |
| | 103186-01-02A | FT | MOLDING-EDGE, SHELF - 78" WIDE - PLASTIC - REGAL OAK |
| | 104676-01-01A | FT | MOLDING-T, 5/16" RIGID - GOLD |
| | 105004-01-01A | EA | MOLDING-VINYL WRAP, 1" X 8" - REGAL OAK |
| | 105709-01-000 | FT | MOLDING-T, 1" - PLASTIC - MODERN IVORY |
| | 105618-01-01A | FT | MOLDING-EDGE, 5/16" WIDE |

INTERIOR FINISH GROUP (CONTINUED)

PANELING, LAMINATES & PLASTIC

| KEY | PART NUMBER | U/M | DESCRIPTION |
|-----|---------------|-----|---|
| | 074497-19-000 | SF | PANELING-CEILING, 4' X 8' - INCREMENTS OF 32 SF |
| | 074497-20-000 | SF | PANELING-WOODGRAIN, 4' X 8' - INCREMENTS OF 32 SF |
| | 074498-24-000 | SF | LAMINATE-PLASTIC, 5' X 8' - REGAL OAK |
| | 074498-45-000 | SF | LAMINATE-PLASTIC, 5' X 8' - FAVORITE MIX (D04) |
| | 074498-46-000 | SF | LAMINATE-PLASTIC, 5' X 8' - TAUPE MATRIX (D05) |
| | 082272-98-000 | SF | PANELING-BATH/SHOWER, 4' X 7" - ANTIQUE WHITE |
| | 088272-A3-000 | SF | PANELING-BATH/GALLEY, 4' X 7" - FLORENCE TWILIGHT (D04) |
| | 088272-A4-000 | SF | PANELING-BATH/GALLEY, 4' X 7" - GYPSY MOCASSIN (D05) |
| | 088272-A5-000 | SF | PANELING-MAIN, 4' X 7" - BUBBLES TWILIGHT (D04) |
| | 088272-99-000 | SF | PANELING-MAIN, 4' X 7" - ADRIAN MOCASSIN (D05) |
| | 089297-01-000 | SF | PLYWOOD-LUAN, OVERLAY GRADE - 4' X 8' - INC OF 32 SF |
| | 093743-02-01A | SF | PLASTIC-ABS, 20" WIDE ROLL - OFF WHITE |
| | 093743-03-01A | SF | PLASTIC-ABS, 10 8" WIDE - OFF WHITE |
| | 098531-01-000 | SF | PLYWOOD RED OAK, 1/2" |

CARPETING & FLOOR MATS

| KEY | PART NUMBER | U/M | DESCRIPTION |
|-----|---------------|-----|--|
| | 096060-23-000 | SY | CARPET-ROLL 12' WIDE - BLUE MIST (D04) |
| | 096060-33-000 | SY | CARPET-ROLL 12' WIDE - LIGHT BROWN (D05) |
| | 093486-01-000 | SY | CARPET-COMPARTMENT, 54" WIDE - DARK GRAY |
| | 102695-04-000 | YD | TAPE-CARPET BIND, BLUE (D04) |
| | 102695-10-000 | YD | TAPE-CARPET BIND, FAWN (D05) |
| | 047034-02-000 | SF | PLASTIC-CARPET, 4" WIDE - CLEAR POLY |
| | 075233-01-000 | SY | PAD-CARPET, 3/8" X 6' ROLL |
| | 007038-01-000 | EA | MAT-FLOOR, ENTRANCE DOOR - W/WINNEBAGO LOGO - 10 5" X 26" - BLACK FROM 00-00-00 THRU 04-25-93 |
| | 081075-03-000 | EA | MAT-FLOOR ENTRANCE, WINNEBAGO - PLASTICOLOR GRAY (CAB TRIM GROUP) |
| | 106834-01-000 | EA | MAT-FLOOR, PASSENGER - "W" - FORD |
| | 106884-02-000 | EA | MAT-FLOOR, DRIVER - "W" - FORD |

FIRE EXTINGUISHER, SMOKE DETECTOR & CLOCK

| KEY | PART NUMBER | U/M | DESCRIPTION |
|-----|---------------|-----|---|
| | 072852-01-000 | EA | DETECTOR-SMOKE, W/9 VOLT BATTERY |
| | 072852-02-000 | EA | DETECTOR-SMOKE, W/9 VOLT BATTERY (CANADIAN) |
| | 094499-01-000 | EA | EXTINGUISHER-FIRE, DRY W/MOUNTING BRACKET - 10 BC |
| | 094499-02-000 | EA | EXTINGUISHER-FIRE, DRY - 1A10BC - CANADIAN |
| | 094499-01-700 | EA | BRACKET-MOUNTING, W/PLASTIC STRAP - FIRE EXTINGUISHER |
| | 104764-01-01A | EA | CLOCK-WALL, SPARTUS FROM 00-00-00 THRU 04-18-93 |
| | 100793-02-01A | EA | CLOCK-WALL, BOLDEN - FOUND 11" FROM 04-19-93 THRU 99-99-99 |

1993 WINNEBAGO TABLE OF CONTENTS

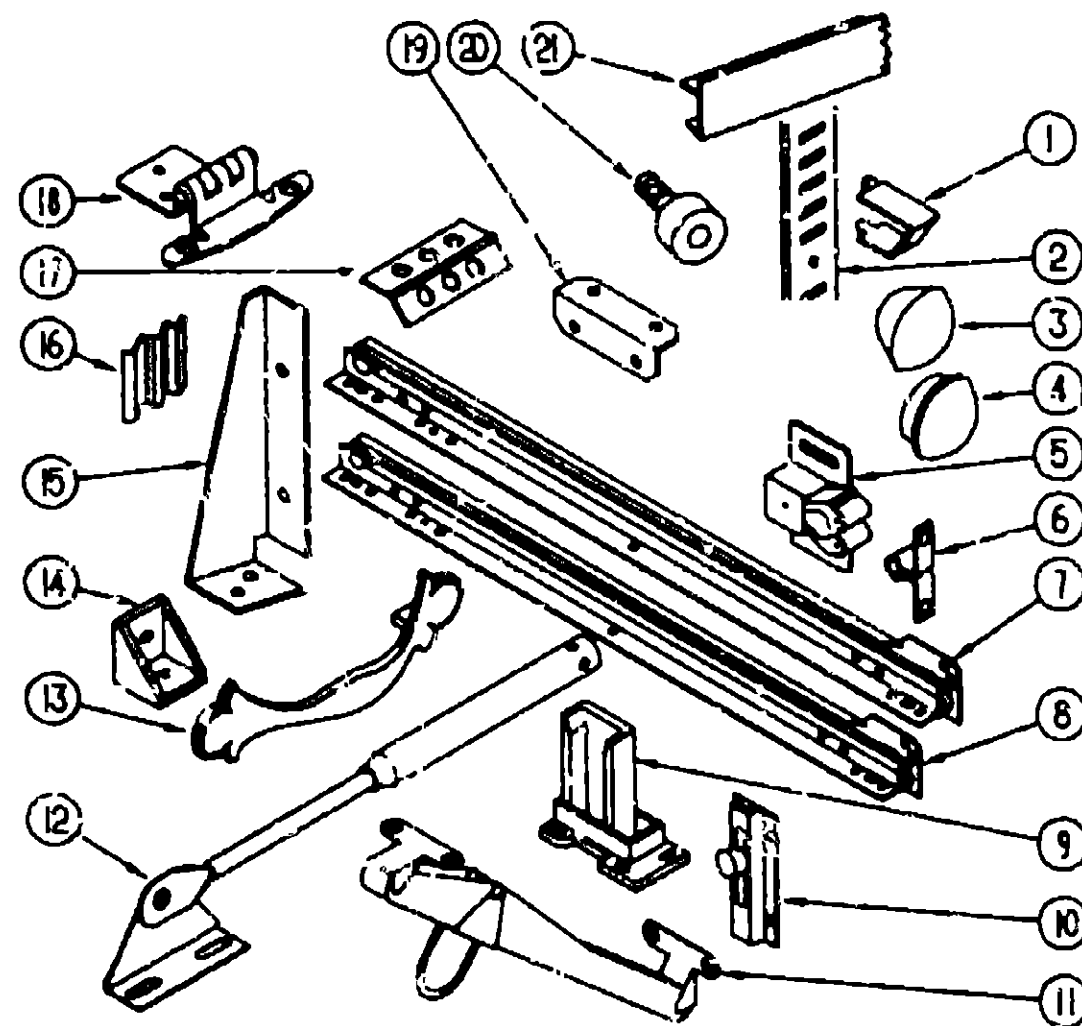
| | | |
|--------------------|------|------|
| INTRODUCTION | A-01 | A-02 |
| ABBREVIATIONS | | A-03 |
| ALPHABETICAL INDEX | A-04 | A-06 |
| WF427RQ | A-07 | D-20 |
| WF427RC | D-21 | H-10 |
| WF428RQ | H-11 | L-32 |

1993 WF428RQ INDEX

| | | |
|-----------------------------------|------|------|
| FLOOR PLAN | H-11 | H-12 |
| ACCESSORIES | | H-13 |
| AUDIO VIDEO | | H-14 |
| BATH | H-15 | H-16 |
| BEDROOM | H-17 | H-20 |
| CHASSIS | H-21 | H-24 |
| CURTAIN & CUSHION | I-01 | I-12 |
| DINETTE | I-13 | I-14 |
| DRIVERS COMPARTMENT | I-15 | I-16 |
| ELECTRICAL | I-17 | I-20 |
| EXTERIOR BODY | I-21 | J-02 |
| GALLEY | J-03 | J-06 |
| GENERATOR | | J-07 |
| HEATING & A/C | J-08 | J-10 |
| INTERIOR FINISH | J-11 | J-14 |
| LABELS | J-15 | J-22 |
| LP | | J-23 |
| LOUNGE | J-24 | K-02 |
| SEALANTS & FASTENERS | K-03 | K-05 |
| WATER & SEWAGE | K-06 | K-10 |
| WINDOW, VENT AND EXTERIOR DOOR | K-11 | L-01 |

INTERIOR FINISH GROUP (CONTINUED)

CABINET & TABLE HARDWARE



| KEY | PART NUMBER | U/M DESCRIPTION |
|-----|---------------|---|
| B | 106913-01-000 | EA SLIDE-DRAWER, CABINET MOUNTED - LEFT SIDE - 12" |
| C | 106913-02-000 | EA SLIDE-DRAWER, CABINET MOUNTED - RIGHT SIDE - 12" |
| B | 106913-03-000 | EA SLIDE-DRAWER, DRAWER MOUNTED - LEFT SIDE - 12" |
| B | 106913-04-000 | EA SLIDE-DRAWER, DRAWER MOUNTED - RIGHT SIDE - 12" |
| B | 106913-05-000 | EA SLIDE-DRAWER, CABINET MOUNTED - LEFT SIDE - 18" |
| B | 106913-06-000 | EA SLIDE-DRAWER, CABINET MOUNTED - RIGHT SIDE - 18" |
| B | 106913-07-000 | EA SLIDE-DRAWER, DRAWER MOUNTED - LEFT SIDE - 18" |
| B | 106913-08-000 | EA SLIDE-DRAWER, DRAWER MOUNTED - RIGHT SIDE - 18" |
| B | 106913-09-000 | EA SLIDE-DRAWER, CABINET MOUNTED - LEFT SIDE - 16" |
| B | 106913-10-000 | EA SLIDE-DRAWER, CABINET MOUNTED - RIGHT SIDE - 16" |
| B | 106913-11-000 | EA SLIDE-DRAWER, DRAWER MOUNTED - LEFT SIDE - 16" |
| B | 106913-12-000 | EA SLIDE-DRAWER, DRAWER MOUNTED - RIGHT SIDE - 16" |
| B | 106913-17-000 | EA SLIDE-DRAWER, CABINET MOUNTED - LEFT SIDE - 22" |
| B | 106913-18-000 | EA SLIDE-DRAWER, CABINET MOUNTED - RIGHT SIDE - 22" |
| B | 106913-19-000 | EA SLIDE-DRAWER, DRAWER MOUNTED - LEFT SIDE - 22" |
| B | 106913-20-000 | EA SLIDE-DRAWER, DRAWER MOUNTED - RIGHT SIDE - 22" |
| 9 | 107030-01-000 | EA BACKSOCKET-ADJUSTABLE, LEFT SIDE |
| 9 | 107030-02-000 | EA BACKSOCKET-ADJUSTABLE, RIGHT SIDE |
| 10 | 061604-01-000 | EA SLIDE-BOLT, ANTIQUE BRASS |
| 11 | 104181-01-01A | EA SUPPORT-LEAF, 5 3/4" - EXTENDS TO 7 3/4" - SAFETY RING - METAL |
| 12 | 074493-02-000 | EA SUPPORT-PISTON SPRING, CABINET DOOR |
| 13 | 100273-01-000 | EA PULL-CABINET, ANTIQUE BRASS |
| 14 | 065740-01-000 | EA BRACE-CABINET CORNER, PLASTIC |
| 15 | 076877-04-000 | EA BRACKET-BUNK/BED, 2 9/16" X 1 8/16" TRIANGLE - METAL - OFF WHITE |
| 16 | 105037-02-000 | EA FASTENER-WOOD, CORNER - METAL - 5" X 6" |
| 17 | 009029-01-000 | EA HINGE-DOOR, 2" X 1 4/8" - BRASS |
| 17 | 009059-02-000 | EA HINGE-DOOR, 2" X 2 7/8" - BRASS |
| 17 | 009063-01-000 | EA HINGE-CONTINUOUS 1 1/2" X 72" - UNPAINTED |
| 17 | 009066-01-000 | EA HINGE-CONTINUOUS, W/O HOLES - 1 1/16" X 6" - ALUMINUM |
| 18 | 108138-01-000 | EA HINGE-DOOR, CABINET - BURNISHED BRASS |
| 18 | 000G13-06-08G | EA SCREW-6-20 X 5/8 PPH, ANTIQUE BRASS (HINGE 108138-01-000) |
| 19 | 016604-01-000 | EA BRACE-CABINET, ANGLE - 2.5" - METAL - UNPAINTED |
| 19 | 016604-03-000 | EA BRACE-CABINET, ANGLE - 2.5" - METAL - BEIGE |
| 20 | 079921-01-000 | EA ROLLER-NYLON W/SHAFT |
| 21 | 103186-01-02A | FT MOLDING-SHELF EDGE, PLASTIC - REGAL OAK |
| | 108046-01-000 | EA CABLE TIE-SCREW MOUNT, 8" |
| | 076790-01-000 | EA SCREW, 6-20 X 1 1/4 PPH - BLACK |
| | 004354-01-000 | EA BUMPER-RUBBER, 5" DIA - BROWN |
| | 023320-01-000 | EA PAD-FELT, 3/8" DIAMETER - BROWN |
| | 009112-01-000 | EA FLANGE-1" ROD, CLOTHES - PLASTIC - OFF WHITE |
| | 002756-01-001 | EA ANGLE-EXTRUDED, 1" X 1 5/8" X 17" - ALUMINUM |

1993 WINNEBAGO TABLE OF CONTENTS

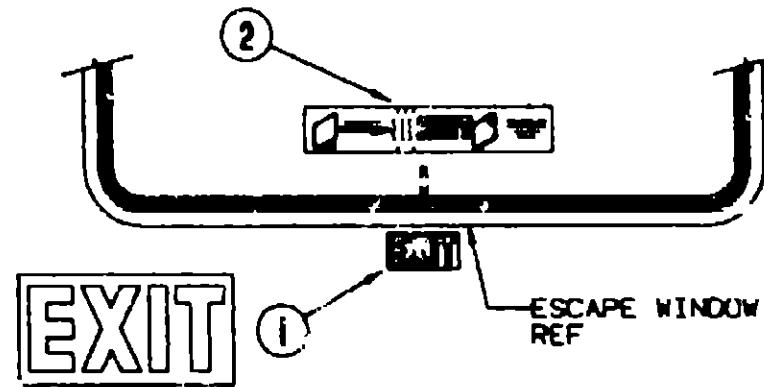
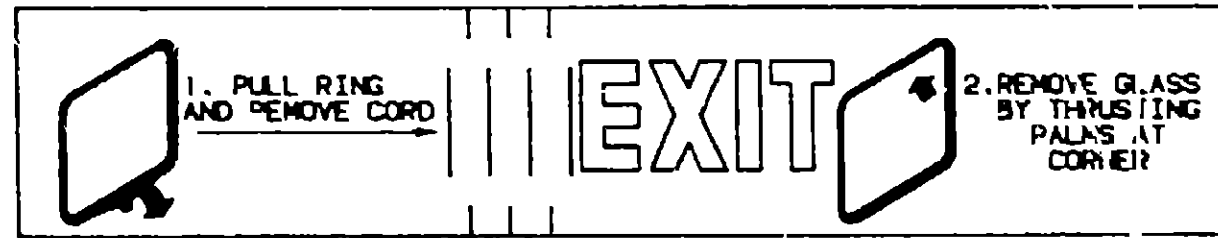
| | | |
|--------------------|--------|------|
| INTRODUCTION | A-01 - | A-02 |
| ABBREVIATIONS | | A-03 |
| ALPHABETICAL INDEX | A-04 - | A-06 |
| WF427RQ | A-07 - | D-20 |
| WF427RC | D-21 - | H-10 |
| WF428RQ | H-11 - | L-02 |

1993 WF428RQ INDEX

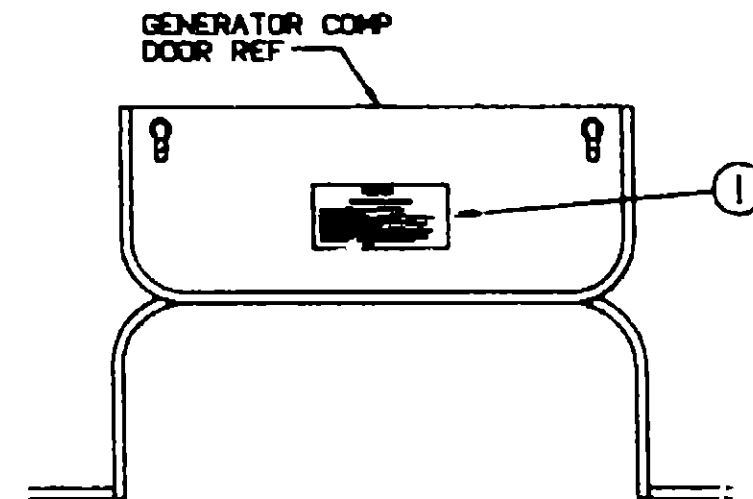
| | | |
|-----------------------------------|--------|------|
| FLOOR PLAN | H-11 - | H-12 |
| ACCESSORIES | | H-13 |
| AUDIO VIDEO | | H-14 |
| BATH | H-15 - | H-16 |
| BEDROOM | H-17 - | H-20 |
| CHASSIS | H-21 - | H-24 |
| CURTAIN & CUSHION | I-01 - | I-12 |
| DINETTE | I-13 - | I-14 |
| DRIVERS COMPARTMENT | I-15 - | I-16 |
| ELECTRICAL | I-17 - | I-20 |
| EXTERIOR BODY | I-21 - | J-02 |
| GALLEY | J-03 - | J-06 |
| GENERATOR | | J-07 |
| HEATING & A/C | J-08 - | J-10 |
| INTERIOR FINISH | J-11 - | J-14 |
| LABELS | J-15 - | J-22 |
| LP | | J-23 |
| LOUNGE | J-24 - | K-02 |
| SEALANTS & FASTENERS | K-03 - | K-05 |
| WATER & SEWAGE | K-06 - | K-10 |
| WINDOW, VENT AND EXTERIOR DOOR | K-11 - | L-01 |

| KEY | PART NUMBER | U/M DESCRIPTION |
|-----|---------------|--|
| 1 | 098979-01-000 | EA CLIP-ADJUSTABLE SHELF |
| 2 | 098980-01-000 | EA PILASTER-ADJUSTABLE SHELF 18" LONG |
| 2 | 098980-05-000 | EA PILASTER-ADJUSTABLE SHELF, 15" LONG |
| 3 | 042356-01-000 | EA PLUG-BUTTON, MAHOGANY - 3/8" DIAMETER - WOOD |
| 4 | 074045-07-000 | EA PLUG-WOOD, 1/2" |
| 5 | 093586-03-000 | EA CATCH-SPRING, ROLLER |
| 6 | 093586-04-000 | EA STRIKE-SPRING STEEL |
| 7 | 101910-03-000 | EA SLIDE-DRAWER, CABINET MOUNTED - SET OF 2 - 12" LONG |
| 7 | 101910-04-000 | EA SLIDE-DRAWER, DRAWER MOUNTED - SET OF 2 - 12" LONG |

LABELS GROUP



| KEY | PART NUMBER | U/M DESCRIPTION |
|-----|---------------|------------------------------|
| 1 | 039290-01-000 | EA LABEL-WARNING-EXIT |
| 2 | 107571-01-000 | EA LABEL-EXIT, ESCAPE WINDOW |



WARNING

UPON ADDING A GENERATOR SET:

NEVER VENTURE NEAR EXTREME CAUTION WITH WIRING OR ELECTRICAL COMPONENTS.

HAVE ALL ELECTRICAL INSTALLATION PERFORMED BY A QUALIFIED LICENSED ELECTRICIAN-FOLLOW ALL STATE AND LOCAL CODES.

ONLY INSTALL GENERATOR SET APPROVED FOR R.V. APPLICATION. HAVE IT INSTALLED BY QUALIFIED TECHNICIAN.

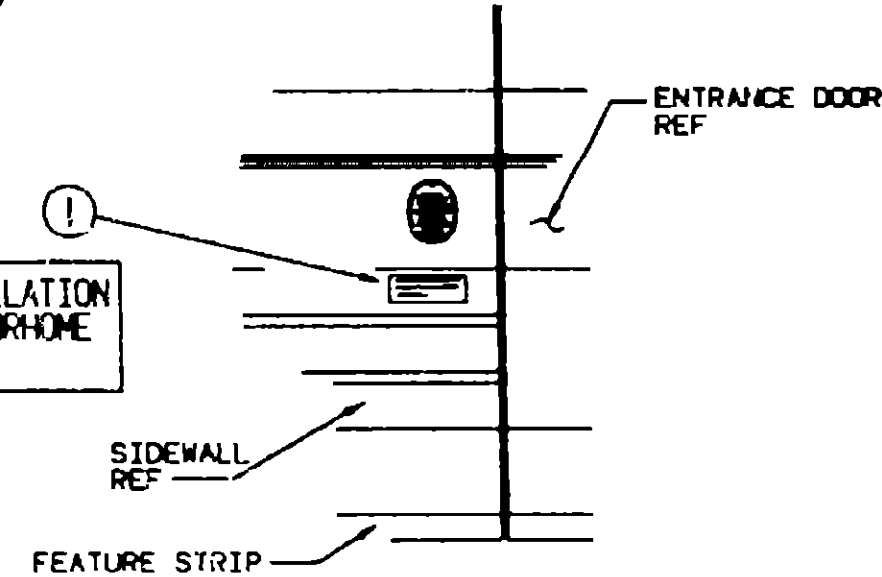
TO AVOID HEAT BUILD-UP AND TO ENSURE AN ADEQUATE AIR SUPPLY TO THE GENERATOR COMPARTMENT, FOLLOW INSTALLATION INSTRUCTIONS. GENERATOR EXHAUST SHOULD BE TRUCK AND MUST NOT VENTilate UNDER THE VEHICLE-BUSINESS-ORANGE EXHAUST MUST FRESH VEHICLE.

| KEY | PART NUMBER | U/M DESCRIPTION |
|-----|---------------|-------------------------|
| 1 | 077510-01-000 | EA LABEL-GENERATOR PREP |

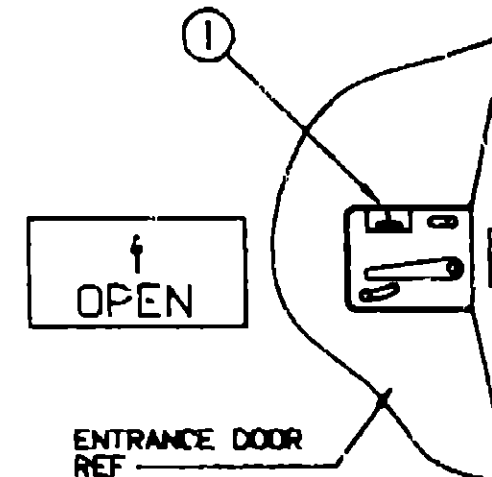
LABELS GROUP (CONTINUED)



FOR AWNING INSTALLATION CONTACT YOUR MOTORHOME DEALERSHIP



| KEY | PART NUMBER | U/M DESCRIPTION |
|-----|---------------|------------------------------|
| 1 | 099109-01-000 | EA LABEL-AWNING INSTALLATION |



| KEY | PART NUMBER | U/M DESCRIPTION |
|-----|---------------|--------------------------------|
| 1 | 040944-01-000 | EA LABEL-ENTRANCE DOOR, "OPEN" |

1993 WINNEBAGO TABLE OF CONTENTS

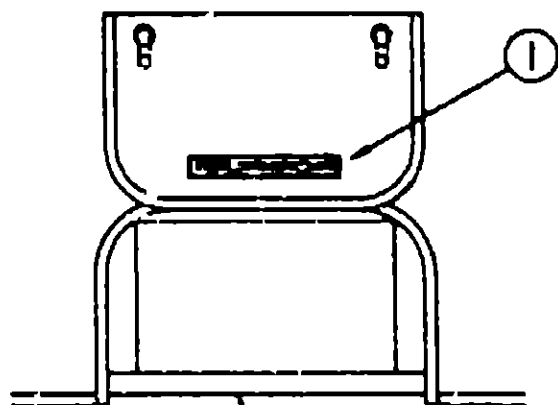
| | |
|--------------------|-------------|
| INTRODUCTION | A-01 - A-02 |
| ABBREVIATIONS | A-03 |
| ALPHABETICAL INDEX | A-04 - A-08 |
| WF427RQ | A-07 - D-20 |
| WF427RC | D-21 - H-10 |
| WF428RQ | H-11 - L-02 |

1993 WF428RQ INDEX

| | |
|--------------------------------|-------------|
| FLOOR PLAN | H-11 - H-12 |
| ACCESSORIES | H-13 |
| AUDIO VIDEO | H-14 |
| BATH | H-15 - H-16 |
| BEDROOM | H-17 - H-20 |
| CHASSIS | H-21 - H-24 |
| CURTAIN & CUSHION | I-01 - I-12 |
| DINETTE | I-13 - I-14 |
| DRIVERS COMPARTMENT | I-15 - I-16 |
| ELECTRICAL | I-17 - I-20 |
| EXTERIOR BODY | I-21 - J-02 |
| GALLEY | J-03 - J-06 |
| GENERATOR | J-07 |
| HEATING & A/C | J-08 - J-10 |
| INTERIOR FINISH | J-11 - J-14 |
| LABELS | J-15 - J-22 |
| LP | J-23 |
| LOUNGE | J-24 - K-02 |
| SEALANTS & FASTENERS | K-03 - K-05 |
| WATER & SEWAGE | K-06 - K-10 |
| WINDOW, VENT AND EXTERIOR DOOR | K-11 - L-01 |

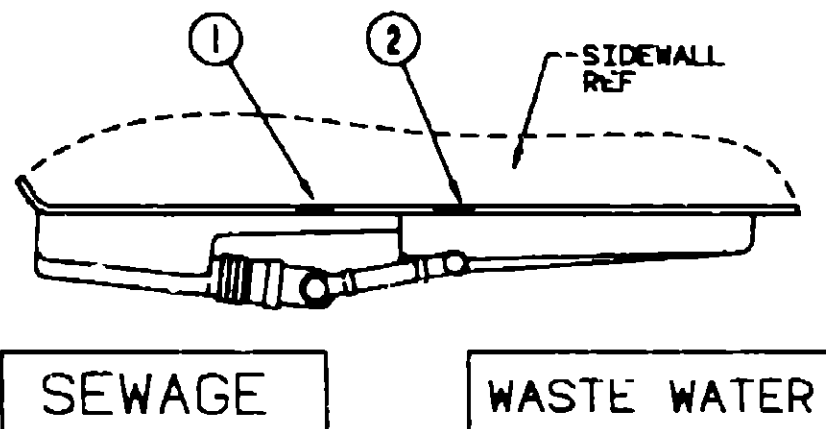
LABELS GROUP (CONTINUED)

WARNING DISCONNECT BATTERIES BEFORE
CONNECTING EXTERNAL CHARGING EQUIPMENT.



BATTERY COMPARTMENT
REF

| KEY | PART NUMBER | U/M DESCRIPTION |
|-----|---------------|-----------------------------------|
| 1 | 065748-01-000 | EA LABEL-CAUTION-BATTERY CHARGING |

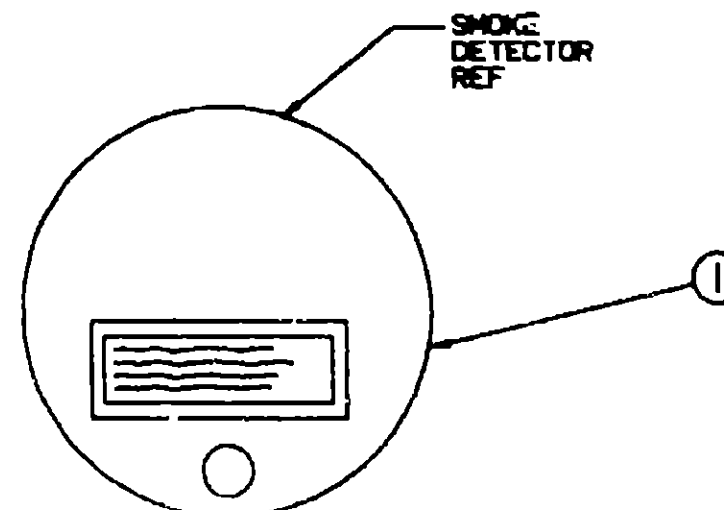


SEWAGE

WASTE WATER

| KEY | PART NUMBER | U/M DESCRIPTION |
|-----|---------------|----------------------|
| 1 | 006187-01-000 | EA LABEL-SEWAGE |
| 2 | 006188-01-000 | EA LABEL-WASTE WATER |

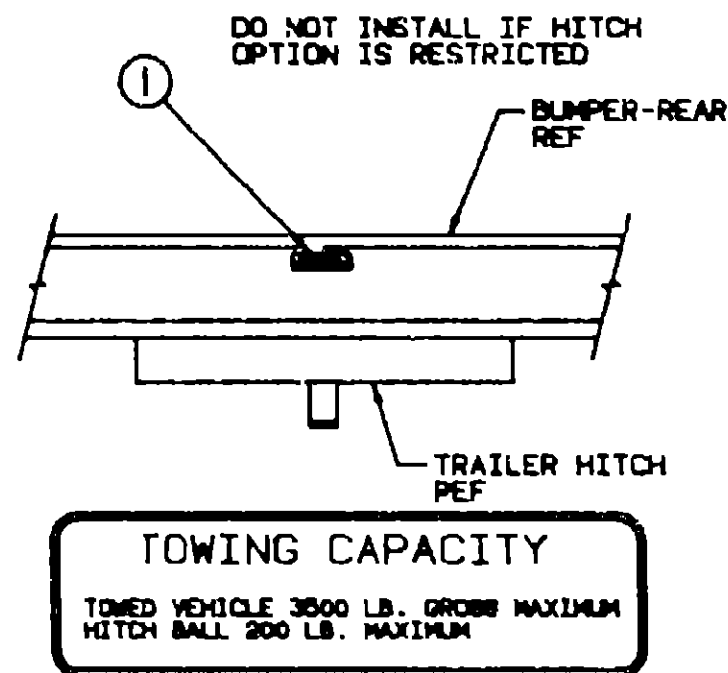
LABELS GROUP (CONTINUED)



SMOKE
DETECTOR
REF

WARNING: DETECTOR
OPERATES AT HIGH TEMPERATURES
DO NOT TOUCH DETECTOR OR
WIRING. KEEP AWAY FROM
FLAMMABLE MATERIALS.

| KEY | PART NUMBER | U/M DESCRIPTION |
|-----|---------------|---------------------------------|
| 1 | 077956-01-000 | EA LABEL-WARNING-SMOKE DETECTOR |



DO NOT INSTALL IF HITCH
OPTION IS RESTRICTED

BUMPER-REAR
REF

TRAILER HITCH
REF

TOWING CAPACITY
TOWED VEHICLE 3000 LB. GROSS MAXIMUM
HITCH BALL 200 LB. MAXIMUM

| KEY | PART NUMBER | U/M DESCRIPTION |
|-----|---------------|--------------------------|
| 1 | 075221-01-000 | EA LABEL-TOWING CAPACITY |

**1993 WINNEBAGO
TABLE OF CONTENTS**

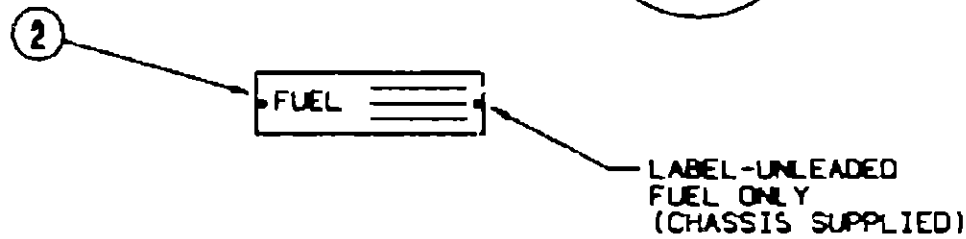
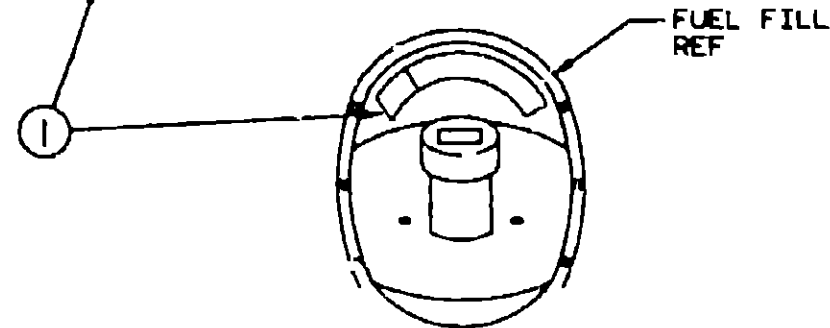
| | | |
|--------------------|--------|------|
| INTRODUCTION | A-01 - | A-02 |
| ABBREVIATIONS | | A-03 |
| ALPHABETICAL INDEX | A-04 - | A-06 |
| WF427RQ | A-07 - | D-20 |
| WF427RC | D-21 - | H-10 |
| WF428RQ | H-11 - | L-02 |

1993 WF428RQ INDEX

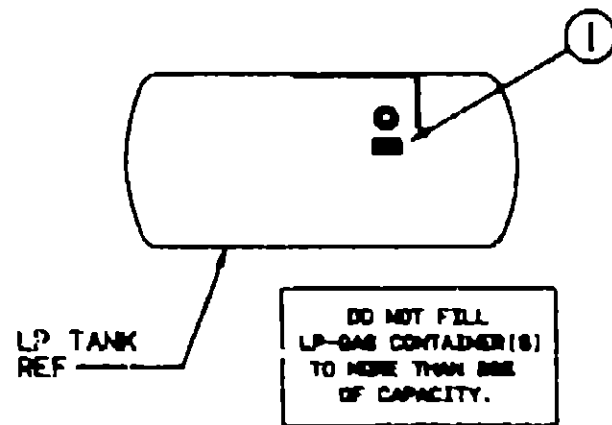
| | | |
|-----------------------------------|--------|------|
| FLOOR PLAN | H-11 - | H-12 |
| ACCESSORIES | | H-13 |
| AUDIO VIDEO | | H-14 |
| BATH | H-15 - | H-16 |
| BEDROOM | H-17 - | H-20 |
| CHASSIS | H-21 - | H-24 |
| CURTAIN & CUSHION | I-01 - | I-12 |
| DINETTE | I-13 - | I-14 |
| DRIVERS COMPARTMENT | I-15 - | I-16 |
| ELECTRICAL | I-17 - | I-20 |
| EXTERIOR BODY | I-21 - | J-02 |
| GALLEY | J-03 - | J-06 |
| GENERATOR | | J-07 |
| HEATING & A/C | J-08 - | J-10 |
| INTERIOR FINISH | J-11 - | J-14 |
| LABELS | J-15 - | J-22 |
| LP | | J-23 |
| LOUNGE | J-24 - | K-02 |
| SEALANTS & FASTENERS | K-03 - | K-05 |
| WATER & SEWAGE | K-06 - | K-10 |
| WINDOW, VENT AND EXTERIOR DOOR | K-11 - | L-01 |

LABELS GROUP (CONTINUED)

| | |
|---|---|
| CAUTION | TO HELP AVOID PERSONAL INJURY DURING REMOVAL OF FUEL FILLER CAP, SLOWLY LOOSEN CAP 1/2 TURN TO ALLOW ANY FUEL PRESSURE TO BE RELIEVED BEFORE TURNING CAP FURTHER. |
| FUEL SPRAY MAY CAUSE PERSONAL INJURY | STOP ADDING FUEL AFTER FIRST SHUTOFF BY AUTOMATIC NOZZLE WHEN TANK IS NEARLY FULL. DO NOT OVERFILL FUEL TANK. SEE OWNERS MANUAL FOR ADDITIONAL INFORMATION. |
| | PRINTED IN U.S.A. PLC PT NO 13611763 |

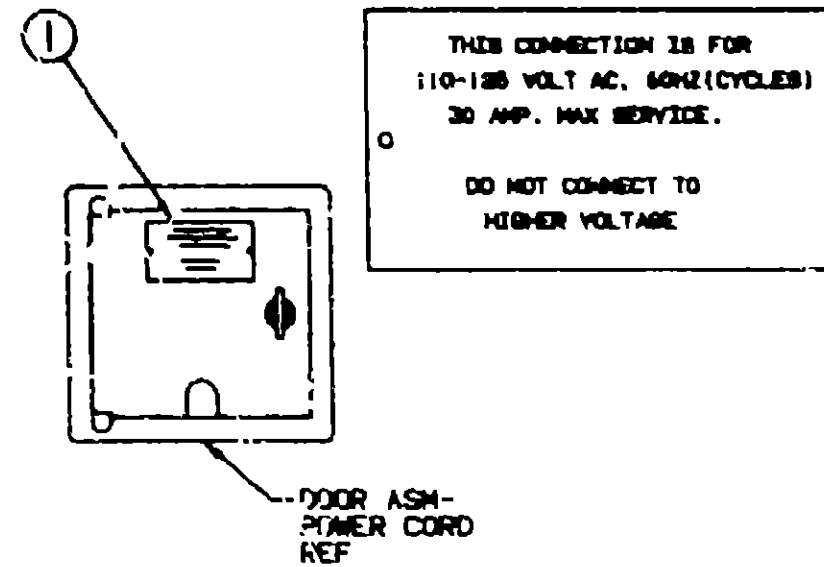


| KEY | PART NUMBER | U/M DESCRIPTION |
|-----|---------------|------------------------|
| 1 | 087207-05-000 | EA LABEL-GAS OVERFILL |
| 2 | 082043-01-000 | EA LABEL-FUEL-UNLEADED |

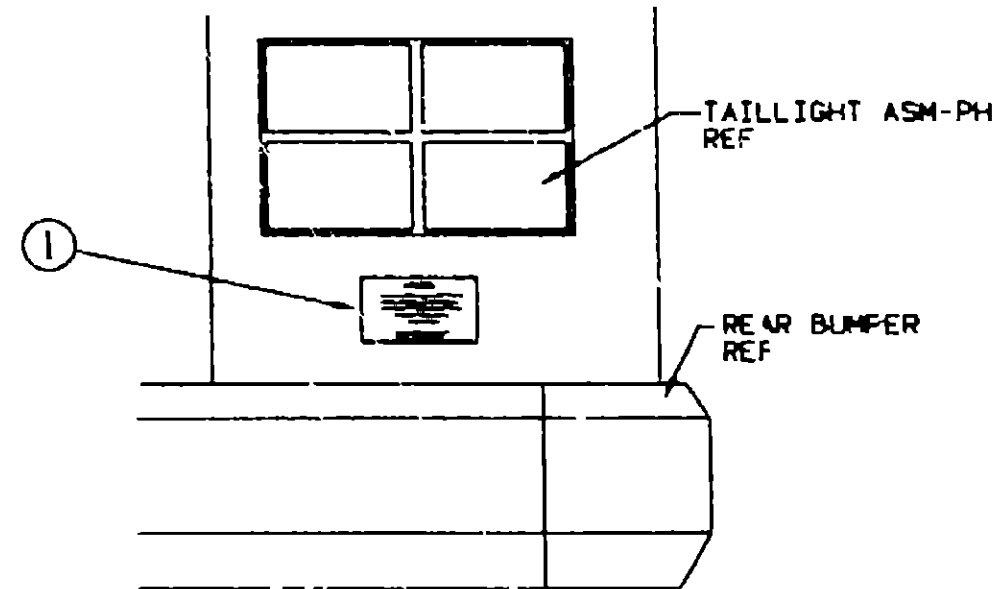


| KEY | PART NUMBER | U/M DESCRIPTION |
|-----|---------------|----------------------|
| 1 | 054531-01-000 | EA LABEL-LP GAS ONLY |

LABELS GROUP (CONTINUED)



| KEY | PART NUMBER | U/M DESCRIPTION |
|-----|---------------|---------------------------------|
| 1 | 006062-01-000 | EA TAG-ELECTRIC-110V CONNECTION |



WARNING

DO NOT EXCEED THE VEHICLE WEIGHT RATINGS OR LOADING RECOMMENDATIONS (E.G., GROSS VEHICLE, GROSS AXLE, GROSS COMBINED) OF THE CHASSIS MANUFACTURER OR WINNEBAGO INC.

REFER TO YOUR OWNERS MANUAL, BEFORE LOADING OR TOWING.

| KEY | PART NUMBER | U/M DESCRIPTION |
|-----|---------------|--------------------------------|
| 1 | 075220-01-000 | EA LABEL-WARNING-EXTERIOR LOAD |

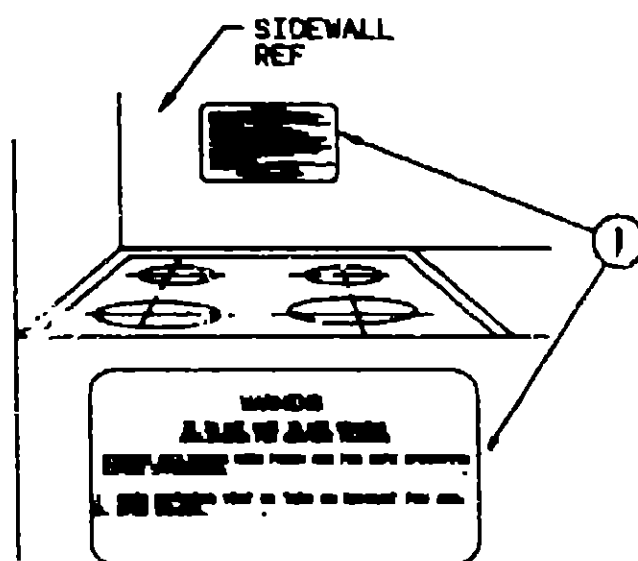
1993 WINNEBAGO TABLE OF CONTENTS

| | |
|--------------------|-------------|
| INTRODUCTION | A-01 - A-03 |
| ABBREVIATIONS | A-03 |
| ALPHABETICAL INDEX | A-04 - A-08 |
| WF427RQ | A-07 - D-20 |
| WF427RC | D-21 - H-10 |
| WF428RQ | H-11 - L-02 |

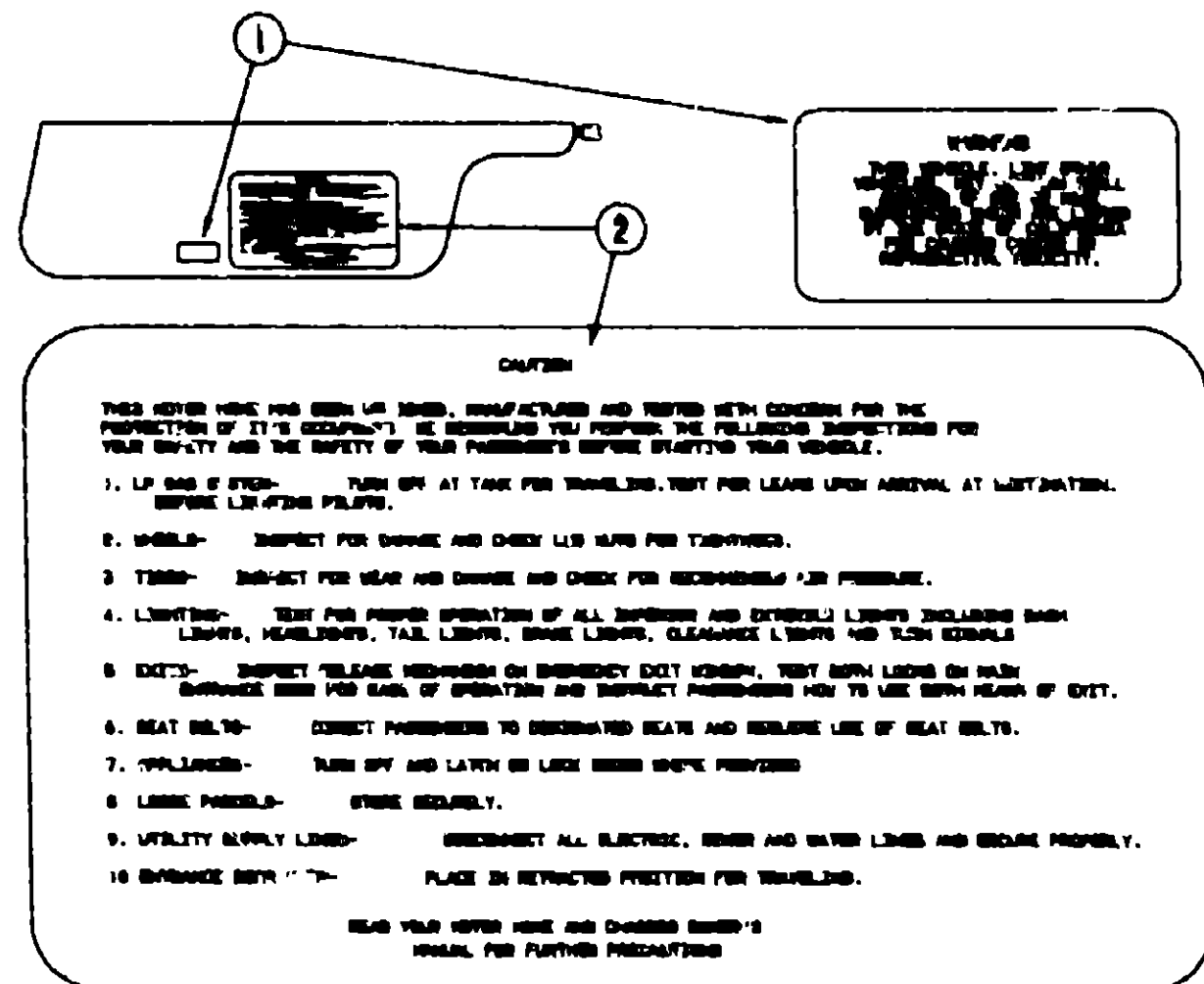
1993 WF428RQ INDEX

| | |
|--------------------------------|-------------|
| FLOOR PLAN | H-11 - H-12 |
| ACCESSORIES | H-13 |
| AUDIO VIDEO | H-14 |
| BATH | H-15 - H-16 |
| BEDROOM | H-17 - H-20 |
| CHASSIS | H-21 - H-24 |
| CURTAIN & CUSHION | I-01 - I-12 |
| DINETTE | I-13 - I-14 |
| DRIVERS COMPARTMENT | I-15 - I-15 |
| ELECTRICAL | I-17 - I-20 |
| EXTERIOR BODY | I-21 - J-02 |
| GALLEY | J-03 - J-06 |
| GENERATOR | J-07 |
| HEATING & A/C | J-08 - J-10 |
| INTERIOR FINISH | J-11 - J-14 |
| LABELS | J-15 - J-22 |
| LP | J-23 |
| LOUNGE | J-24 - K-02 |
| SEALANTS & FASTENERS | K-03 - K-05 |
| WATER & SEWAGE | K-06 - K-10 |
| WINDOW, VENT AND EXTERIOR DOOR | K-11 - L-01 |

LABELS GROUP (CONTINUED)



| KEY | PART NUMBER | U/M DESCRIPTION |
|-----|---------------|----------------------------------|
| 1 | 050225-01-000 | EA LABEL-WARNING-STOVE VENT - US |



CAUTION

THIS COVER HERE HAS BEEN LABELED, MANUFACTURED AND TESTED WITH CARE FOR THE PROTECTION OF IT'S OCCUPANTS. BE SURE YOU FOLLOW THE FOLLOWING INSTRUCTIONS FOR YOUR SAFETY AND THE SAFETY OF YOUR PASSENGERS BEFORE STARTING YOUR VEHICLE.

1. LP GAS SYSTEM- TURN OFF AT TANK FOR TRAVELING. TEST FOR LEAKS UPON ARRIVAL AT DESTINATION. BEFORE LIGHTING PILOTS.
2. WHEELS- INSPECT FOR DAMAGE AND CHECK LUB OILS FOR TIGHTNESS.
3. TIRES- INSPECT FOR WEAR AND DAMAGE AND CHECK FOR RECOMMENDED AIR PRESSURE.
4. LIGHTING- TEST FOR PROPER OPERATION OF ALL INTERIOR AND EXTERIOR LIGHTS INCLUDING BRAKE LIGHTS, HEADLIGHTS, TAIL LIGHTS, BRAKE LIGHTS, CLEARANCE LIGHTS AND TURN SIGNALS.
5. EXITS- INSPECT RELEASE MECHANISM ON EMERGENCY EXIT WINDOW. TEST BOTH LEVER ON MAIN ENTRANCE AND MAIN ENTRANCE AND INSPECT PASSENGERS HOW TO USE BOTH REAR OF EXIT.
6. SEAT BELTS- CORRECT PASSENGERS TO DESIGNATED SEATS AND REQUIRE USE OF SEAT BELTS.
7. APPLIANCES- TURN OFF AND LOCK OR LOCK BEHIND WHEN PROVIDED.
8. LINER PANELS- STOVE SECURELY.
9. UTILITY SUPPLY LINES- DISCONNECT ALL ELECTRIC, WATER AND WATER LINES AND SECURE PROPERLY.
10. ENTRANCE DOOR- PLACE IN RETRACTED POSITION FOR TRAVELING.

READ YOUR COVER HERE AND COVERED OWNER'S MANUAL FOR FURTHER PRECAUTIONS

| KEY | PART NUMBER | U/M DESCRIPTION |
|-----|---------------|----------------------------------|
| 1 | 099689-01-000 | EA LABEL-WARNING-CANCER/TOXICITY |
| 2 | 058259-01-000 | EA LABEL-SAFETY CHECK LIST |

LABELS GROUP (CONTINUED)

MISCELLANEOUS LABELS

| KEY | PART NUMBER | U/M DESCRIPTION |
|-----|---------------|--|
| | 104236-01-000 | EA LABEL-GENERATOR CIRCUIT |
| | 006064-01-000 | EA LABEL-SEAT W/O SEATBELT (US) |
| | 006064-02-000 | EA LABEL-SEAT W/O SEATBELT (CSA) |
| | | NOT INTENDED FOR USE WHILE COACH IN MOTION |
| | 087207-06-000 | EA LABEL-GAS OVERFILL, WARNING |
| | 091224-02-000 | EA LABEL-TRAILER LIGHTING |
| | 091243-01-000 | EA LABEL-A/C COVER, "AIR CONDITIONING CIRCUIT ETC" |
| | 091243-02-000 | EA LABEL-COVER, "MICROWAVE CIRCUIT ETC" |
| | 093236-08-000 | EA LABEL-CIRCUIT BREAKER |
| | 098641-01-000 | EA LABEL-FUEL, UNLEADED - DASH |
| | 074509-01-000 | EA DECAL -LOGO, LPG - RED - (CALIF CODE) |
| | 073998-01-000 | EA LABEL-LPG ODOOR WARNING |
| | 087236 01-000 | EA LABEL-CABLE, INPUT |
| | 061417-01-000 | EA LABEL-FUEL, ON FUEL FILL DOOR |
| | 006040-01-000 | EA TAG-GAS REFUELING WARNING US |
| | 006040-02-000 | EA TAG-GAS REFUEL WARNING-CANADIAN |

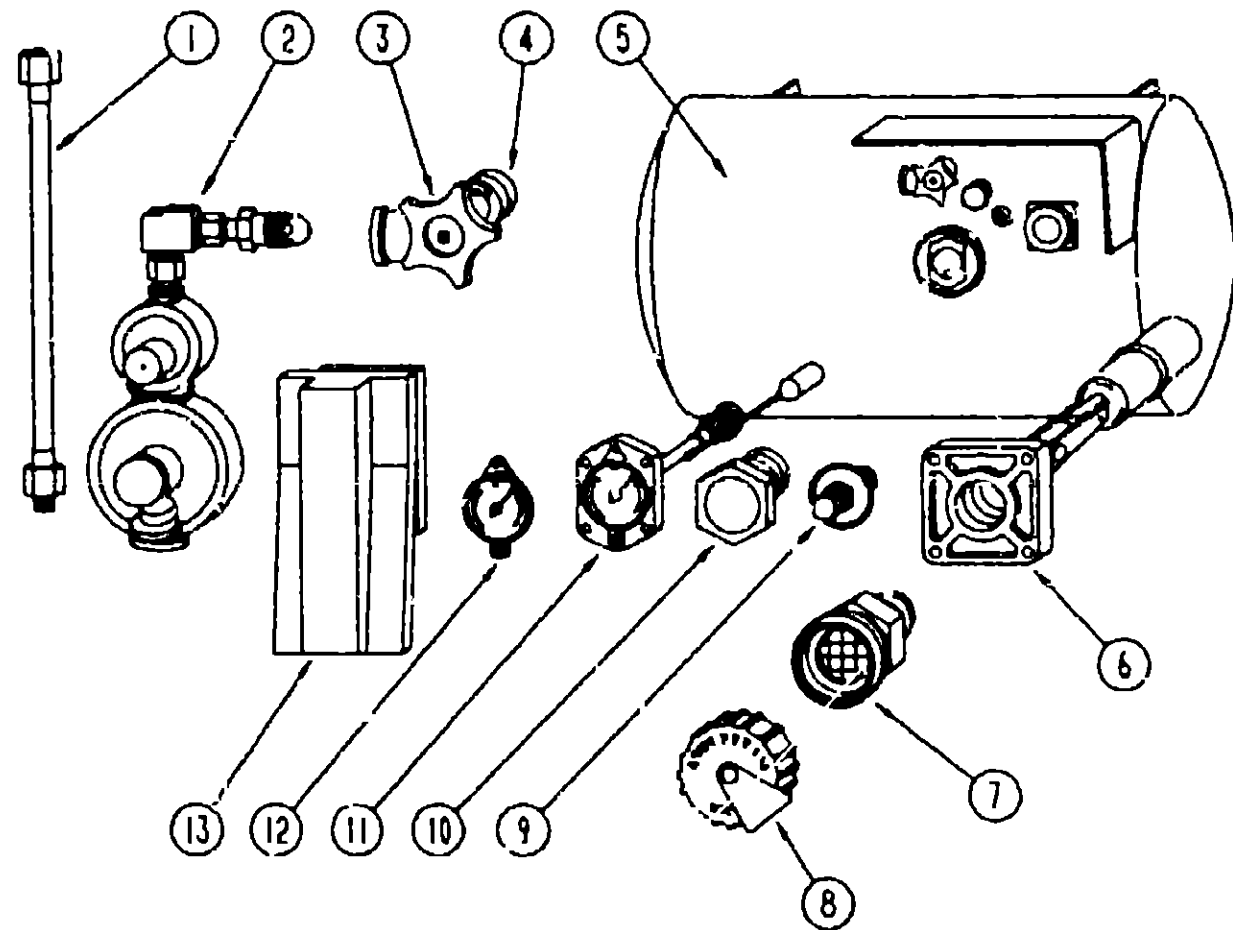
1993 WINNEBAGO TABLE OF CONTENTS

| | |
|--------------------|-------------|
| INTRODUCTION | A-01 - A-02 |
| ABBREVIATIONS | A-03 |
| ALPHABETICAL INDEX | A-04 - A-06 |
| WF427RQ | A-07 - D-20 |
| WF427RC | D-21 - H-10 |
| WF428RQ | H-11 - L-02 |

1993 WF428RQ INDEX

| | |
|--------------------------------|-------------|
| FLOOR PLAN | H-11 - H-12 |
| ACCESSORIES | H-13 |
| AUDIO VIDEO | I-14 |
| BATH | H-15 - H-16 |
| BEDROOM | H-17 - H-20 |
| CHASSIS | H-21 - H-24 |
| CURTAIN & CUSHION | I-01 - I-12 |
| DINETTE | I-13 - I-14 |
| DRIVERS COMPARTMENT | I-15 - I-16 |
| ELECTRICAL | I-17 - I-20 |
| EXTERIOR BODY | I-21 - J-02 |
| GALLEY | J-03 - J-06 |
| GENERATOR | J-07 |
| HEATING & A/C | J-08 - J-10 |
| INTERIOR FINISH | J-11 - J-14 |
| LABELS | J-15 - J-22 |
| LP | J-23 |
| LOUNGE | J-24 - K-02 |
| SEALANTS & FASTENERS | K-03 - K-05 |
| WATER & SEWAGE | K-06 - K-10 |
| WINDOW, VENT AND EXTERIOR DOOR | K-11 - L-01 |

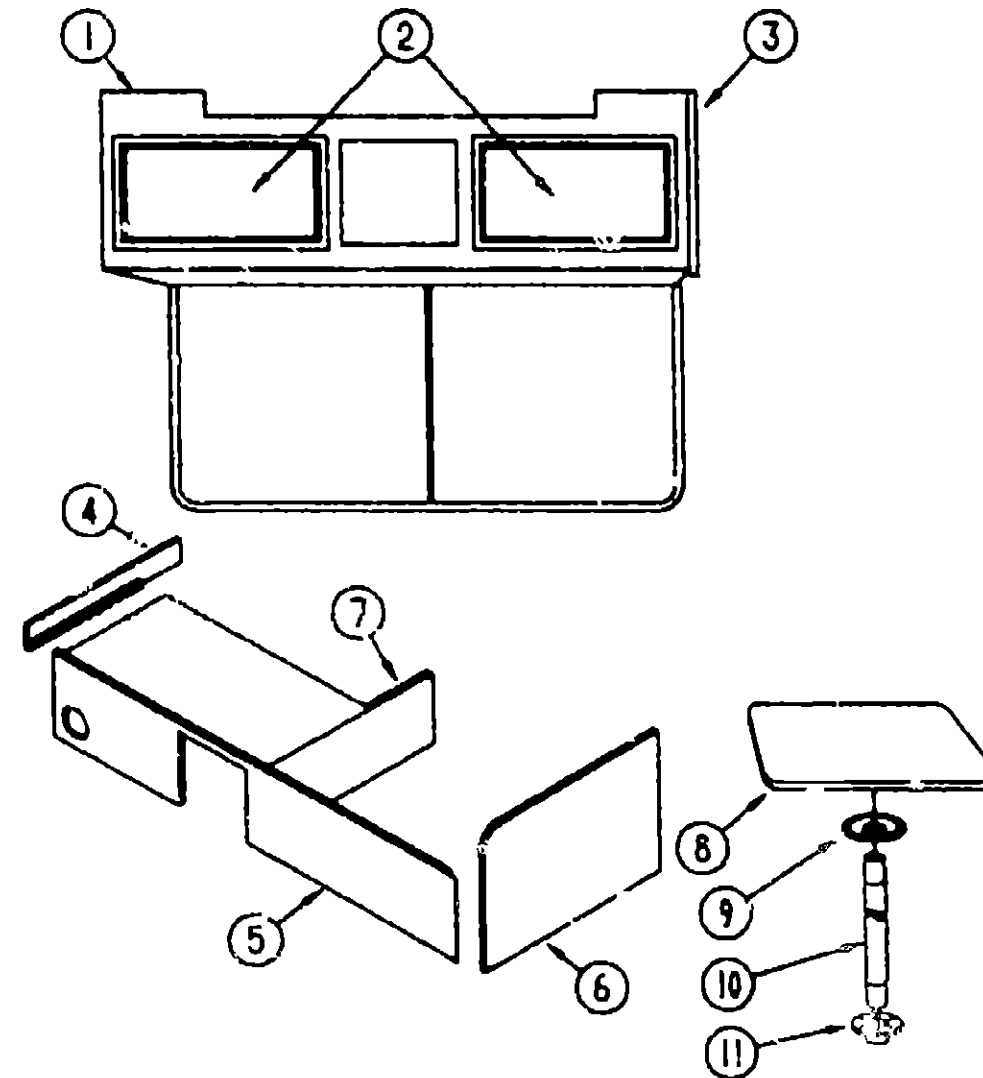
LP GROUP



LP SYSTEM

| KEY | PART NUMBER | U/M | DESCRIPTION |
|-----|---------------|-----|--|
| 1 | 045703-05-000 | EA | HOSE-LP - 3/8" ID X 28' - 3/8 MPT X 1/2" F SWIVEL - U.S |
| 1 | 045703-06-000 | EA | HOSE LP - 3/8" ID X 28' - 3/8" MPT X 1/2" F SWIVEL - CANADA |
| 2 | 106150-01-000 | EA | REGULATOR-TWO STAGE, M BRASS 293-00 |
| 3 | 040421-01-708 | EA | HANDWHEEL-SERVICE VALVE - BRUNNER G-1015-A |
| 4 | 040421-01-712 | EA | VALVE-SERVICE W/O VAPOR RELIEF - 29000853 |
| 5 | 080450-01-000 | EA | TANK-LP 42 LB - 13" DIAMETER X 24" LONG |
| 6 | 040421-01-711 | EA | VALVE-30% W/FLOAT - PLATE - BOLTS & GASKET - BRUNNER |
| 7 | 040421-01-701 | EA | VALVE-SHORT LP FILLER W/YELLOW CAP - BRUNNER 75478 |
| 8 | 040421-01-702 | EA | CAP-LP FILLER VALVE - PLASTIC - YELLOW - BRUNNER G-1014-A |
| 9 | 040421-01-700 | EA | VALVE-LIQUID LEVEL - 2" X LP - BRUNNER G-1013 |
| 10 | 040421-01-713 | EA | VALVE-VAPOR ONLY - 29000507 |
| 11 | 074142-01-700 | EA | FLOAT GAUGE-SCREW ON-MACHINE 13C-SCR |
| 12 | 040421-01-706 | EA | DIAL-LP TANK VOLUME - VISIBLE FACE (5-1789) - BRUNNER MA-8 ROCHESTER |
| 13 | 105658-01-000 | EA | COMPARTMENT-LP REGULATOR |
| | 010323-01-000 | EA | ADAPTER-BRASS - 3/8" F X 1/2" MPT |
| | 010285-01-000 | EA | CROSS - 3/8" F X 3/8" F X 3/8" F X 1/2" FPT - BRASS |
| | 010377-02-000 | EA | NUT-BRASS - 3/8" FEMALE - FORGED |
| | 010380-02-000 | EA | NUT-BRASS, 1/2" FEMALE - FORGED |
| | 010329-01-000 | EA | ADAPTER-BRASS-1/2" F X 1/2" MPT |
| | 010255-01-000 | EA | ELBOW BRASS 90 DEGREE - 3/8" F X 1/2" FPT |
| | 065318-02-000 | EA | ELBOW 90 DEGREE - 3/8" MPT TO 3/8" FPT |
| | 035340-01-000 | EA | ELBOW - 3/8" MPT X 1/2" F - BRASS |
| | 081642-01-000 | EA | TEE - 1/2" MPT X 1/2" FL X 3/8" FL - BRASS |
| | 085624-01-000 | EA | ELBOW-90 DEGREE - 1/4" FPT X 1/4" FPT - BRASS |
| | 071391-02-000 | EA | NIPPLE-HEX, 1/4" PIPE - 3325X4 WEATHERHEAD |
| | 008042-01-000 | FT | TUBING-VINYL, 65" ID |
| | 103613-01-000 | EA | DETECTOR-LEAK, LP GAS |

LOUNGE GROUP



DRIVER SIDE COUCH CABINETS & TABLES

| KEY | PART NUMBER | U/M | DESCRIPTION |
|-----|---------------|-----|--|
| 1 | 109518-02-D04 | EA | CABINET-OVERHEAD, W/O DOOR & HARDWARE |
| 1 | 109518-02-D05 | EA | CABINET-OVERHEAD, W/O DOOR & HARDWARE |
| 2 | P05223-70-D04 | EA | DOOR-CABINET, W/O HARDWARE - 290 X 715MM (MIRRORED) |
| 2 | P05223-71-D04 | EA | DOOR-CABINET, W/O HARDWARE - 290 X 715MM (WOOD PANEL) |
| 3 | 104335-06-C03 | EA | END CAP-CABINET OVERHEAD |
| 4 | M04187-68-D04 | EA | CABINET-COUCH W/FABRIC |
| 4 | M04187-68-D05 | EA | CABINET-COUCH W/FABRIC |
| 5 | M04187-66-D04 | EA | CABINET-COUCH W/FABRIC |
| 5 | M04187-66-D05 | EA | CABINET-COUCH W/FABRIC |
| 6 | M04187-67-D04 | EA | CABINET-COUCH W/FABRIC |
| 6 | M04187-67-D05 | EA | CABINET-COUCH W/FABRIC |
| 7 | M04187-70-D04 | EA | CABINET-COUCH W/FABRIC |
| 7 | M04187-70-D05 | EA | CABINET-COUCH W/FABRIC |
| | 082525-01-000 | EA | BRACE-COUCH, FLOOR MOUNT - ANGLE 3" LONG - METAL |
| | 083125-05-000 | EA | BRACE-ANGLE, COUCH - 2 5" - BEIGE |
| 8 | 081298-01-D04 | EA | TABLE-PEDESTAL W/O HARDWARE & LEG |
| 8 | 081298-01-D05 | EA | TABLE-PEDESTAL, W/O HARDWARE & LEG |
| 9 | 009040-03-000 | EA | BASE-TABLE, RAISED - TABLE MOUNTED |
| 10 | 009040-02-000 | EA | LEG-TABLE, 27 5" X 2 25" DIA - CHROME |
| 11 | 041194-01-000 | EA | BASE-TABLE 1 LUSH - FLOOR MOUNTED |
| | 062046-01-000 | EA | CLIP LEG, PEDESTAL - 1 7" X 2 2" - DIA FROM 2" TO 2 5" |
| | 042438-02-000 | EA | DOWEL-WOOD, 2" X 2" |
| | 076840-01-000 | EA | CORD-BUNGIE, 24" |

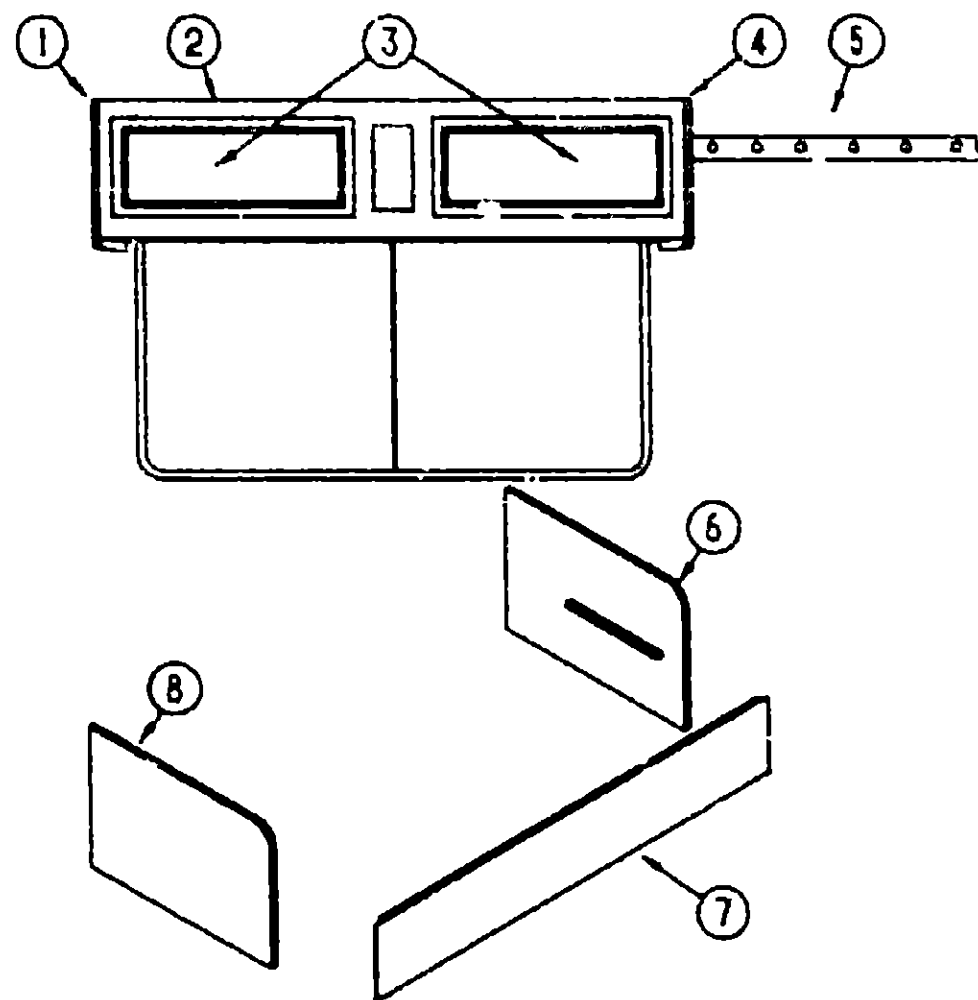
**1993 WINNEBAGO
TABLE OF CONTENTS**

| | | |
|--------------------|--------|------|
| INTRODUCTION | A-01 - | A-02 |
| ABBREVIATIONS | | A-03 |
| ALPHABETICAL INDEX | A-04 - | A-06 |
| WF427RQ | A-07 - | B-20 |
| WF427RC | D-21 - | H-10 |
| WF428RQ | H-11 - | L-02 |

1993 WF428RQ INDEX

| | | |
|----------------------------------|--------|------|
| FLOOR PLAN | H-11 - | H-12 |
| ACCESSORIES | | H-13 |
| AUDIO VIDEO | | H-14 |
| BATH | H-15 - | H-16 |
| BEDROOM | H-17 - | H-20 |
| CHASSIS | H-21 - | H-24 |
| CURTAIN & CUSHION | I-01 - | I-12 |
| DINETTE | I-13 - | I-14 |
| DRIVERS COMPARTMENT | I-15 - | I-16 |
| ELECTRICAL | I-17 - | I-20 |
| EXTERIOR BODY | I-21 - | J-02 |
| GALLEY | J-03 - | J-06 |
| GENERATOR | | J-07 |
| HEATING & A/C | J-08 - | J-10 |
| INTERIOR FINISH | J-11 - | J-14 |
| LABELS | J-15 - | J-22 |
| LP | | J-23 |
| LOUNGE | J-24 - | K-02 |
| SEALANTS & FASTENERS | K-03 - | K-05 |
| WATER & SEWAGE | K-06 - | K-10 |
| WINDOW VENT AND EXTERIOR DOOR | K-11 - | L-01 |

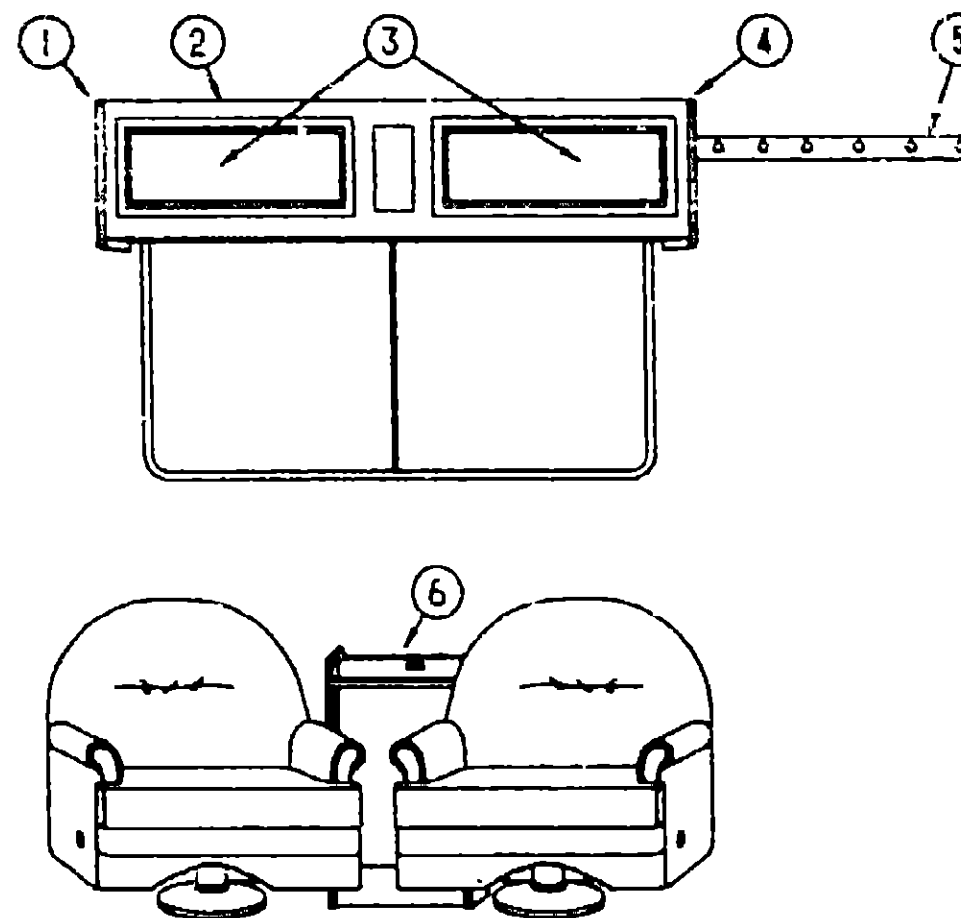
LOUNGE GROUP (CONTINUED)



PASSENGER SIDE COUCH CABINETS

| KEY | PART NUMBER | U/M | DESCRIPTION |
|-----|---------------|-----|---|
| 1 | 104335-28-D06 | EA | END CAP-CABINET, OVERHEAD |
| 2 | 109407-01-D04 | EA | CABINET-OVERHEAD, W/O DOOR & HARDWARE |
| 2 | 109407-01-D05 | EA | CABINET-OVERHEAD, W/O DOOR & HARDWARE |
| 2 | 109408-01-D04 | EA | CABINET-OVERHEAD, W/O DOOR & HARDWARE (W/TV OPTION) |
| 2 | 109408-01-D05 | EA | CABINET-OVERHEAD, W/O DOOR & HARDWARE (W/TV OPTION) |
| 3 | P05223-42-D04 | EA | DOOR-CABINET, W/O HARDWARE - 400 X 710MM |
| 4 | 104335-27-D06 | EA | END CAP-CABINET, OVERHEAD |
| 5 | 105847-04-C05 | EA | HOLDER-KEY RING |
| | 103130-01-000 | EA | HOOK-KEY RING, BRASS - 1.25" |
| 6 | M04187-65-D04 | EA | CABINET-COUCH W/FABRIC |
| 6 | M04187-65-D05 | EA | CABINET-COUCH W/FABRIC |
| 7 | M04187-63-D04 | EA | CABINET-COUCH W/FABRIC |
| 7 | M04187-63-D05 | EA | CABINET-COUCH W/FABRIC |
| 8 | M04187-64-D04 | EA | CABINET-COUCH W/FABRIC |
| 8 | M04187-64-D05 | EA | CABINET-COUCH W/FABRIC |
| | 082525-01-000 | EA | BRACE-COUCH, FLOOR MOUNT - ANGLE 3" LONG - METAL |
| | 082525-01-000 | EA | BRACE-ANGLE, COUCH - 2.5" - BR/GE |
| | 10E947-01-000 | EA | BRACKET-HOLD DOWN COUCH (CANADIAN OPTION) |

LOUNGE GROUP (CONTINUED)



PASSENGER SIDE SWIVEL CHAIR CABINETS & TABLE

| KEY | PART NUMBER | U/M | DESCRIPTION |
|-----|---------------|-----|---|
| 1 | 104335-28-D06 | EA | END CAP-CABINET, OVERHEAD |
| 2 | 109407-01-D04 | EA | CABINET-OVERHEAD, W/O DOOR & HARDWARE |
| 2 | 109407-01-D05 | EA | CABINET-OVERHEAD, W/O DOOR & HARDWARE |
| 2 | 109408-01-D04 | EA | CABINET-OVERHEAD, W/O DOOR & HARDWARE (W/TV OPTION) |
| 2 | 109408-01-D05 | EA | CABINET-OVERHEAD, W/O DOOR & HARDWARE (W/TV OPTION) |
| 3 | F04746-03-D04 | EA | DOOR-CABINET, W/O HARDWARE - 400 X 710MM |
| 4 | 104335-27-D06 | EA | END CAP-CABINET, OVERHEAD |
| 5 | 105847-04-C05 | EA | HOLDER-KEY RING |
| | 103130-01-000 | EA | HOOK-KEY RING, BRASS - 1.25" |
| 6 | M96873-01-C03 | EA | TABLE-PULLOUT, W/O PULLOUT TOP PANEL |
| | 096873-11-D12 | EA | TOP PANEL-PULL OUT |
| | 080736-01-000 | EA | PULL-RECESSED, 1.25" X 4" - OAK |

**1993 WINNEBAGO
TABLE OF CONTENTS**

| | |
|--------------------|-------------|
| INTRODUCTION | A-01 - A-02 |
| ABBREVIATIONS | A-03 |
| ALPHABETICAL INDEX | A-04 - A-06 |
| WF427RQ | A-07 - D-20 |
| WF427RC | D-21 - H-10 |
| WF428RQ | H-11 - L-02 |

1993 WF428RQ INDEX

| | |
|--------------------------------|-------------|
| FLOOR PLAN | H-11 - H-12 |
| ACCESSORIES | H-13 |
| AUDIO VIDEO | H-14 |
| BATH | H-15 - H-16 |
| BEDROOM | H-17 - H-20 |
| CHASSIS | H-21 - H-24 |
| CURTAIN & CUSHION | I-01 - I-12 |
| DINETTE | I-13 - I-14 |
| DRIVERS COMPARTMENT | I-15 - I-16 |
| ELECTRICAL | I-17 - I-20 |
| EXTERIOR BODY | I-21 - J-02 |
| GALLEY | J-03 - J-06 |
| GENERATOR | J-07 |
| HEATING & A/C | J-08 - J-10 |
| INTERIOR FINISH | J-11 - J-14 |
| LABELS | J-15 - J-22 |
| LP | J-23 |
| LOUNGE | J-24 - K-02 |
| SEALANTS & FASTENERS | K-03 - K-05 |
| WATER & SEWAGE | K-06 - K-10 |
| WINDOW, VENT AND EXTERIOR DOOR | K-11 - L-01 |

SEALANTS & FASTENERS GROUP

ADHESIVE & FASTENERS

| KEY | PART NUMBER | U/M | DESCRIPTION |
|-----|---------------|-----|---|
| | 034552-02-000 | EA | SILICONE-TUBE, 300 ML - W/O NOZZLE - CLEAR |
| | 034552-06-000 | EA | SILICONE-TUBE, 300 ML - W/O NOZZLE - OFF WHITE |
| | 900390-01-000 | EA | TIP-2 1/2" X 1/8" ORIFICE |
| | 900390-02-000 | EA | TIP-6" LN, 1 1/8" X 1/4" ORIFICE |
| | 900390-03-000 | EA | NOZZLES-#CSL D10 |
| | 053766-02-000 | EA | BEDDING COMPOUND-TUBE, WHITE SCHNEE# 5522 |
| | 053766-06-000 | EA | BEDDING COMPOUND-TUBE, CLEAR |
| | 053766-08-000 | EA | BEDDING COMPOUND-TUBE, GRAY - SCHNEE# 5522 |
| | 063642-01-000 | FT | TAPE-ADHESIVE, 10 MM X 1 5/8" WIDE X 180" |
| | 063640-01-000 | FT | SEALER-RIBBON, 1/4" DIAMETER - INCREMENTS OF 30" |
| | 069640-02-000 | FT | SEALER-RIBBON, 1/2" X 1/8" - INCREMENTS OF 30" OR 60" |
| | 069640-03-000 | FT | SEALER-RIBBON, 3/4" X 1/8" - INCREMENTS OF 60" |
| | 069640-10-000 | FT | SEALER-RIBBON, 1/32" X 1 1/2" INCREMENTS OF 90" |
| | 069640-11-000 | FT | SEALER-TAPE, 3/16" X 3/8", BLACK - MANUS |
| | 069640-12-000 | FT | SEALER-TAPE, 1/8" X 1 5/8" GRAY - MANUS |
| | 069640-14-000 | FT | SEALER-TAPE, 1/16" X 1" GRAY - MANUS |
| | 072889-01-000 | EA | SEALANT-URETHANE, BLACK - 1/10 - ESSEX 552 2 |
| | 002707-02-000 | FT | TAPE-SEALER, 5/16" X 1/2" |
| | 076314-02-000 | FT | TAPE-CARPET SEAM, HEAT-BOND - 4" WIDE |
| | 076322-01-000 | FT | TAPE-FOAM, DOUBLE COATED ADHESIVE BACKED - .75" X 216" |
| | 076322-02-000 | FT | TAPE-FOAM, DOUBLE COATED ADHESIVE BACKED - 1" X 108" |
| | 076322-03-000 | FT | TAPE-FOAM, DOUBLE COATED ADHESIVE BACKED - 5" X 108" |
| | 076322-05-000 | FT | TAPE-FOAM, DOUBLE COATED ADHESIVE BACKED - 025" X 1 5/8" X 108" |
| | 087211-01-000 | GL | PROMOTER-ADHESIVE |
| | 091255-02-000 | FT | SEAL-ADHESIVE BACKED FOAM, .18" THICK X 1 5/8" WIDE |
| | 094401-01-000 | EA | SEALER-BODY SEAM SEALER, 3M FLEXICLEAR |
| | 102352-01-000 | EA | SEALER-PUMPABLE, BLACK - COLORIMETRIC MS101 |
| | 108716-01-000 | EA | SILICONE-TUBE, OFF WHITE LEVEL - CSL 510 |

BOLTS, NUTS & WASHERS

| KEY | PART NUMBER | U/M | DESCRIPTION |
|-----|----------------|-----|---|
| | 000G45-05-168 | EA | BOLT-LAG 5/16 - 9 X 1 ZN |
| | 000C31K-08-020 | EA | BOLT-HEX, SER FLANGE - M8 X 020 |
| | 000C12-05-168 | EA | BOLT-HEX, 5/16-18 X 1 - ZINC 5 |
| | 000C12-06-328 | EA | BOLT-HEX-3/8-16X2LG,ZN 5 |
| | 000C12-07-248 | EA | BOLT-HEX,7/16-14X1 50,ZN 5 MC-90 |
| | 000C12-08-248 | EA | BOLT-HEX, 1/2-13 X 1 1/2 - ZN 5 |
| | 000C12-10-248 | EA | BOLT-HEX, 5/8-11 X 1 1/2 - ZN 5 |
| | 000C13-07-489 | EA | BOLT-HEX, 7/16 - 20 X 3 - ZN 5 |
| | 000C18-05-40A | EA | BOLT-ELEV 5/16-18 X 2 1/2" PL |
| | 000C18-06-488 | EA | BOLT-ELEV 3/8-16 X 3 ZN - GDE 5 |
| | 000C26-04-108 | EA | BOLT-HEX, SER FLG - 1/4-20 X 5/8 ZINC |
| | 000C26-05-128 | EA | BOLT-HEX-SER FLG 5/16-18X3/4 ZN |
| | 000C29-09-008 | EA | NUT-HEX, SELFLOCK 9/16 - 12 - ZN |
| | 102233-01-02A | EA | BOLT-CAP, FLANGE, 1/16 - 14 SST CAP - OFF WHITE |
| | 000D24-10-008 | EA | NUT-HEX, SF/LK - 10-32 ZN |
| | 000D34-06-008 | EA | NUT-HEX, LK - 3/8 16 GRADE C ZN - PREVAILING TORQUE |
| | 000D39-04-008 | EA | NUT-HEX, SER FLG LK 1/4 - 20 ZN |
| | 000D39-05-008 | EA | NUT-HEX, SER FLG LK - 5/16 - 18 ZN |
| | 000D39-06-008 | EA | NUT-HEX, SER FLG LK - 3/8-16 ZN |
| | 000D39-08-008 | EA | NUT-HEX, SER FLG LK - 1/2-13 ZN |
| | 000D44-07-008 | EA | NUT-HEX, SER FLG LK - 7/16-20 ZN |
| | 000E11-07-008 | EA | WASHER-LK, 7/16 MED SPLIT ZN 05114-01-000 |
| | 000E13-14-008 | EA | WASHER-FL, 1/4" WIDE ZN |
| | 000E13-17-008 | EA | WASHER-FLARE, 3/8" AR ZN |
| | 000E13-20-008 | EA | WASHER-FL, 7/16" WIDE - ZN |
| | 000E13-21-008 | EA | WASHER-FL, W/2 NAR ZN |
| | 000E14-10-008 | EA | WASHER-LK, NO 10 EXT TOOTH - ZN |
| | 041322-01-000 | EA | WASHER-FL, 15/32" X 2 3/8" OD - FOR SEAT BELT MOUNT |
| | 044533-01-000 | EA | WASHER-PLASTIC, 1 3/8" OD - FOR BUTTONS |

K-03

SEALANTS & FASTENERS GROUP (CONTINUED)

SCREWS

| KEY | PART NUMBER | U/M | DESCRIPTION |
|-----|---------------|-----|---|
| | 000G11-06-10J | EA | SCREW, 6-20 X 5/8 PPH - BRASS |
| | 000G11-07-088 | EA | SCREW, 7-19 X 1/2 PPH - ZN |
| | 000G11-08-068 | EA | SCREW, 8-18 X 3/8 PPH ZN |
| | 000G11-08-088 | EA | SCREW, 8-18 X 1/2 PPH - ZN |
| | 000G11-08-12B | EA | SCREW, 8-18 X 3/4 PPH ZN |
| | 000G11-08-12D | EA | SCREW, 8-18 X 3/4 PPH - BLACK |
| | 000G11-08-12E | EA | SCREW-8-18X.75 PPH CHROME ES0025 4 |
| | 000G11-08-12P | EA | SCREW, 8-18 X .75 PPH - DARK BROWN |
| | 000G11-08-12R | EA | SCREW, 8-18 X 3/4 PPH - BEIGE |
| | 000G11-08-12S | EA | SCREW, 8-18 X 3/4 PPH - OFF WHITE |
| | 000G11-08-12T | EA | SCREW, 8-18 X 3/4 PPH - BLACK |
| | 000G11-08-16S | EA | SCREW, 8-18 X 1.00 PPH - OFF WHITE |
| | 000G11-10-12S | EA | SCREW, 10-16 X 7/8 PPH OFF WHT |
| | 000G12-06-08T | EA | SCREW, 6-20 X 5/8 PPH - BLACK |
| | 000G12-08-12R | EA | SCREW, 8-18 X 7/8 PPH - BEIGE |
| | 000G12-08-12S | EA | SCREW, 8-18 X 3/4 PPH - OFF WHITE |
| | 000G13-06-06B | EA | SCREW, 6-20 X 3/8 PPH ZN |
| | 000G13-06-08B | EA | SCREW, 6-20 X 1/2 PPH ZN |
| | 000G13-06-08G | EA | SCREW, 6-20 X 1/2 PPH - ANTIQUE BRASS |
| | 000G13-06-16J | EA | SCREW, 6-20 X 1.00 PPH - BRASS |
| | 000G13-06-24J | EA | SCREW, 6-20 X 1 5/8 PPH - BRASS |
| | 000G13-07-12B | EA | SCREW, 7-19 X 3/4 PPH ZN |
| | 000G13-08-10B | EA | SCREW, 8-18 X 5/8 PPH - ZN |
| | 000G13-08-16B | EA | SCREW, 8-18 X 1 PPH - ZN |
| | 000G13-10-12B | EA | SCREW, 10-16 X 3/4 PPH ZN |
| | 000G18-08-16B | EA | SCREW-MACHINE 8 X 32 X 1, PPH ZN |
| | 000G18-08-22B | EA | SCREW-MACHINE, 8-32 X 1 1/8 PPH ZN |
| | 000G32-10-06B | EA | SCREW-10-32 X 3/8" - PPH - ZINC |
| | 000G39-06-08B | EA | SCREW-SF/DR, 6-18 X 1/2 ZN |
| | 000G39-06-10T | EA | SCREW-SF/DR, 6-20 X 5/8 PPH - BLACK |
| | 000G39-06-10T | EA | SCREW-SF/DR, 6-20 X 5/8 PPH - BLACK |
| | 000G39-06-16T | EA | SCREW-SF/DR, 6-20 X 1 PPH - BLACK |
| | 000G39-08-06B | EA | SCREW-SF/DR, 8-18 X 3/8 PPH ZN |
| | 000G39-08-08B | EA | SCREW-SF/DR, 8-18 X 1/2 PPH ZN |
| | 000G39-08-08R | EA | SCREW-SF/DR, 8-18 X 1/2 PPH - BEIGE |
| | 000G39-08-08S | EA | SCREW-SF/DR, 8-18 X 1/2 PPH - OFF WHITE |
| | 000G39-08-12B | EA | SCREW-SF/DR, 8-18 X 3/4 PPH ZN |
| | 000G39-08-16B | EA | SCREW-SF/DR, 8-18 X 1 PPH ZN |
| | 000G39-08-16S | EA | SCREW-SF/DR, 8-18 X 1.00 PPH, OFF WHITE |
| | 000G39-08-24B | EA | SCREW-SF/DR, 8-18 X 1 1/2 PPH ZN |
| | 000G39-10-129 | EA | SCREW-SF/DR, 10-16 X 3/4 PPH - FLUOROCARBON SILVER |
| | 000G39-10-12D | EA | SCREW-SF/DR, 10-16 X 3/4 PPH - BLACK |
| | 000G39-10-12R | EA | SCREW-SF/DR, 10-16 X 3/4 PPH - BEIGE |
| | 000G39-10-20B | EA | SCREW-SF/DR, 10-16 X 1 1/4 PPH ZN |
| | 000G39-10-32I | EA | SCREW-SF/DR, 10-16 X 2.00 PPH - ZN PLATE-PASS BLACK |
| | 000G39-12-12E | EA | SCREW-SF/DR, 12 - 14 X 3/4 PPH - CHROME |
| | 000G42-04-12B | EA | SCREW-SF/DR, 1/4 - 14 X 3/4 HWH ZN |
| | 000G42-04-16B | EA | SCREW-SF/DR, 1/4-14 X 1 HWH - ZN |
| | 000G50-04-12B | EA | SCREW-MACHINE, 1/4-20 X 3/4 PPH ZN |
| | 000G53-04-06B | EA | SCREW-MACHINE, 1/4-20 X 3/8 PPH ZN - UNDERCUT HEAD |
| | 000G54-04-20B | EA | SCREW, 1/4-20 X 1 1/4 PPH - TYPE 23 - ZINC PLATED |
| | 000G56-12-48B | EA | SCREW-WOOD, 12 - 11 X 3 PPH - SPECIAL HARDENED |
| | 000G60-10-28T | EA | SCREW-SF/DR, 10-16 X 1.75 - BLACK |
| | 000G67-10-08B | EA | SCREW, 10-12 X 1/2 PPH ZN |
| | 000G67-10-08R | EA | SCREW, 10-12 X 1/2 PPH - BEIGE - TYPE A |
| | 000G67-10-10B | EA | SCREW, 10-12 X 5/8 PPH ZN - TYPE A |
| | 000G67-10-10D | EA | SCREW, 10-12 X 5/8 PPH - BLACK - TYPE A |
| | 000G67-10-10R | EA | SCREW, 10-12 X 5/8 PPH - TYPE A - BEIGE |
| | 000G67-10-10S | EA | SCREW, 10-12 X 5/8" - PPH - OFF WHITE |
| | 000G67-10-120 | EA | SCREW, 10-12 X 3/4" PPH - TAN |
| | 000G67-10-12B | EA | SCREW, 10-12 X 3/4" PPH - ZN |
| | 000G67-10-12P | EA | SCREW, 10-12 X 7/8" - PPH - DARK BROWN |

K-04

1993 WINNEBAGO TABLE OF CONTENTS

| | | |
|--------------------|------|------|
| INTRODUCTION | A-01 | A-02 |
| ABBREVIATIONS | | A-03 |
| ALPHABETICAL INDEX | A-04 | A-06 |
| WF427RQ | A-07 | D-20 |
| WF427RC | D-21 | H-10 |
| WF428RQ | H-11 | L-02 |

1993 WF428RQ INDEX

| | | |
|-----------------------------------|------|------|
| FLOOR PLAN | H-11 | H-12 |
| ACCESSORIES | | H-13 |
| AUDIO VIDEO | | H-14 |
| BATH | H-15 | H-16 |
| BEDROOM | H-17 | H-20 |
| CHASSIS | H-21 | H-24 |
| CURTAIN & CUSHION | I-01 | I-12 |
| DINETTE | I-13 | I-14 |
| DRIVERS COMPARTMENT | I-15 | I-16 |
| ELECTRICAL | I-17 | I-20 |
| EXTERIOR BODY | I-21 | J-02 |
| GALLEY | J-03 | J-06 |
| GENERATOR | | J-07 |
| HEATING & A/C | J-08 | J-10 |
| INTERIOR FINISH | J-11 | J-14 |
| LABELS | J-15 | J-22 |
| LP | | J-23 |
| LOUNGE | J-24 | K-02 |
| SEALANTS & FASTENERS | K-03 | K-05 |
| WATER & SEWAGE | K-06 | K-10 |
| WINDOW, VENT AND EXTERIOR DOOR | K-11 | L-01 |

SEALANTS & FASTENERS GROUP (CONTINUED)

SCREWS (CONTINUED)

| KEY | PART NUMBER | U/M | DESCRIPTION |
|-----|---------------|-----|---|
| | 000G67-10-12R | EA | SCREW, 10-12 X 75 PPH - BEIGE |
| | 000G67-10-16B | EA | SCREW, 10-12 X 1 PPH - ZN |
| | 000G67-10-16P | EA | SCREW, 10-12 X 1 PPH - DARK BROWN |
| | 000G67-10-20D | EA | SCREW, 10-12 X 1 1/4 PPH - BLACK |
| | 000G67-10-24B | EA | SCREW, 10-12 X 1 1/2 PPH - ZN |
| | 000G67-10-32B | EA | SCREW, 10-12 X 2 PPH - ZN |
| | 000G68-06-10G | EA | SCREW, 6-18 X 5/8 POH - ANTIQUE BRASS |
| | 000G68-10-36T | EA | SCREW, 10-12 X 2.25 POH BLACK |
| | 049465-04-000 | EA | SCREW, 10-16 X 1 PTH W/WASHER - BEIGE |
| | 074046-01-000 | EA | SCREW, 8-18 X 1 1/2 PPH, BRONZE |
| | 075908-01-000 | EA | SCREW-MACHINE, 10-32 X 56 PTH - ZINC EXTERNAL TOOTH |
| | 087721-01-000 | EA | SCREW-FLAT HEAD, TAPPING - 1/4" X 1 1/4" LG ZN |
| | 101289-01-01A | EA | SCREW-MACHINE, 8-32 X 4 - POH - BRASS - FOR EXTENDED KNGB |

CLAMPS, GROMMETS, CLIPS & RIVETS

| KEY | PART NUMBER | U/M | DESCRIPTION |
|-----|---------------|-----|---|
| | 000H16-04-06R | EA | RIVET-POP, AL 1/8 X 313-375 |
| | 007161-01-000 | EA | CLAMP-HOSE, SPRING TYPE - 1/2" |
| | 010495-01-000 | EA | CLAMP-CABLE, 9/16" |
| | 010497-01-000 | EA | CLAMP-CLOSED, 5/8" ID |
| | 010497-03-000 | EA | CLAMP-CLOSED, 1" ID - CUSHIONED |
| | 010499-01-000 | EA | CLAMP-CLOSED, 3/8" ID |
| | 016189-03-000 | EA | GROMMET-L/P LINE, 3/8" HOLE X 2 1/2" LONG - RUBBER |
| | 016189-05-000 | EA | GROMMET-L/P LINE, 3/8" HOLE X 1 1/4" LONG - RUBBER |
| | 023942-01-000 | EA | GROMMET-RUBBER, 2" OD |
| | 062401-01-000 | EA | CLAMP-HOSE, WORMGEAR .25" - 1" |
| | 062401-02-000 | EA | CLAMP-HOSE, WORMGEAR, 1.56" - 2.5" |
| | 062401-04-000 | EA | CLAMP-HOSE, WORMGEAR .69" - 1.25" |
| | 062401-06-000 | EA | CLAMP-HOSE, WORMGEAR .22" - .62" |
| | 069592-02-000 | EA | RIVET-T, (POP) - 1/4 X .093 - .156 |
| | 071015-11-000 | EA | GROMMET-1 00" ID, FITS .12 MATL - MINOR RUBBER Z-3065 |
| | 071015-26-000 | EA | GROMMET-RUBBER, 1 5" ID X 2.12" OD W/ .06" GROOVE - BLACK |
| | 071015-31-000 | EA | GROMMET-RUBBER, .69" ID X 1 31" OD W/ .12" GROOVE - BLACK |
| | 075148-02-000 | EA | CLAMP-GROUNDING, BRONZE SCREWS |
| | 077953-01-000 | EA | GROMMET-EDGE LINER, FITS 1" |
| | 080734-02-000 | EA | CLIP-WIRE, NYLON |
| | 082149-01-000 | EA | STUD-CLINCH, 3/8" X 24 X 1 12 GD5 |
| | 083609-01-000 | EA | CLAMP-WIRE, DUAL EQUAL - 5/8" DIAMETER |
| | 083610-01-000 | EA | CLAMP-WIRE, DUAL - UNEQUAL DIAMETERS - .75" & 1.25" |
| | 085774-01-000 | FT | FASTENER-DUAL HOOK, 1" WIDE - ADHESIVE BACK - BLACK |
| | 085774-02-000 | FT | FASTENER-DUAL LOOP, 1" WIDE - ADHESIVE BACK - BLACK |
| | 091952-01-000 | EA | CLIP-GRIPPER, 1" |
| | 101447-01-000 | EA | CLIP-U TYPE, TINNERMAN - HOLDS SHOWER SURROUND TOGETHER |
| | 056134-01-000 | EA | HOLDER-RING, 3 6" DIAMETER - METAL |
| | 056134-02-000 | EA | HOLDER-RING, 1.8" DIAMETER - METAL |

WATER & SEWAGE GROUP

FRESH WATER TANK

| KEY | PART NUMBER | U/M | DESCRIPTION |
|-----|---------------|-----|---|
| | 084214-12-000 | EA | TANK-WATER, W/FITTINGS - 31 GALLON, 30" X 24" X 12.7" |
| | 077554-02-000 | EA | FILTER-WATER TANK, SCREEN IN TANK |
| | 042989-03-000 | EA | FITTING-WATER TANK, SPINWELD - 1 1/4" NPT, PLASTIC, WHITE |
| | 042989-04-000 | EA | FITTING-WATER TANK, SPINWELD - 3/8" FPT, PLASTIC, WHITE |
| | 042989-05-000 | EA | FITTING-WATER TANK, SPINWELD - 1/2" FPT, PLASTIC, WHITE |
| | 049032-01-000 | EA | PATCH-SPINWELD, 3/8" - PLASTIC |
| | 039861-01-000 | EA | SENDING UNIT, W/SCREW - WASHER - WELL NUT AND TERMINAL RING |

WATER SYSTEM

| KEY | PART NUMBER | U/M | DESCRIPTION |
|-----|---------------|-----|---|
| | 036522-02-000 | EA | CAP-BRASS, 1/2" FLARE |
| | 106000-01-000 | EA | CAP-FEMALE, W/CONE - 50 - KEYCO TC3F |
| | 010224-01-000 | EA | ADAPTER-HOSE TO PIPE, 3/8" MPT X 3/8" BARB - PLASTIC BLACK |
| | 044927-01-000 | EA | ADAPTER-HOSE TO PIPE, 1 1/4" MPT X 1 1/4" BARB - BLACK PLASTIC |
| | 052954-01-000 | EA | ADAPTER-NOSE CONE, 3/8" OR 1/2" TUBING - PLASTIC, GRAY |
| | 079317-01-000 | EA | ADAPTER-SWIVEL, 1/2" TUBE X 1/2" FPT - PLASTIC, GRAY |
| | 106258-01-000 | EA | CAP-INSERTABLE, 1/2" FLARE |
| | 098417-01-000 | EA | CONNECTOR-5/8" F X 1/2" MPT PLASTIC, KEYCO |
| | 101814-01-000 | EA | COUPLING-FEMALE, 1/2" X 1/2" FPT |
| | 052980-01-000 | EA | DRAIN VALVE-IN LINE HEADER, 1/2" F X 1/2" F, GRAY FLAS |
| | 052960-03-000 | EA | DRAIN VALVE-IN LINE HEADER, 5/8" F X 5/8" F, PLASTIC |
| | 052961-02-000 | EA | DRAIN VALVE-IN LINE HEADER, 1/2" MPT X 1/2" F X 1/2" F X 1/2" F - PLASTIC |
| | 055290-01-000 | EA | ELBOW 5/8" F X 1/2" MPT |
| | 052957-02-000 | EA | ELBOW MALE, 1/2" F X 1/2" MPT - PLASTIC, GRAY |
| | 087659-04-000 | EA | FILL-WATER CITY, OFF WHITE |
| | 087659-01-700 | EA | FILL-WATER STRAP & CAP ONLY, V322-00 |
| | 110815-01-01A | EA | FILL-WATER CITY, OFF WHITE |
| | 046128-01-000 | EA | VALVE-DRAIN PLASTIC, 1/2" FPT |
| | 065120-01-000 | EA | ELBOW-SWIVEL, 1/2" FPT X 1/2" FLARE - PLASTIC - GRAY |
| | 052953-01-000 | EA | NUT-FAUCET, 1/2" TUBE X 1/2" FPT - PLASTIC - GRAY |
| | 052952-01-000 | EA | NUT-PLASTIC 1/2" F X 1/2" TUBE - GRAY |
| | 052952-02-000 | EA | NUT-PLASTIC, 5/8" FLARE |
| | 039799-01-000 | EA | TEE-1/2" MPT X 1/2" MPT X 1/2" MPT, PLASTIC |
| | 052958-01-000 | EA | TEE-1/2" F X 1/2" F X 1/2" F, PLASTIC - GRAY |
| | 055291-01-000 | EA | TEE-PLASTIC, 5/8" F X 5/8" F X 5/8" F |
| | 055293-01-000 | EA | TEE-PLASTIC, 5/8" F X 1/2" F X 5/8" F |
| | 057973-01-000 | EA | TEE-PLASTIC, 1/2" F X 1/2" F X 5/8" F, WATER |
| | 057974-01-000 | EA | TEE-5/8" F X 1/2" F X 1/2" F, PLASTIC |
| | 039800-01-000 | FT | TUBING-POLYBUTYL, 1/2" OD - INCREMENTS OF 20' - BLACK |
| | 039800-02-000 | FT | TUBING-POLYBUTYL, 5/8" OD - INCREMENTS OF 20' - BLACK |
| | 079381-01-000 | FT | TUBING-SMOOTH, FLEXIBLE 1 1/4" ID - INCREMENTS OF 20' |
| | 074462-02-000 | FT | TUBING-VINYL, 3/8" ID - CLEAR - INCREMENTS OF 20' |

FROM: 00-00-00 THRU 05-16-93

FROM: 05-17-93 THRU 92-99-99

**1993 WINNEBAGO
TABLE OF CONTENTS**

| | | |
|--------------------|--------|------|
| INTRODUCTION | A-01 - | A-02 |
| ABBREVIATIONS | | A-03 |
| ALPHABETICAL INDEX | A-04 - | A-06 |
| WF427RQ | A-07 - | D-20 |
| WF427RC | D-21 - | H-10 |
| WF4287Q | H-11 - | L-02 |

1993 WF428RQ INDEX

| | | |
|-----------------------------------|--------|------|
| FLOOR PLAN | H-11 - | H-12 |
| ACCESSORIES | | H-13 |
| AUDIO VIDEO | | H-14 |
| BATH | H-15 - | H-16 |
| BEDROOM | H-17 - | H-20 |
| CHASSIS | H-21 - | H-24 |
| CURTAIN & CUSHION | I-01 - | I-12 |
| DINETTE | I-13 - | I-14 |
| DRIVERS COMPARTMENT | I-15 - | I-16 |
| ELECTRICAL | I-17 - | I-20 |
| EXTERIOR BODY | I-21 - | J-02 |
| GALLEY | J-03 - | J-06 |
| GENERATOR | | J-07 |
| HEATING & A/C | J-08 - | J-10 |
| INTERIOR FINISH | J-11 - | J-14 |
| LABELS | J-15 - | J-22 |
| LP | | J-23 |
| LOUNGE | J-24 - | K-02 |
| SEALANTS & FASTENERS | K-03 - | K-05 |
| WATER & SEWAGE | K-06 - | K-10 |
| WINDOW, VENT AND EXTERIOR DOOR | K-11 - | L-01 |

WATER & SEWAGE GROUP

WATER PUMP

| KEY | PART NUMBER | U/M | DESCRIPTION |
|-----|---------------|-----|---|
| | 000607-01-000 | EA | PUMP-WATER, 1/2" 5" MPT FITTING - SHURFLO 2.8 GPM, UL |
| | 000607-01-700 | EA | PUMPHEAD-REPLACEMENT - 94-236-08 |
| | 000607-01-701 | EA | DRIVE ASSEMBLY - 94-234-03 |
| | 000607-01-702 | EA | DIAPHRAGM KIT - 94-233-10 |
| | 000607-01-703 | EA | VALVE ASSEMBLY - 94-232-00 |
| | 000607-01-704 | EA | HOUSING-UPPER - 94-231-01 |
| | 000607-01-705 | EA | CHECK VALVE KIT - 94-237-00 |
| | 000607-01-706 | EA | UPPER HOUSING/SWITCH KIT - 94-231-20 |
| | 000607-01-707 | EA | MOTOR/BASEPLATE REPLACEMENT - 94-235-03 |

EXTERIOR SHOWER

| KEY | PART NUMBER | U/M | DESCRIPTION |
|-----|---------------|-----|---|
| | 103082-01-000 | EA | HEAD-SHOWER, W/60 IN HOSE (US & CANADIAN) |
| | 103082-01-700 | EA | BRACKET-SHOWER HEAD |
| | 075241-05-000 | EA | FAUCET-SHOWER, BONE |
| | 105210-02-000 | EA | BRACKET-SUPPORT, FAUCET |
| | 001952-02-000 | EA | CLIP-GRIPPER, 3/4" |

WATER & SEWAGE GROUP (CONTINUED)

WATER HEATER W/MOTOR AID

| KEY | PART NUMBER | U/M | DESCRIPTION |
|-----|---------------|-----|---|
| | 051391-03-000 | EA | HEATER-WATER, W/ELECTRIC IGNITION - ATWOOD G6A-3E |
| | 051391-J1-700 | EA | HINGE KIT-W/CLIP, ATWOOD 92568 & 92559 |
| | 051391-01-704 | EA | VALVE-RELIEF, 1/2" FITTING - ATWOOD 91604 |
| | 051391-01-705 | EA | FASTENER-CAMLLOC, ATWOOD 92609 |
| | 051391-01-706 | EA | GRILLE-EXHAUST, ATWOOD 92787 |
| | 051391-01-708 | EA | BURNER-MAIN, 3E ONLY - ATWOOD 92615 |
| | 051391-01-710 | EA | ORIFICE-MAIN BURNER, ATWOOD 92742 |
| | 051391-01-715 | EA | DRAIN PLUG, ATWOOD 91561 |
| | 051391-04-700 | EA | TANK-INNER, (G6A-3E), FRONT MOUNT ATWOOD 91608 |
| | 051391-04-701 | EA | THERMOSTAT 12 VDC-120 PRESET, ATWOOD 91470 |
| | 051391-04-706 | EA | TANK-INNER, G6A-4E & 6E - FRONT MOUNT - ATWOOD 91641 |
| | 051393-01-702 | EA | SWITCH-ENERGY CUT-OFF, ATWOOD 91951 |
| | 051393-01-703 | EA | THERMOSTAT-REAR MOUNT ATWOOD 91952 |
| | 051393-01-704 | EA | CIRCUIT BOARD-W/BLACK BOX, ATWOOD 91420 |
| | 051393-01-705 | EA | ORIFICE HOLDER-ATWOOD 91925 |
| | 051393-01-718 | EA | SPARK & PROBE ASM, ATWOOD 91606 |
| | 051393-01-718 | EA | VALVE-DUAL SOLENOID, ATWOOD 9180F |
| | 051393-01-721 | EA | ECO-THERMOSTAT ASM-FRONT MOUNT, 140 DEGREE - ATWOOD 91447 |
| | 051393-03-700 | EA | TANK-INNER (G6A-3E), REAR MT - ATWOOD 91409 |
| | 097967-01-000 | EA | SWITCH-WATER HEATER, ATWOOD 91859 |

WATER HEATER W/MOTOR AID & REAR HEATER

| KEY | PART NUMBER | U/M | DESCRIPTION |
|-----|---------------|-----|---|
| | 051393-01-000 | EA | HEATER-WATER-W/MOTOR AID-ATWOOD GH6-3E, G116-4E OR GH6-6E |
| | 051391-01-700 | EA | HINGE KIT-W/CLIP, ATWOOD 92568 & 92559 |
| | 051391-01-704 | EA | VALVE-RELIEF, 1/2" FITTING - ATWOOD 91604 |
| | 051391-01-705 | EA | FASTENER-CAMLLOC, ATWOOD 92609 |
| | 051391-01-706 | EA | GRILLE-EXHAUST, ATWOOD 92787 |
| | 051391-01-708 | EA | BURNER-MAIN, 3E ONLY - ATWOOD 92615 |
| | 051391-01-710 | EA | ORIFICE-MAIN BURNER, ATWOOD 92742 |
| | 051391-01-714 | EA | ELBOW-45 DEGREE, 3/8" F X 3/8" MPT - ATWOOD 91044 |
| | 051391-01-715 | EA | DRAIN PLUG, ATWOOD 91561 |
| | 051391-04-701 | EA | THERMOSTAT 12 VDC-120 PRESET, ATWOOD 91470 |
| | 051391-04-704 | EA | TANK-INNER, FRONT MOUNT - GH6-4E & 6E - ATWOOD 91642 |
| | 051393-01-700 | EA | TANK-INNER, 3E FRONT MOUNT - ATWOOD 91023 |
| | 051393-01-702 | EA | SWITCH-ENERGY CUT-OFF, ATWOOD 91951 |

STANDARD WATER HEATER

| KEY | PART NUMBER | U/M | DESCRIPTION |
|-----|---------------|-----|---|
| | 051391-01-000 | EA | HEATER-WATER, ATWOOD G6A-3 |
| | 051391-01-700 | EA | HINGE KIT-W/CLIP, ATWOOD 92568 & 92559 |
| | 051391-01-702 | EA | TANK-INNER, G6A-2E - 3E - 6E - WATER HEATER, ATWOOD 91412 |
| | 051391-01-704 | EA | VALVE-RELIEF, 1/2" FITTING - ATWOOD 91604 |
| | 051391-01-705 | EA | FASTENER-CAMLLOC, ATWOOD 92609 |
| | 051391-01-706 | EA | GRILLE-EXHAUST, ATWOOD 92787 |
| | 051391-01-708 | EA | BURNER-MAIN, 3E ONLY - ATWOOD 92615 |
| | 051391-01-709 | EA | PILOT ASM-W/THERMOCOUPLER & TUBE, 91603 ATWOOD 91214 |
| | 051391-01-710 | EA | ORIFICE-MAIN BURNER, ATWOOD 92742 |
| | 051391-01-711 | EA | ELBOW-ORIFICE, MAIN BURNER - 92741 ATWOOD |
| | 051391-01-712 | EA | THERMOSTAT-3/8" NPT INLET 91601 ATWOOD 91043 |
| | 051391-01-714 | EA | ELBOW-45 DEGREE, 3/8" F X 3/8" MPT - ATWOOD 91044 |
| | 051391-01-715 | EA | DRAIN PLUG, ATWOOD 91561 |

1993 WINNEBAGO TABLE OF CONTENTS

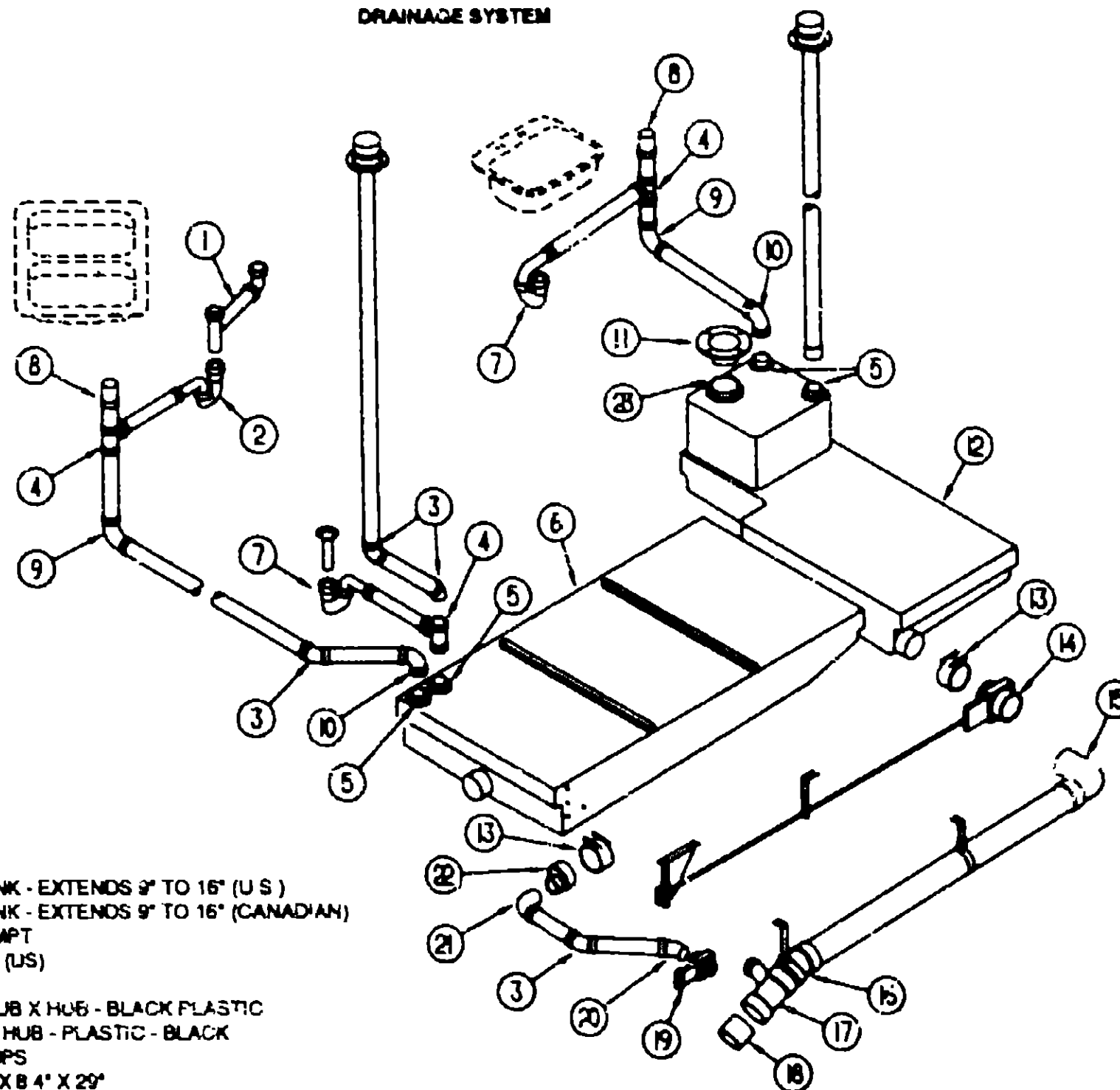
| | | |
|--------------------|--------|------|
| INTRODUCTION | A-01 - | A-02 |
| ABBREVIATIONS | | A-03 |
| ALPHABETICAL INDEX | A-04 - | A-06 |
| WF427RQ | A-07 - | D-20 |
| WF427RC | D-21 - | H-10 |
| WF428RQ | H-11 - | L-02 |

1993 WF428RQ INDEX

| | | |
|-----------------------------------|--------|------|
| FLOOR PLAN | H-11 - | H-12 |
| ACCESSORIES | | H-13 |
| AUDIO VIDEO | | H-14 |
| BATH | H-15 - | H-16 |
| BEDROOM | H-17 - | H-20 |
| CHASSIS | H-21 - | H-24 |
| CURTAIN & CUSHION | I-01 - | I-12 |
| DINETTE | I-13 - | I-14 |
| DRIVERS COMPARTMENT | I-15 - | I-16 |
| ELECTRICAL | I-17 - | I-20 |
| EXTERIOR BODY | I-21 - | J-02 |
| GALLEY | J-03 - | J-06 |
| GENERATOR | | J-07 |
| HEATING & AC | J-08 - | J-10 |
| INTERIOR FINISH | J-11 - | J-14 |
| LABELS | J-15 - | J-22 |
| LP | | J-23 |
| LOUNGE | J-24 - | K-02 |
| SEALANTS & FASTENERS | K-03 - | K-05 |
| WATER & SEWAGE | K-06 - | K-10 |
| WINDOW, VENT AND EXTERIOR DOOR | K-11 - | L-01 |

WATER & SEWAGE GROUP (CONTINUED)

DRAINAGE SYSTEM



1993 WINNEBAGO TABLE OF CONTENTS

| | |
|--------------------|-------------|
| INTRODUCTION | A-01 - A-02 |
| ABBREVIATIONS | A-03 |
| ALPHABETICAL INDEX | A-04 - A-06 |
| WF427RQ | A-07 - D-20 |
| WF427RC | E-21 - H-10 |
| WF428RQ | H-11 - L-02 |

1993 WF428RQ INDEX

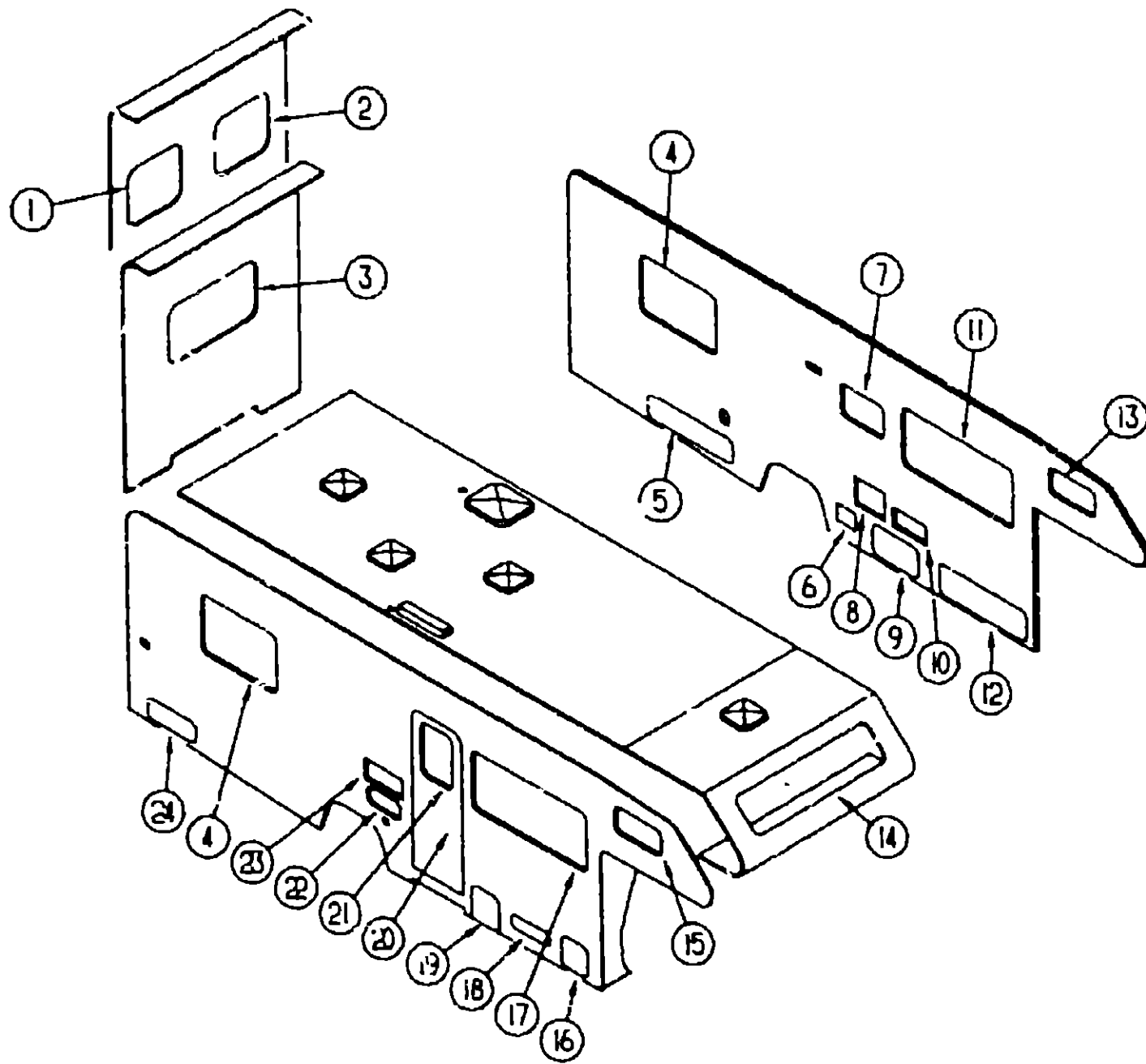
| | |
|--------------------------------|-------------|
| FLOOR PLAN | H-11 - H-12 |
| ACCESSORIES | H-13 |
| AUDIO VIDEO | H-14 |
| BATH | H-15 - H-16 |
| BEDROOM | H-17 - H-20 |
| CHASSIS | H-21 - H-24 |
| CURTAIN & CUSHION | I-01 - I-12 |
| DINETTE | I-13 - I-14 |
| DRIVERS COMPARTMENT | I-15 - I-16 |
| ELECTRICAL | I-17 - I-20 |
| EXTERIOR BODY | I-21 - J-02 |
| GALLEY | J-03 - J-06 |
| GENERATOR | J-07 |
| HEATING & A/C | J-08 - J-10 |
| INTERIOR FINISH | J-11 - J-14 |
| LABELS | J-15 - J-22 |
| LP | J-23 |
| LOUNGE | J-24 - K-02 |
| SEALANTS & FASTENERS | K-03 - K-05 |
| WATER & SEWAGE | K-06 - K-10 |
| WINDOW, VENT AND EXTERIOR DOOR | K-11 - L-01 |

| KEY | PART NUMBER | U/M | DESCRIPTION |
|-----|---------------|-----|--|
| 1 | 011091-02-000 | EA | PIPE-DRAIN, W/SEALS - DOUBLE SINK - EXTENDS 9" TO 16" (U.S.) |
| 1 | 011091-03-000 | EA | PIPE-DRAIN, W/SEALS - DOUBLE SINK - EXTENDS 9" TO 16" (CANADIAN) |
| 2 | 106571-01-000 | EA | ADAPTER-P TRAP, 1 1/2" P X 1 1/4" MPT |
| 2 | 107538-01-000 | EA | P TRAP-PLASTIC, 1 1/4" WEXT ARM (US) |
| 2 | 011071-01-000 | EA | P TRAP, 1 1/2" - PLASTIC (CSA) |
| 3 | 010005-01-000 | EA | ELBOW-45 DEG 1/8 BEND - 1 1/2" HUB X HUB - BLACK PLASTIC |
| 4 | 010071-01-000 | EA | TEE-SANITARY, 1 1/2" HUB X HUB X HUB - PLASTIC - BLACK |
| 5 | 061607-01-000 | EA | GROMMET-HOLDING TANK, 1 1/2" NPS |
| 6 | 102752-01-000 | EA | TANK-HOLDING, 42 GALLON - 57.4" X 18.4" X 29" |
| 7 | 106571-01-000 | EA | ADAPTER-P TRAP, 1 1/2" P X 1 1/4" MPT |
| 7 | 107538-01-000 | EA | P TRAP-PLASTIC, 1 1/4" WEXT ARM (US) |
| 7 | 011066-03-700 | EA | P TRAP-1 1/4" HUB X SLIP JOINT, W/UNION - ABS (CSA) |
| 8 | 079968-01-000 | EA | VENT-MECH. TRAP ARM, ANTI-SIPHON - 2" DIA X 7' 3" - PLASTIC |
| 9 | 010008-01-000 | EA | ELBOW-90 DEGREE, 1/4 BEND - 1 1/2" HUB X HUB - BLACK PLASTIC |
| 10 | 034250-01-000 | EA | ELBOW-90 DEGREE, LONG TURN - 1 1/2" HUB X HUB - ABS |
| 11 | 063641-01-000 | EA | FLANGE-TOILET |
| 12 | 108583-01-000 | EA | TANK-HOLDING, 27 GALLON |
| 13 | 078406-01-000 | EA | COUPLER-RUBBER, W/CLAMPS - 3" X 3" |
| 14 | 062418-01-000 | EA | VALVE-DUMP, 3" - W/HANDLE |
| | 062419-04-000 | EA | HANDLE-EXTENSION, W/TAPPED END - KEVCO 1046UP |
| | 062419-06-000 | EA | HANDLE-T, KEVCO CT1003-6 |
| 15 | 041956-01-000 | EA | ELBOW-STREET, PLASTIC - 1/4" BD 3 X 90 XLT |
| 16 | 010023-01-000 | EA | ELBOW-PLASTIC, ST 1/16 BD 3 X 22.5" - NIBCO 5808-3 |
| 17 | 031365-01-000 | EA | TEE-PLASTIC, 3 X 3 X 1 1/2 EXT LG TUR - NICO 5812-LR-3-3-2 |
| 18 | 109-50-01-000 | EA | ADAPTER-PLASTIC HOSE, SEWER - KEVCO 40738 |
| | 062415-01-000 | EA | CAP-SEWER 3" DIAMETER |
| | 062415-01-700 | EA | STRING-SEWER CAP, SV7 STRAP |
| | 010201-01-000 | EA | HOSE-SEWER 3" ID X 8' |

| KEY | PART NUMBER | U/M | DESCRIPTION |
|-----|---------------|-----|---|
| 19 | 062421-01-000 | EA | VALVE-DUMP, 1 1/2" - W/HANDLE |
| | 062419-04-000 | EA | HANDLE-EXTENSION, W/TAPPED END - KEVCO 1046UP |
| | 062419-06-000 | EA | HANDLE-T, KEVCO CT1003-6 |
| | 070916-01-000 | EA | VALVE-DUAL DUMP-W/CAP - 3" X 1 1/2" - PLASTIC - BLACK |
| 20 | 010051-01-000 | EA | ELBOW-45 DEG BEND, 1 1/2" SPIGOT AND HUB - PLASTIC - BLACK |
| 21 | 033761-01-000 | EA | ELBOW-TURN 1/4 BEND X 1 5" HUB X 1 5" SPIGOT - BLK PLASTIC |
| 22 | 062422-01-000 | EA | ADAPTER-OFFSET REDUCER, 3" X 1 1/2" - PLASTIC - BLACK |
| | 010121-01-000 | EA | BUSHING-REDUCER, 1 1/2" SMOOTH X 1 1/4" HUB - PLASTIC - BLACK |
| 23 | 061607-02-000 | EA | GROMMET-HOLDING TANK, 3" NPS |
| | 010079-01-000 | EA | TEE-SANITARY, 1 1/2" X 1 1/2" X 1 1/4" H - PLASTIC - BLACK |
| | 010061-01-000 | EA | ELBOW-45 DEGREE, STREET - 1/8 BEND - 3" S X H - PLASTIC |
| | 037101-02-000 | EA | ELBOW-PLASTIC, 1/4 BEND VENT 1 1/2" HUB (CSA) |
| | 010000-01-000 | EA | ELBOW-45 DEG, 1/8 BEND - 1 1/4" HUB X HUB - BLACK PLASTIC |
| | 033302-02-000 | EA | ADAPTER ASM-STRAINER, 1 1/2" - ABS (CSA) |
| | 107537-01-000 | EA | ADAPTER-P TRAP, 1 1/4" SLIP (US) |

WINDOW, VENT & EXTERIOR DOOR GROUP

WINDOWS & DOORS



| KEY | PART NUMBER | U/M | DESCRIPTION |
|-----|---------------|-----|---|
| 1 | 078528-02-W01 | EA | WINDOW-ESCAPE, W/O INSIDE FRAME |
| 2 | 078528-05-D06 | EA | WINDOW-ESCAPE, W/O INSIDE FRAME |
| 3 | 078529-03-Y12 | EA | WINDOW-ESCAPE, W/O INSIDE FRAME - 27" X 48" |
| 4 | 092235-12-Y12 | EA | WINDOW-SINGLE TIPOUT, W/O INSIDE FRAME |
| 5 | 106897-32-D04 | EA | DOOR-COMPARTMENT, STORAGE |
| 6 | 086794-01-000 | EA | DOOR-POWER CORD - W/HATCH - OFF WHITE |
| 7 | 098647-07-02A | EA | WINDOW-HORIZONTAL SLIDER, W/INSIDE FRAME |
| 8 | 052009-01-000 | EA | DOOR-WATER HEATER - OFF WHITE - ATWOOD 5576-27 |
| 9 | 106897-31-D04 | EA | DOOR-COMPARTMENT, STORAGE |
| 10 | 105118-02-C05 | EA | DOOR-COMPARTMENT, EXTERIOR SHOWER |
| 11 | 098647-10-02A | EA | WINDOW-HORIZONTAL SLIDER, W/INSIDE FRAME |
| 12 | 106987-26-D04 | EA | DOOR-COMPARTMENT, LOWER - FRONT |
| 13 | 098647-19-01A | EA | WINDOW-SLIDER, W/INSIDE FRAME - DRIVER |
| 14 | 103313-01-BC5 | EA | WINDOW-PICTURE, W/O INSIDE FRAME |
| 15 | 098647-18-01A | EA | WINDOW-SLIDER, W/INSIDE FRAME - PASSENGER |
| 16 | 106987-29-D04 | EA | DOOR-COMPARTMENT, STORAGE |
| 17 | 098647-09-02A | EA | WINDOW-HORIZONTAL SLIDER, W/INSIDE FRAME |
| 18 | 078720-02-T15 | EA | DOOR-COMPARTMENT, LP - 16 9" X 5 4" - ALUMINUM - OFF WHITE |
| 19 | 009003-01-000 | EA | LOCK-TWIST TYPE, W/CLIP |
| 20 | 105174-04-C03 | EA | DOOR-COMPARTMENT, LOWER - FRONT |
| 20 | M01870-32-D04 | EA | DOOR-ENTRY, W/WINDOW, SCREEN & JAMB - OFF WHITE |
| 20 | M01870-32-D05 | EA | DOOR-ENTRY, W/WINDOW, SCREEN & JAMB - OFF WHITE |
| 21 | 079733-07-AA8 | EA | WINDOW-ENTRY DOOR, W/O INSIDE FRAME - 17" X 25" - FROSTED GLASS |
| 22 | 105118-01-C05 | EA | DOOR-COMPARTMENT, ENTERTAINMENT |
| 23 | 084103-03-000 | EA | DOOR-REFRIGERATOR, VENTED - OFF WHITE |
| | 084104-03-000 | EA | JAMB-DOOR, REFRIGERATOR - OFF WHITE |
| | 084104-01-700 | EA | LOCK-MALE, FASTENER - REFRIGERATOR DOOR |
| | 084104-01-701 | EA | LOCK-FEMALE, FASTENER - REFRIGERATOR DOOR |
| 24 | 106987-30-D04 | EA | DOOR-COMPARTMENT, STORAGE |
| | 081240-03-000 | EA | DOOR-WATER FILL-LOCKABLE-4" X 4 5/8" - OFF WHITE |
| | 082684-01-700 | EA | KEY-SINGLE |

1993 WINNEBAGO TABLE OF CONTENTS

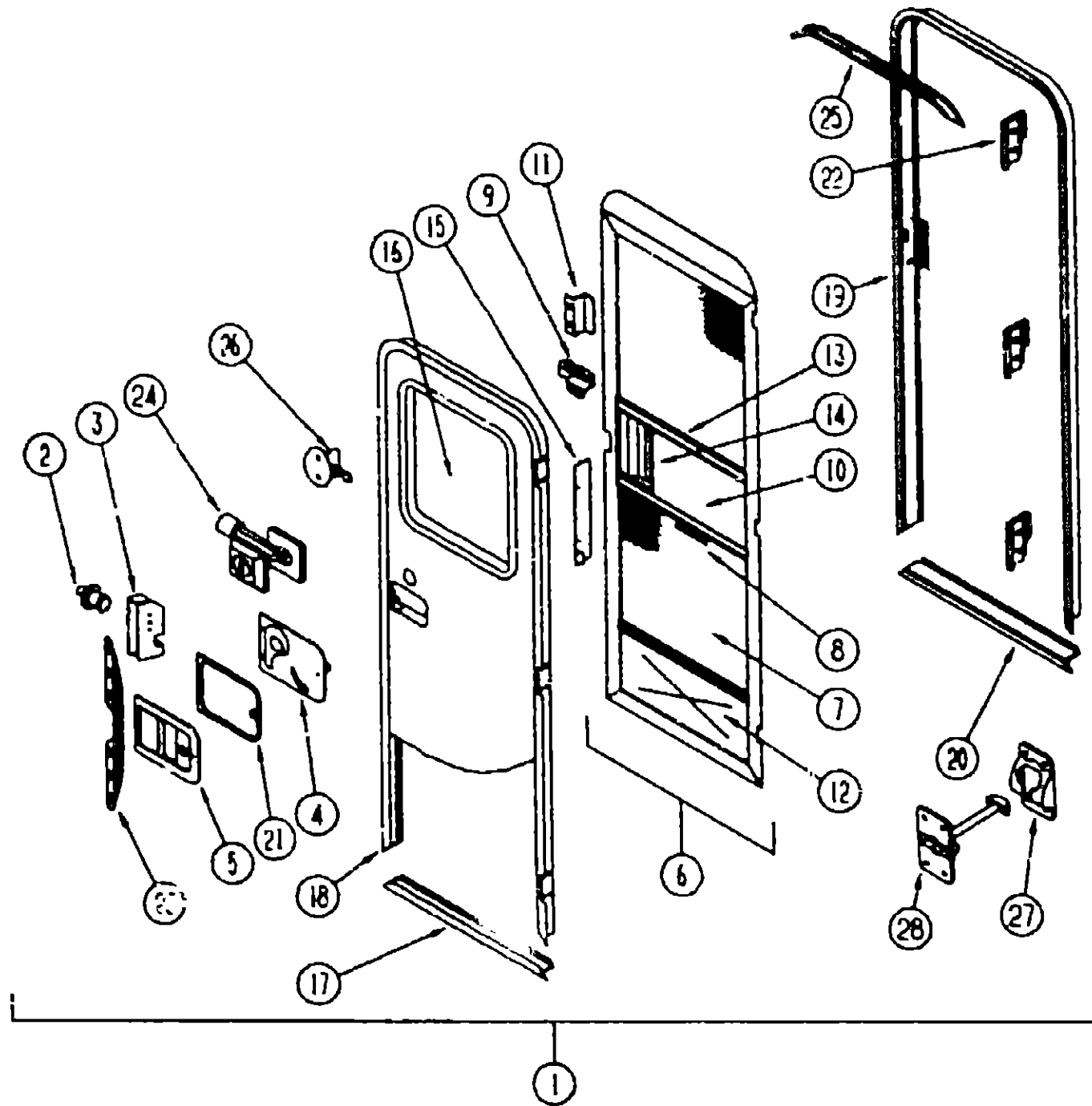
| | | |
|--------------------|--------|------|
| INTRODUCTION | A-01 - | A-02 |
| ABBREVIATIONS | | A-03 |
| ALPHABETICAL INDEX | A-04 - | A-06 |
| WF427RQ | A-07 - | D-20 |
| WF427RC | E-21 - | F-10 |
| WF428RQ | H-11 - | L-02 |

1993 WF428RQ INDEX

| | | |
|--------------------------------|--------|------|
| FLOOR PLAN | H-11 - | H-12 |
| ACCESSORIES | | H-13 |
| AUDIO VIDEO | | H-14 |
| BATH | H-15 - | H-16 |
| BEDROOM | H-17 - | H-20 |
| CHASSIS | H-21 - | H-24 |
| CURTAIN & CUSHION | I-01 - | I-12 |
| CINETTE | I-13 - | I-14 |
| DRIVERS COMPARTMENT | I-15 - | I-16 |
| ELECTRICAL | I-17 - | I-21 |
| EXTERIOR BODY | I-21 - | J-02 |
| GALLEY | J-03 - | J-06 |
| GENERATOR | | J-07 |
| HEATING & A/C | J-08 - | J-10 |
| INTERIOR FINISH | J-11 - | J-14 |
| LABELS | J-15 - | J-22 |
| LP | | J-23 |
| LOUNGE | J-24 - | K-02 |
| SEALANTS & FASTENERS | K-03 - | K-05 |
| WATER & SEWAGE | K-06 - | K-10 |
| WINDOW, VENT AND EXTERIOR DOOR | K-11 - | L-01 |

WINDOW, VENT & EXTERIOR DOOR GROUP (CONTINUED)

ENTRY DOOR



| KEY | PART NUMBER | U/M | DESCRIPTION |
|-----|---------------|-----|--|
| 1 | M01870-32-004 | EA | DOOR-ENTRY, W/WINDOW- SCREEN & JAMB - OFF WHITE |
| 1 | M01870-32-005 | EA | DOOR-ENTRY, W/WINDOW- SCREEN & JAMB - OFF WHITE |
| 2 | 039539-01-000 | EA | STRIKE-LOCK, ENTRY DOOR - ROUND/THREADED WASHER |
| 3 | 039519-01-000 | EA | LATCH MECHANISM-HOOK, ENTRY DOOR - INTERIOR |
| | 039719-01-000 | EA | NUT-SERT, 1/4" DIAMETER - 20 THREADS |
| 4 | 039979-04-000 | EA | COVER-INTERIOR LATCH, W/TRIP ARM - RIGHT - BLACK |
| | 039984-01-000 | EA | CAP-ROUND, VINYL - 28" ID X .62" LONG - BLACK |
| | 041546-03-000 | EA | BRACKET-DOOR ANGLE, 5" X 1 9/16" - BEIGE - METAL |
| 5 | 045017-11-000 | EA | LATCH-ENTRY DOOR, MECHANISM W/LOCK & KEY - BLACK |
| | 045017-11-701 | EA | KEY-BLANK, ROUND TOP - SILVER - TRI-MARK |
| | 056748-01-000 | EA | PLUG-CAP, 1 5/8" DIAMETER |
| | 058025-02-000 | EA | CLIP-ROLLER, LATCH CATCH - SCREEN DOOR |
| | 063729-04-000 | EA | RIVNUT, 10-32 UNF - 310-080 |
| | 072893-01-000 | EA | NUTSERT-M5 X 0.8 |
| | 075671-04-000 | FT | SEAL-SPONGE, LAZY T SHAPE - W/ADHESIVE STRIPE - .5" WIDE |
| 6 | 079012-01-U01 | EA | DOOR-SCREEN |
| 7 | 002293-02-000 | SF | SCREENING-WINDOW/DOOR, 26" - CHARCOAL |
| 8 | 002294-01-000 | FT | SPLINE-SCREENING, .135" X .138" - BLACK |
| | 002748-01-000 | EA | CORNER KEY-DOOR |
| 9 | 109403-01-000 | EA | CATCH-SINGLE ROLLER, SCREEN DOOR |
| 10 | 001014-01-013 | EA | INSERT-CENTER, 10.25" X 16.31" - UNPAINTED |
| 11 | 050712-04-000 | EA | HANDLE-SCREEN DOOR, ALUMINUM - OFF WHITE |
| 11 | 050712-05-000 | EA | HANDLE-SCREEN DOOR, UNPAINTED |
| 12 | 076552-03-000 | EA | INSERT-SCREEN DOOR, LOWER - MILL |
| | 078595-01-000 | EA | PLATE-SCREEN DOOR |
| 13 | 078777-01-000 | EA | CHANNEL-SLIDE, SCREEN DOOR CENTER SLIDER COVER - 17.4" |
| 14 | 079086-02-000 | EA | SLIDER-SCREEN DOOR, OFF WHITE |
| 15 | 079087-02-000 | EA | STRIKE-SLIDER, W/CLIP FOR ELBOW CATCH - 1.5" X 8.6" |
| 16 | 067609-32-000 | EA | FRAME-WINDOW, ENTRY DOOR - OFF WHITE |
| 16 | 079733-07-AA8 | EA | WINDOW-ENTRY DOOR, 17" X 25" - FROSTED GLASS |
| 16 | 050215-02-000 | FT | SPLINE-GLASS, EXTERIOR - VINYL - .19" - BLACK |
| 16 | 002181-07-000 | EA | GLASS-WINDOW, .182" X 16.25" X 24" - FROSTED |
| 16 | 087561-01-000 | FT | SEAL-GLASS, EXTERIOR - 5" WIDE - VINYL - BLACK |
| | 081914-01-000 | EA | BUMPER-RUBBER, ROUND - .43" DIAMETER - BLACK |
| 17 | 089748-01-000 | EA | FRAME-DOOR, ENTRANCE - BOTTOM - OFF WHITE |
| | 090340-01-000 | FT | SEAL-FOAM, CLOSED CELL - 1/4" X 1/2" X 50" |
| 18 | 095276-01-01A | EA | FRAME-DOOR, ENTRANCE - TOP & SIDES - OFF WHITE |
| 19 | 095277-02-01A | EA | JAMB-ENTRY DOOR, 25.9" X 74.5" W/BOTTOM - OFF WHITE |
| | 095278-01-01A | EA | JAMB-DOOR, ENTRANCE - 25.9" X 74.6" - UNPAINTED |
| 20 | 051049-01-000 | EA | JAMB-DOOR, ENTRANCE - BOTTOM - 25.9 - UNPAINTED |
| | 079207-01-000 | EA | STRIKER-ROLLER CATCH, WELDED TO DOOR JAMB - 4" X 1.15" |
| 21 | 096810-01-01A | EA | PLATE-LATCH, ENTRY DOOR - PLASTIC - BLACK |
| 22 | 097724-01-04A | EA | HINGE-ENTRY DOOR, UNPAINTED |
| 23 | 098173-01-04A | EA | STIFFENER-ENTRY DOOR, SUPPORTS LATCH/STRIKE |
| | 100128-02-000 | FT | SEAL-PILE, ADHESIVE BACK - SCREEN DOOR - GRAY |
| 24 | 101145-01-01A | EA | DEADBOLT-ENTRY DOOR, W/2 KEYS W/O BOLT OR SCREWS |
| | 095229-01-700 | EA | KEY BLANK |
| | 101147-01-000 | EA | BOLT-SECURITY, 4 1/2" BACKSET |
| | 102524-01-000 | EA | BUMPER-RUBBER, FLAT - BLACK |
| 25 | 044582-02-000 | EA | CAP-DRIP, DOOR JAMB MOUNTED - OFF WHITE |
| | 075639-19-000 | EA | GARNISH-ENTRANCE DOOR, OFF WHITE |
| 26 | 100412-01-000 | EA | CATCH-SCREEN DOOR, THUMB CLIP W/BLACK PLASTIC CAP |
| | 077461-03-000 | EA | COVER-STRIKE, ENTRY DOOR - 6.5" X 2.5" - PLASTIC - WHITE |
| 27 | 104099-02-01A | EA | CATCH-DOOR HOLDER, RETAINER - PLASTIC - OFF WHITE |
| 28 | 104099-01-01A | EA | CATCH-DOOR HOLDER STRIKE - PLASTIC - OFF WHITE |
| | 008128-02-000 | EA | HANDLE-ASSIST-ENTRY DOOR - BLACK |

1993 WINNEBAGO TABLE OF CONTENTS

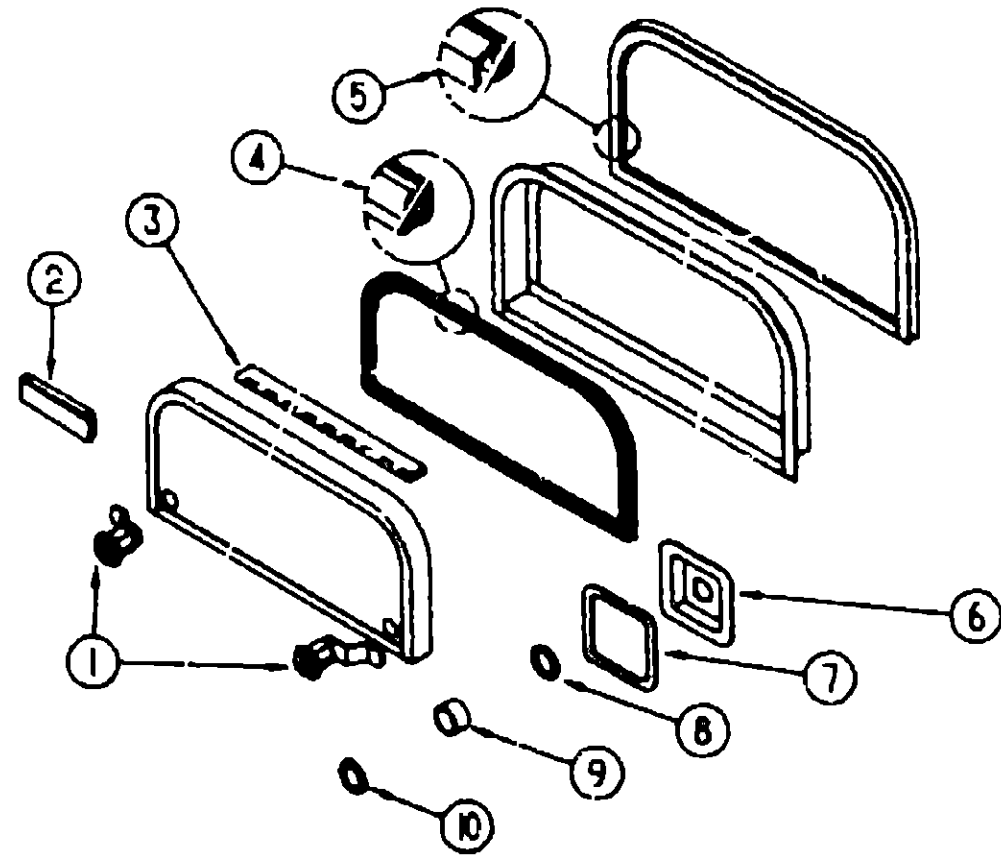
| | |
|--------------------|-------------|
| INTRODUCTION | A-01 - A-02 |
| ABBREVIATIONS | A-03 |
| ALPHABETICAL INDEX | A-04 - A-06 |
| WF427RQ | A-07 - D-20 |
| WF427RC | D-21 - H-10 |
| WF428RQ | H-11 - L-02 |

1993 WF428RQ INDEX

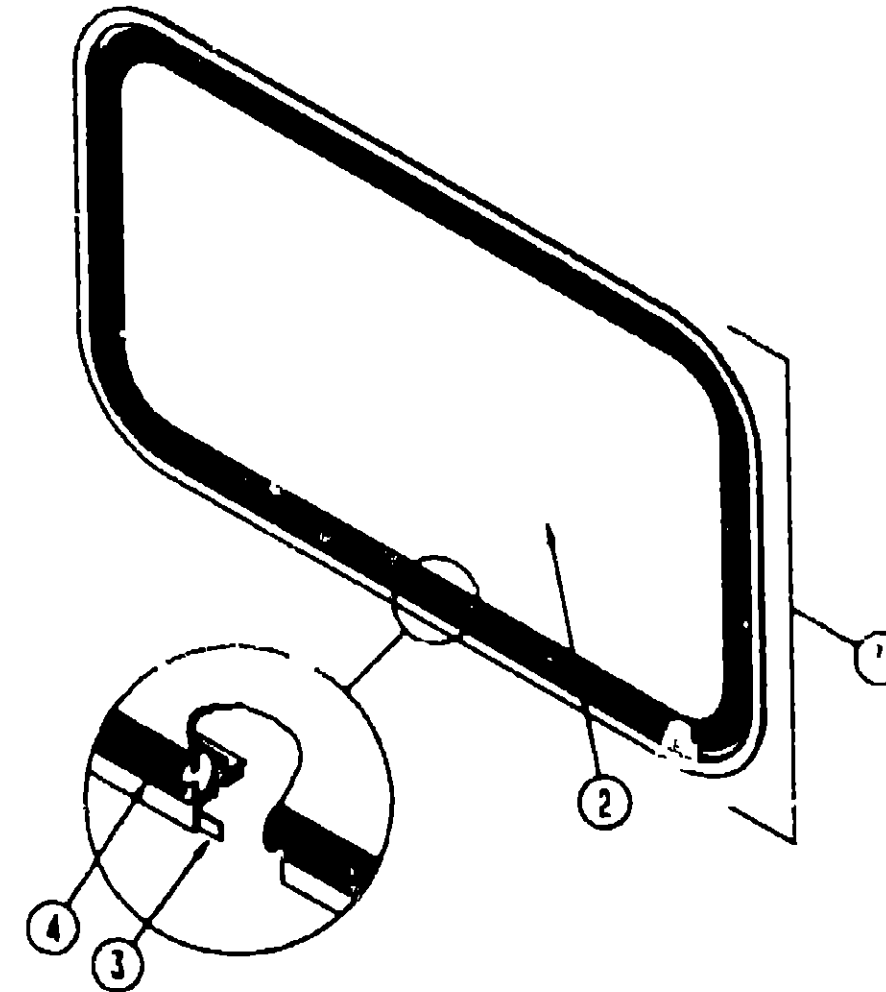
| | |
|--------------------------------|-------------|
| FLOOR PLAN | H-11 - H-12 |
| ACCESSORIES | H-13 |
| AUDIO VIDEO | H-14 |
| BATH | H-15 - H-16 |
| BEDROOM | H-17 - H-20 |
| CHASSIS | H-21 - H-24 |
| CURTAIN & CUSHION | I-01 - I-12 |
| DINETTE | I-13 - I-14 |
| DRIVERS COMPARTMENT | I-15 - I-16 |
| ELECTRICAL | I-17 - I-20 |
| EXTERIOR BODY | I-21 - J-02 |
| GALLEY | J-03 - J-06 |
| GENERATOR | J-07 |
| HEATING & A/C | J-08 - J-10 |
| INTERIOR FINISH | J-11 - J-14 |
| LABELS | J-15 - J-22 |
| LP | J-23 |
| LOUNGE | J-24 - K-02 |
| SEALANTS & FASTENERS | K-03 - K-05 |
| WATER & SEWAGE | K-06 - K-10 |
| WINDOW, VENT AND EXTERIOR DOOR | K-11 - L-01 |

1983 WINNEBAGO
TABLE OF CONTENTS

| | |
|--------------------|-------------|
| INTRODUCTION | A-01 - A-02 |
| ABBREVIATIONS | A-03 |
| ALPHABETICAL INDEX | A-04 - A-06 |
| WF427RQ | A-07 - D-20 |
| WF427RC | D-21 - H-10 |
| WF428RQ | H-11 - L-02 |



EXTERIOR DOORS



OVERHEAD BUNK FRONT WINDOW

1983 WF428RQ INDEX

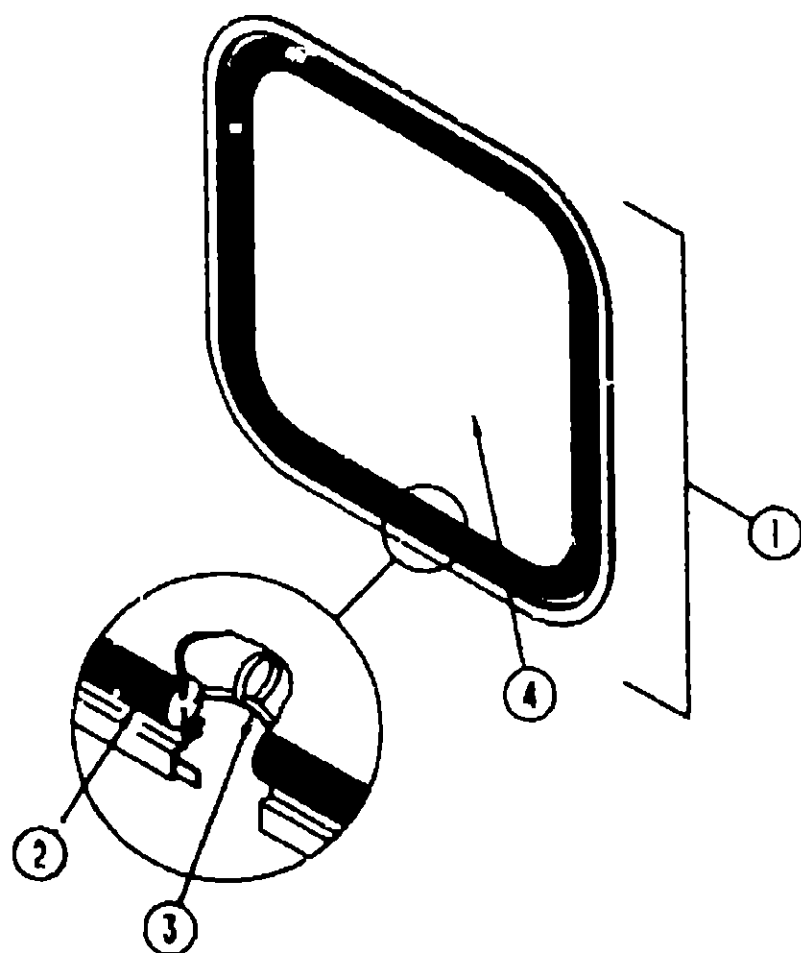
| | |
|--------------------------------|-------------|
| FLOOR PLAN | H-11 - H-12 |
| ACCESSORIES | H-13 |
| AUDIO VIDEO | H-14 |
| BATH | H-15 - H-16 |
| BEDROOM | H-17 - H-20 |
| CHASSIS | H-21 - H-24 |
| CURTAIN & CUSHION | I-01 - I-12 |
| DINETTE | I-13 - I-14 |
| DRIVERS COMPARTMENT | I-15 - I-16 |
| ELECTRICAL | I-17 - I-20 |
| EXTERIOR BODY | I-21 - J-02 |
| GALLEY | J-03 - J-06 |
| GENERATOR | J-07 |
| HEATING & A/C | J-08 - J-10 |
| INTERIOR FINISH | J-11 - J-14 |
| LABELS | J-15 - J-22 |
| LP | J-23 |
| LOUNGE | J-24 - K-02 |
| SEALANTS & FASTENERS | K-03 - K-05 |
| WATER & SEWAGE | K-06 - K-10 |
| WINDOW, VENT AND EXTERIOR DOOR | K-11 - L-01 |

| KEY | PART NUMBER | U/M | DESCRIPTION |
|-----|---------------|-----|---|
| 1 | 078366-04-000 | EA | LOCK-DOOR, KEY TYPE W/O KEYS - 1.9 OFF SET (ENTERTAINMENT & EXTERIOR SHOWER DOORS ONLY) |
| 1 | 078366-05-000 | EA | LOCK-DOOR, KEY TYPE W/O KEYS - 1.60 OFF SET |
| | 032684-01-700 | EA | KEY - BLANK |
| | 079927-01-000 | EA | LOCK-DOOR, TWIST TYPE - 1.60 OFF SET |
| 2 | 102758-01-000 | EA | HOLDER-COMPARTMENT/ENTRY DOOR, METAL - MILL FINISH |
| 2 | 081801-02-000 | EA | HINGE-PIANO, CONTINUOUS - 2" X 96" OFF WHITE |
| | 009065-01-000 | EA | HINGE-CONTINUOUS, 1 1/2" X 96" - UNPAINTED |
| | 034007-40-000 | EA | HINGE-CONTINUOUS, 1 1/2" X 96" - ALUMINUM - OFF WHITE |
| 4 | 064075-07-000 | FT | SEAL-BULB, W/ WIRED U-CHANNEL - 3" X 5" CHANNEL - BLACK |
| 5 | 081632-02-000 | FT | SEAL-BULB, DOOR - W/WIRE CARRIER - 8" WIDE - RUBBER - BLACK |
| | 090340-01-000 | FT | SEAL-FOAM, CLOSED CELL - 1/4" X 1/2" X 50' |
| | 104892-01-000 | FT | SEAL-ADHESIVE BACK, 3/4" X 34' |
| 6 | 097111-01-01A | EA | POCKET-LOCK, VALANCE - OFF WHITE |
| 7 | 098338-01-000 | EA | GASKET-LOCK POCKET |
| 8 | 109834-01-000 | EA | WASHER, 640X.752ID SST - HUDSON LOCK |
| 9 | 107997-51-001 | EA | SPACER-EXTRUDED, 0015 - 24 |
| 10 | 109833-01-000 | EA | RING-BEAUTY, 670 X 78WID - SST - HUDSON LOCK |
| | 077461-05-000 | EA | COVER-BRACKET, STRIKE - PLASTIC - OFF WHITE |
| | 088217-65-001 | EA | U-CHANNEL, 17.5" LONG - OFF WHITE |
| | 091876-01-000 | EA | RETAINER-DOOR, 1 9" X 8" - METAL |

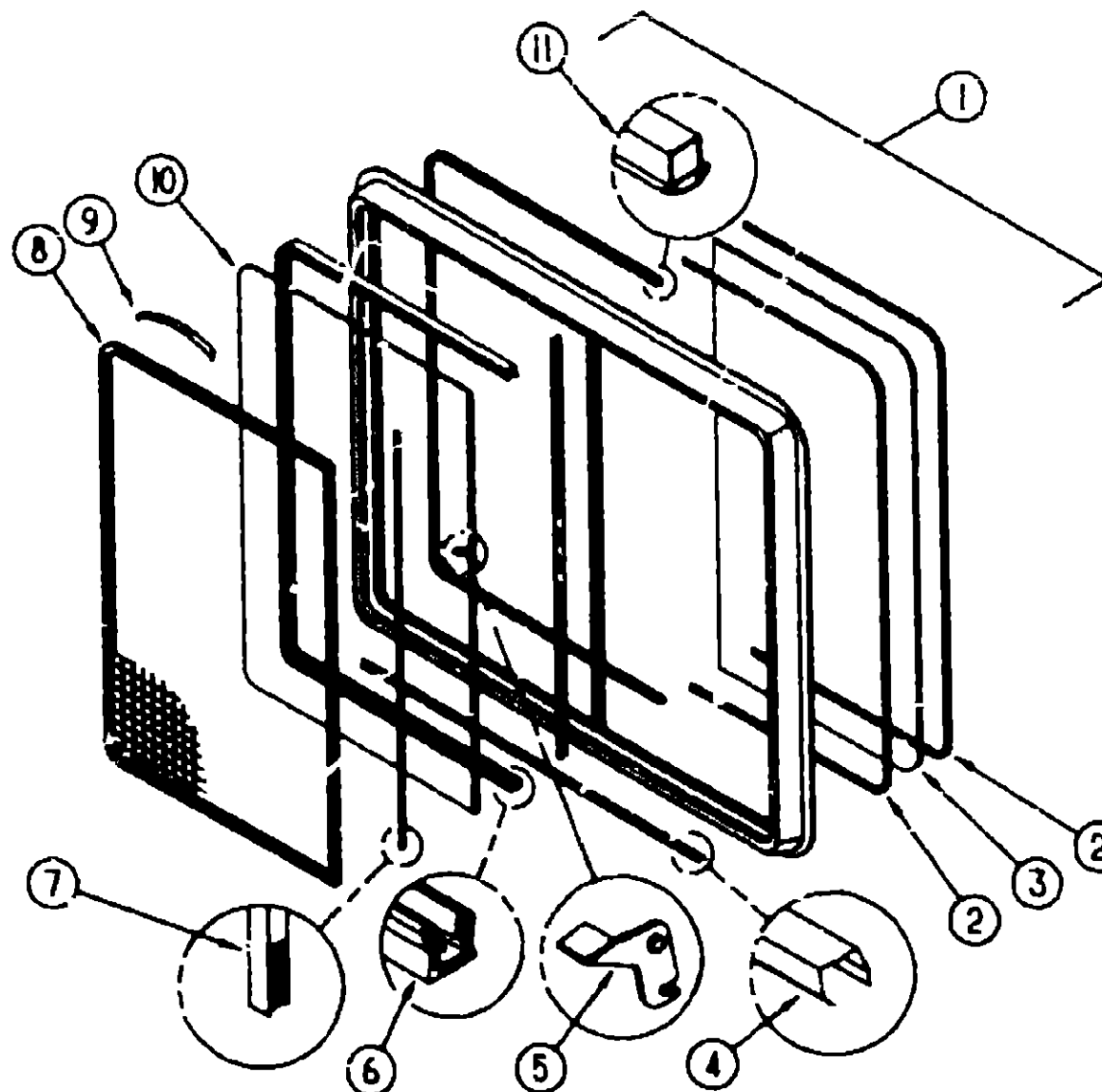
| KEY | PART NUMBER | U/M | DESCRIPTION |
|-----|---------------|-----|---|
| | 067609-33-000 | EA | FRAME-INSIDE WINDOW |
| 1 | 103313-01-805 | EA | WINDOW-PICTURE W/O INSIDE FRAME |
| 2 | 002181-15-000 | EA | GLASS-PICTURE, 11.25" X 58.1" - GRAY |
| 3 | 069640-11-000 | FT | SEALER-TAPE, 3/16" X 3/8" - BLACK |
| 4 | 099154-01-000 | FT | CHANNEL-GLAZING, STATIONARY GLASS - 62" X 45" - BLACK |

1993 WINNEBAGO
TABLE OF CONTENTS

| | | |
|--------------------|--------|------|
| INTRODUCTION | A-01 - | A-02 |
| ABBREVIATIONS | | A-03 |
| ALPHABETICAL INDEX | A-04 - | A-08 |
| WF427RQ | A-07 - | D-20 |
| WF427RC | D-21 - | H-10 |
| WF428RQ | H-11 - | L-02 |



BACKWALL ESCAPE WINDOWS



DINETTE, COUCH, SWIVEL CHAIRS SINGLE SLIDING WINDOW

1993 WF428RQ INDEX

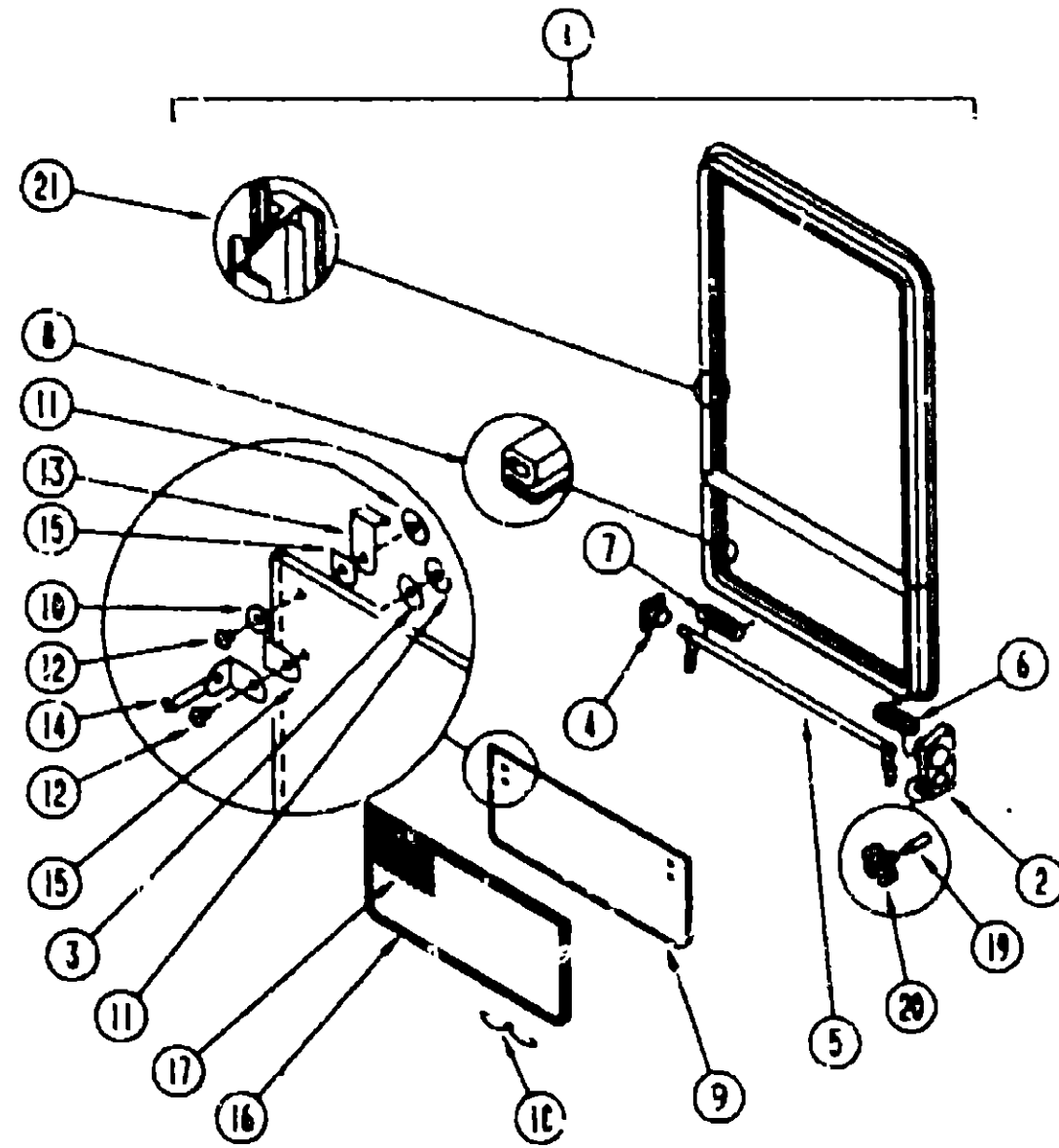
| | | |
|--------------------------------|--------|------|
| FLOOR PLAN | H-11 - | H-12 |
| ACCESSORIES | | H-13 |
| AUDIO VIDEO | | H-14 |
| BATH | H-15 - | H-16 |
| BEDROOM | H-17 - | H-20 |
| CHASSIS | H-21 - | H-24 |
| CURTAIN & CUSHION | I-01 - | I-12 |
| DINETTE | I-13 - | I-14 |
| DRIVERS COMPARTMENT | I-15 - | I-16 |
| ELECTRICAL | I-17 - | I-20 |
| EXTERIOR BODY | J-21 - | J-02 |
| GALLEY | J-03 - | J-06 |
| GENERATOR | | J-07 |
| HEATING & A/C | J-08 - | J-10 |
| INTERIOR FINISH | J-11 - | J-14 |
| LABELS | J-15 - | J-22 |
| LP | | J-23 |
| LOUNGE | J-24 - | K-02 |
| SEALANTS & FASTENERS | K-03 - | K-05 |
| WATER & SEWAGE | K-06 - | K-10 |
| WINDOW, VENT AND EXTERIOR DOOR | K-11 - | L-01 |

| KEY | PART NUMBER | U/M | DESCRIPTION |
|-----|---------------|-----|--|
| | 074816-08-000 | EA | FRAME-INSIDE, ESCAPE - OFF WHITE |
| | 074816-10-000 | EA | FRAME-INSIDE, ESCAPE - OFF WHITE (CENTER WARDROBE) |
| 1 | 078528-03-Y12 | EA | WINDOW-ESCAPE, REAR - 27" X 48" |
| 1 | 078528-02-W01 | EA | WINDOW-ESCAPE, W/O INSIDE FRAME (CENTER WARDROBE) |
| 2 | 078528-05-006 | EA | WINDOW-ESCAPE W/O INSIDE FRAME (CENTER WARDROBE) |
| 2 | 002282-06-000 | EA | WEATHERSTRIP, 125" X 133.25" - BLACK |
| | 077066-01-702 | EA | TAPE ASM-ESCAPE, WINDOW |
| 3 | 002285-01-000 | FT | FILLER-WEATHER STRIP, RUBBER - BLACK |
| 4 | 076337-08-010 | EA | GLASS WINDOW, ESCAPE - 44 8" X 23 5" |
| 4 | 076337-04-010 | EA | GLASS-WINDOW, ESCAPE - 558 8 X 598 9MM (CENTER WARDROBE) |

| KEY | PART NUMBER | U/M | DESCRIPTION |
|-----|---------------|-----|---|
| | 090647-10-L2A | EA | WINDOW-SLIDER, DRIVER SIDE - W/INSIDE FRAME - OFF WHITE |
| | 090647-09-02A | EA | WINDOW-SLIDER, PASSENGER SIDE - W/INSIDE FRAME - OFF WHITE |
| | 090647-08-704 | EA | FRAME-INSIDE (OFF-WHITE) - W024-67 EXCEL-WHITE |
| 1 | 090647-10-700 | EA | WINDOW-SINGLE SLIDER - DRIVER - W/O INSIDE FRAME |
| 1 | 090647-09-703 | EA | WINDOW-SINGLE SLIDER - PASSENGER - W/O INSIDE FRAME |
| 2 | 090644-01-705 | FT | GLAZING STRIP, EXCEL M926-12 |
| 3 | 090647-09-700 | EA | GLASS-STATIONARY - 106-017193 EXCEL |
| 4 | 090644-01-710 | FT | TRACK-SCREEN SPACER 12" LENGTH - EXCEL M401-31 |
| 5 | 090644-01-700 | EA | LATCH REPAIR KIT |
| 6 | 090644-01-708 | FT | CHANNEL-PIERCED RUN EXCEL 122-016543 |
| 7 | 090644-01-711 | FT | WEATHERSTRIP-SCREEN BLACK - EXCEL 171-016965 |
| 8 | 090647-09-705 | EA | SCREEN W/SPRING&WEATHERSTRIP - 410-016464 EXCEL |
| 9 | 090644-01-713 | EA | SPRING-SCREEN FRAME (CLIP) PLASTIC - BLACK - EXCEL 226-016985 |
| | 090644-01-718 | FT | PLUG-FILLER, EXCEL 132-014470 |
| | 090644-01-717 | FT | SPLINE-SCREEN MFG, EXCEL 32-004716 |
| 10 | 090647-09-701 | EA | GLASS-SLIDING, W/SASH&LATCH - H024-G9 EXCEL |
| 11 | 090644-01-706 | FT | WEATHERSTRIP EXCEL 171-016968 |

WINDOW VENT & EXTERIOR DOOR GROUP (CONTINUED)

BEDROOM TIPOUT WINDOW



| KEY | PART NUMBER | U/M | DESCRIPTION |
|-----|---------------|-----|--|
| | 090893-18-02A | CA | FRAME-INSIDE, WINDOW RETAINER - OFF WHITE |
| 1 | 092235-12-Y12 | EA | WINDOW-SINGLE TIPOUT, W/O INSIDE FRAME - BLACK |
| | 000H14-06-14R | EA | RIVET-MANUREL BLIND - 3/16" |
| 2 | 035302-02-000 | EA | OPERATOR-TORQUE, TIPOUT WINDOW - LEFT |
| 3 | 068927-03-000 | EA | SEAL-WINDOW, RUBBER - ROUND - 80" DIA. - BLACK |
| 4 | 081354-01-000 | EA | SLEEVE-TORQUE TUBE, TIPOUT WINDOW - 1 3/4" X 1 2" X 7" |
| | 081849-01-000 | EA | RING-SNAP, 7/32 SHAFT DIAMETER |
| 5 | 083150-12-000 | EA | TUBE ASM-TORQUE, WINDOW |
| 5 | 080918-01-000 | EA | SPRING-TORQUE TUBE, LEFT |
| 7 | 080918-02-000 | EA | SPRING-TORQUE TUBE, RIGHT |
| 8 | 084067-02-000 | FT | SEAL-E SHAPED SPONGE TIPOUT WINDOW - 42" X 38" - BLACK |
| 9 | 084068-17-000 | EA | GLASS-TIPOUT, 9 2" X 26" |
| 10 | 084453-02-000 | SA | WASHER, 06" X 5" X 25" - PLASTIC |
| 11 | 086762-01-000 | EA | T NUT, 10-32 |
| 12 | 086763-01-000 | EA | SCREW-MACHINE, 10 - 32 X 1/4 PTH |
| 13 | 089913-01-000 | EA | HINGE-TIPOUT WINDOW, BLACK |
| 14 | 097578-01-000 | EA | LINKAGE-TIPOUT WINDOW |
| | 084453-01-000 | EA | WASHER, 06" X 5" X 135" - PLASTIC |
| 15 | 084473-01-000 | EA | SEAL-FLAT, W/CENTER HOLE & ADHESIVE SIDE - 8" X 9" - BLK |
| | 085315-01-000 | EA | RIVET-SHOULDER, TIPOUT WINDOW |
| 16 | 100235-04-807 | EA | SCREEN-SINGLE, TIPOUT WINDOW |
| 17 | 080218-03-000 | SF | SCREENING-FIBERGLASS, 12" WIDE |
| 18 | 100168-01-000 | EA | CLIP-SPRING, SCREEN |
| | 100340-01-000 | FT | SPLINE-SCREEN, T-SHAPED |
| 19 | 009439-05-000 | EA | EXTENSION-CRANK HANDLE, WINDOW/ROOF VENT - BLACK |
| 20 | 009439-05-000 | EA | NOB-OPER/ TOR, TIPOUT WINDOW - W/SPRING & ARM |
| | 009439-07-000 | EA | SCREW, 8-32 X 1 1/4 PTH - BLACK |
| 21 | 069640-11-000 | FT | TAPE-SEALER, 3/16" X 3/8" - BLACK |

1993 WINNEBAGO TABLE OF CONTENTS

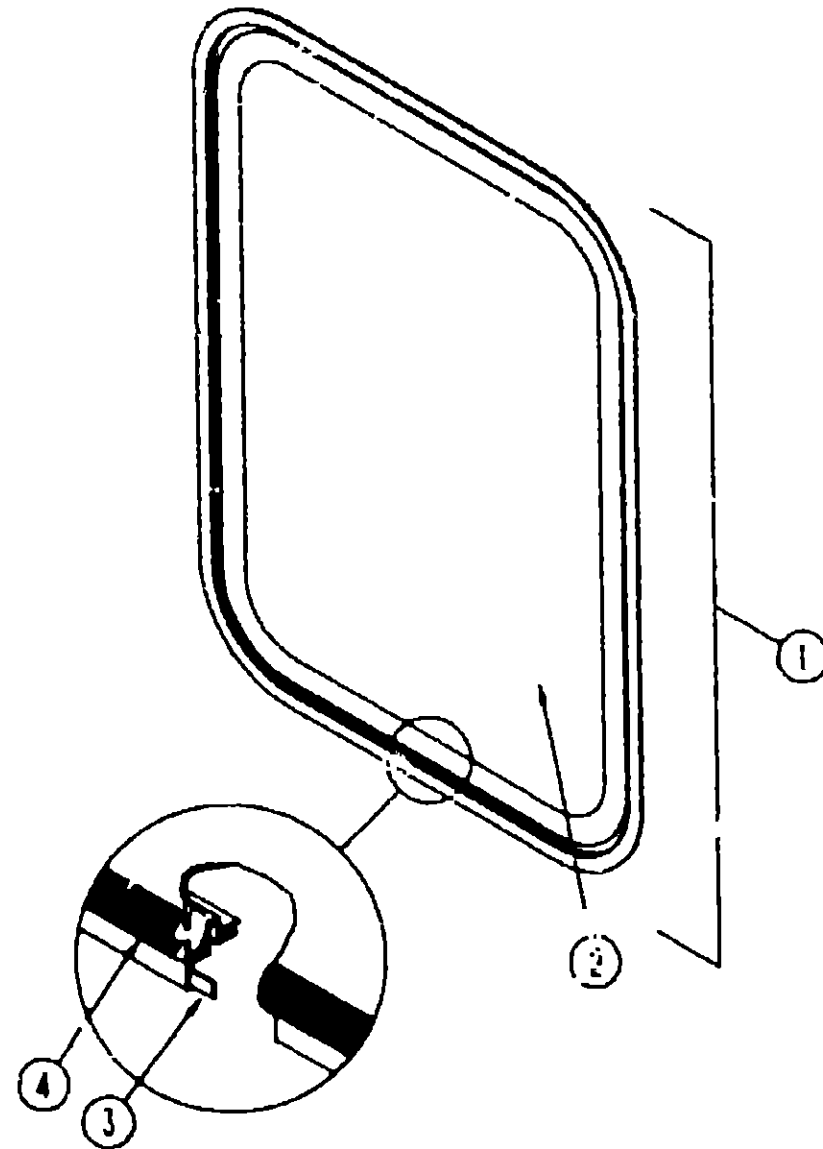
| | |
|--------------------|-------------|
| INTRODUCTION | A-01 - A-02 |
| ABBREVIATIONS | A-03 |
| ALPHABETICAL INDEX | A-04 - A-06 |
| WF427RQ | A-07 - D-20 |
| WF427RC | D-21 - H-10 |
| WF428RQ | H-11 - L-02 |

1993 WF428RQ INDEX

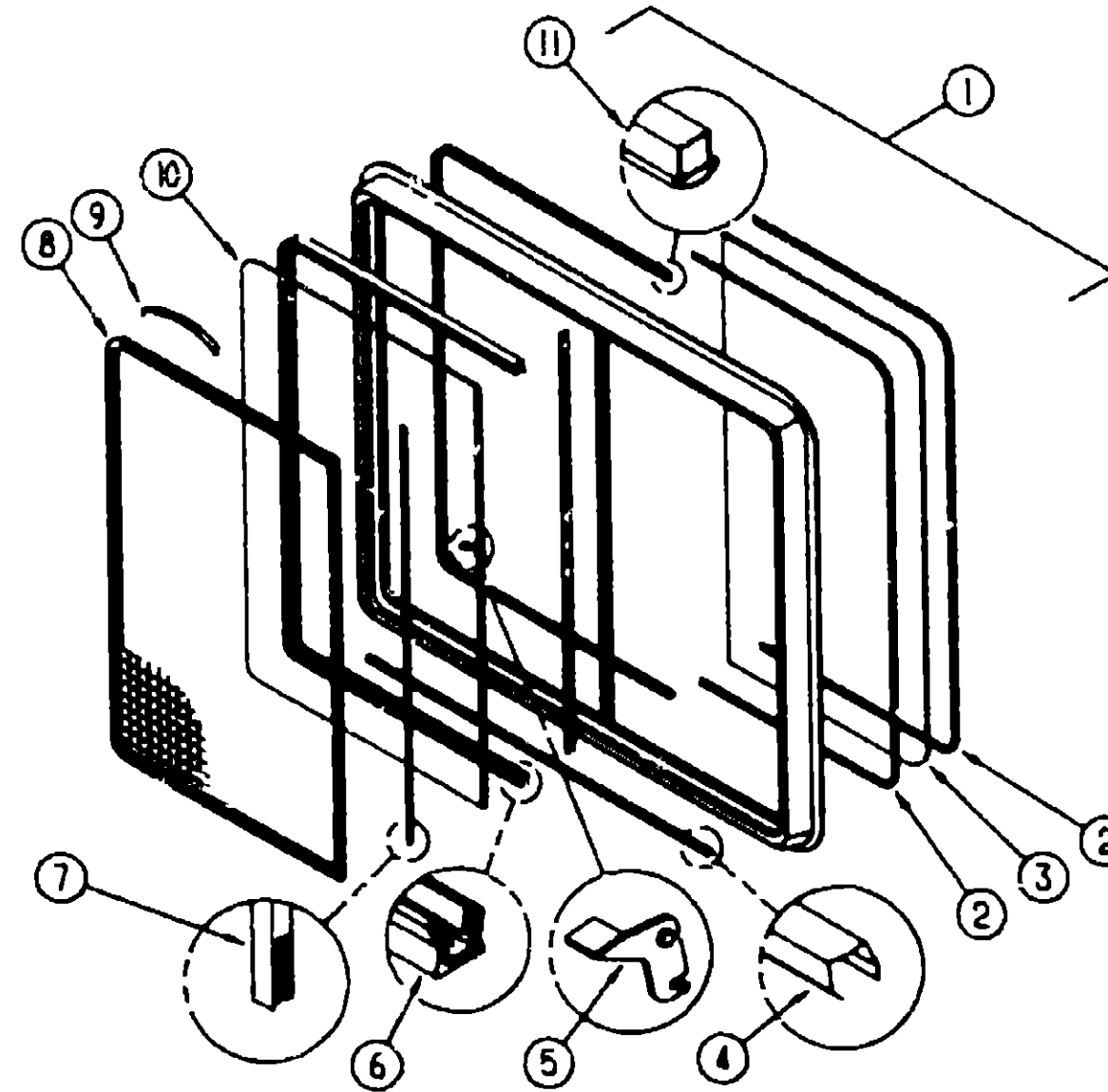
| | |
|-----------------------------------|-------------|
| FLOOR PLAN | H-11 - H-12 |
| ACCESSORIES | H-13 |
| AUDIO VIDEO | H-14 |
| BATH | H-15 - H-16 |
| BEDROOM | H-17 - H-20 |
| CHASSIS | H-21 - H-24 |
| CURTAIN & CUSHION | I-01 - I-12 |
| DINETTE | I-13 - I-14 |
| DRIVERS COMPARTMENT | I-15 - I-16 |
| ELECTRICAL | I-17 - I-20 |
| EXTERIOR BODY | I-21 - J-02 |
| GALLEY | J-03 - J-06 |
| GENERATOR | J-07 |
| HEATING & A/C | J-08 - J-10 |
| INTERIOR FINISH | J-11 - J-14 |
| LABELS | J-15 - J-22 |
| LP | J-23 |
| LOUNGE | J-24 - K-02 |
| SEALANTS & FASTENERS | K-03 - K-05 |
| WATER & SEWAGE | K-06 - K-10 |
| WINDOW, VENT AND EXTERIOR DOOR | K-11 - L-01 |

1993 WINNEBAGO
TABLE OF CONTENTS

| | | |
|--------------------|--------|------|
| INTRODUCTION | A-01 - | A-02 |
| ABBREVIATIONS | | A-03 |
| ALPHABETICAL INDEX | A-04 - | A-06 |
| WF427RQ | A-07 - | D-20 |
| WF427RC | D-21 - | H-10 |
| WF428RQ | H-11 - | L-02 |



ENTRY DOOR WINDOW



GALLEY SLIDING WINDOW

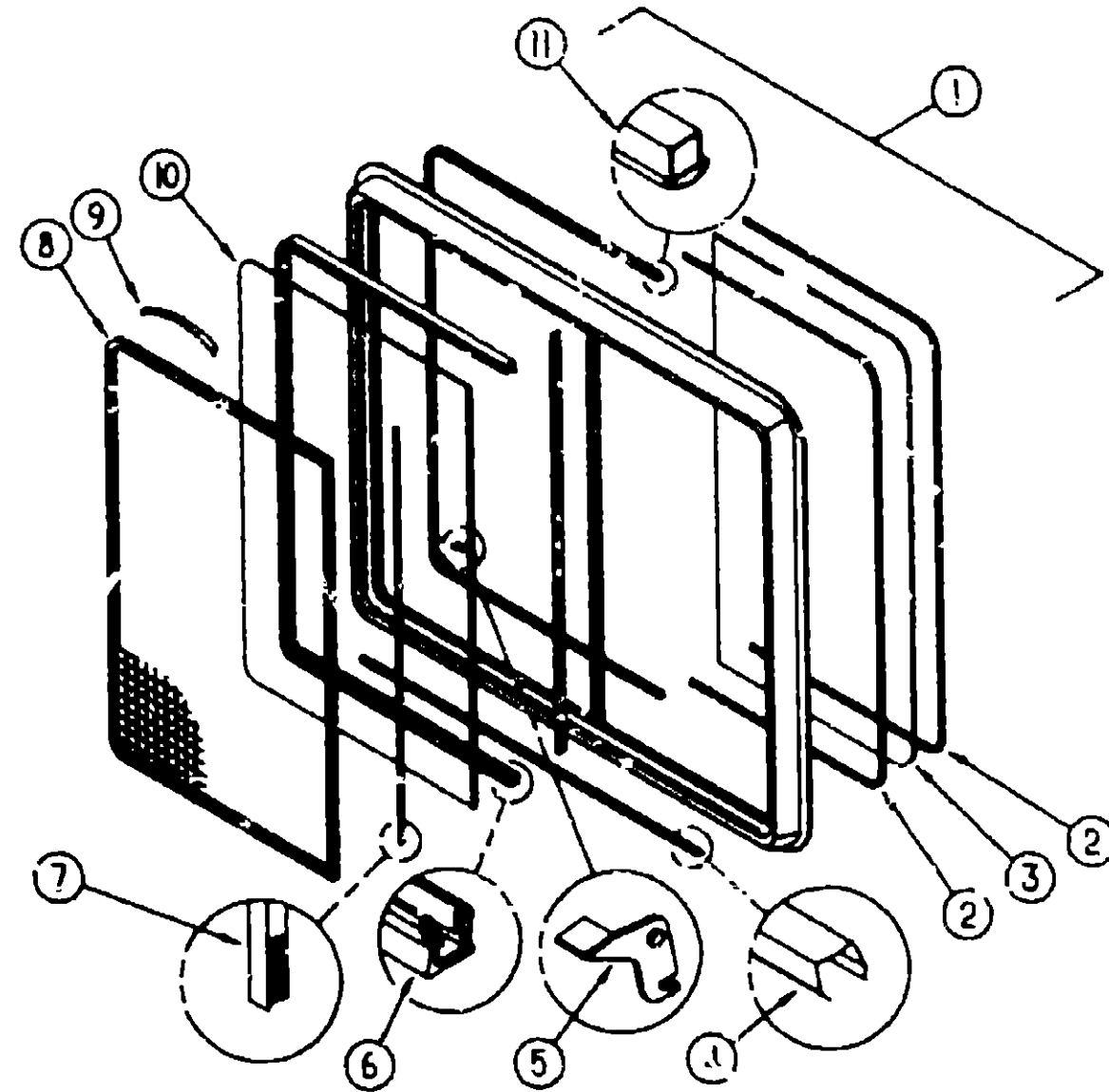
1993 WF428RQ INDEX

| | | |
|-------------------------------|--------|------|
| FLOOR PLAN | H-11 - | H-12 |
| ACCESSORIES | | H-13 |
| AUDIO VIDEO | | H-14 |
| BATH | H-15 - | H-16 |
| BEDROOM | H-17 - | H-20 |
| CHASSIS | H-21 - | I-24 |
| CURTAIN & CUSHION | I-01 - | I-12 |
| DINETTE | I-13 - | I-14 |
| DRIVERS COMPARTMENT | I-15 - | I-16 |
| ELECTRICAL | I-17 - | I-20 |
| EXTERIOR BODY | I-21 - | J-02 |
| GALLEY | J-03 - | J-06 |
| GENERATOR | | J-07 |
| HEATING & AC | J-08 - | J-10 |
| INTERIOR FINISH | J-11 - | J-14 |
| LABELS | J-15 - | J-22 |
| LP | | J-23 |
| LOUNGE | J-24 - | K-02 |
| SEALANTS & FASTENERS | K-03 - | K-05 |
| WATER & SEWAGE | K-06 - | K-10 |
| WINDOW VENT AND EXTERIOR DOOR | K-11 - | L-01 |

| KEY | PART NUMBER | U/M | DESCRIPTION |
|-----|---------------|-----|--|
| | 067808-32-000 | EA | FRAME-WINDOW, ENTRY DOOR - OFF WHITE |
| 1 | 079733-07-AAB | EA | WINDOW-ENTRY DOOR, 17" X 25" - FROSTED GLASS |
| 2 | 002181-07-000 | EA | GLASS-WINDOW, 18 1/2" X 16 25" X 24" - FROSTED |
| 3 | 050216-02-000 | FT | SPLINE-GLASS, EXTERIOR - VINYL - 19" - BLACK |
| 4 | 087561-01-000 | FT | SEAL-GLASS EXTERIOR - 5" WIDE - VINYL - BLACK |

| KEY | PART NUMBER | U/M | DESCRIPTION |
|-----|---------------|-----|---|
| | 098647-07-02A | EA | WINDOW-HORIZONTAL SLIDER, WINSIDE FRAME - OFF WHITE |
| | 098647-11-705 | EA | FRAME-INSIDE, W024-67 EXCEL - WHITE |
| 1 | 098647-07-700 | EA | WINDOW-HORIZONTAL SLIDER W/O INSIDE FRAME - LEFT - OFF WHITE |
| 2 | 098644-01-705 | FT | GLAZING STRIP, EXCEL M926-12 |
| 3 | 098647-06-700 | EA | GLASS-STATIONARY - 106-01592; EXCEL |
| 4 | 098644-01-710 | FT | TRACK-SCREEN SPACER 12" LENGTH - EXCEL M401-31 |
| 5 | 098644-01-700 | EA | LATCH REPAIR KIT |
| 6 | 098644-01-708 | FT | CHANNEL-PIERCED RUN EXCEL 122-016543 |
| 7 | 098644-01-711 | FT | WEATHERSTRIP-SCREEN BLACK - EXCEL 171-016965 |
| 8 | 098647-06-703 | EA | SCREEN W/SPRING&WEATHERSTRIP - 410-016477 EXCEL |
| 9 | 098644-01-713 | EA | SPRING-SCREEN FRAME (CLIP) PLASTIC - BLACK - EXCEL 226-016086 |
| | 098644-01-716 | FT | PLUG-FILLER, EXCEL 132-014470 |
| | 098644-01-717 | FT | SPLINE-SCREEN MFG, EXCEL 32-004716 |
| 10 | 098647-06-702 | EA | GLASS-SLIDING, W/SASH&LATCH - 410-016477 EXCEL |
| 11 | 098644-01-706 | FT | WEATHERSTRIP, EXCEL 171-010888 |

WINDOW, VENT & EXTERIOR DOOR GROUP (CONTINUED)



OVERHEAD BUNK SLIDING WINDOWS

| KEY | PART NUMBER | U/M DESCRIPTION |
|-----|---------------|--|
| | 098647-18-01A | EA WINDOW-SLIDING, WINSIDE FRAME - PASSENGER SIDE - EXCEL B951-PRR |
| | 098647-19-01A | EA WINDOW-SLIDING, WINSIDE FRAME - DRIVER SIDE - EXCEL B951-PRL |
| | 098647-18-700 | EA FRAME-WINDOW, INSIDE - WHITE - EXCEL V951-67 |
| 1 | 098647-18-702 | EA WINDOW-SLIDING W/O INSIDE FRAME - PASSENGER SIDE - EXCEL B951-G2R |
| 1 | 098647-19-700 | EA WINDOW-SLIDING, W/O INSIDE FRAME - DRIVER SIDE - EXCEL B951-G2R |
| 2 | 098644-01-705 | FT GLAZING STRIP, EXCEL M926-12 |
| 3 | 098647-18-701 | EA GLASS-STATIONARY, EXCEL 106011829 |
| 4 | 098644-01-710 | FT TRACK-SCREEN SPACER 1/2 LENGTH - EXCEL M401-31 |
| 5 | 098644-01-700 | EA LATCH REPAIR KIT |
| 6 | 098644-01-708 | FT CHANNEL-PIERCED RUN EXCEL 122-016543 |
| 7 | 098644-01-711 | FT WEATHERSTRIP-SCREEN BLACK - EXCEL 171-016965 |
| 8 | 098646-03-705 | EA SCREEN W/SPRING&WEATHERSTRIP - 410016475 EXCEL |
| 9 | 098644-01-713 | EA SPRING-SCREEN FRAME (CLIP) PLASTIC - BLACK - EXCEL 226-016366 |
| | 098644-01-716 | FT PLUG-FILLER, EXCEL 132-014470 |
| | 098644-01-717 | FT SPLINE-SCREEN MFG, EXCEL 32-004716 |
| 10 | 098646-01-702 | EA GLASS-SLIDING, W/SASH & LOCK - EXCEL B948-G9 |
| 11 | 098644-01-706 | FT WEATHERSTRIP EXCEL 171-010658 |

WINDOW, VENT & EXTERIOR DOOR GROUP (CONTINUED)

POWERED ROOF VENT

| KEY | PART NUMBER | U/M DESCRIPTION |
|-----------------------------|---------------|---|
| | 009439-01-000 | EA CRANK HANDLE-ROOF VENT |
| | 009439-04-000 | EA SCREW 8-32 X 1 1/4" POH |
| | 009439-02-000 | EA KNOB-ROOF VENT MILL |
| | 009439-03-000 | EA EXTENSION-CRANK HANDLE ROOF VENT - 9" - MILL |
| | 090394-01-Y12 | EA VENT-ROOF POWERED |
| FROM 00-00-00 THRU 10-04-92 | | |
| | 055218-01-000 | EA COVER-ROOF VENT, PLASTIC |
| | 002625-01-000 | EA WEATHER STRIP-ROOF VENT GRAY |
| | 006155-01-000 | EA SWITCH-POOF VENT FUSH BUTTON 12V |
| | 006342-01-000 | EA TIE-WIRE 6" |
| | 006305-01-000 | EA GROMMET-SNAP 3/3" |
| | 009440-01-000 | EA GEAR/ARM-VENT COVER LIFT |
| | 015911-01-000 | EA TRACK-LIFT ARM SLIDE - ROOF VENT |
| | 048643-01-000 | EA MOTOR-ROOF VENT 1.5 SHAFT - 12V - JENSEN |
| | 048649-01-000 | EA FAN-ROOF VENT 6 BLADES - 6" - JENSEN |
| | 052639-01-001 | EA HINGE-VENT COVER 16" |
| | 052639-01-200 | EA HINGE-EXTRUSION ROOF VENT 7" |
| | 051603-01-000 | EA GROMMET-SNAP 3.16"OD - 3/8" HOLE - PLASTIC - BLACK |
| | 078785-01-Y12 | EA SCREEN-ROOF VENT POWERED |
| | 002291-02-000 | SF SCREENING-ROOF VENT/WINDOW 10" - BLACK |
| | 002298-02-000 | FT SPLINE-VENT/WINDOW SCREEN 128 DIAMETER - BLACK |
| | 110051-03-01A | EA VENT-ROOF, POWERED - 2" ROOF - JENSEN 7757 |
| FROM 10-05-92 THRU 99-99-99 | | |
| | 048645-01-000 | EA MOTOR-12V NON VENTED 1.5 SFT |
| | 048646-01-000 | EA FAN-PLASTIC 6" - 5 BLADED |
| | 064470-01-700 | EA COVER ROOF VENT JENSEN 7291 |
| | 110051-01-701 | EA GARNISH W/SCREEN & FRAME 2", JENSEN 29-800-01 |
| | 110051-01-702 | EA HAND CRANK & OPERATOR ASM, JENSEN RP-1000B |
| | 110051-01-703 | EA HANDLE CRANK, JENSEN RP1031-B |

NONPOWERED ROOF VENT

| KEY | PART NUMBER | U/M DESCRIPTION |
|-----------------------------|---------------|---|
| | 009439-01-000 | EA CRANK HANDLE-ROOF VENT |
| | 009439-04-000 | EA SCREW 8-32 X 1 1/4" POH |
| | 009439-02-000 | EA KNOB-ROOF VENT MILL |
| | 009439-03-000 | EA EXTENSION-CRANK HANDLE ROOF VENT - 9" - MILL |
| | 009439-04-000 | EA SCREW 8-32 X 1 1/4" POH |
| | 090395-01-Y12 | EA VENT-ROOF NONPOWERED |
| FROM 00-00-00 THRU 10-04-92 | | |
| | 055218-01-000 | EA COVER-ROOF VENT, PLASTIC |
| | 002625-01-000 | EA WEATHER STRIP-ROOF VENT GRAY |
| | 009440-01-000 | EA GEAR/ARM-VENT COVER LIFT |
| | 015911-01-000 | EA TRACK-LIFT ARM SLIDE - ROOF VENT |
| | 052639-01-001 | EA HINGE-VENT COVER 15" |
| | 052639-01-200 | EA HINGE-EXTRUSION ROOF VENT 7" |
| | 078786-01-Y12 | EA SCREEN-ROOF VENT NON POWERED - WHITE |
| | 002291-02-000 | SF SCREENING-ROOF VENT/WINDOW 16" - BLACK |
| | 002298-02-000 | FT SPLINE-VENT/WINDOW SCREEN 128 DIAMETER - BLACK |
| | 110051-01-01A | EA VENT-ROOF, NONPOWERED - 2" ROOF - JENSEN 7724 |
| FROM 10-05-92 THRU 99-99-99 | | |
| | 064470-01-700 | EA COVER ROOF VENT, JENSEN 7291 |
| | 110051-01-701 | EA GARNISH W/SCREEN & FRAME 2", JENSEN 29-800-01 |
| | 110051-01-702 | EA HAND CRANK & OPERATOR ASM, JENSEN RP-1000B |
| | 110051-01-703 | EA HANDLE CRANK, JENSEN RP-1031-B |

**1993 WINNEBAGO
TABLE OF CONTENTS**

| | |
|--------------------|-------------|
| INTRODUCTION | A-01 - A-02 |
| ABBREVIATIONS | A-03 |
| ALPHABETICAL INDEX | A-04 - A-06 |
| WF427RQ | A-07 - D-20 |
| WF427RC | D-21 - H 10 |
| WF428RQ | I-11 - L-02 |

1993 WF428RQ INDEX

| | |
|--------------------------------|-------------|
| FLOOR PLAN | I-11 - H-12 |
| ACCESSORIES | H-13 |
| AUDIO VIDEO | H-14 |
| BATH | H-15 - H-16 |
| BEDROOM | H-17 - H-20 |
| CLASSIS | H-21 - H-24 |
| CURTAIN & CUSHION | I-01 - I-12 |
| DINETTE | I-13 - I-14 |
| DRIVERS COMPARTMENT | I-15 - I-16 |
| ELECTRICAL | I-17 - I-20 |
| EXTERIOR BODY | I-21 - I-22 |
| GALLEY | J-03 - J-05 |
| GENERATOR | J-07 |
| HEATING & A/C | J-08 - J-10 |
| INTERIOR FINISH | J-11 - J-14 |
| LABELS | J-15 - J-22 |
| LP | J-23 |
| LOUNGE | J-24 - K-02 |
| SEALANTS & FASTENERS | K-03 - K-05 |
| WATER & SEWAGE | K-06 - K-10 |
| WINDOW, VENT AND EXTERIOR DOOR | K-11 - L-01 |

WINDOW, VENT & EXTERIOR DOOR GROUP (CONTINUED)

VENTS, SHROUDS AND ROOF COVERS

| KEY | PART NUMBER | U/M | DESCRIPTION |
|-----|---------------|-----|--|
| | 084073-04-000 | EA | BASE-VENT, REFRIGERATOR - ROOF - NORCOLD - OFF WHITE |
| | 084073-03-000 | EA | CAP-VENT, REFRIGERATOR - ROOF - NORCOLD - BLACK |
| | 084878-09-000 | EA | VENT-RANGE HOOD, SHORT - LVS |
| | 063752-01-000 | EA | SHROUD-RANGE - 18 5" X 20 6" X 16.2" - METAL - OFF WHITE |
| | 084616-01-000 | EA | SHROUD-RANGE HOOD VENT, OFF WHITE |
| | 083558-03-000 | EA | VENT-PLUMBING PIPE ROOF W/COVER - OFF WHITE |
| | 080508-01-000 | EA | PANEL-SKYLITE, INNER - PLEXIGLASS - 23.25" X 20 3" |
| | 080507-01-000 | EA | PANEL-SKYLIGHT, OUTER - PLEXIGLASS - 23 25" X 20 3" |

**1993 WINNEBAGO
TABLE OF CONTENTS**

| | | |
|--------------------|--------|------|
| INTRODUCTION | A-01 - | A-02 |
| ABBREVIATIONS | | A-03 |
| ALPHABETICAL INDEX | A-04 - | A-06 |
| WF427RQ | A-07 - | D-20 |
| WF427RQ | D-21 - | H-10 |
| WF428RQ | H-11 - | L-02 |

1993 WF428RQ INDEX

| | | |
|-----------------------------------|--------|------|
| FLOOR PLAN | H-11 - | H-12 |
| ACCESSORIES | | H-13 |
| AUDIO VIDEO | | H-14 |
| BATH | H-15 - | H-15 |
| BEDROOM | H-17 - | H-20 |
| CHASSIS | H-21 - | H-24 |
| CURTAIN & CUSHION | I-01 - | I-12 |
| DINETTE | I-13 - | I-14 |
| DRIVERS COMPARTMENT | I-15 - | I-16 |
| ELECTRICAL | I-17 - | I-20 |
| EXTERIOR BODY | I-21 - | J-02 |
| GALLEY | J-03 - | J-06 |
| GENERATOR | | J-07 |
| HEATING & A/C | J-08 - | J-10 |
| INTERIOR FINISH | J-11 - | J-14 |
| LABELS | J-15 - | J-22 |
| LP | | J-23 |
| LOUNGE | J-24 - | K-02 |
| SEALANTS & FASTENERS | K-03 - | K-05 |
| WATER & SEWAGE | K-06 - | K-10 |
| WINDOW, VENT AND EXTERIOR DOOR | K-11 - | L-01 |