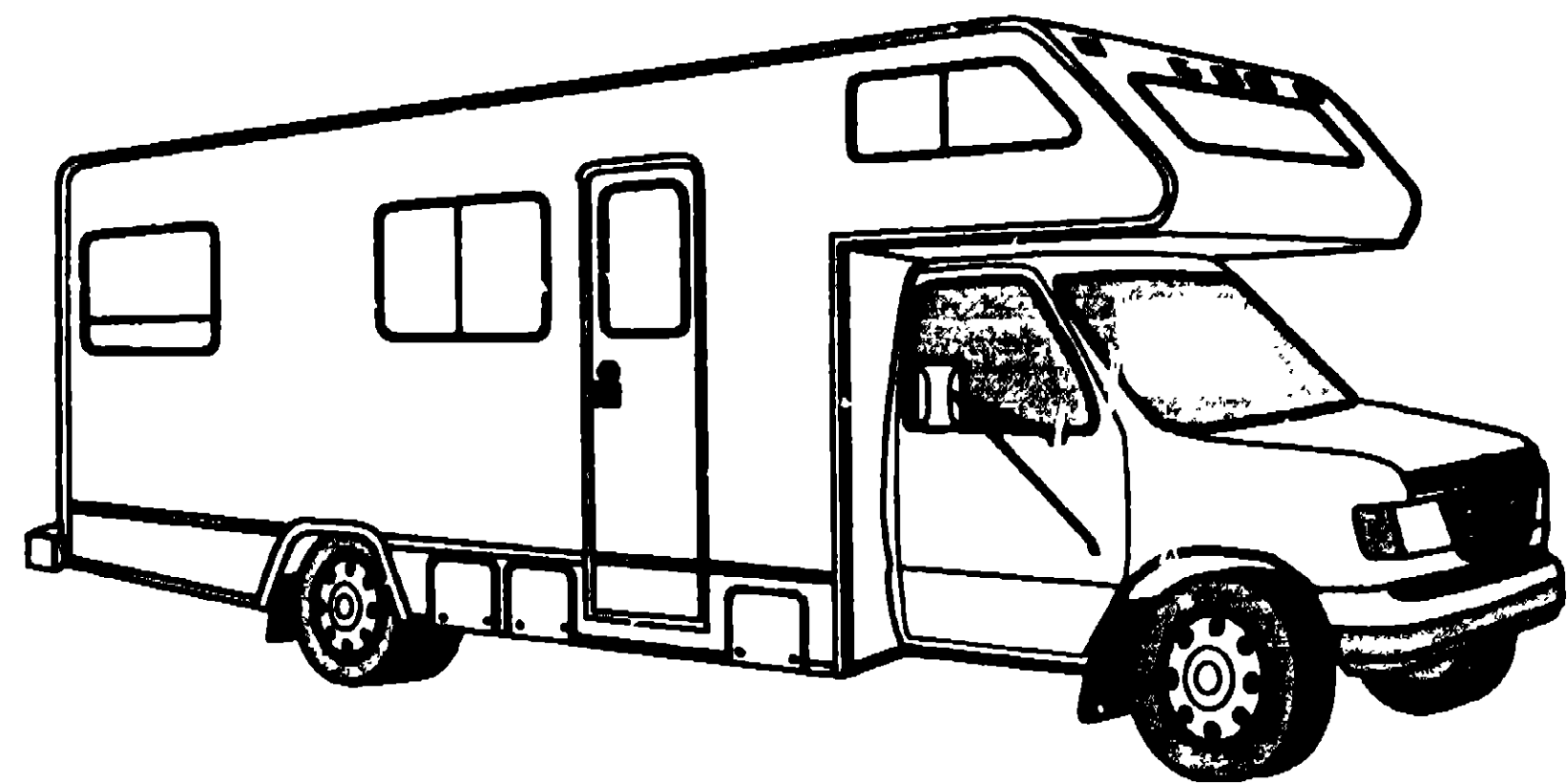
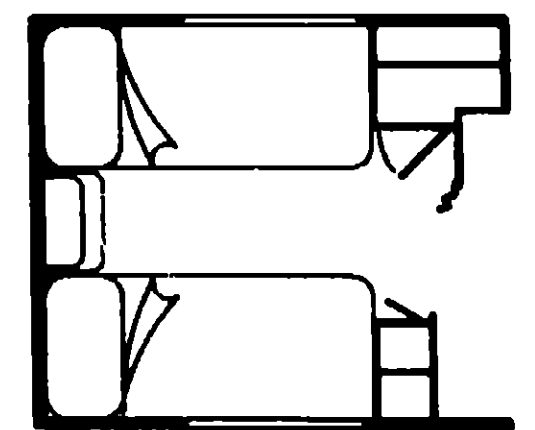
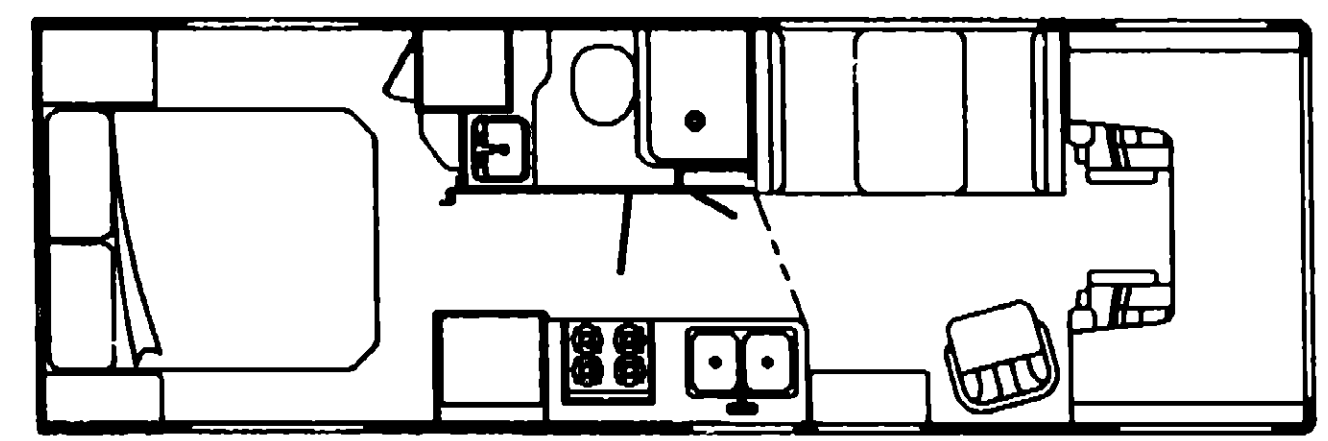
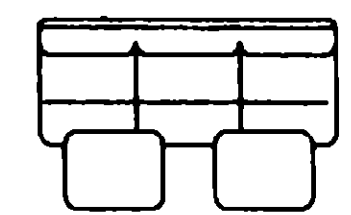


**1993 WINNEBAGO
TABLE OF CONTENTS**

INTRODUCTION	A-01 -	A-02
ABBREVIATIONS		A-03
ALPHABETICAL INDEX	A-04 -	A-05
WF427RQ	A-07 -	D-20
WF427RC	D-21 -	H-10
WF428RQ	H-11 -	L-02



**1993
WF427RQ
D04
D05**



1993 WF427RQ INDEX

FLOOR PLAN	A-07 -	A-08
ACCESSORIES		A-09
AUDIO VIDEO		A-10
BATH	A-11 -	A-12
BEDROOM	A-13 -	A-14
CHASSIS	A-15 -	A-18
CURTAIN & CUSHION	A-19 -	B-06
DINETTE	B-07 -	B-08
DRIVERS COMPARTMENT	B-09 -	B-10
ELECTRICAL	B-11 -	B-14
EXTERIOR BODY	B-15 -	B-22
GALLEY	B-23 -	C-02
GENERATOR		C-03
HEATING & A/C	C-04 -	C-05
INTERIOR FINISH	C-07 -	C-10
LABELS	C-11 -	C-18
LP		C-19
LOUNGE	C-20 -	C-21
SEALANTS & FASTENERS	C-22 -	C-24
WATER & SEWAGE	D-01 -	D-04
WINDOW, VENT AND EXTERIOR DOOR	D-05 -	D-20

ACCESSORIES GROUP

OPERATORS MANUAL

KEY	PART NUMBER	U/M DESCRIPTION
	054185-33-000	EA MANUAL-OPERATOR, 1993 MINNIE WINNIE
	092318-01-000	EA BINDER-3 RING, MOTOR HOME MANUA.
	092319-01-000	EA PAGE-POCKET, 3 RING BINDER - PLASTIC
	108272-01-000	DW TOP LEVEL DRAWING - 1993 C-BODY

AUDIO VIDEO GROUP

RADIO SYSTEM & ANTENNA

KEY	PART NUMBER	U/M DESCRIPTION
	108480-01-000	EA RADIO-AM/FM CASSETTE, ELECTRONIC TUNE - FORD - AUDIOVOX FD-CXF
	108137-01-000	EA PLUG-ANTENNA HOLE (FORD)
	099340-02-000	EA GRILLE-SPEAKER, 8.5" SQUARE (OVHD CABINETS)
	099340-03-000	EA SPACER-SPEAKER GRILLE, TAN - MAGNADYNE G514 (OVHD CABINETS)
	094097-01-000	EA SPEAKER-RADIO, W/O GRILLE - 5.25" DIA - AUDIOVOX 110C3030 (OVHD CABINETS)
	087883-01-000	EA RADIO-AM/FM STEREO W/CASSETTE AUDIOVOX 144D1558 (PATIO ENTERTAINMENT)
	090944-01-000	EA ANTENNA-RADIO, 18" RUBBER (PATIO ENTERTAINMENT)
	077089-02-000	EA CABLE-ANTENNA, RADIO - EXTENSION 98" - ARA 8700867
	090862-01-000	EA BRACKET-HAT, ANTENNA - 3.1" X 3.9" - STEEL - BLACK (PATIO ENTERTAINMENT)
	104899-01-004	EA PLATE-RADIO MOUNTING (PATIO ENTERTAINMENT)
	073741-03-000	EA SPEAKER-OVAL, 4" X 6" - AUDIOVOX 110-2074 (PATIO ENTERTAINMENT) FROM: 00-00-00 THRU: 12-20-92
	110469-01-000	EA SPEAKER-OVAL, 4" X 6" - MAGNADYNE F48XB-12 (PATIO ENTERTAINMENT) FROM: 12-21-92 THRU: 99-99-99
	073741-04-000	EA GRILLE-SPEAKER, OVAL - 4" X 6" - AUDIOVOX 136-1157 (PATIO ENTERTAINMENT) FROM: 00-00-00 THRU: 12-20-92
	110470-01-01A	EA GRILLE-SPEAKER, OVAL - 4" X 6" - BLACK - MAGNADYNE G48W (PATIO ENTERTAINMENT) FROM: 12-21-92 THRU: 99-99-99

TV, VCR SYSTEMS & ANTENNA

KEY	PART NUMBER	U/M DESCRIPTION
	092310-03-000	EA TV-COLOR, 9" - AC/DC - W/SWIVEL - MAGNAVOX RD0945
	092310-02-700	EA REMOTE FOR TV
	098446-03-000	EA VCR-VHS, CABLE READY - REMOTE - MAGNAVOX VR9010 FROM: 00-00-00 THRU: 10-04-92
	098446-03-700	EA REMOTE FOR MODEL #9010 - 0974588
	098446-04-000	EA VCR-VHS, CABLE READY - REMOTE - MAGNAVOX VR9110 FROM: 10-05-92 THRU: 08-08-93
	098446-04-700	EA REMOTE FOR MODEL #9110
	098446-05-000	EA VCR-VHS, CABLE READY - REMOTE - MAGNAVOX VR9120 FROM: 08-07-93 THRU: 99-99-99
	098446-04-700	EA REMOTE FOR MODEL #9110 & #9120
	105433-01-000	EA BRACKET-VCR
	076319-01-000	EA ANTENNA-TV, ROOF MOUNT - 44.5" MAST - RVA W02
	076319-01-700	EA HEAD-ANTENNA, AMPLIFIED - WINEGARD# RYSA U/V
	076319-01-701	EA GEAR-ELEVATING, PLASTIC - WINEGARD# 2200046
	076319-01-702	EA SHAFT ASM-ELEVATING, WINEGARD# RVP-400A
	076319-01-703	EA BEARING-NYLON, .5"OD - WINEGARD# 3200856
	076319-01-705	EA GROMMET-NYLON, 7/8"ID - WINEGARD# 3200858
	076319-01-706	EA CRANK-ELEVATING, W/SET SCREW - WINEGARD# 5755100
	076319-01-707	EA SPRING-HANDLE, WINEGARD# 5160800
	076319-01-709	EA PLATE-DIRECTIONAL, FOR HEAD - WINEGARD #3200844
	076319-08-000	EA ADAPTER-CABLE ROOF PLATE, WINEGARD RPJ-1
	082134-01-000	EA ADAPTER-TV, CABLE TO CABLE - WINEGARD F-81M
	082136-01-000	EA NUT-HEX JAM 3/8-32, WINEGARD
	076319-08-000	EA WALLPLATE-CABLE RECEPTACLE, TV - SINGLE - IVORY
	086777-03-000	EA WALLPLATE-TV CABLE, W/ANTENNA SWITCH - IVORY
	108046-01-000	EA CABLE TIE-SCREW MOUNT 8" DENNISON 08415
	076319-03-000	FT CABLE-COAXIAL, 75 OHM
	076319-12-000	EA CONNECTOR-COAXIAL - ONE PIECE
	088758-01-000	EA SPLITTER-TV, 2 WAY
	086757-03-000	EA CONTROL CENTER-SWITCH, VCR/TV - MAGNADYNE VCS-6
	086777-04-000	EA PLATE-WALL, ANTENNA/POWER - BROWN FROM: 00-00-00 THRU: 04-14-93
	086777-06-000	EA PLATE-WALL, ANTENNA/POWER - BROWN - WINEGARD RV-0931 FROM: 04-15-93 THRU: 99-99-99

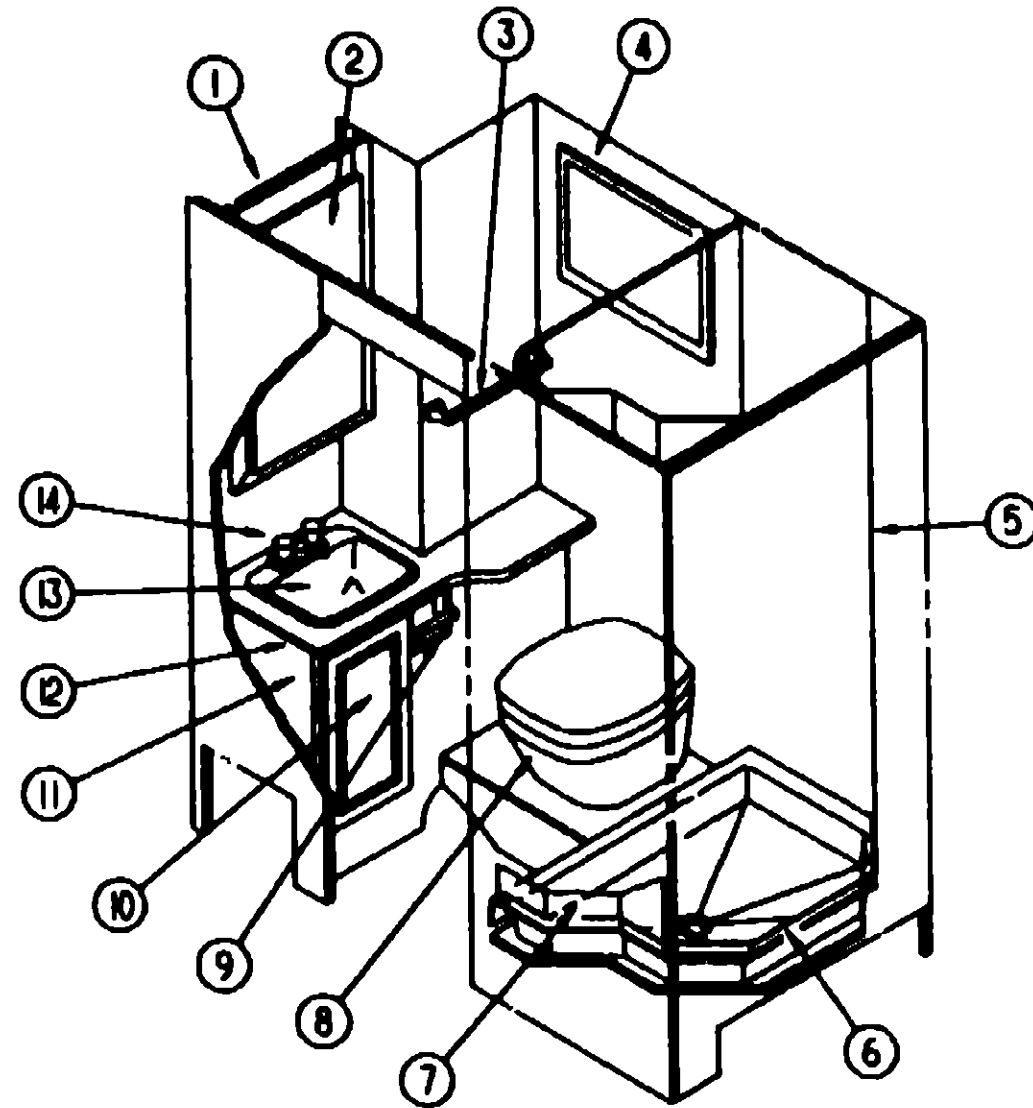
1993 WINNEBAGO TABLE OF CONTENTS

INTRODUCTION	A-01 -	A-02
ABBREVIATIONS		A-03
ALPHABETICAL INDEX	A-04 -	A-08
WF427RQ	A-07 -	D-20
WF427RC	D-21 -	H-10
WF428HQ	H-11 -	L-02

1993 WF427RQ INDEX

FLOOR PLAN	A-07 -	A-08
ACCESSORIES		A-09
AUDIO VIDEO		A-10
BATH	A-11 -	A-12
BEDROOM	A-13 -	A-14
CHASSIS	A-15 -	A-18
CURTAIN & CUSHION	A-19 -	B-06
DINETTE	B-07 -	B-08
DRIVERS COMPARTMENT	B-09 -	B-10
ELECTRICAL	B-11 -	B-14
EXTERIOR BODY	B-15 -	B-22
GALLEY	B-23 -	C-02
GENERATOR		C-03
HEATING & A/C	C-04 -	C-08
INTERIOR FINISH	C-07 -	C-10
LABELS	C-11 -	C-18
LP		C-19
LOUNGE	C-20 -	C-21
SEALANTS & FASTENERS	C-22 -	C-24
WATER & SEWAGE	D-01 -	D-04
WINDOW, VENT AND		
EXTERIOR DOOR	D-05 -	D-20

BATH GROUP



BATH CABINETS & FIXTURES

KEY	PART NUMBER	U/M DESCRIPTION
1	105350-01-C03	EA CABINET-MEDICINE, W/O DOOR & HARDWARE
2	P03881-01-C03	EA DOOR-CABINET, MEDICINE - W/O HARDWARE - 305 X 750MM
	058331-32-000	EA MIRROR-GLASS, SAFETY - 13 6" X 27 8"
	M03450-11-000	EA TRIM-MIRROR, WOOD - OAK
3	075453-02-000	EA BAR-TOWEL, 18" BRASS
4	083446-10-B05	EA MIRROR-WALL, WOOD FRAMED
5	102803-01-01A	EA SURROUND-SHOWER, LARGE 3 SIDED SECTION - OFF WHITE
6	M02673-06-B05	EA PAN-SHOWER, OFF WHITE
	066436-01-000	EA NUT-SLIP, TAILPIECE - 1.5"
	066440-01-000	EA STRAINER-SHOWER, W/ RUBBER WASHER
	069736-01-000	EA WASHER-STRAINER TO TAILPIECE PLASTIC, 1.5"
	011069-02-000	EA TAILPIECE-TUB/SHOWER, 1 1/2" X 1 1/4" X 4" - BRASS
	057871-01-000	EA COVER-SCREW, #8 - PLASTIC - OFF WHITE
7	102804-01-01A	EA SURROUND-SHOWER, SMALLER SECTION - OFF WHITE
8	067487-01-000	EA TOILET-12 37", IVORY - HAND FLUSH - THETFORD 150110
	063740-01-700	EA LEVER-WATER, THETFORD 12514
	063740-01-701	EA LEVER-FLUSH, THETFORD 12515
	063740-01-706	EA BOLT PACKAGE-CLOSET, THETFORD 12524
	063740-01-710	EA LINK-THETFORD 12513
	063740-01-711	EA SPRING-RETURN LEVER, THETFORD 12523
	063740-01-713	EA SEAL-BALL VALVE TO BOWL, THETFORD 12502
	063740-01-714	EA VALVE ASM-WATER, THETFORD 12492
	063740-01-716	EA SEAT & COVER, THETFORD 15017
	063740-01-717	EA TUBE-FLUSH, TOILET-12509 THETFORD
	063641-01-000	EA FLANGE-CLOSET, 4" X 3"

BATH GROUP (CONTINUED)

BATH CABINETS & FIXTURES (CONTINUED)

KEY	PART NUMBER	U/M DESCRIPTION
9	075452-02-000	EA HOLDER-TOILET TISSUE, BRASS
10	P06223-01-C03	EA DOOR-CABINET, W/O HARDWARE - 305 X 565MM
11	P03126-01-D04	EA CABINET-LAVATORY, W/O DOOR & HARDWARE
11	P03126-01-D06	EA CABINET-LAVATORY, W/O DOOR & HARDWARE
12	103126-11-D04	EA COUNTERTOP-CABINET, LAVATORY
12	103126-11-D06	EA COUNTERTOP-CABINET, LAVATORY
13	066927-01-01A	EA SINK-LAVATORY, RECTANGULAR - PLASTIC - BONE
	066927-01-700	EA SINK-STOPPER
	066927-01-701	EA TAILPIECE-SINK
14	075240-06-000	EA FAUCET-LAVATORY, BONE
	091253-01-000	EA BASKET-FAUCET, LAVATORY/GALLEY
	103092-01-000	EA HEAD-SHOWER, W/O IN HOSE (US & CANADIAN)
	075241-06-000	EA FAUCET-SHOWER, BONE
	075606-01-000	EA PANEL-BACK, SHOWER FAUCET - 5" X 9" - PLASTIC
	075454-02-000	EA RING-TOWEL, W/MOUNTING HARDWARE - BRASS
	078238-37-B06	EA PANEL-ACCESS, 50 X 445MM - SHOWER PLATFORM
	091208-01-000	EA WASHER-RUBBER, 0.5" X 75" X 5"
	080508-01-000	EA PANEL-SKYLITE, INNER - PLEXIGLASS - 23 25" X 20 3"
	080507-01-000	EA PANEL-SKYLIGHT, OUTER - PLEXIGLASS - 23 25" X 20 3"

BATH PRIVACY DOOR

KEY	PART NUMBER	U/M DESCRIPTION
	105394-01-01A	EA JAMB-DOOR, EXTRUDED PLASTIC - 7' LONG - OAK
	M87868-09-C03	EA DOOR-PRIVACY, BATH - W/O HARDWARE
		FROM 00-00-00 THRU 02-21-93
	M87868-17-D04	EA DOOR-PRIVACY, BATH - W/O HARDWARE
		FROM 02-22-93 THRU 99-99-99
	094485-01-01A	EA KNOB-DOOR-POLISHED BRASS
		FROM 00-00-00 THRU 09-23-92
	094485-02-01A	EA KNOB-DOOR-POLISHED BRASS
		FROM 09-24-92 THRU 99-99-99

EXTERIOR SHOWER

KEY	PART NUMBER	U/M DESCRIPTION
	103092-01-000	EA HEAD-SHOWER, W/O IN HOSE (US & CANADIAN)
	103092-01-700	EA BRACKET-SHOWER HEAD
	075241-06-000	EA FAUCET-SHOWER, BONE
	105269-02-000	EA BRACKET-SUPPORT, FAUCET
	091952-02-000	EA CLIP-GRIPPER, 3/4"

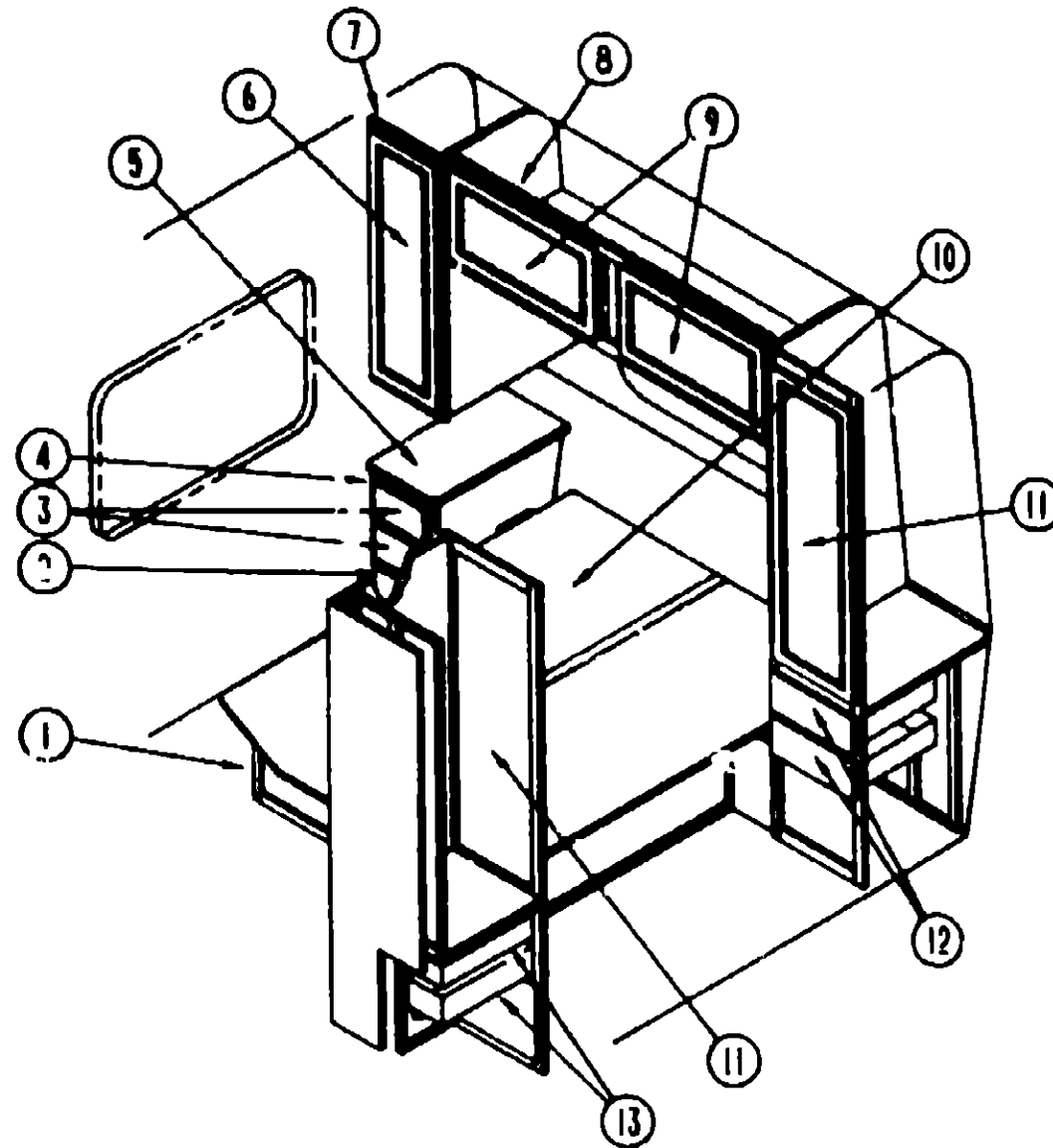
1993 WINNEBAGO TABLE OF CONTENTS

INTRODUCTION	A-01 -	A-02
ABBREVIATIONS		A-03
ALPHABETICAL INDEX	A-04 -	A-08
WF427RQ	A-07 -	D-20
WF427RC	D-21 -	H-10
WF428RQ	H-11 -	L-02

1993 WF427RQ INDEX

FLOOR PLAN	A-07 -	A-08
ACCESSORIES		A-09
AUDIO VIDEO		A-10
BATH	A-11 -	A-12
BEDROOM	A-13 -	A-14
CHASSIS	A-15 -	A-18
CURTAIN & CUSHION	A-19 -	B-08
DINETTE	B-07 -	B-08
DRIVERS COMPARTMENT	B-09 -	B-10
ELECTRICAL	B-11 -	B-14
EXTERIOR BODY	B-15 -	B-22
GALLEY	B-23 -	C-02
GENERATOR		C-03
HEATING & AC	C-04 -	C-08
INTERIOR FINISH	C-07 -	C-10
LABELS	C-11 -	C-18
LP		C-19
LOUNGE	C-20 -	C-21
SEALANTS & FASTENERS	C-22 -	C-24
WATER & SEWAGE	D-01 -	D-04
WINDOW, VENT AND EXTERIOR DOOR	D-05 -	D-20

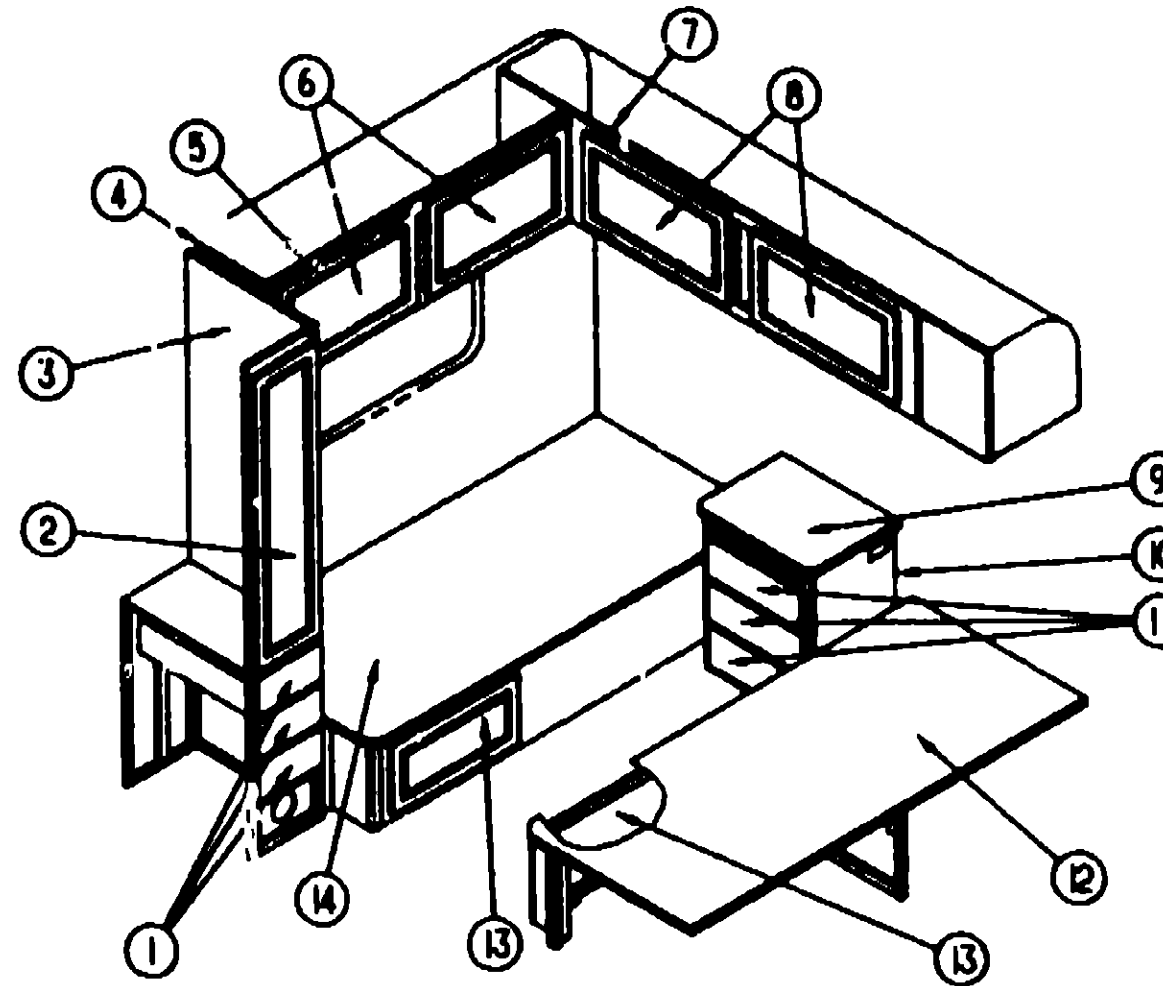
BEDROOM GROUP



QUEEN BEDROOM CABINETS & FOLDING PRIVACY DOOR

KEY	PART NUMBER	U/M	DESCRIPTION
1	P05308-01-C03	EA	CABINET-QUEEN BED BOTTOM
2	P07104-E5-D04	EA	DRAWER-CABINET, W/O HARDWARE
3	P07104-E4-D04	EA	DRAWER-CABINET, W/O HARDWARE
4	107695-01-D04	EA	CABINET-NIGHTSTAND
4	107695-01-D05	EA	CABINET-NIGHTSTAND
5	107695-11-D04	EA	COUNTERTOP-CABINET, NIGHTSTAND
5	107695-11-D05	EA	COUNTERTOP-CABINET, NIGHTSTAND
6	P05223-49-D04	EA	DOOR-CABINET, W/O HARDWARE - 305 X 1015
7	P05279-01-C03	EA	CABINET-SHIRT CLOSET - RIGHT
8	109212-01-D08	EA	CABINET-OVERHEAD, REAR
9	P05223-45-D04	EA	DOOR-CABINET, W/O HARDWARE - 400 X 710MM (WOOD PANEL)
9	P05223-42-D04	EA	DOOR-CABINET, W/O HARDWARE - 400 X 710MM (MIRROR PANEL)
10	M05631-02-C03	EA	TOP-CABINET, QUEEN BED - PASSENGER SIDE
	M05631-01-C03	EA	TOP-CABINET, QUEEN BED - DRIVER SIDE
	103725-02-000	EA	PROP-BED, AUTO CAM-115/B
11	P05223-54-D04	EA	DOOR-CABINET, W/O HARDWARE - 390 X 1250MM
12	P07104-E1-D04	EA	DRAWER-CABINET, W/O HARDWARE
13	P07104-E1-D04	EA	DRAWER-CABINET, W/O HARDWARE
	068331-27-000	EA	MIRROR-SAFETY GLASS, 11.6" X 46 7"
	042488-10-000	EA	DOOR-FOLDING - FABRIC - 37" X 75" - OFF WHITE
	080224-01-703	EA	LATCH & CATCH, FOLDING DOOR
	080224-01-705	EA	CATCH (ONLY), JAMB MOUNTED - FOLDING DOOR
	078236-37-895	EA	PANEL-ACCESS, 250 X 445

BEDROOM GROUP (CONTINUED)



TWIN BEDROOM CABINETS & FOLDING PRIVACY DOOR

KEY	PART NUMBER	U/M	DESCRIPTION
1	P07104-E9-D04	EA	DRAWER-CABINET, W/O HARDWARE - 288 X 500MM
	P07104-E8-D04	EA	DRAWER-CABINET, W/O HARDWARE - 354 X 536MM (DRIVER'S WARDROBE)
2	P05223-47-D04	EA	DOOR-CABINET, W/O HARDWARE - 305 X 1220MM
3	P07702-01-D04	EA	CABINET-WARDROBE, W/O DOORS & HARDWARE
	P07701-01-D04	EA	CABINET-WARDROBE, W/O DOORS & HARDWARE (DRIVERS SIDE)
4	104335-08-C03	EA	END CAP-CABINET, OVERHEAD
	104335-07-C03	EA	END CAP-CABINET, OVERHEAD (DRIVER SIDE)
5	M05778-05-D04	EA	CABINET-OVERHEAD, PASSENGER SIDE REAR
5	M05778-05-D05	EA	CABINET-OVERHEAD, PASSENGER SIDE REAR
	M05778-08-D04	EA	CABINET-OVERHEAD, DRIVER SIDE REAR
	M05778-08-D05	EA	CABINET-OVERHEAD, DRIVER SIDE REAR
6	P05223-43-D04	EA	DOOR-CABINET, W/O HARDWARE - 400 X 520MM
7	M05778-07-D04	EA	CABINET-OVERHEAD, REAR
7	M05778-07-D05	EA	CABINET-OVERHEAD, REAR
7	105292-01-D04	EA	CABINET-OVERHEAD, REAR (EUROPEAN EXPORT)
8	P05223-45-D04	EA	DOOR-CABINET, W/O HARDWARE - 400 X 710MM (WOOD PANEL)
8	P05223-42-D04	EA	DOOR-CABINET, W/O HARDWARE - 400 X 710MM (MIRROR PANEL)
9	107703-11-D04	EA	COUNTERTOP-CABINET, NIGHTSTAND
9	107703-11-D05	EA	COUNTERTOP-CABINET, NIGHTSTAND
10	107703-01-D04	EA	CABINET-NIGHTSTAND, W/O DOOR & HARDWARE
10	107703-01-D05	EA	CABINET-NIGHTSTAND, W/O DOOR & HARDWARE
11	P07104-F2-D04	EA	DRAWER-CABINET, W/O HARDWARE - 422 X 248MM
12	M05139-04-000	EA	TOP-CABINET, LEFT SIDE TWIN BED
	P05287-01-C03	EA	CABINET-TWIN BED, LEFT SIDE
13	P05223-02-C03	EA	DOOR-CABINET, W/O HARDWARE - 305 X 880MM
14	M05138-03-000	EA	TOP-CABINET, RIGHT SIDE TWIN BED
	P05286-01-C03	EA	CABINET-TWIN BED, RIGHT SIDE
	042488-10-000	EA	DOOR-FOLDING, FABRIC - 37" X 75" - OFF WHITE
	080224-01-703	EA	LATCH & CATCH, FOLDING DOOR
	080224-01-705	EA	CATCH (ONLY), JAMB MOUNTED - FOLDING DOOR

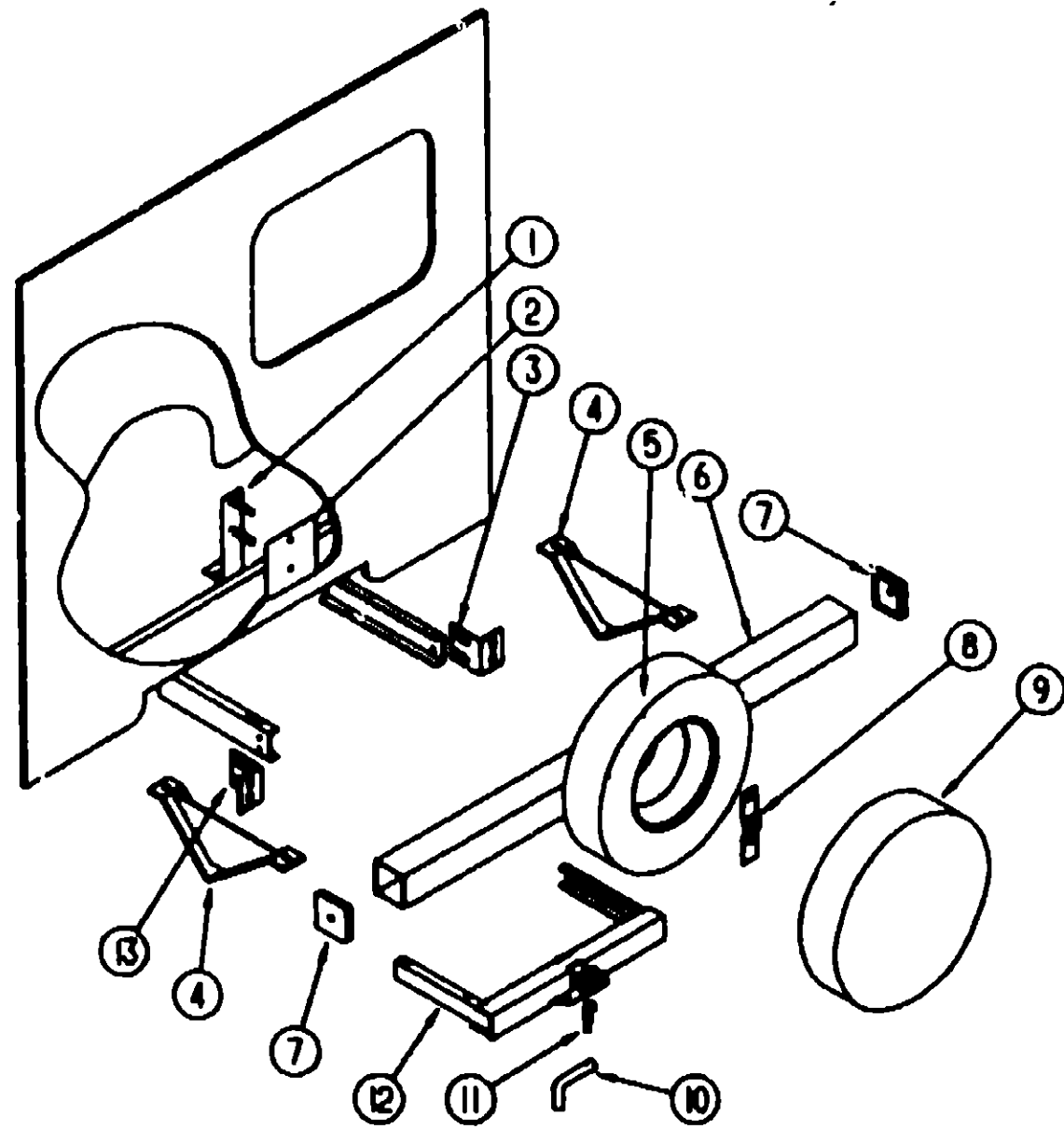
**1993 WINNEBAGO
TABLE OF CONTENTS**

INTRODUCTION	A-01 -	A-02
ABBREVIATIONS		A-03
ALPHABETICAL INDEX	A-04 -	A-06
WF427RQ	A-07 -	D-20
WF427RC	D-21 -	H-10
WF428RQ	H-11 -	L-02

1993 WF427RQ INDEX

FLOOR PLAN	A-07 -	A-08
ACCESSORIES		A-09
AUDIO VIDEO		A-10
BATH	A-11 -	A-12
BEDROOM	A-13 -	A-14
CHASSIS	A-15 -	A-18
CURTAIN & CUSHION	A-19 -	B-06
DINETTE	B-07 -	B-08
DRIVERS COMPARTMENT	B-09 -	B-10
ELECTRICAL	B-11 -	B-14
EXTERIOR BODY	B-15 -	B-22
GALLEY	B-23 -	C-02
GENERATOR		C-03
HEATING & A/C	C-04 -	C-06
INTERIOR FINISH	C-07 -	C-10
LABELS	C-11 -	C-18
LP		C-19
LOUNGE	C-20 -	C-21
SEALANTS & FASTENERS	C-22 -	C-24
WATER & SEWAGE	D-01 -	D-04
WINDOW, VENT AND EXTERIOR DOOR	D-05 -	D-20

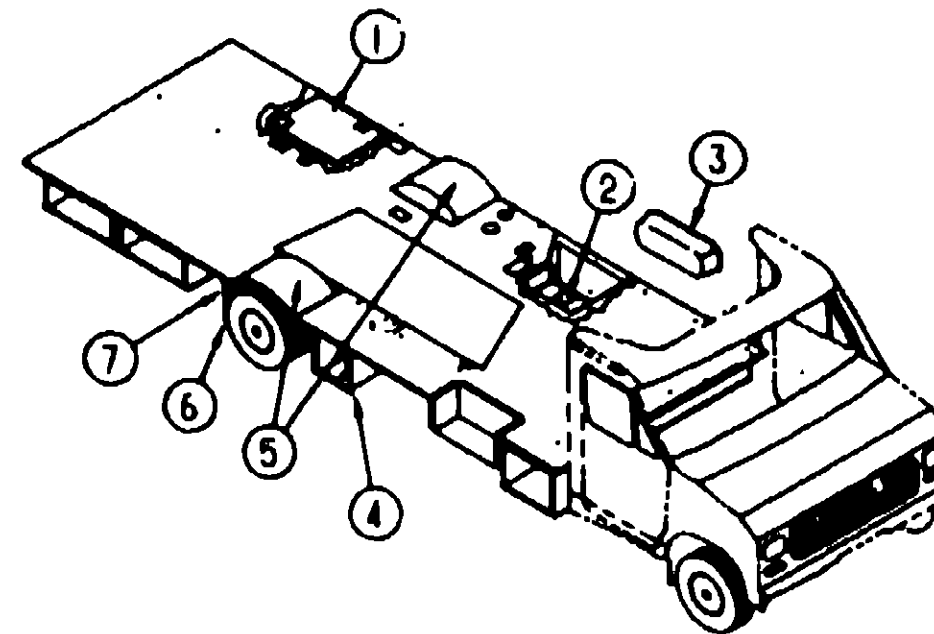
CHASSIS GROUP



REAR BUMPER, HITCH & SPARE TIRE CARRIER

KEY	PART NUMBER	U/M DESCRIPTION
1	105209-05-C52	EA BRACKET ASM-SPARE TIRE
2	105208-01-000	EA PLATE-SPARE TIRE
3	104420-01-000	EA SUPPORT-ANGLE, BUMPER REAR-RIGHT
4	083378-01-000	EA PLATE-SKID, 13 2" X 6" X 2" - STEEL
5	070917-04-000	EA TIRE-LT 215 - 85R16 LRD - 4RS - FIRESTONE (273295)
5	083425-08-000	EA TIRE-LT225/75R16 LRD, MICHELIN XCH4 FROM 00-00-00 THRU 10-05-92
5	083425-09-000	EA TIRE-LT225/75R16 LRD, MICHELIN XCH4 FROM 10-06-92 THRU 99-99-99
5	083617-03-000	EA WHEEL-STEEL, 16 OXB - ALUMURIDE 28818
	051377-01-000	EA STEM-VALVE, TR 500
	077030-02-000	EA EXTENSION-VALVE STEM, 1 25"
	095012-03-000	EA EXTENSION-VALVE STEM, DUAL WHEEL
8	103422-02-01A	EA BUMPER-SQUARE, ALUMINUM-OFF WHITE
7	039778-01-000	EA CAP-BUMPER, RUBBER - 4" X 4" - BLACK
8	105531-02-000	EA RETAINER ASM-SPARE TIRE
9	104408-05-D04	EA COVER-TIRE, 32" MINNIE WINNIE - SILKSCREENED - OFF WHITE
10	034512-01-000	EA PIN-LOCKING, DRAWBAR
11	034513-01-000	EA PIN-HITCH, 3/16" WIRE
12	077817-02-000	EA HITCH-TRAILER, W/O DRAWBAR - 41 1" WIDE - STEEL - BLACK
13	104420-02-000	EA SUPPORT-ANGLE, BUMPER REAR-LEFT
	087744-01-000	EA HOUSING-TRAILER PIN, 12"
	097746-01-000	EA HOUSING CAP-TRAILER PIN
	087746-02-000	EA HOUSING-RECEPTACLE, TRAILER - 48" WIRE LENGTH

CHASSIS GROUP (CONTINUED)



COMPARTMENTS, PLUGS & SEALS

KEY	PART NUMBER	U/M DESCRIPTION
1	105471-08-000	EA COMPARTMENT-GENERATOR
1	078137-02-000	EA TRAY-STORAGE COMPARTMENT, 27 18" WIDE X 21" DEEP
2	103639-01-000	EA DOOR-DRAINAGE COMPARTMENT, 7 9" X 7 6" - STEEL
	074470-01-000	EA PIN-PULL, HINGE RELEASE - RIGHT SIDE
	077953-01-000	EA GROMMET-EDGE LINER, FITS 1"
	088270-01-000	FT SEAL-BULB, W/WIRE RIGID U-CHANNEL - 5" - RUBBER - BLACK
3	108208-01-01A	EA COMPARTMENT-EXTERIOR SHOWER, PLASTIC - OFF WHITE
	064089-01-700	EA FLAP-MUD, FRONT - SET OF 2 - RUBBER - BLACK
4	105203-01-000	EA COMPARTMENT-BATTERY
	084903-01-000	EA STRAP-BATTERY
	058748-01-000	EA PLUG-CAP, 1 5" DIAMETER BLACK
	056748-01-000	EA PLUG-CAP, 1" DIAMETER
	081420-01-000	EA PLUG-PLASTIC, 1 75" - BROWN
5	10278 71-000	EA WHEELWELL-PLASTIC
6	01751L 71-000	EA FLAP-MUD, 14" X 18" - BLACK
7	045731-03-000	EA GUARD-ROCK, REAR

ENTRY STEPS

KEY	PART NUMBER	U/M DESCRIPTION
	077848-02-000	EA STEP-PULLOUT
	078241-09-000	EA SUPPORT-STEP, ENTRY DOOR
	091178-01-000	EA SUPPORT-BASE, ENTRANCE STEP
	084708-01-01A	EA STEP-ENTRY DOOR, ELECTRIC - SINGLE - KWIKEE 2813
	084707-02-700	EA MOTOR REPLACEMENT KIT
	084707-02-702	EA GEAR KIT
	084707-02-703	EA PARTS KIT (BEARINGS & PINS)
	084707-02-704	EA MOTOR CONNECTOR KIT
	084707-02-706	EA CONTROL UNIT (ORANGE)
	084707-03-700	EA LINKAGE ASM FOR 28 SERIES
	041250-01-000	EA SWITCH-DOOR JAMB, ELECTRIC ENTRY STEP - METAL
	075723-02-000	EA SPACER-SWITCH, WHOLE - 2" X 9" X 2" - METAL - OFF WHITE

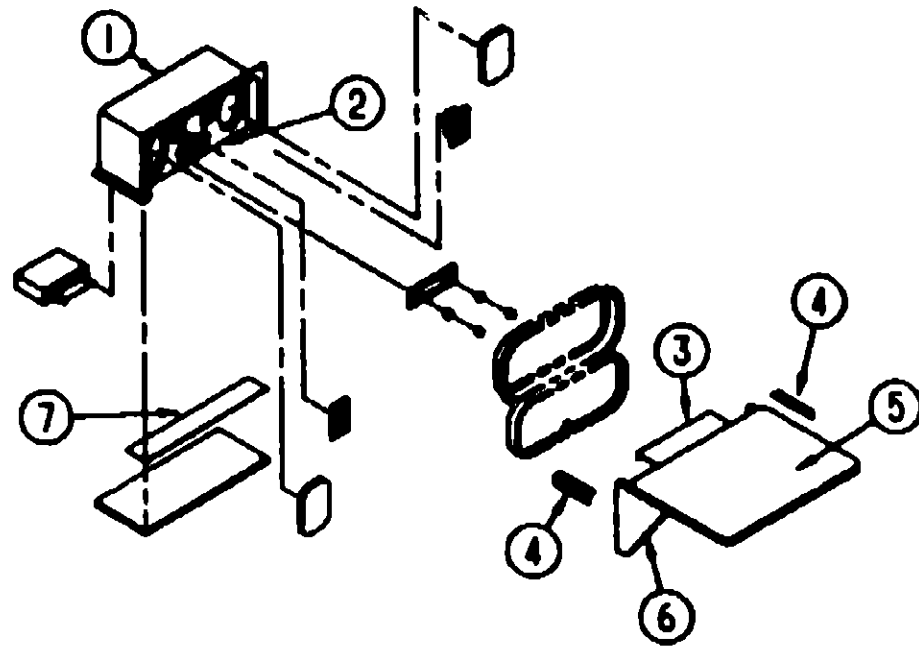
**1993 WINNEBAGO
TABLE OF CONTENTS**

INTRODUCTION	A-01 - A-02
ABBREVIATIONS	A-03
ALPHABETICAL INDEX	A-04 - A-08
WF427RQ	A-07 - D-20
WF427RC	D-21 - H-10
WF428RQ	H-11 - L-02

1993 WF427RQ INDEX

FLOOR PLAN	A-07 - A-08
ACCESSORIES	A-09
AUDIO VIDEO	A-10
BATH	A-11 - A-12
BEDROOM	A-13 - A-14
CHASSIS	A-15 - A-18
CURTAIN & CUSHION	A-19 - B-06
DINETTE	B-07 - B-08
DRIVERS COMPARTMENT	B-09 - B-10
ELECTRICAL	B-11 - B-14
EXTERIOR BODY	B-15 - B-22
GALLEY	B-23 - C-02
GENERATOR	C-03
HEATING & A/C	C-04 - C-08
INTERIOR FINISH	C-07 - C-10
LABELS	C-11 - C-18
LP	C-19
LOUNGE	C-20 - C-21
SEALANTS & FASTENERS	C-22 - C-24
WATER & SEWAGE	D-01 - D-04
WINDOW, VENT AND EXTERIOR DOOR	D-05 - D-20

CHASSIS GROUP (CONTINUED)



ENTERTAINMENT COMPARTMENT

KEY	PART NUMBER	U/M	DESCRIPTION
1	104897-02-01A	EA	BOX-ENTERTAINMENT CENTER - OFF WHITE
2	104899-01-D04	EA	PLATE-RADIO MOUNTING
3	105377-01-01A	EA	BRACKET-TABLE HANGER - OFF WHITE
	105377-01-03A	EA	BRACKET-TABLE HANGER - MILL
4	105376-01-02A	EA	HINGE-CONTINUOUS, 2" X 140MM - OFF WHITE
5	105230-11-D06	EA	SHELF ASM
6	105230-12-D09	EA	SUPPORT ASM
7	104898-01-01A	EA	PLATE-PLASTIC BOTTOM - OFF WHITE

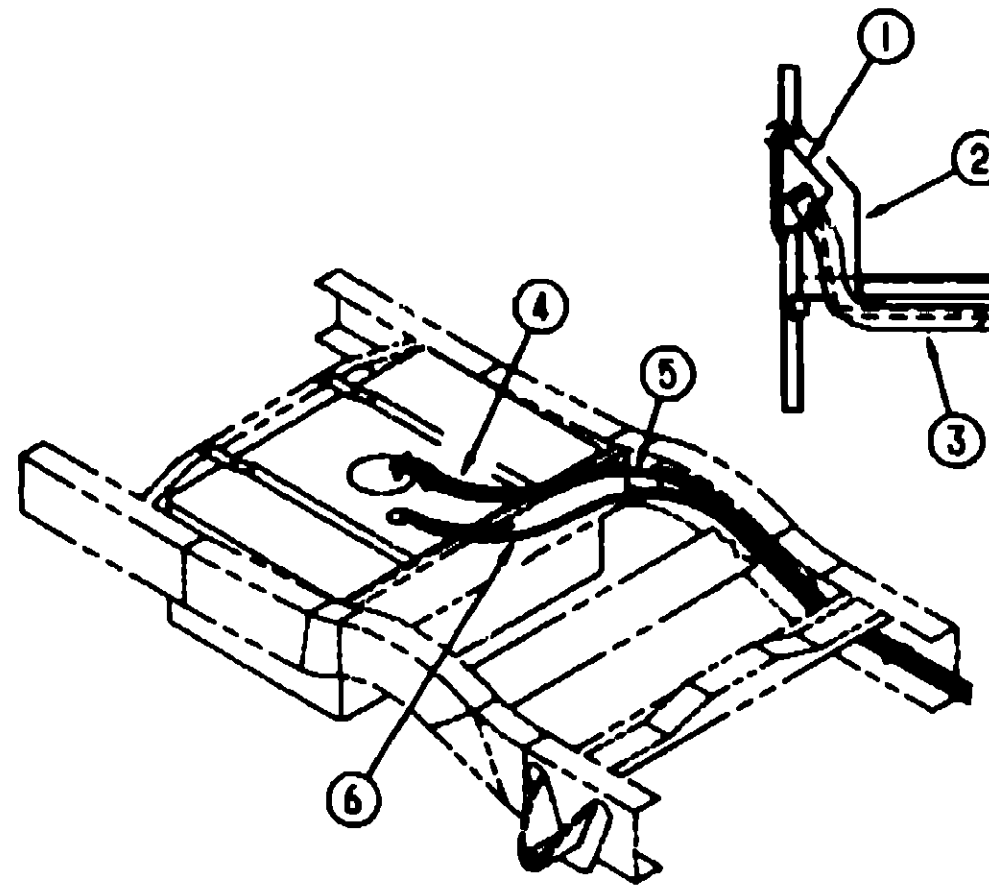
EXHAUST SYSTEM COMPONENTS

KEY	PART NUMBER	U/M	DESCRIPTION
	007125-01-000	EA	CLAMP-MUFFLER, 1 82 DIAMETER
	091182-03-000	EA	SHIELD-HEAT, LP
	094918-03-000	EA	CLAMP-EXHAUST, 2 5"
	096753-04-000	EA	PIPE-EXHAUST
	111478-01-000	EA	PIPE-EXHAUST
			FROM 00-00-00 THRU 03-08-93
			FROM 03-09-93 THRU 99-99-99

DRIVESHAFT & FLARE UNION

KEY	PART NUMBER	U/M	DESCRIPTION
	103653-06-000	EA	DRIVESHAFT ASM-BALANCED PAIR - 188" WHEELBASE (158)
			FROM 00-00-00 THRU 03-08-93
	103653-15-000	EA	DRIVESHAFT ASM-BALANCED PAIR - 188" WHEELBASE (158)
			FROM 03-09-93 THRU 99-99-99
	074833-01-000	EA	SPACER-BEARING, DRIVESHAFT - 2" X 8" X 5" THICK
	085771-03-000	EA	NUT-HEX, FL PREV TORQUE - GRADE 6 DRIVER SHAFT
	088498-01-000	EA	UNION-INVERTED FLARE, BRASS - 3/16 - 3/8 - 24 THD - BRAKE LINE

CHASSIS GROUP (CONTINUED)



FUEL SYSTEM COMPONENTS

KEY	PART NUMBER	U/M	DESCRIPTION
1	095854-01-02A	EA	SHROUD-FUEL FILL, PLASTIC - OFF WHITE
2	078040-06-000	EA	SHROUD-FUEL FILL, UPPER - PLASTIC
3	106413-01-000	EA	NECK-FUEL FILL, MAIN - GAS
	106413-02-000	EA	NECK-FUEL FILL, MAIN - DIESEL
	078000-01-000	EA	GASKET-FUEL FILL, 3 5"OD X 2 1/2"
4	106369-01-000	EA	FUEL LINE ASM-FORD, 5/16 HP
5	106368-01-000	EA	FUEL LINE ASM-FORD, 3/8 HP
	007063-01-000	FT	HOSE-GAS 1/4"ID X 1/2"OD
6	044317-01-000	FT	HOSE-FUEL, 3/8" ID

WHEEL LINERS, COVERS & LUG WRENCH

KEY	PART NUMBER	U/M	DESCRIPTION
	091209-11-000	EA	LINER-WHEEL, SET 4 E350-KAPER II (FORD)
	091209-10-700	EA	COVER-AXLE, FRONT - 8 LUG - FORD
	091209-10-701	EA	COVER-AXLE, REAR - 8 LUG - FORD
	091209-10-704	EA	NUT-LUG, W/WASHER - SHORT - KAPER 52
	091209-10-705	EA	COVER-LUG NUT
	091209-11-700	EA	LINER-WHEEL, FRONT - 8 LUG - FORD
	091209-11-701	EA	LINER-WHEEL, REAR - 8 LUG - FORD
	091209-11-702	EA	NUT-LUG, W/WASHER - LONG - KAPER 51
	108068-01-000	EA	COVER-WHEEL, 16" - SET OF 4 - DICOR #SHUB16
	108068-01-700	EA	COVER-WHEEL, 16" - 1 ONLY - SHUB16-1 DICOR
	112358-01-000	EA	WRENCH-LUG, 7/8 - L-SHAPE (CHASSIS PROVIDED EARLIER);
			FROM 05-10-93 THRU 99-99-99

**1993 WINNEBAGO
TABLE OF CONTENTS**

INTRODUCTION	A-01 - A-02
ABBREVIATIONS	A-03
ALPHABETICAL INDEX	A-04 - A-08
WF427RQ	A-07 - D-20
WF427RC	D-21 - H-10
WF428RQ	H-11 - L-02

1993 WF427RQ INDEX

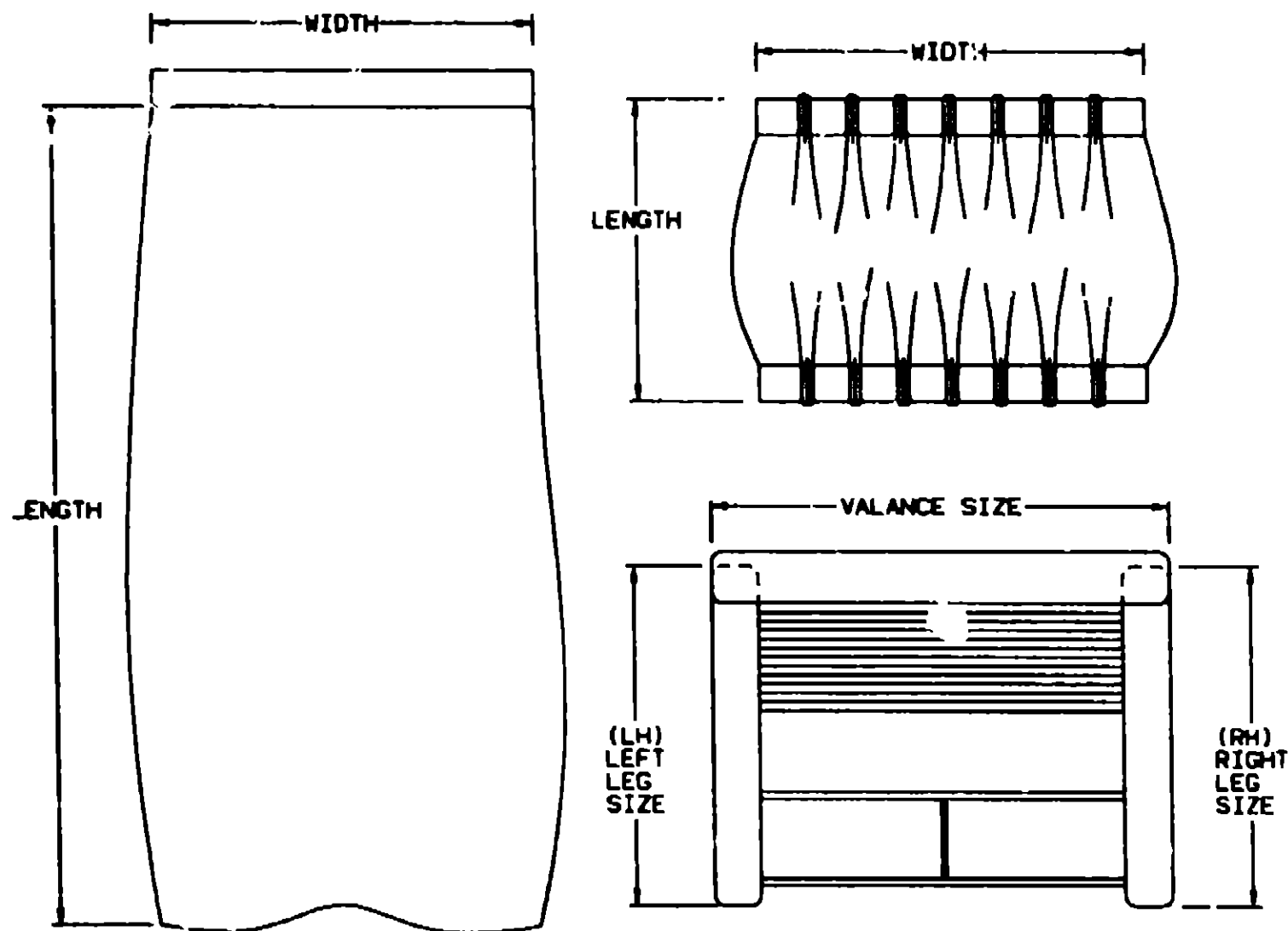
FLOOR PLAN	A-07 - A-08
ACCESSORIES	A-09
AUDIO VIDEO	A-10
BATH	A-11 - A-12
BEDROOM	A-13 - A-14
CHASSIS	A-15 - A-18
CURTAIN & CUSHION	A-19 - B-06
DINETTE	B-07 - B-08
DRIVERS COMPARTMENT	B-09 - B-10
ELECTRICAL	B-11 - B-14
EXTERIOR BODY	B-15 - B-22
GALLEY	B-23 - C-02
GENERATOR	C-03
HEATING & A/C	C-04 - C-08
INTERIOR FINISH	C-07 - C-10
LABELS	C-11 - C-18
LP	C-19
LOUNGE	C-20 - C-21
SEALANTS & FASTENERS	C-22 - C-24
WATER & SEWAGE	D-01 - D-04
WINDOW, VENT AND EXTERIOR DOOR	D-05 - D-20

CURTAIN & CUSHION GROUP

NOTICE

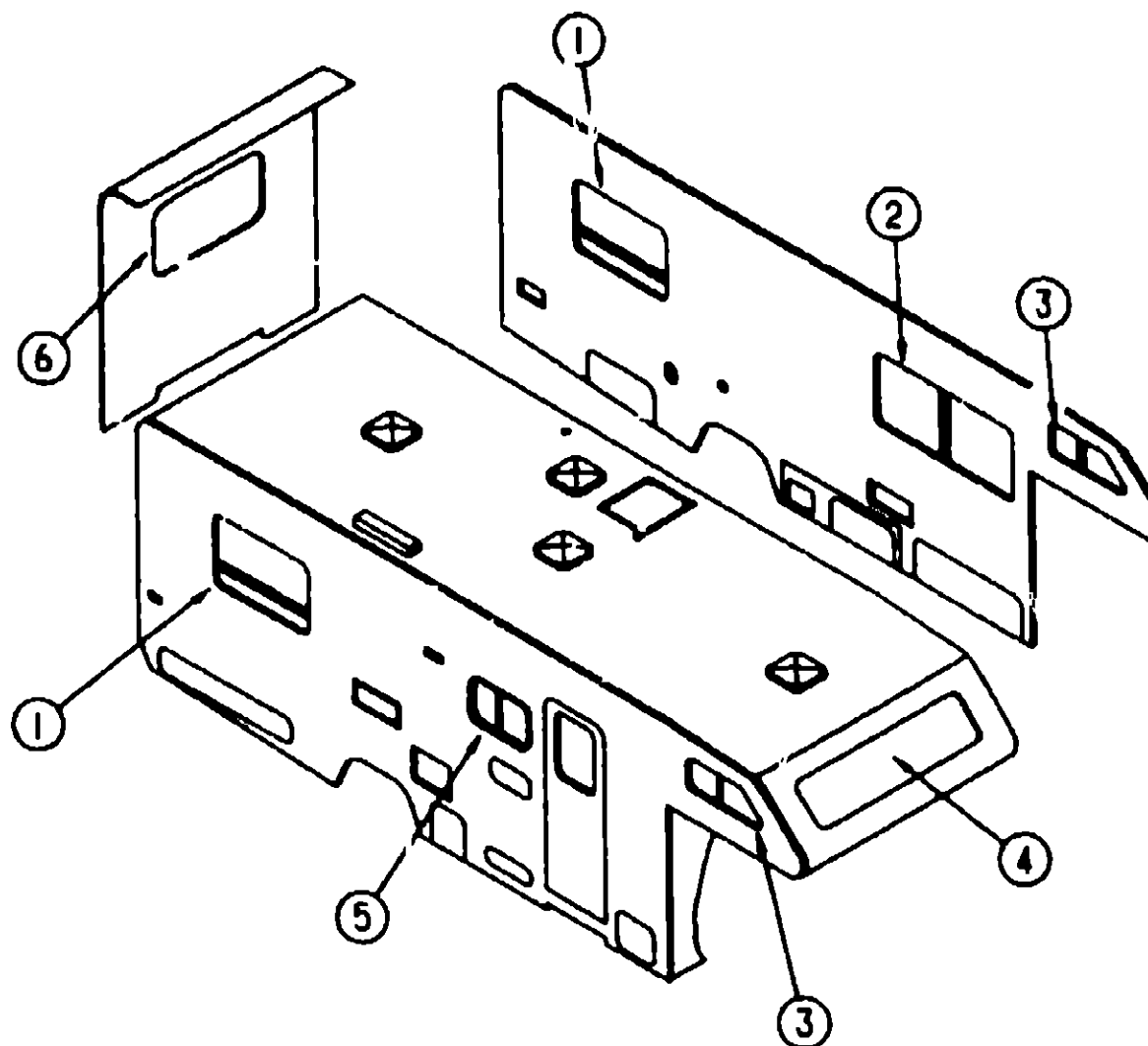
IN ORDER TO ASSIST OUR PARTS SALES DEPT. IN PROVIDING INTERIOR SOFTWARE ITEMS, PLEASE INCLUDE THE SERIAL NUMBER AND THE COLOR CODE NUMBER FROM THE VEHICLE CERTIFICATION LABEL WHEN ORDERING. THIS LABEL IS LOCATED ON THE LEFT SIDEWALL AT THE END OF THE DASH (A-BODY), OR ON THE DRIVER'S DOOR LATCH PLATE (C-BODY).

AN EXAMPLE OF A COLOR CODE NUMBER IS 807, WHICH DESIGNATES AN OVERALL COLOR SCHEME OF A PARTICULAR UNIT. THE COLOR LISTED AFTER THE ITEM DESCRIPTION ON THE MICROFICHE, INDICATES THE OVERALL UNIT COLOR. ORDER THE ITEM YOU DESIRE ACCORDING TO UNIT COLOR CODE.



NOTE USE THIS ILLUSTRATION WHEN DETERMINING LENGTH AND WIDTH MEASUREMENTS FOR CURTAINS. YOU WILL NOTE THE WIDTH MEASUREMENT IS TAKEN ON THE TOP OF THE CURTAIN WITH THE CURTAIN FULLY EXTENDED. THE LENGTH MEASUREMENT IS TAKEN FROM TOP TO BOTTOM. LEFT AND RIGHT WINDOW LEGS ARE DETERMINED WHEN FACING THE WINDOW.

CURTAIN & CUSHION GROUP (CONTINUED)



1993 WINNEBAGO TABLE OF CONTENTS

INTRODUCTION	A-01 -	A-02
ABBREVIATIONS		A-03
ALPHABETICAL INDEX	A-04 -	A-08
WF427HQ	A-07 -	D-20
WF427RC	D-21 -	H-10
WF428RC	H-11 -	L-02

1993 WF427HQ INDEX

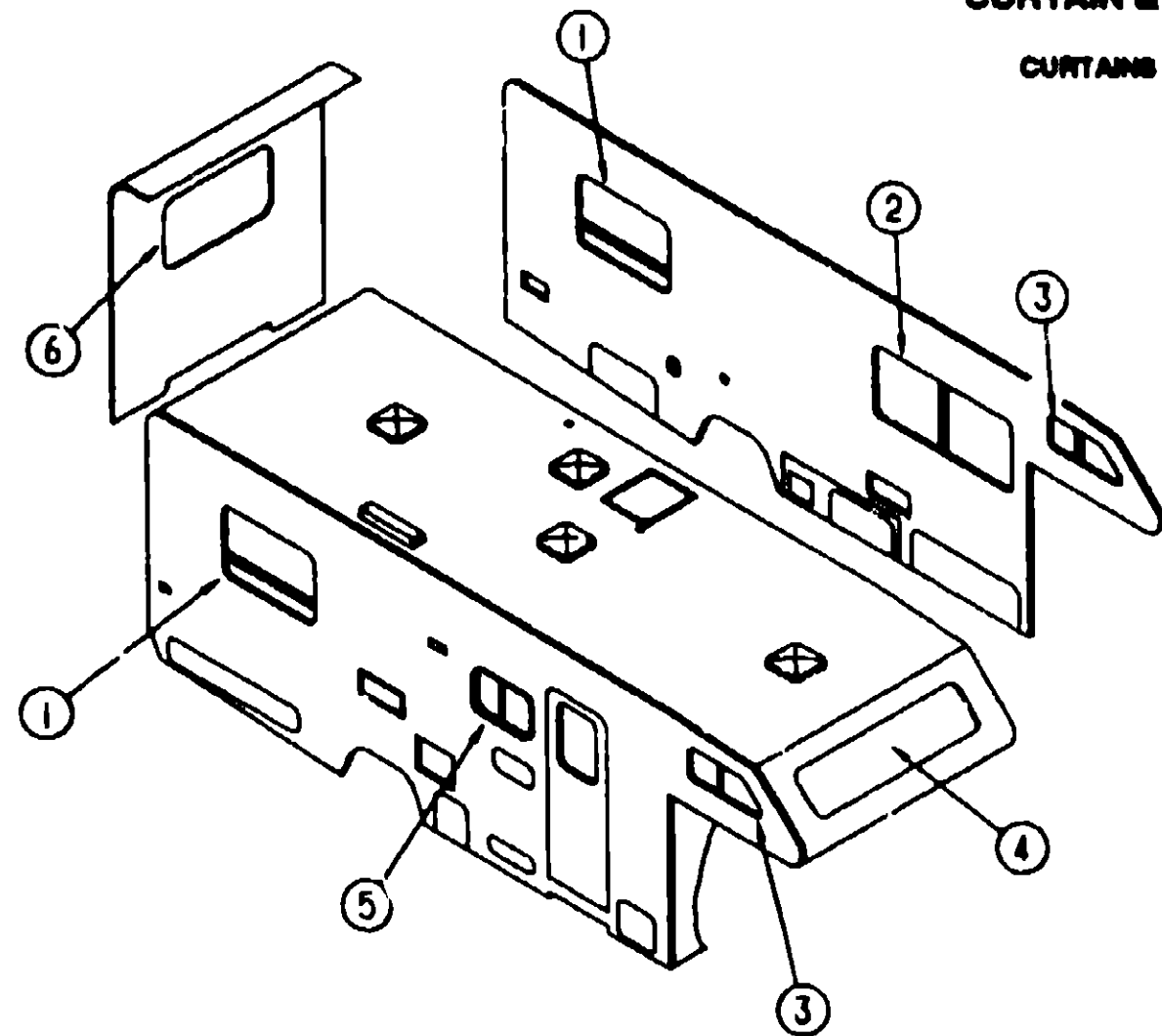
FLOOR PLAN	A-07 -	A-08
ACCESSORIES		A-09
AUDIO VIDEO		A-10
BATH	A-11 -	A-12
BEDROOM	A-13 -	A-14
CHASSIS	A-15 -	A-18
CURTAIN & CUSHION	A-19 -	B-06
DINETTE	B-07 -	B-08
DRIVERS COMPARTMENT	B-09 -	B-10
ELECTRICAL	B-11 -	B-14
EXTERIOR BODY	B-15 -	B-22
GALLEY	B-23 -	C-02
GENERATOR		C-03
HEATING & A/C	C-04 -	C-06
INTERIOR FINISH	C-07 -	C-10
LABELS	C-11 -	C-16
LP		C-19
LOUNGE	C-20 -	C-21
SEALANTS & FASTENERS	C-22 -	C-24
WATER & SEWAGE	D-01 -	D-04
WINDOW, VENT AND EXTERIOR DOOR	D-05 -	D-20

CURTAINS & WINDOW TREATMENT

KEY	PART NUMBER	U/M	DESCRIPTION	
1	107893-08-D04	EA	VALANCE-WINDOW, 45"	
1	107893-08-D05	EA	VALANCE-WINDOW, 45"	
1	104157-01-C28	EA	LEG-CURTAIN, 27" - RIGHT (D04)	
1	104157-01-C52	EA	LEG-CURTAIN, 27" - RIGHT (D05)	
1	104157-02-C28	EA	LEG-CURTAIN, 27" - LEFT (D04)	
1	104157-02-C52	EA	LEG-CURTAIN, 27" - LEFT (D05)	
1	084755-09-D04	EA	SHADE-PULL, 42 25" (D04)	
1	084755-09-D05	EA	SHADE-PULL, 42 25" (D05)	FROM 00-00-00 THRU 08-16-92
1	084755-09-DA4	EA	SHADE-PULL, 42 25" (D04, D05)	FROM 07-07-00 THRU 08-16-92
1	073267-52-D04	EA	TIEBACK-CURTAIN, 3" X 15" - GATHERED	FROM 08-17-92 THRU 99-99-99
1	073260-52-D05	EA	TIEBACK-CURTAIN, 3" X 15" - GATHERED	
2	107893-01-D04	EA	VALANCE-WINDOW, 65"	
2	107893-02-D05	EA	VALANCE-WINDOW, 65"	
2	083475-76-05A	EA	BLIND-MINI, 62" X 28 5" - PURE SILVER (D04)	FROM 00-00-00 THRU 06-04-92
2	108041-01-02A	EA	BLIND-MINI, 62" X 28 5" - PURE SILVER (D04)	FROM 06-05-92 THRU 99-99-99
2	083475-76-04A	EA	BLIND-MINI, 62" X 28 5" - GLOSS FAWN (D05)	FROM 00-00-00 THRU 06-04-92
2	108041-01-01A	EA	BLIND-MINI, 62" X 28 5" - GLOSS FAWN (D05)	FROM 06-05-92 THRU 99-99-99

CURTAIN & CUSHION GROUP (CONTINUED)

CURTAINS & WINDOW TREATMENT (CONTINUED)



KEY	PART NUMBER	U/M DESCRIPTION	U/M DESCRIPTION
5	107633-06-D04	EA VALANCE-WINDOW, 28 5"	FROM 00-00-00 THRU 08-04-92
5	107693-06-D05	EA VALANCE-WINDOW, 28 5"	FROM 00-00-00 THRU 08-04-92
5	108363-03-02A	EA SLATS-BLIND, 27" - PURE SILVER	FROM: 08-05-92 THRU 99-99-99
5	108363-03-01A	EA SLATS-BLIND, 27" - GLOSS FAWN	FROM: 08-05-92 THRU 99-99-99
5	108363-04-000	EA CLIP-VALANCE, SLAT MOUNTING - CLEAR PLASTIC - P/W	
5	083475-32-16A	EA BLIND-MINI, 27" X 18 5" DROP - PURE SILVER (D04)	
5	083475-32-15A	EA BLIND-MINI, 27" X 18 5" DRP - GLOSS FAWN (D05)	
6	104348-04-D04	EA TOPPER-VALANCE	FROM 00-00-00 THRU 08-04-92
6	104348-04-D04	EA TOPPER-VALANCE	FROM 00-00-00 THRU 08-04-92
6	107893-09-D04	EA VALANCE-WINDOW, 52"	
6	107893-09-D05	EA VALANCE-WINDOW, 52"	
6	104157-01-C28	EA LEG-CURTAIN, 27" - RIGHT (D04)	
6	104157-01-C62	EA LEG-CURTAIN, 27" - RIGHT (D05)	
6	104157-02-C28	EA LEG-CURTAIN, 27" - LEFT (D04)	
6	104157-02-C62	EA LEG-CURTAIN, 27" - LEFT (D05)	
6	084755-87-D04	EA SHADE-PULL, 49 25"	FROM 00-00-00 THRU 08-16-92
6	084755-87-D05	EA SHADE-PULL, 49 25"	FROM 00-00-00 THRU 08-16-92
6	084755-87-DA4	EA SHADE-PULL, 49 25"	FROM 08-17-92 THRU 99-99-99
6	073280-52-D04	EA TIEBACK-CURTAIN, 3" X 15" - GATHERED	
6	073280-52-D05	EA TIEBACK-CURTAIN, 3" X 15" - GATHERED	
	084481-24-C24	EA CURTAIN-SHOWER, 72" X 42" (D04)	FROM 00-00-00 THRU 08-04-92
	084481-19-B88	EA CURTAIN-SHOWER, 69" X 42" (D04)	FROM 06-05-92 THRU 99-99-99
	084481-24-D05	EA CURTAIN-SHOWER, 72" X 42" (D05)	FROM 00-00-00 THRU 08-04-92
	084481-19-D05	EA CURTAIN-SHOWER, 69" X 42" (D05)	FROM 08-05-92 THRU 99-99-99
	073280-54-C30	EA TIEBACK-CURTAIN, SHOWER - 3" X 16" (D04)	
	073280-54-D38	EA TIEBACK-CURTAIN, SHOWER - 3" X 16" (D05)	
	101668-05-B85	EA CURTAIN-TAPE TOP, PASSENGER WINDSHIELD PRIVACY - 30" X 50" (D04, D05)	FROM 00-00-00 THRU 08-04-92
	101668-37-D04	EA CURTAIN-TAPE TOP, PASSENGER WINDSHIELD PRIVACY - 30" X 50"	FROM: 08-05-92 THRU 07-12-92
	101668-39-D04	EA CURTAIN-TAPE TOP, PASSENGER WINDSHIELD PRIVACY - 35" X 50"	FROM 07-13-92 THRU 99-99-99
	101668-37-D05	EA CURTAIN-TAPE TOP, PASSENGER WINDSHIELD PRIVACY - 30" X 50"	FROM 00-00-00 THRU 07-12-92
	101668-39-D05	EA CURTAIN-TAPE TOP, PASSENGER WINDSHIELD PRIVACY - 35" X 50"	FROM 07-13-92 THRU 99-99-99
	101668-08-B85	EA CURTAIN-TAPE TOP, DRIVER WINDSHIELD PRIVACY - 30" X 50" (D04, D05)	FROM 00-00-00 THRU 08-04-92
	101668-38-D04	EA CURTAIN-TAPE TOP, DRIVER WINDSHIELD PRIVACY - 30" X 50"	FROM: 08-05-92 THRU 07-12-92
	101668-40-D04	EA CURTAIN-TAPE TOP, DRIVER WINDSHIELD PRIVACY - 35" X 50"	FROM 07-13-92 THRU 99-99-99
	101668-38-D05	EA CURTAIN-TAPE TOP, DRIVER WINDSHIELD PRIVACY - 30" X 50"	FROM 00-00-00 THRU 07-12-92
	101668-40-D05	EA CURTAIN-TAPE TOP, DRIVER WINDSHIELD PRIVACY - 35" X 50"	FROM 07-13-92 THRU 99-99-99

**1993 WINNEBAGO
TABLE OF CONTENTS**

INTRODUCTION	A-01 - A-02
ABBREVIATIONS	A-03
ALPHABETICAL INDEX	A-04 - A-06
WF427RQ	A-07 - D-20
WF427RC	D-21 - H-10
WF428RQ	H-11 - L-02

1993 WF427RQ INDEX

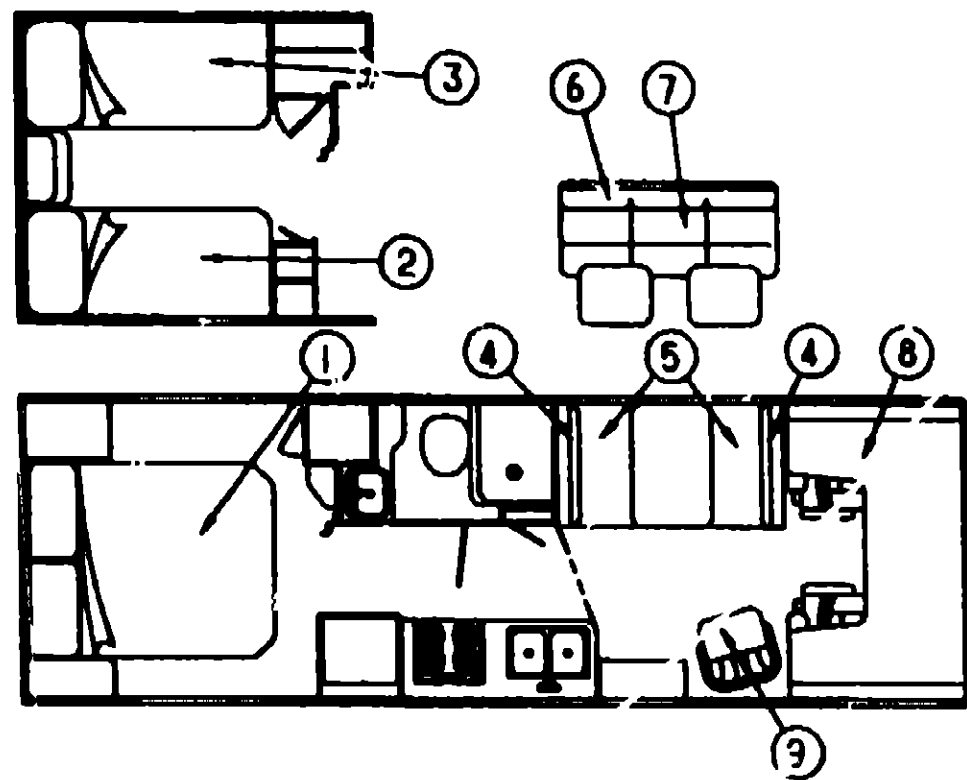
FLOOR PLAN	A-07 - A-08
ACCESSORIES	A-09
AUDIO VIDEO	A-10
BATH	A-11 - A-12
BEDROOM	A-13 - A-14
CHASSIS	A-15 - A-18
CURTAIN & CUSHION	A-19 - B-06
DINETTE	B-07 - B-08
DRIVERS COMPARTMENT	B-09 - B-10
ELECTRICAL	B-11 - B-14
EXTERIOR BODY	B-15 - B-22
GALLEY	B-23 - C-02
GENERATOR	C-03
HEATING & A/C	C-04 - C-06
INTERIOR FINISH	C-07 - C-10
LABELS	C-11 - C-18
LP	C-19
LOUNGE	C-20 - C-21
SEALANTS & FASTENERS	C-22 - C-24
WATER & SEWAGE	D-01 - D-04
WINDOW, VENT AND EXTERIOR DOOR	D-05 - D-20

KEY	PART NUMBER	U/M DESCRIPTION
3	101034-06-D24	EA CURTAIN-DARTED TAPE TOP & BOTTOM, 16" X 28" FROM: 07-00-00 THRU 08-04-92
3	101034-14-D04	EA CURTAIN-DARTED TAPE TOP & BOTTOM, 16" X 28" FROM 08-05-92 THRU 09-13-92
3	101034-22-D04	EA CURTAIN-DARTED TAPE TOP & BOTTOM, RIGHT - 16" X 28" FROM 09-14-92 THRU 99-99-99
3	101034-23-D04	EA CURTAIN-DARTED TAPE TOP & BOTTOM, LEFT - 16" X 28" FROM 09-14-92 THRU 99-99-99
3	101034-06-D05	EA CURTAIN-DARTED TAPE TOP & BOTTOM, 16" X 28" FROM: 00-00-00 THRU 08-04-92
3	101034-14-D05	EA CURTAIN-DARTED TAPE TOP & BOTTOM, 16" X 28" FROM 08-05-92 THRU 09-13-92
3	101034-22-D05	EA CURTAIN-DARTED TAPE TOP & BOTTOM, RIGHT - 16" X 28" FROM: 09-14-92 THRU 99-99-99
3	101034-23-D05	EA CURTAIN-DARTED TAPE TOP & BOTTOM, LEFT - 16" X 28" FROM: 09-14-92 THRU 99-99-99
4	101034-11-D04	EA CURTAIN-DARTED TAPE TOP & BOTTOM, 21" X 45" FROM: 00-00-00 THRU 08-04-92
4	101034-15-D04	EA CURTAIN-DARTED TAPE TOP & BOTTOM, 21" X 45" FROM: 08-05-92 THRU 09-13-92
4	101034-20-D04	EA CURTAIN-DARTED TAPE TOP & BOTTOM, RIGHT - 21" X 60" FROM 09-14-92 THRU 99-99-99
4	101034-21-D04	EA CURTAIN-DARTED TAPE TOP & BOTTOM, LEFT - 21" X 60" FROM 09-14-92 THRU 99-99-99
4	101034-11-D05	EA CURTAIN-DARTED TAPE TOP & BOTTOM, 21" X 45" FROM: 00-00-00 THRU 08-04-92
4	101034-15-D05	EA CURTAIN-DARTED TAPE TOP & BOTTOM, 21" X 45" FROM 08-05-92 THRU 09-13-92
4	101034-20-D05	EA CURTAIN-DARTED TAPE TOP & BOTTOM, RIGHT - 21" X 60" FROM 09-14-92 THRU 99-99-99
4	101034-21-D05	EA CURTAIN-DARTED TAPE TOP & BOTTOM, LEFT - 21" X 60" FROM: 09-14-92 THRU 99-99-99

CURTAIN & CUSHION GROUP (CONTINUED)

CURTAINS & WINDOW TREATMENT (CONTINUED)

KEY	PART NUMBER	U/M	DESCRIPTION
	073280-48-D24	EA	TIEBACK-CURTAIN, WINDSHIELD PRIVACY - 3" X 18" (D04) FROM: 00-00-00 THRU: 06-04-92
	073280-23-D04	EA	TIEBACK-CURTAIN, WINDSHIELD PRIVACY - 3" X 18" (D04) FROM: 08-05-92 THRU: 99-99-99
	073280-48-D06	EA	TIEBACK-CURTAIN, WINDSHIELD PRIVACY - 3" X 18" (D06) FROM: 00-00-00 THRU: 06-04-92
	073280-23-D06	EA	TIEBACK-CURTAIN, WINDSHIELD PRIVACY - 3" X 18" (D06) FROM: 08-05-92 THRU: 99-99-99
	078892-17-D04	EA	CURTAIN-SNAP TOP, BUNK PRIVACY - 50" X 72", FROM: 00-00-00 THRU: 06-04-92
	078892-18-D04	EA	CURTAIN-SNAP TOP, BUNK PRIVACY - 50" X 72", FROM: 08-05-92 THRU: 99-99-99
	078892-17-D06	EA	CURTAIN-SNAP TOP, BUNK PRIVACY - 50" X 72", FROM: 00-00-00 THRU: 06-04-92
	078892-18-D06	EA	CURTAIN-SNAP TOP, BUNK PRIVACY - 50" X 72", FROM: 08-05-92 THRU: 99-99-99
	067534-01-000	EA	TIEBACK/TIEDOWN-BED/CURTAIN/DOOR, 6" - PLASTIC - CLEAR



QUEEN BEDSPREAD, PILLOW & MATTRESS

KEY	PART NUMBER	U/M	DESCRIPTION
1	082371-27-D04	EA	BEDSPREAD-QUEEN, 60" W/6" RUFFLE - CUT CORNERS
1	082371-27-D05	EA	BEDSPREAD-QUEEN, 60" W/6" RUFFLE - CUT CORNERS
	081997-09-D04	EA	PILLOW SHAM-W/4" RUFFLE
	081997-09-D04	EA	PILLOW SHAM-W/4" RUFFLE
	101123-05-010	EA	MATTRESS-INNERSPRING, 59" X 74" - SEALY - CUT CORNERS

CURTAIN & CUSHION GROUP (CONTINUED)

TWIN BEDSPREAD, PILLOW & MATTRESS

KEY	PART NUMBER	U/M	DESCRIPTION
2	082371-19-D04	EA	BEDSPREAD-TWIN, 32" W/6" RUFFLE - RIGHT SIDE FROM: 00-00-00 THRU: 06-04-92
2	083988-14-D04	EA	BEDSPREAD-TWIN, 33" W/6" RUFFLE - RIGHT SIDE FROM: 08-05-92 THRU: 99-99-99
2	082371-19-D06	EA	BEDSPREAD-TWIN, 33" W/6" RUFFLE - RIGHT SIDE FROM: 00-00-00 THRU: 06-04-92
2	083988-14-D06	EA	BEDSPREAD-TWIN, 33" W/6" RUFFLE - RIGHT SIDE FROM: 08-05-92 THRU: 99-99-99
3	082371-20-D04	EA	BEDSPREAD-TWIN, 33" W/6" RUFFLE - LEFT SIDE FROM: 00-00-00 THRU: 06-04-92
3	083988-15-D04	EA	BEDSPREAD-TWIN, 33" W/6" RUFFLE - LEFT SIDE FROM: 08-05-92 THRU: 99-99-99
3	082371-20-D06	EA	BEDSPREAD-TWIN, 33" W/6" RUFFLE - LEFT SIDE FROM: 00-00-00 THRU: 06-04-92
3	083988-15-D06	EA	BEDSPREAD-TWIN, 33" W/6" RUFFLE - LEFT SIDE FROM: 08-05-92 THRU: 99-99-99
	081997-09-D04	EA	PILLOW SHAM-W/4" RUFFLE
	081997-09-D06	EA	PILLOW SHAM-W/4" RUFFLE
	101123-02-000	EA	MATTRESS-TWIN, 32" X 74"

THROW PILLOWS

KEY	PART NUMBER	U/M	DESCRIPTION
	104258-01-C24	EA	PILLOW-THROW, 15" X 15" - WRUFFLE (D04) FROM: 00-00-00 THRU: 06-04-92
	104258-01-C07	EA	PILLOW-THROW, 15" X 15" - WRUFFLE (D05) FROM: 08-05-92 THRU: 99-99-99
	103889-08-D04	EA	PILLOW-THROW, 15" X 15"
	103889-08-D06	EA	PILLOW-THROW, 15" X 15"

DINETTE CUSHIONS

KEY	PART NUMBER	U/M	DESCRIPTION
4	104146-01-D04	EA	CUSHION-BACKREST, 13 5" X 38" X 5"
4	104146-01-D05	EA	CUSHION-BACKREST, 13 5" X 38" X 5"
	P04146-01-D04	EA	COVER-CUSHION, BACKREST - 13 5" X 38" X 5"
	P04146-01-D05	EA	COVER-CUSHION, BACKREST - 13 5" X 38" X 5"
	078155-01-000	EA	STRAP-SNAP, BACKREST CUSHION
5	088927-86-D04	EA	CUSHION-SEATBASE, 21" X 38" X 5"
5	088927-86-D05	EA	CUSHION-SEATBASE, 21" X 38" X 5"
	M88927-86-D04	EA	COVER-CUSHION, SEATBASE - 21" X 38" X 5"
	M88927-86-D05	EA	COVER-CUSHION, SEATBASE - 21" X 38" X 5"

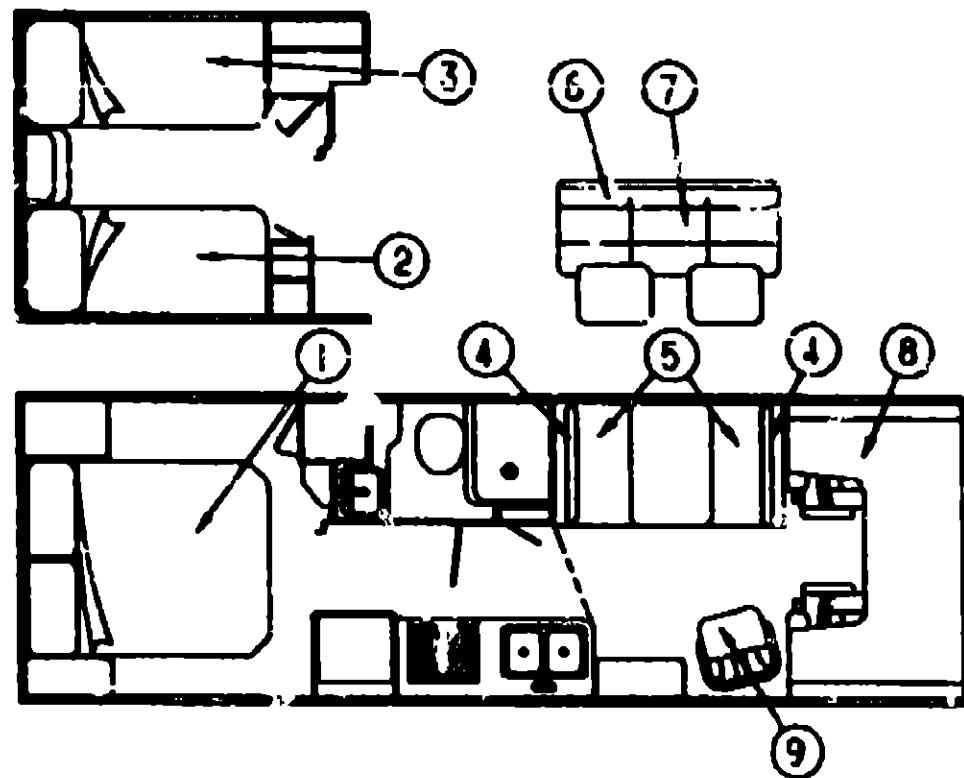
**1993 WINNERACU
TABLE OF CONTENTS**

INTRODUCTION	A-01 -	A-02
ABBREVIATIONS		A-03
ALPHABETICAL INDEX	A-04 -	A-06
WF427RQ	A-07 -	D-20
WF427RC	D-21 -	H-10
WF428RC	H-11 -	L-02

1993 WF-427RQ INDEX

FLOOR PLAN	A-07 -	A-08
ACCESSORIES		A-09
AUDIO VIDEO		A-10
BATH	A-11 -	A-12
BEDROOM	A-13 -	A-14
CHASSIS	A-15 -	A-18
CURTAIN & CUSHION	A-19 -	B-08
DINETTE	B-07 -	B-08
DRIVERS COMPARTMENT	B-09 -	B-10
ELECTRICAL	B-11 -	B-14
EXTERIOR BODY	B-15 -	B-22
GALLEY	B-23 -	C-02
GENERATOR		C-03
HEATING & A/C	C-04 -	C-06
INTERIOR FINISH	C-07 -	C-13
LABELS	C-11 -	C-18
LP		C-19
LOUNGE	C-20 -	C-21
SEALANTS & FASTENERS	C-22 -	C-24
WATER & SEWAGE	D-01 -	D-01
WINDOW, VENT AND EXTERIOR DOOR	D-05 -	D-20

CURTAIN & CUSHION GROUP (CONTINUED)



COUCH

KEY	PART NUMBER	U/M DESCRIPTION	DATE RANGE
8	100032-11-D04	EA BACKREST-COUCH, 66 5"	
8	100032-38-D04	EA BACKREST-COUCH, 66 5"	FROM 00-00-00 THRU 08-04-82
8	100032-11-D05	EA BACKREST-COUCH, 66 5"	FROM 08-05-82 THRU 99-99-99
8	100032-38-D05	EA BACKREST-COUCH, 66 5"	FROM 00-00-00 THRU 08-04-82
	P00032-11-D04	EA COVER-BACKREST, 66 5"	FROM 08-05-82 THRU 99-99-99
	P00032-38-D04	EA COVER-BACKREST, 66 5"	FROM 00-00-00 THRU 08-04-82
	P00032-11-D05	EA COVER-BACKREST, 66 5"	FROM 08-05-82 THRU 99-99-99
	P00032-38-D05	EA COVER-BACKREST, 66 5"	FROM 00-00-00 THRU 08-04-82
	101065-02-000	EA FRAME SACK, COUCH - 66 5"	FROM 08-05-82 THRU 99-99-99
	101065-09-000	EA FRAME-BACK, COUCH - 66 5"	FROM 00-00-00 THRU 08-04-82
7	100032-12-D04	EA SEAT-COUCH, W/O BACKREST - 66 5"	FROM 08-05-82 THRU 99-99-99
7	100032-39-D04	EA SEAT-COUCH, W/O BACKREST - 66 5"	FROM 00-00-00 THRU 08-04-82
7	100032-12-D05	EA SEAT-COUCH, W/O BACKREST - 66 5"	FROM 08-05-82 THRU 99-99-99
7	100032-39-D05	EA SEAT-COUCH, W/O BACKREST - 66 5"	FROM 00-00-00 THRU 08-04-82
	P00032-12-D04	EA COVER-SEAT, COUCH - 66 5"	FROM 08-05-82 THRU 99-99-99
	P00032-39-D04	EA COVER-SEAT, COUCH - 66 5"	FROM 00-00-00 THRU 08-04-82
	P00032-12-D05	EA COVER-SEAT, COUCH - 66 5"	FROM 08-05-82 THRU 99-99-99
	P00032-39-D05	EA COVER-SEAT, COUCH - 66 5"	FROM 00-00-00 THRU 08-04-82
	101065-01-000	EA FRAME-SEAT, COUCH - 66 5"	FROM 08-05-82 THRU 99-99-99
	101065-03-000	EA FRAME-BASE, COUCH - 66 5"	

CURTAIN & CUSHION GROUP (CONTINUED)

BUNK CUSHIONS

KEY	PART NUMBER	U/M DESCRIPTION
8	105573-10-D04	EA CUSHION-BUNK, REAR - 27" X 23" X 80" X 5"
8	105573-10-D05	EA CUSHION-BUNK, REAR - 27" X 23" X 80" X 5"
	P05573-10-D04	EA COVER-CUSHION, BUNK - REAR - 27" X 23" X 80" X 5"
	P05573-10-D05	EA COVER-CUSHION, BUNK - REAR - 27" X 23" X 80" X 5"
8	105573-09-D04	EA CUSHION-BUNK, FRONT - 32.5" X 80" X 5"
8	105573-09-D05	EA CUSHION-BUNK, FRONT - 32.5" X 80" X 5"
	P05573-09-D04	EA COVER-CUSHION, BUNK - FRONT - 32.5" X 80" X 5"
	P05573-09-D05	EA COVER-CUSHION, BUNK - FRONT - 32.5" X 80" X 5"

SWIVEL CHAIR

KEY	PART NUMBER	U/M DESCRIPTION	DATE RANGE
8	107891-01-D04	EA CHAIR-SWIVEL, W/O PEDESTAL & SKIRT	
9	107891-04-D04	EA CHAIR-SWIVEL, W/O PEDESTAL & SKIRT	FROM 00-00-00 THRU 07-31-82
9	107891-01-D05	EA CHAIR-SWIVEL, W/O PEDESTAL & SKIRT	FROM 08-01-82 THRU 99-99-99

ASSIST HANDLE & SEATBELTS

KEY	PART NUMBER	U/M DESCRIPTION
	079349-04-AA1	YD WELTING-FABRIC (D04)
	079349-04-C08	YD WELTING-FABRIC (D05)
	084415-46-000	YD TRIM-BRAID, BLUE (D04)
	084415-47-000	YD TRIM-BRAID, BROWN (D05)
	057534-01-000	EA TIEBACK/TIEDOWN-BED/CURTAIN/DOOR, 6" - CLEAR PLASTIC
	053652-02-AA8	EA HANDLE-ASSIST, INTERIOR - ENTRY DOOR - VINYL - OFF WHITE
	089178-02-000	EA BRACKET-MOUNTING, ASSIST HANDLE - L ANGLE - WHOLES - ST
	000C18-07-168	EA BOLT-CARRIAGE, ASSIST HANDLE - 7/16" - 14 X 1" ZN
	000U20-07-008	EA NUT-ACORN, ASSIST HANDLE - 7/16" X 14 ZN
	057752-01-000	EA WASHER BRACKET-SEAT BELT, 4" DIAMETER
	007021-01-000	EA BELT-SEAT, 2" X 90" - BLACK

FABRICS

KEY	PART NUMBER	U/M DESCRIPTION	DATE RANGE
	072333-82-000	YD FABRIC-DRAPERY, BEIGE (D04, D05)	FROM 00-00-00 THRU 08-04-82
	072333-82-000	YD FABRIC-DRAPERY, BIRCHWOOD SLATE (D04)	FROM 08-05-82 THRU 99-99-99
	072333-83-000	YD FABRIC-DRAPERY, BIRCHWOOD TAUPE (D05)	FROM 08-05-82 THRU 99-99-99
	072333-86-000	YD FABRIC-DRAPERY, GALAXY ANTIQUE WHITE (D04, D05)	FROM 00-00-00 THRU 09-30-82
	087272-01-000	YD FABRIC-LINING, CURTAIN - 48" WIDE - IVORY	FROM 00-00-00 THRU 09-30-82
	087272-03-000	YD FABRIC-LINING, CURTAIN - 54" WIDE - IVORY	FROM 10-01-82 THRU 99-99-99
	088273-87-000	YD FABRIC-BEDSPREAD/CURTAIN, PLAIN - 54" WIDE - SLATE (D04)	
	088273-89-000	YD FABRIC-BEDSPREAD/CURTAIN, PLAIN - 54" WIDE - LILAC (D05)	
	103907-01-01A	YD FABRIC-VINYL, 54" WIDE - OFF WHITE	
	104233-31-000	YD FABRIC-UPHOLSTERY/CURTAIN, PLAIN VELOUR - 54" WIDE - BLUE (D04)	
	104233-26-000	YD FABRIC-UPHOLSTERY/CURTAIN, PLAIN VELOUR - 54" WIDE - BROWN (D05)	
	104233-70-000	YD FABRIC-UPHOLSTERY, STRIPED WOVEN - 54" WIDE - STEEL (D04)	
	108446-10-000	YD FABRIC-UPHOLSTERY, STRIPED WOVEN - 54" WIDE - WHEAT (D05)	
	104233-79-000	YD FABRIC-UPHOLSTERY, WOVEN PATTERN - 54" WIDE - BLUE/BEIGE (D04)	
	104233-81-000	YD FABRIC-UPHOLSTERY, PATTERN VELOUR - 54" WIDE - BROWNS/BLUE (D05)	
	104233-80-000	YD FABRIC-UPHOLSTERY, PATTERN VELOUR - 54" WIDE - BLUE (D04)	
	104233-82-000	YD FABRIC-UPHOLSTERY, TEXTURED PATTERN VELOUR - 54" WIDE - BROWN (D05)	
	106745-17-000	YD FABRIC-BEDSPREAD/CURTAIN, PATTERN - CREAM/GOLD/PINK/GREEN (D04)	
	106745-08-000	YD FABRIC-BEDSPREAD/CURTAIN, PATTERN - GRAY/MAUVE/TAN (D05)	

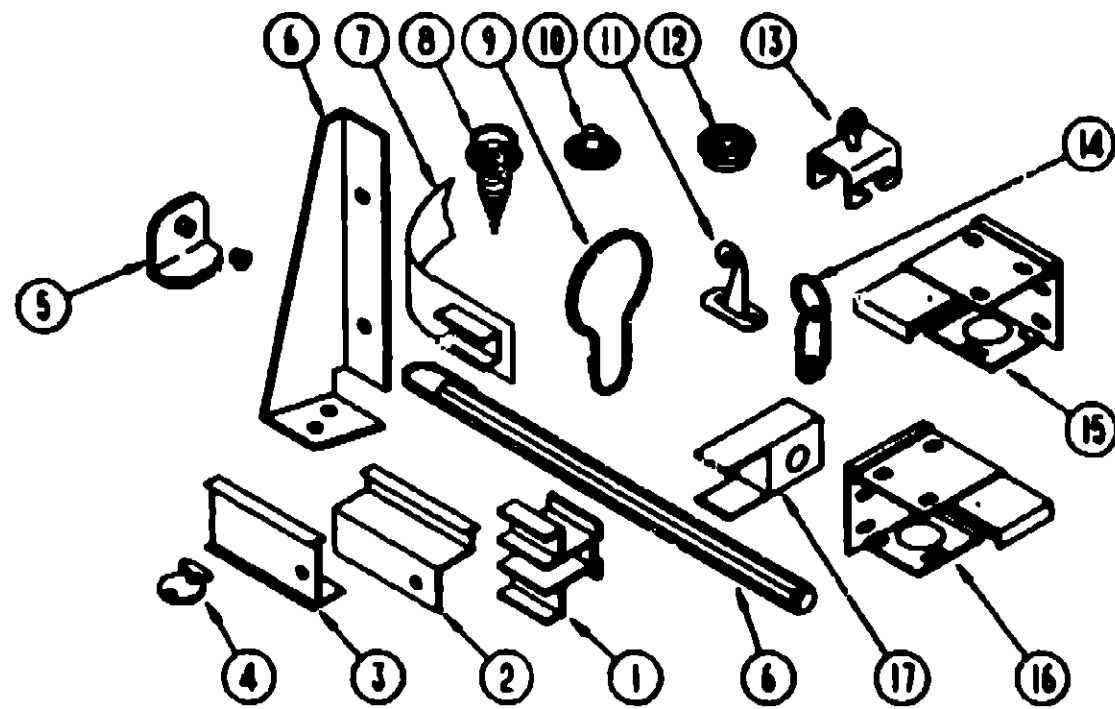
**1993 WINNEBAGO
TABLE OF CONTENTS**

INTRODUCTION	A-01	A-02
ABBREVIATIONS		A-03
ALPHABETICAL INDEX	L-04	A-08
WF427RQ	L-07	D-20
WF427RAC	D-21	H-10
WF428RQ	H-11	L-02

1993 WF427RQ INDEX

FLOOR PLAN	A-07	A-08
ACCESSORIES		A-09
AUDIO VIDEO		A-10
BATH	A-11	A-12
BEDROOM	A-13	A-14
CHASSIS	A-15	A-18
CURTAIN & CUSHION	A-19	B-08
DINETTE	B-07	B-08
DRIVERS COMPARTMENT	B-09	B-10
ELECTRICAL	B-11	B-14
EXTERIOR BODY	B-15	B-22
GALLEY	B-23	C-02
GENERATOR		C-03
HEATING & A/C	C-04	C-08
INTERIOR FINISH	C-07	C-10
LABELS	C-11	C-18
LP		C-19
LOUNGE	C-20	C-21
SEALANTS & FASTENERS	C-22	C-24
WATER & SEWAGE	D-01	D-04
WINDOW, VENT AND EXTERIOR DOOR	D-05	D-20

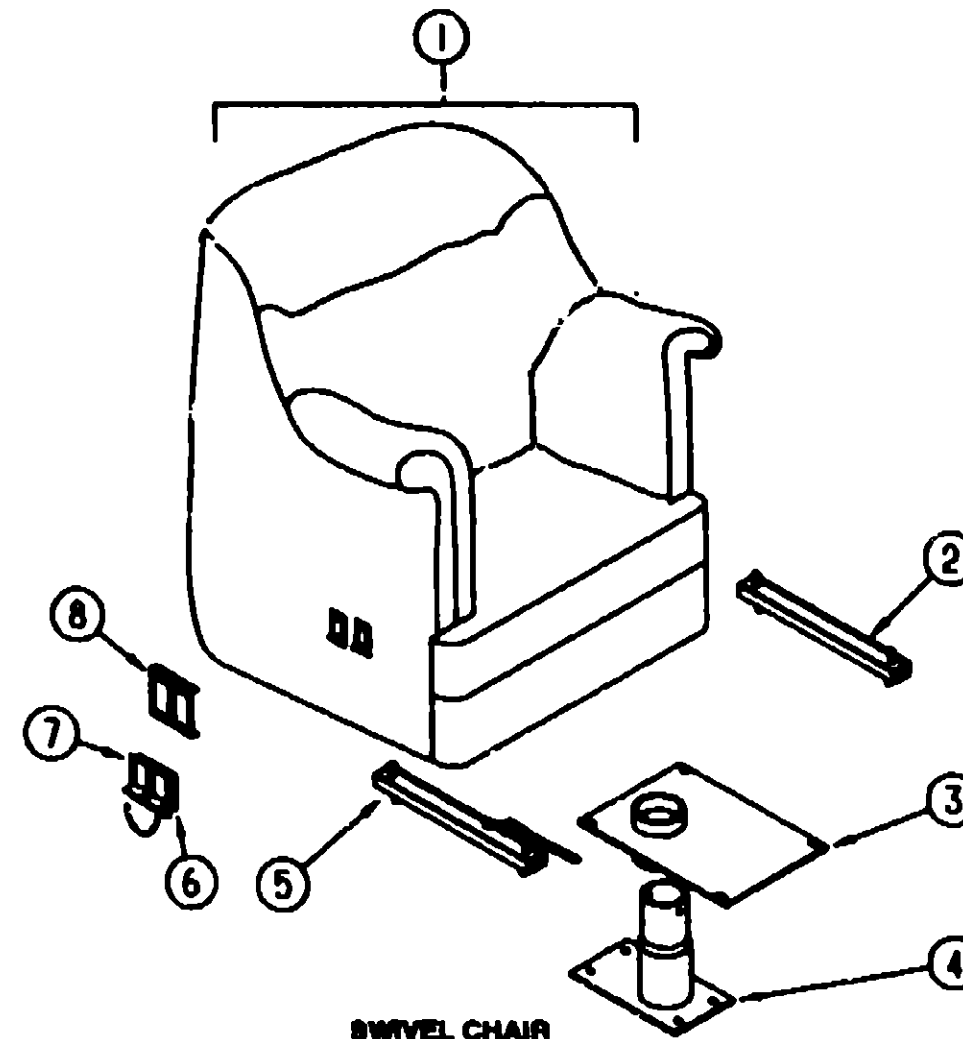
CURTAIN & CUSHION GROUP (CONTINUED)



CURTAIN & BLIND HARDWARE

KEY	PART NUMBER	U/M	DESCRIPTION
1	101033-03-000	FT	TRACK-WALL, WHITE - CT225 - SHAPCO
2	105450-08-01A	EA	TRACK-CURTAIN, OFF WHITE
3	082484-04-01A	EA	TRACK-CURTAIN, OFF WHITE
4	102555-01-000	EA	CLEAT-CORD, BLIND - OFF WHITE
5	108544-01-000	EA	PULL-SHADE, BRASS
6	083475-01-701	EA	WAND-BLIND, W/METAL CLIP - 8" LONG
	083475-01-701	EA	END CAP-BLIND, W/STUD
6	076827-04-000	EA	BRACKET-BED/BUNK, 2.8" X 1.8" TRIANGLE - METAL - OFF WHITE
7	101031-01-000	YD	TAPE-GLIDE, CURTAIN - 4 25" SPACING
8	029130-01-000	EA	SCREW-SNAP SOCKET, 8 PH X 5/8"
9	009138-02-000	EA	HANGER-RING, PIN TYPE - CURTAIN - BRASS
10	029155-01-000	EA	CAP-SNAP, NICKEL
11	109441-01-000	EA	HOLD DOWN-BLIND, HOOK
12	029156-01-000	EA	SOCKET-SNAP FASTENER, NICKEL
13	009702-01-000	EA	END STOP-CURTAIN CARRIER, L ROD
14	009701-01-000	EA	CARRIER-CURTAIN, L ROD
15	083170-01-000	EA	BRACKET-BLIND, RIGHT SIDE
16	083170-02-000	EA	BRACKET-BLIND, LEFT SIDE
17	101033-02-000	EA	END CAP-TRACK, CLEAR
	049887-01-000	EA	GROMMET-BRASS, 7/16" ID X 1" OD
	048394-02-000	YD	VELCRO TAPE-HOOK, ADHESIVE BACK - 75" WIDE - BEIGE
	058003-01-000	EA	BRACKET-DRAPERY RETAINING, RIGHT - METAL
	058003-02-000	EA	BRACKET-DRAPERY RETAINING, LEFT - METAL
	088718-01-001	EA	BRACE-90 DEGREE L-ANGLE, 102" - EXTRUDED ALUMINUM
	075843-01-000	EA	BRACE-ANGLE, W/HOLES - 1" X 1 5/8" X 20" - ALUMINUM - BEIGE
	075843-02-000	EA	BRACE-ANGLE, W/HOLES - 1" X 1 5/8" X 14" - ALUMINUM - BEIGE
	084432-08-000	FT	SLAT-ROLLER SHADE, PLASTIC
	084434-01-000	EA	BRACKET-MOUNTING, ROLLER SHADE - 1 3/8"
	088792-01-000	YD	VELCRO-HOOK, 75" WIDE - BEIGE
	088792-02-000	YD	VELCRO TAPE-LOOP, ADHESIVE BACKED - 75" WIDE - BEIGE
	088843-01-000	EA	SPRING-REWIND, ROLLER SHADE

CURTAIN & CUSHION GROUP (CONTINUED)



SWIVEL CHAIR

KEY	PART NUMBER	U/M	DESCRIPTION
1	107891-01-004	EA	CHAIR-SWIVEL, W/O PEDESTAL & SKIRT
1	107891-04-004	EA	CHAIR-SWIVEL, W/O PEDESTAL & SKIRT
1	107891-01-006	EA	CHAIR-SWIVEL, W/O PEDESTAL & SKIRT
	P07891-01-004	EA	COVER-CHAIR, SWIVEL
	P07891-04-004	EA	COVER-CHAIR, SWIVEL
	P07891-01-006	EA	COVER-CHAIR, SWIVEL
2	069246-08-000	EA	ADJUSTER-SWIVEL CHAIR, MANUAL - FORWARD & BACK
3	107921-08-000	EA	TOP PLATE-W/O SEAT BELT BAR - FLEXSTEEL 2759PDTF
	107921-08-000	EA	BEARING KIT, FLEXSTEEL
4	083481-02-000	EA	BASE-PEDESTAL, W/10" EXTENSION
4	107921-01-000	EA	BASE-PEDESTAL, W/75" EXTENSION - FLEXSTEEL 3080 MSPD
5	069246-07-000	EA	ADJUSTER-SWIVEL CHAIR, FORWARD & BACK - MANUAL - SCHROCK
5	069246-08-000	EA	ADJUSTER-SWIVEL CHAIR, FORWARD & BACK - REMOTE - SCHROCK
	069246-06-700	EA	SPRING-REMOTE SLIDE ADJUSTER, 9ST-TS-108-5
	069246-06-701	EA	CLIP ONLY-CABLE ASM, SLIDE ADJUSTER
	007221-01-000	EA	SPACER-SEAT, ADJUSTER - 4 USED PER SWIVEL CHAIR
6	108049-01-000	EA	CABLE-SWIVEL, W/SWITCH, 20" - FLEXSTEEL PED 23802
	108049-02-000	EA	CLIP-CABLE, PEDESTAL - FLEXSTEEL 2592-CA
7	089388-04-000	EA	CABLE-SLIDE, W/SWITCH
8	097883-07-000	EA	BRACKET-MOUNT, REMOTE
	107892-01-001	EA	SKIRT-CHAIR, SWIVEL
	107892-02-004	EA	SKIRT-CHAIR, SWIVEL
	107892-01-005	EA	SKIRT-CHAIR, SWIVEL

**1989 WINNEBAGO
TABLE OF CONTENTS**

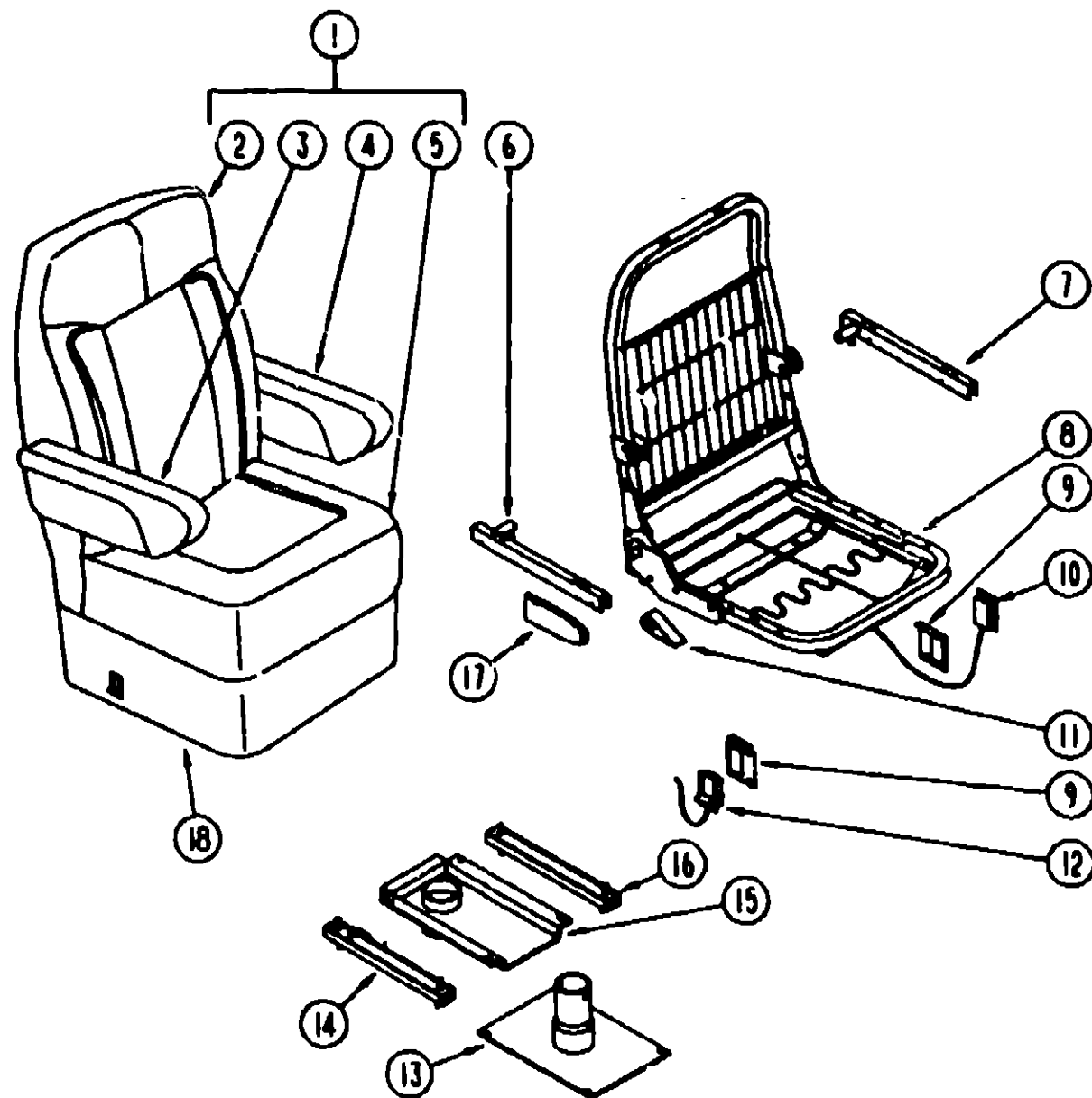
INTRODUCTION	A-01 - A-02
ABBREVIATIONS	A-03
ALPHABETICAL INDEX	A-04 - A-08
WF427RQ	A-07 - D-20
WF427RC	D-21 - H-10
WF428RC	H-11 - L-02

1993 WF427RQ INDEX

FLOOR PLAN	A-07 - A-08
ACCESSORIES	A-09
AUDIO VIDEO	A-10
BATH	A-11 - A-12
BEDROOM	A-13 - A-14
CHASSIS	A-15 - A-18
CURTAIN & CUSHION	A-19 - B-06
DINETTE	B-07 - B-08
DRIVERS COMPARTMENT	B-09 - B-10
ELECTRICAL	B-11 - B-14
EXTERIOR BODY	B-15 - B-22
GALLEY	C-23 - C-02
GENERATOR	C-03
HEATING & A/C	C-04 - C-08
INTERIOR FINISH	C-07 - C-10
LABELS	C-11 - C-19
LP	C-19
LOUNGE	C-20 - C-21
SEALANTS & FASTENERS	C-22 - C-24
WATER & SEWAGE	D-01 - D-04
WINDOW, VENT AND EXTERIOR DOOR	D-05 - D-20

CURTAIN & CUSHION GROUP (CONTINUED)

BUCKET SEATS



**1993 WINNEBAGO
TABLE OF CONTENTS**

INTRODUCTION	A-01 -	A-02
ABBREVIATIONS		A-03
ALPHABETICAL INDEX	A-04 -	A-05
WF427RQ	A-07 -	D-20
WF427RC	D-21 -	H-10
WF428RQ	H-11 -	L-02

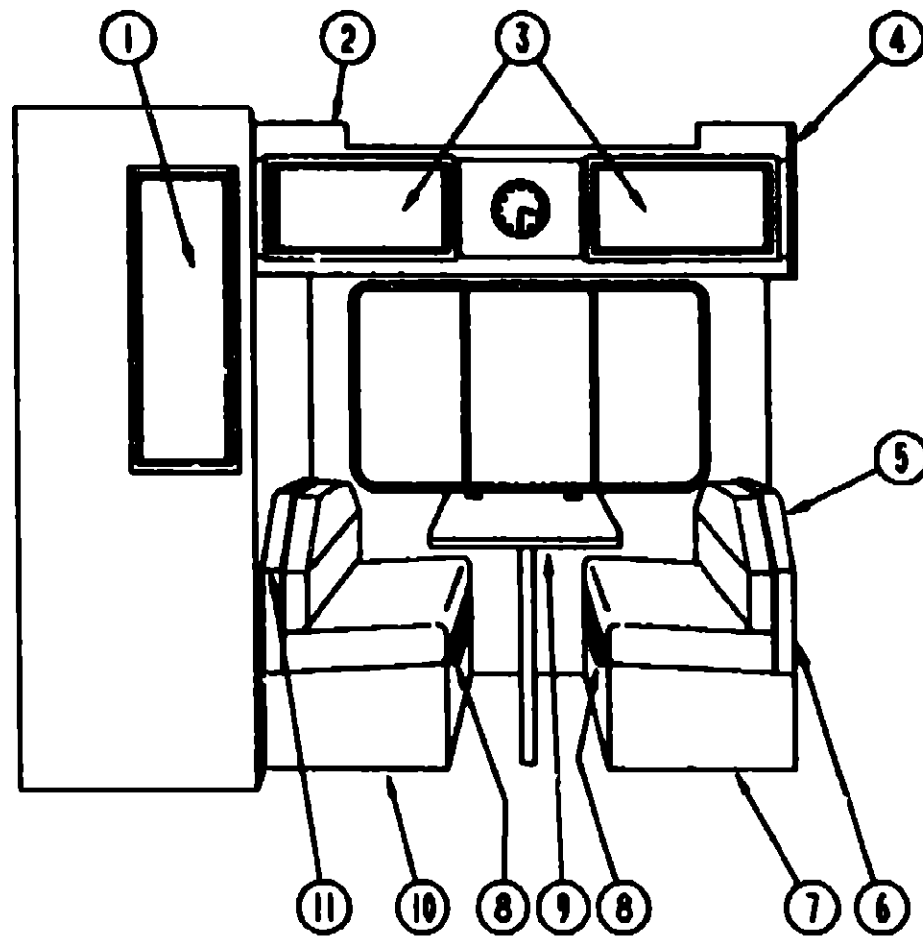
KEY	PART NUMBER	U/M DESCRIPTION
1	083909-42-D05	EA SEAT-BUCKET, DR - W/O PEDESTALS & SKIRTS (RECLINING OPTION) FROM: 00-00-00 THRU: 08-04-92
1	083909-43-D05	EA SEAT-BUCKET, PASS - W/O PEDESTALS & SKIRTS (RECLINING OPTION) FROM: 00-00-00 THRU: 08-04-92
1	083909-54-D05	EA SEAT-BUCKET, DR/PASS - W/O PEDESTALS & SKIRTS (RECLINING OPTION) FROM: 08-05-92 THRU: 08-21-92
1	083909-46-D05	EA SEAT-BUCKET, DR/PASS - W/O PEDESTALS & SKIRTS (RECLINING OPTION) FROM: 08-22-92 THRU: 99-99-99
2	M03445-70-D04	EA COVER-BACK, BUCKET SEAT
2	M03445-72-D05	EA COVER-BACK, BUCKET SEAT
3	080243-49-C17	EA ARMREST-RIGHT SIDE, BUCKET SEAT (D04)
3	080243-49-C08	EA ARMREST-RIGHT SIDE, BUCKET SEAT (D05)
	M80243-49-C17	EA COVER-ARMREST, RIGHT SIDE (D04)
	M80243-49-C08	EA COVER-ARMREST, RIGHT SIDE (D05)
4	080243-50-C17	EA ARMREST-LEFT SIDE, BUCKET SEAT (D04)
4	080243-50-C08	EA ARMREST-LEFT SIDE, BUCKET SEAT (D05)
	M80243-50-C17	EA COVER-ARMREST, LEFT SIDE (D04)
	M80243-50-C08	EA COVER-ARMREST, LEFT SIDE (D05)
5	M03445-71-D04	EA COVER-SEAT, BUCKET SEAT
5	M03445-71-D05	EA COVER-SEAT, BUCKET SEAT
6	081268-01-000	EA ROD & CHANNEL-ARMREST- RIGHT - METAL
7	081268-02-000	EA ROD & CHANNEL-ARMREST- LEFT - METAL
	081361-01-000	EA ROD-ARMREST- METAL - RIGHT OR LEFT HAND
8	M80908-06-000	EA FRAME-SEAT & BACK & SPRING
8	M80908-07-000	EA FRAME-SEAT & BACK & SPRING - RECLINING
9	097683-03-000	EA BRACKET-REMOTE- SIDE MOUNT - SINGLE
10	089368-04-000	EA SWITCH & CABLE-SLIDE, SHROCK
	080730-02-000	EA RECLINER-SEAT BACK, LEFT HAND
11	080730-03-700	EA HANDLE KIT-RECLINER
	080730-04-000	EA SCREW-RECLINER, HANDLE - KEIPER 300818-07
12	108049-01-000	EA SWITCH & CABLE-SWIVEL, 28" - FLEXSTEEL PED 23802
	108049-02-000	EA CLIP-CABLE, PEDESTAL - FLEXSTEEL 2592-CA
13	069585-41-000	EA PLATE-BASE
	069585-03-000	EA PEDESTAL-LOWER, W/EXTENSION - 9" X 5" - STEEL MOUNTS BETWEEN UPPER PEDESTAL AND BASEPLATE FROM: 00-00-00 THRU: 02-21-93
13	107921-09-000	EA PEDESTAL ASM -SEAT FORD - W/BASE PLATE, EXTENSION & TOP PLATE FLEXSTEEL 1067-PDM8 FROM: 00-00-00 THRU: 02-21-93
14	089246-05-000	EA ADJUSTER- SEAT/CHAIR- W/REMOTE - FORWARD & BACK
	089246-05-700	EA SPRING-ADJUSTER- FOR REMOTE
	089246-05-701	EA CLIP-CABLE- FOR REMOTE
15	093481-04-000	EA TOP PLATE-PEDESTAL, BUCKET SEAT - W/O SEATBELT BAR FROM: 00-00-00 THRU: 02-21-93
15	107921-08-000	EA TOP PLATE-PEDESTAL, BUCKET SEAT - W/O SEATBELT BAR FROM: 02-22-93 THRU: 99-99-99
	107921-06-000	EA BEARING KIT, PEDESTAL
16	089246-02-000	EA ADJUSTER-SEAT/CHAIR- W/O LOCK - FORWARD & BACK
17	089339-08-000	EA SHIELD-CABLE, REMOTE RECLINER - BUCKET SEAT
18	071126-27-AA1	EA SKIRT-BUCKET SEAT, 7" SINGLE (D03) FROM: 00-00-00 THRU: 08-04-92
18	071126-37-D04	EA SKIRT-BUCKET SEAT, 7" SINGLE (D04) FROM: 08-05-92 THRU: 99-99-99
18	071126-24-C08	EA SKIRT-BUCKET SEAT, 7" SINGLE (D05) FROM: 00-00-00 THRU: 08-04-92
18	071126-37-D05	EA SKIRT-BUCKET SEAT, 7" SINGLE (D05) FROM: 08-05-92 THRU: 99-99-99

1993 WF427RQ INDEX

FLOOR PLAN	A-07 -	A-08
ACCESSORIES		A-09
AUDIO VIDEO		A-10
BATH	A-11 -	A-12
BEDROOM	A-13 -	A-14
CHASSIS	A-15 -	A-18
CURTAIN & CUSHION	A-19 -	B-08
DINETTE	B-07 -	B-08
DRIVERS COMPARTMENT	B-09 -	B-10
ELECTRICAL	B-11 -	B-14
EXTERIOR BODY	B-15 -	B-22
GALLEY	B-23 -	C-02
GENERATOR		C-03
HEATING & A/C	C-04 -	C-08
INTERIOR FINISH	C-07 -	C-10
LABELS	C-11 -	C-18
LP		C-19
LOUNGE	C-20 -	C-21
SEALANTS & FASTENERS	C-22 -	C-24
WATER & SEWAGE	D-01 -	D-04
WINDOW, VENT AND EXTERIOR DOOR	D-05 -	D-20

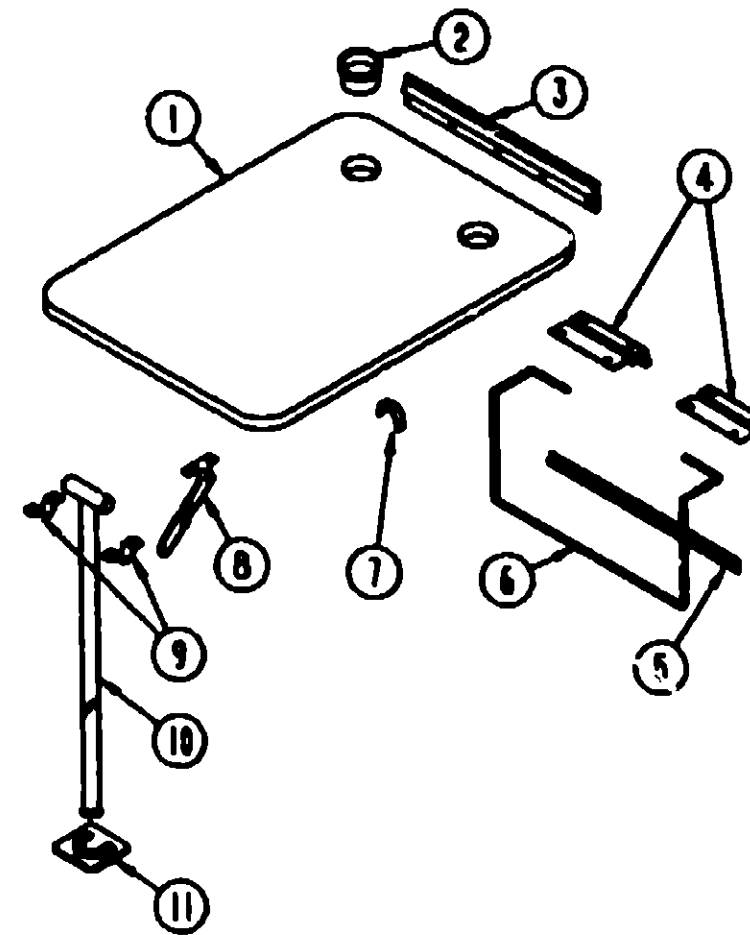
KEY	PART NUMBER	U/M DESCRIPTION
1	083909-40-D04	EA SEAT-BUCKET, DRIVER - W/O PEDESTALS & SKIRTS FROM: 00-00-00 THRU: 08-04-92
1	083909-41-D04	EA SEAT-BUCKET, PASSENGER - W/O PEDESTALS & SKIRTS FROM: 00-00-00 THRU: 08-04-92
1	083909-57-D04	EA SEAT-BUCKET, DRIVER & PASSENGER - W/O PEDESTALS & SKIRTS FROM: 08-05-92 THRU: 99-99-99
1	083909-40-D05	EA SEAT-BUCKET, DRIVER - W/O PEDESTALS & SKIRTS FROM: 00-00-00 THRU: 03-04-92
1	083909-41-D05	EA SEAT-BUCKET, PASSENGER - W/O PEDESTALS & SKIRTS FROM: 00-00-00 THRU: 03-04-92
1	083909-57-D05	EA SEAT-BUCKET, DRIVER & PASSENGER - W/O PEDESTALS & SKIRTS FROM: 08-05-92 THRU: 99-99-99
1	083909-42-D04	EA SEAT-BUCKET, DR - W/O PEDESTALS & SKIRTS (RECLINING OPTION) FROM: 00-00-00 THRU: 08-04-92
1	083909-43-D04	EA SEAT-BUCKET, PASS - W/O PEDESTALS & SKIRTS (RECLINING OPTION) FROM: 00-00-00 THRU: 08-04-92
1	083909-54-D04	EA SEAT-BUCKET, DR/PASS - W/O PEDESTALS & SKIRTS (RECLINING OPTION) FROM: 08-05-92 THRU: 08-21-92
1	083909-46-D04	EA SEAT-BUCKET, DR/PASS - W/O PEDESTALS & SKIRTS (RECLINING OPTION) FROM: 08-22-92 THRU: 08-25-92
1	083909-55-D04	EA SEAT-BUCKET, W/O PEDESTALS & SKIRTS (RECLINING OPTION) FROM: 08-26-92 THRU: 99-99-99

DINETTE GROUP



CABINETS & TABLE

DINETTE GROUP (CONTINUED)



DINETTE TABLE & HARDWARE

**1993 WINNEBAGO
TABLE OF CONTENTS**

INTRODUCTION	A-01 - A-02
ABBREVIATIONS	A-03
ALPHABETICAL INDEX	A-04 - A-06
WF427RQ	A-07 - D-20
WF427RC	D-21 - H-10
WF428RQ	H-11 - L-02

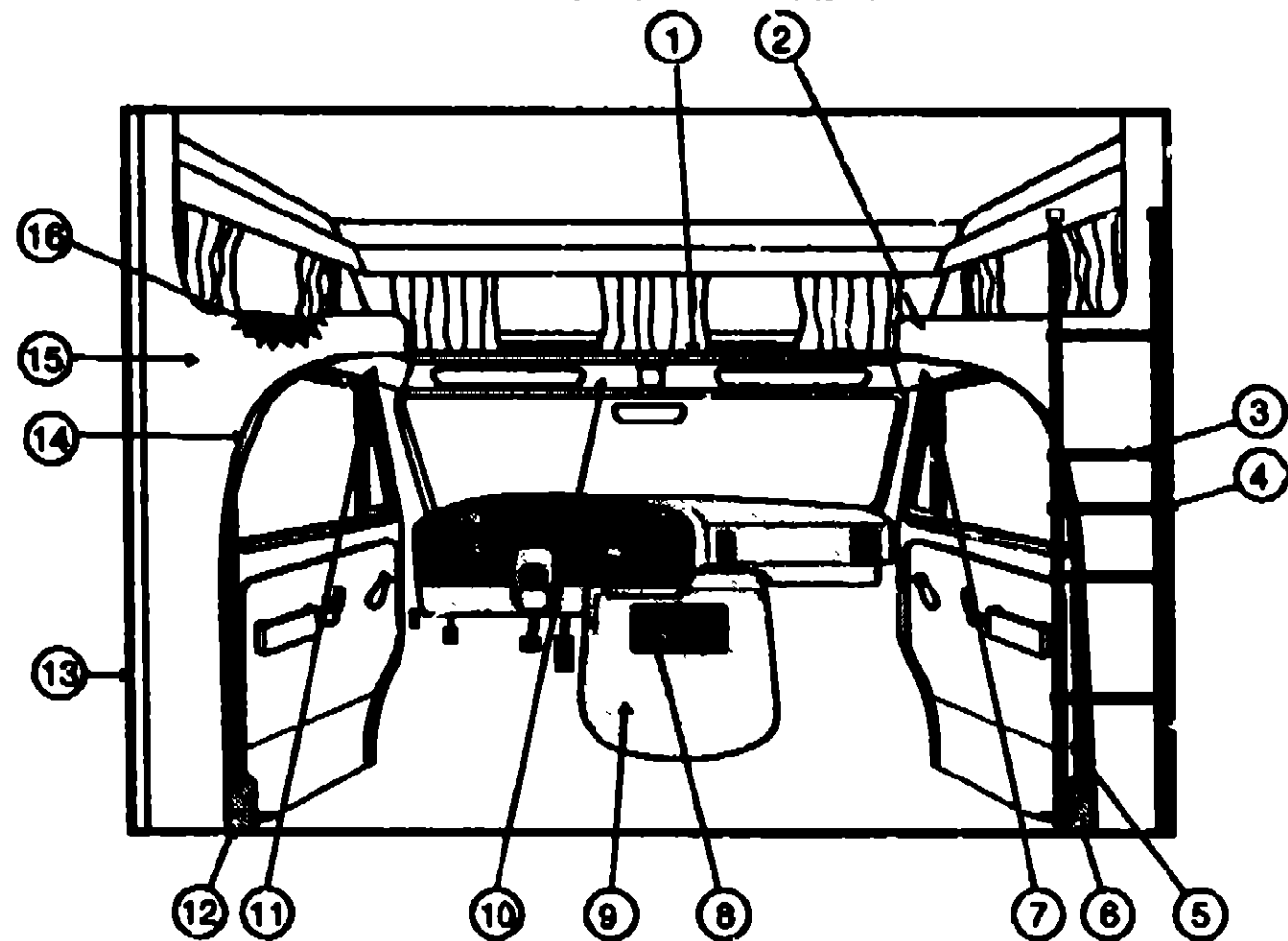
1993 WF427RQ INDEX

FLOOR PLAN	A-07 - A-08
ACCESSORIES	A-09
AUDIO VIDEO	A-10
BATH	A-11 - A-12
BEDROOM	A-13 - A-14
CHASSIS	A-15 - A-18
CURTAIN & CUSHION	A-19 - B-06
DINETTE	B-07 - B-08
DRIVERS COMPARTMENT	B-09 - B-10
ELECTRICAL	B-11 - B-14
EXTERIOR BODY	B-15 - B-22
GALLEY	B-23 - C-02
GENERATOR	C-03
HEATING & A/C	C-04 - C-06
INTERIOR FINISH	C-07 - C-10
LABELS	C-11 - C-18
LP	C-19
LOUNGE	C-20 - C-21
SEALANTS & FASTENERS	C-22 - C-24
WATER & SEWAGE	D-01 - D-04
WINDOW, VENT AND EXTERIOR DOOR	D-05 - D-20

KEY	PART NUMBER	U/M DESCRIPTION
1	P05223-47-D04	EA DOOR-CABINET, W/O HARDWARE - 305 X 1220MM
2	110417-01-D04	EA CABINET-OVERHEAD, DINETTE - W/O DOORS & HARDWARE
		FROM: 00-00-00 THRU 04-18-93
2	110417-02-D04	EA CABINET-OVERHEAD, DINETTE - W/O DOORS & HARDWARE
		FROM 04-19-93 THRU 99-99-99
2	110417-01-D05	EA CABINET-OVERHEAD, DINETTE - W/O DOORS & HARDWARE
		FROM 00-00-00 THRU 04-18-93
2	110417-02-D05	EA CABINET-OVERHEAD, DINETTE - W/O DOORS & HARDWARE
		FROM 04-19-93 THRU 99-99-99
3	P05223-70-D04	EA DOOR-CABINET, W/O HARDWARE - 400 X 715MM (MIRRORED)
3	P05223-71-D04	EA DOOR CABINET, W/O HARDWARE - 400 X 715MM (WOOD PANEL)
4	104335-08-C03	EA END CAP-CABINET, OVERHEAD
5	104787-01-D32	EA PAD-BACKREST (D04)
5	104787-01-C04	EA PAD-BACKREST (D05)
6	M04174-12-C07	EA CABINET-BACKREST, RIGHT
7	M04175-12-C07	EA CABINET-SEATBASE, RIGHT
	081518-01-B03	EA TOP-SEAT, CABINET - DINETTE
8	081286-01-AA8	EA SUPPORT-BED, DINETTE
9	M81299-08-D04	EA TABLE-DINETTE, W/O HARDWARE
9	M81299-08-D05	EA TABLE-DINETTE, W/O HARDWARE
10	M04175-16-C03	EA CABINET-SEATBASE, LEFT
11	104787-02-D04	EA PAD-BACKREST (D04)
11	104787-02-C04	EA PAD-BACKREST (D05)

KEY	PART NUMBER	U/M DESCRIPTION
1	M81299-08-D04	EA TABLE-DINETTE, W/O HARDWARE
1	M81299-08-D05	EA TABLE-DINETTE, W/O HARDWARE
2	084781-08-000	EA HOLDER-CUP, TWO STEP - OFF WHITE
3	053200-13-000	EA BRACKET-TABLE SUPPORT, UPPER WALL MOUNTED - 18.5" - OFF WHITE
4	088410-02-000	EA BRACKET-LIFT, TABLE MOUNTED - OFF WHITE
5	024281-15-000	EA BRACKET-LIFT ROD, LOWER WALL MOUNTED - 17.12" - OFF WHITE
6	024275-13-000	EA ROD-TABLE LIFT, 8" X 18.5" - OFF WHITE
7	024283-01-000	EA CLIP-LEG, 1" - 1.125" OD - BLACK
8	024282-01-000	EA BRACE-TABLE LEG, HINGED
9	084050-05-000	EA CLAMP-SADDLE, LEG HINGE - OFF WHITE
10	024278-23-000	EA LEG-TABLE, METAL - OFF WHITE
11	049493-11-700	EA CATCH-LEG-FLOOR MOUNTED - 2.5" X 2.7" - METAL - E-COAT

DRIVERS COMPARTMENT



DRIVERS COMPARTMENT

KEY	PART NUMBER	U/M DESCRIPTION
1	108444-01-01A	EA TRIM-SLEEPERBOARD, INNER - OFF WHITE FROM: 00-00-00 THRU: 09-05-92
1	079900-07-000	EA TRIM-SLEEPERBOARD, INNER - OFF WHITE FROM 09-06-92 THRU: 99-99-99
1	080742-03-000 105777-01-D04	FT TRIM-VINYL, SLEEPER BOARD - OFF WHITE EA PAD-BUNK WALL, PASSENGER SIDE OVERHEAD FROM: 00-00-00 THRU 08-04-92
	105777-01-D05	EA PAD-BUNK WALL, PASSENGER SIDE OVERHEAD FROM 00-00-00 THRU 09-05-92
	082071-12-C52	EA TRIM-WINGWALL TO SIDEWALL, W/O BUTTONS - VINYL - OFF WHITE FROM 00-00-00 THRU 08-04-92
2	108440-03-D04	EA WINGWALL ASM-INNER, RIGHT FROM 00-00-00 THRU 09-05-92
2	108440-03-D06	EA WINGWALL ASM-INNER, RIGHT FROM 00-00-00 THRU 09-05-92
2	108803-01-D04	EA WINGWALL ASM-INNER, UPPER FROM 09-06-92 THRU 99-99-99
2	108803-01-D05	EA WINGWALL ASM-INNER, UPPER FROM 09-06-92 THRU 99-99-99
2	108805-03-D04	EA WINGWALL ASM-INNER, RIGHT LOWER FROM 09-06-92 THRU 99-99-99
2	108805-03-D05	EA WINGWALL ASM-INNER, RIGHT LOWER FROM 09-06-92 THRU 99-99-99
	108445-01-C03 108804-01-D04	EA TRIM ASM-WINGWALL WRAP, RIGHT - BETWEEN CAB STEEL & B PILLAR TRIM EA CAP-SLEEPERBOARD, DRIVER/PASSENGER SIDE - 80 X 598MM FROM 09-06-92 THRU 99-99-99
	108804-01-D05	EA CAP-SLEEPERBOARD, DRIVER/PASSENGER SIDE - 80 X 598MM FROM 09-06-92 THRU 99-99-99

DRIVERS COMPARTMENT (CONTINUED)

DRIVERS COMPARTMENT (CONTINUED)

KEY	PART NUMBER	U/M DESCRIPTION
3	108025-02-01A 10802E-01-700	EA LADDER-BUNK, BLACK - 1434 MM EA BRACKET SET FOR BUNK LADDER
4	098858-03-000	EA STRAP ASM-TIEDOWN, BUNK LADDER
5	108446-01-C03	EA TRIM ASM-CAB, B-PILLAR - RIGHT
6	108431-01-01A	EA COVER-SEATBELT RECOIL, RIGHT - OFF WHITE
7	108447-01-C03	EA TRIM ASM-CAB DOOR, UPPER - RIGHT
8	107134-02-C70	EA TRAY-BEVERAGE, OAK FROM: 00-00-00 THRU 08-04-92
8	108889-01-D04	EA TRAY-BEVERAGE, OAK FROM: 08-05-92 THRU 99-99-99
	048886-03-000	EA ASHTRAY-CHROME, W/COVER FROM: 00-00-00 THRU 08-04-92
9	088885-23-D04	EA COVER-MOTOR, W/POCKET (D04)
9	088885-23-C04	EA COVER-MOTOR, W/POCKET (D05)
10	108448-01-C03	EA HEADLINER-VINYL COVERED, FRONT - OFF WHITE
11	108447-02-C03	EA TRIM ASM-CAB DOOR, UPPER - LEFT
12	108431-02-01A	EA COVER-SEATBELT RECOIL, LEFT - OFF WHITE
13	082081-20-C03	EA COVER-WINGWALL, 2002MM LONG - VINYL - OFF WHITE
14	108446-02-C03	EA TRIM ASM-CAB, B-PILLAR - RIGHT
15	108440-04-D04	EA WINGWALL ASM-INNER, LEFT FROM: 00-00-00 THRU 09-05-92
15	108440-04-D05	EA WINGWALL ASM-INNER, LEFT FROM: 00-00-00 THRU 09-05-92
15	108803-01-D04	EA WINGWALL ASM-INNER, UPPER FROM 09-06-92 THRU: 99-99-99
15	108803-01-D05	EA WINGWALL ASM-INNER, UPPER FROM: 09-06-92 THRU 99-99-99
15	108805-04-D04	EA WINGWALL ASM-INNER, RIGHT FROM 09-06-92 THRU: 99-99-99
15	108805-04-D05	EA WINGWALL ASM-INNER, RIGHT FROM 09-06-92 THRU 99-99-99
	108445-02-C03	EA TRIM ASM-WINGWALL WRAP, LEFT - BETWEEN CAB STEEL & B PILLAR TRIM FROM 09-08-92 THRU 99-99-99
18	108894-01-D04	EA CABINET-HAMPER, FRONT FROM 09-08-92 THRU 99-99-99
18	108894-01-D05	EA CABINET-HAMPER, FRONT FROM 09-08-92 THRU 99-99-99

INSTRUMENT CLUSTERS

KEY	PART NUMBER	U/M DESCRIPTION
	094795-03-000	EA CLUSTER-INSTRUMENT PANEL, KILOMETER - FORD F2UF108498: FROM 00-00-00 THRU 01-31-93
	094795-04-000	EA CLUSTER-INSTRUMENT PANEL, KILOMETER - FORD 93 E360 FROM 02-01-93 THRU: 99-99-99
	094795-01-000	EA SPEEDOMETER-KILOMETER (FORD)
	081082-01-000	EA PLAQUE-MOUNTING, BATTERY/FUEL SWITCH - 2 4" X 1 1/2" - BLK (FORD)
	100138-01-000	EA MODULE-DAYTIME RUNNING LIGHT
	024461-01-000	EA SWITCH-BATTERY, BATT/DUAL/MOM

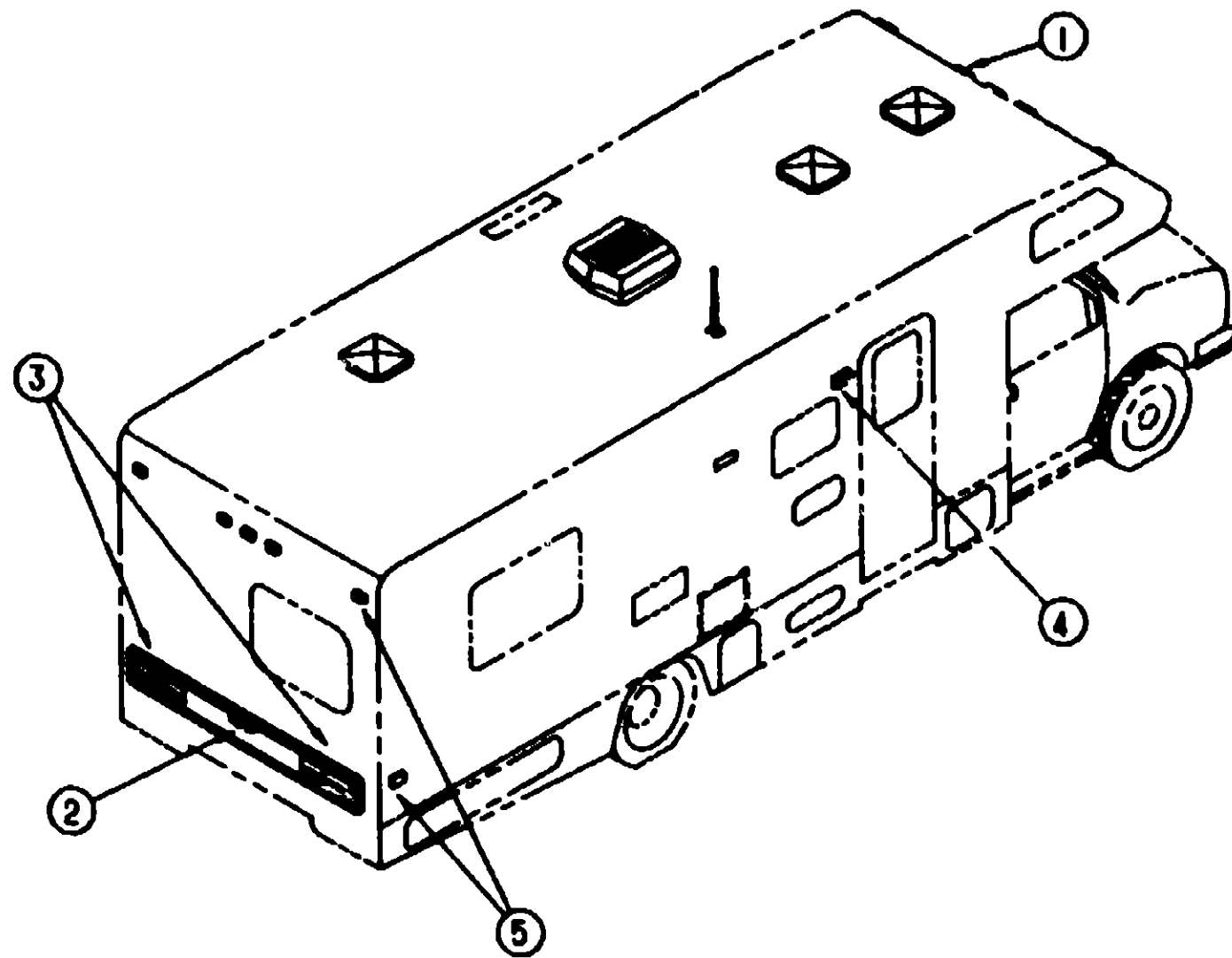
**1993 WINNEBAGO
TABLE OF CONTENTS**

INTRODUCTION	A-01 - A-02
ABBREVIATIONS	A-03
ALPHABETICAL INDEX	A-04 - A-08
WF427RQ	A-07 - D-20
WF427RC	D-21 - H-10
WF428RQ	H-11 - L-02

1993 WF427 INDEX

FLOOR PLAN	A-07 - A-08
ACCESSORIES	A-09
AUDIO VIDEO	A-10
BATH	A-11 - A-12
BEDROOM	A-13 - A-14
CHASSIS	A-15 - A-18
CURTAIN & CUSHION	A-19 - B-06
DINETTE	B-07 - B-08
DRIVERS COMPARTMENT	B-09 - B-10
ELECTRICAL	B-11 - B-14
EXTERIOR BODY	B-15 - B-22
GALLEY	B-23 - C-02
GENERATOR	C-03
HEATING & A/C	C-04 - C-06
INTERIOR FINISH	C-07 - C-10
LABELS	C-11 - C-18
LP	C-19
LOUNGE	C-20 - C-21
SEALANTS & FASTENERS	C-22 - C-24
WATER & SEWAGE	D-01 - D-04
WINDOW, VENT AND EXTERIOR DOOR	D-05 - D-20

ELECTRICAL GROUP



EXTERIOR LIGHTS

KEY	PART NUMBER	U/M DESCRIPTION
1	091983-01-000	EA GASKET-CLEARANCE/SIDEMARKER LIGHT
1	042406-02-000	EA LENS-CLEARANCE/SIDEMARKER LIGHT, W/REFLEX - AMBER
1	042406-03-000	EA BASE-CLEARANCE/SIDEMARKER LIGHT, W/BULB - PLASTIC - WHITE
	008213-01-000	EA BULB-12 V, NO 57 - 24 AMP
2	098432-01-000	EA LIGHT-LICENSE PLATE, W/BRACKET
	008432-03-000	EA BRACKET-LIGHT, LICENSE PLATE
3	081838-01-000	EA TAILLIGHT-DOUBLE, W/BLACK TRIM - DRIVER & PASS SIDE
	037934-01-000	EA BULB# 1158 (BACK UP & TURN SIGNAL)
	037935-01-000	EA BULB# 2057 OR 1157 (BRAKE LIGHT)
3	081838-01-700	EA LENS-TAILLIGHT, RED
3	081838-01-701	EA LENS-TAILLIGHT, W/BACKUP
	103355-01-01A	EA POD-TAILLIGHT, OFF WHITE
4	097917-01-01A	EA LIGHT-PORCH, ENTRY DOOR - OFF WHITE
4	008215-01-000	EA BULB-12V-#1003, 94 AMP
4	097917-01-700	EA LENS-LIGHT, PORCH
5	091983-01-000	EA GASKET-CLEARANCE/SIDEMARKER LIGHT
5	042406-01-000	EA LENS-CLEARANCE/SIDEMARKER LIGHT, W/REFLEX - RED
5	042406-03-000	EA BASE-CLEARANCE/SIDEMARKER LIGHT, W/BULB - PLASTIC - WHITE
	008213-01-000	EA BULB-12 V, NO 57 - 24 AMP

ELECTRICAL GROUP (CONTINUED)

INTERIOR LIGHTS

KEY	PART NUMBER	U/M DESCRIPTION
	008103-01-000	EA BULB-DASH/DAISLE LIGHT, #63 - 12 V - .12 AMP
	098024-01-01A	EA LIGHT-DOME, 1 BULB - US - IVORY
	008218-01-000	EA BULB-DOME LIGHT, 12V - NUMBER 1141
	098024-01-700	EA LENS-DOME LIGHT
	098024-03-01A	EA LIGHT-DOME, 2 BULB - IVORY
	008218-01-000	EA BULB-DOME LIGHT, 12V - NUMBER 1141
	098024-01-700	EA LENS-DOME LIGHT

SWITCHES & RECEPTACLES

KEY	PART NUMBER	U/M DESCRIPTION
	075723-01-000	EA BLOCK-SWITCH, SPACER W/O HOLE
	097734-01-01A	EA EXTENSION-RECEPTACLE, 3.2" X 5" X .7" - PLASTIC - IVORY
	075738-02-000	EA COVER-EXTERIOR RECEPTACLE, OFF WHITE
	007940-01-000	EA RECEPTACLE-SLIDE, 18 TO 12 AWG - FEMALE END
	024824-02-000	EA RECEPTACLE-POWER CORD, W/PARTIAL PLATE
	058707-01-000	EA RECEPTACLE-ELECTRIC, SINGLE - BROWN
	058708-01-000	EA RECEPTACLE-ELECTRIC, DOUBLE - BROWN
	058708-02-000	EA RECEPTACLE-ELECTRIC, DOUBLE - IVORY
	080015-02-000	EA RECEPTACLE-FLAG, 185 - 18/14 GA - AMP 3
	080015-03-000	EA RECEPTACLE-FLAG, 250 - 14/16 GA
	094078-01-000	EA RECEPTACLE-GFI, 15A - 125V - IVORY
	095188-01-01A	EA SPACER-SWITCH, 2.3" X 3.4" - PLASTIC - DARK BROWN
	102568-01-B10	EA SPACER-RECEPTACLE, BETWEEN SIDEWALL & PLATE - WOOD
	079394-01-000	EA SWITCH-ON/OFF ROCKER, 2 PRONGS - BROWN
	108355-01-000	EA HOUSING-SWITCH, CARLING VCH
	108357-08-000	EA SWITCH-ROCKER, DPDT ON/NONE/ON - VDD1900C-0
	10P108-02-01A	EA ACTUATOR-SWITCH, DIMPLE II - CARLING VVAZC00 BLA
	084077-01-000	EA PLATE-COVER, RECEPTACLE - GFI - IVORY
	098351-01-01A	EA PLATE-SWITCH, 1 GANG - POLISHED BRASS
	098351-08-01A	EA PLATE-SWITCH, 2 GANG W/LABEL - JENSEN - POLISHED BRASS

CONTROL CENTER & CONVERTER

KEY	PART NUMBER	U/M DESCRIPTION
	094809-01-000	EA CENTER-LOAD, 240V - 125A - TPL412CT
	083208-01-000	EA CONVERTER-POWER, 32A - 120V/12V - 8W 8332
	092815-01-000	EA CONVERTER-40 AMP, W/CHARGER - B-W 32400P

WIRING ASSEMBLIES

KEY	PART NUMBER	U/M DESCRIPTION
	103328-08-000	EA WIRE ASM-PUMP-EXTERIOR SHOWER
	106851-01-000	EA WIRE ASM-DAYTIME RUNNING LIGHTS-W/FUSE

1983 WINNEBAGO TABLE OF CONTENTS

INTRODUCTION	A-01 - A-02
ABBREVIATIONS	A-03
ALPHABETICAL INDEX	A-04 - A-08
WF427RQ	A-07 - D-20
WF427RC	D-21 - H-10
WF428RQ	H-11 - L-02

1983 WF427RQ INDEX

FLOOR PLAN	A-07 - A-08
ACCESSORIES	A-09
AUDIO VIDEO	A-10
BATH	A-11 - A-12
BEDROOM	A-13 - A-14
CHASSIS	A-15 - A-18
CURTAIN & CUSHION	A-19 - B-06
DINETTE	B-07 - B-08
DRIVERS COMPARTMENT	B-09 - B-10
ELECTRICAL	B-11 - B-14
EXTERIOR BODY	B-15 - B-22
GALLEY	B-23 - C-02
GENERATOR	C-03
HEATING & A/C	C-04 - C-08
INTERIOR FINISH	C-07 - C-10
LABELS	C-11 - C-18
LP	C-19
LOUNGE	C-20 - C-21
SEALANTS & FASTENERS	C-22 - C-24
WATER & SEWAGE	D-01 - D-04
WINDOW, VENT AND EXTERIOR DOOR	D-05 - D-20

ELECTRICAL GROUP (CONTINUED)

FUSES & CIRCUIT BREAKERS

KEY	PART NUMBER	U/M	DESCRIPTION
	082801-02-000	EA	FUSE-5 AMP-AUTOMOTIVE
	082801-05-000	EA	FUSE-15 AMP-AUTOMOTIVE
	082805-01-000	EA	FUSE-15 AMP-AUTOMOTIVE-12V
	100341-01-000	EA	FUSE HOLDER-IN LINE TYPE
	107165-01-01A	EA	BOX-CIRCUIT BREAKER MOUNT-BLACK
	083854-01-000	EA	BREAKER-CIRCUIT, 8 AMP - HOUSE CONTROL PANEL
	083209-01-000	EA	BREAKER-CIRCUIT, 15 AMP - 120V - BW G-15(CANADIAN)
	083209-03-000	EA	BREAKER-CIRCUIT, 15/20AMP - 120V - BW - 0-15/20
	084811-01-000	EA	BREAKER-CIRCUIT, DOUBLE 20 AMP - GE THQL2120
	083209-05-000	EA	BREAKER-CIRCUIT, 20A - 120V - BW J-20
	083209-08-000	EA	BREAKER-CIRCUIT, 30/15 AMP - 120V - BW D-30/15
	083855-02-000	EA	BREAKER-CIRCUIT, 30 AMP - HOUSE CONTROL PANEL
	084810-01-000	EA	BREAKER-CIRCUIT, DOUBLE 30 AMP - GE THQL2130
	083209-04-000	EA	BREAKER-CIRCUIT, 30A, 120V - BW L-30
	083209-09-000	EA	BREAKER-CIRCUIT, BLANK - BW

ELECTRIC BOXES & POWER CORDS

KEY	PART NUMBER	U/M	DESCRIPTION
	008288-01-000	EA	BOX-PLASTIC ELECTRIC, 3 84" X 3 13" X 1 81"
	008289-01-000	EA	BOX-ELECTRIC, STEEL - 1/2" AND 3/4" KNOCKOUTS - 4" X 4"
	008289-02-000	EA	BOX-ELECTRIC, 4" X 4" - 1/2" & 3/4" KNOCKOUTS - CANADIAN
	058048-01-000	EA	BOX-ELECTRIC SWITCH, 2" X 3" X 2.25"
	091910-01-000	EA	BOX-ELECTRIC, 3 75" X 3.5" X 1 75" - PLASTIC
	091910-02-000	EA	BOX-ELECTRIC, 57 X88MM - PLASTIC
	093803-01-000	EA	BOX-ELECTRIC, STEEL - 4" X 2 1/8" X 2 1/8"
	087849-01-000	EA	BUSS BAR-2 POSITION, 6" X 1.5" - ALUMINUM
	008054-01-000	EA	CORD-POWER, 10/3 - 30 AMP - 25'
	008052-01-000	EA	CORD-POWER, 10/3 - 30 AMP - 25' - CANADIAN
	088238-01-000	EA	COVER-ELECTRICAL BOX, WHOLE - 4" X 4" - GRAY - USED W/30 AMP RECEPTACLE
	008284-02-000	EA	COVER-ELECTRICAL BOX, BLANK STEEL - 4" X 4" - CANADIAN
	002188-01-000	EA	SOLENOID-3 POST, BATTERY CHANGE OVER

CONDUIT

KEY	PART NUMBER	U/M	DESCRIPTION
	041953-01-000	FT	CONDUIT-CONVOLUTE SLIT - 5" ID
	041953-03-000	FT	CONDUIT-CONVOLUTE SLIT - 1" ID (CLOTHES ROD COVER)
	041953-08-000	FT	CONDUIT-CONVOLUTE SLIT - 3/8" ID
	041953-07-000	FT	CONDUIT-CONVOLUTE SLIT - 25" ID
	041953-08-000	FT	CONDUIT-CONVOLUTE SLIT - 1 50" ID
	041953-09-000	FT	CONDUIT-CONVOLUTE SLIT - .50" ID
	041953-10-000	FT	CONDUIT-CONVOLUTE SLIT - .75" ID
	041953-11-000	FT	CONDUIT-CONVOLUTE SLIT - 1 08" ID
	041953-12-000	FT	CONDUIT-CONVOLUTE NON SLIT - 1 1" ID

ELECTRICAL GROUP (CONTINUED)

CONNECTORS, HOUSINGS, & TERMINALS

KEY	PART NUMBER	U/M	DESCRIPTION
	088355-01-000	EA	CONNECTOR-CABLE CLAMPING, 3/4"
	068028-01-000	EA	CONNECTOR-ELECTRICAL P/GTAIL, NYLON - CLEAR
	088475-01-000	EA	CONNECTOR-PIN, 14 TO 20 AWG
	088475-02-000	EA	CONNECTOR-PIN, 10 TO 12 AWG
	033358-01-000	EA	CONNECTOR-PLASTIC, 3/8" AVG
	088478-01-000	EA	CONNECTOR-SOCKET, BRASS - PRE-TIN
	088478-02-000	EA	CONNECTOR-SOCKET, 12-10 GA - PHOS BRZ - PRE-TIN
	088420-01-000	EA	CONNECTOR-SWIVEL, 1/2" FPT X 5/8" TUBE - PLASTIC
	088311-01-000	EA	CONNECTOR-WIRE NUT, INSULATED - RED
	088314-01-000	EA	CONNECTOR-WIRE NUT, INSULATED - GRAY
	083910-01-000	EA	HOUSING-RELAY, BOSCH 3 334 485 008
	088473-01-000	EA	HOUSING-PIN, 4 ROWS OF 3
	088473-03-000	EA	HOUSING-PIN, 9 POSITION
	088473-05-000	EA	HOUSING-PIN, 6 POSITION (SINGLE ROW)
	088473-06-000	EA	HOUSING-PIN, 6 POSITION (TWO ROWS OF THREE)
	063473-07-000	EA	HOUSING-PIN, 5 CAVITY AMP 1-480783-0
	088473-08-000	EA	HOUSING-PIN, 4 POSITION
	088473-09-000	EA	HOUSING-PIN, 3 POSITION (SINGLE ROW)
	088473-10-000	EA	HOUSING-PIN, 2 POSITION
	088474-03-000	EA	HOUSING-SOCKET, 9 POSITION
	088474-08-000	EA	HOUSING-SOCKET, 8 POSITION (2 ROWS OF THREE)
	088474-07-000	EA	HOUSING-SOCKET, 5 CAVITY AMP 1-480784-0
	088474-08-000	EA	HOUSING-SOCKET, 4 POSITION (SINGLE ROW)
	088474-09-000	EA	HOUSING-SOCKET, 3 POSITION
	088474-10-000	EA	HOUSING-SOCKET, 2 POSITION
	008328-01-000	EA	TERMINAL-RING, 18/14 WIRE - 3/8" STUD
	008328-01-000	EA	TERMINAL-RING, 12/10 WIRE - #10 STUD FIT
	008331-01-000	EA	TERMINAL-RING, TONGUE - #4 WIRE - 3/8" STUD - COPPER
	008348-01-000	EA	TERMINAL-RING, 3/8" STUD - #2 WIRE
	035416-04-000	EA	CONNECTS CABLE TO DISCONNECT RELAY AND BATTERY
	047443-01-000	EA	TERMINAL-RING #10 STUD FIT, INSULATED BARREL #18/14
	047443-02-000	EA	TERMINAL-250 RECEPTACLE FIT, INSULATED - 18/14 AWG
		EA	TERMINAL-250 RECEPTACLE FIT, INSULATED - 12/10 AWG

1993 WINNEBAGO TABLE OF CONTENTS

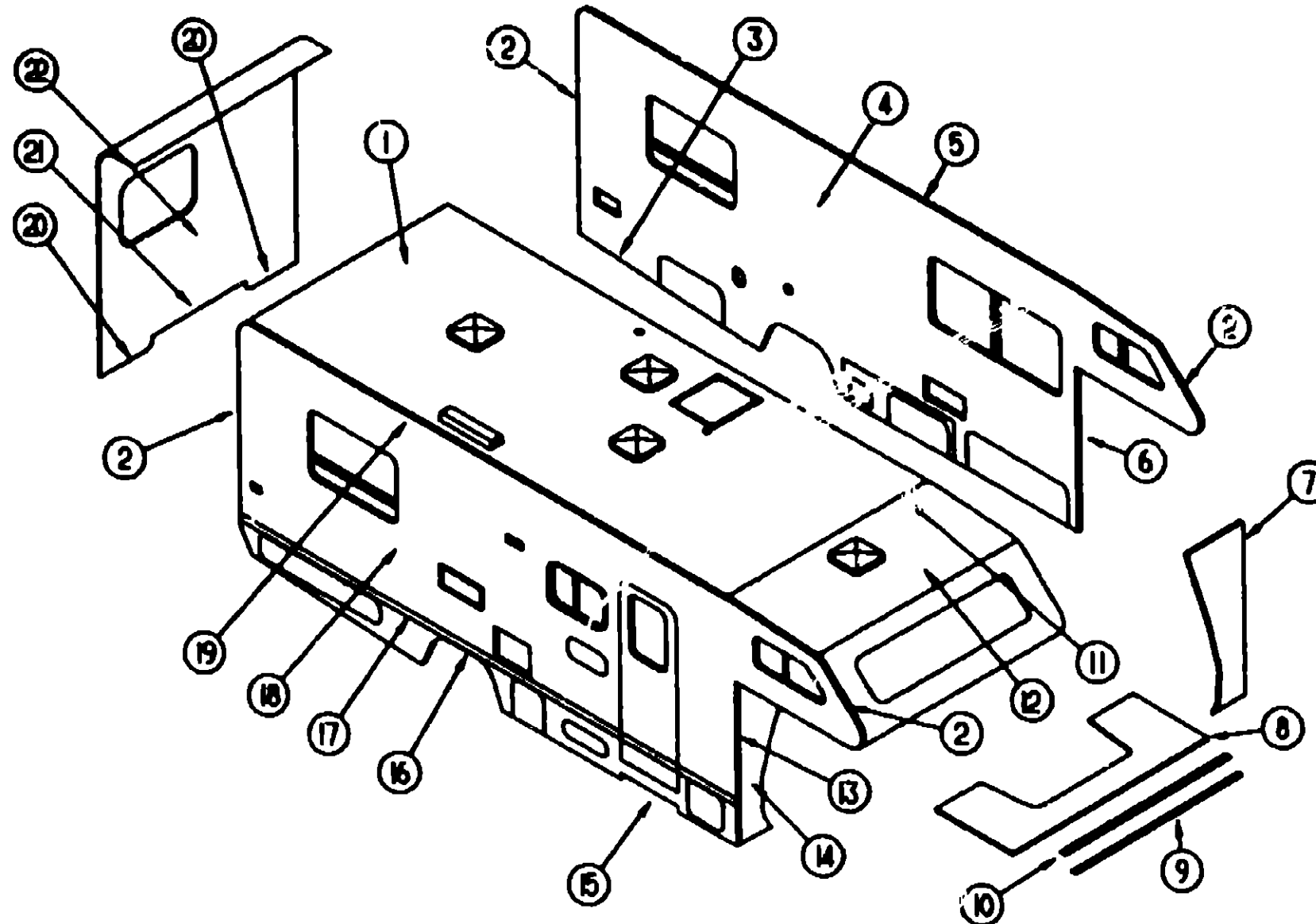
INTRODUCTION	A-01	A-02
ABBREVIATIONS		A-03
ALPHABETICAL INDEX	A-04	A-08
WF427RQ	A-07	D-20
WF427RC	D-21	H-10
WF428RQ	H-11	L-02

1993 WF427RQ INDEX

FLOOR PLAN	A-07	A-08
ACCESSORIES		A-09
AUDIO VIDEO		A-10
BATH	A-11	A-12
BEDROOM	A-13	A-14
CHASSIS	A-15	A-18
CURTAIN & CUSHION	A-19	B-06
DINETTE	B-07	B-08
DRIVERS COMPARTMENT	B-09	B-10
ELECTRICAL	B-11	B-14
EXTERIOR BODY	B-15	B-22
GALLEY	B-23	C-02
GENERATOR		C-03
HEATING & A/C	C-04	C-06
INTERIOR FINISH	C-07	C-10
LABELS	C-11	C-18
LP		C-19
LOUNGE	C-20	C-21
SEALANTS & FASTENERS	C-22	C-24
WATER & SEWAGE	D-01	D-04
WINDOW, VENT AND EXTERIOR DOOR	D-05	D-20

EXTERIOR BODY GROUP

EXTERIOR BODY PANELS



1993 WINNEBAGO TABLE OF CONTENTS

INTRODUCTION	A-01 - A-02
ABBREVIATIONS	A-03
ALPHABETICAL INDEX	A-04 - A-06
WF427RQ	A-07 - D-20
WF427RC	D-21 - H-10
WF428RQ	H-11 - L-02

1993 WF427RQ INDEX

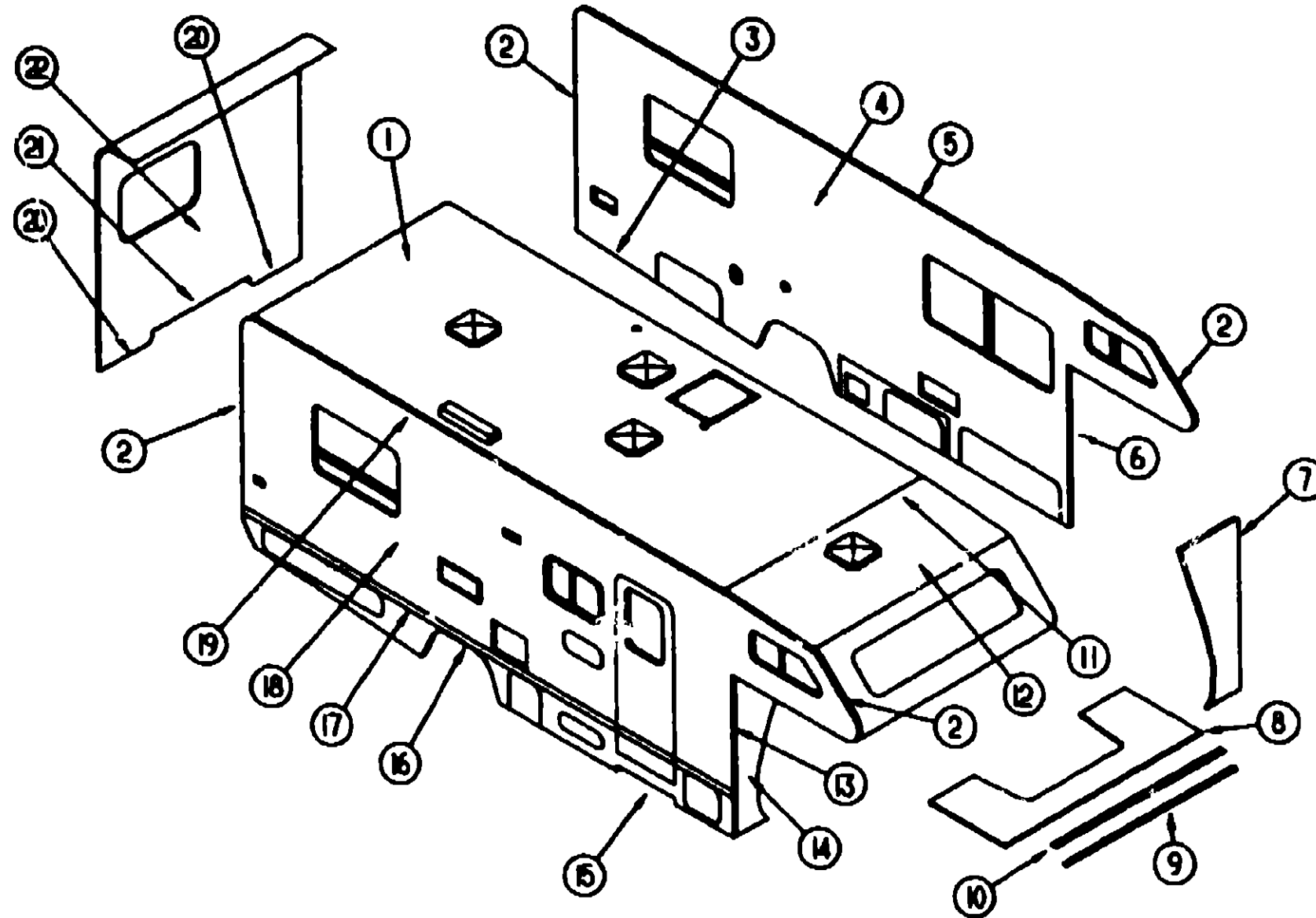
FLOOR PLAN	A-07 - A-08
ACCESSORIES	A-09
AUDIO VIDEO	A-10
BATH	A-11 - A-12
BEDROOM	A-13 - A-14
CHASSIS	A-15 - A-18
CURTAIN & CUSHION	A-19 - B-06
DINETTE	B-07 - B-08
DRIVERS COMPARTMENT	B-09 - B-10
ELECTRICAL	B-11 - B-14
EXTERIOR BODY	B-15 - B-22
GALLEY	B-23 - C-02
GENERATOR	C-03
HEATING & AC	C-04 - C-06
INTERIOR FINISH	C-07 - C-10
LABELS	C-11 - C-18
LP	C-19
LOUNGE	C-20 - C-21
SIGNALS & FASTENERS	C-22 - C-24
WATER & SEWAGE	D-01 - D-04
WINDOW, VENT AND EXTERIOR DOOR	D-05 - D-20

KEY	PART NUMBER	U/M	DESCRIPTION
1	P06036-02-D04	EA	ROOF ASM W/BASES FROM 00-00-00 THRU 09-05-92
1	P09855-02-D04	EA	ROOF ASM W/BASES FROM 09-06-92 THRU 99-99-99
2	098854-01-01A	EA	TRIM-CONTOUR, W/O VINYL INSERT - 108" - OFF WHITE
2	106312-01-01A	FT	INSERT-TRIM, VINYL - OFF WHITE
3	098072-55-U01	EA	U-CHANNEL, EXTRUDED - 4877MM LONG - OFF WHITE
4	P05188-01-D04	EA	SIDEWALL-DRIVER SIDE, W/O WINDOW & DOORS FROM 00-00-00 THRU 08-04-92
4	P08908-01-D04	EA	SIDEWALL-DRIVER SIDE, W/O WINDOW & DOORS FROM 08-05-92 THRU 09-05-92
4	P09857-01-D04	EA	SIDEWALL-DRIVER SIDE, W/O WINDOW & DOORS FROM 09-06-92 THRU 99-99-99
4	P05188-01-D05	EA	SIDEWALL-DRIVER SIDE, W/O WINDOW & DOORS FROM 00-07-00 THRU 08-04-92
4	P08908-01-D05	EA	SIDEWALL-DRIVER SIDE, W/O WINDOW & DOORS FROM 08-05-92 THRU 09-05-92
4	P09857-01-D05	EA	SIDEWALL-DRIVER SIDE, W/O WINDOW & DOORS FROM 09-06-92 THRU 99-99-99
5	098854-01-01A	EA	TRIM-CONTOUR, ROOF TO SIDEWALL - DR OR PASS - 120"
	064875-54-004	EA	STEEL-ANGLE, ROOF JOINT - 545MM LONG - OFF WHITE

KEY	PART NUMBER	U/M	DESCRIPTION
6	104479-04-01A	EA	TRIM-CONTOUR, FRONT - DRIVER - OFF WHITE FROM 00-00-00 THRU 09-05-92
6	104479-08-01A	EA	TRIM-CONTOUR, FRONT - DRIVER - OFF WHITE FROM 09-06-92 THRU 99-99-99
7	106438-04-C03	EA	WINGWALL-DRIVER, W/GUSSET FROM 00-00-00 THRU 09-05-92
7	109859-04-D04	EA	WINGWALL-DRIVER SIDE FROM 09-06-92 THRU 99-99-99
	099334-01-000	FT	VINYL-EXTERIOR, BETWEEN WINGWALL & CAB SEAL - WHITE
8	P08443-01-C03	EA	SLEEPERBOARD ASM FROM 00-00-00 THRU 09-05-92
8	P09858-01-D29	EA	SLEEPERBOARD ASM FROM 09-06-92 THRU 99-99-99
9	100088-02-01A	EA	TRIM-SLEEPERBOARD, 2" X 90 7" - OFF WHITE
10	100085-03-01A	EA	TRIM-SLEEPERBOARD, FLAT - 2 5" X 97 5" - OFF WHITE
11	078580-01-000	EA	TRIM-ROOF TO FRONT CAP

EXTERIOR BODY GROUP (CONTINUED)

EXTERIOR BODY PANELS (CONTINUED)



1993 WINNEBAGO
TABLE OF CONTENTS

INTRODUCTION	A-01 - A-02
ABBREVIATIONS	A-03
ALPHABETICAL INDEX	A-04 - A-08
WF427RQ	A-07 - D-20
WF427RC	D-21 - H-10
WF428RQ	H-11 - L-02

1993 WF427RQ INDEX

FLOOR PLAN	A-07 - A-08
ACCESSORIES	A-09
AUDIO VIDEO	A-10
BATH	A-11 - A-12
BEDROOM	A-13 - A-14
CHASSIS	A-15 - A-18
CURTAIN & CUSHION	A-19 - B-03
DINETTE	B-07 - B-08
DRIVERS COMPARTMENT	B-09 - E-10
ELECTRICAL	B-11 - E-14
EXTERIOR BODY	B-15 - B-22
GALLEY	B-23 - C-02
GENERATOR	C-03
HEATING & A/C	C-04 - C-18
INTERIOR FINISH	C-07 - C-10
LABELS	C-11 - C-13
LP	C-13
LOUNGE	C-20 - C-21
SEALANTS & FASTENERS	C-22 - C-24
WATER & SEWAGE	D-01 - D-04
WINDOW, VENT AND EXTERIOR DOOR	D-05 - D-20

KEY	PART NUMBER	U/M	DESCRIPTION
12	M78177-01-700	EA	CAP-FRONT, OVERHEAD CAB TO FIRST SEAM OF ROOF
13	104479-03-01A	EA	TRIM-CONTOUR, FRONT - DRIVER - OFF WHITE
13	104479-05-01A	EA	TRIM-CONTOUR, FRONT - DRIVER - OFF WHITE
14	108438-03-C03	EA	WINGWALL-PASSENGER SIDE
14	108859-03-D04	EA	WINGWALL-PASSENGER SIDE
15	105025-01-C03	EA	TRIM-SIDEWALL, BELOW ENTRY DOOR
15	105025-05-D04	EA	TRIM-SIDEWALL, BELOW ENTRY DOOR
16	105100-02-01A	EA	TRIM-WHEELWELL, DRIVER & PASSENGER SIDE - OFF WHITE
17	009731-01-000	EA	END CAP-FEATURE STRIP
17	108851-01-01A	EA	END CAP-FEATURE STRIP
17	001030-02-003	EA	INSERT-FEATURE STRIP, 17' LONG - OFF WHITE
17	105312-01-01A	EA	INSERT-FEATURE STRIP, 17' LONG - VINYL - OFF WHITE
17	002444-04-002	EA	STRIP-FEATURE, W/O INSERT - 15' LONG - OFF WHITE
17	108858-01-01A	EA	STRIP-FEATURE, W/O INSERT - 15' LONG - OFF WHITE

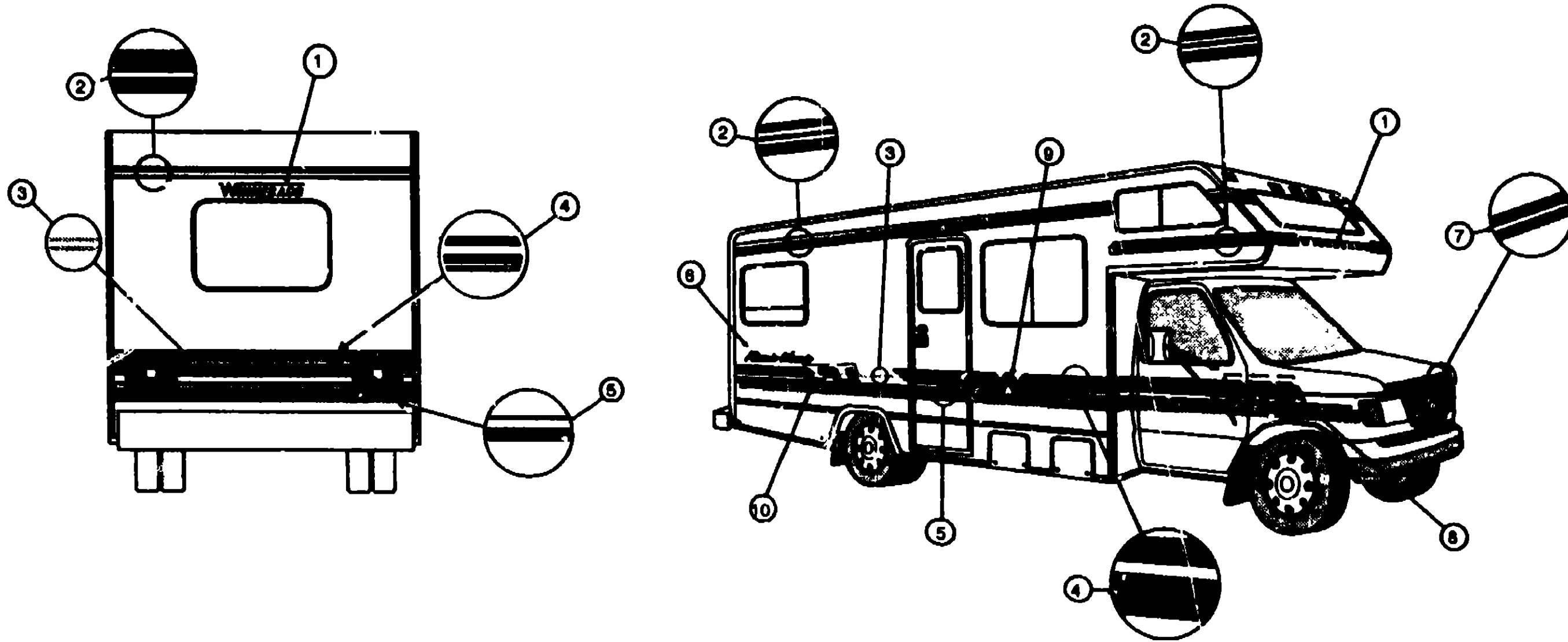
KEY	PART NUMBER	U/M	DESCRIPTION
18	P05187-01-D04	EA	SIDEWALL-PASSENGER SIDE, W/O WINDOWS & DOORS
18	P08907-01-D04	EA	SIDEWALL-PASSENGER SIDE, W/O WINDOWS & DOORS
18	P08856-01-D04	EA	SIDEWALL-PASSENGER SIDE, W/O WINDOWS & DOORS
18	P05187-01-D05	EA	SIDEWALL-PASSENGER SIDE, W/O WINDOWS & DOORS
18	P08907-01-D05	EA	SIDEWALL-PASSENGER SIDE, W/O WINDOWS & DOORS
18	P08856-01-D05	EA	SIDEWALL-PASSENGER SIDE, W/O WINDOWS & DOORS
19	103483-01-01A	EA	TRIM-CONTOUR, ROOF TO SIDEWALL (AWNING) - OFF WHITE
20	008583-55-001	EA	RAIL-AWNING, 10' EA - OFF WHITE
21	103334-02-01A	EA	TRIM-BACKWALL, LOWER - OFF WHITE
22	103335-02-01A	EA	TRIM-BACKWALL, LOWER - OFF WHITE
22	P05217-02-D04	EA	BACKWALL ASM
22	P05217-02-D05	EA	BACKWALL ASM
	002365-01-001	EA	U-CHANNEL - 1" X 18" - SERRATED - MILL FINISHED ALUMINUM
	002726-01-001	EA	U-CHANNEL, GARNISH - 1 3/8" X 18" - SERRATED - MILL ALUMINUM
	002754-01-001	EA	ANGLE-EXTRUDED, 75° X 75° X 18" - MILL ALUMINUM

EXTERIOR BODY GROUP (CONTINUED)

DECALS, STRIPES & PAINT

1993 WINNEBAGO TABLE OF CONTENTS

INTRODUCTION	A-01 -	A-02
ABBREVIATIONS		A-03
ALPHABETICAL INDEX	A-04 -	A-06
WF427RQ	A-07 -	D-20
WF427RC	D-21 -	H-10
WF428RQ	H-11 -	L-02



1993 WF427RQ INDEX

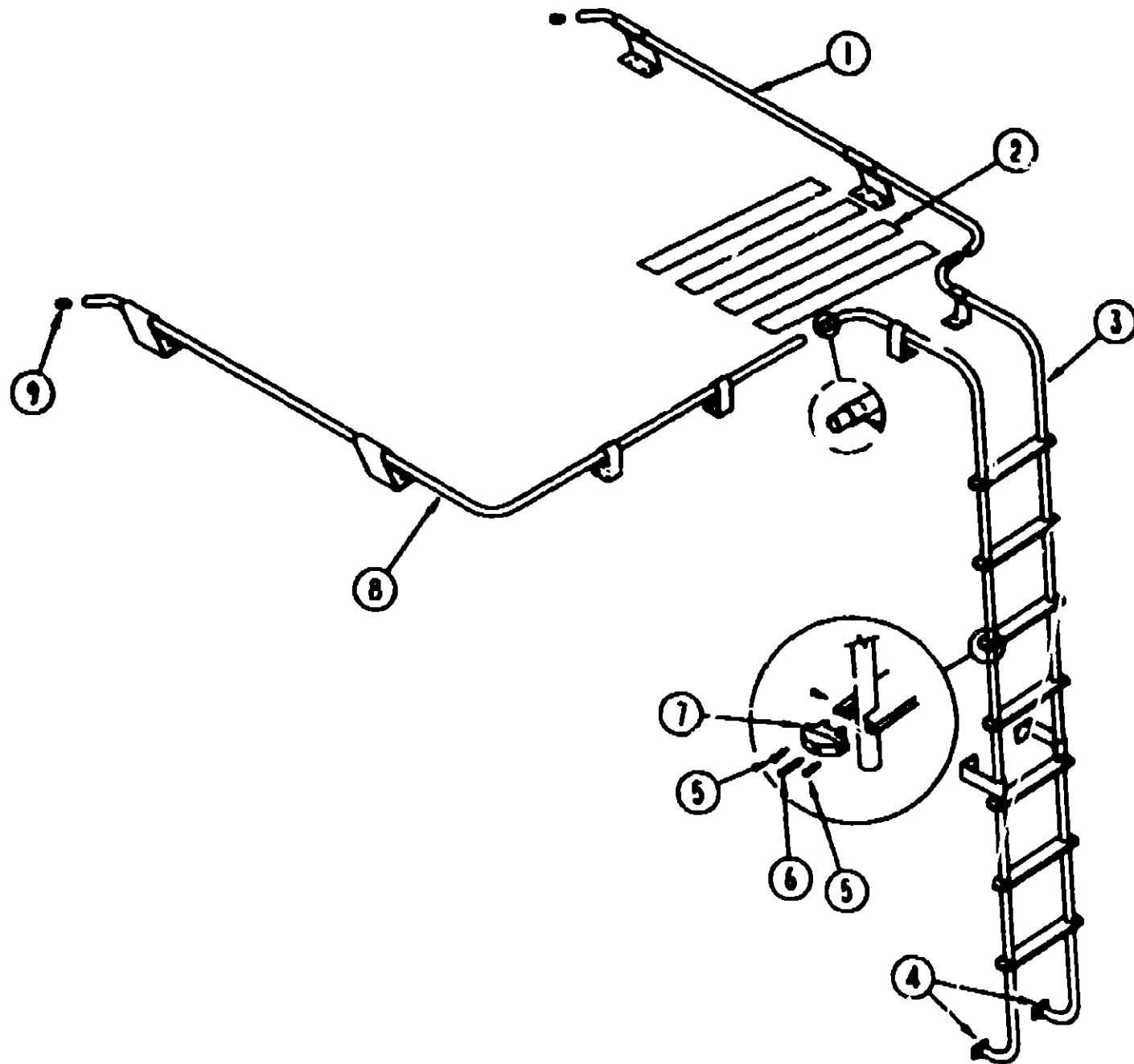
FLOOR PLAN	A-07 -	A-08
ACCESSORIES		A-09
AUDIO VIDEO		A-10
BATH	A-11 -	A-12
BEDROOM	A-13 -	A-14
CHASSIS	A-15 -	A-18
CURTAIN & CUSHION	A-19 -	B-06
DINETTE	B-07 -	B-08
DRIVERS COMPARTMENT	B-09 -	B-10
ELECTRICAL	B-11 -	B-14
EXTERIOR BODY	B-15 -	B-22
GALLEY	B-23 -	C-02
GENERATOR		C-03
HEATING & A/C	C-04 -	C-06
INTERIOR FINISH	C-07 -	C-10
LABELS	C-11 -	C-18
LP		C-19
LOUNGE	C-20 -	C-21
SEALANTS & FASTENERS	C-22 -	C-24
WATER & SEWAGE	D-01 -	D-04
WINDOW, VENT AND EXTERIOR DOOR	D-05 -	D-20

KEY	PART NUMBER	U/M	DESCRIPTION
1	060313-54-000	EA	DECAL-LOGO, WINNEBAGO - 2 80" TALL - COOL BLUE
2	004443-14-01A	FT	MULTISTRIPE, 95.3MM WIDE - 3 LINES - SLATEGRAY/CARRIBEAN TEAL/COOL BLUE
3	105781-20-01A	FT	MULTISTRIPE, 35.0MM WIDE - LINES ORCHID/ORCHID
4	004443-15-01A	FT	MULTISTRIPE, 146.1MM WIDE - 3 LINES - COOL BLUE/CARRIBEAN TEAL
5	105781-10-01A	FT	MULTISTRIPE, 152.4MM WIDE - 2 LINES - CARRIBEAN TEAL/SLATE GRAY
6	105480-01-02A	EA	DECAL-LOGO, MINNIE WINNIE - OFF WHITE/CARRIBEAN BLUE/ORCHID
7	105781-07-02A	FT	MULTISTRIPE, 50.8MM WIDE - 2 LINES - COOL BLUE/SLATE GRAY
8	107545-01-01A	EA	DECAL-ANGLES, FRONT - RIGHT - COOL BLUE/CARRIBEAN TEAL
	107545-02-01A	EA	DECAL-ANGLES, FRONT - LEFT - COOL BLUE/CARRIBEAN TEAL
9	003091-00-01A	EA	DECAL-FLYING W, 21.0MM HIGH - COOL BLUE
10	107548-01-01A	EA	DECAL-ANGLES, REAR - RIGHT - COOL BLUE/CARRIBEAN TEAL
	107548-02-01A	EA	DECAL-ANGLES, REAR - LEFT - COOL BLUE/CARRIBEAN TEAL
	041581-03-000	EA	PAINT-LOW BAKE, OFF WHITE
	044488-03-000	EA	PAINT-LOW BAKE, BEIGE

DUPONT COLOR CODES

SLATE GRAY	G9055
COOL BLUE	G9851
CARRIBEAN TEAL	G9835
ORCHID	G9956
OFF WHITE	L8723A
BEIGE	L8729A

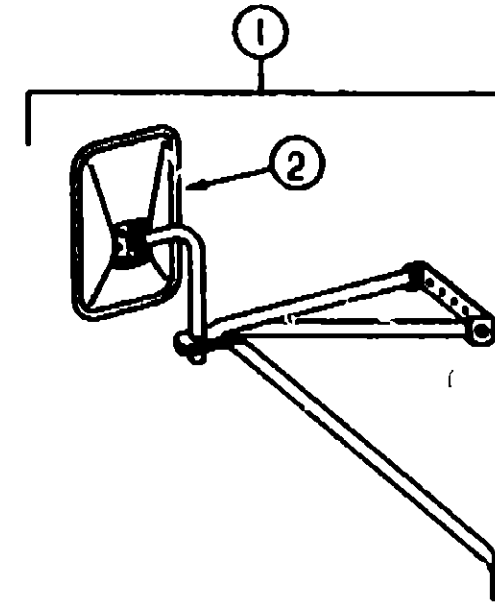
EXTERIOR BODY GROUP (CONTINUED)



RACK & LADDER

KEY	PART NUMBER	U/M	DESCRIPTION
1	107438-05-C07	EA	RACK ASM-PASSENGER SIDE
	069728-02-000	EA	BUMPER-88"DIA X 40"-BLACK
2	038327-01-000	EA	TAPE-ANTI SLIP-2" X 80"
3	102953-02-C03	EA	LADDER ASM
4	067165-01-000	EA	MOUNTING BRACKET-LADDER-LOWER
5	000G39-06-10T	EA	SCREW-SF/DR-6-20 X 5/8 PPH - BLACK
6	000G68-10-36T	EA	SCREW-10-12 X 2.25 POH BLACK
7	078980-02-000	EA	END CAP-STEP- BLACK
8	107438-09-C03	EA	RACK ASM-DRIVER SIDE
9	061114-01-000	EA	PLUG-ROUND- RACK & LADDER ENDS - PLASTIC - 1" DIA.

EXTERIOR BODY GROUP (CONTINUED)



EXTERIOR MIRRORS

KEY	PART NUMBER	U/M	DESCRIPTION
1	106860-01-01A	EA	MIRROR-EXTERIOR, HEAD LOW MOUNT - OFF WHITE
2	106860-01-700	EA	HEAD-MIRROR, EXTERIOR
	106860-01-701	EA	ARM
	106860-01-703	EA	BRACE LOWER FORWARD - DRIVER
	106860-01-704	EA	BRACE LOWER FORWARD - PASSENGER
	106860-01-702	EA	HARDWARE PACKAGE
	006043-01-000	EA	MIRROR-EXTERIOR CONVEX, ADHESIVE BACKED

FROM 00-00-00 THRU 06-04-92

RUNNING BOARDS

KEY	PART NUMBER	U/M	DESCRIPTION
	072884-20-000	EA	RUNNING BOARD SET-FORD, 39" - KEMBERLY K-7 (STANDARD) FROM 00-00-00 THRU 01-31-93
	072884-27-000	EA	RUNNING BOARD SET-FORD, 39" - KEMBERLY K-12 (STANDARD) FROM 02-01-93 THRU 99-99-99
	101398-01-000	EA	BOARD-RUNNING, FORD - PASSENGER SIDE (JAPAN EXPORT ONLY)
	101398-02-000	EA	BOARD-RUNNING, FORD - DRIVER SIDE (JAPAN EXPORT ONLY)
	101398-03-000	EA	KIT-HARDWARE, FORD (JAPAN EXPORT ONLY)

FIBERGLASS & STYROFOAM

KEY	PART NUMBER	U/M	DESCRIPTION
	077517-24-000	EA	SHEET-FIBERGLASS, FLAT - 48" X 96" - OFF WHITE
	078054-H1-000	EA	SHEET-FIBERGLASS, 2438 X 2591MM - OFF WHITE
	078054-F3-000	EA	SHEET-FIBERGLASS, 2438 X 2438MM - OFF WHITE
	000670-03-000	SF	STYROFOAM-1 3/4 X 48" X 96" - INCREMENTS OF 32 SF
	000670-06-000	SF	STYROFOAM-5" X 24" X 96" - INCREMENTS OF 16 SF
	083574-01-000	SF	STYROFOAM-DOW TYPE SM - 1 5/8" X 24" X 86 25" - INC OF 1/4 S
	083574-02-000	SF	STYROFOAM-DOW TYPE SM - 1 5/8" X 24" X 90 5" - INC OF 1/4 S
	083574-03-000	SF	STYROFOAM-3/4" X 48" X 96" - INCREMENTS OF 32 SF

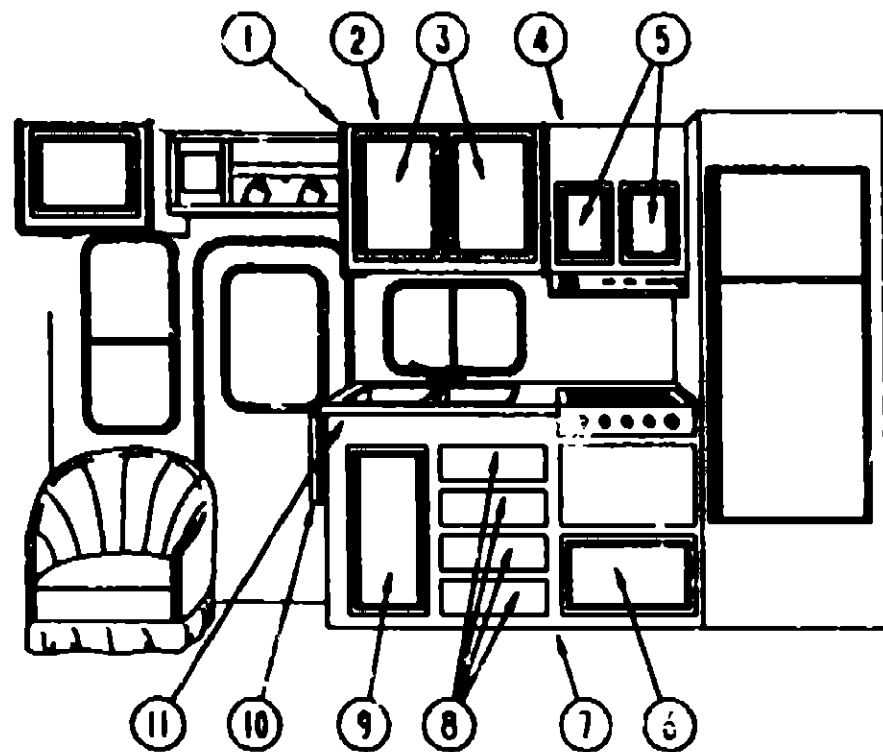
**1993 WINNEBAGO
TABLE OF CONTENTS**

INTRODUCTION	A-01 -	A-02
ABBREVIATIONS		A-03
ALPHABETICAL INDEX	A-14 -	A-07
WF427RQ	A-07 -	D-20
WF427RC	D-21 -	H-10
WF428RQ	H-11 -	L-02

1993 WF427RQ INDEX

FLOOR PLAN	A-07 -	A-20
ACCESSORIES		I-09
AUDIO VIDEO		A-10
BATH	A-11 -	A-12
BEDROOM	A-13 -	A-14
CHASSIS	A-15 -	A-18
CURTAIN & CUSHION	A-19 -	B-08
DINETTE	D-07 -	B-08
DRIVERS COMPARTMENT	B-09 -	B-10
ELECTRICAL	B-11 -	B-14
EXTERIOR BODY	B-15 -	B-22
GALLEY	B-23 -	C-02
GENERATOR		C-03
HEATING & A/C	C-04 -	C-06
INTERIOR FINISH	C-07 -	C-10
LABELS	C-11 -	C-18
LP		C-19
LC/UNJE	C-20 -	C-21
SEALANTS & FASTENERS	C-22 -	C-24
WATER & SEWAGE	D-01 -	D-04
WINDOW, VENT AND EXTERIOR DOOR	D-05 -	D-20

GALLEY GROUP



GALLEY CABINETS & FIXTURES

KEY	PART NUMBER	U/M	DESCRIPTION
1	104335-04-C52	EA	END CAP-CABINET, OVERHEAD
2	P02558-01-806	EA	CABINET-OVERHEAD, W/O DOORS OR HARDWARE
3	P0C223-53-D04	EA	DOOR-CABINET, W/O HARDWARE - 380 X 555MM
4	M-5778-22-D04	EA	CABINET-OVERHEAD, RANGE - W/O DOORS & HARDWARE
4	M05778-48-D04	EA	CABINET-OVERHEAD, RANGE - W/O DOORS & HARDWARE FROM 00-00-00 THRU 06-04-92
4	M05778-23-D04	EA	CABINET-OVERHEAD, MICROWAVE - W/O HARDWARE FROM 08-05-92 THRU 99-99-99
4	M05778-49-D04	EA	CABINET-OVERHEAD, MICROWAVE - W/O HARDWARE FROM 00-00-00 THRU 08-04-92
	104335-02-C52	EA	END CAP-CABINET, OVERHEAD FROM 08-05-92 THRU 99-99-99
	108981-14-D04	EA	END CAP-CABINET, OVERHEAD FROM 00-00-00 THRU 06-04-92
5	P05223-40-D04	EA	DOOR-CABINET, W/O HARDWARE - 275 X 365MM
	040329-01-000	FT	SEAL-T, REFRIGERATOR CABINET - 8" WIDE TOP X 2" TAIL
6	P03397-E7-C03	EA	DRAWER-CABINET, W/O HARDWARE
7	M05785-01-D04	EA	CABINET-GALLEY, W/O DOORS & HARDWARE
7	M05785-01-D05	EA	CABINET-GALLEY, W/O DOORS & HARDWARE
	092303-01-000	EA	STRAINER-SINK
	103243-01-000	EA	FAUCET-GALLEY, DUAL CONTROL - 8" CENTERSET
	104113-01-000	EA	SINK-SST, DOUBLE
	103610-01-D32	EA	COVER-SINK (D04)
	103610-01-D09	EA	COVER-SINK (D05)
8	P07104-85-D04	EA	DRAWER-CABINET, W/O HARDWARE - 412 X 288MM
9	P06223-08-C03	EA	DOOR-CABINET, W/O HARDWARE - 365 X 680MM
10	080812-04-D32	EA	EXTENSION-COUNTERTOP, GALLEY (D04)
10	080812-04-D09	EA	EXTENSION-COUNTERTOP, GALLEY (D05)
	104181-01-01A	EA	SUPPORT-EXTENSION, GALLEY COUNTERTOP
11	107431-11-D04	EA	COUNTERTOP-CABINET, GALLEY
11	107431-11-D05	EA	COUNTERTOP-CABINET, GALLEY
	008380-01-000	EA	GROMMET-RUBBER - 5/8" HOLE X 1 1/2" DIAMETER - BLACK

GALLEY GROUP (CONTINUED)

RANGE HOOD

KEY	PART NUMBER	U/M	DESCRIPTION
	100258-16-01A	EA	HOOD-RANGE, W/O MONITOR PANEL - VENTLINE - US TC85008NAD (STANDARD)
	100258-17-01A	EA	HOOD-RANGE, W/O MONITOR PANEL-VENTLINE USA-TC85008NAC (CANADIAN)
	100258-18-01A	EA	HOOD-RANGE, W/O MONITOR PANEL-VENTLINE/IC-TP85007NAD (W/GENERATOR OPTION)
	080973-01-700	EA	MOTOR, LVS CA508-1
	080973-01-702	EA	BLADE-FAN, LVS VA183-1
	082898-01-709	EA	BULB-912, VENTLINE VA415
	082898-01-710	EA	SOCKET-LIGHT, VENTLINE CB287-2
	088983-01-700	EA	SWITCH-ON/OFF, VENTLINE 108
	088983-01-7L2	EA	SWITCH-TWO WAY MOMENTARY, VENTLINE 112
	088983-01-707	EA	FILTER-GREASE, 8" X 8" - LVS CC248
	088983-01-708	EA	LENS-LAMP, VENTLINE CC179
	100258-01-710	EA	HOOD NOSE LABEL
	100258-10-01A	EA	METER-HOUR, VENTLINE 150
	083752-01-000	EA	SHROUD-RANGE, 18 5/8" X 20 1/2" X 8 1/2" - METAL - OFF WHITE

RANGE

KEY	PART NUMBER	U/M	DESCRIPTION
	055518-03-000	EA	BRACKET-TIEDOWN, RANGE W/OVEN - RIGHT FROM 00-00-00 THRU 01-03-93
	105458-03-000	EA	BRACKET-TIEDOWN, STOVE - RIGHT FROM 01-04-93 THRU 99-99-99
	055518-04-000	EA	BRACKET-TIEDOWN, RANGE W/OVEN - LEFT FROM 00-00-00 THRU 01-03-93
	105458-04-000	EA	BRACKET-TIEDOWN, STOVE - LEFT FROM 01-04-93 THRU 99-99-99
	102022-01-02A	EA	RANGE-18", 4 BURNER - MAGIC CHEF B113RA-4Z
	055282-03-705	EA	TRIM-CABINET, LEFT - BLACK - MAGIC CHEF 3806F011-70
	055282-03-707	EA	TRIM-CABINET, RIGHT - BLACK - MAGIC CHEF 3806F012-70
	098507-02-701	EA	INSERT-BURNER (SLOTTED VENT), MAGIC CHEF 7214P015-80
	102020-01-700	EA	SHELF-OVEN, MAGIC CHEF - 7801P027-80
	102020-01-701	EA	HANDLE-DOOR, MAGIC CHEF - 7701P092-80
	102020-01-702	EA	PANEL-MANIFOLD, MAGIC CHEF 2618F080-70
	102020-01-704	EA	PANEL-DOOR, BLACK - MAGIC CHEF - 2401F075-70
	102020-01-708	EA	BURNER ASSEMBLY-OVEN, MAGIC CHEF 3403W00J-45
	102020-01-711	EA	GRATE-TOP, MAGIC CHEF 7518P012-80
	102020-01-712	EA	KNOB-BURNER VALVE, MAGIC CHEF 7733P014-80
	102020-01-713	EA	KNOB-THERMOSTAT, MAGIC CHEF 7731P042-80
	102020-01-714	EA	PILOT-OVEN, MAGIC CHEF 988-143
	102020-01-715	EA	PIPE-MANIFOLD, MAGIC CHEF 7513P095-80
	102020-01-717	EA	THERMOSTAT, MAGIC CHEF 7515P024-80
	102020-01-718	EA	TOP-MAIN, ALMOND - MAGIC CHEF 2001F085-81
	102020-01-720	EA	VALVE-MERCURY CONTROL, MAGIC CHEF 7501P058-80
	102020-01-722	EA	VALVE-TOP BURNER, MAGIC CHEF 7502P095-80
	102020-01-723	EA	PILOT-BURNER, MAGIC CHEF 7505P147-80
	102020-01-724	EA	BUMPER-MAIN TOP, MAGIC CHEF 3003P008-80
	102022-01-702	EA	PIPE-MANIFOLD, MAGIC CHEF 7513P098-80
	102022-01-703	EA	REGULATOR-PRESSURE, MAGIC CHEF 7510P031-80
	102022-01-705	EA	TRIM-LEFT, FLAT - MAGIC CHEF 3808W022-70
	102022-01-707	EA	TRIM-RIGHT, FLAT - MAGIC CHEF 3808W023-70

**1993 WINNEBAGO
TABLE OF CONTENTS**

INTRODUCTION	A-01 -	A-02
ABBREVIATIONS		A-03
ALPHABETICAL INDEX	A-04 -	A-05
WF427RQ	A-07 -	D-20
WF427FC	D-21 -	H-10
WF428RQ	H-11 -	L-02

1993 WF427RQ INDEX

FLOOR PLAN	A-07 -	A-08
ACCESSORIES		A-09
AUDIO VIDEO		A-10
BATH	A-11 -	A-12
BEDROOM	A-13 -	A-14
CHASSIS	A-15 -	A-18
CURTAIN & CUSHION	A-19 -	B-08
DINETTE	B-07 -	B-08
DRIVERS COMPARTMENT	B-09 -	B-10
ELECTRICAL	B-11 -	B-14
EXTERIOR BODY	B-15 -	B-22
GALLEY	B-23 -	C-02
GENERATOR		C-03
HEATING & A/C	C-04 -	C-08
INTERIOR FINISH	C-07 -	C-10
LABELS	C-11 -	C-18
LP		C-19
LOUNGE	C-20 -	C-21
SEALANTS & FASTENERS	C-22 -	C-24
WATER & SEWAGE	D-01 -	D-04
WINDOW, VENT AND EXTERIOR DOOR	D-05 -	D-20

GALLEY GROUP (CONTINUED)

MONITOR PANEL

KEY	PART NUMBER	U/M	DESCRIPTION
	102785-14-01A	EA	MONITOR PANEL, W/PLUG - FOR 2 TANKS & WATER HEATER - LVS
	102785-02-01A	EA	MONITOR PANEL, W/PLUG - FOR 2 TANKS - LVS
	097817-01-702	EA	SWITCH-1/WAY, ALMOND - LVS 107
	097817-01-703	EA	CIRCUIT BOARD - LVS 8078-01
	102785-01-700	EA	SWITCH-ON-ON, ALMOND - 110-01
	097818-01-000	EA	WIRE ASM-MONITOR PANEL, W/4 WIRES & BLACK RESISTOR - LVS

MICROWAVE & COFFEE MAKER

KEY	PART NUMBER	U/M	DESCRIPTION
	091269-04-000	EA	OVEN-MICROWAVE, MAGIC CHEF MIL-6 FROM 00-00-00 THRU 07-19-92
	091269-06-000	EA	OVEN-MICROWAVE, MAGIC CHEF DM15-5B FROM 07-20-92 THRU 99-99-99
	094745-01-01A	EA	TRIM-MICROWAVE, LOWER - BLACK
	094774-03-01A	EA	TRIM-MICROWAVE, EITHER SIDE - 1 5" X 14 8" - METAL - BLACK
	098916-03-01A	EA	BRACE-MICROWAVE CABINET, LEFT - 9 4" X 7 5" - STEEL
	098916-04-01A	EA	BRACE-MICROWAVE CABINET, RIGHT - 9 4" X 7 5" - STEEL
	094750-01-000	EA	BRACKET-MICROWAVE, 90 DEGREE - STEEL
	103799-01-01A	EA	MAKER-COFFEE, ALMOND FROM 00-00-00 THRU 07-05-92
	103799-01-02A	EA	MAKER-COFFEE, GRAY - W/GLASS POT FROM 07-06-92 THRU 99-99-99
	104813-01-000	EA	STRAP ASM-COFFEE MAKER

REFRIGERATOR

KEY	PART NUMBER	U/M	DESCRIPTION
	093546-01-000	EA	BRACKET-TIEDOWN, REFRIGERATOR
	093546-02-000	EA	BRACKET-TIEDOWN, REFRIGERATOR
	054450-01-000	EA	LEVEL-REFRIGERATOR
	104156-04-01A	EA	REFRIGERATOR, SMALL DOUBLE DOOR - 2-WAY - NORCOLD 6152 RH BL
	075217-01-734	EA	FUSE-3 AMP, NORCOLD 61538822
	075217-01-738	EA	SWITCH-HUMIDITY, NORCOLD 61525922
	084879-03-700	EA	COOLING UNIT - HORIZONTAL BURNER, NORCOLD 61587237
	084880-01-713	EA	CONNECTOR-MALE, INLET FITTING - NORCOLD 615256
	084880-01-715	EA	VALVE-SHUT OFF, MANUAL - NORCOLD 61697922
	084880-01-718	EA	VALVE-GAS, NORCOLD 61551922
	084880-01-722	EA	CRISPER COVER - NORCOLD 615641
	084880-01-726	EA	HINGE BRACKET (CTR HINGE), NORCOLD 61566523
	084880-01-731	EA	HINGE PIN, NORCOLD 61578123
	084880-01-732	EA	LATCH, NORCOLD 61578522
	084880-01-734	EA	BRACKET-HINGE, TOP RH - BOTTOM LH - BROWN NORCOLD 61580837
	084880-01-735	EA	HINGE BRKT, TOP LH-BTM RH BRN - NORCOLD 61580937
	084880-01-739	EA	END CAP (SPRING CATCH) BRN - NORCOLD 61593722
	084880-01-740	EA	END CAP (STOP CATCH), NORCOLD 61593830
	084880-01-746	EA	CABLE, NORCOLD 61571522
	084880-01-747	EA	PLUG-HOLE, NORCOLD 61582022
	084890-01-749	EA	HINGE BUSHING - NORCOLD 615807
	084880-01-753	EA	THERMISTER 7B" - NORCOLD 61693822
	084880-01-761	EA	END CAP (SPRING CATCH) BLACK 61593730
	084880-02-700	EA	LOWER FLANGE 866388623, NORCOLD 61622123
	084880-03-705	EA	BRACKET-INTERIOR LIGHT, NORCOLD 61629722
	084880-03-708	EA	LAMP (BULB) - NORCOLD 61828922

GALLEY GROUP (CONTINUED)

REFRIGERATOR (CONTINUED)

KEY	PART NUMBER	U/M	DESCRIPTION
	084880-03-707	EA	COVER FLAMP OR BULB - NORCOLD 61827922
	088248-01-708	EA	BURNER-HORIZONTAL, NORCOLD 61588122
	088248-01-707	EA	ELECTRODE-SENSOR, (HORIZONTAL), NORCOLD 61573322
	088248-01-708	EA	ELECTRODE-IGNITION, (HORIZONTAL) - NORCOLD 61573222
	088248-01-709	EA	HEATER-AC, (HORIZONTAL) - NORCOLD 615827
	088248-01-710	EA	HEATER-DC, (HORIZONTAL) - 3 WAY - NORCOLD 615028
	094038-01-700	EA	GASKET-LOWER, GRAY - NORCOLD 61567930
	094038-01-701	EA	LINER-DOOR, LOWER - BROWN/WHITE - NORCOLD 61581937-B
	094038-01-702	EA	LINER-DOOR, LOWER - BLACK/WHITE - NORCOLD 61581938-B
	094038-01-703	EA	HANDLE-DOOR, LOWER - BROWN - NORCOLD 61860137
	094038-01-704	EA	HANDLE-DOOR, LOWER - BLACK - NORCOLD 61860138
	094038-01-708	EA	CAB ASM-BLK, WHITE LINER - WITH FRAME - NORCOLD 61883138
	094038-01-703	EA	PLATE-HINGE, LH - BROWN - NORCOLD 61831422
	094038-01-704	EA	PLATE-HINGE, BLACK - NORCOLD 61831430
	094039-01-709	EA	PLATE-HINGE, TOP RH - LH BOTTOM - BROWN - NORCOLD 61831322
	094039-01-710	EA	PLATE-HINGE, BLACK - NORCOLD 61831330
	094039-01-712	EA	DOOR BIN (GRAY) SILVER BORDER - NORCOLD 61584080
	094039-01-718	EA	MILK BIN (GRAY) W/SILVER TRIM - NORCOLD 61579480
	094039-01-719	EA	DAIRY KEEPER (GRAY) SILVER TRIM, NORCOLD 61580460
	094039-01-722	EA	HOLE PLUG (BLK) HINGE HOLES - NORCOLD 61582030
	094039-01-723	EA	HINGE BRKT, TOP RH-BTM LH BLK - NORCOLD 61580838
	094039-01-724	EA	BRACKET-HINGE, TOP LH - BOTTOM RH - BLK - NORCOLD 61580938
	094039-01-725	EA	HINGE PIN (BLACK)(MALE) - NORCOLD 61578130
	094039-01-726	EA	SHELF-FREEZER EVAPORATOR, NORCOLD 615236
	094039-01-730	EA	HINGE PIN SHAFT (BLK) CTR HGE - NORCOLD 61588730
	094039-01-732	EA	FRONT COVER (BLK) BTM TRIM - NORCOLD 61822130
	094039-01-733	EA	WIRE SHELF (MIDDLE) - NORCOLD 61563822
	094039-01-734	EA	WIRE SHELF (TOP) W/RISER - NORCOLD 61523722
	094039-01-735	EA	INSIDE DRIP TRAY (WHITE), NORCOLD 61572830
	094039-01-736	EA	SWITCH-LIGHT, BLACK - NORCOLD 615810
	094039-01-739	EA	SHELF (CUTOUT), NORCOLD 61646722
	094039-04-700	EA	PC BOARD 2 WAY, NORCOLD 61647322
	094039-01-701	EA	EYEBROW (SHELL) 2 WAY - NORCOLD 61668822
	094039-04-702	EA	POWER SUPPLY (2 WAY) - NORCOLD 61547422

**1993 WINNEBAGO
TABLE OF CONTENTS**

INTRODUCTION	A-01 -	A-02
ABBREVIATIONS		A-03
ALPHABETICAL INDEX	A-04 -	A-08
WF427RQ	A-07 -	D-20
WF427RC	D-21 -	H-10
WF428RQ	H-11 -	L-02

1993 WF427RQ INDEX

FLOOR PLAN	A-07 -	A-08
ACCESSORIES		A-09
AUDIO VIDEO		A-10
BATH	A-11 -	A-12
BEDROOM	A-13 -	A-14
CHASSIS	A-15 -	A-18
CURTAIN & CUSHION	A-19 -	B-08
DINETTE	B-07 -	B-08
DRIVERS COMPARTMENT	B-09 -	B-10
ELECTRICAL	B-11 -	B-14
EXTERIOR BODY	B-15 -	B-22
GALLEY	B-23 -	C-02
GENERATOR		C-03
HEATING & A/C	C-04 -	C-06
INTERIOR FINISH	C-07 -	C-10
LABELS	C-11 -	C-18
LP		C-19
LOUNGE	C-20 -	C-21
SEALANTS & FASTENERS	C-22 -	C-24
WATER & SEWAGE	D-01 -	D-04
WINDOW, VENT AND EXTERIOR DOOR	D-05 -	D-20

GENERATOR GROUP

4.0 KW LOW PROFILE KOHLER GENERATOR

KEY	PART NUMBER	U/M	DESCRIPTION
	105523-01-000	EA	GENERATOR-4KW LOW PROFILE, KOHLER 4CKM21
	007057-01-000	SF	INSULATION-FIBERGLASS, 1" THICK X 4" INCREMENTS OF 4 SF
	105525-01-000	EA	ARRESTER-SPARK, KOHLER 278821
	105527-01-000	EA	PIPE-EXHAUST ADAPTER, KOHLER 278824
	105529-01-000	EA	MUFFLER-FRONT EXHAUST, W/O SPARK-KOHLER 278734
	105802-01-000	EA	GASKET-EXHAUST, KOHLER-278320
	105732-01-000	EA	TRAY ASM-GENERATOR
	105172-01-000	EA	PIPE-EXHAUST ADAPTER

4.0 KW ONAN EMERALD GENERATOR

KEY	PART NUMBER	U/M	DESCRIPTION
	100974-01-000	EA	GENERATOR-4.0KW EMERALD PLUS, ONAN BGE-FA26100G
	105732-01-000	EA	TRAY ASM-GENERATOR
	079854-05-000	EA	PIPE-EXHAUST, ANGLED-W/FLANGE-2" ID-ONAN# 154-2539
	081384-01-000	EA	MUFFLER-GENERATOR, W/8 5" LONG TAILPIPE
	088252-01-000	EA	PIPE-EXHAUST, W/2 BOLT HOLE FLANGE
	086494-01-000	EA	BRACKET-EXHAUST, W/DOUBLE BEND
	094059-01-000	EA	SPACER-GENERATOR, ONAN
	078045-01-000	FA	STRAP-SUPPORT, GENERATOR-4 HOLE
	084365-01-000	EA	STRAP-SUPPORT, GENERATOR-2 HOLE
	093511-01-000	EA	VAPOR KIT-LP-GENERATOR (EXPORT OPTION ONLY)

HEATING & AIR CONDITIONING GROUP

FURNACE

KEY	PART NUMBER	U/M	DESCRIPTION
	088888-05-000	EA	FURNACE-30000 BTU-SUBURBAN SF-30
	088834-01-733	EA	RELAY-TIME DELAY 20830 BTU, SUBURBAN 231202
	075885-01-709	EA	MICRO SWITCH (FOR MODELS 30 & 34S), SUBURBAN 230509
	090038-01-708	EA	GASKET-OBSERVATION HOLE COVER 070387
	092300-01-704	EA	GASKET-ELECTRODE, SUBURBAN 070163
	092300-02-701	EA	ORIFICE, MAIN BURNER, SUBURBAN, 180214
	088668-01-700	EA	CABINET FRONT, SUBURBAN 101242
	088668-01-701	EA	CABINET ASM, SUBURBAN 101296
	088668-01-702	EA	ELECTRODE, SUBURBAN 231740
	088668-01-704	EA	VALVE, SUBURBAN 186008
	088668-01-705	EA	SWITCH-LIMIT, SUBURBAN 231630
	088668-01-706	EA	WHEEL-COMBUSTION AIR, SUBURBAN 350122
	088668-01-707	EA	VENT CAP & EXHAUST TUBE ASM, SUBURBAN 280193
	088668-01-708	EA	BLOWER ASM (COMBUSTION AIR), SUBURBAN 380441
	088668-01-709	EA	MOTOR ASM, FOR SF-25, SF-30 - SUBURBAN 231708
	088668-01-710	EA	BLOWER ASM (ROOM AIR), SUBURBAN 380440
	088668-01-711	EA	WHEEL-ROOM AIR, SUBURBAN 350123
	088668-01-712	EA	BOARD-MODULE, SUBURBAN 231741
	088668-01-713	EA	INTAKE VENT TUBE ASM, SUBURBAN 061044
	088668-02-700	EA	BURNER ASM COMPLETE (SF-30/SF36), SUBURBAN G10745
	088634-01-720	EA	ORIFICE-MAIN BURNER, SUBURBAN 0180222
	088668-03-700	EA	MOTOR ASM-SF-36, SUBURBAN 231707
	088668-08-000	EA	DOOR-ACCESS, FURNACE, OFF WHITE - SUBURBAN 520674
	093365-01-000	EA	THERMOSTAT-WALL, FURNACE - SUBURBAN 0180902

HEATING COMPONENTS

KEY	PART NUMBER	U/M	DESCRIPTION
	023146-01-000	EA	CLAMP-SCREW TYPE, 4"
	069638-02-000	EA	CONNECTOR-DUCT, 4" ID - SUBURBAN 050715
	008198-01-000	FT	DUCT-HEAT, FLEXIBLE, 4" ID X 25 FT
	093614-01-01A	EA	GRILLE-RETURN AIR, FURNACE - 15 6" X 7 6", BROWN
	079059-01-000	EA	HOSE-90 DEGREE, 5/8" ID X 4" X 36"
	079059-13-000	EA	HOSE-90 DEGREE, .51" ID X 4" X 48"
	007108-01-000	FT	HOSE-HEATER, 5/8" ID - HI-TEMP - 1" ORD ESE-M2D192-A
	056464-05-000	EA	REGISTER-PLASTIC, W/O DAMPER - 4" DIAMETER - GOLDEN
	009200-01-000	EA	TAPE-FURNACE, 1 1/2"
	089367-01-000	EA	TEE-4" OD, 7" LONG - METAL
	088753-01-000	FT	TUBE-ALUMINIZED STEEL, 5/8" - 18 GAUGE
	008042-01-000	FT	TUBING-VINYL, 65" ID

1993 WINNEBAGO TABLE OF CONTENTS

INTRODUCTION	A-01 -	A-02
ABBREVIATIONS		A-03
ALPHABETICAL INDEX	A-04 -	A-08
WF427RQ	A-07 -	D-20
WF427RC	D-21 -	H-10
WF428RQ	H-11 -	L-02

1993 WF427RQ INDEX

FLOOR PLAN	A-07 -	A-08
ACCESSORIES		A-09
AUDIO VIDEO		A-10
BATH	A-11 -	A-12
BEDROOM	A-13 -	A-14
CHASSIS	A-15 -	A-18
CURTAIN & CUSHION	A-19 -	B-06
DINETTE	B-07 -	B-08
DRIVERS COMPARTMENT	B-09 -	B-10
ELECTRICAL	B-11 -	B-14
EXTERIOR BODY	B-15 -	B-22
GALLEY	B-23 -	C-02
GENERATOR		C-03
HEATING & A/C	C-04 -	C-08
INTERIOR FINISH	C-07 -	C-10
LABELS	C-11 -	C-18
LP		C-19
LOUNGE	C-20 -	C-21
SEALANTS & FASTENERS	C-22 -	C-24
WATER & SEWAGE	D-01 -	D-04
WINDOW, VENT AND EXTERIOR DOOR	D-05 -	D-20

HEATING & AIR CONDITIONING GROUP (CONTINUED)

REAR HEATER

KEY	PART NUMBER	U/M	DESCRIPTION
	084405-01-000	EA	HEATER ASM-REAR, DUCTED, W/MOTOR AND , EVANS
	084405-01-700	EA	HEATER CORE, FT200226
	084405-01-701	EA	FAN, HV029831
	084405-01-702	EA	MOTOR-12 VOLT ASSY, R0200180
	087202-01-000	EA	SWITCH-4 POSITION, W/KNOB
	088076-01-000	EA	DECAL-AUTO AIR & REAR HEATER

ROOF A/C

KEY	PART NUMBER	U/M	DESCRIPTION
	108889-01-01A	EA	A/C-ROOF, 13,500 TSP HO - IVORY - COLEMAN 7333-887
	081225-01-709	EA	START RELAY, COLEMAN 1497-4131
	081225-01-710	EA	START CAPACITOR, COLEMAN 1497-0881
	083308-01-701	EA	DECAL PACKAGE, LEFT & RIGHT - COLEMAN 8798B3591
	083308-01-712	EA	COMPRESSOR, COLEMAN 8707C3579
	105820-01-704	EA	COMPRESSOR, RIGHT & LEFT - COLEMAN 1450 2009
	105820-01-706	EA	FOOT PACKAGE-COMPRESSOR, 3 PER PACKAGE - COLEMAN 8759-3081
	108889-01-700	EA	SHROUD (GREY/GREY) LESS LOGO - COLEMAN 8759-8421
	108889-01-702	EA	SHROUD (BUFF/BUFF) LESS LOGO - COLEMAN 8759-8411
	108889-01-703	EA	CONDENSER COIL, COLEMAN 1452-1301
	108889-01-704	EA	OVERLOAD (MFA#98892) COLEMAN 8759-3541
	108889-01-706	EA	MOTOR (115, 80HZ), COLEMAN 1488-3049
	108889-01-706	EA	IMPELLOR, COLEMAN 1472-1041
	108889-01-707	EA	RUN CAPACITOR (COMP 25MFD/370), COLEMAN 1499-5681
	108889-01-708	EA	FAN CAPACITOR (7 5MFD.370U), COLEMAN 1499-5461
	108889-01-709	EA	EVAPORATOR COIL, COLEMAN 1452-1311
	108889-01-710	EA	FILLER PAD-CONDITION AIR SEAL, COLEMAN 8759A3971
	108889-01-711	EA	GASKET PACKAGE, COLEMAN 8792-3301
	108889-01-712	EA	SUCTION LINE REDUCER (3/8 X 1/2), COLEMAN 1215-2161
	108889-01-713	EA	SUCTION LINE (3/8OD X .032 WALL), COLEMAN 8792-130
	108889-01-714	EA	DISCHARGE LINE ASM., COLEMAN 8792-531
	108889-01-715	EA	MOTOR MOUNT & SHAFT SEAL KIT, COLEMAN 8792-3361
	108891-01-01A	EA	CEILING ASM-A/C COOL TSP HO, COLEMAN 7330-714 IV
	042204-01-709	EA	THERMOSTAT-IN 64 OUT 58, COLEMAN 8701-3401
	073742-01-701	EA	SELECTOR SWITCH (5 TERMINAL), COLEMAN 8759-3251
	073742-01-702	EA	DECAL COOL ONLY, COLEMAN 8759C3431
	076303-01-707	EA	FILTER-6" X 14 3/4" X 1/2", 12 PER PACKAGE - COLEMAN 8703A3151
	081606-01-712	EA	CEILING SHROUD (IVORY), COLEMAN 8769-5081
	081225-01-713	EA	KNOB (2 PER PACKAGE), COLEMAN 8701-3351
	081225-01-717	EA	DECAL (THERMOSTAT) COOL ONLY, COLEMAN 8798A3441
	083788-02-701	EA	DECAL-LEFT SIDE, COLEMAN 8799-3971
	108891-01-700	EA	SINGLE PARTS PACKAGE (KNOBS & NUTS), COLEMAN 8792-5991
	108891-01-701	EA	RETAINER CLIPS FOR FILTER (8 PER PACKAGE), COLEMAN 8799-3141
	102289-01-000	EA	SPRING-SCREW, ROOF A/C GASKET - COLEMAN 8757-150
	084077-03-000	EA	COVER-BLANK, ROOF A/C - 5 2" X 3 5" - IVORY

HEATING & AIR CONDITIONING GROUP (CONTINUED)

A/C-13500 BTU-EUROPE

KEY	PART NUMBER	U/M	DESCRIPTION
	082440-01-000	EA	A/C-ROOF, 13500 BTU - 220V - 60HZ - COLEMAN 8713C780 FROM: 00-00-00 THRU: 08-31-82
	082441-01-000	EA	CEILING ASM-A/C, 220V - 60HZ - COLEMAN 8712ET18 FROM 00-00-00 THRU, 08-31-82
	108889-02-01A	EA	A/C-ROOF, 13500 BTU - 220V - TSP - IVORY - COLEMAN 7373-887 FROM, 08-01-82 THRU 08-09-88
	108891-01-01A	EA	CEILING ASM-A/C, COOL - TSP - IVORY - COLEMAN 7330-714 FROM 08-01-82 THRU, 08-09-88
	042204-01-709	EA	THERMOSTAT-IN 64 OUT 58, COLEMAN 8701-3401
	073742-01-701	EA	SELECTOR SWITCH (5 TERMINAL), COLEMAN 8759-3251
	073742-01-702	EA	DECAL, COOL ONLY, COLEMAN 8759C3431
	076303-01-707	EA	FILTER-6" X 14 3/4" X 1/2", 12 PER PKG - COLEMAN 8703A3151
	081606-01-712	EA	CEILING SHROUD (IVORY), COLEMAN 8769-5081
	081225-01-713	EA	KNOB (2 PER PACKAGE), COLEMAN 8701-3351
	081225-01-717	EA	DECAL (THERMOSTAT) COOL ONLY, COLEMAN 8798A3441
	083788-02-701	EA	DECAL-LEFT SIDE, COLEMAN 8799-3971
	108891-01-700	EA	SINGLE PARTS PACKAGE (KNOBS & NUTS), COLEMAN 8792-5991
	108891-01-701	EA	RETAINER CLIPS FOR FILTER (8 PER PACKAGE), COLEMAN 8799-3141
	102289-01-000	EA	SPRING-SCREW, ROOF A/C GASKET - COLEMAN 8757-150
	084077-03-000	EA	COVER-BLANK, ROOF A/C - 5 2" X 3 5" - IVORY

1993 WINNEBAGO TABLE OF CONTENTS

INTRODUCTION	A-01 -	A-02
ABBREVIATIONS		A-03
ALPHABETICAL INDEX	A-04 -	A-05
WF427RQ	A-07 -	D-20
WF427RC	D-21 -	H-10
WF428RQ	H-11 -	L-02

1993 WF427RQ INDEX

FLOOR PLAN	A-07 -	A-08
ACCESSORIES		A-09
AUDIO VIDEO		A-10
BATH	A-11 -	A-12
BEDROOM	A-13 -	A-14
CHASSIS	A-15 -	A-18
CURTAIN & CUSHION	A-19 -	B-06
DINETTE	B-07 -	B-08
DRIVERS COMPARTMENT	B-09 -	B-10
ELECTRICAL	B-11 -	B-14
EXTERIOR BODY	B-15 -	B-22
GALLEY	B-23 -	C-02
GENERATOR		C-03
HEATING & A/C	C-04 -	C-06
INTERIOR FINISH	C-07 -	C-10
LABELS	C-11 -	C-18
LP		C-19
LOUNGE	C-20 -	C-21
SEALANTS & FASTENERS	C-22 -	C-24
WATER & SEWAGE	D-01 -	D-04
WINDOW, VENT AND EXTERIOR DOOR	D-05 -	D-20

INTERIOR FINISH GROUP

MOLDINGS & TRIMS

KEY	PART NUMBER	U/M	DESCRIPTION
	009787-12-000	FT	MOLDING-SIDEWALL TO CEILING/CABINET - WELTING - OFF WHITE
	009778-11-000	EA	U CHANNEL-PLASTIC, 1" WIDE X 8" LONG - IVORY
	008806-23-000	EA	MOLDING-CORNER, OUTSIDE - 1" - PLASTIC - IVORY
	008809-24-000	EA	MOLDING-CORNER, OUTSIDE - 1" - PLASTIC - THOR PECAN
	008812-25-000	EA	MOLDING-CORNER, OUTSIDE - 5" - PLASTIC - PECAN
	022982-01-000	FT	MOLDING-REVERSE COVE, T-SHAPED - VINYL - WHITE
	022982-11-000	FT	MOLDING-REVERSE COVE, T-SHAPED - VINYL - IVORY
	070504-20-000	FT	U-CHANNEL-PLASTIC, .815" WIDE - THOR PECAN - INC OF 8"
	075249-01-000	EA	RAILING-OAK, 72" LONG - UNFINISHED
	075325-16-000	FT	MOLDING-EDGE BAND, 1 5/16" WIDE - WOODGRAIN - REGAL OAK
	075325-36-000	FT	MOLDING-EDGE BAND, 1 5/16" WIDE (D04)
	075325-40-000	FT	MOLDING-EDGE BAND, .875" WIDE (D04)
	075325-37-000	FT	MOLDING-EDGE BAND, 1 5/16" WIDE (D05)
	075325-38-000	FT	MOLDING-EDGE BAND, .875" WIDE (D05)
	083820-07-000	FT	MOLDING-T, END CAP EDGE - WEDGE LIPS - .75" - THOR PECAN
	083820-09-000	FT	MOLDING-T, END CAP EDGE - WEDGE LIPS - .75" - MODERN IVORY
	085284-65-000	FT	BATT STRIP-WOODGRAIN, ADHESIVE BACKED - FOREST OAK
	085284-73-000	FT	BATT STRIP-MAIN, W/ADHESIVE BACK - BUBBLES TWILIGHT (D04)
	085284-68-000	FT	BATT STRIP-MAIN, W/ADHESIVE BACK - ADRIAN MOCASSIN (D05)
	085284-69-000	FT	BATT STRIP-BATH/GALLEY, W/ADHESIVE BACK - FLORENCE TWILIGHT (D04)
	085284-70-000	FT	BATT STRIP-BATH/GALLEY, W/ADHESIVE BACK - GYPSY MOCASSIN (D05)
	085284-76-000	FT	BATT STRIP-BATH/SHOWER, W/ADHESIVE BACK - ANTIQUE WHITE
	085284-59-000	FT	BATT STRIP-CEILING, W/ADHESIVE BACK - TROWELL WORK FAWN
	085746-01-000	FT	TRIM-J, CARPET - 1 2" X 5" ANGLE - 10" LONG - PVC - BEIGE
	088263-71-000	EA	BATT STRIP-CEILING, 8' LONG - TROWELL WORK FAWN
	088263-80-000	EA	BATT STRIP-BATH & GALLEY, 8' LONG - FLORENCE TWILIGHT (D04)
	088263-81-000	EA	BATT STRIP-BATH & GALLEY, 8' LONG - GYPSY MOCASSIN (D05)
	088263-84-000	EA	BATT STRIP-MAIN DECORATIVE, 8' LONG - BUBBLES TWILIGHT (D04)
	088263-79-000	EA	BATT STRIP-MAIN DECORATIVE, 8' LONG - ADRIAN MOCASSIN (D05)
	092330-D2-438	EA	LUMBER-VINYL WRAPPED, 7" X 1 5" X 8" - WOODGRAIN
	092330-03-000	EA	LUMBER-VINYL WRAPPED, 2" X 8" - WOODGRAIN - REGAL OAK
	092330-05-000	EA	LUMBER-VINYL WRAPPED, 2.9" X 96" - WOODGRAIN - REGAL OAK
	092331-D2-134	EA	MOLDING-VINYL WRAPPED, .7" X 1 57" X 84" - WOODGRAIN
	092331-F2-134	EA	MOLDING-VINYL WRAPPED, 7" X 2 5" X 7" - WOODGRAIN
	092331-F2-438	EA	MOLDING-VINYL WRAPPED, 7" X 2 5" X 96" - WOODGRAIN
	100659-01-805	EA	MOLDING-TRIM, VINYL FLOOR - 1" X 72" - WOOD
	100818-01-01A	EA	MOLDING-VINYL WRAPPED, 1 85" X 4" X 7" - REGAL OAK
	100819-01-01A	EA	MOLDING-VINYL WRAPPED, L-SHAPED - 1 5" X 1 5" X 7" - OAK
	103186-01-02A	FT	MOLDING-EDGE, SHELF - 78" WIDE - PLASTIC - REGAL OAK
	104676-01-01A	FT	MOLDING-T, 5/16" RIGID - GOLD
	105004-01-01A	EA	MOLDING-VINYL WRAP, 1" X 8" - REGAL OAK
	105709-01-000	FT	MOLDING-T, 1" - PLASTIC - MODERN IVORY

INTERIOR FINISH GROUP (CONTINUED)

PANELING, LAMINATES & PLASTIC

KEY	PART NUMBER	U/M	DESCRIPTION
	074487-19-000	SF	PANELING-CEILING, 4' X 8' - INCREMENTS OF 32 SF
	074487-20-000	SF	PANELING-WOODGRAIN, 4' X 8' - INCREMENTS OF 32 SF
	074488-24-000	SF	LAMINATE-PLASTIC, 5' X 8' - REGAL OAK
	074488-46-000	SF	LAMINATE-PLASTIC, 5' X 8' - FAVORITE MIX (D04)
	074488-48-000	SF	LAMINATE-PLASTIC, 5' X 8' - TAUPE MATRIX (D05)
	083272-98-000	SF	PANELING-BATH/SHOWER, 4' X 7" - ANTIQUE WHITE
	083272-A3-000	SF	PANELING-BATH/GALLEY, 4' X 7" - FLORENCE TWILIGHT (D04)
	083272-A4-000	SF	PANELING-BATH/GALLEY, 4' X 7" - GYPSY MOCASSIN (D05)
	083272-A5-000	SF	PANELING-MAIN, 4' X 7" - BUBBLES TWILIGHT (D04)
	083272-99-000	SF	PANELING-MAIN, 4' X 7" - ADRIAN MOCASSIN (D05)
	085287-01-000	SF	PLYWOOD-LUAN, OVERLAY GRADE - 4' X 8'
	083743-02-01A	SF	PLASTIC-ABS, 20" WIDE ROLL - OFF WHITE
	083743-03-01A	SF	PLASTIC-ABS, 10 8" WIDE - OFF WHITE
	088631-01-000	SF	PLYWOOD RED OAK, 1/2"

CARPETING & FLOOR MATS

KEY	PART NUMBER	U/M	DESCRIPTION
	090080-21-000	SY	CARPET-ROLL 12' WIDE - BLUE MIST (D04)
	090080-33-000	SY	CARPET-ROLL 12' WIDE - LIGHT BROWN (D05)
	093486-01-300	SY	CARPET-COMPARTMENT, 54" WIDE - DARK GRAY
	102885-04-000	YD	TAPE-CARPET BIND, BLUE (D04)
	102895-10-000	YD	TAPE-CARPET BIND, FAWN (D05)
	047034-02-000	SF	PLASTIC-CARPET, 4" WIDE - CLEAR POLY
	075233-01-000	SY	PAD-CARPET, 3/8" X 6" ROLL
	007036-01-000	EA	MAT-FLOOR, ENTRANCE DOOR - WINNEBAGO LOGO - 10 5" X 26" - BLACK FROM: 00-00-00 THRU: 04-25-93
	081075-03-000	EA	MAT-FLOOR ENTRANCE, WINNEBAGO - PLASTICOLOR GRAY (CAB TRIM GROUP)
	106884-01-000	EA	MAT-FLOOR, PASSENGER - "W" - FORD
	106884-02-000	EA	MAT-FLOOR, DRIVER - "W" - FORD

FIRE EXTINGUISHER, SMOKE DETECTOR & CLOCK

KEY	PART NUMBER	U/M	DESCRIPTION
	072852-01-000	EA	DETECTOR-SMOKE, W/9 VOLT BATTERY
	072852-02-000	EA	DETECTOR-SMOKE, W/9 VOLT BATTERY (CANADIAN)
	094499-01-000	EA	EXTINGUISHER-FIRE, DRY W/MOUNTING BRACKET - 10 BC
	094499-02-000	EA	EXTINGUISHER-FIRE, DRY - 1A10BC - CANADIAN
	094499-01-700	EA	BRACKET-MOUNTING, W/PLASTIC STRAP - FIRE EXTINGUISHER
	104784-01-01A	EA	CLOCK-WALL, SPARTUS FROM 00-00-00 THRU 04-18-93
	100793-02-01A	EA	CLOCK-WALL, BOLDEN - ROUND 11" FROM 04-19-93 THRU 99-99-99

1993 WINNEBAGO TABLE OF CONTENTS

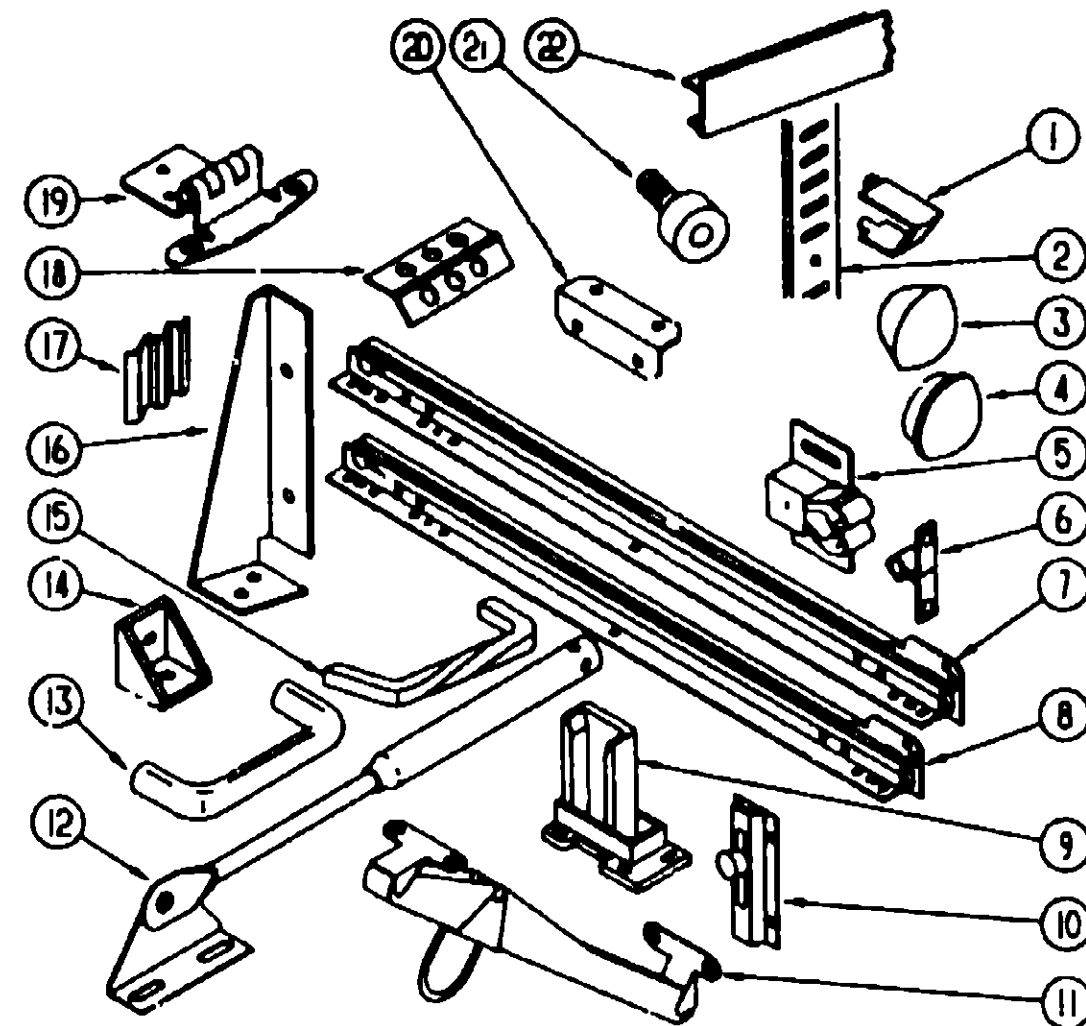
INTRODUCTION	A-01 -	A-02
ABBREVIATIONS		A-03
ALPHABETICAL INDEX	A-04 -	A-08
WF427RQ	A-07 -	D-20
WF427RC	D-21 -	H-10
WF428RQ	H-11 -	L-02

1993 WF427RQ INDEX

FLOOR PLAN	A-07 -	A-08
ACCESSORIES		A-09
AUDIO VIDEO		A-10
BATH	A-11 -	A-12
BEDROOM	A-13 -	A-14
CHASSIS	A-15 -	A-18
CURTAIN & CUSHION	A-19 -	B-06
DINETTE	B-07 -	B-08
DRIVERS COMPARTMENT	B-09 -	B-10
ELECTRICAL	B-11 -	B-14
EXTERIOR BODY	B-15 -	B-22
GALLEY	B-23 -	C-02
GENERATOR		C-03
HEATING & A/C	C-04 -	C-06
INTERIOR FINISH	C-07 -	C-10
LABELS	C-11 -	C-18
LP		C-19
LOUNGE	C-20 -	C-21
SEALANTS & FASTENERS	C-22 -	C-24
WATER & SEWAGE	D-01 -	D-04
WINDOW, VENT AND EXTERIOR DOOR	D-05 -	D-20

INTERIOR FINISH GROUP (CONTINUED)

CABINET & TABLE HARDWARE



KEY	PART NUMBER	U/M DESCRIPTION
8	108913-01-000	EA SLIDE-DRAWER, CABINET MOUNTED - LEFT SIDE - 12"
8	108913-02-000	EA SLIDE-DRAWER, CABINET MOUNTED - RIGHT SIDE - 12"
8	108913-03-000	EA SLIDE-DRAWER, DRAWER MOUNTED - LEFT SIDE - 12"
8	108913-04-000	EA SLIDE-DRAWER, DRAWER MOUNTED - RIGHT SIDE - 12"
8	108913-05-000	EA SLIDE-DRAWER, CABINET MOUNTED - LEFT SIDE - 18"
8	108913-06-000	EA SLIDE-DRAWER, CABINET MOUNTED - RIGHT SIDE - 18"
8	108913-07-000	EA SLIDE-DRAWER, DRAWER MOUNTED - LEFT SIDE - 18"
8	108913-08-000	EA SLIDE-DRAWER, DRAWER MOUNTED - RIGHT SIDE - 18"
8	108913-17-000	EA SLIDE-DRAWER, CABINET MOUNTED - LEFT SIDE - 22"
8	108913-18-000	EA SLIDE-DRAWER, CABINET MOUNTED - RIGHT SIDE - 22"
8	108913-19-000	EA SLIDE-DRAWER, DRAWER MOUNTED - LEFT SIDE - 22"
8	108913-20-000	EA SLIDE-DRAWER, DRAWER MOUNTED - RIGHT SIDE - 22"
9	107030-01-000	EA BACKSOCKET-ADJUSTABLE, LEFT SIDE
9	107030-02-000	EA BACKSOCKET-ADJUSTABLE, RIGHT SIDE
10	061604-01-000	EA SLIDE-BOLT, ANTIQUE BRASS
11	104181-01-01A	EA SUPPORT-LEAF, 5 3" - EXTENDS TO 7 5" - SAFETY RING - METAL
12	174493-02-000	EA SUPPORT-PISTON SPRING, CABINET DOOR
13	109747-01-000	EA PULL-CABINET, ANTIQUE BRASS
14	065740-01-000	EA BRACE-CABINET CORNER, PLASTIC
15	068845-01-000	EA PULL-CABINET, BRASS - TWIST - 1.1" X 3.4" FROM: 02-05-93 THRU 09-09-99
16	078827-04-000	EA BRACKET-BUNK/BED, 2.9" X 1.8" TRIANGLE - METAL - OFF WHITE
17	106037-02-000	EA FASTENER-WOOD, CORNER - METAL - 5" X 6"
18	009059-01-000	EA HINGE-DOOR, 2" X 1.4" - BRASS
18	009059-02-000	EA HINGE-DOOR, 2" X 2.7" - BRASS
18	009083-01-000	EA HINGE-CONTINUOUS, 1 1/2" X 72" - UNPAINTED
18	009086-01-000	EA HINGE-CONTINUOUS, W/O HOLES - 1 1/8" X 6" - ALUMINUM
19	108136-01-000	EA HINGE-DOOR, CABINET - BURNISHED BRASS
20	000G13-06-08G	EA SCREW-6-20 X 5/8 PFH, ANTIQUE BRASS (HINGE 108136-01-000)
20	016604-01-000	EA BRACE-CABINET, ANGLE - 2 5" - METAL - UNPAINTED
20	016604-03-000	EA BRACE-CABINET, ANGLE - 2 5" - METAL - BEIGE
21	079921-01-000	EA ROLLER-NYLON W/SHAFT
22	103186-01-02A	FT MOLDING-SHELF EDGE, PLASTIC - REGAL OAK
	076790-01-000	EA SCREW, 8-20 X 1 1/4 PPH - BLACK
	004354-01-000	EA BUMPER-RUBBER, 5" DIA - BROWN
	023320-01-000	EA PAD-FELT, 3/8" DIAMETER - BROWN
	009112-01-CW	EA FLANGE-1" ROD, CLOTHES - PLASTIC - OFF WHITE
	002766-01-001	EA ANGLE-EXTRUDED, 1" X 1 5" X 17" - ALUMINUM

1993 WINNEBAGO TABLE OF CONTENTS

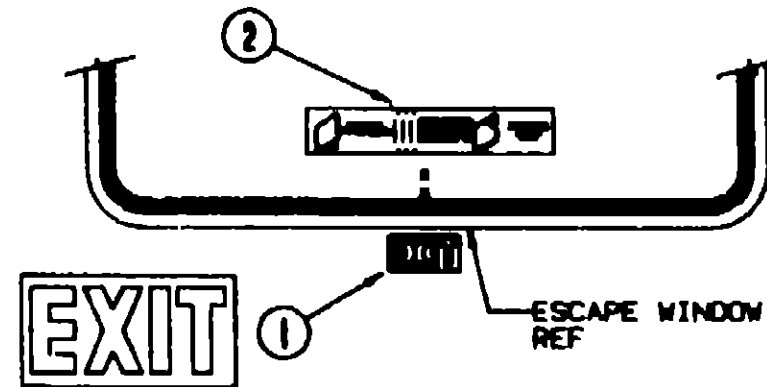
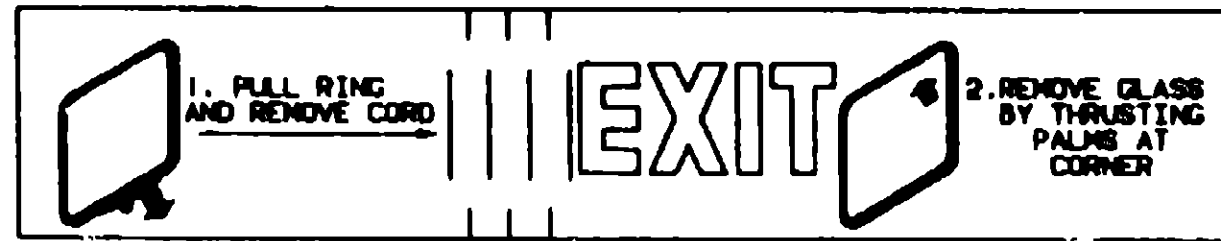
INTRODUCTION	A-01 -	A-02
ABBREVIATIONS		A-03
ALPHABETICAL INDEX	A-04 -	A-08
WF427RQ	A-07 -	D-20
WF427RC	D-21 -	H-10
WF428RQ	H-11 -	L-02

KEY	PART NUMBER	U/M DESCRIPTION
1	098979-01-000	EA CLIP-ADJUSTABLE SHELF
2	098980-01-000	EA PILASTER ADJUSTABLE SHELF, 18" LONG
2	098980-04-000	EA PILASTER ADJUSTABLE SHELF, 48" LONG
3	042356-01-000	EA PLUG-BUTTON, MAHOGANY - 3/8" DIAMETER - WOOD
4	074045-07-000	EA PLUG-WOOD, 1/2"
5	093586-03-000	EA CATCH-SPRING, ROLLER
6	093586-04-000	EA STRIKE-SPRING STEEL
7	101910-03-000	EA SLIDE-DRAWER, CABINET MOUNTED - SET OF 2 - 12" LONG
7	101910-04-000	EA SLIDE-DRAWER, DRAWER MOUNTED - SET OF 2 - 12" LONG

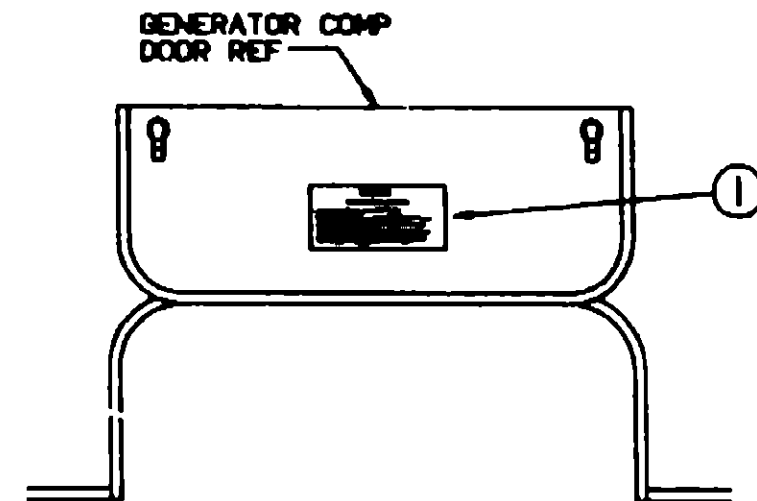
1993 WF427RQ INDEX

FLOOR PLAN	A-07 -	A-08
ACCESSORIES		A-09
AUDIO VIDEO		A-10
BATH	A-11 -	A-12
BEDROOM	A-13 -	A-14
CHASSIS	A-15 -	A-18
CURTAIN & CUSHION	A-19 -	B-06
DINETTE	B-07 -	B-08
DRIVERS COMPARTMENT	B-09 -	B-10
ELECTRICAL	B-11 -	B-14
EXTERIOR BODY	B-15 -	B-22
GALLEY	B-23 -	C-02
GENERATOR		C-03
HEATING & A/C	C-04 -	C-06
INTERIOR FINISH	C-07 -	C-10
LABELS	C-11 -	C-18
LP		C-19
LOUNGE	C-20 -	C-21
SEALANTS & FASTENERS	C-22 -	C-24
WATER & SEWAGE	D-01 -	D-04
WINDOW, VENT AND EXTERIOR DOOR	D-05 -	D-20

LABELS GROUP



KEY	PART NUMBER	U/M DESCRIPTION
1	039290-01-000	EA LABEL-WARNING-EXIT
2	107571-01-000	EA LABEL-EXIT-ESCAPE WINDOW



WARNING

WHEN USING A GENERATOR SET:

HIGH VOLTAGE-USE EXTREME CAUTION WHEN WORKING ON ELECTRICAL COMPONENTS.

HAVE ALL ELECTRICAL INSTALLATION PERFORMED BY A QUALIFIED LICENSED ELECTRICIAN-FOLLOW ALL STATE AND LOCAL CODES.

ONLY INSTALL GENERATOR SET APPROVED FOR R.V. APPLICATION. HAVE INSTALLED BY QUALIFIED TECHNICIAN.

TO AVOID HEAT BUILD-UP AND TO GUARANTEE AN ADEQUATE AIR SUPPLY TO THE GENERATOR COMPARTMENT, FOLLOW INSTALLATION INSTRUCTIONS.

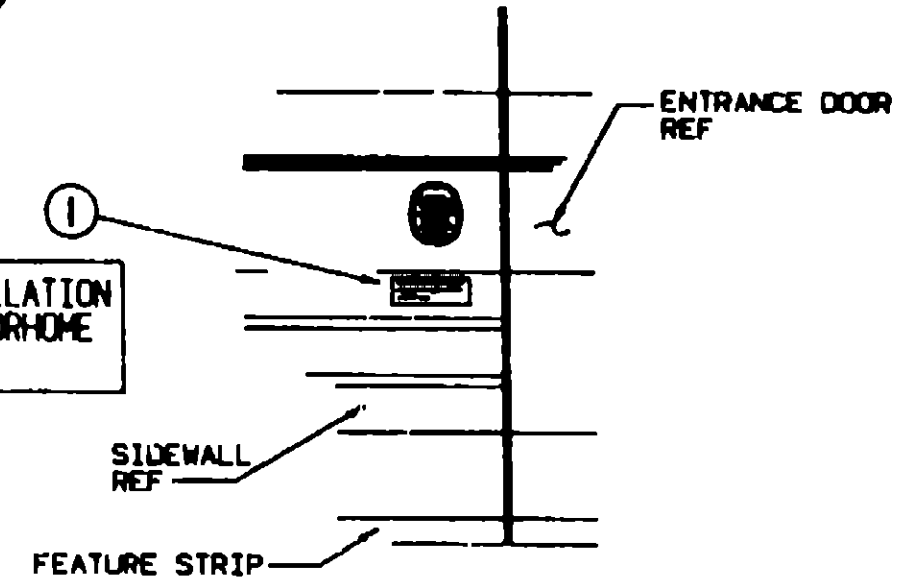
GENERATOR EXHAUST GASES ARE TOXIC AND MUST NOT VENTILATE UNDER THE VEHICLE-GENERATOR EXHAUST MUST REMAIN FROM VEHICLE.

KEY	PART NUMBER	U/M DESCRIPTION
1	077510-01-000	EA LABEL-GENERATOR PREP

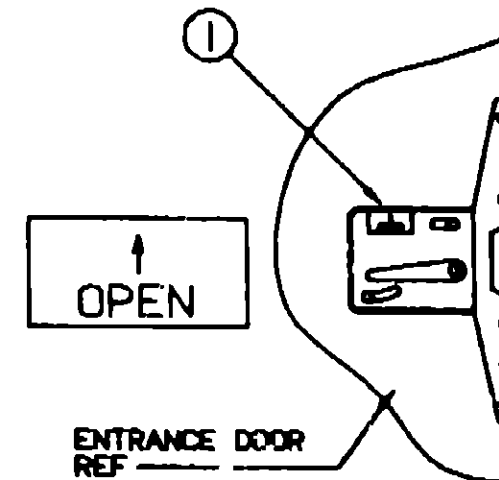
LABELS GROUP (CONTINUED)



FOR AWNING INSTALLATION CONTACT YOUR MOTORHOME DEALERSHIP



KEY	PART NUMBER	U/M DESCRIPTION
1	099509-01-000	EA LABEL-AWNING INSTALLATION



KEY	PART NUMBER	U/M DESCRIPTION
1	040944-01-000	EA LABEL-ENTRANCE DOOR, "OPEN"

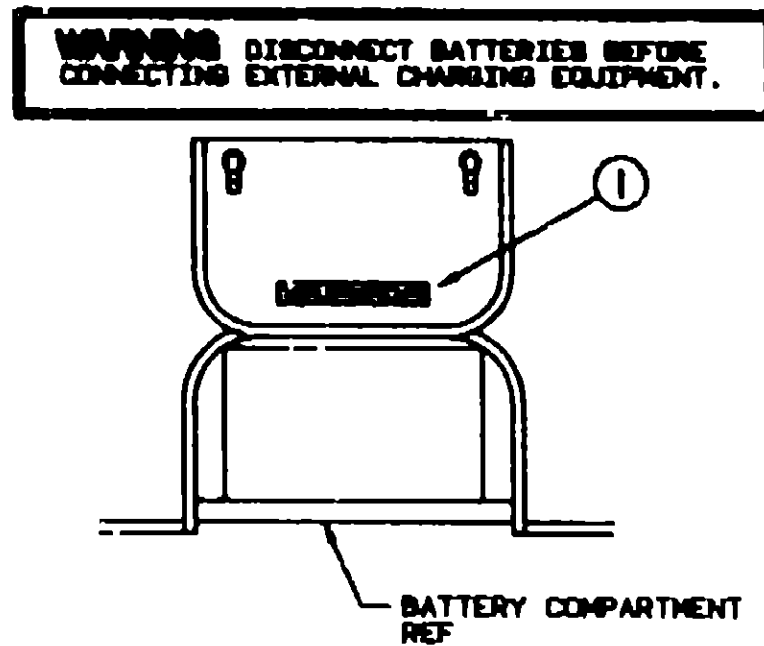
1993 WINNEBAGO TABLE OF CONTENTS

INTRODUCTION	A-01 - A-02
ABBREVIATIONS	A-03
ALPHABETICAL INDEX	A-04 - A-08
WF427RQ	A-07 - D-20
WF427RC	D-21 - H-10
WF428RQ	H-11 - L-02

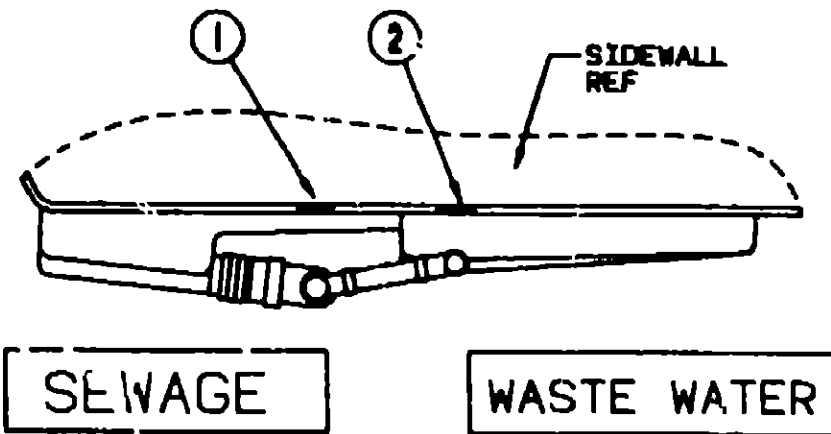
1993 WF427RQ INDEX

FLOOR PLAN	A-07 - A-08
ACCESSORIES	A-09
AUDIO VIDEO	A-10
BATH	A-11 - A-12
BEDROOM	A-13 - A-14
CHASSIS	A-15 - A-18
CURTAIN & CUSHION	A-19 - B-08
DINETTE	B-07 - B-08
DRIVERS COMPARTMENT	B-09 - B-10
ELECTRICAL	B-11 - B-14
EXTERIOR BODY	B-15 - B-22
GALLEY	B-23 - C-02
GENERATOR	C-03
HEATING & A/C	C-04 - C-08
INTERIOR FINISH	C-07 - C-10
LABELS	C-11 - C-18
LP	C-19
LOUNGE	C-20 - C-21
SEALANTS & FASTENERS	C-22 - C-24
WATER & SEWAGE	D-01 - D-04
WINDOW, VENT AND EXTERIOR DOOR	D-05 - D-20

LABELS GROUP (CONTINUED)

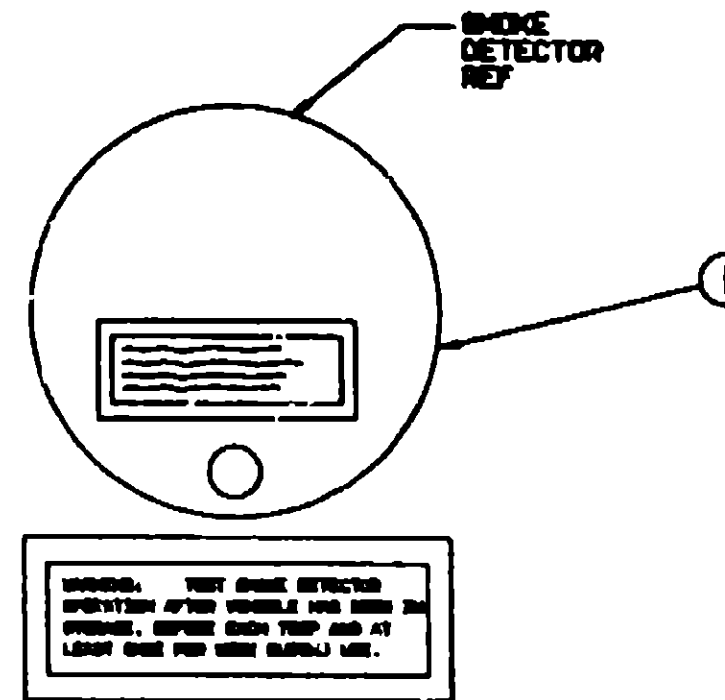


KEY PART NUMBER U/M DESCRIPTION
 1 005748-01-000 EA LABEL-CAUTION-BATTERY CHARGING

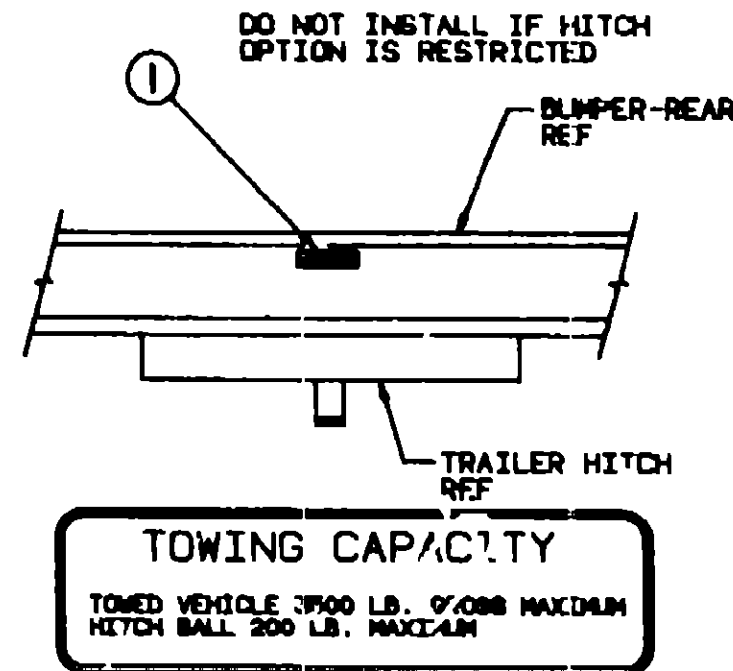


KEY PART NUMBER U/M DESCRIPTION
 1 006187-01-000 EA LABEL-SEWAGE
 2 006188-01-000 EA LABEL-WASTE WATER

LABELS GROUP (CONTINUED)



KEY PART NUMBER U/M DESCRIPTION
 1 077958-01-000 EA LABEL-WARNING-SMOKE DETECTOR



KEY PART NUMBER U/M DESCRIPTION
 1 075221-01-000 EA LABEL-TOWING CAPACITY

1993 WINNEBAGO TABLE OF CONTENTS

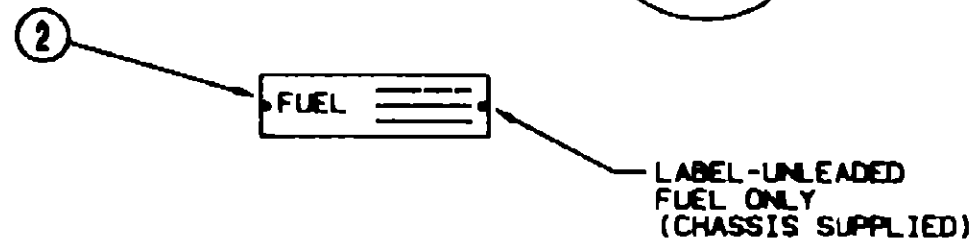
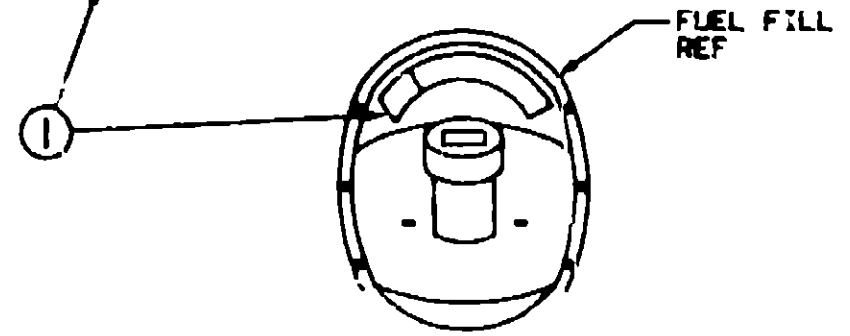
INTRODUCTION	A-01 -	A-02
ABBREVIATIONS		A-03
ALPHABETICAL INDEX	A-04 -	A-06
WF-27RQ	A-07 -	C-20
WF427RC	D-21 -	H-10
WF428RQ	H-11 -	L-02

1993 WF427RQ INDEX

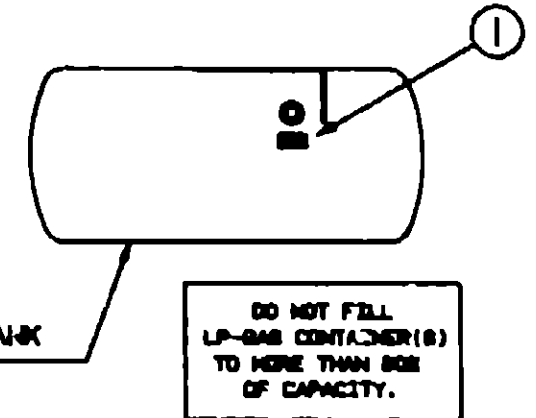
FLOOR PLAN	A-07 -	A-08
ACCESSORIES		A-09
AUDIO VIDEO		A-10
BATH	A-11 -	A-12
BEDROOM	A-13 -	A-14
CHASSIS	A-15 -	A-18
CURTAIN & CUSHION	A-19 -	B-06
DINETTE	B-07 -	B-08
DRIVERS COMPARTMENT	B-09 -	B-10
ELECTRICAL	B-11 -	B-14
EXTERIOR BODY	B-15 -	B-22
GALLEY	B-23 -	C-02
GENERATOR		C-03
HEATING & A/C	C-04 -	C-06
INTERIOR FINISH	C-07 -	C-10
LABELS	C-11 -	C-18
L.P.		C-19
LOUNGE	C-20 -	C-21
SEALANTS & FASTENERS	C-22 -	C-24
WATER & SEWAGE	D-01 -	D-04
WINDOW, VENT AND EXTERIOR DOOR	D-05 -	D-20

LABELS GROUP (CONTINUED)

CAUTION	TO HELP AVOID PERSONAL INJURY DURING REMOVAL OF FUEL FILLER CAP, SLIGHTLY LOOSEN CAP 1/2 TURN TO ALLOW ANY FUEL PRESSURE TO BE RELIEVED BEFORE TURNING CAP FURTHER.
FUEL SPRAY MAY CAUSE PERSONAL INJURY	STOP ADDING FUEL AFTER FIRST SHUTOFF BY AUTOMATIC NOZZLE WHEN TANK IS NEARLY FULL. DO NOT OVERFILL FUEL TANK. SEE OWNERS MANUAL FOR ADDITIONAL INFORMATION. PRINTED IN U.S.A. ILC PT NO 10611763

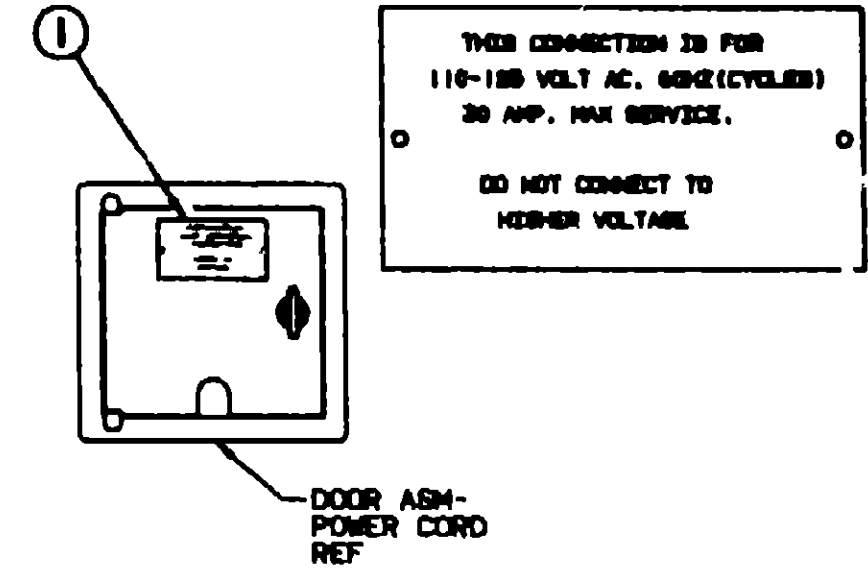


KEY	PART NUMBER	U/M DESCRIPTION
1	087207-05-000	EA LABEL-GAS OVERFILL
2	062043-01-000	EA LABEL-FUEL-UNLEADED

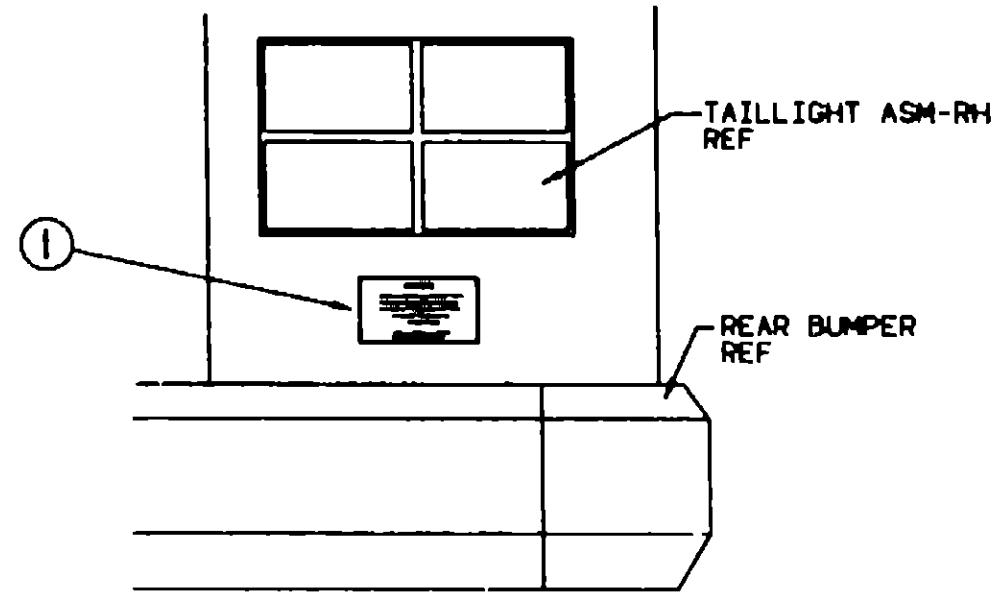


KEY	PART NUMBER	U/M DESCRIPTION
1	054531-01-000	EA LABEL-LP GAS ONLY

LABELS GROUP (CONTINUED)



KEY	PART NUMBER	U/M DESCRIPTION
1	008062-01-000	EA TAG ELECTRIC-110V CONNECTION



WARNING

DO NOT EXCEED THE VEHICLE WEIGHT RATINGS OR LOADING RECOMMENDATIONS (E.G., GROSS VEHICLE, GROSS AXLE, GROSS COMBINED) OF THE CHASSIS MANUFACTURER OR WINNEBAGO INC.

REFER TO YOUR OWNERS MANUAL, BEFORE LOADING OR TOWING.

KEY	PART NUMBER	U/M DESCRIPTION
1	075220-01-000	EA LABEL-WARNING EXTERIOR LOAD

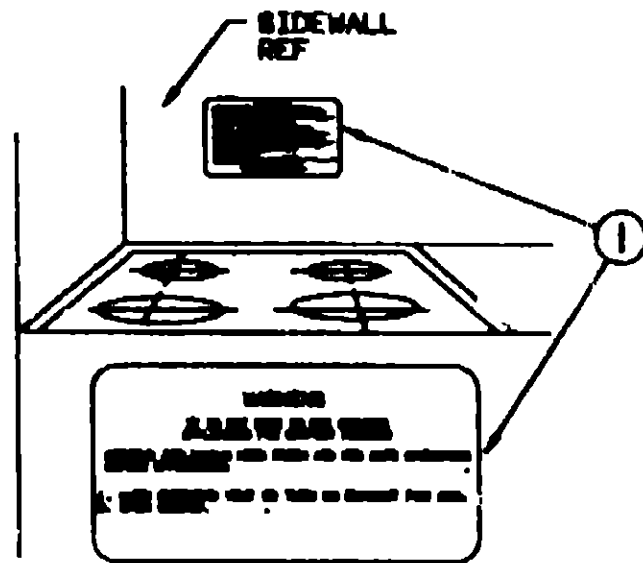
1993 WINNEBAGO TABLE OF CONTENTS

INTRODUCTION	A-01 - A-02
ABBREVIATIONS	A-03
ALPHABETICAL INDEX	A-04 - A-08
WF427RQ	A-07 - D-20
WF427RC	D-21 - H-10
WF428RQ	H-11 - L-02

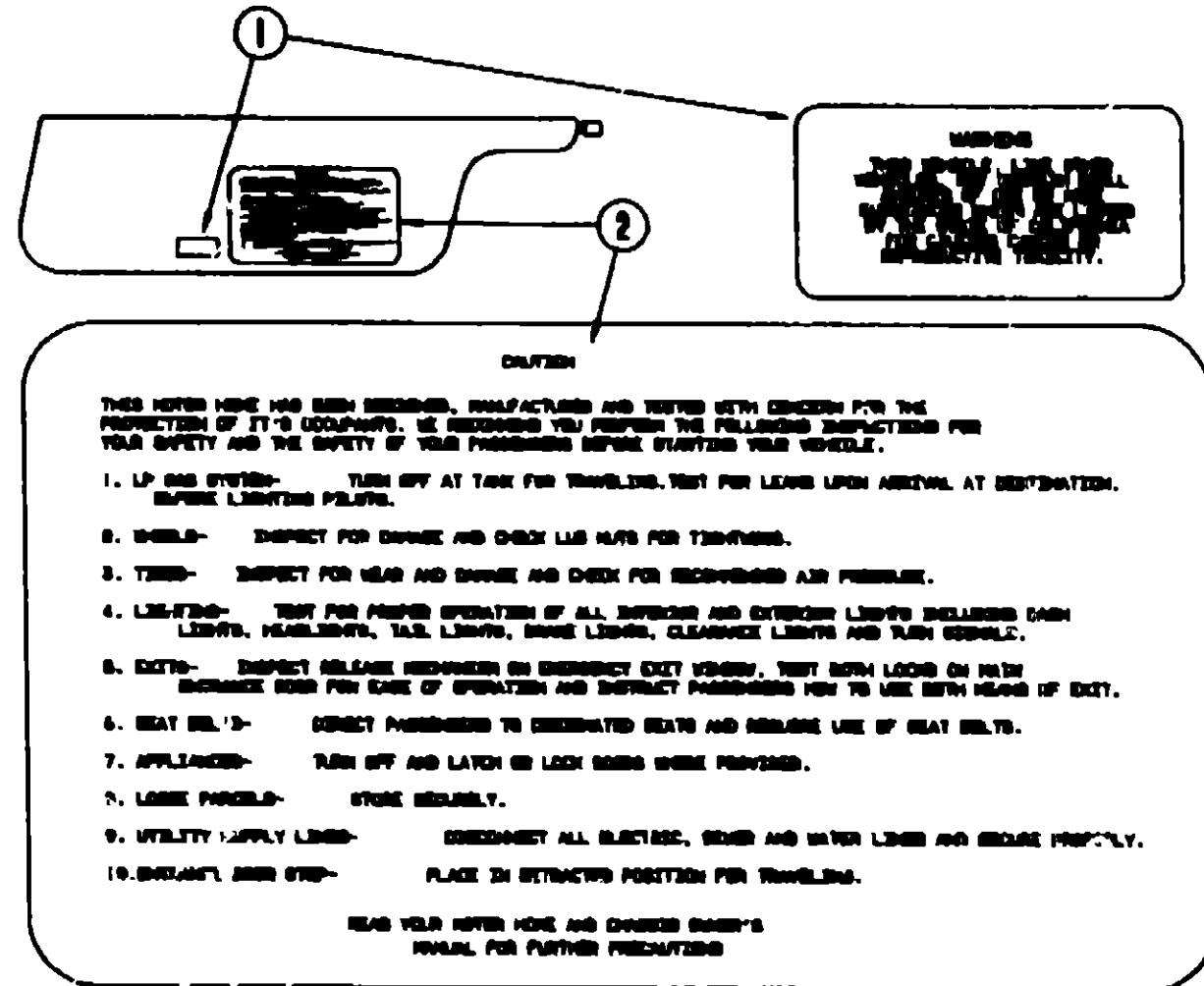
1993 WF427RQ INDEX

FLOOR PLAN	A-07 - A-08
ACCESSORIES	A-09
AUDIO VIDEO	A-10
BATH	A-11 - A-12
BEDROOM	A-13 - A-14
CHASSIS	A-15 - A-18
CURTAIN & CUSHION	A-19 - B-06
DINETTE	B-07 - B-08
DRIVERS COMPARTMENT	B-09 - B-10
ELECTRICAL	B-11 - B-14
EXTERIOR BODY	B-15 - B-22
GALLEY	B-23 - C-02
GENERATOR	C-03
HEATING & A/C	C-04 - C-06
INTERIOR FINISH	C-07 - C-10
LABELS	C-11 - C-18
LP	C-19
LOUNGE	C-20 - C-21
SEALANTS & FASTENERS	C-22 - C-24
WATER & SEWAGE	D-01 - D-04
WINDOW, VENT AND EXTERIOR DOOR	D-05 - D-20

LABELS GROUP (CONTINUED)



KEY	PART NUMBER	U/M DESCRIPTION
1	060225-01-000	EA LABEL-WARNING-STOVE VENT - US



KEY	PART NUMBER	U/M DESCRIPTION
1	060689-01-000	EA LABEL-WARNING-CANCER/TOXICITY
2	056259-01-000	EA LABEL-SAFETY CHECK LIST

LABELS GROUP (CONTINUED)

MISCELLANEOUS LABELS

KEY	PART NUMBER	U/M DESCRIPTION
	104238-01-000	EA LABEL-GENERATOR CIRCUIT
	008084-01-000	EA LABEL-BEAT TWO SEATBELT, (US)
	008084-02-000	EA LABEL-BEAT TWO SEATBELT (CSA) NOT INTENDED FOR USE WHILE COACH IN MOTION
	087207-08-000	EA LABEL-GAS OVERFILL, WARNING
	091224-02-000	EA LABEL-TRAILER LIGHTING
	091243-01-000	EA LABEL-A/C COVER, "AIR CONDITIONING CIRCUIT, ETC "
	091243-02-000	EA LABEL-COVER, "MICROWAVE CIRCUIT, ETC "
	093238-08-000	EA LABEL-CIRCUIT BREAKER
	063841-01-000	EA LABEL-FUEL, UNLEADED - DASH
	074669-01-000	EA DECAL-LOGO, LPG - RED - (CALIF CODE)
	073098-01-000	EA LABEL-LPG ODOR WARNING
	087238-01-000	EA LABEL-CABLE, INPUT
	061417-01-000	EA LABEL-FUEL ON FUEL FILL DOOR
	008040-01-000	EA TAG-GAS REFUELING WARNING-US
	008040-02-000	EA TAG GAS REFUEL WARNING-CANADIAN

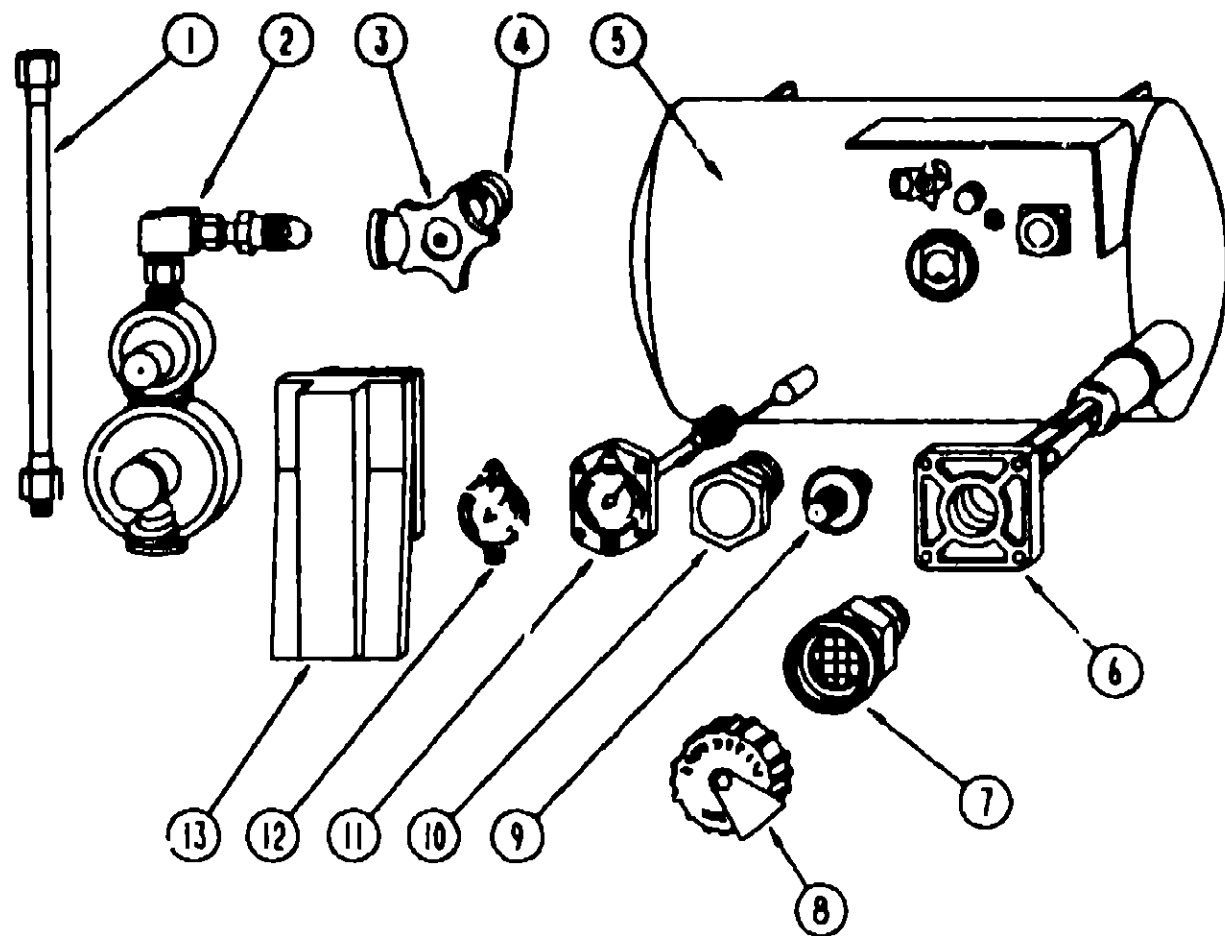
**1993 WINNEBAGO
TABLE OF CONTENTS**

INTRODUCTION	A-01 -	A-02
ABBREVIATIONS		A-03
ALPHABETICAL INDEX	A-04 -	A-06
WF427RQ	A-07 -	D-30
WF427RC	D-21 -	H-10
WF428HQ	H-11 -	L-02

1993 WF427RQ INDEX

FLOOR PLAN	A-07 -	A-08
ACCESSORIES		A-09
AUDIO VIDEO		A-10
BATH	A-11 -	A-12
BEDROOM	A-13 -	A-14
CHASSIS	A-15 -	A-18
CURTAIN & CUSHION	A-19 -	D-06
DINETTE	B-07 -	F-08
DRIVERS COMPARTMENT	B-09 -	B-10
ELECTRICAL	B-11 -	B-14
EXTERIOR BODY	B-15 -	B-22
GALLEY	B-23 -	C-02
GENERATOR		C-03
HEATING & A/C	C-04 -	C-06
INTERIOR FINISH	C-07 -	C-10
LABELS	C-11 -	C-18
LP		C-19
LOUNGE	C-20 -	C-21
SEALANTS & FASTENERS	C-22 -	C-24
WATER & SEWAGE	D-01 -	D-04
WINDOW, VENT AND EXTERIOR DOOR	D-05 -	D-20

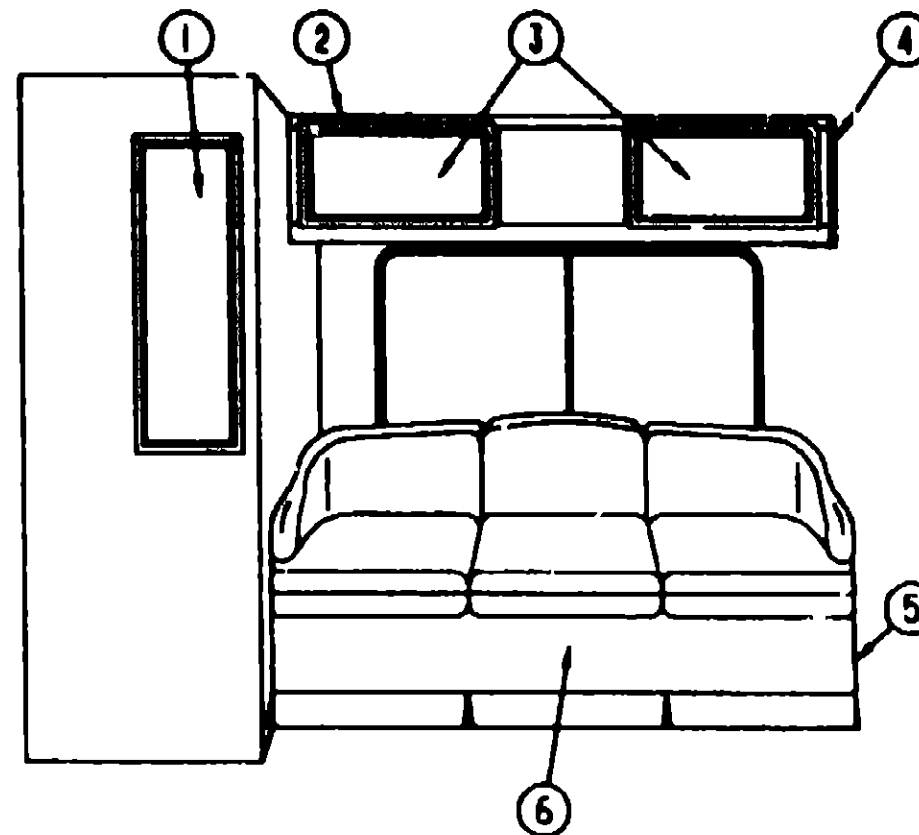
LP GROUP



LP SYSTEM

KEY	PART NUMBER	U/M DESCRIPTION
1	045703-01-000	EA HOSE-LP - 3/8" ID X 24' - 3/8 MPT X 1/2" F SWIVEL - U.S.
1	045703-02-000	EA HOSE-LP - 3/8" ID X 24' - 3/8" MPT X 1/2" F SWIVEL - CANADA
2	106150-01-000	EA REGULATOR-TWO STAGE, M'BRASS 293-00
3	040421-01-708	EA HANDWHEEL-SERVICE VALVE - BRUNNER G-1015-A
4	040421-01-712	EA VALVE-SERVICE W/O VAPOR RELIEF - 29000853
5	080450-01-000	EA TANK-LP, 42 LB - 13" DIAMETER X 24" LONG
6	040421-01-711	EA VALVE-80% W/FLOAT - PLATE - BOLTS & GASKET - BRUNNER
7	040421-01-701	EA VALVE-SHORT LP FILLER W/YELLOW CAP - BRUNNER 75478
8	040421-01-702	EA CAP-LP FILLER VALVE - PLASTIC - YELLOW - BRUNNER G-1014-A
9	040421-01-700	EA VALVE-LIQUID LEVEL - 20% LP - BRUNNER G-1013
10	040421-01-713	EA VALVE-VAPOR ONLY - 29000567
11	074142-01-700	EA FLOAT GAUGE-SCREW ON-M. CHINE 13C-SCR
12	040421-01-706	EA DIAL-LP TANK VOLUME - VISIBLE FACE (5-1789) - BRUNNER MA-8 ROCHESTER
13	081938-C1-000	EA COMPARTMENT-LP REGULATOR
		FROM 00-00-00 THRU 06-04-92
13	105658-01-000	EA COMPARTMENT-LP REGULATOR
		FROM 06-05-92 THRU 99-99-99
	C10323-01-000	EA ADAPTER-BRASS - 3/8" F X 1/2" MPT
	010285-01-000	EA CROSS - 3/8" F X 3/8" F X 3/8" F X 1/2" FPT - BRASS
	010377-02-000	EA NUT-BRASS - 3/8 FEMALE - FORGED
	010328-01-000	EA ADAPTER-BRASS-1/2" F X 1/2" MPT
	065318-02-000	EA ELBC W-90 DEGREE - 3/8" MPT TO 3/8" FPT
	035340-01-000	EA ELBOW - 3/8" MPT X 1/2" F - BRASS
	081612-01-000	EA TEE 1/2" MPT X 1/2" FL X 3/8" FL - BRASS
	095624-01-000	EA ELBOW-90 DEGREE - 1/4" FPT X 1/4" FPT - BRASS
	071391-02-000	EA NIPPLE-HEX, 1/4 PIPE - 3325X4 WEATHERHEAD
	008042-01-000	FT TUBING-VINYL, 85" ID
	103613-01-000	EA DETECTOR-LEAK, LP GAS

LOUNGE GROUP



DRIVER SIDE LOUNGE CABINETS

KEY	PART NUMBER	U/M DESCRIPTION
1	P05223-47-D04	EA DOOR-CABINET, W/O HARDWARE - 305 X 1220MM
2	110417-01-D04	EA CABINET-OVERHEAD, LOUNGE - W/O DOORS & HARDWARE
		FROM 00-00-00 THRU 04-18-93
2	110417-02-D04	EA CABINET-OVERHEAD, LOUNGE - W/O DOORS & HARDWARE
		FROM 04-19-93 THRU 99-99-99
2	110417-01-D05	EA CABINET-OVERHEAD, LOUNGE - W/O DOORS & HARDWARE
		FROM 00-00-00 THRU 04-18-93
2	110417-02-D05	EA CABINET-OVERHEAD, LOUNGE - W/O DOORS & HARDWARE
		FROM 04-19-93 THRU 99-99-99
3	P05223-70-D04	EA DOOR-CABINET, W/O HARDWARE - 400 X 715MM (MIRRORED)
3	P05223-71-D04	EA DOOR-CABINET, W/O HARDWARE - 400 X 715MM (WOOD PANEL)
4	104335-06-C03	EA END CAP-CABINET, OVE HEAD
5	M04187-18-D04	EA CABINET-COUCH, W/FABRIC
		FROM 00-00-00 THRU 06-04-92
5	M04187-55-D04	EA CABINET-COUCH, W/FABRIC
		FROM 06-05-92 THRU 99-99-99
5	M04187-18-D05	EA CABINET-COUCH, W/FABRIC
		FROM 00-00-00 THRU 06-04-92
5	M04187-55-D05	EA CABINET-COUCH, W/FABRIC
		FROM 06-05-92 THRU 99-99-99
6	M04187-17-D04	EA CABINET-COUCH, W/FABRIC
		FROM 00-00-00 THRU 06-04-92
6	M04187-54-D04	EA CABINET-COUCH, W/FABRIC
		FROM 06-05-92 THRU 99-99-99
6	M04187-17-D05	EA CABINET-COUCH, W/FABRIC
		FROM 00-00-00 THRU 06-04-92
6	M04187-54-D05	EA CABINET-COUCH, W/FABRIC
		FROM 06-05-92 THRU 99-99-99
	082525-01-000	EA BRACE-COUCH, LOOR MOUNT - ANGLE 3" LONG - METAL
	083125-03-000	EA BRACE-ANGLE, COUCH - TAN - 2.5"
	083125-05-000	EA BRACE-ANGLE, COUCH - BEIGE - 2.5"
	103513-12-B05	EA SUPPORT-COUCH, WOOD STRUCTURE
		FROM 00-00-00 THRU 06-04-92
	109058-12-D04	EA SUPPORT-COUCH
		FROM 06-05-92 THRU 99-99-99
	105847-01-000	EA BRACKET-HOLD DOWN, COUCH (CANADIAN OPTION)

**1993 WINNEBAGO
TABLE OF CONTENTS**

INTRODUCTION	A-01 -	A-02
ABBREVIATIONS		A-03
ALPHABETICAL INDEX	A-04 -	A-06
WF427RQ	A-07 -	D-20
WF427RC	D-21 -	H-10
WF428RQ	H-11 -	L-02

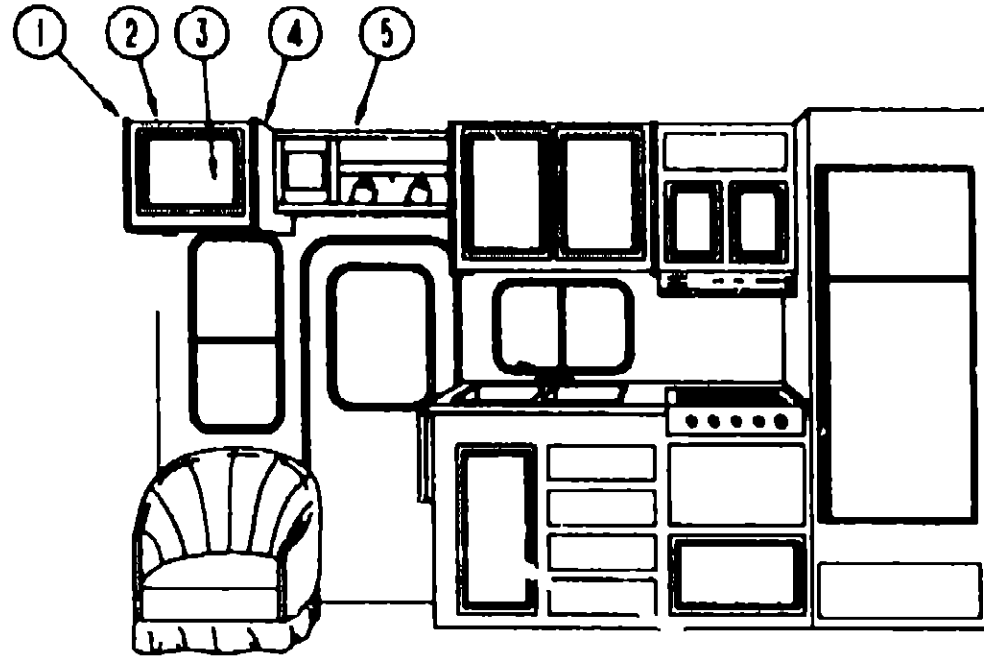
1993 WF427RQ INDEX

FLOOR PLAN	A-07 -	A-08
ACCESSORIES		A-09
AUDIO VIDEO		A-10
BATH	A-11 -	A-12
BEDROOM	A-13 -	A-14
CHASSIS	A-15 -	A-18
CURTAIN & CUSHION	A-19 -	B-08
DINETTE	B-07 -	B-08
DRIVERS COMPARTMENT	B-09 -	B-10
ELECTRICAL	B-11 -	B-14
EXTERIOR BODY	B-15 -	B-22
GALLEY	B-23 -	C-02
GENERATOR		C-03
HEATING & A/C	C-04 -	C-06
INTERIOR FINISH	C-07 -	C-10
LABELS	C-11 -	C-18
LP		C-19
LOUNGE	C-20 -	C-21
SEALANTS & FASTENERS	C-22 -	C-24
WATER & SEWAGE	D-01 -	D-04
WINDOW, VENT AND EXTERIOR DOOR	D-05 -	D-20

LOUNGE GROUP (CONTINUED)

DRIVER SIDE LOUNGE TABLE

KEY	PART NUMBER	U/M	DESCRIPTION
	081298-01-004	EA	TABLE-PEDESTAL, W/O HARDWARE
	081298-01-006	EA	TABLE-PEDESTAL, W/O HARDWARE
	009040-02-000	EA	PEDESTAL TABLE LEG-27 5" X 2 25" DIA - CHROME
	041194-01-000	EA	BASE-TABLE-FLUSH - FLOOR MOUNTED
	082048-01-000	EA	CUP-LEG-PEDESTAL - 1 7" X 2 2" - DIA. FROM 2" TO 2 5"



PASSENGER SIDE LOUNGE CABINETS

KEY	PART NUMBER	U/M	DESCRIPTION
1	104335-07-C03	EA	END CAP-CABINET, OVERHEAD
1	104335-18-C03	EA	END CAP-CABINET, OVERHEAD (TV OPTION)
2	M05778-01-D04	EA	CABINET-OVERHEAD, W/O DOOR & HARDWARE
2	M05778-26-D04	EA	CABINET-OVERHEAD, W/O DOOR & HARDWARE (TV OPTION)
	106452-11-C03	EA	SHELF-CABINET, TV
	061604-01-000	EA	SLIDE-BOLT-ANTIQUE BRASS
	101910-03-000	EA	SLIDE-DRAWER-CABINET MOUNTED - SET OF 2 - 12" LONG
	101910-04-000	EA	SLIDE-DRAWER-DRAWER MOUNTED - SET OF 2 - 12"
3	P05223-43-D04	EA	DOOR-CABINET, W/O HARDWARE 400 X 520MM
4	104335-06-C03	EA	END CAP-CABINET, OVERHEAD
4	104335-17-C03	EA	END CAP-CABINET, OVERHEAD (TV OPTION)
5	106847-05-C05	EA	KEY RING HOLDER
	103130-01-000	EA	HOOK-CUP-BRASS - 1 25"

SEALANTS & FASTENERS GROUP

ADHESIVE & FASTENERS

KEY	PART NUMBER	U/M	DESCRIPTION
	034652-02-000	EA	SILICONE-TUBE, 300 ML - W/O NOZZLE - CLEAR
	034652-08-000	EA	SILICONE-TUBE, 300 ML - W/O NOZZLE - OFF WHITE
	900380-01-000	EA	TIP-2 1/2" X 1/8" ORIFICE
	900380-02-000	EA	TIP-6" LN, 1/16" X 1/4" ORIFICE
	900380-03-000	EA	NOZZLES-#CSL D10
	002707-02-000	FT	T/PE-SEALER, 8/16" X 1/2"
	053788-02-000	EA	BEDDING COMPOUND-TUBE, WHITE SCHNEE# 5522
	053788-08-000	EA	BEDDING COMPOUND-TUBE, CLEAR
	053788-08-000	EA	BEDDING COMPOUND-TUBE, GRAY - SCHNEE# 5522
	063642-01-000	FT	TAPE-ADHESIVE, 10 MM X 1 5" WIDE X 180'
	069640-01-000	FT	SEALER-RIBBON, 1/4" DIAMETER
	069640-02-000	FT	SEALER-RIBBON, 1/2" X 1/8"
	069640-03-000	FT	SEALER-RIBBON, 5/16" X 1/8"
	069640-06-000	FT	SEALER-RIBBON, 3/4" X 1/8"
	069640-10-000	FT	SEALER-RIBBON, 1/32" X 1 1/2"
	069640-11-000	FT	SEALER-TAPE, 3/16" X 3/8", BLACK - MANUS
	069640-12-000	FT	SEALER-TAPE, 1/8" X 1 5" GRAY - MANUS
	069640-14-000	FT	SEALER-TAPE, 1/16" X 1" GRAY - MANUS
	072889-01-000	EA	SEALANT-URETHANE, BLACK - 1/10 - ESSEX 552 2
	078314-02-000	FT	TAPE-CARPET SEAM, HEAT-BOND - 4" WIDE
	078322-01-000	FT	TAPE-FOAM, DOUBLE COATED ADHESIVE BACKED - 75' X 216"
	078322-02-000	FT	TAPE-FOAM, DOUBLE COATED ADHESIVE BACKED - 1' X 108"
	078322-03-000	FT	TAPE-FOAM, DOUBLE COATED ADHESIVE BACKED - 5' X 108"
	078322-05-000	FT	TAPE-FOAM, DOUBLE COATED ADHESIVE BACKED - 025' X 1 5' X 108"
	087211-01-000	GL	PROMOTER ADHESIVE
	091255-02-000	FT	SEAL-ADHESIVE BACKED FOAM, .18" THICK X 1 5" WIDE
	094401-01-000	EA	SEALER-BODY SEAM SEALER, 3M FLEXICLEAR
	102352-01-000	EA	SEALER-PUMPABLE, BLACK - COLORIMETRIC MS101
	108716-01-000	EA	SILICONE-TUBE, OFF WHITE LEVEL - CSL 510

BOLTS, NUTS & WASHERS

KEY	PART NUMBER	U/M	DESCRIPTION
	000G45-05-168	EA	BOLT-LAG 5/16 - 9 X 1 ZN
	0MC31K-08-020	EA	BOLT-HEX, SER FLANGE - M8 X 020
	000C12-05-1CB	EA	BOLT-HEX, 5/16-18 X 1 - ZINC 5
	000C12-06-32B	EA	BOLT-HEX-3/8-16X2LG,ZN 5
	000C12-07-24B	EA	BOLT-HEX,7/16-14X1 50,ZN 5 MC-90
	000C12-08-24B	EA	BOLT-HEX, 1/2-13 X 1 1/2 - ZN 5
	000C12-10-24B	EA	BOLT-HEX, 5/8-11 X 1 1/2 ZN - 5
	000C13-07-48B	EA	BOLT-HEX, 7/16 - 20 X 3 - ZN 5
	000C18-05-40A	EA	BOLT-ELEV, 5/16"-18 X 2 1/2" PL
	000C18-06-48B	EA	BOLT-ELEV, 3/8-16 X 3 ZN - GDE 5
	000C26-04-10B	EA	BOLT-HEX, SER FLG - 1/4-20 X 5/8 ZINC
	000C26-05-12B	EA	BOLT-HEX-SER FLG 5/16-18X3/4 ZN
	000D24-10-00B	EA	NUT-HEX, SF/LK - 10-32 ZN
	000D29-09-00B	EA	NUT-HEX, SF/LK - 9/16 - 12 ZN
	000D39-04-00B	EA	NUT-HEX, SER FLG LK 1/4 - 20 ZN
	000D39-05-00B	EA	NUT-HEX, SER FLG LK - 5/16 - 18 ZN
	000D39-06-00B	EA	NUT-HEX, SER FLG LK - 3/8-18 ZN
	000D39-08-00B	EA	NUT-HEX, SER FLG LK - 1/2-13 ZN
	000D44-07-00B	EA	NUT-HEX, SER FLG LK - 7/16-20 ZN
	000E11-07-00B	EA	WASHER-LK, 7/16 MED SPLIT ZN 05114-01-000
	000E13-14-00B	EA	WASHER-FL, 1/4" WIDE ZN
	000E13-17-00B	EA	WASHER-FLARE, 3/8" AR ZN
	000E13-20-00B	EA	WASHER-FL, 7/16" WIDE - ZN
	000E13-21-00B	EA	WASHER-FL, W/2 NAR ZN
	000E14-10-00B	EA	WASHER-LK, NO 10 EXT TOOTH - ZN
	041322-01-000	EA	WASHER-FL, 15/32ID X 2 3/8 OD - FOR SEAT BELT MOUNT
	044533-01-000	EA	WASHER-PLASTIC, 1 3/8"OD - FOR BUTTONS

1993 WINNEBAGO TABLE OF CONTENTS

INTRODUCTION	A-01 -	A-02
ABBREVIATIONS		A-03
ALPHABETICAL INDEX	A-04 -	A-06
WF427RQ	A-07 -	D-20
WF4279C	D-21 -	H-10
WF428RQ	H-11 -	L-02

1993 WF427RQ INDEX

FLOOR PLAN	A-07 -	A-08
ACCESSORIES		A-09
AUDIO VIDEO		A-10
BATH	A-11 -	A-12
BEDROOM	A-13 -	A-14
CHASSIS	A-15 -	A-18
CURTAIN & CUSHION	A-19 -	B-06
DINETTE	B-07 -	B-08
DRIVERS COMPARTMENT	B-09 -	B-10
ELECTRICAL	B-11 -	B-14
EXTERIOR BODY	B-15 -	B-22
GALLEY	B-23 -	C-02
GENERATOR		C-03
HEATING & A/C	C-04 -	C-06
INTERIOR FINISH	C-07 -	C-10
LABELS	C-11 -	C-18
LP		C-19
LOUNGE	C-20 -	C-21
SEALANTS & FASTENERS	C-22 -	C-24
WATER & SEWAGE	D-01 -	D-04
WINDOW, VENT AND EXTERIOR DOOR	D-05 -	D-20

SEALANTS & FASTENERS GROUP (CONTINUED)

SCREWS

KEY	PART NUMBER	U/M	DESCRIPTION
	000G11-06-10J	EA	SCREW, 6-20 X 5/8 PPH - BRASS
	000G11-07-08B	EA	SCREW, 7-18 X 1/2 PPH - ZN
	000G11-08-08B	EA	SCREW, 8-18 X 3/8 PPH ZN
	000G11-08-08B	EA	SCREW, 8-18 X 1/2 PPH - ZN
	000G11-08-12B	EA	SCREW, 8-18 X 3/4 PPH ZN
	000G11-08-12D	EA	SCREW, 8-18 X 3/4 PPH - BLACK
	000G11-08-12E	EA	SCREW-8-18X.75 PPH CHROME F50025 4
	000G11-08-12F	EA	SCREW, 8-18 X .75 PPH - DARK BR.OWN
	000G11-08-12F	EA	SCREW, 8-18 X 3/4 PPH - BEIGE
	000G11-08-12S	EA	SCREW, 8-18 X 3/4 PPH - OFF WHITE
	000G11-08-12T	EA	SCREW, 8-18 X 3/4 PPH - BLACK
	000G11-08-12T	EA	SCREW, 8-18 X 1.00 PPH - OFF WHITE
	000G11-10-12S	EA	SCREW-10-16X.75 PPH OFF WHT
	000G12-06-08T	EA	SCREW, 6-20 X .50 POH - BLACK
	000G12-08-12F	EA	SCREW, 8-18 X 75OH - BEIGE
	000G12-08-12S	EA	SCREW, 8-18 X 3/4 POH - OFF WHITE
	000G13-08-08B	EA	SCREW, 8-20 X 3/8 PFH ZN
	000G13-08-08B	EA	SCREW, 8-20 X 1/2 PFH ZN
	000G13-08-08G	EA	SCREW, 8-20 X 1/2 PFH - ANTIQUE BRASS
	000G13-08-16J	EA	SCREW, 8-20 X 1.00 PFH - BRASS
	000G13-08-24J	EA	SCREW, 8-20 X 1.50 PFH - BRASS
	000G13-07-12B	EA	SCREW, 7-18 X 3/4 PFH ZN
	000G13-08-16B	EA	SCREW, 8-18 X 1 PFH - ZN
	000G13-10-12B	EA	SCREW, 10-16 X 3/4 PFH ZN
	000G18-08-18B	EA	SCREW-MACHINE, 8 X 32 X 1, PPH ZN
	000G18-08-22B	EA	SCREW-MACHINE, 8-32 X 1 3/8 PPH ZN
	000G32-10-08B	EA	SCREW-10-32 X 3/8" - PPH - ZINC
	000G39-06-08B	EA	SCREW-DR, 6-18 X 1/2 ZN
	000G39-08-10T	EA	SCREW-SF/DR, 8-20 X 5/8 PPH - BLACK
	000G39-08-10T	EA	SCREW-SF/DR, 8-20 X 5/8 PPH - BLACK
	000G39-08-16T	EA	SCREW-SF/DR, 8-20 X 1 PPH - BLACK
	000G39-08-06B	EA	SCREW-SF/DR, 8-18 X 3/8 PPH ZN
	000G39-08-08B	EA	SCREW-SF/DR, 8-18 X 1/2 PPH ZN
	000G39-08-08F	EA	SCREW-SF/DR, 8-18 X 1/2 PPH - BEIGE
	000G39-08-08S	EA	SCREW-SF/DR, 8-18 X 1/2 PPH - OFF WHITE
	000G39-08-12B	EA	SCREW-SF/DR, 8-18 X 3/4 PPH ZN
	000G39-08-16B	EA	SCREW-SF/DR, 8-18 X 1 PPH ZN
	000G39-08-16S	EA	SCREW-SF/DR, 8-18 X 1.00 PPH, OFF WHITE
	000G39-08-24B	EA	SCREW-SF/DR, 8-18 X 1 1/2 PPH ZN
	000G39-10-12B	EA	SCREW-SF/DR, 10-16 X 3/4 PPH - SILVER
	000G39-10-12D	EA	SCREW-SF/DR, 10-16 X 3/4 PPH - BLACK
	000G39-10-12F	EA	SCREW-SF/DR, 10-16 X 3/4 PPH - BEIGE
	000G39-10-20B	EA	SCREW-SF/DR, 10-16 X 1 1/4 PPH ZN
	000G39-10-32B	EA	SCREW-SF/DR, 10-16 X 2.00 PPH - ZN
	000G39-10-32I	EA	SCREW-SF/DR, 10-16 X 2.00 PPH - ZN PLATE-PASS BLACK
	000G39-12-12E	EA	SCREW-SF/DR, 12 - 14 X 3/4 PPH - CHROME
	000G42-04-12B	EA	SCREW-SF/DR, 1/4 - 14 X 3/4 HWH ZN
	000G42-04-16B	EA	SCREW-SF/DR, 1/4-14 X 1 HWH - ZN
	000G50-04-12B	EA	SCREW-MACHINE, 1/4-20 X 3/4 PPH ZN
	000G53-04-06B	EA	SCREW-MACHINE, 1/4-20 X 3/8 PPH ZN - UNDERCUT HEAD
	000G54-04-20B	EA	SCREW, 1/4-20 X 1 1/4 PTH - TYPE 23 - ZINC PLATED
	000G56-12-48B	EA	SCREW-WOOD, 12 - 11 X 3 POH - SPECIAL HARDENED
	000G60-10-28T	EA	SCREW-SF/DR, 10-16 X 1 75 - BLACK
	000G67-10-08B	EA	SCREW, 10-12 X 1/2 PPH ZN
	000G67-10-08F	EA	SCREW, 10-12 X 1/2 PPH - BEIGE - TYPE A
	000G67-10-10B	EA	SCREW, 10-12 X 5/8 PPH ZN - TYPE A
	000G67-10-10D	EA	SCREW, 10-12 X 5/8 PPH - BLACK - TYPE A
	000G67-10-10F	EA	SCREW, 10-12 X 5/8 PPH - TYPE A - BEIGE
	000G67-10-10S	EA	SCREW, 10-12 X 5/8" - PPH - OFF WHITE
	000G67-10-12D	EA	SCREW, 10-12 X 3/4" PPH - TAN
	000G67-10-12B	EA	SCREW, 10-12 X 3/4" PPH - ZN

SEALANTS & FASTENERS GROUP (CONTINUED)

SCREWS (CONTINUED)

KEY	PART NUMBER	U/M	DESCRIPTION
	000G67-10-12P	EA	SCREW, 10-12 X 75" - PPH - DARK BROWN
	000G67-10-12R	EA	SCREW, 10-12 X .75 PPH - BEIGE
	000G67-10-16B	EA	SCREW, 10-12 X 1 PPH - ZN
	000G67-10-18P	EA	SCREW, 10-12 X 1 PPH - DARK BROWN
	000G67-10-20D	EA	SCREW, 10-12 X 1 1/4 PPH - BLACK
	000G67-10-24B	EA	SCREW, 10-12 X 1 1/2 PPH - ZN
	000G67-10-32B	EA	SCREW, 10-12 X 2 PPH - ZN
	000G68-06-10G	EA	SCREW, 6-18 X 5/8 POH - ANTIQUE BRASS
	000G68-10-38T	EA	SCREW-10-12 X 2 25 POH BLACK
	049485-04-000	EA	SCREW, 10-18 X 1 PTH WWASHER - BEIGE
	07404J-01-000	EA	SCREW, 8-18 X 1 1/2 PFH, BRONZE
	075908-01-000	EA	SCREW MACHINE, 10-32 X 58 PTH - ZINC EXTERNAL TOOTH
	101289-01-01A	EA	SCREW MACHINE, 8-32 X 4 POH - BRASS FOR EXTENDED KNOB

CLAMPS, GROMMETS, CLIPS & RIVETS

KEY	PART NUMBER	U/M	DESCRIPTION
	000H18-04-08R	EA	RIVET-POP, AL 1/8 X .313-3/5
	007181-01-000	EA	CLAMP-HOSE, SPRING TYPE - 1/2"
	010495-01-000	EA	CLAMP-CABLE, 9/16"
	010497-01-000	EA	CLAMP-CLOSED, 5/8" ID
	010499-01-000	EA	CLAMP-CLOSED, 3/8" ID
	018188-05-000	EA	GROMMET-L/P LINL, 3/8" HOLE X 1 1/4" LONG - RUBBER
	023942-01-000	EA	GROMMET-RUBBER, 2" OD
	062401-01-000	EA	CLAMP-HOSE, WORMGEAR 25" - 1"
	062401-02-000	EA	CLAMP-HOSE, WORMGEAR, 1 58" - 2 5"
	062401-04-000	EA	CLAMP-HOSE, WORMGEAR, 69" - 1 25"
	062401-06-000	EA	CLAMP-HOSE, WORMGEAR 22" - 62"
	069582-02-000	EA	RIVET-T, (POP) - 1/4 X .093 - 158
	071015-11-000	EA	GROMMET-1.09" ID, FITS .12 MATL - MINOR RUBBER Z-3065
	071015-26-000	EA	GROMMET-RUBBER, 1 5" ID X 2 12" OD W/ .06" GROOVE - BLACK
	071115-21-000	EA	GROMMET-RUBBER, 69" ID X 1 31" OD W/ 12" GROOVE - BLACK
	075148-02-000	EA	CLAMP-GROUNDING, BRONZE SCREWS
	077L10-01-000	EA	GROMMET-EDGE LINER, FITS 1"
	080704-02-000	EA	CLIP-WIRE, NYLON
	082149-01-000	EA	STUD-CLINCH, 3/8" X 24 X 1 12 GD5
	083609-01-000	EA	CLAMP-WIRE, DUAL EQUAL - 5/8" DIAMETER
	083610-01-000	EA	CLAMP-WIRE, DUAL - UNEQUAL DIAMETERS - .75" & 1 25"
	085774-01-000	FT	FASTENER-DUAL HOOK, 1" WIDE - ADHESIVE BACK - BLACK
	085774-02-000	FT	FASTENER-DUAL LOOP, 1" WIDE - ADHESIVE BACK - BLACK
	087721-01-000	EA	SCREW-FLAT HEAD, TAPPING - 1/4" X 1 1/4" LG ZN
	091952-01-000	EA	CLIP-GRIPPER, 1"
	101447-01-000	CA	CLIP-J TYPE, TINNEMAN - HOLDS SHOWER SURROUND TOGETHER
	000G39-08-12R	EA	SCREW-SELF DRIVING, 8-18 X 3/4 PPH, BEIGE
	000G39-08-16B	EA	SCREW-SELF DRIVING, 8-18 X 1 PPH, ZINC
	000G39-08-16S	EA	SCREW-SELF DRIVING, 8-18 X 1.00 PPH, OFF WHITE
	000G39-08-24E	EA	SCREW-SELF DRIVING, 8-18 X 1 1/2 PPH, ZINC
	000G39-10-12D	EA	SCREW-SELF DRIVING, 10-16 X 3/4 PPH, BLACK
	000G39-10-12R	EA	SCREW-SELF DRIVING, 10-16 X 3/4 PPH, BEIGE
	000G60-10-28T	EA	SCREW-SELF DRIVING, 10-16 X 1 75, BLACK
	000G39-10-129	EA	SCREW-SELF DRIVING-10-16X 75 PPH, FLUOROCARBON SILVER
	000G39-10-20B	EA	SCREW-SELF DRIVING, 10-16 X 1 1/4 PPH, ZINC
	000G39-12-12E	EA	SCREW-SELF DRIVING, 12, 14 X 3/4 PPH, CHROME
	000G42-04-12B	EA	SCREW-SELF DRIVING, 1/4-14X3/4HWH, ZINC
	000G42-04-16B	EA	SCREW-SELF DRIVING, 1/4-14 X 1 HWH, ZINC
	000G56-12-48B	EA	SCREW-WOOD, 12, 11 X 3 POH, SPECIAL HARDENED
	087721-01-000	EA	SCREW-FLAT HEAD, TAPPING, 1/4" X 1 1/4" LG ZINC

1993 WINNEBAGO TABLE OF CONTENTS

INTRODUCTION	A-01 -	A-02
ABBREVIATIONS		A-03
ALPHABETICAL INDEX	A-04 -	A-08
WF427RQ	A-07 -	D-20
WF427RC	D-21 -	H-10
WF428RQ	H-11 -	L-02

1993 WF427RQ INDEX

FLOOR PLAN	A-07 -	A-09
ACCESSORIES		I-01
AUDIO VIDEO		A-10
BATH	A-11 -	A-12
BEDROOM	A-13 -	A-14
CHASSIS	A-15 -	A-18
CURTAIN & CUSHION	A-19 -	B-08
DINETTE	B-07 -	B-09
DRIVERS COMPARTMENT	B-09 -	B-10
ELECTRICAL	B-11 -	B-14
EXTERIOR BODY	B-15 -	B-22
GALLEY	B-13 -	C-02
GENERATOR		C-03
HEATING & A/C	C-04 -	C-06
INTERIOR FINISH	C-07 -	C-10
LABELS	C-11 -	C-18
LP		C-19
LOUNGE	C-20 -	C-21
SEALANTS & FASTENERS	C-22 -	C-24
WATER & SEWAGE	D-01 -	D-04
WINDOW, VENT AND EXTERIOR DOOR	D-05 -	D-20

WATER & SEWAGE GROUP

FRESH WATER TANK & WATER SYSTEM

KEY	PART NUMBER	U/M	DESCRIPTION
	084214-C7-000	EA	TANK-WATER, W/FITTINGS, 31 GALLON, 30" X 24" X 12.7"
	077954-02-000	EA	FILTER-WATER TANK, SCREEN IN TANK
	742989-03-000	EA	FITTING-WATER TANK, SPINWELD - 1 1/4" NPT, PLASTIC, WHITE
	U42929-04-000	EA	FITTING-WATER TANK, SPINWELD - 3/8" FPT, PLASTIC, WHITE
	042989-05-000	EA	FITTING-WATER TANK, SPINWELD - 1/2" FPT, PLASTIC, WHITE
	049032-01-000	EA	PATCH-SPINWELD, 3/8" - PLASTIC
	039861-01-000	EA	SENDING UNIT, W/SCREW - WASHER - WELL NUT AND TERMINAL RING
	036522-02-000	EA	CAP-BRASS, 1/2" FLARE
	106000-01-000	EA	CAP-FEMALE, W/CONE - 50 - KEVCO TC3F
	010224-01-000	EA	ADAPTER-HOSE TO PIPE, 3/8" MPT X 3/8" BARB - PLASTIC BLACK
	044927-01-000	EA	ADAPTER-HOSE TO PIPE, 1 1/4" MPT X 1 1/4" BARB - BLACK PLASTIC
	052954-01-060	EA	ADAPTER-HOSE CONE, 3/8" OR 1/2" TUBING - PLASTIC, GRAY
	071317-01-000	EA	ADAPTER-SWIVEL, 1/2" TUBE X 1/2" FPT - PLASTIC, GRAY
	106258-01-000	EA	CAP-INSERTABLE, 1/2" FLARE
	052417-01-000	EA	CONNECTOR-5/8" F X 1/2" MPT PLASTIC, KEVCO
	101614-01-000	EA	COUPLING-FEMALE, 1/2" X 1/2" FPT
	052960-01-000	EA	DRAIN VALVE-IN LINE HEADER, 1/2" F X 1/2" F, GRAY PLAS
	052960-03-000	EA	DRAIN VALVE-IN LINE HEADER, 5/8" F X 5/8" F, PLASTIC
	052961-02-000	EA	DRAIN VALVE-IN LINE HEADER, 1/2" MPT X 1/2" F X 1/2" F X 1/2" F - PLASTIC
	055290-01-000	EA	ELBOW-5/8" F X 1/2" MPT
	052957-02-000	EA	ELBOW-MALE, 1/2" F X 1/2" MPT PLASTIC, GRAY
	097859-04-000	EA	FILL-WATER CITY, OFF WHITE
			FROM 00-00-00 THRU 05-16-93
	087859-01-700	EA	FILL-WATER STRAP & CAP ONLY, V322-00
	110915-01-01A	EA	FILL-WATER CITY, OFF WHITE
			FROM 05-17-93 THRU 99-99-99
	048129-01-000	EA	VALVE-DRAIN PLASTIC, 1/2" FPT
	065120-01-000	EA	ELBOW-SWIVEL, 1/2" FPT X 1/2" FLARE - PLASTIC - GRAY
	052953-01-000	EA	NUT-FAUCET, 1/2" TUBE X 1/2" FPT - PLASTIC - GRAY
	052952-01-000	EA	NUT-PLASTIC, 1/2" F X 1/2" TUBE - GRAY
	052952-02-000	EA	NUT-PLASTIC, 5/8" FLARE
	039798-01-000	EA	TEE-1/2" MPT X 1/2" MPT X 1/2" MPT, PLASTIC
	052958-01-000	EA	TEE-1/2" F X 1/2" F X 1/2" F, PLASTIC - GRAY
	055291-01-000	EA	TEE-PLASTIC, 5/8" F X 5/8" F X 5/8" F
	055293-01-000	EA	TEE-PLASTIC, 5/8" F X 1/2" F X 5/8" F
	057973-01-000	EA	TEE-PLASTIC, 1/2" F X 1/2" F X 5/8" F, WATER
	057974-01-000	EA	TEE-5/8" F X 1/2" F X 1/2" F, PLASTIC
	039800-01-000	FT	TUBING-POLYBUTYL, 1/2" OD - INCREMENTS OF 20' - BLACK
	039800-02-000	FT	TUBING-POLYBUTYL, 5/8" OD - INCREMENTS OF 20' - BLACK
	079381-01-000	FT	TUBING-SMOOTH, FLEXIBLE 1 1/4" ID - INCREMENTS OF 20'
	074452-02-000	FT	TUBING-VINYL, 3/8" ID - CLEAR - INCREMENTS OF 20'

WATER PUMP

KEY	PART NUMBER	U/M	DESCRIPTION
	098807-01-000	EA	PUMP-WATER, W/ 5" MPT FITTING - SHURFLO 2 B GPM, UL
	098807-01-700	EA	PUMPHEAD-REPLACEMENT - 94-236-08
	098807-01-701	EA	DRIVE ASSEMBLY - 94-734-03
	098807-01-702	EA	DIAPHRAGM KIT - 94-233-10
	098807-01-703	EA	VALVE ASSEMBLY - 94-232-00
	098807-01-704	EA	HOUSING-UPPER - 94-231-01
	098807-01-705	EA	CHECK VALVE KIT - 94-237-00
	098807-01-706	EA	UPPER HOUSING/SWITCH KIT - 94-231-20
	098807-01-707	EA	MOTOR/BASEPLATE REPLACEMENT - 94-235-03

WATER HEATER W/O MOTOR AID

KEY	PART NUMBER	U/M	DESCRIPTION
	051391-03-000	EA	HEATER-WATER, W/ELECTRIC IGNITION - ATWOOD G6A-3E
	051391-01-700	EA	HINGE KIT-W/CLIP, ATWOOD 92568 & 92559
	051391-01-704	EA	VALVE-RELIEF 1/2" FITTING - ATWOOD 91804

WATER & SEWAGE GROUP (CONTINUED)

WATER HEATER W/O MOTOR AID (CONTINUED)

KEY	PART NUMBER	U/M	DESCRIPTION
	051391-01-705	EA	FASTENER-CAMLOC, ATWOOD 92809
	051391-01-708	EA	GRILLE-EXHAUST, ATWOOD 92787
	051391-01-708	EA	BURNER-MAIN, 3E ONLY - ATWOOD 92815
	051391-01-710	EA	ORIFICE-MAIN BURNER, ATWOOD 92742
	051391-01-715	EA	DRAIN PLUG, ATWOOD 91581
	051391-04-700	EA	TANK-INNER (G6A-3E), FRONT MOUNT - ATWOOD 91608
	051391-04-701	EA	THERMOSTAT 12 VDC-120 PRESET, ATWOOD 91470
	051391-04-706	EA	TANK-INNER, G6A-4E & 6E - FRONT MOUNT - ATWOOD 91641
	051393-01-702	EA	SWITCH-ENERGY CUT-OFF, ATWOOD 91951
	051393-01-703	EA	THERMOSTAT-REAR MOUNT, ATWOOD 91952
	051393-01-704	EA	CIRCUIT BOARD-W/BLACK BOX, ATWOOD 91420
	051393-01-705	EA	ORIFICE HOLDER-ATWOOD 91925
	051393-01-718	EA	SPARK & PROBE ASM, ATWOOD 91806
	051393-01-718	EA	VALVE-DUAL SOLENOID, ATWOOD 91806
	051393-01-721	EA	ECO-THERMOSTAT ASM-FRONT MOUNT, 140 DEGREE - ATWOOD 91447
	051393-03-700	EA	TANK-INNER (G6A-3E), REAR MT - ATWOOD 91409
	097957-01-000	EA	SWITCH-WATER HEATER, ATWOOD 91959

WATER HEATER W/MOTOR AID & REAR HEATER

KEY	PART NUMBER	U/M	DESCRIPTION
	051393-01-000	EA	HEATER-WATER-W/MOTOR AID-ATWOOD G6B-3E, G6B-4E, OR G6B-6E
	051391-01-700	EA	HINGE KIT-W/CLIP, ATWOOD 92568 & 92559
	051391-01-704	EA	VALVE-RELIEF, 1/2" FITTING - ATWOOD 91804
	051391-01-705	EA	FASTENER-CAMLOC, ATWOOD 92809
	051391-01-708	EA	GRILLE-EXHAUST, ATWOOD 92787
	051391-01-708	EA	BURNER-MAIN, 3E ONLY - ATWOOD 92815
	051391-01-710	EA	ORIFICE-MAIN BURNER, ATWOOD 92742
	051391-01-714	EA	ELBOW-45 DEGREE, 3/8" F X 3/8" MPT - ATWOOD 91044
	051391-01-715	EA	DRAIN PLUG, ATWOOD 91581
	051391-04-701	EA	THERMOSTAT 12 VDC-120 PRESET, ATWOOD 91470
	051391-04-704	EA	TANK-INNER FRONT MOUNT - G6B-4E & 6E - ATWOOD 91642
	051393-01-700	EA	TANK-INNER, 3E FRONT MOUNT - ATWOOD 91923
	051393-01-702	EA	SWITCH-ENERGY CUT-OFF, ATWOOD 91951

STANDARD WATER HEATER

KEY	PART NUMBER	U/M	DESCRIPTION
	051391-01-000	EA	HEATER-WATER, ATWOOD G6A-3
	051391-01-700	EA	HINGE KIT-W/CLIP, ATWOOD 92568 & 92559
	051391-01-702	EA	TANK-INNER, G6A-2E - 3E - 6E - WATER HEATER, ATWOOD 91412
	051391-01-704	EA	VALVE-RELIEF, 1/2" FITTING - ATWOOD 91804
	051391-01-705	EA	FASTENER-CAMLOC, ATWOOD 92809
	051391-01-708	EA	GRILLE-EXHAUST, ATWOOD 92787
	051391-01-708	EA	BURNER-MAIN, 3E ONLY - ATWOOD 92815
	051391-01-709	EA	PILOT ASIA-W/THERMOCOUPLER & TUBE, 91803 ATWOOD 91214
	051391-01-710	EA	ORIFICE-MAIN BURNER, ATWOOD 92742
	051391-01-711	EA	ELBOW-ORIFICE, MAIN BURNER - 92741 ATWOOD
	051391-01-712	EA	THERMOSTAT-3/8" NPT INLET, 91801 ATWOOD 91043
	051391-01-714	EA	ELBOW-45 DEGREE, 3/8" F X 3/8" MPT - ATWOOD 91044
	051391-01-715	EA	DRAIN PLUG, ATWOOD 91581

EXTERIOR SHOWER

KEY	PART NUMBER	U/M	DESCRIPTION
	103092-01-000	EA	HEAD-SHOWER, W/O IN HOSE (US & CANADIAN)
	103092-01-700	EA	BRACKET-SHOWER HEAD
	075241-05-000	EA	FAUCET-SHOWER, BONE
	105269-02-000	EA	BRACKET-SUPPORT, FAUCET
D-01	091952-02-000	EA	CLIP-GRIPPER, 3/4"

1993 WINNEBAGO TABLE OF CONTENTS

INTRODUCTION	A-01 -	A-02
ABBREVIATIONS		A-03
ALPHABETICAL INDEX	A-04 -	A-08
WF427RQ	A-07 -	D-20
WF427RC	D-21 -	H-10
WF428RQ	H-11 -	L-02

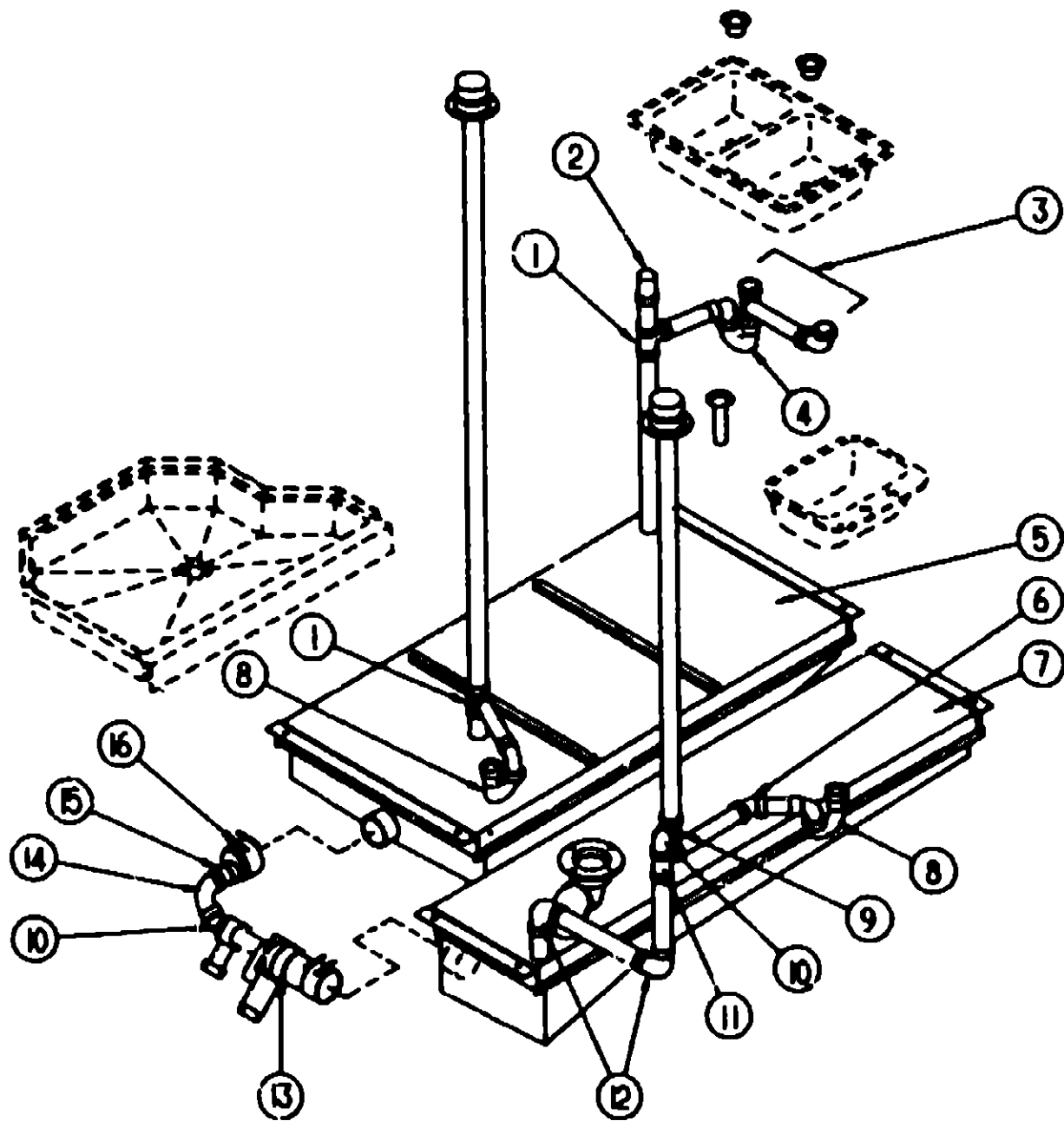
1993 WF427RQ INDEX

FLOOR PLAN	A-07 -	A-08
ACCESSORIES		A-09
AUDIO VIDEO		A-10
BATH	A-11 -	A-12
BEDROOM	A-13 -	A-14
CHASSIS	A-15 -	A-18
CURTAIN & CUSHION	A-19 -	B-08
DINETTE	B-07 -	B-08
DRIVERS COMPARTMENT	B-09 -	B-10
ELECTRICAL	B-11 -	B-14
EXTERIOR BODY	B-15 -	B-22
GALLEY	B-23 -	C-02
GENERATOR		C-03
HEATING & A/C	C-04 -	C-08
INTERIOR FINISH	C-07 -	C-10
LABELS	C-11 -	C-18
LP		C-19
LOUNGE	C-20 -	C-21
SEALANTS & FASTENERS	C-22 -	C-24
WATER & SEWAGE	D-01 -	D-04
WINDOW, VENT AND EXTERIOR DOOR	D-05 -	D-20

WATER & SEWAGE GROUP (CONTINUED)

DRAINAGE SYSTEM

KEY	PART NUMBER	U/M	DESCRIPTION
1	010079-01-000	EA	TEE-SANITARY, 1 1/2" X 1 1/2" X 1 1/4" H - PLASTIC - BLACK FROM 00-00-00 THRU: 12-15-92
1	010071-01-000	EA	TEE-SANITARY, 1 1/2" HUB X HUB X HUB - PLASTIC - BLACK FROM 12-16-92 THRU 99-99-99
2	079968-01-000	EA	VENT-MECH. TRAP ARM, ANTI-SIPHON - 2" DIA X 7.3" - PLASTIC
3	011081-02-000	EA	PIPE-DRAIN, W/SEALS - DOUBLE SINK - EXTENDS 9" TO 18" (US)
3	011081-03-000	EA	PIPE-DRAIN, W/SEALS - DOUBLE SINK - EXTENDS 9" TO 18" (CANADIAN) FROM 12-17-92 THRU 99-99-99
	037101-02-000	EA	ELBOW-PLASTIC, 1/4 BEND VENT 1 1/2" HUB (CSA)
	033302-02-000	EA	ADAPTER ASM-STRAINER, 1 1/2" - ABS (CSA)
4	107537-01-000	EA	ADAPTER-P TRAP, 1 1/4" SLIP (US) FROM 00-00-00 THRU 12-15-92
4	109571-01-000	EA	ADAPTER-P TRAP, 1 1/2" P X 1 1/4" MPT FROM 12-16-92 THRU 99-99-99
4	107538-01-000	EA	P TRAP-PLASTIC, 1 1/4" W/EXTENDED ARM (US)
4	053335-01-000	EA	P TRAP-1 1/4" HUB X HUB, W/UNION - CANADIAN FROM 00-00-00 THRU 02-16-92
4	011071-01-000	EA	P TRAP, 1 1/2" - PLASTIC (CSA) FROM 12-17-92 THRU 99-99-99
5	102762-01-000	EA	TANK-HOLDING, 42 GALLON - 57.4" X 11.4" X 29"
6	010000-01-000	EA	ELBOW-45 DEG, 1/8 BEND - 1 1/4" HUB X HUB - BLACK PLASTIC
7	102761-01-000	EA	TANK-HOLDING, 28 GALLON - 68 9" X 17 7" X 15 7"
8	107537-01-000	EA	ADAPTER-P TRAP, 1 1/4" SLIP (US)
8	107538-01-000	EA	P TRAP-PLASTIC, 1 1/4" W/EXT ARM (US)
8	011088-03-700	EA	P TRAP-1 1/4" HUB X SLIP JOINT, W/UNION - ABS (CSA)
9	010008-01-000	EA	ELBOW-45 DEG, 1/8 BEND - 1 1/2" HUB X HUB - BLACK PLASTIC
10	010051-01-000	EA	ELBOW-45 DEG BEND, 1 1/2" SPIGOT AND HUB - PLASTIC - BLACK
11	010079-01-000	EA	TEE-SANITARY, 1 1/2" X 1 1/2" X 1 1/4" H - PLASTIC - BLACK FROM 00-00-00 THRU 12-15-92
11	010071-01-000	EA	TEE-SANITARY, 1 1/2" HUB X HUB X HUB - PLASTIC - BLACK FROM 12-16-92 THRU 99-99-99
	010115-01-000	EA	COUPLING-1 1/2" HUB X HUB, PLASTIC FROM 12-16-92 THRU 99-99-99
12	010008-01-000	EA	ELBOW-90 DEG, 1/4 BEND - 1 1/2" HUB X HUB - BLACK PLASTIC
13	070918-01-000	EA	VALVE-DUAL DUMP-W/CLAMP - 3" X 1 1/2" - PLASTIC - BLACK
	062418-01-000	EA	ADAPTER-SEWER HOSE TO 3" PIPE
	010201-01-000	EA	HOSE-SEWER, 3" ID X 8'
14	033761-01-000	EA	ELBOW-TURN, 1/4 BEND X 1 5/8" HUB X 1 5/8" SPIGOT - BLK PLASTIC
15	062422-01-000	EA	ADAPTER-OFFSET REDUCER, 3" X 1 1/2" - PLASTIC - BLACK
16	078406-01-000	EA	COUPLER-RUBBER, W/CLAMPS - 3" X 3"
	010061-01-000	EA	ELBOW-45 DEGREE, STREET - 1/8 BEND - 3" S X H - PLASTIC
	010121-01-000	EA	BUSHING-REDUCER, 1 1/2" SMOOTH X 1/4" HUB - PLASTIC - BLACK
	081607-01-000	EA	GROMMET-HOLDING TANK, 1 1/2" NPS
	081607-02-000	EA	GROMMET-HOLDING TANK, 3" NPS



1993 WINNEBAGO TABLE OF CONTENTS

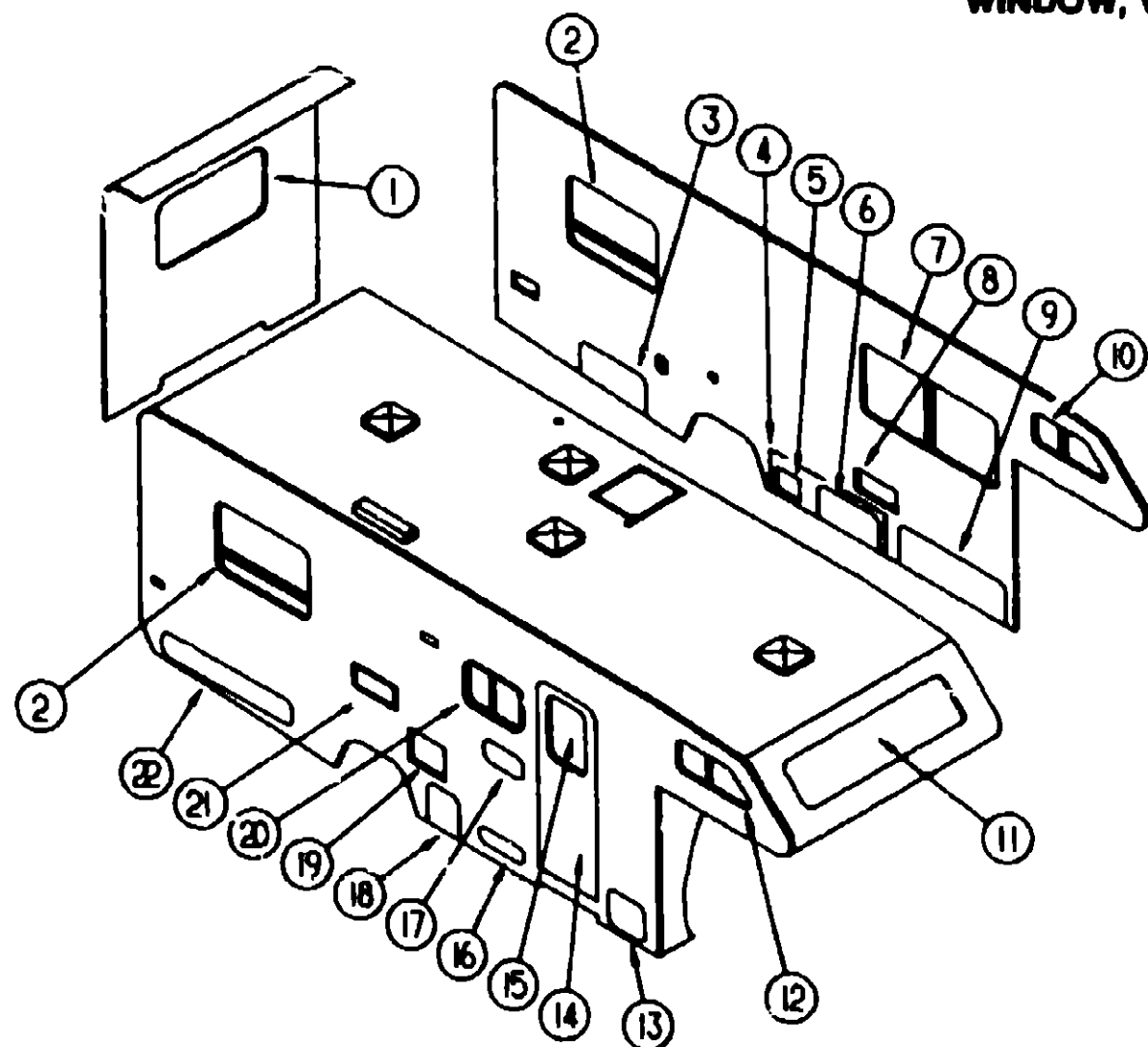
INTRODUCTION	A-01 - A-02
ABBREVIATIONS	A-03
ALPHABETICAL INDEX	A-04 - A-05
WF427RQ	A-07 - D-20
WF427RC	D-21 - H-10
WF428RQ	H-11 - L-02

1993 WF427RQ INDEX

FLOOR PLAN	A-07 - A-08
ACCESSORIES	A-09
AUDIO VIDEO	A-10
BATH	A-11 - A-12
BEDROOM	A-13 - A-14
CHASSIS	A-15 - A-18
CURTAIN & CUSHION	A-19 - B-06
DINETTE	B-07 - B-08
DRIVERS COMPARTMENT	B-09 - B-10
ELECTRICAL	B-11 - B-14
EXTERIOR BODY	B-15 - B-22
GALLEY	B-23 - C-02
GENERATOR	C-03
HEATING & A/C	C-04 - C-06
INTERIOR FINISH	C-07 - C-10
LABELS	C-11 - C-18
LP	C-19
LOUNGE	C-20 - C-21
SEALANTS & FASTENERS	C-22 - C-24
WATER & SEWAGE	D-01 - D-04
WINDOW, VENT AND EXTERIOR DOOR	D-05 - D-20

WINDOW, VENT & EXTERIOR DOOR GROUP

WINDOWS & DOORS



1993 WINNEBAGO TABLE OF CONTENTS

INTRODUCTION	A-01 - A-02
ABBREVIATIONS	A-03
ALPHABETICAL INDEX	A-04 - A-08
WF427RQ	A-07 - D-20
WF427RC	D-21 - H-10
WF428RQ	H-11 - L-02

KEY	PART NUMBER	U/M	DESCRIPTION
10	098846-05-01A	EA	WINDOW-SLANTED SLIDER, WINSIDE FRAME - DRIVER FROM 00-00-00 THRU 07-12-92
10	098847-19-01A	EA	WINDOW-SLIDER, WINSIDE FRAME - DRIVER FROM 07-13-92 THRU 99-99-99
11	103313-01-B05	EA	WINDOW-PICTURE, W/O INSIDE FRAME
12	098846-05-01A	EA	WINDOW-SLANTED SLIDER, WINSIDE FRAME - PASSENGER FROM 00-00-00 THRU 07-12-92
12	098847-18-01A	EA	WINDOW-SLIDER, WINSIDE FRAME - PASSENGER FROM 07-13-92 THRU 99-99-99
13	105174-01-C03	EA	DOOR-COMPARTMENT, LOWER - FRONT FROM 00-00-00 THRU 00-04-92
13	106987-24-D04	EA	DOOR-COMPARTMENT, LOWER - FRONT FROM 08-05-92 THRU 99-99-99
14	MO1870-32-D04	EA	DOOR-ENTRY, W/WINDOW, SCREEN & JAMB - OFF WHITE
14	MC1870-32-D05	EA	DOOR-ENTRY, W/WINDOW, SCREEN & JAMB - OFF WHITE
15	079733-C7-AA8	EA	WINDOW-ENTRY DOOR, W/O INSIDE FRAME - 17" X 25" - FROSTED GLASS
16	105174-02-C03	EA	DOOR-COMPARTMENT, LP - 18 9" X 5 4" - ALUMINUM - OFF WHITE FROM 00-00-00 THRU 08-04-92
16	078720-02-T15	EA	DOOR-COMPARTMENT, LP - 18 9" X 5 4" - ALUMINUM - OFF WHITE FROM 08-05-92 THRU 99-99-99
	009003-01-000	EA	LOCK-TWIST TYPE, W/CLIP
17	105118-01-C05	EA	DOOR-COMPARTMENT, ENTERTAINMENT
18	105174-04-C03	EA	DOOR-COMPARTMENT, LOWER - FRONT
19	052009-01-000	EA	DOOR-WATER HEATER - OFF WHITE - ATWOOD 5678-27
20	098847-08-02A	EA	WINDOW-HORIZONTAL SLIDER, WINSIDE FRAME
21	084103-03-000	EA	DOOR-REFRIGERATOR, VENTED - OFF WHITE
	084104-03-000	EA	JAMB-DOOR, REFRIGERATOR - OFF WHITE
	084104-01-700	EA	LOCK-MALE, FASTENER - REFRIGERATOR DOOR
	084104-01-701	EA	LOCK-FEMALE, FASTENER - REFRIGERATOR DOOR
22	079578-28-C03	EA	DOOR-COMPARTMENT, STORAGE FROM 00-00-00 THRU 08-04-92
22	106987-25-D04	EA	DOOR-COMPARTMENT, STORAGE FROM 08-05-92 THRU 99-99-99
	081240-03-000	EA	DOOR-WATER FILL-LOCKABLE-4" X 4 5/8" - OFF WHITE
	082684-01-700	EA	KEY-SINGLE

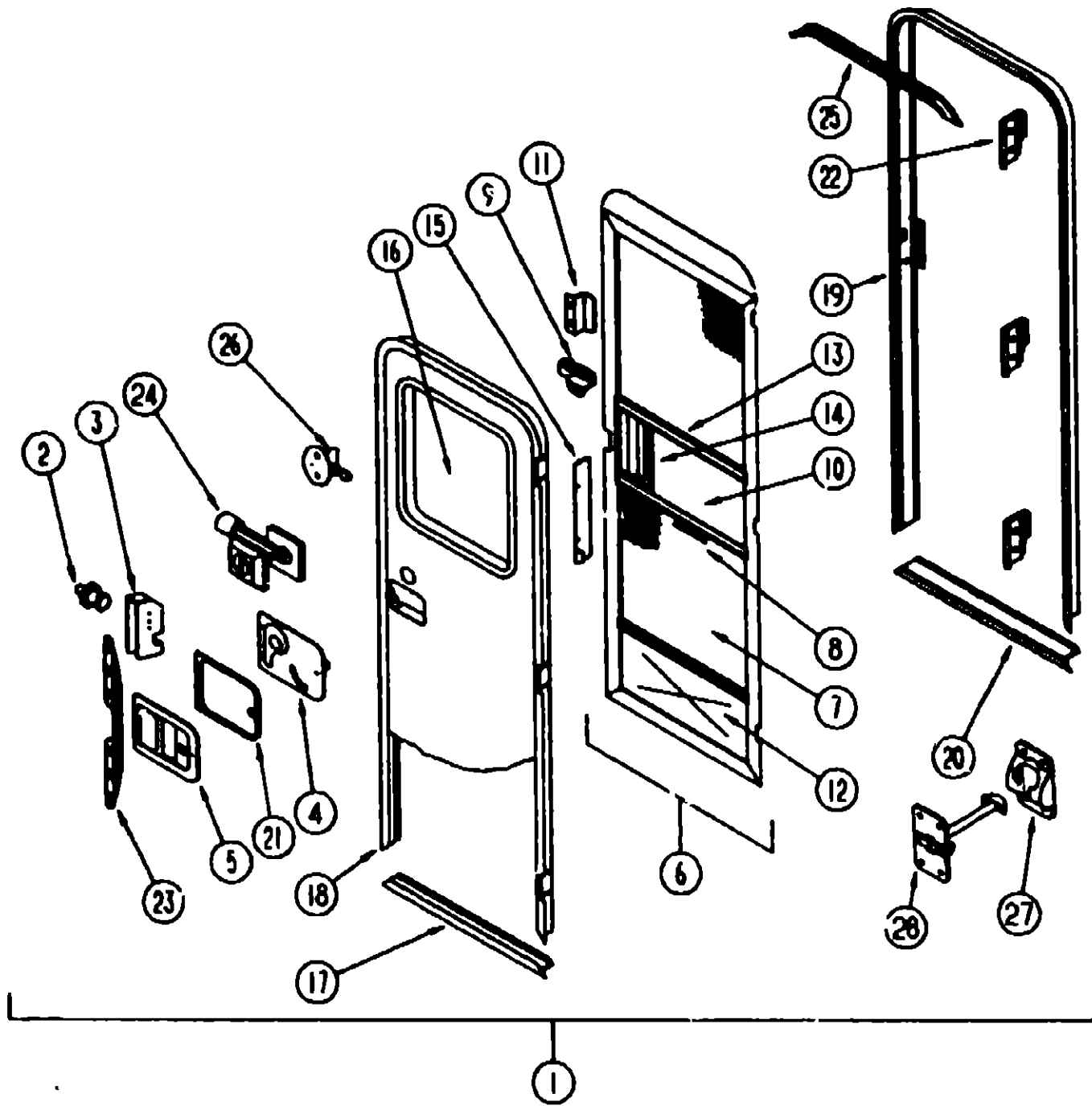
1993 WF427RQ INDEX

FLOOR PLAN	A-07 - A-08
ACCESSORIES	A-09
AUDIO VIDEO	A-10
BATH	A-11 - A-12
BEDROOM	A-13 - A-14
CHASSIS	A-15 - A-18
CURTAIN & CUSHION	A-19 - B-06
DINETTE	B-07 - B-08
DRIVERS COMPARTMENT	B-09 - B-10
ELECTRICAL	B-11 - B-14
EXTERIOR BODY	B-15 - B-22
GALLEY	B-23 - C-02
GENERATOR	C-03
HEATING & A/C	C-04 - C-06
INTERIOR FINISH	C-07 - C-10
LABELS	C-11 - C-18
LP	C-19
LOUNGE	C-20 - C-21
SEALANTS & FASTENERS	C-22 - C-24
WATER & SEWAGE	D-01 - D-04
WINDOW, VENT AND EXTERIOR DOOR	D-05 - D-20

KEY	PART NUMBER	U/M	DESCRIPTION
1	078528-03-Y12	EA	WINDOW-ESCAPE, W/O INSIDE FRAME - 27" X 48"
2	092235-12-Y12	EA	WINDOW-SINGLE TIPOUT, W/O INSIDE FRAME
3	105175-13-C03	EA	DOOR-COMPARTMENT, LOWER - REAR FROM 00-00-00 THRU 08-04-92
3	106987-21-D04	EA	DOOR-COMPARTMENT, LOWER - REAR FROM 08-05-92 THRU 99-99-99
4	P05300-01-C03	EA	PANEL - SEWER ACCESS FROM 00-00-00 THRU 06-04-92
4	P05300-03-C04	EA	PANEL - SEWER ACCESS FROM 08-05-92 THRU 99-99-99
5	088794-01-000	EA	DOOR-POWER CORD - WATCH - OFF WHITE
6	105174-10-C03	EA	DOOR-COMPARTMENT, LOWER - FRONT FROM 00-00-00 THRU 08-04-92
6	106987-01-C05	EA	DOOR-COMPARTMENT, LOWER - FRONT FROM 08-05-92 THRU 99-99-99
7	098847-10-02A	EA	WINDOW-HORIZONTAL SLIDER, WINSIDE FRAME
8	105118-02-C05	EA	DOOR-COMPARTMENT, EXTERIOR SHOWER
9	105174-03-C03	EA	DOOR-COMPARTMENT, LOWER - FRONT FROM 00-00-00 THRU 08-04-92
9	106987-26-D04	EA	DOOR-COMPARTMENT, LOWER - FRONT FROM 08-05-92 THRU 99-99-99

WINDOW, VENT & EXTERIOR DOOR GROUP (CONTINUED)

ENTRY DOOR



KEY	PART NUMBER	U/M	DESCRIPTION
1	M01870-32-D04	EA	DOOR-ENTRY, WINDOW- SCREEN & JAMB - OFF WHITE
1	M01870-32-D05	EA	DOOR-ENTRY, WINDOW- SCREEN & JAMB - OFF WHITE
2	039530-01-000	EA	STRIKE-LOCK, ENTRY DOOR - ROUND/THREADED WASHER
3	039540-01-000	EA	LATCH MECHANISM-HOOK, ENTRY DOOR - INTERIOR
	033715-01-000	EA	NUT-SERT, 1/4" DIAMETER - 20 THREADS
4	039979-04-000	EA	COVER-INTERIOR LATCH, W/TRIP ARM - RIGHT - BLACK
	039984-01-000	EA	CAP-ROUND, VINYL - 28" ID X 82" LONG - BLACK
	041546-03-000	EA	BRACKET-DOOR ANGLE, 5" X 1 9/16" - BEIGE - METAL
5	045017-11-000	EA	LATCH-ENTRY DOOR, MECHANISM W/LOCK & KEY - BLACK
	045017-11-701	EA	KEY-BLANK, ROUND TOP - SILVER - TRIMARK
	068748-01-000	EA	PLUG-CAP, 1 5/8" DIAMETER
	058025-02-000	EA	CLIP-ROLLER, LATCH CATCH - SCREEN DOOR
	063729-04-000	EA	RIVNUT, 10-32 UNF - 010-080
	072893-01-000	EA	NUTSERT-M5 X 0.8
	075871-04-000	FT	SEAL-SPONGE, LAZY T SHAPE - W/ADHESIVE STRIPE - 5" WIDE
6	078012-01-U01	EA	DOOR-SCREEN
7	002293-12-000	SF	SCREENING-WINDOW/DOOR, 28" - CHARCOAL
8	002294-01-000	FT	SPLINE-SCREENING, 135" X 138" - BLACK
	002748-01-000	EA	CORNER KEY-DOOR
9	109403-01-000	EA	CATCH-SINGLE ROLLER, SCREEN DOOR
10	001014-01-013	EA	INSERT-CENTER, 10.25" X 16.31" - UNPAINTED
11	060712-04-000	EA	HANDLE-SCREEN DOOR, ALUMINUM - OFF WHITE
11	060712-05-000	EA	HANDLE-SCREEN DOOR, UNPAINTED
12	078552-03-000	EA	INSERT-SCREEN DOOR, LOWER - MILL
	078595-01-000	EA	PLATE-SCREEN DOOR
13	078777-01-000	EA	CHANNEL-SLIDE, SCREEN DOOR CENTER SLIDER COVER - 17 4/8"
14	079086-02-000	EA	SLIDER-SCREEN DOOR, OFF WHITE
15	079087-02-000	EA	STRIKE-SLIDER, W/CLIP FOR ELBOW CATCH - 1.5" X 8 5/8"
16	087809-32-000	EA	FRAME-WINDOW, ENTRY DOOR - OFF WHITE
16	079733-07-AA8	EA	WINDOW-ENTRY DOOR, 17" X 25" - FROSTED GLASS
16	050218-02-000	FT	SPLINE-GLASS, EXTERIOR - VINYL - .18" - BLACK
16	002181-07-000	EA	GLASS-WINDOW, .182" X 18 25/32" X 24" - FROSTED
16	087561-01-000	FT	SEAL-GLASS, EXTERIOR - 5" WIDE - VINYL - BLACK
	081914-01-000	EA	BUMPER-RUBBER, ROUND - .43" DIAMETER - BLACK
17	089748-01-000	EA	FRAME-DOOR, ENTRANCE - BOTTOM - OFF WHITE
	090340-01-000	FT	SEAL-FOAM, CLOSED CELL - 1/4" X 1/2" X 50'
18	095278-01-01A	EA	FRAME-DOOR, ENTRANCE - TOP & SIDES - OFF WHITE
19	095277-02-01A	EA	JAMB-ENTRY DOOR, 25 9/16" X 74 5/8" W/BOTTOM - OFF WHITE
	095278-01-01A	EA	JAMB-DOOR, ENTRANCE - 25 9/16" X 74 5/8" - UNPAINTED
20	051049-01-000	EA	JAMB-DOOR, ENTRANCE - BOTTOM - 25 9/16" - UNPAINTED
	079207-01-000	EA	STRIKER-ROLLER CATCH, WELDED TO DOOR JAMB - 4" X 1.15"
21	098810-01-01A	EA	PLATE-LATCH, ENTRY DOOR - PLASTIC - BLACK
22	097724-01-04A	EA	HINGE-ENTRY DOOR, UNPAINTED
23	098173-01-04A	EA	STIFFENER-ENTRY DOOR, SUPPORTS LATCH/STRIKE
	100128-02-000	FT	SEAL-PILE, ADHESIVE BACK - SCREEN DOOR - GRAY
24	101145-01-01A	EA	DEADBOLT-ENTRY DOOR, W/2 KEYS W/O BOLT OR SCREWS
	095229-01-700	EA	KEY BLANK
	101147-01-000	EA	BOLT-SECURITY, 4 1/2" BACKSET
	102524-01-000	EA	BUMPER-RUBBER, FLAT - BLACK
25	044582-02-000	EA	CAP-DRIP, DOOR JAMB MOUNTED - OFF WHITE
	075839-19-000	EA	GARNISH-ENTRANCE DOOR, OFF WHITE
26	100412-01-000	EA	CATCH-SCREEN DOOR, 1 HUMB CLIP W/BLACK PLASTIC CAP
	077481-03-000	EA	COVER-STRIKE, ENTRY DOOR - 6 5/8" X 2 5/8" - PLASTIC - WHITE
27	104099-02-01A	EA	CATCH-DOOR HOLDER, RETAINER - PLASTIC - OFF WHITE
28	104099-01-01A	EA	CATCH-DOOR HOLDER, STRIKE - PLASTIC - OFF WHITE
	009128-02-000	EA	HANDLE-ASSIST-ENTRY DOOR - BLACK

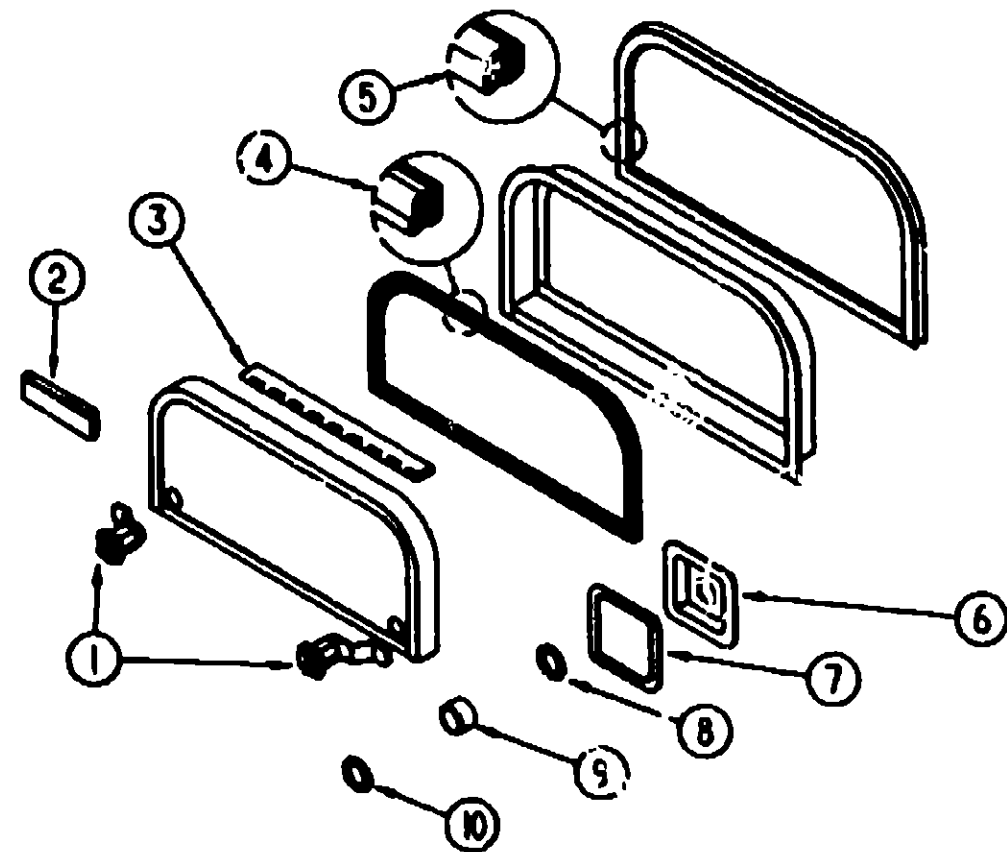
1993 WINNEBAGO TABLE OF CONTENTS

INTRODUCTION	A-01 - A-02
ABBREVIATIONS	A-03
ALPHABETICAL INDEX	A-04 - A-06
WF427RQ	A-07 - D-20
WF427RC	D-21 - H-10
WF428RQ	H-11 - L-02

1993 WF427RQ INDEX

FLOOR PLAN	A-07 - A-08
ACCESSORIES	A-09
AUDIO VIDEO	A-10
BATH	A-11 - A-12
BEDROOM	A-13 - A-14
CHASSIS	A-15 - A-18
CURTAIN & CUSHION	A-19 - B-06
DINETTE	B-07 - B-08
DRIVERS COMPARTMENT	B-09 - B-10
ELECTRICAL	B-11 - B-14
EXTERIOR BODY	B-15 - B-22
GALLEY	B-23 - C-02
GENERATOR	C-03
HEATING & A/C	C-04 - C-08
INTERIOR FINISH	C-07 - C-10
LABELS	C-11 - C-18
LP	C-19
LOUNGE	C-20 - C-21
SEALANTS & FASTENERS	C-22 - C-24
WATER & SEWAGE	D-01 - D-04
WINDOW, VENT AND EXTERIOR DOOR	D-05 - D-20

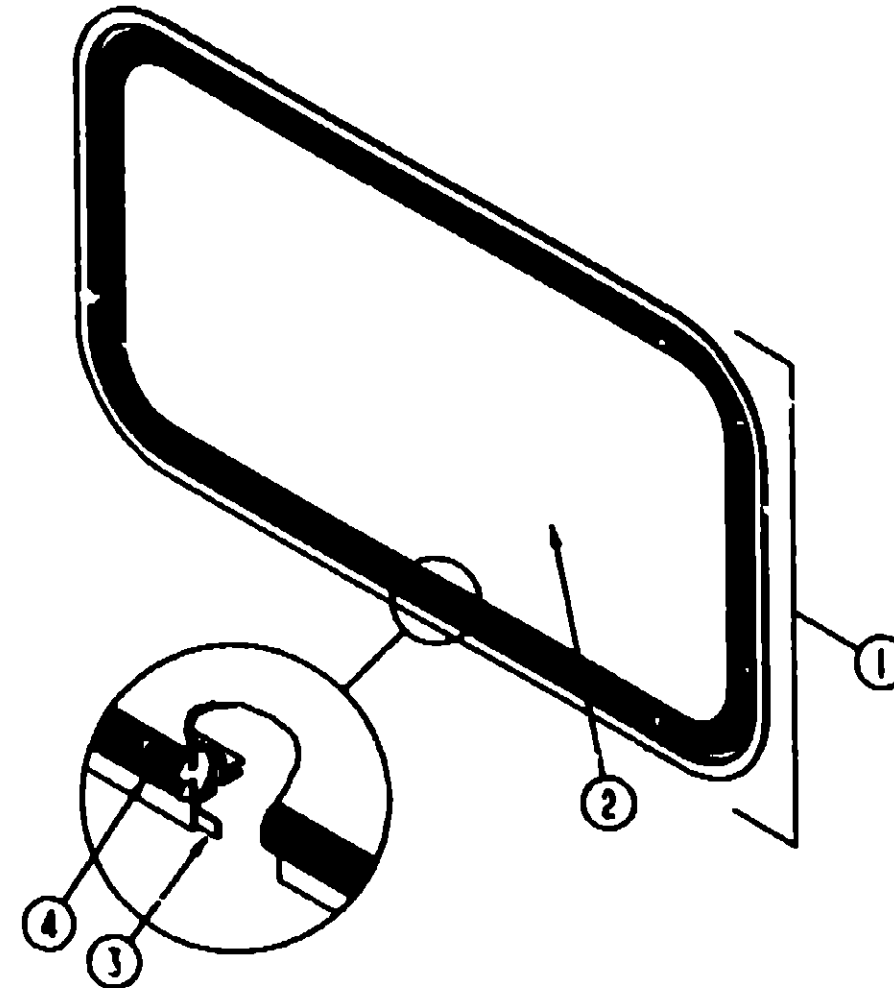
WINDOW, VENT & EXTERIOR DOOR GROUP (CONTINUED)



EXTERIOR DOORS

KEY	PART NUMBER	U/M	DESCRIPTION
1	079386-04-000	EA	LOCK-DOOR, KEY TYPE W/O KEYS - 1 9 OFF SET (ENTERTAINMENT & EXTERIOR SHOWER DOORS ONLY)
1	079386-05-000	EA	LOCK-DOOR, KEY TYPE W/O KEYS - 1 00 OFF SET
	062884-01-700	EA	KEY-BLANK
	079927-01-000	EA	LOCK-DOOR, TWIST TYPE - 1 90 OFF SET
2	102762-01-000	EA	HOLDER-COMPARTMENT/ENTRY DOOR, METAL - MILL FINISH
3	091801-02-000	EA	HINGE-PIANO, CONTINUOUS - 2" X 98" OFF WHITE
	009085-01-000	EA	HINGE-CONTINUOUS, 1 1/2" X 98" - UNPAINTED
	034007-40-000	EA	HINGE-CONTINUOUS, 1 1/2" X 98" - ALUMINUM - OFF WHITE
4	064075-07-000	FT	SEAL-BULB, W/WIRE U-CHANNEL - 3" X 5" CHANNEL - BLACK
5	081832-02-000	FT	SEAL-BULB, DOOR - W/WIRE CARRIER - 8" WIDE - RUBBER - BLACK
	090340-01-000	FT	SEAL-FOAM, CLOSED CELL - 1/4" X 1/2" X 50'
	104882-01-000	FT	SEAL-ADHESIVE BACK, 3/4" X 34"
6	097111-01-01A	EA	POCKET-LOCK, VALANCE - OFF WHITE
7	098338-01-000	EA	GASKET-LOCK POCKET
8	109834-01-000	EA	WASHER, 840X 752ID SST - HUDSON LOCK
9	107997-51-000	EA	SPACER-EXTRUDED, 0015 - 24
10	109833-01-000	EA	RING-BEAUTY, 870 X 780ID - SST - HUDSON LOCK
	098217-55-001	EA	U-CHANNEL, 17 5'LONG - OFF WHITE
	091878-01-000	EA	RETAINER-DOOR, 1 9" X 8" - METAL

WINDOW, VENT & EXTERIOR DOOR GROUP (CONTINUED)



OVERHEAD BUNK FRONT WINDOW

KEY	PART NUMBER	U/M	DESCRIPTION
	087809-33-000	EA	FRAME-INSIDE, WINDOW
1	103313-01-806	EA	WINDOW-PICTURE, W/O INSIDE FRAME
2	002181-15-000	EA	GLASS-PICTURE, 11 25" X 58 1" - GRAY
3	069840-11-000	FT	SEALER-TAPE, 3/16" X 3/8" - BLACK
4	090154-01-000	FT	CHANNEL-GLAZING, STATIONARY GLASS - 82" X 45" - BLACK

**1993 WINNEBAGO
TABLE OF CONTENTS**

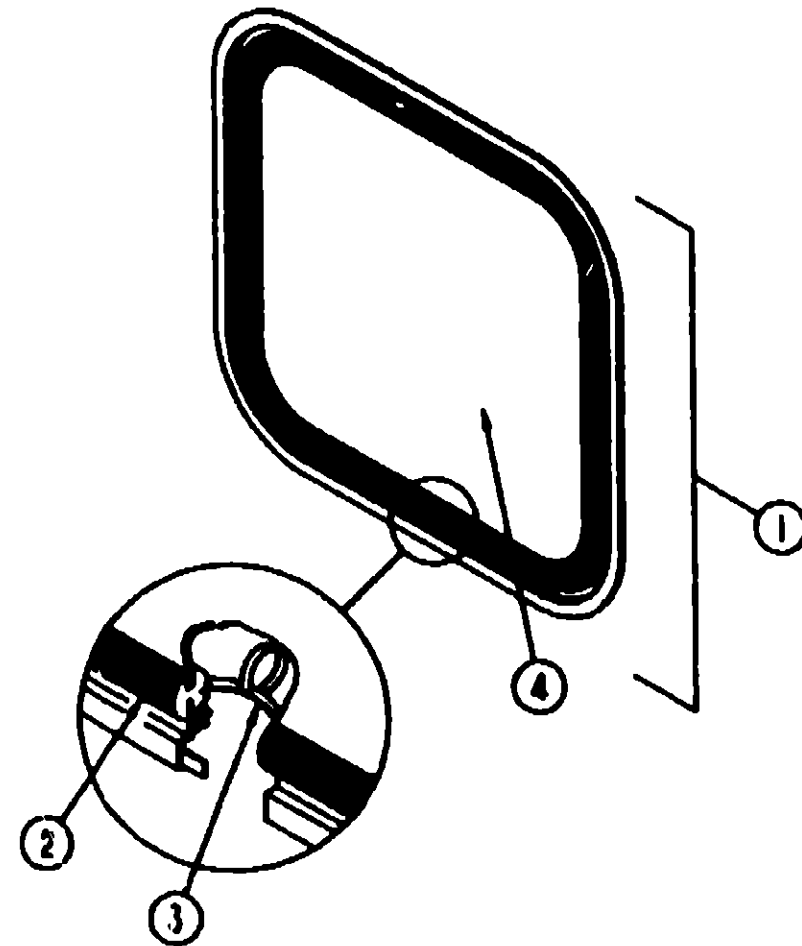
INTRODUCTION	A-01 - A-02
ABBREVIATIONS	A-03
ALPHABETICAL INDEX	A-04 - A-06
WF427RQ	A-07 - D-20
WF427RC	D-21 - H-10
WF428RQ	H-11 - L-02

1993 WF427RQ INDEX

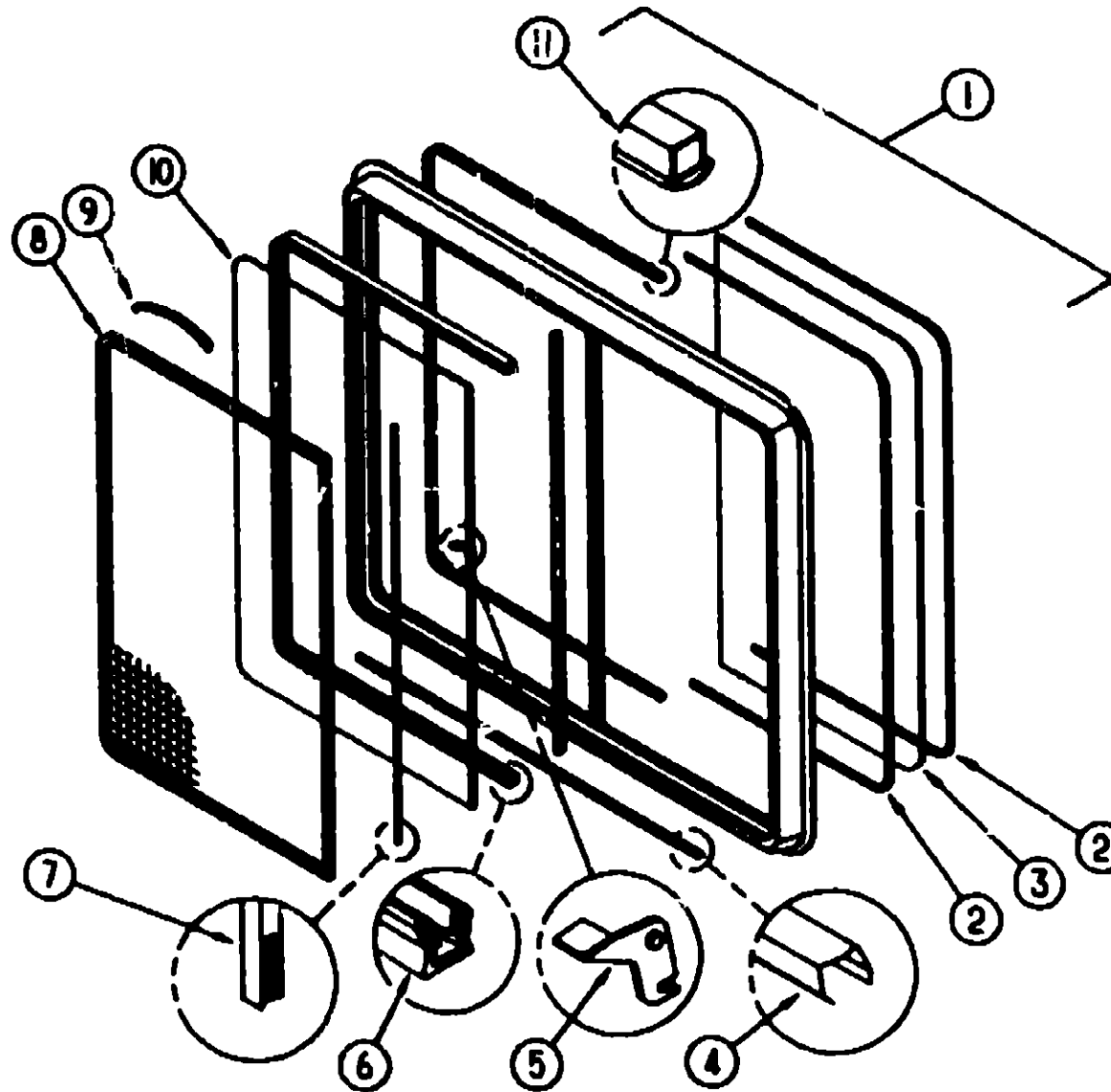
FLOOR PLAN	A-07 - A-08
ACCESSORIES	A-09
AUDIO VIDEO	A-10
BATH	A-11 - A-12
BEDROOM	A-13 - A-14
CHASSIS	A-15 - A-16
CURTAIN & CUSHION	A-19 - B-06
DINETTE	B-07 - B-08
DRIVERS COMPARTMENT	B-09 - B-10
ELECTRICAL	B-11 - B-14
EXTERIOR BODY	B-15 - B-22
GALLEY	B-23 - C-02
GENERATOR	C-03
HEATING & A/C	C-04 - C-06
INTERIOR FINISH	C-07 - C-10
LABELS	C-11 - C-18
LIGHTS	C-19
LUNGE	C-20 - C-21
SEALANTS & FASTENERS	C-22 - C-24
WATER & SEWAGE	D-01 - D-04
WINDOW, VENT AND EXTERIOR DOOR	D-05 - G-20

1993 WINNEBAGO
TABLE OF CONTENTS

INTRODUCTION	A-01 -	A-02
ABBREVIATIONS		A-03
ALPHABETICAL INDEX	A-04 -	A-06
WF427RQ	A-07 -	D-20
WF427RC	D-21 -	H-10
WF428RQ	H-11 -	L-02



BACKWALL ESCAPE WINDOW



DINETTE OR COUCH SINGLE SLIDING WINDOW

1993 WF427RQ INDEX

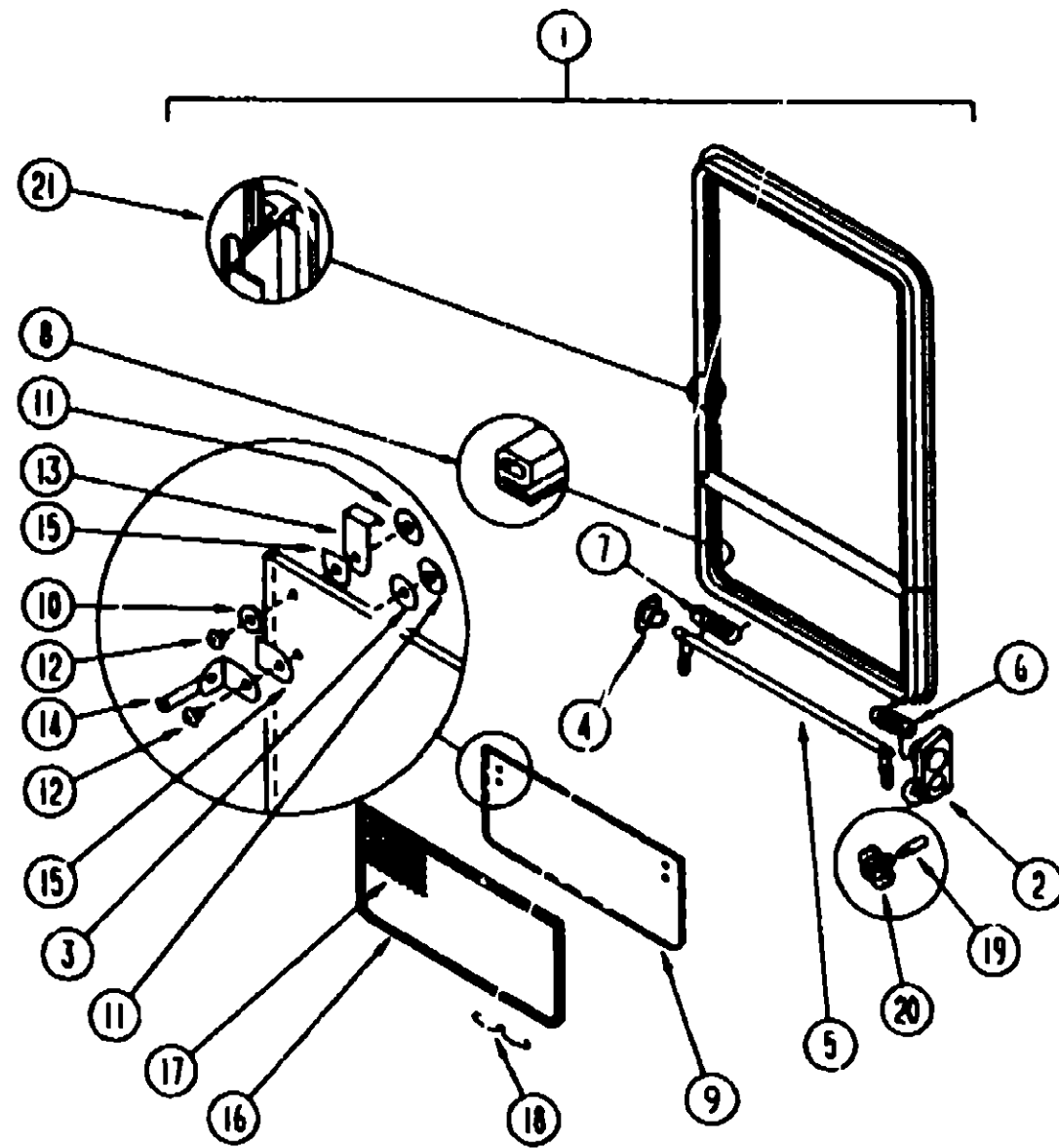
FLOOR PLAN	A-07 -	A-08
ACCESSORIES		A-09
AUDIO VIDEO		A-10
BATH	A-11 -	A-12
BEDROOM	A-13 -	A-14
CHASSIS	A-15 -	A-18
CURTAIN & CUSHION	A-19 -	B-08
DINETTE	B-07 -	B-08
DRIVERS COMPARTMENT	B-09 -	B-10
ELECTRICAL	B-11 -	B-14
EXTERIOR BODY	B-15 -	B-22
GALLEY	B-23 -	C-02
GENERATOR		C-03
HEATING & A/C	C-04 -	C-06
INTERIOR FINISH	C-07 -	C-10
LABELS	C-11 -	C-18
LP		C-19
LOUNGE	C-20 -	C-21
SEALANTS & FASTENERS	C-22 -	C-24
WATER & SEWAGE	D-01 -	D-04
WINDOW, VENT AND EXTERIOR DOOR	D-05 -	D-20

KEY	PART NUMBER	U/M	DESCRIPTION
	074816-08-000	EA	FRAME-INSIDE, ESCAPE - OFF WHITE
1	078528-03-Y12	EA	WINDOW-ESCAPE, REAR - 27" X 48"
2	002282-06-000	EA	WEATHERSTRIP, .125" X 1.33 25" - BLACK
	077088-01-702	EA	TAPE ASM-ESCAPE, WINDOW
3	002285-01-000	FT	FILLER-WEATHER STRIP, RUBBER - BLACK
4	078337-08-000	EA	GLASS-WINDOW, ESCAPE - 44 8" X 23 5"

KEY	PART NUMBER	U/M	DESCRIPTION
	068847-10-02A	EA	WINDOW-HORIZONTAL SLIDER, WINSIDE FRAME
	068847-09-704	EA	FRAME-INSIDE, OFF-WHITE - W024-67 EXCEL-WHITE
1	068847-10-700	EA	WINDOW-HORIZONTAL SLIDER, W/O INSIDE FRAME - BLACK
2	068844-01-705	FT	GLAZING STRIP, EXCEL M028-12
3	068847-09-700	EA	GLASS-STATIONARY - 108-017103 EXCEL
4	068844-01-710	FT	TRACK-SCREEN SPACER 12" LENGTH - EXCEL M401-31
5	068844-01-700	EA	LATCH REPAIR KIT
6	068844-01-708	FT	CHANNEL-PIERCED RUN EXCEL 122-016543
7	068844-01-711	FT	WEATHERSTRIP-SCREEN BLACK - EXCEL 171-016885
8	068847-09-705	EA	SCREEN W/SPRING&WEATHERSTRIP - 410-016885 EXCEL
9	068844-01-713	EA	SLIDING-SCREEN FRAME (CLIP) PLASTIC - BLACK - EXCEL 228-016888
	068844-01-718	FT	PLUG-FILLER, EXCEL 132-014470
	068844-01-717	FT	SPLINE-SCREEN MFG, EXCEL 32-004718
10	068847-09-701	EA	GLASS-SLIDING, W/WASH&LATCH - H024-09 EXCEL
11	068844-01-708	FT	WEATHERSTRIP, EXCEL 171-016888

WINDOW, VENT & EXTERIOR DOOR GROUP (CONTINUED)

BEDROOM TIPOUT WINDOW



KEY	PART NUMBER	UOM	DESCRIPTION
	080893-19-02A	EA	FRAME-INSIDE, WINDOW RETAINER - OFF WHITE
1	082235-12-Y12	EA	WINDOW-SINGLE TIPOUT, W/O INSIDE FRAME - BLACK
	000H14-08-14R	EA	RIVET-MANDREL, BLIND - 3/16"
2	035302-02-000	EA	OPERATOR-TORQUE, TIPOUT WINDOW - LEFT
3	068827-03-000	EA	SEAL-WINDOW, RUBBER - ROUND - .80" DIA. - BLACK
4	081354-01-000	EA	SLEEVE-TORQUE TUBE, TIPOUT WINDOW - 1 3/4" X 1 1/2" X 7"
	081649-01-000	EA	RING-SH - 7/32 SHAFT DIAMETER
5	083150-12-000	EA	TUBE ASM-TORQUE, WINDOW
6	080918-01-000	EA	SPRING-TORQUE TUBE, LEFT
7	080918-02-000	EA	SPRING-TORQUE TUBE, RIGHT
8	084087-02-000	FT	SEAL-E SHAPED, SPONGE - TIPOUT WINDOW - 42" X 38" - BLACK
9	084088-17-000	EA	GLASS-TIPOUT, 9 2/3" X 28"
10	084453-02-000	EA	WASHER, .08" X .5" X .25" - PLASTIC
11	085762-01-000	EA	T NUT, 10-32
12	085763-01-000	EA	SCREW-MACHINE, 10 - 32 X 1/4 PTH
13	089913-01-000	EA	HINGE-TIPOUT WINDOW, BLACK
14	097578-01-000	EA	LINKAGE-TIPOUT WINDOW
	084453-01-000	EA	WASHER, .08" X .5" X .135" - PLASTIC
15	084473-01-000	EA	SEAL-FLAT, W/CENTER HOLE & ADHESIVE SIDE - 8" X 8" - BLK
	085315-01-000	EA	RIVET-SHOULDER, TIPOUT WINDOW
16	100235-04-807	EA	SCREEN-SINGLE, TIPOUT WINDOW
17	080218-03-000	SF	SCREENING-FIBERGLASS, 12" WIDE
18	100168-01-000	EA	CLIP-SPRING, SCREEN
	100240-01-000	FT	SPLINE-SCREEN, T-SHAPED
19	009439-08-000	EA	EXTENSION-CRANK HANDLE, WINDOW/ROOF VENT - BLACK
20	009439-05-000	EA	KNOB-OPERATOR, TIPOUT WINDOW - W/SPRING & ARM
	009439-07-000	EA	SCREW, 8-32 X 1 1/4 PHH - BLACK
21	089840-11-000	FT	TAPE-SEALER, 3/16" X 3/8" - BLACK

1993 WINNEBAGO TABLE OF CONTENTS

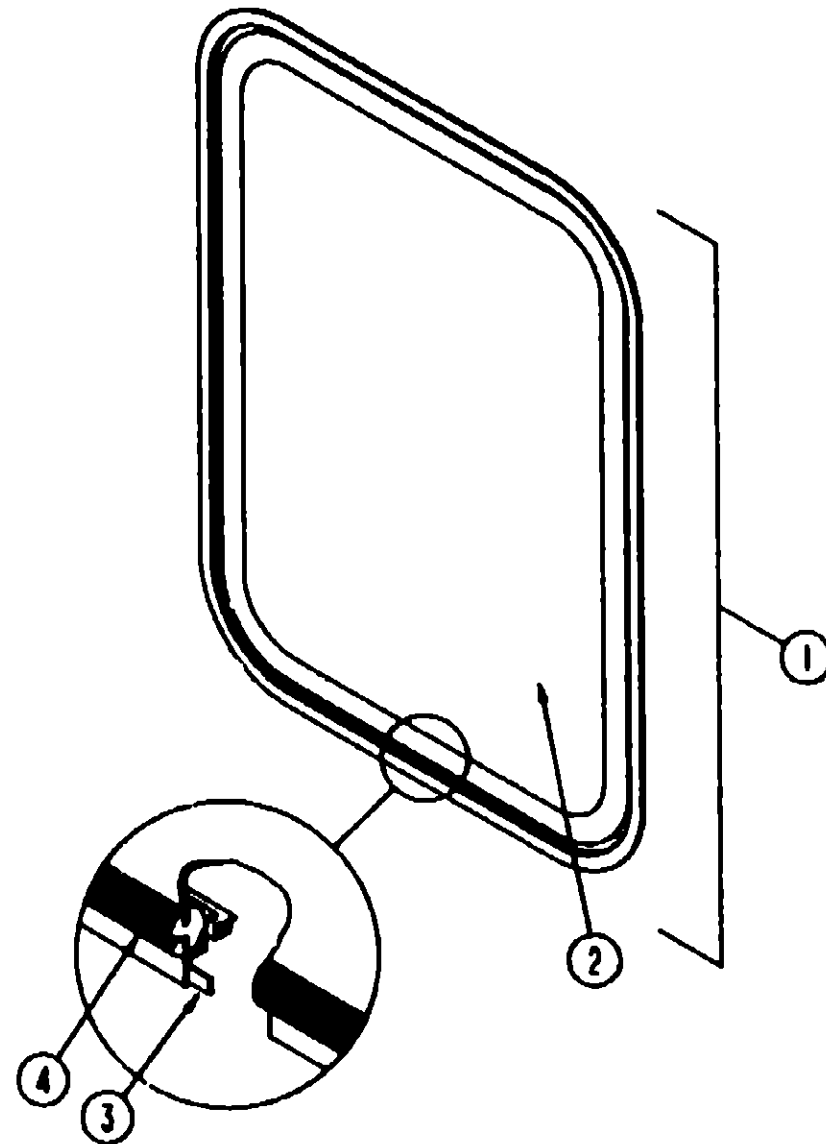
INTRODUCTION	A-01 - A-02
ABBREVIATIONS	A-03
ALPHABETICAL INDEX	A-04 - A-05
WF427RQ	A-07 - D-20
WF427RC	D-21 - H-10
WF428RQ	H-11 - L-02

1993 WF427RQ INDEX

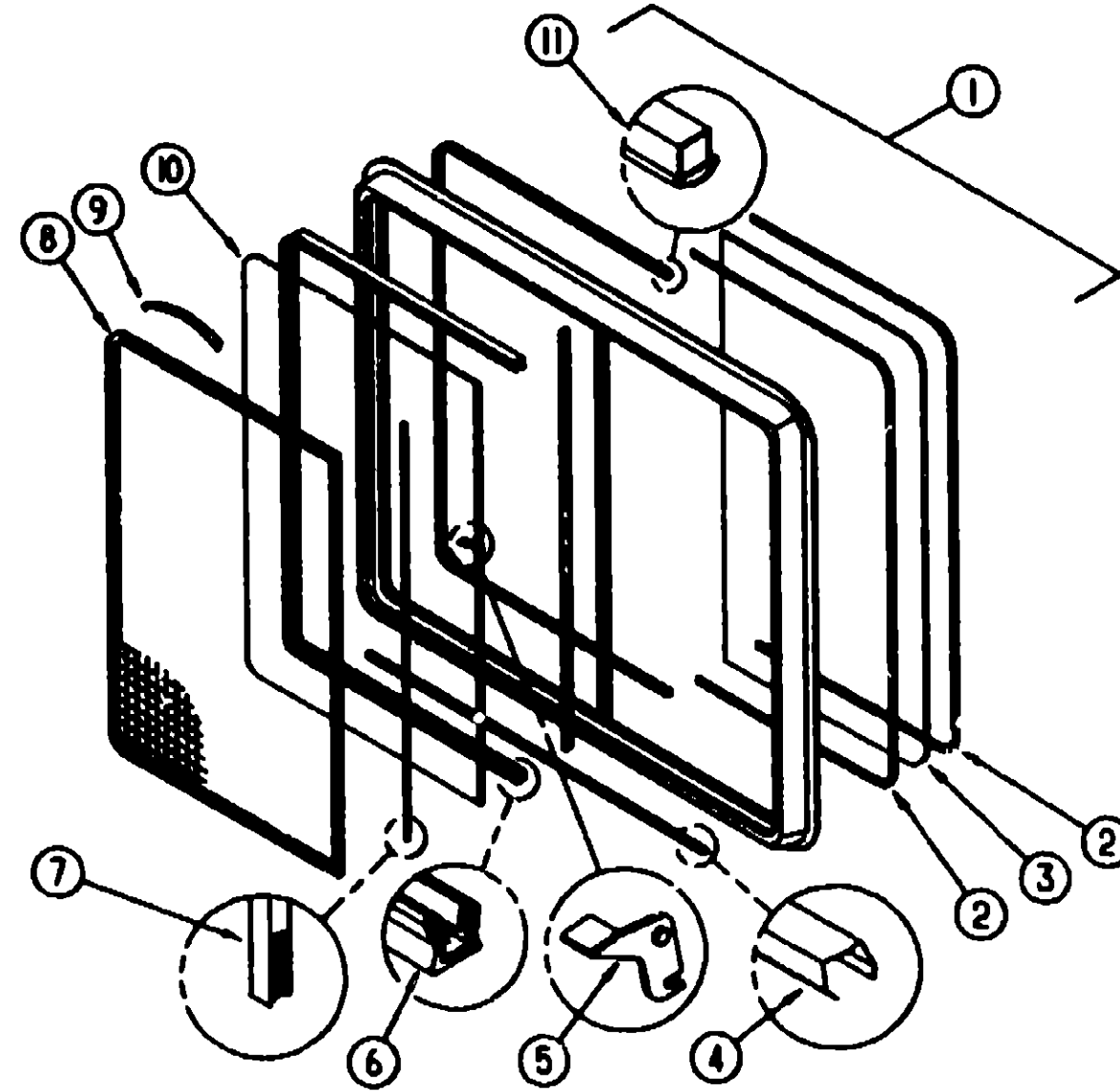
FLOOR PLAN	A-07 - A-08
ACCESSORIES	A-09
AUDIO VIDEO	A-10
BATH	A-11 - A-12
BEDROOM	A-13 - A-14
CHASSIS	A-15 - A-18
CURTAIN & CUSHION	A-19 - B-06
DINETTE	B-07 - B-08
DRIVERS COMPARTMENT	B-09 - B-10
ELECTRICAL	B-11 - B-14
EXTERIOR BODY	B-15 - B-22
GALLEY	B-23 - C-02
GENERATOR	C-03
HEATING & A/C	C-04 - C-06
INTERIOR FINISH	C-07 - C-10
LABELS	C-11 - C-18
LP	C-19
LOUNGE	C-20 - C-21
SEALANTS & FASTENERS	C-22 - C-24
WATER & SEWAGE	D-01 - D-04
WINDOW, VENT AND EXTERIOR DOOR	D-05 - D-20

1993 WINNEBAGO
TABLE OF CONTENTS

INTRODUCTION	A-01 - A-02
ABBREVIATIONS	A-03
ALPHABETICAL INDEX	A-04 - A-08
WF427RQ	A-07 - D-20
WF427RC	D-21 - H-10
WF428RQ	H-11 - L-02



ENTRY DOOR WINDOW



GALLEY SLIDING WINDOW

1993 WF427RQ INDEX

FLOOR PLAN	A-07 - A-08
ACCESSORIES	A-09
AUDIO VIDEO	A-10
BATH	A-11 - A-12
BEDROOM	A-13 - A-14
CHASSIS	A-15 - A-18
CURTAIN & CUSHION	A-19 - B-06
DINETTE	B-07 - B-08
DRIVERS COMPARTMENT	B-09 - B-10
ELECTRICAL	B-11 - B-14
EXTERIOR BODY	B-15 - B-22
GALLEY	B-23 - C-02
GENERATOR	C-03
HEATING & A/C	C-04 - C-06
INTERIOR FINISH	C-07 - C-10
LABELS	C-11 - C-18
LP	C-19
LOUNGE	C-20 - C-21
SEALANTS & FASTENERS	C-22 - C-24
WATER & SEWAGE	D-01 - D-04
WINDOW, VENT AND EXTERIOR DOOR:	D-05 - D-20

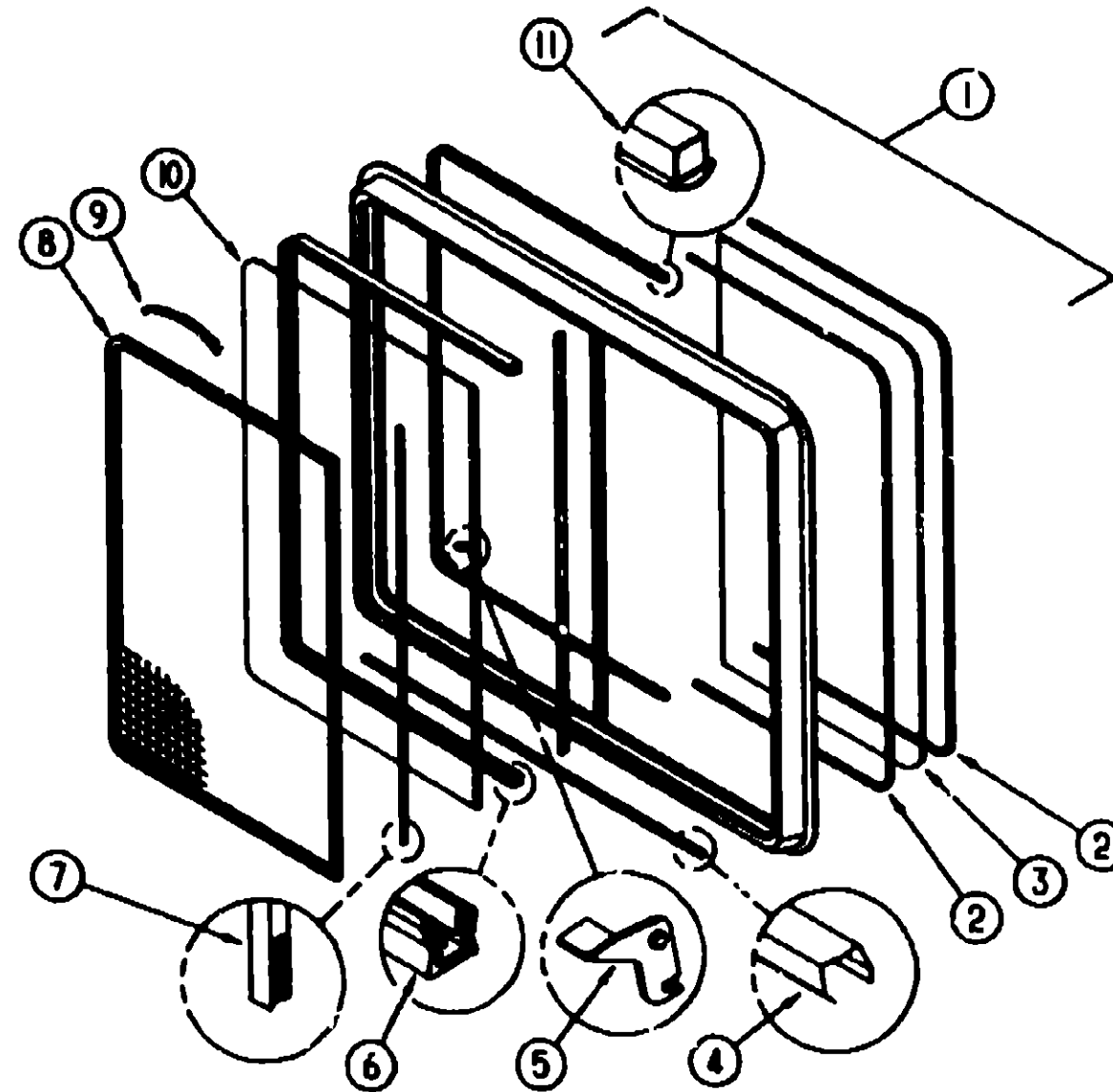
KEY	PART NUMBER	U/M	DESCRIPTION
1	073733-07-AAB	EA	WINDOW-ENTRY DOOR, 17" X 25" - FROSTED GLASS
2	0C2181-07-000	EA	GLASS-WINDOW, .182" X 18.25" X 24" - FROSTED
3	050216-02-000	FT	SPLINE-GLASS, EXTERIOR - VINYL - .19" - BLACK
4	087581-01-000	FT	SEAL-GLASS, EXTERIOR - 5" WIDE - VINYL - BLACK

KEY	PART NUMBER	U/M	DESCRIPTION
	098847-08-02A	EA	WINDOW-HORIZONTAL SLIDER, W/INSIDE FRAME - OFF WHITE
	098847-11-705	EA	FRAME-INSIDE, WD24-67 EXCEL - WHITE
1	098847-08-705	EA	WINDOW-HORIZONTAL SLIDER, W/O INSIDE FRAME - LEFT - OFF WHITE
2	098844-01-705	FT	GLAZING STRIP, EXCEL M928-12
3	098847-08-700	EA	GLASS-STATIONARY - 106-016921 EXCEL
4	098844-01-710	FT	TRACK-SCREEN SPACER 12" LENGTH - EXCEL M401-31
5	098844-01-700	EA	LATCH REPAIR KIT
6	098844-01-708	FT	CHANNEL-PIERCED RUN EXCEL 122-018543
7	098844-01-711	FT	WEATHERSTRIP-SCREEN BLACK - EXCEL 171-018985
8	098847-08-703	EA	SCREEN W/SPRING&WEATHERSTRIP - 410-018477 EXCEL
9	098844-01-713	EA	SPRING-SCREEN FRAME (CLIP) PLASTIC - BLACK - EXCEL 228-018988
	098844-01-718	FT	PLUG-FILLER, EXCEL 132-014470
	098844-01-717	FT	SPLINE-SCREEN MFG, EXCEL 32-004718
10	098847-08-702	EA	GLASS-SLIDING, W/ASH&LATCH - 410-018477 EXCEL
11	098844-01-708	FT	WEATHERSTRIP, EXCEL 171-010068

WINDOW, VENT & EXTERIOR DOOR GROUP (CONTINUED)

1993 WINNEBAGO
TABLE OF CONTENTS

INTRODUCTION	A-01 - A-02
ABBREVIATIONS	A-03
ALPHABETICAL INDEX	A-04 - A-06
WF427RQ	A-07 - D-20
WF427RC	D-21 - H-10
WF428RQ	H-11 - L-02



OVERHEAD BUNK SLANTED SLIDER
FROM: 08-00-00 THRU: 07-12-02

OVERHEAD BUNK SLIDER WINDOW
FROM: 07-13-02 THRU: 08-00-00

1993 WF427RQ INDEX

FLOOR PLAN	A-07 - A-08
ACCESSORIES	A-09
AUDIO VIDEO	A-10
BATH	A-11 - A-12
BEDROOM	A-13 - A-14
CHASSIS	A-15 - A-16
CURTAIN & CUSHION	A-19 - B-06
DINETTE	B-07 - B-08
DRIVERS COMPARTMENT	B-09 - B-10
ELECTRICAL	B-11 - B-14
EXTERIOR BODY	B-15 - B-22
GALLEY	B-23 - C-02
GENERATOR	C-03
HEATING & A/C	C-04 - C-06
INTERIOR FINISH	C-07 - C-10
LABELS	C-11 - C-18
LP	C-19
LOUNGE	C-20 - C-21
SEALANTS & FASTENERS	C-22 - C-24
WATER & SEWAGE	D-01 - D-04
WINDOW, VENT AND EXTERIOR DOOR	D-05 - D-20

KEY	PART NUMBER	U/M	DESCRIPTION
	098646-05-01A	EA	WINDOW-SLANTED SLIDER, WINSIDE FRAME - PASSENGER SIDE
	098646-06-01A	EA	WINDOW-SLANTED SLIDER, WINSIDE FRAME - DRIVER SIDE
	098646-01-707	EA	FRAME-INSIDE, PASSENGER - OFF WHITE
	098646-02-702	EA	FRAME-INSIDE, DRIVER - OFF WHITE
2	098644-01-706	FT	GLAZING STRIP, EXCEL M926-12
3	098646-05-700	EA	GLASS-STATIONARY - 108-015-05 EXCEL
4	098644-01-710	FT	TRACK-SCREEN SPACER 12' LENGTH - EXCEL M401-31
5	098644-01-700	EA	LATCH REPAIR KIT
6	098644-01-708	FT	CHANNEL-PIERCED RUN EXCEL 122-016643
7	098644-01-711	FT	WEATHERSTRIP-SCREEN BLACK - EXCEL 171-016665
8	098646-01-704	EA	SCREEN W/SPRING&WEATHERSTRIP - 410-016475 EXCEL
9	098644-01-713	EA	SPRING-SCREEN FRAME (CLIP) PLASTIC - BLACK - EXCEL 228-016666
	098644-01-716	FT	PLUG-FILLER, EXCEL 132-014470
	098644-01-717	FT	SPLINE-SCREEN MFG, EXCEL 32-004716
10	098646-05-701	EA	GLASS-SLIDING, W/SASH&LATCH - B948-G0 EXCEL
11	098644-01-708	FT	WEATHERSTRIP, EXCEL 171-016666

KEY	PART NUMBER	U/M	DESCRIPTION
	098647-18-01A	EA	WINDOW-SLIDING, WINSIDE FRAME - PASSENGER SIDE - EXCEL B951-PRR
	098647-19-01A	EA	WINDOW-SLIDING, WINSIDE FRAME - DRIVER SIDE - EXCEL B951-PRL
	098647-18-700	EA	FRAME-WINDOW, INSIDE - WHITE - EXCEL V951-67
1	098647-18-702	EA	WINDOW-SLIDING, W/O INSIDE FRAME - PASSENGER SIDE - EXCEL B951-Q2R
1	098647-18-700	EA	WINDOW-SLIDING, W/O INSIDE FRAME - DRIVER SIDE - EXCEL B951-Q2R
2	098644-01-706	FT	GLAZING STRIP, EXCEL M926-12
3	098647-18-701	EA	GLASS-STATIONARY, EXCEL 106711829
4	098644-01-710	FT	TRACK-SCREEN SPACER 12' LENGTH - EXCEL M401-31
5	098644-01-700	EA	LATCH REPAIR KIT
6	098644-01-708	FT	CHANNEL-PIERCED RUN EXCEL 122-016643
7	098644-01-711	FT	WEATHERSTRIP-SCREEN BLACK - EXCEL 171-016665
8	098646-03-706	EA	SCREEN W/SPRING&WEATHERSTRIP - 410-016475 EXCEL
9	098644-01-713	EA	SPRING-SCREEN FRAME (CLIP) PLASTIC - BLACK - EXCEL 228-016666
	098644-01-716	FT	PLUG-FILLER, EXCEL 132-014470
	098644-01-717	FT	SPLINE-SCREEN MFG, EXCEL 32-004716
10	098646-01-702	EA	GLASS-SLIDING, W/SASH & LOCK - EXCEL B948-G0
11	098644-01-708	FT	WEATHERSTRIP, EXCEL 171-016666

WINDOW, VENT & EXTERIOR DOOR GROUP (CONTINUED)

POWERED ROOF VENT

KEY	PART NUMBER	U/M	DESCRIPTION
	009439-01-000	EA	CRANK HANDLE-ROOF VENT
	009439-04-000	EA	SCREW 8-32 X 1 1/4" POH
	009439-02-000	EA	KNOB-ROOF VENT MILL
	009439-03-000	EA	EXTENSION-CRANK HANDLE ROOF VENT - 9" - MILL
	060394-01-Y12	EA	VENT-ROOF POWERED
FROM 00-00-00 THRU 10-04-92			
	055218-01-000	EA	COVER-ROOF VENT, PLASTIC
	002825-01-000	EA	WEATHER STRIP-ROOF VENT GRAY
	000195-01-000	EA	SWITCH-ROOF VENT PUSH BUTTON 12V
	008343-01-000	EA	TIE-WIRE 6"
	008398-01-000	EA	GROMMET-SNAP 3/8"
	009440-01-000	EA	GEAR/ARM-VENT COVER LIFT
	015911-01-000	EA	TRACK-LIFT ARM SLIDE - ROOF VENT
	048848-01-000	EA	MOTOR-ROOF VENT 1/8 SHAFT - 12V - JENSEN
	048849-01-000	EA	FAN-ROOF VENT 6 BLADES - 6" - JENSEN
	052839-01-001	EA	HINGE-VENT COVER 16"
	052839-01-200	EA	HINGE-EXTRUSION ROOF VENT 7"
	081803-01-000	EA	GROMMET-SNAP 3/16"ID - 3/8" HOLE - PLASTIC - BLACK
	078785-01-Y12	EA	SCREEN-ROOF VENT POWERED
	002291-02-000	SF	SCREENING-ROOF VENT/WINDOW 16" - BLACK
	002298-02-000	FT	SPLINE-VENT/WINDOW SCREEN 128 DIAMETER - BLACK
	110051-03-01A	EA	VENT-ROOF, POWERED - 2" ROOF - JENSEN 7757
FROM 10-05-92 THRU 99-99-99			
	048848-01-000	EA	MOTOR-12V NONVENTED 1/8 SFT
	048849-01-000	EA	FAN-PLASTIC, 6" - 8 BLADED
	064470-01-700	EA	COVER ROOF VENT, JENSEN 7291
	110051-01-701	EA	GARNISH W/SCREEN & FRAME 2", JENSEN 29-800-01
	110051-01-702	EA	HAND CRANK & OPERATOR ASM, JENSEN RP-10000B
	110051-01-703	EA	HANDLE CRANK, JENSEN RP1031-B

NONPOWERED ROOF VENT

KEY	PART NUMBER	U/M	DESCRIPTION
	009439-01-000	EA	CRANK HANDLE-ROOF VENT
	009439-04-000	EA	SCREW 8-32 X 1 1/4" POH
	009439-02-000	EA	KNOB-ROOF VENT MILL
	009439-03-000	EA	EXTENSION-CRANK HANDLE ROOF VENT - 9" - MILL
	009439-04-000	EA	SCREW 8-32 X 1 1/4" POH
	060395-01-Y12	EA	VENT-ROOF NONPOWERED
FROM 00-00-00 THRU 10-04-92			
	055218-01-000	EA	COVER-ROOF VENT, PLASTIC
	002825-01-000	EA	WEATHER STRIP-ROOF VENT GRAY
	009440-01-000	EA	GEAR/ARM-VENT COVER LIFT
	015911-01-000	EA	TRACK-LIFT ARM SLIDE - ROOF VENT
	052839-01-001	EA	HINGE-VENT COVER 16"
	052839-01-200	EA	HINGE-EXTRUSION ROOF VENT 7"
	078785-01-Y12	EA	SCREEN-ROOF VENT NON POWERED - WHITE
	002291-02-000	SF	SCREENING-ROOF VENT/WINDOW 16" - BLACK
	002298-02-000	FT	SPLINE-VENT/WINDOW SCREEN 128 DIAMETER - BLACK
	110051-01-01A	EA	VENT-ROOF, NONPOWERED - 2" ROOF - JENSEN 7724
FROM 10-05-92 THRU 99-99-99			
	064470-01-700	EA	COVER ROOF VENT, JENSEN 7291
	110051-01-701	EA	GARNISH W/SCREEN & FRAME 2", JENSEN 29-800-01
	110051-01-702	EA	HAND CRANK & OPERATOR ASM, JENSEN RP-10000B
	110051-01-703	EA	HANDLE CRANK, JENSEN RP-1031-B

WINDOW, VENT & EXTERIOR DOOR GROUP (CONTINUED)

VENTS, SHROUDS AND ROOF COVERS

KEY	PART NUMBER	U/M	DESCRIPTION
	084073-04-000	EA	BASE-VENT, REFRIGERATOR - ROOF - NORCOLD - OFF WHITE
	084073-03-000	EA	CAP-VENT, REFRIGERATOR - ROOF - NORCOLD - BLACK
	084878-08-000	EA	VENT-RANGE HOOD, SHORT - LV5
	083752-01-000	EA	SHROUD-RANGE - 18 5" X 20 6" X 18 2" - METAL - OFF WHITE
	084818-01-000	EA	SHROUD-RANGE HOOD VENT, OFF WHITE
	083658-03-000	EA	VENT-PLUMBING PIPE ROOF WCOVER - OFF WHITE
	080508-01-000	EA	PANEL-SKYLITE, INNER - PLEXIGLASS - 23.25" X 20 3"
	080507-01-000	EA	PANEL-SKYLIGHT, OUTER - PLEXIGLASS - 23.25" X 20 3"

**1993 WINNEBAGO
TABLE OF CONTENTS**

INTRODUCTION	A-01 -	A-02
ABBREVIATIONS		A-03
ALPHABETICAL INDEX	A-04 -	A-06
WF427RQ	A-07 -	D-20
WF427RC	D-21 -	H-10
WF428RQ	H-11 -	L-02

1993 WF427RQ INDEX

FLOOR PLAN	A-07 -	A-08
ACCESSORIES		A-09
AUDIO VIDEO		A-10
BATH	A-11 -	A-12
BEDROOM	A-13 -	A-14
CHASSIS	A-15 -	A-18
CURTAIN & CUSHION	A-19 -	B-08
DINETTE	B-07 -	B-08
DRIVERS COMPARTMENT	B-09 -	B-10
ELECTRICAL	B-11 -	B-14
EXTERIOR BODY	B-15 -	B-22
GALLEY	B-23 -	C-02
GENERATOR		C-03
HEATING & AC	C-04 -	C-06
INTERIOR FINISH	C-07 -	C-10
LABELS	C-11 -	C-18
LP		C-19
LOUNGE	C-20 -	C-21
SEALANTS & FASTENERS	C-22 -	C-24
WATER & SEWAGE	D-01 -	D-04
WINDOW, VENT AND EXTERIOR DOOR	D-05 -	D-20