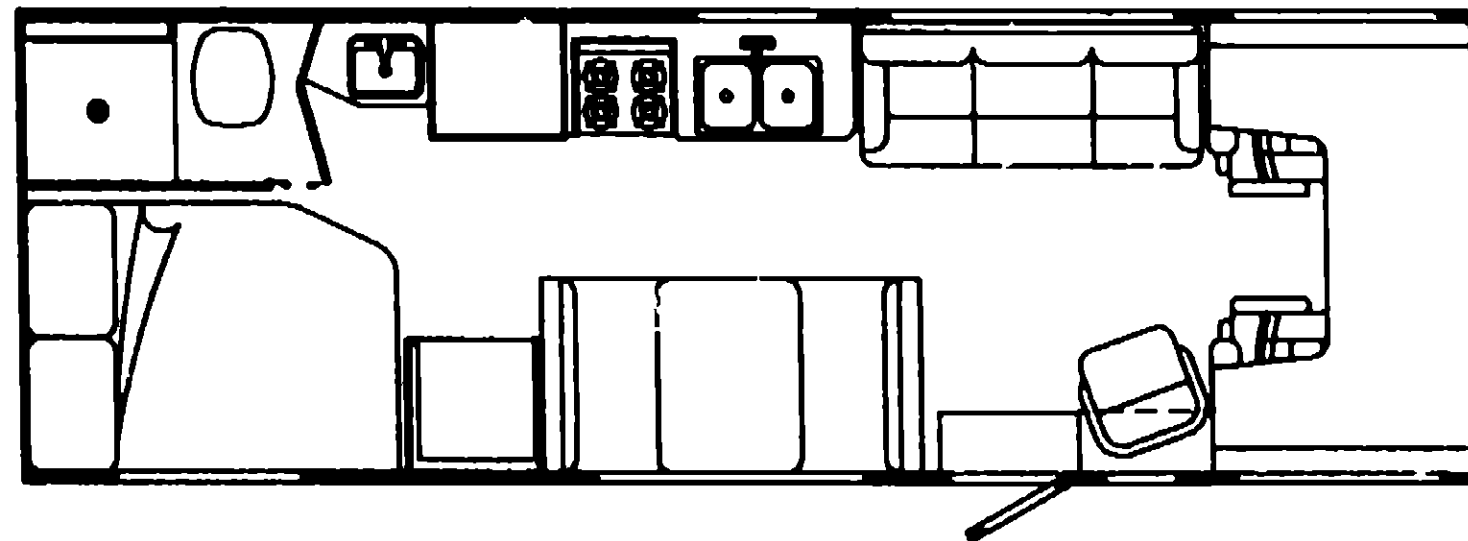


**1993 WINNEBAGO  
TABLE OF CONTENTS**

INTRODUCTION	A-01 - A-02
ABBREVIATIONS	A-03
ALPHABETICAL INDEX	A-04 - A-06
WF427RQ	A-07 - D-20
WF427RC	D-21 - K-10
WF428RQ	H-11 - L-02



**1993  
WF427RC  
D04  
D05**



**1993 WF427RC INDEX**

FLOOR PLAN	D-21 - D-22
ACCESSORIES	D-23
AUDIO VIDEO	D-24
BATH	E-01 - E-02
BEDROOM	E-03
CHASSIS	E-04 - E-06
CURTAIN & CUSHION	E-09 - E-10
DINETTE	E-19 - E-20
DRIVERS COMPARTMENT	E-21 - E-22
ELECTRICAL	E-23 - F-02
EXTERIOR BODY	F-03 - F-10
GALLEY	F-11 - F-14
GENERATOR	F-15
HEATING & AC	F-16 - F-18
INTERIOR FINISH	F-19 - F-22
LABELS	F-23 - G-08
LP	G-07
LOUNGE	G-06 - G-09
SEALANTS & FASTENERS	G-10 - G-12
WATER & SEWAGE	G-13 - G-16
WINDOW, VENT AND EXTERIOR DOOR	G-17 - H-09

## ACCESSORIES GROUP

### OPERATORS MANUAL

KEY	PART NUMBER	U/M DESCRIPTION
	054185-33-000	EA MANUAL-OPERATOR, 1993 MINNIE WINNIE
	082318-01-000	EA BINDER-3 RING, MOTOR HOME MANUAL
	082319-01-000	EA PAGE-POCKET, 3 RING BINDER - PLASTIC
	108272-01-000	DW TOP LEVEL DRAWING - 1993 C-BODY

## AUDIO VIDEO GROUP

### RADIO SYSTEM & ANTENNA

KEY	PART NUMBER	U/M DESCRIPTION
	108450-01-000	EA RADIO-AM/FM CASSETTE, ELECTRONIC TUNE - FORD - AUDIOVOX FD-CXF
	108137-01-000	EA PLUG-ANTENNA HOLE (FORD)
	088340-02-000	EA GRILLE-SPEAKER, 8 5" SQUARE (OVHD CABINETS)
	088340-03-000	EA SPACER-SPEAKER GRILLE, TAN - MAGNADYNE G514 (OVHD CABINETS)
	084097-01-000	EA SPEAKER-RADIO, W/O GRILLE - 5.25" DIA - AUDIOVOX 110C3030 (OVHD CABINETS)
	087883-01-000	EA RADIO-AM/FM STEREO W/CASSETTE AUDIOVOX 144D1550 (PATIO ENTERTAINMENT)
	090844-01-000	EA ANTENNA-RADIO, 16" RUBBER (PATIO ENTERTAINMENT)
	077068-02-000	EA CABLE-ANTENNA, RADIO - EXTENSION 96" - ARA 8700867
	080862-01-000	EA BRACKET-HAT, ANTENNA - 3 1" X 3 9" - STEEL - BLACK (PATIO ENTERTAINMENT)
	104899-01-004	EA PLATE-RADIO MOUNTING (PATIO ENTERTAINMENT)
	073741-03-000	EA SPEAKER-OVAL, 4" X 6" - AUDIOVOX 110-2074 (PATIO ENTERTAINMENT) FROM 00-00-00 THRU 12-20-82
	110468-01-000	EA SPEAKER-OVAL, 4" X 6" - MAGNADYNE F48XB-12 (PATIO ENTERTAINMENT) FROM 12-21-92 THRU 99-99-99
	073741-04-000	EA GRILLE-SPEAKER, OVAL - 4" X 6" - AUDIOVOX 138-1157 (PATIO ENTERTAINMENT) FROM 00-00-00 THRU 12-20-82
	110470-01-01A	EA GRILLE-SPEAKER, OVAL - 4" X 6" - BLACK - MAGNADYNE G48W1 (PATIO ENTERTAINMENT) FROM 12-21-92 THRU 99-99-99

### TV, VCR SYSTEMS & ANTENNA

KEY	PART NUMBER	U/M DESCRIPTION
	082310-03-000	EA TV-COLOR, 9" - AC/DC - W/SWIVEL - MAGNAVOX RDO945
	082310-02-700	EA REMOTE FOR TV
	038446-03-000	EA VCR-VHS, CABLE READY - REMOTE - MAGNAVOX VR9010 FROM 00-00-00 THRU 10-04-82
	088446-03-700	EA REMOTE FOR MODEL #9010 - 0974588
	088446-04-000	EA VCR-VHS, CABLE READY - REMOTE - MAGNAVOX VR9110 FROM 10-05-82 THRU 06-06-93
	088446-04-700	EA REMOTE FOR MODEL #9110
	088446-05-000	EA VCR-VHS, CABLE READY - REMOTE - MAGNAVOX VR9120 FROM 06-07-93 THRU 99-99-99
	088446-04-700	EA REMOTE FOR MODEL #9110 & #9120
	108433-01-000	EA BRACKET-VCR
	078319-01-000	EA ANTENNA-TV, ROOF MOUNT - 44 5" MAST - RVA W02
	078319-01-700	EA HEAD-ANTENNA, AMPLIFIED - WINEGARD# RVSA UV
	078319-01-701	EA GEAR-ELEVATING, PLASTIC - WINEGARD# 2200048
	078319-01-702	EA SHAFT ASM-ELEVATING, WINEGARD# RVP-400A
	078319-01-703	EA BEARING-NYLON, .5"OD - WINEGARD# 3200656
	078319-01-705	EA GROMMET-NYLON, 7/8"ID - WINEGARD# 3200658
	078319-01-706	EA CRANK-ELEVATING, W/SET SCREW - WINEGARD# 5755100
	078319-01-707	EA SPRING-HANDLE, WINEGARD# 5180800
	078319-01-709	EA PLATE-DIRECTIONAL, FOR HEAD - WINEGARD #3200844
	078319-06-000	EA ADAPTER-CABLE ROOF PLATE, WINEGARD RPJ-1
	082134-01-000	EA ADAPTER-TV, CABLE TO CABLE - WINEGARD F-81M
	082136-01-000	EA NUT-HEX JAM 3/8-32, WINEGARD#
	078319-08-000	EA WALL PLATE-CABLE RECEPTACLE, TV - SINGLE - IVORY
	078319-08-000	EA WALL PLATE-CABLE RECEPTACLE, TV - SINGLE - BROWN
	088777-03-000	EA WALL PLATE-TV CABLE, W/ANTENNA SWITCH - IVORY
	108046-01-000	EA CABLE TIE-SCREW MOUNT, 8" - DENNISON 08415
	078319-03-000	EA CABLE-COAXIAL, 75 OHM
	078319-12-000	EA CONNECTOR-COAXIAL - ONE PIECE
	088756-01-000	EA SPLITTER-TV, 2 WAY
	088757-03-000	EA CONTROL CENTER-SWITCH, VCR/TV - MAGNADYNE VCS-8
	088777-04-000	EA PLATE-WALL, ANTENNA/POWER - BROWN FROM 00-00-00 THRU 04-14-93
	088777-06-000	EA PLATE-WALL, ANTENNA/POWER - BROWN - WINEGARD FV-0831 FROM 04-15-93 THRU 99-99-99

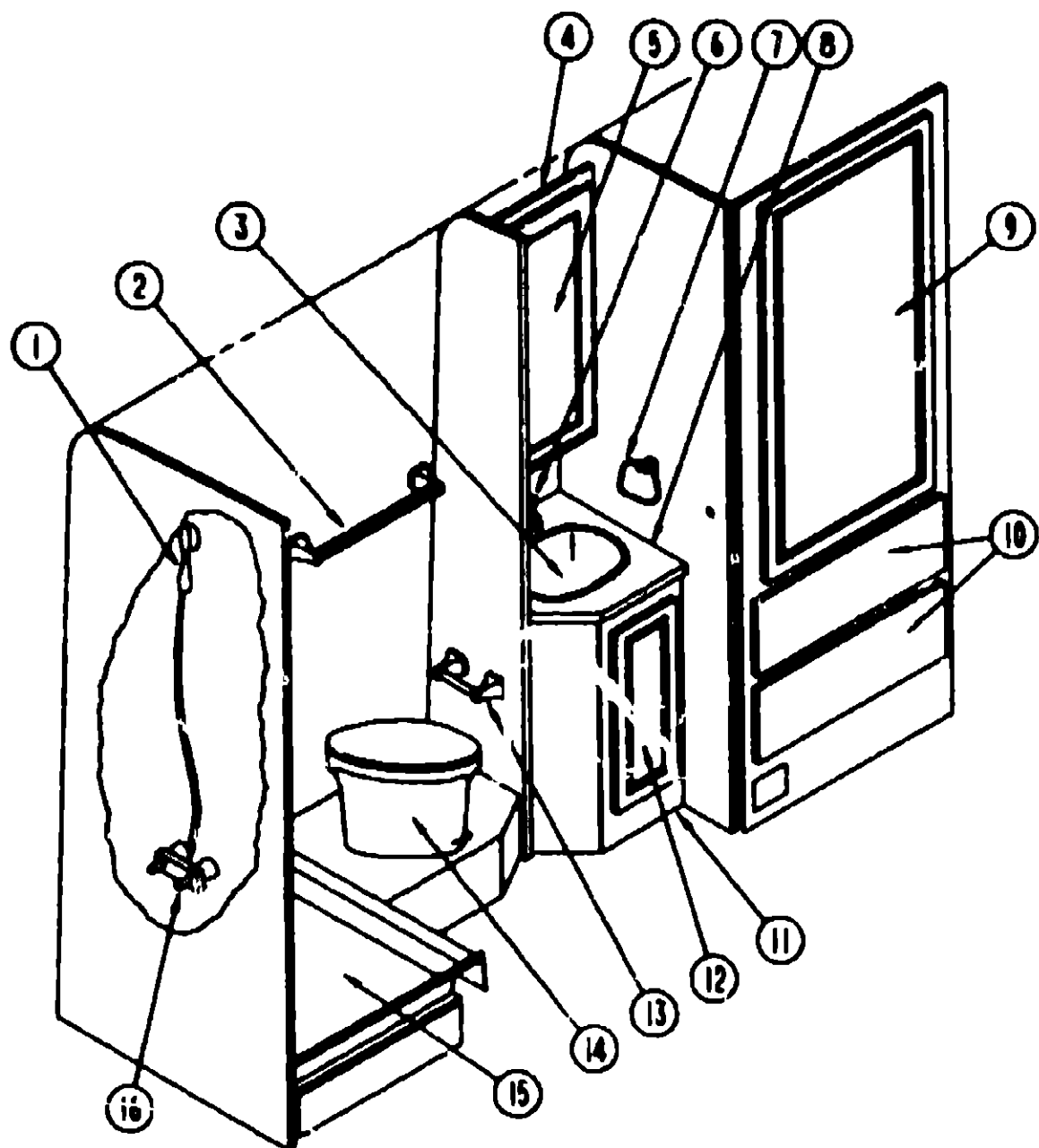
## 1993 WINNEBAGO TABLE OF CONTENTS

INTRODUCTION	A-01 - A-02
ABBREVIATIONS	A-03
ALPHABETICAL INDEX	A-04 - A-08
WF427RC	A-07 - D-20
WF427RC	D-21 - H-10
WF428RC	H-11 - L-02

## 1993 WF427RC INDEX

FLOOR PLAN	D-21 - D-22
ACCESSORIES	D-23
AUDIO VIDEO	D-24
BATH	E-01 - E-02
BEDROOM	E-03
CHASSIS	E-04 - E-08
CURTAIN & CUSHION	E-09 - E-18
DINETTE	E-19 - E-20
DRIVERS COMPARTMENT	E-21 - E-22
ELECTRICAL	E-23 - F-02
EXTERIOR BODY	F-03 - F-10
GALLEY	F-11 - F-14
GENERATOR	F-15
HEATING & A/C	F-16 - F-18
INTERIOR FINISH	F-19 - F-22
LABELS	F-23 - G-06
LP	G-07
LOUNGE	G-08 - G-09
SEALANTS & FASTENERS	G-10 - G-12
WATER & SEWAGE	G-13 - G-16
WINDOW, VENT AND EXTERIOR DOOR	G-17 - H-09

**BATH GROUP**



**BATHROOM CABINETS & FIXTURES**

KEY	PART NUMBER	U/M DESCRIPTION
1	103092-01-000	EA HEAD-SHOWER, W/60 IN HOSE
	103092-01-700	EA BRACKET-SHOWER HEAD
2	075453-02-000	EA BAR-TOWEL, 18" BRASS
3	096927-01-01A	EA SINK-LAVATORY, RECTANGULAR - PLASTIC - BONE
	096927-01-700	EA SINK-STOPPER
	096927-01-701	EA TAILPIECE-SINK
4	102821-02-C52	EA CABINET-MEDICINE, W/O DOOR & HARDWARE
5	P03861-01-C03	EA DOOR-CABINET, MIRRORED - W/O HARDWARE - 395 X 750MM
	058331-32-000	EA MIRROR-GLASS, SAFETY - 13 8" X 27 6"
	M03450-11-000	EA TRIM-MIRROR, WOOD - OAK
	093446-10-805	EA MIRROR-WOOD FRAMED
6	075240-06-000	EA FAUCET-LAVATORY, BONE
7	075454-02-C00	EA RING-TOWEL, W/MOUNTING HARDWARE - BRASS
8	105843-11-D04	EA COUNTERTOP-CABINET, LAVATORY
8	105843-11-D05	EA COUNTERTOP-CABINET, LAVATORY
9	P05223-65-D04	EA DOOR-CABINET, W/O HARDWARE - 525 X 1220MM
10	P07104-M3-D04	EA DRAWER-CABINET, W/O HARDWARE
	009112-01-000	EA FLANGE-1" ROD, CLOTHES - PLASTIC - OFF WHITE
	042438-01-000	EA DOWEL-WOOD, CLOTHES ROD - 1" X 4" LONG

**BATH GROUP (CONTINUED)**

**BATHROOM CABINETS & FIXTURES (CONTINUED)**

KEY	PART NUMBER	U/M DESCRIPTION
11	M05884-01-D04	EA CABINET-LAVATORY, W/O DOOR & HARDWARE
11	M05884-01-D05	EA CABINET-LAVATORY, W/O DOOR & HARDWARE
12	P05223-64-C03	EA DOOR-CABINET, W/O HARDWARE - 395 X 655 MM
13	075452-02-000	EA HOLDER-TOILET TISSUE, BRASS
14	087487-01-000	EA TOILET-12.37", IVORY - HAND FLUSH - THETFORD 190110
	083740-01-700	EA LEVER-WATER, THETFORD 12514
	083740-01-701	EA LEVER-FLUSH, THETFORD 12516
	083740-01-708	EA BOLT PACKAGE-CLOSET, THETFORD 12524
	083740-01-710	EA LINK-THETFORD 12513
	083740-01-711	EA SPRING-RETURN LEVER, THETFORD 12523
	083740-01-713	EA SEAL-BALL VALVE TO BOWL, THETFORD 12502
	083740-01-714	EA VALVE ASM-WATER, THETFORD 12482
	083740-01-716	EA SEAT & COVER, THETFORD 18017
	083740-01-717	EA TUBE-FLUSH, TOILET-12509 THETFORD
	021078-01-000	EA FLANGE-CLOSET, TOILET - 4" X 3" - RED - US
	024878-02-000	EA FLANGE-CLOSET, TOILET - 4" X 3" - RED - CSA
15	M02429-06-000	EA PAN-SHOWER, OFF WHITE
	088436-01-000	EA NUT-SLIP, TAILPIECE - 1 5"
	085440-01-000	EA STRAINER-SHOWER, W RUBBER WASHER
	089735-01-000	EA WASHER STRAINER TO TAILPIECE, PLASTIC - 1 5"
	011009-02-000	EA TAILPIECE-TUB/SHOWER, 1 1/2" X 1 1/4" X 4" - BRASS
	088435-01-000	EA NUT-SLIP, TAILPIECE - 1 5"
16	075241-05-000	EA FAUCET-SHOWER, BONE
	075808-01-000	EA PANEL-FAUCET BACK, SHOWER - 5" X 9" - PLASTIC
	057871-01-000	EA COVER-SCREW, #8 - PLASTIC - OFF WHITE

**BATH PRIVACY DOOR**

KEY	PART NUMBER	U/M DESCRIPTION
	105394-01-01A	EA JAMB-DOOR, EXTRUDED PLASTIC - 7" LONG - OAK
	M97868-02-C03	EA DOOR-PRIVACY, BATH - W/O HARDWARE
		FROM 00-00-00 THRU 02-21-93
	M87868-17-D04	EA DOOR-PRIVACY, BATH - W/O HARDWARE
		FROM 02-22-93 THRU 99-99-99
	094495-01-01A	EA KNOB-DOOR-POLISHED BRASS
		FROM 00-00-00 THRU 09-23-92
	094485-02-01A	EA KNOB-DOOR-POLISHED BRASS
		FROM 09-24-92 THRU 99-93-99

**EXTERIOR SHOWER**

KEY	PART NUMBER	U/M DESCRIPTION
	103062-01-000	EA HEAD-SHOWER, W/60 IN HOSE (US & CANADIAN)
	075241-05-000	EA FAUCET-SHOWER, BONE
	105289-02-000	EA BRACKET-SUPPORT, FAUCET
	093527-02-000	EA BRACKET-SUEEGE/SHOWER HEAD
	091952-02-000	EA CLIP-GRIPPER, 3/4"

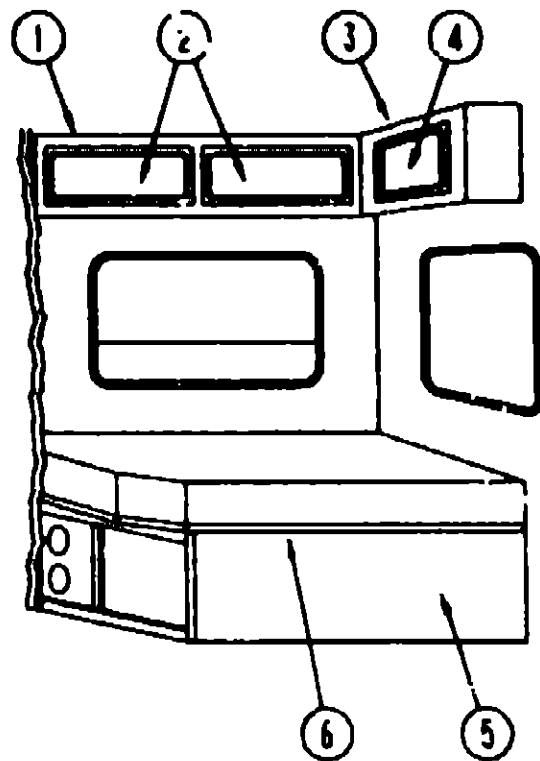
**1993 WINNEBAGO  
TABLE OF CONTENTS**

INTRODUCTION	A-01 - A-02
ABBREVIATIONS	A-03
ALPHABETICAL INDEX	A-04 - A-08
WF427RC	A-07 - D-20
WF427RC	D-21 - H-10
WF428RC	H-11 - L-02

**1993 WF427RC INDEX**

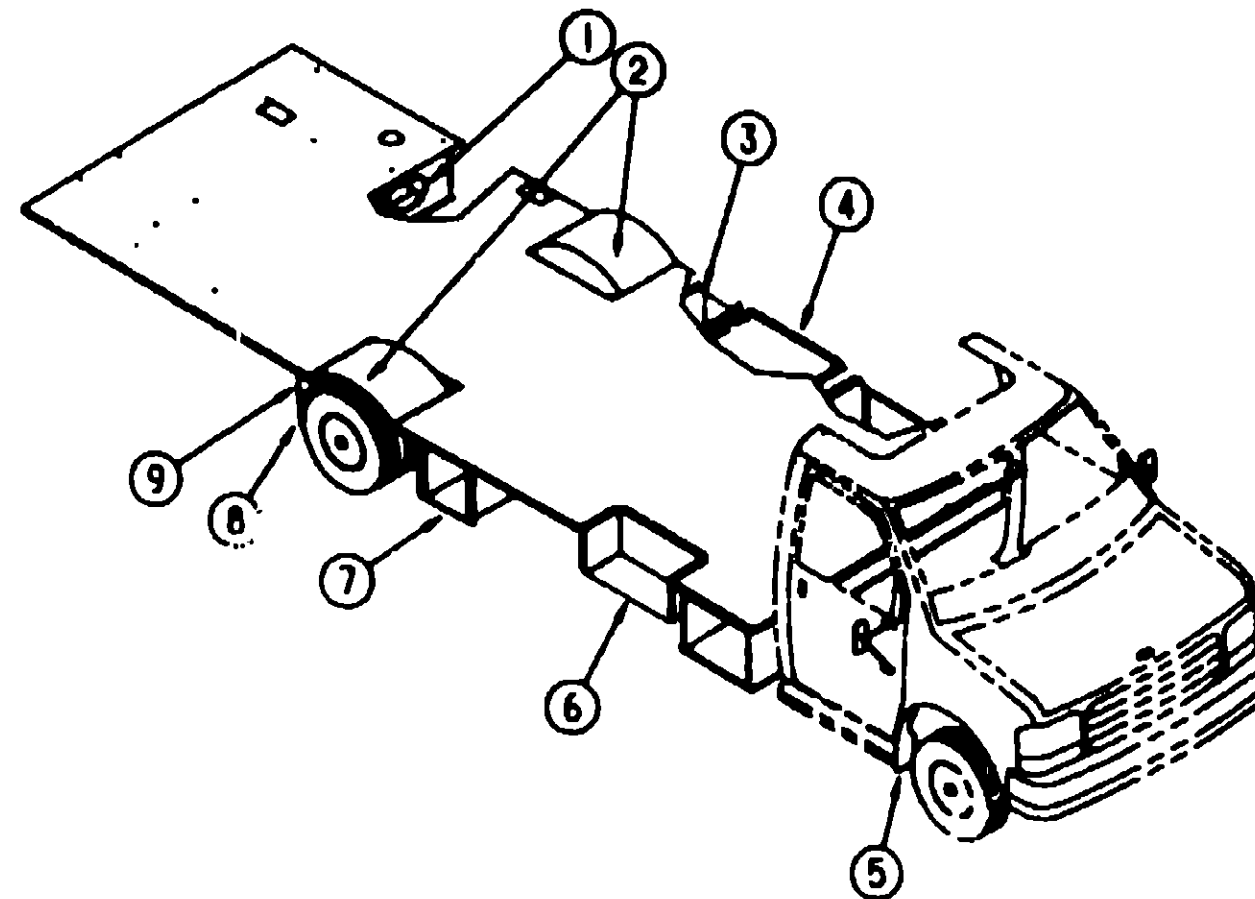
FLOOR PLAN	D-21 - D-22
ACCESSORIES	D-23
AUDIO VIDEO	D-24
BATH	E-01 - E-02
BEDROOM	E-03
CHASSIS	E-04 - E-08
CURTAIN & CUSHION	E-09 - E-18
DINETTE	E-19 - E-20
DR. /ERS COMPARTMENT	E-21 - E-22
ELECTRICAL	E-23 - F-02
EXTERIOR BODY	F-03 - F-10
GALLEY	F-11 - F-14
GENERATOR	F-15
HEATING & A/C	F-16 - F-18
INTERIOR FINISH	F-19 - F-22
LABELS	F-23 - G-06
LP	G-07
LOUNGE	G-08 - G-09
SEALANTS & FASTENERS	G-10 - G-12
WATER & SEWAGE	G-13 - G-16
WINDOW, VENT AND EXTERIOR DOOR	G-17 - H-09

## BEDROOM GROUP



DOUBLE BEDROOM

## CHASSIS GROUP



COMPARTMENTS, PLUGS & SEALS

## 1993 WINNEBAGO TABLE OF CONTENTS

INTRODUCTION	A-01 - A-02
ABBREVIATIONS	A-03
ALPHABETICAL INDEX	A-04 - A-08
WF427RC	A-07 - D-20
WF427RC	D-21 - H-10
WF428RC	H-11 - L-02

## 1993 WF427RC INDEX

FLOOR PLAN	D-21 - D-22
ACCESSORIES	D-23
AUDIO VIDEO	D-24
BATH	E-01 - E-02
BEDROOM	E-03
CHASSIS	E-04 - E-08
CURTAIN & CUSHION	E-09 - E-10
DINETTE	E-19 - E-20
DRIVERS COMPARTMENT	E-21 - E-22
ELECTRICAL	E-23 - F-02
EXTERIOR BODY	F-03 - F-10
GALLEY	F-11 - F-14
GENERATOR	F-15
HEATING & A/C	F-16 - F-18
INTERIOR FINISH	F-19 - F-22
LABELS	F-23 - G-08
LP	G-07
LOUNGE	G-09 - G-10
SEALANTS & FASTENERS	G-10 - G-12
WATER & SEWAGE	G-13 - G-16
WINDOW, VENT AND EXTERIOR DOOR	G-17 - H-09

KEY	PART NUMBER	U/M	DESCRIPTION
1	M05778-18-D04	EA	CABINET-OVERHEAD, REAR
2	P05223-42-D04	EA	DOOR-CABINET, W/O HARDWARE - 400 X 710MM
3	M05778-19-D04	EA	CABINET-OVERHEAD, REAR
3	M05778-19-D05	EA	CABINET-OVERHEAD, REAR
4	P05223-45-D04	EA	DOOR-CABINET, W/O HARDWARE - 400 X 710MM (MIRRORED)
4	P05223-42-D04	EA	DOOR-CABINET, W/O HARDWARE - 400 X 710MM (WOOD PANEL)
5	P05802-01-C52	EA	CABINET-DOUBLE BED, W/O CABINET TOPS
6	M05689-02-001	EA	TOP-CABINET, DOUBLE BED - DRIVER SIDE
	M05689-01-C52	EA	TOP-CABINET, DOUBLE BED - PASSENGER SIDE
	089076-03-000	EA	SUPPORT-BED H-CHANNEL - 1 96" X 72.7" - ALUMINUM - BEIGE

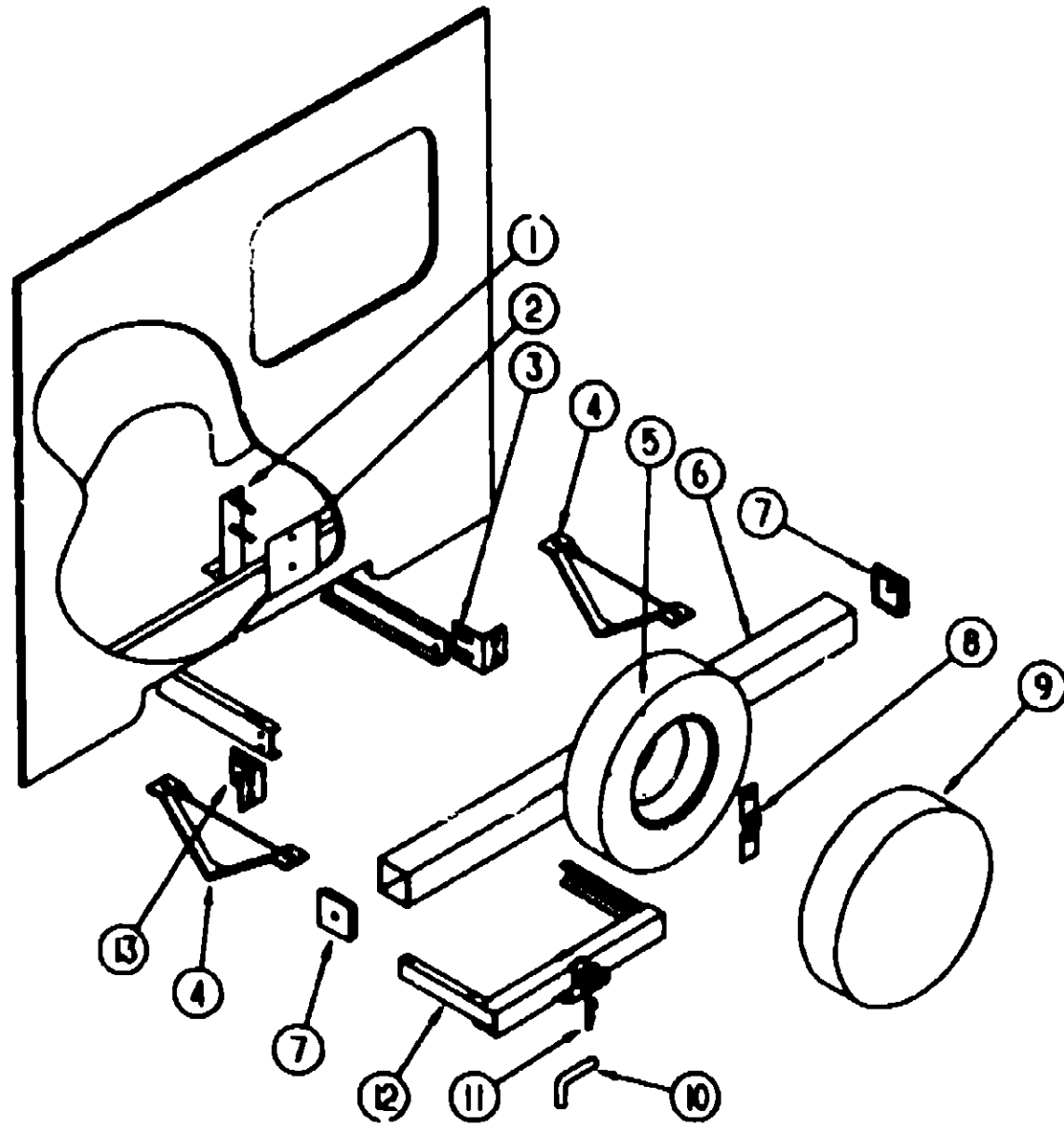
KEY	PART NUMBER	U/M	DESCRIPTION
1	103639-01-000	EA	DOOR-DRAINAGE COMPARTMENT, 7 8" X 7 6" - STEEL
	074470-01-000	EA	PIN-PULL, HINGE RELEASE - RIGHT SIDE
2	102782-01-000	EA	WHEELWELL-PLASTIC
3	102979-01-000	EA	BOX-POWER CORD
4	105471-05-000	EA	COMPARTMENT-GENERATOR
4	078137-02-000	EA	TRAY-COMPARTMENT, 27 18" WIDE X 21" DEEP
	056748-01-000	EA	PLUG-CAP, 1.5" DIAMETER - BLACK
	058027-01-000	FT	SEAL, D SHAPED - HOLLOW - SPONGE RUBBER - BLACK
	061420-01-C00	EA	PLUG-PLASTIC, 1 75" - BROWN
	077952-01-000	EA	GROMMET-EDGE LINER, FITS 1"
	088270-01-000	FT	SEAL-BULB, W/WIRE RIGID U-CHANNEL - 5" - RUBBER - BLACK
5	064089-01-700	EA	FLAP-MUD, FRONT - SET OF 2 RUBBER - BLACK
6	077848-02-000	EA	STEP-PULLOUT
	078241-09-000	EA	SUPPORT-STEP, ENTRY DOOR
	091176-01-000	EA	SUPPORT-BASE, ENTRANCE STEP
6	094708-01-01A	EA	STEP-ENTRY DOOR, ELECTRIC - SINGLE - KWIKEE 2813
	094707-02-700	EA	MOTOR REPLACEMENT KIT
	094707-02-702	EA	GEAR KIT
	094707-02-703	EA	PARTS KIT (BEARINGS & PINS)
	094707-02-704	EA	MOTOR CONNECTOR KIT
	094707-02-705	EA	CONTROL UNIT (ORANGE)
	094707-03-700	EA	LINKAGE ASM FOR 28 SERIES
	041250-01-000	EA	SWITCH-DOOR JAMB, ELECTRIC ENTRY STEP - METAL
	075723-02-000	EA	SPACER-SWITCH, WHOLE - 2" X 9" X 2" - METAL - OFF WHITE
7	105203-01-000	EA	COMPARTMENT-BATTERY
	084993-01-000	EA	STRAP-BATTERY
	084993-01-000	EA	STRAP ASM.-BATTERY
	065450-05-000	EA	TIEDOWN-BATTERY, 8 4" TUBE
	077479-02-000	EA	BOOT-BATTERY TERMINAL, SINGLE CABLE
8	017516-01-000	EA	FLAP-MUD, 14" X 18" - BLACK - REAR
9	045731-04-000	EA	GUARD-ROCK, REAR

FROM 00-00-00 THRU 02-01-33

FROM 02-02-93 THRU 99-99-99

## CHASSIS GROUP (CONTINUED)

### REAR BUMPER, HITCH & SPARE TIRE CARRIER



KEY	PART NUMBER	U/M	DESCRIPTION
1	105209-05-052	EA	BRACKET ASM-SPARE TIRE
2	105208-01-000	EA	PLATE-SPARE TIRE
3	104420-01-000	EA	SUPPORT-ANGLE, BUMPER REAR-RIGHT
4	083376-01-000	EA	PLATE-SKD, 13 2" X 6" X 2" - STEEL
5	070817-04-000	EA	TIRE-LT 215 - BSR18 LRD - 4RS - FIRESTONE (273285)
5	083425-08-000	EA	TIRE-LT225/75R18 LRD, MICHELIN XCH4 FROM: 00-00-CJ THRU: 10-05-82
5	083425-08-000	EA	TIRE-LT225/75R18 LRD, MICHELIN XCH4 FROM: 10-08-82 THRU: 99-99-99
5	083817-03-000	EA	WHEEL-STEEL, 16.0X8 - ACCURIDE 28818
	051377-01-000	EA	STEM-VALVE, TR 800
	077030-02-000	EA	EXTENSION-VALVE STEM, 1 25"
	085012-03-000	EA	EXTENSION-VALVE STEM, DUAL WHEEL
	112358-01-000	EA	WRENCH-LUG, 7/8 - L-SHAPE (CHASSIS PROVIDED EARLIER) FROM 05-10-83 THRU 99-99-99
	109816-01-000	EA	KNOB-HOLD DOWN, JACK (JACK COMES W/CHASSIS & IS LOCATED UNDER HOOD)
6	103422-02-01A	EA	BUMPER-SQUARE, ALUMINUM-OFF WHITE
7	039779-01-000	EA	CAP-BUMPER, RUBBER - 4" X 4" - BLACK
8	105531-02-000	EA	RETAINER ASM-SPARE TIRE
9	104408-05-004	EA	COVER-TIRE, 32" MOUNTING WINNIE - SILKSCREENED - OFF WHITE
10	034512-01-000	EA	PIN-LOCKING, DRAWBAR
11	034513-01-000	EA	PIN-HITCH, 3/16" WIRE
12	077617-02-000	EA	HITCH-TRAILER, W/O DRAWBAR - 41.1" WIDE - STEEL - BLACK
13	104420-02-000	EA	SUPPORT-ANGLE, BUMPER REAR-LEFT
	097744-01-000	EA	HOUSING-TRAILER PIN, 12"
	097744-02-000	EA	HOUSING-TRAILER PIN-48"
	097746-01-000	EA	HOUSING CAP-TRAILER PIN
	097745-01-000	EA	HOUSING-TRAILER RECEPTACLE-12"
	097745-02-000	EA	HOUSING-RECEPTACLE, TRAILER - 48" WIRE LENGTH

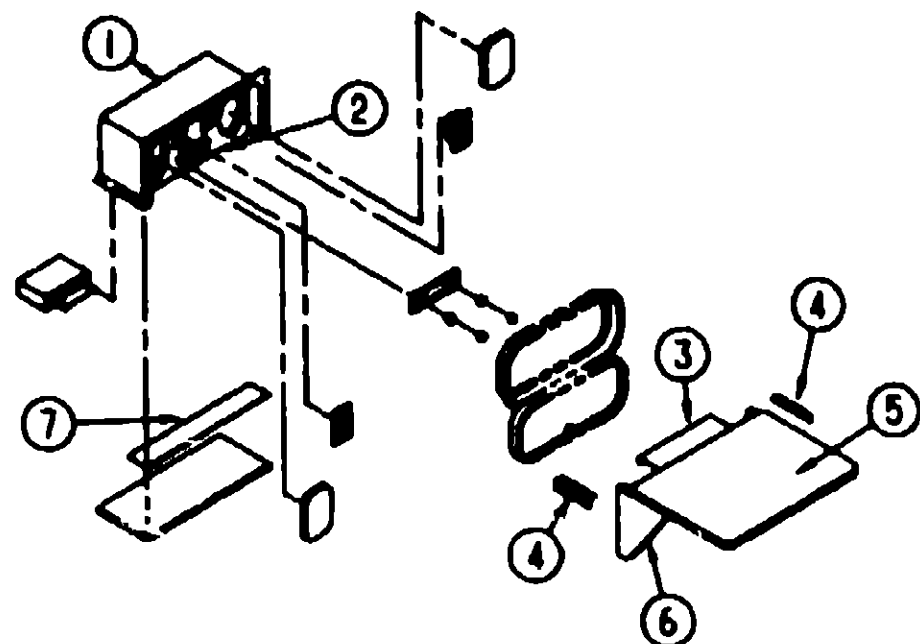
## 1993 WINNEBAGO TABLE OF CONTENTS

INTRODUCTION	A-01 - A-02
ABBREVIATIONS	A-03
ALPHABETICAL INDEX	A-04 - A-06
WF427RQ	A-07 - D-20
WF427RC	D-21 - H-10
WF428RQ	H-11 - L-02

## 1993 WF427RC INDEX

FLOOR PLAN	D-21 - D-22
ACCESSORIES	D-23
AUDIO VIDEO	D-24
BATH	E-01 - E-02
BEDROOM	E-03
CHASSIS	E-04 - E-09
CURTAIN & CUSHION	E-09 - E-18
DINETTE	E-19 - E-20
DRIVERS COMPARTMENT	E-21 - E-22
ELECTRICAL	E-23 - F-02
EXTERIOR BODY	F-03 - F-10
GALLEY	F-11 - F-14
GENERATOR	F-15
HEATING & A/C	F-16 - F-18
INTERIOR FINISH	F-19 - F-22
LABELS	F-23 - G-06
LP	G-07
LOUNGE	G-08 - G-09
SEALANTS & FASTENERS	G-10 - G-12
WATER & SEWAGE	G-13 - G-16
WINDOW, VENT AND EXTERIOR DOOR	G-17 - H-09

**CHASSIS GROUP (CONTINUED)**



**ENTERTAINMENT COMPARTMENT**

KEY	PART NUMBER	U/M DESCRIPTION
1	174897-01-01A	EA BOX-ENTERTAINMENT CENTER, OFF WHITE
2	104899-01-004	EA PLATE-RADIO MOUNTING
3	105377-01-01A	EA BRACKET-TABLE HANGER - OFF WHITE
	105377-01-03A	EA BRACKET-TABLE HANGER - MILL
4	105378-01-02A	EA HINGE-CONTINUOUS, 2" X 140MM - OFF WHITE
5	105230-11-005	EA SHELF ASM
6	105230-12-009	EA SUPPORT ASM
7	104898-01-01A	EA PLATE-PLASTIC BOTTOM, OFF WHITE

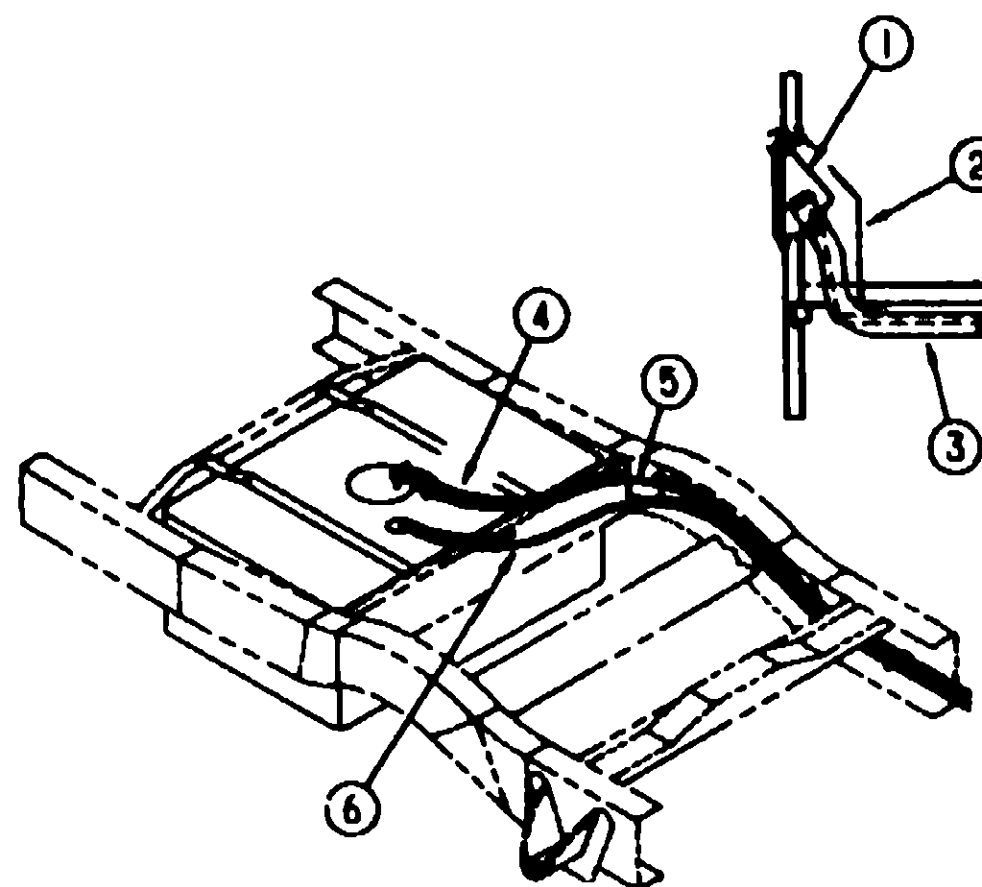
**EXHAUST SYSTEM COMPONENTS**

KEY	PART NUMBER	U/M DESCRIPTION
	007125-01-000	EA CLAMP-MUFFLER, 1.62 DIAMETER
	091182-03-000	EA SHIELD-HEAT, LP
	094918-03-000	EA CLAMP-EXHAUST, 2.5"
	098753-04-000	EA PIPE-EXHAUST
		(FROM 00-00-00 THRU 03-09-93)
	111478-01-000	EA PIPE-EXHAUST
		(FROM 03-09-93 THRU 99-99-99)

**DRIVESHAFT & FLARE UNION**

KEY	PART NUMBER	U/M DESCRIPTION
	103853-08-000	EA DRIVESHAFT ASM-BALANCED PAIR - 188" WHEELBASE (158)
		(FROM 00-00-00 THRU 03-08-93)
	103853-15-000	EA DRIVESHAFT ASM-BALANCED PAIR - 188" WHEELBASE (158)
		(FROM 03-09-93 THRU 99-99-99)
	074833-01-000	EA SPACER-BEARING, DRIVESHAFT - 2" X 8" X 5" THICK
	085771-03-000	EA NUT-HEX, FL PREV. TORQUE - GRADE G DRIVER SHAFT
	088488-01-000	EA UNION-INVERTED FLARE, BRASS - 3/16 - 3/8 - 24 THD - BRAKE LINE

**CHASSIS GROUP (CONTINUED)**



**FUEL SYSTEM COMPONENTS**

KEY	PART NUMBER	U/M DESCRIPTION
1	095854-01-02A	EA SHROUD-FUEL FILL, PLASTIC - OFF WHITE
2	078040-06-000	EA SHROUD-FUEL FILL, UPPER - PLASTIC
3	108413-01-000	EA NECK-FUEL FILL, MAIN - GAS
	108413-02-000	EA NECK-FUEL FILL, MAIN - DIESEL
	078200-01-000	EA GASKET-FUEL FILL, 3.5"OD X 2"ID
4	106389-01-000	EA FUEL LINE ASM-FORD, 3/8 HP
5	106388-01-000	EA FUEL LINE ASM-FORD, 5/16 HP
	007063-01-000	FT HOSE-GAS 1/4"ID X 1/2"OD
6	044317-01-000	FT HOSE-FUEL, 3/8" ID

**WHEEL LINERS & COVERS**

KEY	PART NUMBER	U/M DESCRIPTION
	091209-11-000	EA LINER-WHEEL, SET 4 E350- KAPER II (FORD)
	091209-10-700	EA COVER-AXLE, FRONT - 8 LUG - FORD
	091209-10-701	EA COVER-AXLE, REAR - 8 LUG - FORD
	091209-10-704	EA NUT-LUG, W/WASHER - SHORT - KAPER 52
	091209-10-705	EA COVER-LUG NUT
	091209-11-700	EA LINER-WHEEL, FRONT - 8 LUG - FORD
	091209-11-701	EA LINER-WHEEL, REAR - 8 LUG - FORD
	091209-11-702	EA NUT-LUG, W/WASHER - LONG - KAPER 51
	108068-01-000	EA COVER-WHEEL, 16" - SET OF 4 - DICOR #SHUB16
	108068-01-700	EA COVER-WHEEL, 16" - 1 ONLY - SHUB16-1 DICOR

**1993 WINNEBAGO  
TABLE OF CONTENTS**

INTRODUCTION	A-01 - A-02
ABBREVIATIONS	A-03
ALPHABETICAL INDEX	A-04 - A-06
WF427RQ	A-07 - D-20
WF427RC	D-21 - H-10
WF428RQ	H-11 L-02

**1993 WF427RC INDEX**

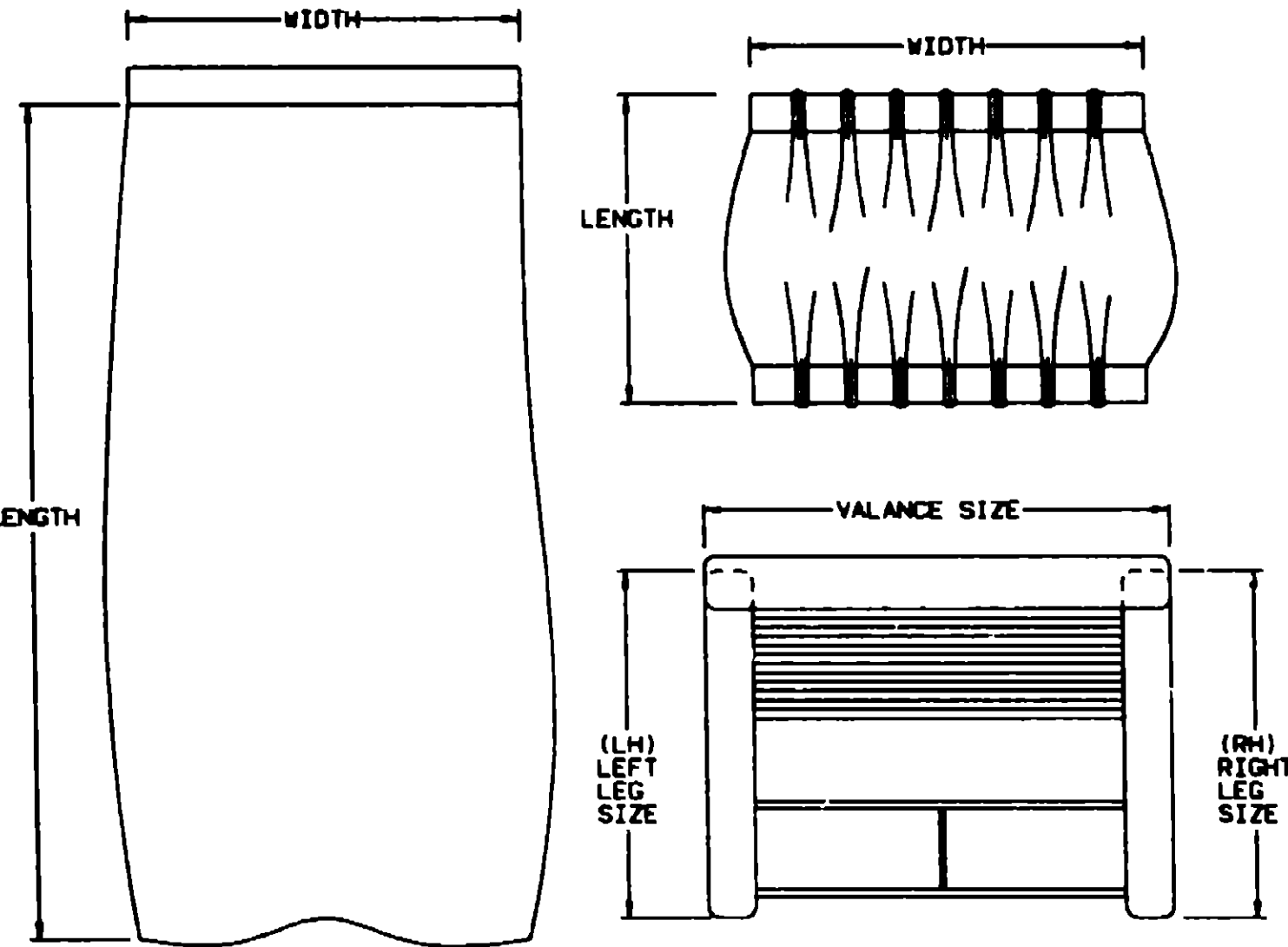
FLOOR PLAN	D-21 - D-22
ACCESSORIES	D-23
AUDIO VIDEO	D-24
BATH	E-01 - E-02
BEDROOM	E-03
CHASSIS	E-04 - E-08
CURTAIN & CUSHION	E-09 - E-18
DINETTE	E-19 - E-20
DRIVERS COMPARTMENT	E-21 - E-22
ELECTRICAL	E-23 - F-02
EXTERIOR BODY	F-03 - F-10
GALLEY	F-11 - F-14
GENERATOR	F-15
HEATING & A/C	F-16 - F-18
INTERIOR FINISH	F-19 - F-22
LABELS	F-23 - G-06
LP	G-07
LOUNGE	G-08 - G-09
SEALANTS & FASTENERS	G-10 - G-12
WATER & SEWAGE	G-13 - G-16
WINDOW, VENT AND EXTERIOR DOOR	G-17 - H-09

## CURTAIN & CUSHION GROUP

### NOTICE

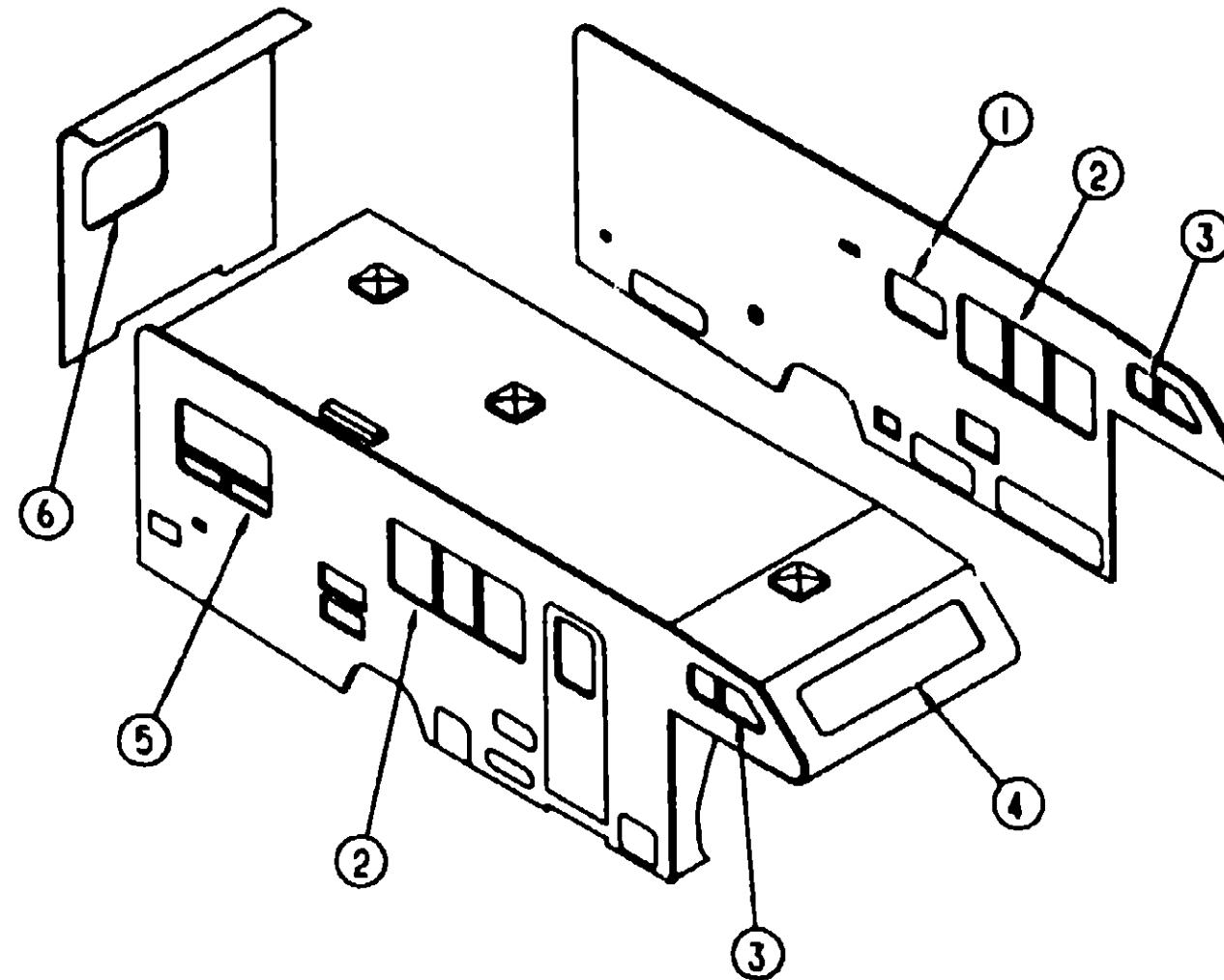
IN ORDER TO ASSIST OUR PARTS SALES DEPT. IN PROVIDING INTERIOR SOFTWARE ITEMS, PLEASE INCLUDE THE SERIAL NUMBER AND THE COLOR CODE NUMBER FROM THE VEHICLE CERTIFICATION LABEL WHEN ORDERING. THIS LABEL IS LOCATED ON THE LEFT SIDEWALL AT THE END OF THE DASH (A-BODY), OR ON THE DRIVER'S DOOR LATCH PLATE (C-BODY).

AN EXAMPLE OF A COLOR CODE NUMBER IS B07, WHICH DESIGNATES AN OVERALL COLOR SCHEME OF A PARTICULAR UNIT. THE COLOR LISTED AFTER THE ITEM DESCRIPTION ON THE MICROFICHE, INDICATES THE OVERALL UNIT COLOR. ORDER THE ITEM YOU DESIRE ACCORDING TO UNIT COLOR CODE.



NOTE: USE THIS ILLUSTRATION WHEN DETERMINING LENGTH AND WIDTH MEASUREMENTS FOR CURTAINS. YOU WILL NOTE THE WIDTH MEASUREMENT IS TAKEN ON THE TOP OF THE CURTAIN WITH THE CURTAIN FULLY EXTENDED. THE LENGTH MEASUREMENT IS TAKEN FROM TOP TO BOTTOM. LEFT AND RIGHT WINDOW LEGS ARE DETERMINED WHEN FACING THE WINDOW.

## CURTAIN & CUSHION GROUP (CONTINUED)



## 1993 WINNEBAGO TABLE OF CONTENTS

INTRODUCTION	A-01 - A-02
ABBREVIATIONS	A-03
ALPHABETICAL INDEX	A-04 - A-08
WF427RQ	A-07 - D-20
WF427RC	D-21 - H-10
WF428RQ	H-11 - L-02

## 1993 WF427RC INDEX

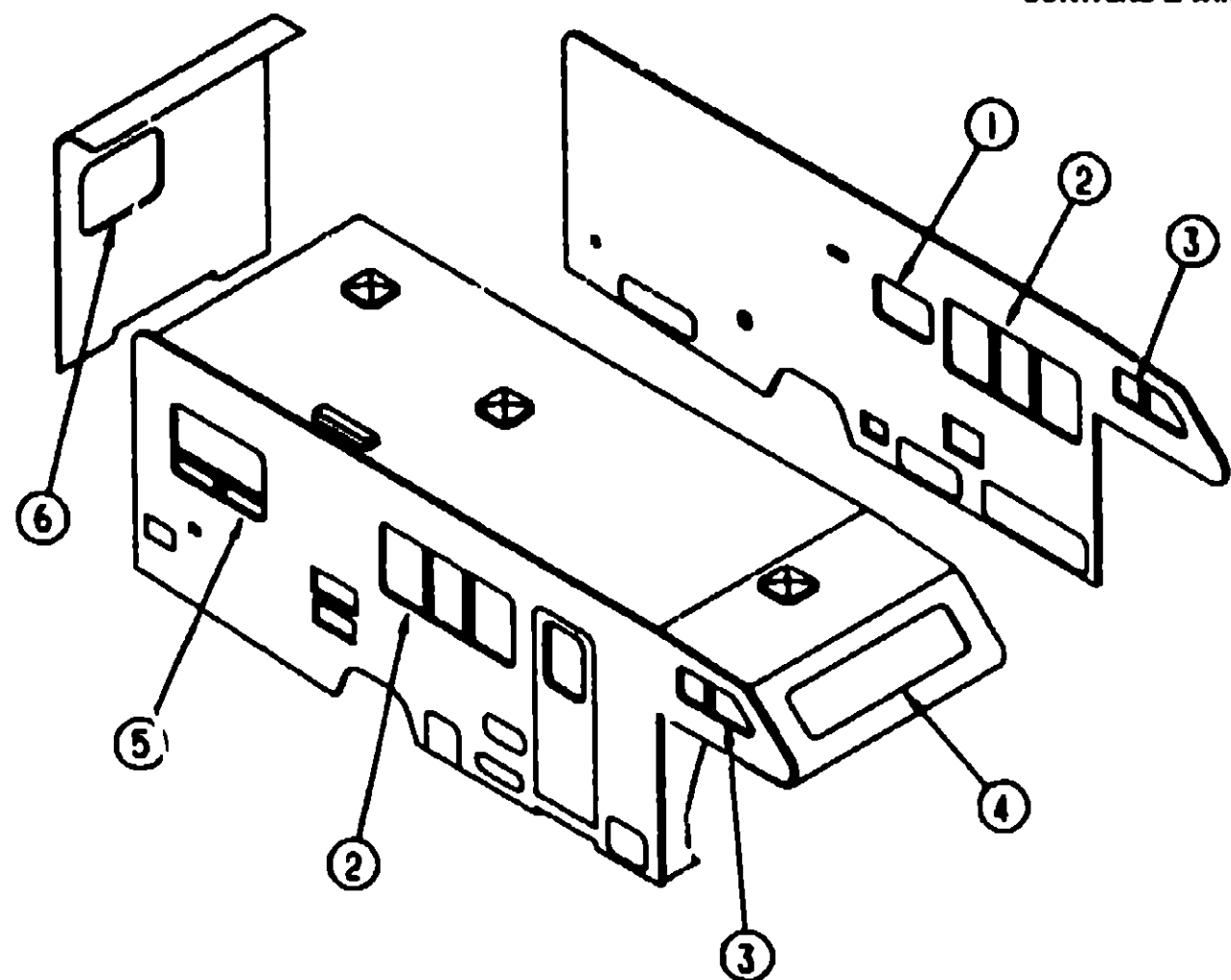
FLOOR PLAN	D-21 - D-22
ACCESSORIES	D-23
AUDIO VIDEO	D-24
BATH	E-01 - E-02
BEDROOM	E-03
CHASSIS	E-04 - E-08
CURTAIN & CUSHION	E-09 - E-18
DINETTE	E-19 - E-20
DRIVERS COMPARTMENT	E-21 - E-22
ELECTRICAL	E-23 - F-02
EXTERIOR BODY	F-03 - F-10
GALLEY	F-11 - F-14
GENERATOR	F-15
HEATING & AC	F-16 - F-18
INTERIOR FINISH	F-19 - F-22
LABELS	F-23 - G-08
LP	G-07
LOUNGE	G-09 - G-09
SEALANTS & FASTENERS	G-10 - G-12
WATER & SEWAGE	G-13 - G-16
WINDOW, VENT AND EXTERIOR DOOR	G-17 - H-09

### CURTAINS & WINDOW TREATMENT

KEY	PART NUMBER	U/M	DESCRIPTION
1	109353-03-01A	EA	SLATS-BLIND, 27" - GLOSS FAWN
1	109353-04-000	EA	CLIP-VALANCE, SLAT MOUNTING - CLEAR PLASTIC - PAIR
1	093475-32-16A	EA	BLIND-MINI, 27" X 18 5" DROP - PURE SILVER (D04)
1	093475-32-15A	EA	BLIND-MINI, 27" X 18 5" DROP - GLOSS FAWN (D05)
2	107887-01-D04	EA	VALANCE-WINDOW, 65"
2	107887-02-D05	EA	VALANCE-WINDOW, 65"
2	109041-01-02A	EA	BLIND-MINI, 62" X 28 5" - PURE SILVER (D04)
2	109041-01-01A	EA	BLIND-MINI, 62" X 28 5" - GLOSS FAWN (D05)
3	101034-14-D04	EA	CURTAIN-DARTED TAPE TOP & BOTTOM, 16" X 28" FROM 00-00-00 THRU 09-13-92
3	101034-22-D04	EA	CURTAIN-DARTED TAPE TOP & BOTTOM, RIGHT - 16" X 28" FROM 09-14-92 THRU 99-99-99
3	101034-23-D04	EA	CURTAIN-DARTED TAPE TOP & BOTTOM, LEFT - 16" X 28" FROM 09-14-92 THRU 99-99-99
3	101034-14-D05	EA	CURTAIN-DARTED TAPE TOP & BOTTOM, 16" X 28" FROM 00-00-00 THRU 09-13-92
3	101034-22-D05	EA	CURTAIN-DARTED TAPE TOP & BOTTOM, RIGHT - 16" X 28" FROM 09-14-92 THRU 99-99-99
3	101034-23-D05	EA	CURTAIN-DARTED TAPE TOP & BOTTOM, LEFT - 16" X 28" FROM 09-14-92 THRU 99-99-99

**CURTAIN & CUSHION GROUP (CONTINUED)**

**CURTAINS & WINDOW TREATMENT (CONTINUED)**



KEY	PART NUMBER	U/M	DESCRIPTION
6	107883-07-D04	EA	VALANCE-WINDOW, 41"
6	107883-07-D05	EA	VALANCE-WINDOW, 41"
6	104157-01-C28	EA	LEG-CURTAIN, 27" - RIGHT (D04)
6	104157-01-C62	EA	LEG-CURTAIN, 27" - RIGHT (D05)
6	104157-02-C28	EA	LEG-CURTAIN, 27" - LEFT (D04)
6	104157-02-C62	EA	LEG-CURTAIN, 27" - LEFT (D05)
6	084755-88-D04	EA	SHADE-PULL, 49.25"
6	084755-88-D05	EA	SHADE-PULL, 49.25"
6	084755-88-DA4	EA	SHADE-PULL, 40.25"
6	073280-52-D04	EA	TIEBACK-CURTAIN, 3" X 15" - GATHERED
6	073280-52-D05	EA	TIEBACK-CURTAIN, 3" X 15" - GATHERED
	101888-38-D04	EA	CURTAIN-TAPE TOP, ROOM DIVIDER - BEDROOM PRIVACY - 70" X 60"
	101888-38-D05	EA	CURTAIN-TAPE TOP, ROOM DIVIDER - BEDROOM PRIVACY - 70" X 60"
	073280-58-D04	EA	TIEBACK-CURTAIN, BEDROOM PRIVACY - 4" X 15" - GATHERED
	073280-58-D05	EA	TIEBACK-CURTAIN, BEDROOM PRIVACY - 4" X 15" - GATHERED
	084481-19-B88	EA	CURTAIN-SHOWER, 60" X 42" (D04)
	084481-19-D05	EA	CURTAIN-SHOWER, 60" X 42" (D05)
	073280-54-C30	EA	TIEBACK-CURTAIN, SHOWER - 3" X 18" (D04)
	073280-54-D38	EA	TIEBACK-CURTAIN, SHOWER - 3" X 18" (D05)
	101888-39-D04	EA	CURTAIN-TAPE TOP, PASSENGER WINDSHIELD PRIVACY - 35" X 50"
	101888-39-D05	EA	CURTAIN-TAPE TOP, PASSENGER WINDSHIELD PRIVACY - 35" X 50"
	101888-40-D04	EA	CURTAIN-TAPE TOP, DRIVER WINDSHIELD PRIVACY - 35" X 50"
	101888-40-D05	EA	CURTAIN-TAPE TOP, DRIVER WINDSHIELD PRIVACY - 35" X 50"
	073280-23-D04	EA	TIEBACK-CURTAIN, WINDSHIELD PRIVACY - 3" X 18" (D04)
	073280-23-D05	EA	TIEBACK-CURTAIN, WINDSHIELD PRIVACY - 3" X 18" (D05)
	076882-18-D04	EA	CURTAIN-SNAP TOP, BUNK PRIVACY - 50" X 72"
	076882-18-D05	EA	CURTAIN-SNAP TOP, BUNK PRIVACY - 50" X 72"
	057534-01-000	EA	TIEBACK/TIE-IN-BED/CURTAIN/DOOR, 6" - PLASTIC - CLEAR

**1993 WINNEBAGO  
TABLE OF CONTENTS**

INTRODUCTION	A-01	-	A-02
ABBREVIATIONS			A-03
ALPHABETICAL INDEX	A-04	-	A-08
WF427RC	A-07	-	D-30
WF427RC	D-21	-	H-10
WF428RC	H-11	-	L-02

KEY	PART NUMBER	U/M	DESCRIPTION
4	101034-15-D04	EA	CURTAIN-DARTED TAPE TOP & BOTTOM, 21" X 45"
			FROM 00-00-00 THRU 09-13-92
4	101034-20-D04	EA	CURTAIN-DARTED TAPE TOP & BOTTOM, RIGHT - 21" X 60"
			FROM 09-14-92 THRU 99-99-99
4	101034-21-D04	EA	CURTAIN-DARTED TAPE TOP & BOTTOM, LEFT - 21" X 60"
			FROM 09-14-92 THRU 99-99-99
4	101034-15-D05	EA	CURTAIN-DARTED TAPE TOP & BOTTOM, 21" X 45"
			FROM 00-00-00 THRU 09-13-92
4	101034-20-D05	EA	CURTAIN-DARTED TAPE TOP & BOTTOM, RIGHT - 21" X 60"
			FROM 09-14-92 THRU 99-99-99
4	101034-21-D05	EA	CURTAIN-DARTED TAPE TOP & BOTTOM, LEFT - 21" X 60"
			FROM 09-14-92 THRU 99-99-99
5	107883-08-D04	EA	VALANCE-WINDOW, 45"
5	107883-08-D05	EA	VALANCE-WINDOW, 45"
5	104157-01-C26	EA	LEG-CURTAIN, 27" - RIGHT (D04)
5	104157-01-C52	EA	LEG-CURTAIN, 27" - RIGHT (D05)
5	104157-02-C26	EA	LEG-CURTAIN, 27" - LEFT (D04)
5	104157-02-C52	EA	LEG-CURTAIN, 27" - LEFT (D05)
5	084755-19-D04	EA	SHADE-PULL, 42.25" (D04)
			FROM 00-00-00 THRU 08-16-92
5	084755-19-D05	EA	SHADE-PULL, 42.25" (D05)
			FROM 00-00-00 THRU 08-16-92
5	084755-19-DA4	EA	SHADE-PULL, 42.25" (D04, D05)
			FROM 08-17-92 THRU 99-99-99
5	073280-52-D04	EA	TIEBACK-CURTAIN, 3" X 15" - GATHERED
5	073280-52-D05	EA	TIEBACK-CURTAIN, 3" X 15" - GATHERED

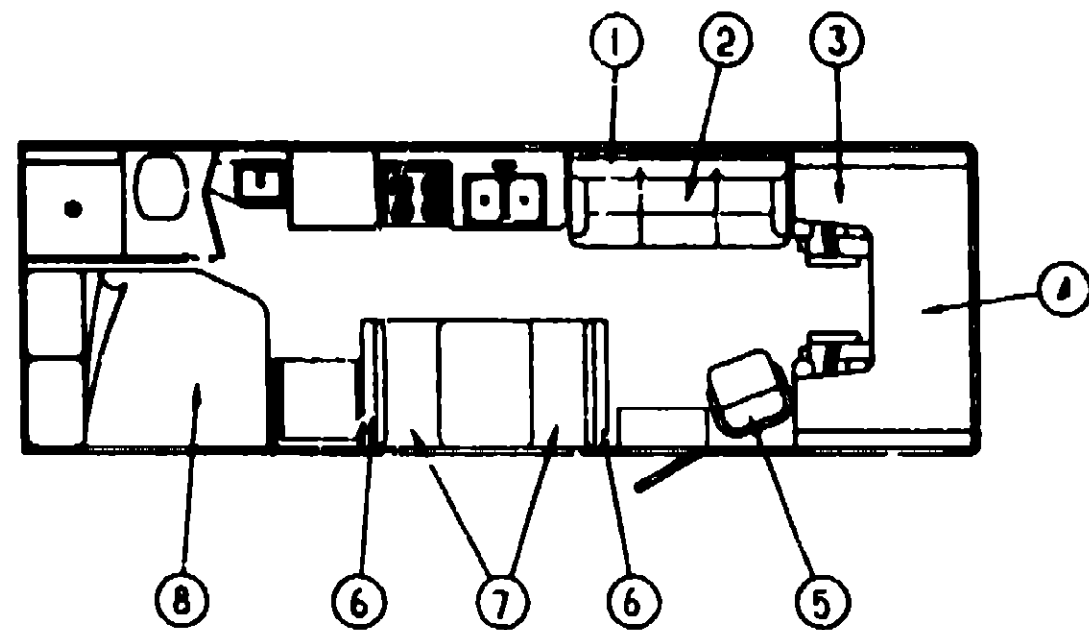
**1993 WF427RC INDEX**

FLOOR PLAN	D-21	-	D-22
ACCESSORIES			D-23
AUDIO VIDEO			D-24
BATH	E-01	-	E-02
BEDROOM			E-03
CHASSIS	E-04	-	E-08
CURTAIN & CUSHION	E-09	-	E-18
DINETTE	E-19	-	E-20
DRIVERS COMPARTMENT	E-21	-	E-22
ELECTRICAL	E-23	-	F-02
EXTERIOR BODY	F-03	-	F-10
GALLEY	F-11	-	F-14
GENERATOR			F-15
HEATING & A/C	F-16	-	F-18
INTERIOR FINISH	F-19	-	F-22
LABELS	F-23	-	G-06
LP			G-07
LOUNGE	G-08	-	G-09
SEALANTS & FASTENERS	G-10	-	G-12
WATER & SEWAGE	G-13	-	G-16
WINDOW, VENT AND EXTERIOR DOOR	G-17	-	H-09



**CURTAIN & CUSHION GROUP (CONTINUED)**

**CURTAIN & CUSHION GROUP (CONTINUED)**



**COUCH**

KEY	PART NUMBER	U/M DESCRIPTION
1	100032-38-D04	EA BACKREST-COUCH, 66 5"
1	100032-38-D05	EA BACKREST-COUCH, 66 5"
	P00032-38-D04	EA COVER-BACKREST, 66 5"
	P00032-38-D05	EA COVER-BACKREST, 66 5"
	101085-09-000	EA FRAME-BACK, COUCH - 66 5"
2	100032-39-D04	EA SEAT-COUCH, W/O BACKREST - 66 5"
2	100032-39-D05	EA SEAT-COUCH, W/O BACKREST - 66 5"
	P00032-39-D04	EA COVER-SEAT, COUCH - 66 5"
	P00032-39-D05	EA COVER-SEAT, COUCH - 66 5"
	101085-01-000	EA FRAME-SEAT, COUCH - 66 5"
	101085-03-000	EA FRAME-BASE, COUCH - 66 5"

**BUNK CUSHIONS**

KEY	PART NUMBER	U/M DESCRIPTION
3	105573-10-D04	EA CUSHION-BUNK, REAR - 27" X 23" X 20" X 5"
3	105573-10-D05	EA CUSHION-BUNK, REAR - 27" X 23" X 20" X 5"
	P05573-10-D04	EA COVER-CUSHION, BUNK - REAR - 27" X 23" X 20" X 5"
	P05573-10-D05	EA COVER-CUSHION, BUNK - REAR - 27" X 23" X 20" X 5"
4	105573-09-D04	EA CUSHION-BUNK, FRONT - 32.5" X 20" X 5"
4	105573-09-D05	EA CUSHION-BUNK, FRONT - 32.5" X 20" X 5"
	P05573-09-D04	EA COVER-CUSHION, BUNK - FRONT - 32.5" X 20" X 5"
	P05573-09-D05	EA COVER-CUSHION, BUNK - FRONT - 32.5" X 20" X 5"

**SWIVEL CHAIR**

KEY	PART NUMBER	U/M DESCRIPTION
5	107891-01-D04	EA CHAIR-SWIVEL, W/O PEDESTAL & SKIRT FROM 00-00-00 THRU 07-31-82
5	107891-04-D04	EA CHAIR-SWIVEL, W/O PEDESTAL & SKIRT FROM 08-01-82 THRU 99-99-99
5	107891-01-D05	EA CHAIR-SWIVEL, W/O PEDESTAL & SKIRT

**DINETTE CUSHIONS**

KEY	PART NUMBER	U/M DESCRIPTION
6	104148-01-D04	EA CUSHION-BACKREST, 13.5" X 38" X 5"
6	104148-01-D05	EA CUSHION-BACKREST, 13.5" X 38" X 5"
	P04148-01-D04	EA COVER-CUSHION, BACKREST - 13.5" X 38" X 5"
	P04148-01-D05	EA COVER-CUSHION, BACKREST - 13.5" X 38" X 5"
	070155-01-000	EA STRAP-SNAP, BACKREST CUSHION
7	088927-87-D04	EA CUSHION-SEATBASE, 23" X 38" X 5"
7	088927-87-D05	EA CUSHION-SEATBASE, 23" X 38" X 5"
	M88927-87-D04	EA COVER-CUSHION, SEATBASE - 23" X 38" X 5"
	M88927-87-D05	EA COVER-CUSHION, SEATBASE - 23" X 38" X 5"

**DOUBLE BEDSPREAD, PILLOW & MATTRESS**

KEY	PART NUMBER	U/M DESCRIPTION
8	092371-18-D04	EA BEDSPREAD-DOUBLE, 54" WRUFFLE - LEFT CUT CORNERS
8	092371-18-D05	EA BEDSPREAD-DOUBLE, 54" WRUFFLE - LEFT CUT CORNERS
	081997-09-D04	EA PILLOW SHAM-W/4" RUFFLE
	081997-09-D05	EA PILLOW SHAM-W/4" RUFFLE
	101123-03-000	EA MATTRESS-FOAM, 53" X 74" - W/CUT CORNER
	P01123-03-000	EA COVER-MATTRESS, FOAM, 53" X 74" - W/CUT CORNER

**ASSIST HANDLE & SEATBELTS**

KEY	PART NUMBER	U/M DESCRIPTION
	070349-04-AA1	YD WELTING-FABRIC (D04)
	070349-04-C08	YD WELTING-FABRIC (D05)
	084415-48-000	YD TRIM-BRAID, BLUE (D04)
	084415-47-000	YD TRIM-BRAID, BROWN (D05)
	057534-01-000	EA TIEBACK/TIEDOWN-BED/CURTAIN/DOOR, 8" - CLEAR PLASTIC
	053552-02-AA8	EA HANDLE-ASSIST, INTERIOR - ENTRY DOOR - VINYL - OFF WHITE
	069178-02-000	EA BRACKET-MOUNTING, ASSIST HANDLE - L ANGLE - WHOLE - ST
	000C16-07-168	EA BOLT-CARRIAGE, ASSIST HANDLE - 7/16" - 14 X 1" ZN
	000D20-07-008	EA NUT-ACORN, ASSIST HANDLE - 7/16" X 14 ZN
	057759-01-000	EA WASHER BRACKET-SEAT BELT, 4" DIAMETER
	007021-01-000	EA BELT-SEAT, 2" X 90" - BLACK

**FABRICS**

KEY	PART NUMBER	U/M DESCRIPTION
	072333-92-000	YD FABRIC-DRAPERY, BIRCHWOOD SLATE (D04)
	072333-93-000	YD FABRIC-DRAPERY, BIRCHWOOD TAUPE (D05)
	072333-96-000	YD FABRIC-DRAPERY, GALAXY ANTIQUE WHITE (D04, D05)
	087272-01-000	YD FABRIC-LINING, CURTAIN - 48" WIDE - IVORY
	087272-03-000	YD FABRIC-LINING, CURTAIN - 54" WIDE - IVORY
	068273-67-000	YD FABRIC-BEDSPREAD/CURTAIN, PLAIN - 54" WIDE - SLATE (D04)
	086273-89-000	YD FABRIC-BEDSPREAD/CURTAIN, PLAIN - 54" WIDE - LILAC (D05)
	105573-01-01A	YD FABRIC-VINYL, 54" WIDE - OFF WHITE
	104233-31-000	YD FABRIC-UPHOLSTERY/CURTAIN, PLAIN VELOUR - 54" WIDE - BLUE (D04)
	104233-28-000	YD FABRIC-UPHOLSTERY/CURTAIN, PLAIN VELOUR - 54" WIDE - BROWN (D05)
	104233-70-000	YD FABRIC-UPHOLSTERY, STRIPED WOVEN - 54" WIDE - STEEL (D04)
	108446-10-000	YD FABRIC-UPHOLSTERY, STRIPED WOVEN - 54" WIDE - WHITE (D05)
	104233-79-000	YD FABRIC-UPHOLSTERY, WOVEN PATTERN - 54" WIDE - BLUE/BEIGE (D04)
	104233-81-000	YD FABRIC-UPHOLSTERY, PATTERN VELOUR - 54" WIDE - BROWNS/BLUE (D05)
	104233-80-000	YD FABRIC-UPHOLSTERY, PATTERN VELOUR - 54" WIDE - BLUE (D04)
	104233-82-000	YD FABRIC-UPHOLSTERY, TEXTURED PATTERN VELOUR - 54" WIDE - BROWN (D05)
	105745-17-000	YD FABRIC-BEDSPREAD/CURTAIN, PATTERN - CREAM/GOLD/PINK/GREEN (D04)
	105745-08-000	YD FABRIC-BEDSPREAD/CURTAIN, PATTERN - GRAY/MALIVE/TAN (D05)

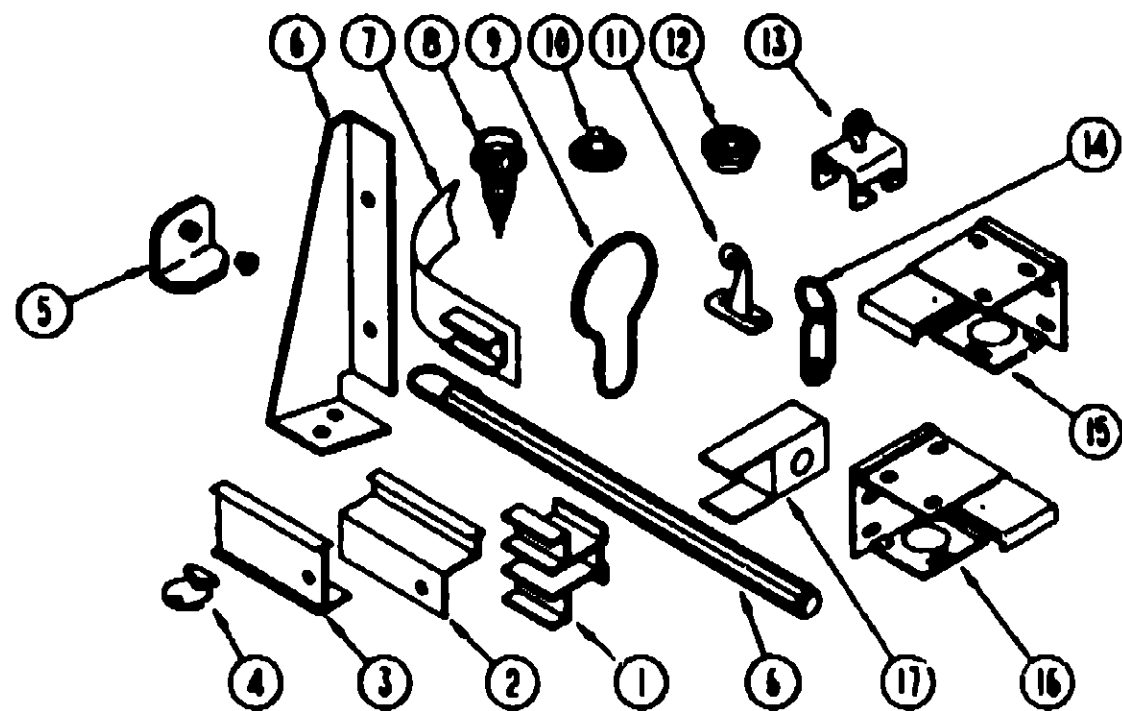
**1993 WINNEBAGO TABLE OF CONTENTS**

INTRODUCTION	A-01 - A-02
ABBREVIATIONS	A-03
ALPHABETICAL INDEX	A-04 - A-06
WF427RC	A-07 - D-20
WF427RC	D-21 - H-10
WF428RC	H-11 - L-02

**1993 WF427RC INDEX**

FLOOR PLAN	D-21 - D-22
ACCESSORIES	D-23
AUDIO VIDEO	D-24
BATH	E-01 - E-02
BEDROOM	E-03
CHASSIS	E-04 - E-08
CURTAIN & CUSHION	E-09 - E-18
DINETTE	E-19 - E-20
DRIVER'S COMPARTMENT	E-21 - E-22
ELECTRICAL	E-23 - F-02
EXTERIOR BODY	F-03 - F-10
GALLEY	F-11 - F-14
GENERATOR	F-15
HEATING & AC	F-16 - F-18
INTERIOR FINISH	F-19 - F-22
LABELS	F-23 - G-08
LP	G-07
LOUNGE	G-06 - G-09
SEALANTS & FASTENERS	G-10 - G-12
WATER & SEWAGE	G-13 - G-16
WINDOW, VENT AND EXTERIOR DOOR	G-17 - H-09

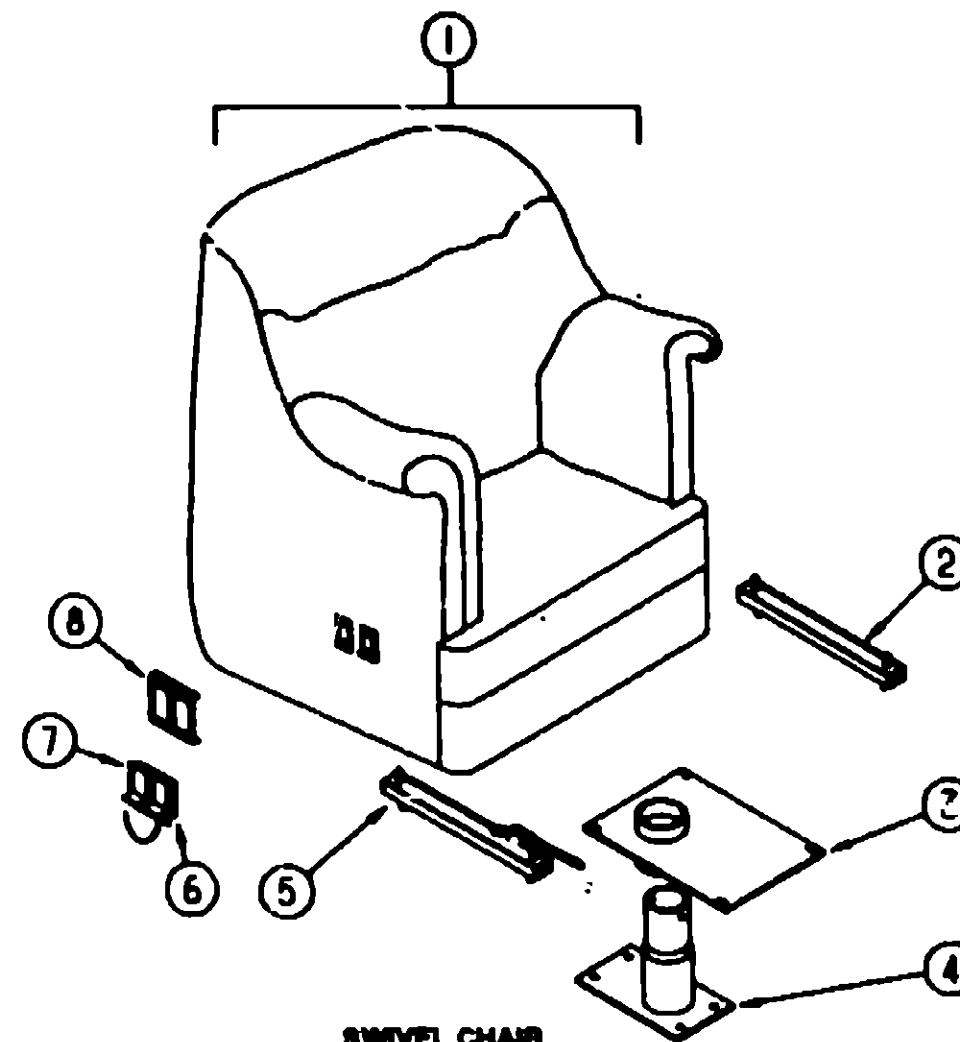
**CURTAIN & CUSHION GROUP (CONTINUED)**



**CURTAIN & BLIND HARDWARE**

KEY	PART NUMBER	U/M	DESCRIPTION
1	101033-03-000	FT	TRACK-WALL, WHITE - CT225 - SHAPCO
2	105450-04-01A	EA	TRACK-CURTAIN, 58" LONG - ALUMINUM - OFF WHITE
3	092464-05-01A	EA	TRACK-CURTAIN, OFF WHITE
3	009700-04-001	EA	TRACK-CURTAIN, L-SHAPED - 192" LONG - OFF WHITE
4	102555-01-000	EA	CLEAT-CORD, BLIND - OFF WHITE
5	106544-01-000	EA	PULL-SHADE, BRASS
6	076827-04-000	EA	BRACKET-BED/BUNK, 2 9/16" X 1 1/8" TRIANGLE - METAL - OFF WHITE
7	101031-01-000	YD	TAPE-GLIDE, CURTAIN - 4 25" SPACING
8	029130-01-000	EA	SCREW-SNAP SOCKET, 8 PH X 5/8"
9	009136-02-000	EA	HANGER-RING, PIN TYPE - CURTAIN - BRASS
10	029155-01-000	EA	CAP-SNAP, NICKEL
11	109441-01-000	EA	HOLD DOWN-BLIND, HOOK
12	029156-01-000	EA	SOCKET-SNAP FASTENER, NICKEL
13	009702-01-000	EA	END STOP-CURTAIN CARRIER, L ROD
14	009701-01-000	EA	CARRIER-CURTAIN, L ROD
15	083170-01-000	EA	BRACKET-BLIND, RIGHT SIDE
16	083170-02-000	EA	BRACKET-BLIND, LEFT SIDE
17	101033-02-000	EA	END CAP-TRACK, CLEAR
	046867-01-000	EA	GROMMET-BRASS, 7/16" ID X 1" OD
	048394-02-000	YD	VELCRO TAPE-HOOK, ADHESIVE BACK - 75" WIDE - BEIGE
	059003-01-000	EA	BRACKET-DRAPERY RETAINING, RIGHT - METAL
	058002-02-000	EA	BRACKET-DRAPERY RETAINING, LEFT - METAL
	088716-01-001	EA	BRACE-90 DEGREE L-ANGLE, 192" - EXTRUDED ALUMINUM
	073943-01-000	EA	BRACE-ANGLE, WHOLES - 1" X 1 5/8" X 20" - ALUMINUM - BEIGE
	075943-02-000	EA	BRACE-ANGLE, WHOLES - 1" X 1 5/8" X 14" - ALUMINUM - BEIGE
	084432-06-000	FT	SLAT-ROLLER SHADE, PLASTIC
	084434-01-000	EA	BRACKET-MOUNTING, ROLLER SHADE - 1 3/8"
	088792-01-000	YD	VELCRO-HOOK, 75" WIDE - BEIGE
	088792-02-000	YD	VELCRO TAPE-LOOP, ADHESIVE BACKED - 75" WIDE - BEIGE
	098843-01-000	EA	SPRING-REWIND, ROLLER SHADE
	093475-01-701	EA	END CAP-BLIND, W/STUD
	093475-01-700	EA	WAND-BLIND, W/METAL CLIP - 8" LONG

**CURTAIN & CUSHION GROUP (CONTINUED)**



**SWIVEL CHAIR**

KEY	PART NUMBER	U/M	DESCRIPTION
1	107891-01-D04	EA	CHAIR-SWIVEL, W/O PEDESTAL & SKIRT
1	107891-04-D04	EA	CHAIR-SWIVEL, W/O PEDESTAL & SKIRT
1	107891-01-D05	EA	CHAIR-SWIVEL, W/O PEDESTAL & SKIRT
	P07891-01-D04	EA	COVER-CHAIR, SWIVEL
	P07891-04-D04	EA	COVER-CHAIR, SWIVEL
	P07891-01-D05	EA	COVER-CHAIR, SWIVEL
2	069246-06-000	EA	ADJUSTER-SWIVEL CHAIR, MANUAL - FORWARD & BACK
3	107921-08-000	EA	TOP PLATE-W/O SEAT BELT BAR - FLEXSTEEL 2759PDP
	107921-08-000	EA	BEARING KIT, FLEXSTEEL
4	083481-02-000	EA	BASE-PEDESTAL, W/10" EXTENSION
4	107921-01-000	EA	BASE-PEDESTAL, W/9.75" EXTENSION - FLEXSTEEL 3080 MSPD
5	069246-08-000	EA	ADJUSTER-SWIVEL CHAIR, FORWARD & BACK - REMOTE - SCHROCK
	069246-05-700	EA	SPRING-REMOTE SLIDE ADJUSTER, 9ST-TS-108-5
	069246-05-701	EA	CLIP ONLY-CABLE ASM, SLIDE ADJUSTER
	007221-01-000	EA	SPACER-SEAT, ADJUSTER - 4 USED PER SWIVEL CHAIR
6	108049-01-000	EA	CABLE-SWIVEL, W/SWITCH, 28" - FLEXSTEEL FED 23802
	108049-02-000	EA	CLIP-CABLE, PEDESTAL - FLEXSTEEL 2592-CA
7	089388-04-000	EA	CABLE-SLIDE, W/SWITCH
8	087883-02-000	EA	BRACKET-MOUNT, REMOTE
	107892-01-D04	EA	SKIRT-CHAIR, SWIVEL
	107892-02-D04	EA	SKIRT-CHAIR, SWIVEL
	107892-01-D05	EA	SKIRT-CHAIR, SWIVEL

**1993 WINNEBAGO  
TABLE OF CONTENTS**

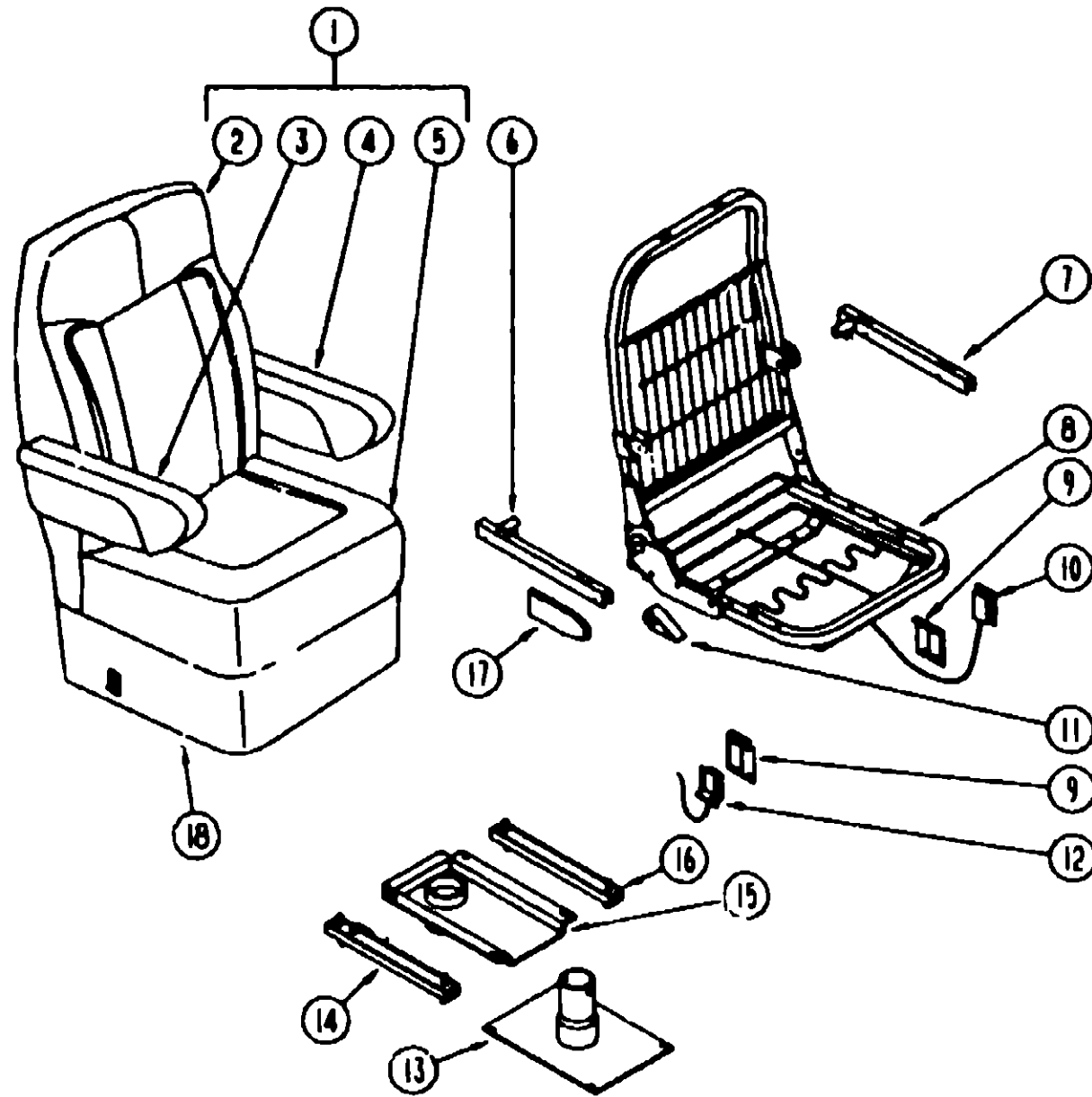
INTRODUCTION	A-01 - A-02
ABBREVIATIONS	A-03
ALPHABETICAL INDEX	A-04 - A-06
WF427RC	A-07 - D-20
WF427RC	D-21 - H-10
WF428RC	H-11 - L-02

**1993 WF427RC INDEX**

FLOOR PLAN	D-21 - D-22
ACCESSORIES	D-23
AUDIO VIDEO	D-24
BATH	E-01 - E-02
BEDROOM	E-03
CHASSIS	E-04 - E-08
CURTAIN & CUSHION	E-09 - E-18
DINETTE	E-19 - E-20
DRIVERS COMPARTMENT	E-21 - E-22
ELECTRICAL	E-23 - F-02
EXTERIOR BODY	F-03 - F-10
GALLEY	F-11 - F-14
GENERATOR	F-15
HEATING & A/C	F-16 - F-18
INTERIOR FINISH	F-19 - F-22
LABELS	F-23 - G-08
LF	G-07
LCUNGE	G-08 - G-09
SEALANTS & FASTENERS	G-10 - G-12
WATER & SEWAGE	G-13 - G-16
WINDOW, VENT AND EXTERIOR DOOR	G-17 - H-09

## CURTAIN & CUSHION GROUP (CONTINUED)

### BUCKET SEATS



KEY	PART NUMBER	U/M DESCRIPTION
4	080243-60-C17	EA ARMREST-LEFT SIDE, BUCKET SEAT (D04)
4	080243-60-C08	EA ARMREST-LEFT SIDE, BUCKET SEAT (D05)
	M80243-60-C17	EA COVER-ARMREST, LEFT SIDE (D04)
	M80243-60-C08	EA COVER-ARMREST, LEFT SIDE (D05)
5	M03445-71-D04	EA COVER-SEAT, BUCKET SEAT
5	M03445-71-D05	EA COVER-SEAT, BUCKET SEAT
8	081288-01-000	EA ROD & CHANNEL-ARMREST- RIGHT - METAL
7	081288-02-000	EA ROD & CHANNEL-ARMREST- LEFT - METAL
	081381-01-000	EA ROD-ARMREST- METAL - RIGHT OR LEFT HAND
8	M80808-08-010	EA FRAME-SEAT & BACK & SPRING
8	M80808-07-000	EA FRAME-SEAT & BACK & SPRING - RECLINING
9	087883-03-000	EA BRACKET-REMOTE- SIDE MOUNT - SINGLE
10	080388-04-000	EA SWITCH & CABLE-SLIDE, SHROCK
	090730-02-000	EA RECLINER-SEAT BACK, LEFT HAND
11	080730-03-700	EA HANDLE KIT-RECLINER
	080730-04-000	EA SCREW-RECLINER, HANDLE - KEIPER 300818-07
12	108049-01-000	EA SWITCH & CABLE-SWIVEL, 28" - FLEXSTEEL PED 23802
	108049-02-000	EA CLIP-CABLE, PEDESTAL - FLEXSTEEL 2592-CA
13	089585-41-000	EA PLATE-BASE
	089585-43-000	EA PEDESTAL-LOWER, W/EXTENSION - 9" X 5" - STEEL MOUNTS BETWEEN UPPER PEDESTAL AND BASEPLATE
		FROM: 00-00-00 THRU: 02-21-93
13	107921-03-000	EA PEDESTAL ASM -SEAT FORD - W/BASE PLATE, EXTENSION & TOP PLATE FLEXSTEEL 3067-PDM8
		FROM: 00-00-00 THRU: 02-21-93
14	089246-05-000	EA ADJUSTER-SEAT/CHAIR- W/REMOTE - FORWARD & BACK
	089246-05-700	EA SPRING-ADJUSTER- FOR REMOTE
	089246-05-701	EA CLIP-CABLE- FOR REMOTE
15	083481-04-000	EA TOP PLATE-PEDESTAL, BUCKET SEAT - W/O SEATBELT BAR
		FROM: 00-00-00 THRU: 02-21-93
15	107921-08-000	EA TOP PLATE-PEDESTAL, BUCKET SEAT - W/O SEATBELT BAR
		FROM: 02-22-93 THRU: 99-99-99
	107921-06-000	EA BEARING KIT, PEDESTAL
		FROM: 02-22-93 THRU: 99-99-99
16	089246-02-000	EA ADJUSTER-SEAT/CHAIR- W/O LOCK - FORWARD & BACK
17	089359-08-000	EA SHIELD-CABLE, REMOTE RECLINER - BUCKET SEAT
18	071126-37-D04	EA SKIRT-BUCKET SEAT, 7" SINGLE (D04)
18	071126-37-D05	EA SKIRT-BUCKET SEAT, 7" SINGLE (D05)

## 1993 WINNEBAGO TABLE OF CONTENTS

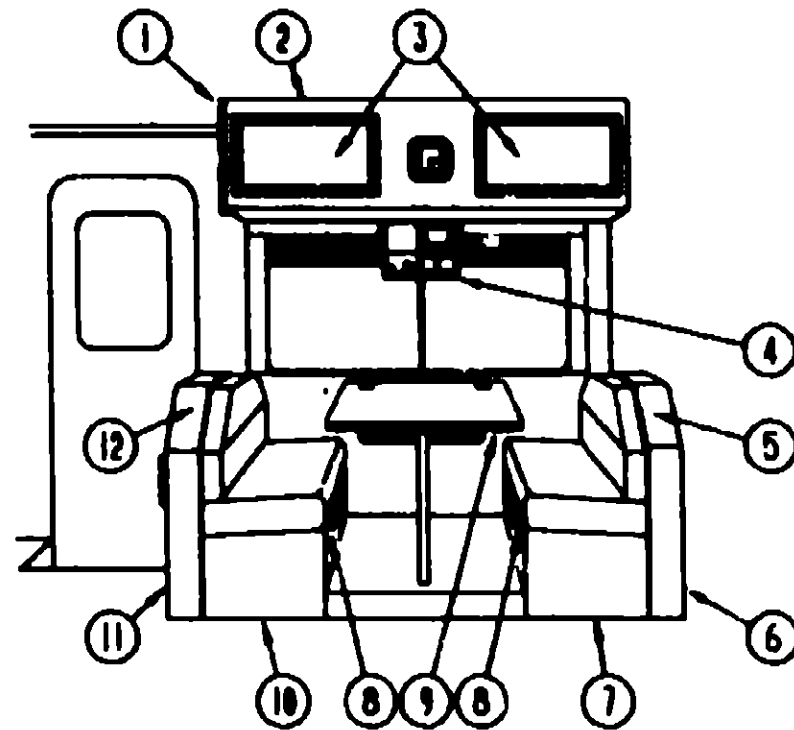
INTRODUCTION	A-01 - A-02
ABBREVIATIONS	A-03
ALPHABETICAL INDEX	A-04 - A-08
WF427RC	A-07 - D-20
WF427RC	D-21 - H-10
WF428RC	H-11 - L-02

## 1993 WF427RC INDEX

FLOOR PLAN	D-21 - D-22
ACCESSORIES	D-23
AUDIO VIDEO	D-24
BATH	E-01 - E-02
BEDROOM	E-03
CHASSIS	E-04 - E-08
CURTAIN & CUSHION	E-09 - E-18
DINETTE	E-19 - E-20
DRIVERS COMPARTMENT	E-21 - E-22
ELECTRICAL	E-23 - F-02
EXTERIOR BODY	F-03 - F-10
GALLEY	F-11 - F-14
GENERATOR	F-15
HEATING & A/C	F-16 - F-18
INTERIOR FINISH	F-19 - F-22
LABELS	F-23 - G-06
LP	G-07
LOUNGE	G-08 - G-09
SEALANTS & FASTENERS	G-10 - G-12
WATER & SEWAGE	G-13 - G-16
WINDOW, VENT AND EXTERIOR DOOR	G-17 - H-09

KEY	PART NUMBER	U/M DESCRIPTION
1	083909-57-D04	EA SEAT-BUCKET, DRIVER & PASSENGER - W/O PEDESTALS & SKIRTS
1	083909-57-D05	EA SEAT-BUCKET, DRIVER & PASSENGER - W/O PEDESTALS & SKIRTS
1	083909-46-D04	EA SEAT-BUCKET, DR/PASS - W/O PEDESTALS & SKIRTS (RECLINING OPTION) FROM: 00-00-00 THRU: 08-25-92
1	083909-55-D04	EA SEAT BUCKET, W/O PEDESTALS & SKIRTS (RECLINING OPTION) FROM: 08-26-92 THRU: 99-99-99
1	083909-46-D05	EA SEAT-BUCKET, DR/PASS - W/O PEDESTALS & SKIRTS (RECLINING OPTION)
2	M03445-70-D04	EA COVER-BACK, BUCKET SEAT
2	M03445-70-D05	EA COVER-BACK, BUCKET SEAT
3	080243-49-C17	EA ARMREST-RIGHT SIDE, BUCKET SEAT (D04)
3	080243-49-C08	EA ARMREST-RIGHT SIDE, BUCKET SEAT (D05)
	M80243-49-C17	EA COVER-ARMREST, RIGHT SIDE (D04)
	M80243-49-C08	EA COVER-ARMREST, RIGHT SIDE (D05)

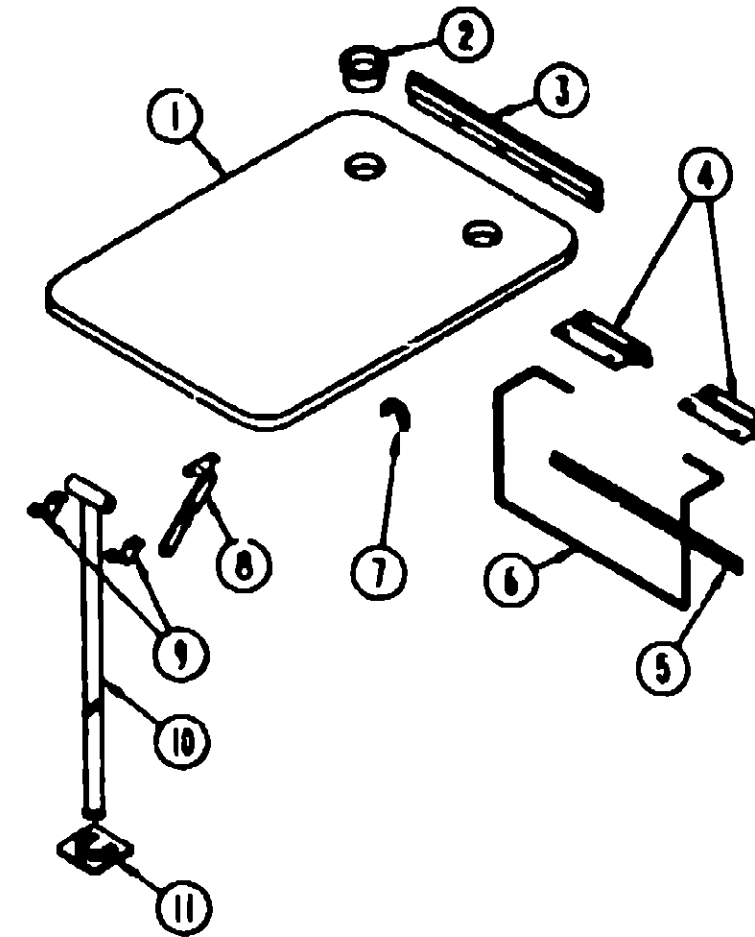
## DINETTE GROUP



CABINETS & TABLE

KEY	PART NUMBER	U/M	DESCRIPTION
1	104335-07-C03	EA	END CAP-CABINET, OVERHEAD
2	M05778-17-D04	EA	CABINET-OVERHEAD, DINETTE - W/O DOORS & HARDWARE
2	M05778-63-D04	EA	CABINET-OVERHEAD, DINETTE - W/O DOORS & HARDWARE
2	M05778-17-D05	EA	CABINET-OVERHEAD, DINETTE - W/O DOORS & HARDWARE
2	M05778-63-D05	EA	CABINET-OVERHEAD, DINETTE - W/O DOORS & HARDWARE
3	P05223-42-D04	EA	DOOR-CABINET, W/O HARDWARE - 400 X 710MM
3	P05223-70-D04	EA	DOOR-CABINET, W/O HARDWARE - 290 X 715MM
4	103799-01-02A	EA	MAKER-COFFEE, GRAY - W/ GLASS POT
	104610-01-000	EA	STRAP ASM-COFFEE MAKER
5	104787-01-D32	EA	PAD-BACKREST (D04)
5	104787-01-C04	EA	PAD-BACKREST (D05)
6	M04174-21-C52	EA	CABINET-BACKREST, RIGHT
7	M04175-21-C52	EA	CABINET-SEATBASE, RIGHT
8	081295-01-3A8	EA	SUPPORT-BED, DINETTE
9	M81299-08-D04	EA	TABLE-DINETTE, W/O HARDWARE
9	M81299-08-D05	EA	TABLE-DINETTE, W/O HARDWARE
10	M04175-22-C52	EA	CABINET-SEATBASE, LEFT
11	M04174-22-C52	EA	CABINET-BACKREST, LEFT
12	104787-02-D04	EA	PAD-BACKREST (D04)
12	104787-02-C04	EA	PAD-BACKREST (D05)

## DINETTE GROUP (CONTINUED)



DINETTE TABLE & HARDWARE

KEY	PART NUMBER	U/M	DESCRIPTION
1	M81299-08-D04	EA	TABLE-DINETTE, W/O HARDWARE
1	M81299-08-D05	EA	TABLE-DINETTE, W/O HARDWARE
2	064781-08-000	EA	HOLDER-CUP, TWO STEP - OFF WHITE
3	053200-13-000	EA	BRACKET-TABLE SUPPORT, UPPER WALL MOUNTED - 18 5" - OFF WHITE
4	088410-02-000	EA	BRACKET-LIFT, TABLE MOUNTED - OFF WHITE
5	024281-15-000	EA	BRACKET-LIFT ROD, LOWER WALL MOUNTED - 17 12" - OFF WHITE
6	024275-13-000	EA	ROD-TABLE LIFT, 8" X 18 5" - OFF WHITE
7	024283-01-000	EA	CUP-LEG, 1" - 1 125" OD - BLACK
8	024282-01-000	EA	BRACE-TABLE LEG, HINGED
9	064050-05-000	EA	CLAMP-SADDLE, LEG HINGE - OFF WHITE
10	024276-23-000	EA	LEG-TABLE, METAL - OFF WHITE
11	049493-11-700	EA	CATCH-LEG-FLOOR MOUNTED - 2.5" X 2.7" - METAL - E-COAT

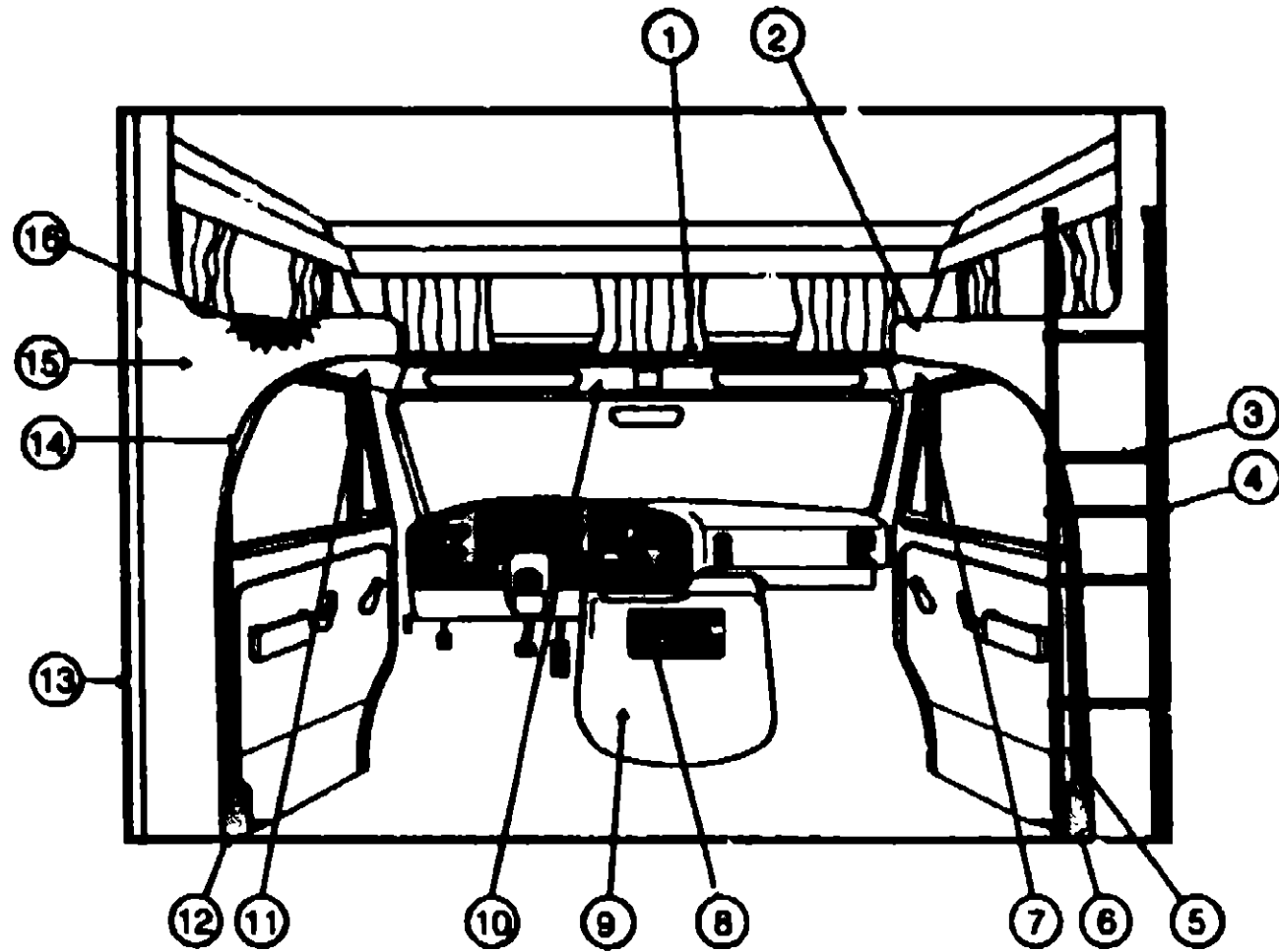
## 1993 WINNEBAGO TABLE OF CONTENTS

INTRODUCTION	A-01 - A-02
ABBREVIATIONS	A-03
ALPHABETICAL INDEX	A-04 - A-08
WF427RC	A-07 - D-30
WF427RC	D-21 - H-10
WF428RC	H-11 - L-02

## 1993 WF427RC INDEX

FLOOR PLAN	D-21 - D-22
ACCESSORIES	D-23
AUDIO VIDEO	D-24
BATH	E-01 - E-02
BEDROOM	E-03
CHASSIS	E-04 - E-08
CURTAIN & CUSHION	E-09 - E-18
DINETTE	E-19 - E-20
DRIVERS COMPARTMENT	E-21 - E-22
ELECTRICAL	E-23 - F-02
EXTERIOR BODY	F-03 - F-10
GALLEY	F-11 - F-14
GENERATOR	F-15
HEATING & AC	F-16 - F-18
INTERIOR FINISH	F-19 - F-22
LABELS	F-23 - G-06
LP	G-07
LOUNGE	G-08 - G-09
SEALANTS & FASTENERS	G-10 - G-12
WATER & SEWAGE	G-13 - G-16
WINDOW, VENT AND EXTERIOR DOOR	G-17 - H-09

**DRIVERS COMPARTMENT**



**DRIVERS COMPARTMENT**

KEY	PART NUMBER	U/M DESCRIPTION
1	108444-01-01A	EA TRIM-SLEEPERBOARD, INNER - OFF WHITE FROM 00-00-00 THRU 09-05-92
1	079800-07-000	EA TRIM-SLEEPERBOARD, INNER - OFF WHITE FROM 09-06-92 THRU 99-99-99
1	080742-03-000	FT TRIM-VINYL, SLEEPER BOARD - OFF WHITE
2	108440-03-D04	EA WINGWALL ASM-INNER, RIGHT FROM 00-00-00 THRU 09-05-92
2	108440-03-D05	EA WINGWALL ASM-INNER, RIGHT FROM 00-00-00 THRU 09-05-92
2	109803-01-D04	EA WINGWALL ASM-INNER, UPPER FROM 09-06-92 THRU 99-99-99
2	109803-01-D05	EA WINGWALL ASM-INNER, UPPER FROM 09-06-92 THRU 99-99-99
2	109805-03-D04	EA WINGWALL ASM-INNER, RIGHT LOWER FROM 09-06-92 THRU 99-99-99
2	109805-03-D05	EA WINGWALL ASM-INNER, RIGHT LOWER FROM 09-06-92 THRU 99-99-99
	108445-01-C03	EA TRIM ASM-WINGWALL WRAP, RIGHT - BETWEEN CAB STEEL & B PILLAR TRIM
	109804-01-D04	EA CAP-SLEEPERBOARD, DRIVER/PASSENGER SIDE - 80 X 508MM FROM 09-06-92 THRU 99-99-99
	109804-01-D05	EA CAP-SLEEPERBOARD, DRIVER/PASSENGER SIDE - 80 X 508MM FROM 09-06-92 THRU 99-99-99

**DRIVERS COMPARTMENT (CONTINUED)**

**DRIVERS COMPARTMENT (CONTINUED)**

KEY	PART NUMBER	U/M DESCRIPTION
3	108025-02-01A	EA LADDER-BUNK, BLACK - 1434 MM
	108025-01-700	EA BRACKET BET FOR BUNK LADDER
4	089858-03-000	EA STRAP ASM-TIEDOWN, BUNK LADDER
5	108448-01-C03	EA TRIM ASM-CAB, B-PILLAR - RIGHT
6	108431-01-01A	EA COVER-SEATBELT RECOIL, RIGHT - OFF WHITE
7	108447-01-C03	EA TRIM ASM-CAB DOOR, UPPER - RIGHT
8	108889-01-D04	EA TRAY-BEVERAGE, OAK
9	089885-23-D04	EA COVER-MOTOR, WPCKET (D04)
9	089885-23-C04	EA COVER-MOTOR, WPCKET (D05)
10	108448-01-C03	EA HEADLINER-VINYL COVERED, FRONT - OFF WHITE
11	108447-32-C03	EA TRIM ASM-CAB DOOR, UPPER - LEFT
12	108431-02-01A	EA COVER-SEATBELT RECOIL LEFT - OFF WHITE
13	082081-18-C03	EA COVER-WINGWALL, 880MM LONG - VINYL - OFF WHITE
13	082081-20-C03	EA COVER-WINGWALL, 2002MM LONG - VINYL - OFF WHITE
14	108448-02-C03	EA TRIM ASM-CAB, B-PILLAR - RIGHT
15	108440-04-D04	EA WINGWALL ASM-INNER, LEFT FROM 00-00-00 THRU 09-05-92
15	108440-04-D05	EA WINGWALL ASM-INNER, LEFT FROM 00-00-00 THRU 09-05-92
15	109803-01-D04	EA WINGWALL ASM-INNER, UPPER FROM 09-06-92 THRU 99-99-99
15	109803-01-D05	EA WINGWALL ASM-INNER, UPPER FROM 09-06-92 THRU 99-99-99
15	109805-04-D04	EA WINGWALL ASM-INNER, RIGHT FROM 09-06-92 THRU 99-99-99
15	109805-04-D05	EA WINGWALL ASM-INNER, RIGHT FROM 09-06-92 THRU 99-99-99
	108445-02-C03	EA TRIM ASM-WINGWALL WRAP, LEFT - BETWEEN CAB STEEL & B PILLAR TRIM
16	109894-01-D04	EA CABINET-HAMPER, FRONT FROM 09-06-92 THRU 99-99-99
16	109894-01-D05	EA CABINET-HAMPER, FRONT FROM 09-06-92 THRU 99-99-99

**INSTRUMENT CLUSTERS**

KEY	PART NUMBER	U/M DESCRIPTION
	094795-03-000	EA CLUSTER-INSTRUMENT PANEL, KILOMETER - FORD F2JF108486F FROM 00-00-00 THRU 01-31-93
	094795-04-000	EA CLUSTER-INSTRUMENT PANEL, KILOMETER - FORD 93 E350 FROM 02-01-93 THRU 99-99-99
	094795-01-000	EA SPEEDOMETER-KILOMETER (FORD)
	081082-01-000	EA PLAQUE-MOUNTING, BATTERY/FUEL SWITCH - 2.4" X 1.4" - BLK (FORD)
	100138-01-000	EA MODULE-DAYTIME RUNNING LIGHT
	024481-01-000	EA SWITCH-BATTERY, BATT/DUAL/MOM

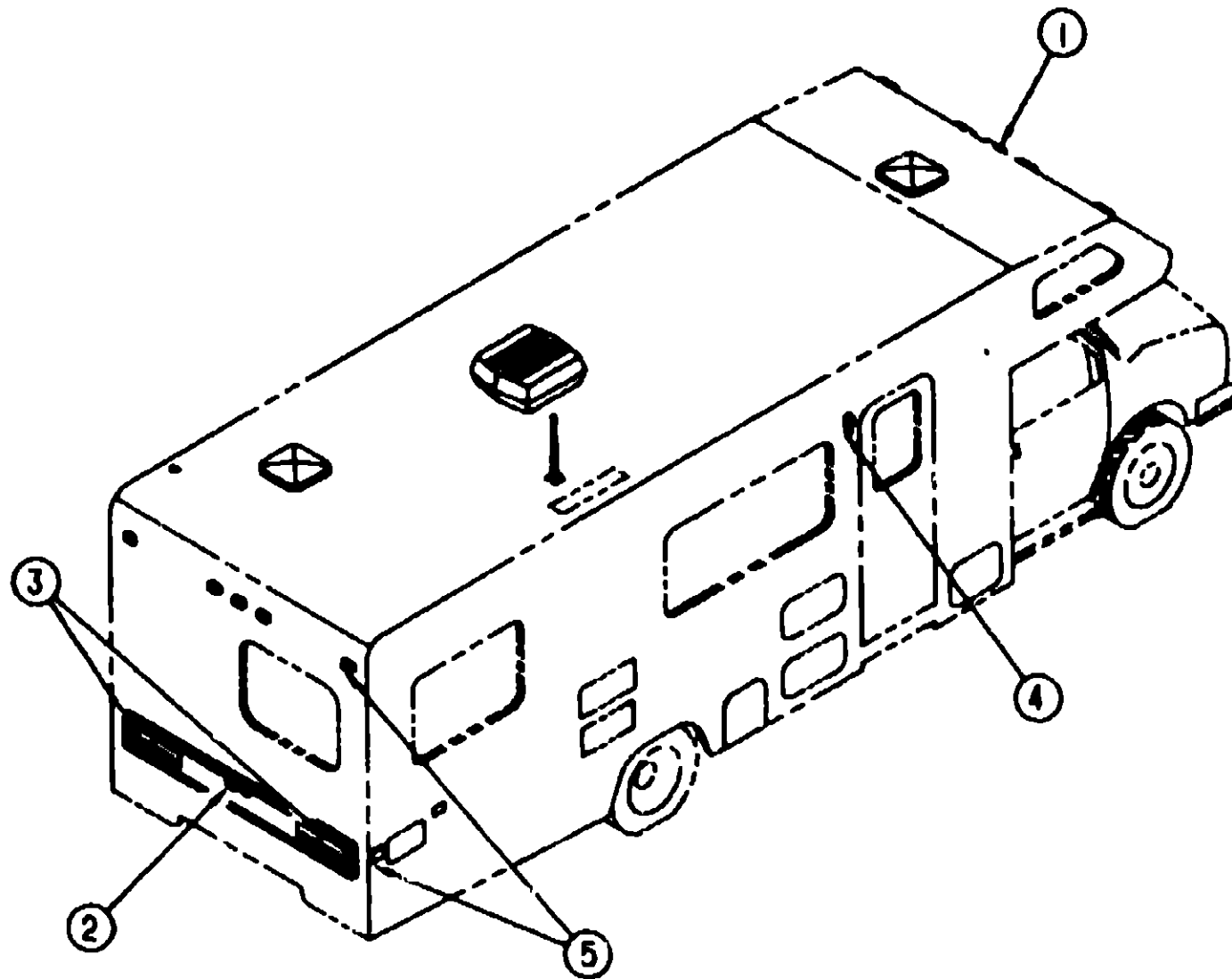
**1993 WINNEBAGO  
TABLE OF CONTENTS**

INTRODUCTION	A-01 - A-02
ABBREVIATIONS	A-03
ALPHABETICAL INDEX	A-04 - A-08
WF427RC	A-07 - D-20
WF427RC	D-21 - H-10
WF428RC	H-11 - L-02

**1993 WF427RC INDEX**

FLOOR PLAN	D-21 - D-22
ACCESSORIES	D-23
AUDIO VIDEO	D-24
BATH	E-01 - E-02
BEDROOM	E-03
CHASSIS	E-04 - E-08
CURTAIN & CUSHION	E-09 - E-18
DINETTE	E-19 - E-20
DRIVERS COMPARTMENT	E-21 - E-22
ELECTRICAL	E-23 - F-02
EXTERIOR BODY	F-03 - F-10
GALLEY	F-11 - F-14
GENERATOR	F-15
HEATING & A/C	F-16 - F-18
INTERIOR FINISH	F-19 - F-22
LABELS	F-23 - G-08
LP	G-07
LOUNGE	G-08 - G-09
SEALANTS & FASTENERS	G-10 - G-12
WATER & SEWAGE	G-13 - G-16
WINDOW, VENT AND EXTERIOR DOOR	G-17 - H-09

## ELECTRICAL GROUP



### EXTERIOR LIGHTS

KEY	PART NUMBER	U/M	DESCRIPTION
1	091983-01-000	EA	GASKET-CLEARANCE/SIDEMARKER LIGHT
1	042405-02-000	EA	LENS-CLEARANCE/SIDEMARKER LIGHT, WREFLEX - AMBER
1	042405-03-000	EA	BASE-CLEARANCE/SIDEMARKER LIGHT, 1WBULB - PLASTIC - WHITE
	008213-01-000	EA	BULB-12 V, NO 57 - 24 AMP
2	088432-01-000	EA	LIGHT-LICENSE PLATE, WBRACKET
	088432-03-000	EA	BRACKET-LIGHT, LICENSE PLATE
3	081638-01-000	EA	TAILLIGHT-DOUBLE, WBLACK TRIM - DRIVER & PASS SIDE
	037934-01-000	EA	BULB# 1156 (BACK UP & TURN SIGNAL)
	037935-01-000	EA	BULB# 2057 OR 1157 (BRAKE LIGHT)
3	081638-01-700	EA	LENS-TAILLIGHT, RED
3	081638-01-701	EA	LENS-TAILLIGHT, WBACKUP
	103355-01-01A	EA	POD-TAILLIGHT, OFF WHITE
4	097917-01-01A	EA	LIGHT-PORCH, ENTRY DOOR - OFF WHITE
4	008215-01-000	EA	BULB-12V-#1003, 94 AMP
4	097917-01-700	EA	LENS-LIGHT, PORCH
5	091983-01-000	EA	GASKET-CLEARANCE/SIDEMARKER LIGHT
5	042405-01-000	EA	LENS-CLEARANCE/SIDEMARKER LIGHT, WREFLEX - RED
5	042405-03-000	EA	BASE-CLEARANCE/SIDEMARKER LIGHT, W/BULB - PLASTIC - WHITE
	008213-01-000	EA	BULB-12 V, NO 57 - 24 AMP

## ELECTRICAL GROUP (CONTINUED)

### INTERIOR LIGHTS

KEY	PART NUMBER	U/M	DESCRIPTION
	081424-01-000	EA	LIGHT-AISLE, 12V - RECTANGULAR
	008109-01-000	EA	BULB-DASH/AISLE LIGHT, #53 - 12 V - 12 AMP
	088024-01-01A	EA	LIGHT-DOME, 1 BULB - US - IVORY
	008218-01-000	EA	BULB-DOME LIGHT, 12V - NUMBER 1141
	088024-01-700	EA	LENS-DOME LIGHT
	088024-03-01A	EA	LIGHT-DOME, 2 BULB - IVORY
	008218-01-000	EA	BULB-DOME LIGHT, 12V - NUMBER 1141
	088024-01-700	EA	LENS-DOME LIGHT

### SWITCHES & RECEPTACLES

KEY	PART NUMBER	U/M	DESCRIPTION
	075723-01-000	EA	BLOCK-SWITCH, SPACER W/O HOLE
	087734-01-01A	EA	EXTENSION-RECEPTACLE, 3 2" X 5" X .7" - PLASTIC - IVORY
	087734-01-02A	EA	EXTENSION-RECEPTACLE, 3 2" X 5" X .7" - PLASTIC - BROWN
	075738-02-000	EA	COVER-EXTERIOR RECEPTACLE, OFF WHITE
	007940-01-000	EA	RECEPTACLE-SLIDE, 18 TO 12 AWG - FEMALE END
	024824-02-000	EA	RECEPTACLE-POWER CORD, W/PARTIAL PLATE
	058707-01-000	EA	RECEPTACLE-ELECTRIC, SINGLE - BROWN
	058708-01-000	EA	RECEPTACLE-ELECTRIC, DOUBLE - BROWN
	058708-02-000	EA	RECEPTACLE-ELECTRIC, DOUBLE - IVORY
	080015-02-000	EA	RECEPTACLE-FLAG, .185 - 18/14 GA - AMP 3
	080015-03-000	EA	RECEPTACLE-FLAG, .250 - 14/16 GA
	084078-01-000	EA	RECEPTACLE-GFI, 15A - 125V - IVORY
	084078-02-000	EA	RECEPTACLE-GFI, 15A - 125V - BROWN
	095188-01-01A	EA	SPACER-SWITCH, 2.3" X 3.4" - PLASTIC - DARK BROWN
	102588-01-B10	EA	SPACER-RECEPTACLE, BETWEEN SIDEWALL & PLATE - WOOD
	079364-01-000	EA	SWITCH-ON/OFF ROCKER, 2 PRONGS - BROWN
	079364-03-000	EA	SWITCH-ON/OFF ROCKER, 3 PRONGS - BROWN
	108355-01-000	EA	HOUSING-SWITCH, CARLING VCH
	103357-08-000	EA	SWITCH-ROCKER, DPDT ON/NONE/ON - VDD1S00C-0
	108358-02-01A	EA	ACTUATOR-SWITCH, DIMPLE II - CARLING VVAZC00 BLA
	084077-01-000	EA	PLATE-COVER, RECEPTACLE - GFI - IVORY
	098351-01-01A	EA	PLATE-SWITCH, 1 GANG - POLISHED BRASS
	098351-06-01A	EA	PLATE-SWITCH, 2 GANG W/LABEL - JENSEN - POLISHED BRASS

### POWER CONVERTER

KEY	PART NUMBER	U/M	DESCRIPTION
	003208-01-000	EA	CONVERTER-POWER, 32A - 120V/12V - BW 6332

### WIRING ASSEMBLIES

KEY	PART NUMBER	U/M	DESCRIPTION
	103328-08-000	EA	WIRE ASM-PUMP, EXTERIOR SHOWER
	106851-01-000	EA	WIRE ASM-DAYTIME RUNNING LIGHTS, W/FUSE

## 1993 WINNEBAGO TABLE OF CONTENTS

INTRODUCTION	A-01 - A-02
ABBREVIATIONS	A-03
ALPHABETIC/LINE INDEX	A-04 - A-08
WF427RQ	A-07 - D-30
WF427RC	D-21 - H-10
WF428RQ	H-11 - L-02

## 1993 WF427RC INDEX

FLOOR PLAN	D-21 - D-22
ACCESSORIES	D-23
AUDIO VIDEO	D-24
BATH	E-01 - E-02
BEDROOM	E-03
CHASSIS	E-04 - E-08
CURTAIN & CUSHION	E-09 - E-18
DINETTE	E-19 - E-20
DRIVERS COMPARTMENT	E-21 - E-22
ELECTRICAL	E-23 - F-02
EXTERIOR BODY	F-03 - F-10
GALLEY	F-11 - F-14
GENERATOR	F-15
HEATING & A/C	F-16 - F-18
INTERIOR FINISH	F-19 - F-22
LABELS	F-23 - G-06
LP	G-07
LOUNGE	G-08 - G-09
SEALANTS & FASTENERS	G-10 - G-12
WATER & SEWAGE	G-13 - G-16
WINDOW, VENT AND EXTERIOR DOOR	G-17 - H-09

## ELECTRICAL GROUP (CONTINUED)

### FUSES & CIRCUIT BREAKERS

KEY	PART NUMBER	U/M	DESCRIPTION
	062801-02-000	EA	FUSE-5 AMP-AUTOMOTIVE
	062801-05-000	EA	FUSE-15 AMP-AUTOMOTIVE
	062835-01-000	EA	FUSE-15 AMP-AUTOMOTIVE-12V
	100341-01-000	EA	FUSE HOLDER-IN LINE TYPE
	107165-01-01A	EA	BOX-CIRCUIT BREAKER MOUNT-BLACK
	093854-01-000	EA	BREAKER-CIRCUIT, 8 AMP - HOUSE CONTROL PANEL
	083209-01-000	EA	BREAKER-CIRCUIT, 15 AMP - 120V - BW G-15(CANADIAN)
	083209-03-000	EA	BREAKER-CIRCUIT, 15/20AMP - 120V - BW - 0-15/20
	083209-04-000	EA	BREAKER-CIRCUIT, 30A, 120V - BW L-30
	083209-05-000	EA	BREAKER CIRCUIT 20A - 120V - BW J-20
	083209-06-000	EA	BREAKER-CIRCUIT, 30/15 AMP - 120V - BW D-30/15
	093855-02-000	EA	BREAKER-CIRCUIT, 30 AMP - HOUSE CONTROL PANEL

### ELECTRIC BOXES, COVERS & POWER CORDS

KEY	PART NUMBER	U/M	DESCRIPTION
	006288-01-000	EA	BOX-PLASTIC ELECTRIC, 3 9/16" X 3 13/16" X 1 81/16"
	005289-01-000	EA	BOX-ELECTRIC, STEEL - 1/2" AND 3/4" KNOCKOUTS - 4" X 4"
	008289-02-000	EA	BOX-ELECTRIC, 4" X 4" - 1/2" & 3/4" KNOCKOUTS - CANADIAN
	058049-01-000	EA	BOX-ELECTRIC SWITCH, 2" X 3" X 2 25"
	091910-01-000	EA	BOX-ELECTRIC, 3 75" X 3 5" X 1 75" - PLASTIC
	091910-02-000	EA	BOX-ELECTRIC, 57 X88MM - PLASTIC
	083803-01-000	EA	BOX-ELECTRIC, STEEL - 4" X 2 1/8" X 2 1/8"
	073626-04-000	EA	COVER-ELECTRIC, 10 4" X 7 8" - PLASTIC - BEIGE
	087949-01-000	EA	BUSS BAR 2 POSITION, 6" X 1 5" - ALUMINUM
	008054-01-000	EA	CORD-POWER, 10/3 - 30 AMP - 25'
	008052-01-000	EA	CORD-POWER, 10/3 - 30 AMP - 25' - CANADIAN
	069238-01-000	EA	COVER ELECTRICAL BOX, WHOLE - 4" X 4" - GRAY - USED W/30 AMP RECEPTACLE
	009294-01-000	EA	COVER ELECTRICAL BOX BLANK STEEL - 4" X 4" - CANADIAN
	008188-01-000	EA	SOLENOID-3 POST, BATTERY CHANGE OVER

### CONDUIT

KEY	PART NUMBER	U/M	DESCRIPTION
	041953-01-000	FT	CONDUIT-CONVOLUTE SLIT - 5" ID
	041953-03-000	FT	CONDUIT-CONVOLUTE SLIT - 1" ID (CLOTHES ROD COVER)
	041953-05-000	FT	CONDUIT-CONVOLUTE SLIT - 3/5" ID
	041953-07-000	FT	CONDUIT-CONVOLUTE SLIT - 25" ID
	041953-08-000	FT	CONDUIT-CONVOLUTE SLIT - 1 50" ID
	041953-09-000	FT	CONDUIT-CONVOLUTE SLIT - 50" ID
	041953-10-000	FT	CONDUIT-CONVOLUTE SLIT - 75" ID
	041953-11-000	FT	CONDUIT-CONVOLUTE SLIT - 1 06" ID
	041953-12-000	FT	CONDUIT-CONVOLUTE NON SLIT - 1 1" ID

## ELECTRICAL GROUP (CONTINUED)

### CONNECTORS, HOUSINGS, & TERMINALS

KEY	PART NUMBER	U/M	DESCRIPTION
	008355-01-000	EA	CONNECTOR-CABLE CLAMPING, 3/4"
	068028-01-000	EA	CONNECTOR-ELECTRICAL PIGTAIL, NYLON - CLEAR
	088475-01-000	EA	CONNECTOR-PIN, 14 TO 20 AWG
	088475-02-000	EA	CONNECTOR-PIN, 10 TO 12 AWG
	008358-01-000	EA	CONNECTOR-PLASTIC, 3/8" AVG
	088476-01-000	EA	CONNECTOR-SOCKET, BRASS - PRE-TIN
	088476-02-000	EA	CONNECTOR-SOCKET, 12-10 GA - PHOS BRZ - PRE-TIN
	088420-01-000	EA	CONNECTOR-SWIVEL, 1/2" FPT X 5/8" TUBE - PLASTIC
	008311-01-000	EA	CONNECTOR-WIRE NUT, INSULATED - RED
	008314-01-000	EA	CONNECTOR-WIRE NUT, INSULATED - GRAY
	063910-01-000	EA	HOUSING-RELAY, BOSCH 3 334 485 008
	088473-01-000	EA	HOUSING-PIN, 4 ROWS OF 3
	088473-03-000	EA	HOUSING-PIN, 9 POSITION
	088473-05-000	EA	HOUSING-PIN, 6 POSITION (SINGLE ROW)
	088473-06-000	EA	HOUSING-PIN, 6 POSITION (TWO ROWS OF THREE)
	088473-07-000	EA	HOUSING-PIN, 5 CAVITY AMP 1-480763-0
	088473-08-000	EA	HOUSING-PIN, 4 POSITION
	088473-09-000	EA	HOUSING-PIN, 3 POSITION (SINGLE ROW)
	088473-10-000	EA	HOUSING-PIN 2 POSITION
	088474-03-000	EA	HOUSING-SOCKET, 9 POSITION
	088474-06-000	EA	HOUSING-SOCKET, 8 POSITION (2 ROWS OF THREE)
	088474-07-000	EA	HOUSING-SOCKET, 5 CAVITY AMP 1-480764-0
	088474-08-000	EA	HOUSING-SOCKET, 4 POSITION (SINGLE ROW)
	088474-09-000	EA	HOUSING-SOCKET, 3 POSITION
	088474-10-000	EA	HOUSING-SOCKET, 2 POSITION
	008326-01-000	EA	TERMINAL-RING, 18/14 WIRE - 3/8" STUD
	008328-01-000	EA	TERMINAL-RING, 12/10 WIRE - #10 STUD FIT
	008331-01-000	EA	TERMINAL-RING, TONGUE - #4 WIRE - 3/8" STUD - COPPER
	008348-01-000	EA	TERMINAL-RING, 3/8" STUD - #2 WIRE CONNECTS CABLE TO DISCONNECT RELAY AND BATTERY
	035416-04-000	EA	TERMINAL-RING #10 STUD FIT, INSULATED BARREL #18/14
	047443-01-000	EA	TERMINAL- 250 RECEPTACLE FIT, INSULATED - 18/14 AWG
	047443-02-000	EA	TERMINAL- 250 RECEPTACLE FIT, INSULATED - 12/10 AWG
	090971-01-000	EA	SPLICE-CABLE, 110V
	090971-02-000	EA	SPLICE-CABLE, 110V - TAP

## 1993 WINNEBAGO TABLE OF CONTENTS

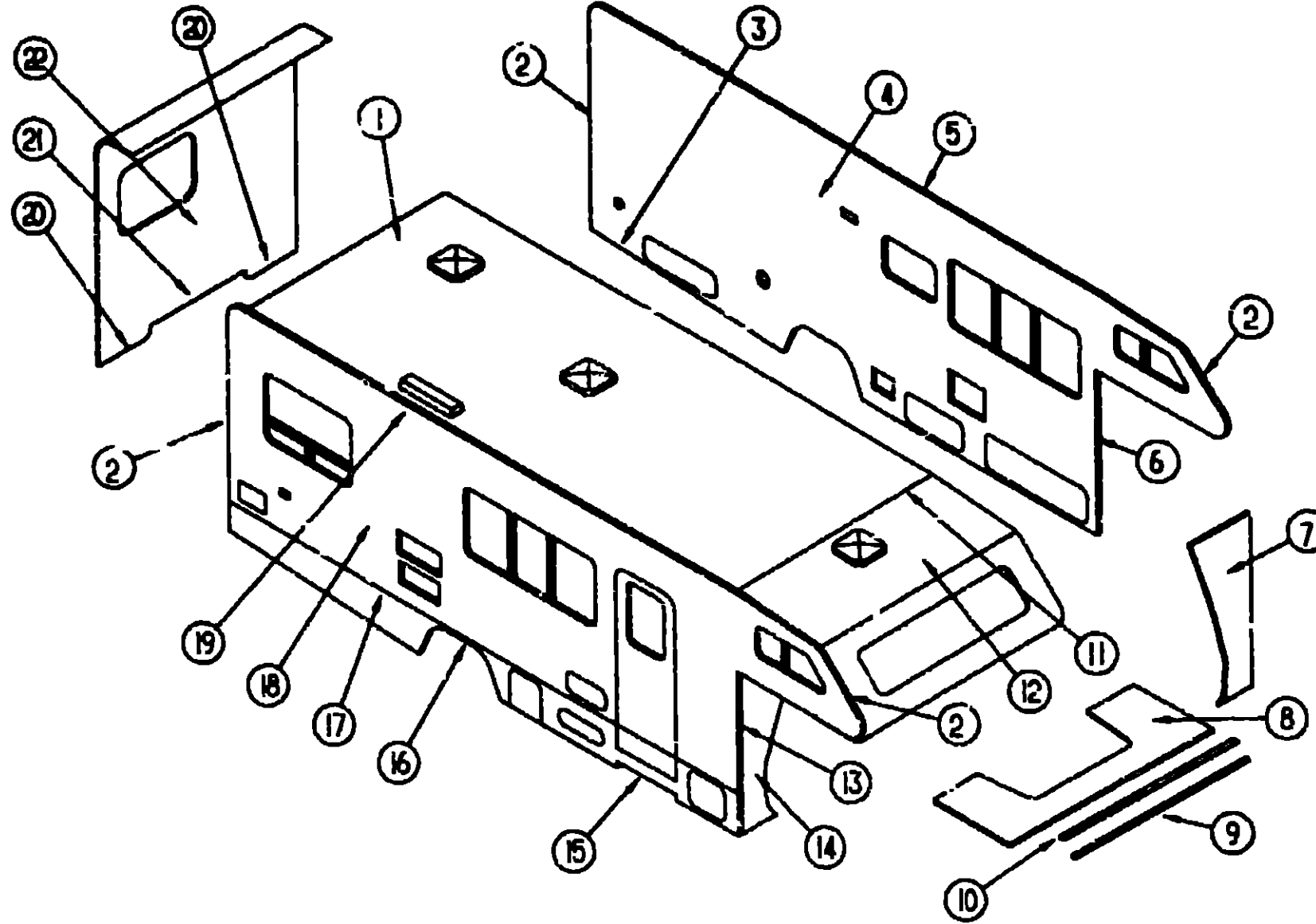
INTRODUCTION	A-01 - A-02
ABBREVIATIONS	A-03
ALPHABETICAL INDEX	A-04 - A-06
WF427RQ	A-07 - D-20
WF427RC	D-21 - H-10
WF428RQ	H-11 - L-02

## 1993 WF427RC INDEX

FLOOR PLAN	D-21 - D-22
ACCESSORIES	D-23
AUDIO VIDEO	D-24
BATH	E-01 - E-02
BEDROOM	E-03
CHASSIS	E-04 - E-06
CURTAIN & CUSHION	E-09 - E-18
DINETTE	E-19 - E-20
DRIVERS COMPARTMENT	E-21 - E-22
ELECTRICAL	E-23 - F-02
EXTERIOR BODY	F-03 - F-10
GALLEY	F-11 - F-14
GENERATOR	F-15
HEATING & A/C	F-16 - F-18
INTERIOR FINISH	F-19 - F-22
LABELS	F-23 - G-06
LP	G-07
LOUNGE	G-08 - G-09
SEALANTS & FASTENERS	G-10 - G-12
WATER & SEWAGE	G-13 - G-16
WINDOW, VENT AND EXTERIOR DOOR	G-17 - H-09

# EXTERIOR BODY GROUP

## EXTERIOR BODY PANELS



## 1993 WINNEBAGO TABLE OF CONTENTS

INTRODUCTION	A-01 - A-02
ABBREVIATIONS	A-03
ALPHABETICAL INDEX	A-04 - A-08
WF427RQ	A-07 - D-20
WF427RC	D-21 - H-10
WF428RQ	H-11 - L-02

## 1993 WF427RC INDEX

FLOOR PLAN	D-21 - D-22
ACCESSORIES	D-23
AUDIO VIDEO	D-24
BATH	E-01 - E-02
BEDROOM	E-03
CHASSIS	E-04 - E-08
CURTAIN & CUSHION	E-09 - E-18
DINETTE	E-19 - E-20
DRIVERS COMPARTMENT	E-21 - E-22
ELECTRICAL	E-23 - F-02
EXTERIOR BODY	F-03 - F-10
GALLEY	F-11 - F-14
GENERATOR	F-15
HEATING & A/C	F-16 - F-18
INTERIOR FINISH	F-19 - F-22
LABELS	F-23 - G-06
LP	G-07
LOUNGE	G-08 - G-09
SEALANTS & FASTENERS	G-10 - G-12
WATER & SEWAGE	G-13 - G-16
WINDOW, VENT AND EXTERIOR DOOR	G-17 - F-09

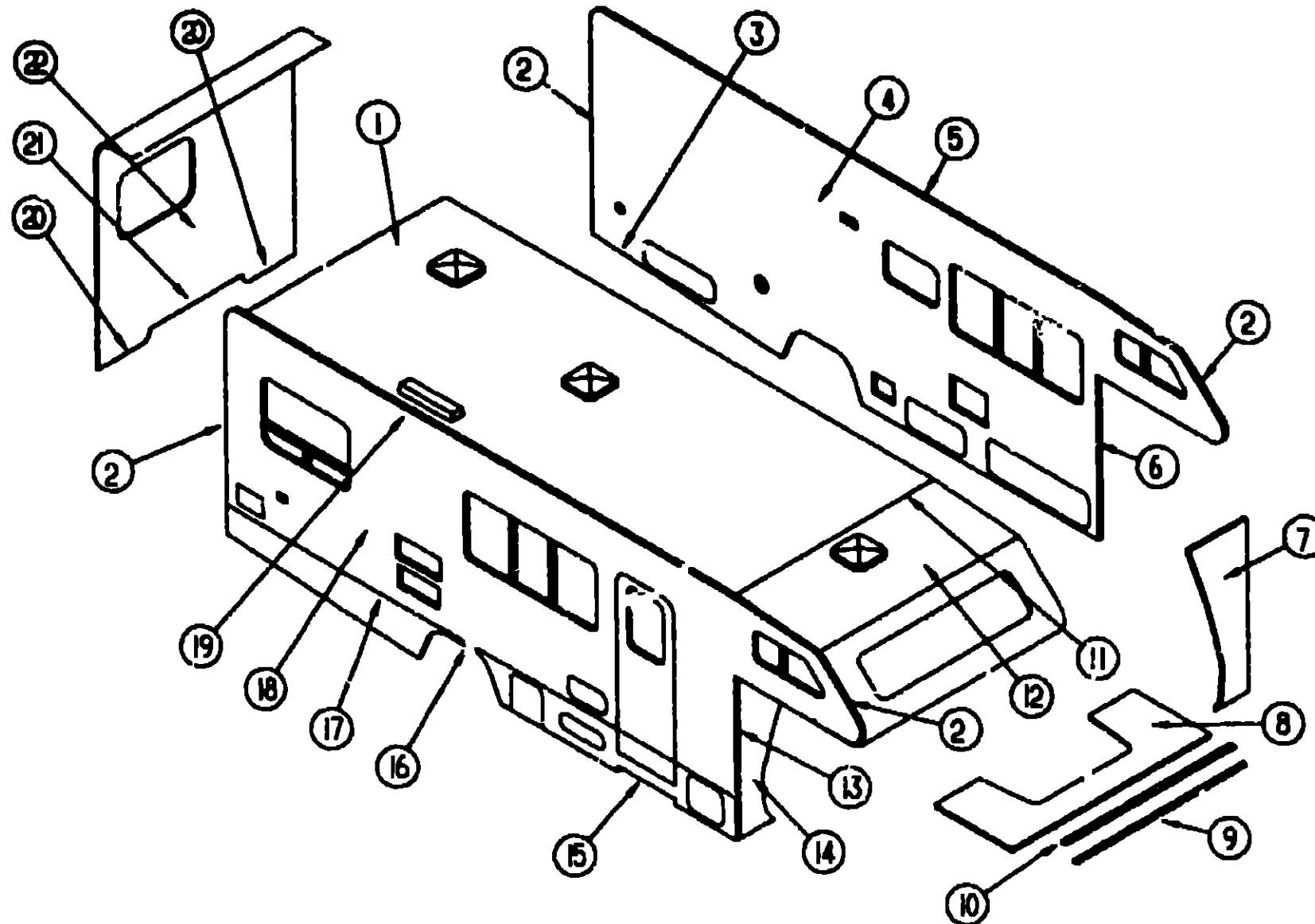
KEY	PART NUMBER	U/M	DESCRIPTION
1	P09880-02-D04	EA	ROOF ASM W/BASES
			FROM 00-00-00 THRU 09-05-92
1	P09680-02-D04	EA	ROOF ASM W/BASES
			FROM 09-06-92 THRU 99-99-99
2	096854-01-01A	EA	TRIM-CONTOUR, W/O VINYL INSERT - 108" - OFF WHITE
2	105312-01-01A	FT	INSERT-TRIM VINYL - OFF WHITE
3	098072-55-001	EA	U-CHANNEL, EXTRUDED - 4877MM LONG - OFF WHITE
3	098072-55-002	EA	U CHANNEL, EXTRUDED - 2900MM LONG - OFF WHITE
4	P08910-01-D04	EA	SIDEWALL-DRIVER SIDE, W/O WINDOW & DOORS
			FROM 00-00-00 THRU 09-05-92
4	P09722-01-D04	EA	SIDEWALL-DRIVER SIDE, W/O WINDOW & DOORS
			FROM 09-06-92 THRU 99-99-99
4	P08910-01-D05	EA	SIDEWALL-DRIVER SIDE, W/O WINDOW & DOORS
			FROM 00-00-00 THRU 09-05-92
4	P09722-01-D05	EA	SIDEWALL-DRIVER SIDE W/O WINDOW & DOORS
			FROM 09-06-92 THRU 99-99-99
5	096864-01-01A	EA	TRIM-CONTOUR ROOF TO SIDEWALL - DR OR PASS - 120"
	064675-54-003	EA	STEEL ANGLE, ROOF JOINT - 1220MM LONG - OFF WHITE

KEY	PART NUMBER	U/M	DESCRIPTION
6	104479-04-01A	EA	TRIM-CONTOUR, FRONT - DRIVER - OFF WHITE
			FROM 00-00-00 THRU 09-05-92
6	104479-06-01A	EA	TRIM-CONTOUR, FRONT - DRIVER - OFF WHITE
			FROM 09-06-92 THRU 99-99-99
7	106438-04-C03	EA	WINGWALL-DRIVER, W/GUSSET
7	109659-04-D04	EA	WINGWALL-DRIVER SIDE
	083334-01-000	FT	VINYL-EXTERIOR, BETWEEN WINGWALL & C/C SEAL - WHITE
8	P06443-01-C03	EA	SLEEPERBOARD ASM
			FROM 00-00-00 THRU 09-05-92
8	P09658-01-D29	EA	SLEEPERBOARD ASM
			FROM 09-06-92 THRU 99-99-99
9	100086-02-01A	EA	TRIM-SLEEPERBOARD, 2" X 90 7" - OFF WHITE
10	100085-03-01A	EA	TRIM-SLEEPERBOARD FLAT - 2 5" X 87 5" - OFF WHITE
11	078580-01-000	EA	TRIM-ROOF TO FRONT CAP



## EXTERIOR BODY GROUP (CONTINUED)

### EXTERIOR BODY PANELS (CONTINUED)



## 1993 WINNEBAGO TABLE OF CONTENTS

INTRODUCTION	A-01 - A-02
ABBREVIATIONS	A-03
ALPHABETICAL INDEX	A-04 - A-06
WF427RQ	A-07 - D-20
WF427RC	D-21 - H-10
WF428RQ	H-11 - L-02

## 1993 WF427RC INDEX

FLOOR FLAN	D-21 - D-22
ACCESSORIES	D-23
AUDIO VIDEO	D-24
BATH	E-01 - E-02
BEDROOM	E-03
CHASSIS	E-04 - E-08
CURTAIN & CUSHION	E-09 - E-18
DINETTE	E-19 - E-20
DRIVERS COMPARTMENT	E-21 - E-22
ELECTRICAL	E-23 - F-02
EXTERIOR BODY	F-03 - F-10
GALLEY	F-11 - F-14
GENERATOR	F-15
HEATING & AC	F-16 - F-19
INTERIOR FINISH	F-19 - F-22
LABELS	F-23 - G-06
LP	G-07
LOUNGE	G-08 - G-09
SEALANTS & FASTENERS	G-10 - G-12
WATER & SEWAGE	G-13 - G-16
WINDOW, VENT AND EXTERIOR DOOR	G-17 - H-09

KEY	PART NUMBER	U/M	DESCRIPTION
12	M76177-01-700	EA	CAP-FRONT, OVERHEAD CAB TO FIRST SEAM OF ROOF
13	104479-03-01A	EA	TRIM-CONTOUR FRONT - DRIVER - OFF WHITE FROM 00-00-00 THRU 09-05-92
13	104479-05-01A	EA	TRIM-CONTOUR FRONT - DRIVER - OFF WHITE FROM 09-06-92 THRU 99-99-99
14	106438-03-C03	EA	WINGWALL-PASSENGER SIDE FROM 00-00-00 THRU 09-05-92
14	109659-03-D04	EA	WINGWALL-PASSENGER SIDE FROM 09-06-92 THRU 99-99-99
	069334-01-000	FT	VINYL-EXTERIOR- BETWEEN WINGWALL & CAB SEAL - WHITE
15	105025-06-D04	EA	TRIM-SIDEWALL BELOW ENTRY DOOR
16	105100-02-01A	EA	TRIM-WHEELWELL, DRIVER & PASSENGER SIDE - OFF WHITE
17	009731-01-000	EA	END CAP-FEATURE STRIP FROM 00-00-00 THRU 09-07-92
17	108651-01-01A	EA	END CAP-FEATURE STRIP FROM 09-08-92 THRU 99-99-99
17	001030-02-003	EA	INSERT-FEATURE STRIP 17' LONG - OFF WHITE FROM 00-00-00 THRU 09-07-92
17	105312-01-01A	EA	INSERT-FEATURE STRIP, 17' LONG - VINYL - OFF WHITE FROM 09-08-92 THRU 99-99-99
17	002444-01-002	EA	STRIP-FEATURE, W/O INSERT - 15' LONG - OFF WHITE FROM 00-00-00 THRU 09-07-92
17	108688-01-01A	EA	STRIP-FEATURE, W/O INSERT - 15' LONG - OFF WHITE FROM 09-08-92 THRU 99-99-99

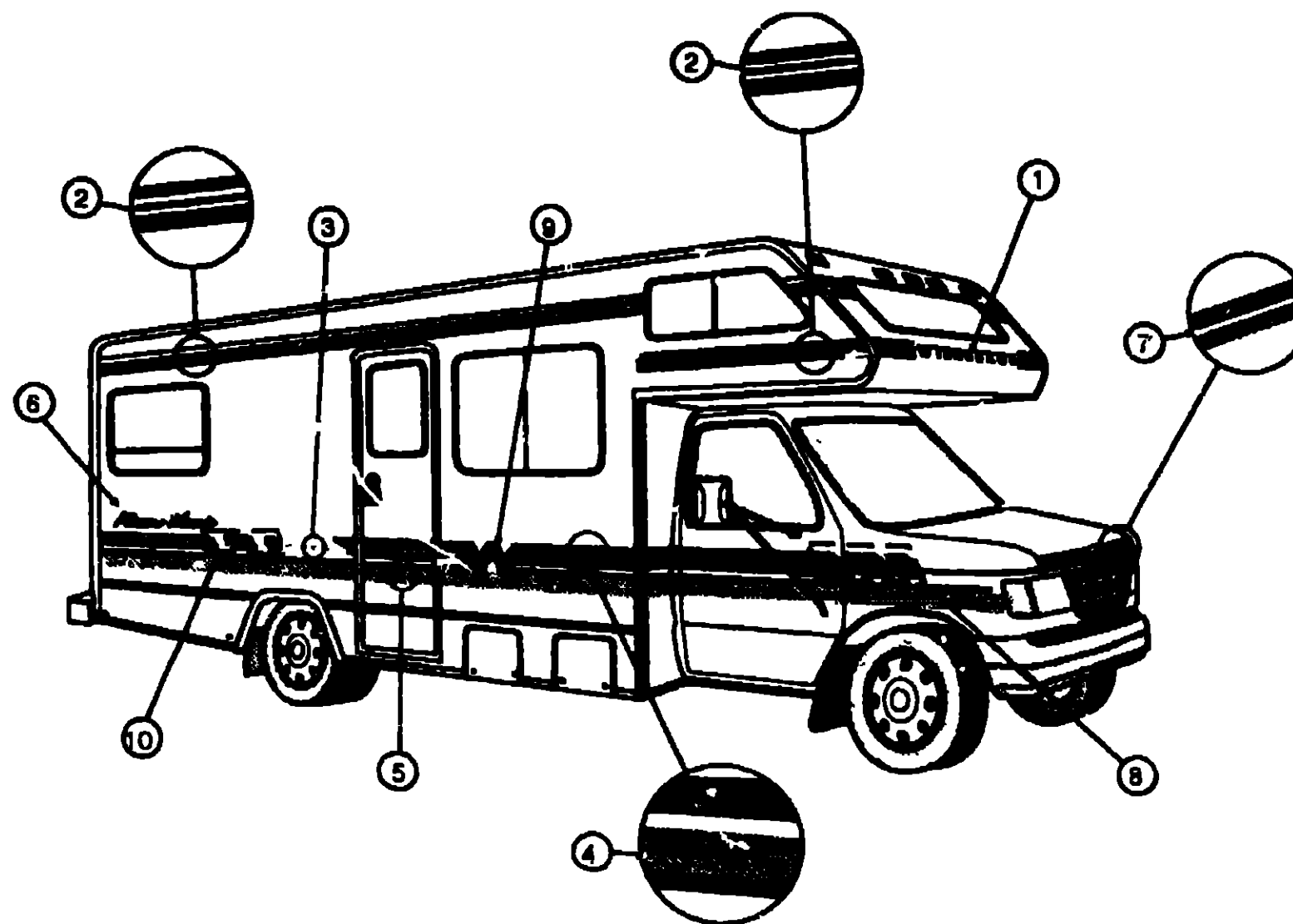
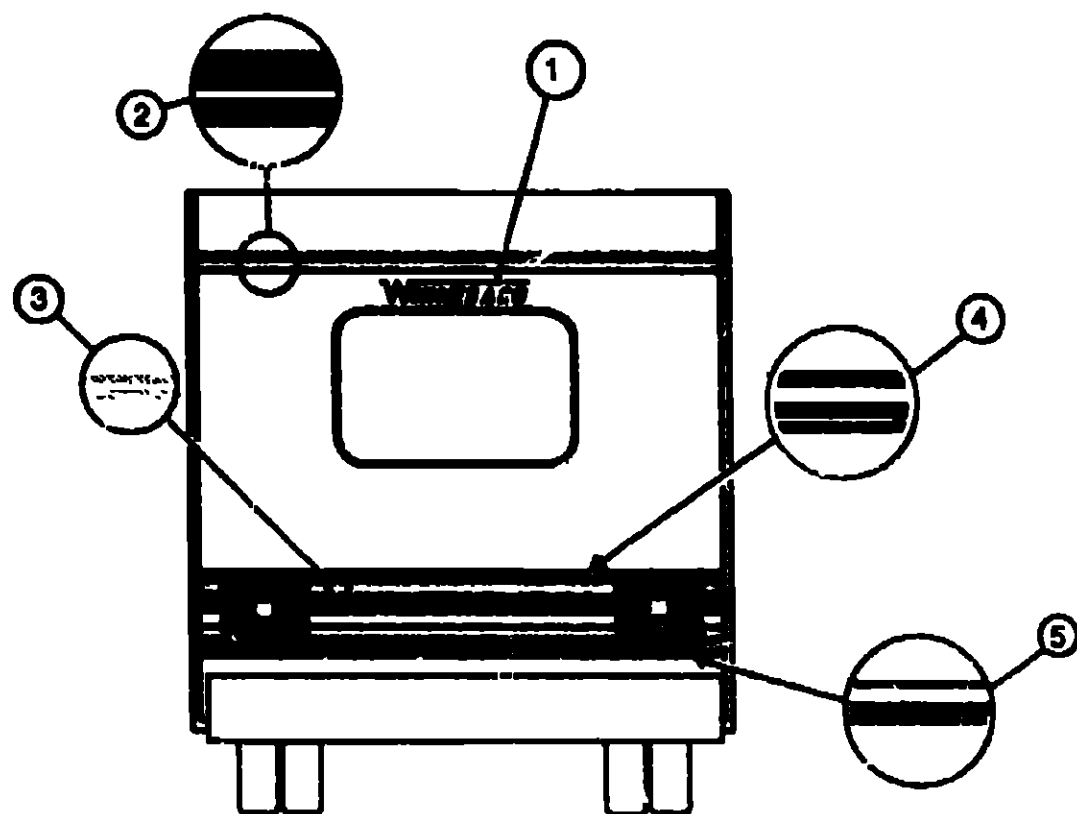
KEY	PART NUMBER	U/M	DESCRIPTION
18	P08909-01-D04	EA	SIDEWALL-PASSENGER SIDE, W/O WINDOWS & DOORS FROM 00-00-00 THRU 09-05-92
18	P09721-01-D04	EA	SIDEWALL-PASSENGER SIDE, W/O WINDOWS & DOORS FROM 09-06-92 THRU 99-99-99
18	P09909-01-D05	EA	SIDEWALL-PASSENGER SIDE, W/O WINDOWS & DOORS FROM 00-00-00 THRU 09-05-92
18	P09721-01-D05	EA	SIDEWALL-PASSENGER SIDE, W/O WINDOWS & DOORS FROM 09-06-92 THRU 99-99-99
19	100483-01-01A	EA	TRIM-CONTOUR ROOF TO SIDEWALL (AWNING) - OFF WHITE
	099583-55-001	EA	RAIL AWNING, 10' EA - OFF WHITE
20	103334-02-01A	EA	TRIM-BACKWALL LOWER - OFF WHITE
21	103335-02-01A	EA	TRIM-BACKWALL LOWER - OFF WHITE
22	M05699-01-D04	EA	BACKWALL ASM
22	M05699-01-D05	EA	BACKWALL ASM
	002365-01-001	EA	U CHANNEL- 1" X 18" - SERRATED - MILL FINISHED ALUMINUM
	002726-01-001	EA	U-CHANNEL-GARNISH - 1 3/8" X 19" - SERRATED - MILL ALUMINUM
	002754-01-001	EA	ANGLE-E' TRUDED, 75" X 75" X 18" - MILL ALUMINUM

# EXTERIOR BODY GROUP (CONTINUED)

## DECALS, STRIPES & PAINT

### 1993 WINNEBAGO TABLE OF CONTENTS

INTRODUCTION	A-01 - A-02
ABBREVIATIONS	A-03
ALPHABETICAL INDEX	A-04 - A-08
WF427RQ	A-07 - D-20
WF427RC	D-21 - H-10
WF428RQ	H-11 - L-02



### 1993 WF427RC INDEX

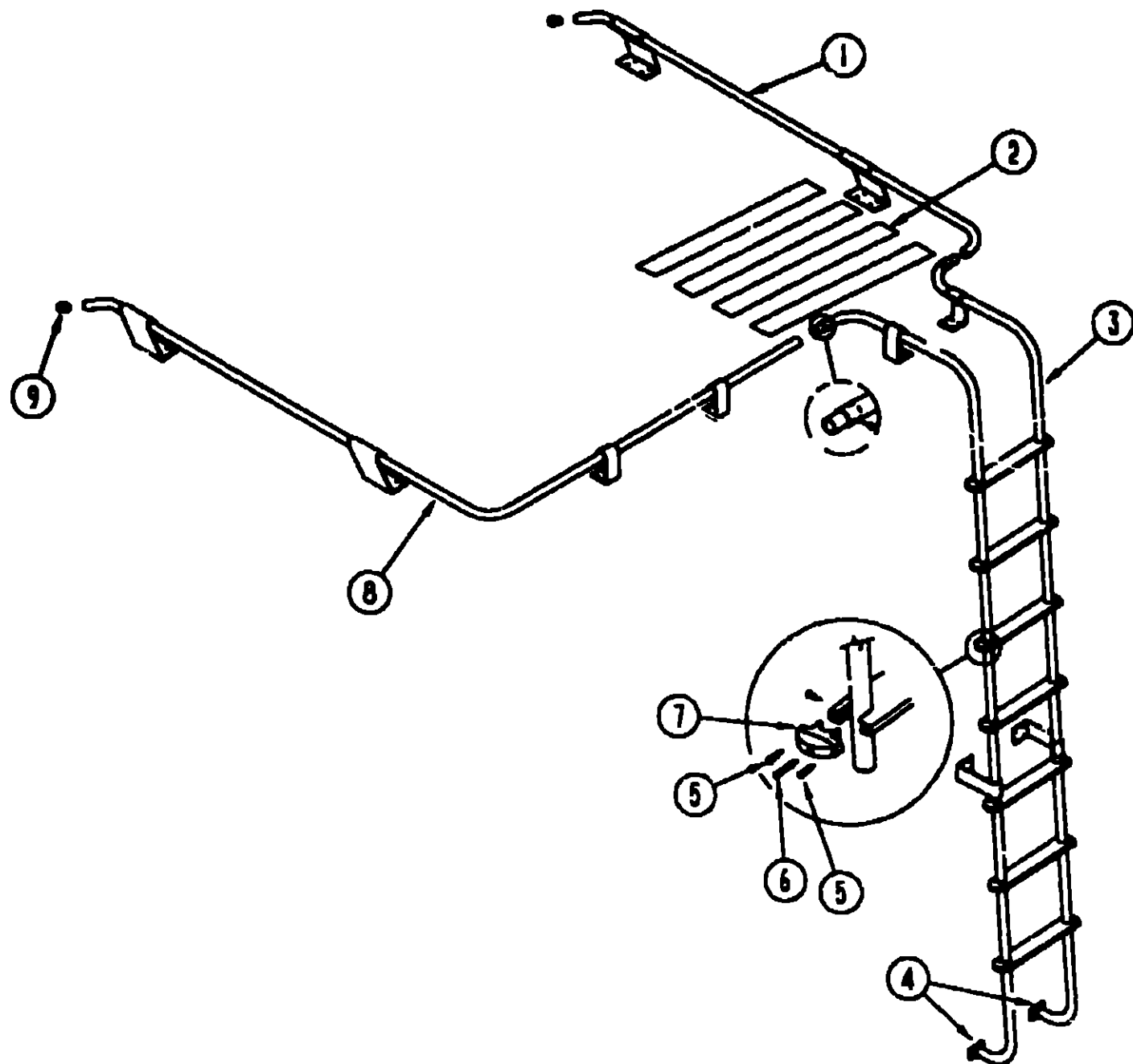
FLOOR PLAN	D-21 - D-22
ACCESSORIES	D-23
AUDIO VIDEO	D-24
BATH	E-01 - E-02
BEDROOM	E-03
CHASSIS	E-04 - E-08
CURTAIN & CUSHION	E-09 - E-18
DINETTE	E-19 - E-20
DRIVERS COMPARTMENT	E-21 - E-22
ELECTRICAL	E-23 - F-02
EXTERIOR BODY	F-03 - F-10
GALLEY	F-11 - F-14
GENERATOR	F-15
HEATING & A/C	F-16 - F-18
INTERIOR FINISH	F-19 - F-22
LABELS	F-23 - G-06
LP	G-07
LOUNGE	G-08 - G-09
SEALANTS & FASTENERS	G-10 - G-12
WATER & SEWAGE	G-13 - G-16
WINDOW VENT AND EXTERIOR DOOR	G-17 - H-09

KEY	PART NUMBER	U/M	DESCRIPTION
1	050313-54-000	EA	DECAL-LOGO, WINNEBAGO - 2 80" TALL - COOL BLUE
2	094443-14-01A	FT	MULTISTRIPE, 95 3MM WIDE - 3 LINES - SLATEGRAY/CARRIBEAN TEAL/COOL BLUE
3	105781-20-01A	FT	MULTISTRIPE, 35 0MM WIDE - 2 LINES - ORCHID/ORCHID
4	094443-15-01A	FT	MULTISTRIPE, 146 1MM WIDE - 3 LINES - COOL BLUE/CARRIBEAN TEAL
5	105781-10-01A	FT	MULTISTRIPE, 152.4MM WIDE - 2 LINES - CARRIBEAN TEAL/SLATE GRAY
6	105466-01-02A	EA	DECAL-LOGO, MINNIE WINNIE - OFF WHITE/CARRIBEAN BLUE/ORCHID
7	105781-07-02A	FT	MULTISTRIPE, 50 8MM WIDE - 2 LINES - COOL BLUE/SLATE GRAY
8	107545-01-01A	EA	DECAL-ANGLES, FRONT - RIGHT - COOL BLUE/CARRIBEAN TEAL
	107545-02-01A	EA	DECAL-ANGLES, FRONT - LEFT - COOL BLUE/CARRIBEAN TEAL
9	093691-09-01A	EA	DECAL-FLYING W, 210MM HIGH - COOL BLUE
10	107546-01-01A	EA	DECAL-ANGLES REAR - RIGHT - COOL BLUE/CARRIBEAN TEAL
	107546-02-01A	EA	DECAL-ANGLES, REAR - LEFT - COOL BLUE/CARRIBEAN TEAL
	041561-03-000	EA	PAINT-LOW BAKE, OFF WHITE
	044486-03-000	EA	PAINT-LOW BAKE BEIGE

#### DUPONT COLOR CODES

SLATE GRAY	G9955
COOL BLUE	G9851
CARRIBEAN TEAL	G9835
ORCHID	G9856
OFF WHITE	L8723A
BEIGE	L8729A

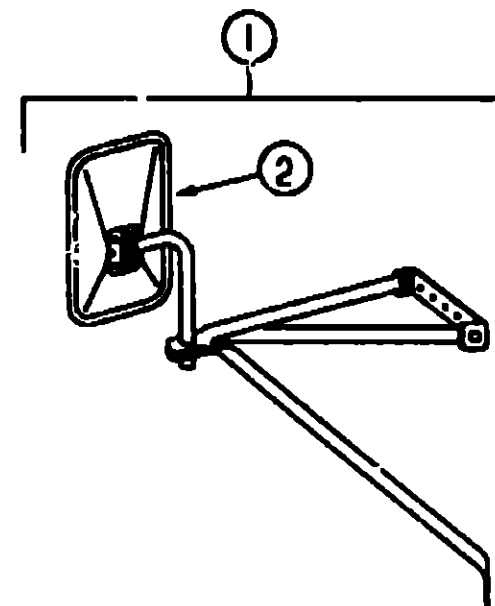
**EXTERIOR BODY GROUP (CONTINUED)**



**RACK & LADDER**

KEY	PART NUMBER	U/M DESCRIPTION
1	107438-05-C07	EA RACK-LUGGAGE, PASSENGER SIDE
	069726-02-000	EA BUMPER- 88" DIA X 40" - BLACK
2	033327-01-000	EA TAPE-ANTI SLIP- 2" X 60'
3	102953-02-C03	EA LADDER ASM
4	067165-01-000	EA MOUNTING BRACKET-LADDER- LOWER
5	000G39-06-10T	EA SCREW-SF/DR- 6-20 X 5/8 PPH - BLACK
6	000G68-10-36T	EA SCREW-10-12 X 2 25 POH BLACK
7	076960-02-000	EA END CAP STEP- BLACK
8	107438-09-C03	EA RACK-LUGGAGE DRIVER SIDE
9	081114-01-000	EA PLUG ROUND- RACK & LADDER ENDS - PLASTIC - 1" DIA.

**EXTERIOR BODY GROUP (CONTINUED)**



**EXTERIOR MIRRORS**

KEY	PART NUMBER	U/M DESCRIPTION
1	106860-01-01A	EA MIRROR-EXTERIOR, HEAD LOW MOUNT - OFF WHITE
2	106860-01-700	EA HEAD-MIRROR, EXTERIOR
	106860-01-701	EA ARM
	106860-01-703	EA BRACE LOWER FORWARD - DRIVER
	106860-01-704	EA BRACE LOWER FORWARD - PASSENGER
	106860-01-702	EA HARDWARE PACKAGE
	006043-01-000	EA MIRROR-EXTERIOR CONVEX, ADHESIVE BACKED

**RUNNING BOARDS**

KEY	PART NUMBER	U/M DESCRIPTION
	072884-20-000	EA RUNNING BOARD SET-FORD, 39" - KEMBERLY K-7 (STANDARD) FROM 00-00-00 THRU 01-31-93
	072884-27-000	EA RUNNING BOARD SET-FORD, 39" - KEMBERLY K-12 (STANDARD) FROM 02-01-93 THRU 99-99-99
	101396-01-000	EA BOARD-RUNNING, FORD - PASSENGER SIDE (JAPAN EXPORT ONLY)
	101396-02-000	EA BOARD-RUNNING, FORD - DRIVER SIDE (JAPAN EXPORT ONLY)
	101396-03-000	EA KIT-HARDWARE, FORD (JAPAN EXPORT ONLY)

**FIBERGLASS & STYROFOAM**

KEY	PART NUMBER	U/M DESCRIPTION
	077517-24-000	EA SHEET-FIBERGLASS, FLAT - 48" X 96" - OFF WHITE
	076054-H1-000	EA SHEET-FIBERGLASS, 2438 X 2591MM - OFF WHITE
	076054-F3-000	EA SHEET-FIBERGLASS, 2438 X 2438MM - OFF WHITE
	000870-03-000	SF STYROFOAM-1 34 X 48" X 96" - INCREMENTS OF 32 SF
	000870-05-000	SF STYROFOAM- 5" X 24" X 96" - INCREMENTS OF 16 SF
	063574-02-000	SF STYROFOAM-DOW TYPE SM - 1 5" X 24" X 90 5"
	080574-03-000	SF STYROFOAM-3/4" X 48" X 96" - INCREMENTS OF 32 SF

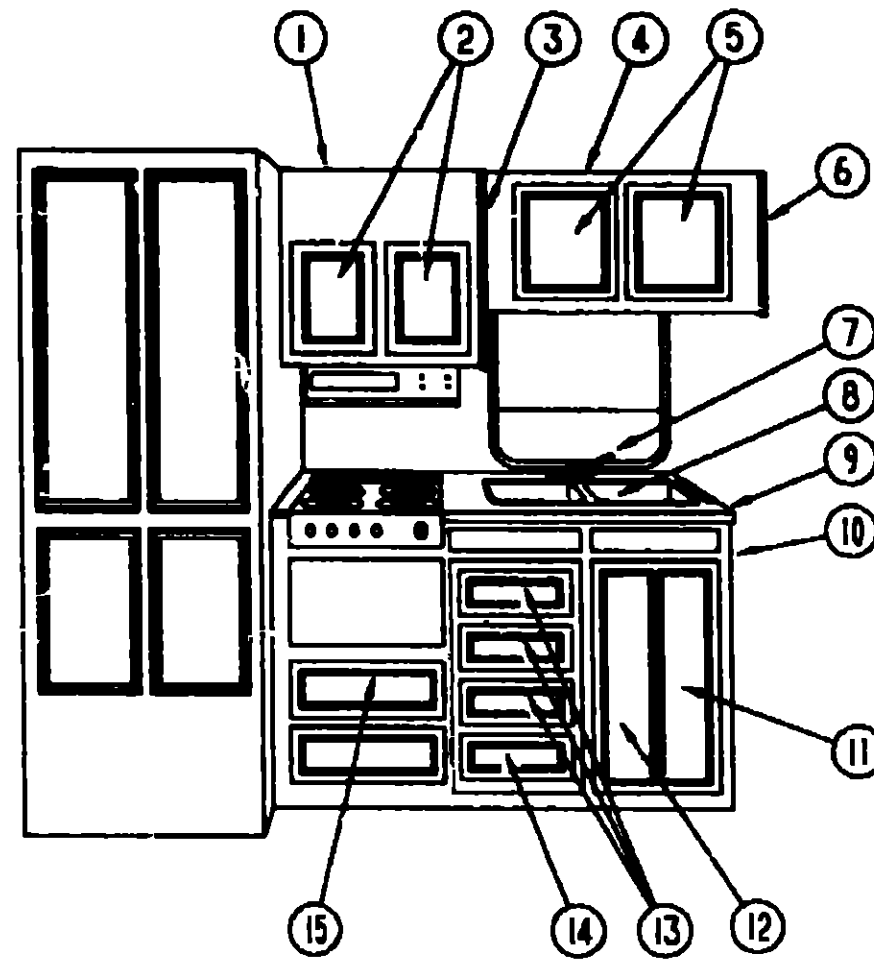
**1993 WINNEBAGO  
TABLE OF CONTENTS**

INTRODUCTION	A-01 - A-02
ABBREVIATIONS	A-03
ALPHABETICAL INDEX	A-04 - A-08
WF427RQ	A-07 - D-20
WF427RC	D-21 - H-10
WF428RQ	H-11 - L-02

**1993 WF427RC INDEX**

FLOOR PLAN	D-21 - D-22
ACCESSORIES	D-23
AUDIO VIDEO	D-24
BATH	E-01 - E-02
BEDROOM	E-03
CHASSIS	E-04 - E-08
CURTAIN & CUSHION	E-09 - E-18
DINETTE	E-19 - E-20
DRIVERS COMPARTMENT	E-21 - E-22
ELECTRICAL	E-23 - F-02
EXTERIOR BODY	F-03 - F-10
GALLEY	F-11 - F-14
GENERATOR	F-15
HEATING & A/C	F-16 - F-18
INTERIOR FINISH	F-19 - F-22
LABELS	F-23 - G-06
LP	G-07
LOUNGE	G-08 - G-09
SEALANTS & FASTENERS	G-10 - G-12
WATER & SEWAGE	G-13 - G-16
WINDOW, VENT AND EXTERIOR DOOR	G-17 - H-09

**GALLEY GROUP**



**GALLEY CABINETS & FIXTURES**

KEY	PART NUMBER	U/M	DESCRIPTION
1	M05778-24-D04	EA	CABINET-OVERHEAD, RANGE - W/O DOORS & HARDWARE
1	M05778-25-D04	EA	CABINET-OVERHEAD, MICROWAVE - W/O HARDWARE
2	P05223-40-D04	EA	DOOR-CABINET, W/O HARDWARE - 275 X 365MM
3	108961-15-D04	EA	END CAP-CABINET, OVERHEAD
4	P05770-01-C52	EA	CABINET-OVERHEAD, W/O DOORS OR HARDWARE
5	P05223-56-D04	EA	DOOR-CABINET, W/O HARDWARE - 365 X 555MM
6	104335-03-C52	EA	END CAP-CABINET, OVERHEAD
7	103243-01-000	EA	FAUCET-GALLEY, DUAL CONTROL - 8" CENTERSET
8	104113-01-000	EA	SINK-SST, DOUBLE
	082303-01-000	EA	STRAINER SINK
	103610-01-D32	EA	COVER-SINK (D04)
9	107575-11-D04	EA	COUNTERTOP-CABINET, GALLEY
9	107575-11-D05	EA	COUNTERTOP-CABINET, GALLEY
10	M05783-01-D04	EA	CABINET-GALLEY, W/O DOORS & HARDWARE
10	M05783-01-D05	EA	CABINET-GALLEY, W/O DOORS & HARDWARE
	103610-01-D09	EA	COVER-SINK (D05)
11	P05223-34-C03	EA	DOOR-CABINET, W/O HARDWARE - 230 X 675MM
12	P05223-22-C03	EA	DOOR-CABINET, W/O HARDWARE - 230 X 675MM
13	P07104-C9-D04	EA	DRAWER-CABINET, W/O HARDWARE - 3 USED
14	P07104-D2-D04	EA	DRAWER-CABINET, W/O HARDWARE
15	P07104-D5-D04	EA	DRAWER CABINET, W/O HARDWARE
	090329-01-000	FT	SEAL-T, REFRIGERATOR CABINET - 6" WIDE TOP X 2" TAIL
	008380-01-000	EA	GROMMET-RUBBER, 5/8" HOLE X 1 1/2" DIAMETER - BLACK

**GALLEY GROUP (CONTINUED)**

**RANGE HOOD**

KEY	PART NUMBER	U/M	DESCRIPTION
	100258-18-01A	EA	HOOD-RANGE, W/O MONITOR PANEL - VENTLINE - US TCS5008NAD (STANDARD)
	103252-17-01A	EA	HOOD-RANGE, W/O MONITOR PANEL-VENTLINE-CSA-TCS5008NAC (CANADIAN)
	100258-18-01A	EA	HOOD-RANGE, W/O MONITOR PANEL-VENTLINE-US-TPS5007NAD (W/GENERATOR OPTION)
	060973-01-700	EA	MOTOR, LVS CAS08-1
	060973-01-702	EA	BLADE-FAN, LVS VA183-1
	082886-01-709	EA	BULB-912, VENTLINE VA415
	082886-01-710	EA	SOCKET-LIGHT, VENTLINE CB267-2
	086883-01-700	EA	SWITCH-ON/OFF, VENTLINE 108
	086883-01-702	EA	SWITCH-TWO WAY MOMENTARY, VENTLINE 112
	086883-01-707	EA	FILTER-GREASE, 8" X 8" - LVS CC246
	086883-01-708	EA	LENS-LAMP, VENTLINE CC179
	100258-01-700	EA	HOOD NOSE LABEL
	100258-10-01A	EA	METER-HOUR, VENTLINE 150
	063752-01-000	EA	SHROUD-RANGE, 13 5" X 20 6" X 18 2" - METAL - OFF WHITE

**RANGE**

KEY	PART NUMBER	U/M	DESCRIPTION
	055516-03-000	EA	BRACKET-TIEDOWN, RANGE W/OVEN - RIGHT FROM 00-00-00 THRU 01-03-93
	105458-03-000	EA	BRACKET-TIEDOWN, STOVE - RIGHT FROM 01-04 93 THRU 99-99-99
	055516-04-000	EA	BRACKET-TIEDOWN, RANGE W/OVEN - LEFT FROM 00-00-00 THRU 01-03 93
	105458-04-000	EA	BRACKET-TIEDOWN, STOVE - LEFT FROM 01-04-93 THRU 99-99-99
	102022-01-02A	EA	RANGE-16", 4 BURNER - MAGIC CHEF BT16RA-4Z
	055282-03-705	EA	TRIM-CABINET, LEFT - BLACK - MAGIC CHEF 3608F011-70
	055282-03-707	EA	TRIM-CABINET, RIGHT - BLACK - MAGIC CHEF 3608F012-70
	098507-02-701	EA	INSERT-BURNER (SLOTTED VENT), MAGIC CHEF 7214P015-60
	102020-01-700	EA	SHELF-OVEN, MAGIC CHEF - 7801-P027-60
	102020-01-701	EA	HANDLE-DOOR, MAGIC CHEF - 7701P092-60
	102020-01-702	EA	PANEL-MANIFOLD, MAGIC CHEF 2615F080-70
	102020-01-704	EA	PANEL-DOOR, BLACK - MAGIC CHEF - 2401F075-70
	102020-01-708	EA	BURNER ASSEMBLY-OVEN, MAGIC CHEF 3403W003-45
	102020-01-711	EA	GRATE-TOP, MAGIC CHEF 7518P012-60
	102020-01-712	EA	KNOB-BURNER VALVE, MAGIC CHEF 7733P044-60
	102020-01-713	EA	KNOB-THERMOSTAT, MAGIC CHEF 7731P042-60
	102020-01-714	EA	PILOT-OVEN, MAGIC CHEF 968-143
	102020-01-715	EA	PIPE-MANIFOLD, MAGIC CHEF 7513P095-60
	102020-01-717	EA	THERMOSTAT, MAGIC CHEF 7515P024-60
	102020-01-718	EA	TOP-MAIN, ALMOND - MAGIC CHEF 2001F085-84
	102020-01-720	EA	VALVE-MERCURY CONTROL, MAGIC CHEF 7501P056-60
	102020-01-722	EA	VALVE-TOP BURNER, MAGIC CHEF 7502P095-60
	102020-01-723	EA	PILOT-BURNER MAGIC CHEF 7505P147-60
	102020-01-724	EA	BUMPER-MAIN TOP, MAGIC CHEF 8003P008-60
	102022-01-702	EA	PIPE-MANIFOLD, MAGIC CHEF 7513P096-60
	102022-01-703	EA	REGULATOR-PRESSURE, MAGIC CHEF 7510P031-60
	102022-01-706	EA	TRIM-LEFT, FLAT - MAGIC CHEF 3608W022-70
	102022-01-707	EA	TRIM RIGHT, FLAT - MAGIC CHEF 3608W023-70

**1993 WINNEBAGO  
TABLE OF CONTENTS**

INTRODUCTION	A-01	A-02
ABBREVIATIONS		A-03
ALPHABETICAL INDEX	A-04	A-06
WF427RQ	A-07	D-20
WF427RC	D-21	H-10
WF428RQ	H-11	L-02

**1993 WF427RC INDEX**

FLOOR PLAN	D-21	D-22
ACCESSORIES		D-23
AUDIO VIDEO		D-24
BATH	E-01	E-02
BEDROOM		E-03
CHASSIS	E-04	E-08
CURTAIN & CUSHION	E-09	E-18
DINETTE	E-19	E-20
DRIVERS COMPARTMENT	E-21	E-22
ELECTRICAL	E-23	F-02
EXTERIOR BODY	F-03	F-10
GALLEY	F-11	F-14
GENERATOR		F-15
HEATING & A/C	F-16	F-18
INTERIOR FINISH	F-19	F-22
LABELS	F-23	G-06
LP		G-07
LOUNGE	G-08	G-09
SEALANTS & FASTENERS	G-10	G-12
WATER & SEWAGE	G-13	G-16
WINDOW, VENT AND EXTERIOR LIGHT	G-17	H-09

**GALLEY GROUP (CONTINUED)**

**MONITOR PANEL**

KEY	PART NUMBER	U/M	DESCRIPTION
	102765-04-01A	EA	MONITOR PANEL, W/PLUG - FOR 2 TANKS & WATER HEATER - LVS
	102765-02-01A	EA	MONITOR PANEL, W/PLUG - FOR 2 TANKS - LVS
	097617-01-702	EA	SWITCH-1/WAY, ALMOND - LVS 107
	097617-01-703	EA	CIRCUIT BOARD - LVS 5076-01
	102765-01-700	EA	SWITCH-ON-ON, ALMOND - 110-01
	097618-01-000	EA	WIRE ASM-MONITOR PANEL, W/4 WIRES & BLACK RESISTOR - LVS

**MICROWAVE & COFFEE MAKER**

KEY	PART NUMBER	U/M	DESCRIPTION
	091269-08-000	EA	OVEN-MICROWAVE, MAGIC CHEFDM15-58
	094745-01-01A	EA	TRIM-MICROWAVE, LOWER - BLACK
	094774-03-01A	EA	TRIM-MICROWAVE, EITHER SIDE - 1 5" X 14.8" - METAL - BLACK
	098916-03-01A	EA	BRACE-MICROWAVE CABINET, LEFT - 9 4" X 7 5" - STEEL
	098916-04-01A	EA	BRACE-MICROWAVE CABINET, RIGHT - 9 4" X 7 5" - STEEL
	094750-01-000	EA	BRACKET-MICROWAVE, 90 DEGREE - STEEL
	103799-01-02A	EA	MAKER-COFFEE, GRAY - W/GLASS POT
	104610-01-000	EA	TRAP ASM-COFFEE MAKER

**REFRIGERATOR**

KEY	PART NUMBER	U/M	DESCRIPTION
	093646-01-000	EA	BRACKET-TIEDOWN, REFRIGERATOR
	093646-02-000	EA	BRACKET-TIEDOWN, REFRIGERATOR
	054450-01-000	EA	LEVEL-REFRIGERATOR
	104138-04-01A	EA	REFRIGERATOR, SMALL DOUBLE DOOR - 2-WAY - NORCOLD 6162 RH BL
	075217-01-734	EA	FUSE-3 AMP, NORCOLD 61538822
	075217-01-738	EA	SWITCH-HUMIDITY, NORCOLD 61525922
	084879-03-700	EA	COOLING UNIT - HORIZONTAL BURNER, NORCOLD 61687237
	084880-01-713	EA	CONNECTOR-MALE, INLET FITTING - NORCOLD 615256
	094880-01-715	EA	VALVE-SHUT OFF, MANUAL - NORCOLD 61697922
	084880-01-718	EA	VALVE-GAS, NORCOLD 61551822
	084880-01-722	EA	CRISPER COVER - NORCOLD 615641
	084880-01-726	EA	HINGE BRACKET (CTR HINGE) NORCOLD 61566523
	084880-01-731	EA	HINGE PIN, NORCOLD 61578123
	084880-01-732	EA	LATCH, NORCOLD 61578522
	084880-01-734	EA	BRACKET-HINGE, TOP RH - BOTTOM LH - BROWN NORCOLD 61580837
	084880-01-735	EA	HINGE BRKT, TOP LH-BTM RH BRN - NORCOLD 61580937
	084880-01-739	EA	END CAP (SPRING CATCH) BRN - NORCOLD 61593722
	084890-01-740	EA	END CAP (STOP CATCH), NORCOLD 61593830
	034880-01-746	EA	CABLE, NORCOLD 61571522
	084880-01-747	EA	PLUG-HOLE, NORCOLD 61582022
	084880-01-749	EA	HINGE BUSHING - NORCOLD 615807
	084880-01-753	EA	THERMISTER 78" - NORCOLD 61693822
	084880-01-761	EA	END CAP (SPRING CATCH) BLACK 61593730
	084890-02-700	EA	LOWER FLANGE 8663&8583, NORCOLD 61622123
	084880-03-705	EA	BRACKET-INTERIOR LIGHT, NORCOLD 61629722
	084880-03-706	EA	LAMP (BULB) - NORCOLD 61628922

**GALLEY GROUP (CONTINUED)**

**REFRIGERATOR (CONTINUED)**

KEY	PART NUMBER	U/M	DESCRIPTION
	084880-03-707	EA	COVER FLAMP OR BULB - NORCOLD 61627922
	088248-01-706	EA	BURNER-HORIZONTAL, NORCOLD 61588122
	088248-01-707	EA	ELECTRODE-SENSOR, (HORIZONTAL), NORCOLD 61573322
	088248-01-708	EA	ELECTRODE-IGNITION, (HORIZONTAL) - NORCOLD 61573222
	088248-01-709	EA	HEATER-AC, (HORIZONTAL) - NORCOLD 615827
	088248-01-710	EA	HEATER-DC, (HORIZONTAL) - 3 WAY - NORCOLD 615828
	094038-01-700	EA	GASKET-LOWER, GRAY - NORCOLD 61567930
	094038-01-701	EA	LINER-DOOR, LOWER - BROWN/WHITE - NORCOLD 61581837-B
	094038-01-702	EA	LINER-DOOR, LOWER - BLACK/WHITE - NORCOLD 61581838-B
	094038-01-703	EA	HANDLE-DOOR, LOWER - BROWN - NORCOLD 61650137
	094038-01-704	EA	HANDLE-DOOR, LOWER - BLACK - NORCOLD 61650138
	094038-01-706	EA	CAB ASM-BLK, WHITE LINER - WITH FRAME - NORCOLD 61653138
	094039-01-703	EA	PLATE-HINGE, LH - BROWN - NORCOLD 61631422
	094039-01-704	EA	PLATE-HINGE, BLACK - NORCOLD 61631430
	094039-01-709	EA	PLATE-HINGE, TOP RH - LH BOTTOM - BROWN - NORCOLD 61631322
	094039-01-710	EA	PLATE-HINGE, BLACK - NORCOLD 61631330
	094039-01-712	EA	DOOR BIN(GRAY)SILVER BORDER - NORCOLD 61584060
	094039-01-718	EA	MILK BIN (GRAY)W/SILVER TRIM - NORCOLD 61579460
	094039-01-719	EA	DAIRY KEEPER (GRAY)SILVER TRIM, NORCOLD 61580460
	094039-01-722	EA	HOLE PLUG (BLK) HINGE HOLES - NORCOLD 61582022
	094039-01-723	EA	HINGE BRKT, TOP RH-BTM LH BLK - NORCOLD 61580838
	094039-01-724	EA	BRACKET-HINGE, TOP LH - BOTTOM RH - BLK - NORCOLD 61580938
	094039-01-725	EA	HINGE PIN (BLACK)(MALE) - NORCOLD 61578130
	094039-01-726	EA	SHELF-FREEZER EVAPORATOR, NORCOLD 615236
	094039-01-730	EA	HINGE PIN SHAFT(BLK) CTR HGE - NORCOLD 61586730
	094039-01-732	EA	FRONT COVER(BLK) BTM TRIM - NORCOLD 61622130
	094039-01-733	EA	WIRE SHELF (MIDDLE) - NORCOLD 61563822
	094039-01-734	EA	WIRE SHELF (TOP) WRISER - NORCOLD 61563722
	094039-01-735	EA	INSIDE DRIP TRAY (WHITE), NORCOLD 61572830
	094039-01-736	EA	SWITCH-LIGHT, BLACK - NORCOLD 615810
	094039-01-739	EA	SHELF (CUTOUT) NORCOLD 61646722
	094039-04-700	EA	PC BOARD-2 WAY, NORCOLD 61647322
	094039-04-701	EA	EYEBROW (SHELL) 2 WAY - NORCOLD 61669822
	094039-04-702	EA	POWER SUPPLY (2 WAY) - NORCOLD 61647422

**1993 WINNEBAGO  
TABLE OF CONTENTS**

INTRODUCTION	A-01	A-02
ABBREVIATIONS		A-03
ALPHABETICAL INDEX	A-04	A-08
WF427RQ	A-07	D-20
WF427RC	C-21	H-10
WF428RQ	F-11	L-02

**1993 WF427RC INDEX**

FLOOR PLAN	D-21	D-22
ACCESSORIES		D-23
AUDIO VIDEO		D-24
BATH	E-01	E-02
BEDROOM		E-03
CHASSIS	E-04	E-08
CURTAIN & CUSHION	E-09	E-18
DINETTE	E-19	E-20
DRIVERS COMPARTMENT	E-21	E-22
ELECTRICAL	E-23	F-02
EXTERIOR BODY	F-03	F-10
GALLEY	F-11	F-14
GENERATOR		F-15
HEATING & A/C	F-16	F-18
INTERIOR FINISH	F-19	F-22
LABELS	F-23	G-06
LP		G-07
LOUNGE	G-08	G-09
SEALANTS & FASTENERS	G-10	G-12
WATER & SEWAGE	G-13	G-16
WINDOW, VENT AND EXTERIOR DOOR	G-17	H-09

## GENERATOR GROUP

### 4.0 KW LOW PROFILE KOHLER GENERATOR

KEY	PART NUMBER	U/M	DESCRIPTION
	105523-01-000	EA	GENERATOR-4KW LOW PROFILE, KOHLER 4CKM21
	007067-01-000	SF	INSULATION-FIBERGLASS, 1" THICK X 4'-INCREMENTS OF 4 SF
	105528-01-000	EA	PRESTER-SPARK, KOHLER 278621
	105529-01-000	EA	MUFFLER-FRONT EXHAUST, W/O SPARK-KOHLER 278734
	105732-01-000	EA	TRAY ASM-GENERATOR
	106172-01-000	EA	PIPE-EXHAUST ADAPTER
	086494-01-000	EA	BRACKET-EXHAUST, W/DOUBLE BEND
	007125-04-000	EA	CLAMP-MUFFLER, 1 1" DIA.

### 4.0 KW ONAN EMERALD GENERATOR

KEY	PART NUMBER	U/M	DESCRIPTION
	100974-01-000	EA	GENERATOR-4 KW EMERALD PLUS, ONAN BGE-FA/26100G
	105732-01-000	EA	TRAY ASM-GENERATOR
	081364-01-000	EA	MUFFLER-GENERATOR, W/B 5' LONG TAILPIPE
	086252-01-000	EA	PIPE-EXHAUST, W/2 BOLT HOLE FLANGE
	086494-01-000	EA	BRACKET-EXHAUST, W/DOUBLE BEND
	054059-01-000	EA	SPACER-GENERATOR, ONAN
	007067-01-000	SF	INSULATION-FIBERGLASS, 1" THICK X 4' - INCREMENTS OF 4 SF
	007125-04-000	EA	CLAMP-MUFFLER, 1 1" DIA.

## HEATING & AIR CONDITIONING GROUP

### FURNACE

KEY	PART NUMBER	U/M	DESCRIPTION
	098668-05-000	EA	FURNACE-30000 BTU-SUBURBAN SF-30 FROM 00-00-00 THRU 05-30-93
	069634-01-733	EA	RELAY-TIME DELAY 20&30 BTU, SUBURBAN 231202
	075695-01-709	EA	MICRO SWITCH (FOR MODELS 30 & 34S), SUBURBAN 230509
	090039-01-706	EA	GASKET-OBSERVATION HOLE COVER, SUBURBAN 070367
	092300-01-704	EA	GASKET-ELECTRODE, SUBURBAN 070163
	092300-02-701	EA	ORIFICE, MAIN BURNER, SUBURBAN 180214
	098668-01-700	EA	CABINET FRONT, SUBURBAN 101242
	098668-01-701	EA	CABINET ASM, SUBURBAN 101299
	098668-01-702	EA	ELECTRODE, SUBURBAN 231746
	098668-01-704	EA	VALVE, SUBURBAN 160938
	098668-01-705	EA	SWITCH-LIMIT, SUBURBAN 231630
	098668-01-706	EA	WHEEL-COMBUSTION AIR, SUBURBAN 350122
	098668-01-707	EA	VENT CAP & EXHAUST TUBE ASM, SUBURBAN 260193
	098668-01-708	EA	BLOWER ASM (COMBUSTION AIR), SUBURBAN 390441
	098668-01-709	EA	MOTOR ASM, FOR SF-25, SF-30 - SUBURBAN 231706
	098668-01-710	EA	BLOWER ASM (ROOM AIR), SUBURBAN 390440
	098668-01-711	EA	WHEEL-ROOM AIR, SUBURBAN 350123
	098668-01-712	EA	BOARD-MODULE, SUBURBAN 231741
	098668-01-713	EA	INTAKE VENT TUBE ASM, SUBURBAN 051044
	098668-02-700	EA	BURNER ASM COMPLETE (SF-30/SF35), SUBURBAN 010745
	069634-01-720	EA	ORIFICE-MAIN BURNER, SUBURBAN 0180222
	098668-03-700	EA	MOTOR ASM-SF-35, SUBURBAN 231707
	098668-06-000	EA	DOOR-ACCESS, FURNACE, OFF WHITE - SUBURBAN 520574
	093365-01-000	EA	THERMOSTAT-WALL, FURNACE - SUBURBAN 0150902
	098668-20-000	EA	FURNACE-30000 BTU, SUBURBAN SF-30 227 FROM 05-31-93 THRU 99-99-99

### HEATING COMPONENTS

KEY	PART NUMBER	U/M	DESCRIPTION
	023146-01-000	EA	CLAMP-SCREW TYPE, 4"
	069636-02-000	EA	CONNECTOR-DUCT, 4" ID - SUBURBAN 050715
	009198-01-000	FT	DUCT-HEAT, FLEXIBLE, 4" ID X 25 FT
	093614-01-01A	EA	GRILLE-RETURN AIR, FURNACE - 15 6" X 7 6", BROWN
	079059-01-000	EA	HOSE-90 DEGREE, 5/8" ID X 4" X 36"
	079059-03-000	EA	HOSE-90 DEGREE, 61" ID X 4" X 18"
	007108-01-000	FT	HOSE-HEATER, 5/8" ID - HI-TEMP - FORD ESE-M2D192-A
	056464-05-000	EA	REGISTER-PLASTIC, W/O DAMPER - 4" DIAMETER - GOLDEN
	009200-01-000	EA	TAPE-FURNACE, 1 1/2"
	088753-01-000	FT	TUBE-ALUMINIZED STEEL 5/8" - 18 GAUGE
	008042-01-000	FT	TUBING-VINYL, 65" ID

## 1993 WINNEBAGO TABLE OF CONTENTS

INTRODUCTION	A-01 - A-02
ABBREVIATIONS	A-03
ALPHABETICAL INDEX	A-04 - A-06
WF427RC	A-07 - D-20
WF427RC	D-21 - H-10
WF428RC	H-11 - L-02

## 1993 WF427RC INDEX

FLOOR PLAN	D-21 - D-22
ACCESSORIES	D-23
AUDIO VIDEO	D-24
BATH	E-01 - E-02
BEDROOM	E-03
CHASSIS	E-04 - E-08
CURTAIN & CUSHION	E-09 - E-18
DINETTE	E-19 - E-20
DRIVERS COMPARTMENT	E-21 - E-22
ELECTRICAL	E-23 - F-02
EXTERIOR BODY	F-03 - F-10
GALLEY	F-11 - F-14
GENERATOR	F-15
HEATING & A/C	F-16 - F-18
INTERIOR FINISH	F-19 - F-22
LABELS	F-23 - G-06
I.P.	G-07
LOUNGE	G-08 - G-09
SEALANTS & FASTENERS	G-10 - G-12
WATER & SEWAGE	G-13 - G-16
WINDOW VENT AND EXTERIOR DOOR	G-17 - H-09

**HEATING & AIR CONDITIONING GROUP (CONTINUED)**

**REAR HEATER**

KEY	PART NUMBER	U/M	DESCRIPTION
	084405-01-000	EA	HEATER ASM-REAR, DUCTED, W/MOTOR AID, EVANS
	084405-01-700	EA	HEATER CORE, FT200229
	084405-01-701	EA	FAN, HV029831
	084405-01-702	EA	MOTOR-12 VOLT ASSY, R0200180
	087202-01-000	EA	SWITCH-4 POSITION, W/KNOB
	098076-01-000	EA	DECAL-AUTO AIR & REAR HEATER

**ROOF A/C**

KEY	PART NUMBER	U/M	DESCRIPTION
	108889-01-01A	EA	A/C-ROOF, 13,500 TSR HO - IVORY - COLEMAN 7333-887
	091225-01-709	EA	START RELAY, COLEMAN 1497-4131
	091225-01-710	EA	START CAPACITOR, COLEMAN# 1497-0881
	093306-01-701	EA	DECAL PACKAGE, LEFT & RIGHT - COLEMAN 679883591
	093306-01-712	EA	COMPRESSOR, COLEMAN 6707C3579
	105620-01-704	EA	COMPRESSOR, RIGHT & LEFT - COLEMAN 1450-2009
	105620-01-706	EA	FOOT PACKAGE-COMPRESSOR, 3 PER PACKAGE - COLEMAN 6759-3081
	108889-01-700	EA	SHROUD (GREY/GREY) LESS LOGO - COLEMAN 6759-6421
	108889-01-702	EA	SHROUD (BUFF/BUFF) LESS LOGO - COLEMAN 6759-6411
	108889-01-703	EA	CONDENSER COIL, COLEMAN 1452-1301
	108889-01-704	EA	OVERLOAD (MRA#39593, COLEMAN 6759-3541
	108889-01-705	EA	MOTOR (115, 60HZ), COLEMAN 1458-3049
	108889-01-706	EA	IMPELLOR, COLEMAN 1472-1041
	108889-01-707	EA	RUN CAPACITOR (COMP-25MFD/370), COLEMAN 1499-5661
	108889-01-708	EA	FAN CAPACITOR (7.5:4FD 370U), COLEMAN 1499-5461
	108889-01-709	EA	EVAPORATOR COIL, COLEMAN 1452-1311
	108889-01-710	EA	FILLER PAD-CONDITION AIR SEAL, COLEMAN 6759A3971
	108889-01-711	EA	GASKET PACKAGE, COLEMAN 6792-3301
	108889-01-712	EA	SUCTION LINE REDUCER, 3/8 X 1/2), COLEMAN 1215-2161
	108889-01-713	EA	SUCTION LINE (3/8OD X 0.2 WALL), COLEMAN 6792-130
	108889-01-714	EA	DISCHARGE LINE ASM, COLEMAN 6792-531
	108889-01-715	EA	MOTOR MOUNT & SHAFT SEAL KIT, COLEMAN 6792-3361
	108889-01-01A	EA	CEILING ASM-A/C COOL TSR HO, COLEMAN 7330-714 IV
	042204-01-709	EA	THERMOSTAT-IN 64 OUT 58, COLEMAN 6701-3401
	073742-01-701	EA	SELECTOR SWITCH (5 TERMINAL), COLEMAN 6759-3251
	073742-01-702	EA	DECAL COOL ONLY, COLEMAN 6759C3431
	076303-01-707	EA	FILTER-6" X 14 3/4" X 1/2", 12 PER PACKAGE - COLEMAN 6703A3151
	081606-01-712	EA	CEILING SHROUD (IVORY), COLEMAN 6769-5061
	091225-01-713	EA	KNOB (2 PER PACKAGE), COLEMAN 6701-3351
	091225-01-717	EA	DECAL (THERMOSTAT) COOL ONLY, COLEMAN 6799A3441
	093766-02-701	EA	DECAL-LEFT SIDE, COLEMAN 6799-3971
	108891-01-700	EA	SINGLE PARTS PACKAGE (KNOBS & NUTS), COLEMAN 6792-5991
	108891-01-701	EA	RETAINER CLIPS FOR FILTER (6 PER PACKAGE), COLEMAN 6799-3141
	102289-01-000	EA	SPRING-SCREW, ROOF A/C GASKET - COLEMAN 6757-150
	022756-03-000	EA	COVER-BLANK, ROOF A/C - PLASTIC - OFF WHITE
	022756-02-000	EA	COVER-PROTECTIVE, 5 5" ENDS X 8 2" - PLASTIC - OFF WHITE

**HEATING & AIR CONDITIONING GROUP (CONTINUED)**

**A/C-13500 BTU-EUROPE**

KEY	PART NUMBER	U/M	DESCRIPTION
	082440-01-000	EA	A/C-ROOF, 13500 BTU - 220V - 50HZ - COLEMAN# 6713C750 FROM: 00-00-00 THRU 08-31-92
	082441-01-000	EA	CEILING ASM-A/C, 220V - 50HZ - COLEMAN# 6712ET16 FROM 00-00-00 THRU 08-31-92
	103889-02-01A	EA	A/C-ROOF, 13500 BTU - 220V - TSR - IVORY - COLEMAN 7373-587 FROM 09-01-92 THRU 99-99-99
	108891-01-01A	EA	CEILING ASM-A/C, COOL - TSR - IVORY - COLEMAN 7330-714 FROM: 09-01-92 THRU 99-99-99
	042204-01-709	EA	THERMOSTAT-IN 64 OUT 58, COLEMAN 6701-3401
	073742-01-701	EA	SELECTOR SWITCH (5 TERMINAL), COLEMAN 6759-3251
	073742-01-702	EA	DECAL COOL ONLY, COLEMAN 6759C3431
	076303-01-707	EA	FILTER-6" X 14 3/4" X 1/2", 12 PER PKG - COLEMAN 6703A3151
	081606-01-712	EA	CEILING SHROUD (IVORY), COLEMAN 6769-5061
	091225-01-713	EA	KNOB (2 PER PACKAGE), COLEMAN 6701-3351
	091225-01-717	EA	DECAL (THERMOSTAT) COOL ONLY, COLEMAN 6799A3441
	093766-02-701	EA	DECAL-LEFT SIDE, COLEMAN 6799-3971
	108891-01-700	EA	SINGLE PARTS PACKAGE (KNOBS & NUTS), COLEMAN 6792-5991
	108891-01-701	EA	RETAINER CLIPS FOR FILTER (6 PER PACKAGE), COLEMAN 6799-3141
	102289-01-000	EA	SPRING-SCREW, ROOF A/C GASKET - COLEMAN 6757-150
	022756-03-000	EA	COVER-BLANK, ROOF A/C - PLASTIC - OFF WHITE
	022756-02-000	EA	COVER-PROTECTIVE, 5 5" ENDS X 8 2" - PLASTIC - OFF WHITE

**1993 WINNEBAGO  
TABLE OF CONTENTS**

INTRODUCTION	A-01 - A-02
ABBREVIATIONS	A-03
ALPHABETICAL INDEX	A-04 - A-06
WF427RC	A-07 - D-20
WF427RC	D-21 - H-10
WF428RC	H-11 - L-02

**1993 WF427RC INDEX**

FLOOR PLAN	D-21 - D-22
ACCESSORIES	D-23
AUDIO VIDEO	D-24
BATH	E-01 - E-02
BEDROOM	E-03
CHASSIS	E-04 - E-08
CURTAIN & CUSHION	E-09 - E-18
DINETTE	F-19 - E-20
DRIVERS COMPARTMENT	E-21 - E-22
ELECTRICAL	E-23 - F-02
EXTERIOR BODY	F-03 - F-10
GALLEY	F-11 - F-14
GENERATOR	F-15
HEATING & A/C	F-16 - F-18
INTERIOR FINISH	F-19 - F-22
LABELS	F-23 - G-06
LP	G-07
LOUNGE	G-08 - G-09
SEALANTS & FASTENERS	G-10 - G-12
WATER & SEWAGE	G-13 - G-16
WINDOW, VENT AND EXTERIOR DOOR	G-17 - H-09

**INTERIOR FINISH GROUP**

**MOLDINGS & TRIMS**

KEY	PART NUMBER	U/M DESCRIPTION
	009767-12-000	FT MOLDING-SIDEWALL TO CEILING/CABINET - WELTING - OFF WHITE
	009776-11-000	EA U-CHANNEL-PLASTIC, 1" WIDE X 8' LONG - IVORY
	009809-23-000	EA MOLDING-CORNER, OUTSIDE - 1" - PLASTIC - IVORY
	009809-24-000	EA MOLDING-CORNER, OUTSIDE - 1" - PLASTIC - THOR PECAN
	009812-25-000	EA MOLDING-CORNER, OUTSIDE - 5" - PLASTIC - PECAN
	022992-01-000	FT MOLDING-REVERSE COVE, T-SHAPED - VINYL - WHITE
	022992-11-000	FT MOLDING-REVERSE COVE, T-SHAPED - VINYL - IVORY
	070504-01-000	FT U-CHANNEL-PLASTIC, .065" WIDE - LIGHT BROWN - INC OF 8'
	070504-20-000	FT U-CHANNEL-PLASTIC, .815" WIDE - THOR PECAN - INC OF 8'
	070504-24-000	FT U-CHANNEL-PLASTIC, .875" WIDE - THOR PECAN - INC OF 8'
	075249-01-000	EA RAILING-OAK, 72" LONG - UNFINISHED
	076325-16-000	FT MOLDING-EDGE BAND, 1 5/16" WIDE - WOODGRAIN - REGAL OAK
	076325-39-000	FT MOLDING-EDGE BAND, 1 5/16" WIDE (D04)
	076325-40-000	FT MOLDING-EDGE BAND, .875" WIDE (D04)
	076325-37-000	FT MOLDING-EDGE BAND, 1 5/16" WIDE (D05)
	076325-38-000	FT MOLDING-EDGE BAND, .875" WIDE (D05)
	083620-07-000	FT MOLDING-T, END CAP EDGE - WEDGE LIPS - .75" - THOR PECAN
	083620-09-000	FT MOLDING-T, END CAP EDGE - WEDGE LIPS - .75" - MODERN IVORY
	085284-66-000	FT BATT STRIP-WOODGRAIN, ADHESIVE BACKED - FOREST OAK
	085284-73-000	FT BATT STRIP-MAIN, W/ADHESIVE BACK - BUBBLES TWILIGHT (D04)
	085284-68-000	FT BATT STRIP-MAIN, W/ADHESIVE BACK - ADRIAN MOCASSIN (D05)
	085284-69-000	FT BATT STRIP-BATH/GALLEY, W/ADHESIVE BACK - FLORENCE TWILIGHT (D04)
	085284-70-000	FT BATT STRIP-BATH/GALLEY, W/ADHESIVE BACK - GYPSY MOCASSIN (D05)
	085284-76-000	FT BATT STRIP-BATH/SHOWER, W/ADHESIVE BACK - ANTIQUE WHITE
	085284-59-000	FT BATT STRIP-CEILING, W/ADHESIVE BACK - TROWELL WORK FAWN
	085746-01-000	FT TRIM-J, CARPET - 1 2" X 5" ANGLE - 10' LONG - PVC - BEIGE
	088263-71-000	EA BATT STRIP-CEILING, 8' LONG - TROWELL WORK FAWN
	088263-80-000	EA BATT STRIP-BATH & GALLEY, 8' LONG - FLORENCE TWILIGHT (D04)
	088263-81-000	EA BATT STRIP-BATH & GALLEY, 8' LONG - BYPSY MOCASSIN (D05)
	088263-84-000	EA BATT STRIP-MAIN DECORATIVE, 8' LONG - BUBBLES TWILIGHT (D04)
	088263-79-000	EA BATT STRIP-MAIN DECORATIVE, 8' LONG - ADRIAN MOCASSIN (D05)
	092330-D2-438	EA LUMBER-VINYL WRAPPED, 7" X 1 5" X 9" - WOODGRAIN
	092330-03-000	EA LUMBER-VINYL WRAPPED, 2" X 96" - WOODGRAIN - REGAL OAK
	092330-05-000	EA LUMBER-VINYL WRAPPED, 2.9" X 96" - WOODGRAIN - REGAL OAK
	092331-D2-134	EA MOLDING-VINYL WRAPPED, 7" X 1 57" X 84" - WOODGRAIN
	092331-F2-134	EA MOLDING-VINYL WRAPPED, 7" X 2 5" X 7" - WOODGRAIN
	092331-F2-438	EA MOLDING-VINYL WRAPPED, 7" X 2 5" X 96" - WOODGRAIN
	100659-01-B05	EA MOLDING-TRIM, VINYL FLOOR - 1" X 72" - WOOD
	100818-01-01A	EA MOLDING-VINYL WRAPPED, 1.65" X 4" X 7" - REGAL OAK
	100819-01-01A	EA MOLDING-VINYL WRAPPED, L-SHAPED - 1 5" X 1 5" X 7" - OAK
	103166-01-02A	FT MOLDING-EDGE, SHELF - 78" WIDE - PLASTIC - REGAL OAK
	104676-01-01A	FT MOLDING-T 5/16" RIGID - GOLD
	105004-01-01A	EA MOLDING-VINYL WRAP, 1" X 8' - REGAL OAK
	105709-01-000	FT MOLDING-T, 1" - PLASTIC - MODERN IVORY

**INTERIOR FINISH GROUP (CONTINUED)**

**PANELING, LAMINATES & PLASTIC**

KEY	PART NUMBER	U/M DESCRIPTION
	074497-19-000	SF PANELING-CEILING, 4' X 8' - INCREMENTS OF 32 SF
	074497-20-000	SF PANELING-WOODGRAIN, 4' X 8' - INCREMENTS OF 32 SF
	074498-24-000	SF LAMINATE-PLASTIC, 5' X 8' - REGAL OAK
	074498-45-000	SF LAMINATE-PLASTIC, 5' X 8' - FAVORITE MIX (D04)
	074498-46-000	SF LAMINATE-PLASTIC, 5' X 8' - TAUPE MATRIX (D05)
	088272-98-000	SF PANELING-BATH/SHOWER, 4' X 7' - ANTIQUE WHITE
	088272-A3-000	SF PANELING-BATH/GALLEY, 4' X 7' - FLORENCE TWILIGHT (D04)
	088272-A4-000	SF PANELING-BATH/GALLEY, 4' X 7' - GYPSY MOCASSIN (D05)
	088272-A5-000	SF PANELING-MAIN, 4' X 7' - BUBBLES TWILIGHT (D04)
	088272-99-000	SF PANELING-MAIN, 4' X 7' - ADRIAN MOCASSIN (D05)
	089297-01-000	SF PLYWOOD-LUAN, OVERLAY GRADE - 4' X 8' - INC OF 32 SF
	093743-02-01A	SF PLASTIC-ABS, 20" WIDE ROLL - OFF WHITE
	093743-03-01A	SF PLASTIC-ABS 10 8" WIDE - OFF WHITE
	098531-01-000	SF PLYWOOD-RED OAK, 1/2"

**CARPETING & FLOOR MATS**

KEY	PART NUMBER	U/M DESCRIPTION
	096060-23-000	SY CARPET-ROLL 12' WIDE - BLUE MIST (D04)
	096060-33-000	SY CARPET-ROLL 12' WIDE - LIGHT BROWN (D05)
	093486-01-000	SY CARPET-COMPARTMENT, 54" WIDE - DARK GRAY
	102695-04-000	YD TAPE-CARPET BIND, BLUE (D04)
	102695-10-000	YD TAPE-CARPET BIND, FAWN (D05)
	047034-02-000	SF PLASTIC-CARPET, 4" WIDE - CLEAR POLY
	075233-01-000	SY PAD-CARPET, 3/8" X 6' ROLL
	007038-01-000	EA MAT-FLOOR, ENTRANCE DOOR - W/WINNEBAGO LOGO - 10 5" X 26" - BLACK FROM 00-00-00 THRU 04-25-93
	081075-03-000	EA MAT-FLOOR ENTRANCE, WINNEBAGO - PLASTIC COLOR GRAY (CAS TRIM GROUP)
	106884-01-000	EA MAT-FLOOR, PASSENGER - "W" - FORD
	106884-02-000	EA MAT-FLOOR, DRIVER - "W" - FORD

**FIRE EXTINGUISHER, SMOKE DETECTOR & CLOCK**

KEY	PART NUMBER	U/M DESCRIPTION
	072852-01-000	EA DETECTOR-SMOKE, W/9 VOLT BATTERY
	072852-02-000	EA DETECTOR-SMOKE, W/9 VOLT BATTERY (CANADIAN)
	094499-01-000	EA EXTINGUISHER FIRE, DRY W/MOUNTING BRACKET - 10 BC
	094499-02-000	EA EXTINGUISHER-FIRE, DRY - 1A10BC - CANADIAN
	094499-01-700	EA BRACKET MOUNTING, W/PLASTIC STRAP - FIRE EXTINGUISHER
	104764-01-01A	EA CLOCK-WALL, SPARTUS FROM 00-00-00 THRU 04-18-93
	100793-02-01A	EA CLOCK WALL, BOLDEN - ROUND 11" FROM 04-19-93 THRU 99-99-99

**1993 WINNEBAGO TABLE OF CONTENTS**

INTRODUCTION	A-01 - A-02
ABBREVIATIONS	A-03
ALPHABETICAL INDEX	A-04 - A-06
WF427RQ	A-07 - D-20
WF427RC	D-21 - H-10
WF428RQ	H-11 - L-02

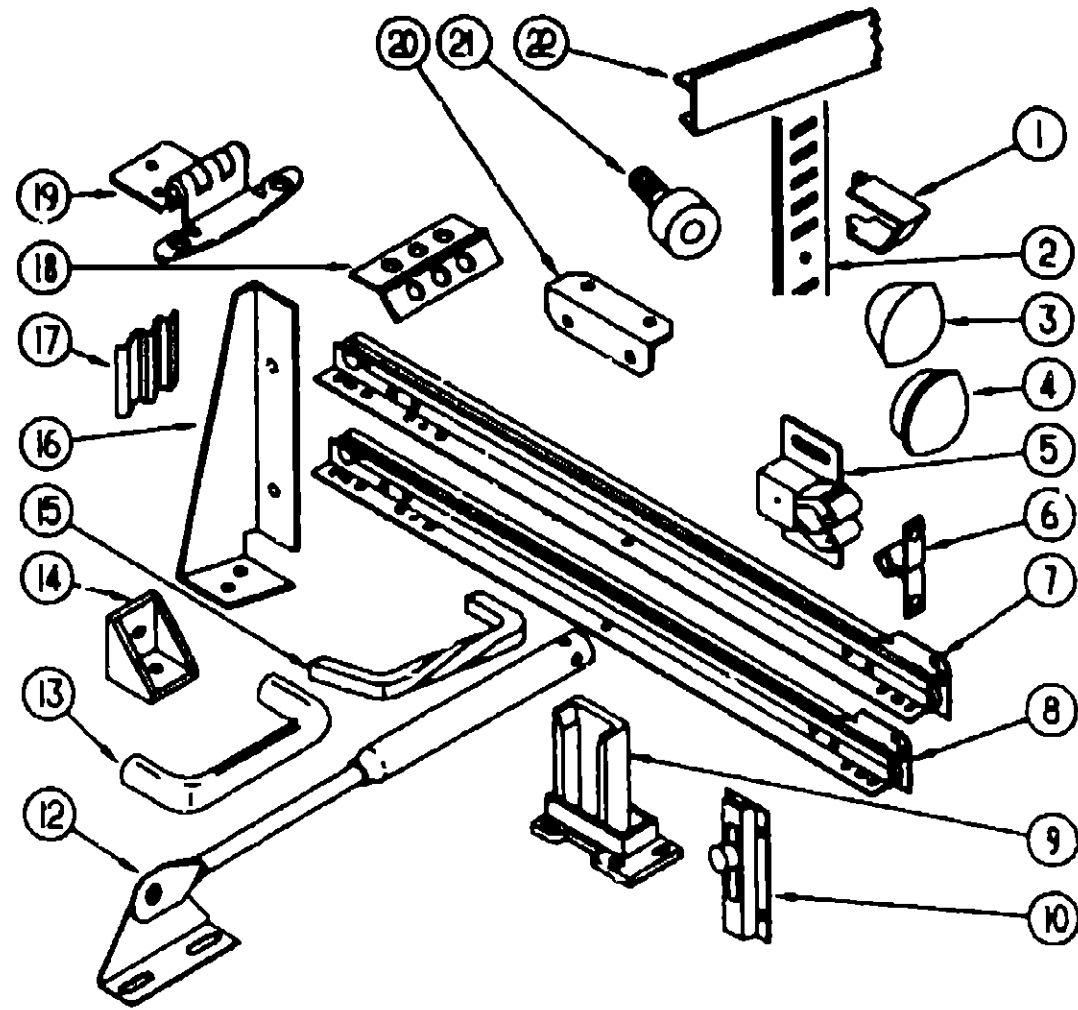
**1993 WF427RC INDEX**

FLOOR PLAN	D-21 - D-22
ACCESSORIES	D-23
AUDIO VIDEO	D-24
BATH	E-01 - E-02
BEDROOM	E-03
CHASSIS	E-04 - E-08
CURTAIN & CUSHION	E-09 - E-18
DINETTE	E-19 - E-20
DRIVERS COMPARTMENT	E-21 - E-22
ELECTRICAL	E-23 - F-02
EXTERIOR BODY	F-03 - F-10
GALLEY	F-11 - F-14
GENERATOR	F-15
HEATING & A/C	F-16 - F-18
INTERIOR FINISH	F-19 - F-22
LABELS	F-23 - G-06
LP	G-07
LOUNGE	G-08 - G-09
SEALANTS & FASTENERS	G-10 - G-12
WATER & SEWAGE	G-13 - G-16
WINDOW, VENT AND EXTERIOR DOOR	G-17 - H-09



# INTERIOR FINISH GROUP (CONTINUED)

## CABINET & TABLE HARDWARE



KEY	PART NUMBER	U/M DESCRIPTION
8	106913-01-000	EA SLIDE-DRAWER, CABINET MOUNTED - LEFT SIDE - 12"
8	106913-02-000	EA SLIDE-DRAWER, CABINET MOUNTED - RIGHT SIDE - 12"
8	106913-03-000	EA SLIDE-DRAWER, DRAWER MOUNTED - LEFT SIDE - 12"
8	106913-04-000	EA SLIDE-DRAWER, DRAWER MOUNTED - RIGHT SIDE - 12"
8	106913-05-000	EA SLIDE-DRAWER, CABINET MOUNTED - LEFT SIDE - 18"
C	106913-06-000	EA SLIDE-DRAWER, CABINET MOUNTED - RIGHT SIDE - 18"
8	106913-07-000	EA SLIDE-DRAWER, DRAWER MOUNTED - LEFT SIDE - 18"
8	106913-08-000	EA SLIDE-DRAWER, DRAWER MOUNTED - RIGHT SIDE - 18"
8	106913-17-000	EA SLIDE-DRAWER, CABINET MOUNTED - LEFT SIDE - 22"
8	106913-18-000	EA SLIDE-DRAWER, CABINET MOUNTED - RIGHT SIDE - 22"
8	106913-19-000	EA SLIDE-DRAWER, DRAWER MOUNTED - LEFT SIDE - 22"
8	106913-20-000	EA SLIDE-DRAWER, DRAWER MOUNTED - RIGHT SIDE - 22"
9	107030-01-000	EA BACKSOCKET-ADJUSTABLE, LEFT SIDE
9	107030-02-000	EA BACKSOCKET-ADJUSTABLE, RIGHT SIDE
10	061604-01-000	EA SLIDE-BOLT, ANTIQUE BRASS
12	074493-02-000	EA SUPPORT-PISTON SPRING, CABINET DOOR
13	109747-01-000	EA PULL-CABINET, ANTIQUE BRASS
		FROM: 02-05-93 THRU 99-99-99
14	065740-01-000	EA BRACE-CABINET CORNER, PLASTIC
15	096645-01-000	EA PULL-CABINET, BRASS - TWIST - 1 1/2" X 3 4"
		FROM: 00-00-00 THRU 02-04-93
16	076827-04-000	EA BRACKET-BUNK/BED, 2.9" X 1 8" TRIANGLE - METAL - OFF WHITE
17	105037-02-000	EA FASTENER-WOOD, CORNER - METAL - 5" X 6"
18	009059-01-000	EA HINGE-DOOR, 2" X 1 4" - BRASS
18	009059-02-000	EA HINGE-DOOR, 2" X 2 7" - BRASS
18	009063-01-000	EA HINGE-CONTINUOUS, 1 1/2" X 72" - UNPAINTED
18	009066-01-000	EA HINGE-CONTINUOUS, W/O HOLES - 1 1/16" X 6" - ALUMINUM
19	108138-01-000	EA HINGE-DOOR, CABINET - BURNISHED BRASS
	000G13-06-08G	EA SCREW-6-20 X 5/8 PFH, ANTIQUE BRASS (HINGE 108138-01-000)
20	016604-01-000	EA BRACE-CABINET, ANGLE - 2 5" - METAL - UNPAINTED
20	016604-03-000	EA BRACE-CABINET, ANGLE - 2 5" - METAL - BEIGE
21	079921-01-000	EA ROLLER-NYLON W/SHAFT
22	103186-01-02A	FT MOLDING-SHELF EDGE, PLASTIC - REGAL OAK
	076790-01-000	EA SCREW, 6-20 X 1 1/4 PPH - BLACK
	004354-01-000	EA BUMPER-RUBBER, 5" DIA - BROWN
	023320-01-000	EA PAD-FELT, 3/8" DIAMETER - BROWN
	009112-01-000	EA FLANGE-1" ROD, CLOTHES - PLASTIC - OFF WHITE
	002766-01-001	EA ANGLE-EXTRUDED, 1" X 1 5" X 17" - ALUMINUM

## 1993 WINNEBAGO TABLE OF CONTENTS

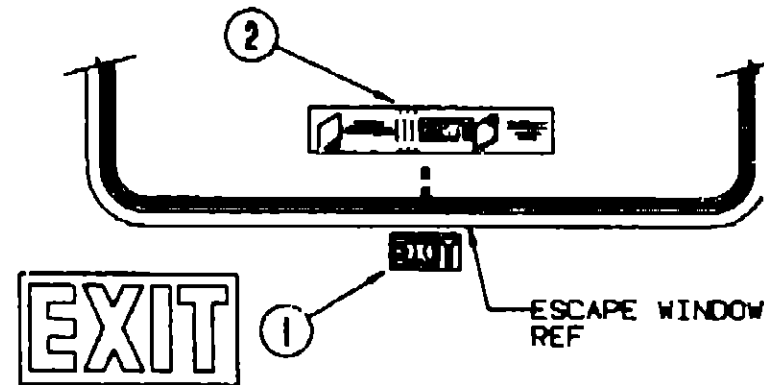
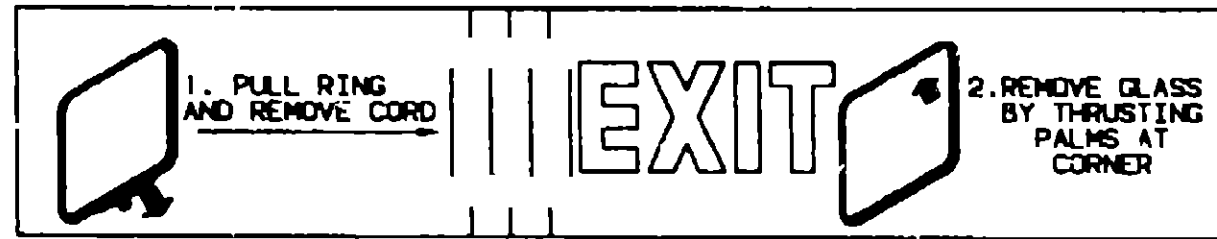
INTRODUCTION	A-01 - A-02
ABBREVIATIONS	A-03
ALPHABETICAL INDEX	A-04 - A-06
WF427RQ	A-07 - D-20
WF427RC	D-21 - H-10
WF428RQ	H-11 - L-02

## 1993 WF427RC INDEX

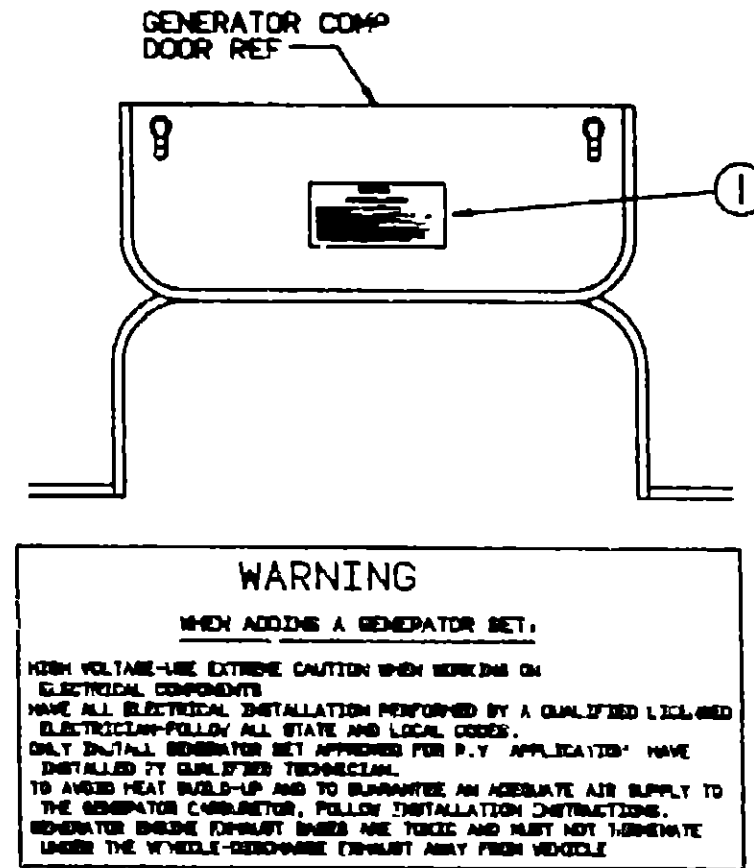
FLOOR PLAN	D-21 - D-22
ACCESSORIES	D-23
AUDIO VIDEO	D-24
BATH	E-01 - E-02
BEDROOM	E-03
CHASSIS	E-04 - E-08
CURTAIN & CUSHION	E-09 - E-18
DINETTE	E-19 - E-20
DRIVERS COMPARTMENT	E-21 - E-22
ELECTRICAL	E-23 - F-02
EXTERIOR BODY	F-03 - F-10
GALLEY	F-11 - F-14
GENERATOR	F-15
HEATING & A/C	F-16 - F-18
INTERIOR FINISH	F-19 - F-22
LABELS	F-23 - G-06
LP	G-07
LOUNGE	G-08 - G-09
SEALANTS & FASTENERS	G-10 - G-12
WATER & SEWAGE	G-13 - G-16
WINDOW VENT AND EXTERIOR DOOR	G-17 - H-09

KEY	PART NUMBER	U/M DESCRIPTION
1	098979-01-000	EA CLIP-ADJUSTABLE SHELF
2	098980-01-000	EA PILASTER ADJUSTABLE SHELF, 18" LONG
2	098980-04-000	EA PILASTER-ADJUSTABLE SHELF, 48" LONG
3	042356-01-000	EA PLUG-BUTTON, MAHOGANY - 3/8" DIAMETER - WOOD
4	074045-07-000	EA PLUG-WOOD, 1/2"
5	093586-03-000	EA CATCH-SPRING, ROLLER
6	093586-04-000	EA STRIKE-SPRING STEEL
7	101910-03-000	EA SLIDE-DRAWER CABINET MOUNTED - SET OF 2 - 12" LONG
7	101910-04-000	EA SLIDE-DRAWER DRAWER MOUNTED - SET OF 2 - 12" LONG

**LABELS GROUP**



KEY	PART NUMBER	U/M DESCRIPTION
1	039290-01-000	EA LABEL-WARNING-EXIT
2	107571-01-000	EA LABEL-EXIT-ESCAPE WINDOW

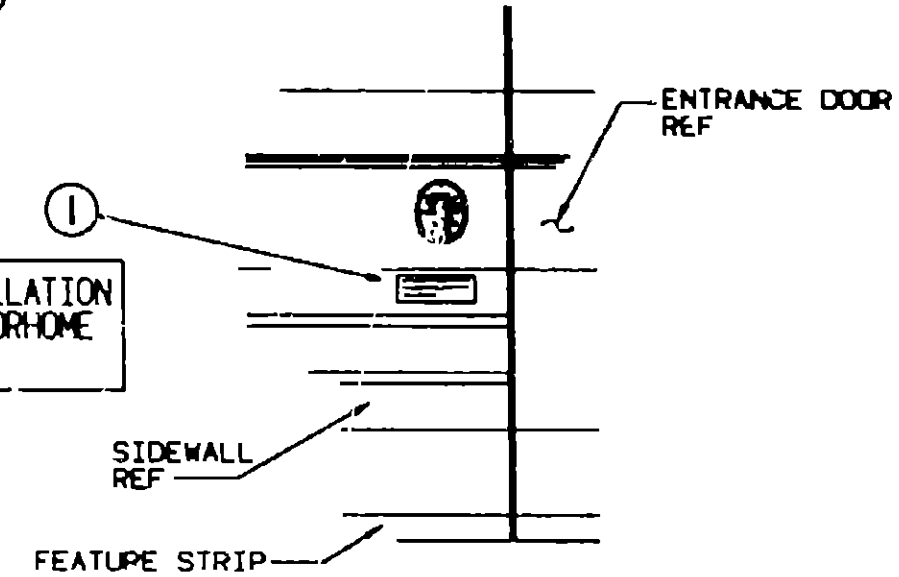


KEY	PART NUMBER	U/M DESCRIPTION
1	077510-01-000	EA LABEL-GENERATOR PREP

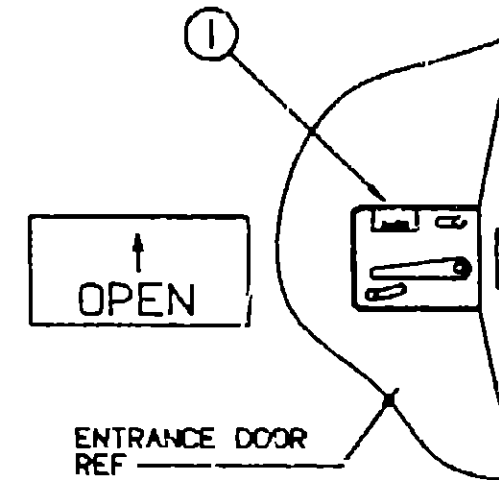
**LABELS GROUP (CONTINUED)**



FOR AWNING INSTALLATION CONTACT YOUR MOTORHOME DEALERSHIP



KEY	PART NUMBER	U/M DESCRIPTION
1	099509-01-000	EA LABEL-AWNING INSTALLATION



KEY	PART NUMBER	U/M DESCRIPTION
1	040944-01-000	EA LABEL ENTRANCE DOOR "OPEN"

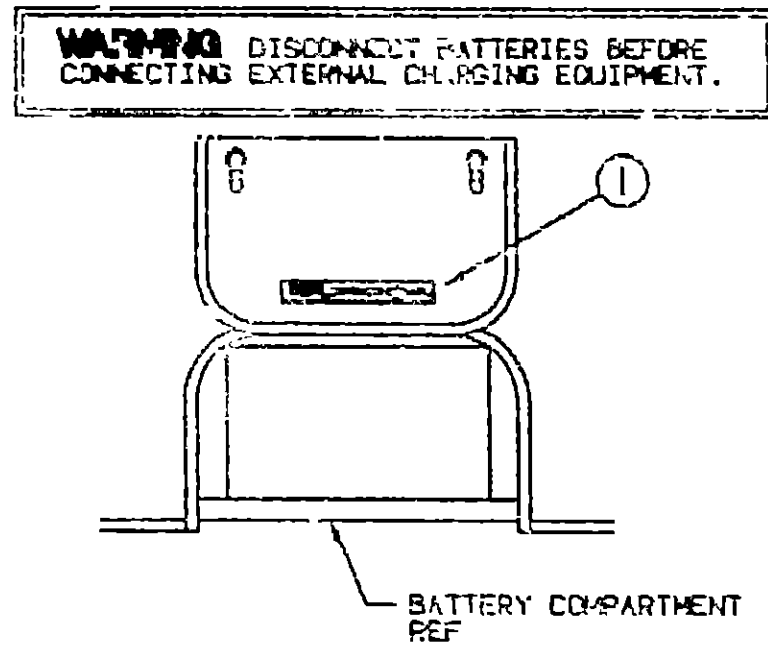
**1993 WINNEBAGO TABLE OF CONTENTS**

INTRODUCTION	A-01 - A-02
ABBREVIATIONS	A-03
ALPHABETICAL INDEX	A-04 - A-06
WF427RQ	A-07 - J-20
WF427RC	D-21 - H-10
WF428RQ	H-11 - L-02

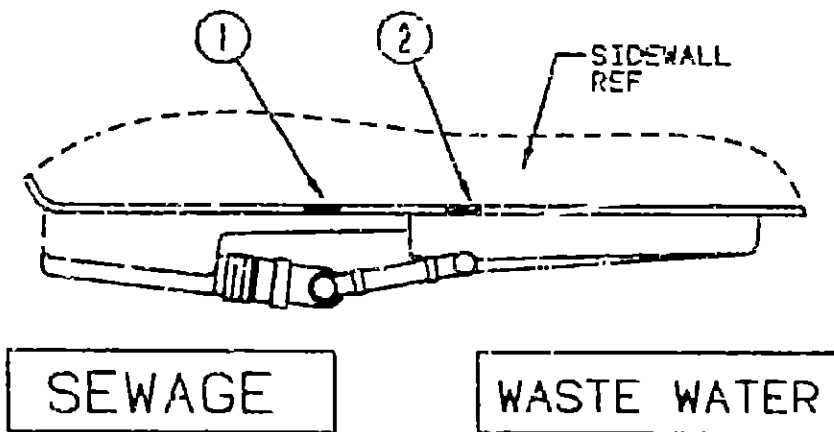
**1993 WF427RC INDEX**

FLOOR PLAN	D-21 - D-22
ACCESSORIES	D-23
AUDIO VIDEO	D-24
BATH	E-01 - E-02
BEDROOM	E-03
CHASSIS	E-04 - E-08
CURTAIN & CUSHION	E-09 - E-18
DINETTE	E-19 - E-20
DRIVERS COMPARTMENT	E-21 - E-22
ELECTRICAL	E-23 - F-02
EXTERIOR BODY	F-03 - F-10
GALLEY	F-11 - F-14
GENERATOR	F-15
HEATING & A/C	F-16 - F-18
INTERIOR FINISH	F-19 - F-22
LABELS	F-23 - G-06
LP	G-07
LOUNGE	G-08 - G-09
SEALANTS & FASTENERS	G-10 - G-12
WATER & SEWAGE	G-13 - G-16
WINDOW, VENT AND EXTERIOR DOOR	G-17 - H-09

LABELS GROUP (CONTINUED)

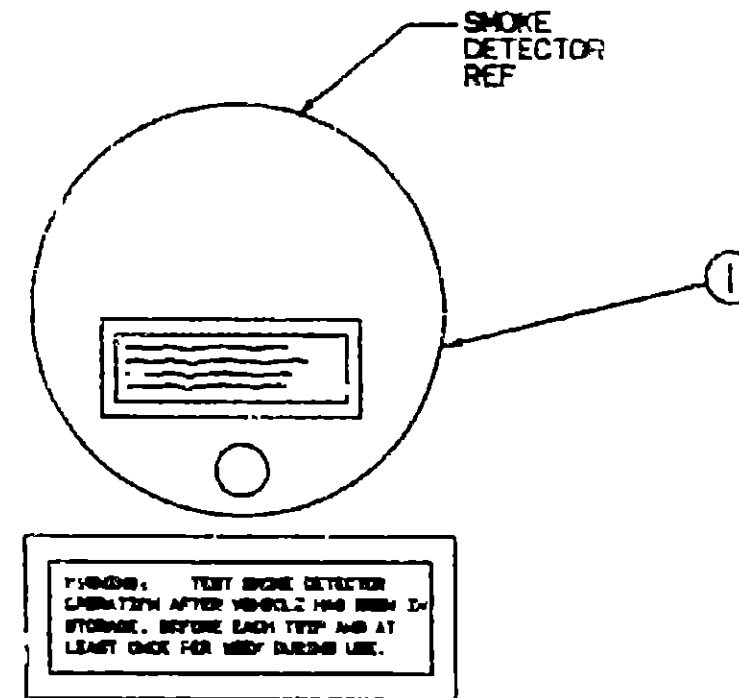


KEY PART NUMBER U/M DESCRIPTION  
 1 065748-01-000 EA LABEL-CAUTION-BATTERY CHARGING

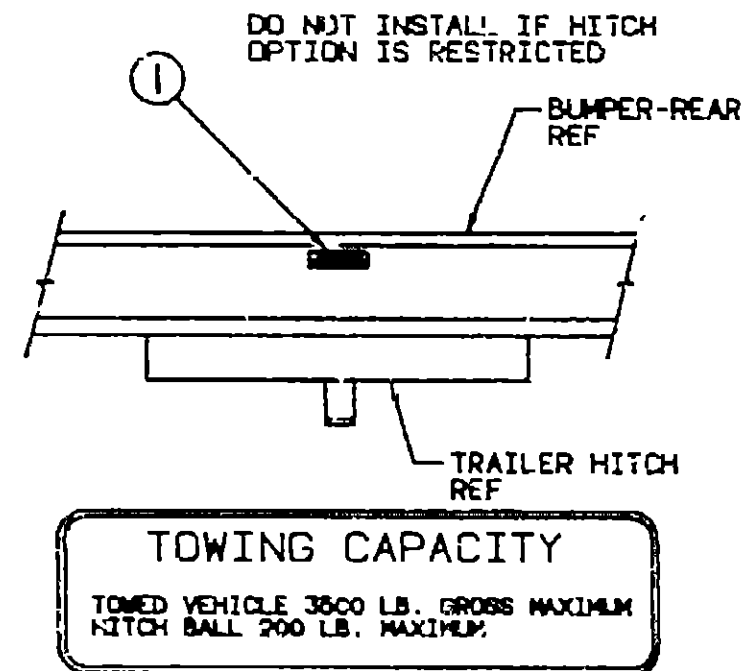


KEY PART NUMBER U/M DESCRIPTION  
 1 006187-01-000 EA LABEL-SEWAGE  
 2 006189-01-000 EA LABEL-WASTE WATER

LABELS GROUP (CONTINUED)



KEY PART NUMBER U/M DESCRIPTION  
 1 077959-01-000 EA LABEL-WARNING SMOKE DETECTOR



KEY PART NUMBER U/M DESCRIPTION  
 1 075221-01-000 EA LABEL-TOWING CAPACITY

1993 WINNEBAGO  
 TABLE OF CONTENTS

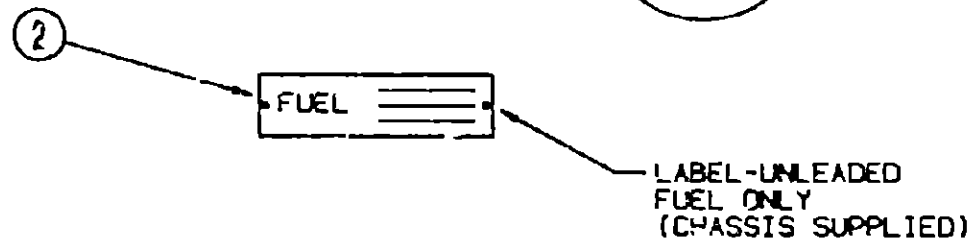
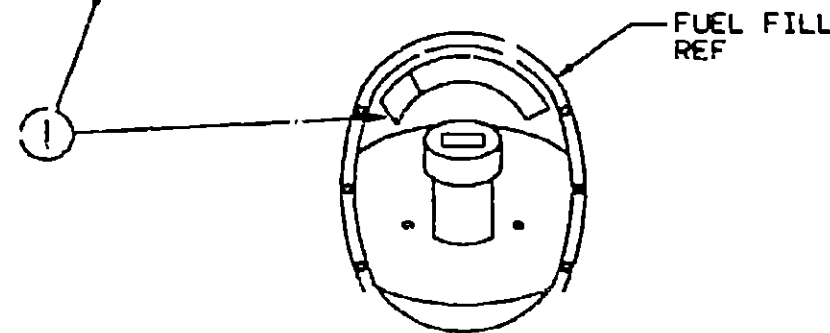
INTRODUCTION	A-01 - A-02
ABBREVIATIONS	A-03
ALPHABETICAL INDEX	A-04 - A-06
WF427RQ	A-07 - D-20
WF427RC	D-21 - H-10
WF428RQ	H-11 - L-02

1993 WF427RC INDEX

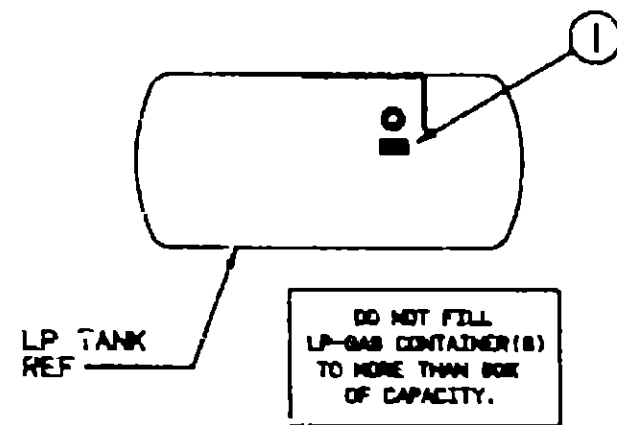
FLOOR PLAN	D-21 - D-22
ACCESSORIES	D-23
AUDIO VIDEO	D-24
BATH	E-01 - E-02
BEDROOM	E-03
CHASSIS	E-04 - E-08
CURTAIN & CUSHION	E-09 - E-13
DINETTE	E-19 - E-20
DRIVERS COMPARTMENT	E-21 - E-22
ELECTRICAL	E-23 - F-02
EXTERIOR BODY	F-03 - F-10
GALLEY	F-11 - F-14
GENERATOR	F-15
HEATING & A/C	F-16 - F-18
INTERIOR FINISH	F-19 - F-22
LABELS	F-23 - G-06
LP	G-07
LOUNGE	G-08 - G-09
SEALANTS & FASTENERS	G-10 - G-12
WATER & SEWAGE	G-13 - G-16
WINDOW, VENT AND EXTERIOR DOOR	G-17 - H-09

**LABELS GROUP (CONTINUED)**

<b>CAUTION</b>	TO HELP AVOID PERSONAL INJURY DURING REMOVAL OF FUEL FILLER CAP, SLOWLY LOOSEN CAP 1/2 TURN TO ALLOW ANY FUEL PRESSURE TO BE RELIEVED BEFORE TURNING CAP FURTHER.
<b>FUEL SPRAY MAY CAUSE PERSONAL INJURY</b>	STOP ADDING FUEL AFTER FIRST SHUTOFF BY AUTOMATIC NOZZLE WHEN TANK IS NEARLY FULL. DO NOT OVERFILL FUEL TANK. SEE OWNERS MANUAL FOR ADDITIONAL INFORMATION.
	PRINTED IN U.S.A. <span style="float: right;">MLC PT NO 15611763</span>

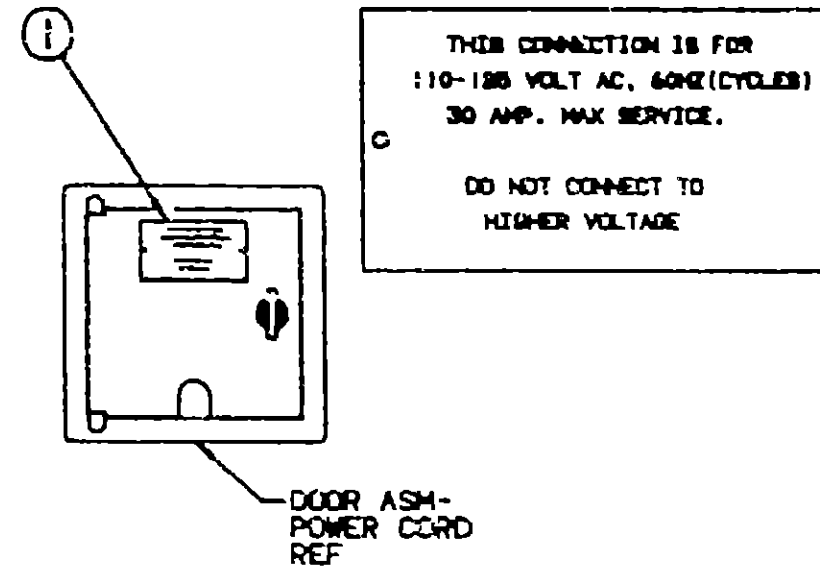


KEY PART NUMBER	U/M DESCRIPTION
1 067207-05-000	EA LABEL-FUEL CAP REMOVAL
2 062043-01-000	EA LABEL-FUEL-UNLEADED

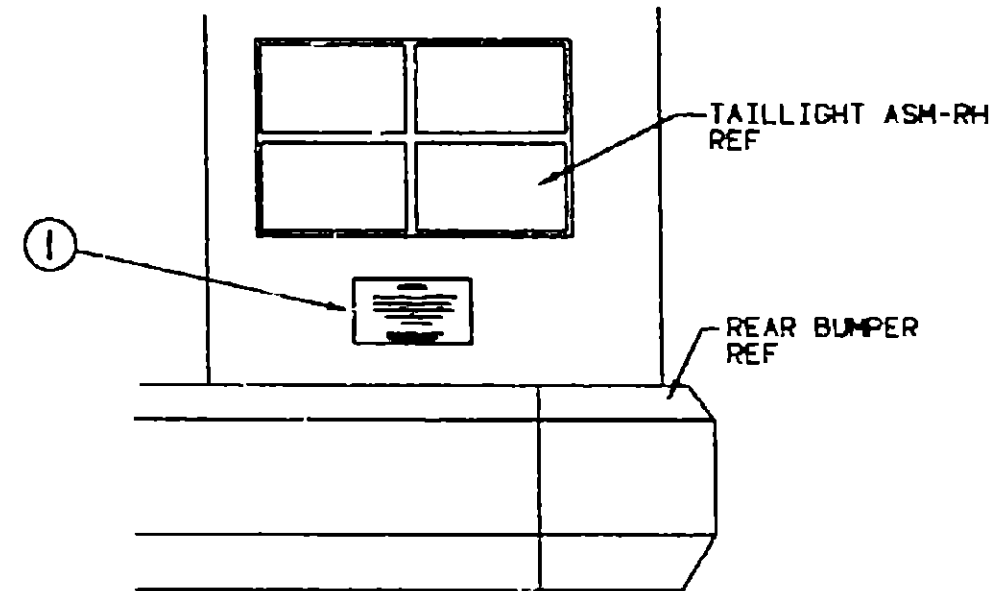


KEY PART NUMBER	U/M DESCRIPTION
1 054531-01-000	EA LABEL-LP GAS ONLY

**LABELS GROUP (CONTINUED)**



KEY PART NUMBER	U/M DESCRIPTION
1 006052-01-000	EA TAG-ELECTRIC-110V CONNECTION



**WARNING**

DO NOT EXCEED THE VEHICLE WEIGHT RATINGS OR LOADING RECOMMENDATIONS (E.G., GROSS VEHICLE, GROSS AXLE, GROSS COMBINED) OF THE CHASSIS MANUFACTURER OR WINNEBAGO INC.

REFER TO YOUR OWNERS MANUAL, BEFORE LOADING OR TOWING.

KEY PART NUMBER	U/M DESCRIPTION
1 075220-01-000	EA LABEL-WARNING-EXTERIOR LOAD

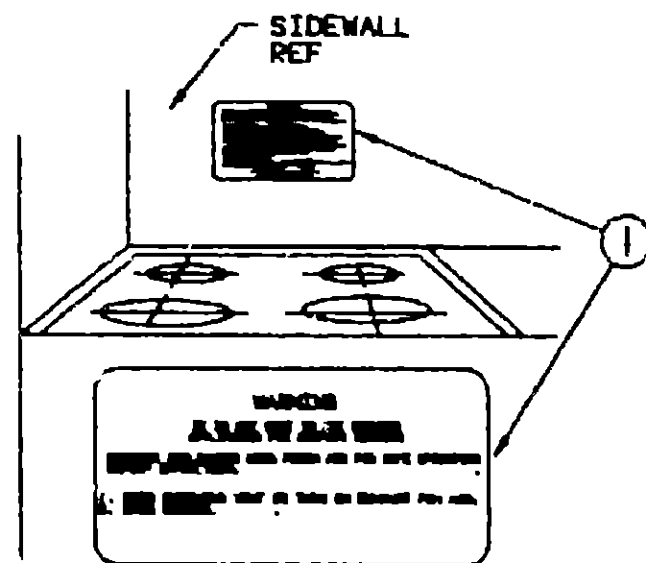
**1993 WINNEBAGO TABLE OF CONTENTS**

INTRODUCTION	A-01 - A-02
ABBREVIATIONS	A-03
ALPHABETICAL INDEX	A-04 - A-06
WF427RD	A-07 - D-20
WF427RC	D-21 - H-10
WF428RD	H-11 - L-02

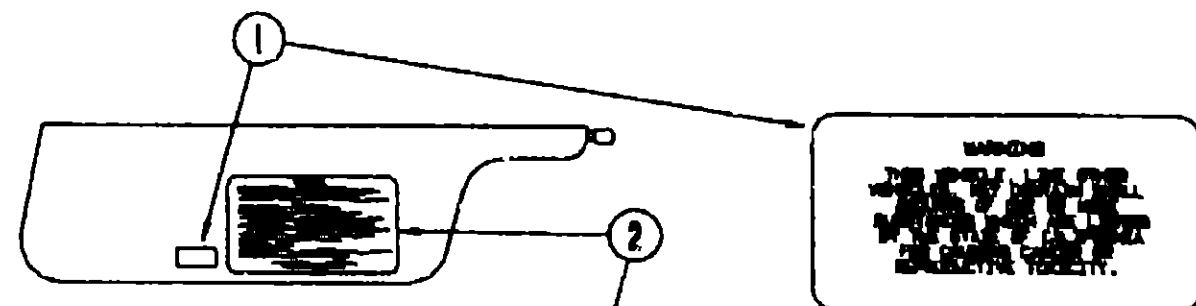
**1993 WF427RC INDEX**

FLOOR PLAN	D-21 - D-22
ACCESSORIES	D-23
AUDIO VIDEO	D-24
BATH	E-01 - E-02
BEDROOM	E-03
CHASSIS	E-04 - E-08
CURTAIN & CUSHION	E-09 - E-18
DINETTE	E-19 - E-20
DRIVERS COMPARTMENT	E-21 - E-22
ELECTRICAL	E-23 - F-02
EXTERIOR BODY	F-03 - F-10
GALLEY	F-11 - F-14
GENERATOR	F-15
HEATING & A/C	F-16 - F-18
INTERIOR FINISH	F-19 - F-22
LABELS	F-23 - G-06
LP	G-07
LOUNGE	G-08 - G-09
SEALANTS & FASTENERS	G-10 - G-12
WATER & SEWAGE	G-13 - G-16
WINDOW, VENT AND EXTERIOR DOOR	G-17 - H-09

**LABELS GROUP (CONTINUED)**



KEY	PART NUMBER	U/M DESCRIPTION
1	050225-01-000	EA LABEL-WARNING-STOVE VENT - US



**CAUTION**

THIS MOTOR HOME HAS BEEN DESIGNED, MANUFACTURED AND TESTED WITH CONCERN FOR THE PROTECTION OF IT'S OCCUPANTS. WE RECOMMEND YOU PERFORM THE FOLLOWING INSPECTIONS FOR YOUR SAFETY AND THE SAFETY OF YOUR PASSENGERS BEFORE STARTING YOUR VEHICLE.

- LP GAS SYSTEM-** TURN OFF AT TANK FOR TRAVELING. TEST FOR LEAKS UPON ARRIVAL AT DESTINATION. BEFORE LIGHTING PILOTS.
- WHEELS-** INSPECT FOR DAMAGE AND CHECK LUB OILS FOR TIRE WEAR.
- TIRES-** INSPECT FOR WEAR AND DAMAGE AND CHECK FOR RECOMMENDED AIR PRESSURE.
- LIGHTS-** TEST FOR PROPER OPERATION OF ALL INTERIOR AND EXTERIOR LIGHTS INCLUDING BRAKE LIGHTS, HEADLIGHTS, TAIL LIGHTS, BRAKE LIGHTS, CLEARANCE LIGHTS AND TURN SIGNALS.
- EXITS-** INSPECT RELEASE MECHANISM ON EMERGENCY EXIT WINDOWS. TEST BOTH LEADS IN MAIN ENTRANCE DOOR FOR EASE OF OPERATION AND INSTRUCT PASSENGERS HOW TO USE BOTH WAYS OF EXIT.
- SEAT BELTS-** INSTRUCT PASSENGERS TO OBEY SEAT BELT USE AND REQUIRE USE OF SEAT BELTS.
- APPLIANCES-** TURN OFF AND LATCH OR LOCK DOORS WHERE PROVIDED.
- LOOSE PACKS-** STORE SECURELY.
- UTILITY SUPPLY LINES-** DISCONNECT ALL ELECTRIC, WATER AND GASEOUS LINES AND SECURE PROPERLY.
- BICYCLE RACK STOP-** PLACE IN RETRACTED POSITION FOR TRAVELING.

READ YOUR MOTOR HOME AND CHASSIS OWNER'S MANUAL FOR FURTHER PRECAUTIONS

KEY	PART NUMBER	U/M DESCRIPTION
1	096689-01-000	EA LABEL-WARNING-CANCER/TOXICITY
2	056259-01-000	EA LABEL-SAFETY CHECK LIST

**LABELS GROUP (CONTINUED)**

**MISCELLANEOUS LABELS**

KEY	PART NUMBER	U/M DESCRIPTION
	104236-01-000	EA LABEL-GENERATOR CIRCUIT
	006064-01-000	EA LABEL-SEAT W/O SEATBELT. (US)
	006064-02-000	EA LABEL-SEAT W/O SEATBELT (CSA) NOT INTENDED FOR USE WHILE COACH IN MOTION
	091224-02-000	EA LABEL-TRAILER LIGHTING
	091243-01-000	EA LABEL-A/C COVER, "AIR CONDITIONING CIRCUIT ETC"
	091243-02-000	EA LABEL-COVER, "MICROWAVE CIRCUIT ETC"
	093236-08-000	EA LABEL-CIRCUIT BREAKER
	099641-01-000	EA LABEL-FUEL, UNLEADED - DASH
	096076-01-000	EA DECAL-AUTO AIR & REAR HEATER
	087207-06-000	EA LABEL-GAS OVERFILL WARNING
	074559-01-000	EA DECAL-LOGO, LPG - RED - (CALIF CODE)
	073998-01-000	EA LABEL-LPG ODOR WARNING
	087236-01-000	EA LABEL-CABLE, INPUT
	061417-01-000	EA LABEL-FUEL ON FUEL FILL DOOR
	006040-01-000	EA TAG-GAS REFUELING WARNING-US
	006040-02-000	EA TAG-GAS REFUEL WARNING-CANADIAN

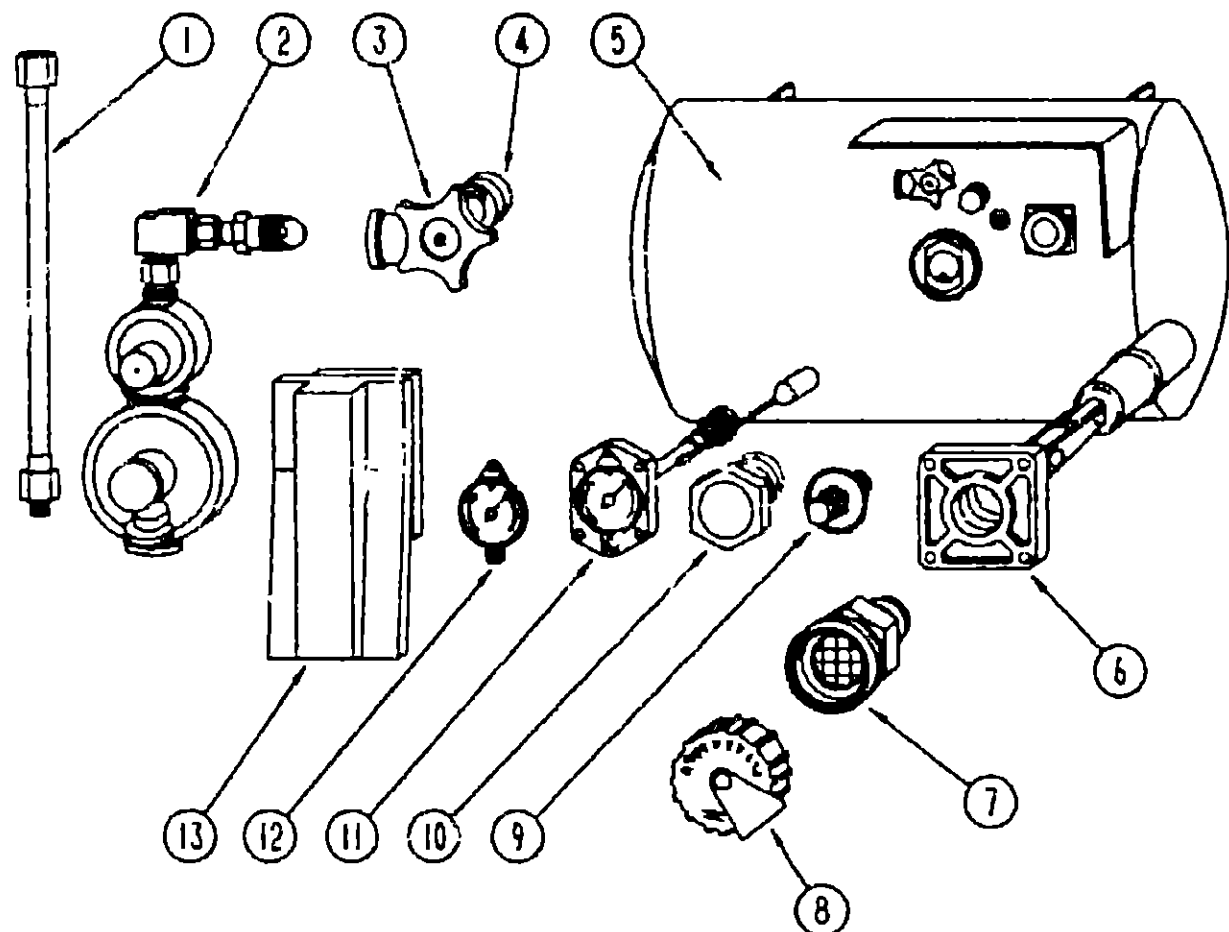
**1993 WINNEBAGO  
TABLE OF CONTENTS**

INTRODUCTION	A-01 - A-02
ABBREVIATIONS	A-03
ALPHABETICAL INDEX	A-04 - A-06
WF427RQ	A-07 - D-20
WF427RC	D-21 - H-10
WF428RQ	H-11 - L-02

**1993 WF427RC INDEX**

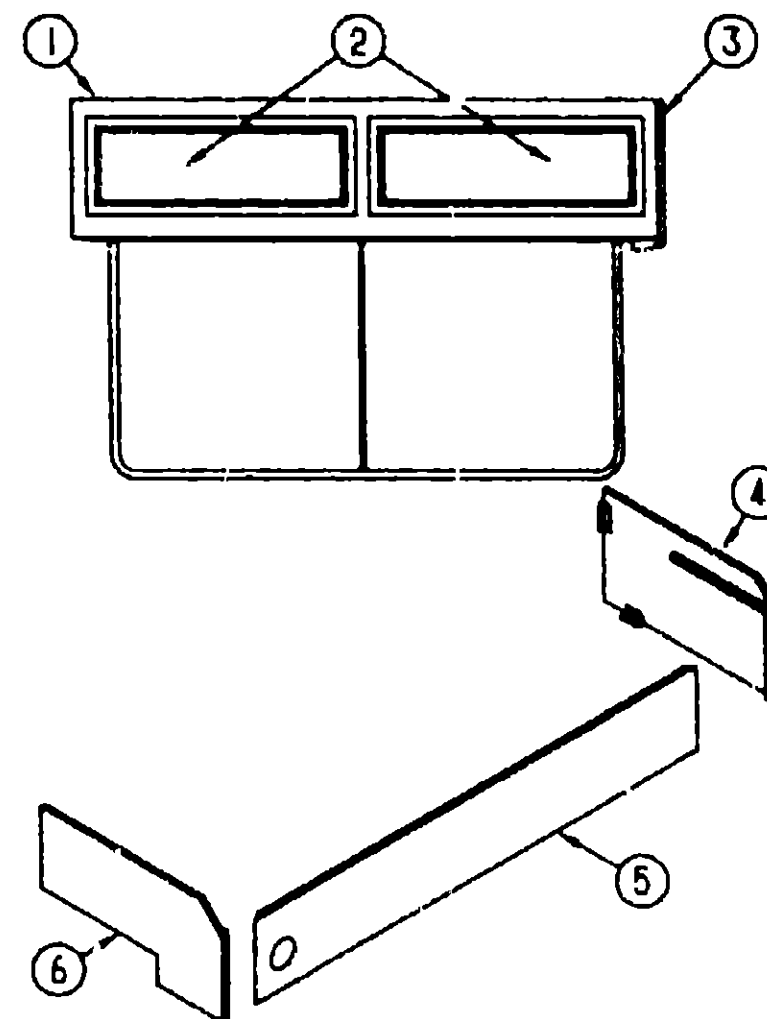
FLOOR PLAN	D-21 - D-22
ACCESSORIES	D-23
AUDIO VIDEO	D-24
BATH	E-01 - E-02
BEDROOM	E-03
CHASSIS	E-04 - E-06
CURTAIN & CUSHION	E-09 - E-18
DINETTE	E-19 - E-20
DRIVERS COMPARTMENT	E-21 - E-22
ELECTRICAL	E-23 - F-02
EXTERIOR BODY	F-03 - F-10
GALLEY	F-11 - F-14
GENERATOR	F-15
HEATING & A/C	F-16 - F-19
INTERIOR FINISH	F-19 - F-22
LABELS	F-23 - G-06
LP	G-07
LOUNGE	G-08 - G-09
SEALANTS & FASTENERS	G-10 - G-12
WATER & SEWAGE	G-13 - G-16
WINDOW, VENT AND EXTERIOR DOOR	G-17 - H-09

**LP GROUP**



**LP SYSTEM**

**LOUNGE GROUP**



**DRIVER SIDE LOUNGE CABINETS**

**1993 WINNEBAGO  
TABLE OF CONTENTS**

INTRODUCTION	A-01 - A-02
ABBREVIATIONS	A-03
ALPHABETICAL INDEX	A-04 - A-06
WF427RQ	A-07 - D-20
WF427RC	D-21 - H-10
WF428RQ	H-11 - L-02

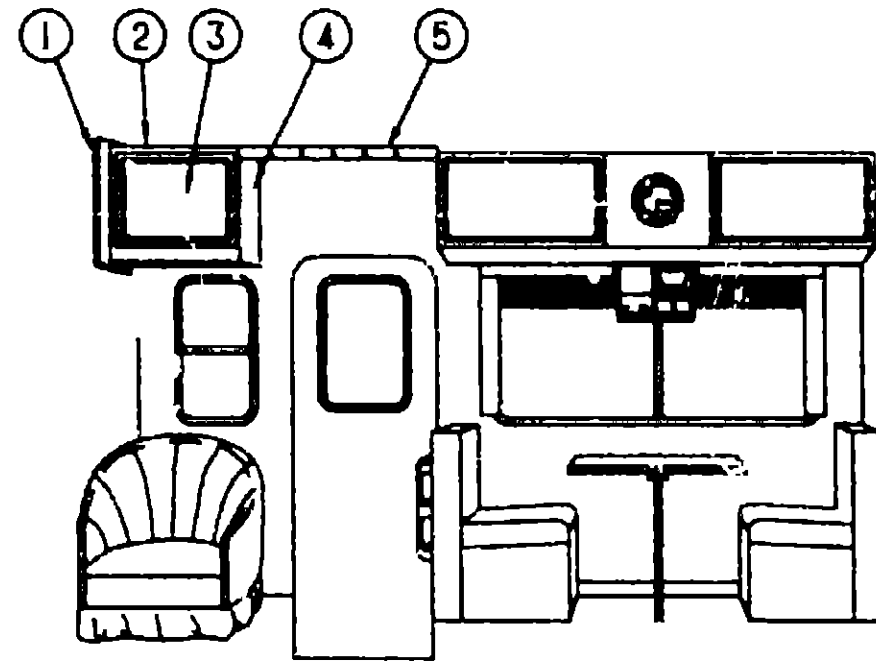
**1993 WF427RC INDEX**

FLOOR PLAN	D-21 - D-22
ACCESSORIES	D-23
AUDIO VIDEO	D-24
BATH	E-01 - E-02
BEDROOM	E-03
CHASSIS	E-04 - E-08
CURTAIN & CUSHION	E-09 - E-18
DINETTE	E-19 - E-20
DRIVERS COMPARTMENT	E-21 - E-22
ELECTRICAL	E-23 - F-02
EXTERIOR BODY	F-03 - F-10
GALLEY	F-11 - F-14
GENERATOR	F-15
HEATING & A/C	F-16 - F-18
INTERIOR FINISH	F-19 - F-22
LABELS	F-23 - G-06
LP	G-07
LOUNGE	G-08 - G-09
SEALANTS & FASTENERS	G-10 - G-12
WATER & SEWAGE	G-13 - G-16
WINDOW, VENT AND EXTERIOR DOOR	G-17 - H-09

KEY	PART NUMBER	U/M DESCRIPTION
1	045703-01-000	EA HOSE-LP - 3/8" ID X 24" - 3/8 MPT X 1/2 F SWVCL - U.S
1	045703-02-000	EA HOSE-LP - 3/8" ID X 24" - 3/8" MPT X 1/2" F SWVCL - CANADA
2	106150-01-000	EA REGULATOR-TWO STAGE, M BRASS 293-00
3	040421-01-708	EA HANDWHEEL-SERVICE VALVE - BRUNNER G-1015-A
4	040421-01-712	EA VALVE-SERVICE W/O VAPOR RELIEF - 29000853
5	080450-01-000	EA TANK-LP, 42 LB - 13" DIA X 24" LONG
6	040421-01-711	EA VALVE-80% W/FLOAT - PLATE - BOLTS & GASKET - BRUNNER
7	040421-01-701	EA VALVE-SHORT LP FILLER W/YELLOW CAP - BRUNNER 75478
8	040421-01-702	EA CAP-LP FILLER VALVE - PLASTIC - YELLOW - BRUNNER G-1014-A
9	040421-01-700	EA VALVE-LIQUID LEVEL - 20% LP - BRUNNER G-1013
10	040421-01-713	EA VALVE-VAPOR ONLY - 29000587
11	074142-01-700	EA FLOAT GAUGE-SCREW ON-MACHINE 13C-SCR
12	040421-01-706	EA DIAL-LP TANK VOLUME - VISIBLE FACE (5-1789) - BRUNNER MA-8 ROCHESTER
13	105658-01-000	EA COMPARTMENT-LP REGULATOR
	010323-01-000	EA ADAPTER-BRASS - 3/8" F X 1/2" MPT
	010285-01-000	EA CROSS - 3/8" F X 3/8" F X 3/8" F X 1/2" FPT - BRASS
	010377-02-000	EA NUT-BRASS - 3/8" FEMALE - FORGED
	010380-02-000	EA NUT-BRASS - 1/2" FEMALE - FORGED
	010329-01-000	EA ADAPTER-BRASS-1/2" F X 1/2" MPT
	065318-02-000	EA ELBOW-90 DEGREE - 3/8" MPT TO 3/8" FPT
	035340-01-000	EA ELBOW - 3/8" MPT X 1/2" F - BRASS
	061642-01-000	EA TEE - 1/2" MPT X 1/2" FL X 3/8" FL - BRASS
	085624-01-000	EA ELBOW-90 DEGREE - 1/4" FPT X 1/4" FPT - BRASS
	071301-02-000	EA NIPPLE-HEX, 1/4" PIPE - 3325X4 WEATHERHEAD
	008042-01-000	FT TUBING-VINYL, 65" ID
	103613-01-000	EA DETECTOR-LEAK, LP GAS

KEY	PART NUMBER	U/M DESCRIPTION
1	M05778-18-D04	EA CABINET-OVERHEAD, LOUNGE - W/O DOORS & HARDWARE
1	M05778-18-D05	EA CABINET-OVERHEAD, LOUNGE - W/O DOORS & HARDWARE
1	M06811-18-D04	EA CABINET-OVERHEAD, LOUNGE - W/O DOORS & HARDWARE (EUROPEAN EXPORT)
1	M06811-18-D05	EA CABINET-OVERHEAD, LOUNGE - W/O DOORS & HARDWARE (EUROPEAN EXPORT)
2	P05223-45-D04	EA DOOR-CABINET, W/O HARDWARE - 400 X 710MM (MIRRORED)
2	P05223-45-D04	EA DOOR-CABINET, W/O HARDWARE - 400 X 710MM (WOOD PANEL)
3	104335-06-C03	EA END CAP-CABINET, OVERHEAD
4	M04187-58-D04	EA CABINET-COUCH, END SECTION - W/FABRIC
4	M04187-58-D05	EA CABINET-COUCH, END SECTION - W/FABRIC
5	M04187-57-D04	EA CABINET-COUCH, FACE - W/FABRIC
5	M04187-57-D05	EA CABINET-COUCH, FACE - W/FABRIC
6	M04187-59-D04	EA CABINET-COUCH, END SECTION - W/FABRIC
6	M04187-59-D05	EA CABINET-COUCH, END SECTION - W/FABRIC
	083125-03-000	EA BRACE-ANGLE, COUCH - TAN - 2.5"
	083125-05-000	EA BRACE-ANGLE, COUCH - BEIGE - 2.5"
	105947-01-000	EA BRACKET-HOLD DOWN, COUCH (CANADIAN OPTION)

**LOUNGE GROUP (CONTINUED)**



**PASSENGER SIDE LOUNGE CABINETS**

KEY	PART NUMBER	U/M DESCRIPTION
1	104335-07-C03	EA END CAP-CABINET, OVERHEAD
1	104335-18-C03	EA END CAP-CABINET, OVERHEAD (TV OPTION)
2	M05778-01-D04	EA CABINET-OVERHEAD, W/O DOOR & HARDWARE
2	M05778-26-D04	EA CABINET-OVERHEAD, W/O DOOR & HARDWARE (TV OPTION)
	106452-11-C03	EA SHELF-CABINET, TV
	061604-01-000	EA SLIDE-BOLT-ANTIQUE BRASS
	101910-03-000	EA SLIDE-DRAWER-CABINET MOUNTED - SET OF 2 - 12" LONG
	101910-04-000	EA SLIDE-DRAWER-DRAWER MOUNTED - SET OF 2 - 12"
3	P05223-43-D04	EA DOOR-CABINET, W/O HARDWARE 400 X 520MM
4	104335-06-C03	EA END CAP-CABINET, OVERHEAD
4	104335-17-C03	EA END CAP-CABINET, OVERHEAD (TV OPTION)
5	105847-08-C23	EA KEY RING HOLDER
	103130-01-000	EA HOOK-CUP-BRASS - 1 25"

**SEALANTS & FASTENERS GROUP**

**ADHESIVE & FASTENERS**

KEY	PART NUMBER	U/M DESCRIPTION
	034552-02-000	EA SILICONE-TUBE, 300 ML - W/O NOZZLE - CLEAR
	034552-06-000	EA SILICONE-TUBE, 300 ML - W/O NOZZLE - OFF WHITE
	900390-01-000	EA TIP-2 1/2" X 1/8" ORIFICE
	900390-02-000	EA TIP-6" LN, 1/16" X 1/4" ORIFICE
	900390-03-000	EA NOZZLES-#CSL D10
	002707-02-000	FT TAPE-SEALER, 5/16" X 1/2"
	053766-02-000	EA BEDDING COMPOUND-TUBE, WHITE SCHNEE# 5522
	053766-06-000	EA BEDDING COMPOUND-TUBE, CLEAR
	053766-08-000	EA BEDDING COMPOUND-TUBE, GRAY - SCHNEE# 5522
	063642-01-000	FT TAPE-ADHESIVE, 10 MM X 1 5' WIDE X 180'
	069640-01-000	FT SEALER-RIBBON, 1/4" DIAMETER
	069640-02-000	FT SEALER-RIBBON, 1/2" X 1/8"
	069640-03-000	FT SEALER-RIBBON, 5/16" X 1/8"
	069640-06-000	FT SEALER-RIBBON, 3/4" X 1/8"
	069640-10-000	FT SEALER-RIBBON, 1/32" X 1 1/2"
	069640-11-000	FT SEALER-TAPE, 3/16" X 3/8", BLACK - MANUS
	069640-12-000	FT SEALER-TAPE, 1/8" X 1 5' GRAY - MANUS
	069640-14-000	FT SEALER-TAPE, 1/16" X 1' GRAY - MANUS
	072689-01-000	EA SEALANT-URETHANE, BLACK - 1/10 - ESSEX 552.2
	076314-02-000	FT TAPE-CARPET SEAM, HEAT-BOND - 4" WIDE
	076322-01-000	FT TAPE-FOAM, DOUBLE COATED ADHESIVE BACKED - 75" X 216'
	076322-02-000	FT TAPE-FOAM, DOUBLE COATED ADHESIVE BACKED - 1' X 108'
	076322-03-000	FT TAPE-FOAM, DOUBLE COATED ADHESIVE BACKED - 5" X 108'
	076322-05-000	FT TAPE-FOAM, DOUBLE COATED ADHESIVE BACKED - 025" X 1 5' X 108'
	087211-01-000	GL PROMOTER-ADHESIVE
	091255-02-000	FT SEAL-ADHESIVE BACKED FOAM, .18" THICK X 1 5' WIDE
	094401-01-000	EA SEALER-BODY SEAM SEALER, 3M FLEXICLEAR
	102352-01-000	EA SEALER-PUMPABLE, BLACK - COLORIMETRIC MS101
	108716-01-000	EA SILICONE-TUBE, OFF WHITE LEVEL - CSL 510

**BOLTS, NUTS & WASHERS**

KEY	PART NUMBER	U/M DESCRIPTION
	000G45-05-16B	EA BOLT-LAG 5/16 - 9 X 1 ZN
	0MC31K-08-020	EA BOLT-HEX, SER FLANGE - M8 X 020
	000C12-05-16B	EA BOLT-HEX, 5/16-18 X 1 - ZINC 5
	000C12-06-32B	EA BOLT-HEX-3/8-15X2LG,ZN 5
	000C12-07-24B	EA BOLT-HEX,7/16-14X1 50 ZN 5 MC 90
	000C12-08-24B	EA BOLT-HEX, 1/2-13 X 1 1/2 - ZN 5
	000C12-10-24B	EA BOLT-HEX, 5/8-11 X 1 1/2 ZN - 5
	000C13-07-48B	EA BOLT-HEX, 7/16 - 20 X 3 - ZN 5
	000C18-05-40A	EA BOLT-ELEV, 5/16"-18 X 2 1/2" PL
	000C18-06-48B	EA BOLT-ELEV, 3/8-16 X 3 ZN - GDE 5
	000C26-04-10B	EA BOLT-HEX, SER FLG - 1/4-20 X 5/8 ZINC
	000C26-05-12B	EA BOLT-HEX-SER FLG 5/16-18X3/4 ZN
	051387-06-000	EA BOLT-CARRIAGE, W/O HOLE - 5/16 - 18 X 9 5 - ZINC
	000D24-10-00B	EA NUT-HEX, SF/LK - 10-32 ZN
	000D29-09-00B	EA NUT-HEX, SF/LK - 9/16 - 12 ZN
	000D39-04-00B	EA NUT-HEX, SER FLG LK 1/4 - 20 ZN
	000D39-05-00B	EA NUT-HEX, SER FLG LK - 5/16 - 18 ZN
	000D39-06-00B	EA NUT-HEX, SER FLG LK - 3/8-16 ZN
	000D39-08-00B	EA NUT-HEX, SER FLG LK - 1/2-13 ZN
	000D44-07-00B	EA NUT-HEX, SER FLG LK - 7/16-20 ZN
	044364-02-000	EA NUT-SPEED, FLAT - ROUND
	000E11-07-00B	EA WASHER-LK, 7/16 MED SPLIT ZN 05114-01-000
	000E13-14-00B	EA WASHER-FL, 1/4" WIDE ZN
	000E13-17-00B	EA WASHER-FLARE, 3/8" AR ZN
	000E13-20-00B	EA WASHER-FL, 7/16" WIDE - ZN
	000E13-21-00B	EA WASHER-FL, W/2 NAR ZN
	000E14-10-00B	EA WASHER-LK, NO 10 EXT TOOTH - ZN
	041322-01-000	EA WASHER-FL, 15/32ID X 2 3/8 OD - FOR SEAT BELT MOUNT
	044533-01-000	EA WASHER-PLASTIC, 1 3/8"OD - FOR BUTTONS

**1993 WINNEBAGO TABLE OF CONTENTS**

INTRODUCTION	A-01 - A-02
ABBREVIATIONS	A-03
ALPHABETICAL INDEX	A-04 - A-08
WF427RQ	A-07 - D-20
WF427RC	D-21 - H-10
WF428RQ	H-11 - L-02

**1993 WF427RC INDEX**

FLOOR PLAN	D-21 - D-22
ACCESSORIES	D-23
AUDIO VIDEO	D-24
BATH	E-01 - E-02
BEDROOM	E-03
CHASSIS	E-04 - E-08
CURTAIN & CUSHION	E-09 - E-18
DINETTE	E-19 - E-20
DRIVERS COMPARTMENT	E-21 - E-22
ELECTRICAL	E-23 - F-02
EXTERIOR BODY	F-03 - F-10
GALLEY	F-11 - F-14
GENERATOR	F-15
HEATING & A/C	F-16 - F-18
INTERIOR FINISH	F-19 - F-22
LABELS	F-23 - G-06
LP	G-07
LOUNGE	G-08 - G-09
SEALANTS & FASTENERS	G-10 - G-12
WATER & SEWAGE	G-13 - G-16
WINDOW, VENT AND EXTERIOR DOOR	G-17 - H-09

**SEALANTS & FASTENERS GROUP (CONTINUED)**

**SCREWS**

KEY	PART NUMBER	U/M	DESCRIPTION
	000G11-06-10J	EA	SCREW, 6-20 X 5/8 PPH - BRASS
	000G11-07-08B	EA	SCREW, 7-19 X 1/2 PPH - ZN
	000G11-08-06B	EA	SCREW, 8-18 X 3/8 PPH ZN
	000G11-08-08B	EA	SCREW, 8-18 X 1/2 PPH - ZN
	000G11-08-12B	EA	SCREW, 8-18 X 3/4 PPH ZN
	000G11-08-12D	EA	SCREW, 8-18 X 3/4 PPH - BLACK
	000G11-08-12E	EA	SCREW-8-18X.75 PPH CHROME ES0025 4
	000G11-08-12P	EA	SCREW, 8-18 X .75 PPH - DARK BROWN
	000G11-08-12R	EA	SCREW, 8-18 X 3/4 PPH - BEIGE
	000G11-08-12S	EA	SCREW, 8-18 X 3/4 PPH - OFF WHITE
	000G11-08-12T	EA	SCREW, 8-18 X 3/4 PPH - BLACK
	000G11-08-16S	EA	SCREW, 8-18 X 1 00 PPH - OFF WHITE
	000G11-10-12S	EA	SCREW-10-16X.75 PPH OFF WHT
	000G12-06-08T	EA	SCREW, 6-20 X .50 POH - BLACK
	000G12-08-12R	EA	SCREW, 8-18 X .75OH - BEIGE
	000G12-08-12S	EA	SCREW, 8-18 X 3/4 POH - OFF WHITE
	000G13-06-06B	EA	SCREW, 6-20 X 3/8 PFH ZN
	000G13-06-08E	EA	SCREW, 6-20 X 1/2 PFH ZN
	000G13-06-08G	EA	SCREW, 6-20 X 1/2 PFH - ANTIQUE BRASS
	000G13-06-16J	EA	SCREW, 6-20 X 1 00 PFH - BRASS
	000G13-06-24J	EA	SCREW, 6-20 X 1 50 PFH - BRASS
	000G13-07-12B	EA	SCREW, 7-19 X 3/4 PFH ZN
	000G13-08-16B	EA	SCREW, 8-18 X 1 PFH - ZN
	000G13-10-12B	EA	SCREW, 10-16 X 3/4 PFH ZN
	000G18-08-16B	EA	SCREW-MACHINE, 8 X .32 X 1, PPH ZN
	000G18-08-22B	EA	SCREW-MACHINE, 8-32 X 1 3/8 PPH ZN
	000G32-10-06B	EA	SCREW-10-32 X 3/8" - PPH - ZINC
	000G39-06-08B	EA	SCREW-DR, 8-18 X 1/2 ZN
	000G39-06-10T	EA	SCREW-SF/DR, 6-20 X 5/8 PPH - BLACK
	000G39-06-10T	EA	SCREW-SF/DR, 6-20 X 5/8 PPH - BLACK
	000G39-06-16T	EA	SCREW-SF/DR, 6-20 X 1 PPH - BLACK
	000G39-08-06B	EA	SCREW-SF/DR, 8-18 X 3/8 PPH ZN
	000G39-08-08B	EA	SCREW-SF/DR, 8-18 X 1/2 PPH ZN
	000G39-08-08R	EA	SCREW-SF/DR, 8-18 X 1/2 PPH - BEIGE
	000G39-08-08S	EA	SCREW-SF/DR, 8-18 X 1/2 PPH - OFF WHITE
	000G39-08-12B	EA	SCREW-SF/DR, 8-18 X 3/4 PPH ZN
	000G39-08-16B	EA	SCREW-SF/DR, 8-18 X 1 PPH ZN
	000G39-08-16S	EA	SCREW-SF/DR, 8-18 X 1 00 PPH, OFF WHITE
	000G39-08-24B	EA	SCREW-SF/DR, 8-18 X 1 1/2 PPH ZN
	000G39-10-12S	EA	SCREW-SF/DR, 10-16 X 3/4 PPH - SILVER
	000G39-10-12D	EA	SCREW-SF/DR, 10-16 X 3/4 PPH - BLACK
	000G39-10-12R	EA	SCREW-SF/DR, 10-16 X 3/4 PPH - BEIGE
	000G39-10-20B	EA	SCREW-SF/DR, 10-16 X 1 1/4 PPH ZN
	000G39-10-32B	EA	SCREW-SF/DR, 10-16 X 2 00 PPH - ZN
	000G39-10-32I	EA	SCREW-SF/DR, 10-16 X 2 00 PPH - ZN PLATE-PASS BLACK
	000G39-12-12E	EA	SCREW-SF/DR, 12 - 14 X 3/4 PPH - CHROME
	000G42-04-12B	EA	SCREW-SF/DR, 1/4 -14 X 3/4 HWH ZN
	000G42-04-16B	EA	SCREW-SF/DR, 1/4-14 X 1 HWH - ZN
	000G50-04-12B	EA	SCREW-MACHINE, 1/4-20 X 3/4 PPH ZN
	000G53-04-06B	EA	SCREW-MACHINE, 1/4-20 X 3/8 PPH ZN - UNDERCUT HEAD
	000G54-04-20B	EA	SCREW, 1/4 20 X 1 1/4 PTH - TYPE 23 - ZINC PLATED
	000G56-12-48B	EA	SCREW-WOOD, 12 - 11 X 3 POH - SPECIAL HARDENED
	000G60-10-28T	EA	SCREW-SF/DR, 10-16 X 1 7/8 - BLACK
	000G67-10-08B	EA	SCREW, 10-12 X 1/2 PPH ZN
	000G67-10-08R	EA	SCREW, 10-12 X 1/2 PPH - BEIGE - TYPE A
	000G67-10-10B	EA	SCREW, 10-12 X 5/8 PPH ZN - TYPE A
	000G67-10-10D	EA	SCREW, 10-12 X 5/8 PPH - BLACK - TYPE A
	000G67-10-10R	EA	SCREW, 10-12 X 5/8 PPH - TYPE A - BEIGE
	000G67-10-10S	EA	SCREW, 10-12 X 5/8" - PPH - OFF WHITE
	000G67-10-120	EA	SCREW, 10-12 X 3/4" PPH - TAN
	000G67-10-12B	EA	SCREW, 10-12 X 3/4" PPH - ZN

**SEALANTS & FASTENERS GROUP (CONTINUED)**

**SCREWS (CONTINUED)**

KEY	PART NUMBER	U/M	DESCRIPTION
	000G67-10-12P	EA	SCREW, 10-12 X 75" - PFH - DARK BROWN
	000G67-10-12R	EA	SCREW, 10-12 X 75 PPH - BEIGE
	000G67-10-16B	EA	SCREW, 10-12 X 1 PPH - ZN
	000G67-10-16P	EA	SCREW, 10-12 X 1 PPH - DARK BROWN
	000G67-10-20D	EA	SCREW, 10-12 X 1 1/4 PPH - BLACK
	000G67-10-24B	EA	SCREW, 10-12 X 1 1/2 PPH - ZN
	000G67-10-32B	EA	SCREW, 10-12 X 2 PPH - ZN
	000G68-06-10G	EA	SCREW, 6-18 X 5/8 POH - ANTIQUE BRASS
	000G68-10-36T	EA	SCREW-10-12 X 2 25 POH BLACK
	048465-04-000	EA	SCREW, 10-16 X 1 PTH W/WASHER - BEIGE
	074046-01-000	EA	SCREW, 8-18 X 1 1/2 PFH, BRONZE
	075908-01-000	EA	SCREW MACHINE, 10-32 X .56 PTH - ZINC EXTENDED TOOTH
	087721-01-000	EA	SCREW-FLAT HEAD, TAPPING - 1/4" X 1 1/4" LG 7"
	101289-01-01A	EA	SCREW-MACHINE, 8-32 X 4 - POH - BRASS - FOR EXTENDED KNOB

**CLAMPS, GROMMETS, CLIPS, HOLDERS & RIVETS**

KEY	PART NUMBER	U/M	DESCRIPTION
	000H16-04-06R	EA	RIVET-POP, AL 1/8 X .313-375
	007161-01-000	EA	CLAMP HOSE, SPRING TYPE - 1/2"
	010495-01-000	EA	CLAMP-CABLE, 9/16"
	010497-01-000	EA	CLAMP-CLOSED, 5/8" ID
	010499-01-000	EA	CLAMP-CLOSED, 3/8" ID
	016188-03-000	EA	GROMMET-L/P LINE, 3/8" HOLE X 2 1/2" LONG - RUBBER
	016188-05-000	EA	GROMMET-L/P LINE, 3/8" HOLE X 1 1/4" LONG - RUBBER
	023842-01-000	EA	GROMMET-RUBBER, 2" OD
	056134-01-000	EA	HOLDER-RING, 3 6" DIAMETER - METAL
	056134-02-000	EA	HOLDER-RING, 1 8" DIAMETER - METAL
	062401-01-000	EA	CLAMP-HOSE, WORMGEAR 25" - 1"
	062401-02-000	EA	CLAMP-HOSE, WORMGEAR, 1 56" - 2 5"
	062401-04-000	EA	CLAMP-HOSE, WORMGEAR 69" - 1 25"
	062401-06-000	EA	CLAMP-HOSE, WORMGEAR 22" - 62"
	069592-02-000	EA	RIVET-T, (POP) - 1/4 X .093 - 156
	071015-11-000	EA	GROMMET-1 00" ID, FITS .12 MATL - MINOR RUBBER Z-3065
	071015-26-000	EA	GROMMET-RUBBER 1 5" ID X 2 12" OD W/ .06" GROOVE BLACK
	071015-31-000	EA	GROMMET-RUBBER .69" ID X 1 31" OD W/ 12" GROOVE - BLACK
	075148-02-000	EA	CLAMP-GROUNDING, BRONZE SCREWS
	077953-01-000	EA	GROMMET EDGE LINER, FITS 1"
	080734-02-000	EA	CLIP-WIRE, NYLON
	082149-01-000	EA	STUD-CLINCH, 3/8" X 24 X 1 12 GDS
	083609-01-000	EA	CLAMP-WIRE, DUAL EQUAL - 5/8" DIAMETER
	083610-01-000	EA	CLAMP-WIRE, DUAL - UNEQUAL DIAMETERS - .75" & 1 25"
	085774-01-000	FT	FASTENER-DUAL HOOK, 1" WIDE - ADHESIVE BACK - BLACK
	085774-02-000	FT	FASTENER-DUAL LOOP, 1" WIDE - ADHESIVE BACK - BLACK
	091952-01-000	EA	CLIP-GRIPPER 1"
	101447-01-000	EA	CLIP-U TYPE, TINNEMAN - HOLDS SHOWER SURROUND TOGETHER

**1993 WINNEBAGO  
TABLE OF CONTENTS**

INTRODUCTION	A-01 - A-02
ABBREVIATIONS	A-03
ALPHABETICAL INDEX	A-04 - A-06
WF427RQ	A-07 - D-20
WF427RC	D-21 - H-10
WF428RQ	H-11 - L-02

**1993 WF427RC INDEX**

FLOOR PLAN	D-21 - D-22
ACCESSORIES	D-23
AUDIO VIDEO	D-24
BATH	E-01 - E-02
BEDROOM	E-03
CHASSIS	E-04 - E-08
CURTAIN & CUSHION	E-09 - E-18
DINETTE	E-19 - E-20
DRIVERS COMPARTMENT	E-21 - E-22
ELECTRICAL	E-23 - F-02
EXTERIOR BODY	F-03 - F-10
GALLEY	F-11 - F-14
GENERATOR	F-15
HEATING & A/C	F-16 - F-18
INTERIOR FINISH	F-19 - F-22
LABELS	F-23 - G-06
LP	G-07
LOUNGE	G-08 - G-09
SEALANTS & FASTENERS	G-10 - G-12
WATER & SEWAGE	G-13 - G-16
WINDOW, VENT AND EXTERIOR DOOR	G-17 - H-09



WATER & SEWAGE GROUP

FRESH WATER TANK & WATER SYSTEM

Table with 3 columns: KEY, PART NUMBER, U/M DESCRIPTION. Lists various water tank and system components like fittings, adapters, valves, and tanks.

FROM 00-00-00 THRU 05-16-93
FROM 05-17-93 THRU 99 99 99

EXTERIOR SHOWER

Table with 3 columns: KEY, PART NUMBER, U/M DESCRIPTION. Lists exterior shower components like heads, brackets, and faucets.

WATER PUMP

Table with 3 columns: KEY, PART NUMBER, U/M DESCRIPTION. Lists water pump components like pump heads, assemblies, and valves.

WATER & SEWAGE GROUP (CONTINUED)

WATER PUMP (CONTINUED)

Table with 3 columns: KEY, PART NUMBER, U/M DESCRIPTION. Lists water pump components like upper housing/switch kits and motor/baseplate replacements.

WATER HEATER W/O MOTOR AID

Table with 3 columns: KEY, PART NUMBER, U/M DESCRIPTION. Lists water heater components without motor aid, including heaters, valves, and burners.

WATER HEATER W/MOTOR AID & REAR HEATER

Table with 3 columns: KEY, PART NUMBER, U/M DESCRIPTION. Lists water heater components with motor aid and rear heaters.

STANDARD WATER HEATER

Table with 3 columns: KEY, PART NUMBER, U/M DESCRIPTION. Lists standard water heater components like heaters, valves, and burners.

1993 WINNEBAGO
TABLE OF CONTENTS

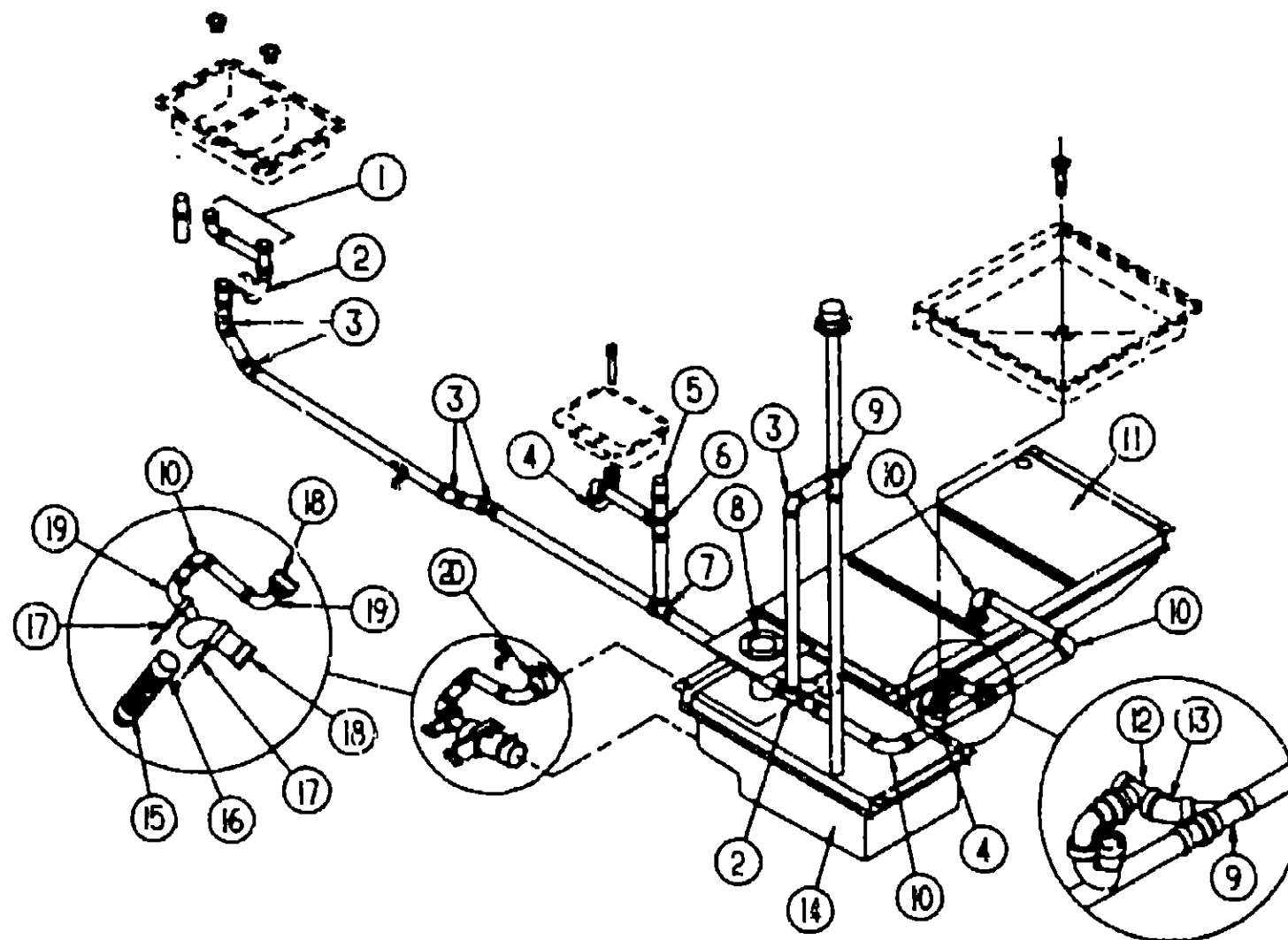
Table listing table of contents items: INTRODUCTION, ABBREVIATIONS, ALPHABETICAL INDEX, WF427RQ, WF427RC, WF428RQ with corresponding page numbers.

1993 WF427RC INDEX

Table listing index items: FLOOR PLAN, ACCESSORIES, AUDIO VIDEO, BATH, BEDROOM, CHASSIS, CURTAIN & CUSHION, DINETTE, DRIVERS COMPARTMENT, ELECTRICAL, EXTERIOR BODY, GALLEY, GENERATOR, HEATING & A/C, INTERIOR FINISH, LABELS, LP, LOUNGE, SEALANTS & FASTENERS, WATER & SEWAGE, WINDOW, VENT AND, EXTERIOR DOOR with corresponding page numbers.

# WATER & SEWAGE GROUP (CONTINUED)

## DRAINAGE SYSTEM



## 1993 WINNEBAGO TABLE OF CONTENTS

INTRODUCTION	A-01 - A-02
ABBREVIATIONS	A-03
ALPHABETICAL INDEX	A-04 - A-06
WF427RQ	A-07 - D-20
WF427RC	D-21 - H-10
WF428RQ	H-11 - L-02

## 1993 WF427RC INDEX

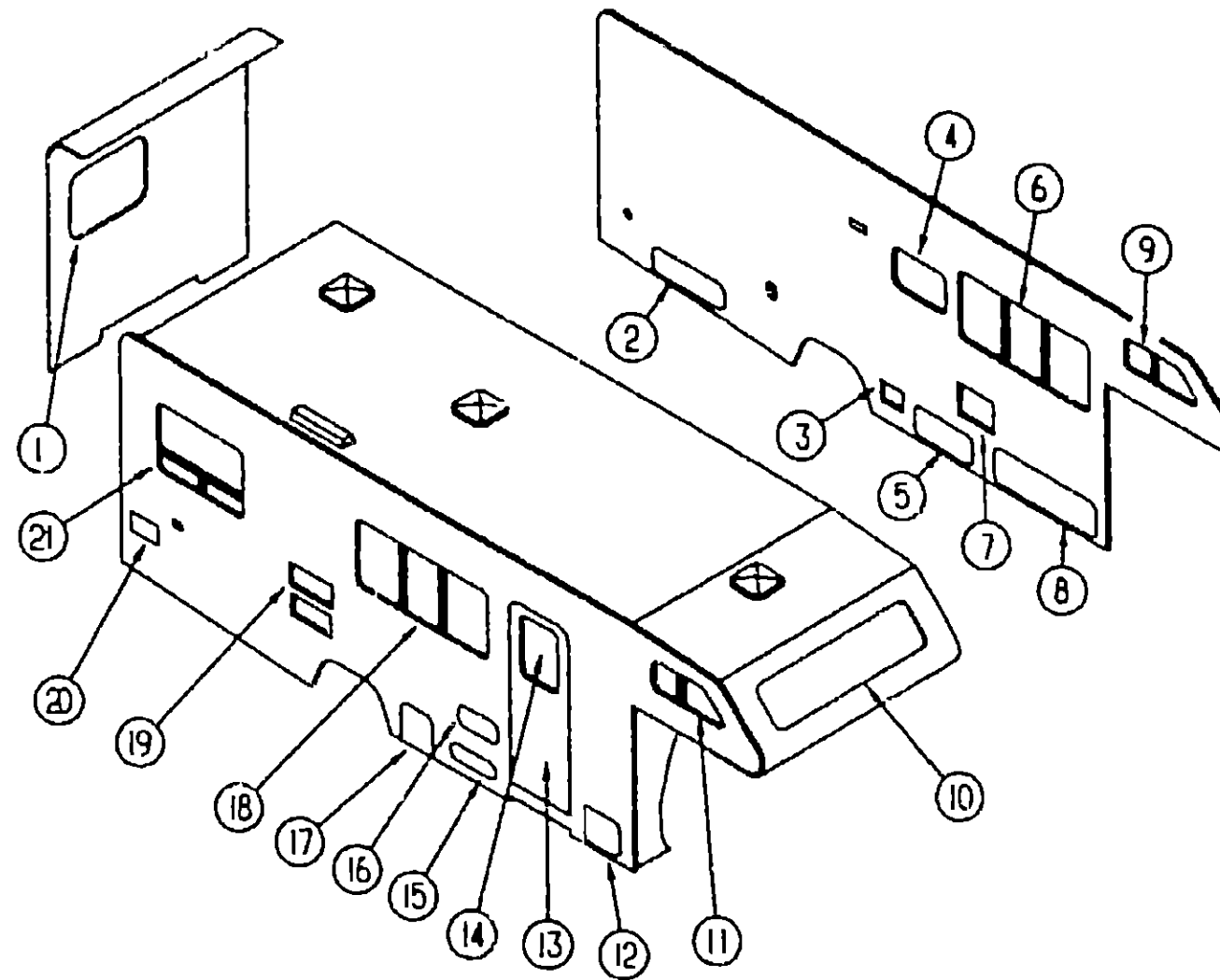
FLOOR PLAN	D-21 - D-22
ACCESSORIES	D-23
AUDIO VIDEO	D-24
BATH	E-01 - E-02
BEDROOM	E-03
CHASSIS	E-04 - F-08
CURTAIN & CUSHION	E-09 - E-18
DINETTE	E-19 - E-20
DRIVERS COMPARTMENT	E-21 - E-22
ELECTRICAL	E-23 - F-02
EXTERIOR BODY	F-03 - F-10
GALLEY	F-11 - F-14
GENERATOR	F-15
HEATING & A/C	F-16 - F-18
INTERIOR FINISH	F-19 - F-22
LABELS	F-23 - G-06
LP	G-07
LOUNGE	G-08 - G-09
SEALANTS & FASTENERS	G-10 - G-12
WATER & SEWAGE	G-13 - G-16
WINDOW, VENT AND EXTERIOR DOOR	G-17 - H-09

KEY	PART NUMBER	U/M	DESCRIPTION
1	011091-02-000	EA	PIPE-DRAIN W/SEALS - DOUBLE SINK - EXTENDS 9" TO 16"
1	011071-01-000	EA	P TRAP, 1 1/2" - PLASTIC (CSA)
2	107537-01-000	EA	ADAPTER-P TRAP, 1 1/4" SLIP (US)
2	107538-01-000	EA	P TRAP-PLASTIC, 1 1/4" W/EXT ARM (US)
2	011071-01-000	EA	P TRAP-1 1/2" - PLASTIC (CSA)
3	010006-01-000	EA	ELBOW-45 DEG, 1/8 BEND - 1 1/2" HUB X HUB - BLACK PLASTIC
4	107537-01-000	EA	ADAPTER-P TRAP, 1 1/4" SLIP (US)
4	107538-01-000	EA	P TRAP-PLASTIC, 1 1/4" W/EXT ARM (US)
4	011066-03-700	EA	P TRAP-1 1/4" HUB X SLIP JOINT, W/UNION - ABS (CSA)
5	079968-01-000	EA	VENT-MECH TRAP ARM, ANTI-SIPHON - 2" DIA X 7 3/4" - PLASTIC
6	010079-01-000	EA	TEE-SANITARY, 1 1/2" X 1 1/2" X 1 1/4" H - PLASTIC - BLACK
7	010071-01-000	EA	TEE-SANITARY, 1 1/2" HUB X HUB X HUB - PLASTIC - BLACK
8	061607-02-000	EA	GROMMET-HOLDING TANK, 3" NPS
9	010073-01-000	EA	WYE-45 DEGREE, 1 1/2" HUB X HUB X HUB - PLASTIC - BLACK

KEY	PART NUMBER	U/M	DESCRIPTION
10	010008-01-000	EA	ELBOW-90 DEG, 1/4 BEND - 1 1/2" HUB X HUB - BLACK PLASTIC
11	102762-03-000	EA	TANK-HOLDING, 42 GALLON - 57.4" X 8 4" X 29"
	061607-01-000	EA	GROMMET-HOLDING TANK, 1 1/2" NPS
12	010079-01-000	EA	TEE-SANITARY, 1 1/2" X 1 1/2" X 1 1/4" H - PLASTIC - BLACK
	010123-01-000	EA	BUSHING, 2" X 1 1/2" HUB - PLASTIC
13	010051-01-000	EA	ELBOW-45 DEG BEND, 1 1/2" SPIGOT AND HUB - PLASTIC - BLACK
14	104763-02-000	EA	TANK-HOLDING, 32 GALLON
15	010201-01-000	EA	HOSE-SEWER, 3" ID X 8'
16	062416-01-000	EA	ADAPTER-SEWER HOSE TO 3" PIPE
17	070916-01-000	EA	VALVE-DUAL DUMP, W/CAP - 3" X 1 1/2" - PLASTIC - BLACK
18	078406-01-000	EA	COUPLER-RUBBER W/CLAMPS - 3" X 3"
19	033761-01-000	EA	ELBOW-TURN, 1/4 BEND X 1 5" HUB X 1 5" SPIGOT - BLK PLASTIC
20	062422-01-000	EA	ADAPTER-OFFSET REDUCER, 3" X 1 1/2" - PLASTIC - BLACK
	034250-01-000	EA	ELBOW-90 DEGREE, LONG TURN - 1 1/2" HUB X HUB - ABS

# WINDOW, VENT & EXTERIOR DOOR GROUP

## WINDOW & DOORS



## 1993 WINNEBAGO TABLE OF CONTENTS

INTRODUCTION	A-01 - A-02
ABBREVIATIONS	A-03
ALPHABETICAL INDEX	A-04 - A-06
WF427RQ	A-07 - D-20
WF427RC	D-21 - H-10
WF428RQ	H-11 - L-02

## 1993 WF427RC INDEX

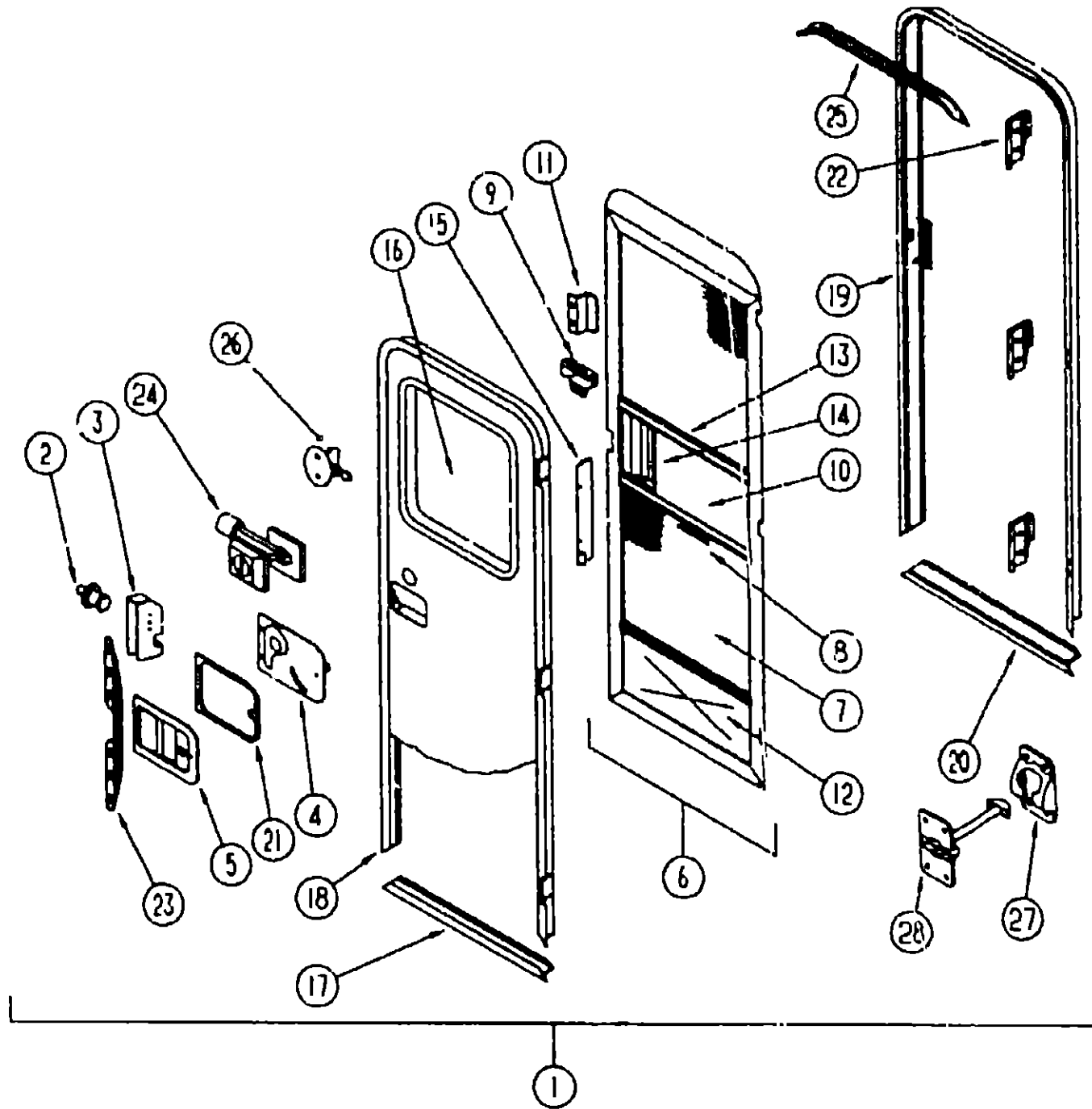
FLOOR PLAN	D-21 - D-22
ACCESSORIES	D-23
AUDIO VIDEO	D-24
BATH	E-01 - E-02
BEDROOM	E-03
CHASSIS	E-04 - E-08
CURTAIN & CUSHION	E-09 - E-18
DINETTE	E-19 - E-20
DRIVERS COMPARTMENT	E-21 - E-22
ELECTRICAL	E-23 - F-02
EXTERIOR BODY	F-03 - F-10
GALLEY	F-11 - F-14
GENERATOR	F-15
HEATING & A/C	F-16 - F-18
INTERIOR FINISH	F-19 - F-22
LABELS	F-23 - G-06
LP	G-07
LOUNGE	G-08 - G-09
SEALANTS & FASTENERS	G-10 - G-12
WATER & SEWAGE	G-13 - G-16
WINDOW, VENT AND EXTERIOR DOOR	G-17 - H-09

KEY	PART NUMBER	U/M	DESCRIPTION
1	078523-04-C05	EA	WINDOW-ESCAPE, W/O INSIDE FRAME
2	106987-22-D04	EA	DOOR-COMPARTMENT, STORAGE
3	088794-01-000	EA	DOOR-POWER CORD - W/HATCH - OFF WHITE
4	098647-07-02A	EA	WINDOW-HORIZONTAL SLIDER, W/INSIDE FRAME
5	106897-21-D04	EA	DOOR-COMPARTMENT, LOWER - REAR
6	098647-10-02A	EA	WINDOW-HORIZONTAL SLIDER, W/INSIDE FRAME
7	052009-01-000	EA	DOOR-WATER HEATER - OFF WHITE - ATWOOD 5576-27
8	106987-26-D04	EA	DOOR-COMPARTMENT, LOWER - FRONT
9	098647-19-01A	EA	WINDOW-SLIDER, W/INSIDE FRAME - DRIVER
10	103313-01-B05	EA	WINDOW-PICTURE, W/O INSIDE FRAME
11	098647-18-01A	EA	WINDOW-SLIDER, W/INSIDE FRAME - PASSENGER

KEY	PART NUMBER	U/M	DESCRIPTION
12	106987-24-D04	EA	DOOR-COMPARTMENT, LOWER - FRONT
13	M01870-32-D04	EA	DOOR-ENTRY, W/WINDOW SCREEN & JAMB - OFF WHITE
13	M01870-32-D05	EA	DOOR-ENTRY, W/WINDOW, SCREEN & JAMB - OFF WHITE
14	079733-07-AA8	EA	WINDOW-ENTRY DOOR, W/O INSIDE FRAME - 17" X 25" - FROSTED GLASS
15	078720-02-T15	EA	DOOR-COMPARTMENT, LP - 16 9" X 5 4" - ALUMINUM - OFF WHITE
	009003-01-000	EA	LOCK-TWIST TYPE, W/CLIP
16	105118-01-C05	EA	DOOR-COMPARTMENT, ENTERTAINMENT
17	105174-04-C03	EA	DOOR-COMPARTMENT, LOWER - FRONT
18	098647-09-02A	EA	WINDOW-HORIZONTAL SLIDER, W/INSIDE FRAME
19	084103-03-000	EA	DOOR-REFRIGERATOR, VENTED - OFF WHITE
	084104-03-000	EA	JAMB-DOOR, REFRIGERATOR - OFF WHITE
	084104-01-700	EA	LOCK-MALE, FASTENER - REFRIGERATOR DOOR
	084104-01-701	EA	LOCK-FEMALE, FASTENER - REFRIGERATOR DOOR
20	079578-07-C03	EA	DOOR-COMPARTMENT, STORAGE - 12" X 27"
21	092235-12-Y12	EA	WINDOW-SINGLE TIPOUT, W/O INSIDE FRAME
	081240-03-000	EA	DOOR WATER FILL-LOCKABLE-4" X 4 5/8" - OFF WHITE
	082684-01-700	EA	KEY-SINGLE

# WINDOW, VENT & EXTERIOR DOOR GROUP (CONTINUED)

## ENTRY DOOR



KEY	PART NUMBER	ITEM DESCRIPTION
1	M01870-32-D04	EA DOOR-ENTRY, W/WINDOW- SCREEN & JAMB - OFF WHITE
1	M01870-32-D05	EA DOOR ENTRY, W/WINDOW- SCREEN & JAMB - OFF WHITE
2	039539-01-000	EA STRIKE-LOCK, ENTRY DOOR - ROUND/THREADED WASHER
3	039540-01-000	EA LATCH MECHANISM HOOK, ENTRY DOOR - INTERIOR
	039715-01-000	EA NUT-SERT, 1/4" DIAMETER - 20 THREADS
4	039979-04-000	EA COVER-INTERIOR LATCH, W/TRIP ARM - RIGHT - BLACK
	039984-01-000	EA CAP-ROUND, VINYL - 28" ID X 62" LONG - BLACK
	041546-03-000	EA BRACKET-DOOR ANGLE, 5" X 1 9" - BEIGE - METAL
5	045017-11-000	EA LATCH-ENTRY DOOR, MECHANISM W/LOCK & KEY - BLACK
	045017-11-701	EA KEY-BLANK, ROUND TOP - SILVER - TRIMARK
	056748-01-000	EA PLUG-CAP, 1 5" DIAMETER
	058025-02-000	EA CLIP-ROLLER, LATCH CATCH - SCREEN DOOR
	063729-04-000	EA RIVNUT, 10-32 UNF - 010-080
	072893-01-000	EA NUTSERT-M5 X 0.8
	075671-04-000	FT SEAL-SPONGE, LAZY T SHAPE - W/ADHESIVE STRIPE - 5" WIDE
6	079012-01-U01	EA DOOR-SCREEN
7	002293-02-000	SF SCREENING-WINDOW/DOOR, 26" - CHARCOAL
8	002294-01-000	FT SPLINE-SCREENING .135" X 138" - BLACK
	002748-01-000	EA CORNER KEY-DOOR
9	109403-01-000	EA CATCH-SINGLE ROLLER, SCREEN DOOR
10	001014-01-013	EA INSERT-CENTER, 10 25" X 16 31" - UNPAINTED
11	050712-04-000	EA HANDLE-SCREEN DOOR, ALUMINUM - OFF WHITE
11	050712-05-000	EA HANDLE-SCREEN DOOR, UNPAINTED
12	078552-03-000	EA INSERT-SCREEN DOOR, LOWER - MILL
	078595-01-000	EA PLATE-SCREEN DOOR
13	078777-01-000	EA CHANNEL-SLIDE, SCREEN DOOR CENTER SLIDER COVER - 17 4"
14	079085-02-000	EA SLIDER-SCREEN DOOR, OFF WHITE
15	079097-02-000	EA STRIKE-SLIDER, W/LIP FOR ELBOW CATCH - 1 5" X 3 6"
16	067609-02-000	EA FRAME-WINDOW, ENTRY DOOR - OFF WHITE
16	079733-07-000	EA WINDOW-ENTRY DOOR, 17" X 25" - FROSTED GLASS
16	050216-02-000	FT SPLINE-GLASS, EXTERIOR - VINYL - .19" - BLACK
16	002181-07-000	EA GLASS-WINDOW, 18 2" X 16 25" X 24" - FROSTED
16	087561-01-000	FT SEAL-GLASS, EXTERIOR - 5" WIDE - VINYL - BLACK
	081914-01-000	EA BUMPER-RUBBER, ROUND - 43" DIAMETER - BLACK
17	089748-01-000	EA FRAME-DOOR, ENTRANCE - BOTTOM - OFF WHITE
	090340-01-000	FT SEAL-FOAM, CLOSED CELL - 1/4" X 1/2" X 50"
18	095276-01-01A	EA FRAME-DOOR, ENTRANCE - TOP & SIDES - OFF WHITE
19	095277-02-01A	EA JAMB-ENTRY DOOR, 25 9" X 74 5" W/BOTTOM - OFF WHITE
	095278-01-01A	EA JAMB-DOOR, ENTRANCE - 25 9" X 74 6" - UNPAINTED
20	051049-01-000	EA JAMB-DOOR, ENTRANCE - BOTTOM - 25 9" - UNPAINTED
	079207-01-000	EA STRIKER-ROLLER CATCH, WELDED TO DOOR JAMB - 4" X 1 15"
21	096810-01-01A	EA PLATE-LATCH, ENTRY DOOR - PLASTIC - BLACK
22	097724-01-04A	EA HINGE-ENTRY DOOR, UNPAINTED
23	098173-01-04A	EA STIFFENER-ENTRY DOOR, SUPPORTS LATCH/STRIKE
	100128-02-000	FT SEAL-PILE, ADHESIVE BACK - SCREEN DOOR - GRAY
24	101145-01-01A	EA DEADBOLT-ENTRY DOOR, W/2 KEYS W/O BOLT OR SCREWS
	095229-01-700	EA KEY-BLANK
	101147-01-000	EA BOLT-SECURITY, 4 12" BACKSET
	102524-01-000	EA BUMPER-RUBBER, FLAT - BLACK
25	044582-02-000	EA CAP-DRIP, DOOR JAMB MOUNTED - OFF WHITE
	075639-19-000	EA GARNISH-ENTRANCE DOOR, OFF WHITE
26	100412-01-000	EA CATCH-SCREEN DOOR, THUMB CLIP W/BLACK PLASTIC CAP
	077461-03-000	EA COVER-STRIKE, ENTRY DOOR - 6 5" X 2 5" - PLASTIC - WHITE
27	104099-02-01A	EA CATCH-DOOR HOLDER, RETAINER - PLASTIC - OFF WHITE
28	104099-01-01A	EA CATCH-DOOR HOLDER, STRIKE - PLASTIC - OFF WHITE
	009126-02-000	EA HANDLE-ASSIST-ENTRY DOOR - BLACK

## 1993 WINNEBAGO TABLE OF CONTENTS

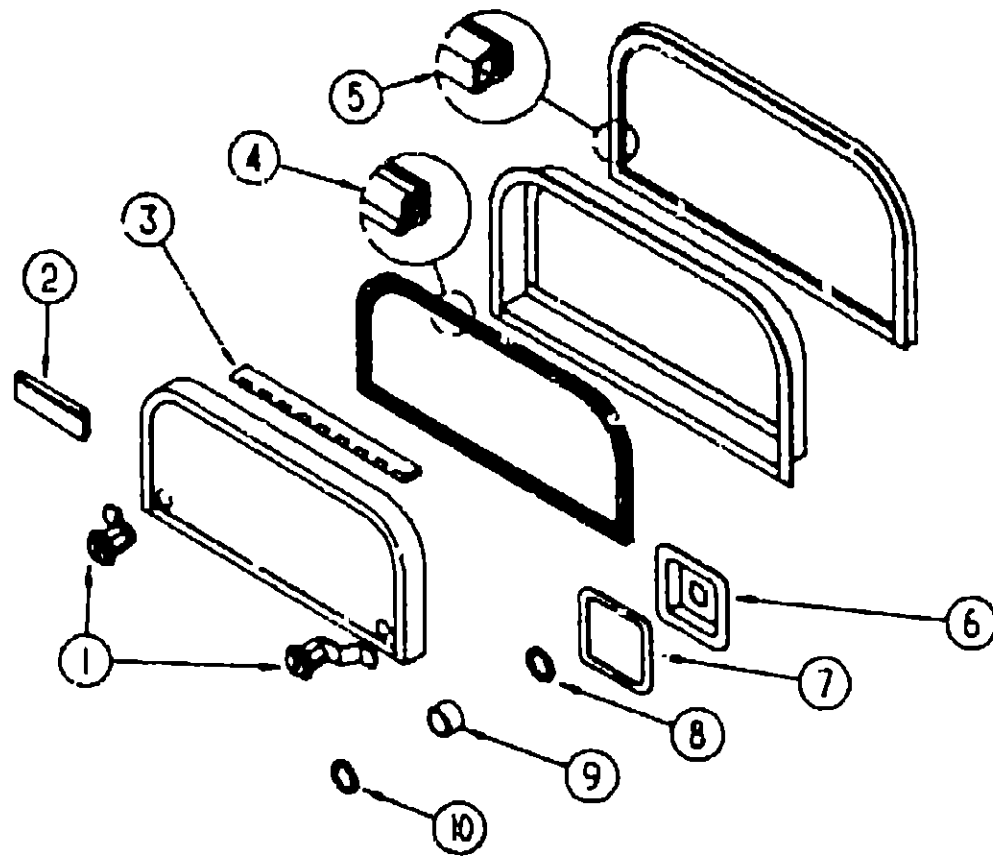
INTRODUCTION	A-01 - A-02
ABBREVIATIONS	A-03
ALPHABETICAL INDEX	A-04 - A-06
WF427RQ	A-07 - D-20
WF427RC	D-21 - H-10
WF428RQ	H-11 - L-02

## 1993 WF427RC INDEX

FLOOR PLAN	D-21 - D-22
ACCESSORIES	D-23
AUDIO VIDEO	D-24
BATH	E-01 - E-02
BEDROOM	E-03
CHASSIS	E-04 - E-08
CURTAIN & CUSHION	E-09 - E-18
DINETTE	E-19 - E-20
DRIVERS COMPARTMENT	E-21 - E-22
ELECTRICAL	E-23 - F-02
EXTERIOR BODY	F-03 - F-10
GALLEY	F-11 - F-14
GENERATOR	F-15
HEATING & A/C	F-16 - F-18
INTERIOR FINISH	F-19 - F-22
LABELS	F-23 - G-06
LP	G-07
LOUNGE	G-08 - G-09
SEALANTS / FASTENERS	G-10 - G-12
WATER & SEWAGE	G-13 - G-16
WINDOW, VENT AND EXTERIOR DOOR	G-17 - H-09

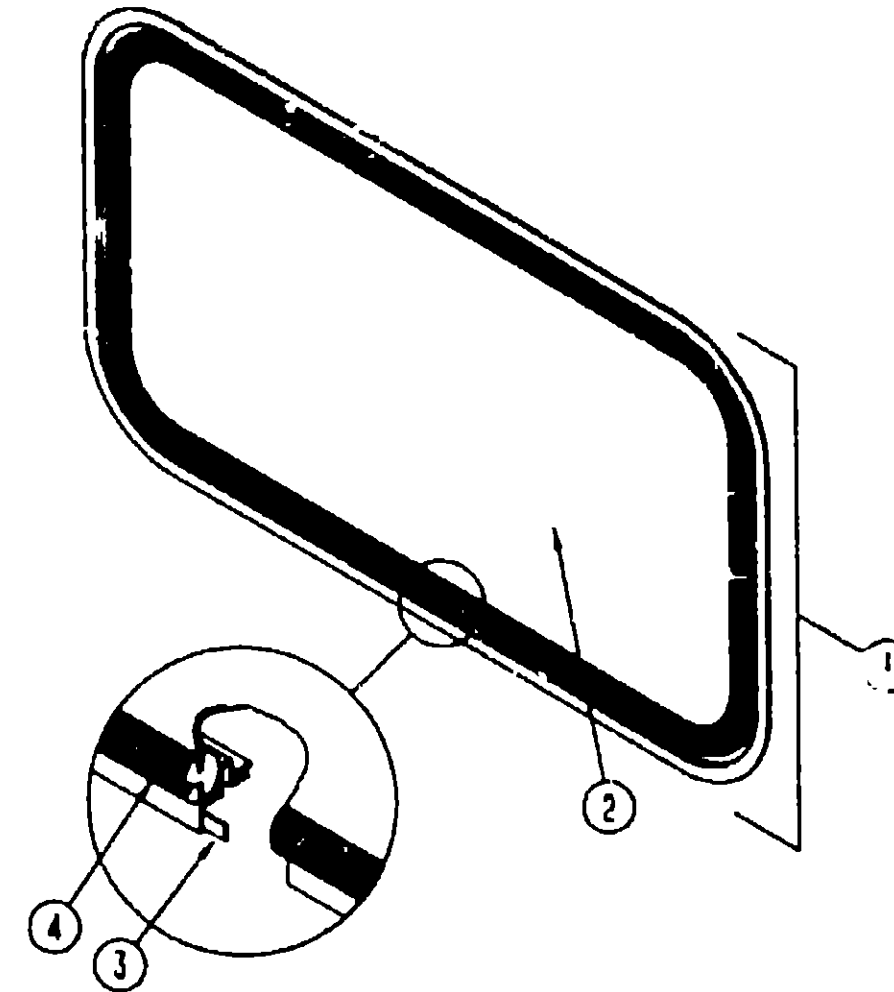
1993 WINNEBAGO  
TABLE OF CONTENTS

INTRODUCTION	A-01 - A-02
ABBREVIATIONS	A-03
ALPHABETICAL INDEX	A-04 - A-06
WF427T	A-07 - D-20
WF427RC	D-21 - H-10
WF428RC	H-11 - L-02



EXTERIOR DOORS

KEY	PART NUMBER	U/M	DESCRIPTION
1	079366-04-000	EA	LOCK-DOOR, KEY TYPE W/O KEYS - 1 9 OFF SET (ENTERTAINMENT & EXTERIOR SHOWER DOORS ONLY)
1	079366-05-000	EA	LOCK-DOOR, KEY TYPE W/O KEYS - 1 60 OFF SET
	062684-01-700	EA	KEY - BLANK
	079927-04-000	EA	LOCK-DOOR, TWIST TYPE - 1 60 OFF SET
2	102768-01-000	EA	HOLDER-COMPARTMENT/ENTRY DOOR, METAL - MILL FINISH
3	081001-02-000	EA	HINGE-PIANO, CONTINUOUS - 2' X 96" OFF WHITE
	009065-01-000	EA	HINGE-CONTINUOUS, 1 1/2" X 96" - UNPAINTED
	034007-40-000	EA	HINGE-CONTINUOUS, 1 1/2" X 96" - ALUM. NUM - OFF WHITE
4	064075-07-000	FT	SEAL-BULB, W/WIRE U-CHANNEL - 3" X 5" CHANNEL - BLACK
5	081632-02-000	FT	SEAL-BULB, DOOR - W/WIRE CARRIER - 8" WIDE - RUBBER - BLACK
	090340-01-000	FT	SEAL-FOAM, CLOSED CELL - 1/4" X 1/2" X 50'
	104692-01-000	FT	SEAL-ADHESIVE BACK, 3/4" X 34"
6	097111-01-01A	EA	POCKET-LOCK, VALANCE - OFF WHITE
7	098338-01-000	EA	GASKET-LOCK POCKET
8	109834-01-000	EA	WASHER, 640X.752ID SST - HUDSON LOCK
9	107997-51-001	EA	SPACER-EXTRUDED 0015 - 24
10	109833-01-000	EA	RING-BEAUTY, 670 X 780ID - SST - HUDSON LOCK
	096217-55-001	EA	U-CHANNEL, 17 5' LONG - OFF WHITE
	091876-01-000	EA	RETAINER-DOOR, 1 8" X 8" - METAL

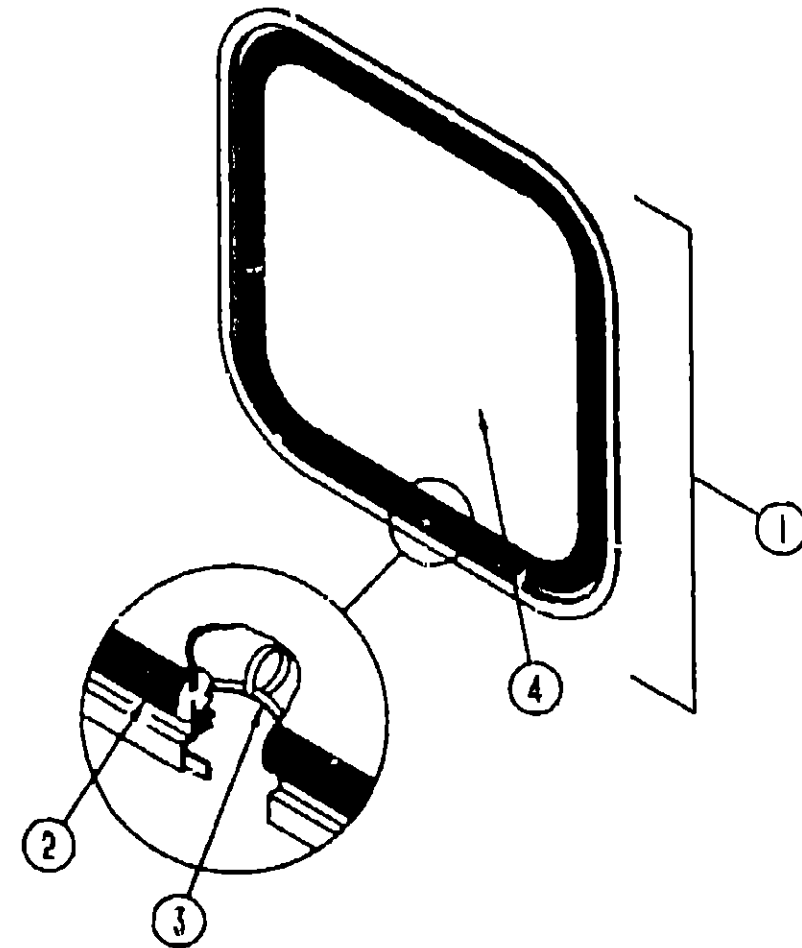


OVERHEAD BUNK FRONT WINDOW

KEY	PART NUMBER	U/M	DESCRIPTION
	067609-33-000	EA	FRAME-INSIDE, WINDOW
1	103313-01-805	EA	WINDOW-PICTURE, W/O INSIDE FRAME
2	002181-15-000	EA	GLASS-PICTURE, 11 25" X 58 1" - GRAY
3	069640-11-000	FT	SEALER-TAPE, 3/16" X 3/8" - BLACK
4	099154-01-000	FT	CHANNEL-GLAZING, STATIONARY GLASS - 62" X 45" - BLACK

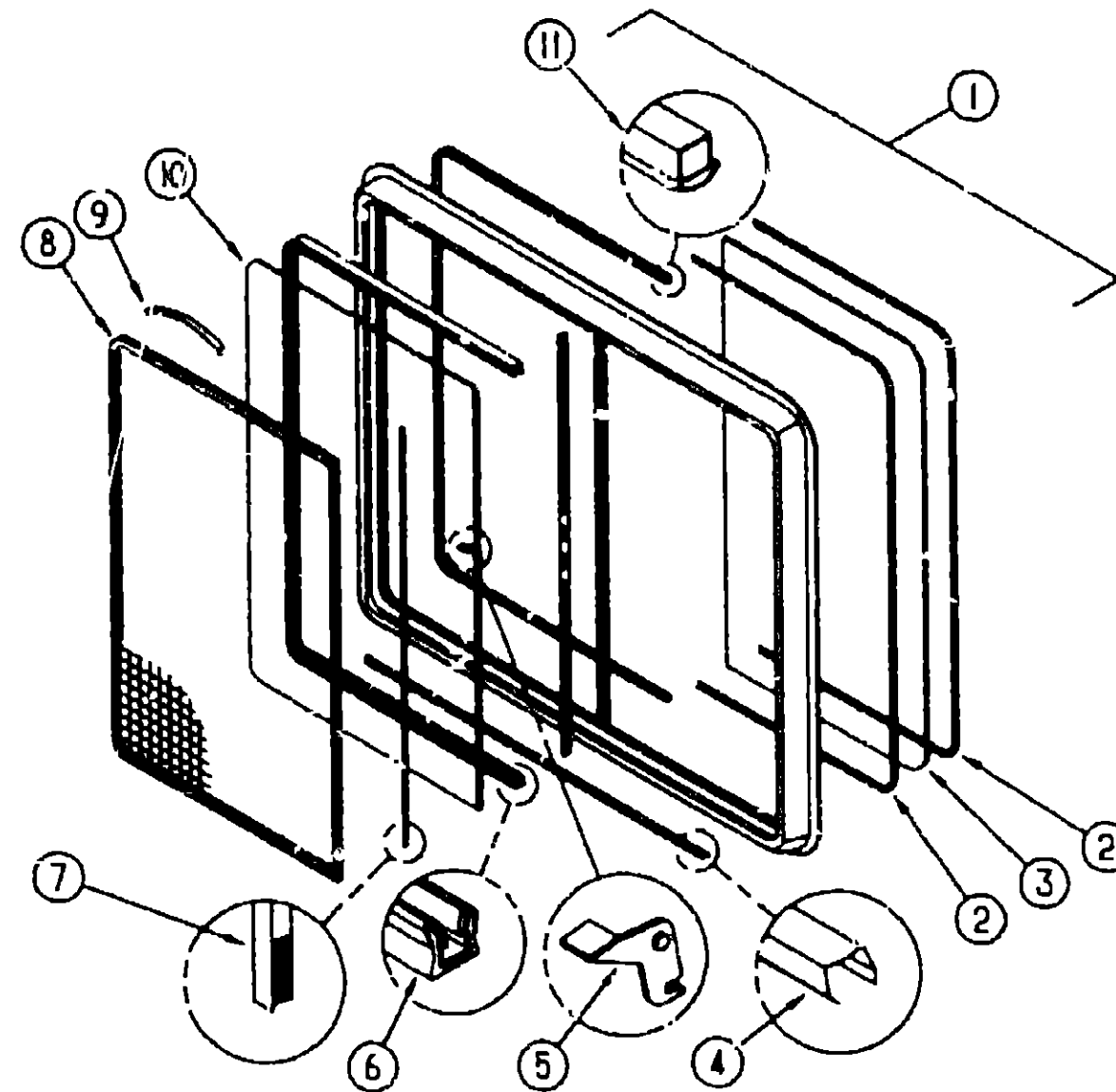
1993 WF427RC INDEX

FLOOR PLAN	D-21 - D-22
ACCESSORIES	D-23
AUDIO VIDEO	D-24
BATH	E-01 - E-02
BEDROOM	E-03
CHASSIS	E-04 - E-08
CURTAIN & CUSHION	E-09 - E-18
DINETTE	E-19 - E-20
DRIVERS COMPARTMENT	E-21 - E-22
ELECTRICAL	E-23 - F-02
EXTERIOR BODY	F-03 - F-10
GALLEY	F-11 - F-14
GENERATOR	F-15
HEATING & A/C	F-16 - F-18
INTERIOR FINISH	F-19 - F-22
LABELS	F-23 - G-06
LP	G-07
LOUNGE	G-08 - G-09
SEALANTS & FASTENERS	G-10 - G-12
WATER & SEWAGE	G-13 - G-16
WINDOW, VENT AND EXTERIOR DOOR	G-17 - H-09



BACKWALL ESCAPE WINDOW

KEY	PART NUMBER	U/M	DESCRIPTION
	074816-09-000	EA	FRAME-INSIDE, ESCAPE - OFF WHITE
1	078528-04-005	EA	WINDOW-ESCAPE, REAR - 27" X 48"
2	002282-04-000	EA	WEATHERSTRIP, 125" X 109 25" - BLACK
	077066-01-702	EA	TAPE ASM-ESCAPE, WINDOW
3	002285-01-000	FT	FILLER-WEATHER STRIP, RUBBER - BLACK
4	076337-09-000	EA	GLASS-WINDOW, ESCAPE - 832.6 X 597.8MM



COUCH SINGLE SLIDING WINDOW

KEY	PART NUMBER	U/M	DESCRIPTION
	098647-10-02A	EA	WINDOW-HORIZONTAL SLIDER, W/INSIDE FRAME
	090647-09-704	EA	FRAME-INSIDE, OFF-WHITE - W024-67 EXCEL-WHITE
1	098647-10-700	EA	WINDOW-HORIZONTAL SLIDER, W/O INSIDE FRAME - BLACK
2	098644-01-705	FT	GLAZING STRIP, EXCEL M926-12
3	098647-09-700	EA	GLASS-STATIONARY - 106-017193 EXCEL
4	098644-01-710	FT	TRACK-SCREEN SPACER 12" LENGTH - EXCEL M401-31
5	098644-01-700	EA	LATCH REPAIR KIT
6	098644-01-708	FT	CHANNEL-PIERCED RUN EXCEL 122-016543
7	098644-01-711	FT	WEATHERSTRIP-SCREEN BLACK - EXCEL 171-016965
8	098647-09-705	EA	SCREEN W/SPRING&WEATHERSTRIP - 410-C16464 EXCEL
9	098644-01-713	EA	SPRING-SCREEN FRAME (CLIP) PLASTIC - BLACK - EXCEL 226-016966
	098644-01-716	FT	PLUG-FILLER, EXCEL 132-014470
	098644-01-717	FT	SPLINE-SCREEN MFG, EXCEL 32-004716
10	098647-09-701	EA	GLASS-SLIDING, W/SASH&LATCH - H024-G9 EXCEL
11	098644-01-706	FT	WEATHERSTRIP, EXCEL 171-010668

1993 WINNEBAGO  
TABLE OF CONTENTS

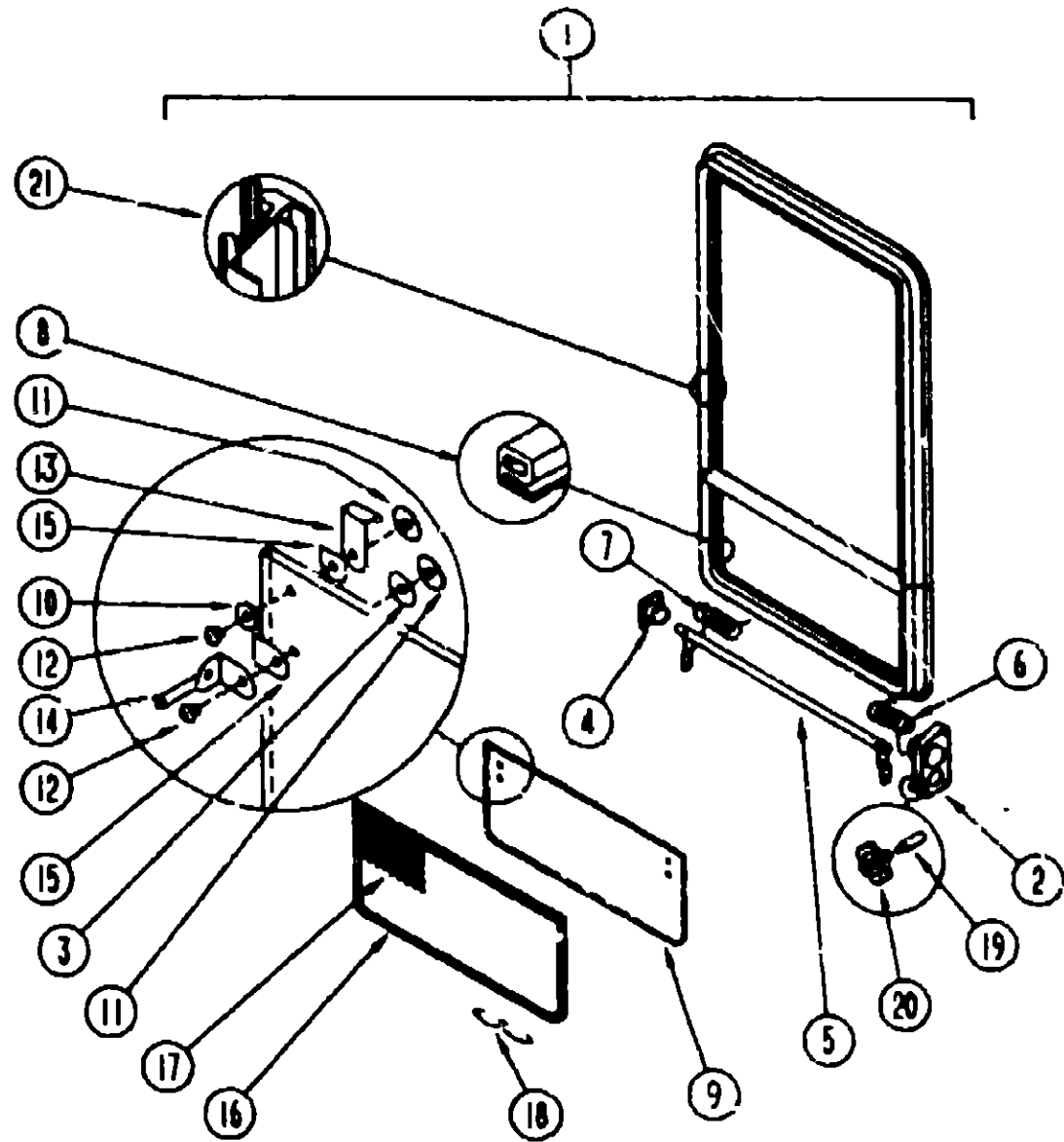
INTRODUCTION	A-01 - A-02
ABBREVIATIONS	A-03
ALPHABETICAL INDEX	A-04 - A-06
WF 427RQ	A-07 - D-20
WF427RC	D-21 - H-10
WF423RQ	H-11 - L-02

1993 WF427RC INDEX

FLOOR PLAN	D-21 - D-22
ACCESSORIES	D-23
AUDIO VIDEO	D-24
BATH	E-01 - E-02
BED ROOM	E-03
CHASSIS	E-04 - E-06
CURTAIN & CUSHION	E-09 - E-18
DINETTE	E-19 - E-20
DRIVERS COMPARTMENT	E-21 - E-22
ELECTRICAL	E-23 - F-02
EXTERIOR BODY	F-03 - F-10
GALLEY	F-11 - F-14
GENERATOR	F-15
HEATING & A/C	F-16 - F-18
INTERIOR FINISH	F-19 - F-22
LABELS	F-23 - G-06
LP	G-07
LOUNGE	G-08 - G-09
SEALANTS & FASTENERS	G-10 - G-12
WATER & SEWERAGE	G-13 - G-16
WINDOW, VENT & DOOR	G-17 - H-09

# WINDOW, VENT & EXTERIOR DOOR GROUP (CONTINUED)

## BEDROOM TIPOUT WINDOW



KEY	PART NUMBER	UOM	DESCRIPTION
	080893-18-02A	EA	FRAME-INSIDE, WINDOW RETAINER - OFF WHITE
1	082235-12-Y12	EA	WINDOW-SINGLE TIPOUT, W/O INSIDE FRAME - BLACK
	000H14-06-14F	EA	RIVET-MANDREL, BLIND - 3/16"
2	035302-02-000	EA	OPERATOR-TORQUE, TIPOUT WINDOW - LEFT
3	06P-27-03-000	EA	SEAL-WINDOW, RUBBER - ROUND - 80" DIA. - BLACK
4	0J1354-01-000	EA	SLEEVE-TORQUE TUBE, TIPOUT WINDOW - 1.3" X 1.2" X .7"
	J81649-01-000	EA	RING-SNAP, 7/32 SHAFT DIAMETER
5	083150-12-000	EA	TUBE ASM-TORQUE, WINDOW
6	080918-01-000	EA	SPRING-TORQUE TUBE, LEFT
7	080918-02-000	EA	SPRING-TORQUE TUBE, RIGHT
8	084067-02-000	FT	SEAL-E SHAPED, SPONGE - TIPOUT WINDOW - 42" X .38" - BLACK
9	084068-17-000	EA	GLASS-TIPOUT, 9 2" X 26"
10	084453-02-000	EA	WASHER, 06" X 5" X .25" - PLASTIC
11	086762-01-000	EA	T NUT, 10-32
12	086763-01-000	EA	SCREW-MACHINE, 10 - 32 X 1/4 PTH
13	089913-01-000	EA	HINGE-TIPOUT WINDOW, BLACK
14	097578-01-000	EA	LINKAGE-TIPOUT WINDOW
	084453-01-000	EA	WASHER, 06" X 5" X .135" - PLASTIC
15	084473-01-000	EA	SEAL-FLAT, W/CENTER HOLE & ADHESIVE SIDE - 8" X .9" - BLK
	085315-01-000	EA	RIVET-SHOULDER, TIPOUT WINDOW
16	100235-04-807	EA	SCREEN-SINGLE, TIPOUT WINDOW
17	080218-03-000	SF	SCREENING-FIBERGLASS, 12" WIDE
18	100168-01-000	EA	CLIP-SPRING, SCREEN
	100240-01-000	FT	SPLINE-SCREEN, T-SHAPED
19	009439-06-000	EA	EXTENSION-CRANK HANDLE, WINDOW/ROOF VENT - BLACK
20	009439-05-000	EA	KNOB-OPERATOR, TIPOUT WINDOW - W/SPRING & ARM
	009439-07-000	EA	SCREW, 8-32 X 1 1/4 POH - BLACK
21	069640-11-000	FT	TAPE-SEALER, 3/16" X 3/8" - BLACK

## 1993 WINNEBAGO TABLE OF CONTENTS

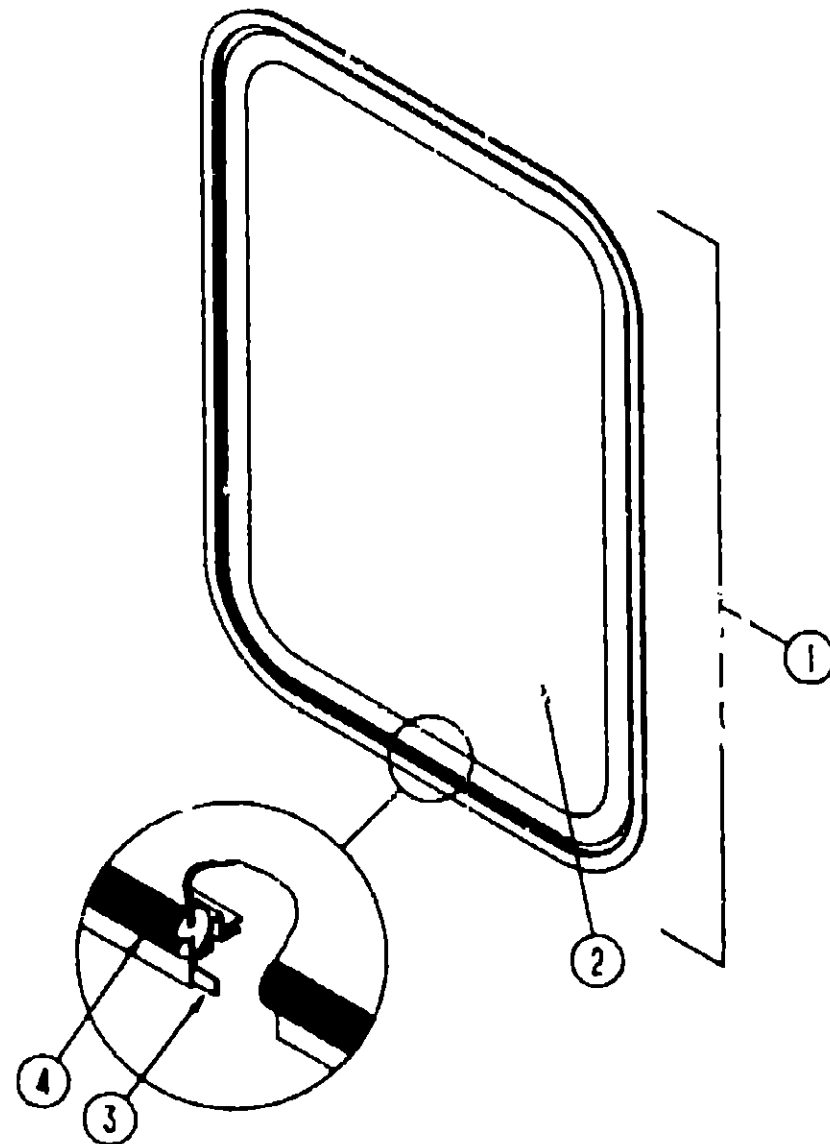
INTRODUCTION	A-01 - A-02
ABBREVIATIONS	A-03
ALPHABETICAL INDEX	A-04 - A-06
WF427RQ	A-07 - D-20
WF427RC	D-21 - H-10
WF428RQ	H-11 - L-02

## 1993 WF427RC INDEX

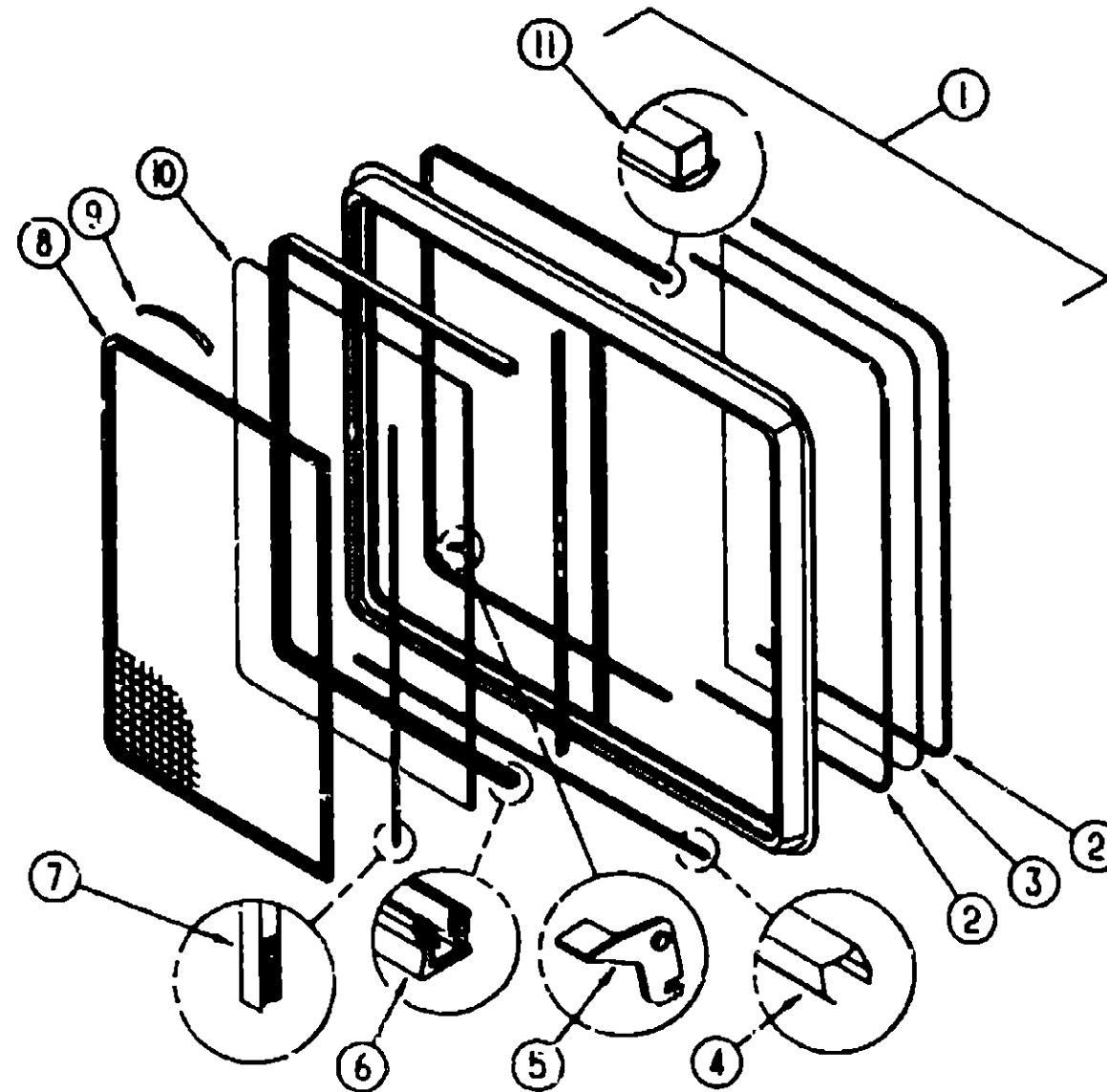
FLOOR PLAN	D-21 - D-22
ACCESSORIES	D-23
AUDIO VIDEO	D-24
BATH	E-01 - E-02
BEDROOM	E-03
CHASSIS	E-04 - E-08
CURTAIN & CUSHION	E-09 - E-18
DINETTE	E-19 - E-20
DRIVERS COMPARTMENT	E-21 - E-22
ELECTRICAL	E-23 - F-02
EXTERIOR BODY	F-03 - F-10
GALLEY	F-11 - F-14
GENERATOR	F-15
HEATING & A/C	F-16 - F-18
INTERIOR FINISH	F-19 - F-22
LABELS	F-23 - G-06
LP	G-07
LOUNGE	G-08 - G-09
SEALANTS & FASTENERS	G-10 - G-12
WATER & SEWAGE	G-13 - G-16
WINDOW, VENT AND EXTERIOR DOOR	G-17 - H-09

1993 WINNEBAGO  
TABLE OF CONTENTS

INTRODUCTION	A-01 - A-02
ABBREVIATIONS	A-03
ALPHABETICAL INDEX	A-04 - A-06
WF427RQ	A-07 - D-20
WF427RC	D-21 - H-10
WF428RQ	H-11 - L-02



ENTRY DOOR WINDOW



GALLEY SLIDING WINDOW

1993 WF427RC INDEX

FLOOR PLAN	D-21 - D-22
ACCESSORIES	D-23
AUDIO VIDEO	D-24
BATH	E-01 - E-02
BEDROOM	E-03
CHASSIS	E-04 - E-06
CURTAIN & CUSHION	E-09 - E-18
DINETTE	E-19 - E-20
DRIVERS COMPARTMENT	E-21 - E-22
ELECTRICAL	E-23 - F-02
EXTERIOR BODY	F-03 - F-10
GALLEY	F-11 - F-14
GENERATOR	F-15
HEATING & A/C	F-16 - F-18
INTERIOR FINISH	F-19 - F-22
LABELS	F-23 - G-06
LP	G-07
LOUNGE	G-08 - G-09
SEALANTS & FASTENERS	G-10 - G-12
WATER & SEWAGE	G-13 - G-16
WINDOW, VENT AND EXTERIOR DOOR	G-17 - H-09

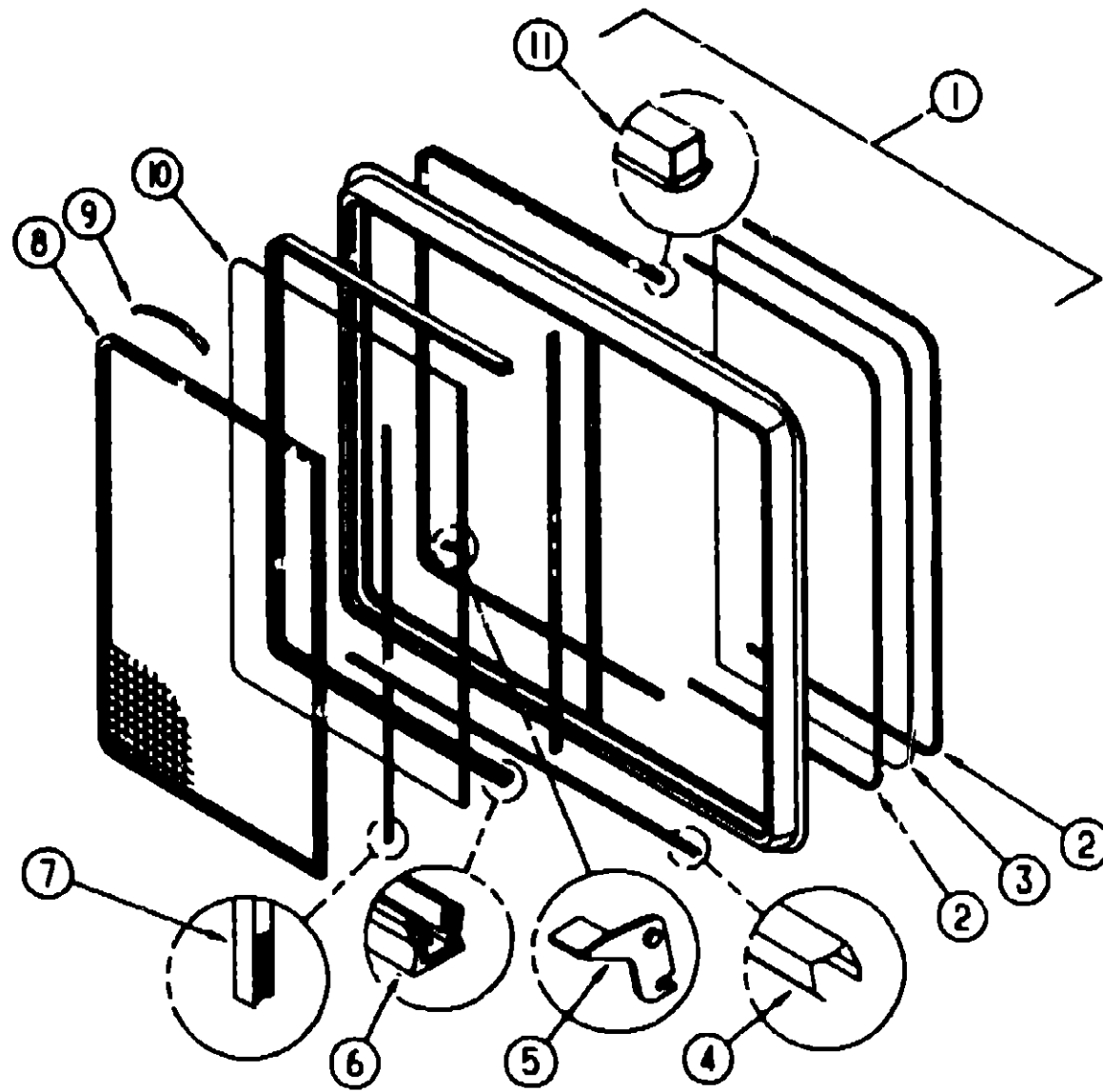
KEY	PART NUMBER	U/M	DESCRIPTION
1	079733-07-AA8	EA	WINDOW-ENTRY DOOR, 17" X 25" - FROSTED GLASS
2	0021B1-07-000	EA	GLASS-WINDOW, .182" X 16.25" X 24" - FROSTED
3	050216-02-000	FT	SPLINE-GLASS, EXTERIOR - VINYL - 19" - BLACK
4	087561-01-000	FT	SEAL-GLASS, EXTERIOR - 5" WIDE - VINYL - BLACK

KEY	PART NUMBER	U/M	DESCRIPTION
	098647-07-02A	EA	WINDOW-HORIZONTAL SLIDER, W/INSIDE FRAME - OFF WHITE
	098647-06-706	EA	FRAME-INSIDE, W024-67 EXCEL - WHITE
1	098647-07-700	EA	WINDOW-HORIZONTAL SLIDER, W/O INSIDE FRAME - LEFT - OFF WHITE
2	098644-01-705	FT	GLAZING STRIP, EXCEL M926-12
3	098647-06-700	EA	GLASS-STATIONARY - 106-016921 EXCEL
4	098644-01-710	FT	TRACK-SCREEN SPACER 12" LENGTH - EXCEL M401-31
5	098644-01-700	EA	LATCH REPAIR KIT
6	098644-01-708	FT	CHANNEL-PIERCED RUN EXCEL 122-016543
7	098644-01-711	FT	WEATHERSTRIP-SCREEN BLACK - EXCEL 171-016965
8	098647-06-703	EA	SCREEN W/SPRING&WEATHERSTRIP - 410-016477 EXCEL
9	098644-01-713	EA	SPRING SCREEN FRAME (CLIP) PLASTIC - BLACK - EXCEL 226-016966
	098644-01-716	FT	PLUG-FILLER, EXCEL 132-014470
	098644-01-717	FT	SPLINE-SCREEN MFG, EXCEL 32-004716
10	098647-06-702	EA	GLASS-SLIDING, W/SASH&LATCH - 410-016477 EXCEL
11	098644-01-706	FT	WEATHERSTRIP, EXCEL 171-010668



# WINDOW, VENT & EXTERIOR DOOR GROUP (CONTINUED)

## OVERHEAD BUNK SLIDING WINDOWS



KEY	PART NUMBER	U/M	DESCRIPTION
	098647-18-01A	EA	WINDOW-SLIDING, WINSIDE FRAME - PASSENGER SIDE - EXCEL B951-PRR
	098647-19-01A	EA	WINDOW-SLIDING, WINSIDE FRAME - DRIVER SIDE - EXCEL B951-PRL
	098647-18-700	EA	FRAME-WINDOW, INSIDE - WHITE - EXCEL V951-67
1	098647-18-702	EA	WINDOW-SLIDING, W/O INSIDE FRAME - PASSENGER SIDE - EXCEL B951-G2R
1	098647-19-700	EA	WINDOW-SLIDING, W/O INSIDE FRAME - DRIVER SIDE - EXCEL B951-G2R
2	098644-01-705	FT	GLAZING STRIP, EXCEL M928-12
3	098647-18-701	EA	GLASS-STATIONARY, EXCEL 106011829
4	098644-01-710	FT	TRACK-SCREEN SPACER 12' LENGTH - EXCEL M 401-31
5	098644-01-700	EA	LATCH REPAIR KIT
6	098644-01-708	FT	CHANNEL-PIERCED RUN EXCEL 122-016543
7	098644-01-711	FT	WEATHERSTRIP-SCREEN BLACK - EXCEL 171-018665
8	098646-03-705	EA	SCREEN W/SPRING&WEATHERSTRIP - 410018475 EXCEL
9	098644-01-713	EA	SPRING-SCREEN FRAME (CLIP) PLASTIC - BLACK - EXCEL 226-016966
	098644-01-716	FT	PLUG-FILLER, EXCEL 132-014470
	098644-01-717	FT	SPLINE-SCREEN MFG, EXCEL 32-004716
10	098646-01-702	EA	GLASS-SLIDING, W/SASH & LOCK - EXCEL B946-G9
11	098644-01-706	FT	WEATHERSTRIP, EXCEL 171-018668

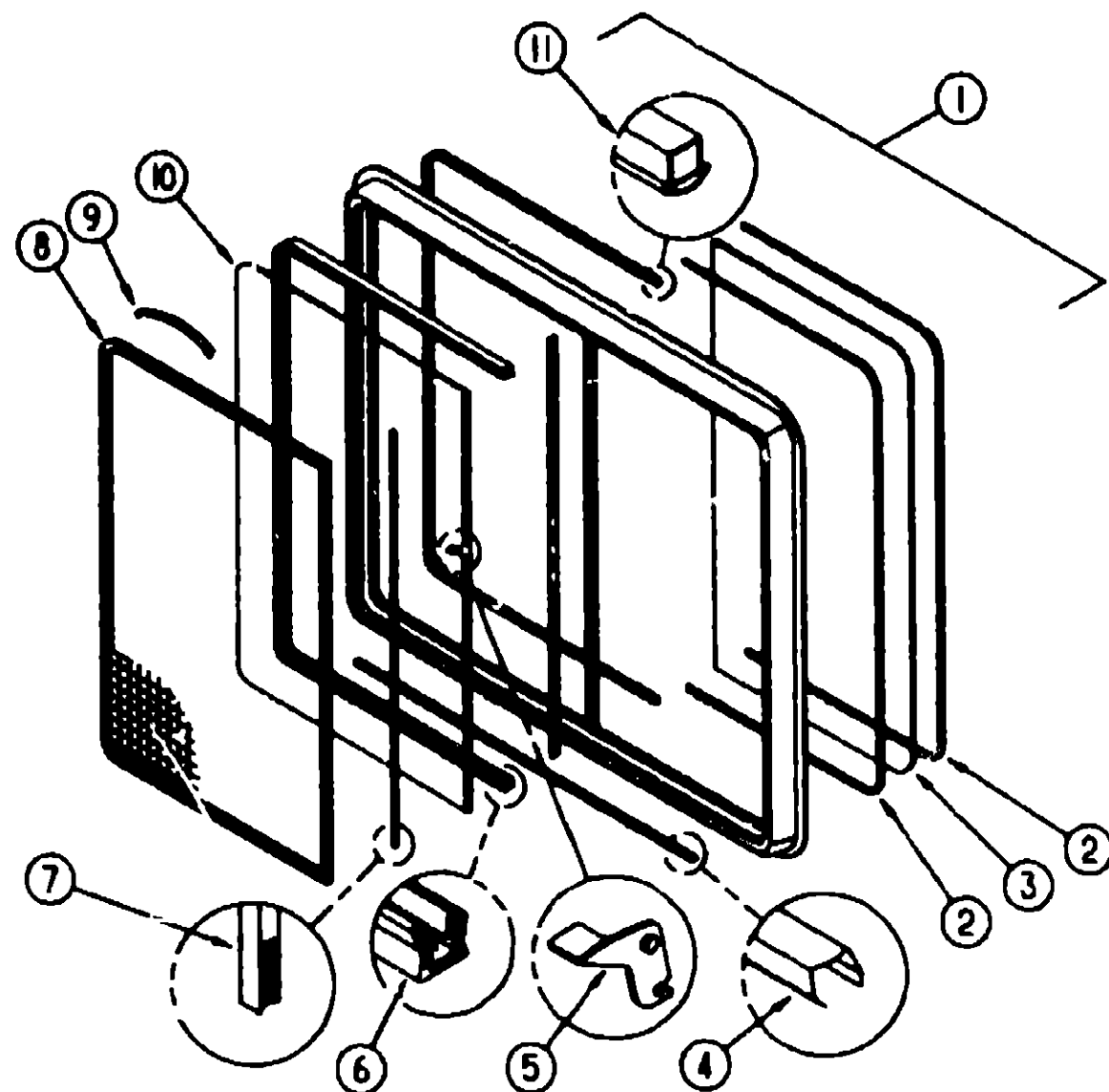
## 1993 WINNEBAGO TABLE OF CONTENTS

INTRODUCTION	A-01 - A-02
ABBREVIATIONS	A-03
ALPHABETICAL INDEX	A-04 - A-06
WF427RQ	A-07 - D-20
WF427RC	D-21 - H-10
WF428RQ	H-11 - L-02

## 1993 WF427RC INDEX

FLOOR PLAN	D-21 - D-22
ACCESSORIES	D-23
AUDIO VIDEO	D-24
BATH	E-01 - E-02
BEDROOM	E-03
CHASSIS	E-04 - E-08
CURTAIN & CUSHION	E-09 - E-18
DINETTE	E-19 - E-20
DRIVERS COMPARTMENT	E-21 - E-22
ELECTRICAL	E-23 - F-02
EXTERIOR BODY	F-03 - F-10
GALLEY	F-11 - F-14
GENERATOR	F-15
HEATING & A/C	F-16 - F-18
INTERIOR FINISH	F-19 - F-22
LABELS	F-23 - G-06
LP	G-07
LOUNGE	G-08 - G-09
SEALANTS & FASTENERS	G-10 - G-12
WATER & SEWAGE	G-13 - G-16
WINDOW VENT AND EXTERIOR DOOR	G-17 - H-09

**WINDOW, VENT & EXTERIOR DOOR GROUP (CONTINUED)**



**DINETTE SINGLE SLIDING WINDOW**

KEY	PART NUMBER	U/M DESCRIPTION
	098647-09-02A	EA WINDOW-HORIZONTAL SLIDER W/INSIDE FRAME
	098647-09-704	EA FRAME-INSIDE, OFF-WHITE - W024-67 EXCEL-WHITE
1	098647-09-703	EA WINDOW-HORIZONTAL SLIDER, W/O INSIDE FRAME - BLACK
2	098644-01-705	FT GLAZING STRIP, EXCEL M926-12
3	098647-09-700	EA GLASS-STATIONARY - 106-017183 EXCEL
4	098644-01-710	FT TRACK-SCREEN SPACER 12' LENGTH - EXCEL M401-31
5	098644-01-700	EA LATCH REPAIR KIT
6	098644-01-708	FT CHANNEL-PIERCED RUN EXCEL 122-016543
7	098644-01-711	FT WEATHERSTRIP-SCREEN BLACK - EXCEL 171-016965
8	098647-09-705	EA SCREEN W/SPRING&WEATHERSTRIP - 410-016464 EXCEL
9	098644-01-713	EA SPRING-SCREEN FRAME (CLIP) PLASTIC - BLACK - EXCEL 226-016966
	098644-01-716	FT PLUG-FILLER, EXCEL 132-014470
	098644-01-717	FT SPLINE-SCREEN MFG, EXCEL 32-004716
10	098647-09-701	EA GLASS-SLIDING, W/SASH&LATCH - H024-G9 EXCEL
11	098644-01-706	FT WEATHERSTRIP, EXCEL 171-010868

**WINDOW, VENT & EXTERIOR DOOR GROUP (CONTINUED)**

**POWERED ROOF VENT**

KEY	PART NUMBER	U/M DESCRIPTION
	009439-01-000	EA CRANK HANDLE-ROOF VENT
	009439-04-000	EA SCREW 8-32 X 1 1/4" POH
	009439-02-000	EA KNOB-ROOF VENT MILL
	009439-03-000	EA EXTENSION-CRANK HANDLE ROOF VENT - 9" - MILL
	090394-01-Y12	EA VENT-ROOF POWERED
		FROM 00-00-00 THRU 10-04-92
	055218-01-000	EA COVER-ROOF VENT, PLASTIC
	002825-01-000	EA WEATHER STRIP-ROOF VENT GRAY
	008185-01-000	EA SWITCH-ROOF VENT PUSH BUTTON 12V
	008343-01-000	EA TIE-WIRE 6"
	008388-01-000	EA GROMMET-SNAP 3/8"
	009440-01-000	EA GEAR/ARM-VENT COVER LIFT
	015911-01-000	EA TRACK-LIFT ARM SLIDE - ROOF VENT
	048848-01-000	EA MOTOR-ROOF VENT 1/8 SHAFT - 12V - JENSEN
	048649-01-000	EA FAN-ROOF VENT 6 BLADES - 6" - JENSEN
	052639-01-001	EA HINGE-VENT COVER 16"
	052639-01-200	EA HINGE-EXTRUSION ROOF VENT 7"
	061603-01-000	EA GROMMET-SNAP 3/16"ID - 3/8" HOLE - PLASTIC - BLACK
	078785-01-Y12	EA SCREEN-ROOF VENT POWERED
	002291-02-000	SF SCREENING-ROOF VENT/WINDOW 16" - BLACK
	002298-02-000	FT SPLINE-VENT/WINDOW SCREEN 128 DIAMETER - BLACK
	110051-03-01A	EA VENT-ROOF, POWERED - 2" ROOF - JENSEN 7757
		FROM 10-05-92 THRU 99-99-99
	110051-05-01A	EA VENT-ROOF, POWERED - 2" ROOF - JENSEN C7757 (CANADIAN)
		FROM 10-05-92 THRU 99-99-99
	048648-01-000	EA MOTOR-12V NONVENTED 1/8 SFT
	048649-01-000	EA FAN-PLASTIC, 6" - 6 BLADED
	064470-01-700	EA COVER ROOF VENT, JENSEN 7291
	110051-01-701	EA GARNISH W/SCREEN & FRAME 2", JENSEN 29-800-01
	110051-01-702	EA HAND CRANK & OPERATOR ASM, JENSEN RP-10000B
	110051-01-703	EA HANDLE CRANK, JENSEN RP1031-B

**NONPOWERED ROOF VENT**

KEY	PART NUMBER	U/M DESCRIPTION
	009439-01-000	EA CRANK HANDLE-ROOF VENT
	009439-04-000	EA SCREW 8-32 X 1 1/4" POH
	009439-02-000	EA KNOB-ROOF VENT MILL
	009439-03-000	EA EXTENSION-CRANK HANDLE ROOF VENT - 9" - MILL
	009439-04-000	EA SCREW 8-32 X 1 1/4" POH
	090395-01-Y12	EA VENT-ROOF NONPOWERED
		FROM 00-00-00 THRU 10-04-92
	055218-01-000	EA COVER-ROOF VENT, PLASTIC
	002825-01-000	EA WEATHER STRIP-ROOF VENT GRAY
	009440-01-000	EA GEAR/ARM-VENT COVER LIFT
	015911-01-000	EA TRACK-LIFT ARM SLIDE - ROOF VENT
	052639-01-001	EA HINGE-VENT COVER 16"
	052639-01-200	EA HINGE-EXTRUSION ROOF VENT 7"
	078785-01-Y12	EA SCREEN-ROOF VENT NON POWERED - WHITE
	002291-02-000	SF SCREENING-ROOF VENT/WINDOW 16" - BLACK
	002298-02-000	FT SPLINE-VENT/WINDOW SCREEN 128 DIAMETER - BLACK
	110051-01-01A	EA VENT-ROOF, NONPOWERED - 2" ROOF - JENSEN 7724
		FROM 10-05-92 THRU 99-99-99
	064470-01-700	EA COVER ROOF VENT, JENSEN 7291
	110051-01-701	EA GARNISH W/SCREEN & FRAME 2", JENSEN 29-800-01
	110051-01-702	EA HAND CRANK & OPERATOR ASM, JENSEN RP-1000B
	110051-01-703	EA HANDLE CRANK, JENSEN RP-1031-B

**1993 WINNEBAGO  
TABLE OF CONTENTS**

INTRODUCTION	A-01 - A-02
ABBREVIATIONS	A-03
ALPHABETICAL INDEX	A-04 - A-08
WF427RQ	A-07 - D-20
WF427RC	D-21 - H-10
WF428RQ	H-11 - L-02

**1993 WF427RC INDEX**

FLOOR PLAN	D-21 - D-22
ACCESSORIES	D-23
AUDIO VIDEO	D-24
BATH	E-01 - E-02
BEDROOM	E-03
CHASSIS	E-04 - E-08
CURTAIN & CUSHION	E-09 - E-18
DINETTE	E-19 - E-20
DRIVERS COMPARTMENT	E-21 - E-22
ELECTRICAL	E-23 - F-02
EXTERIOR BODY	F-03 - F-10
GALLEY	F-11 - F-14
GENERATOR	F-15
HEATING & A/C	F-16 - F-18
INTERIOR FINISH	F-19 - F-22
LABELS	F-23 - G-06
LP	G-07
LOUNGE	G-08 - G-09
SEALANTS & FASTENERS	G-10 - G-12
WATER & SEWAGE	G-13 - G-16
WINDOW, VENT AND EXTERIOR DOOR	G-17 - H-09

## WINDOW, VENT & EXTERIOR DOOR GROUP (CONTINUED)

### VENTS, SHROUHS AND ROOF COVERS

KEY	PART NUMBER	U/M	DESCRIPTION
	084073-04-000	EA	BASE-VENT, REFRIGERATOR - ROOF - NORCOLD - OFF WHITE
	084073-03-000	EA	CAP-VENT, REFRIGERATOR - ROOF - NORCOLD - BLACK
	082698-02-01A	EA	VENT-RANGE HOOD, EXTERIOR - W/DOOR - OFF WHITE
	083558-03-000	EA	VENT-PLUMBING PIPE ROOF W/COVER - OFF WHITE
	060508-01-000	EA	PANEL-SKYLITE, INNER - PLEXIGLASS - 23.25" X 20.3"
	080607-01-000	EA	PANEL-SKYLIGHT, OUTER - PLEXIGLASS - 23.25" X 20.3"

## 1993 WINNEBAGO TABLE OF CONTENTS

INTRODUCTION	A-01	-	A-02
ABBREVIATIONS			A-03
ALPHABETICAL INDEX	A-04	-	A-05
WF427RQ	A-07	-	D-20
WF427RC	D-21	-	H-10
WF428RQ	H-11	-	L-02

## 1993 WF427RC INDEX

FLOOR PLAN	D-21	-	D-22
ACCESSORIES			D-23
AUDIO VIDEO			D-24
BATH	E-01	-	E-02
BEDROOM			E-03
CHASSIS	E-04	-	E-08
CURTAIN & CUSHION	E-09	-	E-18
DINETTE	E-19	-	E-20
DRIVERS COMPARTMENT	E-21	-	E-22
ELECTRICAL	E-23	-	F-02
EXTERIOR BODY	F-03	-	F-10
GALLEY	F-11	-	F-14
GENERATOR			F-15
HEATING & AC	F-16	-	F-18
INTERIOR FINISH	F-19	-	F-22
LABELS	F-23	-	G-06
LP			G-07
LOUNGE	G-08	-	G-09
SEALANTS & FASTENERS	G-10	-	G-12
WATER & SEWAGE	G-13	-	G-16
WINDOW, VENT AND EXTERIOR DOOR	G-17	-	H-09