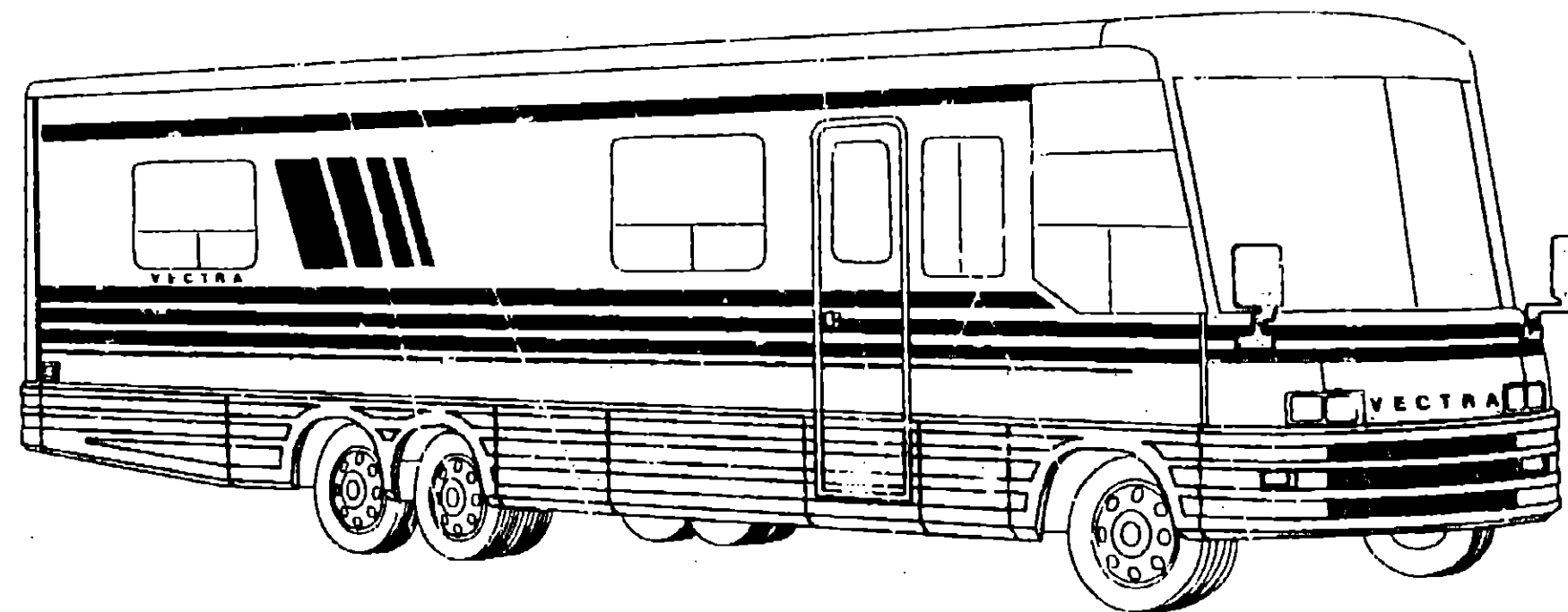
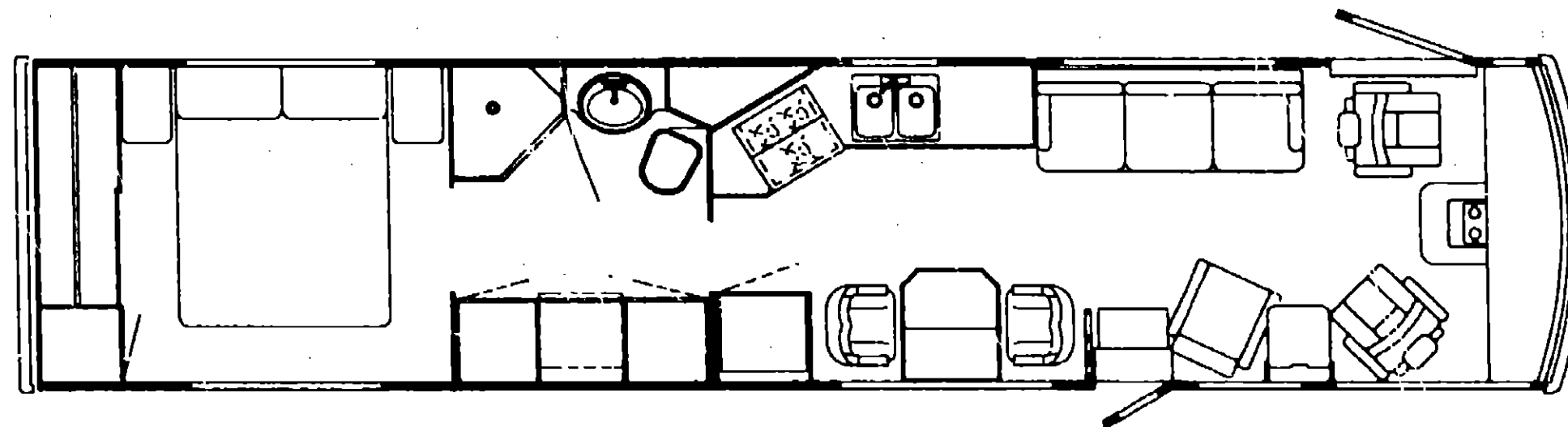


**1993 WINNEBAGO
TABLE OF CONTENTS**

INTRODUCTION	A-01 -	A-02
ABBREVIATIONS		A-03
ALPHABETICAL INDEX	A-04 -	A-06
WCM37RW	A-07 -	G-08
WCM33RQ	G-09 -	L-24



**1993
WCM37RW
D18
D19
D20**



1993 WCM37RW INDEX

FLOOR PLAN	A-07 -	A-08
ACCESSORIES		A-09
AUDIO VIDEO	A-10	A-13
BATH	A-14 -	A-18
BEDROOM	A-19 -	A-20
CHASSIS	A-21 -	B-20
CURTAIN & CUSHION	B-21 -	C-10
DINETTE	C-11 -	C-12
DRIVERS COMPARTMENT	C-13 -	C-18
ELECTRICAL	C-19 -	D-01
EXTERIOR BODY	D-02 -	D-12
GALLEY	D-13 -	D-22
GENERATOR	D-23	D-24
HEATING & A/C	E-01 -	E-06
INTERIOR FINISH	E-07 -	E-10
LABEL	E-11 -	E-18
LP		E-19
LOUNGE	E-20 -	E-21
SEALANTS & FASTENERS	E-22 -	F-02
WATER & SEWAGE	F-03 -	F-07
WINDOW, VENT AND EXTERIOR DOOR	F-08 -	G-04
WINDSHIELD & WIPER	G-05 -	G-08

ACCESSORIES GROUP

OPERATORS MANUAL

KEY	PART NUMBER	U/M DESCRIPTION
	054185-02-000	EA MANUAL OPERATOR, 93 VECTRA - M SERIES
	092319-01-000	EA BINDER, 3 RING, MOTOR HOME MANUAL
	092319-01-000	EA POCKET PAGE, 3 RING BINDER, PLASTIC
	109459-01-000	DW TOP LEVEL DRAWING NUMBER FOR 1993 M SERIES

VACUUM CLEANER

KEY	PART NUMBER	U/M DESCRIPTION
	108186-01-000	EA VACUUM CLEANER-BUILT IN, HP 19-1 DELUXE
	092304-01-700	EA BAGS-VACUUM CLEANER, 6 IN BAG - 1HP-4908
	092304-02-704	EA MOTOR-VACUUM CLEANER, VACUFLO #HP-5098
	108186-02-000	EA VACUUM CLEANING TOOL SET, HP W/30' HOSE
	092304-02-701	EA TOOL-DUSTING, VACUUM CLEANER - VACUFLO #HP 1142
	092304-02-702	EA TOOL-RUG, VACUUM CLEANER - VACUFLO #HP 4982
	092304-02-703	EA TOOL-CREVICE, VACUUM CLEANER - VACUFLO #HP 1141
	092304-02-705	EA HOSE-VACUUM, 20' - VACUFLO 4988-20
	092304-02-709	EA HOSE-VACUUM, 30' - VACUFLO 6452-02
	092304-02-707	EA TOOL-UPHOLSTERY, VACUFLO #7029
	092304-02-708	EA WAND, VACUFLO #4978

AUDIO VIDEO GROUP

RADIO & ANTENNA COMPONENTS

KEY	PART NUMBER	U/M DESCRIPTION
	097460-02-000	EA RADIO-AM/FM STEREO, CASSETTE - SONY XR-4147 (DASH) FROM: 00-00-00 THRU: 09-23-92
	097460-03-000	EA RADIO-AM/FM STEREO, CASSETTE - SONY XR-5550 (DASH) FROM: 09-24-92 THRU: 01-31-93
	097460-02-000	EA RADIO-AM/FM STEREO, CASSETTE - SONY XR-4147 (DASH) FROM: 02-01-93 THRU: 99-99-99
	097620-02-000	EA BRACKET-RADIO MOUNTING, W/FACE PLATE - XR-300HMP (DASH)
	073741-03-000	EA SPEAKER-RADIO, OVAL - AUDIOVOX 110-2074 - 4" X 6" (DASH) FROM: 00-00-00 THRU: 12-20-92
	110469-01-000	EA SPEAKER-OVAL, 4" X 6" - COAXIAL - MAGNADYNE F46XB-12 (DASH) FROM: 12-21-92 THRU: 99-99-99
	073741-04-000	EA GRILLE-SPEAKER, OVAL - 4" X 6" - BLACK (DASH) FROM: 00-00-00 THRU: 12-20-92
	110470-01-01A	EA GRILLE-SPEAKER, OVAL - 4" X 6" - BLACK - MAGNADYNE G46W (DASH) FROM: 12-21-92 THRU: 99-99-99
	102080-01-000	EA PLAYER-COMPACT DISC, W/REMOTE - SONY CDX-A15RF (CAB)
	102080-01-700	EA COMPACT DISC MAGAZINE
	103638-01-000	EA RADIO-AM/FM, STEREO CASSETTE - ADVANTZ AE8000AR (REAR STEREO)
	089340-02-000	EA GRILLE-SPEAKER, 6.5" SQUARE (REAR STEREO)
	094097-01-000	EA SPEAKER-RADIO, W/O GRILLE - 5.25" DIA - AUDIOVOX 110C3030 (REAR STEREO)
	103698-02-000	EA WIRE ASM-9 PIN, ADVANTZ 8000HRN (REAR STEREO)
	087683-01-000	EA RADIO-AM/FM STEREO W/CASSETTE - AUDIOVOX 144D1559 (EXTERIOR ENTERTAINMENT)
	073741-03-000	EA SPEAKER-RADIO, OVAL - AUDIOVOX 110-2074 - 4" X 6" (EXTERIOR ENTERTAINMENT) FROM: 00-00-00 THRU: 12-20-92
	110469-01-000	EA SPEAKER-OVAL, 4" X 6" - COAXIAL - MAGNADYNE F46XB-12 (EXTERIOR ENTERTAINMENT) FROM: 12-21-92 THRU: 99-99-99
	073741-04-000	EA GRILLE-SPEAKER, OVAL - 4" X 6" - BLACK (EXTERIOR ENTERTAINMENT) FROM: 00-00-00 THRU: 12-20-92
	110470-01-01A	EA GRILLE-SPEAKER, OVAL - 4" X 6" - BLACK - MAGNADYNE G46W (EXTERIOR ENTERTAINMENT) FROM: 12-21-92 THRU: 99-99-99
	074979-15-000	EA COVER-SPEAKER, PLASTIC - LIGHT OAK (OVERHEAD CABINETS)
	089340-02-000	EA GRILLE-SPEAKER, 6.5" SQUARE (OVERHEAD CABINETS)
	094097-01-000	EA SPEAKER-RADIO, W/O GRILLE - 5.25" DIA - AUDIOVOX 110C3030 (OVERHEAD CABINETS)
	090944-01-000	EA ANTENNA-RADIO, 16" RUBBER
	090862-01-000	EA BRACKET-HAT, ANTENNA - 3.1" X 3.9" - STEEL - BLACK
	104498-02-000	EA BRACKET-ANTENNA MOUNT
	108847-01-000	EA BRACKET-ANTENNA GROUND (EXTERIOR ENTERTAINMENT)
	109889-03-000	EA EXTENDER-SHAFT, ANTENNA - 4" (EXTERIOR ENTERTAINMENT)
	077059-02-000	EA CABLE-ANTENNA, RADIO - EXTENSION 96" - ARA 6700667
	105248-01-000	EA ANTENNA-CE, ADVANCE 8604

TELEPHONE SYSTEM

KEY	PART NUMBER	U/M DESCRIPTION
	093901-03-000	EA PLATE-COAXIAL CABLE, EXTERIOR
	093253-01-01A	EA PLATE-WALL, TELEPHONE - BEIGE - CAC625F2-4-50
	093253-01-000	EA HOUSING-TELEPHONE

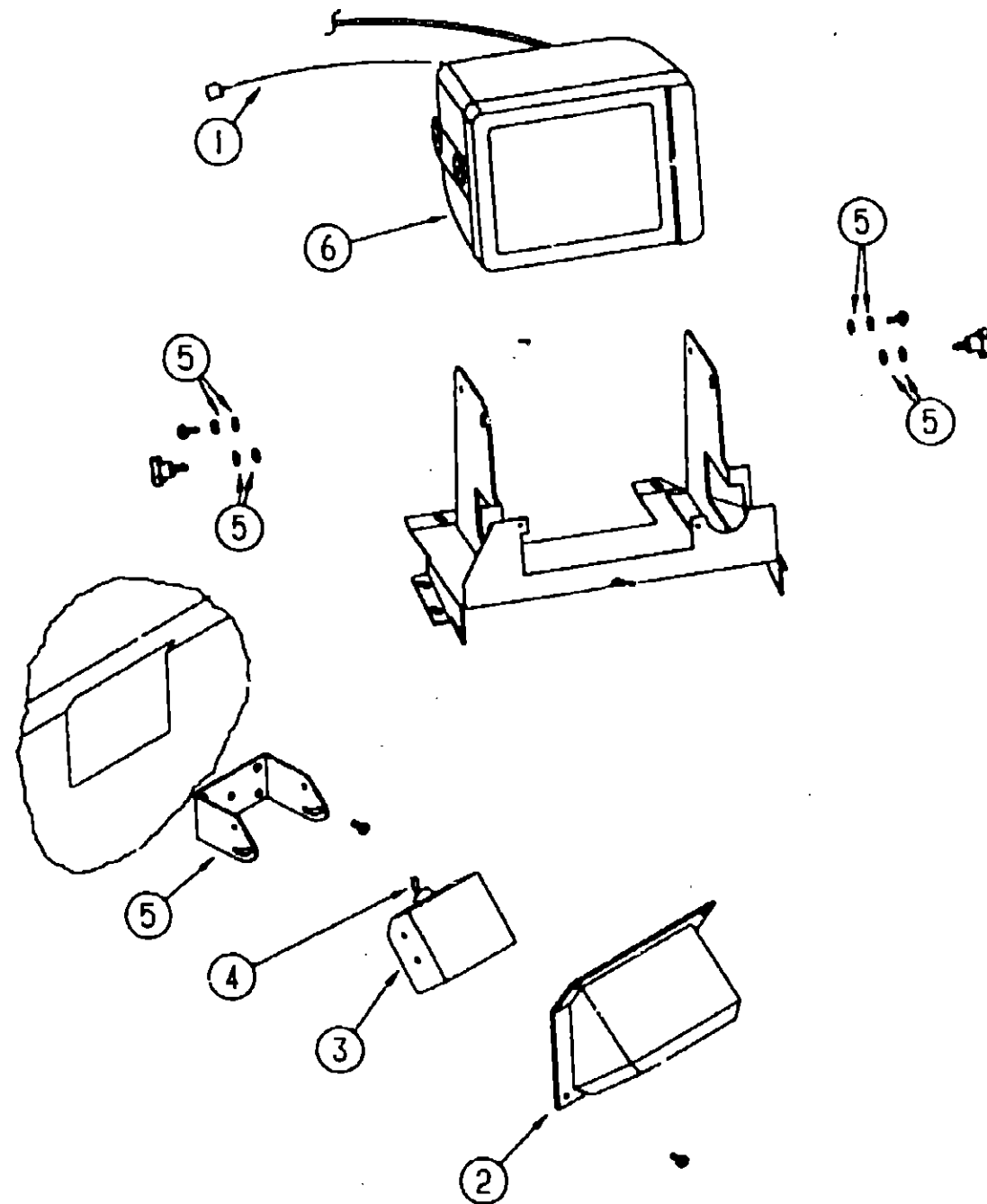
1993 WINNEBAGO TABLE OF CONTENTS

INTRODUCTION	A-01	A-02
ABBREVIATIONS		A-03
ALPHABETICAL INDEX	A-04	A-06
WCM37RW	A-07	G-08
WCM33RQ	G-09	L-24

1993 WCM37RW INDEX

FLOOR PLAN	A-07	A-08
ACCESSORIES		A-09
AUDIO VIDEO	A-10	A-13
BATH	A-14	A-18
BEDROOM	A-19	A-20
CHASSIS	A-21	B-20
CURTAIN & CUSHION	B-21	C-10
DINETTE	C-11	C-12
DRIVERS COMPARTMENT	C-13	C-18
ELECTRICAL	C-19	D-01
EXTERIOR BODY	D-02	D-12
GALLEY	D-13	D-22
GENERATOR	D-23	D-24
HEATING & A/C	E-01	E-06
INTERIOR FINISH	E-07	E-10
LABEL	E-11	E-18
LP		E-19
LOUNGE	E-20	E-21
SEALANTS & FASTENERS	E-22	F-02
WATER & SEWAGE	F-03	F-07
WINDOW, VENT AND EXTERIOR DOOR	F-08	G-04
WINDSHIELD & WIPER	G-05	G-08

AUDIO VIDEO GROUP (CONTINUED)



REAR MONITOR SYSTEM

KEY	PART NUMBER	U/M	DESCRIPTION
1	096717-03-000	EA	WIRE ASM-REAR MONITOR, UPPER
	093040-06-000	EA	WIRE ASM-MONITOR, SONY SM-HRN7
2	107852-01-01A	EA	SHROUD-CAMERA, OUTER - BUFF
	108529-01-01A	EA	SHROUD-CAMERA, INNER - BLACK
	093040-05-000	EA	TELEVISION SYSTEM-REAR VIEW, 7" - SONY YM-RVF7AM
3	093040-04-700	EA	CAMERA, BRACKET & WIRING
4	093041-01-000	EA	CABLE-MONITOR/CAMERA, INTERNAL USE
	093041-02-000	EA	CABLE-MONITOR/CAMERA, EXTERNAL USE
5	N/A		PARTS ARE INCLUDED W/TELEVISION SYSTEM - SONY
6	093040-05-700	EA	MONITOR, 7", W/POWER HARNESS

AUDIO VIDEO GROUP (CONTINUED)

TV & VCR SYSTEMS

KEY	PART NUMBER	U/M	DESCRIPTION
	108096-01-000	EA	TV-19" COLOR REMOTE, USA - MAGNAVOX RR1940W (DRIVER COMPARTMENT)
	108096-02-000	EA	TV-19" COLOR REMOTE, CSA - MAGNOVAX XR1940/1W (DRIVER COMPARTMENT)
	108096-01-700	EA	REMOTE-TV, ONLY
	086757-03-000	EA	CONTROL CENTER-SWITCH, VCR/TV - MAGNADYNE VCS-6 (DRIVER COMPARTMENT)
	098446-03-000	EA	VCR-VHS CABLE READY, W/REMOTE - MAGNAVOX VR9010 (CAB) FROM: 00-07-00 THRU: 10-04-92
	098446-03-700	EA	REMOTE F/MODEL #9010
	098446-04-000	EA	VCR-VHS CABLE READY, W/REMOTE - MAGNAVOX VR9110 (CAB) FROM: 10-05-92 THRU: 07-19-93
	098446-04-700	EA	REMOTE F/MODEL #9110
	098446-05-000	EA	VCR-VHS CABLE READY, W/REMOTE - MAGNAVOX VR9120 (CAB) FROM: 07-20-93 THRU: 99-99-99
	098446-05-700	EA	REMOTE F/MODEL #9120
	098447-05-000	EA	TV-COLOR, 13" - COLOR W/SPEAKER - MAGNAVOX RR1337FTD - U.S. (BEDROOM) FROM: 00-00-00 THRU: 07-29-93
	098447-09-000	EA	TV-COLOR, 13" - COLOR W/SPEAKER - MAGNAVOX RR1342C - U.S. (BEDROOM) FROM: 08-30-93 THRU: 99-99-99
	098447-07-700	EA	REMOTE FOR RR1342C
	098447-06-000	EA	TV-COLOR, 13" - COLOR W/SPEAKER - MAGNAVOX RR1337FTD - CSA (BEDROOM) FROM: 00-00-00 THRU: 08-29-93
	098447-10-000	EA	TV-COLOR, 13" - COLOR W/SPEAKER - MAGNAVOX XR1332C - CSA (BEDROOM) FROM: 08-30-93 THRU: 99-99-99
	098447-08-700	EA	REMOTE FOR XR1333C
	098819-01-000	EA	SPEAKER-2 WATT, 8 OHM - 4"
	093214-01-02A	EA	GRILL-SPEAKER, 4" BROWN
	099717-02-000	EA	TIEDOWN-TV, STRAP ON FEMALE END IS 28.7" LONG (BEDROOM)
	086756-01-000	EA	SPLITTER-TV, 2 WAY
	086777-04-000	EA	PLATE-WALL, CABLE - W/TV ANTENNA SWITCH & BOOSTER - BROWN FROM: 00-00-00 THRU: 04-14-93
	086777-06-000	EA	PLATE-WALL, CABLE - W/TV ANTENNA SWITCH & BOOSTER - BROWN FROM: 04-15-93 THRU: 99-99-99
	076319-09-000	EA	WALLPLATE-CABLE RECEPTACLE, TV - SINGLE - BROWN
	082134-01-000	EA	ADAPTER-TV, CABLE TO CABLE - WINEGARD F-81M
	093901-04-000	EA	PLATE-COAXIAL CABLE, EXTERIOR
	082136-01-000	EA	NUT-HEX JAM 3/8-32, WINEGARD
	096777-02-000	EA	WALLPLATE-TV CABLE, W/ANTENNA SWITCH - BROWN
	076319-03-000	FT	CABLE-COAXIAL, 75 OHM
	076319-12-000	EA	CONNECTOR-COAXIAL, ONE PIECE
	099717-02-000	EA	TIEDOWN-TV, STRAP ON FEMALE END IS 28.7" LONG (BEDROOM)

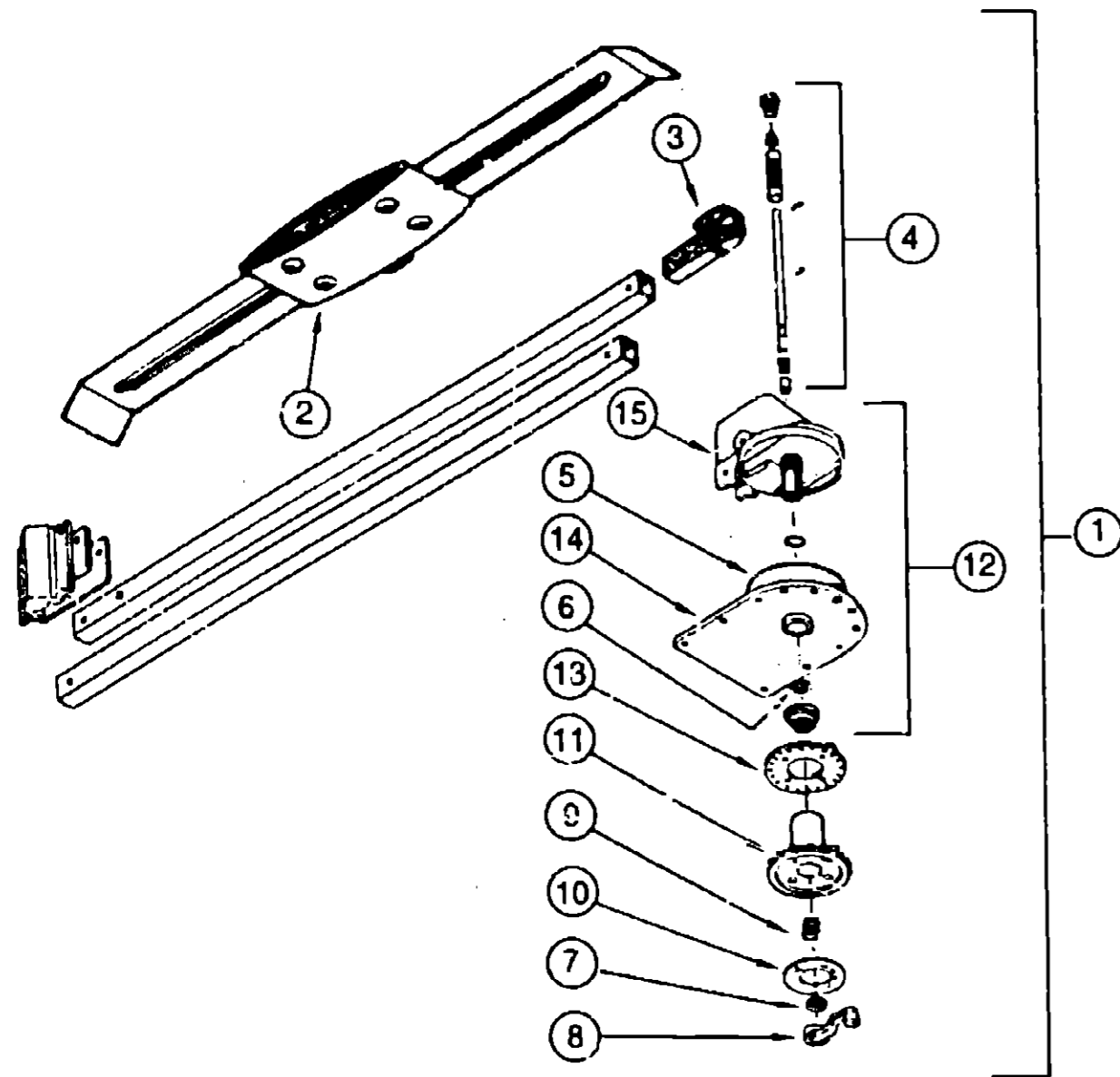
**1993 WINNEBAGO
TABLE OF CONTENTS**

INTRODUCTION	A-01 -	A-02
ABBREVIATIONS		A-03
ALPHABETICAL INDEX	A-04 -	A-06
WCM37RW	A-07 -	G-08
WCM33RQ	G-09 -	L-24

1993 WCM37RW INDEX

FLOOR PLAN	A-07 -	A-08
ACCESSORIES		A-09
AUDIO VIDEO	A-10	A-13
BATH	A-14 -	A-18
BEDROOM	A-19 -	A-20
CHASSIS	A-21 -	B-20
CURTAIN & CUSHION	B-21 -	C-10
DINETTE	C-11 -	C-12
DRIVERS COMPARTMENT	C-13 -	C-18
ELECTRICAL	C-19 -	D-01
EXTERIOR BODY	D-02 -	D-12
GALLEY	D-13 -	D-22
GENERATOR	D-23	D-24
HEATING & A/C	E-01 -	E-06
INTERIOR FINISH	E-07 -	E-10
LABEL	E-11 -	E-18
LP		E-19
LOUNGE	E-20 -	E-21
SEALANTS & FASTENERS	E-22 -	F-02
WATER & SEWAGE	F-03 -	F-07
WINDOW, VENT AND EXTERIOR DOOR	F-08 -	G-04
WINDSHIELD & WIPER	G-05 -	G-08

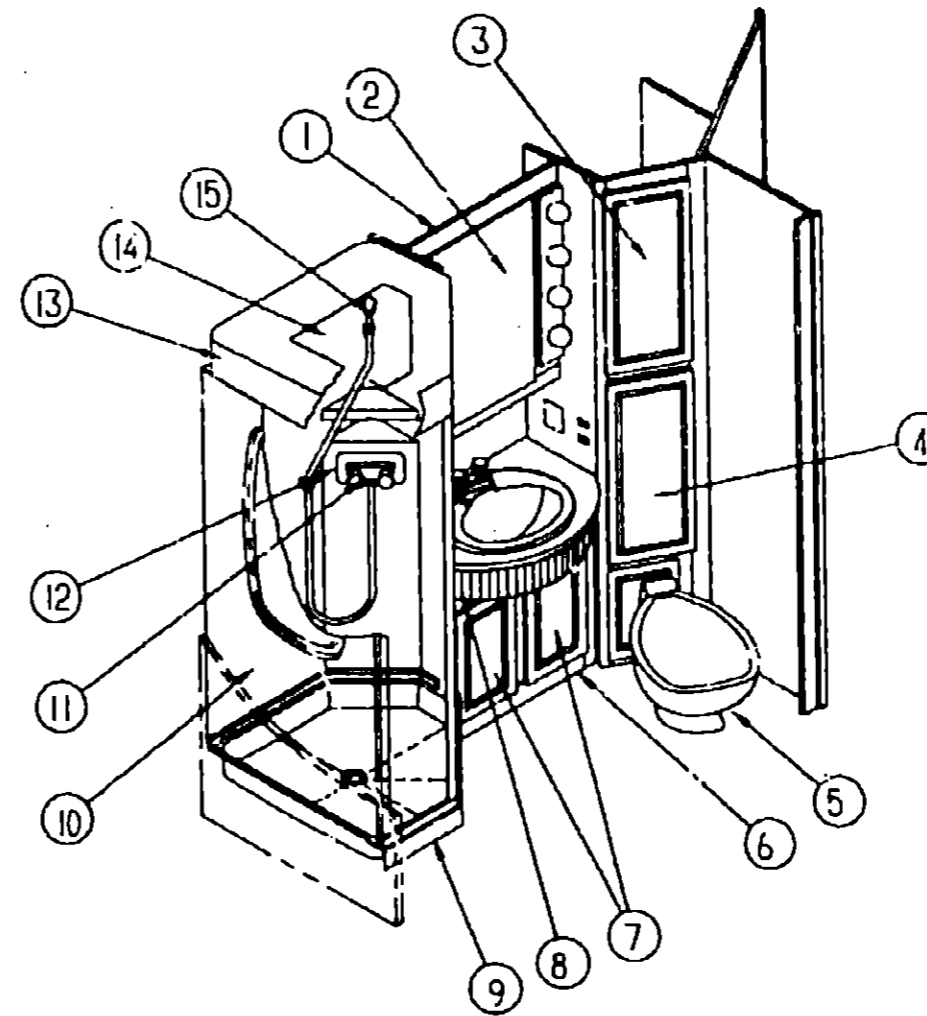
AUDIO VIDEO GROUP (CONTINUED)



TV ANTENNA

KEY	PART NUMBER	U/M	DESCRIPTION
1	076319-16-000	EA	ANTENNA-TV ROOF MT
2	076319-01-700	EA	HEAD-ANTENNA, AMPLIFIED - WINEGARD RVSA U/V
3	076319-01-701	EA	GEAR-ELEVATING, PLASTIC - WINEGARD 2200046
4	076319-01-702	EA	SHAFT ASM-ELEVATING, WINEGARD RVP-400A
5	076319-01-703	EA	BEARING-NYLON, 5"OD - WINEGARD 3200656
6	076319-01-704	EA	BEARING-NYLON, 1.25"OD - WINEGARD 3200657
7	076319-01-705	EA	GROMMET-NYLON, 7/8"ID - WINEGARD 3200658
8	076319-01-706	EA	CRANK-ELEVATING, W/SET SCREW - WINEGARD 5755100
9	076319-01-707	EA	SPRING-HANDLE, WINEGARD 5160800
10	076319-01-708	EA	DECAL-CRANK, WINEGARD 5413002
11	076319-01-709	EA	PLATE-DIRECTIONAL, FOR HEAD - WINEGARD 3200644
12	076319-01-711	EA	BASE & LIFT ASM, WINEGARD 2762802
13	076319-01-712	EA	CEILING PLATE (DIRECTIONAL)
14	076319-01-713	EA	BASE PLATE
15	076319-01-714	EA	HOUSING, ROTATING GEAR - WINEGARD 2200049
	076319-09-000	EA	WALLPLATE-CABLE RECEPTACLE, TV - SINGLE - BROWN
	076319-03-000	FT	CABLE-COAXIAL, 75 OHM
	076319-12-000	EA	CONNECTOR-COAXIAL, ONE PIECE

BATH GROUP



DRIVER SIDE BATH CABINETS

KEY	PART NUMBER	U/M	DESCRIPTION
1	P07734-01-D18	EA	CABINET-OVERHEAD, MEDICINE - W/O DOOR & HARDWARE
2	102326-01-000	EA	DOOR-MIRROR, 500 X 750MM
3	P00520-68-D18	EA	DOOR-CABINET, W/O HARDWARE - 305 X 740MM
4	P00520-C6-D18	EA	DOOR-CABINET, ON HAMPER - W/O HARDWARE - 740 X 305MM
5	039341-03-000	EA	TOILET-STARLITE, HIGH - THETFORD - PARCHMENT
	039341-02-703	EA	PLUG-HOLE, IVORY - THETFORD 03835-10
	039341-02-705	EA	MOUNTING PACKAGE, THETFORD 08975 A.M.
	039341-02-707	EA	PIN-HINGE, TOILET - THETFORD 12986
	039341-03-700	EA	COVER-TOILET, PARCHMENT 20925 THETFORD
	039341-03-701	EA	RING-SEAT, TOILET - PARCHMENT - THETFORD 1656457
	064076-01-701	EA	MECHANISM-FLUSHING, THETFORD 14622 IVORY STARLIGHT
	067487-01-701	EA	WATER SAVER PACKAGE-THETFORD 08993
	024676-01-000	EA	FLANGE-CLOSET, TOILET - 4" X 3" - RED
	024676-02-000	EA	FLANGE-CLOSET, 4" X 3" - ABS - CANADIAN
5	085330-02-000	EA	TOILET-CHINA, STANDARD - BONE - SEALAND ML 510 (OPTIONAL)
6	P07733-01-D18	EA	CABINET-LAVATORY, W/O DOOR & HARDWARE
6	P07733-01-D19	EA	CABINET-LAVATORY, W/O DOOR & HARDWARE
6	P07733-01-D20	EA	CABINET-LAVATORY, W/O DOOR & HARDWARE
7	P00520-C3-D18	EA	DOOR-CABINET, W/O HARDWARE - 305 X 475MM
	075240-05-000	EA	FAUCET-LAVATORY, BRASS
	105218-01-01A	EA	SPACER-FAUCET, LAVATORY SINK - 2" X 5.9" - ABS PLASTIC - OFF WHITE
	105921-01-01A	EA	SINK-LAVATORY, LARGE OVAL - 17" X 20" - PLASTIC - OFF WHITE
	106116-01-01A	EA	STRAINER-SINK, W/STOPPER TAIL PIECE GASKET & NUT - PLASTIC

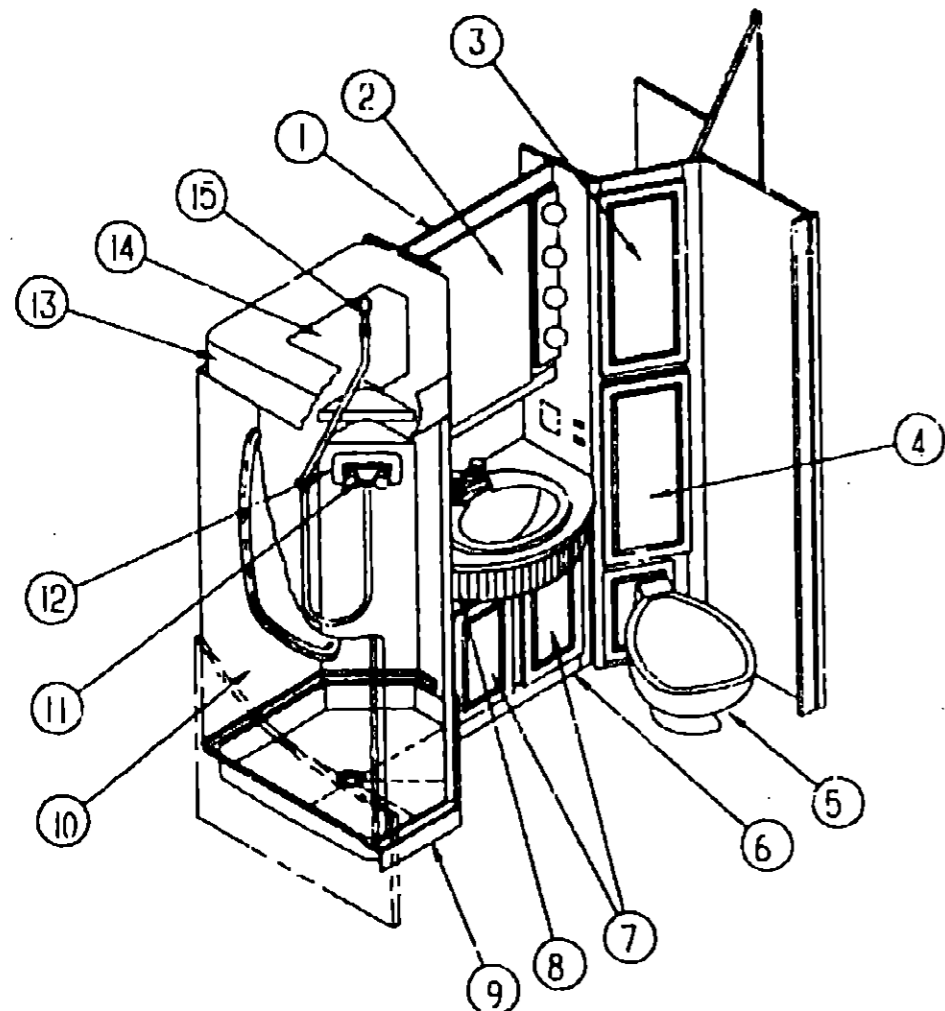
**1993 WINNEBAGO
TABLE OF CONTENTS**

INTRODUCTION	A-01 -	A-02
ABBREVIATIONS		A-03
ALPHABETICAL INDEX	A-04 -	A-06
WCM37RW	A-07 -	G-08
WCM33RO	G-09 -	L-24

1993 WCM37RW INDEX

FLOOR PLAN	A-07 -	A-08
ACCESSORIES		A-09
AUDIO VIDEO	A-10 -	A-13
BATH	A-14 -	A-18
BEDROOM	A-19 -	A-20
CHASSIS	A-21 -	B-20
CURTAIN & CUSHION	B-21 -	C-10
DINETTE	C-11 -	C-12
DRIVERS COMPARTMENT	C-13 -	C-18
ELECTRICAL	C-19 -	D-01
EXTERIOR BODY	D-02 -	D-12
GALLEY	D-13 -	D-22
GENERATOR	D-23 -	D-24
HEATING & A/C	E-01 -	E-06
INTERIOR FINISH	E-07 -	E-10
LABEL	E-11 -	E-18
LP		E-19
LOUNGE	E-20 -	E-21
SEALANTS & FASTENERS	E-22 -	F-02
WATER & SEWAGE	F-03 -	F-07
WINDOW, VENT AND EXTERIOR DOOR	F-08 -	G-04
WINDSHIELD & WIPER	G-05 -	G-08

BATH GRUP (CONTINUED)



DRIVER SIDE BATH CABINETS (CONTINUED)

KEY	PART NUMBER	U/M	DESCRIPTION
8	107733-11-D18	EA	COUNTERTOP-CABINET, LAVATORY
8	107733-11-D19	EA	COUNTERTOP-CABINET, LAVATORY
8	107733-11-D20	EA	COUNTERTOP-CABINET, LAVATORY
	109736-01-01A	FT	T-MOLDING, 1.00' - BRASS/BLACK - CRILA PLASTICS
	057982-04-000	SF	TAMBOUR-DOOR, 4' X 8' SHEET
9	M02630-23-D18	EA	SHOWER PAN
	066440-01-000	EA	STRAINER-SHOWER, W/RUBBER WASHER
	069735-01-000	EA	WASHER-STRAINER TO TAILPIECE PLASTIC, 1.5"
	057671-01-000	EA	COVER-SCREW, #8 - PLASTIC - OFF WHITE
10	107849-01-01A	EA	ENCLOSURE-SHOWER, PLASTIC - OFF WHITE
11	075241-04-000	EA	FAUCET-SHOWER, BRASS (U.S.)
11	075241-05-000	EA	FAUCET-SHOWER, BONE (CANADIAN)
12	075606-01-000	EA	PANEL-FAUCET BACK, SHOWER - 5" X 9" - PLASTIC
	104044-01-000	EA	BRACKET-SUPPORT, FAUCET
13	107848-01-01A	EA	CAP-SHOWER, OFF WHITE
14	108035-01-01A	EA	PANEL-SKYLITE, INNER - OFF WHITE
14	108661-01-01A	EA	COVER-SKYLIGHT, WHITE
15	103092-01-000	EA	SHOWER HEAD-W/60" HOSE (U.S.)
	103092-01-700	EA	BRACKET ONLY-CLEAR, SHOWER HEAD - 2328028
	103092-01-701	EA	BRACKET ONLY-BONE, SHOWER HEAD - 2328029
15	103092-02-000	EA	SHOWER HEAD-W/60" HOSE (CANADIAN)
	058331-87-000	EA	MIRROR-GLASS, SAFETY - ABOVE SINK ON WALL - 296 X 688MM
			FROM: 00-00-00 THRU: 02-21-93
	093606-10-000	EA	MIRROR-PANEL, BEVELED - 1/8"
			FROM: 02-22-93 THRU: 99-99-99
	075452-02-000	EA	HOLDER-TOILET TISSUE, BRASS
	075454-02-000	EA	RING-TOWEL, W/MOUNTING HARDWARE - BRASS

BATH GROUP (CONTINUED)

SHOWER DOOR

KEY	PART NUMBER	U/M	DESCRIPTION
	107878-01-01A	EA	DOOR-SHOWER, COASTAL
	089318-01-701	FT	VINYL SWEEP, COASTAL C171G RL
	092574-01-700	EA	KNOB F/SAFETY LATCH, COASTAL 9728
	092574-01-704	EA	SCREW-GOLD #6 3/8, COASTAL 638G
	092574-01-705	EA	MAGNETIC STRIP 56-7/8", COASTAL 98-41
	092574-01-707	EA	PIVOT BUSHING, COASTAL 18712B
	107878-01-700	EA	DOOR PULL, COASTAL 1849
	107878-01-701	EA	TOWEL BAR BRACKETS, COASTAL 1841
	107878-01-702	EA	TOWEL BAR, COASTAL 1849

BATH PRIVACY DOOR

KEY	PART NUMBER	U/M	DESCRIPTION
	103908-03-C07	EA	HEADER-DOOR, WOOD
			FROM: 00-00-00 THRU: 11-29-92
	110418-01-D13	EA	HEADER-DOOR, WOOD - BETWEEN GALLEY & BATH
			FROM: 11-30-92 THRU: 99-99-99
	110418-03-D18	EA	HEADER-DOOR, WOOD - BETWEEN BATH & BEDROOM
			FROM: 11-30-92 THRU: 99-99-99
	104013-02-C05	EA	DOOR-SLIDING PRIVACY, FRONT BETWEEN GALLEY & BATH
	104013-03-C07	EA	DOOR-SLIDING PRIVACY, REAR BETWEEN BATH & BEDROOM
	100357-01-000	EA	ROD-TOWEL, CRASS W/ENDS BENT FOR BACK OF BATH DOOR
	102089-13-B07	EA	WOOD RAIL - TOWEL RACK - RIGHT SIDE - 26" LONG
	102089-14-B07	EA	WOOD RAIL - TOWEL RACK - LEFT SIDE - 26" LONG
	103868-05-01A	EA	TRACK-DOOR, 1353MM - OFF WHITE - BETWEEN GALLEY & BATH
	103868-03-01A	EA	TRACK-DOOR, 12" JMM - OFF WHITE - BETWEEN BATH & BEDROOM
	064467-01-000	EA	GUIDE-POCKET, WALL MOUNTED
	103874-01-000	EA	HANGER-SLIDING DOOR

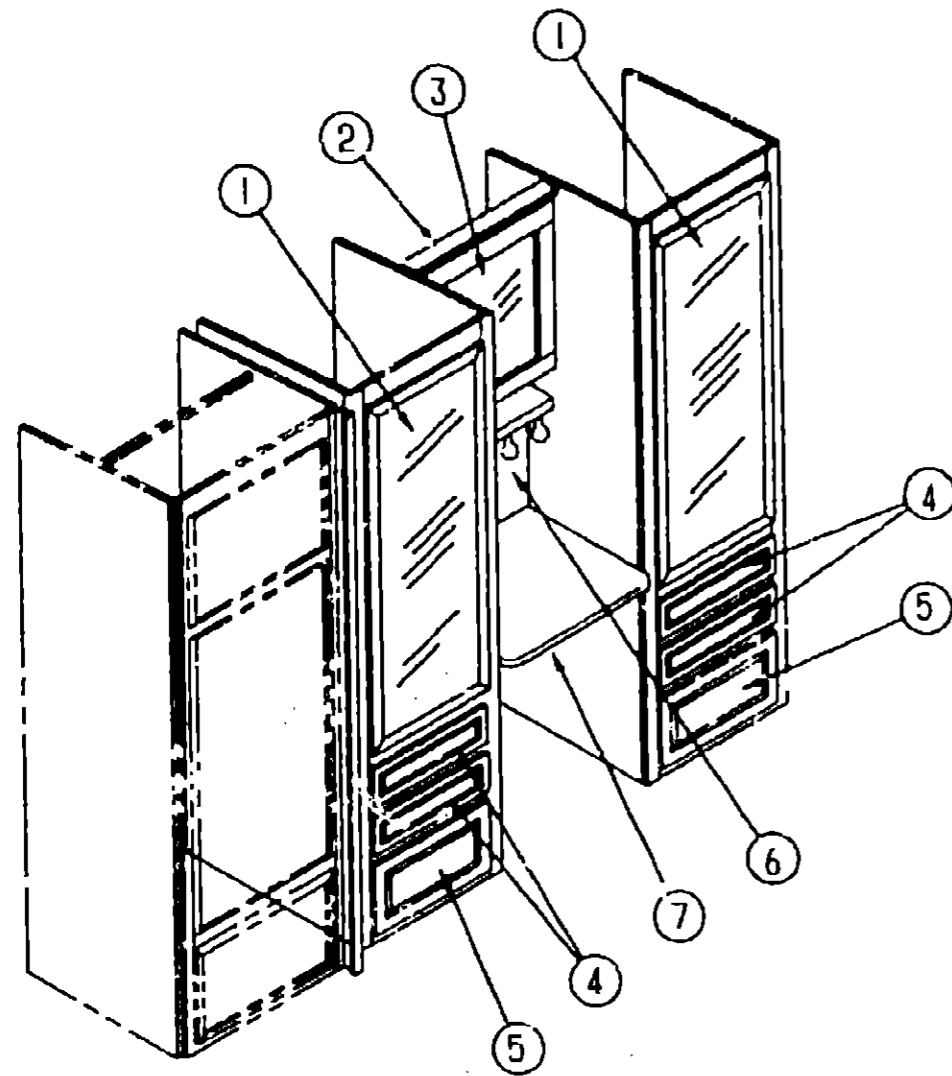
1993 WINNEBAGO TABLE OF CONTENTS

INTRODUCTION	A-01 -	A-02
ABBREVIATIONS		A-03
ALPHABETICAL INDEX	A-04 -	A-06
WCM37PW	A-07 -	G-08
WCM23RO	G-09 -	L-24

1993 WCM37RW INDEX

FLOOR PLAN	A-07 -	A-08
ACCESSORIES		A-09
AUDIO VIDEO	A-10	A-13
BATH	A-14 -	A-18
BEDROOM	A-19 -	A-20
CHASSIS	A-21	B-20
CURTAIN & CUSHION	B-21	C-10
DINETTE	C-11	C-12
DRIVERS COMPARTMENT	C-13	C-18
ELECTRICAL	C-19	D-01
EXTERIOR BODY	D-02	D-12
GALLEY	D-13	D-22
GENERATOR	D-23	D-24
HEATING & A/C	E-01	E-06
INTERIOR FINISH	E-07	E-10
LABEL	E-11	E-18
LP		E-19
LOUNGE	E-20	E-21
SEALANTS & FASTENERS	E-22	F-02
WATER & SEWAGE	F-03	F-07
WINDOW, VENT AND EXTERIOR DOOR	F-08	G-04
WINDSHIELD & WIPER	G-05	G-08

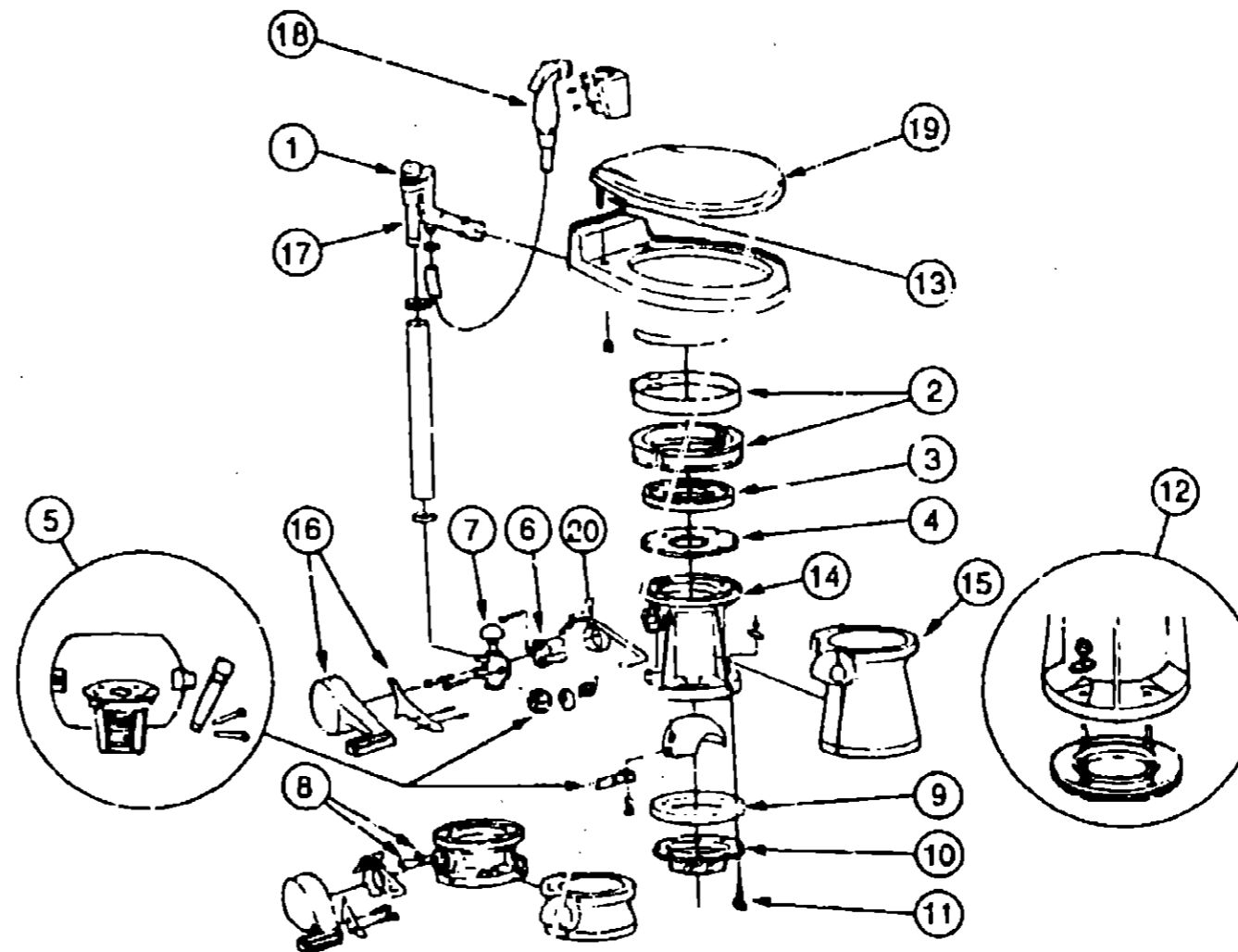
BATH GROUP (CONTINUED)



PASSENGER SIDE BATH CABINETS

KEY	PART NUMBER	U/M	DESCRIPTION
1	P04746-92-D18	EA	DOOR-CABINET, W/O HARDWARE - 525 X 1275MM
	088742-11-000	EA	MIRROR-BEVELED, SAFETY GLASS - 436 X 1186MM
2	P07737-01-D18	EA	CABINET-OVERHEAD, MAKE UP - W/O DOOR & HARDWARE
3	102326-03-000	EA	DOOR-MIRROR, 500 X500MM - JENSEN
4	P07104-M4-D18	EA	DRAWER-CABINET, W/O HARDWARE
5	P07104-M6-D18	EA	DRAWER-CABINET, W/O HARDWARE
6	058331-88-000	EA	MIRROR-GLASS, SAFETY - 532 X 592MM
	093606-11-000	EA	MIRROR-PANEL, BEVELED - 1/8"
			FROM: 00-00-00 THRU: 02-21-93
			FROM: 02-22-93 THRU: 99-99-99
7	107480-11-D18	EA	COUNTERTOP-CABINET, VANITY, WARDROBE
7	107480-11-D19	EA	COUNTERTOP-CABINET, VANITY/WARDROBE
7	107480-11-D20	EA	COUNTERTOP-CABINET, VANITY/WARDROBE
	G42438-01-000	EA	DOWEL-WOOD, CLOTHES ROD - 1" DIAMETER X 4'
	009112-01-000	EA	FLANGE-1" ROD, CLOTHES - PLASTIC - OFF WHITE

BATH GROUP (CONTINUED)



OPTIONAL TOILET

KEY	PART NUMBER	U/M	DESCRIPTION
	085330-02-000	EA	TOILET-CHINA, STANDARD - BONE - SEALAND ML 510
1	085330-01-701	EA	KIT-VACUUM BREAKER, SEAL AND 385318065
2	085330-01-703	EA	RING & HALF CLAMPS ASM-BONE, SEALAND 385310048
3	085330-01-704	EA	TEFLON & RUBBER SEALS, SEALAND 385316140
4	085330-01-705	EA	SUPPORT-SEAL, PLASTIC - SEALAND 390346405
5	085330-01-706	EA	BALL, SHAFT, & CARTRIDGE, SEALAND 385318162
6	085330-01-707	EA	CARTRIDGE-SPRING, SEALAND 381233096
7	085330-01-709	EA	VALVE-WATER, SEALAND 385314349
8	085330-01-710	EA	PLUG-DRAIN, & CAP - W/SEAL - SEALAND# 385316142
9	085330-01-714	EA	SEAL-FLANGE, FLOOR - SEALAND 390343392
10	085330-01-715	EA	FLANGE-FLOOR, 3" MPT - SEALAND 390346056
11	085330-01-717	EA	BOLT MOUNTING PACKAGE-SEALAND 385310064
12	085330-01-718	EA	SEAL-BASE & MOUNTING HARDWARE, SEALAND 385310063
13	085330-01-720	EA	HINGE HARDWARE, (BONE) SET, SEALAND 341707
14	085330-02-700	EA	BASE ASM
15	085330-02-702	EA	PEDESTAL COVER KIT BONE 510
16	085330-02-703	EA	PEDAL COVER KIT, BONE - SEALAND 310115
17	085330-04-700	EA	VACUUM BREAKER FOR HANDSPRAY
18	085330-04-701	EA	HAND SPRAY WHOSE
19	085330-04-707	EA	SEAT ASM, BONE - SEALAND 340816
20	085330-06-703	EA	FLUSH LEVER

**1993 WINNEBAGO
TABLE OF CONTENTS**

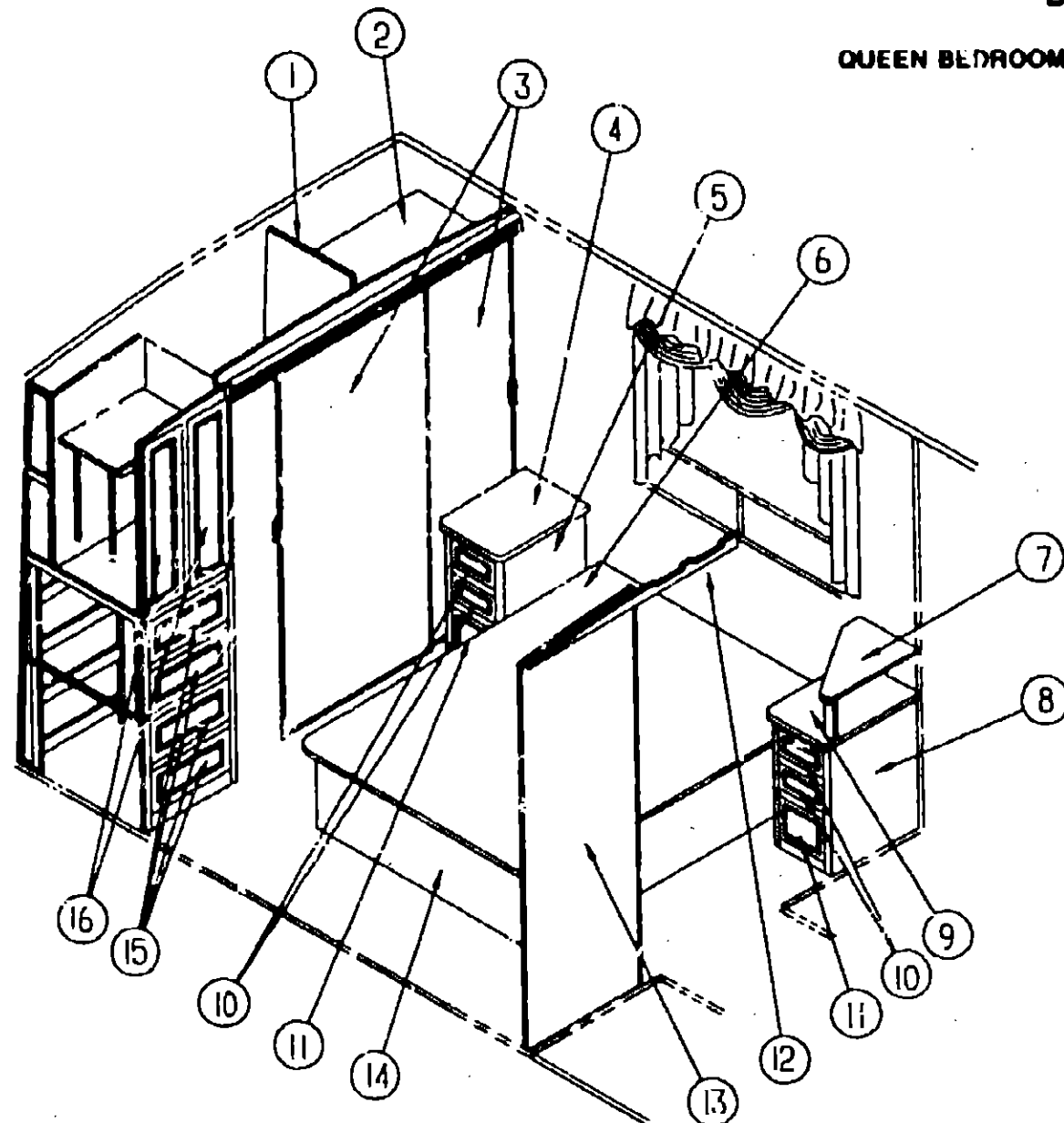
INTRODUCTION	A-01 -	A-02
ABBREVIATIONS		A-03
ALPHABETICAL INDEX	A-04 -	A-05
WCM37RW	A-07 -	G-08
WCM33RO	G-09 -	L-24

1993 WCM37RW INDEX

FLOOR PLAN	A-07 -	A-08
ACCESSORIES		A-09
AUDIO VIDEO	A-10	A-13
BATH	A-14 -	A-18
BEDROOM	A-19 -	A-20
CHASSIS	A-21 -	B-20
CURTAIN & CUSHION	B-21 -	C-10
DINETTE	C-11 -	C-12
DRIVERS COMPARTMENT	C-13 -	C-18
ELECTRICAL	C-19 -	D-01
EXTERIOR BODY	D-02 -	D-12
GAILEY	D-13 -	D-22
GENERATOR	D-23	D-24
HEATING & A/C	E-01 -	E-06
INTERIOR FINISH	E-07 -	E-10
LABEL	E-11 -	E-18
LP		E-19
LOUNGE	E-20 -	E-21
SEALANTS & FASTENERS	E-22 -	F-02
WATER & SEWAGE	F-03 -	F-07
WINDOW, VENT AND EXTERIOR DOOR	F-08 -	G-04
WINDSHIELD & WIPER	G-05 -	G-08

BEDROOM GROUP

QUEEN BEDROOM CABINETS & SLIDING PRIVACY DOOR



KEY	PART NUMBER	U/M	DESCRIPTION
4	107735-11-D18	EA	COUNTERTOP-CABINET, NIGHTSTAND
4	107735-11-D19	EA	COUNTERTOP-CABINET, NIGHTSTAND
4	107735-11-D20	EA	COUNTERTOP-CABINET, NIGHTSTAND
5	P07735-01-D18	EA	CABINET-NIGHTSTAND, LEFT REAR - W/O DOOR & HARDWARE
5	P07735-01-D19	EA	CABINET-NIGHTSTAND, LEFT REAR - W/O DOOR & HARDWARE
5	P07735-01-D20	EA	CABINET-NIGHTSTAND, LEFT REAR - W/O DOOR & HARDWARE
6	M05087-16-D18	EA	TOP-CABINET, QUEEN BED - HEAD SECTION
	107539-01-000	EA	SPRING-GAS, 20" BLADE END - SPRING LIFT SL3-110
			FROM: 00-00-00 THRU: 07-26-92
	057460-04-000	EA	SPRING-GAS
			FROM: 07-27-92 THRU: 99-99-99
	107540-01-000	EA	BRACKET-90 DEGREE, GAS SPRING
			FROM: 00-00-00 THRU: 07-26-92
	107541-01-000	EA	BRACKET-FLAT, GAS SPRING
			FROM: 00-00-00 THRU: 07-26-92
	057460-02-000	EA	STUD-BALL, GAS SPRING - 10MM - 5/16" - 18
			FROM: 07-27-92 THRU: 99-99-99
	089025-01-000	EA	SUPPORT-SPRING, TO BED - ANGLE 1.5" X 11.8" LONG - STEEL
			FROM: 07-27-92 THRU: 99-99-99
	109645-01-000	EA	BRACKET-SUPPORT, GAS SPRING - FLOOR TO BED
	108195-01-D18	EA	CABINET-SPEAKER, OVER DRIVER SIDE WINDOW UNDER VALANCE
7	107446-02-L18	EA	CABINET-RADIO
7	107446-02-D19	EA	CABINET-RADIO
7	107446-02-D20	EA	CABINET-RADIO
8	P08317-01-D18	EA	CABINET-NIGHTSTAND, RIGHT FRONT - W/O DOOR & HARDWARE
8	P08317-01-D19	EA	CABINET-NIGHTSTAND, RIGHT FRONT - W/O DOOR & HARDWARE
8	P08317-01-D20	EA	CABINET-NIGHTSTAND, RIGHT FRONT - W/O DOOR & HARDWARE
9	108317-11-D18	EA	COUNTERTOP-CABINET, NIGHTSTAND
9	108317-11-D19	EA	COUNTERTOP-CABINET, NIGHTSTAND
9	108317-11-D20	EA	COUNTERTOP-CABINET, NIGHTSTAND
10	P07104-50-D18	EA	DRAWER-CABINET, W/O HARDWARE (2 USED)
11	P07104-52-D18	EA	DRAWER-CABINET, W/O HARDWARE
12	109964-01-D18	EA	HEADER-WARDROBE CABINET, REAR
	103868-05-01A	EA	TRACK-DOOR, 1353MM - OFF WHITE
13	M05806-01-D18	EA	CABINET-WALL, PASSENGER SIDE - BETWEEN BATH & BEDROOM
	103908-03-C07	EA	HEADER-DOOR, WOOD
			FROM: 00-00-00 THRU: 11-29-92
	110418-03-D18	EA	HEADER-DOOR, WOOD
			FROM: 11-30-92 THRU: 99-99-99
	104013-03-C07	EA	DOOR-SLIDING PRIVACY, REAR BETWEEN BATH & BEDROOM
14	P07738-01-D18	EA	CABINET-QUEEN BED
	M05087-15-D18	EA	TOP-CABINET, QUEEN BED - TOP SECTION
	M05787-15-D18	EA	TOP-CABINET, QUEEN BED - FOOT SECTION
15	P07104-M8-D18	EA	DRAWER-CABINET, W/O HARDWARE
16	P00520-C4-D18	EA	DOOR-CABINET, W/O HARDWARE - 250 X 850MM
	107481-11-D18	EA	SHELF ASM-CABINET, WARDROBE - UPPER - 2 USED
	107481-17-D18	EA	SHELF ASM-CABINET, WARDROBE - LOWER

1993 WINNEBAGO TABLE OF CONTENTS

INTRODUCTION	A-01 - A-02
ABBREVIATIONS	A-03
ALPHABETICAL INDEX	A-04 - A-06
WCM37RW	A-07 - G-08
WCM33RQ	G-09 - L-24

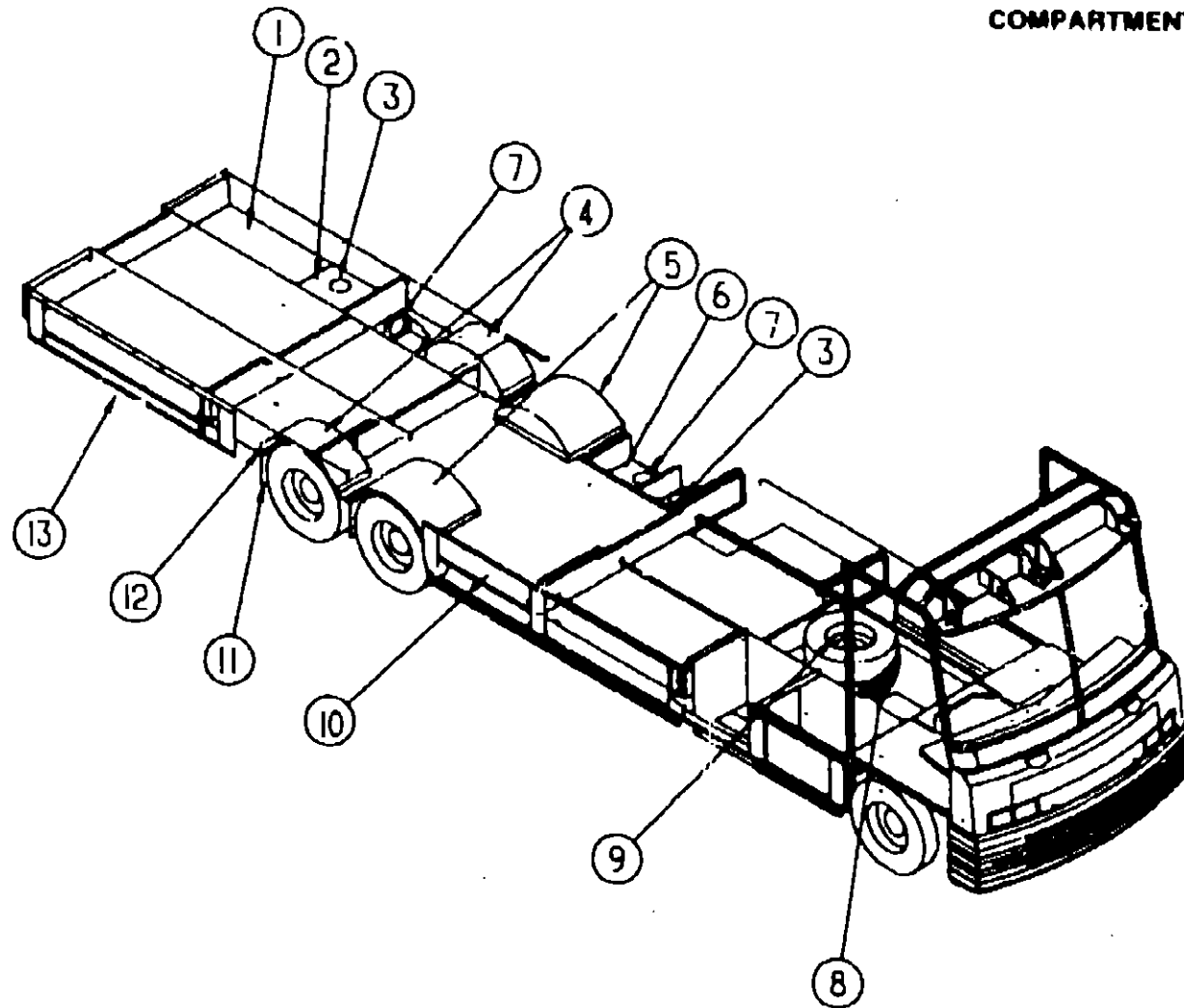
1993 WCM37RW INDEX

FLOOR PLAN	A-07 - A-08
ACCESSORIES	A-09
AUDIO VIDEO	A-10 - A-13
BATH	A-14 - A-15
BEDROOM	A-16 - A-20
CHASSIS	A-21 - B-20
CURTAIN & CUSHION	B-21 - C-10
DINETTE	C-11 - C-12
DRIVERS COMPARTMENT	C-13 - C-18
ELECTRICAL	C-19 - D-01
EXTERIOR BODY	D-02 - D-12
GALLEY	D-13 - D-22
GENERATOR	D-23 - D-24
HEATING & A/C	E-01 - E-06
INTERIOR FINISH	E-07 - E-10
LABEL	E-11 - E-18
LP	E-19
LOUNGE	E-20 - E-21
SEALANTS & FASTENERS	E-22 - F-02
WATER & SEWAGE	F-03 - F-07
WINDOW, VENT AND EXTERIOR DOOR	F-08 - G-04
WINDSHIELD & WIPER	G-05 - G-08

KEY	PART NUMBER	U/M	DESCRIPTION
1	108577-01-D18	EA	CABINET-DIVIDER, WARDROBE
2	108576-01-D18	EA	CABINET-SHELF, WARDROBE
	009112-01-000	EA	FLANGE-1" ROD, CLOTHES - PLASTIC - OFF WHITE
	042438-01-000	EA	DOWEL-WOOD, CLOTHES ROD - 1" DIAMETER X 4'
3	058331-89-000	EA	MIRROR-GLASS, SAFETY - 902 X 1889MM
	107386-04-01A	EA	STILE-DOOR, W/PULL - 1892MM - STANLEY 4057-78GD C
	107387-04-01A	EA	RAIL-DOOR, BY-PASS - 864MM - STANLEY 4058-38GD C
	107388-04-01A	EA	TRACK-BOTTOM, BY-PASS - 1765MM - STANLEY 4044-71GD C
	107389-04-01A	EA	TRACK-TOP, BY-PASS - 1765MM - STANLEY 4002-70GD C
	107390-02-000	EA	HANGER-CORNER, DOUBLE - RIGHT & LEFT - STANLEY 1050-2W BLK
	107391-01-000	EA	GUIDE-BOTTOM, BY-PASS - TANLEY 4053 (PAIF)
	109831-02-D18	EA	STICK-WOOD, MIRROR DOOR STOP - 900MM LONG
			FROM: 00-00-00 THRU: 10-11-92
	110106-01-D18	EA	LATCH ASM-MIRROR DOOR, SLIDING
			FROM: 10-12-92 THRU: 99-99-99
	002345-01-000	EA	CAP-LATCH PULL
	110107-01-01A	EA	PULL-MIRROR DOOR, SLIDING - BLACK
	110108-01-01A	EA	LATCH-MIRROR DOOR, SLIDING - BLACK
	110109-01-01A	EA	CATCH-MIRROR DOOR, SLIDING - BLACK
			FROM: 10-12-92 THRU: 99-99-99
	111564-01-000	EA	SPRING-LATCH, FLAT
			FROM: 03-08-93 THRU: 99-99-99

CHASSIS GROUP

COMPARTMENTS, WHEEL WELLS & MUD FLAPS



KEY	PART NUMBER	U/M DESCRIPTION
1	106152-01-000	EA PANEL-COMPARTMENT, GENERATOR
1	094657-02-000	EA TRAY-GENERATOR, 22.5" X 30.4" X 6.9" W/ANGLE & NUTS
2	M05920-01-D18	EA COMPARTMENT-CITY WATER FILL, W/CAP & CHAIN, PLASTIC
3	092887-03-000	EA CAP-TWIST HATCH, WATER FILL/SEWER COMPARTMENT - 4" ID - BLACK
	092887-04-000	EA CHAIN-TWIST CAP, 9"
4	055374-02-000	EA WHEELWELL-PLASTIC, SINGLE
5	055374-01-000	EA WHEELWELL-PLASTIC, DUALS
6	104742-01-C07	EA COMPARTMENT-STORAGE, SEWER - W/HATCH - PLASTIC
7	092887-01-000	EA CAP-TWIST HATCH, POWER CORD/SEWER HOSE - 6" ID - BEIGE
	092887-04-000	EA CHAIN-TWIST CAP, 9"
8	093287-03-01A	EA NET-CARGO
9	064963-01-000	EA WHEEL-STEEL, 19.5" X 6" - GM 14005758 (CHEVY)
9	095853-01-000	EA WHEEL-STEEL, 16" X 6K - EBTZ - 1015 - A - ACCURIDE 28375-12 (FORD) FROM: 00-00-00 THRU: 08-01-93
9	095853-02-000	EA WHEEL-STEEL, 16" X 6K - F2TA - 1015 - NA - ACCURIDE 28513-7 (FORD) FROM: 08-02-93 THRU: 99-99-99
	077043-03-000	EA NUT-WHEEL 9/16-18 2 PC F53 (FORD)
9	007324-04-000	EA TIRE-BR19.5 LRD, MICHELIN XZA (CHEVY)
9	083425-05-000	EA TIRE-MICHELIN, LT235/85R16 LRE - XPS RIB (FORD)
	077030-02-000	EA EXTENSION-VALVE STEM, 1.25"
	051377-01-000	EA STEM-VALVE, TR 500 FROM: 00-00-00 THRU: 10-11-92
	051377-05-000	EA STEM-VALVE, VS938 FROM: 10-12-92 THRU: 99-99-99
	051377-03-000	EA STEM-VALVE, TRO 600HP (FORD)
	095012-03-000	EA EXTENSION-VALVE STEM, DUAL WHEEL (FORD)
	095012-04-000	EA STABILIZER-VALVE EXTENSION
10	107723-01-01A	EA COVER-COMPARTMENT PANEL, PLASTIC - BLACK
	107717-01-000	EA COMPARTMENT-LP
	109778-01-000	EA SHIELD-TANK, LP
	056748-01-000	EA PLUG-CAP, 1.5" DIAMETER - PLASTIC - BLACK
11	017516-01-000	EA FLAP-MUD, 14" X 18" - BLACK
12	020167-05-000	EA GUARD-DIRT
	065450-05-000	EA TIEDOWN-BATTERY, 8.4" TUBE
13	109809-01-000	EA COMPARTMENT-LUGGAGE, PASSENGER SIDE REAR FROM: 09-10-92 THRU: 04-06-93
	108986-01-000	EA TUBE-SUPPORT, LOWER LADDER STORAGE
	112384-01-000	EA SPONGE-BRACKET, LADDER STORAGE
	092263-03-000	EA PANEL-EXHAUST, FURNACE
	078513-01-000	EA CHANNEL-FRAME, REAR - MOUNTED BETWEEN FRAME RAILS

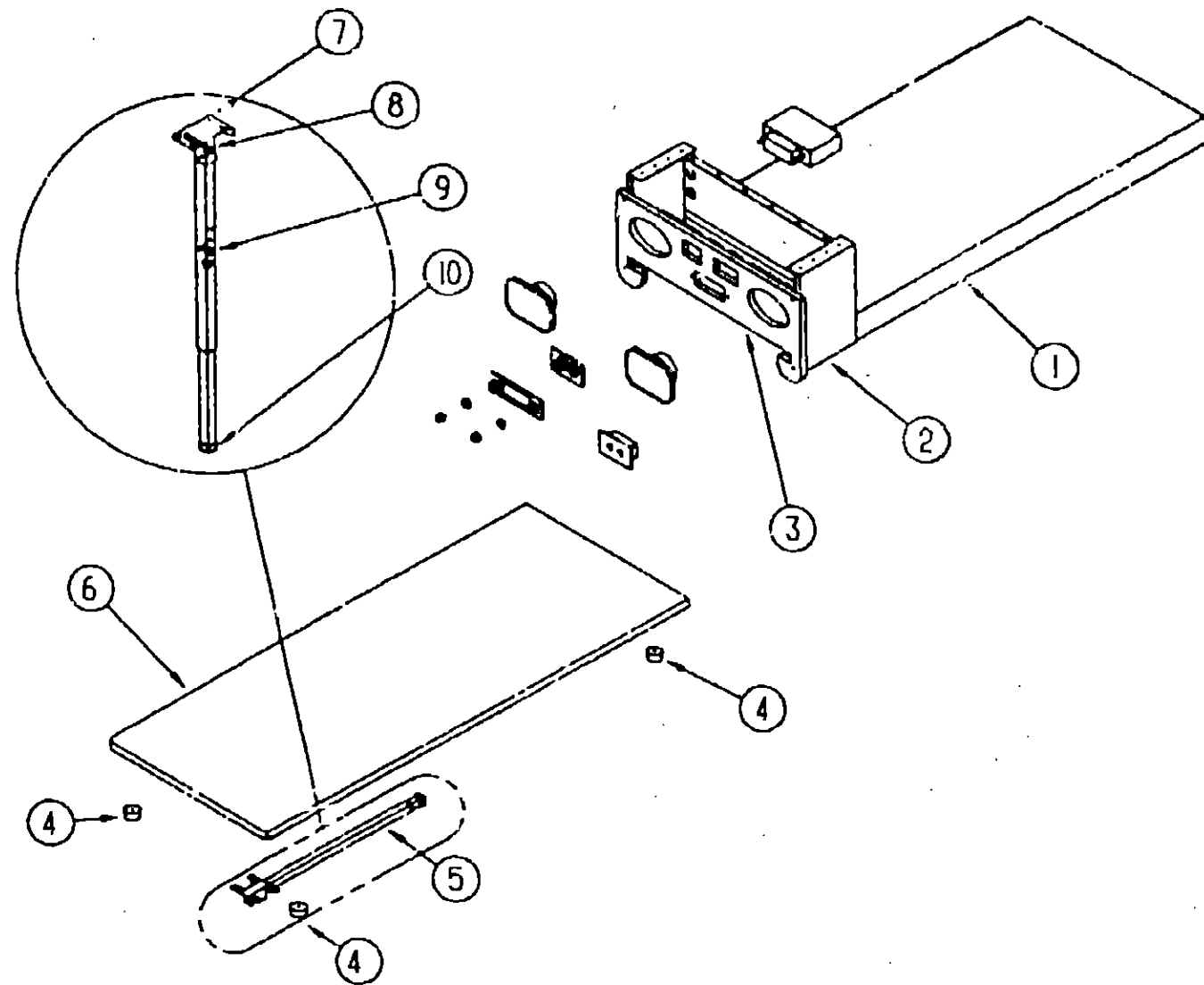
1993 WINNEBAGO TABLE OF CONTENTS

INTRODUCTION	A-01 -	A-02
ABBREVIATIONS		A-03
ALPHABETICAL INDEX	A-04 -	A-06
WCM37RW	A-07 -	G-08
WCM33RG	G-09 -	L-24

1993 WCM37RW INDEX

FLOOR PLAN	A-07 -	A-08
ACCESSORIES		A-09
AUDIO VIDEO	A-10	A-13
BATH	A-14 -	A-18
BEDROOM	A-19 -	A-20
CHASSIS	A-21 -	B-20
CURTAIN & CUSHION	B-21 -	C-10
DINETTE	C-11 -	C-12
DRIVERS COMPARTMENT	C-13 -	C-18
ELECTRICAL	C-19 -	D-01
EXTERIOR BODY	D-02 -	D-12
GALLEY	D-13 -	D-22
GENERATOR	D-23	D-24
HEATING & A/C	E-01 -	E-06
INTERIOR FINISH	E-07 -	E-10
LABEL	E-11 -	E-18
LP		E-19
LOUNGE	E-20 -	E-21
SEALANTS & FASTENERS	E-22 -	F-02
WATER & SEWAGE	F-03 -	F-07
WINDOW, VENT AND EXTERIOR DOOR	F-08 -	G-04
WINDSHIELD & WIPER	G-05 -	G-08

CHASSIS GROUP (CONTINUED)



CHASSIS GROUP (CONTINUED)

DRIVESHAFT, CROSSMEMBER & BRAKE LINES

KEY	PART NUMBER	U/M	DESCRIPTION
	075302-09-000	EA	DRIVESHAFT ASM-YOKE/YOKE, 50" - BEARING - DANA 1410 (CHEVY)
	075302-25-000	EA	DRIVESHAFT ASM-BALANCED PAIR OF 20 & 21, 228" 3S RR 91 (CHEVY)
	075302-20-000	EA	DRIVESHAFT ASM-YOKE/BRG/SPL, PART OF 075302-25-000
	075302-21-000	EA	DRIVESHAFT ASM-SLP-YOKE/YOKE, PART OF 075302-25-000
	074833-04-000	EA	SPACER-BEARING, DRIVESHAFT - 8" X 2" - STEEL (CHEVY)
	074833-01-000	EA	SPACER-BEARING, DRIVESHAFT - 2" X 8" X .5" THICK (CHEVY)
	107212-01-000	EA	CROSSMEMBER ASM-BRAKING SUSPENSION, CHEVY 228 3 DRIVESHAFT
	085771-03-000	EA	NUT-HEX, FLARE PREVAILING TORQUE - GRADE G - DRIVESHAFT
	088497-02-000	EA	UNION-INVERTED FLARE, BRASS - 1/4" (CHEVY)
	088498-01-000	EA	UNION-INVERTED FLARE, BRASS - 3/16 - 3/8 - 21 THD - BRAKE LINE (FORD)
	095511-02-000	EA	DRIVESHAFT-FRONT, 228" WHEELBASE - DANA 1410 SERIES (FORD)
			FROM: 00-00-00 THRU: 02-14-93
	096351-01-000	EA	CABLE-BRAKE, PARK (FORD)
			FROM: 00-00-00 THRU: 09-01-92
	095501-01-000	EA	BRACKET-BRAKE, L-ANGLE W/GUSSET - STEEL (FORD)
			MOUNTS BRAKE CABLE & SUPPORTS HOOD RELEASE CABLE

**1993 WINNEBAGO
TABLE OF CONTENTS**

INTRODUCTION	A-01 -	A-02
ABBREVIATIONS		A-03
ALPHABETICAL INDEX	A-04 -	A-06
WCM37HW	A-07 -	G-08
WCM33RQ	G-09 -	L-24

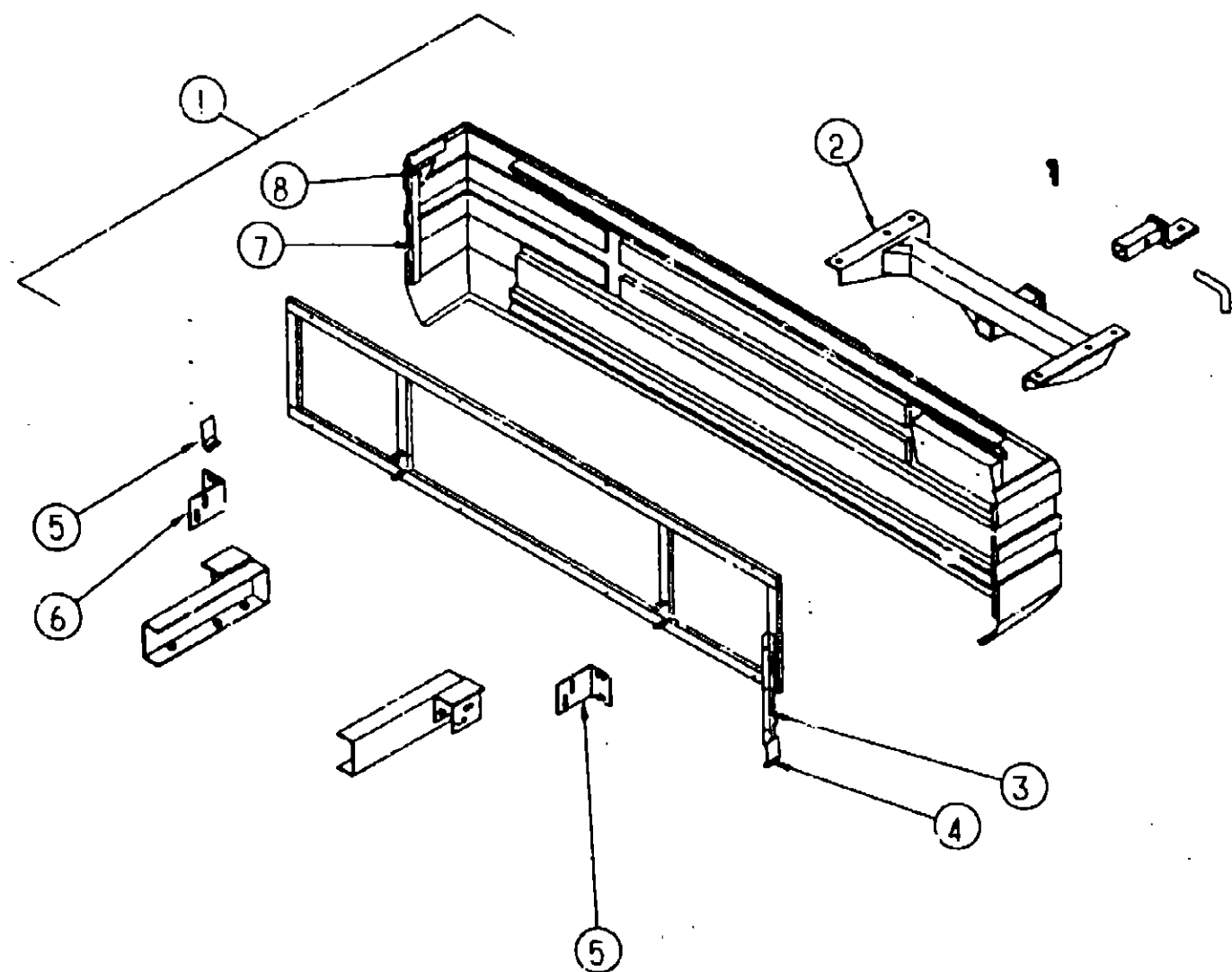
ENTERTAINMENT COMPARTMENT

KEY	PART NUMBER	U/M	DESCRIPTION
1	108534-01-D18	EA	FRAME-ENTERTAINMENT CENTER
			FROM: 00-00-00 THRU: 04-11-93
1	108534-02-E37	EA	FRAME-ENTERTAINMENT CENTER
			FROM: 04-12-93 THRU: 99-99-99
2	108559-01-000	EA	COVER-ENTERTAINMENT CENTER, W/BRACKET
	108508-01-000	EA	BRACKET-ENTERTAINMENT CENTER, MOUNTED ON COVER - 2 USED
	108508-02-000	EA	BRACKET-ENTERTAINMENT CENTER, COMPARTMENT - 2 USED
3	108506-01-D18	EA	PLATE-RADIO MOUNTING
4	069720-02-000	EA	BUMPER-RUBBER, .88" DIAMETER X .40", BLACK
5	108483-01-000	EA	LEG-TABLE, ENTERTAINMENT W/FASTENERS & SPRING
			FROM: 00-00-00 THRU: 01-10-93
5	110381-01-D18	EA	LEG-TABLE, ENTERTAINMENT W/FASTENERS & SPRING
			FROM: 01-11-93 THRU: 99-99-99
6	P08515-01-D18	EA	TABLE-ENTERTAINMENT CENTER
			FROM: 00-00-00 THRU: 04-11-93
6	P08515-02-D18	EA	TABLE-ENTERTAINMENT CENTER
			FROM: 04-12-93 THRU: 99-99-99
7	110287-01-000	EA	BRACKET-LEG, EXTERIOR TABLE
8	074630-03-000	EA	FASTENER-PUSH ON, .250 ROUND - TRV PZ001880PG
8	110459-01-000	EA	SPRING-COMPRESSION, .300 X 1.50" - LEE SG LC-030D-12-M
9	110439-01-000	EA	FASTENER-SNAP BUTTON, VALCO 0135-25
10	110550-01-000	EA	CAP-TUBE, TABLE LEG

1993 WCM37RW INDEX

FLOOR PLAN	A-07 -	A-08
ACCESSORIES		A-09
AUDIO VIDEO	A-10 -	A-13
BATH	A-14 -	A-18
BEDROOM	A-19 -	A-20
CHASSIS	A-21 -	B-20
CURTAIN & CUSHION	B-21 -	C-10
DINETTE	C-11 -	C-12
DRIVERS COMPARTMENT	C-13 -	C-18
ELECTRICAL	C-19 -	F-01
EXTERIOR BODY	D-02 -	D-12
GALLEY	D-13 -	D-22
GENERATOR	D-23 -	D-24
HEATING & AC	E-01 -	E-06
INTERIOR FINISH	E-07 -	E-10
LABEL	E-11 -	E-18
LP		E-19
LOUNGE	E-20 -	E-21
SEALANTS & FASTENERS	E-22 -	F-02
WATER & SEWAGE	F-03 -	F-07
WINDOW, VENT AND EXTERIOR DOOR	F-08 -	G-04
WINDSHIELD & WIPEP	G-05 -	G-08

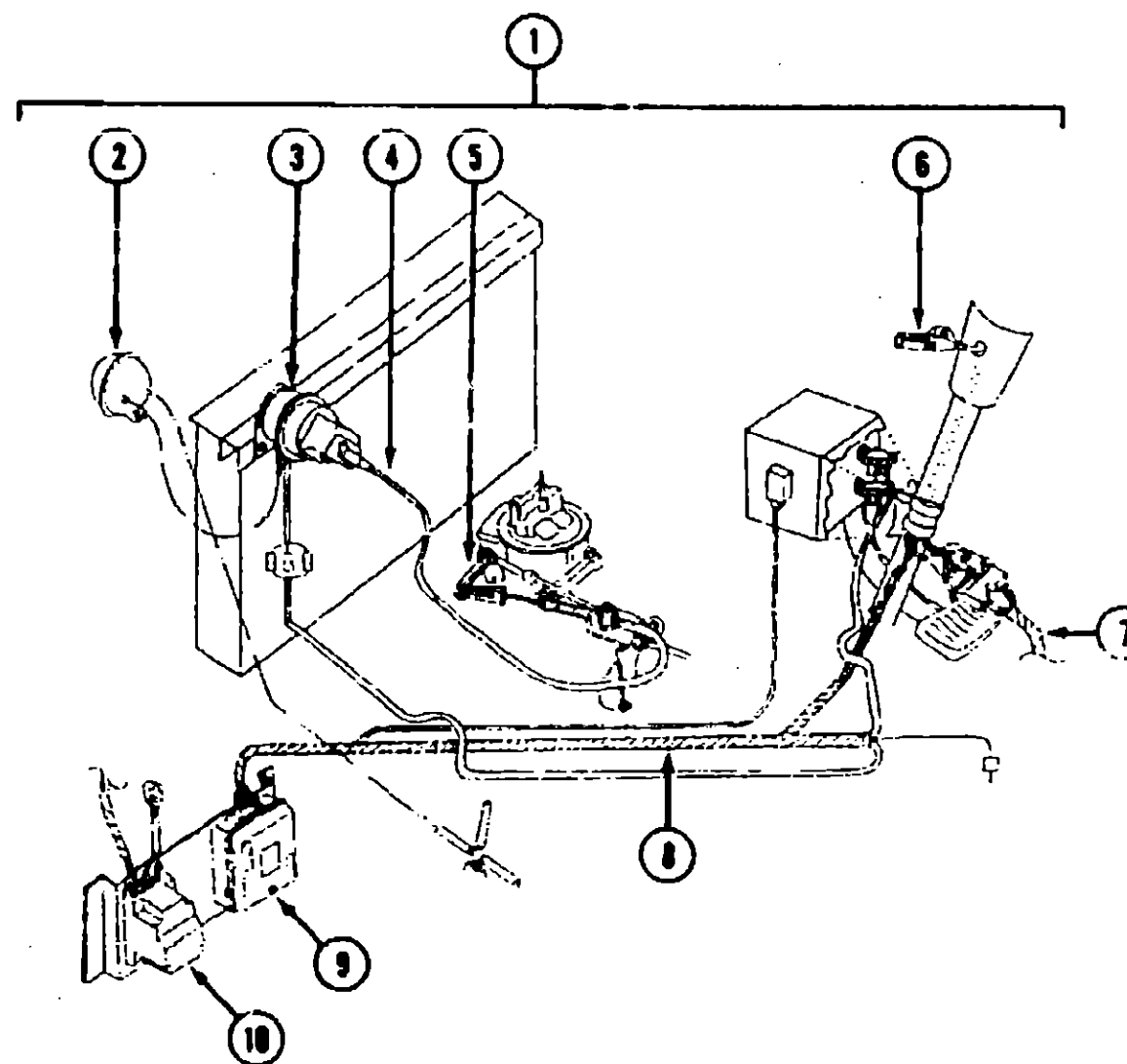
CHASSIS GROUP (CONTINUED)



REAR BUMPER & TRAILER HITCH

KEY	PART NUMBER	U/M	DESCRIPTION
1	MJ5811-01-D18	EA	BUMPER-REAR, W/FRAME
2	107707-01-000	EA	DRAWBAR ASM-HITCH, CLASS II
	107627-01-000	EA	TOWBAR ASM-HITCH, UNPAINTED
	097744-02-000	EA	HOUSING-TRAILER PIN, 48"
	097746-01-000	EA	HOUSING CAP-TRAILER PIN
3	107487-01-000	EA	ANGLE-ATTACHMENT, REAR
4	107665-01-000	EA	ANGLE-FORMED, BUMPER - LOWER (2 USED)
5	107524-02-000	EA	ANGLE-BUMPER, INNER - LEFT
6	107524-01-000	EA	ANGLE-BUMPER, INNER - RIGHT
7	108453-04-000	EA	CAP ASM-END, REAR - RIGHT - W/UPPER ANGLE
	108453-03-000	EA	CAP ASM-END, REAR - LEFT - W/UPPER ANGLE
8	P07886-01-000	EA	ANGLE-BUMPER, UPPER RIGHT - E COAT
	P07886-02-000	EA	ANGLE-BUMPER, UPPER LEFT - E COAT
	093275-01-000	EA	BRACE-BUMPER, LOWER - 2" X 16.3" - METAL - BLACK

CHASSIS GROUP (CONTINUED)



CRUISE CONTROL

KEY	PART NUMBER	U/M	DESCRIPTION
1	102362-03-000	EA	SPEED CONTROL-CHEVY DYNAMIC - DANA 59L-111012-B
			FROM: 00-00-00 THRU: 10-01-92
1	102362-05-000	EA	SPEED CONTROL-93 CHEVY, DYNAMIC - DANA 59L-111032-B
			FROM: 10-02-92 THRU: 99-99-99
2	094369-01-705	EA	VACUUM RESERVOIR, DANA 59C-02249
3	094369-01-706	EA	SERVO-DANA# 53D-11116-R
4	102362-01-700	EA	CABLE-SERVO, CABLE ONLY - DANA 59C-03001
	102362-01-706	EA	THROTTLE STUD, DANA 59A-02979
5	102362-01-705	EA	CLIP-THROTTLE RETAINER, DANA 59A-02821
6	102362-01-707	EA	SWITCH & LEVER-CONTROL, DANA 53D-08X03-F
7	102362-01-703	EA	HARNESS-PIVOT SW TO WIPER CONTROL, DANA 59C-02973
8	102362-01-704	EA	HARNESS-MAIN WIRING, DANA 59D-02975
9	102362-01-701	EA	REGULATOR-ELECTRONIC, DANA 57C-08X13-R
10	102362-03-700	EA	MODULE-WIPER CONTROL, DANA 56D-00093
	094863-01-704	EA	HOUSING-4 PIN, SPEED CONTROL - DANA 59C-02271

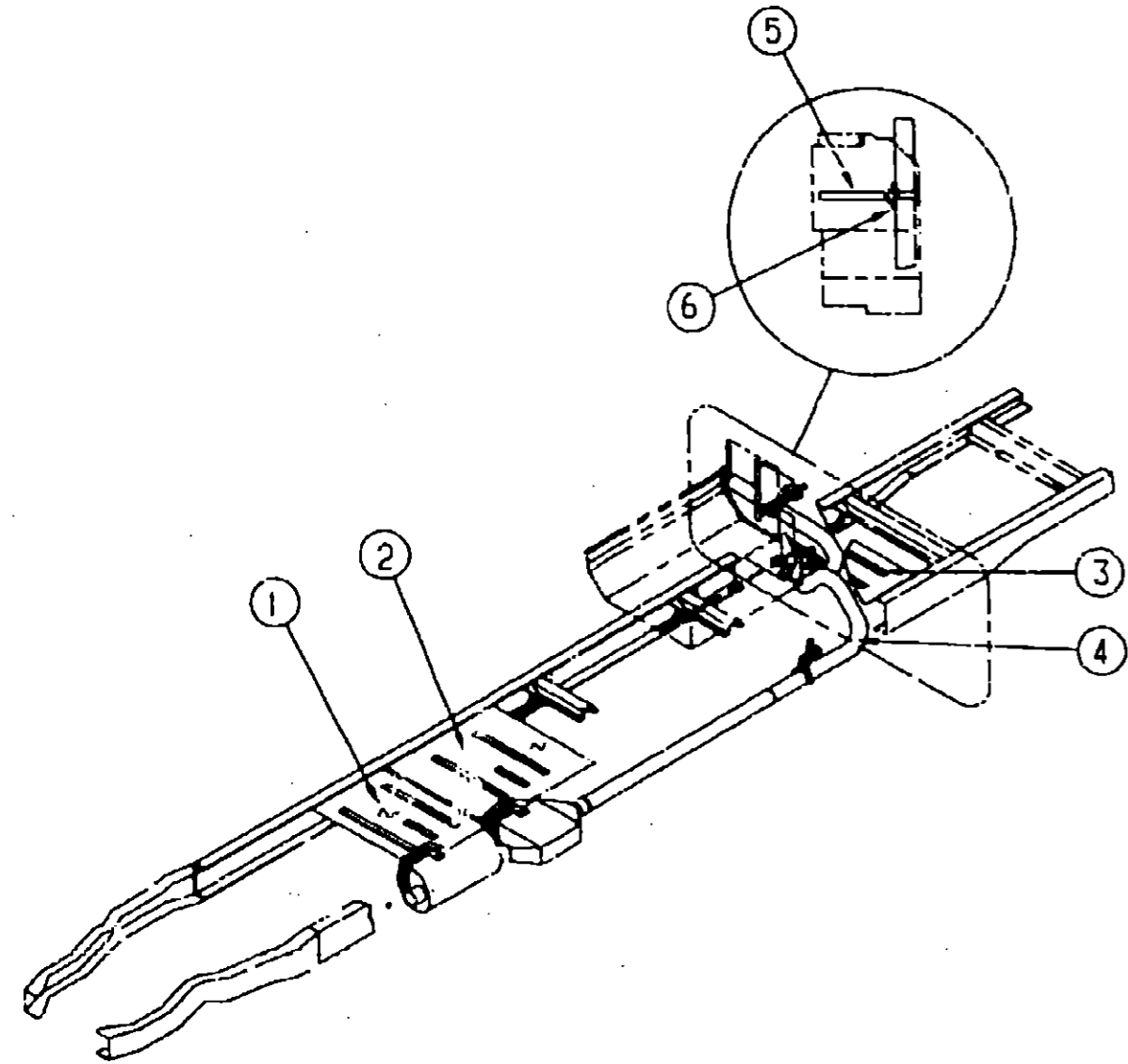
**1993 WINNEBAGO
TABLE OF CONTENTS**

INTRODUCTION	A-01 -	A-02
ABBREVIATIONS		A-03
ALPHABETICAL INDEX	A-04 -	A-06
WCM37RW	A-07 -	G-08
WCM33RQ	G-09 -	L-24

1993 WCM37RW INDEX

FLOOR PLAN	A-07 -	A-08
ACCESSORIES		A-09
AUDIO VIDEO	A-10	A-13
BATH	A-14 -	A-16
BEDROOM	A-19 -	A-20
CHASSIS	A-21 -	B-20
CURTAIN & CUSHION	B-21 -	C-10
DINETTE	C-11 -	C-12
DRIVERS COMPARTMENT	C-13 -	C-18
ELECTRICAL	C-19 -	D-01
EXTERIOR BODY	D-02 -	D-12
GALLEY	D-13 -	D-22
GENERATOR	D-23	D-24
HEATING & A/C	E-01 -	E-06
INTERIOR FINISH	E-07 -	E-10
LABEL	E-11 -	E-18
L.P.		E-19
LOUNGE	E-20 -	E-21
SEALANTS & FASTENERS	E-22 -	F-02
WATER & SEWAGE	F-03 -	F-07
WINDOW, VENT AND EXTERIOR DOOR	F-08 -	G-04
WINDSHIELD & WIPER	G-05 -	G-08

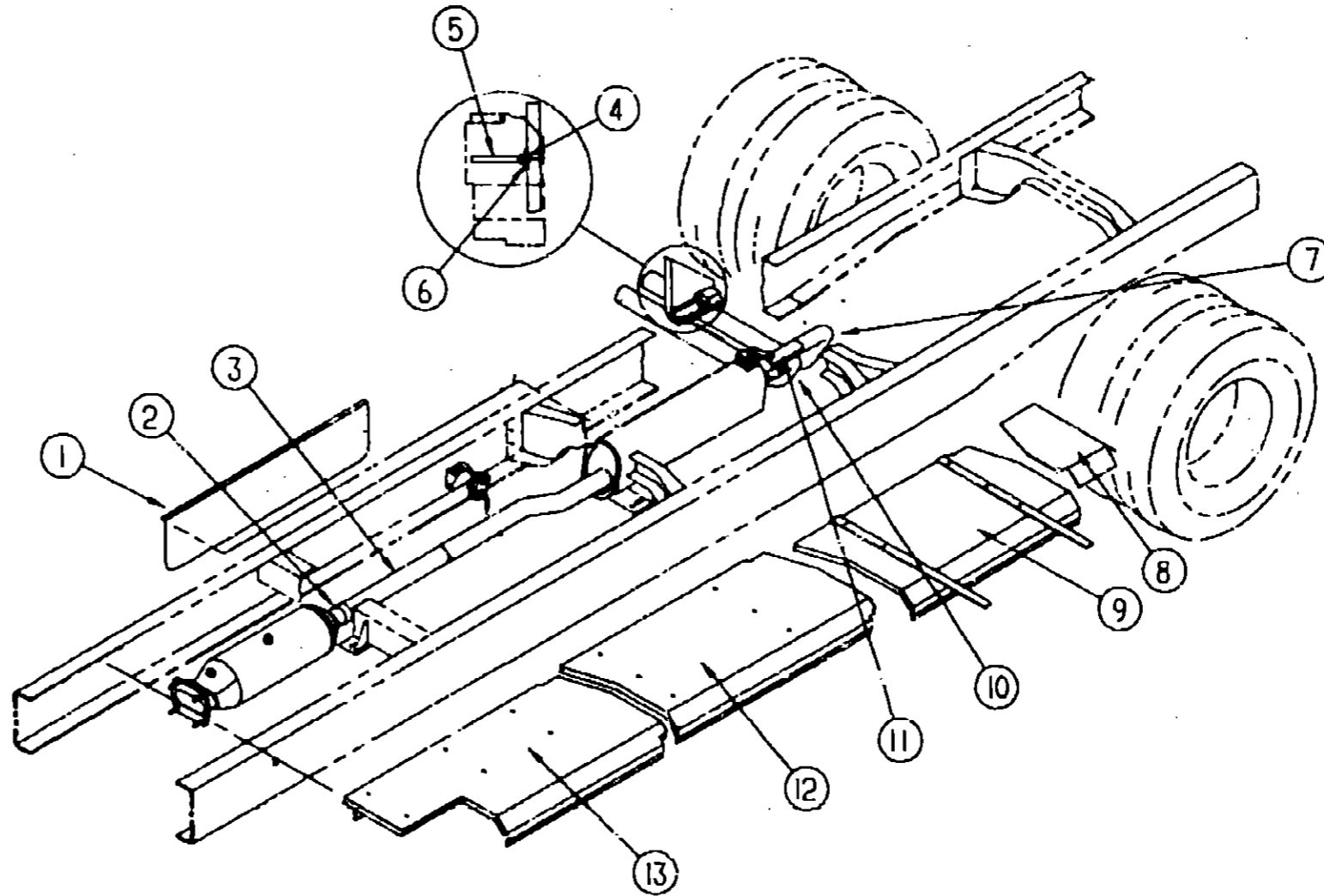
CHASSIS GROUP (CONTINUED)



CHEVY EXHAUST SYSTEM

KEY	PART NUMBER	U/M	DESCRIPTION
1	101544-01-000	EA	SHIELD-HEAT, EXHAUST - 19.7" X 28.9" - STEEL
2	101544-02-000	EA	SHIELD-HEAT, EXHAUST - 30" X 28.9" - STEEL
3	101544-01-000	EA	SHIELD-HEAT, EXHAUST - 19.7" X 28.9" - STEEL
4	107754-01-000	EA	PIPE-EXHAUST, TAIL - GM
5	102117-02-000	EA	HANGER-TAILPIPE
6	095190-01-000	EA	HANGER-EXHAUST, 4" X 1.4"
	094918-01-000	EA	CLAMP-EXHAUST, 3" - GUILLCTINE STYLE
	095223-03-000	EA	BRACKET-EXHAUST, LOWER (LEVELING SYSTEMS)
	095523-11-000	EA	BRACKET-EXHUST, UPPER
	085000-01-000	EA	SHIELD-A/C, 6.8" X 3.1" - STEEL

CHASSIS GROUP (CONTINUED)



FORD EXHAUST SYSTEM

KEY	PART NUMBER	U/M	DESCRIPTION
1	075307-03-000	EA	SHIELD-HEAT, LP
2	108084-01-000	EA	PIPE-EXHAUST, STRAIGHT - 2.5" ID X 228MM - FORD
3	096753-03-000	EA	PIPE-EXHAUST, 25.6" X 32"
			FROM: 00-00-00 THRU: 02-14-93
	107887-01-000	EA	HANGER ASM-EXHAUST, W/EXHAUST PIPE SUPPORTS
4	096054-01-000	EA	SUPPORT-EXHAUST PIPE, BENT - 2.6" X .8" - STEEL
5	102117-03-000	EA	HANGER ASM-TAILPIPE
6	095190-01-000	EA	HANGER-EXHAUST, 4" X 1.4"
7	107755-02-000	EA	PIPE-EXHAUST, TAIL - FORD - 1076.5MM LONG
8	099430-01-000	EA	SHIELD-EXHAUST REAR, 14" X 9.1" FROM EDGE TO BEND
9	098795-02-000	EA	SHIELD-EXHAUST, 35.4" X 19.8" - GALVANIZED STEEL
10	107755-01-000	EA	PIPE-EXHAUST, TAIL - FORD - 1046.2MM LONG
11	110048-01-000	EA	SHIELD-BUSHING, SWAYBAR
12	098795-03-000	EA	SHIELD-EXHAUST, CENTER - 49.5" X 19.8" - GALVANIZED STEEL
13	098796-02-000	EA	SHIELD-EXHAUST, CONVERTOR
			FROM: 00-00-00 THRU: 02-14-93
13	098796-01-000	EA	SHIELD-EXHAUST, CONVERTOR
			FROM: 02-15-93 THRU: 99-99-99
	098795-07-000	EA	SHIELD-EXHAUST, BETWEEN ITEM 12 & 13
			FROM: 02-15-93 THRU: 99-99-99
	098443-03-000	EA	SUPPORT-SHIELD, EXHAUST - 1.5" X 29.2" - STEEL - PRIMED - 8 USED
	107897-01-000	EA	HANGER ASM-EXHAUST
	007125-07-000	EA	CLAMP-MUFFLER, 2.50" DIAMETER
	094918-03-000	EA	CLAMP-EXHAUST, 2.5" DIAMETER
			FROM: 00-00-00 THRU: 02-14-93
	085000-01-000	EA	SHIELD-A/C, 6.8" X 3.1" - STEEL

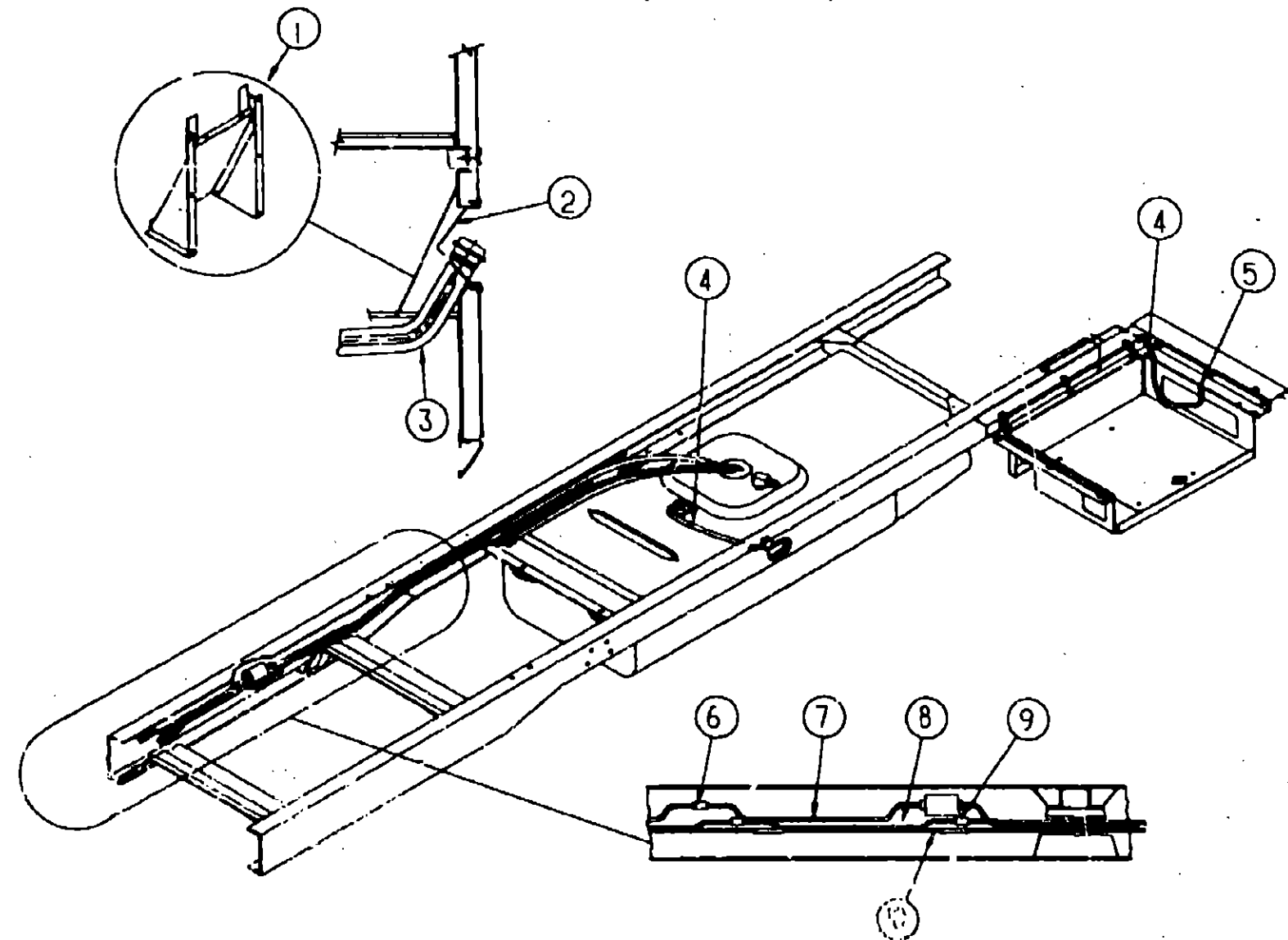
**1993 WINNEBAGO
TABLE OF CONTENTS**

INTRODUCTION	A-01 -	A-02
ABBREVIATIONS		A-03
ALPHABETICAL INDEX	A-04 -	A-06
WCM37RW	A-07 -	G-08
WCM33RQ	G-09 -	L-24

1993 WCM37RW INDEX

FLOOR PLAN	A-07 -	A-08
ACCESSORIES		A-09
AUDIO VIDEO	A-10	A-13
BATH	A-14 -	A-18
BEDROOM	A-19 -	A-20
CHASSIS	A-21 -	B-20
CURTAIN & CUSHION	B-21 -	C-10
DINETTE	C-11 -	C-12
DRIVERS COMPARTMENT	C-13 -	C-18
ELECTRICAL	C-19 -	D-01
EXTERIOR BODY	D-02 -	D-12
GALLEY	D-13 -	D-22
GENERATOR	D-23	D-24
HEATING & A/C	E-01 -	E-06
INTERIOR FINISH	E-07 -	E-10
LABEL	E-11 -	E-18
LP		E-19
LOUNGE	E-20 -	E-21
SEALANTS & FASTENERS	E-22 -	F-02
WATER & SEWAGE	F-03 -	F-07
WINDOW, VENT AND EXTERIOR DOOR	F-08 -	G-04
WINDSHIELD & WIPER	G-05 -	G-08

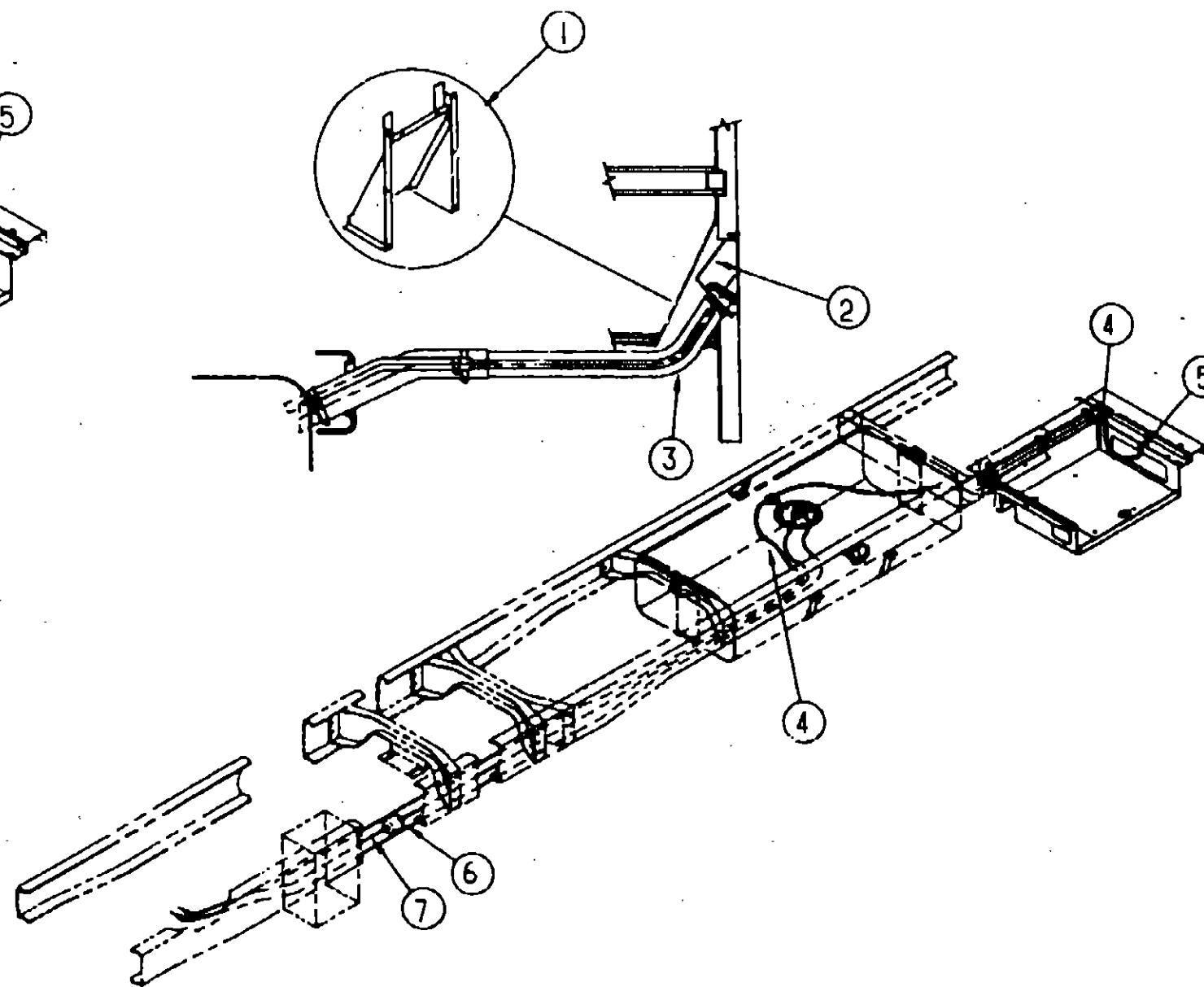
CHASSIS GROUP (CONTINUED)



CHEVY FUEL SYSTEM

KEY	PART NUMBER	U/M	DESCRIPTION
1	104932-02-000	EA	PANEL-FUEL FILL, METAL - PRIMED
2	102951-01-05A	EA	SHROUD-FUEL FILL, BUFF
3	087256-02-000	EA	NECK-FUEL FILL, CHEVY
4	007063-01-000	FT	HOSE-GAS 1/4" ID X 1/2" OD
5	084884-01-000	EA	PLUG-BRASS, 3/8"
6	098779-02-000	EA	COUPLER-FUEL LINE, CHEVY
7	098759-02-000	EA	LINE ASM-FUEL, SUPPLY - CHEVY
8	098758-02-000	EA	LINE ASM-FUEL, RETURN - CHEVY
9	098779-01-000	EA	COUPLER-FUEL LINE, CHEVY
10	074800-18-000	EA	TUBE-EXTENSION, VAPOR - CHEVY
	075466-01-000	EA	UNION-INVERTED FL TUBE, 1/4"
	075467-01-000	EA	NUT-INVERTED FLARE, 1/4"
	044317-01-000	FT	HOSE-FUEL, 3/8" ID

CHASSIS GROUP (CONTINUED)



FORD FUEL SYSTEM

KEY	PART NUMBER	U/M	DESCRIPTION
1	104932-02-000	EA	PANEL-FUEL FILL, METAL - PRIMED
2	102951-01-05A	EA	SHROUD-FUEL FILL, BUFF
3	095607-01-000	EA	NECK-FUEL FILL, FORD
4	007063-01-000	FT	HOSE-GAS 1/4" ID X 1/2" OD
5	084884-01-000	EA	PLUG-BRASS, 3/8"
6	095893-01-000	EA	LINE ASM-FUEL, FORD
7	095893-01-000	EA	LINE ASM-FUEL, FORD
	075456-01-000	EA	UNION-INVERTED FL TUBE, 1/4"
	075467-01-000	EA	NUT-INVERTED FLARE, 1/4"
	044317-01-000	FT	HOSE-FUEL, 3/8" ID
	024183-01-000	FT	HOSE-FUEL, 5/16" ID

FROM: 00-00-00 THRU: 02-14-93

**1993 WINNEBAGO
TABLE OF CONTENTS**

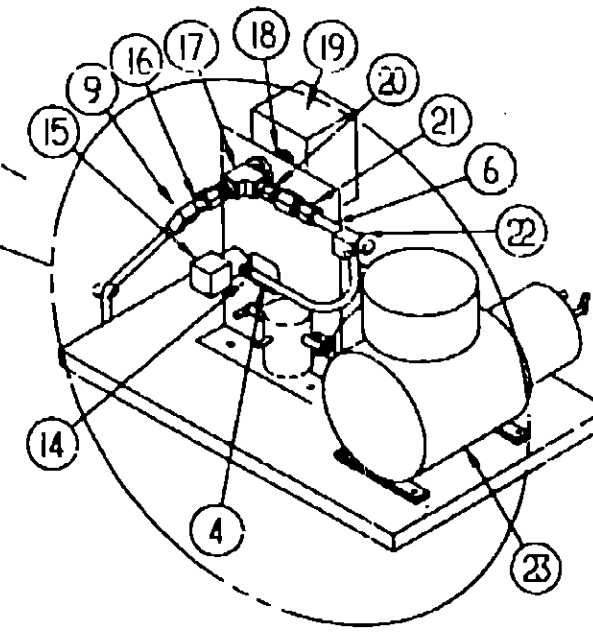
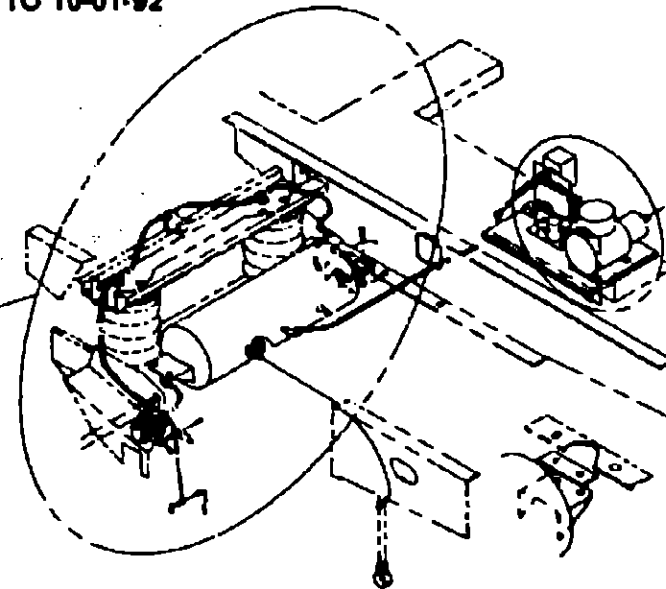
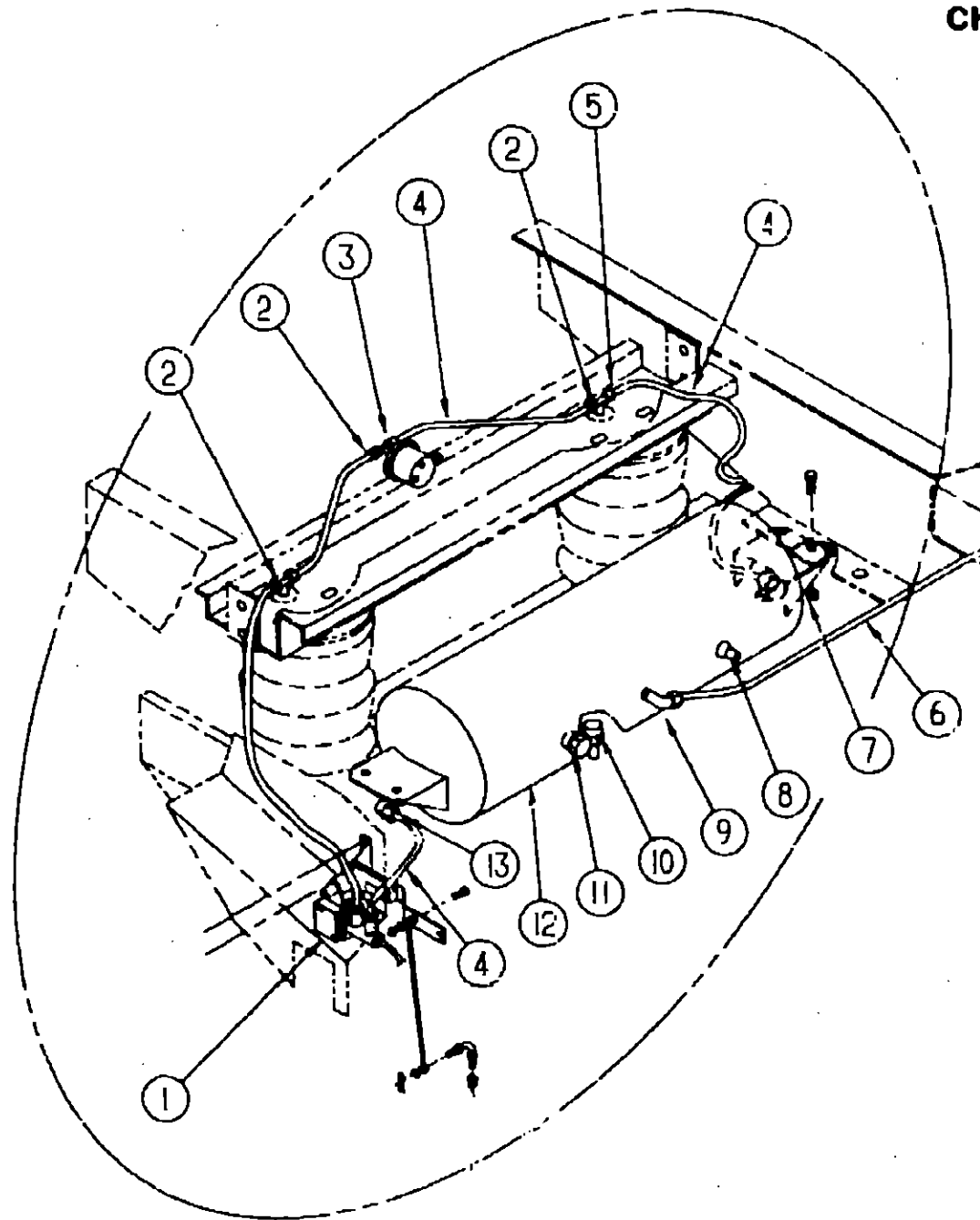
INTRODUCTION	A-01 -	A-02
ABBREVIATIONS		A-03
ALPHABETICAL INDEX	A-04 -	A-06
WCM37RW	A-07 -	G-08
WCM33RQ	G-09 -	L-24

1993 WCM37RW INDEX

FLOOR PLAN	A-07 -	A-08
ACCESSORIES		A-09
AUDIO VIDEO	A-10 -	A-13
BATH	A-14 -	A-18
BEDROOM	A-19 -	A-20
CHASSIS	A-21 -	B-20
CURTAIN & CUSHION	B-21 -	C-10
DINETTE	C-11 -	C-12
DRIVERS COMPARTMENT	C-13 -	C-18
ELECTRICAL	C-19 -	D-01
EXTERIOR BODY	D-02 -	D-12
GALLEY	D-13 -	D-22
GENERATOR	D-23 -	D-24
HEATING & A/C	E-01 -	E-06
INTERIOR FINISH	E-07 -	E-10
LABEL	E-11 -	E-18
LP		E-19
LOUNGE	E-20 -	E-21
SEALANTS & FASTENERS	E-22 -	F-02
WATER & SEWAGE	F-03 -	F-07
WINDOW, VENT AND EXTERIOR DOOR	F-08 -	G-04
WINDSHIELD & WIPER	G-05 -	G-08

CHASSIS GROUP (CONTINUED)

CHEVY HENSCHEN TAG AXLE
FROM 00-00-00 TO 10-01-92



1993 WINNEBAGO TABLE OF CONTENTS

INTRODUCTION	A-01 -	A-02
ABBREVIATIONS		A-03
ALPHABETICAL INDEX	A-04 -	A-06
WCM37RW	A-07 -	G-08
WCM33RQ	G-09 -	L-24

KEY	PART NUMBER	U/M DESCRIPTION
	16	071386-04-000 EA CONNECTOR-MALE
	17	085765-01-000 EA TEE-2 FEMALE & 1 MALE ENDS, 1/4 MPT X 1/4 - BRASS - WEATHERHEAD
	18	071374-03-000 EA FITTING-BULKHEAD, 1/4" X 1/4" MNPT
	19	085757-01-000 EA SWITCH-PRESSURE CONTROL, HENSCHEN 510250
	20	085756-01-000 EA VALVE-CHECK, 1/4 NPT-MALE - HENSCHEN 601232
	21	085764-01-000 EA CONNECTOR-FM 1/4NPT X 318 BRACKET - 1466 X 6 WEATHERHEAD
	22	085763-01-000 EA TEE-2 FEMALE & 1 MALE ENDS, 3/8 X 1/4 - WEATHERHEAD
	23	085761-02-000 EA COMPRESSOR-AIR, 12 VOLT 1/6HP - GAST 1HAB-74-M114
		085750-02-000 EA AXLE-TAG, TORSION/RUBBER SUSPENSION - W/SURE LUBE HENSCHEN 7300080
	085750-01-708	EA BRAKE-RIGHT HAND, 12 X 2 - HENSCHEN 3160014
	085750-01-709	EA BRAKE-LEFT HAND, 12 X 2 - HENSCHEN 3160015
	085750-01-700	EA MAGNET KIT, OVAL - HENSCHEN M-130
	085750-01-723	EA MAGNET KIT, ROUND - HENSCHEN M-115
	085750-01-701	EA SHOE & LININGS - FOR 1 BRAKE - SL-11
	085750-01-724	EA ARM-LEVELOR, MAGNETIC - RIGHT HAND - HENSCHEN 055829
	085750-01-725	EA ARM-LEVELOR, MAGNETIC - LEFT RND - HENSCHEN 055830
	085750-01-705	EA GREASE SEAL, HENSCHEN 0270015
	085750-01-703	EA INNER BEARING CONE, HENSCHEN 0170012
	085750-02-700	EA HUB & DRUM, W/RACES - SURELUBE - HENSCHEN 3160542
	085750-01-710	EA NUT-WHEEL, HENSCHEN 0190016
	085750-02-701	EA OUTER BEARING CONE, SURELUBE - HENSCHEN 0170048
	085750-02-702	EA COVER-DUST, W/ZERK - SURELUBE - HENSCHEN 0200028
	085752-01-000	EA SUSPENSION-AIR, P-30 SUPERIDE - HENSCHEN 3450064
	085750-01-717	EA BEAM-AIR SPRING, HENSCHEN 8600-147
	085750-01-712	EA BUSHING-SPRING, HENSCHEN 5503-023
	085750-01-720	EA STIRRUP-SPRING, HENSCHEN 8600-079
	085750-01-718	EA BOLT-SPRING STIRRUP, HENSCHEN 9110-150
	085750-01-719	EA NUT-SPRING STIRRUP, HENSCHEN 92110-130
	085750-01-714	EA TRANSVERSE ROD, HENSCHEN 5001-004
	085750-01-715	EA BUSHING-TRANSVERSE ROD, HENSCHEN 7572-102
	085750-01-716	EA PIN-STRADDLE, HENSCHEN 5506-001
	085750-01-713	EA CROSSMEMBER, HENSCHEN 8600-146
	085750-01-711	EA SPRING-AIR, HENSCHEN 8003-011
	085750-01-722	EA BRACKET-FRAME MOUNTING, LEFT, HENSCHEN 8600047
	085750-01-721	EA BRACKET-FRAME MOUNTING, RIGHT, HENSCHEN 8600-047R
	085772-01-000	EA WASHER-CONICAL SPRING, 5/8 - TAG AXLE MOUNT
	085759-01-000	EA LIGHT-WARNING, "LOW AIR", HENSCHEN 510633
	071391-02-000	EA NIPPLE-HEX, 1/4 PIPE

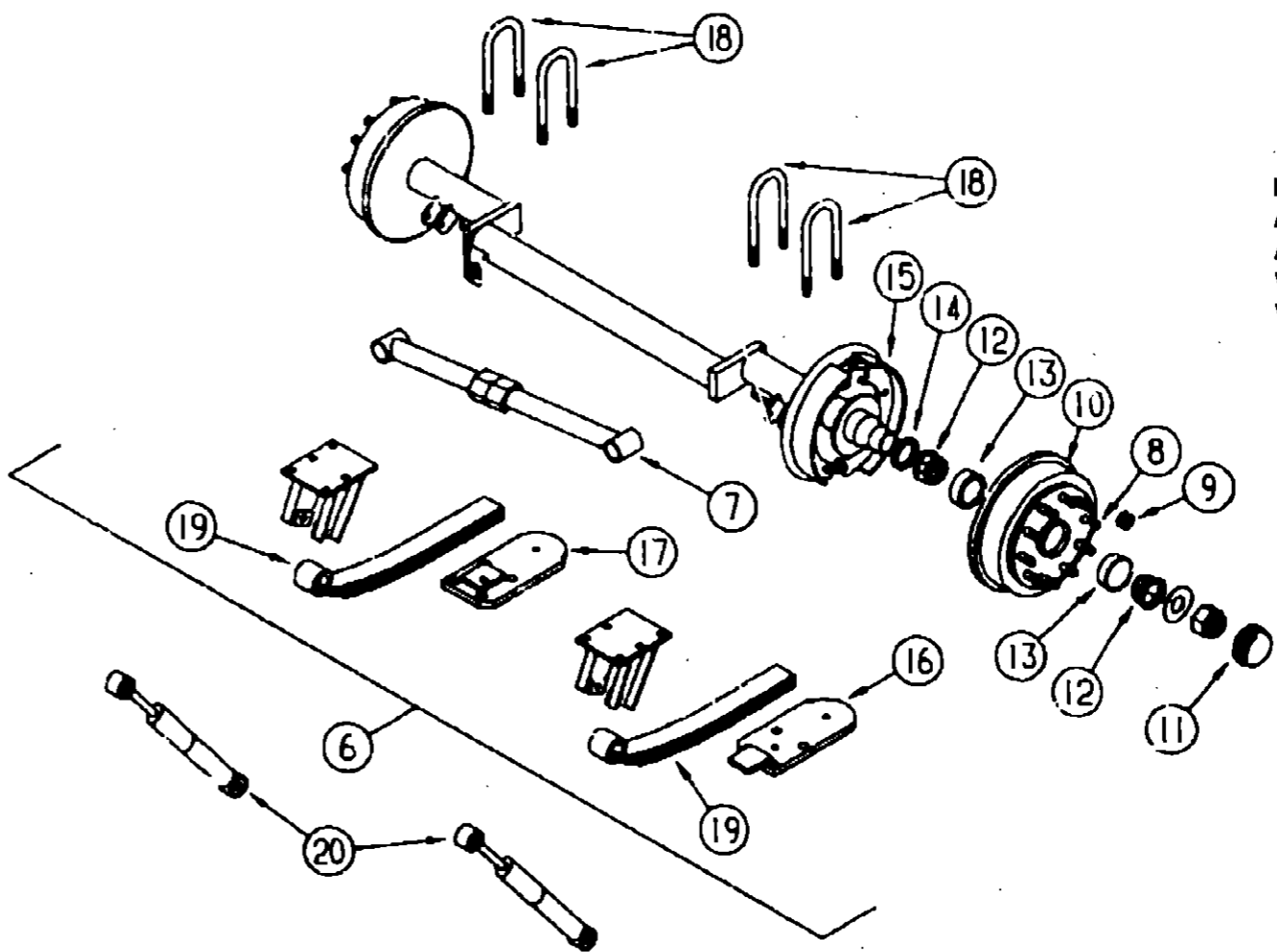
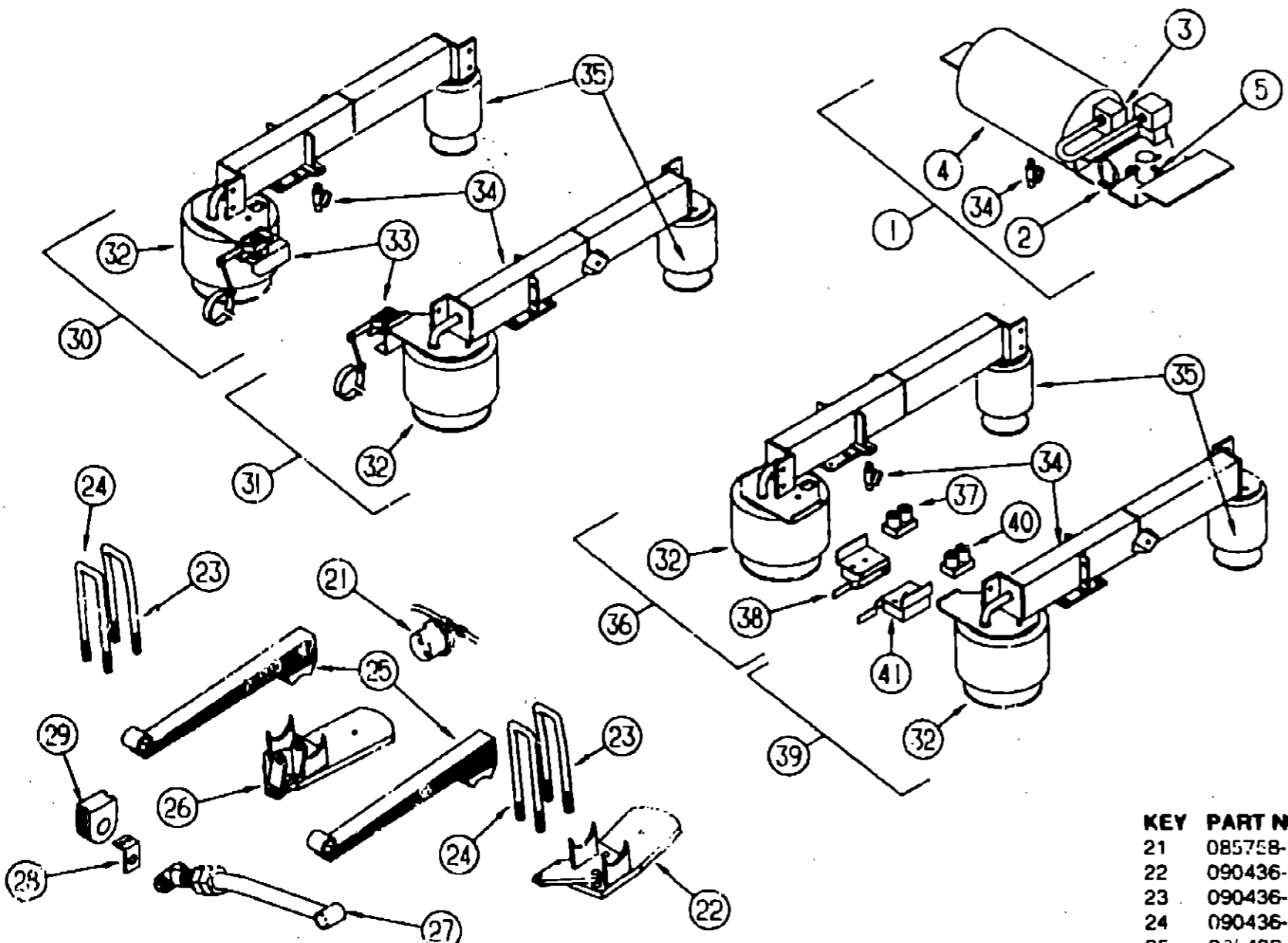
1993 WCM37RW INDEX

FLOOR PLAN	A-07 -	A-08
ACCESSORIES		A-09
AUDIO VIDEO	A-10 -	A-13
BATH	A-14 -	A-19
BEDROOM	A-19 -	A-20
CHASSIS	A-21 -	B-20
CURTAIN & CUSHION	B-21 -	C-10
DINETTE	C-11 -	C-12
DRIVERS COMPARTMENT	C-13 -	C-18
ELECTRICAL	C-19 -	D-01
EXTERIOR BODY	D-02 -	D-12
GALLEY	D-13 -	D-22
GENERATOR	D-23 -	D-24
HEATING & A/C	E-01 -	E-06
INTERIOR FINISH	E-07 -	E-10
LABEL	E-11 -	F-18
LP		E-19
LOUNGE	E-20 -	E-21
SEALANTS & FASTENERS	E-22 -	F-02
WATER & SEWAGE	F-03 -	F-07
WINDOW, VENT AND EXTERIOR DOOR	F-08 -	G-04
WINDSHIELD & WIPER	G-05 -	G-08

KEY	PART NUMBER	U/M DESCRIPTION
	085751-01-000	EA SHOCK-ABSORBER, TAG AXLE - HENSCHEN 0220003
1	085754-01-000	EA VALVE-HEIGHT CONTROL, PASSENGER SIDE - HENSCHEN 0820046 W/O LINKAGE
1	085754-02-000	EA VALVE-HEIGHT CONTROL, DRIVER SIDE - HENSCHEN 0820047 W/O LINKAGE
	085754-03-000	EA PIVOT-LINK MOUNTING, CHEVY - HENSCHEN 5820083
	085754-05-000	EA LINK-VALVE CONTROL, 7" W/BOLT - HENSCHEN 0820021-7
2	071389-02-000	EA TEE-MALE BRANCH, 1/4" X 1/4" TUBE
3	085758-01-000	EA SWITCH-"LOW AIR", HENSCHEN 510650-00
4	071390-04-000	FT TUBING-AIR BRAKE, 1/4" OD - BLACK - NT10004-BK WEATHERHEAD
5	085766-01-000	EA ADAPTER-1/4 FPT X 1/4 MPT, BRASS - WEATHERHEAD
6	071390-03-000	FT TUBING-AIR BRAKE, 3/8" OD - RND - NT10006-RD WEATHERHEAD
7	071375-03-000	EA ISOLATOR-MOUNTING, AIR TANK - OVERHILL 1068
8	086241-01-000	EA VALVE-AIR, 1/4 MPT - TIRE STEM - SCHRADER 1498E-6
9	071387-04-000	EA ELBOW-MALE, BRAKE TUBE 3/8 X 1/4 - 1469 X 6 X 4 WEATHERHEAD
10	085773-01-000	EA VALVE-DRAIN, AIR TANK - 1/4 MPT - W/CABLE - WEATHERHEAD
11	071392-03-000	EA PLUG-HEX HEAD, 1/4 NPT - BRASS - 3152 X 4 WEATHERHEAD
12	071375-02-000	EA TANK-AIR, TAG AXLE SUSPENSION - OVERHILL 8055
13	071387-05-000	EA ELBOW-MALE, BRAKE TUBE 1/4 X 1/4 - 1469 X 4 X 4 WEATHERHEAD
14	071386-03-000	EA CONNECTOR-MALE
15	085755-01-000	EA SOLENOID-AIR VALVE, 1/4 NPT-F - HENSCHEN 500941

CHASSIS GROUP (CONTINUED)

CHEVY JET AIR TAG AXLE
FROM 10-02-92 TO 99-99-99



1993 WINNEBAGO TABLE OF CONTENTS

INTRODUCTION	A-01 -	A-02
ABBREVIATIONS		A-03
ALPHABETICAL INDEX	A-04 -	A-06
WCM37RW	A-07 -	G-08
WCM33RQ	G-09 -	L-24

1993 WCM37RW INDEX

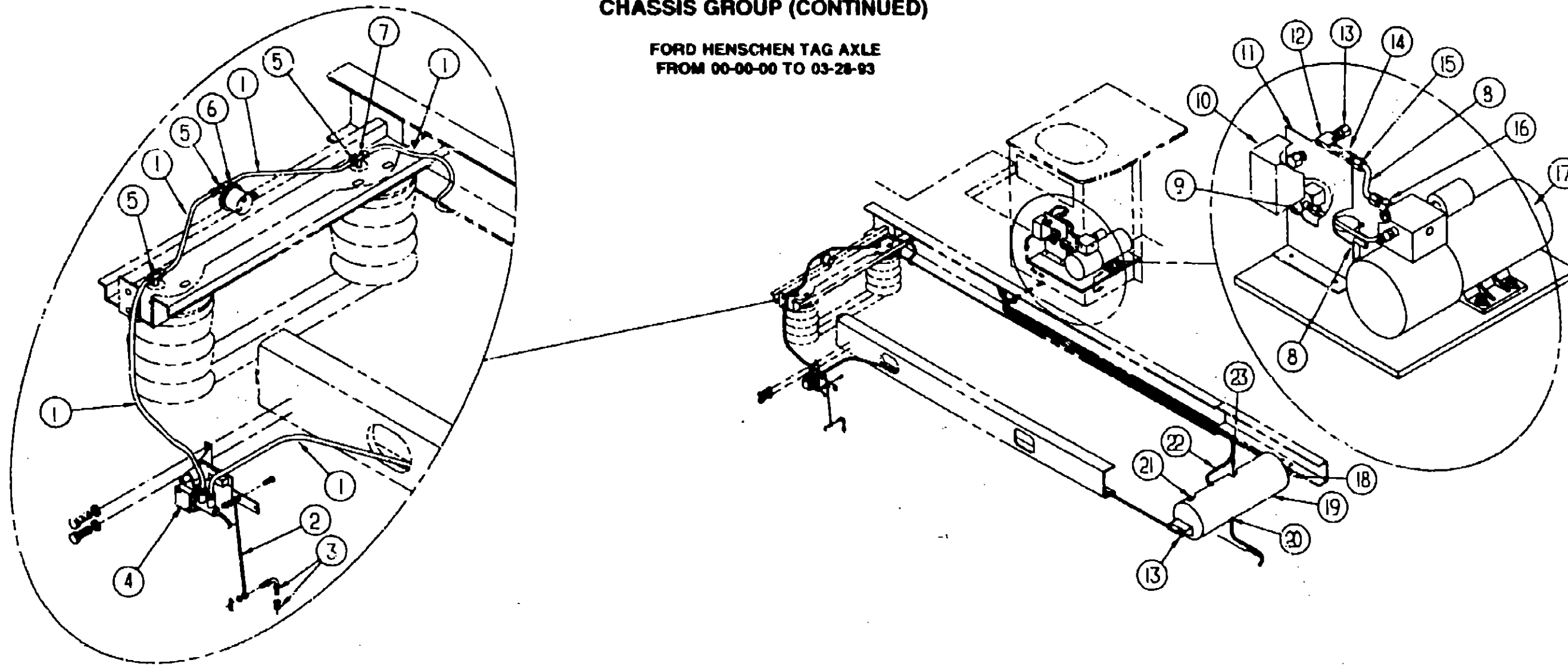
FLOOR PLAN	A-07 -	A-08
ACCESSORIES		A-09
AUDIO VIDEO	A-10 -	A-13
BATH	A-14 -	A-18
BEDROOM	A-19 -	A-20
CHASSIS	A-21 -	B-20
CURTAIN & CUSHION	B-21 -	C-10
DINETTE	C-11 -	C-12
DRIVERS COMPARTMENT	C-13 -	C-18
ELECTRICAL	C-19 -	D-01
EXTERIOR BODY	D-02 -	D-12
GALLEY	D-13 -	D-22
GENERATOR	D-23 -	D-24
HEATING & A/C	E-01 -	E-06
INTERIOR FINISH	E-07 -	E-10
LABEL	E-11 -	E-18
LP		E-19
LOUNGE	E-20 -	E-21
SEALANTS & FASTENERS	E-22 -	F-02
WATER & SEWAGE	F-03 -	F-07
WINDOW, VENT AND EXTERIOR DOOR	F-08 -	G-04
WINDSHIELD & WIPER	G-05 -	G-08

KEY	PART NUMBER	U/M DESCRIPTION
1	090436-35-000	EA COMPRESSOR-TANK, W/O WIRING - JET 60703 (W/O PARK & LEVEL)
1	090436-54-000	EA COMPRESSOR-TANK, W/O WIRING - JET 60804 (W/PARK & LEVEL)
	090436-40-000	EA FILTER-AIR INTAKE, COMPRESSOR
2	090436-07-700	EA COMPRESSOR (ONLY), 50701 - NEW STYLE (SINGLE CYLINDER)
3	090436-07-701	EA SWITCH-AIR PRESSURE, 50732 JET
4	090436-07-702	EA TANK ONLY ALL MODELS, 50703 JET
5	090436-07-704	EA SOLENOID-ELECTRONIC, 50702 JET
6	090436-43-000	EA AXLE-TAG, CHEVY - OFFSET - JET 55902
7	090436-31-000	EA BAR-TRACK, W/BOLTS & BRKTS - JET 60770
8	090436-42-700	EA STUD, 55906 JET
9	090436-42-701	EA NUT, 55905
10	090436-42-702	EA HUB & DRUM ASM-CHEV TAG, 55907 JET
11	090436-42-703	EA DUST CAP-CHEV TAG, 55908 JET
12	090436-42-704	EA WHEEL BEARING-TAG AXLE, 55911 JET
13	090436-42-705	EA RACE-WHEEL BEARING TAG AXLE, 55912 JET
14	090436-42-706	EA GREASE SEAL-TAG AXLE, 55913 JET
15	090436-42-707	EA BRAKE ASM W/BACK PLATE LH, 55914 JET
	090436-42-708	EA BRAKE ASM W/BACK PLATE RH, 55915 JET
16	090436-42-709	EA SPRING HOLDER-LH LOW CHEV, 55916 JET
17	090436-42-710	EA SPRING HOLDER-RH LOW CHEV, 55917 JET
18	090436-42-711	EA U-BOLT, 7/8" X 8" TAG AXLE SPRG, 55918 JET
19	090436-42-712	EA LEAF SPRING-3 LEAF CHEV TAG, 55919 JET
20	090436-42-714	EA SHOCK ABSORBER-TAG AXLE, 55924 JET

KEY	PART NUMBER	U/M DESCRIPTION
21	085758-01-000	EA SWITCH-LOW AIR, HENSCHEN 510650-00
22	090436-10-000	EA MOUNT-SPRING/AXLE, LOWER DRIVER - JET 373
23	090436-12-000	EA U-BOLT-FOREWARD, STRAIGHT - 7/8" - JET 351
24	090436-13-000	EA U-BOLT-REARWARD, BENT - 7/8" - JET 351-1
25	090436-41-000	EA SPRING-LEAF, SEMI 16,000 GVW - JET AR-P30-16 (UNCUT)
26	090436-46-000	EA MOUNT-SPRING/AXLE, CHEVY - RIGHT LOWER - JET 51755
27	090436-47-000	EA BAR-TRACK, W/PIVOT BOLTS - CHEVY - JET 55765 93 GM
28	090436-52-000	EA BRACKET-TRACK BAR, JET 51354 3.25
29	091250-03-000	EA BUSHING-SWAY BAR, 1.75" CUT - HELLWIG PB 732
30	090436-45-000	EA MOUNT-SPRING, RIGHT UPPER - JET 55751 (W/O PARK & LEVEL)
31	090436-53-000	EA MOUNT-SPRING, LEFT UPPER - JET 55850 (W/O PARK & LEVEL)
32	090436-15-704	EA AIR SPRING (AIR BAG) - SINGLE - JET 50752
33	090436-15-706	EA VALVE-ONLY HEIGHT CONTROL, 343
34	090436-36-700	EA PET COCK-AIR TANK F/SPPING, 50720 JET
35	090436-42-716	EA AIR SPRING (AIR BAG) - TAG AXLE, 55930 JET
	090436-49-000	EA WIRING ASM-TAG, JET 55763 (W/O PARK & LEVEL)
	071389-02-000	EA TEE-MALE BRANCH, 1/4" X 1/4" TUBE
36	090436-58-000	EA MOUNT-SPRING, RIGHT UPPER - JET 55886 (W/PARK & LEVEL ON 93 CHASSIS)
37	090436-15-710	EA ELECTRONIC VALVE-RH, 50786 JET
38	090436-15-712	EA HEIGHT CONTROL BOX, RH W/LIGHT - JET 50872
	090436-15-713	EA WIRE LOOM F/AXLE, POS. LIGHT - JET 50875
	090436-15-714	EA LOCK OUT KIT (CONTAINS: WIRE HARNESS, 2 VALVES, INSTRUCTIONS)
39	090436-57-000	EA MOUNT-SPRING, LEFT UPPER - JET 55887 (W/PARK & LEVEL ON 93 CHASSIS)
40	090436-15-709	EA ELECTRONIC VALVE-LH, 50785 JET
41	090436-15-711	EA HEIGHT CONTROL BOX LH W/LIGHT, JET 50871
	090436-49-000	EA WIRING ASM-TAG, JET 55763 (W/O PARK & LEVEL)
	090436-55-000	EA WIRING ASM-TAG, JET 55863 (W/PARK & LEVEL ON 93 CHASSIS)
	085753-02-000	EA BRAKE CONTROL, TEKONSHA 9030 - HENSCHEN
	100332-01-000	EA PLATE-VALVE, AIR SPRING

CHASSIS GROUP (CONTINUED)

FORD HENSCHEN TAG AXLE
FROM 00-00-00 TO 03-28-83



1993 WINNEBAGO TABLE OF CONTENTS

INTRODUCTION	A-01 -	A-02
ABBREVIATIONS		A-03
ALPHABETICAL INDEX	A-04 -	A-06
WCM37RW	A-07 -	G-08
WCM33RQ	G-09 -	L-24

1993 WCM37RW INDEX

FLOOR PLAN	A-07 -	A-08
ACCESSORIES		A-09
AUDIO VIDEO	A-10 -	A-13
BATH	A-14 -	A-18
BEDROOM	A-19 -	A-20
CHASSIS	A-21 -	B-20
CURTAIN & CUSHION	B-21 -	C-10
DINETTE	C-11 -	C-12
DRIVERS COMPARTMENT	C-13 -	C-18
ELECTRICAL	C-19 -	D-01
EXTERIOR BODY	D-02 -	D-12
GALLEY	D-13 -	D-22
GENERATOR	D-23 -	D-24
HEATING & AC	E-01 -	E-06
INTERIOR FINISH	E-07 -	E-10
LABEL	E-11 -	E-18
LP		E-19
LOUNGE	E-20 -	E-21
SEALANTS & FASTENERS	E-22 -	F-02
WATER & SEWAGE	F-03 -	F-07
WINDOW, VENT AND EXTERIOR DOOR	F-08 -	G-04
WINDSHIELD & WIPER	G-05 -	G-08

KEY	PART NUMBER	U/M DESCRIPTION
1	071390-04-000	FT TUBING-AIR BRAKE, 1/4" OD - BLACK - NT10004-BK WEATHERHEAD
2	085754-05-000	EA LINK-VALVE CONTROL, 7" W/BOLT - HENSCHEN 0820021-7
3	085754-04-000	EA PIVOT-LINK MTG, FORD/OSH KOSH - HENSCHEN 5820084
4	085754-01-000	EA VALVE-HEIGHT CONTROL, PASSENGER SIDE - HENSCHEN 0820046 W/O LINKAGE
4	085754-02-000	EA VALVE-HEIGHT CONTROL, DRIVER SIDE - HENSCHEN 0820047 W/O LINKAGE
5	071389-02-000	EA TEE-MALE BRANCH, 1/4" X 1/4" TUBE
6	085754-02-000	EA SWITCH-"LOW AIR", NASON SP-17B-20F
7	085766-01-000	EA ADAPTER-1/4 FPT X 1/4 MPT, BRASS - WEATHERHEAD
8	071390-03-000	FT TUBING-AIR BRAKE, 3/8" OD - RED - NT10006-RD WEATHERHEAD
9	085755-01-000	EA SOLENOID-AIR VALVE, 1/4 NPT-F - HENSCHEN 500941
10	085757-01-000	EA SWITCH-PRESSURE CONTROL, HENSCHEN 510259
11	071374-03-000	EA FITTING-BULKHEAD, 1/4" X 1/4" MNPT
12	085765-01-000	EA TEE-2 F & 1 MALE ENDS, 1/4 MPT X 1/4 - BRASS - WEATHERHEAD
13	071387-04-000	EA ELBOW-MALE, BRAKE TUBE 3/8 X 1/4 - 1469X6X4 WEATHERHEAD
14	085756-01-000	EA VALVE-CHECK, 1/4 NPT-MALE - HENSCHEN 601232
15	085764-01-000	EA CONNECTOR-FEMALE 1/4NPT X 3/8 BRACKET - 1466 X 6 WEATHERHEAD
16	085763-01-000	EA TEE-2 FEMALE & 1 MALE ENDS, 3/8 X 1/4 - WEATHERHEAD
17	085761-02-000	EA COMPRESSOR-AIR, 12 VOLT 1/6HP - GAST 1HAB-74-M114
18	071375-03-000	EA ISOLATOR-MOUNTING, AIR TANK - OVERHILL 1068
19	071375-02-000	EA TANK-AIR, TAG AXLE SUSPENSION - OVERHILL 8055
20	085773-01-000	EA VALVE-DRAIN, AIR TANK - 1/4 MPT - W/CABLE - WEATHERHEAD
21	086241-01-000	EA VALVE-AIR, 1/4 MPT - TIRE STEM - SCHRADER 1498E-6
22	071390-03-000	FT TUBING-AIR BRAKE, 3/8" OD - RED - NT10006-RD WEATHERHEAD
23	071392-03-000	EA PLUG-HEX HEAD, 1/4 NPT - BRASS - 3152X4 WEATHERHEAD
	090439-02-000	EA AXLE-TAG, FORD - HENSCHEN 5820066

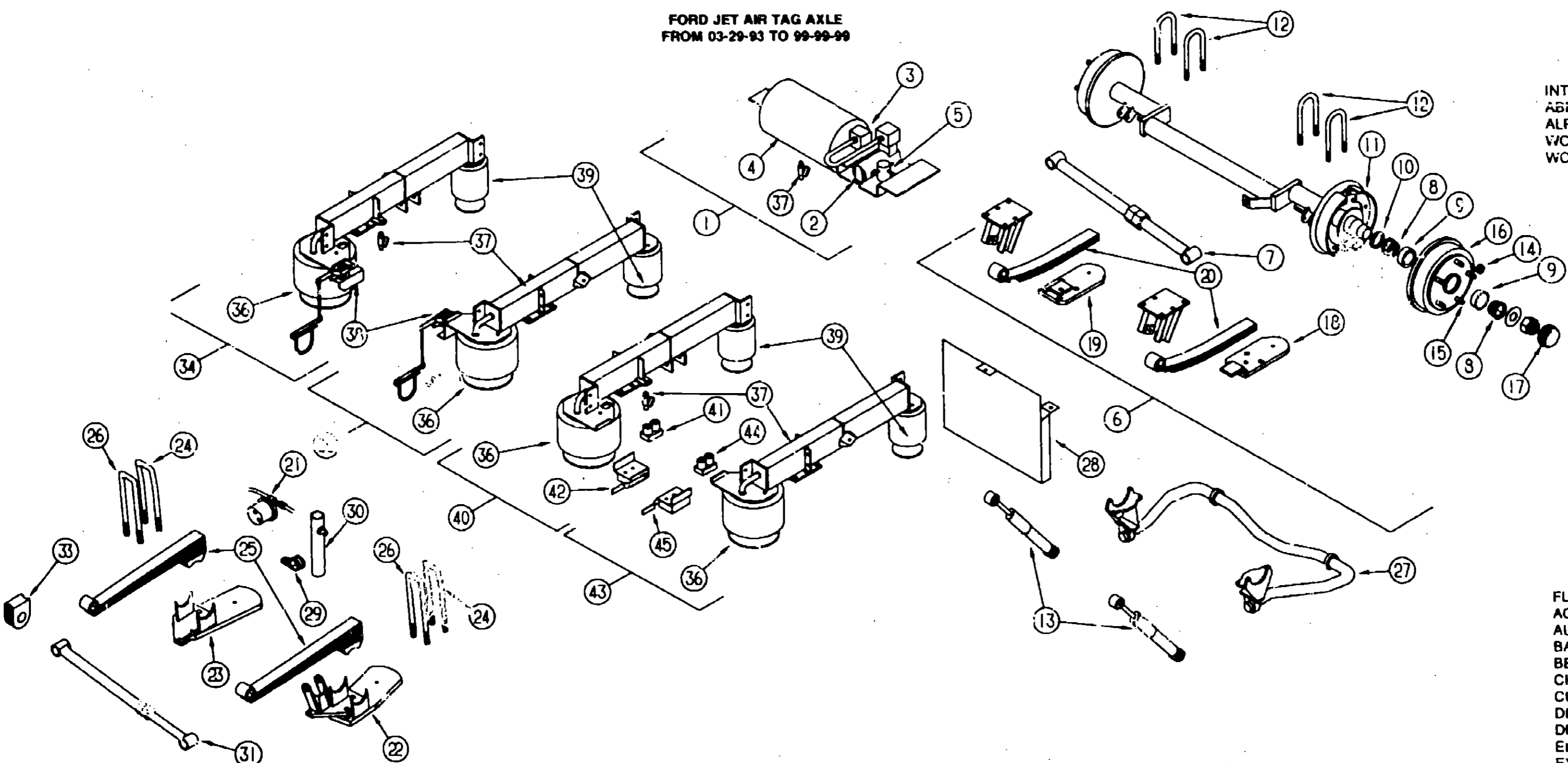
KEY	PART NUMBER	U/M DESCRIPTION
	085750-01-708	EA BRAKE-RIGHT HAND, 12 X 2 - HENSCHEN 3160014
	085750-01-709	EA BRAKE-LEFT HAND, 12 X 2 - HENSCHEN 3160015
	085750-01-700	EA MAGNET KIT, OVAL - HENSCHEN M-130
	085750-01-723	EA MAGNET KIT, ROUND - HENSCHEN M-115
	085750-01-701	EA SHOE & LININGS, FOR 1 BRAKE - SL-11
	085750-01-724	EA ARM-LEVELOR, MAGNETIC - RIGHT RND - HENSCHEN 055829
	085750-01-725	EA ARM-LEVELOR, MAGNETIC - LEFT RND - HENSCHEN 055830
	085750-01-705	EA GREASE SEAL, HENSCHEN 0270015
	094558-02-700	EA BEARING-WHEEL, INNER - JOHN DEERE & FORD TAG AXLE 170050
	098439-02-700	EA HUB & DRUM W/RACES, DRIVER & PASSENGER SIDE - FORD 3160605
	077043-02-000	EA NUT-WHEEL 9/16-18 2 PC F53
	077043-03-000	EA NUT-WHEEL 9/16-18 2 PC F53
	094558-02-701	EA BEARING-WHEEL, OUTER - JOHN DEERE & FORD TAG AXLE 0170952
	094558-02-704	EA COVER-DUST, W/ZERK - JOHN DEERE & FORD TAG AXLE 3820030
	098439-04-000	EA SUSPENSION-TAG, FORD - HENSCHEN 5820064
	085750-01-712	EA BUSHING-SPRING, HENSCHEN 5503-023
	085750-01-720	EA STIRRUP-SPRING, HENSCHEN 8600-079
	085750-01-718	EA BOLT-SPRING STIRRUP, HENSCHEN 9110-150
	085750-01-719	EA NUT-SPRING STIRRUP, HENSCHEN 92110-130
	085750-01-714	EA TRANSVERSE ROD, HENSCHEN 5001-004
	085750-01-715	EA BUSHING-TRANSVERSE ROD, HENSCHEN 7572-102
	085750-01-716	EA PIN-STRADDLE, HENSCHEN 5506-001
	085750-01-713	EA CROSSMEMBER, HENSCHEN 8600-146
	098439-04-700	EA BELLOWS-AIR SPRING, TAG SUSPENSION - HENSCHEN 0320058
	085750-01-722	EA BRACKET-FRAME MOUNTING, LEFT - HENSCHEN 8600047
	085750-01-721	EA BRACKET-FRAME MOUNTING, RIGHT - HENSCHEN 8600-047R
	071391-02-000	EA NIPPLE-HEX, 1/4 PIPE
	085759-01-000	EA LIGHT-WARNING, "LOW AIR", HENSCHEN 510533

CHASSIS GROUP (CONTINUED)

FORD JET AIR TAG AXLE
FROM 03-29-93 TO 99-99-99

1993 WINNEBAGO TABLE OF CONTENTS

INTRODUCTION	A-01 -	A-02
ABBREVIATIONS		A-03
ALPHABETICAL INDEX	A-04 -	A-06
WCM37RW	A-07 -	G-08
WCM33RQ	G-09 -	L-24



1993 WCM37RW INDEX

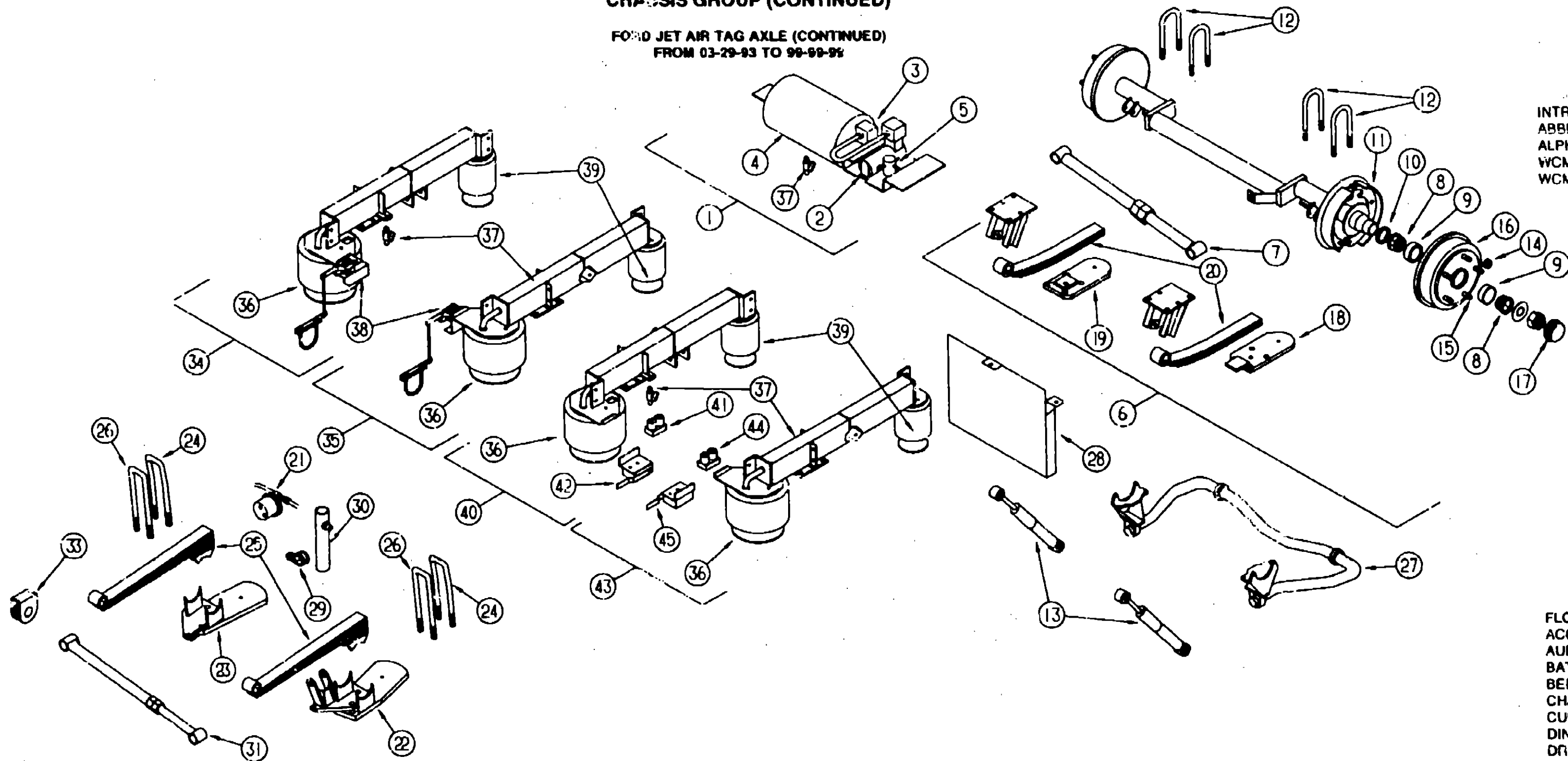
FLOOR PLAN	A-07 -	A-08
ACCESSORIES		A-09
AUDIO VIDEO	A-10 -	A-13
BATH	A-14 -	A-18
BEDROOM	A-19 -	A-20
CHASSIS	A-21 -	B-20
CURTAIN & CUSHION	B-21 -	C-10
DINETTE	C-11 -	C-12
DRIVERS COMPARTMENT	C-13 -	C-18
ELECTRICAL	C-19 -	D-01
EXTERIOR BODY	D-02 -	D-12
GALLEY	D-13 -	D-22
GENERATOR	D-23 -	D-24
HEATING & A/C	E-01 -	E-06
INTERIOR FINISH	E-07 -	E-10
LABEL	E-11 -	E-18
LP		E-19
LOUNGE	E-20 -	E-21
SEALANTS & FASTENERS	E-22 -	F-02
WATER & SEWAGE	F-03 -	F-07
WINDOW, VENT AND EXTERIOR DOOR	F-08 -	G-04
WINDSHIELD & WIPER	G-05 -	G-08

KEY	PART NUMBER	U/M DESCRIPTION
1	090436-35-000	EA COMPRESSOR-TANK, W/O WIRING - JET 60703 (W/O PARK & LEVEL)
1	090436-54-000	EA COMPRESSOR-TANK, W/O WIRING - JET 60804 (W/PARK & LEVEL)
	090436-40-000	EA FILTER-AIR INTAKE, COMPRESSOR
2	090436-07-700	EA COMPRESSOR (ONLY), 50701 - NEW STYLE (SINGLE CYLINDER)
3	090436-07-701	EA SWITCH-AIR PRESSURE, 50732 JET
4	090436-07-702	EA TANK ONLY ALL MODELS, 50703 JET
5	090436-07-704	EA SOLENOID-ELECTRONIC, 50702 JET
6	090436-64-000	EA AXLE-TAG, FORD OFFSET - JET 65902 M&G
7	090436-31-000	EA BAR-TRACK, W/BOLTS & BRKTS - JET 60770
8	090436-42-704	EA WHEEL BEARING-TAG AXLE, 55911 JET
9	090436-42-705	EA RACE-WHEEL BEARING TAG AXLE, 55912 JET
10	090436-42-706	EA GREASE SEAL-TAG AXLE, 55913 JET
11	090436-42-707	EA BRAKE ASM W/BACK PLATE LH, 55914 JET
	090436-42-708	EA BRAKE ASM W/BACK PLATE RH, 55915 JET
12	090436-42-711	EA U-BOLT, 7/8" X 8" TAG AXLE SPRING, 55918 JET
13	090436-42-714	EA SHOCK ABSORBER-TAG AXLE, 55924 JET
14	090436-59-70C	EA LUG NUTS-FORD TAG AXLE, 65905 JET
15	090436-59-701	EA WHEEL STUD-FORD TAG AXLE, 65906 JET

KEY	PART NUMBER	U/M DESCRIPTION
16	090436-59-702	EA HUB & DRUM ASM-FORD TAG AXLE, 65907 JET
17	090436-59-703	EA DUST CAP-FORD TAG AXLE, 65908 JET
18	090436-59-704	EA SPRING HOLDER-LH LOW FORD, 65916 JET
19	090436-59-705	EA SPRING HOLDER-RH LOW FORD, 65917 JET
20	090436-59-706	EA LEAF SPRING-FORD TAG AXLE, 65919 JET
21	085758-02-000	EA SWITCH-"LOW AIR", NASON SP-17B-20F (CLOSES @ 20 PSI)
22	090436-20-000	EA MOUNT-SPRING/AXLE, LOWER DRIVER - JET 60753
23	090436-21-000	EA MOUNT-SPRING/AXLE, LOWER PASSENGER - JET 60754
24	090436-22-000	EA U-BOLT, 1-14 X 4" X 14" - W/NUTS - JET 60758
25	090436-23-000	EA SPRING-LEAF, SEMI - FORD - JET 60762
26	090436-25-000	EA U-BOLT, 1-14 X 4" X 15" - W/NUTS - JET 60759
27	090436-26-000	EA BAR-STABILIZER, REAR - JET# 60698 / FORD CHASSIS
28	090436-28-000	EA SHIELD-HEAT, FUEL TANK - JET 60697
29	090436-29-000	EA BRACKET-BRAKE HOSE/FRAME, JET 60696
30	090436-30-000	EA BRACKET-BRAKE HOSE/CALIPER, JET 60695
31	090436-31-000	EA BAR-TRACK, W/BOLTS & BRKTS - JET 60770
	090436-49-000	EA TAG AXLE WIRE ASM, W/O PARK & LEVEL, JET55763
	071369-02-000	EA TEE-MALE BRANCH, 1/4" X 1/4" TUBE

CHASSIS GROUP (CONTINUED)

FORD JET AIR TAG AXLE (CONTINUED)
FROM 03-29-93 TO 98-99-96



1993 WINNEBAGO TABLE OF CONTENTS

INTRODUCTION	A-01 -	A-02
ABBREVIATIONS		A-03
ALPHABETICAL INDEX	A-04 -	A-06
WCM37RW	A-07 -	G-08
WCM33RQ	G-09 -	L-24

1993 WCM37RW INDEX

FLOOR PLAN	A-07 -	A-08
ACCESSORIES		A-09
AUDIO VIDEO	A-10	A-13
BATH	A-14 -	A-18
BEDROOM	A-19 -	A-20
CHASSIS	A-21 -	B-20
CURTAIN & CUSHION	B-21 -	C-10
DINETTE	C-11 -	C-12
DRIVERS COMPARTMENT	C-13 -	C-18
ELECTRICAL	C-19 -	D-01
EXTERIOR BODY	D-02 -	D-12
GALLEY	D-13 -	D-22
GENERATOR	D-23	D-24
HEATING & A/C	E-01 -	E-08
INTERIOR FINISH	E-07 -	E-10
LABEL	E-11 -	E-18
LP		E-19
LOUNGE	E-20 -	E-21
SEALANTS & FASTENERS	E-22 -	F-02
WATER & SEWAGE	F-03 -	F-07
WINDOW, VENT AND EXTERIOR DOOR	F-09 -	G-04
WINDSHIELD & WIPER	G-05 -	G-08

KEY	PART NUMBER	U/M	DESCRIPTION
33	091250-03-000	EA	BUSHING-SWAY BAR, 1.75" CUT-HELLWIG PB 732 (REF. JET RIDE)
34	090436-65-000	EA	MOUNT-SPRING, FORD TAG RH UPPER, JET 65858 (W/O PARK & LEVEL)
35	090436-60-000	EA	MOUNT-SPRING, FORD TAG LH UPPER, JET 65750 (W/O PARK & LEVEL)
36	090436-15-704	EA	AIR SPRING (AIR BAG) - SINGLE - JET 50752
37	090436-36-700	EA	PET COCK-AIR TANK F/SPRING, 50720 JET
38	090436-15-706	EA	HEIGHT CONTROL VALVE-TAG AXLE, 55923 JET
39	090436-42-716	EA	AIR BAG-TAG AXLE, 55930 JET
	090436-49-000	EA	WIRING ASM-TAG, JET 55763 (W/O PARK & LEVEL)
	071389-02-000	EA	TEE-MALE BRANCH, 1/4" X 1/4" TUBE
40	090436-66-000	EA	MOUNT-SPRING, RIGHT UPPER - JET 65857 (W/PARK & LEVEL ON 93 CHASSIS)
41	090436-15-710	EA	ELECTRONIC VALVE-RH, 50786 JET
42	090436-15-712	EA	HEIGHT CONTROL BOX RH W/LIGHT, 50872
	090436-15-713	EA	WIRE LOOM F/AXLE POS. LIGHT, 50875
	090436-15-714	EA	LOCK OUT KIT (CONTAINS: WIRE HARNESS, 2 VALVES, INSTRUCTIONS)

KEY	PART NUMBER	U/M	DESCRIPTION
43	090436-62-000	EA	MOUNT-SPRING, LEFT UPPER - JET 65850 (W/PARK & LEVEL ON 93 CHASSIS)
44	090436-15-709	EA	ELECTRONIC VALVE-LH, 50785 JET
45	090436-15-711	EA	HT. CONTROL BOX LH W/LIGHT, 50671
	090436-42-716	EA	AIR SPRING (AIR BAG) - TAG AXLE, 55930 JET
	090435-49-000	EA	WIRING ASM-TAG, JET 55763 (W/O PARK & LEVEL)
	090436-55-000	EA	WIRING ASM-TAG, JET 55863 (W/PARK & LEVEL ON 93 CHASSIS)
	085753-02-000	EA	BRAKE CONTROL, TEKONSHA 9030 - HENSCHEN
	100332-01-000	EA	PLATE-VALVE AIR SPRING

CHASSIS GROUP (CONTINUED)

CHEVY FRONT SHOCKS

KEY	PART NUMBER	U/M DESCRIPTION
	104993-01-000	EA SHOCK ABSORBER-GAS, P30 FRONT - BILSTEIN B46-1173

ENTRY STEPS

KEY	PART NUMBER	U/M DESCRIPTION
	094707-01-01A	EA STEP-DOUBLE, ELECTRIC W/ORANGE CONTROL BOX - KWIKEE 3218
	094707-02-700	EA MOTOR REPLACEMENT KIT - MODELS 32 & 28 - KWIKEE 9520
	094707-02-701	EA LINKAGE ASM - MODEL 32 - KWIKEE 9523
	094707-02-702	EA GEAR KIT - KWIKEE 9525
	094707-02-703	EA PARTS KIT, (BEARINGS & PINS) - KWIKEE 9530
	094707-02-704	EA CONNECTOR KIT-MOTOR, KWIKEE 9537
	094707-02-705	EA CONTROL UNIT, (ORANGE) - KWIKEE 9513
	094707-02-707	EA NON-SKID TREAD BLACK, 6"X21" - KWIKEE 909333
	041250-01-000	EA SWITCH-DOOR JAMB, ELECTRIC ENTRY STEP - METAL
	075723-02-000	EA SPACER-SWITCH, W/HOLE - .2" X .9" X 2" - METAL - OFF WHITE FOR ELECTRIC STEP DOOR JAMB SWITCH

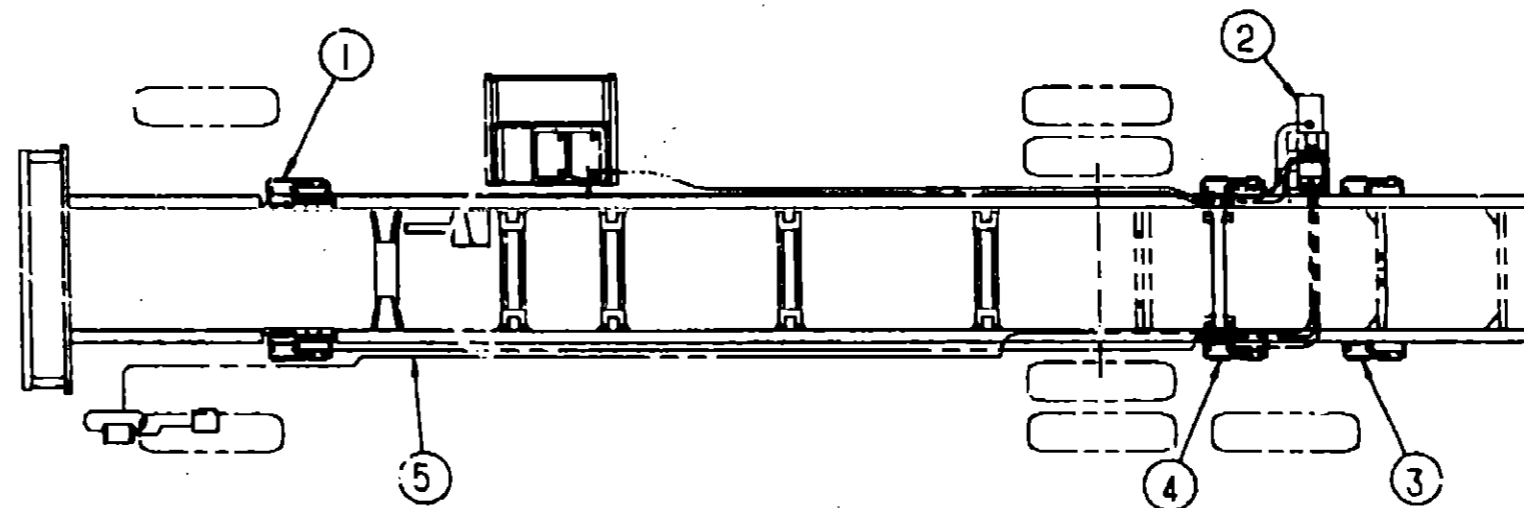
WHEEL COVERS

KEY	PART NUMBER	U/M DESCRIPTION
	109443-01-000	EA COVER-WHEEL, 4/SET 19.5 W/HARDWARE - DICOR SHAG95 (CHEVY)
	109443-01-700	EA COVER-WHEEL, 19.5 - FRONT OR REAR - 1 ONLY - SHAG95 DICOR (CHEVY)
	109443-01-701	EA SET-BRACKET, 1 FRONT WHEEL - SHAG95-FBS DICOR (CHEVY)
	109443-01-702	EA SET-BRACKET, 1 REAR WHEEL - SHAG95-RBS DICOR (CHEVY)
	109443-01-703	EA CAP-CENTER, HUB - DICOR SP-AUCAP (CHEVY)
	109443-02-000	EA COVER-WHEEL, 2/SET 19.5 W/HARDWARE - DICOR SHAG95RAS (CHEVY)
	098532-01-000	EA COVER-WHEEL, FORD - 15" - SET OF 4 - DICOR SH-SD-16
	098532-01-700	EA COVER-LUG NUT, FORD - CHROME - DICOR SP-FM-CLN
	098532-01-701	EA COVER-WHEEL, FORD - 16" - (EACH=1 ONLY)
	098532-02-000	EA COVER-WHEEL, 16" FORD - SET OF 2 - DICOR SH-SD-16-AS
	098532-01-700	EA COVER-LUG NUT, FORD - CHROME - DICOR SP-FM-CLN
	098532-01-701	EA COVER-WHEEL, FORD - 16" - (EACH=1 ONLY)

WHEEL LINERS & COVERS

KEY	PART NUMBER	U/M DESCRIPTION
	091209-01-000	EA LINER-WHEEL, 19.5" - SST - SET OF 4 - KAPER 1954-ION (CHEVY)
	091209-01-700	EA LINER-WHEEL, 19.5" FRONT - 10 LUG - CHEVY P-30
	091209-01-701	EA LINER-WHEEL, 19.5" REAR - 10 LUG - CHEVY P-30
	091209-01-702	EA COVER-AXLE, 19.5" FRONT - 10 LUG - CHEVY P-30
	091209-01-703	EA COVER-AXLE, 19.5" REAR - 10 LUG - CHEVY P-30
	091209-01-704	EA COVER-LUG NUT (CHEVY)
	091209-02-000	EA LINER-WHEEL, 19.5 - SST - SET OF 2 - KAPER 1952R-ION (CHEVY)
	091209-01-701	EA LINER-WHEEL, 19.5" REAR - 10 LUG - CHEVY P-30
	091209-01-703	EA COVER-AXLE, 19.5" REAR - 10 LUG - CHEVY P-30
	091209-01-704	EA COVER-LUG NUT (CHEVY)
	091209-08-000	EA WHEEL LINER SET W/FRONT HUB COVER 16" SET OF 4 (FORD) (2) FRONTS - (2) REARS
	091209-08-700	EA LINER-WHEEL, 16" FRONT W/AXLE COVER - 10 LUG - FORD
	091209-08-701	EA LINER-WHEEL, 16" REAR - 10 LUG - FORD
	091209-08-702	EA COVER-AXLE, 16" REAR - FORD
	091209-08-703	EA COVER-LUG NUT (FORD)
	091209-01-704	EA COVER-LUG NUT (FORD)
	091209-11-702	EA JAMB NUT-LONG, FOR REAR MAIN AXLE ONLY
	091209-09-000	EA LINER-WHEEL, W/INTEGRATED FRONT AXLE COVER - FORD TAG - 16
	091209-08-701	EA LINER-WHEEL, 16" REAR - 10 LUG - FORD
	091209-08-702	EA COVER-AXLE, 16" REAR - FORD
	091209-08-703	EA COVER-LUG NUT (FORD)
	091209-10-704	EA JAMB NUT-SHORT, FOR FRONT & TAG

CHASSIS GROUP (CONTINUED)



HWH HYDRAULIC LEVELING SYSTEM

KEY	PART NUMBER	U/M DESCRIPTION
	1	100533-05-000 EA BRACKETS-FRONT LEVELING JACK, HWH AP7107 (CHEVY)
	1	100533-06-000 EA BRACKETS-FRONT LEVELING JACK, HWH AP7160 (FORD)
	2	100532-03-000 EA LEVELING SYSTEM-HYDRAULIC - HWH AP9343
		100532-01-705 EA SPRING KIT, 9K JACK, HWH R1171
		100532-01-706 EA ACTIVATOR KIT, 9K JACK, RAP7028
		100532-01-707 EA ROLLER BEARING KIT, 9K JACK, R2527
		100532-02-701 EA SPRING KIT, 6K JACK, R6824
		100532-02-702 EA ACTIVATOR KIT, 6K JACK, RAP7062
		100532-02-704 EA ACTIVATOR CABLE, 6K JACK, RAP7194
		100532-03-700 EA CONTROL BOX-HYDRAULIC ONLY - RAP8106
		100532-03-703 EA JACK 6K W/POWER SWITCH (TALL), RAP8130
		100532-03-704 EA JACK 9K W/POWER SWITCH (TALL), RAP8251
		100532-03-705 EA PUMP-.75 STONE - 3" WATT MOTOR - RAP0002
		100532-03-707 EA MANIFOLD ASSEMBLY, 4 VALVE HYDRAULIC - RAP6358
		100532-03-710 EA SENSING UNIT, 21" MTX - RAP6798
		100532-03-711 EA PANEL-TOUCH, MODULAR CABLE - HYDRAULIC ONLY - RAP7868
		100532-03-714 EA MODULAR CABLE, 5' - RAP9226
		100532-03-715 EA CAP-BREATHING, RAP7876
		100532-03-716 EA RELAY ESSEX, RAP7505
		100532-03-717 EA VALVE-SHUTTLE, RAP7964
		100532-03-718 EA VALVE-SOLENOID, RAP8034
		100532-03-720 EA SWITCH-PRESS, 300PSI - W/PISTON - RAP8355
		100532-03-721 EA VALVE-CHECK KIT, SINGLE - RAP7944
		100532-03-723 EA MANIFOLD HARDWARE MOUNTING KIT - RAP9171
		100532-03-724 EA PUMP/TANK/MANIFOLD ASM, RAP0380
		100532-03-725 EA SWITCH-WARNING, W/RESISTOR - RAP8072
		100532-03-726 EA SWITCH-PRESSURE - RAP8003
		100532-03-727 EA SOLENOID KIT, R7572
	3	100534-03-000 EA BRACKETS-REAR LEVELING JACKS, HWH AP7394 (FORD) FROM: 00-00-00 THRU: 03-26-93
	3	110070-02-000 EA BRACKETS-REAR LEVELING JACKS, HWH AP7394 (FORD) FROM: 03-27-93 THRU: 09-99-99
	4	100534-02-000 EA BRACKETS-REAR LEVELING JACK, HWH AP5273 (CHEVY) FROM: 00-00-00 THRU: 09-30-92
	4	110070-01-000 EA BRACKETS-REAR LEVELING JACK (CHEVY) FROM: 10-01-92 THRU: 99-99-99
	5	100536-08-000 EA HOSE KIT-LEVELING JACKS, FOR FRONT & REAR SYSTEM - HWH AP9446
		108643-01-000 EA BRACKET-MOUNT, JACKS CONTROL
		071390-04-000 FT TUBING-AIR BRAKE, 1/4" OD - BLACK - NT10004-BK WEATHERHEAD
		107889-01-000 EA PANEL-CONTROL, TOUCH KIT - HWH AP9443
		107889-01-700 EA TOUCH PANEL ONLY
		107890-01-000 EA ELBOW-STEEL, 90 DEGREE 1/4 X 37D FLARE, PARKER 4-C6X-5

1993 WINNEBAGO TABLE OF CONTENTS

INTRODUCTION	A-01 - A-02
ABBREVIATIONS	A-03
ALPHABETICAL INDEX	A-04 - A-06
WCM37RW	A-07 - G-08
WCM33RO	G-09 - L-24

1993 WCM37RW INDEX

FLOOR PLAN	A-07 - A-08
ACCESSORIES	A-09
AUDIO VIDEO	A-10 - A-13
BATH	A-14 - A-18
BEDROOM	A-19 - A-20
CHASSIS	A-21 - B-20
CURTAIN & CUSHION	B-21 - C-10
DINETTE	C-11 - C-12
DRIVERS COMPARTMENT	C-15 - C-18
ELECTRICAL	C-19 - D-01
EXTERIOR BODY	D-02 - D-12
GALLEY	D-13 - D-22
GENERATOR	D-23 - D-24
HEATING & A/C	E-01 - E-06
INTERIOR FINISH	E-07 - E-10
LABEL	E-11 - E-18
LP	E-19
LOUNGE	E-20 - E-21
SEALANTS & FASTENERS	E-22 - F-02
WATER & SEWAGE	F-03 - F-07
WINDOW, VENT AND EXTERIOR DOOR	F-08 - G-04
WINDSHIELD & WIPER	G-05 - G-08

CHASSIS GROUP (CONTINUED)

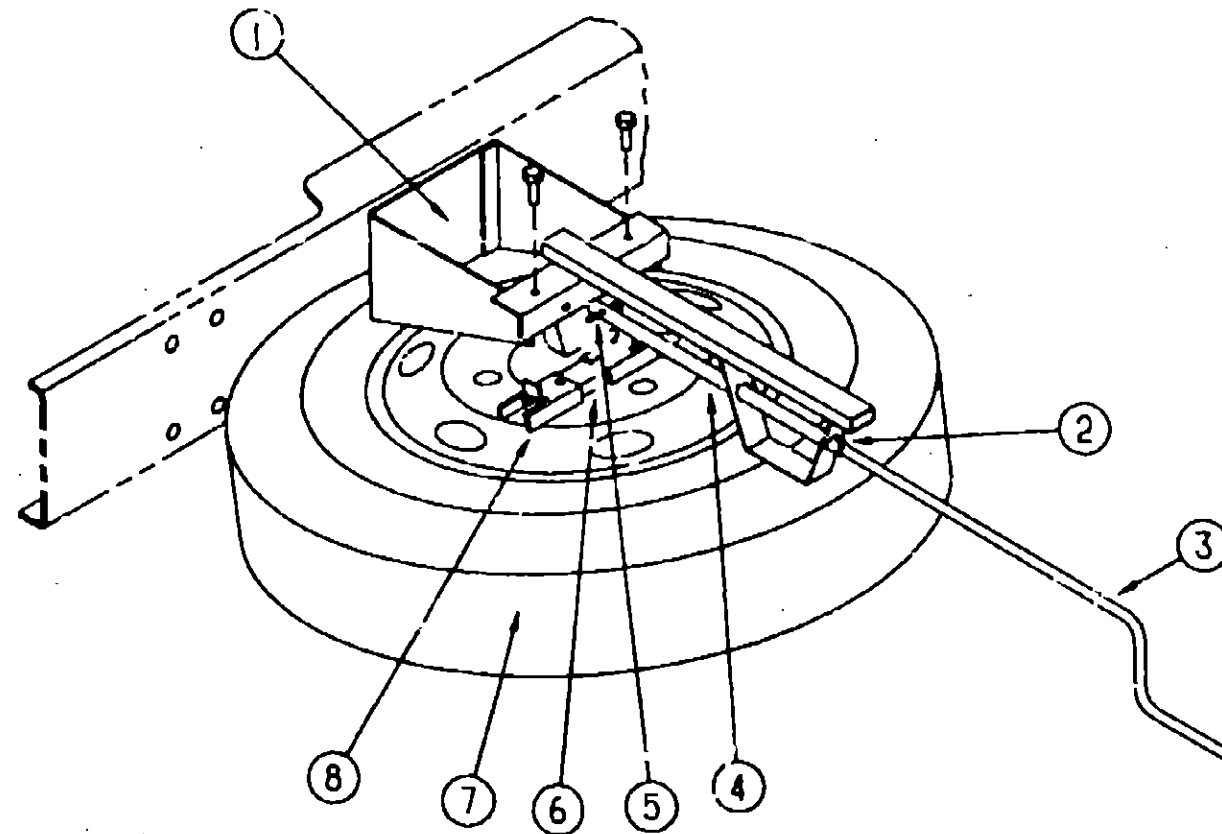
FRONT ONLY HWH HYDRAULIC LEVELING SYSTEM

KEY	PART NUMBER	U/M	DESCRIPTION
	100532-07-000	EA	LEVELING SYSTEM-HYDRAULIC, FRONT ONLY - HWH AP0396
	100532-02-701	EA	SPRING KIT, 6K JACK, HWH R6824
	100532-02-702	EA	ACTIVATOR KIT, 6K JACK, HWH RAP7062
	100532-02-704	EA	ACTIVATOR CABLE, 6K JACK, HWH RAP7194
	100532-03-701	EA	CONTROL BOX-W/JET AIR, 2 JACK - RAP9800
	100532-03-703	EA	JACK 6K W/POWER SWITCH (TALL), RAP9130
	100532-03-706	EA	PUMP, .75 STONE - 3" - 500 WATT MOTOR - RAP0195
	100532-03-708	EA	MANIFOLD ASSEMBLY, 2 VALVE W/JET - RAP0333
	100532-03-710	EA	SENSING UNIT, 21' MTA - RAP6798
	100532-03-711	EA	PANEL-TOUCH, MODULAR CABLE - HYDRAULIC ONLY - RAP7868
	100532-03-713	EA	MODULAR CABLE, 7' - RAP8072
	100532-03-716	EA	RELAY ESSEX, RAP7505
	100532-03-717	EA	VALVE-SHUTTLE, RAP7964
	100532-03-718	EA	VALVE-SOLENOID, RAP8034
	100532-03-720	EA	SWITCH-PRESS, 300PSI - W/PIGTAIL - RAP8355
	100532-03-721	EA	VALVE-CHECK KIT, SINGLE - RAP7944
	100532-03-723	EA	MANIFOLD HARDWARE MOUNTING KIT - RAP9171
	100532-03-725	EA	SWITCH-WARNING, W/RESISTOR - RAP8072
	100532-03-726	EA	SWITCH-PRESSURE, RAP8003
	100532-03-727	EA	SOLENOID KIT, R7572
	100532-06-700	EA	PUMP/TANK/MANIFOLD ASM, RAP0032
	100533 05 000	EA	BRACKETS-FRONT LEVELING JACK - HWH AP7107
	100536 16 000	EA	HOSE KIT-LEVELING JACKS - HWH AP0397
	111619 01 000	EA	WIRE ASM-JACKS/AIR RIDE
	071390-04-000	FT	TUBING-AIR BRAKE, 1/4" OD - BLACK - NT10004-BK WEATHERHEAD
	107889-01-000	EA	PANEL-CONTROL, TOUCH KIT - HWH AP9443
	107889-01-700	EA	TOUCH PANEL ONLY
	107890-01-000	EA	ELBOW-STEEL, 90 DEGREE 1/4 X 3/8 FLARE, PARKER 4-C6X-S

RADIATOR BAFFLE, BOTTLE BRACKET & TUBING

KEY	PART NUMBER	U/M	DESCRIPTION
	076310-01-000	EA	BAFFLE-RADIATOR, .12" X 15" X 62" - RUBBER (CHEVY)
	105619-01-000	EA	BRACKET-OVERFLOW BOTTLE (FORD)
	088497-02-000	EA	NUT-INVERTED FLARE, 1/4" (CHEVY)
	008042-01-000	FT	TUBING-VINYL, .65" ID
	085771-03-000	EA	NUT-HEX, FL. PREV. TORQUE - GRADE C DRIVE SHAFT
	055278-51-259	FT	TUBING-STEEL, .75" X 1.5" X 12.5' LONG
	110934-01-000	EA	CONNECTOR-BARB, 5/16" - PLASTIC

CHASSIS GROUP (CONTINUED)



SPARE TIRE HOIST

KEY	PART NUMBER	U/M	DESCRIPTION
	1		N/A
	2	035776-01-000	EA BRACKET ASM-TIRE HOIST (NOT USED)
	3	093376-01-000	EA PIN-ROLL, .125 DIA X .750
	4	093375-01-000	EA HANDLE-CRANK, TIRE HOIST
	5	000F10-06-32B	EA EXTENSION-TIRE HOIST
	6	093267-02-000	EA PIN-COTTER, 3/16 X 2.00 - ZN
	6	093257-01-000	EA HOIST-SPARE TIRE, W/BRACKET
	7	064963-01-000	EA HOIST-SPARE TIRE, W/O BRACKET
	7	077043-03-000	EA WHEEL-STEEL, 19.5" X 6" - GM 14005758 (CHEVY)
	7	095853-01-000	EA NUT-WHEEL 9/16-18 2 PC F53 (FORD)
	7	095853-02-000	EA WHEEL-STEEL, 16" X 6K - E8TZ - 1015 - A - ACCURIDE 28375-12 (FORD ONLY) FROM: 00-00-00 THRU: 08-01-93
	7	007324-04-000	EA WHEEL-STEEL, 16" X 6K - F2TA - 1015 - NA - ACCURIDE 28513-7 (FORD ONLY) FROM: 08-02-93 THRU: 99-99-99
	7	083425-05-000	EA TIRE-8R19.5 LRD, MICHELIN XZA (CHEVY)
	7	105499-01-000	EA TIRE-MICHELIN, LT235/85R16 LRE - XPS RIB (FORD)
	8	105499-01-000	EA BRACKET-TIRE HOIST
		077020-02-000	EA EXTENSION-VALVE STEM, 1.25"
		051377-05-000	EA STEM-VALVE, VS938
		035012-03-000	EA EXTENSION-VALVE STEM, DUAL WHEEL (FORD)
		095012-04-000	EA STABILIZER-VALVE EXTENSION
		080208-01-000	EA LUG WRENCH, 1.06 X 1.00 (CHEVY)
		080203-02-000	EA BAR-LEVERAGE, LUG WRENCH (CHEVY)

FORD LUG WRENCH & LEVERAGE BAR ARE CHASSIS PROVIDED

**1993 WINNEBAGO
TABLE OF CONTENTS**

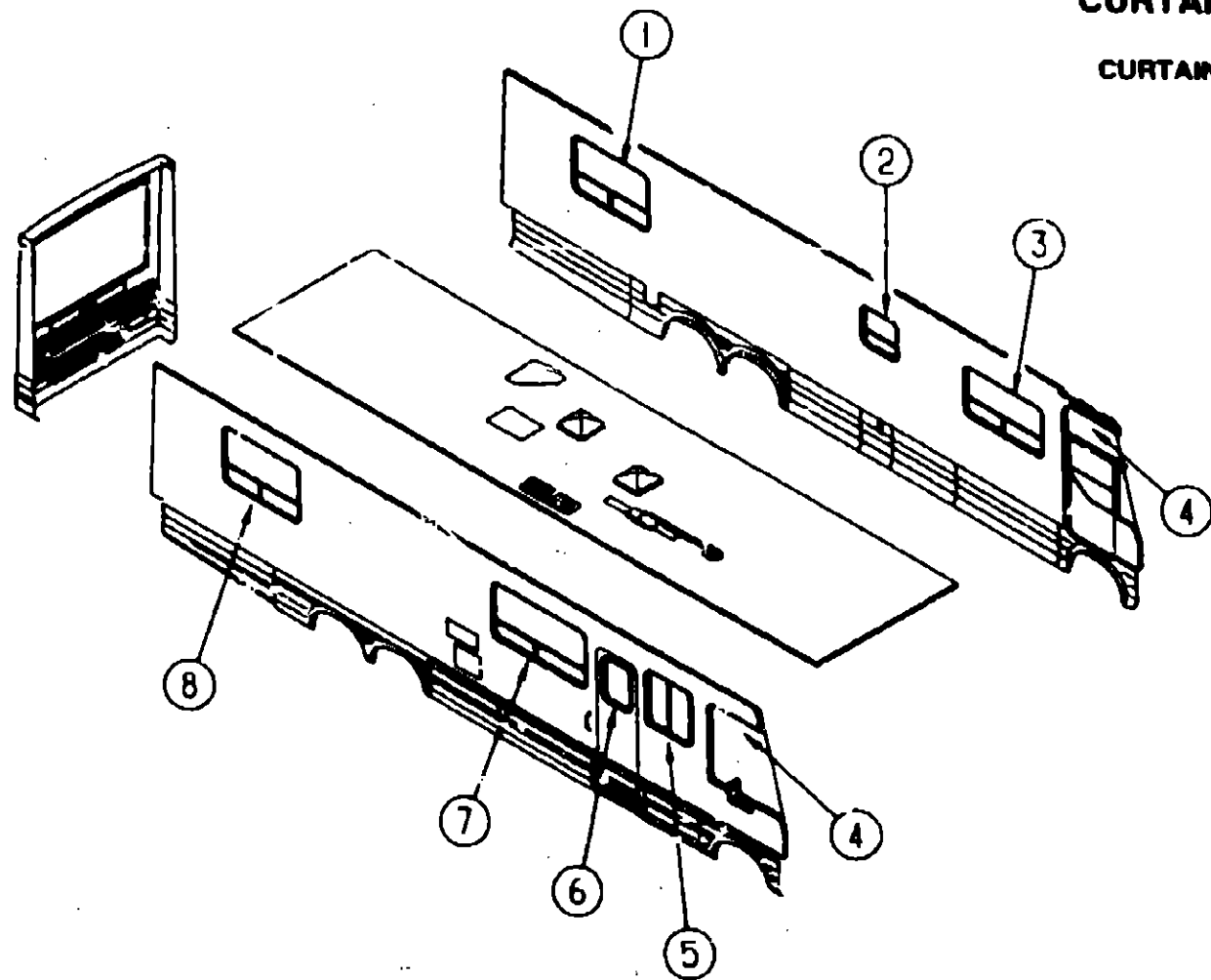
INTRODUCTION	A-01 -	A-02
ABBREVIATIONS		A-03
ALPHABETICAL INDEX	A-04 -	A-06
WCM37RW	A-07 -	G-08
WCM33RW	G-09 -	L-24

1993 WCM37RW INDEX

FLOOR PLAN	A-07 -	A-08
ACCESSORIES		A-09
AUDIO VIDEO	A-10	A-13
BATH	A-14 -	A-18
BEDROOM	A-19 -	A-20
CHASSIS	A-21 -	B-20
CURTAIN & CUSHION	B-21 -	C-10
DINETTE	C-11 -	C-12
DRIVERS COMPARTMENT	C-13 -	C-18
ELECTRICAL	C-19 -	D-01
EXTERIOR BODY	D-02 -	D-12
GALLEY	D-13 -	D-22
GENERATOR	D-23	D-24
HEATING & AC	E-01 -	E-06
INTERIOR FINISH	E-07 -	E-10
LABEL	E-11 -	E-10
LP		E-19
LOUNGE	E-20 -	E-21
SEALANTS & FASTENERS	E-22 -	F-02
WATER & SEWAGE	F-03 -	F-07
WINDOW, VENT AND EXTERIOR DOOR	F-08 -	G-04
WINDSHIELD & WIPER	G-05 -	G-08

CURTAIN & CUSHION GROUP

CURTAINS & WINDOW TREATMENT



KEY PART NUMBER

3 096803-25-D18
3 096803-25-D19
3 096803-25-D20
4 084755-90-000

5 109004-02-D18
5 109004-06-D19

5 109004-11-D19

5 109004-04-D20
5 109234-09-D16
5 109234-09-D19

5 109234-20-D19

5 109234-11-D20
5 109234-10-D18
5 109234-10-D19

5 109234-21-D19

5 109234-12-D20
5 096803-26-D18
5 096803-26-D19
5 096803-26-D20

6 084755-57-D32
6 084755-57-D32

6 084755-57-DA4

6 084755-57-DA5

7 109004-01-D18
7 109004-03-D19

7 109004-10-D19

7 109004-03-D20
109005-01-000
7 100281-94-D18
7 100281-94-D19

7 109234-18-D19

7 109234-07-D20
7 100281-95-D18
7 100281-95-D19

7 109234-19-D19

7 109234-08-D20
7 096803-09-D18
7 096803-09-D19
7 096803-09-D20

U/M DESCRIPTION

EA BLIND-WINDOW, PLEATED DAY/NIGHTER, 50" X 32" DROP
EA BLIND-WINDOW, PLEATED DAY/NIGHTER, 50" X 32" DROP
EA BLIND-WINDOW, PLEATED DAY/NIGHTER, 50" X 32" DROP
EA SHADE-WINDOW, PULL - 28.25" WIDE (CAB WINDOW)

EA VALANCE-WINDOW, 31"
EA VALANCE-WINDOW, 31"

EA VALANCE-WINDOW, 31"

EA VALANCE-WINDOW, 31"
EA LEG-WINDOW, RIGHT SIDE - 31.5"
EA LEG-WINDOW, RIGHT SIDE - 31.5"

EA LEG-WINDOW, RIGHT SIDE - 31.5"

EA LEG-WINDOW, RIGHT SIDE - 31.5"
EA LEG-WINDOW, LEFT SIDE - 31.5"
EA LEG-WINDOW, LEFT SIDE - 31.5"

EA LEG-WINDOW, LEFT SIDE - 31.5"

EA LEG-WINDOW, LEFT SIDE - 31.5"
EA BLIND-WINDOW, PLEATED DAY/NIGHTER, 27.5 X 31" DROP
EA BLIND-WINDOW, PLEATED DAY/NIGHTER, 27.5 X 31" DROP
EA BLIND-WINDOW, PLEATED DAY/NIGHTER, 27.5 X 31" DROP

EA SHADE-WINDOW, PULL - 27.25" (D19,D20)
EA SHADE-WINDOW, PULL - 28.25" X 60" (D19)

EA SHADE-WINDOW, PULL - 27.25" (D19)

EA SHADE-WINDOW, PULL - 27.25" (D19)

EA VALANCE-WINDOW, 64.5"
EA VALANCE-WINDOW, 64.5"

EA VALANCE-WINDOW, 64.5"

EA VALANCE-WINDOW, 64.5"
EA WOOD-VALANCE, 64"
EA LEG-WINDOW, RIGHT SIDE - W/WINDOW CONTROL HOLE - 31.5"
EA LEG-WINDOW, RIGHT SIDE - W/WINDOW CONTROL HOLE - 31.5"

EA LEG-WINDOW, RIGHT SIDE - W/WINDOW CONTROL HOLE - 31.5"

EA LEG-WINDOW, RIGHT SIDE - W/WINDOW CONTROL HOLE - 31.5"
EA LEG-WINDOW, LEFT SIDE - W/WINDOW CONTROL HOLE - 31.5"
EA LEG-WINDOW, LEFT SIDE - W/WINDOW CONTROL HOLE - 31.5"

EA LEG-WINDOW, LEFT SIDE - W/WINDOW CONTROL HOLE - 31.5"

EA LEG-WINDOW, LEFT SIDE - W/WINDOW CONTROL HOLE - 31.5"
EA BLIND-WINDOW, PLEATED DAY/NIGHTER - 57.5" X 32"
EA BLIND-WINDOW, PLEATED DAY/NIGHTER - 57.5" X 32"
EA BLIND-WINDOW, PLEATED DAY/NIGHTER - 57.5" X 32"

1993 WINNEBAGO TABLE OF CONTENTS

INTRODUCTION	A-01 -	A-02
ABBREVIATIONS		A-03
ALPHABETICAL INDEX	A-04 -	A-06
WCM37RW	A-07 -	G-08
WCM33RQ	G-09 -	L-24

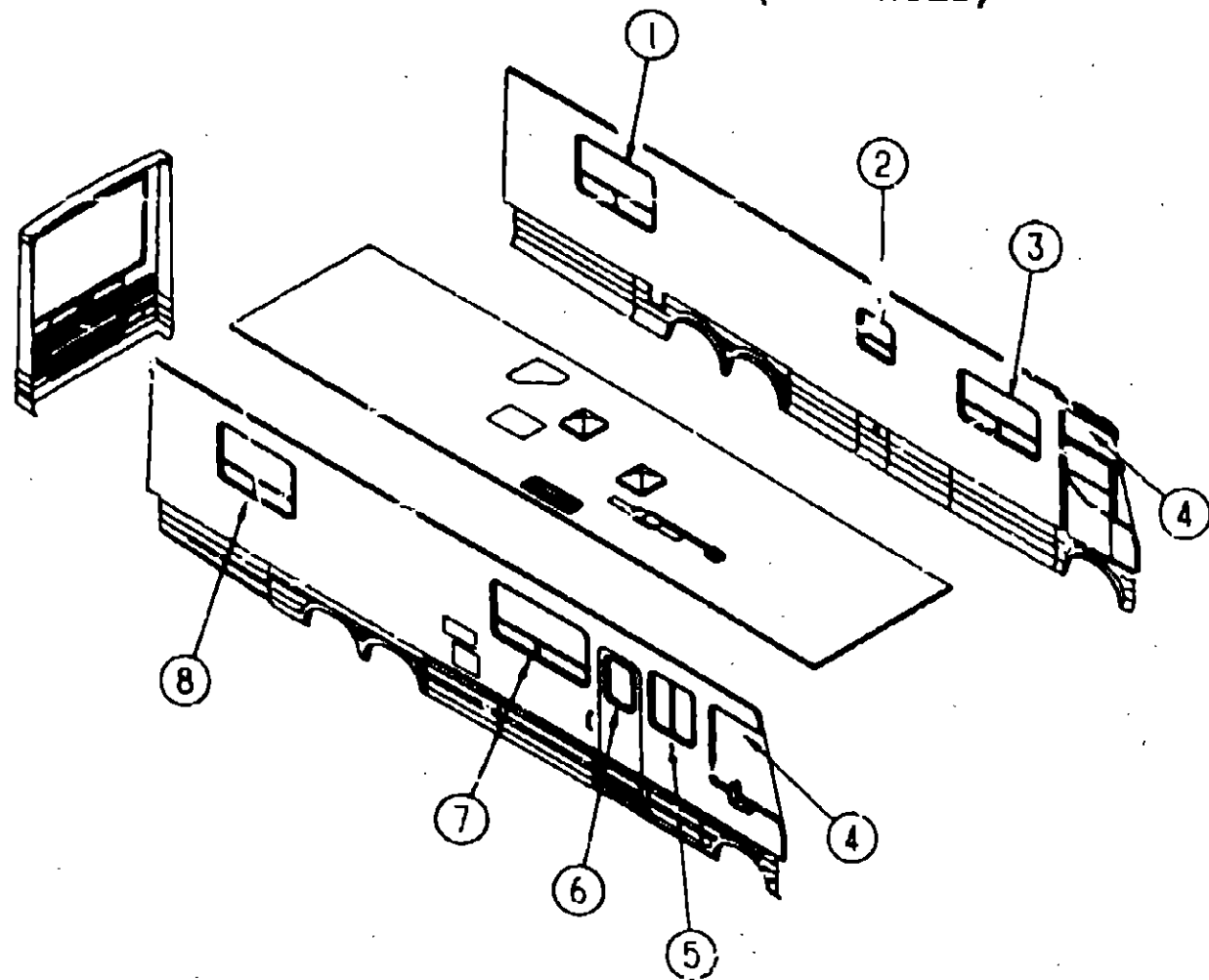
KEY PART NUMBER

1 110058-01-D18	EA VALANCE-WINDOW, CANOPY OVERLAY
1 110058-01-D19	EA VALANCE-WINDOW, CANOPY OVERLAY
1 110058-02-D20	EA VALANCE-WINDOW, CANOPY OVERLAY
1 109562-01-D18	EA VALANCE-WINDOW, CEILING CANOPY - 62" BOARD BASE
1 109562-01-D19	EA VALANCE-WINDOW, CEILING CANOPY - 62" BOARD BASE
1 109562-02-D20	EA VALANCE-WINDOW, CEILING CANOPY - 62" BOARD BASE
1 109007-01-D18	EA VALANCE-WINDOW, RIGHT SIDE - TURKISH TWIST
1 109007-01-D19	EA VALANCE-WINDOW, RIGHT SIDE - TURKISH TWIST
1 109007-04-D20	EA VALANCE-WINDOW, RIGHT SIDE - TURKISH TWIST
1 109007-02-D18	EA VALANCE-WINDOW, LEFT SIDE - TURKISH TWIST
1 109007-02-D19	EA VALANCE-WINDOW, LEFT SIDE - TURKISH TWIST
1 109007-05-D20	EA VALANCE-WINDOW, LEFT SIDE - TURKISH TWIST
1 096803-28-D18	EA BLIND-WINDOW, PLEATED DAY/NIGHTER, 50" X 35" DROP
1 096803-28-D19	EA BLIND-WINDOW, PLEATED DAY/NIGHTER, 50" X 35" DROP
1 096803-28-D20	EA BLIND-WINDOW, PLEATED DAY/NIGHTER, 50" X 35" DROP
2 101778-11-01A	EA BLIND-WINDOW, MINI - WOODEN - 24.5" X 22" - EDI 508 OAK
3 109004-07-D18	EA VALANCE-WINDOW, 56" - W/CENTER PAD
3 109004-08-D19	EA VALANCE-WINDOW, 56" - W/CENTER PAD
	FROM: 00-00-00 THRU: 08-31-92
3 109004-12-D19	EA VALANCE-WINDOW, 56" - W/CENTER PAD
	FROM: 09-01-92 THRU: 99-99-99
3 109004-09-D20	EA VALANCE-WINDOW, 56" - W/CENTER PAD
3 100281-94-D18	EA LEG-WINDOW, RIGHT SIDE - W/WINDOW CONTROL HOLE - 31.5"
3 100281-94-D19	EA LEG-WINDOW, RIGHT SIDE - W/WINDOW CONTROL HOLE - 31.5"
	FROM: 00-00-00 THRU: 08-31-92
3 109234-18-D19	EA LEG-WINDOW, RIGHT SIDE - W/WINDOW CONTROL HOLE - 31.5"
	FROM: 09-01-92 THRU: 99-99-99
3 109234-07-D20	EA LEG-WINDOW, RIGHT SIDE - W/WINDOW CONTROL HOLE - 31.5"
3 100281-95-D18	EA LEG-WINDOW, LEFT SIDE - W/WINDOW CONTROL HOLE - 31.5"
3 100281-95-D19	EA LEG-WINDOW, LEFT SIDE - W/WINDOW CONTROL HOLE - 31.5"
	FROM: 00-00-00 THRU: 08-31-92
3 109234-19-D19	EA LEG-WINDOW, LEFT SIDE - W/WINDOW CONTROL HOLE - 31.5"
	FROM: 09-01-92 THRU: 99-99-99
3 109234-08-D20	EA LEG-WINDOW, LEFT SIDE - W/WINDOW CONTROL HOLE - 31.5"

1993 WCM37RW INDEX

FLOOR PLAN	A-07 -	A-08
ACCESSORIES		A-09
AUDIO VIDEO	A-10 -	A-13
BATH	A-14 -	A-18
BEDROOM	A-19 -	A-20
CHASSIS	A-21 -	B-20
CURTAIN & CUSHION	B-21 -	C-10
DINETTE	C-11 -	C-12
DRIVERS COMPARTMENT	C-13 -	C-18
ELECTRICAL	C-19 -	D-01
EXTERIOR BODY	D-02 -	D-12
GALLEY	D-13 -	D-22
GENERATOR	D-23 -	D-24
HEATING & A/C	E-01 -	E-06
INTERIOR FINISH	E-07 -	E-10
LABEL	E-11 -	E-18
LP		E-19
Lounge	E-20 -	E-21
SEALANTS & FASTENERS	E-22 -	F-02
WATER & SEWAGE	F-03 -	F-07
WINDOW, VENT AND EXTERIOR DOOR	F-08 -	G-04
WINDSHIELD & WIPER	G-05 -	G-08

CURTAIN & CUSHION GROUP (CONTINUED)



CURTAINS & WINDOW TREATMENT (CONTINUED)

KEY	PART NUMBER	U/M	DESCRIPTION
8	110058-03-D18	EA	VALANCE-WINDOW, CANOPY OVERLAY
8	110058-04-D19	EA	VALANCE-WINDOW, CANOPY OVERLAY
8	110058-04-D20	EA	VALANCE-WINDOW, CANOPY OVERLAY
8	109562-01-D18	EA	VALANCE-WINDOW, CEILING CANOPY - 62" BOARD BASE
8	109562-01-D19	EA	VALANCE-WINDOW, CEILING CANOPY - 62" BOARD BASE
8	109562-02-D20	EA	VALANCE-WINDOW, CEILING CANOPY - 62" BOARD BASE
8	109007-11-D18	EA	VALANCE-WINDOW, RIGHT SIDE - TURKISH TWIST
8	109007-11-D19	EA	VALANCE-WINDOW, RIGHT SIDE - TURKISH TWIST
8	109007-09-D20	EA	VALANCE-WINDOW, RIGHT SIDE - TURKISH TWIST
8	109007-12-D18	EA	VALANCE-WINDOW, LEFT SIDE - TURKISH TWIST
8	109007-12-D19	EA	VALANCE-WINDOW, LEFT SIDE - TURKISH TWIST
8	109007-10-D20	EA	VALANCE-WINDOW, LEFT SIDE - TURKISH TWIST
8	096803-22-D18	EA	BLIND-WINDOW, PLEATED DAY/NIGHTER, 42.5" X 38" DROP
8	096803-22-D19	EA	BLIND-WINDOW, PLEATED DAY/NIGHTER, 42.5" X 38" DROP
8	096803-22-D20	EA	BLIND-WINDOW, PLEATED DAY/NIGHTER, 42.5" X 38" DROP
	109305-02-000	EA	VALANCE-WOOD, 31"
	057534-01-000	EA	TIEBACK/TIEDOWN-BED/CURTAIN/DOOR, 6" - PLASTIC - CLEAR

CURTAIN & CUSHION GROUP (CONTINUED)

CAB WINDSHIELD PRIVACY CURTAINS

KEY	PART NUMBER	U/M	DESCRIPTION
	093487-07-02A	EA	CURTAIN-PLEATED, WINDSHIELD PRIVACY - PASS SIDE - 51" X 100" (D18)
	093487-05-01A	EA	CURTAIN-PLEATED, WINDSHIELD PRIVACY - PASS SIDE - 51" X 100" (D19) FROM: 00-00-00 THRU: 11-14-92
	093487-07-01A	EA	CURTAIN-PLEATED, WINDSHIELD PRIVACY - PASS SIDE - 51" X 100" (D19) FROM: 11-15-92 THRU: 99-99-99
	093437-05-01A	EA	CURTAIN-PLEATED, WINDSHIELD PRIVACY - PASS SIDE - 51" X 100" (D20) FROM: 00-00-00 THRU: 08-09-92
	093487-05-02A	EA	CURTAIN-PLEATED, WINDSHIELD PRIVACY - PASS SIDE - 51" X 100" (D20) FROM: 08-10-92 THRU: 11-14-92
	093487-07-02A	EA	CURTAIN-PLEATED, WINDSHIELD PRIVACY - PASS SIDE - 51" X 100" (D20) FROM: 11-15-92 THRU: 99-99-99
	093487-08-02A	EA	CURTAIN-PLEATED, WINDSHIELD PRIVACY - DRIVER SIDE - 51" X 100" (D18)
	093487-06-01A	EA	CURTAIN-PLEATED, WINDSHIELD PRIVACY - DRIVER SIDE - 51" X 100" (D19) FROM: 00-00-00 THRU: 11-14-92
	093487-08-01A	EA	CURTAIN-PLEATED, WINDSHIELD PRIVACY - DRIVER SIDE - 51" X 100" (D19) FROM: 11-15-92 THRU: 99-99-99
	093487-06-01A	EA	CURTAIN-PLEATED, WINDSHIELD PRIVACY - DRIVER SIDE - 51" X 100" (D20) FROM: 00-00-00 THRU: 08-09-92
	093487-06-02A	EA	CURTAIN-PLEATED, WINDSHIELD PRIVACY - DRIVER SIDE - 51" X 100" (D20) FROM: 08-10-92 THRU: 11-14-92
	093487-08-02A	EA	CURTAIN-PLEATED, WINDSHIELD PRIVACY - DRIVER SIDE - 51" X 100" (D20) FROM: 11-15-92 THRU: 99-99-99
	093487-05-700	EA	WAND-WINDSHIELD PRIVACY CURTAIN, 30" - PLASTIC

ASSIST HANDLE, BUTTONS, TRIMS & SEATBELTS

KEY	PART NUMBER	U/M	DESCRIPTION
	053552-02-AA0	EA	HANDLE-ASSIST, INTERIOR - ENTRY DOOR - VINYL - OFF WHITE
	069178-02-000	EA	BRACKET-MOUNTING, ASSIST HANDLE - L ANGLE - WHOLES - ST
	000016-07-16B	EA	BOLT-CAP W/ W/ W/ ASSIST HANDLE - 7/16" - 14 X 1" ZN
	000020-07-00B	EA	NUT-ADJUST, ASSIST HANDLE - 7/16" X 14 ZN
	079349-01-D18	YD	TRIM-WELT, ACCENT FABRIC - COUCH (D18)
	079349-01-Y43	YD	TRIM-WELT, ACCENT FABRIC - POWER BUCKET SEAT (D18)
	079349-01-D20	YD	TRIM-WELT, ACCENT FABRIC - COUCH & POWER BUCKET SEAT (D20)
	084415-41-000	YD	TRIM-BRAID, APPALLOOSA TAN - FRINGE ON THROW PILLOW (D18)
	084415-48-000	YD	TRIM-BRAID, AMBROSIA - FRINGE ON THROW PILLOW (D19)
	084415-50-000	YD	TRIM-BRAID, SWAN LAKE - FRINGE ON THROW PILLOW (D20)
	007021-01-000	EA	BELT-SEAT, 2" X 90" - BLACK
	057753-01-000	EA	WASHER BRACKET-SEAT BELT, 4" DIAMETER
	057534-03-000	EA	TIEBACK-PLASTIC, 7.5" - CLEAR
	057534-08-000	EA	TIEBACK ASM-CLEAR 16"
	079349-01-051	YD	TRIM-WELT, ACCENT FABRIC - COUCH & POWER BUCKET SEAT (D19)

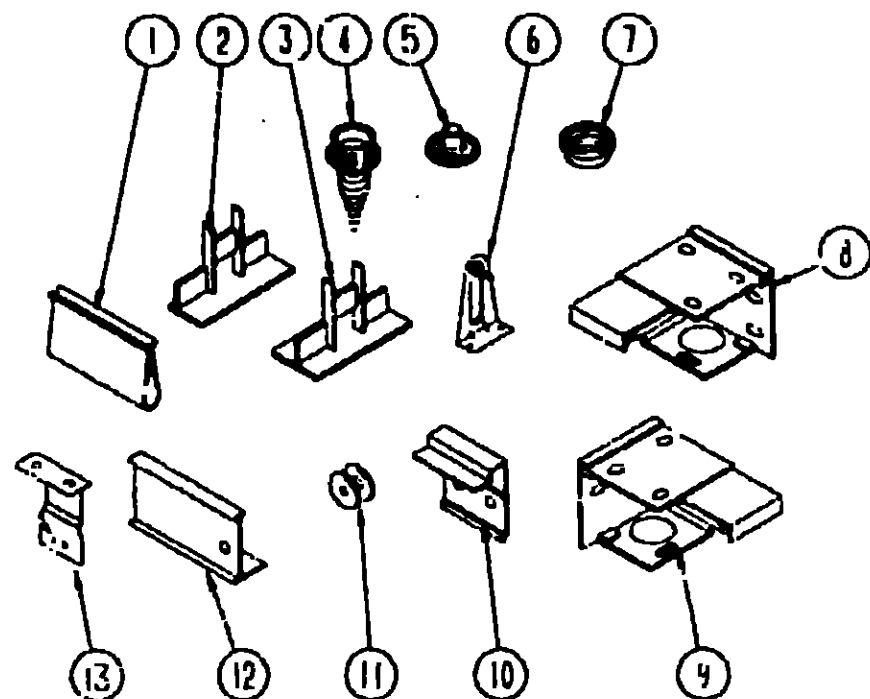
**1993 WINNEBAGO
TABLE OF CONTENTS**

INTRODUCTION	A-01	A-02
ABBREVIATIONS		A-03
ALPHABETICAL INDEX	A-04	A-06
WCM37RW	A-07	G-08
WCM33RQ	G-03	L-24

1993 WCM37RW INDEX

FLOOR PLAN	A-07	A-08
ACCESSORIES		A-09
AUDIO VIDEO	A-10	A-13
BATH	A-14	A-18
BEDROOM	A-19	A-20
CHASSIS	A-21	B-20
CURTAIN & CUSHION	B-21	C-10
DINETTE	C-11	C-12
DRIVERS COMPARTMENT	C-13	C-18
ELECTRICAL	C-19	D-01
EXTERIOR BODY	D-02	D-12
GALLEY	D-13	D-22
GENERATOR	D-23	D-24
HEATING & AC	E-01	E-06
INTERIOR FINISH	E-07	E-10
LABEL	E-11	E-18
LP		E-19
LOUNGE	E-20	E-21
SEALANTS & FASTENERS	E-22	F-02
WATER & SEWAGE	F-03	F-07
WINDOW, VENT AND EXTERIOR DOOR	F-08	G-04
WINDSHIELD & WIPER	G-05	G-08

CURTAIN & CUSHION GROUP (CONTINUED)



CURTAIN, BLIND HARDWARE & TRACKS

KEY	PART NUMBER	U/M DESCRIPTION
1	106544-01-000	EA PULL-SHADE, BRASS - EDI
	084432-06-000	FT SLAT-ROLLER SHADE, PLASTIC
	096843-01-000	EA SPRING-REWIND, ROLLER SHADE
2	094907-02-000	EA END CAP-TOP, PLEATED BLIND - PLASTIC - GRAY
3	094907-03-000	EA END CAP-BOTTOM, PLEATED BLIND - PLASTIC - GRAY
4	029130-01-000	EA SCREW-SNAP SOCKET, 8 PH X 5/8"
5	029155-01-000	EA CAP-SNAP, 5/32" O.D. OF PIN
6	095591-01-000	EA BRACKET-HOLD DOWN, W/PIN - BLIND - CLEAR PLASTIC
7	079156-01-000	EA SOCKET-SNAP, 9/16" O.D.
8	083170-01-000	EA BRACKET-BLIND, RIGHT SIDE
9	083170-02-000	EA BRACKET-BLIND, LEFT SIDE
10	097565-01-000	EA BRACKET-MOUNTING, PLEATED BLIND
11	097592-01-000	EA SPOOL-CORD, ELEVATED BLIND HOLDUP - CLEAR PLASTIC
	094896-02-000	EA GROMMET-CORD, PLEATED BLIND - NYLON - GRAY
	097591-01-000	EA SPRING-EXTENSION, PLEATED BLIND
	097593-02-000	FT CORD-BLIND, PLEATED - GRAY
	097593-06-000	FT CORD-BLIND, PLEATED - PEWTER
	097564-01-000	EA HANDLE-T, EZ LIFT SHADE
12	108235-01-01A	EA TRACK-CURTAIN, DRIVER SIDE WINDSHIELD - W/BEND - OFF WHITE
12	108236-01-01A	EA TRACK-CURTAIN, PASSENGER SIDE WINDSHIELD - W/BEND - OFF WHITE
12	009700-04-002	EA TRACK-STRAIGHT, L-SHAPED - 195.2" LONG - OFF WHITE
13	084434-01-000	EA BRACKET-MOUNTING, ROLLER SHADE - 1 3/8"
	093487-05-700	EA WAND-WINDSHIELD PRIVACY CURTAIN, 30" - PLASTIC
	046867-01-000	EA GROMMET-BRASS - 7/16" ID X 1" OD
	103986-01-000	FT TRIM-VALANCE, U-CHANNEL - .75" WIDE - BRASS
	105648-01-01A	EA BRACE-VALANCE, 356MM LONG - EXTRUDED ALUMINUM - BEIGE
	068716-01-001	EA BRACE-90 DEGREE L-ANGLE, 192" - EXTRUDED ALUMINUM
	075943-01-000	EA BRACE-WINDOW VALANCE, 1" X 1.5" X 20" - ALUMINUM - BEIGE
	105648-01-01A	EA BRACE-VALANCE, 356MM LONG - EXTRUDED ALUMINUM - BEIGE
	089522-02-000	EA PANEL-LEG, TWO SIDED 31.5" LONG - PLASTIC - BLACK MUST ORDER 089916-01-000 TO MOUNT THIS PANEL TO THE WALL
	089916-01-000	EA MOUNT-WINDOW LEG, 23.75" - ALUMINUM - BLACK 23.75" LONG - 6.3" BETWEEN SCREW HOLES
	088792-02-000	YD VELCRO TAPE-LOOP, ADHESIVE BACKED - .75" WIDE - BEIGE
	048394-02-000	YD VELCRO TAPE-HOOK, ADHESIVE BACK - .75" WIDE - BEIGE
	103242-01-000	EA VELCRO-HOOK, BEIGE - VEL-STICK
	110597-01-000	EA BRACKET-SHADE, RIGHT - METAL (FOR SUNSCREEN SHADE ON PASS WINDOW)
	110597-02-000	EA BRACKET-SHADE, LEFT - METAL (FOR SUNSCREEN SHADE ON PASS WINDOW)

CURTAIN & CUSHION GROUP (CONTINUED)

FABRICS

KEY	PART NUMBER	U/M DESCRIPTION
	088273-96-000	YD FABRIC-BEDSPREAD, PATTERNED - BLACK/WHITE/GRAY/BEIGE (D18)
	105745-04-000	YD FABRIC-BEDSPREAD, PLAIN - BEIGE (D18)
	088274-95-000	YD FABRIC-UPHOLSTERY, PLAIN VELOUR - 54" - CHARCOAL (D18)
	104233-36-000	YD FABRIC-UPHOLSTERY/CURTAIN, PATTERN WEAVE - 54" (D18)
	104233-37-000	YD FABRIC-UPHOLSTERY/CURTAIN, PATTERN VELOUR - 54" - GRAY (D18)
	105745-20-000	YD FABRIC-BEDSPREAD, PATTERNED - GOLD/PURPLE/BEIGE (D19)
	105745-21-000	YD FABRIC-BEDSPREAD, PLAIN - LIGHT MAUVE (D19)
	104233-88-000	YD FABRIC-UPHOLSTERY, PLAIN VELOUR - 54" - PLUM (D19)
	104233-86-000	YD FABRIC-UPHOLSTERY/CURTAIN, PATTERN WEAVE - 54" (D19)
	104233-87-000	YD FABRIC-UPHOLSTERY/CURTAIN, PATTERN VELOUR - 54" - PLUM (D19)
	105745-23-000	YD FABRIC-BEDSPREAD, PATTERNED - PINK/BLUE/CREAM (D20)
	105745-24-000	YD FABRIC-BEDSPREAD, STRIPPED - PINK/GREEN/CREAM/BLUE (D20)
	104233-92-000	YD FABRIC-UPHOLSTERY, PLAIN VELOUR - 54" - DARK BLUE (D20)
	104233-91-000	YD FABRIC-UPHOLSTERY/CURTAIN, FLORAL PATTERN VELOUR - 54" - BLUE (D20)
	104233-93-000	YD FABRIC-UPHOLSTERY/CURTAIN, DIAMOND PATTERN VELOUR - 54" - BLUE (D20)
	072532-96-000	YD FABRIC-DRAPERY, ANTIQUE WHITE
	103907-01-01A	YD FABRIC-VINYL, 54" WIDE - OFF WHITE
	103907-01-03A	YD FABRIC-VINYL, 54" WIDE - WILLOW BEIGE
	025094-04-000	YD VELCRO TAPE-LOOP, 1" WIDE - BLACK
	095567-01-000	EA TACK-STRIP, .5" X 625' ROLL

**1993 WINNEBAGO
TABLE OF CONTENTS**

INTRODUCTION	A-01 -	A-02
ABBREVIATIONS		A-03
ALPHABETICAL INDEX	A-04 -	A-06
WCM37RW	A-07 -	G-08
WCM33RO	G-09 -	L-24

1993 WCM37RW INDEX

FLOOR PLAN	A-07 -	A-08
ACCESSORIES		A-09
AUDIO VIDEO	A-10 -	A-13
BATH	A-14 -	A-18
BEDROOM	A-19 -	A-20
CHASSIS	A-21 -	B-20
CURTAIN & CUSHION	B-21 -	C-10
DINETTE	C-11 -	C-12
DRIVERS COMPARTMENT	C-13 -	C-18
ELECTRICAL	C-19 -	D-01
EXTERIOR BODY	D-02 -	D-12
GALLEY	D-13 -	D-22
GENERATOR	D-23 -	D-24
HEATING & A/C	E-01 -	E-06
INTERIOR FINISH	E-07 -	E-10
LABEL	E-11 -	E-18
LP		E-19
LOUNGE	E-20 -	E-21
SEALANTS & FASTENERS	E-22 -	F-02
WATER & SEWAGE	F-03 -	F-07
WINDOW, VENT AND EXTERIOR DOOR	F-08 -	G-04
WINDSHIELD & WIPER	G-05 -	G-08

CURTAIN & CUSHION GROUP (CONTINUED)

COUCH & THROW PILLOWS

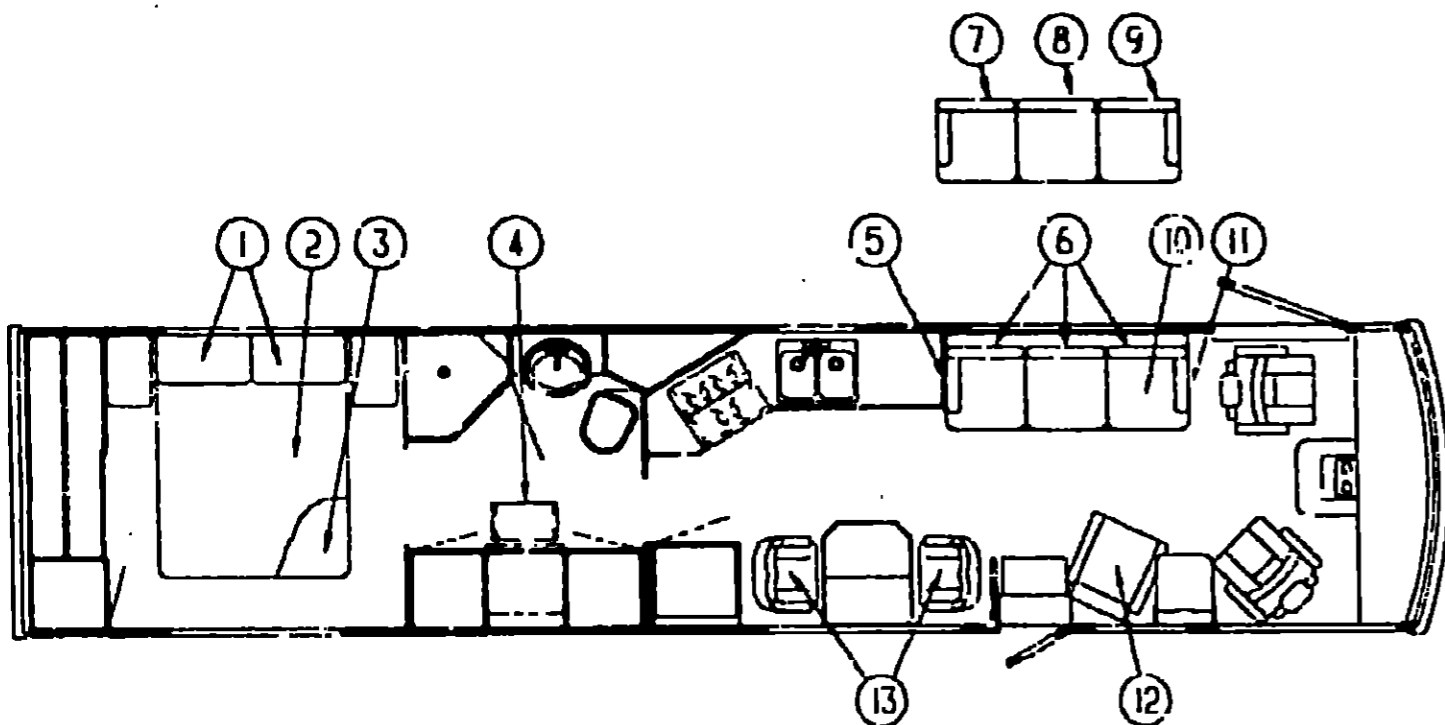
**1993 WINNEBAGO
TABLE OF CONTENTS**

INTRODUCTION	F-01 -	A-02
ABBREVIATIONS		A-03
ALPHABETICAL INDEX	A-04 -	A-06
WCM37RW	A-07 -	G-08
WCM33RO	G-09 -	L-24

KEY	PART NUMBER	U/M	DESCRIPTION
5	104653-07-D18	EA	ARMREST-SOFA, RIGHT SIDE
5	104653-07-D19	EA	ARMREST-SOFA, RIGHT SIDE
5	104653-07-D20	EA	ARMREST-SOFA, RIGHT SIDE
	P04653-07-D18	EA	COVER-ARMREST, SOFA - RIGHT SIDE
	P04653-07-D19	EA	COVER-ARMREST, SOFA - RIGHT SIDE
	P04653-07-D20	EA	COVER-ARMREST, SOFA - RIGHT SIDE
6	104655-02-C37	EA	CUSHION-BACKREST, CLUB SOFA - 3 USED (D18)
	P04655-02-C37	EA	COVER-CUSHION, BACKREST (D18)
6	104655-02-D19	EA	CUSHION-BACKREST, CLUB SOFA - 3 USED
	P04655-02-D19	EA	COVER-CUSHION, BACKREST
7	104654-04-D20	EA	CUSHION-BACKREST, RIGHT SIDE - VICTORIAN SOFA
	P04654-04-D20	EA	COVER-CUSHION, BACKREST - RIGHT SIDE
8	104654-06-D20	EA	CUSHION-BACKREST, CENTER SIDE - VICTORIAN SOFA
	P04654-06-D20	EA	COVER-CUSHION, BACKREST - CENTER
9	104654-05-D20	EA	CUSHION-BACKREST, LEFT SIDE - VICTORIAN SOFA
	P04654-05-D20	EA	COVER-CUSHION, BACKREST - LEFT SIDE
10	104705-02-D18	EA	CUSHION-SEAT, SOLID - 64" - CLUB SOFA - 1 USED
	P04705-02-D18	EA	COVER-CUSHION CLUB SOFA SEAT - 64" FROM: 00-00-00 THRU: 09- 3-92
10	104705-05-D18	EA	CUSHION-SEAT, SOLID - 64" - CLUB SOFA W/ARM COVER CUT OUT
	P04705-05-D18	EA	COVER-CUSHION, CLUB SOFA SEAT - 64" - W/ARM COVER CUT OUT FROM: 00-00-00 THRU: 09-13-92
10	104705-02-D19	EA	CUSHION-SEAT, SOLID - 64" - CLUB SOFA - 1 USED
	P04705-02-D19	EA	COVER-CUSHION, CLUB SOFA SEAT - 64" FROM: 00-00-00 THRU: 09-13-92
10	104705-05-D19	EA	CUSHION-SEAT, SOLID - 64" - CLUB SOFA W/ARM COVER CUT OUT
	P04705-05-D19	EA	COVER-CUSHION, CLUB SOFA SEAT - 64" - W/ARM COVER CUT OUT FROM: 09-14-92 THRU: 99-99-99
10	104652-02-D20	EA	CUSHION-SEAT, 3 CUSHIONED - VICTORIAN SOFA
	P04652-02-D20	EA	COVER-CUSHION, VICTORIAN SOFA SEAT - 66" FROM: 00-00-00 THRU: 09-13-92
10	104652-05-D20	EA	CUSHION-SEAT, 3 CUSHIONED - VICTORIAN SOFA W/ARM COVER CUT OUT
	P04652-05-D20	EA	COVER-CUSHION, VICTORIAN SOFA SEAT - 66" - W/ARM COVER CUT OUT FROM: 09-14-92 THRU: 99-99-99
	075386-02-000	EA	KIT-HARDWARE, FRAME - COUCH
	105433-02-000	EA	FRAME-COUCH, W/FLAT IRON ARM - 66" - METAL FROM: 00-00-00 THRU: 09-13-92
	110266-01-000	EA	FRAME-COUCH, W/ARM CUT OUT - 66" - METAL FROM: 09-14-92 THRU: 99-99-99
11	104653-08-D18	EA	ARMREST-SOFA, LEFT SIDE
11	104653-08-D19	EA	ARMREST-SOFA, LEFT SIDE
11	104653-08-D20	EA	ARMREST-SOFA, LEFT SIDE
	P04653-08-D18	EA	COVER-ARMREST, SOFA - LEFT SIDE
	P04653-08-D19	EA	COVER-ARMREST, SOFA - LEFT SIDE
	P04653-08-D20	EA	COVER-ARMREST, SOFA - LEFT SIDE
	029096-03-000	YD	VELCRO TAPE-HOOK, 1" WIDE - BLACK
	103669-08-C37	EA	PILLOW-THROW, 15" X 15" (D18)
	103669-08-D19	EA	PILLOW-THROW, 15" X 15"
	103669-11-D20	EA	PILLOW-THROW, 15" X 15"

1993 WCM37RW INDEX

FLOOR PLAN	A-07 -	A-08
ACCESSORIES		A-09
AUDIO VIDEO	A-10	A-13
BATH	A-14 -	A-18
BEDROOM	A-19 -	A-20
CHASSIS	A-21 -	B-20
CURTAIN & CUSHION	B-21 -	C-10
DINETTE	C-11 -	C-12
DRIVERS COMPARTMENT	C-13 -	C-18
ELECTRICAL	C-19 -	D-01
EXTERIOR BODY	D-02 -	D-12
GALLEY	D-13 -	D-22
GENERATOR	D-23	D-24
HEATING & A/C	E-01 -	E-06
INTERIOR FINISH	E-07 -	E-10
LABEL	E-11 -	E-18
LP		E-19
LOUNGE	E-20 -	E-21
SEALANTS & FASTENERS	E-22 -	F-02
WATER & SEWAGE	F-03 -	F-07
WINDOW, VENT AND EXTERIOR DOOR	F-08 -	G-04
WINDSHIELD & WIPER	G-05 -	G-08



QUEEN BEDSPREAD, PILLOW & MATTRESS

KEY	PART NUMBER	U/M	DESCRIPTION
1	081997-09-D18	EA	PILLOW SHAM-W/4" RUFFLE
1	081997-11-D19	EA	PILLOW SHAM-W/2" ACCENT FLANGE
1	081997-14-D20	EA	PILLOW SHAM-W/RUFFLE & 1/2" ACCENT TRIM
2	106725-03-C37	EA	BEDSPEAD-QUEEN, 60" X 75" - DUVET (D18)
2	106725-03-D19	EA	BEDSPEAD-QUEEN, 60" X 75" - DUVET
2	106725-07-D20	EA	BEDSPEAD-QUEEN, 60" X 75" - DUVET
			FROM: 00-00-00 THRU: 08-09-92
2	106725-03-D20	EA	BEDSPEAD-QUEEN, 60" X 75" - DUVET
			FROM: 09-10-92 THRU: 99-99-99
3	098176-04-000	EA	MATTRESS-QUEEN, INNERSPRING - 59" X 74" - SEALY
	103669-09-C37	EA	PILLOW-THROW, 15" X 15" (D18)
	103669-09-D19	EA	PILLOW-THROW, 15" X 15"
	104166-03-D20	EA	PILLOW-THROW, 15" X 15" - W/2" FLANGE
	104504-05-D18	EA	PILLOW-THROW, 16" - ROUND W/FRINGE
	104504-05-D19	EA	PILLOW-THROW, 16" - POLYESTER W/FRINGE
	104166-01-D20	EA	PILLOW-THROW, 14" X 14" - W/2" FLANGE

VAINITY STOOL

KEY	PART NUMBER	U/M	DESCRIPTION
4	109830-01-D18	EA	COVER-VAINITY STOOL
4	109830-01-D19	EA	COVER-VAINITY STOOL
4	109830-02-D20	EA	COVER-VAINITY STOOL

CURTAIN & CUSHION GROUP (CONTINUED)

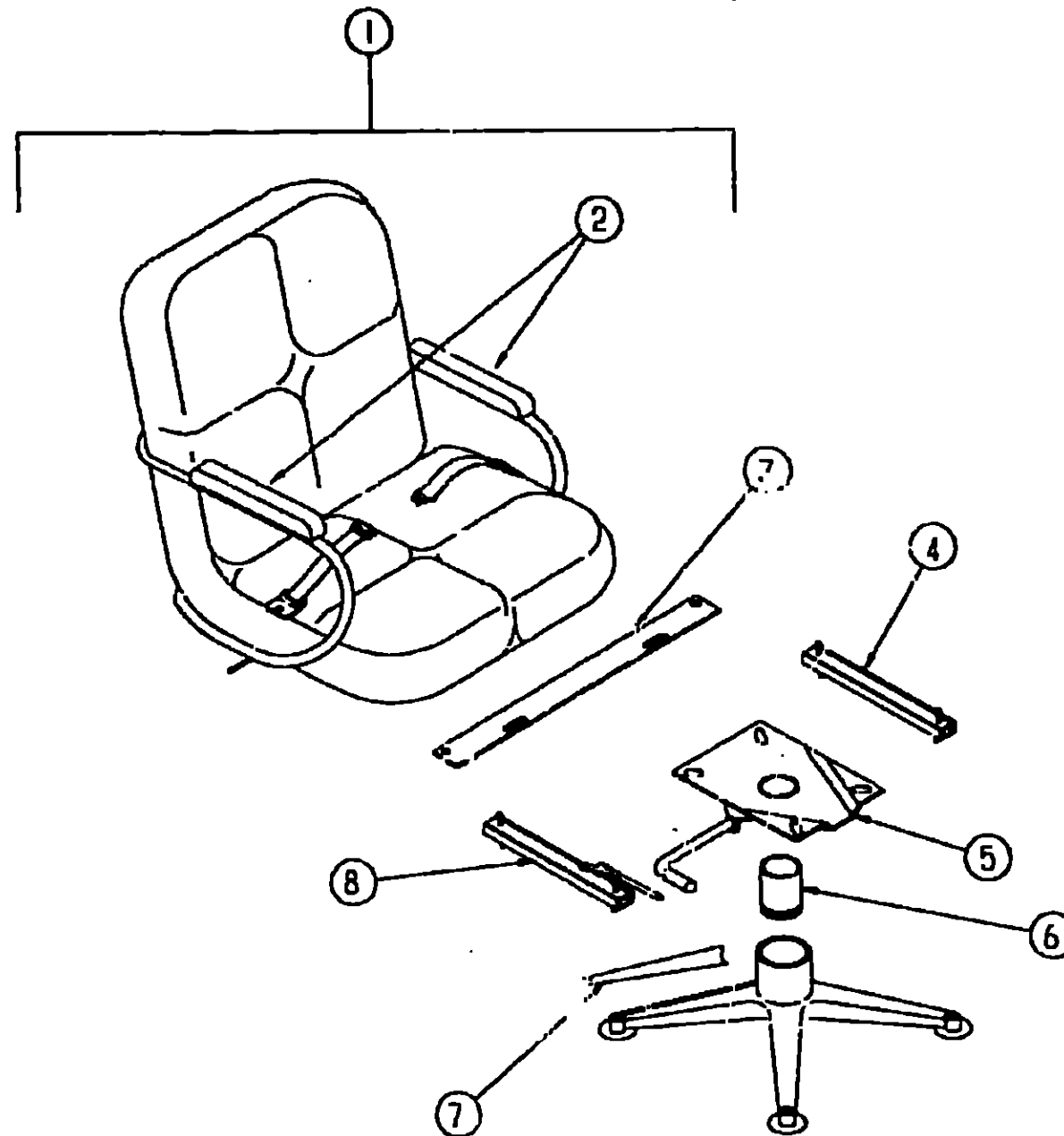
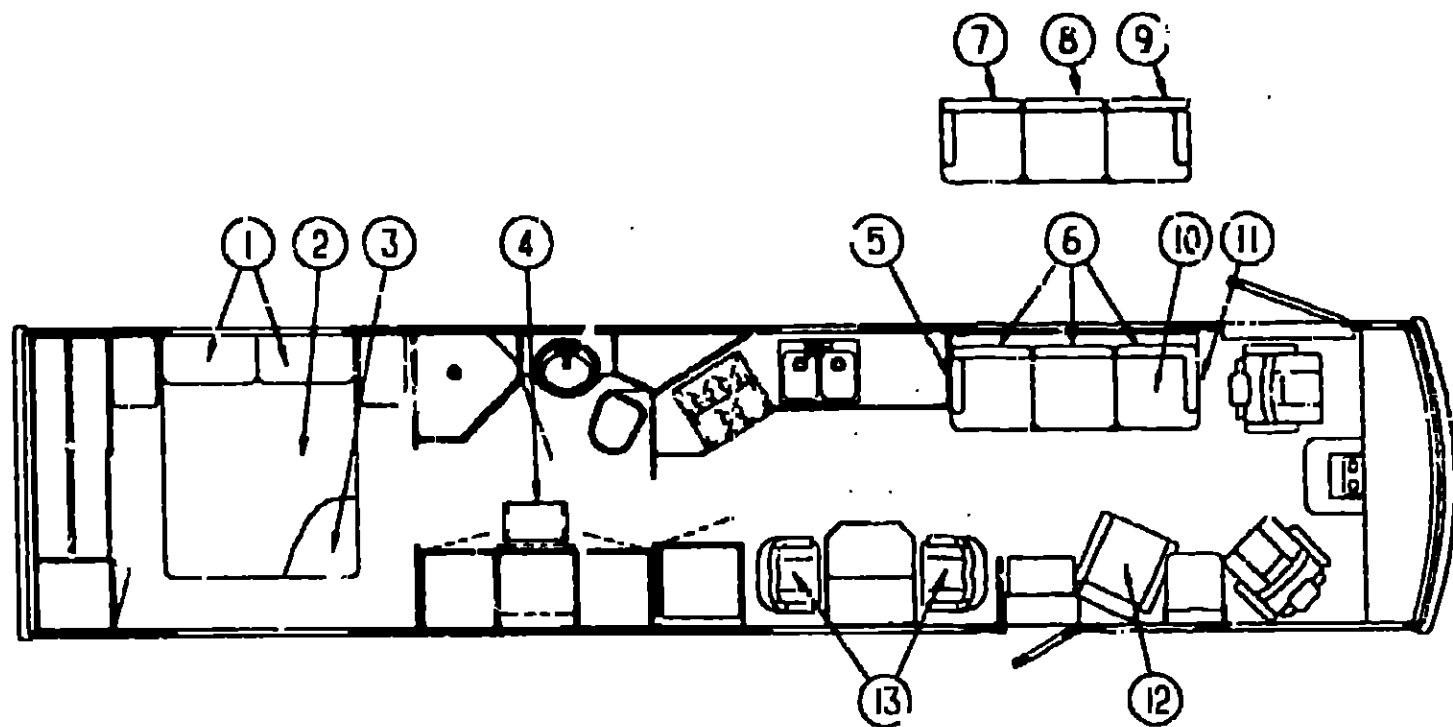
CURTAIN & CUSHION GROUP (CONTINUED)

**1993 WINNEBAGO
TABLE OF CONTENTS**

INTRODUCTION	A-01 -	A-02
ABBREVIATIONS		A-03
ALPHABETICAL INDEX	A-04 -	A-06
WCM37RW	A-07 -	G-08
WCM33RQ	G-09 -	L-24

1993 WCM37RW INDEX

FLOOR PLAN	A-07 -	A-08
ACCESSORIES		A-09
AUDIO VIDEO	A-10 -	A-13
BATH	A-14 -	A-18
BEDROOM	A-19 -	A-20
CHASSIS	A-21 -	B-20
CURTAIN & CUSHION	B-21 -	C-10
DINETTE	C-11 -	C-12
DRIVERS COMPARTMENT	C-13 -	C-18
ELECTRICAL	C-19 -	D-01
EXTERIOR BODY	D-02 -	D-12
GALLEY	D-13 -	D-22
GENERATOR	D-23 -	D-24
HEATING & A/C	E-01 -	E-06
INTERIOR FINISH	E-07 -	E-10
LABEL	E-11 -	E-18
LP		E-19
LOUNGE	E-20 -	E-21
SEALANTS & FASTENERS	E-22 -	F-02
WATER & SEWAGE	F-03 -	F-07
WINDOW, VENT AND EXTERIOR DOOR	F-08 -	G-04
WINDSHIELD & WIPER	G-05 -	G-08



SWIVEL CHAIR

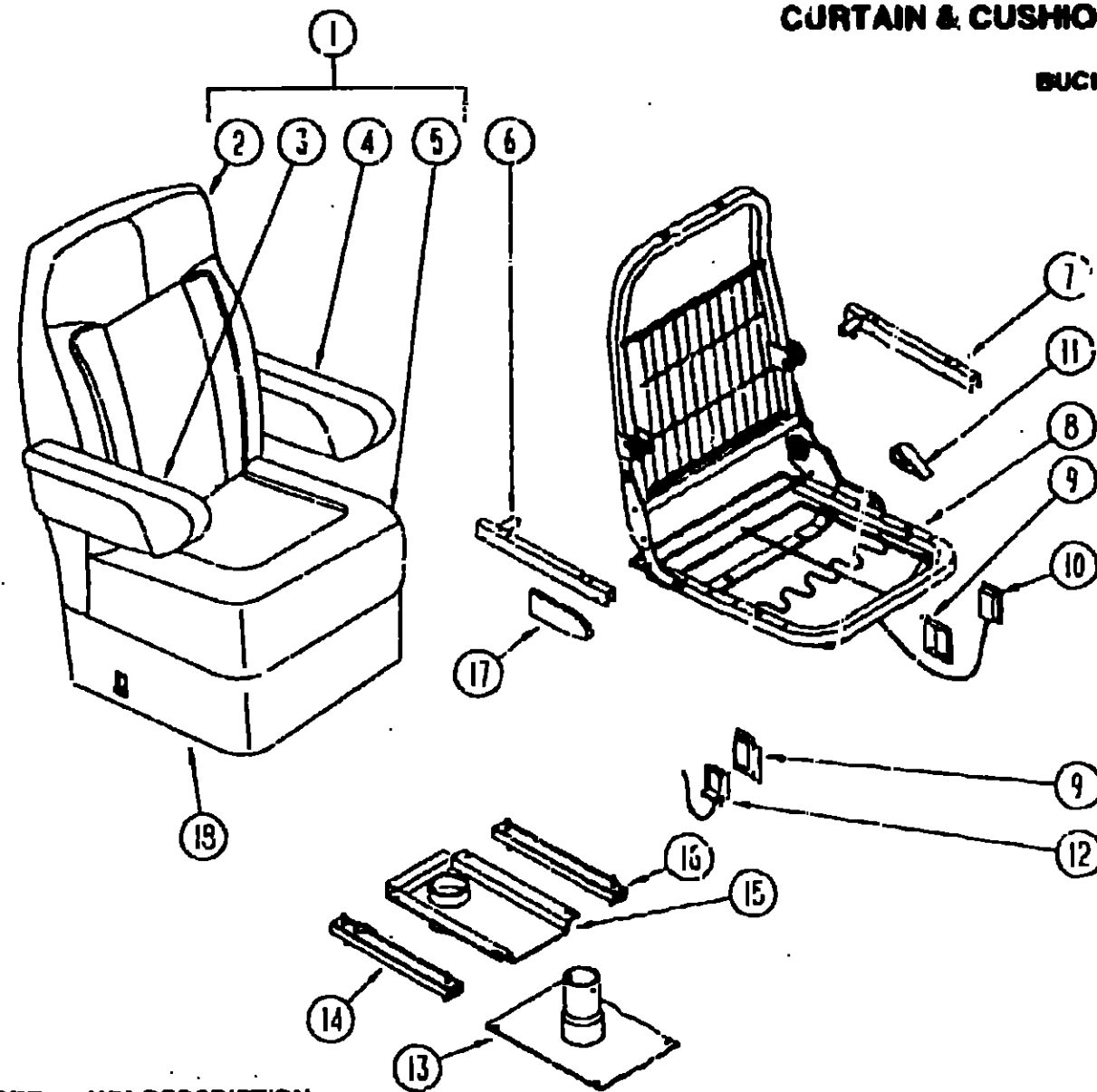
KEY	PART NUMBER	U/M DESCRIPTION
12	108140-01-D18	EA CHAIR-SWIVEL, COMFORT ROCKER - W/O PEDESTAL
12	108140-01-D19	EA CHAIR-SWIVEL, COMFORT ROCKER - W/O PEDESTAL
12	108140-01-D20	EA CHAIR-SWIVEL, COMFORT ROCKER - W/O PEDESTAL

DINETTE CHAIRS

KEY	PART NUMBER	U/M DESCRIPTION
13	109379-02-D18	EA CHAIR-SWIVEL, COMPLETE - CHROME CRAFT II
13	109379-02-D19	EA CHAIR-SWIVEL, COMPLETE - CHROME CRAFT II
13	109379-02-D20	EA CHAIR SWIVEL, COMPLETE - CHROME CRAFT II

KEY	PART NUMBER	U/M DESCRIPTION
1	109379-02-D18	EA CHAIR-SWIVEL, COMPLETE - CHROME CRAFT II
1	109379-02-D19	EA CHAIR-SWIVEL, COMPLETE - CHROME CRAFT II
1	109379-02-D20	EA CHAIR-SWIVEL, COMPLETE - CHROME CRAFT II
	105799-01-000	EA CHAIR-SWIVEL, W/O FABRIC - CHROME CRAFT C157 855 BN
	105799-01-004	EA BOLT-SEAT, CHAIR - CHROME CRAFT 723634-1
2	105799-01-700	EA WOOD ARM PADS FOR C57-855-BN
3	069705-02-000	EA BAR-SEAT BELT, 2 5" X 12.75"
4	069246-06-000	EA ADJUSTER-SWIVEL CHAIR, MANUAL - FORWARD & BACK
5	105799-01-001	EA PLATE-SWIVEL, CHAIR - CHROME CRAFT 02676463 FROM: 00-00-00 THRU: 02-14-93
5	088245-03-000	EA PLATE-TOP, SWIVEL W/O TILT - W/LOCK FROM: 02-15-93 THRU: 99-99-99
6	105799-01-002	EA UPRIGHTS-CHAIR, CHROME CRAFT 02605650 FROM: 00-00-00 THRU: 02-14-93
6	105799-01-006	EA STEM-UPRIGHT, W/LOCKOUT FROM: 02-15-93 THRU: 99-99-99
7	105799-01-003	EA LEG-WOOD COVER BASE, CHAIR - CHROME CRAFT 0268933
8	069246-07-000	EA ADJUSTER-SWIVEL CHAIR, W/LOCKING ARM - FORWARD & BACK

CURTAIN & CUSHION GROUP (CONTINUED)



BUCKET SEATS

KEY	PART NUMBER	U/M DESCRIPTION	FROM:	THRU:
	M80243-49-D19	EA COVER-ARMREST, RIGHT		
	M80243-49-D20	EA COVER-ARMREST, RIGHT		
4	080243-50-C37	EA ARMREST-LEFT (D18)		
			FROM: 00-00-00	THRU: 07-12-92
4	080243-50-D18	EA ARMREST-LEFT		
			FROM: 07-13-92	THRU: 99-99-99
4	080243-50-D19	EA ARMREST-LEFT		
4	080243-50-D20	EA ARMREST-LEFT		
	M80243-50-C37	EA COVER-ARMREST, LEFT (D18)		
			FROM: 00-00-00	THRU: 07-12-92
	M80243-50-D18	EA COVER-ARMREST, LEFT		
			FROM: 07-13-92	THRU: 99-99-99
	M80243-50-D19	EA COVER-ARMREST, LEFT		
	M80243-50-D20	EA COVER-ARMREST, LEFT		
5	M03445-85-D18	EA COVER-SEAT, BUCKET		
			FROM: 00-00-00	THRU: 07-12-92
5	M03445-36-D18	EA COVER-SEAT, BUCKET		
			FROM: 07-13-92	THRU: 10-04-92
5	M03445-97-D18	EA COVER-SEAT, BUCKET		
			FROM: 10-05-92	THRU: 99-99-99
5	M03445-36-D19	EA COVER-SEAT, BUCKET		
			FROM: 00-00-00	THRU: 10-04-92
5	M03445-97-D19	EA COVER-SEAT, BUCKET		
			FROM: 10-05-92	THRU: 99-99-99
5	M03445-36-D20	EA COVER-SEAT, BUCKET		
			FROM: 00-00-00	THRU: 10-04-92
5	M03445-97-D20	EA COVER-SEAT, BUCKET		
			FROM: 10-05-92	THRU: 99-99-99
6	081268-01-000	EA ROD & CHANNEL-ARMREST, RIGHT - METAL		
7	081268-02-000	EA ROD & CHANNEL-ARMREST, LEFT - METAL		
	081361-01-000	EA ROD-ARMREST, METAL - RIGHT OR LEFT HAND		
8	M80906-07-000	EA FRAME-SEAT & BACK & SPRING, RECLINING		
9	087683-03-000	EA BRACKET-REMOTE, SIDE MOUNT - SINGLE		
10	089368-04-000	EA CABLE-SLIDE, W/SWITCH - BUCKET SEAT		
11	080730-03-700	EA HANDLE KIT-RECLINER		
	080730-04-000	EA SCREW-RECLINER, HANDLE		
	080730-05-000	EA SHIELD-RECLINER		
12	108049-01-000	EA CABLE-28", W/SWIVEL SWITCH - FLEXSTEEL PEDESTAL 23602		
	108049-02-000	EA CLIP-PEDESTAL CABLE, FLEXSTEEL 2592-CA		
13	107921-07-000	EA PEDESTAL-LOWER, W/SUB PLATE - 9.75" - STEEL		
13	107921-07-000	EA PEDESTAL-LOWER, W/SUB PLATE - 4.5" - STEEL - W/POWER SEAT OPTION		
14	069246-05-000	EA ADJUSTER-SEAT/CHAIR, W/REMOTE - FORWARD & BACK		
	069246-05-700	EA SPRING-ADJUSTER, FOR REMOTE		
	069246-05-701	EA CLIP-CABLE, FOR REMOTE		
15	107921-05-000	EA TOP PLATE-PEDESTAL, BUCKET SEAT - W/O SEATBELT BAR		
	107921-06-000	EA BEARING KIT-PEDESTAL, FOR BUCKET SEAT		
16	069246-02-000	EA ADJUSTER-SEAT/CHAIR, W/O LOCK - FORWARD & BACK		
	007221-01-000	EA SPACER-SEAT, ADJUSTER		
17	089359-08-000	EA SHIELD-CABLE, REMOTE RECLINER - BUCKET SEAT		
	081373-03-000	EA POWER PACK-6-WAY, DRIVERS POWERED SEAT		
	081373-01-700	EA BRACKET-L F/CONTROL SWITCH - H-171		
	081373-02-700	EA ESCUTCHEON & SWITCH ASM PKG - 22063234		
	081373-02-701	EA HARN ESS ASM L.H. PKG - 22063235		
	081373-02-702	EA HARN ESS ASM R.H. PKG - 20063236		
	081373-02-703	EA HORIZONTAL ADJ. MTR PKG - 22063237		
	081373-02-704	EA VERTICAL ADJ. MTR PKG - 22063238		
18	071126-36-D18	EA SKIRT-BUCKET SEAT		
	071126-26-D18	EA SKIRT-BUCKET SEAT, W/POWER SEAT OPTION		
18	071126-36-D19	EA SKIRT-BUCKET SEAT		
	071126-26-D19	EA SKIRT-BUCKET SEAT, W/POWER SEAT OPTION		
18	071126-36-D20	EA SKIRT-BUCKET SEAT		
	071126-26-D20	EA SKIRT-BUCKET SEAT, W/POWER SEAT OPTION		
	111169-01-000	EA INSERT-OVAL, VECTRA		

1993 WINNEBAGO TABLE OF CONTENTS

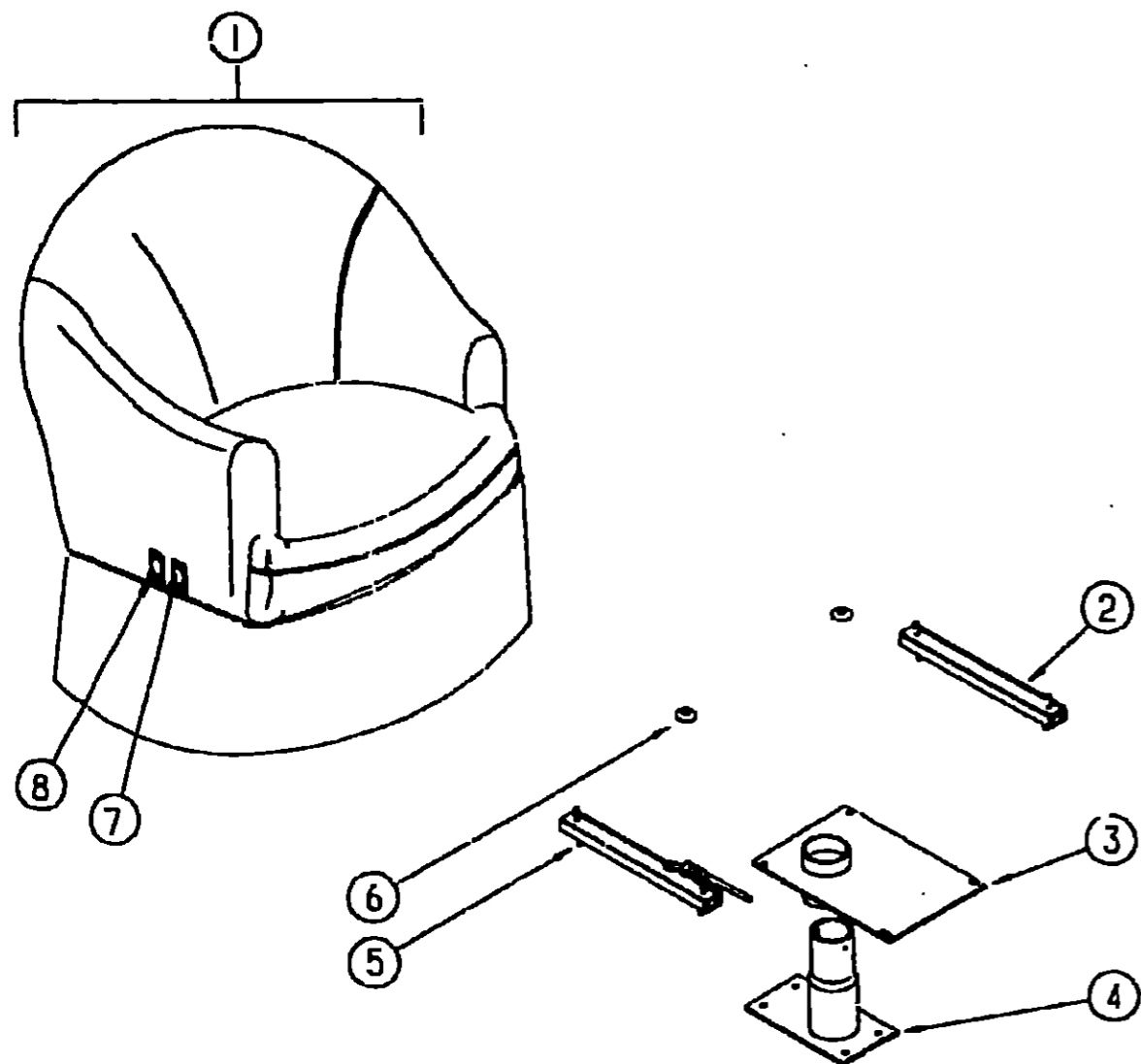
INTRODUCTION	A-01	A-02
ABBREVIATIONS		A-03
ALPHABETICAL INDEX	A-04	A-06
WINNEBAGO	A-07	G-08
	G-09	L-24

1993 WCM37RW INDEX

FLOOR PLAN	A-07	A-08
ACCESSORIES		A-09
ADDITIONAL VIDEO	A-10	A-13
BATH	A-14	A-18
BEDROOM	A-19	A-20
CHASSIS	A-21	B-20
CURTAIN & CUSHION	B-21	C-10
DIANEITE	C-11	C-12
DRAWERS COMPARTMENT	C-13	C-18
ELECTRICAL	C-19	D-01
EXTERIOR BODY	D-02	D-12
GAULEY	D-13	D-22
GENERATOR	D-23	D-24
HEATING & AC	E-01	E-06
INTERIOR FINISH	E-07	E-10
LABEL	E-11	E-18
LP		E-19
LOUNGE	E-20	E-21
SEALANTS & FASTENERS	E-22	F-02
WATER & SEWAGE	F-03	F-07
WINDOW, VENT AND EXTERIOR DOOR	F-08	G-04
WINDSHIELD & WIPER	G-05	G-08

CURTAIN & CUSHION GROUP (CONTINUED)

SWIVEL CHAIR



KEY	PART NUMBER	U/M	DESCRIPTION
1	108140-01-D18	EA	CHAIR-SWIVEL COMFORT ROCKER - W/O PEDESTAL
1	108140-01-D19	EA	CHAIR-SWIVEL COMFORT ROCKER - W/O PEDESTAL
1	108140-01-D20	EA	CHAIR-SWIVEL COMFORT ROCKER - W/O PEDESTAL
	108140-10-D18	EA	SEAT ASM-COMFORT ROCKER
	108140-10-D19	EA	SEAT ASM-COMFORT ROCKER
	108140-10-D20	EA	SEAT ASM-COMFORT ROCKER
	P08140-10-D18	EA	COVER-SEAT, COMFORT ROCKER
	P08140-10-D19	EA	COVER-SEAT, COMFORT ROCKER
	P08140-10-D20	EA	COVER-SEAT, COMFORT ROCKER
	P08140-01-D18	EA	COVER-SWIVEL CHAIR, ROCKER
	P08140-01-D19	EA	COVER-SWIVEL CHAIR, ROCKER
	P08140-01-D20	EA	COVER-SWIVEL CHAIR, ROCKER
	P01178-25-D18	EA	COVER-ARM CAP, ROCKER CHAIR - RIGHT
	P01178-27-D19	EA	COVER-ARM CAP, ROCKER CHAIR - RIGHT
	P01178-27-D20	EA	COVER-ARM CAP, ROCKER CHAIR - RIGHT
	P01178-26-D18	EA	COVER-ARM CAP, ROCKER CHAIR - LEFT
	P01178-28-D19	EA	COVER-ARM CAP, ROCKER CHAIR - LEFT
	P01178-28-D20	EA	COVER-ARM CAP, ROCKER CHAIR - LEFT
2	069246-02-000	EA	ADJUSTER-SEAT/CHAIR, W/O LOCK - FORWARD & BACK
3	107921-08-000	EA	TOP PLATE-W/O SEAT BELT BAR - FLEXSTEEL 2759PDTP
			FROM: 00-00-00 THRU: 02-14-93
3	088245-03-000	EA	TOP PLATE-SWIVEL W/O TILT - W/LOCK
			FROM: 02-15-93 THRU: 99-99-99
	107921-06-000	EA	BEARING KIT-PEDESTAL
4	107921-02-000	EA	PEDESTAL ASM-SEAT, 6.5" - FLEXSTEEL 3059 MSPD
	108445-02-000	EA	PLATE-PEDESTAL, SEAT - MOUNTS PEDESTAL TO FLOOR
5	069246-05-000	EA	ADJUSTER-SEAT/CHAIR, W/REMOTE - FORWARD & BACK
	069246-05-700	EA	SPRING-ADJUSTER, FOR REMOTE
	069246-05-701	EA	CLIP-CABLE, FOR REMOTE
6	007221-01-000	EA	SPACER-SEAT, ADJUSTER - 4 USED PER SWIVEL CHAIR
7	108049-01-000	EA	CABLE-SWIVEL, W/SWITCH - 28" - FLEXSTEEL 23602
	108049-02-000	EA	CLIP-CABLE, PEDESTAL - FLEXSTEEL 2592-19 CA
8	089368-04-000	EA	CABLE-SLIDE, W/SWITCH
	101187-01-000	EA	ROCKER BOX-CHAIR, SWIVEL

**1993 WINNEBAGO
TABLE OF CONTENTS**

INTRODUCTION	A-01 -	A-02
ABBREVIATIONS		A-03
ALPHABETICAL INDEX	A-04 -	A-06
WCM37RW	A-07 -	G-08
WCM33RQ	G-09 -	L-24

1993 WCM37RW INDEX

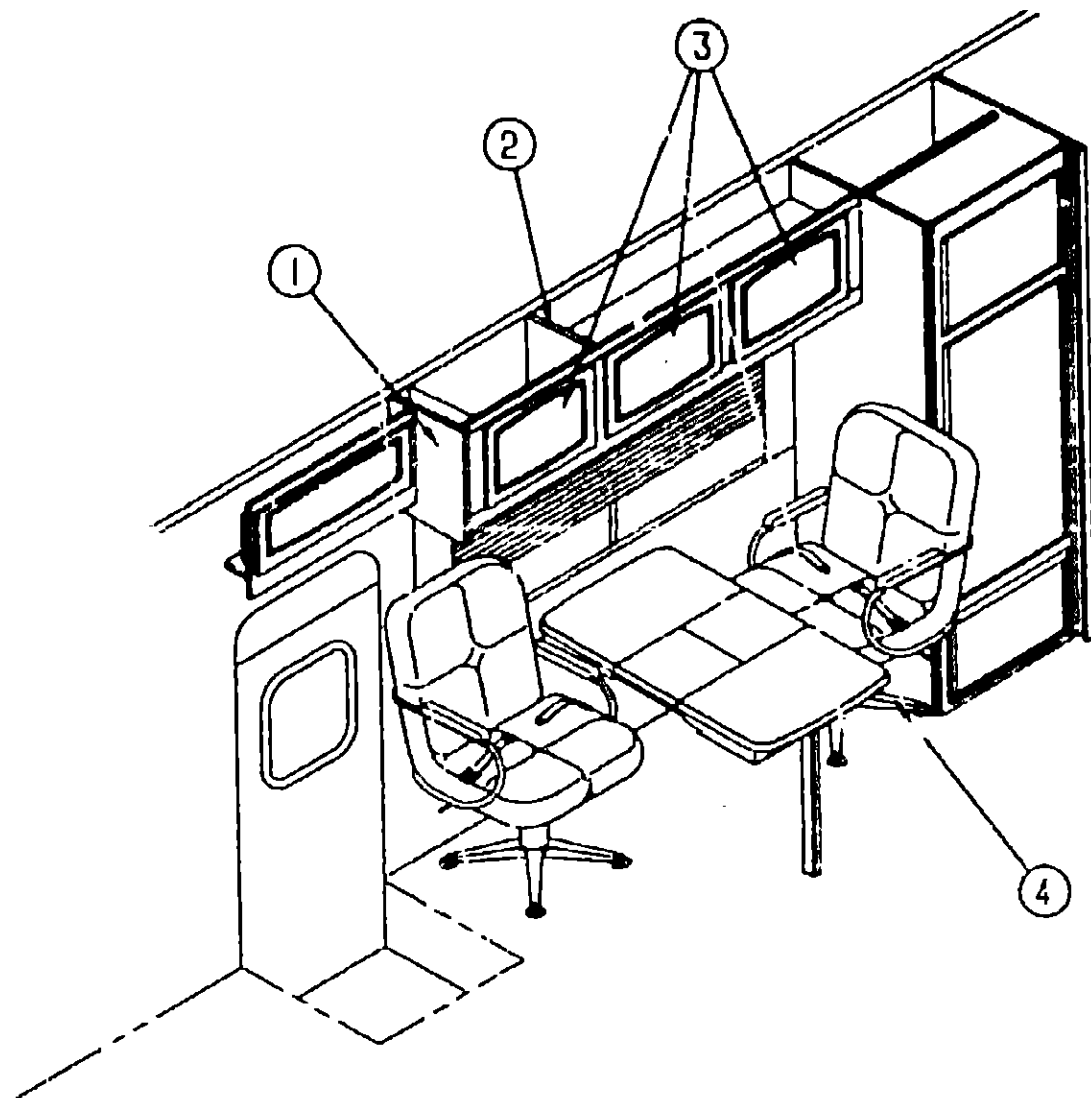
FLOOR PLAN	A-07 -	A-08
ACCESSORIES		A-09
AUDIO VIDEO	A-10 -	A-13
BATH	A-14 -	A-18
BEDROOM	A-19 -	A-20
CHASSIS	A-21 -	B-20
CURTAIN & CUSHION	B-21 -	C-10
DINETTE	C-11 -	C-12
DRIVERS COMPARTMENT	C-13 -	C-18
ELECTRICAL	C-19 -	D-01
EXTERIOR BODY	D-02 -	D-12
GALLEY	D-13 -	D-22
GENERATOR	D-23 -	D-24
HEATING & A/C	E-01 -	E-06
INTERIOR FINISH	E-07 -	E-10
LABEL	E-11 -	E-18
LP		E-19
LOUNGE	E-20 -	E-21
SEALANTS & FASTENERS	E-22 -	F-02
WATER & SEWAGE	F-03 -	F-07
WINDOW, VENT AND EXTERIOR DOOR	F-08 -	G-04
WINDSHIELD & WIPEP	G-05 -	G-08

DINETTE GROUP

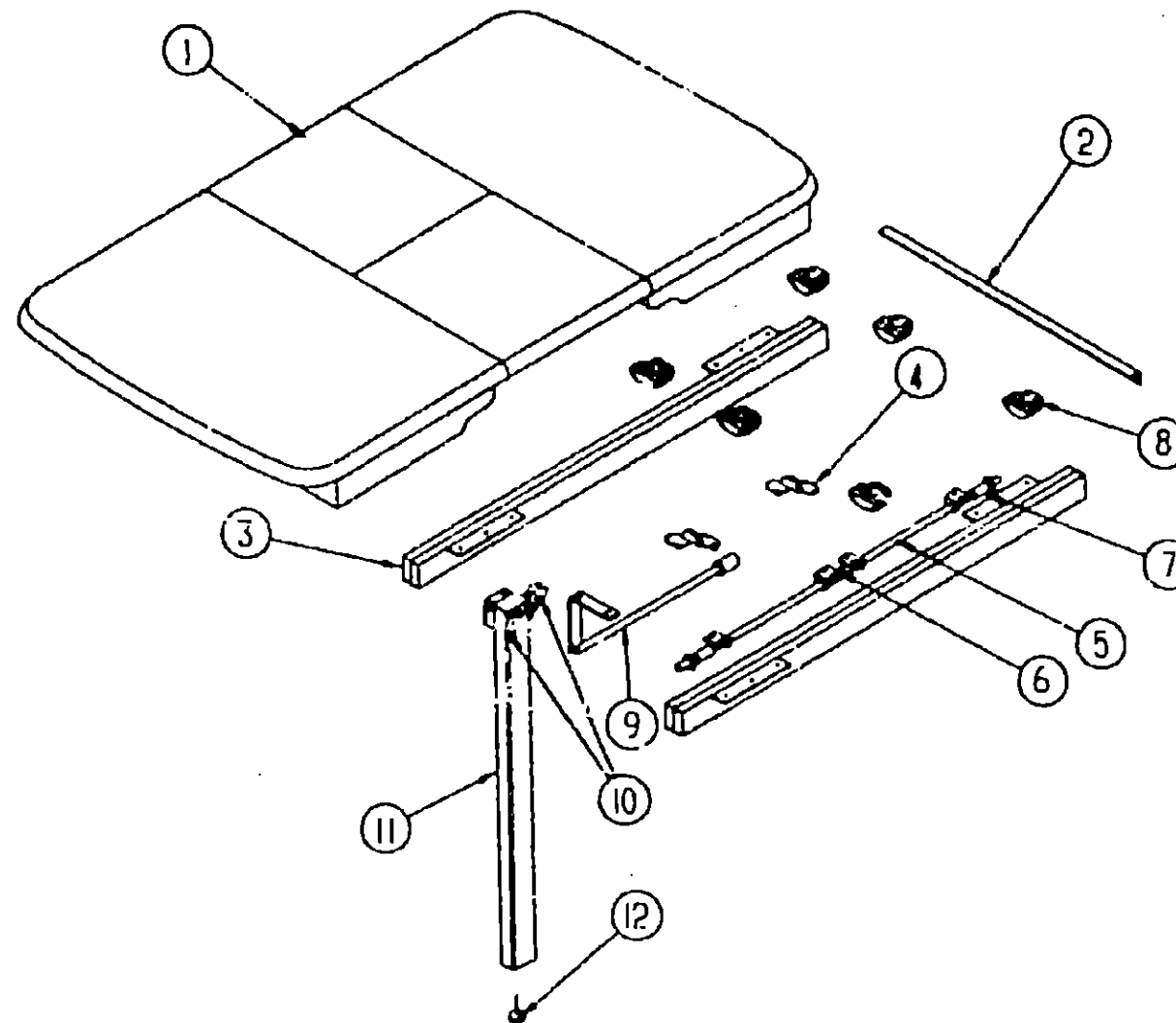
DINETTE GROUP (CONTINUED)

**1993 WINNEBAGO
TABLE OF CONTENTS**

INTRODUCTION	A-01 -	A-02
ABBREVIATIONS		A-03
ALPHABETICAL INDEX	A-04 -	A-06
WCM37RW	A-07 -	G-08
WCM33RQ	G-09 -	L-24



CABINETS, PADS & TABLE



DINETTE PULLOUT TABLE

1993 WCM37RW INDEX

FLOOR PLAN	A-07 -	A-08
ACCESSORIES		A-09
AUDIO VIDEO	A-10 -	A-13
BATH	A-14 -	A-18
BEDROOM	A-19 -	A-20
CHASSIS	A-21 -	B-20
CURTAIN & CUSHION	B-21 -	C-10
DINETTE	C-11 -	C-12
DRIVERS COMPARTMENT	C-13 -	C-18
ELECTRICAL	C-19 -	D-01
EXTERIOR BODY	D-02 -	D-12
GALLEY	D-13 -	D-22
GENERATOR	D-23 -	D-24
HEATING & A/C	E-01 -	E-06
INTERIOR FINISH	E-07 -	E-10
LABEL	E-11 -	E-18
LP		E-19
LOUNGE	E-20 -	E-21
SEALANTS & FASTENERS	E-22 -	F-02
WATER & SEWAGE	F-03 -	F-07
WINDOW, VENT AND EXTERIOR DOOR	F-08 -	G-04
WINDSHIELD & WIPER	G-05 -	G-08

KEY	PART NUMBER	U/M	DESCRIPTION
1	107494-02-D18	EA	END CAP-CABINET, OVERHEAD - LEFT SIDE
2	P07214-03-D18	EA	CABINET-OVERHEAD, W/O DOORS & HARDWARE
3	P00971-31-D18	EA	DCOR-CABINET, W/O HARDWARE - 365 X 555MM
4	P08449-01-D18	EA	TABLE-PULL OUT
	108808-01-01A	EA	HANDRAIL-ASSIST, METAL - BRASS

IF ADDING TO A COACH ALSO ORDER (3) #000G561024J WOOD SCREWS AND (6) #000G601015J BRASS SCREWS

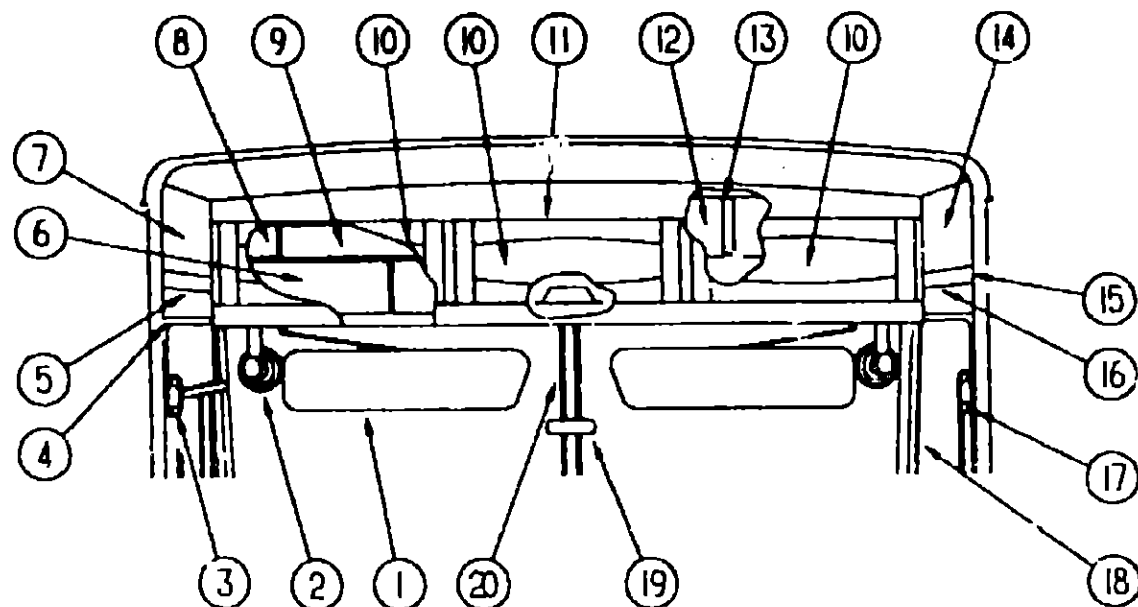
KEY	PART NUMBER	U/M	DESCRIPTION
	P08449-01-D18	EA	TABLE-PULLOUT
1	108449-11-D18	EA	TOP-TABLE, ONLY
2	009063-01-000	EA	HINGE-CONTINUOUS, 1 1/2" X 72" - UNPAINTED
3	103490-01-000	EA	SLIDE-TABLE - 19" LONG - 2 USED
3	110749-01-000	EA	SLIDE-TABLE - 19.75" LONG - 2 USED
			FROM: 00-00-00 THRU: 03-21-93
4	108663-01-000	EA	HINGE-LEAF, FOLDING - HAFELE 341.30.526 - 2 USED
5	108932-01-000	EA	ROD-TABLE,
6	108874-01-000	EA	BRACKET-HINGE, 4 USED
7	108664-01-000	EA	SPRING-COMPRESSION 13 X 50MM - 4 USED
8	009050-02-000	EA	LEVELER-TABLE TOP, MALE END W/4 SCREWS - PLASTIC - 6 USED
8	009050-03-000	EA	LEVELER-TABLE TOP, FEMALE END W/2 SCREWS - PLASTIC - 6 USED
9	108905-01-000	EA	SUPPORT ASSEMBLY-TABLE
10	102810-01-02A	EA	BRACE-LEG, TABLE - OFF WHITE - 3 USED
			FROM: 00-00-00 THRU: 08-18-92
10	102810-01-03A	EA	BRACE-LEG, TABLE - UNPAINTED
			FROM: 00-00-00 THRU: 08-18-92
11	092708-05-D18	EA	LEG-TABLE
			FROM: 00-00-00 THRU: 08-18-92
	092707-01-01A	EA	MOLDING-WOOD, TABLE LEG - 27" -REGAL OAK
			FROM: 00-00-00 THRU: 08-18-92
11	092708-12-D18	EA	LEG-TABLE
			FROM: 08-19-92 THRU: 99-99-99
	092707-07-01A	EA	MOLDING-WOOD, TABLE LEG - 27.8" -REGAL OAK
12	1C2194-01-000	EA	GUIDE-PLASTIC
	000F10-04-16B	EA	PIN-COTTER, 1/8 X 1 - ZINC

DRIVERS COMPARTMENT GROUP

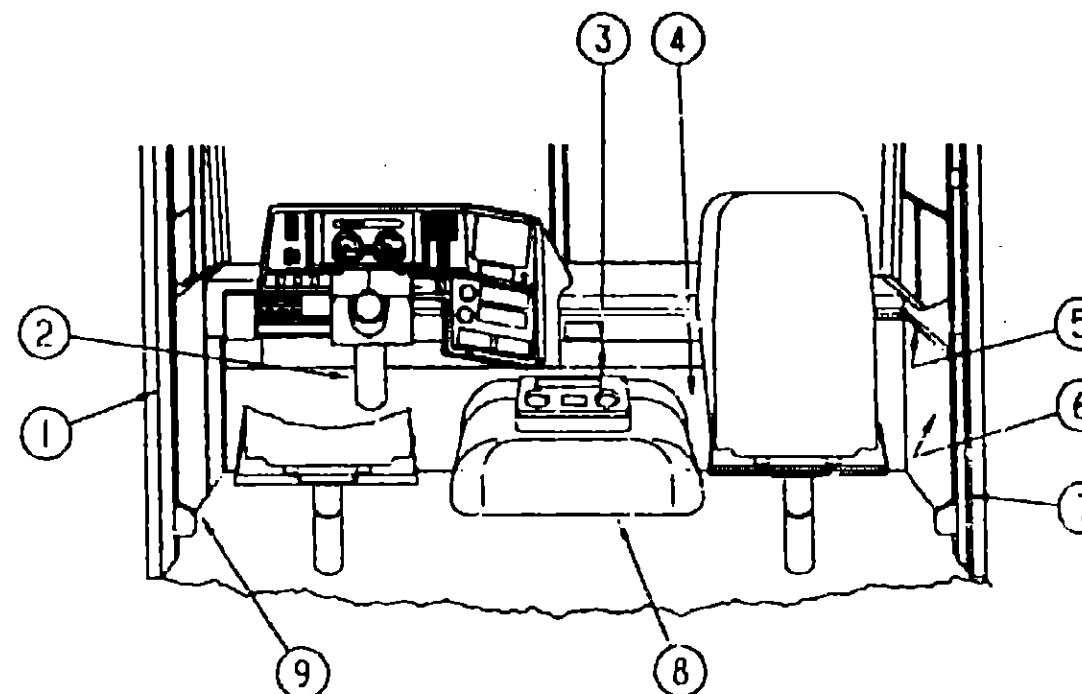
DRIVERS COMPARTMENT GROUP (CONTINUED)

**1993 WINNEBAGO
TABLE OF CONTENTS**

INTRODUCTION	A-01 -	A-02
ABBREVIATIONS		A-03
ALPHABETICAL INDEX	A-04 -	A-06
WCM37RW	A-07 -	G-08
WCM37RQ	G-09 -	L-24



UPPER DRIVERS COMPARTMENT



LOWER DRIVERS COMPARTMENT

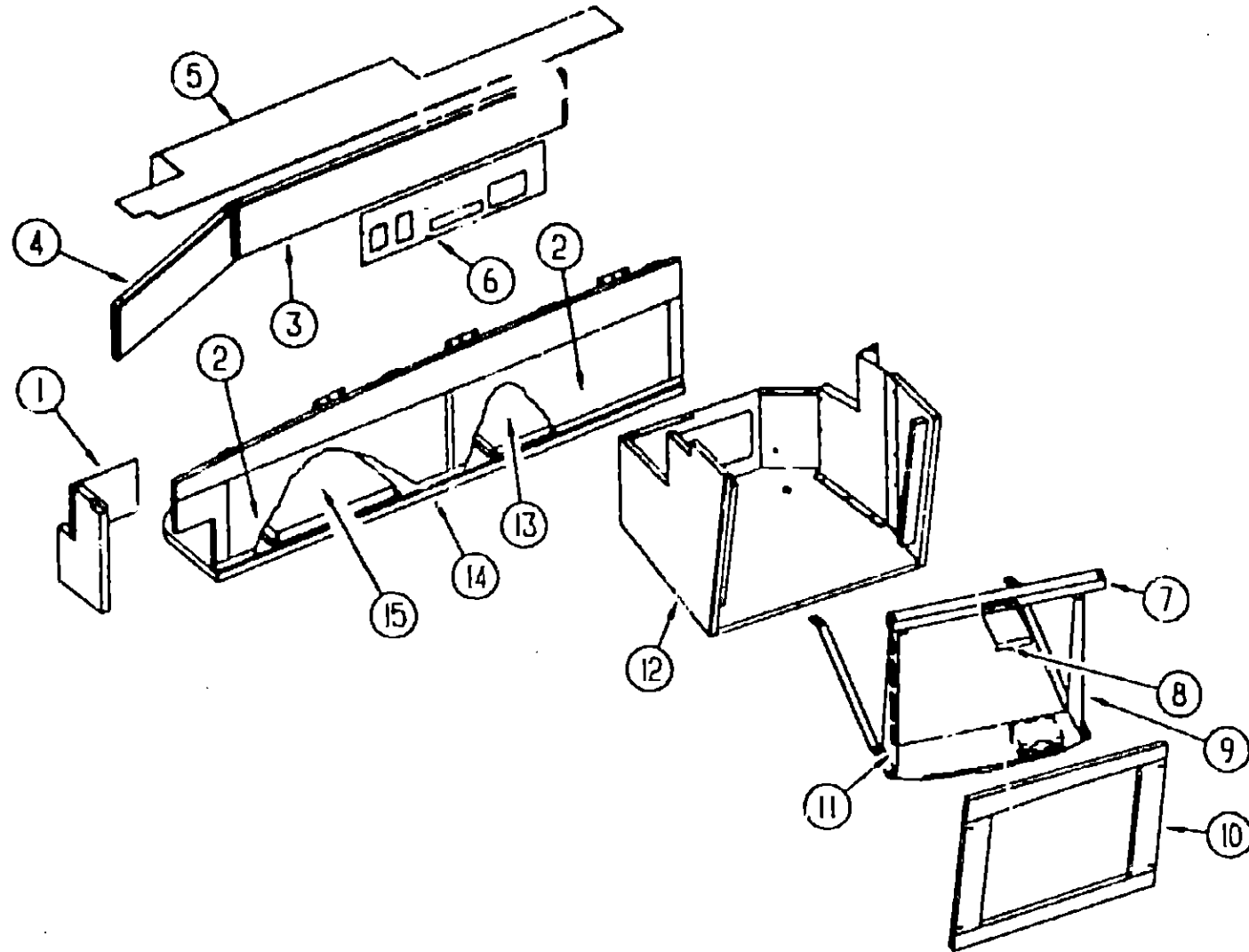
KEY	PART NUMBER	U/M DESCRIPTION
1	103170-01-000	EA SUNVISOR ASM, PREMIER PLASTIC
	108170-01-700	EA SHADE-VISOR, ONLY - W/O HARDWARE - 9" X 18" X 1/8"
	108170-01-701	EA SCREW-THUMB
2	036420-02-000	EA FAN-DEFROSTER, 2 SPEED - 6" DIAMETER
3	103961-02-01A	EA COVER-BRACKET, SEATBELT - W/DRIVER DOOR - OFF WHITE
4	024700-38-000	EA COVER-SIDEWALL ROLL BAR, PLASTIC U-CHANNEL - OFF WHITE - 15.25" LONG
5	109792-02-D18	EA PANEL-HEADLINER, LEFT - 45 X 1113MM - VINYL COVERED
6	107805-04-D18	EA PANEL-SIDE, VINYL COVERED
7	P08612-01-D18	EA CABINET-OVERHEAD, VINYL COVERED (W/O SUNSCREEN SHADE) FROM: 00-00-00 THRU: 01-05-93
7	110603-02-D18	EA CABINET-OVERHEAD, VINYL COVERED (W/SUNSCREEN SHADE) FROM: 01-06-93 THRU: 99-99-99
8	107805-01-D18	EA PANEL-END, VINYL COVERED
9	107804-01-D18	EA PANEL-TOP, VINYL COVERED
10	P00971-04-D18	EA DOOR-CABINET, W/O HARDWARE - 660 X 305MM
11	P08526-01-D18	EA CABINET-OVERHEAD, VINYL COVERED BOTTOM - W/O DOORS & HARDWARE
12	107805-06-D18	EA PANEL-SIDE, VINYL COVERED
13	110648-01-D18	EA PANEL-VINYL COVERED
14	P08612-02-D18	EA CABINET-OVERHEAD, VINYL COVERED (W/O SUNSCREEN SHADE) FROM: 00-00-00 THRU: 01-05-93
14	110603-01-D18	EA CABINET-OVERHEAD, VINYL COVERED (W/SUNSCREEN SHADE) FROM: 01-06-93 THRU: 99-99-99
15	024700-38-000	EA COVER-SIDEWALL ROLL BAR, PLASTIC U-CHANNEL - 15.25" LONG - OFF WHITE
16	108792-01-D18	EA PANEL-HEADLINER, RIGHT - 45 X 1113MM - VINYL COVERED
17	103961-01-01A	EA COVER-BRACKET, SEATBELT - PLASTIC - OFF WHITE
	091990-01-01A	EA SEAT BELT, 3 POINT, BLACK
	091990-03-01A	EA SEAT BELT, 3 POINT, BLACK (POWER SEAT OPTION)
	091990-01-700	EA COVER-BOLT, SEATBELT - BLACK
	109146-01-000	EA BOLT-SHOULDER, SEAT BELT
18	107942-01-01A	EA COVER-INTERIOR, A-PILLAR - RIGHT - PLASTIC
	107942-02-01A	EA COVER-INTERIOR, A-PILLAR - LEFT - PLASTIC
19	040714-01-000	EA MIRROR-REAR VIEW, W/ARM MOUNT & SET SCREW - GM # 911722
	067490-01-000	EA BUTTON-MIRROR, REAR VIEW
20	106568-01-01A	EA TRIM-CENTER, WINDSHIELD

KEY	PART NUMBER	U/M DESCRIPTION
1	024700-46-000	EA COVER-SIDEWALL ROLL BAR, PLASTIC U-CHANNEL - OFF WHITE - 21.2" LONG FROM: 00-00-00 THRU: 04-25-93
1	024700-38-000	EA COVER-SIDEWALL ROLL BAR, PLASTIC U-CHANNEL - OFF WHITE - 15.25" LONG FROM: 04-26-93 THRU: 99-99-99
1	024700-48-000	EA COVER-SIDEWALL ROLL BAR, PLASTIC U-CHANNEL - OFF WHITE - 25" LONG
1	024700-47-000	EA COVER-SIDEWALL ROLL BAR, PLASTIC U-CHANNEL - OFF WHITE - 18.9" LONG
2	109832-02-01A	EA COVER-STEERING COLUMN, CHEVY FROM: 00-00-00 THRU: 09-06-92
2	109832-01-01A	EA COVER-STEERING COLUMN, CHEVY FROM: 09-07-92 THRU: 05-26-93
2	109832-01-02A	EA COVER-STEERING COLUMN, CHEVY FROM: 05-27-93 THRU: 05-28-93
2	109832-01-01A	EA COVER-STEERING COLUMN, CHEVY FROM: 05-29-93 THRU: 99-99-99
2	108047-01-01A	EA COVER-STEERING COLUMN, OUTER (FORD)
2	108048-01-01A	EA COVER-STEERING COLUMN, INNER (FORD)
	110002-01-000	EA PATCH-STEERING COLUMN, VINYL
3	107228-01-01A	EA TRAY-BEVERAGE, PLASTIC - WILLOW
3	109401-01-D18	EA TRAY-BEVERAGE, WOOD
	046886-03-000	EA ASHTRAY-CHROME, W/COVER
4	095757-04-D18	EA COVER-HEATER
4	095757-04-D19	EA COVER-HEATER
4	095757-04-D20	EA COVER-HEATER
5	106105-02-000	EA CLIP-TRIM, 11.8" X 1.87" - METAL
6	P08812-01-D18	EA PANEL-INNER, CAB - RIGHT - COMPLETE W/STEEL ANGLE
6	107793-01-01A	EA PANEL-INNER, CAB - RIGHT - PLASTIC PANEL ONLY
7	024700-46-000	EA COVER-SIDEWALL ROLL BAR, PLASTIC U-CHANNEL - OFF WHITE - 21.2" LONG
7	024700-44-000	EA COVER-SIDEWALL ROLL BAR, PLASTIC U-CHANNEL - OFF WHITE - 53" LONG
8	097552-01-000	EA COVER-MOTOR, W/O CARPET
	092406-01-000	EA TRIM-MOTOR COVER, ALUMINUM
	075564-01-000	EA BRACKET-MOUNTING, MOTOR COVER
	033523-01-000	FT SEAL-MOTOR COVER, RUBBER BULB TYPE - BLACK
9	P08813-01-D18	EA PANEL-TOEKICK, CAB - LEFT SIDE - COMPLETE W/INSERT
9	107792-01-01A	EA PANEL-TOEKICK, CAB - LEFT SIDE - W/O INSERT
9	107792-02-01A	EA INSERT-PANEL, TOEKICK - LEFT SIDE

1993 WCM37RW INDEX

FLOOR PLAN	A-07 -	A-08
ACCESSORIES		A-09
AUDIO VIDEO	A-10 -	A-13
BATH	A-14 -	A-18
BEDROOM	A-19 -	A-20
CHASSIS	A-21 -	B-20
CURTAIN & CUSHION	B-21 -	C-10
DINETTE	C-11 -	C-12
DRIVERS COMPARTMENT	C-13 -	C-18
ELECTRICAL	C-19 -	D-01
EXTERIOR BODY	D-02 -	D-12
GALLEY	D-13 -	D-22
GENERATOR	D-23 -	D-24
HEATING & A/C	E-01 -	E-06
INTERIOR FINISH	E-07 -	E-10
LABEL	E-11 -	E-18
LP		E-19
LOUNGE	E-20 -	E-21
SEALANTS & FASTENERS	E-22 -	F-02
WATER & SEWAGE	F-03 -	F-07
WINDOW, VENT AND EXTERIOR DOOR	F-08 -	G-04
WINDSHIELD & WIPER	G-05 -	G-08

OVERHEAD TV & VCR CABINETS



KEY	PART NUMBER	QTY	DESCRIPTION
1	107805-01-D18	EA	PANEL-SIDE, VINYL COVERED
2	100708-08-000	EA	DOOR-GLASS, TV CABINET - 246 X 687MM - OPG INDUSTRIES
	100710-01-01A	EA	LOCK-GLASS DOOR, TWIST TYPE - BRASS
	100711-01-01A	EA	HINGE-DOOR, GLASS
	101272-01-000	EA	CATCH-DOOR, GLASS
	101766-01-000	EA	PIN-SUPPORT, GLASS DOOR
	100707-01-000	EA	SPACER-DOOR, GLASS - .8" DIA - .3" HOLE - PLASTIC
3	107805-03-D18	EA	PANEL-SIDE, VINYL COVERED
4	107805-04-D18	EA	PANEL-SIDE, VINYL COVERED
5	107804-01-D18	EA	PANEL-TOP, VINYL COVERED
6	107803-01-D18	EA	PANEL-BACK, VINYL COVERED - W/O BOX OR INVERTER CUTOUTS
6	107803-04-D18	EA	PANEL-BACK, VINYL COVERED - W/INVERTER CUTOUTS
7	107319-01-000	EA	MOUNT ASM-TV
8	107316-01-000	EA	MOUNT-TV
9	107280-01-000	EA	BRACKET-MOUNTING,TV - RIGHT (CAB)
10	107367-01-D18	EA	FACE-CABINET, TV - W/O PLUGS
11	107281-01-000	EA	BRACKET-MOUNTING,TV - LEFT (CAB)
12	P08917-01-D18	EA	CABINET-OVERHEAD, TV W/SIDE SUPPORT PANEL & VINYL - W/O FACE
	107493-01-D18	EA	PANEL-SIDE SUPPORT, TV CABINET - METAL
13	100676-03-000	EA	STAND-VCR, CENTER - METAL
14	107365-01-D18	EA	CABINET-OVERHEAD, W/O DOORS & HARDWARE
	1004102-55-D18	EA	FACE-CABINET, OVERHEAD - TV
	P07365-01-D18	EA	BOTTOM-CABINET, W/VINYL
15	100676-04-000	EA	STAND-CD, LEFT SIDE - METAL
	065747-01-000	SF	INSULATION-MICROFOAM, .5"
	099717-01-000	EA	TIEDOWN-TV, STRAP ON FEMALE END IS 28.7" LONG
	039984-01-000	EA	CAP-ROUND, VINYL - .28" ID X .62" LONG - BLACK

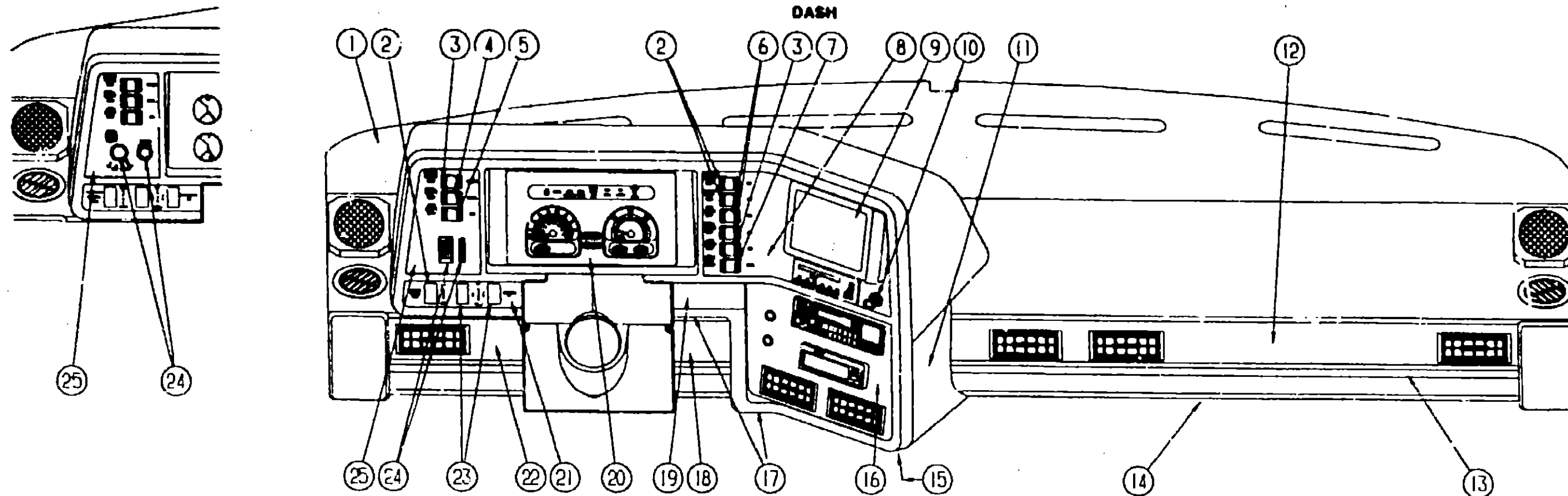
1993 WINNEBAGO
TABLE OF CONTENTS

INTRODUCTION	A-01 -	A-02
ABBREVIATIONS		A-03
ALPHABETICAL INDEX	A-04 -	A-06
WCM37RW	A-07 -	G-08
WCM33RO	G-09 -	L-24

1993 WCM37RW INDEX

FLOOR PLAN	A-07 -	A-09
ACCESSORIES		A-05
AUDIO VIDEO	A-10 -	A-13
BATH	A-14 -	A-18
BEDROOM	A-19 -	A-20
CHASSIS	A-21 -	B-20
CURTAIN & CUSHION	B-21 -	C-10
DINETTE	C-11 -	C-12
DRIVERS COMPARTMENT	C-13 -	C-18
ELECTRICAL	C-19 -	D-01
EXTERIOR BODY	D-02 -	D-12
GALLEY	D-13 -	D-22
GENERATOR	D-23 -	D-24
HEATING & A/C	E-01 -	E-06
INTERIOR FINISH	E-07 -	E-10
LABEL	E-11 -	E-18
LP		E-19
LOUNGE	E-20 -	E-21
SEALANTS & FASTENERS	E-22 -	F-02
WATER & SEWAGE	F-03 -	F-07
WINDOW, VENT AND EXTERIOR DOOR	F-08 -	G-04
WINDSHIELD & WIPER	G-05 -	G-08

DRIVERS COMPARTMENT GROUP (CONTINUED)



**1993 WINNEBAGO
TABLE OF CONTENTS**

INTRODUCTION	A-01 -	A-02
ABBREVIATIONS		A-03
ALPHABETICAL INDEX	A-04 -	A-05
WCM37RW	A-07 -	G-08
WCM33RQ	G-09 -	L-24

KEY	PART NUMBER	U/M DESCRIPTION
1	105927-02-000	EA PANEL-DASH, TOP W/O VINYL COVERING - METAL
	106569-02-03A	EA VINYL-LAMINATE, 1/4" X 16" X 96" - MADRID WILLOW FROM: 00-00-00 THRU: 07-18-92
	106569-03-01A	EA VINYL-LAMINATE, 1/4" X 16" X 96" - MADRID WILLOW FROM: 07-19-92 THRU: 99-99-99
	077539-01-000	EA BRACKET-MOUNTING, DASH PANEL - L/SHAPED - 2.5" X 1" X 1.5"
	107263-01-01A	EA POD-COVER, UPPER DASH - COVERS INSTRUMENTS - W/VINYL
2	096241-03-000	EA SWITCH-BLANK
2	108356-01-01A	EA ACTUATOR-SWITCH GROOVES III, CARLING VVCZC00 BLA
2	108357-03-000	EA SWITCH-ROCKER, SPDT ON/OFF/ON - CARLING V6D1000B-0
3	096241-03-000	EA SWITCH-BLANK
3	108356-01-01A	EA ACTUATOR-SWITCH GROOVES III, CARLING VVCZC00 BLA
3	108357-05-000	EA SWITCH-ROCKER, SPDT ON/NONE/ON - CARLING V4D1000B-0
4	108356-01-01A	EA ACTUATOR-SWITCH GROOVES III, CARLING VVCZC00 BLA
4	108357-04-000	EA SWITCH-ROCKER, SPDT ON/OFF/MOM - CARLING V7D1000B-0
5	108356-01-01A	EA ACTUATOR-SWITCH GROOVES III, CARLING VVCZC00 BLA
5	108357-06-000	EA SWITCH-ROCKER, DPDT MOM/OFFMOM - CARLING VLD1000B-0
6	096241-03-000	EA SWITCH-BLANK
6	108356-01-01A	EA ACTUATOR-SWITCH GROOVES III, CARLING VVCZC00 BLA
6	108357-01-000	EA SWITCH-ROCKER, SPST ON/OFF - CARLING V1D1000B-0
7	096241-01-000	EA SWITCH-BLANK
7	108356-03-01A	EA ACTUATOR-SWITCH GROOVES LENS, CARLING VVCGC00
7	108357-10-000	EA SWITCH-ROCKER, SPDT MOM/OFFMOM - CARLING V8D1160B-0
8	104056-20-01A	EA APPLIQUE-BEZEL UPPER RIGHT, 6 SWITCH - BLACK VELVET
9	108015-01-01A	EA POCKET-INSTRUMENT PANEL, RIGHT - UPPER - BLACK FROM: 00-00-00 THRU: 03-14-93
9	111337-01-01A	EA POCKET-INSTRUMENT PANEL, RIGHT - UPPER - BLACK FROM: 03-15-93 THRU: 99-99-99
	096776-02-000	EA CBOX-CASSETEE, 4 - TAPE FROM: 03-15-93 THRU: 99-99-99
10	069294-01-000	EA LIGHTER ASM-CIGARETTE, CASCO C213275
11	107085-01-01A	EA POD-DASH, LOWER - W/VINYL
12	107859-01-01A	EA TRIM-DASH, LOWER
13	108132-01-01A	FT TRIM-LOWER DASH, ACCENT - PRECISION TRIM

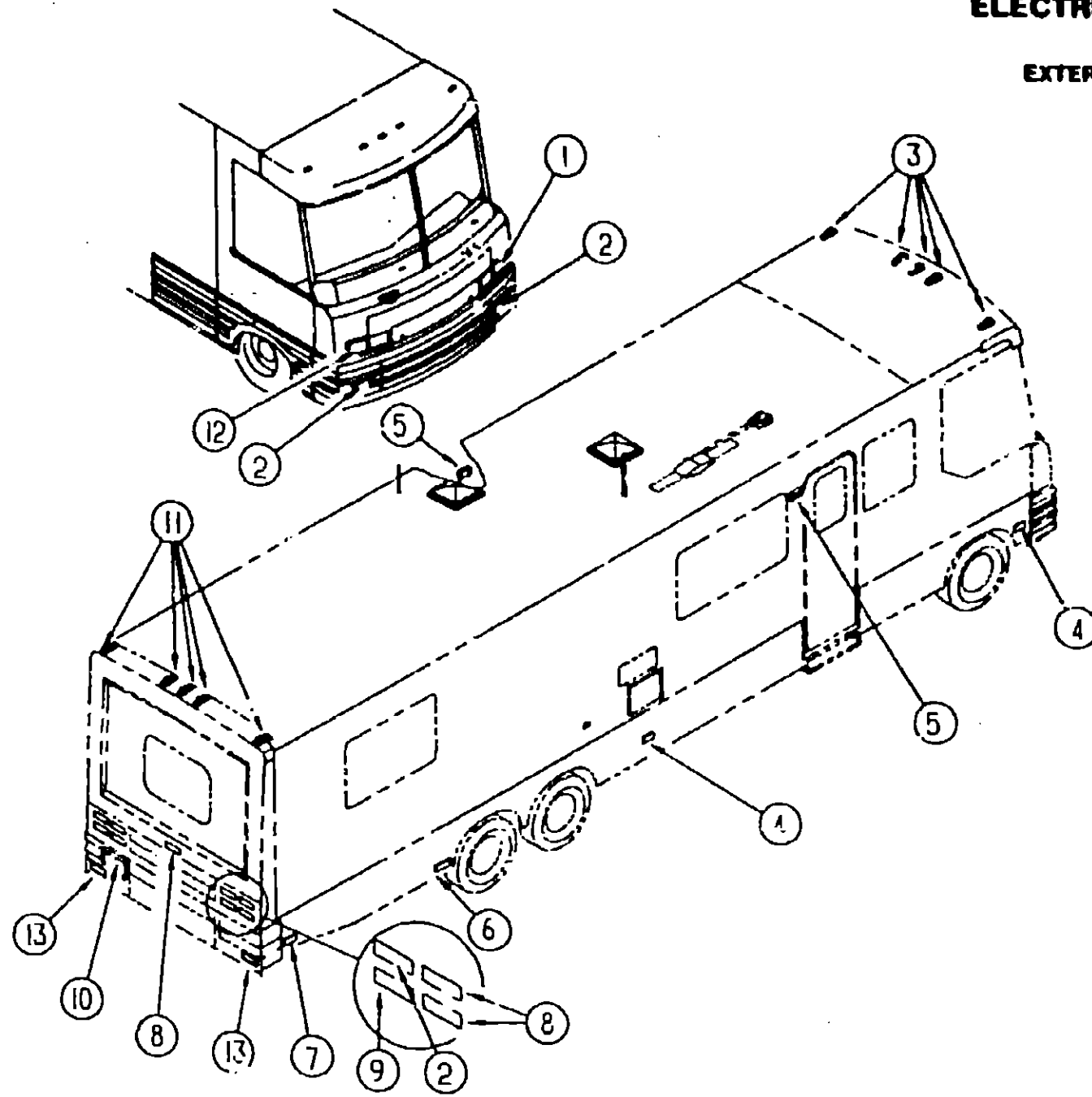
KEY	PART NUMBER	U/M DESCRIPTION
14	105926-05-000	EA PANEL-DASH, BOTTOM RIGHT - METAL
15	107857-02-000	EA PANEL-DASH, BOTTOM LEFT - METAL
16	104056-14-01A	EA APPLIQUE-BEZEL, LOWER RIGHT WING - BLACK VELVET
17	107031-01-01A	EA BEZEL-INSTRUMENT PANEL (CHEVY)
17	107031-03-01A	EA BEZEL-INSTRUMENT PANEL (FORD)
18	107859-02-01A	EA TRIM-DASH, LOWER FROM: 00-00-00 THRU: 10-04-92
18	107859-03-01A	EA TRIM-DASH, LOWER - 170MM LONG. FROM: 10-05-92 THRU: 99-99-99
19	104056-11-01A	EA APPLIQUE-BEZEL, LOWER - RIGHT - BLACK VELVET
20	094796-05-000	EA CLUSTER-INSTRUMENT PANEL, KILOMETERS - GAS - GM #16156355
20	094794-02-000	EA CLUSTER-INSTRUMENT, KILOMETER - FORD F0US-10849-BB FROM: 00-00-00 THRU: 09-20-92
20	094794-03-000	EA CLUSTER-INSTRUMENT, KILOMETER - FORD E9TZ-17255-B FROM: 09-21-92 THRU: 99-99-99
	100138-01-000	EA MODULE-DAYTIME RUNNING LIGHT
21	104056-09-01A	EA APPLIQUE-BEZEL, LOWER - LEFT - BLACK VELVET
21	104056-10-01A	EA APPLIQUE-BEZEL, LOWER LEFT - BLACK VELVET FOR PARK & LEVEL
22	107860-02-01A	EA TRIM-DASH, LOWER (CHEVY)
22	107860-01-01A	EA TRIM-DASH, LOWER (FORD)
23	108356-01-01A	EA ACTUATOR-SWITCH GROOVES III, CARLING VVCZC00 BLA
23	108357-07-000	EA SWITCH-ROCKER, SPDT MOM/OFFMOM - CARLING V8D1000B-0 HEADLIGHT & DIMMER SWITCHES ARE CHASSIS SUPPLIED
24	091206-04-000	EA CONTROL-WIPER DYNAMIC PARK (93 FORD ONLY)
24	096675-01-000	EA KNOB-HEADLAMP, W/SHAFT (FORD)
	096674-01-000	EA NUT-HEADLAMP KNOB, BLACK
25	104056-15-01A	EA APPLIQUE-BEZEL LEFT - BLACK VELVET (CHEVY)
25	104056-16-01A	EA APPLIQUE-BEZEL LEFT - BLACK VELVET (FORD)
	108355-01-000	EA HOUSING-SWITCH, CARLING VCH
	077031-01-000	EA FILM-BLACK, 1" X 1.75"
	077031-03-000	EA FILM-WHITE .75" X 1"
	103603-01-000	EA BULB-12V, NO.74 0.12A WEDGE - GE 22-25
	105615-01-000	FT FILM-PROTECTIVE, CLEAR - 313-34" X 1500" ROLL
	085753-02-000	EA BRAKE CONTROL, TEKONSHA 9030 - HENSCHEN

1993 WCM37RW INDEX

FLOOR PLAN	A-07 -	A-08
ACCESSORIES		A-09
AUDIO VIDEO	A-10	A-13
BATH	A-14 -	A-18
BEDROOM	A-19 -	A-20
CHASSIS	A-21 -	B-20
CURTAIN & CUSHION	B-21 -	C-10
DINETTE	C-11 -	C-12
DRIVERS COMPARTMENT	C-13 -	C-18
ELECTRICAL	C-19 -	D-01
EXTERIOR BODY	D-02 -	D-12
GALLEY	D-13 -	D-22
GENERATOR	D-23 -	D-24
HEATING & A/C	E-01 -	E-06
INTERIOR FINISH	E-07 -	E-10
LAEL	E-11 -	E-18
LP		E-19
LOUNGE	E-20 -	E-21
SEALANTS & FASTENERS	E-22 -	F-02
WATER & SEWAGE	F-03 -	F-07
WINDOW, VENT AND EXTERIOR DOOR	F-08 -	G-04
WINDSHIELD & WIPER	G-05 -	G-08

ELECTRICAL GROUP

EXTERIOR LIGHTS



KEY	PART NUMBER	U/M DESCRIPTION
1	049186-02-000	EA HEADLAMP CAPSULE-DRIVER, HIGH/LOW BEAM - W/BLACK TRIM RING
1	049188-02-000	EA HEADLAMP CAPSULE-DRIVER, HIGH BEAM - W/BLACK TRIM RING
	050030-02-000	EA HOUSING-HEADLAMP WIRING, HIGH BEAM
	063749-01-000	EA HOUSING-HEADLAMP WIRING, LOW BEAM
	096674-01-000	EA NUT-HEADLAMP, BLACK
	074048-01-000	EA INSERT-KNURLED, BRASS - #8 - 32 (FOR HEADLAMP SCREWS)
	007157-05-000	EA NUT-WELL, HEADLIGHT BEZEL
	110750-01-000	EA SCREW ASM-HEADLAMP ADJUSTING
		FROM: 01-22-93 THRU: 99-99-99
	106687-02-000	EA SOCKET ASM-LIGHT, 3-WIRE
2	105588-02-000	EA LIGHT ASM-TURN, AMBER - TRIPLEX 146-W
	037934-01-000	EA BULB-12V, #1156 - 2.1AMP - CLEAR GLASS - BACK UP & TURN SIGNAL
	076345-02-000	EA SOCKET-PARK/TURN LAMP
3	107749-01-000	EA LIGHT ASM-CAB MARKER, AMBER - KD 509-0-1
	036196-01-000	EA BULB-12V, #194 - .27AMP - BAYONETTE
4	089362-01-000	EA LIGHT-SIDEMARKER, AMBER LENS & BASE - W/O BULB
	036196-01-000	EA BULB-12V, #194 - .27AMP - BAYONETTE
	067789-02-000	EA SOCKET-SIDEMARKER
5	097517-01-04A	EA LIGHT-PORCH, ENTRY DOOR - BUFF
	008215-01-000	EA BULB-12V, #1003 - .94AMP
	097917-01-700	EA LENS-LIGHT, PORCH
6	106688-04-000	EA LIGHT ASM-AUXILIARY, CLEAR - TRIPLEX 147W
	037934-01-000	EA BULB-12V, #1156 - 2.1AMP - CLEAR GLASS - BACK UP & TURN SIGNAL
	106687-01-000	EA SOCKET ASM-LIGHT, 2-WIRE - TRIPLEX 375X
7	089362-02-000	EA LAMP-SIDE MARKER, RED - TRIPLEX 403-99
	089362-03-000	EA GASKET-MARKER LIGHT - TRIPLEX 403-2
	036196-01-000	EA BULB-12V, #194 - .27AMP - BAYONETTE
	067789-02-000	EA SOCKET-SIDEMARKER
8	106688-03-000	EA LIGHT ASM-STOP/TURN, RED - TRIPLEX 141-W
	037935-01-000	EA BULB-12V, #1157 OR #2057 - 2.1AMP - CLEAR GLASS - BRAKE LIGHT
	106687-01-000	EA SOCKET ASM-LIGHT, 2-WIRE - TRIPLEX 375X
9	106698-01-000	EA LIGHT ASM-BACKUP, WHITE - TRIPLEX 147-DW
	037934-01-000	EA BULB-12V, #1156 - 2.1AMP - CLEAR GLASS - BACK UP & TURN SIGNAL
	076345-02-000	EA SOCKET-PARK/TURN LAMP
	107236-01-01A	EA COVER-INSIDE SHIELD, BEHIND 4 TAIL LIGHTS ON EACH SIDE - BUFF PLASTIC
		FROM: 00-00-00 THRU: 04-04-93
	107256-01-03A	EA COVER-INSIDE SHIELD, BEHIND 4 TAIL LIGHTS ON EACH SIDE - BLACK PLASTIC
		FROM: 04-05-93 THRU: 99-99-99
10	087201-01-000	EA LIGHT-HALF ROUND, 1" X 1.7" - PLASTIC - BLACK
11	107749-02-000	EA LIGHT ASM-CAB MARKER, RED - KD 509-0-6
	036196-01-000	EA BULB-12V, #194 - .27AMP - BAYONETTE
12	049185-02-000	EA HEADLAMP CAPSULE-PASS, HIGH/LOW BEAM - W/BLACK TRIM RING
12	049187-02-000	EA HEADLAMP CAPSULE-PASS, HIGH BEAM - W/BLACK TRIM RING
	050030-02-000	EA HOUSING-HEADLAMP WIRING, HIGH BEAM
	063749-01-000	EA HOUSING-HEADLAMP WIRING, LOW BEAM
	096674-01-000	EA NUT-HEADLAMP, BLACK
	074048-01-000	EA INSERT-KNURLED, BRASS - #8 - 32 (FOR HEADLAMP SCREWS)
	110750-01-000	EA SCREW ASM-HEADLAMP ADJUSTING
		FROM: 01-22-93 THRU: 99-99-99
	007157-05-000	EA NUT-WELL, HEADLIGHT BEZEL
	088747-03-000	EA LAMP-FOG, CLEAR LENS - PER LUX 550 SERIES
	088747-03-700	EA COVER-LIGHT, FOG - PER LUX 050-005835
	088747-03-701	EA BEZEL-LIGHT, FOG - PER LUX 050-005001
13	110177-01-000	EA LENS-REFLECTOR, RED - TRIPLEX 403-R
13	110177-02-000	EA GASKET-LENS, REFLECTOR - TRIPLEX 402-22

1993 WINNEBAGO TABLE OF CONTENTS

INTRODUCTION	A-01 -	A-02
ABBREVIATIONS		A-03
ALPHABETICAL INDEX	A-04 -	A-06
WCM37RW	A-07 -	G-08
WCM33RO	G-09 -	L-24

1993 WCM37RW INDEX

FLOOR PLAN	A-07 -	A-08
ACCESSORIES		A-09
AUDIO VIDEO	A-10 -	A-13
BATH	A-14 -	A-18
BEDROOM	A-19 -	A-20
CHASSIS	A-21 -	R-20
CURTAIN & CUSHION	B-21 -	C-10
DINETTE	C-11 -	C-12
DRIVERS COMPARTMENT	C-13 -	C-18
ELECTRICAL	C-19 -	D-01
EXTERIOR BODY	D-02 -	D-12
GALLEY	D-13 -	D-22
GENERATOR	D-23 -	D-24
HEATING & A/C	E-01 -	E-06
INTERIOR FINISH	E-07 -	E-10
LABEL	E-11 -	E-18
LP		E-19
LOUNGE	E-20 -	E-21
SEALANTS & FASTENERS	E-22 -	F-03
WATER & SEWAGE	F-03 -	F-07
WINDOW, VENT AND EXTERIOR DOOR	F-08 -	G-04
WINDSHIELD & WIPER	G-05 -	G-08

ELECTRICAL GROUP (CONTINUED)

INTERIOR LIGHTS & BULBS

KEY	PART NUMBER	U/M DESCRIPTION
	065202-24-000	EA LAMP-WALL, BRASS - OV-531 - R B GUSTAFSON
	065202-25-000	EA LAMP-WALL, BRASS - OV-531 - R B GUSTAFSON (CANADIAN)
	065201-12-000	EA SHADE-LAMP, FABRIC - WHITE SWIRL
	067479-01-000	EA BULB-12V, NUMBER 1076
	093575-03-01A	EA LIGHT-CEILING, RECTANGULAR - GLASS & BRASS - CANADIAN
	008218-01-000	EA BULB-DOME LIGHT, 12V - NUMBER 1141
	104172-01-01A	EA LIGHT-BULLET, BEIGE - #787 SERIES
	008215-01-000	EA BULB-12V, #1003 - .94AMP
	091937-04-000	EA LIGHT-FLUORESCENT, 12 V/30 WATT - 20.75" LONG - THIN LITE
	091937-05-700	EA BULB-FLUORESCENT, 12"
	091937-05-000	EA LIGHT-FLUORESCENT, 12V/16 WATT - 15" LONG - THIN LITE 732
	091937-05-700	EA BULB-FLUORESCENT, 12"
	061424-01-000	EA LIGHT-ROSE, 12V - RECTANGULAR
	008103-01-000	EA BULB-DASH/AISLE LIGHT, #53 - 12 V - .12 AMP
	081633-01-000	EA LIGHT-MAKEUP, 4 BULBS - JENSEN 329-24BR
		FROM: 00-00-00 THRU: 12-13-92
	110235-02-01A	EA LIGHT-MAKE UP, 4 BULB - PANLESS - PD PD200-622 BRASS
		FROM: 12-14-92 THRU: 99-99-99
	082169-01-000	EA LIGHT-MAKE-UP, 3 BULB - JENSEN X146-16BR
		FROM: 00-00-00 THRU: 12-13-92
	110235-01-01A	EA LIGHT-MAKE UP, 3 BULB - PANLESS - PD PD200-621 BRASS
		FROM: 12-14-92 THRU: 99-99-99
	081633-01-700	EA BULB-MAKE UP LIGHT, ONLY
	087694-01-000	EA LIGHT-WARDROBE/CLOSET, W/SWITCH
	087694-01-700	EA BULB, GE561
	093575-02-01A	EA LIGHT-CEILING, 514HG
	008218-01-000	EA BULB-DOME LIGHT, 12V - NUMBER 1141
	098024-03-01A	EA LIGHT-DOME, 2 BULB - IVORY
	098024-01-01A	EA LIGHT-DOME, 1 BULB - US - IVORY
	008218-01-000	EA BULB-DOME LIGHT, 12V - NUMBER 1141
	098024-01-700	EA LENS-DOME LIGHT
	104173-01-01A	EA LIGHT-DESIGNER, BRASS - #81-905 - BULB #93 12V
	108354-01-01A	EA LIGHT-COURTESY, FLOOR - ITC 81395-B
	*08354-01-700	EA BULB-LIGHT, COURTESY - ITC 81395-B

CIRCUIT BREAKERS & FUSES

KEY	PART NUMBER	U/M DESCRIPTION
	083209-01-000	EA BREAKER-CIRCUIT, 15 AMP, 120V - BW G-15 - CANADIAN
	083209-02-000	EA BREAKER-CIRCUIT, 15/15AMP, 120V - BW H-15/15
	083209-03-000	EA BREAKER-CIRCUIT, 15/20AMP, 120V - BW O-15/20
	083209-04-000	EA BREAKER-CIRCUIT, 30A, 120V - BW L-30
	083209-05-000	EA BREAKER-CIRCUIT, 20A, 120V - BW J-20
	083209-06-000	EA BREAKER-CIRCUIT, 30/15 AMP, 120V - BW D-30/15
	083209-07-000	EA BREAKER-CIRCUIT, 20/20A, 120V - BW K-20/20
	083209-08-000	EA CIRCUIT BREAKER, BLANK - BW
	093654-01-000	EA BREAKER-CIRCUIT, 6 AMP, USD 17406-4E12A2A
	093654-02-000	EA BREAKER-CIRCUIT, 15 AMP, USD 17415-4E12A2A
	092654-03-000	EA CIRCUIT BREAKER-20 AMP, USD 17420-4E12A2A
	093655-01-000	EA BREAKER-CIRCUIT, 25 AMP, USD 17425-4E03A2A
	093655-02-000	EA BREAKER-CIRCUIT, 30 AMP, USD 17430-4E03A2A
	093655-03-000	EA BREAKER-CIRCUIT, 40 AMP, USD 17440-4E03A2A
	097611-01-000	EA BREAKER-CIRCUIT, 6AMP, ATC - BLACK
	108567-01-000	EA BREAKER-CIRCUIT, 40A, TYPE II - FASCO 17414063
	108916-01-000	EA BREAKER-CIRCUIT, 50A, 2 POLE - WESTINGHOUSE BR250
	093674-01-000	EA PLATE-CIRCUIT BREAKER, HOUSE - 8.4" X 4.1" - STEEL
	098196-01-000	EA LATCH, 1/4 TURN, T-BAR
	008233-01-000	EA FUSE, 12V - 6 AMP
	008235-01-000	EA FUSE-AUTOMOTIVE, 12V - 15AMP
	062037-01-000	EA HOUSING, AUTO FUSE, NATURAL
	062037-02-000	EA HOUSING, AUTO FUSE, GREEN
	062037-03-000	EA HOUSING, AUTO FUSE, BLACK

ELECTRICAL GROUP (CONTINUED)

CIRCUIT BREAKERS & FUSES (CONTINUED)

KEY	PART NUMBER	U/M DESCRIPTION
	062037-04-000	EA HOUSING, AUTO FUSE, BLUE
	062037-05-000	EA HOUSING, AUTO FUSE, GRAY
	062037-06-000	EA HOUSING, AUTO FUSE, BROWN
	062901-02-000	EA FUSE-AUTOMOTIVE, 5 AMPS
	062901-04-000	EA FUSE-AUTOMOTIVE, 10 AMPS
	062901-05-000	EA FUSE-AUTOMOTIVE, 15 AMPS
	062901-07-000	EA FUSE-AUTOMOTIVE, 25 AMPS
	062901-08-000	EA FUSE-AUTOMOTIVE, 30 AMPS
	100341-01-000	EA FUSE HOLDER-IN LINE TYPE, WESCO 8931-92020
	108567-01-000	EA BREAKER-CIRCUIT, 40A, 12V - FASCO 17414063
	108669-01-000	EA HOUSING-AUTOFUSE HOLDER, PACKARD 12010105
	111623-01-000	EA HOLDER-FUSE, GLASS - 1/4" X 1 1/4" - BUSS HTB-851

SWITCHES

KEY	PART NUMBER	U/M DESCRIPTION
	109294-01-01A	EA SWITCH PANEL ASM-VENT FAN, BATHROOM - JRV J8948BR BRASS
	079364-01-000	EA SWITCH-ON/OFF ROCKER, 2 PRONGS - BROWN
	079364-03-000	EA SWITCH-ON/OFF ROCKER, 3 PRONGS - BROWN
	096241-03-000	EA SWITCH-BLANK
	094086-01-01A	EA PLATE-SWITCH, SINGLE GANG - 1.8" X 3" - PLASTIC - BLACK (DOOR LOCK)
	098351-01-01A	EA PLATE-SWITCH, 1 GANG - POLISHED BRASS
	098351-02-01A	EA PLATE-SWITCH, 2 GANG - POLISHED BRASS
	098351-05-01A	EA PLATE-SWITCH, 3 GANG - POLISH BRASS - JENSEN
	095188-01-01A	EA SPACER-SWITCH, 2.3" X 3.4" - PLASTIC - DARK BROWN
	095188-02-01A	EA SPACER-SWITCH, 2.3" X 4.1" - PLASTIC - DARK BROWN
	093132-02-000	EA SWITCH-POWER DOOR LOCK
	024976-01-000	EA SWITCH-GENERATOR
		FROM: 00-00-00 THRU: 12-13-92
	098351-04-01A	EA PLATE-SWITCH, GENERATOR/DOOR LOCK - POLISH BRASS - JENSEN
		FROM: 00-00-00 THRU: 12-13-92
	108357-10-000	EA SWITCH-ROCKER, SPDT - MOM/OFFMOM - CARLING V8D1150B-0
		FROM: 12-14-92 THRU: 99-99-99
	108356-05-01A	EA ACTUATOR-SWITCH GROOVES LENS - CARLING VVLGCXX-XWB
		FROM: 12-14-92 THRU: 99-99-99
	098351-07-01A	EA PLATE-SWITCH, GENERATOR - JENSEN-POLISH BRASS
		FROM: 12-14-92 THRU: 99-99-99
	106071-01-000	EA SWITCH-AUTOMATIC TRANSFER, MAGNETEK ATS 30 (GENERATOR)
	106071-02-000	EA SWITCH-AUTOMATIC TRANSFER, MAGNETEK ATS100 (GENERATOR)
	087695-01-000	EA SWITCH-EXTERIOR MIRROR, HEATER
	058246-01-000	EA SWITCH-EXTERIOR MIRROR, REMOTE
	099982-01-01A	EA PLATE-SWITCH, 2 GANG - 2.4" X 4.1" - ALUMINUM - BLACK (EXT. MIRROR)
		FROM: 03-00-00 THRU: 04-18-93
	099982-02-01A	EA PLATE-SWITCH, 2 GANG - 2.4" X 4.1" - ALUMINUM - BLACK (EXT. MIRROR)
		FROM: 04-19-93 THRU: 99-99-99
	103473-05-01A	EA PLATE-SWITCH, LOCK - SINGLE - BLACK (DOOR LOCKS)
		FROM: 00-00-00 THRU: 04-18-93
	103473-08-01A	EA PLATE SWITCH, LOCK - SINGLE - BLACK (DOOR LOCKS)
		FROM: 04-19-93 THRU: 99-99-99
	101894-01-01A	EA SWITCH-3 WAY, BROWN - 110 V - BRYANT CS3203 (DISHWASHER)
	101911-01-01A	EA PLATE-SWITCH, 1 GANG - BROWN - LEVITON 80701 OR E (DISHWASHER)
	108356-02-01A	EA ACTUATOR SWITCH GROOVES III - CARLING VVCZC00 BLK (EXT. WATER PUMP)
	108357-08-000	EA SWITCH-ROCKER, DPDT - ON/NONE/ON - CARLING VDD1S00C-0 (WATER PUMP)
	108355-01-000	EA HOUSING-SWITCH, CARLING VCH
	108356-01-01A	EA ACTUATOR-SWITCH GROOVES III - CARLING VVCZC00 BLK (DASH)
	108356-03-01A	EA ACTUATOR-SWITCH GROOVES LENS - CARLING VVCGC00 (DASH)
	108357-01-000	EA SWITCH-ROCKER, SPST - ON/OFF - CARLING V1D1000B-0 (DASH)
	108357-03-000	EA SWITCH-ROCKER, SPDT - ON/OFF/ON - CARLING V6D1000B-0 (DASH)
	108357-04-000	EA SWITCH-ROCKER, SPDT - ON/OFF/MOM - CARLING V7D1000B-0 (DASH)
	108357-05-000	EA SWITCH-ROCKER, SPDT - ON/NONE/ON - CARLING V4D1000B-0 (DASH)
	108357-06-000	EA SWITCH-ROCKER, DPDT - MOM/OFFMOM - CARLING VLD1000B-0 (DASH)
	108357-07-000	EA SWITCH-ROCKER, SPDT - MOM/OFFMOM - CARLING V8D1000B-0 (DASH)
	113638-02-000	EA CONNECTOR-ELECTRIC, ACTUATOR (DOOR LOCK)

1993 WINNEBAGO TABLE OF CONTENTS

INTRODUCTION	A-01 -	A-02
ABBREVIATIONS		A-03
ALPHABETICAL INDEX	A-04 -	A-06
WCM37RW	A-07 -	G-08
WCM33RQ	G-09 -	L-24

1993 WCM37RW INDEX

FLOOR PLAN	A-07 -	A-08
ACCESSORIES		A-09
AUDIO VIDEO	A-10	A-13
BATH	A-14 -	A-18
BEDROOM	A-19 -	A-20
CHASSIS	A-21 -	B-20
CURTAIN & CUSHION	B-21 -	C-10
DINETTE	C-11 -	C-12
DRIVERS COMPARTMENT	C-13 -	C-18
ELECTRICAL	C-19 -	D-01
EXTERIOR BODY	D-02 -	D-12
GALLEY	D-13 -	D-22
GENERATOR	D-23	D-24
HEATING & A/C	E-01 -	E-06
INTERIOR FINISH	E-07 -	E-10
LABELS	E-11 -	E-18
LP		E-19
LOUNGE	E-20 -	E-21
SEALANTS & FASTENERS	E-22 -	F-02
WATER & SEWAGE	F-03 -	F-07
WINDOW, VENT AND EXTERIOR DOOR	F-08	G-01
WINDSHIELD & WIPER	G-05 -	G-08

ELECTRICAL GROUP (CONTINUED)

CONNECTORS & CONDUIT

KEY	PART NUMBER	U/M	DESCRIPTION
	G07940-01-000	EA	RECEPTACLE-SLIDE, 16 TO 12 AWG - FEMALE END
	G07949-01-000	EA	TAB-HOUSING, 1 POSITION
	007954-01-000	EA	RECEPTACLE-HOUSING, 6 POSITION
	008311-01-000	EA	CONNECTOR WIRE NUT, INSULATED - RED
	008312-01-000	EA	CONNECTOR WIRE NUT, INSULATED - BLUE
	008326-01-000	EA	TERMINAL-RING, 16/14 WIRE - 3/8" STUD
	008328-01-000	EA	TERMINAL-RING, 12/10 WIRE - #10 STUD FIT
	008331-01-000	EA	TERMINAL-RING, TONGUE - #4 WIRE - 3/8" STUD - COPPER
	008348-01-000	EA	TERMINAL-RING, 3/8" STUD - #2 WIRE CONNECTS CABLE TO DISCONNECT RELAY AND BATTERY
	008355-01-000	EA	CONNECTOR-CABLE CLAMPING, 3/4"
	008356-01-000	EA	CONNECTOR-PLASTIC, 3/8" AVG
	035416-04-000	EA	TERMINAL-RING #10 STUD FIT, INSULATED BARREL #16/14
	041480-01-000	EA	CONNECTOR-STRAIGHT, 1/2" FLEX CONDUIT
	041953-01-000	FT	CONDUIT-CONVOLUTE SLIT, .5" ID
	041953-03-000	FT	CONDUIT-CONVOLUTE, SLIT - 1" ID (CLOTHES ROD COVER)
	041953-05-000	FT	CONDUIT-CONVOLUTE, SOLID - .62" ID
	041953-06-000	FT	CONDUIT-CONVOLUTE, SLIT - .375" ID
	041953-07-000	FT	CONDUIT-CONVOLUTE, SLIT - .25" ID
	041953-08-000	FT	CONDUIT-CONVOLUTE, SLIT - 1.50" ID
	041953-09-000	FT	CONDUIT-CONVOLUTE, SLIT - .50" ID
	041953-10-000	FT	CONDUIT-CONVOLUTE, SLIT - .75" ID
	041953-11-000	FT	CONDUIT-CONVOLUTE, SLIT - 1.06" ID
	047443-01-000	EA	TERMINAL, .250 RECEPT, INSULATED - 16/14 AWG
	047443-02-000	EA	TERMINAL, .250 RECEPT, INSULATED - 12/10 AWG
	050028-01-000	EA	CONNECTOR-ELECTRICAL PIGTAIL, NYLON - CLEAR
	062035-01-000	EA	TERMINAL-PACK CON, 12/10 AWG
	062036-02-000	EA	TERMINAL-PACK CON, 16/14 AWG
	074017-02-000	EA	HOUSING-5 POSITION, RIGHT ANGLED
	077479-01-000	EA	BOOT-BATTERY TERMINAL, DOUBLE CABLE
	077479-02-000	EA	BOOT-BATTERY TERMINAL, SINGLE CABLE
	080015-02-000	EA	RECEPTACLE-FLAG, .185 - 16/14 GA - AMP 3
	080015-03-000	EA	RECEPTACLE-FLAG, .250 - 14/16 GA
	082109-01-000	EA	HOUSING-CONNECTOR, PACKARD
	082741-01-000	EA	CONNECTOR BODY-2 CNCT MALE
	087949-01-000	EA	BAR-BUSS, 2 POSITION, .6" X 1.5" - ALUMINUM
	087949-02-000	EA	BAR-BUSS, 3 POSITION
	087949-03-000	EA	BAR-BUSS, 4 POSITION
	088473-01-000	EA	HOUSING-PIN, 12 CAVITY - AMP 1-480708-0
	088473-02-000	EA	HOUSING-PIN, 15 CAVITY - AMP 1-480710-0
	088473-03-000	EA	HOUSING-PIN, 9 CAVITY - AMP 1-480706-0
	088473-05-000	EA	HOUSING-PIN, 6 CAVITY - AMP 640585-1
	088473-06-000	EA	HOUSING-PIN, 6 CAVITY - AMP 1-480704-0
	088473-07-000	EA	HOUSING-PIN, 5 CAVITY - AMP 1-480763-0
	088473-08-000	EA	HOUSING-PIN, 4 CAVITY - AMP 1-480702-0
	088473-09-000	EA	HOUSING-PIN, 3 CAVITY - AMP 1-480700-0
	088473-10-000	EA	HOUSING-PIN, 2 CAVITY - AMP 1-480698-0
	088474-01-000	EA	HOUSING-SOCKET, 12 CAVITY - AMP 1-480709-0
	088474-02-000	EA	HOUSING-SOCKET, 12 CAVITY - AMP 1-480711-0
	088474-03-000	EA	HOUSING-SOCKET, 9 CAVITY - AMP 1-480707-0
	088474-06-000	EA	HOUSING-SOCKET, 6 CAVITY - AMP 1-480705-0
	088474-07-000	EA	HOUSING-SOCKET, 5 CAVITY - AMP 1-480764-0
	088474-08-000	EA	HOUSING-SOCKET, 4 CAVITY - AMP 1-480703-0
	088474-09-000	EA	HOUSING-SOCKET, 3 CAVITY - AMP 1-480701-0
	088474-10-000	EA	HOUSING-SOCKET, 2 CAVITY - AMP 1-480699-0
	088475-01-000	EA	PIN-CONNECTOR, 14 TO 20 AWG
	088475-02-000	EA	PIN-CONNECTOR, 10 TO 12 AWG
	088476-01-000	EA	SOCKET-CONNECTOR, BRASS - PRE-TIN
	088476-02-000	EA	SOCKET-CONNECTOR, 12-10 GA - PHOS. BRZ - PRE-TIN
	092786-02-000	EA	BAR-BUSS, 3.3" LONG
	092786-03-000	EA	BAR-BUSS, 6.9" LONG

ELECTRICAL GROUP (CONTINUED)

CONNECTORS & CONDUIT (CONTINUED)

KEY	PART NUMBER	U/M	DESCRIPTION
	098261-02-000	EA	SOCKET-CONNECTOR, WEATHERPACK PACKARD 12124580
	098262-01-000	EA	SEAL-CONNECTOR, WEATHER PACK PACKARD 12010293
	093264-01-000	EA	HOUSING, 2 PIN, WEATHER PACK PACKARD 12015792
	098265-02-000	EA	PIN-CONNECTOR, WEATHER PACK PACKARD 12089305
	100690-01-000	EA	HOUSING, 5 PIN WEATHER PACK
	101571-01-000	EA	HOUSING, 2 POSITION, MALE
	101751-01-000	EA	HOUSING, 1 PIN, WEATHER PACK
	101751-02-000	EA	HOUSING, 1 PIN, WEATHER PACK
	102777-02-000	EA	TERMINAL-RING #6 STUD, 10 AWG
	103608-01-000	EA	SOCKET-WEDGE BASE, ULEADS
	104100-01-000	EA	HOUSING, 1 POSITION, 75 AMP - AMP 53884-1
	104100-03-000	EA	TERMINAL, 75 AMP - AMP 53880-4 LOOSE
	106006-01-000	EA	HOUSING, 1 POSITION, FEMALE - PACKARD 12015952
	106655-01-000	EA	TERMINAL-FUSE BLOCK, 14 - 16 AWG - PACKARD 12020521
	113306-01-000	EA	TERMINAL-FEMALE, METRI-PACK PACKARD 12048451
	113307-01-000	EA	TERMINAL-FEMALE, METRI-PACK PACKARD 12043074
	113468-01-000	EA	HOUSING, 2 POSITION, FEMALE - 5G-SERIES - PACKARD 02905981 USED ON WIPER/WASHER WIRE ASM
	113538-01-000	EA	HOUSING, 6 POSITION, FEMALE - YAZAKI 7123-2262
	113638-02-000	EA	CONNECTOR-ELECTRIC, ACTUATOR
	115556-01-000	EA	HOUSING, 3 POSITION, FEMALE - 59 SERIES
	115556-02-000	EA	HOUSING, 2 POSITION, FEMALE - 59 SERIES

POWER CORDS & ELECTRIC BOXES

KEY	PART NUMBER	U/M	DESCRIPTION
	008054-01-000	EA	CORD-POWER, 10/3 - 30 AMP - 25' - U.S.
	008052-01-000	EA	CORD-POWER, 10/3 - 30 AMP - 25' - CANADIAN
	108934-01-000	EA	CORD-POWER, 50A - 4-WIRE - 36 FT - WESCO K3536 (50 AMP GENERATOR)
	109172-01-000	EA	CORD-POWER, 13A - 3-WIRE - 4 FT - ELECTICORD (DISHWASHER)
	008288-01-000	EA	BOX-PLASTIC ELECTRIC, 3" X 3 1/2"
	008288-02-000	EA	BOX-ELECTRIC, PLASTIC - 3.94" X 3.13" X 1.81"
	008289-01-000	EA	BOX-ELECTRIC, STEEL - 1/2" AND 3/4" KNOCKOUTS - CANADIAN
	008289-02-000	EA	BOX-ELECTRIC, STEEL - 1/2" & 3/4" KNOCKOUTS - CANADIAN
	058049-01-000	EA	BOX-ELECTRIC SWITCH, 2" X 3" X 2.25"
	091213-01-000	EA	BOX-CIRCUIT BREAKER W/KNOCKOUTS - 5.3" X 11.8" X 2.5"
	091910-01-000	EA	BOX-ELECTRIC, 3.75" X 3.5" X 1.75" - PLASTIC
	091915-02-000	EA	BOX-ELECTRIC, 57 X 88MM - PLASTIC
	093257-01-000	EA	BOX-ELECTRICAL, CIRCUIT BREAKER (GENERATOR)
	104677-01-000	EA	BOX-ELECTRICAL, CIRCUIT BREAKER - 4.4" X 6.9" X 2.5" - BRYANT 2-4-50FLG
	103756-02-000	EA	DOOR-ELECTRICAL BOX
	103863-01-000	EA	BOX-ELECTRICAL, FRONT
	008294-01-000	EA	COVER-ELECTRICAL BOX, BLANK/STEEL - 4" X 4" - GRAY
	092492-06-000	EA	SEAL-ELECTRICAL BOX, ALFA III (195X215)
	103873-01-000	EA	SEAL-ELECTRICAL BOX/BULKHEAD, ALFA III(215X215)

CONVERTERS, INVERTER & LOAD CENTERS

KEY	PART NUMBER	U/M	DESCRIPTION
	067762-02-000	EA	CONVERTER-40 AMP, W/CHARGER - TRIAD TU-840-2 FROM: 00-00-00 THRU: 03-09-92
	109171-01-000	EA	CONVERTER-40 AMP ELECTRONIC - MAGNETEK 7240X FROM: 03-10-92 THRU: 99-99-99
	099048-01-000	EA	INVERTER-100 WATT
	108915-01-000	EA	LOAD CENTER-120/240V, 125A - WESTINGHOUSE S815CG
	109577-01-000	EA	LOAD CENTER-120V, 40A - WESCO TT120FLGNM

**1993 WINNEBAGO
TABLE OF CONTENTS**

INTRODUCTION	A-01	A-02
ABBREVIATIONS		A-03
ALPHABETICAL INDEX	A-04	A-06
WCM37RW	A-07	G-08
WCM33RO	G-09	L-24

1993 WCM37RW INDEX

FLOOR PLAN	A-07	A-08
ACCESSORIES		A-09
AUDIO VIDEO	A-10	A-13
BATH	A-14	A-16
BEDROOM	A-19	A-20
CHASSIS	A-21	B-20
CURTAIN & CUSHION	B-21	C-10
DINETTE	C-11	C-12
DRIVERS COMPARTMENT	C-13	C-18
ELECTRICAL	C-19	D-01
EXTERIOR BODY	D-02	D-12
GALLEY	D-13	D-22
GENERATOR	D-23	D-24
HEATING & A/C	E-01	E-06
INTERIOR FINISH	E-07	E-10
LABEL	E-11	E-18
LP		E-19
LOUNGE	E-20	E-21
SEALANTS & FASTENERS	E-22	F-02
WATER & SEWAGE	F-03	F-07
WINDOW, VENT AND EXTERIOR DOOR	F-08	G-04
WINDSHIELD & WIPER	G-05	G-08

ELECTRICAL GROUP (CONTINUED)

WIRE ASSEMBLIES

KEY	PART NUMBER	U/M	DESCRIPTION
	090986-01-000	EA	WIRE ASM-ELECTRIC STEP
	094851-08-000	EA	WIRE ASSEMBLY-AC COMPRESSOR ADAPTER, SCS 035-0054
	097618-01-000	EA	WIRE ASM-MONITOR PANEL, W/4 WIRES & BLACK RESISTOR - LVS
	101075-02-000	EA	WIRE ASM-INSTRUMENT PANEL, W/LOW AIR
	107303-01-000	EA	WIRE ASM-INSTRUMENT PANEL, MAIN (CHEVY)
	107304-01-000	EA	WIRE ASM-INSTRUMENT PANEL, MAIN (FORD)
	107306-01-000	EA	WIRE ASM-INSTRUMENT PANEL, W/DOCKING LAMPS
	107950-02-000	EA	WIRE ASM-CHASSIS, W/JET TAG
	103603-01-000	EA	SOCKET-WEDGE BASE W/LEADS, JKL 2944-6 OR EQUIVALENT
	108029-01-000	EA	WIRE ASM-POWER DRIVER SEAT
	108030-01-000	EA	WIRE ASM-FOG LAMP & AIR HORN
	107598-01-000	EA	WIRE ASM-IP, AIR HORN
	108303-01-000	EA	WIRE ASM-REAR AUTO HEATER
	108304-01-000	EA	WIRE ASM-INSTRUMENT PANEL, AUX FANS
	111914-01-000	EA	WIRE ASM-DAY RUN LAMPS, FUSE

RECEPTACLES

KEY	PART NUMBER	U/M	DESCRIPTION
	058707-01-000	EA	RECEPTACLE-ELECTRIC, SINGLE - BROWN
	058707-02-000	EA	RECEPTACLE-ELECTRIC, BLANK, JUNCTION
	058708-01-000	EA	RECEPTACLE-ELECTRIC, DOUBLE - BROWN
	058708-02-000	EA	RECEPTACLE-ELECTRIC, DOUBLE - IVORY
	084076-01-000	EA	RECEPTACLE-GFI, 15A - 125V - IVORY
	084076-02-000	EA	RECEPTACLE-GFI, 15A - 125V - BROWN
	084077-01-000	EA	PLATE-COVER, RECEPTACLE - GFI - IVORY
	090961-01-000	EA	RECEPTACLE-DUPLEX, 125V - LEVITON 5325-1
	090964-01-000	EA	COVER-RECEPTACLE, EXTERIOR
	091027-01-000	EA	COVER-RECEPTACLE, DOUBLE - IVORY
	097734-01-01A	EA	EXTENSION-RECEPTACLE, 3.2" X 5" X .7" - PLASTIC - IVORY FROM: 00-00-00 THRU: 03-07-93
	097734-01-01A	EA	EXTENSION-RECEPTACLE, 3.2" X 5" X .7" - PLASTIC - BROWN FROM: 03-08-93 THRU: 99-99-99
	102569-01-B10	EA	SPACER-RECEPTACLE, BETWEEN SIDEWALL & PLATE - WOOD

BATTERY CABLE, BOOT & STUD

KEY	PART NUMBER	U/M	DESCRIPTION
	073328-B4-000	EA	CABLE ASSEMBLY-BATTERY, W/TERMINALS
	077479-01-000	EA	BOOT-BATTERY TERMINAL, DOUBLE CABLE
	077479-02-000	EA	BOOT-BATTERY TERMINAL, SINGLE CABLE
	088751-01-000	FT	CABLE-BATTERY, 1/0 AWG, STRANDED, RED
	086233-01-000	EA	STUD-ISOLATED, 3/8" X 7/8" LONG

FLASHER, SOLENOID, DIODE & RELAYS

KEY	PART NUMBER	U/M	DESCRIPTION
	007093-01-000	EA	FLASHER-SIGNAL, STAT
	008188-01-000	EA	SOLENOID-3 POST, BATTERY CHANGE OVER
	103987-01-000	EA	SEAL-SOLENOID ACCESS
	058781-01-000	EA	DIODE-6.0A/100 VOLT - MOTOROLA, NO MR751
	063910-01-000	EA	HOUSING-RELAY, BOSCH 3 334 4LJ 008
	063912-02-000	EA	RELAY-CANISTER, SPDT - BOSCH 0332204101
	086273-01-000	EA	RELAY-BATTERY DISCONNECT

EXTERIOR BODY GROUP

AIR HORNS

KEY	PART NUMBER	U/M	DESCRIPTION
	077497-02-000	EA	HOSE-AUXILIARY AIR HORN, MIDLAND 891D INCLUDES 50' COILED HOSE, AIR CHUCK, NEEDLE, NOZZLE & CARRIER
	077497-03-000	EA	FITTING KIT-HOSE, AUXILIARY AIR HORN, PRESSURE GAUGE & HOSE FITTINGS
	077497-01-710	EA	GAUGE-PRESSURE, AIR HORN
	077497-05-000	EA	COMPRESSOR/TANK/SOLENOID KIT, HADLEY 852EB
	077497-01-700	EA	SOLENOID-AIR TANK, HADLEY 748NS
	077497-01-703	EA	TANK-AIR, HADLEY 751-N
	077497-01-704	EA	COMPRESSOR W/SWITCH, HADLEY 852EC
	077497-01-706	EA	VALVE & HEAD REPAIR, HADLEY H00852HV
	077497-01-707	EA	BELT & SCREW COVER FOR COMPRESSOR, HADLEY H00852BF
	077497-01-708	EA	FILTER & MOUNTING HARDWARE FOR COMPRESSOR, HADLEY H00852FM
	077497-01-709	EA	PLUNGER & SPRING FOR SOLENOID, HADLEY H136215
	077497-08-000	EA	HORN KIT-AIR, BLACK - TWIN SHORTY - HADLEY H00640S
	077497-01-701	EA	SWITCH-COMPRESSOR, HADLEY 13940-S
	077497-01-702	EA	SWITCH-TOGGLE, W/WIRE - HADLEY 12949-S
	081404-01-000	EA	BRACKET-MOUNTING, COMPRESSOR - L SHAPED - 4" X 7.5" - ST
	108113-01-000	EA	BRACKET-HORN, AIR (CHEVY)
	109400-01-000	EA	BRACKET-HORN, AIR (FORD)
	108114-01-000	EA	BRACKET-TANK, AIR

FROM: 00-00-00 THRU: 01-11-93

SQUEEGEE & BUMPER

KEY	PART NUMBER	U/M	DESCRIPTION
	069726-02-000	EA	BUMPER-.88" DIAMETER X .40", BLACK
	091952-02-000	EA	CLIP-GRIPPER, 3/4"
	091955-02-000	EA	SQUEEGEE-EXTEND HANDLE
	091955-01-700	EA	HEAD-SQUEEGEE
	091955-01-701	EA	HANDLE-SQUEEGEE, EXTENDS FROM 24" TO 40"
	110429-03-D18	EA	BRACKET ASM-SQUEEGEE, PAINTED
	110429-01-01A	EA	BRACKET-SQUEEGEE, UNPAINTED

FIBERGLASS, STYROFOAM & STEEL CHANNEL

KEY	PART NUMBER	U/M	DESCRIPTION
	044497-01-001	EA	SHEET-ALUMINUM, .19" X 96" X 300" - MILL FINISHED
	044497-01-002	EA	SHEET-ALUMINUM, .019" X 96" X 432" - MILL FINISHED
	108535-02-700	SF	SHEET-FIBERGLASS, FLAT - 104" X 348" - BUFF
	083574-02-000	SF	STYROFOAM, DOW TYPE SM - 1.5" X 24" X 90.5" - INC OF 15 SF
	083574-03-000	SF	STYROFOAM-3/4" X 48" X 96"
	083574-05-000	SF	STYROFOAM, 2" X 48" X 96"
	000870-03-000	SF	STYROFOAM-1.34" X 48" X 96" - INCREMENTS OF 32 SF
	000870-06-000	SF	STYROFOAM, 1.34" X 48" X 96" - PLANED
	000870-08-000	SF	STYROFOAM, .75" X 48" X 96" - PLANED
	105077-03-000	EA	FOAM-PLUG, SIDEWALL TUBE
	107258-01-000	EA	FOAM-COVE, ROOF - DOMBED - OUTER SECTION
	107258-02-000	EA	FOAM-COVE, ROOF - ANGLED - MIDDLE SECTION
	107258-03-000	EA	FOAM-COVE, ROOF - TRIANGLE - INNER SECTION
	077517-59-000	EA	SHEET-FIBERGLASS, 1219 X 2438MM - BUFF
	076054-K1-000	EA	SHEET-FIBERGLASS, 2016 X 10801MM - BUFF FROM: 00-00-00 THRU: 08-30-92
	109290-06-01A	EA	SHEET-FIBERGLASS, 2016 X 10201MM - BUFF FROM: 08-31-92 THRU: 02-07-93
	076054-K1-000	EA	SHEET-FIBERGLASS, 2016 X 10201MM - BUFF FROM: 02-08-93 THRU: 99-99-99
	058267-01-000	FT	CHANNEL-STEEL, W/HOLES - SIDEWALL STIFFENER - 2" X 20"
	002726-01-001	EA	GARNISH-U-CHANNEL, 1.38" X 13" - SERRATED - MILL ALUMINUM
	002754-01-001	EA	ANGLE-EXTRUDED, .75" X .75" X 1E" - MILL ALUMINUM

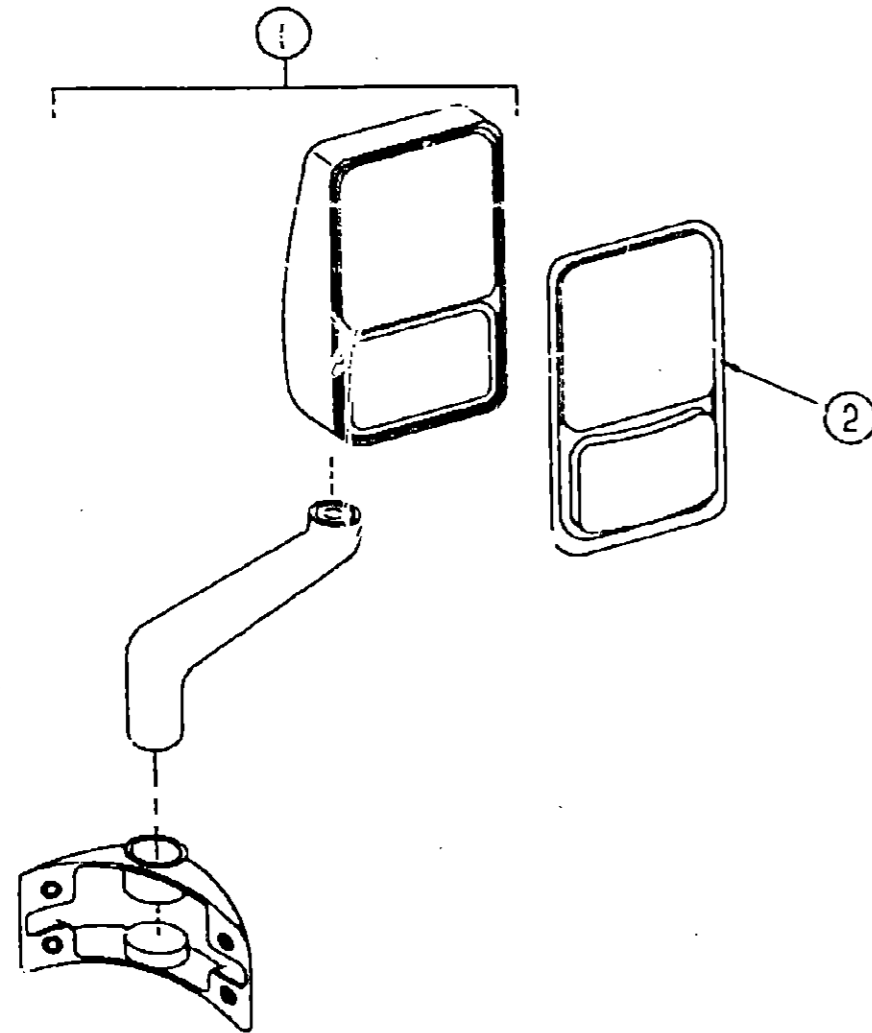
**1993 WINNEBAGO
TABLE OF CONTENTS**

INTRODUCTION	A-01 -	A-01
ABBREVIATIONS		A-03
ALPHABETICAL INDEX	A-04 -	A-06
WCM37RW	A-07 -	G-08
WCM33RQ	G-09 -	L-24

1993 WCM37RW INDEX

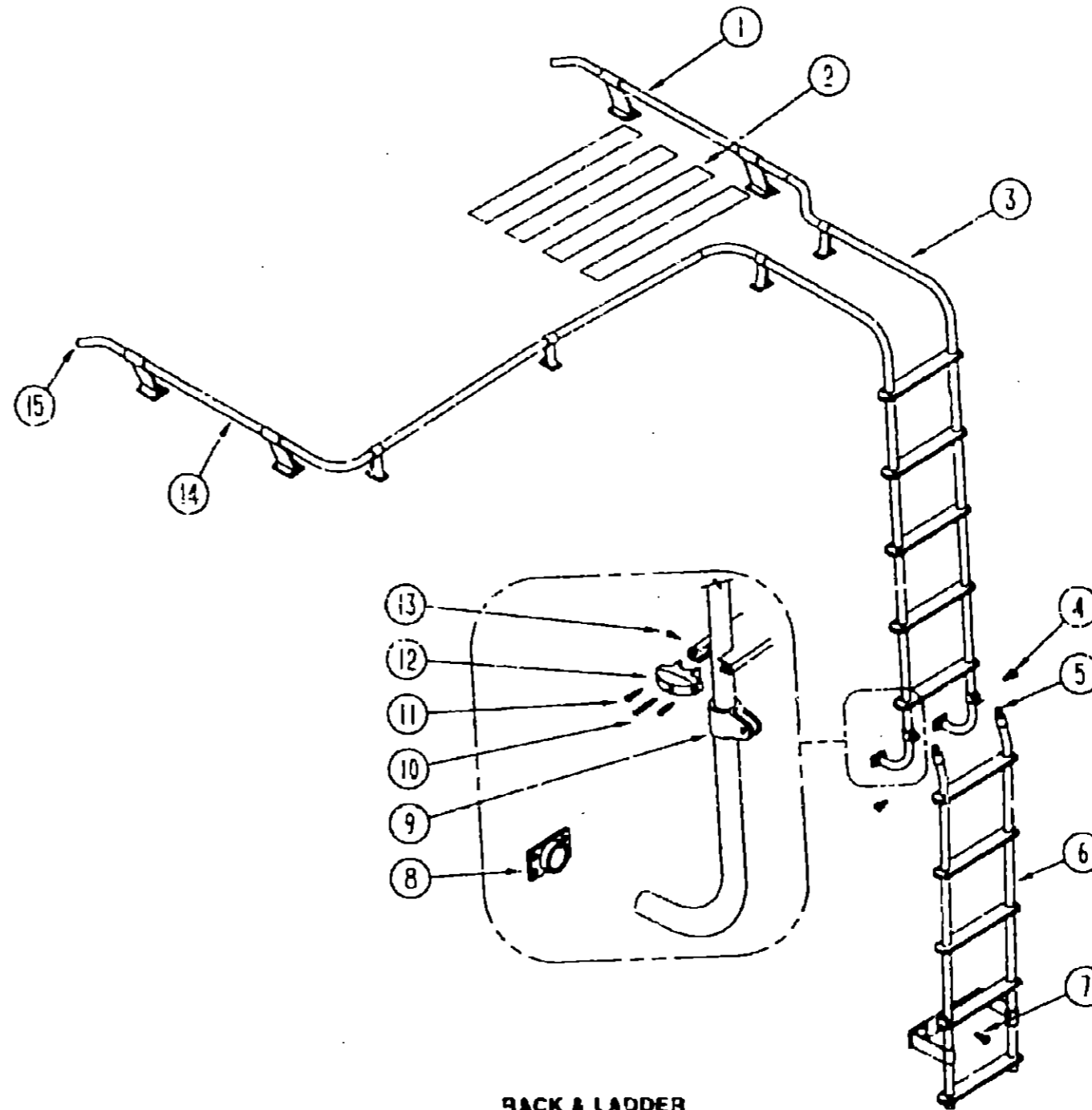
FLOOR PLAN	A-07 -	A-08
ACCESSORIES		A-09
AUDIO VIDEO	A-10	A-13
BATH	A-14 -	A-18
BEDROOM	A-19 -	A-20
CHASSIS	A-21 -	B-20
CURTAIN & CUSHION	B-21 -	C-10
DINETTE	C-11 -	C-12
DRIVERS COMPARTMENT	C-13 -	C-18
ELECTRICAL	C-19 -	D-01
EXTERIOR BODY	D-02 -	D-12
GALLEY	D-13 -	D-22
GENERATOR	D-23 -	D-24
HEATING & A/C	E-01 -	E-06
INTERIOR FINISH	E-07 -	E-10
LABEL	E-11 -	E-18
LP		E-19
LOUNGE	E-20 -	E-21
SEALANTS & FASTENERS	E-22 -	F-02
WATER & SEWAGE	F-03 -	F-07
WINDOW, VENT AND EXTERIOR DOOR	F-08 -	G-04
WINDSHIELD & WIPER	G-05 -	G-08

EXTERIOR BODY GROUP (CONTINUED)



EXTERIOR MIRRORS

EXTERIOR BODY GROUP (CONTINUED)



RACK & LADDER

**1993 WINNEBAGO
TABLE OF CONTENTS**

INTRODUCTION	A-01 -	A-02
ABBREVIATIONS		A-03
ALPHABETICAL INDEX	A-04 -	A-06
WCM37RW	A-07 -	G-08
WCM37RQ	G-09 -	L-24

1993 WCM37RW INDEX

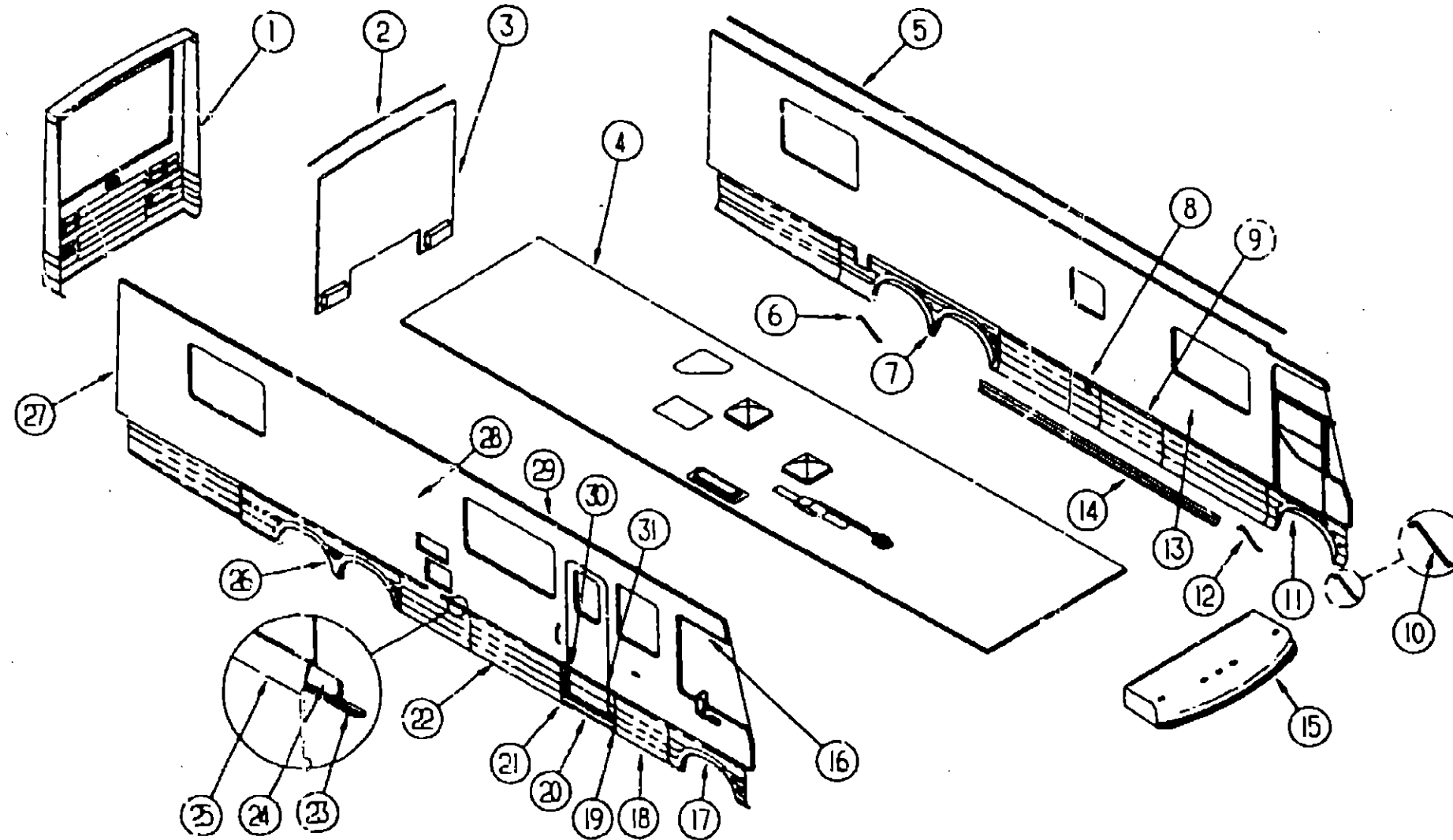
FLOOR PLAN	A-07 -	A-08
ACCESSORIES		A-09
AUDIO VIDEO	A-10 -	A-13
BATH	A-14 -	A-18
BEDROOM	A-19 -	A-20
CHASSIS	A-21 -	B-20
CURTAIN & CUSHION	B-21 -	C-10
DINETTE	C-11 -	C-12
DRIVERS COMPARTMENT	C-13 -	C-18
ELECTRICAL	C-19 -	D-01
EXTERIOR BODY	D-02 -	D-12
GALLEY	D-13 -	D-22
GENERATOR	D-23 -	D-24
HEATING & A/C	E-01 -	E-06
INTERIOR FINISH	E-07 -	E-10
LABEL	E-11 -	E-18
LP		E-19
LOUNGE	E-20 -	E-21
SEALANTS & FASTENERS	E-22 -	F-02
WATER & SEWAGE	F-03 -	F-07
WINDOW, VENT AND EXTERIOR DOOR	F-08 -	G-04
WINDSHIELD & WIPER	G-05 -	G-08

KEY	PART NUMBER	U/M DESCRIPTION
1	108699-01-01A	EA MIRROR-EXTERIOR, ADJUSTABLE - PASS W/ARM & MOUNT - VELVAC 713224-7
2	106015-01-703	EA KIT-EXTERIOR MIRROR, W/BEZEL, FLAT & CONVEX GLASS - PASSENGER
1	108699-02-01A	EA MIRROR-EXTERIOR, ADJUSTABLE - DR W/ARM & MOUNT - VELVAC 713225-7
2	106015-02-702	EA KIT-EXTERIOR MIRROR, W/BEZEL, FLAT & CONVEX GLASS - DRIVER
1	108699-03-01A	EA MIRROR-EXTERIOR, REMOTE/HEAT - PASS W/ARM & MOUNT - VELVAC 713222-7
2	086261-01-704	EA KIT-EXTERIOR MIRROR, W/BEZEL, FLAT & CONVEX GLASS - PASSENGER
1	108699-04-01A	EA MIRROR-EXTERIOR, REMOTE/HEAT - DR W/ARM & MOUNT - VELVAC 713223-7
2	086261-02-701	EA KIT-EXTERIOR MIRROR, W/BEZEL, FLAT & CONVEX GLASS - DRIVER
	087695-01-000	EA SWITCH-HEATER, EXTERIOR MIRROR
	088246-01-000	EA SWITCH-REMOTE, EXT. MIRROR - SQUARE PUSH - VELVAC 7471290
	108825-01-000	EA GASKET-MIRROR, INDUSTRIAL PRODUCTS

KEY	PART NUMBER	U/M DESCRIPTION
1	107438-14-D18	EA RACK-PASSENGER SIDE
2	038327-02-000	EA TAPE-ANTI SLIP, 2' X 13'
3	108403-01-D18	EA LADDER-UPPER
4	108985-01-000	EA PIN-QUICK RELEASE, SINGLE ACTION - HARDWELL LG4ST750
5	076767-11-000	EA CABLE ASM, 1/16 STEEL - 2 USED
6	081115-01-000	EA CAP-TOP, 1 INCH
7	108402-01-D18	EA LADDER-LOWER
7	081055-01-000	EA SPRING GRIP-INTERNAL TOOTH - LADDER
7	081056-01-000	EA PIN-QUICK RELEASE, SINGLE ACTION - LADDER
8	076767-13-000	EA CABLE ASM, 1/16 STEEL - 1 USED
8	067165-01-000	EA MOUNTING BRACKET-LADDER, LOWER
9	081116-01-000	EA SLIDE-TOP, RACK & LADDER - 1"
10	000G67-10-36T	EA SCREW-10-12 X 2.25 PPH, BLACK
11	000G39-06-10U	EA SCREW-SF/DR, 6-20 X 5/8 PPH
12	076980-02-000	EA END CAP-STEP, BLACK
13	000G39-10-16U	EA SCREW-SF/DR, 10-16 X 1.00 PPH
14	107438-15-D18	EA RACK-DRIVER SIDE
15	081114-01-000	EA PLUG-ROUND, RACK & LADDER ENDS - PLASTIC - 1" DIA.

EXTERIOR BODY GROUP (CONTINUED)

JODY PANELS & TRIM



1993 WINNEBAGO TABLE OF CONTENTS

INTRODUCTION	A-01 -	A-02
ABBREVIATIONS		A-03
ALPHABETICAL INDEX	A-04 -	A-06
WCM37RW	A-07 -	G-08
WCM33RQ	G-09 -	L-24

1993 WCM37RW INDEX

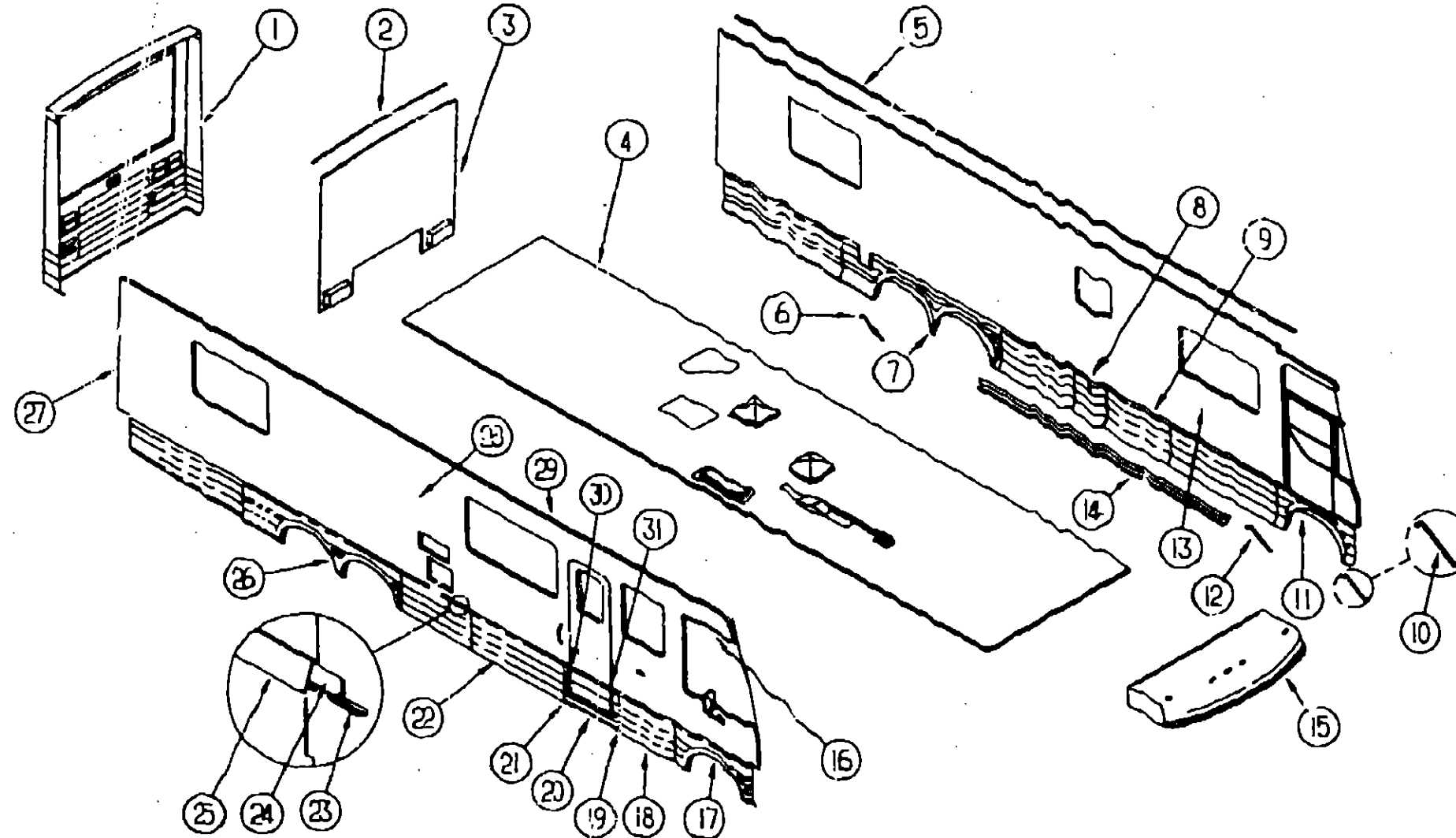
FLOOR PLAN	A-07 -	A-08
ACCESSORIES		A-09
AUDIO VIDEO	A-10	A-13
BATH	A-14 -	A-18
BEDROOM	A-19 -	A-20
CHASSIS	A-21 -	B-20
CURTAIN & CUSHION	B-21 -	C-10
DINETTE	C-11 -	C-12
DRIVERS COMPARTMENT	C-13 -	C-18
ELECTRICAL	C-19 -	D-01
EXTERIOR BODY	D-02 -	D-12
GALLEY	D-13 -	D-22
GENERATOR	D-23	D-24
HEATING & A/C	E-01 -	E-06
INTERIOR FINISH	E-07 -	E-10
LABEL	E-11 -	E-18
LP		E-19
LOUNGE	E-20 -	E-21
SEALANTS & FASTENERS	E-22 -	F-02
WATER & SEWAGE	F-03 -	F-07
WINDOW, VENT AND EXTERIOR DOOR	F-08 -	G-04
WINDSHIELD & WIPER	G-05 -	G-08

KEY	PART NUMBER	U/M DESCRIPTION
1	110086-01-01A	EA REAR CAP-FIBERGLASS, W/O LIGHTS (W/O BACKWALL DOOR)
1	107266-01-01A	EA REAR CAP-FIBERGLASS, W/O LIGHTS (W/BACKWALL DOOR)
2	083805-19-000	EA TRIM-CAP, REAR CAP TO ROOF - 2202MM LONG - BUFF
3	M05767-03-D18	EA BACKWALL, FOR EARLY COACH W/REAR DOOR
		FROM: 00-00-00 THRU: 10-18-92
3	P09973-01-D18	EA BACKWALL, FOR LATER COACH W/O REAR DOOR
		FROM: 10-19-92 THRU: 99-99-99
4	P09256-01-D18	EA ROOF
5	103801-01-04A	EA TRIM-ROOF TO SIDEWALL, W/DRAIN HOLES - 4877MM LONG - BUFF
6	107865-05-000	EA ROD-SUPPORT, W/BENT ENDS - VALANCE PANEL - 231.5MM LONG
7	M05864-01-D18	EA WHEEL LIP ASM-DRIVER SIDE, W/FRAME & CHANNEL - W/O LIGHT
7	M05864-06-D18	EA WHEEL LIP ASM-DRIVER SIDE, W/FRAME & CHANNEL - W/LIGHT
	P07440-07-000	EA CHANNEL-WHEEL LIP, W/E-COAT
	106993-01-000	EA HINGE-DOUBLE PIVOT, SPRING - 90 DEGREE
8	109176-01-D18	EA PANEL-VALANCE, FURNACE - BUFF
	109177-01-01A	EA PANEL-VALANCE, FURNACE - PRIMED ONLY
	P07440-08-000	EA CHANNEL-WHEEL LIP, 21.3MM U-CHANNEL W/WELD NUT - W/E-COAT
9	109155-01-D18	EA PANEL-VALANCE, A/C
	107895-05-000	EA HINGE ASM-DOUBLE PIVOT, W/SPRING & U-CHANNEL - 90 DEGREE
	102378-01-02A	EA WASHER-BLACK
	102330-01-000	EA LATCH-SINGLE HOLE, VISE ACTION
	107221-01-01A	FT SEAL-ACCESS DOOR
10	107865-07-000	EA ROD-SUPPORT, W/BENT ENDS - VALANCE PANEL - 365MM LONG
11	107482-01-D18	EA PANEL ASM-WHEELWELL, FRONT - DRIVER SIDE - ASH GRAY

KEY	PART NUMBER	U/M DESCRIPTION
12	107865-06-000	EA ROD-SUPPORT, STRAIGHT - VALANCE PANEL - 382.5MM LONG
13	107468-01-D18	EA SIDEWALL-DRIVER
14	109279-03-D18	EA PANEL-ROCKER
15	M05794-01-D18	EA CAP ASM-FRONT, W/LIGHTS - BUFF
16	108274-01-01A	EA RAIL-DRIP, FRONT END - RIGHT SIDE - BUFF
	108274-02-01A	EA RAIL-DRIP, FRONT END - LEFT SIDE - BUFF
17	107483-01-D18	EA PANEL ASM-WHEELWELL, FRONT - PASSENGER SIDE - ASH GRAY
18	109279-01-D18	EA PANEL-ROCKER
		FROM: 00-00-00 THRU: 08-09-92
18	109279-06-D18	EA PANEL-ROCKER
		FROM: 08-10-92 THRU: 99-99-99
19	109619-05-01A	EA CAP-ROCKER, ASH GRAY
		FROM: 00-00-00 THRU: 03-07-93
19	109619-05-02A	EA CAP-ROCKER, BLACK
		FROM: 03-08-93 THRU: 99-99-99
20	M05859-01-D18	EA PANEL-VALANCE, ENTRY DOOR - INNER LOWER - ASH GRAY
20	M05820-03-D18	EA PANEL-VALANCE, ENTRY DOOR - OUTER - ASH GRAY
21	109619-06-01A	EA CAP-ROCKER, ASH GRAY
		FROM: 00-00-00 THRU: 03-07-93
21	109619-06-02A	EA CAP-ROCKER, BLACK
		FROM: 03-08-93 THRU: 99-99-99
22	109279-02-D18	EA PANEL-ROCKER
		FROM: 00-00-00 THRU: 08-09-92
22	109279-07-D18	EA PANEL-ROCKER
		FROM: 08-10-92 THRU: 99-99-99

EXTERIOR BODY GROUP (CONTINUED)

BODY PANELS & TRIM (CONTINUED)



1993 WINNEBAGO
TABLE OF CONTENTS

INTRODUCTION	A-01 -	A-02
ABBREVIATIONS		A-03
ALPHABETICAL INDEX	A-04 -	A-06
WCM37RW	A-07 -	G-08
WCM33RQ	G-09 -	L-24

1993 WCM37RW INDEX

FLOOR PLAN	A-07 -	A-08
ACCESSORIES		A-09
AUDIO VIDEO	A-10 -	A-13
BATH	A-14 -	A-18
BEDROOM	A-19 -	A-20
CHASSIS	A-21 -	B-20
CURTAIN & CUSHION	B-21 -	C-10
DINETTE	C-11 -	C-12
DRIVERS COMPARTMENT	C-13 -	C-18
ELECTRICAL	C-19 -	D-01
EXTERIOR BODY	D-02 -	D-12
GALLEY	D-13 -	D-22
GENERATOR	D-23 -	D-24
HEATING & A/C	E-01 -	E-06
INTERIOR FINISH	E-07 -	E-10
LABEL	E-11 -	E-18
LP		E-19
LOUNGE	E-20 -	E-21
SEALANTS & FASTENERS	E-22 -	F-02
WATER & SEWAGE	F-03 -	F-07
WINDOW, VENT AND EXTERIOR DOOR	F-08 -	G-04
WINDSHIELD & WIPER	G-05 -	G-08

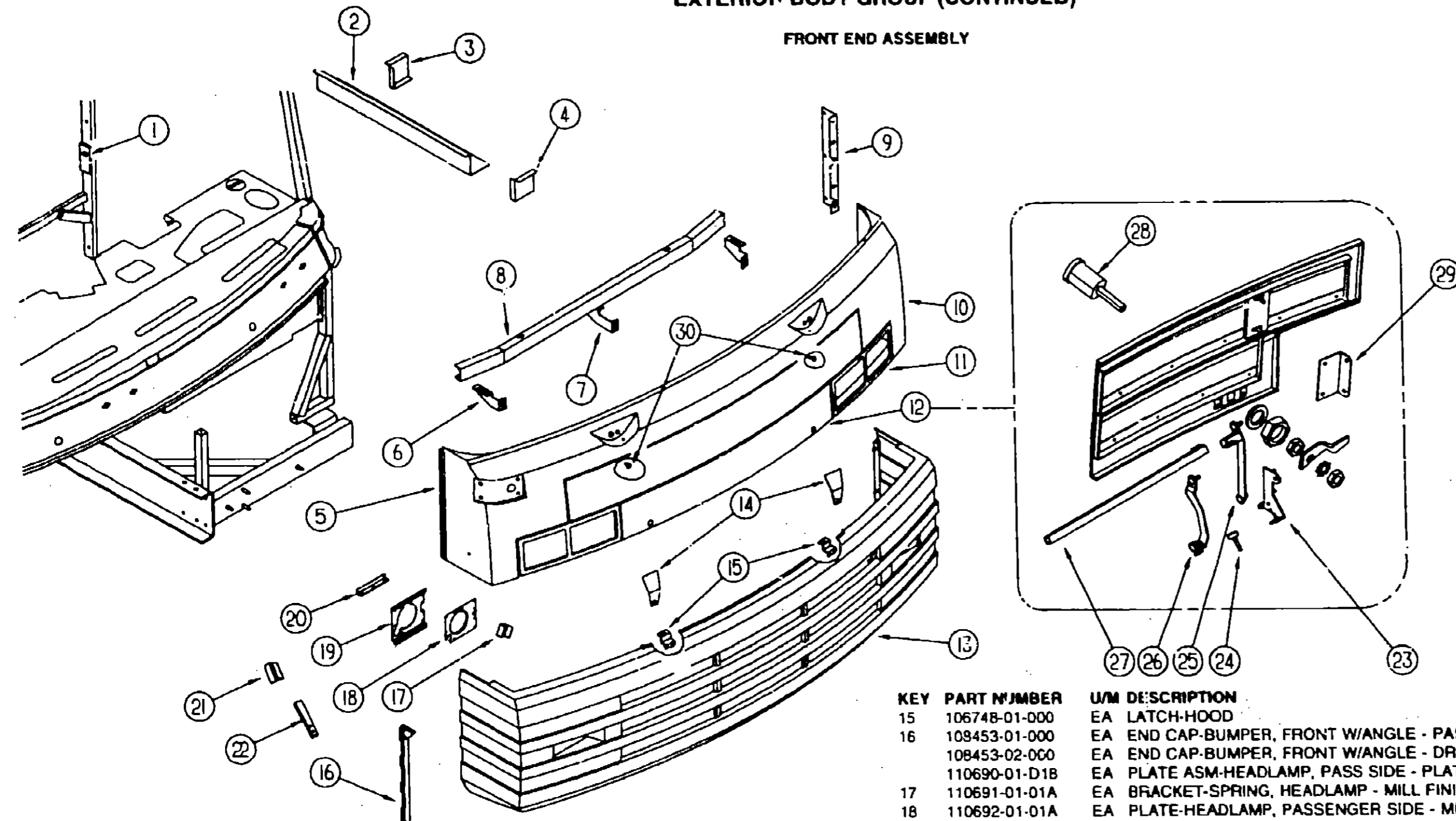
KEY	PART NUMBER	U/M DESCRIPTION
23	107370-01-000	EA RETAINER-TRIM, SIDEWALL - 305MM LONG - EXTRUDED ALUMINUM
24	107368-01-000	EA HANGER-VALANCE
25	107369-01-01A	EA COVER-TRIM, 4623MM LONG - SILVER
26	108178-01-D18	EA WHEEL LIP ASM-PASSENGER SIDE, W/FRAME - W/O LIGHT
26	P08178-01-D18	EA WHEEL LIP ASM-PASSENGER SIDE, W/FRAME - W/LIGHT
	103993-01-000	EA HINGE-DOUBLE PIVOT, SPRING - 90 DEGREE
27	092041-02-01A	EA TRIM-REAR CAP TO SIDEWALL, BUFF
	091985-01-04A	FT INSERT-TRIM, REAR CAP TO SIDEWALL - BUFF
28	107467-01-D12	EA SIDEWALL-PASSENGER
29	103802-02-04A	EA RAIL-AWNING, BUFF
29	103801-03-01A	EA TRIM-ROOF TO SIDEWALL, W/DRAIN HOLES - 643.2MM LONG - BUFF
30	108497-02-01A	EA END CAP-COVER TRIM, LEFT - LIGHT GRAY
31	108497-01-01A	EA END CAP-COVER TRIM, RIGHT - LIGHT GRAY

EXTERIOR BODY GROUP (CONTINUED)

FRONT END ASSEMBLY

1993 WINNEBAGO TABLE OF CONTENTS

INTRODUCTION	A-01 -	A-02
ABBREVIATIONS		A-03
ALPHABETICAL INDEX	A-04 -	A-05
WCM37RW	A-07 -	G-08
WCM33RQ	G-09 -	L-24



KEY	PART NUMBER	U/M DESCRIPTION
1	070579-06-000	EA PLATE-ANCHOR, W/7/16 WELD NUT - 1.5" X 3.3"
2	106746-01-000	EA PANEL-STEPWELL
3	106747-01-000	EA PANEL-STEPWELL, END - RIGHT
4	106747-02-000	EA PANEL-STEPWELL, END - LEFT
5	089922-15-000	EA TRIM-FRONT END TO SIDEWALL, 31.5 X 566MM - METAL - BUFF
6	107411-01-000	EA BRACKET-SUPPORT, PASSENGER SIDE - BUMPER GRILLE
	107411-02-000	EA BRACKET-SUPPORT, DRIVER SIDE - BUMPER GRILLE
7	107410-01-000	EA BRACKET-SUPPORT, CENTER - BUMPER GRILLE
8	P07408-01-000	EA CHANNEL-BUMPER, FRONT - E-COAT
9	107225-01-000	EA BRACKET-SUPPORT, FRONT BUMPER PANEL TO WHEEL PANEL - W/LIP
10	M05746-01-D18	EA FRONT END-FIBERGLASS, W/HEADLAMPS - BUFF - CHEVY
10	M05746-02-D18	EA FRONT END-FIBERGLASS, W/HEADLAMPS - BUFF - FORD
	077071-01-000	EA WASHER-FENDER, 3/16" ID X 1" OD
11	106540-02-01A	EA BEZEL-HEADLAMP, DRIVER - BUFF
	106540-01-01A	EA BEZEL-HEADLAMP, PASSENGER - BUFF
	007157-05-000	EA NUT-WELL, HEADLIGHT BEZEL
12	106538-01-D18	EA PANEL ASM-HOOD, W/LATCH & PLATES
13	107416-01-D18	EA BUMPER-FRONT, W/O FOG LAMP
13	107416-02-D18	EA BUMPER-FRONT, W/FOG LAMP
	P07579-01-000	EA PLATE-BACKING, W/E-COAT
	107230-02-D18	EA GRILLE ASM-MESH
14	106765-01-000	EA SUPPORT-BOLT, HOOD ADJUSTING

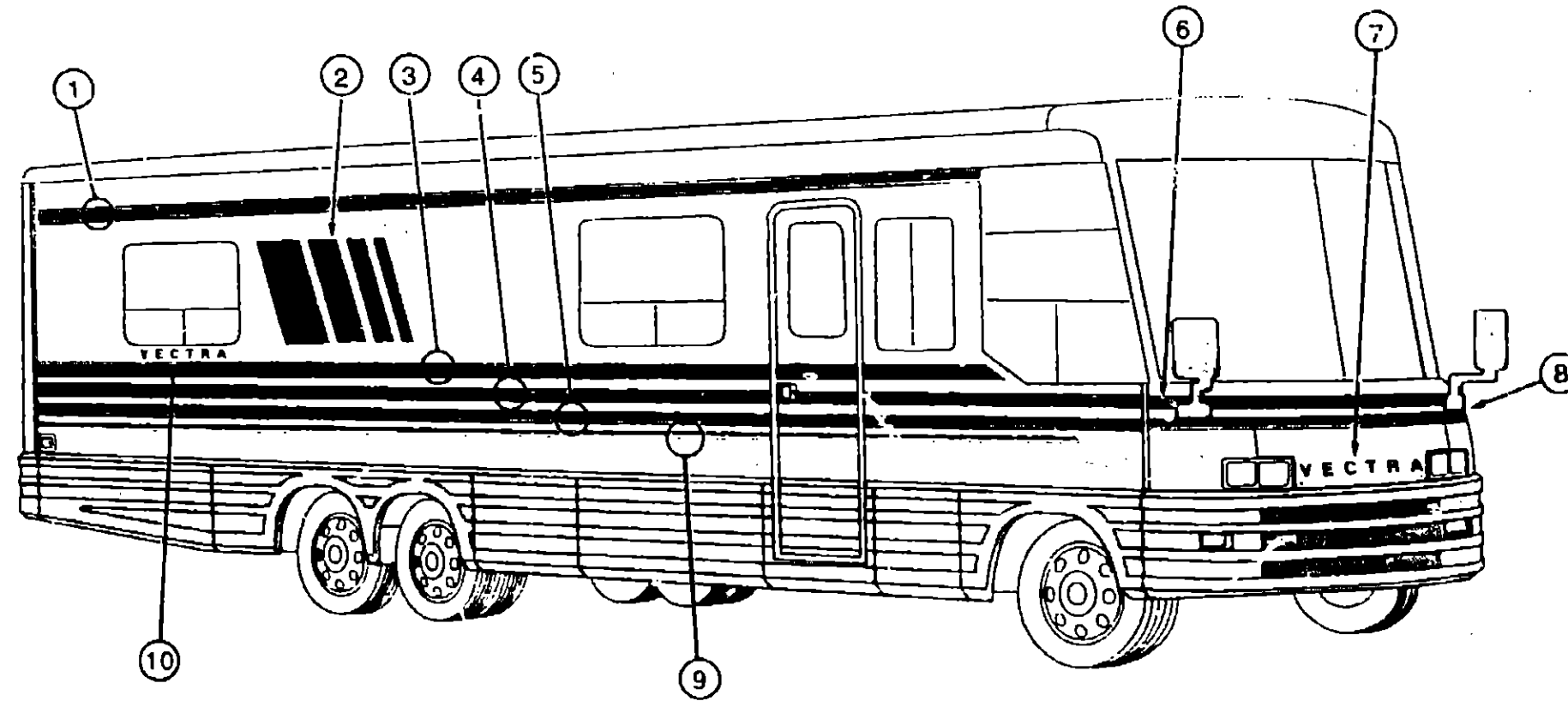
KEY	PART NUMBER	U/M DESCRIPTION
15	106748-01-000	EA LATCH-HOOD
16	108453-01-000	EA END CAP-BUMPER, FRONT W/ANGLE - PASSENGER SIDE
	108453-02-000	EA END CAP-BUMPER, FRONT W/ANGLE - DRIVER SIDE
	110690-01-D18	EA PLATE ASM-HEADLAMP, PASS SIDE - PLATE & BRACKETS (ITEMS 12,13 & 14)
17	110691-01-01A	EA BRACKET-SPRING, HEADLAMP - MILL FINISH
18	110692-01-01A	EA PLATE-HEADLAMP, PASSENGER SIDE - MILL FINISH
	110692-02-01A	EA PLATE-HEADLAMP, DRIVER SIDE - MILL FINISH
19	110783-01-01A	EA BRACKET-HEADLAMP, PASSENGER SIDE - MILL FINISH
	110783-02-01A	EA BRACKET-HEADLAMP, DRIVER SIDE - MILL FINISH
20	110782-01-000	EA ANGLE-SUPPORT, HEADLAMP
21	107486-01-02A	EA BRACKET-VALANCE, LOWER - FRONT BUMPER & FRONT PANELS - BLACK FROM: 00-00-00 THRU: 03-27-94
22	115384-01-01A	EA STRAP-BUMPER TO WHEELWELL, BLACK FROM: 03-28-94 THRU: 99-99-99
23	106613-03-000	EA BRACKET-LINK, HINGE - HOOD PANEL - RIGHT SIDE
	106613-04-000	EA BRACKET-LINK, HINGE - HOOD PANEL - LEFT SIDE
24	058786-02-000	EA BOLT-ADJUSTING, HOOD - W/BLACK PAD - 5/16" #18 X 1.25"
25	106618-01-000	EA LINK-HINGE, UPPER - HOOD PANEL - RIGHT SIDE
	106618-02-000	EA LINK-HINGE, UPPER - HOOD PANEL - LEFT SIDE
26	106612-03-000	EA LINK-HINGE, LOWER - HOOD PANEL - RIGHT SIDE
	106612-04-000	EA LINK-HINGE, LOWER - HOOD PANEL - LEFT SIDE
27	105096-04-000	EA TUBE-TIMING, W/NUTS - HOOD PANEL
27	105096-03-000	EA TUBE-TIMING, W/O NUTS - HOOD PANEL
28	102330-01-000	EA LATCH-SINGLE HOLE, VISE ACTION
	102328-01-000	EA KEY-LATCH
29	106749-01-000	EA ANGLE-LINK, HOOD PANEL - RIGHT SIDE
	106749-02-000	EA ANGLE-LINK, HOOD PANEL - LEFT SIDE
	072368-02-000	EA TRIM-VINYL, EDGE - BLACK - GM 14004305 (ON FRONT END ASM)
30	058786-01-000	EA BOLT-ADJUSTING, HOOD - W/BLACK PAD - 5/16" #18 X 2"

1993 WCM37RW INDEX

FLOOR PLAN	A-07 -	A-08
ACCESSORIES		A-09
AUDIO VIDEO	A-10 -	A-13
BATH	A-14 -	A-18
BEDROOM	A-19 -	A-20
CHASSIS	A-21 -	B-20
CURTAIN & CUSHION	B-21 -	C-10
DINETTE	C-11 -	C-12
DRIVERS COMPARTMENT	C-13 -	C-18
ELECTRICAL	C-19 -	D-01
EXTERIOR BODY	D-02 -	D-12
GALLEY	D-13 -	D-22
GENERATOR	D-23 -	D-24
HEATING & AC	E-01 -	E-06
INTERIOR FINISH	E-07 -	E-10
LABEL	E-11 -	E-18
LP		E-19
LOUNGE	E-20 -	E-21
SEALANTS & FASTENERS	E-22 -	F-02
WATER & SEWAGE	F-03 -	F-07
WINDOW, VENT AND EXTERIOR DOOR	F-08 -	G-04
WINDSHIELD & WIPER	G-05 -	G-06

EXTERIOR BODY GROUP (CONTINUED)

DECALS STRIPES & PAINT



1993 WINNEBAGO
TABLE OF CONTENTS

INTRODUCTION	A-01 -	A-02
ABBREVIATIONS		A-03
ALPHABETICAL INDEX	A-04 -	A-06
WCM37RW	A-07 -	G-08
WCM33RQ	G-09 -	L-24

1993 WCM37RW INDEX

FLOOR PLAN	A-07 -	A-08
ACCESSORIES		A-09
AUDIO VIDEO	A-10 -	A-13
BATH	A-14 -	A-18
BEDROOM	A-19 -	A-20
CHASSIS	A-21 -	B-20
CURTAIN & CUSHION	B-21 -	C-10
DINETTE	C-11 -	C-12
DRIVERS COMPARTMENT	C-13 -	C-18
ELECTRICAL	C-19 -	D-01
EXTERIOR BODY	D-02 -	D-12
GALLEY	D-13 -	D-22
GENERATOR	D-23 -	D-24
HEATING & A/C	E-01 -	E-06
INTERIOR FINISH	E-07 -	E-10
LABEL	E-11 -	E-18
LP		E-19
LOUNGE	E-20 -	E-21
SEALANTS & FASTENERS	E-22 -	F-02
WATER & SEWAGE	F-03 -	F-07
WINDOW, VENT AND EXTERIOR DOOR	F-08 -	G-04
WINDSHIELD & WIPER	G-05 -	G-08

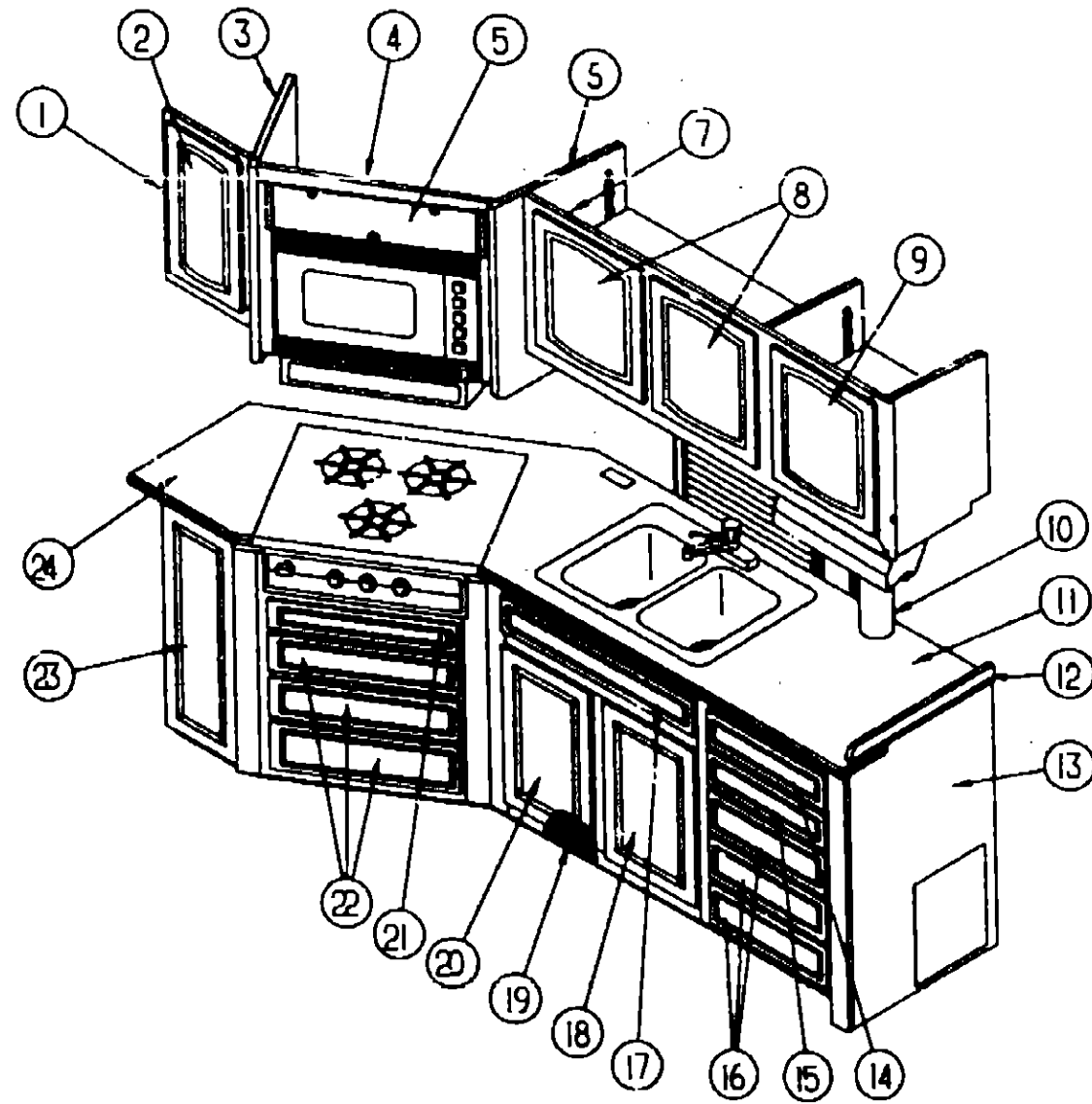
KEY	PART NUMBER	U/M DESCRIPTION	KEY	PART NUMBER	U/M DESCRIPTION
1	094443-17-01A	FT FILM-MULTISTRIPE, 114.3MM WIDE - 3 LINES OF LIGHT BLUE (D18, D19, D20)	8	107564-02-01A	EA DECAL-CORNER, DRIVER FRONT - TOPAZ BLUE/LIGHT BLUE (D18, D19, D20)
1	094443-17-02A	FT FILM-MULTISTRIPE, 114.3MM WIDE - 3 LINES OF DARK GRAPE/QUARTZ (D19 ONLY) THIS OPTION AVAILABLE FOR D19 COLOR CODES ONLY	8	107564-02-02A	EA DECAL-CORNER, DRIVER FRONT - DARK GRAPE/QUARTZ/BLACK (D19 ONLY) THIS OPTION AVAILABLE FOR D19 COLOR CODES ONLY
2	107565-01-01A	EA DECAL-ANGLES, PASSENGER SIDE - TOPAZ BLUE/LIGHT BLUE (D18, D19, D20)	9	105781-11-02A	FT FILM-MULTISTRIPE, 50.8MM WIDE - 2 LINES OF SILVER (D18, D19, D20) FROM: 11-16-92 THRU: 99-99-99
2	107565-01-02A	EA DECAL-ANGLES, PASSENGER SIDE - DARK GRAPE/QUARTZ (D19 ONLY) THIS OPTION AVAILABLE FOR D19 COLOR CODES ONLY	9	105781-11-04A	FT FILM-MULTISTRIPE, 50.8MM WIDE - 2 LINES OF DARK GRAPE (D19 ONLY) FROM: 11-16-92 THRU: 99-99-99
	107565-02-01A	EA DECAL-ANGLES, DRIVER SIDE - TOPAZ BLUE/LIGHT BLUE (D18, D19, D20)	10	107566-01-01A	EA DECAL-VECTRA, TOPAZ BLUE (D18, D19, D20)
	107565-02-02A	EA DECAL-ANGLES, DRIVER SIDE - DARK GRAPE/QUARTZ (D19 ONLY) THIS OPTION AVAILABLE FOR D19 COLOR CODES ONLY	10	107566-01-02A	EA DECAL-VECTRA, DARK GRAPE (D19 ONLY) THIS OPTION AVAILABLE FOR D19 COLOR CODES ONLY
3	105781-13-01A	FT FILM-MULTISTRIPE, 127MM WIDE - 2 LINES OF LIGHT BLUE (D18, D19, D20)		109506-01-000	EA FILM-URETHANE, PROTECTANT FROM: 08-03-92 THRU: 99-99-99
3	105781-13-02A	FT FILM-MULTISTRIPE, 127MM WIDE - 2 LINES OF DARK GRAPE/QUARTZ (D19 ONLY) THIS OPTION AVAILABLE FOR D19 COLOR CODES ONLY		106149-02-01A	FT DECAL-VINYL STRIPING, 3"
4	105781-14-01A	FT FILM-MULTISTRIPE, 76.2MM WIDE - 2 LINES OF BLACK/TOPAZ BLUE (D18, D19, D20)		084075-01-000	EA DECAL-"BY WINNEBAGO INDUSTRIES", BLACK
4	105781-14-03A	FT FILM-MULTISTRIPE, 76.2MM WIDE - 2 LINES OF BLACK/DARK GRAPE (D19 ONLY) THIS OPTION AVAILABLE FOR D19 COLOR CODES ONLY		093681-39-01A	FT FILM-74MM WIDE, MATTE BLACK
5	105781-14-02A	FT FILM-MULTISTRIPE, 76.2MM WIDE - 2 LINES OF BLACK/LIGHT BLUE (D18, D19, D20)		074559-01-000	EA DECAL-LOGO, LPG - RED - (CALIFORNIA CODE) FROM: 00-00-00 THRU: 08-31-92
5	105781-14-04A	FT FILM-MULTISTRIPE, 76.2MM WIDE - 2 LINES OF BLACK/QUARTZ (D19 ONLY) THIS OPTION AVAILABLE FOR D19 COLOR CODES ONLY			
6	107564-01-01A	EA DECAL-CORNER, PASSENGER FRONT - TOPAZ BLUE/LIGHT BLUE (D18, D19, D20)			
6	107564-01-02A	EA DECAL-CORNER, PASSENGER FRONT - DARK GRAPE/QUARTZ/BLACK (D19 ONLY) THIS OPTION AVAILABLE FOR D19 COLOR CODES ONLY			
7	107566-02-01A	EA DECAL-VECTRA, WHITE/GRAY/BUFF FROM: 00-00-00 THRU: 11-08-92			
7	107567-01-01A	EA DECAL-VECTRA, 3-D - LARGE - BUFF FROM: 11-09-92 THRU: 99-99-99			
7	107567-02-01A	EA DECAL-VECTRA, 3-D - SMALL - WILLOW			

DUPONT COLOR CODES

TOPAZ BLUE	G9849
OFF WHITE	L8723
AZTEC SILVER	45406
PEARL FAWN METALLIC	92654
BLACK	99
BUFF	G9692

GALLEY GROUP

CABINETS & FIXTURES



KEY	PART NUMBER	U/M	DESCRIPTION
	100710-01-01A	EA	LOCK-GLASS DOOR, TWIST TYPE - BRASS
	101272-01-000	EA	CATCH-DOOR, GLASS
	101766-01-000	EA	PIN-SUPPORT, GLASS DOOR
	100707-01-000	EA	SPACER-DOOR, GLASS - .8" DIA - .3" HOLE - PLASTIC
6	107494-10-D18	EA	END CAP-CABINET, OVERHEAD
	107432-07-D18	EA	TRIM-OAK, CABINET END CAP
7	P07736-01-D18	EA	CABINET-OVERHEAD, GALLEY, W/O DOORS & HARDWARE
8	P00971-37-D18	EA	DOOR-CABINET, W/O HARDWARE - 415 X 450MM
9	P00971-36-D18	EA	DOOR-CABINET, W/O HARDWARE - 415 X 540MM
10	104230-01-000	EA	MAKER-COFFEE, THERMAL CARAFE - SPACEMAKER PLUS R * P I
	104230-01-700	EA	POT-CARAFE, ONLY - CREAM - SPACEMAKER PLUS SRC40
10	103799-01-02A	EA	COFFEE MAKER, ALMOND
	104610-01-000	EA	STRAP ASM-COFFEE MAKER
11	107475-14-D18	EA	COUNTERTOP-CABINET, GALLEY
11	107475-14-D19	EA	COUNTERTOP-CABINET, GALLEY
11	107475-14-D20	EA	COUNTERTOP-CABINET, GALLEY
12	098335-02-D18	EA	RAIL-COUNTERTOP, GALLEY
12	098335-02-D19	EA	RAIL-COUNTERTOP, GALLEY
12	098335-02-D20	EA	RAIL-COUNTERTOP, GALLEY
13	M05830-02-D18	EA	CABINET-GALLEY, W/O DOORS & HARDWARE (RANGE & OVEN STANDARD)
13	M05830-02-D19	EA	CABINET-GALLEY, W/O DOORS & HARDWARE (RANGE & OVEN STANDARD)
13	M05830-02-D20	EA	CABINET-GALLEY, W/O DOORS & HARDWARE (RANGE & OVEN STANDARD)
13	M05830-01-D18	EA	CABINET-GALLEY, W/O DOORS & HARDWARE (RANGE TOP W/DRAWER)
13	M05830-01-D19	EA	CABINET-GALLEY, W/O DOORS & HARDWARE (RANGE TOP W/DRAWER)
13	M05830-01-D20	EA	CABINET-GALLEY, W/O DOORS & HARDWARE (RANGE TOP W/DRAWER)
13	M05830-05-D18	EA	CABINET-GALLEY, W/O DOORS & HARDWARE (RANGE TOP W/DISHWASHER)
13	M05830-05-D19	EA	CABINET-GALLEY, W/O DOORS & HARDWARE (RANGE TOP W/DISHWASHER)
13	M05830-05-D20	EA	CABINET-GALLEY, W/O DOORS & HARDWARE (RANGE TOP W/DISHWASHER)
13	M05930-03-D18	EA	CABINET-GALLEY, W/O DOORS & HARDWARE (RANGE TOP W/ICE MAKER)
13	M05830-03-D19	EA	CABINET-GALLEY, W/O DOORS & HARDWARE (RANGE TOP W/ICE MAKER)
13	M05330-03-D20	EA	CABINET-GALLEY, W/O DOORS & HARDWARE (RANGE TOP W/ICE MAKER)
13	M05830-06-D18	EA	CABINET-GALLEY, W/O DOORS & HARDWARE (RANGE & OVEN W/DISHWASHER)
13	M05830-06-D19	EA	CABINET-GALLEY, W/O DOORS & HARDWARE (RANGE & OVEN W/DISHWASHER)
13	M05830-06-D20	EA	CABINET-GALLEY, W/O DOORS & HARDWARE (RANGE & OVEN W/DISHWASHER)
13	M05830-04-D18	EA	CABINET-GALLEY, W/O DOORS & HARDWARE (RANGE & OVEN W/ICE MAKER)
13	M05830-04-D19	EA	CABINET-GALLEY, W/O DOORS & HARDWARE (RANGE & OVEN W/ICE MAKER)
13	M05830-04-D20	EA	CABINET-GALLEY, W/O DOORS & HARDWARE (RANGE & OVEN W/ICE MAKER)
14	P08079-04-D18	EA	DRAWER-CABINET, CUTTING BOARD - W/O HARDWARE
	102778-04-000	EA	CUTTING BOARD ONLY
15	P07104-L6-D18	EA	DRAWER-CABINET, W/O HARDWARE
16	P07104-M0-D18	EA	DRAWER-CABINET, W/O HARDWARE - 3 USED
17	108117-04-D18	EA	DRAWER-CABINET, TIPOUT - W/O HARDWARE
	108126-01-000	EA	HINGE-TRAY, AMEROCK CM8488-2G
	108127-01-01A	EA	CAP-TRAY, AMEROCK D8490-A
	108128-01-01A	EA	TRAY-HIDDEN, AMEROCK D8489
18	P00520-C2-D18	EA	DOOR-CABINET, W/O HARDWARE - 365 X 555MM
19	104314-03-01A	EA	MESH-GRILLE, 108 X 1310MM - BLACK
19	104314-04-01A	EA	MESH-GRILLE, 108 X 792MM - BLACK
	093605-02-01A	EA	RACK-TOWEL, WIRE - ALMOND
20	P00520-C1-D18	EA	DOOR-CABINET, W/O HARDWARE - 365 X 555MM
21	P07104-L8-D18	EA	DRAWER-CABINET, W/O HARDWARE
22	P07104-M2-D18	EA	DRAWER-CABINET, W/O HARDWARE - 3 USED?
23	P00520-C5-D18	EA	DOOR-CABINET, W/O HARDWARE - 305 X 704MM
24	107475-18-D18	EA	COUNTERTOP-CABINET, GALLEY RANGE SIDE
24	107475-18-D19	EA	COUNTERTOP-CABINET, GALLEY RANGE SIDE
24	107475-18-D20	EA	COUNTERTOP-CABINET, GALLEY RANGE SIDE
	058331-92-000	EA	MIRROR-SAFETY, 340 X 940MM - ON WALL BEHIND RANGE
			FROM: 10-19-92 THRU: 02-21-93
	093606-13-000	EA	MIRROR-PANEL, BEVELED - 1/8" - ON WALL BEHIND RANGE
			FROM: 02-22-93 THRU: 99-99-99

1993 WINNEBAGO TABLE OF CONTENTS

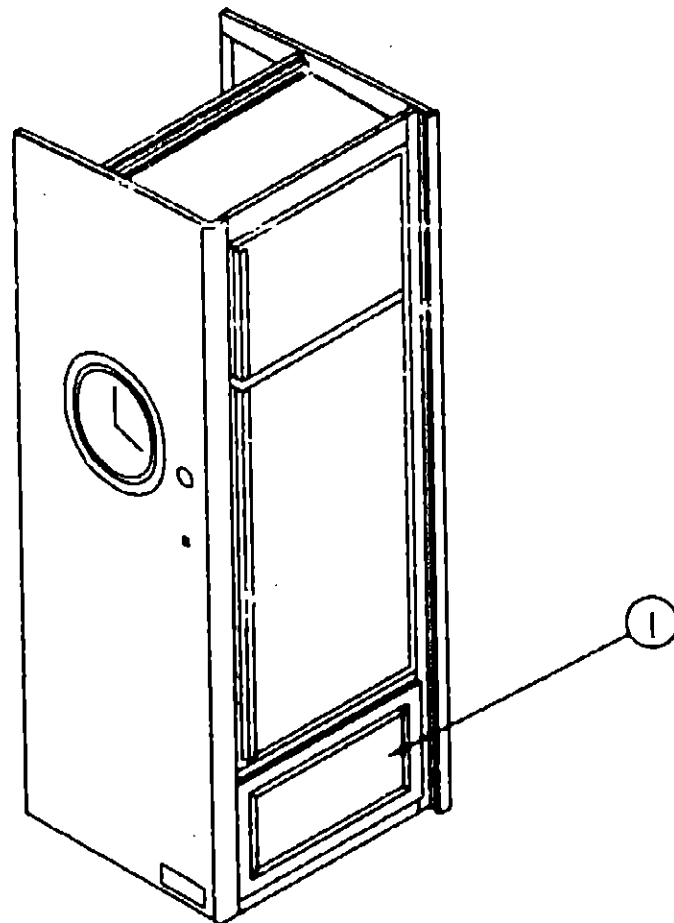
INTRODUCTION	A-01 -	A-02
ABBREVIATIONS		A-03
ALPHABETICAL INDEX	A-04 -	A-06
WCM37RW	A-07 -	G-08
WCM33RQ	G-09 -	L-24

1993 WCM37RW INDEX

FLOOR PLAN	A-07 -	A-08
ACCESSORIES		A-09
AUDIO VIDEO	A-10	A-13
BATH	A-14 -	A-18
BEDROOM	A-19 -	A-20
CHASSIS	A-21 -	B-20
CURTAIN & CUSHION	B-21 -	C-10
DINETTE	C-11 -	C-12
DRIVERS COMPARTMENT	C-13 -	C-18
ELECTRICAL	C-19 -	D-01
EXTERIOR BODY	D-02 -	D-12
GALLEY	D-13 -	D-22
GENERATOR	D-23	D-24
HEATING & A/C	E-01 -	E-06
INTERIOR FINISH	E-07 -	E-10
LABEL	E-11 -	E-18
LP		E-19
LOUNGE	E-20 -	E-21
SEALANTS & FASTENERS	E-22 -	F-02
WATER & SEWAGE	F-03 -	F-07
WINDOW, VENT AND EXTERIOR DOOR	F-08 -	G-04
WINDSHIELD & WIPER	G-05 -	G-08

KEY	PART NUMBER	U/M	DESCRIPTION
1	108346-01-D18	EA	CABINET-OVERHEAD, GALLEY - W/O DOORS & HARDWARE FROM: 00-00-00 THRU: 02-07-93
1	111252-01-D18	EA	CABINET-OVERHEAD, GALLEY - W/O DOOR & HARDWARE FROM: 02-08-93 THRU: 05-23-93
1	108346-01-D18	EA	CABINET-OVERHEAD, GALLEY - W/O DOORS & HARDWARE FROM: 05-24-93 THRU: 99-99-99
2	P00971-35-D18	EA	DOOR-CABINET, W/O HARDWARE - 285 X 500MM
3	107494-11-D18	EA	END CAP-CABINET, OVERHEAD
	107432-08-D18	EA	TRIM-OAK, CABINET END CAP
4	P07476-01-D18	EA	CABINET-OVERHEAD, MICROWAVE - W/O DOOR & HARDWARE (PANASONIC) FROM: 00-00-00 THRU: 02-07-93
4	P11251-01-D18	EA	CABINET-OVERHEAD, MICROWAVE - W/O DOOR & HARDWARE (QUASAR) FROM: 02-08-93 THRU: 05-23-93
4	P07476-01-D18	EA	CABINET-OVERHEAD, MICROWAVE - W/O DOOR & HARDWARE (PANASONIC) FROM: 05-24-93 THRU: 99-99-99
5	100708-07-000	EA	DOOR-GLASS, BLACK - 245 X 687MM - OPG INDUSTRIES
	100711-01-01A	EA	HINGE-DOOR, GLASS

GALLEY GROUP (CONTINUED)



CABINETS & FIXTURES (CONTINUED)

KEY	PART NUMBER	U/M	DESCRIPTION
	090329-01-000	FT	SEAL-T, REFRIGERATOR CABINET - .6" WIDE TOP X 2" TAIL
	008380-01-000	EA	GROMMET-RUBBER, 5/8" HOLE X 1 1/2" DIAMETER - BLACK
	103251-02-01A	EA	INSERT-ACRYLIC BLACK, 19.53" X 16.06"
	103251-04-01A	EA	INSERT-ACRYLIC BLACK, 19.53" X 39.20"
	081211-05-000	EA	PLUG-PLASTIC, .188" DIAMETER - NATURAL
1	100520-C9-D18	EA	DOOR-CABINET, W/O HARDWARE - 590 X 350MM
	064952-01-000	EA	FAUCET-GALLEY, SINGLE CONTROL
	103635-01-000	EA	FAUCET-GALLEY, SINGLE CONTROL, DRINKING WATER - EVERPURE 5435-00
	093238-01-Y12	EA	HOLDER-KNIFE, COUNTERTOP - OAK
			FROM: 00-00-00 THRU: 11-15-92
	093071-01-000	FT	TAPE-BONDING, DOUBLE SIDED - 1/64" X 2"
	093282-01-000	EA	BONNET-KNIFE HOLDER, UNDER COUNTER - METAL
			FROM: 00-00-00 THRU: 11-15-92
	104113-01-000	EA	SINK-STAINLESS STEEL, DOUBLE
	092303-01-000	EA	STRAINER-SINK
	100081-01-01A	EA	TRAY-SILVERWARE, 9" X 13.3" - PLAS - ALMOND - RUBBERMAID
	058334-01-000	EA	WASTEBASKET-5 3/4" X 7" X 10", WHITE - RUBBERMAID
	108464-01-D16	EA	COVER-SINK, GALLEY - RIGHT SIDE (D18)
	108464-01-D15	EA	COVER-SINK, GALLEY - RIGHT SIDE (D19)
	108464-01-D20	EA	COVER-SINK, GALLEY - RIGHT SIDE (D20)
	108464-02-D16	EA	COVER-SINK, GALLEY - LEFT SIDE (D18)
	108464-02-D15	EA	COVER-SINK, GALLEY - LEFT SIDE (D19)
	103464-02-D20	EA	COVER-SINK, GALLEY - LEFT SIDE (D20)

GALLEY GROUP (CONTINUED)

NORCOLD 682 REFRIGERATOR W/ICE MAKER

KEY	PART NUMBER	U/M	DESCRIPTION
	054450-01-000	EA	LEVEL-REFRIGERATOR
	065225-02-000	EA	PLATE-TIEDOWN, REFRIGERATOR
	093646-01-000	EA	BRACKET ASM-TIEDOWN, RIGHT SIDE - REFRIGERATOR
	093646-02-000	EA	BRACKET ASM-TIEDOWN, LEFT SIDE - REFRIGERATOR
	104137-04-01A	EA	REFRIG-LARGE DOUBLE DOOR, W/ICE MAKER - NORCOLD 682-MI RHBL
	064473-01-702	EA	ORIFICE-NORCOLD 61452122
	084880-01-715	EA	VALVE-SHUT OFF, MANUAL - NORCOLD 61697922
	075217-01-734	EA	FUSE-3 AMP, NORCOLD 61538822
	075217-01-738	EA	SWITCH-HUMIDITY, NORCOLD 61525922
	084880-01-713	EA	CONNECTOR-MALE, INLET FITTING - NORCOLD 615256
	084890-01-718	EA	VALVE-GAS, NORCOLD 61551822
	084880-01-722	EA	CRISPER COVER - NORCOLD 615641
	084880-01-726	EA	HINGE BRACKET (CENTER HINGE), NORCOLD 61566523
	084880-01-731	EA	HINGE PIN, NORCOLD 61578123
	034880-01-732	EA	LATCH, NORCOLD 61578522
	084880-01-734	EA	BRACKET-HINGE, TOP RIGHT - BOTTOM LEFT - BROWN NORCOLD 61580837
	084880-01-735	EA	HINGE BRACKET, TOP LEFT-BOTTOM RIGHT BROWN - NORCOLD 61580937
	084880-01-739	EA	END CAP (SPRING CATCH) BROWN, NORCOLD 61593722
	084880-01-740	EA	END CAP (STOP CATCH), NORCOLD 61593830
	084880-01-744	EA	HINGE PIN SHAFT (CENTER HINGE), NORCOLD 61566723
	084880-01-746	EA	CABLE, NORCOLD 61571522
	084880-01-747	EA	PLUG-HOLE, NORCOLD 61532022
	084880-01-749	EA	HINGE BUSHING - NORCOLD 615807
	084880-01-753	EA	THERMISTER 78" W/CLIP - NORCOLD 61693822
	084880-01-761	EA	END CAP (SPRING CATCH) BLACK 61593730
	084880-02-700	EA	LOWER FLANGE 8663 & 8683, NORCOLD 61622123
	084880-03-701	EA	COOLING UNIT (HORIZONTAL BURNER) - NORCOLD 61687337
	084880-03-705	EA	BRACKET FOR INTERIOR REFRIGERATOR LIGHT - NORCOLD 61629722
	084880-03-706	EA	LAMP (BULB) - NORCOLD 61628922
	084880-03-707	EA	COVER F/LAMP OR BULB - NORCOLD 61627922
	088248-01-706	EA	BURNER-HORIZONTAL NORCOLD 61588122
	088248-01-707	EA	ELECTRODE-SENSOR, (HORIZONTAL), NORCOLD 61573322
	088248-01-708	EA	ELECTRODE-IGNITION, (HORIZONTAL) - NORCOLD 61573222
	088248-01-709	EA	HEATER-AC, (HORIZONTAL) - NORCOLD 615627
	094039-01-700	EA	PC BOARD-3-WAY, NORCOLD 61647522
	094039-01-701	EA	EYEBROW-SHELL, 3-WAY - BLK - PLASTIC - NORCOLD 61669922
	094039-01-703	EA	PLATE-HINGE, LEFT - BROWN - NORCOLD 61631422
	094039-01-704	EA	PLATE-HINGE, BLACK - NORCOLD 61631430
	094039-01-709	EA	PLATE-HINGE, TOP RIGHT - LEFT BOTTOM - BROWN - NORCOLD 61631322
	094039-01-710	EA	PLATE-HINGE, BLACK - NORCOLD 61631330
	094039-01-712	EA	DOOR BIN (GRAY) SILVER BORDER - NORCOLD 61564060
	094039-01-713	EA	DOOR GASKET (LOWER) GRAY - NORCOLD 61568030
	094039-01-714	EA	LOWER DOOR LINER (BROWN/WHITE) - NORCOLD 61581737-B
	094039-01-715	EA	LOWER DOOR LINER (BLACK/WHITE) - NORCOLD 61581738-B
	094039-01-716	EA	LOWER DOOR HANDLE ASM. (BROWN) - NORCOLD 61649937
	094039-01-717	EA	LOWER DOOR HANDLE ASM. (BLACK) - NORCOLD 61649938
	094039-01-718	EA	MILK BIN (GRAY) W/SILVER TRIM - NORCOLD 61579460
	094039-01-719	EA	DAIRY KEEPER (GRAY) SILVER TRIM, NORCOLD 61580460
	094039-01-720	EA	CAB ASSEMBLY (BROWN FRAME/WHITE LINER) - NORCOLD 61663237
	094039-01-721	EA	CAB ASSY(BLK FRAME WHT LINER - NORCOLD 61663238
	094039-01-722	EA	HOLE PLUG (BLACK) HINGE HOLES - NORCOLD 61582030
	094039-01-723	EA	HINGE BRACKET, TOP RIGHT-BOTTOM LEFT - BROWN - NORCOLD 61580838
	094039-01-724	EA	BRACKET-HINGE, TOP LEFT - BOTTOM FRONT - BLACK - NORCOLD 61580938
	094039-01-725	EA	HINGE PIN (BLACK) (MALE) - NORCOLD 61578130
	094039-01-726	EA	SHELF-FREEZER EVAPORATOR, NORCOLD 615236
	094039-01-730	EA	HINGE PIN SHAFT (BLACK) CENTER HINGE - NORCOLD 61566730
	094039-01-731	EA	CRISPER (GRAY) SILVER TRIM - NORCOLD 61571360
	094039-01-732	EA	FRONT COVER (BLACK) BOTTOM TRIM - NORCOLD 61622130

**1993 WINNEBAGO
TABLE OF CONTENTS**

INTRODUCTION	A-01 -	A-02
ABBREVIATIONS		A-03
ALPHABETICAL INDEX	A-04 -	A-06
WCM37RW	A-07 -	G-09
WCM33RQ	G-09 -	L-24

1993 WCM37RW INDEX

FLOOR PLAN	A-07 -	A-08
ACCESSORIES		A-09
AUDIO V:DEO	A-10 -	A-13
BATH	A-14 -	A-18
BEDROOM	A-19 -	A-20
CHASSIS	A-21 -	B-20
CURTAIN & CUSHION	B-21 -	C-10
DINETTE	C-11 -	C-12
DRIVERS COMPARTMENT	C-13 -	C-18
ELECTRICAL	C-19 -	D-01
EXTERIOR BODY	D-02 -	D-12
GALLEY	D-13 -	D-22
GENERATOR	D-23 -	D-24
HEATING & A/C	E-01 -	E-06
INTERIOR FINISH	E-07 -	E-10
LABEL	E-11 -	E-18
LP		E-19
LOUNGE	E-20 -	E-21
SEALANTS & FASTENERS	E-22 -	F-02
WATER & SEWAGE	F-03 -	F-07
WINDOW, VENT AND EXTERIOR DOOR	F-08 -	G-04
WINDSHIELD & WIPE	G-05 -	G-08

GALLEY GROUP (CONTINUED)

NORCOLD 682 REFRIGERATOR W/ICE MAKER (CONTINUED)

KEY	PART NUMBER	U/M DESCRIPTION
	094039-01-733	EA WIRE SHELF (MIDDLE) - NORCOLD 61563822
	094039-01-734	EA WIRE SHELF (TOP) W/RISER - NORCOLD 61563722
	094039-01-725	EA INSIDE DRIP TRAY (WHITE), NORCOLD 61572830
	094039-01-736	EA SWITCH-LIGHT, BLACK - NORCOLD 615810
	094039-01-739	EA SHELF (CUTOUT), NORCOLD 61646722
	094039-01-742	EA TRAY-F/CUTOUT SHELF, NORCOLD 61680922
	094039-04-700	EA PC BOARD-2 WAY, NORCOLD 61647322
	094039-04-702	EA POWER SUPPLY (2 WAY) - NORCOLD 61647422
	094039-07-700	EA ICE MAKER, NORCOLD 61684937
	094039-07-701	EA BIN-ICE CUBE, NORCOLD 61688322
	094039-07-702	EA SHELF-WIRE, FREEZER - TALL - NORCOLD 61667722
	094039-07-703	EA SHELF-WIRE, FREEZER - SHORT - NORCOLD 61674122
	094039-07-704	EA VALVE-WATER FILL, NORCOLD 61657022

NORCOLD 682 REFRIGERATOR

KEY	PART NUMBER	U/M DESCRIPTION
	054450-01-000	EA LEVEL-REFRIGERATOR
	065225-02-000	EA PLATE-TIEDOWN, REFRIGERATOR
	093646-01-000	EA BRACKET ASM-TIEDOWN, RIGHT SIDE - REFRIGERATOR
	093646-02-000	EA BRACKET ASM-TIEDOWN, LEFT SIDE - REFRIGERATOR
	104137-02-01A	EA REFRIG-LARGE DOUBLE DOOR 2-WAY - NORCOLD 682 RH BLK
	064473-01-702	EA ORIFICE-NORCOLD 61452122
	084880-01-715	EA VALVE-SHUT OFF, MANUAL - NORCOLD 61697922
	075217-01-734	EA FUSE-3 AMP, NORCOLD 61538822
	075217-01-738	EA SWITCH-HUMIDITY, NORCOLD 61525922
	084880-01-713	EA CONNECTOR-MALE, INLET FITTING - NORCOLD 615256
	084880-01-715	EA VALVE-SHUT OFF, MANUAL - NORCOLD 61697922
	084880-01-718	EA VALVE-GAS, NORCOLD 61551822
	084880-01-722	EA CRISPER COVER - NORCOLD 615641
	064880-01-726	EA HINGE BRACKET (CENTER HINGE), NORCOLD 61566523
	084880-01-731	EA HINGE PIN, NORCOLD 61578123
	084880-01-732	EA LATCH, NORCOLD 61578522
	084880-01-734	EA BRACKET-HINGE, TOP RIGHT - BOTTOM LEFT - BROWN NORCOLD 61580337
	084880-01-735	EA HINGE BRACKET, TOP LEFT-BOTTOM RIGHT - BROWN - NORCOLD 61580937
	084880-01-739	EA END CAP (SPRING CATCH) BROWN, NORCOLD 61593722
	084880-01-740	EA END CAP (STOP CATCH), NORCOLD 61593830
	084880-01-744	EA HINGE PIN SHAFT (CENTER HINGE), NORCOLD 61566723
	084880-01-746	EA CABLE, NORCOLD 61571522
	084880-01-747	EA PLUG-HOLE, NORCOLD 61582022
	084880-01-749	EA HINGE BUSHING - NORCOLD 615807
	084880-01-753	EA THERMISTER 78" W/CLIP - NORCOLD 61693822
	084880-01-761	EA END CAP (SPRING CATCH) BLACK, NORCOLD 61593730
	084880-02-700	EA LOWER FLANGE 866388683, NORCOLD 61622123
	084880-03-701	EA COOLING UNIT (HORIZONTAL BURNER) - NORCOLD 61687337
	084880-03-705	EA BRACKET FOR INTERIOR LIGHT - NORCOLD 61629722
	084880-03-706	EA LAMP (BULB) - NORCOLD 61628922
	084880-03-707	EA COVER FOR LAMP OR BULB - NORCOLD 61627922
	088248-01-706	EA BURNER-HORIZONTAL, NORCOLD 61588122
	088248-01-707	EA ELECTRODE-SENSOR, (HORIZONTAL) - NORCOLD 61573322
	088248-01-708	EA ELECTRODE-IGNITION, (HORIZONTAL) - NORCOLD 61573222
	088248-01-709	EA HEATER-AC, (HORIZONTAL) - NORCOLD 615627
	094039-01-700	EA PC BOARD-3-WAY, NORCOLD 61647522
	094039-01-701	EA EYEBROW-SHELL, 3-WAY - BLACK - PLASTIC - NORCOLD 61669322
	094039-01-703	EA PLATE-HINGE, LEFT - BROWN - NORCOLD 61631422
	094039-01-704	EA PLATE-HINGE, BLACK - NORCOLD 61631430
	094039-01-709	EA PLATE-HINGE, TOP RIGHT - LEFT BOTTOM - BROWN - NORCOLD 61631322
	094039-01-710	EA PLATE-HINGE, BLACK - NORCOLD 61631330

GALLEY GROUP (CONTINUED)

NORCOLD 682 REFRIGERATOR (CONTINUED)

KEY	PART NUMBER	U/M DESCRIPTION
	094039-01-712	EA DOOR BIN(GRAY)SILVER BORDER - NORCOLD 61564060
	094039-01-713	EA DOOR GASKET(LOWER) GRAY - NORCOLD 61568030
	094039-01-714	EA LOWER DOOR LINER (BROWN/WHITE) - NORCOLD 61581737-B
	094039-01-715	EA LOWER DOOR LINER (BLACK/WHITE) - NORCOLD 61581738-B
	094039-01-716	EA LOWER DOOR HANDLE ASM. (BROWN) - NORCOLD 61649937
	094039-01-717	EA LOWER DOOR HANDLE ASM. (BLACK) - NORCOLD 61649938
	094039-01-718	EA MILK BIN (GRAY)W/SILVER TRIM - NORCOLD 61579460
	094039-01-719	EA DAIRY KEEPER (GRAY) SILVER TRIM, NORCOLD 61580460
	094039-01-720	EA CAB ASSEMBLY (BROWN FRAME/WHITE LINER) - NORCOLD 61663237
	094039-01-721	EA CAB ASM.(BLACK FRAME WHITE LINER - NORCOLD 61663238
	094039-01-722	EA HOLE PLUG (BLACK) HINGE HOLES - NORCOLD 61582030
	094039-01-723	EA HINGE BRACKET, TOP RIGHT BOTTOM - LEFT - BLACK - NORCOLD 61580838
	094039-01-724	EA BRACKET-HINGE, TOP LEFT - BOTTOM RIGHT - BLACK - NORCOLD 61580938
	094039-01-725	EA HINGE PIN (BLACK) (MALE) - NORCOLD 61578130
	094039-01-726	EA SHELF-FREEZER EVAPORATOR, NORCOLD 615236
	094039-01-730	EA HINGE PIN SHAFT(BLACK) CENTER HINGE - NORCOLD 61566730
	094039-01-731	EA CRISPER (GRAY) SILVER TRIM - NORCOLD 61571360
	094039-01-732	EA FRONT COVER (BLACK) BOTTOM TRIM - NORCOLD 61622130
	094039-01-733	EA WIRE SHELF (MIDDLE) - NORCOLD 61563822
	094039-01-734	EA WIRE SHELF (TOP) W/RISER - NORCOLD 61563722
	094039-01-735	EA INSIDE DRIP TRAY (WHITE), NORCOLD 61572830
	094039-01-736	EA SWITCH-LIGHT, BLACK - NORCOLD 615810
	094039-01-739	EA SHELF (CUTOUT), NORCOLD 61646722
	094039-01-742	EA TRAY-FOR CUTOUT SHELF, NORCOLD 61680922
	094039-04-700	EA PC BOARD-2 WAY, NORCOLD 61647322
	094039-04-702	EA POWER SUPPLY (2 WAY) - NORCOLD 61647422
	094039-01-726	EA SHELF-FREEZER EVAPORATOR, NORCOLD 615236

DOMETIC ICE MAKER

KEY	PART NUMBER	U/M DESCRIPTION
	077841-01-000	EA BRACKET-TIEDOWN, TRIANGLE 9.5" LONG SIDE - RIGHT SIDE - STEEL
	077841-02-000	EA BRACKET-TIEDOWN, TRIANGLE 9.5" LONG SIDE - LEFT SIDE - STEEL
	076799-01-000	EA ICE MAKER-BLACK GLASS FRONT, 14" X 14.5" X 24.5" - DOMETIC
	076799-01-700	EA FRAME-DOOR, DOMETIC 229
	076799-01-702	EA PANEL-OUTER DOOR, DOMETIC 233
	076799-01-703	EA PLATE-NAME, DOMETIC 501
	076799-01-704	EA HINGE-PIVOT, W/TOP SCREW - DOMETIC 215
	076799-01-705	EA HINGE-PIVOT, BOTTOM - DOMETIC 235
	076799-01-706	EA GRILLE-VINYL COATED, DOMETIC 325
	076799-01-707	EA CONNECTION-WATER LINE, DOMETIC 405
	076799-01-708	EA PIN-CHAIN & LOCK, DOMETIC 41346-2
	076799-01-709	EA TRIM KIT, DOMETIC 322
	076799-01-711	EA MOTOR, DOMETIC 102
	076799-01-713	EA SWITCH-S.P.D.T. - JENSEN 108 & 110 - DOMETIC
	076799-01-716	EA VALVE-SOLENOID, DOMETIC 420
	076799-01-719	EA CONTROL, DOMETIC 4548
	076799-01-725	EA RELAY-TECUMSEH, DOMETIC 410
	076799-01-728	EA GASKET-DOOR, DOMETIC 231

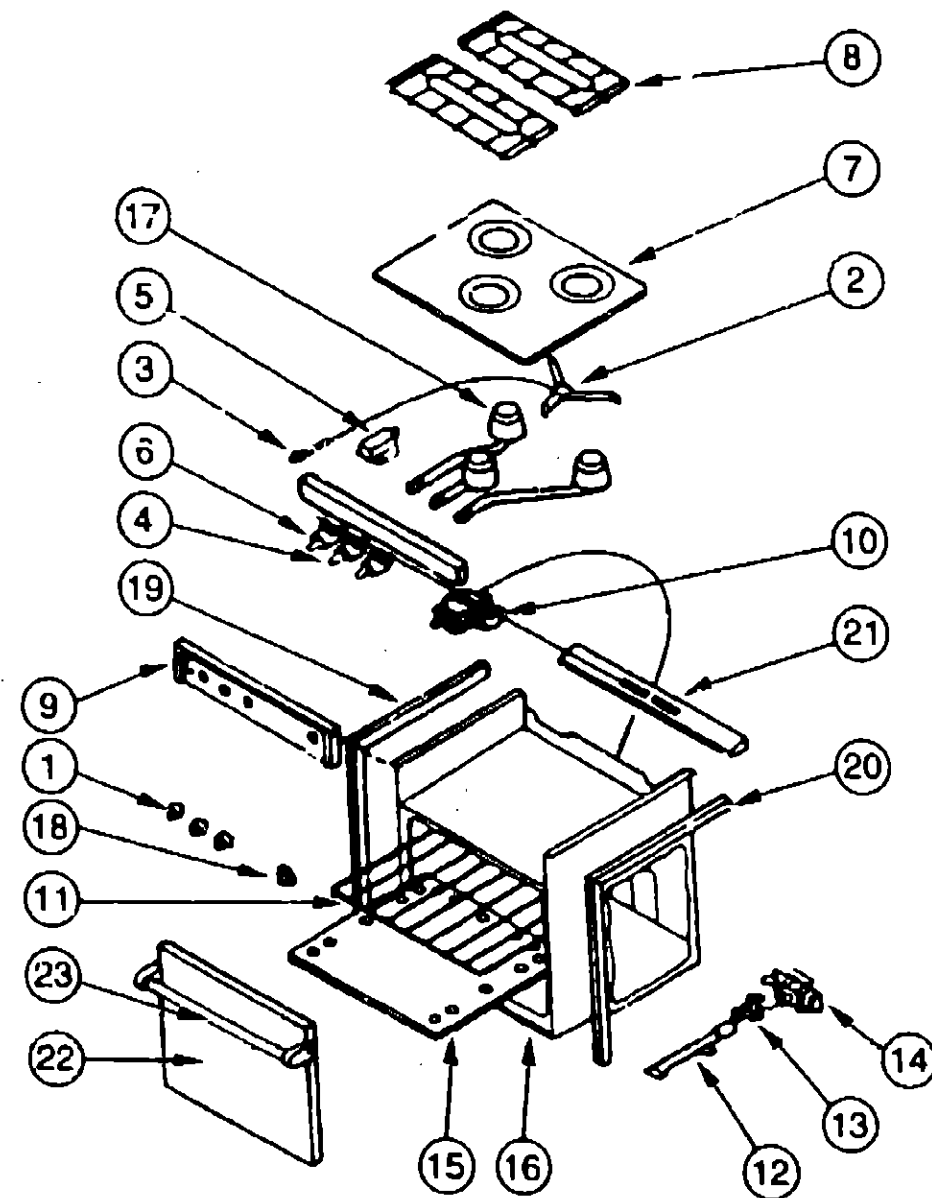
**1993 WINNEBAGO
TABLE OF CONTENTS**

INTRODUCTION	A-01	A-02
ABBREVIATIONS		A-03
ALPHABETICAL INDEX	A-04	A-06
WCM37RW	A-07	G-08
WCM33RQ	G-09	L-24

1993 WCM37RW INDEX

FLOOR PLAN	A-07	A-08
ACCESSORIES		A-09
AUDIO VIDEO	A-10	A-13
BATH	A-14	A-18
BEDROOM	A-19	A-20
CHASSIS	A-21	B-20
CURTAIN & CUSHION	B-21	C-10
DINETTE	C-11	C-12
DRIVERS COMPARTMENT	C-13	C-18
ELECTRICAL	C-19	D-01
EXTERIOR BODY	D-02	D-12
GALLEY	D-13	D-22
GENERATOR	D-23	D-24
HEATING & A/C	E-01	E-06
INTERIOR FINISH	E-07	E-10
LABEL	E-11	E-18
LP		E-19
LOUNGE	E-20	E-21
SEALANTS & FASTENERS	E-22	F-02
WATER & SEWAGE	F-03	F-07
WINDOW, VENT AND EXTERIOR DOOR	F-08	G-04
WINDSHIELD & WIPER	G-05	G-08

GALLEY GROUP (CONTINUED)



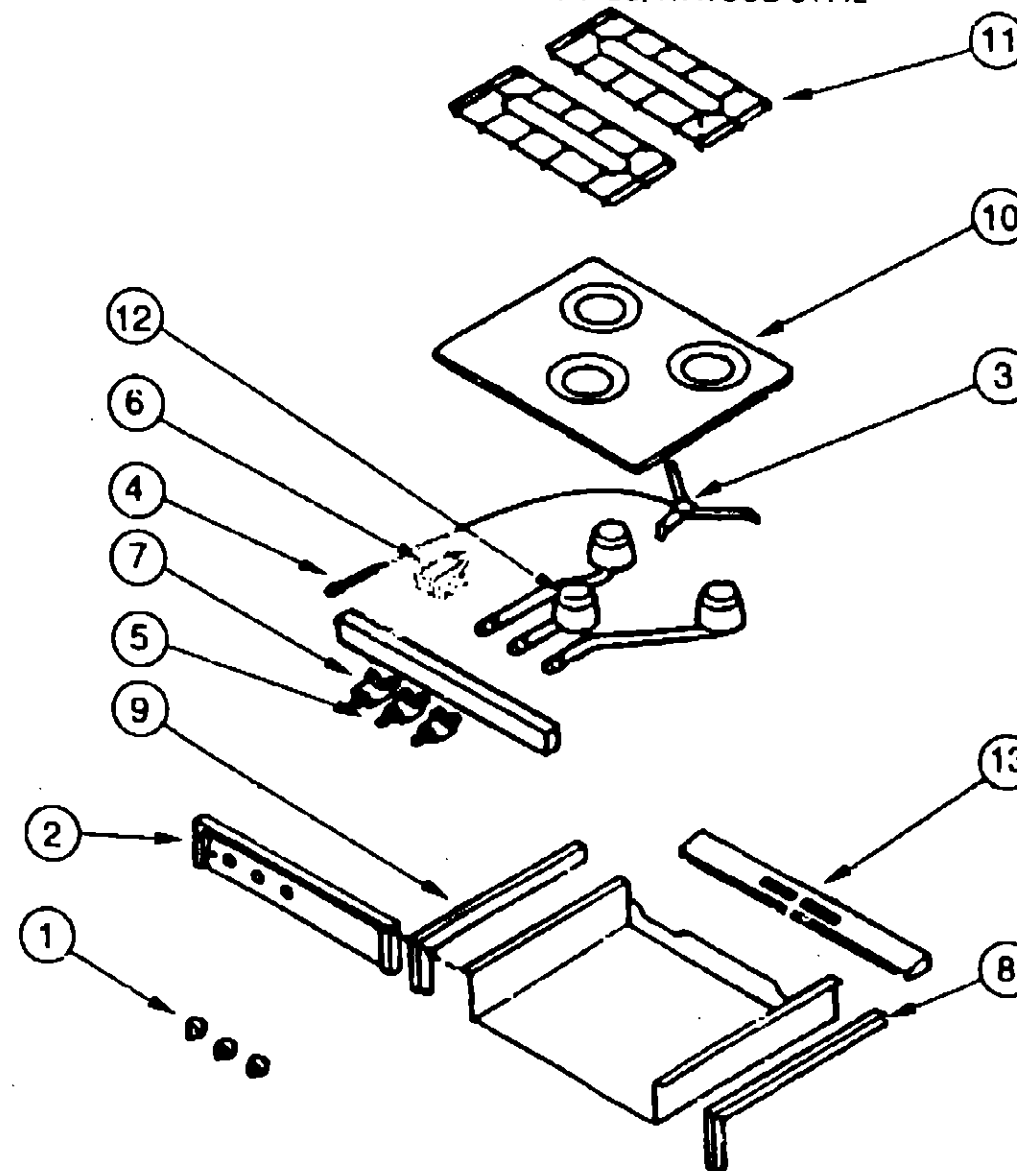
ATWOOD RANGE W/OVEN

KEY	PART NUMBER	U/M DESCRIPTION
	107103-09-01A	EA BRACKET ASM-TIEDOWN, RIGHT SIDE - BLACK (RANGE W/OVEN)
	107109-15-01A	EA BRACKET ASM-TIEDOWN, LEFT SIDE - BLACK (RANGE W/OVEN)
	107246-01-01A	EA RANGE-W/OVEN, BLACK - ATWOOD R-21368G
1	101593-01-703	EA BURNER KNOB, ATWOOD 3000
2	106689-01-701	EA SPARK-IGNITOR ASM, HIGHOUTPUT - ATWOOD 53078
3	106689-01-702	EA PIEZO PUSH BUTTON, ATWOOD 52279
4	106689-01-703	EA VALVE-HIGH OUTPUT, ATWOOD 53047
5	106689-01-704	EA REGULATOR W/EXTREME PRESSURE, ATWOOD 52154
6	106689-01-705	EA VALVE-BURNER, ATWOOD 52123
7	107246-01-700	EA RANGE TOP (BLACK), ATWOOD 53083
8	107246-01-701	EA GRATE, ATWOOD 53050
9	107246-01-702	EA MANIFOLD COVER, ATWOOD 53072
10	107246-01-703	EA THERMOSTAT, ATWOOD 52122
11	107246-01-704	EA RACK-OVEN, ATWOOD 51069
12	107246-01-705	EA BURNER-OVEN, ATWOOD 52018
13	107246-01-706	EA PILOT ASSEMBLY-OVEN, ATWOOD 52242
14	107246-01-707	EA VALVE-SAFETY, ATWOOD 51177
15	107246-01-708	EA SHELF-OVEN, BOTTOM, ATWOOD 51657
16	107246-01-709	EA TRIM-BOTTOM, BLACK, ATWOOD 53526D
17	107246-01-710	EA BURNER (HIGH OUTPUT), ATWOOD 53069
18	107246-01-711	EA KNOB, THERMOSTAT, ATWOOD 53001
19	107323-01-702	EA TRIM-LEFT, ATWOOD 53023
20	107323-01-703	EA TRIM-RIGHT, ATWOOD 53024

GALLEY GROUP (CONTINUED)

ATWOOD RANGE W/OVEN (CONTINUED)

KEY	PART NUMBER	U/M DESCRIPTION
21	107323-01-705	EA TRIM VENT, ATWOOD 53525
	107323-01-710	EA GRATE CLIP, ATWOOD 53301
	107323-01-711	EA RUBBER GRATE CUSHION, ATWOOD 53008
22	107323-01-713	EA BLACKGLASS INSERT-W/HOLE, ATWOOD 53426
23	107323-01-714	EA HANDLE FOR W/HOLE GLASS, ATWOOD 51112



ATWOOD RANGE TOP

KEY	PART NUMBER	U/M DESCRIPTION
	106936-03-01A	EA BRACKET-TIEDOWN, STOVE - RIGHT SIDE - BLACK
	106936-09-01A	EA BRACKET-TIEDOWN, STOVE - LEFT SIDE - BLACK
	106689-01-01A	EA TOP-RANGE, 3 BURNER - BLACK - ATWOOD 53764
1	101593-01-703	EA BURNER KNOB, ATWOOD 53000
2	106689-01-700	EA MANIFOLD COVER, 3 BURNER - ATWOOD 53074
3	106689-01-701	EA SPARK-IGNITOR ASM-HIGH OUTPUT, ATWOOD 53078
4	106689-01-702	EA PIEZO PUSH BUTTON, ATWOOD 52279
5	106689-01-703	EA VALVE-HIGH OUTPUT, ATWOOD 53047
6	106689-01-704	EA REGULATOR W/EXTREME PRESSURE, ATWOOD 52154
7	106689-01-705	EA VALVE-BURNER, ATWOOD 52123
8	106689-01-706	EA TRIM-RIGHT HAND TOP & SIDE, BLACK - ATWOOD 53020
9	106689-01-707	EA TRIM-LEFT HAND TOP & SIDE, BLACK - ATWOOD 53019
10	107246-01-700	EA RANGE TOP (BLACK), ATWOOD 53083
11	107246-01-701	EA GRATE, ATWOOD 53050
12	107246-01-710	EA BURNER (HIGH OUTPUT), ATWOOD 53069
13	107323-01-705	EA TRIM VENT, ATWOOD 53525
	107323-01-710	EA GRATE CLIP, ATWOOD 53301
	107323-01-711	EA RUBBER GRATE CUSHION, ATWOOD 53008

**1993 WINNEBAGO
TABLE OF CONTENTS**

INTRODUCTION	A-01 -	A-02
ABBREVIATIONS		A-03
ALPHABETICAL INDEX	A-04 -	A-06
WCM37RW	A-07 -	G-08
WCM33RQ	G-09 -	L-24

1993 WCM37RW INDEX

FLOOR PLAN	A-07 -	A-08
ACCESSORIES		A-09
AUDIO VIDEO	A-10 -	A-13
BATH	A-14 -	A-18
BEDROOM	A-19 -	A-20
CHASSIS	A-21 -	B-20
CURTAIN & CUSHION	B-21 -	C-10
DINETTE	C-11 -	C-12
DRIVERS COMPARTMENT	C-13 -	C-18
ELECTRICAL	C-19 -	D-01
EXTERIOR BODY	D-02 -	D-12
GALLEY	D-13 -	D-22
GENERATOR	D-23 -	D-24
HEATING & A/C	E-01 -	E-06
INTERIOR FINISH	E-07 -	E-10
LABEL	E-11 -	E-18
LP		E-19
LOUNGE	E-20 -	E-21
SEALANTS & FASTENERS	E-22 -	F-02
WATER & SEWAGE	F-03 -	F-07
WINDOW, VENT AND EXTERIOR DOOR	F-08 -	G-04
WINDSHIELD & WIPER	G-05 -	G-08

GALLEY GROUP (CONTINUED)

STOVE COVER

KEY	PART NUMBER	U/M	DESCRIPTION
	M05904-01-D18	EA	COVER ASM-STOVE, W/COUNTERTOP MATERIAL
	M05904-01-D19	EA	COVER ASM-STOVE, W/COUNTERTOP MATERIAL
	M05904-01-D20	EA	COVER ASM-STOVE, W/COUNTERTOP MATERIAL

RANGE HOODS

KEY	PART NUMBER	U/M	DESCRIPTION
	100258-25-01A	EA	HOOD-RANGE 22, W/MONITOR PANEL - BLACK - VENTLINE TMR5021S3D (U.S.)
	100258-26-01A	EA	HOOD-RANGE 22, W/MONITOR PANEL - BLACK - VENTLINE TMR5021SBC (CSA)
	075470-01-702	EA	SWITCH-ON/OFF, LVS CB484
	090973-01-700	EA	MOTOR - LVS CA508-1
	090973-01-702	EA	BLADE-FAN, LVS VA183-1
	092696-01-709	EA	BULB-912, VENTLINE VA415
	092696-01-710	EA	SOCKET-LIGHT, VENTLINE CB267-2
	092696-02-701	EA	LENS-LAMP, VENTLINE CC179
	075470-01-703	EA	SWITCH-ON/MOMENTARY, JENSEN RP1016
	096983-01-702	EA	SWITCH-TWO WAY MOMENTARY, VENTLINE 112
	096983-01-703	EA	SWITCH-ON/ON - JENSEN 115
	096983-01-707	EA	FILTER-GREASE, 8" X 8" - LVS CC246
	100258-11-700	EA	CIRCUIT BOARD, VENTLINE 5079-01
	100258-05-700	EA	FILTER-CHARCOAL
	100258-05-701	EA	SWITCH-FAN, 2 SPEED - RANGE HOOD - VENTLINE 117
	100258-06-700	EA	CONTROL PANEL ASM, VENTLINE 9510
	100258-06-701	EA	METAL FACE PLATE SCREENED, VENTLINE 9511
	100258-14-701	EA	PANEL ASM, VENTLINE 9078

MICROWAVE OVEN

KEY	PART NUMBER	U/M	DESCRIPTION
	102479-02-000	EA	OVEN-MICROWAVE, PANASONIC NN6500 (STANDARD)
	102479-01-000	EA	OVEN-MICROWAVE, PANASONIC NN8500 (CONVECTION) FROM: 00-00-00 THRU: 02-07-93
	108888-01-000	EA	OVEN-MICROWAVE, QUASAR MQC-1103W (CONVECTION) FROM: 02-08-93 THRU: 05-23-93
	102479-01-000	EA	OVEN-MICROWAVE, PANASONIC NN8500 (CONVECTION) FROM: 05-24-93 THRU: 99-99-99
	102456-06-000	EA	BAFFLE ASM-MICROWAVE, PANASONIC
	102456-09-000	EA	BAFFLE ASM-MICROWAVE, QUASAR
	102482-04-D18	EA	FRAME-MICROWAVE, W/TRIM - METAL - PANASONIC
	102483-10-D18	EA	SHELF ASM-MICROWAVE, PANASONIC ONLY
	102458-03-000	EA	SUPPORT ASM-BOTTOM, MICROWAVE - PANASONIC
	102452-01-000	EA	STRAP-MICROWAVE, 13.1" X 2" - STEEL - PANASONIC
	094756-01-02A	EA	BRACKET-L, MICROWAVE - 4.6" LONG X 3.9" WIDE - STEEL - TAN
	102842-02-000	EA	BRACKET-BAFFLE, 22.1" X 2.5" - STEEL
	094756-02-01A	EA	BRACKET-L, MICROWAVE - 6.1" LONG X 3.9" WIDE - STEEL - TAN
	102482-06-D18	EA	FRAME-MICROWAVE, W/TRIM - METAL - QUASAR
	110740-04-000	EA	SUPPORT ASM-MICROWAVE, BOTTOM - QUASAR FROM: 02-06-93 THRU: 05-23-93

GALLEY GROUP (CONTINUED)

DISHWASHER

KEY	PART NUMBER	U/M	DESCRIPTION
	107752-01-01A	EA	DISHWASHER 13", WESTING HOUSE SU182NXR1

COFFEE MAKER

KEY	PART NUMBER	U/M	DESCRIPTION
	103799-01-C2A	EA	COFFEE MAKER, ALMOND
	104610-01-000	EA	STRAP ASM-COFFEE MAKER
	104230-01-000	EA	MAKER-COFFEE, THERMAL CARAFE - SPACEMAKER PLUS R * P I
	104230-01-700	EA	POT-CARAFE, ONLY - CREAM - SPACEMAKER PLUS SRC40

**1993 WINNEBAGO
TABLE OF CONTENTS**

INTRODUCTION	A-01 -	A-02
ABBREVIATIONS		A-03
ALPHABETICAL INDEX	A-04 -	A-05
WCM37RW	A-07 -	G-08
WCM33RQ	G-09 -	L-24

1993 WCM37RW INDEX

FLOOR PLAN	A-07 -	A-08
ACCESSORIES		A-09
AUDIO VIDEO	A-10	A-13
BATH	A-14 -	A-18
BEDROOM	A-19 -	A-20
CHASSIS	A-21 -	B-20
CURTAIN & CUSHION	B-21 -	C-10
DINETTE	C-11 -	C-12
DRIVERS COMPARTMENT	C-13 -	C-18
ELECTRICAL	C-19 -	D-01
EXTERIOR BODY	D-02 -	D-12
GALLEY	D-13 -	D-22
GENERATOR	D-23	D-24
HEATING & A/C	E-01 -	E-06
INTERIOR FINISH	E-07 -	E-10
LABEL	E-11 -	E-18
LP		E-19
LOUNGE	E-20 -	E-21
SEALANTS & FASTENERS	E-22 -	F-02
WATER & SEWAGE	F-03 -	F-07
WINDOW, VENT AND EXTERIOR DOOR	F-08 -	G-04
WINDSHIELD & WIPER	G-05 -	G-08

GENERATOR GROUP

6.5 KW ONAN GENERATOR

KEY	PART NUMBER	U/M	DESCRIPTION
	100975-01-000	EA	GENERATOR-6.5KW EMERALD PLUS, ONAN NHE-FA26100G WITH ONAN TRAY #403-2218
	079654-05-000	EA	PIPE-EXHAUST, ANGLED - W/FLANGE - 2" ID - ONAN# 154-2539
	082272-01-000	EA	MUFFLER-GENERATOR
	105958-03-000	EA	PIPE-EXHAUST, GENERATOR
	007131-01-000	EA	HANGER-TAILPIPE, 6 SLOTS
	007125-03-000	EA	CLAMP-MUFFLER - 1.5" DIA
	106607-01-000	EA	ANGLE-SUPPORT, EXHAUST
	094059-01-000	EA	SPACER-GENERATOR, ONAN
	024976-01-000	EA	SWITCH-GENERATOR, W/O CIRCUIT BOARD
			FROM 00-00-00 THRU 12-13-92
	109357-10-000	EA	SWITCH-ROCKER, SPDT - MOM/OFFMOM - CARLING V8D1160B-0
			FROM 12-14-92 THRU 99-99-99
	108356-05-01A	EA	ACTUATOR-SWITCH GROOVES LENS - CARLING VVLGCXX-XWB
			FROM 12-14-92 THRU 99-99-99
	098351-07-01A	EA	PLATE-SWITCH, GENERATOR - JENSEN POLISH BRASS
			FROM 12-14-92 THRU 99-99-99

7 KW KOHLER GENERATOR

KEY	PART NUMBER	U/M	DESCRIPTION
	105525-01-000	EA	GENERATOR-7.0KW - LOW PROFILE - KOHLER 7CKM21
	105526-01-000	EA	ARRESTER-SPARK, KOHLER 278621
	105527-02-000	EA	PIPE-EXHAUST ADAPTER, KOHLER-278979
	105530-01-000	EA	MUFFLER-SIDE EXHAUST, W/O SPARK - KOHLER 278733
	105602-01-000	EA	GASKET-EXHAUST, KOHLER-278320
	105958-03-000	EA	PIPE-EXHAUST, GENERATOR
	007131-01-000	EA	HANGER-TAILPIPE, 6 SLOTS
	007125-03-000	EA	CLAMP-MUFFLER - 1.5" DIA
	007125-04-000	EA	CLAMP-MUFFLER, 1.1" DIA
	094059-01-000	EA	SPACER-GENERATOR, ONAN
	106607-01-000	EA	ANGLE-SUPPORT, EXHAUST
	024976-01-000	EA	SWITCH-GENERATOR, W/O CIRCUIT BOARD
			FROM 00-00-00 THRU 12-13-92
	108357-10-000	EA	SWITCH-ROCKER, SPDT - MOM/OFFMOM - CARLING V8D1160B-0
			FROM 12-14-92 THRU 99-99-99
	108356-05-01A	EA	ACTUATOR-SWITCH GROOVES LENS - CARLING VVLGCXX-XWB
			FROM 12-14-92 THRU 99-99-99
	098351-07-01A	EA	PLATE-SWITCH, GENERATOR - JENSEN-POLISH BRASS
			FROM 12-14-92 THRU 99-99-99

GENERATOR GROUP (CONTINUED)

7 KW KOHLER GENERATOR - 50 AMP

KEY	PART NUMBER	U/M	DESCRIPTION
	105525-03-000	EA	GENERATOR-7KW LOW PRO 30/30 - KOHLER 7CCKM21 249
	105526-01-000	EA	ARRESTER-SPARK, KOHLER 278621
	105527-02-000	EA	PIPE-EXHAUST ADAPTER, KOHLER-278979
	105530-01-000	EA	MUFFLER-SIDE EXHAUST, W/O SPARK - KOHLER 278733
	105602-01-000	EA	GASKET-EXHAUST, KOHLER-278320
	105958-03-000	EA	PIPE-EXHAUST, GENERATOR
	007131-01-000	EA	HANGER-TAILPIPE, 6 SLOTS
	007125-03-000	EA	CLAMP-MUFFLER - 1.5" DIA
	007125-04-000	EA	CLAMP-MUFFLER 1.1" DIA
	094059-01-000	EA	SPACER-GENERATOR, ONAN
	106607-01-000	EA	ANGLE-SUPPORT, EXHAUST
	024976-01-000	EA	SWITCH-GENERATOR, W/O CIRCUIT BOARD
			FROM 00-00-00 THRU 12-13-92
	108357-10-000	EA	SWITCH-ROCKER, SPDT - MOM/OFFMOM - CARLING V8D1160B-0
			FROM 12-14-92 THRU 99-99-99
	108356-05-01A	EA	ACTUATOR-SWITCH GROOVES LENS - CARLING VVLGCXX-XWB
			FROM 12-14-92 THRU 99-99-99
	098351-07-01A	EA	PLATE-SWITCH, GENERATOR - JENSEN-POLISH BRASS
			FROM 12-14-92 THRU 99-99-99

7 KW ONAN MARQUIS GENERATOR

KEY	PART NUMBER	U/M	DESCRIPTION
	105559-01-000	EA	GENERATOR-7KW MARQUIS - ONAN NHM IR/26106 WITH ONAN TRAY #403-2893
	106234-01-000	EA	PIPE-EXHAUST, GENERATOR
	106235-01-000	EA	ADAPTOR-EXHAUST, GENERATOR
	007131-01-000	EA	HANGER-TAILPIPE, 6 SLOTS
	007125-03-000	EA	CLAMP-MUFFLER - 1.5" DIA
	106607-01-000	EA	ANGLE-SUPPORT, EXHAUST
	094059-01-000	EA	SPACER-GENERATOR, ONAN
	024976-01-000	EA	SWITCH-GENERATOR, W/O CIRCUIT BOARD
			FROM 00-00-00 THRU 12-13-92
	108357-10-000	EA	SWITCH-ROCKER, SPDT - MOM/OFFMOM - CARLING V8D1160B-0
			FROM 12-14-92 THRU 99-99-99
	108356-05-01A	EA	ACTUATOR-SWITCH GROOVES LENS - CARLING VVLGCXX-XWB
			FROM 12-14-92 THRU 99-99-99
	098351-07-01A	EA	PLATE-SWITCH, GENERATOR - JENSEN-POLISH BRASS
			FROM 12-14-92 THRU 99-99-99

7 KW ONAN MARQUIS GENERATOR - 50 AMP

KEY	PART NUMBER	U/M	DESCRIPTION
	105559-03-000	EA	GENERATOR-7KW MARQUIS 30/30 - ONAN NHM FA/26105 WITH ONAN TRAY #403-2893
	106234-01-000	EA	PIPE-EXHAUST, GENERATOR
	106235-01-000	EA	ADAPTOR-EXHAUST, GENERATOR
	007131-01-000	EA	HANGER-TAILPIPE, 6 SLOTS
	007125-03-000	EA	CLAMP-MUFFLER - 1.5" DIA
	008401-01-000	EA	STRAP-CONDUIT, 3/4" - 1 HOLE - GALVANIZED STEEL
	106607-01-000	EA	ANGLE-SUPPORT, EXHAUST
	094059-01-000	EA	SPACER-GENERATOR, ONAN
	024976-01-000	EA	SWITCH-GENERATOR, W/O CIRCUIT BOARD
			FROM 00-00-00 THRU 12-13-92
	108357-10-000	EA	SWITCH-ROCKER, SPDT - MOM/OFFMOM - CARLING V8D1160B-0
			FROM 12-14-92 THRU 99-99-99
	108356-05-01A	EA	ACTUATOR-SWITCH GROOVES LENS - CARLING VVLGCXX-XWB
			FROM 12-14-92 THRU 99-99-99
	098351-07-01A	EA	PLATE-SWITCH, GENERATOR - JENSEN-POLISH BRASS
			FROM 12-14-92 THRU 99-99-99

1993 WINNEBAGO TABLE OF CONTENTS

INTRODUCTION	A-01 -	A-02
ABBREVIATIONS		A-03
ALPHABETICAL INDEX	A-04 -	A-06
WCM37RW	A-07 -	G-08
WCM33RQ	G-09 -	L-24

1993 WCM37RW INDEX

FLOOR PLAN	A-07 -	A-08
ACCESSORIES		A-09
AUDIO VIDEO	A-10 -	A-13
BATH	A-14 -	A-18
BEDROOM	A-19 -	A-20
CHASSIS	A-21 -	B-20
CURTAIN & CUSHION	B-21 -	C-10
DINETTE	C-11 -	C-12
DRIVERS COMPARTMENT	C-13 -	C-18
ELECTRICAL	C-19 -	D-01
EXTERIOR BODY	D-02 -	D-12
GALLEY	D-13 -	D-22
GENERATOR	D-23 -	D-24
HEATING & A/C	E-01 -	E-06
INTERIOR FINISH	E-07 -	E-10
LABEL	E-11 -	E-18
LP		E-19
LOUNGE	E-20 -	E-21
SEALANTS & FASTENERS	E-22 -	F-02
WATER & SEWAGE	F-03 -	F-07
WINDOW, VEIL AND EXTERIOR DOOR	F-08 -	G-04
WINDSHIELD & WIPE R	G-05 -	G-08

HEATING & AIR CONDITIONING GROUP

AUTO A/C EVAPORATOR

KEY	PART NUMBER	U/M DESCRIPTION
	103930-01-000	EA EVAPORATOR/HEATER ASSEMBLY, SCS 090-0041
	088227-02-701	EA BRACKET-BOWDEN CABLE MOUNTING, ARA 0403417
	094831-01-709	EA CLAMPS-ROD, 3/16" - MOTIVAIR/SCS ZGG14431
	094831-01-724	EA O-RING-#4, MOTIVAIR/SCS ZGG14561
	103930-01-700	EA ROD-AIR BLEND DOOR, SCS 073-0017
	103930-01-701	EA PANEL-DOOR, FOR AIR BLEND - SCS 071-0123
	103930-01-702	EA GASKET-DOOR, FOR AIR BLEND - SCS 045-0080
	103930-01-703	EA COIL-HEATER, SCS 042-0010
	103930-01-704	EA COIL-EVAPORATOR, SCS 041-0017
	103930-01-705	EA VALVE-EXPANSION BLOCK, SCS 034-0019
	103930-01-706	EA GASKET-O-RING, #8 - SCS 045-0011
	103930-01-707	EA GASKET-O-RING, #10 - SCS 045-0012
	103930-01-708	EA BRACKET-VACUUM MOTOR, SCS 070-0113
	103930-02-708	EA MOTOR-VACUUM SERVO, A/C - SCS 030-0002
	103930-01-710	EA RESISTOR-FUSEL, SCS 035-0036
	103930-01-711	EA THERMOSTAT, SCS 033-0003
	103930-01-712	EA GASKET-O-RING, SCS 045-0010
	103930-01-713	EA FITTING-QUICK CONNECT, #4 - SCS 050-003
	103930-01-714	EA FITTING-SERVICE VALVE, #10 - SCS 050-0031
	103930-01-715	EA SWITCH-BINARY, SCS 072-0030
	103930-01-716	EA SWITCH-PRESSURE, FAN - SCS 032-0029
	103930-01-717	EA WHEEL-CLOCK-WISE, SCS 062-0010
	103930-01-718	EA HOSE #6, SCS 051-0036
	103930-01-719	EA HOSE, #10, SCS 051-0017
	103930-01-720	EA MOTOR, SCS 030-0004
	103930-01-721	EA GASKET O-RING #12, SCS 045 0062
	103930-01-722	EA #6 HOSE ASM W/FITTINGS AND SWITCHS
	031831-08-000	EA WIRE ASSEMBLY-AC COMPRESSOR ADAPTER, SCS 036-0054

AUTO A/C CONTROL/PLENUM

KEY	PART NUMBER	U/M DESCRIPTION
	103930-08-000	EA CONTROL/PLENUM SET FOR M-BODY, SCS 093-00045
	072341-06-700	EA SWITCH, 4 SPEED, FAN - ARA 0983502
	103930-01-723	EA HOSE ASM, W/FITTINGS #10 - SCS 025-0073
	103930-02-700	EA PANEL-CONTROL, SCS 032-0018
	103930-02-701	EA VALVE-CONTROL HEAD, SCS 034-0015
	103930-02-702	EA DECAL-FAN SWITCH, SCS 058-0008
	103930-02-703	EA HARNESS-WIRE CONTROL, SCS 036-0048
	103930-02-704	EA HARNESS-VACUUM CONTROL, SCS 036-0049
	103930-02-705	EA CABLE-CONTROL, BOWDEN - SCS 074-0011
	103930-02-706	EA CLIP-CABLE, CONTROL - SCS 022-0017
	103930-02-707	EA RELAY, SCS 031-0001
	103930-02-710	EA CANISTER-VACUUM, SCS 054-0002
	103930-02-711	EA VALVE-WATER, SCS 034-00114

AUTO A/C & HEAT SYSTEM

KEY	PART NUMBER	U/M DESCRIPTION
	007076-01-000	EA HOSE-FLEXIBLE PVC - 2" ID - INCREMENTS OF 10'
	007281-01-000	EA HOSE-FLEXIBLE PVC, 2.5" ID X 50' - ATCOFLEX A-182-355
	024990-05-000	EA OUTLET-DEFROSTER, W/SWIVEL - 2" DIAMETER - BLACK
	024990-06-000	EA OUTLET-DEFROSTER, W/SWIVEL - 2" DIAMETER - WILLOW
	056402-05-000	EA BRACKET-HEATER VENT, ROUND - W/BEND - BLACK
	077075-01-000	EA GASKET-INSTRUMENT PANEL TO DEFROSTER PLENUM - .6" X 11.3" (CENTER TWO OPENINGS)
	077075-03-000	EA GASKET-INSTRUMENT PANEL TO DEFROSTER PLENUM (OUTER TWO OPENINGS)

HEATING & AIR CONDITIONING GROUP (CONTINUED)

AUTO A/C & HEAT SYSTEM (CONTINUED)

KEY	PART NUMBER	U/M DESCRIPTION
	103016-01-000	EA PLENUM-TRANSITION
	103017-01-000	EA PLENUM-DEFROSTER
	103558-01-03A	EA VENT-DEFROSTER, ABS PLASTIC - WILLOW
	103796-01-01A	EA LOUVER ASM-A/C CARY PROD BLACK 268-38, 100-2-4-B
	103530-05-00	EA MANUAL-OWNERS, HEATER-A/C - SCS 057-0049

FURNACE

KEY	PART NUMBER	U/M DESCRIPTION
	098668-11-000	EA FURNACE-40000 BTU, SUBURBAN SF-40
	074466-01-702	EA RELAY-TIME DELAY, SUBURBAN# 230625
	093365-01-000	EA THERMOSTAT-WALL, FURNACE - SUBURBAN 0'6'0902
	096668-01-700	EA CABINET FRONT, SUBURBAN 101242
	098668-01-705	EA SWITCH-LIMIT, SUBURBAN 231630
	098668-01-707	EA VENT CAP & EXHAUST TUBE ASM, SUBURBAN 260193
	098668-01-708	EA BLOWER ASM (COMBUSTION AIR), SUBURBAN 250441
	098668-01-712	EA BOARD-MODULE, SUBURBAN 231741
	098668-01-713	EA INTAKE VENT TUBE ASM, SUBURBAN 051044
	098668-01-714	EA GAS VALVE (WHITE ROGERS), SUBURBAN 161070
	098668-11-700	EA ORIFICE-MAIN BURNER SF-42F, SUBURBAN 180216
	098668-11-701	EA BURNER ASM COMP (SF-42F), SUBURBAN 010799
	098668-11-702	EA MOTOR ASM COMP (SF-42F), SUBURBAN 232212
	098668-11-703	EA SWITCH-SAIL (ASM) (SF-42F), SUBURBAN 232216
	098668-11-704	EA BLOWER ASM ROOM AIR (SF-42F), SUBURBAN 290698
	098668-11-705	EA WHEEL-ROOF AIR (SF-42F), SUBURBAN 350129
	098668-11-706	EA LIMIT SWITCH (SF-42F), SUBURBAN 232217
	101990-01-714	EA MICROSWITCH GASKET, SUBURBAN 230877
	098668-13-000	EA GASKET-FIBERGLASS, .5" X 16.37" X 17.56" - SUBURBAN 070977
	098668-14-000	EA GASKET-FIBERGLASS, .5" X 18" X 18" - SUBURBAN 070976

REAR HEATER

KEY	PART NUMBER	U/M DESCRIPTION
	084405-01-000	EA HEATER ASM-REAR, DUCTED - W/MOTOR AID - EVANS
	084405-01-700	EA HEATER CORE, EVANS FT200229
	084405-01-701	EA FAN BLADES, EVANS HV029931
	084405-01-702	EA MOTOR ASM, 12 V, EVANS 200146

HEATING COMPONENTS

KEY	PART NUMBER	U/M DESCRIPTION
	094600-01-02A	EA REGISTER-HEAT, W/O DAMPER - 3.6" X 11.2" - BROWN
	094600-02-02A	EA REGISTER-HEAT, W/DAMPER - 3.6" X 11.2" - BROWN
	056464-05-000	EA REGISTER-PLASTIC W/O DAMPER - 4" DIAMETER - GOLDEN
	056464-06-000	EA REGISTER-HEAT/A/C, ROUND W/O DAMPER - 4" - PLASTIC - OFF WHITE
	023146-01-000	EA CLAMP-SCREW TYPE - 4"
	069636-02-000	EA CONNECTOR-DUCT- 4" ID - SUBURBAN 050715
	009198-01-000	FT DUCT-HEAT- FLEXIBLE - 4" ID X 25 FT
	093614-01-01A	EA GRILLE-RETURN AIR- FURNACE - 15.6" X 7.6" - BROWN
	079059-01-000	EA HOSE-90 DEGREE- 5/8" ID X 4" X 36"
	007108-01-000	FT HOSE-HEATER- 5/8" ID - HI-TEMP - FORD ESE-M2D192-A
	009200-01-000	EA TAPE-FURNACE, 1 1/2"
	088753-01-000	FT TUBE-ALUMINIZED STEEL, 5/8" - 18 GAUGE
	061673-01-000	EA BRACKET-MOTOR AID TUBES, 4" X 1.5" - STEEL
	010227-01-000	EA TEE-PLASTIC, BARB 5/8" OR 3/4" HOSE

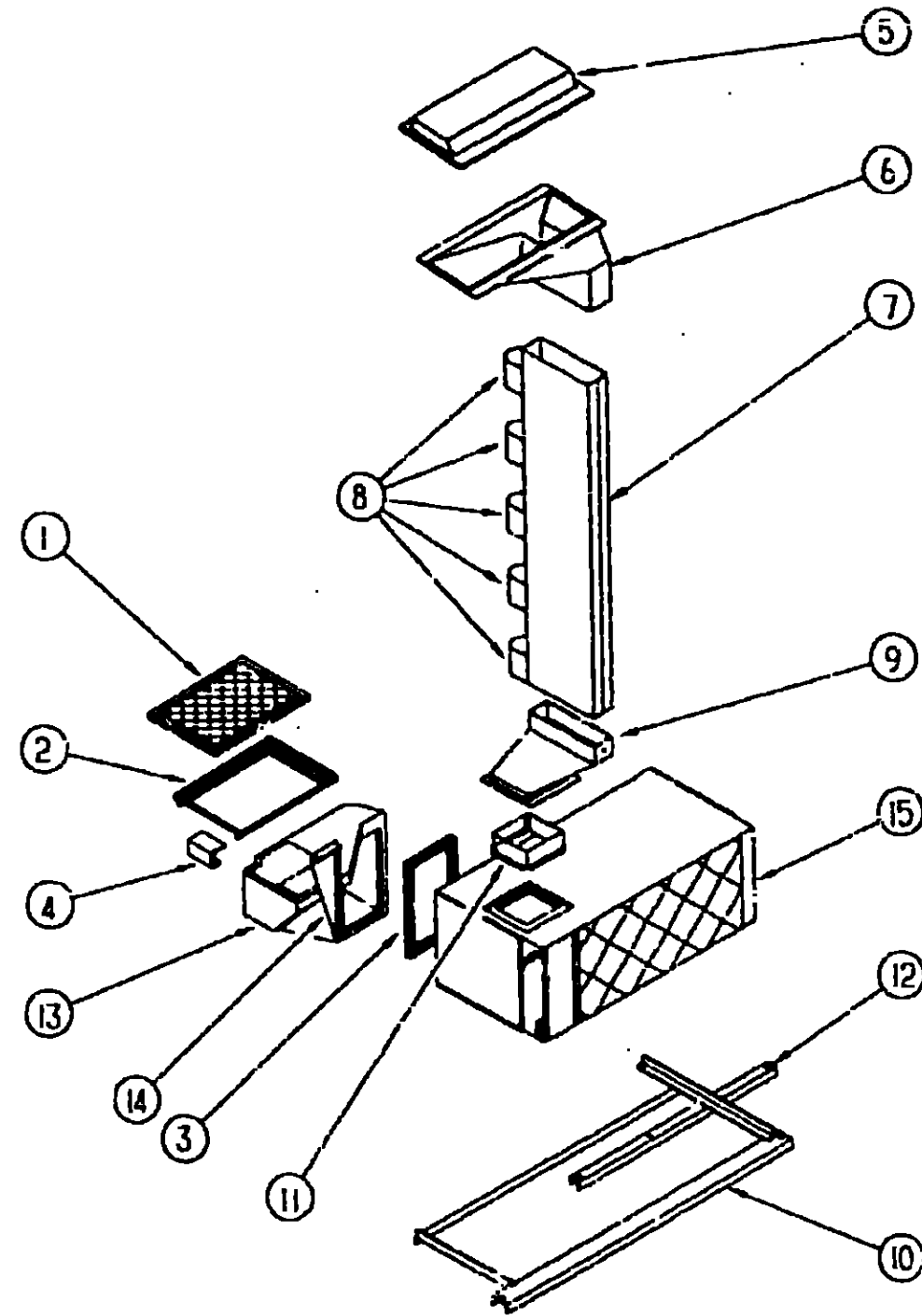
**1993 WINNEBAGO
TABLE OF CONTENTS**

INTRODUCTION	A-01 -	A-02
ABBREVIATIONS		A-03
ALPHABETICAL INDEX	A-04 -	A-06
WCM37RW	A-07 -	G-08
WCM33RQ	G-09 -	L-24

1993 WCM37RW INDEX

FLOOR PLAN	A-07 -	A-08
ACCESSORIES		A-09
AUDIO VIDEO	A-10	A-13
BATH	A-14 -	A-18
BEDROOM	A-19 -	A-20
CHASSIS	A-21 -	B-20
CURTAIN & CUSHION	B-21 -	C-10
DINETTE	C-11 -	C-12
DRIVERS COMPARTMENT	C-13 -	C-14
ELECTRICAL	C-19 -	D-01
EXTERIOR BODY	D-02 -	D-12
GALLEY	D-13 -	D-22
GENERATOR	D-23	D-24
HEATING & A/C	E-01 -	E-06
INTERIOR FINISH	E-07 -	E-10
LABEL	E-11 -	E-18
LP		E-19
LOUNGE	E-20 -	E-21
SEALANTS & FASTENERS	E-22 -	F-02
WATER & SEWAGE	F-03 -	F-07
WINDOW, VENT AND EXTERIOR DOOR	F-08 -	G-04
WINDSHIELD & WIPER	G-05 -	G-08

HEATING & AIR CONDITIONING GROUP (CONTINUED)

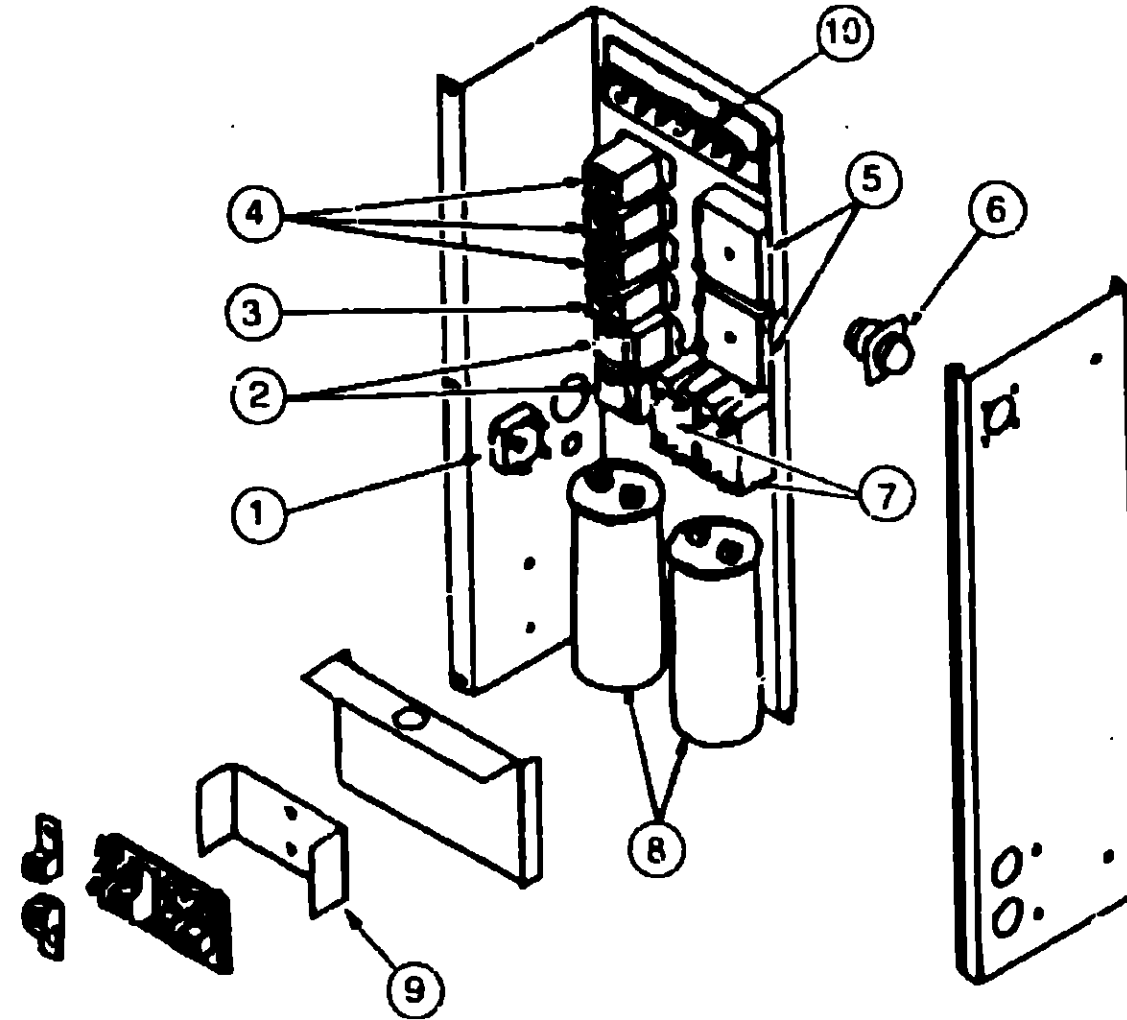


CENTRAL A/C & HEATING SYSTEM

KEY	PART NUMBER	U/M	DESCRIPTION
1	109050-02-000	EA	FILTER-FIBERGLASS, 1" X 14" X 20"
2	109659-01-000	EA	FRAME-FILTER, A/C
3	104692-02-000	FT	SEAL-3/4" X 1", ADHESIVE ON ONE SIDE
3	104692-01-000	FT	SEAL-3/4" X 3/4", ADHESIVE ON ONE SIDE
4	109752-01-000	EA	CHANNEL-SUPPORT, A/C
5	109009-01-000	EA	DEFLECTOR-A/C, ROOF
6	P09011-01-000	EA	PLENUM-A/C, SUPPLY - UPPER - W/FOAM
7	109017-01-000	EA	PLENUM ASM-A/C, SUPPLY
8	109085-01-000	EA	FOAM-SUPPORT, PLENUM - A/C
9	P09010-01-000	EA	PLENUM-A/C, SUPPLY - LOWER - W/FOAM
10	109182-01-000	EA	CRADLE ASM-A/C
11	109019-01-000	EA	COLLAR ASM-SUPPLY, A/C
12	109520-01-000	EA	CHANNEL-FORMED, A/C
13	109291-01-000	EA	DUCT-CENTRAL AIR, PLASTIC

CENTRAL A/C & HEATING SYSTEM (CONTINUED)

KEY	PART NUMBER	U/M	DESCRIPTION
14	109575-01-000	EA	REINFORCEMENT-DUCT, RETURN - METAL
	105620-03-000	EA	THERMOSTAT-A/C AND FURNACE, COLEMAN 6795-665
	105620-04-000	EA	WIRE ASSEMBLY-THERMOSTAT, COLEMAN 6795-435
15	105620-02-000	EA	A/C-CENTRAL, PACKAGE UNIT - COLEMAN LIT 6795-832
	108975-01-000	EA	BRACKET-A/C SUPPORT, RIGHT - TRIANGLE - 80 X 116MM - STEEL
	108975-02-000	EA	BRACKET-A/C SUPPORT, / LEFT - TRIANGLE - 80 X 116MM - STEEL
	M05906-01-D18	EA	COVER, A/C - W/INSULATION
	056464-06-000	EA	REGISTER-HEAT/A/C, ROUND W/O DAMPER - 4" - PLASTIC - O-WHITE
	092633-02-02A	EA	COVER-BLANK, ROOF A/C - 5.1" X 5.1" - PLASTIC - OFF WHITE
	084077-03-000	EA	COVER-BLANK, ROOF A/C - 5.2" X 3.5" - PLASTIC - IVORY



CENTRAL A/C CONTROL CENTER

KEY	PART NUMBER	U/M	DESCRIPTION
1	105620-01-735	EA	AC/DC BRIDGE - COLEMAN 1460-350
2	105620-01-732	EA	RELAY-BLOWER - COLEMAN 6799-3491
3	105620-01-734	EA	RELAY-EXCLUSION - COLEMAN 1460-103
4	105620-01-731	EA	RELAY-CONTROL - COLEMAN 6799-246
5	105620-01-737	EA	DELAY-TIME, O.D. BLOWER - COLEMAN 1460-3001
6	105620-01-727	EA	RECEPTACLE ASM., W/CAP - COLEMAN 6795-324
7	105620-01-729	EA	RELAY-COMPRESSOR - COLEMAN 1460-1-1
8	108889-01-707	EA	RUN CAPACITOR (COMPRESSOR) - COLEMAN 1499-5661
9	105620-01-733	EA	ISOLATOR-HIGH VOLTAGE - COLEMAN 6795-117
10	105620-01-736	EA	LOW VOLTAGE TERMINAL BOARD, COLEMAN 6795-316

1993 WINNEBAGO TABLE OF CONTENTS

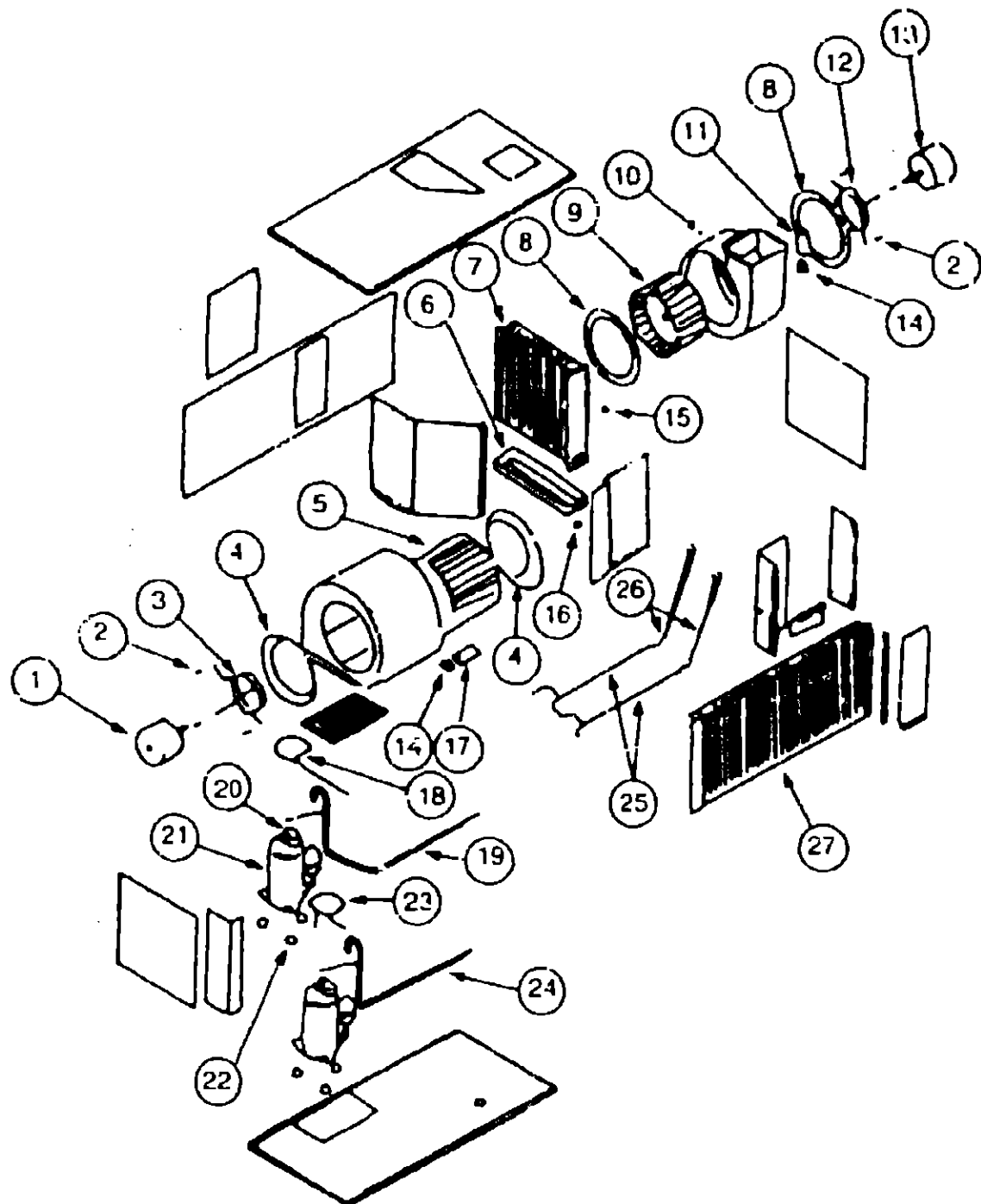
INTRODUCTION	A-01 -	A-02
ABBREVIATIONS		A-03
ALPHABETICAL INDEX	A-04 -	A-06
WCM37RW	A-07 -	G-08
WCM33RC	G-09 -	L-24

1993 WCM37RW INDEX

FLOOR PLAN	A-07 -	A-08
ACCESSORIES		A-09
AUDIO VIDEO	A-10	A-13
BATH	A-14 -	A-18
BEDROOM	A-19 -	A-20
CHASSIS	A-21 -	B-20
CURTAIN & CUSHION	B-21 -	C-10
DINETTE	C-11 -	C-12
DRIVERS COMPARTMENT	C-13 -	C-18
ELECTRICAL	C-19 -	D-01
EXTERIOR BODY	D-02 -	D-12
GALLEY	D-13 -	D-22
GENERATOR	D-23	D-24
HEATING & A/C	E-01 -	E-06
INTERIOR FINISH	E-07 -	E-10
LABEL	E-11 -	E-18
LP		E-19
LOUNGE	E-20 -	E-21
SEALANTS & FASTENERS	E-22 -	F-02
WATER & SEWAGE	F-03 -	F-07
WINDOW, VENT AND EXTERIOR DOOR	F-08 -	G-04
WINDSHIELD & WIPER	G-05 -	G-08

HEATING & AIR CONDITIONING GROUP (CONTINUED)

CENTRAL A/C & HEATING SYSTEM (CONTINUED)



KEY	PART NUMBER	U/M DESCRIPTION
1	105620-01-717	EA MOTOR-BLOWER, O.D. - COLEMAN 1468-302
2	105620-01-716	EA PKG-SLEEVE & GROMMET, 4 PER PKG - COLEMAN 6795-3031
3	105620-01-715	EA MOUNT-BLOWER, O.D. - COLEMAN 6795-3011
4	105620-01-714	EA VENTURI-BLOWER, O.D. - COLEMAN 6795-150
5	105620-01-713	EA WHEEL-BLOWER, O.D. - COLEMAN 1472-101
6	105620-02-702	EA PAN-DRAIN, LH - COLEMAN 6795-225
6	105620-01-702	EA PAN-DRAIN, RH - COLEMAN 6795-125
7	105620-02-701	EA COIL-EVAPORATOR, RH - COLEMAN 1452-143
8	105620-01-722	EA VENTURI-BLOWER, I.D. - COLEMAN 6795-151
9	105620-02-709	EA WHEEL-BLOWER, I.D. - COLEMAN 1472-102
10	105620-02-708	EA HOUSING-BLOWER, I.D. - COLEMAN 6795-519
11	105669-01-708	EA CAPACITOR-FAN, COLEMAN 1499-5461
12	105620-01-723	EA MOUNT-MOTOR, BLOWER I.D. - COLEMAN 6795-302
13	105620-01-724	EA MOTOR-BLOWER, I.D. REVERSIBLE - COLEMAN 1469-312
14	105620-01-719	EA BOOT-CAP/CITOR, RUBBER - COLEMAN 1499-950
15	105620-01-726	EA SWITCH-FREEZE, COLEMAN 6795A330
16	105620-01-703	EA DRAIN VALVE, COLEMAN 6795-300
17	105620-01-718	EA O.D. BLOWER CAPACITOR (12.5), COLEMAN 1499-4631
18	105620-02-704	EA LINE-DISCHARGE, #2 - LH - COLEMAN 6795-233
19	105620-02-703	EA LINE ASM-SUCTION, #2 - LH - COLEMAN 6759-507
20	105620-01-705	EA OVERLOAD PROTECTOR (RH&LH), COLEMAN 6759-3791
21	105620-01-704	EA COMPRESSOR, TECUMSEH RK157 AT-010A4
22	105620-01-706	EA COMPRESSOR MOUNTING PKG. (3/PKG), COLEMAN 6759-3081
23	105620-02-706	EA LINE ASM-SUCTION, #1 - LEFT - COLEMAN 6795-234
23	105620-01-710	EA LINE ASM-SUCTION, #1 - RIGHT - COLEMAN 6795-134
24	105620-02-705	EA LINE ASM-SUCTION, #1 - LH - COLEMAN 6795-508
24	105620-01-709	EA LINE ASM-SUCTION, #1 - RH - COLEMAN 6795-506
25	105620-02-707	EA LINE ASM-LIQUID, COMPRESSOR - LEFT - COLEMAN 6795-503
25	105620-01-711	EA LINE ASM-LIQUID, COMPRESSOR - RIGHT - COLEMAN 6795-509
26	105620-01-712	EA CAP TUBE ASM-DISTRIBUTOR, RIGHT & LEFT - COLEMAN 6795-514
27	105620-02-700	EA COIL-CONDENSER, LH - COLEMAN 1452-142
27	105620-01-700	EA COIL-CONDENSER, RH - COLEMAN 1452-140
	105620-01-716	EA PKG-SLEEVE & GROMMET, 4 PER PKG - COLEMAN 6795-3031
	105620-04-000	EA WIRE ASSEMBLY-THERMOSTAT, COLEMAN 6795-435
	108975-01-000	EA BRACKET-A/C SUPPORT, RIGHT - TRIANGLE - 80 X 116MM - STEEL
	108975-02-000	EA BRACKET-A/C SUPPORT, LEFT - TRIANGLE - 80 X 116MM - STEEL
	M05906-01-D18	EA COVER, A/C - W/INSULATION
	056464-06-000	EA REGISTER-HEAT/A/C, ROUND W/O DAMPER - 4' - PLASTIC - OFF WHITE

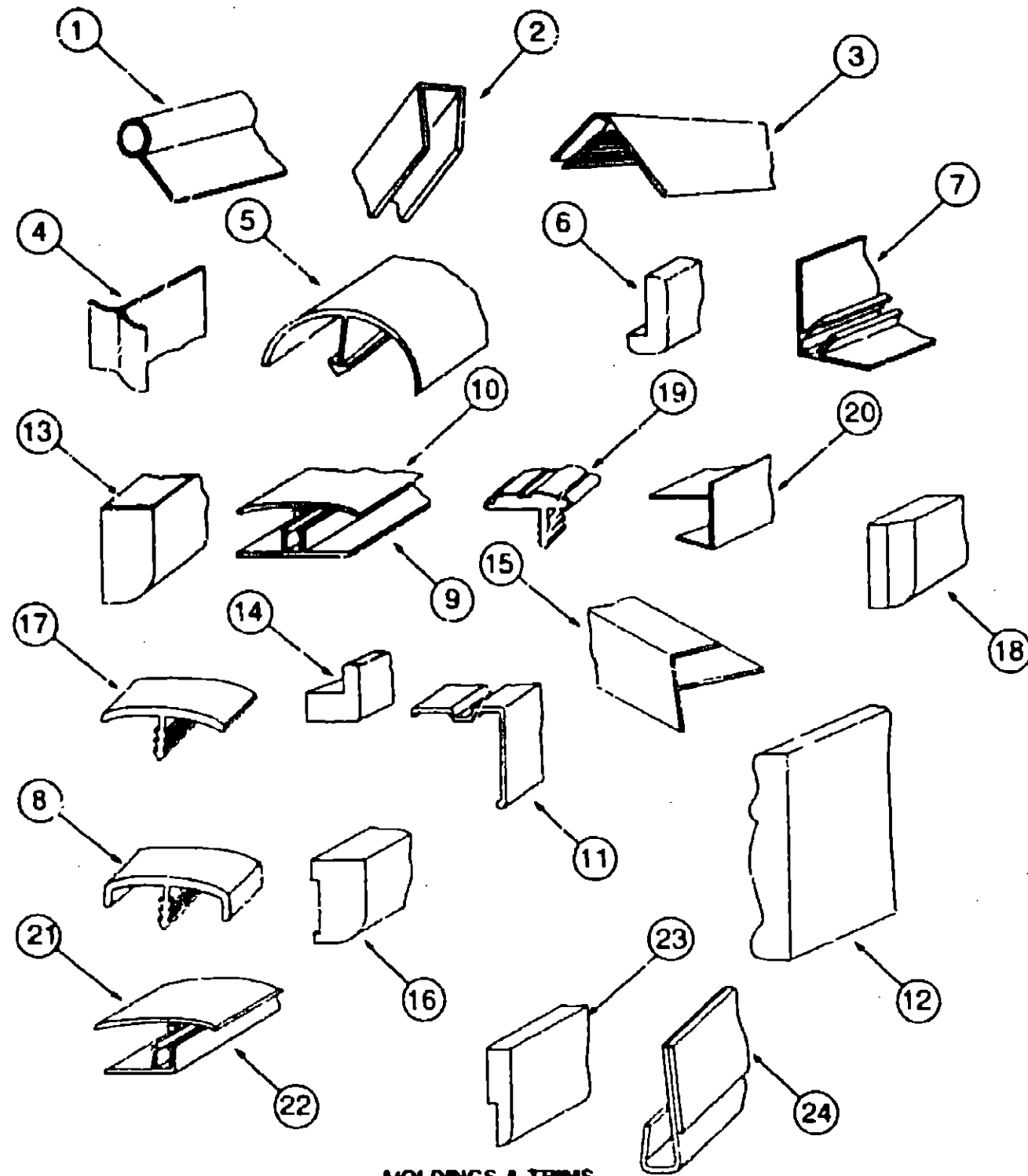
1993 WINNEBAGO TABLE OF CONTENTS

INTRODUCTION	A-01 -	A-02
ABBREVIATIONS		A-03
ALPHABETICAL INDEX	A-04 -	A-06
WCM37RW	A-07 -	G-08
WCM33RQ	G-09 -	L-24

1993 WCM37RW INDEX

FLOOR PLAN	A-07 -	A-08
ACCESSORIES		A-09
AUDIO VIDEO	A-10	A-13
BATH	A-14 -	A-18
BEDROOM	A-19 -	A-20
CHASSIS	A-21 -	B-20
CURTAIN & CUSHION	B-21 -	C-10
DINETTE	C-11 -	C-12
DRIVERS COMPARTMENT	C-13 -	C-18
ELECTRICAL	C-19 -	D-01
EXTERIOR BODY	D-02 -	D-12
GALLEY	D-13 -	D-22
GENERATOR	D-23	D-24
HEATING & A/C	E-01 -	E-06
INTERIOR FINISH	E-07 -	E-10
LABEL	E-11 -	E-18
LP		E-19
LOUNGE	E-20 -	E-21
SEALANTS & FASTENERS	E-22 -	F-02
WATER & SEWAGE	F-03 -	F-07
WINDOW, VENT AND EXTERIOR DOOR	F-08 -	G-04
WINDSHIELD & WIPER	G-05 -	G-08

INTERIOR FINISH GROUP



MOLDINGS & TRIMS

KEY	PART NUMBER	U/M DESCRIPTION
1	009767-12-000	FT MOLDING-SIDEWALL TO CEILING/CABINET, WELTING - OFF WHITE
2	009778-13-000	FT U CHANNEL-PLASTIC, 1" WIDE X 8' INCREMENTS - THOR PECAN
2	070504-19-000	FT U-CHANNEL-PLASTIC, .815" WIDE - BROWN - INC OF 8'
2	070504-24-000	FT U-CHANNEL-PLASTIC, .875" WIDE - THOR PECAN - INC OF 8'
2	070504-26-000	FT U-CHANNEL-PLASTIC, .815" WIDE - MODERN IVORY - INC OF 8'
3	009809-23-000	EA MOLDING-CORNER, OUTSIDE - 1" - PLASTIC - IVORY
4	022992-11-000	FT MOLDING-REVERSE COVE, T-SHAPED - VINYL - IVORY
5	042357-17-000	EA MOLDING-CORNER, RADIUS - 1.5" X 7" - PLASTIC - WOODGRAIN
6	077840-01-W30	EA MOLDING-WALL CAP, 1.4" X 8' LONG - L-SHAPED WOOD
7	081521-02-007	EA MOUNT-METAL MOLDING, FOR RADIUS CORNER MOLDING - 12.5" EA
	080176-03-000	EA CAP-TOP, RADIUS CORNER MOLDING - PLASTIC - PECAN
9	083620-07-000	FT MOLDING-T, END CAP EDGE - W/EDGE LIPS - .75" - THOR PECAN
9	086229-01-000	EA RETAINER-BATTEN, CEILING - .75" WIDE - 7.6" EA
10	086229-04-000	EA BATTEN-CEILING, 1" WIDE - IVORY - 7.6" EA
11	093873-01-01A	EA TRIM-CARPET, L-ANGLE - 1.1" X 1.3" X 12" - VINYL - GRAY
12	100182-10-B07	EA TRIM-CHAIR RAIL, WALL - 2.5" X 8" - WOOD

INTERIOR FINISH GROUP (CONTINUED)

MOLDINGS & TRIMS (CONTINUED)

KEY	PART NUMBER	U/M DESCRIPTION
13	100818-01-01A	EA MOLDING-VINYL WRAPPED, 1.65" X .4" X 7' - REGAL OAK
14	100819-01-01A	EA MOLDING-VINYL WRAPPED, L-SHAPED - 1.5" X 1.5" X 7' - OAK
15	009812-25-000	EA MOLDING-CORNER, OUTSIDE - .5" - PLASTIC - PECAN
16	092331-D2-134	EA MOLDING-VINYL WRAPPED, .7" X 1.57" X 84" - WOODGRAIN
16	092331-F2-134	EA MOLDING-VINYL WRAPPED, .7" X 2.5" X 7' - WOODGRAIN
16	092331-F2-438	EA MOLDING-VINYL WRAPPED, .7" X 2.5" X 96" - WOODGRAIN
17	105709-01-000	FT T-MOLDING-1", MODERN IVORY
18	100659-17-D18	EA MOLDING-TRIM, FLOOR - 1" X 28.2" - WOOD
19	109736-01-01A	FT T-MOLDING, 1.00" - BRASS/BLACK - CRILA PLASTICS
20	103186-01-02A	FT MOLDING-EDGE, SHELF - .78" WIDE - PLASTIC - REGAL OAK
21	086229-10-000	EA BATTEN-1.5", OFFSET - IVORY
22	086229-09-000	EA RETAINER-OFFSET
23	105001-G1-01A	EA MOLDING-VINYL WRAP, .94" X 8' - WOODGRAIN - REGAL OAK
24	109332-01-01A	FT TRIM-J, CARPET - BLACK - B&W RN446
	092707-07-01A	EA MOLDING-OAK, REGAL
	091261-01-000	FT SLIPNOT-ANTISLIP, 1" WIDE (100' ROLL)
	085284-61-000	FT BATT STRIP-DECORATIVE, PATTERNED STRIPE - ADHESIVE BACKED
	079653-04-000	EA BATT STRIP-KERFED, WOODGRAIN
	069733-79-000	EA BATT STRIP-WOODGRAIN, 8' EA - FOREST OAK
	072368-02-000	EA TRIM-VINYL, EDGE - BLACK - GM 140J4305
	076325-27-000	FT MOLDING-EDGE BAND, 1 5/16" WIDE - REGAL OAK
	076325-28-000	FT MOLDING-EDGE BAND, 1 5/16" WIDE - OFF WHITE - THERMOWEB
	076325-38-000	FT MOLDING-EDGE BAND, 1 5/16" WIDE - BLUSH/BEIGE (D18)
	076325-35-000	FT MOLDING-EDGE BAND, 1 5/16" WIDE - GRAY (D19)
	076325-40-000	FT MOLDING-EDGE BAND, 1 5/16" WIDE - SILVER/BEIGE (D20)
	109831-01-D18	EA LUMBER-MIRROR STOP, 610MM LONG
	109831-02-D18	EA LUMBER-MIRROR STOP, 900MM LONG
	092330-D2-438	EA LUMBER-VINYL WRAPPED, .7" X 1.5" X 9" - WOODGRAIN
	092330-03-000	EA LUMBER-VINYL WRAPPED, 2" X 96" - WOODGRAIN
	092330-05-000	EA LUMBER-VINYL WRAPPED, 3" X 96" - WOODGRAIN

PANELING, LAMINATES & PLASTIC

KEY	PART NUMBER	U/M DESCRIPTION
	047034-02-000	SF PLASTIC-CARPET, 4" WIDE - CLEAR POLY - MINIMUM ORDER 1,600 SF
	057882-04-000	SF TAMBOUR-DOOR, 4' X 8' SHEET
	106069-01-000	SF TAMBOUR-BRASSTONE, 4' X 8' - ALUMINUM COVERED HARDBOARD
	064970-56-012	EA PLASTIC-ABS, .04" X 52" X 52" - BEIGE
	074497-20-000	SF PANELING-WOODGRAIN, 4' X 8' - INC OF 32 SF
	074498-24-000	SF LAMINATE-PLASTIC, 5' X 8' - INC OF 40 SF
	074498-47-000	SF LAMINATE-PLASTIC, 5' X 8' - INC OF 40 SF - GRAY (D18)
	074498-48-000	SF LAMINATE-PLASTIC, 5' X 8' - INC OF 40 SF - CANYON (D18 BED & BATH)
	074498-47-000	SF LAMINATE-PLASTIC, 5' X 8' - INC OF 40 SF - GRAY MATRIX (D18 GALLEY)
	074498-41-000	SF LAMINATE-PLASTIC, 5' X 8' - INC OF 40 SF - ORCHID MIST (D19)
	074498-49-000	SF LAMINATE-PLASTIC, 5' X 8' - INC OF 40 SF - CALDERA GRAY (D20)
	076773-08-000	SF PANELING-WOODGRAIN, 554 FOREST OAK, 2 SIDED - 3MM X 48" X 96"
	080215-06-000	SF PANEL-TWO SIDED, 5MM X 4' X 8' - WOODGRAIN
	083618-02-000	SF PLYWOOD-OAK, 1 SIDE FINISHED - 3/16" X 4' X 8' - INCREMENTS OF 32 SF
	088272-98-000	SF PANELING-SHOWER, OFF WHITE - 4' X 7' - INC OF 28 SQ FT
	088272-93-000	SF PANELING-DECORATIVE, PATTERNED STRIPE - 4' X 7' - INC 28SF
	089297-01-000	SF PLYWOOD-LUAN, OVERLAY GRADE - 4' X 8' - INC OF 32 SF
	089351-03-000	YD VINYL-CEILING, DIAMOND DESIGN - 54" WIDE
	095688-01-000	SF VENEER-FLAT LUANA 48 X 96

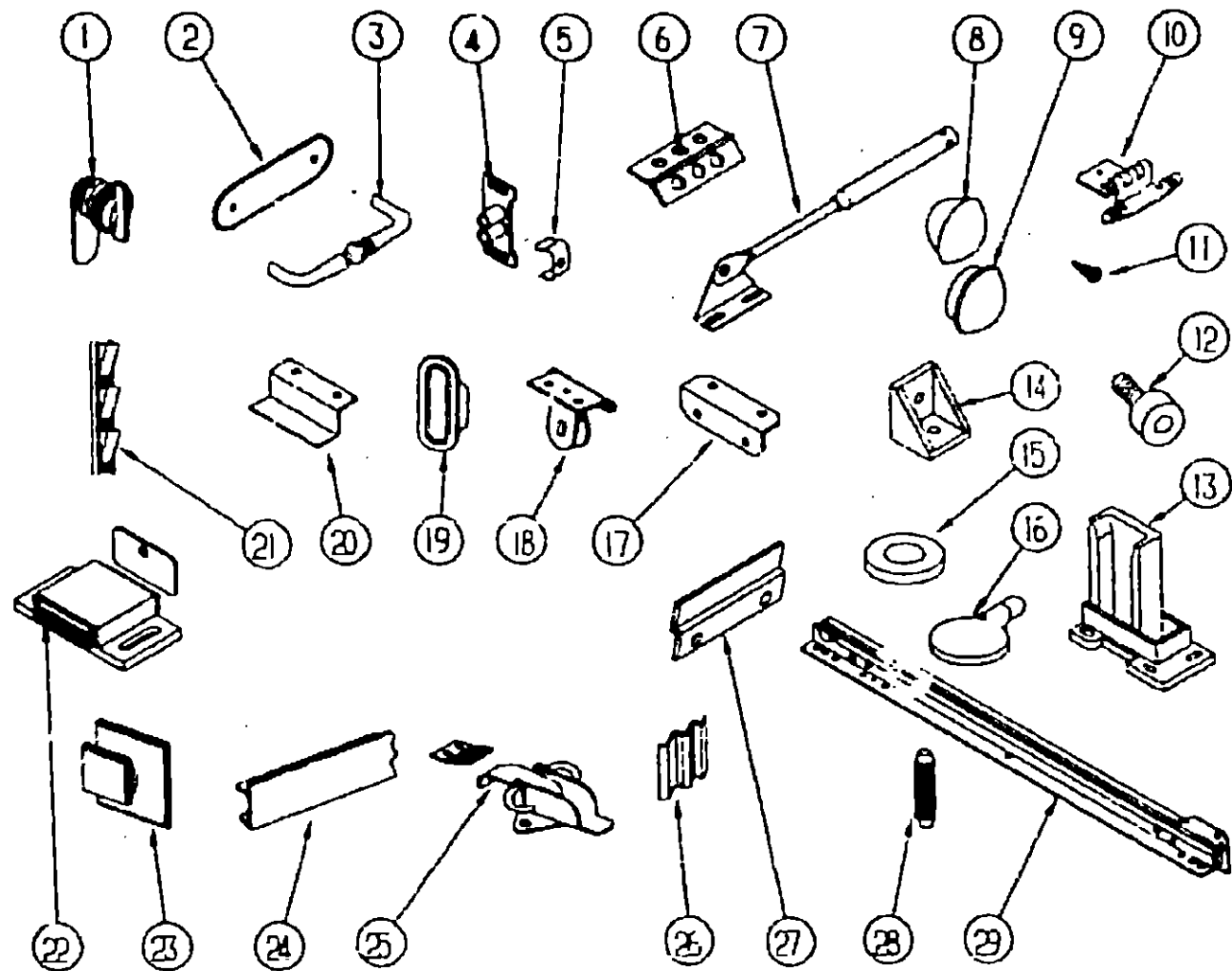
**1993 WINNEBAGO
TABLE OF CONTENTS**

INTRODUCTION	A-01	A-02
ABBREVIATIONS		A-03
ALPHABETICAL INDEX	A-04	A-06
WCM37RW	A-07	G-08
WCM33RQ	G-09	L-24

1993 WCM37RW INDEX

FLOOR PLAN	A-07	A-08
ACCESSORIES		A-09
AUDIO VIDEO	A-10	A-13
BATH	A-14	A-18
BEDROOM	A-19	A-20
CHASSIS	A-21	B-20
CURTAIN & CUSHION	B-21	C-10
DINETTE	C-11	C-12
DRIVERS COMPARTMENT	C-13	C-18
ELECTRICAL	C-19	D-01
EXTERIOR BODY	D-02	D-12
GALLEY	D-13	D-22
GENERATOR	D-23	D-24
HEATING & A/C	E-01	E-06
INTERIOR FINISH	E-07	E-10
LABEL	E-11	E-18
LP		E-19
LOUNGE	E-20	E-21
SEALANTS & FASTENERS	E-22	F-02
WATER & SEWAGE	F-03	F-07
WINDOW, VENT AND EXTERIOR DOOR	F-08	G-04
WINDSHIELD & WIPER	G-05	G-08

INTERIOR FINISH GROUP (CONTINUED)



CABINET & TABLE HARDWARE

INTERIOR FINISH GROUP (CONTINUED)

CABINET & TABLE HARDWARE (CONTINUED)

KEY	PART NUMBER	U/M DESCRIPTION
29	106913-06-000	EA SLIDE-DRAWER, CABINET - RIGHT SIDE - 18"
29	106913-07-000	EA SLIDE-DRAWER, DRAWER MOUNT - LEFT SIDE - 13"
29	106913-08-000	EA SLIDE-DRAWER, DRAWER MOUNT - RIGHT SIDE - 18"
29	106913-21-000	EA SLIDE-DRAWER, 24" LEFT CABINET - TRANSFER FLOW FROM: 00-00-00 THRU: 11-15-92
29	106913-22-000	EA SLIDE-DRAWER, 24" RIGHT CABINET - TRANSFER FLOW FROM: 00-00-00 THRU: 11-15-92
29	106913-23-000	EA SLIDE-DRAWER, 24" LEFT DRAWER - TRANSFER FLOW FROM: 00-00-00 THRU: 11-15-92
29	106913-24-000	EA SLIDE-DRAWER, 24" RIGHT DRAWER - TRANSFER FLOW FROM: 00-00-00 THRU: 11-15-92
29	106913-17-000	EA SLIDE-DRAWER, 22" LEFT CABINET - TRANSFER FLOW FROM: 11-16-92 THRU: 99-99-99
29	106913-18-000	EA SLIDE-DRAWER, 22" RIGHT CABINET - TRANSFER FLOW FROM: 11-16-92 THRU: 99-99-99
29	106913-19-000	EA SLIDE-DRAWER, 22" LEFT DRAWER - TRANSFER FLOW FROM: 11-16-92 THRU: 99-99-99
29	106913-20-000	EA SLIDE-DRAWER, 22" RIGHT DRAWER - TRANSFER FLOW FROM: 11-16-92 THRU: 99-99-99
29	106913-25-000	EA SLIDE-DRAWER, 20" LEFT CABINET - TRANSFER FLOW
29	106913-26-000	EA SLIDE-DRAWER, 20" RIGHT CABINET - TRANSFER FLOW
29	106913-27-000	EA SLIDE-DRAWER, 20" LEFT DRAWER - TRANSFER FLOW
29	106913-28-000	EA SLIDE-DRAWER, 20" RIGHT DRAWER - TRANSFER FLOW
	103808-01-01A	EA HANDRAIL-ASSIST, METAL BRASS
	023320-01-000	EA PAD-FELT, 3/8" DIAMETER - BROWN
	042541-04-000	EA LATCH-BRASS, W/O STRIKE - MSP TYPE - BRASS
	076790-01-000	EA SCREW, 6-20 X 1 1/4 PPH - BLACK
	009112-01-000	EA FLANGE-1" ROD, CLOTHES - PLASTIC - OFF WHITE

**1993 WINNEBAGO
TABLE OF CONTENTS**

INTRODUCTION	A-01 -	A-02
ABBREVIATIONS		A-03
ALPHABETICAL INDEX	A-04 -	A-06
WCM37RW	A-07 -	G-08
WCM33RQ	G-09 -	L-24

1993 WCM37RW INDEX

FLOOR PLAN	A-07 -	A-08
ACCESSORIES		A-09
AUDIO VIDEO	A-10 -	A-13
BATH	A-14 -	A-18
BEDROOM	A-19 -	A-20
CHASSIS	A-21 -	B-20
CURTAIN & CUSHION	B-21 -	C-10
DINETTE	C-11 -	C-12
DRIVERS COMPARTMENT	C-13 -	C-18
ELECTRICAL	C-19 -	D-01
EXTERIOR BODY	D-02 -	D-12
GALLEY	D-13 -	D-22
GENERATOR	D-23 -	D-24
HEATING & A/C	E-01 -	E-06
INTERIOR FINISH	E-07 -	E-10
LABEL	E-11 -	E-18
LP		E-19
LOUNGE	E-20 -	E-21
SEALANTS & FASTENERS	E-22 -	F-02
WATER & SEWAGE	F-03 -	F-07
WINDOW, VENT AND EXTERIOR DOOR	F-08 -	G-04
WINDSHIELD & WIPER	G-05 -	G-08

CARPETING & FLOOR MATS

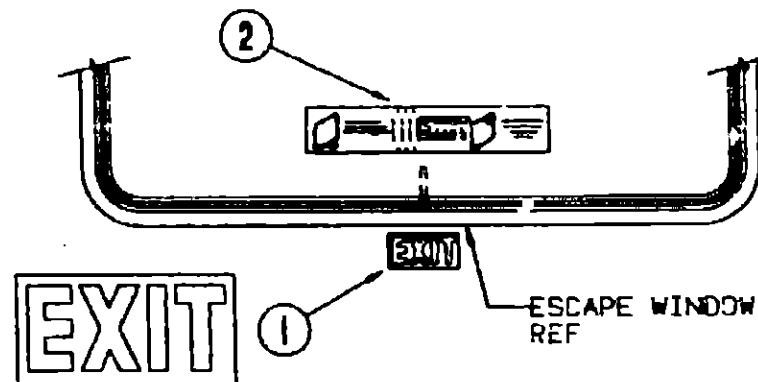
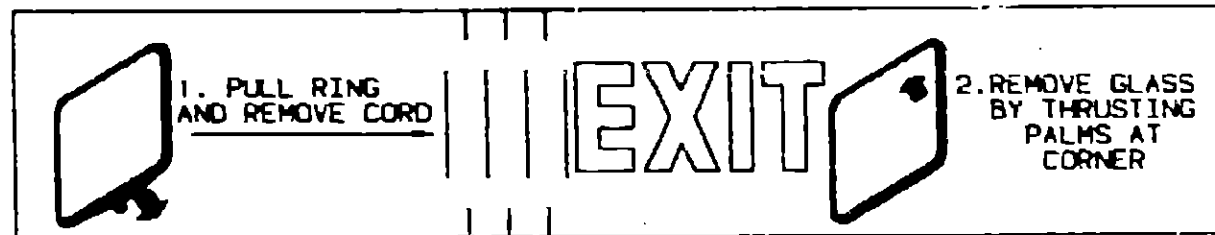
KEY	PART NUMBER	U/M DESCRIPTION
	093486-01-000	SY CARPET-COMPARTMENT, 54" WIDE - DARK GRAY
	096060-45-000	SY CARPET-12' ROLL INC OF 4 SY - APPALLOOSA (D18) FROM: 00-00-00 THRU: 05-31-92
	096060-55-000	SY CARPET-12' ROLL, INC OF 4 SY - ROYAL TERRACE WICKER (D18) FROM: 06-01-92 THRU: 99-99-99
	096060-56-000	SY CARPET-12' ROLL, INC OF 4 SY - ROYAL TERRACE IRIS (D19)
	096060-48-000	SY CARPET-12' ROLL, INC OF 4 SY - ASPEN BLUE (D20)
	075233-01-000	SY PAD-CARPET, 3/8" X 6' ROLL
	102695-06-000	YD TAPE-CARPET BIND, #480 MAUVE
	102695-11-000	YD TAPE-CARPET BIND, MATTRESS - 3/4" WIDE - LIGHT TAN
	105829-01-700	EA WOOD TILE 4.5" X 36" X 3/8" THICK FROM: 00-00-00 THRU: 06-06-93
	105829-02-01A	SF WOOD PLANK FLOORING TILE - LIGHT OAK FROM: 06-07-93 THRU: 99-99-99
	108151-01-000	EA MAT-FLOOR, ENTRANCE - PLASTICOLOR
	108152-01-000	EA MAT-FLOOR, PASSENGER SIDE - PLASTICOLOR
	108152-02-000	EA MAT-FLOOR, DRIVER SIDE - PLASTICOLOR

FIRE EXTINGUISHER, SMOKE DETECTOR, CLOCK, PICTURE & HANDRAIL

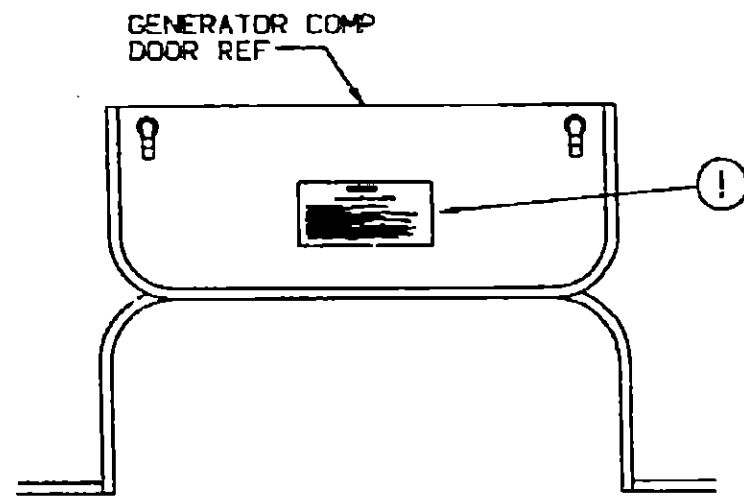
KEY	PART NUMBER	U/M DESCRIPTION
	094499-01-000	EA EXTINGUISHER-FIRE, DRY W/MOUNTING BRACKET - 10 BC
	094499-01-700	EA BRACKET-MOUNTING, W/PLASTIC STRAP - FIRE EXTINGUISHER
	072852-01-000	EA DETECTOR-SMOKE, W/9 VOLT BATTERY
	072852-02-000	EA DETECTOR-SMOKE, W/9 VOLT BATTERY - CANADIAN
	100793-02-01A	EA CLOCK-WALL, ROUND - 11" - BOLDEN 9988
	108808-01-01A	EA HANDRAIL-STEP, ENTRANCE BRASS - TRANSFER FLOW
	108953-04-000	EA PICTURE-DECORATIVE, 15" X 18" - FLOWERS - KEYLINE SALES

KEY	PART NUMBER	U/M DESCRIPTION
1	100710-01-01A	EA LOCK-GLASS DOOR, TWIST TYPE - BRASS
2	081376-01-000	EA BACKPLATE-DOOR PULL, BRASS - .8" X 4.25"
3	106164-01-000	EA PULL-CABINET, BRASS
4	009021-01-000	EA CATCH-GRILL, NYLON
5	009021-02-000	EA STRIKE-SPRING STEEL
6	009066-01-000	EA HINGE-ALUMINUM, NO HOLES - 1 1/16" X 6" - UNPAINTED
7	074493-02-000	EA SUPPORT-PISTON SPRING, CABINET DOOR
8	042355-01-000	EA PLUG-BUTTON, MAHOGANY - 3/8" DIAMETER - WOOD
9	074045-01-000	EA PLUG-OAK, 1/2" DIAMETER
10	108138-01-000	EA HINGE-DOOR, CABINET - BURNISHED BRASS
11	000613-06-08G	EA SCREW-6-20 X 5/8 PPH, ANTIQUE BRASS
12	079921-01-000	EA ROLLER-NYLON, V/STEEL SHAFT - BARBED
13	107030-01-000	EA BACKSOCKET-ADJUSTABLE, LEFT TRANSFER FLOW
13	107030-02-000	EA BACKSOCKET-ADJUSTABLE, RIGHT TRANSFER FLOW
14	065740-01-000	EA BRACE-CABINET CORNER, PLASTIC
15	100707-01-000	EA SPACER-DOOR, GLASS - .8" DIA - .3" HOLE - PLASTIC
16	101766-01-000	EA PIN-SUPPORT, GLASS DOOR
17	016604-01-000	EA BRACE-CABINET, ANGLE - 2.5" - METAL - UNPAINTED
17	016604-03-000	EA BRACE-CABINET, ANGLE - 2.5" - METAL - BEIGE
18	100711-01-01A	EA HINGE-DOOR, GLASS
19	098410-01-01A	EA PULL-FINGER, OVAL - BRASS
20	101222-01-01A	EA BRACKET-CATCH, LID - BEIGE
21	097544-02-01A	EA SUPPORT-SHELF, ADJUSTABLE - MEDIUM BROWN
22	088254-01-000	EA CATCH-MAGNETIC, 1.8" X .7"
23	102327-01-01A	EA PULL-MIRROR, SQUARE
24	103186-02-02A	FT MOLDING-EDGE, SHELF - 1.3" WIDE - PLASTIC - REGAL OAK
25	103192-01-000	EA LATCH-DRAW, WITHOUT STRIKE - 3 3/64" - CHROME PLATED
26	105037-02-000	EA FASTENER-WOOD, CORNER - METAL - .5" X .6"
27	101272-01-000	EA CATCH-DOOR, GLASS
28	110072-01-000	EA DOOR-EL-5/16" X 1 3/16", BIRCH
29	106913-05-000	EA SLIDE-DRAWER, CABINET - LEFT SIDE - 18"

LABEL GROUP



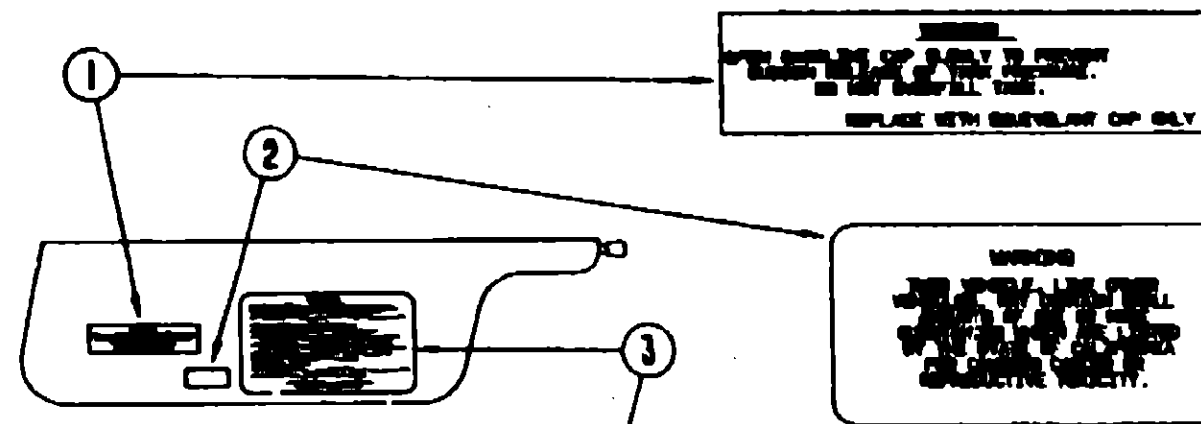
KEY	PART NUMBER	U/M DESCRIPTION
1	039290-01-000	EA LABEL-WARNING, EXIT
2	107571-01-000	EA LABEL-ESCAPE EXIT, WINDOW



WARNING
WHEN ADDING A GENERATOR SET:
 HIGH VOLTAGE—USE EXTREME CAUTION WHEN WORKING ON ELECTRICAL COMPONENTS.
 HAVE ALL ELECTRICAL INSTALLATION PERFORMED BY A QUALIFIED LICENSED ELECTRICIAN—FOLLOW ALL STATE AND LOCAL CODES.
 ONLY INSTALL GENERATOR SET APPROVED FOR R.V. APPLICATION. HAVE INSTALLED BY QUALIFIED TECHNICIAN.
 TO AVOID HEAT BUILD-UP AND TO GUARANTEE AN ADEQUATE AIR SUPPLY TO THE GENERATOR COMPARTMENT, FOLLOW INSTALLATION INSTRUCTIONS.
 GENERATOR EXHAUST GASES ARE TOXIC AND MUST NOT TERMINATE UNDER THE VEHICLE—DISCHARGE EXHAUST AWAY FROM VEHICLE.

KEY	PART NUMBER	U/M DESCRIPTION
1	077510-01-000	EA LABEL-GENERATOR PREP

LABEL GROUP (CONTINUED)



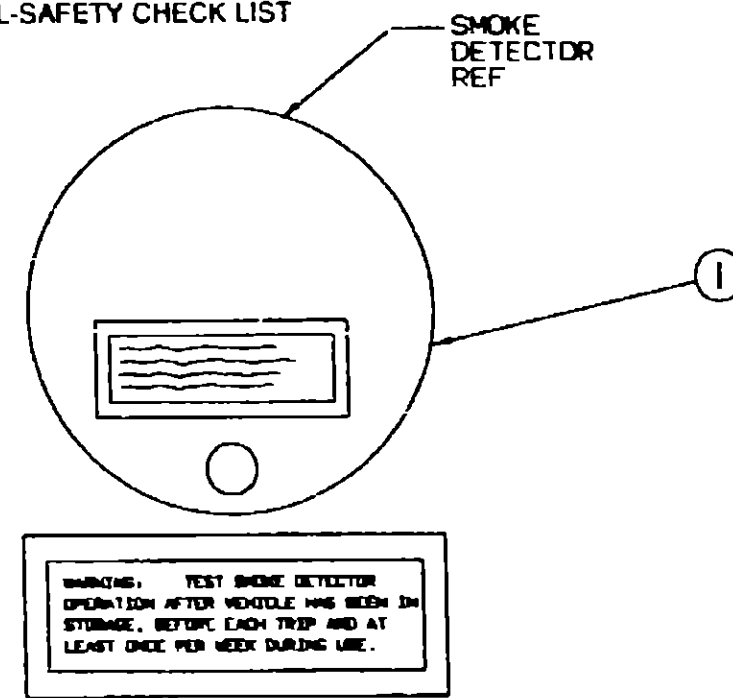
CAUTION

THIS MOTOR HOME HAS BEEN DESIGNED, MANUFACTURED AND TESTED WITH CARE FOR THE PROTECTION OF IT'S OCCUPANTS. WE REQUEST YOU PERFORM THE FOLLOWING INSPECTIONS FOR YOUR SAFETY AND THE SAFETY OF YOUR PASSENGERS BEFORE STARTING YOUR VEHICLE.

1. LP GAS SYSTEM— TURN OFF AT TANK FOR TRAVELING. TEST FOR LEAKS UPON ARRIVAL AT DESTINATION. SERVICE LEAKING PLANTS.
2. WHEELS— INSPECT FOR DAMAGE AND CHECK TIRE PRESSURE.
3. TIRES— INSPECT FOR WEAR AND DAMAGE AND CHECK FOR RECOMMENDED AIR PRESSURE.
4. LIGHTS— TEST FOR PROPER OPERATION OF ALL INTERIOR AND EXTERIOR LIGHTS INCLUDING BRAKE LIGHTS, HEADLIGHTS, TAIL LIGHTS, BRAKE LIGHTS, CLEARANCE LIGHTS AND TURN SIGNALS.
5. EXITS— INSPECT BELONGS BETWEEN ON EMERGENCY EXIT VEHICLE. TEST BOTH LOCKS ON MAIN ENTRANCE DOOR FOR EASE OF OPERATION AND INSTRUCT PASSENGERS HOW TO USE BOTH REARS OF EXIT.
6. SEAT BELTS— INSTRUCT PASSENGERS TO OCCUPATED SEATS AND REBELT USE OF SEAT BELTS.
7. APPLIANCES— TURN OFF AND LATCH OR LOCK DOOR WHERE PROVIDED.
8. LOOSE PARTS— STOW SECURELY.
9. UTILITY SUPPLY LINES— DISCONNECT ALL ELECTRIC, GAS AND WATER LINES AND SECURE PROPERLY.
10. ENTRANCE DOOR STOP— PLACE IN RETRACTED POSITION FOR TRAVELING.

READ YOUR MOTOR HOME AND CHASSIS OWNER'S MANUAL FOR FURTHER PRECAUTIONS

KEY	PART NUMBER	U/M DESCRIPTION
1	087207-05-000	EA LABEL-FUEL CAP REMOVAL
2	099689-01-000	EA LABEL-WARNING, CANCER/TOXICITY
3	056259-01-000	EA LABEL-SAFETY CHECK LIST



KEY	PART NUMBER	U/M DESCRIPTION
1	077956-01-000	EA LABEL-WARNING, SMOKE DETECTOR

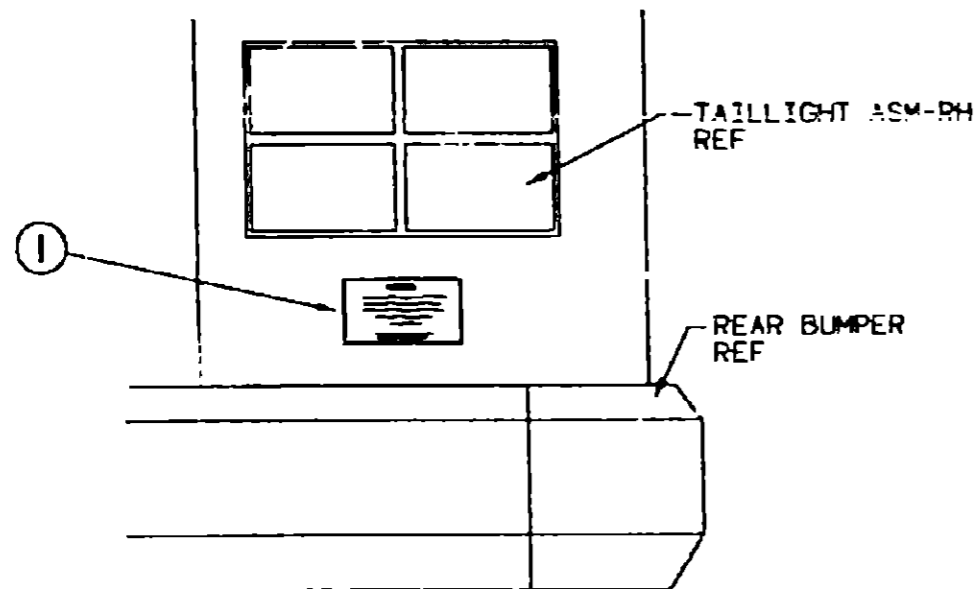
1993 WINNEBAGO TABLE OF CONTENTS

INTRODUCTION	A-01 - A-02
ABBREVIATIONS	A-03
ALPHABETICAL INDEX	A-04 - A-06
WCM37RW	A-07 - G-08
WCM33RQ	G-09 - L-24

1993 WCM37RW INDEX

FLOOR PLAN	A-07 - A-08
ACCESSORIES	A-09
AUDIO VIDEO	A-10 - A-13
BATH	A-14 - A-18
BEDROOM	A-19 - A-20
CHASSIS	A-21 - B-20
CURTAIN & CUSHION	B-21 - C-10
DINETTE	C-11 - C-12
DRIVERS COMPARTMENT	C-13 - C-18
ELECTRICAL	C-19 - D-01
EXTERIOR BODY	D-02 - D-12
GALLEY	D-13 - D-22
GENERATOR	D-23 - D-24
HEATING & AC	E-01 - E-06
INTERIOR FINISH	E-07 - E-10
LABEL	E-11 - E-18
LP	E-19
LOUNGE	E-20 - E-21
SEALANTS & FASTENERS	E-22 - F-02
WATER & SEWAGE	F-03 - F-07
WINDOW, VENT AND EXTERIOR DOOR	F-08 - G-04
WINDSHIELD & WIPER	G-05 - G-08

LABEL GROUP (CONTINUED)

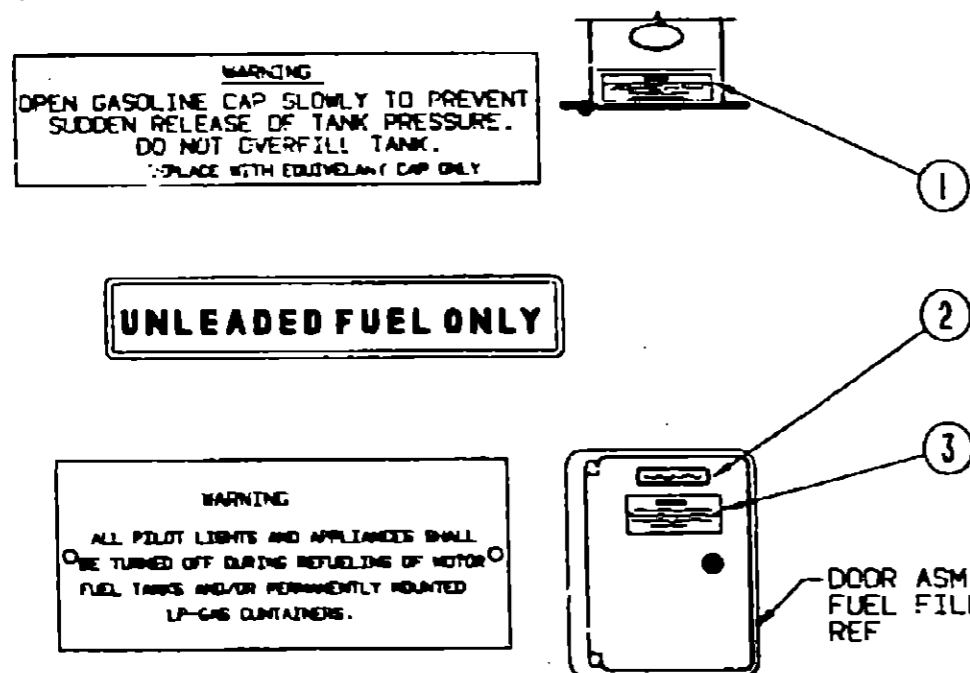


WARNING

DO NOT EXCEED THE VEHICLE WEIGHT RATINGS OR LOADING RECOMMENDATIONS (E.G., GROSS VEHICLE, GROSS AXLE, GROSS COMBINED) OF THE CHASSIS MANUFACTURER OR WINNEBAGO IND.

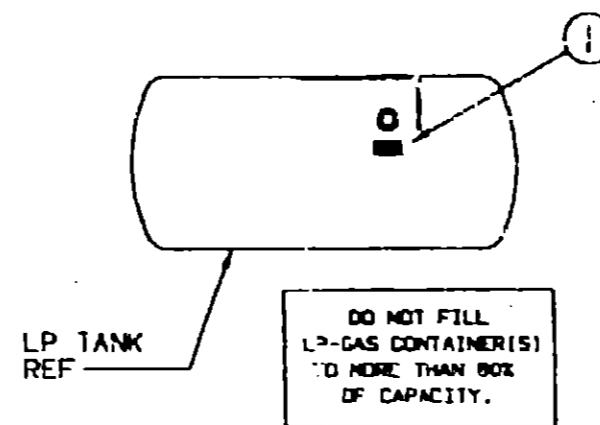
REFER TO YOUR OWNERS MANUAL, BEFORE LOADING OR TOWING.

KEY	PART NUMBER	U/M DESCRIPTION
1	075220-01-000	EA LABEL-WARNING, EXTERIOR LOAD

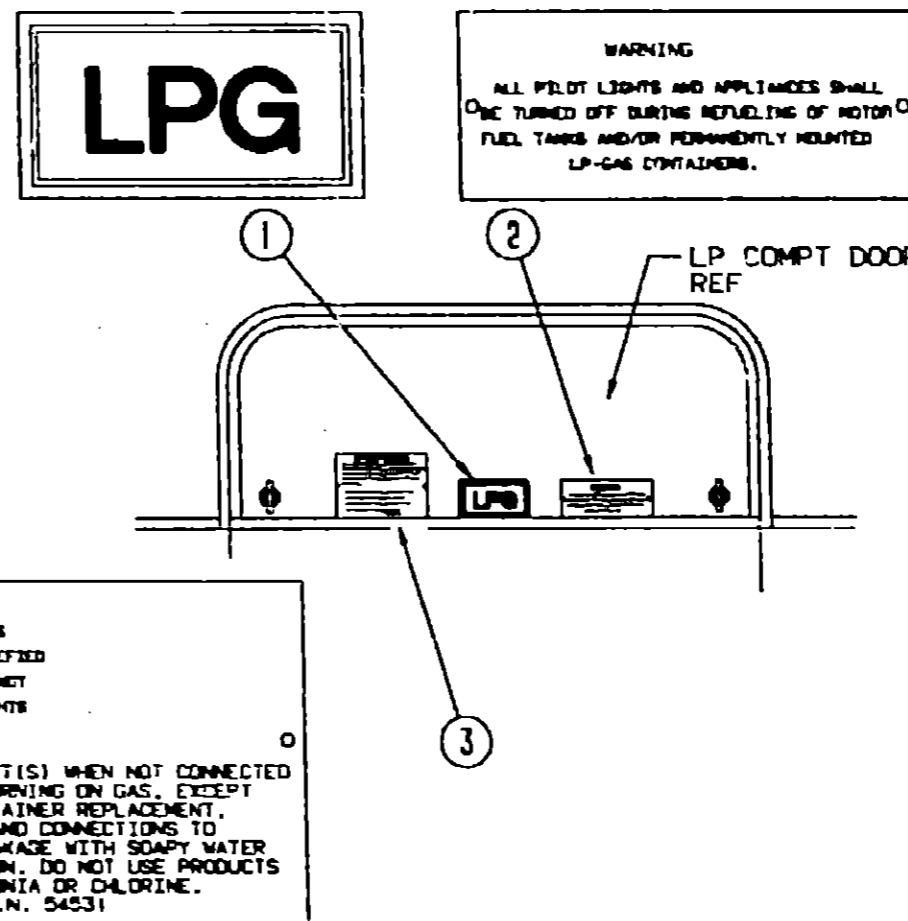


KEY	PART NUMBER	U/M DESCRIPTION
1	087207-05-000	EA LABEL-FUEL CAP REMOVAL
2	062043-01-000	EA LABEL-FUEL, UNLEADED
3	006040-01-000	EA TAG-GAS REFUELING WARNING
3	006040-02-000	EA TAG-GAS REFUEL WARNING, CANADIAN

LABEL GROUP (CONTINUED)



KEY	PART NUMBER	U/M DESCRIPTION
1	079965-01-000	EA LABEL-LPG 80 CAPACITY



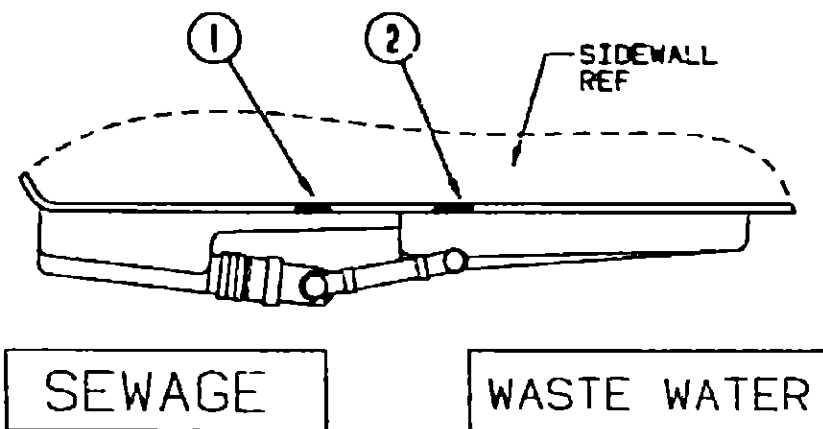
KEY	PART NUMBER	U/M DESCRIPTION
1	074559-01-000	EA DECAL-LOGO, LPG - RED - (CALIF CODE)
2	006040-01-000	EA TAG-GAS REFUELING WARNING
2	006040-02-000	EA TAG-GAS REFUEL WARNING, CANADIAN
3	054531-01-000	EA LABEL-LP GAS ONLY
3	023769-01-000	EA LABEL-WARNING, LPG - CANADIAN

1993 WINNEBAGO TABLE OF CONTENTS

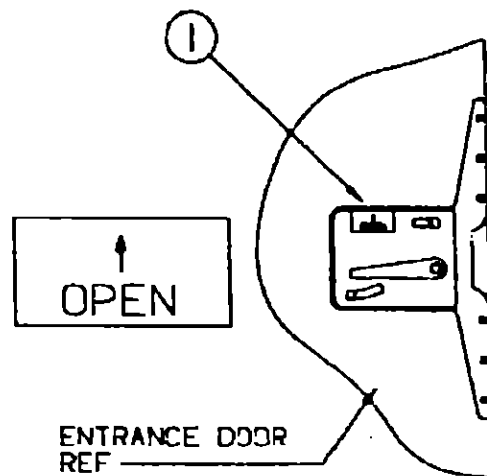
INTRODUCTION	A-01 -	A-02
ABBREVIATIONS		A-03
ALPHABETICAL INDEX	A-04 -	A-06
WCM37RW	A-07 -	G-08
WCM33RQ	G-09 -	L-24

1993 WCM37RW INDEX

FLOOR PLAN	A-07 -	A-08
ACCESSORIES		A-09
AUDIO VIDEO	A-10 -	A-13
BATH	A-14 -	A-18
BEDROOM	A-19 -	A-20
CHASSIS	A-21 -	B-20
CURTAIN & CUSHION	B-21 -	C-10
DINETTE	C-11 -	C-12
DRIVERS COMPARTMENT	C-13 -	C-18
ELECTRICAL	C-19 -	D-01
EXTERIOR BODY	D-02 -	D-12
GALLEY	D-13 -	D-22
GENERATOR	D-23 -	D-24
HEATING & A/C	E-01 -	E-06
INTERIOR FINISH	E-07 -	E-10
LABEL	E-11 -	E-18
LP		E-19
LOUNGE	E-20 -	E-21
SEALANTS & FASTENERS	E-22 -	F-02
WATER & SEWAGE	F-03 -	F-07
WINDOW, VENT AND EXTERIOR DOOR	F-08 -	G-04
WINDSHIELD & WIPER	G-05 -	G-08

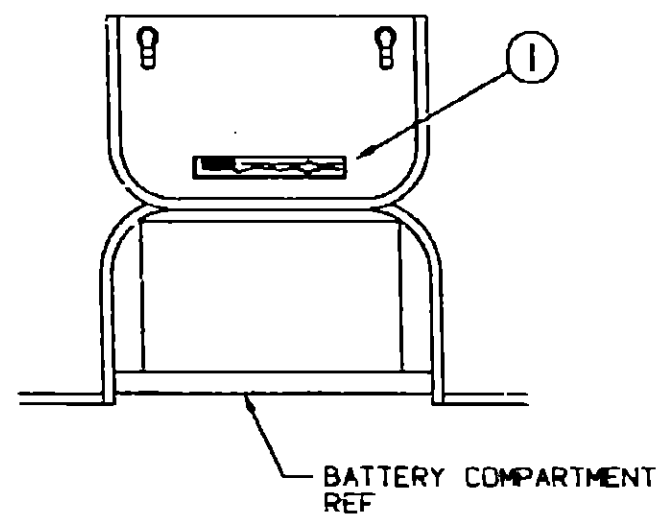


KEY	PART NUMBER	U/M DESCRIPTION
1	006187-01-000	EA LABEL-SEWAGE
2	006188-01-000	EA LABEL-WASTE WATER

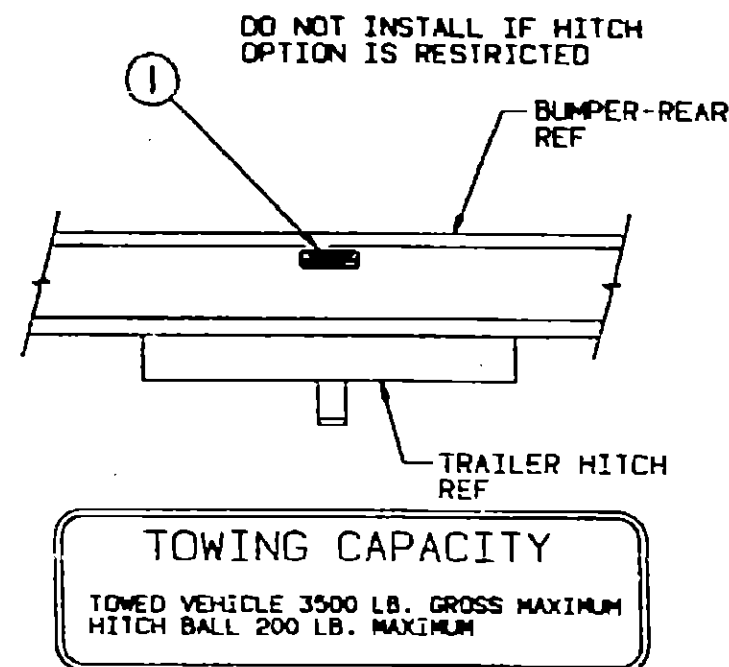


KEY	PART NUMBER	U/M DESCRIPTION
1	040944-01-000	EA LABEL-ENTRANCE DOOR, "OPEN"

WARNING DISCONNECT BATTERIES BEFORE CONNECTING EXTERNAL CHARGING EQUIPMENT.

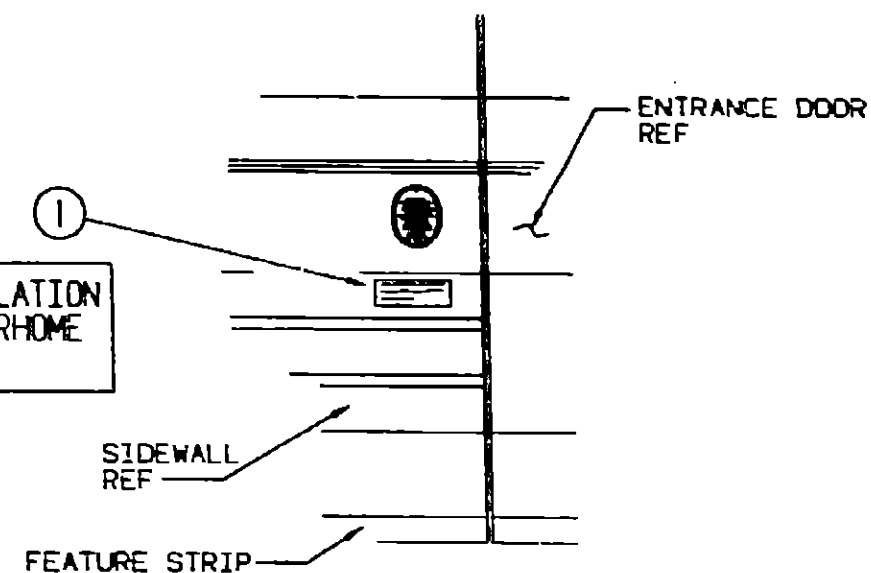


KEY	PART NUMBER	U/M DESCRIPTION
1	065748-01-000	EA LABEL-CAUTION, BATTERY CHARGING



KEY	PART NUMBER	U/M DESCRIPTION
1	075221-03-000	EA LABEL-TOWING CAPACITY

FOR AWNING INSTALLATION CONTACT YOUR MOTORHOME DEALERSHIP



111104-01-000	EA LABEL-HITCH, READ MANUAL
---------------	-----------------------------

KEY	PART NUMBER	U/M DESCRIPTION
1	099509-01-000	EA LABEL-AWNING INSTALLATION

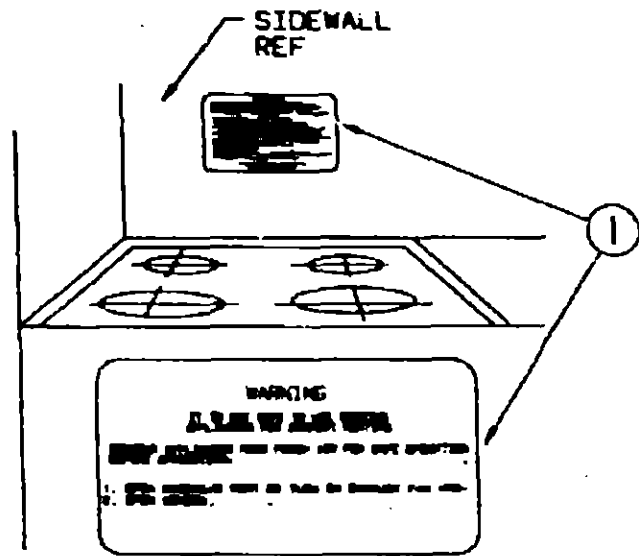
1993 WINNEBAGO TABLE OF CONTENTS

INTRODUCTION	A-01 - A-02
ABBREVIATIONS	A-03
ALPHABETICAL INDEX	A-04 - A-06
WCM37RW	A-07 - G-08
WCM33RQ	G-09 - L-24

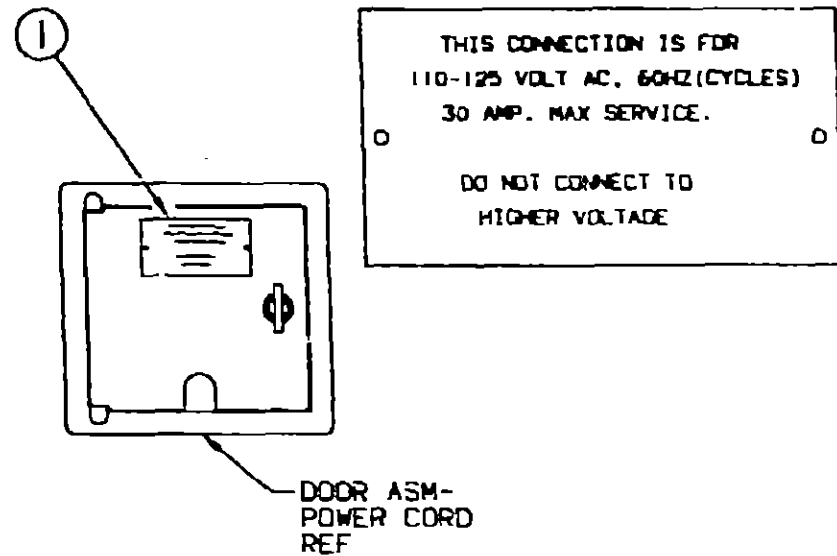
1993 WCM37RW INDEX

FLOOR PLAN	A-07 - A-08
ACCESSORIES	A-09
AUDIO VIDEO	A-10 - A-13
BATH	A-14 - A-18
BEDROOM	A-19 - A-20
CHASSIS	A-21 - B-20
CURTAIN & CUSHION	B-21 - C-10
DINETTE	C-11 - C-12
DRIVERS COMPARTMENT	C-13 - C-18
ELECTRICAL	C-19 - D-01
EXTERIOR BODY	D-02 - D-12
GALLEY	D-13 - D-22
GENERATOR	D-23 - D-24
HEATING & A/C	E-01 - E-06
INTERIOR FINISH	E-07 - E-10
LABEL	E-11 - E-18
LP	E-19
LOUNGE	E-20 - E-21
SEALANTS & FASTENERS	E-22 - F-02
WATER & SEWAGE	F-03 - F-07
WINDOW, VENT AND EXTERIOR DOOR	F-08 - G-04
WINDSHIELD & WIPER	G-05 - G-08

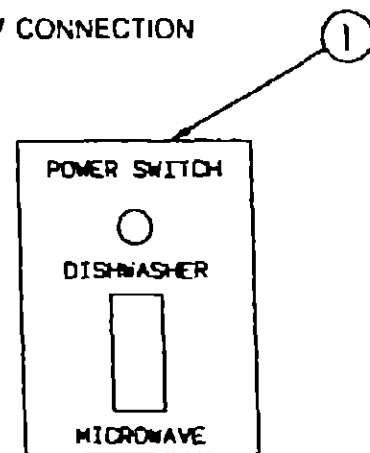
LABEL GROUP (CONTINUED)



KEY	PART NUMBER	U/M DESCRIPTION
1	050225-01-000	EA LABEL-WARNING, STOVE VENT - US
1	050222-01-000	EA LABEL-WARNING, STOVE VENT - CANADIAN



KEY	PART NUMBER	U/M DESCRIPTION
1	006062-01-000	EA TAG-ELECTRIC, 110V CONNECTION



KEY	PART NUMBER	U/M DESCRIPTION
1	109051-02-000	EA LABEL-SWITCH, 50A POWER (DISHWASHER)

LABEL GROUP (CONTINUED)

MISCELLANEOUS LABELS

KEY	PART NUMBER	U/M DESCRIPTION
	006062-04-000	EA LABEL-ELECTRIC, 120/240 VOLT SERVICE
	061417-01-000	EA LABEL-FUEL, ON FUEL FILL DOOR
	061606-01-000	EA LABEL-OVERLAY, VEHICLE CERTIFICATION - ADHESIVE BACKED
	073998-01-000	EA LABEL-LPG ODOR WARNING
	091224-02-000	EA LABEL-TRAILER LIGHTING
	091243-01-000	EA LABEL-A/C COVER, "AIR CONDITIONING CIRCUIT, ETC."
	093236-09-000	EA LABEL-CIRCUIT BREAKER, FRONT
	098641-01-000	EA LABEL-FUEL, UNLEADED - DASH
	104236-01-000	EA LABEL-GENERATOR CIRCUIT
	079966-01-000	EA LABEL-WARNING, STOWED - MOTION
	092547-04-000	EA LABEL-"CIRCUIT BREAKER"
	095721-07-000	EA LABEL-CONTROL CENTER, (US)
	095721-09-000	EA LABEL-CONTROL CENTER (50A)
	098379-03-000	EA LABEL-ELECTRICAL BOX, FRONT
	098379-04-000	EA LABEL-ELECTRICAL BOX, SIDE
	099689-01-000	EA LABEL-WARNING, CANCER/TOXICITY
	101955-04-000	EA LABEL-SWITCH, DISHWASHER
	101955-05-000	EA LABEL-SWITCH, MICROWAVE
	109051-01-000	EA LABEL-SWITCH, 50A POWER
	104678-01-000	EA LABEL-CB PREP

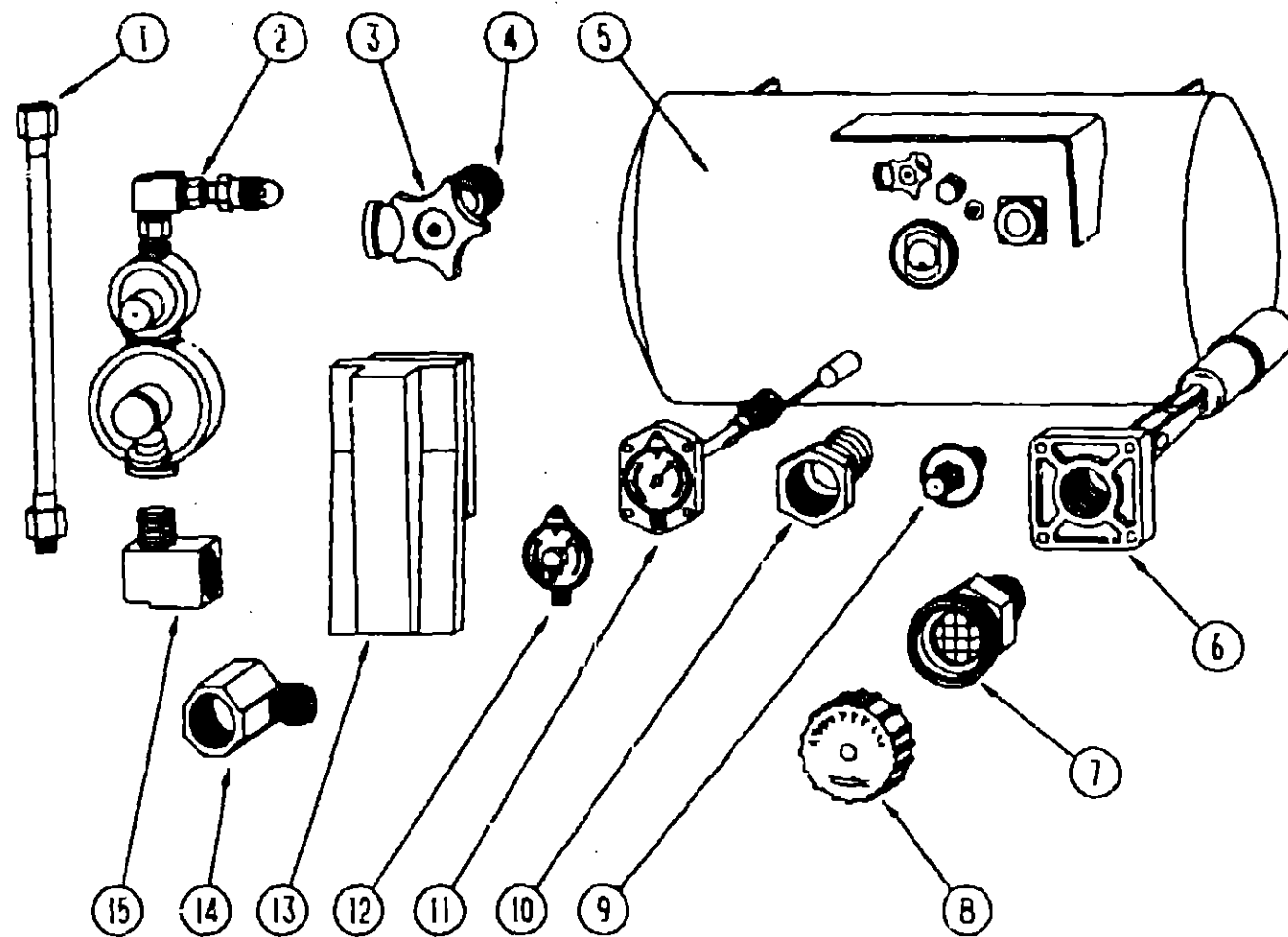
1993 WINNEBAGO TABLE OF CONTENTS

INTRODUCTION	A-01 -	A-02
ABBREVIATIONS		A-03
ALPHABETICAL INDEX	A-04 -	A-06
WCM37RW	A-07 -	G-08
WCM33RO	G-09 -	L-24

1993 WCM37RW INDEX

FLOOR PLAN	A-07 -	A-08
ACCESSORIES		A-09
AUDIO VIDEO	A-10 -	A-13
BATH	A-14 -	A-18
BEDROOM	A-19 -	A-20
CHASSIS	A-21 -	B-20
CURTAIN & CUSHION	B-21 -	C-10
DINETTE	C-11 -	C-12
DRIVERS COMPARTMENT	C-13 -	C-18
ELECTRICAL	C-19 -	D-01
EXTERIOR BODY	D-02 -	D-12
GALLEY	D-13 -	D-22
GENERATOR	D-23 -	D-24
HEATING & A/C	E-01 -	E-06
INTERIOR FINISH	E-07 -	E-10
LABEL	E-11 -	E-18
LP		E-19
LOUNGE	E-20 -	E-21
SEALANTS & FASTENERS	E-22 -	F-02
WATER & SEWAGE	F-03 -	F-07
WINDOW, VENT AND EXTERIOR DOOR	F-08 -	G-04
WINDSHIELD & WIPER	G-05 -	G-08

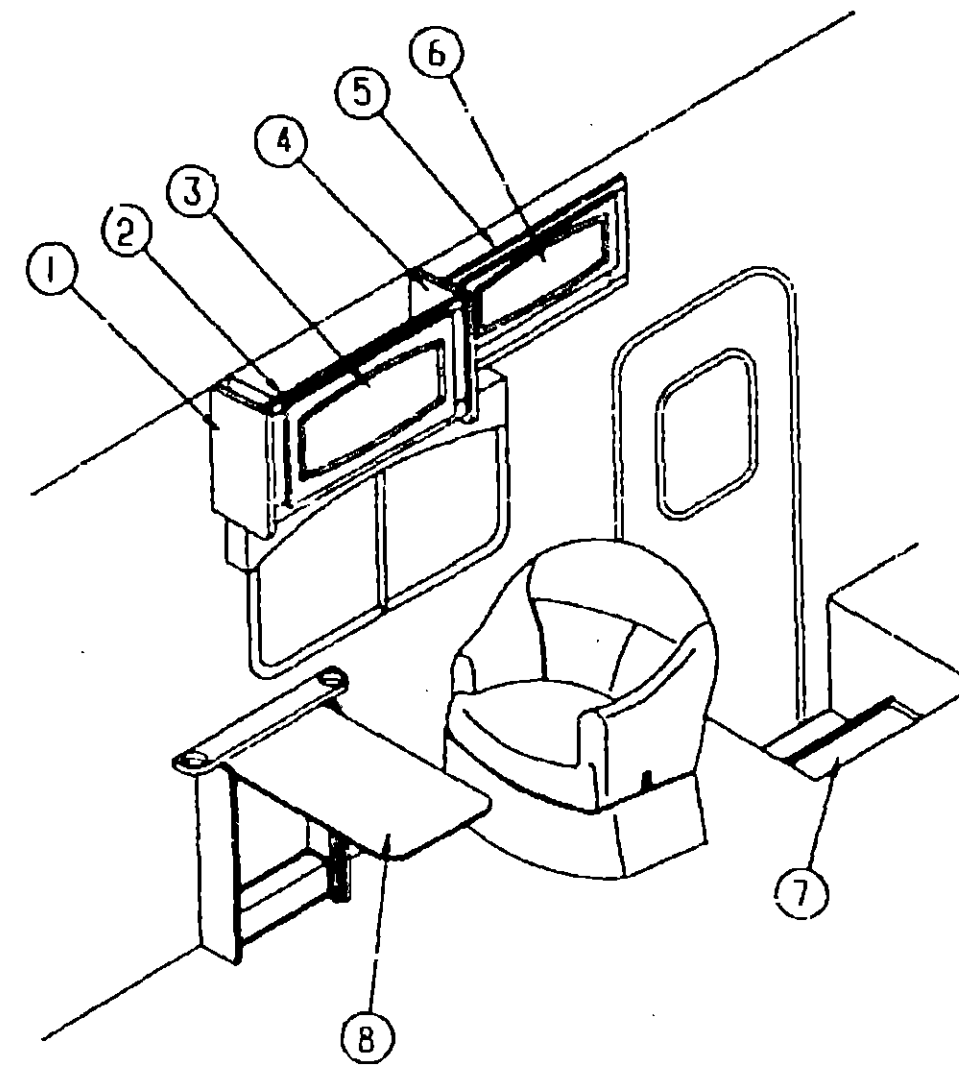
LP GROUP



LP TANK & COMPONENTS

KEY	PART NUMBER	U/M	DESCRIPTION
1	045703-01-000	EA	HOSE-LP, 3/8" ID X 24" US - 3/8" MPT X 1/2" F SWIVEL
1	045703-02-000	EA	HOSE-LP, 3/8" ID X 24" - 3/8" MPT X 1/2" F SWIVEL - CANADA
2	106150-01-000	EA	REGULATOR-TWO STAGE
3	040421-01-708	EA	HANDWHEEL-VAPOR RELIEF VALVE, BRUNNER G-1015-A
4	040421-01-712	EA	VALVE-SERVICE W/HANDWHEEL - W/O VAPOR RELIEF - BRUNNER 29000853
	P04998-03-000	EA	MOUNT-LP TANK
5	088253-03-000	EA	TANK-LP, 100 LB - 16" D X 36" - SPL
6	040421-01-711	EA	VALVE-80% W/FLOAT, PLATE, BOLTS & GASKET - BRUNNER
7	040421-01-701	EA	VALVE-SHORT LP FILLER W/YELLOW CAP - BRUNNER 75478
8	040421-01-702	EA	CAP-LP FILLER VALVE, PLASTIC - YELLOW - BRUNNER G-1014-A
9	040421-01-700	EA	GAUGE-LIQUID LEVEL, 20% LP - BRUNNER G-1013
10	040421-01-713	EA	PRESSURE RELIEF VALVE
11	040421-01-707	EA	GAUGE-FLOAT W/VISIBLE DIAL - BRUNNER MA-9 6244-4
	040421-01-706	EA	DIAL-LP TANK VOLUME, VISIBLE FACE (5-1789)
12	040440-02-000	EA	TRANSMITTER-DIAL, 90 OHM
13	105658-01-000	EA	COMPARTMENT-LP REGULATOR
13	081938-01-000	EA	COVER-COMPARTMENT, LP REGULATOR - BLACK
14	065318-02-000	EA	ELBOW-90 DEGREE, 3/8" MPT TO 3/8" FPT
15	065742-01-000	EA	TEE, .38F X .38F X .25FPT - BRASS
	J10265-01-000	EA	ELBOW-BRASS, 90 DEGREE - 3/8F X 1.2FPT
	010323-01-000	EA	ADAPTER-BRASS, 3/8F X 1/2MPT
	010377-02-000	EA	NUT-BRASS, 3/8 FEMALE - FORGED
	010380-02-000	EA	NUT-BRASS, 1/2" FEMALE - FORGED
	010326-01-000	EA	ADAPTER-FLARE, W/CONE GASKET 3/8" FEMALE FL X 1/2" MALE F
	065741-01-000	EA	GAUGE-DIAPHRAGM PRESSURE, MARSHALLTOWN MFG
	071391-02-000	EA	NIPPLE-HEX, .25 PIPE
	103613-01-000	EA	DETECTOR-LP GAS

LOUNGE GROUP



PASSENGER SIDE CABINETS & TABLE

KEY	PART NUMBER	U/M	DESCRIPTION
1	107494-13-D18	EA	END CAP-CABINET, OVERHEAD
2	P09002-01-D18	EA	CABINET-OVERHEAD, W/O DOOR OR HARDWARE
3	P00971-06-D18	EA	DOOR-CABINET, W/O HARDWARE - 680 X 365MM
4	107494-12-D18	EA	END CAP-CABINET, OVERHEAD
	107432-09-D18	EA	TRIM-OAK, CABINET END CAP
5	P09624-01-D18	EA	CABINET-OVERHEAD, W/O DOOR & HARDWARE
6	P00971-08-D18	EA	DOOR-CABINET, W/O HARDWARE - 750 X 255MM
7	104006-01-C05	EA	CABINET-LID, ENTRANCE STEP
	101222-01-01A	EA	BRACKET-CATCH, LID - BEIGE
	107941-01-01A	EA	SUPPORT-LID, ENTRY STEP - BEIGE
	103192-01-000	EA	LATCH-DRAW, W/O STRIKE - 3 3/4" - CHROME PLATED
8	M96873-01-C03	EA	CABINET-PULLOUT TABLE, W/O TABLE TOP
	096873-12-B05	EA	SHELF, SUPPORTS TOP FROM UNDERNEATH - PULLOUT TABLE
	096873-11-D18	EA	TOP-TABLE, W/PULL
	096873-11-D19	EA	TOP-TABLE, W/PULL
	096873-11-D20	EA	TOP-TABLE, W/PULL
	080736-01-000	EA	PULL-RECESSED, 1.25" X 4" - OAK

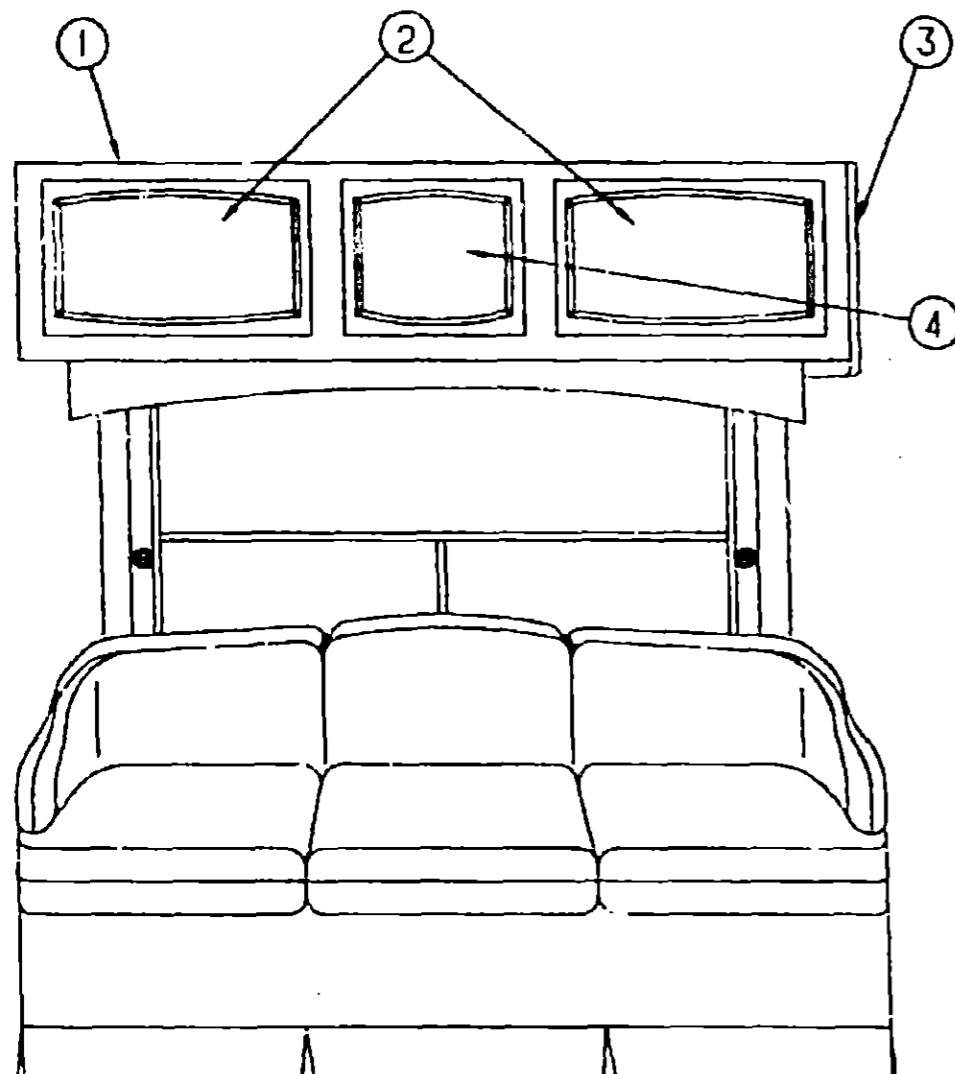
**1993 WINNEBAGO
TABLE OF CONTENTS**

INTRODUCTION	A-01 -	A-02
ABBREVIATIONS		A-03
ALPHABETICAL INDEX	A-04 -	A-06
WCM37RW	A-07 -	G-08
WCM33RO	G-09 -	L-24

1993 WCM37RW INDEX

FLOOR PLAN	A-07 -	A-08
ACCESSORIES		A-09
AUDIO VIDEO	A-10 -	A-13
BATH	A-14 -	A-18
BEDROOM	A-19 -	A-20
CHASSIS	A-21 -	B-20
CURTAIN & CUSHION	B-21 -	C-10
DINETTE	C-11 -	C-12
DRIVERS COMPARTMENT	C-13 -	C-18
ELECTRICAL	C-19 -	D-01
EXTERIOR BODY	D-02 -	D-12
GALLEY	D-13 -	D-22
GENERATOR	D-23 -	D-24
HEATING & A/C	E-01 -	E-06
INTERIOR FINISH	E-07 -	E-10
LABEL	E-11 -	E-18
LP		E-19
LOUNGE	E-20 -	E-21
SEALANTS & FASTENERS	E-22 -	F-02
WATER & SEWAGE	F-03 -	F-07
WINDOW, VENT AND EXTERIOR DOOR	F-08 -	G-04
WINDSHIELD & WIPER	G-05 -	G-08

LOUNGE GROUP (CONTINUED)



DRIVER SIDE CABINETS

KEY	PART NUMBER	U/M	DESCRIPTION
1	P09260-01-D18	EA	CABINET-OVERHEAD, W/O DOOR & HARDWARE
2	P00971-31-D18	EA	DOOR-CABINET, W/O HARDWARE - 365 X 555MM
3	107494-14-D18	EA	END CAP-CABINET, OVERHEAD
4	P00971-32-D18	EA	DOOR-CABINET, W/O HARDWARE - 365 X 455MM
	105947-01-000	EA	BRACKET-HOLD DOWN, COUCH (CANADIAN)
	083125-05-000	EA	BRACE-ANGLE, COUCH - 2.5" - BEIGE

SEALANTS & FASTENERS GROUP

SEALANTS & ADHESIVES

KEY	PART NUMBER	U/M	DESCRIPTION
	004011-01-000	EA	ADHESIVE-3M, 4475 TUBE
	004363-01-000	FT	TAPE-ADHESIVE FOAM, 1 SIDE - 3/16" X 1/2" X 50' - GRAY
	034552-02-000	EA	SILICONE-TUBE, 300 ML - CLEAR
	034552-12-000	EA	SILICONE-TUBE, 300 ML - BUFF
	053766-02-000	EA	BEDDING COMPOUND-TUBE, WHITE - SCHNEE# 5522
	053766-08-000	EA	BEDDING COMPOUND-TUBE, GRAY - SCHNEE# 5522
	062917-03-000	EA	ADHESIVE-LOCTITE 242, LOCTITE 242, SIDE 41
	067788-01-000	EA	ADHESIVE-SPRAY, 3M 74 - 19.5 OUNCE CAN
	059640-01-000	FT	SEALER-RIBBON, 1/4" DIAMETER - INCREMENTS OF 30'
	069640-03-000	FT	SEALER-RIBBON, 3/4" X 1/8" - INCREMENTS OF 60'
	069640-07-000	FT	SEALER-RIBBON, 2" X 3/32" - INCREMENTS OF 30' OR 45'
	069640-09-000	FT	SEALER-RIBBON, 2 1/2" X 1/32" - INCREMENTS OF 80'
	069640-11-000	FT	SEALER-TAPE, 3/16" X 3/8", BLACK - MANUS
	069640-12-000	FT	SEALER-TAPE, 1/6" X 1.5" GRAY - MANUS
	069640-14-000	FT	SEALER-RIBBON, 1" X 1/16" - GRAY - INCREMENTS OF 30' OR 45'
	072889-01-000	EA	SEALANT-URETHANE, BLACK - 1/10 - ESSEX 552.2
	076322-02-000	FT	TAPE-FOAM, DOUBLE COATED ADHESIVE BACKED - 1" X 108'
	076322-03-000	FT	TAPE-FOAM, DOUBLE COATED ADHESIVE BACKED - .5" X 108'
	076322-05-000	FT	TAPE-FOAM, DOUBLE COATED - .025" X 1.5" X 108'
	076322-07-000	FT	TAPE-FOAM, DOUBLE COATED, .045 X .50 - 3M 4949 VHB
	076322-08-000	FT	TAPE-FOAM, DOUBLE COATED, .045 X .50 - 3M 4952 VHB
	087211-01-000	GL	PROMOTER-ADHESIVE
	088479-01-000	EA	TAPE-ALUMINUM, 3" - 3M
	091255-02-000	EA	SEAL-ADHESIVE BACKED FOAM, .18" X THICK X 1.5" X 4.8"
	094401-01-000	EA	SEALER-BODY SEAM SEALER, 3M FLEXICLEAR
	104692-01-000	FT	SEAL-3/4" X 3/4", PRESSURE SENSITIVE ADHESIVE ONE SIDE
	106206-01-000	EA	SEAL-PUMPABLE, TUBE - MANUS 30A BLACK
	107828-01-000	EA	SEALANT-SB 190 EVERSEAL SURE BOND INC
	108353-01-000	FT	SEAL-FOAM, 5/16" X 1/2", ADHESIVE BACKED - LUNDELL #4773/1129
	108353-03-000	FT	SEAL-FOAM, 4.76 X 6.35MM - LUNDELL
	108716-02-000	EA	SILICONE, (TUBE) - BUFF LEVEL - CSL 510
	110274-01-000	FT	TAPE-FOAM, DOUBLE COATED - .045 X 1.0 - NORTON V-2800
	114311-01-000	GL	ADHESIVE-GLUE, #72-7843 NATIONAL STARCH
	900390-01-000	EA	TIP, 2 1/2" X 1/8" ORIFICE
	900390-02-000	EA	TIP, 6" LN, 1/16" X 1/4" ORIFICE
	900390-03-000	EA	NOZZLES-CSL D10

BOLTS, NUTS & WASHERS

KEY	PART NUMBER	U/M	DESCRIPTION
	000C12-05-12B	EA	BOLT-HEX, 5/16 - 18 X 3/4 - ZINC
	000C12-05-16B	EA	BOLT-HEX, 5/16 - 18 X 1 - ZINC
	000C12-05-24B	EA	BOLT-HEX-5/16-18 X 1 1/2 ZN 5
	000C12-06-16B	EA	BOLT-HEX, 3/8 - 16 X 1 - ZINC
	000C12-06-20B	EA	BOLT-HEX, 3/8 - 16 X 1 1/4 - ZINC
	000C12-05-32B	EA	BOLT-HEX, 3/8 - 16 X 2 LG - ZINC
	000C12-07-20B	EA	BOLT-HEX, 7/16 - 14 X 1 1/4 - ZINC
	000C12-08-24B	EA	BOLT-HEX, 1/2-13 X 1 1/2 - ZINC
	000C13-07-32B	EA	BOLT-HEX, 7/16 - 20 X 2 - ZINC
	000C13-07-48B	EA	BOLT-HEX, 7/16 - 20 X 3 - ZINC
	000C14-06-32B	EA	BOLT-HEX, 3/8 - 16 X 2.00 GD 8 - ZINC
	000C26-04-10B	EA	BOLT-HEX, SER FLG - 1/4-20 X 5/8 ZINC
	000C26-04-14B	EA	BOLT-HEX, SER FLG - 1/4-20 X 7/8 ZINC
	000C26-05-12B	EA	BOLT-HEX-SER FLG 5/16-18 X 3/4 ZINC
	000C26-05-20B	EA	BOLT-HEX-SER FLG 5/16-18 X 1 1/4 ZINC
	000C26-06-12B	EA	BOLT-HEX, SER FLG 3/8 - 16 X 3/4 - ZINC
	000C26-06-20B	EA	BOLT-HEX, SER FLG 3/8 - 16 X 1 1/4 - ZINC
	000C26-06-28B	EA	BOLT-HEX, SER FLG 3/8-16 X 1 3/4 ZINC
	051387-05-000	EA	BOLT-CARRIAGE, W/O HOLE - 5/16 - 18 X 8.5 - ZINC
	051387-06-000	EA	BOLT-CARRIAGE, W/O HOLE - 5/16 - 18 X 9.5 - ZINC
	106950-01-000	EA	BOLT-HEX 1AP 5/16-18NCX1 1/4 GRADE 5 FULL THREAD

**1993 WINNEBAGO
TABLE OF CONTENTS**

INTRODUCTION	A-01 -	A-02
ABBREVIATIONS		A-03
ALPHABETICAL INDEX	A-04 -	A-06
WCM37RW	A-07 -	G-08
WCM33RQ	G-09 -	L-24

1993 WCM37RW INDEX

FLOOR PLAN	A-07 -	A-08
ACCESSORIES		A-09
AUDIO VIDEO	A-10	A-13
BATH	A-14 -	A-18
BEDROOM	A-19 -	A-20
CHASSIS	A-21 -	B-20
CURTAIN & CUSHION	B-21 -	C-10
DINETTE	C-11 -	C-12
DRIVERS COMPARTMENT	C-13 -	C-18
ELECTRICAL	C-19 -	D-01
EXTERIOR BODY	D-02 -	D-12
GALLEY	D-13 -	D-22
GENERATOR	D-23	D-24
HEATING & A/C	E-01 -	E-06
INTERIOR FINISH	E-07 -	E-10
LABEL	E-11 -	E-18
LP		E-19
LOUNGE	E-20 -	E-21
SEALANTS & FASTENERS	E-22 -	F-02
WATER & SEWAGE	F-03 -	F-07
WINDOW, VENT AND EXTERIOR DOOR	F-08 -	G-04
WINDSHIELD & WIPER	G-05 -	G-08

SEALANTS & FASTENERS GROUP (CONTINUED)

BOLTS, NUTS & WASHERS (CONTINUED)

KEY PART NUMBER	U/M DESCRIPTION
106956-13-000	EA BOLT-HEX TAP, 1/2 - 13NC X 3 - GR5 - FULL THREAD ZINC
000D14-14-00B	EA NUT-HEX, 1/4 - 20 ZINC
000D24-10-00A	EA NUT-HEX, SF/LK - 10-32 ZINC
000D29-06-00B	EA NUT-HEX, W/NYLON LOCK - 3/8-16 ZINC
000D34-06-00B	EA NUT-HEX, LK - 3/8 - 16 GRADE C ZINC - PREVAILING TORQUE
000D39-04-00B	EA NUT-HEX, SER FLG LK 1/4 - 20 ZINC
077043-03-000	EA NUT-WHEEL, 9/16 - 18 - 2 PIECE
000D39-05-00B	EA NUT-HEX, SER FLG LK - 5/16 - 18 ZINC
000D39-06-00B	EA NUT-HEX, SER FLG LK - 3/8-16 ZINC
000D39-08-00B	EA NUT-HEX, SER FLG LK - 1/2-13 ZINC
000D44-07-00B	EA NUT-HEX, SER FLG LK - 7/16-20 ZINC
000D46-04-00A	EA NUT-HEX, WELD - 1/4-20 - PLAIN - SHORT PILOT
040921-03-000	EA NUT-SPEED, U TYPE - NO 10
040921-05-000	EA NUT-SPEED, U TYPE - NO 6 - .67" LENGTH X .44" WIDTH
044364-02-000	EA NUT-SPEED, FLAT - ROUND
063253-07-000	EA NUT-J, #6A .120 - .130 PNL THK
077049-01-000	EA NUT-ACORN, 10-32 ALUMINUM
087234-01-000	EA NUT-JACK, 1/4 X 20 THREAD - MOLLOY - BRASS
000E11-05-00B	EA WASHER-LK, 5/16 MED SPLIT ZINC
000E11-07-00B	EA WASHER-LK, 1/4 WIDE ZINC
000E11-08-00B	EA WASHER-LK, 1/2 MED SPLIT ZINC
000E13-11-00B	EA WASHER-FL, 3/16" WIDE - ZINC
000E13-14-00B	EA WASHER-FL, 1/4" WIDE ZINC
000E13-18-00B	EA WASHER-FLARE, 3/8" WIDE ZINC
000E13-17-00B	EA WASHER-FLARE, 3/8" AR ZINC
000E13-20-00B	EA WASHER-FL, 7/16" WIDE - ZINC
000E13-21-00B	EA WASHER-FL, W/2 NARROW - ZINC
000E13-22-00B	EA WASHER-FL, 1/2 WIDE - ZINC
000E14-10-00B	EA WASHER-LK - NO 10 EXT TOOTH - ZINC
041322-01-000	EA WASHER-FL, 15/32 ID X 2 3/8 OD - FOR SEAT BELT MOUNT
058716-02-000	EA WASHER-FLAT NYLON - .406 X .75 X .06
102378-01-02A	EA WASHER-BLACK, COMPARTMENT DOORS
107397-01-000	EA WASHER-FENDER, 6.8"ID X 32.0"OD

SCREWS

KEY PART NUMBER	U/M DESCRIPTION
000G20-06-20T	EA SCREW, 3/8-16 X 1 1/4, FLAT SOC
000G11-06-08B	EA SCREW, 6-20 X 1/2 PPH ZINC
000G11-06-06B	EA SCREW, 6-20 X 3/8 PPH ZN
000G11-06-10B	EA SCREW, 6-20 X 5/8 PPH ZINC
000G11-06-10J	EA SCREW, 6-20 X 5/8 PPH - BRASS
000G11-07-08B	EA SCREW, 7-19 X 1/2 PPH - ZINC
000G11-08-06B	EA SCREW, 8-18 X 3/8 PPH ZINC
000G11-08-08B	EA SCREW, 8-18 X 1/2 PPH - ZINC
000G11-08-08T	EA SCREW, 8-18 X 1/2 PPH
000G11-08-12B	EA SCREW, 8-18 X 3/4 PPH ZINC
000G11-08-12D	EA SCREW, 8-18 X 3/4 PPH - BLACK
000G11-08-12P	EA SCREW, 8-18 X .75 PPH - DARK BROWN
000G11-08-12R	EA SCREW, 8-18 X 3/4 PPH - BEIGE
000G11-08-12S	EA SCREW, 8-18 X 3/4 PPH - OFF WHITE
000G11-08-12T	EA SCREW, 8-18 X 3/4 PPH - BLACK
000G11-08-20B	EA SCREW, 8-18 X 1 1/4 PPH ZINC
000G11-08-16S	EA SCREW, 8-18 X 1.00 PPH - OFF WHITE
000G11-10-12D	EA SCREW, 10-16 X 3/4 PPH - BLACK
000G11-10-12S	EA SCREW, 10-16 X .75 PPH OFF WHT
000G11-10-16B	EA SCREW, 10-16 X 1 - PPH ZINC
000G11-10-40B	EA SCREW, 10-16 X 2 1/2 PPH CAD
000G12-06-08T	EA SCREW, 6-20 X .50 POH - BLACK
000G12-06-14A	EA SCREW, 6-20 X .87 POH PLAIN
000G13-06-06B	EA SCREW, 6-20 X 3/8 PFH ZINC

SEALANTS & FASTENERS GROUP (CONTINUED)

SCREWS (CONTINUED)

KEY PART NUMBER	U/M DESCRIPTION
000G13-06-08G	EA SCREW, 6-20 X 1/2 PFH - ANTIQUE BRASS
000G13-06-16J	EA SCREW, 6-20 X 1.00 PFH - BRASS
000G13-06-24J	EA SCREW, 6-20 X 1.50 PFH BRASS
000G13-07-12B	EA SCREW, 7-19 X 3/4 PFH ZINC
000G13-08-10B	EA SCREW, 8-18 X 5/8 PFH - ZINC
000G13-08-16B	EA SCREW, 8-18 X 1 PFH - ZINC
000G16-04-24B	EA SCREW-MACHINE, 1/4 - 20 X 1-1/2 PPH
000G18-08-16B	EA SCREW-MACHINE, 8 X 32 X 1, PPH ZINC
000G18-08-22B	EA SCREW-MACHINE, 8-32 X 1 3/8 PPH ZINC
000G19-10-06B	EA SCREW-MACHINE, 10-32 X 1/2 PPH ZINC
000G19-10-10B	EA SCREW-MACHINE, 10-32 X 5/8 - PPH - ZINC
000G19-10-20B	EA SCREW-MACHINE, 10-32 X 1 1/4 PPH ZINC
000G32-10-06B	EA SCREW-10-32 X 3/8" - PPH - ZINC
000G32-10-06D	EA SCREW-10 - 32 X 3/8 PPH TYPE1 BLACK
000G39-06-10T	EA SCREW-SF/DR, 6-20 X 5/8 PPH - BLACK
000G39-06-16T	EA SCREW-SF/DR, 6-20 X 1 PPH - BLACK
000G39-08-06B	EA SCREW-SF/DR, 8-18 X 3/8 PPH ZINC
000G39-08-08B	EA SCREW-SF/DR, 8-18 X 1/2 PPH ZINC
000G39-08-08R	EA SCREW-SF/DR, 8-18 X 1/2 PPH - BEIGE
000G39-08-08S	EA SCREW-SF/DR, 8-18 X 1/2 PPH - OFF WHITE
000G39-08-08T	EA SCREW-SF/DR, 8-18 X .5 PPH
000G39-08-083	EA SCREW-SF/DR, 8-18 X 1/2 PPH - BUFF
000G39-08-12B	EA SCREW-SF/DR, 8-18 X 3/4 PPH ZINC
000G39-08-16B	EA SCREW-SF/DR, 8-18 X 1 PPH ZINC
000G39-08-16S	EA SCREW-SF/DR, 8-18 X 1 PPH OFF WHITE
000G39-08-16T	EA SCREW-SF/DR, 8-18 X 1 PPH - BLACK
000G39-08-24B	EA SCREW-SF/DR, 8-18 X 1 1/2 PPH ZINC
000G39-08-32E	EA SCREW-SF/DR, 8-18 X 2 PPH - ZINC
000G39-10-08B	EA SCREW-SF/DR 10-16 X .50 P&H - DRILL-FLEX FCARBON
000G39-10-10B	EA SCREW-SF/DR, 10-16 X .625 PPH ZN
000G39-10-12B	EA SCREW-SF/DR, 10-16 X .75 PPH ZN
000G39-10-129	EA SCREW-SF/DR, 10-16 X 3/4 PPH - FLUOROCARBON SILVER
000G39-10-12D	EA SCREW-SF/DR, 10-16 X 3/4 PPH - BLACK
000G39-10-20B	EA SCREW-SF/DR, 10-16 X 1 1/4 PPH ZINC
000G39-10-209	EA SCREW-SF/DR, 10-16 X 1.25 PPH - FLUOROCARBON SILVER
000G39-10-32B	EA SCREW-SF/DR, 10-16 X 2.00 PPH - ZINC
000G42-04-12B	EA SCREW-SF/DR, 1/4-14 X 3/4 HWH ZINC
000G42-04-16B	EA SCREW-SF/DR, 1/4-14 X 1 HWH - ZINC
000G46-08-24T	EA SCREW-MACHINE, 8-32 - 1.50 IN PFH - BLACK
000G50-04-08B	EA SCREW-MACHINE, 1/4-20 X 1/2 PTH 2N
000G50-04-12B	EA SCREW-MACHINE, 1/4-20 X 3/4 PPH ZINC
000G50-04-18B	EA SCREW-MACHINE, 8-32 X 1 1/8 PTH ZINC
000G51-08-08B	EA SCREW-8-18 X 1/2 PTH ZINC
000G52-08-06B	EA SCREW-MACHINE, 8-32 X 3/8 PTH ZINC
000G52-08-18B	EA SCREW-MACHINE, 8-32 X 1 1/8 PTH ZN
000G53-04-06B	EA SCREW-MACHINE, 1/4-20 X 3/8 PPH ZINC - UNDERCUT HEAD
000G54-04-20B	EA SCREW, 1/4-20 X 1 1/4 PTH - TYPE 23 - ZINC PLATED
000G55-08-12S	EA SCREW-SF/DR, 8-18 X .75 PWH
000G55-08-16Z	EA SCREW-SF/DR, 8-18 X 1.00 - BEIGE
000G56-10-24J	EA SCREW-WOOD, 10-13X1.5 POH - BRIGHT BRASS
000G58-12-48B	EA SCREW, WOOD, 12 - 11 X 3 POH - SPECIAL HARDENED
000G57-05-16J	EA SCREW, 5-20 X 1 PFH - BRASS
000G60-08-163	EA SCREW-SF/DR, 8-18 X 1.00 POH - BUFF
000G60-10-16J	EA SCREW-SF/DR, 10-16 X 1 POH - BRIGHT BRASS
000G67-08-32B	EA SCREW-8-15 X 2 PPH ZINC
000G67-10-08B	EA SCREW, 10-12 X 1/2 PFH ZINC
000G67-10-08R	EA SCREW, 10-12 X 1/2 PPH - BEIGE - TYPE A
000G67-10-10B	EA SCREW, 10-12 X 5/8 PPH ZINC - TYPE A
000G67-10-10D	EA SCREW, 10-12 X 5/8 PPH - BLACK - TYPE A
000G67-10-10R	EA SCREW, 10-12 X 5/8 PPH - TYPE A - BEIGE
000G67-10-12B	EA SCREW, 10-12 X 3/4" PPH - ZINC
000G67-10-12D	EA SCREW, 10-12 X 3/4" PPH - BLACK

**1993 WINNEBAGO
TABLE OF CONTENTS**

INTRODUCTION	A-01 - A-02
ABBREVIATIONS	A-03
ALPHABETICAL INDEX	A-04 - A-06
WCM37RW	A-07 - G-06
WCM33RQ	G-09 - L-24

1993 WCM37RW INDEX

FLOOR PLAN	A-07 - A-08
ACCESSORIES	A-09
AUDIO VIDEO	A-10 - A-13
BATH	A-14 - A-18
BEDROOM	A-19 - A-20
CHASSIS	A-21 - B-20
CURTAIN & CUSHION	B-21 - C-10
DINETTE	C-11 - C-12
DRIVERS COMPARTMENT	C-13 - C-18
ELECTRICAL	C-19 - D-01
EXTERIOR BODY	D-02 - D-12
GALLEY	D-13 - D-22
GENERATOR	D-23 - D-24
HEATING & A/C	E-01 - E-06
INTERIOR FINISH	E-07 - E-10
LABEL	E-11 - E-18
LP	E-19
LOUNGE	E-20 - E-21
SEALANTS & FASTENERS	E-22 - F-02
WATER & SEWAGE	F-03 - F-07
WINDOW, VENT AND EXTERIOR DOOR	F-08 - G-04
WINDSHIELD & WIPE	G-05 - G-08

SEALANTS & FASTENERS GROUP (CONTINUED)

SCREWS (CONTINUED)

KEY	PART NUMBER	U/M DESCRIPTION
	000G67-10-16B	EA SCREW, 10-12 X 1 PPH - ZINC
	000G67-10-16P	EA SCREW, 10-12 X 1 PPH - DARK BROWN
	000G67-10-24B	EA SCREW, 10-12 X 1 1/2 PPH - ZN
	000G67-10-32B	EA SCREW, 10-12 X 2 PPH - ZINC
	000G67-10-20D	EA SCREW, 10-12 X 1 1/4 PPH - ZINC
	000G67-10-36T	EA SCREW-10-12 X 2.25 PPH - BLACK - STALGAUFD
	000G67-10-48B	EA SCREW-10-12 X 3 PPH ZINC
	000G68-06-10G	EA SCREW, 6-18 X 5/8 POH - ANTIQUE BRASS
	049465-01-000	EA SCREW, 10-16 W/WASHER PTH - DARK BROWN
	075908-01-000	EA SCREW-MACHINE, 10-32 X 56 PTH - ZINC EXTERNAL TOOTH
	085256-01-000	EA SCREW ASM-SF/DR 8 X .75 HWH - LG
	087721-01-000	EA SCREW-FLAT HEAD, TAPPING - 1/4" X 1 1/4" LG ZINC
	091230-03-000	EA SCREW-MACHINE, 8-32 X 3/4 POH SS - BUFF
	101289-01-01A	EA SCREW-MACHINE, 8-32 X 4 - POH - BRASS - FOR EXTENDED KNOB
	101618-01-000	EA SCREW, 1/4-20 X 3/4 - HEX/TAPPING - STALGARD TYPE F
	103152-01-050	EA SCREW, 3 8-16 X 1 1/4 - FLAT SCC - DORRLEMATE COATED

RIVETS, CLAMPS, GROMMETS & CLIPS

KEY	PART NUMBER	U/M DESCRIPTION
	000H14-06-14R	EA RIVET-MANDREL BLIND, 3/16"
	000H16-04-06R	EA RIVET-POP, AL 1/8 X 313-375
	010495-01-000	EA CLAMP-CABLE, 9'16"
	010497-01-000	EA CLAMP-CLOSED, 5/8" ID
	010497-03-000	EA CLAMP-CLOSED, 1" ID - CUSHIONED
	010457-05-000	EA CLAMP-CLOSED, 1/2" ID
	010493-01-000	EA CLAMP-CLOSED, 3/8" ID
	031170-01-000	EA CLAMP-CABLE - 3'16 DIA
	062401-01-000	EA CLAMP-HOSE, WORMGEAR .25" - 1"
	062401-02-000	EA CLAMP-HOSE, WORMGEAR - 1.56" - 2.5"
	062401-04-000	EA CLAMP-HOSE, WORMGEAR 69" - 1.25"
	062401-05-000	EA CLAMP-HOSE, WORMGEAR 2" - 3"
	062401-06-000	EA CLAMP-HOSE, WORMGEAR 22" - 52"
	062401-11-000	EA CLAMP-HOSE, WORMGEAR 3.56" - 4.5"
	075145-02-000	EA CLAMP-GROUNDING, BRONZE SCREWS
	093609-01-000	EA CLAMP-WIRE, DUAL EQUAL - 5/8" DIAMETER
	083610-01-000	EA CLAMP-WIRE, DUAL - UNEQUAL DIAMETERS - .75" & 1.25"
	083610-02-000	EA CLAMP-WIRE, DUAL UNEQUAL DIA
	005380-01-000	EA GROMMET-RUBBER, 5/8" HOLE X 1 1/2" DIAMETER - BLACK
	071015-19-000	EA GROMMET-38ID, FITS .05 MATERIAL - MINOR RUBBER Z-3065
	071015-11-000	EA GROMMET-1 00ID, FITS .12 MATERIAL - MINOR RUBBER Z-3065
	071015-29-000	EA GROMMET-25ID, 1.25" OD W/ .12" GROOVE - RUBBER - BLACK
	016165-03-000	EA GROMMET-LP LINE, 3/8" HOLE X 2 1/2" LONG - RUBBER
	016188-05-000	EA GROMMET-LP LINE, 3/8" HOLE X 1 1/4" LONG - RUBBER
	023942-01-000	EA GROMMET-RUBBER, 2" OD
	071015-21-000	EA GROMMET-RUBBER, 5" ID X 1.05" OD W/ .19" GROOVE - BLACK
	077953-01-000	EA GROMMET-EDGE LINER, FITS 1"
	075112-02-000	EA CLIP-J, VINYL COATED - 3/8"
	077955-01-000	EA CLIP-J, VINYL COATED, 3/8" - USED TO SUPPORT WIRING TO LIGHTS
	090211-03-000	EA CLIP-MOUNTING, XMAS TREE - DECORATIVE WALL PADS
	090734-02-000	EA CLIP-WIRE, NYLON
	091952-01-000	EA CLIP-GRIPPER, 1"
	091952-02-000	EA CLIP-GRIPPER, 3/4"
	024352-02-000	EA CLIP-CHRISTMAS TREE, FLAT HEAD - 5" X .95"
	101447-01-000	EA CLIP-U TYPE, TINNEHMAN - HOLDS SHOWER SURROUND TOGETHER

SEALANTS & FASTENERS GROUP (CONTINUED)

MISCELLANEOUS FASTENERS

KEY	PART NUMBER	U/M DESCRIPTION
	000F10-04-16B	EA PIN-COTTER, 1/8" X 1" - ZINC
	000H16-04-06R	EA RIVET-POP, AL 1/8 X .313-.375
	009343-02-000	EA TIE-WIRE, 14"
	029094-04-000	YD VELCRO TAPE-LOOP, 1" WIDE - BLACK
	029094-03-000	YD VELCRO TAPE-HOOK, 1" WIDE - BLACK
	029094-06-000	YD VELCRO TAPE-LOOP, 2" WIDE - BLACK
	029096-03-000	YD VELCRO TAPE-HOOK, 1" WIDE - BLACK
	031211-04-000	EA PLUG-PLASTIC, .46" DIAMETER - BLACK
	095774-01-000	FT FASTENER-DUAL HOOK, 1" WIDE - ADHESIVE BACK - BLACK
	095774-02-000	FT FASTENER-DUAL LOOP, 1" WIDE - ADHESIVE BACK - BLACK
	086285-01-000	EA SPACER-NYLON, .5" OD X .257" ID
	093196-01-000	EA LATCH-1/4 TURN, T-BAR

1993 WINNEBAGO TABLE OF CONTENTS

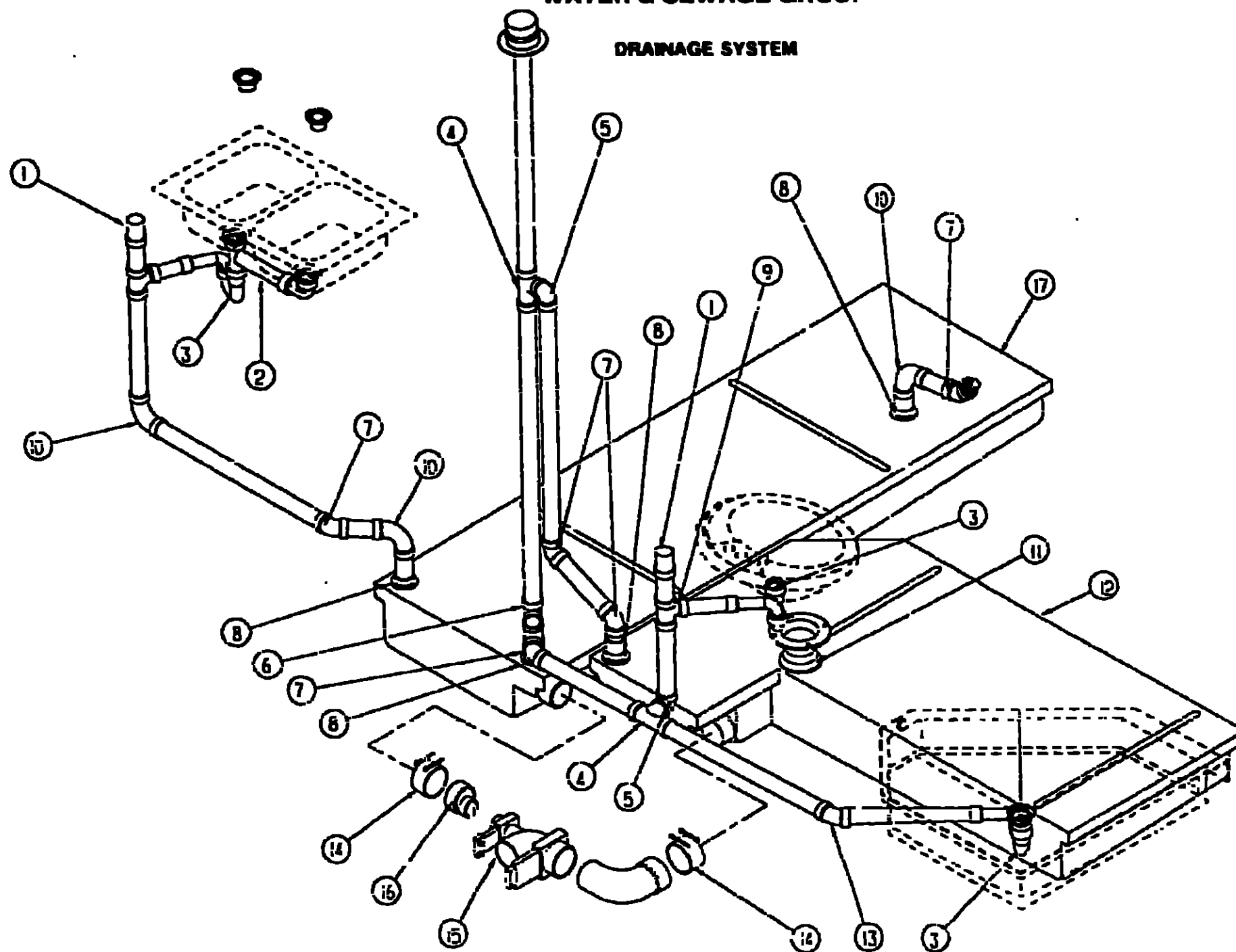
INTRODUCTION	A-01 -	A-02
ABBREVIATIONS		A-03
ALPHABETICAL INDEX	A-04 -	A-06
WCM37RW	A-07 -	G-09
WCM33RO	G-09 -	L-24

1993 WCM37RW INDEX

FLOOR PLAN	A-07 -	A-09
ACCESSORIES		A-09
AUDIO VIDEO	A-10	A-13
BATH	A-14 -	A-18
BEDROOM	A-19 -	A-20
CHASSIS	A-21 -	B-20
CURTAIN & CUSHION	B-21 -	C-10
DINETTE	C-11 -	C-12
DRIVERS COMPARTMENT	C-13 -	C-18
ELECTRICAL	C-19 -	D-01
EXTERIOR BODY	D-02 -	D-12
GALLEY	D-13 -	D-22
GENERATOR	D-23	D-24
HEATING & A/C	E-01 -	E-06
INTERIOR FINISH	E-07 -	E-10
LABEL	E-11 -	E-18
LP		E-19
LOUNGE	E-20 -	E-21
SEALANTS & FASTENERS	E-22 -	F-02
WATER & SEWAGE	F-03 -	F-07
WINDOW, VENT AND EXTERIOR DOOR	F-08 -	G-04
WINDSHIELD & WIPER	G-05 -	G-09

WATER & SEWAGE GROUP

DRAINAGE SYSTEM



1993 WINNEBAGO TABLE OF CONTENTS

INTRODUCTION	A-01 -	A-02
ABBREVIATIONS		A-03
ALPHABETICAL INDEX	A-04 -	A-06
WCM37RW	A-07 -	G-08
WCM33RC	G-09 -	L-24

1993 WCM37RW INDEX

FLOOR PLAN	A-07 -	A-08
ACCESSORIES		A-09
AUDIO VIDEO	A-10	A-13
BATH	A-14 -	A-18
BEDROOM	A-19 -	A-20
CHASSIS	A-21 -	B-20
CURTAIN & CUSHION	B-21 -	C-10
DINETTE	C-11 -	C-12
DRIVERS COMPARTMENT	C-13 -	C-18
ELECTRICAL	C-19 -	D-01
EXTERIOR BODY	D-02 -	D-12
GALLEY	D-13 -	D-22
GENERATOR	D-23	D-24
HEATING & A/C	E-01 -	E-06
INTERIOR FINISH	E-07 -	E-10
LABEL	E-11 -	E-18
LP		E-19
LOUNGE	E-20 -	E-21
SEALANTS & FASTENERS	E-22 -	F-02
WATER & SEWAGE	F-03 -	F-07
WINDOW, VENT AND EXTERIOR DOOR	F-08 -	G-04
WINDSHIELD & WIPER	G-05 -	G-08

KEY	PART NUMBER	U/M	DESCRIPTION
1	079969-01-000	EA	VENT-MECH. TRAP ARM, ANTI-SIPHON - 2" DIA X 7.3" - PLASTIC
2	011091-02-000	EA	PIPE-DRAIN, DOUBLE SINK - BAFFLE TEE - 1 1/2" - U.S. ONE PIPE W/TEE TO DRAIN BOTH SIDES OF SINK
2	011091-03-000	EA	PIPE-DRAIN, W/SEALS - DOUBLE SINK - EXTENDS 9" TO 16" - CANADIAN
2	011091-04-000	EA	WASTE-CONTINUOUS, DOUBLE SINK - DISHWASHER - JAWECO 15493TV:2
3	107537-01-000	EA	P TRAP ADAPTER-1 1/4" SLIP
3	107538-01-000	EA	P TRAP-PLASTIC, 1 1/4" W/EXT ARM
3	011066-03-700	EA	P TRAP-1 1/4" HUB X SLIP JOINT, W/UNION - ABS - CANADIAN
4	010073-01-000	EA	WYE-45 DEGREE, 1 1/2" HUB X HUB X HUB - PLASTIC - BLACK
5	010051-01-000	EA	ELBOW-45 DEG BEND, 1 1/2" SPIGOT AND HUB - PLASTIC - BLACK
6	010071-01-000	EA	TEE-SANITARY, 1 1/2" HUB X HUB X HUB - PLASTIC - BLACK
7	010006-01-000	EA	ELBOW-45 DEG, 1.8 BEND - 1 1/2" HUB X HUB - BLACK PLASTIC
8	051607-01-000	EA	GROMMET-HOLDING TANK, 1 1/2" NPS
9	010115-01-000	EA	COUPLING-1 1/2" HUB X HUB, PLASTIC
9	010079-01-000	EA	TEE-1 1/2" X 1 1/2" X 1 1/4"
10	010006-01-000	EA	ELBOW-90 DEG, 1/4 BEND - 1 1/2" HUB X HUB - BLACK PLASTIC

KEY	PART NUMBER	U/M	DESCRIPTION
11	061607-02-000	EA	GROMMET-HOLDING TANK, 3" NPS
12	104351-01-000	EA	TANK-HOLDING, 55 GALLON - W/O GROMMETS
13	010000-01-000	EA	ELBOW-45 DEG, 1.8 BEND - 1 1/4" HUB X HUB - BLACK PLASTIC - U.S.
13	010006-01-000	EA	ELBOW-45 DEG, 1.8 BEND - 1 1/2" HUB X HUB - BLACK PLASTIC - CANADIAN
14	070406-01-000	EA	COUPLER-RUBBER, W/CLAMPS - 3" X 3"
15	070916-01-000	EA	VALVE-DUAL DUMF, W/CAP - 3" X 1 1/2" - PLASTIC - BLACK.
	070916-01-700	EA	VALVE ONLY, 3"
	070916-01-701	EA	VALVE ONLY, 1 1/2"
16	062422-01-000	EA	ADAPTER-OFFSET REDUCER 3" X 1 1/2" - PLASTIC - BLACK
17	104352-01-000	EA	TANK-HOLDING, 50 GALLON - W/O GROMMETS
	010121-01-000	EA	BUSHING-REDUCER, 1 1/2" SMOOTH X 1/4" HUB - PLASTIC - BLACK
	010166-01-000	EA	PLUG-THREADED, 1 1/4" DIAMETER - PLASTIC - BLACK
	011956-01-000	EA	ELBOW-STREET, PLASTIC - 1.4" SD 3 X 90 XLI
	050787-01-000	EA	ADAPTER-CLEANOUT, NISCO 5803-2
	011069-04-000	EA	TAILPIECE, 1 1/2" X 1 1/4" X 8 - BRASS
	011069-02-000	EA	TAILPIECE-TUB SHOWER, 1 1/2" X 1 1/4" X 4" - BRASS
	010201-02-000	EA	HOSE-SEWER, 3" ID X 20 FEET
	103354-01-000	EA	CONNECTOR-HOSE, SEWER

WATER & SEWAGE GROUP (CONTINUED)

FRESH WATER TANK & WATER SYSTEM

KEY	PART NUMBER	U/M	DESCRIPTION
	104363-03-000	EA	TANK-WATER, 100 GALLON - W/FITTINGS
	042919-03-000	EA	FITTING-WATER TANK, SPIRWELD - 1 1/4" NPT - PLASTIC - WHITE
	042953-05-000	EA	FITTING-WATER TANK, SPIRWELD - 1/2" FPT - PLASTIC - WHITE
	049032-01-000	EA	PATCH-SPIRWELD, 3/8" - PLASTIC
	039861-01-000	EA	SENDING UNIT-W/SCREW, WASHER, WELL NUT & TERMINAL RING
	010219-01-000	EA	ELBOW-1 1/4" MPT X 1 1/4" BARB, WATER FILL - PLASTIC
	052957-04-000	EA	ELBOW-5/8" F X 3/4" MPT
	077951-02-000	EA	FILTER-WATER TANK, SCREEN IN TANK
	079381-01-000	FT	TUBING-SMOOTH FLEXIBLE, 1 1/4" ID
	096449-01-000	EA	WIRE ASSEMBLY-WATER TANK TO MONITOR PANEL
	039808-03-000	EA	ELBOW-PLAS, 1/2" MPT X 1/2" MPT KEVCO 17296
	055290-01-000	EA	ELBOW-5/8" F X 1/2" MPT
	057457-01-000	EA	ELBOW-UNION - 1/2" X 1/2" FLARE
	057457-02-000	EA	ELBOW-UNION, 5/8" X 5/8" FL - WATER
	065120-01-000	EA	ELBOW-SWIVEL, 1/2" FPT X 1/2" FLARE - PLASTIC - GRAY
	052957-01-000	EA	ELBOW-PLASTIC, 1/2" F X 3/8" MPT
	052957-02-000	EA	ELBOW-MALE, 1/2" F X 1/2" MPT - PLASTIC - GRAY
	055290-01-000	EA	ELBOW-5/8" F X 1/2" MPT
	052959-01-000	EA	CONNECTOR-PLASTIC, 1/2" F X 1/4" MPT
	052959-02-000	EA	CONNECTOR, 1/2" F X 1/2" MPT - PLASTIC - GRAY
	052959-03-000	EA	CONNECTOR, 1/2" F X 3/8" MPT - PLASTIC - GRAY
	098417-01-000	EA	CONNECTOR-5/8" F X 1/2" MPT, PLASTIC - KEVCO
	077054-01-000	EA	VALVE-PLASTIC, 1/2" M X 1/2" M - 1/4" COMP
	046128-01-000	EA	VALVE-DRAIN, PLASTIC - 1/2" FPT
	101814-01-000	EA	COUPLING-FEMALE, 1/2" X 1/2" FPT
	010227-01-000	EA	TEE-PLAS, BARB 5/8" OR 3/4" HOSE
	052959-01-000	EA	TEE-PLASTIC, 5/8" F X 5/8" F X 5/8" F
	052959-02-000	EA	TEE-PLASTIC, 1/2" F X 1/2" MPT X 5/8" F
	052959-03-000	EA	TEE, 1/2" F X 1/2" F X 1/2" F - PLASTIC - GRAY
	039798-01-000	EA	TEE-1/2" MPT X 1/2" MPT X 1/2" MPT, PLASTIC
	052955-01-000	EA	TEE-WATER, 1/2" F X 1/2" F X 1/2" MPT - PLASTIC - GRAY
	052955-03-000	EA	TEE-5/8" F X 5/8" F X 1/2" MPT - PLASTIC
	052954-01-000	EA	ADAPTER-NOSE CONE, 3/8" OR 1/2" TUBING - PLASTIC - GRAY
	079317-01-000	EA	ADAPTER-SWIVEL, 1/2" TUBE X 1/2" FPT - PLASTIC - GRAY
	052950-01-000	EA	DRAIN VALVE-IN LINE, HEADER - 1/2" F X 1/2" F - GRAY PLAS
	052960-03-000	EA	DRAIN VALVE-IN LINE, HEADER - 5/8" F X 5/8" F - PLASTIC
	010230-05-000	EA	FILL-CITY-WATER, SUHF, SILVER 1/2" BRASS 224-00
	039800-01-000	FT	TUBING-POLYBUTYL, 1 1/2" OD - INCREMENTS OF 20' - BLACK
	039800-02-000	FT	TUBING-POLYBUTYL, 5/8" OD - INCREMENTS OF 20' - BLACK
	039800-04-000	FT	TUBING-POLYBUTYL, 1 1/4" OD - INCREMENTS OF 20' - BLACK
	052952-01-000	EA	NUT-PLASTIC, 1/2" F X 1/2" TUBE - GRAY
	052952-02-000	EA	NUT-PLASTIC, 5/8" FLARE
	055291-01-000	EA	TEE-PLASTIC, 5/8" F X 5/8" F X 5/8" F
	093345-01-000	EA	BRACKET-VALVE
	106258-01-000	EA	CAP-INSERTABLE, 1/2" FLARE

WATER & SEWAGE GROUP (CONTINUED)

WATER HEATER W/O MOTOR AID

KEY	PART NUMBER	U/M	DESCRIPTION
	051391-03-000	EA	HEATER-WATER, W/ELECTRIC IGNITION - ATWOOD G6A-3E
	051391-01-700	EA	HINGE KIT-W/CLIP, ATWOOD # 92568 & 92559
	051391-01-704	EA	VALVE-RELIEF, 1/2" FITTING - ATWOOD# 91604
	051391-01-705	EA	FASTENER-CAMLOC, ATWOOD# 92509
	051391-01-706	EA	GRILLE-EXHAUST, ATWOOD# 92787
	051391-01-708	EA	BURNER-MAIN, 3E ONLY - ATWOOD# 92515
	051391-01-710	EA	ORIFICE-MAIN BURNER, ATWOOD# 92742
	051391-01-715	EA	DRAIN PLUG, ATWOOD# 91561
	051391-01-714	EA	TANK-INNER (G6A-3E), FRT MT - ATWOOD# 91608
	051391-04-701	EA	THERMOSTAT 12 VDC-120 PRESET, ATWOOD# 91470
	051391-04-704	EA	TANK-INNER, G6A-4E & 6E - FRONT MOUNT - ATWOOD# 91641
	051393-01-702	EA	SWITCH-ENERGY CUT-OFF, ATWOOD# 91951
	051393-01-703	EA	THERMOSTAT-REAR MOUNT, ATWOOD# 91952
	051393-01-704	EA	CIRCUIT BOARD-W/BLACK BOX, ATWOOD# 91420
	051393-01-705	EA	ORIFICE HOLDER-ATWOOD# 91925
	051393-01-716	EA	SPARK & PROBE ASM, ATWOOD# 91605
	051393-01-718	EA	VALVE-DUAL SOLENOID, ATWOOD# 91605
	051393-01-721	EA	ECO & THERMOSTAT ASM-FRONT MOUNT, 140 DEGREE - ATWOOD# 91447
	051393-03-700	EA	TANK-INNER (G6A-7E), REAR MT - ATWOOD# 91409
	097567-01-000	EA	SWITCH-WATER HEATER, ATWOOD 91959

WATER HEATER W/MOTOR AID & REAR HEATER

KEY	PART NUMBER	U/M	DESCRIPTION
	110438-01-000	EA	VALVE-CHECK, BRASS - G754
	051393-01-000	EA	HEATER-WATER-W/MOTOR AID-ATWOOD GH6-3E, GH6-4E, OR GH6-6E
	051391-01-700	EA	HINGE KIT-W/CLIP, ATWOOD # 92568 & 92559
	051391-01-704	EA	VALVE-RELIEF, 1/2" FITTING - ATWOOD# 91604
	051391-01-705	EA	FASTENER-CAMLOC, ATWOOD# 92509
	051391-01-706	EA	GRILLE-EXHAUST, ATWOOD# 92787
	051391-01-708	EA	BURNER-MAIN, 3E ONLY - ATWOOD# 92515
	051391-01-710	EA	ORIFICE-MAIN BURNER, ATWOOD# 92742
	051391-01-714	EA	ELBOW-45 DEGREE, 3/8" F X 3/8" MPT - ATWOOD 91014
	051391-01-715	EA	DRAIN PLUG, ATWOOD# 91561
	051391-04-701	EA	THERMOSTAT 12 VDC-120 PRESET, ATWOOD# 91470
	051391-04-704	EA	TANK-INNER, FRONT MOUNT - GH6-4E & 6E - ATWOOD 91642
	051393-01-700	EA	TANK-INNER, 3E FRONT MOUNT - ATWOOD# 91023
	051393-01-702	EA	SWITCH-ENERGY CUT-OFF, ATWOOD# 91951
	051393-01-703	EA	THERMOSTAT-REAR MOUNT, ATWOOD# 91952
	051393-01-704	EA	CIRCUIT BOARD-W/BLACK BOX, ATWOOD# 91420
	051393-01-705	EA	ORIFICE HOLDER-ATWOOD# 91925
	051393-01-714	EA	TANK-INNER (GH6-3E), REAR MOUNT - ATWOOD# 91409
	051393-01-716	EA	SPARK & PROBE ASM, ATWOOD# 91605
	051393-01-718	EA	VALVE-DUAL SOLENOID, ATWOOD# 91605
	051393-01-721	EA	ECO & THERMOSTAT ASM-FRONT MOUNT, 140 DEGREE - ATWOOD# 91447

**1993 WINNEBAGO
TABLE OF CONTENTS**

INTRODUCTION	A-01 -	A-02
ABBREVIATIONS		A-03
ALPHABETICAL INDEX	A-04 -	A-06
WCM37RW	A-07 -	G-08
WCM33RD	G-09 -	L-24

1993 WCM37RW INDEX

FLOOR PLAN	A-07 -	A-08
ACCESSORIES		A-09
AUDIO VIDEO	A-10	A-13
BATH	A-14 -	A-16
BEDROOM	A-19 -	A-20
CHASSIS	A-21 -	B-20
CURTAIN & CUSHION	B-21 -	C-10
DIKETTE	C-11 -	C-12
DRIVERS COMPARTMENT	C-13 -	C-18
ELECTRICAL	C-19 -	D-01
EXTERIOR BODY	D-02 -	D-12
GALLEY	D-13 -	D-22
GENERATOR	D-23	D-24
HEATING & A/C	E-01 -	E-06
INTERIOR FINISH	E-07 -	E-10
LABEL	E-11 -	E-18
LP		E-19
LOUNGE	E-20 -	E-21
SEALANTS & FASTENERS	E-22 -	F-02
WATER & SEWAGE	F-03 -	F-07
WINDOW, VENT AND EXTERIOR DOOR	F-08 -	G-04
WINDSHIELD & WIPER	G-05 -	G-09

WATER & SEWAGE GROUP (CONTINUED)

WATER HEATER BYPASS KIT

KEY PART NUMBER	U/M DESCRIPTION
099729-01-000	EA BYPASS KIT-WATER HEATER, COMPLETE W/VALVE & TUBING
099729-01-700	EA VALVE ONLY CHECK PLASTIC, PVK-100
099729-02-000	EA BYPASS KIT-WATER HEATER, SWAN IND. (CANADIAN)
099729-02-700	EA VALVE ONLY CHECK BRASS, BVC-1

EXTERIOR SHOWER COMPONENTS

KEY PART NUMBER	U/M DESCRIPTION
103092-01-000	EA SHOWER HEAD-W/60" HOSE
075241-05-000	EA FAUCET-SHOWER, BONE
105044-01-000	EA BRACKET-SUPPORT, FAUCET
091952-02-000	EA CLIP-GRIPPER, 3/4" (EXTERIOR SHOWER)

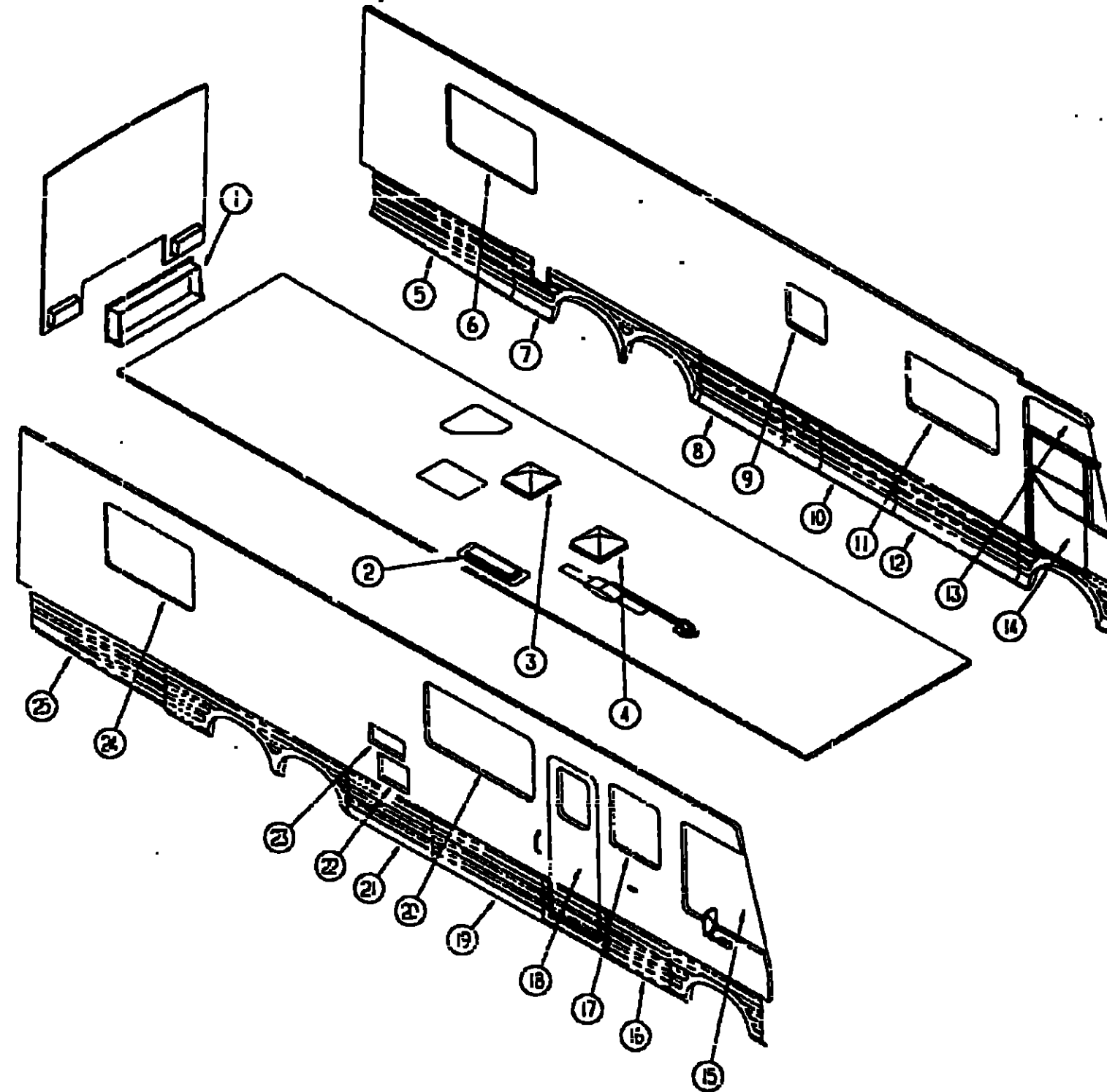
WATER PUMP

KEY PART NUMBER	U/M DESCRIPTION
098607-01-000	EA PUMP-WATER, W/5" MPT FITTING - FLOW 2.6 GPM. - UL
098607-01-700	EA PUMPHEAD-REPLACEMENT, FLOW 94-236-CB
098607-01-701	EA DRIVE ASSEMBLY, FLOW 94-231-03
098607-01-702	EA DIAPHRAGM KIT, FLOW 94-233-1D
098607-01-703	EA VALVE ASSEMBLY, FLOW 94-232-00
098607-01-704	EA HOUSING-UPPER, FLOW 94-231-01
098607-01-705	EA CHECK VALVE KIT, FLOW 94-237-C0
098607-01-706	EA UPPER HOUSING SWITCH KIT, FLOW 94-231-2D
098607-01-707	EA MOTOR BASEPLATE REPLACEMENT, FLOW 94-235-02

WATER PURIFICATION

KEY PART NUMBER	U/M DESCRIPTION
701069-01-000	EA WATER PURIFICATION SYSTEM, 9252
701069-03-700	EA CARTRIDGE-WATER FILTER, AC, EVERPURE 9601-11

WINDOW, VENT & EXTERIOR DOOR GROUP



WINDOWS & DOORS

KEY	PART NUMBER	U/M DESCRIPTION
1	P07501-01-D18	EA DOOR-COMPARTMENT, BACKWALL - W/O HARDWARE & LATCH FROM: 03-03-00 THRU: 10-18-92
	103128-01-000	FT SEAL-PILE, ADHESIVE BACK - GRAY
	101348-01-000	EA BOLT-SLIDE, LATCH - NYLON - W/SPRING & BRKT
	101355-01-04A	EA LATCH-PADDLE, 2 POINT - BLACK
	102265-01-000	EA CLIP-ROD END, 5/32" - PLASTIC - BLACK
	102266-01-000	EA PUSHNUT-RING, RETAINING - TRVARC
	102325-02-05A	EA HINGE-TRUNK DOOR, 6" - BUFF
	104692-01-000	FT SEAL-ADHESIVE BACK, 3/4" X 3/4"
	103561-01-000	EA TURNBUCKLE, 10-24 THREAD
	103562-07-000	EA ROD-LATCH, THREADED - LEFT
	103562-12-000	EA ROD-LATCH, THREADED - RIGHT
	102678-01-000	EA GASKET-LATCH, INDUSTRIAL PRODUCTS
	108692-C1-01A	EA SHROUD-LIGHT, DOOR - BACKWALL - BLACK
	110081-01-C1A	EA COVER-LATCH ASM. COMPARTMENT - PLASTIC - BLACK
	108998-01-000	EA SPRING-GAS
	108998-02-000	EA BRACKET-L, W/BALL STUD
	108998-03-000	EA BRACKET-FLAT, W/BALL STUD

1993 WINNEBAGO TABLE OF CONTENTS

INTRODUCTION	A-01 - A-02
ABBREVIATIONS	A-03
ALPHABETICAL INDEX	A-04 - A-05
WCM37RW	A-07 - G-08
WCM33RQ	G-09 - L-24

1993 WCM37RW INDEX

FLOOR PLAN	A-07 - A-08
ACCESSORIES	A-09
AUDIO VIDEO	A-10 - A-13
BATH	A-14 - A-18
BEDROOM	A-19 - A-20
CHASSIS	A-21 - B-20
CURTAIN & CUSHION	B-21 - C-10
DINETTE	C-11 - C-12
DRIVERS COMPARTMENT	C-13 - C-18
ELECTRICAL	C-19 - D-01
EXTERIOR BODY	D-02 - D-12
GALLEY	D-13 - D-22
GENERATOR	D-23 - D-24
HEATING & A/C	E-01 - E-06
INTERIOR FINISH	E-07 - E-10
LABEL	E-11 - E-18
LP	E-19
LOUNGE	E-20 - E-21
SEALANTS & FASTENERS	E-22 - F-02
WATER & SEWAGE	F-03 - F-07
WINDOW, VENT AND EXTERIOR DOOR	F-08 - G-04
WINDSHIELD & WIPER	G-05 - G-09

WINDOW, VENT & EXTERIOR DOOR GROUP (CONTINUED)

WINDOWS & DOORS (CONTINUED)

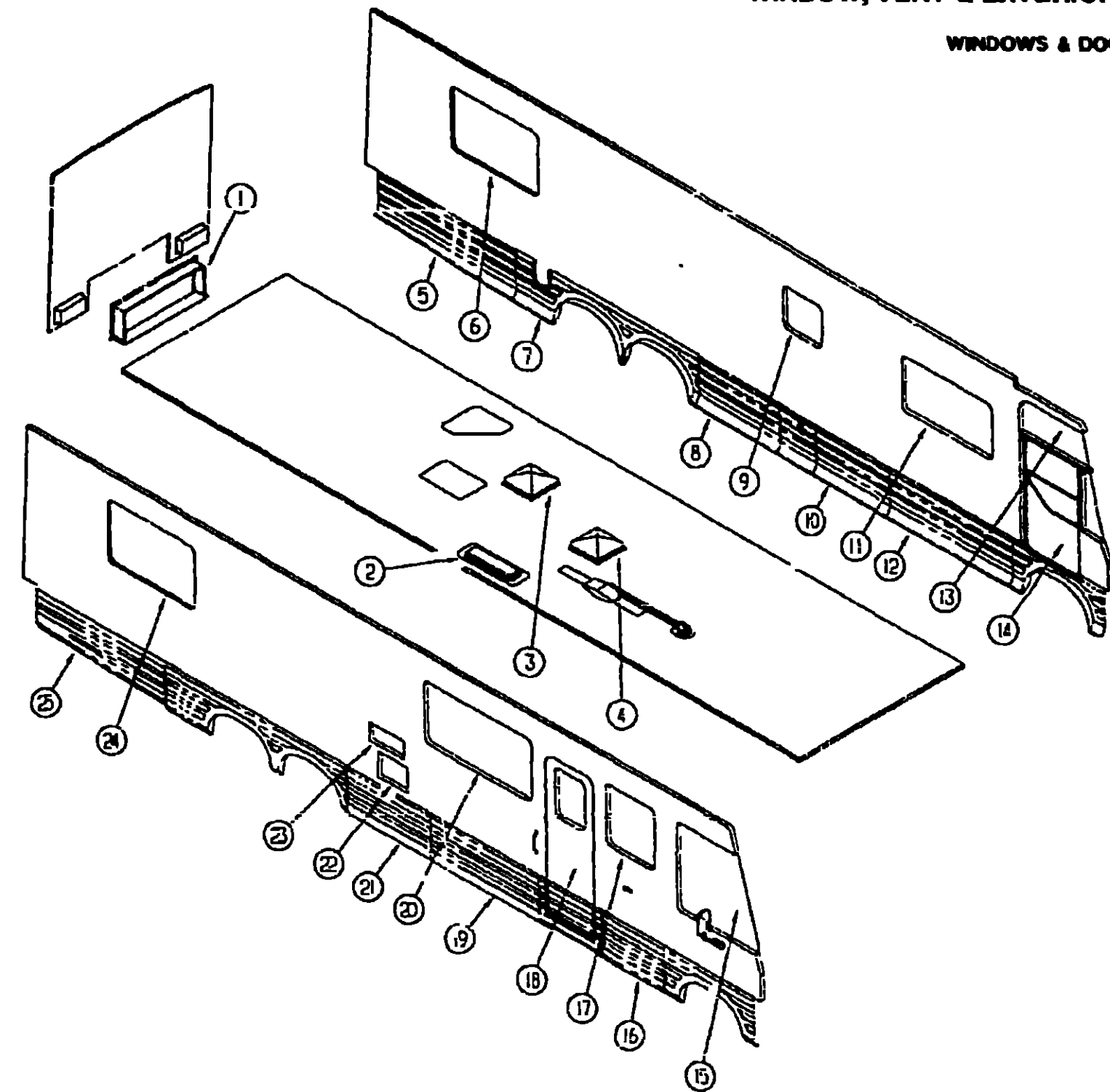
**1993 WINNEBAGO
TABLE OF CONTENTS**

INTRODUCTION	A-01 -	A-02
ABBREVIATIONS		A-03
ALPHABETICAL INDEX	A-04 -	A-06
WCM37RW	A-07 -	G-05
WCM33RQ	G-09 -	L-24

1993 WCM37RW INDEX

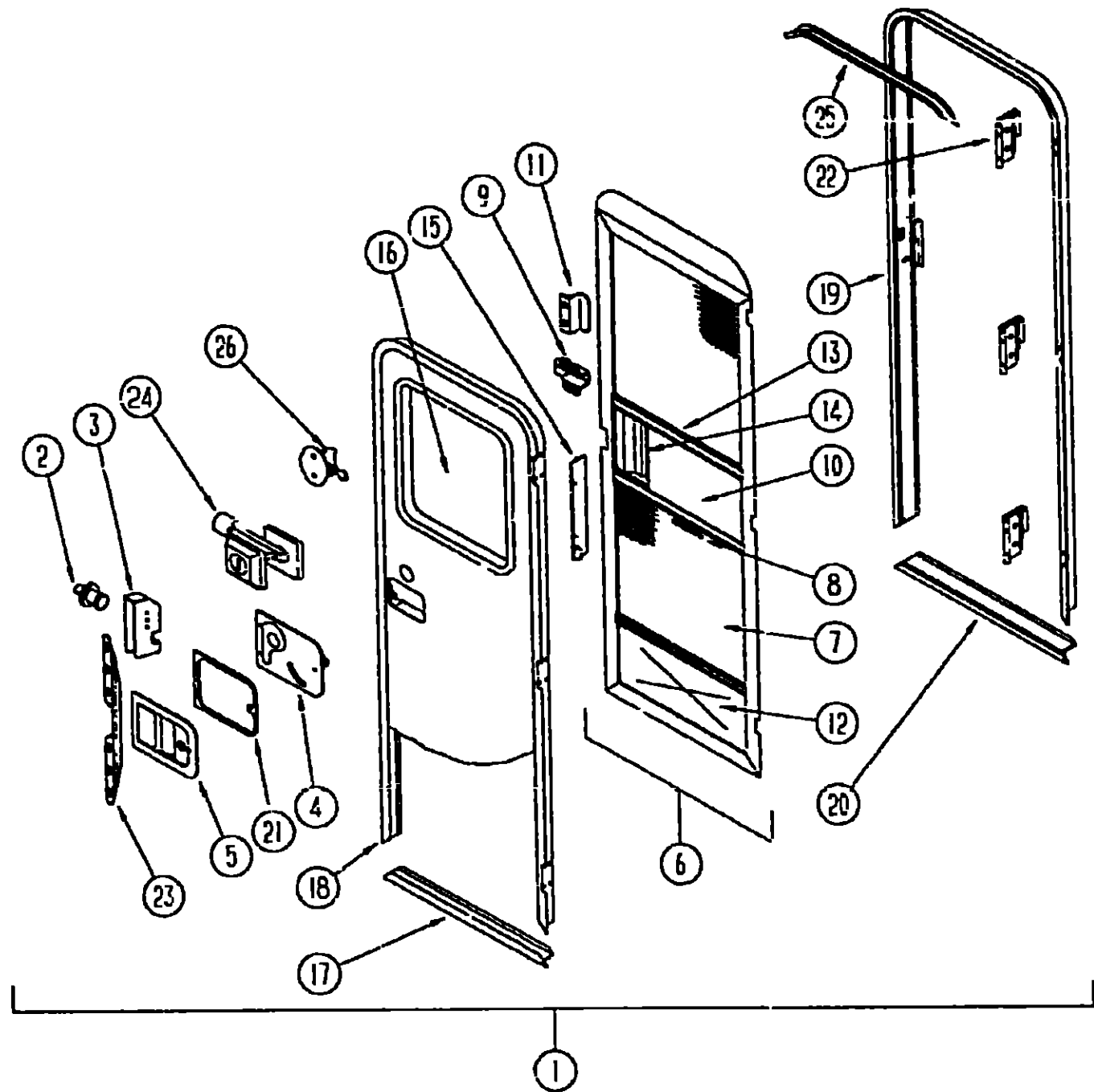
FLOOR PLAN	A-07 -	A-08
ACCESSORIES		A-09
AUDIO VIDEO	A-10 -	A-13
BATH	A-14 -	A-18
BEDROOM	A-19 -	A-20
CHASSIS	A-21 -	B-20
CURTAIN & CUSHION	B-21 -	C-10
DINETTE	C-11 -	C-12
DRIVERS COMPARTMENT	C-13 -	C-18
ELECTRICAL	C-19 -	D-01
EXTERIOR BODY	D-02 -	D-12
GALLEY	D-13 -	D-22
GENERATOR	D-23 -	D-24
HEATING & A/C	E-01 -	E-05
INTERIOR FINISH	E-07 -	E-10
LABEL	E-11 -	E-18
LP		E-19
LOUNGE	E-20 -	E-21
SEALANTS & FASTENERS	E-22 -	F-02
WATER & SEWAGE	F-03 -	F-07
WINDOW VENT AND EXTERIOR DOOR	F-08 -	G-04
WINDSHIELD & WIPER	G-05 -	G-08

KEY	PART NUMBER	U/M	DESCRIPTION
2	084073-04-000	EA	BASE-ROOF VENT, REFRIGERATOR - BLACK - NORCOLD
2	084073-05-000	EA	COVER-ROOF VENT, REFRIGERATOR - BUFF - NORCOLD
3	064469-11-000	EA	VENT-ROOF, W/POWER LIFT FOR 4" ROOF - JENSEN V2420-41B4 (U S) FROM 00-00-00 THRU 03-26-93
3	110051-08-01A	EA	VENT-ROOF, W/POWER LIFT FOR 4" ROOF - JENSEN 1121 (U S) FROM 03-27-93 THRU 99-99-99
3	064469-13-000	EA	VENT-ROOF, W/O POWER LIFT FOR 4" ROOF - JENSEN V2420-41B4 (U S) FROM 00-00-00 THRU 03-26-93
3	110051-02-01A	EA	VENT-ROOF, W/O POWER LIFT FOR 4" ROOF - JENSEN 7727 (U S) FROM 03-27-93 THRU 99-99-99
3	064469-12-000	EA	VENT-ROOF, W/POWER LIFT FOR 4" ROOF - JENSEN V2420-41B4CS (CSA) FROM 00-00-00 THRU 03-26-93
3	110051-10-01A	EA	VENT-ROOF W/POWER LIFT FOR 4" ROOF - JENSEN CX7258 (CSA) FROM 03-27-93 THRU 99-99-99
4	084079-07-000	EA	VENT-CEILING, POWER EXHAUST - FANTASTIC
5	109712-02-D18	EA	DOOR-COMPARTMENT, REAR TAPERED - W/HARDWARE & LATCHES
6	104691-05-01A	EA	WINDOW-TIPOUT, ESCAPE - W/INSIDE FRAME - EXCEL CH70-MK
7	M05854-01-D18	EA	DOOR-FUEL FILL
	P07440-07-000	EA	CHANNEL-WHEEL LIP, W/E-COAT - 196MM LONG
	077408-01-000	EA	LOCK-KEY TYPE
8	109404-09-D18	EA	DOOR-COMPARTMENT, W/HARDWARE & LATCHES
9	092235-20-D13	EA	WINDOW-SINGLE TIPOUT, W/O INSIDE FRAME
10	109155-01-D18	EA	DOOR-COMPARTMENT, CENTRAL A/C - W/HARDWARE & LATCHES
	102330-01-000	EA	LATCH-SINGLE HOLE VISE ACTION - KEY OPERATED
	102328-01-000	EA	KEY-VISE ACTION LATCH, SOUTHCO E3-216-715-19
	104491-02-03A	EA	ANGLE-STRIKER, BLACK - CENTRAL A/C CONTROL PANEL
	102378-01-02A	EA	WASHER-BLACK TO BACKWALL DOOR
11	092234-13-D18	EA	WINDOW-DOUBLE TIPOUT, W/O INSIDE FRAME
12	109404-10-D18	EA	DOOR-COMPARTMENT, W/HARDWARE & LATCHES
13	106467-01-01A	EA	WINDOW-VISTA, LEFT - W/INSIDE FRAME - EXCEL
14	106469-01-01A	EA	DOOR DRIVERS, W/O INNER PANELS & HANDLE - BLACK - EXCEL
15	106466-01-01A	EA	WINDOW-CAB, PASSENGER - W/INSIDE FRAME - EXCEL & MRQ1482
16	109404-03-D18	EA	DOOR-COMPARTMENT, W/HARDWARE & LATCHES
17	099480-03-000	EA	WINDOW-SLIDER, RIGHT - EXCEL H150 MRR
18	101870-65-D18	EA	DOOR-ENTRY, W/SCREEN DOOR & JAMB
19	109404-01-D18	EA	DOOR-COMPARTMENT, W/HARDWARE & LATCHES
20	092234-12-D18	EA	WINDOW-TIPOUT W/INSIDE FRAME - EXCEL CH71-MK
21	109404-06-D18	EA	DOOR-COMPARTMENT, W/HARDWARE & LATCHES
22	052009-04-000	EA	DOOR-WATER HEATER 18" X 14 6" - METAL - BUFF
23	084104-06-000	EA	JAMB-DOOR, REFRIGERATOR - BUFF
23	084103-06-000	EA	DOOR-REFRIGERATOR, VENTED - W/O JAMB - BUFF
	084104-01-700	EA	LOCK-MALE, FASTENER - REFRIGERATOR DOOR
	084104-01-701	EA	LOCK-FEMALE, FASTENER - REFRIGERATOR DOOR
24	104691-06-01A	EA	WINDOW-TIPOUT, W/INSIDE FRAME - EXCEL CH71-MK
25	109712-01-D18	EA	DOOR-COMPARTMENT REAR TAPERED - W/HARDWARE & LATCHES
	081240-09-000	EA	DOOR-WATER FILL, LOCKABLE - BUFF



WINDOW, VENT & EXTERIOR DOOR GROUP (CONTINUED)

ENTRY DOOR



KEY	PART NUMBER	U/M DESCRIPTION
5	045017-11-000	EA LATCH ENTRY DOOR, MECHANISM W/LOCK & KEY - BLACK
	045017-11-701	EA KEY BLANK
	056746-01-000	EA PLUG-CAP, 1" DIAMETER
	058025-02-000	EA CLIP-ROLLER LATCH CATCH, SCREEN DOOR
	063729-04-000	EA RIVNUT, 10-32 UNF - 010-080
	072893-01-000	EA NUTSER1-M5 X 0.8
	075671-04-000	FT SEAL-SPONGE, LAZY T SHAPE - W/ADHESIVE STRIPE - 5" WIDE
6	079012-05-B10	EA DOOR-SCREEN
7	002293-02-000	SF SCREENING-WINDOW/DOOR, 26" - CHARCOAL
8	002294-01-000	FT SPLINE-SCREENING 135" X .136" - BLACK
9	109403-01-000	EA CATCH-ASM-SINGLE ROLLER
10	016454-01-000	EA INSERT-CENTER, LEATHER GRAIN ALUMINUM - UNPAINTED
10	001014-01-013	EA INSERT-CENTER, 10 25" X 16 31" - UNPAINTED
11	050712-04-000	EA HANDLE-SCREEN DOOR, ALUMINUM - OFF WHITE
12	078552-03-000	EA KICK PANEL-SCREEN DOOR, LOWER INSERT - UNPAINTED
	078595-01-000	EA TOP PLATE-SCREEN DOOR, CURVED TOP - 4 7" X 25 35"
13	078777-01-000	EA CHANNEL-SLIDE, SCREEN DOOR CENTER SLIDER COVER
14	079086-02-000	EA SLIDER-SCREEN DOOR, OFF WHITE
15	079087-02-000	EA STRIKE-SLIDER, W/LIP FOR ELBOW CATCH - 1 5" X 8 6" - OFF WHITE
	009016-01-000	EA CATCH-ELBOW, SPRING LOADED - SCREEN DOOR CATCH
16	079733-11-D18	EA WINDOW-PICTURE, W/O INSIDE FRAME - 17" X 25"
	002181-18-000	EA GLASS-WINDOW
	067609-35-000	EA FRAME-INSIDE, WINDOW - OFF WHITE
	087561-01-000	FT SEAL-VINYL, EXTERIOR WINDOW
	081914-01-000	EA BUMPER-RUBBER, ROUND - 43" DIAMETER - BLACK
17	089748-09-000	EA FRAME-BOTTOM, ENTRY DOOR - 24 8" LONG - OFF WHITE
	090340-01-000	FT SEAL-FOAM, CLOSED CELL - 1/4" X 1/2" X 50"
18	095276-03-05A	EA FRAME-ENTRY DOOR W/O BOTTOM - OFF WHITE
19	095277-04-05A	EA JAMB-ENTRY DOOR, W/BOTTOM - 25 9" X 74 5" - OFF WHITE
20	051049-01-000	EA JAMB-BOTTOM, ENTRY DOOR - 25 9" - UNPAINTED
	079207-01-000	EA STRIKER-ROLLER CATCH WELDED TO DOOR JAMB - 4" X 1 15"
		FROM: 00-00-00 THRU. 06-21-93
	112502-01-000	EA STRIKER-ROLLER CATCH, WELDED TO DOOR JAMB - 4" X 1 15"
		FROM: 06-22-93 THRU 99-99-99
21	096810-01-01A	EA PLATE-LATCH, ENTRY DOOR - PLASTIC - BLACK
22	106719-01-01A	EA HINGE-ENTRY DOOR UNPAINTED
	102248-01-000	EA SHIM-ENTRY DOOR
23	098173-01-04A	EA STIFFENER-ENTRY DOOR, SUPPORTS LATCH/STRIKE AREA - UNPAINTED
	100128-02-000	FT SEAL-PILE, ADHESIVE BACK - SCREEN DOOR - GRAY
24	101145-01-01A	EA DEADBOLT-ENTRY DOOR W/2 KEYS W/O BACK SET BOLT OR SCREWS
	095229-01-700	EA KEY BLANK FOR DEADBOLT
	101147-01-000	EA BOLT-SECURITY, 4 12" BACKSET
	102524-01-000	EA BUMPER-RUBBER, FLAT - BLACK
25	044582-33-000	EA CAP-DRIP, ENTRY DOOR - JAMB MOUNTED - ALUMINUM - OFF WHITE
	064075-07-000	FT SEAL-BULB, W/WIRED U CHANNEL - 3" X .5" CHANNEL - BLACK
	075639-14-000	EA GARNISH-RADIUS ENTRY DOOR - OFF WHITE
	077461-03-000	EA COVER-STRIKE, ENTRY DOOR - 6 5" X 2 5" - PLASTIC - WHITE
	076725-02-000	EA COVER-HINGE, ENTRY DOOR - 6" X 3 2" - PLASTIC - OFF WHITE
26	109412-01-000	EA CATCH-SCREEN DOOR, THUMB CLIP W/BLACK PLASTIC CAP
	104692-01-000	FT SEAL-ADHESIVE BACK 3/4" X 34"
	102768-01-000	EA HOLDER-COMPARTMENT/ENTRY DOOR, METAL - MILL FINISH
	009126-02-000	EA HANDLE-ASSIST, ENTRY DOOR - BLACK
	090340-02-000	FT SEAL-FOAM, CLOSED CELL - 3/8" X 1/2"
	091876-01-000	EA RETAINER-DOOR 19" X 6" - METAL

1993 WINNEBAGO TABLE OF CONTENTS

INTRODUCTION	A-01 -	A-02
ABBREVIATIONS		A-03
ALPHABETICAL INDEX	A-04 -	A-06
WCM37RW	A-07 -	G-08
WCM33RQ	G-09 -	L-24

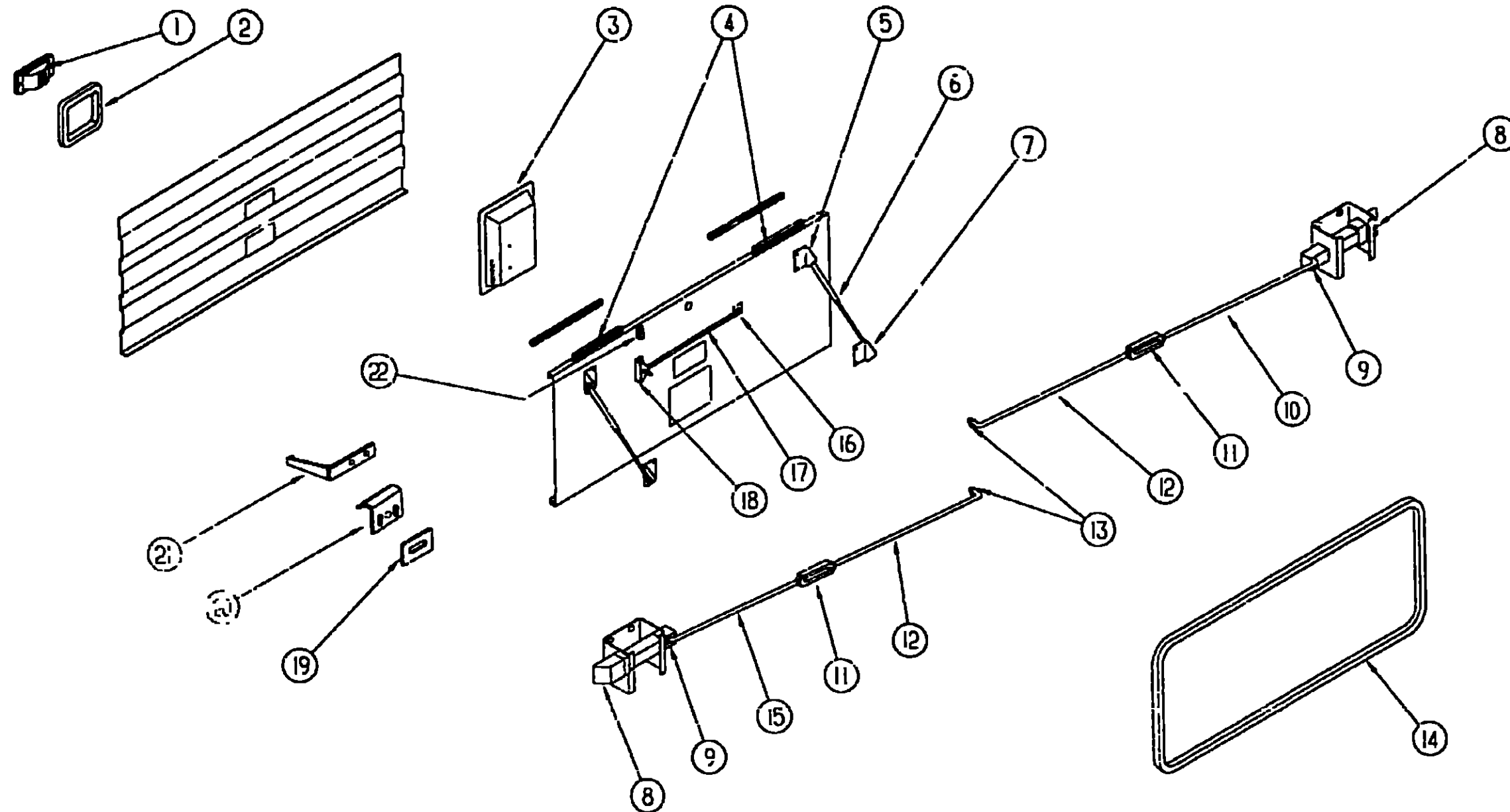
1993 WCM37RW INDEX

FLOOR PLAN	A-07 -	A-08
ACCESSORIES		A-09
AUDIO VIDEO	A-10 -	A-13
BATH	A-14 -	A-18
BEDROOM	A-19 -	A-20
CHASSIS	A-21 -	B-20
CURTAIN & CUSHION	B-21 -	C-10
DINETTE	C-11 -	C-12
DRIVERS COMPARTMENT	C-13 -	C-18
ELECTRICAL	C-19 -	D-01
EXTERIOR BODY	D-02 -	D-12
GALLEY	D-13 -	D-22
GENERATOR	D-23 -	D-24
HEATING & A/C	E-01 -	E-06
INTERIOR FINISH	E-07 -	E-10
LABEL	E-11 -	E-18
LP		E-19
LOUNGE	E-20 -	E-21
SEALANTS & FASTENERS	E-22 -	F-02
WATER & SEWAGE	F-03 -	F-07
WINDOW, VENT AND EXTERIOR DOOR	F-08 -	G-04
WINDSHIELD & WIPER	G-05 -	G-08

KEY	PART NUMBER	U/M DESCRIPTION
1	M01870-65-D18	EA DOOR-ENTRY W/SCREEN DOOR & JAMB
2	039539-01-000	EA STRIKE-LOCK, ENTRY DOOR - ROUND W/THREADED WASHER
3	039540-01-000	EA LATCH MECHANISM HOOK, ENTRY DOOR - INTERIOR
	039715-01-000	EA NUT-SERT, 1/4" DIAMETER - 20 THREADS
4	039979-04-000	EA COVER-INTERIOR LATCH W/TRIP ARM - TIGHT - BLACK
	039994-01-000	EA CAP-ROUND VINYL - 26" ID X 62" LONG - BLACK
	041546-03-000	EA BRACKET-DOOR ANGLE, 5" X 1 9" - BELLE - METAL

WINDOW, VENT & EXTERIOR DOOR GROUP (CONTINUED)

EXTERIOR DOOR COMPONENTS & HOLDER



1993 WINNEBAGO TABLE OF CONTENTS

INTRODUCTION	A-01 -	A-02
ABBREVIATIONS		A-03
ALPHABETICAL INDEX	A-04 -	A-06
WCM37RW	A-07 -	G-08
WCM33RD	G-09 -	L-24

1993 WCM37RW INDEX

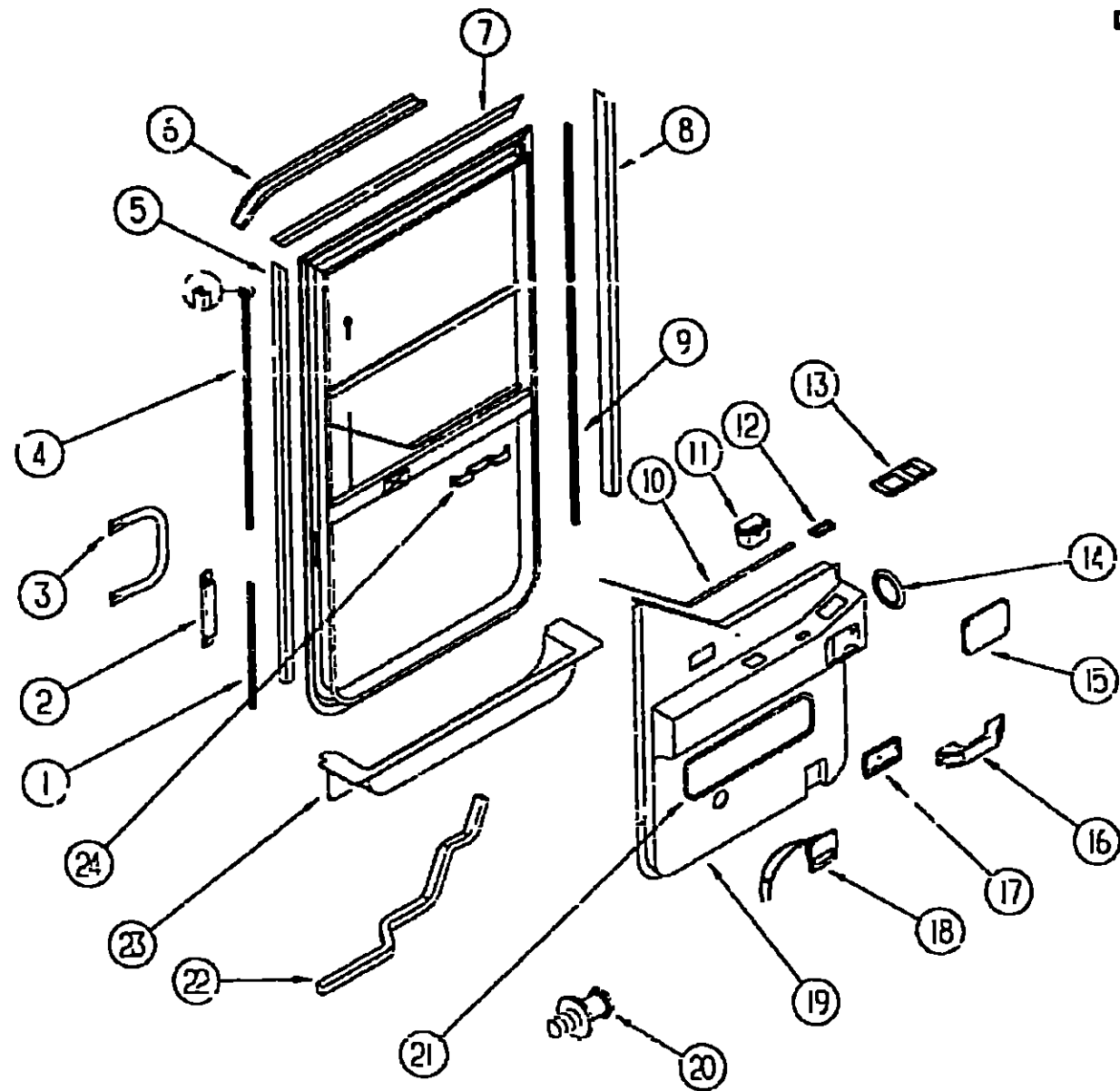
FLOOR PLAN	A-07 -	A-08
ACCESSORIES		A-09
AUDIO VIDEO	A-10	A-13
BATH	A-14 -	A-18
BEDROOM	A-19 -	A-20
CHASSIS	A-21 -	B-20
CURTAIN & CUSHION	B-21 -	C-10
DINETTE	C-11 -	C-12
DRIVERS COMPARTMENT	C-13 -	C-18
ELECTRICAL	C-19 -	C-01
EXTERIOR BODY	D-02 -	D-12
GALLEY	D-13 -	D-22
GENERATOR	D-23 -	D-24
HEATING & A/C	E-01 -	E-06
INTERIOR FINISH	E-07 -	E-10
LABEL	E-11 -	E-18
LP		E-19
LOUNGE	E-20 -	E-21
SEALANTS & FASTENERS	E-22 -	F-02
WATER & SEWAGE	F-03 -	F-07
WINDOW, VENT AND EXTERIOR DOOR	F-08 -	G-04
WINDSHIELD & WIPER	G-05 -	G-08

KEY	PART NUMBER	U/M DESCRIPTION
1	101355-03-01A	EA LATCH-PADDLE, W/O KEY LOCK - GRAY
1	101355-01-01A	EA LATCH-PADDLE, 2 POINT - W/KEY LOCK - PLASTIC - GRAY
	045017-01-701	EA KEY BLANK
	108615-01-000	EA LATCH-PLATE, COMPARTMENT DOOR
2	108678-01-000	EA GASKET-LATCH, INDUSTRIAL PRODUCTS
3	107221-01-01A	EA COVER-LATCH, VALANCE DOOR - 181 X 229MM - PLASTIC - BLACK
3	107221-02-01A	EA COVER-LATCH VALANCE DOOR - 300 X 229MM - PLASTIC - BLACK
3	107221-03-01A	EA COVER-LATCH, VALANCE DOOR - TAPERED - 156 X 229MM - PLASTIC - BLACK
3	107221-04-01A	EA COVER-LATCH 167MM LEFT X 229MM WIDE X 156MM RIGHT - PLASTIC - BLACK
4	107895-01-000	EA HINGE-DOUBLE PIVOT, W/U-CHANNEL - 2 TORSION SPRING ON 1 SIDE
4	107895-03-000	EA HINGE-DOUBLE PIVOT W/U-CHANNEL - 1 TORSION SPRING ON EACH SIDE
4	107895-01-000	EA HINGE-DOUBLE PIVOT, W/U-CHANNEL - 2 TORSION (REAR SIDE DOOR ONLY)
4	107895-04-000	EA HINGE-DOUBLE PIVOT W/U CHANNEL - 254MM LONG (REAR SIDE DOOR ONLY) FROM 03-00-00 THRU 04-16-93
4	107895-05-000	EA HINGE-DOUBLE PIVOT, W/U-CHANNEL - W/O TORSION SPRING FROM 04-17-93 THRU 99-99-99
5	107796-02-000	EA BRACKET-GAS SPRING LARGE - SPDI SPD-1060
6	107796-01-000	EA SPRING GAS SPDI SPD-5200-40
7	107796-03-000	EA BRACKET-GAS SPRING, SMALL - SPDI SPD-1015
8	101348-01-000	EA BOLT-SLIDE, LATCH - NYLON - W/SPRING & BRACKET
9	102266-01-000	EA PUSHNUT-RING, RETAINING - 5/32 - TRVARC
10	103562-02-000	EA ROD LATCH LEFT THREADED - 121MM LONG
10	109562-06-000	EA ROD LATCH, LEFT THREADED - 288MM LONG

KEY	PART NUMBER	U/M DESCRIPTION
10	108562-07-000	EA ROD-LATCH, LEFT THREADED - 24MM END - 303MM LONG
10	108562-11-000	EA ROD-LATCH LEFT THREADED - 278MM LONG
10	108562-16-000	EA ROD-LATCH, RIGHT THREADED - 288MM LONG (REAR TAPERED DOORS)
10	108562-17-000	EA ROD-LATCH LEFT THREADED - 20MM END - 303MM LONG
11	108561-01-000	EA TURNBUCKLE 10-24 THREAD
12	108562-01-000	EA ROD-LATCH, RIGHT THREADED - 121MM LONG
12	108562-10-000	EA ROD-LATCH LEFT THREADED - 458MM LONG (REAR TAPERED DOORS)
13	102265-01-000	EA CLIP-ROD END, 5/32" - PLASTIC - BLACK
14	107721-01-000	FT SEAL-ACCESS DOOR, D BULB W/ADHESIVE ON FLAT SIDE
15	108562-02-000	EA ROD-LATCH, LEFT THREADED - 121MM LONG
15	108562-06-000	EA ROD-LATCH LEFT THREADED - 288MM LONG
15	108562-11-000	EA ROD-LATCH, LEFT THREADED - 278MM LONG
15	108562-15-000	EA ROD-LATCH LEFT THREADED - 261MM
16	089329-01-000	EA CLIP-SPRING, 3/8" - METAL
17	108755-02-000	EA ROD-PROP VALANCE DOOR
18	108754-01-000	EA CHANNEL-VALANCE DOOR CENTER
19	110415-01-01A	EA SHIM-LATCH, VALANCE DOOR - BLACK
20	107719-01-01A	EA STRIKE-COMPARTMENT DOOR
21	102738-01-000	EA HOLDER-COMPARTMENT/ENTRY DOOR METAL - MILL FINISH
22	108757-01-01A	EA ANGLE-VALANCE DOOR, UPPER - BLACK
	104692-02-000	FT SEAL-3/4" X 1", PRESSURE SENSITIVE ADHESIVE ONE SIDE
	104491-02-03A	EA ANGLE-STRIKER BLACK (A/C COMPARTMENT DOOR)

WINDOW, VENT & EXTERIOR DOOR GROUP (CONTINUED)

DRIVERS DOOR



KEY	PART NUMBER	U/M DESCRIPTION
1	108642-03-01A	EA TRIM-DOOR, DRIVERS - BLACK
2	108654-01-01A	EA COVER-STRIKE, DRIVERS DOOR - BLACK
3	108832-01-02A	EA HANDLE-ASSIST, DRIVERS DOOR - METAL - OFF WHITE
	108833-01-01A	EA COVER-HANDLE, ASSIST - OFF WHITE
4	108642-02-01A	EA TRIM-DOOR, DRIVERS - BLACK
	108119-01-D18	EA GARNISH ASM-DRIVERS DOOR 2 SIDES & TOP CONSISTS OF ITEM 5, 7 & 8
5	108129-01-01A	EA GARNISH-DRIVERS DOOR - MILL
6	108275-51-001	EA RAIL-DRIP, EXTRUDED - 4877MM LONG
7	108107-01-01A	EA GARNISH-DRIVERS DOOR - MILL
8	108108-01-01A	EA GARNISH-DRIVERS DOOR - MILL
9	108642-01-01A	EA TRIM-DOOR, DRIVERS - BLACK
10	109644-01-000	FT TRIM-EDGE, RUBBER
11	046886-03-000	EA ASHTRAY CHROME, W/COVER
12	093132-01-000	EA SWITCH-ROCKER, 5 TERMINAL W/ARROW GRAPHICS - TORFIX 1737
12	103473-05-01A	EA PLATE-SWITCH LOCK - SINGLE - BLACK (DOOR LOCKS) FROM 00-00-00 THRU 04-18-93
12	103473-08-01A	EA PLATE-SWITCH, LOCK - SINGLE - BLACK (DOOR LOCKS) FROM 04-19-93 THRU 99-99-99
13	099982-01-01A	EA PLATE-SWITCH, 2 GANG - 2 4" X 4 1" - ALUMINUM - BLACK (EXT MIRROR) FROM 00-00-00 THRU 04-18-93
13	099982-02-01A	EA PLATE-SWITCH, 2 GANG - 2 4" X 4 1" - ALUMINUM - BLACK (EXT MIRROR) FROM 04-19-93 THRU 99-99-99
13	087695-01-000	EA SWITCH HEATER EXTERIOR MIRROR
13	088246-01-000	EA SWITCH-REMOTE, EXTERIOR MIRROR - SQUARE PUSH - VELVAC 7471290
14	093148-01-000	EA SEAL-WIRE, CAB DOOR - GM 15592070
	093144-01-000	EA CONDUIT-WIRE GM# 15592046
	093145-01-000	EA SLEEVE WIRE, 10" LONG - PLASTIC - BLACK - GM #15590724
	093146-01-000	EA GROMMET-WIRE, 1 7" X 3 1" - OVAL SHAPED - PLASTIC - BK
15	107889-01-000	EA PANEL-CONTROL, TOUCH KIT - HW/H AP9443
	107889-01-700	EA TOUCH PANEL ONLY
	085759-01-000	EA LIGHT-WARNING, "LOW AIR", HEYSCHE 510633
16	02710-01-01A	EA HANDLE-ASSIST, DRIVERS DOOR - 6 6" LONG - BLACK
17	106469-01-707	EA COVER-LATCH, DOOR (SUPPLIED W/DRIVERS DOOR) - EXCEL 130-081310
18	108354-01-01A	EA LIGHT-COURTESY - ITC 81395-B
19	107791-04-01A	EA PANEL-DOOR, INNER - DRIVERS - FOR HYDRAULIC JACKS/MIRROR - PLASTIC FROM 00-00-00 THRU 10-01-92
19	107791-02-01A	EA PANEL-DOOR, INNER - DRIVERS - FOR HYDRAULIC JACKS - PLASTIC FROM 10-02-92 THRU 99-99-99
19	107791-03-01A	EA PANEL-DOOR, INNER - DRIVERS - FOR POWERED MIRROR - PLASTIC
19	107791-01-01A	EA PANEL-DOOR, INNER - DRIVERS - W/O CUTOUTS - PLASTIC
	102756-01-000	EA SYSTEM-REMOTE KEYLESS ENTRY, COMPLETE W/REMOTE & WIRING ACTIVATES DOOR LOCKS & PORCH LIGHT SPECIFIC CRUISE SYSTEMS - 101-1601 SCC
20	106469-01-715	EA STRIKER ASSEMBLY (SUPPLIED W/DRIVERS DOOR) - EXCEL 248-081003
21	108633-01-D18	EA PAD-DOOR, FABRIC
21	108633-01-D19	EA PAD-DOOR, FABRIC
21	109C33-01-D20	EA PAD-DOOR, FABRIC
	100122-02-000	FT SEAL-PILE, ADHESIVE BACK - SCREEN DOOR - GRAY
22	063977-12-000	EA STEP-DRIVER DOOR LEFT - PAINTED
22	063977-11-000	EA STEP-DRIVER DOOR LEFT - UNPAINTED
23	107818-01-01A	EA TRIM-STEP, DRIVERS DOOR - PLASTIC WILLOW
	108897-01-01A	EA GARNISH-DOOR DRIVERS - U-CHANNEL
24	109533-01-000	EA BRACKET-HANDLE, MOUNT
	105235-01-01A	FT COVER-SCREW, MAT BLACK - DAWN 132-091046
	084027-03-000	FT SEAL-E, SPONGE RUBBER - 10 6 X 8 6MM

**1993 WINNEBAGO
TABLE OF CONTENTS**

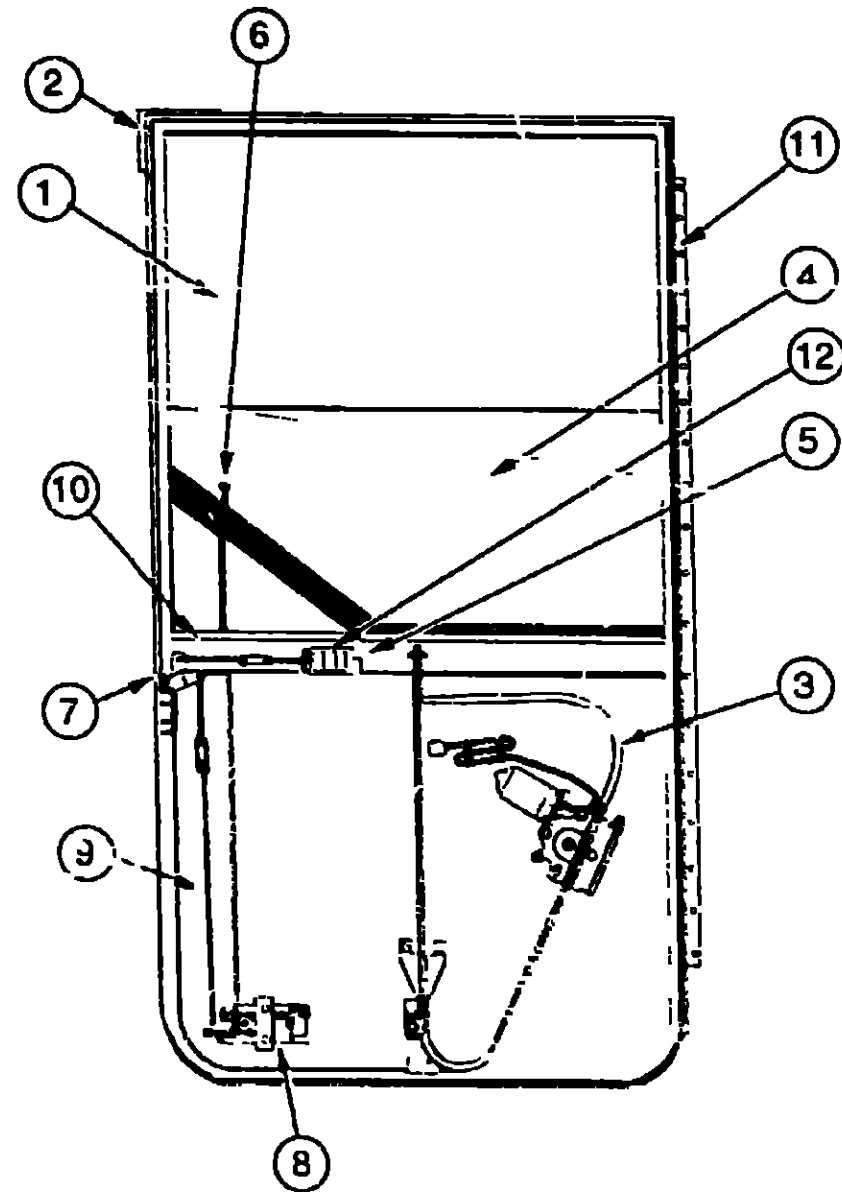
INTRODUCTION	A-01 -	A-02
ABBREVIATIONS		A-03
ALPHABETICAL INDEX	A-04 -	A-06
WCM37RW	A-07 -	G-08
WCM32RC	G-03 -	L-24

1993 WCM37RW INDEX

FLOOR PLAN	A-07 -	A-09
ACCESSORIES		A-09
AUDIO VIDEO	A-10 -	A-13
BATH	A-14 -	A-18
BEDROOM	A-19 -	A-20
CHASSIS	A-21 -	B-20
CURTAIN & CUSHION	B-21 -	C-10
DINETTE	C-11 -	C-12
DRIVERS COMPARTMENT	C-13 -	C-18
ELECTRICAL	C-19 -	D-01
EXTERIOR BODY	D-02 -	D-12
GALLEY	D-13 -	D-22
GENERATOR	D-23 -	D-24
HEATING & A/C	E-01 -	E-06
INTERIOR FINISH	E-07 -	E-10
LABEL	E-11 -	E-18
LP		E-19
LOUNGE	E-20 -	E-21
SEALANTS & FASTENERS	E-22 -	F-02
WATER & SEWAGE	F-03 -	F-07
WINDOW, VENT AND EXTERIOR DOOR	F-08 -	G-04
WINDSHIELD & WIPER	G-05 -	G-08

WINDOW, VENT & EXTERIOR DOOR GROUP (CONTINUED)

DRIVERS DOOR



KEY	PART NUMBER	U/M DESCRIPTION
	106469-01-01A	EA DOOR-DRIVERS, BLACK - EXCEL
1	106469-01-700	EA GLASS, EXCEL 106-040976
	106469-01-701	EA TUMBLER & KEYS EXCEL 248040557
2	106469-01-702	EA DOOR SEAL, EA=1 - EXCEL 122-040984
3	106469-01-703	EA REGULATOR ASSEMBLY, EXCEL V10389L
4	106469-01-704	EA ROLL-UP GLASS ASM W/BRACKET EXCEL V103-65L
	106469-01-705	EA RUN CHANNEL, EXCEL 122-010850
	106469-01-706	EA ROD-END FASTENER, EXCEL 130-040593
5	106469-01-707	EA COVER-LATCH, DOOR - EXCEL 130-081310
6	106469-01-708	EA LOCK-BUTTON PLASTIC, EXCEL 130-081313
	106469-01-709	EA WEATHERSTRIP FUZZY, EXCEL 171-04063
7	106469-01-710	EA LATCH-ROTARY, LEFT - EXCEL 248-081311
8	106469-01-711	EA HANDLE-OUTSIDE LEFT EXCEL 410-081036
9	106469-01-712	EA LATCH ROD ASM VERTICAL, EXCEL V103-19747
	106469-01-713	EA TRIM SEAL, EXCEL 122-040747
10	106469-01-714	EA LATCH-ROD HORIZONTAL, EXCEL 203-081015
	106469-01-715	EA STRIKER ASSEMBLY, (SUPPLIED W/DRIVERS DOOR) - EXCEL 248-081003
11	106469-01-716	EA HINGE 21°, EXCEL 248-080807
12	106469-01-717	EA HANDLE-INTERIOR EXCEL 248-091308
	106469-01-718	EA KEY-BLANK (2), EXCEL 248-040552
	106469-01-719	EA MULLION RAIL, EXCEL V103-84
	106469-01-720	EA MOUNTING FRAME ASM, EXCEL V103-30
	106469-01-721	EA BELT WEATHERSTRIP, EXTERIOR WINDOW - EXCEL V103-57

1993 WINNEBAGO TABLE OF CONTENTS

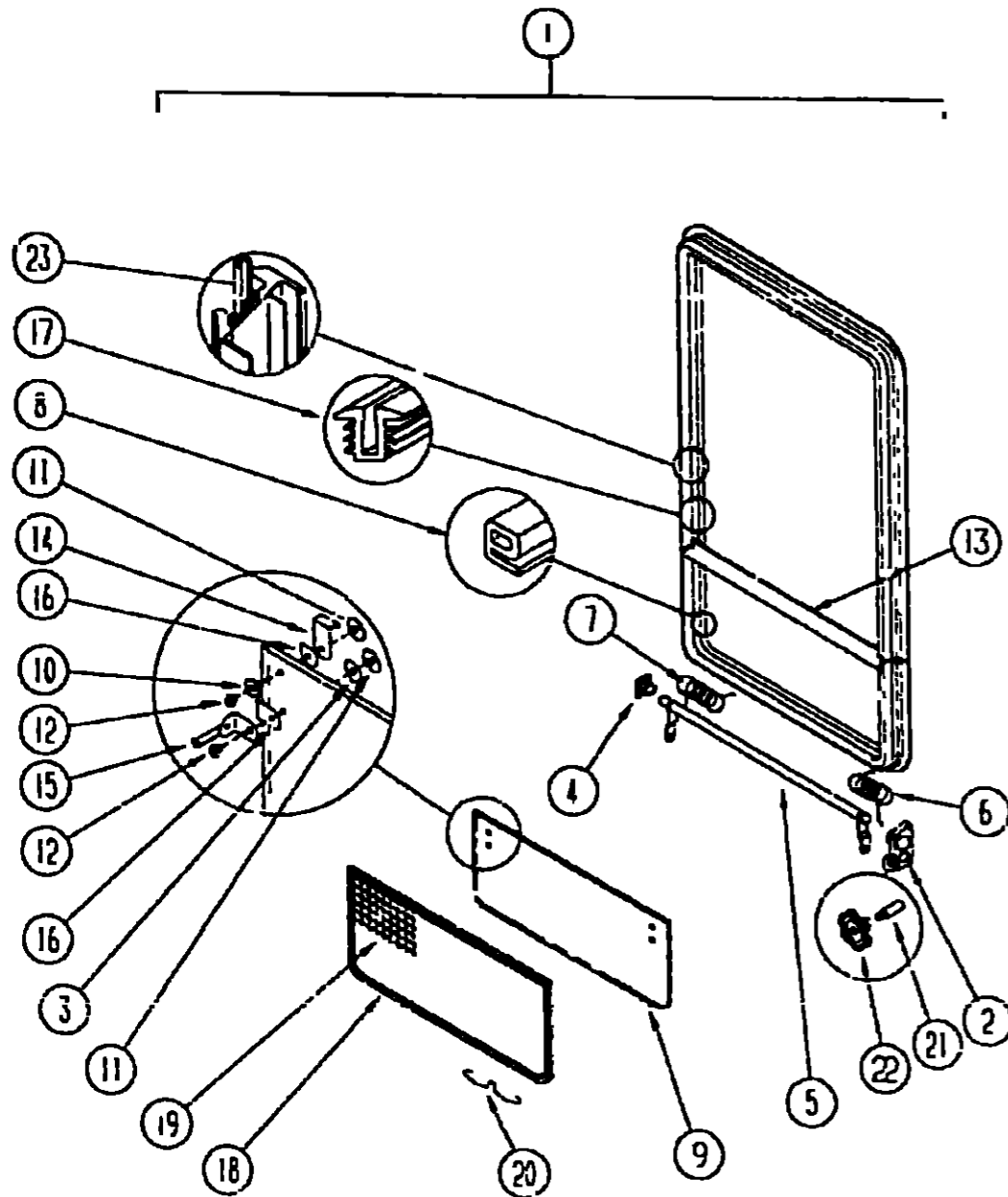
INTRODUCTION	A-01 -	A-02
ABBREVIATIONS		A-03
ALPHABETICAL INDEX	A-04 -	A-06
WCM37RW	A-07	C-09
WCM37RQ	G-09 -	L-24

1993 WCM37RW INDEX

FLOOR PLAN	A-07 -	A-09
ACCESSORIES		A-09
AUDIO VIDEO	A-10	A-13
BATH	A-14 -	A-18
BEDROOM	A-19 -	A-20
CHASSIS	A-21 -	B-20
CURTAIN & CUSHION	B-21 -	C-10
DINETTE	C-11 -	C-12
DRIVERS COMPARTMENT	C-13 -	C-18
ELECTRICAL	C-19 -	D-01
EXTERIOR BODY	D-02 -	D-12
GALLEY	D-13 -	D-22
GENERATOR	D-23	D-24
HEATING & A/C	E-01 -	E-06
INTERIOR FINISH	E-07 -	E-10
LABEL	E-11 -	E-18
LP		E-19
LOUNGE	E-20 -	E-21
SEALANTS & FASTENERS	E-22 -	F-02
WATER & SEWAGE	F-03 -	F-07
WINDOW, VENT AND EXTERIOR DOOR	F-03 -	G-C4
WINDSHIELD & WIPER	G-05 -	G-C8

WINDOW, VENT & EXTERIOR DOOR GROUP (CONTINUED)

DRIVER SIDE GALLEY WINDOW



KEY	PART NUMBER	U/M	DESCRIPTION
	090893-24-02A	EA	FRAME-INSIDE, WINDOW RETAINER - OFF WHITE
1	092235-20-D18	EA	WINDOW-TIPOUT, W/O INSIDE FRAME
	006H14-06-14R	EA	RIVET-MANDREL BLIND, 3/16"
2	035302-02-000	EA	OPERATOR-TORQUE, TIPOUT WINDOW
3	069927-03-000	EA	SEAL WINDOW, RUBBER - ROUND - 60" DIA - BLACK
4	081354-01-000	EA	SLEEVE-TORQUE TUBE, TIPOUT WINDOW - 1 3/4" X 1 1/2" X 7"
5	081649-01-000	EA	RING-SNAP, 7/32 SHAFT DIAMETER
6	083150-14-000	EA	TUBE-TORQUE, TIPOUT WINDOW - W/SPRING & ARM
7	080918-01-000	EA	SPRING-TORQUE TUBE LEFT
8	080918-02-000	EA	SPRING-TORQUE TUBE RIGHT
	084067-02 000	FT	SEAL-E SHAPED SPONGE - TIPOUT WINDOW - 42" X 38" - BLACK
8	084067-03-000	FT	SEAL-E SHAPED, SPONGE - TIPOUT WINDOW - 10 1/2" X 8 1/2" - BLACK
			FROM 00-00-00 THRU 04-04-93
			FROM 04-05-93 THRU 05-05-99
9	105509-06-000	EA	GLASS-TIPOUT 2 9 X 555 X 485MM
10	084453-02-000	EA	WASHER-06" X 5" X 25" - PLASTIC
11	086762-01-000	EA	T NUT 10-32
12	086763-01-000	EA	SCREW-MACH 10 - 32 X 1/4 PTH
13	087566-06-01A	EA	MULLION-HORIZONTAL TIPOUT - BLACK
14	089913-01-000	CA	HINGE-TIPOUT WINDOW BLACK
15	097578-01-000	EA	LINKAGE-TIPOUT WINDOW
	084453-01-000	EA	WASHER-06" X 5" X 125" - PLASTIC
16	084473-01-000	EA	SEAL-FLAT, W/CENTER HOLE & ADHESIVE SIDE - 8" X 9" - BLK
	085315-01-000	EA	RIVET-SHOULDER, TIPOUT WINDOW
17	099154-01-000	FT	CHANNEL-GLAZING STATIONARY GLASS - 62" X 45" - BLACK
18	100235 06 B07	EA	SCREEN-SINGLE TIPOUT WINDOW
19	080218-03 000	SF	SCREENING-FIBERGLASS, 12" WIDE
20	100168 01-000	EA	CLIP-SPRING, SCREEN
	100240-01-000	FT	SPLINE-SCREEN T-SHAPED
21	009439-06 000	EA	EXTENSION-CRANK HANDLE WINDOW /ROOF VENT - BLACK
22	009439-05-000	EA	KNOB-OPERATOR TIPOUT WINDOW - W/SPRING & ARM
	009429 07 000	EA	SCREW 8-32 X 1 1/4 POH - BLACK
23	069640-11-000	FT	TAPE-SEALER, 3/16" X 3/8" - BLACK

1993 WINNEBAGO TABLE OF CONTENTS

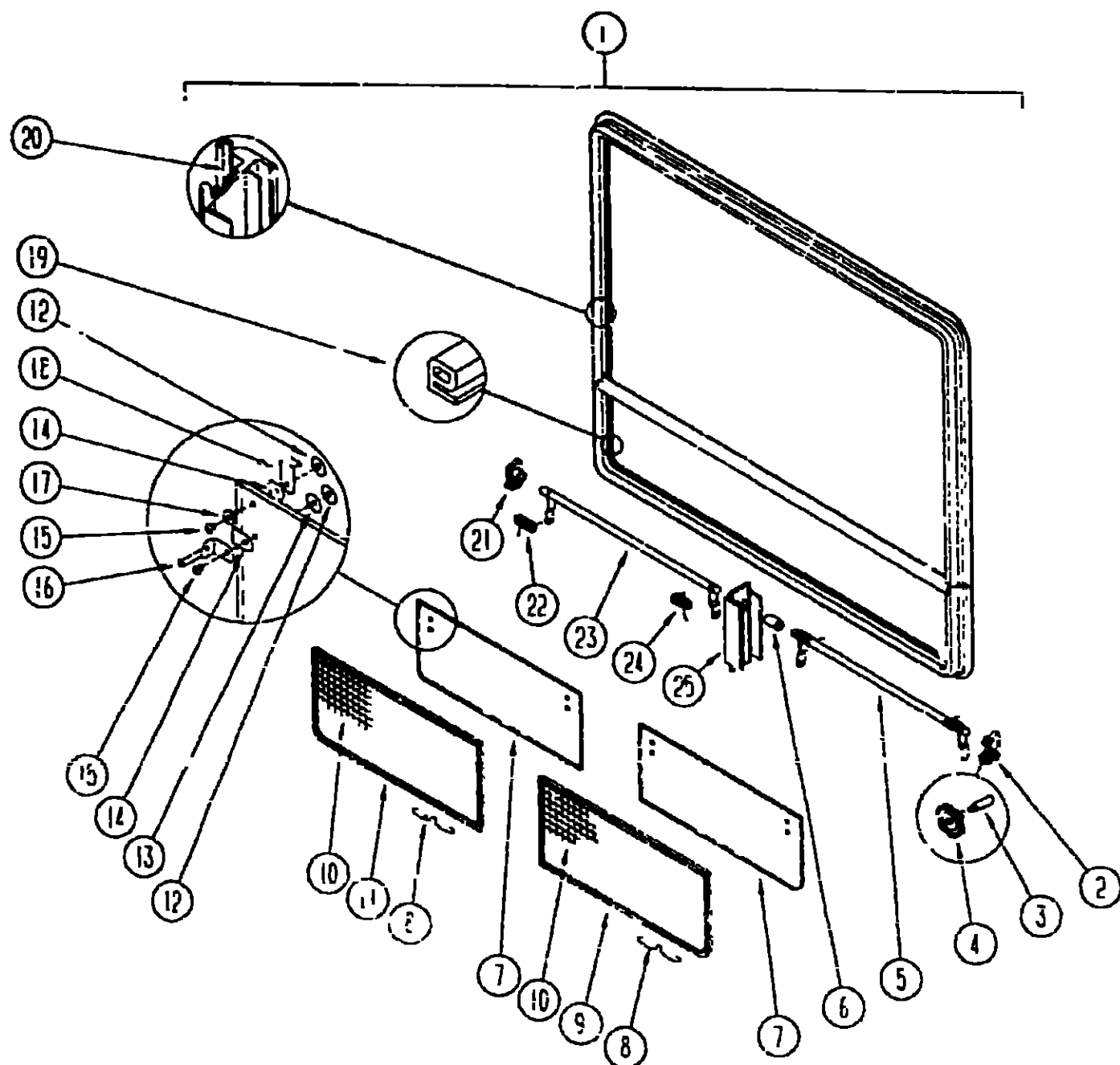
INTRODUCTION	A-01 - A-02
ABBREVIATIONS	A-03
ALPHABETICAL INDEX	A-04 - A-06
WCM37RW	A-07 - G-08
WCM33RO	G-09 - L-24

1993 WCM37RW INDEX

FLOOR PLAN	A-07 - A-08
ACCESSORIES	A-09
AUDIO VIDEO	A-10 - A-13
BATH	A-14 - A-19
BEDROOM	A-19 - A-20
CHASSIS	A-21 - B-20
CURTAIN & CUSHION	B-21 - C-10
DINETTE	C-11 - C-12
DRIVERS COMPARTMENT	C-13 - C-18
ELECTRICAL	C-19 - D-01
EXTERIOR BODY	D-02 - D-12
GALLEY	D-13 - D-22
GENERATOR	D-23 - D-24
HEATING & A/C	E-01 - E-06
INTERIOR FINISH	E-07 - E-10
LABEL	E-11 - E-18
LP	E-19
LOUNGE	E-20 - E-21
SEALANTS & FASTENERS	E-22 - F-02
WATER & SEWAGE	F-03 - F-07
WINDOW, VENT AND EXTERIOR DOOR	F-08 - G-05
WINDSHIELD & WIPER	G-05 - G-08

WINDOW, VENT & EXTERIOR DOOR GROUP (CONTINUED)

DRIVER SIDE LOUNGE WINDOW



KEY	PART NUMBER	UOM	DESCRIPTION
1	090893-08-02A	EA	FRAME-WINDOW, INSIDE - 31 4" X 60 9" - OFF WHITE
	092234-13-D18	EA	WINDOW-TIPOUT, DOUBLE - W/O INSIDE FRAME
	000114-06-14R	EA	RIVET-MANDREL BLIND, 3/16"
2	035302-02-000	EA	OPERATOR-TORQUE, TIPOUT WINDOW - LEFT
3	090025-01-000	EA	EXTENSION-WINDOW CONTROL
4	101290-01-01A	EA	KNOB-OPERATOR, TIPOUT WINDOW - BRASS
5	083227-07-000	EA	TUBE-TORQUE, WINDOW - RIGHT
6	088816-51-001	EA	TUBE-EXTRUDED, 02"ID X 035"OD X 12" LONG - ALUMINUM
7	105509-07-000	EA	GLASS-TIPOUT, 2.9 X 671 X 591 5MM
8	100168-01-000	EA	CLIP-SPRING, SCREEN
9	100234-04-B07	EA	SCREEN-DOUBLE TIPOUT WINDOW, FRONT DR SIDE/REAR PASS SIDE
10	080218-03-000	SF	SCREEN-FIBERGLASS 12" WIDE
	100240-01-000	FT	SPLINE-SCREEN, T-SHAPED
	081377-01-700	EA	ADHESIVE-CYANOACRYLATE, 10 GRAM TUBE
11	100234-03-307	EA	SCREEN-DOUBLE TIPOUT WINDOW REAR DR SIDE/FRONT PASS SIDE
12	085762-01-000	EA	T NUT 10-32
13	068927-03-000	EA	SEAL-WINDOW, RUBBER - ROUND - 80" DIA - BLACK
14	084473-01-000	EA	SEAL-RUBBER TIPOUT WINDOW
15	086763-01-000	EA	SCREW-MACH, 10 - 32 X 1/4 PTH
16	097578 01-000	EA	LINKAGE-TIPOUT WINDOW
	084457-01-000	EA	WASHER-060 X 50 X 135 - PLASTIC
	085315-01-000	EA	RIVET-SHOULDER TIPOUT WINDOW
	091649-01-000	EA	RING-SNAP 7/32 SHAFT DIAMETER
	101289-01-01A	EA	SCREW-MACHINE, 8 32 X 4 - POH - BRASS - FOR EXTENDED KNOB
17	084453-02-000	EA	WASHER-060 X 50 X 135 - PLASTIC
18	068913-01 000	EA	HINGE-TIPOUT WINDOW BLACK
19	084067-02-000	FT	SEAL E SHAPED SPONGE - TIPOUT WINDOW - 42" X 39"-BLACK FROM 00-03-03 THRU 04-04-93
19	084067-03-000	FT	SEAL E SHAPED SPONGE - TIPOUT WINDOW - 10 6 X 5 6MM - BLACK FROM 04-05 93 THRU 99-99 99
20	069640-11-000	EA	SEALER-TAPE 3/16" X 3/8" - BLACK
21	035302 01-000	EA	OPERATOR-TORQUE TIPOUT WINDOW - RIGHT
	038886-01-000	EA	TAPE-BUTYL, 31" X 31" X 148" LONG
22	082918-C2-000	EA	SPRING-TORQUE TUBE, LEFT
23	083228-07-000	EA	TUBE-TORQUE WINDOW - LEFT
24	080918-01-000	EA	SPRING-TORQUE TUBE RIGHT
25	088803 01-01A	EA	MULLION-VERTICAL 9 5" LONG - ALUMINUM - BLACK
	097566-08-01A	EA	MULLION HORIZONTAL TIPOUT - BLACK
	039154-01-000	FT	CHANNEL GLAZING STATIONARY GLASS 62" X 45" - BLACK

1993 WINNEBAGO TABLE OF CONTENTS

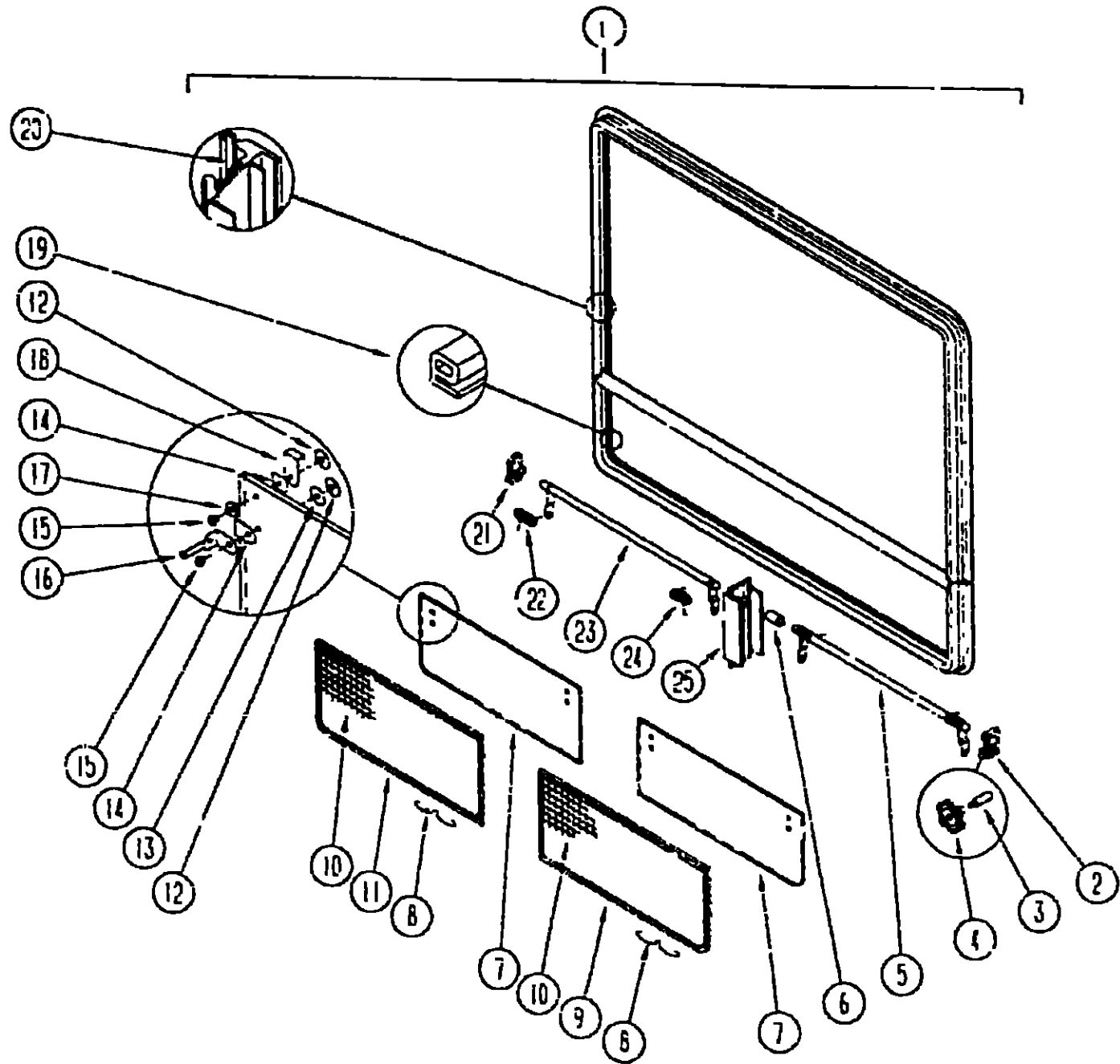
INTRODUCTION	A-01 -	A-02
ABBREVIATIONS		A-03
ALPHABETICAL INDEX	A-04 -	A-05
WCM37RW	A-07 -	G-05
WCM33RO	G-09 -	L-24

1993 WCM37RW INDEX

FLOOR PLAN	A-07 -	A-09
ACCESSORIES		A-09
AUDIO VIDEO	A-10 -	A-13
BATH	A-14 -	A-18
BEDROOM	A-19 -	A-20
CHASSIS	A-21 -	B-20
CURTAIN & CUSHION	B-21 -	C-10
DINETTE	C-11 -	C-12
DRIVERS COMPARTMENT	C-13 -	C-18
ELECTRICAL	C-19 -	D-01
EXTERIOR BODY	D-02 -	D-12
GALLEY	D-13 -	D-22
GENERATOR	D-23 -	D-24
HEATING & A/C	E-01 -	E-06
INTERIOR FINISH	E-07 -	E-10
LABEL	E-11 -	E-18
LP		E-19
LOUNGE	E-20 -	E-21
SEALANTS & FASTENERS	E-22 -	F-02
WATER & SEWAGE	F-03 -	F-07
WINDOW VENT AND EXTERIOR DOOR	F-08 -	G-04
WINDSHIELD & WIPER	G-05 -	G-08

WINDOW, VENT & EXTERIOR DOOR GROUP (CONTINUED)

PASSENGER SIDE DINETTE WINDOW



KEY	PART NUMBER	U/M	DESCRIPTION
	000993 00 02A	EA	FRAME-WINDOW, INSIDE - OFF WHITE
1	092234-12-D18	EA	WINDOW-TIPOUT, DOUBLE - W/O INSIDE FRAME
	000H14-06-14R	EA	RIVET-MANDREL BLIND, 3/16"
2	035302-02-000	EA	OPERATOR-TORQUE, TIPOUT WINDOW - LEFT
3	090025-01-000	EA	EXTENSION-WINDOW CONTROL
4	101290-01-01A	EA	KNOB-OPERATOR, TIPOUT WINDOW - BRASS
5	083228-08-000	EA	TUBE-TORQUE, WINDOW - RIGHT
6	088816-51-001	EA	TUBE-EXTRUDED, .02"ID X (.35"OD X 12" LONG - ALUMINUM
7	105509-05-000	EA	GLASS TIPOUT, 29 X 67 1/2 X 59 1/2
8	100168-01-000	EA	CLIP-SPRING, SCREEN
9	100234-05-807	EA	SCREEN-DOUBLE TIPOUT WINDOW REAR DR SIDE/FRONT PASS SIDE
10	090218-03-000	SF	SCREEN-FIBERGLASS 12" WIDE
	100240-01-000	FT	SPLINE-SCREEN T-SHAPED
	081377-01-700	EA	ADHESIVE-CYANOACRYLATE, 10 GRAM TUBE
11	100234-06-807	EA	SCREEN-DOUBLE TIPOUT WINDOW, FRONT DR SIDE/REAR PASS SIDE
12	096762-01-000	EA	T NUT 10-32
13	068927-03-000	EA	SEAL-WINDOW, RUBBER - ROUND - 80" DIA - BLACK
14	084473-01-000	EA	SEAL-RUBBER, TIPOUT WINDOW
15	086763-01-000	EA	SCREW-MACH 10 - 32 X 1/4 PTH
16	097578-01-000	EA	LINKAGE-TIPOUT WINDOW
	084453-01-000	EA	WASHER-060 X 50 X .135 - PLASTIC
	075315-01-000	EA	RIVET-SHOULDER, TIPOUT WINDOW
	081649-01-000	EA	RING-SNAP, 7/32 SHAFT DIAMETER
	101289-01-01A	EA	SCREW-MACHINE, 8-32 X 4 - PPH - BRASS - FOR EXTENDED KNOB
17	084453-02-000	EA	WASHER-060 X 50 X .135 - PLASTIC
18	089913-01-000	EA	HINGE-TIPOUT WINDOW, BLACK
19	024067-02-000	FT	SEAL-E SHAPED, SPONGE - TIPOUT WINDOW - 42" X 38" - BLACK FROM 03-03-00 THRU 04-04-93 FROM 04-05-93 THRU 99-99-99
19	024067-03-000	FT	SEAL-E SHAPED, SPONGE - TIPOUT WINDOW - 10 6/8 X 8 6/8" - BLACK FROM 04-05-93 THRU 99-99-99
20	059640-11-000	EA	SEALER TAPE, 3/16" X 3/8" - BLACK
21	035302-01-000	EA	OPERATOR-TORQUE TIPOUT WINDOW - RIGHT
	038886-01-000	EA	TAPE-BUTYL 31" X 31" X 148" LONG
22	020918-02-000	EA	SPRING-TORQUE TUBE, LEFT
23	083227-08-000	EA	TUBE-TORQUE WINDOW - LEFT
24	080918-01-000	EA	SPRING-TORQUE TUBE RIGHT
25	082623-01-01A	EA	MULLION VERTICAL - 9 5/8" LONG - ALUMINUM - BLACK
	097566-03-01A	EA	MULLION HORIZONTAL, TIPOUT - BLACK
	039154-01-000	FT	CHANNEL-GLAZING STATIONARY GLASS 67" X 43" - BLACK

1993 WINNEBAGO TABLE OF CONTENTS

INTRODUCTION	A-01 -	A-02
ABBREVIATIONS		A-03
ALPHABETICAL INDEX	A-04 -	A-06
WCM37RW	A-07 -	G-09
WCM33RQ	G-09 -	L-24

1993 WCM37RW INDEX

FLOOR PLAN	A-01 -	A-08
ACCESSORIES		A-09
AUDIO VIDEO	A-10 -	A-13
BATH	A-14 -	A-18
BELROOM	A-19 -	A-20
CHASSIS	A-21 -	B-20
CURTAIN & CUSHION	B-21 -	C-10
DINETTE	C-11 -	C-12
DRIVERS COMPARTMENT	C-13 -	C-18
ELECTRICAL	C-19 -	D-31
EXTERIOR BODY	D-02 -	D-12
GALLEY	D-13 -	D-20
GENERATOR	D-23 -	D-24
HEATING & A/C	E-01 -	E-06
INTERIOR FINISH	E-07 -	E-10
LABEL	E-11 -	E-16
LP		E-19
LOUNGE	E-21 -	E-21
SEALANTS & FASTENERS	E-22 -	F-02
WATER & SEWAGE	F-03 -	F-07
WINDOW, VENT AND EXTERIOR DOOR	F-08 -	G-05
WINDSHIELD & WIPER	G-05 -	G-05

WINDOW, VENT & EXTERIOR DOOR GROUP (CONTINUED)

DRIVER SIDE BEDROOM ESCAPE WINDOW

KEY	PART NUMBER	U/M DESCRIPTION
	104291-05-01A	EA WINDOW-TIPOUT ESCAPE - WITH-SIDE TRIM - EXCEL CH70-MK
	104291-05-700	EA TRIM-INSIDE, WHITE - EXCEL CH70-B3
	104291-05-701	EA WINDOW-TIPOUT ESCAPE - WITH-INSIDE TRIM - EXCEL CH70-GS
	104691-05-702	EA SCREEN ASSEMBLY, EXCEL 410-018322
	104691-05-703	EA LOWER VENT ASSEMBLY, EXCEL CH57-C3
	104691-05-704	EA OPERATOR & BAR ASSEMBLY, EXCEL CH57-15
	102299-03-704	EA LOCK HANDLE CAM RED RH EXCEL 102-11223
	102299-03-705	EA LOCK HANDLE CAM RED LH EXCEL 102-11224

VISTA WINDOW OVER DRIVERS DOOR

KEY	PART NUMBER	U/M DESCRIPTION
	103467-01-01A	EA WINDOW-VISTA LEFT - WINDOW FRAME - EXCEL
	103467-01-700	EA FRAME-INSIDE BLACK - EXCEL H359-27L
	103467-01-701	EA STATIONARY GLASS EXCEL 103-018272

WINDOW, VENT & EXTERIOR DOOR GROUP (CONTINUED)

PASSENGER SIDE LOUNGE WINDOW

KEY	PART NUMBER	U/M DESCRIPTION
	092644-01-706	FT WEATHERSTRIP-GLASS 171-010553 EXCEL
	092644-01-709	FT CHANNEL-RUN PIERCED - GLASS - 122-016543 EXCEL
	092644-01-710	FT TRACK SPACER FOR SCREEN 12 132-017135 EXCEL
	092644-01-711	FT WEATHERSTRIP-SCREEN, BLACK - 171-016935 EXCEL
	092644-01-713	EA SCREEN CLIPS (METAL), BLK, 22, 102560 EXCEL
	092644-01-716	FT PLUG-FILTER EXCEL 132-014470
	092480-01-700	EA LATCH REPAIR KIT EXCEL REC-CK
	092480-03-700	EA TRIM (WHITE), EXCEL W150-67
	092480-03-701	EA STATIONARY GLASS EXCEL 103-018291
	092480-03-702	EA SLIDE ASSEMBLY EXCEL H150-G5
	092480-03-703	EA SCREEN ASM

PASSENGER SIDE CAB WINDOW

KEY	PART NUMBER	U/M DESCRIPTION
	105466-01-01A	EA WINDOW CAB PASSENGER - WITH-SIDE TRIM - EXCEL SVRQ1482
	092644-01-700	EA LATCH REPAIR KIT (DL, CK)
	092644-01-702	FT WEATHERSTRIP-GLASS
	092644-01-703	FT CHANNEL-RUN PIERCED - GLASS
	092644-01-710	FT TRACK-SPACER FOR SCREEN 12
	092644-01-711	FT WEATHERSTRIP-SCREEN, BLACK
	092644-01-713	EA SCREEN CLIPS (METAL), BLK)
	092644-01-716	FT PLUG-FILTER
	105466-01-700	EA TRIM-FRONT STRAIGHT PAIL - BLACK - EXCEL H357-77 FRONT PAIL
	105466-01-701	EA TRIM CURVED BLACK - EXCEL H357-67 CURVED
	105466-01-702	EA GLASS-STATIONARY UPPER - EXCEL 103-018267
	105466-01-703	EA GLASS-STATIONARY LOWER - EXCEL 103-018269
	105466-01-704	EA SLIDE ASSEMBLY EXCEL H357-46R
	105466-01-705	EA SCREEN ASSEMBLY EXCEL H357-03R
	105466-01-706	EA GLASS STATIONARY MIDDLE - EXCEL 103-018265

PASSENGER SIDE BEDROOM WINDOW

KEY	PART NUMBER	U/M DESCRIPTION
	104591-05-01A	EA WINDOW-TIPOUT, WINDOW FRAME - EXCEL CH71-MK
	104591-05-700	EA TRIM-INSIDE, WHITE - EXCEL CH71-C3
	104591-05-701	EA LOWER VENT / SM (TIP-OUT) EXCEL C446-D6
	104591-05-702	EA OPERATOR & BAR ASSEMBLY EXCEL CH35-15
	104591-05-703	EA SCREEN ASSEMBLY EXCEL 410-017533
	104591-05-704	EA GLASS-STATIONARY, EXCEL G5018479

**1993 WINNEBAGO
TABLE OF CONTENTS**

INTRODUCTION	A-01 -	A-02
ABBREVIATIONS		A-03
ALPHABETICAL INDEX	A-04 -	A-05
WCM37RW	F-07 -	G-08
WCM35RD	G-03 -	L-24

1993 WCM37RW INDEX

FLOOR PLAN	A-07 -	A-08
ACCESSORIES		A-09
AUDIO VIDEO	A-10 -	A-13
BATH	A-14 -	A-15
BEDROOM	A-19 -	A-20
CHASSIS	A-21 -	B-20
CURTAIN & CUSHION	B-21 -	C-10
DINETTE	C-11 -	C-12
DRIVERS COMPARTMENT	C-13 -	C-16
ELECTRICAL	C-19 -	D-01
EXTERIOR BODY	D-02 -	D-12
GALLEY	D-13 -	D-22
GENERATOR	D-23 -	D-24
HEATING & A/C	E-01 -	E-05
INTERIOR FINISH	E-07 -	E-10
LABEL	F-11 -	E-12
LP		E-13
LOUNGE	E-20 -	E-21
SEALANTS & FASTENERS	E-22 -	F-02
WATER & SEWAGE	F-03 -	F-07
WINDOW/ VENT AND EXTERIOR DOOR	F-09 -	G-04
WINDSHIELD & WIPER	G-05 -	G-03

WINDOW, VENT & EXTERIOR DOOR GROUP (CONTINUED)

**JENSEN ROOF VENT W/O POWER LIFT
USED UP TIL 03-26-93**

KEY	PART NUMBER	U/M DESCRIPTION
	064469-13-000	EA VENT-ROOF W/O POWER LIFT FOR 4" ROOF - JENSEN V2420-41B4 (U.S.)
	064469-11-700	EA COVER DOME VENT - JENSEN VA503-1
	064469-13-700	EA SCREEN ASM-ROOF VENT JENSEN VA444-1
	064469-11-703	EA OPERATOR ASM ROOF VENT JENSEN V115-4

**JENSEN ROOF VENT W/O POWER LIFT
USED FROM 03-27-93 TO END OF YEAR**

KEY	PART NUMBER	U/M DESCRIPTION
	110051-02-01A	EA VENT-ROOF W/O POWER LIFT FOR 4" ROOF - JENSEN 7727 (U.S.)
	064470-01-700	EA COVER ROOF VENT JENSEN 7291
	110051-01-704	EA GARNISH W SCREEN & FRAME - JENSEN 29-899-03
	110051-01-700	EA CRANK ASM HANDLE, ROOF VENT
	110051-01-703	EA CRANK ONLY

**JENSEN ROOF VENT W/POWER LIFT
USED UP TIL 03-26-93**

KEY	PART NUMBER	U/M DESCRIPTION
	064469-11-000	EA VENT-ROOF W/POWER LIFT FOR 4" ROOF - JENSEN V2420-41B4 (U.S.)
	064469-12-000	EA VENT-ROOF W/POWER LIFT FOR 4" ROOF - JENSEN V2420-41E-C5 (CSA)
	030973-01-701	EA MOTOR-12 VOLT CSA & UL - JENSEN VA187-1
	064469-11-705	EA FAN BLADE 6" DIAMETER - JENSEN VA453
	064469-11-704	EA POWER LIFT GEAR MOTOR JENSEN VA452 (U.S.)
	064469-12-700	EA POWER LIFT GEAR MOTOR JENSEN VB516 (CSA)
	064469-11-702	EA GEAR JENSEN VA455
	064469-11-700	EA COVER ROOF VENT - JENSEN VA503-1
	064469-11-701	EA SCREEN ASM ROOF VENT JENSEN VA444-4

**JENSEN ROOF VENT W/POWER LIFT
USED FROM 03-27-93 TO END OF YEAR**

KEY	PART NUMBER	U/M DESCRIPTION
	110051-05-01A	EA VENT ROOF W/POWER LIFT FOR 4" ROOF - JENSEN 7727 (U.S.)
	110051-10-01A	EA VENT ROOF W/POWER LIFT FOR 4" ROOF - JENSEN CX725B (CSA)
	048343-01-000	EA MOTOR-12V NONVENTED 1/3 SFT
	048849-01-000	EA FAN PLASTIC 6" DIAMETER - 6 BLADED
	064469-03-707	EA MOTOR LIFT - JENSEN RP-1023
	064469-03-705	EA GEAR - DRIVE - JENSEN RP-1024
	064469-03-709	EA GEAR MOTOR PINION - JENSEN RP-1025
	064470-01-700	EA COVER ROOF VENT - JENSEN 7291
	110051-01-705	EA SCREEN-FRAME GARNISH - JENSEN 29-899-04A

WINDOW, VENT & EXTERIOR DOOR GROUP (CONTINUED)

FANTASTIC ROOF VENTILATOR

KEY	PART NUMBER	U/M DESCRIPTION
	064079-07-000	EA VENT CEILING POWER EXHAUST FANTASTIC (U.S.)
	064079-10-000	EA VENT CEILING POWER EXHAUST - FANTASTIC CANADIAN
	064079-01-700	EA VENT COVER FANTASTIC 1020-9
	064079-01-701	EA SCREEN ASM WHITE - FANTASTIC 1030-80
	064079-01-703	EA CRANK-EXTERIOR FANTASTIC 1000-09
	064079-01-704	EA BLADE-FAN FANTASTIC 1070-00
	064079-01-705	EA MOTOR FANTASTIC 1050-00
	064079-01-706	EA PLUG-12 VOLT FANTASTIC 1000
	064079-01-707	EA SWITCH SAFETY FANTASTIC 1120-01
	064079-01-709	EA SWITCH ON & OFF MAIN POWER FANTASTIC 1120-02
	064079-01-711	EA H MOLDING, MOTOR MOUNT - PLASTIC - FANTASTIC
	064079-01-700	EA GARNISH-INTERIOR 4" DIA

PLUMBING, RANGE HOOD & REFRIGERATOR ROOF VENTS

KEY	PART NUMBER	U/M DESCRIPTION
	092098-03-01A	EA VENT-RANGE HOOD EXTERIOR W/DOOR & SOLENOID - BUFF
	002570-02-700	EA FASTENER-PUSH, EXTERIOR RANGE HOOD VENT - VB430
	091298-02-701	EA CLAMP CONDUIT EXTERIOR RANGE HOOD VENT - VB334
	092098-03-700	EA SOLENOID RANGE HOOD VENTLINE UB500
	063554-04-000	EA VENT-PLUMBING PIPE ROOF W COVER - BUFF
	064073-04-000	EA BASE ROOF VENT, REFRIGERATOR - BLACK - NORCOLD
	064073-05-000	EA COVER ROOF VENT REFRIGERATOR - BUFF - NORCOLD
	002291-02-000	SF SCREENING ROOF VENT WINDOW 16" - BLACK
	002292-02-000	FT SPLINE VENT WINDOW SCREEN 1/8" DIAMETER - BLACK

**1993 WINNEBAGO
TABLE OF CONTENTS**

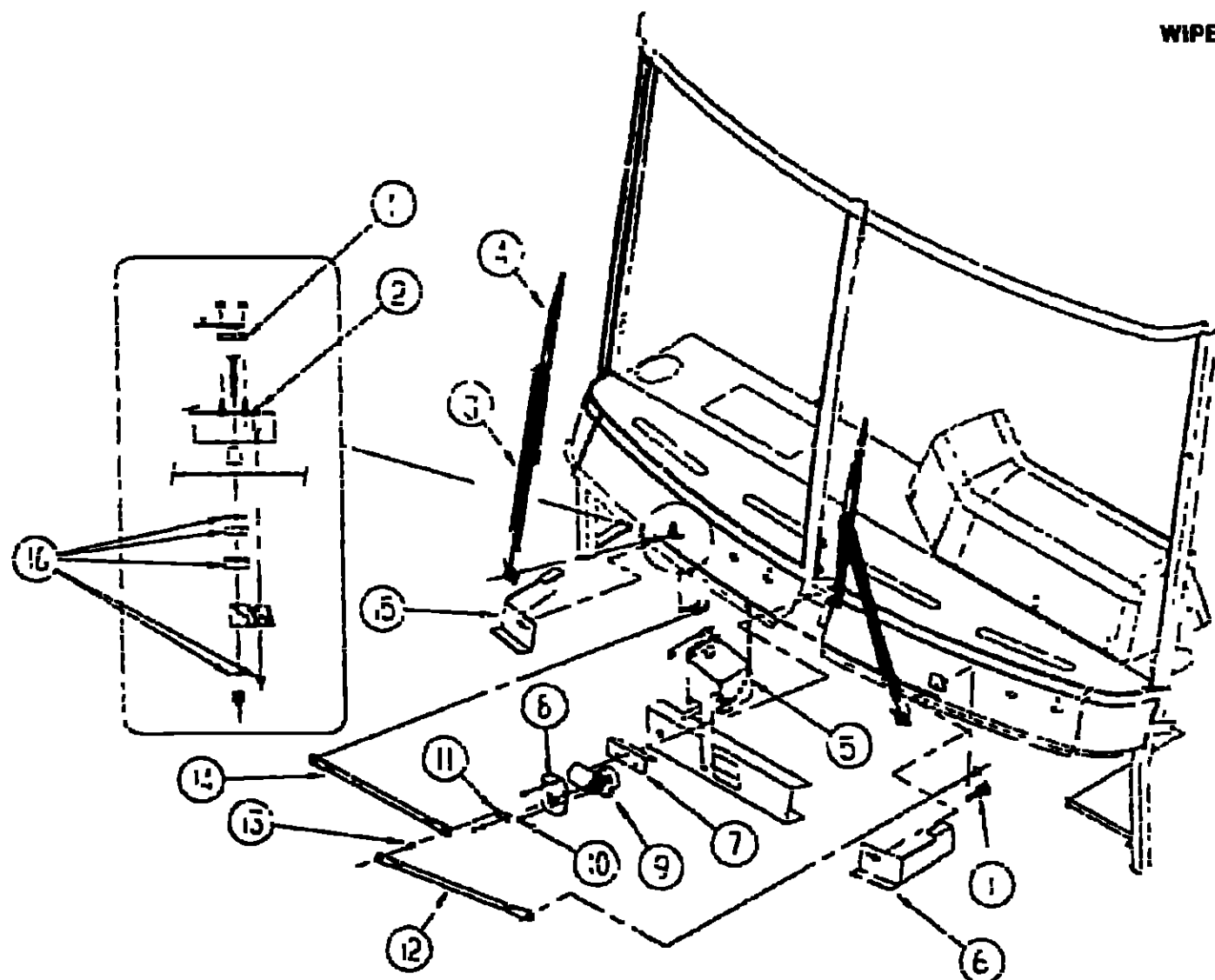
INTRODUCTION	A-01 -	A-02
ABBREVIATIONS		A-03
ALPHABETICAL INDEX	A-04 -	A-06
WCM37RW	A-07 -	G-08
WCM35FC	G-09 -	L-24

1993 WCM37RW INDEX

FLOOR PLAN	A-07 -	A-08
ACCESSORIES		A-09
AUDIO VIDEO	A-10 -	A-13
BATH	A-14 -	A-18
BEDROOM	A-19 -	A-20
CHASSIS	A-21 -	B-20
CURTAIN & CUSHION	B-21 -	C-10
DINETTE	C-11 -	C-12
DRIVERS COMPARTMENT	C-13 -	C-18
ELECTRICAL	C-19 -	D-01
EXTERIOR BODY	D-02 -	D-12
GALLEY	D-13 -	D-22
GENERATOR	D-23 -	D-24
HEATING & A/C	E-01 -	E-05
INTERIOR FINISH	E-07 -	E-10
LABEL	E-11 -	E-18
LP		E-19
LOUNGE	E-20 -	E-21
SEALANTS & FASTENERS	E-22 -	F-02
WATER & SEWAGE	F-03 -	F-07
WINDOW, VENT AND EXTERIOR DOOR	F-08 -	G-04
WINDSHIELD & WIPER	G-05 -	G-08

WINDSHIELD & WIPER GROUP

WIPER & WASHER



KEY	PART NUMBER	U/M DESCRIPTION
	031022-01-000	EA CONTROL-WIPER (DYNAMIC PARK, 1995 FORD ONLY)
1	103168-01-700	EA PIVOT SHAFT ASM SPRAGUE GS-3023
	077049-01-000	EA NUT-ACORN 1/2-22 ALUMINUM
2	107049-01-000	EA SHAFT-ADAPTER WIPER PANTOGRAPH ARM - ALCO 12815
3	103165-01-000	EA ARM-WIPER PANTOGRAPH PH - 28 1/2" - SPRAGUE 3223-00 BWS
	036931-01-700	FT HOSE WASHER WIPER ARM
	103166-01-704	EA KIT-WASHER NOZZLE W/NOZZLE SCREWS & NUT
	110240-01-000	EA GASKET WIPER
	077075-21-000	EA GROOVET RUBBER 3 1/2" ID X 1/2" CD W 1/2" GROOVE - BLACK
4	103167-01-000	EA BLADE-WINDSHIELD WIPER 24" - SPRAGUE C-1755
5	030000-02-000	EA WASHER WINDSHIELD BOTTLE & PUMP
6	103164-01-000	EA BRACKET-MOUNT WIPER PIVOT
7	103004-01-000	EA PLATE-WIPER MOTOR MOUNT
8	103005-01-000	EA PLATE-MOUNTING WIPER MOTOR (FORD & SPARTAN)
9	031025-02-000	EA PLATE-MOUNTING WIPER MOTOR (CHEVY)
10	031024-01-000	EA MOTOR-WIPER W/CRANK ARM - E-306 070
11	103169-01-700	EA WIPER MOTOR ONLY SPRAGUE 403 872
12	031026-01-000	EA SCREW-HEX 1/4-20 UNF
13	103164-01-701	EA CRANK-MOTOR W/DOUBLE CRANK STUD - SPRAGUE GS-2503
14	103167-01-000	EA LINK-CONNECTING 22 00" - SPRAGUE L1-3D3-3
15	077066-01-000	EA STUD CRANK WIPER
16	103167-01-000	EA LINK-CONNECTING 22 00" - SPRAGUE L1-3E4-3
	103257-01-000	EA BRACKET-MOUNT WIPER PIVOT
	103163-01-000	EA HARDWARE-PIVOT SHAFT ASM SPRAGUE GS-3705
	103163-01-700	EA NUT-ACORN SPRAGUE C-1401 3
	103169-01-701	EA KNURLED DRIVER (ARM DRIVER) S-2223-1
	103169-01-702	EA CAP-RUBBER (WEATHER CAP) 3 275E
	103169-01-703	EA NUT SPRAGUE S-1522-1
	031023-01-000	EA GROOVET-SNAP 3 1/2" ID - 05" HOLE - PLASTIC
	036931-01-700	FT HOSE-WIPER TO BLADE
	045794-01-000	FT HOSE-WASHER WINDSHIELD 5 3/2" ID - BLACK
	050000-01-700	FT HOSE-WIPER VACUUM - 7 1/4" - 5 1/2"

1993 WINNEBAGO TABLE OF CONTENTS

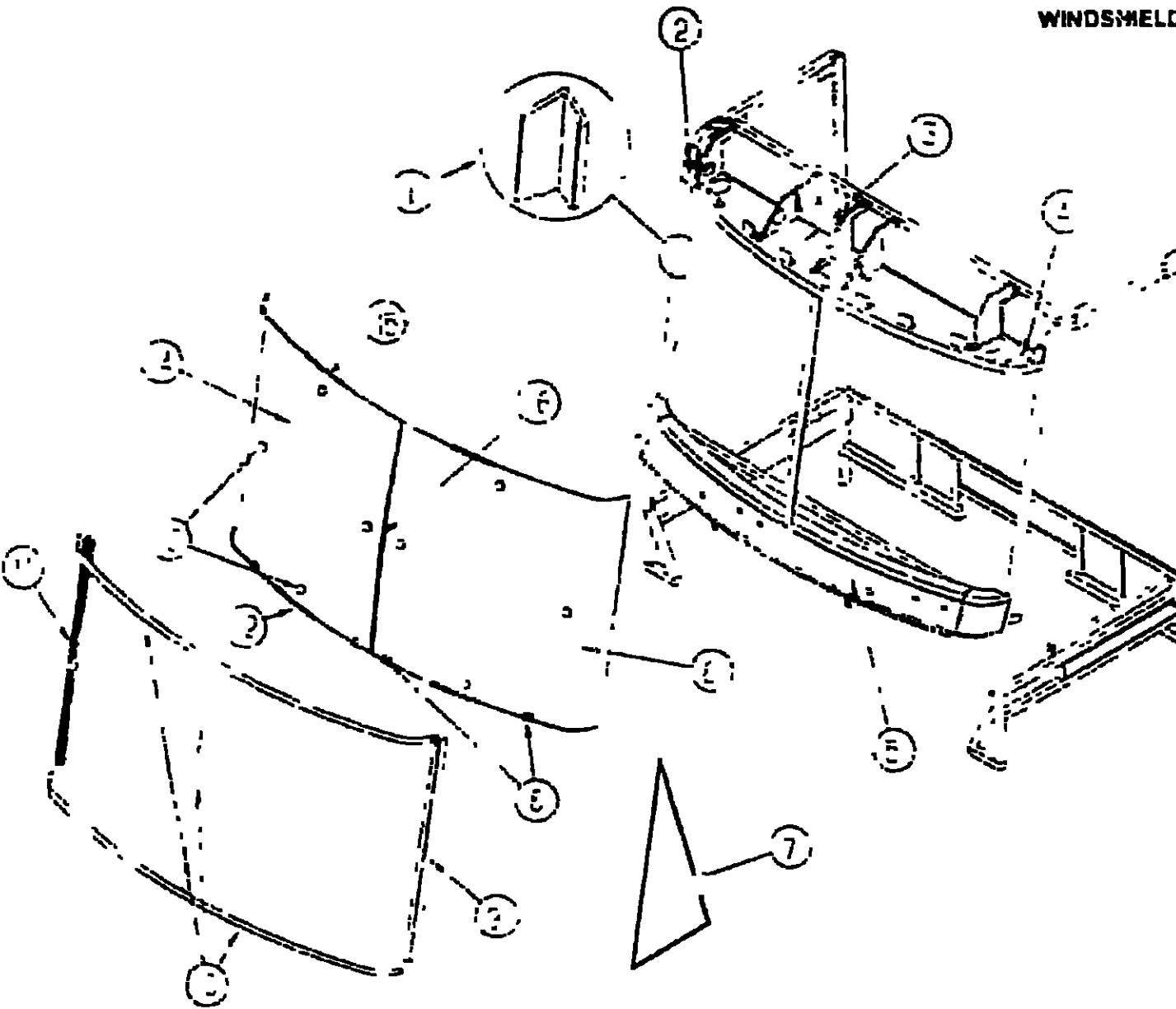
INTRODUCTION	A-01	A-02
REFERENCES	A-03	A-03
ALPHABETICAL INDEX	A-04	A-04
WCM37RW	A-07	G-05
WCM37RD	G-05	L-24

1993 WCM37RW INDEX

FLOOR PLANS	A-07	A-08
ACCESSORIES	A-09	A-09
AUDIO VIDEO	A-10	A-13
BATH	A-14	A-16
BEDROOM	A-19	A-20
CHESTS	A-21	B-20
CURTAIN & CUSHION	B-21	C-10
DINETTE	C-11	C-12
DRIVERS COMPARTMENT	C-13	C-15
ELECTRICAL	C-19	D-01
EXTERIOR BODY	D-02	D-12
GALLEY	D-13	D-22
GENERATOR	D-23	D-24
HEATING & A/C	E-01	E-08
INTERIOR FINISH	E-07	E-10
LABEL	E-11	E-18
LP		F-19
LOUNGE	E-20	E-21
SEALANTS & FASTENERS	E-22	F-02
WATER & SEWAGE	F-03	F-07
WINDOW VENT AND EXTERIOR DOOR	F-08	G-04
WINDSHIELD & WIPER	G-05	G-05

WINDSHIELD & WIPERGROUP (CONTINUED)

WINDSHIELD & VENT WINDOWS



KEY	PART NUMBER	U/M DESCRIPTION
1	065789-06 000	EA CHANNEL RIGID 1243 LONG
2	077920-03 000	EA HEADER-WINDSHIELD RIGHT END
3	077921-13 000	EA HEADER WINDSHIELD CENTER
4	077922-11 000	EA HEADER WINDSHIELD LEFT END
5	077941-02-000	EA SUPPORT-WINDSHIELD LOWER - W/O BRACKETS
	100308-02 000	EA BLOCK WINDSHIELD 3/4 X 1/2 X 1/2
6	08735-02 000	E' GLASS WINDSHIELD DRIVER FROM 03-03-93 THRU 05-02-93
6	100309-04 000	EA GLASS WINDSHIELD DRIVER FROM 05-02-93 THRU 09-03-93
7	100423-01 01A	EA WINDOW FRONT SLANT - CORNER SIDE - EXCEL
8	100725-01 001	EA BRACKET-WINDSHIELD SUPPORT
9	100907-06-01A	EA TRIM-WINDSHIELD SIDE - BLACK
10	100909-01 000	EA MOLDING-REVEAL WINDSHIELD
11	103107-05 01A	EA TRIM-WINDSHIELD SIDE - BLACK
12	100305-01-000	EA CARRIER REVEAL WINDSHIELD - 4 USED FROM 03-03-93 THRU 11-22-92
12	100305-02 000	EA CARRIER REVEAL WINDSHIELD - 4 USED FROM 11-23-92 THRU 03-22-93
12	100305-03 000	EA CARRIER REVEAL WINDSHIELD - 4 USED FROM 03-23-93 THRU 02-02-93
12	100305-04-000	EA CARRIER REVEAL WINDSHIELD - 4 USED FROM 02-03-93 THRU 03-03-93
13	001914-01-000	EA BUMPER RUBBER FLANGE 4" DIAMETER - BLACK
14	100306-01 000	EA GLASS-WINDSHIELD PASSENGER FROM 03-03-93 THRU 05-02-93
14	100306-02 000	EA GLASS-WINDSHIELD PASSENGER FROM 05-03-93 THRU 09-03-93
15	100305-01 000	EA CARRIER REVEAL WINDSHIELD - 4 USED FROM 03-03-93 THRU 11-22-92
15	100305-02 000	EA CARRIER REVEAL WINDSHIELD - 1243MM LONG - 4 USED FROM 11-23-92 THRU 03-22-93
15	11771-02-000	EA CARRIER REVEAL WINDSHIELD - 1049MM LONG FROM 05-03-93 THRU 03-03-93
16	100305-03 000	EA CARRIER REVEAL WINDSHIELD - CENTER FROM 03-03-93 THRU 11-22-92
16	100305-04-000	EA CARRIER REVEAL WINDSHIELD - CENTER - 1070MM LONG FROM 11-23-92 THRU 05-02-93
16	11771-01 000	EA CARRIER REVEAL WINDSHIELD - CENTER - 1070MM LONG FROM 05-03-93 THRU 09-03-93

1993 WINNEBAGO TABLE OF CONTENTS

INTRODUCTION	A 01 - A 02
ABBREVIATIONS	A 03
ALPHABETICAL INDEX	A 04 - A 05
WCM37RW	F 07 - G 08
WCM33RQ	G 13 - L 24

1993 WCM37RW INDEX

FLOOR PLAN	A 07 - A 08
ACCESSORIES	A 09
AUDIO VIDEO	A 10 - A 13
BATH	A 14 - A 15
BEDROOM	A 19 - A 20
CHASSIS	B 21 - B 22
CURTAIN & CUSHIONS	B 23 - C 10
DINETTE	C 11 - C 12
DRIVERS COMPARTMENT	C 13 - C 18
ELECTRICAL	C 19 - D 01
EXTERIOR BODY	D 02 - D 12
GALLEY	D 13 - D 22
GENERATOR	D 23 - D 24
HEATING & A/C	E 01 - E 06
INTERIOR FINISH	E 07 - E 10
LABEL	E 11 - E 18
LP	E 19
LOUNGE	E 20 - E 21
SEALANTS & FASTENERS	E 22 - F 02
WATER & SEWAGE	F 03 - F 07
WINDOW VENT AND EXTERIOR DOOR	F 08 - G 04
WINDSHIELD & WIPER	G 05 - G 08