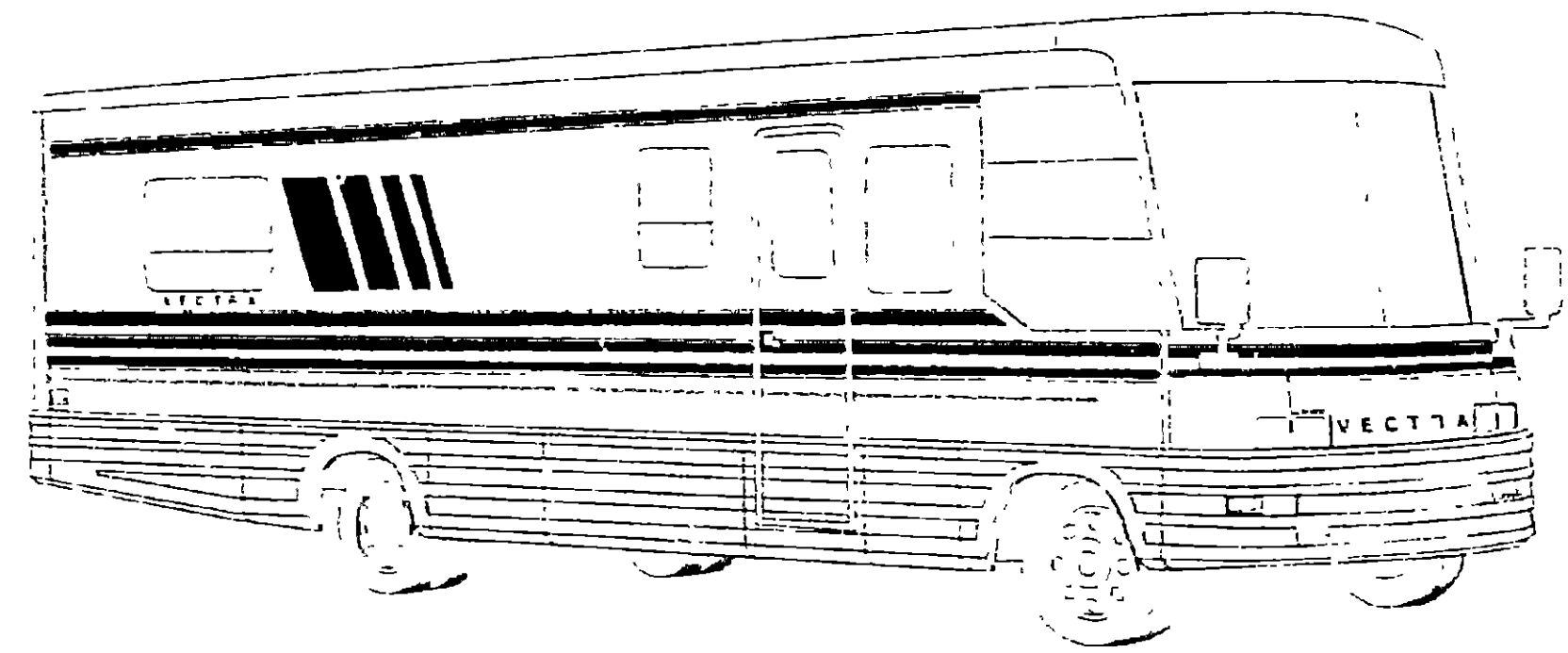
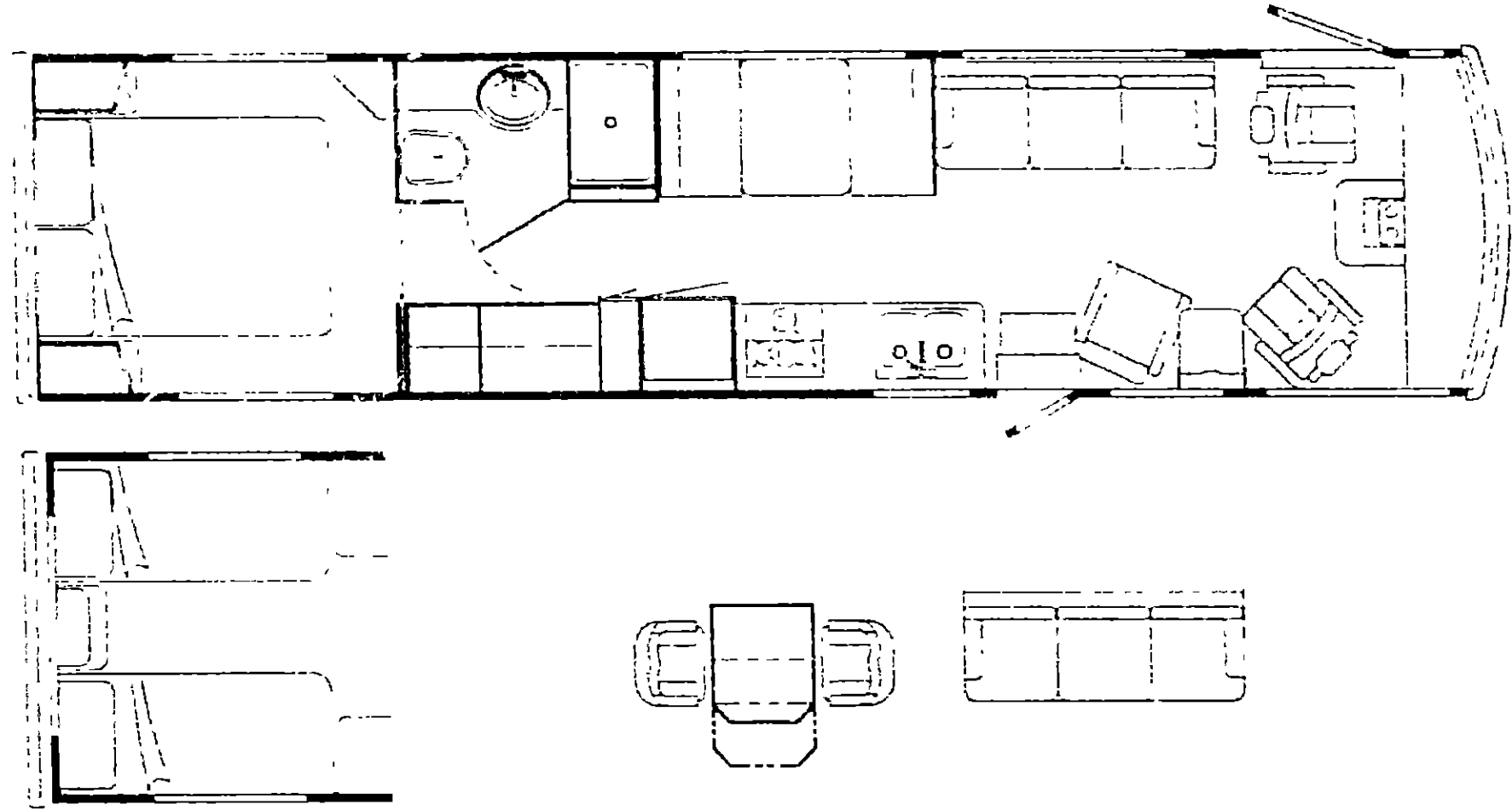


**1993 WINNEBAGO  
TABLE OF CONTENTS**

INTRODUCTION	A-01 -	A-02
ABBREVIATIONS		A-03
ALPHABETICAL INDEX	A-04 -	A-06
WCM37PW	A-07 -	G-08
WCM33RQ	G-09 -	L-24



**1993  
WCM33RQ  
D18  
D19  
D20**



**1993 WCM33RQ INDEX**

FLOOR PLAN	G-09 -	G-10
ACCESSORIES		G-11
AUDIO VIDEO	G-12 -	G-15
BATH	G-16 -	G-20
BEDROOM	G-21 -	G-24
CHASSIS	H-01 -	H-18
CURTAIN & CUSHION	H-19 -	I-07
DINETTE	I-08 -	I-10
DRIVERS COMPARTMENT	I-11 -	I-15
ELECTRICAL	I-16 -	I-22
EXTERIOR BODY	I-23 -	J-09
GALLEY	J-10 -	J-17
GENERATOR	J-18 -	J-19
HEATING & A/C	J-20 -	J-22
INTERIOR FINISH	J-23 -	K-02
LABEL	K-03 -	K-11
LP		K-12
LOUNGE	K-13 -	K-14
SEALANTS & FASTENERS	K-15 -	K-18
WATER & SEWAGE	K-19 -	K-24
WINDOW VENT AND		
EXTERIOR DOOR	L-01 -	L-20
WINDSHIELD & WIPER	L-21 -	L-24

**ACCESSORIES GROUP**

**OPERATORS MANUAL**

KEY	PART NUMBER	U/M DESCRIPTION
	054165-42-000	EA MANUAL OPERATOR, 93 VECTRA - M SERIES
	092319-01-000	EA BINDER, 3 RING, MOTOR HOME MANUAL
	092319-01-000	EA POCKET PAGE, 3 RING BINDER, PLASTIC
	102459-01-000	DW TOP LEVEL DRAWING NUMBER FOR 1993 M SERIES

**VACUUM CLEANER**

KEY	PART NUMBER	U/M DESCRIPTION
	105166-01-000	EA VACUUM CLEANER-BUILT IN HP 19-1 DELUXE
	092304-01-700	EA BAGS-VACUUM CLEANER, 6 IN BAG - #HP-4906
	092304-02-704	EA MOTOR-VACUUM CLEANER, VACUFLO #HP-509B
	105166-02-000	EA VACUUM CLEANING TOOL SET, HP W/30' HOSE
	092304-02-701	EA TOOL-DUSTING, VACUUM CLEANER - VACUFLO #HP 1142
	092304-02-702	EA TOOL-RUG, VACUUM CLEANER - VACUFLO #HP 4932
	092304-02-703	EA TOOL-CREVICE, VACUUM CLEANER - VACUFLO #HP 1141
	092304-02-705	EA HOSE-VACUUM, 20' - VACUFLO #HP 4938-20
	092304-02-709	EA HOSE-VACUUM, 30' - VACUFLO #HP 4932-20
	092304-02-707	EA TOOL-UPHOLSTERY, VACUFLO #7023
	092304-02-708	EA WAND, VACUFLO #4978

**AUDIO VIDEO GROUP**

**RADIO & ANTENNA COMPONENTS**

KEY	PART NUMBER	U/M DESCRIPTION
	097460-02-000	EA RADIO-AM/FM STEREO, CASSETTE - SONY XR-4147 (DASH) FROM: 09-03-93 THRU: 09-23-92
	097460-03-000	EA RADIO-AM/FM STEREO, CASSETTE - SONY XR-5550 (DASH) FROM: 09-24-92 THRU: 01-31-93
	097460-02-000	EA RADIO-AM/FM STEREO, CASSETTE - SONY XR-4147 (DASH) FROM: 02-01-93 THRU: 99-99-99
	097620-02-000	EA BRACKET-RADIO MOUNTING, W/FACE PLATE - XR-300HRN (DASH)
	051059-02-000	EA WIRE ASM, 9 PIN, RADIO - AUDIOVOX 112B-1761
	073741-03-000	EA SPEAKER-RADIO, OVAL - AUDIOVOX 110-2074 - 4" X 6" (DASH) FROM: 03-03-93 THRU: 12-20-92
	110469-01-000	EA SPEAKER-OVAL, 4" X 6" - COAXIAL - MAGNADYNE F46XB-12 (DASH) FROM: 12-21-92 THRU: 99-99-99
	073741-04-000	EA GRILLE-SPEAKER, OVAL - 4" X 6" - BLACK (DASH) FROM: 03-03-93 THRU: 12-20-92
	110470-01-01A	EA GRILLE-SPEAKER, OVAL - 4" X 6" - BLACK - MAGNADYNE G46W (DASH) FROM: 12-21-92 THRU: 99-99-99
	102080-01-000	EA PLAYER-COMPACT DISC, W/REMOTE - SONY CDX-A15RF (CAB)
	102080-01-700	EA COMPACT DISC MAGAZINE
	103698-01-000	EA RADIO-AM/FM, STEREO CASSETTE - ADVANTZ AE8000AR (REAR STEREO)
	069340-02-000	EA GRILLE-SPEAKER, 6.5" SQUARE (REAR STEREO)
	094097-01-000	EA SPEAKER-RADIO, W/O GRILLE - 5.25" DIA - AUDIOVOX 110C3030 (REAR STEREO)
	103698-02-000	EA WIRE ASM, 9 PIN, ADVANTZ 8000HRN (REAR STEREO)
	087653-01-000	EA RADIO-AM/FM STEREO W/CASSETTE - AUDIOVOX 14-D1559 (EXTERIOR ENTERTAINMENT)
	073741-03-000	EA SPEAKER-RADIO, OVAL - AUDIOVOX 110-2074 - 4" X 6" (EXTERIOR ENTERTAINMENT) FROM: 03-03-93 THRU: 12-20-92
	110469-01-000	EA SPEAKER-OVAL 4" X 6" - COAXIAL - MAGNADYNE F46XB-12 (EXTERIOR ENTERTAINMENT) FROM: 12-21-92 THRU: 99-99-99
	073741-04-000	EA GRILLE-SPEAKER, OVAL - 4" X 6" - BLACK (EXTERIOR ENTERTAINMENT) FROM: 03-03-93 THRU: 12-20-92
	110470-01-01A	EA GRILLE-SPEAKER, OVAL - 4" X 6" - BLACK - MAGNADYNE G46W (EXTERIOR ENTERTAINMENT) FROM: 12-21-92 THRU: 99-99-99
	074979-15-000	EA COVER-SPEAKER, PLASTIC - LIGHT OAK (OVERHEAD CABINETS) FROM: 01-04-93 THRU: 99-99-99
	069340-02-000	EA GRILLE-SPEAKER, 6.5" SQUARE (OVERHEAD CABINETS)
	094097-01-000	EA SPEAKER-RADIO, W/O GRILLE - 5.25" DIA - AUDIOVOX 110C3030 (OVERHEAD CABINETS)
	090944-01-000	EA ANTENNA-RADIO, 16" RUBBER
	090852-01-000	EA BRACKET-HAT, ANTENNA - 3 1" X 3.9" - STEEL - BLACK
	104493-02-000	EA BRACKET-ANTENNA MOUNT
	109847-01-000	EA BRACKET-ANTENNA GROUND (EXTERIOR ENTERTAINMENT)
	109859-03-000	EA EXTENDER-SHAFT, ANTENNA - 4" (EXTERIOR ENTERTAINMENT)
	077069-02-000	EA CABLE-ANTENNA, RADIO - EXTENSION 96" - ARA 6700657
	105248-01-000	EA ANTENNA-CB, ADVANCE #604

**TELEPHONE SYSTEM**

KEY	PART NUMBER	U/M DESCRIPTION
	093901-04-000	EA PLATE-COAXIAL CABLE, EXTERIOR
	093253-01-01A	EA PLATE-WALL, TELEPHONE - BEIGE - CAC625F2-4-50
	093254-01-000	EA HOUSING-TELEPHONE

**1993 WINNEBAGO  
TABLE OF CONTENTS**

INTRODUCTION	A-01 -	A-02
ABBREVIATIONS		A-03
ALPHABETICAL INDEX	A-04 -	A-06
WCM37FW	A-07 -	G-09
WCM33FD	G-09 -	L-24

**1993 WCM33RQ INDEX**

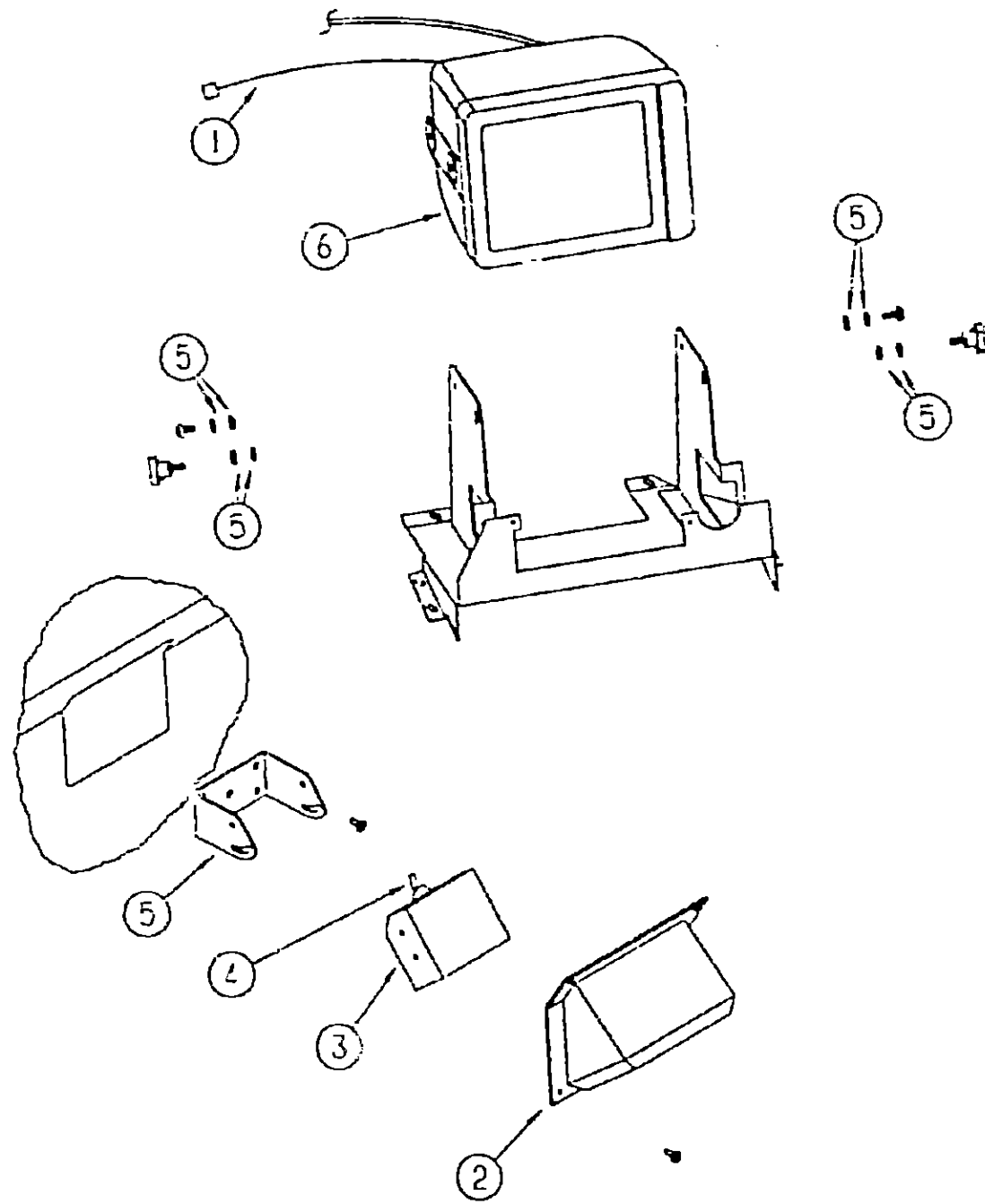
FLOOR PLAN	G-09 -	G-10
ACCESSORIES		G-11
AUDIO VIDEO	G-12 -	G-15
BATH	G-16 -	G-20
BEDROOM	G-21 -	G-24
CHASSIS	H-01 -	H-15
CURTAIN & CUSHION	H-19 -	I-07
DINETTE	I-05 -	I-10
DRIVERS COMPARTMENT	I-11 -	I-15
ELECTRICAL	I-16 -	I-22
EXTERIOR BODY	I-23 -	J-09
GALLEY	J-10 -	J-17
GENERATOR	J-18 -	J-19
HEATING & A/C	J-20 -	J-22
INTERIOR FINISH	J-23 -	K-02
LABEL	K-03 -	K-11
LIF		K-12
LOUNGE	K-13 -	K-14
SEALANTS & FASTENERS	K-15 -	K-18
WATER & SEWAGE	K-19 -	K-24
WINDOW, VENT AND		
EXTERIOR DOOR	L-01 -	L-20
WINDSHIELD & WIPER	L-21 -	L-24

TV & VCR SYSTEMS

1993 WINNEBAGO  
TABLE OF CONTENTS

INTRODUCTION	A-01 -	A-02
ABBREVIATIONS		A-03
ALPHABETICAL INDEX	A-04 -	A-05
WCM37RW	A-07 -	G-03
WCM33RQ	G-03 -	L-24

KEY	PART NUMBER	U/M	DESCRIPTION
	108098-01-000	EA	TV-19" COLOR REMOTE, USA - MAGNAVOX RR1940W (CAB)
	108096-02-000	EA	TV-19" COLOR REMOTE, CSA - MAGNOVAX XR194071W (CAB)
	108093-01-700	EA	REMOTE-TV, ONLY
	086757-03-000	EA	CONTROL CENTER-SWITCH, VCR/TV - MAGNADYNE VCS-6 (CAB)
	102080-01-000	EA	PLAYER-COMPACT DISC, W/REMOTE - SONY CDX-A15RF (CAB)
	093446-03-000	EA	VCR-VHS CABLE READY, W/REMOTE - MAGNAVOX VR9010 (CAB) FROM: 00-00-00 THRU: 10-04-92
	093446-03-700	EA	REMOTE F/MODEL #9010
	093446-04-000	EA	VCR-VHS CABLE READY, W/REMOTE - MAGNAVOX VR9110 (CAB) FROM: 10-05-92 THRU: 07-19-93
	093446-04-700	EA	REMOTE F/MODEL #9110
	093446-05-000	EA	VCR-VHS CABLE READY, W/REMOTE - MAGNAVOX VR9120 (CAB) FROM: 07-20-93 THRU: 99-99-99
	093446-05-700	EA	REMOTE F/MODEL #9120
	092310-02-000	EA	TV-COLOR, 9" AC/DC - W/REMOTE - MAGNAVOX RD0945 (BEDROOM)
	092310-02-700	EA	REMOTE-TV, FOR MAGNAVOX RD0945 - MAGNAVOX S22334 (BEDROOM)
	008919-01-000	EA	SPEAKER, 2 WATT, 8 OHM - 4"
	093214-01-02A	EA	GRILL-SPEAKER, 4" BROWN
	086756-01-000	EA	SPLITTER-TV, 2 WAY
	086777-04-000	EA	PLATE-WALL CABLE - W/TV ANTENNA SWITCH & BOOSTER - BROWN FROM: 00-00-00 THRU: 04-14-93
	086777-06-000	EA	PLATE-WALL CABLE - W/TV ANTENNA SWITCH & BOOSTER - BROWN FROM: 04-15-93 THRU: 99-99-99
	076319-09-000	EA	WALLPLATE-CABLE RECEPTACLE, TV - SINGLE - BROWN
	022134-01-000	EA	ADAPTER-TV, CABLE TO CABLE - WINEGARD F-81M
	082136-01-000	EA	NUT-HEX JAM, 3/8-32, WINEGARD
	086777-02-000	EA	WALLPLATE-TV CABLE, W/ANTENNA SWITCH - BROWN
	076319-03-000	FT	CABLE-COAXIAL, 75 OHM
	076319-12-000	EA	CONNECTOR-COAXIAL, ONE PIECE

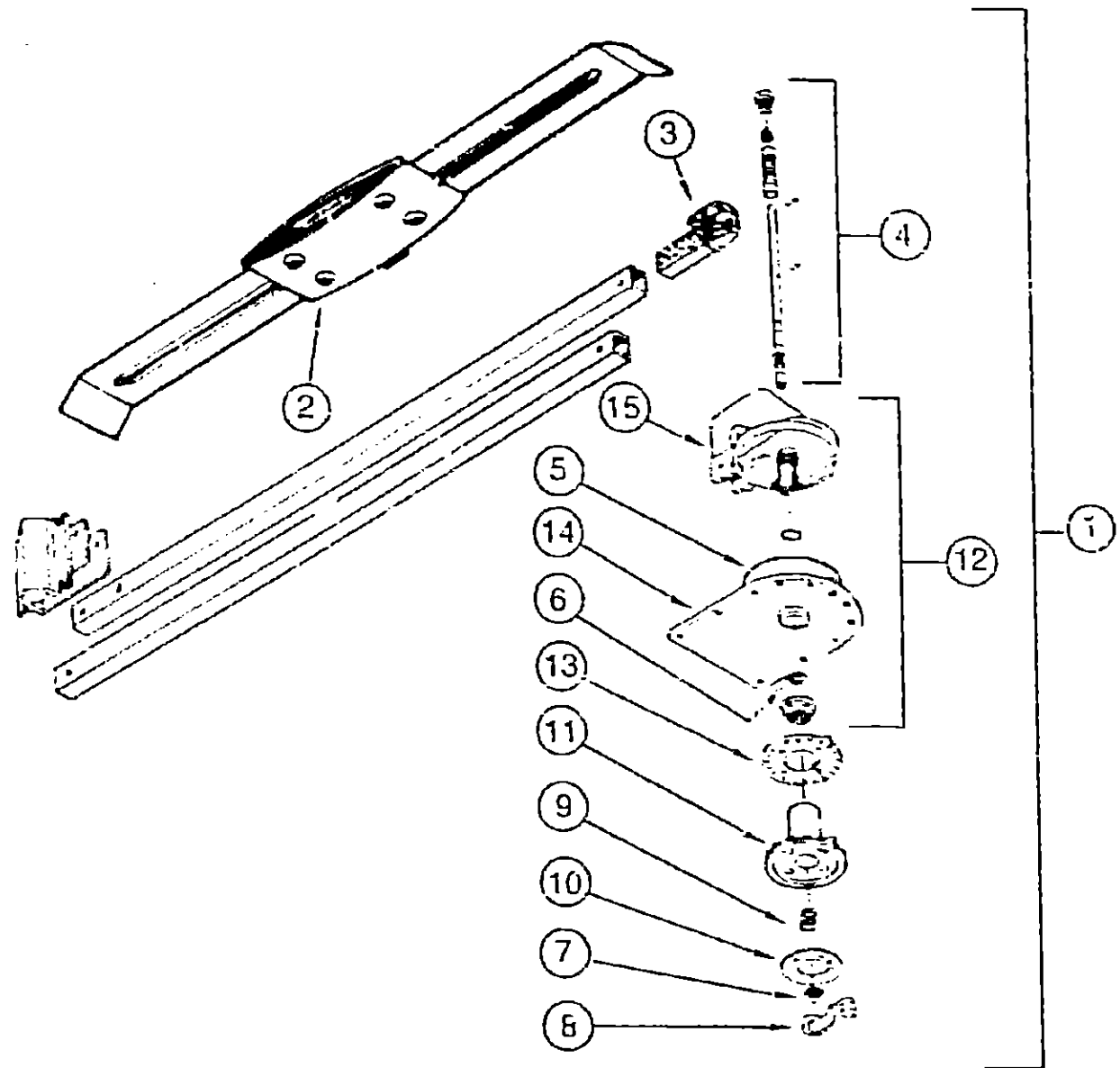


REAR MONITOR SYSTEM

1993 WCM33RQ INDEX

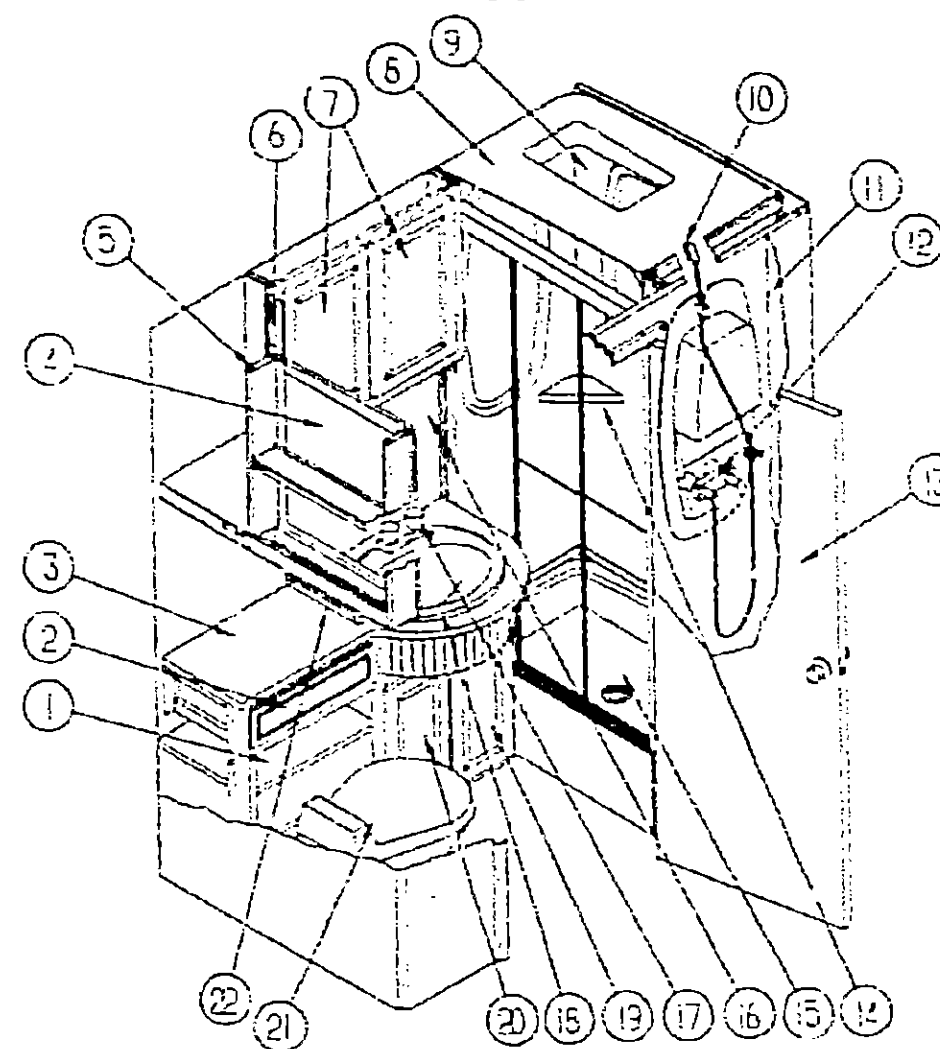
FLOOR PLAN	G-09 -	G-10
ACCESSORIES		G-11
AUDIO VIDEO	G-12 -	G-15
BATH	G-16 -	G-20
BEDROOM	G-21 -	G-24
CHASSIS	H-01 -	H-18
CURTAIN & CUSHION	H-19 -	I-07
DINETTE	I-08 -	I-10
DRIVERS COMPARTMENT	I-11 -	I-15
ELECTRICAL	I-16 -	I-22
EXTERIOR BODY	I-23 -	J-09
GALLEY	J-10 -	J-17
GENERATOR	J-18 -	J-19
HEATING & A/C	J-20 -	J-22
INTERIOR FINISH	J-23 -	K-02
LABEL	K-03 -	K-11
LP		K-12
LOUNGE	K-13 -	K-14
SEALANTS & FASTENERS	K-15 -	K-18
WATER & SEWAGE	K-19 -	K-24
WINDOW, VENT AND		
EXTERIOR DOOR	L-01 -	L-20
WINDSHIELD & WIPER	L-21 -	L-24

KEY	PART NUMBER	U/M	DESCRIPTION
1	096717-03-000	EA	WIRE ASM-REAR MONITOR, UPPER
	093040-05-000	EA	WIRE ASM-MONITOR, SONY SM-HRN7
2	107852-01-01A	EA	SHROUD-CAMERA, OUTER - BUFF
	108529-01-01A	EA	SHROUD-CAMERA, INNER - BLACK
	093040-05-000	EA	TELEVISION SYSTEM-REAR VIEW, 7" - SONY YM-RV7AM
3	093040-04-700	EA	CAMERA, BRACKET & WIRING
4	093041-01-000	EA	CABLE-MONITOR/CAMERA, INTERNAL USE
	093041-02-000	EA	CABLE-MONITOR/CAMERA, EXTERNAL USE
5	N/A		PARTS ARE INCLUDED W/TELEVISION SYSTEM - SONY
6	093040-05-700	EA	MONITOR, 7", W/POWER HARNESS



TV ANTENNA

KEY	PART NUMBER	U/M	DESCRIPTION
1	076319-16-000	EA	ANTENNA-TV ROOF MT
2	076319-01-700	EA	HEAD-ANTENNA, AMPLIFIED - WINEGARD RVSA U/V
3	076319-01-701	EA	GEAR-ELEVATING, PLASTIC - WINEGARD 2200046
4	076319-01-702	EA	SHAFT ASM-ELEVATING, WINEGARD RVP-400A
5	076319-01-703	EA	BEARING-NYLON, 5"OD - WINEGARD 3200656
6	076319-01-704	EA	BEARING-NYLON, 1.25"OD - WINEGARD 3200657
7	076319-01-705	EA	GROMMET-NYLON, 7/8"ID - WINEGARD 3200658
8	076319-01-706	EA	CRANK-ELEVATING W/SET SCREW - WINEGARD 5755100
9	076319-01-707	EA	SPRING-HANDLE, WINEGARD 5160500
10	076319-01-708	EA	DECAL-CRANK, WINEGARD 5413002
11	076319-01-709	EA	PLATE-DIRECTIONAL, FOR HEAD - WINEGARD 3200644
12	076319-01-711	EA	BASE & LIFT ASM, WINEGARD 2762802
13	076319-01-712	EA	CEILING PLATE (DIRECTIONAL)
14	076319-01-713	EA	BASE PLATE
15	076319-01-714	EA	HOUSING, ROTATING GEAR - WINEGARD 2200049
	076319-09-000	EA	WALLPLATE-CABLE RECEPTACLE, TV - SINGLE - BROWN
	076319-03-000	FT	CABLE-COAXIAL, 75 OHM
	076319-12-000	EA	CONNECTOR-COAXIAL, ONE PIECE



BATH CABINETS & FIXTURES

KEY	PART NUMBER	U/M	DESCRIPTION
1	P07447-01-D18	EA	CABINET-LAVATORY, W/O DOORS OR HARDWARE
1	P07447-01-D19	EA	CABINET-LAVATORY, W/O DOORS OR HARDWARE
1	P07447-01-D20	EA	CABINET-LAVATORY, W/O DOORS OR HARDWARE
	109736-01-01A	FT	T-MOLDING, 1.00" - BRASS/BLACK - CRILA PLASTICS
	057882-04-000	SF	TAMBOUR-DOOR, 4' X 8' SHEET
2	P07104-60-D18	EA	DRAWER-CABINET, W/O HARDWARE
3	107447-12-D18	EA	COUNTERTOP-CABINET, LAVATORY
3	107447-12-D19	EA	COUNTERTOP-CABINET, LAVATORY
3	107447-12-D20	EA	COUNTERTOP-CABINET, LAVATORY
4	P04746-84-D18	EA	DOOR-CABINET, W/O HARDWARE - 505 X 555MM
5	107448-01-D18	EA	CABINET-MEDICINE, W/O DOOR & HARDWARE
6	P04746-85-D18	EA	DOOR-CABINET, W/O HARDWARE - 305 X 555MM
7	P04746-86-D18	EA	DOOR-CABINET, W/O HARDWARE - 340 X 555MM
8	106932-01-01A	EA	CAP-SHOWER - PLASTIC - OFF WHITE
9	077902-01-00J	EA	COVER-SKYLIGHT, INSIDE - 15.6" X 22.5" - PLASTIC
9	108862-01-01A	EA	COVER-SKYLIGHT, WHITE
10	103092-01-000	EA	SHOWER HEAD-W/60" HOSE (U.S.)
10	103092-02-000	EA	SHOWER HEAD-W/60" HOSE (CANADIAN)
11	104464-01-01A	EA	SURROUND-SHOWER, PLASTIC - OFF WHITE
12	075241-04-000	EA	FAUCET-SHOWER, BRASS (U.S.)
12	075241-05-000	EA	FAUCET-SHOWER, BRASS (CANADIAN)
13	M97669-14-D18	EA	DOOR-PRIVACY, BATH - W/O HARDWARE
	100659-16-D18	EA	MOLDING-TRIM, DOOR - 1" WIDE - WOOD
	100357-01-000	EA	ROD-TOWEL, BRASS W/ENDS BENT FOR BACK OF BATH DOOR
	102089-13-B07	EA	WOOD RAIL - TOWEL RACK - RIGHT SIDE - 26" LONG
	102089-14-B07	EA	WOOD RAIL - TOWEL RACK - LEFT SIDE - 26" LONG
	102920-01-01A	EA	HINGE-DOOR, SPRING LOADED - BRASS
	102920-02-01A	EA	HINGE-DOOR, SPRING LOADED - BRASS - STOCKER

FROM: 01-04-93 THRU: 99-99-99  
FROM: 03-03-00 THRU: 01-03-93

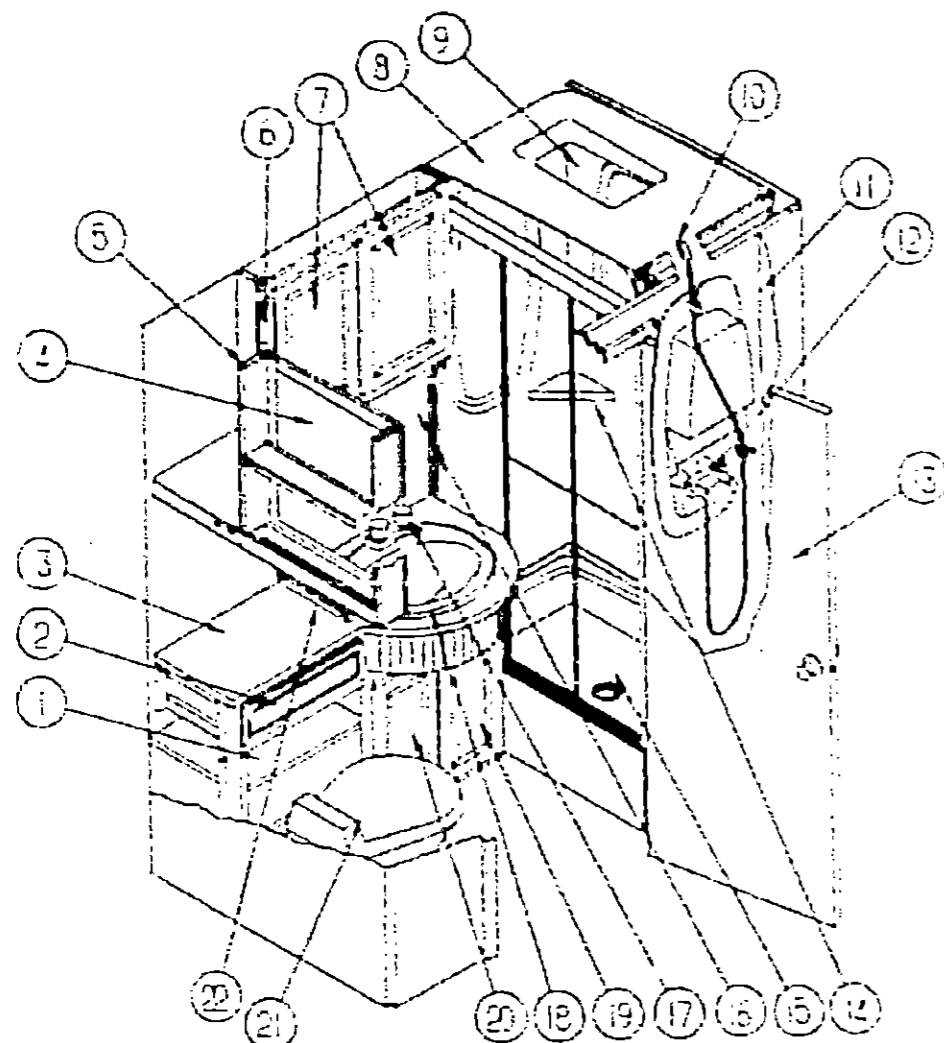
1993 WINNEBAGO  
TABLE OF CONTENTS

INTRODUCTION	A-01 -	A-02
ABBREVIATIONS		A-03
ALPHABETICAL INDEX	A-04 -	A-05
WCM37RW	A-07 -	G-08
WCM33RO	G-09 -	L-24

1993 WCM33RQ INDEX

FLOOR PLAN	G-09 -	G-10
ACCESSORIES		G-11
AUDIO VIDEO	G-12 -	G-15
BATH	G-16 -	G-20
BEDROOM	G-21 -	G-24
CHASSIS	H-01 -	H-18
CURTAIN & CUSHION	H-19 -	I-07
DINETTE	I-08 -	I-10
DRIVERS COMPARTMENT	I-11 -	I-15
ELECTRICAL	I-16 -	I-22
EXTERIOR BODY	I-23 -	J-09
GALLEY	J-10 -	J-17
GENERATOR	J-18 -	J-19
HEATING & A/C	J-20 -	J-22
INTERIOR FINISH	J-23 -	K-02
LABEL	K-03 -	K-11
LP		K-12
LOUNGE	K-13 -	K-14
SEALANTS & FASTENERS	K-15 -	K-18
WATER & SEWAGE	K-19 -	K-24
WINDOW, VENT AND		
EXTERIOR DOOR	L-01 -	L-20
WINDSHIELD & WIPER	L-21 -	L-24

**BATH GROUP ( CONTINUED)**



**BATH CABINETS & FIXTURES (CONTINUED)**

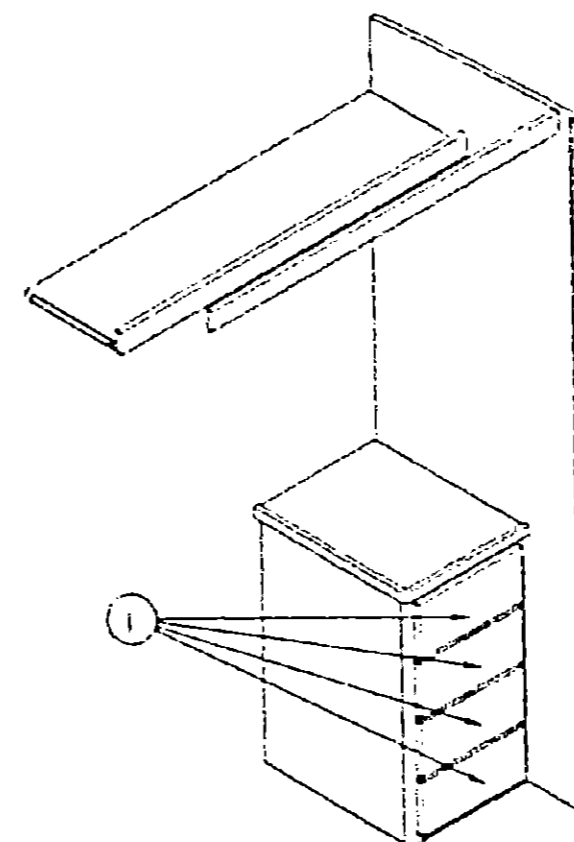
**BATH GROUP (CONTINUED)**

**BATH CABINETS & FIXTURES (CONTINUED)**

KEY	PART NUMBER	U/M	DESCRIPTION
21	085330-04-000	EA	TOILET-CHINA, SHORTY W/SPRAY - TRAVELER 510
	063641-01-000	EA	FLANGE-CLOSET, 4" X 3"
	024676-02-000	EA	FLANGE-CLOSET, 4" X 3" - ABS - CANADIAN
22	075453-02-000	EA	BAR-TOWEL, 18" BRASS
	058331-85-000	EA	MIRROR-GLASS, SAFETY - 530 X 900MM (ABOVE TOILET); FROM: 00-00-00 THRU: 02-21-93
	093606-09-000	EA	MIRROR-PANEL, BEVELED - 1/8" THICK - 530 X 900MM (ABOVE TOILET); FROM: 02-22-93 THRU: 99-99-99
	075453-02-000	EA	HOLDER-TOILET TISSUE, BRASS

**1993 WINNEBAGO  
TABLE OF CONTENTS**

INTRODUCTION	A-01 -	A-02
ABBREVIATIONS		A-03
ALPHABETICAL INDEX	A-04 -	A-05
WCM37RW	A-07 -	G-06
WCM33RQ	G-03 -	L-24



**PASSENGER SIDE CLOSET CABINET**

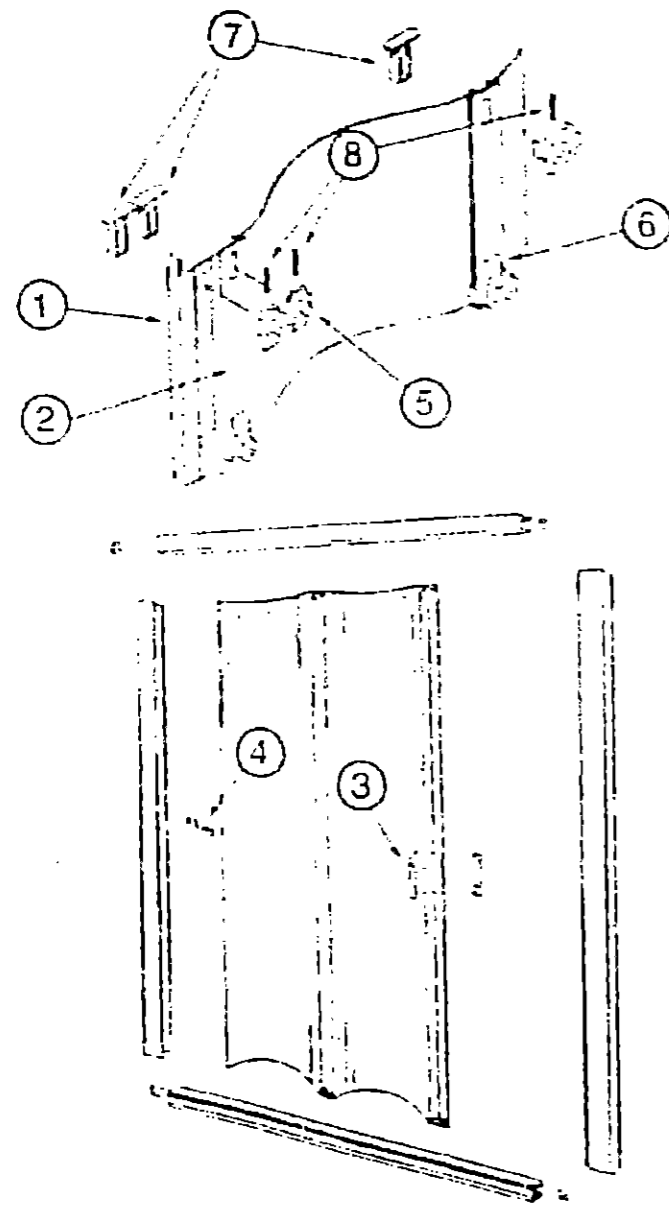
**1993 WCM33RQ INDEX**

FLOOR PLAN	G-09 -	G-10
ACCESSORIES		G-11
AUDIO VIDEO	G-12 -	G-15
BATH	G-16 -	G-20
BEDROOM	G-21 -	G-24
CHASSIS	H-01 -	H-12
CURTAIN & CUSHION	H-13 -	I-07
DINETTE	I-08 -	I-10
DRIVERS COMPARTMENT	I-11 -	I-15
ELECTRICAL	I-16 -	I-22
EXTERIOR BODY	I-23 -	J-09
GALLEY	J-10 -	J-17
GENERATOR	J-18 -	J-19
HEATING & A/C	J-20 -	J-22
INTERIOR FINISH	J-23 -	K-02
LABEL	K-03 -	K-11
LP		K-12
LOUNGE	K-13 -	K-14
SEALANTS & FASTENERS	K-15 -	K-18
WATER & SEWAGE	K-19 -	K-24
WINDOW, VENT AND		
EXTERIOR DOOR	L-01 -	L-20
WINDSHIELD & WIPER	L-21 -	L-24

KEY	PART NUMBER	U/M	DESCRIPTION
	042438-01-000	EA	DOWEL-WOOD, CLOTHES ROD - 1" DIAMETER X 4'
	009112-01-000	EA	FLANGE-1" ROD CLOTHES - PLASTIC - OFF WHITE
1	P07104-58-D18	EA	DRAWER-CABINET, W/O HARDWARE
	058331-82-000	EA	MIRROR-GLASS, SAFETY - 591 X 1953MM
	107356-03-01A	EA	STILE-DOOR, W/PULL - 1953MM - STANLEY 4057 C GOLD
	107357-03-01A	EA	RAIL-DOOR BY-PASS - 552MM - STANLEY 4055 C GOLD
	107358-03-01A	EA	TRACK-BOTTOM, BY-PASS - 1169MM - STANLEY 4044 C GOLD
	107359-03-01A	EA	TRACK-TOP, BY-PASS - 1169MM - STANLEY 4002 C GOLD
	107390-01-000	EA	HANGER-CORNER CONNECTION, STANLEY 4051(PAIR)
	107391-01-000	EA	GUIDE-BOTTOM, BY-PASS - STANLEY 4053(PAIR)
	107392-01-000	EA	STRAP-RETAINER, BY-PASS DOOR - PLASTIC
	102931-02-D18	EA	STICK-WOOD, MIRROR DOOR STOP - 900MM LONG FROM: 00-00-00 THRU: 09-24-92
	110106-01-D18	EA	LATCH ASM-MIRROR DOOR, SLIDING FROM: 00-00-00 THRU: 10-11-92
	110109-01-01A	EA	CATCH-MIRROR DOOR, SLIDING - BLACK FROM: 10-12-92 THRU: 99-99-99
	111564-01-000	EA	SPRING-LATCH, FLAT FROM: 10-12-92 THRU: 99-99-99
	002345-01-000	EA	CAP-PULL
	110107-01-01A	EA	FULL-MIRROR DOOR, SLIDING - BLACK
	110108-01-01A	EA	LATCH-MIRROR DOOR, SLIDING - BLACK

KEY	PART NUMBER	U/M	DESCRIPTION
	110495-01-01A	EA	HINGE-DOOR, SPRING LOADED - BRASS - STOCKER FROM: 01-04-93 THRU: 99-99-99
	094455-01-01A	EA	KNOB-DOOR, POLISHED BRASS
	094455-02-01A	EA	KNOB-DOOR, BRASS - INTERTEK YDLC20 FROM: 00-00-00 THRU: 09-23-92
14	104462-01-01A	EA	CADDY-SHOWER, PLASTIC - OFF WHITE
15	M02630-22-C07	EA	SHOWER PAN
	066440-01-000	EA	STRAINER-SHOWER, W RUBBER WASHER
	069735-01-000	EA	WASHER-STRAINER TO TAILPIECE PLASTIC, 1.5"
	057671-01-000	EA	COVER-SCREW, #8 - PLASTIC - OFF WHITE
16	058331-85-000	EA	MIRROR-GLASS, SAFETY - 530 X 1120MM FROM: 00-00-00 THRU: 02-21-93
	093606-09-000	EA	MIRROR-PANEL, BEVELED - 1/8" THICK - 530 X 1120MM FROM: 02-22-93 THRU: 99-99-99
17	075240-05-000	EA	FAUCET-LAVATORY, BRASS
	091253-01-000	EA	GASKET-FAUCET, LAVATORY/GALLEY
	105218-01-01A	EA	SPACER-FAUCET, LAVATORY SINK - 2" X 5 9/16" - ABS PLASTIC O/W
18	105921-01-01A	EA	SINK-LAVATORY, LARGE OVAL - 17" X 20" - PLASTIC - OFF WHITE
	106116-01-01A	EA	STRAINER-SINK, W/STOPPER TAILPIECE GASKET & NUT - PLASTIC
19	P00520-B5-D18	EA	DOOR-CABINET, W/O HARDWARE - 255 X 485MM
20	P00520-B5-D18	EA	DOOR-CABINET, W/O HARDWARE - 255 X 485MM
21	064076-02-000	EA	TOILET-STARLITE, LOW - IVORY - THETFORD W/O WATERSAVER
	039341-02-700	EA	COVER-SEAT, TOILET - IVORY - THETFORD 037151
	039341-02-703	EA	PLUG-HOLE, IVORY - THETFORD 03895-10
	039341-02-704	EA	SEAT & COVER SET, THETFORD 08855 SL & SH NEWSTYLE
	039341-02-705	EA	MOUNTING PACKAGE, THETFORD 08975 A.M.
	039341-02-707	EA	PIN-HINGE, TOILET - 125 3/8 THETFORD
	064076-01-701	EA	MECHANISM-FLUSHING, THETFORD 14622 IVORY STARLIGHT
	067487-01-701	EA	WATER SAVER PACKAGE, THETFORD 08993
	067487-01-702	EA	CLAMP, THETFORD 03752

**BATH GROUP (CONTINUED)**



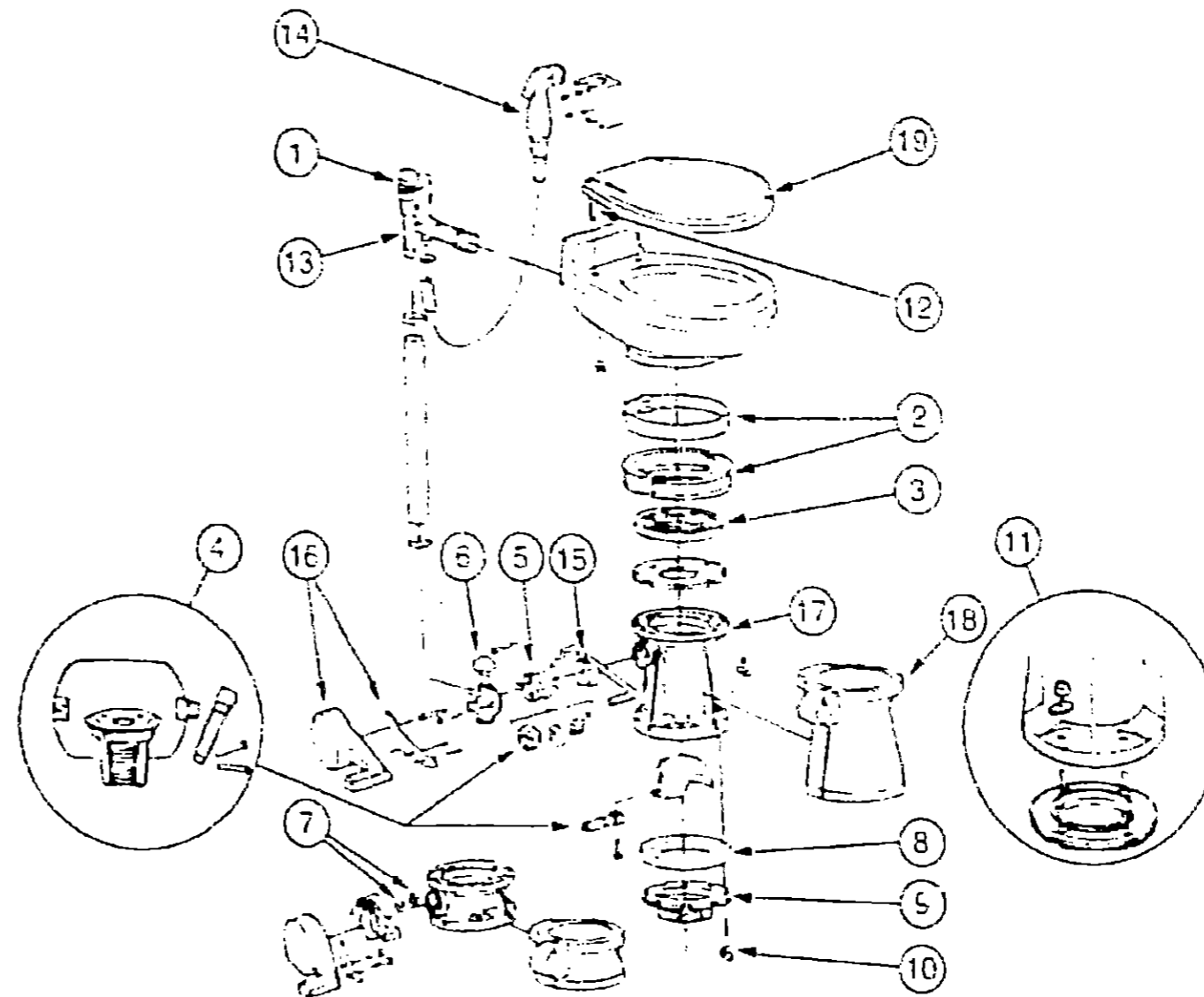
**SHOWER DOOR**

KEY	PART NUMBER	U/M	DESCRIPTION
	103351-01-01A	EA	DOOR-SHOWER, FOLDING 34" X 61" - COASTAL WINN (COMPLETE)
1	092574-01-705	EA	MAGNETIC STRIP, 56 9" - COASTAL 98-41
2	103351-01-703	EA	DOOR STRIKE ASM. COASTAL 109
3	103351-01-701	EA	DOOR HANDLES (SET), COASTAL SFH
4	103351-01-702	EA	DOOR LATCH, COASTAL SFL
5	103351-01-703	EA	BRACKET W/SINGLE ROLLER
6	103351-01-704	EA	BRACKET W/DOUBLE ROLLER
7	103351-01-705	EA	BRACKET ROLLER W/RETAINING CLIP
8	105331-01-706	EA	SPRING FOR ROLLER BRACKET
	107572-01-01A	EA	CHANNEL-SHOWER DOOR, SIDE - OFF WHITE

**EXTERIOR SHOWER COMPONENTS**

KEY	PART NUMBER	U/M	DESCRIPTION
	103092-01-000	EA	SHOWER HEAD-W/60" HOSE
	075241-05-000	EA	FAUCET-SHOWER, BONE
	104044-01-000	EA	BRACKET-SUPPORT, FAUCET
	091952-02-000	EA	CLIP-GRIPPER, 3/4" (EXTERIOR SHOWER)

**BATH GROUP (CONTINUED)**



**OPTIONAL TOILET**

KEY	PART NUMBER	U/M	DESCRIPTION
	055330-04-000	EA	TOILET-CHINA, STANDARD - BONE - SEALAND ML 511
1	055330-01-701	EA	KIT-VACUUM BREAKER, SEALAND 385316065
2	055330-01-703	EA	RING & HALF CLAMPS ASM-BONE, SEALAND 385310048
3	055330-01-704	EA	TEFLON & RUBBER SEALS, SEALAND 385316140
4	055330-01-706	EA	BALL SHAFT, & CARTRIDGE, SEALAND 385315162
5	055330-01-707	EA	CARTRIDGE-SPRING, SEALAND 381236095
6	055330-01-709	EA	VALVE-WATER, SEALAND 385314349
7	055330-01-710	EA	PLUG-DRAIN, & CAP - W/SEAL - SEALAND= 385316142
8	055330-01-714	EA	SEAL-FLANGE FLOOR - SEALAND 390343692
9	055330-01-716	EA	FLANGE-FLOOR, 3" MPT - SEALAND 390346056
10	055330-01-717	EA	BOLT MOUNTING PACKAGE-SEALAND 385310264
11	055330-01-718	EA	SEAL-BASE & MOUNTING HARDWARE, SEALAND 385310063
12	055330-01-720	EA	HINGE HARDWARE, (BONE) SET, SEALAND 341707
13	055330-04-700	EA	VACUUM BREAKER FOR HANDSPRAY
14	055330-04-701	EA	HAND SPRAY W/HOSE
	055330-04-702	EA	LEVER-FLUSH, SEALAND 340825
16	055330-04-703	EA	PEDAL COVER KIT, SEALAND 310118
17	055330-04-704	EA	BASE ASM-BONE, SEALAND 310124
18	055330-04-705	EA	PEDESTAL COVER KIT, SEALAND 310109
19	055330-04-707	EA	SEAT ASM BONE - SEALAND 340118

**1993 WINNEBAGO  
TABLE OF CONTENTS**

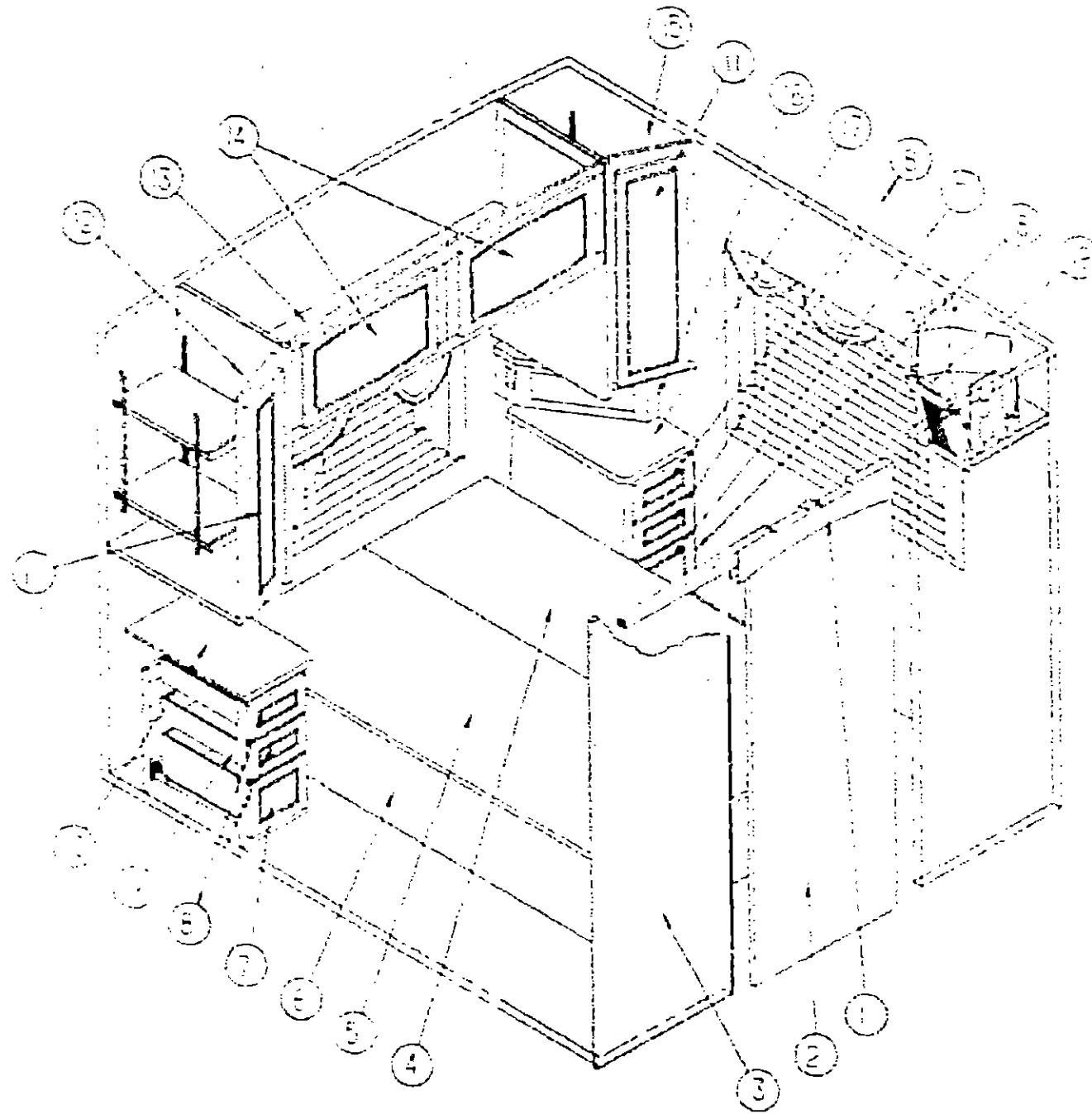
INTRODUCTION	A-01 -	A-02
ABBREVIATIONS		A-03
ALPHABETICAL INDEX	A-04 -	A-06
WCM33RW	A-07 -	G-08
WCM33RQ	G-09 -	L-24

**1993 WCM33RQ INDEX**

FLOOR PLAN	G-09 -	G-10
ACCESSORIES		G-11
AUDIO VIDEO	G-12 -	G-15
BATH	G-16 -	G-20
BEDROOM	G-21 -	G-24
CHASSIS	H-01 -	H-19
CURTAIN & CUSHION	H-19 -	I-07
DINETTE	I-08 -	I-10
DRIVERS COMPARTMENT	I-11 -	I-15
ELECTRICAL	I-16 -	I-22
EXTERIOR BODY	I-23 -	J-09
GALLEY	J-10 -	J-17
GENERATOR	J-18 -	J-19
HEATING & A/C	J-20 -	J-22
INTERIOR FINISH	J-23 -	K-02
LABEL	K-03 -	K-11
LP		K-12
LOUNGE	K-13 -	K-14
SEALANTS & FASTENERS	K-15 -	K-18
WATER & SEWAGE	K-19 -	K-24
WINDOW, VENT AND EXTERIOR DOOR	L-01 -	L-20
WINDSHIELD & WIPER	L-21 -	L-24

# BEDROOM GROUP

## QUEEN BEDROOM CABINETS & SLIDING PRIVACY DCOR



KEY	PART NUMBER	U/M	DESCRIPTION	DATE RANGE
	103908-03-007	EA	HEADER-DOOR	
	103928-03-01A	EA	TRACK-SLIDING DCOR, 51 2" - GRN WHITE	FROM: 00-00-00 THRU: 11-09-92
2	104019-03-007	EA	DOOR ASM-SLIDING	FROM: 11-30-92 THRU: 99-99-99
	103974-01-000	EA	HANGER-SLIDING DOOR	
	064487-01-000	EA	GUIDE-POCKET, SLIDING DOOR - WALL MOUNTED	
3	103908-01-D16	EA	CABINET-WALL BEDROOM	
	104179-01-000	EA	FLOOR-ROSE TWIN	
4	103987-14-000	EA	TOP-CABINET, QUEEN BED - DRIVER SIDE	
5	103987-13-D18	EA	TOP-CABINET, QUEEN BED - PASSENGER SIDE	
	009003-01-000	EA	HINGE-CONTINUOUS 1 1/2" X 72" - UNPAINTED	
	107599-01-000	EA	SPRING-GAS, 20" BLADE END - SPRING 1/2" SL3-110	
	107549-01-000	EA	BRACKET, 90 DEGREE, GAS SPRING - SPRING L SL58PP1	FROM: 00-00-00 THRU: 07-26-92
	107541-01-000	EA	BRACKET-FLAT, GAS SPRING - SPRING L SL40P1	FROM: 00-00-00 THRU: 07-26-92
	059035-01-000	EA	SUPPORT-SPRING, TO BED - ANGLE 1 5/8" X 11 5/8" LONG - STEEL	FROM: 00-00-00 THRU: 07-26-92
	057460-02-000	EA	STUD-BALL GAS SPRING - 10MM - E 16" - 18"	FROM: 07-27-92 THRU: 99-99-99
	057460-04-000	EA	SPRING-GAS	FROM: 07-27-92 THRU: 99-99-99
	103645-01-000	EA	BRACKET-SUPPORT, GAS SPRING - FLOOR TO BED	FROM: 07-27-92 THRU: 99-99-99
6	P07153-01-D16	EA	CABINET-BED, QUEEN - W/O TOP	
7	P07104-52-D18	EA	DRAWER-CABINET, W/O HARDWARE - NIGHTSTAND	
8	P07104-50-D18	EA	DRAWER-CABINET, W/O HARDWARE - NIGHTSTAND - 2 USED	
9	107017-01-D18	EA	CABINET-NIGHTSTAND, PASSENGER SIDE	
9	107017-01-D19	EA	CABINET-NIGHTSTAND, PASSENGER SIDE	
9	107017-01-D20	EA	CABINET-NIGHTSTAND, PASSENGER SIDE	
10	107017-11-D18	EA	COUNTERTOP-NIGHTSTAND, PASSENGER SIDE	
10	107017-11-D19	EA	COUNTERTOP-NIGHTSTAND, PASSENGER SIDE	
10	107017-11-D20	EA	COUNTERTOP-NIGHTSTAND, PASSENGER SIDE	
11	P04746-01-D18	EA	DOOR-CABINET, W/O HARDWARE - 275 X 925MM	
12	107210-01-D18	EA	CABINET-SHIRT CLOSET, PASSENGER SIDE - W/O DOOR & HARDWARE	
	009112-01-000	EA	FLANGE-1" ROD, CLOTHES - PLASTIC - OFF WHITE	
	042438-01-000	EA	DOWEL-WOOD, CLOTHES ROD - 1" DIAMETER X 4"	
13	P07443-01-D18	EA	CABINET-OVERHEAD, W/O DOORS & HARDWARE	
14	P00971-05-D18	EA	DOOR-CABINET, W/O HARDWARE - 650 X 355MM	
15	107166-01-D18	EA	CABINET-SHIRT CLOSET, DRIVER SIDE - W/O DOOR & HARDWARE	
	009112-01-000	EA	FLANGE-1" ROD, CLOTHES - PLASTIC - OFF WHITE	
	042438-01-000	EA	DOWEL-WOOD, CLOTHES ROD - 1" DIAMETER X 4"	
16	107446-01-D18	EA	CABINET-RADIO	
16	107446-01-D19	EA	CABINET-RADIO	
16	107446-01-D20	EA	CABINET-RADIO	
17	107018-11-D18	EA	COUNTERTOP-NIGHTSTAND, DRIVER SIDE	
17	107018-11-D19	EA	COUNTERTOP-NIGHTSTAND, DRIVER SIDE	
17	107018-11-D20	EA	COUNTERTOP-NIGHTSTAND, DRIVER SIDE	
18	107018-01-D18	EA	CABINET-NIGHTSTAND, DRIVER SIDE - W/O DRAWERS & HARDWARE	
18	107018-01-D19	EA	CABINET-NIGHTSTAND, DRIVER SIDE - W/O DRAWERS & HARDWARE	
18	107018-01-D20	EA	CABINET-NIGHTSTAND, DRIVER SIDE - W/O DRAWERS & HARDWARE	
19	P07445-01-D18	EA	CABINET-OVERHEAD, TV	
19	P07445-01-D19	EA	CABINET-OVERHEAD, TV	
19	P07445-01-D20	EA	CABINET-OVERHEAD, TV	

## 1993 WINNEBAGO TABLE OF CONTENTS

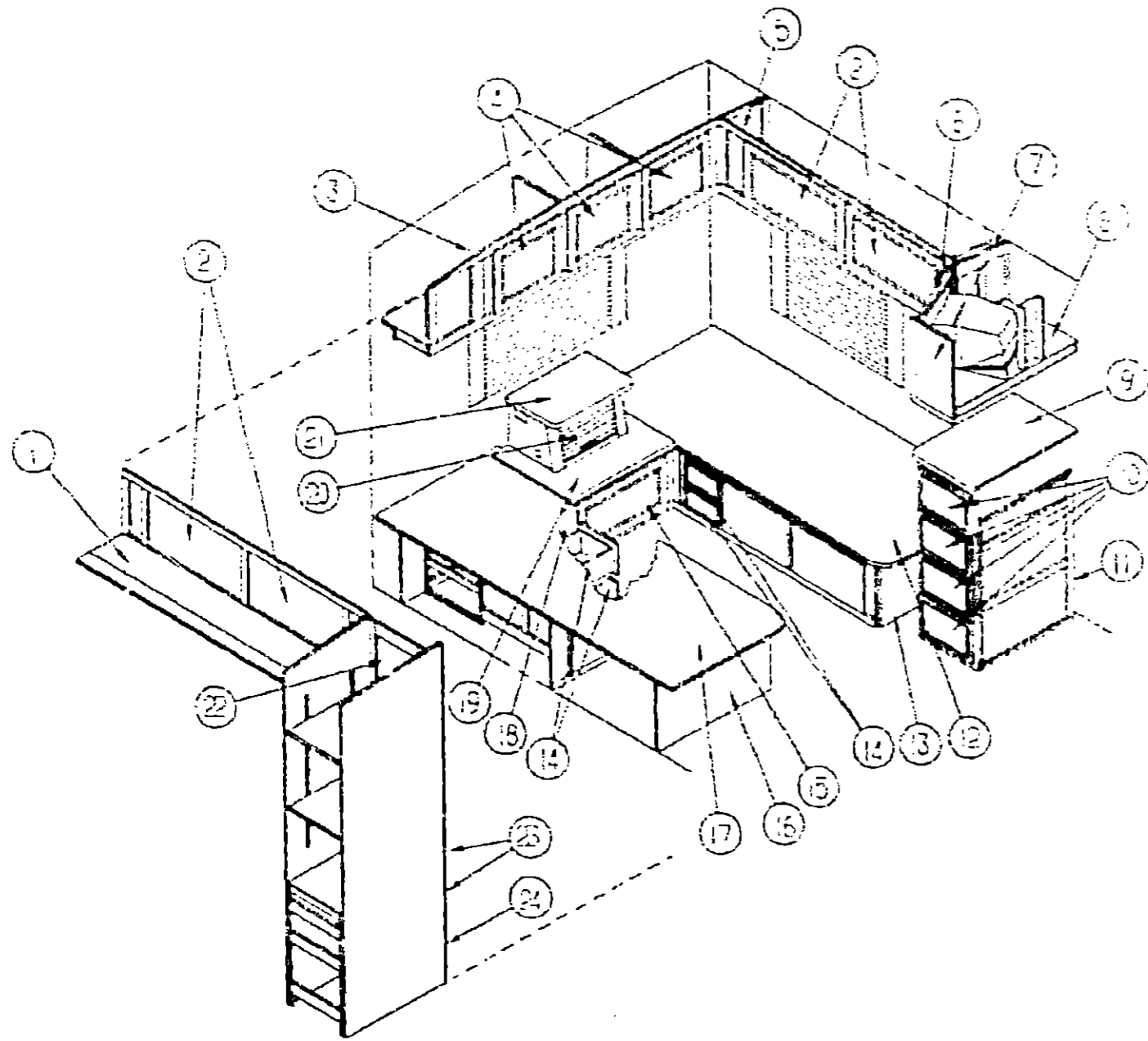
INTRODUCTION	A-01 -	A-02
ABBREVIATIONS		A-03
ALPHABETICAL INDEX	A-04 -	A-06
WCM33RW	A-07 -	G-08
WCM33RQ	G-09 -	L-24

## 1993 WCM33RQ INDEX

FLOOR PLAN	G-09 -	G-10
ACCESSORIES		G-11
AUDIO VIDEO	G-12 -	G-15
BATH	G-16 -	G-20
BEDROOM	G-21 -	G-24
CHASSIS	H-01 -	H-18
CURTAIN & CUSHION	H-19 -	I-07
DINETTE	I-08 -	I-10
DRIVERS COMPARTMENT	I-11 -	I-15
ELECTRICAL	I-16 -	I-22
EXTERIOR BODY	I-23 -	J-09
GALLEY	J-10 -	J-17
GENERATOR	J-18 -	J-19
HEATING & A/C	J-20 -	J-22
INTERIOR FINISH	J-23 -	K-02
LABEL	K-03 -	K-11
LP		K-12
LOUNGE	K-13 -	K-14
SEALANTS & FASTENERS	K-15 -	K-18
WATER & SEWAGE	K-19 -	K-24
WINDOW, VENT AND EXTerior DOOR	L-01 -	L-20
WINDSHIELD & WIPER	L-21 -	L-24

## BEDROOM GROUP (CONTINUED)

### TWIN BEDROOM CABINETS



KEY	PART NUMBER	U/M	DESCRIPTION
1	P07455-01-D18	EA	CABINET-OVERHEAD, PASSENGER SIDE - W/O DOORS & HARDWARE
2	P00971-06-D18	EA	DOOR-CABINET, W/O HARDWARE - 650 X 365MM - 2 USED
3	P07454-01-D18	EA	CABINET-OVERHEAD, BACKWALL - W/O DOORS & HARDWARE
4	P00971-32-D18	EA	DOOR-CABINET, W/O HARDWARE - 365 X 455MM
5	P07455-01-D18	EA	CABINET-OVERHEAD, DRIVER SIDE - W/O DOORS & HARDWARE
6	P00971-32-D18	EA	DOOR-CABINET, W/O HARDWARE - 365 X 455MM
7	107454-07-D18	EA	END CAP-CABINET, OVERHEAD - RIGHT SIDE
8	P07929-01-D18	EA	CABINET-OVERHEAD, TV - W/O DOOR & HARDWARE
9	107457-11-D18	EA	COUNTERTOP-CABINET, DRESSER
9	107457-11-D19	EA	COUNTERTOP-CABINET, DRESSER
9	107457-11-D20	EA	COUNTERTOP-CABINET, DRESSER
10	P07104-G9-D18	EA	DRAWER-CABINET, W/O HARDWARE - 4 USED
11	107457-01-D18	EA	CABINET-DRESSER, W/O DRAWERS & HARDWARE
11	107457-01-D19	EA	CABINET-DRESSER, W/O DRAWERS & HARDWARE
11	107457-01-D20	EA	CABINET-DRESSER, W/O DRAWERS & HARDWARE
12	M05608-01-D18	EA	TOP-CABINET, TWIN BED - DRIVER SIDE
13	P07452-01-D18	EA	CABINET-TWIN BED, DRIVER SIDE
14	P07104-J0-D18	EA	DRAWER-CABINET, W/O HARDWARE - 2 USED
15	P07104-J2-D18	EA	DRAWER-CABINET, W/O HARDWARE
16	P07451-01-D18	EA	CABINET-TWIN BED, PASSENGER SIDE
17	M05607-01-D18	EA	TOP-CABINET, TWIN BED - PASSENGER SIDE
18	P07453-01-D18	EA	CABINET-NIGHTSTAND, W/O DOOR & HARDWARE
19	107453-13-D18	EA	COUNTERTOP-CABINET, LOWER NIGHTSTAND
20	107453-15-D18	EA	DOOR-CABINET, TAMBOUR - BRASS TONED
21	107453-14-D18	EA	COUNTERTOP-CABINET, UPPER NIGHTSTAND
22	P00971-23-D18	EA	DOOR-CABINET, W/O HARDWARE - 305 X 1220MM
23	P07104-J4-D18	EA	DRAWER-CABINET, W/O HARDWARE - 2 USED
24	P07104-J6-D18	EA	DRAWER-CABINET, W/O HARDWARE

## 1993 WINNEBAGO TABLE OF CONTENTS

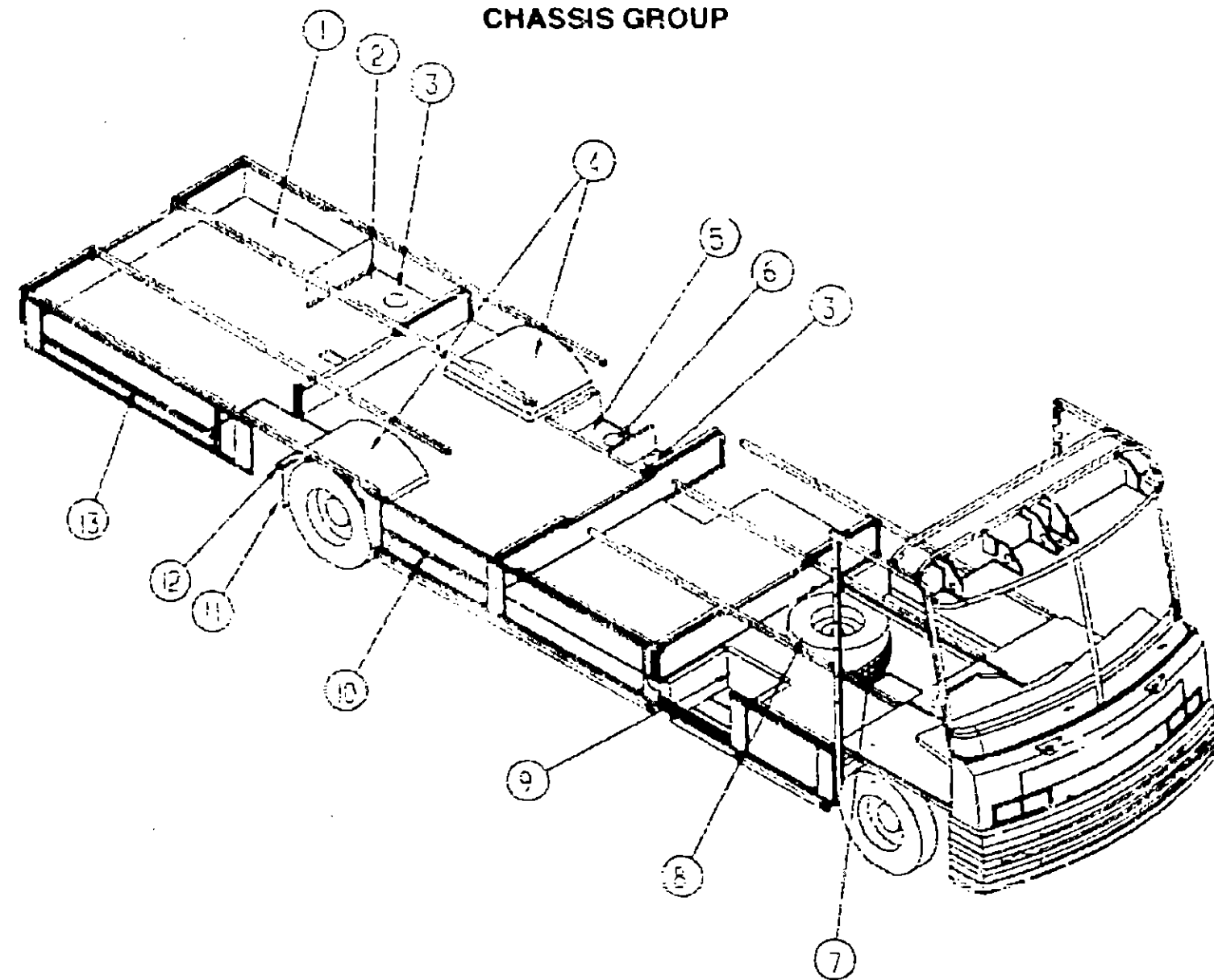
INTRODUCTION	A-01 -	A-02
ABBREVIATIONS		A-03
ALPHABETICAL INDEX	A-04 -	A-05
WCM33RW	A-07 -	G-08
WCM33RQ	G-09 -	L-24

## 1993 WCM33RQ INDEX

FLOOR PLAN	G-09 -	G-10
ACCESSORIES		G-11
AUDIO VIDEO	G-12 -	G-15
BATH	G-16 -	G-20
BEDROOM	G-21 -	G-24
CHASSIS	H-01 -	H-18
CURTAIN & CUSHION	H-19 -	I-07
DINETTE	I-08 -	I-10
DRIVERS COMPARTMENT	I-11 -	I-15
ELECTRICAL	I-17 -	I-22
EXTERIOR BODY	I-23 -	J-09
GALLEY	J-10 -	J-17
GENERATOR	J-18 -	J-19
HEATING & A/C	J-20 -	J-22
INTERIOR FINISH	J-23 -	K-02
LABEL	K-03 -	K-11
LP		K-12
LOUNGE	K-13 -	K-14
SEALANTS & FASTENERS	K-15 -	K-18
WATER & SEWAGE	K-19 -	K-24
WINDOW, VENT AND EXTERIOR DOOR	L-01 -	L-20
WINDSHIELD & WIPER	L-21 -	L-24



### CHASSIS GROUP



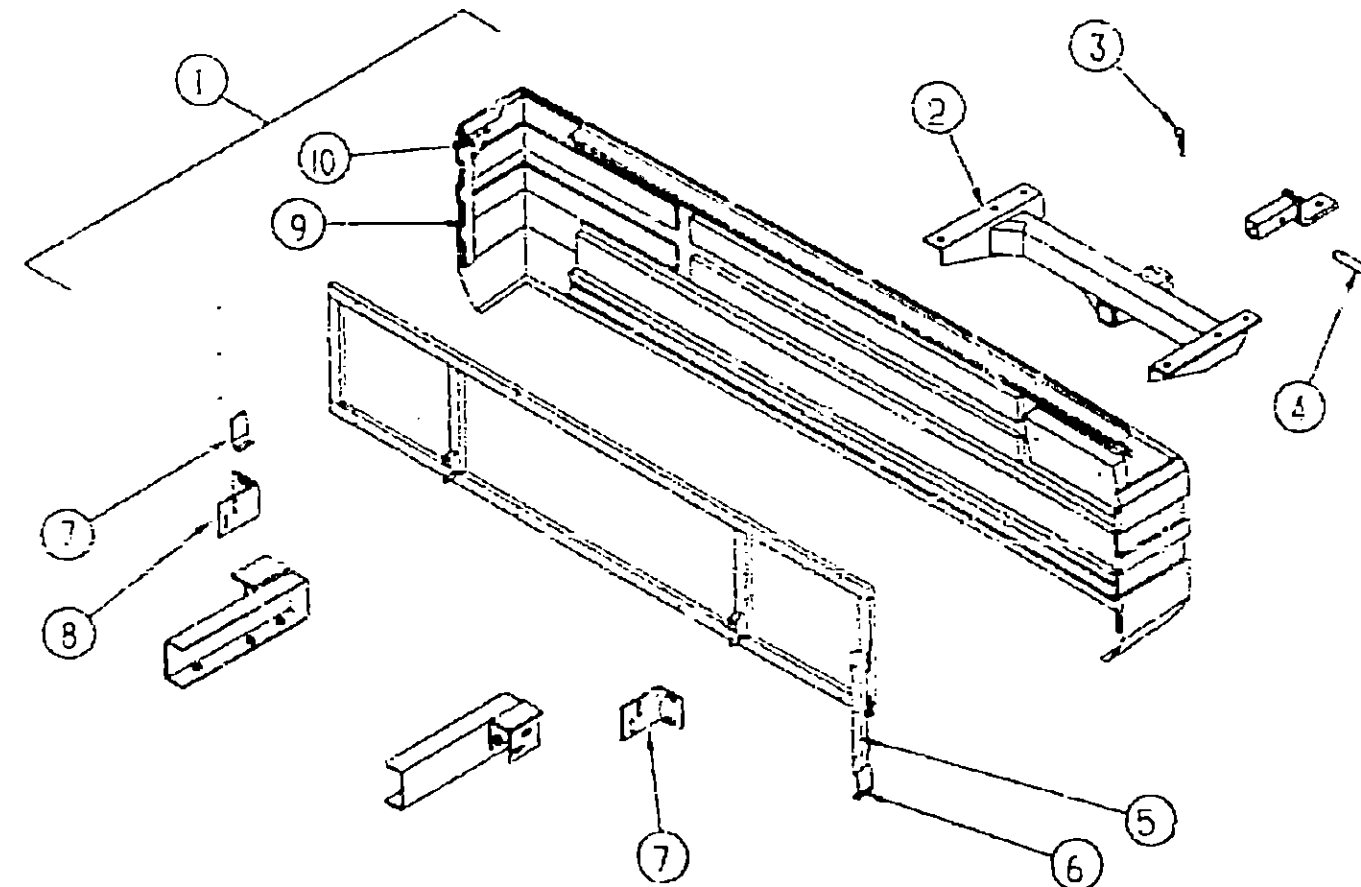
### COMPARTMENTS, WHEEL WELLS & MUD FLAPS

KEY	PART NUMBER	U/M DESCRIPTION
1	094557-02-000	EA TRAY-GENERATOR, 22.5" X 30.4" X 6.3" W/ANGLE & NUTS
1	106152-01-000	EA PANEL-COMPARTMENT, GENERATOR
2	M05920-01-D18	EA COMPARTMENT-CITY WATER FILL, W/CAP & CHAIN, PLASTIC
	109459-01-01A	EA COMPARTMENT-CITY WATER FILL, PLASTIC W/O HATCH & CHAIN
3	092887-03-000	EA CAP-TWIST HATCH, WATER FILL - 4" ID - BEIGE
	092887-04-000	EA CHAIN-TWIST CAP, 9"
4	055374-01-000	EA WHEELWELL-PLASTIC, DUALS
5	104742-01-007	EA COMPARTMENT-STORAGE, SEWER - W/HATCH - PLASTIC
6	092857-01-000	EA CAP-TWIST HATCH, SEWER HOSE - 6" ID - BLACK
	092887-04-000	EA CHAIN-TWIST CAP, 9"
	056748-01-000	EA PLUG-CAP, 1.5" DIAMETER - PLASTIC - BLACK
7	092887-03-01A	EA NET-CARGO
	064953-01-000	EA WHEEL-STEEL, 19.5" X 6" - GM 14005758 (CHEVY)
8	092853-01-000	EA WHEEL-STEEL, 16" X 6K - ESTZ - 1015 - A - ACCURIDE 28375-12 (FORD) FROM: 09-09-09 THRU: 03-01-93
	095553-02-000	EA WHEEL-STEEL, 16" X 6K - F2TA - 1015 - NA - ACCURIDE 28513-7 (FORD) FROM: 08-02-93 THRU: 99-99-99
8	077043-03-000	EA NUT-WHEEL 9/16-18 2 PC F53 (FORD)
8	007324-04-000	EA TIRE, 8R19.5 LRD, MICHELIN XZA (CHEVY)
8	030425-05-000	EA TIRE-MICHELIN, LT235/85R16 LRE - XPS RIB (FORD)
	077030-02-000	EA EXTENSION-VALVE STEM, 1.25"
	051377-05-000	EA STEM-VALVE VS938
	095012-03-000	EA EXTENSION-VALVE STEM, DUAL WHEEL (FORD)
	095012-04-000	EA STABILIZER-VALVE EXTENSION
9	065450-05-000	EA TIEDOWN-BATTERY, 8.4" TUBE

### CHASSIS GROUP (CONTINUED)

#### COMPARTMENTS, WHEEL WELLS & MUD FLAPS (CONTINUED)

KEY	PART NUMBER	U/M DESCRIPTION
10	107723-01-01A	EA COVER-COMPARTMENT PANEL, PLASTIC - BLACK
10	107717-01-000	EA COMPARTMENT-LP
11	017516-01-000	EA FLAP-MUD, 14" X 18" - BLACK
12	020167-05-000	EA GUARD-DIRT
13	109809-01-000	EA COMPARTMENT-LUGGAGE, PASSENGER SIDE REAR
	108985-01-000	EA TUBE-SUPPORT, LOWER LADDER - FOR COMPARTMENT STORAGE FROM: 09-10-92 THRU: 04-06-93
	078513-01-000	EA CHANNEL-FRAME, REAR - MOUNTED BETWEEN FRAME RAILS
	092263-03-000	EA PANEL-EXHAUST, FURNACE - 402 X 441MM - GALVANIZED STEEL



### REAR BUMPER & TRAILER HITCH

KEY	PART NUMBER	U/M DESCRIPTION
1	M05811-01-D10	EA BUMPER-REAR, W/FRAME
2	107707-01-000	EA DRAWBAR ASM-HITCH, CLASS II
3	034513-01-000	EA PIN-HITCH, 3/16" WIRE
4	034512-01-000	EA PIN-LOCKING DRAWBAR
	097744-02-000	EA HOUSING-TRAILER PIN, 40"
	097746-01-000	EA HOUSING CAP-TRAILER PIN
	097744-02-000	EA HOUSING-TRAILER PIN, 48"
5	107487-01-000	EA ANGLE-ATTACHMENT, REAR
6	107665-01-000	EA ANGLE-FORMED, BUMPER - LOWER (2 USED)
7	107524-02-000	EA ANGLE-BUMPER, INNER - LEFT
8	107524-01-000	EA ANGLE-BUMPER, INNER - RIGHT
9	108453-04-000	EA CAP ASM-END, REAR - RIGHT - W/UPPER ANGLE
	108453-03-000	EA CAP ASM-END, REAR - LEFT - W/UPPER ANGLE
10	P07885-01-000	EA ANGLE-BUMPER, UPPER RIGHT - E COAT
	P07885-02-000	EA ANGLE-BUMPER, UPPER LEFT - E COAT

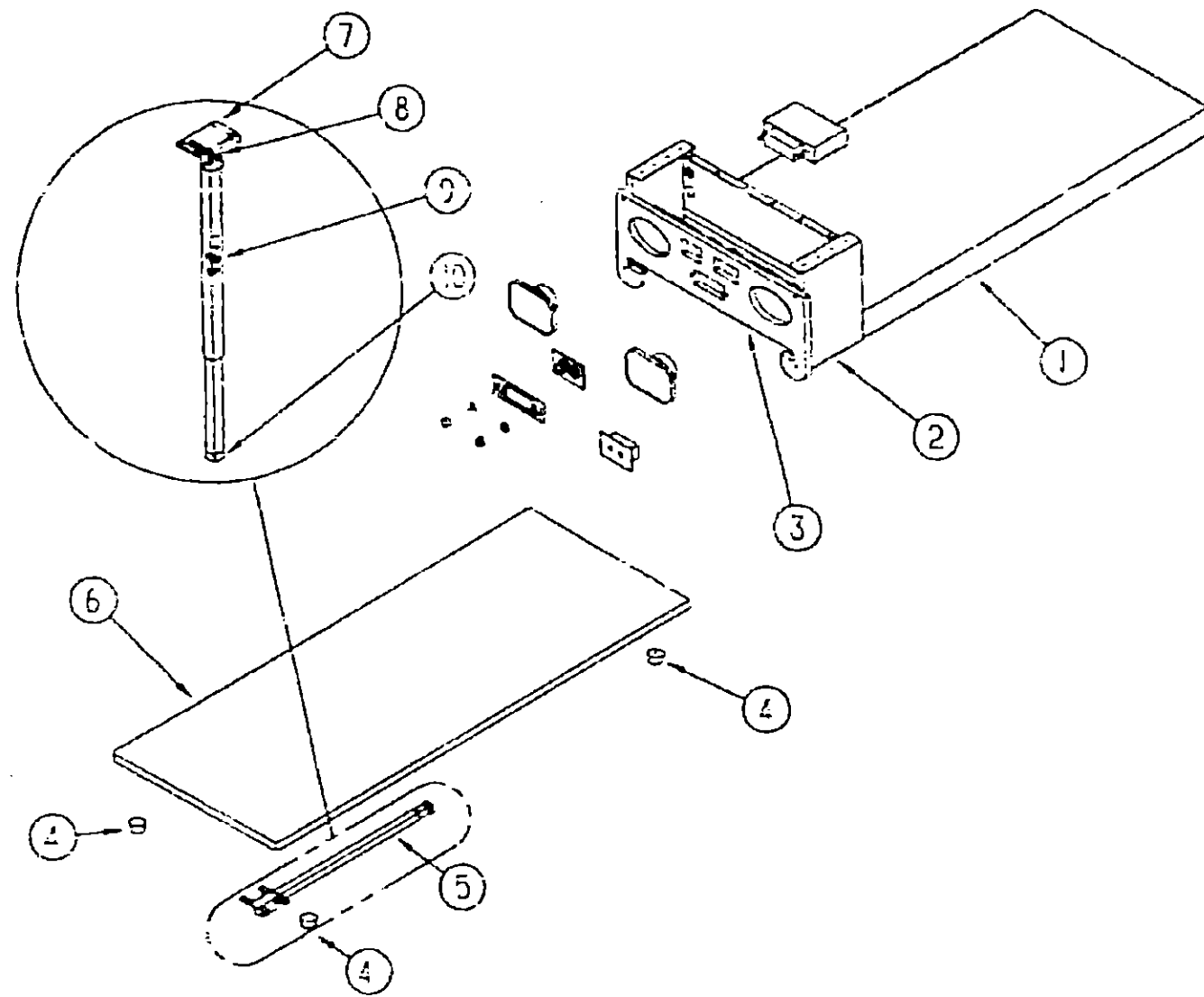
### 1993 WINNEBAGO TABLE OF CONTENTS

INTRODUCTION	A-01 -	A-02
ABBREVIATIONS		A-03
ALPHABETICAL INDEX	A-04 -	A-05
WCM33RW	A-07 -	G-00
WCM33RQ	G-09 -	L-24

### 1993 WCM33RQ INDEX

FLOOR PLAN	G-09 -	G-10
ACCESSORIES		G-11
AUDIO VIDEO	G-12 -	G-15
BATH	G-16 -	G-20
BEDROOM	G-21 -	G-24
CHASSIS	H-01 -	H-18
CURTAIN & CUSHION	H-19 -	I-07
DINETTE	I-08 -	I-10
DRIVERS COMPARTMENT	I-11 -	I-15
ELECTRICAL	I-16 -	I-22
EXTERIOR BODY	I-23 -	J-09
GALLEY	J-10 -	J-17
GENERATOR	J-18 -	J-19
HEATING & A/C	J-20 -	J-22
INTERIOR FINISH	J-23 -	K-02
LABEL	K-03 -	K-11
LP		K-12
LOUNGE	K-13 -	K-15
SEALANTS & FASTENERS	K-15 -	K-18
WATER & SEWAGE	K-19 -	K-24
WINDOW, VENT AND		
EXTERIOR DOOR	L-01 -	L-20
WINDSHIELD & WIPER	L-21 -	L-24

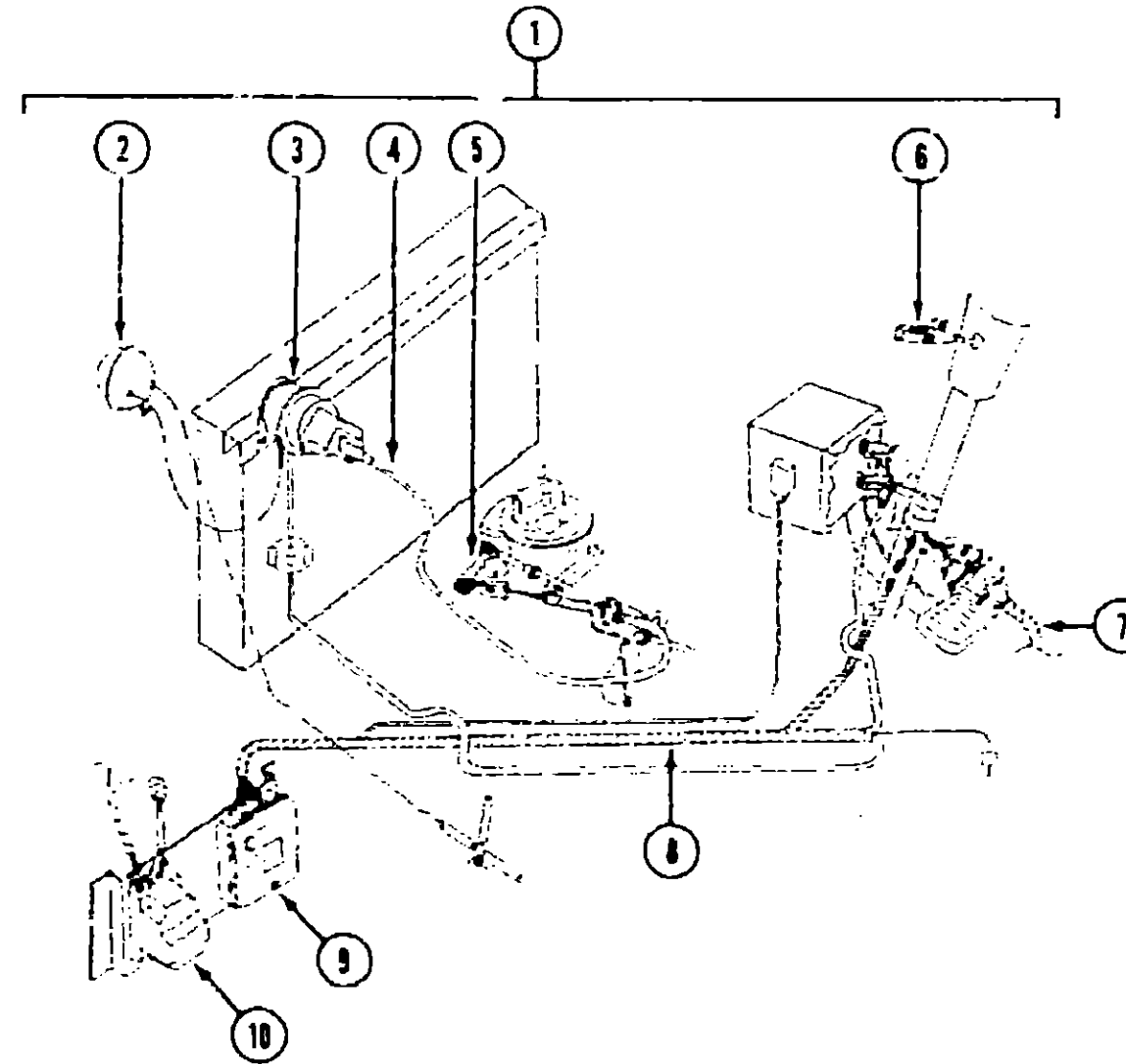
CHASSIS GROUP (CONTINUED)



ENTERTAINMENT COMPARTMENT

KEY	PART NUMBER	U/M DESCRIPTION
1	108534-01-D18	EA FRAME-ENTERTAINMENT CENTER FROM: 00-00-00 THRU: 04-11-93
1	108534-02-E37	EA FRAME-ENTERTAINMENT CENTER FROM: 04-12-93 THRU: 99-99-99
2	108539-01-000	EA COVER-ENTERTAINMENT CENTER, W/BACKET
	108503-01-000	EA BRACKET-ENTERTAINMENT CENTER, MOUNTED ON COVER - 2 USED
	108503-02-000	EA BRACKET-ENTERTAINMENT CENTER, COMPARTMENT - 2 USED
3	108506-01-D18	EA PLATE-RADIO MOUNTING
4	059726-02-000	EA BUMPER-RUBBER, .85" DIAMETER X .40", BLACK
5	108493-01-000	EA LEG-TABLE, ENTERTAINMENT W/FASTENERS & SPRING FROM: 00-00-00 THRU: 01-10-93
5	110331-01-D18	EA LEG-TABLE, ENTERTAINMENT W/FASTENERS & SPRING FROM: 01-11-93 THRU: 99-99-99
6	P08515-01-D18	EA TABLE-ENTERTAINMENT CENTER FROM: 00-00-00 THRU: 04-11-93
6	P08515-02-D18	EA TABLE-ENTERTAINMENT CENTER FROM: 04-12-93 THRU: 99-99-99
7	110287-01-000	EA BRACKET-LEG, EXTERIOR TABLE
8	074630-03-000	EA FASTENER-PUSH ON, .250 ROUND - TRW PZ001880PG
8	110459-01-000	EA SPRING-COMPRESSION, 300 X 1.50" - LEE SG LC-0300-12-M
9	110439-01-000	EA FASTENER-SNAP BUTTON, VALCO 0135-25
10	110550-01-000	EA CAP-TUBE, TABLE LEG

CHASSIS GROUP (CONTINUED)



CRUISE CONTROL

KEY	PART NUMBER	U/M DESCRIPTION
1	102362-03-000	EA SPEED CONTROL-CHEVY DYNAMIC - DANA 59L-111012-B FROM: 00-00-00 THRU: 10-01-92
1	102362-05-000	EA SPEED CONTROL, 93 CHEVY, DYNAMIC - DANA 59L-111032-B FROM: 10-02-92 THRU: 99-09-99
2	094369-01-705	EA VACUUM RESERVOIR, DANA 59C-02249
3	094369-01-706	EA SERVO-DANA# 53D-11116-R
4	102362-01-700	EA CABLE-SERVO, CABLE ONLY - DANA 59C-03001
5	102362-01-706	EA THROTTLE STUD, DANA 59A-02979
	102362-01-705	EA CLIP-THROTTLE RETAINER, DANA 59A-02821
6	102362-01-707	EA SWITCH & LEVER-CONTROL, DANA 53D-08X63-F
7	102362-01-703	EA HARNESS-PIVOT SW TO WIPER CONTROL, DANA 59C-02973
8	102362-01-704	EA HARNESS-MAIN WIRING, DANA 59D-02975
9	102362-01-701	EA REGULATOR-ELECTRONIC, DANA 57C-08X13-P
10	102362-03-700	EA MODULE-WIPER CONTROL, DANA 68D-00093
	094863-01-704	EA HOUSING, 4 PIN, SPEED CONTROL - DANA 59C-02291

1993 WINNEBAGO  
TABLE OF CONTENTS

INTRODUCTION	A-01 -	A-02
ABBREVIATIONS		A-03
ALPHABETICAL INDEX	A-04 -	A-06
WCM37RW	A-07 -	G-08
WCM33RQ	G-09 -	L-24

1993 WCM33RQ INDEX

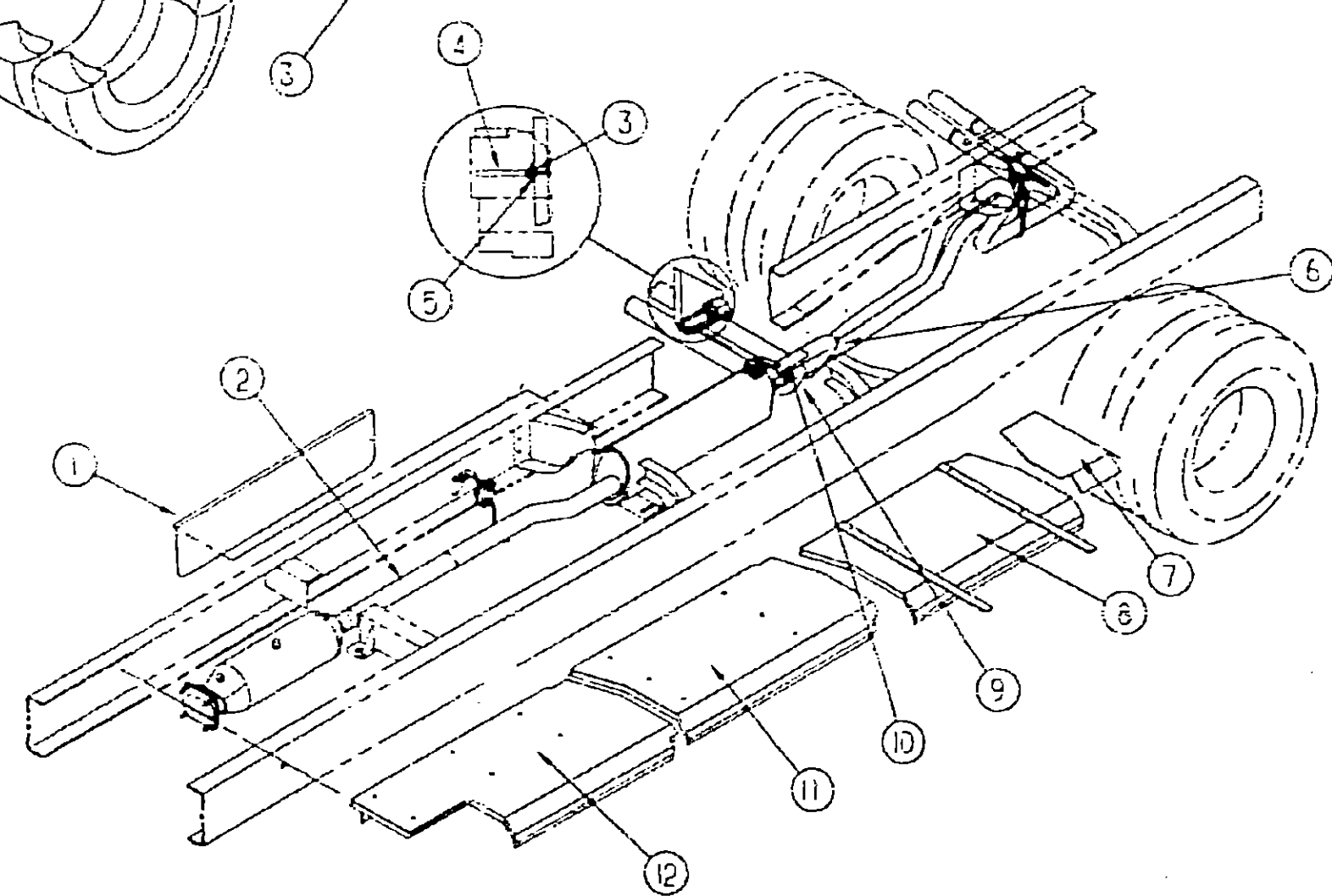
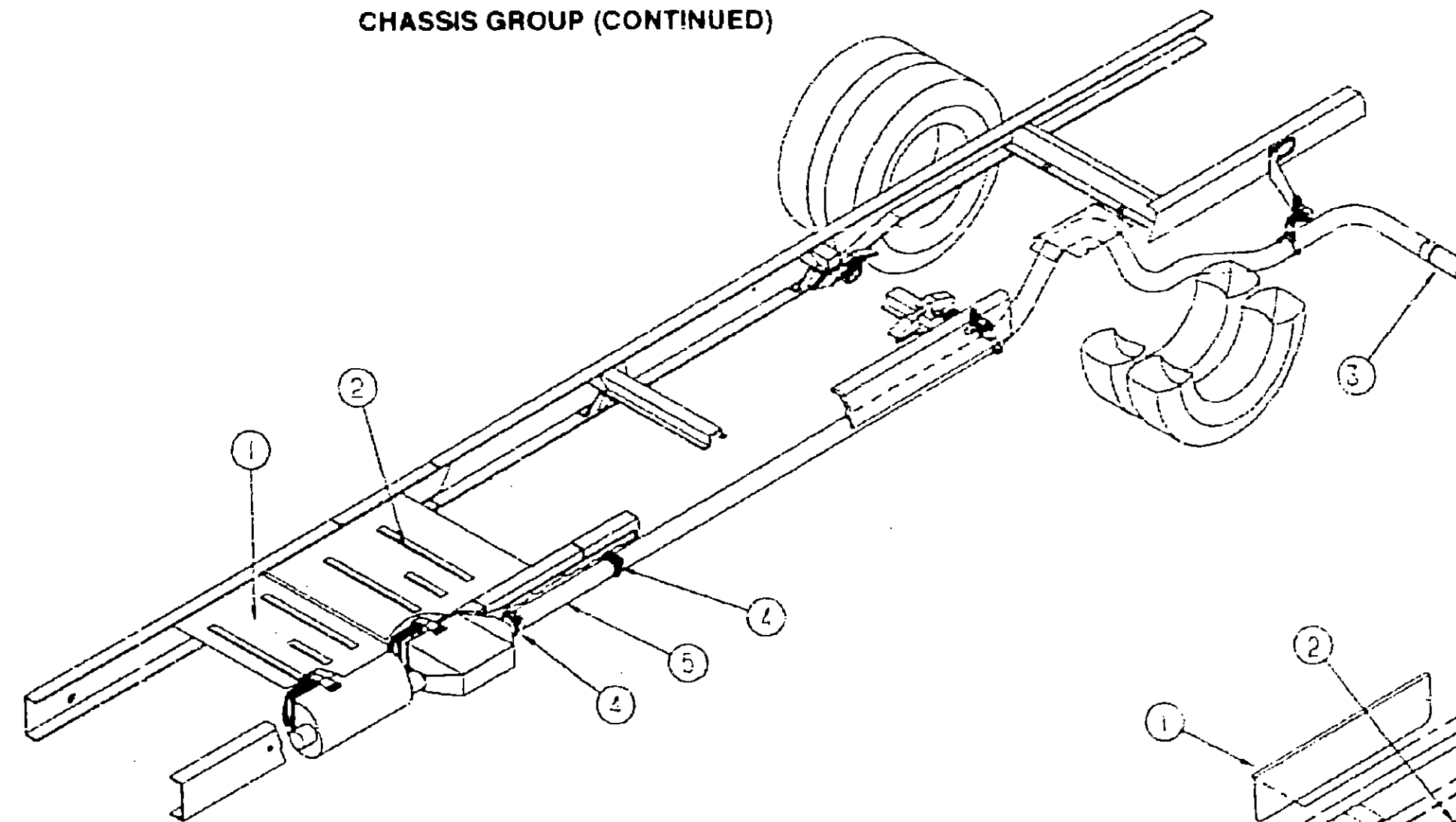
FLOOR PLAN	G-09 -	G-10
ACCESSORIES		G-11
AUDIO VIDEO	G-12 -	G-15
BATH	G-18 -	G-20
BEDROOM	G-21 -	G-24
CHASSIS	H-01 -	H-18
CURTAIN & CUSHION	H-19 -	I-07
DINETTE	I-08 -	I-10
DRIVERS COMPARTMENT	I-11 -	I-15
ELECTRICAL	I-16 -	I-22
EXTERIOR BODY	I-23 -	J-09
GALLEY	J-10 -	J-17
GENERATOR	J-18 -	J-19
HEATING & A/C	J-20 -	J-22
INTERIOR FINISH	J-23 -	K-02
LABEL	K-03 -	K-11
LP		K-12
LOUNGE	K-13 -	K-14
SEALANTS & FASTENERS	K-15 -	K-18
WATER & SEWAGE	K-19 -	K-24
WINDOW, VENT AND		
EXTERIOR DOOR	L-01 -	L-20
WINDSHIELD & WIPER	L-21 -	L-24

**CHASSIS GROUP (CONTINUED)**

**CHASSIS GROUP (CONTINUED)**

**1993 WINNEBAGO  
TABLE OF CONTENTS**

INTRODUCTION	A-01 -	A-02
ABBREVIATIONS		A-03
ALPHABETICAL INDEX	A-04 -	A-06
WCM37RW	A-07 -	G-08
WCM33RO	G-09 -	L-24



**CHEVY EXHAUST SYSTEM**

**FORD EXHAUST SYSTEM**

**1993 WCM33RQ INDEX**

FLOOR PLAN	G-09 -	G-10
ACCESSORIES		G-11
AUDIO VIDEO	G-12 -	G-15
BATH	G-16 -	G-20
BEDROOM	G-21 -	G-24
CHASSIS	H-01 -	H-18
CURTAIN & CUSHION	H-19 -	I-07
DINETTE	I-08 -	I-10
DRIVERS COMPARTMENT	I-11 -	I-15
ELECTRICAL	I-16 -	I-22
EXTERIOR BODY	I-23 -	J-09
GALLEY	J-10 -	J-17
GENERATOR	J-18 -	J-19
HEATING & A.C	J-20 -	J-22
INTERIOR FINISH	J-23 -	K-02
LABEL	K-03 -	K-11
LP		K-12
LOUNGE	K-13 -	K-14
SEALANTS & FASTENERS	K-15 -	K-18
WATER & SEWAGE	K-19 -	K-24
WINDOW, VENT AND		
EXTERIOR DOOR	L-01 -	L-20
WINDSHIELD & WIPER	L-21 -	L-24

KEY	PART NUMBER	U/M	DESCRIPTION
1	101544-01-000	EA	SHIELD-HEAT, EXHAUST - 19.7' X 28.9' - STEEL
2	101544-02-000	EA	SHIELD-HEAT, EXHAUST - 30' X 28.9' - STEEL
3	098762-05-000	EA	PIPE-EXHAUST, TAIL - GM
4	094918-01-000	EA	CLAMP-EXHAUST, 3" - GUILLOTINE STYLE
5	095762-06-000	EA	PIPE-EXHAUST, STRAIGHT - EXTENSION - 560MM
	095223-03-000	EA	BRACKET-EXHAUST, LOWER
	095223-11-000	EA	BRACKET-EXHAUST, UPPER (JET AIR RIDE SUSPENSION OPTION)
	102117-02-000	EA	HANGER-TAILPIPE
	095190-01-000	EA	HANGER-EXHAUST, 4" X 1.4"

KEY	PART NUMBER	U/M	DESCRIPTION
1	075307-03-000	EA	SHIELD-HEAT LP
2	096753-03-000	EA	PIPE-EXHAUST, 25.6" X 32"
			FROM: 00-03-00 THRU: 02-14-93
3	096054-01-000	EA	SUPPORT-EXHAUST PIPE, BENT - 2.6" X 8" - STEEL
4	102117-03-000	EA	HANGER ASM-TAILPIPE
5	095190-01-000	EA	HANGER-EXHAUST, 4" X 1.4"
6	107755-02-000	EA	PIPE-EXHAUST, TAIL - FORD - 1076.5MM LONG
7	099430-01-000	EA	SHIELD-EXHAUST REAR, 14" X 9.1" FROM EDGE TO BEND
8	098795-02-000	EA	SHIELD-EXHAUST, 35.4" X 19.8" - GALVANIZED STEEL
9	107755-01-000	EA	PIPE-EXHAUST, TAIL - FORD - 1046.2MM LONG
10	110048-01-000	EA	SHIELD-BUSHING, SWAYBAR
11	093795-03-000	EA	SHIELD-EXHAUST, CENTER - 49.5" X 19.8" - GALVANIZED STEEL
12	095796-02-000	EA	SHIELD-EXHAUST, CONVERTOR
	098443-03-000	EA	SUPPORT-SHIELD, EXHAUST - 1.5" X 29.2" - STEEL - PRIMED - 8 USED
	007125-07-000	EA	CLAMP-MUFFLER, 2.50" DIAMETER
	094918-03-000	EA	CLAMP-EXHAUST, 2.5" DIAMETER

FROM: 00-03-00 THRU: 02-14-93

CHASSIS GROUP (CONTINUED)

CHASSIS GROUP (CONTINUED)

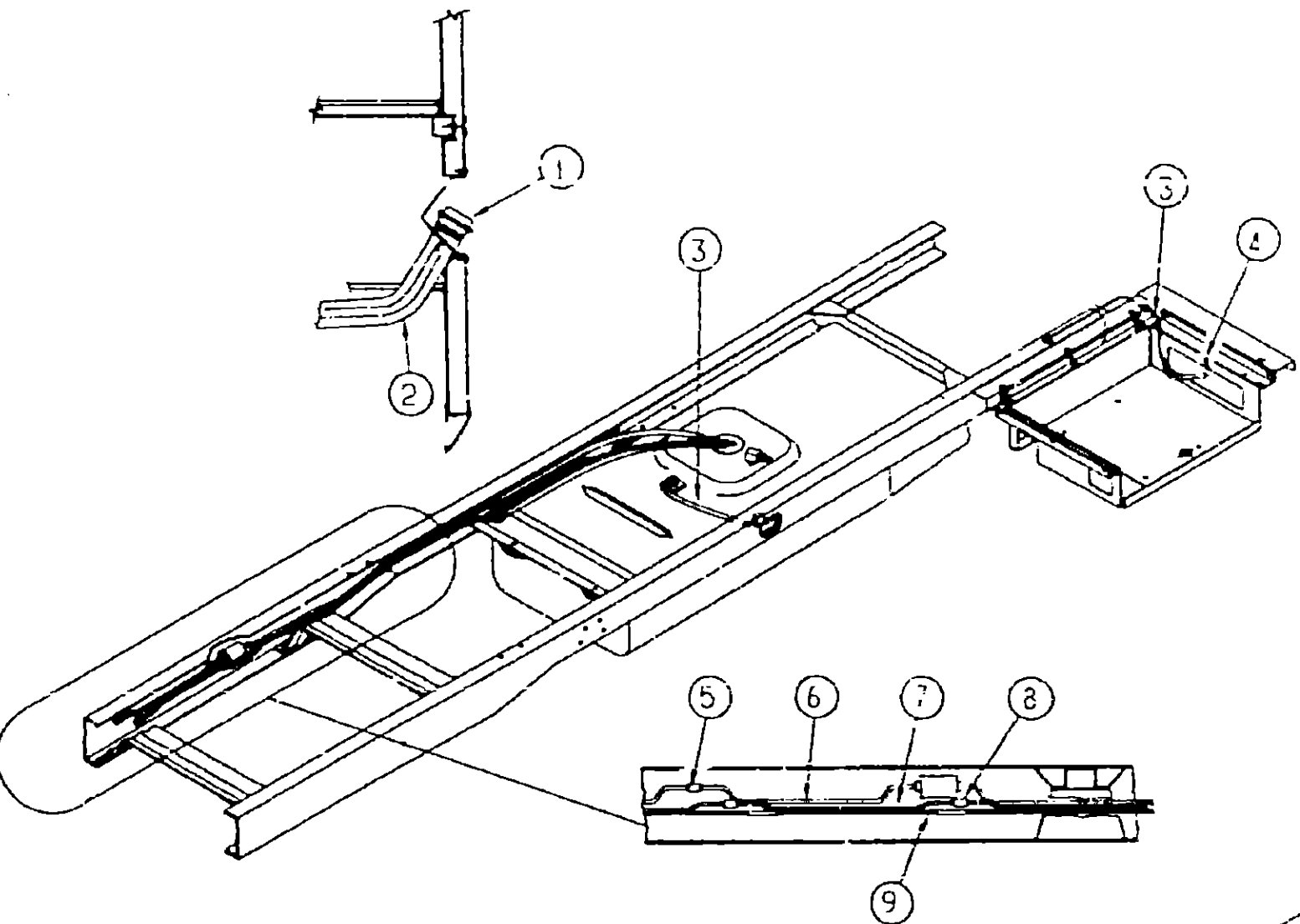
1993 WINNEBAGO  
TABLE OF CONTENTS

INTRODUCTION	A-01 -	A-02
ABBREVIATIONS		A-03
ALPHABETICAL INDEX	A-04 -	A-06
WCM33RV	A-07 -	G-08
WCM33RD	G-09 -	L-24

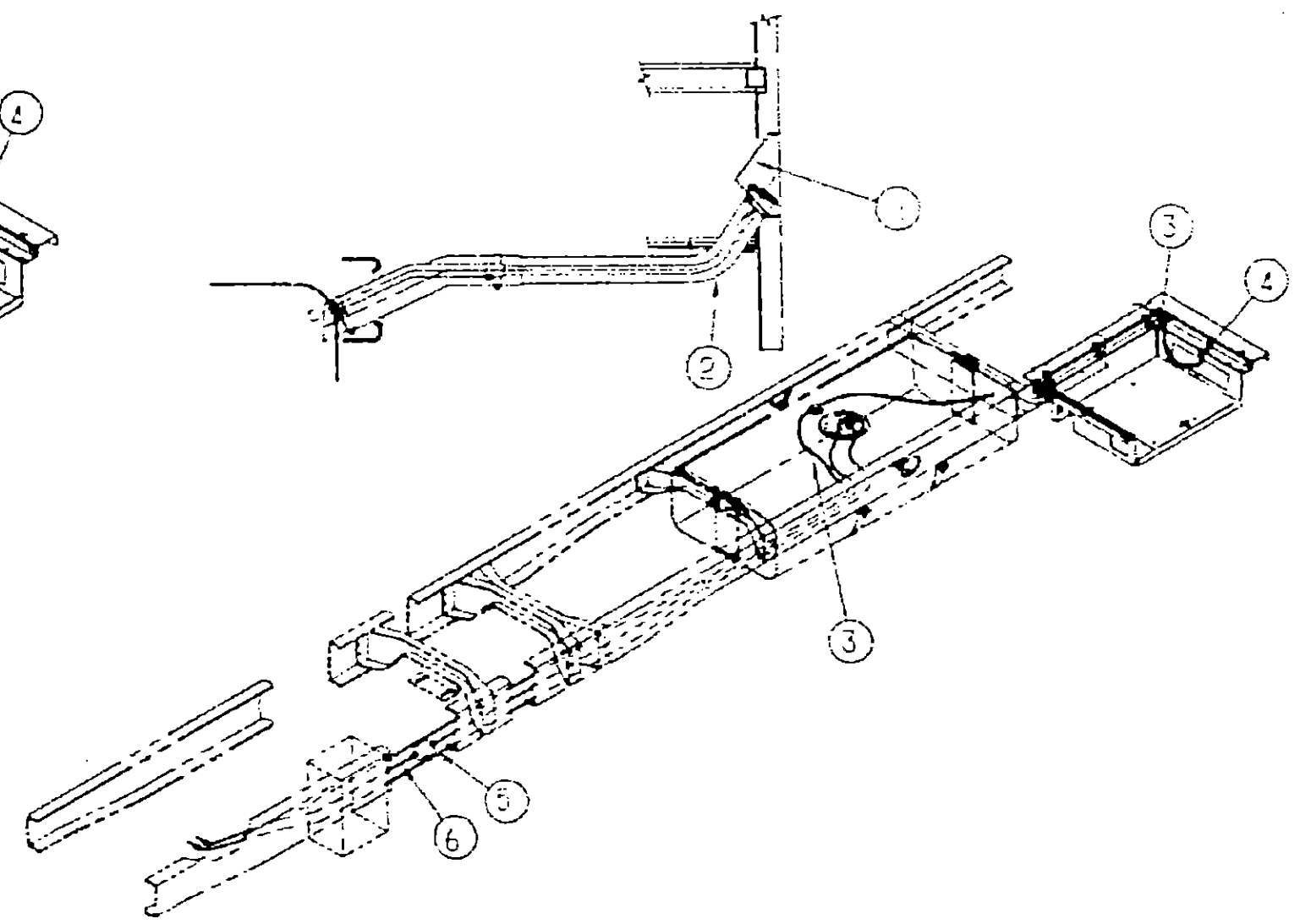
1993 WCM33RQ INDEX

FLOOR PLAN	G-09 -	G-10
ACCESSORIES		G-11
AUDIO VIDEO	G-12 -	G-15
BATH	G-16 -	G-20
BEDROOM	G-21 -	G-24
CHASSIS	H-01 -	H-18
CURTAIN & CUSHION	H-19 -	I-07
DINETTE	I-09 -	I-10
DRIVERS COMPARTMENT	I-11 -	I-15
ELECTRICAL	I-16 -	I-22
EXTERIOR BODY	I-23 -	J-09
GALLEY	J-10 -	J-17
GENERATOR	J-18 -	J-19
HEATING & A/C	J-20 -	J-22
INTERIOR FINISH	J-23 -	K-02
LABEL	K-03 -	K-11
LP		K-12
LOUNGE	K-13 -	K-14
SEALANTS & FASTENERS	K-15 -	K-18
WATER & SEWAGE	K-19 -	K-24
WINDOW, VENT AND		
EXTERIOR DOOR	L-01 -	L-20
WINDSHIELD & WIPER	L-21 -	L-22

FROM: 03-03-00 THRU: 02-14-93



CHEVY FUEL SYSTEM



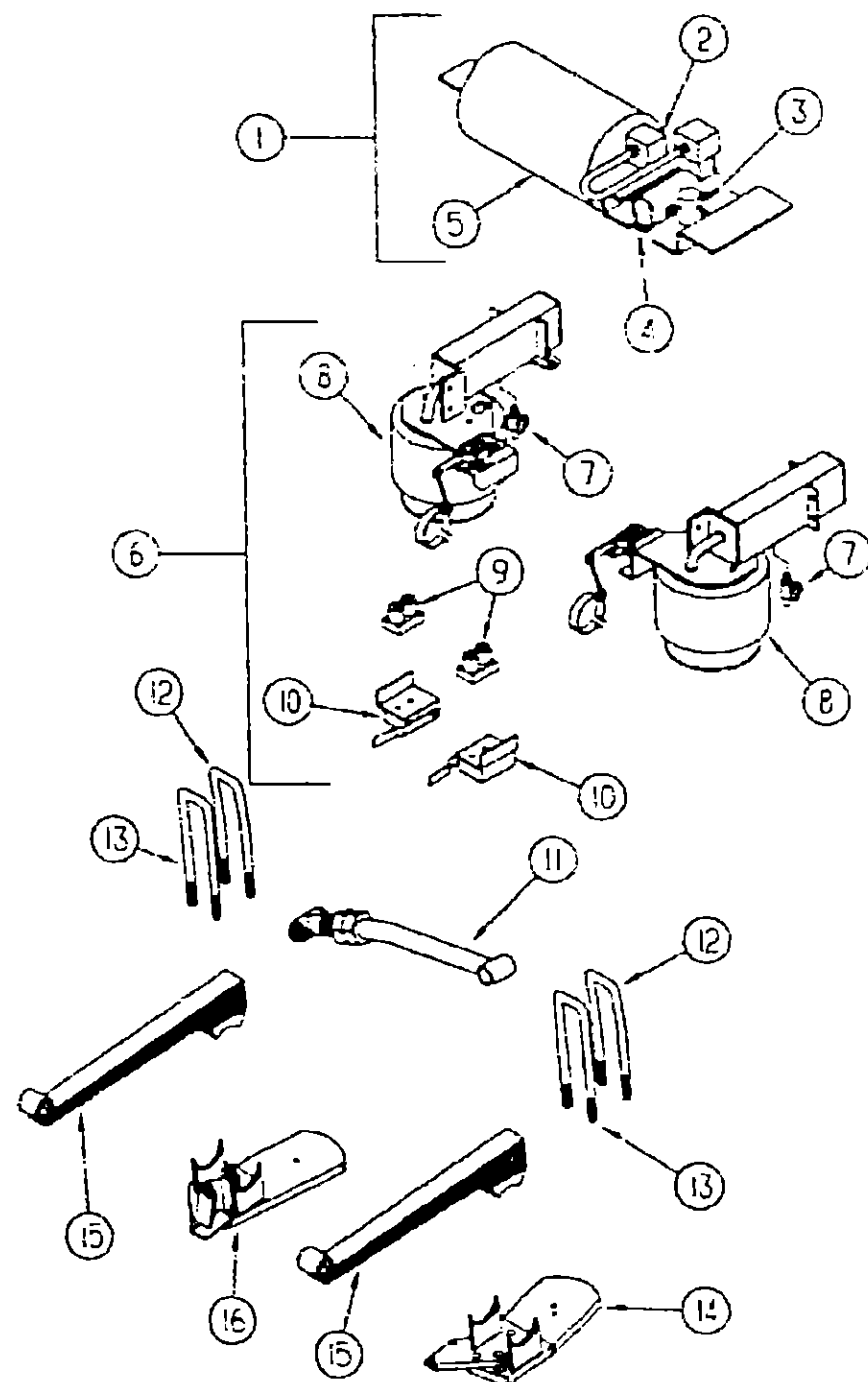
FORD FUEL SYSTEM

KEY	PART NUMBER	U/M	DESCRIPTION
1	102951-01-05A	EA	SHROUD-FUEL FILL, BUFF
2	087256-02-000	EA	NECK-FUEL FILL, CHEVY
3	007063-01-000	FT	HOSE-GAS 1/4"ID X 1/2"OD
4	084884-01-000	EA	PLUG-BRASS, 3/8"
5	098779-02-000	EA	COUPLER-FUEL LINE, CHEVY
6	095759-02-000	EA	LINE ASM-FUEL, SUPPLY - CHEVY
7	098758-02-000	EA	LINE ASM-FUEL, RETURN - CHEVY
8	098779-01-000	EA	COUPLER-FUEL LINE, CHEVY
9	074900-18-000	EA	TUBE-EXTENSION, VAPOR - CHEVY
	075466-01-000	EA	UNION-INVERTED FL TUBE, 1/4"
	075467-01-000	EA	NUT-INVERTED FLARE, 1/4"
	044317-01-000	FT	HOSE-FUEL, 3/8" ID

KEY	PART NUMBER	U/M	DESCRIPTION
1	102951-01-05A	EA	SHROUD-FUEL FILL, BUFF
2	095607-01-000	EA	NECK-FUEL FILL, FORD
3	007063-01-000	FT	HOSE-GAS 1/4"ID X 1/2"OD
4	084884-01-000	EA	PLUG-BRASS, 3/8"
5	095894-03-000	EA	LINE ASM-FUEL, FORD
6	095893-01-000	EA	LINE ASM-FUEL, FORD
	075466-01-000	EA	UNION-INVERTED FLARE TUBE, 1/4"
	075467-01-000	EA	NUT-INVERTED FLARE, 1/4"
	044317-01-000	FT	HOSE-FUEL, 3/8" ID
	024183-01-000	FT	HOSE-FUEL, 5/16" ID

## CHASSIS GROUP (CONTINUED)

### CHEVY JET AIR SUSPENSION W/PARK & LEVEL



KEY	PART NUMBER	U/M DESCRIPTION
1	090436-35-000	EA COMPRESSOR-TANK, W/O WIRING - JET 60703
2	090436-07-701	EA SWITCH-AIR PRESSURE - JET 50732
3	090436-07-704	EA SOLENOID-ELECTRONIC - JET 50702
4	090436-07-700	EA COMPRESSOR (ONLY) - JET 50701
5	090436-07-702	EA TANK ONLY ALL MODELS - JET 50703
6	090436-40-000	EA FILTER-AIR INTAKE, COMPRESSOR - JET 50822
6	090436-37-000	EA MOUNT-SPRING, CHEVY - RIGHT - UPPER E - JET 60751 FROM: 00-00-00 THRU: 10-01-92
6	090436-51-000	EA MOUNT-SPRING, CHEVY - RIGHT - UPPER E - JET 51751 FROM: 10-02-92 THRU: 99-99-99
6	090436-38-000	EA MOUNT-SPRING, CHEVY - LEFT - UPPER E - JET 60750 FROM: 00-00-00 THRU: 10-01-92
6	090436-50-000	EA MOUNT-SPRING, CHEVY - LEFT - UPPER E - JET 51750 FROM: 10-02-92 THRU: 99-99-99
7	090436-36-700	EA PET COCK-AIR TANK F. SPRING - JET 50720
8	090436-15-704	EA AIR SPRING - JET 50774
9	090436-15-710	EA ELECTRONIC VALVE-RH - JET 55785
9	090436-15-709	EA ELECTRONIC VALVE-LH - JET 55785
10	090436-15-708	EA HEIGHT CONTROL BOX R H W/LIGHT - JET 50784
10	090436-15-707	EA HEIGHT CONTROL BOX L H W/LIGHT - JET 50783
11	090436-14-000	EA BAR-TRACK, W/PIVOT BOLTS & BRACKET - JET 355-1 FROM: 00-00-00 THRU: 10-01-92
11	090436-47-000	EA BAR-TRACK, W/PIVOT BOLTS CHEVY - JET 55765 93 GM FROM: 10-02-92 THRU: 99-99-99
	090436-52-000	EA BRACKET-TRACK BAR, STANDARD - JET 51354 3.25 FROM: 10-02-92 THRU: 99-99-99
12	090436-12-000	EA U-BOLT-STRAIGHT, 7/8" - JET 55759
13	090436-13-000	EA U-BOLT-BENT, 7/8" - JET 55758
14	090436-10-000	EA MOUNT-SPRING/AXLE, LOWER LEFT - JET 55753
15	090436-38-000	EA SPRING-LEAF, 7 SEMI - 16000GVW - JET AR-P30-16 FROM: 00-00-00 THRU: 10-01-92
15	090436-41-000	EA SPRING-LEAF, P30 CHEVY - 14/1600 - JET 51793 FROM: 10-02-92 THRU: 99-99-99
16	090436-11-000	EA MOUNT-SPRING/AXLE, LOWER RIGHT - JET 374 FROM: 00-00-00 THRU: 10-01-92
16	090436-46-000	EA MOUNT-SPRING/AXLE, LOWER RIGHT - JET 51755 92 C FROM: 10-02-92 THRU: 99-99-99
	091250-03-000	EA BUSHING-SWAY BAR, 1.75" CUT - HELLWIG PB 732
	110114-01-000	EA PLATE-BEEFUP, JET RIDE SUSPENSION FROM: 10-02-92 THRU: 99-99-99
	110115-01-000	EA PLATE-BEEFUP, JET RIDE SUSPENSION FROM: 10-02-92 THRU: 99-99-99
	071374-04-000	EA FITTING-BULKHEAD, 1/8" X 1/8" FNPT

## 1993 WINNEBAGO TABLE OF CONTENTS

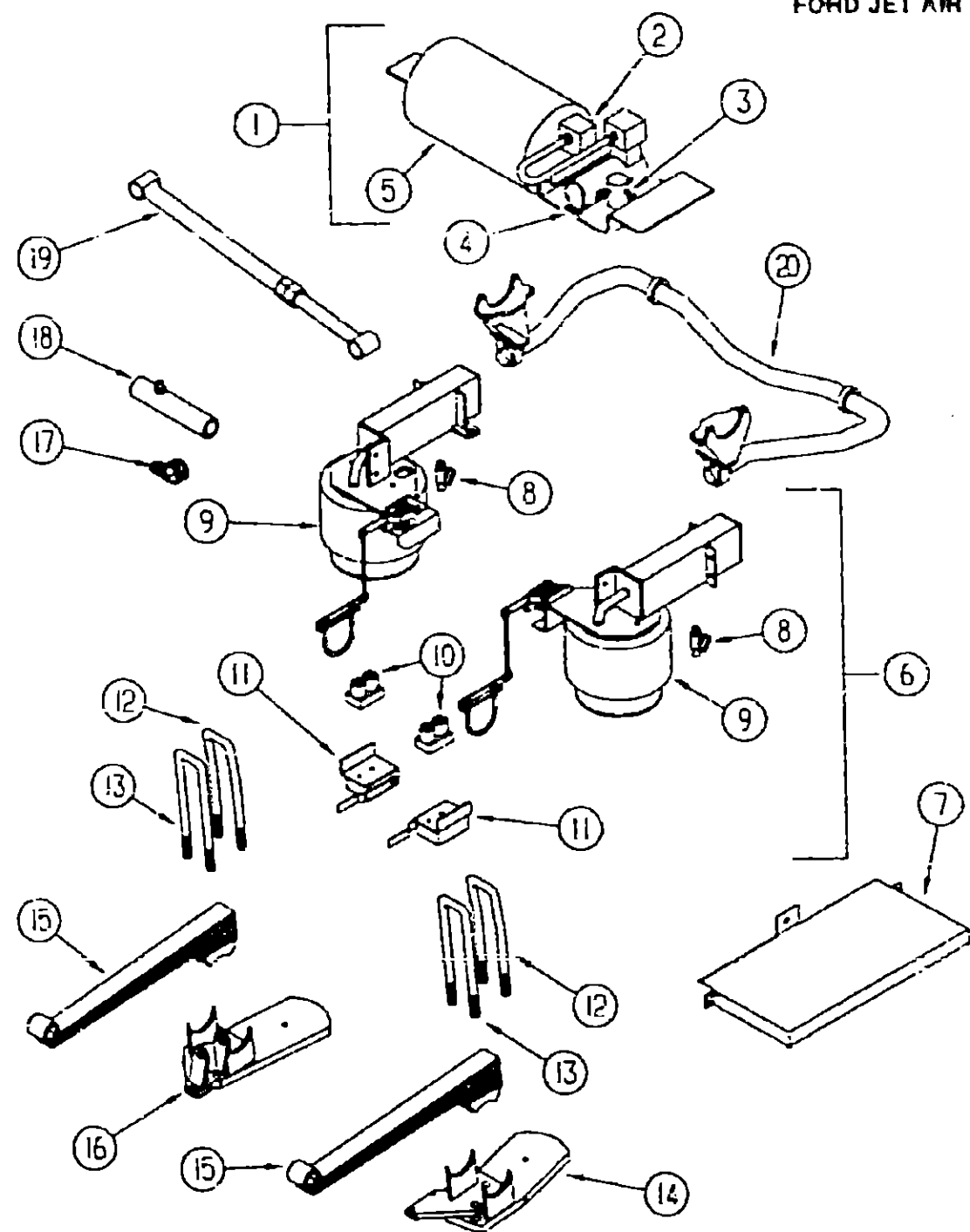
INTRODUCTION	A-01 -	A-02
ABBREVIATIONS		A-03
ALPHABETICAL INDEX	A-04 -	A-06
WCM37RW	A-07 -	G-06
WCM33RQ	G-09 -	L-24

## 1993 WCM33RQ INDEX

FLOOR PLAN	G-09 -	G-10
ACCESSORIES		G-11
AUDIO VIDEO	G-12 -	G-15
BATH	G-16 -	G-20
BEDROOM	G-21 -	G-24
CHASSIS	H-01 -	H-18
CURTAIN & CUSHION	H-19 -	I-07
DINETTE	I-08 -	I-10
DRIVERS COMPARTMENT	I-11 -	I-15
ELECTRICAL	I-16 -	I-22
EXTERIOR BODY	I-23 -	J-09
GALLEY	J-10 -	J-17
GENERATOR	J-18 -	J-19
HEATING & A/C	J-20 -	J-22
INTERIOR FINISH	J-23 -	K-02
LABEL	K-03 -	K-11
L-*		K-12
L UNGE	K-13 -	K-14
SEALS:ITS & FASTENERS	K-15 -	K-18
WATER & SEWAGE	K-19 -	K-24
WINDOW, VENT AND		
EXTERIOR DOOR	L-01 -	L-20
WINDSHIELD & WIPER	L-21 -	L-24

### CHASSIS GROUP (CONTINUED)

#### FORD JET AIR SUSPENSION W/PARK & LEVEL



KEY	PART NUMBER	U/M DESCRIPTION
1	090436-35-000	EA COMPRESSOR-TANK, W/O WIRING - JET 60703
2	090436-07-701	EA SWITCH-AIR PRESSURE - JET 50732
3	090436-07-704	EA SOLENOID-ELECTRONIC - JET 50702
4	090436-07-700	EA COMPRESSOR (ONLY) - JET 50701
5	090436-07-702	EA TANK ONLY ALL MODELS - JET 50703
	090436-40-000	EA FILTER-AIR INTAKE, COMPRESSOR - JET 50802
6	090436-16-000	EA MOUNT-AIRSPRING, UPPER DRIVER - JET 40375
6	090436-19-000	EA MOUNT-AIRSPRING, UPPER PASSENGER - JET 40376
7	090436-28-000	EA SHIELD-HEAT, FUEL TANK - JET 60637
8	090436-36-700	EA PET COCK-AIR TANK F/SPRING - JET 50720
9	090436-42-716	EA AIR SPRING - JET 50930
10	090436-15-710	EA ELECTRONIC VALVE-RH - JET 50786
10	090436-15-709	EA ELECTRONIC VALVE-LH - JET 50785
11	090436-15-708	EA HEIGHT CONTROL BOX R.H. W/LIGHT - JET 50784
11	090436-15-707	EA HEIGHT CONTROL BOX L.H. W/LIGHT - JET 50783
12	090436-25-000	EA U-BOLT, 1-14 X 4" X 15" - W/NUTS - JET 60758
13	090436-22-000	EA U-BOLT, 1-14 X 4" X 14" - W/NUTS - JET 60759
14	090436-20-000	EA MOUNT-SPRING/AXLE, LOWER DRIVER - JET 60753
15	090436-23-000	EA SPRING-LEAF, SEMI - FORD - JET 60762
16	090436-21-000	EA MOUNT-SPRING/AXLE, LOWER PASSENGER - JET 60754
17	090436-29-000	EA BRACKET-BRAKE HOSE/FRAME, JET 60696
18	090436-30-000	EA BRACKET-BRAKE HOSE/CALIPER, JET 60695
19	090436-31-000	EA BAR-TRACK, W/BOLTS & BRACKETS
20	090436-26-000	EA BAR-STABILIZER, REAR - JET 40358
	031645-05-000	EA ADAPTER-1/4" ID BARB X 1/8" MPT
	071374-04-000	EA FITTING-BULKHEAD, 1/8" X 1/8" FNPT
	090436-34-000	EA WIRING-ELECTRONIC, JET 60712

### 1993 WINNEBAGO TABLE OF CONTENTS

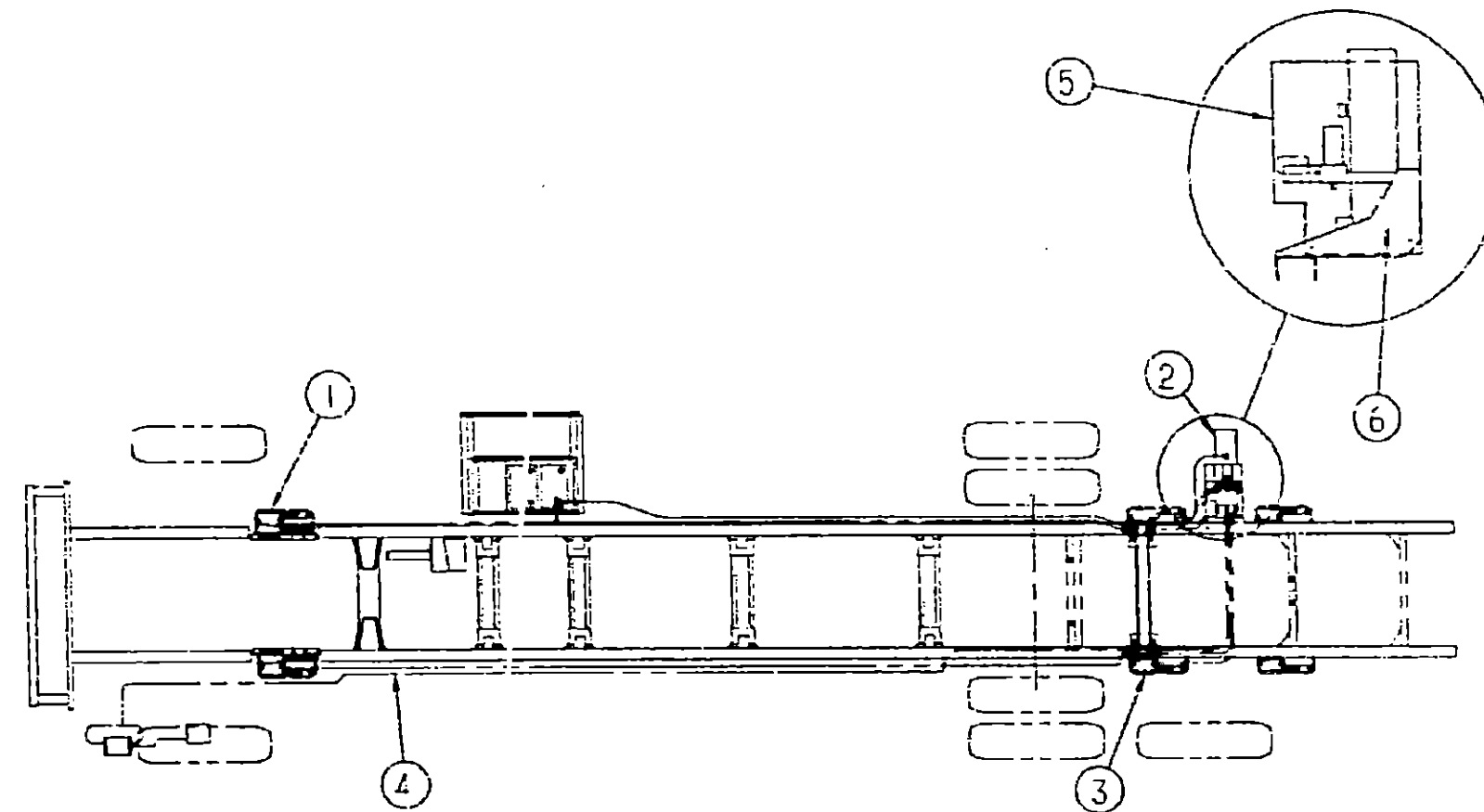
INTRODUCTION	A-01 -	A-02
ABBREVIATIONS		A-03
ALPHABETICAL INDEX	A-04 -	A-06
WCM37RW	A-07 -	G-09
WCM33RQ	G-09	L-24

### 1993 WCM33RQ INDEX

FLOOR PLAN	G-09 -	G-10
ACCESSORIES		G-11
AUDIO VIDEO	G-12 -	G-15
BATH	G-16 -	G-20
BEDROOM	G-21 -	G-24
CHASSIS	H-01 -	H-18
CURTAIN & CUSHION	H-19 -	I-07
DINETTE	I-08 -	I-10
DRIVERS COMPARTMENT	I-11 -	I-15
ELECTRICAL	I-16 -	I-22
EXTERIOR BODY	I-23 -	J-09
GALLEY	J-10 -	J-17
GENERATOR	J-18 -	J-19
HEATING & A/C	J-20 -	J-22
INTERIOR FINISH	J-23 -	K-02
LABEL	K-03 -	K-11
LP		K-12
LOUNGE	K-13 -	K-14
SEALANTS & FASTENERS	K-15 -	K-18
WATER & SEWAGE	K-19 -	K-24
WINDOW, VENT AND		
EXTERIOR DOOR	L-01 -	L-20
WINDSHIELD & WIPER	L-21 -	L-24

## CHASSIS GROUP (CONTINUED)

### HWH HYDRAULIC LEVELING SYSTEM



## 1993 WINNEBAGO TABLE OF CONTENTS

INTRODUCTION	A-01 -	A-02
ABBREVIATIONS		A-03
ALPHABETICAL INDEX	A-04 -	A-05
WCM37RW	A-07 -	G-03
WCM33RO	G-09 -	L-24

## 1993 WCM33RQ INDEX

FLOOR PLAN	G-09 -	G-10
ACCESSORIES		G-11
AUDIO VIDEO	G-12 -	G-15
BATH	G-16 -	G-20
BEDROOM	G-21 -	G-24
CHASSIS	H-01 -	H-18
CURTAIN & CUSHION	H-19 -	I-07
DINETTE	I-08 -	I-10
DRIVERS COMPARTMENT	I-11 -	I-15
ELECTRICAL	I-16 -	I-22
EXTERIOR BODY	I-23 -	J-09
GALLEY	J-10 -	J-17
GENERATOR	J-18 -	J-19
HEATING & A/C	J-20 -	J-22
INTERIOR FINISH	J-23 -	K-02
LABEL	K-03 -	K-11
LP		K-12
LOUNGE	K-13 -	K-14
SEALANTS & FASTENERS	K-15 -	K-18
WATER & SEWAGE	K-19 -	K-24
WINDOW, VENT AND EXTERIOR DOOR	L-01 -	L-20
WINDSHIELD & WIPER	L-21 -	L-24

KEY	PART NUMBER	U/M DESCRIPTION
1	100533-05-000	EA BRACKETS-FRONT LEVELING JACK - HWH AP7107 (CHEVY)
1	100533-06-000	EA BRACKETS-FRONT LEVELING JACK, HWH AP7160 (FORD)
2	100532-03-000	EA LEVELING SYSTEM-HYDRAULIC - HWH AP9343
	100532-01-705	EA SPRING KIT, K JACK - HWH R1171
	100532-01-706	EA ACTIVATOR KIT, 9K JACK - HWH RAP7028
	100532-01-707	EA ROLLER BEARING KIT, 9K JACK - HWH R2527
	100532-02-701	EA SPRING KIT, 6K JACK - HWH R6824
	100532-02-704	EA ACTIVATOR KIT, 6K JACK - RAP7194
	100532-03-700	EA CONTROL BOX-HYDRAULIC ONLY - RAP8106
	100532-03-701	EA CONTROL BOX-W/JET AIR, 2 JACK - RAP9900
	100532-03-702	EA CONTROL BOX-W/JET AIR, 4 JACK - RAP9850
	100532-03-703	EA JACK 6K W/P SWITCH (TALL), RAP8130
	100532-03-704	EA JACK 9K W/P SWITCH (TALL), RAP8251
	100532-03-705	EA PUMP-.75 STONE - 3" WATT MOTOR - RAP0002
	100532-03-706	EA PUMP-.75 STONE - 3"500 WATT MOTOR - R AP0195
	100532-03-707	EA MANIFOLD ASSEMBLY, 4 VALVE HYDRAULIC - RAP8358
	100532-03-708	EA MANIFOLD ASSEMBLY, 2 VALVE W/JET - RAP0033
	100532-03-709	EA MAINFOLD ASSEMBLY, 4 VALVE W/JET - RAP9505
	100532-03-710	EA SENSING UNIT, 21" MTA - RAP6798
	100532-03-711	EA PANEL-TOUCH, MODULAR CABLE - HYDRAULIC ONLY - RAP7868
	100532-03-712	EA PANEL-TOUCH, MODULAR CABLE - W/JETAIR - RAP0027
	100532-03-713	EA MODULAR CABLE, 7' - RAP8002
	100532-03-714	EA MODULAR CABLE, 5' - RAP9226
	100532-03-715	EA CAP-BREATHER, RAP7876
	100532-03-716	EA RELAY ESSEX, RAP7505
	100532-03-718	EA VALVE-SOLENOID, RAP8034

KEY	PART NUMBER	U/M DESCRIPTION
	100532-03-719	EA TUBE ASSY (SHORT SHUT TLE), RAP8038
	100532-03-720	EA SWITCH-PRESS, 300PSI - W/PIGTAIL - RAP8355
	100532-03-721	EA VALVE-CHECK KIT, SINGLE - RAP7944
	100532-03-722	EA O-RING KIT - R7430
	100532-03-723	EA MANIFOLD HARDWARE MOUNTING KIT - RAP9171
3	100534-05-000	EA BRACKETS-REAR, LEVELING JACKS - HWH AP6656 (CHEVY) FROM: 03-00-00 THRU: 02-29-92
3	100534-03-000	EA BRACKETS-REAR, LEVELING JACKS - HWH AP0216 (CHEVY) FROM: 10-01-92 THRU: 05-02-93
3	100534-10-000	EA BRACKETS-REAR, LEVELING JACKS - HWH AP0506 (CHEVY) FROM: 05-03-93 THRU: 99-99-99
3	100534-06-000	EA BRACKETS-REAR LEVELING JACK, HWH AP6957 (FORD)
4	100536-09-000	EA HOSE KIT- LEVELING JACKS - HWH AP9447 FROM: 00-00-00 THRU: 05-02-93
4	100536-10-000	EA HOSE KIT- LEVELING JACKS - HWH AP0012 FROM: 05-03-93 THRU: 99-99-99
5	108629-01-000	EA SHIELD-PUMP
6	107933-01-000	EA BRACKET ASM-PUMP
	108643-01-000	EA BRACKET-MOUNT, JACKS CONTROL
	071390-04-000	FT TUBING-AIR BRAKE, 1/4" OD - BLACK - NT10004-BK WEATHERHEAD
	107889-01-000	EA PANEL-CONTROL, TOUCH KIT - HWH AP9443
	107889-01-700	EA TOUCH PANEL ONLY
	107390-01-000	EA ELBOW-STEEL, 90 DEGREE 1/4 X 3/8 FLARE, PARKER 4-C6X-S

## CHASSIS GROUP (CONTINUED)

### FIRESTONE RIDE RITE REAR AIRSPRINGS

KEY	PART NUMBER	U/M DESCRIPTION
	100332-01-000	EA PLATE-VALVE, AIR SPRING
	084086-05-000	EA AIRSPRING-RIDE RITE KIT, FIRESTONE W217502075 (93 CHASSIS)
	084086-01-701	EA TUBING, DOT 1/4" X 22" - FIRESTONE 21-0937
	084086-01-707	EA BRACKET-LOWER, TOP - FIRESTONE 21-1162
	084086-05-700	EA BELLOWS ONLY (AIR BAG), FIRESTONE 7012
	084086-05-701	EA UPPER BRACKET "A", FIRESTONE 5097
	084086-05-702	EA UPPER BRACKET "D", FIRESTONE 5090
	084086-05-703	EA LOWER BRACKET, FIRESTONE 5098
	084086-05-704	EA BRACKET CLAMP, FIRESTONE 5056
	084086-05-705	EA CARRIAGE BOLT 3/8" 16 X 4 1/2", FIRESTONE 21-0899
	084086-05-706	EA INFLATION VALVE, FIRESTONE 3032

### CHEVY FRONT SHOCKS

KEY	PART NUMBER	U/M DESCRIPTION
	104233-01-000	EA SHOCK ABSORBER-GAS, P30 FRONT - BILSTEIN B46-1173

### ENTRY STEPS

KEY	PART NUMBER	U/M DESCRIPTION
	094707-01-01A	EA STEP-DOUBLE, ELECTRIC W/ORANGE CONTROL BOX - KWIKEE 3218
	094707-02-700	EA MOTOR REPLACEMENT KIT - MODELS 32 & 28 - KWIKEE 9520
	094707-02-701	EA LINKAGE ASM - MODEL 32 - KWIKEE 9523
	094707-02-702	EA GEAR KIT - KWIKEE 9525
	094707-02-703	EA PARTS KIT, (BEARINGS & PINS) - KWIKEE 9530
	094707-02-704	EA CONNECTOR KIT-MOTOR, KWIKEE 9537
	094707-02-705	EA CONTROL UNIT, (ORANGE) - KWIKEE 9513
	094707-02-707	EA NON-SKID TREAD BLACK, 6"X21" - KWIKEE 909333
	041250-01-000	EA SWITCH-DOOR JAMB, ELECTRIC ENTRY STEP - METAL
	075723-02-000	EA SPACER-SWITCH, W/HOLE - 2" X .9" X 2" - METAL - OFF WHITE FOR ELECTRIC STEP DOOR JAMB SWITCH

### DRIVESHAFT & BRAKE LINES

KEY	PART NUMBER	U/M DESCRIPTION
	075302-09-000	EA DRIVESHAFT ASM-YOKE/YOKE, 50" - BEARING - DANA 1410 (CHEVY)
	075302-25-000	EA DRIVESHAFT ASM-BALANCED PAIR OF 20 & 21, 228" 3S RR 91 (CHEVY)
	075302-20-000	EA DRIVESHAFT ASM-YOKE/BRG/SPL, PART OF 075302-25-000
	075302-21-000	EA DRIVESHAFT ASM-SLP-YOKE/YOKE, PART OF 075302-25-000
	074833-04-000	EA SPACER-BEARING, DRIVESHAFT - 6" X 2" - STEEL (CHEVY)
	095511-02-000	EA DRIVESHAFT-FRONT, 228" WHEELBASE - DANA 1410 SERIES (FORD) FROM: 00-00-00 THRU: 02-14-93
	074833-01-000	EA SPACER-BEARING, DRIVESHAFT - 2" X 8" X .5" THICK FROM: 00-00-00 THRU: 02-14-93
	096351-01-000	EA CABLE-BRAKE, PARK (FORD) FROM: 00-00-00 THRU: 09-01-92
	095501-01-000	EA BRACKET-BRAKE, L-ANGLE W/GUSSET - STEEL (FORD) MOUNTS BRAKE CABLE & SUPPORTS HOOD RELEASE CABLE
	068498-01-000	EA UNION-INVERTED FLARE, BRASS - 3/16 - 3/8 - 24 THD - BRAKE LINE (FORD)

## CHASSIS GROUP (CONTINUED)

### RADIATOR BAFFLE, BOTTLE BRACKET & TUBING

KEY	PART NUMBER	U/M DESCRIPTION
	076310-01-000	EA BAFFLE-RADIATOR, .12" X 15" X 62" - RUBBER (CHEVY)
	105619-01-000	EA BRACKET-OVERFLOW BOTTLE (FORD)
	088497-02-000	EA NUT-INVERTED FLARE, 1/4" (CHEVY)
	088042-01-000	EA TUBING-VINYL, .65" ID
	085771-03-000	EA NUT-HEX, FLARE PREVAILING TORQUE - GRADE G DRIVER SHAFT
	055278-51-259	EA TUBING-STEEL, .75" X 1.5" X 12.5' LONG
	110934-01-000	EA CONNECTOR-BARB, 5/16" - PLASTIC

### WHEEL COVERS

KEY	PART NUMBER	U/M DESCRIPTION
	109443-01-000	EA COVER-WHEEL, 4-SET 19.5 W/HARDWARE - DICOR SHAG95 (CHEVY)
	109443-01-700	EA COVER-WHEEL, 19.5 - FRONT OR REAR - 1 ONLY - SHAG95 DICOR (CHEVY)
	109443-01-701	EA SET-BRACKET, 1 FRONT WHEEL - SHAG95-FBS DICOR (CHEVY)
	109443-01-702	EA SET-BRACKET, 1 REAR WHEEL - SHAG95-FBS DICOR (CHEVY)
	109443-01-703	EA CAP-CENTER, HUB - DICOR SP-AUCAP (CHEVY)
	095532-01-000	EA COVER-WHEEL, FORD - 16" - SET OF 4 - DICOR SH-SD-16
	095532-01-700	EA COVER-LUG NUT, FORD - CHROME - DICOR SP-FM-CLN
	095532-01-701	EA COVER-WHEEL, FORD - 16" - (1 ONLY)

### WHEEL LINERS

KEY	PART NUMBER	U/M DESCRIPTION
	091209-01-000	EA LINER-WHEEL, 19.5" - SST - SET OF 4 - KAPER 1954-ION (CHEVY)
	091209-01-700	EA LINER-WHEEL, 19.5" FRONT - 10 LUG - CHEVY P-30
	091209-01-701	EA LINER-WHEEL, 19.5" REAR - 10 LUG - CHEVY P-30
	091209-01-702	EA COVER-AXLE, 19.5" FRONT - 10 LUG - CHEVY P-30
	091209-01-703	EA COVER-AXLE, 19.5" REAR - 10 LUG - CHEVY P-30
	091209-01-704	EA COVER-LUG NUT (CHEVY)
	091209-01-701	EA LINER-WHEEL, 19.5" REAR - 10 LUG - CHEVY P-30
	091209-01-703	EA COVER-AXLE, 19.5" REAR - 10 LUG - CHEVY P-30
	091209-01-704	EA COVER-LUG NUT (CHEVY)
	091209-08-000	EA WHEEL LINER SET W/FRONT HUB COVER 16" SET OF 4 (FORD) (2) FRONTS - (2) REARS
	091209-08-700	EA LINER-WHEEL, 16" FRONT W/AXLE COVER - 10 LUG - FORD
	091209-08-701	EA LINER-WHEEL, 16" REAR - 10 LUG - FORD
	091209-08-702	EA COVER-AXLE, 16" REAR - FORD
	091209-01-704	EA COVER-LUG NUT (FORD)

## 1993 WINNEBAGO TABLE OF CONTENTS

INTRODUCTION	A-01 -	A-02
ABBREVIATIONS		A-03
ALPHABETICAL INDEX	A-04 -	A-06
WCM37RW	A-07 -	G-09
WCM33RQ	G-09 -	L-24

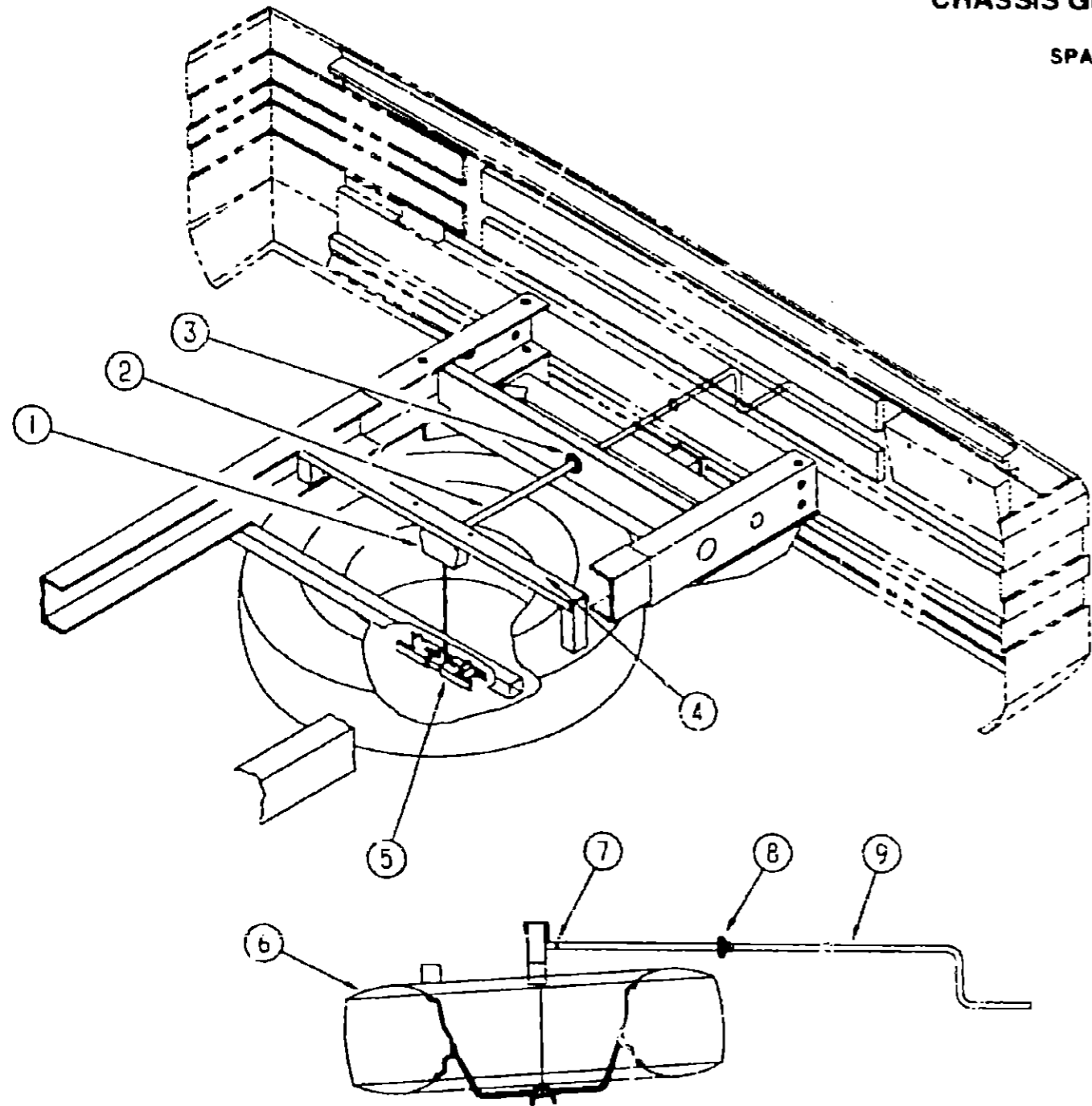
## 1993 WCM33RQ INDEX

FLOOR PLAN	G-09 -	G-10
ACCESSORIES		G-11
AUDIO VIDEO	G-12 -	G-15
BATH	G-16 -	G-20
BEDROOM	G-21 -	G-24
CHASSIS	H-01 -	H-18
CURTAIN & CUSHION	H-19 -	I-07
DINETTE	I-08 -	I-10
DRIVERS COMPARTMENT	I-11 -	I-15
ELECTRICAL	I-16 -	I-22
EXTERIOR BODY	I-23 -	J-09
GALLEY	J-10 -	J-17
GENERATOR	J-18 -	J-19
HEATING & A/C	J-20 -	J-22
INTERIOR FINISH	J-23 -	K-02
LABEL	K-03 -	K-11
LP		K-12
LOUNGE	K-13 -	K-14
SEALANTS & FASTENERS	K-15 -	K-18
WATER & SEWAGE	K-19 -	K-24
WINDOW, VENT AND		
EXTERIOR DOOR	L-01 -	L-20
WINDSHIELD & WIPER	L-21 -	L-24



## CHASSIS GROUP (CONTINUED)

### SPARE TIRE HOIST



KEY	PART NUMBER	U/M	DESCRIPTION
1	093267-01-000	EA	HOIST-SPARE TIRE, W/O BRACKET
1	093267-02-000	EA	HOIST-SPARE TIRE, W.BRACKET
2	093375-05-000	EA	EXTENSION-TIRE HOIST
3	071015-11-000	EA	GHOMMET
4	093362-05-000	EA	CHANNEL-TIRE HOIST
5	105499-01-000	EA	BRACKET-TIRE HOIST
6	064953-01-000	EA	WHEEL-STEEL, 19.5" X 6" - GM 14005753 (CHEVY)
6	095853-01-000	EA	WHEEL-STEEL, 16" X 6K - E6TZ - 1015 - A - ACCURIDE 23375-12 (FORD ONLY)
6	007324-04-000	EA	TIRE-MICHELIN, 6R19 5 LRD, XZA (CHEVY)
6	093425-05-000	EA	TIRE-MICHELIN, LT235 65R16 LRE - XPS RIB (FORD)
	077030-02-000	EA	EXTENSION-VALVE STEM, 1.25"
	051377-05-000	EA	STEM-VALVE, VS939
	095012-03-000	EA	EXTENSION-VALVE STEM, DUAL WHEEL
	095012-04-000	EA	STABILIZER-VALVE EXTENSION
7	000F10-05-32B	EA	PIN-COTTER, 3/16 X 2.00 - ZN
8	035776-01-000	EA	PIN-ROLL, .125 DIA X .750
8	114376-01-000	EA	PIN-DRIVE, .156 X .75 - TYPE E - TIRE HOIST
9	093376-01-000	EA	HANDLE-CRANK, TIRE HOIST
	050208-01-000	EA	LUG WRENCH, 1.56 X 1.00 (CHEVY)
	080208-02-000	EA	BAR-LEVERAGE, LUG WRENCH (CHEVY)
			FORD LUG WRENCH & LEVERAGE BAR ARE CHASSIS PROVIDED

## 1993 WINNEBAGO TABLE OF CONTENTS

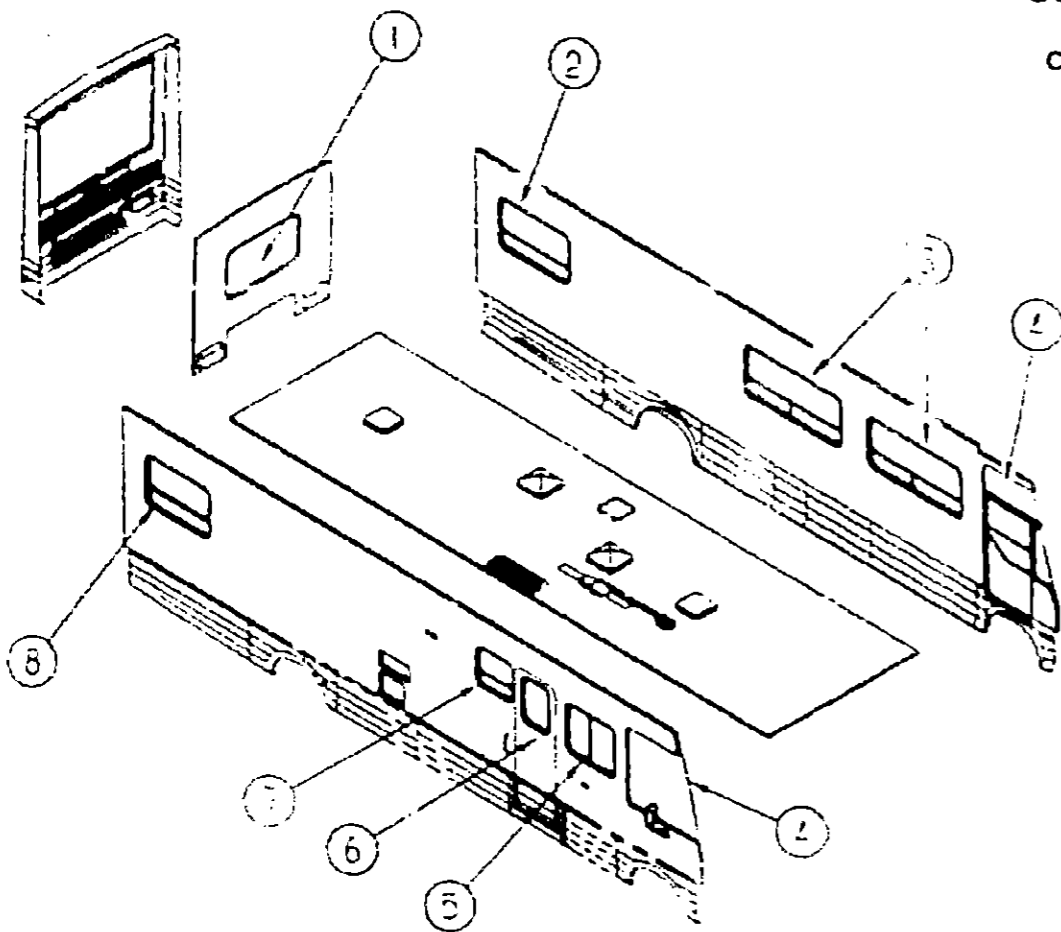
INTRODUCTION	A-01 - A-02
ABBREVIATIONS	A-03
ALPHABETICAL INDEX	A-04 - A-06
WCM337RW	A-07 - G-09
WCM33RD	G-03 - L-24

## 1993 WCM33RQ INDEX

FLOOR PLAN	G-09 - G-10
ACCESSORIES	G-11
AUDIO VIDEO	G-12 - G-15
BATH	G-16 - G-23
BEDROOM	G-21 - G-24
CHASSIS	H-01 - H-15
CURTAIN & CUSHION	H-19 - I-07
DINETTE	I-08 - I-10
DRIVERS COMPARTMENT	I-11 - I-15
ELECTRICAL	I-16 - I-22
EXTERIOR BODY	I-23 - J-03
GALLEY	J-10 - J-17
GENERATOR	J-18 - J-19
HEATING & A/C	J-20 - J-22
INTERIOR FINISH	J-23 - K-02
LABEL	K-03 - K-17
LP	K-12
LOUNGE	K-13 - K-14
SEALANTS & FASTENERS	K-15 - K-18
WATER & SEWAGE	K-19 - L-24
WINDOW, VENT AND	
EXTERIOR DOOR	L-01 - L-20
WINDSHIELD & WIPER	L-21 - L-24

# CURTAIN & CUSHION GROUP

## CURTAINS & WINDOW TREATMENT



KEY	PART NUMBER	U/M DESCRIPTION
2	096803-23-D18	EA BLIND-PLEATED, DAY/NIGHTER - 42.5" X 32" DROP
2	096803-23-D19	EA BLIND-PLEATED, DAY/NIGHTER - 42.5" X 32" DROP
2	096803-23-D20	EA BLIND-PLEATED, DAY/NIGHTER - 42.5" X 32" DROP
3	109004-01-D18	EA VALANCE-WINDOW, 64.5"
3	109004-05-D19	EA VALANCE-WINDOW, 64.5" (NO CENTER PAD)
3	109004-10-D19	EA VALANCE-WINDOW, 64.5" (W/CENTER PAD) FROM: 00-00-00 THRU: 08-31-92
3	109004-03-D20	EA VALANCE-WINDOW, 64.5" FROM: 09-01-92 THRU: 99-99-99
3	109005-01-000	EA WOOD-VALANCE, 64"
3	100281-94-D18	EA LEG-WINDOW, RIGHT SIDE - W/ FABRIC TRIM - 31.5"
3	100281-94-D19	EA LEG-WINDOW, RIGHT SIDE - W/ FABRIC TRIM - 31.5"
3	109234-18-D19	EA LEG-WINDOW, RIGHT SIDE - W/ FABRIC TRIM - 31.5" FROM: 00-00-00 THRU: 08-31-92
3	109234-07-D20	EA LEG-WINDOW, RIGHT SIDE - W/ FABRIC TRIM - 31.5" FROM: 09-01-92 THRU: 99-99-99
3	100281-95-D18	EA LEG-WINDOW, LEFT SIDE - W/ FABRIC TRIM - 31.5"
3	100281-95-D19	EA LEG-WINDOW, LEFT SIDE - W/ FABRIC TRIM - 31.5"
3	109004-19-D19	EA LEG-WINDOW, LEFT SIDE - W/ FABRIC TRIM - 31.5" FROM: 00-00-00 THRU: 08-31-92
3	109234-05-D20	EA LEG-WINDOW, LEFT SIDE - W/ FABRIC TRIM - 31.5" FROM: 09-01-92 THRU: 99-99-99
3	096803-09-D18	EA BLIND-PLEATED, DAY/NIGHTER - 57.5" X 32" DROP
3	096803-09-D19	EA BLIND-PLEATED, DAY/NIGHTER - 57.5" X 32" DROP
3	096803-09-D20	EA BLIND-PLEATED, DAY/NIGHTER - 57.5" X 32" DROP
4	084755-07-000	EA SHADE-WINDOW, PULL - 27.25" WIDE (CAS WINDOW) FROM: 01-04-93 THRU: 99-99-99
5	109004-02-D18	EA VALANCE-WINDOW, 31"
5	109004-06-D19	EA VALANCE-WINDOW, 31" (NO CENTER PAD) FROM: 00-00-00 THRU: 08-31-92
5	109004-11-D19	EA VALANCE-WINDOW, 31" (W/CENTER PAD) FROM: 09-01-92 THRU: 99-99-99
5	109004-04-D20	EA VALANCE-WINDOW, 31"
5	109005-02-000	EA VALANCE-WOOD, 31"
5	109234-09-D18	EA LEG-WINDOW, RIGHT - W/TRIM - W/O HOLE - 31.5"
5	109234-09-D19	EA LEG-WINDOW, RIGHT - W/TRIM - W/O HOLE - 31.5"
5	109234-20-D19	EA LEG-WINDOW, RIGHT - W/TRIM - W/O HOLE - 31.5" FROM: 00-00-00 THRU: 08-31-92
5	109234-17-D20	EA LEG-WINDOW, RIGHT - W/TRIM - W/O HOLE - 31.5" FROM: 09-01-92 THRU: 99-99-99
5	109234-10-D18	EA LEG-WINDOW, LEFT SIDE - W/ FABRIC TRIM - W/O HOLE - 31.5"
5	109234-10-D19	EA LEG-WINDOW, LEFT SIDE - W/ FABRIC TRIM - W/O HOLE - 31.5"
5	109234-21-D19	EA LEG-WINDOW, LEFT SIDE - W/ FABRIC TRIM - W/O HOLE - 31.5" FROM: 00-00-00 THRU: 08-31-92
5	109234-12-D20	EA LEG-WINDOW, LEFT SIDE - W/ FABRIC TRIM - W/O HOLE - 31.5" FROM: 09-01-92 THRU: 99-99-99
5	096803-26-D18	EA BLIND-PLEATED, DAY/NIGHTER - 27.5" X 31" DROP
5	096803-26-D19	EA BLIND-PLEATED, DAY/NIGHTER - 27.5" X 31" DROP
5	096803-26-D20	EA BLIND-PLEATED, DAY/NIGHTER - 27.5" X 31" DROP
6	084755-57-C03	EA SHADE-WINDOW, PULL - 27.25" FROM: 00-00-00 THRU: 08-15-92
6	084755-57-DA4	EA SHADE-WINDOW, PULL - 27.25" WIDE FROM: 09-16-92 THRU: 01-03-93
6	084755-57-DA5	EA SHADE-WINDOW, PULL - 27.25" WIDE FROM: 01-04-93 THRU: 99-99-99
7	101778-11-01A	EA BLIND-MINI, WOODEN - 24.5" X 22" DROP - OAK

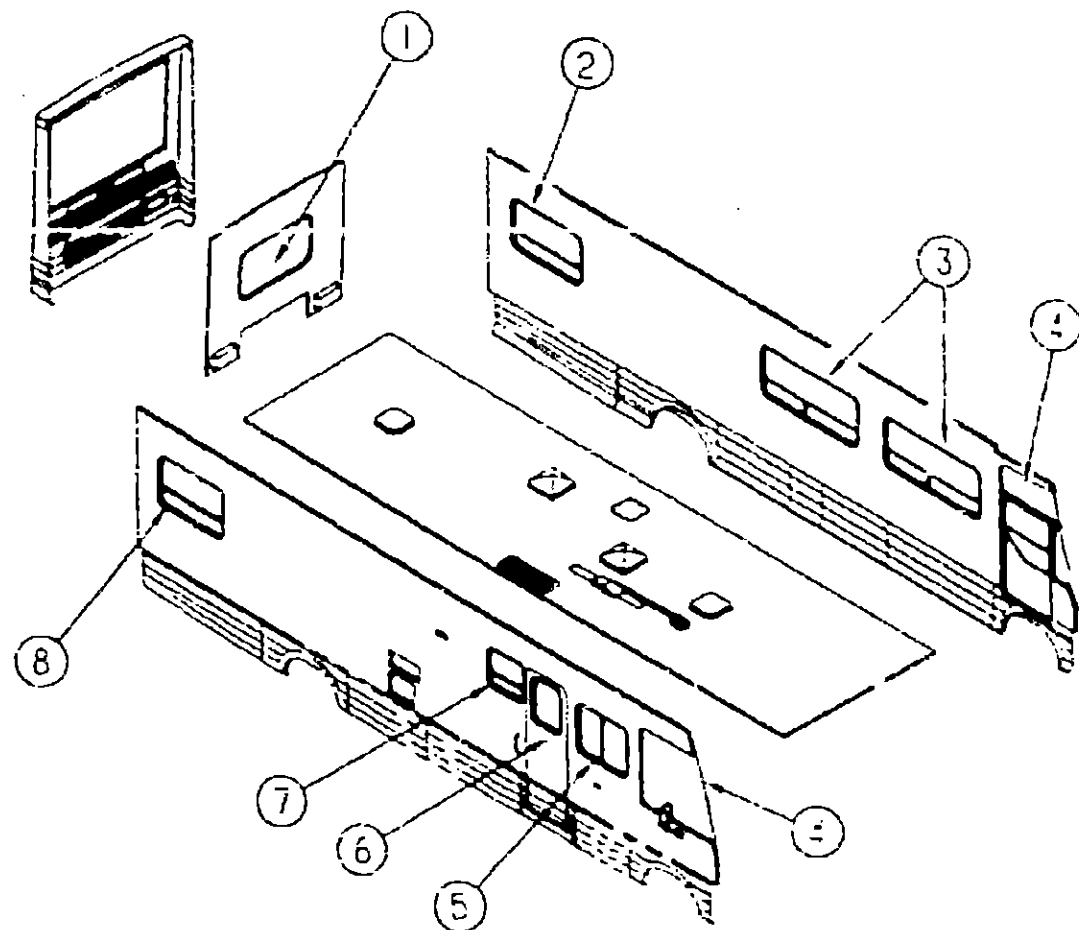
## 1993 WINNEBAGO TABLE OF CONTENTS

INTRODUCTION	A-01 -	A-02
ABBREVIATIONS		A-03
ALPHABETICAL INDEX	A-04 -	A-05
WCV37RW	A-07 -	G-08
WCM33RQ	G-09 -	L-24

## 1993 WCM33RQ INDEX

FLOOR PLAN	G-09 -	G-10
ACCESSORIES		G-11
AUDIO VIDEO	G-12 -	G-15
BATH	G-16 -	G-20
BEDROOM	G-21 -	G-24
CHASSIS	H-01 -	H-18
CURTAIN & CUSHION	H-19 -	I-07
DINETTE	I-08 -	I-10
DRIVERS COMPARTMENT	I-11 -	I-15
ELECTRICAL	I-16 -	I-22
EXTERIOR BODY	I-23 -	J-09
GALLEY	J-10 -	J-17
GENERATOR	J-18 -	J-19
HEATING & A/C	J-20 -	J-22
INTERIOR FINISH	J-23 -	K-02
LABEL	K-03 -	K-11
LP		K-12
LOUNGE	K-13 -	K-14
SEALANTS & FASTENERS	K-15 -	K-18
WATER & SEWAGE	K-19 -	K-24
WINDOW, VENT AND		
EXTERIOR DOOR	L-01 -	L-20
WINDSHIELD & WIPER	L-21 -	L-24

**CURTAIN & CUSHION GROUP**



**CURTAINS & WINDOW TREATMENT**

KEY	PART NUMBER	U/M	DESCRIPTION
B	109006-07-D18	EA	VALANCE-WINDOW, CENTER & SIDES - TURKISH TWIST
B	109006-01-D18	EA	VALANCE-WINDOW, CENTER & SIDES - TURKISH TWIST (TWIN BED)
B	109006-07-D19	EA	VALANCE-WINDOW, CENTER & SIDES - TURKISH TWIST
B	109006-01-D19	EA	VALANCE-WINDOW, CENTER & SIDES - TURKISH TWIST (TWIN BED)
B	109006-09-D20	EA	VALANCE-WINDOW, CENTER & SIDES - TURKISH TWIST
B	109006-04-D20	EA	VALANCE-WINDOW, CENTER & SIDES - TURKISH TWIST (TWIN BED)
B	109007-03-D18	EA	CENTER PANEL-VALANCE, TURKISH TWIST
B	109007-03-D19	EA	CENTER PANEL-VALANCE, TURKISH TWIST
B	109007-05-D20	EA	CENTER PANEL-VALANCE, TURKISH TWIST
B	109007-01-D18	EA	SIDE PANEL-VALANCE, RIGHT - TURKISH TWIST
B	109007-01-D19	EA	SIDE PANEL-VALANCE, RIGHT - TURKISH TWIST
B	109007-04-D20	EA	SIDE PANEL-VALANCE, RIGHT - TURKISH TWIST
B	109007-02-D18	EA	SIDE PANEL-VALANCE, LEFT - TURKISH TWIST
B	109007-02-D19	EA	SIDE PANEL-VALANCE, LEFT - TURKISH TWIST
B	109007-05-D20	EA	SIDE PANEL-VALANCE, LEFT - TURKISH TWIST
B	096803-04-D18	EA	BLIND-PLEATED, DAY/NIGHTER - 49.5" X 33" DROP
B	096803-04-D19	EA	BLIND-PLEATED, DAY/NIGHTER - 49.5" X 33" DROP
B	096803-04-D20	EA	BLIND-PLEATED, DAY/NIGHTER - 49.5" X 33" DROP
	093487-07-02A	EA	CURTAIN-PLEATED, WINDSHIELD PRIVACY - PASS SIDE - 51" X 100" (D18)
	093487-05-01A	EA	CURTAIN-PLEATED, WINDSHIELD PRIVACY - PASS SIDE - 51" X 100" (D19) FROM: 00-00-00 THRU: 11-14-92
	093487-07-01A	EA	CURTAIN-PLEATED, WINDSHIELD PRIVACY - PASS SIDE - 51" X 100" (D19) FROM: 11-15-92 THRU: 99-99-99
	093487-05-01A	EA	CURTAIN-PLEATED, WINDSHIELD PRIVACY - PASS SIDE - 51" X 100" (D20) FROM: 00-00-00 THRU: 09-09-92
	093487-05-02A	EA	CURTAIN-PLEATED, WINDSHIELD PRIVACY - PASS SIDE - 51" X 100" (D20) FROM: 03-10-92 THRU: 11-14-92
	093487-07-02A	EA	CURTAIN-PLEATED, WINDSHIELD PRIVACY - PASS SIDE - 51" X 100" (D20) FROM: 11-15-92 THRU: 99-99-99

**CURTAIN & CUSHION GROUP (CONTINUED)**

**CURTAINS & WINDOW TREATMENT (CONTINUED)**

KEY	PART NUMBER	U/M	DESCRIPTION
	093487-08-02A	EA	CURTAIN-PLEATED, WINDSHIELD PRIVACY - DRIVER SIDE - 51" X 100" (D18)
	093487-05-01A	EA	CURTAIN-PLEATED, WINDSHIELD PRIVACY - DRIVER SIDE - 51" X 100" (D19) FROM: 00-00-00 THRU: 11-14-92
	093487-08-01A	EA	CURTAIN-PLEATED, WINDSHIELD PRIVACY - DRIVER SIDE - 51" X 100" (D19) FROM: 11-15-92 THRU: 99-99-99
	093487-05-01A	EA	CURTAIN-PLEATED, WINDSHIELD PRIVACY - DRIVER SIDE - 51" X 100" (D20) FROM: 00-00-00 THRU: 09-09-92
	093487-05-02A	EA	CURTAIN-PLEATED, WINDSHIELD PRIVACY - DRIVER SIDE - 51" X 100" (D20) FROM: 03-10-92 THRU: 11-14-92
	093487-08-02A	EA	CURTAIN-PLEATED, WINDSHIELD PRIVACY - DRIVER SIDE - 51" X 100" (D20) FROM: 11-15-92 THRU: 99-99-99
	093487-05-700	EA	WAND-30" FOR WINDSHIELD PRIVACY BLINDS
	057534-01-000	EA	TIEBACK-TIEDOWN-BED CURTAIN DOOR, 6" - PLASTIC - CLEAR

**ASSIST HANDLE, BUTTONS, TRIMS & SEATBELTS**

KEY	PART NUMBER	U/M	DESCRIPTION
	053552-02-AA8	EA	HANDLE-ASSIST, INTERIOR - ENTRY DOOR - VINYL - OFF WHITE
	069178-02-000	EA	BRACKET-MOUNTING, ASSIST HANDLE - L ANGLE - W HOLES - ST
	000016-07-16B	EA	BOLT-CARRIAGE, ASSIST HANDLE - 7/16" - 14 X 1" ZN
	000020-07-00B	EA	NUT-ACORN, ASSIST HANDLE - 7/16" X 14 ZN
	052859-01-D18	FT	TRIM-WELT, BEIGE VINYL - TWIN BED TOPS
	079349-01-D18	YD	TRIM-WELT, ACCENT FABRIC - COUCH (D18)
	079349-01-Y43	YD	TRIM-WELT, ACCENT FABRIC - POWER BUCKET SEAT (D18)
	079349-01-B51	YD	TRIM-WELT, ACCENT FABRIC - COUCH & POWER BUCKET SEAT (D19)
	079349-01-D20	YD	TRIM-WELT, ACCENT FABRIC - COUCH & POWER BUCKET SEAT (D20)
	084415-41-000	YD	TRIM-BRAID, APPALOOSA TAN - FRINGE ON THROW PILLOW (D18)
	084415-48-000	YD	TRIM-BRAID, AMBROSIA - FRINGE ON THROW PILLOW (D19)
	084415-50-000	YD	TRIM-BRAID, SWAN LAKE - FRINGE ON THROW PILLOW (D20)
	037021-01-000	EA	BELT-SEAT, 2" X 90" - BLACK
	057759-01-000	EA	WASHER BRACKET-SEAT BELT, 4" DIAMETER
	057534-03-000	EA	TIEBACK-PLASTIC, 7.5" - CLEAR
	057534-08-000	EA	TIEBACK ASM-CLEAR 18"

**FABRICS**

KEY	PART NUMBER	U/M	DESCRIPTION
	072333-67-000	YD	FABRIC-SPEAKER COVER, LIGHT BROWN
	088273-96-000	YD	FABRIC-BEDSPREAD, PATTERNED - BLACK/WHITE/GRAY/BEIGE (D18)
	105745-04-000	YD	FABRIC-BEDSPREAD, PLAIN - BEIGE (D18)
	053274-95-000	YD	FABRIC-UPHOLSTERY, PLAIN VELOUR - 54" - CHARCOAL (D15)
	104233-36-000	YD	FABRIC-UPHOLSTERY/CURTAIN, PATTERN WEAVE - 54" (D18)
	104233-37-000	YD	FABRIC-UPHOLSTERY/CURTAIN, PATTERN VELOUR - 54" - GRAY (D18)
	105745-20-000	YD	FABRIC-BEDSPREAD, PATTERNED - GOLD/PURPLE/BEIGE (D19)
	105745-21-000	YD	FABRIC-BEDSPREAD, PLAIN - LIGHT MAUVE (D19)
	104233-89-000	YD	FABRIC-UPHOLSTERY, PLAIN VELOUR - 54" - PLUM (D19)
	104233-86-000	YD	FABRIC-UPHOLSTERY/CURTAIN, PATTERN WEAVE - 54" (D19)
	104233-87-000	YD	FABRIC-UPHOLSTERY/CURTAIN, PATTERN VELOUR - 54" - PLUM (D19)
	105745-23-000	YD	FABRIC-BEDSPREAD, PATTERNED - PINK/BLUE/CREAM (D20)
	105745-24-000	YD	FABRIC-BEDSPREAD, STRIPPED - PINK/GREEN/CREAM/BLUE (D20)
	104233-92-000	YD	FABRIC-UPHOLSTERY, PLAIN VELOUR - 54" - DARK BLUE (D20)
	104233-91-000	YD	FABRIC-UPHOLSTERY/CURTAIN, FLORAL PATTERN VELOUR - 54" - BLUE (D20)
	104233-93-000	YD	FABRIC-UPHOLSTERY/CURTAIN, DIAMOND PATTERN VELOUR - 54" - BLUE (D20)
	072333-96-500	YD	FABRIC-DRAPERY, ANTIQUE WHITE
	103907-01-01A	YD	FABRIC-VINYL, 54" WIDE - OFF WHITE
	103907-01-03A	YD	FABRIC-VINYL, 54" WIDE - WILLOW BEIGE
	029094-04-000	YD	VELCRO TAPE-LOOP, 1" WIDE - BLACK
	095567-01-000	EA	TACK-STRIP, .5" X 625' ROLL

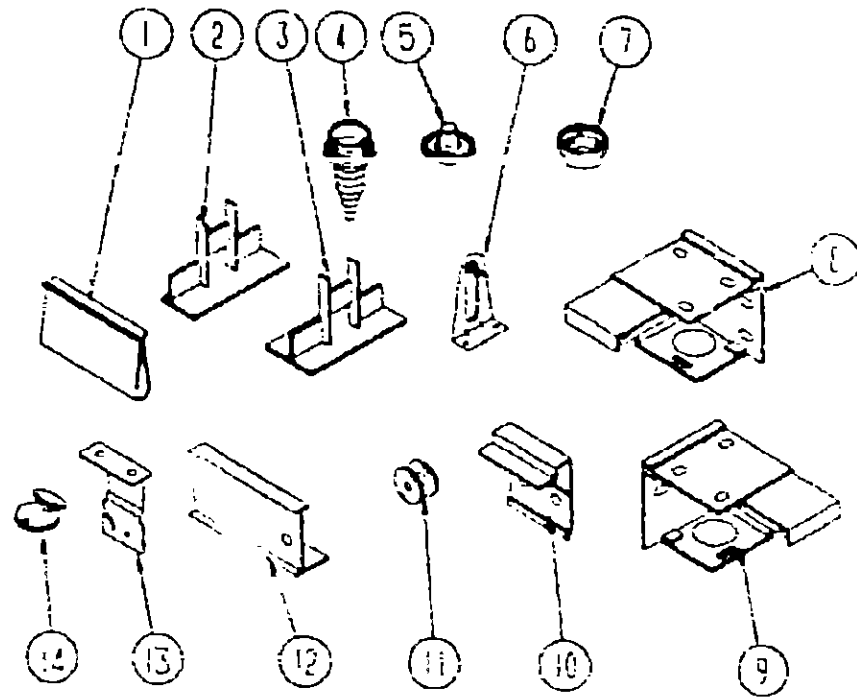
**1993 WINNEBAGO  
TABLE OF CONTENTS**

INTRODUCTION	A-01 -	A-02
ABBREVIATIONS		A-03
ALPHABETICAL INDEX	A-04 -	A-06
WCM33RW	A-07 -	G-02
WCM33RQ	G-09 -	L-24

**1993 WCM33RQ INDEX**

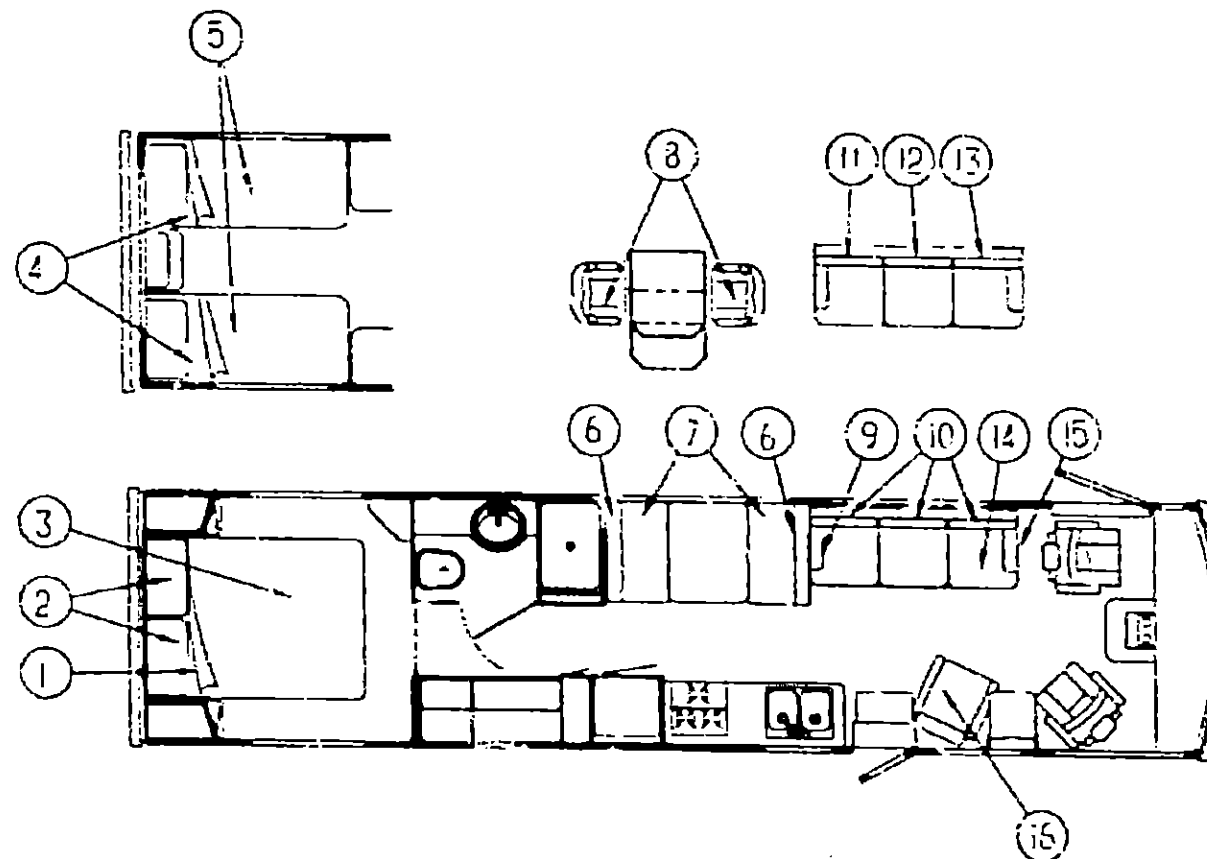
FLOOR PLAN	G-09 -	G-10
ACCESSORIES		G-11
AUDIO VIDEO	G-12 -	G-15
BATH	G-16 -	G-20
BEDROOM	G-21 -	G-24
CHASSIS	H-01 -	H-18
CURTAIN & CUSHION	H-19 -	I-07
DINETTE	I-08 -	I-10
DRIVERS COMPARTMENT	I-11 -	I-15
ELECTRICAL	I-16 -	I-22
EXTERIOR BODY	I-23 -	J-09
GALLEY	J-10 -	J-17
GENERATOR	J-18 -	J-19
HEATING & A/C	J-20 -	J-22
INTERIOR FINISH	J-23 -	K-02
LABEL	K-03 -	K-11
LP		K-12
LOUNGE	K-13 -	K-14
SEALANTS & FASTENERS	K-15 -	K-18
WATER & SEWAGE	K-19 -	K-24
WINDOW, VENT AND		
EXTERIOR DOOR	L-01 -	L-20
WINDSHIELD & WIPER	L-21 -	L-24

**CURTAIN & CUSHION GROUP (CONTINUED)**



**CURTAIN, BLIND HARDWARE & TRACKS**

**CURTAIN & CUSHION GROUP (CONTINUED)**



**1993 WINNEBAGO  
TABLE OF CONTENTS**

INTRODUCTION	A-01 -	A-02
ABBREVIATIONS		A-03
ALPHABETICAL INDEX	A-04 -	A-06
WCM37RW	A-07 -	G-08
WCM33RQ	G-09 -	L-24

KEY	PART NUMBER	U/M DESCRIPTION
1	106544-01-000	EA PULL-SHADE, BRASS - ED1
	106544-01-001	EA SCREW-PULL SHADE, BRASS - ED1
	084432-05-000	FT SLAT-ROLLER SHADE, PLASTIC
	096243-01-000	EA SPRING-REWIND, ROLLER SHADE
2	094907-02-000	EA END CAP-TOP, PLEATED BLIND - PLASTIC - GRAY
3	094907-03-000	EA END CAP-BOTTOM, PLEATED BLIND - PLASTIC - GRAY
4	029130-01-000	EA SCREW-SNAP SOCKET, 3 PH X 5/8"
5	029155-01-000	EA CAP-SNAP, 5/32" O.D. OF PIN
6	095591-01-000	EA BRACKET-HOLD DOWN, W/PIN - BLIND - CLEAR PLASTIC
	097564-01-000	EA HANDLE-T, EZ LIFT SHADE
7	029156-01-000	EA SOCKET-SNAP, 9/16" O.D.
8	083170-01-000	EA BRACKET-BLIND, RIGHT SIDE
9	083170-02-000	EA BRACKET-BLIND, LEFT SIDE
10	097565-01-000	EA BRACKET-MOUNTING, PLEATED BLIND
	093487-05-700	EA WAND, 30" FOR WINDSHIELD PRIVACY BLINDS
11	097592-01-000	EA SPOOL-CORD, ELEVATED BLIND HOLDUP - CLEAR PLASTIC
	094596-02-000	EA GROMMET-CORD, PLEATED BLIND - NYLON - GRAY
	097591-01-000	EA SPRING-EXTENSION, PLEATED BLIND
	097593-02-000	FT CORD-BLIND, PLEATED - GRAY
	097593-05-000	FT CORD-BLIND, PLEATED - PEWTER
12	108235-01-01A	EA TRACK-CURTAIN, DRIVER SIDE WINDSHIELD - W/BEND - OFF WHITE
12	108235-01-01A	EA TRACK-CURTAIN, PASSENGER SIDE WINDSHIELD - W/END - OFF WHITE
12	009700-04-002	EA TRACK-STRAIGHT, L-SHAPED - 195 2" LONG - OFF WHITE
13	084434-01-000	EA BRACKET-MOUNTING, ROLLER SHADE - 1 3/8"
14	102555-01-000	EA CLEAT-CORD, BLIND - OFF WHITE
	046867-01-000	EA GROMMET-BRASS - 7/16" ID X 1" OD
	103956-01-000	FT TRIM-VALANCE, U-CHANNEL - .75" WIDE - BRASS
	105648-01-01A	EA BRACE-VALANCE, 336MM LONG - EXTRUDED ALUMINUM - BEIGE
	068716-01-001	EA BRACE, 90 DEGREE L-ANGLE, 192" - EXTRUDED ALUMINUM
	075943-01-000	EA BRACE-WINDOW VALANCE, 1" X 1.5" X 20" - ALUMINUM - BEIGE
	089522-02-000	EA PANEL-LEG, TWO SIDED 31.5" LONG - PLASTIC - BLACK
	089916-01-000	EA MOUNT-WINDOW LEG, 23.75" - ALUMINUM - BLACK 23 75" LONG - 6 3" BETWEEN SCREW HOLES
	088792-02-000	YD VELCRO TAPE-LOOP, ADHESIVE BACKED - 75" WIDE - BEIGE
	048394-02-000	YD VELCRO TAPE-HOOK, ADHESIVE BACK - 75" WIDE - BEIGE
	103242-01-000	EA VELCRO-HOOK, BEIGE - VEL-STICK
	110597-01-000	EA BRACKET-SHADE, RIGHT - METAL (FOR SUNSCREEN SHADE ON PASS WINDOW)
	110597-02-000	EA BRACKET-SHADE, LEFT - METAL (FOR SUNSCREEN SHADE ON PASS WINDOW)
	055276-01-000	EA TAPE-DOUBLE SIDED, 1/2"

**QUEEN BEDSPREAD, PILLOW & MATTRESS**

KEY	PART NUMBER	U/M DESCRIPTION
1	098176-05-000	EA MATTRESS-QUEEN, INNERSPRING - 60" X 79" - SEALY
2	081997-09-D18	EA PILLOW CHAM-W/2" RUFFLE
2	081997-14-D20	EA PILLOW SHAM-W/2" ACCENT FLANGE
3	106725-01-D18	EA BEDSPREAD-QUEEN, 60" X 80" - DUVET
3	106725-01-D19	EA BEDSPREAD-QUEEN, 60" X 80" - DUVET
3	106725-05-D20	EA BEDSPREAD-QUEEN, 60" X 80" - DUVET
		FROM: 00-00-00 THRU: 08-09-92
3	106725-01-D20	EA BEDSPREAD-QUEEN, 60" X 80" - DUVET
		FROM: 08-10-92 THRU: 99-99-99
	103869-09-C37	EA PILLOW-THROW, 15" X 15" (D18)
	103869-09-D19	EA PILLOW-THROW, 15" X 15"
	104160-03-D20	EA PILLOW-THROW, 15" X 15" - W/2" FLANGE
	104504-05-D18	EA PILLOW-THROW, 16" - ROUND W/FRINGE
	104504-05-D19	EA PILLOW-THROW, 16" - ROUND W/FRINGE
	104160-01-D20	EA PILLOW-THROW, 14" X 14" - W/2" FLANGE

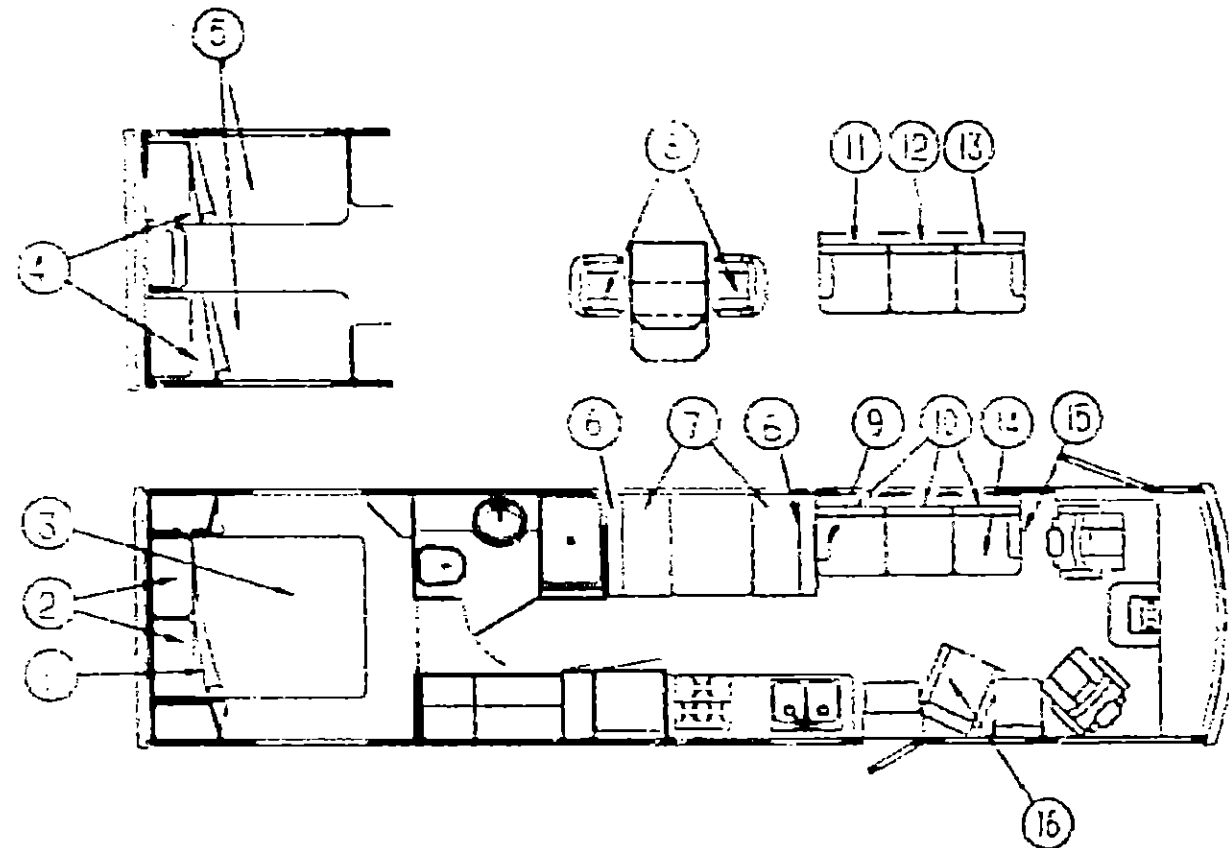
**TWIN BEDSPREAD & MATTRESS**

KEY	PART NUMBER	U/M DESCRIPTION
4	098176-10-000	EA MATTRESS-INNERSPRING, 32" X 79.5" SEALY
5	106725-04-D18	EA BEDSPREAD-TWIN, 33" X 80" - DUVET
5	106725-04-D19	EA BEDSPREAD-TWIN, 33" X 80" - DUVET
5	106725-05-D20	EA BEDSPREAD-TWIN, 33" X 80" - DUVET

**1993 WCM33RQ INDEX**

FLOOR PLAN	G-09 -	G-10
ACCESSORIES		G-11
AUDIO VIDEO	G-12 -	G-15
BATH	G-16 -	G-20
BEDROOM	G-21 -	G-24
CHASSIS	H-01 -	H-19
CURTAIN & CUSHION	I-19 -	I-07
DINETTE	I-08 -	I-10
DRIVERS COMPARTMENT	I-11 -	I-15
ELECTRICAL	I-16 -	I-22
EXTERIOR BODY	I-23 -	J-09
GALLEY	J-10 -	J-17
GENERATOR	J-18 -	J-19
HEATING & A/C	J-20 -	J-22
INTERIOR FINISH	J-23 -	K-02
LABEL	K-03 -	K-11
LP		K-12
LOUNGE	K-13 -	K-14
SEALANTS & FASTENERS	K-15 -	K-18
WATER & SEWAGE	K-19 -	K-24
WINDOW, VENT AND		
EXTERIOR DOOR	L-01 -	L-20
WINDSHIELD & WIPER	L-21 -	L-24

**CURTAIN & CUSHION GROUP (CONTINUED)**



**DINETTE CUSHIONS**

KEY	PART NUMBER	U/M DESCRIPTION
5	104141-01-D18	EA CUSHION-BACKREST, 13.5" X 35" X 5"
6	104141-01-D19	EA CUSHION-BACKREST, 13.5" X 35" X 5"
6	104142-04-D20	EA CUSHION-BACKREST, 13.5" X 35" X 5"
	P04141-01-D18	EA COVER-CUSHION, BACKREST
	P04141-01-D19	EA COVER-CUSHION, BACKREST
	P04142-04-D20	EA COVER-CUSHION, BACKREST
	078155-01-000	EA STRAP-SNAP, BACKREST CUSHION
7	088927-87-C37	EA CUSHION-SEAT, 23" X 35" X 5" (D18)
7	088927-87-D19	EA CUSHION-SEAT, 23" X 35" X 5"
7	104653-03-D20	EA CUSHION-SEAT, 23" X 35" X 5"
	M58927-87-C37	EA COVER-CUSHION, SEAT (D18)
	M58927-87-D19	EA COVER-CUSHION, SEAT
	P04653-03-D20	EA COVER-CUSHION, SEAT

**DINETTE CHAIRS**

KEY	PART NUMBER	U/M DESCRIPTION
8	109379-02-D18	EA CHAIR-SWIVEL, COMPLETE - CHROME CRAFT II
8	109379-02-D19	EA CHAIR-SWIVEL, COMPLETE - CHROME CRAFT II
8	109379-02-D20	EA CHAIR-SWIVEL, COMPLETE - CHROME CRAFT II

**COUCH & THROW PILLOWS**

KEY	PART NUMBER	U/M DESCRIPTION
9	104705-01-D18	EA ARMREST-SOFA, RIGHT SIDE
9	104705-01-D19	EA ARMREST-SOFA, RIGHT SIDE
9	104653-01-D20	EA ARMREST-SOFA, RIGHT SIDE
	P04705-01-D18	EA COVER-ARMREST, SOFA - RIGHT SIDE
	P04705-01-D19	EA COVER-ARMREST, SOFA - RIGHT SIDE
	P04653-07-D20	EA COVER-ARMREST, SOFA - RIGHT SIDE

**COUCH & THROW PILLOWS (CONTINUED)**

KEY	PART NUMBER	U/M DESCRIPTION
10	104655-01-C37	EA CUSHION-BACKREST, CLUB SOFA - 3 USED (D18)
	P04655-01-C37	EA COVER-CUSHION, BACKREST (D18)
10	104655-01-D19	EA CUSHION-BACKREST, CLUB SOFA - 3 USED
	P04655-01-D19	EA COVER-CUSHION, BACKREST
11	104654-01-D20	EA CUSHION-BACKREST, RIGHT SIDE - VICTORIAN SOFA
	P04654-01-D20	EA COVER-CUSHION, BACKREST - RIGHT SIDE
12	104654-03-D20	EA CUSHION-BACKREST, CENTER SIDE - VICTORIAN SOFA
	P04654-03-D20	EA COVER-CUSHION, BACKREST - CENTER
13	104654-02-D20	EA CUSHION-BACKREST, LEFT SIDE - VICTORIAN SOFA
	P04654-02-D20	EA COVER-CUSHION, BACKREST - LEFT SIDE
14	104705-01-D18	EA CUSHION-SEAT, SOLID - 64" - CLUB SOFA - 1 USED
		FROM: 00-00-00 THRU: 09-13-92
	P04705-01-D18	EA COVER-CUSHION, CLUB SOFA SEAT - 64"
		FROM: 00-00-00 THRU: 09-13-92
14	104705-03-D18	EA CUSHION-SEAT, SOLID - 64" - CLUB SOFA W/ARM COVER CUT OUT
		FROM: 09-14-92 THRU: 99-99-99
	P04705-03-D18	EA COVER-CUSHION, CLUB SOFA SEAT - 64" - W/ARM COVER CUT OUT
		FROM: 09-14-92 THRU: 99-99-99
14	104705-01-D19	EA CUSHION-SEAT, SOLID - 64" - CLUB SOFA - 1 USED
		FROM: 00-00-00 THRU: 09-13-92
	P04705-01-D19	EA COVER-CUSHION, CLUB SOFA SEAT - 64"
		FROM: 00-00-00 THRU: 09-13-92
14	104705-03-D19	EA CUSHION-SEAT, SOLID - 64" - CLUB SOFA W/ARM COVER CUT OUT
		FROM: 09-14-92 THRU: 99-99-99
	P04705-03-D19	EA COVER-CUSHION, CLUB SOFA SEAT - 64" - W/ARM COVER CUT OUT
		FROM: 09-14-92 THRU: 99-99-99
14	104652-01-D20	EA CUSHION-SEAT, 3 CUSHIONED - VICTORIAN SOFA
		FROM: 00-00-00 THRU: 09-13-92
	P04652-01-D20	EA COVER-CUSHION, VICTORIAN SOFA SEAT - 66"
		FROM: 00-00-00 THRU: 09-13-92
14	104652-03-D20	EA CUSHION-SEAT, 3 CUSHIONED - VICTORIAN SOFA W/ARM COVER CUT OUT
		FROM: 09-14-92 THRU: 99-99-99
	P04652-03-D20	EA COVER-CUSHION, VICTORIAN SOFA SEAT - 66" - W/ARM COVER CUT OUT
		FROM: 09-14-92 THRU: 99-99-99
	079355-02-000	EA KIT-HARDWARE, FRAME - COUCH
	105433-02-000	EA FRAME-COUCH, W/FLAT IRON ARM - 66" - METAL
		FROM: 00-00-00 THRU: 09-13-92
	110266-01-000	EA FRAME-COUCH, W/ARM CUT OUT - 65" - METAL
		FROM: 09-14-92 THRU: 99-99-99
15	104705-02-D18	EA ARMREST-SOFA, LEFT SIDE
15	104705-02-D19	EA ARMREST-SOFA, LEFT SIDE
15	104653-02-D20	EA ARMREST-SOFA, LEFT SIDE
	P04705-02-D18	EA COVER-ARMREST, SOFA - LEFT SIDE
	P04705-02-D19	EA COVER-ARMREST, SOFA - LEFT SIDE
	P04653-02-D20	EA COVER-ARMREST, SOFA - LEFT SIDE
	029036-03-000	YD VELCRO TAPE-HOOK, 1" WIDE - BLACK
	103669-08-C37	EA PILLOW-THROW, 15" X 15" (D18)
	103669-08-D19	EA PILLOW-THROW, 15" X 15"
	103669-11-D20	EA PILLOW-THROW, 15" X 15"

**SWIVEL CHAIR**

KEY	PART NUMBER	U/M DESCRIPTION
16	108140-01-D18	EA CHAIR-SWIVEL, COMFORT ROCKER - W/O PEDESTAL
16	108140-01-D19	EA CHAIR-SWIVEL, COMFORT ROCKER - W/O PEDESTAL
16	108140-01-D20	EA CHAIR-SWIVEL, COMFORT ROCKER - W/O PEDESTAL

**1993 WINNEBAGO  
TABLE OF CONTENTS**

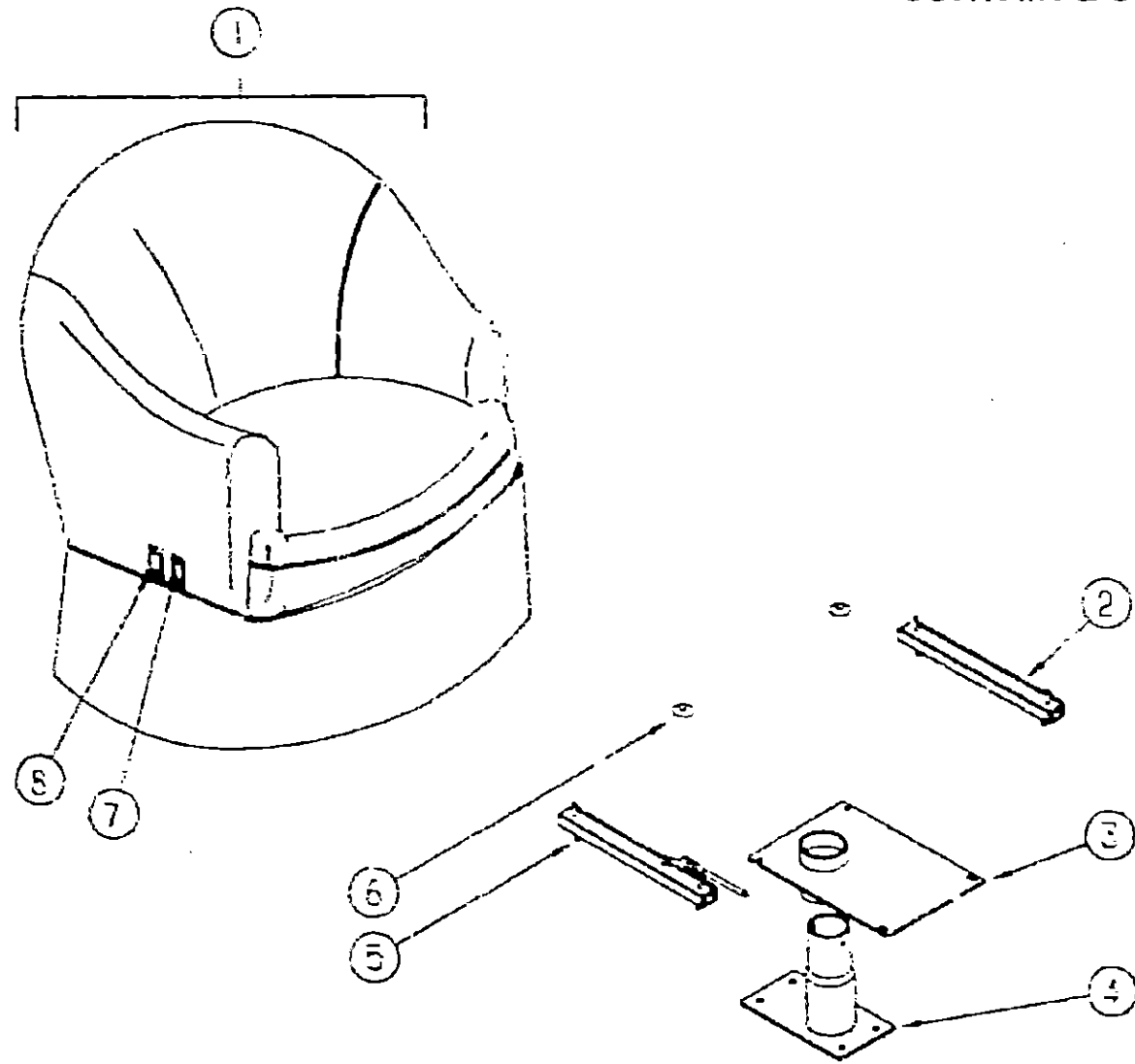
INTRODUCTION	A-01 -	A-02
ABBREVIATIONS		A-03
ALPHABETICAL INDEX	A-04 -	A-05
WCM37RW	A-07 -	G-08
WCM33RD	G-09 -	L-24

**1993 WCM33RQ INDEX**

FLOOR PLAN	G-09 -	G-10
ACCESSORIES		G-11
AUDIO VIDEO	G-12 -	G-15
BATH	G-16 -	G-20
BEDROOM	G-21 -	G-24
CHASSIS	H-01 -	H-18
CURTAIN & CUSHION	H-19 -	I-07
DINETTE	I-08 -	I-10
DRIVERS COMPARTMENT	I-11 -	I-15
ELECTRICAL	I-16 -	I-22
EXTERIOR BODY	I-23 -	J-09
GALLEY	J-10 -	J-17
GENERATOR	J-18 -	J-19
HEATING & A/C	J-20 -	J-22
INTERIOR FINISH	J-23 -	K-02
LABEL	K-03 -	K-11
LP		K-12
LOUNGE	K-13 -	K-14
SEALANTS & FASTENERS	K-15 -	K-18
WATER & SEWAGE	K-19 -	K-24
WINDOW, VENT AND		
EXTERIOR DOOR	L-01 -	L-20
WINDSHIELD & WIPER	L-21 -	L-24

**CURTAIN & CUSHION GROUP (CONTINUED)**

**SWIVEL CHAIR**



KEY	PART NUMBER	U/M	DESCRIPTION
1	105140-01-D18	EA	CHAIR-SWIVEL, COMFORT ROCKER - W/O PEDESTAL
1	102140-01-D18	EA	CHAIR-SWIVEL, COMFORT ROCKER - W/O PEDESTAL
1	105140-01-D20	EA	CHAIR-SWIVEL, COMFORT ROCKER - W/O PEDESTAL
	105140-10-D18	EA	SEAT ASM-COMFORT ROCKER
	105140-10-D19	EA	SEAT ASM-COMFORT ROCKER
	105140-10-D20	EA	SEAT ASM-COMFORT ROCKER
	P05140-10-D18	EA	COVER-SEAT, COMFORT ROCKER
	P05140-10-D19	EA	COVER-SEAT, COMFORT ROCKER
	P05140-10-D20	EA	COVER-SEAT, COMFORT ROCKER
	P05140-01-D18	EA	COVER-SWIVEL CHAIR, ROCKER
	P05140-01-D19	EA	COVER-SWIVEL CHAIR, ROCKER
	P05140-01-D20	EA	COVER-SWIVEL CHAIR, ROCKER
	P01178-25-D18	EA	COVER-ARM CAP, ROCKER CHAIR - RIGHT
	P01178-27-D19	EA	COVER-ARM CAP, ROCKER CHAIR - RIGHT
	P01178-27-D20	EA	COVER-ARM CAP, ROCKER CHAIR - RIGHT
	P01178-25-D19	EA	COVER-ARM CAP, ROCKER CHAIR - LEFT
	P01178-23-D19	EA	COVER-ARM CAP, ROCKER CHAIR - LEFT
	P01178-23-D20	EA	COVER-ARM CAP, ROCKER CHAIR - LEFT
2	059245-02-000	EA	ADJUSTER-SEAT, CHAIR, W/O LOCK - FORWARD & BACK
3	107921-03-000	EA	TOP PLATE-W/O SEAT BELT BAR - FLEXSTEEL 2759PDTP
			FROM: 03-01-93 THRU 03-14-93
3	153245-03-000	EA	TOP PLATE-SWIVEL W/O TILT - W/LOCK
			FROM: 02-15-93 THRU 93-99-93
	107921-05-000	EA	BEARING KIT-PEDESTAL
4	107921-02-000	EA	PEDESTAL ASM-SEAT, 6 5" - FLEXSTEEL 3059 MSPD
	108445-02-000	EA	PLATE-PEDESTAL, SEAT - MOUNTS PEDESTAL TO FLOOR
5	059245-05-000	EA	ADJUSTER-SEAT, CHAIR, W/REMOTE - FORWARD & BACK
	059245-05-700	EA	SPRING-ADJUSTER FOR REMOTE
	059245-05-701	EA	CLIP-CABLE, FOR REMOTE
6	007221-01-000	EA	SPACER-SEAT, ADJUSTER - 4 USED PER SWIVEL CHAIR
7	105049-01-000	EA	CABLE-SWIVEL W/SWITCH - 25" - FLEXSTEEL 23502
	105049-02-000	EA	CLIP-CABLE, PEDESTAL - FLEXSTEEL 2592-19 CA
8	059245-04-000	EA	CABLE-SLIDE, W/SWITCH
	101137-01-000	EA	ROCKER BOX-CHAIR, SWIVEL

**1993 WINNEBAGO  
TABLE OF CONTENTS**

INTRODUCTION	A-01 -	A-02
ABBREVIATIONS		A-03
ALPHABETICAL INDEX	A-04 -	A-06
WCM33RW	A-07 -	G-09
WCM33RQ	G-09 -	L-24

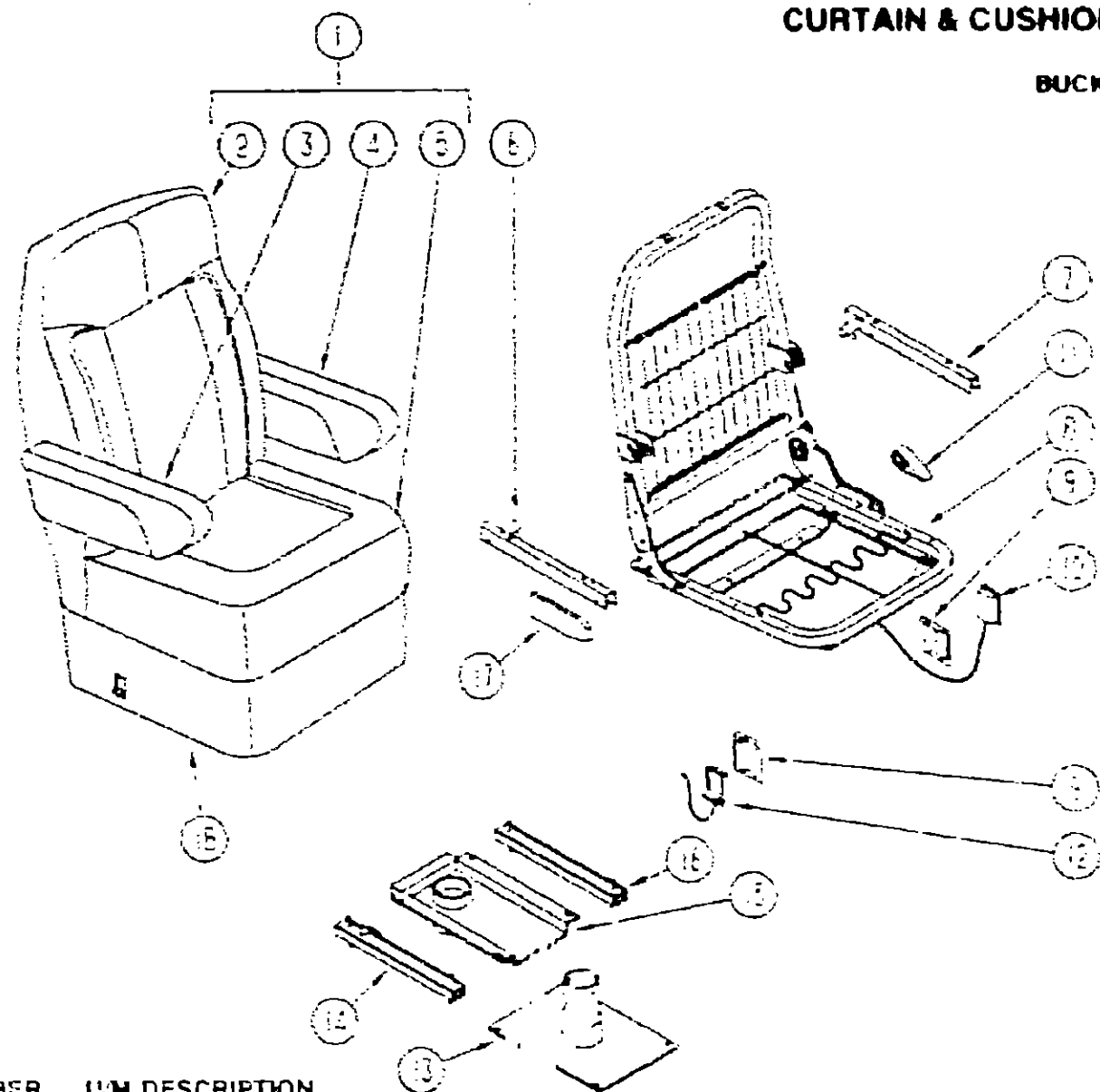
**1993 WCM33RQ INDEX**

FLOOR PLAN	G-09 -	G-10
ACCESSORIES		G-11
AUDIO VIDEO	G-12 -	G-13
BATH	G-16 -	G-20
BEDROOM	G-21 -	G-24
CHASSIS	H-01 -	H-18
CURTAIN & CUSHION	H-19 -	I-07
DINETTE	I-08 -	I-10
DRIVERS COMPARTMENT	I-11 -	I-15
ELECTRICAL	I-16 -	I-22
EXTERIOR BODY	I-23 -	J-09
GALLEY	J-10 -	J-17
GENERATOR	J-18 -	J-19
HEATING & A/C	J-20 -	J-22
INTERIOR FINISH	J-23 -	K-02
LABEL	K-03 -	K-11
LP		K-12
LOUNGE	K-13 -	K-14
SEALANTS & FASTENERS	K-15 -	K-18
WATER & SEWAGE	K-19 -	K-24
WINDOW, VENT AND		
EXTERIOR DOOR	L-01 -	L-20
WINDSHIELD & WIPER	L-21 -	L-24



**CURTAIN & CUSHION GROUP (CONTINUED)**

**BUCKET SEATS**



KEY	PART NUMBER	U/M DESCRIPTION
	M80243-49-D19	EA COVER-ARMREST, RIGHT
	M80243-49-D20	EA COVER-ARMREST, RIGHT
4	080243-50-C37	EA ARMREST-LEFT (D18)
		FROM: 00-00-00 THRU 07-12-92
4	080243-50-D18	EA ARMREST-LEFT
		FROM: 07-13-92 THRU 99-99-99
4	080243-50-D19	EA ARMREST-LEFT
4	080243-50-D20	EA ARMREST-LEFT
	M80243-50-C37	EA COVER-ARMREST, LEFT (D19)
		FROM: 00-00-00 THRU 07-12-92
	M80243-50-D18	EA COVER-ARMREST, LEFT
		FROM: 07-13-92 THRU 99-99-99
	M80243-50-D19	EA COVER-ARMREST LEFT
	M80243-50-D20	EA COVER-ARMREST LEFT
5	M03445-55-D18	EA COVER-SEAT, BUCKET
		FROM: 00-00-00 THRU 07-12-92
5	M03445-55-D19	EA COVER-SEAT, BUCKET
		FROM: 07-13-92 THRU 10-04-92
5	M03445-57-D18	EA COVER-SEAT, BUCKET
		FROM: 10-05-92 THRU 99-99-99
5	M03445-58-D19	EA COVER-SEAT, BUCKET
		FROM: 00-00-00 THRU 10-04-92
5	M03445-57-D19	EA COVER-SEAT, BUCKET
		FROM: 10-05-92 THRU 99-99-99
5	M03445-58-D20	EA COVER-SEAT BUCKET
		FROM: 00-00-00 THRU 10-04-92
5	M03445-57-D20	EA COVER-SEAT, BUCKET
		FROM: 10-05-92 THRU 99-99-99
6	081289-01-000	EA ROD & CHANNEL-ARMREST, RIGHT - METAL
7	081289-02-000	EA ROD & CHANNEL-ARMREST, LEFT - METAL
	081361-01-000	EA ROD-ARMREST, METAL - RIGHT OR LEFT HAND
8	M80918-07-000	EA FRAME-SEAT & BACK & SPRING, RECLINING
9	097685-03-000	EA BRACKET-REMOTE, SIDE MOUNT - SINGLE
10	089385-04-000	EA CABLE-SLIDE, W/SWITCH - BUCKET SEAT
11	080730-03-700	EA HANDLE KIT-RECLINER
	080730-04-000	EA SCREW-RECLINER HANDLE
	080730-06-000	EA SHIELD-RECLINER
12	108049-01-000	EA CABLE-2FT, W/SWIVEL SWITCH - FLEXSTEEL PEDESTAL 23602
	108049-02-000	EA CLIP-PEDESTAL CABLE, FLEXSTEEL 2592-CA
13	107921-01-000	EA PEDESTAL-LOWER, W/SUB PLATE - 9 75" - STEEL
13	107921-07-000	EA PEDESTAL-LOWER, W/SUB PLATE - 4 5" - STEEL - W/POWER SEAT OPTION
14	089246-05-000	EA ADJUSTER-SEAT CHAIR, W/REMOTE - FORWARD & BACK
	089246-05-700	EA SPRING-ADJUSTER, FOR REMOTE
	089246-05-701	EA CLIP-CABLE, FOR REMOTE
15	107921-06-000	EA TOP PLATE-PEDESTAL, BUCKET SEAT - W/O SEATBELT BAR
	107921-06-000	EA BEARING KIT-PEDESTAL, FOR BUCKET SEAT
16	089246-02-000	EA ADJUSTER-SEAT CHAIR, W/O LOCK - FORWARD & BACK
	007221-01-000	EA SPACER-SEAT, ADJUSTER
17	089389-08-000	EA SHIELD-CABLE, REMOTE RECLINER - BUCKET SEAT
	081373-03-000	EA POWER PACK-6-WAY, DRIVERS POWERED SEAT
	081373-01-700	EA BRACKET-L.F. CONTROL SWITCH - H-171
	081373-02-703	EA ESCUTCHEON & SWITCH ASM. PKG - 22063234
	081373-02-701	EA HARNESS ASM. L.H. PKG - 22063235
	081373-02-702	EA HARNESS ASM. R.H. PKG - 22063236
	081373-02-703	EA HORIZONTAL ADJ. MTR. PKG - 22063237
	081373-02-704	EA VERTICAL ADJ. MTR. PKG - 22063238
18	071126-35-D18	EA SKIRT-BUCKET SEAT
	071126-26-D18	EA SKIRT-BUCKET SEAT, W/POWER SEAT OPTION
18	071126-36-D18	EA SKIRT-BUCKET SEAT
	071126-26-D19	EA SKIRT-BUCKET SEAT, W/POWER SEAT OPTION
18	071126-35-D20	EA SKIRT-BUCKET SEAT
	071126-26-D20	EA SKIRT-BUCKET SEAT, W/POWER SEAT OPTION
	110159-04-000	EA INSERT-OVAL, VECTRA

**1993 WINNEBAGO  
TABLE OF CONTENTS**

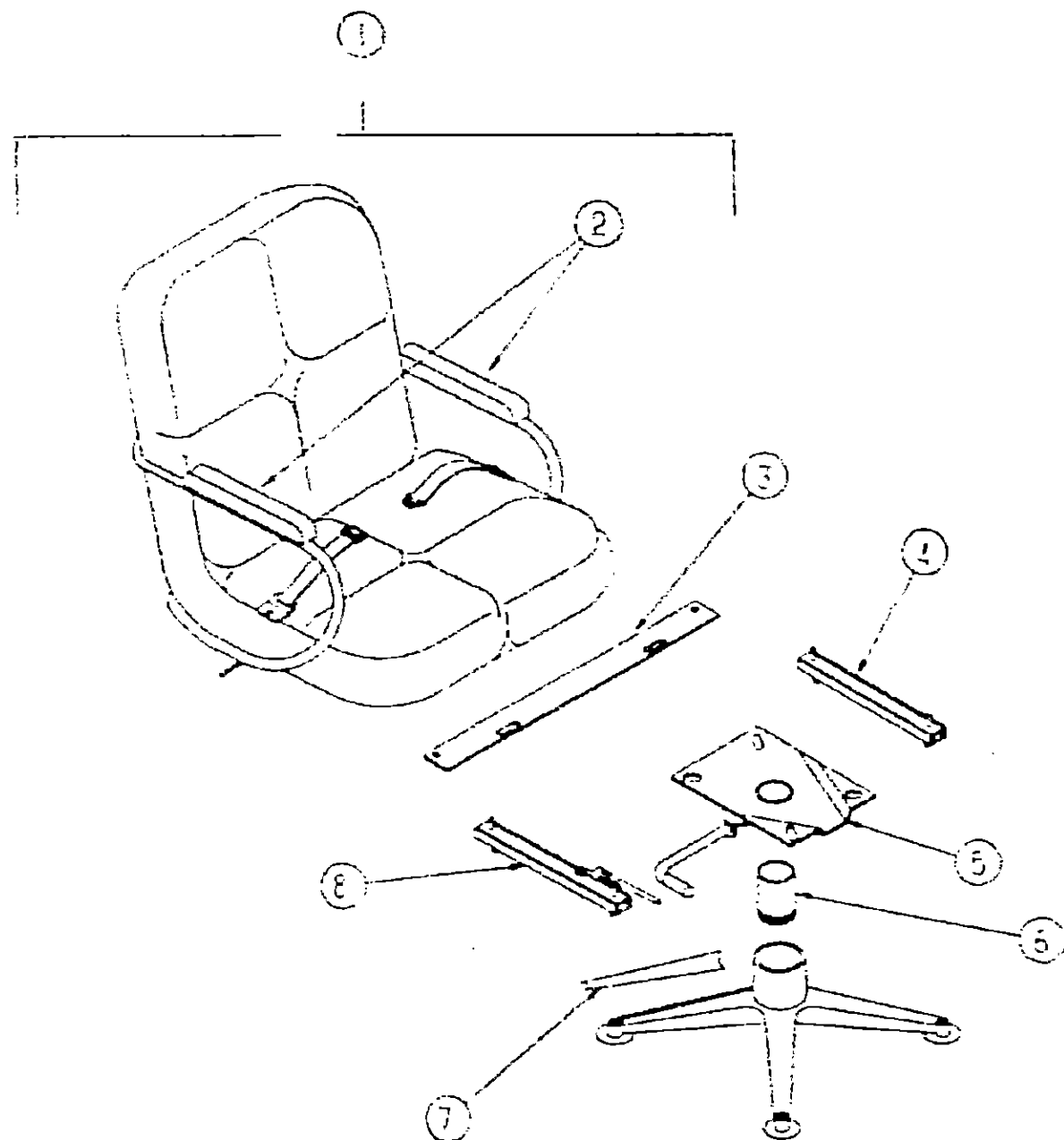
INTRODUCTION	A-01 -	A-02
ABBREVIATIONS		A-03
ALPHABETICAL INDEX	A-04 -	A-06
WCM33RW	A-07 -	G-09
WCM33RQ	G-09 -	L-24

**1993 WCM33RQ INDEX**

FLOOR PLAN	G-09 -	G-10
ACCESSORIES		G-11
AUDIO VIDEO	G-12 -	G-15
BATH	G-16 -	G-20
BEDROOM	G-21 -	G-24
CHASSIS	H-01 -	H-18
CURTAIN & CUSHION	H-19 -	I-07
DINETTE	I-05 -	I-10
DRIVERS COMPARTMENT	I-11 -	I-15
ELECTRICAL	I-16 -	I-22
EXTERIOR BODY	I-23 -	J-09
GALLEY	J-10 -	J-17
GENERATOR	J-18 -	J-19
HEATING & A/C	J-20 -	J-22
INTERIOR FINISH	J-23 -	K-02
LABEL	K-03 -	K-11
LP		K-12
LOUNGE	K-13 -	K-14
SEALANTS & FASTENERS	K-15 -	K-19
WATER & SEWAGE	K-19 -	K-24
WINDOW, VENT AND EXTERIOR DOOR	L-01 -	L-20
WINDSHIELD & WIPER	L-21 -	L-24

KEY	PART NUMBER	U/M DESCRIPTION
	110850-01-000	EA SEAT-BUCKET (FLEXSTEEL LEATHER SEAT OPTION)
	110850-01-700	EA KNOB-BLACK
1	101171-09-D18	EA SEAT-BUCKET, W/O SKIRT & PEDESTAL - CONQUEST
		FROM: 00-00-00 THRU 07-12-92
1	101171-09-D19	EA SEAT-BUCKET, W/O SKIRT & PEDESTAL - CONQUEST
		FROM: 07-13-92 THRU 10-04-92
1	110159-01-D18	EA SEAT-BUCKET, W/O SKIRT & PEDESTAL - CONCORD
		FROM: 10-05-92 THRU 99-99-99
1	101171-08-D19	EA SEAT-BUCKET, W/O SKIRT & PEDESTAL - CONQUEST
		FROM: 00-00-00 THRU 10-04-92
1	110159-01-D19	EA SEAT-BUCKET, W/O SKIRT & PEDESTAL - CONCORD
		FROM: 10-05-92 THRU 99-99-99
1	101171-08-D20	EA SEAT-BUCKET, W/O SKIRT & PEDESTAL - CONQUEST
		FROM: 00-00-00 THRU 10-04-92
1	110159-01-D20	EA SEAT-BUCKET, W/O SKIRT & PEDESTAL - CONCORD
		FROM: 10-05-92 THRU 99-99-99
2	M03445-54-D18	EA COVER-BACKREST, BUCKET SEAT
		FROM: 00-00-00 THRU 07-12-92
2	M03445-43-D18	EA COVER-BACKREST, BUCKET SEAT
		FROM: 07-13-92 THRU 99-99-99
2	M03445-43-D19	EA COVER-BACKREST, BUCKET SEAT
2	M03445-43-D20	EA COVER-BACKREST, BUCKET SEAT
3	080243-49-C37	EA ARMREST-RIGHT (D18)
		FROM: 00-00-00 THRU 07-12-92
3	080243-49-D18	EA ARMREST-RIGHT
		FROM: 07-13-92 THRU 99-99-99
3	080243-49-D19	EA ARMREST-RIGHT
3	080243-49-D20	EA ARMREST-RIGHT
	M80243-49-C37	EA COVER-ARMREST, RIGHT (D18)
		FROM: 00-00-00 THRU 07-12-92
	M80243-49-D18	EA COVER-ARMREST, RIGHT
		FROM: 07-13-92 THRU 99-99-99

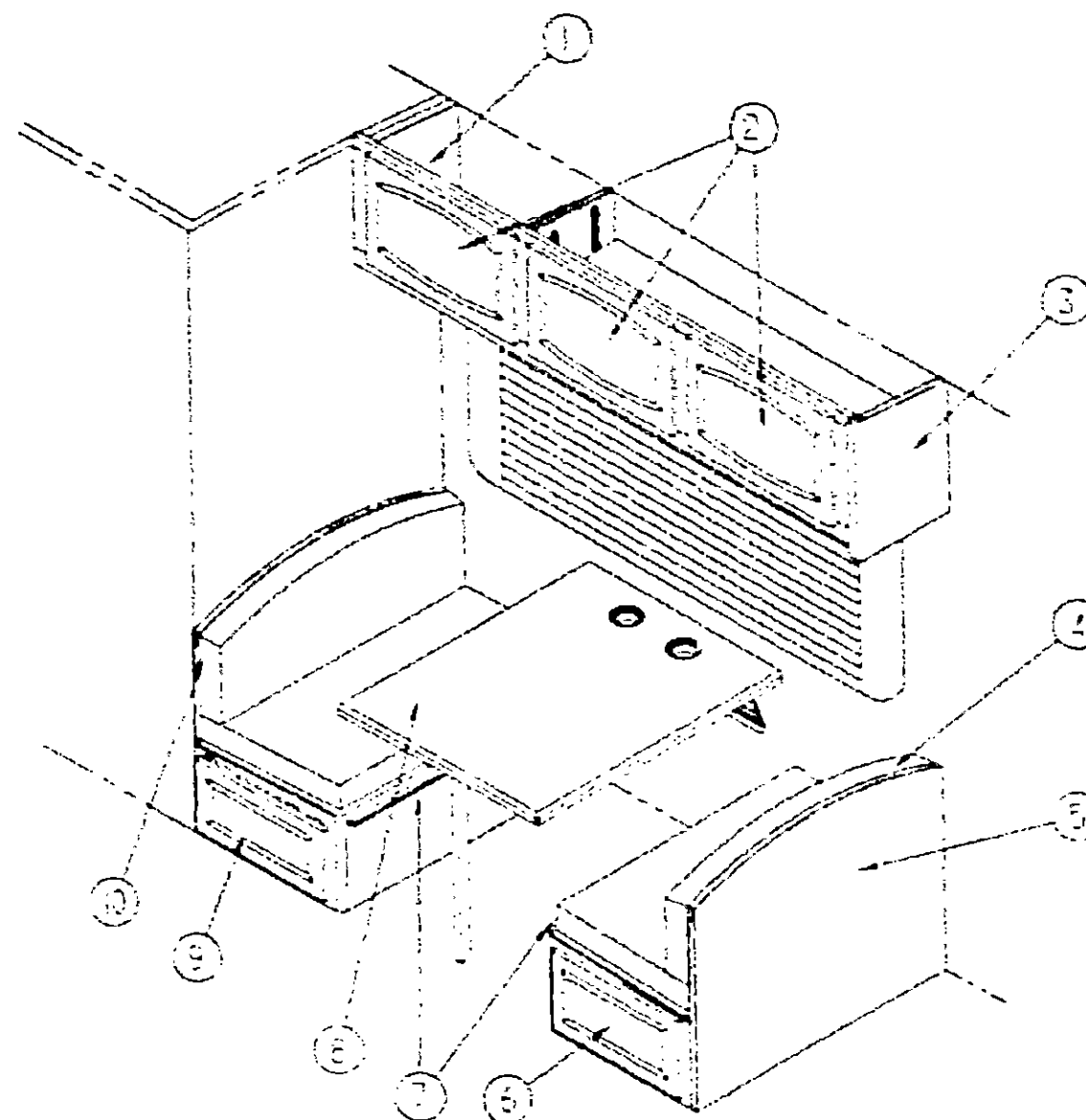
**CURTAIN & CUSHION GROUP (CONTINUED)**



**DINETTE CHAIRS**

KEY	PART NUMBER	U/M DESCRIPTION
1	109379-02-D18	EA CHAIR-SWIVEL, COMPLETE - CHROME CRAFT I
1	109379-02-D19	EA CHAIR-SWIVEL, COMPLETE - CHROME CRAFT II
1	109379-02-D20	EA CHAIR-SWIVEL, COMPLETE - CHROME CRAFT II
	105799-01-004	EA BOLT-SEAT, CHAIR - CHROME CRAFT 723534-1
2	105799-01-003	EA WOOD ARM PADS FOR C57-855-BN
3	069705-02-000	EA BAR-SEAT BELT, 2 5" X 12 75"
4	069246-06-000	EA ADJUSTER-SWIVEL CHAIR, MANUAL - FORWARD & BACK
5	105799-01-001	EA PLATE-SWIVEL, CHAIR - CHROME CRAFT 02678463
		FROM: 02-00-00 THRU: 02-14-93
5	069246-03-000	EA PLATE-TURN, SWIVEL W/O TILT - W/LOCK
		FROM: 02-15-93 THRU: 99-99-99
6	105799-01-002	EA UPRIGHTS-CHAIR, CHROME CRAFT 02605650
		FROM: 02-00-00 THRU: 02-14-93
6	105799-01-006	EA STEM-UPRIGHT, W/LOCKOUT
		FROM: 02-15-93 THRU: 99-99-99
7	105799-01-008	EA LEG-WOOD COVER BASE, CHAIR - CHROME CRAFT 02669333
8	069246-07-000	EA ADJUSTER-SWIVEL CHAIR, W/LOCKING ARM - FORWARD & BACK

**DINETTE GROUP**



**CABINETS, PADS & TABLE**

KEY	PART NUMBER	U/M DESCRIPTION
1	P07214-02-D18	EA CABINET-OVERHEAD, W/O DOORS & HARDWARE
2	P00971-31-D18	EA DOOR-CABINET, W/O HARDWARE - 365 X 555MM
3	107494-01-D18	EA END CAP-CABINET, OVERHEAD - RIGHT SIDE
4	105476-03-D18	EA PAD-BACKREST, TOP - RIGHT SIDE
4	105476-03-D19	EA PAD-BACKREST, TOP - RIGHT SIDE
4	105476-05-D20	EA PAD-BACKREST, TOP - RIGHT SIDE
5	M04174-33-D18	EA CABINET-BACKREST, RIGHT SIDE
6	P07104-G7-D18	EA DRAWER-CABINET, W/O HARDWARE
	M04175-31-D18	EA CABINET-SEATBASE, RIGHT SIDE
	031518-01-B03	EA TOP-SEATBASE, DINETTE - PLYWOOD
7	081295-01-AA8	EA SUPPORT-BED, DINETTE, 712MM LONG
		FROM: 02-00-00 THRU: 02-21-93
8	M92743-19-D18	EA TABLE-DINETTE, W/O HARDWARE
8	M92743-19-D19	EA TABLE-DINETTE, W/O HARDWARE
8	M92743-19-D20	EA TABLE-DINETTE, W/O HARDWARE
9	P07104-G7-D18	EA DRAWER-CABINET, W/O HARDWARE
	M04175-32-D18	EA CABINET-SEATBASE, LEFT SIDE
	031518-01-B03	EA TOP-SEATBASE, DINETTE - PLYWOOD
10	105476-04-D18	EA PAD-BACKREST, TOP - LEFT SIDE
10	105476-04-D19	EA PAD-BACKREST, TOP - LEFT SIDE
10	105476-06-D20	EA PAD-BACKREST, TOP - LEFT SIDE

**1993 WINNEBAGO  
TABLE OF CONTENTS**

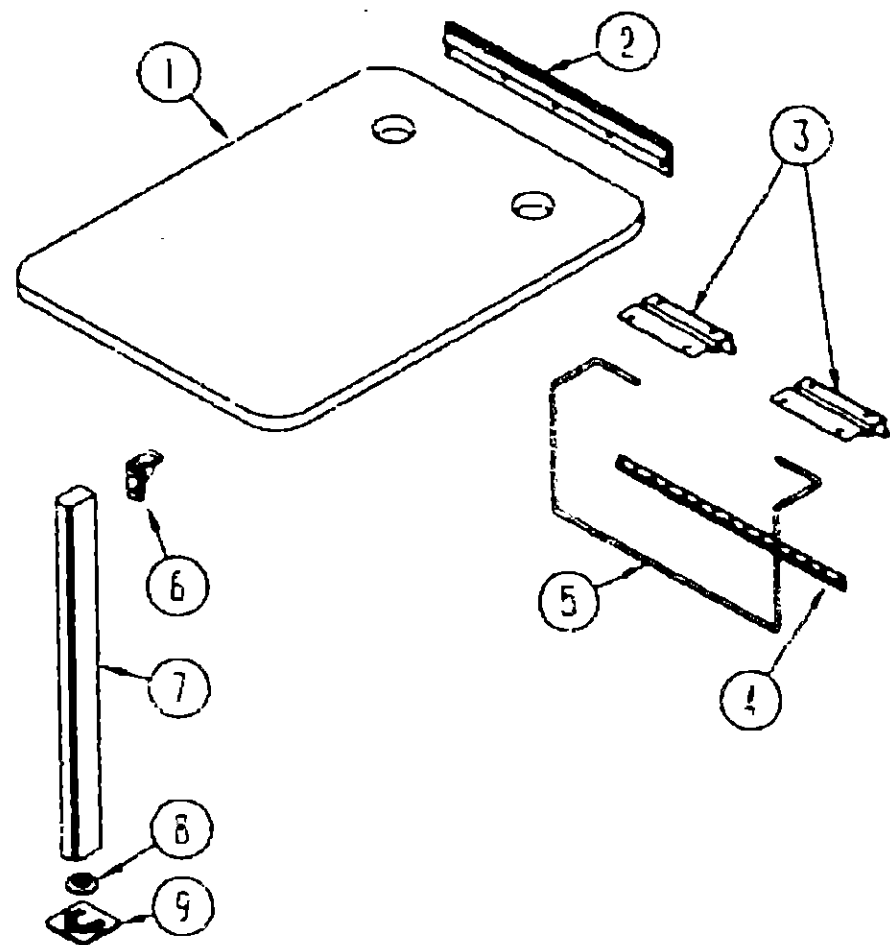
INTRODUCTION	A-01 - A-02
ABBREVIATIONS	A-03
ALPHABETICAL INDEX	A-04 - A-06
WCM37RW	A-07 - G-08
WCM33RQ	G-09 - L-24

**1993 WCM33RQ INDEX**

FLOOR PLAN	G-09 - G-10
ACCESSORIES	G-11
AUDIO VIDEO	G-12 - G-15
BATH	G-16 - G-20
BEDROOM	G-21 - G-24
CHASSIS	H-01 - H-18
CURTAIN & CUSHION	H-19 - I-07
DINETTE	I-08 - I-10
DRIVERS COMPARTMENT	I-11 - I-15
ELECTRICAL	I-16 - I-22
EXTERIOR BODY	I-23 - J-09
GALLEY	J-10 - J-17
GENERATOR	J-18 - J-19
HEATING & A/C	J-20 - J-22
INTERIOR FINISH	J-23 - K-02
LABEL	K-03 - K-11
LP	K-12
LOUNGE	K-13 - K-14
SEALANTS & FASTENERS	K-15 - K-18
WATER & SEWAGE	K-19 - K-24
WINDOW, VENT AND EXTERIOR DOOR	L-01 - L-20
WINDSHIELD & WIPER	L-21 - L-24

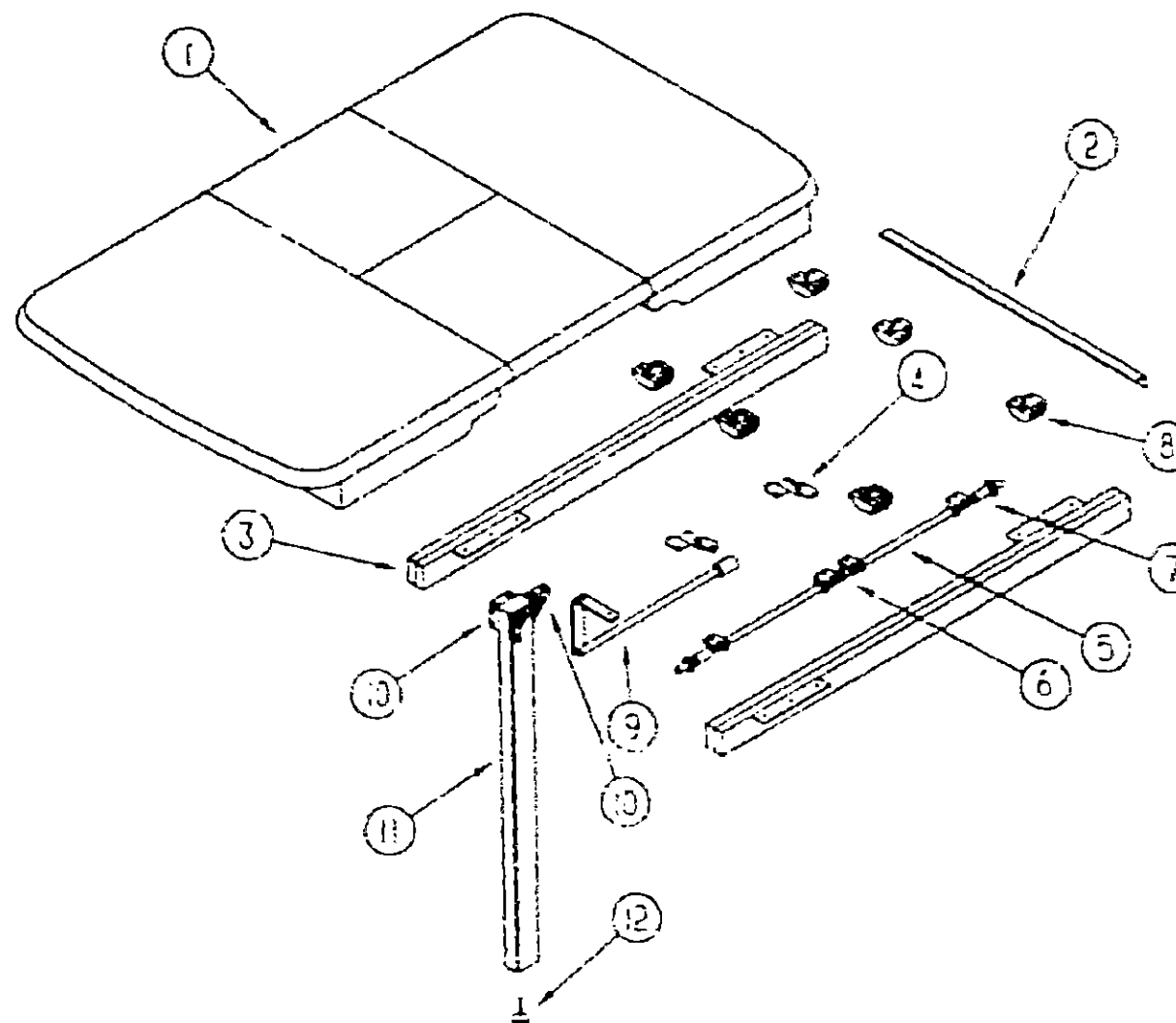


**DINETTE GROUP (CONTINUED)**



**DINETTE TABLE**

**DINETTE GROUP (CONTINUED)**



**CABINETS, PADS & TABLE**

**1993 WINNEBAGO  
TABLE OF CONTENTS**

INTRODUCTION	A-01 -	A-02
ABBREVIATIONS		A-03
ALPHABETICAL INDEX	A-04 -	A-06
WCM37RW	A-07 -	G-08
WCM33RQ	G-09 -	L-24

**1993 WCM33RQ INDEX**

FLOOR PLAN	G-09 -	G-10
ACCESSORIES		G-11
AUDIO VIDEO	G-12 -	G-15
BATH	G-16 -	G-20
BEDROOM	G-21 -	G-24
CHASSIS	H-01 -	H-18
CURTAIN & CUSHION	H-19 -	I-07
DINETTE	I-08 -	I-10
DRIVERS COMPARTMENT	I-11 -	I-15
ELECTRICAL	I-16 -	I-22
EXTERIOR BODY	I-23 -	J-09
GALLEY	J-10 -	J-17
GENERATOR	J-18 -	J-19
HEATING & A/C	J-20 -	J-22
INTERIOR FINISH	J-23 -	K-02
LABEL	K-03 -	K-11
LP		K-12
LOUNGE	K-13 -	K-14
SEALANTS & FASTENERS	K-15 -	K-18
WATER & SEWAGE	K-19 -	K-24
WINDOW, VENT AND		
EXTERIOR DOOR	L-01 -	L-20
WINDSHIELD & WIPER	L-21 -	L-24

KEY	PART NUMBER	U/M	DESCRIPTION	
1	M92743-19-D18	EA	TABLE ASM COMPLETE-DINETTE	FROM: 03-00-93 THRU: 03-21-93
1	M92743-23-D18	EA	TABLE ASM COMPLETE-DINETTE	FROM: 03-22-93 THRU: 99-99-99
7	M92743-19-D19	EA	TABLE ASM COMPLETE-DINETTE	FROM: 03-00-00 THRU: 03-21-93
7	M92743-23-D19	EA	TABLE ASM COMPLETE-DINETTE	FROM: 03-22-93 THRU: 99-99-99
1	M92743-19-D20	EA	TABLE ASM COMPLETE-DINETTE	FROM: 03-00-00 THRU: 03-21-93
1	M92743-23-D20	EA	TABLE ASM COMPLETE-DINETTE	FROM: 03-22-93 THRU: 99-99-99
2	053200-12-000	EA	SUPPORT-TABLE, 23 5" - OFF WHITE	FROM: 03-00-00 THRU: 03-21-93
3	052410-02-000	EA	HANGER-TABLE, OFF WHITE	
4	024281-14-000	EA	BRACKET-TABLE LIFT, 22.12" - OFF WHITE	FROM: 03-00-00 THRU: 03-21-93
5	024275-12-000	EA	ROD-TABLE LIFT, OFF WHITE	FROM: 03-00-00 THRU: 03-21-93
6	093550-01-000	EA	BRACKET-HINGE MOUNTS TO LEG & TABLE TOP - 1 7" X 2 6"	
	102200-03-01A	EA	SUPPORT-HINGE LOCK, WALL MOUNTED - OFF WHITE	FROM: 03-22-93 THRU: 99-99-99
	102201-03-02A	EA	SUPPORT-HINGE CATCH, TABLE MOUNTED - OFF WHITE	FROM: 03-22-93 THRU: 99-99-99
7	092708-11-D18	EA	LEG-TABLE, WOOD	FROM: 03-00-00 THRU: 03-21-93
7	092708-13-D18	EA	LEG-TABLE, WOOD	FROM: 03-22-93 THRU: 99-99-99
	092707-04-01A	EA	MOLDING-WOOD, TABLE LEG - REGAL OAK	
8	092593-01-04A	EA	CATCH-LEG, LEG MOUNTED - ROUND - 1 4" DIAMETER - METAL - BEIGE	
9	049493-12-000	EA	CATCH-LEG, FLOOR MOUNTED - 2 5" X 2 7" - METAL - OFF WHITE	
9	049493-11-700	EA	CATCH-LEG, FLOOR MOUNTED - 2 5" X 2 7" - METAL - E-COAT	

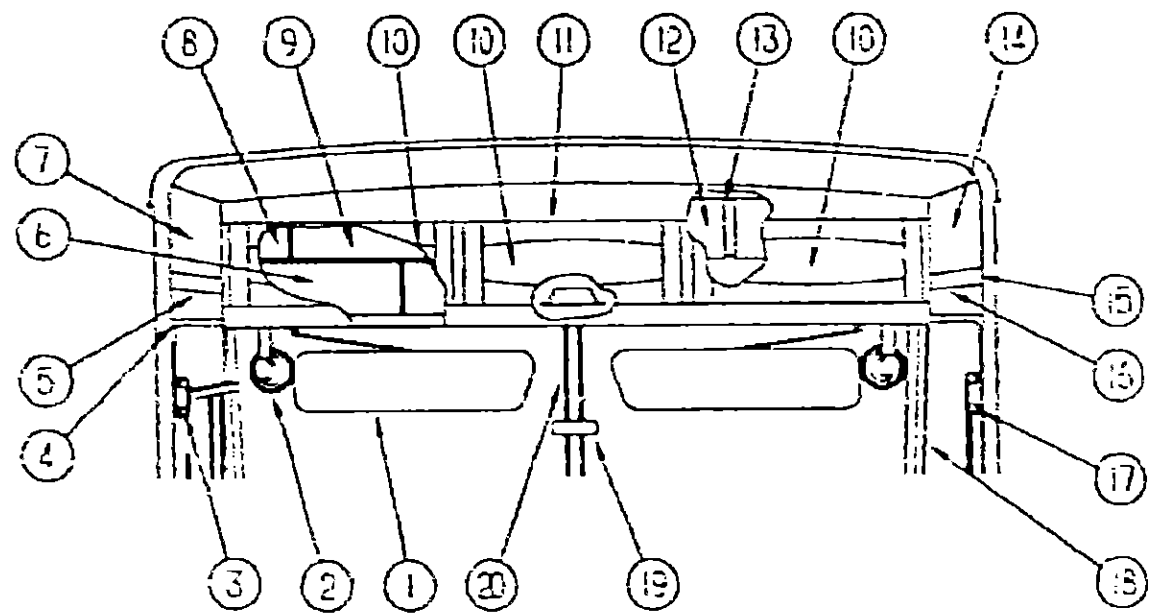
KEY	PART NUMBER	U/M	DESCRIPTION	
	PJ8449-01-D18	EA	TABLE-PULL OUT	
1	103449-11-D18	EA	TOP-TABLE, ONLY	
2	029068-01-000	EA	HINGE-CONTINUOUS, 1 1/2" X 72" - UNPAINTED	
3	106490-01-000	EA	SLIDE-TABLE - 19" LONG - 2 USED	FROM: 03-00-00 THRU: 03-21-93
3	110749-01-000	EA	SLIDE-TABLE - 19 75" LONG - 2 USED	FROM: 03-22-93 THRU: 99-99-99
4	103668-01-000	EA	HINGE-LEAF, FOLDING - HAFELE 341 30 526 - 2 USED	
5	105932-01-000	EA	ROD-TABLE,	
6	103974-01-000	EA	BRACKET-HINGE, 4 USED	
7	109684-01-000	EA	SPRING-COMPRESSION, 13 X 50MM - 4 USED	
8	009050-02-000	EA	LEVELER-TABLE TOP, MALE END W/4 SCREWS - PLASTIC - 6 USED	
8	009050-03-000	EA	LEVELER-TABLE TOP, FEMALE END W/2 SCREWS - PLASTIC - 6 USED	
9	106305-01-000	EA	SUPPORT ASSEMBLY-TABLE	
10	102810-01-02A	EA	BRACE-LEG, TABLE - OFF WHITE - 3 USED	FROM: 03-00-00 THRU: 03-18-92
10	102810-01-03A	EA	BRACE-LEG, TABLE - UNPAINTED	FROM: 03-00-00 THRU: 03-18-92
11	092708-05-D18	EA	LEG-TABLE	FROM: 03-00-00 THRU: 03-18-92
	092707-01-01A	EA	MOLDING-WOOD, TABLE LEG - 27" - REGAL OAK	FROM: 03-00-00 THRU: 03-18-92
11	092708-12-D18	EA	LEG-TABLE	FROM: 03-00-00 THRU: 03-18-92
		EA	LEG-TABLE	FROM: 03-19-92 THRU: 99-99-99
12	102194-01-000	EA	GUIDE-PLASTIC	

**DRIVERS COMPARTMENT GROUP**

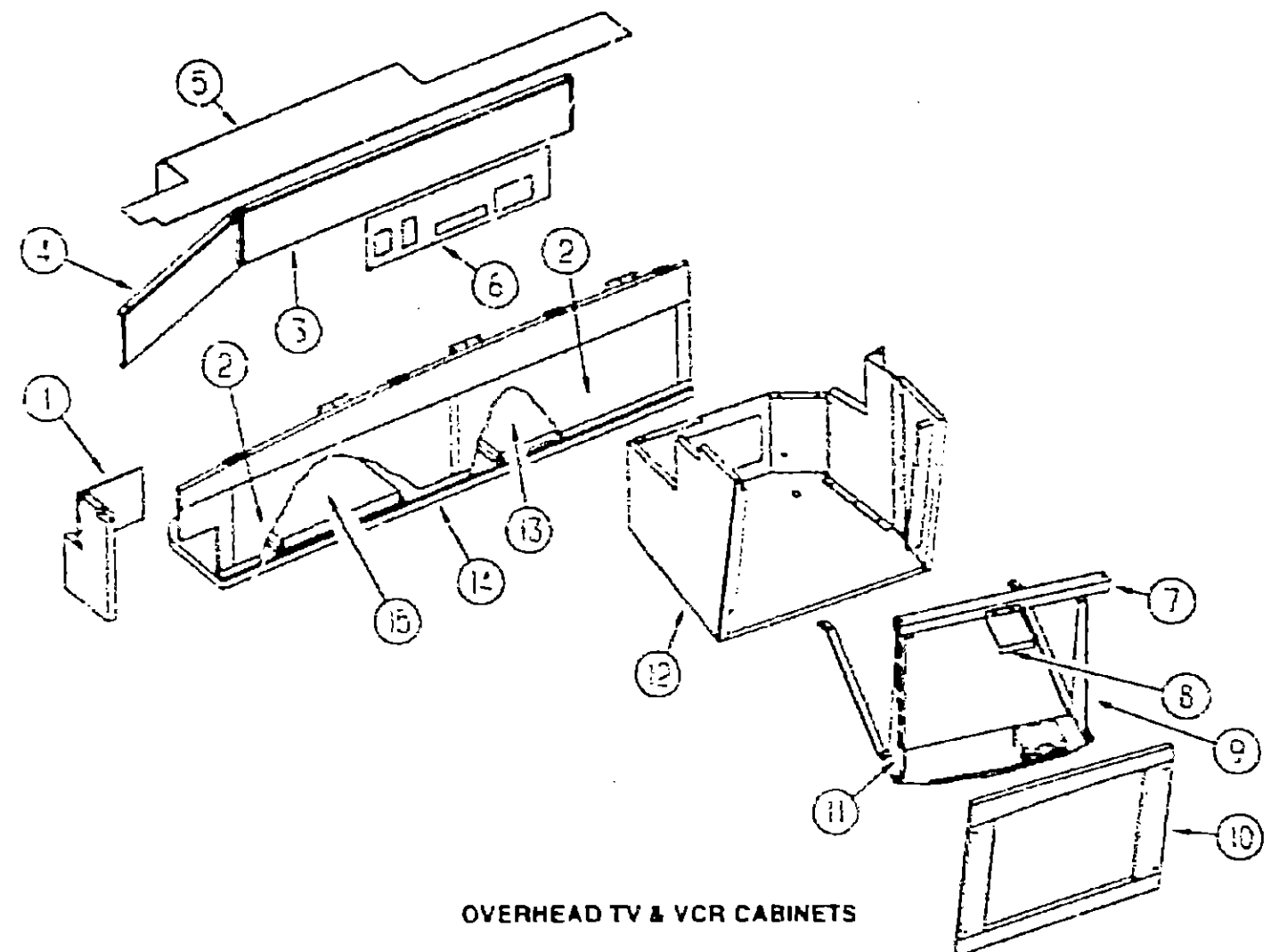
**DRIVERS COMPARTMENT GROUP (CONTINUED)**

**1993 WINNEBAGO  
TABLE OF CONTENTS**

INTRODUCTION	A-01 -	A-02
ABBREVIATIONS		A-03
ALPHABETICAL INDEX	A-04 -	A-06
WCM33RW	A-07 -	G-06
WCM33RQ	G-09 -	L-24



**UPPER DRIVERS COMPARTMENT**



**OVERHEAD TV & VCR CABINETS**

**1993 WCM33RQ INDEX**

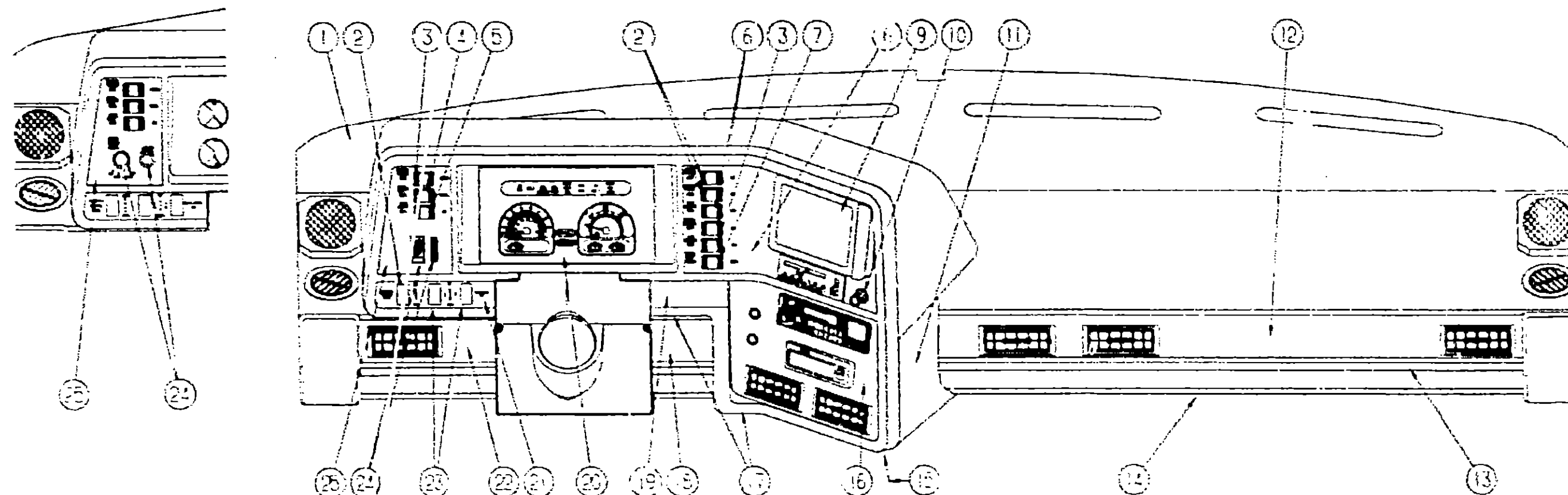
FLOOR PLAN	G-09 -	G-10
ACCESSORIES		G-11
AUDIO VIDEO	G-12 -	G-15
BATH	G-16 -	G-20
BEDROOM	G-21 -	G-24
CHASSIS	H-01 -	H-18
CURTAIN & CUSHION	H-19 -	I-07
DINETTE	I-08 -	I-10
DRIVERS COMPARTMENT	I-11 -	I-15
ELECTRICAL	I-16 -	I-22
EXTERIOR BODY	I-23 -	J-09
GALLEY	J-10 -	J-17
GENERATOR	J-18 -	J-19
HEATING & A/C	J-20 -	J-22
INTERIOR FINISH	J-23 -	K-02
LABEL	K-03 -	K-11
LP		K-12
LOUNGE	K-13 -	K-14
SEALANTS & FASTENERS	K-15 -	K-18
WATER & SEWAGE	K-19 -	K-24
WINDOW, VENT AND		
EXTERIOR DOOR	L-01 -	L-20
WINDSHIELD & WIPER	L-21 -	L-24

KEY	PART NUMBER	U/M DESCRIPTION
1	103170-01-000	EA SUNVISOR ASM. PREMIER PLASTIC
	103170-01-700	EA SHADE-VISOR, ONLY - W/O HARDWARE - 9" X 18" X 1 1/2"
	103170-01-701	EA SCREW-THUMB
2	036420-02-000	EA FAN-DEFROSTER, 2 SPEED - 6" DIAMETER
3	103951-02-01A	EA COVER-BRACKET, SEATBELT - W/ DRIVER DOOR - OFF WHITE
4	024700-33-000	EA COVER-SIDEWALL ROLL BAR, PLASTIC U-CHANNEL - OFF WHITE - 15.25' LONG
5	108792-02-D18	EA PANEL-HEADLINER, LEFT - 45 X 1113MM - VINYL COVERED
6	107805-04-D18	EA PANEL-SIDE, VINYL COVERED
7	P05512-01-D18	EA CABINET-OVERHEAD, VINYL COVERED (W/O SUNSCREEN SHADE)
		FROM: 02-03-00 THRU: 01-05-93
7	110603-02-D18	EA CABINET-OVERHEAD, VINYL COVERED (W/ SUNSCREEN SHADE)
		FROM: 01-05-93 THRU: 99-99-99
8	107805-01-D18	EA PANEL-END, VINYL COVERED
9	107804-01-D18	EA PANEL-TOP, VINYL COVERED
10	P00971-04-D18	EA DOOR-CABINET, W/O HARDWARE - 660 X 305MM
11	P06526-01-D18	EA CABINET-OVERHEAD, VINYL COVERED BOTTOM - W/O DOORS & HARDWARE
12	107805-06-D18	EA PANEL-SIDE, VINYL COVERED
13	110643-01-D18	EA PANEL-VINYL COVERED
14	P05512-02-D18	EA CABINET-OVERHEAD, VINYL COVERED (W/O SUNSCREEN SHADE)
		FROM: 02-03-00 THRU: 01-05-93
14	110603-01-D18	EA CABINET-OVERHEAD, VINYL COVERED (W/SUNSCREEN SHADE)
		FROM: 01-05-93 THRU: 99-99-99
15	024700-33-000	EA COVER-SIDEWALL ROLL BAR, PLASTIC U-CHANNEL - 15.25' LONG - OFF WHITE
16	108792-01-D18	EA PANEL-HEADLINER, RIGHT - 45 X 1113MM - VINYL COVERED
17	103961-01-01A	EA COVER-BRACKET, SEATBELT - PLASTIC - OFF WHITE
	091990-01-01A	EA SEAT BELT, 3 POINT, SLACK
	091990-03-01A	EA SEAT BELT, 3 POINT, BLACK (POWER SEAT OPTION)
	091990-01-700	EA COVER-BOLT, SEATBELT - BLACK
	109145-01-000	EA BOLT-SHOULDER, SEAT BELT
18	107942-01-01A	EA COVER-INTERIOR, A-PILLAR - RIGHT - PLASTIC
	107942-02-01A	EA COVER-INTERIOR, A-PILLAR - LEFT - PLASTIC
19	040714-01-000	EA MIRROR-REAR VIEW, WARM MOUNT & SET SCREW - GM # 91122
	057490-01-000	EA BUTTON-MIRROR, REAR VIEW
20	106568-01-01A	EA TRIM-CENTER, WINDSHIELD

KEY	PART NUMBER	U/M DESCRIPTION
1	107805-01-D18	EA PANEL-SIDE, VINYL COVERED
2	100708-08-000	EA DOOR-GLASS, TV CABINET - 246 X 657MM - OPG INDUSTRIES
	100710-01-01A	EA LOCK-GLASS DOOR, TWIST TYPE - BRASS
	100711-01-01A	EA HINGE-DOOR, GLASS
	101272-01-000	EA CATCH-DOOR, GLASS
	101726-01-000	EA PIN-SUPPORT, GLASS DOOR
	100707-01-000	EA SPACER-DOOR, GLASS - .8" DIA - .3" HOLE - PLASTIC
3	107805-03-D18	EA PANEL-SIDE, VINYL COVERED
4	107805-04-D18	EA PANEL-SIDE, VINYL COVERED
5	107804-01-D18	EA PANEL-TOP, VINYL COVERED
6	107803-01-D18	EA PANEL-BACK, VINYL COVERED - W/O BOX OR INVERTER CUTOUTS
6	107803-04-D18	EA PANEL-BACK, VINYL COVERED - W/INVERTER CUTOUTS
7	107319-01-000	EA MOUNT-ASM-TV
8	107316-01-000	EA MOUNT-TV
9	107350-01-000	EA BRACKET-MOUNTING, TV - RIGHT (CAB)
10	107327-01-D18	EA FACE-CABINET, TV - W/O PLUGS
11	107281-01-000	EA BRACKET-MOUNTING, TV - LEFT (CAB)
12	P09917-01-D18	EA CABINET-OVERHEAD, TV W/SIDE SUPPORT PANEL & VINYL - W/O FACE
	107193-01-D18	EA PANEL-SIDE SUPPORT, TV CABINET - METAL
13	100670-03-000	EA STAND-VCR, CENTER - METAL
14	107355-01-D18	EA CABINET-OVERHEAD, W/O DOORS & HARDWARE
	M04102-55-D18	EA FACE-CABINET, OVERHEAD - TV
	P07365-01-D18	EA BOTTOM-CABINET, W/VINYL
15	107376-04-000	EA STAND-CO, LEFT SIDE - METAL
	065117-01-000	SF INSULATION-MICROFOAM, .5"
	099717-01-000	EA 1/2"DOWN TV, STRAP ON FEMALE END IS 26.7" LONG
	039984-01-000	EA C/P/ROUND, VINYL - .28" ID X .62" LONG - BLACK

DRIVERS COMPARTMENT GROUP (CONTINUED)

DASH



1993 WINNEBAGO  
TABLE OF CONTENTS

INTRODUCTION	A-01 - A-02
ABBREVIATIONS	A-03
ALPHABETICAL INDEX	A-04 - A-06
WCM37RW	A-07 - G-06
WCM33RQ	G-09 - L-24

KEY	PART NUMBER	U/M DESCRIPTION
1	105927-02-000	EA PANEL-DASH, TOP W/O VINYL COVERING - METAL
	106569-02-03A	EA VINYL-LAMINATE, 14" X 16" X .06" - MADRID WILLOW
	106569-03-01A	EA VINYL-LAMINATE, 14" X 16" X .06" - MADRID WILLOW FROM: 03-03-92 THRU: 07-18-92
	077533-01-000	EA BRACKET-MOUNTING, DASH PANEL - L SHAPED - 2.5" X 1" X 1.5"
	107263-01-01A	EA POD-COVER, UPPER DASH - COVERS INSTRUMENTS - W/VINYL
2	096241-03-000	EA SWITCH-BLANK
2	108356-01-01A	EA ACTUATOR-SWITCH GROOVES III, CARLING VVCZC00 BLA
2	108357-03-000	EA SWITCH-ROCKER, SPDT ON OFF ON - CARLING V6D1000B-0
3	096241-03-000	EA SWITCH-BLANK
3	108356-01-01A	EA ACTUATOR-SWITCH GROOVES III, CARLING VVCZC00 BLA
3	108357-05-000	EA SWITCH-ROCKER, SPDT ON NONE ON - CARLING V4D1000B-0
4	108356-01-01A	EA ACTUATOR-SWITCH GROOVES III, CARLING VVCZC00 BLA
4	108357-04-000	EA SWITCH-ROCKER, SPDT ON OFF/MOM - CARLING V7D1000B-0
5	108356-01-01A	EA ACTUATOR-SWITCH GROOVES III, CARLING VVCZC00 BLA
5	108357-06-000	EA SWITCH-ROCKER, DPDT MOM/OFF/MOM - CARLING VLD1000B-0
6	096241-03-000	EA SWITCH-BLANK
6	108356-01-01A	EA ACTUATOR-SWITCH GROOVES III, CARLING VVCZC00 BLA
6	108357-01-000	EA SWITCH-ROCKER, SPST ON OFF - CARLING V1D1000B-0
7	096241-01-000	EA SWITCH-BLANK
7	108356-03-01A	EA ACTUATOR-SWITCH GROOVES LENS, CARLING VVCZC00
7	108357-10-000	EA SWITCH-ROCKER, SPDT MOM/OFF/MOM - CARLING V5D11000B-0
8	104056-20-01A	EA APPLIQUE-BEZEL UPPER RIGHT, 6 SWITCH - BLACK VELVET
9	108015-01-01A	EA POCKET-INSTRUMENT PANEL, RIGHT - UPPER - BLACK FROM: 03-03-92 THRU: 03-14-93
9	111357-01-01A	EA POCKET-INSTRUMENT PANEL, RIGHT - UPPER - BLACK FROM: 07-15-93 THRU: 99-99-93
	095776-02-000	EA CBOX-CASSETEE, 4" TAPE FROM: 03-15-93 THRU: 99-99-93
10	099294-01-000	EA LIGHTER ASM-CIGARETTE, CASCO C213275
11	107055-01-01A	EA POD-DASH, LOWER - W/VINYL
12	107559-01-01A	EA TRIM-DASH, LOWER
13	108132-01-01A	FT TRIM-LOWER DASH, ACCENT - PRECISION TRIM
14	105926-05-000	EA PANEL-DASH, BOTTOM RIGHT - METAL
15	107557-02-000	EA PANEL-DASH, BOTTOM LEFT - METAL

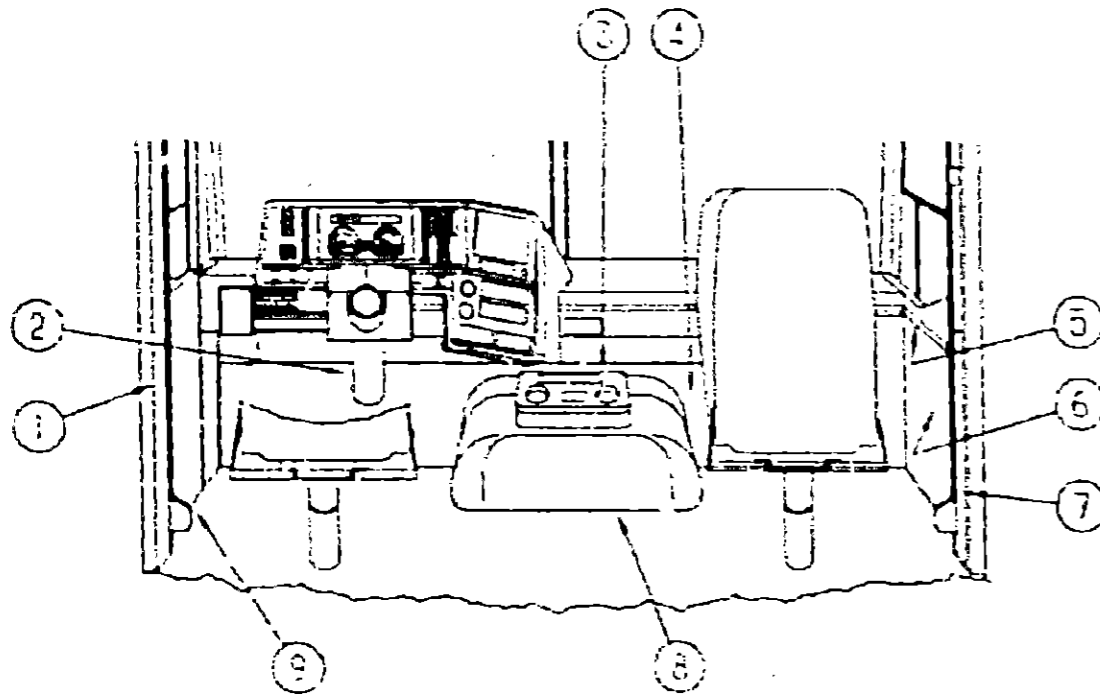
KEY	PART NUMBER	U/M DESCRIPTION
16	104056-14-01A	EA APPLIQUE-BEZEL, LOWER RIGHT WING - BLACK VELVET
17	107031-01-01A	EA BEZEL-INSTRUMENT PANEL (CHEVY)
17	107031-03-01A	EA BEZEL-INSTRUMENT PANEL (FORD)
18	107559-02-01A	EA TRIM-DASH, LOWER FROM: 03-03-92 THRU: 10-04-92
18	107559-03-01A	EA TRIM-DASH, LOWER - 170MM LONG FROM: 10-05-92 THRU: 99-99-93
19	104056-11-01A	EA APPLIQUE-BEZEL, LOWER - RIGHT - BLACK VELVET
20	094796-05-000	EA CLUSTER-INSTRUMENT PANEL, KILOMETERS - GAS - GM #16156355
20	094794-02-000	EA CLUSTER-INSTRUMENT, KILOMETER - FORD F0US-10349-BB FROM: 03-03-92 THRU: 09-20-92
20	094794-03-000	EA CLUSTER-INSTRUMENT, KILOMETER - FORD E9TZ-17255-B FROM: 09-21-92 THRU: 99-99-93
	100135-01-000	EA MODULE-DAYTIME RUNNING LIGHT
21	104056-09-01A	EA APPLIQUE-BEZEL, LOWER - LEFT - BLACK VELVET
21	104056-10-01A	EA APPLIQUE-BEZEL, LOWER LEFT - BLACK VELVET FOR PARK & LEVEL
22	107559-02-01A	EA TRIM-DASH, LOWER (CHEVY)
22	107559-01-01A	EA TRIM-DASH, LOWER (FORD)
23	108356-01-01A	EA ACTUATOR-SWITCH GROOVES III, CARLING VVCZC00 BLA
23	108357-07-000	EA SWITCH-ROCKER, SPDT MOM/OFF/MOM - CARLING V5D1000B-0 HEADLIGHT & DIMMER SWITCHES ARE CHASSIS SUPPLIED
24	091208-04-000	EA CONTROL-WIPER DYNAMIC PARK (FORD ONLY)
24	095675-01-000	EA KNOB-HEADLAMP, W-SHAFT (FORD)
	086674-01-000	EA NUT-HEADLAMP KNOB, BLACK
25	104056-15-01A	EA APPLIQUE-BEZEL, LEFT - BLACK VELVET (CHEVY)
25	104056-16-01A	EA APPLIQUE-BEZEL, LEFT - BLACK VELVET (FORD)
	108356-01-000	EA HOUSING-SWITCH, CARLING VCH
	077031-01-000	EA FILM-BLACK, 1" X 1.75"
	077031-03-000	EA FILM-WHITE 75" X 1"
	105603-01-000	EA BULB-12V, NO. 74 0.12A WEDGE - GE 22-25
	105615-01-000	FT FILM-PROTECTIVE, CLEAR - 313-34" X 1500' ROLL
	055753-02-000	EA BRAKE CONTROL, TEKONSHA 9030 - HENSCHEN

1993 WCM33RQ INDEX

FLOOR PLAN	G-09 - G-10
ACCESSORIES	G-11
AUDIO VIDEO	G-12 - G-15
BATH	G-16 - G-20
BEDROOM	G-21 - G-24
CHASSIS	H-01 - H-18
CURTAIN & CUSHION	H-19 - I-07
DINETTE	I-08 - I-10
DRIVERS COMPARTMENT	I-11 - I-15
ELECTRICAL	I-16 - I-22
EXTERIOR BODY	I-23 - J-03
GALLEY	J-10 - J-17
GENERATOR	J-18 - J-19
HEATING & A/C	J-20 - J-22
INTERIOR FINISH	J-23 - K-02
LABEL	K-03 - K-11
LP	K-12
LOUNGE	K-13 - K-14
SEALANTS & FASTENERS	K-15 - K-18
WATER & SEWAGE	K-19 - K-24
WINDOW, VENT AND	
EXTERIOR DOOR	L-01 - L-20
WINDSHIELD & WIPER	L-21 - L-24

INTERIOR LIGHTS & BULBS

1993 WINNEBAGO  
TABLE OF CONTENTS



LOWER DRIVERS COMPARTMENT

INTRODUCTION	A-01 -	A-02
ABBREVIATIONS		A-03
ALPHABETICAL INDEX	A-04 -	A-06
WCM37RW	A-07 -	G-02
WCM33RQ	G-03 -	L-24

KEY	PART NUMBER	U/M DESCRIPTION
	065202-04-000	EA LAMP-WALL BRASS - OV-531 - R B GUSTAFSON
	065202-25-000	EA LAMP-WALL BRASS - OV-531 - R B GUSTAFSON (CANADIAN)
	065201-12-000	EA SHADE-LAMP, FABRIC - WHITE SWIRL
	067479-01-000	EA BULB-12V, NUMBER 1076
	093575-03-01A	EA LIGHT-CEILING, RECTANGULAR - GLASS & BRASS - CANADIAN
	008215-01-000	EA BULB-DOME LIGHT, 12V - NUMBER 1141
	104172-01-01A	EA LIGHT-BULLET, BEIGE - #737 SERIES
	008215-01-000	EA BULB-12V, #1003 - .94AMP
	091937-04-000	EA LIGHT-FLUORESCENT, 12 V/30 WATT - 20 7/8" LONG - THIN LITE
	091937-05-700	EA BULB FLOURESCENT 12"
	091937-05-000	EA LIGHT-FLUORESCENT, 12V/16 WATT - 15" LONG - THIN LITE 732
	091937-05-700	EA BULB FLOURESCENT 12"
	081424-01-000	EA LIGHT-AISLE, 12V - RECTANGULAR
	008103-01-000	EA BULB-DASH/AISLE LIGHT, #53 - 12 V - 12 AMP
	081633-01-000	EA LIGHT-MAKEUP, 4 BULBS - JENSEN 303-24BR
		FROM: 03-02-92 THRU 12-13-92
	110235-02-01A	EA LIGHT-MAKE UP, 4 BULB - PANLESS - PD PD200-622 BRASS
		FROM: 12-14-92 THRU 02-99-99
	081633-01-700	EA BULB-MAKE UP LIGHT, ONLY
	093575-02-01A	EA LIGHT-CEILING, 514HG
	008215-01-000	EA BULB-DOME LIGHT, 12V - NUMBER 1141
	068024-03-01A	EA LIGHT-DOME, 2 BULB - IVORY
	095024-01-01A	EA LIGHT-DOME, 1 BULB - US - IVORY
	008215-01-000	EA BULB-DOME LIGHT, 12V - NUMBER 1141
	095024-01-700	EA LENS-DOME LIGHT
	104173-01-01A	EA LIGHT-DESIGNER, BRASS - #81-925 - BULB #93 12V
	108354-01-01A	EA LIGHT-COURTESY - ITC 81395-B
	108354-01-700	EA BULB-LIGHT, COURTESY - ITC 81395-B
	108503-01-000	EA BULB-12 VOLT, #74 - 12A - WEDGE (GENERATOR OPTION)

KEY	PART NUMBER	U/M DESCRIPTION
1	024700-46-000	EA COVER-SIDEWALL ROLL BAR, PLASTIC U-CHANNEL - OFF WHITE - 21 2' LONG FROM: 03-00-93 THRU: 04-25-93
1	024700-33-000	EA COVER-SIDEWALL ROLL BAR, PLASTIC U-CHANNEL - OFF WHITE - 15 25" LONG FROM: 04-26-93 THRU 99-99-99
1	024700-48-000	EA COVER-SIDEWALL ROLL BAR, PLASTIC U-CHANNEL - OFF WHITE - 25" LONG
1	024700-47-000	EA COVER-SIDEWALL ROLL BAR, PLASTIC U-CHANNEL - OFF WHITE - 16 9" LONG
2	109332-02-01A	EA COVER-STEERING COLUMN, CHEVY FROM: 03-00-93 THRU: 03-06-92
2	109232-01-01A	EA COVER-STEERING COLUMN, CHEVY FROM: 03-07-92 THRU: 05-26-93
2	109532-01-02A	EA COVER-STEERING COLUMN, CHEVY FROM: 05-27-93 THRU: 05-28-93
2	109532-01-01A	EA COVER-STEERING COLUMN, CHEVY FROM: 05-29-93 THRU: 99-99-99
2	108347-01-01A	EA COVER-STEERING COLUMN, OUTER (FORD)
2	108348-01-01A	EA COVER-STEERING COLUMN, INNER (FORD)
	110502-01-000	EA PATCH-STEERING COLUMN, VINYL
	113498-06-000	EA BOOT-COLUMN, UNIVERSAL (CHEVY)
3	107223-01-01A	EA TRAY-BEVERAGE, PLASTIC - WILLOW
3	109401-01-D18	EA TRAY-BEVERAGE, WOOD
	045556-03-000	EA ASHTHAY-CHROME, W COVER
4	095757-04-D18	EA COVER-HEATER
4	095757-04-D19	EA COVER-HEATER
4	095757-04-D20	EA COVER-HEATER
5	105105-02-000	EA CLIP-TRIM, 11.8" X 1.87" - METAL
6	P08813-01-D18	EA PANEL-INNER, CAB - RIGHT - COMPLETE W STEEL ANGLE
6	107793-01-01A	EA PANEL-INNER, CAB - RIGHT - PLASTIC PANEL ONLY
7	024700-46-000	EA COVER-SIDEWALL ROLL BAR, PLASTIC U-CHANNEL - OFF WHITE - 21 2' LONG
7	024700-44-000	EA COVER-SIDEWALL ROLL BAR, PLASTIC U-CHANNEL - OFF WHITE - 53" LONG
8	097552-01-000	EA COVER-MOTOR, W/O CARPET
	092405-01-000	EA TRIM-MOTOR COVER, ALUMINUM
	075554-01-000	EA BRACKET-MOUNTING MOTOR COVER
	039523-01-000	FT SEAL-MOTOR COVER, RUBBER BULB TYPE - BLACK
9	P08813-01-D18	EA PANEL-TOEKICK, CAB - LEFT SIDE - COMPLETE W INSERT
9	107792-01-01A	EA PANEL-TOEKICK, CAB - LEFT SIDE - W/O INSERT
9	107792-02-01A	EA INSERT-PANEL TOEKICK - LEFT SIDE

CIRCUIT BREAKERS

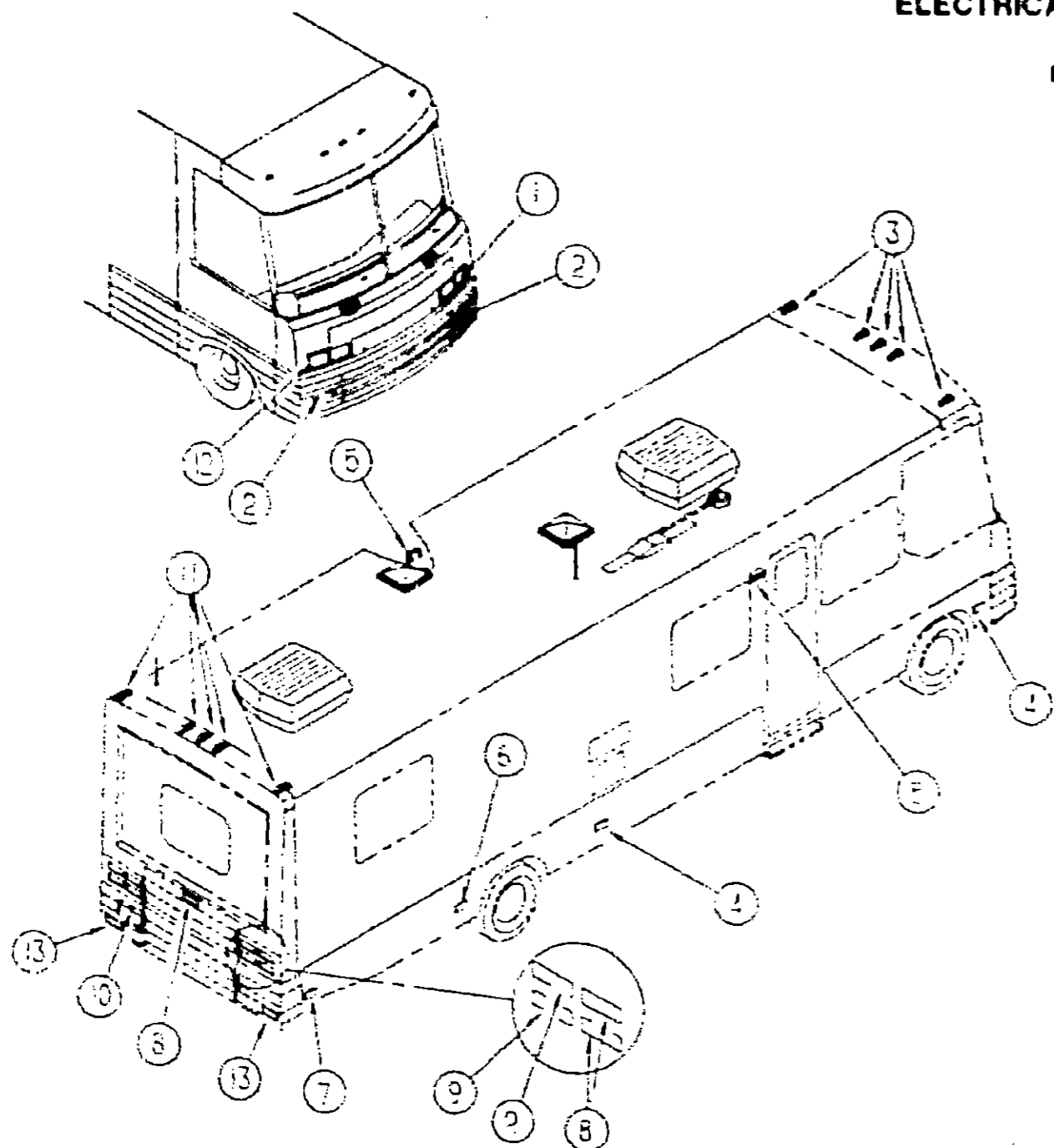
KEY	PART NUMBER	U/M DESCRIPTION
	053209-01-000	EA BREAKER-CIRCUIT, 15 AMP, 120V - BW G-15 - CANADIAN
	053209-02-000	EA BREAKER-CIRCUIT, 15 15AMP, 120V - BW H-15/15
	053209-03-000	EA BREAKER-CIRCUIT, 15 20AMP, 120V - BW 0-15/20
	053209-05-000	EA BREAKER-CIRCUIT, 20A, 120V - BW J-20 FROM: 03-00-93 THRU: 03-16-92
	083209-06-000	EA BREAKER-CIRCUIT, 30 15 AMP, 120V - BW D-30/15 FROM: 03-00-93 THRU: 03-16-92
	083209-04-000	EA BREAKER-CIRCUIT, 30A, 120V - BW L-30 FROM: 03-17-92 THRU: 99-99-99
	083209-07-000	EA BREAKER-CIRCUIT, 20 20A, 120V - BW K-20/20
	093554-01-000	EA BREAKER-CIRCUIT, 6 AMP, USD 17430-4E12A2A
	093554-02-000	EA BREAKER-CIRCUIT, 15 AMP, USD 17415-4E12A2A
	093555-01-000	EA BREAKER-CIRCUIT, 25 AMP, USD 17425-4E03A2A
	093555-02-000	EA BREAKER-CIRCUIT, 30 AMP, USD 17430-4E03A2A
	093555-03-000	EA BREAKER-CIRCUIT, 40 AMP, USD 17440-4E03A2A
	097511-01-000	EA BREAKER-CIRCUIT, 6AMP, ATC - BLACK
	108567-01-000	EA BREAKER-CIRCUIT, 40A, TYPE II - FASCO 17414063
	108916-01-000	EA BREAKER-CIRCUIT, 50A, 2 POLE - WESTINGHOUSE BR250
	093674-01-000	EA PLATE-CIRCUIT BREAKER, HOUSE - 8.4" X 4 1" - STEEL
	098196-01-000	EA LATCH-1/4 TURN, T-BAR

1993 WCM33RQ INDEX

FLOOR PLAN	G-01 -	G-10
ACCESSORIES		G-11
AUDIO VIDEO	G-12 -	G-15
BATH	G-16 -	G-20
BEDROOM	G-21 -	G-24
CHASSIS	H-01 -	H-18
CURTAIN & CUSHION	H-19 -	I-07
DINETTE	I-08 -	I-10
DRIVERS COMPARTMENT	I-11 -	I-15
ELECTRICAL	I-16 -	I-22
EXTERIOR BODY	I-23 -	J-09
GALLEY	J-10 -	J-17
GENERATOR	J-18 -	J-19
HEATING & A/C	J-20 -	J-22
INTERIOR FINISH	J-23 -	K-02
LABEL	K-03 -	K-11
LP		K-12
LOUNGE	K-13 -	K-14
SEALANTS & FASTENERS	K-15 -	K-16
WATER & SEWAGE	K-19 -	K-24
WINDOW, VENT AND		
EXTERIOR DOOR	L-01 -	L-20
WINDSHIELD & W/PER	L-21 -	L-24

# ELECTRICAL GROUP (CONTINUED)

## EXTERIOR LIGHTS



KEY	PART NUMBER	U/M DESCRIPTION
1	049185-02-000	EA HEADLAMP CAPSULE-DRIVER, HIGH/LOW BEAM - W/BLACK TRIM RING
1	049185-02-000	EA HEADLAMP CAPSULE-DRIVER, HIGH BEAM - W/BLACK TRIM RING
	060000-02-000	EA HOUSING-HEADLAMP WIRING, HIGH BEAM
	063749-01-000	EA HOUSING-HEADLAMP WIRING, LOW BEAM
	096674-01-000	EA NUT-HEADLAMP, BLACK
	074048-01-000	EA INSERT-KNURLED, BRASS - #8 - 32 (FOR HEADLAMP SCREWS)
	007157-05-000	EA NUT-WELL, HEADLIGHT BEZEL
	110750-01-000	EA SCREW ASM-HEADLAMP ADJUSTING
		FROM: 01-22-93 THRU 99-99-99
2	106688-02-000	EA LIGHT ASM-TURN, AMBER - TRIPLEX 146-W
	037934-01-000	EA BULB-12V, #1156 - 2.1AMP - CLEAR GLASS - BACK UP & TURN SIGNAL
	076345-02-000	EA SOCKET-PARK TURN LAMP
3	107749-01-000	EA LIGHT ASM-CAB MARKER, AMBER - KD 509-0-1
	036196-01-000	EA BULB-12V, #194 - 27AMP - BAYONETTE
4	069962-01-000	EA LIGHT-SIDEMARKER, AMBER LENS & BASE - W/O BULB
	036196-01-000	EA BULB-12V, #194 - 27AMP - BAYONETTE
	067759-02-000	EA SOCKET-SIDEMARKER
5	097917-01-04A	EA LIGHT-PORCH, ENTRY DOOR - BUFF
	009215-01-000	EA BULB-12V, #1033 - 3AMP
	097917-01-700	EA LENS-LIGHT, PORCH
6	106688-04-000	EA LIGHT ASM-AUXILIARY, CLEAR - TRIPLEX 147W
	037934-01-000	EA BULB-12V, #1156 - 2.1AMP - CLEAR GLASS - BACK UP & TURN SIGNAL
	106687-01-000	EA SOCKET ASM-LIGHT, 3-WIRE - TRIPLEX 375X
7	060092-02-000	EA LAMP-SIDE MARKER, RED - TRIPLEX 403-2
	069962-03-000	EA GASKET-MARKER LIGHT - TRIPLEX 403-2
	036196-01-000	EA BULB-12V, #194 - 27AMP - BAYONETTE
	067759-02-000	EA SOCKET-SIDEMARKER
8	106688-05-000	EA LIGHT ASM-STOP/TURN, RED - TRIPLEX 141-W
	037935-01-000	EA BULB-12V, #1157 OR #2057 - 2.1AMP - CLEAR GLASS - BRAKE LIGHT
	106687-01-000	EA SOCKET ASM-LIGHT, 3-WIRE - TRIPLEX 375X
9	106688-01-000	EA LIGHT ASM-BACKUP, WHITE - TRIPLEX 147-DW
	037934-01-000	EA BULB-12V, #1156 - 2.1AMP - CLEAR GLASS - BACK UP & TURN SIGNAL
	076345-02-000	EA SOCKET-PARK TURN LAMP
	107256-01-01A	EA COVER-INSIDE SHIELD, BEHIND 4 TAIL LIGHTS ON EACH SIDE - BUFF PLASTIC
		FROM: 03-02-00 THRU 04-04-93
	107256-01-03A	EA COVER-INSIDE SHIELD, BEHIND 4 TAIL LIGHTS ON EACH SIDE - BUFF PLASTIC
		FROM: 04-05-93 THRU 99-99-99
10	097201-01-000	EA LIGHT-HALF ROUND, 1" X 1 7/8" - PLASTIC - BLACK
11	107749-02-000	EA LIGHT ASM-CAB MARKER, RED - KD 509-0-6
	036196-01-000	EA BULB-12V, #194 - 27AMP - BAYONETTE
12	049185-02-000	EA HEADLAMP CAPSULE-PASS, HIGH/LOW BEAM - W/BLACK TRIM RING
12	049187-02-000	EA HEADLAMP CAPSULE-PASS, HIGH BEAM - W/BLACK TRIM RING
	060000-02-000	EA HOUSING-HEADLAMP WIRING, HIGH BEAM
	063749-01-000	EA HOUSING-HEADLAMP WIRING, LOW BEAM
	096674-01-000	EA NUT-HEADLAMP, BLACK
	074048-01-000	EA INSERT-KNURLED, BRASS - #8 - 32 (FOR HEADLAMP SCREWS)
	110750-01-000	EA SCREW ASM-HEADLAMP ADJUSTING
		FROM: 01-22-93 THRU 99-99-99
	007157-05-000	EA NUT-WELL, HEADLIGHT BEZEL
	098747-03-000	EA LAMP-FOG, CLEAR LENS - PER LUX 550 SERIES
	098747-03-700	EA COVER-LIGHT, FOG - PER LUX 050-005835
	098747-03-701	EA BEZEL-LIGHT, FOG - PER LUX 050-005001
13	110177-01-000	EA LENS-REFLECTOR, RED - TRIPLEX 403-R
13	110177-02-000	EA GASKET-LENS, REFLECTOR - TRIPLEX 402-22

## 1993 WINNEBAGO TABLE OF CONTENTS

INTRODUCTION	A-01	A-02
ABBREVIATIONS		A-03
ALPHABETICAL INDEX	A-04 -	A-06
WCM33RW	A-07 -	G-05
WCM33RQ	G-09 -	L-24

## 1993 WCM33RQ INDEX

FLOOR PLAN	G-09 -	G-10
ACCESSORIES		G-11
AUDIO/VIDEO	G-12 -	G-15
BATH	G-16 -	G-20
BEDROOM	G-21 -	G-24
CHASSIS	H-01 -	H-16
CURTAIN & CUSHION	H-19 -	I-07
DINETTE	I-08 -	I-10
DRIVERS COMPARTMENT	I-11 -	I-13
ELECTRICAL	I-15 -	I-22
EXTERIOR BODY	I-23 -	J-03
GALLEY	J-10 -	J-17
GENERATOR	J-18 -	J-19
HEATING & A/C	J-20 -	J-22
INTERIOR FINISH	J-23 -	K-02
LABEL	K-03 -	K-11
LP		K-12
LOUNGE	K-13 -	K-14
SEALANTS & FASTENERS	K-15 -	K-16
WATER & SEWAGE	K-19 -	K-24
WINDOW, VENT AND		
EXTERIOR DOOR	L-01 -	L-20
WINDSHIELD & WIPER	L-21 -	L-24

**ELECTRICAL GROUP (CONTINUED)**

**SWITCHES**

KEY	PART NUMBER	U/M DESCRIPTION
	109294-01-01A	EA SWITCH PANEL ASM-VENT FAN - JRV J8346BR BRASS
	079364-01-000	EA SWITCH-ON OFF ROCKER, 2 PRONGS - BROWN
	079364-03-000	EA SWITCH-ON OFF ROCKER, 3 PRONGS - BROWN
	094069-01-01A	EA PLATE-SWITCH, SINGLE GANG - 1 8" X 3" - PLASTIC - BLACK
	095168-01-01A	EA SPACER-SWITCH, 2 3" X 3 4" - PLASTIC - DARK BROWN
	095168-03-01A	EA SPACER-SWITCH, 2 3" X 4 1" - PLASTIC - DARK BROWN
	096241-03-000	EA SWITCH-BLANK
	096241-07-000	EA SWITCH-ROCKER DPDT - ON ON - BLACK
		FROM 09-09-99 THRU 06-14-92
	098351-01-01A	EA PLATE-SWITCH, 1 GANG - POLISHED BRASS
	098351-03-01A	EA PLATE-SWITCH, 2 GANG - POLISHED BRASS
	098351-05-01A	EA PLATE-SWITCH, 3 GANG - POLISH BRASS - JENSEN
	099352-01-01A	EA PLATE-SWITCH, 2 GANG - 2 4" X 4 7" - ALUMINUM - BLACK
	099352-01-02A	EA PLATE-SWITCH, 2 GANG - 2 4" X 4 1" - ALUMINUM - W/ILL
	099352-02-01A	EA PLATE-SWITCH, 2 GANG - 2 4" X 4 1" - W/WELD STUD - ALUMINUM - BLACK
	099351-04-01A	EA PLATE-SWITCH, GENERATOR DOOR LOCK - POLISH BRASS - JENSEN
		FROM 03-03-99 THRU 12-13-92
	098351-01-01A	EA PLATE-SWITCH, GENERATOR - JENSEN-BRASS POLISH
		FROM 12-14-92 THRU 99-99-99
	103473-05-01A	EA PLATE-SWITCH LOCK - SINGLE - BLACK (DOOR LOCKS)
		FROM 03-03-99 THRU 04-18-99
	103473-03-01A	EA PLATE-SWITCH LOCK - SINGLE - BLACK (DOOR LOCKS)
		FROM 04-19-99 THRU 99-99-99
	109356-03-01A	EA COVER-SWITCH W GROOVES & LENS, CARLING VV0G003
		FROM 12-14-92 THRU 99-99-99
	109356-05-01A	EA COVER-GENERATOR SET SWITCH W GROOVES & LENS, CARLING VV1G0XX-XW5
		FROM 12-14-92 THRU 99-99-99
	106071-01-000	EA SWITCH-AUTOMATIC TRANSFER, MAGNETEK ATS 50
	106071-02-000	EA SWITCH-AUTOMATIC TRANSFER, MAGNETEK ATS100
	106355-01-000	EA HOUSING-SWITCH, ARLING V0H
	106356-01-01A	EA COVER-SWITCH W GROOVES, CARLING VV0Z000 BLA
	106357-01-000	EA SWITCH-ROCKER, SPST ON OFF - CARLING VV01000B-0
	106357-03-000	EA SWITCH-ROCKER, SPDT ON OFF, ON - CARLING VV01000B-0
	106357-04-000	EA SWITCH-ROCKER, SPDT ON OFF, MOM - CARLING VV01000B-0
	106357-05-000	EA SWITCH-ROCKER, SPDT ON NONE, ON - CARLING VV01000B-0
	106357-06-000	EA SWITCH-ROCKER, DPDT MOM OFF, MOM - CARLING VV01000B-0
	106357-07-000	EA SWITCH-ROCKER, SPDT MOM OFF, MOM - CARLING VV01000B-0
	106357-08-000	EA SWITCH-ROCKER, DPDT ON, NONE ON - CARLING VV01000B-0
		FROM 06-15-92 THRU 99-99-99
	106357-10-000	EA SWITCH-ROCKER, SPDT MOM OFF, MOM - CARLING VV01160B-0
		LIGHTED
		FROM 12-14-92 THRU 99-99-99

**RECEPTACLES**

KEY	PART NUMBER	U/M DESCRIPTION
	058707-01-000	EA RECEPTACLE-ELECTRIC, SINGLE - BROWN
	058707-02-000	EA RECEPTACLE-ELECTRIC, BLANK - JUNCTION
	058708-01-000	EA RECEPTACLE-ELECTRIC, DOUBLE - BROWN
	058708-02-000	EA RECEPTACLE-ELECTRIC, DOUBLE - IVORY
		FROM 09-09-99 THRU 10-02-92
	091927-01-000	EA COVER-RECEPTACLE, DOUBLE - IVORY
	097734-01-03A	EA EXTENSION-RECEPTACLE, 3 2" X 5" X 7" - PLASTIC - BROWN
	102558-01-B10	EA SPACER-RECEPTACLE, BETWEEN SIDEWALL & PLATE - WOOD
	084076-01-000	EA RECEPTACLE-GFI, 15A - 125V - IVORY
	084076-02-000	EA RECEPTACLE-GFI, 15A - 125V - BROWN
	084077-02-000	EA PLATE-COVER, RECEPTACLE - GFI - BROWN
		FROM 03-17-92 THRU 99-99-99
	090961-01-000	EA RECEPTACLE-DUPLEX, 125V - LEVITON 5525-I
	090964-01-000	EA RECEPTACLE COVER-EXTERIOR

**ELECTRICAL GROUP (CONTINUED)**

**FUSES**

KEY	PART NUMBER	U/M DESCRIPTION
	062035-01-000	EA FUSE-AUTOMOTIVE, 12V - 15AMP
	062037-01-000	EA HOUSING-AUTO FUSE, NATURAL
	062037-02-000	EA HOUSING-AUTO FUSE, GREEN
	062037-03-000	EA HOUSING-AUTO FUSE, BLACK
	062037-04-000	EA HOUSING-AUTO FUSE, BLUE
	062037-05-000	EA HOUSING-AUTO FUSE, GRAY
	062037-06-000	EA HOUSING-AUTO FUSE, BROWN
	062931-02-000	EA FUSE, 5 AMPS, AUTOMOTIVE
	062931-04-000	EA FUSE, 10 AMPS, AUTOMOTIVE
	062931-07-000	EA FUSE-AUTOMOTIVE 25 AMPS
		FROM 09-09-99 THRU 04-28-92
	063005-01-000	EA WIRE-FUSE BLOCK
	100341-01-000	EA FUSE HOLDER-IN LINE TYPE, WESCO 8931-92020
	106655-01-000	EA TERMINAL-FUSE BLOCK, 14-18AWG, PACKARD 12020J21
		FROM 06-03-93 THRU 03-09-99
	106669-01-000	EA HOUSING-AUTOFUSE HOLDER, PACKARD 12010105
		FROM 06-03-93 THRU 99-99-99

**POWER CORDS & ELECTRIC BOXES**

KEY	PART NUMBER	U/M DESCRIPTION
	006052-01-000	EA CORD-POWER, 10 3 - 30 AMP - 25' - CANADIAN
	006054-01-000	EA CORD-POWER, 10 3 - 30 AMP - 25'
	103234-01-000	EA CORD-POWER, 50A - 4-WIRE - 30FT - WESCO K3536
	006289-01-000	EA BOX-PLASTIC ELECTRICAL, 3" X 3 1 2"
	006289-03-000	EA BOX-ELECTRIC, PLASTIC - 3 9 4" X 3 1 3" X 1 3 8"
		FROM 09-09-99 THRU 10-05-92
	006289-01-000	EA BOX-ELECTRIC, STEEL - 1 2" AND 3 4" KNOCKOUTS - 4" X 4"
	006289-02-000	EA BOX-ELECTRIC, STEEL - 1 2" AND 3 4" KNOCKOUTS - CANADIAN
	006249-01-000	EA BOX-ELECTRIC SWITCH, 2" X 3" X 2 2 5"
	074500-01-000	EA BOX-EXTENSION, STEEL - OPEN SIDES - 4" X 4" X 1 1 2"
	091213-01-000	EA BOX-BREAKER-CIRCUIT, W/KNOCKOUTS - 5 3 4" X 11 5 8" X 2 5"
		FROM 09-09-99 THRU 09-10-92
	091210-01-000	EA BOX-ELECTRIC, 3 7 8" X 3 5" X 1 7 8" - PLASTIC
	092257-01-000	EA BOX-ELECTRIC, CIRCUIT BREAKER
		FROM 09-09-99 THRU 09-27-92
	104577-01-000	EA BOX-ELECTRIC, CIRCUIT BREAKER - BRYANT 2-4-50FLG
		FROM 09-09-99 THRU 09-27-92
	074297-01-000	EA COVER-ELECTRIC BOX, 1 LARGE & 2 SMALL HOLES - 4" X 4"
	006294-01-000	EA COVER-ELECTRIC BOX, BLANK STEEL - 4" X 4" - GRAY
	006294-02-000	EA COVER-ELECTRIC BOX, BLANK STEEL - 4" X 4" - CANADIAN
	103751-02-000	EA PLATE ASM-ELECTRICAL ACCESS
	103756-02-000	EA DOOR-ELECTRICAL BOX
	103863-01-000	EA BOX-ELECTRICAL, FRONT
	092492-05-000	EA SEAL-ELECTRICAL BOX, ALFA III (195X267)
	103873-01-000	EA SEAL-ELECTRICAL BOX BULKHEAD, ALFA III(215X215)

**CONVERTERS, INVERTER & LOAD CENTERS**

KEY	PART NUMBER	U/M DESCRIPTION
	099048-01-000	EA INVERTER, 100 WATT
	108915-01-000	EA LOAD CENTER, 120VAC, 125A - WESTINGHOUSE SB160G
	067762-01-000	EA CONVERTER, 40 AMP, W/CHARGER - TRIAD TU-740-2
		FROM 09-09-99 THRU 08-09-92
	067762-02-000	EA CONVERTER, 40 AMP, W/CHARGER - TRIAD TU-840-2
		FROM 09-09-99 THRU 03-03-92
	103171-01-000	EA CONVERTER, 40 AMP ELECTRONIC - MAGNETEK 7240X
		FROM 06-10-92 THRU 99-99-99
	106677-01-000	EA LOAD CENTER, 120V, 40A - WESCO TT120FLGNV
		FROM 09-14-92 THRU 99-99-99

**1993 WINNEBAGO TABLE OF CONTENTS**

INTRODUCTION	A-01 -	A-02
ABBREVIATIONS		A-03
ALPHABETICAL INDEX	A-04 -	A-05
WCM33RW	A-07 -	G-08
WCM33RD	G-09 -	L-24

**1993 WCM33RQ INDEX**

FLOOR PLAN	G-09 -	G-10
ACCESSORIES		G-11
AUDIO VIDEO	G-12 -	G-15
BATH	G-16 -	G-20
BEDROOM	G-21 -	G-24
CHASSIS	H-01 -	H-15
CURTAIN & CUSHION	H-19 -	H-27
DISETTE	I-03 -	I-10
DRIVERS COMPARTMENT	I-11 -	I-15
ELECTRICAL	I-16 -	I-22
EXTERIOR BODY	I-23 -	J-09
GALLEY	J-10 -	J-17
GENERATOR	J-18 -	J-19
HEATING & A/C	J-20 -	J-22
INTERIOR FINISH	J-23 -	K-02
LABEL	K-03 -	K-11
LP		K-12
LOUNGE	K-13 -	K-14
SEALANTS & FASTENERS	K-15 -	K-18
WATER & SEWAGE	K-19 -	K-24
WINDOW, VENT AND		
EXTERIOR DOOR	L-01 -	L-20
WINDSHIELD & W/PER	L-21 -	L-24



**ELECTRICAL GROUP (CONTINUED)**

**CONNECTORS & CONDUIT**

KEY	PART NUMBER	U/M	DESCRIPTION
	007943-01-000	EA	RECEPTACLE-SLIDE, 16 TO 12 AWG - FEMALE END
	007954-01-000	EA	RECEPTACLE HOUSING, 6 POSITION
	008311-01-000	EA	CONNECTOR-WIRE NUT, INSULATED - RED
	008312-01-000	EA	CONNECTOR-WIRE NUT, INSULATED - BLUE
	008326-01-000	EA	TERMINAL-RING, 16/14 WIRE - 3/8" STUD
	008328-01-000	EA	TERMINAL-RING, 12/10 WIRE - #10 STUD FIT
	008331-01-000	EA	TERMINAL-RING TONGUE - #4 WIRE - 3/8" STUD - COPPER
	008346-01-000	EA	TERMINAL-RING, 3/8" STUD - #2 WIRE CONNECTS CABLE TO DISCONNECT RELAY AND BATTERY
	008355-01-000	EA	CONNECTOR-CABLE CLAMPING, 3/4"
	008356-01-000	EA	CONNECTOR-PLASTIC, 3/8" AVG
	008416-02-000	EA	TERMINAL-RING #10 STUD FIT, INSULATED BARREL #10/14
	041953-01-000	EA	CONNECTOR-STRAIGHT, 1/2" FLEX CONDUIT
	041953-01-000	FT	CONDUIT-CONVOLUTE SLIT, 5/8" ID
	041953-03-000	FT	CONDUIT-CONVOLUTE, SLIT - 1" ID (CLOTHES ROD COVER)
	041953-05-000	FT	CONDUIT-CONVOLUTE, SOLID - 5/8" ID
	041953-08-000	FT	CONDUIT-CONVOLUTE, SLIT - 3/8" ID
	041953-10-000	FT	CONDUIT-CONVOLUTE, SLIT - 3/8" ID
	041953-13-000	FT	CONDUIT-CONVOLUTE, SLIT - 1/2" ID
	041953-15-000	FT	CONDUIT-CONVOLUTE, SLIT - 5/8" ID
	041953-17-000	FT	CONDUIT-CONVOLUTE, SLIT - 7/8" ID
	041953-19-000	FT	CONDUIT-CONVOLUTE, SLIT - 1 1/8" ID
	047443-01-000	EA	TERMINAL-250 RECEP FIT, INSULATED - 16/14 AWG
	047443-03-000	EA	TERMINAL-250 RECEP FIT, INSULATED - 12/10 AWG
	066728-01-000	EA	CONNECTOR-ELECTRICAL RIGTAIL, NYLON - CLEAR
	062035-01-000	EA	TERMINAL-PACK-CON, 12/10 AWG
	062035-02-000	EA	TERMINAL-PACK-CON, 16/14 AWG
	074017-02-000	EA	HOUSING 6 POSITION, RIGHT ANGLED
	077479-01-000	EA	BOOT-BATTERY TERMINAL, DOUBLE CABLE
	077479-02-000	EA	BOOT-BATTERY TERMINAL, SINGLE CABLE
	080015-02-000	EA	RECEPTACLE-FLAG, 155 - 16/14 GA - AMP 3
	080015-03-000	EA	RECEPTACLE-FLAG, 155 - 14/16 GA
	082109-01-000	EA	HOUSING CONNECTOR, PACKARD
	081741-01-000	EA	CONNECTOR BODY, 2 CNDCT MALE
	081749-01-000	EA	BAR-BUSS, 2 POSITION, 6" X 1/2" - ALUMINUM
	081749-02-000	EA	BAR-BUSS, 3 POSITION
	081749-03-000	EA	BAR-BUSS, 4 POSITION
	088473-01-000	EA	HOUSING PIN, 12 CAVITY - AMP 1-450703-0
	088473-02-000	EA	HOUSING PIN, 15 CAVITY - AMP 1-450710-0
	088473-03-000	EA	HOUSING PIN, 9 CAVITY - AMP 1-450706-0
	088473-05-000	EA	HOUSING PIN, 6 CAVITY - AMP 1-450555-1
	088473-06-000	EA	HOUSING PIN, 6 CAVITY - AMP 1-450734-0
	088473-07-000	EA	HOUSING PIN, 5 CAVITY - AMP 1-450763-0
	088473-08-000	EA	HOUSING PIN, 4 CAVITY - AMP 1-450702-0
	088473-09-000	EA	HOUSING PIN, 3 CAVITY - AMP 1-450700-0
	088473-10-000	EA	HOUSING PIN, 2 CAVITY - AMP 1-450699-0
	088474-01-000	EA	HOUSING SOCKET, 12 CAVITY - AMP 1-450709-0
	088474-02-000	EA	HOUSING SOCKET, 12 CAVITY - AMP 1-450711-0
	088474-03-000	EA	HOUSING SOCKET, 9 CAVITY - AMP 1-450707-0
	088474-04-000	EA	HOUSING SOCKET, 6 CAVITY - AMP 1-450708-0
	088474-05-000	EA	HOUSING SOCKET, 5 CAVITY - AMP 1-450764-0
	088474-06-000	EA	HOUSING SOCKET, 4 CAVITY - AMP 1-450705-0
	088474-08-000	EA	HOUSING SOCKET, 3 CAVITY - AMP 1-450701-0
	088474-10-000	EA	HOUSING SOCKET, 2 CAVITY - AMP 1-450698-0
	088475-01-000	EA	PIN-CONNECTOR, 14 TO 20 AWG
	088475-02-000	EA	PIN-CONNECTOR, 10 TO 13 AWG
	088476-01-000	EA	SOCKET-CONNECTOR, BRASS - PRE-TIN
	088476-02-000	EA	SOCKET-CONNECTOR, 12-10 GA - PHOS BRZ - PRE-TIN
	092765-02-000	EA	BAR-BUSS, 3/8" LONG
	092765-03-000	EA	BAR-BUSS, 6/8" LONG
	092820-01-000	EA	TERMINAL-MALE, 55 SERIES

**ELECTRICAL GROUP (CONTINUED)**

**CONNECTORS & CONDUIT (CONTINUED)**

KEY	PART NUMBER	U/M	DESCRIPTION
	092261-02-000	EA	SOCKET-CONNECTOR, WEATHERPACK PACKARD 12124550
	092262-01-000	EA	SEAL-CONNECTOR, WEATHER PACK PACKARD 12016293
	092264-01-000	EA	HOUSING, 2 PIN, WEATHER PACK PACKARD 12015722
	092264-02-000	EA	HOUSING, 2 PIN, WEATHER PACK PACKARD-12016973
	092265-02-000	EA	PIN-CONNECTOR, WEATHER PACK PACKARD-12039315
	100693-01-000	EA	HOUSING, 5 PIN, WEATHER PACK
	101571-01-000	EA	HOUSING, 2 POSITION, MALE
	101751-01-000	EA	HOUSING, 1 PIN, WEATHER PACK
	101751-02-000	EA	HOUSING, 1 PIN, WEATHER PACK
	102777-02-000	EA	TERMINAL-RING #8 STUD, 10 AWG
	103628-01-000	EA	SOCKET-WEDGE BASE, L LEADS
	104100-01-000	EA	HOUSING, 1 POSITION, 75 AMP - AMP 53554-1
	104100-03-000	EA	TERMINAL, 75 AMP - AMP 53553-4 LOOSE
	106006-01-000	EA	HOUSING, 1 POSITION, FEMALE - PACKARD 12015972
	106007-01-000	EA	TERMINAL, FEMALE - 14-16AWG - PACKARD 12015951-L
	106655-01-000	EA	TERMINAL-FUSE BLOCK, 14 - 16 AWG - PACKARD 12020321
	113306-01-000	EA	TERMINAL-FEMALE, METRI-PACK PACKARD 12045451
	113307-01-000	EA	TERMINAL-FEMALE, METRI-PACK PACKARD 12045074
	113428-01-000	EA	HOUSING 2 POSITION, FEMALE - 55-SERIES - PACKARD 02265951 USED ON WIPER WASHER WIRE ASM
	113535-01-000	EA	HOUSING, 6 POSITION, FEMALE - YAZAKI 7123-2262
	113535-02-000	EA	CONNECTOR-ELECTRIC ACTUATOR
	115556-01-000	EA	HOUSING, 3 POSITION, FEMALE - 59 SERIES
	115556-02-000	EA	HOUSING, 2 POSITION, FEMALE - 59 SERIES

**WIRE ASSEMBLIES**

KEY	PART NUMBER	U/M	DESCRIPTION
	090855-01-000	EA	WIRE ASM-ELECTRIC STEP
	097615-01-000	EA	WIRE ASM-MONITOR PANEL W 4 WIRES & BLACK RESISTOR - LVS
	103491-02-000	EA	WIRE ASM-CIRCUIT BREAKER, POWER
	107303-01-000	EA	WIRE ASM-INSTRUMENT PANEL, MAIN (CHEVY)
	107304-01-000	EA	WIRE ASM-INSTRUMENT PANEL, MAIN (FORD)
	107308-01-000	EA	WIRE ASM-INSTRUMENT PANEL, DOCKING LAMPS
	108029-01-000	EA	WIRE ASM-POWER DRIVER SEAT
	107599-01-000	EA	WIRE ASM-IP, AIR HORN
	105030-01-000	EA	WIRE ASM-FOG LAMP & AIR HORN
	105030-01-000	EA	WIRE ASM-REAR AUTO HEATER
	108904-01-000	EA	WIRE ASM-IP, AUX FANS
	105254-01-000	EA	BULB-LIGHT COURTESY - ITC 81595-B

**FLASHER, SOLENOID, DIODE & RELAYS**

KEY	PART NUMBER	U/M	DESCRIPTION
	007093-01-000	EA	FLASHER-SIGNAL STAT
	005158-01-000	EA	SOLENOID-3 POST BATTERY CHANGE OVER
	063910-01-000	EA	HOUSING-RELAY, BOSCH 3 354 485 035
	063912-02-000	EA	RELAY-CANISTER, SPDT - BOSCH 0332204101
	066273-01-000	EA	RELAY-BATTERY DISCONNECT
	103608-01-000	EA	SOCKET-WEDGE BASE W/LEADS - JKL 2344-6 OR EQUIV
	103697-01-000	EA	SEAL-SOLENOID ACCESS

**BATTERY CABLE, BOOT & STUD**

KEY	PART NUMBER	U/M	DESCRIPTION
	088751-01-000	FT	CABLE-BATTERY, 10 AWG, STRANDED, RED
	073333-B4-000	EA	CABLE ASSEMBLY-BATTERY, W/TERMINALS
	077479-01-000	EA	BOOT-BATTERY TERMINAL, DOUBLE CABLE
	077479-02-000	EA	BOOT-BATTERY TERMINAL, SINGLE CABLE
	088751-01-000	FT	CABLE-BATTERY, 10 AWG, STRANDED, RED
	088233-01-000	EA	STUD-ISOLATED, 3/8" X 7/8" LONG

**1993 WINNEBAGO  
TABLE OF CONTENTS**

INTRODUCTION	A-01 -	A-02
ABBREVIATIONS		A-03
ALPHABETICAL INDEX	A-04 -	A-06
WCM33RW	A-07 -	G-08
WCM33RO	G-09 -	L-24

**1993 WCM33RQ INDEX**

FLOOR PLAN	G-09 -	G-10
ACCESSORIES		G-11
AUDIO VIDEO	G-12 -	G-15
BATH	G-16 -	G-20
BEDROOM	G-21 -	G-24
CHASSIS	H-01 -	H-18
CURTAIN & CUSHION	H-19 -	I-07
DINETTE	I-08 -	I-10
DRIVERS COMPARTMENT	I-11 -	I-15
ELECTRICAL	I-16 -	I-22
EXTERIOR BODY	I-23 -	J-09
GALLEY	J-10 -	J-17
GENERATOR	J-18 -	J-19
HEATING & A/C	J-20 -	J-22
INTERIOR FINISH	J-23 -	K-02
LABEL	K-03 -	K-11
LP		K-12
LOUNGE	K-13 -	K-14
SEALANTS & FASTENERS	K-15 -	K-16
WATER & SEWAGE	K-19 -	K-24
WINDOW, VENT AND		
EXTERIOR DOOR	L-01 -	L-20
WINDSHIELD & WIPER	L-21 -	L-24

## EXTERIOR BODY GROUP

### AIR HORNS

KEY PART NUMBER	U/M DESCRIPTION
077497-02-000	EA HOSE-AUXILIARY AIR HORN, MIDLAND 891D INCLUDES 55' COILED HOSE, AIR CHUCK, NEEDLE, NOZZLE & CARRIER
077497-03-000	EA FITTING KIT-HOSE, AUXILIARY AIR HORN, PRESSURE GAUGE & HOSE FITTINGS
077497-01-710	EA GAUGE-PRESSURE, AIR HORN
077497-06-000	EA COMPRESSOR TANK SOLENOID KIT, HADLEY BASEB
077497-01-700	EA SOLENOID-AIR TANK, HADLEY 748NS
077497-01-703	EA TANK-AIR, HADLEY 751-N
077497-01-704	EA COMPRESSOR W SWITCH, HADLEY 852EC
077497-01-705	EA VALVE & HEAD REPAIR, HADLEY H0062HY
077497-01-707	EA BELT & SCREW COVER FOR COMPRESSOR, HADLEY H0063BR
077497-01-708	EA FILTER & MOUNTING HARDWARE FOR COMPRESSOR, HADLEY H0063FM
077497-01-709	EA PLUNGER & SPRING FOR SOLENOID, HADLEY H13221S
077497-08-000	EA HORN KIT-AIR, BLACK - TWIN SHORTY - HADLEY H00640S
077497-01-701	EA SWITCH-COMPRESSOR, HADLEY 13240-S
077497-01-702	EA SWITCH-TOGGLE, W/WIRE - HADLEY 12948-S
081404-01-000	EA BRACKET-MOUNTING, COMPRESSOR - L SHAPED - 4" X 7 1/2" - ST
108114-01-000	EA BRACKET-TANK, AIR
	FROM 00-00-00 THRU 01-11-93
108113-01-000	EA BRACKET-HORN, AIR (CHEVY)
108400-01-000	EA BRACKET-HORN, AIR (FORD)

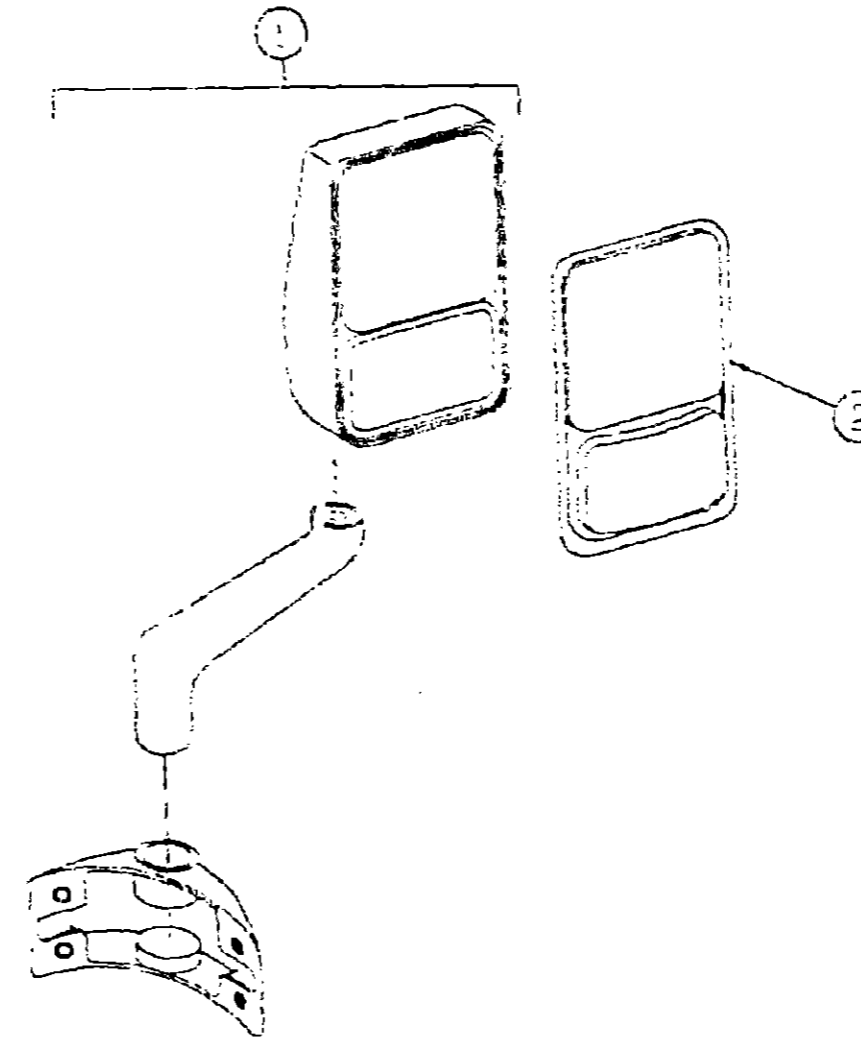
### SQUEEGEE & BUMPER

KEY PART NUMBER	U/M DESCRIPTION
089726-02-000	EA BUMPER, 83" DIAMETER X 40", BLACK
091852-02-000	EA CLIP-GRIPPER, 3/4"
091855-03-000	EA SQUEEGEE-EXTEND HANDLE
091855-01-700	EA HEAD-SQUEEGEE
091855-01-701	EA HANDLE-SQUEEGEE, EXTENDS FROM 24" TO 40"
110429-03-01A	EA BRACKET ASM-SQUEEGEE, PAINTED
110429-01-01A	EA BRACKET-SQUEEGEE, UNPAINTED

### FIBERGLASS, STYROFOAM & STEEL CHANNEL

KEY PART NUMBER	U/M DESCRIPTION
044467-01-001	EA SHEET-ALUMINUM, 119" X 96" X .003" - MILL FINISHED
044467-01-002	EA SHEET-ALUMINUM, 119" X 96" X .003" - MILL FINISHED
108335-02-700	SF SHEET-FIBERGLASS, FLAT - 104" X 345" - BUFF
083574-01-000	SF STYROFOAM, DOW TYPE SM - 1 1/2" X 24" X 90 1/2" - INC OF 15 SF
083574-03-000	SF STYROFOAM, 3/4" X 48" X 96"
083574-05-000	SF STYROFOAM, 2" X 48" X 96"
000870-03-000	SF STYROFOAM, 1 3/4" X 48" X 96" - INCREMENTS OF 32 SF
108077-03-000	EA FOAM-PLUG, SIDEWALL TUBE
107255-01-000	EA FOAM-COVE, ROOF - DOWBED - OUTER SECTION
107255-02-000	EA FOAM-COVE, ROOF - ANGLED - MIDDLE SECTION
107255-03-000	EA FOAM-COVE, ROOF - TRIANGLE - INNER SECTION
077517-03-000	EA SHEET-FIBERGLASS, 1219 X 2435MM - BUFF
076054-06-000	EA SHEET-FIBERGLASS, 2016 X 9785MM - BUFF
	FROM 00-00-00 THRU 05-30-92
109250-05-01A	EA SHEET-FIBERGLASS, 2016 X 9785MM - BUFF
	FROM 08-31-92 THRU 02-25-93
076054-016-000	EA SHEET-FIBERGLASS, 2016 X 9785MM - BUFF
	FROM 03-01-93 THRU 03-03-93
053287-01-000	FT CHANNEL-STEEL, W HOLES - SIDEWALL STIFFENER - 2" X 20"
002728-01-001	EA GARNISH-U-CHANNEL, 1 3/8" X 1 1/2" - SEPRATED - MILL ALUMINUM
002754-01-001	EA ANGLE-EXTRUDED, 75" X 75" X 18" - MILL ALUMINUM

## EXTERIOR BODY GROUP (CONTINUED)



### EXTERIOR MIRRORS

KEY PART NUMBER	U/M DESCRIPTION
1 108699-01-01A	EA MIRROR-EXTERIOR, ADJUSTABLE - PASS W ARM & MOUNT - VELVAC 713224-7
2 108015-01-703	EA KIT-EXTERIOR MIRROR, W BEZEL, FLAT & CONVEX GLASS - PASSENGER
1 108699-02-01A	EA MIRROR-EXTERIOR, ADJUSTABLE - DR W ARM & MOUNT - VELVAC 713225-7
2 108015-02-702	EA KIT-EXTERIOR MIRROR, W BEZEL, FLAT & CONVEX GLASS - DRIVER
1 108699-03-01A	EA MIRROR-EXTERIOR, REMOTE HEAT - PASS W ARM & MOUNT - VELVAC 713222-7
2 088261-01-704	EA KIT-EXTERIOR MIRROR, W BEZEL, FLAT & CONVEX GLASS - PASSENGER
1 108699-04-01A	EA MIRROR-EXTERIOR, REMOTE HEAT - DR W ARM & MOUNT - VELVAC 713223-7
2 088261-02-701	EA KIT-EXTERIOR MIRROR, W BEZEL, FLAT & CONVEX GLASS - DRIVER
087695-01-000	EA SWITCH-HEATER, EXTERIOR MIRROR
088246-01-000	EA SWITCH-REMOTE, EXT MIRROR - SQUARE PUSH - VELVAC 7471292
108825-01-000	EA GASKET-MIRROR, INDUSTRIAL PRODUCTS

## 1992 WINNEBAGO TABLE OF CONTENTS

INTRODUCTION	A-01 -	A-02
ABBREVIATIONS		A-03
ALPHABETICAL INDEX	A-04 -	A-06
WCM37RW	A-07 -	G-05
WCM33RQ	G-09 -	L-24

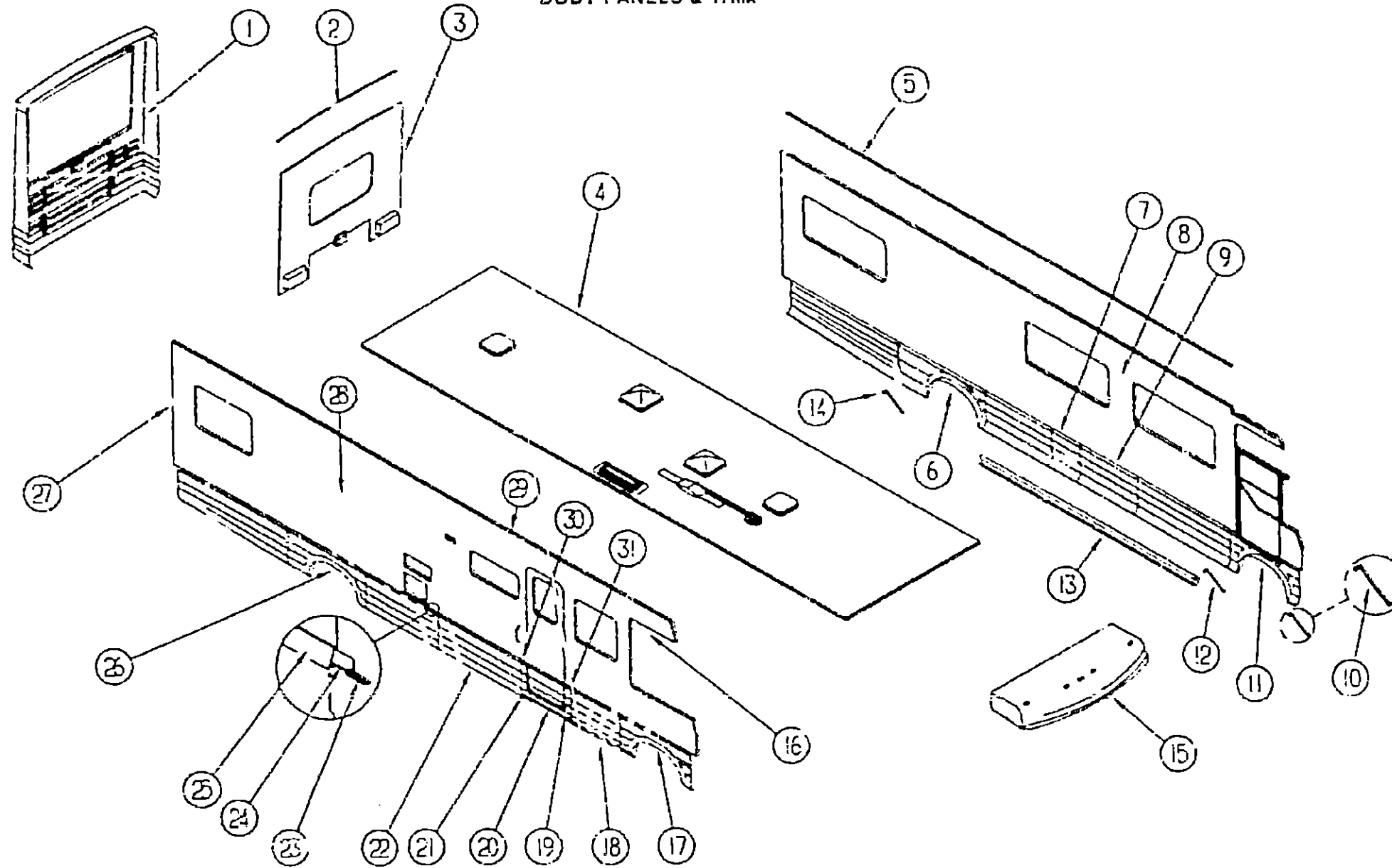
## 1993 WCM33RQ INDEX

FLOOR PLAN	G-09 -	G-10
ACCESSORIES		G-11
AUDIO VIDEO	G-12 -	C-15
BATH	G-16 -	G-20
BEDROOM	G-21 -	C-24
CHASSIS	H-01 -	H-18
CURTAIN & CUSHION	H-19 -	I-07
DINETTE	I-08 -	I-10
DRIVERS COMPARTMENT	I-11 -	I-15
ELECTRICAL	I-16 -	I-22
EXTERIOR BODY	I-23 -	J-09
GALLEY	J-10 -	J-17
GENERATOR	J-18 -	J-19
HEATING & A/C	J-20 -	J-22
INTERIOR FINISH	J-23 -	K-02
LABEL	K-03 -	K-11
LP		K-12
LOUNGE	K-13 -	K-14
SEALANTS & FASTENERS	K-15 -	K-16
WATER & SEWAGE	K-17 -	K-24
WINDOW VENT AND		
EXTERIOR DOOR	L-01 -	L-20
WINDSHIELD & WIPER	L-21 -	L-24



EXTERIOR BODY GROUP (CONTINUED)

BODY PANELS & TRIM



1993 WINNEBAGO  
TABLE OF CONTENTS

INTRODUCTION	A-01 -	A-02
ABBREVIATIONS		A-03
ALPHABETICAL INDEX	A-04 -	A-06
WCM37RW	A-07 -	G-03
WCM33RQ	G-09 -	L-24

1993 WCM33RQ INDEX

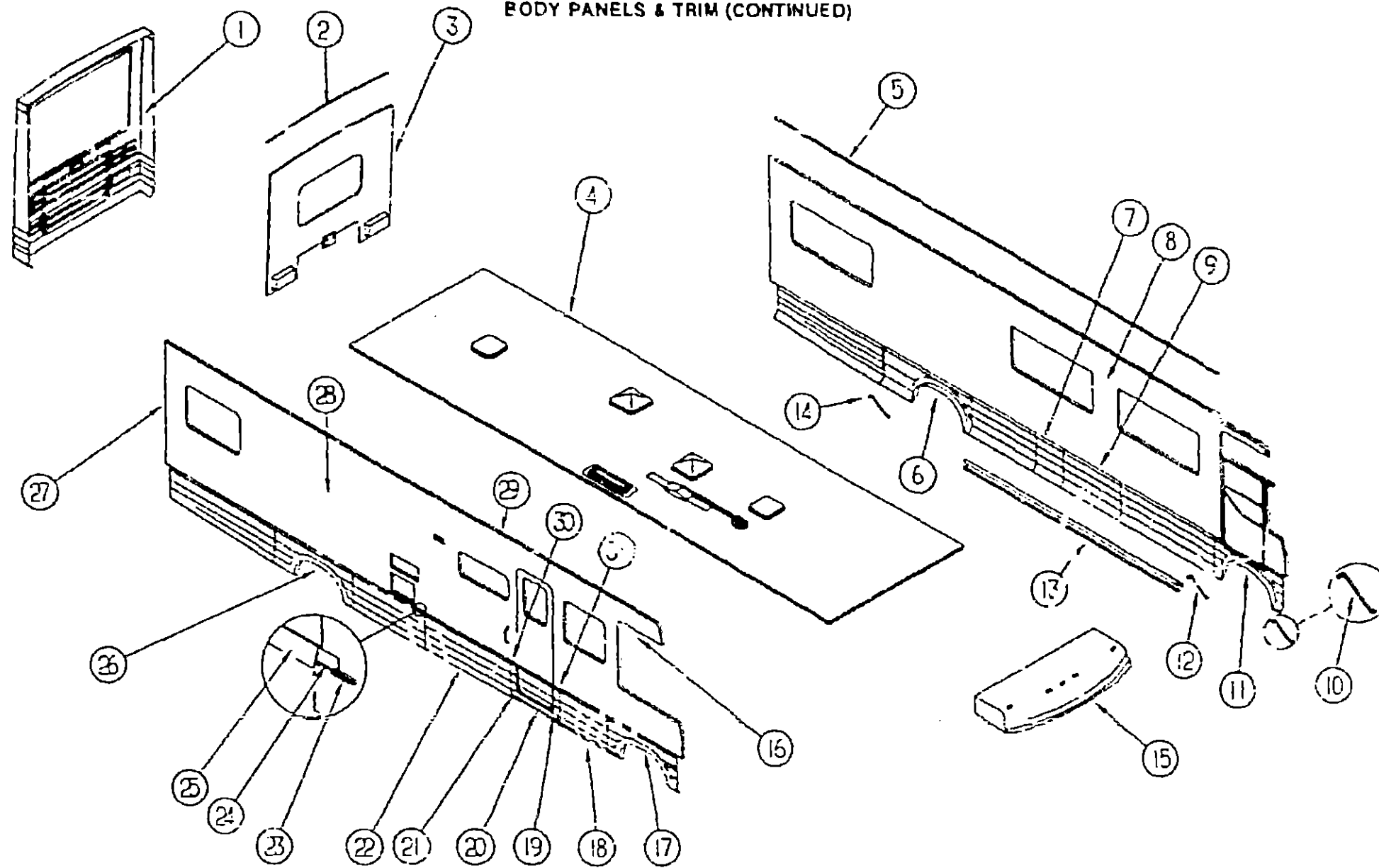
FLOOR PLAN	G-09 -	G-10
ACCESSORIES		C-11
AUDIO VIDEO	G-12 -	G-15
BATH	G-16 -	G-20
BEDROOM	G-21 -	G-24
CHASSIS	H-01 -	H-18
CURTAIN & CUSHION	H-19 -	I-07
DINETTE	I-08 -	I-10
DRIVERS COMPARTMENT	I-11 -	I-15
ELECTRICAL	I-16 -	I-22
EXTERIOR BODY	I-23 -	J-03
GALLEY	J-10 -	J-17
GENERATOR	J-18 -	J-19
HEATING & A/C	J-20 -	J-22
INTERIOR FINISH	J-23 -	K-02
LABEL	K-03 -	K-11
LP		K-12
LOUNGE	K-13 -	K-14
SEALANTS & FASTENERS	K-15 -	K-18
WATER & SEWAGE	K-19 -	K-24
WINDOW, VENT AND		
EXTERIOR DOOR	L-01 -	L-20
WINDSHIELD & WIPER	L-21 -	L-24

KEY	PART NUMBER	U/M DESCRIPTION
1	110355-01-01A	EA REAR CAP-FIBERGLASS, W/O LIGHTS (TWIN BED)
1	107266-02-01A	EA REAR CAP-FIBERGLASS, W/O LIGHTS (QUEEN BED)
2	083805-19-000	EA TRIM-CAP, REAR CAP TO ROOF - 2202MM LONG - BUFF
3	M05767-01-D18	EA BACKWALL, FOR EARLY COACH W/REAR DOOR
3	P07307-01-D18	EA BACKWALL FOR LATER COACH W/O REAR DOOR (QUEEN BED) FROM: 00-00-00 THRU: 10-18-92
3	P10166-01-D18	EA BACKWALL, FOR LATER COACH W/O REAR DOOR (TWIN BED) FROM: 10-19-92 THRU: 93-99-93
4	P07630-01-D18	EA ROOF
5	103801-01-04A	EA TRIM-ROOF TO SIDEWALL, W/DRAIN HOLES - 4877MM LONG - BUFF
5	103801-02-04A	EA TRIM-ROOF TO SIDEWALL, W/O DRAIN HOLES - 4877MM LONG - BUFF
6	M05864-03-D18	EA WHEEL LIP ASM-DRIVER SIDE, W/O LIGHTED WHEEL LIP
6	M05864-04-D18	EA WHEEL LIP ASM-DRIVER SIDE, FOR LIGHTED WHEEL LIP
	107895-01-000	EA HINGE ASM-DOUBLE PIVOT, W/SPRING & U-CHANNEL - 90 DEGREE
	105993-01-000	EA HINGE-DOUBLE PIVOT, SPRING - 90 DEGREE W/O U-CHANNEL

KEY	PART NUMBER	U/M DESCRIPTION
7	107551-01-D18	EA PANEL-VALANCE, FURNACE - BUFF
	092263-03-000	EA PANEL-EXHAUST, FURNACE - GALVANIZED STEEL
8	M05768-01-D18	EA SIDEWALL-DRIVER (QUEEN BED)
8	M05768-02-D18	EA SIDEWALL-DRIVER (TWIN BED)
9	109155-01-D18	EA PANEL-VALANCE, A/C
	107895-05-000	EA HINGE ASM-DOUBLE PIVOT, W/SPRING & U-CHANNEL - 90 DEGREE
	102378-01-02A	EA WASHER-BLACK
	102330-01-000	EA LATCH-SINGLE HOLE, VISE ACTION
	107221-01-01A	FT SEAL-ACCESS DOOR
10	107865-07-000	EA ROD-SUPPORT, W/BENT ENDS - VALANCE PANEL - 365MM LONG
11	107482-01-D18	EA PANEL ASM-WHEELWELL FRONT - DRIVER SIDE - ASH GRAY
	107225-01-000	EA BRACKET-VALANCE, FRONT WHEEL LIP TO BUMPER
12	107865-05-000	EA ROD-SUPPORT, STRAIGHT - VALANCE PANEL - 382.5MM LONG
13	109279-03-D18	EA PANEL-ROCKER
14	107865-05-000	EA ROD-SUPPORT, W/BENT ENDS - VALANCE PANEL - 231.5MM LONG

EXTERIOR BODY GROUP (CONTINUED)

BODY PANELS & TRIM (CONTINUED)



1993 WINNEBAGO  
TABLE OF CONTENTS

INTRODUCTION	A-01 -	A-02
ABBREVIATIONS		A-02
ALPHABETICAL INDEX	A-04 -	A-06
WCM33RW	A-07 -	G-08
WCM33RQ	G-09 -	L-24

1993 WCM33RQ INDEX

FLOOR PLAN	G-09 -	G-10
ACCESSORIES		G-11
AUDIO VIDEO	G-12 -	G-15
BATH	G-16 -	G-20
BEDROOM	G-21 -	G-24
CHASSIS	H-01 -	H-18
CURTAIN & CUSHION	H-19 -	I-07
DINETTE	I-03 -	I-10
DRIVERS COMPARTMENT	I-11 -	I-15
ELECTRICAL	I-16 -	I-22
EXTERIOR BODY	I-23 -	J-09
GALLEY	J-10 -	J-17
GENERATOR	J-18 -	J-19
HEATING & A/C	J-20 -	J-22
INTERIOR FINISH	J-23 -	K-02
LABEL	K-03 -	K-11
LP		K-12
LOUNGE	K-13 -	K-14
SEALANTS & FASTENERS	K-15 -	K-18
WATER & SEWAGE	K-19 -	K-24
WINDOW, VENT AND		
EXTERIOR DOOR	L-01 -	L-20
WINDSHIELD & WIPER	L-21 -	L-24

KEY	PART NUMBER	U/M DESCRIPTION
15	M05794-01-D18	EA CAP ASM-FRONT, W/LIGHTS - BUFF
16	109274-01-01A	EA RAIL-DRIP, FRONT END - RIGHT SIDE - BUFF
	109274-02-01A	EA RAIL-DRIP, FRONT END - LEFT SIDE - BUFF
17	107493-01-D18	EA PANEL ASM-WHEELWELL, FRONT - PASSENGER SIDE - ASH GRAY
18	109279-01-D18	EA PANEL-ROCKER
		FROM: 00-00-00 THRU: 03-09-92
18	109279-06-D18	EA PANEL-ROCKER
		FROM: 08-10-92 THRU: 99-99-99
19	109519-05-01A	EA CAP-ROCKER, ASH GRAY
		FROM: 00-00-00 THRU: 03-07-93
19	109619-05-02A	EA CAP-ROCKER, BLACK
		FROM: 03-08-93 THRU: 99-99-99
20	M05859-01-D18	EA PANEL-VALANCE, ENTRY DOOR - ON DOOR - ASH GRAY
20	M05820-03-D18	EA PANEL-VALANCE, ENTRY DOOR - BELOW DOOR - ASH GRAY
21	109619-06-01A	EA CAP-ROCKER, ASH GRAY
		FROM: 00-00-00 THRU: 03-07-93
21	109619-06-02A	EA CAP-ROCKER, BLACK
		FROM: 03-08-93 THRU: 99-99-99
22	109279-02-D18	EA PANEL-ROCKER
		FROM: 00-00-00 THRU: 03-09-92
22	109279-07-D18	EA PANEL-ROCKER
		FROM: 08-10-92 THRU: 99-99-99

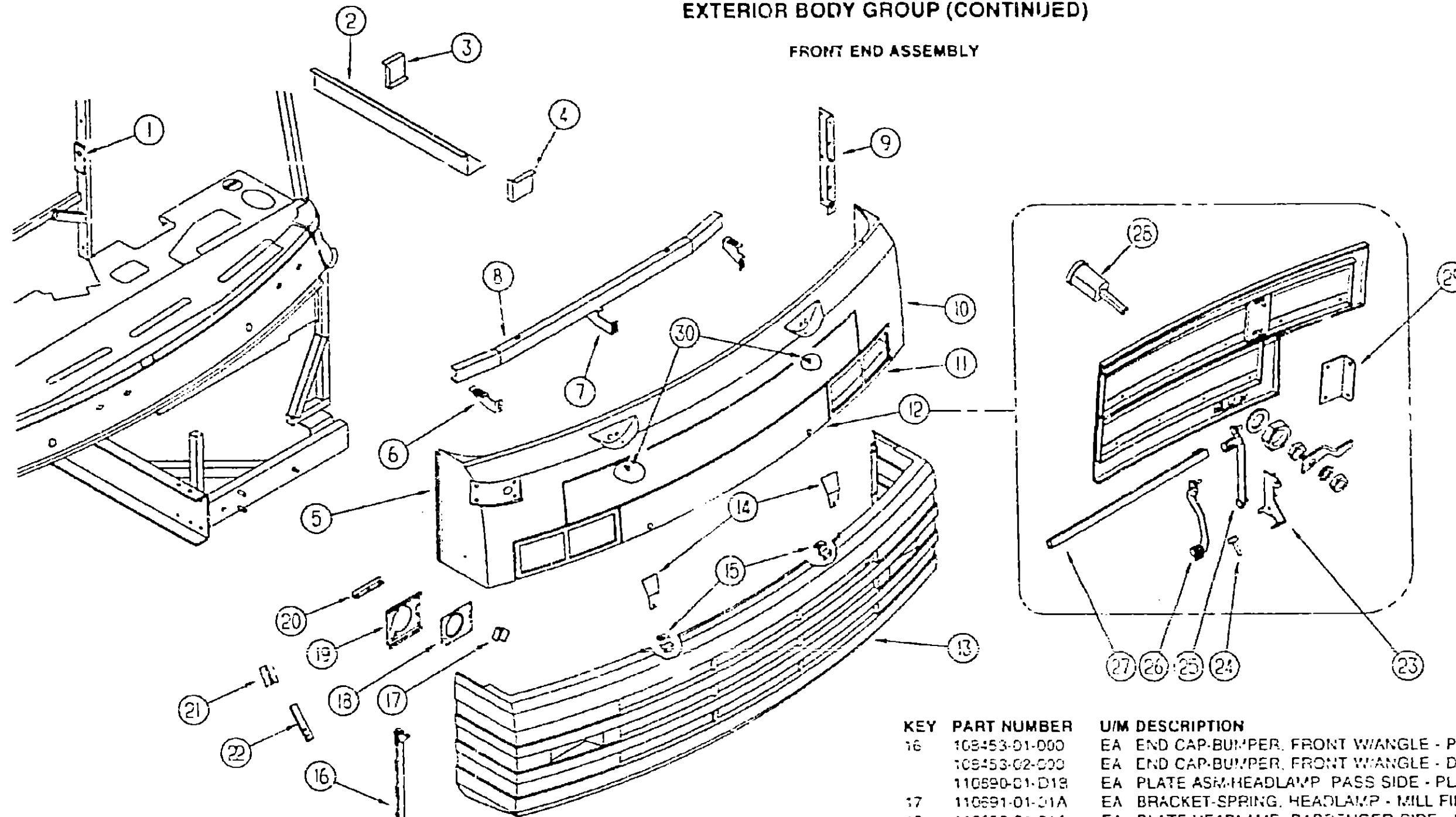
KEY	PART NUMBER	U/M DESCRIPTION
23	107370-01-000	EA RETAINER-TRIM, SIDEWALL - 305MM LONG - EXTRUDED ALUMINUM
24	107358-01-000	EA HANGER-VALANCE
25	107369-01-01A	EA COVER-TRIM, 4623MM LONG - SILVER
26	107442-01-D18	EA WHEEL LIP ASM-PASSENGER SIDE, W/O LIGHT
26	107442-03-D18	EA WHEEL LIP ASM-PASSENGER SIDE, FOR LIGHTED WHEEL LIP
	107895-01-000	EA HINGE ASM-DOUBLE PIVOT, W/SPRING & U-CHANNEL - 90 DEGREE
	105993-01-000	EA HINGE-DOUBLE PIVOT, SPRING - 90 DEGREE W/O U-CHANNEL
27	052041-02-01A	EA TRIM-REAR CAP TO SIDEWALL, BUFF - 2 USED
	091955-01-04A	FT INSERT-TRIM, REAR CAP TO SIDEWALL - BUFF
28	M05787-01-D18	EA SIDEWALL-PASSENGER (QUEEN BED)
28	M05787-02-D18	EA SIDEWALL-PASSENGER (TWIN BED)
29	103502-02-04A	EA RAIL-AWNING, BUFF
	111241-51-001	EA RAIL-AWNING, EXTRUDED ALUMINUM - 4877MM LONG
30	108497-02-01A	EA END CAP-COVER TRIM, LEFT - LIGHT GRAY
31	108497-01-01A	EA END CAP-COVER TRIM, RIGHT - LIGHT GRAY

# EXTERIOR BODY GROUP (CONTINUED)

## FRONT END ASSEMBLY

### 1993 WINNEBAGO TABLE OF CONTENTS

INTRODUCTION	A-01 -	A-02
ABBREVIATIONS		A-03
ALPHABETICAL INDEX	A-04 -	A-05
WCM37RW	A-07 -	G-08
WCM33RO	G-09 -	L-24



### 1993 WCM33RQ INDEX

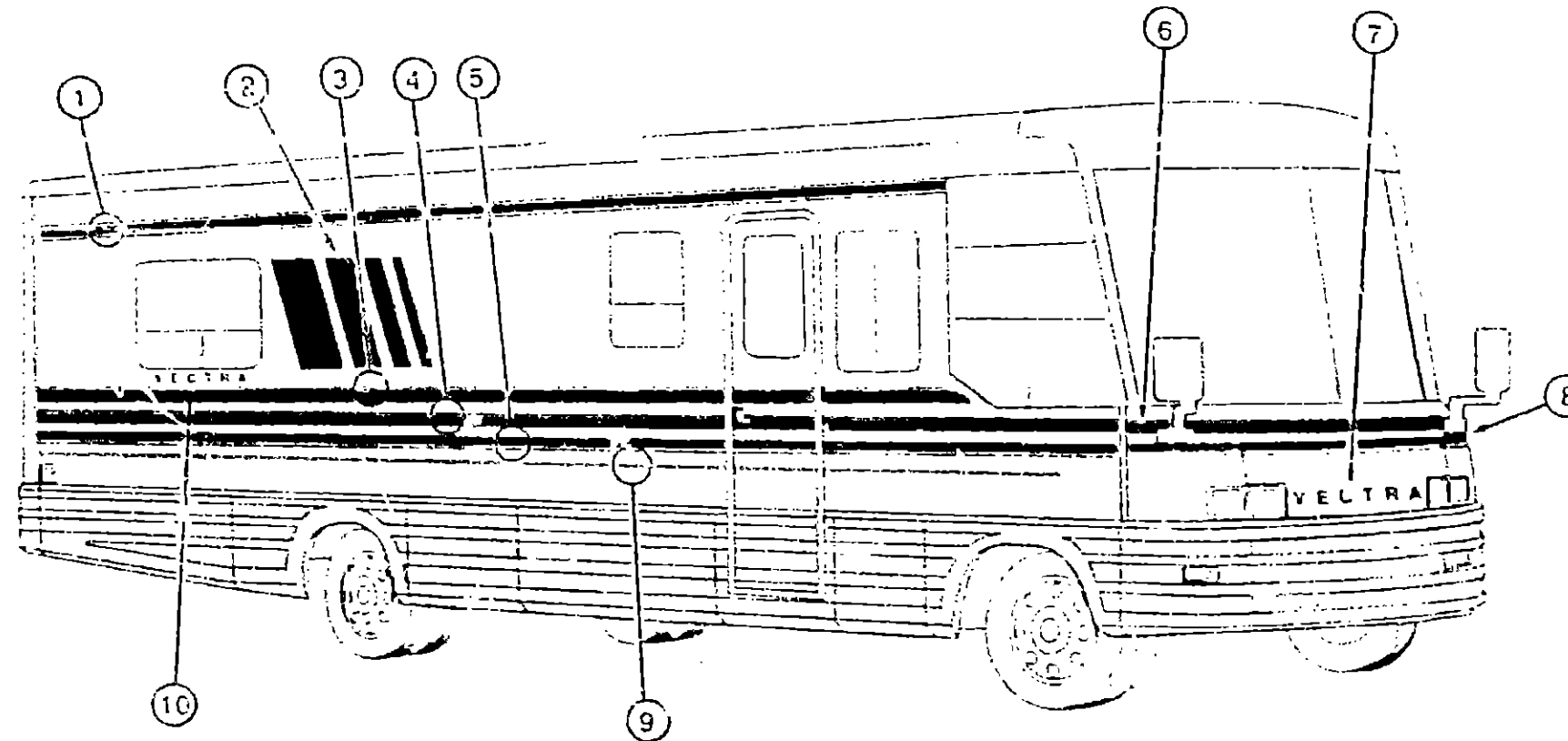
FLOOR PLAN	G-09 -	G-10
ACCESSORIES		G-11
AUDIO VIDEO	G-12 -	G-15
BATH	G-16 -	G-20
BEDROOM	G-21 -	G-24
CHASSIS	H-01 -	H-18
CURTAIN & CUSHION	H-19 -	I-07
DINETTE	I-08 -	I-10
DRIVERS COMPARTMENT	I-11 -	I-15
ELECTRICAL	I-16 -	I-22
EXTERIOR BODY	I-23 -	J-09
GALLEY	J-10 -	J-17
GENERATOR	J-15 -	J-19
HEATING & A/C	J-20 -	J-22
INTERIOR FINISH	J-23 -	K-02
LABEL	K-03 -	K-11
LP		K-12
LOUNGE	K-13 -	K-14
SEALANTS & FASTENERS	K-15 -	K-18
WATER & SEWAGE	K-19 -	K-24
WINDOW, VENT AND		
EXTERIOR DOOR	L-01 -	L-20
WINDSHIELD & WIPER	L-21 -	L-24

KEY	PART NUMBER	U/M DESCRIPTION
1	070579-06-000	EA PLATE-ANCHOR, W/7/16 WELD NUT - 1.5" X 3.3"
2	106746-01-000	EA PANEL-STEPWELL
3	106747-01-000	EA PANEL-STEPWELL, END - RIGHT
4	106747-02-000	EA PANEL-STEPWELL, END - LEFT
5	029922-15-000	EA TRIM-FRONT END TO SIDEWALL 31.5 X 560MM - METAL - BUFF
6	107411-01-000	EA BRACKET-SUPPORT, PASSENGER SIDE - BUMPER GRILLE
	107411-02-000	EA BRACKET-SUPPORT, DRIVER SIDE - BUMPER GRILLE
7	107410-01-000	EA BRACKET-SUPPORT, CENTER - BUMPER GRILLE
8	P07403-01-000	EA CHARGE - BUMPER, FRONT - E-COAT
9	107225-01-000	EA BRACKET-SUPPORT, FRONT BUMPER PANEL TO WHEEL PANEL - W/LIP
10	M05746-01-D18	EA FRONT END-FIBERGLASS, W/HEADLAMPS - BUFF - CHEVY
10	M05746-02-D18	EA FRONT END-FIBERGLASS, W/HEADLAMPS - BUFF - FORD
	077071-01-000	EA WASHER-FENDER, 3/16" ID X 1" OD
11	106540-02-01A	EA BEZEL-HEADLAMP, DRIVER - BUFF
	106540-01-01A	EA BEZEL-HEADLAMP, PASSENGER - BUFF
	007157-05-000	EA NUT-WELL, HEADLIGHT BEZEL
12	106538-01-D18	EA PANEL ASM-HOOD, W/LATCHES & PLATES
13	107416-01-D18	EA BUMPER-FRONT, W/O FOG LAMP
13	107416-02-D18	EA BUMPER-FRONT, W/FOG LAMP
	107230-02-D18	EA GRILLE ASM-MESH
14	106765-01-000	EA SUPPORT-BOLT, HOOD ADJUSTING
15	106748-01-000	EA LATCH-HOOD

KEY	PART NUMBER	U/M DESCRIPTION
16	108453-01-000	EA END CAP-BUMPER, FRONT W/ANGLE - PASSENGER SIDE
	108453-02-000	EA END CAP-BUMPER, FRONT W/ANGLE - DRIVER SIDE
	110890-01-D18	EA PLATE ASM-HEADLAMP, PASS SIDE - PLATE & BRACKETS (ITEMS 12, 13 & 14)
17	110891-01-01A	EA BRACKET-SPRING, HEADLAMP - MILL FINISH
18	110692-01-01A	EA PLATE-HEADLAMP, PASSENGER SIDE - MILL FINISH
	110692-02-01A	EA PLATE-HEADLAMP, DRIVER SIDE - MILL FINISH
19	110783-01-01A	EA BRACKET-HEADLAMP, PASSENGER SIDE - MILL FINISH
	110783-02-01A	EA BRACKET-HEADLAMP, DRIVER SIDE - MILL FINISH
20	110782-01-000	EA ANGLE-SUPPORT, HEADLAMP
21	107466-01-02A	EA BRACKET-VALANCE, LOWER - FRONT BUMPER & FRONT PANELS - BLACK FROM: 00-00-00 THRU. 03-27-94
22	115384-01-01A	EA STRAP-BUMPER TO WHEELWELL, BLACK FROM: 03-28-94 THRU. 99-99-99
23	106613-03-000	EA BRACKET-LINK, HINGE - HOOD PANEL - RIGHT SIDE
	106613-04-000	EA BRACKET-LINK, HINGE - HOOD PANEL - LEFT SIDE
24	058786-02-000	EA BOLT-ADJUSTING, HOOD - W/BLACK PAD - 5/16" #18 X 1.25"
25	106618-01-000	EA LINK-HINGE, UPPER - HOOD PANEL - RIGHT SIDE
	106618-02-000	EA LINK-HINGE, UPPER - HOOD PANEL - LEFT SIDE
26	106612-03-000	EA LINK-HINGE, LOWER - HOOD PANEL - RIGHT SIDE
	106612-04-000	EA LINK-HINGE, LOWER - HOOD PANEL - LEFT SIDE
27	105095-04-000	EA TUBE-TIMING, W/NUTS - HOOD PANEL
27	105096-03-000	EA TUBE-TIMING, W/O NUTS - HOOD PANEL
28	102330-01-000	EA LATCH-SINGLE HOLE, VISE ACTION
	102323-01-000	EA KEY-LATCH
29	106749-01-000	EA ANGLE-LINK, HOOD PANEL - RIGHT SIDE
	106749-02-000	EA ANGLE-LINK, HOOD PANEL - LEFT SIDE
	072368-02-000	EA TRIM-VINYL, EDGE - BLACK - GM 14004305 (ON FRONT END ASM)
30	058786-01-000	EA BOLT-ADJUSTING, HOOD - W/BLACK PAD - 5/16" #18 X 2"

EXTERIOR BODY GROUP (CONTINUED)

DECALS STRIPES & PAINT



1993 WINNEBAGO  
TABLE OF CONTENTS

INTRODUCTION	A-01 -	A-02
ABBREVIATIONS		A-03
ALPHABETICAL INDEX	A-04 -	A-06
WCM37RW	A-07 -	G-08
WCM33RQ	G-09 -	L-24

1993 WCM33RQ INDEX

FLOOR PLAN	G-09 -	G-10
ACCESSORIES		G-11
AUDIO VIDEO	G-12 -	G-15
BATH	G-16 -	G-20
BEDROOM	G-21 -	G-24
CHASSIS	H-01 -	H-18
CURTAIN & CUSHION	H-19 -	I-07
DINETTE	I-08 -	I-10
DRIVERS COMPARTMENT	I-11 -	I-15
ELECTRICAL	J-16 -	J-22
EXTERIOR BODY	J-23 -	J-09
GALLEY	J-10 -	J-17
GENERATOR	J-18 -	J-19
HEATING & A/C	J-20 -	J-22
INTERIOR FINISH	J-23 -	K-02
LABEL	K-03 -	K-11
LP		K-12
LOUNGE	K-13 -	K-14
SEALANTS & FASTENERS	K-15 -	K-18
WATER & SEWAGE	K-19 -	K-24
WINDOW, VENT AND		
EXTERIOR DOOR	L-01 -	L-20
WINDSHIELD & WIPER	L-21 -	L-24

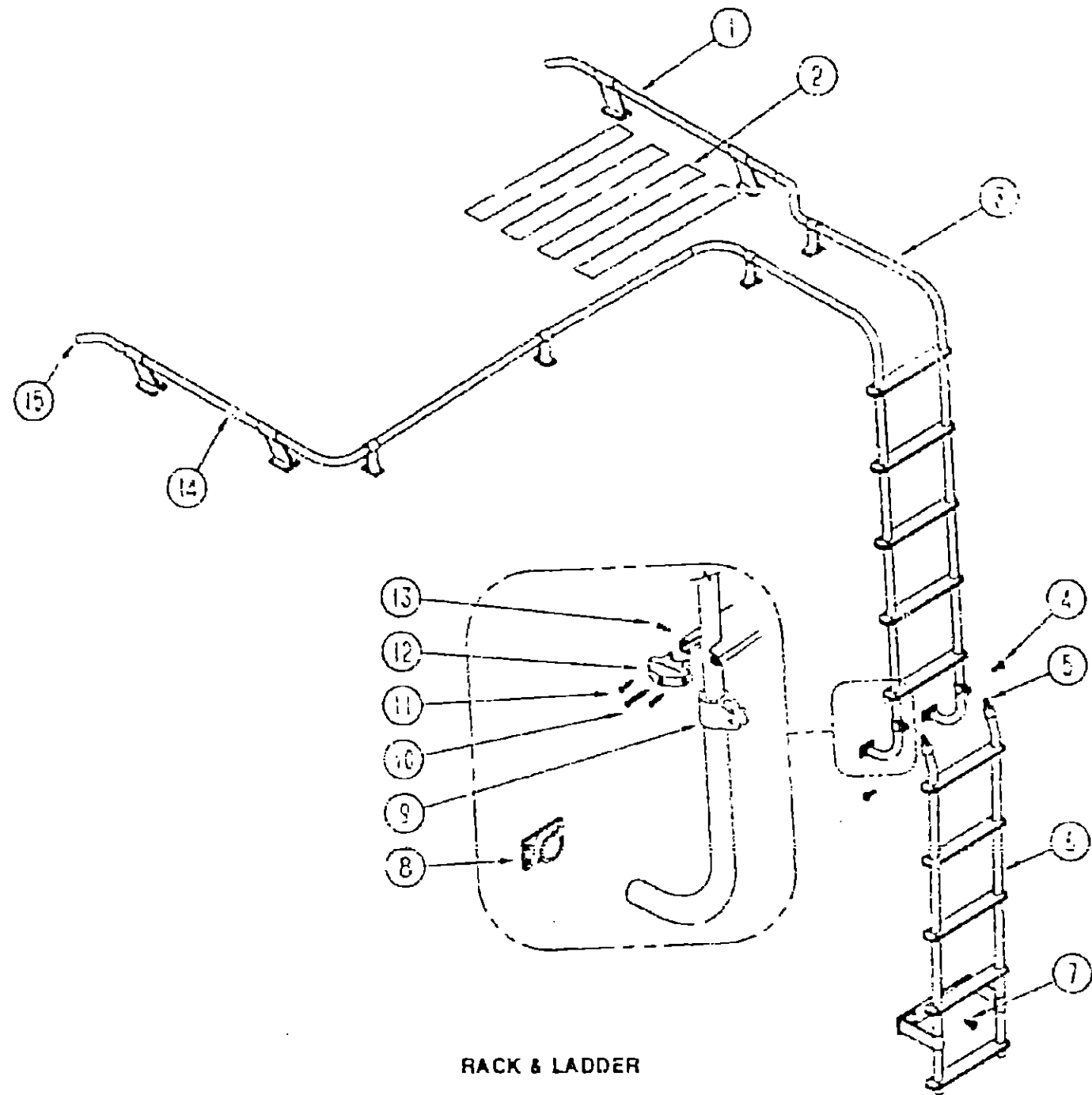
KEY	PART NUMBER	U/M DESCRIPTION
1	094443-17-01A	FT FILM-MULTISTRIPE, 114 3MM WIDE - 3 LINES OF LIGHT BLUE (D18, D19, D20)
1	094443-17-02A	FT FILM-MULTISTRIPE, 114 3MM WIDE - 3 LINES OF DARK GRAPE/QUARTZ (D19 ONLY) THIS OPTION AVAILABLE FOR D19 COLOR CODES ONLY
2	107565-01-01A	EA DECAL-ANGLE, PASSENGER SIDE - TOPAZ BLUE/LIGHT BLUE (D18, D19, D20)
2	107565-01-02A	EA DECAL-ANGLE, PASSENGER SIDE - DARK GRAPE/QUARTZ (D19 ONLY) THIS OPTION AVAILABLE FOR D19 COLOR CODES ONLY
	107565-02-01A	EA DECAL-ANGLE, DRIVER SIDE - TOPAZ BLUE/LIGHT BLUE (D18, D19, D20)
	107565-02-02A	EA DECAL-ANGLE, DRIVER SIDE - DARK GRAPE/QUARTZ (D19 ONLY) THIS OPTION AVAILABLE FOR D19 COLOR CODES ONLY
3	105781-13-01A	FT FILM-MULTISTRIPE, 127MM WIDE - 2 LINES OF LIGHT BLUE (D18, D19, D20)
3	105781-13-02A	FT FILM-MULTISTRIPE, 127MM WIDE - 2 LINES OF DARK GRAPE/QUARTZ (D19 ONLY) THIS OPTION AVAILABLE FOR D19 COLOR CODES ONLY
4	105781-14-01A	FT FILM-MULTISTRIPE, 76.2MM WIDE - 2 LINES OF BLACK/TOPAZ BLUE (D18, D19, D20)
4	105781-14-03A	FT FILM-MULTISTRIPE, 76.2MM WIDE - 2 LINES OF BLACK/DARK GRAPE (D19 ONLY) THIS OPTION AVAILABLE FOR D19 COLOR CODES ONLY
5	105781-14-02A	FT FILM-MULTISTRIPE, 76.2MM WIDE - 2 LINES OF BLACK/LIGHT BLUE (D18, D19, D20)
5	105781-14-04A	FT FILM-MULTISTRIPE, 76.2MM WIDE - 2 LINES OF BLACK/QUARTZ (D19 ONLY) THIS OPTION AVAILABLE FOR D19 COLOR CODES ONLY
6	107564-01-01A	EA DECAL-CORNER, PASSENGER FRONT - TOPAZ BLUE/LIGHT BLUE (D18, D19, D20)
6	107564-01-02A	EA DECAL-CORNER, PASSENGER FRONT - DARK GRAPE/QUARTZ/BLACK (D19 ONLY) THIS OPTION AVAILABLE FOR D19 COLOR CODES ONLY
7	107566-02-01A	EA DECAL-VECTRA, WHITE/GRAY/BUFF FROM: 00-00-00 THRU 11-08-92
7	107567-01-01A	EA DECAL-VECTRA, 3-D - LARGE - BUFF FROM: 11-03-92 THRU: 99-99-99
7	107567-02-01A	EA DECAL-VECTRA, 3-D - SMALL - WILLOW

KEY	PART NUMBER	U/M DESCRIPTION
8	107564-02-01A	EA DECAL-CORNER, DRIVER FRONT - TOPAZ BLUE/LIGHT BLUE (D18, D19, D20)
8	107564-02-02A	EA DECAL-CORNER, DRIVER FRONT - DARK GRAPE/QUARTZ/BLACK (D19 ONLY) THIS OPTION AVAILABLE FOR D19 COLOR CODES ONLY
9	105781-11-02A	FT FILM-MULTISTRIPE, 50 8MM WIDE - 2 LINES OF SILVER (D18, D19, D20) FROM: 11-18-92 THRU: 99-99-99
9	105781-11-04A	FT FILM-MULTISTRIPE, 50 8MM WIDE - 2 LINES OF DARK GRAPE (D19 ONLY) FROM: 11-18-92 THRU: 99-99-99
		THIS OPTION AVAILABLE FOR D19 COLOR CODES ONLY
10	107566-01-01A	EA DECAL-VECTRA, TOPAZ BLUE (D18, D19, D20)
10	107566-01-02A	EA DECAL-VECTRA, DARK GRAPE (D19 ONLY) THIS OPTION AVAILABLE FOR D19 COLOR CODES ONLY
	109506-01-000	EA FILM-URETHANE, PROTECTANT FROM: 00-00-00 THRU 99-99-99
	106149-02-01A	FT DECAL-VINYL STRIPING, 3"
	084075-01-000	EA DECAL-BY WINNEBAGO INDUSTRIES, BLACK
	093681-39-01A	FT FILM-7MM WIDE, MATTE BLACK
	074559-01-000	EA DECAL-LOGO, LPG - RED - (CALIFORNIA CODE) FROM: 00-00-00 THRU: 08-31-92

DUPONT COLOR CODES

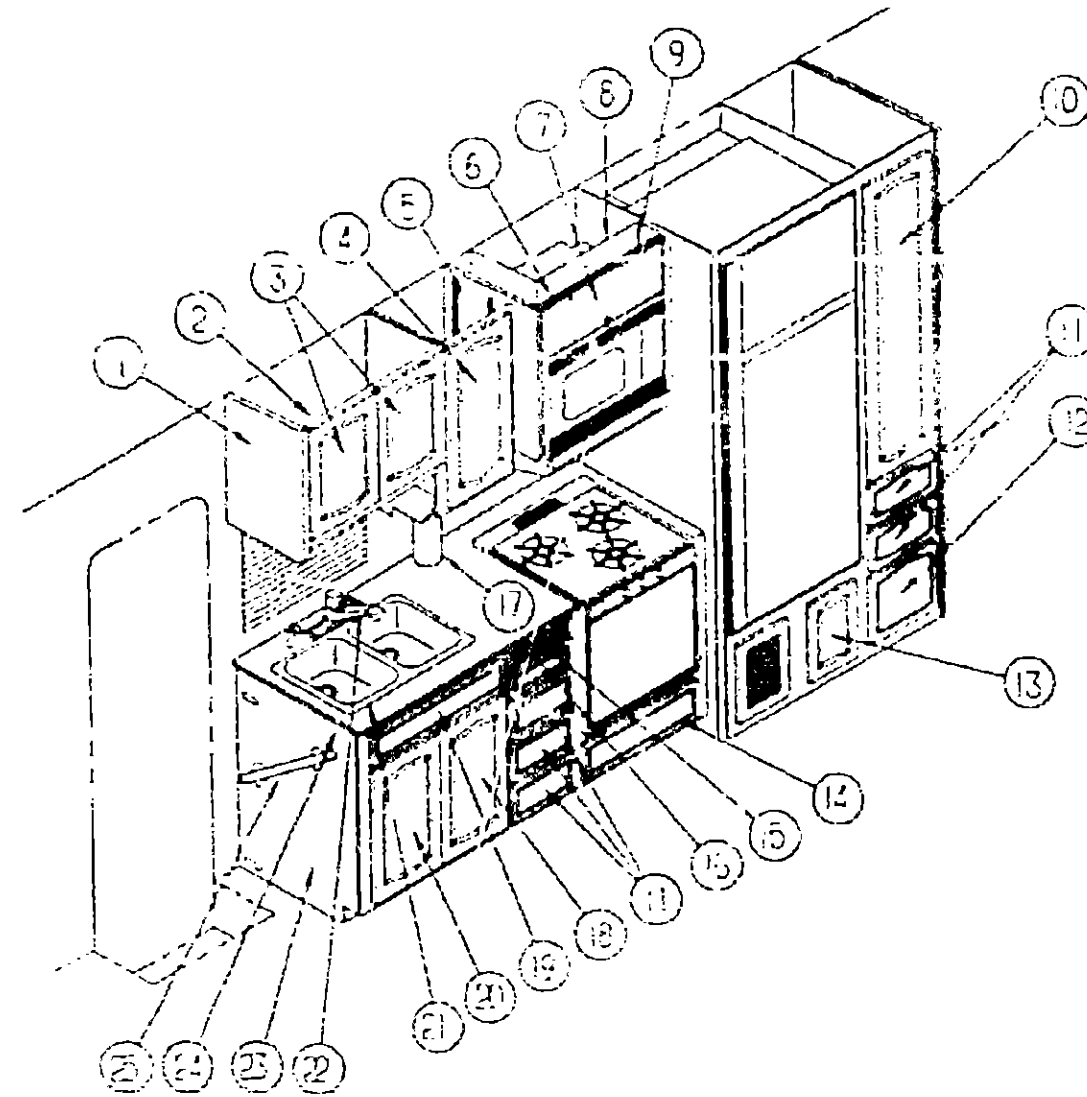
TOPAZ BLUE	G9849
OFF WHITE	L8723
AZTEC SILVER	45406
PEARL FAWN METALLIC	92054
BLACK	99
BUFF	G9692

EXTERIOR BODY GROUP (CONTINUED)



RACK & LADDER

GALLEY GROUP



CABINETS & FIXTURES

1993 WINNEBAGO  
TABLE OF CONTENTS

INTRODUCTION	A-01 -	A-02
ABBREVIATIONS		A-03
ALPHABETICAL INDEX	A-04 -	A-06
WCM33RQ	A-07 -	G-05
WCM33RQ	G-03 -	L-24

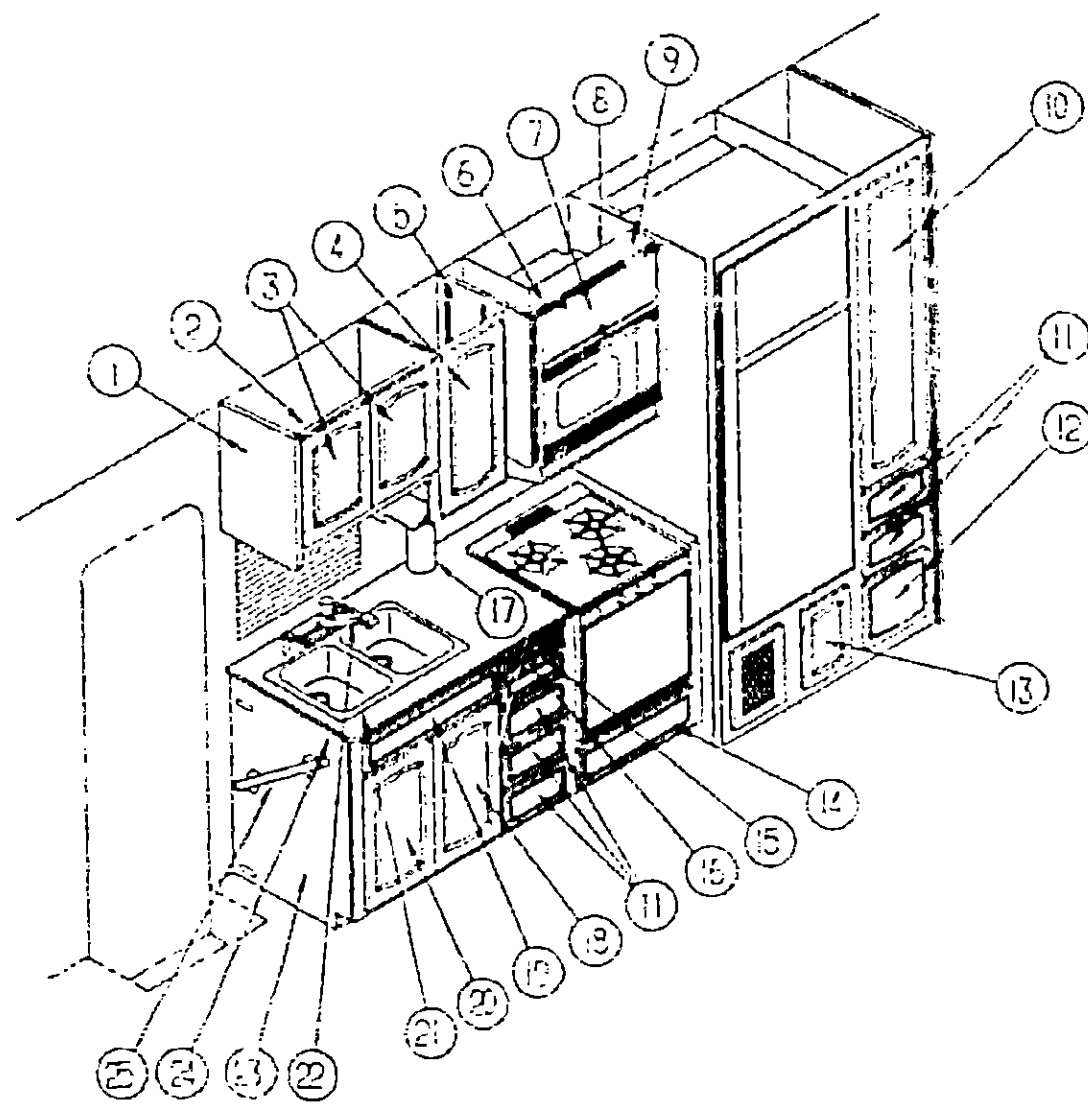
1993 WCM33RQ INDEX

FLOOR PLAN	G-09 -	G-10
ACCESSORIES		G-11
AUDIO VIDEO	G-12 -	G-15
BATH	G-16 -	G-20
BEDROOM	G-21 -	G-24
CHASSIS	H-01 -	H-18
CURTAIN & CUSHION	H-19 -	I-07
DINETTE	I-08 -	I-10
DRIVERS COMPARTMENT	I-11 -	I-15
ELECTRICAL	I-16 -	I-22
EXTERIOR BODY	I-23 -	J-09
GALLEY	J-10 -	J-17
GENERATOR	J-18 -	J-19
HEATING & A/C	J-20 -	J-22
INTERIOR FINISH	J-23 -	K-02
LABEL	K-03 -	K-11
LP		K-12
LOUNGE	K-13 -	K-14
SEALANTS & FASTENERS	K-15 -	K-18
WATER & SEWAGE	K-19 -	K-24
WINDOW, VENT AND EXTERIOR DOOR	L-01 -	L-20
WINDSHIELD & WIPER	L-21 -	L-24

KEY	PART NUMBER	U/M	DESCRIPTION
1	107494-04-D18	EA	END CAP-CABINET, OVERHEAD GALLEY - LEFT
2	P07213-01-D18	EA	CABINET-OVERHEAD, GALLEY - W/O DOORS & HARDWARE
3	P00971-21-D18	EA	DOOR-CABINET, W/O HARDWARE - 325 X 450MM
4	P00971-34-D18	EA	DOOR-CABINET, W/O HARDWARE - 305 X 660MM
5	107765-01-D18	EA	END CAP-CABINET, OVERHEAD - LEFT
6	P07449-01-D18	EA	CABINET-OVERHEAD, MICROWAVE - W/O DOOR & HARDWARE
7	100708-05-000	EA	DOOR-GLASS, BLACK - 216 X 596MM
	100710-01-01A	EA	LOCK-GLASS DOOR, TWIST TYPE - BRASS
	100711-01-01A	EA	HINGE-DOOR, GLASS
	101272-01-000	EA	CATCH-DOOR, GLASS
	101766-01-000	EA	PIN-SUPPORT, GLASS DOOR
	100707-01-000	EA	SPACER-DOOR, GLASS - 8" DIA - 3" HOLE - PLASTIC
8	107577-01-D18	EA	CABINET-FUSE PANEL, W/O HARDWARE
9	107764-01-D18	EA	END CAP-CABINET, OVERHEAD - RIGHT
	090329-01-000	FT	SEAL-T, REFRIGERATOR CABINET - 6" WIDE TOP X 2" TAIL
	008350-01-000	EA	GROMMET-RUBBER, 5/8" HOLE X 1 1/2" DIAMETER - BLACK
	102251-02-01A	EA	INSERT-ACRYLIC BLACK, 13.53" X 15.05"
	103251-04-01A	EA	INSERT-ACRYLIC BLACK, 19.53" X 39.20"
10	P00971-23-D18	EA	DOOR-CABINET, W/O HARDWARE - 305 X 1220MM
11	P07104-54-D18	EA	DRAWER-CABINET, W/O HARDWARE - PANTRY & GALLEY CABINET
12	P07104-56-D18	EA	DRAWER-CABINET, W/O HARDWARE - PANTRY CABINET
13	100520-C9-D18	EA	DOOR-CABINET, W/O HARDWARE - 590 X 350MM
14	P07104-G4-D18	EA	DRAWER-CABINET, W/O HARDWARE (USED W/OVEN ONLY)
	P07104-G5-D18	EA	DRAWER-CABINET, W/O HARDWARE (USED W/RANGE TOP ONLY)

KEY	PART NUMBER	U/M	DESCRIPTION
1	107438-14-D18	EA	RACK-PASSENGER SIDE
2	008327-02-000	EA	TAPE-ANTI SLIP, 2" X 13"
3	108403-01-D18	EA	LADDER-UPPER
4	108985-01-000	EA	PIN-QUICK RELEASE, SINGLE ACTION - HARDWELL LG4ST/50
	076767-11-000	EA	CABLE ASM, 1/16 STEEL - 2 USED
5	081115-01-000	EA	CAP-TOP, 1 INCH
6	108402-01-D18	EA	LADDER-LOWER
7	081055-01-000	EA	SPRING GRIP-INTERNAL TOOTH - LADDER
	081056-01-000	EA	PIN-QUICK RELEASE, SINGLE ACTION - LADDER
	076767-13-000	EA	CABLE ASM, 1/16 STEEL - 1 USED
8	067165-01-000	EA	MOUNTING BRACKET-LADDER, LOWER
9	081116-01-000	EA	SLIDE-TOP, RACK & LADDER - 1"
10	000067-10-36T	EA	SCREW-10-12 X 2.25 PPH, BLACK
11	000039-06-10U	EA	SCREW-SF,DR, 6-20 X 5/8 PPH
12	076980-02-000	EA	END CAP-STEP, BLACK
13	000039-10-16U	EA	SCREW-SF,DR, 10-16 X 1.00 PPH
14	107438-15-D18	EA	RACK-DRIVER SIDE
15	081114-01-000	EA	PLUG-ROUND, RACK & LADDER ENDS - PLASTIC - 1" DIA

**GALLEY GROUP (CONTINUED)**



**CABINETS & FIXTURES (CONTINUED)**

KEY	PART NUMBER	U/M	DESCRIPTION
15	P05079-02-D18	EA	DRAWER-CABINET, W/O HARDWARE - CUTTING BOARD
	102778-03-000	EA	BOARD-CUTTING, MAPLE
16	P07104-H1-D18	EA	DRAWER-CABINET, W/O HARDWARE - SILVER WARE
	100081-01-01A	EA	TRAY-SILVERWARE, 9" X 13.3" - PLAS - ALMOND - RUBBERMAID
17	103799-01-D2A	EA	COFFEE MAKER, ALMOND
	104610-01-000	EA	STRAP ASM-COFFEE MAKER
17	104230-01-000	EA	MAKER-COFFEE, THERMAL CARAFE - SPACEMAKER PLUS R * P I
	104230-01-700	EA	POT-CARAFE, ONLY - CREAM - SPACEMAKER PLUS SRC40
18	P00520-B7-D18	EA	DOOR-CABINET, W/O HARDWARE - 325 X 555MM (USED W/OVEN ONLY)
18	P00520-B9-D18	EA	DOOR-CABINET, W/O HARDWARE - 275 X 605MM (USED W/RANGE TOP ONLY)
19	108117-02-D18	EA	DRAWER-CABINET, W/O HARDWARE, TIPOUT
	108126-01-000	EA	HINGE-TRAY, AMEROCK CM8489-2G
	108127-01-01A	EA	CAP-TRAY, AMEROCK D8490-A
	108128-01-01A	EA	TRAY-HIDDEN, AMEROCK D8489
20	P00520-B8-D18	EA	DOOR-CABINET, W/O HARDWARE - 325 X 555MM (USED W/OVEN ONLY)
20	P00520-C0-D18	EA	DOOR-CABINET, W/O HARDWARE - 275 X 605MM (USED W/RANGE TOP ONLY)
	093605-02-01A	EA	RACK-TOWEL,WIRE, ALMOND - AMEROCK
21	104113-01-000	EA	SINK-STAINLESS STEEL, DOUBLE
	092303-01-000	EA	STRAINER-SINK
22	064952-01-000	EA	FAUCET-GALLEY, SINGLE CONTROL
22	103535-01-000	EA	FAUCET-SINGLE CONTROL, EVERPURE 5435-00

**GALLEY GROUP (CONTINUED)**

**CABINETS & FIXTURES (CONTINUED)**

KEY	PART NUMBER	U/M	DESCRIPTION
23	M05771-01-D18	EA	CABINET-GALLEY, W/O DOORS & HARDWARE (USED W/RANGE TOP)
23	M05771-01-D19	EA	CABINET-GALLEY, W/O DOORS & HARDWARE (USED W/RANGE TOP)
23	M05771-01-D20	EA	CABINET-GALLEY, W/O DOORS & HARDWARE (USED W/RANGE TOP)
23	M05771-02-D18	EA	CABINET-GALLEY, W/O DOORS & HARDWARE (USED W/RANGE & OVEN)
23	M05771-02-D19	EA	CABINET-GALLEY, W/O DOORS & HARDWARE (USED W/RANGE & OVEN)
23	M05771-02-D20	EA	CABINET-GALLEY, W/O DOORS & HARDWARE (USED W/RANGE & OVEN)
24	107402-14-D18	EA	COUNTERTOP-CABINET, GALLEY
24	107402-14-D19	EA	COUNTERTOP-CABINET, GALLEY
24	107402-14-D20	EA	COUNTERTOP-CABINET, GALLEY
25	P02766-03-B10	EA	HANDRAIL-W/O MOUNTING BRACKETS, 25 6" - WOOD (ON TO GALLEY CABINET)
	102769-01-700	EA	BRACKET-MOUNTING, HANDRAIL - LEFT - BRASS
			FROM: 00-00-00 THRU: 01-14-93
	102769-01-701	EA	BRACKET-MOUNTING, HANDRAIL - RIGHT - BRASS
			FROM: 00-00-00 THRU: 03-14-93
	099582-01-01A	EA	BRACKET-MOUNTING, HANDRAIL - BRASS
			FROM: 03-15-93 THRU: 99-99-99
	108464-01-D16	EA	COVER-SINK, RIGHT (D16)
	108464-01-D15	EA	COVER-SINK, RIGHT (D15)
	108464-01-D20	EA	COVER-SINK, RIGHT (D20)
	108464-02-D16	EA	COVER-SINK, LEFT (D16)
	108464-02-D15	EA	COVER-SINK, LEFT (D15)
	108464-02-D20	EA	COVER-SINK, LEFT (D20)
	093238-01-Y12	EA	HOLDER-KNIFE, COUNTERTOP - OAK
			FROM: 00-00-00 THRU: 11-16-92
	093071-01-000	FT	TAPE-BONDING, DOUBLE SIDED - 1'64" X 2"
	093282-01-000	EA	BONNET-KNIFE HOLDER, UNDER COUNTER - METAL
			FROM: 00-00-00 THRU: 11-16-92

**NORCOLD 682 REFRIGERATOR, WICE MAKER**

KEY	PART NUMBER	U/M	DESCRIPTION
	054450-01-000	EA	LEVEL-REFRIGERATOR
	093646-01-000	EA	BRACKET ASM-TIEDOWN, RIGHT SIDE - REFRIGERATOR
	093646-02-000	EA	BRACKET ASM-TIEDOWN, LEFT SIDE - REFRIGERATOR
	065225-02-000	EA	PLATE-TIEDOWN, REFRIGERATOR
	081211-05-000	EA	PLUG-PLASTIC, 189 DIAMETER - NATURAL
	104137-04-01A	EA	REFRIG-LARGE DOUBLE DOOR, WICE MAKER - NORCOLD 682-MI RHBL
	064473-01-702	EA	ORIFICE-NORCOLD 61452122
	104137-06-709	EA	VALVE-SHUT OFF, MANUAL - NORCOLD 61697922
	075217-01-734	EA	FUSE-3 AMP, NORCOLD 61538822
	075217-01-738	EA	SWITCH-HUMIDITY, NORCOLD 61525922
	084890-01-713	EA	CONNECTOR-MALE, INLET FITTING - NORCOLD 615256
	084890-01-715	EA	VALVE-SHUT OFF, MANUAL - NORCOLD 61697922
	084890-01-718	EA	VALVE-GAS, NORCOLD 61551822
	084890-01-722	EA	CRISPER COVER - NORCOLD 615641
	084890-01-726	EA	HINGE BRACKET (CENTER HINGE), NORCOLD 61556523
	084890-01-731	EA	HINGE PIN, NORCOLD 61575123
	084890-01-732	EA	LATCH, NORCOLD 61575522
	084890-01-734	EA	BRACKET-HINGE, TOP RIGHT - BOTTOM LEFT - BROWN NORCOLD 61580337
	084890-01-735	EA	HINGE BRKT, TOP LEFT - BOTTOM RIGHT - BROWN - NORCOLD 61580337
	084890-01-739	EA	END CAP (SPRING CATCH) BROWN, NORCOLD 61593722
	084890-01-740	EA	END CAP (STOP CATCH), NORCOLD 61593930
	084890-01-744	EA	HINGE PIN SHAFT (CENTER HINGE), NORCOLD 61556723
	084890-01-746	EA	CABLE, NORCOLD 61571522
	084890-01-747	EA	PLUG-HOLE, NORCOLD 61592022
	084890-01-749	EA	HINGE BUSHING - NORCOLD 615807
	084890-01-753	EA	THERMISTER 75" W/CLIP - NORCOLD 61693822
	084890-01-761	EA	END CAP (SPRING CATCH) BLACK 61593730
	084890-02-700	EA	LOWER FLANGE 6663 & 8253, NORCOLD 61622123
	084890-03-701	EA	COOLING UNIT (HORIZONTAL BURNER) - NORCOLD 61687337
	084890-03-705	EA	BRACKET FOR INTERIOR LIGHT - NORCOLD 61629722

**1993 WINNEBAGO  
TABLE OF CONTENTS**

INTRODUCTION	A-01 -	A-02
ABBREVIATIONS		A-03
ALPHABETICAL INDEX	A-04 -	A-05
WCM37RW	A-07 -	G-08
WCM33RQ	G-09 -	L-24

**1993 WCM33RQ INDEX**

FLOOR PLAN	G-09 -	G-10
ACCESSORIES		G-11
AUDIO VIDEO	G-12 -	G-15
BATH	G-16 -	G-20
BEDROOM	G-21 -	G-24
CHASSIS	H-01 -	H-16
CURTAIN & CUSHION	H-19 -	I-07
DINETTE	I-03 -	I-10
DRIVERS COMPARTMENT	I-11 -	I-15
ELECTRICAL	I-16 -	I-22
EXTERIOR BODY	I-23 -	J-09
GALLEY	J-10 -	J-17
GENERATOR	J-18 -	J-19
HEATING & A/C	J-20 -	J-22
INTERIOR FINISH	J-23 -	K-02
LABEL	K-03 -	K-11
LP		K-12
LOUNGE	K-13 -	K-14
SEALANTS & FASTENERS	K-15 -	K-18
WATER & SEWAGE	K-19 -	K-24
WINDOW, VENT AND		
EXTERIOR DECOR	L-01 -	L-20
WINDSHIELD & WIPER	L-21 -	L-24



**GALLEY GROUP (CONTINUED)**

**NORCOLD 682 REFRIGERATOR W/ICE MAKER (CONTINUED)**

KEY	PART NUMBER	U/M	DESCRIPTION
	084880-03-706	EA	LAMP (BULB) - NORCOLD 61628922
	084880-03-707	EA	COVER FOR LAMP OR BULB - NORCOLD 61627922
	088248-01-706	EA	BURNER-HORIZONTAL, NORCOLD 61588122
	068248-01-707	EA	ELECTRODE-SENSOR, (HORIZONTAL), NORCOLD 61573322
	088248-01-708	EA	ELECTRODE-IGNITION, (HORIZONTAL) - NORCOLD 61573222
	088248-01-709	EA	HEATER-AC, (HORIZONTAL) - NORCOLD 615627
	094039-01-700	EA	PC BOARD, 3-WAY, NORCOLD 61647522
	094039-01-701	EA	EYEBROW-SHELL, 3-WAY - BLACK - PLASTIC - NORCOLD 61669922
	094039-01-703	EA	PLATE-HINGE, LEFT - BROWN - NORCOLD 61631422
	094039-01-704	EA	PLATE-HINGE, BLACK - NORCOLD 61631430
	094039-01-709	EA	PLATE-HINGE, TOP RIGHT - LEFT BOTTOM - BROWN - NORCOLD 61631322
	094039-01-710	EA	PLATE-HINGE, BLACK - NORCOLD 61631330
	094039-01-712	EA	DOOR BIN (GRAY) SILVER BORDER - NORCOLD 61564060
	094039-01-713	EA	DOOR GASKET (LOWER) GRAY - NORCOLD 61566030
	094039-01-714	EA	LOWER DOOR LINER (BROWN/WHITE) - NORCOLD 61581737-B
	094039-01-715	EA	LOWER DOOR LINER (BLACK/WHITE) - NORCOLD 61581738-B
	094039-01-716	EA	LOWER DOOR HANDLE ASM. (BROWN) - NORCOLD 61649937
	094039-01-717	EA	LOWER DOOR HANDLE ASM. (BLACK) - NORCOLD 61649939
	094039-01-718	EA	MILK BIN (GRAY) W/SILVER TRIM - NORCOLD 61579460
	094039-01-719	EA	DAIRY KEEPER (GRAY) SILVER TRIM, NORCOLD 61580460
	094039-01-720	EA	CAB ASSEMBLY (BROWN FRAME/WHITE LINER) - NORCOLD 61663237
	094039-01-721	EA	CAB ASM. (BLACK FRAME WHITE LINER - NORCOLD 61663238
	094039-01-722	EA	HOLE PLUG (BLACK) HINGE HOLES - NORCOLD 61582030
	094039-01-723	EA	HINGE BRKT, TOP RIGHT - BOTTOM LEFT - BLACK - NORCOLD 61580833
	094039-01-724	EA	BRACKET-HINGE, TOP LEFT - BOTTOM RIGHT - BLACK - NORCOLD 61580938
	094039-01-725	EA	HINGE PIN (BLACK) (MALE) - NORCOLD 61578130
	094039-01-726	EA	SHELF-FREEZER EVAPORATOR, NORCOLD 615236
	094039-01-730	EA	HINGE PIN SHAFT (BLACK) CENTER HINGE - NORCOLD 61566730
	094039-01-731	EA	CRISPER (GRAY) SILVER TRIM - NORCOLD 61571350
	094039-01-732	EA	FRONT COVER (BLACK) BOTTOM TRIM - NORCOLD 61622130
	094039-01-733	EA	WIRE SHELF (MIDDLE) - NORCOLD 61563922
	094039-01-734	EA	WIRE SHELF (TOP) W/ RISER - NORCOLD 61563722
	094039-01-735	EA	INSIDE DRIP TRAY (WHITE), NORCOLD 61572830
	094039-01-736	EA	SWITCH-LIGHT, BLACK - NORCOLD 615810
	094039-01-739	EA	SHELF (CUTOUT), NORCOLD 61646722
	094039-01-742	EA	TRAY-FOR CUTOUT SHELF, NORCOLD 61630922
	094039-04-700	EA	PC BOARD, 2 WAY, NORCOLD 61647322
	094039-04-702	EA	POWER SUPPLY (2 WAY) - NORCOLD 61647422
	094039-07-700	EA	ICE MAKER, NORCOLD 61684937
	094039-07-701	EA	BIN-ICE CUBE, NORCOLD 61686322
	094039-07-702	EA	SHELF-WIRE, FREEZER - TALL - NORCOLD 61667722
	094039-07-703	EA	SHELF-WIRE, FREEZER - SHORT - NORCOLD 61674122
	094039-07-704	EA	VALVE-WATER FILL, NORCOLD 61657022

**NORCOLD 682 REFRIGERATOR**

KEY	PART NUMBER	U/M	DESCRIPTION
	054453-01-000	EA	LEVEL-REFRIGERATOR
	093646-01-000	EA	BRACKET ASM-TIEDOWN, RIGHT SIDE - REFRIGERATOR
	093646-02-000	EA	BRACKET ASM-TIEDOWN, LEFT SIDE - REFRIGERATOR
	065225-02-000	EA	PLATE-TIEDOWN, REFRIGERATOR
	091211-05-000	EA	PLUG-PLASTIC, .125 DIAMETER - NATURAL
	104137-02-01A	EA	REFRIG-LARGE DOUBLE DOOR 2-WAY - NORCOLD 682 RH BLK
	064473-01-702	EA	ORIFICE-NORCOLD 61452122
	104137-06-702	EA	VALVE-SHUT OFF, MANUAL - NORCOLD 61697922
	075217-01-734	EA	FUSE, 3 AMP, NORCOLD 61538322
	075217-01-738	EA	SWITCH-HUMIDITY, NORCOLD 61525922
	084880-01-713	EA	CONNECTOR-MALE, INLET FITTING - NORCOLD 615256
	084880-01-715	EA	VALVE-SHUT OFF, MANUAL - NORCOLD 61697922
	084880-01-718	EA	VALVE-GAS, NORCOLD 61551822

**GALLEY GROUP (CONTINUED)**

**NORCOLD 682 REFRIGERATOR (CONTINUED)**

KEY	PART NUMBER	U/M	DESCRIPTION
	084880-01-722	EA	CRISPER COVER - NORCOLD 615641
	084880-01-726	EA	HINGE BRACKET (CENTER HINGE), NORCOLD 61566523
	084880-01-731	EA	HINGE PIN, NORCOLD 61578123
	084880-01-732	EA	LATCH, NORCOLD 61578522
	084880-01-734	EA	BRACKET-HINGE, TOP RIGHT - BOTTOM LEFT - BROWN NORCOLD 61580837
	084880-01-735	EA	HINGE BRACKET, TOP LEFT - BOTTOM RIGHT - BROWN - NORCOLD 61580937
	084880-01-739	EA	END CAP (SPRING CATCH) BROWN, NORCOLD 61593722
	084880-01-740	EA	END CAP (STOP CATCH), NORCOLD 61593830
	084880-01-744	EA	HINGE PIN SHAFT (CENTER HINGE), NORCOLD 61566723
	084880-01-746	EA	CABLE, NORCOLD 61571522
	084880-01-747	EA	PLUG-HOLE, NORCOLD 61582022
	084880-01-749	EA	HINGE BUSHING - NORCOLD 615807
	084880-01-753	EA	THERMISTOR 78° W. CLIP - NORCOLD 61693822
	084880-01-761	EA	END CAP (SPRING CATCH) BLACK, NORCOLD 61593730
	084880-02-700	EA	LOWER FLANGE 6663 & 6683, NORCOLD 61622123
	084880-03-701	EA	COOLING UNIT (HORIZONTAL BURNER) - NORCOLD 61687337
	084880-03-705	EA	BRACKET FOR INTERIOR LIGHT - NORCOLD 61629722
	084880-03-706	EA	LAMP (BULB) - NORCOLD 61628922
	084880-03-707	EA	COVER FOR LAMP OR BULB - NORCOLD 61627922
	088248-01-705	EA	BURNER-HORIZONTAL, NORCOLD 61588122
	088248-01-707	EA	ELECTRODE-SENSOR, (HORIZONTAL), NORCOLD 61573322
	088248-01-708	EA	ELECTRODE-IGNITION, (HORIZONTAL) - NORCOLD 61573222
	088248-01-709	EA	HEATER-AC, (HORIZONTAL) - NORCOLD 615627
	094039-01-700	EA	PC BOARD, 3-WAY, NORCOLD 61647522
	094039-01-701	EA	EYEBROW-SHELL, 3-WAY - BLACK - PLASTIC - NORCOLD 61669922
	094039-01-703	EA	PLATE-HINGE, LEFT - BROWN - NORCOLD 61631422
	094039-01-704	EA	PLATE-HINGE, BLACK - NORCOLD 61631430
	094039-01-709	EA	PLATE-HINGE, TOP RIGHT - LEFT BOTTOM - BROWN - NORCOLD 61631322
	094039-01-710	EA	PLATE-HINGE, BLACK - NORCOLD 61631330
	094039-01-712	EA	DOOR BIN (GRAY) SILVER BORDER - NORCOLD 61564060
	094039-01-713	EA	DOOR GASKET (LOWER) GRAY - NORCOLD 61566030
	094039-01-714	EA	LOWER DOOR LINER (BROWN/WHITE) - NORCOLD 61581737-B
	094039-01-715	EA	LOWER DOOR LINER (BLACK/WHITE) - NORCOLD 61581738-B
	094039-01-716	EA	LOWER DOOR HANDLE ASSY (BROWN) - NORCOLD 61649937
	094039-01-717	EA	LOWER DOOR HANDLE ASSY (BLACK) - NORCOLD 61649939
	094039-01-718	EA	MILK BIN (GRAY) W/SILVER TRIM - NORCOLD 61579460
	094039-01-719	EA	DAIRY KEEPER (GRAY) SILVER TRIM, NORCOLD 61580460
	094039-01-720	EA	CAB ASSEMBLY (BROWN FRAME/WHITE LINER) - NORCOLD 61663237
	094039-01-721	EA	CAB ASM. (BLACK FRAME WHITE LINER - NORCOLD 61663238
	094039-01-722	EA	HOLE PLUG (BLACK) HINGE HOLES - NORCOLD 61582030
	094039-01-723	EA	HINGE BRACKET, TOP RIGHT - BOTTOM LEFT - BLACK - NORCOLD 61580833
	094039-01-724	EA	BRACKET-HINGE, TOP LEFT - BOTTOM RIGHT - BLACK - NORCOLD 61580938
	094039-01-725	EA	HINGE PIN (BLACK) (MALE) - NORCOLD 61578130
	094039-01-726	EA	SHELF-FREEZER EVAPORATOR, NORCOLD 615236
	094039-01-730	EA	HINGE PIN SHAFT (BLACK) CENTER HINGE - NORCOLD 61566730
	094039-01-731	EA	CRISPER (GRAY) SILVER TRIM - NORCOLD 61571350
	094039-01-732	EA	FRONT COVER (BLACK) BOTTOM TRIM - NORCOLD 61622130
	094039-01-733	EA	WIRE SHELF (MIDDLE) - NORCOLD 61563922
	094039-01-734	EA	WIRE SHELF (TOP) W/ RISER - NORCOLD 61563722
	094039-01-735	EA	INSIDE DRIP TRAY (WHITE), NORCOLD 61572830
	094039-01-739	EA	SWITCH-LIGHT, BLACK - NORCOLD 615810
	094039-01-742	EA	SHELF (CUTOUT), NORCOLD 61646722
	094039-04-700	EA	TRAY-FOR CUTOUT SHELF, NORCOLD 61630922
	094039-04-702	EA	PC BOARD, 2 WAY, NORCOLD 61647322
	094039-04-702	EA	POWER SUPPLY (2 WAY) - NORCOLD 61647422
	094039-01-726	EA	SHELF-FREEZER EVAPORATOR, NORCOLD 615236

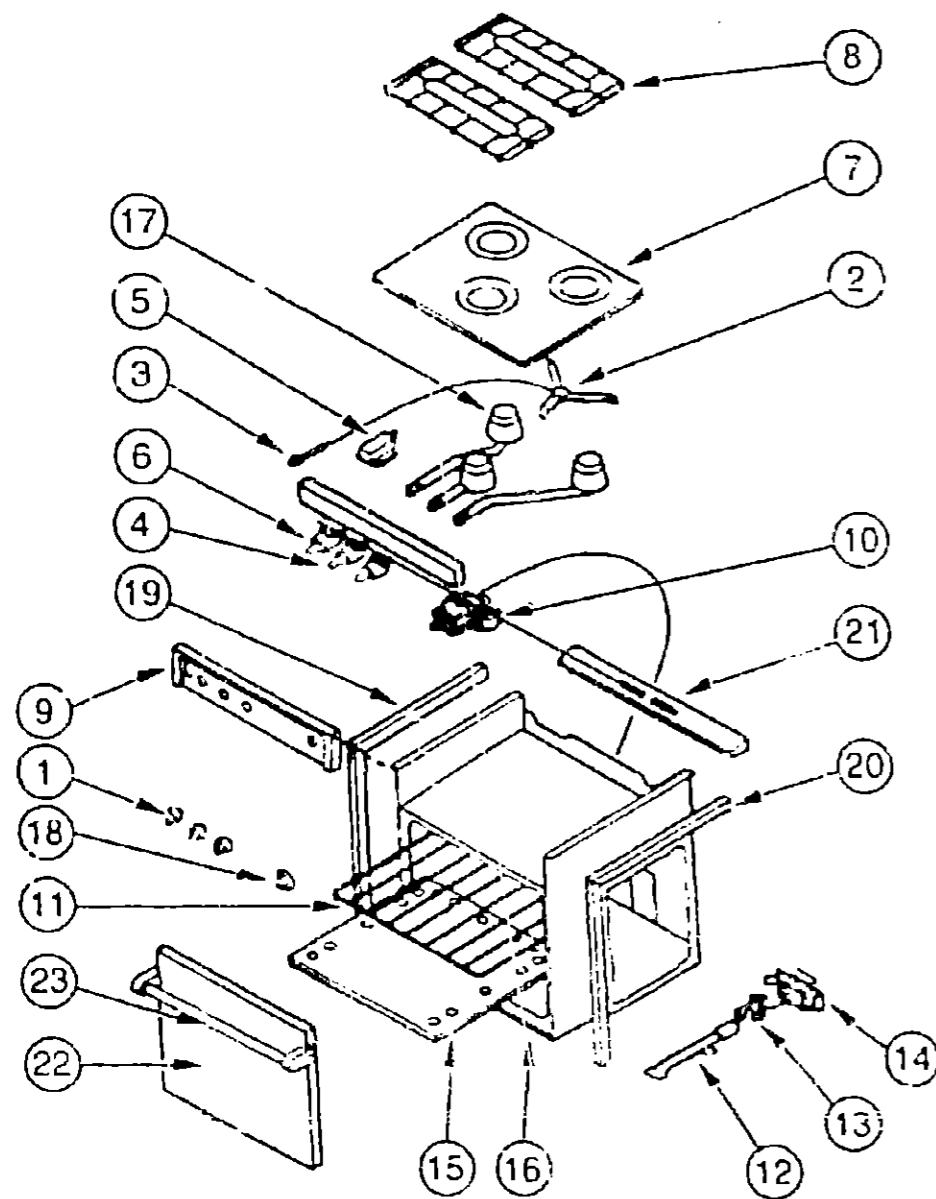
**1993 WINNEBAGO  
TABLE OF CONTENTS**

INTRODUCTION	A-01	A-02
ABBREVIATIONS		A-03
ALPHABETICAL INDEX	A-04	A-06
WCM37RW	A-07	G-08
WCM33RQ	G-09	L-24

**1993 WCM33RQ INDEX**

FLOOR PLAN	G-09	G-10
ACCESSORIES		G-11
AUDIO VIDEO	G-12	G-15
BATH	G-16	G-20
BEDROOM	G-21	G-24
CHASSIS	H-01	H-18
CURTAIN & CUSHION	H-19	I-07
GRILLE	I-08	I-10
DRIVERS COMPARTMENT	I-11	I-15
ELECTRICAL	I-16	I-22
EXTERIOR BODY	I-23	J-09
GALLEY	J-10	J-17
GENERATOR	J-18	J-19
HEATING & A/C	J-20	J-22
INTERIOR FINISH	J-23	K-02
LABEL	K-03	K-11
LP		K-12
LOUNGE	K-13	K-14
SEALANTS & FASTENERS	K-15	K-18
WATER & SEWAGE	K-19	K-24
WINDOW, VENT AND		
EXTERIOR DOOR	L-01	L-20
WINDSHIELD & WIFEFI	L-21	L-24

**GALLEY GROUP (CONTINUED)**



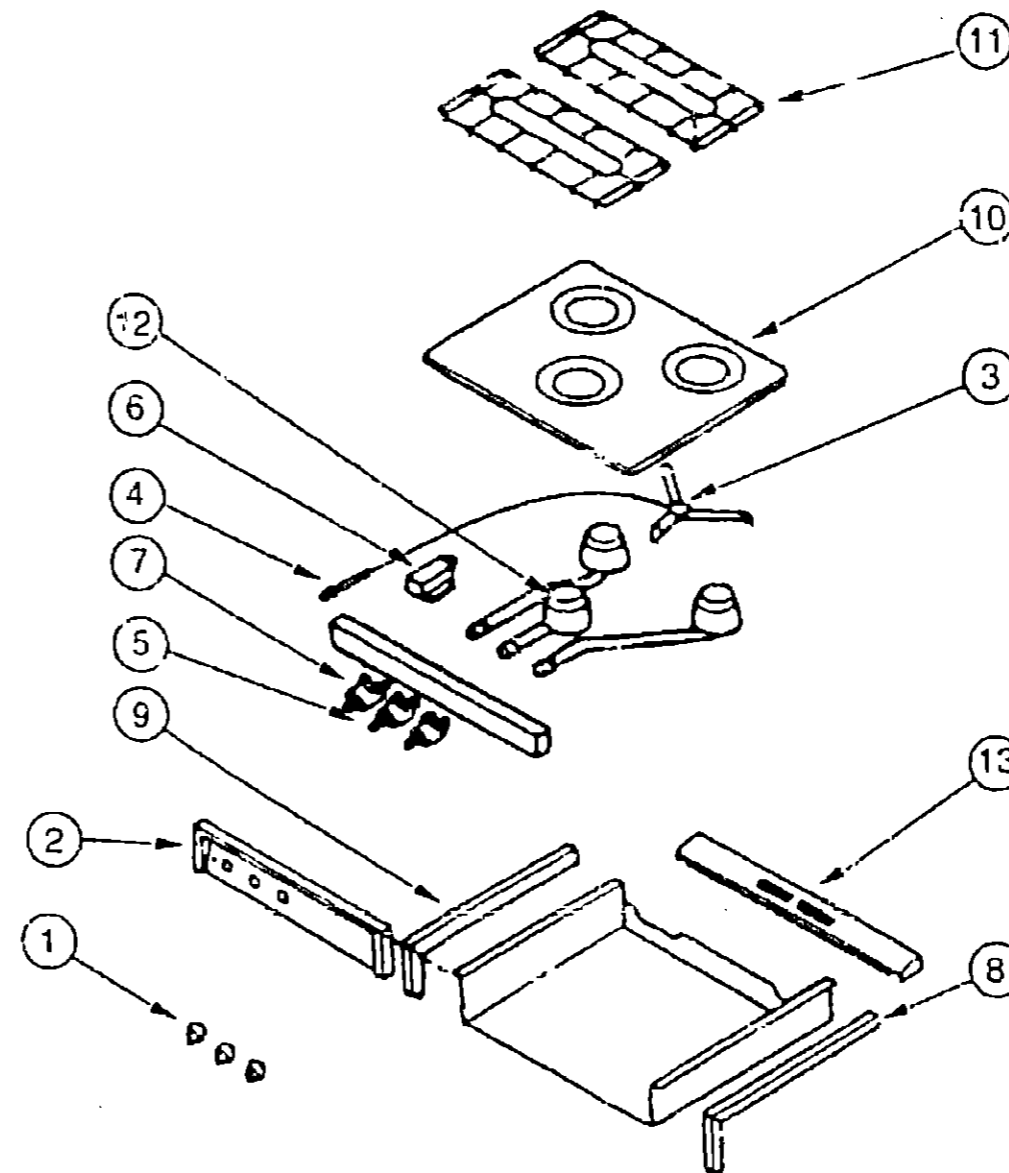
**ATWOOD RANGE W/OVEN**

KEY	PART NUMBER	U/M	DESCRIPTION
	107109-03-01A	EA	BRACKET ASM-TIEDOWN, RIGHT SIDE - BLACK (RANGE W/OVEN)
	107109-13-01A	EA	BRACKET ASM-TIEDOWN, LEFT SIDE - BLACK (RANGE W/OVEN)
	107246-01-01A	EA	RANGE W/OVEN, BLACK - ATWOOD R-2130BG
1	101593-01-703	EA	BURNER KNOB, ATWOOD 3000
2	106689-01-701	EA	SPARK-IGNITOR ASM. HIGH OUTPUT - ATWOOD 53078
3	106689-01-702	EA	PIEZO PUSH BUTTON, ATWOOD 52279
4	106689-01-703	EA	VALVE-HIGH OUTPUT, ATWOOD 53047
5	106689-01-704	EA	REGULATOR W/EXTREME PRESSURE, ATWOOD 52154
5	106689-01-705	EA	VALVE-BURNER, ATWOOD 52123
7	107246-01-700	EA	RANGE TOP (BLACK), ATWOOD 53023
8	107246-01-701	EA	GRATE, ATWOOD 53050
9	107246-01-702	EA	MANIFOLD COVER, ATWOOD 53072
10	107246-01-703	EA	THERMOSTAT, ATWOOD 52122
11	107246-01-704	EA	RACK-OVEN, ATWOOD 51069
12	107246-01-705	EA	BURNER-OVEN, ATWOOD 52018
13	107246-01-706	EA	PILOT ASM-EMBLY-OVEN, ATWOOD 52242
14	107246-01-707	EA	VALVE-SAFETY, ATWOOD 51177
15	107246-01-708	EA	SHELF-OVEN, BOTTOM, ATWOOD 51657
16	107246-01-709	EA	TRIM-BOTTOM, BLACK, ATWOOD 53526D
17	107246-01-710	EA	BURNER (HIGH OUTPUT), ATWOOD 53069
18	107246-01-711	EA	KNOB, THERMOSTAT, ATWOOD 53001
19	107323-01-702	EA	TRIM-LEFT, ATWOOD 53023
20	107323-01-703	EA	TRIM-RIGHT, ATWOOD 53024
21	107323-01-705	EA	TRIM VENT, ATWOOD 53525
	107323-01-710	EA	GRATE CLIP, ATWOOD 53301

**GALLEY GROUP (CONTINUED)**

**ATWOOD RANGE W/OVEN (CONTINUED)**

KEY	PART NUMBER	U/M	DESCRIPTION
	107323-01-711	EA	RUBBER GRATE CUSHION, ATWOOD 53003
22	107323-01-712	EA	BLACKGLASS INSERT-W-HOLE, ATWOOD 53426
23	107323-01-714	EA	HANDLE FOR W-HOLE GLASS, ATWOOD 51112



**ATWOOD RANGE TOP**

KEY	PART NUMBER	U/M	DESCRIPTION
	106936-03-01A	EA	BRACKET-TIEDOWN, STOVE - RIGHT SIDE - BLACK
	106936-09-01A	EA	BRACKET-TIEDOWN, STOVE - LEFT SIDE - BLACK
	106689-01-01A	EA	TOP-RANGE, 3 BURNER - BLACK - ATWOOD 53764
1	101593-01-703	EA	BURNER KNOB, ATWOOD 53000
2	106689-01-700	EA	MANIFOLD COVER, 3 BURNER - ATWOOD 53074
3	106689-01-701	EA	SPARK-IGNITOR ASM-HIGH OUTPUT, ATWOOD 53078
4	106689-01-702	EA	PIEZO PUSH BUTTON, ATWOOD 52279
5	106689-01-703	EA	VALVE-HIGH OUTPUT, ATWOOD 53047
6	106689-01-704	EA	REGULATOR W/EXTREME PRESSURE, ATWOOD 52154
7	106689-01-705	EA	VALVE-BURNER, ATWOOD 52123
8	106689-01-706	EA	TRIM-RIGHT HAND TOP & SIDE, BLACK - ATWOOD 53020
9	106689-01-707	EA	TRIM-LEFT HAND TOP & SIDE, BLACK - ATWOOD 53019
10	107246-01-700	EA	RANGE TOP (BLACK), ATWOOD 53023
11	107246-01-701	EA	GRATE, ATWOOD 53050
12	107246-01-710	EA	BURNER (HIGH OUTPUT), ATWOOD 53069
13	107323-01-705	EA	TRIM VENT, ATWOOD 53525
	107323-01-710	EA	GRATE CLIP, ATWOOD 53301
	107323-01-711	EA	RUBBER GRATE CUSHION, ATWOOD 53003

**1993 WINNEBAGO  
TABLE OF CONTENTS**

INTRODUCTION	A-01 - A-02
ABBREVIATIONS	A-03
ALPHABETICAL INDEX	A-04 - A-06
WCM33RW	A-07 - G-08
WCM33RQ	G-09 - L-24

**1993 WCM33RQ INDEX**

FLOOR PLAN	G-09 - G-10
ACCESSORIES	G-11
AUDIO VIDEO	G-12 - G-15
BATH	G-16 - G-20
BEDROOM	G-21 - G-24
CHASSIS	H-01 - H-18
CURTAIN & CUSHION	H-19 - I-07
DINETTE	I-08 - I-10
DRIVERS COMPARTMENT	I-11 - I-15
ELECTRICAL	I-16 - I-22
EXTERIOR BODY	I-23 - J-09
GALLEY	J-10 - J-17
GENERATOR	J-18 - J-19
HEATING & A/C	J-20 - J-22
INTERIOR FINISH	J-23 - K-02
LABEL	K-03 - K-11
LP	K-12
LOUNGE	K-13 - K-14
SEALANTS & FASTENERS	K-15 - K-18
WATER & SEWAGE	K-19 - K-24
WINDOW, VENT AND	
EXTERIOR DOOR	L-01 - L-20
WINDSHIELD & WIPER	L-21 - L-24



**GALLEY GROUP (CONTINUED)**

**STOVE COVER**

KEY	PART NUMBER	U/M	DESCRIPTION
	M05904-01-D18	EA	COVER ASM-STOVE, W/COUNTERTOP MATERIAL
	M05904-01-D19	EA	COVER ASM-STOVE, W/COUNTERTOP MATERIAL
	M05904-01-D20	EA	COVER ASM-STOVE, W/COUNTERTOP MATERIAL

**RANGE HOODS**

KEY	PART NUMBER	U/M	DESCRIPTION
	100258-21-01A	EA	HOOD-RANGE 22, W/MONITOR PANEL - BLACK - VENTLINE TMR5021SBD (U.S.)
	100258-24-01A	EA	HOOD-RANGE 22, W/MONITOR PANEL - BLACK - VENTLINE TMR5021SBC (CSA)
	090973-01-703	EA	MOTOR - LVS CA505-1
	090973-01-702	EA	BLADE-FAN, LVS VA183-1
	092696-02-701	EA	LENS-LAMP, VENTLINE CC179
	092696-01-709	EA	B JLB, 912, VENTLINE VA415
	075470-01-703	EA	SWITCH-ON MOMENTARY, JENSEN RP1016
	090983-01-702	EA	SWITCH-TWO WAY MOMENTARY, VENTLINE 112
	090983-01-703	EA	SWITCH-ON-ON - JENSEN 115
	095993-01-707	EA	FILTER-GREASE, 8" X 8" - LVS CC246
	100258-11-700	EA	CIRCUIT BOARD, VENTLINE 5079-01
	092696-01-701	EA	PLASTIC KNOB F/CABLE, VENTLINE CC 225
	092698-02-700	EA	PUSH FASTENER, VENTLINE VB430
	092698-02-701	EA	CONDUIT CLAMP, VENTLINE VB334
	095993-01-700	EA	SWITCH-ON-OFF, VENTLINE 109
	095993-01-709	EA	SWITCH & LEVER MODULE 17 1/2, VENTLINE CB547-4
	100258-04-702	EA	SWITCH & LEVER W/CABLE ASSY, VENTLINE CB547-1
	100258-08-701	EA	SWITCH-FAN 2-SPEED, VENTLINE 122
	100258-10-700	EA	HOUR METER ONLY, VENTLINE 150
	100258-11-701	EA	PANEL ASM, VENTLINE 9089

**MICROWAVE OVEN**

KEY	PART NUMBER	U/M	DESCRIPTION
	102479-02-000	EA	OVEN-MICROWAVE, PANASONIC NN6500
	102479-01-000	EA	OVEN-MICROWAVE, CONVECTION - PANASONIC NN6500
	102642-02-000	EA	BRACKET-BAFFLE, 22 1" X 2 5" - STEEL
	094756-02-01A	EA	BRACKET-L, MICROWAVE - 6.1" LONG X 3 9" WIDE - STEEL - TAN
	102458-03-000	EA	SUPPORT ASM-BOTTOM, MICROWAVE
	094756-03-D18	EA	BRACKET-ANGLE, WHOLES
	102452-01-000	EA	STRAP-MICROWAVE, 13.1" X 2" - STEEL
	102452-02-C11	EA	FRAME ASSEMBLY-MICROWAVE

**COFFEE MAKER**

KEY	PART NUMBER	U/M	DESCRIPTION
	103799-01-02A	EA	COFFEE MAKER, ALMOND
	104610-01-000	EA	STRAP ASM-COFFEE MAKER
	104230-01-000	EA	MAKER-COFFEE, THERMAL CARAFE - SPACEMAKER PLUS R * P I
	104230-01-700	EA	POT-CARAFE, ONLY - CREAM - SPACEMAKER PLUS SRC40

**GENERATOR GROUP**

**6.5 KW ONAN GENERATOR**

KEY	PART NUMBER	U/M	DESCRIPTION
	100975-01-000	EA	GENERATOR, 6.5KW EMERALD PLUS, ONAN NHE-FA 26100G WITH ONAN TRAY #403-2218
	079654-05-000	EA	PIPE-EXHAUST, ANGLED - W/FLANGE - 2" ID - ONAN# 154-2539
	092272-01-000	EA	MUFFLER-GENERATOR
	007125-03-000	EA	CLAMP-MUFFLER - 1.5" DIA.
	007131-01-000	EA	HANGER-TAILPIPE, 6 SLOTS
	106607-01-000	EA	ANGLE-SUPPORT, EXHAUST
	024976-01-000	EA	SWITCH-GENERATOR, W/O CIRCUIT BOARD
	108357-10-000	EA	SWITCH-ROCKER, SPDT - MOM.OFF/MOM - CARLING V8D1160B-0
	108356-05-01A	EA	ACTUATOR-SWITCH GROOVES LENS - CARLING VVLGCXX-XWB
	098351-07-01A	EA	PLATE-SWITCH, GENERATOR - JENSEN-POLISH BRASS

**7 KW KOHLER GENERATOR**

KEY	PART NUMBER	U/M	DESCRIPTION
	105525-01-000	EA	GENERATOR, 7 KW - LOW PROFILE - KOHLER 7CKM21
	105526-01-000	EA	ARRESTER-SPARK, KOHLER 278621
	105527-02-000	EA	PIPE-EXHAUST ADAPTER, KOHLER-278979
	105530-01-000	EA	MUFFLER-SIDE EXHAUST, W/O SPARK - KOHLER 278733
	105602-01-000	EA	GASKET-EXHAUST, KOHLER-278320
	105958-03-000	EA	PIPE-EXHAUST GENERATOR
	007131-01-000	EA	HANGER-TAILPIPE, 6 SLOTS
	007125-03-000	EA	CLAMP-MUFFLER - 1.5" DIA
	007125-04-000	EA	CLAMP-MUFFLER, 1.1" DIA
	034059-01-000	EA	SPACER-GENERATOR, ONAN
	106607-01-000	EA	ANGLE-SUPPORT EXHAUST
	024976-01-000	EA	SWITCH-GENERATOR, W/O CIRCUIT BOARD
	108357-10-000	EA	SWITCH-ROCKER, SPDT - MOM.OFF/MOM - CARLING V8D1160B-0
	108356-05-01A	EA	ACTUATOR-SWITCH GROOVES LENS - CARLING VVLGCXX-XWB
	098351-07-01A	EA	PLATE-SWITCH, GENERATOR - JENSEN-POLISH BRASS

**7 KW KOHLER GENERATOR - 50 AMP**

KEY	PART NUMBER	U/M	DESCRIPTION
	105525-03-000	EA	GENERATOR, 7KW LOW PRO 30.30 - KOHLER 7CKM21
	105526-01-000	EA	ARRESTER-SPARK, KOHLER 278621
	105527-02-000	EA	PIPE-EXHAUST ADAPTER, KOHLER-278979
	105530-01-000	EA	MUFFLER-SIDE EXHAUST, W/O SPARK - KOHLER 278733
	105602-01-000	EA	GASKET-EXHAUST, KOHLER-278320
	105958-03-000	EA	PIPE-EXHAUST GENERATOR
	007131-01-000	EA	HANGER-TAILPIPE, 6 SLOTS
	007125-03-000	EA	CLAMP-MUFFLER - 1.5" DIA
	007125-04-000	EA	CLAMP-MUFFLER, 1.1" DIA
	094059-01-000	EA	SPACER-GENERATOR, ONAN
	106607-01-000	EA	ANGLE-SUPPORT, EXHAUST
	024976-01-000	EA	SWITCH-GENERATOR, W/O CIRCUIT BOARD
	108357-10-000	EA	SWITCH-ROCKER, SPDT - MOM.OFF/MOM - CARLING V8D1160B-0
	108356-05-01A	EA	ACTUATOR-SWITCH GROOVES LENS - CARLING VVLGCXX-XWB
	098351-07-01A	EA	PLATE-SWITCH, GENERATOR - JENSEN-POLISH BRASS

**1993 WINNEBAGO TABLE OF CONTENTS**

INTRODUCTION	A-01 -	A-02
ABBREVIATIONS		A-03
ALPHABETICAL INDEX	A-04 -	A-06
WCM33RW	A-07 -	G-06
WCM33RQ	G-03 -	L-24

**1993 WCM33RQ INDEX**

FLOOR PLAN	G-09 -	G-10
ACCESSORIES		G-11
AUDIO VIDEO	G-12 -	G-15
BATH	G-16 -	G-20
BEDROOM	G-21 -	G-24
CHASSIS	H-01 -	H-18
CURTAIN & CUSHION	H-19 -	I-07
DINETTE	I-08 -	I-10
DRIVERS COMPARTMENT	I-11 -	I-15
ELECTRICAL	I-16 -	I-22
EXTERIOR BODY	I-23 -	J-09
GALLEY	J-10 -	J-17
GENERATOR	J-18 -	J-19
HEATING & A/C	J-20 -	J-22
INTERIOR FINISH	J-23 -	K-02
LABEL	K-03 -	K-11
LP		K-12
LOUNGE	K-13 -	K-14
SEALANTS & FASTENERS	K-15 -	K-18
WATER & SEWAGE	K-19 -	K-24
WINDOW, VENT AND		
EXTERIOR DOOR	L-01 -	L-20
WINDSHIELD & WIPER	L-21 -	L-24

## GENERATOR GROUP (CONTINUED)

### 7 KW ONAN MARQUIS GENERATOR

KEY	PART NUMBER	U/M	DESCRIPTION
	105559-01-000	EA	GENERATOR, 7KW MARQUIS - ONAN NHM IR 26106 WITH ONAN TRAY #403-2293
	106235-01-000	EA	ADAPTOR-EXHAUST GENERATOR
	007131-01-000	EA	HANGER-TAILPIPE, 6 SLOTS
	007125-03-000	EA	CLAMP-MUFFLER - 1.5" DIA
	106607-01-000	EA	ANGLE-SUPPORT, EXHAUST
	024976-01-000	EA	SWITCH-GENERATOR, W/O CIRCUIT BOARD FROM: 00-00-00 THRU: 12-13-92
	108357-10-000	EA	SWITCH-ROCKER, SPDT - MOM.OFF/MOM - CARLING V8D1160B-0 FROM: 12-14-92 THRU: 99-99-99
	108358-05-01A	EA	ACTUATOR-SWITCH GROOVES LENS - CARLING VVLGCXX-XWB FROM: 12-14-92 THRU: 99-99-99
	098351-07-01A	EA	PLATE-SWITCH, GENERATOR - JENSEN-POLISH BRASS FROM: 12-14-92 THRU: 99-99-99

### 7 KW ONAN MARQUIS GENERATOR - 50 AMP

KEY	PART NUMBER	U/M	DESCRIPTION
	105559-03-000	EA	GENERATOR, 7KW MARQUIS 30/30 - ONAN NHM FA/26105 WITH ONAN TRAY #403-2293
	106235-01-000	EA	ADAPTOR-EXHAUST GENERATOR
	007131-01-000	EA	HANGER-TAILPIPE, 6 SLOTS
	007125-03-000	EA	CLAMP-MUFFLER - 1.5" DIA
	009401-01-000	EA	STRAP-CONDUIT, 3/4" - 1 HOLE - GALVANIZED STEEL
	106607-01-000	EA	ANGLE-SUPPORT, EXHAUST
	024976-01-000	EA	SWITCH-GENERATOR, W/O CIRCUIT BOARD FROM: 00-00-00 THRU: 12-13-92
	108357-10-000	EA	SWITCH-ROCKER, SPDT - MOM.OFF/MOM - CARLING V8D1160B-0 FROM: 12-14-92 THRU: 99-99-99
	108358-05-01A	EA	ACTUATOR-SWITCH GROOVES LENS - CARLING VVLGCXX-XWB FROM: 12-14-92 THRU: 99-99-99
	098351-07-01A	EA	PLATE-SWITCH, GENERATOR - JENSEN-POLISH BRASS FROM: 12-14-92 THRU: 99-99-99

## HEATING & AIR CONDITIONING GROUP

### AUTO A/C EVAPORATOR

KEY	PART NUMBER	U/M	DESCRIPTION
	103930-01-000	EA	EVAPORATOR HEATER ASSEMBLY, SCS 050-0041
	089227-02-701	EA	BRACKET-BOWDEN CABLE MOUNTING, ARA 0405-017
	094831-01-709	EA	CLAMPS-ROD, 3/16" - MOTIVAIR SCS ZGG14431
	024801-01-724	EA	O RING--4, MOTIVAIR SCS ZGG14501
	103930-01-700	EA	ROD-AIR BLEND DOOR, SCS 073-0017
	103930-01-701	EA	PANEL-DOOR, FOR AIR BLEND - SCS 071-0123
	103930-01-702	EA	GASKET-DOOR, FOR AIR BLEND - SCS 049-0080
	103930-01-703	EA	COIL-HEATER, SCS 042-0010
	103930-01-704	EA	COIL-EVAPORATOR, SCS 041-0017
	103930-01-705	EA	VALVE-EXPANSION BLOCK, SCS 034-0019
	103930-01-706	EA	GASKET-O RING, #8 - SCS 045-0011
	103930-01-707	EA	GASKET-O RING, #10 - SCS 045-0012
	103930-01-708	EA	BRACKET-VACUUM MOTOR, SCS 070-0113
	103930-02-708	EA	MOTOR-VACUUM SERVO, A/C - SCS 030-0002
	103930-01-710	EA	RESISTOR-FUSED, SCS 030-0005
	103930-01-711	EA	THERMOSTAT, SCS 033-0003
	103930-01-712	EA	GASKET-O RING, SCS 045-0010
	103930-01-713	EA	FITTING-QUICK CONNECT, #4 - SCS 050-0003
	103930-01-714	EA	FITTING-SERVICE VALVE, #10 - SCS 050-0031
	103930-01-715	EA	SWITCH-BINARY, SCS 032-0030
	103930-01-716	EA	SWITCH-PRESSURE, FAN - SCS 032-0029
	103930-01-717	EA	WHEEL-CLOCK-WISE, SCS 062-0010
	103930-01-718	EA	HOSE #6, SCS 051-0036
	103930-01-719	EA	HOSE #10, SCS 051-0017
	103930-01-720	EA	MOTOR, SCS 030-0004
	103930-01-721	EA	GASKET O-RING #12, SCS 045-0012
	103930-01-722	EA	#8 HOSE ASM W FITTINGS AND SWITCHS

### AUTO A/C CONTROL/PLENUM

KEY	PART NUMBER	U/M	DESCRIPTION
	103930-08-000	EA	CONTROL PLENUM SET FOR M-BODY, SCS 033-00045
	072341-06-700	EA	SWITCH, 4 SPEED, FAN - ARA 0893502
	103930-01-723	EA	HOSE ASM, W FITTINGS #10 - SCS 051-0073
	103930-02-700	EA	PANEL-CONTROL, SCS 022-0018
	103930-02-701	EA	VALVE-CONTROL HEAD, SCS 034-0015
	103930-02-702	EA	DECAL-WINNEBAGO "N", SCS 058-0008
	103930-02-703	EA	HARNES-WIRE CONTROL, SCS 036-0048
	103930-02-704	EA	HARNES-VACUUM CONTROL, SCS 036-0049
	103930-02-705	EA	CABLE-CONTROL, BOWDEN - SCS 074-0011
	103930-02-706	EA	CLIP-CABLE, CONTRL - SCS 022-0017
	103930-02-707	EA	RELAY, SCS 031-0001
	103930-02-710	EA	CANISTER-VACUUM, SCS 054-0022
	103930-02-711	EA	VALVE-WATER, SCS 034-00114

### AUTO A/C & HEAT SYSTEM

KEY	PART NUMBER	U/M	DESCRIPTION
	007076-01-000	EA	HOSE-FLEXIBLE PVC - 2" ID - INCREMENTS OF 10'
	007281-01-000	EA	HOSE-FLEXIBLE PVC, 2.5" ID X 50' - ATCOFLA A-182-355
	024990-05-000	EA	OUTLET-DEFROSTER, W/SWIVEL - 2" DIAMETER - BLACK
	024990-06-000	EA	OUTLET-DEFROSTER, W/SWIVEL - 2" DIAMETER - WILLOW
	056402-05-000	EA	BRACKET-HEATER VENT, ROUND - W/BEND - BLACK
	077075-01-000	EA	GASKET-INSTRUMENT PANEL TO DEFROSTER PLENUM - 6" X 11 3/4" (CENTER TWO OPENINGS)
	077075-03-000	EA	GASKET-INSTRUMENT PANEL TO DEFROSTER PLENUM (OUTER TWO OPENINGS)
	103016-01-000	EA	PLENUM-TRANSITION
	103017-01-000	EA	PLENUM-DEFROSTER
	103558-01-03A	EA	VENT-DEFROSTER, ABS PLASTIC - WILLOW
	103796-01-01A	EA	LOUVER ASM-A/C, CARY PROD BLACK 288-3B,100-2-4-8
	103930-05-000	EA	MANUAL-OWNERS, HEATER-A/C - SCS 057-0049

## 1993 WINNEBAGO TABLE OF CONTENTS

INTRODUCTION	A-01	A-02
ABBREVIATIONS		A-03
ALPHABETICAL INDEX	A-04	A-05
WCM37RW	A-07	G-08
WCM33RQ	G-09	L-24

## 1993 WCM33RQ INDEX

FLOOR PLAN	G-09	G-10
ACCESSORIES		G-11
AUDIO VIDEO	G-12	G-15
BATH	G-16	G-20
BEDROOM	G-21	G-24
CHASSIS	H-01	H-18
CURTAIN & CUSHION	H-19	I-07
DINETTE	I-08	I-10
DRIVERS COMPARTMENT	I-11	I-15
ELECTRICAL	I-16	I-22
EXTERIOR BODY	I-23	J-39
GALLEY	J-10	J-17
GENERATOR	J-16	J-19
HEATING & A/C	J-20	J-22
INTERIOR FINISH	J-23	K-02
LABEL	K-03	K-11
LP		K-12
LOUNGE	K-13	K-14
SEALANTS & FASTENERS	K-15	K-18
WATER & SEWAGE	K-19	K-24
WINDOW, VENT AND		
EXTERIOR DOOR	L-01	L-20
WINDSHIELD & WIPER	L-21	L-24

# HEATING & AIR CONDITIONING GROUP (CONTINUED)

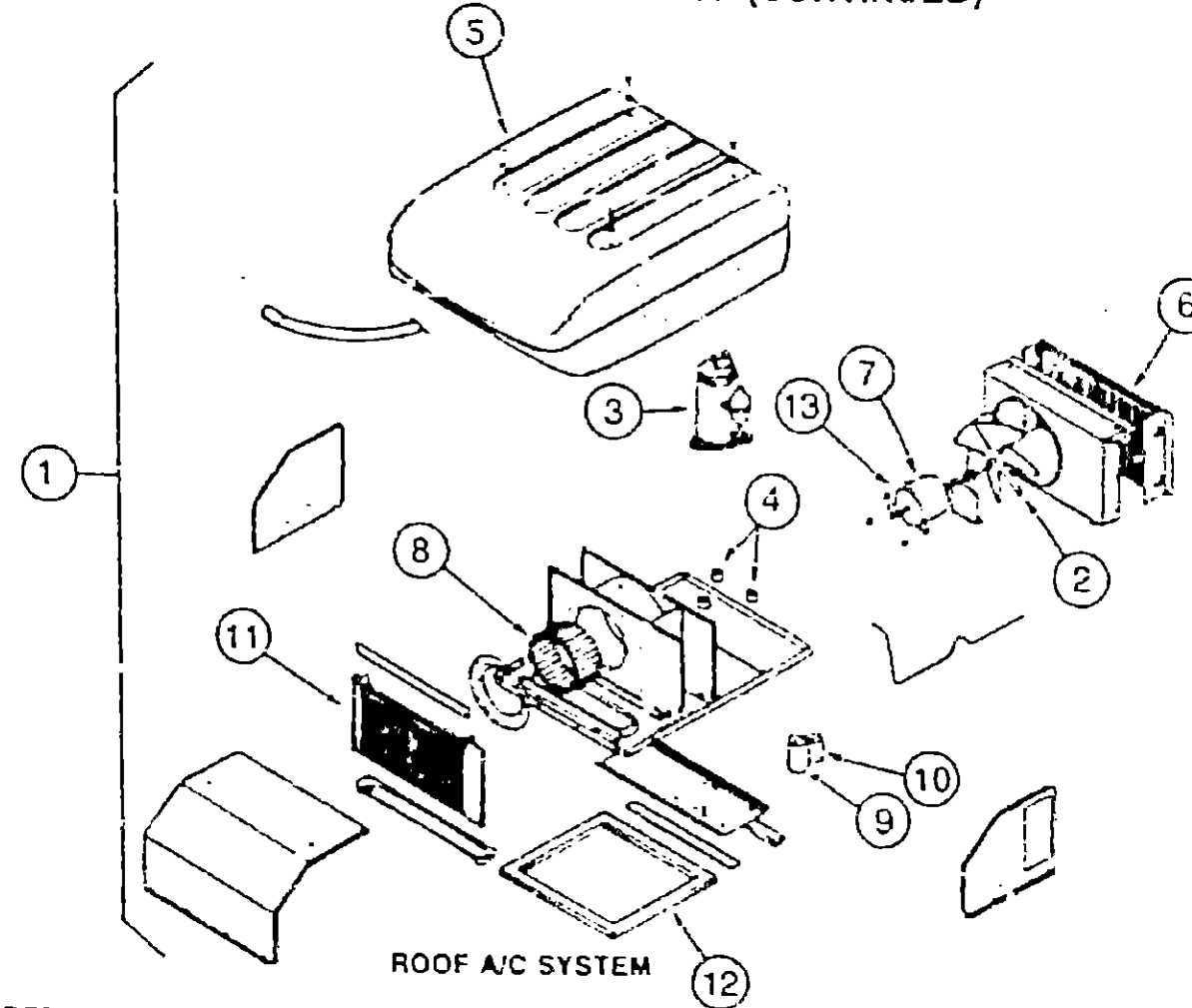
## FURNACE

KEY	PART NUMBER	U/M DESCRIPTION
	092300-01-000	EA THERMOSTAT-WALL, FURNACE - SUBURBAN 0160902
	092300-09-000	EA FACE-FRONT, FURNACE - SUBURBAN 520607
	092300-08-000	EA VENT KIT-FURNACE, STRAIGHT - SUBURBAN 500000
	092300-04-000	EA GASKET-FIBERGLASS
	092300-06-000	EA FURNACE, 34,000 BTU, SUBURBAN NT34BW
	069634-01-706	EA MODULE BOARD, SUBURBAN# 231401
	069634-01-712	EA GASKET-MANIFOLD, SUBURBAN 070408
	069634-01-716	EA VALVE-MANUAL SHUTOFF, SUBURBAN 150740
	069634-01-720	EA ORIFICE-MAIN BURNER, SUBURBAN# 0120272
	069634-01-729	EA VALVE-GAS, JOHNSON - SUBURBAN 160332
	069634-01-732	EA GASKET-BURNER ACCESS DOOR, SUBURBAN 070398
	069634-01-733	EA RELAY, TIME DELAY 20 & 30 BTU, SUBURBAN 231202
	075696-01-709	EA MICRO SWITCH (FOR MODELS 30 & 34S) - SUBURBAN#230509
	075696-01-700	EA MOTOR ASM-SUBURBAN # 231203
	075696-02-709	EA DISC-GLASS, SUBURBAN 310026
	075696-02-727	EA BRACKET-MOTOR MOUNT, SUBURBAN# 062139
	075696-02-726	EA GASKET-CROSSOVER TUBE, SUBURBAN 070389
	092300-01-700	EA CABINET, SUBURBAN X101176
	092300-01-701	EA CABINET FRONT, SUBURBAN 101172
	092300-01-704	EA GASKET-ELECTRODE, SUBURBAN 070163
	092300-01-705	EA ELECTRODE, SUBURBAN 230356
	092300-01-706	EA DOOR-BURNER ACCESS, SUBURBAN 030523
	092300-01-708	EA SWITCH LIMIT, SUBURBAN 231440
	092300-01-711	EA VENT CAP ASSEMBLY, SUBURBAN X260179
	092300-01-712	EA BURNER ASM, SUBURBAN X010701
	092300-01-715	EA MANIFOLD ASSEMBLY, SUBURBAN 171034
	092300-01-717	EA WIRE ASSEMBLY (POWER SUPPLY) - SUBURBAN X231428
	092300-01-718	EA ELBOW 90°, SUBURBAN 170374
	092300-01-720	EA WHEEL-ROOM AIR, SUBURBAN 350113
	092300-01-721	EA BLOWER HOUSING ASSEMBLY, SUBURBAN 390283
	092300-01-724	EA GASKET-MOTOR MOUNT, SUBURBAN 070344
	092300-01-726	EA WHEEL-COMB AIR, SUBURBAN 350110
	092300-01-727	EA GASKET-COMBUSTION AIR HOUSING, SUBURBAN 070356
	092300-01-728	EA HOUSING, COMB AIR (OUTSIDE) - SUBURBAN 390424
	092300-02-700	EA COM. CHAMBER ASM 30 & 34 BW - SUBURBAN X021015
	092300-03-702	EA HOUSING, COMB AIR ASM N1-344W - SUBURBAN X390417
	069668-01-712	EA BOARD-MODULE, SUBURBAN 231741
	069668-13-000	EA GASKET-FIBERGLASS, 3" X 16 3/4" X 17 5/8" - SUBURBAN
	094600-01-02A	EA REGISTER-HEAT, W/O DAMPER - 36" X 11 1/2" - BROWN
	094600-02-02A	EA REGISTER-HEAT, W/DAMPER - 36" X 11 1/2" - BROWN
	066464-05-000	EA REGISTER-PLASTIC W/O DAMPER - 4" DIAMETER - GOLDEN
	023146-01-000	EA CLAMP-SCREW TYPE - 4"
	069636-02-000	EA CONNECTOR-DUCT, 4" ID - SUBURBAN 050715
	092777-01-000	EA ADAPTER-DUCT, 4"
	079198-01-000	FT DUCT-HEAT-FLEXIBLE - 4" ID X 25 FT
	092614-01-01A	EA GRILLE-RETURN AIR-FURNACE - 15 6" X 7 6" - BROWN
	009200-01-000	EA TAPE-FURNACE, 1 1/2"

## REAR HEATER & HEATING SYSTEM

KEY	PART NUMBER	U/M DESCRIPTION
	084405-01-000	EA HEATER ASM-REAR, DUCTED - W/MOTOR AID - EVANS
	084405-01-700	EA HEATER CORE, EVANS FT200229
	084405-01-701	EA FAN BLADES, EVANS HV029931
	084405-01-702	EA MOTOR ASM, 12 V, EVANS 200146
	079059-01-000	EA HOSE, 90 DEGREE- 5/8" ID X 4" X 36"
	079059-02-000	EA HOSE, 90 DEGREE, 61" ID X 4" X 6"
	079059-03-000	EA HOSE, 90 DEGREE- 61" ID X 4" X 18"
	079059-04-000	EA HOSE, 90 DEGREE, 61" ID X 3 07" X 3 07"
	007109-01-000	FT HOSE-HEATER- 5/8" ID - HI-TEMP - FORD ESF-M2D192-A
	088753-01-000	FT TUBE-ALUMINIZED STEEL, 5/8" - 18 GAUGE
	061673-01-000	EA BRACKET-MOTOR AID TUBES, 4" X 1.5" - STEEL

# HEATING & AIR CONDITIONING GROUP (CONTINUED)



KEY	PART NUMBER	U/M DESCRIPTION
	106889-01-03A	EA A/C-ROOF, 13,500 TSR HO BUFF - COLEMAN 7333-888
	091225-01-709	EA START RELAY, COLEMAN# 1497-4131
	091225-01-710	EA START CAPACITOR, COLEMAN# 1497-0881
	093304-01-701	EA DECAL PKG. LEFT & RIGHT - COLEMAN 679883591
	093763-01-712	EA FAN BLADE-CONDENSER, COLEMAN 6733-3221
	105620-01-704	EA COMPRESSOR, R & LH - COLEMAN# 1450-2009
	105620-01-705	EA FOOT PKG-COMPRESSOR, 3 PER PKG- COLEMAN 6759-3051
	106889-01-702	EA SHROUD (BUFF,BUFF) LESS LOGO, COLEMAN 6759-6411
	106889-01-704	EA CONDENSER COIL, COLEMAN 1452-1301
	106889-01-704	EA OVERLOAD (MRA#98893), COLEMAN 6759-3541
	106889-01-705	EA MOTOR (115, 60HZ), COLEMAN 1469-3049
	106889-01-706	EA IMPELLOR, COLEMAN 1472-1041
	106889-01-707	EA RUN CAPACITOR (COMP-25MFD/370 - COLEMAN 1499-5661
	106889-01-708	EA FAN CAPACITOR(7.5MFD 370U) - COLEMAN 1499-5461
	106889-01-709	EA EVAPORATOR COIL, COLEMAN 1452-1311
	106889-01-710	EA FILLER PAD-CONDITION AIR SEAL, COLEMAN 6759A3971
	106889-01-711	EA GASKET PKG COLEMAN 6792-3301
	106889-01-712	EA SUCTION LINE REDUCER (3/8 X 1/2) - COLEMAN 1215-2161
	106889-01-713	EA SUCTION LINE (3/80D X 032 WALL) - COLEMAN 6792-133
	106889-01-714	EA DISCHARGE LINE ASSEMBLY - COLEMAN 6792-531
	106889-01-715	EA MOTOR MOUNT & SHAFT SEAL KIT, COLEMAN 6792-3361
	106892-01-01A	EA CEILING ASM-A/C DUCTED - COLEMAN 7330-730 IV
	106892-01-700	EA PLUG ASSEMBLY, COLEMAN 7330-540
	106892-01-701	EA TERMINAL BOARD, COLEMAN 7330-3201
	106892-01-702	EA PIC. BOARD, COLEMAN 7330-3211
	106892-01-703	EA FILTER, COLEMAN 6798A3761
	106892-01-704	EA GRILLE (PLASTIC), COLEMAN 6798-3041
	106892-01-705	EA SMALL PARTS PKG, COLEMAN 7370A6101
	106893-01-01A	EA THERMOSTAT-A/C & FURNACE, BEIGE - COLEMAN 6799B5951
	106893-02-01A	EA LABEL-THERMOSTAT A/C ONLY - COLEMAN 6798-391 BK
	110403-01-D19	EA SPACER ASM-RETURN AIR, OAK
	073937-03-000	EA SWITCH-ROTARY SELECTOR, 3 DECK - A/C - CA20-USA692
	085238-03-000	EA COVER-A/C SWITCH, DUAL - BLANK - V.50A SERVICE
	089238-01-000	EA COVER-SWITCH, A/C SELECTOR - FRONT TO REAR A/C
	102289-01-000	EA SPRING-SCREW, ROOF A/C GASKET - COLEMAN 6757-150

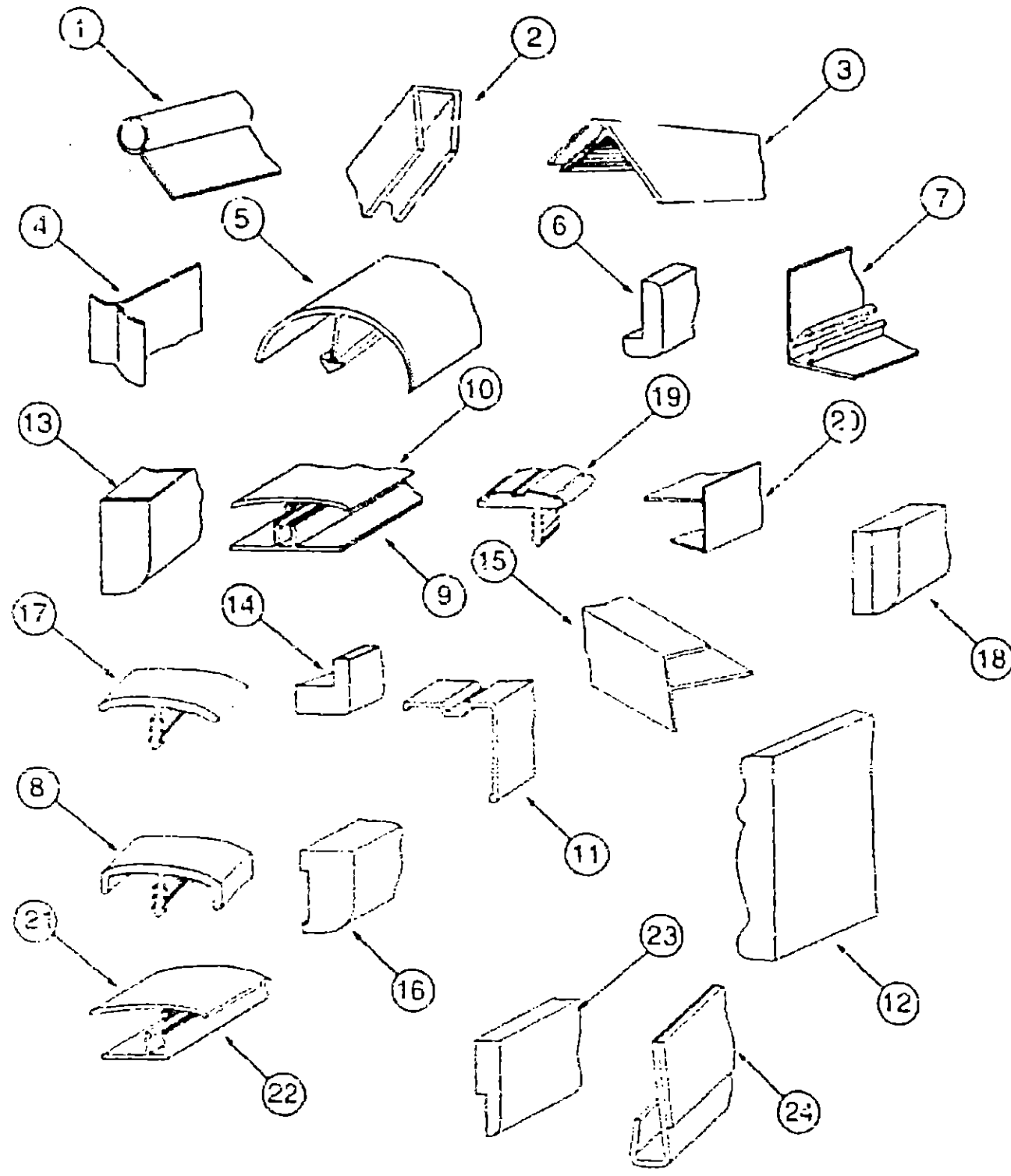
## 1993 WINNEBAGO TABLE OF CONTENTS

INTRODUCTION	A-01 -	A-02
ABBREVIATIONS		A-03
ALPHABETICAL INDEX	A-04 -	A-06
WCM33RW	A-07 -	G-09
WCM33FQ	G-09 -	L-24

## 1993 WCM33RQ INDEX

FLOOR PLAN	G-01 -	G-10
ACCESSORIES		G-11
AUDIO VIDEO	G-12 -	G-15
BATH	G-16 -	G-20
BEDROOM	G-21 -	G-24
CHASSIS	H-01 -	H-18
CURTAIN & CUSHION	H-19 -	I-07
DINETTE	I-08 -	I-10
DRIVERS COMPARTMENT	I-11 -	I-15
ELECTRICAL	I-16 -	I-22
EXTERIOR BODY	I-23 -	J-09
GALLEY	J-10 -	J-17
GENERATOR	J-18 -	J-19
HEATING & A/C	J-20 -	J-22
INTERIOR FINISH	J-23 -	K-02
LABEL	K-03 -	K-11
LP		K-12
LOUNGE	K-13 -	K-14
SEALANTS & FASTENERS	K-15 -	K-18
WATER & SEWAGE	K-19 -	K-24
WINDOW, VENT AND		
EXTERIOR DOOR	L-01 -	L-20
WINDSHIELD & WIPER	L-21 -	L-24

**INTERIOR FINISH GROUP**



**MOLDINGS & TRIMS**

KEY	PART NUMBER	U/M DESCRIPTION
1	009757-12-000	FT MOLDING-SIDEWALL TO CEILING CABINET, WELTING - OFF WHITE
2	003778-12-000	FT U-CHANNEL-PLASTIC, 1" WIDE X 8" INCREMENTS - THOR PECAN
2	070504-19-000	FT U-CHANNEL-PLASTIC, 815" WIDE - BROWN - INC OF 8"
2	070504-24-000	FT U-CHANNEL-PLASTIC, 875" WIDE - THOR PECAN - INC OF 8"
2	070504-26-000	FT U-CHANNEL-PLASTIC, 915" WIDE - MODERN IVORY - INC OF 8"
3	009809-03-000	EA MOLDING-CORNER, OUTSIDE - 1" - PLASTIC - IVORY
4	022992-10-000	FT MOLDING-REVERSE COVE, T-SHAPED - VINYL - IVORY
5	042257-17-000	EA MOLDING-CORNER, RADIUS - 1.5" X 7" - PLASTIC - WOODGRAIN
6	077840-01-W30	EA MOLDING-WALL CAP, 1.4" X 8" LONG - L-SHAPED WOOD
7	081501-02-007	EA MOUNT-METAL MOLDING, FOR RADIUS CORNER MOLDING - 12.5" EA
	080371-03-000	EA CAP-TOP, RADIUS CORNER MOLDING - PLASTIC - PECAN
8	081501-07-009	FT MOLDING-T, END CAP EDGE - WEDGE LIPS - .75" - THOR PECAN
9	086229-01-000	EA RETAINER-BATTEN, CEILING - .75" WIDE - 7.6" EA
10	086229-04-000	EA BATTEN-CEILING, 1" WIDE - IVORY - 7.6" EA
11	093973-01-01A	EA TRIM-CARPET, L-ANGLE - 1.1" X 1.3" X 12" - VINYL - GRAY
12	100182-10-B07	EA TRIM-CHAIR RAIL, WALL - 2.5" X 8" - WOOD

**INTERIOR FINISH GROUP (CONTINUED)**

**MOLDINGS & TRIMS (CONTINUED)**

KEY	PART NUMBER	U/M DESCRIPTION
13	100816-01-01A	EA MOLDING-VINYL WRAPPED, 1.65" X 4" X 7" - REGAL OAK
14	100819-01-01A	EA MOLDING-VINYL WRAPPED, L-SHAPED - 1.5" X 1.5" X 7" - OAK
15	009812-25-000	EA MOLDING-CORNER, OUTSIDE - 5" - PLASTIC - PECAN
16	092331-D2-124	EA MOLDING-VINYL WRAPPED, .7" X 1.57" X 84" - WOODGRAIN
16	092331-F2-124	EA MOLDING-VINYL WRAPPED, .7" X 2.5" X 7" - WOODGRAIN
17	105709-01-000	FT T-MOLDING-1", MODERN IVORY
18	100659-17-D18	EA MOLDING-TRIM, FLOOR - 1" X 29.2" - WOOD
19	103736-01-01A	FT T-MOLDING, 1.00" - BRASS/BLACK - CRILA PLASTICS
20	100156-01-02A	FT MOLDING-EDGE, SHELF - .75" WIDE - PLASTIC - REGAL OAK
21	086229-10-000	EA BATTEN-1.5", OFFSET - IVORY
22	086229-09-000	EA RETAINER-OFFSET
23	105904-01-01A	EA MOLDING-VINYL WRAP, 94" X 8" - WOODGRAIN - REGAL OAK
24	109832-01-01A	FT TRIM-J, CARPET - BLACK - B5W RN446
	092707-07-01A	EA MOLDING-OAK, REGAL
	091261-01-000	FT SLIPNOT-ANTISLIP, 1" WIDE (100' ROLL)
	085224-61-000	FT BATT STRIP-DECORATIVE, PATTERNED STRIPE - ADHESIVE BACKED
	079653-04-000	EA BATT STRIP-KERFED, WOODGRAIN
	069723-79-000	EA BATT STRIP-WOODGRAIN, 8" EA - FOREST OAK
	072368-02-000	EA TRIM-VINYL EDGE - BLACK - GM 14004305
	076325-27-000	FT MOLDING-EDGE BAND, 1.5/16" WIDE - REGAL OAK
	076325-28-000	FT MOLDING-EDGE BAND, 1.5/16" WIDE - OFF WHITE - THERMOWEB
	076325-35-000	FT MOLDING-EDGE BAND, 1.5/16" WIDE - BLUSH BEIGE (D15)
	076325-35-000	FT MOLDING-EDGE BAND, 1.5/16" WIDE - GRAY (D19)
	076325-40-000	FT MOLDING-EDGE BAND, 1.5/16" WIDE - SILVER BEIGE (D20)
	109671-01-118	EA LUMBER-MIRROR STOP, 610MM LONG
	092330-D2-438	EA LUMBER-VINYL WRAPPED, 7" X 1.5" X 9" - WOODGRAIN
	092330-03-000	EA LUMBER-VINYL WRAPPED, 2" X 96" - WOODGRAIN
	092330-05-000	EA LUMBER-VINYL WRAPPED, 3" X 96" - WOODGRAIN

**CARPETING, FLOOR MATS & WALL PICTURES**

KEY	PART NUMBER	U/M DESCRIPTION
	093486-01-000	SY CARPET-COMPARTMENT, 54" WIDE - DARK GRAY
	090060-45-000	SY CARPET-12' ROLL, INC OF 4 SY - APPALDOOSA (D12) FROM: 00-00-00 THRU: 05-31-92
	096060-55-000	SY CARPET-12' ROLL, INC OF 4 SY - ROYAL TERRACE WICKER (D16) FROM: 05-01-92 THRU: 99-99-99
	096060-56-000	SY CARPET-12' ROLL, INC OF 4 SY - ROYAL TERRACE IRIS (D19)
	096060-48-000	SY CARPET-12' ROLL, INC OF 4 SY - ASPEN BLUE (D20)
	075233-01-000	SY PAD-CARPET, 3/8" X 6" ROLL
	102695-06-000	YD TAPE-CARPET BIND, #480 MAUVE
	102695-11-000	YD TAPE-CARPET BIND, MATTRESS - 3/4" WIDE - LIGHT TAN
	105829-01-700	EA WOOD TILE 4.5" X 36" X 3.5" THICK
	105829-02-01A	SF WOOD PLANK FLOORING TILE - LIGHT OAK FROM: 00-00-00 THRU: 06-06-93 FROM: 06-07-93 THRU: 99-99-99
	108151-01-000	EA MAT-FLOOR, ENTRANCE - PLASTICOLOR
	108152-01-000	EA MAT-FLOOR, PASSENGER SIDE - PLASTICOLOR
	108152-02-000	EA MAT-FLOOR, DRIVER SIDE - PLASTICOLOR
	108933-02-000	EA PICTURE-DECORATIVE, 16" X 20" - DESERT - KEYLINE SALES (D18, D19)
	108933-03-000	EA PICTURE-DECORATIVE, 21" X 20" - 4369 WATERLILY - KEYLINE SALES (D20)
	108953-04-000	EA PICTURE-DECORATIVE, 15" X 18" - FLOWERS - KEYLINE SALES

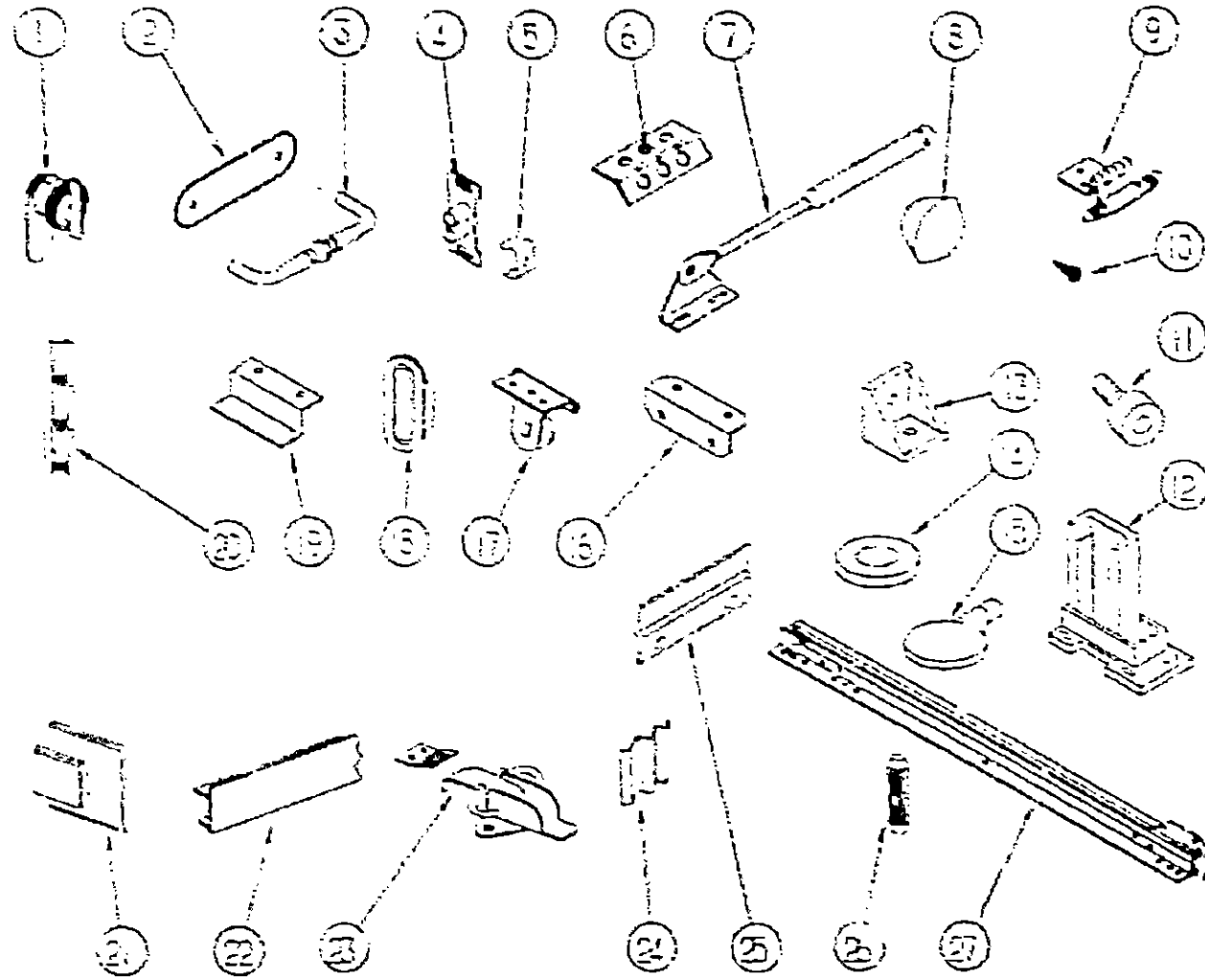
**1993 WINNEBAGO  
TABLE OF CONTENTS**

INTRODUCTION	A-01 -	A-02
ABBREVIATIONS		A-03
ALPHABETICAL INDEX	A-04 -	A-06
WCM37RW	A-07 -	G-06
WCM33RQ	G-09 -	L-24

**1993 WCM33RQ INDEX**

FLOOR PLAN	G-09 -	G-10
ACCESSORIES		G-11
AUDIO VIDEO	G-12 -	G-15
BATH	G-16 -	G-20
BEDROOM	G-21 -	G-24
CHASSIS	H-01 -	H-18
CURTAIN & CUSHION	H-19 -	I-07
CINETTE	I-08 -	I-10
DRIVERS COMPARTMENT	I-11 -	I-15
ELECTRICAL	I-16 -	I-22
EXTERIOR BODY	I-23 -	J-09
GALLEY	J-10 -	J-17
GENERATOR	J-18 -	J-19
HEATING & A/C	J-20 -	J-22
INTERIOR FINISH	J-23 -	K-02
LABEL	K-03 -	K-11
LP		K-12
LOUNGE	K-13 -	K-14
SEALANTS & FASTENERS	K-15 -	K-16
WATER & SEWAGE	K-19 -	K-24
WINDOW, VENT AND EXTERIOR DOOR	L-01 -	L-20
WINDSHIELD & WIPER	L-21 -	L-24

**INTERIOR FINISH GROUP (CONTINUED)**



**CABINET HARDWARE**

KEY	PART NUMBER	U/M DESCRIPTION
1	100710-01-01A	EA LOCK-GLASS DOOR, TWIST TYPE - BRASS
2	051376-01-000	EA BACKPLATE-DOOR FULL BRASS - 6" X 4.25"
3	106164-01-000	EA FULL-CABINET, BRASS
4	009021-01-000	EA CATCH-GRILL, NYLON
5	009021-02-000	EA STRIKE-SPRING STEEL
6	009066-01-000	EA HINGE-ALUMINUM, NO HOLES - 1 1/16" X 8" - UNPAINTED
7	074493-02-000	EA SUPPORT-PISTON SPRING, CABINET DOOR
8	042356-01-000	EA PLUG-BUTTON, MAHOGANY - 3/8" DIAMETER - WOOD
9	106138-01-000	EA HINGE-DOOR, CABINET - BURNISHED BRASS
10	000613-05-06G	EA SCREW-6-20 X 5/8 PPH, ANTIQUE BRASS
11	079921-01-000	EA ROLLER-NYLON, W/STEEL SHAFT - BARBED
12	107030-01-000	EA BACKSOCKET-ADJUSTABLE, LEFT TRANSFER FLOW
12	107030-02-000	EA BACKSOCKET-ADJUSTABLE, RIGHT TRANSFER FLOW
13	065740-01-000	EA BRACE-CABINET CORNER, PLASTIC
14	100707-01-000	EA SPACER-DOOR, GLASS - .5" DIA - .3" HOLE - PLASTIC
15	101766-01-000	EA PIN-SUPPORT, GLASS DOOR
16	015604-01-000	EA BRACE-CABINET, ANGLE - 2.5" - METAL - UNPAINTED
16	015604-03-000	EA BRACE-CABINET, ANGLE - 2.5" - METAL - BEIGE
17	100711-01-01A	EA HINGE-DOOR, GLASS
18	098410-01-01A	EA PULL-FINGER, OVAL - BRASS
19	101222-01-01A	EA BRACKET-CATCH, LID - BEIGE
20	097544-02-01A	EA SUPPORT-SHELF, ADJUSTABLE - MEDIUM BROWN
21	102327-01-01A	EA PULL-MIRROR, SQUARE
22	103196-02-02A	FT MOLDING-EDGE, SHELF - 1.3" WIDE - PLASTIC - REGAL OAK
23	103192-01-000	EA LATCH-DRAW, WITHOUT STRIKE- 3 3/64" - CHROME PLATED
24	105037-02-000	EA FASTENER-WOOD, CORNER - METAL - .5" X .6"
25	101272-01-000	EA CATCH-DOOR, GLASS
26	110072-01-000	EA DOWEL-5/16" X 1 3/16", BIRCH
27	106913-05-000	EA SLIDE-DRAWER, CABINET - LEFT SIDE - 18"
27	106913-06-000	EA SLIDE-DRAWER, CABINET - RIGHT SIDE - 15"

**INTERIOR FINISH GROUP (CONTINUED)**

**CABINET HARDWARE (CONTINUED)**

KEY	PART NUMBER	U/M DESCRIPTION
27	106913-07-000	EA SLIDE-DRAWER, DRAWER MOUNT - LEFT SIDE - 15"
27	106913-08-000	EA SLIDE-DRAWER, DRAWER MOUNT - RIGHT SIDE - 15"
27	106913-21-000	EA SLIDE-DRAWER, 24" - LEFT - CABINET MOUNTED FROM: 00-00-00 THRU: 11-15-92
27	106913-22-000	EA SLIDE-DRAWER, 24" - RIGHT - CABINET MOUNTED FROM: 00-00-00 THRU: 11-15-92
27	106913-23-000	EA SLIDE-DRAWER, 24" - LEFT - DRAWER MOUNTED FROM: 00-00-00 THRU: 11-15-92
27	106913-24-000	EA SLIDE-DRAWER, 24" - RIGHT - DRAWER MOUNTED FROM: 00-00-00 THRU: 11-15-92
27	106913-17-000	EA SLIDE-DRAWER, 22" - LEFT - CABINET MOUNTED FROM: 11-16-92 THRU: 99-99-99
27	106913-18-000	EA SLIDE-DRAWER, 22" - RIGHT - CABINET MOUNTED FROM: 11-16-92 THRU: 99-99-99
27	106913-19-000	EA SLIDE-DRAWER, 22" - LEFT - DRAWER MOUNTED FROM: 11-16-92 THRU: 99-99-99
27	106913-20-000	EA SLIDE-DRAWER, 22" - RIGHT - DRAWER MOUNTED FROM: 11-16-92 THRU: 99-99-99
27	106913-25-000	EA SLIDE-DRAWER, 20" - LEFT - CABINET MOUNTED
27	106913-26-000	EA SLIDE-DRAWER, 20" - RIGHT - CABINET MOUNTED
	097141-02-700	EA KIT-TRACK, TAMBOUR DOOR - W/ ONE RIGHT & ONE LEFT TRACK
	111866-01-01A	EA BRACE-SEAT, ANGLE (TABLE & CHAIR OPTION)
	110043-01-000	FT FELTSTRIP, 3/8" - ADHESIVE BACKED
	023320-01-000	EA PAD-FELT, 3/8" DIAMETER - BROWN
	042541-04-000	EA LATCH-BRASS, W/O STRIKE - HASP TYPE - BRASS
	076790-01-000	EA SCREW, 6-20 X 1 1/4 PPH - BLACK
	009112-01-000	EA FLANGE-1" FOD, CLOTHES - PLASTIC - OFF WHITE

**PANELING, LAMINATES & PLASTIC**

KEY	PART NUMBER	U/M DESCRIPTION
	047034-02-000	SF PLASTIC-CARPET, 4" WIDE - CLEAR POLY - MINIMUM ORDER 1,600 SF
	057652-04-000	SF TAMBOUR-DOOR, 4" X 6" SHEET
	106069-01-000	SF TAMBOUR-BRASSTONE, 4" X 6" - ALUMINUM COVERED HARDBOARD
	064970-56-012	EA PLASTIC-ASS, 04" X 52" X 52" - BEIGE
	074497-20-000	SF PANELING-WOODGRAIN, 4" X 8" - INC OF 32 SF
	074497-20-000	SF PANELING-WOODGRAIN, 4" X 8" - INC OF 32 SF
	074498-24-000	SF LAMINATE-PLASTIC, 5" X 8" - INC OF 40 SF
	074498-47-000	SF LAMINATE-PLASTIC, 5" X 8" - INC OF 40 SF - GRAY (D16)
	074498-48-000	SF LAMINATE-PLASTIC, 5" X 8" - INC OF 40 SF - CANYON (D18 BED & BATH)
	074498-47-000	SF LAMINATE-PLASTIC, 5" X 8" - INC OF 40 SF - GRAY MATRIX (D18 GALLEY)
	074498-41-000	SF LAMINATE-PLASTIC, 5" X 8" - INC OF 40 SF - ORCHID MIST (D19)
	074498-49-000	SF LAMINATE-PLASTIC, 5" X 8" - INC OF 40 SF - CALDERA GRAY (D20)
	076773-08-000	SF PANELING-WOODGRAIN, 5/4 FOREST OAK, 2 SIDED - 3/4" X 4" X 95"
	050215-06-000	SF PANEL-TWO SIDED, 5MM X 4" X 8" - WOODGRAIN
	063816-02-000	SF PLYWOOD-OAK, 1 SIDE FINISHED - 3/16" X 4" X 8" - INCREMENTS OF 32 SF
	038272-99-000	SF PANELING-SHOWER, OFF WHITE - 4" X 7" - INC OF 25 SQ FT
	038272-93-000	SF PANELING-DECORATIVE, PATTERNED STRIPE - 4" X 7" - INC 25SF
	089297-01-000	SF PLYWOOD-LUAN, OVERLAY GRADE - 4" X 8" - INC OF 32 SF
	069351-03-000	YD VINYL-CEILING, DIAMOND DESIGN - 54" WIDE
	095668-01-000	SF VENEER-FLAT LUANA 45 X 95

**FIRE EXTINGUISHER, SMOKE DETECTOR, CLOCK & HANDRAIL**

KEY	PART NUMBER	U/M DESCRIPTION
	094499-01-000	EA EXTINGUISHER FIRE, DRY W MOUNTING BRACKET - 10 BC
	094499-01-700	EA BRACKET-MOUNTING, W/ PLASTIC STRAP - FIRE EXTINGUISHER
	072552-01-000	EA DETECTOR-SMOKE, W/ 9 VOLT BATTERY
	072552-02-000	EA DETECTOR-SMOKE, W/ 9 VOLT BATTERY - CANADIAN
	100793-02-01A	EA CLOCK-WALL, ROUND - 11" - GOLDEN 9368
K-01	108808-01-01A	EA HANDRAIL-STEP, ENTRANCE BRASS - TRANSFER FLOW

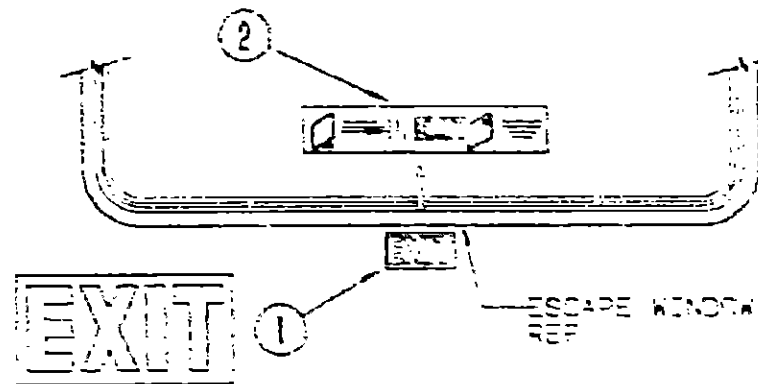
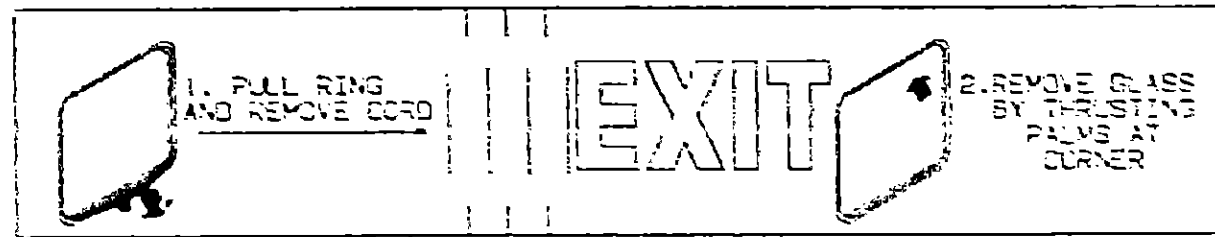
**1993 WINNEEAGO  
TABLE OF CONTENTS**

INTRODUCTION	A-01 -	A-02
ABBREVIATIONS		A-03
ALPHABETICAL INDEX	A-04 -	A-06
WCM3TRW	A-07 -	G-03
WCM33RQ	G-08 -	L-24

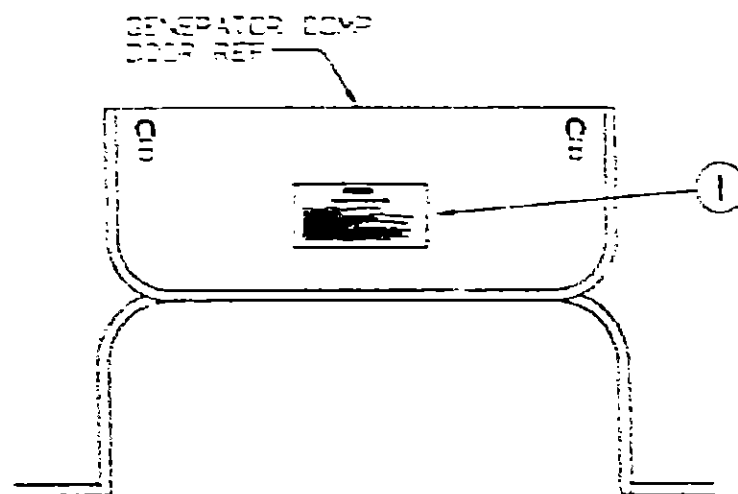
**1993 WCM33RQ INDEX**

FLOOR PLAN	G-09 -	G-10
ACCESSORIES		G-11
AUDIO VIDEO	G-12 -	G-15
BATH	G-16 -	G-20
BEDROOM	G-21 -	G-24
CHASSIS	H-01 -	H-12
CURTAIN & CUSHION	H-19 -	I-07
DINETTE	I-08 -	I-10
DRIVERS COMPARTMENT	I-11 -	I-15
ELECTRICAL	I-16 -	I-22
EXTERIOR BODY	I-23 -	J-09
GALLEY	J-10 -	J-17
GENERATOR	J-18 -	J-19
HEATING & A/C	J-20 -	J-22
INTERIOR FINISH	J-23 -	K-02
LABEL	K-03 -	K-11
LP		K-12
LOUNGE	K-13 -	K-14
SEALANTS & FASTENERS	K-15 -	K-18
WATER & SEWAGE	K-19 -	K-24
WINDOW, VENT AND		
EXTERIOR DOOR	L-01 -	L-20
WINDSHIELD & WIPER	L-21 -	L-24

**LABEL GROUP**



KEY	PART NUMBER	U/M DESCRIPTION
1	066290-01-000	EA LABEL-WARNING EXIT
2	107571-01-000	EA LABEL-ESCAPE EXIT, WINDOW

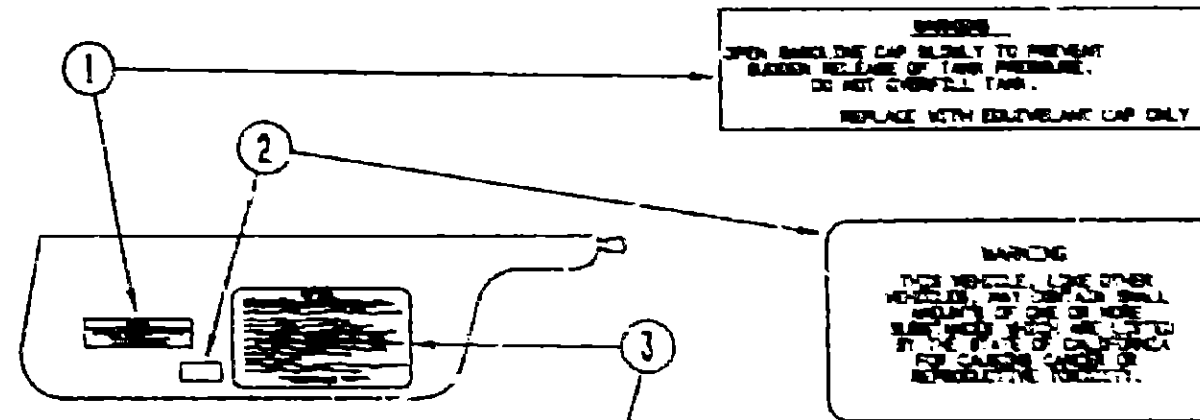


**WARNING**  
WHEN ADDING A GENERATOR SET,

HIGH VOLTAGE—BE EXTREME CAREFUL WHEN WORKING ON ELECTRICAL COMPONENTS.  
HAVE ALL ELECTRICAL INSTALLATION PERFORMED BY A QUALIFIED LICENSED ELECTRICIAN—FOLLOW ALL STATE AND LOCAL CODES.  
ONLY INSTALL GENERATOR SET APPROVED FOR R.V. APPLICATION. HAVE IT INSTALLED BY QUALIFIED TECHNICIAN.  
TO AVOID HEAT BUILD-UP AND TO GUARANTEE AN ADEQUATE AIR SUPPLY TO THE GENERATOR COMPARTMENT, FOLLOW INSTALLATION INSTRUCTIONS.  
GENERATOR ENGINE EXHAUST GASES ARE TOXIC AND MUST NOT TERMINATE UNDER THE VEHICLE'S COVER. EXHAUST AWAY FROM VEHICLE.

KEY	PART NUMBER	U/M DESCRIPTION
1	077510-01-000	EA LABEL-GENERATOR PREP

**LABEL GROUP (CONTINUED)**



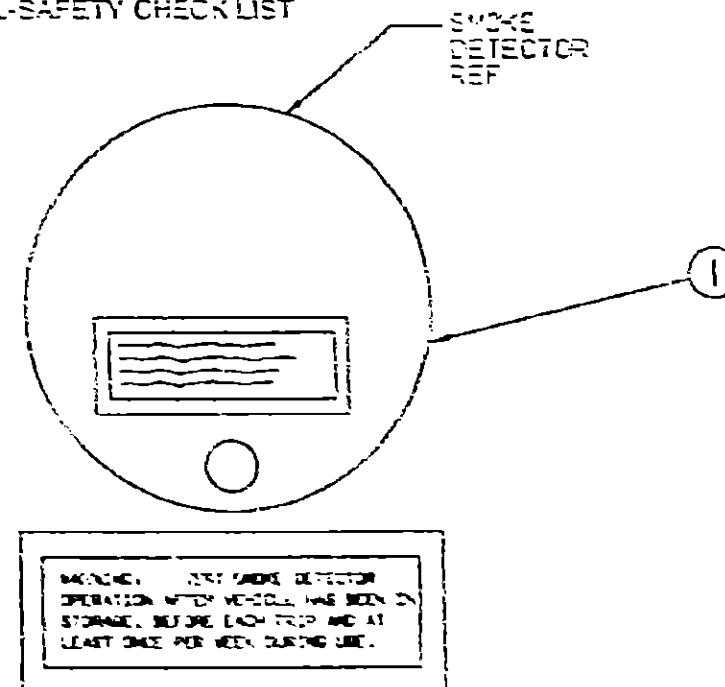
**CAUTION**

THIS MOTOR HOME HAS BEEN DESIGNED, MANUFACTURED AND TESTED WITH CONSIDERATION FOR THE PROTECTION OF ITS OCCUPANTS. WE RECOMMEND YOU PERFORM THE FOLLOWING CHECKS FOR YOUR SAFETY AND THE SAFETY OF YOUR PASSENGERS BEFORE STARTING YOUR VEHICLE.

1. LP GAS SYSTEM— TURN OFF AT TANK FOR TRAVELING. TEST FOR LEAKS UPON ARRIVAL AT DESTINATION. BEFORE LIGHTING PIPES.
2. WHEELS— INSPECT FOR DAMAGE AND CHECK LUG NUTS FOR TIGHTNESS.
3. TIRES— INSPECT FOR WEAR AND DAMAGE AND CHECK FOR RECOMMENDED AIR PRESSURE.
4. LIGHTS— TEST FOR PROPER OPERATION OF ALL INTERIOR AND EXTERIOR LIGHTS INCLUDING DASH LIGHTS, HEADLIGHTS, TAIL LIGHTS, BRAKE LIGHTS, CLEARANCE LIGHTS AND TURN SIGNALS.
5. DOOR— INSPECT RELEASE MECHANISM ON EMERGENCY EXIT WINDOW. TEST BOTH LOCKS ON MAIN ENTRANCE DOOR FOR EASE OF OPERATION AND INSTRUCT PASSENGERS HOW TO USE BOTH MEANS OF EXIT.
6. SEAT BELTS— DIRECT PASSENGERS TO DESIGNATED SEATS AND REQUIRE USE OF SEAT BELTS.
7. APPLIANCES— TURN OFF AND LATCH OR LOCK DOORS WHERE PROVIDED.
8. LOOSE PARCELS— STORE SECURELY.
9. UTILITY SUPPLY LINES— DISCONNECT ALL ELECTRIC, SEWER AND WATER LINES AND SECURE PROPERLY.
10. ENTRANCE DOOR STOP— PLACE IN RETRACTED POSITION FOR TRAVELING.

READ YOUR MOTOR HOME AND CHASSIS OWNER'S MANUAL FOR FURTHER PRECAUTIONS.

KEY	PART NUMBER	U/M DESCRIPTION
1	067207-05-000	EA LABEL-FUEL CAP REMOVAL
2	092669-01-000	EA LABEL-WARNING, CANCER/TOXICITY
3	066290-01-000	EA LABEL-SAFETY CHECK LIST



KEY	PART NUMBER	U/M DESCRIPTION
1	077555-01-000	EA LABEL-WARNING SMOKE DETECTOR

**1993 WINNEBAGO TABLE OF CONTENTS**

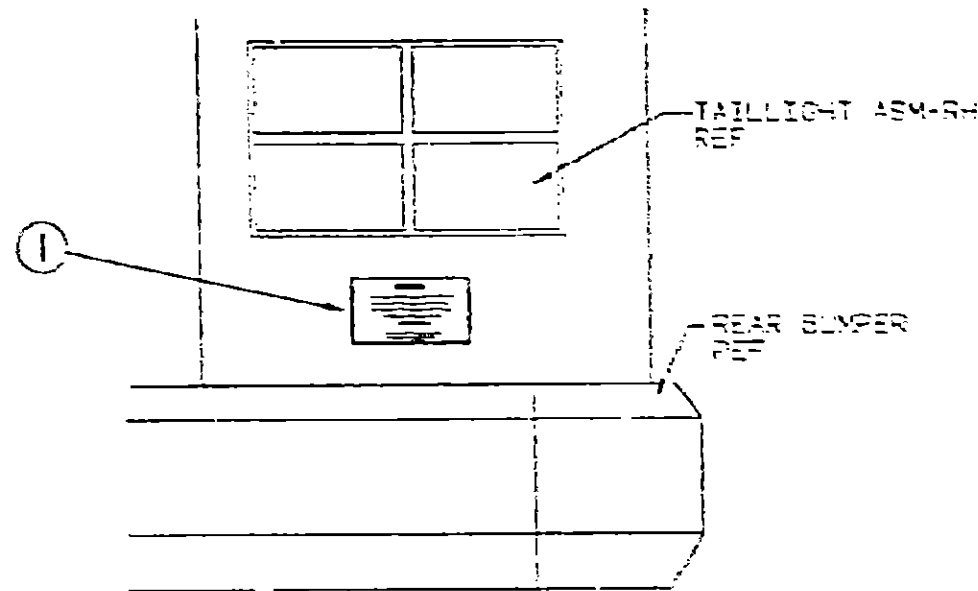
INTRODUCTION	A-01 -	A-02
ABBREVIATIONS		A-03
ALPHABETICAL INDEX	A-04 -	A-06
WCM33RW	A-07 -	G-03
WCM33RQ	G-09 -	L-24

**1993 WCM33RQ INDEX**

FLOOR PLAN	G-09 -	G-10
ACCESSORIES		G-11
AUDIO VIDEO	G-12 -	G-15
BATH	G-16 -	G-20
BEDROOM	G-21 -	G-24
CHASSIS	H-21 -	H-18
CURTAIN & CUSHION	H-19 -	I-07
DINETTE	I-05 -	I-10
DRIVERS COMPARTMENT	I-11 -	I-15
ELECTRICAL	I-15 -	I-22
EXTERIOR BODY	I-23 -	J-09
GALLEY	J-10 -	J-17
GENERATOR	J-15 -	J-19
HEATING & A/C	J-20 -	J-22
INTERIOR FINISH	J-23 -	K-02
LABEL	K-03 -	K-11
LP		K-12
LOUNGE	K-13 -	K-14
SEALANTS & FASTENERS	K-15 -	K-18
WATER & SEWAGE	K-19 -	K-24
WINDOW, VENT AND EXTERIOR DOOR	L-01 -	L-20
WINDSHIELD & WIPER	L-21 -	L-24



**LABEL GROUP (CONTINUED)**



**WARNING**

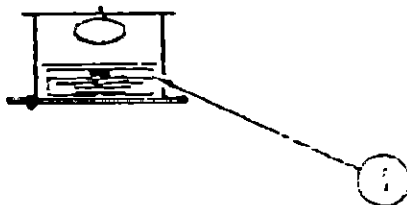
DO NOT EXCEED THE VEHICLE WEIGHT RATINGS OR LOADING RECOMMENDATIONS (E.G., GROSS VEHICLE, GROSS AXLE, GROSS COMBINED) OF THE CHASSIS MANUFACTURER OR WINNEBAGO INC.

REFER TO YOUR OWNERS MANUAL BEFORE LOADING OR TOWING.

**KEY PART NUMBER U/M DESCRIPTION**  
 1 075220-01-000 EA LABEL-WARNING, EXTERIOR LOAD

**WARNING**

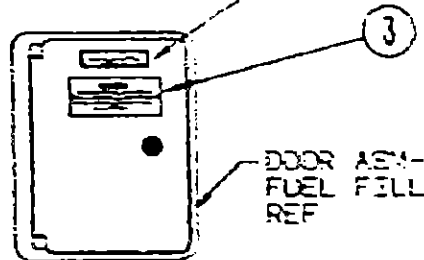
OPEN GASOLINE CAP SLOWLY TO PREVENT SUDDEN RELEASE OF TANK PRESSURE. DO NOT OVERFILL TANK. REPLACE WITH EQUIVARIANT CAP ONLY.



**UNLEADED FUEL ONLY**

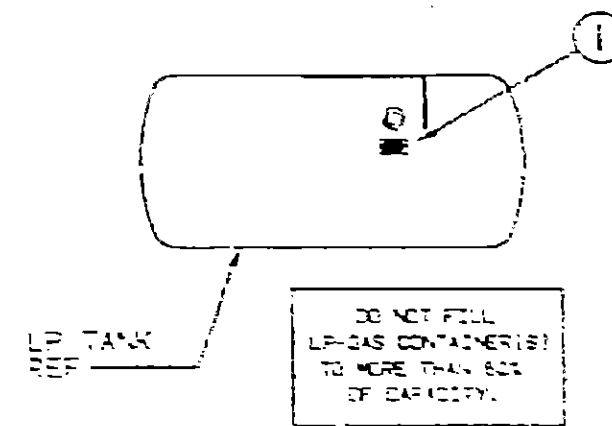
**WARNING**

ALL PILOT LIGHTS AND APPLIANCES SHALL BE TURNED OFF DURING REFUELING OF MOTOR FUEL TANKS AND/OR PERMANENTLY RELATED LP-GAS CONTAINERS.



**KEY PART NUMBER U/M DESCRIPTION**  
 1 087207-05-000 EA LABEL-FUEL CAP REMOVAL  
 2 062043-01-000 EA LABEL-FUEL UNLEADED  
 3 006040-01-000 EA TAG-GAS REFUELING WARNING  
 3 006040-02-000 EA TAG-GAS REFUEL WARNING, CANADIAN

**LABEL GROUP (CONTINUED)**

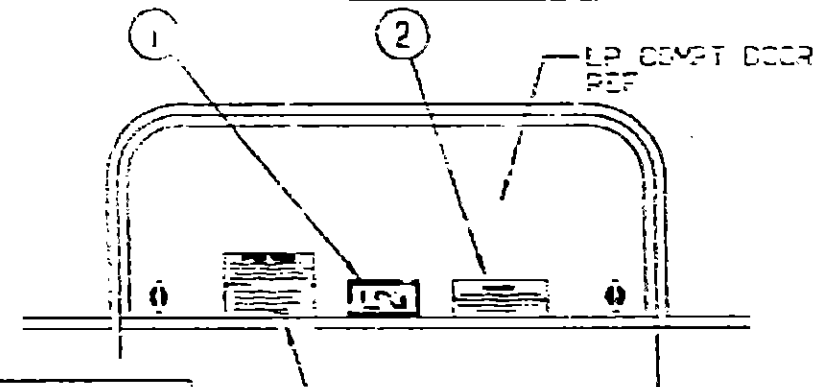


**KEY PART NUMBER U/M DESCRIPTION**  
 1 079928-01-000 EA LABEL-LPG 50 CAPACITY

LPG

**WARNING**

ALL PILOT LIGHTS AND APPLIANCES SHALL BE TURNED OFF DURING REFUELING OF MOTOR FUEL TANKS AND/OR PERMANENTLY RELATED LP-GAS CONTAINERS.



**LP-GAS SYSTEM**

THIS GAS FUELING SYSTEM IS DESIGNED FOR USE OF LIQUEFIED PETROLEUM GAS ONLY. DO NOT CONNECT NATURAL GAS TO THIS SYSTEM.

BE CAREFUL CAP INLET(S) WHEN NOT CONNECTED FOR LEAK. AFTER TURNING ON GAS, DISCONNECT AFTER NORMAL CONTAINER REPLACEMENT. TEST GAS PIPING AND CONNECTIONS TO APPLIANCE FOR LEAKAGE WITH SOAPY WATER OR BLEACH SOLUTION. DO NOT USE PRODUCTS THAT CONTAIN AMMONIA OR CHLORINE. P.N. 54531

**KEY PART NUMBER U/M DESCRIPTION**  
 1 074559-01-000 EA DECAL-LOGO, LPG - RED - (CALIF CODE)  
 2 006040-01-000 EA TAG-GAS REFUELING WARNING  
 2 006040-02-000 EA TAG-GAS REFUEL WARNING, CANADIAN  
 3 054531-01-000 EA LABEL-LP GAS ONLY  
 3 023769-01-000 EA LABEL-WARNING, LPG - CANADIAN

**1993 WINNEBAGO TABLE OF CONTENTS**

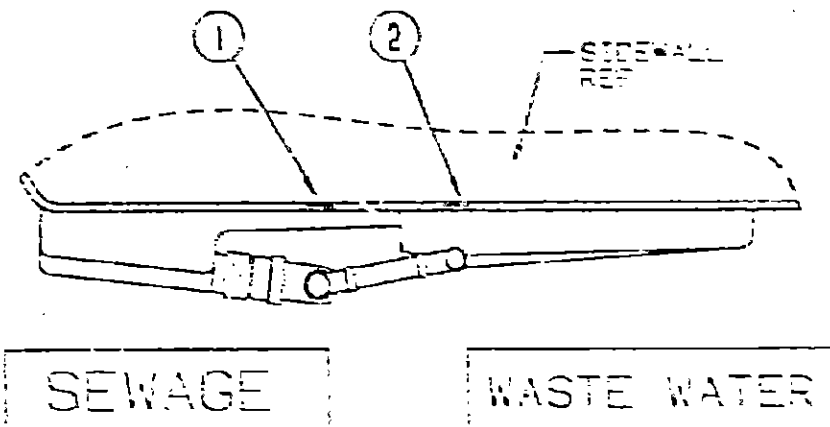
INTRODUCTION	A-01 -	A-02
ABBREVIATIONS		A-03
ALPHABETICAL INDEX	A-04 -	A-06
WCM33RW	A-07 -	G-03
WCM33RQ	G-09 -	L-24

**1993 WCM33RQ INDEX**

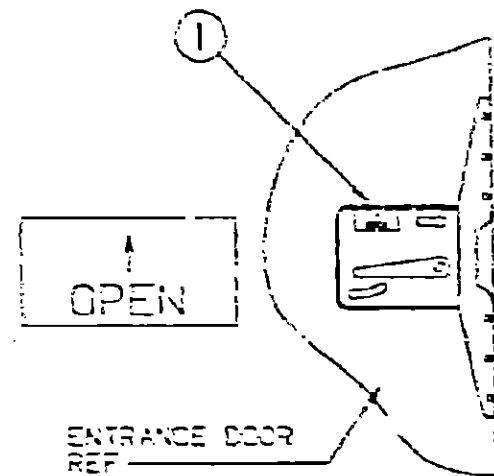
FLOOR PLAN	G-09 -	G-10
ACCESSORIES		G-11
AUDIO VIDEO	G-12 -	G-15
BATH	G-16 -	G-20
BEDROOM	G-21 -	G-24
CHASSIS	H-01 -	H-18
CURTAIN & CUSHION	H-19 -	I-07
DINETTE	I-03 -	I-10
DRIVERS COMPARTMENT	I-11 -	I-15
ELECTRICAL	I-16 -	I-22
EXTERIOR BODY	I-23 -	J-09
GALLEY	J-10 -	J-17
GENERATOR	J-13 -	J-19
HEATING & A/C	J-20 -	J-22
INTERIOR FINISH	J-23 -	K-02
LABEL	K-03 -	K-11
LP		K-12
LOUNGE	K-13 -	K-17
SEALANTS & FASTENERS	K-15 -	K-17
WATER & SEWAGE	K-19 -	K-21
WINDOW, VENT AND EXTERIOR DOOR	L-01 -	L-20
WINDSHIELD & WIPER	L-21 -	L-24



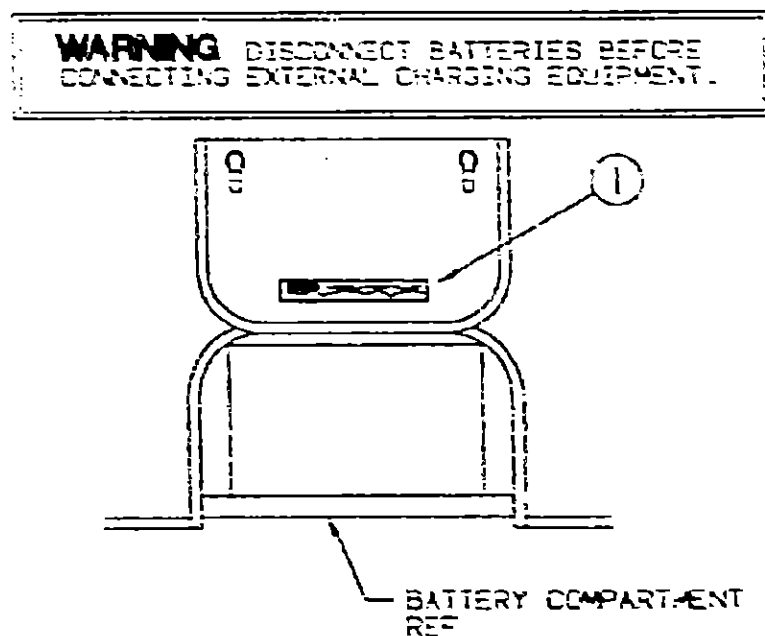
**LABEL GROUP (CONTINUED)**



KEY	PART NUMBER	U/M DESCRIPTION
1	006197-01-000	EA LABEL-SEWAGE
2	006198-01-000	EA LABEL-WASTE WATER

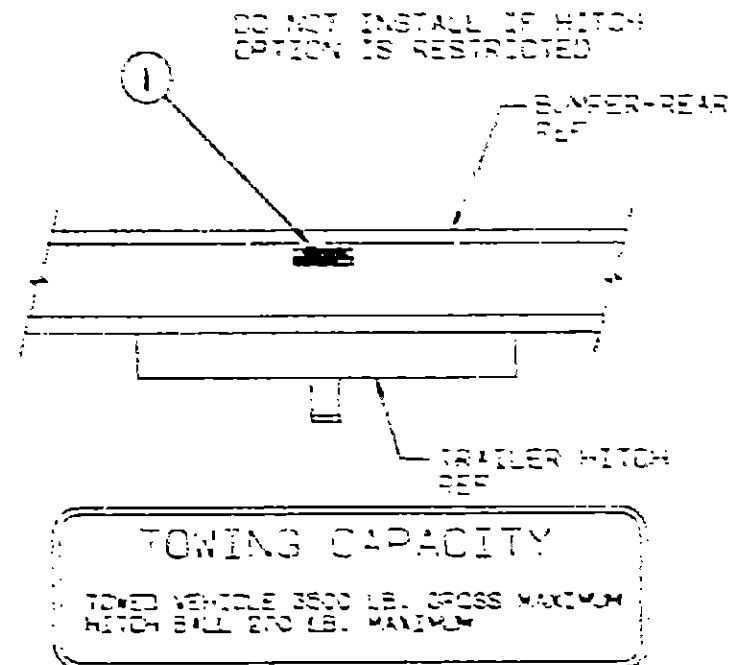


KEY	PART NUMBER	U/M DESCRIPTION
1	040844-01-000	EA LABEL-ENTRANCE DOOR "OPEN"

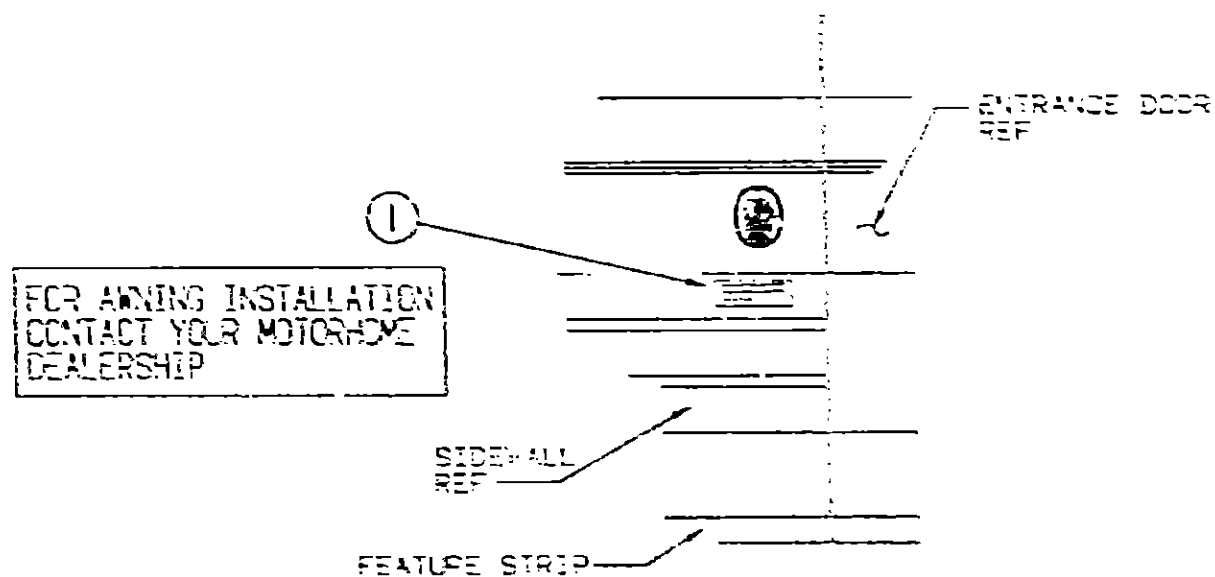


KEY	PART NUMBER	U/M DESCRIPTION
1	065748-01-000	EA LABEL-CAUTION, BATTERY CHARGING

**LABEL GROUP (CONTINUED)**



KEY	PART NUMBER	U/M DESCRIPTION
1	078221-03-000	EA LABEL-TOWING CAPACITY
	111104-01-000	EA LABEL-HITCH, READ MANUAL



KEY	PART NUMBER	U/M DESCRIPTION
1	099509-01-000	EA LABEL-AWNING INSTALLATION

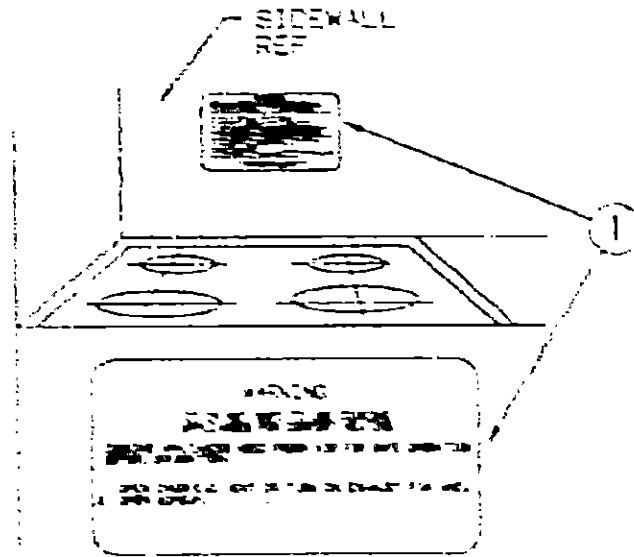
**1993 WINNEBAGO TABLE OF CONTENTS**

INTRODUCTION	A-01 -	A-02
ABBREVIATIONS		A-03
ALPHABETICAL INDEX	A-04 -	A-06
WCM33RW	A-07 -	G-09
WCM33RQ	G-09 -	L-24

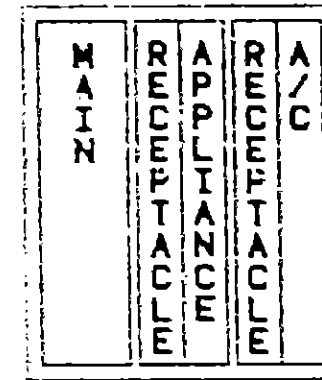
**1993 WCM33RQ INDEX**

FLOOR PLAN	G-09 -	G-10
ACCESSORIES		G-11
AUDIO VIDEO	G-12 -	G-15
BATH	G-16 -	G-20
BEDROOM	G-21 -	G-24
CHASSIS	H-01 -	H-15
CURTAIN & CUSHION	H-19 -	I-07
DINETTE	I-08 -	I-10
DRIVERS COMPARTMENT	I-11 -	I-15
ELECTRICAL	I-16 -	I-22
EXTERIOR BODY	I-23 -	J-09
GALLEY	J-10 -	J-17
GENERATOR	J-18 -	J-19
HEATING & A/C	J-20 -	J-22
INTERIOR FINISH	J-23 -	K-02
LABEL	K-03 -	K-11
LP		K-12
LOUNGE	K-13 -	K-14
SEALANTS & FASTENERS	K-15 -	K-16
WATER & SEWAGE	K-19 -	K-24
WINDOW VENT AND		
EXTERIOR DOOR	L-01 -	L-20
WINDSHIELD & WIPER	L-21 -	L-24

**LABEL GROUP (CONTINUED)**



**LABEL GROUP (CONTINUED)**

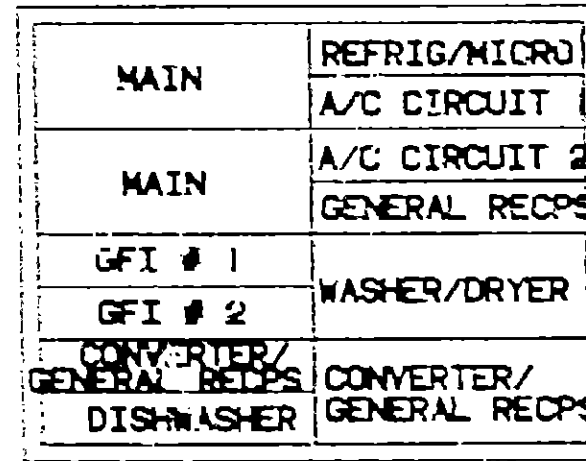
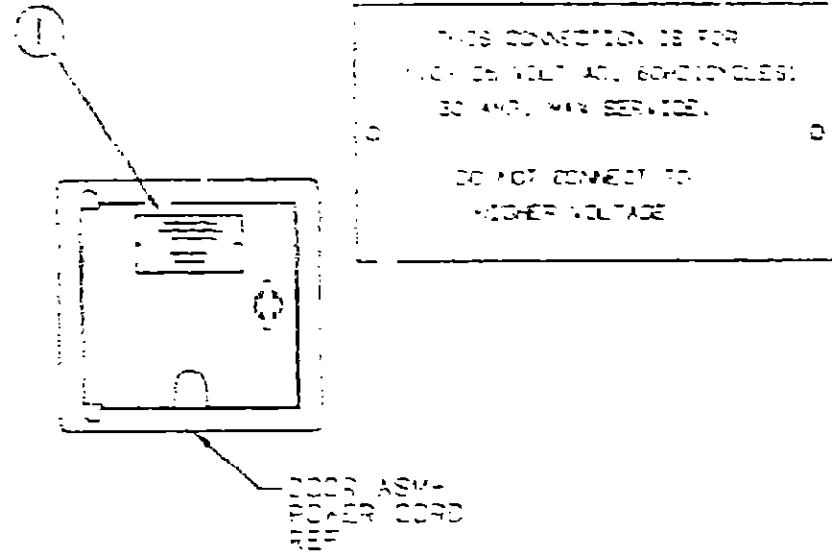


**1993 WINNEBAGO  
TABLE OF CONTENTS**

INTRODUCTION	A-01 -	A-02
ABBREVIATIONS		A-03
ALPHABETICAL INDEX	A-04 -	A-05
WCM3TRW	A-07 -	G-09
WCM33RQ	G-09 -	L-04

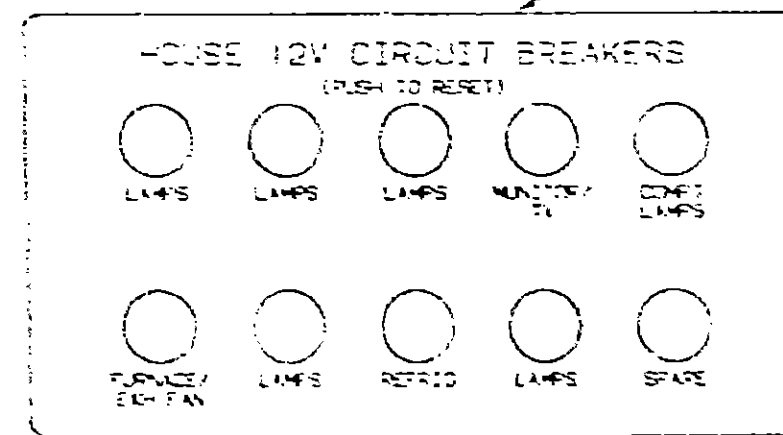
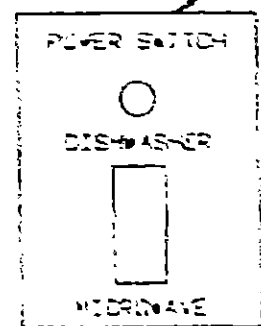
**KEY PART NUMBER U/M DESCRIPTION**  
 1 095721-07-000 EA LABEL-CONTROL CENTER - FRONT - W SWITCH LOCATIONS

**KEY PART NUMBER U/M DESCRIPTION**  
 1 060235-01-000 EA LABEL-WARNING, STOVE VENT - US  
 1 060232-01-000 EA LABEL-WARNING, STOVE VENT - CANADIAN



**KEY PART NUMBER U/M DESCRIPTION**  
 1 095721-09-000 EA LABEL-CONTROL CENTER (ECM)

**KEY PART NUMBER U/M DESCRIPTION**  
 1 002082-01-000 EA TAG-ELECTRIC, 110V CONNECTION



**KEY PART NUMBER U/M DESCRIPTION**  
 1 109251-02-000 EA LABEL-SWITCH, 50A POWER (DISHWASHER)

**KEY PART NUMBER U/M DESCRIPTION**  
 1 109247-04-000 EA LABEL-CIRCUIT BREAKER



**KEY PART NUMBER U/M DESCRIPTION**  
 1 091224-02-000 EA LABEL-TRAILER LIGHTING

**1993 WCM33RQ INDEX**

FLOOR PLAN	G-09 -	G-10
ACCESSORIES		G-11
AUDIO VIDEO	G-12 -	G-15
BATH	G-16 -	G-20
BEDROOM	G-21 -	G-24
CHASSIS	H-01 -	H-18
CURTAIN & CUSHION	H-19 -	I-07
DINETTE	I-08 -	I-10
DRIVERS COMPARTMENT	I-11 -	I-15
ELECTRICAL	I-16 -	I-22
EXTERIOR BODY	I-23 -	J-09
GALLEY	J-10 -	J-17
GENERATOR	J-18 -	J-19
HEATING & A/C	J-20 -	J-22
INTERIOR FINISH	J-23 -	K-02
LABEL	K-03 -	K-11
LP		K-12
LOUNGE	K-13 -	K-14
SPAKETS & FASTENERS	K-15 -	K-18
WATER & SEWAGE	K-19 -	K-04
WINDOW, VENT AND		
EXTERIOR DOOR	L-01 -	L-20
WINDSHIELD & WIPER	L-21 -	L-24

**LABEL GROUP (CONTINUED)**

CIRCUIT BREAKERS  
AND AUTOMOTIVE  
FUSE PANEL

KEY PART NUMBER U/M DESCRIPTION  
1 045878-03-000 EA LABEL-ELECTRICAL BOX FRONT

BATTERY MODE  
SOLENOID AND  
RELAYS

KEY PART NUMBER U/M DESCRIPTION  
1 045879-04-000 EA LABEL-ELECTRICAL BOX SIDE

THIS CONNECTION IS FOR  
120 VOLT AC 3 POLE 4 WIRE  
OR 240 VOLT 2 POLE 3 WIRE SERVICE  
  
DO NOT CONNECT TO  
HOUSE WIRING

KEY PART NUMBER U/M DESCRIPTION  
1 045882-04-000 EA LABEL-ELECTRIC, 120/240V SERVICE

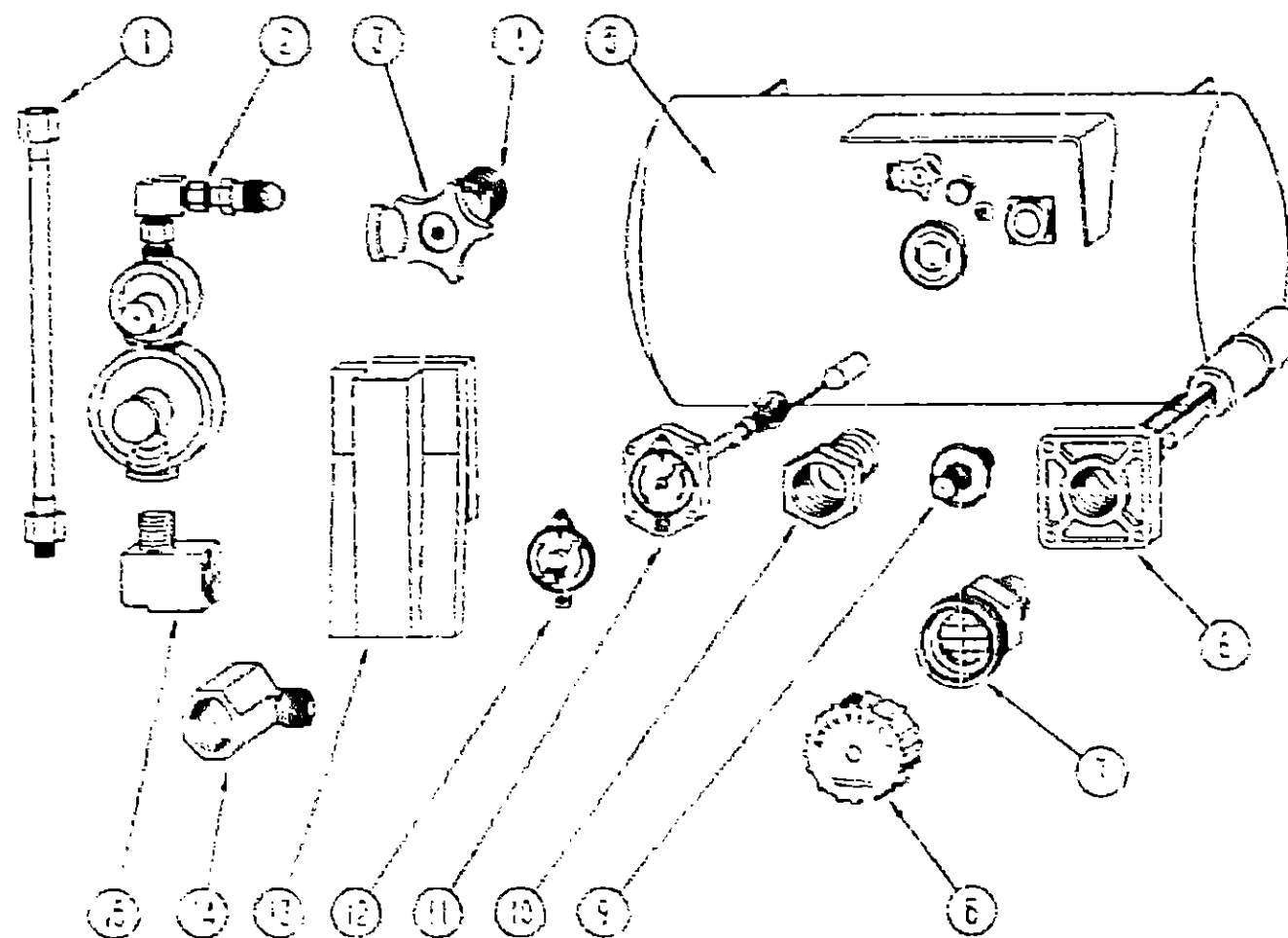
AIR CONDITIONER  
POWER SWITCH  
  
50A SHORE POWER  
OR GENERATOR  
  
50A SHORE POWER

KEY PART NUMBER U/M DESCRIPTION  
1 103051-01-000 EA LABEL-SWITCH, 50A POWER (SHORE)

**MISCELLANEOUS LABELS**

KEY PART NUMBER U/M DESCRIPTION  
061417-01-000 EA LABEL-FUEL ON FUEL FILL DOOR  
021608-01-000 EA LABEL-OR EPLAY, VEHICLE CERTIFICATION - ADHESIVE BACKED  
073395-01-000 EA LABEL-LPG ODOR WARNING  
191243-01-000 EA LABEL-A/C COVER, "AIR CONDITIONING CIRCUIT, ETC."  
098841-01-000 EA LABEL-FUEL UNLEADED - DASH  
104236-01-000 EA LABEL-GENERATOR CIRCUIT  
079266-01-000 EA LABEL-WARNING, STOWED - MOTION  
093235-09-000 EA LABEL-CIRCUIT BREAKER, FRONT  
104578-01-000 EA LABEL-OB PREP

**LP GROUP**



**LP TANK & COMPONENTS**

KEY	PART NUMBER	U/M DESCRIPTION
1	045703-01-000	EA HOSE-LP, 3/8" ID X 24" US - 3/8 MPT X 1/2 F SWIVEL
1	045703-02-000	EA HOSE-LP, 3/8" ID X 24" - 3/8 MPT X 1/2 F SWIVEL - CANADA
2	106150-01-000	EA REGULATOR-TWO STAGE
3	040421-01-709	EA HANDWHEEL-VAPOR RELIEF VALVE, BRUNNER G-1015-A
4	140421-01-712	EA VALVE-SERVICE W/HANDWHEEL - W/O VAPOR RELIEF - BRUNNER 29000353
5	104999-03-000	EA MOUNT-LP TANK
5	065259-03-000	EA TANK-LP, 100 LB - 16" D X 35" - SPL
6	040421-01-711	EA VALVE, 50% W/FLOAT, PLATE, BOLTS & GASKET - BRUNNER
7	040421-01-701	EA VALVE-SHORT LP FILLER W/YELLOW CAP - BRUNNER 75478
6	040421-01-702	EA CAP-LP FILLER VALVE, PLASTIC - YELLOW - BRUNNER G-1014-A
9	040421-01-703	EA GAUGE-LIQUID LEVEL, 20% LP - BRUNNER G-1013
10	040421-01-715	EA PRESSURE RELIEF VALVE
11	040421-01-707	EA GAUGE-FLOAT W/VIS BLE DIAL - BRUNNER MA-9 6244-4
	040421-01-708	EA DIAL-LP TANK VOLUME, VISIBLE FACE (S-1739)
12	040440-02-000	EA TRANSMITTER-DIAL, 90 CHV
13	105559-01-000	EA COMPARTMENT-LP REGULATOR
13	091939-01-000	EA COVER-COMPARTMENT, LP REGULATOR - BLACK
14	065319-02-000	EA ELBOW, 90 DEGREE, 3/8" MPT TO 3/8" FPT
15	065743-01-000	EA TEE, 3/8" X 3/8" X 3/8" FPT - BRASS
	010265-01-000	EA ELBOW-BRASS, 90 DEGREE - 3/8" F X 1/2" FPT
	010323-01-000	EA ADAPTER-BRASS, 3/8" X 1/2" MPT
	010377-02-000	EA NUT-BRASS, 3/8" FEMALE - FORGED
	110326-01-000	EA ADAPTER-FLARE, W/CONE GASKET 3/8" FEMALE F. X 1/2" MALE F
	065741-01-000	EA GAUGE-DIAPHRAGM PRESSURE, MARSHALLTOWN MFG
	071331-02-000	EA NIPPLE-HEX, 25 PIPE
	093350-01-000	EA COUPLER, 1/2" TO 3/8" BLACK PIPE

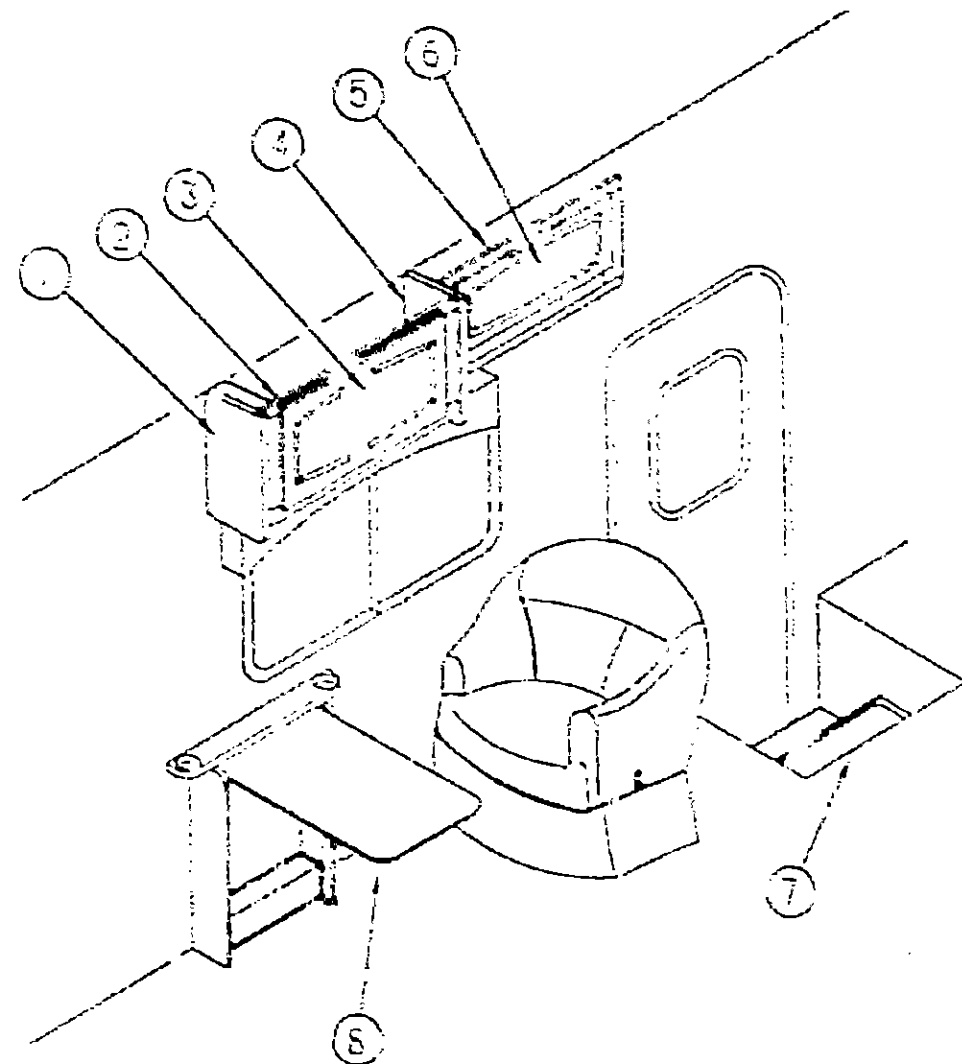
**1993 WINNEBAGO  
TABLE OF CONTENTS**

INTRODUCTION	A-01 -	A-02
ABBREVIATIONS		A-03
ALPHABETICAL INDEX	A-04 -	A-06
WCM33RW	A-07 -	G-05
WCM33RQ	G-09 -	L-24

**1993 WCM33RQ INDEX**

FLOOR PLAN	G-09 -	G-10
ACCESSORIES		G-11
AUDIO VIDEO	G-12 -	G-15
BATH	G-16 -	G-20
BEDROOM	G-21 -	G-24
CHASSIS	H-01 -	H-18
CURTAIN & CUSHION	H-19 -	I-07
DINETTE	I-05 -	I-10
DRIVERS COMPARTMENT	I-11 -	I-15
ELECTRICAL	I-16 -	I-22
EXTERIOR BODY	I-23 -	J-09
GALLEY	J-10 -	J-17
GENERATOR	J-18 -	J-19
HEATING & A/C	J-20 -	J-22
INTERIOR FINISH	J-23 -	K-02
LABEL	K-03 -	K-11
LP		K-12
LOUNGE	K-13 -	K-14
SEALANTS & FASTENERS	K-15 -	K-18
WATER & SEWAGE	K-19 -	K-24
WINDOW, VENT AND EXTERIOR DOOR	L-01 -	L-20
WINDSHIELD & WIPER	L-21 -	L-24

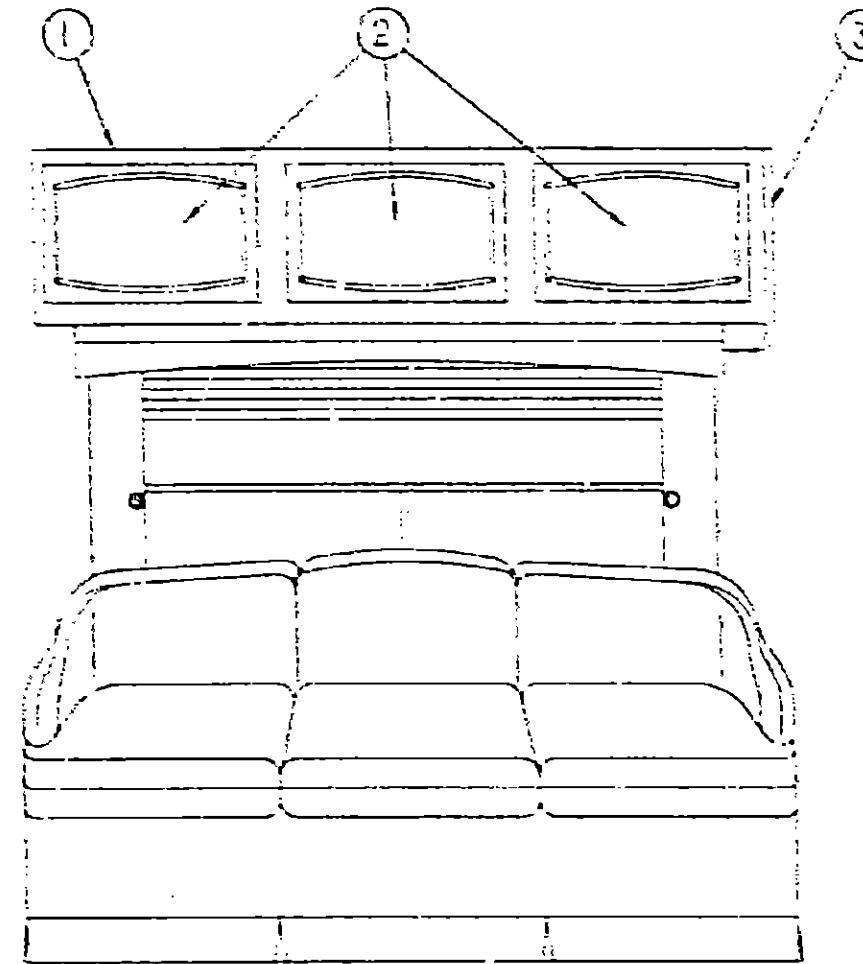
**LOUNGE GROUP**



**PASSENGER SIDE CABINETS & TABLE**

KEY	PART NUMBER	U/M	DESCRIPTION
1	107494-02-D18	EA	END CAP-CABINET, OVERHEAD
2	P07215-01-D18	EA	CABINET-OVERHEAD, W/O DOOR OR HARDWARE
3	P00971-06-D18	EA	DOOR-CABINET, W/O HARDWARE - 650 X 365MM
4	107494-01-D18	EA	END CAP-CABINET, OVERHEAD
5	P07450-01-D18	EA	CABINET-OVERHEAD, W/O DOOR & HARDWARE (D18, D20)
6	P07450-01-D19	EA	CABINET-OVERHEAD, W/O DOOR & HARDWARE (D19)
6	P00971-33-D18	EA	DOOR-CABINET, W/O HARDWARE - 255 X 640MM
7	104056-01-C05	EA	CABINET-LID, ENTRANCE STEP
	101222-01-01A	EA	BRACKET-CATCH, LID - BEIGE
	107941-01-01A	EA	SUPPORT-LID, ENTRY STEP - BEIGE
	103182-01-000	EA	LATCH-DRAW, W/O STRIKE - 3 3/64" - CHROME PLATED
8	M96873-01-C03	EA	CABINET-PULLOUT TABLE, W/O TABLE TOP
	096873-12-B05	EA	SHELF, SUPPORTS TOP FROM UNDERNEATH - PULLOUT TABLE
	096873-11-D18	EA	TOP-TABLE, W PULL
	096873-11-D19	EA	TOP-TABLE, W PULL
	096873-11-D20	EA	TOP-TABLE, W PULL
	050736-01-000	EA	FULL-RECESSED, 1.25" X 4" - CAK

**LOUNGE GROUP (CONTINUED)**



**DRIVER SIDE CABINETS**

KEY	PART NUMBER	U/M	DESCRIPTION
1	P07214-01-D18	EA	CABINET-OVERHEAD, W/O DOOR & HARDWARE
2	P00971-31-D18	EA	DOOR-CABINET, W/O HARDWARE - 355 X 555MM
3	107492-01-D18	EA	END CAP-CABINET, OVERHEAD
	105947-01-000	EA	BRACKET-HOLD DOWN, COUCH (CANADIAN)
	083125-05-000	EA	BRACE-ANGLE, COUCH - 2.5" - BEIGE

**1993 WINNEBAGO  
TABLE OF CONTENTS**

INTRODUCTION	A-01 -	A-02
ABBREVIATIONS		A-03
ALPHABETICAL INDEX	A-04 -	A-06
WCM33RW	A-07 -	G-03
WCM33RQ	G-03 -	L-24

**1993 WCM33RQ INDEX**

FLOOR PLAN	G-09 -	G-10
ACCESSORIES		G-11
AUDIO VIDEO	G-12 -	G-15
BATH	G-16 -	G-20
BEDROOM	G-21 -	G-24
CHASSIS	H-01 -	H-18
CURTAIN & CUSHION	H-19 -	I-07
DINETTE	I-08 -	I-10
DRIVERS COMPARTMENT	I-11 -	I-15
ELECTRICAL	I-16 -	I-22
EXTERIOR BODY	I-23 -	J-09
GALLEY	J-10 -	J-17
GENERATOR	J-18 -	J-19
HEATING & A/C	J-20 -	J-22
INTERIOR FINISH	J-23 -	K-02
LABEL	K-03 -	K-11
LF		K-12
LOUNGE	K-13 -	K-14
SEALANTS & FASTENERS	K-15 -	K-18
WATER & SEWAGE	K-19 -	K-24
WINDOW, VENT AND		
EXTERIOR DOOR	L-01 -	L-20
WINDSHIELD & WIPER	L-21 -	L-24

**SEALANTS & FASTENERS GROUP**

**SEALANTS & ADHESIVES**

KEY	PART NUMBER	U/M	DESCRIPTION
	004311-01-000	EA	ADHESIVE, 3M, 4475 TUBE
	004363-01-000	FT	TAPE-ADHESIVE FOAM, 1 SIDE - 3/16" X 1/2" X 50' - GRAY
	034552-02-000	EA	SILICONE-TUBE, 300 ML - CLEAR
	034552-12-000	EA	SILICONE-TUBE, 300 ML - BUFF
	053755-02-000	EA	BEDDING COMPOUND-TUBE, WHITE - SCHNEE# 5522
	053755-02-000	EA	BEDDING COMPOUND-TUBE, GRAY - SCHNEE# 5522
	062917-03-000	EA	ADHESIVE-LOCTITE 242, LOCTITE 242, SIDE 41
	067755-01-000	EA	ADHESIVE-SPRAY, 3M 74 - 19.5 OUNCE CAN
	069540-01-000	FT	SEALER-RIBBON, 1/4" DIAMETER - INCREMENTS OF 30'
	069542-03-000	FT	SEALER-RIBBON, 3/4" X 1/8" - INCREMENTS OF 60'
	069542-07-000	FT	SEALER-RIBBON, 2" X 3/32" - INCREMENTS OF 30' OR 45'
	069543-09-000	FT	SEALER-RIBBON, 2 1/2" X 1/32" - INCREMENTS OF 30'
	069543-11-000	FT	SEALER-TAPE, 3/16" X 3/8", BLACK - MANUS
	069543-14-000	FT	SEALER-RIBBON, 1" X 1/16" - GRAY - INCREMENTS OF 30' OR 45'
	070555-01-000	EA	SEALANT-URETHANE, BLACK - 1 1/2 - ESSEX 552 C
	076322-02-000	FT	TAPE-FOAM, DOUBLE COATED ADHESIVE BACKED - 1" X 100'
	076322-03-000	FT	TAPE-FOAM, DOUBLE COATED ADHESIVE BACKED - 5" X 100'
	076322-05-000	FT	TAPE-FOAM, DOUBLE COATED - 225" X 1 1/2" X 100'
	076322-07-000	FT	TAPE-FOAM, DOUBLE COATED, 045 X 50 - 3M 4949 VHS
	076322-09-000	FT	TAPE-FOAM, DOUBLE COATED, 045 X 50 - 3M 4952 VHS
	087211-01-000	GL	PROMOTER-ADHESIVE
	088473-01-000	EA	TAPE-ALUMINUM, 3" - 3M
	091255-02-000	EA	SEAL-ADHESIVE BACKED FOAM, 1/8" X THICK X 1/8" X 45'
	094451-01-000	EA	SEALER-BODY SEAM SEALER, 3M FLEX CLEAR
	106205-01-000	EA	SEAL-PUMPABLE TUBE - MANUS 30A BLACK
	107809-01-000	EA	SEALANT-SB 190 EVERSEAL, SURE BOND INC
	108363-03-000	FT	SEAL-FOAM, 475 X 3.05MM - LUNDELL
	108716-02-000	EA	SILICONE (TUBE)- BUFF LEVEL - CSL 510
	110274-01-000	FT	TAPE-FOAM, DOUBLE COATED - 045 X 100 - NORTON V-2800
	114511-01-000	CL	ADHESIVE-GLUE, #72-7943 NATIONAL STARCH
	930353-01-000	EA	TIP, 2 1/2" X 1/8" CRIFIDE
	930353-02-000	EA	TIP, 6" LN, 1/16" X 1/4" CRIFIDE
	930353-03-000	EA	NOZZLES-CSL DYC

**BOLTS, NUTS & WASHERS**

KEY	PART NUMBER	U/M	DESCRIPTION
	000012-05-12B	EA	BOLT-HEX, 5/16 - 18 X 3/4 - ZINC
	000012-05-16B	EA	BOLT-HEX, 5/16 - 18 X 1 - ZINC
	000012-05-16S	EA	BOLT-HEX, 5/16 - 16 X 1 - ZINC
	000012-05-20B	EA	BOLT-HEX, 3/8 - 16 X 1 1/4 - ZINC
	000012-16-32B	EA	BOLT-HEX, 3/8 - 16 X 2 LG - ZINC
	000012-07-20B	EA	BOLT-HEX, 7/16 - 14 X 1 1/4 - ZINC
	000012-03-24S	EA	BOLT-HEX, 1/2-13 X 1 1/2 - ZINC
	000015-07-32B	EA	BOLT-HEX, 7/16 - 20 X 2 - ZINC
	000013-07-45B	EA	BOLT-HEX, 7/16 - 20 X 3 - ZINC
	000014-03-32B	EA	BOLT-HEX, 3/8 - 16 X 2.00 GD 8 - ZINC
	000026-04-10B	EA	BOLT-HEX, SER FLG - 1/4-20 X 5/8 ZINC
	000026-04-14B	EA	BOLT-HEX, SER FLG - 1/4-20 X 7/8 ZINC
	000026-05-12B	EA	BOLT-HEX-SER FLG 5/16-18 X 3/4 - ZINC
	000026-05-20B	EA	BOLT-HEX-SER FLG 5/16-18 X 1 1/4 - ZINC
	000026-05-12B	EA	BOLT-HEX, SER FLG 3/8 - 16 X 3/4 - ZINC
	000026-05-20B	EA	BOLT-HEX, SER FLG 3/8 - 16 X 1 1/4 - ZINC
	000026-05-25B	EA	BOLT-HEX, SER FLG 3/8-16 X 1 3/4 - ZINC
	051387-05-000	EA	BOLT-CARRIAGE, W O HOLE - 5/16 - 18 X 5/8 - ZINC
	051387-06-000	EA	BOLT-CARRIAGE, W O HOLE - 5/16 - 18 X 3/8 - ZINC
	102955-03-000	EA	BOLT-HEX TAP, 1/2 - 13ND X 3 - GR5 - FULL THREAD ZINC
	000014-04-00B	EA	NUT-HEX, 1/4 - 20 ZINC
	000024-10-00B	EA	NUT-HEX, SF LK - 10-32 ZINC
	000029-06-00B	EA	NUT-HEX, V-NYLON LOCK - 3/8-16 ZINC
	000034-06-00B	EA	NUT-HEX, LK - 3/8 - 16 GRADE C ZINC - PREVAILING TORQUE
	000039-04-00B	EA	NUT-HEX, SER FLG LK 1/4 - 20 ZINC

**SEALANTS & FASTENERS GROUP (CONTINUED)**

**BOLTS, NUTS & WASHERS (CONTINUED)**

KEY	PART NUMBER	U/M	DESCRIPTION
	000039-03-00B	EA	NUT-HEX, SER FLG LK - 5/16 - 18 ZINC
	000039-06-00B	EA	NUT-HEX, SER FLG LK - 3/8-16 ZINC
	000039-08-00B	EA	NUT-HEX, SER FLG LK - 1/2-13 ZINC
	000044-07-00B	EA	NUT-HEX, SER FLG LK - 7/16-20 ZINC
	000049-04-00A	EA	NUT-HEX, WELD - 1/4-20 - PLAIN - SHORT PILOT
	040921-03-000	EA	NUT-SPEED, U TYPE - NO 10
	040921-05-000	EA	NUT-SPEED, U TYPE - NO 8 - .67" LENGTH X .44" WIDTH
	044534-02-000	EA	NUT-SPEED, FLAT - ROUND
	063353-07-000	EA	NUT-J, #8A, 125-130 PNL THK
	077049-01-000	EA	NUT-ACORN, 10-32 ALUMINUM
	087254-01-000	EA	NUT-JACK, 1 1/2 X 20 THREAD - MOLLOY - BRASS
	000011-05-00B	EA	WASHER-LK, 5/16 MED SPLIT ZINC
	000011-07-00B	EA	WASHER-LK, 1/4 WIDE ZINC
	000011-09-00B	EA	WASHER-LK, 1/2 MED SPLIT ZINC
	000013-11-00B	EA	WASHER-FL, 3/16" WIDE - ZINC
	000013-14-00B	EA	WASHER-FL, 1/4" WIDE ZINC
	000013-15-00B	EA	WASHER-FLARE, 3/8" WIDE ZINC
	000013-17-00B	EA	WASHER-FLARE, 3/8" AF ZINC
	000013-20-00B	EA	WASHER-FL, 7/16" WIDE - ZINC
	000013-21-00B	EA	WASHER-FL, W/2 NARROW - ZINC
	000013-23-00B	EA	WASHER-FL, 1/2 WIDE - ZINC
	000014-10-00B	EA	WASHER-LK - NO 10 EXT TOOTH - ZINC
	041232-01-000	EA	WASHER FL, 1032 ID X 2.35 OD - FOR SEAT BELT MOUNT
	058716-02-000	EA	WASHER-FLAT NYLON - .406 X .75 X .08
	102378-01-00A	EA	WASHER-BLACK, COMPARTMENT DOORS
	107397-01-000	EA	WASHER-FENDER, 6 5/8 X 32.0" OD

**SCREWS**

KEY	PART NUMBER	U/M	DESCRIPTION
	000000-05-20T	EA	SCREW, 3/8-16 X 1 1/4, FLAT SOC
	000011-08-05B	EA	SCREW, 6-20 X 1/2 PPH ZINC
	000011-08-05S	EA	SCREW, 6-20 X 3/8 PPH ZN
	000011-08-10B	EA	SCREW, 6-20 X 5/8 PPH ZINC
	000011-08-10J	EA	SCREW, 6-20 X 5/8 PPH - BRASS
	000011-07-05B	EA	SCREW, 7-19 X 1/2 PPH - ZINC
	000011-08-05B	EA	SCREW, 8-18 X 3/8 PPH ZINC
	000011-08-05B	EA	SCREW, 8-18 X 1/2 PPH - ZINC
	000011-08-05T	EA	SCREW, 8-18 X 1/2 PPH
	000011-08-12B	EA	SCREW, 8-18 X 3/4 PPH ZINC
	000011-03-12D	EA	SCREW, 8-18 X 3/4 PPH - BLACK
	000011-08-12P	EA	SCREW, 8-18 X .75 PPH - DARK BROWN
	000011-03-12R	EA	SCREW, 8-18 X 3/4 PPH - BEIGE
	000011-03-12S	EA	SCREW, 8-18 X 3/4 PPH - OFF WHITE
	000011-03-12T	EA	SCREW, 8-18 X 3/4 PPH - BLACK
	000011-03-20B	EA	SCREW, 8-18 X 1 1/4 PPH ZINC
	000011-03-16S	EA	SCREW, 8-18 X 1.00 PPH - OFF WHITE
	000011-10-12D	EA	SCREW, 10-16 X 3/4 PPH - BLACK
	000011-10-12S	EA	SCREW, 10-16 X .75 PPH OFF WHIT
	000011-10-16B	EA	SCREW, 10-16 X 1 - PPH ZINC
	000011-10-40B	EA	SCREW, 10-16 X 2 1/2 PPH CAD
	000012-06-03T	EA	SCREW, 6-20 X .50 PPH - BLACK
	000012-06-14A	EA	SCREW, 6-20 X .57 PPH PLAIN
	000013-06-05B	EA	SCREW, 6-20 X 3/8 PPH ZINC
	000013-06-05G	EA	SCREW, 6-20 X 1/2 PPH - ANTIQUE BRASS
	000013-06-15J	EA	SCREW, 6-20 X 1.00 PPH - BRASS
	000013-06-24J	EA	SCREW, 6-20 X 1.50 PPH BRASS
	000013-07-12B	EA	SCREW, 7-19 X 3/4 PPH ZINC
	000013-08-10B	EA	SCREW, 8-18 X 5/8 PPH - ZINC
	000013-08-16B	EA	SCREW, 8-18 X 1 PPH - ZINC

**1993 WINNEBAGO  
TABLE OF CONTENTS**

INTRODUCTION	A-01	A-02
ABBREVIATIONS		A-03
ALPHABETICAL INDEX	A-04	A-05
WCM33RW	A-07	G-08
WCM33RQ	G-09	L-24

**1993 WCM33RQ INDEX**

FLOOR PLAN	G-03	G-10
ACCESSORIES		G-11
AUDIO VIDEO	G-12	G-15
BATH	G-15	G-20
BEDROOM	G-21	G-24
CHASSIS	H-01	H-13
CURTAIN & CUSHION	H-19	I-07
DINETTE	I-09	I-10
DRIVERS COMPARTMENT	I-11	I-15
ELECTRICAL	I-16	I-22
EXTERIOR BODY	I-23	J-09
GALLEY	J-10	J-17
GENERATOR	J-18	J-19
HEATING & A/C	J-20	J-22
INTERIOR FINISH	J-23	K-02
LABEL	K-03	K-11
LP		K-12
LOUNGE	K-13	K-14
SEALANTS & FASTENERS	K-15	K-16
WATER & SEWAGE	K-19	K-24
WINDOW, VENT AND		
EXTERIOR DOOR	L-01	L-20
WINDSHIELD & WIPER	L-21	L-24

**SEALANTS & FASTENERS GROUP (CONTINUED)**

**SCREWS (CONTINUED)**

KEY	PART NUMBER	U/M	DESCRIPTION
	000G16-04-24B	EA	SCREW-MACHINE, 1/4 - 20 X 1-1/2 PPH
	000G16-05-16B	EA	SCREW-MACHINE, 5/8 X 3/2 X 1, PPH ZINC
	000G16-06-22B	EA	SCREW-MACHINE, 5/8 X 1 3/8 PPH ZINC
	000G16-10-08B	EA	SCREW-MACHINE, 10-32 X 1/2 PPH ZINC
	000G16-10-10B	EA	SCREW-MACHINE, 10-32 X 5/8 - PPH - ZINC
	000G16-10-20B	EA	SCREW-MACHINE, 10-32 X 1 1/4 PPH ZINC
	000G32-10-06B	EA	SCREW, 10-32 X 3/8" - PPH - ZINC
	000G32-10-06D	EA	SCREW, 10 - 32 X 3/8 PPH TYPE1 BLACK
	000G32-10-10T	EA	SCREW-SF DR, 8-32 X 5/8 PPH - BLACK
	000G32-10-16T	EA	SCREW-SF DR, 8-20 X 1 PPH - BLACK
	000G32-05-06B	EA	SCREW-SF DR, 8-16 X 3/8 PPH ZINC
	000G32-05-08B	EA	SCREW-SF DR, 8-16 X 1/2 PPH ZINC
	000G32-05-08R	EA	SCREW-SF DR, 8-16 X 1/2 PPH - BEIGE
	000G32-05-08S	EA	SCREW-SF DR, 8-16 X 1/2 PPH - OFF WHITE
	000G32-05-09T	EA	SCREW-SF DR, 8-16 X 5/8 PPH
	000G32-05-09S	EA	SCREW-SF DR, 8-16 X 1/2 PPH - BUFF
	000G32-05-12B	EA	SCREW-SF DR, 8-16 X 3/4 PPH ZINC
	000G32-05-16B	EA	SCREW-SF DR, 8-16 X 1 PPH ZINC
	000G32-05-16S	EA	SCREW-SF DR, 8-16 X 1 PPH OFF WHITE
	000G32-05-16T	EA	SCREW-SF DR, 8-16 X 1 PPH - BLACK
	000G32-05-24B	EA	SCREW-SF DR, 8-16 X 1 1/2 PPH ZINC
	000G32-05-32B	EA	SCREW-SF DR, 8-16 X 2 PPH - ZINC
	000G32-10-06B	EA	SCREW-SF DR 10-16 X .50 P3H - DRILL-FLEX F CARBON
	000G32-10-10B	EA	SCREW-SF DR, 10-16 X .625 PPH ZN
	000G32-10-12B	EA	SCREW-SF DR, 10-16 X .75 PPH ZN
	000G32-10-12D	EA	SCREW-SF DR, 10-16 X 3/4 PPH - FLUOROCARBON SILVER
	000G32-10-12D	EA	SCREW-SF DR, 10-16 X 3/4 PPH - BLACK
	000G32-10-21B	EA	SCREW-SF DR, 10-16 X 1 1/4 PPH ZINC
	000G32-10-20D	EA	SCREW-SF DR, 10-16 X 1.25 PPH - FLUOROCARBON SILVER
	000G32-10-32B	EA	SCREW-SF DR, 10-16 X 2 1/2 PPH - ZINC
	000G42-04-12B	EA	SCREW-SF DR, 1/4-14 X 3/4 HWH ZINC
	000G42-04-16B	EA	SCREW-SF DR, 1/4-14 X 7/8 HWH - ZINC
	000G45-05-24T	EA	SCREW-MACHINE, 8-32 - 1.50 IN PPH - BLACK
	000G50-04-06B	EA	SCREW-MACHINE, 1/4-20 X 1/2 PTH 2N
	000G50-04-10B	EA	SCREW-MACHINE, 1/4-20 X 3/4 PPH ZINC
	000G50-04-16B	EA	SCREW-MACHINE, 8-32 X 1 1/8 PTH ZINC
	000G51-05-06B	EA	SCREW, 5-16 X 1/2 PTH ZINC
	000G52-05-06B	EA	SCREW-MACHINE, 8-32 X 3/8 PTH ZINC
	000G52-05-16B	EA	SCREW-MACHINE, 8-32 X 1 1/8 PTH ZN
	000G53-04-06B	EA	SCREW-MACHINE, 1/4-20 X 3/8 PPH ZINC - UNDERCUT HEAD
	000G54-04-02B	EA	SCREW, 1/4-20 X 1 1/4 PTH - TYPE 23 - ZINC PLATED
	000G55-03-12B	EA	SCREW-SF DR, 8-18 X 7/8 PWH
	000G55-05-16B	EA	SCREW-SF DR, 8-18 X 1.00 - BEIGE
	000G56-10-24J	EA	SCREW-WOOD, 10-13X1.5 POH - BRIGHT BRASS
	000G56-12-45B	EA	SCREW, WOOD, 12 - 11 X 3 POH - SPECIAL HARDENED
	000G57-05-16J	EA	SCREW, 5-20 X 1 PPH - BRASS
	000G60-05-16B	EA	SCREW-SF DR, 8-18 X 1.00 POH - BUFF
	000G60-10-16J	EA	SCREW-SF DR, 10-16 X 1 POH - BRIGHT BRASS
	000G67-05-32B	EA	SCREW, 8-16 X 2 PPH ZINC
	000G67-10-06B	EA	SCREW, 10-12 X 1/2 PPH ZINC
	000G67-10-08R	EA	SCREW, 10-12 X 1/2 PPH - BEIGE - TYPE A
	000G67-10-10B	EA	SCREW, 10-12 X 5/8 PPH ZINC - TYPE A
	000G67-10-10D	EA	SCREW, 10-12 X 5/8 PPH - BLACK - TYPE A
	000G67-10-10R	EA	SCREW, 10-12 X 5/8 PPH - TYPE A - BEIGE
	000G67-10-12B	EA	SCREW, 10-12 X 3/4" PPH - ZINC
	000G67-10-16B	EA	SCREW, 10-12 X 1 PPH - ZINC
	000G67-10-32B	EA	SCREW, 10-12 X 2 PPH - ZINC
	000G67-10-20D	EA	SCREW, 10-12 X 1 1/4 PPH - ZINC
	000G67-10-36T	EA	SCREW, 10-12 X 2 25 PPH - BLACK - STALGAURD
	000G67-10-45B	EA	SCREW, 10-12 X 3 PPH ZINC

**SEALANTS & FASTENERS GROUP (CONTINUED)**

**SCREWS (CONTINUED)**

KEY	PART NUMBER	U/M	DESCRIPTION
	000G55-05-10G	EA	SCREW, 5-16 X 5/8 POH - ANTIQUE BRASS
	049455-01-000	EA	SCREW, 10-16 W/WASHER PTH - DARK BROWN
	075905-01-000	EA	SCREW-MACHINE, 10-32 X .56 PTH - ZINC EXTERNAL TOOTH
	082255-01-000	EA	SCREW ASM-SF DR 5 X .75 HWH - LG
	087721-01-000	EA	SCREW-FLAT HEAD, TAPPING - 1/4" X 1 1/4" LG ZINC
	091230-03-000	EA	SCREW-MACHINE, 8-32 X 3/4 POH SS - BUFF
	101259-01-01A	EA	SCREW-MACHINE, 8-32 X 4 - POH - BRASS - FOR EXTENDED NUTS
	101615-01-000	EA	SCREW, 1/4-20 X 2 1/4 - HEX TAPPING - STALGAURD TYPE F
	109152-01-000	EA	SCREW, 3/8-16 X 1 1/4 - FLAT SOC - DORRELEVATE COATED

**RIVETS, CLAMPS, GROMMETS & CLIPS**

KEY	PART NUMBER	U/M	DESCRIPTION
	000H14-05-14R	EA	RIVET-MANDREL, BLIND, 3/16"
	000H16-04-06R	EA	RIVET-POP, AL 1/8 X 3/16-3/16
	010495-01-000	EA	CLAMP-CABLE, 9/16"
	010497-01-000	EA	CLAMP-CLOSED, 5/8" ID
	010497-03-000	EA	CLAMP-CLOSED, 1" ID - CUSHIONED
	010497-05-000	EA	CLAMP-CLOSED, 1 1/2" ID
	010499-01-000	EA	CLAMP-CLOSED, 3/8" ID
	062401-01-000	EA	CLAMP-HOSE, WORMGEAR 25" - 1"
	062401-02-000	EA	CLAMP-HOSE, WORMGEAR - 1.56" - 2.5"
	062401-04-000	EA	CLAMP-HOSE, WORMGEAR .69" - 1.25"
	062401-05-000	EA	CLAMP-HOSE, WORMGEAR 2 - 3"
	062401-06-000	EA	CLAMP-HOSE, WORMGEAR 2 1/2" - 6 1/2"
	062401-11-000	EA	CLAMP-HOSE, WORMGEAR 3.55" - 4.5"
	075145-02-000	EA	CLAMP-GROUNDING BRONZE SCREWS
	083503-01-000	EA	CLAMP-WIRE, DUAL EQUAL - 5/8" DIAMETER
	083510-01-000	EA	CLAMP-WIRE, DUAL - UNEQUAL DIAMETERS - .75" & 1.25"
	083510-02-000	EA	CLAMP-WIRE, DUAL UNEQUAL DIA
	083510-01-000	EA	GROMMET-RUBBER, 5/8" HOLE X 1 1/2" DIAMETER - BLACK
	011075-19-000	EA	GROMMET-3SID, FITS .05 MATERIAL - MINOR RUBBER Z-3065
	071015-11-000	EA	GROMMET-1 CO.D, FITS .02 MATERIAL - MINOR RUBBER Z-3065
	071015-29-000	EA	GROMMET-2SID, 1.25" OD W .12" GROOVE - RUBBER - BLACK
	016155-03-000	EA	GROMMET-LP LINE, 3/8" HOLE X 1/2 1/2" LONG - RUBBER
	016155-05-000	EA	GROMMET-LP LINE, 3/8" HOLE X 1 1/4" LONG - RUBBER
	023942-01-000	EA	GROMMET-RUBBER, 2" OD
	071015-21-000	EA	GROMMET-RUBBER, 5" ID X 1 1/8" OD W 1/8" GROOVE - BLACK
	077553-01-000	EA	GROMMET-EDGE LINER, FITS 1"
	075312-02-000	EA	CLIP-J, VINYL COATED - 3/5"
	077555-01-000	EA	CLIP-J, VINYL COATED, 3/8" - USED TO SUPPORT WIRING TO LIGHTS
	083211-03-000	EA	CLIP-MOUNTING, XMAS TREE - DECORATIVE WALL PADS
	091352-01-000	EA	CLIP-GRIPPER, 1"
	091953-02-000	EA	CLIP-GRIPPER, 3/4"
	094352-03-000	EA	CLIP-CHRISTMAS TREE, FLAT HEAD - 5" X .95"
	101447-01-000	EA	CLIP-U TYPE, WINNERMAN - HOLDS SHOWER SURROUND TOGETHER

**MISCELLANEOUS FASTENERS**

KEY	PART NUMBER	U/M	DESCRIPTION
	006343-02-000	EA	TIE-WIRE, 14"
	029094-04-000	YD	VELCRO TAPE-LOOP, 1" WIDE - BLACK
	029094-03-000	YD	VELCRO TAPE-HOOK, 1" WIDE - BLACK
	029094-06-000	YD	VELCRO TAPE-LOOP, 2" WIDE - BLACK
	029096-03-000	YD	VELCRO TAPE-HOOK, 1" WIDE - BLACK
	081211-04-000	EA	PLUG-PLASTIC, .46" DIAMETER - BLACK
	055774-01-000	FT	FASTENER-DUAL HOOK, 1" WIDE - ADHESIVE BACK - BLACK
	085774-02-000	FT	FASTENER-DUAL LOOP, 1" WIDE - ADHESIVE BACK - BLACK
	056255-01-000	EA	SPACER-NYLON, .5" OD X .257" ID

**1993 WINNEBAGO  
TABLE OF CONTENTS**

INTRODUCTION	A-01 -	A-02
ABBREVIATIONS		A-03
ALPHABETICAL INDEX	A-04 -	A-06
WCM33RW	A-07 -	G-03
WCM33RQ	G-09 -	L-24

**1993 WCM33RQ INDEX**

FLOOR PLAN	G-09 -	G-10
ACCESSORIES		G-11
AUDIO VIDEO	G-12 -	G-15
BATH	G-16 -	G-20
BEDROOM	G-21 -	G-24
CHASSIS	H-01 -	H-18
CURTAIN & CUSHION	H-19 -	I-07
DINETTE	I-08 -	I-10
DRIVERS COMPARTMENT	I-11 -	I-15
ELECTRICAL	I-16 -	I-22
EXTERIOR BODY	I-23 -	J-09
GALLEY	J-10 -	J-17
GENERATOR	J-18 -	J-19
HEATING & A/C	J-20 -	J-22
INTERIOR FINISH	J-23 -	K-02
LABEL	K-03 -	K-11
LP		K-12
LOUNGE	K-13 -	K-14
SEALANTS & FASTENERS	K-15 -	K-18
WATER & SEWAGE	K-19 -	K-24
WINDOW, VENT AND		
EXTERIOR DOOR	L-01 -	L-20
WINDSHIELD & WIPER	L-21 -	L-24

## WATER & SEWAGE GROUP

### FRESH WATER TANK

KEY	PART NUMBER	U/M	DESCRIPTION
	104363-03-000	EA	TANK-WATER, 100 GALLON - W FITTINGS FROM 00-00-00 THRU 07-28-92
	104363-01-000	EA	TANK-WATER, 100 GALLON - W/O FITTINGS FROM 00-00-00 THRU 07-28-92
	109392-02-000	EA	TANK-WATER, 50 GALLON - W FITTINGS FROM 07-27-92 THRU 99-99-99
	109392-01-000	EA	TANK-WATER, 50 GALLON - W/O FITTINGS FROM 07-27-92 THRU 99-99-99
	042989-03-000	EA	FITTING-WATER TANK, SPINWELD - 1 1/4" MPT - PLASTIC - WHITE
	042989-06-000	EA	FITTING-WATER TANK, SPINWELD - 1 1/2" FPT - PLASTIC - WHITE
	042989-08-000	EA	FITTING-SPINWELD, PLASTIC - 3/4 FPT
	042989-01-000	EA	PATCH-SPINWELD, 3 8" - PLASTIC
	052955-03-000	EA	TEE, 5 8" F X 5 8" F X 1 2" MPT - PLASTIC
	010219-01-000	EA	ELBOW, 1 1/4" MPT X 1 1/4" BARB, WATER FILL - PLASTIC
	052957-04-000	EA	ELBOW, 5 8" F X 3/4" MPT
	077954-02-000	EA	FILTER-WATER TANK, SCREEN IN TANK
	079361-01-000	FT	TUBING-SMOOTH FLEXIBLE, 1 1/4" ID X 20'
	098449-01-000	EA	WIRE ASSEMBLY-WATER TANK TO MONITOR PANEL
	039561-01-000	EA	SENDING UNIT-W SCREW, WASHER, WELL NUT & TERMINAL RING
	077954-03-000	EA	FILTER-WATER, IN TANK

### WATER SYSTEM

KEY	PART NUMBER	U/M	DESCRIPTION
	077054-01-000	EA	VALVE-PLASTIC, 1/2" M X 1/2" M - 1 1/4" COVP
	057457-01-000	EA	ELBOW-UNION, 1/2" X 1/2" FLARE
	065120-01-000	EA	ELBOW-SWIVEL, 1/2" FPT X 1/2" FLARE - PLASTIC - GRAY
	039505-03-000	EA	ELBOW-PLASTIC, 1/2" MPT X 1/2" MPT - KEVCO 17296
	052959-02-000	EA	CONNECTOR, 1/2" F X 1/2" MPT - PLASTIC - GRAY
	101814-01-000	EA	COUPLING-FEMALE, 1/2" X 1/2" FPT
	010230-05-000	EA	FILL-CITY WATER, SURF - SILVER - M-BRASS 324-00
	039503-01-000	FT	TUBING-POLYBUTYL, 1/2" OD - INCREMENTS OF 20' - BLACK
	039500-02-000	FT	TUBING-POLYBUTYL, 5/8" OD - INCREMENTS OF 20' - BLACK
	039508-03-000	EA	ELBOW-PLASTIC, 1/2" MPT X 1/2" MPT - KEVCO 17296
	046129-01-000	EA	VALVE-DRAIN, PLASTIC - 1/2" FPT
	052952-01-000	EA	NUT-PLASTIC, 1/2" F X 1/2" TUBE - GRAY
	052952-02-000	EA	NUT-PLASTIC, 5 8" FLARE
	052955-01-000	EA	TEE, WATER, 1/2" F X 1/2" F X 1/2" MPT - PLASTIC - GRAY
	052955-03-000	EA	TEE, 5 8" F X 5 8" F X 1/2" MPT - PLASTIC
	052957-01-000	EA	ELBOW-PLASTIC, 1/2" F X 3/8" MPT
	052957-02-000	EA	ELBOW-MALE, 1/2" F X 1/2" MPT - PLASTIC - GRAY
	052958-01-000	EA	TEE, 1/2" F X 1/2" F X 1/2" F - PLASTIC - GRAY
	052960-01-000	EA	DRAIN VALVE-IN LINE, HEADER - 1/2" F X 1/2" F - GRAY PLAS
	052960-03-000	EA	DRAIN VALVE-IN LINE, HEADER - 5 8" F X 5 8" F - PLASTIC
	055290-01-000	EA	ELBOW, 5 8" F X 1/2" MPT
	055291-01-000	EA	TEE, PLASTIC, 5 8" F X 5 8" F X 5 8" F
	055295-01-000	EA	TEE, 5 8" F X 1/2" MPT X 1/2" F, PLASTIC
	055295-02-000	EA	TEE, 1/2" F X 1/2" MPT X 5 8" F, PLASTIC
	057457-01-000	EA	ELBOW-UNION, 1/2" X 1/2" FLARE
	057457-02-000	EA	ELBOW-UNION, 5 8" X 5 8" FL - WATER
	057974-01-000	EA	TEE, 5 8" F X 1/2" F X 1/2" F, PLASTIC
	065120-01-000	EA	ELBOW-SWIVEL, 1/2" FPT X 1/2" FLARE - PLASTIC - GRAY
	074463-01-000	EA	TEE, 4 WAY, 1/2" FLARE - PLASTIC - GRAY
	079317-01-000	EA	ADAPTER-SWIVEL, 1/2" TUBE X 1/2" FPT - PLASTIC - GRAY
	079361-01-000	FT	TUBING-SMOOTH FLEXIBLE, 1 1/4" ID X 20'
	095345-01-000	EA	BRACKET-VALVE
	098417-01-000	EA	CONNECTOR-5 8" F X 1/2" MPT, PLASTIC - KEVCO
	101814-01-000	EA	COUPLING-FEMALE, 1/2" X 1/2" FPT
	106256-01-000	EA	CAP-INSERTABLE, 1/2" FLARE

## WATER & SEWAGE GROUP (CONTINUED)

### WATER PUMP

KEY	PART NUMBER	U/M	DESCRIPTION
	039607-01-000	EA	PUMP-WATER, W 5" MPT FITTING - FLOW 2.5 GPM - UL
	039607-01-700	EA	PUMP-HEAD-REPLACEMENT, FLOW 94-235-08
	039607-01-701	EA	DRIVE ASSEMBLY, FLOW 94-234-03
	039607-01-702	EA	DIAPHRAGM KIT, FLOW 94-233-10
	039607-01-703	EA	VALVE ASSEMBLY, FLOW 94-232-00
	039607-01-704	EA	HOUSING-UPPER, FLOW 94-231-01
	039607-01-705	EA	CHECK VALVE KIT, FLOW 94-237-00
	039607-01-706	EA	UPPER HOUSING SWITCH KIT, FLOW 94-231-00
	039607-01-707	EA	MOTOR BASEPLATE REPLACEMENT, FLOW 94-235-03

### EXTERIOR SHOWER COMPONENTS

KEY	PART NUMBER	U/M	DESCRIPTION
	103392-01-000	EA	SHOWER HEAD-W/20' HOSE
	103392-01-700	EA	BRACKET-SHOWER HEAD, CLEAR - 230008
	075241-05-000	EA	FAUCET-SHOWER, BONE
	104044-01-000	EA	BRACKET-SUPPORT, FAUCET
	091992-02-000	EA	CLIP-GRIPPER, 3/4" (ENTER OR SHOWER)

### WATER HEATER BYPASS KIT & PURIFICATION SYSTEM

KEY	PART NUMBER	U/M	DESCRIPTION
	039729-01-000	EA	BYPASS KIT-WATER HEATER, SWAN IND
	039729-01-700	EA	VALVE ONLY CHECK BRASS, BCW-100
	039729-02-000	EA	BYPASS KIT-WATER HEATER, SWAN IND (CANADIAN)
	039729-03-700	EA	VALVE ONLY CHECK BRASS, BCW-100
	103229-01-000	EA	BRACKET-BYPASS, WATER HEATER
	101059-01-000	EA	WATER PURIFICATION SYSTEM, 9252
	101059-03-700	EA	CARTIDGE-WATER FILTER, AC, EVERPURE 9501-11

## 1993 WINNEBAGO TABLE OF CONTENTS

INTRODUCTION	A-01 -	A-02
ABBREVIATIONS		A-03
ALPHABETICAL INDEX	A-04 -	A-06
WCM33RW	A-07 -	G-09
WCM33RQ	G-09 -	L-24

## 1993 WCM33RQ INDEX

FLOOR PLAN	G-09 -	G-10
ACCESSORIES		G-11
AUDIO VIDEO	G-12 -	G-15
BATH	G-16 -	G-20
BEDROOM	G-21 -	G-24
CHASSIS	H-01 -	H-15
CURTAIN & CUSHION	H-16 -	I-07
DINETTE	I-08 -	I-10
DRIVERS COMPARTMENT	I-11 -	I-15
ELECTRICAL	I-16 -	I-22
EXTERIOR BODY	I-23 -	J-09
GALLEY	J-10 -	J-17
GENERATOR	J-18 -	J-19
HEATING & A/C	J-20 -	J-22
INTERIOR FINISH	J-23 -	K-02
LABEL	K-03 -	K-11
LP		K-12
LOUNGE	K-13 -	K-14
SEALANTS & FASTENERS	K-15 -	K-18
WATER & SEWAGE	K-19 -	K-24
WINDOW, VENT AND		
EXTERIOR DOOR	L-01 -	L-20
WINDSHIELD & WIPER	L-21 -	L-24



**WATER & SEWAGE GROUP (CONTINUED)**

**WATER HEATER W/MOTOR AID FOR REAR HEATER**

KEY	PART NUMBER	U/M	DESCRIPTION
	051393-01-000	EA	HEATER-WATER-W/MOTOR AID-ATWOOD GHS-3E, GHW-4E OR GHW-5E
	051391-01-700	EA	HINGE KIT-W CLIP, ATWOOD * 92356 & 92359
	051391-01-704	EA	VALVE-RELIEF, 1/2" FITTING - ATWOOD* 91604
	051391-01-705	EA	FASTENER-CAMLOC, ATWOOD* 92609
	051391-01-706	EA	GRILLE-EXHAUST, ATWOOD* 92767
	051391-01-708	EA	BURNER-MAIN, 3E ONLY - ATWOOD* 92615
	051391-01-710	EA	ORIFICE-MAIN BURNER, ATWOOD* 92742
	051391-01-714	EA	ELBOW-45 DEGREE, 3/8" X 3/8" MPT - ATWOOD 91444
	051391-01-715	EA	DRAIN PLUG, ATWOOD* 91381
	051391-04-701	EA	THERMOSTAT 12 VDC-120 PRESET, ATWOOD* 91470
	051391-04-704	EA	TANK-INNER, FRONT MOUNT - GHS-4E & 6E - ATWOOD 91642
	051393-01-700	EA	TANK-INNER, 3E FRONT MOUNT - ATWOOD* 91603
	051393-01-702	EA	SWITCH-ENERGY CUT-OFF, ATWOOD* 91951
	051393-01-703	EA	THERMOSTAT-REAR MOUNT, ATWOOD* 91952
	051393-01-704	EA	CIRCUIT BOARD-W/BLACK BOX, ATWOOD* 91420
	051393-01-705	EA	ORIFICE HOLDER-ATWOOD* 91925
	051393-01-714	EA	TANK-INNER (GHS-3E), REAR MOUNT - ATWOOD* 91428
	051393-01-716	EA	SPARK & PROBE ASM, ATWOOD* 91605
	051393-01-718	EA	VALVE-DUAL SOLENOID, ATWOOD* 91606
	051393-01-721	EA	ECCO THERMOSTAT ASM-FRONT MOUNT, 40 DEGREE - ATWOOD* 91447

**WATER & SEWAGE GROUP (CONTINUED)**

**WATER HEATER W/O MOTOR AID**

KEY	PART NUMBER	U/M	DESCRIPTION
	051391-03-000	EA	HEATER-WATER, W/ELECTRIC IGNITION - ATWOOD G64-3E
	051391-01-700	EA	HINGE KIT-W CLIP, ATWOOD * 92356 & 92359
	051391-01-704	EA	VALVE-RELIEF, 1/2" FITTING - ATWOOD* 91604
	051391-01-705	EA	FASTENER-CAMLOC, ATWOOD* 92609
	051391-01-706	EA	GRILLE-EXHAUST, ATWOOD* 92767
	051391-01-708	EA	BURNER-MAIN, 3E ONLY - ATWOOD* 92615
	051391-01-710	EA	ORIFICE-MAIN BURNER, ATWOOD* 92742
	051391-01-715	EA	DRAIN PLUG, ATWOOD* 91381
	051391-04-700	EA	TANK-INNER (G64-3E), FRT MT - ATWOOD* 91613
	051391-04-701	EA	THERMOSTAT 12 VDC-120 PRESET, ATWOOD* 91470
	051391-04-706	EA	TANK-INNER, G64-4E & 6E - FRONT MOUNT - ATWOOD* 91641
	051393-01-702	EA	SWITCH-ENERGY CUT-OFF, ATWOOD* 91951
	051393-01-703	EA	THERMOSTAT-REAR MOUNT, ATWOOD* 91952
	051393-01-704	EA	CIRCUIT BOARD-W/BLACK BOX, ATWOOD* 91420
	051393-01-705	EA	ORIFICE HOLDER-ATWOOD* 91925
	051393-01-716	EA	SPARK & PROBE ASM, ATWOOD* 91605
	051393-01-718	EA	VALVE-DUAL SOLENOID, ATWOOD* 91606
	051393-01-721	EA	ECCO THERMOSTAT ASM-FRONT MOUNT, 40 DEGREE - ATWOOD* 91447
	051393-03-000	EA	TANK-INNER (G64-3E), REAR MT - ATWOOD* 91429
	051393-01-000	EA	SWITCH-WATER HEATER, ATWOOD 91448

**1993 WINNEBAGO  
TABLE OF CONTENTS**

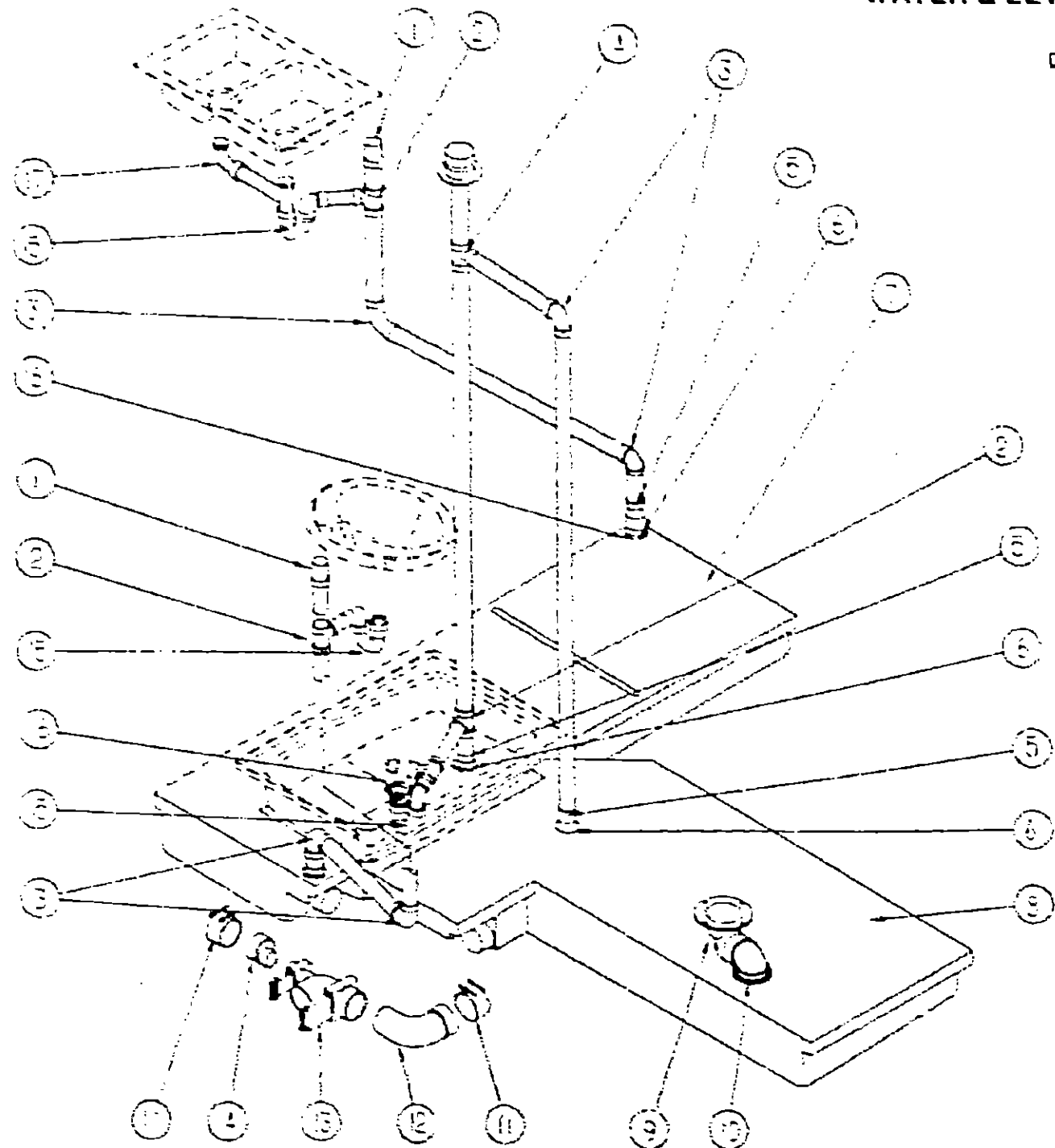
INTRODUCTION	A-01 -	A-02
ABBREVIATIONS		A-03
ALPHABETICAL INDEX	A-04 -	A-06
WCM33RW	A-07 -	G-09
WCM33RD	G-09 -	L-24

**1993 WCM33RQ INDEX**

FLOOR PLAN	G-09 -	G-10
ACCESSORIES		G-11
AUDIO VIDEO	G-12 -	G-15
BATH	G-16 -	G-20
BEDROOM	G-21 -	G-24
CHASSIS	H-01 -	H-15
CURTAIN & CUSHION	H-19 -	I-07
DINETTE	I-08 -	I-10
DRIVERS COMPARTMENT	I-11 -	I-15
ELECTRICAL	I-16 -	I-22
EXTERIOR BODY	I-23 -	J-09
GALLEY	J-10 -	J-17
GENERATOR	J-18 -	J-19
HEATING & A/C	J-20 -	J-22
INTERIOR FINISH	J-23 -	K-02
LABEL	K-03 -	K-11
LP		K-12
LOUNGE	K-13 -	K-14
SEALANTS & FASTENERS	K-15 -	K-18
WATER & SEWAGE	K-19 -	K-24
WINDOW, VENT AND		
EXTERIOR DOOR	L-01 -	L-20
WINDSHIELD & WIPER	L-21 -	L-24

# WATER & SEWAGE GROUP (CONTINUED)

## DRAINAGE SYSTEM



KEY	PART NUMBER	U/M	DESCRIPTION
1	079985-01-000	EA	VENT-TRAP TRAP ARM ANTI-SIPHON - 2" DIA X 7.5" - PLASTIC
2	010079-01-000	EA	TEE - 1 1/2" X 1 1/2" X 1 1/2"
3	010005-01-000	EA	ELBOW 90 DEGREE, 1 1/4 BEND - 1 1/2" HUB X HUB - BLACK PLASTIC
4	010071-01-000	EA	TEE-SANITARY, 1 1/2" HUB X HUB X HUB - PLASTIC - BLACK
5	010115-01-000	EA	COUPLING-1 1/2" HUB X HUB, PLASTIC
6	061607-02-000	EA	GROMMET-HOLDING TANK, 3" NPS
7	104350-01-000	EA	TANK-HOLDING, 50 GALLON - W/O FITTINGS
8	104351-01-000	EA	TANK-HOLDING, 55 GALLON - W/O FITTINGS
9	010024-01-000	EA	ELBOW-PLASTIC, 1 1/2" 90 X 4" H X H
10	010021-01-000	EA	ELBOW, 45 DEGREE, STREET - 1 1/2 BEND - 3" S X H - PLASTIC
11	075402-01-000	EA	COUPLER-RUBBER, W/CLAMPS - 3" X 3"
12	041955-01-000	EA	ELBOW-STREET, PLASTIC - 1 1/2" 90 X 90 XLT
13	070916-01-000	EA	VALVE-DUAL DUMP, W/CAP - 3" X 1 1/2" - PLASTIC - BLACK
	070916-01-000	EA	VALVE ONLY, 3"
	070916-01-000	EA	VALVE ONLY, 1 1/2"
14	062402-01-000	EA	ADAPTER-OFFSET REDUCER, 3" X 1 1/2" - PLASTIC - BLACK
15	011055-03-000	EA	P TRAP-1 1/4" HUB X SUP JOINT, W/UNION - ABS - CANADIAN
15	107537-01-000	EA	P TRAP ADAPTER-1 1/4" SUP (US)
15	107538-01-000	EA	P TRAP-PLASTIC, 1 1/4" W/EXT ARM (US)
16	011059-03-000	EA	TAILPIECE-TUB SHOWER, 1 1/2" X 1 1/4" X 4" - BRASS (CANADIAN)
17	011059-03-000	EA	PIPE-DRAIN, DOUBLE SINK - BAFFLE TEE - 1 1/2" - U.S. ONE PIPE W/TEE TO DRAIN BOTH SIDES OF SINK
18	011091-03-000	EA	PIPE-DRAIN, W/SEALS - DOUBLE SINK - EXTENDS 9" TO 16" - CANADIAN
18	010055-01-000	EA	ELBOW, 22 1/2 DEGREE, 1 1/2 BEND - 1 1/2" HUB X HUB PLASTIC - BLACK
	010201-02-000	EA	HOSE-SEWER, 3" ID X 20 FEET
	103354-01-000	EA	CONNECTOR-HOSE-SEWER
	061607-02-000	EA	GROMMET-HOLDING TANK, 3" NPS
	062416-01-000	EA	ADAPTER-SEWER HOSE TO 3" PIPE
	010201-02-000	EA	HOSE-SEWER, 3" ID X 20 FEET

## 1993 WINNEBAGO TABLE OF CONTENTS

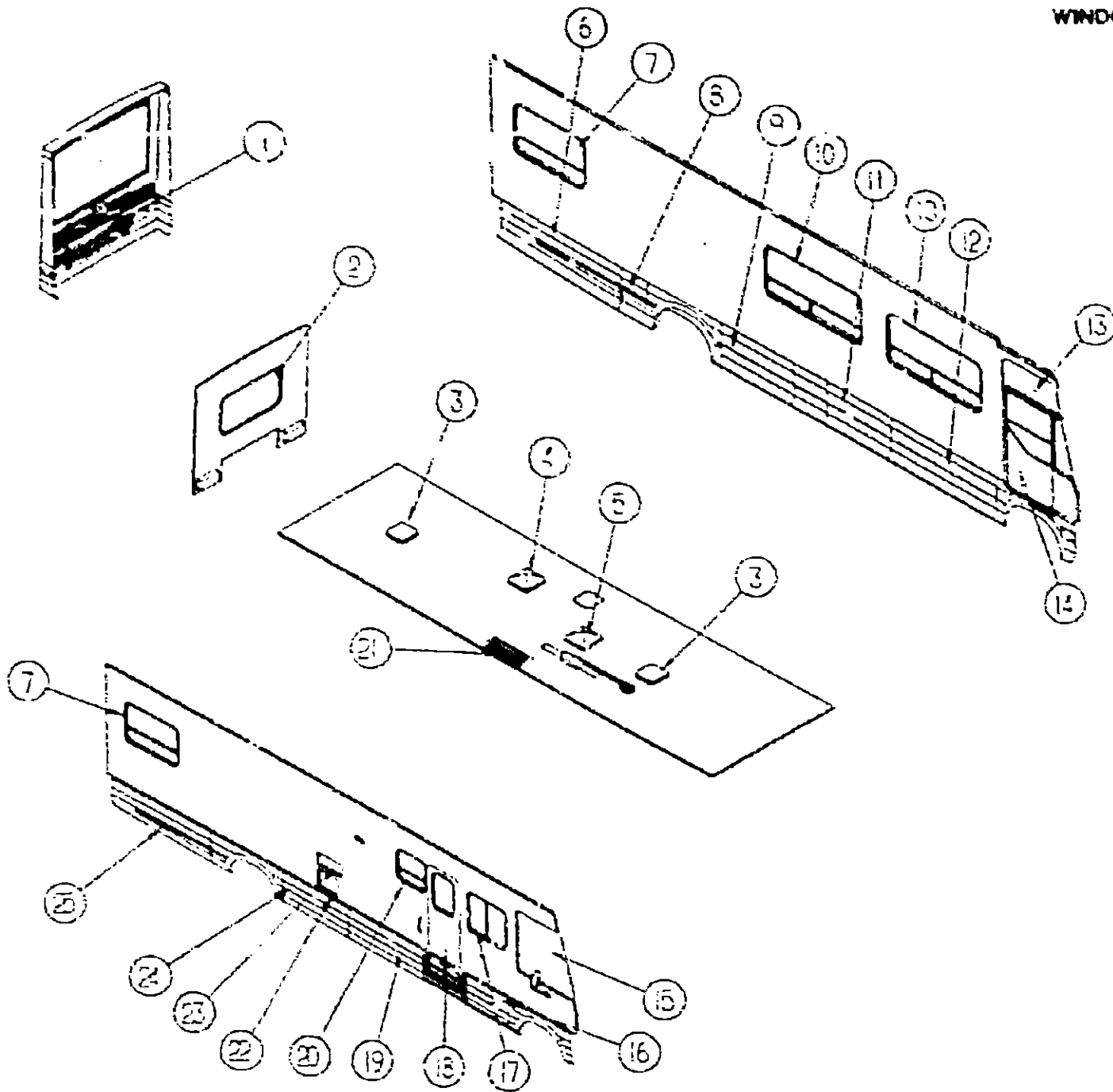
INTRODUCTION	A-01 -	A-02
ABBREVIATIONS		A-03
ALPHABETICAL INDEX	A-04 -	A-05
WCM33RW	A-07 -	G-08
WCM33RQ	G-09 -	L-04

## 1993 WCM33RQ INDEX

FLOOR PLAN	G-09 -	G-10
ACCESSORIES		G-11
AUDIO VIDEO	G-12 -	G-15
BATH	G-16 -	G-20
BEDROOM	G-01 -	G-04
CHASSIS	H-01 -	H-13
CURTAIN & CUSHION	H-19 -	I-07
DINETTE	I-08 -	I-10
DRIVERS COMPARTMENT	I-11 -	I-15
ELECTRICAL	I-16 -	I-22
EXTERIOR BODY	I-23 -	J-09
GALLEY	J-10 -	J-17
GENERATOR	J-18 -	J-19
HEATING & A/C	J-20 -	J-22
INTERIOR FINISH	J-23 -	K-02
LABEL	K-03 -	K-11
LP		K-12
LOUNGE	K-13 -	K-14
SEALANTS & FASTENERS	K-15 -	K-18
WATER & SEWAGE	K-19 -	K-24
WINDOW, VENT AND EXTERIOR DOOR	L-01 -	L-20
WINDSHIELD & WIPER	L-01 -	L-04

# WINDOW, VENT & EXTERIOR DOOR GROUP

## WINDOWS & DOORS



KEY	PART NUMBER	U/M	DESCRIPTION
2	087355-06-D18	EA	WINDOW-ESCAPE, W/O INSIDE FRAME
3	064469-13-000	EA	VENT-ROOF, W/O POWER LIFT FOR 4' ROOF - JENSEN V2420-41B4 (U.S.) FROM: 03-03-93 THRU: 03-26-93
3	110051-02-01A	EA	VENT-ROOF, W/O POWER LIFT FOR 4' ROOF - JENSEN 7727 (U.S.) FROM: 03-27-93 THRU: 99-99-99
4	064469-12-000	EA	VENT-ROOF, W/POWER LIFT FOR 4' ROOF - JENSEN V2420-41B4CS (CSA) FROM: 03-03-93 THRU: 03-26-93
4	110051-10-01A	EA	VENT-ROOF, W/POWER LIFT FOR 4' ROOF - JENSEN CX7258 (CSA) FROM: 03-27-93 THRU: 99-99-99
4	064469-11-000	EA	VENT-ROOF, W/POWER LIFT FOR 4' ROOF - JENSEN V2420-41B4 (U.S.) FROM: 03-03-93 THRU: 03-26-93
4	110051-08-01A	EA	VENT-ROOF, W/POWER LIFT FOR 4' ROOF - JENSEN 7727 (U.S.) FROM: 03-27-93 THRU: 99-99-99
5	064469-13-000	EA	VENT-ROOF, W/O POWER LIFT FOR 4' ROOF - JENSEN V2420-41B4 (U.S.) FROM: 03-03-93 THRU: 03-26-93
5	110051-02-01A	EA	VENT-ROOF, W/O POWER LIFT FOR 4' ROOF - JENSEN 7727 (U.S.) FROM: 03-27-93 THRU: 99-99-99
5	054079-07-000	EA	VENT-CEILING, POWER EXHAUST - FANTASTIC (US)
5	054079-10-010	EA	VENT-CEILING, POWER EXHAUST - FANTASTIC (CANADIAN)
6	109712-02-D18	EA	DOOR-COMPARTMENT, REAR TAPERED - W/HARDWARE & LATCHES
7	092235-21-D18	EA	WINDOW-TIPOUT, W/O INSIDE FRAME
8	M35554-02-D18	EA	DOOR-FUEL FILL
	107595-01-000	EA	HINGE-DOUBLE PIVOT, W/SPRING - 254MM LONG FROM: 03-03-93 THRU: 03-26-93
	107895-03-000	EA	HINGE-DOUBLE PIVOT, W/SPRING - 254MM LONG FROM: 04-19-93 THRU: 99-99-99
	P07440-07-000	EA	CHANNEL-WHEEL LIP, W/E-COAT - 195MM LONG
	077438-01-000	EA	LOCK-KEY TYPE
9	109404-09-D18	EA	DOOR-COMPARTMENT, W/HARDWARE & LATCHES
10	092234-12-D18	EA	WINDOW-DOUBLE TIPOUT, W/O INSIDE FRAME
11	109404-05-D18	EA	DOOR-COMPARTMENT, W/HARDWARE & LATCHES
12	109404-03-D18	EA	DOOR-COMPARTMENT, W/HARDWARE & LATCHES
13	106467-01-01A	EA	WINDOW-VISTA, LEFT - W/INSIDE FRAME - EXCEL
14	106469-01-01A	EA	DOOR-DRIVERS, W/O INNER PANELS & HANDLE - BLACK - EXCEL
15	106406-01-01A	EA	WINDOW-CAB, PASSENGER - W/INSIDE FRAME - EXCEL & MRQ1482
16	109404-03-D18	EA	DOOR-COMPARTMENT, W/HARDWARE & LATCHES
17	099480-03-000	EA	WINDOW-SLIDER, RIGHT - EXCEL H1150-MRR
18	M01870-65-D18	EA	DOOR-ENTRY, W/SCREEN DOOR & JAMB
19	109404-01-D18	EA	DOOR-COMPARTMENT, W/HARDWARE & LATCHES
20	092235-20-D18	EA	WINDOW-SINGLE TIPOUT, W/O INSIDE FRAME
21	084073-04-000	EA	BASE-ROOF VENT, REFRIGERATOR - BLACK - NORCOLD
21	084073-05-000	EA	COVER-ROOF VENT, REFRIGERATOR - BUFF - NORCOLD
22	052009-04-000	EA	DOOR-WATER HEATER, 16" X 14.6" - METAL - BUFF
23	024104-06-000	EA	JAMB-DOOR, REFRIGERATOR - BUFF
23	094103-06-000	EA	DOOR-REFRIGERATOR, VENTED - W/O JAMB - BUFF
	094104-01-700	EA	LOCK-MALE, FASTENER - REFRIGERATOR DOOR
	094104-01-701	EA	LOCK-FEMALE, FASTENER - REFRIGERATOR DOOR
24	109404-05-D18	EA	DOOR-COMPARTMENT, W/HARDWARE & LATCHES
25	109712-01-D18	EA	DOOR-COMPARTMENT, REAR TAPERED - W/HARDWARE & LATCHES
	081240-09-000	EA	DOOR-WATER FILL, LOCKABLE - BUFF

## 1993 WINNEBAGO TABLE OF CONTENTS

INTRODUCTION	A-01 -	A-02
ABBREVIATIONS		A-03
ALPHABETICAL INDEX	A-04 -	A-06
WCM37RW	A-07 -	G-08
WCM33RO	G-09 -	L-24

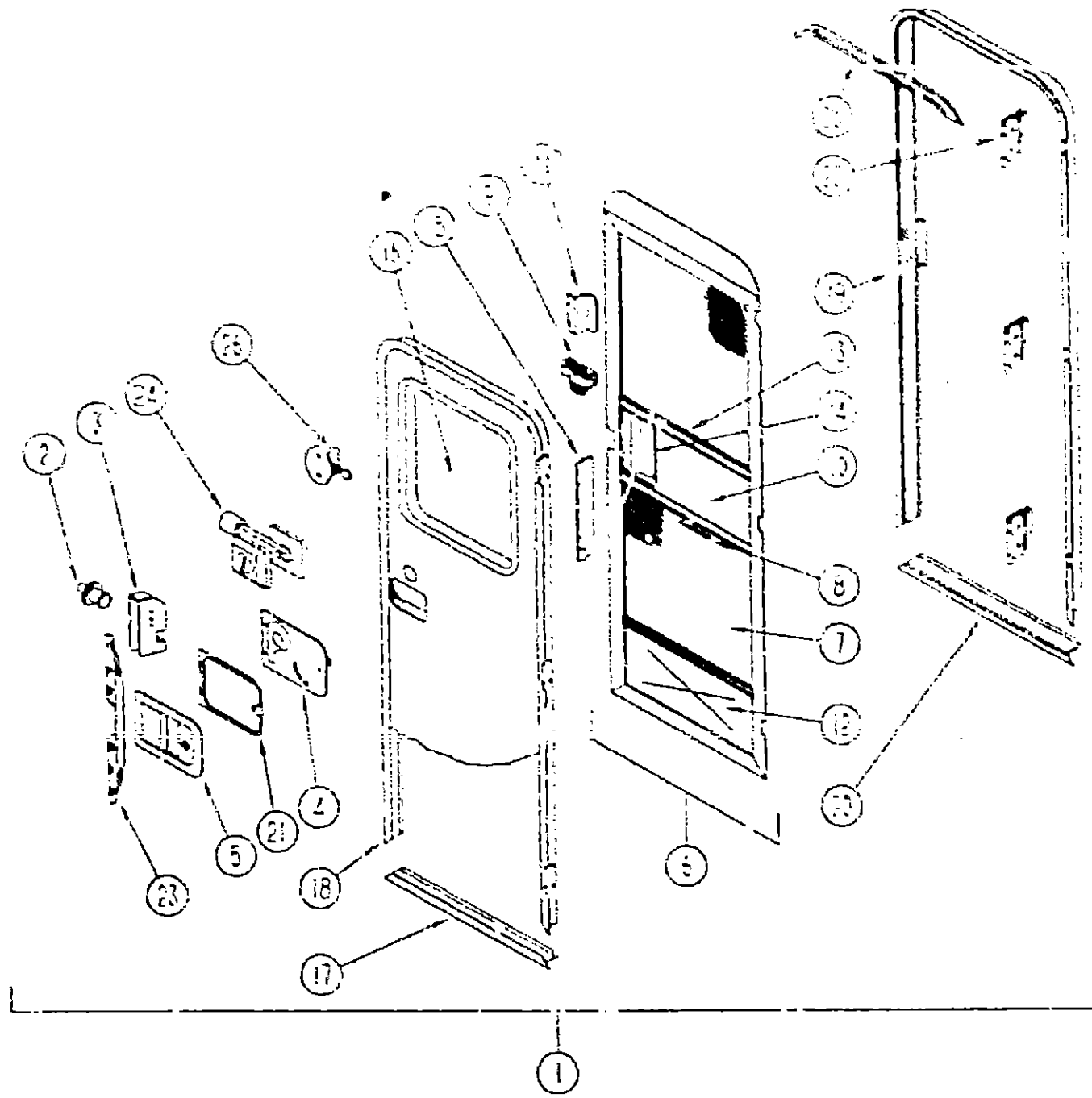
## 1993 WCM33RO INDEX

FLOOR PLAN	G-09 -	G-10
ACCESSORIES		G-11
AUDIO VIDEO	G-12 -	G-15
BATH	G-16 -	G-20
BEDROOM	G-21 -	G-24
CHASSIS	H-01 -	H-18
CURTAIN & CUSHION	H-19 -	I-07
DINETTE	I-08 -	I-10
DRIVERS COMPARTMENT	I-11 -	I-15
ELECTRICAL	I-16 -	I-22
EXTERIOR BODY	I-23 -	J-09
GALLEY	J-10 -	J-17
GENERATOR	J-18 -	J-19
HEATING & A/C	J-20 -	J-22
INTERIOR FINISH	J-25 -	K-02
LABEL	K-03 -	K-11
LP		K-12
LOUNGE	K-13 -	K-14
SEALANTS & FASTENERS	K-15 -	K-18
WATER & SEWAGE	K-19 -	K-24
WINDOW, VENT AND EXTERIOR DOOR	L-01 -	L-20
WINDSHIELD & WIPER	L-21 -	L-24

KEY	PART NUMBER	U/M	DESCRIPTION
1	P07501-01-D18	EA	DOOR-COMPARTMENT, BACKWALL - W/O HARDWARE & LATCH
	109128-01-000	FT	SEAL-PILE, ADHESIVE BACK - GRAY
	101349-01-000	EA	BOLT-SLIDE, LATCH - NYLON - W/SPRING & BRKT
	101355-01-04A	EA	LATCH-PADDLE, 2 POINT - BLACK
	102265-01-000	EA	CLIP-ROD END, 5/32" - 1" LASTIC - BLACK
	102266-01-000	EA	PUSHBUT-RING, DETAINING - TRVARC
	102325-02-05A	EA	HINGE-FLANK DOOR, 4" - BUFF
	104692-01-000	FT	SEAL-ADHESIVE BACK, 3/4" X 34"
	106551-01-000	EA	TURNDUCKLE, 10-24 THREAD
	106552-07-000	EA	ROD-LATCH, THREADED - LEFT
	106552-12-000	EA	ROD-LATCH, THREADED - RIGHT
	106578-01-000	EA	GASKET-LATCH, INDUSTRIAL PRODUCTS
	106592-01-01A	EA	SHROUD-LIGHT, DOOR - BACKWALL - BLACK
	110381-01-01A	EA	COVER-LATCH ASM, COMPARTMENT - PLASTIC - BLACK
	102998-01-000	EA	SPRING-GAS
	103998-02-000	EA	BRACKET-L, W/BALL STUD
	103998-03-000	EA	BRACKET-FLAT, W/BALL STUD

WINDOW, VENT & EXTERIOR DOOR GROUP (CONTINUED)

ENTRY DOOR



KEY	PART NUMBER	U/M DESCRIPTION
5	045017-11-000	EA LATCH-ENTRY DOOR, MECHANISM W/LOCK & KEY - BLACK
	045017-11-701	EA KEY BLANK
	039749-01-000	EA FLUG-CAP, 1/4" DIAMETER
	055025-02-000	EA CLIP-ROLLER LATCH CATCH, SCREEN DOOR
	053724-04-000	EA RIVNUT, 10-32 UNF - 010-050
	072634-14-000	EA NUT-SERT-W/3/8"
	075071-04-000	FT SEAL-SPONGE, LAZY T SHAPE - W/ADHESIVE STRIPE - 5" WIDE
6	075010-05-B10	FA DOOR-SCREEN
7	002293-02-000	SF SCREENING-WINDOW DOOR, 35" - CHARCOAL
8	002294-01-000	FT SPLINE-SCREENING, 135" X 135" - BLACK
	002748-04-000	EA CORNER KEY-DOOR
9	109403-01-000	EA CATCH-ASM-SINGLE ROLLER
10	015454-01-000	EA INSERT-CENTER, LEATHER GRAIN ALUMINUM - UNPAINTED
10	001014-01-010	EA INSERT-CENTER, 10.25" X 16.31" - UNPAINTED
11	050712-04-000	EA HANDLE-SCREEN DOOR, ALUMINUM - OFF WHITE
11	050712-05-000	EA HANDLE-SCREEN DOOR, UNPAINTED
12	075550-03-000	EA KICK PANEL-SCREEN DOOR, LOWER INSERT - UNPAINTED
	075550-01-000	EA TOP PLATE-SCREEN DOOR, CURVED TOP - 47" X 25.25"
13	075777-01-000	EA CHANNEL-SLIDE, SCREEN DOOR CENTER SLIDER, COVER
14	075050-02-000	EA SLIDER-SCREEN DOOR, OFF WHITE
15	075097-02-000	EA STRIKE-SLIDER, W/LIP FOR ELBOW CATCH - 1.5" X 8.6" - OFF WHITE
	009016-01-000	EA CATCH-ELBOW, SPRING LOADED - SCREEN DOOR CATCH
16	079733-11-D19	EA WINDOW-PICTURE, W/O INSIDE FRAME - 17" X 25"
	002181-18-000	EA GLASS-WINDOW
	057600-35-000	EA FRAME-INSIDE, WINDOW - OFF WHITE
	057551-01-000	FT SEAL-VINYL, EXTERIOR WINDOW
	051914-01-000	EA BUMPER-RUBBER, ROUND - 43" DIAMETER - BLACK
17	059743-09-000	EA FRAME-BOTTOM, ENTRY DOOR - 24.8" LONG - OFF WHITE
	050347-01-000	FT SEAL-FOAM, CLOSED CELL - 1/4" X 1/2" X 30"
18	055271-05-05A	EA FRAME-ENTRY DOOR, W/O BOTTOM - OFF WHITE
19	055271-11-05A	EA JAMB-ENTRY DOOR, W/BOTTOM - 25.9" X 74.5" - OFF WHITE
20	051049-01-000	EA JAMB-BOTTOM, ENTRY DOOR - 25.9" - UNPAINTED
	079207-11-000	EA STRIKER-ROLLER CATCH, WELDED TO DOOR JAMB - 4" X 1.15" FROM: 05-09-93 THRU: 05-21-93
	112502-01-000	EA STRIKER-ROLLER CATCH, WELDED TO DOOR JAMB - 4" X 1.15" FROM: 06-22-93 THRU: 03-03-99
	095278-03-01A	EA JAMB-DOOR, ENTRANCE - 25.9" X 74.5" - W/O BOTTOM - UNPAINTED
21	035910-01-01A	EA PLATE-LATCH, ENTRY DOOR - PLASTIC - BLACK
22	105719-01-01A	EA HINGE-ENTRY DOOR, UNPAINTED
23	039173-01-04A	EA STIFFENER-ENTRY DOOR, SUPPORTS LATCH STRIKE AREA - UNPAINTED
	100128-02-000	FT SEAL-PILE, ADHESIVE BACK - SCREEN DOOR - GRAY
24	101145-01-01A	EA DEADBOLT-ENTRY DOOR, W/2 KEYS W/O BACK SET BOLT OR SCREWS
	095229-01-700	EA KEY BLANK FOR DEADBOLT
	101117-01-000	EA BOLT-SECURITY, 4.12" BACKSET
	107524-01-000	EA BUMPER-RUBBER, FLAT - BLACK
25	044552-03-000	EA CAP-DRIP, ENTRY DOOR - JAMB MOUNTED - ALUMINUM - OFF WHITE
	054075-07-000	FT SEAL-BULB, W/WIRED U CHANNEL - .3" X .5" CHANNEL - BLACK
	075539-14-000	EA GARNISH-RADIUS, ENTRY DOOR - OFF WHITE
	077461-03-000	EA COVER-STRIKE, ENTRY DOOR - 6.5" X 2.5" - PLASTIC - WHITE
	076725-02-000	EA COVER-HINGE, ENTRY DOOR - 6" X 3.2" - PLASTIC - OFF WHITE
	091876-01-000	EA RETAINER-DOOR, 1.9" X .8" - METAL
26	100412-01-000	EA CATCH-SCREEN DOOR, THUMB CLIP W/BLACK PLASTIC CAP
	104692-01-000	FT SEAL-ADHESIVE BACK, 3/4" X 3/4"
	102768-01-000	EA HOLDER-COMPARTMENT/ENTRY DOOR, METAL - MILL FINISH
	009126-02-000	EA HANDLE-ASSIST, ENTRY DOOR - BLACK
	090340-02-000	FT SEAL-FOAM, CLOSED CELL - 3/8" X 1/2"
	091876-01-000	EA RETAINER-DOOR, 1.9" X .8" - METAL

1993 WINNEBAGO  
TABLE OF CONTENTS

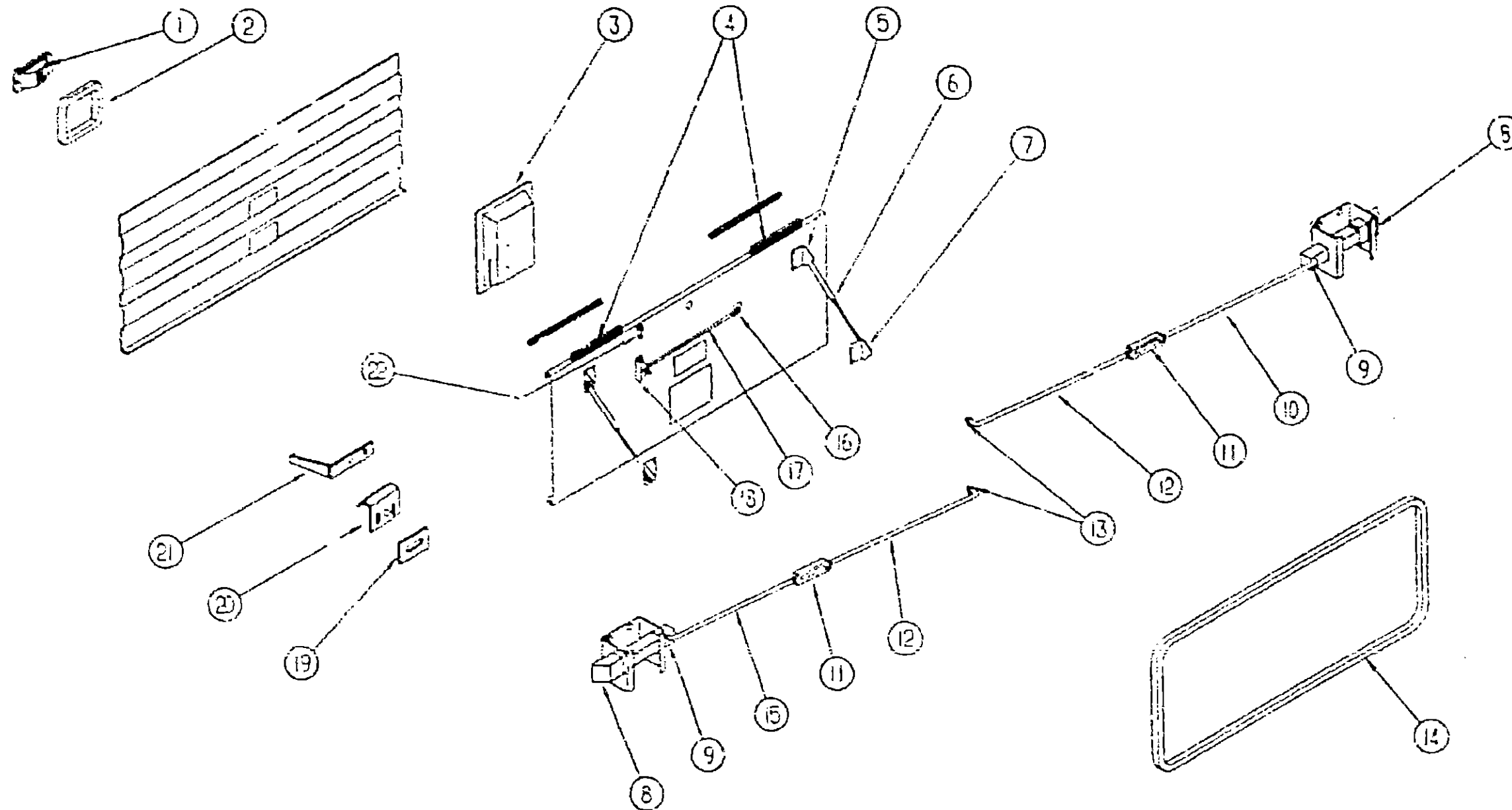
INTRODUCTION	A-01 -	A-02
ABBREVIATIONS		A-03
ALPHABETICAL INDEX	A-04 -	A-06
WCM27RW	A-07 -	G-08
WCM33RQ	G-09 -	L-24

1993 WCM27RW INDEX

FLOOR PLAN	G-09 -	G-10
ACCESSORIES		G-11
AUDIO VIDEO	G-12 -	G-15
BATH	G-16 -	G-20
BEDROOM	G-21 -	G-24
CHASSIS	H-01 -	H-18
CURTAIN & CUSHION	H-19 -	I-07
DINETTE	I-05 -	I-10
DRIVERS COMPARTMENT	I-11 -	I-15
ELECTRICAL	I-16 -	I-22
EXTERIOR BODY	I-23 -	J-09
GALLEY	J-10 -	J-17
GENERATOR	J-18 -	J-19
HEATING & A/C	J-20 -	J-22
INTERIOR FINISH	J-23 -	K-02
LABEL	K-03 -	K-11
LP		K-12
LOUNGE	K-13 -	K-14
SEALANTS & FASTENERS	K-15 -	K-18
WATER & SEWAGE	K-19 -	K-24
WINDOW, VENT AND		
EXTERIOR DOOR	L-01 -	L-20
WINDSHIELD & WIPER	L-21 -	L-24

# WINDOW, VENT & EXTERIOR DOOR GROUP (CONTINUED)

## EXTERIOR DOOR COMPONENTS & HOLDER



## 1993 WINNEBAGO TABLE OF CONTENTS

INTRODUCTION	A-01 -	A-02
ABBREVIATIONS		A-03
ALPHABETICAL INDEX	A-04 -	A-06
WCM37RW	A-07 -	G-08
WCM33RQ	G-09 -	L-24

## 1993 WCM33RQ INDEX

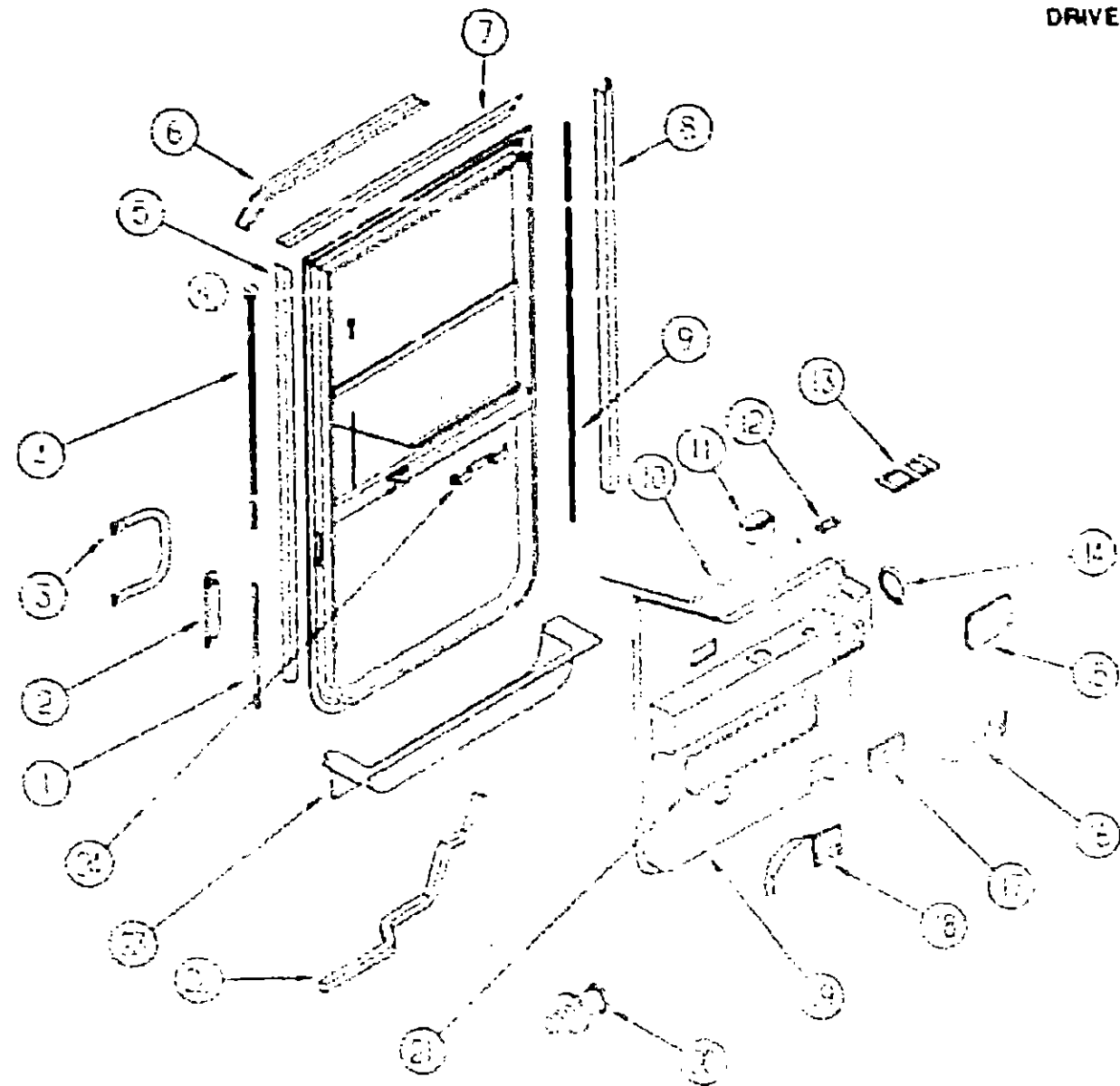
FLOOR PLAN	G-09 -	G-10
ACCESSORIES		G-11
AUDIO VIDEO	G-12 -	G-15
BATH	G-16 -	G-20
BEDROOM	G-21 -	G-24
CHASSIS	H-01 -	H-18
CURTAIN & CUSHION	H-19 -	I-07
DINETTE	I-08 -	I-10
DRIVERS COMPARTMENT	I-11 -	I-15
ELECTRICAL	I-16 -	I-22
EXTERIOR BODY	I-23 -	J-09
GALLEY	J-10 -	J-17
GENERATOR	J-18 -	J-19
HEATING & A/C	J-20 -	J-22
INTERIOR FINISH	J-23 -	K-02
LABEL	K-03 -	K-11
LP		K-12
LOUNGE	K-13 -	K-14
SEALANTS & FASTENERS	K-15 -	K-18
WATER & SEWAGE	K-19 -	K-24
WINDOW, VENT AND EXTERIOR DOOR	L-01 -	L-20
WINDSHIELD & WIPER	L-21 -	L-24

KEY	PART NUMBER	U/M DESCRIPTION
1	101355-03-01A	EA LATCH-PADDLE, W/O KEY LOCK - GRAY
1	101355-01-01A	EA LATCH-PADDLE, 2 POINT - W/KEY LOCK - PLASTIC - GRAY
	045017-01-70	EA KEY BLANK
	108615-01-000	EA LATCH-PLATE, COMPARTMENT DOOR
2	108678-01-000	EA GASKET-LATCH, INDUSTRIAL PRODUCTS
3	107221-01-01A	EA COVER-LATCH, VALANCE DOOR - 181 X 229MM - PLASTIC - BLACK
3	107221-02-01A	EA COVER-LATCH, VALANCE DOOR - 300 X 229MM - PLASTIC - BLACK
3	107221-03-01A	EA COVER-LATCH, VALANCE DOOR - TAPERED - 156 X 229MM - PLASTIC - BLACK
4	107221-04-01A	EA COVER-LATCH, 167MM LEFT X 229MM WIDE X 155MM RIGHT - PLASTIC - BLACK
4	107895-01-000	EA HINGE-DOUBLE PIVOT, W/U-CHANNEL - 2 TORSION SPRING ON 1 SIDE - 254MM
4	107895-05-000	EA HINGE-DOUBLE PIVOT, W/U-CHANNEL - W/O TORSION SPRING - 254MM LONG
4	107895-01-000	EA HINGE-DOUBLE PIVOT, W/U-CHANNEL - 2 TORSION (REAR SIDE DOOR ONLY)
4	107895-04-000	EA HINGE-DOUBLE PIVOT, W/U-CHANNEL - 254MM LONG (REAR SIDE DOOR ONLY)
		FROM: 00-00-00 THRU: 04-16-93
		FROM: 04-17-93 THRU: 99-99-93
5	107797-02-000	EA BRACKET-GAS SPRING, LARGE - SPDI SPD-1060
6	107796-01-000	EA SPRING-GAS, SPDI SPD-5200-40
7	107796-03-000	EA BRACKET-GAS SPRING, SMALL - SPDI SPD-1015
8	101345-01-000	EA BOLT-SLIDE, LATCH - NYLON - W/SPRING & BRACKET
9	102288-01-000	EA FUSHNUT-RING, RETAINING - 5/32 - TRVABC
10	108562-02-000	EA ROD-LATCH, LEFT THREADED - 121MM LONG
10	108562-03-000	EA ROD-LATCH, LEFT THREADED - 207MM LONG
10	108562-05-000	EA ROD-LATCH, LEFT THREADED - 253MM LONG
10	108562-07-000	EA ROD-LATCH, LEFT THREADED - 303MM LONG
10	108562-09-000	EA ROD-LATCH, LEFT THREADED - 384MM LONG

KEY	PART NUMBER	U/M DESCRIPTION
10	108562-14-000	EA ROD-LATCH, LEFT THREADED - 207MM LONG
10	108562-15-000	EA ROD-LATCH, RIGHT THREADED - 238MM LONG (REAR TAPERED DOORS)
10	108562-17-000	EA ROD-LATCH, LEFT THREADED - 261MM LONG
11	108561-01-000	EA TURNBUCKLE, 10-24 THREAD
12	108562-01-000	EA ROD-LATCH, RIGHT THREADED - 121MM LONG
12	108562-10-000	EA ROD-LATCH, LEFT THREADED - 458MM LONG (REAR TAPERED DOORS)
13	102265-01-000	EA CLIP-ROD END, 5/32" - PLASTIC - BLACK
14	107721-01-000	FT SEAL-ACCESS DOOR, D BULB W/ADHESIVE ON FLAT SIDE
15	108562-02-000	EA ROD-LATCH, LEFT THREADED - 121MM LONG
15	108562-03-000	EA ROD-LATCH, LEFT THREADED - 207MM LONG
15	108562-06-000	EA ROD-LATCH, LEFT THREADED - 286MM LONG
15	108562-09-000	EA ROD-LATCH, LEFT THREADED - 384MM LONG
15	108562-14-000	EA ROD-LATCH, LEFT THREADED - 207MM LONG
15	108562-15-000	EA ROD-LATCH, LEFT THREADED - 261MM
16	089329-01-000	EA CLIP-SPRING, 3/8" - METAL
17	108755-02-000	EA ROD-PROP, VALANCE DOOR
18	108754-01-000	EA CHANNEL-VALANCE DOOR, CENTER
19	110415-01-01A	EA SHIM-LATCH, VALANCE DOOR - BLACK
20	107719-01-01A	EA STRIKE-COMPARTMENT DOOR
	104491-02-03A	EA ANGLE-STRIKER, BLACK (A/C COMPARTMENT DOOR)
21	102768-01-000	EA HOLDER-COMPARTMENT/ENTRY DOOR, METAL - MILL FINISH
	091876-01-000	EA RETAINER DOOR, 1/3" X .8" - METAL
22	102757-01-01A	EA ANGLE-VALANCE DOOR, UPPER - BLACK
	104692-01-000	FT SEAL, 3/4" X 3/4", PRESSURE SENSITIVE ADHESIVE ONE SIDE
	104692-02-000	FT SEAL, 3/4" X 1", PRESSURE SENSITIVE ADHESIVE ONE SIDE

# WINDOW, VENT & EXTERIOR DOOR GROUP (CONTINUED)

## DRIVERS & PASSENGER DOOR



KEY	PART NUMBER	U.M.	DESCRIPTION
1	102640-03-01A	EA	TRIM-DOOR, DRIVERS - BLACK
2	105854-01-01A	EA	COVER-STRIKE, DRIVERS DOOR - BLACK
3	105852-01-02A	EA	HANDLE-ASSIST, DRIVERS DOOR - METAL - OFF WHITE
4	102630-01-01A	EA	HANDLE-ASSIST, DRIVERS DOOR - METAL - MALL-FINISH FIN
	105853-01-01A	EA	COVER-HANDLE, ASSIST - OFF WHITE
4	102642-02-01A	EA	TRIM-DOOR, DRIVERS - BLACK
	108118-01-01B	EA	GARNISH ASM-DRIVERS DOOR, 2 SIDES & TOP CONSISTS OF ITEM 5, 7 & 8
5	108129-01-01A	EA	GARNISH-DRIVERS DOOR - MILL
6	105275-51-001	EA	RAIL-DRIP, EXTRUDED - 457MM LONG
7	108107-01-01A	EA	GARNISH-DRIVERS DOOR - MILL
8	105108-01-01A	EA	GARNISH-DRIVERS DOOR - MILL
9	102642-01-01A	EA	TRIM-DOOR, DRIVERS - BLACK
10	105547-01-000	FT	TRIM-EDGE, RUBBER
11	046889-003-000	EA	ASHTRAY-CHROME W COVER
12	09313-001-000	EA	SWITCH-ROCKER, 3 TERMINAL W ARROW GRAPHICS - TORRIX 1737
12	103473-05-01A	EA	PLATE-SWITCH, LOCK - SINGLE - BLACK
12	090290-01-01A	EA	PLATE-SWITCH, 2 GANG - 2 1/4" X 4 1/4" - ALUMINUM - BLACK (EXT. MIRROR) FROM 00-00-00 THRU 04-18-93
13	090290-02-01A	EA	PLATE-SWITCH, 2 GANG - 2 1/4" X 4 1/4" - ALUMINUM - BLACK (EXT. MIRROR) FROM 04-19-93 THRU 99-99-99
13	057095-01-007	EA	SWITCH-HEATER, EXTERIOR MIRROR
13	055045-01-000	EA	SWITCH-REMOTE, EXTERIOR MIRROR - SQUARE PUSH - MELVAC 7471230
14	020143-01-000	EA	SEAL-WIRE, CAB DOOR - GM 15092370
	020144-01-000	EA	CONDUIT-WIRE, GM # 15092046
	020145-01-000	EA	SHIELD-WIRE, 10" LONG - PLASTIC - BLACK - GM #15592724
	020145-01-000	EA	GROMMET-WIRE, 1 1/2" X 1 1/2" - OVAL SHAPED - PLASTIC - BLK
15	107589-01-000	EA	PANEL-CONTROL, TOUCH KIT - HWH AP9443
	107589-01-000	EA	TOUCH PANEL ONLY
	090290-01-000	EA	LIGHT-WARNING, FLOW AIR, HENSCHEN, 510533
	107101-01-01A	EA	HANDLE-ASSIST, DRIVERS DOOR - 6 1/2" LONG - BLACK
17	107101-01-01A	EA	COVER-LATCH, DOOR (SUPPLIED W DRIVERS DOOR) - EXCEL 150-021310
18	1031540-01A	EA	LIGHT-COURTESY - ITC 81335-B
19	107791-04-01A	EA	PANEL-DOOR, INNER - DRIVERS - FOR HYDRAULIC JACKS/MIRROR - PLASTIC FROM 00-00-00 THRU 10-01-92
19	107791-01-01A	EA	PANEL-DOOR, INNER - DRIVERS - FOR HYDRAULIC JACKS - PLASTIC FROM 10-02-92 THRU 99-99-99
19	107791-03-01A	EA	PANEL-DOOR, INNER - DRIVERS - FOR HYDRAULIC JACKS - PLASTIC
19	107791-02-01A	EA	PANEL-DOOR, INNER - DRIVERS - W/O CUTOUTS - PLASTIC
	107791-01-007	EA	SYSTEM REMOTE KEYLESS ENTRY, COMPLETE W REMOTE & WIRING ACTIVATES DOOR LOCKS & PORCH LIGHT SPECIFIC CRUISE SYSTEMS - 101-1661 SCS
20	107400-01-01B	EA	STRIKER ASSEMBLY, (SUPPLIED W DRIVERS DOOR) - EXCEL 248-02 003
21	107051-01-01B	EA	FAB-DOOR, FABRIC
21	107051-01-01B	EA	FAB-DOOR, FABRIC
21	107051-01-020	EA	FAB-DOOR, FABRIC
	107051-01-000	FT	SEAL-PILE, ADHESIVE BACK - SCREEN DOOR - GRAY
22	063977-12-000	EA	STEP-DRIVER DOOR, LEFT - PAINTED
22	063977-11-000	EA	STEP-DRIVER DOOR, LEFT - UNPAINTED
23	107819-01-01A	EA	TRIM-STEP, DRIVERS DOOR - PLASTIC - WILLOW
	108897-01-01A	EA	GARNISH-DOOR, DRIVERS - U-CHANNEL
24	108530-01-000	EA	BRACKET-HANDLE, MOUNT
	109236-01-01A	FT	COVER, SCREW, MAT BLACK - DAWN 132-081046
	054057-03-000	FT	SEALER, SPONGE RUBBER - 106 X 86MM
	103473-05-01A	EA	PLATE-SWITCH, LOCK - SINGLE - BLACK (DOOR LOCKS) FROM 00-00-00 THRU 04-18-93
	103473-05-01A	EA	PLATE-SWITCH, LOCK - SINGLE - BLACK (DOOR LOCKS) FROM 04-19-93 THRU 99-99-99

## 1993 WINNEBAGO TABLE OF CONTENTS

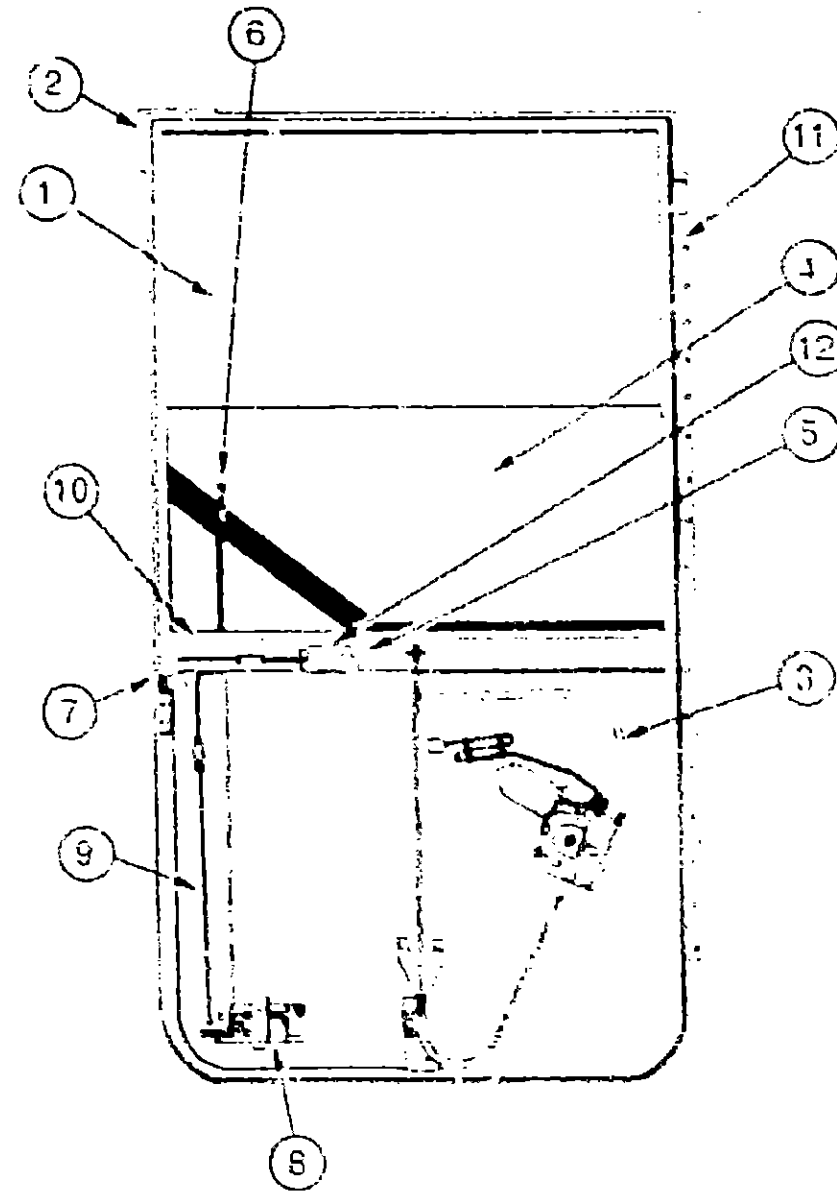
INTRODUCTION	A-01 -	A-02
ABBREVIATIONS		A-03
ALPHABETICAL INDEX	A-04 -	A-05
WCM37RW	A-07 -	G-08
WCM38RD	G-09 -	L-24

## 1993 WCM38RD INDEX

FLOOR PLAN	G-09 -	G-10
ACCESSORIES		G-11
AUDIO VIDEO	G-12 -	G-15
BATH	G-16 -	G-20
BEDROOM	G-21 -	G-24
CHASSIS	H-01 -	H-18
CURTAIN & CUSHION	H-19 -	I-07
DINETTE	I-08 -	I-10
DRIVERS COMPARTMENT	I-11 -	I-15
ELECTRICAL	I-16 -	I-22
EXTERIOR BODY	I-23 -	J-09
GALLEY	J-10 -	J-17
GENERATOR	J-18 -	J-19
HEATING & A/C	J-20 -	J-22
INTERIOR FINISH	J-23 -	K-02
LABEL	K-03 -	K-11
LP		K-12
LOUNGE	K-13 -	K-14
SEALANTS & FASTENERS	K-15 -	K-18
WATER & SEWAGE	K-19 -	K-24
WINDOW, VENT AND EXTERIOR DOOR	L-01 -	L-20
WINDSHIELD & WIPER	L-21 -	L-24

## WINDOW VENT & EXTERIOR DOOR GROUP (CONTINUED)

### DRIVERS DOOR



KEY	PART NUMBER	U/M DESCRIPTION
	106469-01-01A	EA DOOR-DRIVERS, BLACK - EXCEL
1	106469-01-700	EA GLASS, EXCEL 126-04097C
	106469-01-701	EA TUMBLER & KEYS, EXCEL 248-040587
2	106469-01-702	EA DOOR SEAL, EA41 - EXCEL 126-040334
3	106469-01-703	EA REGULATOR ASSEMBLY, EXCEL V10369L
4	106469-01-704	EA ROLL-UP GLASS ASM W BRACKET, EXCEL V10369L
	106469-01-705	EA RUN-CHANNEL, EXCEL 127-010550
	106469-01-706	EA ROD-END FASTENER, EXCEL 126-040393
5	106469-01-707	EA COVER LATCH, DOOR - EXCEL 126-051310
6	106469-01-708	EA LOCK-BUTTON, PLASTIC, EXCEL 126-051313
	106469-01-709	EA WEATHERSTRIP FUZZY, EXCEL 126-04099
7	106469-01-710	EA LATCH-ROTARY LEFT - EXCEL 248-051311
8	106469-01-711	EA HANDLE-OUTSIDE, W/FT EXCEL 410-061035
9	106469-01-712	EA LATCH-POD ASM VERTICAL, EXCEL V103-46747
	106469-01-713	EA TRIM SEAL, EXCEL 126-040747
10	106469-01-714	EA LATCH-POD HORIZONTAL, EXCEL 126-051015
	106469-01-715	EA STRIKER ASSEMBLY, SUPPLIED W DRIVERS DOOR, - EXCEL 126-051008
11	106469-01-716	EA RANGE 017, EXCEL 248-061207
	106469-01-717	EA HANDLE-INTERIOR, EXCEL 248-051305
	106469-01-718	EA KEY-BLANK, - EXCEL 248-040555
	106469-01-719	EA MIXLION, PAIR, EXCEL V103-64
	106469-01-720	EA MOUNTING FRAME ASM, EXCEL V103-60
	106469-01-721	EA BELT WEATHERSTRIP, EXTERIOR WINDOW - EXCEL V103-67

### 1993 WINNEBAGO TABLE OF CONTENTS

INTRODUCTION	A-01 -	A-02
ABBREVIATIONS		A-03
ALPHABETICAL INDEX	A-04 -	A-06
NUMERICAL INDEX	A-07 -	A-08
WINNEBAGO	B-09 -	B-10

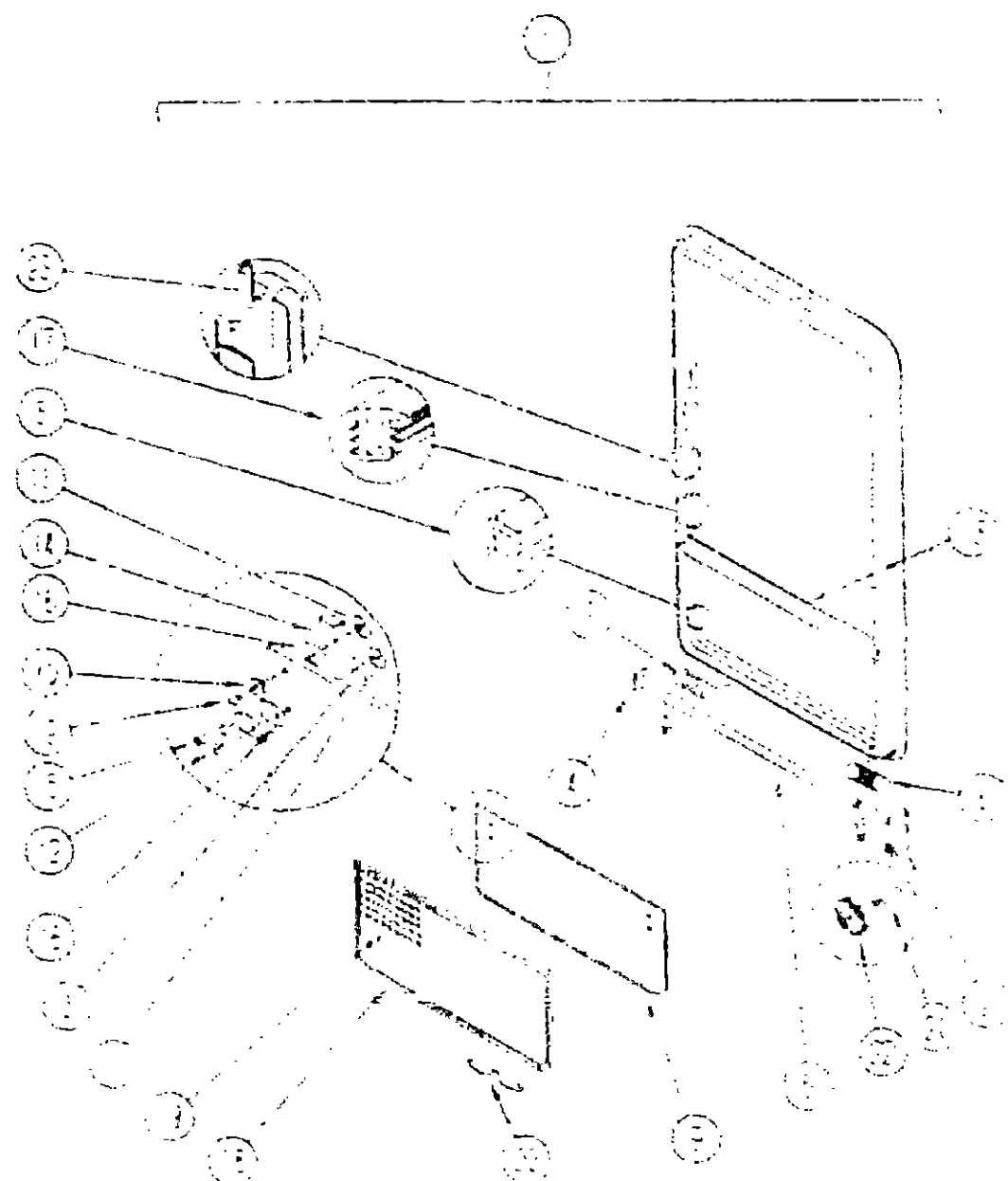
### 1993 WCM33RO INDEX

FLOOR PLAN	C-10 -	G-10
ACCESSORIES		G-11
AUDIO VIDEO	G-12 -	G-15
BATH	G-16 -	G-20
BEDROOM	G-21 -	G-24
CHASSIS	H-01 -	H-15
CURTAINS & CUSHION	H-16 -	H-17
DINETTE	H-18 -	H-19
DRIVERS COMPARTMENT	H-20 -	H-25
ELECTRICAL	I-16 -	I-23
EXTERIOR BODY	I-24 -	I-29
GALLEY	J-10 -	J-17
GENERATOR	J-18 -	J-19
HEATING & A/C	J-20 -	J-22
INTERIOR FINISH	J-23 -	K-02
LABEL	K-03 -	K-11
LP		K-12
LOUNGE	K-13 -	K-14
SEALANTS & FASTENERS	K-15 -	K-16
WATER & SEWAGE	K-17 -	K-24
WINDOW, VENT AND EXTERIOR DOOR	L-01 -	L-03
WINDSHIELD & WIPER	L-04 -	L-04



## WINDOW, VENT & EXTERIOR DOOR GROUP (CONTINUED)

### PASSENGER SIDE GALLEY WINDOW



KEY	PART NUMBER	U/M DESCRIPTION
1	090898-04-00A	EA FRAME-INSIDE WINDOW RETAINER - OFF WHITE
2	090898-00-019	EA WINDOW-TIPOUT, W/O INSIDE FRAME
3	090898-00-149	EA RIVET-WANDREL BIND 3/16"
4	090898-00-000	EA OPERATOR-TORQUE, TIPOUT WINDOW
5	090898-00-000	EA SEAL-WINDOW RUBBER - ROUND - 60" DIA - BLACK
6	090898-00-000	EA CLIP-TORQUE TUBE, TIPOUT WINDOW - 1/2" X 1/2" X 7"
7	090898-00-000	EA RING-SHAP TUBE SHIRT DIAMETER
8	090898-00-000	EA TUBE-RONDUE, TIPOUT WINDOW - W SPRING & ARM
9	090898-00-000	EA SPRING-TORQUE TUBE 1/2"
10	090898-00-000	EA SEAL-SPRING TUBE 1/2"
11	090898-00-000	EA GLASS-TIPOUT 1/2" X 65" X 45" W/V
12	090898-00-000	EA WASHER 1/2" X 1/2" X 1/4" - PLASTIC
13	090898-00-000	EA TRUIT 1/2"
14	090898-00-000	EA SCREW-MACH 10-30 X 1/4 PTN
15	090898-00-000	EA MULE UN-HORIZONTAL, TIPOUT - BLACK
16	090898-00-000	EA HINGE-TIPOUT WINDOW - BLACK
17	090898-00-000	EA LINAGE-TIPOUT WINDOW
18	090898-00-000	EA WASHER 1/2" X 1/2" X 1/4" - PLASTIC
19	090898-00-000	EA SEAL-FLAT W CENTER HOLE & ADHESIVE SIDE - 8" X 9" - BLACK
20	090898-00-000	EA RIVET-SHOLT TIP, TIPOUT WINDOW
21	090898-00-000	EA CHANNEL-GLAZING STATIONARY GLASS - 65" X 45" - BLACK
22	090898-00-000	EA SCREEN-SINGLE TIPOUT WINDOW
23	090898-00-000	EA SCREENING-FIBERGLASS 1/2" WIDE
24	090898-00-000	EA CLIP-SPRING SCREEN
25	090898-00-000	EA SPRING-SCREEN T-SHAPED
26	090898-00-000	EA EXTENSION CRANK HANDLE WINDOW/ROOF VENT - BLACK
27	090898-00-000	EA RING-OPERATOR TIPOUT WINDOW - W SPRING & ARM
28	090898-00-000	EA SCREW 1/2" X 1/4 POH - BLACK
29	090898-00-000	EA TAPE-SEALER 3/4" X 3/8" - BLACK

## 1993 WINNEBAGO TABLE OF CONTENTS

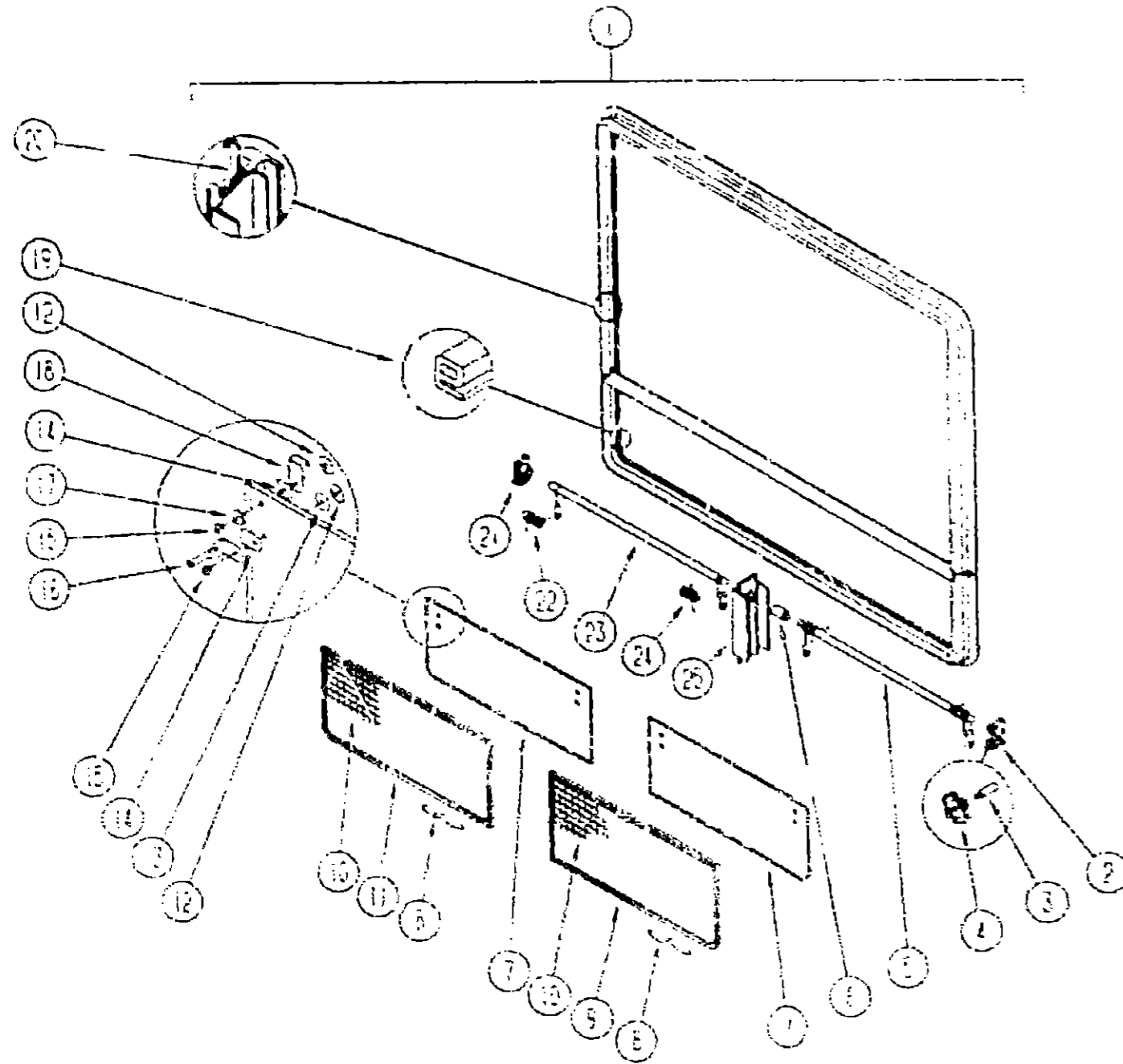
INTRODUCTION	A-01 -	A-02
ABBREVIATIONS		A-03
ALPHABETICAL INDEX	A-04 -	A-06
WCM33RW	A-07 -	G-08
WCM33RQ	G-09 -	L-24

## 1993 WCM33RQ INDEX

FLOOR PLAN	G-09 -	G-10
ACCESSORIES		G-11
AUDIO VIDEO	G-12 -	G-15
BATH	G-16 -	G-20
BEDROOM	G-21 -	G-24
CHASSIS	H-01 -	H-16
CURTAIN & CUSHION	H-17 -	H-27
DINETTE	H-28 -	H-30
DRIVERS COMPARTMENT	I-11 -	I-15
ELECTRICAL	I-16 -	I-22
EXTERIOR BODY	I-23 -	J-09
GALLEY	J-10 -	J-17
GENERATOR	J-18 -	J-19
HEATING & A/C	J-20 -	J-22
INTERIOR FINISH	J-23 -	K-02
LABEL	K-03 -	K-11
LP		K-12
LOUNGE	K-13 -	K-14
SEALANTS & FASTENERS	K-15 -	K-18
WATER & SEWAGE	K-19 -	K-24
WINDOW, VENT AND EXTERIOR DOOR	L-01 -	L-23
WINDSHIELD & WIPER	L-24 -	L-24

# WINDOW, VENT & EXTERIOR DOOR GROUP (CONTINUED)

## DRIVER SIDE LOUNGE & DINETTE WINDOW



KEY	PART NUMBER	U/M	DESCRIPTION
	090893-03-00A	EA	FRAME-WINDOW, INSIDE - 31.4" X 63.9" - OFF WHITE
1	092234-12-D18 000H14-06-14R	EA	WINDOW-TIPOUT, DOUBLE - W/O INSIDE FRAME
	035332-02-000	EA	RIVET-MANDREL BLIND, 3/16"
2	090025-01-000	EA	OPERATOR-TORQUE, TIPOUT WINDOW - LEFT
3	101257-01-01A	EA	EXTENSION-WINDOW CONTROL
4	083227-08-000	EA	KNOR-OPERATOR, TIPOUT WINDOW - BRASS
5	058810-51-001	EA	TUBE-TORQUE, WINDOW - RIGHT
6	105509-05-000	EA	TUBE-EXTRUDED, 02"ID X 035"OD X 1.0" LONG - ALUMINUM
7	100105-01-000	EA	GLASS-TIPOUT, 02.9" X 9.7"
8	100204-06-007	EA	C/P-SPRING, SCREEN
9	060219-03-000	EA	SCREEN-DOUBLE TIPOUT WINDOW, FRONT DR SIDE REAR PASS SIDE
10	100240-01-000	SF	SCREEN-FIBERGLASS, 12" WIDE
	091077-01-700	EA	ADHESIVE-CYANOACRYLATE, 10 GRAM TUBE
11	100104-05-007	EA	SCREEN-DOUBLE TIPOUT WINDOW, REAR DR SIDE FRONT PASS SIDE
12	084772-01-000	EA	T NUT 10-32
13	089227-03-000	EA	SEAL-WINDOW, RUBBER - ROUND - 60" DIA - BLACK
14	084473-01-000	EA	SEAL-RUBBER, TIPOUT WINDOW
15	088760-01-000	EA	SCREW-MACH, 10 - 32 X 1.4 FTH
16	027578-01-000	EA	LINKAGE-TIPOUT WINDOW
	084453-01-000	EA	WASHER - (60), 50 X 125 - PLASTIC
	081315-01-000	EA	RIVET-SHOULDER, TIPOUT WINDOW
	011045-01-000	EA	RING-SNAP, 700 SHAFT DIAMETER
	101219-01-01A	EA	SCREW-MACHINE, 8-32 X 4 - FCH - BRASS - FOR EXTENDED KNOB
17	084453-02-000	EA	WASHER - (60) X 50 X 137 - PLASTIC
18	089013-01-000	EA	HINGE-TIPOUT WINDOW, BLACK
19	084067-02-001	FT	SEAL-E SHAPED, SPONGE - TIPOUT WINDOW - 4" X 4" - BLACK
20	089340-11-001	EA	SEALER-TAPE 3.16" X 3/8" - BLACK
21	085302-01-000	EA	OPERATOR-TORQUE, TIPOUT WINDOW - RIGHT
	085385-01-000	EA	TAPE-BUTYL, 31" X 31" X 148" LONG
22	080916-02-000	EA	SPRING-TORQUE TUBE, LEFT
23	081008-02-001	EA	TUBE-TORQUE, WINDOW - LEFT
24	011018-01-000	EA	SPRING-TORQUE TUBE, RIGHT
25	088803-01-01A 027556-09-01A 029154-01-000	EA	MULLION-VERTICAL, 9.5" LONG - ALUMINUM - BLACK
		EA	MULLION-HORIZONTAL, TIPOUT - BLACK
		FT	CHANNEL-GLAZING, STATIONARY GLASS, 02" X 45" - BLACK

## 1993 WINNEBAGO TABLE OF CONTENTS

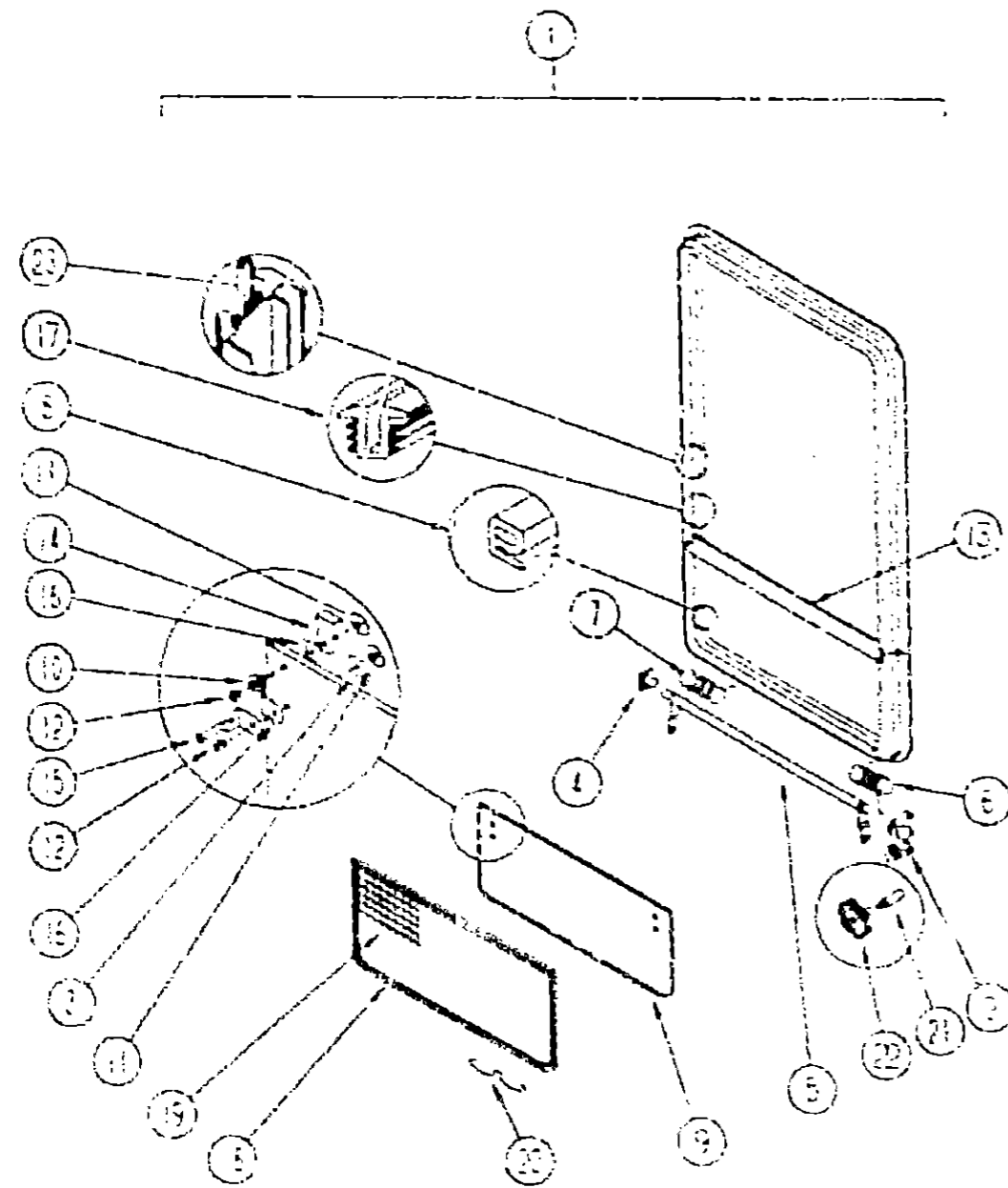
INTRODUCTION	A-01 -	A-02
ABBREVIATIONS		A-03
ALPHABETICAL INDEX	A-04 -	A-06
WCM33RW	A-07 -	G-08
WCM33RQ	C-03 -	L-24

## 1993 WCM33RQ INDEX

FLOOR PLAN	G-09 -	G-10
ACCESSORIES		G-11
AUDIO VIDEO	G-12 -	G-15
BATH	G-16 -	G-20
BEDROOM	G-21 -	G-24
CHASSIS	H-01 -	H-18
CURTAIN & CUSHION	H-19 -	I-07
DINETTE	I-09 -	I-10
DRIVERS COMPARTMENT	I-11 -	I-15
ELECTRICAL	I-16 -	I-22
EXTERIOR BODY	I-23 -	J-03
GALLEY	J-10 -	J-17
GENERATOR	J-18 -	J-19
HEATING & A.C	J-20 -	J-22
INTERIOR FINISH	J-23 -	K-02
LABEL	K-03 -	K-11
LP		K-12
LOUNGE	K-13 -	K-14
SEALANTS & FASTENERS	K-15 -	K-16
WATER & SEWAGE	K-19 -	K-24
WINDOW, VENT AND		
EXTERIOR DOOR	L-01 -	L-20
WINDSHIELD & WIPER	L-21 -	L-24

# WINDOW, VENT & EXTERIOR DOOR GROUP (CONTINUED)

## BEDROOM SIDEWALL WINDOWS



KEY	PART NUMBER	U/M DESCRIPTION
1	093893-03-02A	EA FRAME-INSIDE, WINDOW RETAINER - OFF WHITE
	022205-01-D18	EA WINDOW-T.POUT, W/O INSIDE FRAME
2	000H14-06-14R	EA RIVET-MANDREL BLIND 3/16"
3	085303-02-000	EA OPERATOR-TORQUE TIPOUT WINDOW
4	068977-03-000	EA SEAL-WINDOW, RUBBER - ROUND - 80° DIA - BLACK
	081354-01-000	EA SLEEVE-TORQUE TUBE, TIPOUT WINDOW - 1 1/2" X 1 1/2" X 7"
	081649-01-000	EA RING-SNAP, 7/32 SHAFT DIAMETER
5	089150-12-000	EA TUBE-TORQUE, TIPOUT WINDOW - W SPRING & ARM
6	080913-01-000	EA SPRING-TORQUE TUBE, LEFT
7	080914-02-000	EA SPRING-TORQUE TUBE, RIGHT
8	054067-02-000	FT SEAL-E SHAPED, SPONGE - TIPOUT WINDOW - 42" X 38"-BLACK
9	105509-03-000	EA GLASS-TIPOUT, 18 5/8" X 9 1/2"
10	084453-02-000	EA WASHER-06" X 5" X .25" - PLASTIC
11	062762-01-000	EA T NUT 10-32
12	006763-01-000	EA SCREW-MACH, 10-32 X 1 1/4 PTH
13	087588-04-01A	EA MULLION-HORIZONTAL, T.POUT - BLACK
14	089913-01-000	EA HINGE-TIPOUT WINDOW, BLACK
15	087578-01-000	EA LINKAGE-TIPOUT WINDOW
	084453-01-000	EA WASHER-06" X 5" X .130" - PLASTIC
16	084473-01-000	EA SEAL-FLAT, W/CENTER HOLE & ADHESIVE SIDE - 6" X 9" - BLK
	085315-01-000	EA RIVET-SHOULDER, TIPOUT WINDOW
17	089154-01-000	FT CHANNEL-GLAZING, STATIONARY GLASS - 62" X 45" - BLACK
18	100235-04-527	EA SCREEN-SINGLE TIPOUT WINDOW
19	081218-03-000	SF SCREEN-1/8" FIBERGLASS, 12" WIDE
20	100169-01-000	EA CLIP-SPRING, SCREEN
	100240-01-000	FT SPUNE-SCREEN, T-SHAPED
21	009469-09-070	EA EXTENSION-CRANK HANDLE, WINDOW (ROOF VENT) - BLACK
22	009439-05-000	EA KNOB-OPERATOR, TIPOUT WINDOW - W SPRING & ARM
	009439-07-000	EA SCREW, 8-32 X 1 1/4 PTH - BLACK
23	089543-11-000	FT TAPE-SEALER, 3 1/2" X 3 5/8" - BLACK

## 1993 WINNEBAGO TABLE OF CONTENTS

INTRODUCTION	A-01 - A-02
ABBREVIATIONS	A-03
ALPHABETICAL INDEX	A-04 - A-06
WCM33RW	A-07 - G-08
WCM33HQ	G-09 - L-24

## 1993 WCM33RQ INDEX

FLOOR PLAN	G-02 - G-10
ACCESSORIES	G-11
AUDIO VIDEO	G-12 - G-15
BATH	G-16 - G-20
BEDROOM	G-21 - G-24
CHASSIS	H-01 - H-13
CURTAIN & CUSHION	H-19 - I-07
DINETTE	I-08 - I-10
DRIVERS COMPARTMENT	I-11 - I-15
ELECTRICAL	I-16 - I-22
EXTERIOR BODY	I-23 - J-09
GALLEY	J-10 - J-17
GENERATOR	J-18 - J-19
HEATING & A/C	J-20 - J-22
INTERIOR FINISH	J-23 - K-02
LABEL	K-03 - K-11
L.P.	K-12
LOUNGE	K-13 - K-14
SEALANTS & FASTENERS	K-15 - K-18
WATER & SEWAGE	K-19 - K-24
WINDOW, VENT AND EXTERIOR DOOR	L-01 - L-20
WINDSHIELD & WIPER	L-21 - L-24

VISTA WINDOW OVER DRIVERS DOOR

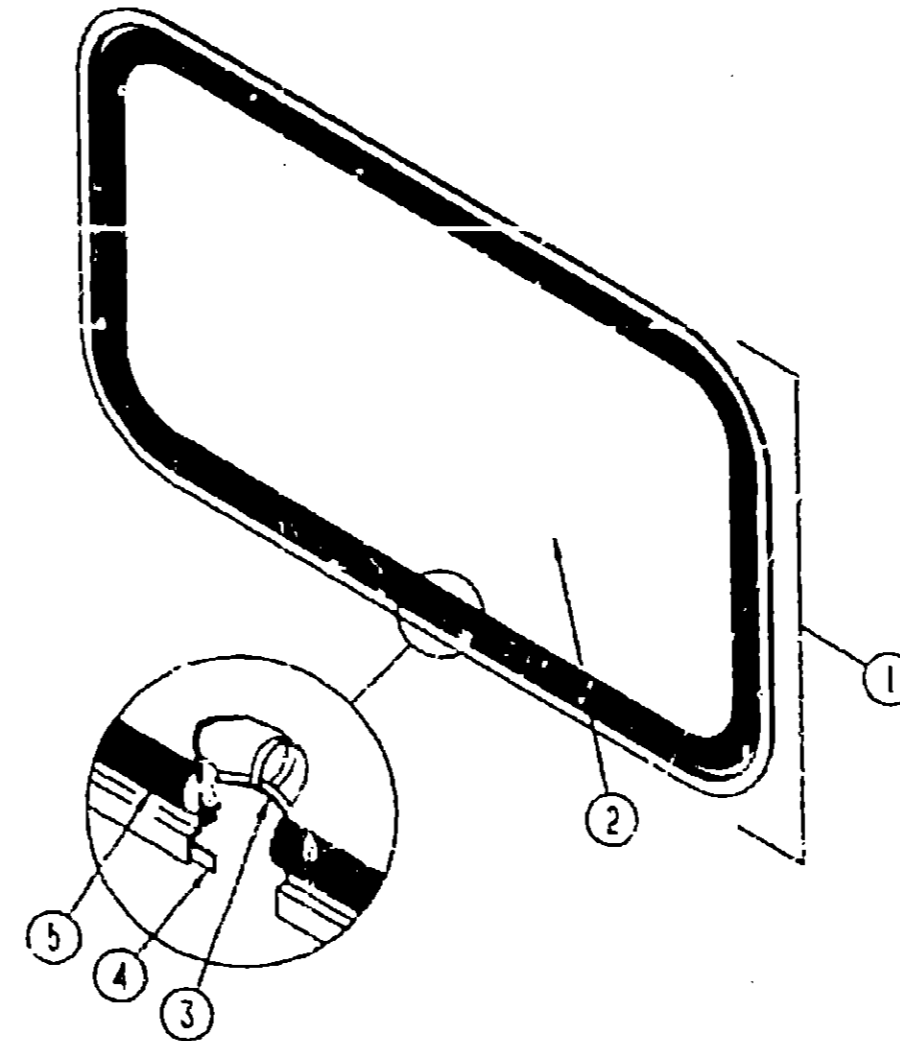
KEY	PART NUMBER	U/M DESCRIPTION
	106467-01-01A	EA WINDOW-VISTA LEFT - W/INSIDE FRAME - EXCEL
	106467-01-700	EA FRAME-INSIDE, BLACK - EXCEL H359-27L
	106467-01-701	EA STATIONARY GLASS, EXCEL 106-018272

PASSENGER SIDE LOUNGE WINDOW

KEY	PART NUMBER	U/M DESCRIPTION
	099490-03-000	EA WINDOW-SLIDER, W/INSIDE TRIM - RIGHT - EXCEL H150-MRR
	099644-01-706	FT WEATHERSTRIP-GLASS
	099644-01-708	FT CHANNEL-RUN, PIERCED - GLASS
	099644-01-710	FT TRACK-SPACER, FOR SCREEN 12"
	099644-01-711	FT WEATHERSTRIP-SCREEN, BLACK
	099644-01-712	EA SCREEN CLIPS (METAL)(BLK)
	099644-01-716	FT PLUG-FILLER
	099490-01-700	EA LATCH REPAIR KIT, EXCEL B801-CK
	099490-03-700	EA TRIM-INSIDE, WHITE - EXCEL W150-67
	099490-03-701	EA GLASS-STATIONARY, EXCEL 106-018291
	099490-03-702	EA SLIDE ASSEMBLY, EXCEL H150-G8
	099490-03-703	EA SCREEN ASM.

PASSENGER SIDE CAB WINDOW

KEY	PART NUMBER	U/M DESCRIPTION
	106466-01-01A	EA WINDOW-CAB, PASSENGER - W/INSIDE TRIM - EXCEL 8MRO1462
	099644-01-700	EA LATCH REPAIR KIT (BLACK)
	099644-01-706	FT WEATHERSTRIP-GLASS
	099644-01-708	FT CHANNEL-RUN, PIERCED - GLASS
	099644-01-710	FT TRACK-SPACER, FOR SCREEN 12"
	099644-01-711	FT WEATHERSTRIP-SCREEN, BLACK
	099644-01-712	EA SCREEN CLIPS (METAL)(BLK)
	099644-01-716	FT PLUG-FILLER
	106466-01-700	EA TRIM-FRONT, STRAIGHT RAIL - BLACK - EXCEL H357-77 FRT RAIL
	106466-01-701	EA TRIM-CURVED, BLACK - EXCEL H357-67 CURVED
	106466-01-702	EA GLASS-STATIONARY, UPPER - EXCEL 106-018267
	106466-01-703	EA GLASS-STATIONARY, LOWER - EXCEL 106-018268
	106466-01-704	EA SLIDE ASSEMBLY, EXCEL H357-ASR
	106466-01-705	EA SCREEN ASSEMBLY, EXCEL H357-03R
	106466-01-706	EA GLASS-STATIONARY, MIDDLE - EXCEL 106-018268



BACKWALL ESCAPE WINDOW

KEY	PART NUMBER	U/M DESCRIPTION
1	067989-06-D18	EA WINDOW-ESCAPE, W/O INSIDE FRAME
2	107423-01-01A	EA RETAINER-WINDOW, REAR - OFF WHITE
3	002265-01-000	EA GLASS-ESCAPE WINDOW
4	069640-07-000	FT FILLER-WEATHER STRIP, RUBBER - BLACK
5	032282-07-000	FT SEALER-RIBBON, 2" X 3'32" - INCREMENTS OF 30"
		FT WEATHER STRIP-WINDOW, RUBBER - 125" - BLACK

1993 WINNEBAGO  
TABLE OF CONTENTS

INTRODUCTION	A-01 -	A-02
ABBREVIATIONS		A-03
ALPHABETICAL INDEX	A-04 -	A-05
WCM33RQ	A-07 -	G-08
WCM33RQ	G-09 -	L-24

1993 WCM33RQ INDEX

FLOOR PLAN	G-09 -	G-10
ACCESSORIES		G-11
AUDIO VIDEO	G-12 -	G-15
BATH	G-16 -	G-20
BEDROOM	G-21 -	G-24
CHASSIS	H-01 -	H-15
CURTAIN & CUSHION	H-19 -	I-07
DINETTE	I-08 -	I-10
DRIVERS COMPARTMENT	I-11 -	I-15
ELECTRICAL	I-16 -	I-22
EXTERIOR BODY	I-23 -	J-09
GALLEY	J-10 -	J-17
GENERATOR	J-18 -	J-19
HEATING & A/C	J-20 -	J-22
INTERIOR FINISH	J-23 -	K-02
LABEL	K-03 -	K-11
LP		K-12
LOUNGE	K-13 -	K-14
SEALANTS & FASTENERS	K-15 -	K-16
WATER & SEWAGE	K-18 -	K-24
WINDOW, VENT AND EXTERIOR DOOR	L-01 -	L-20
WINDSHIELD & WIPER	L-21 -	L-24

**WINDOW, VENT & EXTERIOR DOOR GROUP (CONTINUED)**

**JENSEN ROOF VENT W/O POWER LIFT  
USED UP TIL 03-26-93**

KEY	PART NUMBER	U/M DESCRIPTION
	064469-13-000	EA VENT-ROOF, W/O POWER LIFT FOR 4" ROOF - JENSEN V2420-41B4 (U.S.)
	064469-11-700	EA COVER-DOME, VENT - JENSEN VA503-1
	064469-13-700	EA SCREEN ASM-ROOF VENT, JENSEN VA144-1
	064469-11-703	EA OPERATOR ASM-ROOF VENT, JENSEN V116-4

**JENSEN ROOF VENT W/O POWER LIFT  
USED FROM 03-27-93 TO END OF YEAR**

KEY	PART NUMBER	U/M DESCRIPTION
	110051-02-01A	EA VENT-ROOF, W/O POWER LIFT FOR 4" ROOF - JENSEN 7727 (U.S.)
	064470-01-700	EA COVER ROOF VENT - JENSEN 7291
	110051-01-704	EA GARNISH W-SCREEN & FRAME - JENSEN 29-159-03
	110051-01-702	EA CRANK ASM-HANDLE, ROOF VENT
	110051-01-703	EA CRANK ONLY

**JENSEN ROOF VENT W/POWER LIFT  
USED UP TIL 03-26-93**

KEY	PART NUMBER	U/M DESCRIPTION
	064469-11-000	EA VENT-ROOF, W/POWER LIFT FOR 4" ROOF - JENSEN V2420-41B4 (U.S.)
	064469-12-000	EA VENT-ROOF, W/POWER LIFT FOR 4" ROOF - JENSEN V2420-41B4C5 (CSA)
	090973-01-701	EA MOTOR-12 VOLT, CSA & UL - JENSEN VA167-1
	064469-11-705	EA FAN BLADE, 6" DIAMETER - JENSEN VA163
	064469-17-704	EA POWER LIFT GEAR MOTOR, JENSEN VA452 (US)
	064469-12-700	EA POWER LIFT GEAR MOTOR, JENSEN V6516 (CSA)
	064469-11-702	EA GEAR - JENSEN VA451
	064469-11-700	EA COVER ROOF VENT - JENSEN VA503-1
	064469-11-701	EA SCREEN ASM-ROOF VENT, JENSEN VA444-4

**JENSEN ROOF VENT W/POWER LIFT  
USED FROM 03-27-93 TO END OF YEAR**

KEY	PART NUMBER	U/M DESCRIPTION
	110051-03-01A	EA VENT-ROOF, W/POWER LIFT FOR 4" ROOF - JENSEN 7727 (U.S.)
	110051-10-01A	EA VENT-ROOF, W/POWER LIFT FOR 4" ROOF - JENSEN CX7255 (CSA)
	048649-01-000	EA MOTOR-12V NONVENTED 1/3 SFT
	048649-01-000	EA FAN-PLASTIC, 6" DIAMETER - 6 BLADES
	064469-03-707	EA MOTOR-LIFT - JENSEN RP-1023
	064469-03-708	EA GEAR-DRIVE - JENSEN RP-1024
	064469-03-709	EA GEAR-MOTOR PINION - JENSEN RP-1025
	064470-01-700	EA COVER ROOF VENT - JENSEN 7291
	110051-01-705	EA SCREEN-FRAME, GARNISH - JENSEN 29-689-04A

**WINDOW, VENT & EXTERIOR DOOR GROUP (CONTINUED)**

**FANTASTIC ROOF VENTILATOR**

KEY	PART NUMBER	U/M DESCRIPTION
	084079-07-000	EA VENT-CEILING, POWER EXHAUST - FANTASTIC (US)
	084079-10-000	EA VENT-CEILING, POWER EXHAUST - FANTASTIC (CANADIAN)
	084079-01-700	EA VENT COVER - FANTASTIC 1020-19
	084079-01-701	EA SCREEN ASM WHITE - FANTASTIC 1030-83
	084079-01-703	EA CRANK-EXTERIOR, FANTASTIC 1020-09
	084079-01-704	EA BLADE-FAN, FANTASTIC 1070-03
	084079-01-705	EA MOTOR, FANTASTIC 1030-00
	084079-01-706	EA PLUG-12 VOLT, FANTASTIC 1030
	084079-01-707	EA SWITCH-SAFETY, FANTASTIC 1120-00
	084079-01-709	EA SWITCH-ON & OFF, MAIN POWER - FANTASTIC 1100-00
	084079-01-711	EA H MOLDING, MOTOR MOUNT - PLASTIC - FANTASTIC
	084079-07-700	EA GARNISH-INTERIOR 4" DW

**PLUMBING, RANGE HOOD & REFRIGERATOR ROOF VENTS**

KEY	PART NUMBER	U/M DESCRIPTION
	092693-03-04A	EA VENT-RANGE HOOD, EXTERIOR - W/DOOR & SOLENOID - BUFF
	092693-02-700	EA FASTENER-PUSH, EXTERIOR RANGE HOOD VENT - V8430
	092693-00-701	EA CLAMP-CONDUIT, EXTERIOR RANGE HOOD VENT - V8234
	092693-03-705	EA SOLENOID-RANGE HOOD, VENTLINE U8530
	092693-04-000	EA VENT-PLUMBING PIPE ROOF, W COVER - BUFF
	084079-04-000	EA BASE-ROOF VENT, REFRIGERATOR - BLACK - NORCOLD
	084079-05-000	EA COVER-ROOF VENT, REFRIGERATOR - BUFF - NORCOLD
	002021-02-000	SE SCREENING-ROOF VENT WINDOW 16" - BLACK
	002021-02-000	FT SPLINE-VENT WINDOW SCREEN 103 DIAMETER - BLACK

**1993 WINNEBAGO  
TABLE OF CONTENTS**

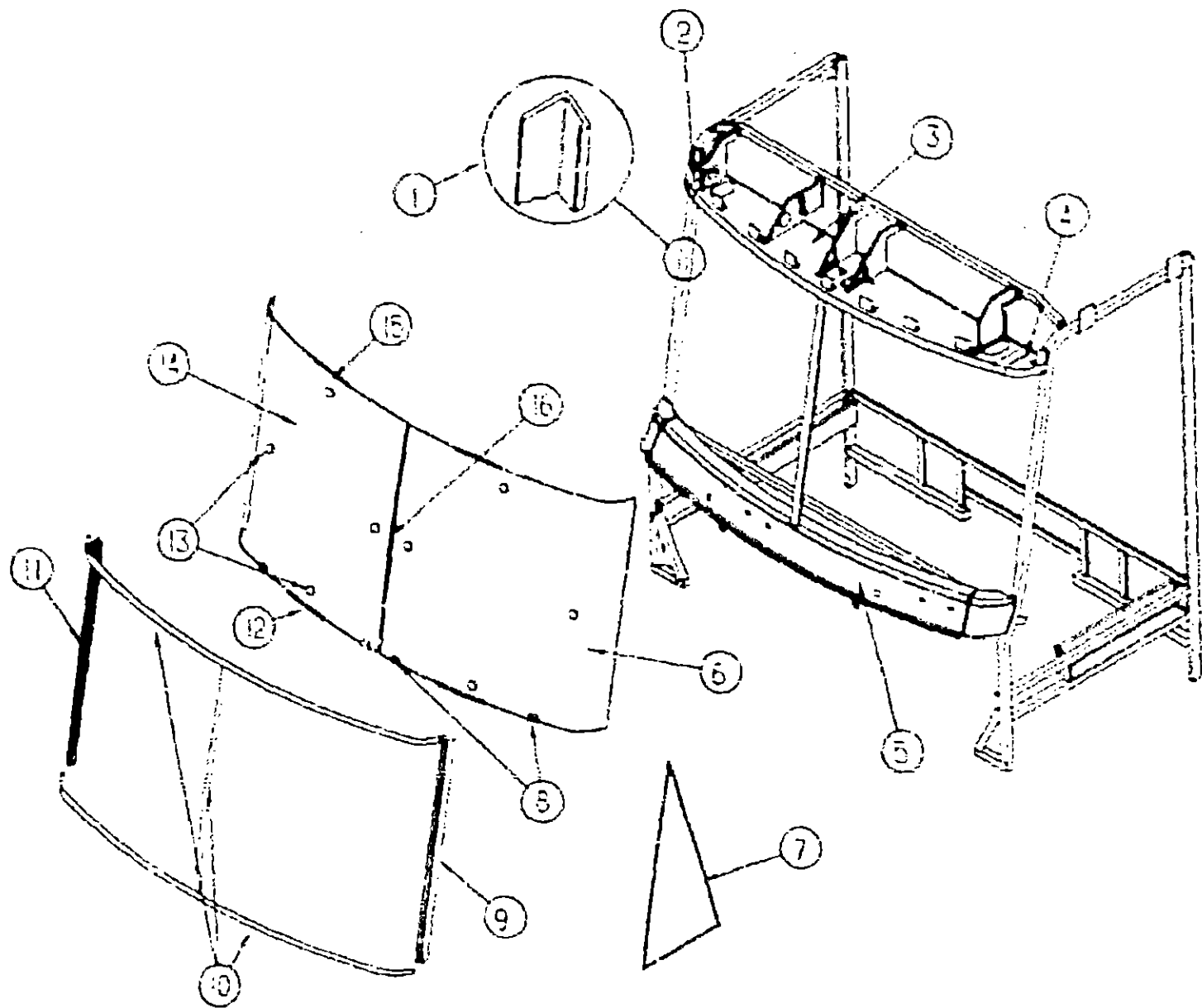
INTRODUCTION	A-01 -	A-02
ABBREVIATIONS		A-03
ALPHABETICAL INDEX	A-04 -	A-06
WCM37RW	A-07 -	G-08
WCM33RO	G-09 -	L-21

**1993 WCM33RO INDEX**

FLOOR PLAN	G-09 -	G-10
ACCESSORIES		G-11
AUDIO VIDEO	G-12 -	G-15
BATH	G-16 -	G-20
BEDROOM	G-21 -	G-24
CHASSIS	H-01 -	H-18
CURTAIN & CUSHION	H-19 -	I-07
DINETTE	I-08 -	I-10
DRIVERS COMPARTMENT	I-11 -	I-15
ELECTRICAL	I-16 -	I-22
EXTERIOR BODY	I-23 -	J-09
GALLEY	J-10 -	J-17
GENERATOR	J-18 -	J-19
HEATING & A/C	J-20 -	I-22
INTERIOR FINISH	J-23 -	K-02
LABEL	K-03 -	K-11
LP		K-12
LOUNGE	K-13 -	K-14
SEALANTS & FASTENERS	K-15 -	K-18
WATER & SEWAGE	K-19 -	K-21
WINDOW, VENT AND EXTERIOR DOOR	L-01 -	L-20
WINDSHIELD & WIPER	L-21 -	L-24

# WINDSHIELD & WIPER

## WINDSHIELD & VENT WINDOWS



KEY	PART NUMBER	U/M DESCRIPTION
1	038788-06-000	EA CHANNEL-RIGID, 1243 LONG
2	077922-03-000	EA HEADER-WINDSHIELD, RIGHT END
3	077922-05-000	EA HEADER-WINDSHIELD, CENTER
4	077922-04-000	EA HEADER-WINDSHIELD, LEFT END
5	077847-02-000	EA SUPPORT-WINDSHIELD, LOWER - W/O BRACKETS
6	105036-02-000	EA GLASS-WINDSHIELD, DRIVER
		FROM: 03-03-93 THRU 05-02-93
6	105036-04-000	EA GLASS-WINDSHIELD, DRIVER
		FROM: 05-03-93 THRU 99-99-99
7	106468-01-01A	EA WINDOW-FRONT, SLANT - DRIVER SIDE - EXCEL
8	107265-01-000	EA BRACKET-WINDSHIELD, SUPPORT
9	103107-06-01A	EA TRIM-WINDSHIELD, SIDE - BLACK
10	102936-01-000	FT MOLDING-REVEAL, WINDSHIELD
11	103107-05-01A	EA TRIM-WINDSHIELD, SIDE - BLACK
12	102935-01-000	EA CARRIER-REVEAL, WINDSHIELD - 4 USED
		FROM: 03-03-93 THRU 11-22-92
12	110268-05-000	EA CARRIER-REVEAL, WINDSHIELD - 52MM LONG - 4 USED
		FROM: 11-23-92 THRU: 03-22-93
12	102935-03-000	EA CARRIER-REVEAL, WINDSHIELD - 4 USED
		FROM: 03-23-93 THRU 05-02-93
12	112365-01-000	EA CARRIER-REVEAL, WINDSHIELD - 4 USED
		FROM: 06-03-93 THRU 99-99-99
13	031914-01-000	EA BUMPER-RUBBER, ROUND - 43' DIAMETER - BLACK
14	105036-01-000	EA GLASS-WINDSHIELD, PASSENGER
		FROM: 03-03-93 THRU 05-02-93
14	105036-03-000	EA GLASS-WINDSHIELD, PASSENGER
		FROM: 05-03-93 THRU 99-99-99
15	102935-01-000	EA CARRIER-REVEAL, WINDSHIELD - 4 USED
		FROM: 03-03-93 THRU 11-22-92
15	110268-07-000	EA CARRIER-REVEAL, WINDSHIELD - 1243MM LONG - 4 USED
		FROM: 11-23-92 THRU: 05-02-93
15	111771-02-000	EA CARRIER-REVEAL, WINDSHIELD - 1243MM LONG
		FROM: 05-03-93 THRU 99-99-99
16	102935-07-000	EA CARRIER-REVEAL, WINDSHIELD - CENTER
		FROM: 03-03-93 THRU: 11-22-92
16	110268-04-000	EA CARRIER-REVEAL, WINDSHIELD - CENTER - 1070MM LONG
		FROM: 11-23-92 THRU: 03-02-93
16	111771-01-000	EA CARRIER-REVEAL, WINDSHIELD - CENTER - 1070MM LONG
		FROM: 05-03-93 THRU: 99-99-99
	002328-02-000	EA BLOCK-WINDSHIELD, 93 X .062 X 50

## 1993 WINNEBAGO TABLE OF CONTENTS

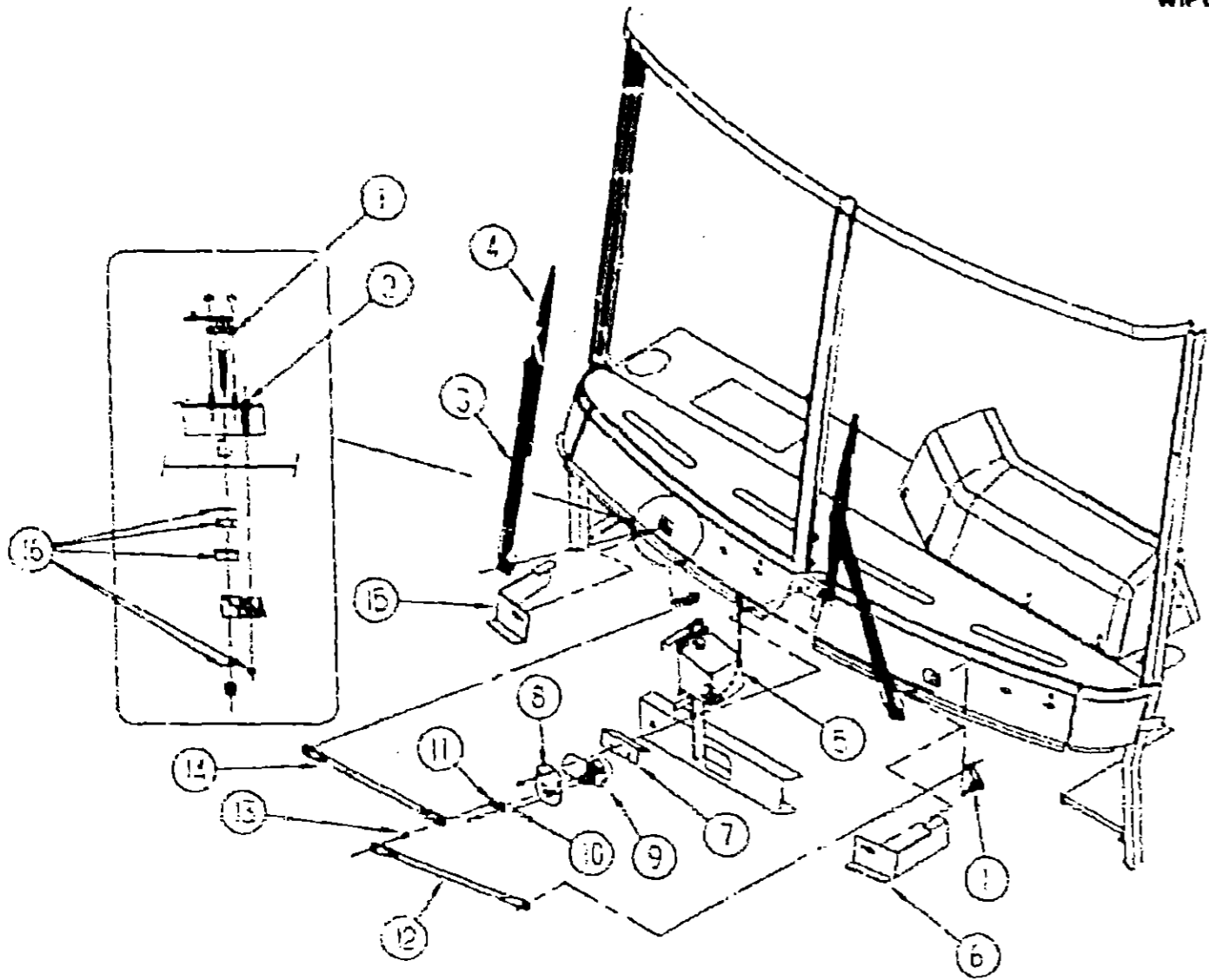
INTRODUCTION	A-01 - A-02
ABBREVIATIONS	A-03
ALPHABETICAL INDEX	A-04 - A-05
WCM37RW	A-07 - G-09
WCM33RQ	G-09 - L-24

## 1993 WCM33RQ INDEX

FLOOR PLAN	G-09 - G-10
ACCESSORIES	G-11
AUDIO VIDEO	G-12 - G-15
BATH	G-16 - G-20
BEDROOM	G-21 - G-24
CHASSIS	H-01 - H-18
CURTAIN & CUSHION	H-19 - I-07
DINETTE	I-08 - I-10
DRIVERS COMPARTMENT	I-11 - I-15
ELECTRICAL	I-16 - I-22
EXTERIOR BODY	I-23 - J-09
GALLEY	J-10 - J-17
GENERATOR	J-18 - J-19
HEATING & A/C	J-20 - J-22
INTERIOR FINISH	J-23 - K-02
LABEL	K-03 - K-11
LF	K-12
LOUNGE	K-13 - K-14
SEALANTS & FASTENERS	K-15 - K-18
WATER & SEWAGE	K-19 - K-24
WINDOW, VENT AND	
EXTERIOR DOOR	L-01 - L-20
WINDSHIELD & WIPER	L-21 - L-24

# WINDSHIELD & WIPER (CONTINUED)

## WIPER & WASHER



KEY	PART NUMBER	U/M DESCRIPTION
	091205-04-000	EA CONTROL-WIPER, DYNAMIC PARK (1992 FORD ONLY)
1	108168-01-000	EA PIVOT SHAFT ASM, SPRAGUE GS-3083
	077049-01-000	EA NUT-ACORN, 10-32 ALUMINUM
2	077048-02-000	EA SHAFT-ADAPTER, WIPER PANTOGRAPH ARM - ANCO 52918
3	108165-01-000	EA ARM-WIPER, PANTOGRAPH - 28 1/2" - SPRAGUE V030-00-BWS
	096931-01-700	FT HOSE-WASHER, WIPER ARM
	108165-01-704	EA KIT-WASHER NOZZLE, W/NOZZLE, SCREW & NUT
	110742-01-000	EA GASKET-WIPER
	071015-21-000	EA GROV-MET-RUBBER, 5" ID X 1.05" OD W/1/2" GROOVE - BLACK
4	108166-01-000	EA BLADE-WINDSHIELD WIPER, 24" - SPRAGUE C-1755
5	056000-02-000	EA WASHER-WINDSHIELD, BOTTLE & PUMP
6	106680-02-000	EA BRACKET-MOUNT, WIPER PIVOT
7	106604-01-000	EA PLATE-WIPER, MOTOR MOUNT
8	103935-01-000	EA PLATE-MOUNTING, WIPER MOTOR (FORD & SPARTAN)
8	103935-02-000	EA PLATE-MOUNTING, WIPER MOTOR (CHEVY)
9	108164-01-000	EA MOTOR-WIPER, W/CRANK ARM - E-003-070
	108164-01-700	EA WIPER, MOTOR ONLY, SPRAGUE 403 878
10	096526-01-000	EA SCREW-HEX, 1/4 - 28 UNF
11	108164-01-701	EA CRANK-MOTOR, W/DOUBLE CRANK STUD - SPRAGUE GS-3609
12	108167-02-000	EA LINK-CONNECTING, 22 00" - SPRAGUE L1-303-3
13	067159-01-000	EA STUD-CRANK, WIPER
14	108167-01-000	EA LINK-CONNECTING, 22 00" - SPRAGUE L1-364-3
15	106600-01-000	EA BRACKET-MOUNT, WIPER PIVOT
16	108169-01-000	EA HARDWARE-PIVOT SHAFT ASM, SPRAGUE GS-3708
	108169-01-700	EA NUT-ACORN, SPRAGUE C-1401-3
	108109-01-701	EA KNUBBED DRIVER (ARM DRIVER), S-2252-1
	108169-01-702	EA CAP-RUBBER (WEATHER CAP), 3-2706
	108169-01-703	EA NUT, SPRAGUE S-1532-1
	091633-01-000	EA GROV-MET-SNAP, 3/16" ID - 3/8" HOLE - PLASTIC
	096931-01-700	FT HOSE-WIPER, TO BLADE
	045794-01-000	FT HOSE-WASHER, WINDSHIELD - 5/32" ID - BLACK
	056000-01-700	FT HOSE-WIPER, VACUUM - 7/64" - 5/32"

## 1993 WINNEBAGO TABLE OF CONTENTS

INTRODUCTION	A-01	A-02
ABBREVIATIONS	A-03	A-03
ALPHABETICAL INDEX	A-04	A-05
WCM3TRW	A-07	G-04
WCM3BRQ	G-03	L-24

## 1993 WCM3BRQ INDEX

FLOOR PLAN	G-02	G-10
ACCESSORIES		G-11
AUDIO VIDEO	G-12	G-15
BATH	G-16	G-20
BEDROOM	G-21	G-24
CHASSIS	H-01	H-13
CURTAIN & CUSHION	H-19	I-07
DINETTE	I-08	I-10
DRIVERS COMPARTMENT	I-11	I-15
ELECTRICAL	I-16	I-22
EXTERIOR BODY	I-25	J-09
GALLEY	J-10	J-17
GENERATOR	J-18	J-19
HEATING & A/C	J-20	J-22
INTERIOR FINISH	J-23	K-02
LABEL	K-03	K-11
LP		K-12
LOUNGE	K-13	K-14
SEALANTS & FASTENERS	K-15	K-18
WATER & SEWAGE	K-19	K-24
WINDOW, VENT AND EXTERIOR DOOR	L-01	L-20
WINDSHIELD & WIPER	L-21	L-24