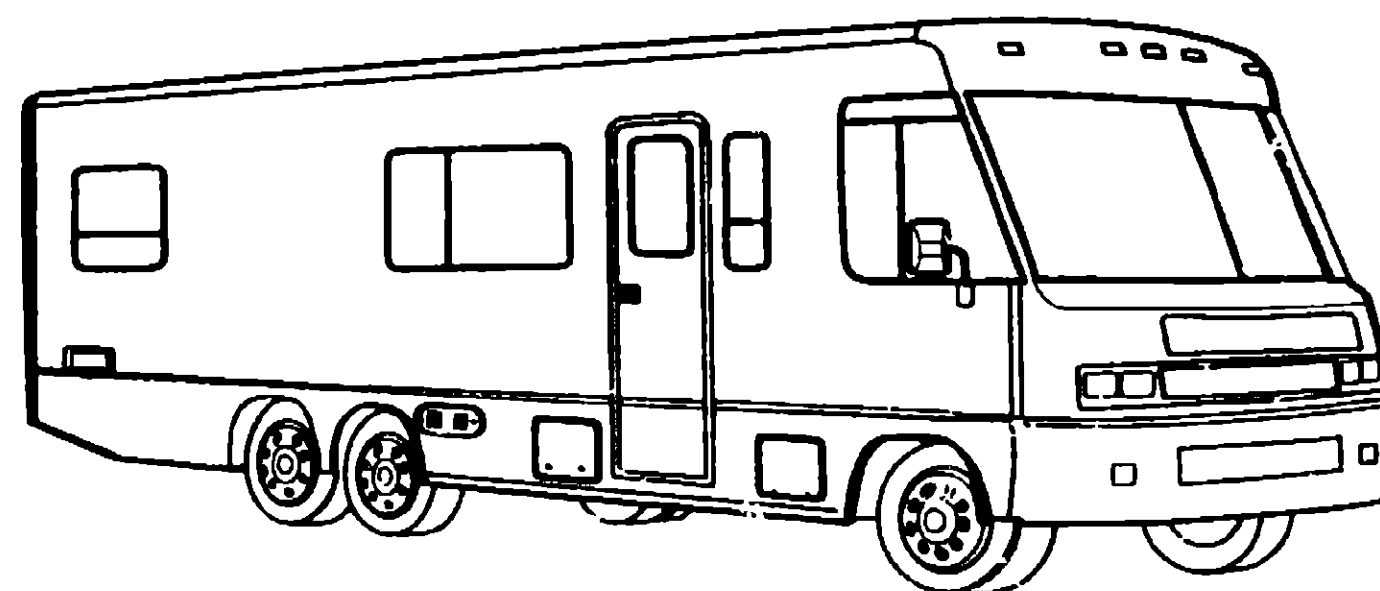


**1993 WINNEBAGO  
TABLE OF CONTENTS**

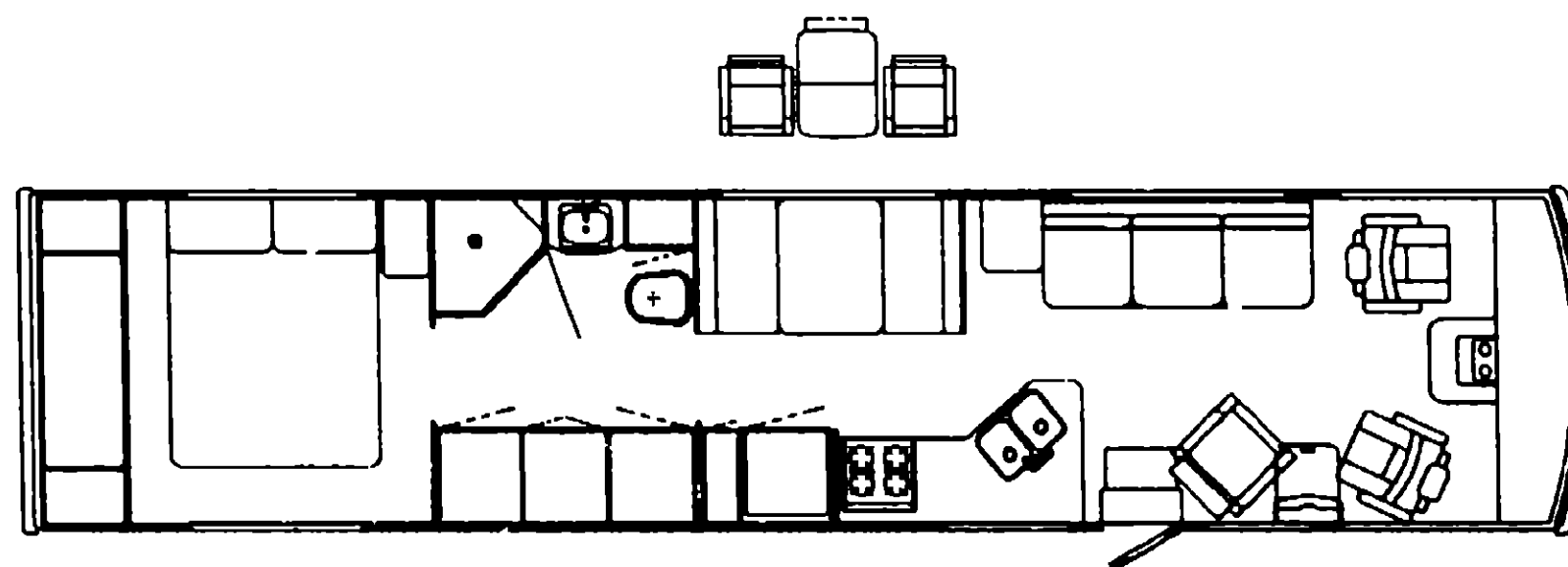
INTRODUCTION	A-01 - A-02
ABBREVIATIONS	A-03
ALPHABETICAL INDEX	A-04 - A-06
WCG37RW	A-07 - E-16
WKG34RQ	E-17 - I-18



**1993  
WCG37RW  
D12  
D13**

**1993 WCG37RW INDEX**

FLOOR PLAN	A-07 - A-08
ACCESSORIES	A-09
AUDIO VIDEO	A-10 - A-11
BATH	A-12 - A-14
BEDROOM	A-15 - A-16
CHASSIS	A-17 - B-08
CURTAIN & CUSHION	B-09 - B-18
DINETTE	B-19 - B-22
DRIVERS COMPARTMENT	B-23 - C-02
ELECTRICAL	C-03 - C-08
EXTERIOR BODY	C-09 - C-16
GALLEY	C-17 - C-20
GENERATOR	C-21 - C-22
HEATING & AC	C-23 - D-02
INTERIOR FINISH	D-03 - D-06
LABELS	D-07 - D-13
LP	D-14
LOUNGE	D-15 - D-18
SEALANTS & FASTENERS	D-19 - D-21
WATER & SEWAGE	D-22 - E-01
WINDOW VENT & EXTERIOR DOOR	E-02 - E-14
WINDSHIELD & WIPER	E-15 - E-16



## ACCESSORIES GROUP

### OPERATOR MANUAL

KEY	PART NUMBER	U/M DESCRIPTION
	054185-39-000	EA MANUAL - OPERATOR 93 ADVENTURE - G-SERIES
	092318-01-000	EA BINDER-3 RING - MOTOR HOME MANUAL
	092319-01-000	EA POCKET PAGE - 3 RING BINDER - PLASTIC
	108763-01-000	EA TOP LEVEL DRAWING NUMBER

## AUDIO VIDEO GROUP

### RADIO SYSTEMS & ANTENNA

KEY	PART NUMBER	U/M DESCRIPTION
	077069-02-000	EA CABLE - ANTENNA - RADIO - EXTENSION 96" - ARA 6700667
	073741-03-000	EA SPEAKER - OVAL - 4" X 6" - BLACK
	110469-01-000	EA SPEAKER - OVAL - 4" X 6" - BLACK
	073741-04-000	EA GRILLE - SPEAKER - OVAL - 4" X 6" - BLACK
	110470-01-01A	EA GRILLE - SPEAKER - OVAL - 4" X 6" - BLACK
	081059-02-000	EA WIRE ASM - 9 PIN - RADIO - AUDIOVOX 112B-1761
	104089-01-000	EA RADIO - AM/FM STEREO - CASSETTE DIN AUDIOVOX IM-DXF
	110267-01-000	EA RADIO - AM/FM STEREO - AUDIOVOX IM-200
	105248-01-000	EA ANTENNA - CB - ADVANCE 8604
	097621-02-000	EA MOUNTING KIT - RADIO - AUDIOVOX WMK - AB02
	090862-01-000	EA BRACKET - HAT - ANTENNA - 3 1" X 3 9" - STEEL - BLACK - FORD

### REAR MONITOR SYSTEM

KEY	PART NUMBER	U/M DESCRIPTION
	105249-01-000	EA TELEVISION SYSTEM - REAR VIEW - AUDIOVOX A05 10
	092881-01-000	EA WIRE - INSTRUMENT PANEL - REAR VIEW MONITOR
	105304-01-000	EA WIRE ASM - REAR MONITOR - UPPER

### PATIO ENTERTAINMENT CENTER

KEY	PART NUMBER	U/M DESCRIPTION
	073741-03-000	EA SPEAKER - OVAL - 4" X 6" - BLACK
	110469-01-000	EA SPEAKER - OVAL - 4" X 6" - BLACK
	073741-04-000	EA GRILLE - SPEAKER - OVAL - 4" X 6" - BLACK
	110470-01-01A	EA GRILLE - SPEAKER - OVAL - 4" X 6" - BLACK
	077069-02-000	EA CABLE - ANTENNA - RADIO - EXTENSION 96" - ARA 6700667
	087683-01-000	EA RADIO - AM/FM STEREO W/CASSETTE AUDIOVOX 144D1559
	090944-01-000	EA ANTENNA - RADIO - 16" RU. 9ER

## 1993 WINNEBAGO TABLE OF CONTENTS

INTRODUCTION	A-01 - A-02
ABBREVIATIONS	A-03
ALPHABETICAL INDEX	A-04 - A-06
WCG37RW	A-07 - E-16
WKG34RQ	E-17 - I-18

## 1993 WCG37RW INDEX

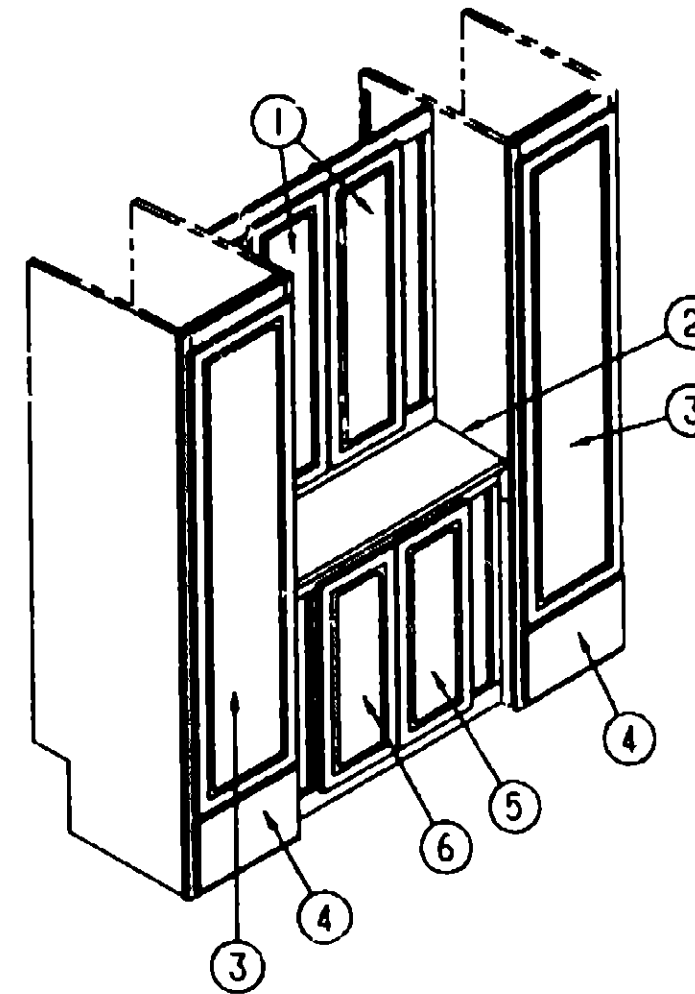
FLOOR PLAN	A-07 - A-08
ACCESSORIES	A-09
AUDIO VIDEO	A-10 - A-11
BATH	A-12 - A-14
BEDROOM	A-15 - A-16
CHASSIS	A-17 - B-08
CURTAIN & CUSHION	B-09 - B-18
DINETTE	B-19 - B-22
DRIVERS COMPARTMENT	B-23 - C-02
ELECTRICAL	C-03 - C-08
EXTERIOR BODY	C-09 - C-16
GALLEY	C-17 - C-20
GENERATOR	C-21 - C-22
HEATING & A/C	C-23 - D-02
INTERIOR FINISH	D-03 - D-06
LABELS	D-07 - D-13
LP	D-14
LOUNGE	D-15 - D-18
SEALANTS & FASTENERS	D-19 - D-21
WATER & SEWAGE	D-22 - E-01
WINDOW, VENT &	
EXTERIOR DOOR	E-02 - E-14
WINDSHIELD & WIPER	E-15 - E-16

# AUDIO VIDEO GROUP (CONTINUED)

## TV - VCR SYSTEMS & ANTENNA

KEY	PART NUMBER	U/M	DESCRIPTION
	082134-01-000	EA	ADAPTER - TV - CABLE TO CABLE - WINEGARD F-81M
	086756-01-000	EA	SPLITTER - TV - 2 WAY
	076319-03-000	FT	CABLE - COAXIAL - 75 OHM
	076319-12-000	EA	CONNECTOR - COAXIAL - ONE PIECE
	086757-03-000	EA	CONTROL CENTER - SWITCH - VCR/TV - MAGNADYNE VCS-6
	086777-03-000	EA	PLATE - WALL - CABLE - W/TV ANTENNA SWITCH & BOOSTER - IVORY
	098446-03-000	EA	VCR - VHS - CABLE READY - REMOTE - MAGNAVOX VR9010 FROM 00-00-00 THRU 00-04-92
	098446-03-700	EA	REMOTE F/MODEL #9010
	098446-04-000	EA	VCR-VHS - CABLE READY - REMOTE - MAGNAVOX VR9110 FROM 10-05-92 THRU 99-99-99
	098446-04-700	EA	REMOTE F/MODEL #9110
	098447-03-000	EA	TV - 13" - COLOR W/REMOTE - U.S. - MAGNAVOX RR1337
	098447-04-000	EA	TV - 13" - COLOR W/REMOTE - CANADIAN - MAGNAVOX RR1330W
	098447-03-700	EA	REMOTE FOR TV-13"
	098819-01-000	EA	SPEAKER - 2 WATT - 8 OHM - 4"
	093214-01-02A	EA	GRILL - SPEAKER, 4" BROWN
	099717-02-000	EA	TIEDOWN - TV - STRAP ON FEMALE END IS 28 7" LONG
	099717-01-000	EA	TIEDOWN - TV - STRAP ON FEMALE END IS 22 8" LONG
	092310-02-000	EA	TV - COLOR - 9" - AC/DC - W/REMOTE - MAGNAVOX RD0945
	092310-02-700	EA	REMOTE F/TV 0827334
	076319-01-000	EA	ANTENNA - TV - ROOF MOUNT - 44 5" MAST
	076319-01-700	EA	HEAD - ANTENNA - AMPLIFIED - WINEGARD
	076319-01-701	EA	GEAR - ELEVATING - PLASTIC - WINEGARD
	076319-01-702	EA	SHAFT ASM - ELEVATING - WINEGARD
	076319-01-703	EA	BEARING - NYLON - 5"OD - WINEGARD
	076319-01-705	EA	GROMMET - NYLON - 7/8"ID - WINEGARD
	076319-01-706	EA	CRANK - ELEVATING - W/SET SCREW
	076319-01-707	EA	SPRING - HANDLE - WINEGARD
	076319-01-709	EA	PLATE - DIRECTIONAL - FOR HEAD - WINEGARD
	076319-01-706	EA	CRANK - ELEVATING - W/SET SCREW - WINEGARD
	076319-08-000	EA	WALLPLATE - CABLE RECEPTACLE - TV - SINGLE - IVORY
	076319-09-000	EA	WALLPLATE - CABLE RECEPTACLE - TV - SINGLE - BROWN
	082136-01-000	EA	NUT - HEX JAM 3/8-32 WINEGARD
	086777-01-000	EA	WALLPLATE - TV CABLE - W/ANTENNA SWITCH - IVORY
	086777-03-000	EA	WALLPLATE - TV CABLE - W/TV ANTENNA SWITCH & BOOSTER - IVORY
	086757-03-000	EA	CONTROL CENTER - SWITCH - VCR/TV - MAGNADYNE VCS-6

# BATH GROUP?



WARDROBE CABINET

KEY	PART NUMBER	U/M	DESCRIPTION
1	P04746-53-D12	EA	DOOR ASM - W/O HARDWARE
2	109184-15-D12	EA	COUNTERTOP ASM
3	P04746-49-D09	EA	DOOR ASM - W/O HARDWARE
4	P07104-T9-D12	EA	DRAWER ASM - W/O HARDWARE
5	P04746-A3-D12	EA	DOOR ASM - W/O HARDWARE
6	P04746-94-D12	EA	DOOR ASM - W/O HARDWARE

# 1993 WINNEBAGO TABLE OF CONTENTS

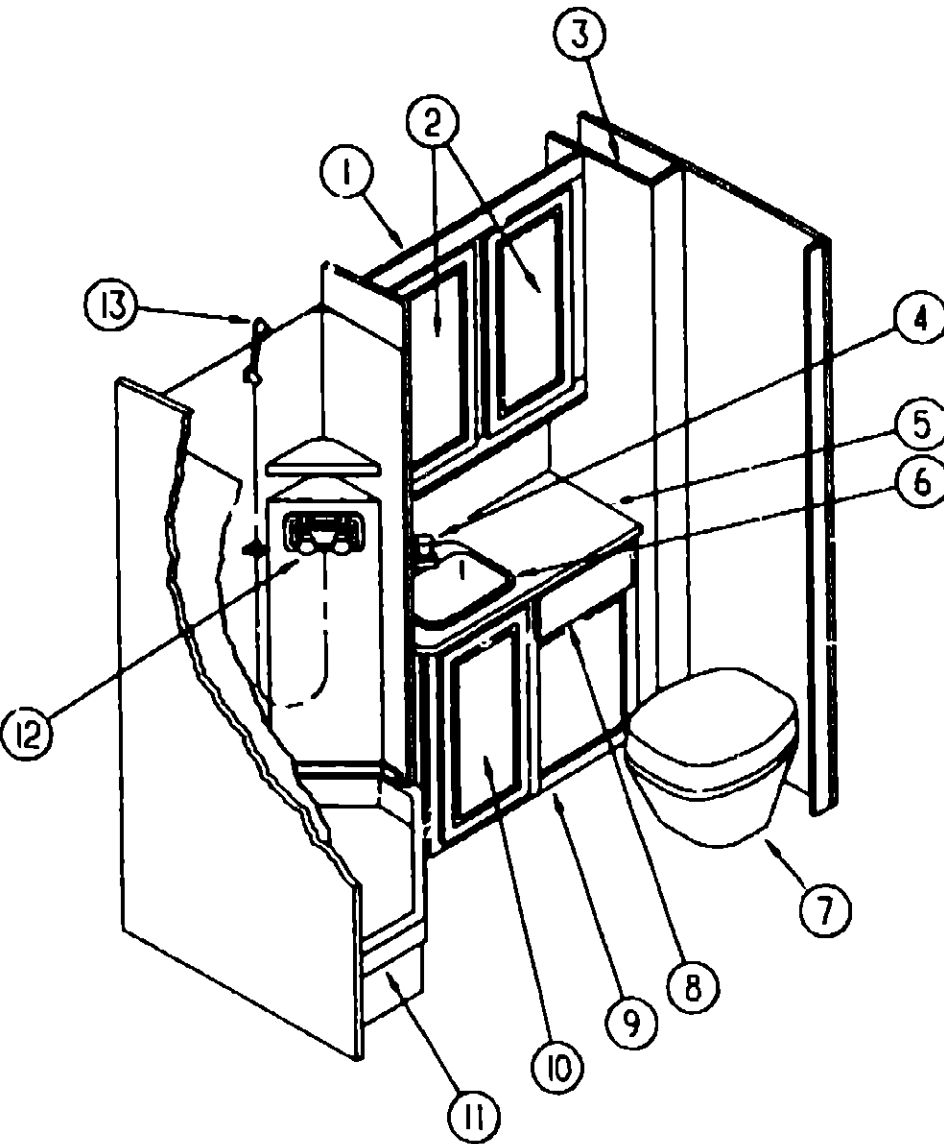
INTRODUCTION	A-01 - A-02
ABBREVIATIONS	A-03
ALPHABETICAL INDEX	A-04 - A-06
WCG37RW	A-07 - E-16
WKG34RQ	E-17 - I-18

# 1993 WCG37RW INDEX

FLOOR PLAN	A-07 - A-08
ACCESSORIES	A-09
AUDIO VIDEO	A-10 - A-11
BATH	A-12 - A-14
BEDROOM	A-15 - A-16
CHASSIS	A-17 - B-08
CURTAIN & CUSHION	B-09 - B-18
DINETTE	B-19 - B-22
DRIVERS COMPARTMENT	B-23 - C-02
ELECTRICAL	C-03 - C-08
EXTERIOR BODY	C-09 - C-16
GALLEY	C-17 - C-20
GENERATOR	C-21 - C-22
HEATING & AC	C-23 - D-02
INTERIOR FINISH	D-03 - D-06
LABELS	D-07 - D-13
LP	D-14
LOUNGE	D-15 - D-18
SEALANTS & FASTENERS	D-19 - D-21
WATER & SEWAGE	D-22 - E-01
WINDOW, VENT &	
EXTERIOR DOOR	E-02 - E-14
WINDSHIELD & WIPER	E-15 - E-16

## BATH GROUP (CONTINUED)

### BATH CABINETS, PRIVACY DOOR & SHOWER COMPONENTS



KEY	PART NUMBER	UOM	DESCRIPTION
1	P10199-01-D12	EA	CABINET ASM - MEDICINE
2	P04746-A9-D12	EA	DOOR ASM - W/O HARDWARE
3	109112-01-D12	EA	CABINET ASM - PIPE COVER
4	075240-06-000	EA	FAUCET - LAVATORY - BONE
5	109082-11-D12	EA	COUNTERTOP ASM
	075454-02-000	EA	RING-TOWEL - W/MOUNTING HARDWARE - BRASS
6	096927-01-01A	EA	SINK - LAVATORY - RECTANGULAR - PLASTIC - BONE
	096927-01-700	EA	SINK STOPPER
	096927-01-701	EA	TAILPIECE - SINK
7	039341-03-000	EA	TOILET - STARLITE - HIGH - THETFORD PARCHMENT
	039341-02-703	EA	PLUG - HOLE - IVORY
	039341-02-705	EA	MOUNTING PKG ASM
	039341-02-707	EA	PIN - HINGE - TOILET
	039341-03-700	EA	COVER - TOILET - PARCHMENT
	039341-03-701	EA	RING - SEAL - TOILET - PARCHMENT
	064076-01-701	EA	MECHANISM - FLUSHING
8	P07104-S1-D12	EA	DRAWER ASM - W/O HARDWARE
9	P09082-01-D12	EA	CABINET ASM - LAVATORY
10	P04746-B0-D12	EA	DOOR ASM - W/O HARDWARE
	104013-05-D12	EA	BATH DOOR ASM - SLIDING (BEDROOM)
	104013-02-C05	EA	BATH DOOR ASM - SLIDING (GALLEY)
	103874-01-000	EA	HANGER - SLIDING DOOR
	103908-03-C07	EA	HEADER - SLIDING DOOR
	064467-01-000	EA	GUIDE - POCKET - SLIDING DOOR - WALL MOUNTED
	075452-02-000	EA	HOLDER - TOILET TISSUE - BRASS
	107878-01-01A	EA	DOOR ASM - SHOWER
	069318-01-701	FT	VINYL SWEEP
	092574-01-704	EA	SCREW - GOLD - #6 3/8
	092574-01-705	EA	MAGNETIC STRIP - 56 9"
	092574-01-707	EA	PIVOT BUSHING
	092574-01-703	EA	PULL - DOOR - GOLD
	092574-01-701	EA	BRACKETS - TOWEL BAR - W/STL PIS
	107878-01-702	EA	TOWEL BAR
11	M02630-23-D12	EA	SHOWER PAN ASM
	066440-01-000	EA	STRAINER W/RUBBER WASHER
	011069-04-000	EA	TAILPIECE - 1 1/2 X 1 1/4 X 8 - BRASS (SHOWER PAN)
	091208-01-000	EA	WASHER - RUBBER - .06" X 75" X 5"
12	075241-05-000	EA	FAUCET - SHOWER - BONE
	075606-01-000	EA	PANEL - FAUCET BACK - SHOWER - 5" X 9" - PLASTIC
	104044-01-000	EA	BRACKET - SUPPORT - FAUCET
13	103092-01-000	EA	SHOWER HEAD - W/60" HOSE (US)
13	103092-02-000	EA	SHOWER HEAD - W/HOSE (CSA)
	103092-01-700	EA	BRACKET (FOR SHOWER HEAD)
	107849-C1-01A	EA	ENCLOSURE - SHOWER OW
	107848-01-01A	EA	CAP - SHOWER - OFF WHITE
	057671-01-000	EA	COVER SCREW - #8 - PLASTIC - OFF WHITE

## 1993 WINNEBAGO TABLE OF CONTENTS

INTRODUCTION	A-01 - A-02
ABBREVIATIONS	A-03
ALPHABETICAL INDEX	A-04 - A-06
WCG37RW	A-07 - E-16
WKG34RQ	E-17 - I-18

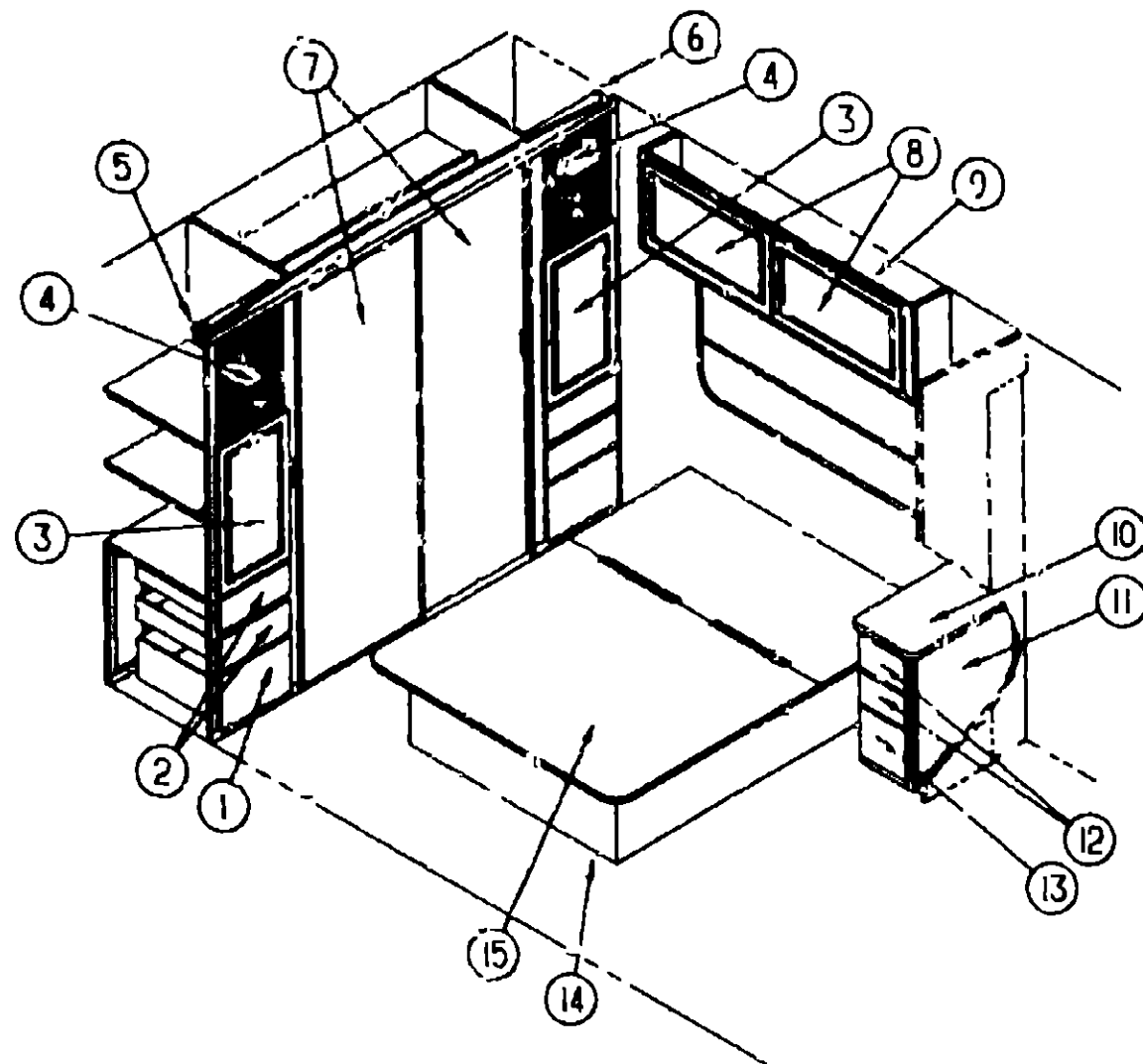
## 1993 WCG37RW INDEX

FLOOR PLAN	A-07 - A-08
ACCESSORIES	A-09
AUDIO VIDEO	A-10 - A-11
BATH	A-12 - A-14
BEDROOM	A-15 - A-16
CHASSIS	A-17 - B-08
CURTAIN & CUSHION	B-09 - B-18
DINETTE	B-19 - B-22
DRIVERS COMPARTMENT	B-23 - C-02
ELECTRICAL	C-03 - C-08
EXTERIOR BODY	C-09 - C-16
GALLEY	C-17 - C-20
GENERATOR	C-21 - C-22
HEATING & A/C	C-23 - D-02
INTERIOR FINISH	D-03 - D-06
LABELS	D-07 - D-13
LP	D-14
LOUNGE	D-15 - D-18
SEALANTS & FASTENERS	D-19 - D-21
WATER & SEWAGE	D-22 - E-01
WINDOW, VENT &	
EXTERIOR DOOR	E-02 - E-14
WINDSHIELD & WIPER	E-15 - E-16

## BEDROOM GROUP

### QUEEN BED

KEY	PART NUMBER	U/M DESCRIPTION
1	P07104-88-D12	EA DRAWER ASM - W/O HARDWARE
2	P07104-84-D12	EA DRAWER ASM - W/O HARDWARE
3	P04746-71-D12	EA DOOR ASM - W/O HARDWARE
4	057882-04-000	SF DOOR - TAMBOUR
	M97191-01-000	EA HANDLE - DOOR - TAMBOUR
5	097141-01-000	EA TRACK - SPIRAL - TAMBOUR DOOR - RIGHT
6	097141-02-000	EA TRACK - SPIRAL - TAMBOUR DOOR - LEFT
	097141-02-700	EA TRACK - SPIRAL KIT (1) LEFT & (1) RIGHT
7	058331-81-000	EA MIRROR - GLASS - SAFETY - WARDROBE DOOR
7	107386-02-01A	EA STILE - DOOR W/PULL
7	107387-02-01A	EA RAIL - DOOR - BY-PASS
7	107388-02-01A	EA TRACK - BOTTOM - BY-PASS
7	107389-02-01A	EA TRACK - TOP - BY-PASS
7	107390-01-000	EA HANGER - CORNER CONNECTION
7	107391-01-000	EA GUIDE - BOTTOM - BY-PASS
7	107392-01-000	EA STRAP - RETAINER - BY-PASS DOOR - PLASTIC
8	P04746-04-D12	EA DOOR ASM - W/O HARDWARE
9	M05159-26-D12	EA CABINET ASM. - OVERHEAD
10	104639-12-D12	EA COUNTERTOP ASM
10	104639-12-D13	EA COUNTERTOP ASM
11	104639-02-D12	EA CABINET ASM - NIGHTSTAND
11	104639-02-D13	EA CABINET ASM - NIGHTSTAND
12	P07104-74-D12	EA DRAWER ASM - W/O HARDWARE - UPPER
13	P07104-76-D12	EA DRAWER ASM - W/O HARDWARE - LOWER
14	P09476-01-D12	EA CABINET ASM - BED
	107539-01-000	EA SPRING GAS - 20" BLADE END - SPRING LIFT
	107541-01-000	EA BRACKET - FLAT - GAS SPRING
	009063-01-000	EA HINGE - CONT - STL 1½ X 72
	091261-01-000	FT BACKING - NON-SKID - 12"X100"
15	M05905-02-D12	EA TOP ASM - BED - QUEEN



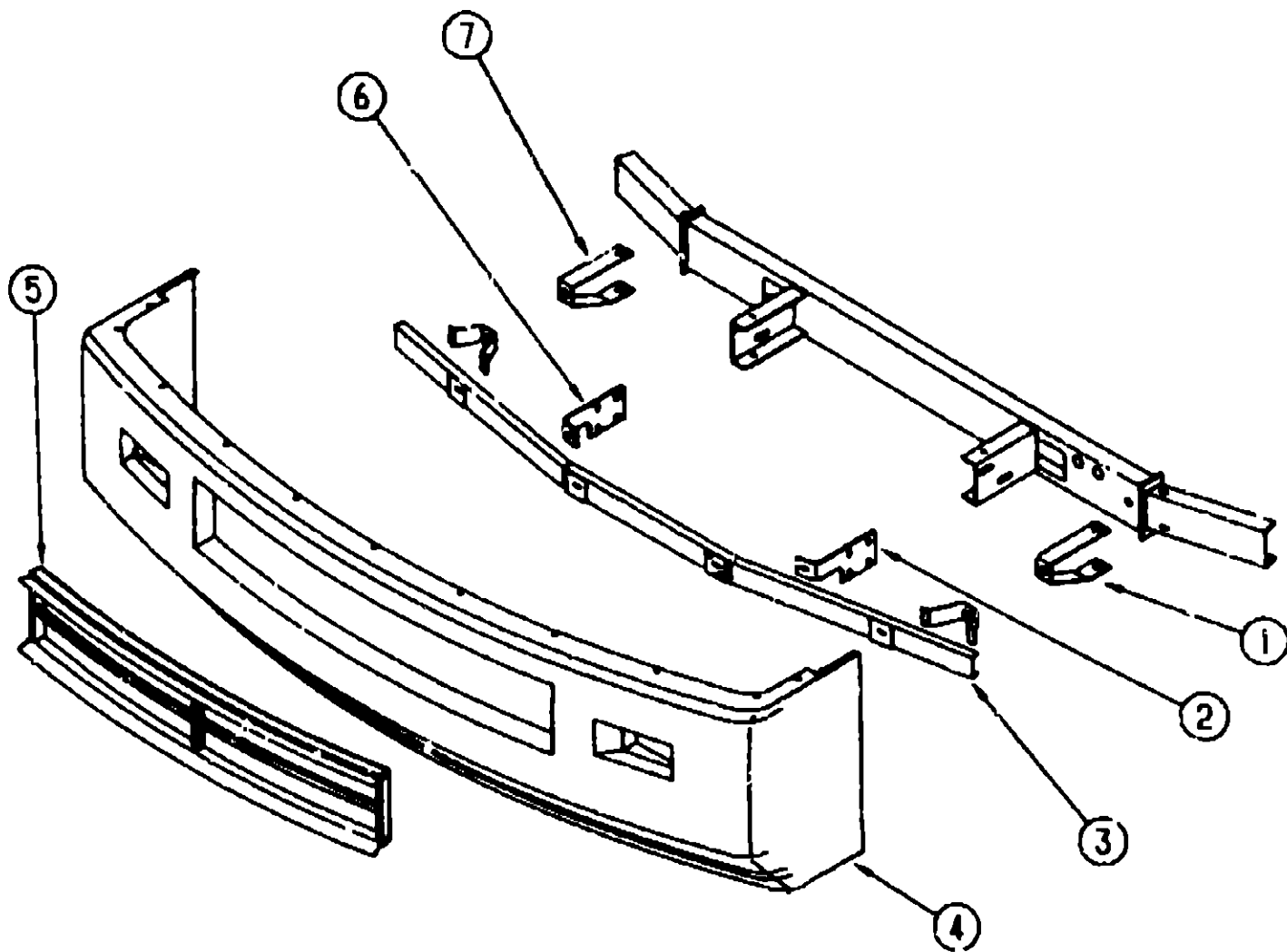
## 1993 WINNEBAGO TABLE OF CONTENTS

INTRODUCTION	A-01 - A-02
ABBREVIATIONS	A-03
ALPHABETICAL INDEX	A-04 - A-06
WCG37RW	A-07 - E-16
WKG34RQ	E-17 - I-18

## 1993 WCG37RW INDEX

FLOOR PLAN	A-07 - A-08
ACCESSORIES	A-09
AUDIO VIDEO	A-10 - A-11
BATH	A-12 - A-14
BEDROOM	A-15 - A-16
CHASSIS	A-17 - B-08
CURTAIN & CUSHION	B-09 - B-18
DINETTE	B-19 - B-22
DRIVERS COMPARTMENT	B-23 - C-02
ELECTRICAL	C-03 - C-08
EXTERIOR BODY	C-09 - C-16
GALLEY	C-17 - C-20
GENERATOR	C-21 - C-22
HEATING & A/C	C-23 - D-02
INTERIOR FINISH	D-03 - D-06
LABELS	D-07 - D-13
LP	D-14
LOUNGE	D-15 - D-18
SEALANTS & FASTENERS	D-19 - D-21
WATER & SEWAGE	D-22 - E-01
WINDOW, VENT & EXTERIOR DOOR	E-02 - E-14
WINDSHIELD & WIPER	E-15 - E-16

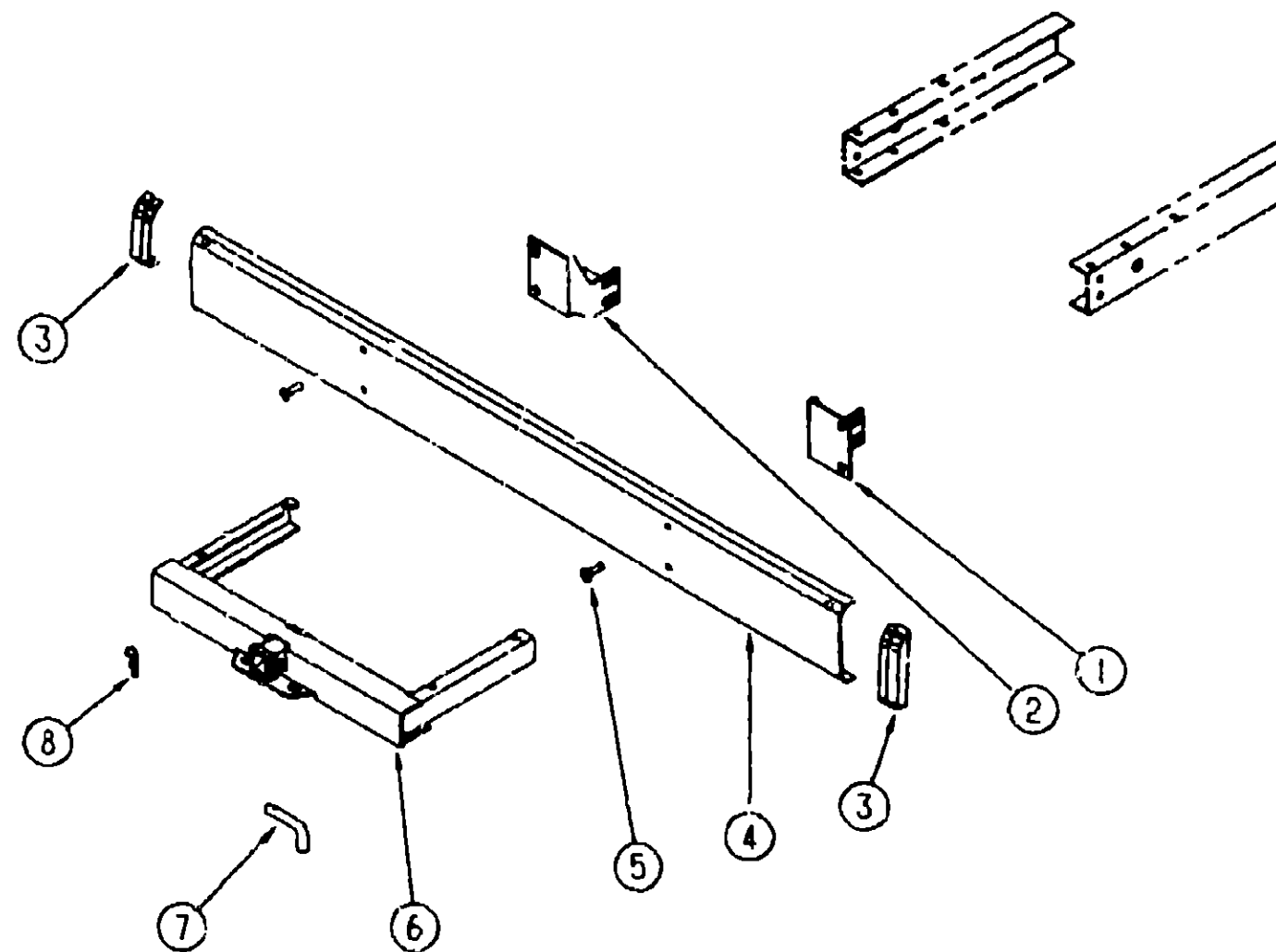
### CHASSIS GROUP



**FRONT BUMPER**

KEY	PART NUMBER	U/M DESCRIPTION
1	103611-01-000	EA BRACE - BUMPER - FRONT
2	086140-04-000	EA SUPPORT - FRONT BUMPER - DRIVER SIDE - 9 1" X 4" - STEEL
3	103512-01-000	EA CHANNEL ASM - BUMPER
4	104661-01-D12	EA BUMPER PANEL ASM - FRONT
5	104318-02-C07	EA GRILL ASM
6	086140-03-000	EA SUPPORT - FRONT BUMPER - PASSENGER SIDE - 9 1" X 4" - STEEL
7	103497-01-000	EA BRACE - BUMPER - FRONT
	106035-01-06A	EA TRIM - BUMPER END CAP - DRIVER/PASSENGER SIDE

### CHASSIS GROUP (CONTINUED)



**REAR BUMPER**

KEY	PART NUMBER	U/M DESCRIPTION
1	104418-01-000	EA ANGLE - SUPPORT - BUMPER REAR
2	104418-02-000	EA ANGLE - SUPPORT - BUMPER REAR
3	103228-01-05A	EA END CAP - BUMPER REAR - BLACK
4	103099-01-05A	EA REAR BUMPER - BUFF
5	102333-01-02A	EA BOLT - 7/16"
6	077617-01-000	EA HITCH ASM
7	034512-01-000	EA PIN
8	034513-01-000	EA PIN - 3/16" WIRE

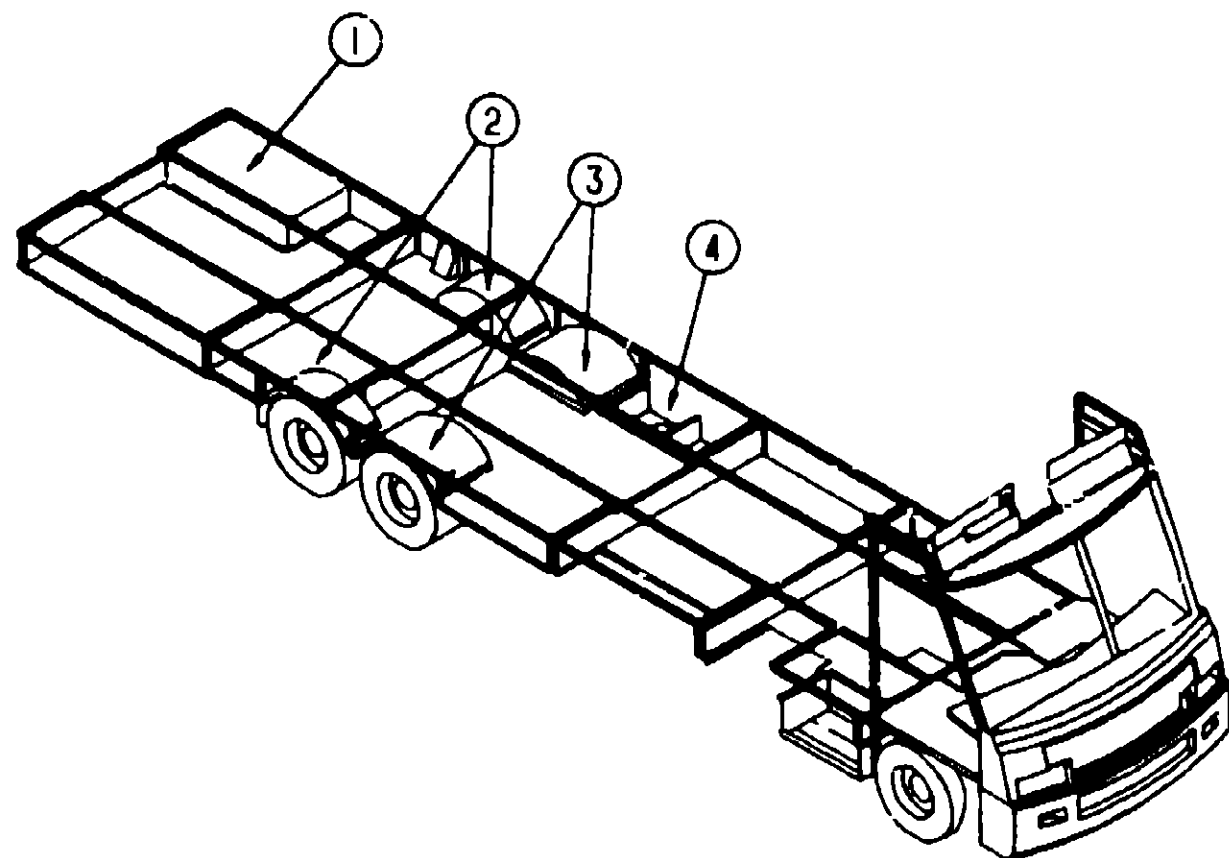
### 1993 WINNEBAGO TABLE OF CONTENTS

INTRODUCTION	A-01 - A-02
ABBREVIATIONS	A-03
ALPHABETICAL INDEX	A-04 - A-06
WCG37RW	A-07 - E-16
WKG34RQ	E-17 - I-18

### 1993 WCG37RW INDEX

FLOOR PLAN	A-07 - A-08
ACCESSORIES	A-09
AUDIO VIDEO	A-10 - A-11
BATH	A-12 - A-14
BEDROOM	A-15 - A-16
CHASSIS	A-17 - B-08
CURTAIN & CUSHION	B-09 - B-18
DINETTE	B-19 - B-22
DRIVERS COMPARTMENT	B-23 - C-02
ELECTRICAL	C-03 - C-08
EXTERIOR BODY	C-09 - C-16
GALLEY	C-17 - C-20
GENERATOR	C-21 - C-22
HEATING & A/C	C-23 - D-02
INTERIOR FINISH	D-03 - D-06
LABELS	D-07 - D-13
LP	D-14
LOUNGE	D-15 - D-18
SEALANTS & FASTENERS	D-19 - D-21
WATER & SEWAGE	D-22 - E-01
WINDOW, VENT &	
EXTERIOR DOOR	E-02 - E-14
WINDSHIELD & WIPER	E-15 - E-16

**CHASSIS GROUP (CONTINUED)**



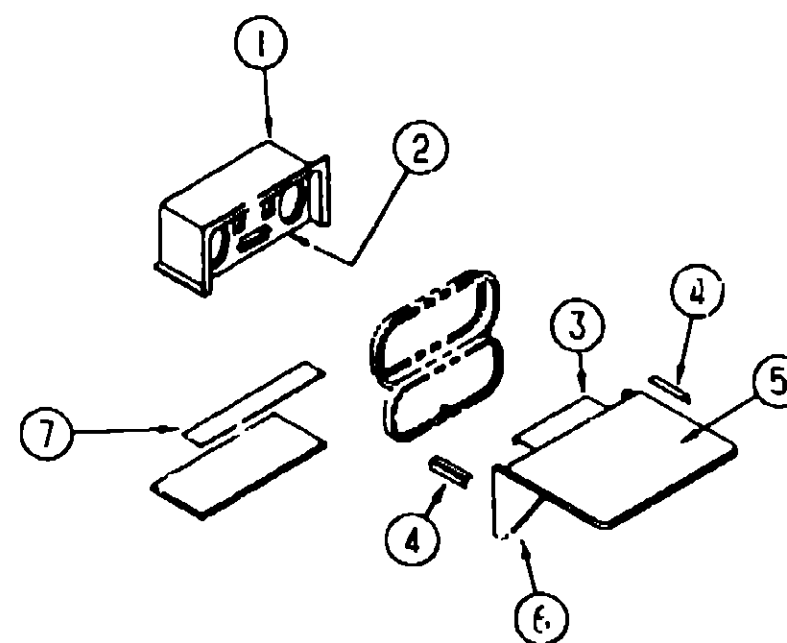
**COMPARTMENTS & TRAYS**

KEY	PART NUMBER	U/M DESCRIPTION
1	094657-02-000	EA TRAY - GENERATOR - 22 5" X 30 4" X 6 9" W/ANGLE & NUTS
2	055374-02-000	EA WHEELWELL - PLASTIC (TAG AXLE)
3	055374-01-000	EA WHEELWELL - PLASTIC
	020167-05-000	EA DIRT GUARD
4	104742-01-C07	EA STORAGE COMPARTMENT ASM
	092887-01-000	EA HATCH - COMPARTMENT - SEWER HOSE - 6"
	092887-03-000	EA CAP - TWIST HATCH - SEWER HOSE - 4" ID - BEIGE
	092887-04-000	EA CHAIN - TWIST CAP - 9"
	093287-03-01A	EA NET - CARGO
	065450-05-000	EA TIEDOWN-BATTERY - 8 4" TUBE

**STEP ASSEMBLIES**

KEY	PART NUMBER	U/M DESCRIPTION
	094707-01-01A	EA STEP - DOUBLE - ELECTRIC KWIKEE 3218
	041250-01-000	EA SWITCH - PUSH BUTTON - IN DOOR JAMB - METAL - CHROME
	094707-02-700	EA MOTOR REPLACEMENT KIT - MODELS 32 & 28 KWIKEE 9520
	094707-02-701	EA LINKAGE ASM - MODEL 32 KWIKEE 9523
	094707-02-702	EA GEAR KIT KWIKEE 9525
	094707-02-703	EA PARTS KIT - (BEARINGS & PINS) KWIKEE 9530
	094707-02-704	EA CONNECTOR KIT - MOTOR KWIKEE 9537
	094707-02-705	EA CONTROL UNIT - (ORANGE) KWIKEE 9513
	100312-01-000	EA SWITCH - DOOR JAMB - ELECTRIC ENTRY STEP - METAL
	077848-01-000	EA STEP - PULLOUT - W/BRACKETS - BLACK

**CHASSIS GROUP (CONTINUED)**



**COMPARTMENT (ENTERTAINMENT CENTER)**

KEY	PART NUMBER	U/M DESCRIPTION
1	104897-01-01A	EA BOX - ENTERTAINMENT CENTER - OFF WHITE (US)
1	104897-03-01A	EA BOX - ENTERTAINMENT CENTER - OFF WHITE (CSA)
2	104899-01-D04	EA PLATE - RADIO MOUNTING
3	105377-01-01A	EA BRACKET - TABLE HANGING - OFF WHITE
4	105376-01-02A	EA HINGE - CONTINUED - 2"X140MM OFF WHITE
5	105230-11-D05	EA SHELF ASM (D12)
	105230-11-D13	EA SHELF ASM
6	105230-12-D09	EA SUPPORT ASM (D12)
	105230-12-D13	EA SUPPORT ASM
	105230-01-D09	EA SHELF & SUPPORT ASM (D12)
	105230-01-D13	EA SHELF & SUPPORT ASM
7	104898-01-01A	EA PLATE - PLASTIC BOTTOM - OFF WHITE (CSA)
7	104898-02-01A	EA PLATE - PLASTIC BOTTOM - OFF WHITE (US)

**1993 WINNEBAGO  
TABLE OF CONTENTS**

INTRODUCTION	A-01 - A-02
ABBREVIATIONS	A-03
ALPHABETICAL INDEX	A-04 - A-06
WCG37RW	A-07 - E-16
WKG34RQ	E-17 - I-18

**1993 WCG37RW INDEX**

FLOOR PLAN	A-07 - A-08
ACCESSORIES	A-09
AUDIO VIDEO	A-10 - A-11
BATH	A-12 - A-14
BEDROOM	A-15 - A-16
CHASSIS	A-17 - B-08
CURTAIN & CUSHION	B-09 - B-18
DINETTE	B-19 - B-22
DRIVERS COMPARTMENT	B-23 - C-02
ELECTRICAL	C-03 - C-08
EXTERIOR BODY	C-09 - C-16
GALLEY	C-17 - C-20
GENERATOR	C-21 - C-22
HEATING & A/C	C-23 - D-02
INTERIOR FINISH	D-03 - D-06
LABELS	D-07 - D-13
LP	D-14
LOUNGE	D-15 - D-18
SEALANTS & FASTENERS	D-19 - D-21
WATER & SEWAGE	D-22 - E-01
WINDOW, VENT & EXTERIOR DOOR	E-02 - E-14
WINDSHIELD & WIPER	E-15 - E-16

**CHASSIS GROUP (CONTINUED)**

HENSCHEN TAG AXLE INSTALLATION (FORD) (FROM: 00-00-00 THRU: 03-27-93)

KEY	PART NUMBER	U/M DESCRIPTION	OVERHILL 8055
	071375-02-000	EA TANK - AIR - TAG AXLE SUSPENSION	OVERHILL 8055
	071375-03-000	EA ISOLATOR - MOUNTING - AIR TANK	OVERHILL 1068
	071387-04-000	EA ELBOW - MALE - BRAKE TUBE 3/8 X 1/4 - 1469X6X4 WEATHERHEAD	
	071389-02-000	EA TEE - MALE BRANCH - 1/4" X 1/4" TUBE	
	071390-03-000	FT TUBING - AIR BRAKE - 3/8" OD - RED - NT10006 -WEATHERHEAD	
	071390-04-000	FT TUBING - AIR BRAKE - 1/4" OD - BLACK - NT10004 -WEATHERHEAD	
	071392-03-000	EA PLUG - HEX HEAD - 1/4 NPT - BRASS - 3152X4 WEATHERHEAD	
	085754-01-000	EA VALVE - HEIGHT CONTROL - PASSENGER SIDE	HENSCHEN 0820046
		W/O LINKAGE	
	085754-02-000	EA VALVE - HEIGHT CONTROL - DRIVER SIDE	HENSCHEN 0820047
		W/O LINKAGE	
	085754-04-000	EA PIVOT - LINK MTG - FORD/OSH KOSH	HENSCHEN 5820084
	085754-05-000	EA LINK - VALVE CONTROL - 7" W/BOLT	HENSCHEN 0820021-7
	085758-02-000	EA SWITCH - "LOW AIR" - NASON SP-17B-20F	
	085766-01-000	EA ADAPTER - 1/4 FPT X 1/4 MPT - BRASS - WEATHERHEAD	
	085773-01-000	EA VALVE - DRAIN - AIR TANK - 1/4 MPT - W/CABLE - WEATHERHEAD	
	086241-01-000	EA VALVE - AIR - 1/4 MPT - TIRE STEM - SCHRADER: 1498E - 6	
	098439-02-000	EA AXLE - TAG - FORD	HENSCHEN 5820066
	085750-01-700	EA MAGNET KIT - OVAL	HENSCHEN M - 130
	085750-01-701	EA SHOE & LININGS FOR 1 BRAKE - SL-111	
	085750-01-705	EA GREASE SEAL	HENSCHEN 0270015
	085750-01-708	EA BRAKE - RIGHT HAND - 12 X 2	HENSCHEN 3160014
	085750-01-709	EA BRAKE - LEFT HAND - 12 X 2	HENSCHEN 3160015
	085750-01-723	EA MAGNET KIT - ROUND	HENSCHEN M - 115
	085750-01-724	EA ARM - LEVELOR - MAGNETIC - RIGHT HAND	HENSCHEN 055829
	085750-01-725	EA ARM - LEVELOR - MAGNETIC - LEFT HAND	HENSCHEN 055830
	094558-02-700	EA BEARING - WHEEL - INNER - JOHN DEERE & FORD TAG AXLE 170050	
	094558-02-701	EA BEARING - WHEEL - OUTER - JOHN DEERE & FORD TAG AXLE 0170052	
	094558-02-704	EA COVER - DUST - W/ZERK - JOHN DEERE & FORD TAG AXLE 3820030	
	098439-02-700	EA HUB & DRUM W/RACES - DRIVER & PASSENGER SIDE - FORD 3160605	
	098439-04-000	EA SUSPENSION - TAG - FORD	HENSCHEN 5820064
	085750-01-712	EA BUSHING - SPRING	HENSCHEN 5503-023
	085750-01-713	EA CROSSMEMBER	HENSCHEN 8600-146
	085750-01-714	EA TRANSVERSE ROD	HENSCHEN 5001-004
	085750-01-715	EA BUSHING - TRANSVERSE ROD	HENSCHEN 7572-102
	085750-01-716	EA PIN - STP-DDLE	HENSCHEN 5506-001
	085750-01-719	EA NUT - SPRING STIRRUP	HENSCHEN 92110-130
	085750-01-720	EA STIRRUP-SPRING	HENSCHEN 8600-079
	085750-01-721	EA BRACKET - FRAME MOUNTING - RIGHT	HENSCHEN 8600-047R
	085750-01-722	EA BRACKET - FRAME MOUNTING - LEFT	HENSCHEN 8600047L
	098439-04-700	EA BELLOWS - AIR SPRING - TAG SUSPENSION	HENSCHEN 0820058

**CHASSIS GROUP (CONTINUED)**

HENSCHEN TAG AXLE INSTALATION (CHEVY) (FROM: 00-00-00 THRU: 10-01-92)

KEY	PART NUMBER	U/M DESCRIPTION	OVERHILL 8055
	071375-02-000	EA TANK - AIR - TAG AXLE SUSPENSION	OVERHILL 8055
	071375-03-000	EA ISOLATOR - MOUNTING - AIR TANK	OVERHILL 1068
	071387-04-000	EA ELBOW-MALE - BRAKE TUBE 3/8 X 1/4 - 1469X6X4 WEATHERHEAD	
	071387-05-000	EA ELBOW-MALE - BRAKE TUBE 1/4 X 1/4 - 1469X4X4 WEATHERHEAD	
	071389-02-000	EA TEE - MALE BRANCH - 1/4" X 1/4" TUBE	
	071390-03-000	FT TUBING - AIR BRAKE - 3/8" OD - RED - NT10006-RD WEATHERHEAD	
	071390-04-000	FT TUBING - AIR BRAKE - 1/4" OD - BLACK - NT10004-BK WEATHERHEAD	
	071392-03-000	EA PLUG - HEX HEAD - 1/4 NPT - BRASS - 3152X4 WEATHERHEAD	
	085750-02-000	EA AXLE - TAG - TORSION/RUBBER SUSPENSION - W/SURE LUBE	HENSCHEN 7300080
			HENSCHEN M - 130
	085750-01-700	EA MAGNET KIT - OVAL	
	085750-01-701	EA SHOE & LININGS - FOR 1 BRAKE - SL-111	
	085750-01-703	EA INNER BEARING CONE	HENSCHEN 0170012
	085750-01-705	EA GREASE SEAL	HENSCHEN 0270015
	085750-01-708	EA BRAKE - RIGHT HAND - 12 X 2	HENSCHEN 3160014
	085750-01-709	EA BRAKE - LEFT HAND - 12 X 2	HENSCHEN 3160015
	085750-01-723	EA MAGNET KIT - ROUND	HENSCHEN M - 115
	085750-01-724	EA ARM - LEVELOR - MAGNETIC - RIGHT ROUND	HENSCHEN 055829
	085750-01-725	EA ARM - LEVELOR - MAGNETIC - LEFT ROUND	HENSCHEN 055830
	085750-02-700	EA HUB & DRUM - W/RACES - SURELUBE	HENSCHEN 3160542
	085750-02-701	EA OUTER BEARING CONE - SURELUBE	HENSCHEN 0170048
	085750-02-702	EA COVER - DUST - W/ZERK - SURELUBE	HENSCHEN 0200028
	085751-01-000	EA SHOCK - ABSORBER - TAG AXLE	HENSCHEN 0220003
	085752-01-000	EA SUSPENSION - AIR - P-30 SUPERIDE	HENSCHEN 3450064
	085750-01-711	EA SPRING - AIR	HENSCHEN 8003-011
	085750-01-712	EA BUSHING - SPRING	HENSCHEN 5503-023
	085750-01-713	EA CROSSMEMBER	HENSCHEN 8600-146
	085750-01-714	EA TRANSVERSE ROD	HENSCHEN 5001-004
	085750-01-715	EA BUSHING - TRANSVERSE ROD	HENSCHEN 7572-102
	085750-01-716	EA PIN-STRADDLE	HENSCHEN 5506-001
	085750-01-717	EA BEAM - AIR SPRING	HENSCHEN 8600-147
	085750-01-719	EA NUT - SPRING STIRRUP	HENSCHEN 92110-130
	085750-01-720	EA STIRRUP-SPRING	HENSCHEN 8600-079
	085750-01-721	EA BRACKET - FRAME MOUNTING - RIGHT	HENSCHEN 8600-047R
	085750-01-722	EA BRACKET - FRAME MOUNTING - LEFT	HENSCHEN 8600047L
	085754-01-000	EA VALVE - HEIGHT CONTROL - PASSENGER SIDE	HENSCHEN 0820046
		W/O LINKAGE	
	085754-02-000	EA VALVE - HEIGHT CONTROL - DRIVER SIDE	HENSCHEN 0820047
		W/O LINKAGE	
	085754-03-000	EA PIVOT - LINK MTG - CHEVY	HENSCHEN 5820083
	085754-05-000	EA LINK - VALVE CONTROL - 7" W/BOLT	HENSCHEN 0820021-7
	085758-01-000	EA SWITCH - "LOW AIR"	HENSCHEN 510650-00
	085766-01-000	EA ADAPTER - 1/4 FPT X 1/4 MPT - BRASS - WEATHERHEAD	
	085772-01-000	EA WASHER - CONICAL SPRING - 5/8 - TAG AXLE MOUNT	
	085773-01-000	EA VALVE - DRAIN - AIR TANK - 1/4 MPT - W/CABLE - WEATHERHEAD	
	086241-01-000	EA VALVE - AIR - 1/4 MPT - TIRE STEM - SCHRADER 1498E - 6	
	1C4993-01-000	EA SHOCK ABSORBER - GAS - P30 FRONT - BILSTEIN B46-1173	

**1993 WINNEBAGO  
TABLE OF CONTENTS**

INTRODUCTION	A-01 - A-02
ABBREVIATIONS	A-03
ALPHABETICAL INDEX	A-04 - A-06
WCG37RW	A-07 - E-16
WKG34RQ	E-17 - I-18

**1993 WCG37RW INDEX**

FLOOR PLAN	A-07 - A-08
ACCESSORIES	A-09
AUDIO VIDEO	A-10 - A-11
BATH	A-12 - A-14
BEDROOM	A-15 - A-16
CHASSIS	A-17 - B-08
CURTAIN & CUSHION	B-09 - B-18
DINETTE	B-19 - B-22
DRIVERS COMPARTMENT	B-23 - C-02
ELECTRICAL	C-03 - C-08
EXTERIOR BODY	C-09 - C-16
GALLEY	C-17 - C-20
GENERATOR	C-21 - C-22
HEATING & A/C	C-23 - D-02
INTERIOR FINISH	D-03 - D-06
LABELS	D-07 - D-13
LP	D-14
LOUNGE	D-15 - D-18
SEALANTS & FASTENERS	D-19 - D-21
WATER & SEWAGE	D-22 - E-01
WINDOW, VENT &	
EXTERIOR DOOR	E-02 - E-14
WINDSHIELD & WIPER	E-15 - E-16



## CHASSIS GROUP (CONTINUED)

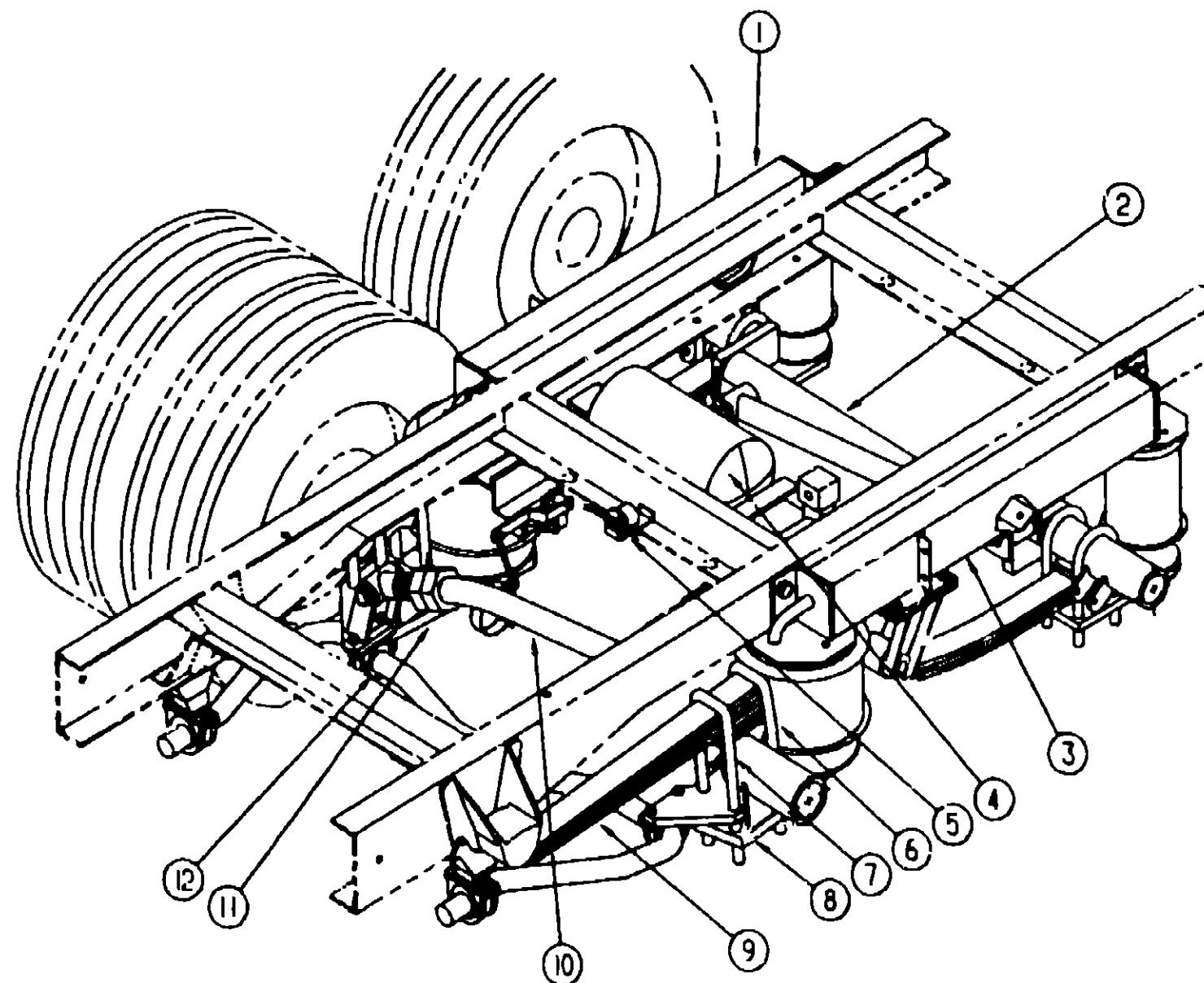
### HYDRAULIC LEVELING SYSTEM & GAS SHOCKS (CHEVY)

KEY	PART NUMBER	U/M DESCRIPTION	
	100532-02-000	EA LEVELING SYSTEM - HYDRAULIC	HWH AP8156
	089339-01-700	EA JACK - HYDRAULIC	HWH #AP7002
	100532-01-700	EA VALVE FOR MANUAL LEVEL W/DELUXE	HWH# RAP4973
	100532-01-703	EA LEVEL SENSOR W/13" LEAD	RAP6849
	100532-01-704	EA SWITCH - MERCURY-9K JACK	RAP7328
	100532-01-705	EA SPRING KIT - 9K JACK	R1171
	100532-01-706	EA ACTIVATOR KIT - 9K JACK	RAP7028
	100532-01-707	EA ROLLER BRG KIT - 9K JACK	R2527
	100532-01-708	EA SOLENOID KIT - INTERMITTENT	RAP4985
	100532-01-710	EA SOLENOID KIT W/CLAMP	RAPS147
	100512-02-700	EA 6K TALL JACK ASM	RAP7164
	100532-02-701	EA SPRING KIT - 6K JACK	R6824
	100532-02-702	EA ACTIVATOR KIT - 6K JACK	RAP7062
	100532-02-703	EA WARNING SWITCH KIT - 6K JACK	RAP7328
	100532-02-704	EA ACTIVATOR CABLE - 6K JACK	RAP7194
	100532-02-705	EA PUMP/RESERVOIR ASM - MONARCH	RAP8178
	100532-03-710	EA SENSING UNIT 21' MTA	RAP6798
	100533-05-000	EA BRACKETS - FRONT LEVELING JACK	HWH AP7107
	110070-01-000	EA BRACKETS - REAR - LEVELING JACKS	
	100536-10-000	EA HOSE KIT	HWH #AP0012
		CONTAINS (FRONTS - 60" & 116" - (REARS - 324" & 354") - (PRESSURE & RETURN - BOTH 84")	
	104993-01-000	EA SHOCK ABSORBER - GAS - P30 FRONT - BILSTEIN B46-1173	

### HYDRAULIC LEVELING SYSTEM (FORD)

KEY	PART NUMBER	U/M DESCRIPTION	
	100532-02-000	EA LEVELING SYSTEM - HYDRAULIC	HWH AP8156
	089339-01-700	EA JACK - HYDRAULIC	HWH #AP7002
	100532-01-700	EA VALVE FOR MANUAL LEVEL W/DELUXE	HWH# RAP4973
	100532-01-703	EA LEVEL SENSOR W/13" LEAD	RAP6849
	100532-01-704	EA SWITCH - MERCURY-9K JACK	RAP7328
	100532-01-705	EA SPRING KIT - 9K JACK	R1171
	100532-01-706	EA ACTIVATOR KIT - 9K JACK	RAP7028
	100532-01-707	EA ROLLER BRG KIT - 9K JACK	R2527
	100532-01-708	EA SOLENOID KIT - INTERMITTENT	RAP4985
	100532-01-710	EA SOLENOID KIT W/CLAMP	RAPS147
	100532-02-700	EA 6K TALL JACK ASM	RAP7164
	100532-02-701	EA SPRING KIT - 6K JACK	R6824
	100532-02-702	EA ACTIVATOR KIT - 6K JACK	RAP7062
	100532-02-703	EA WARNING SWITCH KIT - 6K JACK	RAP7328
	100532-02-704	EA ACTIVATOR CABLE - 6K JACK	RAP7194
	100532-02-705	EA PUMP/RESERVOIR ASM - MONARCH	RAP8178
	100532-03-710	EA SENSING UNIT 21' MTA	RAP6798
	100533-06-000	EA BRACKETS - FRONT LEVELING JACK	HWH AP7160
	100534-03-000	EA BRACKETS - REAR LEVELING JACKS	HWH# AP7394
	100536-10-000	EA HOSE KIT	FROM 00-00-00 THRU 03-26-93 HWH #AP0012 FROM 03-17-93 THRU 99-99-99

## CHASSIS GROUP (CONTINUED)



CHEVY JET AIR TAG AXLE (FROM: 10-02-92 THRU: 99-99-99)

KEY	PART NUMBER	U/M DESCRIPTION	
1	090436-45-000	EA MOUNT - SPRING - CHEV TAG RH UPPER	JET 55751
2	090436-43-000	EA AXLE - TAG - CHEV OFFSET	JET 55902
3	090436-53-000	EA MOUNT - SPRING - CHEV LH UP TAG MOUNTING	JET 55850
4	090436-35-000	EA COMPRESSOR & TANK - W/O WIRING	JET 60703
	090436-40-000	EA FILTER - AIR INTAKE - COMPRESSOR	
5	085758-01-000	EA SWITCH - "LOW AIR"	
6	090436-13-000	EA U-BOLT - REARWARD - BENT - 7/8"	JET 351-1
7	090436-12-000	EA U-BOLT - FOREWARD - STRAIGHT - 7/8"	JET# 351
8	090436-10-000	EA MOUNT - SPRING/AXLE - LOWER DRIVER	JET# 373
9	090436-41-000	EA SPRING	JET 51793
10	090436-47-000	EA BAR - TRACK - W/PIVOT BOLTS	JET 51765
11	090436-46-000	EA MOUNT - SPRING/AXLE CHEV RH LOWER	JET 51755 93 C
	090436-52-000	EA BRACKET - TRACK BAR - STD	JET 51354 3 25
12	091250-03-000	EA BUSHING - SWAY BAR - 1 75" CUT - HELLWIG# PB 732	
	090436-49-000	EA WIRING ASM - TAG - W/O PARK/LVL	JET 55763
	110045-02-000	EA WIRING ASM - CHASSIS (JET TAG)	
	085758-01-000	EA LIGHT - WARNING - "LOW AIR"	
	085753-02-000	EA BRAKE CONTROL - TEKONSHA 9030	

FOR INTERIOR INSTALLATION ONLY - REPLACES THE 01- SYSTEM  
SOME REWIRING WILL BE NEEDED WHEN REPLACING THE 01 SYSTEM

## 1993 WINNEBAGO TABLE OF CONTENTS

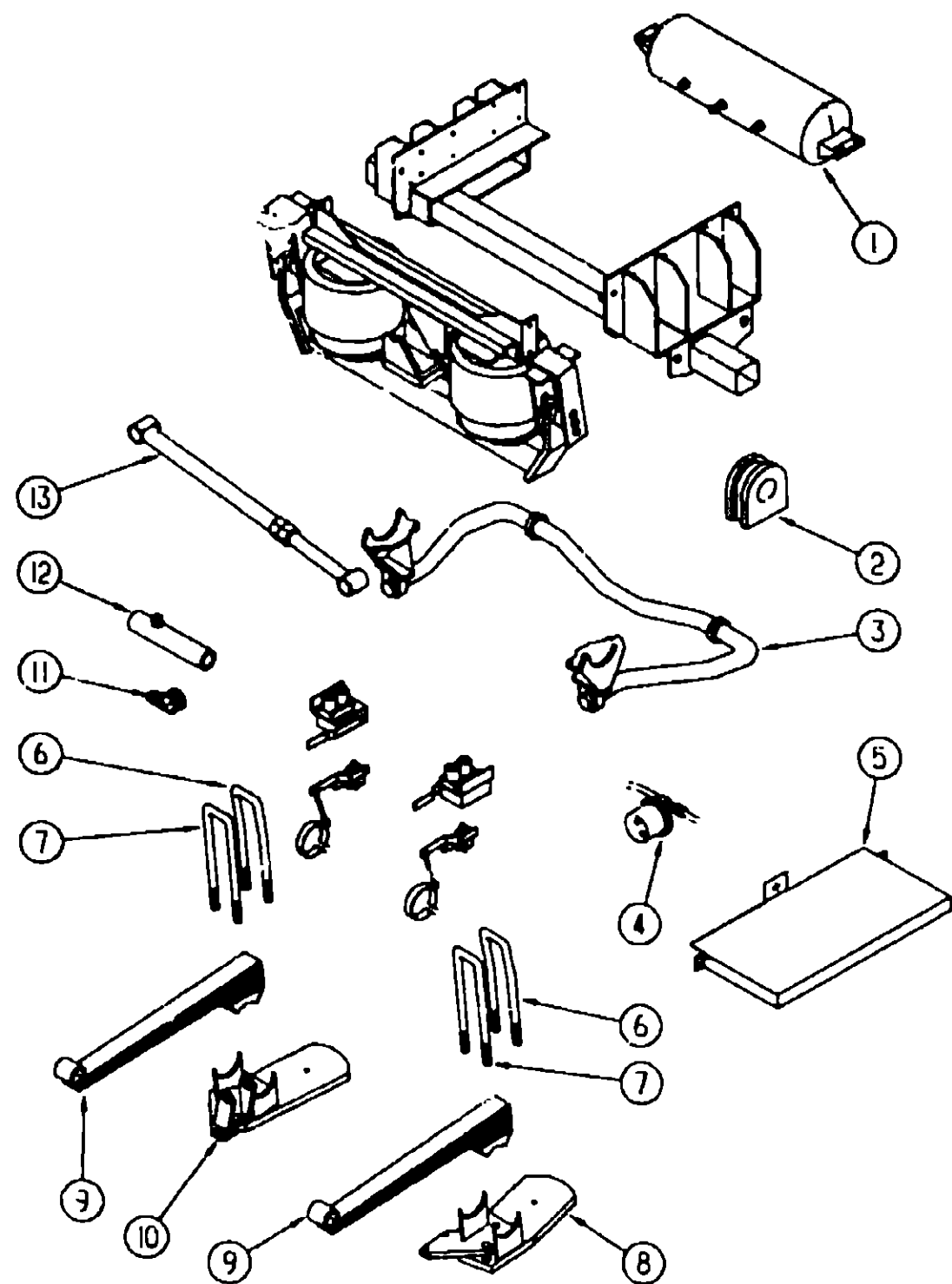
INTRODUCTION	A-01 - A-02
ABBREVIATIONS	A-03
ALPHABETICAL INDEX	A-04 - A-06
WCG37RW	A-07 - E-16
WKG34RQ	E-17 - I-18

## 1993 WCG37RW INDEX

FLOOR PLAN	A-07 - A-08
ACCESSORIES	A-09
AUDIO VIDEO	A-10 - A-11
BATH	A-12 - A-14
BEDROOM	A-15 - A-16
CHASSIS	A-17 - B-08
CURTAIN & CUSHION	B-09 - B-18
DINETTE	B-19 - B-22
DRIVERS COMPARTMENT	B-23 - C-02
ELECTRICAL	C-03 - C-08
EXTERIOR BODY	C-09 - C-16
GALLEY	C-17 - C-20
GENERATOR	C-21 - C-22
HEATING & A/C	C-23 - D-02
INTERIOR FINISH	D-03 - D-06
LABELS	D-07 - D-13
LP	D-14
LOUNGE	D-15 - D-18
SEALANTS & FASTENERS	D-19 - D-21
WATER & SEWAGE	D-22 - E-01
WINDOW VENT &	
EXTERIOR DOOR	E-02 - E-14
WINDSHIELD & WIPER	E-15 - E-16

# CHASSIS GROUP (CONTINUED)

FORD JET AIR TAG AXLE (FROM: 10-02-82 THRU: 08-08-89)



KEY	PART NUMBER	U/M	DESCRIPTION	
1	090436-35-000	EA	COMPRESSOR - TANK - W/O WIRING	JET 60703
	090436-40-000	EA	FILTER - AIR INTAKE - COMPRESSOR	
2	01250-03-000	EA	BUSHING - SWAY BAR - 1 75" CUT - HELLWIG# PB 732	
3	090436-26-000	EA	BAR - STABILIZER - REAR	JET 40358
4	085758-01-000	EA	SWITCH - "LOW AIR"	
5	090436-28-000	EA	SHIELD-HEAT - FUEL TANK	JET 40360
6	090436-25-000	EA	U-BOLT - 1-14 X 4" X 15" - W/NUTS	JET 40352
7	090436-22-000	EA	U-BOLT - 1-14 X 4" X 14" - W/NUTS	JET 40351
8	090436-60-000	EA	MOUNT - SPRG - FORD TAG LH UPPER	JET 65750
9	090436-23-000	EA	SPRING - LEAF - SEMI - FORD	JET 40361
10	090436-65-000	EA	MOUNT-SPRING, FORD TAG - RIGHT UPPER	JET 65858
11	090436-29-000	EA	BRACKET - BRAKE HOSE/FRAME	JET 40362
12	090436-30-000	EA	BRACKET - BRAKE HOSE/CALIPER	JET 40364
13	090436-31-000	EA	BAR - TRACK - W/BOLTS & BRACKETS	JET 40356
	090436-49-000	EA	WIRING ASM - TAG - W/O PARK/LEVEL	JET 55763
	090436-64-000	EA	AXLE - TAG - FORD OFFSET	JET 65902 M&G
	110045-02-000	EA	WIRE ASM - CHASSIS (JET TAG)	
	085759-01-000	EA	LIGHT - WARNING - "LOW AIR"	
	085753-02-000	EA	BRAKE CONTROL - TEKONSHA 9030	

FOR INTERIOR INSTALLATION ONLY - REPLACES THE -01- SYSTEM  
SOME REWIRING WILL BE NEEDED WHEN REPLACING THE 01 SYSTEM

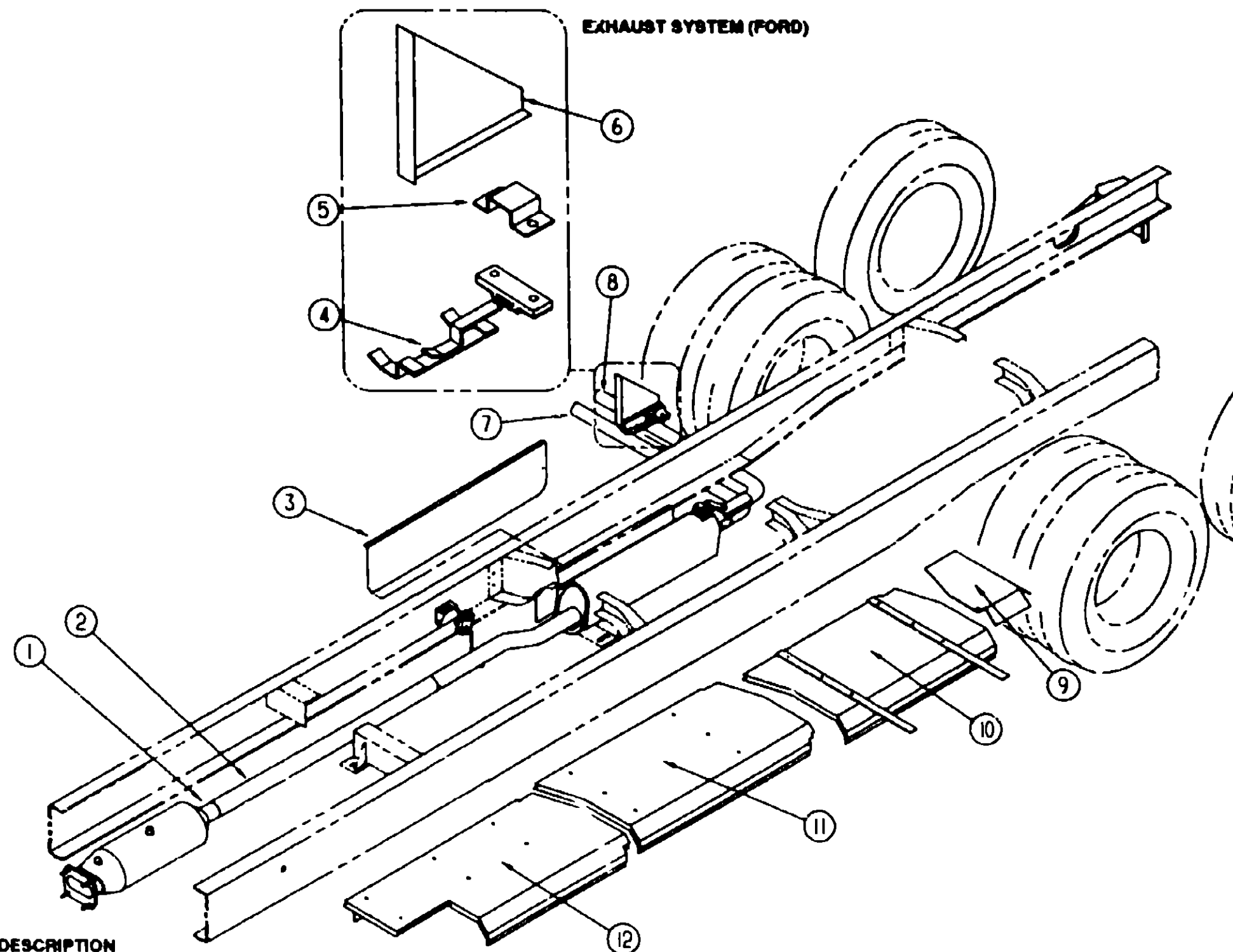
## 1993 WINNEBAGO TABLE OF CONTENTS

INTRODUCTION	A-01 - A-02
ABBREVIATIONS	A-03
ALPHABETICAL INDEX	A-04 - A-06
WCG37RW	A-07 - E-16
WKG34RQ	E-17 - I-18

## 1993 WCG37RW INDEX

FLOOR PLAN	A-07 - A-08
ACCESSORIES	A-09
AUDIO VIDEO	A-10 - A-11
BATH	A-12 - A-14
BEDROOM	A-15 - A-16
CHASSIS	A-17 - B-08
CURTAIN & CUSHION	B-09 - B-18
DINETTE	B-19 - B-22
DRIVERS COMPARTMENT	B-23 - C-02
ELECTRICAL	C-03 - C-08
EXTERIOR BODY	C-09 - C-16
GALLEY	C-17 - C-20
GENERATOR	C-21 - C-22
HEATING & A/C	C-23 - D-02
INTERIOR FINISH	D-03 - D-06
LABELS	D-07 - D-13
LP	D-14
LOUNGE	D-15 - D-18
SEALANTS & FASTENERS	D-19 - D-21
WATER & SEWAGE	D-22 - E-01
WINDOW, VENT & EXTERIOR DOOR	E-02 - E-14
WINDSHIELD & WIPER	E-15 - E-16

### CHASSIS GROUP (CONTINUED)



### 1993 WINNEBAGO TABLE OF CONTENTS

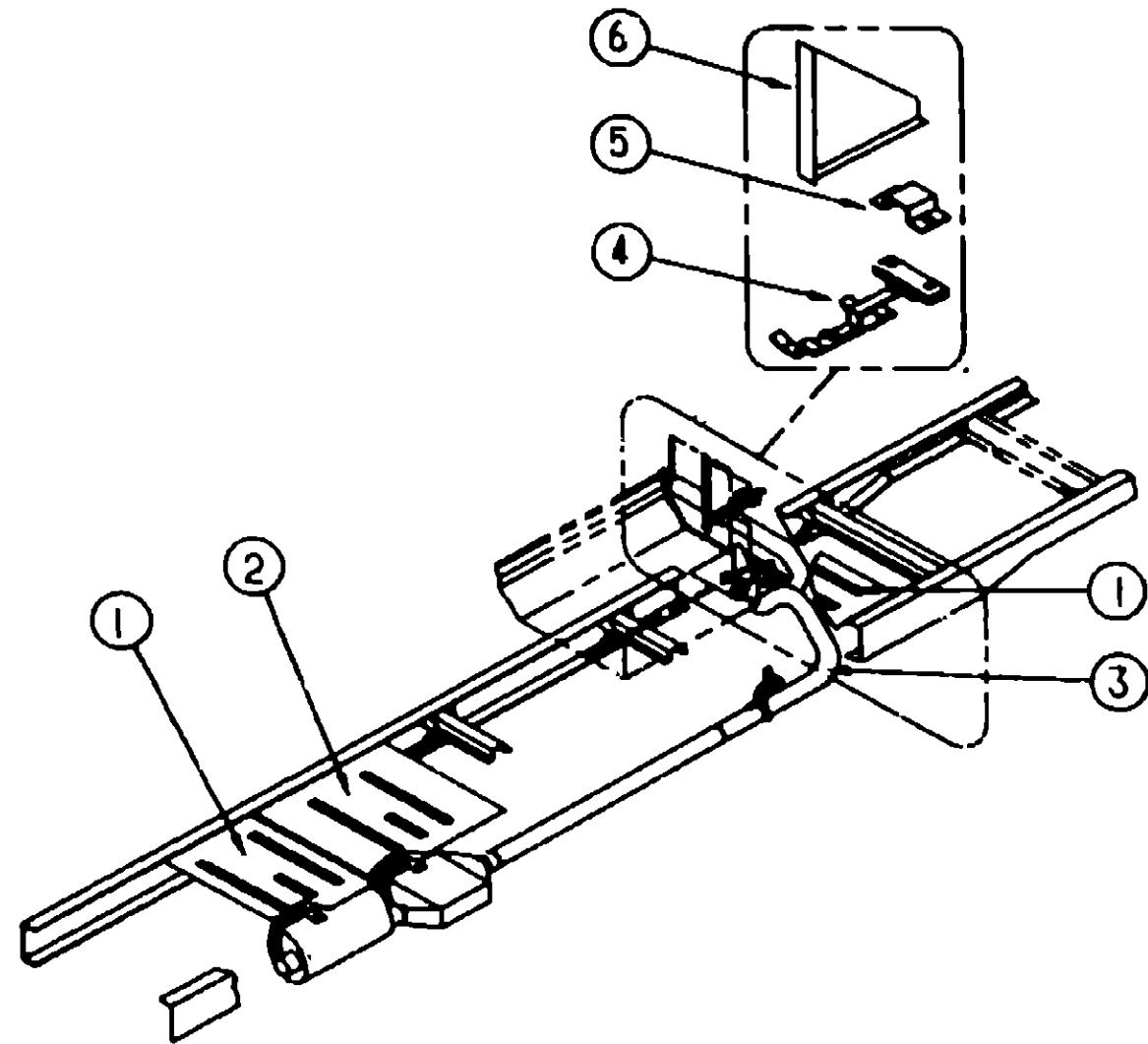
INTRODUCTION	A-01 - A-02
ABBREVIATIONS	A-03
ALPHABETICAL INDEX	A-04 - A-06
WCG37RW	A-07 - E-16
WKG34RQ	E-17 - I-18

### 1993 WCG37RW INDEX

FLOOR PLAN	A-07 - A-08
ACCESSORIES	A-09
AUDIO VIDEO	A-10 - A-11
BATH	A-12 - A-14
BEDROOM	A-15 - A-16
CHASSIS	A-17 - B-08
CURTAIN & CUSHION	B-09 - B-18
DINETTE	B-19 - B-22
DRIVERS COMPARTMENT	B-23 - C-02
ELECTRICAL	C-03 - C-08
EXTERIOR BODY	C-09 - C-16
GALLEY	C-17 - C-20
GENERATOR	C-21 - C-22
HEATING & A/C	C-23 - D-02
INTERIOR FINISH	D-03 - D-06
LABELS	D-07 - D-13
LP	D-14
LOGS	D-15 - D-18
SEALANTS & FASTENERS	D-19 - D-21
WATER & SEWAGE	D-22 - E-01
WINDOW, VENT & EXTERIOR DOOR	E-02 - E-14
WINDSHIELD & WIPER	E-15 - E-16

KEY	PART NUMBER	U/M DESCRIPTION
1	094918-03-000	EA CLAMP - EXHAUST PIPE - 2.5"
2	096753-03-000	EA PIPE - EXHAUST - OFFSET - 15.2" LONG - 2.5" ID
3	109778-01-000	EA SHIELD - HEAT - LP
4	107887-01-000	EA HANGER ASM - EXHAUST
	096055-02-000	EA SUPPORT - EXHAUST PIPE - 1" X 1.5 8"
	007125-07-000	EA CLAMP - MUFFLER - 2.5" DIAMETER
5	095190-01-000	EA HANGER - EXHAUST - 4" X 1.4"
5	096207-04-000	EA SUPPORT ASM - EXHAUST
6	102117-03-000	EA HANGER ASM - TAILPIPE
	007125-11-000	EA CLAMP - MUFFLER - 2.75" DIAMETER
7	107755-01-000	EA TAIL PIPE - EXHAUST
8	107755-02-000	EA TAIL PIPE - EXHAUST
9	099430-01-000	EA SHIELD - EXHAUST - REAR - 14" X 19.1" - FROM EDGE TO BEND
10	098795-02-000	EA SHIELD - EXHAUST 15.67" X 35.39"
11	098795-03-000	EA SHIELD - EXHAUST - GALVANIZED STEEL
12	098796-02-000	EA SHIELD - EXHAUST - CONVERTER
		FROM 00-00-00 THRU 02-14-93
12	098795-07-000	EA SHIELD - EXHAUST - CONVERTER
		FROM 02-15-93 THRU 99-99-99
	096054-01-000	EA SUPPORT - EXHAUST PIPE - BENT - 2.6" X 8" - STEEL
	098443-03-000	EA SUPPORT - SHIELD - EXHAUST - 1.5" X 29.2" - STEEL - PRIMED

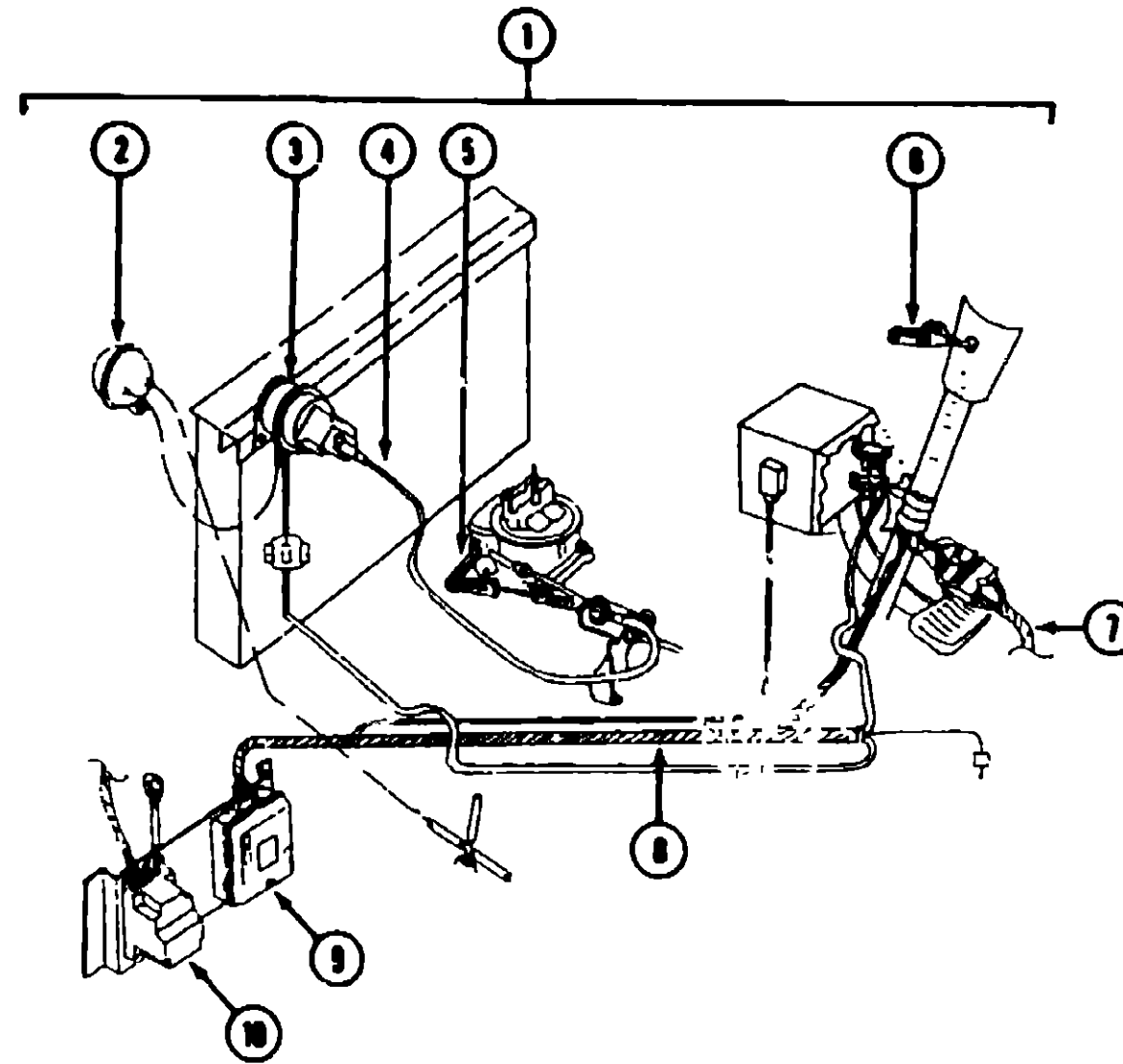
CHASSIS GROUP (CONTINUED)



EXHAUST SYSTEM (CHEVY)

KEY	PART NUMBER	U/M DESCRIPTION
1	101544-01-000	EA SHIELD - HEAT - EXHAUST - 1 7' X 28 9" - STEEL
2	101544-02-000	EA SHIELD - HEAT - EXHAUST - 30" X 28 9" - STEEL
3	107754-01-000	EA PIPE - EXHAUST - TAIL
	094918-01-000	EA CLAMP - EXHAUST - 3"
4	107887-01-000	EA HANGER ASM - EXHAUST
5	095190-01-000	EA HANGER - EXHAUST - 4" X 1 4"
6	102117-02-000	EA HANGER ASM - TAILPIPE

CHASSIS GROUP (CONTINUED)



SPEED CONTROL (CHEVY)

KEY	PART NUMBER	U/M DESCRIPTION	
1	102362-04-000	EA SPEED CONTROL	DANA 59L-111022-B
2	094369-01-705	EA VACUUM RESERVOIR	DANA 59C-02249
3	094369-01-706	EA SERVO	DANA 53D-11116 R
4	102362-01-700	EA SERVO CABLE	DANA 59C-03001
5	102362-01-706	EA THROTTLE STUD	DANA 59A-02979
6	102362-01-707	EA SWITCH & LEVER - CONTROL	DANA 53D-08X63-F
7	102362-01-703	EA HARNESS - PIVOT SW TO WIPER CONTROL	DANA 59C-02973
8	102362-01-704	EA HARNESS - MAIN WIRING	DANA 59D-02975
9	102362-01-701	EA REGULATOR - ELECTRONIC	DANA 57C-08X13-R
10	091900-01-702	EA WIPER CONTROL MODULE	DANA 66C-00061
	094863-01-704	EA HOUSING - 4 PIN	DANA 59C-02291
	102362-01-705	EA CLIP - THROTTLE RETAINER	DANA 59A-02821

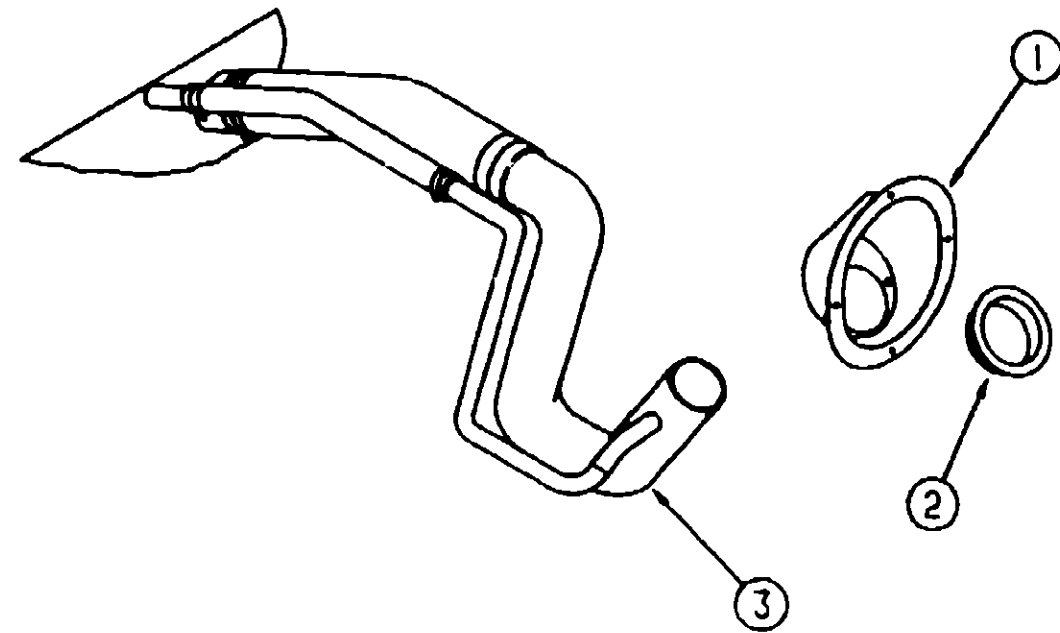
1993 WINNEBAGO  
TABLE OF CONTENTS

INTRODUCTION	A-01 - A-02
ABBREVIATIONS	A-03
ALPHABETICAL INDEX	A-04 - A-06
WCG37RW	A-07 - E-16
WXG34RQ	E-17 - I-18

1993 WCG37RW INDEX

FLOOR PLAN	A-07 - A-08
ACCESSORIES	A-09
AUDIO VIDEO	A-10 - A-11
BATH	A-12 - A-14
BEDROOM	A-15 - A-16
CHASSIS	A-17 - B-08
CURTAIN & CUSHION	B-09 - B-18
DINETTE	B-19 - B-22
DRIVERS COMPARTMENT	B-23 - C-02
ELECTRICAL	C-03 - C-08
EXTERIOR BODY	C-09 - C-16
GALLEY	C-17 - C-20
GENERATOR	C-21 - C-22
HEATING & A/C	C-23 - D-02
INTERIOR FINISH	D-03 - D-06
LABELS	D-07 - D-13
LP	D-14
LOUNGE	D-15 - D-18
SEALANTS & FASTENERS	D-19 - D-21
WATER & SEWAGE	D-22 - E-01
WINDOW, VENT & EXTERIOR DOOR	E-02 - E-14
WINDSHIELD & WIPER	E-15 - E-16

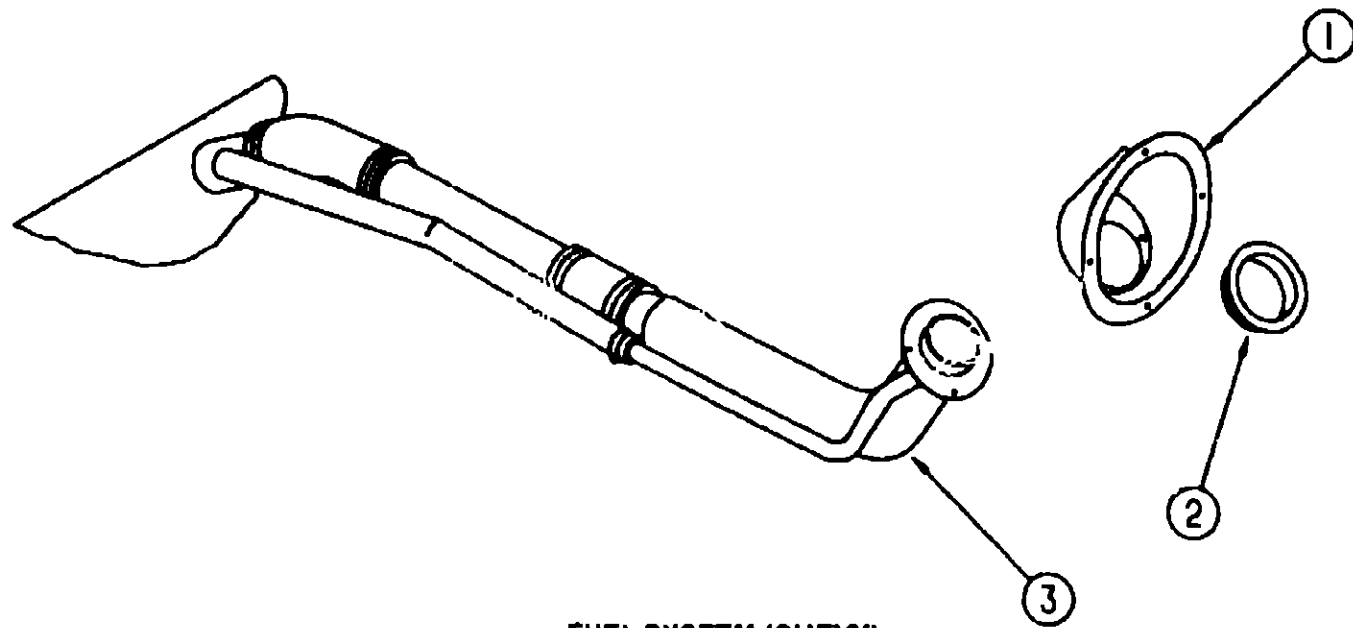
**CHASSIS GROUP (CONTINUED)**



**FUEL SYSTEM (FORD)**

KEY	PART NUMBER	U/M DESCRIPTION
1	102951-01-05A	EA SHROUD - FUEL FILL - BUFF
2	078200-01-000	EA GASKET - FUEL FILL - 3.5"OD X 2"ID
3	095607-01-000	EA NECK ASM - FUEL FILL
	007063-01-000	FT HOSE - GAS 1/4"ID X 1/2"OD
	075466-01-000	EA UNION - INVERTED FLARE TUBE - 1/4"
	075467-01-000	EA NUT - INVERTED FLARE - 1/4"
	084884-01-000	EA PLUG - BRASS - 3/8
	095894-05-000	EA LINE ASM - FORD - PLASTIC
	104932-02-000	EA PANEL ASM - FUEL FILL

**FUEL SYSTEM (CHEVY)**



KEY	PART NUMBER	U/M DESCRIPTION
1	102951-01-05A	EA SHROUD - FUEL FILL - BUFF
2	078200-01-000	EA GASKET - FUEL FILL - 3.5"OD X 2"ID
3	087256-02-000	EA NECK ASM - FUEL FILL
	007063-01-000	FT HOSE - GAS 1/4"ID X 1/2"OD
	075466-01-000	EA UNION - INVERTED FLARE TUBE - 1/4"
	075467-01-000	EA NUT - INVERTED FLARE - 1/4"
	084884-01-000	EA PLUG - BRASS - 3/8
	074800-18-000	EA TUBE - EXTENSION - MAIN FUEL
	104932-02-000	EA PANEL ASM - FUEL FILL

**CHASSIS GROUP (CONTINUED)**

**TIRE & WHEEL HARDWARE (FORD)**

KEY	PART NUMBER	U/M DESCRIPTION
	091209-08-000	EA WHEEL LINER SET W/FRONT HUB COVER 16" (SET OF 4)
	091209-08-700	EA LINER - WHEEL - 16" FRONT W/AXLE COVER - 10 LUG
	091209-09-000	EA LINER - WHEEL - W/INTEGRATED FRONT AXLE COVER - TAG - 16"
	091209-08-701	EA LINER - WHEEL - 16" REAR - 10 LUG
	091209-08-702	EA COVER - AXLE - 15" REAR
	091209-01-704	EA COVER - LUG NUT LUG NUT COVER - NO SHOULDER OR FLANGE AT BASE
	095012-03-000	EA EXTENSION - VALVE STEM - DUAL WHEEL
	095012-04-000	EA STABILIZER - VALVE EXTENSION
	M00080-48-000	EA FORD TIRE & WHEEL
	051377-05-000	EA VALVE STEM ASM - VS938
	083425-05-000	EA TIRE - MICHELIN - LT235/85R16 LRE - XPS RIB
	095853-01-000	EA WHEEL - STEEL - 16"X6K - E8TZ - 1015 - A FROM 00-00-00 THRU 08-01-93
	095853-02-000	EA WHEEL - STEEL - 16"X6K - F2TA - 1015 - NA FROM 08-02-93 THRU 99-99-99
	098532-01-000	EA COVER - WHEEL - FORD - 16" - SET OF 4
	098532-01-700	EA COVER - LUG NUT - CHROME
	098532-01-701	EA COVER - WHEEL - 16"
	098532-02-000	EA COVER - WHEEL - 16" FORD - SET OF 2 - TAG - 16"

**TIRE & WHEEL HARDWARE (CHEVY)**

KEY	PART NUMBER	U/M DESCRIPTION
	091209-01-000	EA LINER - WHEEL - 19.5" - SST - SET OF 4 - KAPER 1954-ION
	091209-02-000	EA LINER - WHEEL - 19.5" - SST - SET OF 2 - KAPER 1952R-ION
	091209-01-700	EA LINER - WHEEL - 19.5" FRONT - 10 LUG - CHEVY P-30
	091209-01-701	EA LINER - WHEEL - 19.5" REAR - 10 LUG - CHEVY P-30
	091209-01-702	EA COVER - AXLE - 19.5" FRONT - 10 LUG - CHEVY P-30
	091209-01-703	EA COVER - AXLE - 19.5" REAR - 10 LUG - CHEVY P-30
	091209-01-704	EA COVER - LUG NUT
	077030-02-000	EA EXTENSION - VALVE STEM - 1.25"
	095012-03-000	EA EXTENSION - VALVE STEM - DUAL WHEEL
	095012-04-000	EA STABILIZER - VALVE EXTENSION
	109443-01-000	EA WHEEL COVER 4/SET 19.5 W/HDW
	109443-02-000	EA WHEEL COVER 2/SET 19.5 W/HDW DICOR SHAG95RAS
	109443-01-700	EA WHEEL COVER 19.5 SHAG95 LONLY DICOR
	109443-01-701	EA SET - BRACKET - 1 FRONT WHEEL SHAG95-FBS DICOR
	109443-01-702	EA SET - BRACKET - 1 REAR WHEEL SHAG95-RBS DICOR
	109443-01-703	EA CAP - CENTER - HUB - DICOR SP AUCAP
	M00080-38-000	EA TIRE & VALVE STEM RIM PROVIDED BY CHASSIS SUPPLIER
	007324-04-000	EA TIRE - 8R19.5 LRD - MICHELIN XZA
	051377-01-000	EA STEM - VALVE - TR 500

**1993 W/NEBAGO  
TABLE OF CONTENTS**

INTRODUCTION	A-01 - A-02
ABBREVIATIONS	A-03
ALPHABETICAL INDEX	A-04 - A-06
WCG37RW	A-07 - E-16
WKG34RQ	E-17 - I-18

**1993 WCG37RW INDEX**

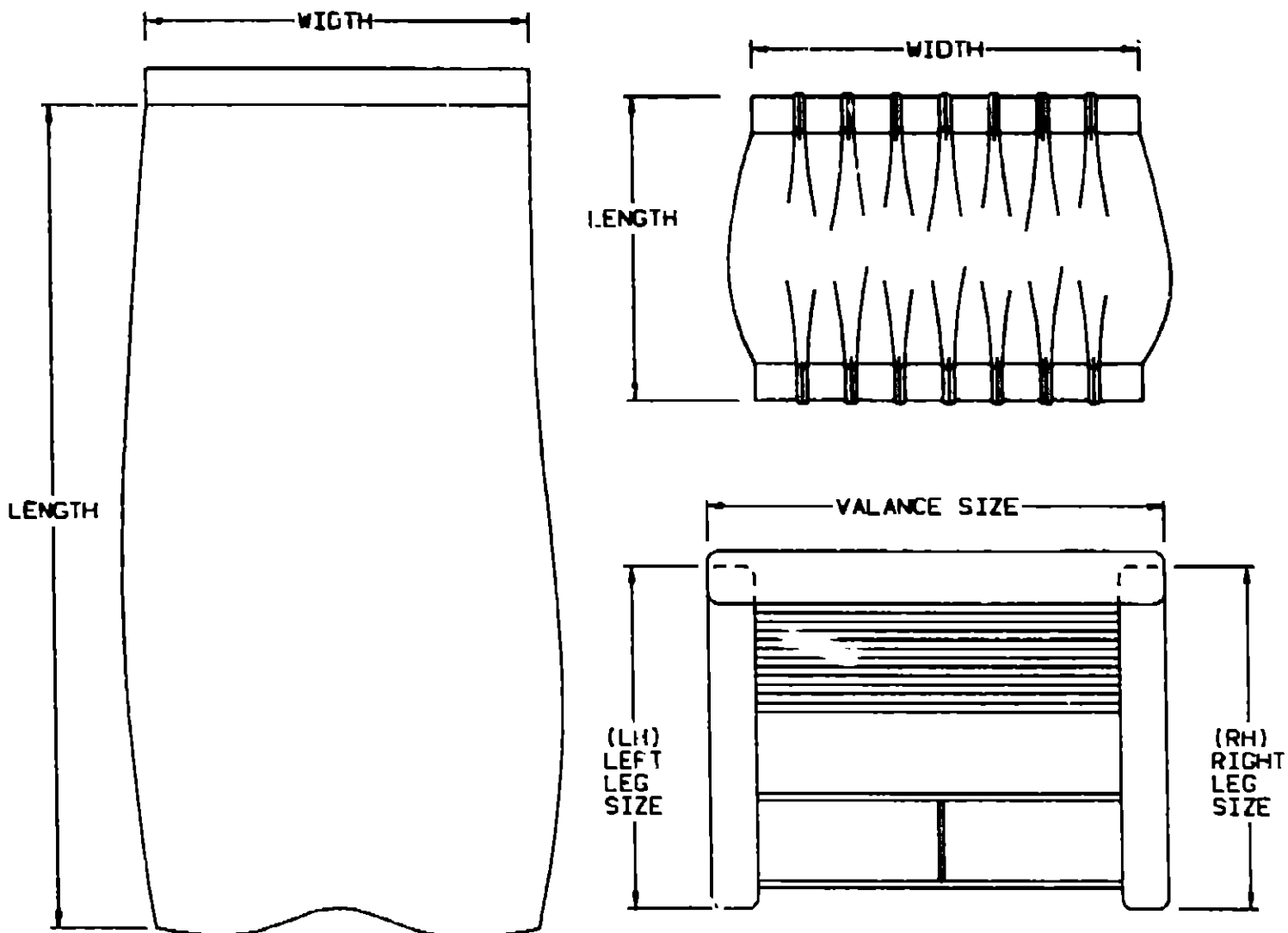
FLOOR PLAN	A-07 - A-08
ACCESSORIES	A-09
AUDIO VIDEO	A-10 - A-11
BATH	A-12 - A-14
BEDROOM	A-15 - A-16
CHASSIS	A-17 - B-08
CURTAIN & CUSHION	B-09 - B-18
DINETTE	B-19 - B-22
DRIVERS COMPARTMENT	B-23 - C-02
ELECTRICAL	C-03 - C-08
EXTERIOR BODY	C-09 - C-16
GALLEY	C-17 - C-20
GENERATOR	C-21 - C-22
HEATING & A/C	C-23 - D-02
INTERIOR FINISH	D-03 - D-06
LABELS	D-07 - D-13
LP	D-14
LOUNGE	D-15 - D-18
SEALANTS & FASTENERS	D-19 - D-21
WATER & SEWAGE	D-22 - E-01
WINDOW, VENT & EXTERIOR DOOR	E-02 - E-14
WINDSHIELD & WIPER	E-15 - E-16

## CURTAIN & CUSHION GROUP

### NOTICE

IN ORDER TO ASSIST OUR PARTS SALES DEPT. IN PROVIDING INTERIOR SOFTGOODS ITEMS, PLEASE INCLUDE THE SERIAL NUMBER AND THE COLOR CODE NUMBER FROM THE VEHICLE CERTIFICATION LABEL WHEN ORDERING. THIS LABEL IS LOCATED ON THE LEFT SIDEWALL AT THE END OF THE DASH (A-BODY), OR ON THE DRIVER'S DOOR LATCH PLATE (C-BODY).

AN EXAMPLE OF A COLOR CODE NUMBER IS B07, WHICH DESIGNATES AN OVERALL COLOR SCHEME OF A PARTICULAR UNIT. THE COLOR LISTED AFTER THE ITEM DESCRIPTION ON THE MICROFICHE, INDICATES THE OVERALL UNIT COLOR. ORDER THE ITEM YOU DESIRE ACCORDING TO UNIT COLOR CODE.



NOTE USE THIS ILLUSTRATION WHEN DETERMINING LENGTH AND WIDTH MEASUREMENTS FOR CURTAINS. YOU WILL NOTE THE WIDTH MEASUREMENT IS TAKEN ON THE TOP OF THE CURTAIN WITH THE CURTAIN FULLY EXTENDED. THE LENGTH MEASUREMENT IS TAKEN FROM TOP TO BOTTOM. LEFT AND RIGHT WINDOW LEGS ARE DETERMINED WHEN FACING THE WINDOW.

## CURTAIN & CUSHION GROUP (CONTINUED)

### FABRIC & TRIMS

KEY	PART NUMBER	U/M	DESCRIPTION
	072333-82-000	YD	FABRIC - CURTAIN - 54" WIDE - BEIGE
	072333-89-000	YD	FABRIC - DRAPERY - INVERNESS - IVORY - DESIGNCRAFT LACE
	075244-04-000	YD	FABRIC - VINYL - SHOWER CURTAIN - 72" WIDE - SALMON (D12)
	075244-07-000	YD	FABRIC - VINYL - SHOWER CURTAIN - 72" WIDE - EGGPLANT (D13)
	079680-09-000	YD	FABRIC - VINYL - 54" WIDE - OFF WHITE
	079680-01-000	YD	FABRIC - VINYL - 54" WIDE - BEIGE
	103907-01-01A	YD	FABRIC - VINYL - 54" WIDE - OFF WHITE
	105745-17-000	YD	FABRIC - BEDSPREAD - MAIN - PEARL (D12)
	105745-06-000	YD	FABRIC - BEDSPREAD - MAIN - TAN (D13)
	088273-67-000	YD	FABRIC - BEDSPREAD - ACCENT - MECHELLE - SLATE (D12)
	068273-89-000	YD	FABRIC - BEDSPREAD - ACCENT - MECHELLE - LILAC (D13)
	104233-31-000	YD	FABRIC - UPHOLSTERY - PLAIN ACCENT (BUCKET SEAT) (D12)
	104233-26-000	YD	FABRIC - UPHOLSTERY - PLAIN ACCENT (BUCKET SEAT) (D13)
	104233-80-000	YD	FABRIC - UPHOLSTERY - PATTERN ACCENT (MAP POCKET) (D12)
	104233-82-000	YD	FABRIC - UPHOLSTERY - PATTERN ACCENT (MAP POCKET) (D13)
	104233-79-000	YD	FABRIC - UPHOLSTERY - MAIN (DINETTE SEAT) (D12)
	104233-81-000	YD	FABRIC - UPHOLSTERY - MAIN (DINETTE SEAT) (D13)
	079349-01-886	YD	ACCENT WELT - FABRIC (BUCKET SEAT) (D12)
	079349-01-888	YD	ACCENT WELT - FABRIC (BUCKET SEAT) (D13)
	057534-01-000	EA	TIEBACK/TIEDOWN - BED/CURTAIN/DOOR - 6" - PLASTIC - CLEAR
	087272-03-000	YD	DRAPERY LINING - 54" - IVORY - ROCKLAND MILLS
	084415-46-000	YD	BRAID TRIM - CURTAIN - BLUE (D12)
	084415-47-000	YD	BRAID TRIM - CURTAIN - BROWN (D13)

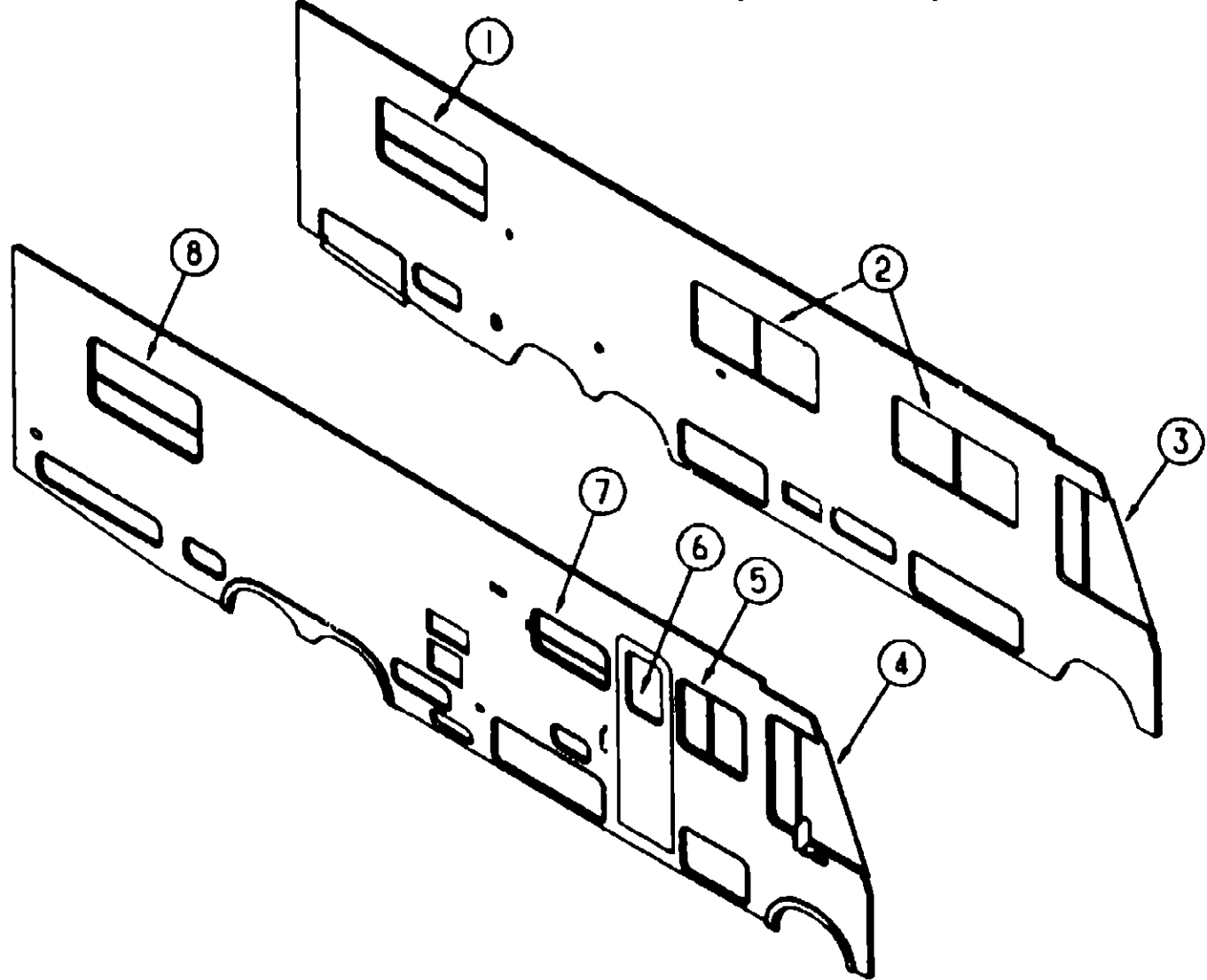
## 1993 WINNEBAGO TABLE OF CONTENTS

INTRODUCTION	A-01 - A-02
ABBREVIATIONS	A-03
ALPHABETICAL INDEX	A-04 - A-06
WCG37RW	A-07 - E-16
WKG34RQ	E-17 - I-18

## 1993 WCG37RW INDEX

FLOOR PLAN	A-07 - A-08
ACCESSORIES	A-09
AUDIO VIDEO	A-10 - A-11
BATH	A-12 - A-14
BEDROOM	A-15 - A-16
CHASSIS	A-17 - B-08
CURTAIN & CUSHION	B-09 - B-18
DINETTE	B-19 - B-22
DRIVERS COMPARTMENT	B-23 - C-02
ELECTRICAL	C-03 - C-08
EXTERIOR BODY	C-09 - C-16
GALLEY	C-17 - C-20
GENERATOR	C-21 - C-22
HEATING & A/C	C-23 - D-02
INTERIOR FINISH	D-03 - D-06
LABELS	D-07 - D-13
LP	D-14
LOUNGE	D-15 - D-18
SEALANTS & FASTENERS	D-19 - D-21
WATER & SEWAGE	D-22 - E-01
WINDOW, VENT & EXTERIOR DOOR	E-02 - E-14
WINDSHIELD & WIPER	E-15 - E-16

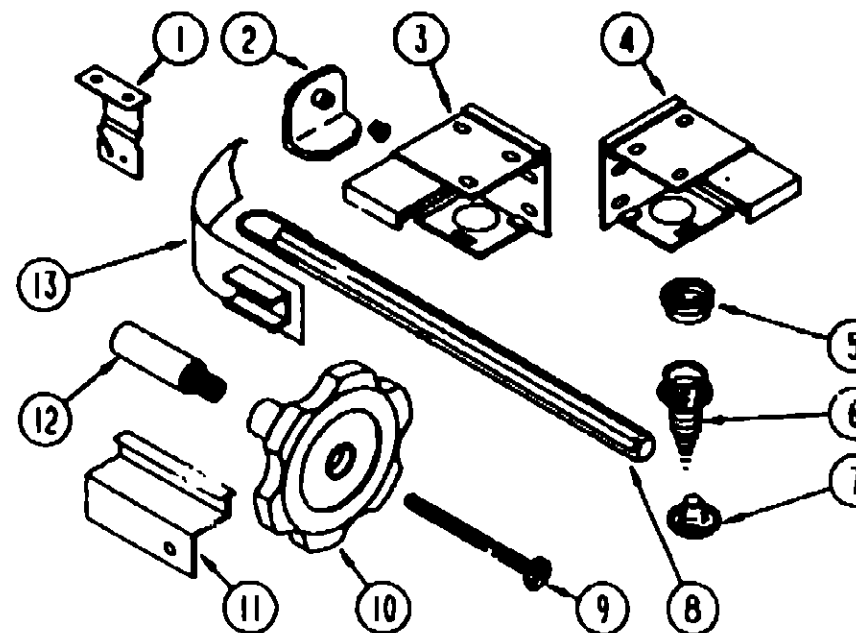
**CURTAIN & CUSHION GROUP (CONTINUED)**



**CURTAINS & WINDOW TREATMENT**

KEY	PART NUMBER	U/M DESCRIPTION
1	107116-09-D12	EA VALANCE - 54 5" CANOPY - W/O HEADER
1	107116-09-D13	EA VALANCE - 54 5" CANOPY - W/O HEADER
1	084755-80-DA4	EA PULL SHADE ASM - 52 25" - NO TRIM
1	073323-57-C07	EA CURTAIN ASM - 30 X 80 ROD - TOP & BOTTOM
2	105906-01-01A	EA BLIND - WOVEN WOOD - 64" X 31" (D12)
2	105906-01-02A	EA BLIND - WOVEN WOOD - 64" X 31" (D13)
3	101668-35-D12	EA CURTAIN ASM - 48"X80" - DRIVER SIDE - TAPE TOP
3	101668-35-D13	EA CURTAIN ASM - 48"X80" - DRIVER SIDE - TAPE TOP
4	101668-34-D12	EA CURTAIN ASM - 48"X80" - PASSENGER SIDE - TAPE TOP
4	101668-34-D13	EA CURTAIN ASM - 48"X80" - PASSENGER SIDE - TAPE TOP
4	073260-42-D12	EA TIEBACK ASM - 6" X 18"
4	073260-42-D13	EA TIEBACK ASM - 6" X 18"
5	105906-02-01A	EA BLIND - WOVEN WOOD - 34" X 31" (D12)
5	105906-02-02A	EA BLIND - WOVEN WOOD - 34" X 31" (D13)
6	084755-57-DA4	EA SHADE ASM - PULL - 27 25" - NO TRIM
6	084755-57-DA5	EA SHADE ASM - PULL - 27 25" - NO TRIM
		FROM 00-00-00 THRU 01-03-93
		FROM 01-04-93 THRU 99-99-99
7	093475-88-04A	EA BLIND - MINI - 38" X 18 5" DROP (D12)
7	093475-88-05A	EA BLIND - MINI - 38" X 18 5" DROP (D13)
7	109353-01-02A	EA BLIND - SLAT - 38" (D12)
7	109353-01-01A	EA BLIND - SLAT - 38" (D13)
	109353-04-000	EA CLIP - VALANCE - SLAT MOUNTING - CLEAR PLASTIC
8	107116-10-D12	EA VALANCE - 57 5" CANOPY - W/HEADER
8	107116-10-D13	EA VALANCE - 57 5" CANOPY - W/HEADER
8	073323-57-C07	EA CURTAIN ASM - 33 X 80 ROD - TOP & BOTTOM
8	084755-80-DA4	EA PULL SHADE ASM - 52 25" - NO TRIM
	057534-01-000	EA TIEBACK/TIEDOWN - BED/CURTAIN/DOOR - 6" PLASTIC - CLEAR

**CURTAIN & CUSHION GROUP (CONTINUED)**



**CURTAIN & BLIND HARDWARE**

KEY	PART NUMBER	U/M DESCRIPTION
1	084434-01-000	EA BRACKET - MOUNTING - ROLLER SHADE - 1 3/8"
	096843-01-000	EA SPRING - REWIND - ROLLER SHADE
	106544-01-000	EA SHADE PULL - BRASS
	109441-01-000	EA HOLD DOWN - BLIND - HOOK
2	093475-01-701	EA END CAP - BLIND - W/STUD
3	083170-01-000	EA BRACKET - BLIND - RIGHT HAND
4	083170-02-000	EA BRACKET - BLIND - LEFT HAND
5	029156-01-000	EA SOCKET - SNAP - 9/16" O D
F	029130-01-000	EA SCREW - SNAP SOCKET - 8 PH X 5/8"
7	029155-01-000	EA CAP - SNAP - 5/32" O D OF PIN
8	093475-01-700	EA WAND - BLIND - W/METAL CLIP - 8" LONG
	039175-01-000	EA ROD - CAFE - CURTAIN - EXTENDS 48" TO 64"
	039175-02-000	EA BRACKET - CURTAIN ROD - EXTENDING CAFE
	039175-05-000	EA BRACKET - CURTAIN ROD - CENTER CAFE
	046867-01-000	EA GROMMET - BRASS - 7/16" ID X 1" OD
9	009439-07-000	EA SCREW - 8-32 X 1 1/4 POH - BLACK
10	009439-05-000	EA WINDOW KNOB - BLACK
11	105324-02-01A	EA TRACK - WRAPAROUND CURTAIN - OFF WHITE (PASSENGER SIDE)
11	105324-03-01A	EA TRACK - WRAPAROUND CURTAIN - OFF WHITE (DRIVER SIDE)
12	009439-06-000	EA EXTENSION - WINDOW CONTROL
	048394-02-000	YD VELCRO TAPE - HOOK - ADHESIVE BACK - 75" WIDE - BEIGE
	088792-02-000	YD VELCRO TAPE - LOOP - ADHESIVE BACKED - 75" WIDE - BEIGE
	068716-01-001	EA BRACKET - 90 DEGREE L-ANGLE - 192" - EXTRUDED ALUMINUM
	075943-01-000	EA BRACKET - ANGLE - W/HOLES - 1" X 1 5" X 20" - ALUMINUM - BEIGE
	084432-06-000	FT SLAT - ROLLETT SHADE - PLASTIC
13	101031-01-000	YD TAPE - GLIDE - CURTAIN - 4 25" SPACING
	102075-06-01A	EA SHOWER ROD
	009112-01-000	EA FLANGE - SHOWER ROD

**ASSIST HANDLE & BUTTONS**

KEY	PART NUMBER	U/M DESCRIPTION
	069178-02-000	EA BRACKET - MOUNTING - ASSIST HANDLE - L ANGLE - W/HOLES
	000C16-07-16B	EA BOLT - CARRIAGE - ASSIST HANDLE - 7/16" - 14 X 1" ZN
	000D20-07-00B	EA NUT - ACORN - ASSIST HANDLE - 7/16" X 14 ZN
	053552-02-AA8	EA HANDLE - ASSIST - INTERIOR - ENTRY DOOR - VINYL - OFF WHITE
	070578-04-Y05	EA BUTTON - SNAP TOP - #30 - VINYL - BEIGE

**1993 WINNEBAGO  
TABLE OF CONTENTS**

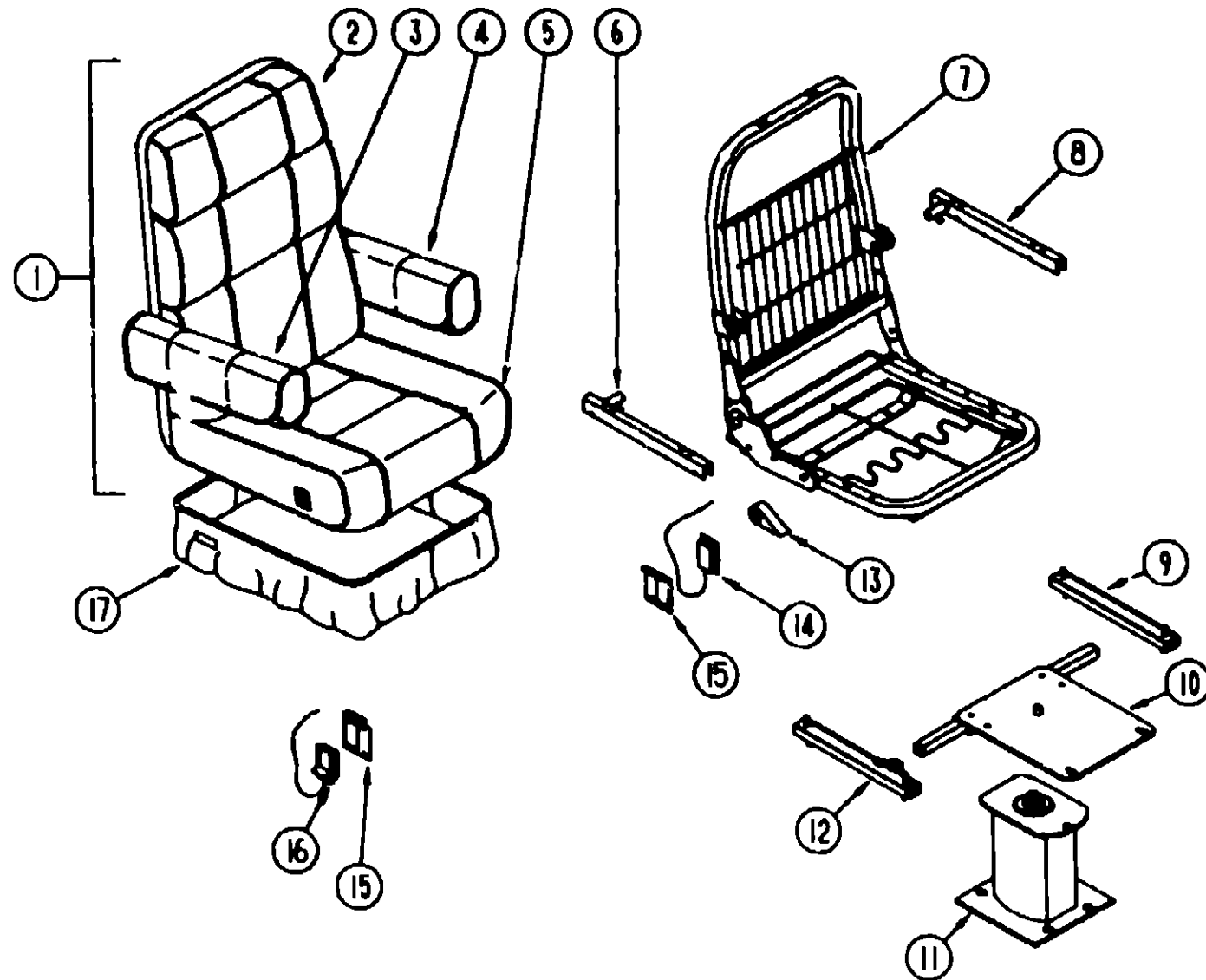
INTRODUCTION	A-01 - A-02
ABBREVIATIONS	A-03
ALPHABETICAL INDEX	A-04 - A-06
WCG37RW	A-07 - E-16
WKG34RQ	E-17 - I-18

**1993 WCG37RW INDEX**

FLOOR PLAN	A-07 - A-08
ACCESSORIES	A-09
AUDIO VIDEO	A-10 - A-11
BATH	A-12 - A-14
BEDROOM	A-15 - A-16
CHASSIS	A-17 - B-08
CURTAIN & CUSHION	B-09 - B-18
DINETTE	B-19 - B-22
DRIVERS COMPARTMENT	B-23 - C-02
ELECTRICAL	C-03 - C-08
EXTERIOR BODY	C-09 - C-16
GALLEY	C-17 - C-20
GENERATOR	C-21 - C-22
HEATING & A/C	C-23 - D-02
INTERIOR FINISH	D-03 - D-06
LABELS	D-07 - D-13
LP	D-14
LOUNGE	D-15 - D-18
SEALANTS & FASTENERS	D-19 - D-21
WATER & SEWAGE	D-22 - E-01
WINDOW, VENT & WINDSHIELD & WIPER	E-02 - E-14 E-15 - E-16

## CURTAIN & CUSHION GROUP (CONTINUED)

### BUCKET SEAT



KEY	PART NUMBER	U/M	DESCRIPTION
1	08342-1-05-D12	EA	SEAT - GRAND 3 (MANUAL RECLINE)
1	083461-05-D13	EA	SEAT - GRAND 3 (MANUAL RECLINE)
2	M03445-82-D12	EA	COVER ASM - BACK - GRAND II (MANUAL RECLINE)
2	M03445-82-D13	EA	COVER ASM - BACK - GRAND II (MANUAL RECLINE)
3	080243-53-D12	EA	ARMREST ASM - RIGHT HAND
3	080243-53-D13	EA	ARMREST ASM - RIGHT HAND
3	M80243-53-D12	EA	COVER ASM - ARM - RIGHT HAND
3	M80243-53-D13	EA	COVER ASM - ARM - RIGHT HAND
4	080243-54-D12	EA	ARMREST ASM - LEFT HAND
4	080243-54-D13	EA	ARMREST ASM - LEFT HAND
4	M80243-54-D12	EA	COVER ASM - ARM - LEFT HAND
4	M80243-54-D13	EA	COVER ASM - ARM - LEFT HAND
5	M03445-90-D12	EA	COVER ASM - SEAT - (MANUAL RECLINE)
5	M03445-90-D13	EA	COVER ASM - SEAT - (MANUAL RECLINE)
6	081268-01-000	EA	ROD & CHANNEL - ARMREST - RIGHT - METAL
7	M80906-07-000	EA	FRAME - SEAT - BACK & SPRING
8	081268-02-000	EA	ROD & CHANNEL - ARMREST - LEFT - METAL
9	069246-02-000	EA	ADJUSTER - W/O LOCK - FORWARD & BACK
10	107921-05-000	EA	TOP PLATE - PEDESTAL - W/SEATBELT BAR
11	107921-01-000	EA	SUB PLATE - FLOOR MOUNTED PEDESTAL - W/9 75" EXTENSION
	107921-06-000	EA	BEARING KIT - PEDESTAL
12	069246-05-000	EA	ADJUSTER - W/LOCK - FORWARD & BACK
	069246-05-700	EA	SPRING - ADJUSTER - FOR REMOTE
	069246-05-701	EA	CLIP - CABLE - FOR REMOTE
13	080730-03-700	EA	HANDLE KIT - RECLINER
	080730-04-000	EA	SCREW - RECLINER HANDLE
	089369-08-000	EA	SHIELD - CABLE - REMOTE RECLINER
14	089368-04-000	EA	CABLE - SWIVEL/SLIDE - W/SWITCH
15	097683-03-000	EA	BRACKET - REMOTE - SIDE MOUNT - SINGLE
16	108049-01-000	EA	CABLE - 28" - FLEXSTEEL PED
	108049-02-000	EA	CABLE CLIP
17	071126-36-D12	EA	SKIRT ASM - SINGLE - 10 5" - W/SLIT
17	071126-36-D13	EA	SKIRT ASM - SINGLE - 10 5" - W/SLIT

## 1993 WINNEBAGO TABLE OF CONTENTS

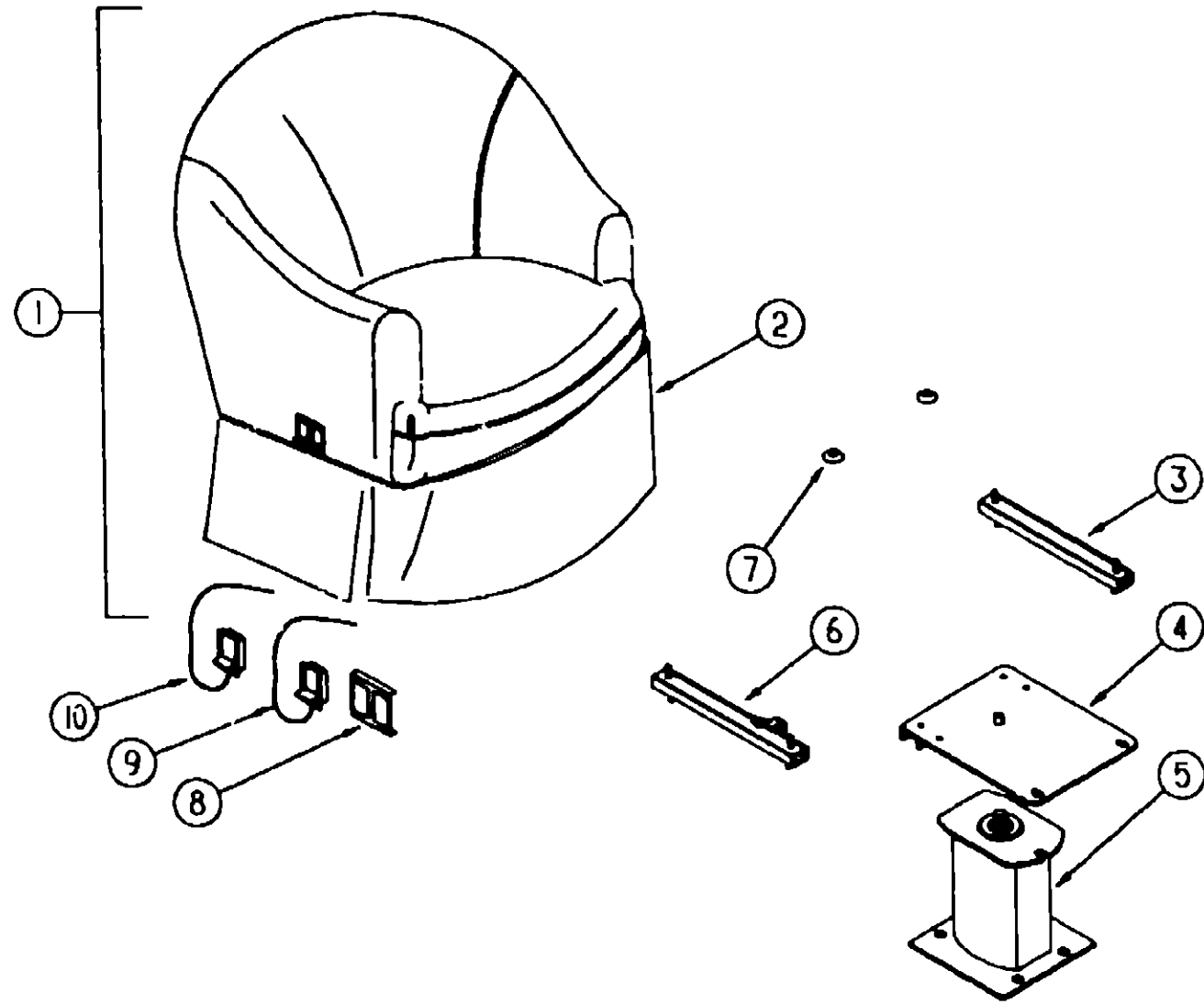
INTRODUCTION	A-01	A-02
ABBREVIATIONS		A-03
ALPHABETICAL INDEX	A-04	A-06
WCG37RW	A-07	E-16
WKG34RQ	E-17	I-18

## 1993 WCG37RW INDEX

FLOOR PLAN	A-07	A-08
ACCESSORIES		A-09
AUDIO VIDEO	A-10	A-11
BATH	A-12	A-14
BEDROOM	A-15	A-16
CHASSIS	A-17	B-08
CURTAIN & CUSHION	B-09	B-18
DINETTE	B-19	B-22
DRIVERS COMPARTMENT	B-23	C-02
ELECTRICAL	C-03	C-08
EXTERIOR BODY	C-09	C-16
GALLEY	C-17	C-20
GENERATOR	C-21	C-22
HEATING & A/C	C-23	D-02
INTERIOR FINISH	D-03	D-06
LABELS	D-07	D-13
LP		D-14
LOUNGE	D-15	D-18
SEALANTS & FASTENERS	D-19	D-21
WATER & SEWAGE	D-22	E-01
WINDOW, VENT &		
EXTERIOR DOOR	E-02	E-14
WINDSHIELD & WIPER	E-15	E-16

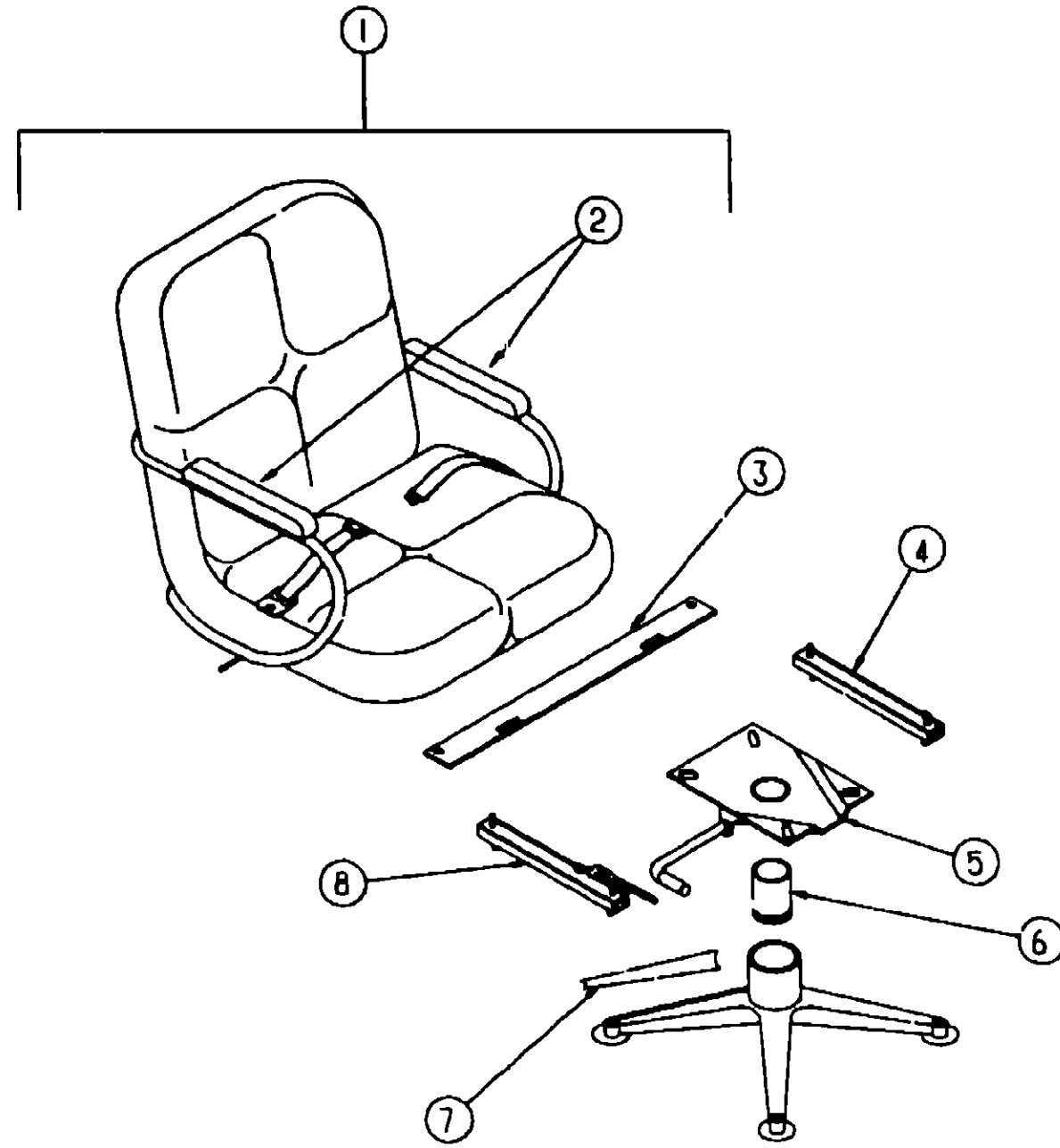


**CURTAIN & CUSHION GROUP (CONTINUED)**



**SWIVEL CHAIR**

**CURTAIN & CUSHION GROUP (CONTINUED)**



**CHROME CRAFT CHAIR**

**1993 WINNEBAGO  
TABLE OF CONTENTS**

INTRODUCTION	A-01 - A-02
ABBREVIATIONS	A-03
ALPHABETICAL INDEX	A-04 - A-06
WCG37RW	A-07 - E-16
WKG34P	E-17 - I-18

**1993 WCG37RW INDEX**

FLOOR PLAN	A-07 - A-08
ACCESSORIES	A-09
AUDIO VIDEO	A-10 - A-11
BATH	A-12 - A-14
BEDROOM	A-15 - A-16
CHASSIS	A-17 - B-08
CURTAIN & CUSHION	B-09 - B-18
DINETTE	B-19 - B-22
DRIVERS COMPARTMENT	B-23 - C-02
ELECTRICAL	C-03 - C-08
EXTERIOR BODY	C-09 - C-16
GALLEY	C-17 - C-20
GENERATOR	C-21 - C-22
HEATING & A/C	C-23 - D-02
INTERIOR FINISH	D-03 - D-06
LABELS	D-07 - D-13
LP	D-14
LOUNGE	D-15 - D-18
SEALANTS & FASTENERS	D-19 - D-21
WATER & SEWAGE	D-22 - E-01
WINDOW, VENT &	
EXTERIOR DOOR	E-02 - E-14
WINDSHIELD & WIPER	E-15 - E-16

KEY	PART NUMBER	U/M DESCRIPTION
1	107957-01-D12	EA CHAIR - DIPLOMAT
1	107957-01-D13	EA CHAIR - DIPLOMAT
1	P07957-01-D12	EA COVER ASM - CHAIR - DIPLOMAT
1	P07957-01-D13	EA COVER ASM - CHAIR - DIPLOMAT
2	107977-01-D12	EA SKIRT ASM - DIPLOMAT
2	107977-01-D13	EA SKIRT ASM - DIPLOMAT
2	P07977-01-D12	EA SKIRT COVER - DIPLOMAT
2	P07977-01-D13	EA SKIRT COVER - DIPLOMAT
3	069246-06-000	EA ADJUSTER - SWIVEL CHAIR - FORWARD & BACK
4	107921-08-000	EA TOP PLATE - PEDESTAL - W/O SEATBELT BAR
5	107921-01-000	EA SUB PLATE - FLOOR MOUNTED PEDESTAL - W/9 75" EXTENSION
	107921-06-000	EA BEARING KIT - PEDESTAL
6	069246-07-000	EA ADJUSTER - SWIVEL CHAIR - W/LOCKING ARM - FORWARD & BACK
	069246-05-700	EA SPRING - ADJUSTER - FOR REMOTE
	069246-05-701	EA CLIP - CABLE - FOR REMOTE
7	007221-01-000	EA SPACER - SEAT - ADJUSTER (4 USED)
8	097683-02-000	EA BRACKET - REMOTE - SIDE MOUNT
9	108049-01-000	EA CABLE - 28' - FLEXSTEEL PEDESTAL
	108049-02-000	EA CLIP - PEDESTAL CABLE
10	089368-04-000	EA CABLE - SWIVEL/SLIDE - W/SWITCH
	057759-01-000	EA WASHER BRACKET - SEAT BELT - 4" DIAMETER
	007021-01-000	EA SEAT BELT - 2" X 90" - BLACK

KEY	PART NUMBER	U/M DESCRIPTION
1	109379-02-D12	EA CHAIR ASM - CHROME CRAFT II
1	109379-02-D13	EA CHAIR ASM - CHROME CRAFT II
	105799-01-000	EA CHAIR ASM - CHROME CRAFT W/O FABRIC
	105799-01-004	EA BOLT - SEAT - CHAIR #723634-1
2	105799-01-700	EA WOOD ARM PADS FOR C57-855-BN
3	069705-02-000	EA BAR - SEAT BELT - 2 1/2" X 12.75"
4	069246-06-000	EA ADJUSTER - SWIVEL CHAIR - MANUAL - FORWARD & BACK
5	105799-01-001	EA TOP PLATE - SWIVEL CHAIR
		FROM 00-00-00 THRU 02-14-93
5	088245-03-000	EA TOP PLATE - SWIVEL W/O TILT - W/LOCK
		FROM 02-15-93 THRU 99-99-99
6	105799-01-002	EA UPRIGHT - CHAIR
6	105799-01-006	EA STEM UPRIGHT - LOCKOUT
7	105799-01-003	EA LEG-WOOD COVER BASE(CHAIR)
8	069246-07-000	EA ADJUSTER - SWIVEL CHAIR - W/LOCKING ARM - FORWARD & BACK

**CURTAIN & CUSHION GROUP (CONTINUED)**

**DINETTE CUSHIONS**

**1993 WINNEBAGO  
TABLE OF CONTENTS**

INTRODUCTION	A-01 - A-02
ABBREVIATIONS	A-03
ALPHABETICAL INDEX	A-04 - A-06
WCG37RW	A-07 - E-16
WKG34RQ	E-17 - I-18

KEY	PART NUMBER	U/M DESCRIPTION
4	108141-01-D12	EA CUSHION ASM - VICTORIAN TUCK BACK - W/STRAP-13 5"X38"X5"
4	108141-01-D13	EA CUSHION ASM - VICTORIAN TUCK BACK - W/STRAP-13 5"X38"X5"
4	P02141-01-D12	EA COVER - VICTORIAN TUCK BACK - W/STRAP
4	P08141-01-D13	EA COVER - VICTORIAN TUCK BACK - W/STRAP
5	088927-87-D04	EA CUSHION ASM - 23"X38"X5" - DINETTE SEAT (D12)
5	068927-87-D05	EA CUSHION ASM - 23"X38"X5" - DINETTE SEAT (D13)
5	M86927-87-D04	EA COVER - CUSHION - 23"X38"X5" - DINETTE SEAT (D12)
5	M86927-87-D05	EA COVER - CUSHION - 23"X38"X5" - DINETTE SEAT (D13)
	078155-01-000	EA STRAP - SNAP - BACKREST CUSHION

**COUCH BED**

KEY	PART NUMBER	U/M DESCRIPTION
6	100032-42-D12	EA COUCH BED - BACK - 74" - W/O ARMREST
6	100032-42-D13	EA COUCH BED - BACK - 74" - W/O ARMREST
6	P00032-42-D12	EA COVER - BED - BACK 74"
6	P00032-42-D13	EA COVER - BED - BACK 74"
	101085-10-000	EA FRAME - BACK - 74 75"
7	100032-43-D12	EA COUCH BED - SEAT - 74" W/O ARMREST
7	100032-43-D13	EA COUCH BED - SEAT - 74" W/O ARMREST
7	P00032-43-D12	EA COVER - BED - SEAT 74" W/O ARMREST
7	P00032-43-D13	EA COVER - BED - SEAT 74" W/O ARMREST
	101085-04-000	EA FRAME - SEAT - 74 75"
	101085-06-000	EA FRAME - BASE - 74 75"
	103669-06-D04	EA PILLOW ASM - 15"X15" THROW (D12)
	103669-06-D05	EA PILLOW ASM - 15"X15" THROW (D13)

**QUEEN BED**

KEY	PART NUMBER	U/M DESCRIPTION
1	061997-09-D04	EA PILLOW SHAM - W/4" RUFFLE (D12)
1	061997-09-D05	EA PILLOW SHAM - W/4" RUFFLE (D13)
2	101123-08-000	EA MATTRESS - FOAM - 59"X74"
2	P01123-08-000	EA MATTRESS COVER - 59"X74"
2	102410-08-D12	EA BEDSPREAD W/6" RUFFLE - 60"X74"
2	102410-08-D13	EA BEDSPREAD W/6" RUFFLE - 60"X74"
	104259-01-C24	EA PILLOW ASM - 15" X 15" W/RUFFLE (D12)
	104259-01-C07	EA PILLOW ASM - 15" X 15" W/RUFFLE (D13)
	103669-06-D04	EA PILLOW ASM - 15" X 15" THROW (D12)
	103669-06-D05	EA PILLOW ASM - 15" X 15" THROW (D13)

**DINETTE OPTION**

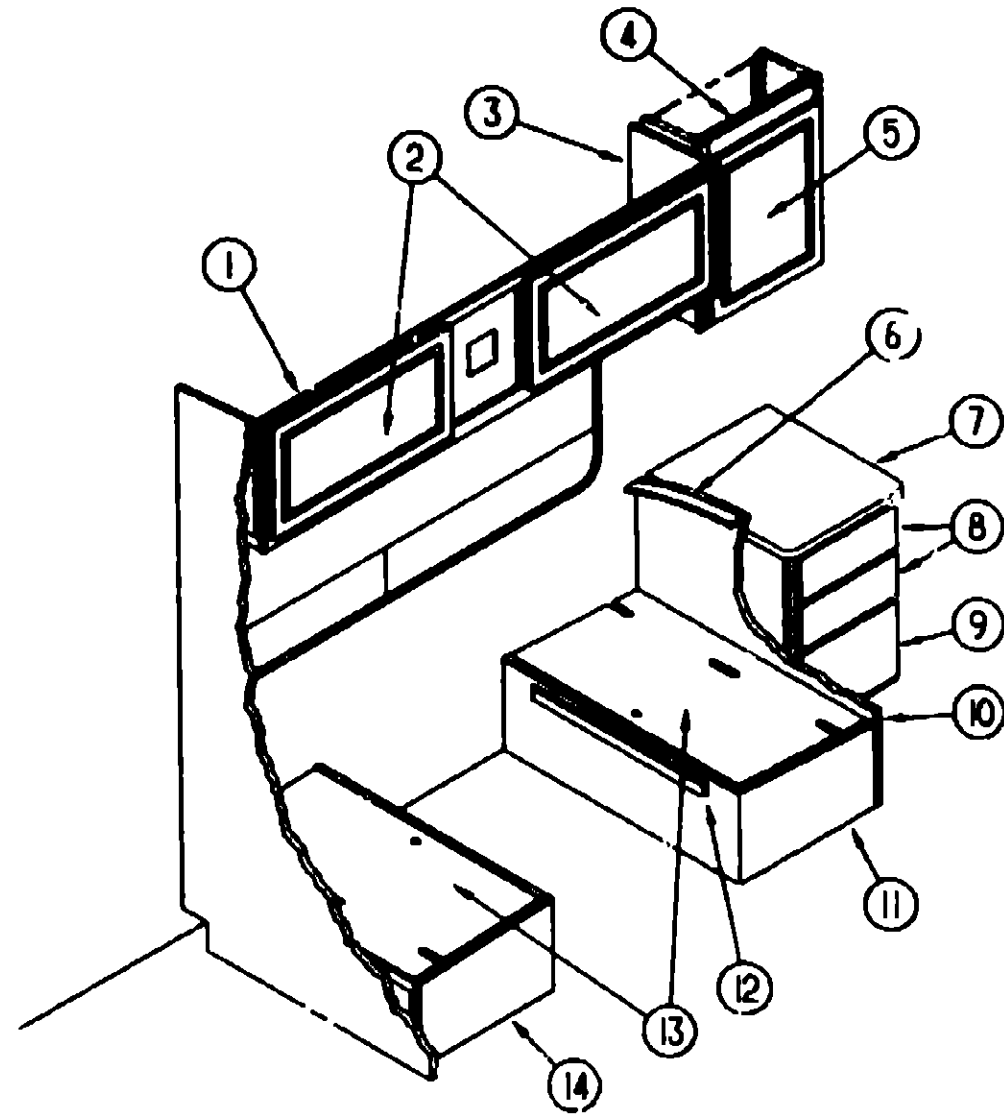
KEY	PART NUMBER	U/M DESCRIPTION
3	109379-02-D12	EA CHAIR ASM - CHROME CRAFT II
3	09379-02-D13	EA CHAIR ASM - CHROME CRAFT II

**1993 WCG37RW INDEX**

FLOOR PLAN	A-07 - A-09
ACCESSORIES	A-09
AUDIO VIDEO	A-10 - A-11
BATH	A-12 - A-14
BEDROOM	A-15 - A-16
CHASSIS	A-17 - B-08
CURTAIN & CUSHION	B-09 - B-18
DINETTE	B-19 - B-22
DRIVERS COMPARTMENT	B-23 - C-02
ELECTRICAL	C-03 - C-08
EXTERIOR BODY	C-09 - C-16
GALLEY	C-17 - C-20
GENERATOR	C-21 - C-22
HEATING & A/C	C-23 - D-02
INTERIOR FINISH	C-03 - D-06
LABELS	D-07 - D-13
LP	D-14
LOUNGE	D-15 - D-18
SEALANTS & FASTENERS	D-19 - D-21
WATER & SEWAGE	D-22 - E-01
WINDOW, VENT &	
EXTERIOR DOOR	E-02 - E-14
WINDSHIELD & WIPER	E-15 - E-16

# DINETTE GROUP

## DINETTE & OVERHEAD CABINETRY



KEY	PART NUMBER	U/M DESCRIPTION
1	M05159-39-D12	EA CABINET - DINETTE OVERHEAD
2	P04746-47-D12	EA DOOR ASM - W/O HARDWARE
3	103129-02-C05	EA END CAP ASM - RIGHT HAND
4	109083-01-D12	EA CABINET ASM - HUTCH
5	P04746-99-D12	EA DOOR ASM - W/O HARDWARE
6	104787-01-D32	EA PAD ASM - DINETTE (D12)
6	104787-01-C04	EA PAD ASM - DINETTE (D13)
	109084-01-D12	EA CABINET ASM - ICE MAKER
	109084-01-D13	EA CABINET ASM - ICE MAKER
7	109084-11-D12	EA COUNTERTOP ASM (ICE MAKER)
7	109084-11-D13	EA COUNTERTOP ASM (ICE MAKER)
	P09101-01-D12	EA CABINET ASM - LOUNGE
	P09101-01-D13	EA CABINET ASM - LOUNGE
7	109101-11-D12	EA COUNTERTOP ASM (LOUNGE)
7	109101-11-D13	EA COUNTERTOP ASM (LOUNGE)
8	P07104-R7-D12	EA DRAWER ASM - W/O HARDWARE
9	P07104-R9-D12	EA DRAWER ASM - W/O HARDWARE
10	M04174-51-D12	EA CABINET - SEATBACK - RIGHT HAND
11	M04175-52-D12	EA CABINET - SEATBASE - RIGHT HAND
12	081295-01-AA8	EA SUPPORT - BED - DINETTE
13	081518-01-B03	EA SEAT-TOP - DINETTE - PLYWOOD
14	M04175-52-D12	EA CABINET - SEATBASE - LEFT HAND

### ICE MAKER (DOMETIC)

KEY	PART NUMBER	U/M DESCRIPTION
	076799-01-000	EA ICE MAKER - BLACK GLASS - U-LINE DOMETIC
	076799-01-700	EA DOOR FRAME DOMETIC 229
	076799-01-701	EA HANDLE DOMETIC 230
	076799-01-702	EA OUTER DOOR PANEL DOMETIC 233
	076799-01-703	EA NAME PLATE DOMETIC 501
	076799-01-704	EA PIVOT HINGE & TOP SCREW DOMETIC 215
	076799-01-705	EA PIVOT HINGE BOTTOM DOMETIC 235
	076799-01-706	EA GRILLE C VINYL COATED DOMETIC 325
	076799-01-707	EA WATER LINE CONNECTION DOMETIC 405
	076799-01-708	EA CHAIN & LOCK PIN DOMETIC 41346-2
	076799-01-709	EA TRIM KIT DOMETIC 322
	076799-01-711	EA MOTOR DOMETIC 12
	076799-01-713	EA SWITCH - MICRO DOMETIC 108 & 110
	076799-01-715	EA SWITCH - S P D T DOMETIC 110
	076799-01-716	EA SOLENOID VALVE DOMETIC 420
	076799-01-719	EA CONTROL DOMETIC 4548
	076799-01-722	EA WATER LINE CONN DOMETIC 405
	076799-01-725	EA RELAY - TECUMSEH DOMETIC 410
	076799-01-728	EA DOOR GASKET DOMETIC 231

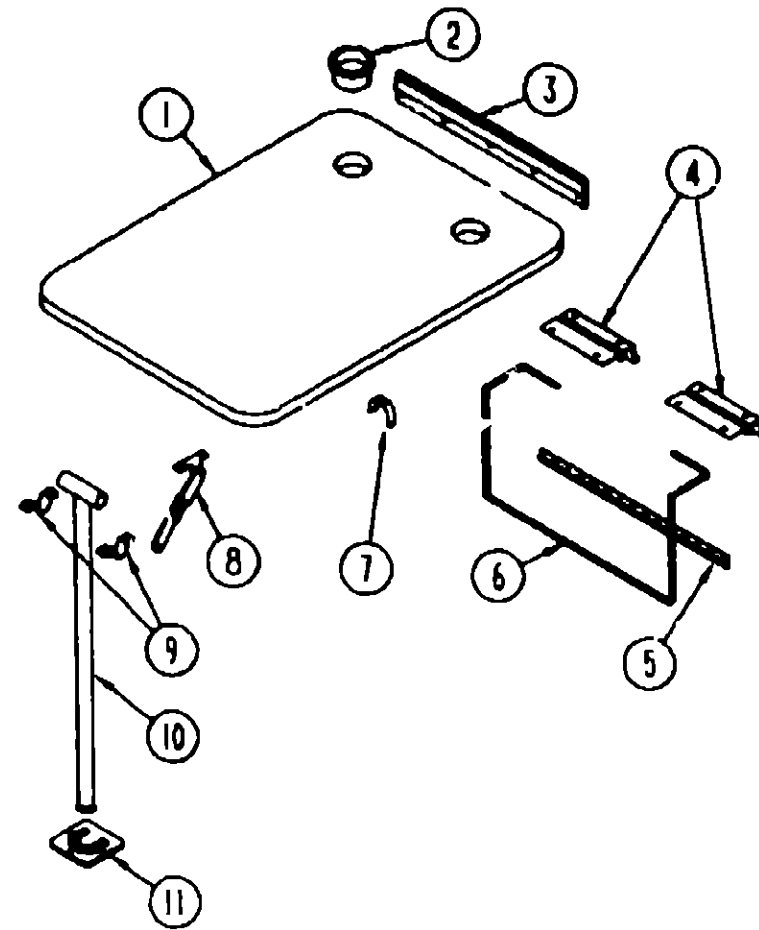
## 1993 WINNEBAGO TABLE OF CONTENTS

INTRODUCTION	A-01 - A-02
ABBREVIATIONS	A-03
ALPHABETICAL INDEX	A-04 - A-06
WCG37RW	A-07 - E-16
WKG34RQ	E-17 - I-18

## 1993 WCG37RW INDEX

FLOOR PLAN	A-07 - A-08
ACCESSORIES	A-09
AUDIO VIDEO	A-10 - A-11
BATH	A-12 - A-14
BEDROOM	A-15 - A-16
CHASSIS	A-17 - B-08
CURTAIN & CUSHION	B-09 - B-18
DINETTE	B-19 - B-22
DRIVERS COMPARTMENT	B-23 - C-02
ELECTRICAL	C-03 - C-08
EXTERIOR BODY	C-09 - C-16
GALLEY	C-17 - C-20
GENERATOR	C-21 - C-22
HEATING & A/C	C-23 - D-02
INTERIOR FINISH	D-03 - D-06
LABELS	D-07 - D-13
LP	D-14
LOUNGE	D-15 - D-18
SEALANTS & FASTENERS	D-19 - D-21
WATER & SEWAGE	D-22 - E-01
WINDOW, VENT & EXTERIOR DOOR	E-02 - E-14
WINDSHIELD & WIPER	E-15 - E-16

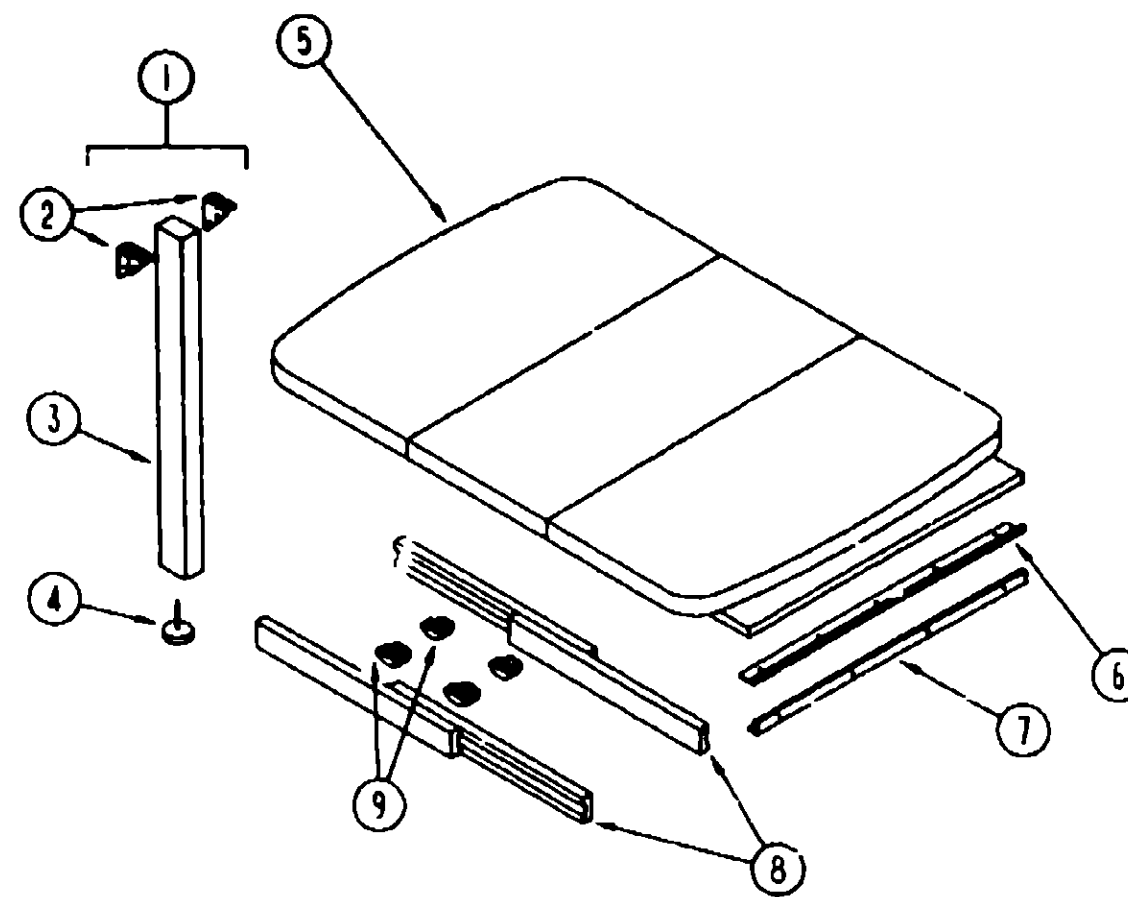
**DINETTE GROUP (CONTINUED)**



**DINETTE TABLE ASM.**

KEY	PART NUMBER	U/M DESCRIPTION
1	M02115-09-D32	EA DINETTE TABLE (D12)
1	M02115-09-D09	EA DINETTE TABLE (D13)
2	064781-06-000	EA CUP HOLDER - 2 STEP
3	053200-12-000	EA BRACKET - TABLE SUPPORT - UPPER WALL MOUNTED - 23 5" - OFF WHITE
4	088410-02-000	EA BRACKET - TABLE MOUNTED - OFF WHITE
5	024281-14-000	EA BRACKET - LIFT ROD - LOWER WALL MOUNTED - 22 12" - OFF WHITE
6	024275-12-000	EA ROD - TABLE LIFT - 8" X 23 5" - OFF WHITE
7	024283-01-000	EA CLIP - LEG - 1" - 1 125" OD - BLACK
8	024282-01-000	EA BRACE - TABLE LEG - HINGED
9	064050-05-000	EA CLAMP - SADDLE - LEG HINGE - OFF WHITE
10	024276-23-000	EA TABLE LEG - METAL - OFF WHITE
11	049493-11-700	EA LEG CATCH - FLOOR MOUNTED - 2 5" X 2 7" - METAL - E-COAT

**DINETTE GROUP (CONTINUED)**



**DINETTE TABLE ASM.**

KEY	PART NUMBER	U/M DESCRIPTION
1	092708-09-D15	EA LEG ASM - TABLE
2	102810-01-000	EA BRACE - TABLE LEG - OFF WHITE
3	092707-07-01A	EA LEG MOLDING - REGAL OAK
4	102194-01-000	EA GUIDE - PLASTIC
5	P02056-05-D12	EA TABLE ASM - W/DROP LEAF (D12,D13)
6	102201-02-02A	EA SUPPORT - HINGE CATCH - OFF WHITE
7	102200-02-02A	EA SUPPORT - HINGE LOCK - OFF WHITE
8	009210-01-000	EA SLIDE - TABLE - 18" TO 50" - METAL
8	108490-01-000	EA SLIDE - TABLE - 19 LONG FROM 00-00-00 THRU 11-30-92
8	110749-01-000	EA SLIDE - TABLE - 19 3/4 LONG FROM 12-01-92 THRU 03-21-93
9	009050-2-000	EA LEVELER - TABLE TOP - FEMALE & MALE END W/4 SCREWS - PLASTIC FROM 03-22-93 THRU 99-99-99

**1993 WINNEBAGO  
TABLE OF CONTENTS**

INTRODUCTION	A-01 - A-02
ABBREVIATIONS	A-03
ALPHABETICAL INDEX	A-04 - A-06
WCG37RW	A-07 - E-16
WKG34RQ	E-17 - E-18

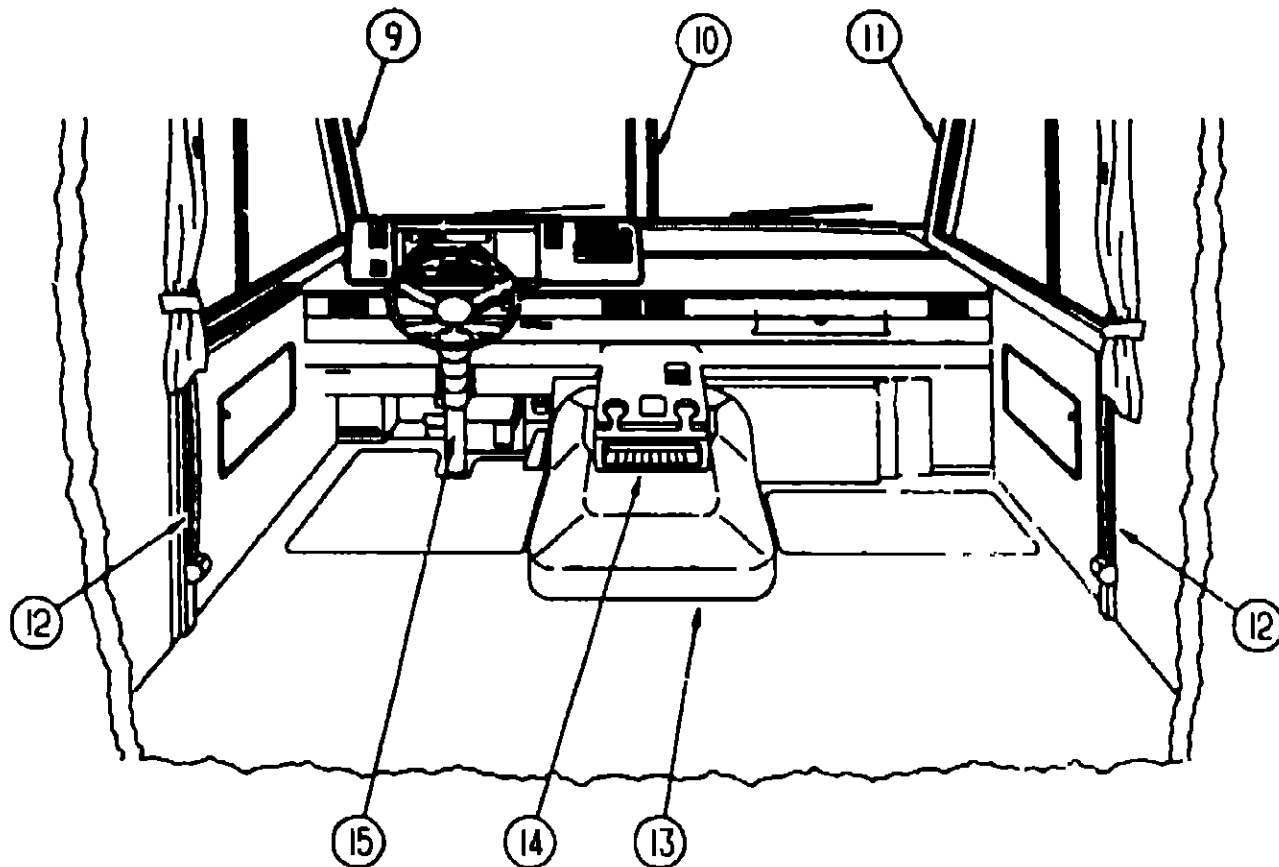
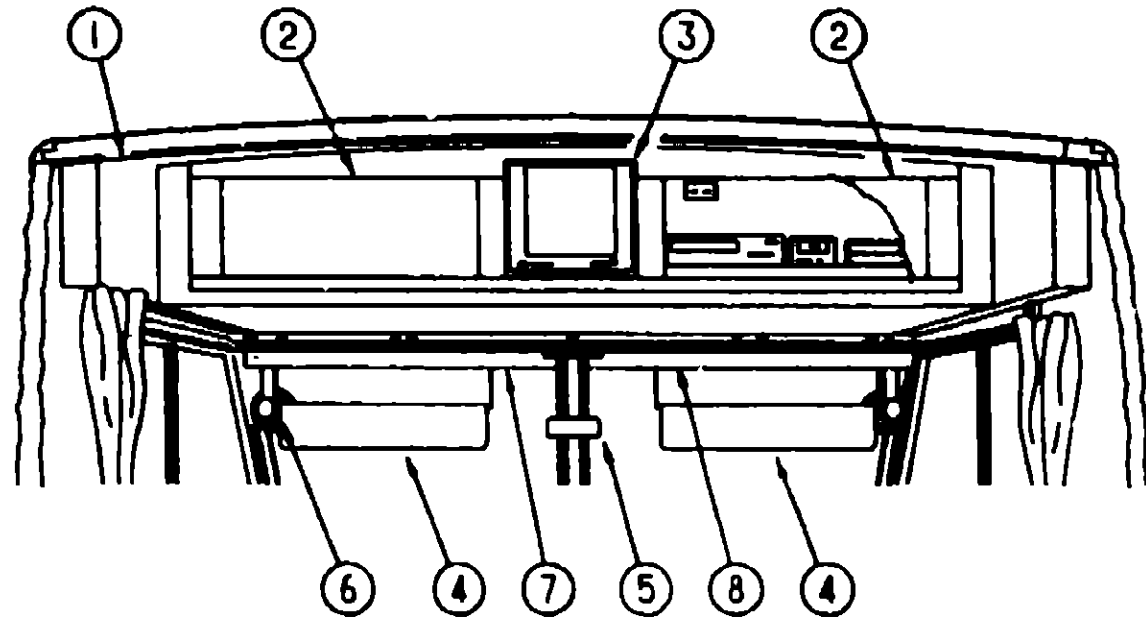
**1993 WCG37RW INDEX**

FLOOR PLAN	A-07 - A-08
ACCESSORIES	A-09
AUDIO VIDEO	A-10 - A-11
BATH	A-12 - A-14
BEDROOM	A-15 - A-16
CHASSIS	A-17 - B-08
CURTAIN & CUSHION	B-09 - B-18
DINETTE	B-19 - B-22
DRIVERS COMPARTMENT	B-23 - C-02
ELECTRICAL	C-03 - C-08
EXTERIOR BODY	C-09 - C-16
GALLEY	C-17 - C-20
GENERATOR	C-21 - C-22
HEATING & A/C	C-23 - D-02
INTERIOR FINISH	D-03 - D-06
LABELS	D-07 - D-13
LP	D-14
LOUNGE	D-15 - D-18
SEALANTS & FASTENERS	D-19 - D-21
WATER & SEWAGE	D-22 - E-01
WINDOW, VENT &	
EXTERIOR DOOR	E-02 - E-14
WINDSHIELD & WIPER	E-15 - E-16

# DRIVERS COMPARTMENT GROUP

## UPPER & LOWER DRIVER COMPARTMENT

KEY	PART NUMBER	U/L DESCRIPTION
1	M05893-02-C05	EA CABINET ASM - FACE - OVHD - TV
2	100708-06-000	EA DOOR - GLASS - TV CABT 246 X 722
	100710-01-01A	EA LOCK - GLASS DOOR - TWIST TYPE - BRASS
	100711-01-01A	EA HINGE - DOOR - GLASS
	101222-01-01A	EA BRACKET - CATCH - LID - BEIGE
	101272-01-000	EA CATCH - DOOR - GLASS
	101766-01-000	EA PIN - SUPPORT - GLASS DOOR
	100707-01-000	EA SPACER - DOOR - GLASS - .8" DIA - 3" HOLE - PLASTIC
3	108911-01-D12	EA CABINET ASM - FRAME - TV
4	082286-19-D12	EA SUNVISOR ASM
	007211-01-000	EA HINGE - SUNVISOR - 25 5" X 1 5" - METAL
	074012-01-000	EA CLIP - SUNVISOR - SQUARE - PINCH ON
	102377-01-000	EA BRACKET - SUNVISOR - 1 PIECE - STEEL
	046886-03-000	EA ASHTRAY - CHROME - W/COVER
	024700-44-000	EA COVER - SIDEWALL ROLL BAR - OFF WHITE 53"
	024700-46-000	EA COVER - SIDEWALL ROLL BAR - OFF WHITE 21 2"
	103961-01-01A	EA COVER - BRACKET - SEATBELT - OFF WHITE
	R77030-53-447	EA FLAT WASHER
5	040714-01-000	EA MIRROR - REAR VIEW - W/ARM MOUNT & SET SCREW
	077922-03-000	EA HEADER WINDSHIELD END - PASSENGER SIDE
	077922-04-000	EA HEADER WINDSHIELD END - DRIVER SIDE
	077922-05-000	EA HEADER WINDSHIELD - CENTER
6	036420-02-000	EA FAN - DEFROSTER - 2 SPEED - 6" DIAMETER
7	078579-08-000	EA TRIM - WINDSHIELD - UPPER INNER - LH OFF WHITE
8	078579-07-000	EA TRIM - WINDSHIELD - UPPER INNER - RH OFF WHITE
9	103931-04-01A	EA INTERIOR COVER - A-PILLAR - LEFT HAND - OFF WHITE
10	079765-09-000	EA TRIM - WINDSHIELD - CENTER - OFF WHITE
11	103931-03-01A	EA INTERIOR COVER - A-PILLAR - RIGHT HAND - OFF WHITE
12	091990-01-01A	EA SEAT BELT & SHOULDER HARNESS - DRIVER/PASSENGER SIDE
	109146-01-000	EA BOLT - SHOULDER - SEAT BELT
13	097552-01-000	EA MOTOR COVER - W/O CARPET
	092406-01-000	EA TRIM - MOTOR COVER - ALUMINUM
	075564-01-000	EA BRACKET - MOUNTING - MOTOR COVER
	039623-01-000	FT SEAL - MOTOR COVER - RUBBER BULB TYPE - BLACK
14	107954-01-D09	EA BEVERAGE TRAY ASM
	M04032-01-AB1	EA DOWEL - WOOD - STAINED - 1" X 1 75" (BEVERAGE TRAY)
	P07854-12-D09	EA TRAY ASM - W/STAIN
	P07854-13-D09	EA SIDE W/STAIN
15	103498-06-000	EA BOOT - COLUMN - UNIVERSAL
	100628-02-000	EA SHELF ASM - TV
	100676-02-000	EA STAND - VCR
	101150-01-000	EA SUPPORT - SHELF - TV - PASSENGER SIDE - STEEL
	101150-02-000	EA SUPPORT - SHELF - TV - DRIVER SIDE - STEEL
	103040-03-C05	EA PANEL - LINER - OVHD TV
	P03077-01-C05	EA SHELF - BASE - CABINET - LEFT HAND - VINYL
	P03077-02-C05	EA SHELF - BASE - CABINET - RIGHT HAND - VINYL
	P04415-01-C05	EA SHELF ASM - TV CABINET - VINYL
	101497-22-D12	EA PANEL ASM - END CAP - UPPER RIGHT HAND - TV
	101497-23-D12	EA PANEL ASM - END CAP - UPPER LEFT HAND - TV
	101499-07-C07	EA PANEL ASM - END CAP - BOTTOM RIGHT HAND
	101499-08-C07	EA PANEL ASM - END CAP - BOTTOM LEFT HAND
	103040-01-C05	EA PANEL - LINER - OVHD TV
	106699-01-01A	EA BRACKET - CABINET - OVERHEAD TV - OFF WHITE
	104289-03-D12	EA PANEL - SIDE - OVHD TV - RIGHT HAND
	104289-04-D12	EA PANEL - SIDE - OVHD TV - LEFT HAND



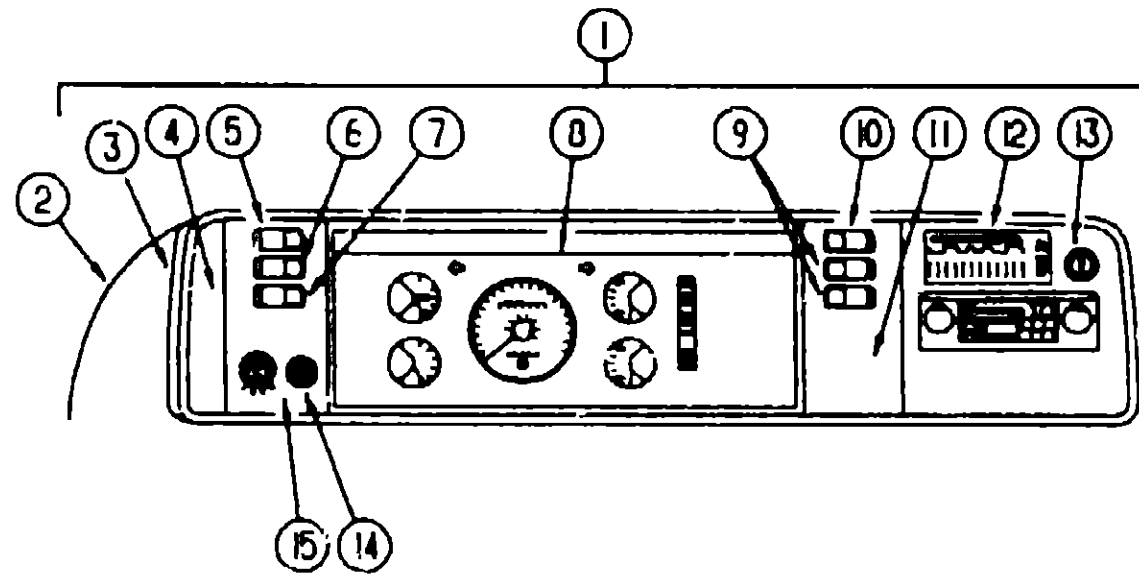
## 1993 WINNEBAGO TABLE OF CONTENTS

INTRODUCTION	A-01 - A-02
ABBREVIATIONS	A-03
ALPHABETICAL INDEX	A-04 - A-06
WCG37RW	A-07 - E-16
WKG34RQ	E-17 - I-18

## 1993 WCG37RW INDEX

FLOOR PLAN	A-07 - A-08
ACCESSORIES	A-09
AUDIO VIDEO	A-10 - A-11
BATH	A-12 - A-14
BEDROOM	A-15 - A-16
CHASSIS	A-17 - B-08
CURTAIN & CUSHION	B-09 - B-18
DINETTE	B-19 - B-22
DRIVERS COMPARTMENT	B-23 - C-02
ELECTRICAL	C-03 - C-08
EXTERIOR BODY	C-09 - C-16
GALLEY	C-17 - C-20
GENERATOR	C-21 - C-22
HEATING PUMP	C-23 - D-02
INTERIOR FINISH	D-03 - D-06
LABELS	D-07 - D-13
LP	D-14
LOUNGE	D-15 - D-18
SEALANTS & FASTENERS	D-19 - D-21
WATER & SEWAGE	D-22 - E-01
WINDOW, VENT & EXTERIOR DOOR	E-02 - E-14
WINDSHIELD & WIPER	E-15 - E-16

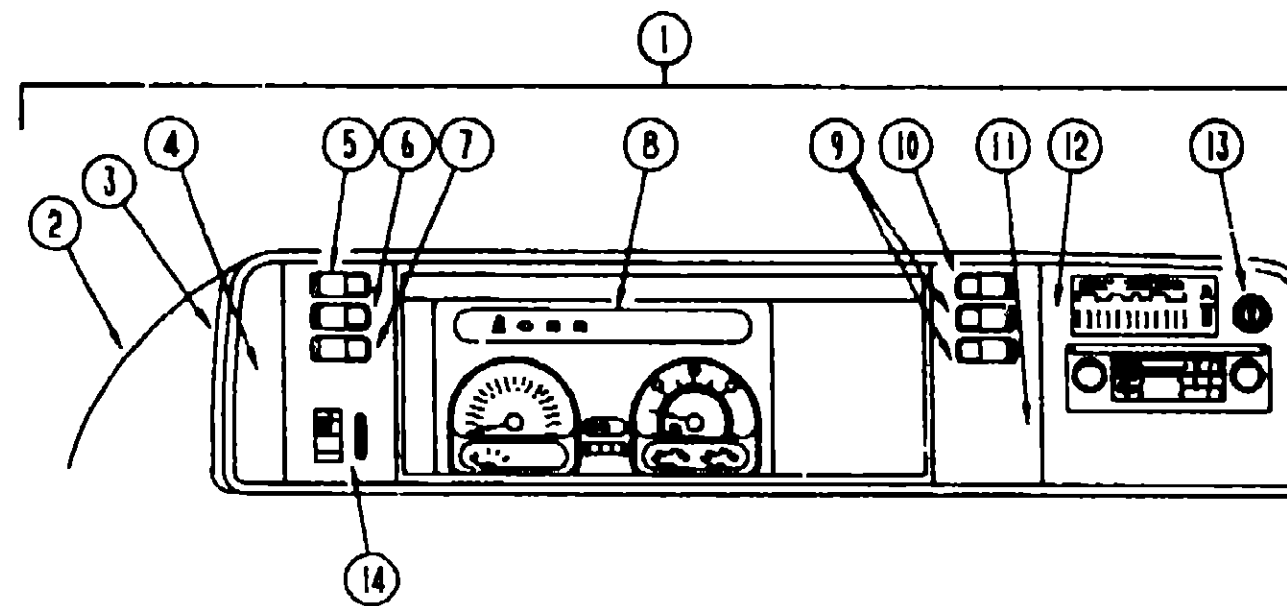
**DRIVERS COMPARTMENT GROUP (CONTINUED)**



**DASH, GAUGES & SWITCHES (FORD)**

KEY	PART NUMBER	U/M	DESCRIPTION
1	M05946-05-D12	EA	DASH POD ASM
2	103666-01-01A	EA	POD - INSTRUMENT PANEL - OFF/WHITE
3	103662-02-01A	EA	BEZEL - INSTRUMENT PANEL
4	104056-01-02A	EA	APPLIQUE - BEZEL - LEFT - DRESS UP
5	108357-05-000	EA	SWITCH - ROCKER - SPDT ON/NONE/ON
6	108357-04-000	EA	SWITCH - ROCKER - SPDT ON/OFF/MOM
7	108357-3-000	EA	SWITCH - ROCKER - DPDT MOM/OFF/MOM
8	094794-03-000	EA	CLUSTER - INSTRUMENT - KILOMETERS - (CSA)
9	108357-03-000	EA	SWITCH - ROCKER - SPDT ON/OFF/ON
10	108357-10-000	EA	SWITCH - ROCKER - SPDT MOM/OFF/MOM
11	104056-05-01A	EA	APPLIQUE - BEZEL SWITCH RIGHT - 3 SW FROM 00-00-00 THRU 12-13-92
11	104056-04-01A	EA	APPLIQUE - BEZEL - SWITCH RIGHT - BLANK FROM 00-00-00 THRU 12-13-92
11	104056-21-01A	EA	APPLIQUE - BEZEL - SWITCH RIGHT FROM 12-14-92 THRU 99-99-99
12	104056-06-02A	EA	APPLIQUE - BEZEL - RIGHT DRESS UP
13	089294-01-000	EA	LIGHTER ASM - CIGARETTE
14	096675-01-000	EA	KNOS - HEADLAMP - W/SHAFT
15	104056-03-01A	EA	APPLIQUE - BEZEL - SWITCH LEFT
	P03817-01-000	EA	DASH ASM - LOWER - W/O VINYL
	106569-02-01A	EA	PADED VINYL - LAMINATE MADRID - OFF WHITE - 1/4"X16"X96" - 2LB
	100138-01-000	EA	MODULE - DAYTIME RUNNING LIGHT
	077031-01-000	EA	FILM - BLACK - 1" X 175"
	077031-03-000	EA	FILM - WHITE 75" X 1"
	103812-02-01A	EA	TRIM - DASH - LOWER - FORD - OFF WHITE
	104354-01-01A	EA	APPLIQUE - LOWER DASH
	100138-01-000	EA	MODULE - DAYTIME RUNNING LIGHT (CSA)

**DRIVERS COMPARTMENT GROUP (CONTINUED)**



**DASH, GAUGES & SWITCHES (CHEVY)**

KEY	PART NUMBER	U/M	DESCRIPTION
1	M05946-04-D12	EA	DASH POD ASM
2	103666-01-01A	EA	POD - INSTRUMENT PANEL - OFF/WHITE
3	103662-01-01A	EA	BEZEL - INSTRUMENT PANEL
4	104056-01-02A	EA	APPLIQUE - BEZEL - LEFT - DRESS UP
5	108357-05-000	EA	SWITCH - ROCKER - SPDT ON/NONE/ON
6	108357-04-000	EA	SWITCH - ROCKER - SPDT ON/OFF/MOM
7	108357-06-000	EA	SWITCH - ROCKER - DPDT MOM/OFF/MOM
8	094796-05-000	EA	CLUSTER - INSTRUMENT PANEL - KILOMETERS - GAS (CSA)
9	108357-03-000	EA	SWITCH - ROCKER - SPST ON/OFF/ON
10	108357-10-000	EA	SWITCH - ROCKER - SPDT MOM/OFF/MOM
11	104056-05-01A	EA	APPLIQUE - BEZEL SWITCH RIGHT - 3 SW FROM 00-00-00 THRU 12-13-92
11	104056-04-01A	EA	APPLIQUE - BEZEL - SWITCH RIGHT - BLANK FROM 00-00-00 THRU 12-13-92
11	104056-21-01A	EA	APPLIQUE - BEZEL - SWITCH RIGHT FROM 12-14-92 THRU 99-99-99
12	104056-06-02A	EA	APPLIQUE - BEZEL - RIGHT DRESS UP
13	089294-01-000	EA	LIGHTER ASM - CIGARETTE
14	104056-02-01A	EA	APPLIQUE - BEZEL - SWITCH LEFT
	P03817-01-000	EA	DASH ASM - LOWER - W/O VINYL
	106569-02-01A	EA	PADED VINYL - LAMINATE MADRID - OFF WHITE - 1/4"X16"X96" - 2LB
	100138-01-000	EA	MODULE - DAYTIME RUNNING LIGHT
	077031-01-000	EA	FILM - BLACK - 1" X 175"
	077031-03-000	EA	FILM - WHITE 75" X 1"
	103812-01-01A	EA	TRIM - DASH - LOWER - GM - OFF WHITE
	104354-01-01A	EA	APPLIQUE - LOWER DASH
	100138-01-000	EA	MODULE - DAYTIME RUNNING LIGHT (CSA)

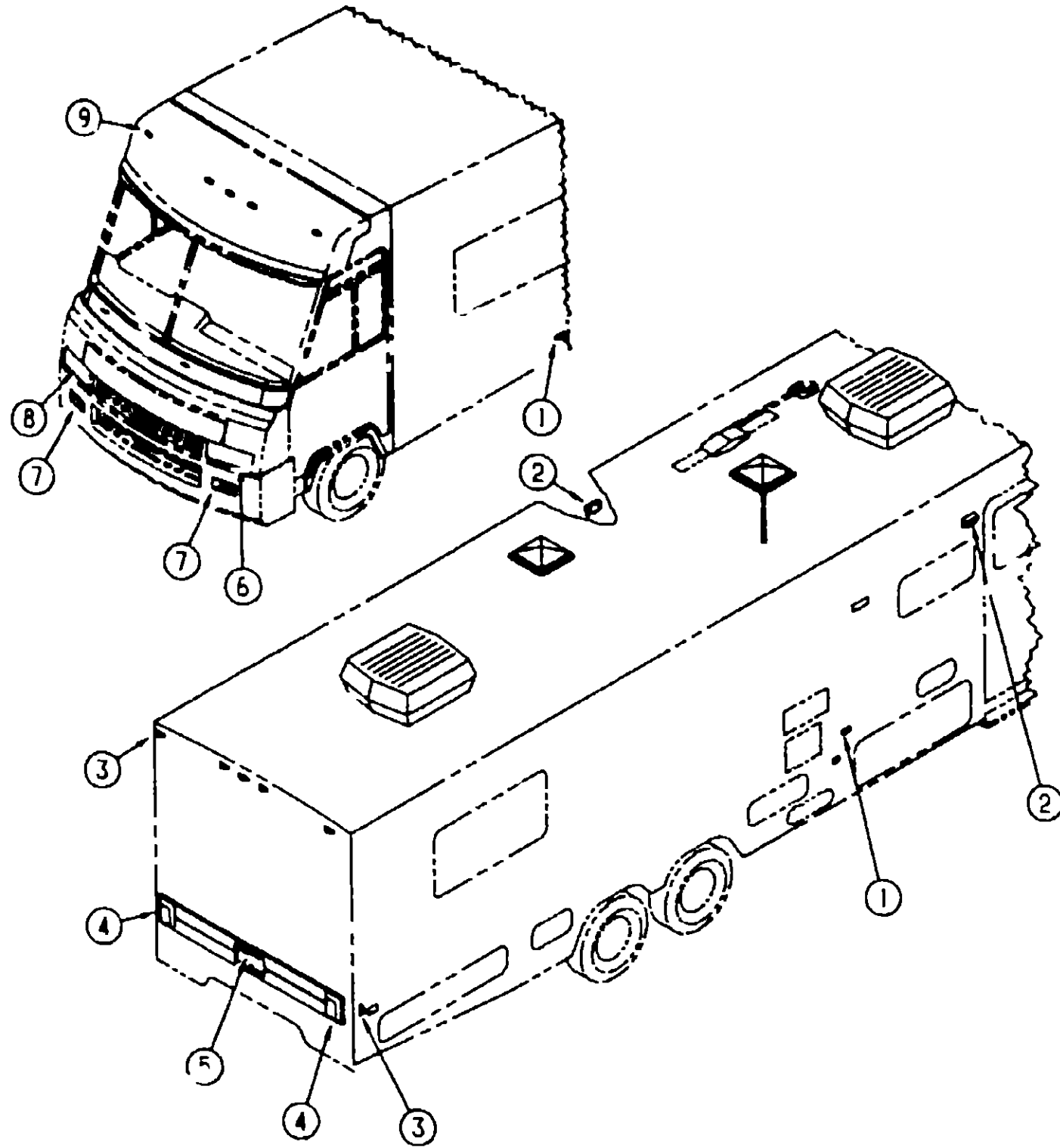
**1993 WINNEBAGO  
TABLE OF CONTENTS**

INTRODUCTION	A-01 - A-02
ABBREVIATIONS	A-03
ALPHABETICAL INDEX	A-04 - A-06
WCG37RW	A-07 - E-16
WKG34RD	E-17 - I-18

**1993 WCG37RW INDEX**

FLOOR PLAN	A-07 - A-08
ACCESSORIES	A-09
AUDIO VIDEO	A-10 - A-11
BATH	A-12 - A-14
BEDROOM	A-15 - A-16
CHASSIS	A-17 - B-08
CURTAIN & CUSHION	B-09 - B-18
DINETTE	B-19 - B-22
DRIVERS COMPARTMENT	B-23 - C-02
ELECTRICAL	C-03 - C-08
EXTERIOR BODY	C-09 - C-16
GALLEY	C-17 - C-20
GENERATOR	C-21 - C-22
HEATING & A/C	C-23 - D-02
INTERIOR FINISH	D-03 - D-06
LABELS	D-07 - D-13
LP	D-14
LOUNGE	D-15 - D-18
SEALANTS & FASTENERS	D-19 - D-21
WATER & SEWAGE	D-22 - E-01
WINDOW VENT & EXTERIOR DOOR	E-02 - E-14
WINDSHIELD & WIPER	E-15 - E-16

## ELECTRICAL GROUP



### EXTERIOR LIGHTS

KEY	PART NUMBER	U/M DESCRIPTION
1	062648-02-000	EA LIGHT-CLEARANCE - AMBER
2	097917-01-04A	EA LIGHT - PORCH - ENTRY DOOR - BUFF
	008215-01-000	EA BULB
2	097917-01-700	EA LENS - LIGHT - PORCH
3	062648-01-000	EA LIGHT - CLEARANCE - RED
4	081638-01-000	EA TAIL LIGHT - DOUBLE - W/BLACK TRIM - DRIVER & PASSENGER SIDE
4	081638-01-700	EA LENS - TAIL LIGHT - RED
4	081638-01-701	EA LENS - TAIL LIGHT - W/BACKUP
	037934-01-000	EA BULB #1156 (BACK UP & TURN SIGNAL)
	037935-01-000	EA BULB #2057 OR #1157 (BRAKE LIGHT)
5	066432-02-000	EA LIGHT ASM - LICENSE PLATE
5	066432-03-000	EA BRACKET - LICENSE PLATE
6	049186-02-000	EA HEADLAMP CAPSULE - DRIVER SIDE - HIGH/LOW BEAM - W/BLACK RETAINER
6	049187-02-000	EA HEADLAMP CAPSULE - DRIVER SIDE - HIGH BEAM - W/BLACK RETAINER
7	084901-01-000	EA LAMP - PARK/TURN - GM # 916558 (BULB #2057)
8	049187-02-000	EA HEADLAMP CAPSULE - PASSENGER SIDE - HIGH BEAM - W/BLACK RETAINER
8	049185-02-000	EA HEADLAMP CAPSULE - PASSENGER SIDE - HIGH/LOW BEAM - W/BLACK RETAINER
	050030-02-000	EA HOUSING - HEADLAMP WIRING - HIGH BEAM
	063749-01-000	EA HOUSING - HEADLAMP WIRING - LOW BEAM
	049359-01-000	EA SPRING - RETAINER - HEADLAMP
	073308-01-000	EA SCREW - ADJUSTING - HEADLAMP
	096674-01-000	EA NUT - HEADLAMP - BLACK
9	102520-01-000	EA CLEARANCE LIGHT ASM - CLEARANCE - W/O SOCKET CONNECTIONS - AMBER
	036196-01-000	EA BULB
	036196-01-000	01 SOCKET ASM
	102540-01-000	EA SEAL - SCREW - ROUND - RUBBER
	102541-01-000	EA GASKET - CLEARANCE LIGHT

### INTERIOR LIGHTS

KEY	PART NUMBER	U/M DESCRIPTION
	098024-01-01A	EA DOME LIGHT - 1 BULB - US - IVORY
	098024-03-01A	EA DOME LIGHT - 2 BULB - IVORY
	008218-01-000	EA BULB - DOME LIGHT
	098024-01-700	EA LENS - DOME LIGHT
	061424-01-000	EA LIGHT - AISLE - 12V - RECTANGULAR
	008103-01-000	EA BULB - AISLE
	093575-02-01A	EA LIGHT - CEILING
	093575-03-01A	EA LIGHT - CEILING - RECTANGULAR - GLASS & BRASS - CANADIAN
	008218-01-000	EA BULB - CEILING LIGHT
	083978-01-000	EA WASHER - MOUNTING - LAMP
	082686-11-000	EA LAMP - TABLE - BRASS
	082686-12-000	EA LAMP - TABLE - BRASS - CANADIAN
	065202-22-000	EA LAMP - WALL - BRASS - US
	065202-23-000	EA LAMP - WALL - BRASS - CSA
	065201-09-000	EA SHADE - LAMP - FABRIC - PARLOR
	065201-10-000	EA SHADE - LAMP - FABRIC - TABLE
	082169-01-000	EA LIGHT - MAKE-UP - 3 BULB
	081633-01-000	EA LIGHT - MAKE-UP - 4 BULBS
	110235-02-01A	EA LIGHT - MAKE UP - 4 BULB PANLESS
		FROM 00-00-00 THRU 12-13-92
		FROM 12-14-92 THRU 99-99-99
	081633-01-700	EA BULB - MAKE-UP
	086280-01-000	EA LIGHT - SURFACE MOUNT - 12V - JENSEN 1236
	086280-01-700	EA BULB - SURFACE MOUNT - 12 VOLT - 6 WATT
	087694-01-000	EA LIGHT - WARDROBE/CLOSET - W/SWITCH
	087694-01-700	EA BULB - G6561 - WARDROBE/CLOSET

## 1992 WINNEBAGO TABLE OF CONTENTS

INTRODUCTION	A-01 - A-02
ABBREVIATIONS	A-03
ALPHABETICAL INDEX	A-04 - A-06
WCG37RW	A-07 - E-16
WKG34RQ	E-17 - 1-18

## 1993 WCG37RW INDEX

FLOOR PLAN	A-07 - A-08
ACCESSORIES	A-09
AUDIO VIDEO	A-10 - A-11
BATH	A-12 - A-14
BEDROOM	A-15 - A-16
CHASSIS	A-17 - B-08
CURTAIN & CUSHION	B-09 - B-18
DINETTE	B-19 - B-22
DRIVERS COMPARTMENT	B-23 - C-02
ELECTRICAL	C-03 - C-08
EXTERIOR BODY	C-09 - C-16
GALLEY	C-17 - C-20
GENERATOR	C-21 - C-22
HEATING & A/C	C-23 - D-02
INTERIOR FINISH	D-03 - D-06
LABELS	D-07 - D-13
LP	D-14
LOUNGE	D-15 - D-18
SEALANTS & FASTENERS	D-19 - D-21
WATER & SEWAGE	D-22 - E-01
WINDOW, VENT &	
EXTERIOR DOOR	E-02 - E-14
WINDSHIELD & WIPER	E-15 - E-16

**ELECTRICAL GROUP (CONTINUED)**

**ELECTRIC COMPONENTS**

KEY	PART NUMBER	U/M DESCRIPTION
	007093-01-000	EA FLASHER - SIGNAL - STAT
	007942-01-000	EA TAB - WIRE - 18 TO 14 AWG
	008188-01-000	EA SOLENOID - 3 POST - BATTERY CHANGE OVER
	095188-01-01A	EA SPACER - SWITCH - 2 3" X 3 4" - PLASTIC - DARK BROWN
	008326-01-000	EA TERMINAL - RING - 16/14 WIRE - 3/8" STUD
	008328-01-000	EA TERMINAL - RING - 12/10 WIRE - #10 STUD FIT
	008331-01-000	EA TERMINAL - RING - TONGUE - #4 WIRE - 3/8" STUD - COPPER
	008348-01-000	EA TERMINAL - RING - 3/8" STUD - #2 WIRE
	035116-04-000	EA TERMINAL - RING - #10 STUD FITTING - INSULATED BARREL #16/14
	047443-01-000	EA TERMINAL - 250 RECEPTACLE FITTING - INSULATED - 16/14 AWG
	047443-02-000	EA TERMINAL - 250 RECEPTACLE FITTING - INSULATED - 12/10 AWG
	062036-02-000	EA TERMINAL - PACK - CONNECTOR - 16/14 AWG
	104100-03-000	EA TERMINAL - 75 AMP AMP 53880-4 LOOSE
	103603-01-000	EA BULB - 12V NO 74 0 12A WEDGE GE 22-25 OR EQUIV
	008215-01-000	EA BULB - 12V - #1003 - 94AMP
	008218-01-000	EA BULB - DOME LIGHT - 12V - NUMBER 1141
	036195-01-000	EA BULB - 12V - #194 - 27AMP - BAYONETTE
	067479-01-000	EA BULB - 12V - NUMBER 1076
	067789-02-000	EA SOCKET - LAMP
	103608-01-000	EA SOCKET - WEDGE BASE W/LEADS JKL 2944-6 OR EQUIV
	075723-01-000	EA BLOCK - SWITCH - SPACER W/O HOLE
	095188-01-01A	EA SPACER - SWITCH - 2 3" X 3 4" - PLASTIC - DARK BROWN
	095188-02-01A	EA SPACER - SWITCH - 2 3" X 4 1" - PLASTIC - DARK BROWN
	075723-02-000	EA SPACER - SWITCH - W/HOLE - .2" X 9" X 2" - METAL - OFF WHITE FOR ELECTRIC STEP DOOR JAMB SWITCH
	077479-01-000	EA BOOT - BATTERY TERMINAL - DOUBLE CABLE
	077479-02-000	EA BOOT - BATTERY TERMINAL - SINGLE CABLE
	086233-01-000	EA STUD - ISOLATED - 3/8" X 7/8" LONG
	086273-01-000	EA RELAY - BATTERY DISCONNECT
	087949-01-000	EA BUSS BAR - 2 POSITION - 6" X 1 5" - ALUMINUM
	087949-02-000	EA BUSS BAR - 3 POS 90 WIV
	090971-01-000	EA SPLICE - CABLE - 110V
	100341-01-000	EA FUSE HOLDER - IN LINE TYPE WESCO 8931-92020
	102568-01-B10	EA SPACER - RECEPTACLE - BETWEEN SIDEWALL & PLATE - WOOD
	092492-06-000	EA SEAL - ELECTRICAL BOX
	103873-01-000	EA SEAL - ELECTRICAL BOX/BULKHEAD ALFA III(215X215)
	103987-01-000	EA SEAL - SOLENOID ACCESS

**CONVERTER & LOAD CENTER**

KEY	PART NUMBER	U/M DESCRIPTION
	094809-01-000	EA LOAD CENTER - 240V - 125A - TPL412CT
	109677-01-000	EA LOAD CENTER - 120V - 40A WESCO TT120 FLGNM
	083208-02-000	EA CONVERTER - POWER - 45A - 120V/12V - BW 6015
	099048-01-000	EA INVERTER - 100 WATT

**ELECTRICAL GROUP (CONTINUED)**

**ELECTRICAL HOUSINGS**

KEY	PART NUMBER	U/M DESCRIPTION
	088473-01-000	EA PIN HOUSING - 4 ROWS OF 3
	088473-02-000	EA PIN HOUSING - 15 POSITION
	088473-03-000	EA PIN HOUSING - 9 POSITION
	088473-05-000	EA PIN HOUSING - 6 POSITION (SINGLE ROW)
	088473-06-000	EA PIN HOUSING - 6 POSITION (TWO ROWS OF THREE)
	088473-08-000	EA PIN HOUSING - 4 POSITION
	088473-09-000	EA PIN HOUSING - 3 POSITION (SINGLE ROW)
	088473-10-000	EA PIN HOUSING - 2 POSITION
	088474-01-000	EA HOUSING - SOCKET - 12 POSITIONS
	088474-02-000	EA HOUSING - SOCKET - 15 POSITION (3 ROWS OF 5)
	088474-03-000	EA HOUSING - SOCKET - 9 POSITION
	088474-06-000	EA HOUSING - SOCKET - 6 POSITION (2 ROWS OF THREE)
	088474-07-000	EA HOUSING - SOCKET - 5 CAVITY AMP 1-480764-0
	088474-08-000	EA HOUSING - SOCKET - 4 POSITION (SINGLE ROW)
	088474-09-000	EA HOUSING - SOCKET - 3 POSITION
	088474-10-000	EA HOUSING - SOCKET - 2 POSITION
	063910-01-000	EA HOUSING - RELAY - BOSCH 3 334 485 008
	050030-02-000	EA HOUSING - HEADLAMP WIRING - HIGH BEAM
	101571-01-000	EA HOUSING - 2 POSITION - MALE
	104100-01-000	EA HOUSING - 1 POSITION - 75 AMP AMP 53884-1
	106006-01-000	EA HOUSING - 1 POSITION - FEMALE - PACKARD 12015952
	108355-01-000	EA HOUSING - SWITCH
	088473-02-000	EA PIN HOUSING - 15 POSITION
	007949-01-000	EA TAB - HOUSING - 1 POSITION

**1993 WINNEBAGO  
TABLE OF CONTENTS**

INTRODUCTION	A-01 - A-02
ABBREVIATIONS	A-03
ALPHABETICAL INDEX	A-04 - A-06
WCG37RW	A-07 - E-16
WKG34RQ	E-17 - I-18

**1993 WCG37RW INDEX**

FLOOR PLAN	A-07 - A-08
ACCESSORIES	A-09
AUDIO VIDEO	A-10 - A-11
BATH	A-12 - A-14
BEDROOM	A-15 - A-16
CHASSIS	A-17 - B-08
CURTAIN & CUSHION	B-09 - B-18
DINETTE	B-19 - B-22
DRIVERS COMPARTMENT	B-23 - C-02
ELECTRICAL	C-03 - C-08
EXTERIOR BODY	C-09 - C-16
GALLEY	C-17 - C-20
GENERATOR	C-21 - C-22
HEATING & A/C	C-23 - D-02
INTERIOR FINISH	D-03 - D-06
LABELS	D-07 - D-13
LP	D-14
LOUNGE	D-15 - D-18
SEALANTS & FASTENERS	D-19 - D-21
WATER & SEWAGE	D-22 - E-01
WINDOW, VENT &	
EXTERIOR DOOR	E-02 - E-14
WINDSHIELD & WIPER	E-15 - E-16



**ELECTRICAL GROUP (CONTINUED)**

**SWITCHES, RECEPTACLES & COVERS**

KEY	PART NUMBER	U/M DESCRIPTION
	096241-03-000	EA SWITCH - BLANK
	079364-01-000	EA SWITCH - ON/OFF ROCKER - 2 PRONGS - BROWN
	079364-03-000	EA SWITCH - ON/OFF - ROCKER - 3 PRONGS - BROWN
	108357-08-000	EA SWITCH - ROCKER - DPDT ON/NONE/ON CARLING VDD1S00C-0
	097734-01-01A	EA EXTENSION - RECEPTACLE - 3 2" X 5" X 7" - PLASTIC - IVORY
	098351-01-01A	EA PLATE - SWITCH - 1 GANG - POLISHED BRASS
	098351-02-01A	EA PLATE - SWITCH - 2 GANG - POLISHED BRASS
	098351-04-01A	EA PLATE - SWITCH - GENERATOR/DOOR LOCK - POLISH BRASS - JENSEN
	098351-05-01A	EA PLATE - SWITCH - 3 GANG - POLISH BRASS - JENSEN
	080015-02-000	EA RECEPTACLE - FLAG - 105 - 18/14 GA - 1/2" MP 3
	084076-02-000	EA RECEPTACLE - GFI - 15A - 125V - BROWN
	058707-01-000	EA RECEPTACLE - ELECTRIC - SINGLE - BROWN
	058708-01-000	EA RECEPTACLE - ELECTRIC - DOUBLE - BROWN
	058708-02-000	EA RECEPTACLE - ELECTRIC - DOUBLE - IVORY
	007940-01-000	EA RECEPTACLE - SLIDE - 16 TO 12 AWG - FEMALE END
	024924-02-000	EA RECEPTACLE - POWER CORD - W/PARTIAL PLATE
	075736-02-000	EA COVER - EXTERIOR RECEPTACLE - OFF WHITE
	088238-01-000	EA COVER - SWITCH - A/C SELECTOR - FRONT TO REAR A/C
	088238-02-000	EA COVER - SWITCH - A/C SELECTOR FOR FRONT OR REAR

**ELECTRICAL WIRING & BOXES**

KEY	PART NUMBER	U/M DESCRIPTION
	008052-01-000	EA CORD - POWER - 10/3 - 30 AMP - 25' - CANADIAN
	008054-01-000	EA CORD - POWER - 10/3 - 30 AMP - 25'
	008288-01-000	EA BOX - PLASTIC ELECTRIC - 3" X 3 1/2"
	008288-02-000	EA BOX - ELECTRIC - PLASTIC - 3 9/4" X 3 13" X 1 81"
	008289-01-000	EA BOX - ELECTRIC - STEEL - 1/2" AND 3/4" KNOCKOUTS - 4" X 4"
	008289-02-000	EA BOX - ELECTRICAL - 4" X 4" - 1/2" & 3/4" KNOCKOUTS - CANADIAN
	074890-01-000	EA BOX - EXTENSION - STEEL - OPEN SIDES - 4" X 4" X 1 1/2"
	058049-01-000	EA BOX - ELECTRIC SWITCH - 2" X 3" X 2 25"
	091910-01-000	EA BOX - ELECTRIC - 3 75" X 3 5" X 1 75" - PLASTIC
	091927-01-000	EA COVER - RECEPTACLE - DOUBLE - IVORY
	008294-01-000	EA COVER - ELECTRICAL BOX - BLANK/STEEL - 4" X 4" - GRAY
	008294-02-000	EA COVER - ELECTRICAL BOX - BLANK STEEL - 4" X 4" - CANADIAN
	074897-01-000	EA COVER - ELECTRIC BOX - 1 LARGE & 2 SMALL HOLES - 4" X 4"
	069238-01-000	EA COVER - ELECTRICAL BOX - W/HOLE - 4" X 4" - GRAY USED WITH 30 AMP RECEPTACLE
	084077-02-000	EA PLATE - COVER - RECEPTACLE - GFI - BROWN
	104016-01-000	EA WIRE ASM - AUX FANS
	102636-01-000	EA WIRE ASM - CLEARANCE LAMPS
	094831-08-000	EA WIRE ASM - AC COMPRESSOR ADAPTER - SCS 036-0054
	P03784-02-000	EA WIRE ASM - HEADLAMP(FORD)
	P03784-01-000	EA WIRE ASM - HEADLAMP(GM)
	088751-01-000	FT CABLE - BATTERY - 1/0 AWG - STRANDED - RED
	073328-B4-000	EA CABLE ASSEMBLY - BATTERY - W/TERMINALS

**ELECTRICAL GROUP (CONTINUED)**

**ELECTRICAL CONNECTORS & CONDUIT**

KEY	PART NUMBER	U/M DESCRIPTION
	041953-01-000	FT CONDUIT - CONVOLUTE - SLIT - 5/8" ID
	041953-03-000	FT CONDUIT - CONVOLUTE - SLIT - 1" ID (CLOTHES ROD COVER)
	041953-05-000	FT CONDUIT - CONVOLUTE - SOLID - .62" ID
	041953-06-000	FT CONDUIT - CONVOLUTE - SLIT 3/8" ID
	041953-07-000	FT CONDUIT - CONVOLUTE - SLIT - .25" ID
	041953-08-000	FT CONDUIT - CONVOLUTE - SLIT - 1.50" ID
	041953-09-000	FT CONDUIT - CONVOLUTE - SLIT 5/8" ID
	041953-10-000	FT CONDUIT - CONVOLUTE - SLIT - 75" ID
	041953-11-000	FT CONDUIT - CONVOLUTE - SLIT - 1 06" ID
	041953-12-000	FT CONDUIT - CONVOLUTE - NON SLIT 1 1" ID
	008311-01-000	EA CONNECTOR - WIRE NUT - INSULATED - RED
	008312-01-000	EA CONNECTOR - WIRE NUT - INSULATED - BLUE
	008314-01-000	EA CONNECTOR - WIRE NUT - INSULATED - GRAY
	008355-01-000	EA CONNECTOR - CABLE CLAMPING - 3/4"
	008356-01-000	EA CONNECTOR - PLASTIC - 3/8" AVG
	058028-01-000	EA CONNECTOR - ELECTRICAL PIGTAIL - NYLON - CLEAR
	041480-01-000	EA CONNECTOR - STRAIGHT - 1/2" FLEX CONDUIT
	082740-01-000	EA CONNECTOR - PLASTIC BODY - FOR 2 MALE SPADES
	082740-01-000	EA CONNECTOR - PLASTIC BODY - FOR 2 MALE SPADES
	088475-01-000	EA PIN-CONNECTOR - 14 TO 20 AWG KEY
	088475-01-000	EA PIN-CONNECTOR - 14 TO 20 AWG
	068476-01-000	EA SOCKET - CONNECTOR - BRASS - PRE - TIN
	088476-02-000	EA SOCKET - CONNECTOR - 12-10 GA - PHOS BRZ - PRE - TIN
	088476-01-000	EA SOCKET - CONNECTOR - BRASS - PRE - TIN
	088476-02-000	EA SOCKET - CONNECTOR - 12-10 GA - PHOS BRZ - PRE - TIN

**CIRCUIT BREAKERS & FUSES**

KEY	PART NUMBER	U/M DESCRIPTION
	097611-01-000	EA CIRCUIT BREAKER - 6AMP - ATC - BLACK
	093654-01-000	EA CIRCUIT BREAKER - 6 AMP - HOUSE CONTROL PANEL
	093654-02-000	EA CIRCUIT BREAKER - 15 AMP
	093655-01-000	EA CIRCUIT BREAKER - 25 AMP
	093655-02-000	EA CIRCUIT BREAKER - 30 AMP - HOUSE CONTROL PANEL
	093655-03-000	EA CIRCUIT BREAKER - 40 AMP USD 17440-4E03A2A
	094810-01-000	EA CIRCUIT BREAKER - DOUBLE 30 AMP - GE THQL2130
	094811-01-000	EA CIRCUIT BREAKER - DOUBLE 20 AMP - GE THQL2120
	083209-02-000	EA CIRCUIT BREAKER - 15/15AMP - 120V - BW H - 15/15
	083209-03-000	EA CIRCUIT BREAKER - 15/20AMP - 120V - BW 0-15/20
	093209-04-000	EA CIRCUIT BREAKER - 30A - 120V - BW L - 30
	083209-06-000	EA CIRCUIT BREAKER - 30/15 AMP - 120V - BW D - 30/15
	083209-07-000	EA CIRCUIT BREAKER - 20/20A - 120V - BW K - 20/20
	083209-08-000	EA CIRCUIT BREAKER - BLANK - BW
	062901-02-000	EA FUSE - 5 AMP - AUTOMOTIVE
	062901-05-000	EA FUSE - 15 AMPS - AUTOMOTIVE
	062901-07-000	EA FUSE - AUTOMOTIVE - 25 AMPS
	062037-01-000	EA HOUSING - AUTO FUSE - NATURAL
	062037-02-000	EA HOUSING - AUTO FUSE - GREEN
	062037-03-000	EA HOUSING - AUTO FUSE - BLACK
	062037-04-000	EA HOUSING - AUTO FUSE - BLUE
	062037-05-000	EA HOUSING - AUTO FUSE - GRAY
	062037-06-000	EA HOUSING - AUTO FUSE - BROWN

**1993 WINNEBAGO  
TABLE OF CONTENTS**

INTRODUCTION	A-01 - A-02
ABBREVIATIONS	A-03
ALPHABETICAL INDEX	A-04 - A-06
WCG37RW	A-07 - E-16
WKG34RQ	E-17 - I-18

**1993 WCG37RW INDEX**

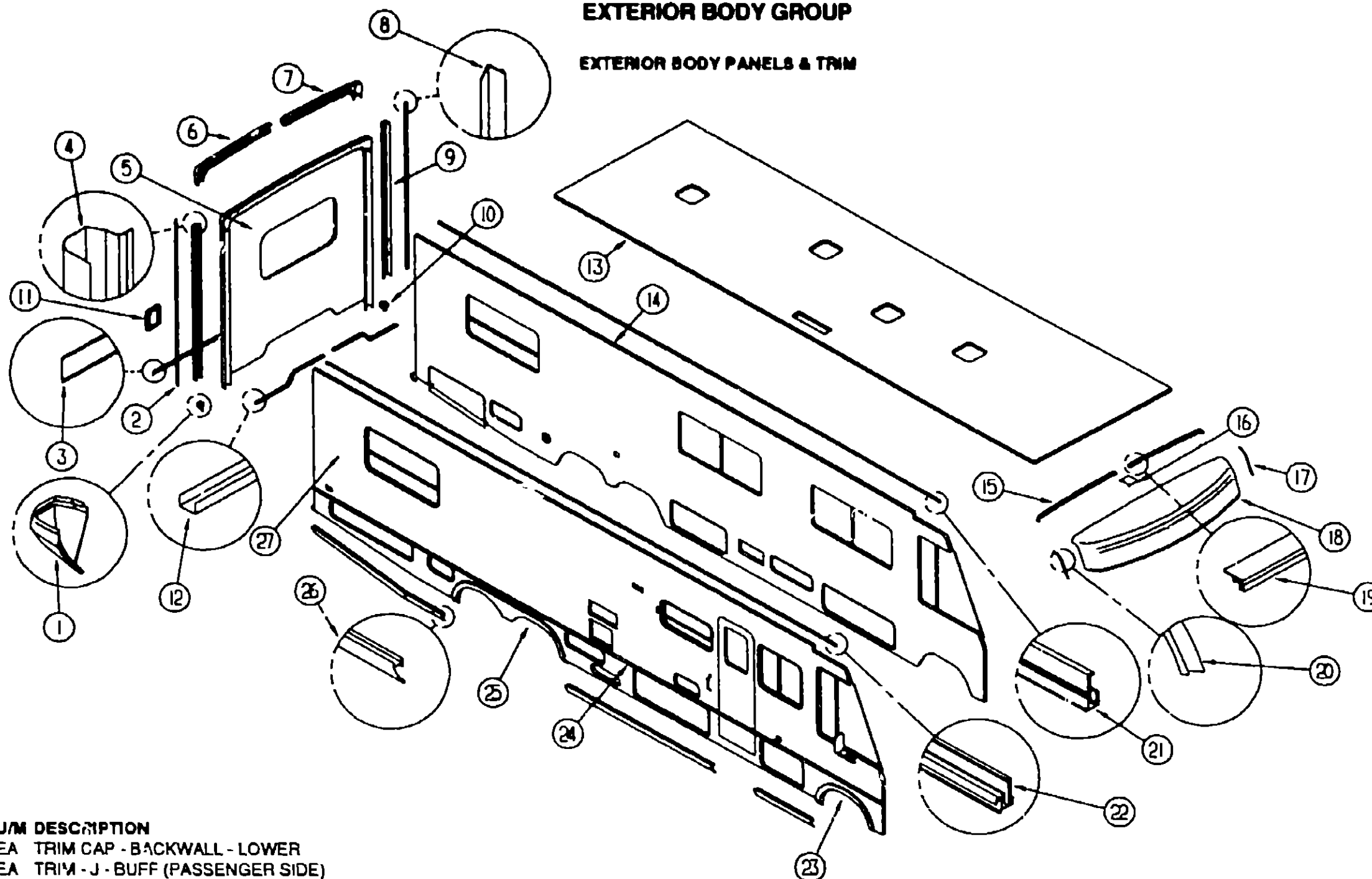
FLOOR PLAN	A-07 - A-08
ACCESSORIES	A-09
AUDIO VIDEO	A-10 - A-11
BATH	A-12 - A-14
BEDROOM	A-15 - A-16
CHASSIS	A-17 - B-08
CURTAIN & CUSHION	B-09 - B-18
DINETTE	B-19 - B-22
DRIVERS COMPARTMENT	B-23 - C-02
ELECTRICAL	C-03 - C-08
EXTERIOR BODY	C-09 - C-16
GALLEY	C-17 - C-20
GENERATOR	C-21 - C-22
HEATING & A/C	C-23 - D-02
INTERIOR FINISH	D-03 - D-06
LABELS	D-07 - D-13
LP	D-14
LOUNGE	D-15 - D-18
SEALANTS & FASTENERS	D-19 - D-21
WATER & SEWAGE	D-22 - E-01
WINDOW, VENT &	
EXTERIOR DOOR	E-02 - E-14
WINDSHIELD & WIPER	E-15 - E-16

**EXTERIOR BODY GROUP**

**EXTERIOR BODY PANELS & TRIM**

**1993 WINNEBAGO  
TABLE OF CONTENTS**

INTRODUCTION	A-01 - A-02
ABBREVIATIONS	A-03
ALPHABETICAL INDEX	A-04 - A-06
WCG37RW	A-07 - E-16
WKG34RQ	E-17 - I-18



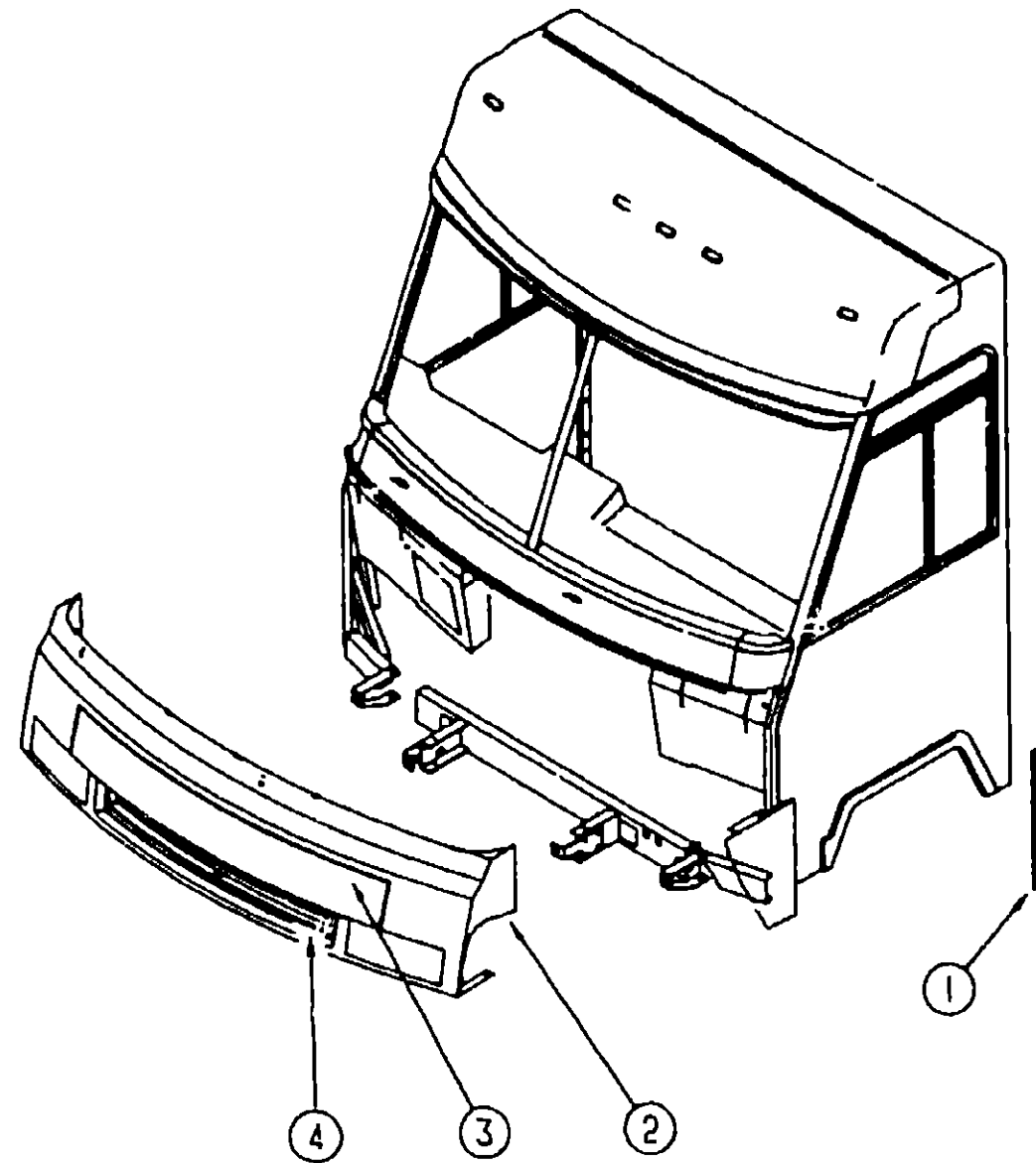
**1993 WCG37RW INDEX**

FLOOR PLAN	A-07 - A-08
ACCESSORIES	A-09
AUDIO VIDEO	A-10 - A-11
BATH	A-12 - A-14
BEDROOM	A-15 - A-16
CHASSIS	A-17 - B-08
CURTAIN & CUSHION	B-09 - B-18
DINETTE	B-19 - B-22
DRIVERS COMPARTMENT	B-23 - C-02
ELECTRICAL	C-03 - C-08
EXTERIOR BODY	C-09 - C-16
GALLEY	C-17 - C-20
GENERATOR	C-21 - C-22
HEATING & A/C	C-23 - D-02
INTERIOR FINISH	D-03 - D-06
LABELS	D-07 - D-13
LP	D-14
LOUNGE	D-15 - D-18
SEALANTS & FASTENERS	D-19 - D-21
WATER & SEWAGE	D-22 - E-01
WINDOW, VENT &	
EXTERIOR DOOR	E-02 - E-14
WINDSHIELD & WIPER	E-15 - E-18

KEY	PART NUMBER	U/M DESCRIPTION
1	105167-03-04A	EA TRIM CAP - BACKWALL - LOWER
2	104033-03-04A	EA TRIM - J - BUFF (PASSENGER SIDE)
3	093673-01-01A	EA MOLDING - PLASTIC - OFF WHITE
4	103598-03-05A	EA TRIM - BACKWALL - SIDE - BUFF (PASSENGER SIDE)
5	M05191-12-D12	EA BACKWALL ASM - QUEEN BED (CHEVY)
5	M05191-12-D13	EA BACKWALL ASM - QUEEN BED (CHEVY)
5	M05192-10-D12	EA BACKWALL ASM - QUEEN BED (FORD)
5	M05192-10-D13	EA BACKWALL ASM - QUEEN BED (FORD)
6	103599-01-04A	EA TRIM - BACKWALL - TOP - BUFF (PASSENGER SIDE)
7	103600-01-04A	EA TRIM - BACKWALL - TOP - BUFF (DRIVER SIDE)
8	104033-04-04A	EA TRIM - J - BUFF (DRIVER SIDE)
9	103598-04-05A	EA TRIM - BACKWALL - SIDE - BUFF (DRIVER SIDE)
10	105167-04-04A	EA TRIM CAP - BACKWALL - LOWER
11	106125-01-D12	EA TRIM POD ASM - BACKWALL
12	050406-18-000	EA TRIM - BACKWALL - LOWER LEFT OR RIGHT SIDE - BUFF
13	P08859-01-D12	EA ROOF ASM
14	M05919-01-D12	EA SIDEWALL ASM - QUEEN BED (DRIVER SIDE)
14	M05919-01-D13	EA SIDEWALL ASM - QUEEN BED (DRIVER SIDE)
15	103815-02-05A	EA TRIM - FRONT CAP/ROOF - BUFF (PASSENGER SIDE)
16	086754-09-000	EA CAP - JOINT - BUFF
17	103816-04-04A	EA TRIM - FRONT CAP/SDW - BUFF (DRIVER SIDE)
18	103785-01-04A	EA CAP ASM - FRONT - BUFF
19	103815-03-05A	EA TRIM - FRONT CAP/ROOF - LH BUFF
20	103816-01-04A	EA TRIM - FRONT CAP/SDW - RH BUFF
21	103801-01-04A	EA TRIM - ROOF - BUFF
22	103802-01-04A	EA RAIL - AWNING - BUFF

KEY	PART NUMBER	U/M DESCRIPTION
23	104068-01-05A	EA TRIM - WHEELWELL - FRONT - PASSENGER SIDE
	104068-02-05A	EA TRIM - WHEELWELL - FRONT - DRIVER SIDE
24	059576-05-020	EA FEATURE STRIP - W/HOLES - OFF WHITE
		FROM 00-00-00 THRU 03-28-93
24	108688-01-01A	EA FEATURE STRIP - W/HOLES - OFF WHITE
		FROM 03-29-93 THRU 99-99-99
	001030-02-003	EA INSERT - FEATURE STRIP - 17' LONG - OFF WHITE
		FROM 00-00-00 THRU 03-28-93
	105312-01-06A	FT INSERT - FEATURE STRIP - PEARL FAWN
		FROM 03-29-93 THRU 99-99-99
	009731-01-000	EA END CAP - FEATURE STRIP
		FROM 00-00-00 THRU 03-28-93
	108651-01-01A	EA END CAP - FEATURE STRIP
		FROM 03-29-93 THRU 99-99-99
25	108845-01-01A	EA TRIM - WHEELWELL - REAR - BUFF (DRIVER OR PASSENGER SIDE)
26	079407-05-005	EA ROCKER PANEL 192"
27	M05918-01-D12	EA SIDEWALL ASM - QUEEN BED (PASSENGER SIDE)
27	M05918-01-D13	EA SIDEWALL ASM - QUEEN BED (PASSENGER SIDE)

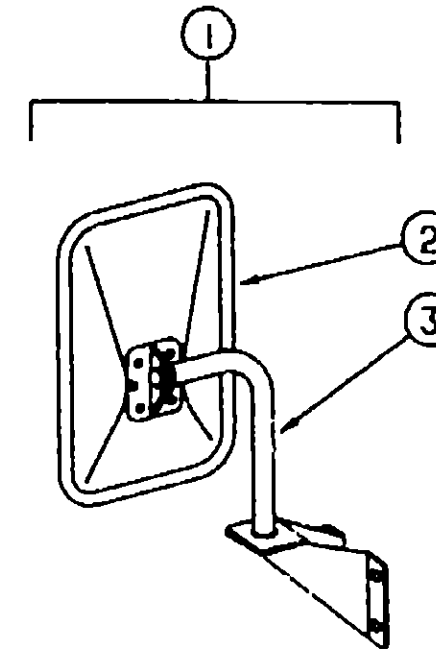
**EXTERIOR BODY GROUP (CONTINUED)**



**FRONT END ASM**

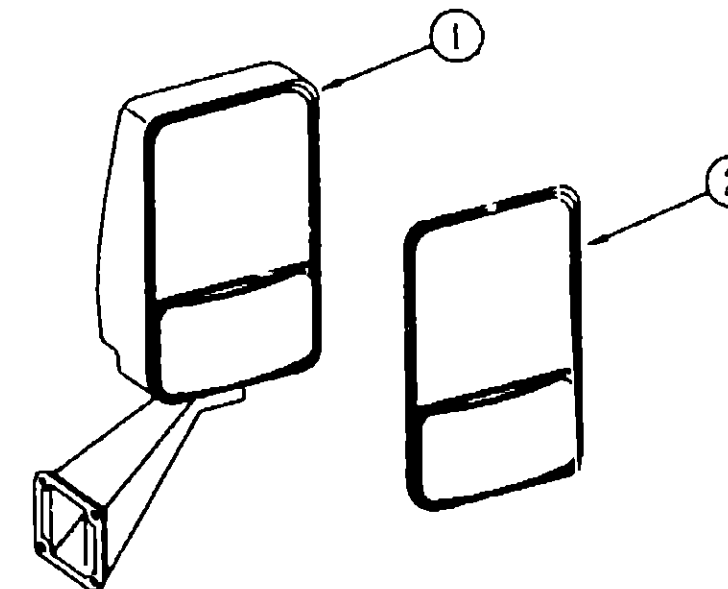
KEY	PART NUMBER	U/M DESCRIPTION
1	089922-20-000	EA TRIM - FIBERGLSSS - BUFF
2	104062-01-04A	EA PANEL - FRONT - LOWER - BUFF
3	104645-01-D12	EA PANEL ASM - HOOD - BUFF
4	104318-01-C07	EA GRILLE ASM - MESH - FACIA
	058786-01-000	EA BOLT - ADJUSTING - HOOD - W/BLACK PAD - 5/16" #18 X 2"
	058786-02-000	EA BOLT - ADJUSTING - HOOD - W/BLACK PAD - 5/16" #18 X 1 25"
	104582-02-000	EA LINK ASM - HINGE - HOOD - OUTER
	104584-03-000	EA BRACKET ASM - HOOD HINGE BODY - PASSENGER SIDE
	104584-04-000	EA BRACKET ASM - HOOD HINGE BODY - DRIVER SIDE
	102330-02-000	EA LATCH - SINGLE HOLE - VISE ACTION
	105095-01-000	EA LINK ASM - HINGE - HOOD - INNER - PASSENGER SIDE
	105095-02-000	EA LINK ASM - HINGE - HOOD - INNER - DRIVER SIDE
	105096-02-000	EA TUBE - TIMING - HOOD HINGE

**EXTERIOR BODY GROUP (CONTINUED)**



**EXTERIOR MIRRORS**

KEY	PART NUMBER	U/M DESCRIPTION
1	105076-01-702	EA MIRROR ASM - DRIVER & PASSENGER SIDE
2	105076-01-703	EA MIRROR HEAD ONLY - DRIVER & PASSENGER SIDE
3	105076-01-704	EA ARM - DRIVER & PASSENGER SIDE
	105439-01-000	EA MIRROR - AUX - CONVEX STICK-ON
	049347-01-700	EA MIRROR - FLAT GLASS



**EXTERIOR MIRROR OPTION**

KEY	PART NUMBER	U/M DESCRIPTION
1	106015-09-01A	EA MIRROR ASM - PASSENGER SIDE
1	106015-10-01A	EA MIRROR ASM - DRIVER SIDE
2	106015-01-703	EA MIRROR KIT (BEZEL W/MIRRORS) PASSENGER SIDE
2	106015-02-702	EA MIRROR KIT (BEZEL W/MIRRORS) DRIVER SIDE

**1993 WINNEBAGO  
TABLE OF CONTENTS**

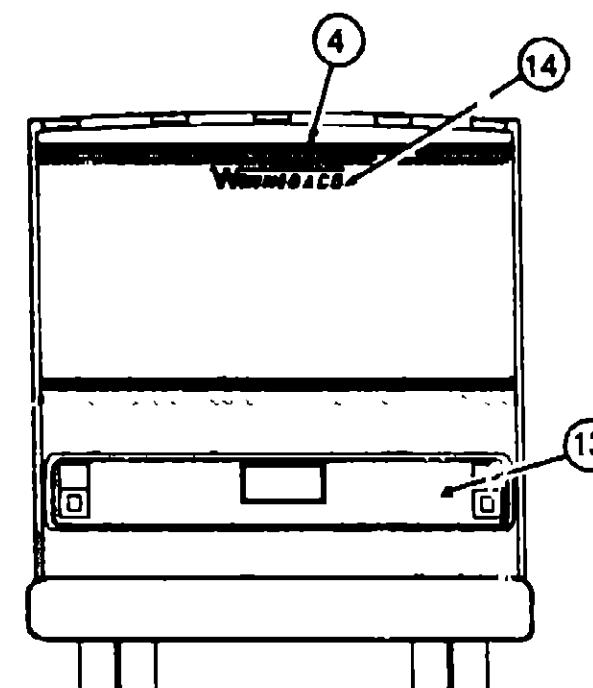
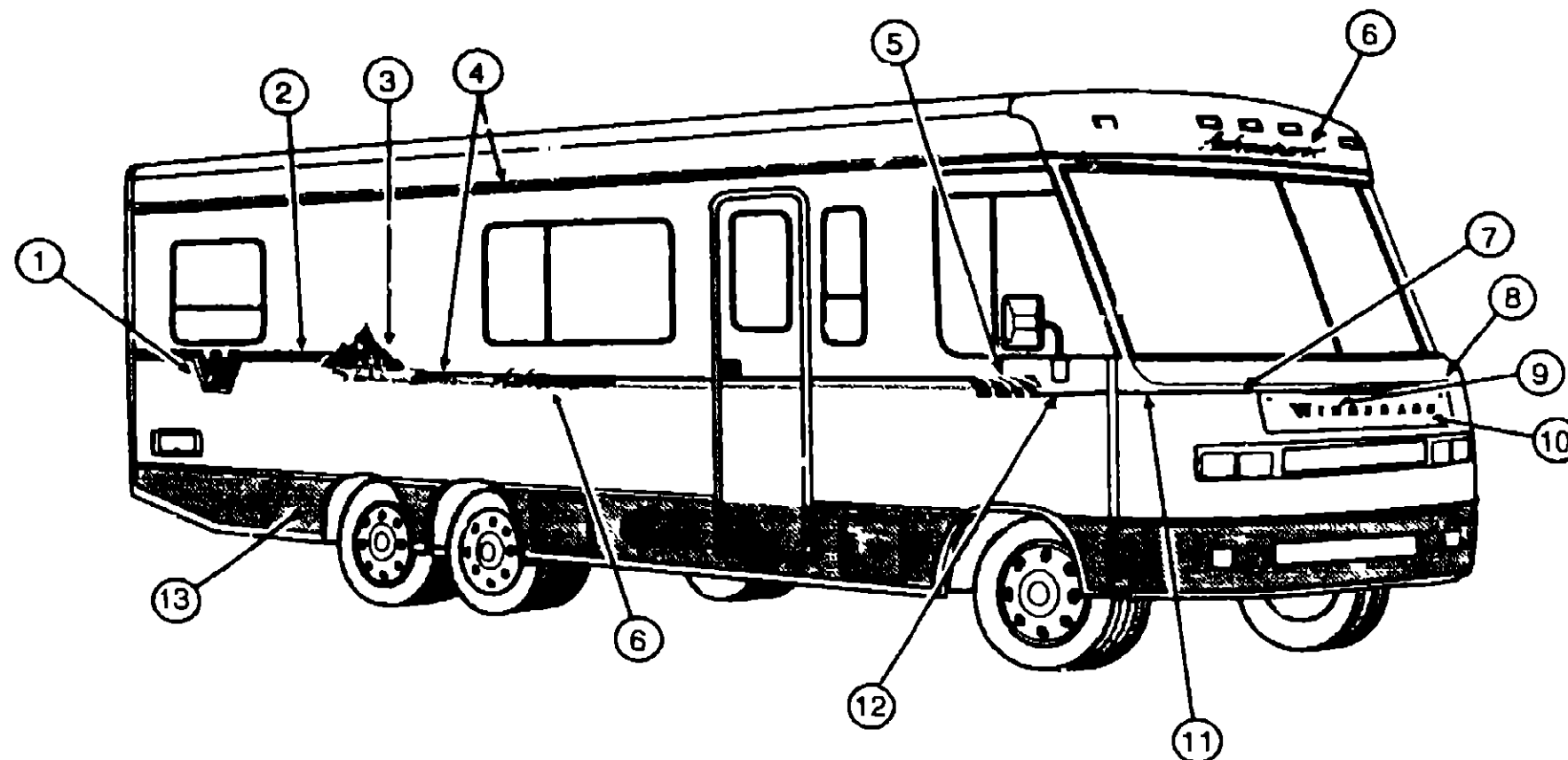
INTRODUCTION	A-01 - A-02
ABBREVIATIONS	A-03
ALPHABETICAL INDEX	A-04 - A-06
WCG37RW	A-07 - E-16
WKG34RQ	E-17 - I-18

**1993 WCG37RW INDEX**

FLOOR PLAN	A-07 - A-08
ACCESSORIES	A-09
AUDIO VIDEO	A-10 - A-11
BATH	A-12 - A-14
BEDROOM	A-15 - A-16
CHASSIS	A-17 - B-08
CURTAIN & CUSHION	B-09 - B-18
DINETTE	B-19 - B-22
DRIVERS COMPARTMENT	B-23 - C-02
ELECTRICAL	C-03 - C-08
EXTERIOR BODY	C-09 - C-16
GALLEY	C-17 - C-20
GENERATOR	C-21 - C-22
HEATING & A/C	C-23 - D-02
INTERIOR FINISH	D-03 - D-06
LABELS	D-07 - D-13
LP	D-14
LOUNGE	D-15 - D-18
SEALANTS & FASTENERS	D-19 - D-21
WATER & SEWAGE	D-22 - E-01
WINDOW, VENT & EXTERIOR DOOR	E-02 - E-14
WINDSHIELD & WIPER	E-15 - E-16

EXTERIOR BODY GROUP (CONTINUED)

DECALS, FILM STRIPES & PAINT



1993 WINNEBAGO  
TABLE OF CONTENTS

INTRODUCTION	A-01 - A-02
ABBREVIATIONS	A-03
ALPHABETICAL INDEX	A-04 - A-06
WCG37RW	A-07 - E-16
WKG34RD	E-17 - I-18

1993 WCG37RW INDEX

FLOOR PLAN	A-07 - A-08
ACCESSORIES	A-09
AUDIO VIDEO	A-10 - A-11
BATH	A-12 - A-14
BEDROOM	A-15 - A-16
CHASSIS	A-17 - B-08
CURTAIN & CUSHION	B-09 - B-18
DINETTE	B-19 - B-22
DRIVERS COMPARTMENT	B-23 - C-02
ELECTRICAL	C-03 - C-08
EXTERIOR BODY	C-09 - C-16
GALLEY	C-17 - C-20
GENERATOR	C-21 - C-22
HEATING & A/C	C-23 - D-02
INTERIOR FINISH	D-03 - D-06
LABELS	D-07 - D-13
LP	D-14
LOUNGE	D-15 - D-18
SEALANTS & FASTENERS	D-19 - D-21
WATER & SEWAGE	D-22 - E-01
WINDOW, VENT &	
EXTERIOR DOOR	E-02 - E-14
WINDSHIELD & WIPER	E-15 - E-16

KEY	PART NUMBER	U/M	DESCRIPTION
1	108162-01-01A	EA	DECAL - W
2	105781-19-01A	FT	FILM - MULTISTRIPE 114 3MMX150
3	108185-01-01A	EA	DECAL - LAKE SCENE - PASSENGER SIDE
3	108185-02-01A	EA	DECAL - LAKE SCENE - DRIVER SIDE
4	105781-18-01A	FT	FILM - MULTISTRIPE 69 9MMX150' - LIGHT MARINE BLUE/LIGHT RUTILE
5	108184-01-01A	EA	DECAL - WATERFALL - PASSENGER SIDE - LIGHT MARINE BLUE
5	108184-02-01A	EA	DECAL - WATERFALL - DRIVER SIDE - LIGHT MARINE BLUE
6	108181-01-01A	EA	DECAL - ADVENTURER
7	107385-07-01A	FT	FILM - 27 0MM X 150FT - LIGHT MARINE BLUE
8	108180-01-01A	EA	DECAL - WINNEBAGO (PART 1)
9	108180-02-01A	EA	DECAL - WINNEBAGO (PART 2)
10	108183-02-01A	EA	DECAL - CORNER - DRIVER SIDE - LIGHT MARINE BLUE
11	108183-01-01A	EA	DECAL - CORNER - PASSENGER SIDE - LIGHT MARINE BLUE
12	107385-06-03A	FT	FILM - 25 4MM X 150FT - LIGHT MARINE BLUE
13	N/P		PAINT - PEAL FAWN METALIC (DUPONT 92654)
14	050313 58-000	EA	DECAL - LOGO "WINNEBAGO" 2 80 - LIGHT MARINE BLUE
	109506-01-000	EA	FILM - URETHANE -PROTECTANT
	N/P		PAINT - OFF WHITE (DUPONT L8723)
	N/P		PAINT - BUFF (DUPONT G9692)

**EXTERIOR BODY GROUP (CONTINUED)**

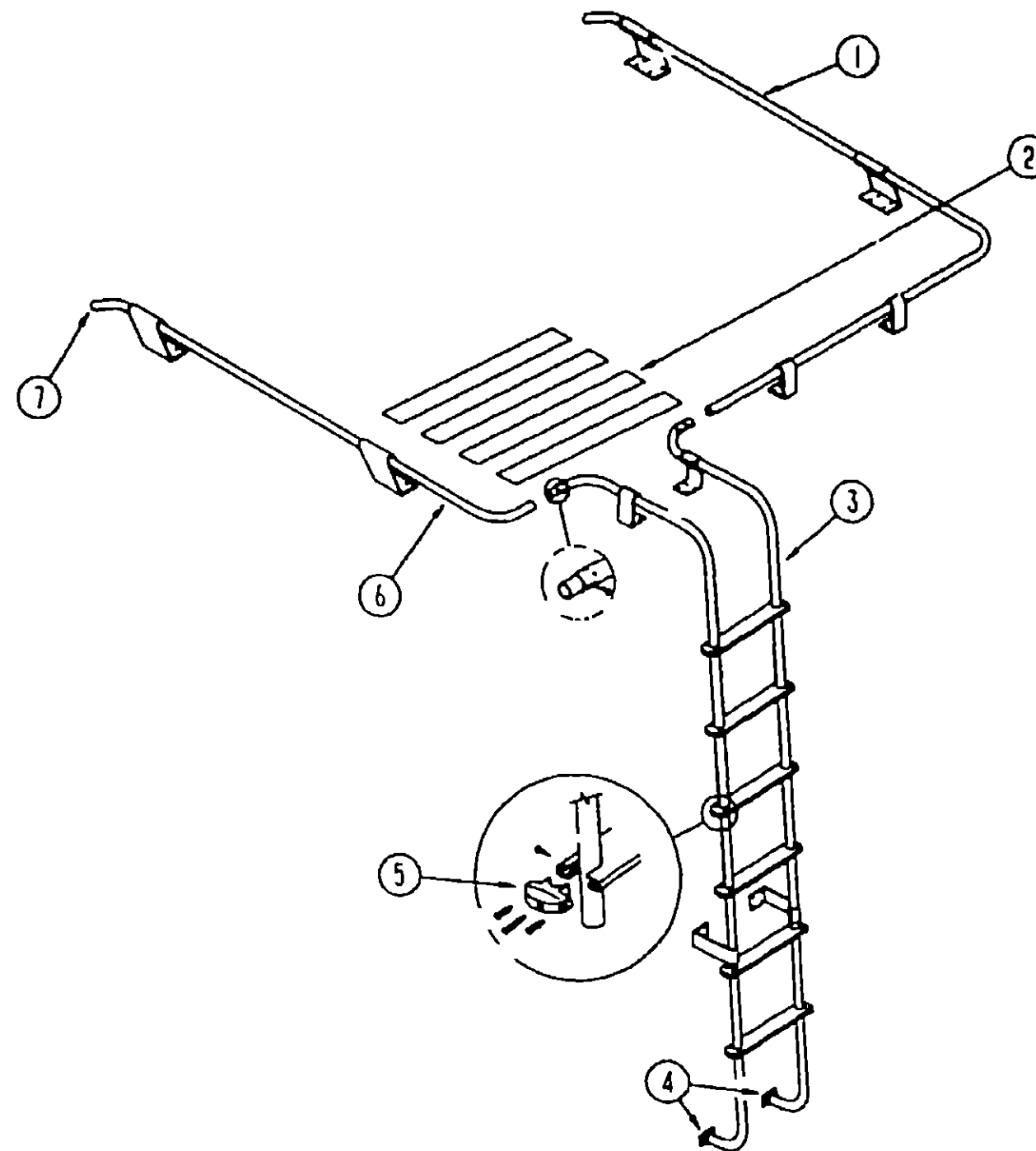
**STYROFOAM & FIBERGLASS SHEETING**

KEY	PART NUMBER	U/M DESCRIPTION
	083574-03-000	SF STYROFOAM - 3/4" X 48" X 96"
	000870-05-000	SF STYROFOAM - 5" X 24" X 96" (18 SF)
	000870-03-000	SF STYROFOAM - 1 3/4" X 48" X 96" (32 SF)
	083574-02-000	SF STYROFOAM - DOW TYPE SM - 1 5/8" X 24" X 90 5/8" (15 SF)
	076054-J9-000	EA FIBERGLASS SHEET 2438 X 2438 - BUFF
	077517-59-000	EA SHEET - FIBERGLASS - FLAT - 48" X 96" - BUFF
	076054-K3-000	EA FIBERGLASS SHEET 2590 X 10801 - BUFF
	065747-01-000	SF INSULATION - MICROFOAM - 5"

**EXTERIOR AWNING**

KEY	PART NUMBER	U/M DESCRIPTION
	110634-01-01A	EA AWNING - ROLLER ASM - 18'
	110634-02-01A	EA AWNING - HARDWARE KIT
	111037-01-01A	EA SPACER - AWNING - UPPER BLACK
	111038-01-01A	EA SPACER - AWNING - LOWER BLACK

**EXTERIOR BODY GROUP (CONTINUED)**



**RACK & LADDER**

KEY	PART NUMBER	U/M DESCRIPTION
1	107438-05-C07	EA RACK ASM (PASSENGER SIDE)
2	038327-02-000	FT TAPE - ANTI SLIP - 2" X 60FT
3	102953-03-C07	EA LADDER ASM
4	067165-01-000	EA MOUNTING BRACKET - LADDER - LOWER
5	076980-02-000	EA END CAP - STEP - BLACK
6	107438-06-C07	EA RACK ASM (DRIVER SIDE)
7	081114-01-000	EA PLUG - ROUND - RACK & LADDER ENDS - PLASTIC - 1" DIA.

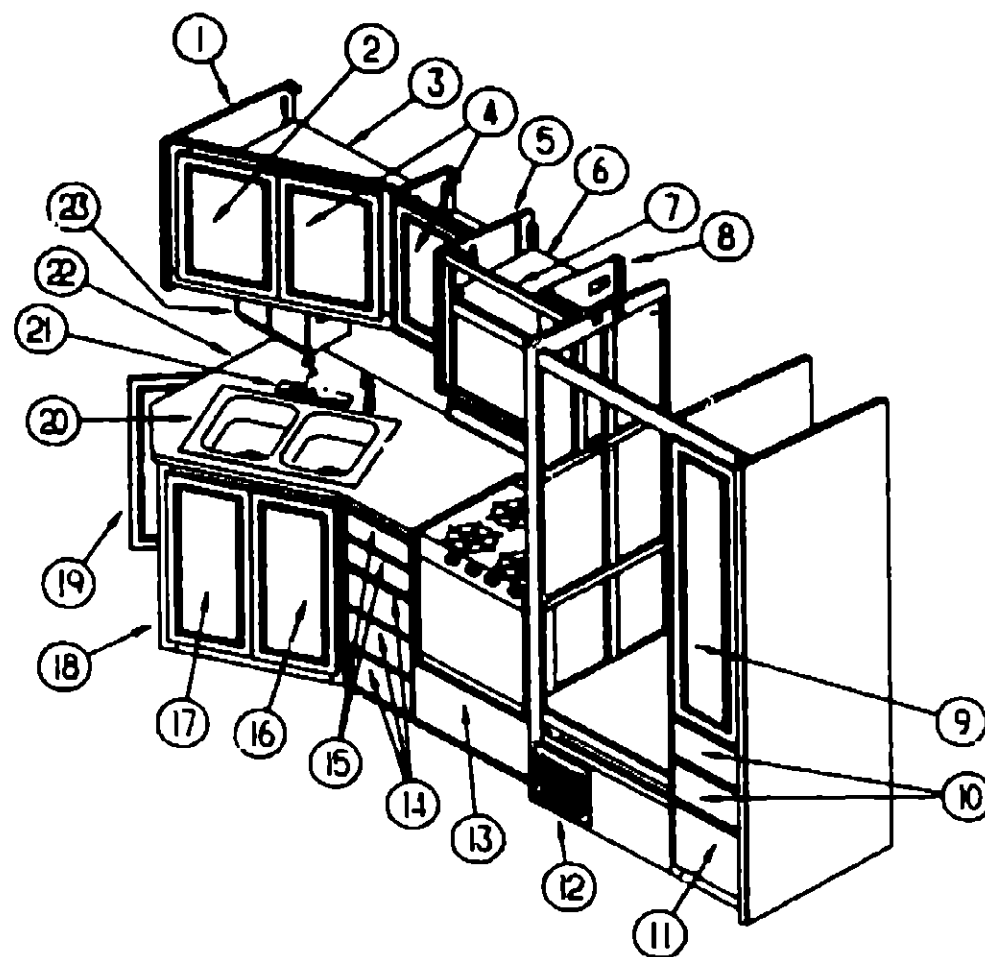
**1993 WINNEBAGO  
TABLE OF CONTENTS**

INTRODUCTION	A-01 - A-02
ABBREVIATIONS	A-03
ALPHABETICAL INDEX	A-04 - A-06
WCG37RW	A-07 - E-16
WKG34RQ	E-17 - I-18

**1993 WCG37RW INDEX**

FLOOR PLAN	A-07 - A-08
ACCESSORIES	A-09
AUDIO VIDEO	A-10 - A-11
BATH	A-12 - A-14
BEDROOM	A-15 - A-16
CHASSIS	A-17 - B-08
CURTAIN & CUSHION	B-09 - B-18
DINETTE	B-19 - B-22
DRIVERS COMPARTMENT	B-23 - C-02
ELECTRICAL	C-03 - C-08
EXTERIOR BODY	C-09 - C-16
GALLEY	C-17 - C-20
GENERATOR	C-21 - C-22
HEATING & A/C	C-23 - D-02
INTERIOR FINISH	D-03 - D-06
LABELS	D-07 - D-13
LP	D-14
LOUNGE	D-15 - D-18
SEALANTS & FASTENERS	D-19 - D-21
WATER & SEWAGE	D-22 - E-01
WINDOW VENT &	
EXTERIOR DOOR	E-02 - E-14
WINDSHIELD & WIPER	E-15 - E-16

## GALLEY GROUP



GALLEY CABINETRY & FIXTURES

KEY	PART NUMBER	U/M DESCRIPTION
1	109055-11-D12	EA END CAP ASM - OVERHEAD
2	P04746-72-D12	EA DOOR ASM - W/O HARDWARE
3	P09055-01-D12	EA CABINET ASM - OVERHEAD - GALLEY
4	P04746-97-D12	EA DOOR ASM - W/O HARDWARE
5	081320-14-B03	EA END CAP ASM - OVERHEAD
6	M05019-76-D12	EA CABINET ASM - MICROWAVE - OVERHEAD
7	P00520-A8-D09	EA DOOR ASM - W/O HARDWARE
8	104432-01-C07	EA CABINET ASM - A/C SWITCH
9	P04746-20-D09	EA DOOR ASM - W/O HARDWARE
10	P07104-94-D09	EA DRAWER ASM - W/O HARDWARE
11	P07104-R5-D12	EA DRAWER ASM - W/O HARDWARE
12	093614-02-01A	EA GRILL - RETURN AIR - BROWN
13	P07104-88-D12	EA DRAWER ASM - W/O HARDWARE
14	P07104-94-D09	EA DRAWER ASM - W/O HARDWARE
15	P07104-92-D12	EA DRAWER ASM - W/O HARDWARE
16	P04746-A3-D12	EA DOOR ASM - W/O HARDWARE
17	P04746-94-D12	EA DOOR ASM - W/O HARDWARE
18	M05872-01-D12	EA GALLEY CABINET ASM
18	M05872-01-D13	EA GALLEY CABINET ASM
19	P04746-95-D12	EA DOOR ASM - W/O HARDWARE
20	104113-01-000	EA SINK - STAINLESS STEEL - DOUBLE
	092303-01-000	EA STRAINER - SINK
21	103243-01-000	EA FAUCET - GALLEY - DUAL CONTROL - 8 IN CENTERSET
	103635-01-000	EA FAUCET - SINGLE CONTROL - EVERPURE 5435-00
22	109003-14-D12	EA COUNTERTOP ASM
22	109003-14-D13	EA COUNTERTOP ASM
	103610-01-D32	EA COVER ASM - SINK (D12)
	103610-01-D09	EA COVER ASM - SINK (D13)
23	103799-01-02A	EA COFFEE MAKER GRAY
	104610-01-000	EA STRAP ASM - COFFEE MAKER
	103445-01-01A	EA HOLDER - PAPER TOWEL - PLASTIC - ALUMINUM
	090329-01-000	FT SEAL-T - REFRIGERATOR CABINET - 5" WIDE TOP X 2" TAIL

## GALLEY GROUP (CONTINUED)

### REFRIGERATOR (NORCOLD 8182)

KEY	PART NUMBER	U/M DESCRIPTION	
	104137-06-01A	EA REFRIGERATOR - LARGE DBL DOOR 2-WAY	
	093646-01-000	EA BRACKET ASM - TIEDOWN - REFRIGERATOR	
	093646-02-000	EA BRACKET ASM - TIEDOWN - REFRIGERATOR	
	075217-01-734	EA FUSE - 3 AMP	61538822
	075217-01-738	EA SWITCH - HUMIDITY	61525922
	084880-01-705	EA ORIFICE	614522
	084880-01-718	EA VALVE - GAS	61551822
	084880-01-722	EA CRISPER COVER	615641
	084880-01-732	EA LATCH	61578522
	084880-01-740	EA END CAP (STOP CATCH)	61593830
	084880-01-746	EA CABLE	61571522
	084880-01-749	EA HINGE BUSHING	615807
	084880-01-753	EA THERMISTER 78"	61693822
	084880-01-761	EA END CAP (SPRING CATCH) BLACK	61593730
	084880-03-701	EA COOLING UNIT (HORIZ BURNER)	61687337
	084880-03-702	EA HINGE PIN TOP/BTM FEMALE	61580630
	088248-01-709	EA HEATER - AC (HORIZONTAL)	615627
	088248-01-710	EA HEATER - DC (HORIZONTAL) 3 WAY	615628
	094039-01-702	EA GASKET (CAY) UPPER	61567830
	094039-01-704	EA PLATE - HINGE - BLACK	61631430
	094039-01-706	EA UPPER DOOR LINER (WHITE) BLACK	61581838-B
	094039-01-708	EA HANDLE - DOOR - UPPER - BLACK	61650033
	094039-01-710	EA PLATE - HINGE - BLACK	61631330
	094039-01-713	EA DOOR GASKET (LOWER) GRAY	61568030
	094039-01-715	EA LOWER DOOR LINER (BLACK/WHITE)	61581738-B
	094039-01-717	EA LOWER DOOR HANDLE ASSY (BLACK)	61649938
	094039-01-722	EA HOLE PLUG (BLACK) HINGE HOLES	61582030
	094039-01-723	EA HINGE BRACKET - TOP RH - BOTTOM LH - BLACK	61580838
	094039-01-724	EA HINGE BRACKET - TOP LH - BOTTOM RH - BLACK	61580938
	094039-01-725	EA HINGE PIN (BLACK)(MALE)	61578130
	094039-01-730	EA HINGE PIN SHAFT (BLACK) CENTER HINGE	61566730
	094039-01-732	EA FRONT COVER (BLACK) BOTTOM TRIM	61622130
	094039-01-733	EA WIRE SHELF (MIDDLE)	61563822
	094039-01-735	EA INSIDE DRIP TRAY (WHITE)	61572830
	094039-01-739	EA SHELF (CUTOUT)	61646722
	094039-04-700	EA PC BOARD - 2 WAY	1647322
	094039-04-702	EA POWER SUPPLY (2 WAY)	61647422
	104137-02-700	EA MODULE - CONTROL - CHANNEL	61717037
	104137-06-700	EA EYEBROW SHELL (2-WAY)	61726622
	104137-06-701	EA HANDLE - UPPER DOOR W/DECAL	61666722
	104137-06-702	EA RACK - JUICE (WHITE)	61580525
	104137-06-703	EA BIN - DOOR SHELF (WHITE)	61564025
	104137-06-705	EA HANDLE - LOWER DOOR W/DECAL	61666622
	104137-06-706	EA WIRE SHELF (SHORT)	61718222
	104137-06-707	EA CRISPER (WHITE)	61571025
	104137-06-708	EA FOAMED CAB ASM (BLACK W/WHITE)	61725138
	104137-06-709	EA VALVE SHUN - OFF - MANUAL ASM	61694922
	104137-06-710	EA PRESSURE TAP	61594422
	104137-06-711	EA FUSE 5 AMP	61611622
	104137-06-712	EA FITTING - GAS TUBE CONNECTION	61692722
	104137-06-713	EA ORFICE GASKET	61475122
	104137-06-714	EA BURNER ASSEMBLY (5-SLOT)	61705222
	104137-06-715	EA SPARK/SENSE ELECTRODE (SINGLE)	61692222

## 1993 WINNEBAGO TABLE OF CONTENTS

INTRODUCTION	A-01 - A-02
ABBREVIATIONS	A-03
ALPHABETICAL INDEX	A-04 - A-06
WCG37RW	A-07 - E-16
WKG34RQ	E-17 - I-18

## 1993 WCG37RW INDEX

FLOOR PLAN	A-07 - A-08
ACCESSORIES	A-09
AUDIO VIDEO	A-10 - A-11
BATH	A-12 - A-14
BEDROOM	A-15 - A-16
CHASSIS	A-17 - B-08
CURTAIN & CUSHION	B-09 - B-18
DINETTE	B-19 - B-22
DRIVERS COMPARTMENT	B-23 - C-02
ELECTRICAL	C-03 - C-08
EXTERIOR BODY	C-09 - C-16
GALLEY	C-17 - C-20
GENERATOR	C-21 - C-22
HEATING & A/C	C-23 - D-02
INTERIOR FINISH	D-03 - D-06
LABELS	D-07 - L-13
LP	D-14
LOUNGE	D-15 - D-18
SEALANTS & FASTENERS	D-19 - D-21
WATER & SEWAGE	D-22 - E-01
WINDOW, VENT & WINDSHIELD & WIPER	E-02 - E-14 E-15 - E-16

**GALLEY GROUP (CONTINUED)**

**WEDGEWOOD RANGE - 4 BURNER (BLACK) 21"**

KEY	PART NUMBER	U/M DESCRIPTION	
	107323-01-01A	EA RANGE - 21" 4 - BURNER BLACK	
	107314-01-01A	EA RANGE COVER - BIFOLD 21" BLACK	
	101593-01-703	EA KNOB - BURNER	53000
	106689-01-701	EA SPARK - INGNITOR ASM - HIGH OUTPUT	53078
	106689-01-702	EA PIEZO PUSH BUTTON	52279
	106689-01-703	EA VALVE - HIGH OUTPUT	53047
	106689-01-704	EA REGULATOR W/EXTREME PRESSURE	52154
	106689-01-705	EA VALVE - BURNER	52123
	107246-01-700	EA RANGE TOP (BLACK)	53083
	107246-01-701	EA GRATE	53050
	107323-01-700	EA RANGE TOP	53513
	107323-01-702	EA TRIM LEFT	53023
	107323-01-703	EA TRIM RIGHT	53024
	107323-01-704	EA MANIFOLD COVER	53556
	107323-01-705	EA TRIM VENT	53525
	107323-01-706	EA TRIM BOTTOM	53526
	107323-01-707	EA INSERT BLACKGLASS - W/O HOLE	53426
	107323-01-708	EA HANDLE ROD - W/O HOLE	53085
	107323-01-709	EA HANDLE END CAP - W/O HOLE	53424
	107323-01-710	EA GRATE CLIP	52301
	107323-01-711	EA RUBBER GRATE CUSHION	53008
	107246-01-703	EA THERMOSTAT ROBERT SHAW	52122
	107323-01-713	EA BLACKGLASS INSERT - W/HOLE	53426
	107323-01-714	EA HANDLE FOR W/HOLE GLASS	51112

**MICROWAVE OVEN**

KEY	PART NUMBER	U/M DESCRIPTION
	091269-06-000	EA OVEN - MICROWAVE
	096916-03-01A	EA BRACE - MICROWAVE CABINET - LEFT - 9 4" X 7 5" - STEEL
	098916-04-01A	EA BRACE - MICROWAVE CABINET - RIGHT - 9 4" X 7 5" - STEEL
	094745-01-01A	EA TRIM - MICROWAVE - LOWER - BLACK
	094774-03-01A	EA TRIM - MICROWAVE - EITHER SIDE - 1 5" X 14 8" - METAL - BLACK
	094750-01-000	EA BRACKET - MICROWAVE - 90 DEGREE - STEEL
	094756-02-01A	EA BRACKET - MICROWAVE - 6 1" LONG X 3 9" WIDE - STEEL - TAN

**GALLEY GROUP (CONTINUED)**

**RANGE HOOD , W/O HOUR METER - VENTLINE (CANADIAN)**

KEY	PART NUMBER	U/M DESCRIPTION	
	100258-17-01A	EA HOOD - RANGE 22W - W/O MONITOR PANEL	
	090973-01-700	EA MOTOR - LVS	CA508-1
	090973-01-702	EA BLADE - FAN - LVS	VA183-1
	092696-01-709	EA BULB - 912	VA415
	092696-01-710	EA SOCKET - LIGHT	CB267-2
	096983-01-700	EA SWITCH - ON/OFF	108
	096983-01-702	EA SWITCH - TWO WAY MOMENTARY	112
	096983-01-707	EA FILTER - GREASE - 8" X 8" - LVS	CC246
	092696-02-701	EA LENS - LAMP	CC179
	100258-01-700	EA HOOD NOSE LABEL	CC428

**RANGE HOOD , W/O HOUR METER - VENTLINE (USA)**

KEY	PART NUMBER	U/M DESCRIPTION	
	100258-16-01A	EA HOOD RANGE W/O MONITOR PANEL	
	090973-01-700	EA MOTOR - LVS	CA508-1
	090973-01-702	EA BLADE - FAN - LVS	VA183-1
	092696-01-709	EA BULB - 912	VA415
	092696-01-710	EA SOCKET - LIGHT	CB267-2
	096983-01-700	EA SWITCH - ON/OFF	108
	096983-01-702	EA SWITCH - TWO WAY MOMENTARY	112
	096983-01-707	EA FILTER - GREASE - 8" X 8" - LVS	CC246
	092696-02-701	EA LENS - LAMP	CC179
	100258-01-700	EA HOOD NOSE LABEL	CC428

**RANGE HOOD , W/HOUR METER - VENTLINE (USA)**

KEY	PART NUMBER	U/M DESCRIPTION	
	100258-18-01A	EA HOOD - RANGE 22W W/O MONITOR PANEL	
	090973-01-700	EA MOTOR - LVS	CA508-1
	090973-01-702	EA BLADE - FAN - LVS	VA183-1
	092696-01-709	EA BULB - 912	VA415
	092696-01-710	EA SOCKET - LIGHT	CB267-2
	096983-01-700	EA SWITCH - ON/OFF	108
	096983-01-702	EA SWITCH - TWO WAY MOMENTARY	112
	096983-01-707	EA FILTER - GREASE - 8" X 8" - LVS	CC246
	092696-02-701	EA LENS - LAMP	CC179
	100258-01-700	EA HOOD NOSE LABEL	CC428
	100258-10-01A	EA METER - HOUR	150

**MONITOR PANEL (2 WATER TANKS & WATER HEATER)**

KEY	PART NUMBER	U/M DESCRIPTION
	102765-04-01A	EA PANEL - MONITOR - W/PLUG - FOR 2 TANKS & WATER HEATER - LVS

**1993 WINNEBAGO  
TABLE OF CONTENTS**

INTRODUCTION	A-01 - A-02
ABBREVIATIONS	A-03
ALPHABETICAL INDEX	A-04 - A-06
WCG37RW	A-07 - E-16
WKG34RQ	E-17 - I-18

**1993 WCG37RW INDEX**

FLOOR PLAN	A-07 - A-08
ACCESSORIES	A-09
AUDIO VIDEO	A-10 - A-11
BATH	A-12 - A-14
BEDROOM	A-15 - A-16
CHASSIS	A-17 - B-08
CURTAIN & CUSHION	B-09 - B-18
DINETTE	B-19 - B-22
DRIVERS COMPARTMENT	B-23 - C-02
ELECTRICAL	C-03 - C-08
EXTERIOR BODY	C-09 - C-16
GALLEY	C-17 - C-20
GENERATOR	C-21 - C-22
HEATING & A/C	C-23 - D-02
INTERIOR FINISH	D-03 - D-06
LABELS	D-07 - D-13
LP	D-14
LOUNGE	D-15 - D-18
SEALANTS & FASTENERS	D-19 - D-21
WATER & SEWAGE	D-22 - E-01
WINDOW, VENT &	
EXTERIOR DOOR	E-02 - E-14
WINDSHIELD & W/PER	E-15 - E-16

## GENERATOR GROUP

### ONAN GENERATOR, 4.0KW EMERALD PLUS (BEIGE-FA/26100G) (US,CSA)

KEY	PART NUMBER	U/M DESCRIPTION
	100974-01-000	EA GENERATOR - 4.0 KW EMERALD PLUS
	105958-03-000	EA PIPE - EXHAUST - GENERATOR
	024976-01-000	EA SWITCH - GENERATOR - W/O CIRCUIT BOARD FROM 00-00-00 THRU 12-13-92
	079654-05-000	EA PIPE - EXHAUST - ANGLED - W/FLANGE - 2" ID - ONAN# 154-2539
	007125-03-000	EA CLAMP - MUFFLER - 1.5" DIA
	007125-04-000	EA CLAMP - MUFFLER - 1.1" DIA
	082272-01-000	EA MUFFLER
	094059-01-000	EA SPACER

### ONAN GENERATOR, 5.0KW EMERALD PLUS (NHE-FW29236G)(EXPORT)

KEY	PART NUMBER	U/M DESCRIPTION
	100975-03-000	EA GENERATOR - 5.0 KW EMERALD PLUS
	024976-01-000	EA SWITCH - GENERATOR - W/O CIRCUIT BOARD
	007125-03-000	EA CLAMP - MUFFLER - 1.5" DIA
	083151-01-000	EA MUFFLER 1.6" OD
	083152-01-000	EA PIPE - EXHAUST - 1.3"OD X 33.3" TO BEND X 28.7" TO END
	094059-01-000	EA SPACER

### KOHLER GENERATOR - 5.0 KW LOW PROFILE (5CKM21) (US,CSA)

KEY	PART NUMBER	U/M DESCRIPTION
	105524-01-000	EA GENERATOR - 5.0 KW LOW PROFILE
	105526-01-000	EA ARRESTER - SPARK
	105527-01-000	EA PIPE - EXHAUST ADAPTER
	105530-01-000	EA MUFFLER - SIDE EXHAUST W/O SPARK
	105602-01-000	EA GASKET - EXHAUST
	105958-03-000	EA PIPE - EXHAUST - GENERATOR
	024976-01-000	EA SWITCH - GENERATOR - W/O CIRCUIT BOARD
	007125-03-000	EA CLAMP - MUFFLER - 1.5" DIA
	007125-04-000	EA CLAMP - MUFFLER - 1.1" DIA

## GENERATOR GROUP (CONTINUED)

### ONAN GENERATOR, 3.5 KW EMERALD PLUS (BGE-FW29236G) (EXPORT)

KEY	PART NUMBER	U/M DESCRIPTION
	100974-01-000	EA GENERATOR - 4.0 KW EMERALD PLUS
	105958-03-000	EA PIPE - EXHAUST - GENERATOR
	024976-01-000	EA SWITCH - GENERATOR - W/O CIRCUIT BOARD
	007125-03-000	EA CLAMP - MUFFLER - 1.5" DIA
	007125-04-000	EA CLAMP - MUFFLER - 1.1" DIA
	079654-05-000	EA PIPE - EXHAUST - ANGLED - W/FLANGE - 2" ID - ONAN# 154-2539
	082272-01-000	EA MUFFLER
	094059-01-000	EA SPACER

### ONAN GENERATOR, 6.5 KW EMERALD PLUS (NHE-FA/26100G) (US,CSA)

KEY	PART NUMBER	U/M DESCRIPTION
	100975-01-000	EA GENERATOR - 6.5 KW EMERALD PLUS
	105958-03-000	EA PIPE - EXHAUST - GENERATOR
	024976-01-000	EA SWITCH - GENERATOR - W/O CIRCUIT BOARD
	007125-03-000	EA CLAMP - MUFFLER - 1.5" DIA
	007125-04-000	EA CLAMP - MUFFLER - 1.1" DIA
	079654-05-000	EA PIPE - EXHAUST - ANGLED - W/FLANGE - 2" ID - ONAN# 154-2539
	082272-01-000	EA MUFFLER
	094059-01-000	EA SPACER

### KOHLER GENERATOR, 7.0 KW GENERAC (NP66/B206-0)

KEY	PART NUMBER	U/M DESCRIPTION
	108700-01-000	EA GENERATOR - 6.6 KW - GENERAC
	108700-02-000	EA MUFFLER - REAR WRAP
	007131-01-000	EA HANGER - TAILPIPE - 6 SLOTS
	106602-01-000	EA PIPE - EXHAUST - GENERATOR
	106607-01-000	EA ANGLE - SUPPORT - EXHAUST
	024976-01-000	EA SWITCH-GENERATOR - W/O CIRCUIT BOARD
	007125-03-000	EA CLAMP - MUFFLER - 1.5" DIA
	007125-04-000	EA CLAMP - MUFFLER - 1.1" DIA

## 1993 WINNEBAGO TABLE OF CONTENTS

INTRODUCTION	A-01 - A-02
ABBREVIATIONS	A-03
ALPHABETICAL INDEX	A-04 - A-06
WCG37RW	A-07 - E-16
WKG34RD	E-17 - I-10

## 1993 WCG37RW INDEX

FLOOR PLAN	A-07 - A-08
ACCESSORIES	A-09
AUDIO VIDEO	A-10 - A-11
BATH	A-12 - A-14
BEDROOM	A-15 - A-16
CHASSIS	A-17 - B-08
CURTAIN & CUSHION	B-09 - B-18
DINETTE	B-19 - B-22
DRIVERS COMPARTMENT	B-23 - C-02
ELECTRICAL	C-03 - C-08
EXTERIOR BODY	C-09 - C-16
GALLEY	C-17 - C-20
GENERATOR	C-21 - C-22
HEATING & A/C	C-23 - D-02
INTERIOR FINISH	D-03 - D-06
LABELS	D-07 - D-13
LP	D-14
LOUNGE	D-15 - D-18
SEALANTS & FASTENERS	D-19 - D-21
WATER & SEWAGE	D-22 - E-01
WINDOW, VENT &	
EXTERIOR DOOR	E-02 - E-14
WINDSHIELD & WIPER	E-15 - E-16



## HEATING & AIR CONDITIONING GROUP

### AUTOMOTIVE AIR CONDITIONING

KEY	PART NUMBER	U/M	DESCRIPTION	
	085000-01-000	EA	SHIELD - A/C - 6 8" X 3 1" - STEEL	
	007076-01-000	EA	HOSE - FLEXIBLE PVC - 2" ID - 50'	
	007281-01-000	EA	HOSE - FLEXIBLE PVC - 2 5" ID X 50' - ATCOFLEX A-182-355	
	024990-05-000	EA	OUTLET - DEFROSTER - W/SWIVEL - 2IN BLACK	
	056402-05-000	EA	BRACKET - HEATER VENT - ROUND - W/BEND - BLACK	
	077075-01-000	EA	GASKET - INSTRUMENT PANEL TO DEFROSTER PLENUM - 6" X 11 3"	
	077075-03-000	EA	GASKET - INSTRUMENT PANEL TO DEFROSTER PLENUM - SPL	
	094831-08-000	EA	WIRE ASSEMBLY - AC COMPRESSOR ADAPTER	SCS 036-0054
	103016-01-000	EA	PLENUM - TRANSITION	
	103017-01-000	EA	PLENUM - DEFROSTER	
	103558-01-02A	EA	VENT - DEFROSTER - ABS - GRAY	
	103795-01-01A	EA	LOUVER ASM - A/C CARY PROD - BLACK	
	094831-08-709	EA	CLAMPS - ROD - 3/16 - MOTIVEAIR	SCS CGG14431
	088227-02-701	EA	BRACKET - BOWDEN CABLE MOUNTING	ARA 0409417
	103930-01-000	EA	EVAPORATOR/HEATER ASSEMBLY	SCS 090-0041
	094831-01-724	EA	O-RING - #4 - MOTIVEAIR	SCS ZGG14561
	103930-01-700	EA	ROD - AIR BLEND DOOR	SCS 073-0017
	103930-01-701	EA	PANEL - DOOR - FOR AIR BLEND	SCS 071-0123
	103930-01-702	EA	GASKET - DOOR - FOR AIR BLEND	SCS 045-0080
	103930-01-703	EA	COIL - HEATER	SCS 042-0010
	103930-01-705	EA	VALVE - EXPANSION BLOCK	SCS 034-0019
	103930-01-706	EA	GASKET - O RING - #8	SCS 045-0011
	103930-01-707	EA	GASKET - O RING - #10	SCS 045-0012
	103930-01-708	EA	BRACKET - VACUUM MOTOR	SCS 070-0113
	103930-01-710	EA	RESISTOR - FUSED	SCS 035-0006
	103930-01-711	EA	THERMOSTAT	SCS 033-0003
	103930-01-712	EA	GASKET - O RING	SCS 045-0010
	103930-01-713	EA	FITTING - QUICK CONNECT - #4	SCS 050-003
	103930-01-714	EA	FITTING - SERVICE VALVE - #10	SCS 050-0031
	103930-01-715	EA	SWITCH - BINARY	SCS 032-0030
	103930-01-716	EA	SWITCH - PRESSURE - FAN	SCS 032-0029
	103930-01-717	EA	WHEEL - CLOCK - WISE	SCS 062-0010
	103930-01-718	EA	HOSE #6	SCS 051-0036
	103930-01-719	EA	HOSE - #10	SCS 051-0017
	103930-01-720	EA	MOTOR	SCS 030 0004
	103930-01-721	EA	GASKET O-RING #12	SCS 045-0062
	103930-04-000	EA	CONTROL/PLENUM SET	SCS 093-00037
	103930-02-700	EA	PANEL - CONTROL	SCS 032-0018
	103930-02-701	EA	VALVE - CONTROL HEAD	SCS 034-0015
	103930-02-702	EA	DECAL - WINNEBAGO 'N'	SCS 058-0008
	103930-02-703	EA	HARNESS - WIRE CONTROL	SCS 036-0048
	103930-02-704	EA	HARNESS - VACUUM CONTRCL	SCS 036-0049
	103930-02-705	EA	CABLE - CONTROL - BOWDEN	SCS 074-0011
	103930-02-706	EA	CLIP - CABLE - CONTROL	SCS 022-0017
	103930-02-707	EA	RELAY	SCS 031-0001
	103930-02-708	EA	MOTOR - VACUUM SERVO - A/C	SCS 030 0002
	103930-02-710	EA	CANISTER - VACUUM	SCS 054-0002
	103930-02-711	EA	VALVE - WATER	SCS 034-0114
	103930-05-000	EA	MANUAL - OWNERS - HEATER - A/C	SCS 057-0049

## HEATING & AIR CONDITIONING GROUP (CONTINUED)

### FURNACE & REAR HEATER SYSTEMS

KEY	PART NUMBER	U/M	DESCRIPTION	
	007108-01-000	FT	HOSE - HEATER - 5/8" ID - HI-TEMP - FORD ESE - M2D192-A	
	010227-01-000	EA	TEE - PLAS - BARB 5/8" OR 3/4" HOSE	
	061673-01-000	EA	BRACKET - MOTOR . UD TUBES - 4" X 1 5" - STEEL	
	088753-01-000	FT	TUBE - ALUMINIZED STEEL - 5/8" - 18 GAUGE	
	007076-01-000	EA	HOSE - FLEXIBLE PVC - 2" ID (50')	
	024990-05-000	EA	OUTLET - DEFUSER W/SWIVEL - 2I" BLACK	
	009198-01-000	FT	DUCT - HEAT - FLEXIBLE - 4" ID X 25 FT	
	009200-01-000	EA	TAPE - FURNACE - 1 1/2"	
	023146-01-000	EA	CLAMP-SCREW TYPE - 4"	
	056464-05-000	EA	REGISTER - PLASTIC W/O DAMPER - 4" DIAMETER - GOLDEN	
	079059-01-000	EA	HOSE - 90 DEGREE - 5/8" ID X 4" X 36"	
	084405-01-000	EA	HEATER ASM - REAR - DUCTED - W/MOTOR AID	EVANS
	084405-01-700	EA	HEATER CORE	EVANS FT200229
	084405-01-701	EA	FAN BLADES	EVANS HVO29931
	084405-01-702	EA	MOTOR ASM-12 V	EVANS 200146
	051673-01-000	EA	BRACKET - MOTOR AID TUBES - 4" X 1 5" - STEEL	
	079059-01-000	EA	HOSE - 90 DEGREE - 5/8" ID X 4" X 36"	
	079059-02-000	EA	HOSE - 90 DEGREE - 61" ID X 4" X 6"	
	094600-01-02A	EA	REGISTER - HEAT - W/O DAMPER - 3 6" X 11 2" - BROWN	
	094600-02-02A	EA	REGISTER - HEAT - W/DAMPER - 3 6" X 11 2" - BROWN	
	098668-11-000	EA	FURNACE - 40000 BTU	SUBURBAN SF-40
	074466-01-702	EA	RELAY - TIME DELAY	SUBURBAN 230625
	093365-01-000	EA	THERMOSTAT - WALL - FURNACE	SUBURBAN C160902
	098668-01-700	EA	CABINET FRONT	SUBURBAN 101242
	098668-01-705	EA	SWITCH - LIMIT	SUBURBAN 231630
	098668-01-707	EA	VENT CAP & EXHAUST TUBE ASM	SUBURBAN 260193
	098668-01-708	EA	BLOWER ASM (COMBUSTION AIR)	SUBURBAN 390441
	098668-01-712	EA	BOARD - MODULE	SUBURBAN 231741
	098668-01-713	EA	INTAKE VENT TUBE ASM	051044
	098668-01-714	EA	GAS VALVE (WHITE ROGERS)	161070
	098668-11-700	EA	ORFICE - MAIN BURNER SF-42F	180216
	098668-11-701	EA	BURNER ASM COMP (SF-42F)	010799
	098668-11-702	EA	MOTOR ASM COMP (SF-42F)	232212
	098668-11-703	EA	SWITCH - SAIL (ASM) (SF-42F)	232216
	098668-11-704	EA	BLOWER ASM ROOM AIR(SF-42F)	390698
	098668-11-705	EA	WHEEL - ROOF AIR (SF-42F)	350129
	098668-11-706	EA	LIMIT SWITCH (SF-42F)	232231
	098668-13-000	EA	GASKET - FIBERGLASS - 5" X 16 37" X 17 56"	SUBURBAN 070977
	098668-14-000	EA	GASKET - FIBERGLASS - 5" X 18" X 18"	SUBURBAN 070976
	098668-12-000	EA	DOOR - ACCESS - FURNACE - BUFF	SUBURBAN 520732BU
	093365-01-000	EA	THERMOSTAT - WALL - FURNACE	SUBURBAN 0160902
	101990-01-714	EA	MICROSWITCH GASKET	SUBURBAN 230877
	093614-02-01A	EA	GRILL - RETURN AIR - BROWN	

## 1993 WINNEBAGO TABLE OF CONTENTS

INTRODUCTION	A-01 - A-02
ABBREVIATIONS	A-03
ALPHABETICAL INDEX	A-04 - A-06
WCG37RW	A-07 - E-16
WKG34RQ	E 17 - I-18

## 1993 WCG37RW INDEX

FLOOR PLAN	A-07 - A-08
ACCESSORIES	A-09
AUDIO VIDEO	A-10 - A-11
BATH	A-12 - A-14
BEDROOM	A-15 - A-16
CHASSIS	A-17 - B-08
CURTAIN & CUSHION	B-09 - B-18
DINETTE	B-19 - B-22
DRIVERS COMPARTMENT	B 23 - C-02
ELECTRICAL	C-03 - C-08
EXTERIOR BODY	C-09 - C-16
GALLEY	C-17 - C-20
GENERATOR	C-21 - C-22
HEATING & A/C	C-23 - D-02
INTERIOR FINISH	D-03 - D-06
LABELS	D-07 - D-13
LP	D-14
LOUNGE	D-15 - D-18
SEALANTS & FASTENERS	D-19 - D-21
WATER & SEWAGE	D-22 - E-01
WINDOW, VENT &	
EXTERIOR DOOR	E-02 - E-14
WINDSHIELD & WIPER	E-15 - E-16

## HEATING & AIR CONDITIONING GROUP (CONTINUED)

### COLEMAN ROOF AIR 13,500 BTU (EUROPEAN)

KEY	PART NUMBER	U/M DESCRIPTION	
	108889-02-01A	EA A/C-ROOF, 13,500 TSR 220 IVORY	7373-597
	108891-01-01A	EA CEILING ASM-A/C COOL TSR HO	7330-714 IV
	042204-01-709	EA THERMOSTAT-IN 64 OUT 58	6701-3401
	063903-01-702	EA LOUVER	6703A5191
	073742-01-701	EA SELECTOR SWITCH (5 TERMINAL)	6759-3251
	073742-01-702	EA DECAL COOL ONLY	6759C3431
	076303-01-707	EA FILTER-6" X 14 3/4" X 1/2" (12 PER PKG)	6703A3151
	081606-01-712	EA CEILING SHROUD (IVORY)	6769-5061
	091225-01-713	EA KNOB (2 PER PACKAGE)	6701-3351
	091225-01-717	EA DECAL (THERMOSTAT) COOL ONLY	6799A3441
	093756-02-701	EA DECAL-LEFT SIDE	6799-3971
	108631-01-700	EA SINGLE PARTS PKG (KNOBS & NUTS)	6792-5991
	108891-01-701	EA RETAINER CLIPS F/FILTER (6 PER PKG)	6799-3141
	102289-01-000	EA SPRING-SCREW, ROOF A/C GASKET	6757-150
	092333-02-02A	EA COVER-BLANK ROOF A/C - 5 1" X 5 1" - PLASTIC - OFF WHITE	

### COLEMAN ROOF AIR 13,500 BTU (US, CSA)

KEY	PART NUMBER	U/M DESCRIPTION	
	108889-01-03A	EA A/C-ROOF - 13 500 TSR HO BUFF	7333-888
	091225-01-709	EA START RELAY	1497-4131
	091225-01-710	EA START CAPACITOR	1497-0881
	093306-01-701	EA DECAL PKG - LEFT & RIGHT	6798B3591
	093306-01-712	EA COMPRESSOR	6707C3579
	105620-01-704	EA COMPRESSOR - RH & LH	1450-2009
	105620-01-706	EA FOOT PKG-COMPRESSOR (3 PER PACKAGE)	6759-3081
	108889-01-700	EA SHROUD (GREY/GREY) LESS LOGO	6759-6421
	108889-01-702	EA SHROUD (BUFF/BUFF) LESS LOGO	6759-5411
	108889-01-703	EA CONDENSER COIL	1452-1301
	108889-01-704	EA OVERLOAD (MRA#98693)	6759-3541
	108889-01-705	EA MOTOR (115 - 60HZ)	1468-3049
	108889-01-706	EA IMPELLOR	1472-1041
	108889-01-707	EA RUN CAPACITOR (CO" 25MFD/370)	1499-5661
	108889-01-708	EA FAN CAPACITOR (7 5MFD 370U)	1499-5461
	108889-01-709	EA EVAPORATOR COIL	1452-1311
	108889-01-710	EA FILLER PAD-COND AIR SEAL	6759A3971
	108889-01-711	EA GASKET PACKAGE	6792-3301
	108889-01-712	EA SUCTION LINE REDUCER(3/8X1/2)	1215-2161
	108889-01-713	EA SUCTION LINE (3/8ODX 032 WALL)	6792-130
	108889-01-714	EA DISCHARGE LINE ASSY	6792-531
	108889-01-715	EA MOTOR MOUNT & SHAFT SEAL KIT	6792-3361
	108891-01-01A	EA CEILING ASM-A/C COOL TSR HO	7330-714 IV
	042204-01-709	EA THERMOSTAT - IN 64 OUT 58	6701-3401
	073742-01-701	EA SELECTOR SWITCH (5 TERMINAL)	6759-3251
	073742-01-702	EA DECAL COOL ONLY	6759C3431
	076303-01-707	EA FILTER-6" X 14 3/4" X 1/2" - 12 PER PACKAGE	6703A3151
	081606-01-712	EA CEILING SHROUD (IVORY)	6769-5061
	091225-01-713	EA KNOB (2 PER PACKAGE)	6701-3351
	091225-01-717	EA DECAL (THERMOSTAT) COOL ONLY	6799A3441
	093756-02-701	EA DECAL - LEFT SIDE	6799-3971
	108891-01-700	EA SINGLE PARTS PKG (KNOBS & NUTS)	6792-5991
	108891-01-701	EA RETAINER CLIPS F/FILTER (6 PER PACKAGE)	6799-3141
	102289-01-000	EA SPRING - SCREW - ROOF A/C GASKET	6757-150

## HEATING & AIR CONDITIONING GROUP (CONTINUED)

### COLEMAN ROOF AIR 11,000 BTU (US, CSA) (FROM: 00-00-00 THRU: 09-20-82)

KEY	PART NUMBER	U/M DESCRIPTION	
	105850-01-04A	EA A/C - ROOF - 11 000BTU - BUFF	6757B808
	037642-01-714	EA PACKAGE - GASKET	6759-3221
	076303-01-712	EA MOTOR	6707A3119
	091225-01-709	EA START RELAY	1497-4131
	093306-01-701	EA DECAL PKG - LEFT & RIGHT	6798B3591
	093306-01-707	EA START CAPACITOR 47 - 56 MFD - 250	62503421
	093763-01-703	EA IMPELLOR - 7" DIA X 2 8" WIDE	6759-3271
	093763-01-704	EA CAPACITOR - FAN	1499-3461
	093763-01-708	EA CONDENSER COIL	1452-1251
	093763-01-712	EA FAN BLADE - CONDENSER	6733-3221
	093763-03-700	EA SHROUD (BEIGE/CHARCOAL)	6759-4581
	105850-01-700	EA COMPRESSOR (TEC #AK144AT-02L)	6757-3679
	105850-01-701	EA COMPRESSOR RUN CAPACITOR	6749-4681
	105850-01-702	EA EVAPORATOR COIL	1452-1362
	105850-01-703	EA OVERLOAD (CRA2718-250)	
	108889-01-700	EA SHROUD (GREY/GREY)LESS LOGO	6759-6421

### COLEMAN ROOF AIR 11,000 BTU (US, CSA) (FROM: 09-21-82 THRU 99-09-89)

KEY	PART NUMBER	U/M DESCRIPTION	
	108890-01-03A	EA A/C - ROOF - 11 000 TSR HO - BUFF	7332-898
	108891-01-01A	EA CEILING ASM - A/C COOL TSR HO	7330-714 IV
	042204-01-709	EA THERMOSTAT - IN 64 OUT 58	6701-3401
	073742-01-701	EA SELECTOR SWITCH (5 TERMINAL)	6759-3251
	073742-01-702	EA DECAL COOL ONLY	6759C3431
	076303-01-707	EA FILTER - 6" X 14 3/4" X 1/2" - 12 PER PACKAGE	6703A3151
	081606-01-712	EA CEILING SHROUD (IVORY)	6769-5061
	091225-01-713	EA KNOB (2 PER PACKAGE)	6701-3351
	091225-01-717	EA DECAL (THERMOSTAT) COOL ONLY	6799A3441
	093756-02-701	EA DECAL - LEFT SIDE	6799-3971
	108891-01-700	EA SINGLE PARTS PACKAGE (KNOBS & NUTS)	6792-5991
	108891-01-701	EA RETAINER CLIPS F/FILTER (6PER PACKAGE)	6799-3141
	102289-01-000	EA SPRING - SCREW - ROOF A/C GASKET	6757-150

## 1993 WINNEBAGO TABLE OF CONTENTS

INTRODUCTION	A-01 - A-02
ABBREVIATIONS	A-03
ALPHABETICAL INDEX	A-04 - A-06
WCG37RW	A-07 - E-16
WKG34RQ	E-17 - I-18

## 1993 WCG37RW INDEX

FLOOR PLAN	A-07 - A-08
ACCESSORIES	A-09
AUDIO VIDEO	A-10 - A-11
BATH	A-12 - A-14
BEDROOM	A-15 - A-16
CHASSIS	A-17 - B-08
CURTAIN & CUSHION	B-09 - B-18
DINETTE	B-19 - B-22
DRIVERS COMPARTMENT	B-23 - C-02
ELECTRICAL	C-03 - C-08
EXTERIOR BODY	C-09 - C-16
GALLEY	C-17 - C-20
GENERATOR	C-21 - C-22
HEATING & A/C	C-23 - D-02
INTERIOR FINISH	D-03 - D-06
LABELS	D-07 - D-13
LP	D-14
LOUNGE	D-15 - D-18
SEALANTS & FASTENERS	D-19 - D-21
WATER & SEWAGE	D-22 - E-01
WINDOW VENT &	
EXTERIOR DOOR	E-02 - E-14
WINDSHIELD & WIPER	E-15 - E-16

## INTERIOR FINISH GROUP

### INTERIOR TRIM, BATT STRIPS & MOLDINGS

KEY	PART NUMBER	U/M	DESCRIPTION
	009767-12-000	FT	MOLDING - SIDEWALL TO CEILING/CABINET - WELTING - OFF WHITE
	009778-13-000	FT	U CHANNEL - PLASTIC - 1" WIDE X 8" - THOR PECAN
	009809-24-000	EA	MOLDING - CORNER - OUTSIDE - 1" - PLASTIC - THOR PECAN
	009809-25-000	EA	MOLDING - CORNER - OUTSIDE - 1" - PLASTIC - OFF WHITE
	009812-24-000	EA	MOLDING - PLASTIC - OUTSIDE CORNER - 50" - IVORY
	009812-25-000	EA	MOLDING - CORNER - OUTSIDE - 5" - PLASTIC - PECAN
	022992-11-000	FT	MOLDING - REVERSE COVE - T - SHAPED - VINYL - IVORY
	069733-79-000	EA	BATT STRIP - WOODGRAIN - 8" - FOREST OAK
	070504-20-000	FT	U-CHANNEL - PLASTIC - 815" WIDE - THOR PECAN - OF 8"
	072368-02-000	EA	TRIM-VINYL - EDGE - BLACK - GM : 1004305
	075249-01-000	EA	RAILING - OAK - 72" - UNFINISHED
	076325-16-000	FT	MOLDING - EDGE BAND - 1 5/16" WIDE - WOODGRAIN - REGAL OAK
	076325-27-000	FT	MOLDING - EDGE BAND - 1 5/16" WIDE - REGAL OAK
	076325-37-000	FT	MOLDING - EDGE BAND - 1136 - 1-5/16X 030X600
	076325-39-000	FT	MOLDING - EDGE BAND - 1527 - 1-5/16X 030X600
	076325-40-000	FT	MOLDING - EDGE BAND - 1527 - 875X 024X600
	078323-06-X14	EA	MOLDING - WALL CAP - LIPS BOTH SIDE - 6 5' LONG - LONG
	078811-05-C07	EA	PANEL - TRIM - HEADER - LOWER
	083620-01-000	FT	MOLDING - T - END CAP EDGE - WEDGE LIPS - 75" - BROWN
	083620-07-000	FT	MOLDING - T - END CAP EDGE - WEDGE LIPS - 75" - THOR PECAN
	085284-66-000	FT	BATT STRIP - WOODGRAIN - ADHESIVE BACKED - FOREST OAK
	085284-69-000	FT	STRIP - TAPE - FLORENCE/TWILIGHT - DECOR (BATH & GALLEY) (D12)
	085284-70-000	FT	STRIP - TAPE - GYPSY/MOCASSIN - DECOR (BATH & GALLEY) (D13)
	085284-73-000	FT	STRIP - TAPE - BUBBLES - TWILIGHT - DECOR (MAIN WALL) (D12)
	085284-68-000	FT	STRIP - TAPE - GYPSY/MOCASSIN - DECOR (MAIN WALL) (D13)
	086229-01-000	EA	RETAINER - BATTEN - CEILING - 75" WIDE - 7 6"
	086229-04-000	EA	BATTEN - CEILING - 1" WIDE - IVORY - 7 6"
	088263-80-000	EA	BATT STRIP FLORENCE/TWILIGHT - DECOR (BATH & GALLEY) (D12)
	088263-81-000	EA	BATT STRIP GYPSY/MOCASSIN - DECOR (BATH & GALLEY) (D13)
	088263-84-000	EA	BATT STRIP - BUBBLES - TWILIGHT - DECOR (D12)
	088263-79-000	EA	BATT STRIP - ADRIANMOCASSIN - DECOR (D13)
	092330-D2-438	EA	LUMBER - VINYL WRAPPED - 7" X 1 5" X 9" - WOODGRAIN
	092330-03-000	EA	LUMBER - VINYL WRAPPED - 2" X 96" - WOODGRAIN
	092330-05-000	EA	LUMBER - VINYL WRAPPED - 629 REGAL OAK
	092331-D2-134	EA	MOLDING - VINYL WRAPPED - 7" X 1 57" X 84" - WOODGRAIN
	092331-F2-438	EA	MOLDING - VINYL WRAPPED - 7" X 2 5" X 96" - WOODGRAIN
	092331-F2-134	EA	MOLDING - VINYL WRAPPED - 7" X 2 5" X 7" - WOODGRAIN
	093873-01-01A	EA	TRIM - CARPET - L - ANGLE - 1 1" X 1 3" X 12" - VINYL - GRAY
	104676-01-01A	FT	T - MOLDING - 5/16 RIGID - GOLD
	105709-01-000	FT	T - MOLDING - 1" - MODERN IVORY
	105004-01-01A	EA	MOLDING - VINYL WRAP - REGAL OAK
	104006-01-C05	EA	LID - ENTRANCE STEP

## INTERIOR FINISH GROUP (CONTINUED)

### PANELING, PLASTIC LAMINATE & CARPET

KEY	PART NUMBER	U/M	DESCRIPTION
	065747-71-000	SF	INSULATION - MICROFOAM - .5"
	074497-20-000	SF	PANELING - WOODGRAIN - 4' X 8' (32 SF)
	074498-24-000	SF	LAMINATE - PLASTIC - 5' X 8' - REGAL OAK (40 SF)
	074498-45-000	SF	LAMINATE - PLASTIC - 5' X 8' (40 SF) (D12)
	074498-46-000	SF	LAMINATE - PLASTIC - 5' X 8' (40 SF) (D13)
	083618-02-000	SF	PLYWOOD - OAK - 1 SIDE FINISHED - 3/16" X 4' X 8' (32 SF)
	088272-A3-000	SF	PANELING - FLORENCE/TWILIGHT (BATH & GALLEY) (D12)
	088272-A4-000	SF	PANELING - GYPSY/MOCASSIN (BATH & GALLEY) (D13)
	088272-A5-000	SF	PANELING - BUBBLES - TWILIGHT (BEDROOM & DINETTE) (D12)
	088272-99-000	SF	PANELING - ADRIANMOCASSIN (BEDROOM & DINETTE) (D13)
	088272-98-000	SF	PANELING - SHOWER - OFF WHITE - 4' X 7' (28 SF)
	089297-01-000	SF	PLYWOOD - LUAN - OVERLAY GRADE - 4' X 8' (32 SF)
	089351-03-000	YD	VINYL - CEILING - DIAMOND DESIGN - 54" WIDE
	095688-01-000	SF	VENEER - FLAT LUANA 48 X 96
	075233-01-000	SY	PAD - CARPET - 3/8" X 6' ROLL
	096060-23-000	SY	CARPET - 12' ROLL - BLUE MIST (MINIMUM 4 SY) (D12)
	096060-33-000	SY	CARPET - 12' ROLL - LIGHT BROWN (MINIMUM 4 SY) (D13)
	093486-01-000	SY	CARPET - COMPARTMENT - 54" WIDE - DARK GRAY
	047034-02-000	SF	PLASTIC - CARPET - 4' WIDE - CLEAR POLY
	098531-01-000	SF	PLYWOOD - RED OAK - 1/2"
	105924-01-C08	EA	MAT - FLOOR 18X27 (D12)
	105924-01-C06	EA	MAT - FLOOR 18X27 (D13)
	108358-01-000	SF	PLYWOOD - LUAN GRADE BB LFC - 2 7MM X 48 X 96

### FIRE EXTINGUISHER, SMOKE DETECTOR & WALL CLOCK

KEY	PART NUMBER	U/M	DESCRIPTION
	072852-01-000	EA	DETECTOR - SMOKE - W/9 VOLT BATTERY
	072852-02-000	EA	DETECTOR - SMOKE - W/9 VOLT BATTERY - CANADIAN
	094499-01-000	EA	EXTINGUISHER - FIRE - DRY W/MOUNTING BRACKET - 10 BC
	094499-01-700	EA	BRACKET - MOUNTING - W/PLASTIC STRAP - FIRE EXTINGUISHER
	094499-02-000	EA	EXTINGUISHER - FIRE - DRY - 1A10BC - CANADIAN
	101333-01-000	EA	BACKPLATE - CLOCK - 6" X 6" - PLASTIC - BLACK
	104764-01-01A	EA	CLOCK - WALL - SPARTIUS 5616-42

## 1983 WINNEBAGO TABLE OF CONTENTS

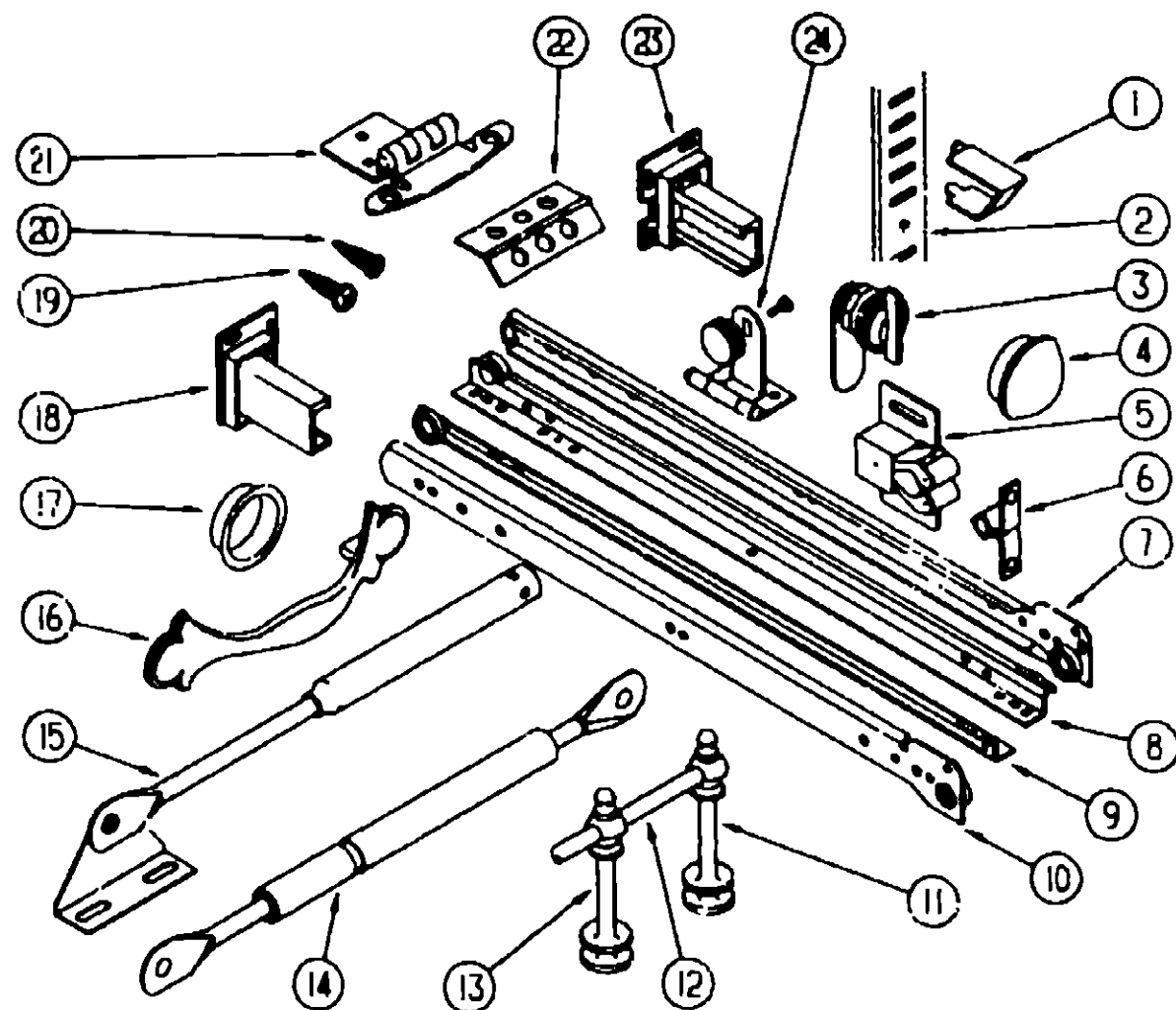
INTRODUCTION	A-01 - A-02
ABBREVIATIONS	A-03
ALPHABETICAL INDEX	A-04 - A-06
WCG37RW	A-07 - E-16
WKG34RD	F-17 - I-18

## 1983 WCG37RW INDEX

FLOOR PLAN	A-07 - A-08
ACCESSORIES	A-09
AUDIO VIDEO	A-10 - A-11
BATH	A-12 - A-14
BEDROOM	A-15 - A-16
CHASSIS	A-17 - B-08
CURTAIN & CUSHION	B-09 - B-18
DINETTE	B-19 - B-22
DRIVERS COMPARTMENT	B-23 - C-02
ELECTRICAL	C-03 - C-08
EXTERIOR BODY	C-09 - C-16
GALLEY	C-17 - C-20
GENERATOR	C-21 - C-22
HEATING & A/C	C-23 - D-02
INTERIOR FINISH	D-03 - D-06
LABELS	D-07 - D-13
LP	D-14
LOUNGE	D-15 - D-18
SEALANTS & FASTENERS	D-19 - D-21
WATER & SEWAGE	D-22 - E-01
WINDOW, VENT &	
EXTERIOR DOOR	E-02 - E-14
WINDSHIELD & W/FR	E-15 - E-16

# INTERIOR FINISH GROUP (CONTINUED)

## CABINET HARDWARE



KEY	PART NUMBER	U/M DESCRIPTION
8	106913-04-000	EA SLIDE - DRAWER - 12" - RIGHT SIDE
8	106913-08-000	EA SLIDE - DRAWER - 18" - RIGHT SIDE
8	106913-20-000	EA SLIDE - DRAWER - 22" - RIGHT SIDE
8	106913-24-000	EA SLIDE - DRAWER - 24" - RIGHT SIDE
9	106913-03-000	EA SLIDE - DRAWER - 12" - LEFT SIDE
9	106913-07-000	EA SLIDE - DRAWER - 18" - LEFT SIDE
9	106913-19-000	EA SLIDE - DRAWER - 22" - LEFT SIDE
9	106913-23-000	EA SLIDE - DRAWER - 24" - LEFT SIDE
10	106913-01-000	EA SLIDE - DRAWER - 12" - CABINET - LEFT SIDE
10	106913-05-000	EA SLIDE - DRAWER - 18" - CABINET - LEFT SIDE
10	106913-17-000	EA SLIDE - DRAWER - 22" - CABINET - LEFT SIDE
10	106913-21-000	EA SLIDE - DRAWER - 24" - CABINET - LEFT SIDE
11	084070-02-000	EA POST - END - 2.4" - BRASS
12	084071-04-000	EA ROD - BRASS - 11.9"
12	084071-15-000	EA ROD - BRASS - 8.27"
13	084070-01-000	EA POST - CENTER - 2.4" - BRASS
14	107539-01-000	EA SPRING - GAS - 20" BLADE END - SPRING LIFT
15	074493-02-000	EA SUPPORT - PISTON SPRING - CABINET DOOR
16	107435-01-000	EA CABINET DOOR PULL - BRASS
17	098410-01-01A	EA PULL - FINGER - OVAL - BRASS
18	107030-01-000	EA BACK SOCKET - LEFT SIDE
19	000G68-06-10G	EA SCREW - 6-18 X 5/8" - PHILLIP OVAL HEAD - ANTIQUE BRASS
20	000G13-06-08G	EA SCREW - 6-20 X 5" - PHILLIP FLAT HEAD - ANTIQUE BRASS
21	108138-01-000	EA HINGE - DOOR - CABINET - BURNISHED BRASS
22	079059-02-000	EA HINGE - DOOR - 2" X 2.7" - BRASS
23	107030-02-000	EA BACK SOCKET - RIGHT SIDE
24	100711-01-01A	EA HINGE - DOOR - GLASS
	105037-02-000	EA FASTENER - WOOD - CORNER - METAL - 5" X 5"
	P02786-04-D12	EA HANDRAIL ASM - ENTRANCE DOOR
	099682-01-01A	EA BRACKET - MOUNTING - HAND RAIL - BRASS
	009063-01-000	EA HINGE - CONTINUOUS - 1 1/2" X 72" - UNPAINTED
	009066-01-000	EA HINGE - ALUMINUM - NO HOLES - 1 1/16" X 6" - UNPAINTED
	103130-01-000	EA HOOK - CUP - BRASS - 1.25"
	103868-03-01A	EA TRACK - DOOR - 1250 - OFF WHITE
	105847-06-C05	EA KEY RING HOLDER
	004354-01-000	EA BUMPER - RUBBER - 5" DIA - BROWN
	016604-03-000	EA BRACE - CABINET - ANGLE - 2.5" - METAL - BEIGE
	023320-01-000	EA PAD - FELT - 3/8" DIAMETER - BROWN
	058335-02-000	EA LATCH - SHOWER/BATH DOOR - W/O LOCK - PLASTIC - BROWN
	065740-01-000	EA BRACE - CABINET CORNER - PLASTIC
	076790-01-000	EA SCREW - 6-20 X 1 1/4 PPH - BLACK
	079921-01-000	EA ROLLER - NYLON - W/STEEL SHAFT - BARBED
	R77006-13-498	EA GUIDE - BOLT
	009112-01-000	EA FLANGE - 1" ROD - CLOTHES - PLASTIC - OFF WHITE
	042438-01-000	EA DOWEL - WOOD - CLOTHES ROD - 1" DIAMETER X 4"
	042438-06-000	EA DOWEL - WOOD - 1.5" X 26" - OAK
	101222-01-01A	EA BHACKET - CATCH - LID - BEIGE
	101766-01-000	EA PIN - SUPPORT - GLASS DOOR
	103936-01-01A	EA KNOB - MIRROR - 1" X 1" - ACRYLIC - CLEAR

## 1993 WINNEBAGO TABLE OF CONTENTS

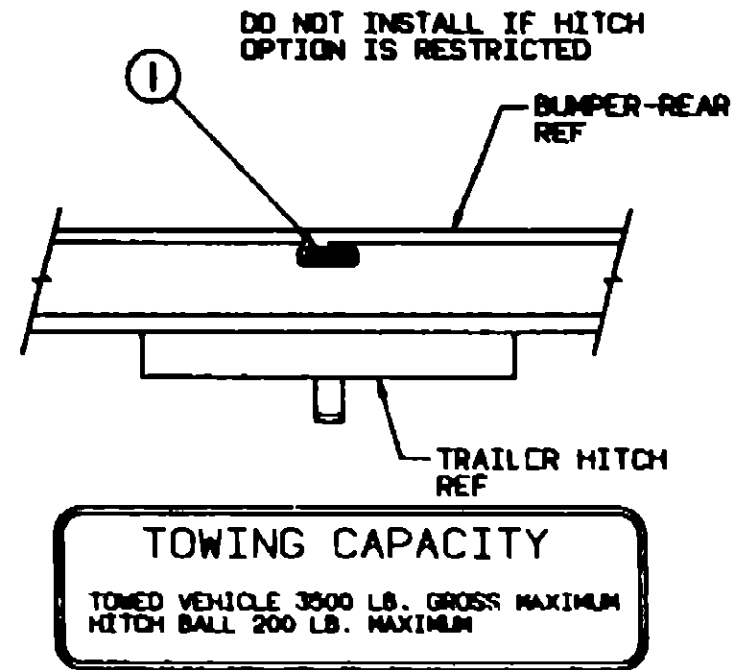
INTRODUCTION	A-01 - A-02
ABBREVIATIONS	A-03
ALPHABETICAL INDEX	A-04 - A-06
WCG37RW	A-07 - E-16
WKG34RQ	E-17 - I-18

## 1993 WCG37RW INDEX

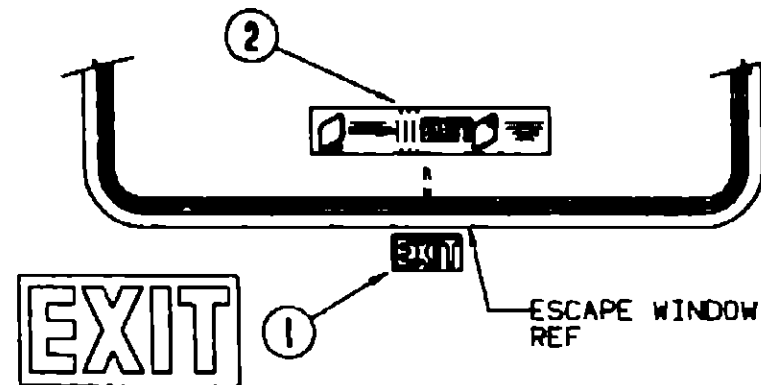
FLOOR PLAN	A-07 - A-08
ACCESSORIES	A-09
AUDIO VIDEO	A-10 - A-11
BATH	A-12 - A-14
BEDROOM	A-15 - A-16
CHASSIS	A-17 - B-08
CURTAIN & CUSHION	B-09 - B-18
DINETTE	B-19 - B-22
DRIVERS COMPARTMENT	B-23 - C-02
ELECTRICAL	C-03 - C-08
EXTERIOR BODY	C-09 - C-16
GALLEY	C-17 - C-20
GENERATOR	C-21 - C-22
HEATING & A/C	C-23 - D-02
INTERIOR FINISH	D-03 - D-06
LABELS	D-07 - D-13
LP	D-14
LOUNGE	D-15 - D-18
SEALANTS & FASTENERS	D-19 - D-21
WATER & SEWAGE	D-22 - E-01
WINDOW VENT & EXTERIOR DOOR	E-02 - E-14
WINDSHIELD & WIPER	E-15 - E-16

KEY	PART NUMBER	U/M DESCRIPTION
1	098979-01-000	EA CLIP - ADJUSTABLE SHELF
2	098980-01-000	EA PILASTER - ADJUSTABLE SHELF - 18" LONG
2	098980-02-000	EA PILASTER - ADJUSTABLE SHELF - 12" LONG
3	100710-01-01A	EA LOCK - GLASS DOOR - TWIST TYPE - BRASS
	101272-01-000	EA CATCH - DOOR - GLASS
4	042356-01-000	EA PLUG - MAHOGANY - 3/8" DIAMETER - WOOD
4	074045-01-000	EA PLUG - OAK - 1/2" DIAMETER
5	093586-03-000	EA CATCH - SPRING - ROLLER
6	093586-04-000	EA STRIKE - SPRING STEEL
	101766-01-000	EA PIN - SUPPORT - GLASS DOOR
7	106913-02-000	EA SLIDE - DRAWER - 12" - CABINET - RIGHT SIDE
7	106913-06-000	EA SLIDE - DRAWER - 18" - CABINET - RIGHT SIDE
7	106913-18-000	EA SLIDE - DRAWER - 22" - CABINET - RIGHT SIDE
7	106913-22-000	EA SLIDE - DRAWER - 24" - CABINET - RIGHT SIDE

**LABELS GROUP**



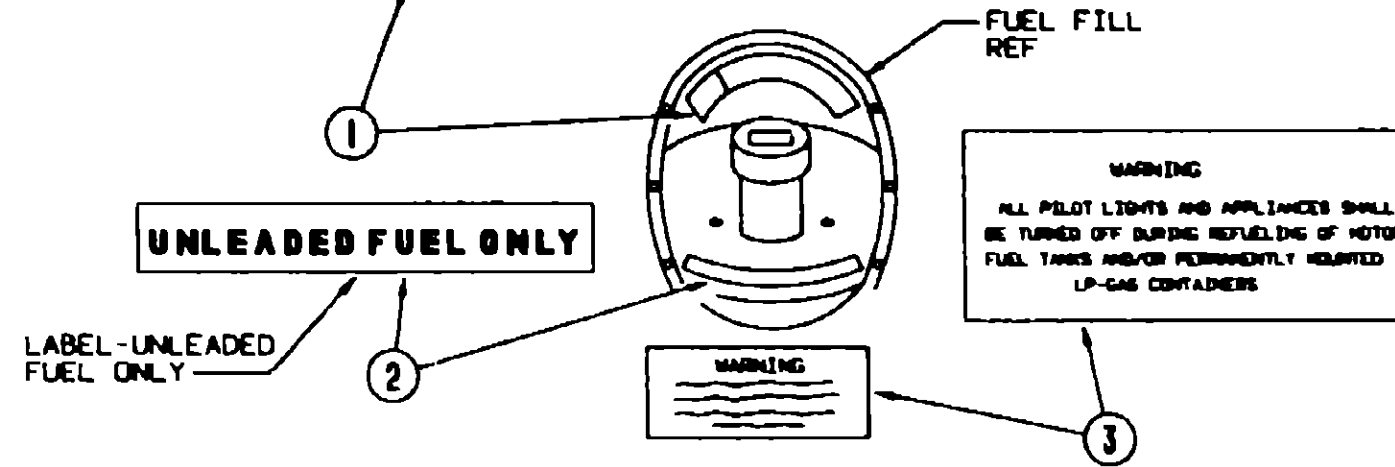
KEY	PART NUMBER	U/M DESCRIPTION
1	075201-03-000	EA LABEL - TRAILER HITCH



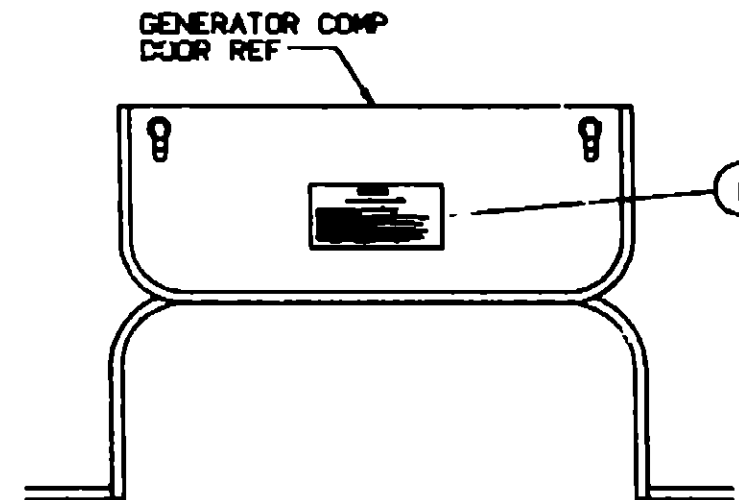
KEY	PART NUMBER	U/M DESCRIPTION
1	107571-01-000	EA LABEL - EXIT/ESCAPE WINDOW
2	039290-01-000	EA LABEL - EXIT WARNING

**LABELS GROUP (CONTINUED)**

**CAUTION**  
**FUEL SPRAY MAY CAUSE PERSONAL INJURY**  
 TO HELP AVOID PERSONAL INJURY DURING REMOVAL OF FUEL FILLER CAP, SLOWLY LOOSEN CAP 1/2 TURN TO ALLOW ANY FUEL PRESSURE TO BE RELIEVED BEFORE TURNING CAP FURTHER.  
 STOP ADDING FUEL AFTER FIRST SHUTOFF BY AUTOMATIC NOZZLE WHEN TANK IS NEARLY FULL. DO NOT OVERFILL FUEL TANK.  
 SEE OWNERS MANUAL FOR ADDITIONAL INFORMATION.  
 PRINTED IN U.S.A. NLC PT NO 19611763



KEY	PART NUMBER	U/M DESCRIPTION
1	087207-05-000	EA LABEL - FUEL CAP REMOVAL
2	062043-01-000	EA LABEL - FULL - UNLEADED
3	006040-01-000	EA TAG - GAS REFUELING WARNING
3	006040-02-000	EA TAG - GAS REFUELING WARNING (CANADIAN)



**WARNING**  
**WHEN ADDING A GENERATOR SET:**  
 HIGH VOLTAGE-USE EXTREME CAUTION WHEN WORKING ON ELECTRICAL COMPONENTS.  
 HAVE ALL ELECTRICAL INSTALLATION PERFORMED BY A QUALIFIED LICENSED ELECTRICIAN-FOLLOW ALL STATE AND LOCAL CODES.  
 ONLY INSTALL GENERATOR SET APPROVED FOR R.V. APPLICATION. HAVE INSTALLED BY QUALIFIED PROFESSIONAL.  
 TO AVOID HEAT BUILD-UP AND TO SUPPLY AN ADEQUATE AIR SUPPLY TO THE GENERATOR COMPARTMENT, FOLLOW INSTALLATION INSTRUCTIONS.  
 GENERATOR ENGINE EXHAUST GASES ARE TOXIC AND MUST NOT REMAIN UNDER THE VEHICLE-GENERATOR EXHAUST MUST BE EXHAUSTED FROM VEHICLE.

KEY	PART NUMBER	U/M DESCRIPTION
1	077510-01-000	EA LABEL - GENERATOR PREP

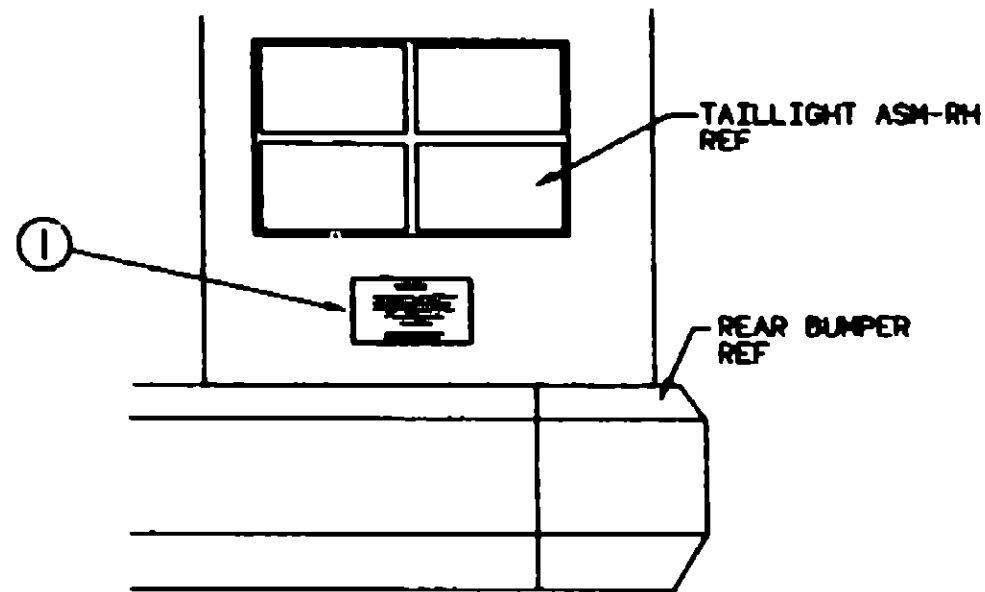
**1993 WINNEBAGO TABLE OF CONTENTS**

INTRODUCTION	A-01 - A-02
ABBREVIATIONS	A-03
ALPHABETICAL INDEX	A-04 - A-06
WCG37RW	A-07 - E-16
WKG34RQ	E-17 - I-18

**1993 WCG37RW INDEX**

FLOOR PLAN	A-07 - A-08
ACCESSORIES	A-09
AUDIO VIDEO	A-10 - A-11
BATH	A-12 - A-14
BEDROOM	A-15 - A-16
CHASSIS	A-17 - B-08
CURTAIN & CUSHION	B-09 - B-18
DINETTE	B-19 - B-22
DRIVERS COMPARTMENT	B-23 - C-02
ELECTRICAL	C-03 - C-08
EXTERIOR BODY	C-09 - C-16
GALLEY	C-17 - C-20
GENERATOR	C-21 - C-22
HEATING & A/C	C-23 - D-02
INTERIOR FINISH	D-03 - D-06
LABELS	D-07 - D-13
LP	D-14
LOUNGE	D-15 - D-18
SEALANTS & FASTENERS	D-19 - D-21
WATER & SEWAGE	D-22 - E-01
WINDOW, VENT & EXTERIOR DOOR	E-02 - E-14
WINDSHIELD & WIPER	E-15 - E-16

**LABELS GROUP (CONTINUED)**

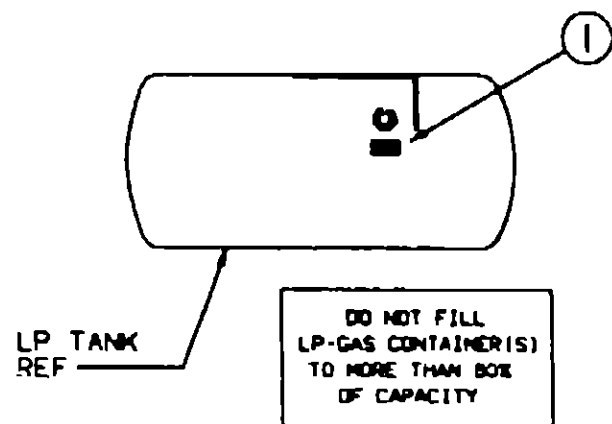


**WARNING**

DO NOT EXCEED THE VEHICLE WEIGHT RATINGS OR LOADING RECOMMENDATIONS (E.G., GROSS VEHICLE, GROSS AXLE, GROSS COMBINED) OF THE CHASSIS MANUFACTURER OR WINNEBAGO INC.

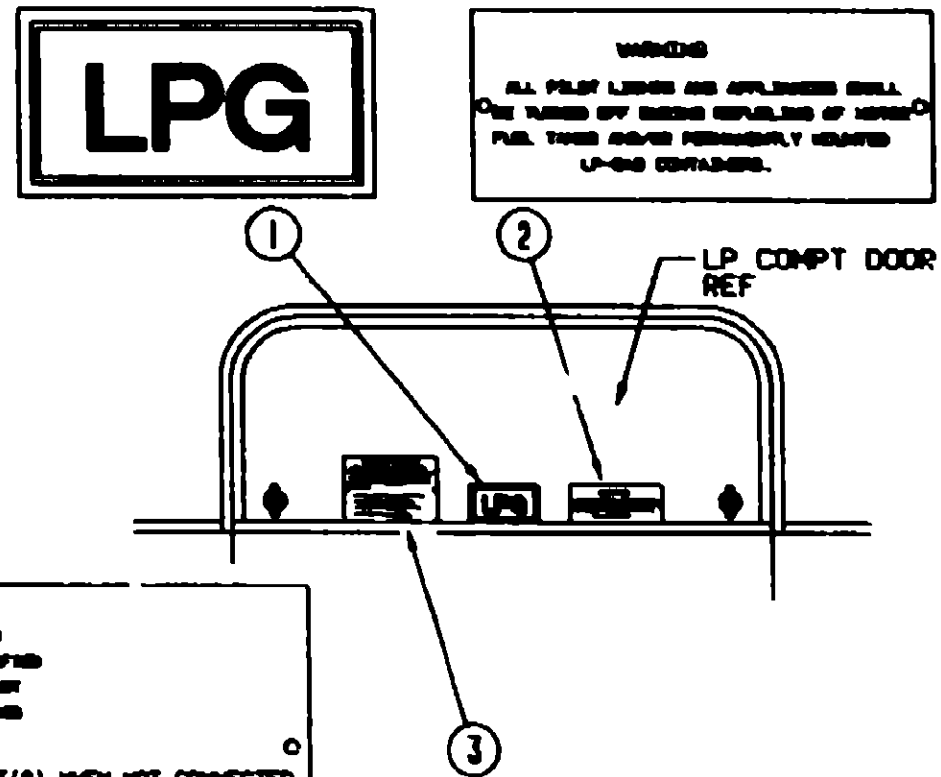
REFER TO YOUR OWNERS MANUAL, BEFORE LOADING OR TOWING.

KEY	PART NUMBER	U/M DESCRIPTION
1	075220-01-000	EA LABEL - WARNING - EXTERIOR LOAD

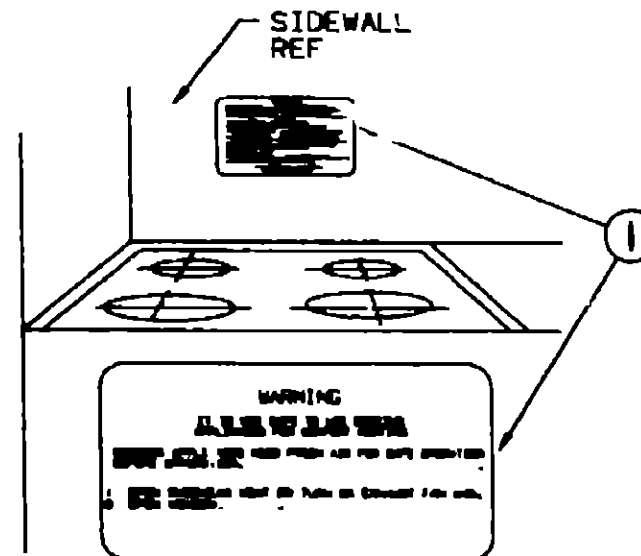


KEY	PART NUMBER	U/M DESCRIPTION
1	079965-01-000	EA LABEL - LPG - 80% CAPACITY

**LABELS GROUP (CONTINUED)**



KEY	PART NUMBER	U/M DESCRIPTION
1	074559-01-000	EA DECAL - LOGO - LPG - RED - (CALIF. CODE)
2	006040-01-000	EA TAG - GAS REFUELING WARNING
2	005040-02-000	EA TAG - GAS REFUELING WARNING (CANADIAN)
3	054531-01-000	EA LABEL - LP GAS ONLY
3	023769-01-000	EA LABEL - WARNING-LPG (CANADIAN)



KEY	PART NUMBER	U/M DESCRIPTION
1	050225-01-000	EA LABEL - WARNING - STOVE VENT - US
1	050222-01-000	EA LABEL - WARNING - STOVE VENT - CSA

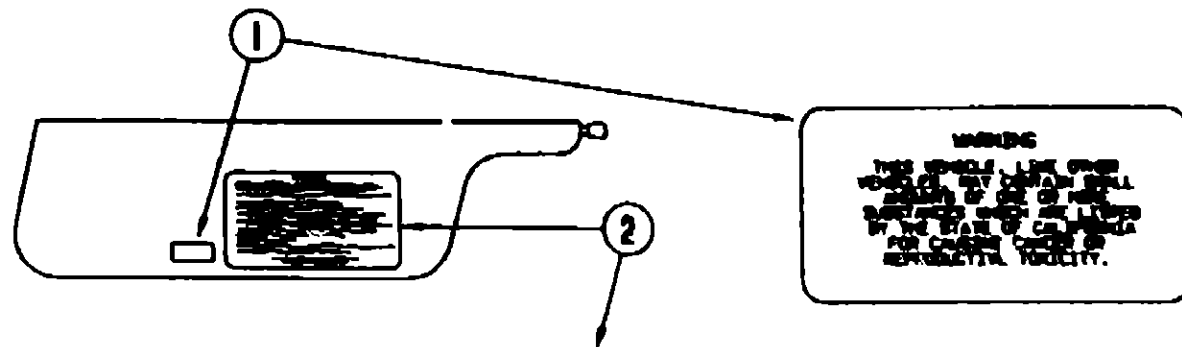
**1993 WINNEBAGO TABLE OF CONTENTS**

INTRODUCTION	A-01 - A-02
ABBREVIATIONS	A-03
ALPHABETICAL INDEX	A-04 - A-06
WCG37RW	A-07 - E-16
WKG34RQ	E-17 - I-18

**1993 WCG37RW INDEX**

FLOOR PLAN	A-07 - A-08
ACCESSORIES	A-09
AUDIO VIDEO	A-10 - A-11
BATH	A-12 - A-14
BEDROOM	A-15 - A-16
CHASSIS	A-17 - B-08
CURTAIN & CUSHION	B-09 - B-18
DINETTE	B-19 - B-22
DRIVERS COMPARTMENT	B-23 - C-02
ELECTRICAL	C-03 - C-08
EXTERIOR BODY	C-09 - C-16
GALLEY	C-17 - C-20
GENERATOR	C-21 - C-22
HEATING & A/C	C-23 - D-02
INTERIOR FINISH	D-03 - D-06
LABELS	D-07 - D-13
LP	D-14
LOUNGE	D-15 - D-18
SEALANTS & FASTENERS	D-19 - D-21
WATER & SEWAGE	D-22 - E-01
WINDOW, VENT & EXTERIOR DOOR	E-02 - E-14
WINDSHIELD & WIPER	E-15 - E-16

**LABELS GROUP (CONTINUED)**



**WARNING**  
THIS VEHICLE LINE OVER YOUR HEAD. TRY TO AVOID ALL SURFACES WHICH ARE COVERED BY THE FRAY OF CARPETS OR FOR CHANGE OF COLOR OR REFLECTIVE QUALITY.

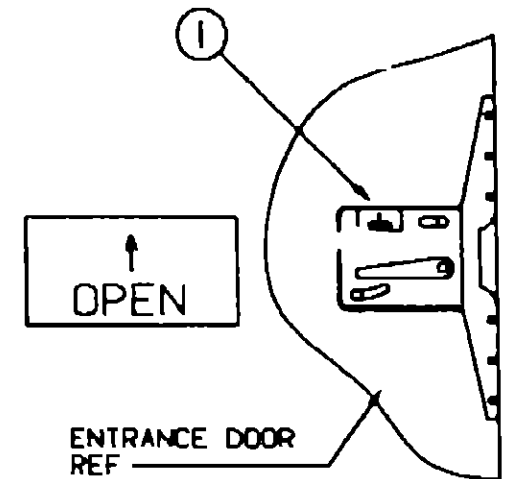
**CAUTION**

THIS MOTOR HOME HAS BEEN DESIGNED, MANUFACTURED AND TESTED WITH CONCERN FOR THE PROTECTION OF IT'S OCCUPANTS. WE RECOMMEND YOU PERFORM THE FOLLOWING INSPECTIONS FOR YOUR SAFETY AND THE SAFETY OF YOUR PASSENGERS BEFORE STARTING YOUR VEHICLE.

1. LP GAS SYSTEM- TURN OFF AT TANK FOR TRAVELING TEST FOR LEAKS UPON ARRIVAL AT DESTINATION BEFORE LIGHTING PILOTS
2. WHEELS- INSPECT FOR DAMAGE AND CHECK LUG NUTS FOR TIGHTNESS
3. TIRES- INSPECT FOR WEAR AND DAMAGE AND CHECK FOR RECOMMENDED AIR PRESSURE
4. LIGHTING- TEST FOR PROPER OPERATION OF ALL INTERIOR AND EXTERIOR LIGHTS INCLUDING DASH LIGHTS, HEADLIGHTS, TAIL LIGHTS, BRAKE LIGHTS, CLEARANCE LIGHTS AND TURN SIGNALS
5. EXITS- INSPECT RELEASE MECHANISM ON EMERGENCY EXIT WINDOW, TEST BOTH LOCKS ON MAIN ENTRANCE DOOR FOR EASE OF OPERATION AND INSTRUCT PASSENGERS HOW TO USE BOTH MEANS OF EXIT
6. SEAT BELTS- DIRECT PASSENGERS TO DESIGNATED SEATS AND RECLINE USE OF SEAT BELTS
7. APPLIANCES- TURN OFF AND LATCH OR LOCK DOORS WHERE PROVIDED.
8. LOOSE PARCELS- STORE SECURELY.
9. UTILITY SUPPLY LINES- DISCONNECT ALL ELECTRIC, SEWER AND WATER LINES AND SECURE PROPERLY
10. ENTRANCE DOOR STEP- PLACE IN RETRACTED POSITION FOR TRAVELING

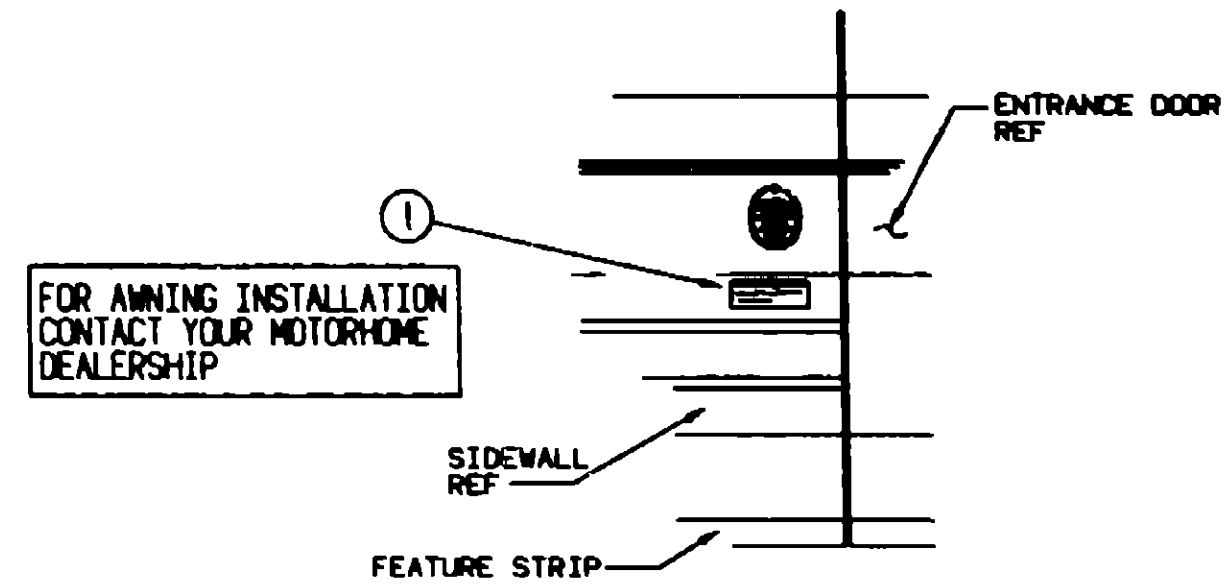
READ YOUR MOTOR HOME AND CHASSIS OWNER'S MANUAL FOR FURTHER PRECAUTIONS

KEY	PART NUMBER	U/M DESCRIPTION
1	099689-01-000	EA LABEL - WARNING - CANCER/TOXICITY
2	056259-01-000	EA LABEL - SAFETY CHECK LIST

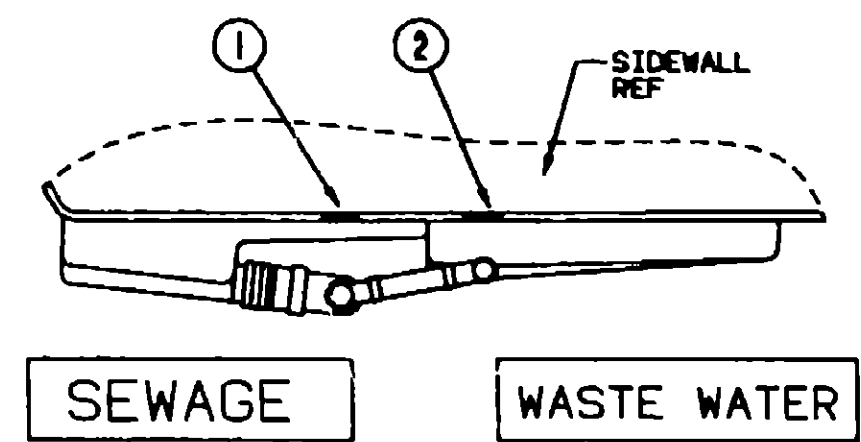


KEY	PART NUMBER	U/M DESCRIPTION
1	040944-01-000	EA LABEL - ENTRANCE DOOR - "OPEN"

**LABELS GROUP (CONTINUED)**



KEY	PART NUMBER	U/M DESCRIPTION
1	099509-01-000	EA LABEL - AWNING INSTALLATION



KEY	PART NUMBER	U/M DESCRIPTION
1	006187-01-000	EA LABEL - SEWAGE
2	006188-01-000	EA LABEL - WASTE WATER

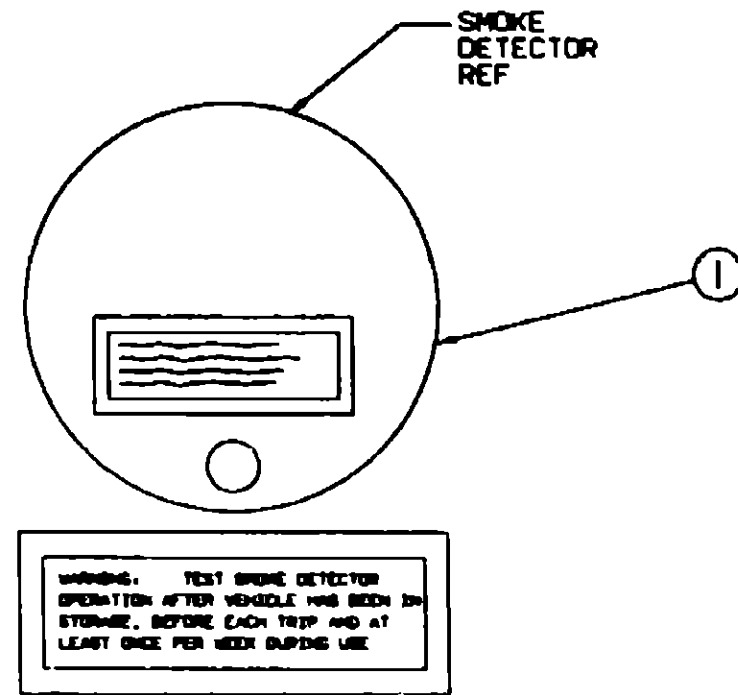
**1993 W'NEBAGO TABLE OF CONTENTS**

INTRODUCTION	A-01 - A-02
ABBREVIATIONS	A-03
ALPHABETICAL INDEX	A-04 - A-06
WCG37RW	A-07 - E-16
WKG34RQ	E-17 - I-18

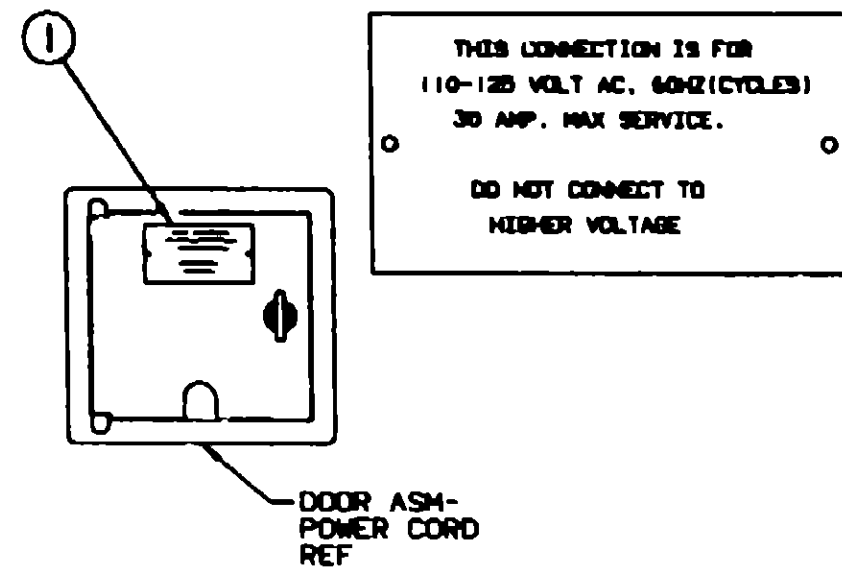
**1993 WCG37RW INDEX**

FLOOR PLAN	A-07 - A-08
ACCESSORIES	A-09
AUDIO VIDEO	A-10 - A-11
BATH	A-12 - A-14
BEDROOM	A-15 - A-16
CHASSIS	A-17 - B-08
CURTAIN & CUSHION	B-09 - B-18
DINETTE	B-19 - B-22
DRIVERS COMPARTMENT	B-23 - C-02
ELECTRICAL	C-03 - C-08
EXTERIOR BODY	C-09 - C-16
GALLEY	C-17 - C-20
GENERATOR	C-21 - C-22
HEATING & A/C	C-23 - D-02
INTERIOR FINISH	D-03 - D-06
LABELS	D-07 - D-13
LP	D-14
LOUNGE	D-15 - D-18
SEALANTS & FASTENERS	D-19 - D-21
WATER & SEWAGE	D-22 - E-01
WINDOW, VENT &	E-02 - E-14
WINDSHIELD & WIPER	E-15 - E-16

### LABELS GROUP (CONTINUED)



KEY	PART NUMBER	U/M DESCRIPTION
1	077956-01-000	EA LABEL - WARNING - SMOKE DETECTOR

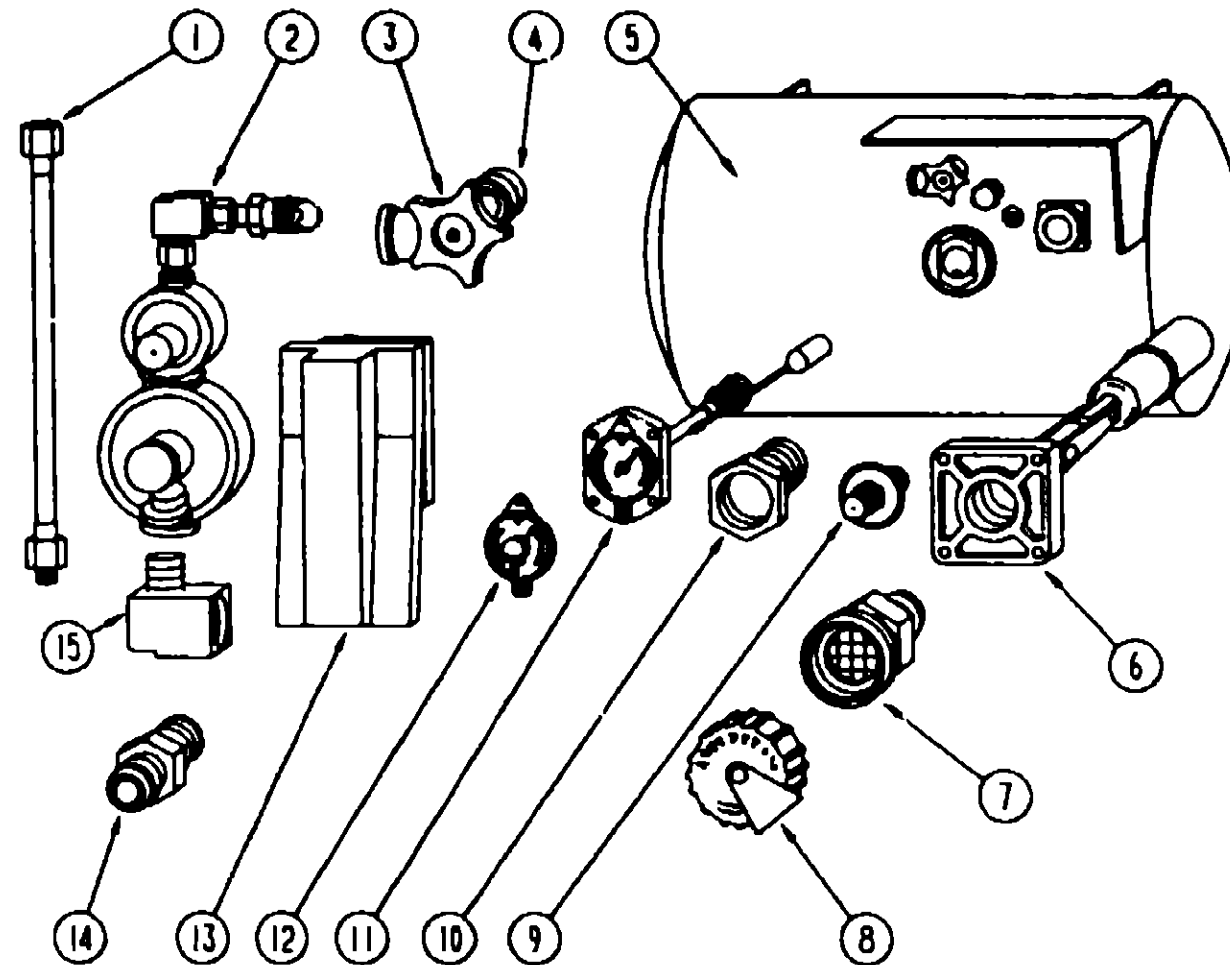


KEY	PART NUMBER	U/M DESCRIPTION
1	006062-01-000	EA TAG - ELECTRIC - 110V CONNECTION

### MISCELLANEOUS LABELS

KEY	PART NUMBER	U/M DESCRIPTION
	061606-01-000	EA LABEL - OVERLAY - VEHICLE CERTIFICATION - ADHESIVE BACKED
	073998-01-000	EA LABEL - LPG ODOR WARNING
	074983-01-000	EA LABEL - SWITCH - A/C SELECTOR FOR FRONT OR REAR
	079966-01-000	EA LABEL - WARNING - STOWED - MOTION
	091224-02-000	EA LABEL - TRAILER LIGHTING
	091243-01-000	EA LABEL - A/C COVER - "AIR CONDITIONING CIRCUIT ETC"
	102267-01-000	EA LABEL - NO OCCUPANCY - US
	098379-03-000	EA LABEL - ELECTRICAL BOX - FRONT
	098379-04-000	EA LABEL - ELECTRICAL BOX - SIDE
	098641-01-000	EA LABEL - FUEL - UNLEADED - DASH
	104678-01-000	EA LABEL - CB PREP

### LP GROUP



### LP TANK & COMPONENTS

KEY	PART NUMBER	U/M DESCRIPTION
1	045703-01-000	EA HOSE - LP - 3/8" ID X 24" US - 3/8 MPT X 1/2 F - SWIVEL
1	045703-02-000	EA HOSE - LP - 3/8" ID X 24" - 3/8" MPT X 1/2" F - SWIVEL - CANADA
2	106150-01-000	EA REGULATOR - TWO STAGE
3	040421-01-708	EA HANDWHEEL - VAPOR RELIEF VALVE - BRUNNER G-1015 A
4	040421-01-712	EA VALVE - SERVICE W/HANDWHEEL
5	088253-03-000	EA TANK - LP - 100 LB - 16"D X 36" - SPL
6	040421-01-711	EA VALVE - 80% W/FLOAT - PLATE - BOLTS & GASKET - BRUNNER
7	040421-01-701	EA VALVE - SHORT LP FILLER W/YELLOW CAP - BRUNNER 75478
8	040421-01-702	EA CAP - LP FILLER VALVE - PLASTIC - YELLOW - BRUNNER G-1014-A
9	040421-01-700	EA GAUGE - LIQUID LEVEL - 20% LP - BRUNNER G-1013
10	040421-01-713	EA PRESSURE RELIEF VALVE
11	040421-01-706	EA GAUGE - FLOAT W/VISIBLE DIAL
12	040440-02-000	EA TRANSMITTER - DIAL - 90 OHM
13	105658-01-000	EA COMPARTMENT - LP REGULATOR
14	010323-01-000	EA ADAPTER - BRASS - 3/8" F X 1/2" MPT
15	065318-02-000	EA ELBOW - 90 DEGREE - 3/8" MPT TO 3/8" FPT
	010377-02-000	EA NUT - BRASS - 3/8 FEMALE - FORGED
	093380-01-000	EA COUPLER - 1/2" TO 3/8" BLACK PIPE
	010329-01-000	EA ADAPTER - BRASS - 1/2" F X 1/2" MPT
	010265-01-000	EA ELBOW - BRASS - 90 DEGREE - 3/8" F X 1/2" FPT
	065742-01-000	EA TEE - 3/8" F X 3/8" F X 25" FPT - BRASS
	103613-01-000	EA DETECTOR - LP GAS
	065741-01-000	EA GAUGE - DIAPHRAGM PRESSURE - MARSHALLTOWN **FG

### 1993 WINNEBAGO TABLE OF CONTENTS

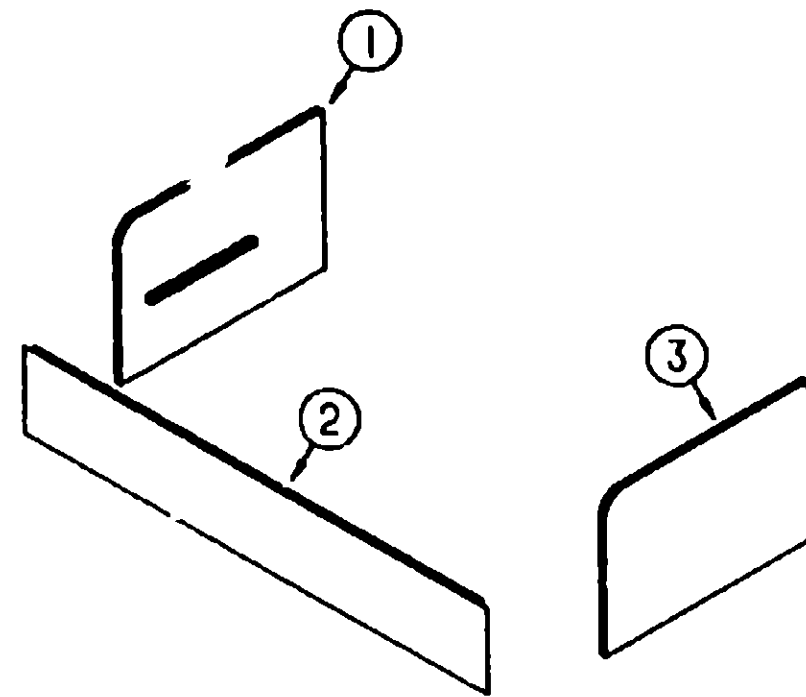
INTRODUCTION	A-01 - A-02
ABBREVIATIONS	A-03
ALPHABETICAL INDEX	A-04 - A-06
WCG37RW	A-07 - E-16
WKG34RQ	E-17 - I-18

### 1993 WCG37RW INDEX

FLOOR PLAN	A-07 - A-08
ACCESSORIES	A-09
AUDIO VIDEO	A-10 - A-11
BATH	A-12 - A-14
BEDROOM	A-15 - A-16
CHASSIS	A-17 - B-08
CURTAIN & CUSHION	B-09 - B-18
DINETTE	B-19 - B-22
DRIVERS COMPARTMENT	B-23 - C-02
ELECTRICAL	C-03 - C-08
EXTERIOR BODY	C-09 - C-16
GALLEY	C-17 - C-20
GENERATOR	C-21 - C-22
HEATING & A/C	C-23 - D-02
INTERIOR FINISH	D-03 - D-06
LABELS	D-07 - D-13
LP	D-14
LOUNGE	D-15 - D-18
SEALANTS & FASTENERS	D-19 - D-21
WATER & SEWAGE	D-22 - E-01
WINDOW, VENT &	
EXTERIOR DOOR	E-02 - E-14
WINDSHIELD & WIPER	E-15 - E-16



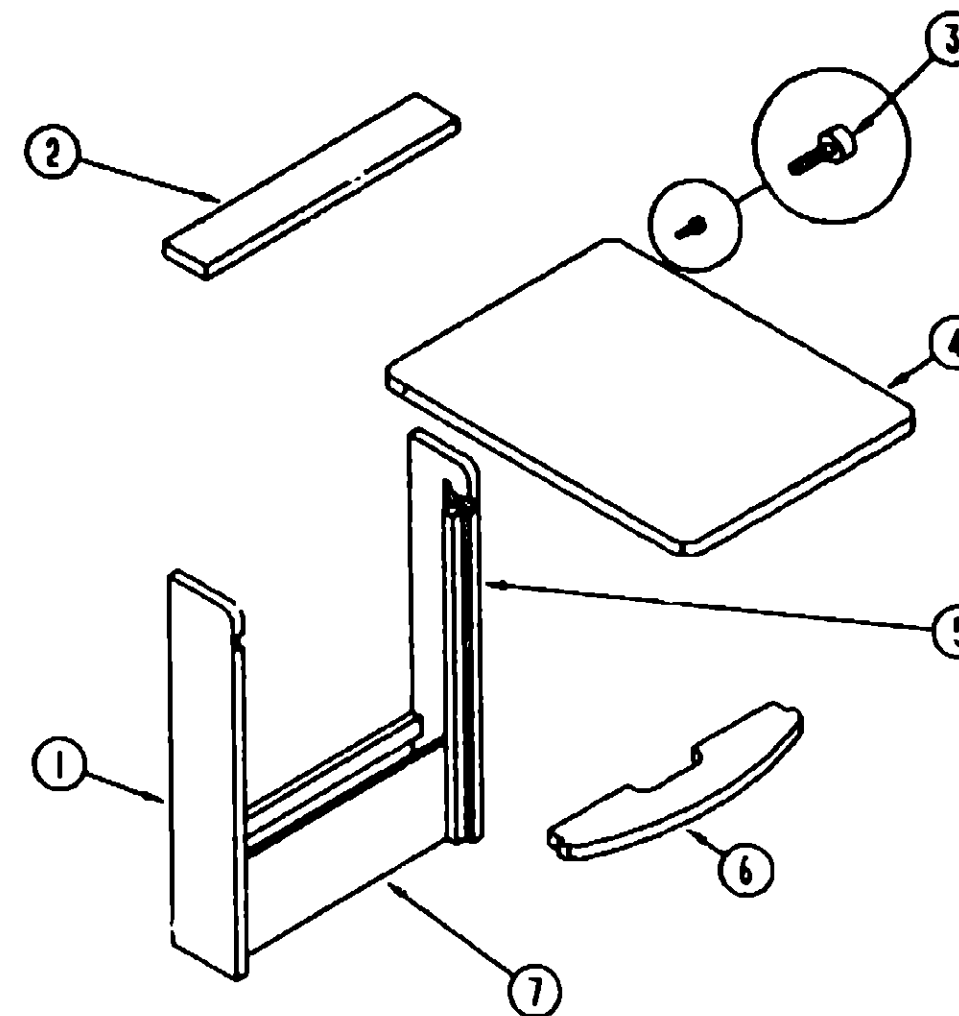
**LOUNGE GROUP**



**COUCH CABINET**

KEY	PART NUMBER	U/M DESCRIPTION
1	M04187-36-D12	EA CABINET - COUCH - RIGHT HAND - W/FABRIC
1	M04187-36-D13	EA CABINET - COUCH - RIGHT HAND - W/FABRIC
2	M04187-37-D12	EA CABINET - COUCH - FRONT - W/FABRIC
2	M04187-37-D13	EA CABINET - COUCH - FRONT - W/FABRIC
3	M04187-34-D12	EA CABINET - COUCH - LEFT HAND - W/FABRIC
3	M04187-34-D13	EA CABINET - COUCH - LEFT HAND - W/FABRIC
	082525-01-000	EA BRACE - COUCH - FLOOR MOUNT - ANGLE 3" LONG - METAL
	083125-05-000	EA BRACE - ANGLE - COUCH - 2.5" - BEIGE

**LOUNGE GROUP (CONTINUED)**



**PULLOUT TABLE**

KEY	PART NUMBER	U/M DESCRIPTION
	M96873-01-AB1	EA CABINET ASM - TABLE - W/O PULLOUT TOP
1	096873-14-AB1	EA SIDE END - TABLE - 28 7" X 5 7" - LEFT SIDE
2	096873-15-AB6	EA SHELF - SUPPORT - OVER FULL OUT TABLE TOP
3	079921-01-000	EA NYLON ROLLER W/SHAFT
4	096873-11-D12	EA PULLOUT TOP
4	096873-11-D13	EA PULLOUT TOP
5	096873-13-AB1	EA SIDE END - TABLE - 28 7" X 5 7" - RIGHT SIDE
6	096873-12-AB6	EA SHELF - SUPPORT - UNDER PULL OUT TABLE TOP
7	096873-16-AB6	EA PANEL - TABLE - FRONT BOTTOM - 18 1" X 6 7"
	080736-01-000	EA PULL - RECESSED - 1 25" X 4" - OAK

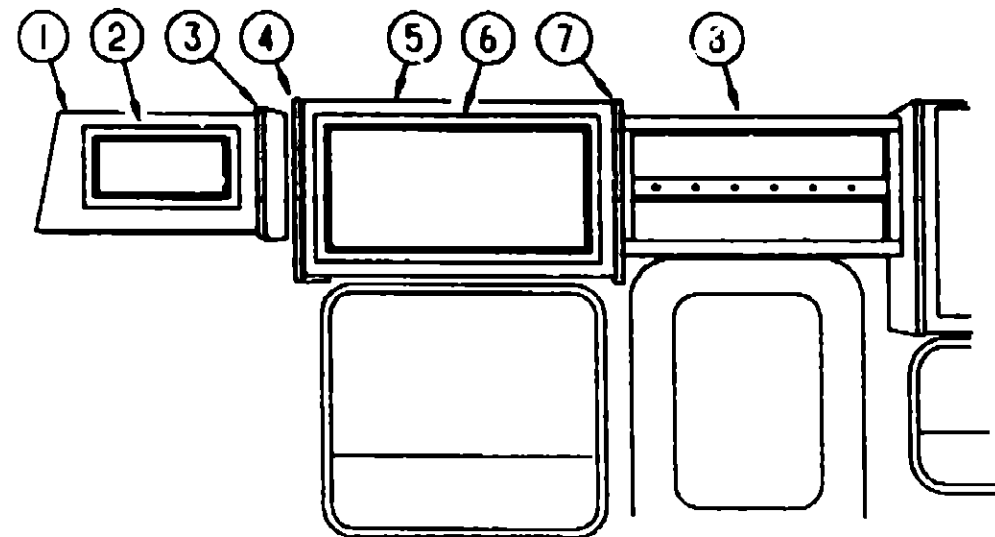
**1993 WINNEBAGO  
TABLE OF CONTENTS**

INTRODUCTION	A-01 - A-02
ABBREVIATIONS	A-03
ALPHABETICAL INDEX	A-04 - A-06
WCG37RW	A-07 - E-16
WKG34RQ	E-17 - I-18

**1993 WCG37RW INDEX**

FLOOR PLAN	A-07 - A-08
ACCESSORIES	A-09
AUDIO VIDEO	A-10 - A-11
BATH	A-12 - A-14
BEDROOM	A-15 - A-16
CHASSIS	A-17 - B-08
CURTAIN & CUSHION	B-09 - B-18
DINETTE	B-19 - B-22
DRIVERS COMPARTMENT	B-23 - C-02
ELECTRICAL	C-03 - C-08
EXTERIOR BODY	C-09 - C-16
GALLEY	C-17 - C-20
GENERATOR	C-21 - C-22
HEATING & A/C	C-23 - D-02
INTERIOR FINISH	D-03 - D-06
LABELS	D-07 - D-13
LP	D-14
LOUNGE	D-15 - D-18
SEALANTS & FASTENERS	D-19 - D-21
WATER & SEWAGE	D-22 - E-01
WINDOW, VENT & EXTERIOR DOOR	E-02 - E-14
WINDSHIELD & W/PER	E-15 - E-16

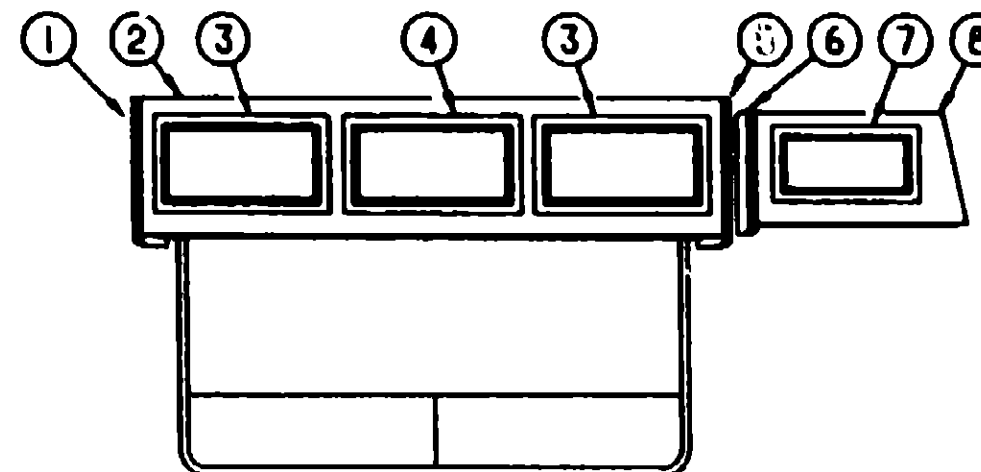
**LOUNGE GROUP (CONTINUED)**



**FRONT OVERHEAD CABINET (PASSENGER SIDE)**

KEY	PART NUMBER	U/M	DESCRIPTION
1	M05898-01-D12	EA	CABINET ASM - FRONT OVERHEAD - PASSENGER SIDE
1	M05892-01-D13	EA	CABINET ASM - FRONT OVERHEAD - PASSENGER SIDE
2	P04746-06-D09	EA	DOOR ASM - RAIL - W/O HARDWARE
3	104353-01-C05	EA	END CAP ASM (FRONT OVERHEAD)
4	103128-07-C07	EA	END CAP ASM - LEFT HAND
5	M05159-17-D12	EA	CABINET ASM - OVERHEAD
6	P04746-47-D12	EA	DOOR ASM - W/O HARDWARE
7	103128-01-C05	EA	END CAP ASM - RIGHT HAND
	104414-12-C07	EA	SHELF ASM
8	105916-01-D12	EA	CABINET ASM - OVHD - KEY RACK
8	105916-01-D13	EA	CABINET ASM - OVHD - KEY RACK

**LOUNGE GROUP (CONTINUED)**



**FRONT OVERHEAD CABINET (DRIVER SIDE)**

KEY	PART NUMBER	U/M	DESCRIPTION
1	103128-02-C05	EA	END CAP ASM - LEFT HAND
2	M05159-33-D12	EA	CABINET ASM
	104159-01-01A	EA	SHELF ASM
3	P04746-05-D09	EA	DOOR ASM - RAIL - W/O HARDWARE
4	P04746-04-D12	EA	DOOR ASM - RAIL - W/O HARDWARE
5	103128-01-C05	EA	END CAP ASM - RIGHT HAND
6	103128-09-D12	EA	END CAP ASM (FRONT OVERHEAD)
7	P04746-06-D09	EA	DOOR ASM - W/O HARDWARE
8	M05898-02-D12	EA	CABINET ASM - FRONT OVERHEAD - DRIVER SIDE
8	M05898-02-D13	EA	CABINET ASM - FRONT OVERHEAD - DRIVER SIDE

**1993 WINNEBAGO  
TABLE OF CONTENTS**

INTRODUCTION	A-01 - A-02
ABBREVIATIONS	A-03
ALPHABETICAL INDEX	A-04 - A-06
WCG37RW	A-07 - E-16
WKG34RQ	E-17 - I-18

**1993 WCG37RW INDEX**

FLOOR PLAN	A-07 - A-08
ACCESSORIES	A-09
AUDIO VIDEO	A-10 - A-11
BATH	A-12 - A-14
BEDROOM	A-15 - A-16
CHASSIS	A-17 - B-08
CURTAIN & CUSHION	B-09 - B-18
DINETTE	B-19 - B-22
DRIVERS COMPARTMENT	B-23 - C-02
ELECTRICAL	C-03 - C-08
EXTERIOR BODY	C-09 - C-16
GALLEY	C-17 - C-20
GENERATOR	C-21 - C-22
HEATING & A/C	C-23 - D-02
INTERIOR FINISH	D-03 - D-06
LABELS	D-07 - D-13
LP	D-14
LOUNGE	D-15 - D-18
SEALANTS & FASTENERS	D-19 - D-21
WATER & SEWAGE	D-22 - E-01
WINDOW, VENT & EXTERIOR DOOR	E-02 - E-14
WINDSHIELD & WIPER	E-15 - E-18

**SEALANTS & FASTENERS GROUP**

**ADHESIVE AND BOLTS**

KEY	PART NUMBER	U/M DESCRIPTION
	004020-01-000	QT ADHESIVE - ABS CEMENT - QUART
	081377-01-700	EA ADHESIVE - CYANOACRYLATE - 10 GRAM TUBE
	004006-04-700	EA ADHESIVE - PIERCE - 1 GAL - J9270 X-1
	087211-01-000	GL ADHESIVE - PROMOTER
	004005-02-000	EA ADHESIVE - SWIFTS - 1 GAL - W1333
	099039-01-000	EA ADHESIVE - WEATHERSTRIP - 8 OZ
	053766-02-000	EA BEDDING COMPOUND - TUBE - WHITE
	005200-01-000	EA BOLT - BUMPER - ROUND HEAD - SQUARE NECK - WSSST CAP 7/16- 14 X 1 1/4
	102333-01-01A	EA BOLT - CARRIAGE - 7/16 - 14 - STAINLESS STEEL CAP - BEIGE
	051387-06-000	EA BOLT - CARRIAGE - W/O HOLE - 5/16-18 X 9 5 ZN
	000C12-08-248	EA BOLT - HEX - 1/2-13 X 1 1/2 - ZN 5
	000C12-05-168	EA BOLT - HEX - 5/16-18 X 1 - ZINC 5
	000C12-10-248	EA BOLT - HEX - 5/8-11 X 1 1/2 ZN - 5
	000C12-07-208	EA BOLT - HEX - 7/16 - 14 X 1 1/4 - ZNS
	000C13-07-488	EA BOLT - HEX - 7/16 - 20 X 3 - ZN 5
	000C26-04-108	EA BOLT - HEX - SER FLG - 1/4-20 X 5/8 ZINC
	000C26-05-208	EA BOLT - HEX - SER FLG 5/16-18 X 1 1/4 - ZINC
	000C12-05-248	EA BOLT - HEX - 5/16-18X11/2 ZN 5

**CLAMPS - GROMMETS AND FASTENERS**

KEY	PART NUMBER	U/M DESCRIPTION
	010495-01-000	EA CLAMP - CABLE - 9/16"
	010497-06-000	EA CLAMP - CLOSED - 11/16" ID
	010497-03-000	EA CLAMP - CLOSED - 1" ID - CUSHIONED
	010499-01-000	EA CLAMP - CLOSED - 3/8" ID
	010497-01-000	EA CLAMP - CLOSED - 5/8" ID
	010497-08-000	EA CLAMP - CLOSED - 125"
	075148-02-000	EA CLAMP - GROUNDING - BRONZE SCREWS
	062401-02-000	EA CLAMP - HOSE - WORMGEAR - 1.56" - 2 5"
	062401-10-000	EA CLAMP - HOSE - WORMGEAR 1 06" - 2"
	073194-02-000	EA CLAMP - HOSE - WORMGEAR 32-50 MM
	062401-07-000	EA CLAMP - HOSE - WORMGEAR 5" - 7"
	062401-06-000	EA CLAMP - HOSE - WORMGEAR 22" - 62"
	062401-01-000	EA CLAMP - HOSE - WORMGEAR 25" - 1"
	062401-04-000	EA CLAMP - HOSE - WORMGEAR 69" - 1 25"
	062401-03-000	EA CLAMP - HOSE WORMGEAR - 22" - 1"
	083609-01-000	EA CLAMP - WIRE - DIAL - EQUAL 5/8" DIAMETER
	094362-02-000	EA CLIP - CHRISTMAS TREE - FLAT HEAD
	077953-01-000	EA GROMMET - EDGE LINER - FITS 1"
	023942-01-000	EA GROMMET - RUBBER - 2" OD
	071015-21-000	EA GROMMET - 50"ID - FITS 19" MATERIAL - RUBBER - SPLIT
	009065-01-000	EA HINGE - ALUMINUM - NO HOLES - 11/16" X 72" - UNPAINTED
	056134-02-000	EA HOLDER - RING - 1 5" ID PIPE SIZE - STEEL
	092321-01-000	FT INSULATION - FIBERGLASS - W/ALUMINUM FOIL
	077955-01-000	EA J CLIP - VINYL COATED - 3/8" USED IN WIRING TO CLEARANCE LIGHTS
	008401-01-000	EA STRAP - CONDUIT - 3/4" - 1 HOLE - GALVANIZED STEEL
	016604-01-000	EA BRACE - CABINET - ANGLED METAL - 2 5"

**NUTS**

KEY	PART NUMBER	U/M DESCRIPTION
	072893-01-000	EA NUTSERT - M5 X 0 - 8
	077049-01-000	EA NUT - ACORN - 10-32 ALUMINUM
	095094-01-000	EA NUT - ACORN - 1/4 - 20 ALUMINUM
	000D14-05-008	EA NUT - HEX - 5/16-18 - ZN 5
	000D34-04-008	EA NUT - HEX - LK 1/4 - 20 ZN
	000D39-04-008	EA NUT - HEX - SER FLG LK 1/4 - 20 ZN
	000D39-08-008	EA NUT - HEX - SER FLG LK - 1/2-13 ZN
	000D39-06-008	EA NUT - HEX - SER FLG LK - 3/8-16 ZN
	000D39-05-008	EA NUT - HEX - SER FLG LK - 5/16 - 18 ZN
	000D44-07-008	EA NUT - HEX - SER FLG LK - 7/16-20 ZN
	000D24-10-008	EA NUT - HEX - SF/LK - 10-32 ZN
	000D34-06-008	EA NUT - HEX LK-3/8-16 GRADE C ZN
	075467-01-000	EA NUT - INVERTED FLARE - 1/4"
	088497-02-000	EA NUT - INVERTED FLARE - 1/4"
	063253-07-000	EA NUT - J - #8A 120- 130 PNL THK
	044364-02-000	EA NUT - SPEED - FLAT - ROUND
	040921-06-000	EA NUT - SPEED - U TYPE - NO 8

**SEALANTS & FASTENERS GROUP (CONTINUED)**

**NUTS (CONT)**

KEY	PART NUMBER	U/M DESCRIPTION
	040921-04-000	EA NUT - SPEED - U TYPE - NO 8
	040921-05-000	E' NUT - SPEED - U TYPE - NO 8
	044364-01-000	EA NUT - SPEED - FLAT
	064081-01-000	EA NUT - WING - 3/8" X 16 THREAD
	084884-01-000	EA PLUG - BRASS - 3/8"
	000H16-04-06R	EA RIVET - POP - AL 1/8 X 313-375
	069592-02-000	EA RIVET - T (POP) 1/4X.093- 156
	063729-04-000	EA RIVNUT - 10-32 UNF - 010-080
	063729-01-000	EA RIVNUT - 1/4 X 20 UNC - 030- 125

**SCREWS**

KEY	PART NUMBER	U/M DESCRIPTION
	000G67-10-248	EA SCREW - 10-12 X 1 1/2 PPH - ZN
	000G67-10-16P	EA SCREW - 10-12 X 1 PPH - DARK BROWN
	000G67-10-16B	EA SCREW - 10-12 X 1 PPH - ZN
	000G67-10-08B	EA SCREW - 10-12 X 1/2 PPH ZN
	000G67-10-08R	EA SCREW - 10-12 X 1/2 PPH - BEIGE - TYPE A
	000G67-10-12B	EA SCREW - 10-12 X 3/4 - PPH ZN
	000G67-10-10B	EA SCREW - 10-12 X 5/8 PPH ZN - TYPE A
	000G67-10-10R	EA SCREW - 10-12 X 5/8 PPH - TYPE A - BEIGE
	000G67-10-12P	EA SCREW - 10-12 X .75 PPH - DARK BROWN
	049465-01-000	EA SCREW - 10-16 W/WASHER PTH - DARK BROWN
	049465-04-000	EA SCREW - 10-16 X 1 PTH W/WASHER - BEIGE
	000G11-10-16B	EA SCREW - 10-16 X 1 - PPH ZN
	000G11-10-12R	EA SCREW - 10-16 X 3/4 PPH - BEIGE
	000G11-10-12D	EA SCREW - 10-16 X 3/4 PPH - BLACK
	000G68-06-10G	EA SCREW - 6-18 X 5/8 POH - ANTIQUE BRASS
	076790-01-000	EA SCREW - 6-20 X 1 1/4 PPH - BLACK
	000G13-06-16R	EA SCREW - 6-20 X 1 PFH - BEIGE
	000G13-06-08B	EA SCREW - 6-20 X 1/2 PFH ZN
	000G13-06-10G	EA SCREW - 6-20 X 5/8 PFH - ANTIQUE BRASS
	000G11-06-10B	EA SCREW - 6-20 X 5/8 PPH ZN
	000G11-06-10J	EA SCREW - 6-20 X 5/8 PPH - BRASS
	000G11-07-08B	EA SCREW - 7-19 X 1/2 PPH - ZN
	000G13-07-12B	EA SCREW - 7-19 X 3/4 PFH ZN
	000G13-08-16B	EA SCREW - 8-18 X 1 PFH - ZN
	000G11-08-08T	EA SCREW - 8-18 X 1/2 PPH
	000G11-08-08B	EA SCREW - 8-18 X 1/2 PPH ZN
	000G11-08-12B	EA SCREW - 8-18 X 3/4 PPH ZN
	000G11-08-12R	EA SCREW - 8-18 X 3/4 PPH - BEIGE
	000G11-08-12D	EA SCREW - 8-18 X 3/4 PPH - BLACK
	000G11-08-16R	EA SCREW - 8-18X1 00 PPH - BEIGE
	000G67-10-32B	EA SCREW - NO. 10 - 12 X 2 PPH ZN
	000G55-08-12W	EA SCREW - SF/DT - 8-18X 75 PWH
	000G67-10-12R	EA SCREW - 10-12X.75 PPH BEIGE
	000G67-10 120	EA SCREW - 10-12X.75 PPH TAN
	049465-03-000	EA SCREW - 10-16X1 POH W/WASHER
	000G11-10-12S	EA SCREW - 10-16X 75 PPH OFF WHITE
	000G54-04-20B	EA SCREW - 1/4 20X11/4 PTH TYP 23
	000G57-05-16J	EA SCREW - 5-20X1 PFH BRASS
	000G12-06-08T	EA SCREW - 6-20 X 50 POH - BLACK
	000G13-06-16J	EA SCREW - 6-20X1.00 PFH BRASS
	000G11-08-12P	EA SCREW - 8- 18X 75 DARK BROWN
	08531' 01-000	EA SCREW - 8-08BX1/2 -CRIMPTITE HD
	000G67-08-32B	EA SCREW - 8-15X2 PPH ZN
	000G12-08-16S	EA SCREW - 8-18 X 1" POH - OFF WHITE
	000G11-08-16S	EA SCREW - 8-18X1 00 PPH OFF WHITE
	000G39-07-000	EA SCREW - 8-32X1 1/4 POH -BLACK
	087721-01-000	EA SCREW - FLAT HEAD - TAPPING - 1/4 X 1 1/4 LG ZN
	086763-01-000	EA SCREW - MACH - 10 - 32 X 1/4 PTH
	000G19-10-08B	EA SCREW - MACH - 10-32 X 1/2 PPH ZN
	000G19-10-10B	EA SCREW - MACH - 10-32 X 5/8 - PPH - ZINC
	000G50-04-12B	EA SCREW - MACH - 1/1-20 X 3/4 PPH ZN
	081908-01-000	EA SCREW - MACH 6 32X 62 W/NYLOCK
	089371-01-000	EA SCREW - MACH 8 32X3 5/16 ZN
	000G19-10-20B	EA SCREW - MACHINE - 10-32 X 1 1/4 PPH ZINK

**1993 WINNEBAGO  
TABLE OF CONTENTS**

INTRODUCTION	A-01 - A-02
ABBREVIATIONS	A-03
ALPHABETICAL INDEX	A-04 - A-06
WCG37RW	A-07 - E-16
WKG319Q	E-17 - I-18

**1993 WCG37RW INDEX**

FLOOR PLAN	A-07 - A-08
ACCESSORIES	A-09
AUDIO VIDEO	A-10 - A-11
BATH	A-12 - A-14
BEDROOM	A-15 - A-16
CHASSIS	A-17 - B-08
CURTAIN & CUSHION	B-09 - B-18
DINETTE	B-19 - B-22
DRIVERS COMPARTMENT	B-23 - C-02
ELECTRICAL	C-03 - C-08
EXTERIOR BODY	C-09 - C-16
GALLEY	C-17 - C-20
GENERATOR	C-21 - C-22
HEATING & A/C	C-23 - D-02
INTERIOR FINISH	D-03 - D-06
LABELS	D-07 - D-13
IP	D-14
LOUNGE	D-15 - D-18
SEALANTS & FASTENERS	D-19 - D-21
WATER & SEWAGE	D-22 - E-01
WINDOW VENT &	
EXTERIOR DOOR	E-02 - E-14
WINDSHIELD & WIPER	E-15 - E-16

**SEALANTS & FASTENERS GROUP (CONTINUED)**

**SCREWS (CONT)**

KEY	PART NUMBER	U/M DESCRIPTION
	000G18-08-16B	EA SCREW - MACHINE - 8 X 32 X 1 - PPH ZN
	075908-01-000	EA SCREW - MACH-10-32X.56PTH(5EMS
	000G53-04-06B	EA SCREW - MACH-1/4-20X3/8 PPH ZN
	000G18-08-22B	EA SCREW - MACH-8-32X1 3/8 PPH ZN
	000G39-10-20B	EA SCREW - SF/DR - 10-16 X 1 1/4 PPH ZN
	000G39-10-12F	EA SCREW - SF/DR - 10-16 X 3/4 PPH - BEIGE
	000G39-10-12D	EA SCREW - SF/DR - 10-16 X 3/4 PPH - BLACK
	000G39-06-16T	EA SCREW - SF/DR - 6-20 X 1 PPH - BLACK
	000G39-06-10T	EA SCREW - SF/DR - 6-20 X 5/8 PPH - BLACK
	000G39-08-24B	EA SCREW - SF/DR - 8-18 X 1 1/2 PPH ZN
	000G39-08-16E	EA SCREW - SF/DR - 8-18 X 1 PPH CHROME
	000G39-08-16B	EA SCREW - SF/DR - 8-18 X 1 PPH ZN
	000G39-08-16T	EA SCREW - SF/DR - 8-18 X 1 PPH - BLACK
	000G55-08-162	EA SCREW - SF/DR - 8-18 X 1.00 - BEIGE
	000G39-08-08B	EA SCREW - SF/DR - 8-18 X 1/2 PPH ZN
	000G39-08-32B	EA SCREW - SF/DR - 8-18 X 2 PPH - ZINC
	000G39-08-12B	EA SCREW - SF/DR - 8-18 X 3/4 PPH ZN
	000G39-08-12T	EA SCREW - SF/DR - 8-18 X 3/4 PPH - BLACK
	000G39-08-06B	EA SCREW - SF/DR - 8-18 X 3/8 PPH ZN
	000G60-10-28T	EA SCREW - SF/DR - 10-16X1 7/8
	000G39-08-16F	EA SCREW - SF/DR - 8-18X1 00 PPH BEIGE
	000G39-08-08F	EA SCREW - SF/DT - 8 18X1/2 PPH
	079382-01-000	EA SCREW - SOCKET - 8-18 X 1" - BLACK

**SEALERS**

KEY	PART NUMBER	U/M DESCRIPTION
	106205 01 000	EA SEALER - PUMPABLE
	069640-02-000	FT SEALER - RIBBON - 1/2" X 1 1/8" - INCREMENTS OF 30'
	069640-09-000	FT SEALER - RIBBON - 1/32" X 2 1/2"
	069640-01-000	FT SEALER - RIBBON - 1/4" DIAMETER - INCREMENTS OF 20'
	069640-03-000	FT SEALER - RIBBON - 3/4" X 1 1/8" - INCREMENTS OF 60'
	069640-06-000	FT SEALER - RIBBON - 5/16" DIAMETER - INCREMENTS OF 25'
	091255-03-000	FT SEAL - FOAM - 1/4 X 3/16 ROLL
	091255-01-000	FT SEAL - FOAM - 3 2MM X 4 8MM
	090340-01-000	FT SEAL FOAM - CLOSED CELL - 1/4" X 1/2" X 50'
	053752-01-000	GL SEAM SEALER - 5 GAL - ALUMINUM
	034552-04-000	EA SILICONE - TUBE - 300 ML - BEIGE
	034552-02-000	EA SILICONE - TUBE - 300 ML - CLEAR

**TAPES AND TIES**

KEY	PART NUMBER	U/M DESCRIPTION
	100028-01-000	FT TAPE - ADHESIVE - 031' X 75' WIDE
	004363-01-000	FT TAPE - ADHESIVE FOAM - 1 SIDE - 3/16" X 1/2" - GRAY
	093071-01-000	FT TAPE - BONDING - DOUBLE SIDED - 1/64" X 2"
	093071-01-000	FT TAPE - BONDING - DOUBLE SIDED - 1/64" X 2"
	076322-03-000	FT TAPE - FOAM - DOUBLE COATED - .045" X .5"
	088244-01-000	FT TAPE - FOAM - VINYL COATED - 2" WIDE - INCREMENTS OF 108 FT
	009200-01-000	EA TAPE - FURNACE - 1 1/2'
	087691-01-000	EA TAPE - MASKING - WEATHER RESISTANT
	008343-02-000	EA TIE - WIRE - 14"
	008343-01-000	EA TIE - WIRE - 6"

**WASHERS**

KEY	PART NUMBER	U/M DESCRIPTION
	077071-01-000	EA WASHER - FENDER - 3/16" ID X 1" OD
	000E13-14-00B	EA WASHER - FLAT - 1/4" WIDE ZN
	000E13-11-00B	EA WASHER - FLAT - 3/16" WIDE ZN
	000E13-17-00B	EA WASHER - FLAT - 3/8 AR ZN

**WATER & SEWAGE GROUP**

**WATER PUMP (SHURFLOW)**

KEY	PART NUMBER	U/M DESCRIPTION
	098607-01-000	EA PUMP - WATER - W/ 5" MPT FITTING - FLOW 2.8 GPM 1/2"
	098607-01-700	EA PUMP HEAD - REPLACEMENT 94-236-08
	098607-01-701	EA DRIVE ASM 94-234-03
	098607-01-702	EA DIAPHRAGM - KIT 94-233-10
	098607-01-703	EA VALVE ASM 94-232-00
	098607-01-704	EA HOUSING - UPPER 94-231-01
	098607-01-705	EA CHECK VALVE - KIT 94-237-00
	098607-01-706	EA UPPER HOUSING/SWITCH KIT 94-230-00
	098607-01-707	EA MOTOR/BASEPLATE REPLACEMENT 94 234-03

**WATER HEATER W/MOTOR AID ATWOOD (GH6-3E,4E,6E)**

KEY	PART NUMBER	U/M DESCRIPTION
	051393-01-000	EA WATER HEATER - W/MOTOR AID - PILOTLESS IGNITION
	051391-01-700	EA HINGE KIT - W/CLIP 92568 & 92559
	051391-01-704	EA VALVE - RELIEF - 1/2" FITTING 91604
	051391-01-705	EA FASTENER - CAMLOC 92609
	051391-01-706	EA GRILLE - EXHAUST 92787
	051391-01-708	EA BURNER - MAIN - 3E ONLY 92615
	051391-01-710	EA ORIFICE - MAIN BURNER 92742
	051391-01-714	EA ELBOW - 45 DEGREE - 3/8" F X 3/8" MPT 91044
	051391-01-715	EA DRAIN PLUG 91561
	051391-04-701	EA THERMOSTAT 12 VDC-120 PRESET 91470
	051391-04 704	EA TANK - INNER - FRONT MOUNT - GH6-4E & 6E 91642
	051393-01-700	EA TANK - INNER - 3E FRONT MOUNT 91023
	097967-01-000	EA SWITCH - WATER HEATER - REMOTE W/LIGHT 91959
	051393-01-702	EA SWITCH - ENERGY CUT-OFF 91951
	051393-01-703	EA THERMOSTAT - REAR MOUNT 91952
	051393-01-704	EA CIRCUIT BOARD - W/BLACK BOX 91420
	051393-01-705	EA ORIFICE HOLDER 91925
	051393-01-714	EA TANK - INNER (GH6-3E) - REAR MOUNT 91408
	051393-01-716	EA SPARK & PROBE ASM 91606
	051393-01-718	EA VALVE - DUAL SOLENOID 91605
	051393-01-721	EA ECO&THERMOSTAT ASM - FRONT MOUNT - 140° 91447
	099729-01-000	EA BYPASS KIT - WATER HEATER - COMPLETE W/VALVE & TUBING

**WATER HEATER W/O MOTOR AID ATWOOD (G6A-3E)**

KEY	PART NUMBER	U/M DESCRIPTION
	051391-03-000	EA HEATER - WATER - W/ELECTRIC IGNITION
	051391-01-700	EA HINGE KIT - W/CLIP 92568 & 92559
	051391-01-704	EA VALVE - RELIEF - 1/2" FITTING 91604
	051391-01-705	EA FASTENER - CAMLOC 92609
	051391-01-706	EA GRILLE - EXHAUST 92787
	051391-01-708	EA BURNER - MAIN - 3E ONLY 92615
	051391-01-710	EA ORIFICE - MAIN BURNER 92742
	051391-01-715	EA DRAIN PLUG 91561
	051391-04-700	EA TANK - INNER (G6A-3E) - FRT MT 91608
	051391-04 701	EA THERMOSTAT 12 VDC-120 PRESET 91470
	051391-04-705	EA TANK - INNER - FRONT MOUNT 91641
	097967-01-000	EA SWITCH - WATER HEATER - REMOTE W/LIGHT 91959
	051393-01-702	EA SWITCH - ENERGY CUT-OFF 91951
	051393-01-703	EA THERMOSTAT - REAR MOUNT 91952
	051393-01-704	EA CIRCUIT BOARD - W/BLACK BOX 91420
	051293-01-705	EA ORIFICE HOLDER 91925
	051393-01-716	EA SPARK & PROBE ASM 91606
	051393-01-718	EA VALVE - DUAL SOLENOID 91605
	051393-01-721	EA ECO&THERMOSTAT ASM - FRONT MOUNT - 140° 91447
	051393-03-700	EA TANK - INNER (G6A 3E) - REAR MOUNT 91409

**1993 WINNEBAGO  
TABLE OF CONTENTS**

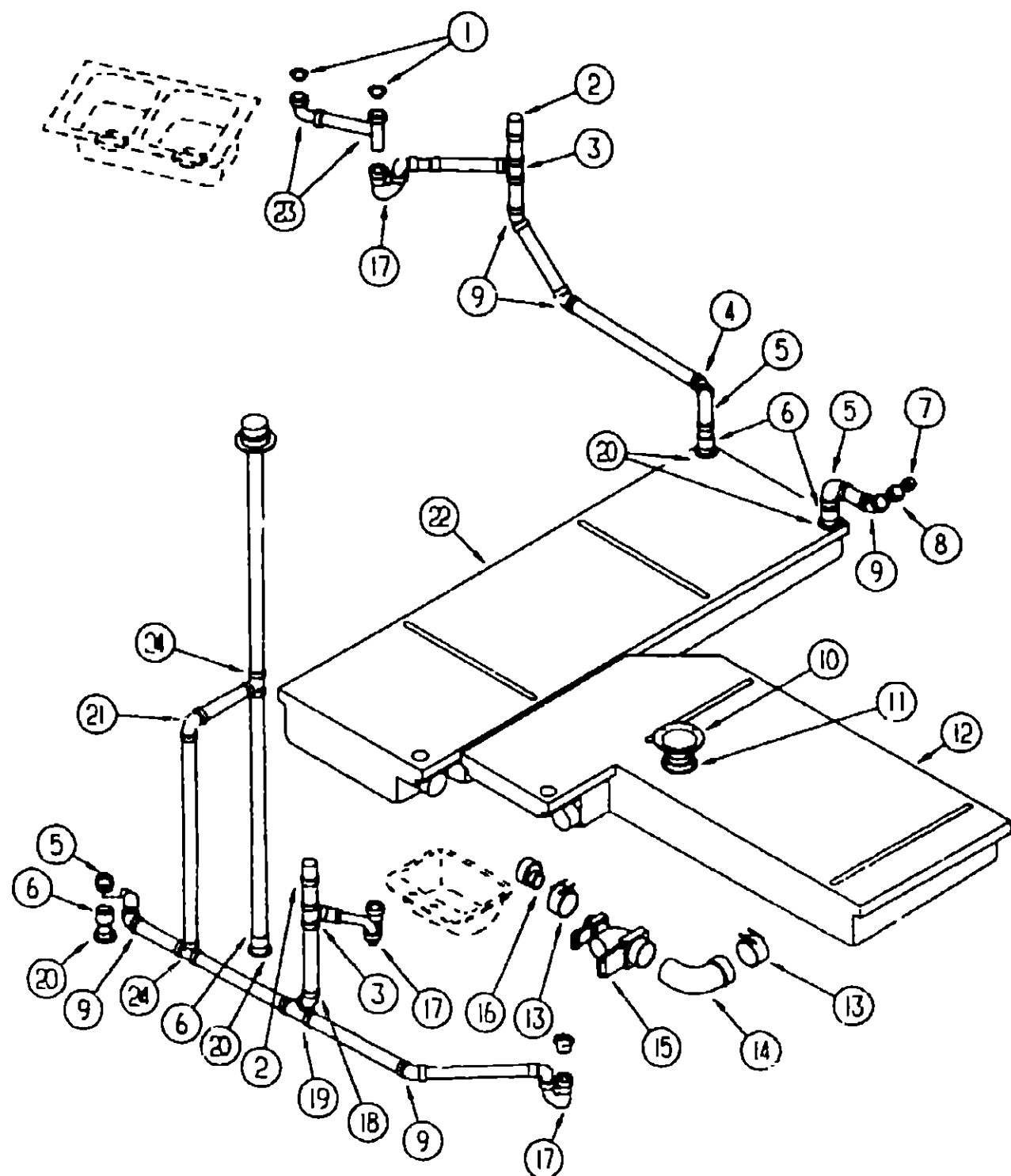
INTRODUCTION	A-01 - A-02
ABBREVIATIONS	A-03
ALPHABETICAL INDEX	A-04 - A-06
WCG37RW	A-07 - E-16
WKG34RC	E-17 - I-18

**1993 WCG37RW INDEX**

FLOOR PLAN	A-07 - A-08
ACCESSORIES	A-09
AUDIO VIDEO	A-10 - A-11
BATH	A-12 - A-14
BEDROOM	A-15 - A-16
CHASSIS	A-17 - B-08
CURTAIN & CUSHION	B-09 - B-18
DINETTE	B-19 - B 22
DRIVERS COMPARTMENT	B-23 - C-02
ELECTRICAL	C-03 - C-08
EXTERIOR BODY	C-09 - C 16
GALLEY	C-17 - C-20
GENERATOR	C-21 - C-22
HEATING & A/C	C-23 - D-02
INTERIOR FINISH	D-03 - D-06
LABELS	D-07 - D-13
LP	D-14
LOUNGE	D-15 - D-18
SEALANTS & FASTENERS	D-19 - D-21
WATER & SEWAGE	D-22 - E-01
WINDOW, VENT &	
EXTERIOR DOOR	E-02 - E-14
WINDSHIELD & WIPER	E-15 - E-16

# WATER & SEWAGE GROUP (CONTINUED)

## DRAINAGE SYSTEM



KEY	PART NUMBER	UOM	DESCRIPTION
1	092303-01-000	EA	STRAINER - SINK
2	079968-01-000	EA	VENT - MECH TRAP ARM - ANTI-SIPHON - 2" DIA X 7'3"
3	010079-01-000	EA	TEE - SANITARY - 1 1/2" X 1 1/2" X 1 1/4" H
4	010005-01-000	EA	ELBOW - 22 1/2 DEGREE - 1/16 BEND - 1 1/2" HUB X HUB
5	010008-01-000	EA	ELBOW - 90 DEGREE - 1/4 BEND - 1 1/2" HUB X HUB
6	010115-01-000	EA	COUPLING - 1 1/2" HUB X HUB PLASTIC
7	010166-01-000	EA	PLUG - THREADED - 1 1/4" DIAMETER - PLASTIC - BLACK
8	050787-01-000	EA	ADAPTER - CLEANOUT
9	010006-01-000	EA	ELBOW - 45 DEGREE - 1/8 BEND - 1 1/2" HUB X HUB
10	063641-01-000	EA	FLANGE - CLOSET - 4" X 3"
11	061607-02-000	EA	GROMMET - HOLDING TANK - 3" NPS
12	104351-01-000	EA	TANK - HOLDING - 35 GAL - W/O FITTINGS
13	078406-01-000	EA	COUPLER - RUBBER - W/CLAMPS - 3" X 3"
14	041056-01-000	EA	ELBOW - STREET - 1/4" BEND - 3" X 90° XLT
15	070916-01-000	EA	VALVE ASM - DUAL DUMP - W/CAP - 3" X 1 1/2"
	070916-01-700	E/	VALVE ONLY - 3"
	070916-01-701	EA	VALVE ONLY - 1 1/2"
16	062422-01-000	EA	ADAPTER - OFFSET REDUCER - 3" X 1 1/2"
17	107538-01-000	EA	P-TRAP - 1 1/2 - PLASTIC
	011069-03-000	EA	TAILPIECE - SHOWER/TUB - 1 1/2" X 1 3/4" - PLASTIC (US)
	011069-02-000	EA	TAILPIECE - TUB/SHOWER - 1 1/2" X 1 1/4" X 4" - BRASS (CSA)
	066440-01-000	EA	STRAINER - SHOWER - W/RUBBER WASHER
	066436-01-000	EA	NUT - SLIP - TAILPIECE - 1 5"
	096927-01-701	EA	TAILPIECE - BATH SINK
18	010051-01-000	EA	STREET ELBOW - 45 DEGRFE - 1/8 BEND - 1 1/2"
19	010873-01-000	EA	WYE - SANITARY - 1 1/2" HUB X HUB X HUB
20	061607-01-000	EA	GROMMET - HOLDING TANK - 1 1/2" NPS
21	034250-01-000	EA	ELBOW - 90 DEGREE - 1/4 BEND - 1 1/2" HUB X HUB
22	104352-01-000	EA	TANK - HOLDING - 50 GAL - W/O FITTINGS
23	011091-02-000	EA	PIPE - DRAIN - DOUBLE SINK - BAFFLE TEE - 1 1/2" (US)
23	011091-03-000	EA	PIPE - DRAIN - W/SEALS - DOUBLE SINK (CSA)
24	010071-01-000	EA	TEE - SANITARY - 1 1/2" HUB X HUB X HUB
	010201-01-000	EA	HOSE - SEWER - 3" ID X 8'
	062416-01-000	EA	ADAPTER - SEWER HOSE TO 3" PIPE

## 1993 WINNEBAGO TABLE OF CONTENTS

INTRODUCTION	A-01 - A-02
ABBREVIATIONS	A-03
ALPHABETICAL INDEX	A-04 - A-06
WCG37RW	A-07 - E-16
WKG34RQ	E-17 - I-18

## 1993 WCG37RW INDEX

FLOOR PLAN	A-07 - A-08
ACCESSORIES	A-09
AUDIO VIDEO	A-10 - A-11
BATH	A-12 - A-14
BEDROOM	A-15 - A-16
CHASSIS	A-17 - B-08
CURTAIN & CUSH ON	B-09 - B-18
DINETTE	B-19 - B-22
DRIVERS COMPARTMENT	B-23 - C-02
ELECTRICAL	C-03 - C-08
EXTERIOR BODY	C-09 - C-16
GALLEY	C-17 - C-20
GENERATOR	C-21 - C-22
HEATING & A/C	C-23 - D-02
INTERIOR FINISH	D-03 - D-06
LABELS	D-07 - D-13
LP	D-14
LOUNGE	D-15 - D-18
SEALANTS & FASTENERS	D-19 - D-21
WATER & SEWAGE	D-22 - E-01
WINDOW, VENT & EXTERIOR DOOR	E-02 - E-14
WINDSHIELD & WIPER	E-15 - E-16

## WATER & SEWAGE GROUP (CONTINUED)

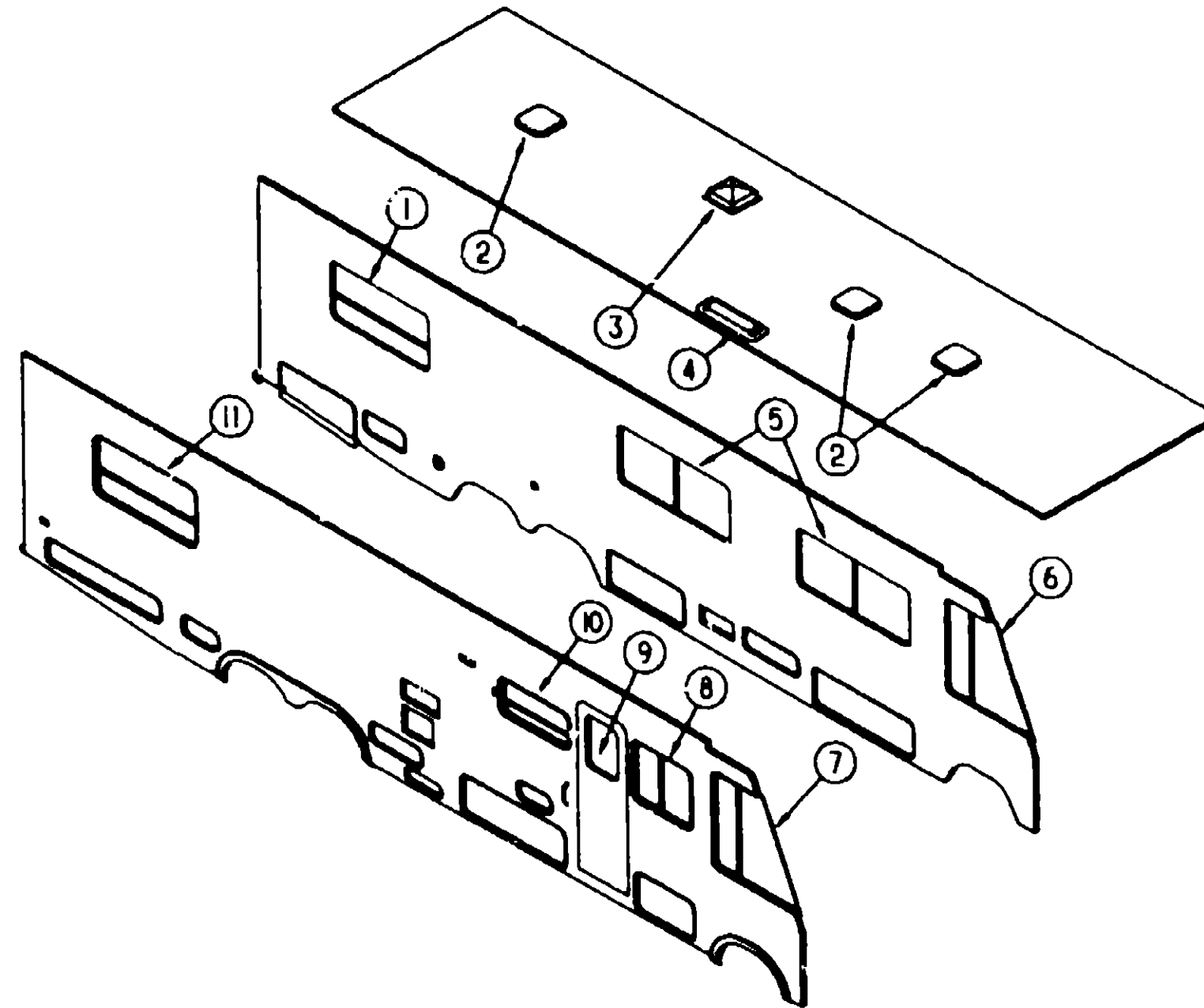
### WATER SYSTEM COMPONENTS

KEY	PART NUMBER	U/M	DESCRIPTION
	039800-01-000	FT	TUBING - POLYBUTYL - 1/2" OD - 20' - BLACK
	079381-01-000	FT	TUBING - SMOOTH FLEXIBLE - 1 1/4" ID
	074462-02-000	FT	TUBING - VINYL - 3/8" ID - CLEAR
	039800-02-000	FT	TUBING - POLYBUTYL - 5/8" OD - 20' - BLACK
	052952-01-000	EA	NUT - PLASTIC - 1/2" F X 1/2" TUBE - GRAY
	052952-02-000	EA	NUT - PLASTIC - 5/8" FLARE
	052957-01-000	EA	ELBOW - PLASTIC - 1/2" F X 3/8" MPT
	052957-02-000	EA	ELBOW - MALF - 1/2" F X 1/2" MPT - PLASTIC - GRAY
	052957-04-000	EA	ELBOW - 5/8" F X 3/4" MPT
	035539-01-000	EA	ELBOW - PLASTIC - 3/8" MPT X 3/8" BARB
	055290-01-000	EA	ELBOW - 5/8" F X 1/2" MPT
	057457-01-000	EA	ELBOW - UNION - 1/2" X 1/2" FLARE
	057457-02-000	EA	ELBOW - UNION - 5/8" X 5/8" FLARE
	065120-01-000	EA	ELBOW - SWIVEL - 1/2" FPT X 1/2" FLARE - PLASTIC - GRAY
	103259-01-000	EA	BRACKET - BYPASS - WATER HEATER
	052960-01-000	EA	DRAIN VALVE - IN LINE - HEADER - 1/2" F X 1/2" F - GRAY PLAS
	049032-01-000	EA	PATCH - SPINWELD - 3/8" - PLASTIC
	106258-01-000	EA	CAP - INSERTABLE 1/2 FLARE
	039798-01-000	EA	TEE - 1/2" MPT X 1/2" MPT X 1/2" MPT - PLASTIC
	052955-01-000	EA	TEE - WATER - 1/2" F X 1/2" F X 1/2" MPT - PLASTIC - GRAY
	052956-01-000	EA	TEE - 1/2" F X 1/2" MPT X 1/2" F - PLASTIC
	052958-01-000	EA	TEE - 1/2" F X 1/2" F X 1/2" F - PLASTIC - GRAY
	055295-01-000	EA	TEE - 5/8" F X 1/2" MPT X 1/2" F - PLASTIC
	057973-01-000	EA	TEE - PLASTIC - 1/2" F X 1/2" F X 5/8" F - WATER
	057974-01-000	EA	TEE - 5/8" F X 1/2" F X 1/2" F - PLASTIC
	010227-01-000	EA	TEE - PLAS - BARB 5/8" OR 3/4" HOSE
	079317-01-000	EA	ADAPTER - SWIVEL - 1/2" TUBE X 1/2" FPT - PLASTIC - GRAY
	087659-06-000	EA	FILL - WATER - CITY - BUFF
	101814-01-000	EA	COUPLING - FEMALE - 1/2" X 1/2" FPT
	701069-03-700	EA	CARTRIDGE - WATER FILTER - AC - EVERPURE 9601-11

### FRESH WATER TANK - 100 GALLON

KEY	PART NUMBER	U/M	DESCRIPTION
	104363-03-000	EA	TANK ASM - WATER - 100 GAL - W/FITTINGS
	042989-05-000	EA	FITTING - SPINWELD - PLAS 1/2FPT
	042989-04-000	EA	FITTING - WATER TANK - SPINWELD - 3/8" FPT - PLASTIC - WHITE
	042989-03-000	EA	FITTING - SPINWELD - PLASTIC - 1/4" FPT
	049032-01-000	EA	PATCH - SPINWELD - 3/8" - PLASTIC
	039861-01-000	EA	SENDING UNIT W/SCREW - WASHER
	096449-01-000	EA	WIRE ASM - TANK - WATER
	077954-02-000	EA	FILTER - WATER TANK - SCREEN IN TANK
			FROM 00-00-00 THRU 01-17-93
	077954-03-000	EA	FILTER WATER IN TANK
			FROM 01-18 93 THRU 99 99-99

## WINDOW, VENT & EXTERIOR DOOR GROUP



### WINDOWS & VENTS

KEY	PART NUMBER	U/M	DESCRIPTION
1	104691-01-02A	EA	WINDOW - TIPOUT ESCAPE - W/O INSIDE FRAME
2	110051-01-01A	EA	VENT - ROOF - NONPOWERED (2" ROOF)
3	110051-03-01A	EA	VENT - ROOF - POWERED (2" ROOF)
4	084073-05-000	EA	REFRIGERATOR ROOF VENT - BUFF
5	098647-10-02A	EA	WINDOW ASM - SLIDER - W/INSIDE FRAME (OFF-WHITE)
6	103658-07-01A	EA	WINDOW ASM - CAB - DRIVER SIDE
7	103358-08-01A	EA	WINDOW ASM - CAB - PASSENGER SIDE
8	099647-08-02A	EA	WINDOW ASM - SLIDER - W/INSIDE FRAME (OFF-WHITE)
9	079733-12-D12	EA	WINDOW - PICTURE - W/O INSIDE FRAME - 17" X 27"
10	092235 14 Y12	EA	WINDOW - SINGLE TIPOUT - W/O INSIDE FRAME
11	104691-02-02A	EA	WINDOW - TIPOUT - W/O INSIDE FRAME

## 1993 WINNEBAGO TABLE OF CONTENTS

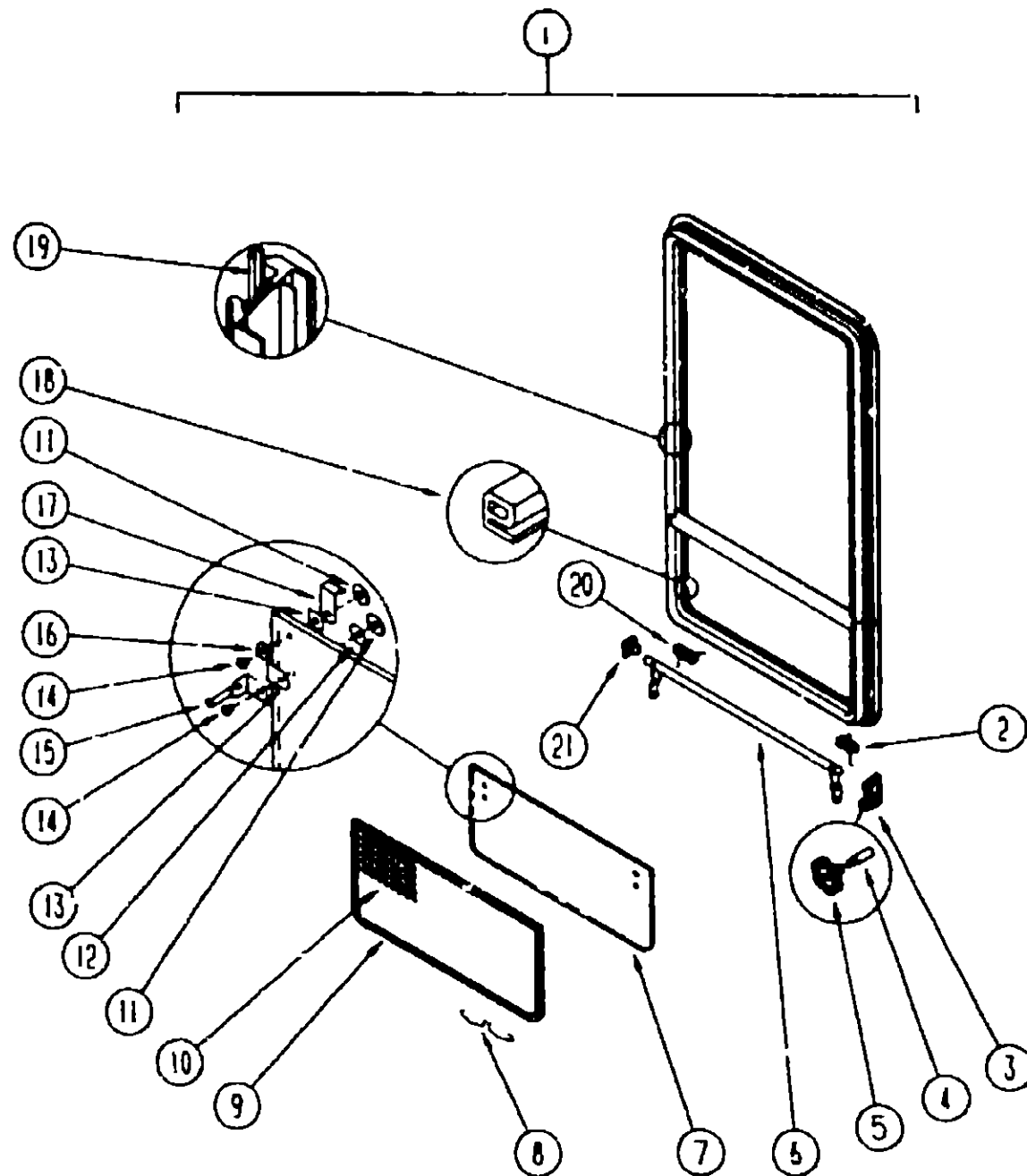
INTRODUCTION	A-01 - A-02
ABBREVIATIONS	A-03
ALPHABETICAL INDEX	A-04 - A-06
WCG37RW	A-07 - E-16
WKG34RQ	E-17 - I-18

## 1993 WCG37RW INDEX

FLOOR PLAN	A-07 - A-08
ACCESSORIES	A-09
AUDIO VIDEO	A-10 - A-11
BATH	A-12 - A-14
BEDROOM	A-15 - A-16
CHASSIS	A-17 - B-08
CURTAIN & CUSHION	B-09 - B-18
DINETTE	B-19 - B-22
DRIVERS COMPARTMENT	B-23 - C-02
ELECTRICAL	C-03 - C-08
EXTERIOR BODY	C-09 - C-16
GALLEY	C-17 - C-20
GENERATOR	C-21 - C-22
HEATING & A/C	C-23 - D-02
INTERIOR FINISH	D-03 - D-06
LABELS	D-07 - D-13
LP	D-14
LOUNGE	D-15 - D-18
SEALANTS & FASTENERS	D-19 - D-21
WATER & SEWAGE	D-22 - E-01
WINDOW VENT & EXTERIOR DOOR	E-02 - E-14
WINDSHIELD & WIPER	E-15 - F-15

WINDOW, VENT & EXTERIOR DOOR GROUP (CONTINUED)

GALLEY WINDOW



KEY	PART NUMBER	U/M DESCRIPTION
1	092235-14-Y12 090893-19-02A	EA WINDOW - TIPOUT (W/O INSIDE FRAME) EA INSIDE FRAME - WINDOW (NOT INCLUDED IN WINDOW ASM ) OFF WHITE
2	080918-02-000	EA SPRING - TORQUE TUBE - RIGHT
3	035302-02-000	EA OPERATOR - TORQUE - TIPOUT WINDOW - LEFT
4	009439-06-000	EA EXTENSION - WINDOW CONTROL (NOT INCLUDED IN WINDOW ASM )
5	009439-05-000 009439-07-000	EA WINDOW KNOB - BLACK (NOT INCLUDED IN WINDOW ASM ) EA SCREW - 8-32 X 1 1/4 POH - BLACK (NOT INCLUDED IN WINDOW ASM )
6	083150-15-000	EA TUBE ASM - TORQUE - WINDOW
7	084068-24-000	EA GLASS-TIPOUT - 9 2" X 35 3"
8	100168-01-000	EA CLIP - SPRING - SCREEN
9	100235-07-807	EA SCREEN - SINGLE TIPOUT WINDOW
10	080218-03-000 100240-01-000	SF SCREEN - FIBERGLASS - 12" WIDE FT SPLINE - SCREEN - T-SHAPED
11	086762-01-000	EA T NUT 10-32
12	068927-03-000	EA SEAL - WINDOW - RUBBER - ROUND - 80" DIA - BLACK
13	084473-01-000	EA SEAL - RUBBER - TIPOUT WINDOW
14	086763-01-000	EA SCREW - MACH - 10 - 32 X 1/4 PTH
15	097578-01-000 081649-01-000	EA LINKAGE - TIPOUT WINDOW EA RING - SNAP - 7/32 SHAFT DIA
16	084453-02-000	EA WASHER - 060 X .50 X .250 - PLASTIC
17	089913-01-000	EA HINGE - TIPOUT WINDOW - BLACK
18	084067-02-000	FT SEAL - E SHAPED - SPONGE - TIPOUT WINDOW - 4" X 4" - BLACK
19	069640-11-000	EA SEALER - TAPE - 3/16"X3/8" BLACK
20	080919-01-000	EA SPRING-TORQUE TUBE - LEFT
21	081354-01-000	EA SLEEVE - TORQUE TUBE - TIPOUT WINDOW - 1 3" X 1 2" X 7"

BEDROOM WINDOW (ESCAPE) (EXCEL)

KEY	PART NUMBER	U/M DESCRIPTION
	104691-01-02A	EA WINDOW ASM - TIPOUT ESCAPE
	104691-01-700	EA TRIM - INSIDE (OFF-WHITE)
	104691-01-701	EA OPERATOR & BAR ASM - WINDOW
	104691-01-702	EA SCREEN ASM - WINDOW
	104691-01-703	EA GLASS - STATIONARY - WINDOW
	104691-01-704	EA VENT GLASS ASM

BEDROOM WINDOW (EXCEL)

KEY	PART NUMBER	U/M DESCRIPTION
	104691-02-02A	EA WINDOW ASM - TIPOUT OFF WHITE
	104691-02-700	EA TRIM - INSIDE (OFF-WHITE)
	104691-02-701	EA OPERATOR & BAR ASM - WINDOW
	104691-02-702	EA SCREEN ASM - WINDOW
	104691-02-703	EA GLASS - STATIONARY - WINDOW
	104691-02-704	EA VENT GLASS ASM

1993 WINNEBAGO  
TABLE OF CONTENTS

INTRODUCTION	A-01 - A-02
ABBREVIATIONS	A-03
ALPHABETICAL INDEX	A-04 - A-06
WCG37RW	A-07 - E-16
WKG34RQ	E-17 - I-18

1993 WCG37RW INDEX

FLOOR PLAN	A-07 - A-08
ACCESSORIES	A-09
AUDIO VIDEO	A-10 - A-11
BATH	A-12 - A-14
BEDROOM	A-15 - A-16
CHASSIS	A-17 - B-08
CURTAIN & CUSHION	B-09 - B-18
DINETTE	B-19 - B-22
DRIVERS COMPARTMENT	B-23 - C-02
ELECTRICAL	C-03 - C-08
EXTERIOR BODY	C-09 - C-16
GALLEY	C-17 - C-20
GENERATOR	C-21 - C-22
HEATING & A/C	C-23 - D-02
INTERIOR FINISH	D-03 - D-06
LABELS	D-07 - D-13
LP	D-14
LOUNGE	D-15 - D-18
SEALANTS & FASTENERS	D-19 - D-21
WATER & SEWAGE	D-22 - E-01
WINDOW, VENT &	
EXTERIOR DOOR	E-02 - E-14
WINDSHIELD & WIPER	E-15 - E-16

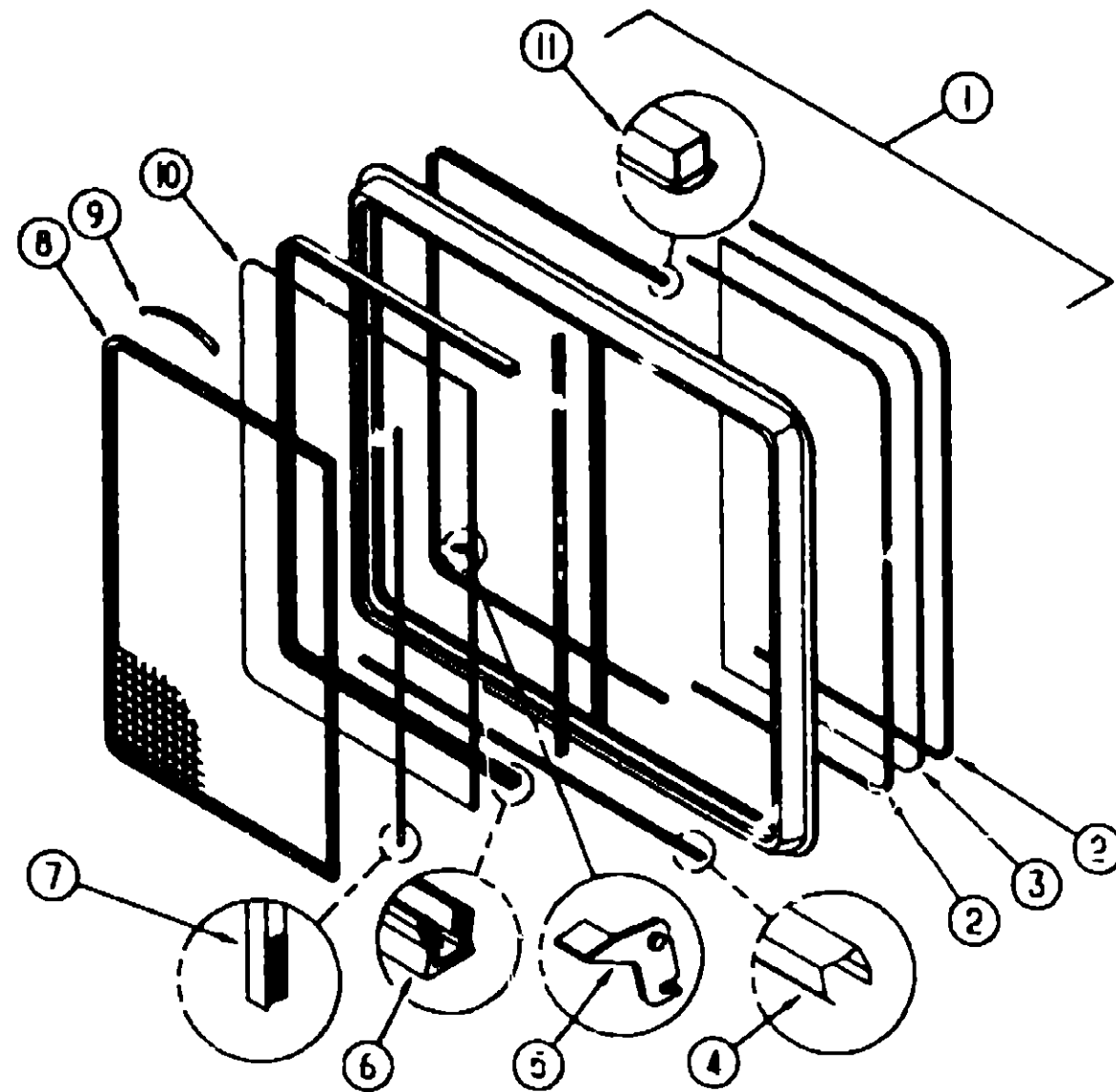
**WINDOW, VENT & EXTERIOR DOOR GROUP (CONTINUED)**

**SLIDER WINDOW (EXCEL) (PASSENGER SIDE, LOUNGE)**

KEY	PART NUMBER	U/M	DESCRIPTION
	098647-08-02A	EA	WINDOW ASM - SLIDER - W/INSIDE FRAME (OFF WHITE)
	098647-08-704	EA	FRAME - INSIDE (OFF WHITE)
1	098647-08-701	EA	WINDOW ASM - SLIDER - W/O INSIDE FRAME
2	098644-01-705	FT	GLAZING STRIP
3	098647-08-700	EA	GLASS - STATIONARY
4	098644-01-710	FT	TRACK - SCREEN SPACER - 12' LENGTH
5	098644-01-700	EA	LATCH - REPAIR KIT
6	098644-01-708	FT	CHANNEL - PIERCED RUN
7	098644-01-711	FT	WEATHERSTRIP - SCREEN - BLACK
8	098647-08-706	EA	SCREEN W/SPRINGS & WEATHERSTRIP
9	098644-01-713	EA	SPRING - SCREEN FRAME (CLIP)
10	098647-08-703	EA	GLASS - SLIDING - W/SASH & LATCH
11	098644-01-706	FT	WEATHERSTRIP
	098644-01-716	FT	PLUG - FILLER
	098644-01-717	FT	SPLINE - SCREEN

**SLIDER WINDOW (EXCEL) (DRIVER SIDE, DINETTE & LOUNGE)**

KEY	PART NUMBER	U/M	DESCRIPTION
	098647-10-02A	EA	WINDOW ASM - SLIDER - W/INSIDE FRAME (OFF WHITE)
	098647-09-704	EA	FRAME - INSIDE (OFF WHITE)
	098647-10-700	EA	WINDOW ASM - SLIDER - W/O INSIDE FRAME
1	098644-01-705	FT	GLAZING STRIP
2	098647-09-700	EA	GLASS - STATIONARY
3	098644-01-710	FT	TRACK - SCREEN SPACER - 12' LENGTH
4	098644-01-700	EA	LATCH - REPAIR KIT
5	098644-01-708	FT	CHANNEL - PIERCED RUN
6	098644-01-711	FT	WEATHERSTRIP - SCREEN - BLACK
7	098647-09-705	EA	SCREEN W/SPRINGS & WEATHERSTRIP
8	098644-01-713	EA	SPRING - SCREEN FRAME (CLIP)
9	098647-09-701	EA	GLASS - SLIDING - W/SASH & LATCH
10	098644-01-706	FT	WEATHERSTRIP
	098644-01-716	FT	PLUG - FILLER
	098644-01-717	FT	SPLINE - SCREEN



**1993 WINNEBAGO  
TABLE OF CONTENTS**

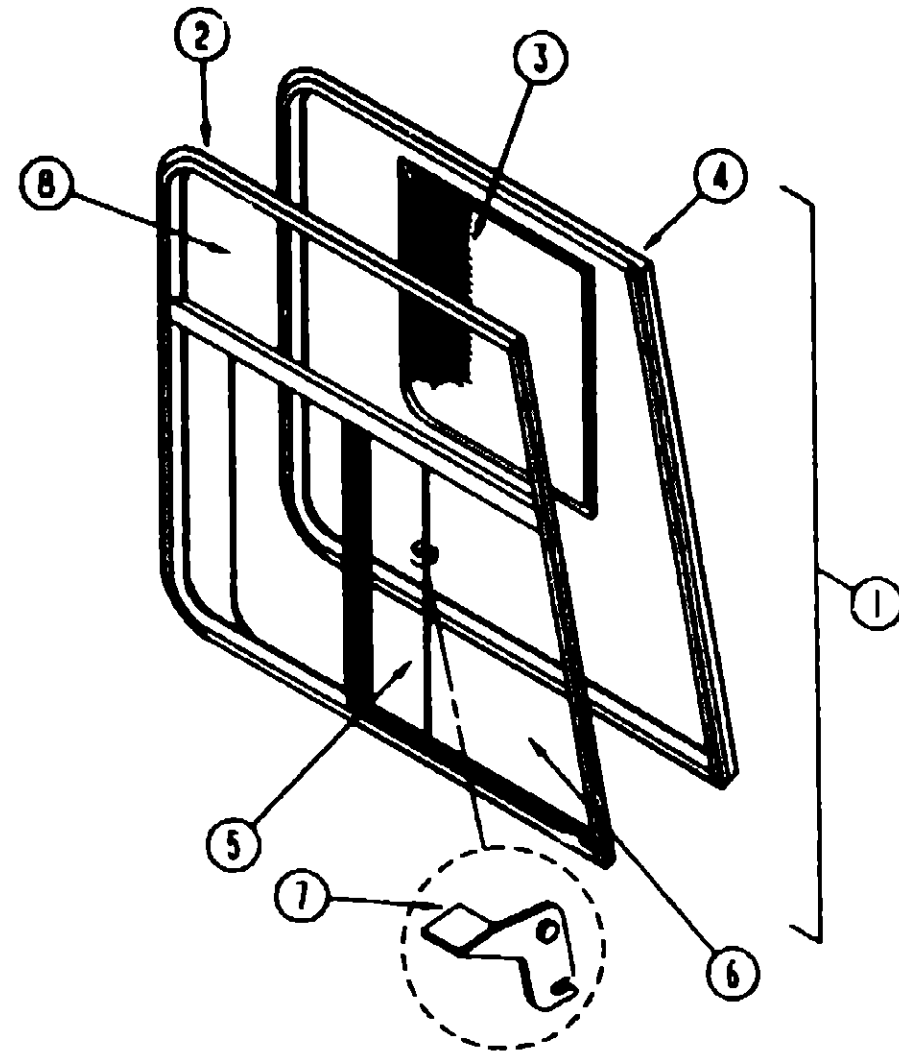
INTRODUCTION	A-01 - A-02
ABBREVIATIONS	A-03
ALPHABETICAL INDEX	A-04 - A-06
WCG37RW	A-07 - E-16
WKG34RD	E-17 - I-18

**1993 WCG37RW INDEX**

FLOOR PLAN	A-07 - A-08
ACCESSORIES	A-09
AUDIO VIDEO	A-10 - A-11
BATH	A-12 - A-14
BEDROOM	A-15 - A-16
CHASSIS	A-17 - B-08
CURTAIN & CUSHION	B-09 - B-13
DINETTE	B-19 - B-22
DRIVERS COMPARTMENT	B-23 - C-02
ELECTRICAL	C-03 - C-08
EXTERIOR BODY	C-09 - C-16
GALLEY	C-17 - C-20
GENERATOR	C-21 - C-22
HEATING & AC	C-23 - D-02
INTERIOR FINISH	D-03 - D-06
LABELS	D-07 - D-13
LP	D-14
LOUNGE	D-15 - D-18
SEALANTS & FASTENERS	D-19 - D-21
WATER & SEWAGE	D-22 - E-01
WINDOW VENT & EXTERIOR DOOR	E-02 - E-14
WINDSHIELD & WIPER	E-15 - E-16



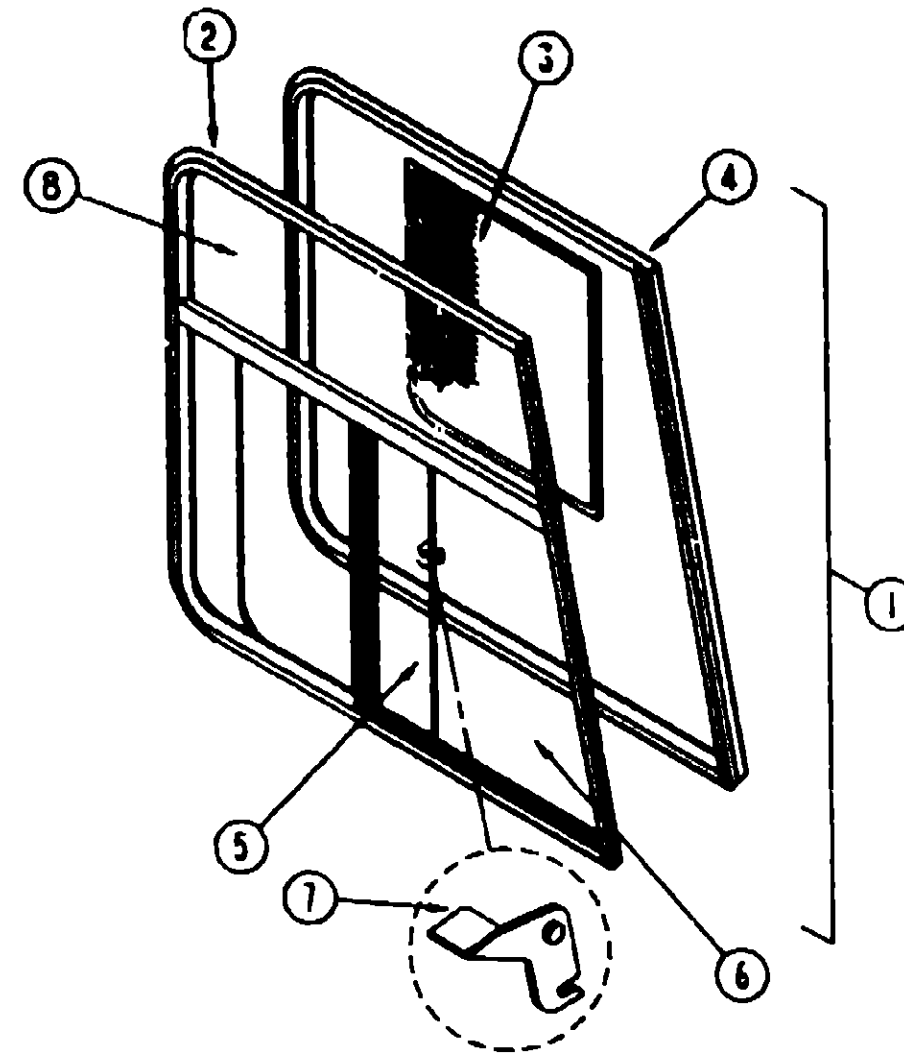
**WINDOW, VENT & EXTERIOR DOOR GROUP (CONTINUED)**



**FRONT CAB WINDOWS (EXCEL) (FROM: 00-00-00 THRU: 07-19-92)**

KEY	PART NUMBER	U/M	DESCRIPTION
1	103658-03-01A	EA	WINDOW ASM - CAB - W/INSIDE FRAME - DRIVER SIDE
1	103658-04-01A	EA	WINDOW ASM - CAB - W/INSIDE FRAME - PASSENGER SIDE
2	103658-04-701	EA	WINDOW ASM - SLIDER - W/O INSIDE FRAME - PASSENGER SIDE
2	103658-03-703	EA	WINDOW ASM - SLIDER - W/O INSIDE FRAME - DRIVER SIDE
3	103658-02-700	EA	SCREEN ASM - WINDOW - PASSENGER SIDE
3	103658-01-700	EA	SCREEN ASM - WINDOW - DRIVER SIDE
	098644-01-717	FT	SCREEN SPLINE
	098644-01-713	EA	SCREEN CLIPS (METAL)(BLACK)
	098644-01-710	FT	TRACK - SPACER - FOR SCREEN 12"
	098644-01-711	FT	WEATHERSTRIP - SCREEN - BLACK
4	103658-04-700	EA	INSIDE FRAME - PASSENGER SIDE
4	103658-03-702	EA	INSIDE FRAME - DRIVER SIDE
5	103658-02-701	EA	GLASS - SLIDING - W/SASH & LATCH - PASSENGER SIDE
5	103658-01-703	EA	GLASS - SLIDING - W/SASH & LATCH - DRIVER SIDE
6	103658-03-701	EA	GLASS - STATIONARY - BOTTOM
7	098644-01-700	EA	LATCH - REPAIR KIT
8	103658-03-700	EA	GLASS - STATIONARY - TOP
	098644-01-708	FT	CHANNEL - PIERCED RUN
	098644-01-706	FT	WEATHERSTRIP - GLASS
	098644-01-716	FT	PLUG - FILLER

**WINDOW, VENT & EXTERIOR DOOR GROUP (CONTINUED)**



**FRONT CAB WINDOWS (EXCEL) (FROM: 07-20-92 THRU: 99-99-99)**

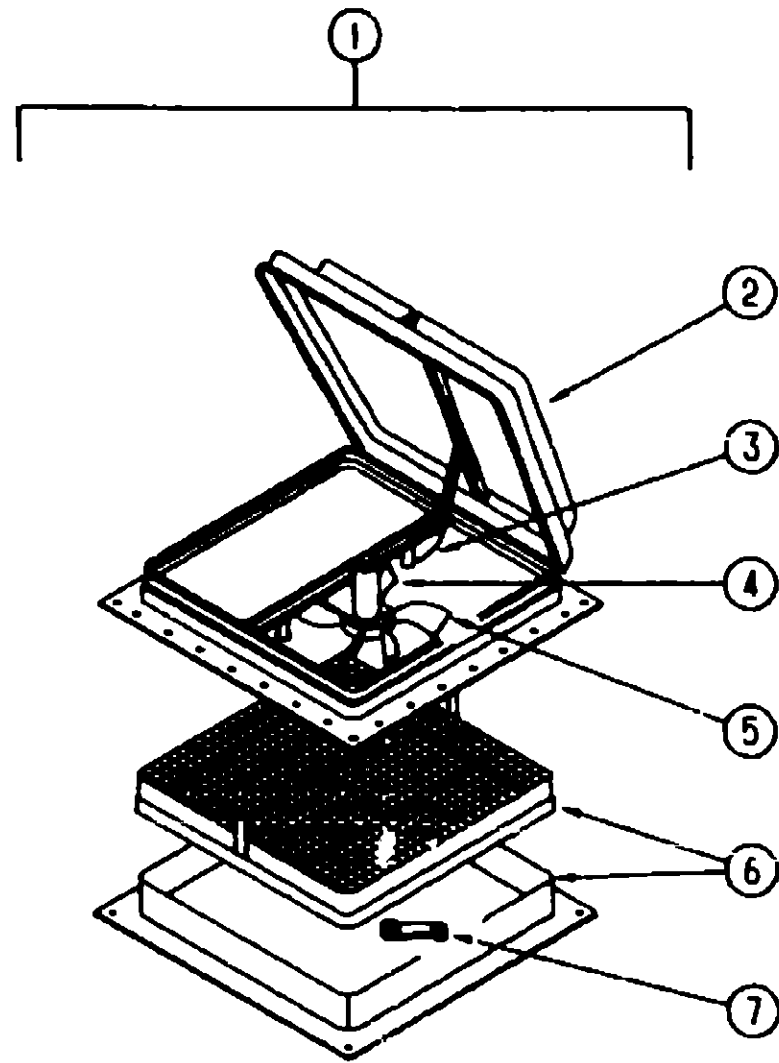
KEY	PART NUMBER	U/M	DESCRIPTION
1	103658-07-01A	EA	WINDOW ASM - CAB - W/INSIDE FRAME - DRIVER SIDE
1	103658-08-01A	EA	WINDOW ASM - CAB - W/INSIDE FRAME - PASSENGER SIDE
2	103658-08-700	EA	WINDOW ASM - SLIDER - W/O INSIDE FRAME - PASSENGER SIDE
2	103658-07-704	EA	WINDOW ASM - SLIDER - W/O INSIDE FRAME - DRIVER SIDE
3	103658-07-703	EA	SCREEN ASM - WINDOW - DRIVER OR PASSENGER SIDE
	098644-01-717	FT	SCREEN SPLINE
	098644-01-713	EA	SCREEN CLIPS (METAL)(BLACK)
	098644-01-710	FT	TRACK - SPACER - FOR SCREEN 12"
	098644-01-711	FT	WEATHERSTRIP - SCREEN - BLACK
4	103658-08-701	EA	INSIDE FRAME - PASSENGER SIDE
4	103658-07-700	EA	INSIDE FRAME - DRIVER SIDE
5	103658-07-702	EA	GLASS - SLIDING - W/SASH & LATCH - DRIVER OR PASSENGER SIDE
6	103658-01-702	EA	GLASS - STATIONARY - BOTTOM - DRIVER OR PASSENGER SIDE
7	098644-01-700	EA	LATCH - REPAIR KIT
8	103658-07-701	EA	GLASS - STATIONARY - TOP - DRIVER OR PASSENGER SIDE
	098644-01-708	FT	CHANNEL - PIERCED RUN
	098644-01-706	FT	WEATHERSTRIP - GLASS
	098644-01-716	FT	PLUG - FILLER

**1993 WINNEBAGO  
TABLE OF CONTENTS**

INTRODUCTION	A-01 - A-02
ABBREVIATIONS	A-03
ALPHABETICAL INDEX	A-04 - A-06
WCG37RW	A-07 - E-15
WKG34RQ	E-17 - I-18

**1993 WCG37RW INDEX**

FLOOR PLAN	A-07 - A-08
ACCESSORIES	A-09
AUDIO VIDEO	A-10 - A-11
BATH	A-12 - A-14
BEDROOM	A-15 - A-16
CHASSIS	A-17 - B-08
CURTAIN & CUSHION	B-09 - B-18
DINETTE	B-19 - B-22
DRIVERS COMPARTMENT	B-23 - C-02
ELECTRICAL	C-03 - C-08
EXTERIOR BODY	C-09 - C-16
GALLEY	C-17 - C-20
GENERATOR	C-21 - C-22
HEATING & A/C	C-23 - D-02
INTERIOR FINISH	D-03 - D-06
LABELS	D-07 - D-13
LP	D-14
LOUNGE	D-15 - D-18
SEALANTS & FASTENERS	D-19 - D-21
WATER & SEWAGE	D-22 - E-01
WINDOW, VENT &	
WINDSHIELD & WIPER	E-02 - E-14
	E-15 - E-16



POWERED ROOF VENT (US)

KEY	PART NUMBER	U/M DESCRIPTION
1	110051-03-01A	EA VENT ASM - ROOF - POWERED
2	064470-01-700	EA COVER - ROOF VENT
3	110051-01-702	EA HAND CRANK & OPERATOR ASM
4	048648-01-000	EA MOTOR - 12V NONVENTED 1/8 SHAFT
5	048649-01-000	EA FAN - PLASTIC - 6 IN - 6 BLADED
6	110051-01-701	EA GARNISH - W/SCREEN & FRAME
7	110051-01-703	EA CRANK HANDLE

POWERED ROOF VENT (CANADIAN)

KEY	PART NUMBER	U/M DESCRIPTION
1	110051-05-01A	EA VENT ASM - ROOF - POWERED
2	064470-01-700	EA COVER - ROOF VENT
3	110051-01-702	EA HAND CRANK & OPERATOR ASM
4	048648-01-000	EA MOTOR - 12V NONVENTED 1/8 SHAFT
5	048649-01-000	EA FAN - PLASTIC - 6 IN - 6 BLADED
6	110051-01-701	EA GARNISH - W/SCREEN & FRAME
7	110051-01-703	EA CRANK HANDLE

NON POWERED ROOF VENT

KEY	PART NUMBER	U/M DESCRIPTION
	110051-01-01A	EA ROOF VENT - W/SCREEN
	064470-01-700	EA COVER - ROOF VENT
	110051-01-701	EA GARNISH - W/SCREEN & FRAME 2"
	110051-01-702	EA HAND CRANK & OPERATOR ASM
	110051-01-703	EA CRANK HANDLE - ROOF VENT

ROOF VENTS

KEY	PART NUMBER	U/M DESCRIPTION
	083558-05-000	EA VENT COVER - PLUMBING PIPE ROOF
	084073-06-000	EA COVER - ROOF VENT - NORCOLD REFRIGERATOR - ASH GRAY
	084073-04-000	EA BASE - ROOF VENT - NORCOLD REFRIGERATOR - BLACK

SIDEWALL VENT

KEY	PART NUMBER	U/M DESCRIPTION
	084616-05-000	EA SHROUD - RANGE HOOD VENT - ASH GRAY
	084878-09-000	EA VENT - RANGE HOOD - SHORT - LVS

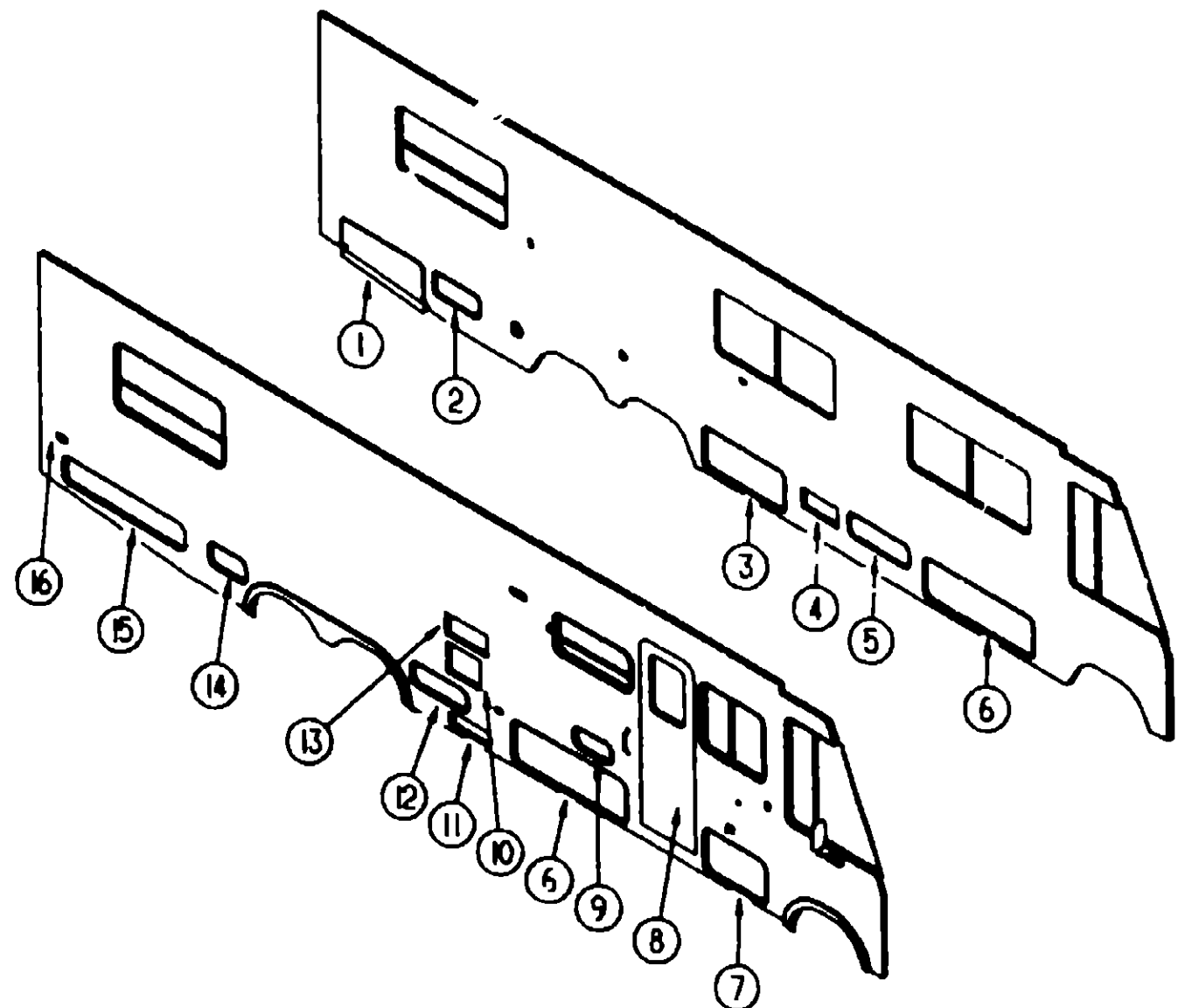
1993 WINNEBAGO  
TABLE OF CONTENTS

INTRODUCTION	A-01 - A-02
ABBREVIATIONS	A-03
ALPHABETICAL INDEX	A-04 - A-06
WCG37RW	A-07 - E-16
WKG34RQ	E-17 - I-18

1993 WCG37RW INDEX

FLOOR PLAN	A-07 - A-08
ACCESSORIES	A-09
AUDIO VIDEO	A-10 - A-11
BATH	A-12 - A-14
BEDROOM	A-15 - A-16
CHASSIS	A-17 - B-08
CURTAIN & CUSHION	B-09 - B-18
DINETTE	B-19 - B-22
DRIVERS COMPARTMENT	B-23 - C-02
ELECTRICAL	C-03 - C-08
EXTERIOR BODY	C-09 - C-16
GALLEY	C-17 - C-20
GENERATOR	C-21 - C-22
HEATING & A/C	C-23 - D-02
INTERIOR FINISH	D-03 - D-06
LABELS	D-07 - D-13
LP	D-14
LOUNGE	D-15 - D-18
SEALANTS & FASTENERS	D-19 - D-21
WATER & SEWAGE	D-22 - E-01
WINDOW, VENT &	
EXTERIOR DOOR	E-02 - E-14
WINDSHIELD & WIPER	E-15 - E-16

**WINDOW, VENT & EXTERIOR DOOR GROUP (CONTINUED)**



**EXTERIOR DOORS**

KEY	PART NUMBER	U/M	DESCRIPTION
1	083264-06-D12	EA	DOOR ASM - GENERATOR
2	106987-28-D12	EA	DOOR ASM - ACCESS
3	106987-18-D12	EA	DOOR ASM - STORAGE
4	098668-12-D12	EA	DOOR ASM - FURNACE - EXTERIOR
5	106987-15-D12	EA	DOOR ASM - STORAGE
6	106987-14-D12	EA	DOOR ASM - STORAGE
7	106987-13-D12	EA	DOOR ASM - STORAGE
8	M01870-66-D12	EA	DOOR - ENTRY - W/SCREEN DOOR
9	105118-01-D12	EA	DOOR ASM - ACCESS - EXTERIOR RADIO
10	052009-04-000	EA	DOOR - WATER HEATER - BUFF
11	078720-02-D12	EA	DOOR - COMPARTMENT - LP - 16 9" X 5 4" - ALUMINUM
12	106987-17-D12	EA	DOOR ASM - STORAGE
13	084103-06-000	EA	DOOR - REFRIGERATOR - VENTED - W/O JAMB - BUFF
13	084104-06-000	EA	JAMB - REFRIGERATOR - BUFF
14	106987-27-D12	EA	DOOR ASM - ACCESS
15	106987-16-D12	EA	DOOR ASM - ACCESS - EXTERIOR SHOWER
16	081240-09-000	EA	DOOR - WATER FILL - LOCKABLE - 4" X 4 5/8" - BUFF

**EXTERIOR DOOR HARDWARE**

KEY	PART NUMBER	U/M	DESCRIPTION
	079366-04-000	EA	LOCK - DOOR - KEY TYPE W/O KEYS - 1 9 OFF SET
	079366-05-000	EA	LOCK ASM - KEY TYPE W/O KEYS - 1 6 OFF SET
	082684-01-700	EA	KEY - COMPARTMENT DOOR LOCK
	079927-03-000	EA	LOCK - TWIST TYPE - DOUBLE CAM - 2.10 OFF SET
	084104-01-700	EA	LOCK - MALE - FASTENER - REFRIGERATOR DOOR
	084104-01-701	EA	LOCK - FEMALE - FASTENER - REFRIGERATOR DOOR
	009126-02-000	EA	HANDLE - ASSIST - ENTRY DOOR - BLACK
	102328-01-000	EA	KEY - BARREL - NICKEL PLATED
	102768-01-000	EA	HOLDER - COMPARTMENT/ENTRY DOOR - METAL - MILL FINISH
	064075-07-000	FT	SEAL - BULB - W/WRED U CHANNEL - 3" X 5" CHANNEL - BLACK
	081801-02-000	EA	HINGE - 2" X 96" - OFF WHITE

**1993 WINNEBAGO  
TABLE OF CONTENTS**

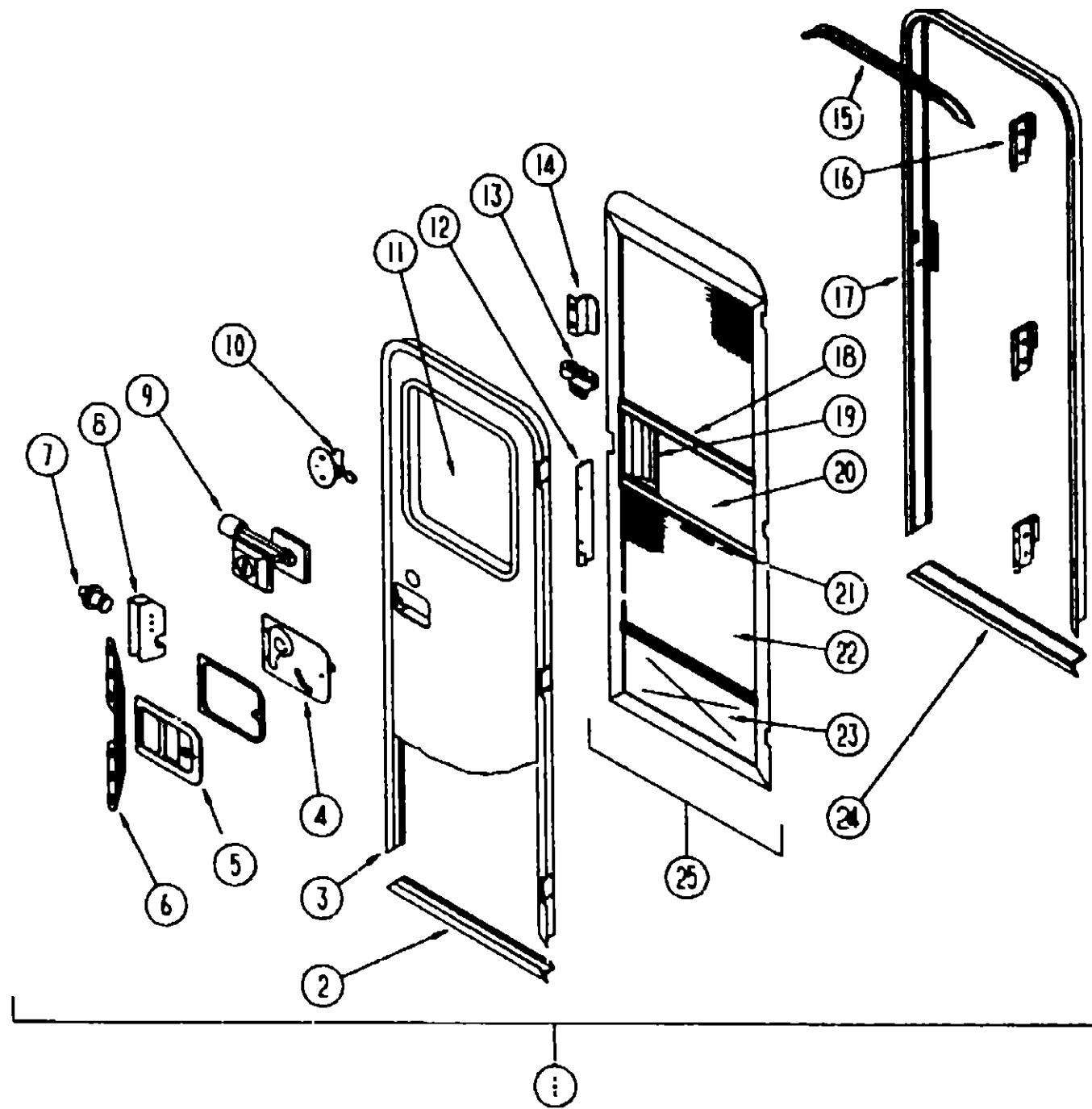
INTRODUCTION	A-01 - A-02
ABBREVIATIONS	A-03
ALPHABETICAL INDEX	A-04 - A-06
WCG37RW	A-07 - E-16
WKG34RQ	E-17 - I-18

**1993 WCG37RW INDEX**

FLOOR PLAN	A-07 - A-08
ACCESSORIES	A-09
AUDIO VIDEO	A-10 - A-11
BATH	A-12 - A-14
BEDROOM	A-15 - A-16
CHASSIS	A-17 - B-08
CURTAIN & CUSHION	B-09 - B-18
DINETTE	B-19 - B-22
DRIVERS COMPARTMENT	B-23 - C-02
ELECTRICAL	C-03 - C-08
EXTERIOR BODY	C-09 - C-16
GALLEY	C-17 - C-20
GENERATOR	C-21 - C-22
HEATING & A/C	C-23 - D-02
INTERIOR FINISH	D-03 - D-06
LABELS	D-07 - D-13
LP	D-14
LOUNGE	D-15 - D-18
SEALANTS & FASTENERS	D-19 - D-21
WATER & SEWAGE	D-22 - E-01
WINDOW, VENT & EXTERIOR DOOR	E-02 - E-14
WINDSHIELD & WIPER	E-15 - E-16

# WINDOW, VENT & EXTERIOR DOOR GROUP ( CONTINUED)

## ENTRANCE DOOR (FRONT)



KEY	PART NUMBER	U/M DESCRIPTION
5	045017-11-000	EA LATCH - PADDLE - MECHANISM W/LOCK CYLINDER & KEY - BLACK
	045017-11-701	EA KEY BLANK
6	098173-01-04A	EA STIFFENER - ENTRY DOOR - SUPPORTS LATCH/STRIKE AREA - MILL
7	039539-01-000	EA STRIKE - ENTRANCE DOOR LOCK
	077461-03-000	EA COVER - STRIKE - ENTRY DOOR - 6.5" X 2.5" - PLASTIC - WHITE
8	039540-01-000	EA LATCH MECHANISM - HOOK - ENTRY DOOR - INTERIOR
	039715-01-000	EA NUT - BERT - 1/4" DIAMETER - 20 THREADS
	039984-01-000	EA CAP - ROUND - VINYL - .28" ID X .62" LONG - BLACK
	040944-01-000	EA LABEL - ENTRANCE DOOR - "OPEN"
	058806-01-000	EA PLUG - CAP - 1" DIAMETER
9	101145-01-01A	EA DEADBOLT - ENTRY DOOR - BLACK
	095229-01-700	EA KEY ONLY - BLANK
	101147-01-000	EA BOLT - SECURITY - 4 1/2" BACKSET
	081914-01-000	EA BUMPER - RUBBER - ROUND - BLACK
10	100412-01-000	EA CATCH - SCREEN DOOR
11	079733-12-D12	EA WINDOW - PICTURE - W/O INSIDE FRAME - 17" X 27"
	067609-35-000	EA FRAME - WINDOW - INSIDE PICTURE - OFF WHITE
	002181-19-000	EA GLASS - PICTURE WINDOW
	087561-01-000	FT VINYL SEAL - GLASS - EXTERIOR - BLACK
12	079087-02-000	EA STRIKE - SLIDER - W/LIP FOR ELBOW CATCH - 1.5" X 8.6" BEIGE
13	109403-01-000	EA CATCH - SCREEN DOOR ROLLER
	058025-02-000	EA CLIP - ROLLER LATCH CATCH
	063729-04-000	EA RIVNUT - 10-32 UNF - 010-.080
	072893-01-000	EA NUTSERT - M5 X 0.8
	075671-04-000	FT SEAL - SPONGE - LAZY T SHAPE - W/ADHESIVE STRIPE - 5" WIDE
	100128-01-000	FT SEAL - PILE - ADHESIVE BACK - GRAY
	075908-01-000	EA SCREW - MACH - 10-32X.56PTH(5)SEMS
14	050712-04-000	EA HANDLE - SCREEN DOOR - OFF WHITE
15	044582-33-000	EA CAP - DRIP - ENTRY DOOR - ALUMINUM - BUFF
16	097724-01-04A	EA HINGE - ENTRY DOOR - UNPAINTED
17	095277-04-05A	EA JAMB ASM - ENTRANCE DOOR - BUFF
	079207-01-000	EA STRIKER - ROLLER CATCH - WELDED TO DOOR JAMB - 4" X 1 1/2"
18	078777-01-000	EA CHANNEL - SLIDE - SCREEN DOOR CENTER SLIDER COVER
19	079086-02-000	EA SLIDER - SCREEN DOOR - OFF WHITE
	078595-01-000	EA TOP PLATE - SCREEN DOOR - CURVED TOP - 4 7/8" X 25 3/8"
20	016454-01-000	EA INSERT - SCREEN DOOR - CENTER - LEATHER GRAIN ALUMINUM
21	002294-01-000	FT SPLINE - SCREENING - .135" X .138" - BLACK
22	002293-02-000	SF SCREENING - 26" - CHARCOAL
23	078552-03-000	EA KICK PANEL - SCREEN DOOR - LOWER INSERT - UNPAINTED
24	051049-01-000	EA JAMB BOTTOM - ENTRY DOOR - 25 9/16" - UNPAINTED
25	079012-05-B10	EA DOOR - SCREEN
	100128-01-000	FT SEAL - SCREEN DOOR
	085774-01-000	FT FASTENER - DUAL LOCK - 1" WIDE
	085774-02-000	FT FASTENER - DUAL LOCK - 1" WIDE
	090340-01-000	FT SEAL - FOAM - CLOSED CELL - 1/4" X 1/2" X 50'
	093145-01-000	EA SLEEVE - WIRE - .0" LONG - PLASTIC - BLACK
	093146-01-000	EA GROMMET - WIRE - 1.7" X 3 1/8" - OVAL SHAPED - PLASTIC - BLACK

## 1993 WINNEBAGO TABLE OF CONTENTS

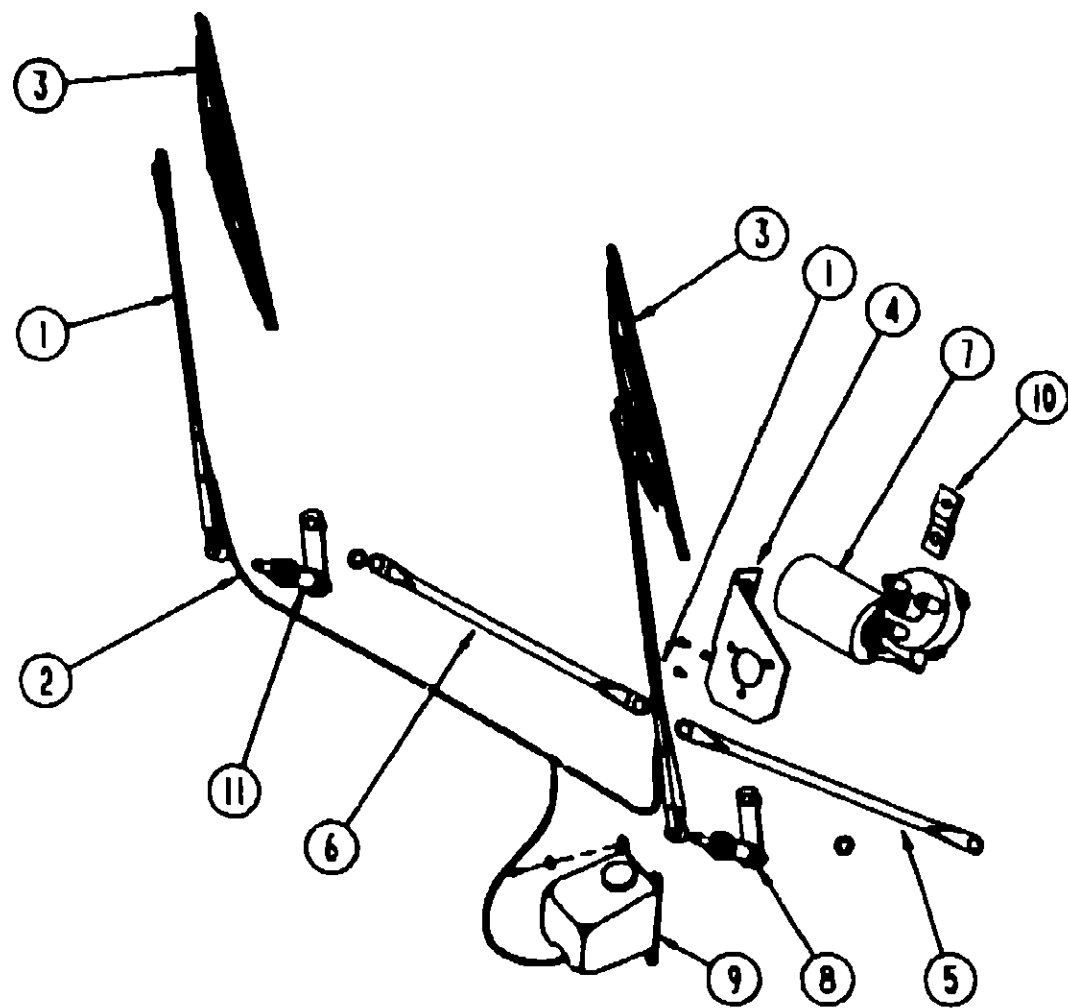
INTRODUCTION	A-01 - A-02
ABBREVIATIONS	A-03
ALPHABETICAL INDEX	A-04 - A-06
WCG37RW	A-07 - E-16
WKG34RQ	E-17 - I-18

## 1993 WCG37RW INDEX

FLOOR PLAN	A-07 - A-08
ACCESSORIES	A-09
AUDIO VIDEO	A-10 - A-11
BATH	A-12 - A-14
BEDROOM	A-15 - A-16
CHASSIS	A-17 - B-08
CURTAIN & CUSHION	B-09 - B-18
DINETTE	B-19 - B-22
DRIVERS COMPARTMENT	B-23 - C-02
ELECTRICAL	C-03 - C-08
EXTERIOR BODY	C-09 - C-16
GALLEY	C-17 - C-20
GENERATOR	C-21 - C-22
HEATING & A/C	C-23 - D-02
INTERIOR FINISH	D-03 - D-06
LABELS	D-07 - D-13
LP	D-14
LOUNGE	D-15 - D-18
SEALANTS & FASTENERS	D-19 - D-21
WATER & SEWAGE	D-22 - E-01
WINDOW VENT & EXTERIOR DOOR	E-02 - E-14
WINDSHIELD & WIPER	E-15 - E-16

KEY	PART NUMBER	U/M DESCRIPTION
1	M01870-66-D12	EA DOOR - ENTRY - W/SCREEN DOOR
	041546-03-000	EA BRACKET - DOOR ANGLE - 5" X 1.9" - BEIGE - METAL
	075639-14-000	EA GARNISH - RADIUS - ENTRY DOOR - OFF WHITE
	093673-01-02A	EA TRIM - ENTRANCE DOOR - 1 3/4" WIDE - OFF WHITE
2	089748-09-000	EA FRAME - BOTTOM ENTRY DOOR - BUFF
3	095276-03-05A	EA FRAME - ENTRY DOOR - W/O BOTTOM - BUFF
4	039979-04-000	EA COVER - INTERIOR LATCH - W/TRIP ARM - RIGHT - BLACK

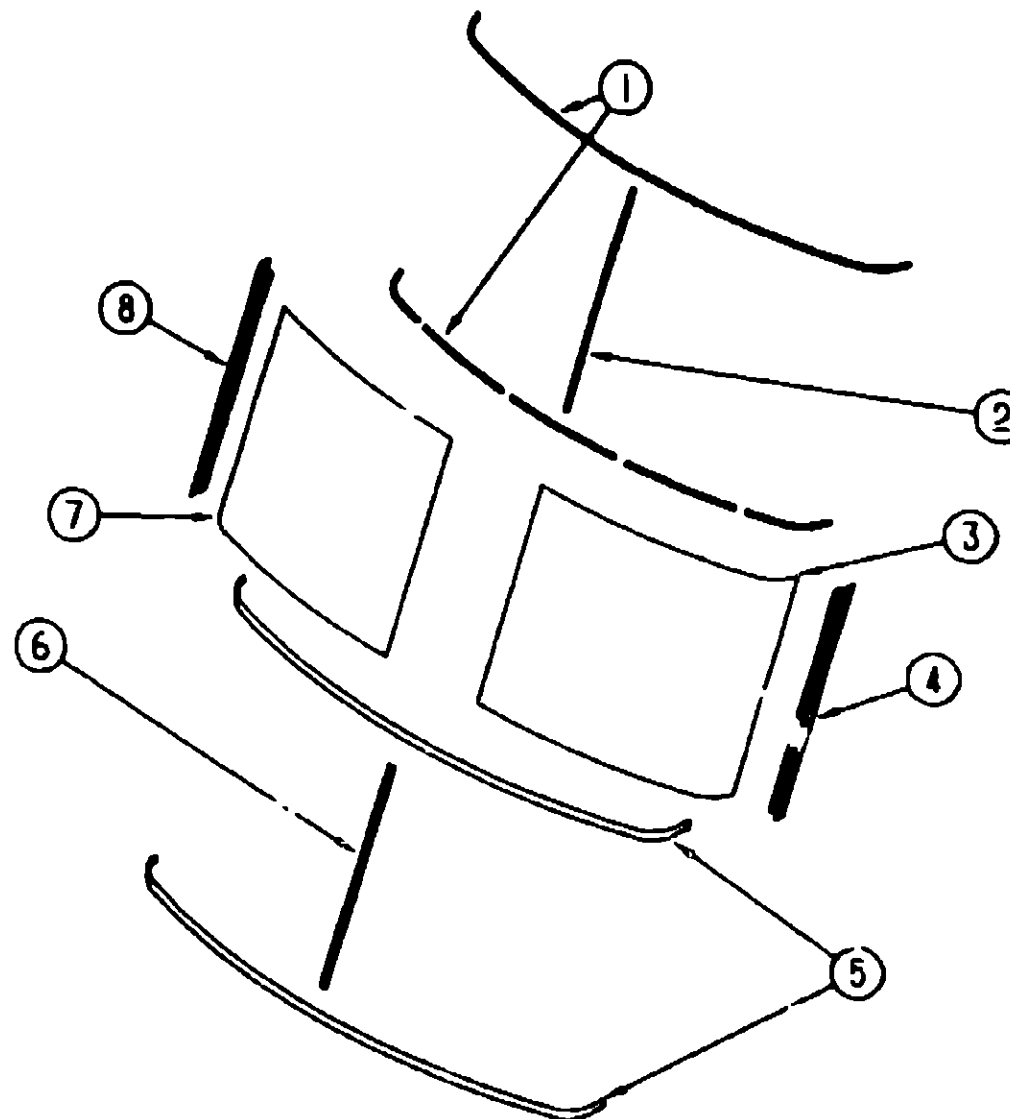
**WINDSHIELD & WIPER GROUP**



**WINDSHIELD WIPER ASM**

KEY	PART NUMBER	U/M DESCRIPTION
1	103671-01-000	EA ARM - WIPER - 24"
2	096931-01-700	EA HOSE
3	095964-01-000	EA BLADE - WIPER - WINDSHIELD - 24"
4	104549-01-000	EA BRACKET ASM - WIPER MOTOR
5	103672-01-000	EA LINK ASM - CONNECTING - 21 85° - DRIVER SIDE
6	103672-02-000	EA LINK ASM - CONNECTING - 21 85° - PASSENGER SIDE
7	104355-01-000	EA WIPER MOTOR - W/1.5" DRIVE ARM
	110178-01-000	EA HOUSING - WIPER MOTOR
8	096505-03-000	EA PIVOT & SHAFT ASM - WIPER - DRIVER SIDE
9	056000-02-000	EA WASHER - WINDSHIELD - BOTTLE & PUMP
10	104347-01-000	EA ARM - DRIVE - WIPER MOTOR - 1 54"
11	096505-06-000	EA PIVOT & SHAFT ASM - WIPER - PASSENGER SIDE
	110742-01-000	EA WIPER GASKET
	067186-01-000	EA STUD - WIPER CRANK

**WINDSHIELD & WIPER GROUP (CONTINUED)**



**WINDSHIELD MOLDINGS & GLASS**

KEY	PART NUMBER	U/M DESCRIPTION
1	102935-01-000	EA CARRIER - REVEAL - 50" - WINDSHIELD
1	102935-01-000	EA CARRIER - REVEAL - 38" - WINDSHIELD
		FROM 00-00-00 THRU 12-13-92
1	110268-02-000	EA CARRIER - REVEAL - 38" WINDSHIELD
		FROM 12-14-92 THRU 99-99-99
1	110268-05-000	EA CARRIER - REVEAL - 2" WINDSHIELD
		FROM 12-14-92 THRU 99-99-99
2	110268-07-000	EA CARRIER - REVEAL - 42.1" WINDSHIELD
		FROM 12-14-92 THRU 99-99-99
3	103788-02-000	EA GLASS - WINDSHIELD - DRIVER SIDE
4	103107-04-01A	EA TRIM - WINDSHIELD - SIDE - BLACK
5	102936-01-000	FT MOLDING - REVEAL - WINDSHIELD
6	102936-01-000	FT MOLDING - REVEAL - WINDSHIELD - CENTER
7	103788-01-000	EA GLASS - WINDSHIELD - PASSENGER SIDE
8	103107-03-01A	EA TRIM - WINDSHIELD - SIDE - BLACK
	098788-06-000	EA CHANNEL - RIGID
	077847-02-000	EA SUPPORT - WINDSHIELD - LOWER - W/O BRACKETS
	104449-01-000	EA BRACKET - WINDSHIELD SUPPORT

**1993 WINNEBAGO  
TABLE OF CONTENTS**

INTRODUCTION	A-01 - A-02
ABBREVIATIONS	A-03
ALPHABETICAL INDEX	A-04 - A-06
WCG37RW	A-07 - E-16
WKG3484	E-17 - I-18

**1993 WCG37RW INDEX**

FLOOR PLAN	A-07 - A-08
ACCESSORIES	A-09
AUDIO VIDEO	A-10 - A-11
BATH	A-12 - A-14
BEDROOM	A-15 - A-16
CHASSIS	A-17 - B-08
CURTAIN & CUSHION	B-09 - B-18
DINETTE	B-19 - B-22
DRIVERS COMPARTMENT	B-23 - C-02
ELECTRICAL	C-03 - C-08
EXTERIOR BODY	C-09 - C-16
GALLEY	C-17 - C-20
GENERATOR	C-21 - C-22
HEATING & A/C	C-23 - D-02
INTERIOR FINISH	D-03 - D-06
LABELS	D-07 - D-13
LP	D-14
LOUNGE	D-15 - D-18
SEALANTS & FASTENERS	D-19 - D-21
WATER & SEWAGE	D-22 - E-01
WINDOW, VENT & EXTERIOR DOOR	E-02 - E-14
WINDSHIELD & WIPER	E-15 - E-16