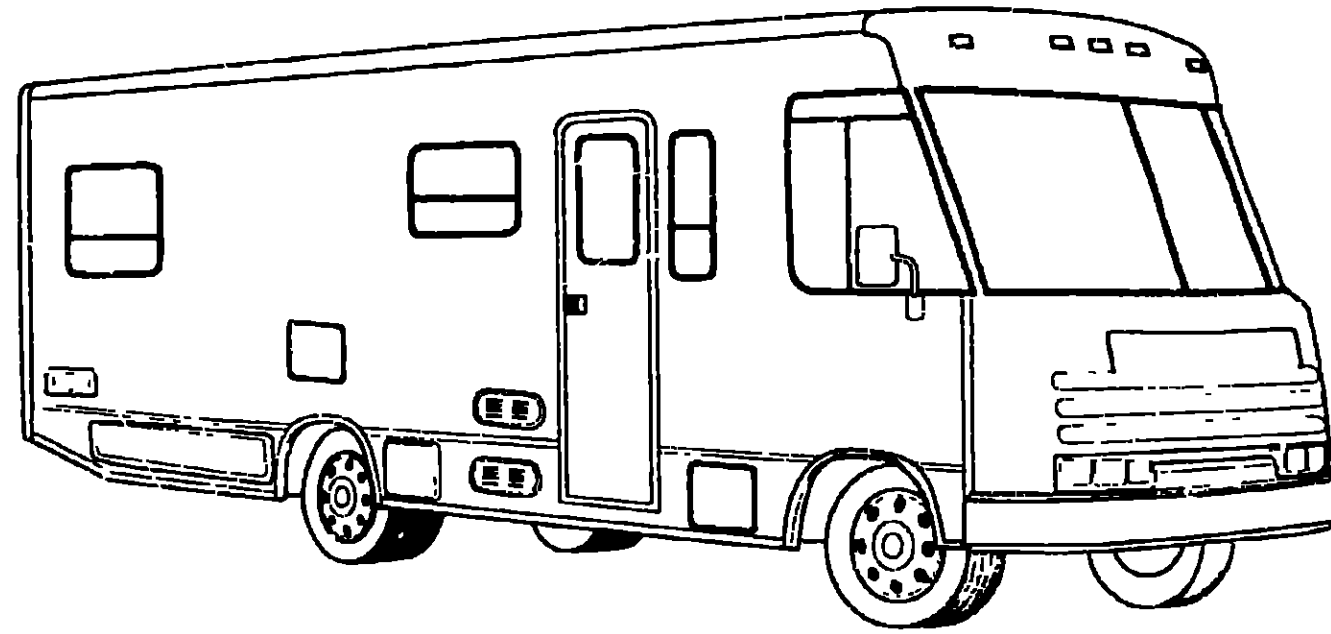
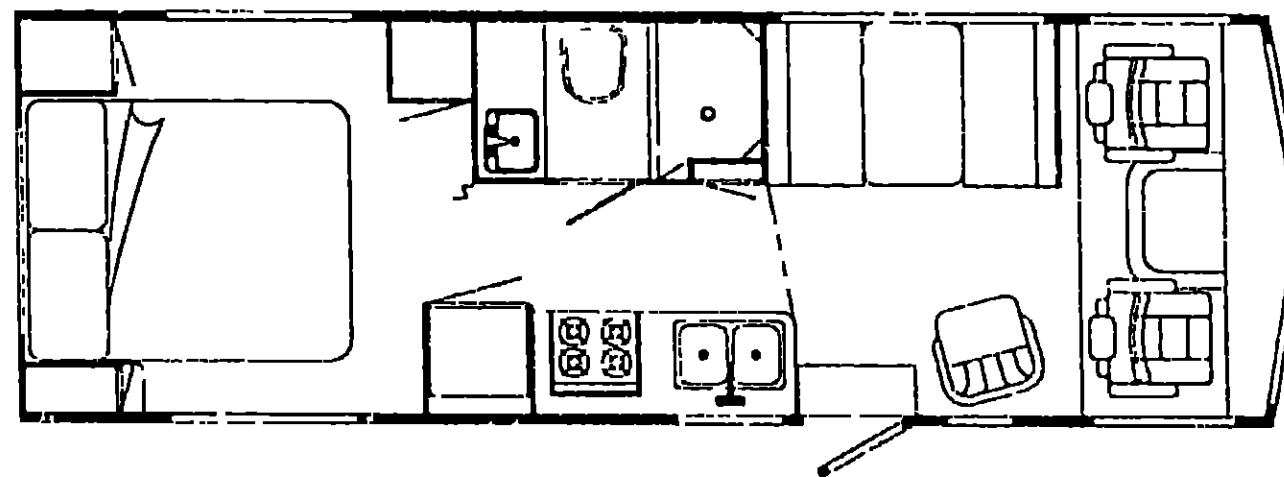
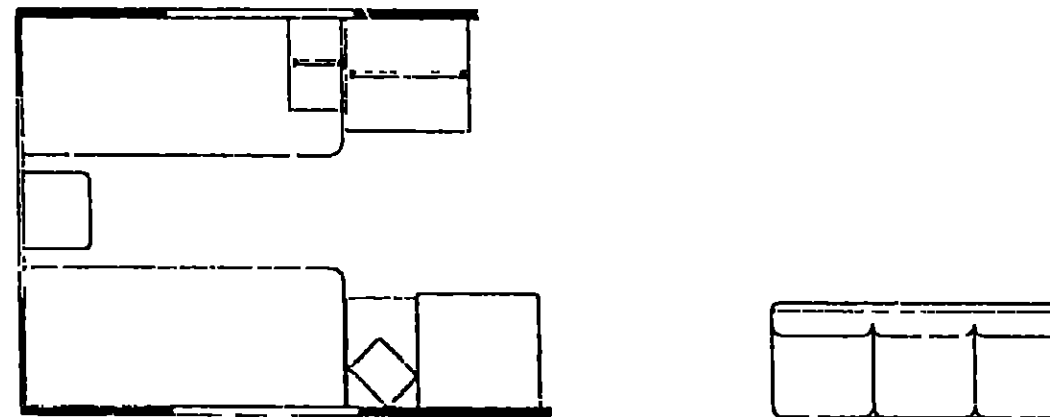


1993 WCF27RQ D09 D10 D11



1993 WINNEBAGO TABLE OF CONTENTS

INTRODUCTION	A-01 -	A-02
ABBREVIATIONS		A-03
ALPHABETICAL INDEX	A-04 -	A-06
WCF27RC	A-07 -	F-02
WCF27RQ	F-03 -	J-20



1993 WCF27RQ INDEX

FLOOR PLAN	F-03 -	F-04
ACCESSORIES		F-05
AUDIO VIDEO	F-06 -	F-08
BATH	F-09 -	F-10
BEDROOM	F-11 -	F-12
CHASSIS	F-13 -	F-24
CURTAIN & CUSHION	G-01 -	G-10
DINETTE	G-11 -	G-12
DRIVERS COMPARTMENT	G-13 -	G-17
ELECTRICAL	G-18 -	G-24
EXTERIOR BODY	H-01 -	H-08
GALLEY	H-09 -	H-13
GENERATOR	H-14 -	H-15
HEATING & A/C	H-16 -	H-22
INTERIOR FINISH	H-23 -	I-02
LABELS	I-03 -	I-11
LP		I-12
LOUNGE	I-13 -	I-14
SCALANTS & FASTENERS	I-15 -	I-18
WATER & SEWAGE	I-19 -	I-24
WINDOW VENT AND EXTERIOR DOOR	J-01 -	J-18
WINDSHIELD WIPER	J-19 -	J-20

**ACCESSORIES GROUP
OPERATOR MANUAL**

KEY	PART NUMBER	U/M DESCRIPTION
	054185-38 000	EA MANUAL-OPERATOR 1993 BRAVE
	092316-01-000	EA BINDER - 3 RING, MOTOR HOME MANUAL
	092319-01-000	EA POCKET PAGE - 3 RING BINDER PLASTIC
	108229-01-000	DW TOP LEVEL DRAWING F, 1993

**AUDIO VIDEO GROUP
PATIO ENTERTAINMENT CENTER**

KEY	PART NUMBER	U/M DESCRIPTION
	073741-03-000	EA SPEAKER-RADIO OVAL - AUDIOVOX 110 2074 - 4" X 6" FROM 00 00 00 THRU 12-20 92
	110469-01-000	EA SPEAKER - 4" X 6" OVAL - MAGNADYNE F46XB-12 FROM 12-21-92 THRU 99 99-99
	073741-04 000	EA GRILLE SPEAKER OVAL - 4" X 6" - BLACK FROM 00 00 00 THRU 12-20-92
	110470 01-01A	EA GRILLE-SPEAKER OVAL - 4" X 6" - BLACK - MAGNADYNE G46WI FROM 12-21 92 THRU 99-99-99
	087693-01-000	EA RADIO AM/FM STEREO W/CASSETTE - AUDIOVOX 144D1559
	090862 01 000	EA BRACKET-HAT ANTENNA - 3 1" X 3 9" - STEEL - BLACK FROM 00 00 00 THRU 11-30-92
	108847-01-000	EA BRACKET-ANTENNA GROUND FROM 12 01-92 THRU 99-99-99
	104498 01-000	EA BRACKET-ANTENNA MOUNT STEEL
	109889-02-000	EA ANTENNA-SHAFT EXTENDER, 2" - MAGNADYNE RV71EX2
	090944-01-000	EA ANTENNA RADIO 16" RUBBER

RADIO SYSTEM & ANTENNA

KEY	PART NUMBER	U/M DESCRIPTION
	104089 01-000	EA RADIO AM/FM STEREO CASSETTE - AUDIOVOX IM-DXF FROM 00 00 00 THRU 03-10 93
	110267-01-000	EA RADIO AM/FM STEREO, AUDIOVOX IM 200 FROM 03-11 93 THRU 99-99 99
	077069 02 000	EA CABLE-ANTENNA RADIO - EXTENSION 96" - ARA 6700657
	090941 01 000	EA ANTENNA-RADIO 16" RUBBER
	097621 02-000	EA MOUNTING KIT RADIO AUDIOVOX WMK AD02 FROM 00 00 00 THRU 01-31-93
	081059 02-000	EA WIRE ASM - 9 PIN RADIO AUDIOVOX 112B-1761
	089340-02-000	EA GRILLE-SPEAKER 6 5" SQUARE
	089340 03 000	EA SPACER-GRILLE 6 5" SQUARE TAN MAGNADYNE G514
	094097-01 000	EA SPEAKER-RADIO, W/O GRILLE - 5 25" DIA - AUDIOVOX 110C3030
	073741 03 000	EA SPEAKER RADIO OVAL - AUDIOVOX 110 2074 4" X 6" FROM 00 00 00 THRU 12 20 92
	110469 01 000	EA SPEAKER - 4" X 6" OVAL - MAGNADYNE F46XB 12 FROM 12 21 92 THRU 99-99-99
	073741 04 000	EA GRILLE SPEAKER OVAL - 4" X 6" - BLACK FROM 00 00 00 THRU 12-20 92
	110470 01 01A	EA GRILLE SPEAKER OVAL 4" X 6" BLACK - MAGNADYNE G46WI FROM 12 21-92 THRU 99-99-99

**1993 WINNEBAGO
TABLE OF CONTENTS**

INTRODUCTION	A-01 -	A-02
ABBREVIATIONS		A-03
ALPHABETICAL INDEX	A-04 -	A-06
WCF27RC	A-07 -	F-02
WCF27RQ	F-03 -	J-20

1993 WCF27RQ INDEX

FLOOR PLAN	F-03 -	F-04
ACCESSORIES		F-05
AUDIO VIDEO	F-06	F-08
BATH	F-09	F-10
BEDROOM	F-11	F-12
CHASSIS	F-13	F-24
CURTAIN & CUSHION	G-01	G-10
DINETTE	G-11	G-12
DRIVERS COMPARTMENT	G-13	G-17
ELECTRICAL	G-18	G-24
EXTERIOR BODY	H-01	H-09
GALLEY	H-09	H-13
GENERATOR	H-14	H-15
HEATING & A/C	H-16	H-22
INTERIOR FINISH	H-23	I-02
LABELS	I-03	I-11
LP		I-12
LOUNGE	I-13	I-14
SEALANTS & FASTENERS	I-15	I-18
WATER & SEWAGE	I-19	I-24
WINDOW VENT AND EXTERIOR DOOR	J-01	J-18
WINDSHIELD WIPER	J-19	J-20

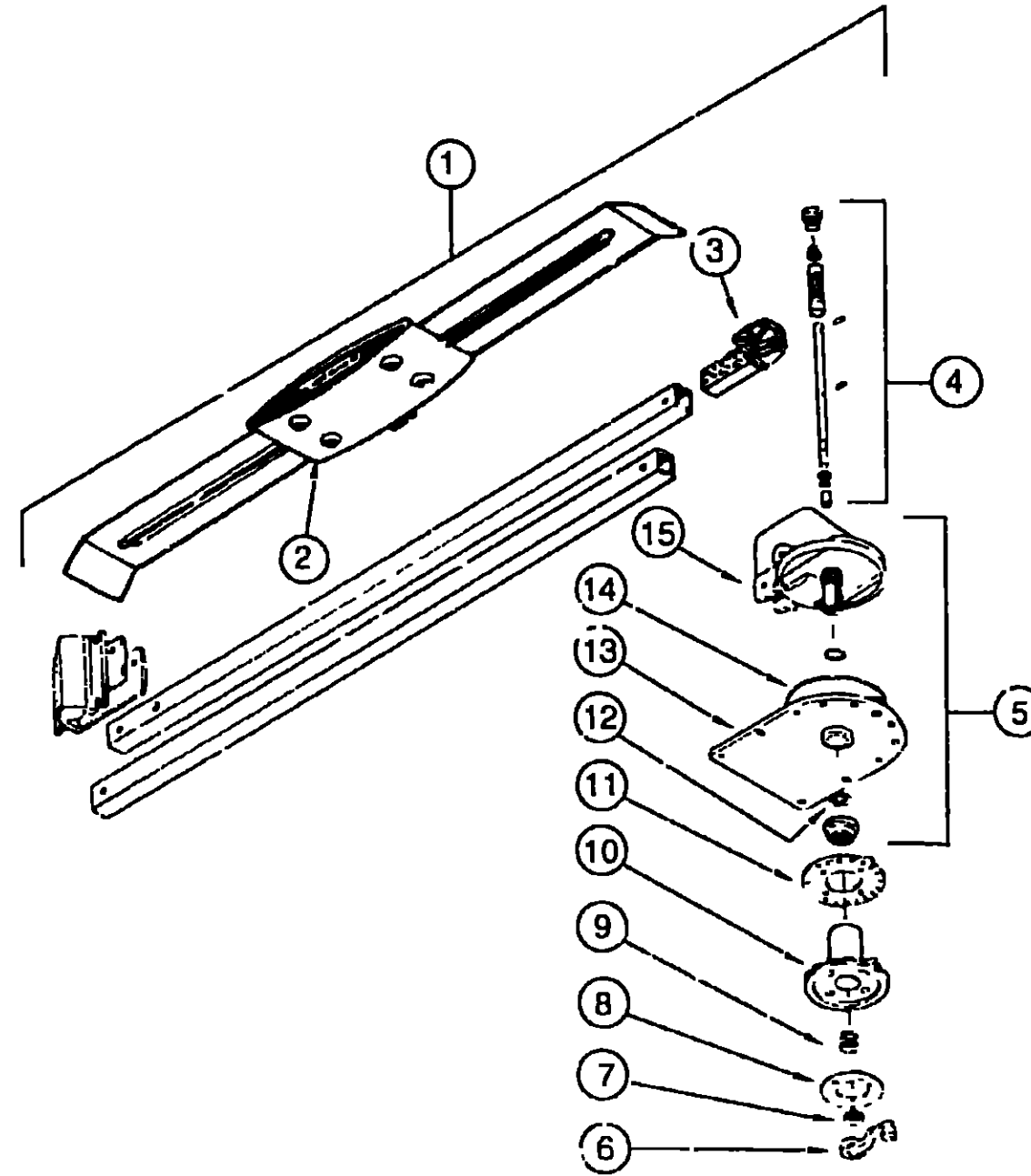
AUDIO VIDEO GROUP (CONTINUED)
CB ANTENNA

AUDIO VIDEO GROUP (CONTINUED)

1993 WINNEBAGO
TABLE OF CONTENTS

INTRODUCTION	A-01 -	A-02
ABBREVIATIONS		A-03
ALPHABETICAL INDEX	A-04 -	A-06
WCF27RC	A-07 -	F-02
WCF27RQ	F-03	J-20

TV CABLE, CONNECTORS, & WALLPLATES



TV ANTENNA

KEY	PART NUMBER	U/M DESCRIPTION
1	076319 01 000	EA ANTENNA-TV ROOF MOUNT - 44 5" MAST - RVA W02
2	076319 01-700	EA HEAD ANTENNA AMPLIFIED - WINEGARD# RVSA U/V
3	076319 01 701	EA GEAR ELEVATING PLASTIC - WINEGARD# 2200046
4	076319 01-702	EA SHAFT ASM-ELEVATING WINEGARD# RVP-400A
5	076319 01 711	EA BASE & LIFT ASM - WINEGARD# 2762602
6	076319 01 706	EA CRANK-ELEVATING W/SET SCREW WINEGARD# 5755100
7	076319 01 705	EA GROMMET NYLON 7.8" ID - WINEGARD# 3200658
8	076319 01-708	EA DECAL-CRANK WINEGARD# 5410002
9	076319 01-707	EA SPRING HANDLE WINEGARD# 5160800
10	076319 01-709	EA PLATE-DIRECTIONAL FOR HEAD - WINEGARD# 3200644
11	076319 01-712	EA BEARING-NYLON, 1 25" OD - WINEGARD# 3200657
12	076319 01-704	EA PLATE CASE STEEL - WINEGARD# 3100523
13	076319 01 713	EA BEARING NYLON 5" OD WINEGARD# 3200656
14	076319-01 703	EA HOUSING ROTATING GEAR WINEGARD# 2200049
15	076319 01-714	

1993 WCF27RQ INDEX

FLOOR PLAN	F 03 -	F-04
ACCESSORIES		F-03
AUDIO VIDEO	F-06 -	F-08
BATH	F 09 -	F-10
BEDROOM	F-11 -	F-12
CHASSIS	F-13 -	F-24
CURTAIN & CUSHION	G-01 -	G-10
DINETTE	G-11 -	G-12
DRIVERS COMPARTMENT	G 13 -	G-17
ELECTRICAL	G-18 -	G-24
EXTERIOR BODY	H-01 -	H-08
GALLEY	H-09 -	H-13
GENERATOR	H-14 -	H-15
HEATING & A/C	H-16 -	H-22
INTERIOR FINISH	H-23 -	I 02
LABELS	I-03 -	I 11
LP		I 12
LOUNGE	I-13 -	I-14
SEALANTS & FASTENERS	I-15 -	I-18
WATER & SEWAGE	I-19 -	I-24
WINDOW, VENT AND		
EXTERIOR DOOR	J 01 -	J-18
WINDSHIELD/WIPER	J-19 -	J-20

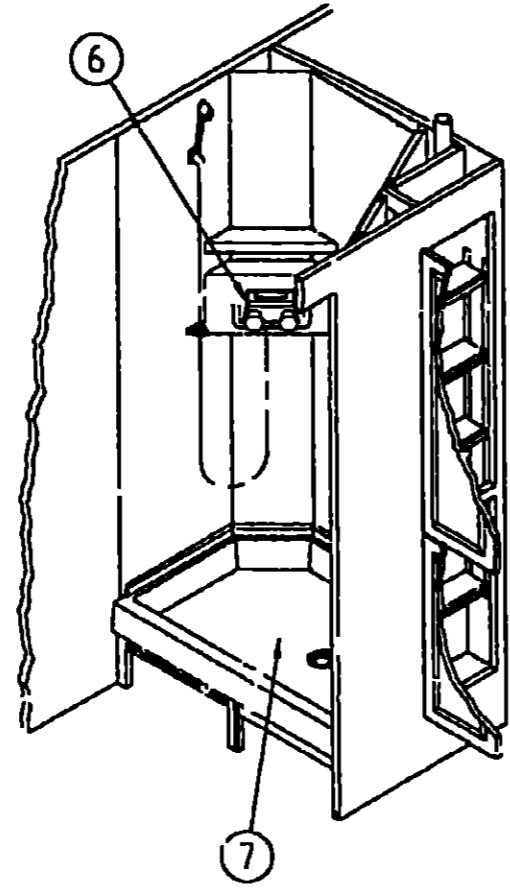
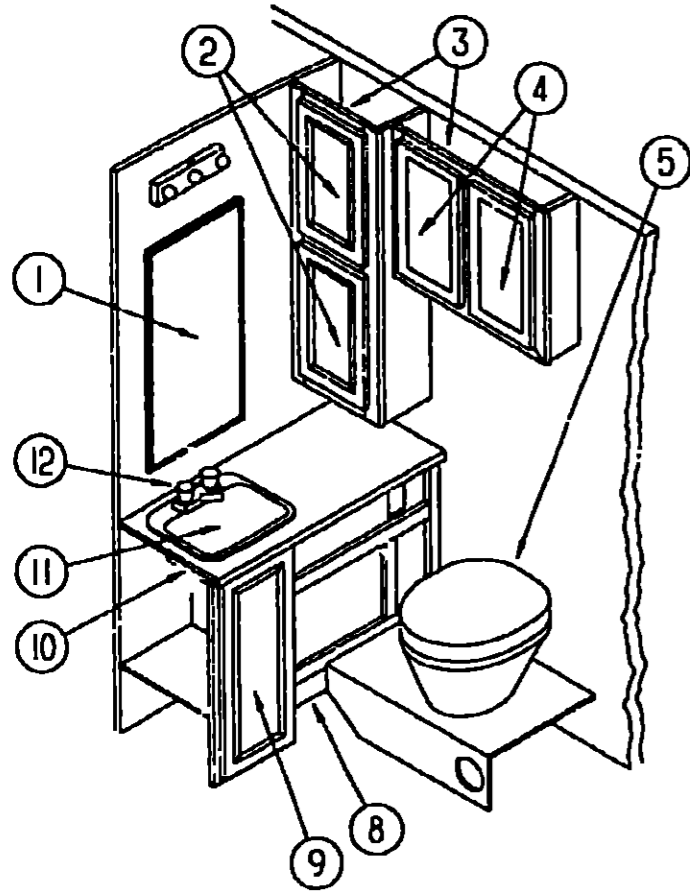
KEY	PART NUMBER	U/M DESCRIPTION
	105248-01 000	EA ANTENNA-CB, ADVANCE 8604
	104498 01-000	EA BRACKET-ANTENNA MOUNT STEEL

KEY	PART NUMBER	U/M DESCRIPTION
	076319-12-000	EA CONNECTOR-COAXIAL ONE PIECE
	082134-01-000	EA ADAPTER-TV, CABLE TO CABLE - WINEGARD F-81M
	086756-01-000	EA SPLITTER-TV, 2 WAY
	076319 03 000	FT CABLE-COAXIAL, 75 OHM
	076319 06 000	EA ADAPTOR CABLE ROOF PLATE, WINEGARD RPJ 1
	076319 08-000	EA WALLPLATE-CABLE RECEPTACLE, TV - SINGLE - IVORY - BEDROOM
	076319 09-000	EA WALLPLATE-CABLE RECEPTACLE, TV - SINGLE - BROWN - PATIO OPTION
	086777-01 000	EA WALLPLATE-TV CABLE W/ANTENNA SWITCH - IVORY
	086777-03 000	EA PLATE-WALL, CABLE - W/TV ANTENNA SWITCH & BOOSTER - IVORY FROM 00 00-00 THRU 04-14-93
	086777-05-000	EA PLATE-WALL, ANTENNA - 1 OUTPUT - IVORY - WINEGARD RV-0921 FROM 04 15 93 THRU 93-99-99

TV, VCR & CONTROL CENTER

KEY	PART NUMBER	U/M DESCRIPTION
	092310 02-000	EA TV-COLOR, 9" - AC/DC - W/REMOTE - MAC NAVOX RD0945
	092310 02-700	EA REMOTE-TV, MAGNAVOX RD0945
	098447 03 000	EA TV - 13", COLOR W/REMOTE - U S MAGNAVOX RR1337W
	098447 04-000	EA TV - 13", COLOR W/REMOTE - CANADIAN - MAGNAVOX RR1330W
	098447-03-700	EA REMOTE-TV MAGNAVOX RR1337W & RR1330W
	098446-03-000	EA VCR-VHS CABLE READY W/REMOTE - MAGNAVOX VR9010 FROM 00 00 00 THRU 10-04-92
	098446 03 700	EA REMOTE F/MODEL #9010 - MAGNAVOX 0974588
	098446 04 000	EA VCR-VHS CABLE READY W/REMOTE - MAGNAVOX VR9110 FROM 10 05 92 THRU 99 99 99
	098446 04-700	EA REMOTE F/MODELS #9110 & #9120 - MAGNAVOX 0974586
	099717-01 000	EA TIEDOWN-TV, STRAP ON FEMALE END IS 22 8" LONG
	099717-02 000	EA TIEDOWN-TV, STRAP ON FEMALE END IS 28 7" LONG
	098819-01-000	EA SPEAKER - 2 WATT 8 OHM - 4"
	093214 01-02A	EA GRILLE-SPEAKER, 4" BROWN
	086757 03-000	EA CONTROL CENTER SWITCH, VCR/TV MAGNADYNE VLS 6

BATH GROUP
BATHROOM CABINET & COMPONENTS



KEY	PART NUMBER	U/M DESCRIPTION
1	058331-51-000	EA MIRROR-GLASS, SAFETY - 660 MM X 1016 MM
	105004-01-01A	EA MOLDING-VINYL WRAPPED, MIRROR - 1' X 8' - OAK
2	P04746-14-D09	EA DOOR-W/O HARDWARE - 285 MM X 500 MM
3	107840-01-D09	EA CABINET-MEDICINE/STORAGE, W/O DOORS OR HARDWARE
4	P04746 08-D09	EA DOOR-W/O HARDWARE, W/MIRROR - 285 MM X 500 MM
5	067487-02-000	EA TOILET - 12 3/4", IVORY FOOT FLUSH - THETFORD
	063740-01-700	EA LEVER-WATER, THETFORD 12514
	063740-01-706	EA BOLT PACKAGE-CLOSET, THETFORD 12524
	063740-01-710	EA LINK, THETFORD 12513
	063740-01-713	EA SEAL-BALL VALVE TO BOWL, THETFORD 12502
	063740-01-714	EA VALVE ASM-WATER THETFORD 12492
	063740-01-717	EA TUBE-FLUSH, TOILET - THETFORD 12509
	063740-02-700	EA SEAT & COVER, PARCHMENT - THETFORD 20829
6	075241-05-000	EA FAUCET-SHOWER BONE
	075606-01 000	EA PANEL-FAUCET BACK, SHOWER - 5' X 9' PLASTIC
	103092-01-000	EA SHOWER HEAD-W/60" HOSE - US
	103092-02-000	EA SHOWER HEAD-W/60" HOSE - CANADIAN
	103092-01-700	EA BRACKET ONLY-CLEAR F/SHOWER HEAD - 2328028
7	MC2673-06-B05	EA PAN-SHOWER, OFF WHITE
	066436-01-000	EA NUT-SLIP, TAILPIECE - 1 5"
	066440 01-000	EA STRAINER-SHOWER, W/RUBBER WASHER
	069735-01 000	EA WASHER-STRAINER TO TAILPIECE PLASTIC 1 5"
	057671-01-000	EA COVER-SCREW, #8 - PLASTIC - OFF WHITE
	102803-02-01A	EA SURROUND-SHOWER, LARGE 3 SIDED SECTION - OFF WHITE
	102E04-02-01A	EA SURROUND-SHOWER, SMALLER SECTION - OFF WHITE
	101447-01-000	EA CLIP-U TYPE, TINNERMAN
8	P07842-01 D09	EA CABINET-LAVATORY W/COUNTERTOP
9	P04746-83 D09	EA DOOR-W/O HARDWARE - 290 MM X 715 MM
10	107842 11-D09	EA COUNTERTOP-LAVATORY CABINET
11	096927-01-01A	EA SINK-LAVATORY RECTANGULAR - PLASTIC - BONE
	096927-01-700	EA SINK-STOPPER
	096927 01-701	EA TAILPIECE-SINK
12	075240-06-000	EA FAUCET-LAVATORY BONE
	091253 01-000	EA GASKET-FAUCET, LAVATORY/GALLEY
	M87868-13-D09	EA DOOR BATH CABINET, W/O HARDWARE - 1859 MM X 523 MM
	075452-02-000	EA HOLDER-TOILET TISSUE, BRASS
	075454-02-000	EA RING-TOWEL, W/MOUNTING HARDWARE - BRASS
	100357-01-000	EA ROD-TOWEL BRASS W/ENDS BENT FOR BACK OF BATH DOOR
	102089-13-B07	EA WOOD RAIL - TOWEL RACK - RIGHT SIDE - 26" LONG
	102089-14 B07	EA WOOD RAIL - TOWEL RACK - LEFT SIDE - 26" LONG
	094485-01-01A	EA KNOB-DOOR, POLISHED BRASS
	094485-02-01A	EA KNOB DOOR, BRASS - IN INTERTEK YDLC20
	103194 01-000	EA STOP-DOOR, BATH
	042488-10-000	EA DOOR-FOLDING, FABRIC - 37" X 75" - OFF WHITE
	080224-01-703	EA LATCH & CATCH ASSEMBLY-ALMOND - DE00020AL
	080224-01-705	EA CATCH ONLY-DOOR JAMB-ALMOND - DE25020AL
	075453 02 000	EA BATH-TOWEL, 18" BRASS

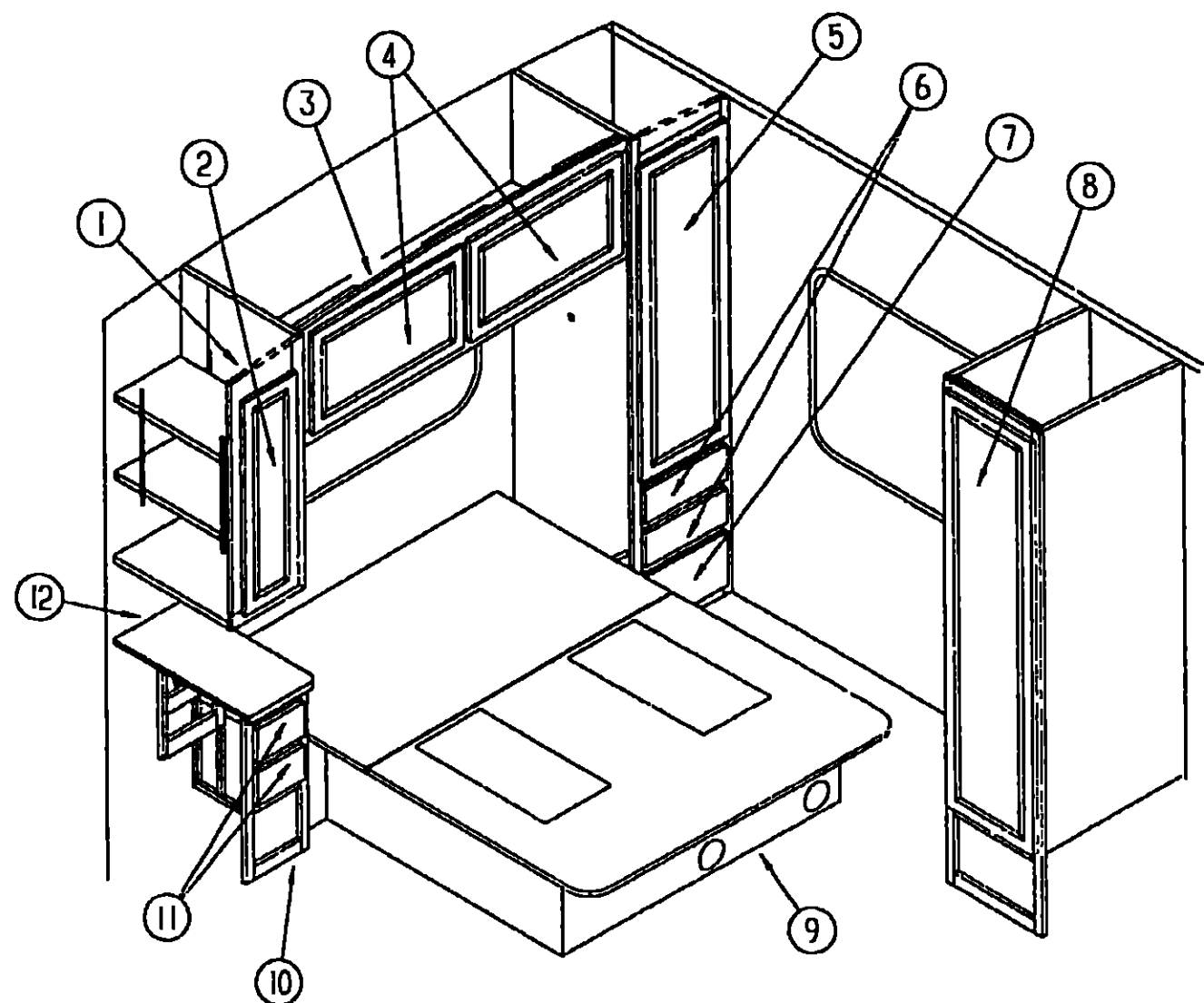
1993 WINNEBAGO
TABLE OF CONTENTS

INTRODUCTION	A-01 -	A-02
ABBREVIATIONS		A 03
ALPHABETICAL INDEX	A-04 -	A-06
WCF27RC	A-07 -	F-02
WCF27RQ	F-03 -	J-20

1993 WCF27RQ INDEX

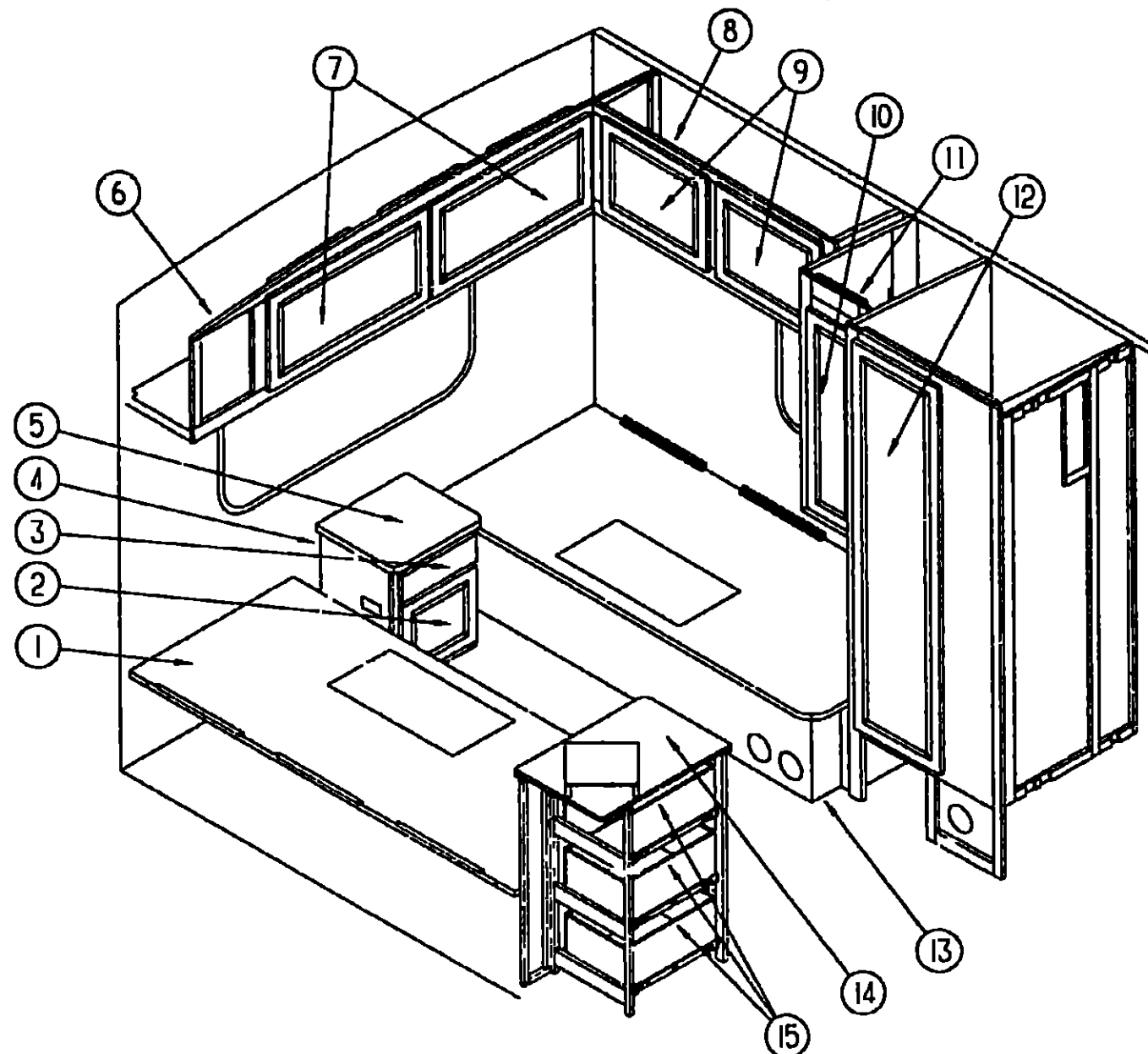
FLOOR PLAN	F-03 -	F-04
ACCESSORIES		F-05
AUDIO VIDEO	F-06 -	F 08
BATH	F-09 -	F-10
BEDROOM	F-11 -	F-12
CHASSIS	F-13 -	F-24
CURTAIN & CUSHION	G-01 -	G-10
DINETTE	G-11 -	G-12
DRIVERS COMPARTMENT	G-13 -	G-17
ELECTRICAL	G-18 -	G-24
EXTERIOR BODY	H-01 -	H-08
GALLEY	H-09 -	H-13
GENERATOR	H-14 -	H 15
HEATING & A/C	H-16 -	H-22
INTERIOR FINISH	H-23 -	I-02
LABELS	I-03 -	I-11
LP		I-12
LOUNGE	I-13 -	I-14
SEALANTS & FASTENERS	I-15 -	I-18
WATER & SEWAGE	I-19 -	I-24
WINDOW, VENT AND		
EXTERIOR DOOR	J-01 -	J 18
WINDSHIELD/WIPER	J-19 -	J 20

BEDROOM GROUP



QUEEN BEDROOM CABINETY

BEDROOM GROUP (CONTINUED)



TWIN BEDROOM CABINETY

**1993 WINNEBAGO
TABLE OF CONTENTS**

INTRODUCTION	A-01 -	A-02
ABBREVIATIONS		A-03
ALPHABETICAL INDEX	A-04 -	A-06
WCF27RC	A-07 -	F-02
WCF27RQ	F-03 -	J-20

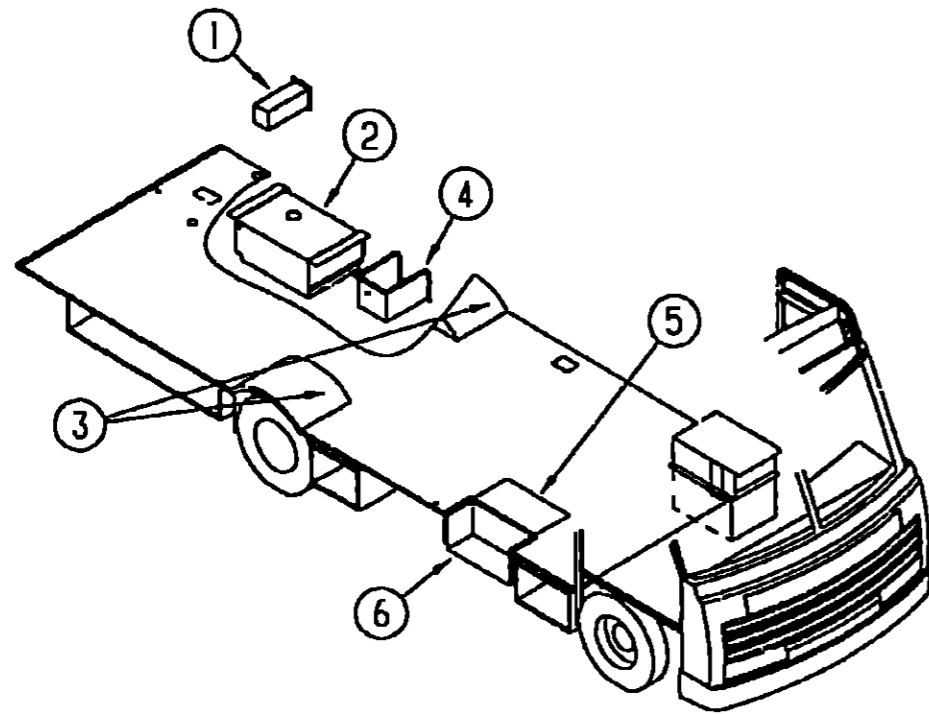
1993 WCF27RQ INDEX

FLOOR PLAN	F-03 -	F-04
ACCESSORIES		F-05
AUDIO VIDEO	F-06 -	F-08
BATH	F-09 -	F-10
BEDROOM	F-11 -	F-12
CHASSIS	F-13 -	F-24
CURTAIN & CUSHION	G-01 -	G-10
DINETTE	G-11 -	G-12
DRIVERS COMPARTMENT	G-13 -	G-17
ELECTRICAL	G-18 -	G-24
EXTERIOR BODY	H-01 -	H-08
GALLEY	H-09 -	H-13
GENERATOR	H-14 -	H-15
HEATING & A/C	H-16 -	H-22
INTERIOR FINISH	H-23 -	I-02
LABELS	I-03 -	I-11
LP		I-12
LOUNGE	I-13 -	I-14
SEALANTS & FASTENERS	I-15 -	I-18
WATER & SEWAGE	I-19 -	I-24
WINDOW, VENT AND		
EXTERIOR DOOR	J-01 -	J-18
WINDSHIELD/WIPER	J-19 -	J-20

KEY	PART NUMBER	U/M DESCRIPTION
	104826-01 C07	EA SHELF ASM-TV
	084070-02-000	EA POST-END, 2 4" - BRASS
	084071-15 000	EA ROD-BRASS 210 MM LONG
	058331-17-000	EA MIRROR-GLASS, SAFETY - 8 75" X 12 5"
	105004-01-01A	EA MOLDING MIRROR VINYL WRAPPED - OAK
	105219 01-C05	EA CABINET ASM-SHELF (BELOW TV SHELF)
1	106521-01-D09	EA CABINET-SHIRT CLOSET, W/O DOOR OR HARDWARE
2	P04746-64-D09	EA DOOR-W/O HARDWARE - 250 MM X 850 MM
3	P07832-01-D09	EA CABINET-OVERHEAD, W/O DOORS OR HARDWARE
4	P04746-04 D09	EA DOOR-W/O HARDWARE W/MIRROR - 400 MM X 710 MM
5	P04746-91-D09	EA DOOR-W/O HARDWARE - 390 MM X 1250 MM
6	P07104 H3 D09	EA DRAWER-CABINET, W/O HARDWARE - 155 MM X 390 MM FACE SIZE
7	P07104 H4 D09	EA DRAWER-CABINET W/O HARDWARE
8	P04746-49-D09	EA DOOR-W/O HARDWARE - 410 MM X 1660 MM
	009112-01 000	EA FLANGE - 1" ROD, CLOTHES - PLASTIC - OFF WHITE
	042438 01-000	EA DOWEL-WOOD, CLOTHES ROD - 1" DIAMETER X 4'
9	P07844-01-D09	EA CABINET-QUEEN BED W/O TOPS
	089076 01 000	EA SUPPORT BED, H-CHANNEL - 1 9" X 71 8" - ALUMINUM - BEIGE
		FROM 00-00 00 THRU 07 04 92
	041389 16 000	EA HINGE-PIANO, 72 5" LONG - BEIGE
	107539 01-000	EA SPRING-GAS, 20" BLADE END - SPRING LIFT SL3-110
	107540 01-000	EA BRACKET - 90 DEGREE, GAS SPRING - SPRING LIFT SL58RP1
	107541 01 000	EA BRACKET-FLAT, GAS SPRING - SPRING LIFTSL40P1
10	107841-01-D09	EA CABINET-NIGHTSTAND W/COUNTERTOP
11	P07104-H2 D09	EA DRAWER-CABINET, W/O HARDWARE 155 MM X 250 MM FACE SIZE
12	107811-11 D09	EA COUNTERTOP-NIGHTSTAND

KEY	PART NUMBER	U/M DESCRIPTION
1	P07542-01-D09	EA CABINET-TWIN BED W/O TOP, PASSENGER SIDE
2	P04746-16 D09	EA DOOR-W/O HARDWARE - 365 MM X 455 MM
3	P07330-04-D09	EA DRAWER-CABINET, W/O HARDWARE - 101 6 MM X 309 MM FACE SIZE
4	103778-01-D09	EA CABINET NIGHTSTAND, W/COUNTERTOP - W/O DOOR OR DRAWER
5	103778-11-D09	EA COUNTERTOP-NIGHTSTAND CABINET
6	P08814-01-D09	EA CABINET-OVERHEAD W/O DOORS OR HARDWARE
7	P04745-04-D09	EA DOOR-W/O HARDWARE W/MIRROR - 400 MM X 710 MM
8	P07837-01-D09	EA CABINET-OVERHEAD, W/O DOORS OR HARDWARE - DRIVER SIDE
	P07833 01-D09	EA CABINET-OVERHEAD, W/O DOORS OR HARDWARE - PASS SIDE (NOT SHOWN)
9	P04746-02-D09	EA DOOR-W/O HARDWARE - 15 74" X 20 47" - DRIVER OR PASS SIDE
	P04746-03-D09	EA DOOR-W/O HARDWARE - 400 MM X 710 MM - PASS SIDE ONLY (NOT SHOWN)
10	P04746-64-D09	EA DOOR-W/O HARDWARE - 250 MM X 850 MM
11	107835-01-D09	EA CABINET SHIRT CLOSET, W/O DOOR OR HARDWARE
12	P04746 49-D09	EA DOOR-W/O HARDWARE - 410 MM X 1660 MM
	009112-01-000	EA FLANGE - 1" ROD CLOTHES - PLASTIC - OFF WHITE
	042438-01-000	EA DOWEL-WOOD, CLOTHES ROD - 1" DIAMETER X 4'
13	P07497-01-D09	EA CABINET-TWIN BED W/O TOP, DRIVER SIDE
14	107834-11-D09	EA COUNTERTOP
15	P07104 B2-D09	EA DRAWER CABINET, W/O HARDWARE - 268 MM X 362 MM FACE SIZE

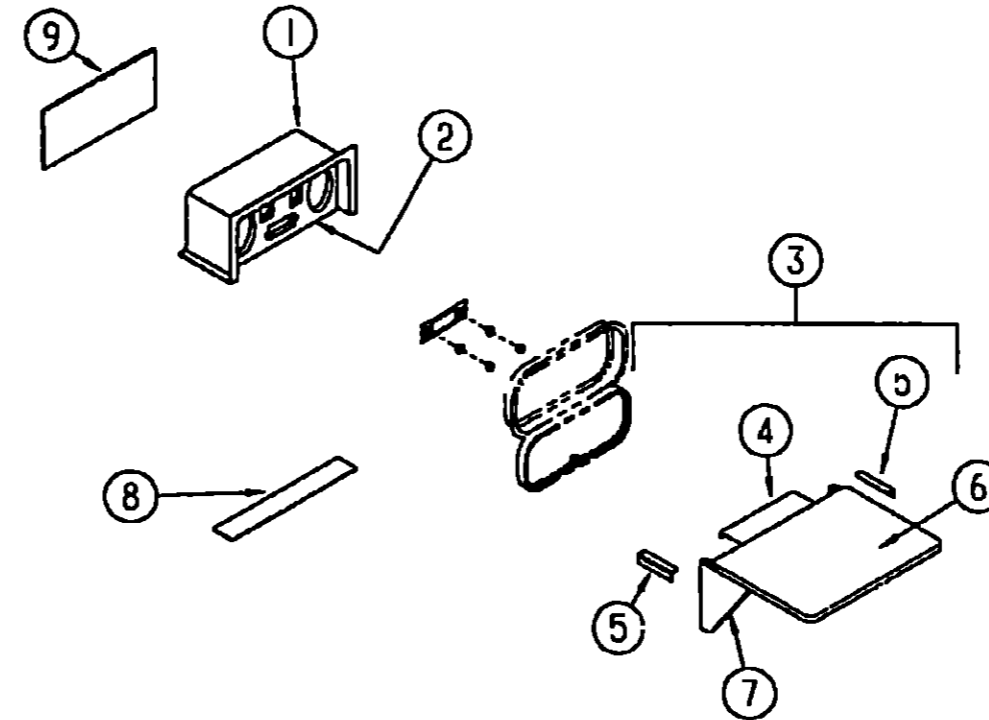
CHASSIS GROUP



COMPARTMENTS & WHEELWELLS

KEY	PART NUMBER	U/M DESCRIPTION
1	085967-01-CU0	EA COMPARTMENT-SEWER HOSE, 6" X 6 6" X 17 8" - PLASTIC
2	078137-04-000	EA TRAY-COMPARTMENT 29 1" WIDE X 22 4" DEEP
3	102921 01 000	FA WHEELWELL-PLASTIC
4	102979 01-000	EA BOX-POWER CORD
5	104006 01-C05	EA LID ENTRANCE STEP COMPARTMENT W/O CARPET
	101222-01-01A	EA BRACKET-CATCH, LID - BEIGE
	042541-04 000	EA LATCH-BRASS W/O STRIKE - HASP TYPE - BRASS
6	077848-02-000	EA STEP-PULLOUT
	091176 01 000	EA SUPPORT-BASE-ENTRANCE STEP
	056746 01-000	EA PLUG-CAP, 1" DIAMETER
	056748-01-000	EA PLUG-CAP, 1 5" DIAMETER - BLACK
	106208 01-01A	FA COMPARTMENT-EXTERIOR SHOWER, OFF WHITE - PLASTIC

CHASSIS GROUP (CONTINUED)



PATIO ENTERTAINMENT CENTER

KEY	PART NUMBER	U/M DESCRIPTION
1	104897-03-01A	EA BOX-ENTERTAINMENT CENTER - OFF WHITE
2	104899-01-C05	EA PLATE-RADIO MOUNTING
3	105230-01-D09	EA SHELF ASSEMBLY
4	105377-01-01A	EA BRACKET-TABLE HANGER OFF WHITE
5	105376-01-02A	EA HINGE-CONTINUOUS, 2" X 140 MM - OFF WHITE
6	105230 11-D05	EA SHELF
7	105230-12-D09	EA SUPPORT-SHELF
8	104898 01-01A	EA PLATE-PLASTIC BOTTOM - 19 38" X 3 1" - OFF WHITE
9	104898-02-01A	EA PLATE-PLASTIC REAR - 16 1" X 6 3" - OFF WHITE

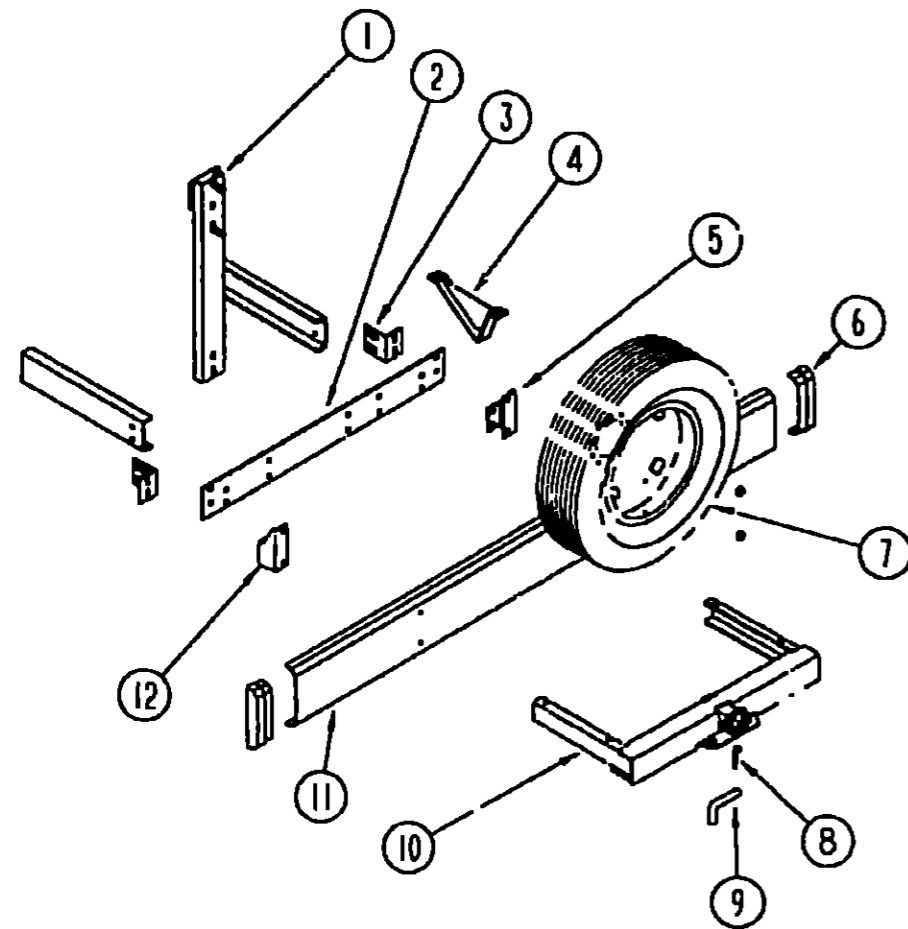
1993 WINNEBAGO TABLE OF CONTENTS

INTRODUCTION	A-01 -	A-02
ABBREVIATIONS		A-03
ALPHABETICAL INDEX	A-04 -	A-06
WCF27RC	A-07 -	F-02
WCF27RQ	F-03 -	J-20

1993 WCF27RQ INDEX

FLOOR PLAN	F-03 -	F-04
ACCESSORIES		F-05
AUDIO VIDEO	F-06 -	F-08
BATH	F-09 -	F-10
BEDROOM	F-11 -	F-12
CHASSIS	F-13 -	F-24
CURTAIN & CUSHION	G-01 -	G-10
DINETTE	G-11 -	G-12
DRIVERS COMPARTMENT	G-13 -	G-17
ELECTRICAL	G-18 -	G-24
EXTERIOR BODY	H-01 -	H-08
GALLEY	H-09 -	H-13
GENERATOR	H-14 -	H-15
HEATING & A/C	H-16 -	H-22
INTERIOR FINISH	H-23 -	I 02
LABELS	I-03 -	I-11
LP		I-12
LOUNGE	I-13 -	I-14
SEALANTS & FASTENERS	I-15 -	I-18
WATER & SEWAGE	I-19 -	I-24
WINDOW, VENT AND		
EXTERIOR DOOR	J-01 -	J-18
WINDSHIELD/WIPER	J-19 -	J-20

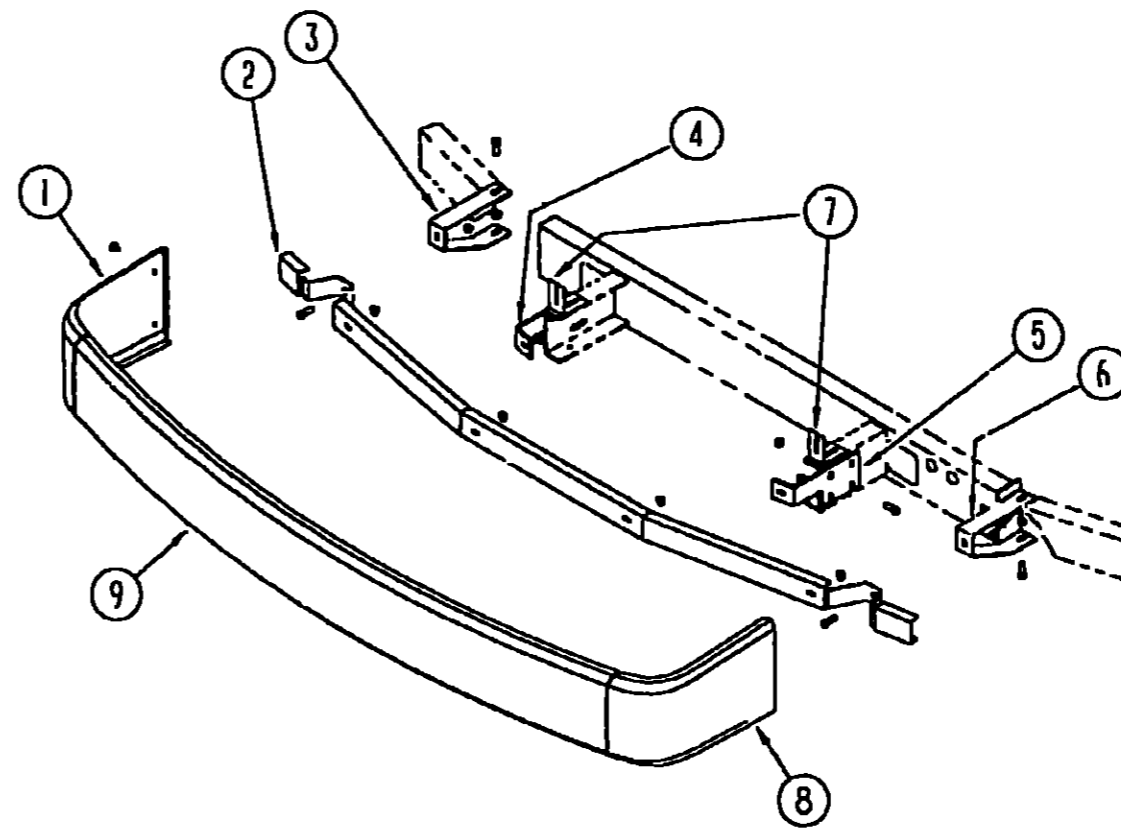
CHASSIS GROUP (CONTINUED)



REAR BUMPER, TRAILER HITCH & COMPONENTS

KEY	PART NUMBER	U/M	DESCRIPTION
1	102944-01-000	EA	BRACKET ASM-TIRE CARRIER
2	078678-02-000	EA	PLATE-MOUNTING, BUMPER - REAR
3	078668-01-000	EA	SUPPORT ANGLE-BUMPER, REAR
4	083376-01-000	CA	SKID PLATE
5	102945-03 000	EA	BRACKET ASM BUMPER REAR
6	103228 01-01A	EA	CAP-END BUMPER - REAR - OFF WHITE - DRIVER OR PASSENGER SIDE
	094362-02-000	EA	CLIP-CHRISTMAS TREE, FLAT HEAD - 5" X 95"
7	083425-07-000	EA	TIRE - 7 50XR16 LRD, MICHELIN XPS RIB - GAS
7	007324-04-000	EA	TIRE - 8R19 5 LRD, MICHELIN XZA - DIESEL OPTION
	089359-03-000	EA	WHEEL-STEEL 16" X 6"K - 8 HOLE - PRIMED - GAS
	051377-01-000	EA	STEM VALVE TR 500 - DIESEL OPTION
	051377-03-000	EA	STEM-VALVE, TRO 600HP - GAS
8	034513 01-000	CA	PIN HITCH - 3/16 WIRE
9	034512-01-000	EA	PIN-LOCKING DRAWBAR
10	077617-01-000	EA	HITCH ASM W/O DRAWBAR
11	103099 01 02A	EA	BUMPER REAR, OFF WHITE
12	102945-04-000	CA	BRACKET ASM BUMPER, REAR
	097744-02-000	EA	HOUSING TRAILER PIN 48"
	097745 02-000	CA	HOUSING RECEPTACLE, TRAILER - 48" WIRE LENGTH
	097746-01-000	EA	HOUSING CAP

CHASSIS GROUP (CONTINUED)



FRONT BUMPER

KEY	PART NUMBER	U/M	DESCRIPTION
1	103625 01-01A	EA	PANEL-FACIA, BUMPER - FRONT RIGHT - OFF WHITE
2	103512 01-000	EA	CHANNEL ASM-BUMPER
3	103497-01-000	EA	BRACE-BUMPER,FRONT
4	086140 03 000	EA	SUPPORT-FRONT BUMPER, PASSENGER SIDE - 9 1" X 4" - STEEL
5	086140 04-000	EA	SUPPORT-FRONT BUMPER DRIVER SIDE - 9 1" X 4" - STEEL
6	103611 01-000	EA	BRACE-BUMPER,FRONT
7	103628 01-000	EA	BRACKET-FRONT, LOWER - MOUNTING
8	103625-02-01A	EA	PANEL-FACIA, BUMPER - FRONT LEFT - OFF WHITE
9	103634-01-C05	EA	BUMPER ASM FRONT, W/DRIVER & PASSENGER SIDE FACIA PANELS
	087234 01-000	EA	NUT-JACK 1/4" X 20 THREADS MOLLY - ARDEN 8-L,JN BRASS

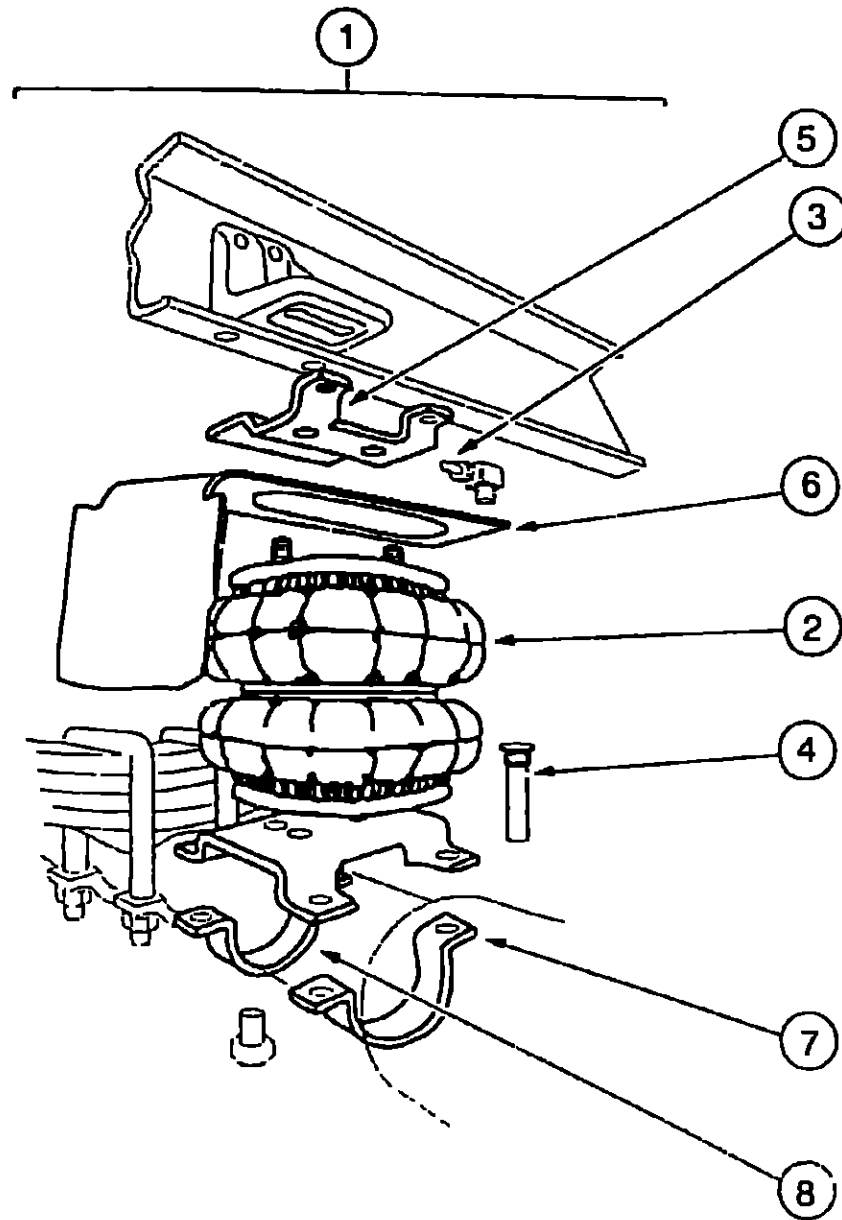
**1993 WINNEBAGO
TABLE OF CONTENTS**

INTRODUCTION	A-01 -	A-02
ABBREVIATIONS		A-03
ALPHABETICAL INDEX	A-04 -	A-06
WCF27RC	A-07 -	F-02
WCF27RQ	F-03 -	J-20

1993 WCF27RQ INDEX

FLOOR PLAN	F-03 -	F-04
ACCESSORIES		F-05
AUDIO VIDEO	F-06 -	F-08
BATH	F-09 -	F-10
BEDROOM	F-11 -	F-12
CHASSIS	F-13 -	F-24
CURTAIN & CUSHION	G-01 -	G-10
DINETTE	G-11 -	G-12
DRIVERS COMPARTMENT	G-13 -	G-17
ELECTRICAL	G-18 -	G-24
EXTERIOR BODY	H-01 -	H-08
GALLEY	H-09 -	H-13
GENERATOR	H-14 -	H-15
HEATING & A/C	H-16 -	H-22
INTERIOR FINISH	H-23 -	I-02
LABELS	I-03 -	I-11
LP		I-12
LOUNGE	I-13 -	I-14
SEALANTS & FASTENERS	I-15 -	I-18
WATER & SEWAGE	I-19 -	I-24
WINDOW, VENT AND		
EXTERIOR DOOR	J-01 -	J-18
WINDSHIELD/WIPER	J-19 -	J-20

CHASSIS GROUP (CONTINUED)

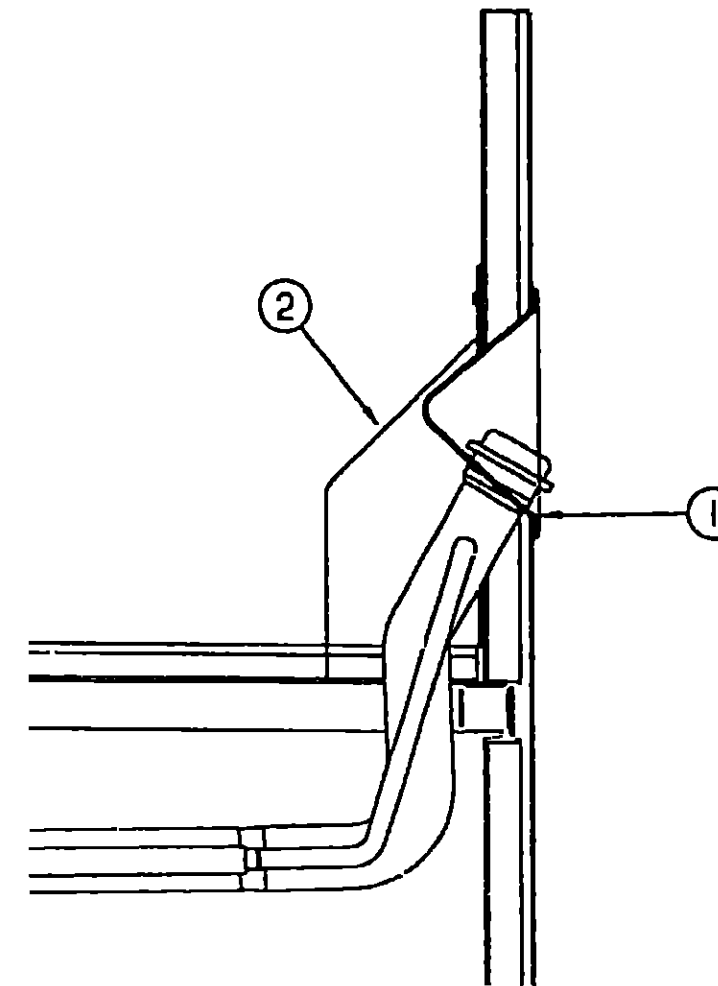


REAR AXLE AIRSPRINGS

KEY	PART NUMBER	U/M DESCRIPTION
1	084086-04-000	EA AIRSPRING-BELLOWS REAR AXLE - FIRESTONE# MHA224 - GAS ENGINE
2	084086-04-702	EA AIR BAG-ONLY, FIRESTONE# W217602064
3	084086-01-701	EA TUBING DOT 1/4" X 1/2" - FIRESTONE# 21-0938
4	084086-01-702	EA BOLT RIBBED NECK 3/8"-24 X 2 5" FIRESTONE# 21-0829
	084086-01-705	EA TUBING PROTECTORS FIRESTONE# 21-0899
5	084086-01-706	EA BRACKET-UPPER TO FRAME, FIRESTONE# 21 0150
6	084086-01-711	EA HEAT SHIELD 224 DOS SYSTEM, FIRESTONE# 21-5042
7	084086-01-713	EA AXLE STRAP BRACKET, AXLE TUBE - 3 USED - FIRESTONE# 21-1163
8	084086-01-714	EA AXLE STRAP BRACKET, DIFFERENTIAL - 1 USED - FIRESTONE# 21-5038
	084086-04-700	EA BRACKET, LOWER DRIVERS SIDE
	084086-04-701	EA BRACKET, LOWER PASSENGER SIDE
	100322-01-000	EA PLATE-VALVE AIRSPRING

FROM 00-00 00 THRU 07-08-92

CHASSIS GROUP (CONTINUED)



FUEL SYSTEM

KEY	PART NUMBER	U/M DESCRIPTION
1	102951 01 02A	EA SHROUD-FUEL FILL - OFF WHITE
2	072447 04 000	EA SHROUD FUEL FILL UPPER - PLASTIC
	007063 01 000	FT HOSE-GAS 1/4"ID X 1/2"OD
	084884 01 000	EA PLUG-BRASS 3/8"
	044317-01-000	FT HOSE-FUEL 3/8" ID - DIESEL ONLY

**1993 WINNEBAGO
TABLE OF CONTENTS**

INTRODUCTION	A-01 -	A-02
ABBREVIATIONS		A-03
ALPHABETICAL INDEX	A-04 -	A-06
WCF27RC	A-07 -	F-02
WCF27RQ	I-03 -	J-20

1993 WCF27RQ INDEX

FLOOR PLAN	F-03 -	F-04
ACCESSORIES		F-05
AUDIO VIDEO	F-06 -	F-08
BATH	F-09 -	F-10
BEDROOM	F-11 -	F-12
CHASSIS	F-13 -	F-24
CURTAIN & CUSHION	G-01 -	G-10
DINETTE	G-11 -	G-12
DRIVERS COMPARTMENT	G-13 -	G-17
ELECTRICAL	G-18 -	G-24
EXTERIOR BODY	H-01 -	H-08
GALLEY	H-09 -	H-13
GENERATOR	H-14 -	H-15
HEATING & A/C	H-16 -	H-22
INTERIOR FINISH	I-23 -	I-02
LABELS	I-03 -	I-11
LP		I-12
LOUNGE	I-13 -	I-14
SEALANTS & FASTENERS	I-15 -	I-18
WATER & SEWAGE	I-19 -	I-24
WINDOW VENT AND EXTERIOR DOOR	J-01 -	J-18
WINDSHIELD/WIPER	J-19 -	J-20

CHASSIS GROUP (CONTINUED)
CHASSIS MISCELLANEOUS

KEY	PART NUMBER	U/M DESCRIPTION
	055278 51-259	FT TUBING-STEEL, 75" X 15" X 12 5"
	008042-01-000	FT TUBING-VINYL 65" ID
	065450-05-000	EA TIEDOWN-BATTERY, 8 4" TUBE - STEEL
	075307-03-000	EA SHIELD-HEAT, LP - DIESEL OPTION
	093719 01-000	EA HOSE-OIL FILL, PREFORMED 90 DEGREE BEND - DIESEL OPTION
	077001-01-000	EA ANGLE-MOUNTING, ROOF PANEL - V ANGLE - 3" X 2 4" X 1 5"
	070579 06-000	EA PLATE-ANCHOR, W/7/16 WELD NUT - 1 5" X 3 3"
	103136-01-000	EA BRACKET-SUPPORT, UPPER HINGE - RIGHT
	103136 02-000	EA BRACKET-SUPPORT, UPPER HINGE - LEFT
	017516-01-000	EA FLAP-MUD, 14" X 18" - BLACK
	020167-04-000	EA GUARD-DIRT, MUDFLAP
		FROM 00-00-00 THRU 08-26 92
	020167-05 000	EA GUARD-DIRT, MUDFLAP
		FROM 08-27-92 THRU 99 99-99
	076310 01 000	EA BAFFLE-RADIATOR 12" X 15" X 62" - RUBBER

FRONT SHOCKS

KEY	PART NUMBER	U/M DESCRIPTION
	104993 01-000	EA SHOCK ABSORBER-GAS, P30 FRONT - BILSTEIN B46-1173

TIRE COVERS

KEY	PART NUMBER	U/M DESCRIPTION
	104408 01-C05	EA COVER-TIRE 32" - BRAVE
	104408 02 C05	EA COVER TIRE 34" - BRAVE - DIESEL OPTION
	104408 01-D10	EA COVER-TIRE 32" - BRAVE BLUE GRAPHICS OPTION
	108163-02 01A	EA COVER ASM TIRE, 19 5" CHEVY - DIESEL - CHROME - EXTERIOR TRIM OPTION
	108560-03-01A	EA INSERT-TIRE COVER 19 5" CHEVY - OFF WHITE - EXTERIOR TRIM OPTION
	108163 01-01A	EA COVER ASM TIRE 16" CHEVY - GAS - CHROME - EXTERIOR TRIM OPTION
	108560 02-01A	EA INSERT-TIRE COVER 16" CHEVY - OFF WHITE - EXTERIOR TRIM OPTION

CHASSIS GROUP (CONTINUED)
16" CHEVY STAINLESS STEEL WHEEL LINERS

KEY	PART NUMBER	U/M DESCRIPTION
	091209-05-000	EA LINER-WHEEL, SET OF 4 - 16" - STAINLESS STEEL
	091209-03-702	EA COVER-AXLE FRONT - 8 LUG - FORD & CHEVY
	091209-03-703	EA COVER-AXLE REAR - 8 LUG - FORD & CHEVY
	091209-03-704	EA RING-SNAP, FRONT OR REAR - 8 LUG - FORD & CHEVY
	091209 05 700	EA LINER-WHEEL, 16" FRONT - W/AXLE COVER & 8 LUG - CHEVY/FORD
	091209 05 701	EA LINER-WHEEL 16" REAR - W/AXLE COVER & 8 LUG - CHEVY/FORD
	095012-03-000	EA EXTENSION VALVE STEM DUAL WHEEL
	095012 04 000	EA STABILIZER-VALVE STEM EXTENSION, D/COR AG-STA-2
		FROM 01-04-93 THRU 99 99 99
	077030-02-000	EA EXTENSION VALVE STEM 1 25"

16" CHEVY WHEEL COVERS

KEY	PART NUMBER	U/M DESCRIPTION
	083181-01 700	EA COVER-WHEEL, 16" - 8 LUG - 1 ONLY

ELECTRIC ENTRY STEP

KEY	PART NUMBER	U/M DESCRIPTION
	075723 02-000	EA SPACER-SWITCH, W/HOLE - 7" X 9" X 2" - METAL - OFF WHITE FOR ELECTRIC STEP DOOR JAMB SWITCH
	P01713 01-000	EA SWITCH ASSEMBLY-PUSH BUTTON, IN DOOR JAMB - METAL - CHROME
	113285 01 01A	EA SEAL-SWITCH STEP - BLACK - LUNDELL
	094708 01 01A	EA STEP-ENTRY DOOR ELECTRIC - SINGLE - KWIKEE 2813
	094707 02-700	EA MOTOR REPLACEMENT KIT - MODELS 32 & 28 - KWIKEE 9520
	094707 02-702	EA GEAR KIT - KWIKEE 9525
	094707-02-703	EA PARTS KIT, (BEARINGS & PINS) - KWIKEE 9530
	094707-02-704	EA CONNECTOR KIT MOTOR KWIKEE 9537
	094707-02-705	EA CONTROL UNIT (ORANGE) - KWIKEE 9513
	094708 02 700	EA CONVERSION KIT 28 SERIES - KWIKEE 9570
	094707 02-707	EA TREAD NON SKID, BLACK 6" X 21" - KWIKEE 909333
	094708 03 700	EA LINKAGE ASM F/28 SERIES - KWIKEE 9522

LUG WRENCH & LEVERAGE BAR

KEY	PART NUMBER	U/M DESCRIPTION
	080208 01-000	EA LUG WRENCH 1 05 X 1 00
	080208 02-000	EA LEVERAGE BAR-LUG WRENCH

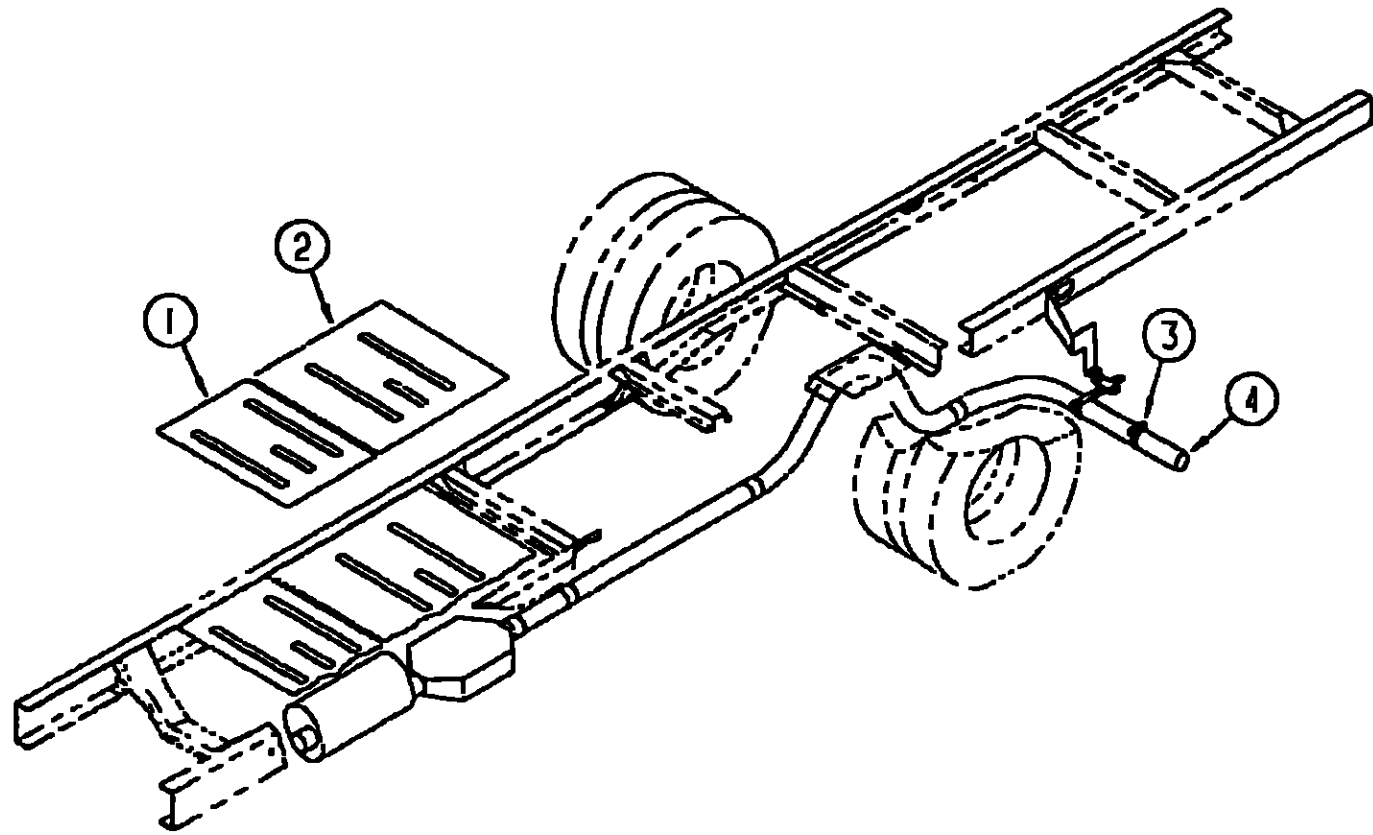
1993 WINNEBAGO
TABLE OF CONTENTS

INTRODUCTION	A-01 -	A-02
ABBREVIATIONS		A-03
ALPHABETICAL INDEX	A-04 -	A-06
WCF27RC	A-07 -	F-02
WCF27RQ	F-03 -	J-20

1993 WCF27RQ INDEX

FLOOR PLAN	F-03 -	F-04
ACCESSORIES		F-05
AUDIO VIDEO	F-06 -	F-08
BATH	F-09	F-10
BEDROOM	F-11 -	F-12
CHASSIS	F-13	F-24
CURTAIN & CUSHION	G-01	G-10
DINETTE	G-11	G-12
DRIVERS COMPARTMENT	G-13	G-17
ELECTRICAL	G-18 -	G-24
EXTERIOR BODY	H-01 -	H-08
GALLEY	H-09	H-13
GENERATOR	H-14	H-15
HEATING & AC	H-16 -	H-22
INTERIOR FINISH	H-23	I-02
LABELS	I-03 -	I-11
LP		I-12
LOUNGE	I-13	I-14
SEALANTS & FASTENERS	I-15 -	I-18
WATER & SEWAGE	I-19	I-24
WINDSHIELD WIPER		
EXTERIOR DOOR	J-01	J-08
WINDSHIELD WIPER	J-19	J-20

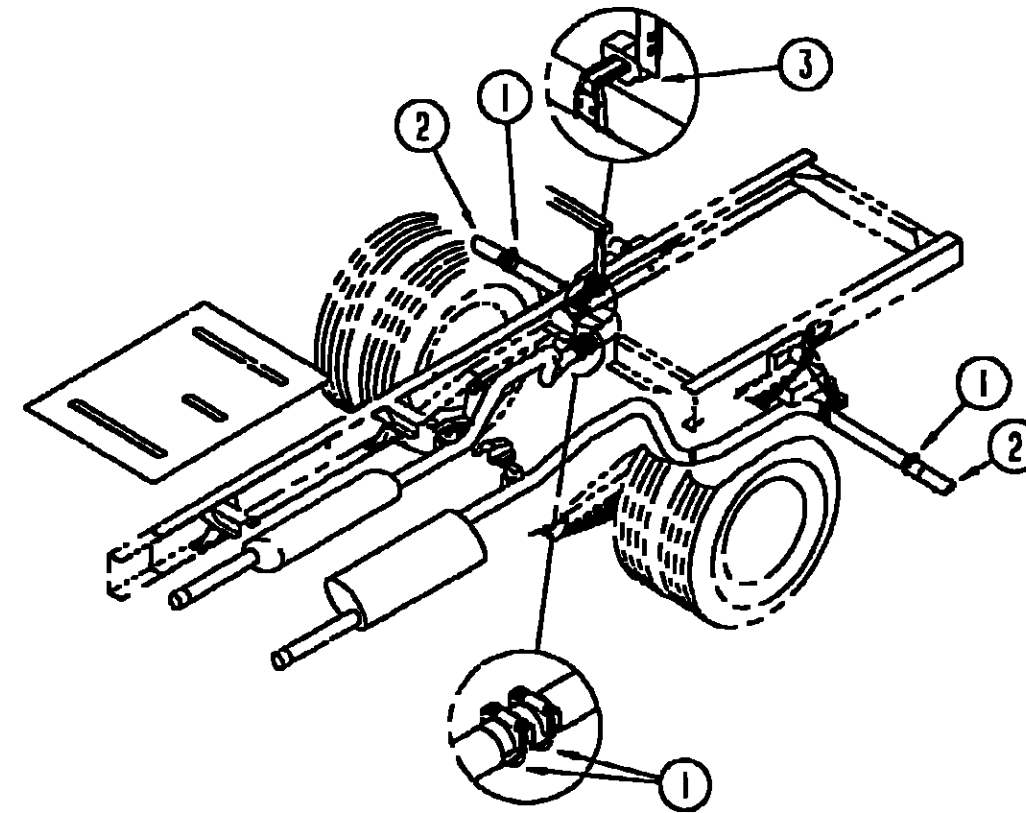
CHASSIS GROUP (CONTINUED)



EXHAUST SYSTEM - GAS

KEY	PART NUMBER	U/M DESCRIPTION
1	101544 01 000	EA SHIELD HEAT EXHAUST - 19 7" X 28 9" - STEEL
2	101544 02 000	EA SHIELD HEAT EXHAUST - 30" X 28 9" - STEEL
3	081918 01 000	EA CLAMP-EXHAUST 3" - GUILLOTINE STYLE
4	093752 01 000	EA EXTENSION-EXHAUST STRAIGHT 3" OD - 7 3/4" LONG - STAINLESS STEEL
	003422 01 000	EA SHIELD HEAT EXHAUST - 48" X 7 5" - STEEL

CHASSIS GROUP (CONTINUED)



EXHAUST SYSTEM - DIESEL

KEY	PART NUMBER	U/M DESCRIPTION
1	081918-03 000	EA CLAMP EXHAUST 2 5"
2	081918 01 000	EA EXTENSION-EXHAUST STRAIGHT - 2 25" OD X 9 44" - STAINLESS STEEL
3	098933 01 000	EA BRACKET-EXHAUST, HANGER - L ANGLE - 1 7" X 13 3" - STEEL

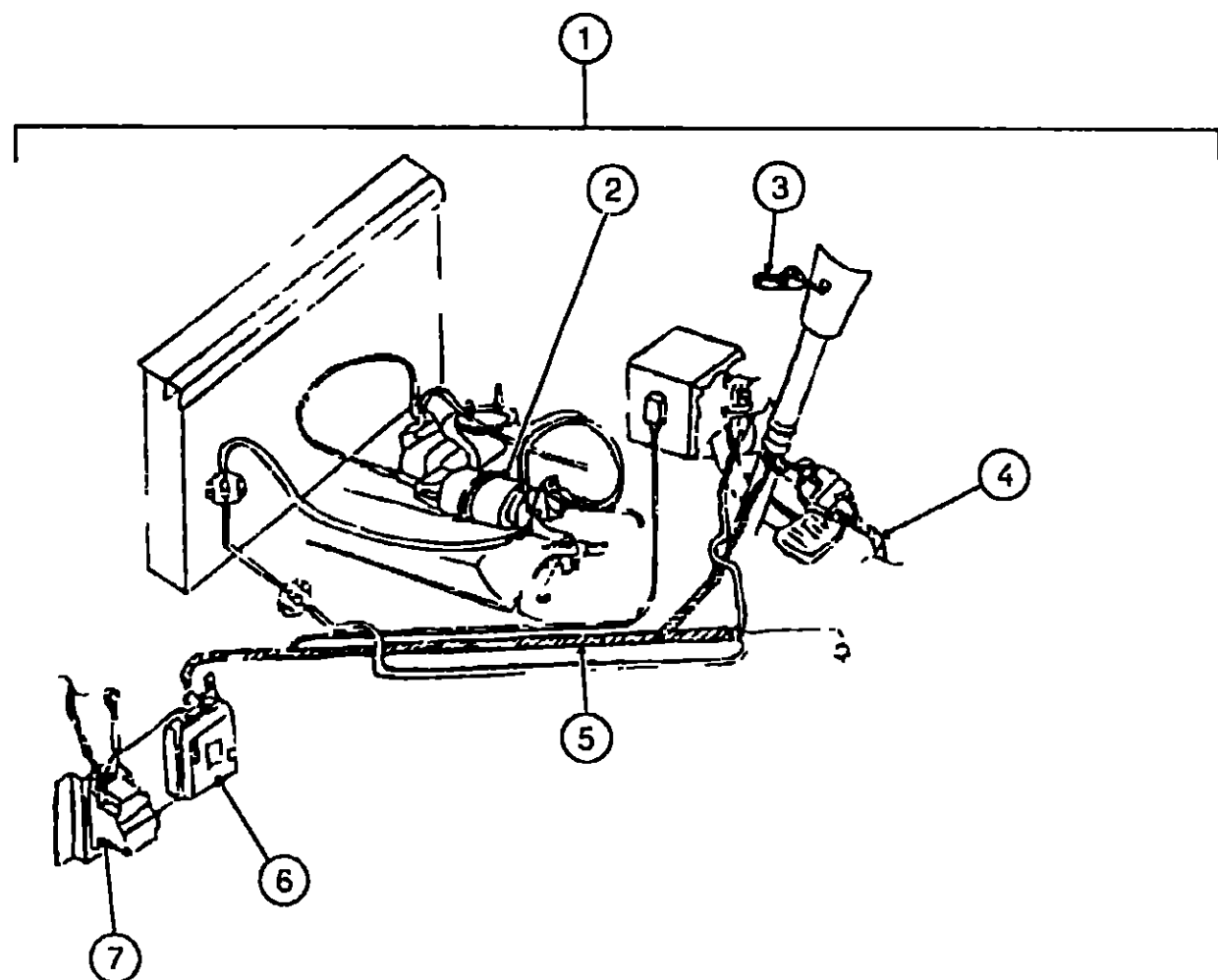
**1993 WINNEBAGO
TABLE OF CONTENTS**

INTRODUCTION	A-01 -	A-02
ABBREVIATIONS		A-03
ALPHABETICAL INDEX	A-04 -	A-06
WCF27RC	A-07 -	F-02
VCF27RQ	F-03 -	J-20

1993 WCF27RQ INDEX

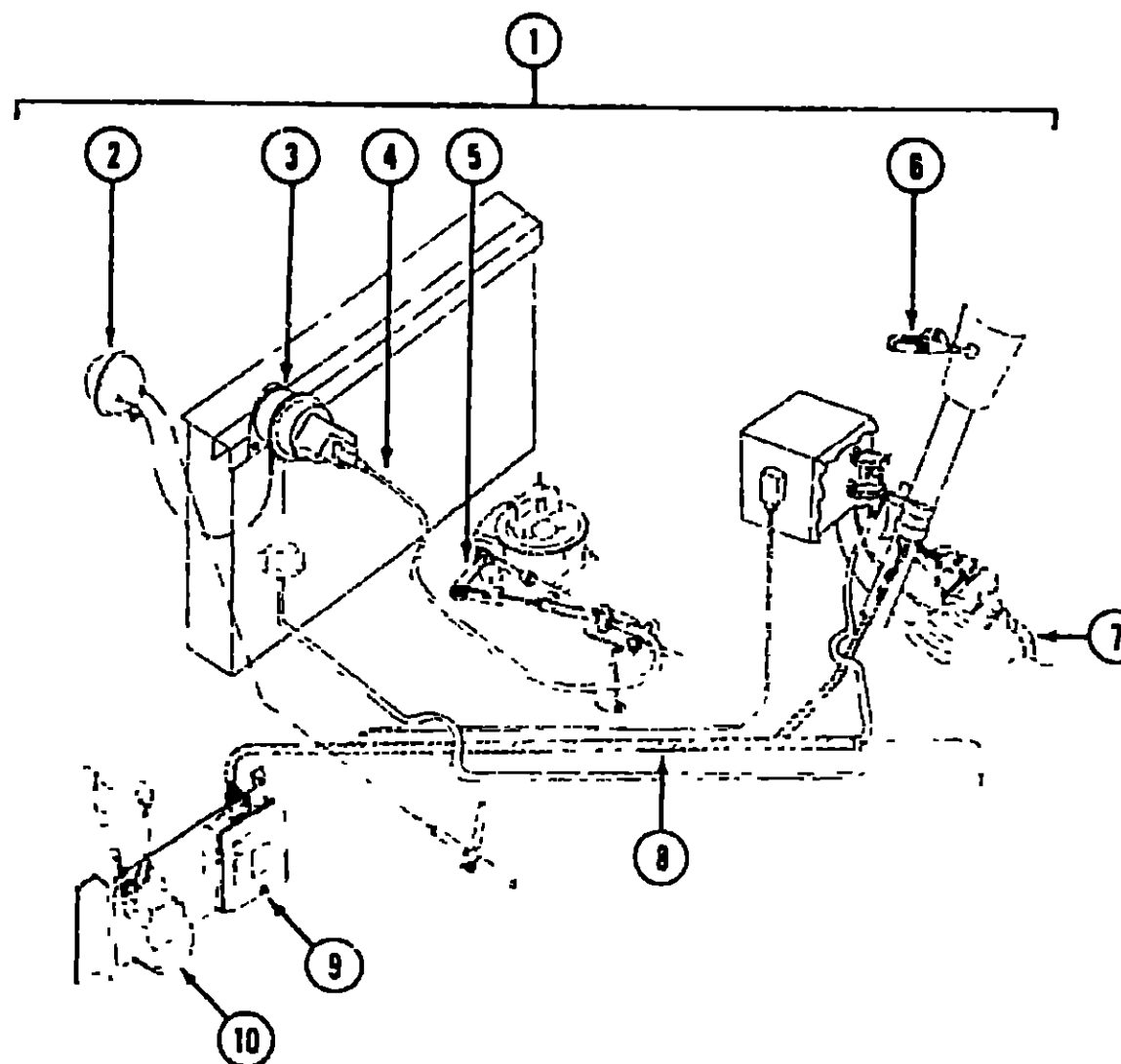
FLOOR PLAN	F-03 -	F-04
ACCESSORIES		F-05
AUDIO VIDEO	F-06 -	F-08
BATH	F-09 -	F-10
BEDROOM	F-11 -	F-12
CHASSIS	F-13 -	F-24
CURTAIN & CUSHION	G-01 -	G-10
DINETTE	G-11 -	G-12
DRIVERS COMPARTMENT	G-13 -	G-17
ELECTRICAL	G-18 -	G-24
EXTERIOR BODY	H-01 -	H-08
GALLEY	H-09 -	H-13
GENERATOR	H-14 -	H-15
HEATING & A/C	H-16 -	H-22
INTERIOR FINISH	H-23 -	I-02
LABELS	I-03 -	I-11
LP		I-12
LOUNGE	I-13 -	I-14
SEALANTS & FASTENERS	I-15 -	I-18
WATER & SEWAGE	I-19 -	I-24
WINDOW VENT AND		
EXTERIOR DOOR	J-01 -	J-18
WINDSHIELD WIPER	J-19 -	J-20

CHASSIS GROUP (CONTINUED)



SPEED CONTROL - DIESEL

CHASSIS GROUP (CONTINUED)



SPEED CONTROL - GAS

1993 WINNEBAGO
TABLE OF CONTENTS

INTRODUCTION	A-01 -	A-02
ABBREVIATIONS		A-03
ALPHABETICAL INDEX	A-04 -	A-06
WCF27RC	A-07 -	F-02
WCF27RQ	F-03 -	J-20

1993 WCF27RQ INDEX

FLOOR PLAN	F-03 -	F-04
ACCESSORIES		F-05
AUDIO VIDEO	F-06 -	F-08
BATH	F-09 -	F-10
BEDROOM	F-11 -	F-12
CHASSIS	F-13 -	F-24
CURTAIN & CUSHION	G-01 -	G-10
DINETTE	G-11 -	G-12
DRIVERS COMPARTMENT	G-13 -	G-17
ELECTRICAL	G-18 -	G-21
EXTERIOR BODY	H-01 -	H-03
GALLEY	H-03 -	H-13
GENERATOR	H-14 -	H-15
HEATING & A/C	H-16 -	H-22
INTERIOR FINISH	H-23 -	I-02
LABELS	I-03 -	I-11
LP		I-12
LOUNGE	I-13 -	I-14
SEALANTS & FASTENERS	I-15 -	I-18
WATER & SEWAGE	I-19 -	I-24
WINDOW VENT AND		
EXTERIOR DOOR	J-01 -	J-18
WINDSHIELD/WIPER	J-19 -	J-20

KEY	PART NUMBER	U/M DESCRIPTION
1	102362-02-000	EA SPEED CONTROL DANA 59L111020P
2	094369-01-706	EA SERVO-DANA 53D-11116 R
3	102362-02-700	EA CONTROL SWITCH & LEVER - DANA 8D 08X63 F
4	102362-01-703	EA HARNESS PIVOT SW TO WIPER CONTROL DANA 59C 02973
5	102362-01-704	EA HARNESS MAIN WIRING DANA 59D 02975
6	102362-01-701	EA REGULATOR ELECTRONIC DANA 57C 08X13 R
7	102362-01-702	EA WIPER CONTROL MODULE-DANA C6D 00061
	094863-01-704	EA HOUSING - 4 PIN SPEED CONTROL - DANA 59C-02291
	102362-02-701	EA JUMPER WIRE ASSEMBLY - DANA 59C 3003
	102362-02-702	EA STOP LAMP CRUISE RELEASE SWITCH - DANA 59C-3003 GM15644318
	094369-02-700	EA CABLE-SERVO DANA 59C-02262
	094369-02-701	EA VACUUM REGULATOR DIESEL DANA 59B-02117
	094369-02-702	EA EXTENSION-WIRE HARNESS DANA 59C C2279

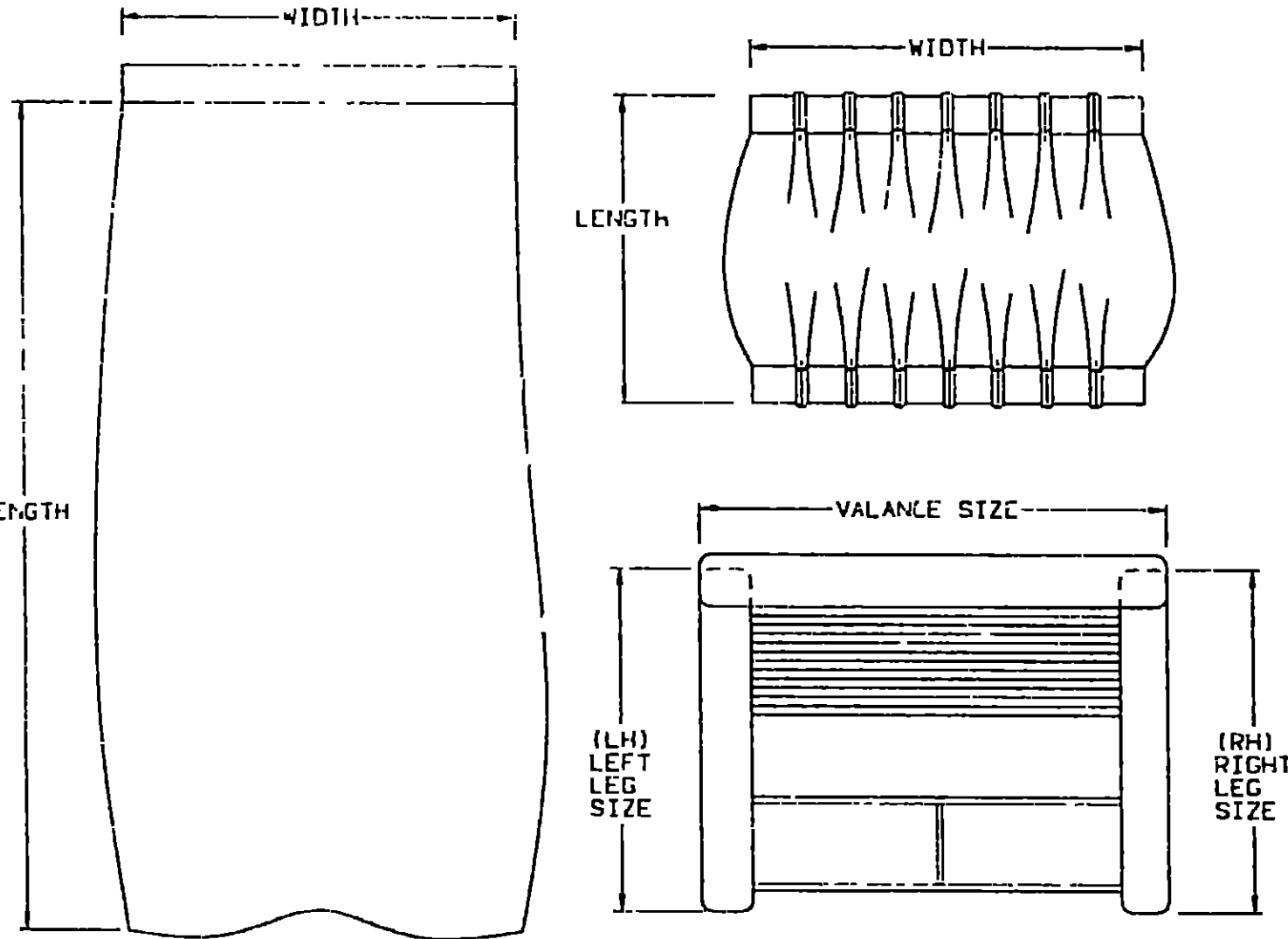
KEY	PART NUMBER	U/M DESCRIPTION
1	102362-01-000	EA SPEED CONTROL DANA 59L-111016B
1	102362-04-000	EA SPEED CONTROL DANA 59L 111022-B FROM 00-00-00 THRU 03-17-92
2	094369-01-705	EA VACUUM RESERVOIR DANA 59C-02249
3	094369-01-706	EA SERVO DANA 53D-11116 R
4	102362-01-700	EA CABLE ONLY-REPLACEMENT DANA 59C-030J1
5	102362-01-706	EA THROTTLE STUD DANA 59A-02979
6	102362-01-707	EA CONTROL SWITCH & LEVER ASM DANA 53D 08X63 F
7	102362-01-703	EA HARNESS ASM-PIVOT SW TO WIPER, DANA 59C-02973
8	102362-01-704	EA HARNESS ASM MAIN WIRING DANA 59D 02975
9	102362-01-701	EA REGULATOR ASM-ELECTRONIC DANA 57C-08X13-R
10	102362-01-702	EA WIPER CONTROL MODULE, DANA C6D 00061
	102362-01-705	EA THROTTLE RETAINER CLIP DANA 59A 02821
	094863-01-704	EA HOUSING - 4 PIN DANA 59C 02291

CURTAIN & CUSHION GROUP

NOTICE

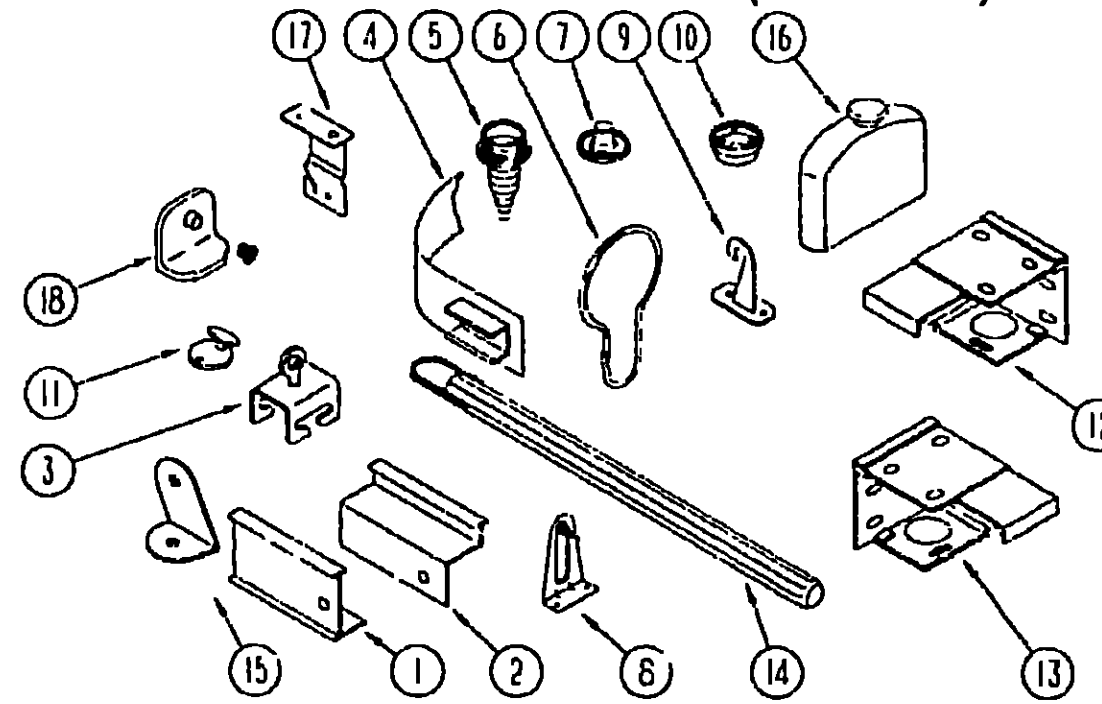
IN ORDER TO ASSIST OUR PARTS SALES DEPT. IN PROVIDING INTERIOR SOFTGOODS ITEMS PLEASE INCLUDE THE SERIAL NUMBER AND THE COLOR CODE NUMBER FROM THE VEHICLE CERTIFICATION LABEL WHEN ORDERING. THIS LABEL IS LOCATED ON THE LEFT SIDEWALL AT THE END OF THE DASH (A BODY) OR ON THE DRIVER'S DOOR LATCH PLATE (C-BODY).

AN EXAMPLE OF A COLOR CODE NUMBER IS B07 WHICH DESIGNATES AN OVERALL COLOR SCHEME OF A PARTICULAR UNIT. THE COLOR LISTED AFTER THE ITEM DESCRIPTION ON THE MICROFICHE, INDICATES THE OVERALL UNIT COLOR. ORDER THE ITEM YOU DESIRE ACCORDING TO UNIT COLOR CODE.



NOTE: USE THIS ILLUSTRATION WHEN DETERMINING LENGTH AND WIDTH MEASUREMENTS FOR CURTAINS. YOU WILL NOTE THE WIDTH MEASUREMENT IS TAKEN ON THE TOP OF THE CURTAIN WITH THE CURTAIN FULLY EXTENDED. THE LENGTH MEASUREMENT IS TAKEN FROM TOP TO BOTTOM. LEFT AND RIGHT WINDOW LEGS ARE DETERMINED WHEN FACING THE WINDOW.

CURTAIN & CUSHION GROUP (CONTINUED)



CURTAIN, BLIND HARDWARE & TRACKS

KEY	PART NUMBER	U/M DESCRIPTION
1	00970(-01-002	EA TRACK-L-SHAPED 195 2' - OFF WHITE - ROOM DIVIDER
2	10158 J 02 C05	EA TRACK ASM-CURTAIN, RIGHT HAND WRAPAROUND - OFF WHITE - 10'
2	105324-01 01A	EA TRACK CURTAIN, RIGHT HAND WRAPAROUND - OFF WHITE - 10'
2	105450 01 01A	EA TRACK CURTAIN LEFT HAND WRAPAROUND - OFF WHITE - 30 8" LONG
2	105324-02 01A	EA TRACK-CURTAIN RIGHT HAND WRAPAROUND - OFF WHITE - 6' 5" - TV OPTIONS
2	105324-03 01A	EA TRACK-CURTAIN, LEFT HAND WRAPAROUND - OFF WHITE - 6' 5" - TV OPTIONS
3	009702 01 000	EA END STOP-CURTAIN CARRIER, L ROD
	102075 07-01A	EA ROD-SHOWER CURTAIN OFF WHITE
	069112 01-000	EA FLANGE - 1" ROD CLOTHES - PLASTIC - OFF WHITE
	046967 01 000	EA GROMMET-BRASS 7/16" ID X 1" OD
4	101031 01 000	YD TAPE GLIDE CURTAIN - 4 25" SPACING
5	029130 01-000	EA SCREW-SNAP SOCKET, #8 PH X 5/8"
5	029130 03 000	EA SCREW-SNAP SOCKET, #8 PH X 1"
6	009136-02 000	EA HANGER-RING PIN TYPE - CURTAIN - BRASS
7	029155-01 000	EA CAP-SNAP, 5/32" O D OF PIN
8	095591 G2 000	EA BRACKET-HOLD DOWN, W/PIN - BLIND - METAL
9	109441-01 C00	EA HOLD DOWN-BLIND HOOK
		FROM 00 00 00 THRU 07-19 92
		FROM 07 20 92 THRU 99 99 99
10	029156 01 000	EA SOCKET-SNAP, 9/16" O D
11	102555 01 000	EA CLEAT CORD BLIND - OFF WHITE
12	083170 01-000	EA BRACKET-BLIND, RIGHT HAND
13	083170-02 000	EA BRACKET-BLIND LEFT HAND
14	093475-01-700	EA WAND BLIND, W/METAL CLIP - 8" LONG
15	099205 02 02A	EA BRACKET WRAPAROUND CURTAIN TRACK, OFF WHITE
16	093475 01-701	EA END CAP-BLIND, W/STUD
17	094434-01-000	EA BRACKET-MOUNTING, ROLLER SHADE 1 3/8"
	096843 01-000	EA SPRING-REWIND, ROLLER SHADE
18	106541 01-000	EA PULL-SHADE, BRASS
18	106544-01-001	EA SCREW-BRASS, SHADE
	048394 02 000	YD VELCRO TAPE-HOOK, ADHESIVE BACK - 75" WIDE - BEIGE
	088792 01-000	YD VELCRO-HOOK 75" WIDE - BEIGE
	088792-02-000	YD VELCRO TAPE-LOOP ADHESIVE BACKED - 75" WIDE BEIGE
	068716 01-001	EA BRACE 90 DEGREE L-ANGLE 192" - EXTRUDED ALUMINUM
	075943 01 000	EA BRACE WINDOW VALANCE, 1" X 1 5" X 20" - ALUMINUM - BEIGE
	075943 09-000	EA BRACE-VALANCE 8" OFF WHITE
	105648 01 01A	EA BRACE-VALANCE, 356MM LONG - EXTRUDED ALUMINUM - BEIGE
	103996 01 000	EA TRIM VALANCE U CHANNEL 75" WIDE BRASS
	086276-01-000	EA TAPE-DOUBLE SIDED 1/2"
	089522 02-000	EA PANEL-LEG TWO SIDE 31 5" LONG - PLASTIC BLACK
	089916 01 000	EA MOUNT-WINDOW LEG 23 75" - ALUMINUM BLACK
		23 75" LONG - 6 3" BETWEEN SCREW HOLES

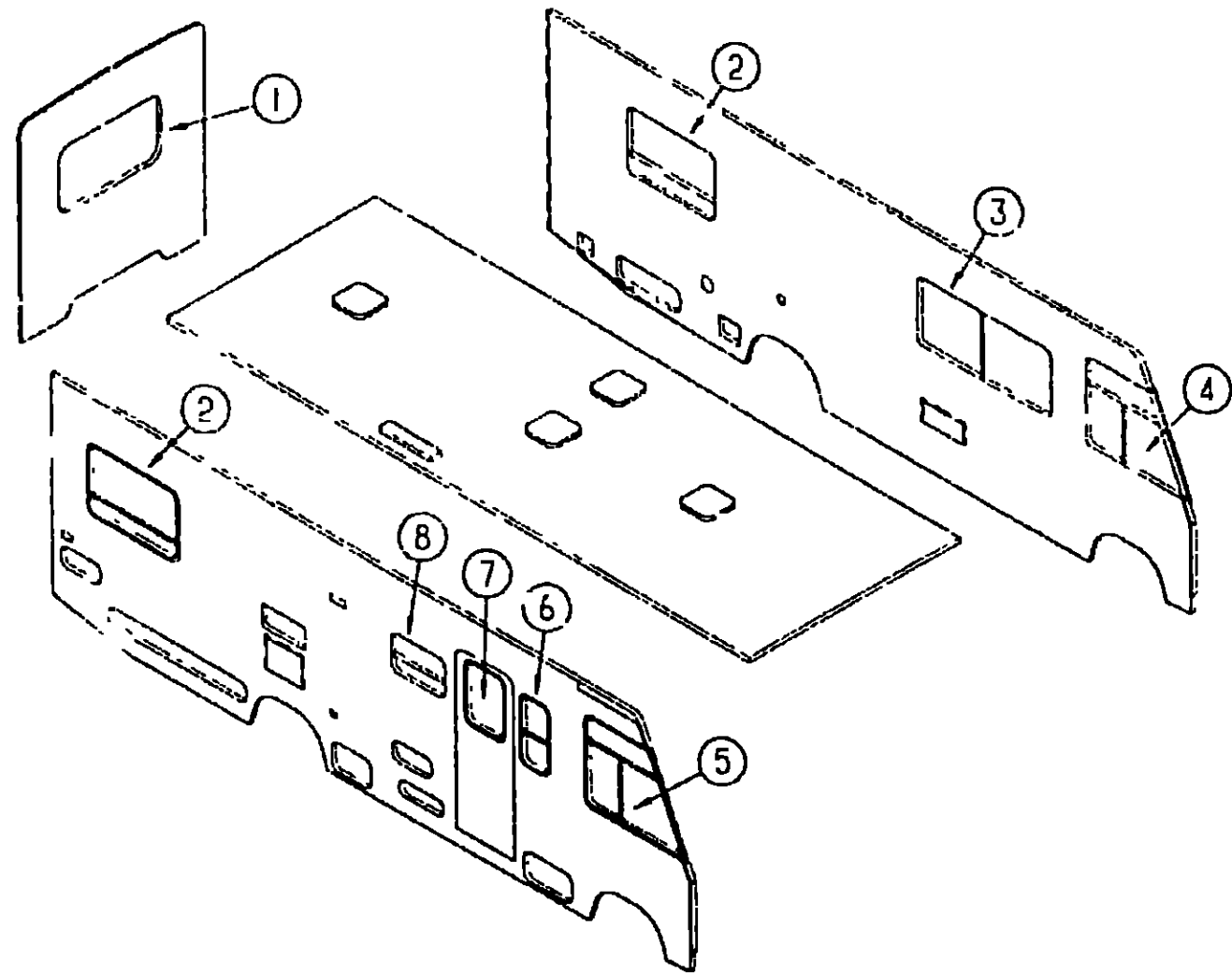
1993 WINNEBAGO TABLE OF CONTENTS

INTRODUCTION	A-01	A-02
ABBREVIATIONS		A-03
ALPHABETICAL INDEX	A-04 -	A-06
WCF27RC	A-07 -	F-02
WCF27RO	F-03 -	J-20

1993 WCF27RQ INDEX

FLOOR PLAN	F-03	- F-04
ACCESSORIES		F-05
AUDIO VIDEO	F-06	- F-08
BATH	F-09	- F-10
BEDROOM	F-11	- F-12
CHASSIS	F-13	- F-24
CURTAIN & CUSHION	G-01	- G-10
DINETTE	G-11	- G-12
DRIVERS COMPARTMENT	G-13	- G-17
ELECTRICAL	G-18	- G-24
EXTERIOR BODY	H-01	- H-08
GALLEY	H-09	- H-13
GENERATOR	H-14	- H-15
HEATING & A/C	H-16	- H-22
INTERIOR FINISH	H-23	- I-02
LABELS	I-03	- I-11
LP		I-12
LOUNGE	I-13	- I-14
SEALANTS & FASTENERS	I-15	- I-18
WATER & SEWAGE	I-19	- I-24
WINDOW, VENT AND		
EXTERIOR DOOR	J-01	- J-18
WINDSHIELD/WIPER	J-19	- J-20

CURTAIN & CUSHION GROUP (CONTINUED)
WINDOW TREATMENT



KEY	PART NUMBER	U/M	DESCRIPTION
3	103966-44-D09	EA	VALANCE - 59", W/BRASS TRIM
3	103966-56-D10	EA	VALANCE - 59", W/BRASS TRIM
3	103966-56-D11	EA	VALANCE - 59" W/BRASS TRIM
3	100281-95-D09	EA	LEG - 27" RIGHT - W/BRASS TRIM
3	100281-98-D10	EA	LEG - 27" RIGHT - W/BRASS TRIM
3	100281-98-D11	EA	LEG - 27" RIGHT - W/BRASS TRIM
3	100281-99-D09	EA	LEG - 27", LEFT - W/BRASS TRIM
3	100281-99-D10	EA	LEG - 27", LEFT - W/BRASS TRIM
3	100281-99-D11	EA	LEG - 27", LEFT - W/BRASS TRIM
3	093475-92-03A	EA	BLIND MINI 55" X 28 5" DROP (D09 D11)
3	093475-92-04A	EA	BLIND MINI 55" X 28 5" DROP (D10)
4	101668-31-D09	EA	CURTAIN - 38" X 80", TAPE TOP - LEFT (D09)
4	101668-31-D10	EA	CURTAIN - 38" X 80", TAPE TOP - LEFT (D10 D11)
4	101668-32-D09	EA	CURTAIN - 40" X 40", TAPE TOP (D09) - FRONT BUNK OPTION
4	101668-32-D10	EA	CURTAIN - 40" X 40", TAPE TOP (D10/D11) - FRONT BUNK OPTION
5	101668-30-D09	EA	CURTAIN - 38" X 80" TAPE TOP - RIGHT (D09)
5	101668-30-D10	EA	CURTAIN - 38" X 80", TAPE TOP - RIGHT (D10/D11)
5	101668-33-D09	EA	CURTAIN - 38" X 125" TAPE TOP (D09) - FRONT BUNK OPTION
5	101668-33-D10	EA	CURTAIN - 38" X 125", TAPE TOP (D10/D11) - FRONT BUNK OPTION
	073260-42-D09	EA	TIEBACK 6" X 18" (D09)
	073260-42-D10	EA	TIEBACK 6" X 18" (D10 D11)
6	103966-12-D09	EA	VALANCE - 52 2"
6	103966-11-D10	EA	VALANCE - 52 2"
6	103966-11-D11	EA	VALANCE - 52 2"
7	093475-82-03A	EA	BLIND MINI 14 5" X 33" DROP (D09 D11)
6	093475-82-04A	EA	BLIND-MINI 14 5" X 33" DROP (D10)
7	103966-12-D09	EA	VALANCE - 52 2"
7	103966-11-D10	EA	VALANCE - 52 2"
7	103966-11-D11	EA	VALANCE - 52 2"
7	084755-57-DA4	EA	SHADE-PULL 27 25" (D09/D10/D11)
7	084755-57-DA5	EA	SHADE-PULL 27 25" (D09/D10/D11)

FROM 00-00-00 THRU 01 03 93
FROM 01-04 93 THRU 99 99 99

**1993 WINNEBAGO
TABLE OF CONTENTS**

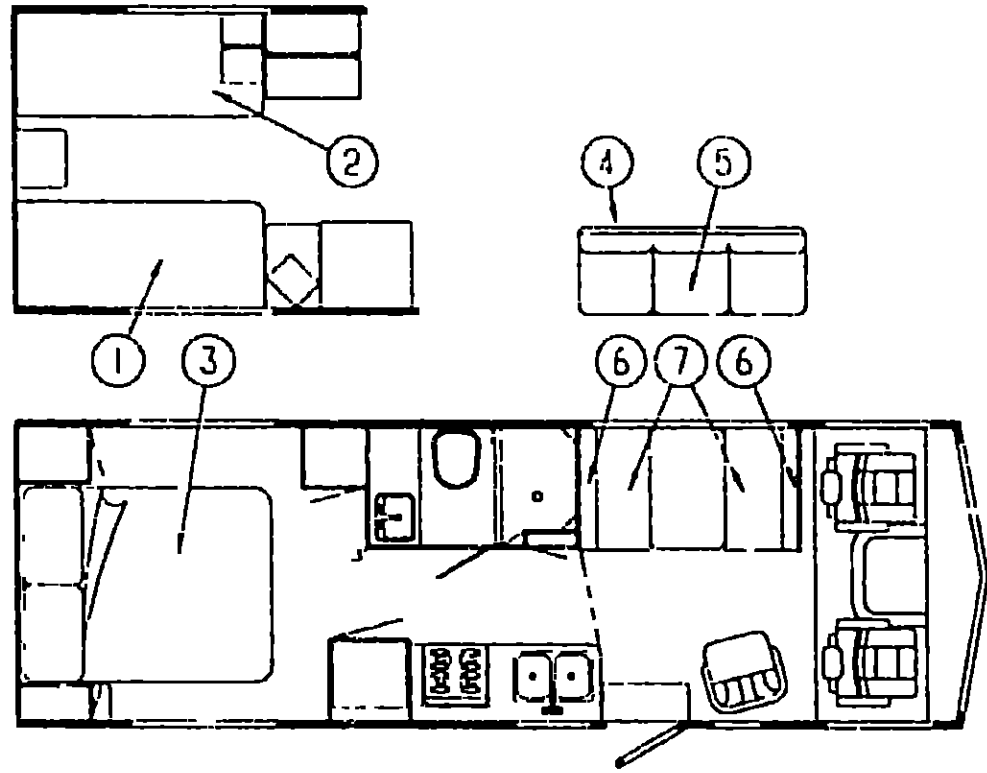
INTRODUCTION	A-01 -	A-02
ABBREVIATIONS		A-03
ALPHABETICAL INDEX	A-04 -	A-06
WCF27RC	A-07 -	F-02
WCF27RQ	F-03 -	J-20

1993 WCF27RQ INDEX

FLOOR PLAN	F-03 -	F-04
ACCESSORIES		F-05
AUDIO VIDEO	F-06 -	F-08
BATH	F-09 -	F-10
BEDROOM	F-11 -	F-12
CHASSIS	F-13 -	F-24
CURTAIN & CUSHION	G-01 -	G-10
DINETTE	G-11 -	G-12
DRIVERS COMPARTMENT	G-13 -	G-17
ELECTRICAL	G-18 -	G-24
EXTERIOR BODY	H-01 -	H-08
GALLEY	H-09 -	H-13
GENERATOR	H-14 -	H-15
HEATING & A/C	H-16 -	H-22
INTERIOR FINISH	H-23 -	I-02
LABELS	I-03 -	I-11
LP		I-12
LOUNGE	I-13 -	I-14
SEALANTS & FASTENERS	I-15 -	I-18
WATER & SEWAGE	I-19 -	I-24
WINDOW, VENT AND		
EXTERIOR DOOR	J-01 -	J-18
WINDSHIELD/WIPER	J-19 -	J-20

KEY	PART NUMBER	U/M	DESCRIPTION
1	107603-03-D09	EA	VALANCE - 52", RUFFLED ARCH
1	107603-03-D10	EA	VALANCE - 52", RUFFLED ARCH
1	107603-03-D11	EA	VALANCE - 52" RUFFLED ARCH
1	104157-01-D09	EA	CURTAIN/LEG - 27", RIGHT (D09)
1	104157-01-C52	EA	CURTAIN/LEG - 27", RIGHT (D10)
1	104157-01-C04	EA	CURTAIN/LEG - 27", RIGHT (D11)
1	104157-02-D09	EA	CURTAIN/LEG - 27" LEFT (D09)
1	104157-02-C52	EA	CURTAIN/LEG - 27" LEFT (D10)
1	104157-02-C04	EA	CURTAIN/LEG - 27", LEFT (D11)
1	073260-52-D09	EA	TIEBACK - 3" X 20", GATHERED
1	073260-52-D10	EA	TIEBACK - 3" X 20", GATHERED
1	073260-52-D11	EA	TIEBACK - 3" X 20" GATHERED
1	093475-55-02A	EA	BLIND MINI, 48" X 28" DROP (D09/D11)
1	093475-55-03A	EA	BLIND-MINI, 48" X 28" DROP (D10)
2	107603-02-D09	EA	VALANCE - 45" RUFFLED ARCH - QUEEN BED
2	107603-02-D10	EA	VALANCE - 45", RUFFLED ARCH - QUEEN BED
2	107603-02-D11	EA	VALANCE - 45", RUFFLED ARCH - QUEEN BED
2	107603-04-D09	EA	VALANCE - 45", RUFFLED ARCH - TWIN BEDS OPTION
2	107603-04-D10	EA	VALANCE - 45", RUFFLED ARCH - TWIN BEDS OPTION
2	107603-04-D11	EA	VALANCE - 45" RUFFLED ARCH - TWIN BEDS OPTION
2	104157-01-D09	EA	CURTAIN/LEG - 27" RIGHT (D09)
2	104157-01-C52	EA	CURTAIN/LEG - 27", RIGHT (D10)
2	104157-01-C04	EA	CURTAIN/LEG - 27" RIGHT (D11)
2	104157-02-D09	EA	CURTAIN/LEG - 27" LEFT (D09)
2	104157-02-C52	EA	CURTAIN/LEG - 27", LEFT (D10)
2	104157-02-C04	EA	CURTAIN/LEG - 27", LEFT (D11)
2	073260-52-D09	EA	TIEBACK - 3" X 20" GATHERED
2	073260-52-D10	EA	TIEBACK - 3" X 20", GATHERED
2	073260-52-D11	EA	TIEBACK - 3" X 20" GATHERED
2	093475-99-01A	EA	BLIND MINI 41" X 28 5" DROP (D09/D11)
2	093475-99-02A	EA	BLIND MINI 41" X 28 5" DROP (D10)

CURTAIN & CUSHION GROUP (CONTINUED)



TWIN MATTRESSES, BEDSPREADS & PILLOW SHAMS

KEY	PART NUMBER	U/M DESCRIPTION
1	101123-02 000	EA MATTRESS-TWIN 32" X 74"
1	P01123-02-000	EA COVER MATTRESS 32" X 74"
1	083986-14-D03	EA BEDSPREAD FITTED 33" X 75"
1	083986-14-D10	EA BEDSPREAD FITTED 33" X 75"
1	083986-14-D11	EA BEDSPREAD FITTED 33" X 75"
2	101123 02 000	EA MATTRESS TWIN, 32" X 74"
2	P01123-02 000	EA COVER MATTRESS 32" X 74"
2	083986-15 D03	EA BEDSPREAD-FITTED 33" X 75"
2	083986-15 D10	EA BEDSPREAD FITTED 33" X 75"
2	083986-15 D11	EA BEDSPREAD-FITTED 33" X 75"
	081997-09-D09	EA PILLOW SHAM-W/4" RUFFLE
	081997 09 D10	EA PILLOW SHAM-W/4" RUFFLE
	081997-09 D11	EA PILLOW SHAM W/4" RUFFLE
	104259 01-D09	EA PILLOW-THROW 15" X 15" - W/RUFFLE (D09)
	104259-01-C07	EA PILLOW THROW 15" X 15" - W/RUFFLE (D10)
	104259-01-C06	EA PILLOW THROW 15" X 15" W/RUFFLE (D11)

QUEEN MATTRESS, BEDSPREAD & PILLOW SHAMS

KEY	PART NUMBER	U/M DESCRIPTION
3	101123 08 000	EA MATTRESS-QUEEN 59" X 74"
3	P01123 08-000	EA COVER-MATTRESS, 59" X 74"
3	092371-24 D09	EA BEDSPREAD FITTED 60" X 75"
3	092371-24-D10	EA BEDSPREAD FITTED, 60" X 75"
3	092371-24-D11	EA BEDSPREAD-FITTED 60" X 75"
	081997-09 D09	EA PILLOW SHAM W/4" RUFFLE
	081997-09 D10	EA PILLOW SHAM-W/4" RUFFLE
	081997-09 D11	EA PILLOW SHAM-W/4" RUFFLE
	104259 01-D09	EA PILLOW THROW, 15" X 15" - W/RUFFLE (D09)
	104259 01 C07	EA PILLOW-THROW 15" X 15" - W/RUFFLE (D10)
	104259 01 C06	EA PILLOW-THROW 15" X 15" - W/RUFFLE (D11)

**CURTAIN & CUSHION GROUP (CONTINUED)
COUCH**

KEY	PART NUMBER	U/M DESCRIPTION
4	100032-31-D03	EA COUCH BACK 66 5" W/O ARMS (D03)
4	100032-31-D10	EA COUCH BACK, 66 5" W/O ARMS (D10)
4	100032-31-D11	EA COUCH BACK 66 5" W/O ARMS (D11)
4	P00032-31-D03	EA COVER COUCH BACK (D03)
4	P00032-31-D10	EA COVER COUCH BACK (D10)
4	P00032-31-D11	EA COVER COUCH BACK (D11)
	101095 09 000	EA FRAME BACK, 66 5"
5	100032-32-D03	EA COUCH SEAT, 66 5" W/O ARMS (D03)
5	100032-31-D02	EA COUCH SEAT 66 5" W/O ARMS (D10)
5	100032-34-D03	EA COUCH SEAT, 66 5" W/O ARMS (D11)
5	P00032-32 D01	EA COVER COUCH SEAT (D09)
5	P00032-31 D02	EA COVER COUCH SEAT (D10)
5	P00032 34 D03	EA COVER COUCH SEAT (D11)
	101095-01-000	EA FRAME-SEAT, 66 5"
	101065 03 000	EA FRAME-BASE, 66 5"
	103669-10-D09	EA PILLOW-THROW 15" X 15" (D09)
	103669 01-C03	EA PILLOW THROW, 16" X 16" (D10)
	103669-01-D11	EA PILLOW-THROW 16" X 16" (D11)

NOTE COUCH FRONT AND SIDE PANELS ARE FOUND IN THE LOUNGE GROUP

DINETTE CUSHIONS

KEY	PART NUMBER	U/M DESCRIPTION
6	101146-01-D09	EA CUSHION-BACK 13 5" X 38" X 5" (D09)
6	101146 01-D10	EA CUSHION BACK 13 5" X 38" X 5" (D10/D11)
6	P04146-01 D09	EA COVER BACK CUSHION, 13 5" X 38" X 5" (D09)
6	P04146-01-D10	EA COVER-BACK CUSHION 13 5" X 38" X 5" (D10/D11)
	078155 01-000	EA STRAP SNAP, BACKREST CUSHION
7	088927-86 D09	EA CUSHION-SEAT, 21" X 38" X 5" (D09)
7	088927-86 D10	EA CUSHION-SEAT 21" X 38" X 5" (D10/D11)
7	M88927-86 D09	EA COVER-SEAT CUSHION 23" X 38" X 5" (D09)
7	M88927 86 D10	EA COVER-SEAT CUSHION, 23" X 38" X 5" (D10 D11)

BUNK CUSHION

KEY	PART NUMBER	U/M DESCRIPTION
	079145-06-000	EA CUSHION BUNK 30" X 77" X 5"
	M79115 06 000	EA COVER CUSHION BUNK

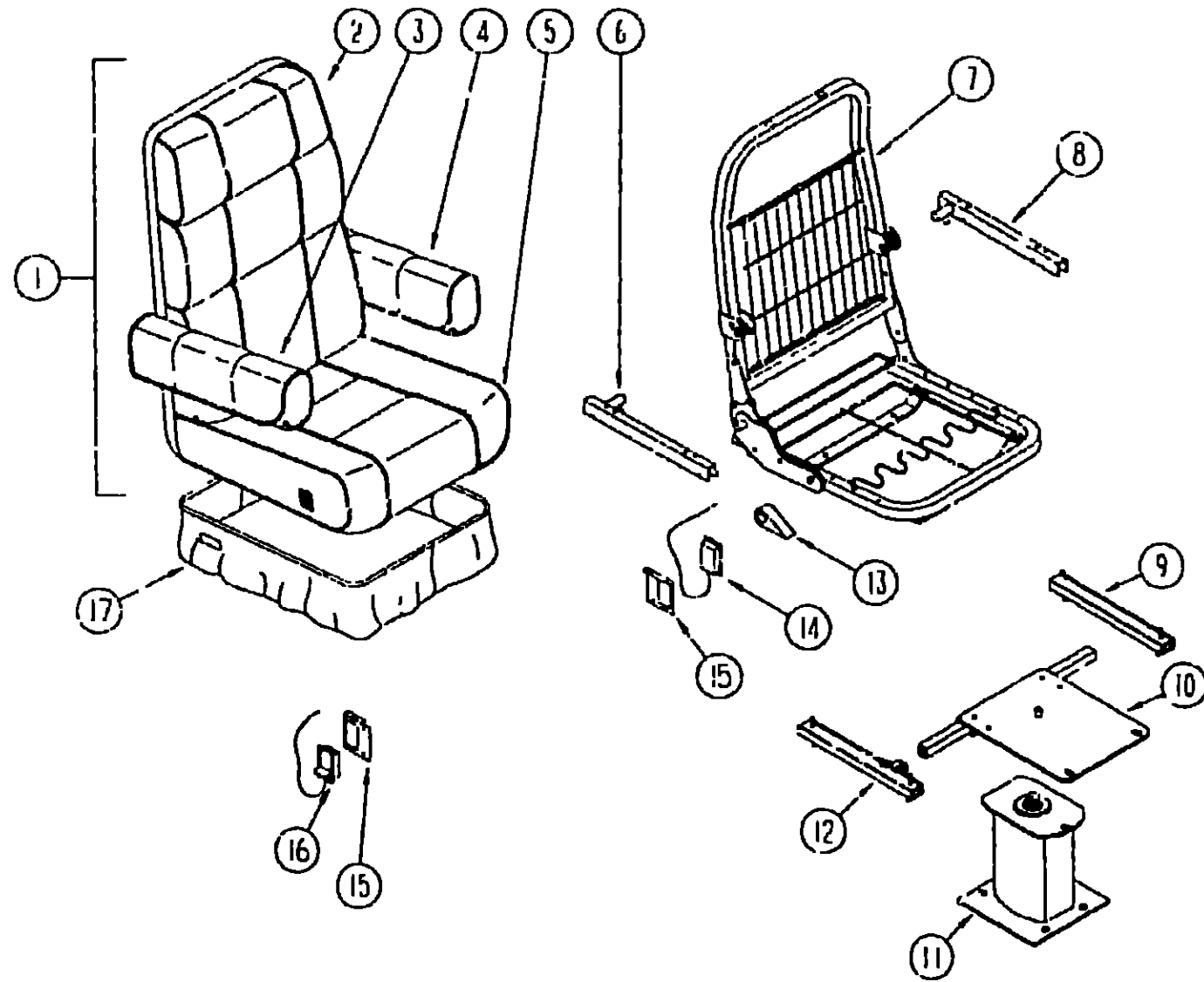
**1993 WINNEBAGO
TABLE OF CONTENTS**

INTRODUCTION	A 01 -	A-02
ABBREVIATIONS		A-03
ALPHABETICAL INDEX	A-04 -	A 06
WCF27RC	A 07 -	F-02
WCF27RQ	F 03 -	J 20

1993 WCF27RQ INDEX

FLOOR PLAN	F 03	F 04
ACCESSORIES		F 05
AUDIO VIDEO	F-06 -	F-08
BATH	F-09 -	F 10
BEDROOM	F-11	F-12
CHASSIS	F-13	F 24
CURTAIN & CUSHION	G-01 -	G-10
DINETTE	G 11 -	G-12
DRIVERS COMPARTMENT	G-13 -	G 17
ELECTRICAL	G-18 -	G 24
EXTERIOR BODY	H 01 -	H 08
GALLEY	H 09 -	H-13
GENERATOR	H-14	H-15
HEATING & A/C	H-16 -	H 22
INTERIOR FINISH	H 23 -	I-02
LABELS	I 03	I-11
LP		I-12
LOUNGE	I 13	I-14
SEALANTS & FASTENERS	I 15 -	I-18
WATER & SEWAGE	I-19 -	I-24
WINDOW, VENT AND		
EXTERIOR DOOR	J 01 -	J-18
WINDSHIELD/WIPER	J-19 -	J-20

CURTAIN & CUSHION GROUP (CONTINUED)
DRIVER & PASSENGER BUCKET SEATS



KEY	PART NUMBER	U/M	DESCRIPTION
1	083909 47-D19	EA	SEAT-BUCKET W/ARMRESTS - W/O SKIRT
1	083909 47 D10	EA	SEAT BUCKET, W/ARMRESTS W/O SKIRT
1	083309-17 D11	EA	SEAT-BUCKET, W/ARMRESTS - W/O SKIRT
2	M03445 68 D09	EA	COVER BACK, BUCKET SEAT
2	M03445 68-D10	EA	COVER BACK BUCKET SEAT
2	M03445 68 D11	EA	COVER BACK BUCKET SEAT
3	080243 49 D09	EA	ARMREST-RIGHT, BUCKET SEAT
3	080243 49 D10	EA	ARMREST RIGHT, BUCKET SEAT
3	080243-49 D11	EA	ARMREST RIGHT BUCKET SEAT
	M80213 49 D09	EA	COVER ARMREST RIGHT
	M80243 49-D10	EA	COVER ARMREST, RIGHT
	M80213 49 D11	EA	COVER ARMREST RIGHT
4	060213 50 D09	EA	ARMREST-LEFT BUCKET SEAT
4	080243 50 D10	EA	ARMREST-LEFT BUCKET SEAT
4	080213 50 D11	EA	ARMREST LEFT BUCKET SEAT
	M80243 50 D09	EA	COVER-ARMREST, LEFT
	M80243-50 D10	EA	COVER ARMREST LEFT
	M80243-50 D11	EA	COVER ARMREST LEFT
5	M03445-69-D09	EA	COVER SEAT BUCKET SEAT
5	M03445-69 D10	EA	COVER SEAT BUCKET SEAT
5	M03445 69-D11	EA	COVER-SEAT BUCKET SEAT
6	081268 01-000	EA	ROD & CHANNEL-ARMREST RIGHT - METAL
	081351-01 000	EA	ROD ARMREST, METAL - RIGHT OR LEFT HAND
7	M80306 07-000	EA	FRAME SEAT, BACK & SPRING
8	081268 02 000	EA	ROD & CHANNEL-ARMREST LEFT - METAL
	081361 01 000	EA	ROD ARMREST, METAL - RIGHT OR LEFT HAND
9	069246-05 000	EA	ADJUSTER BUCKET SEAT W/LOCK FORWARD AND BACK
	069246 05-7JJ	EA	SPRING-ADJUSTER, FOR REMOTE
	069246-01-701	EA	CLIP CABLE FOR REMOTE
10	107921-05 000	EA	PLATE-TOP W/SEAT BELT BAR
	107921-06 000	EA	BEARING KIT-SEAT SWIVEL
11	107921 01-000	EA	PLATE-SUB, FLOOR MOUNTED PEDESTAL - W/9 75" EXTENSION
12	069246-02-000	EA	ADJUSTER-SLIDE, FORWARD & BACK
13	080730-03 710	EA	HANDLE KIT RECLINER
	080730-04-000	EA	SCREW RECLINER HANDLE - KEIPER 300618 07
	080730 06-000	EA	SHIELD RECLINER HANDLE - KEIPER 30114307
14	089368-04 000	EA	CABLE-SLIDE, W/SWITCH
15	097683 03 000	EA	BRACKET REMOTE SIDE MOUNT - SINGLE
16	108019 01-000	EA	CABLE - 28", FLEXSTEEL PEDESTAL
	108049 02-000	EA	CABLE PEDESTAL CLIP
17	071126-36 D09	EA	SKIRT-BUCKET SEAT
17	071126 36 D10	EA	SKIRT BUCKET SEAT
17	071126 36 D11	EA	SKIRT-BUCKET SEAT
	007221-01-000	EA	SPACER-SEAT, ADJUSTER
	089323 01-000	EA	STRIP POLYETHYLENE, J-CHANNEL - FLEX O LATORS
	108445 02 000	EA	PLATE-SEAT SUPPORT W/WELDNUTS, 230 MM X 157 MM - STEEL - BLACK

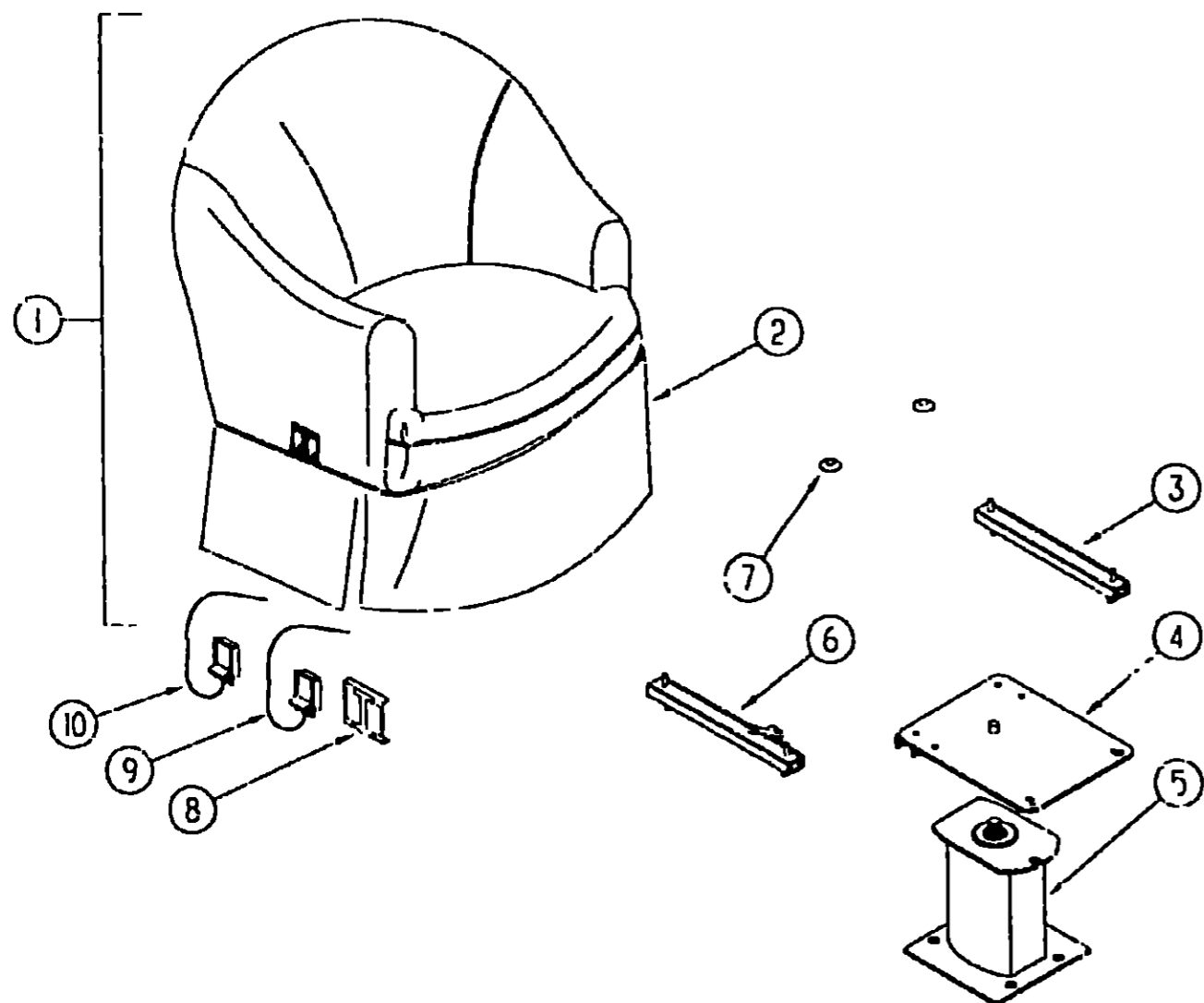
1993 WINNEBAGO
TABLE OF CONTENTS

INTRODUCTION	A-01	A-02
ABBREVIATIONS		A-03
ALPHABETICAL INDEX	A-04	A-06
WCF27RC	A-07	F-02
WCF27RQ	F-03	J-20

1993 WCF27RQ INDEX

FLOOR PLAN	F-03	F-04
ACCESSORIES		F-05
AUDIO VIDEO	F-06	F-08
BATH	F-09	F-10
BEDROOM	F-11	F-12
CHASSIS	F-13	F-24
CURTAIN & CUSHION	G-01	G-10
DINETTE	G-11	G-12
DRIVERS COMPARTMENT	G-13	G-17
ELECTRICAL	G-18	G-24
EXTERIOR BODY	H-01	H-08
GALLEY	H-09	H-13
GENERATOR	H-14	H-15
HEATING & A/C	H-16	H-22
INTERIOR FINISH	H-23	I-02
LABELS	I-03	I-11
LP		I-12
LOUNGE	I-13	I-14
SEALANTS & FASTENERS	I-15	I-18
WATER & SEWAGE	I-19	I-24
WINDOW, VENT AND		
EXTERIOR DOOR	J-01	J-18
WINDSHIELD/WIPER	J-19	J-20

CURTAIN & CUSHION GROUP (CONTINUED)
SWIVEL CHAIR



KEY	PART NUMBER	U/M DESCRIPTION
1	107891-02 C09	EA CHAIR-SWIVEL W/O SKIRT
1	107891 01-D10	EA CHAIR SWIVEL W/O SKIRT
1	107891 01-D11	EA CHAIR-SWIVEL, W/O SKIRT
	P07891-02 D09	EA COVER SWIVEL CHAIR
	P07891-01-D10	EA COVER SWIVEL CHAIR
	P07891-01-D11	EA COVER SWIVEL CHAIR
2	107892-01-D09	EA SKIRT-SWIVEL CHAIR
2	107892 01 D10	EA SKIRT-SWIVEL CHAIR
2	107892 01-D11	EA SKIRT-SWIVEL CHAIR
3	069246-06 000	EA ADJUSTER SWIVEL CHAIR, FORWARD & BACK
4	107921 08 000	EA PLATE-TOP, W/O SEAT BELT BAR
	107921-06-000	EA BEARING KIT-SEAT SWIVEL
5	107921-01 000	EA PLATE-SUB FLOOR MOUNTED PEDESTAL - W/9 75" EXTENSION
6	069246 08 000	EA ADJUSTER SWIVEL CHAIR REMOTE - FORWARD & BACK
7	007221-01-000	EA SPACER SEAT, ADJUSTER
8	097683 02-000	EA BRACKET-MOUNT REMOTE
9	108049 01-000	EA CABLE - 28" - FLEXSTEEL PEDESTAL
	108049 02-000	EA CABLE - PEDESTAL CLIP
10	C89368-04 000	EA CABLE-SWIVEL/SLIDE, W/SWITCH

CURTAIN & CUSHION GROUP (CONTINUED)
BUTTON, TRIM, ASSIST HANDLE & SEAT BELT

KEY	PART NUMBER	U/M DESCRIPTION
	079349-04-D09	YD WELT ASM NARROW, ACCENT (D09)
	079349-04-C05	YD WELT ASM NARROW ACCENT (D10)
	079349 04-B04	YD WELT ASM NARROW ACCENT (D11)
	057759 01-000	EA WASHER BRACKET-SEAT BELT 4" DIAMETER
	007021-01-000	EA BELT-SEAT, 2" X 90" - BLACK
	056271-02-000	EA BELT-SEAT, 2" X 72" - BLACK
	069178-02-000	EA BRACKET-MOUNTING, ASSIST HANDLE - L ANGLE - W/HOLES - STEEL
	070578-04-Y05	EA BUTTON-SNAP TOP, #30 - VINYL - BEIGE
	000C16-07-16B	EA BOLT CARRIAGE, ASSIST HANDLE 7/16" - 14 X 1" ZN
	000D20-07-00B	EA NUT-ACORN ASSIST HANDLE - 7/16" X 14 ZN
	053552-02-AA8	FA HANDLE-ASSIST, INTERIOR - ENTRY DOOR - VINYL - OFF WHITE

FABRICS

KEY	PART NUMBER	U/M DESCRIPTION
	089351 03-000	YD VINYL-CEILING, DIAMOND DESIGN - 54" WIDE
	079680-01-000	YD FABRIC-VINYL, 54" WIDE - BEIGE
	103907-01-01A	YD FABRIC VINYL, 54" WIDE - OFF WHITE
	106569 01-01A	YD VINYL-LAMINATE, 26 OZ - 54" WIDE - OFF WHITE
	072333-90-000	YD FABRIC CURTAIN, 54" WIDE - TAN (D09)
	072333-82-000	YD FABRIC CURTAIN 54" WIDE - BEIGE (D10/D11)
	087272-01-000	YD FABRIC LINING CURTAIN - 48" WIDE - IVORY
	097272-03-000	YD FABRIC-LINING, CURTAIN - 54" WIDE - IVORY
	105745-12-000	YD FABRIC-CURTAIN/BEDSPREAD, PATTERNED - 54" WIDE (D09)
	105745-13-000	YD FABRIC-CURTAIN/BEDSPREAD, PLAIN - 54" WIDE (D09)
	105745-30-000	YD FABRIC-CURTAIN/BEDSPREAD, PATTERNED - 54" WIDE (D10)
	088273-89-000	YD FABRIC-CURTAIN/BEDSPREAD PLAIN - 54" WIDE (D10)
	105745-14-000	YD FABRIC-CURTAIN/BEDSPREAD, PATTERNED - 54" WIDE (D11)
	088273-66-000	YD FABRIC-CURTAIN/BEDSPREAD, PLAIN - 54" WIDE (D11)
	104233-63-000	YD FABRIC UPHOLSTERY, STRIPED WOVEN - 54" WIDE (D09)
	104233-66-000	YD FABRIC-UPHOLSTERY, STRIPED WOVEN - 54" WIDE (D10)
	104233 68-000	YD FABRIC-UPHOLSTERY STRIPED WOVEN - 54" WIDE (D11)
	104233-60-000	YD FABRIC-UPHOLSTERY, PATTERN VELOUR - 54" WIDE (D09)
	104233-64-000	YD FABRIC-UPHOLSTERY, PATTERN WOVEN - 54" WIDE (D10/D11)
	104233-74-000	YD FABRIC-UPHOLSTERY, PLAIN BEIGE VELOUR - 54" WIDE (D09)
	104233-61-000	YD FABRIC-UPHOLSTERY, PLAIN MAUVE VELOUR - 54" WIDE (D09)
	104233-29-000	YD FABRIC UPHOLSTERY PLAIN VELOUR - 54" WIDE (D10)
	104233-30-000	YD FABRIC-UPHOLSTERY PLAIN VELOUR 54" WIDE (D11)
	104233 62-000	YD FABRIC UPHOLSTERY CRISSCROSS VELOUR - 54" WIDE (D09)
	104233-65-000	YD FABRIC-UPHOLSTERY, CRISSCROSS VELOUR - 54" WIDE (D10)
	104233-67-000	YD FABRIC-UPHOLSTERY, CRISSCROSS VELOUR - 54" WIDE (D11)
	104233-75-000	YD FABRIC-UPHOLSTERY, "W" VELOUR - 54" WIDE (D09)
	104233-76-000	YD FABRIC-UPHOLSTERY, "W" VELOUR - 54" WIDE (D10)
	104233-77 000	YD FABRIC-UPHOLSTERY "W" VELOUR - 54" WIDE (D11)

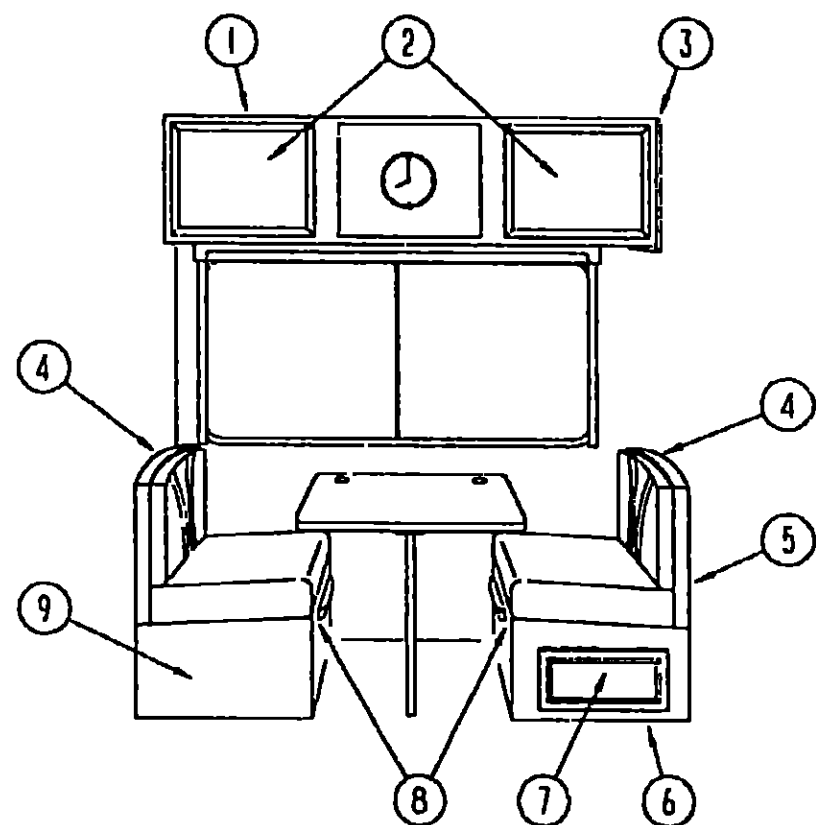
1993 WINNEBAGO
TABLE OF CONTENTS

INTRODUCTION	A-01 -	A-02
ABBREVIATIONS		A-03
ALPHABETICAL INDEX	A-04 -	A-06
WCF27RC	A 07 -	F-02
WCF27RQ	F-03 -	J 20

1993 WCF27RQ INDEX

FLOOR PLAN	F-03 -	F-04
ACCESSORIES		F-05
AUDIO VIDEO	F-06 -	F-08
BATH	F-09 -	F-10
BEDROOM	F-11 -	F-12
CHASSIS	F-13 -	F-24
CURTAIN & CUSHION	G 01 -	G-10
DINETTE	G-11 -	G-12
DRIVERS COMPARTMENT	G-13 -	G-17
ELECTRICAL	G-18 -	G 24
EXTERIOR BODY	H 01 -	H-08
GALLEY	H-09 -	H-13
GENERATOR	H 14 -	H-15
HEATING & A/C	H-16 -	H-22
INTERIOR FINISH	H-23 -	I-02
LABELS	I-03 -	I-11
LP		I-12
LOUNGE	I-13 -	I-14
SEALANTS & FASTENERS	I-15 -	I-18
WATER & SEWAGE	I-19 -	I-24
WINDOW, VENT AND		
EXTERIOR DOOR	J 01 -	J-18
WINDSHIELD/WIPER	J-19 -	J-20

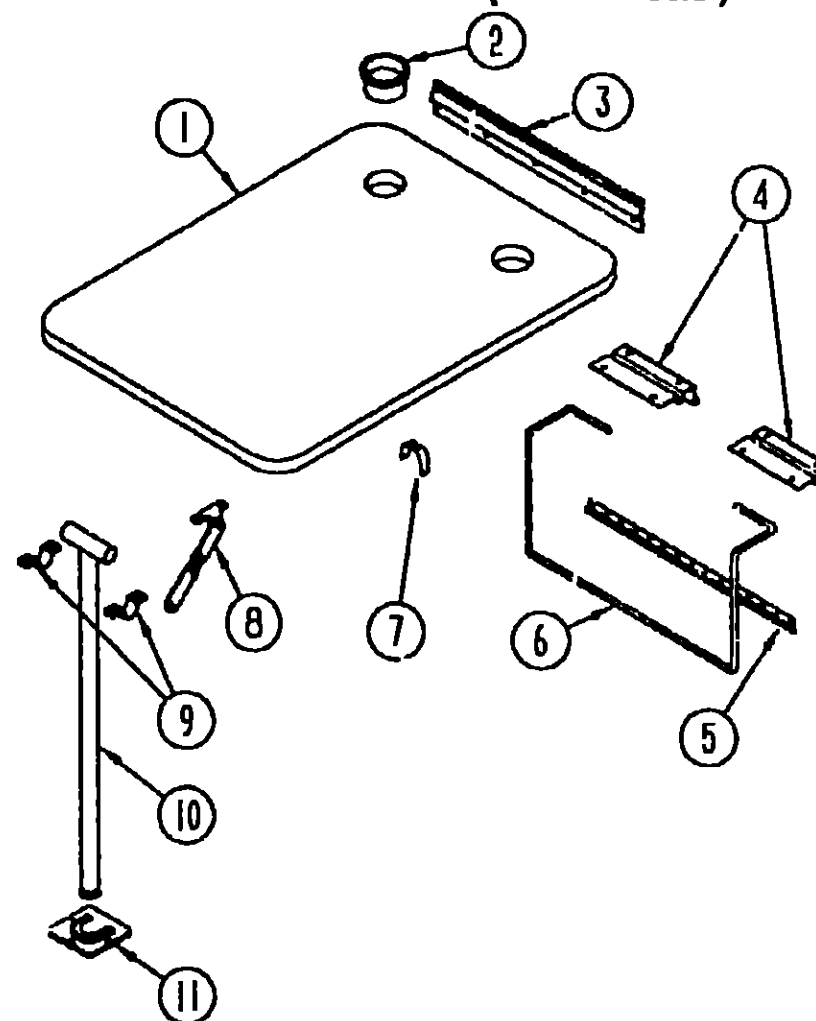
DINETTE GROUP



DINETTE CABINETRY

KEY	PART NUMBER	U/M	DESCRIPTION
1	P07836-01-D09	EA	CABINET OVERHEAD, W/O DOORS
1	P07836-01-D10	EA	CABINET-OVERHEAD, W/O DOORS
1	P07836-01-D11	EA	CABINET-OVERHEAD, W/O DOORS
2	P04746-05-D09	EA	DOOR CABINET W/O HARDWARE - 400 MM X 520 MM
3	103129-06-C05	EA	CAP-END, OVERHEAD CABINET - FRONT
4	104787-01-D09	EA	PAD-DINETTE (D09)
4	104787-01-C05	EA	PAD-DINETTE (D10)
4	104787-01-D11	EA	PAD-DINETTE (D11)
5	M05162-03-C05	EA	CABINET SEATBACK, FRONT
5	M04174-40-D09	EA	CABINET-SEATBACK FRONT FROM 00 00 00 THRU 08 29 92
6	M05161-03-C05	EA	CABINET SEATBASE, FRONT - W/O HOLE FOR DOOR FROM 08-30-92 THRU 99 99-99
6	M04175-40-D09	EA	CABINET-SEATBASE FRONT - W/O DOOR FROM 00 00 00 THRU 08 29 92
7	P04746-09-D09	EA	DOOR CABINET, W/O HARDWARE - 255 MM X 485 MM FROM 08-30-92 THRU 99 99 99
8	081295-01-AA8	EA	SUPPORT-BED, DINETTE, 28" LONG - WOOD
9	M04175-16-C03	EA	CABINET-SEATBASE REAR
	081518-01-B03	EA	SEAT-TOP, DINETTE - FRONT OR REAR - PLYWOOD
	041389-16-000	EA	HINGE-PIANO, 72 5" LONG - BEIGE
	058331-48-000	EA	MIRROR-GLASS, SAFETY - 502 MM X 554 MM
	105004-01-01A	EA	MOLDING MIRROR VINYL WRAPPED - OAK

DINETTE GROUP (CONTINUED)



DINETTE TABLE

KEY	PART NUMBER	U/M	DESCRIPTION
1	M81299-08-D05	EA	TABLE-DINETTE W/O HARDWARE OR CUPHOLDERS
2	064781-06-000	EA	HOLDER-CUP, TWO STEP - OFF WHITE
3	053200-13-000	EA	SUPPORT-TABLE 18 5" - OFF WHITE
4	088410-02-000	EA	BRACKET-LIFT TABLE MOUNTED - OFF WHITE
5	024281-15-000	EA	BRACKET-LIFT ROD, LOWER WALL MOUNTED - 17 12" - OFF WHITE
6	024275-13-000	EA	ROD TABLE LIFT, OFF WHITE
7	024283-01-000	EA	CLIP LEG, 1" X 1 125" OD - BLACK
8	024282-01-000	EA	BRACE-TABLE LEG, HINGED
9	064050-05-000	EA	HINGE TABLE LEG, OFF WHITE
10	024276-23-000	EA	LEG-TABLE METAL - OFF WHITE
11	049493-12-000	EA	CATCH LEG, FLOOR MOUNTED - 2 5" X 2 7" - METAL - OFF WHITE
11	049493-11-700	EA	CATCH LEG, FLOOR MOUNTED - 2 5" X 2 7" - METAL - E COAT

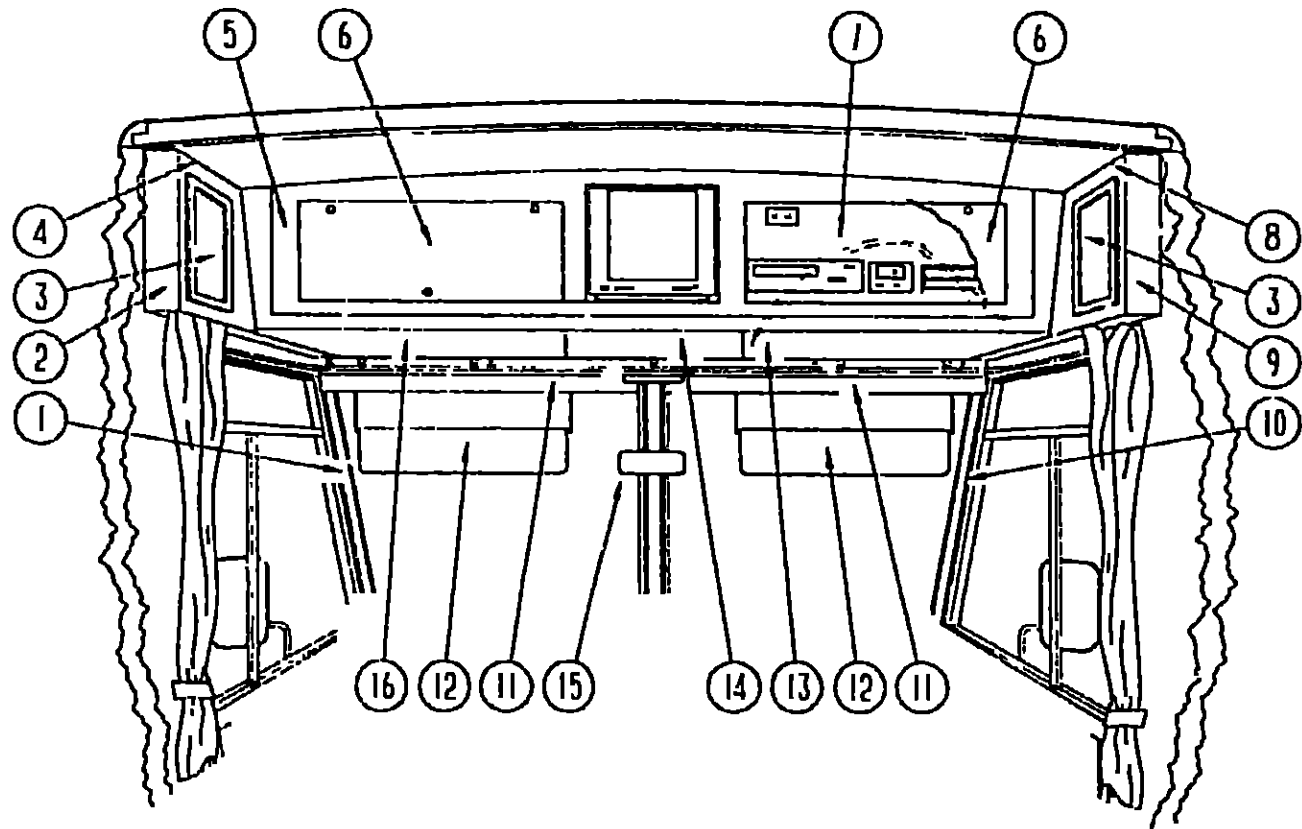
1993 WINNEBAGO TABLE OF CONTENTS

INTRODUCTION	A-01	A-02
ABBREVIATIONS	A-03	A-03
ALPHABETICAL INDEX	A-04	A-06
WCF27RC	A-07	F-02
WCF27RQ	F-03	J-20

1993 WCF27RQ INDEX

FLOOR PLAN	F-03	F-04
ACCESSORIES	F-05	F-05
AUDIO VIDEO	F-06	F-08
BATH	F-09	F-10
BEDROOM	F-11	F-12
CHASSIS	F-13	F-24
CURTAIN & CUSHION	G-01	G-10
DINETTE	G-11	G-12
DRIVERS COMPARTMENT	G-13	G-17
ELECTRICAL	G-18	G-24
EXTERIOR BODY	H-01	H-08
GALLEY	H-09	H-13
GENERATOR	H-14	H-15
HEATING & A/C	H-16	H-22
INTERIOR FINISH	H-23	I-02
LABELS	I-03	I-11
LP	I-12	I-12
LOUNGE	I-13	I-14
SEALANTS & FASTENERS	I-15	I-18
WATER & SEWAGE	I-19	I-24
WINDOW VENT AND		
EXTERIOR DOOR	J-01	J-18
WINDSHIELD/WIPER	J-19	J-20

**DRIVERS COMPARTMENT GROUP
DRIVERS COMPARTMENT - UPPER**



KEY	PART NUMBER	U/M DESCRIPTION
5	104230-01-C05	EA FACE-TV CABINET W/O DOORS, FRONT OVERHEAD FROM 00 00 00 THRU 07-16-92
5	M05893 01-C05	EA FACE-TV CABINET W/O DOORS, FRONT OVERHEAD FROM 07-17-92 THRU 99-99 99
	105699-01-01A	EA BRACKET-L-ANGLE TV CABINET FACE - 5 1" LONG - OFF WHITE STEEL
	108911-01-D12	EA TRIM-TV 15 3" X 13 9" WOOD
	100676-02-000	EA STAND-VCR, STEEL
6	100708-06-000	EA DOOR GLASS, TV CABINET - W/O HARDWARE - 9 68" X 28 42"
	100710-01-01A	EA LOCK-TWIST TYPE
	100711-01-01A	EA HINGE DOOR, GLASS
	100707-01-C00	EA SPACER
	101272-01-000	EA CATCH GLASS DOOR
	101766-01 000	EA PIN-SUPPORT, GLASS DOOR
7	103040-01-C05	EA PANEL-HEADLINER FRONT OVERHEAD - PADDED - STANDARD
7	103040-02-C05	EA PANEL-HEADLINER FRONT OVERHEAD - PADDED - TV OPTION
7	103040-03-C05	EA PANEL-HEADLINER FRONT OVERHEAD - PADDED - TV/VCR/EUROPEAN OPTIONS
7	103040-04-C05	EA PANEL-HEADLINER FRONT OVERHEAD - PADDED - TV/VCR/INVERTER OPTION
7	103040-05 C05	EA PANEL-HEADLINER FRONT OVERHEAD - PADDED - TV/INVERTER OPTION
8	M05159-21-D09	EA CABINET-FRONT OVERHEAD W/O DOOR, PASSENGERS SIDE FROM 00-00-00 THRU 08-16-92
8	M05159 21-D10	EA CABINET-FRONT OVERHEAD W/O DOOR, PASSENGERS SIDE FROM 00-00-00 THRU 08-16-92
8	M05159 21-D11	EA CABINET-FRONT OVERHEAD W/O DOOR PASSENGERS SIDE FROM 00-00-00 THRU 08-16-92
8	M05159 40 D09	EA CABINET-FRONT OVERHEAD W/O DOOR, PASSENGERS SIDE FROM 08-17-92 THRU 99 99-99
8	M05159-40-D10	EA CABINET-FRONT OVERHEAD W/O DOOR, PASSENGERS SIDE FROM 08-17-92 THRU 99-99-99
8	M05159-40-D11	EA CABINET-FRONT OVERHEAD W/O DOOR, PASSENGERS SIDE FROM 08-17-92 THRU 99-99-99
9	104353-01-C05	EA CAP-END FRONT OVERHEAD, PASSENGERS SIDE FROM 00-00-00 THRU 08-16-92
9	103128-08-D12	EA CAP END, FRONT OVERHEAD PASSENGERS SIDE FROM 08-17-92 THRU 99-99-99
	P04307-01-C05	EA BOTTOM-VINYL COVERED, FRONT OVERHEAD - PASSENGERS SIDE FROM 00-00-00 THRU 08-16-92
	P09561-01-D09	EA BOTTOM-VINYL COVERED, FRONT OVERHEAD - PASSENGERS SIDE FROM 08-17-92 THRU 99-99-99
	101289 01-C05	EA PAD-VINYL COVERED, 30 3" X 9 6" - ANGLED - DRIVERS SIDE
10	103931-01-01A	EA COVER INNER, A-PILLAR - PASSENGERS
11	078811-05-C07	EA PANEL-HEADER W/RECEPTACLE CUTOUTS - 90 2" LONG - VINYL COVERED
12	082286-18-D12	EA SUNVISOR-DRIVER OR PASSENGER - W/O POCKET
	102377-01-000	EA BRACKET-SUNVISOR, 1 PIECE - STEEL
	007211-01-000	EA HINGE-SUNVISOR
	074012-01-000	EA CLIP-SUNVISOR SQUARE PINCH-ON
13	P03077-02-C05	EA SHELF-CABINET, PASSENGERS SIDE - VINYL COVERED
14	P04415-01-C05	EA SHELF-TV CABINET, VINYL COVERED
	100628-02-000	EA SHELF ASM-TV STEEL
	101150-01-000	EA SUPPORT-SHELF, TV - PASSENGER SIDE - STEEL
	101150-02-000	EA SUPPORT-SHELF, TV - DRIVER SIDE - STEEL
	104417-01-C05	EA CABINET-BLANKET (STANDARD CABINET)
15	040714-01-000	EA MIRROR-REAR VIEW W/ARM MOUNT & SET SCREW - GM# 911722
	067490-01-000	EA BUTTON-MIRROR REAR VIEW - ST. X S927H
16	P03077-01-C05	EA SHELF-CABINET, DRIVERS SIDE - VINYL COVERED

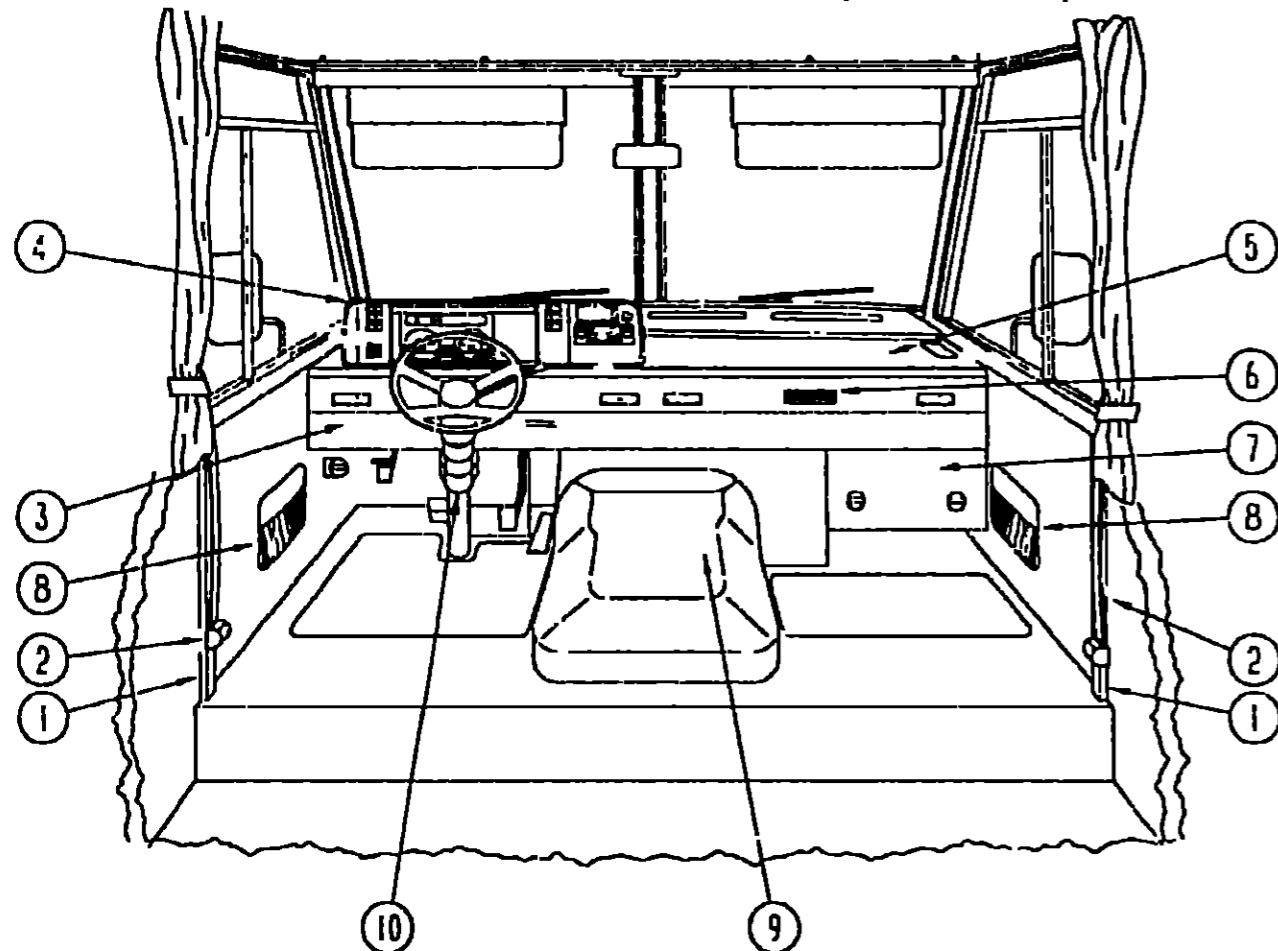
**1993 WINNEBAGO
TABLE OF CONTENTS**

INTRODUCTION	A-01 -	A 02
ABBREVIATIONS		A 03
ALPHABETICAL INDEX	A 01 -	A 06
WCF27RC	A-07 -	F-02
WCF27RQ	F-03 -	J 20

1993 WCF27RQ INDEX

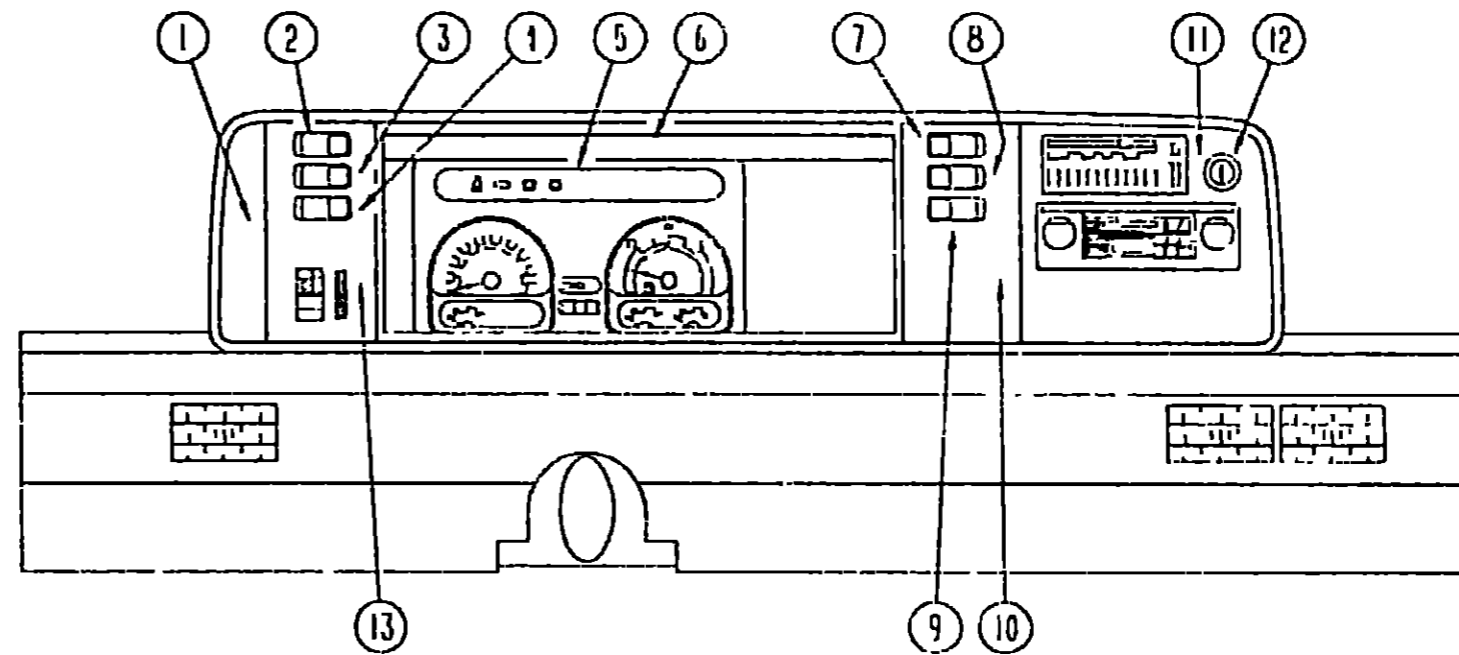
FLOOR PLAN	F-03 -	F-04
ACCESSORIES		F-05
AUDIO VIDEO	F-06 -	F-09
BATH	F 09 -	F-10
BEDROOM	F-11 -	F-12
CHASSIS	F-13 -	F-24
CURTAIN & CUSHION	G-01 -	G-10
DINETTE	G 11 -	G-12
DRIVERS COMPARTMENT	G-13 -	G-17
ELECTRICAL	G-18 -	G-24
EXTERIOR BODY	H 01 -	H-08
GALLEY	H 09 -	H-13
GENERATOR	H-14 -	H-15
HEATING & A/C	H-16 -	H 22
INTERIOR FINISH	H 23 -	I-02
LABELS	I-03 -	I-11
LP		I-12
LOUNGE	I-13 -	I-14
SEALANTS & FASTENERS	I-15 -	I-18
WATER & SEWAGE	I-19 -	I-24
WINDOW, VENT AND		
EXTERIOR DOOR	J-01 -	J-18
WINDSHIELD/WIPER	J-19 -	J-20

DRIVERS COMPARTMENT GROUP (CONTINUED)



DRIVERS COMPARTMENT - LOWER

DRIVERS COMPARTMENT GROUP (CONTINUED)



INSTRUMENT CLUSTER (CHEVY)

**1993 WINNEBAGO
TABLE OF CONTENTS**

INTRODUCTION	A 01 -	A 02
ABBREVIATIONS		A-03
ALPHABETICAL INDEX	A-04 -	A 06
WCF27PC	A 07 -	F-02
WCF27RO	F-03 -	J 20

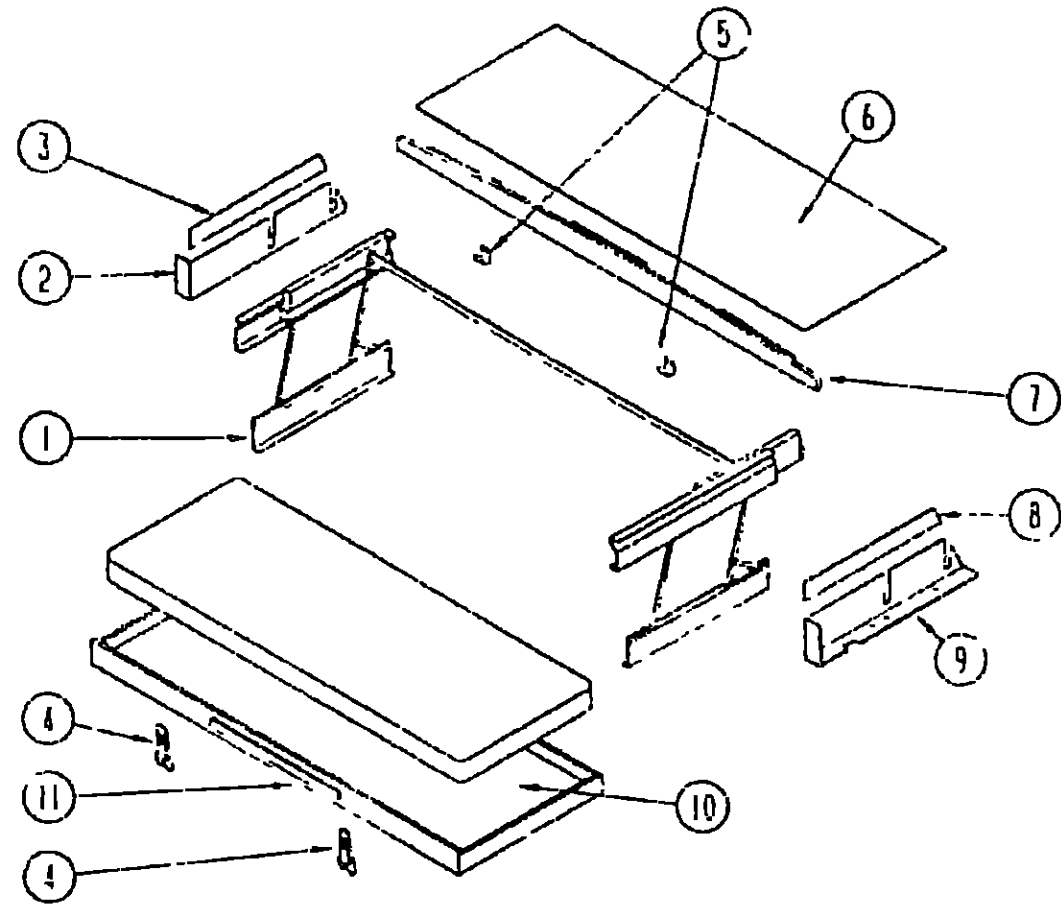
KEY	PART NUMBER	U/M DESCRIPTION
1	104056-01-01A	EA APPLIQUE-BEZEL
2	108356 02-01A	EA COVER-SWITCH W/DIMPLES CARLING VVAZC00 BLA
2	108357-05-000	EA SWITCH ROCKER, SPDT ON/NONE/ON RADIO POWER - CARLING V4D1000B-0
3	108356-02-01A	EA COVER-SWITCH W/DIMPLES, CARLING VVAZC00 BLA
3	108357 04-000	EA SWITCH-ROCKER SPDT ON/OFF/MOM - DUAL BATTERY - CARLING V7D1000B 0
4	108356 02-01A	EA COVER SWITCH W/DIMPLES, CARLING VVAZC00 BLA
4	108357 06-000	EA SWITCH ROCKER DPDT MOM/OFF/MOM - CARLING VLD1000B-0 BATTERY DISCONNECT SWITCH OPTION
4	096241-03-000	EA SWITCH-BLANK
5	094796-05 000	EA CLUSTER-INSTRUMENT PANEL, KILOMETERS - GAS - GM #16156355
5	094796 06-000	EA CLUSTER INSTRUMENT PANEL, KILOMETERS - DIESEL - GM#161E1325
6	103062 01-01A	EA BEZEL INSTRUMENT PANEL
7	108356-01-01A	EA COVER-SWITCH W/DIMPLES & LENS, CARLING VVAGC00 FROM 12-14-92 THRU 99-99 99
7	108357-10 000	EA SWITCH-ROCKER, SPDT MOM/OFF/MOM - LIGHTED - CARLING V8D1160B-0 GENERATOR OPTION FROM 12-14-92 THRU 99-99 99
7	096241-03-000	EA SWITCH-BLANK
8	108356-02-01A	EA COVER SWITCH W/DIMPLES CARLING VVAZC00 BLA
8	108357-03 000	EA SWITCH-ROCKER, SPDT ON/OFF/ON - CARLING V6D1000B 0 REAR HEATER OPTION
8	096241-03-000	EA SWITCH-BLANK
9	096241-03-000	EA SWITCH-BLANK
10	104056-04 01A	EA APPLIQUE-BEZEL W/O REAR AUTO HEATER FROM 00-00-00 THRU 12-13-92
10	104056-05 01A	EA APPLIQUE-BEZEL W/REAR AUTO HEATER FROM 00-00 00 THRU 12-13 92
10	104056 21-01A	EA APPLIQUE-BEZEL FROM 12-14-92 THRU 99-99-99
11	104056-06-01A	EA APPLIQUE-BEZEL
12	089294-01-C 00	EA LIGHTER ASM-CIGARETTE - CASCO C213275
13	104056-02-01A	EA APPLIQUE-BEZEL
	100138-01 000	EA MODULE-DAYTIME RUNNING LIGHT
	077031-01-000	EA FILM-BLACK, 1" X 1 75"
	077031-02-000	EA FILM-AMBER, 1" X 1 75"
	077031-03-000	EA FILM-WHITE, 1.5" X 1"
	103603 01-000	EA BULB - 12V NO 74 0 12A WEDGE
	077539-01-000	EA BRACKET-MOUNTING DASH PANEL - L/SHAPED - 2 5" X 1" X 1 5"
	008235 01-000	EA FUSE-AUTOMOTIVE 12V - 15AMP
	062901-02-000	EA FUSE - 5 AMPS, AUTOMOTIVE
	062901-05 000	EA FUSE - 15 AMPS, AUTOMOTIVE

1993 WCF27RQ INDEX

FLOOR PLAN	F-03	F-04
ACCESSORIES		F-05
AUDIO VIDEO	F-06	F-08
BATH	F-09	F 10
BEDROOM	F-11	F-12
CHASSIS	F-13	F 24
CURTAIN & CUSHION	G-01	G 10
DINETTE	G-11	G-12
DRIVERS COMPARTMENT	G-13	G 17
ELECTRICAL	G-18	G-24
EXTERIOR BODY	H-01	H 08
GALLEY	H-09	H-13
GENERATOR	H-14	H-15
HEATING & A/C	H-16	H-22
INTERIOR FINISH	H-23	I-02
LABELS	I 03	I-11
LP		I-12
LOUNGE	I-13	I-14
SEALANTS & FASTENERS	I 15	I 18
WATER & SEWAGE	I 19	I-24
WINDOW VENT AND		
EXTERIOR DOOR	J-01	J-18
WINDSHIELD/WIPER	J-19	J 20

KEY	PART NUMBER	U/M DESCRIPTION
1	024700-44 000	EA COVER-SIDEWALL ROLL BAR, OFF WHITE - 53"
1	024700 45 000	EA COVER-SIDEWALL ROLL BAR, OFF WHITE - 12 8"
2	091990-01-01A	EA SEAT BELT-SHOULDER HARNESS - DRIVERS/PASSENGERS - BLACK
	091990-01 700	FA BOLT COVER
	1177006-13 498	EA BOLT-SEAT BELT FROM 00 00 00 THRU 07-19 92
	109146 01 000	EA BOLT-SHOULDER, SEAT BELT FROM 07-20 92 THRU 99 99 99
	103961-01 01A	EA COVER-BRACKET, SEATBELT - OFF WHITE
	R77030 53-447	EA WASHER-FLAT, 11 3 MM ID X 21 MM OD FROM 00-00 00 THRU 08 02-92
3	103812 01-01A	EA TRIM-DASH, LOWER - OFF WHITE
4	103666 01 01A	EA POD-INSTRUMENT PANEL, OFF WHITE PLASTIC
5	103817-01-C05	EA DASH ASM, W/VINYL
	P03817-01-000	EA DASH ASM, W/O VINYL
	106569 02-01A	YD VINYL-LAMINATE, 26 OZ - 54" WIDE - OFF WHITE
	105927-02-000	EA PANEL-DASH TOP, STEEL
6	104280-01-01A	EA DECAL-LOGO "BRAVE" PASSENGERS SIDE DASH
7	095757-03-D09	EA COVER-HEATER W/CARPET (D09)
7	095757-03-C05	EA COVER-HEATER W/CARPET (D10)
7	095757-03 C27	EA COVER-HEATER W/CARPET (D11)
8	086120-04-D09	EA PAD-MAP POCKET, 12" X 16"
8	086120-04 D10	EA PAD-MAP POCKET, 12" X 16"
8	086120-04-D11	EA PAD-MAP POCKET, 12" X 16"
9	097552-01-000	EA COVER-MOTOR, W/O CARPET
	075564-01-000	EA BRACKET-MOUNTING, MOTOR COVER
	092406-01-000	EA TRIM-MOTOR COVER, ALUMINUM
	039623-01-000	FT SEAL-MOTOR COVER, RUBBER BULB TYPE - BLACK
	107854 01-D09	EA TRAY ASM-BEVERAGE W/ASHTRAY & DOWELS
	M04032-01-AB1	EA DOWEL-WOOD, STAINED - 1" X 1 75"
	046886-03 000	EA ASHTRAY-CHROME W/COVER
10	103498-04-000	EA BOOT-STEERING COLUMN, BLACK VINYL FROM 00 00-00 THRU 09 06-92
10	103498-06-000	EA BOOT STEERING COLUMN BLACK VINYL FROM 09-07 92 THRU 99 99 99

DRIVERS COMPARTMENT GROUP (CONTINUED)



FRONT BUNK-SINGLE

KEY	PART NUMBER	U/M DESCRIPTION
1	0767E0 02-000	EA BUNK HARDWARE (COMPLETE)
	0767C0-02 700	EA STRIKING-GAS-BUNK HARDWARE
2	101493 06 C05	FA PANEL ASM- BOTTOM DRIVERS - PADDED - USED W BUNK
3	101497-08 C05	EA PANEL ASM- UPPER DRIVERS - PADDED - USED W BUNK
4	012511 01-C00	EA LATCH W/O STRIKE BRASS
5	012511 01-000	EA STRIKE-BRASS
6	103740 05 C05	EA PANEL HEADLINER FRONT OVERHEAD - PADDED - USED W BUNK
7	P03199 01-C05	EA BOARD ASM-TRIM, BUNK - CEILING MOUNTED
8	101497-07-C05	EA PANEL ASM- UPPER PASSENGERS - PADDED - USED W BUNK
9	101499 05 C05	EA PANEL ASM- BOTTOM PASSENGERS - PADDED - USED W-BUNK
10	081717-03 C05	EA BED ASM-BUNK FRONT
11	091658 01-Y12	EA HANDLE-BUNK OAK

**ELECTRICAL GROUP
INTERIOR LIGHTS**

KEY	PART NUMBER	U/M DESCRIPTION
	061424 01-000	EA LIGHT AISLE, 12V RECTANGULAR
	008103 01-000	EA BULB DASH/AISLE LIGHT, #53 - 12 V 12 AMP
	065201-09 000	EA SHADE LAMP FABRIC - PARCHMENT
	065202-23-000	EA LAMP WALL BRASS CANADIAN
	065202 22-000	FA LAMP WALL BRASS US
	067479 01-000	EA BULB - 12V NUMBER 1072
	082169 01 000	EA LIGHT-MAKE UP 3 BULB - JENSEN K148 TUBR FROM 00 00 00 THRU 12-13 92
	051633 01-700	EA BULB MAKE UP LIGHT JENSEN
	110295-01-01A	FA LIGHT MAKE UP, 3 BULB PANLESS PD PD200 G21 BRASS FROM 12 14 92 THRU 07 99 99
	081633 01-700	EA BULB-MAKE UP LIGHT JENSEN
	086280 01 000	EA LIGHT-SURFACE MOUNT 12V - JENSEN 123C
	086280 01-700	EA BULB 12 VOLT 6 WATT
	098924 01-01A	EA LIGHT-DOME 1 BULB - US - IVORY
	008219 01-C00	EA BULB DOME LIGHT 12V - NUMBER 1141
	00 01 01 700	EA LENS DOME LIGHT
	00 01 03 01A	EA LIGHT DOME 2 BULB - IVORY
	008218 01 000	EA BULB DOME LIGHT 12V - NUMBER 1141
	048024 01-700	EA LENS DOME LIGHT

CIRCUIT BREAKERS

KEY	PART NUMBER	U/M DESCRIPTION
	083209-01 000	EA CIRCUIT BREAKER - 15 AMP 120V - RW G 15 CANADIAN
	083209 02-000	EA CIRCUIT BREAKER - 15/15AMP, 120V BW H 15 15
	083209 03 000	FA CIRCUIT BREAKER 15 20AMP 120V - BW 0-15 20
	083209 04-000	EA CIRCUIT BREAKER - 30A 120V - BW L-30
	083209 05 000	EA CIRCUIT BREAKER - 20A 120V BW J-20
	083209-05-000	EA CIRCUIT BREAKER - 30/15 AMP 120V - BW D 30/15
	093651 01-000	EA CIRCUIT BREAKER - 6 AMP HOUSE CONTROL PANEL
	093654 02-000	EA CIRCUIT BREAKER - 15 AMP
	093655-01-000	EA CIRCUIT BREAKER 25A 12V - USD 17425 4E03A2A
	093655 02-000	EA CIRCUIT BREAKER - 30 AMP HOUSE CONTROL PANEL
	093655 03-000	EA CIRCUIT BREAKER - 40 AMP USD 17440 4E03A2A
	097611-01-C00	EA CIRCUIT BREAKER - 6AMP ATC - BLACK
	112591-01-000	FA CIRCUIT BREAKER - 16 AMP 240V

CONDUIT

KEY	PART NUMBER	U/M DESCRIPTION
	041953 01-000	FT CONDUIT-CONVOLUTE SLIT - 5" ID
	041953-05-000	FT CONDUIT-CONVOLUTE SOLID - 62" ID
	041953-06-000	FT CONDUIT-CONVOLUTE, SLIT - 375" ID
	041953 07-000	FT CONDUIT-CONVOLUTE SLIT - 25" ID
	041953-09-000	FT CONDUIT CONVOLUTE SLIT - 50" ID
	041953-10 000	FT CONDUIT-CONVOLUTE, SLIT - 75" ID
	041953-12-000	FT CONDUIT-CONVOLUTE NON SLIT - 1 1" ID

**1993 WINNEBAGO
TABLE OF CONTENTS**

INTRODUCTION	A-01 -	A-02
ABBREVIATIONS		A-03
ALPHABETICAL INDEX	A-04 -	A-06
WCF27RC	A-07 -	F-02
WCF27RO	F-03 -	J-20

1993 WCF27RQ INDEX

FLOOR PLAN	F-03 -	F-04
ACCESSORIES		F-05
AUDIO VIDEO	F-06 -	F-08
BATH	F-09 -	F-10
BEDROOM	F-11 -	F-12
CHASSIS	F-13 -	F-24
CURTAIN & CUSHION	G-01 -	G-10
DINETTE	G-11 -	G-12
DRIVERS COMPARTMENT	G-13 -	G-17
ELECTRICAL	G-18 -	G-24
EXTERIOR BODY	H-01 -	H-08
GALLEY	H-09 -	H-13
GENERATOR	H-14 -	H-15
HEATING & A/C	H-16 -	H-22
INTERIOR FINISH	H-23 -	I-02
LABELS	I-03 -	I-11
LP		I-12
LOUNGE	I-13 -	I-14
SEALANTS & FASTENERS	I-15 -	I-18
WATER & SEWAGE	I-19 -	I-24
WINDOW VENT AND		
EXTERIOR DOOR	J-01 -	J-18
WINDSHIELD WIPER	J-19 -	J-20

**ELECTRICAL GROUP (CONTINUED)
CONNECTORS**

KEY	PART NUMBER	U/M DESCRIPTION
	008311-01-000	EA CONNECTOR WIRE NUT INSULATED - RED
	008312-01-000	EA CONNECTOR WIRE NUT INSULATED - BLUE
	008314-01-000	EA CONNECTOR WIRE NUT INSULATED - GRAY
	008375-01-000	EA CONNECTOR CABLE CLAMPING 3/4"
	008356-01-000	EA CONNECTOR PLASTIC 3/8" AVG
	008398-01-000	EA CONNECTOR 1/2" X 90 DEGREE FLEX CONDUIT UL AND CSA
	041480-01-000	EA CONNECTOR STRAIGHT, 1/2" FLEX CONDUIT
	082740-01-000	EA CONNECTOR PLASTIC BODY FOR 2 MALE SPADES
	082028-01-000	EA CONNECTOR-ELECTRICAL PIGTAIL NYLON CLEAR

RECEPTACLES, RECEPTACLE PLATES & SPACER

KEY	PART NUMBER	U/M DESCRIPTION
	007940-01-000	FA RECEPTACLE-SLIDE 16 TO 12 AWG - FEMALE END
	007954-01-000	EA RECEPTACLE-HOUSING, 6 POSITION
	024924-02-000	EA RECEPTACLE-POWER CORD, W.PARTIAL PLATE
	060015-02-000	EA RECEPTACLE-FLAG 185 - 16/14 GA - AMP 3
	059707-01-000	EA RECEPTACLE-ELECTRIC SINGLE - BROWN
	058707-02-000	EA RECEPTACLE-BLANK JUNCTION - WIRECON WDJ20CB
	058708-01-000	EA RECEPTACLE-ELECTRIC, DOUBLE - BROWN
	058708-02-000	EA RECEPTACLE-ELECTRIC, DOUBLE - IVORY
	08-076-01-000	EA RECEPTACLE-GFI 15A - 125V - IVORY
	08-076-02-000	EA RECEPTACLE-GFI 15A - 125V - BROWN
	084077-01-000	EA PLATE-COVER RECEPTACLE - GFI - IVORY
	084077-02-000	EA PLATE-COVER RECEPTACLE - GFI - BROWN
	075736-02-000	EA COVER EXTERIOR RECEPTACLE, OFF WHITE
	091927-01-000	EA COVER RECEPTACLE DOUBLE - IVORY
	102508-01-B10	EA SPACER-RECEPTACLE BETWEEN SIDEWALL & PLATE WOOD
	097734-01-01A	EA EXTENSION-RECEPTACLE 3 2" X 5" X 7" - PLASTIC - IVORY
	097734-01-02A	EA EXTENSION RECEPTACLE 3 2" X 5" X 7" - PLASTIC - BROWN

TERMINALS

KEY	PART NUMBER	U/M DESCRIPTION
	008326-01-000	EA TERMINAL-RING 16/14 WIRE - 3/8" STUD
	008328-01-000	EA TERMINAL-RING 12/10 WIRE - #10 STUD FIT
	008331-01-000	EA TERMINAL-RING TONGUE - #4 WIRE - 3/8" STUD - COPPER
	008348-01-000	EA TERMINAL-RING 3/8" STUD - #2 WIRE
	035416-04-000	EA TERMINAL RING #10 STUD FIT INSULATED BARREL #16 1/4
	102777-02-000	EA TERMINAL RING #6 STUD - 10 AWG
	17443-01-000	EA TERMINAL - 250 RECEPTACLE FIT INSULATED - 16 14 AWG
	17443-02-000	EA TERMINAL - 250 RECEPTACLE FIT INSULATED - 12/10 AWG
	052036-01-000	EA TERMINAL-PACK-CON, 12/10 AWG
	062036-02-000	EA TERMINAL-PACK-CON, 16/14 AWG
	029260-01-000	EA TERMINAL-MALE 56 SERIES
	104100-01-000	EA TERMINAL - 75 AMP - AMP 53890-4 LOOSE
	101007-01-000	EA TERMINAL FEMALE 14 16 AWG

**ELECTRICAL GROUP (CONTINUED)
HOUSINGS, PINS & SOCKETS**

KEY	PART NUMBER	U/M DESCRIPTION
	063910-01-000	EA HOUSING RELAY, BOSCH 11371 185 002
	088471-01-000	FA PIN HOUSING 4 ROWS OF 3
	088473-03-000	EA HOUSING PIN 9 POSITION
	088473-05-000	EA PIN-HOUSING 3 POSITION (SINGLE ROW)
	088473-06-000	EA PIN HOUSING 6 POSITION (TWO ROWS OF THREE)
	088473-08-000	EA HOUSING PIN 4 POSITION
	088473-09-000	EA PIN-HOUSING 3 POSITION (SINGLE ROW)
	088473-10-000	EA PIN-HOUSING 2 POSITION
	088474-01-000	EA HOUSING-SOCKET 1 POSITION
	088474-03-000	FA HOUSING-SOCKET 3 POSITION
	088474-06-000	EA SOCKET HOUSING 6 POSITION (2 ROWS OF THREE)
	088474-07-000	EA HOUSING-SOCKET 5 CAVITY AMP 1-307040
	088474-08-000	EA SOCKET-HOUSING 4 POSITION (SINGLE ROW)
	088474-09-000	EA HOUSING SOCKET 3 POSITION
	088474-10-000	EA HOUSING SOCKET 2 POSITION
	088475-01-000	EA PIN-CONNECTOR 14 TO 20 AWG
	088475-02-000	EA PIN-CONNECTOR 10 TO 12 AWG
	104100-01-000	EA HOUSING 1 POSITION 7.5 AMP AMP 53890-1
	101571-01-000	EA HOUSING 2 POSITION MALE
	106006-01-000	EA HOUSING - 1 POSITION FEMALE PACKARD 120 - 152
	108355-01-000	EA HOUSING-SWITCH CARLING CH
	110178-01-000	FA HOUSING WIPER MOTOR - 237440 EC25WJ FROM 12 13 02 THRU 00 99 99

POWER CORDS

KEY	PART NUMBER	U/M DESCRIPTION
	008052-01-000	EA CORD-POWER 10 3 - 30 AMP 25 - CANADIAN
	008054-01-000	EA CORD-POWER 10 3 - 30 AMP 25 - US

CONVERTER & INVERTER

KEY	PART NUMBER	U/M DESCRIPTION
	083208-02-000	EA CONVERTER POWER 45A - 120V/12V - BW 6345
	090048-01-000	EA INVERTER 100 WATT

UNDER HOOD ELECTRICAL ACCESS PANELS

KEY	PART NUMBER	U/M DESCRIPTION
	P03751-01-000	FA PLATE-ELECTRICAL ACCESS
	098196-01-000	EA LATCH 1/4 TURN T-BAR
	103756-01-000	EA DOOR-ELECTRICAL BOX
	092492-06-000	EA SEAL ELECTRICAL BOX, ALFA III (195X267)
	103863-01-000	EA BOX ELECTRICAL FRONT
	103873-01-000	EA SEAL-ELECTRICAL BOX/BULKHEAD ALFA III(215X215)
	103997-01-000	EA SEAL-SOLENOID ACCESS

**1993 WINNEBAGO
TABLE OF CONTENTS**

INTRODUCTION	A 01	A 02
ABBREVIATIONS		A 03
ALPHABETICAL INDEX	A 04 -	A 06
WCF27RC	A 07 -	F 02
WCF27RO	F 03 -	J-20

1993 WCF27RQ INDEX

FLOOR PLAN	F-03	- F-04
ACCESSORIES		F-05
AUDIO VIDEO	F-06	- F-08
BATH	F-09	- F-10
BEDROOM	F-11	- F-12
CHASSIS	F-13	F-24
CURTAIN & CUSHION	G-01	- G-10
DINETTE	G-11	- G-12
DRIVERS COMPARTMENT	G-13	- G-17
ELECTRICAL	G-18	- G-24
EXTERIOR BODY	H-01	- H-08
GALLEY	H-09	- H-13
GENERATOR	H-14	- H-15
HEATING & A/C	H-16	- H-22
INTERIOR FINISH	H 23	- I-02
LABELS	I-03	- I-11
LP		I-12
LOUNGE	I-13	- I-14
SEALANTS & FASTENERS	I 15	- I-18
WATER & SEWAGE	I-19	- I-24
WINDOW VENT AND		
EXTERIOR DOOR	J 01	- J-18
WINDSHIELD WIPER	J-19	- J-20

ELECTRICAL GROUP (CONTINUED)
FUSES & FUSE HOUSINGS

KEY	PART NUMBER	U/M DESCRIPTION
	008234 01 000	EA FUSE 12V 10 AMP
	100341-01 000	EA FUSE HOLDER-IN LINE TYPE WESCO 8931-92020
	002037-01 000	EA HOUSING AUTO FUSE NATURAL
	062037-02-000	FA HOUSING AUTO FUSE GREEN
	022037 03 000	EA HOUSING AUTO FUSE BLACK
	002037 01 000	EA HOUSING AUTO FUSE BLUE
	0E2037 05-000	FA HOUSING-AUTO FUSE GRAY
	0E2037 06 000	EA HOUSING-AUTO FUSE BROWN
	1E2039 01 000	EA HOUSING AUTO FUSE HOLDER STANDARD 12010100

SWITCHES, SWITCH PLATES & SPACERS

KEY	PART NUMBER	U/M DESCRIPTION
	079364 01-000	EA SWITCH-O.N. OFF ROCKER 2 PRONGS BROWN
	079364 03 000	F7 SWITCH O.N. OFF ROCKER 3 PRONGS - BROWN
	008351-01 01A	EA PLATE-SWITCH 1 GANG POLISHED BRASS JENSEN
	008351-05 01A	E7 PLATE-SWITCH 3 GANG - POLISHED BRASS - JENSEN
	008351-06-01A	EA PLATE-SWITCH 2 GANG W LABEL - POLISHED BRASS JENSEN
	095189-01 01A	EA SPACER-SWITCH 2 3" X 3 4" - PLASTIC - DARK BROWN
	095189 02 01A	EA SPACER-SWITCH 2 3" X 1 1" PLASTIC DARK BROWN
	075723-01 000	EA SPACER SWITCH W/O HOLE - 2" X 9" X 2" - METAL - OFF WHITE

ELECTRIC BOXES & COVERS

KEY	PART NUMBER	U/M DESCRIPTION
	008288-01 000	EA BOX-ELECTRIC, PLASTIC 3" X 3 1/2"
	008288-02-000	EA BOX ELECTRIC PLASTIC - 3 9/4" X 3 1/3" X 1 8/1"
	008289 01 000	EA BOX-ELECTRIC STEEL 1 2" AND 3 4" KNOCKOUTS - 4" X 4" - US
	008289 02-000	EA BOX-ELECTRICAL 4" X 4" 1/2" & 3/4" KNOCKOUTS - CANADIAN
	035049 01-000	EA BOX ELECTRIC SWITCH 2" X 3" X 2 25"
	091910-01 000	EA BOX-ELECTRIC 3 75" X 3 5" X 1 75" - PLASTIC
	091910 02 000	EA BOX-ELECTRICAL PLASTIC - 57 MM X 63 MM FROM 10-05-92 THRU 99 99 99
	008293 01 000	EA COVER ELECTRICAL BOX BLANK/STEEL 4" X 4" GRAY
	008293 02-000	FA COVER ELECTRICAL BOX BLANK STEEL - 4" X 4" - CANADIAN
	054250 04 000	EA COVER-ANGLED W/O HOLE 3 6" X 4 5" PLASTIC - OFF WHITE ELECTRICAL PLATE SUPPORT
	069252 01 000	EA COVER ELECTRICAL BOX, W/HOLE - 4" X 4" - GRAY USED WITH 30 AMP RECEPTACLE

ELECTRICAL GROUP (CONTINUED)
WIRE ASSEMBLIES

KEY	PART NUMBER	U/M DESCRIPTION
	097618-01-000	EA WIRE ASM-MONITOR PANEL W/3 WIRES & ORANGE RESISTOR- LVS
	102636-01-000	EA WIRE ASM CLEARANCE LAMPS
	1039J1 01-000	EA WIRE ASM CIRCUIT BREAKER POWER
	103991-02 000	EA WIRE ASM-CIRCUIT BREAKER POWER
	107E66-01-000	EA WIRE ASM STEP ELECTRIC
	108303-01-000	FA WIRE ASM REAR AUTO HEATER

MISCELLANEOUS ELECTRICAL COMPONENTS

KEY	PART NUMBER	U/M DESCRIPTION
	007093-01-000	EA FLASHER-SIGNAL STAT
	008188 01-000	EA SOLENOID - 3 POST, BATTERY CHANGE OVER
	086233-01-000	EA STUD ISOLATED, 3/8" X 1/8" LONG
	086273-01-000	EA RELAY-BATTERY DISCONNECT
	087949-01-000	EA BUSS BAR - 2 POSITION 6 X 1 5" - ALUMINUM
	067789-02 000	EA SOCKET-LAMP
	088476 01-000	EA SOCKET-CONNECTOR BRASS - PRE-TIN
	088476-02-000	EA SOCKET-CONNECTOR 12-10 GA - PHOSPHATE BRONZE - PRE-TIN
	103508 01-000	EA SOCKET-WEDGE BASE W-LEADS JKL 2944 6 OR EQUIVALENT
	087225-01-000	FT SLEEVING - 1/2" TYPE H - VARFLEX
	087225-02-000	FT SLEEVING - 5/8" TYPE H - VARFLEX VARGLAS
	073328-B4-000	EA CABLE ASSEMBLY BATTERY W/TERMINALS
	077479-01-000	EA BOOT-BATTERY TERMINAL DOUBLE CABLE
	077479-02-000	FA BOOT-BATTERY TERMINAL SINGLE CABLE

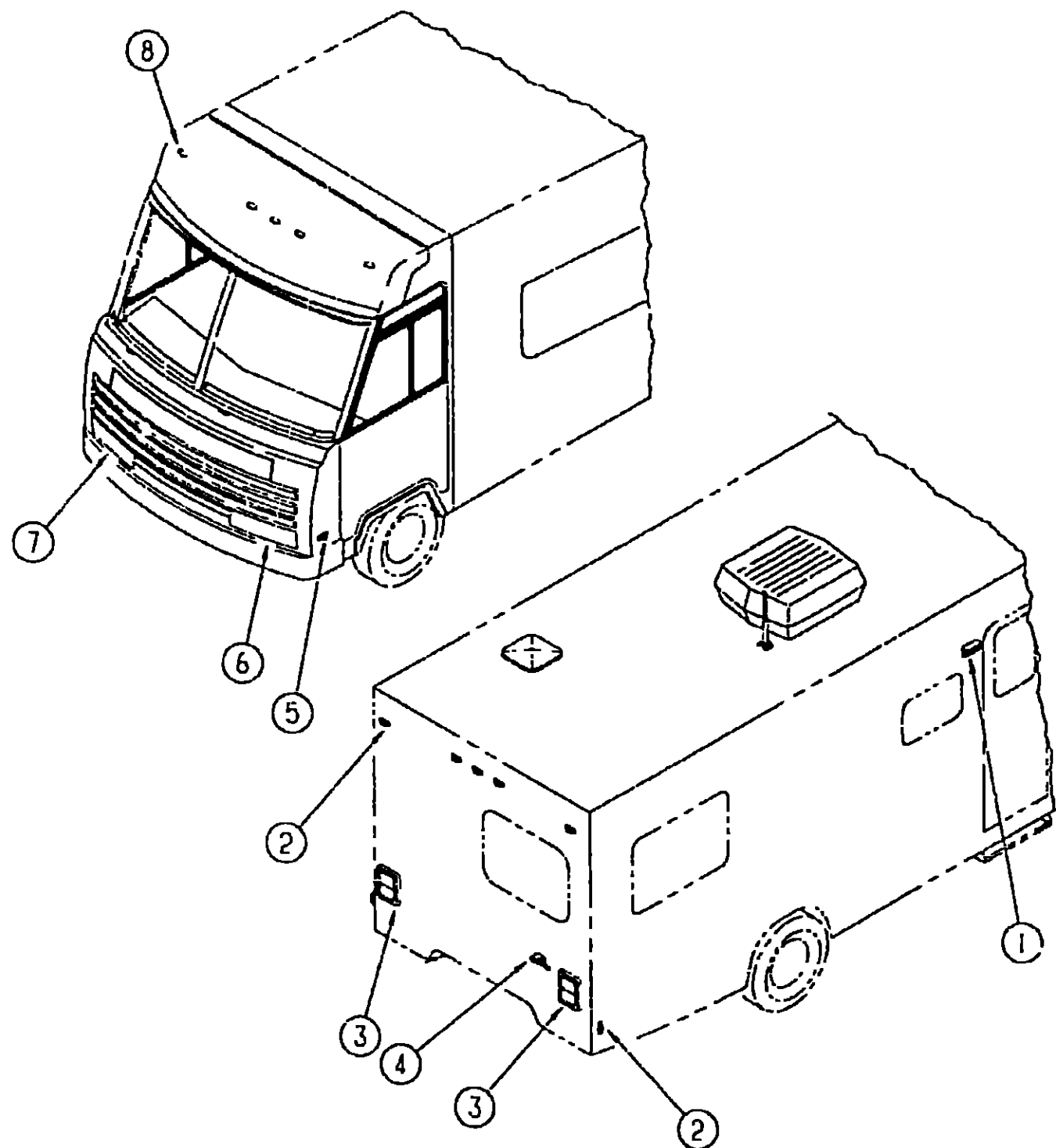
1993 WINNEBAGO
TABLE OF CONTENTS

INTRODUCTION	A-01 -	A 02
ABBREVIATIONS		A 03
ALPHABETICAL INDEX	A-04 -	A 06
WCF27RC	A 07 -	F 02
WCF27RO	F-03 -	J 20

1993 WCF27RQ INDEX

FLOOR PLAN	F-03 -	F-04
ACCESSORIES		F-05
AUDIO VIDEO	F-06 -	F 08
BATH	F-09 -	F-10
BEDROOM	F-11 -	F-12
CHASSIS	F-13 -	F-24
CURTAIN & CUSHION	G-01 -	G-10
DINETTE	G-11 -	G-12
DRIVERS COMPARTMENT	G-13 -	G-17
ELECTRICAL	G-18 -	G 24
EXTERIOR BODY	H-01 -	H-08
GALLEY	H 09 -	H 13
GENERATOR	H-14 -	H-15
HEATING & A/C	H-16 -	H 22
INTERIOR FINISH	H 23 -	I-02
LABELS	I-03 -	I-11
LP		I-12
LOUNGE	I-13 -	I-14
SEALANTS & FASTENERS	I-15 -	I-18
WATER & SEWAGE	I-19 -	I-24
WINDOW VENT AND		
EXTERIOR DOOR	J-01 -	J-18
WINDSHIELD/WIPER	J-19 -	J-20

ELECTRICAL GROUP (CONTINUED)
EXTERIOR LIGHTS



KEY	PART NUMBER	U/M DESCRIPTION
1	097917 01 01A	EA LIGHT-PORCH ENTRY DOOR - OFF WHITE
	008215-01-000	EA BULB - 12V #1003 - 94 AMP
	097917-01-700	EA LENS LIGHT PORCH
2	062648 01 000	EA LIGHT-CLEARANCE RED - BARGMAN 30-99-001
	081638-01 000	EA TAILLIGHT DOUBLE W/BLACK TRIM - DRIVER OR PASSENGER SIDE
3	037934-01-000	EA BULB - 12V #1156 - 2 1 AMP - CLEAR GLASS
	037935 01-000	EA BULB - 12V #1157 OR #2057 - 2 1 AMP - CLEAR GLASS
4	081638 01-700	EA LENS-TAILLIGHT RED BARGMAN 30 84 010
	081638-01-701	EA LENS-TAILLIGHT W/BACKUP - BARGMAN 30 84-700
5	103355-01-01A	EA POD TAILLIGHT OFF WHITE
	065432 02-000	EA LIGHT-LICENSE BLACK
6	066432-03 000	EA BRACKET-LICENSE PLATE - BARGMAN 30 60-030
	062648-02-000	EA LIGHT-CLEARANCE, AMBER - BARGMAN 30-99 002
7	049186 01-000	EA HEADLAMP CAPSULE-DRIVER, HIGH/LOW BEAM - RECTANGULAR
	049188 01-000	EA HEADLAMP CAPSULE DRIVER, HIGH BEAM - RECTANGULAR
7	049185 01-000	EA HEADLAMP CAPSULE-PASSENGER, HIGH/LOW BEAM - RECTANGULAR
	049187-01-000	EA HEADLAMP CAPSULE-PASSENGER HIGH BEAM RECTANGULAR
B	P03783 01 000	EA WIRE ASM HEADLAMP
	103624-01-000	EA PLATE-BLINDER, HEADLIGHT - 105 5 MM X 94 MM - STEEL - BLACK
B	049359 01-000	EA SPRING RETAINER, HEADLAMP - GM 496096
	073308-01-000	EA SCREW ADJUSTING HEADLAMP
	110750-01-000	EA SCREW ADJUSTING HEADLAMP FROM 00-00 00 THRU 01-21-93
	110783 01-01A	EA BRACKET-HEADLAMP, QUAD - PASSENGER - UNPAINTED FROM 01-22-93 THRU 99 99-99
	110783-02-01A	EA BRACKET-HEADLAMP, QUAD - DRIVER - UNPAINTED
	089292-01-000	EA LIGHT-TURN DRIVER OR PASSENGER - W/AMBER LENS
	037935 01-000	EA BULB - 12V, #1157 OR #2057 - 2 1 AMP - CLEAR GLASS
	102520-01-000	EA LIGHT-CLEARANCE W/O SOCKET CONNECTIONS - AMBER
	036196-01-000	EA BULB - 12V #194 - 27 AMP - BAYONETTE
	102540-01-000	EA SEAL SCREW, ROUND - RUBBER
	102541-01 000	EA GASKET-CLEARANCE LIGHT
	102582-01-000	EA BRACKET LIGHT, CLEARANCE - L-SHAPED METAL - 2 2" X 4 7"

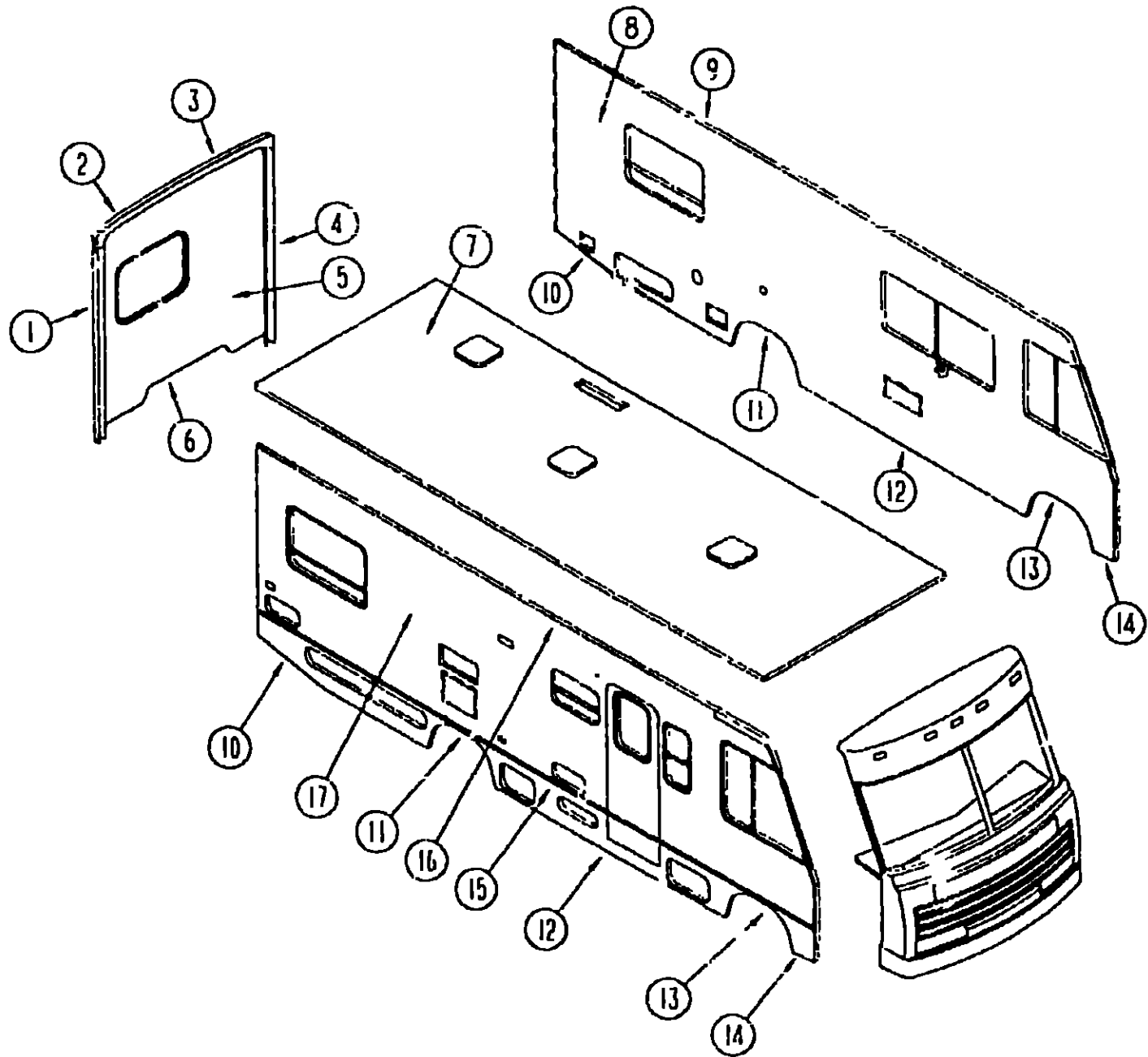
1993 WINNEBAGO
TABLE OF CONTENTS

INTRODUCTION	A-01 - A-02
ABBREVIATIONS	A-03
ALPHABETICAL INDEX	A-04 - A-05
WCF27RC	A-07 - F-02
WCF27RQ	F-03 - J-20

1993 WCF27RQ INDEX

FLOOR PLAN	F-03	F-04
ACCESSORIES		F-05
AUDIO VIDEO	F-06	F-08
BATH	F-09	F-10
BEDROOM	F-11	F-12
CHASSIS	F-13	F-24
CURTAIN & CUSHION	G-01	G-10
DINETTE	G-11	G-12
DRIVERS COMPARTMENT	G-13	G-17
ELECTRICAL	G-18	G-24
EXTERIOR BODY	H-01	H-03
GALLEY	H-09	H-13
GENERATOR	H-14	H-15
HEATING & A/C	H-16	H-22
INTERIOR FINISH	H-23	I-02
LABELS	I-03	I-11
LP		I-12
LOUNGE	I-13	I-14
SLALANTS & FASTENERS	I-15	I-18
WATER & SEWAGE	I-19	I-24
WINDOW VENT AND EXTERIOR DOOR	J-01	J-13
WINDSHIELDWIPER	J-19	J-20

EXTERIOR BODY GROUP



EXTERIOR BODY PANELS AND TRIM

KEY	PART NUMBER	U/M DESCRIPTION
1	103598-01-01A	FA TRIM BACKWALL SIDE, RIGHT - OFF WHITE - STEEL
1	103598-01-03A	LA TRIM BACKWALL SIDE, RIGHT - UNPAINTED - STEEL
1	104033-01-01A	CA TRIM-J, BACKWALL - RIGHT - OFF WHITE - ALUMINUM
2	103593-01-01A	EA TRIM BACKWALL TOP W/O CLEARANCE LIGHTS - RIGHT - OFF WHITE - PLASTIC
3	103600-01-01A	EA TRIM BACKWALL TOP W/O CLEARANCE LIGHTS - LEFT - OFF WHITE - PLASTIC
4	103598-02-01A	EA TRIM BACKWALL SIDE, LEFT - OFF WHITE - STEEL
4	103598-02-03A	EA TRIM BACKWALL SIDE, LEFT - UNPAINTED - STEEL
4	104033-02-01A	FA TRIM-J, BACKWALL - LEFT - OFF WHITE - ALUMINUM
5	M05784-01-D09	EA BACKWALL-W/O WINDOW LIGHTS, OR DECALS - QUEEN BED
5	M05784-02-D09	FA BACKWALL-W/O WINDOW LIGHTS, OR DECALS - TWIN BEDS OPTION
6	050406-15-000	EA TRIM BACKWALL, LOWER - DRIVER OR PASS SIDE - OFF WHITE - ALUMINUM
7	P07002-01-D09	EA ROOF-W/O VENTS
8	M05814-01-D09	FA SIDEWALL ASM DRIVER SIDE, W/O DOORS OR WINDOWS - QUEEN BED
8	M05814-02-D09	EA SIDEWALL ASM DRIVER SIDE, W/O DOORS OR WINDOWS - TWIN BEDS
9	103801-02-01A	EA TRIM ROOF, 16' LONG - W/O DRILLED HOLES - DRIVER SIDE - OFF WHITE
10	108039-01-01A	EA TRIM SIDEWALL, BOTTOM REAR - DRIVER OR PASSENGER - OFF WHITE

EXTERIOR BODY GROUP (CONTINUED)

EXTERIOR BODY PANELS AND TRIM (CONTINUED)

KEY	PART NUMBER	U/M DESCRIPTION
11	108070-01-01A	EA TRIM WHEELWELL REAR - DRIVER OR PASSENGER - OFF WHITE
12	108039-01-01A	EA TRIM-SIDEWALL BOTTOM - DRIVER OR PASSENGER - CENTER - OFF WHITE
13	108069-01-01A	EA TRIM WHEELWELL FRONT - DRIVER OR PASSENGER - OFF WHITE
14	108103-01-01A	EA TRIM SIDEWALL, BOTTOM - FRONT - DRIVER OR PASSENGER - OFF WHITE
15	086180-55-001	EA U-CHANNEL-SERRATED 1 7" X 16" - OFF WHITE
15	002144-C4-002	EA STRIP-FEATURE, W/O INSERT 15' LONG - OFF WHITE FROM 00-00-00 THRU 08-03-92
15	108088-01-01A	EA STRIP FEATURE W/O INSERT 15' LONG - OFF WHITE FROM 08-10-92 THRU 99-99-99
	009731-01-000	EA END CAP-FEATURE STRIP FROM 00-00-00 THRU 08-09-92
	108651-01-01A	EA END CAP-FEATURE STRIP FROM 08-10-92 THRU 99-99-99
	001030-02-003	EA INSERT FEATURE STRIP 17' LONG - OFF WHITE FROM 00-00-00 THRU 08-09-92
	105312-01-01A	FT INSERT-TRIM, VINYL - OFF WHITE FROM 08-10-92 THRU 99-99-99
16	103802-02-01A	EA RAIL-AWNING 16' LONG - W/O DRILLED HOLES - PASSENGER SIDE - OFF WHITE
17	M05813-01-D09	EA SIDEWALL ASM-PASS SIDE, W/O DOORS OR WINDOWS - QUEEN BED
17	M05813-02-D09	EA SIDEWALL ASM-PASS SIDE, W/O DOORS OR WINDOWS - TWIN BEDS
	002754-01-001	FA ANGLE-EXTRUDED, 75" X .75" X 18" - MILL ALUMINUM
	055278-51-259	FT TUBING-STEEL, 75" X 1 5" X 12 5" LONG
	084852-51-003	EA ANGLE-EXTRUDED, 1 25" X 75" X 15" - MILL ALUMINUM
	086754-03-000	EA CAP JOINT ROOF TO SIDEWALL TRIM - 2" X 1 25" - OFF WHITE
	002726-01-001	EA GARNISH U CHANNEL, 1 38" X 19" - SERRATED - MILL ALUMINUM
	069726-02-000	FA BUMPER - .88" DIAMETER X 40", BLACK

FIBERGLASS, STYROFOAM, INSULATION & ALUMINUM

KEY	PART NUMBER	U/M DESCRIPTION
	076054-E9-000	EA FIBERGLASS SHEET-FLAT, 2438 MM X 7660 MM - OFF WHITE
	076054-F3-000	EA FIBERGLASS SHEET-FLAT 2438 MM X 2438 MM - OFF WHITE
	077517-24-000	EA FIBERGLASS SHEET-FLAT 48" X 96" - OFF WHITE
	102580-01-701	EA FIBERGLASS SHEET-FLAT, 8 7' X 31' - OFF WHITE (ROOF COVERING) FROM 00-00-00 THRU 08-03-92
	108535-01-704	EA FIBERGLASS SHEET FLAT 8 7' X 29' - OFF WHITE (ROOF COVERING) FROM 08-10-92 THRU 99-99-99
	083574-02-000	SF STYROFOAM, DOW TYPE SM 1 5" X 24" X 90 5" - INCREMENTS OF 15 SF
	083574-03-000	SF STYROFOAM - 3/4" X 48" X 96" - INCREMENTS OF 32 SF
	000870-03-000	SF STYROFOAM - 1 31" X 48" X 96" - INCREMENTS OF 32 SF
	065747-01-000	SI INSULATION-MICROFOAM 5" THICK X 72" X 112" ROLL
	105077-01-000	EA FOAM-COVE, ROOF - 8' LONG - EXPANDED POLYSTYRENE
	105077-03-000	EA FOAM PLUG SIDEWALL TUBE - 1 77" LONG - EXPANDED POLYSTYRENE
	072877-01-000	EA INSULATION-SOUND BARRIER PAD 1 25" X 46" X 54" - W/ADHESIVE BACK DIESEL OPTION
	072878-01-000	EA INSULATION SOUND BARRIER PAD, 058" X 33" X 58" - DIESEL OPTION
	044487-01-001	EA ALUMINUM SHEET 019" X 96" X 360" - MILL FINISH

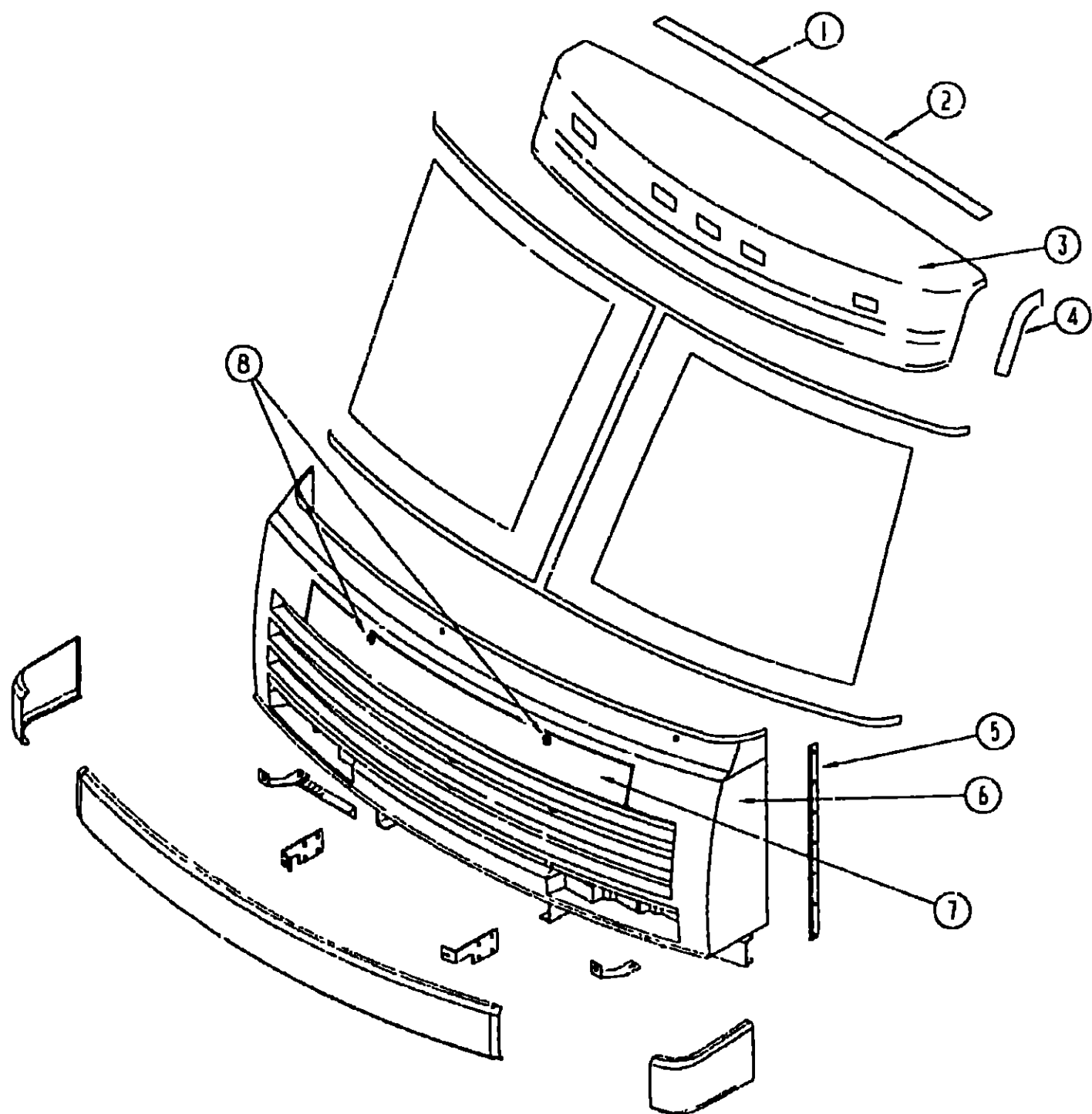
**1993 WINNEBAGO
TABLE OF CONTENTS**

INTRODUCTION	A-01 - A-02
ABBREVIATIONS	A-03
ALPHABETICAL INDEX	A-04 - A-06
WCF27RC	A-07 - F-02
WCF27RQ	F-03 - J-20

1993 WCF27RQ INDEX

FLOOR PLAN	F-03 - F-04
ACCESSORIES	F-05
AUDIO VIDEO	F-06 - F-08
BATH	F-09 - F-10
BEDROOM	F-11 - F-12
CHAIR	F-13 - F-24
CURTAIN & CUSHION	G-01 - G-10
DINETTE	G-11 - G-12
DRIVERS COMPARTMENT	G-13 - G-17
ELECTRICAL	G-18 - G-24
EXTERIOR BODY	H-01 - H-08
GALLEY	H-09 - H-13
GENERATOR	H-14 - H-15
HEATING & A/C	H-16 - H-22
INTERIOR FINISH	H-23 - I-02
LABELS	I-03 - I-11
LP	I-12
LOUNGE	I-13 - I-14
SEALANTS & FASTENERS	I-15 - I-18
WATER & SEWAGE	I-19 - I-24
WINDOW VENT AND EXTERIOR DOOR	J-01 - J-18
WINDSHIELD/WIPER	J-19 - J-20

EXTERIOR BODY GROUP (CONTINUED)
FRONT END COMPONENTS & BUMPER



KEY	PART NUMBER	U/M	DESCRIPTION
1	103815-02-02A	EA	TRIM FRONT CAP/ROOF RIGHT - OFF WHITE
2	103815-03-02A	EA	TRIM-FRONT CAP/ROOF, LEFT - OFF WHITE
3	M05145-01-C05	EA	CAP ASM FRONT, OFF WHITE
4	103816-02-01A	EA	TRIM-FRONT CAP/SIDEWALL, LEFT - OFF WHITE
	103816-01-01A	EA	TRIM-FRONT CAP/SIDEWALL, RIGHT - OFF WHITE
5	C53922-07-050	EA	TRIM-FRONT END/SIDEWALL, DRIVER OR PASSENGER SIDE - OFF WHITE
			FROM 00-00-00 THRU 08-09-92
5	089922-21-000	EA	TRIM-FRONT END/SIDEWALL, DRIVER OR PASSENGER SIDE - OFF WHITE
			FROM 08-10-92 THRU 99-99-99
6	M05128-01-C05	EA	FRONT END ASM W/O HOOD OR HOOD HINGES, OFF WHITE
7	103478-01-C05	EA	PANEL ASM HOOD
	059786-02-000	EA	BOLT-ADJUSTING, HOOD - W/BLACK PAD - 5/16" #18 X 1 25"
			FROM 00-00-00 THRU 11-24-92
	058786-01-000	EA	BOLT-ADJUSTING HOOD - W/BLACK PAD - 3/8" #18 X 2"
			FROM 11-25-92 THRU 99-99-99
8	102330-02-000	EA	LOCK-SINGLE HOLE VISE ACTION - SOUTHCOF 3-56-715-5
	102323-01-000	EA	KEY-BARREL NICKEL PLATED - SOUTHCO E3-26-715-19
	104584-03-000	EA	BRACKET ASM-HOOD HINGE, BODY - RIGHT
	104584-04-000	EA	BRACKET ASM HOOD HINGE, BODY - LEFT
	105095-01-000	EA	LINK ASM HINGE HOOD - INNER RIGHT
	105095-02-000	EA	LINK ASM-HINGE, HOOD - INNER LEFT
	104582-02-000	EA	LINK ASM-HINGE HOOD - OUTER
	110690-01-D18	EA	PLATE ASM HEADLAMP QUAD - PASSENGER - BLACK - STEEL
			FROM 01-22-93 THRU 99-99-99
	110692-01-01A	EA	PLATE-HEADLAMP, QUAD - PASSENGER - UNPAINTED - STEEL
			FROM 01-22-93 THRU 99-99-99
	110690-02-D18	EA	PLATE ASM HEADLAMP, QUAD - DRIVER - BLACK - STEEL
			FROM 01-22-93 THRU 99-99-99
	110692-02-01A	EA	PLATE-HEADLAMP QUAD - DRIVER - UNPAINTED - STEEL
			FROM 01-22-93 THRU 99-99-99
	110691-01-01A	EA	BRACKET SPRING HEADLAMP - DRIVER OR PASSENGER SIDE - UNPAINTED
			FROM 01-22-93 THRU 99-99-99
	110782-01-000	EA	ANGLE-SUPPORT, HEADLAMP - 25 MM X 22 1MM X 160 MM - STEEL - BLACK
			FROM 01-22-93 THRU 99-99-99

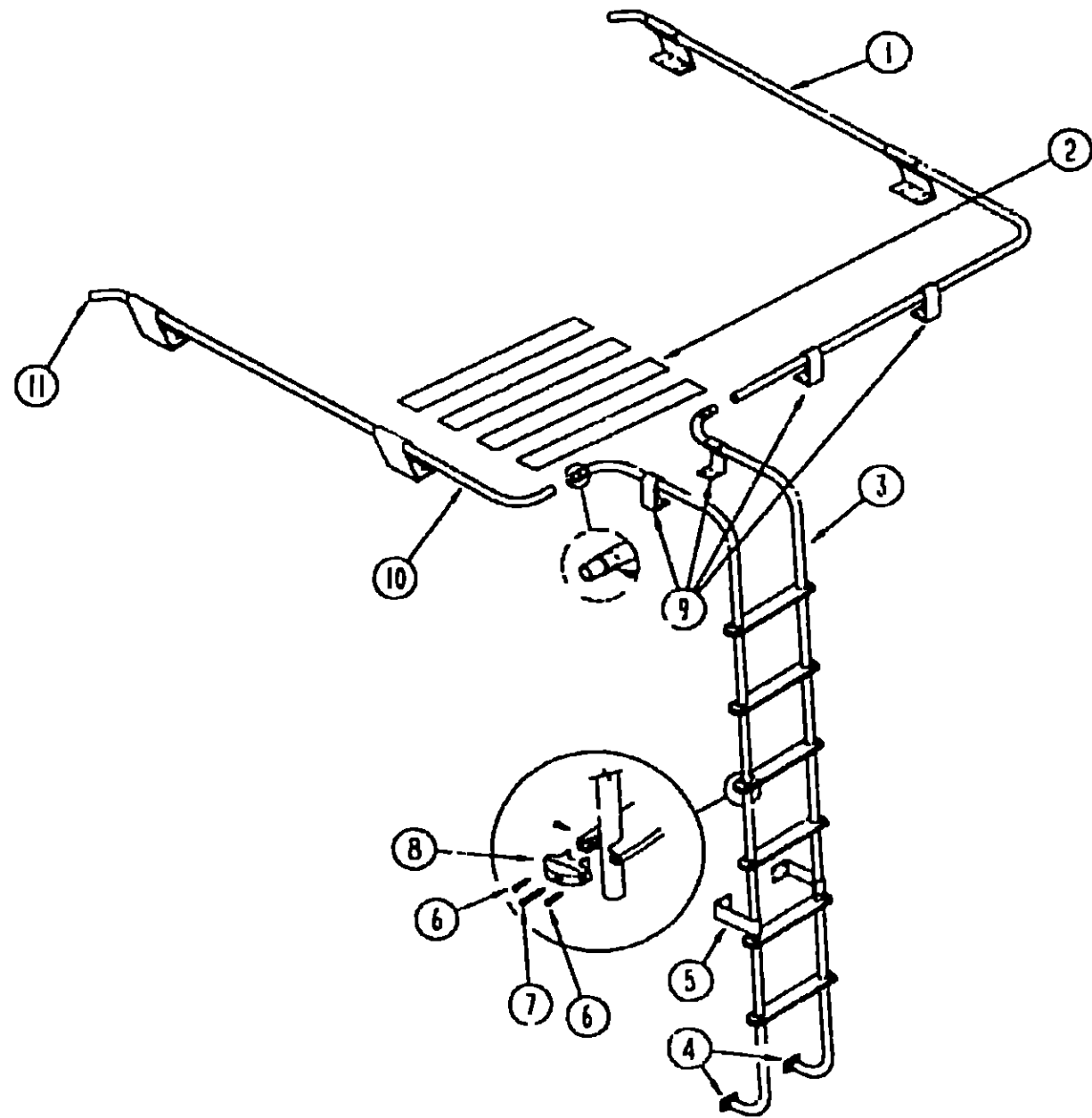
1993 WINNEBAGO
TABLE OF CONTENTS

INTRODUCTION	A-01 -	A-02
ABBREVIATIONS		A-03
ALPHABETICAL INDEX	A-04 -	A-06
WCF27RC	A-07 -	F-02
WCF27RO	F-03 -	J-20

1993 WCF27RQ INDEX

FLOOR PLAN	F-03 -	F-04
ACCESSORIES		F-05
AUDIO VIDEO	F-06 -	F-08
BATH	F-09 -	F-10
BEDROOM	F-11 -	F-12
CHASSIS	F-13 -	F-24
CURTAIN & CUSHION	G-01 -	G-10
DINETTE	G-11 -	G-12
DRIVERS COMPARTMENT	G-13 -	G-17
ELECTRICAL	G-18 -	G-24
EXTERIOR BODY	H-01 -	H-08
GALLEY	H-09 -	H-13
GENERATOR	H-14 -	H-15
HEATING & A/C	H-16 -	H-22
INTERIOR FINISH	H-23 -	I-02
LABELS	I-03 -	I-11
LIP		I-12
LOUNGE	I-13 -	I-14
SEALANTS & FASTENERS	I-15 -	I-18
WATER & SEWAGE	I-19 -	I-24
WINDOW VENT AND		
EXTERIOR DOOR	J-01 -	J-18
WINDSHIELD/WIPER	J-19 -	J-20

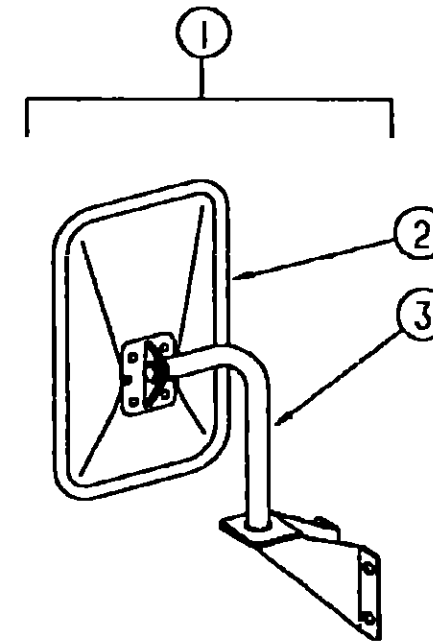
EXTERIOR BODY GROUP (CONTINUED)



LADDER & LUGGAGE RACK

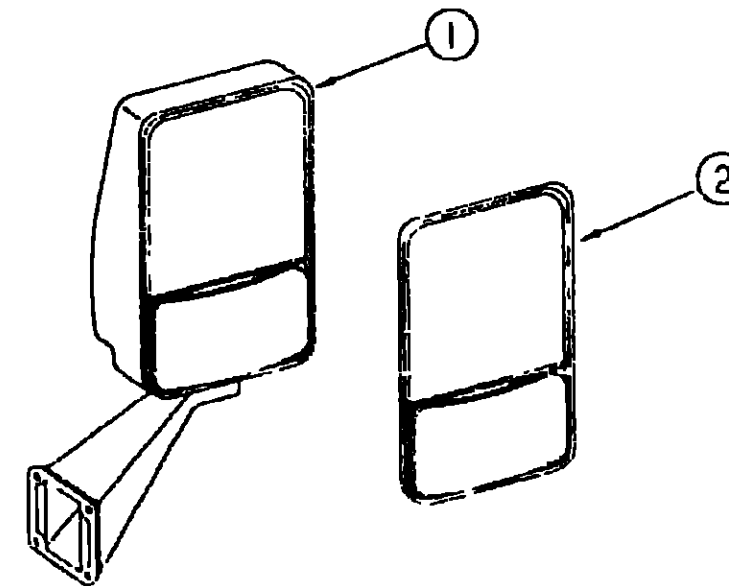
KEY	PART NUMBER	U/M DESCRIPTION
1	107438-05 C07	EA RACK ASM PASSENGER SIDE
2	038327 02 000	EA TAPE-ANTI SLIP 2" X 60' - W/ADHESIVE
3	102953 01-C05	EA LADDER ASM STRAIGHT
4	067165 01-000	EA MOUNTING BRACKET-LADDER LOWER
5	NOT AVAILABLE	EA STANDOFF LADDER, BRIGHT DIPPED - LOWLR
6	000G39 06 101	EA SCREW STD/DR 6-20 X 5/8 PPH - BLACK
7	000G68-10-36T	EA SCREW - 10-12 X 2 25 PPH - BLACK
7	000C67-10 36T	EA SCREW - 10-12 X 2 25 PPH - BLACK
		FROM 00 05 99 THRU 12 14 92
		FROM 12-15 92 THRU 99 99 99
8	076360 02 000	EA END CAP STEP, BLACK
9	NOT AVAILABLE	EA STANDOFF RACK & LADDER BRIGHT DIPPED
10	107438 06-C07	EA RACK ASM DRIVER SIDE
11	081114 01-000	EA PLUG ROUND RACK & LADDER ENDS PLASTIC 1" DIA

EXTERIOR BODY GROUP (CONTINUED)



EXTERIOR MIRROR

KEY	PART NUMBER	U/M DESCRIPTION
1	105076-01-702	EA MIRROR ASM LOW MOUNT, DRIVER OR PASSENGER SIDE - VELVAC 713196
2	105076 01-703	EA MIRROR HEAD ONLY-FLAT BLACK VELVAC 709275 8
	049347 01-700	EA GLASS ONLY-EXTERIOR MIRROR 7 5" X 10 5" - VELVAC 702081
3	105076 01-704	EA ARM - Q780521-9
	105439 01-000	EA MIRROR CONVEX, STICK-ON - VELVAC 723068-6



OPTIONAL EXTERIOR MIRRORS

KEY	PART NUMBER	U/M DESCRIPTION
1	106015 09 01A	EA MIRROR ASM PASSENGER SIDE, VELVAC 713126 BLACK
1	106015-10-01A	EA MIRROR ASM-DRIVER SIDE VELVAC 713125 BLACK
2	106015-01-703	EA KIT BEZEL & MIRRORS PASSENGER SIDE
2	106015 02-702	EA KIT BEZEL & MIRRORS DRIVER SIDE

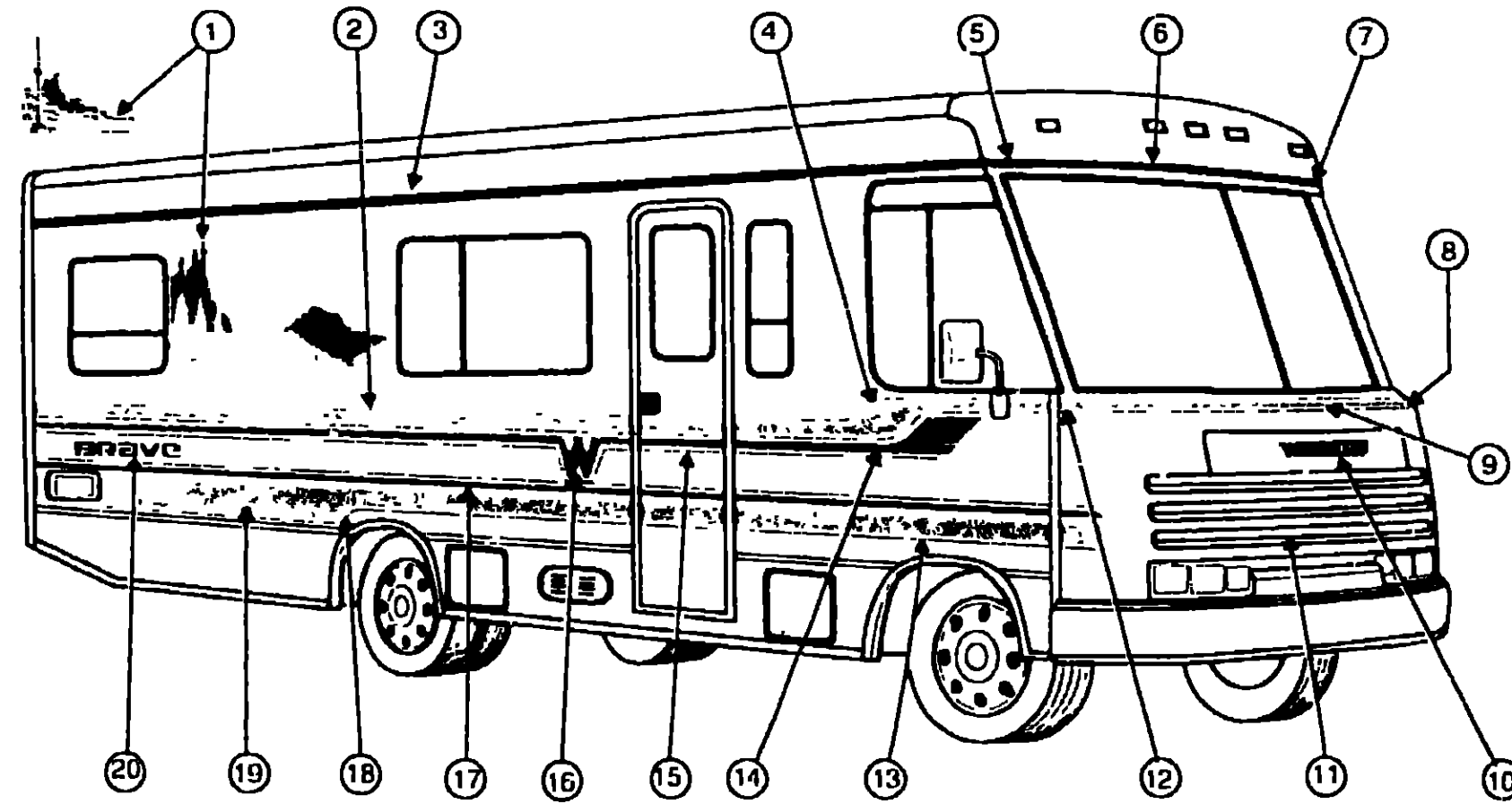
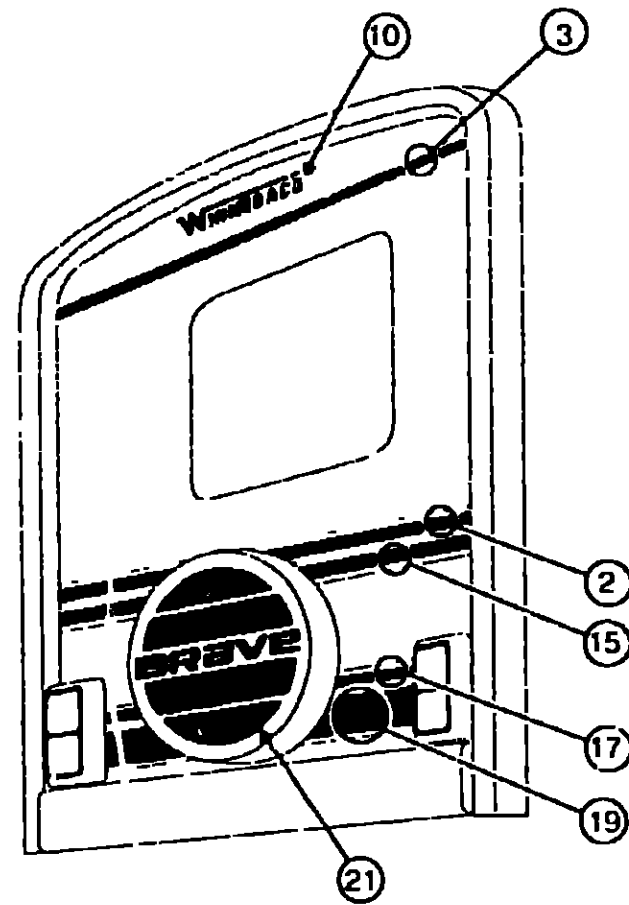
**1993 WINNEBAGO
TABLE OF CONTENTS**

INTRODUCTION	A-01 -	A-02
ABBREVIATIONS		A-03
ALPHABETICAL INDEX	A-04 -	A-06
WCF27RC	A-07 -	F-02
WCF27RQ	F-03 -	J-20

1993 WCF27RQ INDEX

FLOOR PLAN	F-03 -	F-04
ACCESSORIES		F-05
AUDIO VIDEO	F-06 -	F-08
BATH	F-09 -	F-10
BEDROOM	F-11 -	F-12
CHASSIS	F-13 -	F-24
CURTAIN & CUSHION	G-01 -	G-10
DINETTE	G-11 -	G-12
DRIVERS COMPARTMENT	G-13 -	G-17
ELECTRICAL	G-18 -	G-24
EXTERIOR BODY	H-01 -	H-08
GALLEY	H-09 -	H-13
GENERATOR	H-14 -	H-15
HEATING & A/C	H-16 -	H-22
INTERIOR FINISH	H-23 -	I-02
LABELS	I-03 -	I-11
LP		I-12
LOUNGE	I-13 -	I-14
SEALANTS & FASTENERS	I-15 -	I-18
WATER & SEWAGE	I-19 -	I-24
WINDOW VENT AND		
EXTERIOR DOOR	J-01 -	J-18
WINDSHIELD/WIPER	J-19 -	J-20

EXTERIOR BODY GROUP (CONTINUED)
DECALS & FILM STRIPES



**1993 WINNEBAGO
TABLE OF CONTENTS**

INTRODUCTION	A-01 -	A-02
ABBREVIATIONS		A-03
ALPHABETICAL INDEX	A-04 -	A-06
WCF27RC	A-07 -	F-02
WCF27RQ	F-03 -	J 20

1993 WCF27RQ INDEX

FLOOR PLAN	F-03 -	F 04
ACCESSORIES		F-05
AUDIO VIDEO	F-06 -	F 08
BATH	F-09 -	F-10
BEDROOM	F-11 -	F-12
CHASSIS	F-13 -	F-24
CURTAIN & CUSHION	G-01 -	G 10
DINETTE	G-11 -	G-12
DRIVERS COMPARTMENT	G-13 -	G-17
ELECTRICAL	G-18 -	G 24
EXTERIOR BODY	H 01 -	H-08
GALLEY	H-09 -	H-13
GENERATOR	H-14 -	H-15
HEATING & A/C	H-16 -	H-22
INTERIOR FINISH	H-23 -	I-02
LABELS	I-03 -	I-11
LP		I-12
LOUNGE	I-13 -	I-14
SEALANTS & FASTENERS	I-15 -	I-18
WATER & SEWAGE	I 19 -	I 24
WINDOW, VENT AND		
EXTERIOR DOOR	J-01 -	J 18
WINDSHIELD/WIPER	J-19 -	J 20

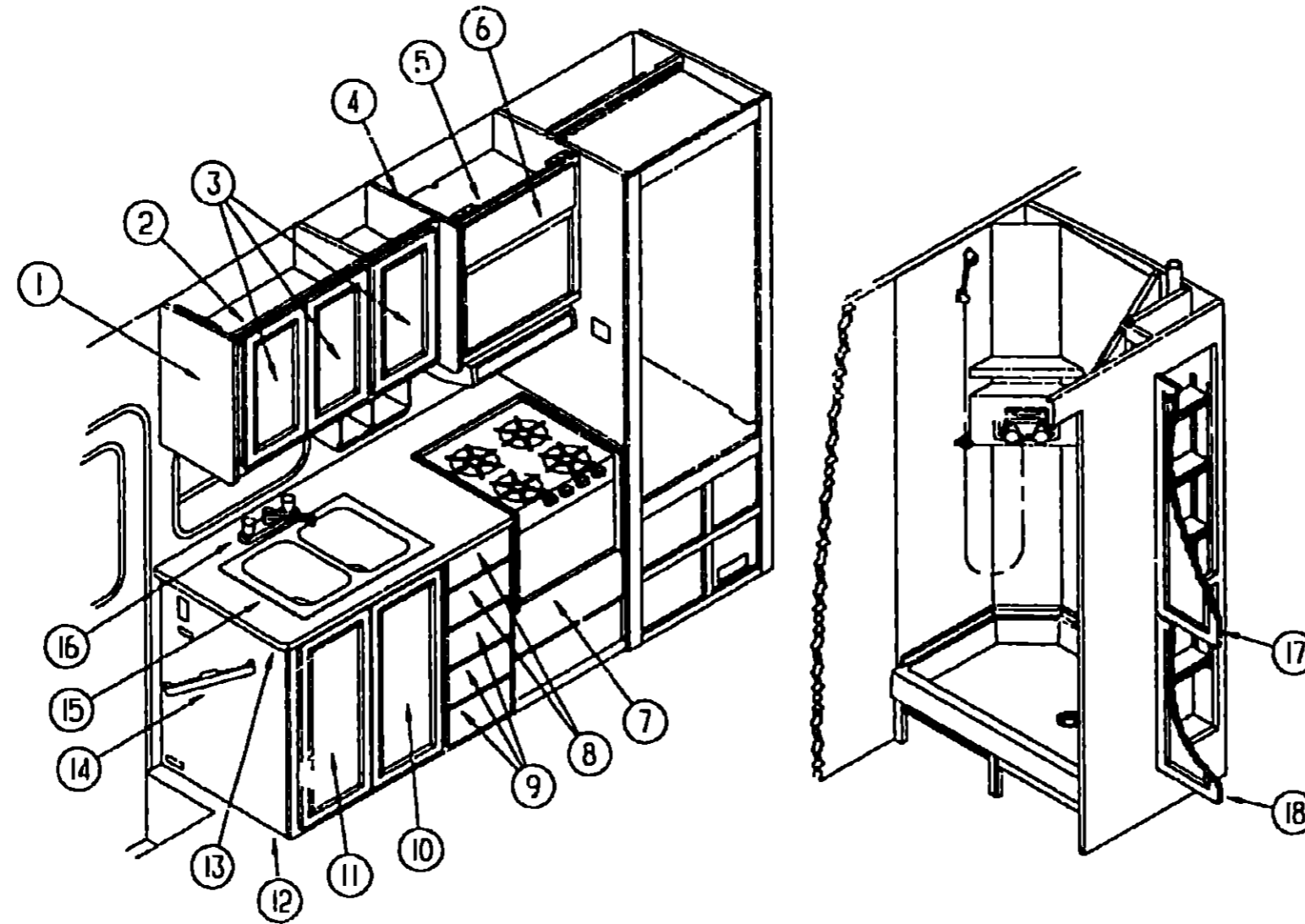
KEY	PART NUMBER	U/M DESCRIPTION
1	106953-01-01A	EA DECAL-SCENE, DESERT - RH - WINE/DARK ROSEBERRY (D09)
1	106853 02-01A	EA DECAL-SCENE, DESERT - LH - WINE/DARK ROSEBERRY (D09)
1	107851 01-01A	EA DECAL-SCENE FOOTHILLS - RH - COOL BLUE/SEAMIST BLUE/LIGHT RUTILE (D10 D11)
1	107851 02-01A	EA DECAL-SCENE, FOOTHILLS - LH - COOL BLUE/SEAMIST BLUE/LIGHT RUTILE (D10 D11)
2	094443 01-01A	FT FILM-MULTISTRIPE, 95 MM - WINE/WINE/WINE (D09)
2	094443 01-02A	FT FILM MULTISTRIPE, 95 MM - COOL BLUE/COOL BLUE (D10 D11) (D09 OPTION)
3	093680 30 02A	FT FILM MULTISTRIPE, 64 MM - WINE/WINE (D09)
3	093680 30 03A	FT FILM-MULTISTRIPE, 64 MM - COOL BLUE/COOL BLUE (D10,D11) (D09 OPTION)
4	104093 01-01A	EA DECAL-ANGLE, RH - WINE (D09)
4	104093-01-02A	EA DECAL-ANGLE RH - COOL BLUE (D10 D11) (D09 OPTION)
4	104093 02-01A	EA DECAL-ANGLE, LH - WINE (D09)
4	104093 02-02A	EA DECAL-ANGLE, LH - COOL BLUE (D10,D11) (D09 OPTION)
5	104094-01-01A	EA DECAL-FRONT UPPER, RH - WINE (D09)
5	104094-01-03A	EA DECAL-FRONT UPPER, RH - COOL BLUE (D10 D11) (D09 OPTION)
6	104096-01-01A	EA DECAL-FRONT UPPER CAP - WINE (D09)
6	104096 01-03A	EA DECAL-FRONT UPPER CAP - COOL BLUE (D10 D11) (D09 OPTION)
7	104094-02-03A	EA DECAL-FRONT UPPER, LH - COOL BLUE (D10 D11) (D09 OPTION)
7	104094-02-01A	EA DECAL-FRONT UPPER LH - WINE (D09)
8	104095 02-01A	EA DECAL FRONT LOWER LH - WINE (D09)
8	104095 02-02A	EA DECAL-FRONT LOWER, LH - COOL BLUE (D10,D11) (D09 OPTION)
9	104097 01 01A	EA DECAL FRONT LOWER CAP - WINE (D09)
9	104097-01-02A	EA DECAL-FRONT LOWER CAP - COOL BLUE (D10,D11) (D09 OPTION)
10	050313 46-000	EA DECAL-LOGO, WINNEBAGO - 2 8" TALL - WINE (D09)
10	050313 52-000	EA DECAL-LOGO WINNEBAGO 2 8" TALL COOL BLUE (D10 D11) (D09 OPTION)
11	106149 01-01A	FT DECAL VINYL STRIPING 2"
12	104095 01-01A	EA DECAL-FRONT LOWER, RH - WINE (D09)
12	104095 01-02A	EA DECAL-FRONT LOWER, RH - COOL BLUE (D10,D11) (D09 OPTION)
13	093680 31-01A	FT FILM MULTISTRIPE, 95 MM - WINE/WINE (D09)
13	093680-31-04A	FT FILM MULTISTRIPE, 95 MM - COOL BLUE/COOL BLUE (D10,D11) (D09 OPTION)

KEY	PART NUMBER	U/M DESCRIPTION
14	107687-01-02A	EA DECAL-ANGLE LOWER - RH - SEAMIST BLUE (D10,D11) (D09 OPTION)
14	107687-01-01A	EA DECAL-ANGLE, LOWER - RH - DARK ROSEBERRY (D09)
14	107687-02 01A	EA DECAL-ANGLE, LOWER - LH - DARK ROSEBERRY (D09)
14	107687-02 02A	EA DECAL-ANGLE LOWER - LH - SEAMIST BLUE (D10 D11) (D09 OPTION)
15	093680 30 01A	FT FILM-MULTISTRIPE 64 MM - DARK ROSEBERRY/DARK ROSEBERRY (D09)
15	093680 30 04A	FT FILM-MULTISTRIPE 64 MM - SEAMIST BLUE/SEAMIST BLUE (D10 D11) (D09 OPTION)
16	104090 01-01A	EA DECAL-W - DARK ROSEBERRY/DARK ROSEBERRY (D09)
16	104090 01 02A	EA DECAL-W - SEAMIST BLUE/SEAMIST BLUE (D10 D11) (D09 OPTION)
17	093680 29-01 A	FT FILM-MULTISTRIPE, 41 MM - WINE/WINE (D09)
17	093650 29-03A	FT FILM MULTISTRIPE, 41 MM - LIGHT RUTILE/LIGHT RUTILE (D10 D11) (D09 OPTION)
18	104092 01 01A	EA DECAL-REAR WHEELWELL RH - WINE (D09)
18	104092 01-02A	EA DECAL-REAR WHEELWELL, RH - COOL BLUE (D10,D11) (D09 OPTION)
18	104092-02-01A	EA DECAL-REAR WHEELWELL, LH - WINE (D09)
18	104092 02 02A	EA DECAL-REAR WHEELWELL LH - COOL BLUE (D10,D11) (D09 OPTION)
19	093680 32 02A	FT FILM-MULTISTRIPE 203 MM - COOL BLUE/COOL BLUE (D10 D11) (D09 OPTION)
19	093680-32-01A	FT FILM-MULTISTRIPE, 203 MM - WINE/WINE (D09)
20	104091-01 02A	EA DECAL-BRAVE - SEAMIST BLUE (D10,D11) (D09 OPTION)
20	104091 01 01A	EA DECAL BRAVE - DARK ROSEBERRY/WINE (D09)
21	108706 01-01A	EA DECAL COVER SPARE TIRE - DARK ROSEBERRY/WINE (D09)
21	108706 01 02A	EA DECAL-COVER SPARE TIRE - SEAMIST BLUE/COOL BLUE/LIGHT RUTILE (D10 D11) (D09 OPTION)

DUPONT COLOR CODES

LIGHT RUTILE #G9859K
WINE #K9464
DARK ROSEBERRY #K9465
SEAMIST BLUE #G9845
COOL BLUE #G9851
OFF WHITE #L8723

**GALLEY GROUP
GALLEY CABINETRY**



**1993 WINNEBAGO
TABLE OF CONTENTS**

INTRODUCTION	A-01 -	A-02
ABBREVIATIONS		A-03
ALPHABETICAL INDEX	A-04 -	A-06
WCF27RC	A-07 -	F-02
WCF27RQ	F-03 -	J-20

1993 WCF27RQ INDEX

FLOOR PLAN	F-03 -	F-04
ACCESSORIES		F-05
AUDIO VIDEO	F-06 -	F-08
BATH	F-09 -	F-10
BEDROOM	F-11 -	F-12
CHASSIS	F-13 -	F-24
CURTAIN & CUSHION	G-01 -	G-10
DINETTE	G-11 -	G-12
DRIVERS COMPARTMENT	G-13 -	G-17
ELECTRICAL	G-18 -	G-24
EXTERIOR BODY	H-01 -	H-08
GALLEY	H-09 -	H-13
GENERATOR	H-14 -	H-15
HEATING & A/C	H-16 -	H-22
INTERIOR FINISH	H-23 -	I-02
LABELS	I-03 -	I-11
LP		I-12
LOUNGE	I-13 -	I-14
SEALANTS & FASTENERS	I-15 -	I-18
WATER & SEWAGE	I-19 -	I-24
WINDOW VENT AND EXTERIOR DOOR	J-01 -	J-18
WINDSHIELD/WIPER	J-19 -	J-20

KEY	PART NUMBER	U/M	DESCRIPTION
1	081319 17-C07	EA	CAP END, OVERHEAD - FRONT
2	P07838 01 D09	EA	CABINET-OVERHEAD, W/O DOOR
3	P04746 43-D09	EA	DOOR-CABINET, W/O HARDWARE - 305 MM X 555 MM
	103445 01 01A	EA	HOLDER-PAPER TOWEL - PLASTIC ALMOND
4	081320 14-B03	EA	CAP-END, OVERHEAD - FRONT
5	M05019 68 D09	EA	CABINET OVERHEAD, W/O DOORS
6	P00523 B2-D09	EA	DOOR-CABINET W/O HARDWARE - 180 MM X 555 MM
7	P07104-A2 D09	EA	DRAWER CABINET W/O HARDWARE - 180 MM X 558 MM FACE SIZE
8	P07104 92 D12	EA	DRAWER CABINET W/O HARDWARE - 103 MM X 306 MM FACE SIZE
9	P07104-94 D09	EA	DRAWER-CABINET, W/O HARDWARE - 155 MM X 306 MM FACE SIZE
10	P04746 44 D09	EA	DOOR CABINET, W/O HARDWARE - 345 MM X 770 MM
11	P04746 45-D09	EA	DOOR CABINET, W/O HARDWARE - 315 MM X 770 MM
12	P07829 01-D09	EA	CABINET GALLEY W/COUNTERTOP - W/O DOORS OR DRAWERS
13	107829 11 D09	EA	COUNTERTOP GALLEY CABINET
14	091257 06 000	EA	HANDLE-ASSIST ENTRY DOOR - WOOD FINISHED
15	104113 01 000	EA	SINK DOUBLE SST
	092303 01-000	EA	STRAINER SINK
	103610 01-D09	EA	COVER SINK
16	103213 01 000	EA	FAUCET-GALLEY, DUAL CONTROL - 8"
17	P04746 27-D09	EA	DOOR CABINET, W/O HARDWARE - 305 MM X 1015 MM
18	P04746-33 D09	EA	DOOR CABINET, W/O HARDWARE - 305 MM X 660 MM
	090329 01 000	FT	SEAL-T REFRIGERATOR CABINET - 6" WIDE TOP X 2" TAIL
	009380 01-000	EA	GROMMET RUBBER 5/8" HOLE X 1 1/2" DIAMETER - BLACK

GALLEY GROUP (CONTINUED)
RANGE HOOD - CANADIAN

KEY	PART NUMBER	U/M	DESCRIPTION
	100258-17-01A	EA	HOOD RANGE W/O MONITOR PANEL - VENTLINE - CANADIAN
	090973 01 700	EA	MOTOR - LVS CA508-1
	090973 01-702	EA	BLADE FAN LVS VA183 1
	092696-01-709	EA	BULB - 912 VENTLINE VA415
	092696-01-710	EA	SOCKET-LIGHT VENTLINE CB267-2
	096983-01-700	EA	SWITCH ON/OFF VENTLINE 108
	096983-01-702	EA	SWITCH-TWO WAY MOMENTARY VENTLINE 112
	096983-01-707	EA	FILTER-GREASE 8" X 8" - LVS CC246
	092696-02-701	EA	LENS LAMP, VENTLINE CC179
	100258 01 700	EA	HOOD NOSE LABEL CC428
	100258-10-01A	EA	METER-HOUR, VENTLINE 150

RANGE HOODS - US

KEY	PART NUMBER	U/M	DESCRIPTION
	100258-18 01A	EA	HOOD RANGE W/O MONITOR PANEL - VENTLINE - US TPS5007NAD GENERATOR OPTIONS
	090973-01-700	EA	MOTOR - LVS CA508-1
	090973 01-702	EA	BLADE-FAN LVS VA183 1
	092696 01-709	EA	BULB - 912, VENTLINE VA415
	092696 01-710	EA	SOCKET LIGHT VENTLINE CB267-2
	096983 01-700	EA	SWITCH-ON/OFF, VENTLINE 108
	096983 01-702	EA	SWITCH TWO WAY MOMENTARY, VENTLINE 112
	096983 01-707	EA	FILTER-GREASE 8" X 8" - LVS CC246
	092696 02-701	EA	LENS LAMP, VENTLINE CC179
	100258-01-700	EA	HOOD NOSE LABEL CC428
	100258-10 01A	EA	METER-HOUR, VENTLINE 150
	100258-16 01A	EA	HOOD RANGE W/O MONITOR PANEL VENTLINE - US TCS5008NAD STANDARD
	090973 01-700	EA	MOTOR - LVS CA508-1
	090973 01-702	EA	BLADE-FAN, LVS VA183-1
	092696-01-709	EA	BULB - 912 VENTLINE VA415
	092696 01-710	EA	SOCKET LIGHT VENTLINE CB267-2
	096983 01 700	EA	SWITCH-ON/OFF VENTLINE 108
	096983 01-702	EA	SWITCH TWO WAY MOMENTARY VENTLINE 112
	096983 01-707	EA	FILTER GREASE 8" X 8" - LVS CC246
	092696-02 701	EA	LENS LAMP VENTLINE CC179
	100258-01-700	EA	HOOD-NOSE LABEL, CC 128

MONITOR PANEL

KEY	PART NUMBER	U/M	DESCRIPTION
	102765 01 01A	EA	PANEL-MONITOR, W/PLUG - FOR 2 TANKS & WATER HEATER - LVS
	075170 01-703	FA	SWITCH ON/MOMENTARY, JENSEN AND VENTLINE
	096983 01-700	EA	SWITCH ON/OFF VENTLINE 108
	102765 04 700	LA	CIRCUIT BOARD LVS 5076 11

MICROWAVE OVEN

KEY	PART NUMBER	U/M	DESCRIPTION
	091269 04 000	EA	OVEN MICROWAVE, MAGIC CHEF MODEL M15 B FROM 00 00 00 THRU 07-19 92
	091269 06 000	EA	OVEN MICROWAVE, MAGIC CHEF - MODEL DM15 5B FROM 07-20 92 THRU 92 99 92
	094745 01 01A	EA	TRIM MICROWAVE LOWER - BLACK
	091774 03 01A	EA	TRIM MICROWAVE EITHER SIDE - 1 5" X 14 8" METAL - BLACK
	094750-01-000	EA	BRACKET-MICROWAVE, 90 DEGREE - STEEL
	098916-03-01A	EA	BRACE-MICROWAVE CABINET, LEFT 9 4" X 7 5" STEEL
	098916 01 01A	FA	BRACE-MICROWAVE CABINET, RIGHT - 9 4" X 7 5" - STEEL

GALLEY GROUP (CONTINUED)
REFRIGERATOR & LEVEL

KEY	PART NUMBER	U/M	DESCRIPTION
	104138-04-01A	EA	REFRIGERATOR-DOUBLE DOOR 2-WAY - NORCOLD 6162 RH BL
	064472-01-702	EA	COMBINED THERMOSTAT, NORCOLD 614376
	075217 01-734	FA	FUSE - 5 AMP, NORCOLD 61538822
	075217-01-738	EA	SWITCH-HUMIDITY NORCOLD 61525922
	084879 03-700	EA	COOLING UNIT - HORIZONTAL BURNER NORCOLD 61687237
	084880 01-705	EA	ORIFICE - NORCOLD 614522
	084880-01-713	EA	CONNECTOR-MALE, INLET FITTING - NORCOLD 615256
	084880-01-718	EA	VAI VE GAS, NORCOLD 61551822
	084880-01-720	EA	SPRING (FOR DOOR HANDLE), NORCOLD 61558822
	084890-01-722	EA	CRISPER COVER - NORCOLD 615641
	084880 01-726	EA	HINGE BRACKET (CENTER HINGE) NORCOLD 61566523
	084880-01-731	EA	HINGE PIN NORCOLD 61578123
	084880-01-732	EA	LATCH, NORCOLD 61578522
	084880-01-734	EA	BRACKET-HINGE, TOP RH - BOTTOM LH - BROWN NORCOLD 61580837
	084880-01-735	EA	HINGE BRACKET, TOP LH BOTTOM RH BROWN - NORCOLD 61580937
	084880-01-739	EA	END CAP (SPRING CATCH) BROWN - NORCOLD 61593722
	084890-01 740	EA	END CAP (STOP CATCH) - NORCOLD 61593830
	084880 01-746	EA	CABLE NORCOLD 61571522
	084880-01-747	EA	PLUG-HOLE NORCOLD 61582022
	084880-01-749	EA	HINGE BUSHING - NORCOLD 615807
	084880 01 753	EA	THERMISTER 78" - NORCOLD 61693822
	084880-01-760	EA	CLIP (THERMISTER) - NORCOLD 61689122
	084880-01-761	EA	END CAP (SPRING CATCH) BLACK - NORCOLD 61593730
	084880 02-700	EA	LOWER FLANGE 8663 & 8683, NORCOLD 61622123
	084880 03-702	EA	HINGE PIN TOP/BOTTOM FEMALE - NORCOLD 61580630
	084880-03-705	EA	BRACKET F/INTERIOR REFRIGERATOR LIGHT - NORCOLD 61629722
	084880-03-706	EA	LAMP (BULB) NORCOLD 61628922
	084880 03-707	EA	COVER F/LAMP OR BULB - NORCOLD 61627922
	088248 01-706	EA	BURNER HORIZONTAL NORCOLD 61588122
	088248 01-707	EA	ELECTRODE-SENSOR, (HORIZONTAL), NORCOLD 61573322
	088218 01-709	EA	HEATER-AC, (HORIZONTAL) - NORCOLD 615627
	089248 01-710	EA	HEATER-DC (HORIZONTAL) - 3 WAY - NORCOLD 615628
	091039 01 700	EA	GASKET-LOWER, GRAY - NORCOLD 61567930
	094039 01-701	EA	LINER DOOR, LOWER - BROWN/WHITE - NORCOLD 61581937-B
	094038 01-702	EA	LINER-DOOR, LOWER - BLACK/WHITE - NORCOLD 61581938 B
	094038 01 703	EA	HANDLE DOOR LOWER - BROWN NORCOLD 61650137
	094038 01-701	EA	HANDLE-DOOR LOWER - BLACK - NORCOLD 61650138
	091039-01-702	EA	GASKET (GRAY) UPPER - NORCOLD 61567830
	094039 01-703	EA	PLATE-HINGE, LH - BROWN - NORCOLD 61631422
	094039 01-704	EA	PLATE HINGE, BLACK - NORCOLD 61631430
	091039 01-706	EA	UPPER DOOR LINER (WHITE) BLACK - NORCOLD 61581838-B
	094039 01-708	EA	HANDLE-DOOR, UPPER - BLACK - NORCOLD 61650038
	094039 01-709	EA	PLATE HINGE, TOP RH - LH BOTTOM - BROWN - NORCOLD 61631322
	094039 01 710	EA	PLATE HINGE, TOP RH - LH BOTTOM - BLACK - NORCOLD 61631330
	094039-01-722	EA	HOLE PLUG (BLACK) HINGE HOLES - NORCOLD 61582030
	094039 01-723	EA	HINGE BRACKET, TOP RH BOTTOM LH BLACK - NORCOLD 61580838
	094039 01 724	EA	BRACKET HINGE TOP LH - BOTTOM RH - BLACK - NORCOLD 61580938
	091039 01-725	EA	HINGE PIN, (BLACK) (MALE) - NORCOLD 61578130
	091039 01-726	EA	SHELF-FREEZER EVAPORATOR NORCOLD 615236
	091039 01 728	EA	HINGE BRACKET-CENTER HINGE, BLACK - NORCOLD 615236
	094039 01 730	EA	HINGE PIN SHAFT, (BLACK) CENTER HINGE - NORCOLD 61566730
	094039 01 732	EA	FRONT COVER, (BLACK) BOTTOM TRIM - NORCOLD 61622130
	091039 01-733	EA	WIRE SHELF (MIDDLE) - NORCOLD 61563822
	094039-01-734	EA	WIRE SHELF (TOP) W/RISE - NORCOLD 61563722
	094039 01-735	EA	INSIDE DRIP TRAY (WHITE) NORCOLD 61572830
	091039 01-736	EA	SWITCH-LIGHT, BLACK - NORCOLD 615810
	094039 01-739	EA	SHELF, (CUTOUT) - NORCOLD 61646722

**1993 WINNEBAGO
TABLE OF CONTENTS**

INTRODUCTION	A-01 -	A-02
ABBREVIATIONS		A-03
ALPHABETICAL INDEX	A-04 -	A-06
WCF27RC	A-07 -	F-02
WCF27RQ	F-03 -	J-20

1993 WCF27RQ INDEX

FLOOR PLAN	F-03 -	F-04
ACCESSORIES		F 05
AUDIO VIDEO	F-06 -	F-08
BATH	F-09 -	F-10
BEDROOM	F-11 -	F-12
CHASSIS	F-13 -	F-24
CURTAIN & CUSHION	G 01 -	G-10
DINETTE	G-11 -	G-12
DRIVERS COMPARTMENT	G-13 -	G-17
ELECTRICAL	G-18 -	G-24
EXTERIOR BODY	H 01 -	H 08
GALLEY	H 09 -	H-13
GENERATOR	H 11 -	H-15
HEATING & A/C	H 16 -	H-22
INTERIOR FINISH	H-23 -	I-02
LABELS	I-03 -	I-11
LP		I-12
LOUNGE	I-13 -	I-14
SEALANTS & FASTENERS	I-15 -	I-18
WATER & SEWAGE	I-19 -	I-24
WINDOW, VENT AND		
EXTERIOR DOOR	J-01 -	J-18
WINDSHIELD/WIPER	J-19 -	J-20

GALLEY GROUP (CONTINUED)
REFRIGERATOR & LEVEL (CONTINUED)

KEY	PART NUMBER	U/M DESCRIPTION
	094039-04-700	EA PRINTED CIRCUIT BOARD - 2 WAY, NORCOLD 61647322
	094039-04-701	EA EYEBROW, (SHELL) 2 WAY - NORCOLD 61669822
	094039-04-702	EA POWER SUPPLY, (2 WAY) - NORCOLD 61647422
	104137-02-700	EA MODULE-CONTROL, CHANNEL - NORCOLD 61717037
	104137-06-700	EA EYEBROW SHELL, (2-WAY) - NORCOLD 61726622
	104137-06-701	EA HANDLE, UPPER DOOR W/DECAL - NORCOLD 61666722
	104137-06-702	EA RACK-JUICE (WHITE) - NORCOLD 61580525
	104137-06-703	EA BIN-DOOR SHELF, (WHITE) - NORCOLD 61564025
	104137-06-707	EA CRISPER, (WHITE) - NORCOLD 61571325
	104137-06-709	EA VALVE, SHUT-OFF-MANUAL ASM - NORCOLD 61694922
	104137-06-710	EA PRESSURE TAP - NORCOLD 61594422
	104137-06-711	EA FUSE, 5 AMP - NORCOLD 61611322
	104137-06-712	EA FITTING-GAS TUBE CONNECTION - NORCOLD 61692722
	104137-06-713	EA ORFICE GASKET - NORCOLD 61475122
	104137-06-714	EA BURNER ASSEMBLY, (5-SLOT) - NORCOLD 61705222
	104137-06-715	EA SPARK/SENSE ELECTRODE (SINGLE) - NORCOLD 61692222
	104138-04-701	EA FOAMED CABINET ASSEMBLY, BLACK W/WHITE - NORCOLD 61725038
	065225-02-000	EA PLATE-TIEDOWN, REFRIGERATOR
	054150-01-000	EA LEVEL-REFRIGERATOR

RANGE

KEY	PART NUMBER	U/M DESCRIPTION
	102022-01-02A	EA RANGE - 16", 4 BURNER - MAGIC CHEF BT16RA-4Z
	055282-03-705	EA TRIM CABINET, LEFT - BLACK - MAGIC CHEF 3608F011-70
	055282-03-707	EA TRIM CABINET, RIGHT - BLACK - MAGIC CHEF 3608F012-70
	098507-02-701	EA INSERT-BURNER (SLOTTED VENT), MAGIC CHEF 7214P015-60
	102020-01-700	EA SHELF-OVEN, MAGIC CHEF - 7801-P027-60
	102020-01-701	EA HANDLE-DOOR, MAGIC CHEF - 7701P092-60
	102020-01-702	EA PANEL MANIFOLD, MAGIC CHEF 2616F080-70
	102020-01-704	EA PANEL-DOOR, BLACK - MAGIC CHEF - 2401F075-70
	102020-01-708	EA BURNER ASSEMBLY-OVEN, MAGIC CHEF 3403W003-45
	102020-01-711	EA GRATE-TOP, MAGIC CHEF 7518P012-60
	102020-01-712	EA KNOB-BURNER VALVE, MAGIC CHEF 7733P044-60
	102020-01-713	EA KNOB-THERMOSTAT, MAGIC CHEF 7731P042-60
	102020-01-714	EA PILOT-OVEN, MAGIC CHEF 968-143
	102020-01-715	EA PIPE-MANIFOLD, MAGIC CHEF 7513P095-60
	102020-01-717	EA THERMOSTAT, MAGIC CHEF 7515P024-60
	102020-01-718	EA TOP MAIN, ALMOND - MAGIC CHEF 2001F085-84
	102020-01-720	EA VALVE-MERCURY CONTROL, MAGIC CHEF 7501P056-60
	102020-01-722	EA VALVE TOP BURNER, MAGIC CHEF 7502P095-60
	102020-01-723	EA PILOT-BURNER, MAGIC CHEF 7505P147-60
	102020-01-724	EA BUMPER-MAIN TOP, MAGIC CHEF 8003P008-60
	102022-01-702	EA PIPE MANIFOLD, MAGIC CHEF 7513P096-60
	102022-01-703	EA REGULATOR-PRESSURE, MAGIC CHEF 7510P031-60
	102022-01-706	EA TRIM LEFT FLAT - MAGIC CHEF 3608W022-70
	102022-01-707	EA TRIM-RIGHT, FLAT - MAGIC CHEF 3608W023-70
	105458-01-000	EA BRACKET-TIEDOWN, STOVE - RIGHT
	105458-02-000	EA BRACKET-TIEDOWN, STOVE - LEFT

COFFEE MAKER

KEY	PART NUMBER	U/M DESCRIPTION
	103799-01-02A	EA COFFEE MAKER - GRAY BLACK & DECKER MADE BY G E W/GLASS POT
	103799-01-700	EA CARAFE-GLASS POT
	103799-01-701	EA BRACKETS COFFEE MAKER PAIR
	101610-01-000	EA STRAP COFFEE MAKER

GENERATOR GROUP
4000 WATT LP ONAN EMERALD PLUS - EXPORT

KEY	PART NUMBER	U/M DESCRIPTION
	100974-04-000	EA GENERATOR - 4000 WATT EMERALD PLUS - ONAN BGE-FN/29236G
	007067-01-000	SF INSULATION-FIBERGLASS 1" THICK X 4" - INCREMENTS OF 4 SF
	007125-01-000	EA CLAMP-MUFFLER 1 1/2" DIA
	007125-03-000	EA CLAMP-MUFFLER - 1 1/2" DIA
	007125-04-000	EA CLAMP-MUFFLER 1 1" DIA
	007131-01-000	EA HANGER-TAILPIPE, 6 SLOTS
	079654-05-000	EA PIPE-EXHAUST, ANGLED - W/FLANGE - 2" ID - ONAN# 154-2539
	082272-01-000	EA MUFFLER-GENERATOR
	093511-01-000	EA VAPOR KIT-LP, GENERATOR
	094059-01-000	EA SPACER-GENERATOR, ONAN
	105732-02-000	EA TRAY ASM-GENERATOR
	105958-03-000	EA PIPE-EXHAUST GENERATOR

4000 WATT EMERALD PLUS - EXPORT

KEY	PART NUMBER	U/M DESCRIPTION
	100974-04-000	EA GENERATOR - 4000 WATT EMERALD PLUS - ONAN BGE-FN/29236G
	007125-03-000	EA CLAMP-MUFFLER - 1 1/2" DIA
	007125-04-000	EA CLAMP-MUFFLER, 1 1" DIA
	007131-01-000	EA HANGER-TAILPIPE, 6 SLOTS
	079654-05-000	EA PIPE-EXHAUST, ANGLED - W/FLANGE - 2" ID - ONAN# 154-2539
	082272-01-000	EA MUFFLER-GENERATOR
	094059-01-000	EA SPACER-GENERATOR, ONAN
	105732-02-000	EA TRAY ASM-GENERATOR
	105958-03-000	EA PIPE-EXHAUST, GENERATOR
	007067-01-000	SF INSULATION-FIBERGLASS 1" THICK X 4" - INCREMENTS OF 4 SF

4000 WATT KOHLER LOW PROFILE

KEY	PART NUMBER	U/M DESCRIPTION
	105523-01-000	EA GENERATOR - 4000 W, LOW PROFILE - KOHLER 4CKM21
	007067-01-000	SF INSULATION-FIBERGLASS, 1" THICK X 4" - INCREMENTS OF 4 SF
	007125-03-000	EA CLAMP-MUFFLER 1 1/2" DIA
	007125-04-000	EA CLAMP MUFFLER, 1 1" DIA
	007131-01-000	EA HANGER TAILPIPE, 6 SLOTS
	105526-01-000	EA ARRESTER-SPARK, KOHLER 278621
	105527-01-000	EA PIPE-EXHAUST ADAPTER, KOHLER 278524
	105530-01-000	EA MUFFLER-SIDE EXHAUST W/O SPARK KOHLER 278733
	105602-01-000	EA GASKET-EXHAUST, KOHLER-278320
	105732-02-000	EA TRAY ASM GENERATOR
	105958-03-000	EA PIPE-EXHAUST,GENERATOR

4000 WATT ONAN EMERALD PLUS

KEY	PART NUMBER	U/M DESCRIPTION
	100974-01-000	EA GENERATOR - 4000 W EMERALD PLUS, ONAN BGE-FA/26100G
	007067-01-000	SF INSULATION FIBERGLASS 1" THICK X 4" - INCREMENTS OF 4 SF
	007125-04-000	EA CLAMP-MUFFLER, 1 1" DIA
	007131-01-000	EA HANGER TAILPIPE, 6 SLOTS
	079654-05-000	EA PIPE EXHAUST, ANGLED - W/FLANGE - 2" ID - ONAN# 154-2539
	082272-01-000	EA MUFFLER-GENERATOR
	094059-01-000	EA SPACER GENERATOR, ONAN
	105732-02-000	EA TRAY ASM GENERATOR
	105958-03-000	EA PIPE-EXHAUST GENERATOR

1993 WINNEBAGO
TABLE OF CONTENTS

INTRODUCTION	A-01 -	A-02
ABBREVIATIONS		A-03
ALPHABETICAL INDEX	A-04 -	A-06
WCF27RC	A-07 -	F-02
WCF27RQ	F-03 -	J-20

1993 WCF27RQ INDEX

FLOOR PLAN	F-03 -	F-04
ACCESSORIES		F-05
AUDIO VIDEO	F-06 -	F-08
BATH	F-09 -	F-10
BEDROOM	F-11 -	F-12
CHASSIS	F-13 -	F-24
CURTAIN & CUSHION	G-01 -	G-10
DINETTE	G-11 -	G-12
DRIVERS COMPARTMENT	G-13 -	G-17
ELECTRICAL	G-18 -	G-24
EXTERIOR BODY	H-01 -	H-08
GALLEY	H-09 -	H-13
GENERATOR	H-14 -	H-15
HEATING & A/C	H-16 -	H-22
INTERIOR FINISH	H-23 -	I-02
LABELS	I-03 -	I-11
LP		I-12
LOUNGE	I-13 -	I-14
SEALANTS & FASTENERS	I-15 -	I-18
WATER & SEWAGE	I-19 -	I-24
WINDOW, VENT AND		
EXTERIOR DOOR	J-01 -	J-18
WINDSHIELD/WIPER	J-19 -	J-20

GENERATOR GROUP (CONTINUED)
5000 WATT ONAN EMERALD PLUS

KEY	PART NUMBER	U/M	DESCRIPTION
	109303 01 000	EA	GENERATOR - 5000 W EMERALD PLUS ONAN
	007067-01 000	SF	INSULATION-FIBERGLASS, 1" THICK X 4' - INCREMENTS OF 4 SF
	007125-03 000	EA	CLAMP-MUFFLER, 1 5" DIA
	007125 04 000	EA	CLAMP-MUFFLER 1 1" DIA
	007131-01-000	EA	HANGER-TAILPIPE, 6 SLOTS
	079654 05 000	EA	PIPE-EXHAUST, ANGLED - W/FLANGE - 2" ID - ONAN# 154-2539
	082272 01 000	EA	MUFFLER-GENERATOR
	094059 01 000	EA	SPACER GENERATOR, ONAN
	105732 02 000	EA	TRAY ASM-GENERATOR
	105958 03 000	EA	PIPE-EXHAUST, GENERATOR
	106607-01-000	EA	ANGLE-SUPPORT EXHAUST

HEATING & AIR CONDITIONING GROUP
30,000 BTU SUBURBAN FURNACE & WALL THERMOSTAT

KEY	PART NUMBER	U/M	DESCRIPTION
	098668-05-C00	EA	FURNACE - 30,000 BTU SUBURBAN SF-30
	093365-01-000	EA	THERMOSTAT - WALL, FURNACE - SUBURBAN 160902
	098668-01-700	EA	CABINET-FRONT
	098668 01-701	EA	CABINET ASSEMBLY
	098668-01-704	EA	VALVE (JOHNSON)
	098668-01-705	EA	SWITCH-LIMIT
	098668-01-706	EA	WHEEL-COMBUSTION AIR
	098668-01-707	EA	VENT ASSEMBLY-CAP AND TUBE
	098668-01-708	EA	BLOWER ASSEMBLY COMBUSTION AIR
	098668-01-709	EA	MOTOR ASSEMBLY-F/SF-25 SF-30
	098668-01-710	EA	BLOWER ASSEMBLY ROOM AIR
	098668 01-711	EA	WHEEL-ROOM AIR
	098668-01-712	EA	BOARD MODULE
	098668-01-713	EA	INTAKE VENT TUBE ASSEMBLY
	098668-01-714	EA	VALVE-GAS, (WHITE ROGERS) - SUBURBAN 161070
	098668-01-715	EA	ELECTRODE ASSEMBLY-SINGLE PROBE - SUBURBAN 232166
	093614-01-01A	EA	GRILLE-RETURN AIR, FURNACE - 15 6" X 7 6" - BROWN
	069634-01-733	EA	RELAY, TIME DELAY 20 & 30 BTU
	075695-01-709	EA	MICROSWITCH ASM F/30 & 34S
	092300 02-701	EA	ORIFICE-(MAIN BURNER)
	098669-02-700	EA	BURNER ASSEMBLY COMPLETE - (SF-30/SF35), SUBURBAN 010745
	090039-01-709	EA	GASKET-OBSERVATION HOLE COVER
	092300 01-704	EA	GASKET-ELECTRODE
	098668 06 000	EA	DOOR-ACCESS, FURNACE - OFF WHITE - SUBURBAN 520574

1993 WINNEBAGO
TABLE OF CONTENTS

INTRODUCTION	A 01 -	A-02
ABBREVIATIONS		A-03
ALPHABETICAL INDEX	A-04 -	A-06
WCF27RC	A-07 -	F-02
WCF27RQ	F-03 -	J-20

1993 WCF27RQ INDEX

FLOOR PLAN	F-03 -	F 04
ACCESSORIES		F 05
AUDIO VIDEO	F-06	F 08
BATH	F-09	F 10
BEDROOM	F-11	F 12
CHASSIS	F-13	F 24
CURTAIN & CUSHION	G 01	G-10
DINETTE	G-11	G-12
DRIVERS COMPARTMENT	G-13	G-17
ELECTRICAL	G-18	G 24
EXTERIOR BODY	H 01	H-08
GALLEY	H 09	H-13
GENERATOR	H 14	H 15
HEATING & A.C.	H 16	H-22
INTERIOR FINISH	H-23	I-02
LABELS	I 03	I-11
LP		I 12
LOUNGE	I-13	I 14
SEALANTS & FASTENERS	I 15	I 18
WATER & SEWAGE	I 19	I 24
WINDOW, VENT AND		
EXTERIOR DOOR	J-01	J-18
WINDSHIELD/WIPER	J 19	J-20

HEATING & AIR CONDITIONING GROUP (CONTINUED)
25,000 BTU SUBURBAN FURNACE & WALL THERMOSTAT

KEY	PART NUMBER	U/M DESCRIPTION
	098668-04-000	EA FURNACE - 25 000 BTU, SUBURBAN SF-25
	090039 01-703	EA ORFICE-MAIN BURNER SUBURBAN 180193
	067634 01 733	EA RELAY-TIME DELAY
	075695-01-709	EA MICROSWITCH - SUBURBAN 230509
	090039 01-709	EA GASKET OBSERVATION HOLE COVER
	092300 01-704	EA GASKET-ELECTRODE SUBURBAN 070163
	093365 01 000	EA THERMOSTAT-FURNACE SUBURBAN
	098668 01-700	EA CABINET-FRONT SUBURBAN 101242
	098668 01-701	EA CABINET ASSEMBLY, SUBURBAN 101299
	098668-01-704	EA VALVE SUBURBAN 160938
	098668-01-705	EA SWITCH-LIMIT SUBURBAN 231630
	098668-01-706	EA WHEEL-COMBUSTION AIR SUBURBAN 350122
	098668-01-707	EA VENT CAP & EXHAUST TUBE ASSEMBLY, SUBURBAN 260193
	098668-01-708	EA BLOWER ASM (COMBUSTION AIR) SUBURBAN 390441
	098668 01-709	EA MOTOR ASSEMBLY-FOR SF-25, SF-30 - SUBURBAN 231706
	098668-01-710	EA BLOWER ASSEMBLY (ROOM AIR) SUBURBAN 390440
	098668 01-711	EA WHEEL-ROOM AIR - SUBURBAN 350123
	098668-01-712	EA BOARD-MODULE, SUBURBAN 231741
	098668-01-713	EA INTAKE VENT TUBE ASSEMBLY - SUBURBAN 051044
	098668 01-714	EA VALVE GAS (WHITE ROGERSON) - SUBURBAN 161070
	098668 01-715	EA ELECTRODE ASSEMBLY-SINGLE PROBE - SUBURBAN 232166
	098668 06 000	EA DOOR-ACCESS FURNACE - OFF WHITE - SUBURBAN 520574
	092614-01 01A	EA GRILLE-RETURN AIR, FURNACE - 15 6" X 7 6" - BROWN

HEATING & AIR CONDITIONING GROUP (CONTINUED)
EVANS REAR HEATER & COMPONENTS

KEY	PART NUMBER	U/M DESCRIPTION
	009198-01-000	FT DUCT HEAT FLEXIBLE - 4" ID - INCREMENTS OF 25'
	009200-01-000	EA TAPE-FURNACE 1 1/2"
	023146-01-000	EA CLAMP-SCREW TYPE - 4"
	069636-02-000	EA CONNECTOR DUCT 4" ID
	007108-01-000	FT HOSE-HEATER 5 8" ID
	008042-01-000	FT TUBING VINYL, 65" ID
	056464-04-000	EA REGISTER W/DAMPER, 4" DIAMETER PLASTIC - SAND
	056464 05-000	EA REGISTER-W/O DAMPER, 4" DIAMETER - PLASTIC - GOLDEN
	061673 01 000	EA BRACKET-MOTOR AID TUBES 4" X 1 5" - STEEL
	084753-01-000	IT TUBE ALUMINIZED STEEL 5 8" - 18 GAUGE
	079059-01-000	EA HOSE - 90 DEGREE 61"ID X 4" X 36"
	079059 13 000	EA HOSE - 90 DEGREE 61"ID X 4" X 48"
	093031-01-000	EA HOSE FORMED 90 DEGREES - 5/8" ID
	010227-01-000	EA TEE-BARB 5/8" OR 3/4" HOSE - PLASTIC
	084405-01-000	EA HEATER ASM REAR, DUCTED - W/MOTOR AID - EVANS
	084405-01-700	EA HEATER CORE-EVANS# FT200229
	084405 01-701	EA FAN BLADES-EVANS# HV029331
	084405-01-702	EA MOTOR ASM - 12 V EVANS# 200146

AUTO A/C & HEATER COMPONENTS

KEY	PART NUMBER	U/M DESCRIPTION
	007076-01-700	FT HOSE FLEXIBLE PVC - 2" ID
	007108-01-000	FT HOSE-HEATER 5 8" ID
	007281-01-000	EA HOSE-FLEXIBLE PVC 2 5" ID X 50'
	007281-01-700	FT HOSE FLEXIBLE PVC 2 5" ID
	024990 05-000	EA OUTLET-DEFROSTER, W/SWIVEL 2" DIAMETER - BLACK
	103930 01-000	EA EVAPORATOR-HEATER ASSEMBLY - SCS 090 0011
	099227-02-701	EA BRACKET BOWDEN CABLE MOUNTING, ARA 0409417
	094831-01-709	EA CLAMPS ROD 3/16" - MOTIVAIR SCS ZGG14431
	094231-01-724	EA ORING - #4 MOTIVAIR SCS ZGG14561
	103930 01 700	EA ROD AIR BLEND DOOR, SCS 073 0017
	103930-01 701	EA PANEL DOOR FOR AIR BLEND - SCS 071-012J
	103930 01 702	EA GASKET-DOOR, FOR AIR BLEND - SCS 045 0080
	103930-01-703	EA COIL-HEATER SCS 042-0010
	103930-01-704	EA COIL EVAPORATOR SCS 041-0017
	103930-01-705	EA VALVE EXPANSION BLOCK
	103930-01 706	EA GASKET-O RING #8 - SCS 045-0011
	103930-01-707	EA GASKET-O RING #10 - SCS 015 0012
	103930 01-708	EA BRACKET-VACUUM MOTOR, SCS 070-0113
	103930 01-710	EA RESISTOR FUSED SCS 035 0006
	103930 01-711	EA THERMOSTAT SCS 033-0003
	103930 01-712	EA GASKET O RING SCS 045 0010
	103930-01-713	EA FITTING QUICK CONNECT #4 - SCS 050 003
	103930 01-714	EA FITTING SERVICE VALVE #10 - SCS 050 0031
	103930-01-715	EA SWITCH-BINARY, SCS 032 0030
	103930 01 716	EA SWITCH PRESSURE FAN - SCS 032 0029
	103930 01 717	EA WHEEL CLOCK WISE SCS 062 0010
	103930-01 718	EA HOSE - #6 SCS 051-0035
	103930 01 719	EA HOSE - #10 SCS 051 0017
	103930 01-720	EA MOTOR SCS 030 0004
	103930-01-721	EA GASKET O RING #12, SCS 045-0062
	103930 01-722	EA HOSE ASSEMBLY #6 W FITTINGS & SWITCHES SCS 065 0072
	103930 02 708	EA MOTOR VACUUM SERVO, A C - SCS 030-0002

1993 WINNEBAGO
TABLE OF CONTENTS

INTRODUCTION	A 01 -	A 02
ABBREVIATIONS		A 03
ALPHABETICAL INDEX	A 04 -	A-06
WCF27RC	A 07 -	F 02
WCF27RQ	F-03 -	J 20

1993 WCF27RQ INDEX

FLOOR PLAN	F 03 -	F-04
ACCESSORIES		F 05
AUDIO VIDEO	F-06 -	F 09
BATH	F-09 -	F-10
BEDROOM	F 11 -	F 12
CHASSIS	F-13 -	F-24
CURTAIN & CUSHION	G 01 -	G-10
DINETTE	G 11 -	G-12
DRIVERS COMPARTMENT	G 13 -	G-17
ELECTRICAL	G 18 -	G-24
EXTERIOR BODY	H 01 -	H-08
GALLEY	H 09 -	H 13
GENERATOR	H-14 -	H 15
HEATING & A C	H 16 -	H 22
INTERIOR FINISH	H 23 -	I-02
LABELS	I-03 -	I-11
LP		I-12
LOUNGE	I 13 -	I-14
SEALANTS & FASTENERS	I 15 -	I-18
WATER & SEWAGE	I-19 -	I-24
WINDOW VENT AND		
EXTERIOR DOOR	J 01 -	J 18
WINDSHIELD WIPER	J 19 -	J-20

HEATING & AIR CONDITIONING GROUP (CONTINUED)
AUTO A/C & HEATER COMPONENTS (CONTINUED)

HEATING & AIR CONDITIONING GROUP (CONTINUED)
ROOF A/C-13,500 BTU - EUROPEAN (FROM 00-00-00 THRU 08-31-92)

KEY	PART NUMBER	U/M DESCRIPTION
	103930-04-000	EA CONTRCL/PLENUM SET - SCS 093 00037
	072341-06-700	EA SWITCH - 4 SPEED FAN - ARA 0863502
	094831-01-709	EA CLAMPS ROD, 3/16" - MOTIVAIR/SCS ZGG14431
	103930-02-700	EA PANEL-CONTROL SCS 032-0018
	103930-02-701	EA VALVE-CONTROL HEAD, SCS 034-0015
	103930-02-702	EA DECAL-CONTROL SETTING SCS 058-0008
	103930-02-703	EA HARNESS-WIRE CONTROL SCS 036-0049
	103930-02-704	EA HARNESS-VACUUM CONTROL, SCS 036-0049
	103930-02-705	EA CABLE CONTROL BOWDEN - SCS 074 0011
	103930-02-706	EA CLIP CABLE CONTROL - SCS 022-0017
	103930 02 707	EA RELAY, SCS 031-0001
	103930-02-708	EA MOTOR-VACUUM SERVO A/C SCS 030 0002
	103930 02-710	EA CANISTER-VACUUM, SCS 054-0002
	103930 02 711	EA VALVE-WATER SCS 034-00114
	072342-04 000	EA CONDENSER ASM-W/O FANS ARA 0519377 - DIESEL OPTION
	072341-01-716	EA VALVE DISCHARGE 1/2" O-RING - ARA 0548325
	072342 03 701	EA RECEIVER-DRIER, ARA 1273235
	072342-03 706	EA O-RING-SCS 0543513
	072342 03 707	EA O-RING-SCS 045 0010
	072342-03 709	EA O-RING-SCS 045-00012
	072342 03 711	EA FITTING AEROQUIP W CHECK ARA 0058337
	072342 04 700	EA HOSE DISCHARGE ARA 0986306
	072342-04 701	EA COIL-CONDENSER ARA 0519384
	096815 01-702	EA O-RING #8 - ARA 0059606
	072343 06 000	EA COMPRESSOR CLUTCH REAR DISCHARGE - SANYO ARA 0529171 DIESEL OPTION
	074026 01 000	EA MOUNT PACKAGE - A/C COMPRESSOR - DIESEL OPTION
	077075-01 010	EA GASKET-INSTRUMENT PANEL TO DEFROSTER PLENUM - 6" X 11 3"
	077075 03-000	EA GASKET-INSTRUMENT PANEL TO DEFROSTER PLENUM
	080000 01 000	EA SHIELD-A/C 6 8" X 3 1" - STEEL
	092431 09 000	EA WIRE ASSEMBLY-AC COMPRESSOR ADAPTER SCS 036 0051
	103010-01 000	EA PLENUM TRANSITION
	103017-01 000	EA PLENUM DEFROSTER
	103019 01 01A	EA VENT DEFROSTER ABS - OFF WHITE
	103706-01 01A	EA LOUVER ASM A/C CARVY PROD - BLACK
	096800 05 000	EA BRACKET HEATER VENT ROUND - W BEND - BLACK
	103930 05 000	EA MANUAL OWNERS HEATER A/C - SCS 057-0049

KEY	PART NUMBER	U/M DESCRIPTION
	032410-01-007	EA A/C-ROOF 13 500 BTU - 220V - 50HZ - COLEMAN 6712C750
	092441-01-000	EA CEILING ASM A/C, 220V - 50HZ - COLEMAN 6712ET16

ROOF A/C-13,500 BTU - EUROPEAN (FROM 09-01-92 THRU 99-99-99)

KEY	PART NUMBER	U/M DESCRIPTION
	108880-02-01A	EA A/C-ROOF 13 500 TSR 220 IVORY - COLEMAN 7373 597
	063903-01-700	EA SHROUD-COLEMAN 6759 4601
	093306-01-701	EA DECAL PACKAGE LEFT & RIGHT - COLEMAN 6798B3591
	093763-01-712	EA FAN BLADE-CONDENSER COLEMAN 6733-3321
	105620 01-705	EA PROTECTOR OVERLOAD RH & LH COLEMAN 6759-3791
	105620-01-706	EA FOOT PACKAGE-COMPRESSOR 3 PER PACKAGE COLEMAN 6759-3081
	108889 01-703	EA CONDENSER COIL - COLEMAN 1452-1001
	108889 01-706	EA IMPELLOR COLEMAN 1472-1041
	108889-01-707	EA CAPACITOR RUN, COMPRESSOR 25MFD 370 - COLEMAN 1499-5661
	108889-01-708	EA CAPACITOR-FAN (7 5MFD 370U) - COLEMAN 1499 5461
	108889-01-709	EA EVAPORATOR COIL COLEMAN 1452-1311
	108889-01-710	EA FILLER PAD-COND AIR SEAL - COLEMAN 6759A3971
	108889-01-711	EA GASKET PACKAGE - COLEMAN 6792-3301
	108889-01-713	EA SUCTION LINE (3/8" OD X .032" WALL) - COLEMAN 6792-130
	108889 01-714	EA DISCHARGE LINE ASSEMBLY COLEMAN 6792 531
	108889 01-715	EA MOTOR MOUNT & SHAFT SEAL KIT COLEMAN 6792-3361
	108889 02-700	EA COMPRESSOR, TEC. MESH - COLEMAN 1452 2029
	108889 02-701	EA MOTOR - COLEMAN 1468-3059
	108889 02-702	EA CAPACITOR START COLEMAN 1497 0631
	108889-02-703	EA RELAY START COLEMAN 1497-4141
	108889-01 01A	EA CEILING ASM A/C COOL TSR HO - COLEMAN 7330-714 IV
	042204 01-709	EA THERMOSTAT-IN 64-OUT 58 COLEMAN 6701-3401
	063003 01-702	EA LOUVER COLEMAN 6707A5191
	073742-01 701	EA SELECTOR SWITCH (5 TERMINAL) COLEMAN 6759-3251
	073742 01-702	EA DECAL COOL ONLY COLEMAN 6759C3431
	076303 01 707	EA FILTER - 6" X 11 3/4" X 1/2" 12 PER PKG - COLLMAN 6703A3151
	081006-01-707	EA CEILING SHROUD (IVORY) COLEMAN 6709 5061
	091225 01-713	EA KNOB (2 PER PACKAGE) COLEMAN 6701-3351
	091225-01-717	EA DECAL (THERMOSTAT) COOL ONLY COLEMAN 6799A3441
	093766 02-701	EA DECAL-LEFT SIDE COLEMAN 6799 3371
	108391-01 700	EA SINGLE PARTS PACKAGE (KNOBBS & NUTS) COLEMAN 6792 5931
	108891-01-701	EA RETAINER CLIPS & FILTER (6 PER) COLEMAN 6793-3141

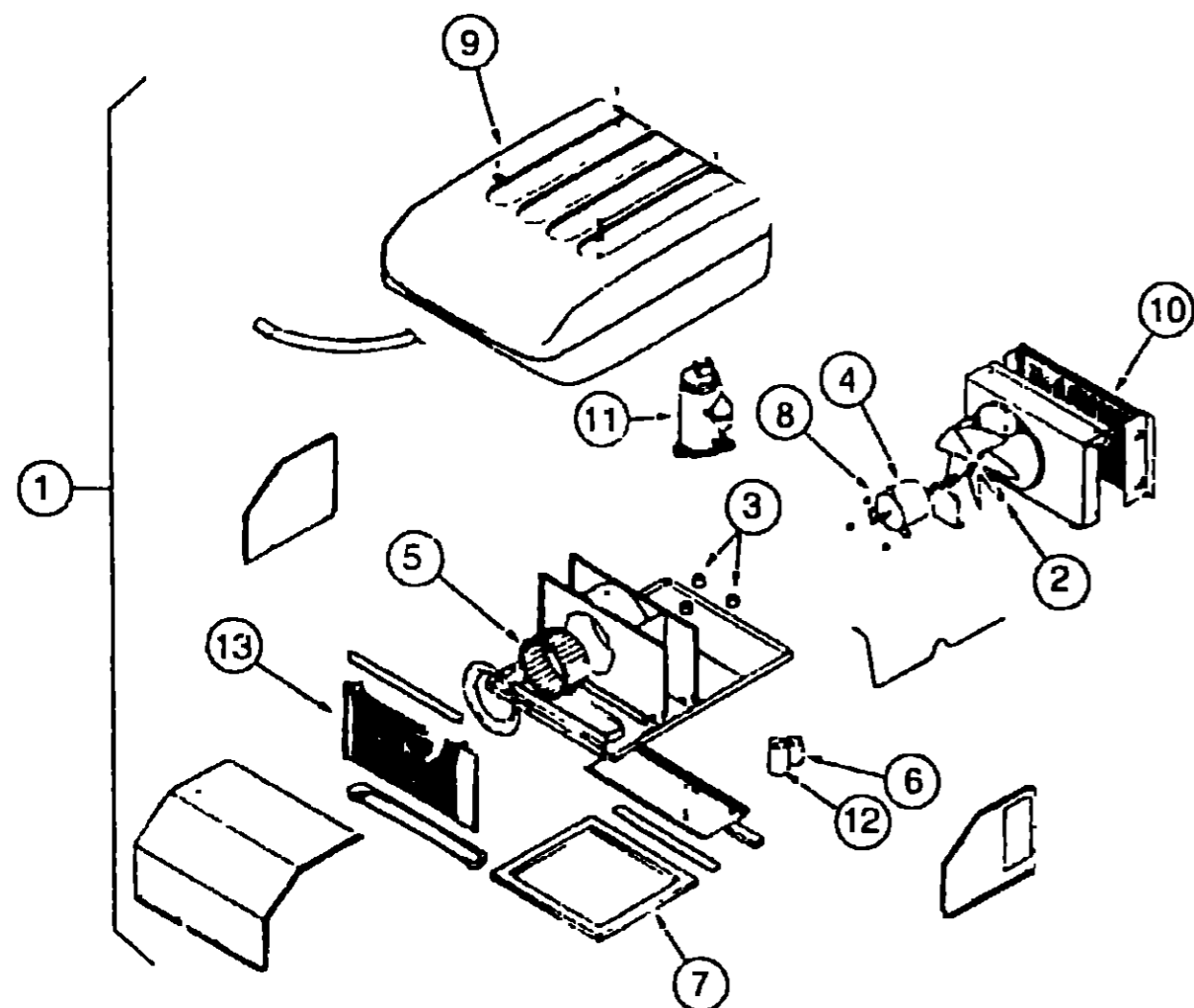
**1993 WINNEBAGO
TABLE OF CONTENTS**

INTRODUCTION	A-01 -	A-02
ABBREVIATIONS		A 03
ALPHABETICAL INDEX	A-04 -	A-06
WCF27RC	A-07 -	F-02
WCF27RO	F 03 -	J-20

1993 WCF27RQ INDEX

FLOOR PLAN	F 03 -	F-04
ACCESSORIES		F 05
AUDIO VIDEO	F-06 -	F-08
BATH	F-09 -	F-10
BEDROOM	F-11 -	F-12
CHASSIS	F-13 -	F-24
CURTAIN & CUSHION	G 01 -	G-10
DINETTE	G 11 -	G 12
DRIVERS COMPARTMENT	G-13 -	G-17
ELECTRICAL	G-18 -	G-24
EXTERIOR BODY	H-01 -	H 08
GALLERY	H-09 -	H-13
GENERATOR	H-14 -	H-15
HEATING & A/C	H-16 -	H-22
INTERIOR FINISH	H 23 -	I-02
LABELS	I-03 -	I-11
LP		I-12
LOUNGE	I 13 -	I-14
SEALANTS & FASTENERS	I-15 -	I-18
WATER & SEWAGE	I-19 -	I-24
WINDOW VENT AND		
EXTERIOR DOOR	J-01 -	J 18
WINDSHIELD WIPER	J 19 -	J 20

HEATING & AIR CONDITIONING GROUP (CONTINUED)



13,500 BTU COLEMAN ROOF A/C

KEY	PART NUMBER	U/M DESCRIPTION
1	108889 01 01A	EA A/C-ROOF 13 500 TSR HO IVORY - COLEMAN 7373 387
2	093763 01 712	EA FAN BLADE-CONDENSER, COLEMAN 6733 3221
3	105620-01-706	EA FOOT PACKAGE-COMPRESSOR, 3 PER PACKAGE COLEMAN 6759-3081
4	108889 01-705	EA MOTOR - 115V 60HZ - COLEMAN 1469 3049
5	108889 01 703	EA IMPELLOR COLEMAN 1472-1041
6	108889 01-708	EA CAPACITOR FAN, (7.5MFD 370V) - COLEMAN 1499-5461
7	108889 01-711	EA GASKET PACKAGE - COLEMAN 6792 3301
8	108889 01-715	EA MOTOR MOUNT & SHAFT SEAL KIT - COLEMAN 6792 3361
9	063903 01-700	EA SHROUD (IVORY/IVORY) W/O LOGO - COLEMAN 6739 1601
10	108839 01 703	EA CONDENSER COIL - COLEMAN 1452 1301
11	105620 01 704	EA COMPRESSOR RH & LH - COLEMAN 1450 2009
	105689 01 704	EA OVERLOAD - COLEMAN 6749 3541
12	108889 01 707	EA CAPACITOR RUN COMPRESSOR-25MFD/370 - COLEMAN 1499 5661
13	108889 01-709	EA EVAPORATOR COIL - COLEMAN 1452-1311
	091225 01-703	EA RELAY START, COLEMAN 1497 4131
	091225 01-710	EA CAPACITOR-START COLEMAN 1497-0881
	093306 01 701	EA DECAL PACKAGE LEFT & RIGHT - COLEMAN 6795B3591
	108889 01 710	EA FILLER PAD COND AIR SEAL COLEMAN 6759A3971
	108889 01-712	EA REDUCER SUCTION LINE (3/8" X 1/2") COLEMAN 1215-2161
	108889 01-713	EA SUCTION LINE (3/8" OD X 0.02" WALL) COLEMAN 6792-130
	108889 01 714	EA DISCHARGE LINE ASSEMBLY COLEMAN 6792 531
	102289-01-030	EA SPRING SCREW ROOF A/C GASKET COLEMAN 6757-150

HEATING & AIR CONDITIONING GROUP (CONTINUED)

CEILING ASSEMBLY 13,500 BTU A/C

KEY	PART NUMBER	U/M DESCRIPTION
	108891-01-01A	EA CEILING ASM-A/C COOL TSR HO COLEMAN 7330 714 IV
	042204-01-709	EA THERMOSTAT-IN 64 OUT 59 COLEMAN 6701-3401
	063903-01-702	EA LOUVER-COLEMAN 6703A5191
	073742-01-701	EA SELECTOR SWITCH (5 TERMINAL), COLEMAN 6759-3251
	073742-01-702	EA DECAL COOL ONLY, COLEMAN 6759C3431
	076303 01-707	EA FILTER - 6" X 14 3/4" X 1/2", 12 PER PKG - COLEMAN 3703A3151
	081606-01-712	EA CEILING SHROUD (IVORY) COLEMAN 6769-5061
	091225-01-713	EA KNOB (2 PER PACKAGE) COLEMAN 6701-3351
	091225 01 717	EA DECAL (THERMOSTAT) COOL ONLY COLEMAN 6799A3441
	093766-02-701	EA DECAL-LEFT SIDE COLEMAN 6792-3271
	108891-01-700	EA SINGLE PARTS PACKAGE COLEMAN 6792-5991
	108891-01-701	EA RETAINER CLIPS F/FILTER COLEMAN 6792-3141

ROOF A/C COVER

KEY	PART NUMBER	U/M DESCRIPTION
	084077-03-000	EA COVER BLANK, ROOF A/C - 5 2" X 3 5" - IVORY FROM 00-00-00 THRU 10 04-92
	092633 01-02A	EA COVER-BLANK ROOF A/C - 5 7" X 3 9" - PLASTIC - OFF WHITE FROM 00-00 00 THRU 10 04-92
	092633-02-02A	EA COVER-BLANK ROOF A/C - 5 1" X 5 1" - PLASTIC - OFF WHITE FROM 10-05 92 THRU 99-99-99

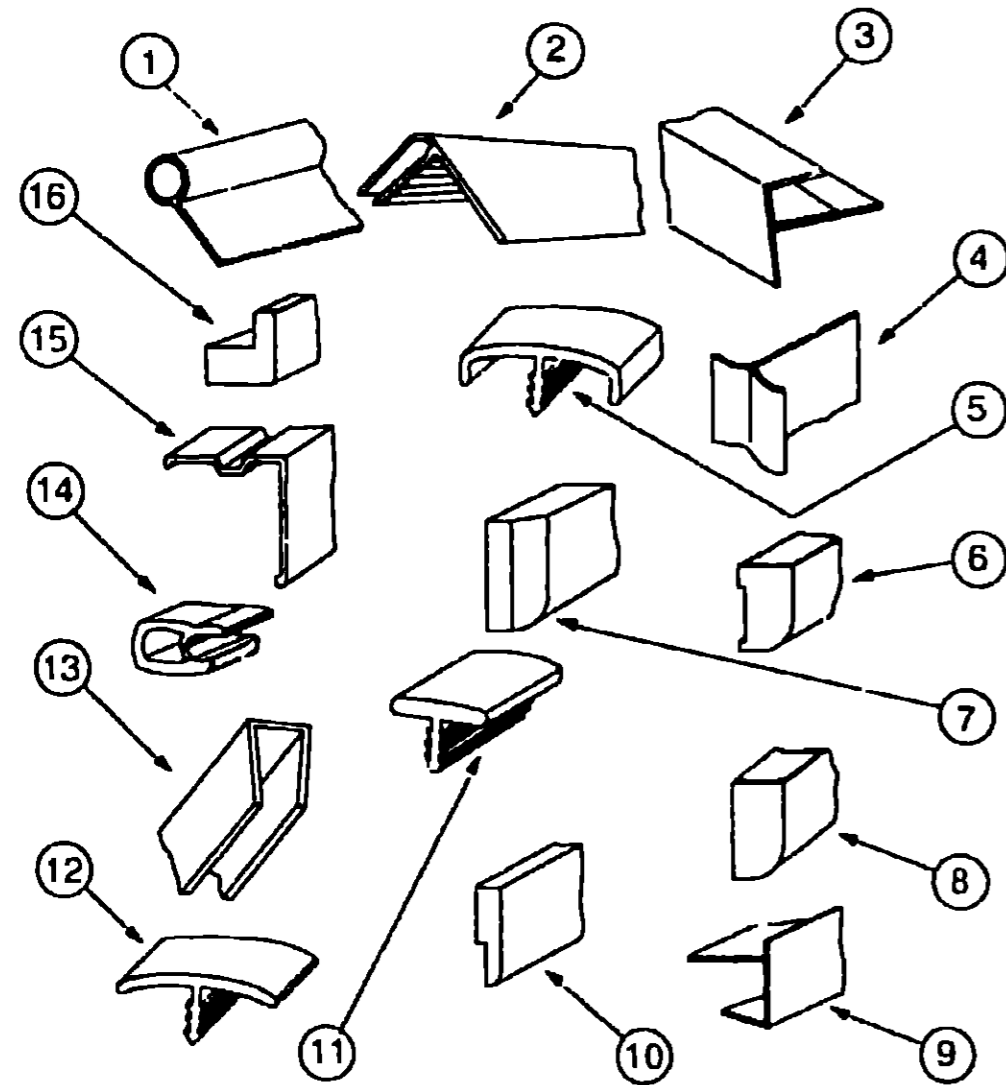
**1993 WINNEBAGO
TABLE OF CONTENTS**

INTRODUCTION	4-01	A-02
ABBREVIATIONS		A 03
ALPHABETICAL INDEX	A-01	A 06
WCF27RC	A 07	F-02
WCF27RQ	F 03	J 20

1993 WCF27RQ INDEX

FLOOR PLAN	F-03	F-04
ACCESSORIES		F-05
AUDIO VIDEO	F 06	F 08
BATH	F-09	F-10
BEDROOM	F-11	F-12
CHASSIS	F-13	F-24
CURTAIN & CUSHION	G 01	G-10
DINETTE	G-11	G 12
DRIVERS COMPARTMENT	G-13	G 17
ELECTRICAL	G 18	G 24
EXTERIOR BODY	H-01	H 09
GALLEY	H 03	H 13
GENERATOR	H 14	H 15
HEATING & A/C	H 16	H 22
INTERIOR FINISH	H 23	I-02
LABELS	I 03	I-11
LP		I-12
LOUNGE	I-13	I-14
SEALANTS & FASTENERS	I-15	I 18
WATER & SEWAGE	I-19	I 24
WINDOW VENT AND WINDSHIELD WIPER	J 01	J-18
	J 19	J 20

INTERIOR FINISH GROUP



MOLDINGS & TRIMS

KEY	PART NUMBER	U/M DESCRIPTION
1	009767 12 000	FT MOLDING-SIDEWALL TO CEILING CABINET WELTING - OFF WHITE
2	003809 23 000	EA MOLDING CORNER OUTSIDE - 1" - PLASTIC - IVORY
2	003809 24 000	EA MOLDING CORNER, OUTSIDE - 1" PLASTIC THOR PECAN
3	009812 25 000	EA MOLDING-CORNER OUTSIDE - 5" PLASTIC - PECAN
4	022932-11-000	FT MOLDING REVERSE COVE, T-SHAPED - VINYL - IVORY
5	083620 07-000	FT MOLDING-T END CAP EDGE - W EDGE LIPS - 75" - THOR PECAN
6	092331 D2 134	EA MOLDING VINYL WRAPPED 7" X 1 5/8" X 84" - WOODGRAIN
6	092331 F2 134	EA MOLDING VINYL WRAPPED 7" X 2 5/8" X 7" WOODGRAIN
6	092331 F2-418	EA MOLDING VINYL WRAPPED 7" X 2 5/8" X 96" WOODGRAIN
6	092331-H2-438	EA MOLDING VINYL WRAPPED, 7" X 3 5/8" X 96" - WOODGRAIN
7	100659 01 B05	EA MOLDING TRIM VINYL FLOOR
8	100819-01-01A	EA MOLDING VINYL WRAPPED 1 65" X 4" X 7" - OAK
9	103186 01-02A	FT MOLDING EDGE SHELF - 76" WIDE - PLASTIC - REGAL OAK
9	103186 02-02A	FT MOLDING EDGE SHELF - 1 3" WIDE PLASTIC - REGAL OAK
10	105004-01-01A	EA MOLDING VINYL WRAPPED 1" X 8" - OAK
11	101676 01 01A	FT T-MOLDING, 5 16" - RIGID
12	105709 01 000	FT T-MOLDING, 1" MODERN IVORY
13	003778 13-000	FT U CHANNEL PLASTIC 1" WIDE X 8" INCREMENTS - THOR PECAN
13	070504-18 000	FT U CHANNEL-PLASTIC 065" WIDE - IVORY - INCREMENTS OF 8
13	070504-20-000	FT U CHANNEL PLASTIC 815" WIDE - THOR PECAN - INCREMENTS OF 8
13	070504-22-000	FT U CHANNEL-PLASTIC 735" WIDE - THOR PECAN - INCREMENTS OF 8 FROM 00 00 00 THRU 06 26-92
11	072368 02-000	EA TRIM VINYL EDGE - BLACK - GM 14004305
15	093873-01-01A	EA TRIM CARPET L-ANGLE - 1 1" X 1 3" X 12" - VINYL - GRAY
16	100819 01-01A	EA MOLDING VINYL WRAPPED L-SHAPED - 1 5" X 1 5" X 7" - OAK
	092330-D2-438	EA LUMBER VINYL WRAPPED 7" X 1 5" X 9" - WOODGRAIN
	092330-03-000	EA LUMBER VINYL WRAPPED 2" X 96" - WOODGRAIN
	092330 05-000	EA LUMBER VINYL WRAPPED 7" X 3" X 96" - WOODGRAIN

INTERIOR FINISH GROUP (CONTINUED)

BATT STRIPS

KEY	PART NUMBER	U/M DESCRIPTION
	085284-C2-000	FT BATT STRIP-DECORATIVE PLAIN - ADHESIVE BACKED (MAIN WALL)
	085284 63-000	FT BATT STRIP-DECORATIVE W/FLOWERS - ADHESIVE BACKED (BATH & GALLEY)
	085284 66 000	FT BATT STRIP-WOODGRAIN ADHESIVE BACKED - FOREST OAK
	088263 78-000	EA BATT STRIP-SHOWER, 8' LONG - OFF WHITE
	088263 74-000	EA BATT STRIP DECORATIVE PLAIN - 8' LONG (MAIN WALL)
	088263-75 000	EA BATT STRIP-DECORATIVE W/FLOWERS - 8' LONG (BATH & GALLEY)
	069733-79 000	EA BATT STRIP WOODGRAIN 8' LONG - FOREST OAK
	086229-01-000	EA RETAINER BATTEN, CEILING - 75" WIDE 7 6" LONG
	086229 04-000	EA BATTEN-CEILING, 1" WIDE - IVORY - 7 6" LONG

PANELING & PLYWOOD

KEY	PART NUMBER	U/M DESCRIPTION
	074497-20 000	SF PANELING-WOODGRAIN 4' X 8' - INCREMENTS OF 32 SF
	088272-98-000	SF PANELING-SHOWER OFF WHITE 4' X 7' - INCREMENTS OF 28 SQ FT
	088272-94-000	SF PANELING DECORATIVE, PLAIN - 4' X 7' - INCREMENTS OF 23 SF (MAIN WALL)
	088272 95 000	SF PANELING DECORATIVE, W/FLOWERS 4' X 7' - INCREMENTS OF 28 SF (BATH & GALLEY)
	095623 01 000	SF VENEER FLAT LUANA 48" X 96"
	080215 06 000	SF PANEL 2 SIDED 4' X 8' - FOREST OAK - INCREMENTS OF 32 SF
	083618 02 000	SF PLYWOOD-OAK 1 SIDE FINISHED - 3/16" X 4' X 8' INCREMENTS OF 32 SF
	089297-01-000	SF PLYWOOD-LUAN OVERLAY GRADE 4' X 8' INC OF 32 SF
	098531 01 000	SF PLYWOOD RED OAK, 1/2"

PLASTIC LAMINATE

KEY	PART NUMBER	U/M DESCRIPTION
	074497 46 000	SF LAMINATE-PLASTIC 5' X 8' - INCREMENTS OF 40 SF
	076325 37 000	FT MOLDING EDGEBAND 1136 1 5/16" X 030 X 600 MM

CARPET

KEY	PART NUMBER	U/M DESCRIPTION
	047031 02-000	SF PLASTIC-CARPET 4 WIDE - CLEAR POLY
	075233 01-000	SY PAD CARPET 3/8" X 6 ROLL
	093486-01 000	SY CARPET-COMPARTMENT 54" WIDE - DARK GRAY
	096060 47 000	SY CARPET - 12 ROLL INCREMENTS OF 4 SY (D09)
	096060 41 000	SY CARPET - 12 ROLL, INCREMENTS OF 4 SY (D10)
	096060 42 000	SY CARPET 12' ROLL INCREMENTS OF 4 SY (D11)

SMOKE DETECTOR, FIRE EXTINGUISHER & CLOCK

KEY	PART NUMBER	U/M DESCRIPTION
	072852 01 000	EA DETECTOR SMOKE W/9 VOLT BATTERY - US
	072852 02 000	EA DETECTOR-SMOKE W/9 VOLT BATTERY - CANADIAN
	034499 01 000	EA EXTINGUISHER-FIRE, DRY W/MOUNTING BRACKET 10 BC
	034499 0 700	EA BRACKET-MOUNTING W/PLASTIC STRAP - FIRE EXTINGUISHER
	091190 02 000	EA EXTINGUISHER FIRE DRY - 1A10BC - CANADIAN
	101333 01-000	EA BACKPLATE CLOCK 6" X 6" PLASTIC - BLACK
	104764 01 01A	EA CLOCK-WALL SPARTUS 5616-42 FROM 00 00 00 THRU 04-18-93
	100793 02 01A	EA CLOCK-WALL 11" DIAMETER - HOLDEN 9388 FROM 00-00-00 THRU 04-18-93
		EA CLOCK-WALL 11" DIAMETER - HOLDEN 9388 FROM 04 19 93 THRU 99 97 93

ANTISLIP & FLOOR MATS

KEY	PART NUMBER	U/M DESCRIPTION
	031261 01-000	FT SLIPNOT ANTISLIP 1" WIDE (100' ROLL)
	105424 01 D09	EA MAT FLOOR 18" X 27"
	105924 01 D10	EA MAT FLOOR 18" X 27"
	105924 01-D11	EA MAT-FLOOR 18" X 27"

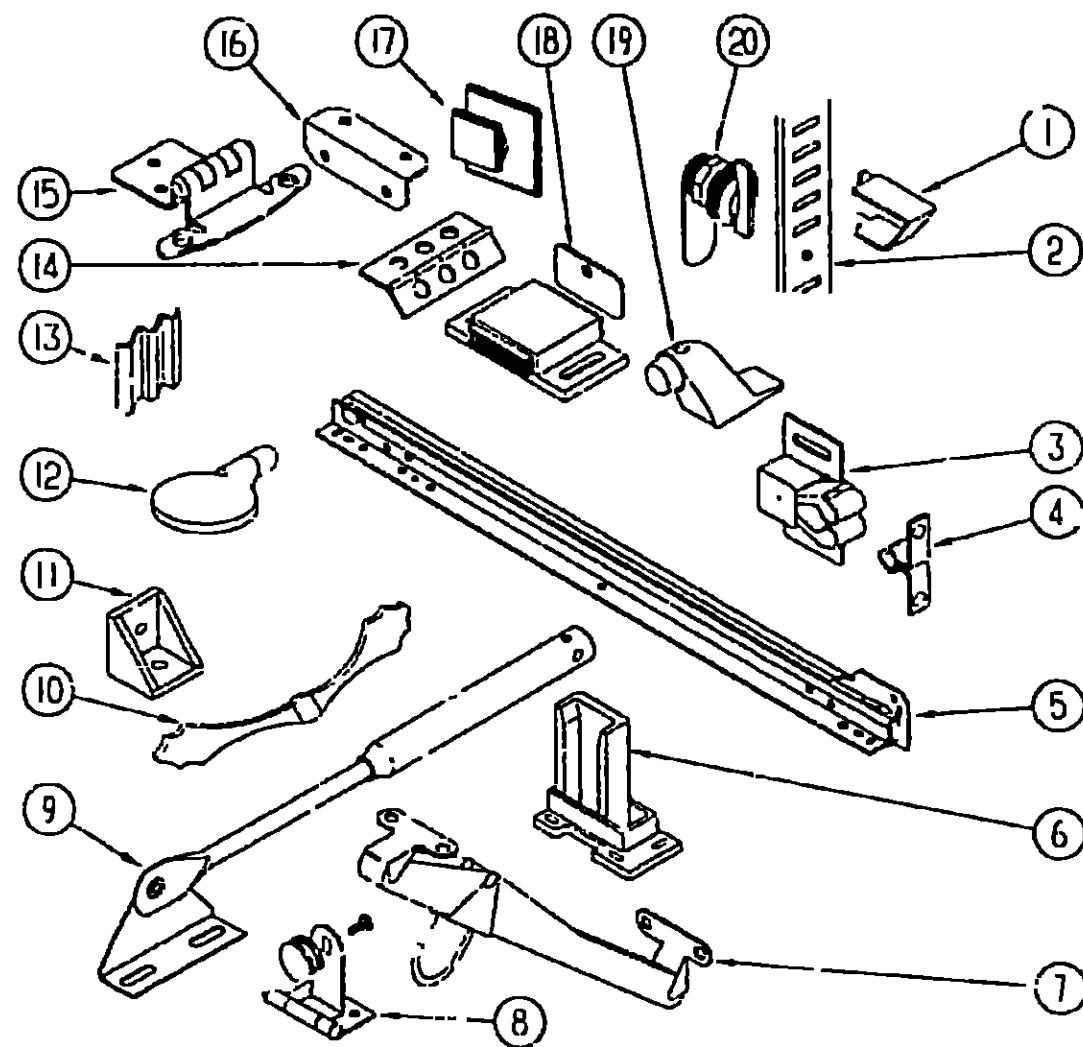
1993 WINNEBAGO TABLE OF CONTENTS

INTRODUCTION	A-01 -	A-02
ABBREVIATIONS		A-03
ALPHABETICAL INDEX	A-04 -	A-06
WCF27RC	A-07 -	F-02
WCF27RQ	F-03 -	J-20

1993 WCF27RQ INDEX

FLOOR PLAN	F-03 -	F-04
ACCESSORIES		F-05
AUDIO VIDEO	F-06 -	F-08
BATH	F-09 -	F-10
BEDROOM	F-11 -	F-12
CHASSIS	F-13 -	F-24
CURTAIN & CUSHION	G-01 -	G-10
DINETTE	G-11 -	G-12
DRIVERS COMPARTMENT	G-13 -	G-17
ELECTRICAL	G-18 -	G-24
EXTERIOR BODY	H-01 -	H-09
GALLEY	H-10 -	H-13
GENERATOR	H-14 -	H-15
HEATING & A/C	H-16 -	H-22
INTERIOR FINISH	H-23 -	I-02
LABELS	I-03 -	I-11
LP		I-12
LOUNGE	I-13 -	I-14
SEALANTS & FASTENERS	I-15 -	I-18
WATER & SEWAGE	I-19 -	I-24
WINDOW, VENT AND		
EXTERIOR DOOR	J-01 -	J-19
WINDSHIELD WIPER	J-19 -	J-20

INTERIOR FINISH GROUP (CONTINUED)
CABINET HARDWARE



KEY	PART NUMBER	U/M	DESCRIPTION
1	098979-01-000	EA	CLIP-ADJUSTABLE SHELF
2	098980-01-000	EA	PILASTER-ADJUSTABLE SHELF, 18" LONG
2	098980-02-000	EA	PILASTER ADJUSTABLE SHELF, 12" LONG
2	098980-04-000	EA	PILASTER ADJUSTABLE SHELF, 48" LONG
3	093586-03-000	EA	CATCH-SPRING, ROLLER
4	093586-04-000	EA	STRIKE-SPRING STEEL
5	106913-01-000	EA	SLIDE-DRAWER, CABINET - LEFT SIDE - 12"
5	106913-02-000	EA	SLIDE-DRAWER CABINET - RIGHT SIDE - 12"
5	106913-03-000	EA	SLIDE-DRAWER DRAWER MOUNT - LEFT SIDE - 12"
5	106913-04-000	EA	SLIDE-DRAWER, DRAWER MOUNT - RIGHT SIDE - 12"
5	106913-05-000	EA	SLIDE-DRAWER, CABINET - LEFT SIDE - 18"
5	106913-06-000	EA	SLIDE-DRAWER, CABINET - RIGHT SIDE - 18"
5	106913-07-000	EA	SLIDE-DRAWER DRAWER MOUNT - LEFT SIDE - 18"
5	106913-08-000	EA	SLIDE-DRAWER, DRAWER MOUNT - RIGHT SIDE - 18"
5	106913-13-000	EA	SLIDE-DRAWER, CABINET - LEFT SIDE - 14"
5	106913-14-000	EA	SLIDE-DRAWER CABINET - RIGHT SIDE - 14"
5	106913-15-000	EA	SLIDE-DRAWER, DRAWER MOUNT - LEFT SIDE - 14"
5	106913-16-000	EA	SLIDE DRAWER DRAWER MOUNT - RIGHT SIDE - 14"
5	106913-17-000	EA	SLIDE DRAWER, CABINET - LEFT SIDE - 22"
5	106913-18-000	EA	SLIDE-DRAWER CABINET - RIGHT SIDE - 22"
5	106913-19-000	EA	SLIDE-DRAWER, DRAWER MOUNT - LEFT SIDE - 22"
5	106913-20-000	EA	SLIDE-DRAWER, DRAWER MOUNT - RIGHT SIDE - 22"
6	107029-01-000	EA	BACKSOCKET-ADJUSTABLE, LEFT
6	107030-02-000	EA	BACKSOCKET-ADJUSTABLE, RIGHT
7	104181-01-01A	EA	SUPPORT-LEAF 5 3' - EXTENDS TO 7 5' - SAFETY RING - METAL
8	100711-01-01A	EA	HINGE-DOOR GLASS
	100707-01-000	EA	SPACE-DOOR, GLASS - 8" DIA - 3" HOLE - PLASTIC
	101272-01-000	EA	CATCH-DOOR, GLASS
9	074493-02-000	EA	SUPPORT-PISTON SPRING CABINET DOOR
10	107435-01-000	EA	PULL-CABINET, BRASS
11	065740-01-000	EA	BRACE-CABINET CORNER PLASTIC
12	101766-01-000	EA	PIN SUPPORT GLASS DOOR
13	105037-02-000	EA	FASTENER-WOOD CORNER - METAL - 5" X 6
14	009059-01-000	EA	HINGE-DOOR 2" X 1 4' - BRASS
14	009059-02-000	EA	HINGE-DOOR 2" X 2 7' - BRASS
15	108138-01-000	EA	HINGE-CABINET DOOR, BURNISHED BRASS
16	016604-01-000	EA	BRACE-CABINET ANGLE - 2 5' - METAL - UNPAINTED
16	016604-03-000	EA	BRACE-CABINET ANGLE - 2 5' - METAL - BEIGE
16	016604-05-000	EA	BRACE-CABINET, L ANGLE - 2 5' - METAL - OFF WHITE
17	102327-01-01A	EA	PULL-MIRROR, SQUARE
18	088254-01-000	EA	CATCH-MAGNETIC 1 8" X 7"
19	103257-01-000	EA	STOP-DOOR
20	100710-01-01A	EA	LOCK GLASS DOOR, TWIST TYPE - BRASS
	000613-06-08G	EA	SCREW, 6-20 X 1/2 PFH - ANTIQUE BRASS
	000613-06-10G	EA	SCREW, 6-20 X 5/8 PFH - ANTIQUE BRASS
	004354-01-000	EA	BUMPER RUBBER, 5" DIA - BROWN
	023320-01-000	EA	PAD-FELT, 3/8" DIAMETER - BROWN
	094658-01-Y12	EA	HANDLE-BUNK 2" X 27" - WOOD - OAK
	009148-01-000	EA	PULL-FINGER 7/8" DIAMETER - BRASS
	042356-01-000	EA	PLUG BUTTON, MAHOGANY - 3/8" DIAMETER - WOOD
	009063-01-000	EA	HINGE-CONTINUOUS 1 1/2" X 72" - UNPAINTED

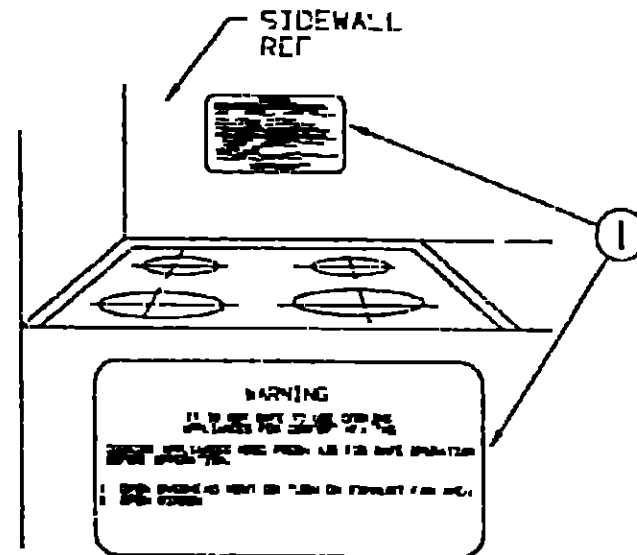
1993 WINNEBAGO
TABLE OF CONTENTS

INTRODUCTION	A 01 - A 02
ABBREVIATIONS	A 03
ALPHABETICAL INDEX	A 04 - A 06
WCF27RC	A 07 - F 02
WCF27RO	F 03 - J 20

1993 WCF27RQ INDEX

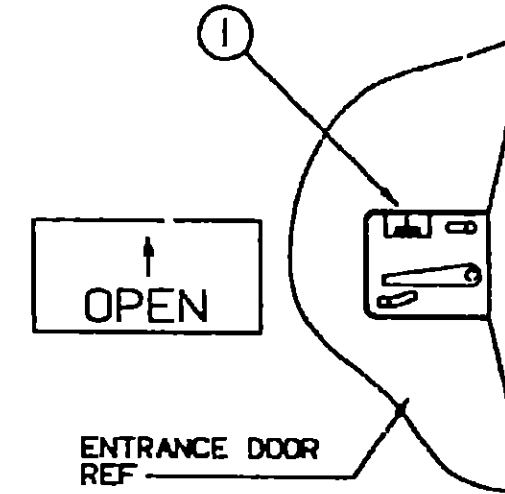
FLOOR PLAN	F-03 - F-04
ACCESSORIES	F-05
AUDIO VIDEO	F-06 - F-08
BATH	F-09 - F-10
BEDROOM	F-11 - F-12
CHASSIS	F-13 - F-24
CURTAIN & CUSHION	G-01 - G-10
DINETTE	G-11 - G-12
DRIVERS COMPARTMENT	G-13 - G-17
ELECTRICAL	G-18 - G-24
EXTERIOR BODY	H-01 - H-08
GALLEY	H-09 - H-13
GENERATOR	H-14 - H-15
HEATING & A/C	H-16 - H-22
INTERIOR FINISH	H-23 - I-02
LABELS	I-03 - I-11
LP	I-12
LOUNGE	I-13 - I-14
SEALANTS & FASTENERS	I-15 - I-18
WATER & SEWAGE	I-19 - I-24
WINDOW, VENT AND	
EXTERIOR DOOR	J-01 - J-18
WINDSHIELD/WIPE	J-19 - J-20

LABELS GROUP



KEY	PART NUMBER	U/M DESCRIPTION
1	050225 01 000	EA LABEL-WARNING STOVE VENT - US
1	050222-01-000	EA LABEL-WARNING STOVE VENT - CANADIAN

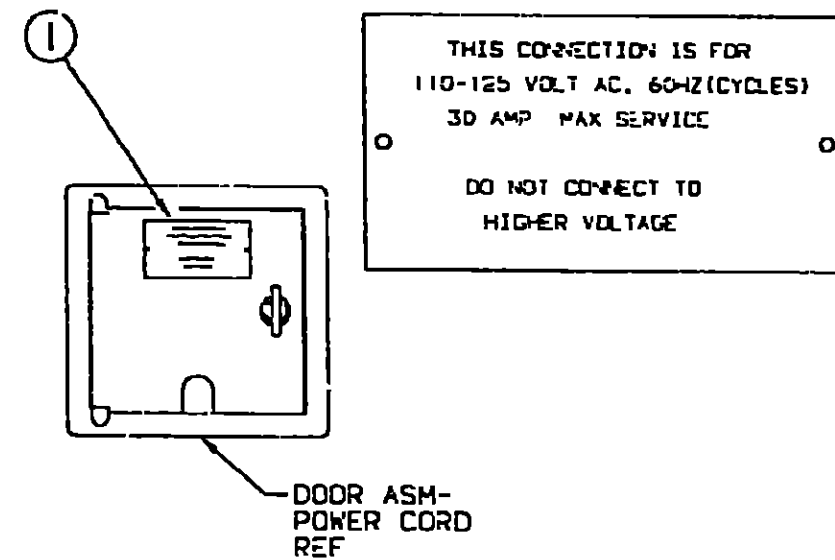
LABELS GROUP (CONTINUED)



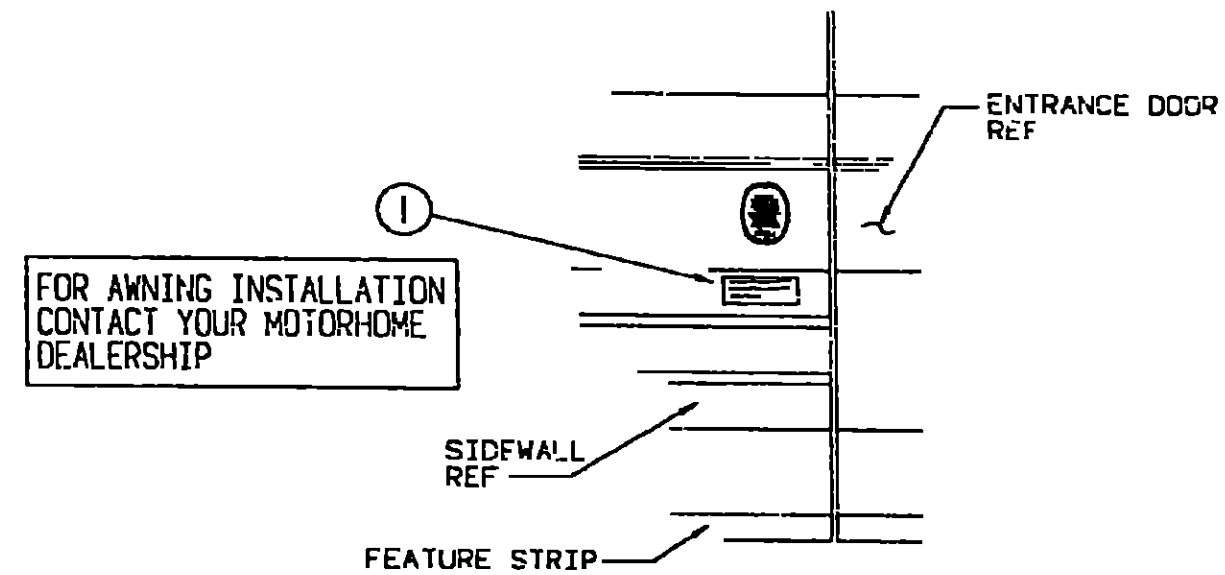
KEY	PART NUMBER	U/M DESCRIPTION
1	040944 01-000	EA LABEL-ENTRANCE DOOR "OPEN"

**1993 WINNEBAGO
TABLE OF CONTENTS**

INTRODUCTION	A 01 -	A-02
ABBREVIATIONS		A 03
ALPHABETICAL INDEX	A-04 -	A-C6
WCF27RC	A 07 -	F-02
WCF27RQ	F 03 -	J 20



KEY	PART NUMBER	U/M DESCRIPTION
1	006062-01-000	EA TAG-ELECTRIC, 110V CONNECTION

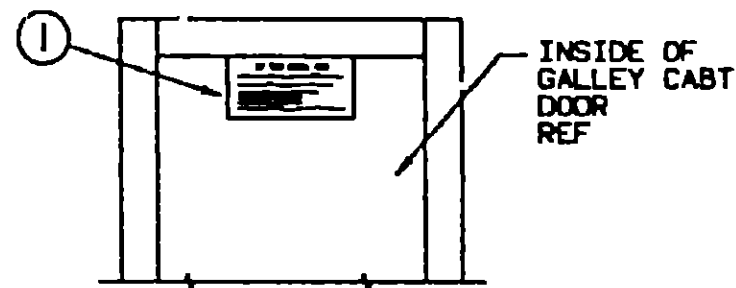


KEY	PART NUMBER	U/M DESCRIPTION
1	099509-01-000	EA LABEL-AWNING INSTALLATION

1993 WCF27RQ INDEX

FLOOR PLAN	F-03 -	F 04
ACCESSORIES		F-05
AUDIO VIDEO	F-06 -	F 08
BATH	F-09 -	F-10
BEDROOM	F 11 -	F-12
CHASSIS	F-13 -	F-24
CURTAIN & CUSHION	G-01 -	G-10
DINETTE	G-11 -	G-12
DRIVERS COMPARTMENT	G-13 -	G-17
ELECTRICAL	G-18 -	G-24
EXTERIOR BODY	H-01 -	H-08
GALLEY	H-09 -	H-13
GENERATOR	H-14 -	H-15
HEATING & A/C	H-16 -	H-22
INTERIOR FINISH	H-23 -	I-02
LABELS	I-03 -	I-11
LP		I-12
LOUNGE	I-13 -	I-14
SEALANTS & FASTENERS	I-15 -	I-18
WATER & SEWAGE	I-19 -	I-24
WINDOW, VENT AND EXTERIOR DOOR	J-01 -	J-18
WINDSHIELD/WIPER	J-19 -	J-20

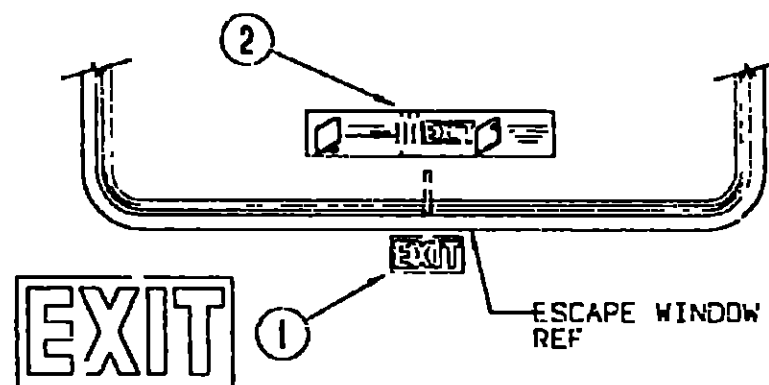
LABELS GROUP (CONTINUED)



IF YOU SMELL GAS

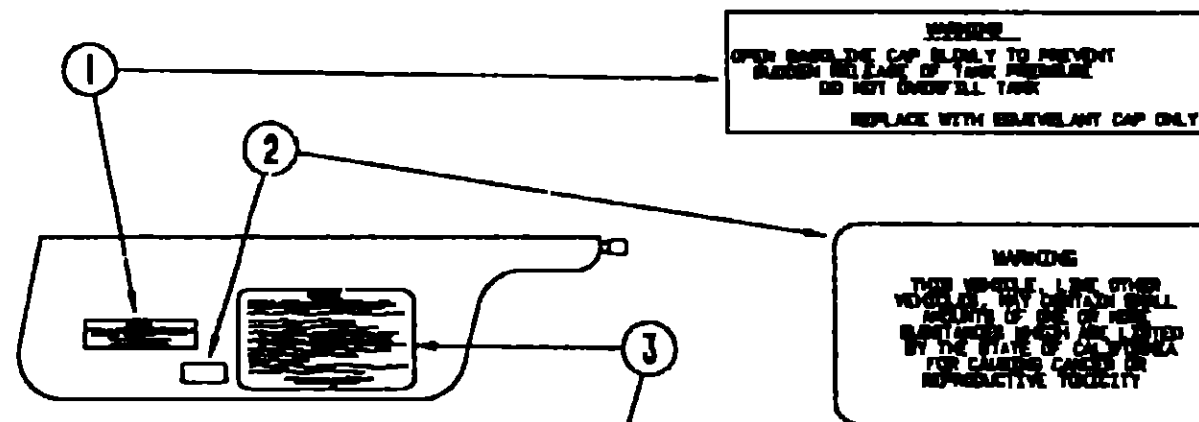
1. EXTINGUISH ANY OPEN FLAME, PILOT LIGHTS AND ALL BURNING MATERIALS
2. SHUT OFF THE GAS SUPPLY AT THE TANK VALVE OR GAS SUPPLY CONNECTION
3. OPEN DOORS AND OTHER VENTILATING DEVICES
4. DO NOT TOUCH ELECTRICAL SWITCHES
5. LEAVE THE AREA UNTIL ODOR CLEARS
6. HAVE THE GAS SYSTEM CHECKED AND LEAKAGE SOURCE CORRECTED BEFORE USING AGAIN

KEY	PART NUMBER	U/M DESCRIPTION
1	073998 J1-000	EA LABEL-LPG ODOR WARNING



KEY	PART NUMBER	U/M DESCRIPTION
1	039230-01-000	EA LABEL-WARNING, EXIT
2	107571-01-000	EA LABEL-ESCAPE EXIT WINDOW

LABELS GROUP (CONTINUED)



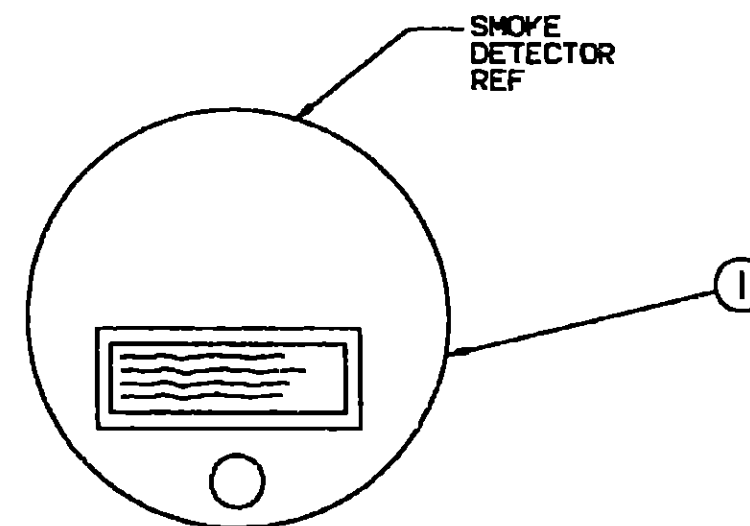
CAUTION

THIS MOTOR HOME HAS BEEN DESIGNED, MANUFACTURED AND TESTED WITH CONCERN FOR THE PROTECTION OF IT'S OCCUPANTS. WE RECOMMEND YOU PERFORM THE FOLLOWING INSPECTIONS FOR YOUR SAFETY AND THE SAFETY OF YOUR PASSENGERS BEFORE STARTING YOUR VEHICLE.

1. LP GAS SYSTEM- TURN OFF AT TANK FOR TRAVELING TEST FOR LEAKS UPON ARRIVAL AT DESTINATION BEFORE LIGHTING PILOTS
2. WHEELS- INSPECT FOR DAMAGE AND CHECK LUG NUTS FOR TIGHTNESS.
3. TIRES- INSPECT FOR WEAR AND DAMAGE AND CHECK FOR RECOMMENDED AIR PRESSURE.
4. LIGHTING- TEST FOR PROPER OPERATION OF ALL INTERIOR AND EXTERIOR LIGHTS INCLUDING DASH LIGHTS, HEADLIGHTS, TAIL LIGHTS, BRAKE LIGHTS, CLEARANCE LIGHTS AND TURN SIGNALS.
5. EXITS- INSPECT RELEASE MECHANISM ON EMERGENCY EXIT WINDOW, TEST BOTH LEANS ON MAIN ENTRANCE DOOR FOR EASE OF OPERATION AND INSTRUCT PASSENGERS HOW TO USE BOTH MEANS OF EXIT.
6. SEAT BELTS- DIRECT PASSENGERS TO DESIGNATED SEATS AND INSURE USE OF SEAT BELTS
7. APPLIANCES- TURN OFF AND LATCH OR LOCK DOORS WHERE PROVIDED.
8. LOOSE PARCELS- STORE SECURELY
9. UTILITY SUPPLY LINES- DISCONNECT ALL ELECTRIC, SEWER AND WATER LINES AND SECURE PROPERLY
10. ENTRANCE DOOR STEP- PLACE IN RETRACTED POSITION FOR TRAVELING

READ YOUR MOTOR HOME AND CHASSIS OWNER'S MANUAL FOR FURTHER PRECAUTIONS

KEY	PART NUMBER	U/M DESCRIPTION
1	097207-05-000	EA LABEL FUEL CAP REMOVAL
2	093689-01-000	EA LABEL WARNING, CANCER/TOXICITY
3	056259 01-000	EA LABEL-SAFETY CHECK LIST



KEY	PART NUMBER	U/M DESCRIPTION
1	077956-01-000	EA LABEL-WARNING SMOKE DETECTOR

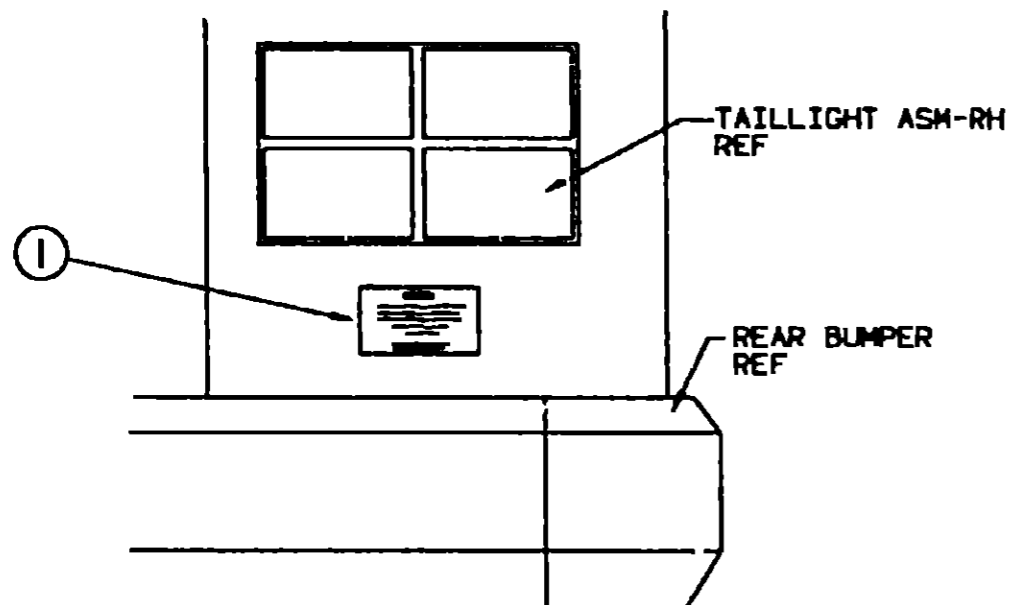
1993 WINNEBAGO TABLE OF CONTENTS

INTRODUCTION	A-01 -	A-02
ABBREVIATIONS		A-03
ALPHABETICAL INDEX	A-04 -	A-06
WCF27RC	A-07 -	F-02
WCF27RO	F-03 -	J-20

1993 WCF27RQ INDEX

FLOOR PLAN	F-03 -	F-04
ACCESSORIES		F-05
AUDIO VIDEO	F-06 -	F-08
BATH	F-03 -	F-10
BEDROOM	F-11 -	F-12
CHASSIS	F-13 -	F-24
CURTAIN & CUSHION	G-01 -	G-10
DINETTE	G-11 -	G-12
DRIVERS COMPARTMENT	G-13 -	G-17
ELECTRICAL	G-18 -	G-24
EXTERIOR BODY	H-01 -	H-06
GALLEY	H-09 -	H-13
GENERATOR	H-14 -	H-15
HEATING & A/C	H-16 -	H-22
INTERIOR FINISH	H-23 -	I-02
LABELS	I-03 -	I-11
LP		I-12
LOUNGE	I-13 -	I-14
SEALANTS & FASTENERS	I-15 -	I-18
WATER & SEWAGE	I-19 -	I-24
WINDOW, VENT AND		
EXTERIOR DOOR	J-01 -	J-18
WINDSHIELD/WIPER	J-19 -	J-20

LABELS GROUP (CONTINUED)



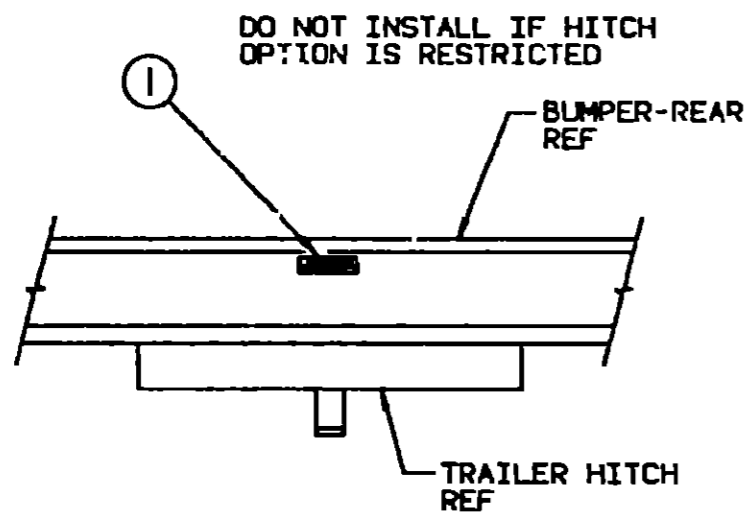
WARNING

DO NOT EXCEED THE VEHICLE WEIGHT RATINGS OR LOADING RECOMMENDATIONS (E.G., GROSS VEHICLE, GROSS AXLE, GROSS COMBINED) OF THE CHASSIS MANUFACTURER OR WINNEBAGO IND.

REFER TO YOUR OWNERS MANUAL, BEFORE LOADING OR TOWING.

KEY PART NUMBER
1 075220-01-000

U/M DESCRIPTION
EA LABEL WARNING EXTERIOR LOAD



TOWING CAPACITY

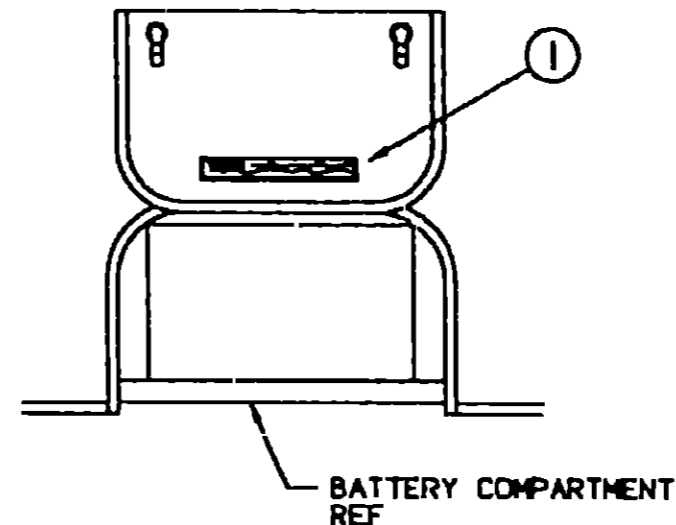
TOWED VEHICLE 3500 LB. GROSS MAXIMUM
HITCH BALL 200 LB. MAXIMUM

KEY PART NUMBER
1 075221-03-000

U/M DESCRIPTION
EA LABEL-TRAILER HITCH

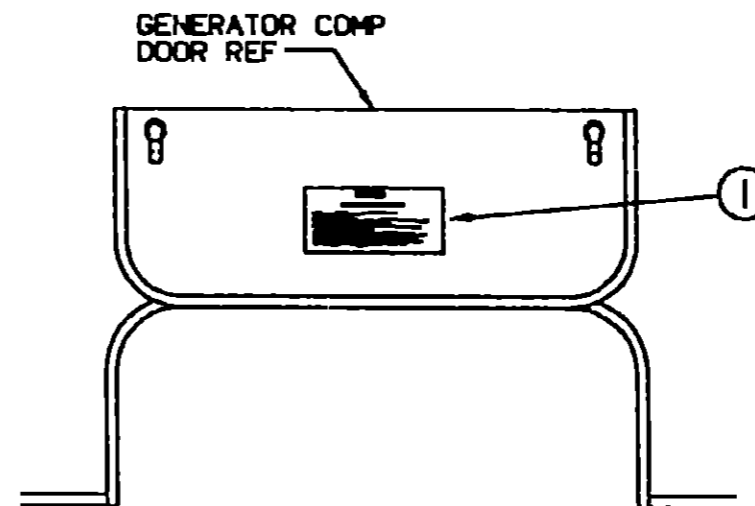
LABELS GROUP (CONTINUED)

WARNING DISCONNECT BATTERIES BEFORE CONNECTING EXTERNAL CHARGING EQUIPMENT.



KEY PART NUMBER
1 065748 01 000

U/M DESCRIPTION
EA LABEL-CAUTION BATTERY CHARGING



WARNING

WHEN ADDING A GENERATOR SET,

HIGH VOLTAGE-USE EXTREME CAUTION WHEN WORKING ON ELECTRICAL COMPONENTS
HAVE ALL ELECTRICAL INSTALLATION PERFORMED BY A QUALIFIED LICENSED ELECTRICIAN-FOLLOW ALL STATE AND LOCAL CODES.
ONLY INSTALL GENERATOR SET APPROVED FOR R.V. APPLICATION HAVE INSTALLED BY QUALIFIED TECHNICIAN
TO AVOID HEAT BUILD-UP AND TO GUARANTEE AN ADEQUATE AIR SUPPLY TO THE GENERATOR COMPARTMENT, FOLLOW INSTALLATION INSTRUCTIONS.
GENERATOR EXHAUST GASES ARE TOXIC AND MUST NOT TERMINATE UNDER THE WOODLE-DESIGNED EXHAUST AWAY FROM VEHICLE.

KEY PART NUMBER
1 077510-01-000

U/M DESCRIPTION
EA LABEL-GENERATOR PREP

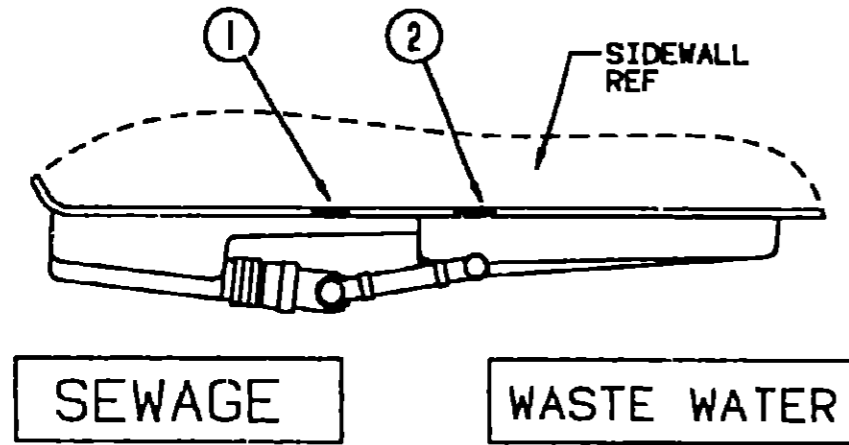
1993 WINNEBAGO TABLE OF CONTENTS

INTRODUCTION	A 01 -	A 02
ABBREVIATIONS		A-03
ALPHABETICAL INDEX	A 04 -	A 06
WCF27RC	A 07 -	F 02
WCF27RQ	F-03 -	J 20

1993 WCF27RQ INDEX

FLOOR PLAN	F-03	F 04
ACCESSORIES		F 05
AUDIO VIDEO	F-06	F-08
BATH	F 09	F 10
BEDROOM	F 11	F-12
CHASSIS	F 13	F-24
CURTAIN & CUSHION	G-01	G 10
DINETTE	G-11	G-12
DRIVERS COMPARTMENT	G 13	G-17
ELECTRICAL	G-18	G 24
EXTERIOR BODY	H-01	H 08
GALLEY	H-09	H-13
GENERATOR	H-14	H 15
HEATING & A/C	H 16	H 22
INTERIOR FINISH	H-23	I 02
LABELS	I-03	I-11
LP		I-12
LOUNGE	I-13	I-14
SEALANTS & FASTENERS	I-15	I-18
WATER & SEWAGE	I 19	I-24
WINDOW, VENT AND EXTERIOR DOOR	J-01	J 18
WINDSHIELD/WIPER	J-19	J 20

LABELS GROUP (CONTINUED)

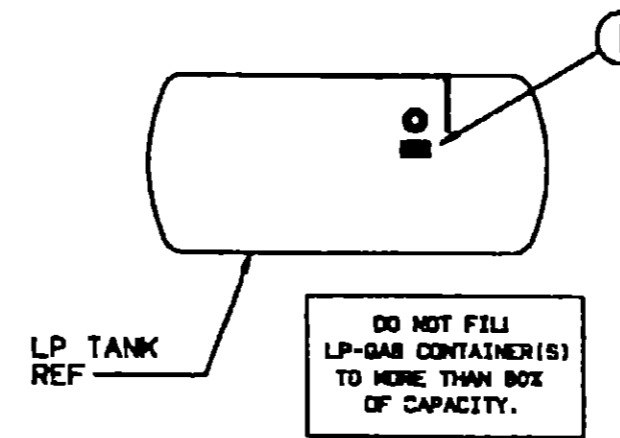


SEWAGE

WASTE WATER

KEY	PART NUMBER	U/M DESCRIPTION
1	0061B7-01-000	EA LABEL-SEWAGE
2	0061B8-01-000	EA LABEL-WASTE WATER

LABELS GROUP (CONTINUED)



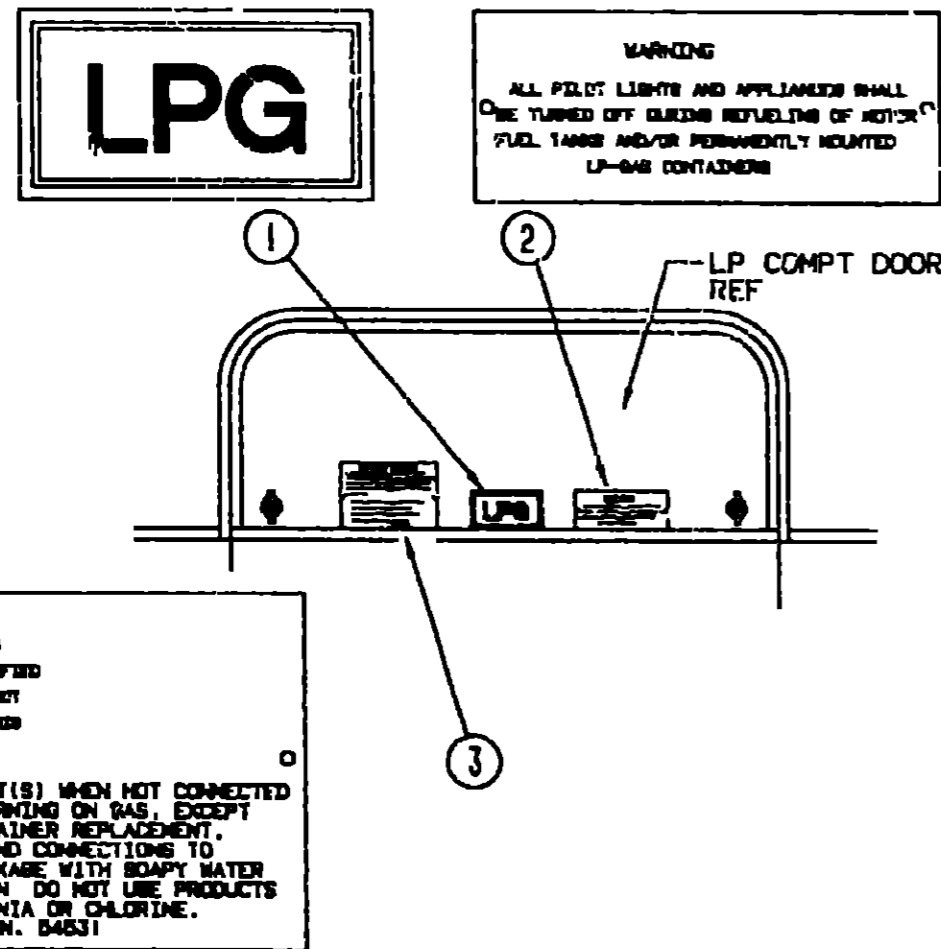
LP TANK REF

DO NOT FILL LP-GAS CONTAINER(S) TO MORE THAN BOX OF CAPACITY.

KEY	PART NUMBER	U/M DESCRIPTION
1	079965 01 000	EA LABEL-LPG 80 LB CAPACITY

1993 WINNEBAGO TABLE OF CONTENTS

INTRODUCTION	A-01 -	A-02
ABBREVIATIONS		A-03
ALPHABETICAL INDEX	A-04 -	A-06
WCF27RC	A-07	F-02
WCF27RQ	F-03 -	J-20



LPG

WARNING
ALL PILOT LIGHTS AND APPLIANCES SHALL BE TURNED OFF DURING REFUELING OF MOTOR FUEL TANKS AND/OR PERMANENTLY MOUNTED LP-GAS CONTAINERS

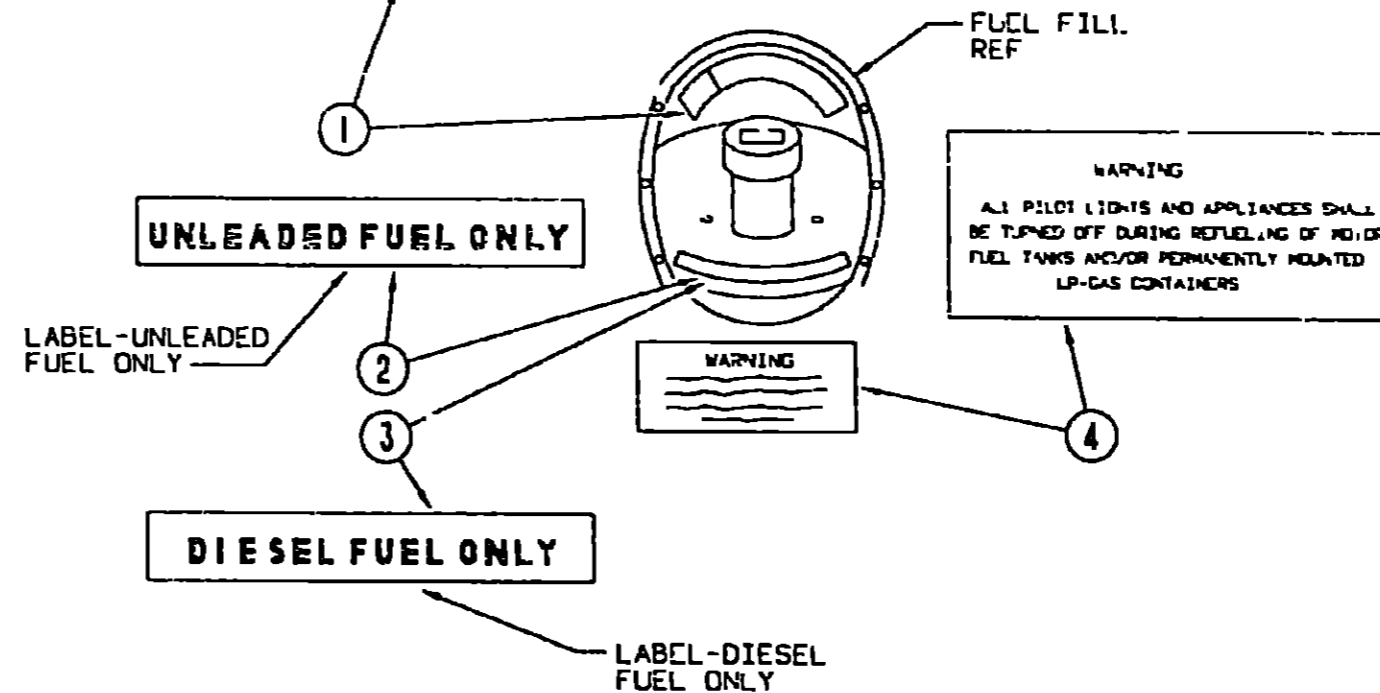
LP COMPT DOOR REF

LP-GAS SYSTEM
THIS GAS PIPING SYSTEM IS DESIGNED FOR USE OF LIQUEFIED PETROLEUM GAS ONLY. DO NOT CONNECT NATURAL GAS TO THIS SYSTEM.

SECURELY CAP INLET(S) WHEN NOT CONNECTED FOR USE. AFTER TURNING ON GAS, EXCEPT AFTER NORMAL CONTAINER REPLACEMENT, TEST GAS PIPING AND CONNECTIONS TO APPLIANCE FOR LEAKAGE WITH SOAPY WATER OR BUBBLE SOLUTION. DO NOT USE PRODUCTS THAT CONTAIN AMMONIA OR CHLORINE.
P.N. 04531

CAUTION
TO HELP AVOID PERSONAL INJURY DURING REMOVAL OF FUEL FILLER CAP, SLOWLY LOOSEN CAP 1/2 TURN TO ALLOW ANY FUEL PRESSURE TO BE RELIEVED BEFORE TURNING CAP FURTHER.

FUEL SPRAY MAY CAUSE PERSONAL INJURY
STOP ADDING FUEL AFTER FIRST SHUTOFF BY AUTOMATIC NOZZLE WHEN TANK IS NEARLY FULL. DO NOT OVERFILL FUEL TANK.
SEE OWNERS MANUAL FOR ADDITIONAL INFORMATION.
PRINTED IN U.S.A. M.C. PT. NO. 15611763



UNLEADED FUEL ONLY

LABEL-UNLEADED FUEL ONLY

DIESEL FUEL ONLY

LABEL-DIESEL FUEL ONLY

FUEL FILL. REF

WARNING
ALL PILOT LIGHTS AND APPLIANCES SHALL BE TURNED OFF DURING REFUELING OF MOTOR FUEL TANKS AND/OR PERMANENTLY MOUNTED LP-GAS CONTAINERS

WARNING

1993 WCF27RQ INDEX

FLOOR PLAN	F-03 -	F-04
ACCESSORIES		F-05
AUDIO VIDEO	F-06 -	F-08
BATH	F-09 -	F-10
BEDROOM	F-11 -	F-12
CHASSIS	F-13 -	F-24
CURTAIN & CUSHION	G-01 -	G-10
DINETTE	G-11 -	G-12
DRIVERS COMPARTMENT	G-13 -	G-17
ELECTRICAL	G-18 -	G-24
EXTERIOR BODY	H-01 -	H-08
GALLEY	H-09 -	H-13
GENERATOR	H-14 -	H-15
HEATING & A/C	H-16 -	H-22
INTERIOR FINISH	H-23 -	I-02
LABELS	I-03 -	I-11
LP		I-12
LOUNGE	I-13 -	I-14
SEALANTS & FASTENERS	I-15 -	I-18
WATER & SEWAGE	I-19 -	I-24
WINDOW VENT AND EXTERIOR DOOR	J-01 -	J-18
WINDSHIELD/WIPER	J-19 -	J-20

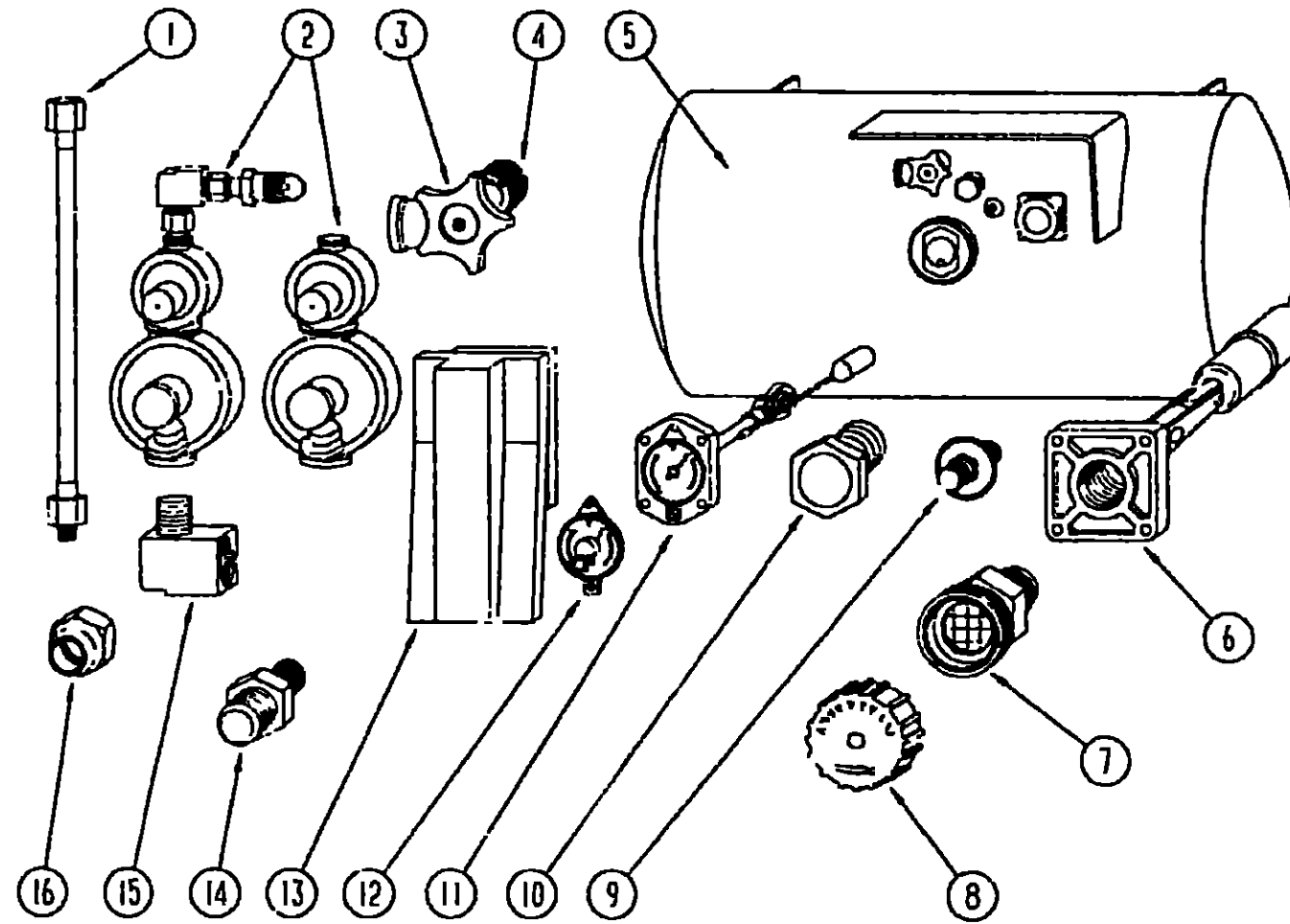
KEY	PART NUMBER	U/M DESCRIPTION
1	074559-01-000	EA DECAL-LOGO LPG - RED - (CALIF CODE)
2	006040-01-000	EA TAG GAS REFUELING WARN. NG
2	006040-02-000	EA TAG GAS REFUEL WARNING CANADIAN
3	054531 01-000	EA LABEL-LP GAS ONLY
3	023769 01-000	EA LABEL WARNING, LPG - CANADIAN

KEY	PART NUMBER	U/M DESCRIPTION
1	087207-05-000	EA LABEL-FUEL CAP REMOVAL
2	062043 01-000	EA LABEL-FUEL UNLEADED
3	068393-01-000	EA LABEL-DIESEL FUEL
4	006040-01-000	EA TAG-GAS REFUELING WARNING
4	006040-02-000	EA TAG-GAS REFUEL WARNING, CANADIAN

LABELS GROUP (CONTINUED)
MISCELLANEOUS LABELS

KEY	PART NUMBER	U/M DESCRIPTION
	093236-09-000	EA LABEL-CIRCUIT BREAKER FRONT
	090342-01-000	EA LABEL-VAPOR RELIEF
	061417-01-000	EA LABEL-FUEL ON FUEL FILL DOOR
	006064 01 000	EA LABEL-SEAT W/O SEATBELT
	031221-02-000	EA LABEL-TRAILER LIGHTING
	091243-01-000	EA LABEL-A/C COVER "AIR CONDITIONING CIRCUIT ETC"
	098379 03 000	EA LABEL-ELECTRICAL BOX FRONT
	098379 04-000	EA LABEL-ELECTRICAL BOX, SIDE
	098641-01 000	EA LABEL-FUEL, UNLEADED - DASH
	104678 01-000	EA LABEL-CB PREP
	079965 01-000	EA LABEL-WARNING STOWED MOTION
	111104 01-000	EA LABEL-HITCH READ MANUAL

LP GROUP



**1993 WINNEBAGO
TABLE OF CONTENTS**

INTRODUCTION	A 01 -	A 02
ABBREVIATIONS		A 03
ALPHABETICAL INDEX	A 04 -	A 06
WCF27RC	A 07 -	F-02
WCF27RQ	F-03 -	J 20

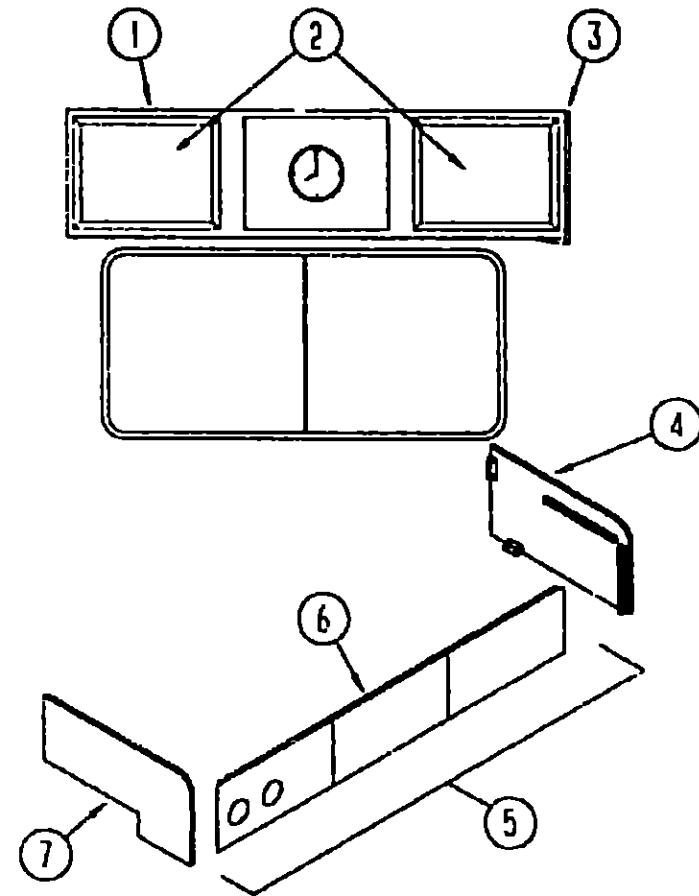
LP TANK & COMPONENTS

KEY	PART NUMBER	U/M DESCRIPTION
1	045703-01-000	EA HOSE-LP, 3/8" ID X 24" - 3/8" MPT X 1/2" F SWIVEL - US
1	045703-02-000	EA HOSE-LP, 3/8" ID X 24" - 3/8" MPT X 1/2" F SWIVEL - CANADIAN
2	106150-01-000	EA REGULATOR-TWO STAGE
2	106150 02-000	EA REGULATOR-TWO STAGE - EUROPEAN
3	040421-01-708	EA HANDWHEEL-VAPOR RELIEF VALVE BRUNNER G-1015-A
4	040421-01-712	EA VALVE-SERVICE W/O VAPOR RELIEF 29000853
5	097821-01-900	EA TANK-LP, 60 LB BRUNNER - 14" X 30"
6	040421-01-711	EA VALVE - 80% W/FLOAT PLATE, BOLTS & GASKET - BRUNNER
7	040421-01-701	EA VALVE-SHORT LP FILLER W/YELLOW CAP - BRUNNER 75478
8	040421-01-702	EA CAP-LP FILLER VALVE, PLASTIC - YELLOW - BRUNNER G-1014-A
9	040421-01-700	EA GAUGE-LIQUID LEVEL, 20% LP - BRUNNER G-1013
10	040421-01-713	EA PRESSURE RELIEF VALVE
11	040421-01-707	EA GAUGE-FLOAT W/VISIBLE DIAL - BRUNNER MA-9 6244-4
12	040440-02-000	EA TRANSMITTER-DIAL, 90 OHM
13	105658-01-000	EA COMPARTMENT-LP REGULATOR
14	010323-01-000	EA ADAPTER-BRASS 3/8" F X 1/2" MPT
14	010329 01-000	EA ADAPTER-BRASS, 1/2" F X 1/2" MPT
15	065318 02-000	EA ELBOW - 90 DEGREE, 3/8" MPT TO 3/8" FPT
16	010377-02 000	EA NUT-BRASS, 3/8 FEMALE - FORGED
	024250-01-000	EA ADAPTER-BRASS 3/8" F X 1/2" FPT
	036346-01-000	EA BUSHING-STEEL, 3/4" MPT X 1/2" FPT - EXPORT OPTION
	065742-01-000	EA TEE 3/8" F X 3/8" F X 25" FPT - BRASS
	065741-01-000	EA GAUGE-DIAPHRAGM PRESSURE - MARSHALLTOWN MFG
	071391-02-000	EA NIPPLE-HEX, 1/4 PIPE - 3325 X 4 WEATHERHEAD - US
	008042-01-000	FT TUBING-VINYL, 65" ID
	095624 01-000	EA ELBOW-PASS, 90 DEGREE - 1/4" FPT X 1/4" FPT - US
	103613 01-000	EA DETECTOR-LP GAS

1993 WCF27RQ INDEX

FLOOR PLAN	F-03 -	F-04
ACCESSORIES		F-05
AUDIO VIDEO	F-06 -	F-08
BATH	F-09 -	F-10
BEDROOM	F-11 -	F-12
CHASSIS	F-13 -	F-24
CURTAIN & CUSHION	G-01 -	G-10
DINETTE	G-11 -	G-12
DRIVERS COMPARTMENT	G-13 -	G-17
ELECTRICAL	G-18 -	G-24
EXTERIOR BODY	H-01 -	H-08
GALLEY	H-09 -	H-13
GENERATOR	H-14 -	H-15
HEATING & A/C	H-16 -	H-22
INTERIOR FINISH	H-23 -	I-02
LABELS	I-03 -	I-11
LP		I-12
LOUNGE	I-13 -	I-14
SEALANTS & FASTENERS	I-15 -	I-18
WATER & SEWAGE	I-19 -	I-24
WINDOW, VENT AND		
EXTERIOR DOOR	J-01 -	J-18
WINDSHIELD/WIPER	J-19 -	J-20

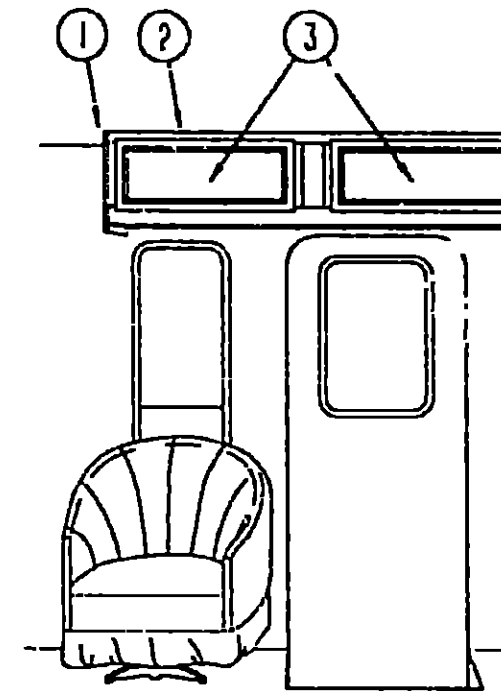
LOUNGE GROUP



DRIVERS SIDE LOUNGE

KEY	PART NUMBER	U/M DESCRIPTION
1	P07836-01-DC9	EA CABINET-OVERHEAD W/O DOORS
1	P07836-01-D10	EA CABINET-OVERHEAD W/O DOORS
1	P07836-01-D11	EA CABINET-OVERHEAD W/O DOORS
2	P04746-05-D09	EA DOOR-CABINET, W/O HARDWARE - 400 MM X 520 MM
3	103128-01-C05	EA CAP-END, OVERHEAD CABINET - FRONT
4	M04187-29-D09	EA PANEL-COUCH CABINET - LEFT SIDE - FABRIC COVERED
4	M04187-29-D10	EA PANEL-COUCH CABINET - LEFT SIDE - FABRIC COVERED
4	M04187-29-D10	EA PANEL-COUCH CABINET - LEFT SIDE - FABRIC COVERED
5	M04187-31-D09	EA PANEL-COUCH CABINET - FRONT - W/DOOR - FABRIC COVERED
5	M04187-31-D10	EA PANEL-COUCH CABINET - FRONT - W/DOOR - FABRIC COVERED
5	M04187-31-D11	EA PANEL-COUCH CABINET - FRONT - W/DOOR - FABRIC COVERED
6	M04187-32-D09	EA DOOR-CABINET, W/O HARDWARE - 11" X 21 6" - FABRIC COVERED
6	M04187-32-D10	EA DOOR-CABINET, W/O HARDWARE - 11" X 21 6" - FABRIC COVERED
6	M04187-32-D11	EA DOOR-CABINET, W/O HARDWARE - 11" X 21 6" - FABRIC COVERED
7	M04187-30-D09	EA PANEL-COUCH CABINET - RIGHT SIDE - W/FABRIC
7	M04187-30-D10	EA PANEL-COUCH CABINET - RIGHT SIDE - W/FABRIC
7	M04187-30-D11	EA PANEL-COUCH CABINET - RIGHT SIDE - W/FABRIC
	105947-01-000	EA BRACKET-HOLD DOWN, COUCH - CANADIAN
	082525-01-000	EA BRACE-COUCH, FLOOR MOUNT - ANGLE 3" LONG - METAL
	083125-05-000	EA BRACE-ANGLE, COUCH - 2 5" - BEIGE
	081298-01-D05	EA TABLE-LOUNGE, 432 MM X 610 MM - W/O HARDWARE
	009040-02-000	EA PEDESTAL TABLE LEG-27 5" X 2 25" DIA - CHROME
	041194-01-000	EA BASE-TABLE, FLUSH - FLOOR MOUNTED
	009040-03-000	EA BASE-TABLE, RAISED - TABLE MOUNTED
	042438-02-000	EA DOWEL-WOOD 2" X 2"
	076840-02-000	EA HOLD DOWN CORD-BUNGEE - 18"
	077968-01-000	EA RETAINER-NYLON 5" X 16"
	062046-01-000	EA CLIP-LEG PEDESTAL - 1 7" X 2 2" - DIA FROM 2" TO 2 5"

LOUNGE GROUP (CONTINUED)



PASSENGER SIDE LOUNGE

KEY	PART NUMBER	U/M DESCRIPTION
1	103128-03-CC5	EA CAP-END, OVERHEAD CABINET - FRONT
2	M05019-75-D09	EA CABINET-OVERHEAD, W/O DOORS
3	P04746-01-D09	EA DOOR-CABINET W/O HARDWARE - 255 MM X 640 MM
	104006-01-C05	EA LID-ENTRANCE STEP COMPARTMENT, W/O CARPET
	101222-01-01A	EA BRACKET-CATCH LID - BEIGE
	107941-01-02A	EA SUPPORT-LID ENTRANCE STEP - C-F WHITE
	042541-04-000	EA LATCH BRASS HASP TYPE - BRASS

1993 WINNEBAGO TABLE OF CONTENTS

INTRODUCTION	A-01 -	A-02
ABBREVIATIONS		A-03
ALPHABETICAL INDEX	A-04 -	A-06
WCF27RC	A-07 -	F-02
WCF27RQ	F-03 -	J-20

1993 WCF27RQ INDEX

FLOOR PLAN	F-03 -	F-04
ACCESSORIES		F-05
AUDIO VIDEO	F-06 -	F-08
BATH	F-09 -	F-10
BEDROOM	F-11 -	F-12
CHASSIS	F-13 -	F-24
CURTAIN & CUSHION	G-01 -	G-10
DINETTE	G-11 -	G-12
DRIVERS COMPARTMENT	G-13 -	G-17
ELECTRICAL	G-18 -	G-24
EXTERIOR BODY	H-01 -	H-03
GALLEY	H-09 -	H-13
GENERATOR	H-14 -	H-15
HEATING & A/C	H-16 -	H-22
INTERIOR FINISH	H-23 -	I-02
LABELS	I-03 -	I-11
LP		I-12
LOUNGE	I-13 -	I-14
SEALANTS & FASTENERS	I-15 -	I-18
WATER & SEWAGE	I-19 -	I-24
WINDOW, VENT AND		
EXTERIOR DOOR	J-01 -	J-18
WINDSHIELD/WIPER	J-19 -	J-20

**SEALANTS & FASTENERS GROUP
ADHESIVE**

KEY	PART NUMBER	U/M DESCRIPTION
	004020 01 000	OT ADHESIVE-ABS CEMENT QUART
	081377-01-700	EA ADHESIVE CYANOACRYLATE 10 GRAM TUBE
	087211-01-000	GL ADHESIVE PROMOTER
	004005-02-000	EA ADHESIVE SWIFTS 1 GAL - W1333
	062917-03 000	EA ADHESIVE LOCTITE 242 LOCTITE 242 SIDE 41
CLAMPS, GROMMETS AND MISCELLANEOUS FASTENERS		
KEY	PART NUMBER	U/M DESCRIPTION
	007161 01-000	EA CLAMP-HOSE SPRING TYPE - 1/2"
	010495-01-000	EA CLAMP-CABLE 0.16"
	010497-01-000	EA CLAMP CLOSED 5/8" ID
	010497-04-000	EA CLAMP-CLOSED 1 62" ID
	010497-05-000	EA CLAMP-CLOSED 1/2" ID
	010499-01-000	EA CLAMP-CLOSED 3/8" ID
	062401-01-000	EA CLAMP HOSE, WORMGEAR 25" - 1"
	062401-02-000	EA CLAMP HOSE, WORMGEAR 1 56" - 2 5"
	062401-04-000	EA CLAMP-HOSE WORMGEAR 69" - 1 25"
	062401-05-000	EA CLAMP HOSE WORMGEAR 2" X 3"
	062401-06 000	EA CLAMP-HOSE WORMGEAR 22" - 62"
	062401-11-000	EA CLAMP HOSE WORMGEAR 3 56" - 4 5"
	075148-02-000	EA CLAMP-GROUNDING BRONZE SCREWS
	080731-02-000	EA CLIP WIRF NYLON
	083609-01-000	EA CLAMP-WIRE DUAL EQUAL - 5/8" DIAMETER
	083610-01-000	EA CLAMP WIRE DUAL - UNEQUAL DIAMETERS - 75" & 1 25"
	016188-03-000	EA GROMMET-LP LINE 3/8" HOLE X 2 1/2" LONG - RUBBER
	016189 05 000	EA GROMMET-LP LINE 3/8" HOLE X 1 1/4" LONG - RUBBER
	023942-01-000	EA GROMMET-RUBBER 2" OD
	071015 35 000	EA GROMMET - 1 25 ID FITS 187 MATERIAL MINOR Z-710
		FROM 00-00 00 THRU 01-23-93
	099537-01 000	EA GROMMET-RUBBER, 37" X 94" DIAMETER - BLACK
	086285-01-000	EA SPACER-NYLON 5" OD X 257" ID
	081211-05-000	EA PLUG PLASTIC 189 DIA - NATURAL
		FROM 01-26-93 THRU 99-99-99
	077955-01-000	EA J CLIP-VINYL COATED 3/8" USED IN WIRING TO CLEARANCE LIGHTS
	029094-04-000	YD VELCRO TAPE-LOOP 1" WIDE - BLACK
	029096-03-000	YD VELCRO TAPE-HOOK, 1" WIDE - BLACK
	095774 01-000	FT FASTENER-DUAL HOOK 1" WIDE - ADHESIVE BACK - BLACK
	095774 02 000	FT FASTENER-DUAL LOOP, 1" WIDE - ADHESIVE BACK - BLACK
	008343 01 000	EA TIE-WIRE 6"
	008343-02-000	EA TIE-WIRE, 14"
	094362 02-000	EA CLIP XMAS TREE FLAT HEAD

**SEALANTS & FASTENERS GROUP (CONTINUED)
NUTS AND RIVETS**

KEY	PART NUMBER	U/M DESCRIPTION
	000D14 04-00B	EA NUT-HEX 1/4 - 20 ZN 5
	000D24-10-00B	EA NUT HEX SF/LK - 10-32 ZN
	000D34-04-00B	EA NUT-HEX LK 1/4 - 20 ZN
	000D31-06-00B	EA NUT-HEX LK - 3/8 - 16 GRADE C ZN - PREVAILING TORQUE
	000D39-04-00B	EA NUT-HEX SER FLG LK 1/4 - 20 ZN
	000D39-05-00B	EA NUT-HEX, SER FLG LK - 5/16 - 18 7N
	000D39 06-00B	EA NUT-HEX SER FLG LK - 3/8-16 ZN
	000D39-08 00B	EA NUT-HEX SER FLG LK - 1/2-13 ZN
	000D44-07-00B	EA NUT-HEX, SER FLG LK 7/16 20 ZN
	000D46-04-00A	EA NUT HEX WELD - 1/4-20 PLAIN - SHORT PILOT
	044364-02-000	EA NUT-SPEED FLAT - ROUND
	063253-07-000	EA NUT-J, #8A - 120- 130 PANEL THICKNESS
	104309-01-000	EA NUT-HEV HEAVY - 5-8-11 UNC
	040921-04-000	EA NUT-SPEED U TYPE - NO 8
	041930-02-000	EA RIVET-POP AL 1/8 X 188 250 - OFF WHITE DOME
	069592-02-000	EA RIVET-T (POP) - 1/4 X 093- 156
	063729-01-000	EA RIVNUT 1/4 X 20 UNC - 030- 125
	105247-01-000	EA INSERT NUT 8-32 THREAD X 394 LONG - STAFAST PRODUCTS

SCREWS

KEY	PART NUMBER	U/M DESCRIPTION
	000G11-06-06B	EA SCREW, 6-20 X 3/3 PPH - ZINC
	000G11-06-08B	EA SCREW 6-20 X 1/2 PPH - ZINC
	000G11-06-10J	EA SCREW 6-20 X 5/8 PPH - BRASS
	000G11-06 10B	EA SCREW 6-20 X 5/8 PPH - ZINC
	000G11-07-08B	EA SCREW, 7-13 X 1/2 PPH - ZINC
	000G11-08 06B	EA SCREW, 8-18 X 3/8 PPH - ZINC
	000G11-08-12T	EA SCREW 8-18 X 3/4 PPH - BLACK
	000G11-08-12S	EA SCREW 8-18 X 3/4 PPH - OFF WHITE
	000G11 08-12P	EA SCREW, 8-18 X 75 PPH - DARK BROWN
	000G11-09-12D	EA SCREW 8 18 X 3/4 PPH - BLACK
	000G11-08 12B	EA SCREW, 8-18 X 3/4 PPH - ZINC
	000G11-08 08B	EA SCREW, 8-18 X 1/2 PPH - ZINC
	000G11-08 20B	EA SCREW, 8-18 X 1 1/4 PPH - ZINC
	000G11-10-12S	EA SCREW/ 10-16 X 75 PPH - OFF WHITE
	000G11-10-12D	EA SCREW 10-16 X 3/4 PPH - BLACK
	000G11-10-10B	EA SCREW, 10 16 X 2 1/2 PPH CAD - J4927 01-000
	000G11-10-16G	EA SCREW 10-16 X 1 - PPH - ZINC
	000G12-08 16S	EA SCREW 8-18 X 1 00 PPH - OFF WHITE
	000G13-06-06B	EA SCREW, 6-20 X 3 8 PPH - ZINC
	000G13 06 16J	EA SCREW, 6 20 X 1 00 PPH - BRASS
	000G13-06 08G	EA SCREW, 6-20 X 1/2 PPH - ANTIQUE BRASS
	000G13-06-08B	EA SCREW, 6-20 X 1/2 PPH - ZINC
	000G13-06-24J	EA SCREW 6-20 X 1.50 PPH - BRASS
	000G13 07-10H	EA SCREW, 7-19 X 5/8 PPH - BLACK
	000G13 07-12B	EA SCREW 7-19 X 3/4 PPH - ZINC
	000G18-08-16B	EA SCREW-MACHINE, 8-32 X 1 PPH - ZINC
	000G18-08-22B	EA SCREW-MACHINE 8 32 X 1 3/8 PPH - ZINC
	000G19-10 20B	EA SCREW-MACHINE, 10-32 X 1 1/4 PPH - ZINC
	000G19-10-08B	EA SCREW-MACHINE, 10-32 X 1/2 PPH - ZINC
	000G32-10-06B	EA SCREW, 10-32 X 3/8" - PPH - ZINC
	000G39 06-16T	EA SCREW-SF/DR, 6-20 X 1 PPH - BLACK
	000G39-06-10T	EA SCREW-SF/DR, 6-20 X 5/8 PPH - BLACK
	000G39-08 08B	EA SCREW SF/DR, 8-18 X 1/2 PPH - ZINC
	000G39-08-06B	EA SCREW-SF/DR, 8-18 X 3/8 PPH - ZINC
	000G39 08 09T	EA SCREW/ SF/DR 8-18 X 1/2 PPH - BLACK
	000G39-08-08R	EA SCREW-SF/DR, 8-18 X 1/2 PPH - BEIGE
	000G39-08 08S	EA SCREW-SF/DR, 8-18 X 1/2 PPH - OFF WHITE
	000G39 08-12B	EA SCREW-SF/DR, 8-18 X 3/4 PPH - ZINC
	000G39 08-12T	EA SCREW-SF/DR 8-18 X 3/4 PPH - BLACK
	000G39 08 16B	EA SCREW-SF/DR, 8-18 X 1 PPH - ZINC
	000G39-08-16T	EA SCREW-SF/DR, 8-18 X 1 PPH - BLACK

**1993 WINNEBAGO
TABLE OF CONTENTS**

INTRODUCTION	A-01 -	A 02
ABBREVIATIONS		A-03
ALPHABETICAL INDEX	A-04 -	A C6
WCF27RC	A-07 -	F 02
WCF27RQ	F-03 -	J 20

1993 WCF27RQ INDEX

FLOOR PLAN	F 03 -	F-04
ACCESSORIES		F-05
AUDIO VIDEO	F-06 -	F-08
BATH	F 09 -	F-10
BEDROOM	F 11 -	F 12
CHASSIS	F-13 -	F-24
CURTAIN & CUSHION	G-01 -	G-10
DINETTE	G-11 -	G-12
DRIVERS COMPARTMENT	G-13 -	G-17
ELECTRICAL	G-18 -	G-24
EXTERIOR BODY	H-01 -	H-08
GALLEY	H 09 -	H-13
GENERATOR	H-14 -	H-15
HEATING & A/C	H-16 -	H-22
INTERIOR FINISH	H-23 -	I-02
LABELS	I-03 -	I-11
LP		I-12
LOUNGE	I-13 -	I-14
SEALANTS & FASTENERS	I-15 -	I-18
WATER & SEWAGE	I-19 -	I-24
WINDOW, VENT AND		
EXTERIOR DOOR	J 01 -	J-18
WINDSHIELD/WIPER	J-19 -	J 20

SEALANTS & FASTENERS GROUP (CONTINUED)

SCREWS (CONTINUED)

KEY	PART NUMBER	U/M	DESCRIPTION
	000G33-03-32B	EA	SCREW-SF,DR 8 18 X 2 PPH - ZINC
	000G33-10-08B	EA	SCREW SF,DR 10-16 X 1/2 PPH - ZINC
	000G39-10-12E	EA	SCREW-SF,DR 10-16 X 3/4 PPH - ZINC
	000G39-10-12D	EA	SCREW-SF,DR, 10 16 X 3/4 PPH - BLACK
	000G39-10-12J	EA	SCREW-SF DR 10-16 X 3/4 PPH - FLUOROCARBON SILVER
	000G39-10-20B	EA	SCREW-SF,DR 10-16 X 1 1/4 PPH ZIN
	000G43-06-24B	EA	SCREW-MACHINE 6 32 X 1 1/2 7N
	000G46-08-24T	EA	SCREW-MACHINE 8 32 X 1 5/8 PTH - BLACK
	000G50-04-08B	EA	SCREW-MACHINE 1 4 20 X 1/2 PTH ZINC
	000G50-04-12B	EA	SCREW-MACHINE 1 4 20 X 3/4 PPH - ZINC
	000G52-08-18B	EA	SCREW-MACHINE 8-32 X 1 1/8 PTH - ZINC
	000G53-01-08B	EA	SCREW-MACHINE 1/4 20 X 3/8 PPH ZINC UNDERCUT HEAD
	000G54-04-20B	EA	SCREW 1/4 20 X 1 1/4 PTH - TYPE 23 - ZINC PLATED
	000G56-12-48B	EA	SCREW-WOOD 12 - 11 X 3 POH - SPECIAL HARDENED
	000G57-05-16J	EA	SCREW 5-20 X 1 PPH - BRASS
	000G59-10-28T	EA	SCREW-SF,DR 10-16 X 1 7/8 - BLACK
	000G57-10-48B	EA	SCREW 10-12 X 3 PPH - ZINC
			FROM 00-00-00 THRU 03-10-93
	000G67-10-36T	EA	SCREW 10-12 X 2 25 PPH - BLACK - STALGAURD
			FROM 12-15-93 THRU 93-99-99
	000G67-10-21B	EA	SCREW 10-12 X 1 1/2 PPH - ZINC
	000G67-10-20D	EA	SCREW 10-12 X 1 1/4 PPH - BLACK
	000G67-10-16B	EA	SCREW 10-12 X 1 PPH - ZINC
	000G67-10-12C	EA	SCREW 10-12 X 7/8 PPH - TAN
	000G67-10-12B	EA	SCREW 10-12 X 3/4 PPH - ZINC
	000G67-10-10S	EA	SCREW 10-12 X 5/8 PPH - OFF WHITE
	000G67-10-10P	EA	SCREW 10-12 X 5/8 PPH - TYPE A BEIGE
	000G67-10-10D	EA	SCREW 10-12 X 5/8 PPH - BLACK - TYPE A
	000G67-10-10B	EA	SCREW 10-12 X 5/8 PPH - ZINC TYPE A
	000G67-10-09B	EA	SCREW 10-12 X 1 1/2 PPH - ZINC
	000G68-06-10G	EA	SCREW 6-18 X 5/8 POH - ANTIQUE BRASS
	000G68-10-36T	EA	SCREW 10-12 X 2 25 POH BLACK
			FROM 00-00-00 THRU 12-14-92
	043465-01-000	EA	SCREW 10 16 W/WASHER PTH - DARK BROWN
	049465-04-000	EA	SCREW 10-16 X 1 PTH W/WASHER - BEIGE
	049465-05-000	EA	SCREW 10-16 X 1 PTH W/WASHER GRAY
	075908-01-000	EA	SCREW MACHINE 10 32 X 56 PTH - ZINC - EXTERNAL TOOTH
	076790-01-000	EA	SCREW 6 20 X 1 1/4 PPH - BLACK

BOLTS

KEY	PART NUMBER	U/M	DESCRIPTION
	000C12-05-16B	EA	BOLT-HEX 5/16-18 X 1 - ZINC 5
	000C12-05-64B	EA	BOLT-HEX, 5/16-18 X 4
	000C12-06-10B	EA	BOLT-HEX 3/8-16 X 1 - ZINC 5
	000C12-07-20B	EA	BOLT-HEX 7/16 - 14 X 1 1/4 - 2N5
	000C12-08-24B	EA	BOLT-HEX, 1/2-13 X 1 1/2 - 2N 5
	000C12-10-24B	EA	BOLT-HEX 5/8 11 X 1 1/2 ZN - 5
	000C13-07-48B	EA	BOLT-HEX 7/16 - 20 X 3 - 2N 5
	000C18-05-40A	EA	BOLT-ELEV, 5/16-18 X 2 1/2 - PL
	000C26-04-10B	EA	BOLT-HEX, SER FLG - 1/4-20 X 5/8 - ZINC
	000C26-04-14B	EA	BOLT-HEX SER FLG - 1/4-20 X 7/8 - ZINC
	000C26-05-12B	EA	BOLT-HEX SER FLG 5/16-18 X 3/4 - ZINC
	000C26-06-12B	EA	BOLT-HEX SER FLG - 3/8-16 X 3/4 - ZINC
	000C26-06-28B	EA	BOLT HEX, SER FLG 3/8 16 X 13/4 ZINC
	000C27-10-32B	EA	BOLT-CARRIAGE 5/8-11 X 2 00
	000C27-05-16B	EA	BOLT-LAG, 5/16 - 9 X 1 - ZINC
	051387-06-000	EA	BOLT-CARRIAGE, W/O HOLE - 5/16-18 X 9 5 - ZINC
	102333-01-02A	EA	BOLT-CARRIAGE, 7/16 - 14 CST CAP - OFF WHITE BUMPER BOLT

SEALANTS & FASTENERS GROUP (CONTINUED)

WASHERS

KEY	PART NUMBER	U/M	DESCRIPTION
	000E13-18-00B	EA	WASHER FL 3 8" WIDE ZINC
	000E13-20-00B	EA	WASHER FL 7/16" WIDE - ZINC
	000E13-21-00B	EA	WASHER FL W/2 NAR ZINC
	000E14-10-00B	EA	WASHER-LK NO 10 EXT TOOTH - ZINC
	044533-01-000	EA	WASHER PLASTIC 1 3/8" OD - FOR BUTTONS
	058716-02-000	EA	WASHER FLAT, NYLON - 406 X 750 X 060
	106649-01-000	EA	WASHER-SCALING GALVANIZED
	110794-01-000	EA	WASHER-FL 1" ID X 1 3/4" OD

TAPES

KEY	PART NUMBER	U/M	DESCRIPTION
	076314-02-000	FT	TAPE CARPET SEAM HEAT-BOND - 4" WIDE
	076322-01-000	FT	TAPE-FOAM DOUBLE COATED ADHESIVE BACKED - 75' X 216
	076322-02-000	FT	TAPE-FOAM DOUBLE COATED ADHESIVE BACKED - 1' X 108'
	076322-05-000	FT	TAPE-FOAM DOUBLE COATED - 025' X 15' X 108
	088479-01-000	EA	TAPE-ALUMINUM 3" WIDE - 3M
	002707-02-000	FT	TAPE-SEALER 5 16" X 1 2" - INCREMENTS OF 30 FT

SEALERS

KEY	PART NUMBER	U/M	DESCRIPTION
	069640-01-000	FT	SEALER-RIBBON 1/4" DIAMETER - INCREMENTS OF 30'
	069640-02-000	FT	SEALER-RIBBON 1/2" X 1/8" - INCRFMENTS OF 30 OR 60
	069640-03-000	FT	SEALER RIBBON 3/4" X 1/8" - INCREMENTS OF 60'
	069640-07-000	FT	SEALER-RIBBON 2" X 3/32" - INCREMENTS OF 30' OR 45
	069640-09-000	FT	SEALER-RIBBON 1/32" X 2 1/2" - INCREMENTS OF 60
	069640-12-000	FT	SEALER TAPE 1 8" X 1 5" GRAY
			FROM 00-00-00 THRU 09-21-92
	069640-13-000	FT	SEALER-TAPE 3/32" X 2" - BLACK
	009640-14-000	FT	SEALER-TAPE 1/16" X 1" - GRAY
			FROM 09-22-92 THRU 99-99-99
	900390-01-000	EA	TIP - 2 1/2" X 1 3/8" ORIFICE ELLSWORTH=TS216
	900390-03-000	EA	NOZZLES SILICONE TUBE CSL# D10
	034552-02-000	EA	SILICONE-TUBE 300 ML - CLEAR
	034552-06-000	EA	SILICONE-TUBE 300 ML - OFF WHITE
	053766-02-000	EA	BEDDING COMPOUND-TUBE WHITE SCHNEE# 5522
	053766-06-000	EA	BEDDING COMPOUND-TUBE CLEAR
	053766-08-000	EA	BEDDING COMPOUND-TUBE GRAY SCHNEE# 5522
	072889-01-000	EA	SEALANT-URETHANE BLACK - 1/10 ESSEX 552 2
	102352-01-000	EA	SEALER-PUMPABLE BLACK - COLORIMETRIC MS101
	106206-01-000	EA	SEALER-PUMPABLE - MANUS 30ABLACK

**1993 WINNEBAGO
TABLE OF CONTENTS**

INTRODUCTION	A-01 -	A-02
ABBREVIATIONS		A-03
ALPHABETICAL INDEX	A-04 -	A-06
WCF27RC	A-07 -	F-02
WCF27RQ	F-03 -	J-20

1993 WCF27RQ INDEX

FLOOR PLAN	F-03	F-04
ACCESSORIES		F-05
AUDIO VIDEO	F-06	F-08
BATH	F-07	F-10
BEDROOM	F-11	F-12
CHASSIS	F-13	F-24
CURTAIN & CUSHION	G-01	G-10
DINETTE	G-11	G-12
DRIVER'S COMPARTMENT	G-13	G-17
ELECTRICAL	G-18	G-24
EXTERIOR BODY	H-01	H-08
GALLEY	H-09	H-13
GENERATOR	H-14	H-15
HEATING & A/C	H-16	H-22
INTERIOR FINISH	H-23	I-02
LABELS	I-03	I-11
LP		I-12
LOUNGE	I-13	I-14
SEALANTS & FASTENERS	I-15	I-18
WATER & SEWAGE	I-19	I-24
WINDOW, VENT AND		
EXTERIOR DOOR	J-01	J-18
WINDSHIELD/WIPER	J-19	J-20

WATER & SEWAGE GROUP
WATER HEATER W/ELECTRIC IGNITION

WATER & SEWAGE GROUP (CONTINUED)
WATER HEATER BYPASS

1993 WINNEBAGO
TABLE OF CONTENTS

INTRODUCTION	A-01 -	A-02
ABBREVIATIONS		A-03
ALPHABETICAL INDEX	A-04 -	A-06
WCF27RC	A-07 -	F-02
WCF27RO	F-03 -	J-20

KEY	PART NUMBER	U/M DESCRIPTION
	051391-03-000	EA HEATER WATER W/ELECTRIC IGNITION - ATWOOD G6A 3E
	051391-01-700	EA HINGE KIT-W CLIP ATWOOD# 92559 & 92559
	051391-01-701	EA VALVE-RELIEF 1/2" FITTING - ATWOOD# 91604
	051391-01-705	EA FASTENER CAM/LOC ATWOOD# 92603
	051391-01-706	EA GRILLE EXHAUST, ATWOOD# 92787
	051391-01-708	EA BURNER-MAIN 3E ONLY - ATWOOD# 92615
	051391-01-710	EA ORIFICE-MAIN BURNER ATWOOD# 92742
	051391-01-714	EA ELBOW FITTING 45 DEGREE - 3/8" F X 3/8" NPT, ATWOOD# 91044
	051391-01-715	EA DRAIN PLUG ATWOOD# 91561
	051391-03-700	EA ORIFICE HOLDER ATWOOD# 91563
	051391-04-000	EA TANK INNER (G6A 3E) FRONT MOUNT - ATWOOD# 91608
	051391-04-701	EA THERMOSTAT 12 VDC 120 PRESET FRONT MOUNT ONLY ATWOOD# 91470
	051391-04-002	EA BURNER-MAIN ATWOOD# 91635
	051391-04-008	EA TANK INNER G6A 4E & 6E FRONT MOUNT - ATWOOD# 91641
	097967-01-000	EA SWITCH WATER HEATER REMOTE W/LIGHT - ATWOOD# 91959
	051393-01-702	EA SWITCH-ENERGY CUT OFF ATWOOD# 91951
	051393-01-703	EA THERMOSTAT REAR MOUNT ATWOOD# 91952
	051393-01-704	EA CIRCUIT BOARD W/BLACK BOX ATWOOD# 91420
	051093-01-705	EA ORIFICE HOLDER-ATWOOD# 91925
	051393-01-716	EA SPARK & PROBE ASM ATWOOD# 91606
	051393-01-718	EA VALVE DUAL SOLENOID ATWOOD# 91605
	051393-01-721	EA ECO & THERMOSTAT ASM-FRONT MOUNT 140 DEGREE - ATWOOD# 91447
	051393-01-723	EA SWITCH-THERMAL CUT-OFF 2 PER PACKAGE - ATWOOD# 93866
	051393-01-724	EA CIRCUIT BOARD SPADE TERMINAL - ATWOOD# 93867
	051393-01-725	EA ELECTRODE SINGLE SPADE CONNECTION - ATWOOD# 93868
	051393-01-726	EA SOLENOID VALVE AND BRACKET ATWOOD# 93870
	051393-03-700	EA TANK INNER (G6A-3E) REAR MOUNT - ATWOOD# 91408

WATER HEATER W/MOTOR AID

KEY	PART NUMBER	U/M DESCRIPTION
	051391-01-000	EA WATER HEATER W/MOTOR AID PILOTLESS IGNITION ATWOOD GH6-3E GH6-4E OR GH6 6E
	051391-01-700	EA HINGE KIT W/CLIP ATWOOD # 92563 & 92559
	051391-01-705	EA VALVE-RELIEF 1/2" FITTING - ATWOOD# 91604
	051391-01-706	EA FASTENER CAM/LOC ATWOOD# 92603
	051391-01-708	EA GRILLE EXHAUST, ATWOOD# 92787
	051391-01-708	EA BURNER-MAIN 3E ONLY - ATWOOD# 92615
	051391-01-710	EA ORIFICE MAIN BURNER ATWOOD# 92742
	051391-01-714	EA ELBOW - 45 DEGREE 3/8" F X 3/8" NPT ATWOOD# 91044
	051391-01-715	EA DRAIN PLUG, ATWOOD# 91561
	051391-03-700	EA ORIFICE HOLDER ATWOOD# 91563
	051391-04-701	EA THERMOSTAT 12 VDC-120 PRESET FRONT MOUNT ONLY - ATWOOD# 91470
	051391-04-703	EA BURNER-MAIN, ATWOOD# 91638
	051391-04-704	EA TANK-INNER FRONT MOUNT - GH6-4E & 6E - ATWOOD 91642
	051391-04-705	EA TANK-INNER FRONT MOUNT - GH6-3E - ATWOOD 91609
	097967-01-000	EA SWITCH WATER HEATER REMOTE W/LIGHT - ATWOOD 91959
	051393-01-702	EA SWITCH-ENERGY CUT-OFF, ATWOOD# 91951
	051393-01-703	EA THERMOSTAT-REAR MOUNT, ATWOOD# 91952
	051393-01-704	EA CIRCUIT BOARD W/BLACK BOX ATWOOD# 91420
	051393-01-705	EA ORIFICE HOLDER-ATWOOD# 91925
	051393-01-714	EA TANK-INNER (GH6 3E) REAR MOUNT - ATWOOD# 91408
	051393-01-716	EA SPARK & PROBE ASM ATWOOD# 91606
	051393-01-718	EA VALVE-DUAL SOLENOID, ATWOOD# 91605
	051393-01-721	EA ECO & THERMOSTAT ASM-FRONT MOUNT 140 DEGREE - ATWOOD# 91447
	051393-01-723	EA SWITCH-THERMAL CUT-OFF, 2 PER PACKAGE - ATWOOD# 93866
	051393-01-724	EA CIRCUIT BOARD-SPADE TERMINAL - ATWOOD# 93867
	051393-01-725	EA ELECTRODE SINGLE SPADE CONNECTION - ATWOOD# 93868
	051393-01-726	EA SOLENOID VALVE AND BRACKET - ATWOOD# 93870
	051393-03-701	EA TANK INNER, GH6-4E & 6E - ATWOOD# 91642
	039808-03-000	EA ELBOW - 1/2" MPT X 1/2" MPT, PLASTIC FROM 11-22-92 THRU 99-99-99
	052957-01-000	EA ELBOW-PLASTIC 1/2" F X 3/8" MPT FROM 11-22-92 THRU 99-99-99
	110438-01-000	EA VALVE-CHECK BRASS - G784 FROM 11-22-92 THRU 99-99-99

KEY	PART NUMBER	U/M DESCRIPTION
	093729-01-000	EA BYPASS KIT WATER HEATER COMPLETE W/VALVE & TUBING US
	093729-01-700	EA VALVE ONLY CHECK PLASTIC PCV 100 - US
	093729-02-000	EA BYPASS KIT-WATER HEATER COMPLETE W/VALVE & TUBING - CANADIAN
	093729-02-700	EA VALVE ONLY CHECK BRASS - BCV-100 CANADIAN
	103259-01-000	EA BRACKET-BYPASS WATER HEATER
	093217-01-000	EA TEE-SWIVEL 1/2" - PLASTIC
	052950-01-000	EA TEE - 1/2" F X 1/2" MPT X 1/2" F PLASTIC

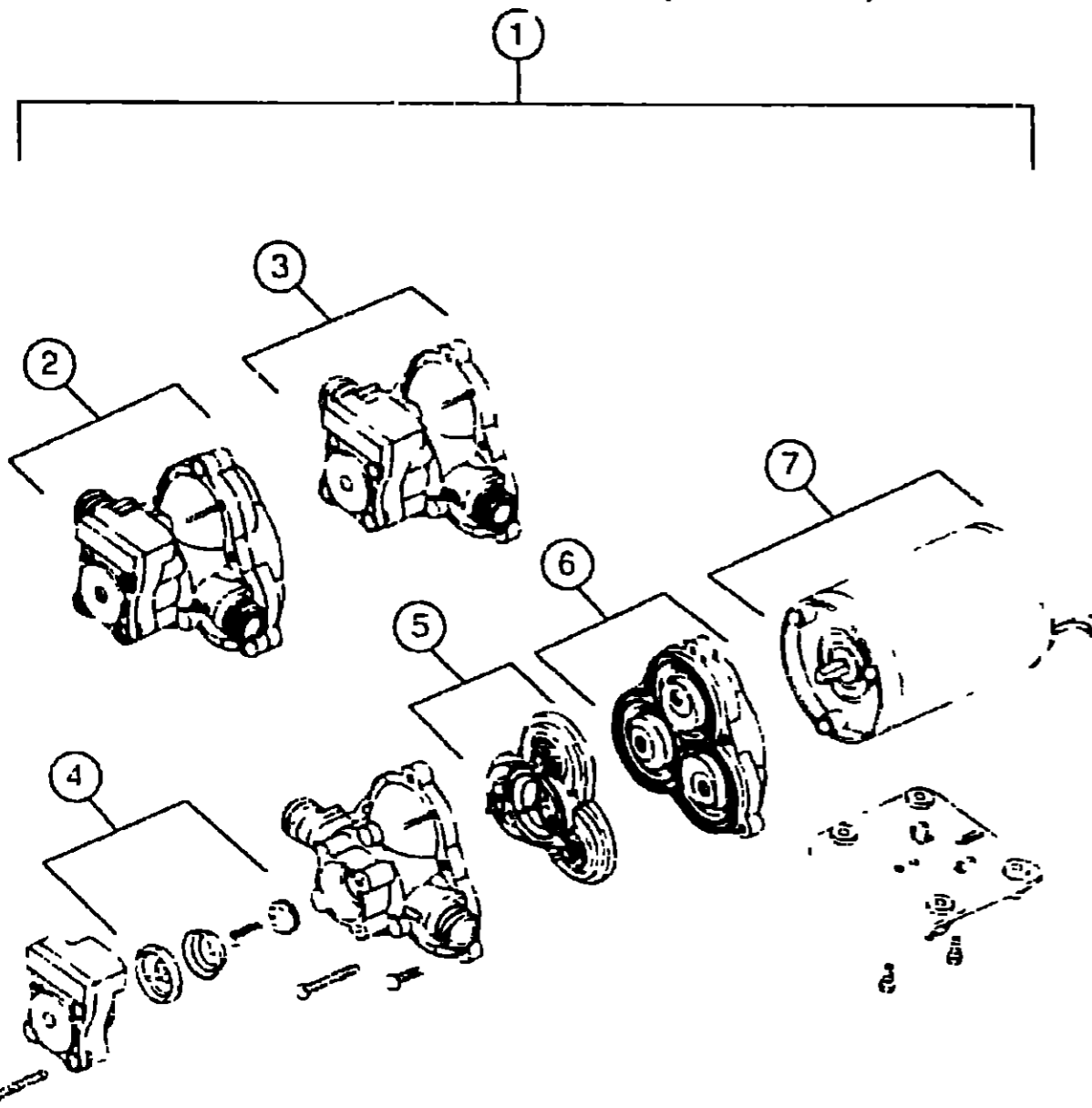
EXTERIOR SHOWER

KEY	PART NUMBER	U/M DESCRIPTION
	046128-01-000	EA VALVE-DRAIN PLASTIC 1/2" FPT
	065120-01-000	EA ELBOW-SWIVEL 1/2" FPT X 1/2" FLARE - PLASTIC - GRAY
	075241-05-000	EA FAUCET-SHOWER PONE
	093527-02-000	EA BRACKET SQUEEGEE SHOWER HEAD FROM 10-02-92 THRU 99-99-99
	091952-01-000	EA CLIP-GRIPPER 3/4" FROM 10-02-92 THRU 99-99-99
	103092-01-000	EA SHOWER HEAD W 60" HOSE - US
	103092-02-000	EA SHOWER HEAD-W 60" HOSE - CANADIAN
	103092-01-000	EA BRACKET ONLY CLEAR F/SHOWER HEAD 2325028
	096241-07-000	EA SWITCH ROCKER DPDT - ON ON - BLACK FROM 00-00-00 THRU 06-14-92
	109357-01-000	EA SWITCH ROCKER DPDT ON/NONE ON - CARLING VDD1500C-0 FROM 05-15-92 THRU 99-99-99

1993 WCF27RQ INDEX

FLOOR PLAN	F-03 -	F-04
ACCESSORIES		F-05
AUDIO VIDEO	F-06 -	F-08
BATH	F-09 -	F-10
BEDROOM	F 11 -	F-12
CHASSIS	F-13 -	F-24
CURTAIN & CUSHION	G-01 -	G-10
DINETTE	G-11 -	G-12
DRIVERS COMPARTMENT	G-13 -	G-17
ELECTRICAL	G-18 -	G 24
EXTERIOR BODY	H 01 -	H-08
GALLEY	H-09 -	H-13
GENERATOR	H-14 -	H-15
HEATING & A/C	H-16 -	H-22
INTERIOR FINISH	H-23 -	I 02
LABELS	I-03 -	I 11
LP		I-12
LOUNGE	I-13 -	I-14
SEALANTS & FASTENERS	I-15 -	I-16
WATER & SEWAGE	I-19 -	I-24
WINDOW, VENT AND		
EXTERIOR DOOR	J 01 -	J-18
WINDSHIELD WIPER	J-19 -	I-20

WATER & SEWAGE GROUP (CONTINUED)



WATER PUMP

KEY	PART NUMBER	U/M DESCRIPTION
1	095607-01-000	EA PUMP WATER W/ 5" MPT FITTING - FLOW 2.8 GPM - UL
2	099607-01-700	EA PUMP HEAD REPLACEMENT SHURFLO# 94-236-09
3	098607-01-706	EA UPPER HOUSING SWITCH KIT SHURFLO# 94-231-20
4	098607-01-705	EA CHECK VALVE-KIT SHURFLO# 94-237-00
5	098607-01-703	EA VALVE ASM SHURFLO# 94-232-00
6	098607-01-702	EA DIAPHRAGM KIT W/ DRIVE SHURFLO# 94-236-04
7	098607-01-707	EA MOTOR BASEPLATE REPLACEMENT SHURFLO# 94-234-03

WATER TANK TWIN BED

KEY	PART NUMBER	U/M DESCRIPTION
	077589-06-000	EA TANK ASSEMBLY-WATER 46 GL 1307 MM X 470 MM X 343 MM - W/FITTINGS
	077589-01-000	EA TANK WATER 46 GL 1307 MM X 470 MM X 343 MM - W/O FITTINGS
	039661-01-000	EA SENDING UNIT-W/SCREW WASHER WELL NUT & TERMINAL RING
	010224-01-000	EA ADAPTER-HOSE TO PIPE 3/8" MPT X 3/8" BARB - PLASTIC BLACK
	042989-03-000	EA FITTING-WATER TANK SPINWELD - 1 1/4" NPT - PLASTIC - WHITE
	042989-05-000	EA FITTING-WATER TANK SPINWELD - 1/2" FPT - PLASTIC - WHITE
	044927-01-000	EA ADAPTER-HOSE TO PIPE 1 1/4" MPT X 1 1/4" BARB-BLACK PLASTIC
	049032-01-000	EA PATCH-SPINWELD 3/8" - PLASTIC
	055295-02-000	EA TEE - 1/2" F X 1/2" MPT X 5/8" F
	074462-02-000	FT TUBING-VINYL, 3/8" ID - CLEAR
	077954-02-000	EA FILTER-WATER TANK SCREEN IN TANK
	079381-01-000	FT TUBING-SMOOTH FLEXIBLE, 1 1/4" ID
	036449-01-000	EA WIRE ASSEMBLY-WATER TANK TO MONITOR PANEL

WATER & SEWAGE GROUP (CONTINUED)

WATER TANK QUEEN BED

KEY	PART NUMBER	U/M DESCRIPTION
	076625-10-000	EA TANK ASSEMBLY-WATER 54 GL 1016 MM X 634 MM X 340 MM - W/FITTINGS
	076625-01-000	EA TANK-WATER 54 GL 1016 MM X 634 MM X 340 MM - W/O FITTINGS
	039661-01-000	EA SENDING UNIT-W/SCREW WASHER WELL NUT & TERMINAL RING
	010219-01-000	EA ELBOW - 1 1/4" MPT X 1 1/4" BARB WATER FILL - PLASTIC
	035539-01-000	EA ELBOW-PLASTIC 3/8" MPT X 3/8" BARB
	042989-03-000	EA FITTING-WATER TANK SPINWELD - 1 1/4" NPT - PLASTIC - WHITE
	042989-05-000	EA FITTING-WATER TANK SPINWELD - 3/8" FPT - PLASTIC - WHITE
	049032-01-000	EA PATCH-SPINWELD 3/8" - PLASTIC
	052957-02-000	EA ELBOW-MALE 1/2" F X 1/2" MPT - PLASTIC - GRAY
	052958-01-000	EA TEE 1/2" F X 1/2" F X 1/2" F - PLASTIC - GRAY
	055290-01-000	EA ELBOW - 5/8" F X 1/2" MPT
	074462-02-000	FT TUBING-VINYL 3/8" ID - CLEAR
	077954-02-000	EA FILTER-WATER TANK SCREEN IN TANK
	079381-01-000	FT TUBING-SMOOTH FLEXIBLE 1 1/4" ID
	036449-01-000	EA WIRE ASSEMBLY-WATER TANK TO MONITOR PANEL

WATER SYSTEM QUEEN BED

KEY	PART NUMBER	U/M DESCRIPTION
	039800-01-000	FT TUBING POLYBUTYL 1 1/2" OD - INCREMENTS OF 20 - BLACK
	039800-02-000	FT TUBING-POLYBUTYL 5/8" OD - INCREMENTS OF 20 - BLACK
	052952-01-000	EA NUT-PLASTIC 1/2" F X 1/2" TUBE - GRAY
	052952-02-000	EA NUT-PLASTIC 5/8" FLARE
	052957-02-000	EA ELBOW-MALE 1/2" F X 1/2" MPT - PLASTIC - GRAY
	052958-01-000	EA TEE 1/2" F X 1/2" F X 1/2" F - PLASTIC - GRAY
	052950-02-000	EA CONNECTOR 1/2" F X 1/2" MPT - PLASTIC - GRAY
	052960-01-000	EA DRAIN VALVE IN LINE HEADER - 1/2" F X 1/2" F - GRAY PLASTIC
	052960-03-000	EA DRAIN VALVE IN LINE HEADER - 5/8" F X 5/8" F - PLASTIC
	055290-01-000	EA ELBOW - 5/8" F X 1/2" MPT
	057457-01-000	EA ELBOW UNION 1/2" X 1/2" FLARE
	057973-01-000	EA TEE-PLASTIC 1/2" F X 1/2" F X 5/8" F WATER
	074463-01-000	EA TEE - 4 WAY 1/2" FLARE PLASTIC - GRAY
	079317-01-000	EA ADAPTER-SWIVEL 1/2" TUBE X 1/2" FPT - PLASTIC - GRAY
	098417-01-000	EA CONNECTOR - 5/8" F X 1/2" MPT PLASTIC - KEVCO
	101614-01-000	EA COUPLING FEMALE, 1/2" X 1/2" FPT
	106258-01-000	EA CAP-INSERTABLE 1/2" FLARE
	110315-01-01A	EA FILL-WATER CITY - KEVCO 64713

WATER SYSTEM TWIN BED

KEY	PART NUMBER	U/M DESCRIPTION
	039800-01-000	FT TUBING POLYBUTYL 1/2" OD - INCREMENTS OF 20 - BLACK
	039800-02-000	FT TUBING POLYBUTYL 5/8" OD - INCREMENTS OF 20 - BLACK
	052952-01-000	EA NUT-PLASTIC 1/2" F X 1/2" TUBE - GRAY
	052952-02-000	EA NUT-PLASTIC 5/8" FLARE
	052957-02-000	EA ELBOW MALE 1/2" F X 1/2" MPT - PLASTIC - GRAY
	052958-01-000	EA TEE 1/2" F X 1/2" F X 1/2" F - PLASTIC - GRAY
	052959-02-000	EA CONNECTOR 1/2" F X 1/2" MPT - PLASTIC - GRAY
	052960-01-000	EA DRAIN VALVE-IN LINE HEADER - 1/2" F X 1/2" F - GRAY PLASTIC
	052960-03-000	EA DRAIN VALVE-IN LINE HEADER - 5/8" F X 5/8" F - PLASTIC
	055290-01-000	EA ELBOW - 5/8" F X 1/2" MPT
	057457-01-000	EA ELBOW UNION 1/2" X 1/2" FLARE
	057973-01-000	EA TEE PLASTIC, 1/2" F X 1/2" F X 5/8" F - WATER
	074463-01-000	EA TEE - 4 WAY 1/2" FLARE - PLASTIC - GRAY
	079317-01-000	EA ADAPTER-SWIVEL, 1/2" TUBE X 1/2" FPT - PLASTIC - GRAY
	098417-01-000	EA CONNECTOR - 5/8" F X 1/2" MPT PLASTIC - KEVCO
	101614-01-000	EA COUPLING-FEMALE 1/2" X 1/2" FPT
	106258-01-000	EA CAP-INSERTABLE 1/2" FLARE
	087659-04-000	EA FILL WATER CITY - MBRASS 325-10CW

110915 01-01A

EA FILL WATER CITY KEVCO 64713

FROM 00-00 00 THRU 05-16-93

FROM 05-17-93 THRU 99-99-99

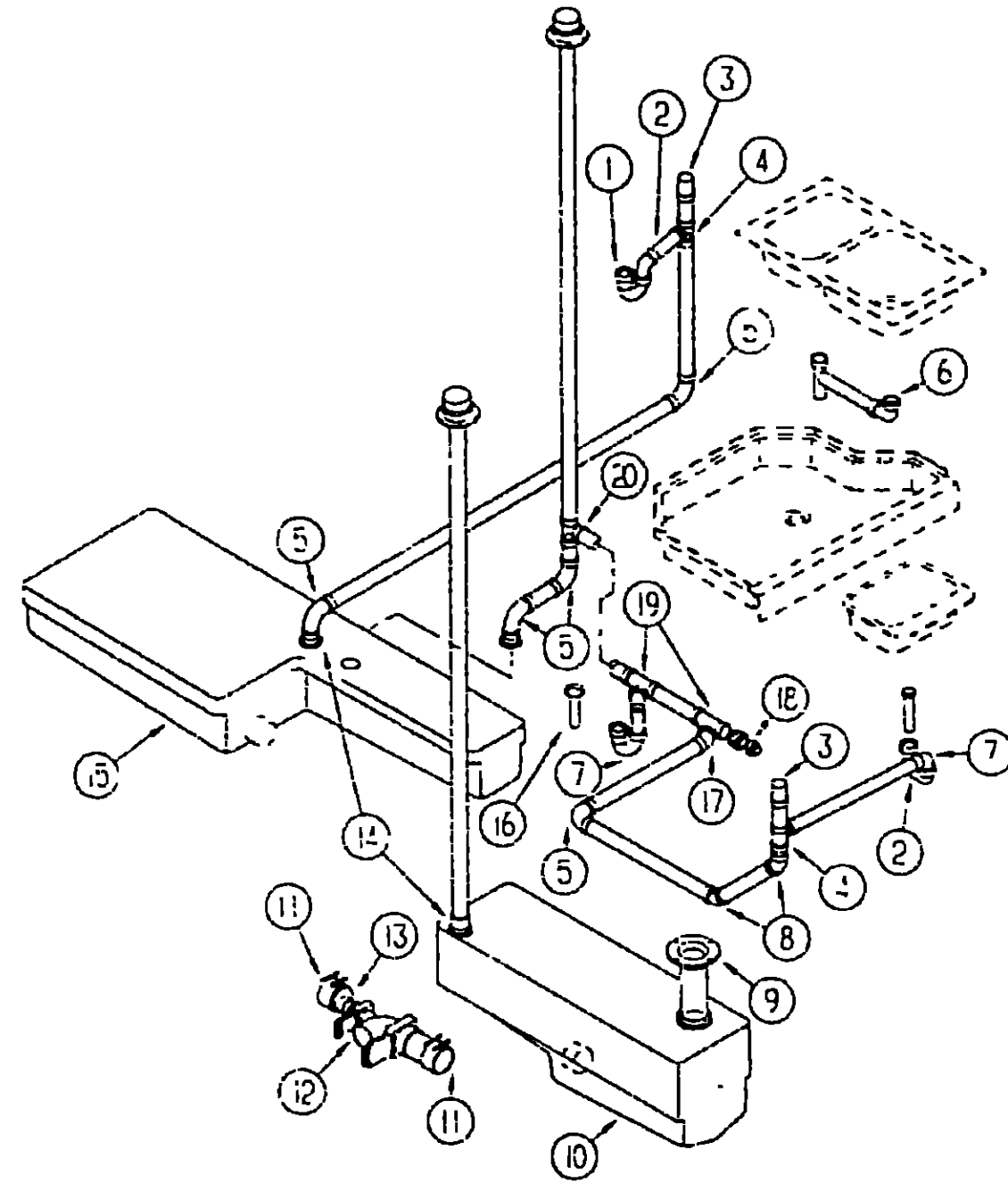
**1993 WINNEBAGO
TABLE OF CONTENTS**

INTRODUCTION	A-01 -	A-02
ABBREVIATIONS		A-03
ALPHABETICAL INDEX	A-04 -	A-06
WCF27RC	A-07 -	F-02
WCF27RQ	F-03 -	J-20

1993 WCF27RQ INDEX

FLOOR PLAN	F-03 -	F-04
ACCESSORIES		F-05
AUDIO VIDEO	F-06 -	F-08
BATH	F-09 -	F-10
BEDROOM	F-11 -	F-12
CHASSIS	F-13 -	F-24
CURTAIN & CUSHION	G-01 -	G-10
DINETTE	G-11 -	G-12
DRIVERS COMPARTMENT	G-13 -	G-17
ELECTRICAL	G-18 -	G-24
EXTERIOR BODY	H-01 -	H-03
GALLEY	H-09 -	H-13
GENERATOR	H-14 -	H-15
HEATING & A/C	H-16 -	H-27
INTERIOR FINISH	H-23 -	I-02
LABELS	I-03 -	I-11
LP		I-12
LOUNGE	I-13 -	I-14
SEALANTS & FASTENERS	I-15 -	I-18
WATER & SEWAGE	I-19 -	I-24
WINDOW VENT AND EXTERIOR DOOR	J-01 -	J-18
WINDSHIELD/WIPER	J-19 -	J-20

WATER & SEWAGE GROUP (CONTINUED)
DRAINAGE SYSTEM



KEY	PART NUMBER	U/M DESCRIPTION
1	011071-01-000	EA P TRAP-PLASTIC, 1 1/2" - CANADIAN
1	107538 01-000	EA P TRAP PLASTIC 1 1/4" WEXT ARM US
2	107537-01-000	EA ADAPTER P TRAP 1 1/4" SLIP
2	103571-01-000	EA ADAPTER-P TRAP 1 1/2" P X 1 1/4" MPT
3	079366 01-000	EA VENT-MECHANICAL TRAP ARM ANTI-SIPHON 2" DIA X 7 3/4" - PLASTIC
4	010079-01-000	EA TEE SANITARY 1 1/2" X 1 1/2" X 1 1/4" H - PLASTIC - BLACK
4	010071-01-000	EA TEE SANITARY 1 1/2" HUB X HUB X HUB - PLASTIC - BLACK
5	010098-01-000	EA ELBOW - 90 DEGREE 1/4 BEND - 1 1/2" HUB X HUB BLACK PLASTIC
6	011091-02 000	EA PIPE DRAIN, DOUBLE SINK - BAFFLE TEE - 1 1/2" - US
6	011091-03-000	EA PIPE DRAIN W/SEALS - DOUBLE SINK - EXTENDS 9" TO 16" CANADIAN
7	107538 01-000	EA P TRAP PLASTIC 1 1/4" WEXT ARM - US
7	011056 03 700	EA P TRAP KIT PLASTIC 1 1/2" X 1 1/2" - CANADIAN
8	010006-01-000	EA ELBOW - 45 DEGREE 1/8 BEND - 1 1/2" HUB X HUB - BLACK PLASTIC
9	024676-01-000	EA FLANGE-CLOSET TOILET - 4" X 3" - RED - US
9	024676-02-000	EA FLANGE CLOSET 4" X 3" - ABS - CANADIAN
10	106956-01-000	EA TANK HOLDING 30 GALLON - 1144 MM X 354 MM X 426 MM
	061607-01 000	EA GROMMET HOLDING TANK 1 1/2" NPS
	061607-02-000	EA GROMMET-HOLDING TANK, 3" NPS
	039861-01-000	EA SENDING UNIT W/SCREW WASHER WELL NUT & TERMINAL RING
11	078406-01-000	EA COUPLER-RUBBER W/CLAMPS - 3" X 3"
12	370316 01-000	EA VALVE DUAL DUMP, W/CAP - 3" X 1 1/2" - PLASTIC - BLACK
	070916 01-700	EA VALVE ONLY 3"
	070916-01-701	EA VALVE ONLY, 1 1/2"
	010201 01 000	EA HOSE-SEWER 3" ID X 8
	062416-01 000	EA ADAPTER-SEWER HOSE TO 3" PIPE
	103354-01-000	EA CONNECTOR HOSE SEWER
13	062422-01-000	EA ADAPTER OFFSET REDUCER 3" X 1 1/2" - PLASTIC - BLACK
14	010115-01 000	EA COUPLING - 1 1/2" HUB X HUB PLASTIC
15	106976-01-000	EA TANK HOLDING 40 GALLON 1746 MM X 632 MM X 245 MM
	061607-01-000	EA GROMMET HOLDING TANK 1 1/2" NPS
	039861-01-000	EA SENDING UNIT-W/SCREW WASHER WELL NUT & TERMINAL RING
16	011069 02 000	EA TAILPIECE-TUB/SHOWER 1 1/2" X 1 1/4" X 4" - BRASS
17	010051-01-000	EA ELBOW - 45 DEGREE BEND 1 1/2" SPIGOT AND HUB - PLASTIC - BLACK
18	010122-01-000	EA BUSHING REDUCER 1 1/2" SMOOTH X 1 1/4" THREAD - PLASTIC - BLACK
18	010166-01-000	EA PLUG THREADED 1 1/4" DIAMETER - PLASTIC - BLACK
19	010073-01-000	EA WYE - 45 DEGREE, 1 1/2" HUB X HUB X HUB - PLASTIC - BLACK
20	010071-01-000	EA TEE-SANITARY 1 1/2" HUB X HUB X HUB - PLASTIC - BLACK

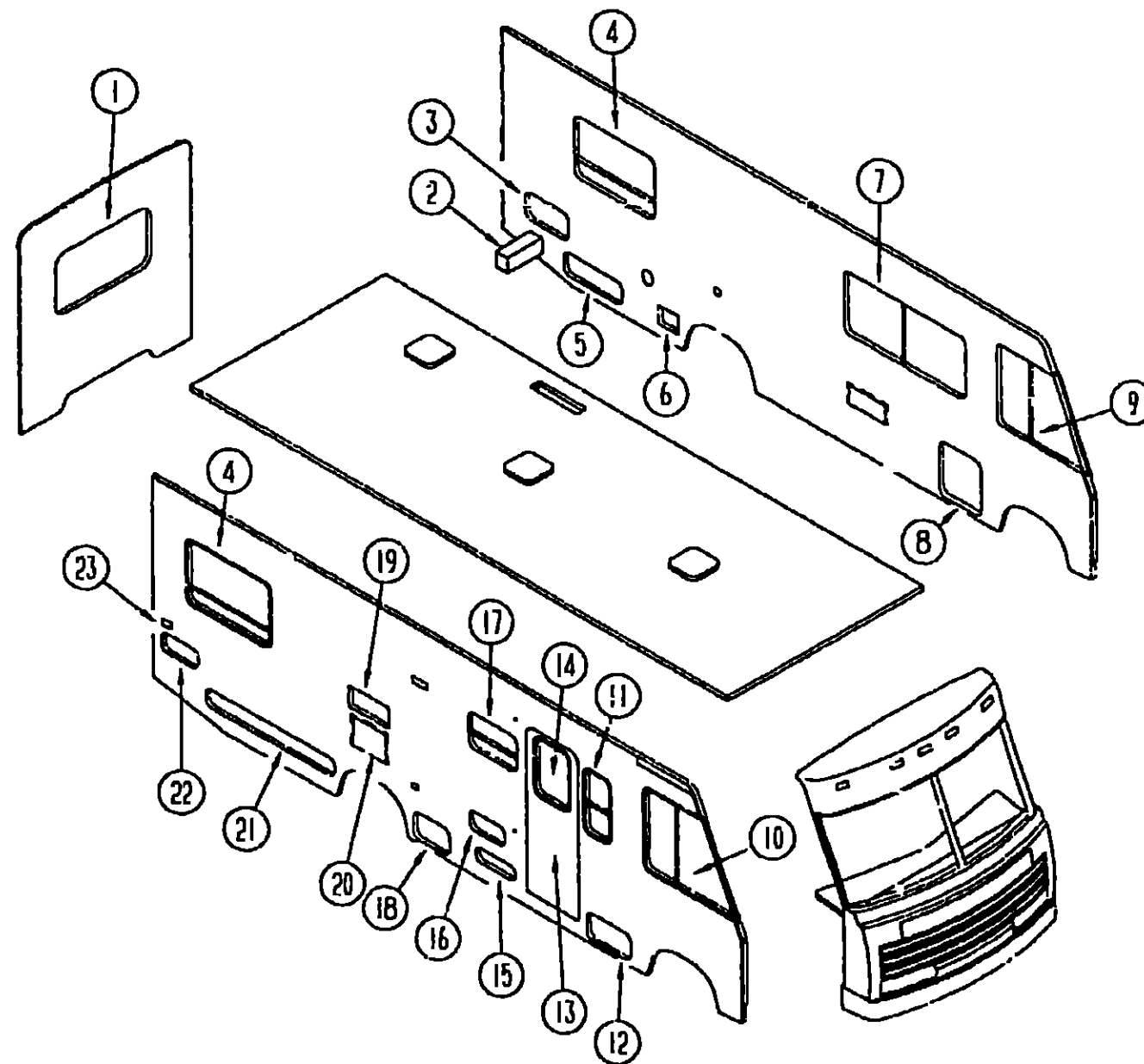
1993 WINNEBAGO
TABLE OF CONTENTS

INTRODUCTION	A 01 -	A-02
ABBREVIATIONS		A 03
ALPHABETICAL INDEX	A 04 -	A 06
WCF27PC	A-07 -	F 02
WCF27RQ	F-03 -	J-20

1993 WCF27RQ INDEX

FLOOR PLAN	F 03 -	F 04
ACCESSORIES		F-05
AUDIO VIDEO	F-06 -	F-08
BATH	F-09 -	F-10
BEDROOM	F-11 -	F-12
CHASSIS	F-13 -	F-24
CURTAIN & CUSHION	G-01 -	G-10
DINETTE	G-11 -	G 12
DRIVERS COMPARTMENT	G 13 -	G 17
ELECTRICAL	G-18 -	G-24
EXTERIOR BODY	H-01 -	H-03
GALLEY	H-09 -	H-13
GENERATOR	H-14 -	H 15
HEATING & A/C	H-16 -	H-22
INTERIOR FINISH	H 23 -	I 02
LABELS	I-03 -	I-11
LP		I-12
LOUNGE	I-13 -	I 14
SEALANTS & FASTENERS	I-15 -	I 18
WATER & SEWAGE	I-19 -	I 24
WINDOW VENT AND		
EXTERIOR DOOR	J-01 -	J-16
WINDSHIELD WIPER	J-19 -	J 20

WINDOW, VENT & EXTERIOR DOOR GROUP
WINDOWS & DOORS



**1993 WINNEBAGO
TABLE OF CONTENTS**

INTRODUCTION	A-01 -	A-02
ABBREVIATIONS		A-03
ALPHABETICAL INDEX	A-04 -	A-06
WCF27RC	A-07 -	F-02
WCF27RQ	F-03 -	J-20

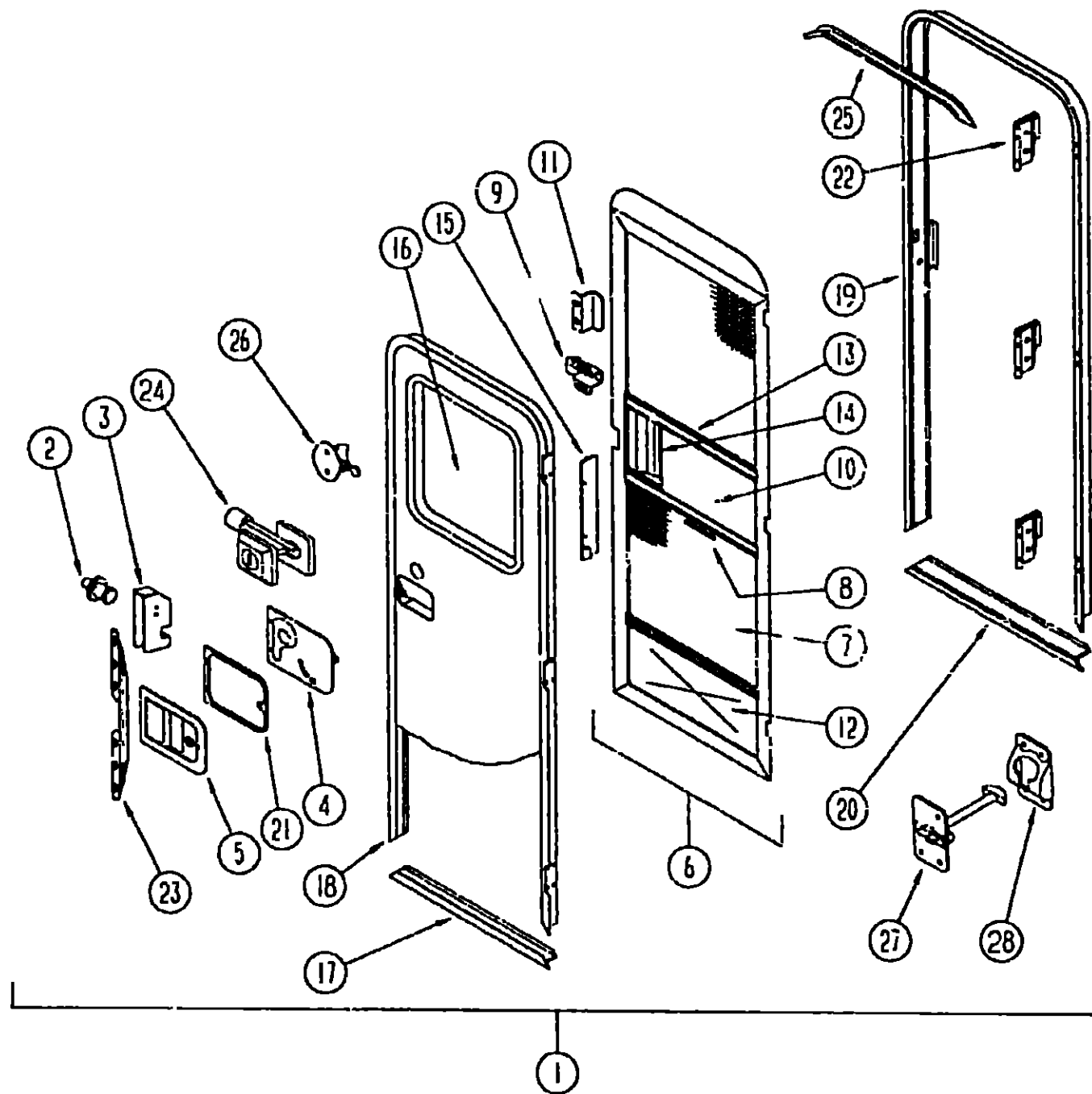
1993 WCF27RQ INDEX

FLOOR PLAN	F-03 -	F-04
ACCESSORIES		F-05
AUDIO VIDEO	F-06 -	F-08
BATH	F-09 -	F-10
BEDROOM	F-11 -	F-12
CHASSIS	F-13 -	F-24
CURTAIN & CUSHION	G-01 -	G-10
DINETTE	G-11 -	G-12
DRIVERS COMPARTMENT	G-13 -	G-17
ELECTRICAL	G-18 -	G-24
EXTERIOR BODY	H-01 -	H-08
GALLEY	H-09 -	H-13
GENERATOR	H-14 -	H-15
HEATING & A/C	H-16 -	H-22
INTERIOR FINISH	H-23 -	I-02
LABELS	I-03 -	I-11
LP		I-12
LOUNGE	I-13 -	I-14
SEALANTS & FASTENERS	I-15 -	I-18
WATER & SEWAGE	I-19 -	I-24
WINDOW, VENT AND EXTERIOR DOOR	J-01 -	J-18
WINDSHIELD/WIPER	J-19 -	J-20

KEY	PART NUMBER	U/M DESCRIPTION
1	078528-03-Y12	EA WINDOW-ESCAPE BACKWALL - 27" X 48" - W/O INSIDE FRAME
2	052423-01-000	EA DOOR-ACCESS, 6 6" X 6 3" - PLASTIC - OFF WHITE - SEWER HOSE DOOR
2	052424-01-000	EA JAMB-DOOR, 6" X 7 7" - PLASTIC - OFF WHITE - SEWER HOSE DOOR
	042442-01-000	EA LOCK-TWIST TYPE, METAL - SEWER HOSE DOOR
3	106987-01-C05	EA DOOR-STORAGE, 22 1" X 11 6" - OFF WHITE - TWIN BEDS OPTION
4	092235-12-Y12	EA WINDOW-TIPOUT, SINGLE - W/O INSIDE FRAME
5	103533-02-D09	EA DOOR-GENERATOR/STORAGE, 29 4" X 9 8" - OFF WHITE
6	088794-01-000	EA DOOR POWER CORD, W/HATCH - OFF WHITE
7	098647-15-02A	EA WINDOW-SLIDING, W/OFF WHITE INSIDE FRAME - EXCEL H260 PRL
8	106987-01-C05	EA DOOR-STORAGE, 22 6" X 21 2" - OFF WHITE
9	103658-01-01A	EA WINDOW-CAB, W/BLACK INSIDE FRAME - DRIVER SIDE - EXCEL H332-ARL FROM 00-00-00 THRU 08-22-92
9	103658-05-01A	EA WINDOW-CAB, W/BLACK INSIDE FRAME - DRIVER SIDE - EXCEL H373-ARL FROM 08-23-92 THRU 99-99-99
10	103658-02-01A	EA WINDOW-CAB, W/BLACK INSIDE FRAME - PASSENGER SIDE - EXCEL H322-ARR FROM 00-00-00 THRU 08-22-92
10	103658-06-01A	EA WINDOW CAB, W/BLACK INSIDE FRAME - PASSENGER SIDE - EXCEL H373 ARR FROM 08-23-92 THRU 99-99-99

KEY	PART NUMBER	U/M DESCRIPTION
11	098644-03-02A	EA WINDOW-VERTICAL SLIDER, W/OFF WHITE INSIDE FRAME - EXCEL H298 PR
12	106987-01-C05	EA DOOR-STORAGE, 22 1" X 11 6" - OFF WHITE
13	M01870-64-D09	EA DOOR-ENTRY W/SCREEN DOOR & JAMB
14	079733-04-T03	EA WINDOW-PICTURE, W/O INSIDE FRAME - 17" X 25"
15	078720-02-T15	EA DOOR-COMPARTMENT LP - 16 9" X 5 4" - OFF WHITE
16	105118-01-C75	EA DOOR-PATIO ENTERTAINMENT CENTER, 17 8" X 8 1" - OFF WHITE
17	092235-11-Y12	EA WINDOW-TIPOUT, SINGLE - W/O INSIDE FRAME
18	106987-02-C05	EA DOOR-STORAGE, 18 4" X 11 6" - OFF WHITE
19	084103-03-000	EA DOOR-REFRIGERATOR, VENTED - W/O JAMB - OFF WHITE
	084104-03-000	EA JAMB-DOOR, REFRIGERATOR - OFF WHITE
	084104-01-700	EA LOCK-MALE, FASTENER - REFRIGERATOR DOOR
	084104-01-701	EA LOCK-FEMALE, FASTENER - REFRIGERATOR DOOR
20	052009-01-000	EA DOOR-WATER HEATER, OFF WHITE - ATWOOD 5576-27
21	106987-12-C05	EA DOOR-STORAGE, 64 6" X 7 8" - OFF WHITE
22	105118-02-C05	EA DOOR-EXTERIOR SHOWER, 17 5" X 7 6" - OFF WHITE
23	081240-03-000	EA DOOR-WATER FILL, LOCKABLE, 4" X 4 5/8" - OFF WHITE

WINDOW, VENT & EXTERIOR DOOR GROUP (CONTINUED)
ENTRY DOOR



KEY	PART NUMBER	U/M	DESCRIPTION
1	M01870 64-D09	EA	DOOR-ENTRY W/SCREEN DOOR & JAMB
2	039539-01-000	EA	STRIKE LOCK ENTRY DOOR - ROUND W/THREADED WASHER
3	039540-01-000	EA	LATCH MECHANISM-HOOK ENTRY DOOR - INTERIOR
4	039715-01-000	EA	NUT-SERT, 1/4" DIAMETER 20 THREADS
4	039979-02-000	EA	COVER INTERIOR LATCH W/TRIP ARM - RIGHT - BLACK
4	039984-01-000	EA	CAP-ROUND, VINYL - 28" ID X 62" LONG BLACK
4	041546-03-000	EA	BRACKET-DOOR ANGLE 5" X 1 9" - BEIGE - METAL
5	045017-11-000	EA	LATCH ENTRY DOOR, MECHANISM W/ LOCK & KEY - BLACK
5	045017-11-701	EA	KEY BLANK
5	058025-02-000	EA	CLIP-ROLLER LATCH CATCH, SCREEN DOOR
5	063729-04-000	EA	RIVNUT, 10-32 UNF - 010-080
5	072893-01-000	EA	NUTSERT-M5 X 0, 8
5	075671-04-000	FT	SEAL-SPONGE, LAZY T SHAPE - W/ADHESIVE STRIPE - 5" WIDE
6	079012-01-U01	EA	DOOR-SCREEN
7	002293-02-000	SF	SCREENING-WINDOW/DOOR 26" - CHARCOAL
6	002294-01-000	FT	SPIRINE-SCREENING, 135" X 138" - BLACK
9	109403-01-000	EA	CATCH-ASM-SINGLE ROLLER
10	016454-01-000	EA	INSERT-CENTER, LEATHER GRAIN ALUMINUM - UNPAINTED
10	001014-01-013	EA	INSERT-CENTER, 10 25" X 16 31" - UNPAINTED
11	050712-04-000	EA	HANDLE-SCREEN DOOR, ALUMINUM - OFF WHITE
11	050712-05-000	EA	HANDLE-SCREEN DOOR, ALUMINUM - UNPAINTED
12	078552-03-000	EA	KICK PANEL-SCREEN DOOR LOWER INSERT - UNPAINTED
12	078595-01-000	EA	TOP PLATE-SCREEN DOOR CURVED TOP - 4 7" X 25 35"
13	078777-01-000	EA	CHANNEL-SLIDE, SCREEN DOOR CENTER SLIDER COVER
14	079086-02-000	EA	SLIDER-SCREEN DOOR OFF WHITE
15	079087-02-000	EA	STRIKE-SLIDER W/LIP FOR ELBOW CATCH - 1 5" X 8 6" - OFF WHITE
15	00901C L1-000	EA	CATCH ELBOW, SPRING LOADED - SCREEN DOOR CATCH
16	079733 04-T03	EA	WINDOW-PICTURE, W/O INSIDE FRAME - 17" X 25"
16	087561-01-000	FT	SEAL-GLASS, EXTERIOR - 5" WIDE - VINYL - BLACK
16	067609 32-000	EA	FRAME-WINDOW, INSIDE - ENTRY DOOR - OFF WHITE
16	067609 27-000	EA	FRAME-WINDOW, INSIDE - ENTRY DOOR - BLACK - EUROPEAN OPTION
16	002181-06-000	EA	GLASS-PICTURE WINDOW, 115" X 16 25" X 24"
16	091914-01-000	EA	BUMPER-RUBBER ROUND - 43" DIAMETER - BLACK
17	089748-01-000	EA	FRAME-BOTTOM, ENTRY DOOR 24 8" LONG - OFF WHITE
18	090340-01-000	FT	SEAL-FOAM, CLOSED CELL - 1/4" X 1/2" X 50"
18	095276-01-01A	EA	FRAME-ENTRY DOOR, W/O BOTTOM - OFF WHITE
19	095277-02-01A	EA	JAMB ENTRY DOOR, W/BOTTOM - 25 9" X 74 5" - OFF WHITE
20	051049-01-000	EA	JAMB-BOTTOM, ENTRY DOOR - 25 9" - UNPAINTED
20	079207-01-000	EA	STRIKER HOLDER CATCH WELDED TO DOOR JAMB - 4" X 1 15"
21	096810-01-01A	EA	PLATE LATCH ENTRY DOOR - PLASTIC - BLACK
22	097724-01-04A	EA	HINGE-ENTRY DOOR, UNPAINTED
23	098173-01-04A	EA	STIFFENER ENTRY DOOR SUPPORTS LATCH/STRIKE AREA - UNPAINTED
23	100128-02-000	FT	SEAL-PILE ADHESIVE BACK - SCREEN DOOR - GRAY
24	101145-01-01A	EA	DEADBOLT-ENTRY DOOR, W/2 KEYS W/O BACK SET BOLT OR SCREWS
24	095229-01-700	EA	KEY BLANK FOR DEADBOLT
24	101147-01-000	EA	BOLT-SECURITY, 4 12" RACKSET
24	102524-01-000	EA	BUMPER-RUBBER, FLAT - BLACK
25	044582-02-000	EA	CAP-DRIP, ENTRY DOOR - JAMB MOUNTED - ALUMINUM - OFF WHITE
25	075639-04-000	EA	GARNISH-RADIUS, ENTRY DOOR - OFF WHITE
25	077461-03-000	EA	COVER-STRIKE, ENTRY DOOR - 6 5" X 2 5" - PLASTIC - WHITE
25	091876-01-000	EA	RETAINER-DOOR, 1 9" X 8" - METAL
26	100412-01-000	EA	CATCH SCREEN DOOR, THUMB CLIP W/BLACK PLASTIC CAP
27	104099-01-01A	EA	CATCH DOOR HOLDER, STRIKE - OFF WHITE
27	104099-02-01A	EA	CATCH-DOOR HOLDER, RETAINER - OFF WHITE
28	009126-02-000	EA	HANDLE-ASSIST, ENTRY DOOR - BLACK
28	076725-01-000	EA	COVER ACCESS/HINGE - 6" X 3 2" - PLASTIC - BEIGE
28	102248-01-000	EA	SHIM-DOOR
28	093673-01-01A	FT	TRIM ENTRANCE DOOR, 1 4" WIDE X 8" LONG - OFF WHITE PLASTIC

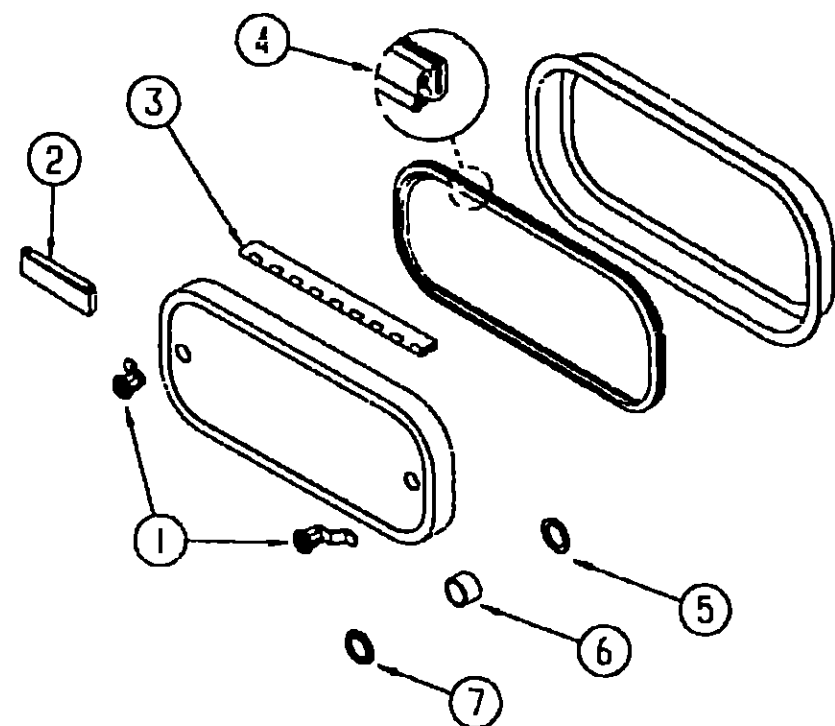
**1993 WINNEBAGO
TABLE OF CONTENTS**

INTRODUCTION	A-01 -	A-02
ABBREVIATIONS		A-03
ALPHABETICAL INDEX	A-04 -	A-06
WCF27RC	A-07 -	F-02
WCF27RQ	F-03 -	J-20

1993 WCF27RQ INDEX

FLOOR PLAN	F-03 -	F-04
ACCESSORIES		F-05
AUDIO VIDEO	F-06 -	F-08
BATH	F-09 -	F-10
BEDROOM	F-11 -	F-12
CHASSIS	F-13 -	F-24
CURTAIN & CUSHION	G-01 -	G-10
DINETTE	G-11 -	G-12
DRIVERS COMPARTMENT	G-13 -	G-17
ELECTRICAL	G-18 -	G-24
EXTERIOR BODY	H-01 -	H-08
GALLEY	H-09 -	H-13
GENERATOR	H-14 -	H-15
HEATING & A/C	H-16 -	H-22
INTERIOR FINISH	H-23 -	I-02
LABELS	I-03 -	I-11
LP		I-12
LOUNGE	I-13 -	I-14
SEALANTS & FASTENERS	I-15 -	I-18
WATER & SEWAGE	I-19 -	I-24
WINDOW, VENT AND EXTERIOR DOOR	J-01 -	J-18
WINDSHIELD/WIPER	J-19 -	J-20

WINDOW, VENT & EXTERIOR DOOR GROUP (CONTINUED)



EXTERIOR DOOR COMPONENTS & HOLDERS

KEY	PART NUMBER	U/M DESCRIPTION
1	079366-04 000	EA LOCK-DOOR KEY TYPE W/O KEYS - 1 9 OFF SET
	082684 01 700	EA KEY BLANK
1	009003 01 000	EA LOCK-TWIST TYPE, W/CLIP
1	079927 03-000	EA LOCK-TWIST TYPE, DOUBLE CAM - 2 10 OFF SET
2	102768-01-000	EA HOLDER COMPARTMENT/ENTRY DOOR METAL - MILL FINISH
3	081801-02 000	EA HINGE - 2" X 96" OFF WHITE
3	034007-40 000	EA HINGE-PIANO 1 5" X 96" - ALUMINUM OFF WHITE
3	009065 01 000	EA HINGE PIANO, 1 5" X 96" - ALUMINUM - UNPAINTED
4	064075 07 000	FT SEAL-BULB W/WIRED CHANNEL - 3" X 5" CHANNEL - BLACK
5	109833 01-000	EA BEAUTY RING - 67" X 78" ID STAINLESS STEEL
6	107037-51-001	EA SPACER - 86" X .6" ALUMINUM
7	103834-01-000	EA WASHER - 64" X 752" ID, STAINLESS STEEL
	081914 01 000	EA BUMPER RUBBER, ROUND - 43" DIAMETER - BLACK
	104692 01 000	FT SEAL 3/4" X 3/4", ADHESIVE BACK

WINDOW, VENT & EXTERIOR DOOR GROUP (CONTINUED)

POWERED ROOF VENT (FROM 00-00-00 THRU 10-04 92)

KEY	PART NUMBER	U/M DESCRIPTION
	090394-01-Y12	EA VENT-ROOF, POWERED
	002825-01-000	EA WEATHER STRIP ROOF VENT, GRAY
	008195-01-000	EA SWITCH-ROOF VENT, PUSH BUTTON 12V
	008386-01-000	EA GROMMET-SNAP, 3/8"
	009440 01-000	EA GEAR/ARM-VENT COVER, LIFT
	015910-03 000	EA BRACKET HANDLE, ROOF VENT - OFF WHITE
	015911-01-000	EA TRACK-LIFT ARM, SLIDE - ROOF VENT
	048648-01-000	EA MOTOR-ROOF VENT, 1/8 SHAFT - 12V - JENSEN
	048649-01-000	EA FAN ROOF VENT, 6 BLADES - 6" - JENSEN
	055218-01 000	EA COVER ROOF VENT
	052639-01-200	EA HINGE EXTRUSION, ROOF VENT 7"
	052639-01-001	EA HINGE-VENT COVER, 16"
	061603 01-000	EA GROMMET-SNAP, 3/16" ID - 3/8" HOLE - PLASTIC - BLACK
	078785-01-Y12	EA SCREEN-ROOF VENT, POWERED
	002291-02-000	SF SCREENING ROOF VENT/WINDOW, 16" - BLACK
	002298-02-000	FT SPLINE-VENT/WINDOW SCREEN, 128 DIAMETER - BLACK
	009439-01-000	EA CRANK HANDLE-ROOF VENT
	009439 03 000	EA EXTENSION-CRANK HANDLE ROOF VENT - 9" - MILL
	009439-04 000	EA SCREW 8 32 X 1 1/4" PGH

POWERED ROOF VENT (FROM 10-05-92 THRU. 99-99-99)

KEY	PART NUMBER	U/M DESCRIPTION
	110051-03-01A	EA VENT-ROOF POWERED - 2" ROOF - JENSEN 7757 WHE
	048648-01-000	EA MOTOR-ROOF VENT, 1/8 SHAFT - 12V - JENSEN
	048649 01-000	EA FAN ROOF VENT, 6 BLADES - 6" - JENSEN
	064470-01-700	EA COVER-ROOF VENT, JENSEN 7291
	110051-01-700	EA GARNISH W/SCREEN & FRAME - 2" JENSEN 29 800-02
	110051-01 702	EA LIFT ASM VENT LID W/O CRANK JENSEN RP-1000B
	110051-01-703	EA CRANK, JENSEN RP-1031 B

NONPOWERED ROOF VENT (FROM. 00-00-00 THRU. 10-04-92)

KEY	PART NUMBER	U/M DESCRIPTION
	090395 01 Y12	EA VENT-ROOF, NONPOWERED
	009439-01-000	EA CRANK HANDLE-ROOF VENT
	009439 03 000	EA EXTENSION CRANK HANDLE ROOF VENT - 9" - MILL
	009439-04 000	EA SCREW, 8 32 X 1 1/4" PGH
	002825 01 000	EA WEATHER STRIP-ROOF VENT, GRAY
	009440 01 000	EA GEAR/ARM-VENT COVER, LIFT
	015910-03 000	EA BRACKET HANDLE, ROOF VENT - OFF WHITE
	015911-01-000	EA TRACK-LIFT ARM SLIDE - ROOF VENT
	055218 01-000	EA COVER-ROOF VENT
	052639 01-001	EA HINGE-VENT COVER, 16"
	052639 01-200	EA HINGE-EXTRUSION, ROOF VENT 7"
	078785-01-Y12	EA SCREEN ROOF VENT, NON POWERED - WHITE
	002291-02-000	SF SCREENING-ROOF VENT/WINDOW, 16" - BLACK
	002298 02-000	FT SPLINE-VENT/WINDOW SCREEN 128 DIAMETER - BLACK

NONPOWERED ROOF VENT (FROM: 10-05-92 THRU: 99-99-99)

KEY	PART NUMBER	U/M DESCRIPTION
	110051-01 01A	EA VENT-ROOF, NONPOWERED - 2" ROOF - JENSEN 7724 WHE
	064470-01-700	EA COVER ROOF VENT, JENSEN 7291
	110051-01-700	EA GARNISH W/SCREEN & FRAME - 2", JENSEN 29 800 02
	110051-01-702	EA LIFT ASM-VENT LID W/O CRANK, JENSEN RP-1000B
	110051-01-703	EA CRANK JENSEN RP 1031 B

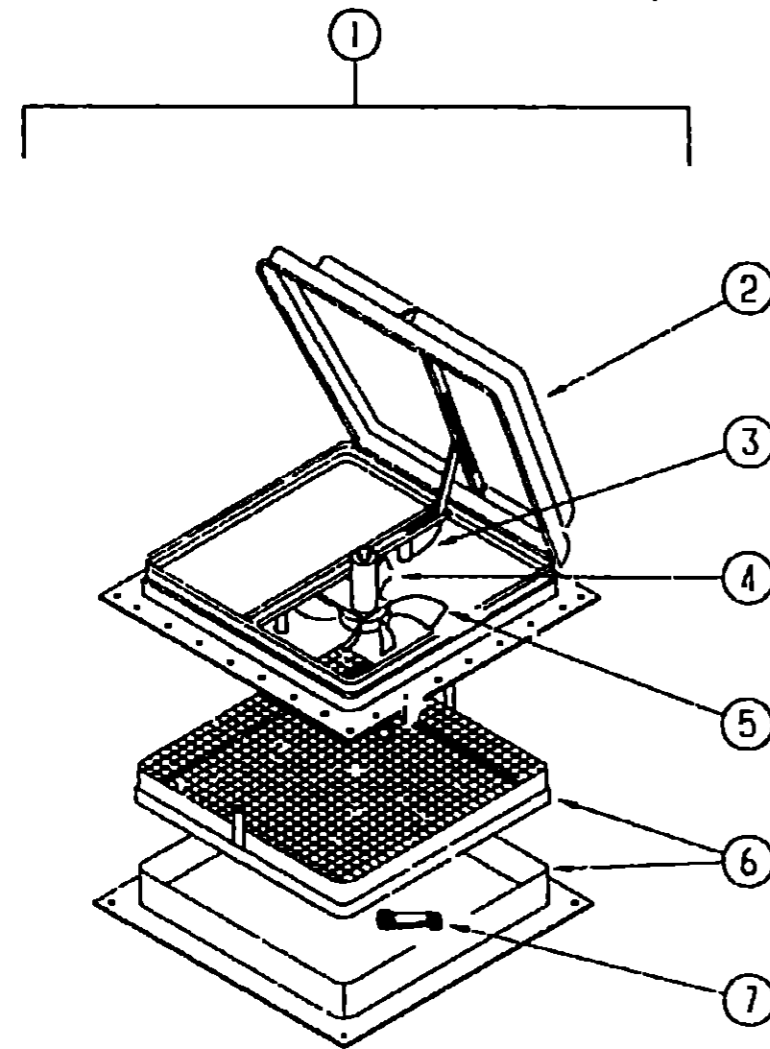
1993 WINNEBAGO TABLE OF CONTENTS

INTRODUCTION	A-01 - A-02
ABBREVIATIONS	A-03
ALPHABETICAL INDEX	A-04 - A-06
WCF27RC	A-07 - F-02
WCF27RO	F-03 - J-20

1993 WCF27RQ INDEX

FLOOR PLAN	F-03 - F-04
ACCESSORIES	F-05
AUDIO VIDEO	F-06 - F-08
BATH	F-09 - F-10
BEDROOM	F-11 - F-12
CHASSIS	F-13 - F-24
CURTAIN & CUSHION	G-01 - G-10
DINETTE	G-11 - G-12
DRIVERS COMPARTMENT	G-13 - G-17
ELECTRICAL	G-18 - G-24
EXTERIOR BODY	H-01 - H-08
GALLEY	H-09 - H-13
GENERATOR	H-14 - H-15
HEATING & A/C	H-16 - H-22
INTERIOR FINISH	H-23 - I-02
LABELS	I-03 - I-11
LP	I-12
LOUNGE	I-13 - I-14
SEALANTS & FASTENERS	I-15 - I-18
WATER & SEWAGE	I-19 - I-24
WINDOW, VENT AND	
EXTERIOR DOOR	J-01 - J-18
WINDSHIELD/WIPER	J-19 - J-20

WINDOW, VENT & EXTERIOR DOOR GROUP (CONTINUED)



POWERED ROOF VENT - JENSEN - CANADIAN

KEY	PART NUMBER	U/M DESCRIPTION
1	064469 08 000	EA VENT-ROOF, POWERED - 14" X 14" - 12V - JENSEN C 727 CSA FROM 00 00 00 THRU 10 01 92
1	110051 05 01A	EA VENT ROOF POWERED 2" ROOF - CSA - JENSEN C7757 WHE FROM 10 05-92 THRU 99-99 99
2	054476 01-700	EA COVER-ROOF VENT JENSEN 7291
3	064469 03-706	EA LIFT MECHANISM FROM 00 00 00 THRU 10 04 92
3	110051-01-702	EA LIFT ASM-VENT LID W/O CRANK, JENSEN RF 1000B FROM 10 05 92 THRU 99 99 99
4	048648 01-000	EA MOTOR ROOF VENT, 1/8 SHAFT - 12V
5	048649-01 000	EA FAN ROOF VENT, 6 BLADES - 6"
6	110051-01-701	EA GARNISH W/SCREEN & FRAME-2", JENSEN 79 800 01
7	009439 01 000	EA CRANK HANDLE ROOF VENT FROM 00 00 00 THRU 10-04 92
	110051-01-703	EA CRANK HANDLE ROOF VENT JENSEN RP-1031 B FROM 10-05 92 THRU 99 99-99
	009439 04-000	EA SCREW, 8-32 X 1 1/4" POH FROM 00 00 00 THRU 10 04-92
	009439 03 000	EA EXTENSION-CRANK HANDLE ROOF VENT - 9" - MILL FROM 00 00-00 THRU 10-04-92

WINDOW, VENT & EXTERIOR DOOR GROUP (CONTINUED)
VENTS, SHROUDS & ROOF COVERS

KEY	PART NUMBER	U/M DESCRIPTION
	083558 03-000	EA VENT-PLUMBING PIPE ROOF W/COVER - OFF WHITE
	084616 01-000	EA SHROUD RANGE HOOD VENT, PLASTIC - OFF WHITE
	084878-09-000	EA VENT-RANGE HOOD, SHORT LVS
	084073 03 000	EA COVER ROOF VENT, REFRIGERATOR - OFF WHITE - NORCOLD
	084073 04-000	EA BASE ROOF VENT REFRIGERATOR - BLACK NORCOLD
	105028 01-000	EA FLASHING ASM-VENT, REFRIGERATOR

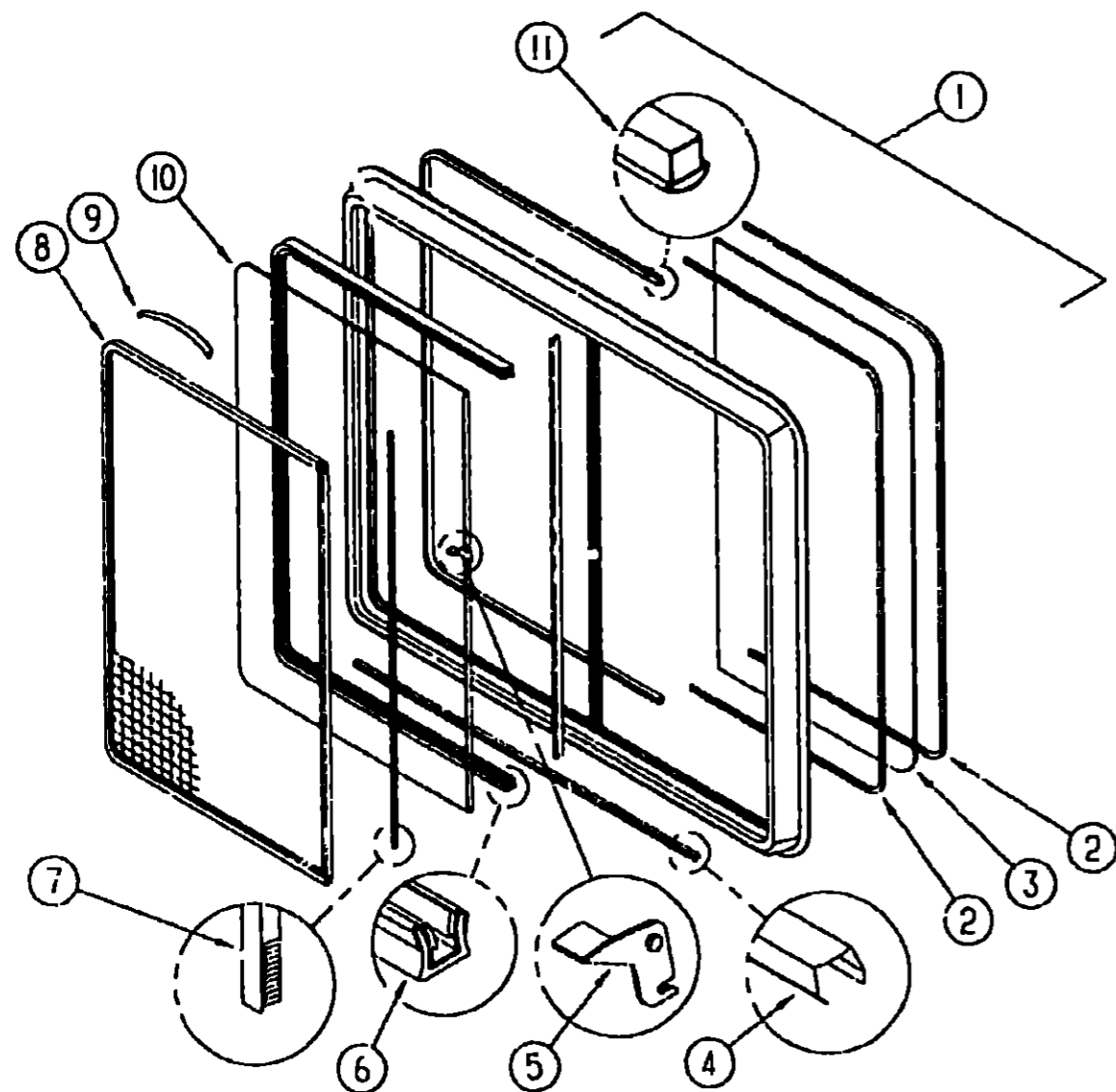
1993 WINNEBAGO
TABLE OF CONTENTS

INTRODUCTION	A 01 -	A 02
ABBREVIATIONS		A-03
ALPHABETICAL INDEX	A-04 -	A-06
WCF27RC	A 07 -	F-02
WCF27RO	F-03 -	J-20

1993 WCF27RQ INDEX

FLOOR PLAN	F-03 -	F-04
ACCESSORIES		F 05
AUDIO VIDEO	F 06 -	F 08
BATH	F-09 -	F-10
BEDROOM	F-11 -	F-12
CHASSIS	F-13 -	F-24
CURTAIN & CUSHION	G-01 -	G-10
DINETTE	G 11 -	G-12
DRIVERS COMPARTMENT	G-13 -	G-17
ELECTRICAL	G-18 -	G 24
EXTERIOR BODY	H-01 -	H-08
GALLEY	H 09 -	H-13
GENERATOR	H-14 -	H 15
HEATING & AC	H-16 -	H 22
INTERIOR FINISH	H-23 -	I 02
LABELS	I 03 -	I 11
LP		I 12
LOUNGE	I 13 -	I 14
SEALANTS & FASTENERS	I 15 -	I-18
WATER & SEWAGE	I-19 -	I-24
WINDOW, VENT AND		
EXTERIOR DOOR	J-01 -	J-18
WINDSHIELD/WIPER	J-19 -	J 20

WINDOW, VENT & EXTERIOR DOOR GROUP (CONTINUED)
DINETTE OR COUCH SINGLE SLIDING WINDOW



KEY	PART NUMBER	U/M	DESCRIPTION
	098647-15-02A	EA	WINDOW HORIZONTAL SLIDER, W/INSIDE FRAME-OFF WHITE - EXCEL H260 PRL
	098647-14-701	EA	FRAME-INSIDE, OFF WHITE - EXCEL W260-67
1	098647-14-700	EA	WINDOW-HORIZONTAL SLIDER W/O INSIDE FRAM -OFF WHITE EXCEL H260-G2R
2	100322-01-703	FT	STRIP-GLAZING, BUTYL - EXCEL 132-010723
3	098647-14-702	EA	GLASS-STATIONARY - EXCEL 106 017435
4	098644-01-710	FT	TRACK-SCREEN SPACER, 12' LENGTH - EXCEL M401-31
5	098644-01-700	EA	LATCH-REPAIR KIT, EXCEL B801-CK
6	098644-01-708	FT	CHANNEL-PIERCED RUN, EXCEL 122-016543
7	098644-01-711	FT	WEATHERSTRIP-SCREEN BLACK - EXCEL 171-016965
8	098647-14-704	EA	SCREEN W/SPRING & WEATHERSTRIP - EXCEL 410-017476
9	098644-01-713	EA	SPRING-SCREEN FRAME (CLIP), PLASTIC - BLACK - EXCEL 226 016966
	098644-01-716	FT	PLUG-FILLER, EXCEL 132-014470
	098644 01-717	FT	SPLINE-SCREEN EXCEL 132-004716
10	098647-14-703	EA	GLASS-SLIDING, W/SASH & LATCH - H260 G9 EXCEL
11	098644-01-706	FT	WEATHERSTRIP, EXCEL 171-010668

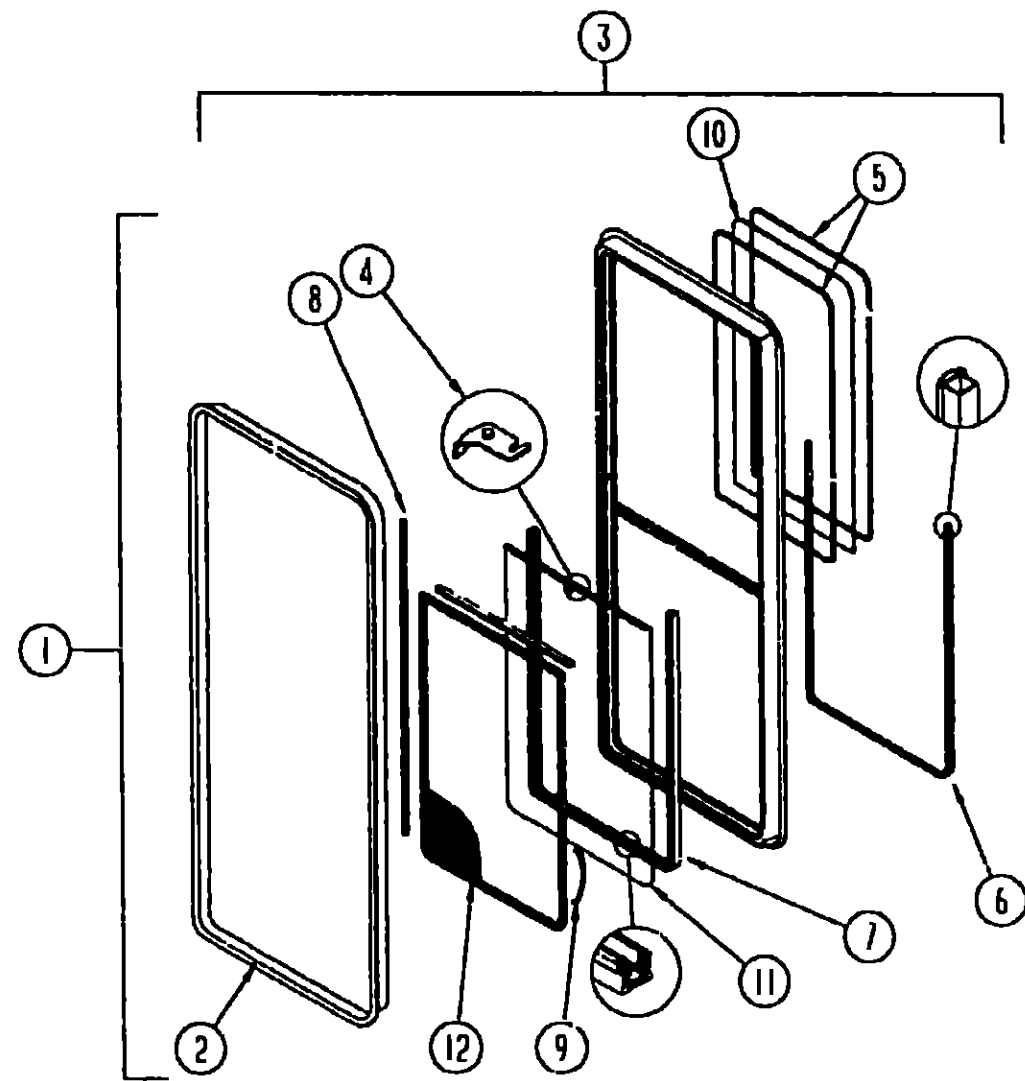
1993 WINNEBAGO
TABLE OF CONTENTS

INTRODUCTION	A-01 -	A-02
ABBREVIATIONS		A-03
ALPHABETICAL INDEX	A-04 -	A-06
WCF27RC	A-07 -	F-02
WCF27RQ	F-03 -	J-20

1993 WCF27RQ INDEX

FLOOR PLAN	F 03 -	F-04
ACCESSORIES		F-05
AUDIO VIDEO	F-06 -	F-08
BATH	F-09 -	F-10
BEDROOM	F-11 -	F-12
CHASSIS	F-13 -	F-24
CURTAIN & CUSHION	G-01 -	G-10
DINETTE	G-11 -	G-12
DRIVERS COMPARTMENT	G-13 -	G-17
ELECTRICAL	G-18 -	G-24
EXTERIOR BODY	H-01 -	H-08
GALLEY	H-09 -	H-13
GENERATOR	H-14 -	H-15
HEATING & A/C	H-16 -	H-22
INTERIOR FINISH	H-23 -	I-02
LABELS	I-03 -	I-11
LP		I-12
LOUNGE	I-13 -	I-14
SEALANTS & FASTENERS	I-15 -	I-18
WATER & SEWAGE	I-19 -	I-24
WINDOW, VENT AND		
EXTERIOR DOOR	J-01 -	J-18
WINDSHIELD/WIPER	J-19 -	J-20

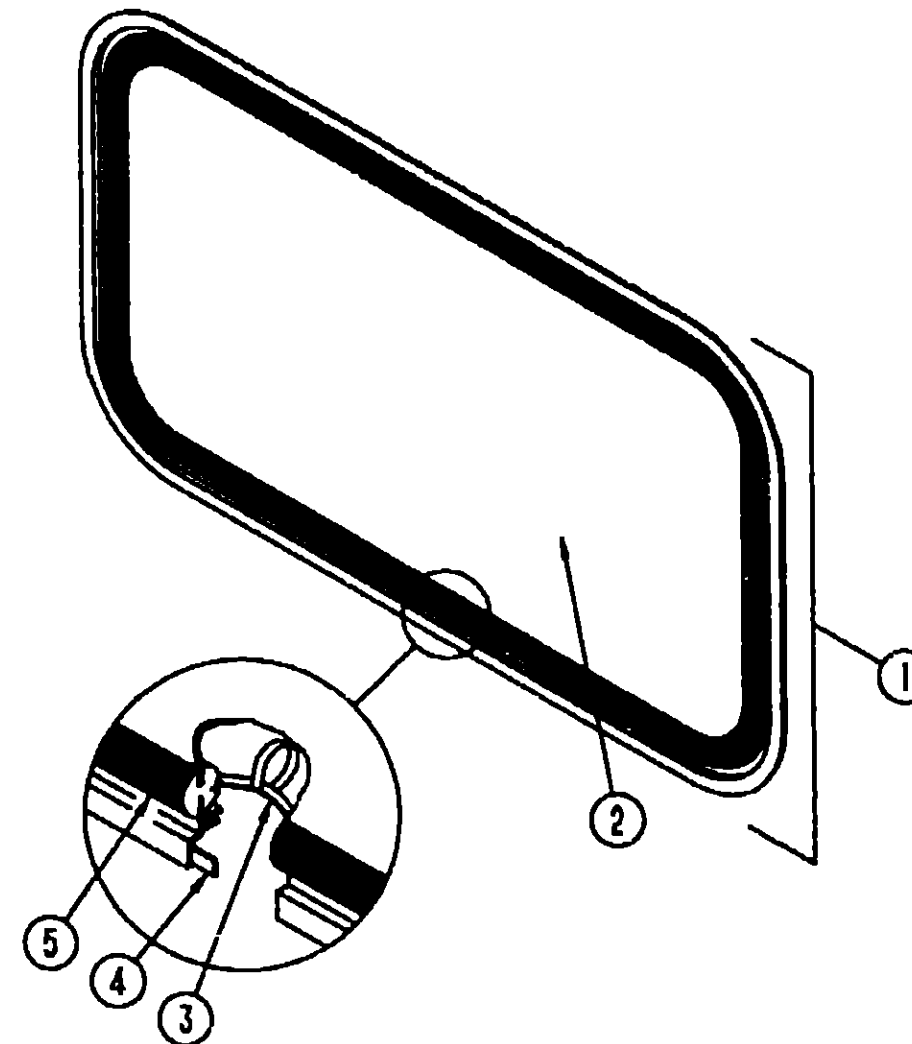
WINDOW, VENT & EXTERIOR DOOR GROUP (CONTINUED)



PASSENGER SIDE SWIVEL CHAIR WINDOW

KEY	PART NUMBER	U/M DESCRIPTION
1	098644 03-02A	EA WINDOW-SLIDER VERTICAL W/INSIDE TRIM - EXCEL H298 PR
2	098644-03 705	EA TRIM-INSIDE, OFF WHITE - EXCEL W298 67
3	098644-03-703	EA WINDOW ASM W/O INSIDE TRIM - EXCEL H298-G2R
4	098644-01 709	EA LATCH-REPAIR KIT, EXCEL B801-CK
5	100322 01-703	FT STRIP-GLAZING, BUTYL - EXCEL 132-010723
6	098644 01-706	FT WEATHERSTRIP, EXCEL 171-010668
7	098644 01 708	FT CHANNEL-PIERCED RUN, EXCEL 122-016543
8	098644-01-710	FT TRACK-SCREEN SPACER, 12' LENGTH - EXCEL M401 31
	098644 01 711	FT WEATHERSTRIP-SCREEN, BLACK - EXCEL 171-016965
9	098644 01 713	EA SPRING-SCREEN FRAME (CLIP), PLASTIC - BLACK
10	098644-03 700	EA GLASS-STATIONARY, EXCEL 106-017631
11	098644 03-701	EA GLASS-SLIDING, W/SASH & LATCH - EXCEL H298 G9
12	098644-03-702	EA SCREEN W/SPRING & WEATHERSTRIP - EXCEL 410 017634
	098644-01 716	FT PLUG-FILLER EXCEL 132-014470
	098644 01-717	FT SPLINE-SCREEN, EXCEL 132 004716

WINDOW, VENT & EXTERIOR DOOR GROUP (CONTINUED)



BACKWALL ESCAPE WINDOW

KEY	PART NUMBER	U/M DESCRIPTION
	074816-08-000	EA FRAME-WINDOW INSIDE - ESCAPE - OFF WHITE
1	078528 03 Y12	EA WINDOW-ESCAPE, 27" X 48" - W/O INSIDE FRAME
2	076337-08-000	EA GLASS-WINDOW, ESCAPE - 44 8" X 23 5"
3	002285-01-000	F1 FILLER-WEATHER STRIP, RUBBER - BLACK
	077066 01-702	EA TAPE ASM-ESCAPE WINDOW, RED
4	069640-10 000	FT SEALER RIBBON, 1/32" X 1 1/2" INCREMENTS OF 90'
5	002282 06-000	EA WEATHERSTRIP-WINDOW, 125" X 133 25" - BLACK

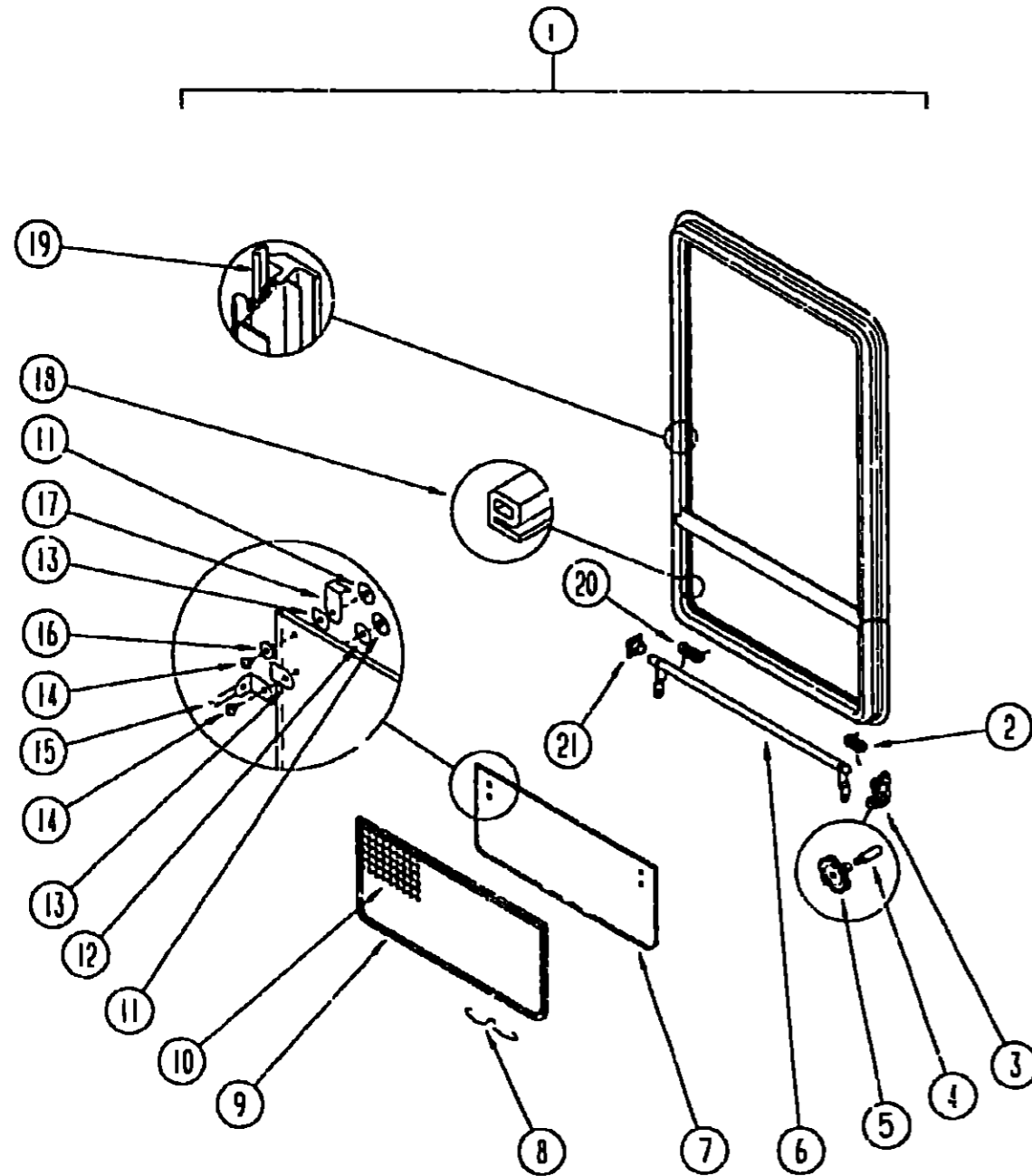
1993 WINNEBAGO
TABLE OF CONTENTS

INTRODUCTION	A-01 -	A-02
ABBREVIATIONS		A-03
ALPHABETICAL INDEX	A-04 -	A-06
WCF27RC	A-07 -	F-02
WCF27RQ	F-03 -	J-20

1993 WCF27RQ INDEX

FLOOR PLAN	F-03 -	F-04
ACCESSORIES		F-05
AUDIO VIDEO	F-06 -	F-08
BATH	F-09 -	F-10
BEDROOM	F-11 -	F-12
CHASSIS	F-13 -	F-24
CURTAIN & CUSHION	G-01 -	G-10
DINETTE	G-11 -	G-12
DRIVERS COMPARTMENT	G-13 -	G-17
ELECTICAL	G-18 -	G-24
EXTERIOR BODY	H-01 -	H-08
GALLEY	H-09 -	H-13
GENERATOR	H-14 -	H-15
HEATING & A/C	H-16 -	H-22
INTERIOR FINISH	H-23 -	I-02
LABELS	I-03 -	I-11
LP		I-12
LOUNGE	I-13 -	I-14
SEALANTS & FASTENERS	I-15 -	I-18
WATER & SEWAGE	I-19 -	I-24
WINDOW, VENT AND EXTERIOR DOOR	J-01 -	J-18
WINDSHIELD/WIPER	J-19 -	J-20

WINDOW, VENT & EXTERIOR DOOR GROUP (CONTINUED)
DRIVER OR PASSENGER SIDE BEDROOM WINDOW



KEY	PART NUMBER	U/M DESCRIPTION
	090893-18-02A	EA FRAME-WINDOW, INSIDE - OFF WHITE
1	092235-12-Y12	EA WINDOW-TIPOUT, W/O INSIDE FRAME - 40 3" X 26 8"
2	080918 01-000	EA SPRING TORQUE TUBE, RH
3	035302-02-000	EA OPERATOR-TORQUE TIPOUT WINDOW - LEFT
4	009439-06-000	EA EXTENSION-CRANK HANDLE WINDOW/ROOF VENT - 9" - BLACK
5	009439-05-000	EA KNOB-OPERATOR, TIPOUT WINDOW - BLACK
	009439-07-000	EA SCREW, 8-32 X 1 1/4 POH - BLACK
6	083150-12-000	EA TUBE ASM - TORQUE, WINDOW
7	084068 17-000	EA GLASS TIPOUT 9 2" X 40"
8	100168-01-000	EA CLIP-SPRING, SCREEN
9	100235-04-B07	EA SCREEN-SINGLE TIPOUT WINDOW
10	080218-03-000	SF SCREEN-FIBERGLASS, 12" WIDE
	100240-01-000	FT SPLINE-SCREEN, T-SHAPED
11	086762-01-000	EA T NUT 10-32
12	068927-03-000	EA SEAL-WINDOW, RUBBER - ROUND - 80" DIA - BLACK
13	084473-01-000	EA SEAL-RUBBER TIPOUT WINDOW
14	086763 01-000	EA SCREW MACH, 10 - 32 X 1/4 PTH
15	097578-01-000	EA LINKAGE-TIPOUT WINDOW
	081649-01-000	EA RING - SNAP, 7/32 SHAFT DIAMETER
	084453-01-000	EA WASHER - 060 X 50 X 135 - PLASTIC
	085315-01-000	EA RIVET-SHOULDER, TIPOUT WINDOW
	000H14-06-14R	EA RIVET-MANDREL BLIND, 3/16"
16	084453-02-000	EA WASHER - 060 X 50 X 250 - PLASTIC
17	089913-01-000	EA HINGE-TIPOUT WINDOW, BLACK
18	084067-02-000	FT SEAL-E SHAPED, SPONGE RUBBER - TIPOUT WINDOW - 4" X 4" - BLACK FROM 00-00-00 THRU 04-04-93
18	084067-03-000	FT SEAL-E SHAPED SPONGE RUBBER - TIPOUT WINDOW - 10 6 X 8 6 MM - BLACK FROM 04-05-93 THRU 99-99-99
19	069640-11-000	EA SEALER-TAPE, 3/16" X 3/8" - BLACK
20	080918-02-000	EA SPRING-TORQUE TUBE LH
21	081354-01-000	EA SLEEVE-TORQUE TUBE TIPOUT WINDOW - 1 3" X 1 2" X 7"

**1993 WINNEBAGO
TABLE OF CONTENTS**

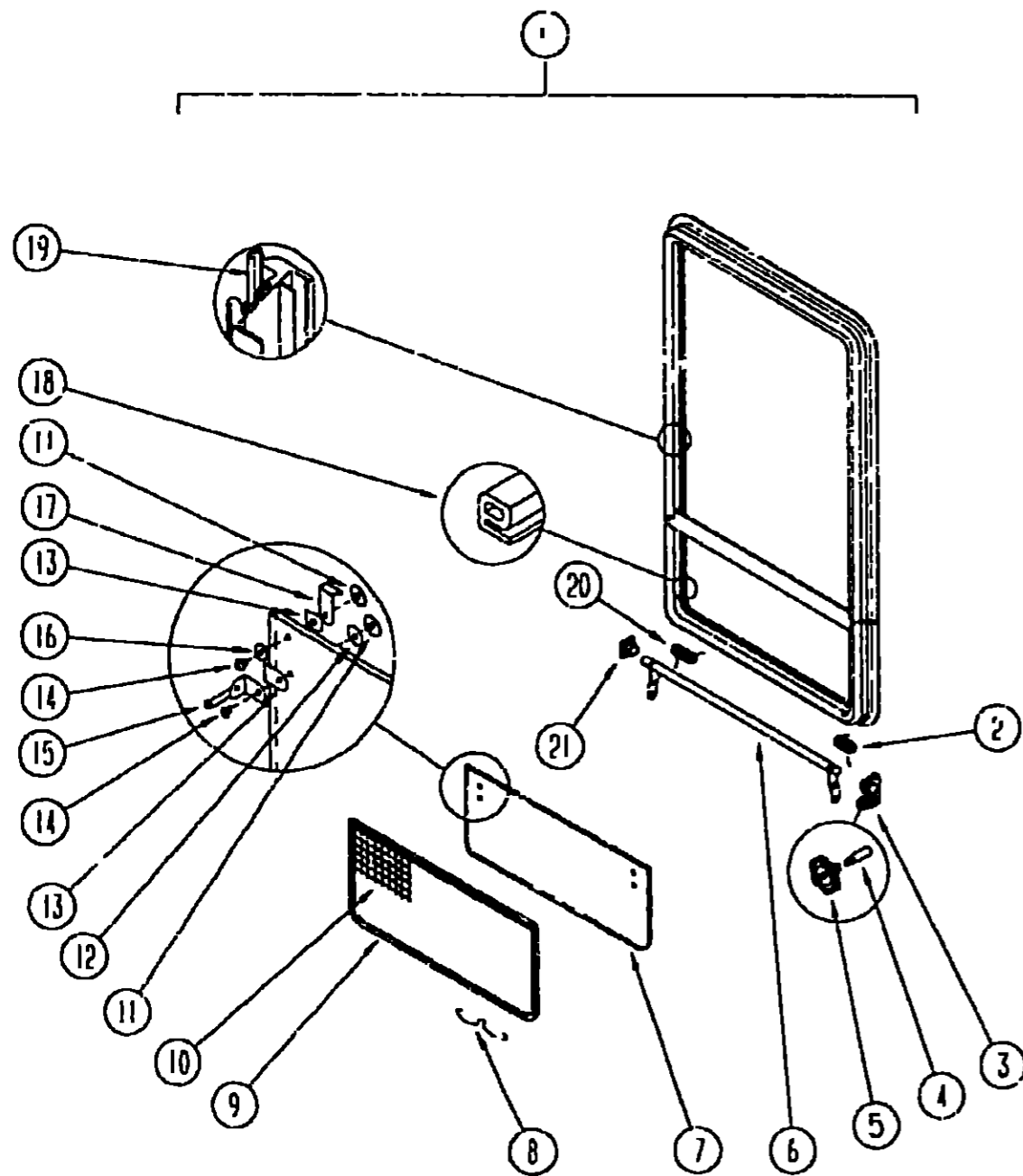
INTRODUCTION	A-01 -	A-02
ABBREVIATIONS		A-03
ALPHABETICAL INDEX	A-04 -	A-06
WCF27RC	A-07 -	F-02
WCF27RO	F-03 -	J-20

1993 WCF27RQ INDEX

FLOOR PLAN	F-03 -	F-04
ACCESSORIES		F-05
AUDIO VIDEO	F-06 -	F-08
BATH	F-09 -	F-10
BEDROOM	F-11 -	F-12
CHASSIS	F-13 -	F-24
CURTAIN & CUSHION	G-01 -	G-10
DINETTE	G-11 -	G-12
DRIVERS COMPARTMENT	G-13 -	G-17
ELECTRICAL	G-18 -	G-24
EXTERIOR BODY	H-01 -	H-08
GALLEY	H-09 -	H-13
GENERATOR	H-14 -	H-15
HEATING & A/C	H-16 -	H-22
INTERIOR FINISH	H-23 -	I-02
LABELS	I-03 -	I-11
LP		I-12
LOUNGE	I-13 -	I-14
SLALANTS & FASTENERS	I-15 -	I-18
WATER & SEWAGE	I-19 -	I-24
WINDOW, VENT AND EXTERIOR DOOR	J-01 -	J-18
WINDSHIELD/WIPER	J-19 -	J-20

WINDOW, VENT & EXTERIOR DOOR GROUP (CONTINUED)

GALLEY WINDOW



KEY	PART NUMBER	U/M	DESCRIPTION
	090893-17-02A	EA	FRAME-WINDOW, INSIDE - OFF WHITE
1	092235-11-Y12	EA	WINDOW-TIPOUT W/O INSIDE FRAME - 24 8" X 15 5"
2	060918-01-000	EA	SPRING-TORQUE TUBE, RH
3	035302 02-000	EA	OPERATOR-TORQUE, TIPOUT WINDOW - LEFT
4	009439-06-000	EA	EXTENSION-WINDOW CONTROL
5	009439-05-000	EA	KNOB-OPERATOR TIPOUT WINDOW - BLACK
	009439 07-000	EA	SCREW, 8-32 X 1 1/4 POH - BLACK
6	083150-10-000	EA	TUBE ASM. - TORQUE, WINDOW
7	084068-15-000	EA	GLASS-TIPOUT, 9 2" X 2 5"
8	10 38-01-000	EA	CLIP-SPRING, SCREEN
9	10 35 02-807	EA	SCREEN-SINGLE TIPOUT WINDOW
10	080218-03-000	SF	SCREEN-FIBERGLASS 12" WIDE
	100240-01-000	FT	SPLINE-SCREEN, T-SHAPED
11	086762-01-000	EA	T NUT 10-32
12	068927-03 000	EA	SEAL-WINDOW, RUBBER - ROUND - 80" DIA - BLACK
13	084473-01-000	EA	SEAL-RUBBER, TIPOUT WINDOW
14	086763-01-000	EA	SCREW-MACH, 10 - 32 X 1/4 PTH
15	097578-01-000	EA	LINKAGE-TIPOUT WINDOW
	081649 01-000	EA	RING - SNAP, 7/32 SHAFT DIA
	084453 01-000	EA	WASHER - 060 X 50 X 135 - PLASTIC
	085315-01-000	EA	RIVET-SHOULDER, TIPOUT WINDOW
	000H14 06 14R	EA	RIVET-MANDREL BLIND, 3/16"
16	084453-02-000	EA	WASHER - 060 X 50 X 250 - PLASTIC
17	069913-01-000	EA	HINGE-TIPOUT WINDOW, BLACK
18	084067-02 000	FT	SEAL-F SHAPED, SPONGE RUBBER - TIPOUT WINDOW - 4" X 4" - BLACK FROM 00-00-00 THRU 04-04 93
18	084067-03 000	FT	SEAL-E SHAPED, SPONGE RUBBER - TIPOUT WINDOW - 10 6 X 8 6 MM - BLACK FROM 04-05-93 THRU 99 99-99
19	069640-11 000	EA	SEALER-TAPE, 3/16" X 3/8" - BLACK
20	080918-02-000	EA	SPRING-TORQUE TUBE, LH
21	091354-01-000	EA	SLEEVE-TORQUE TUBE, TIPOUT WINDOW - 1 3" X 1 2" X 7"

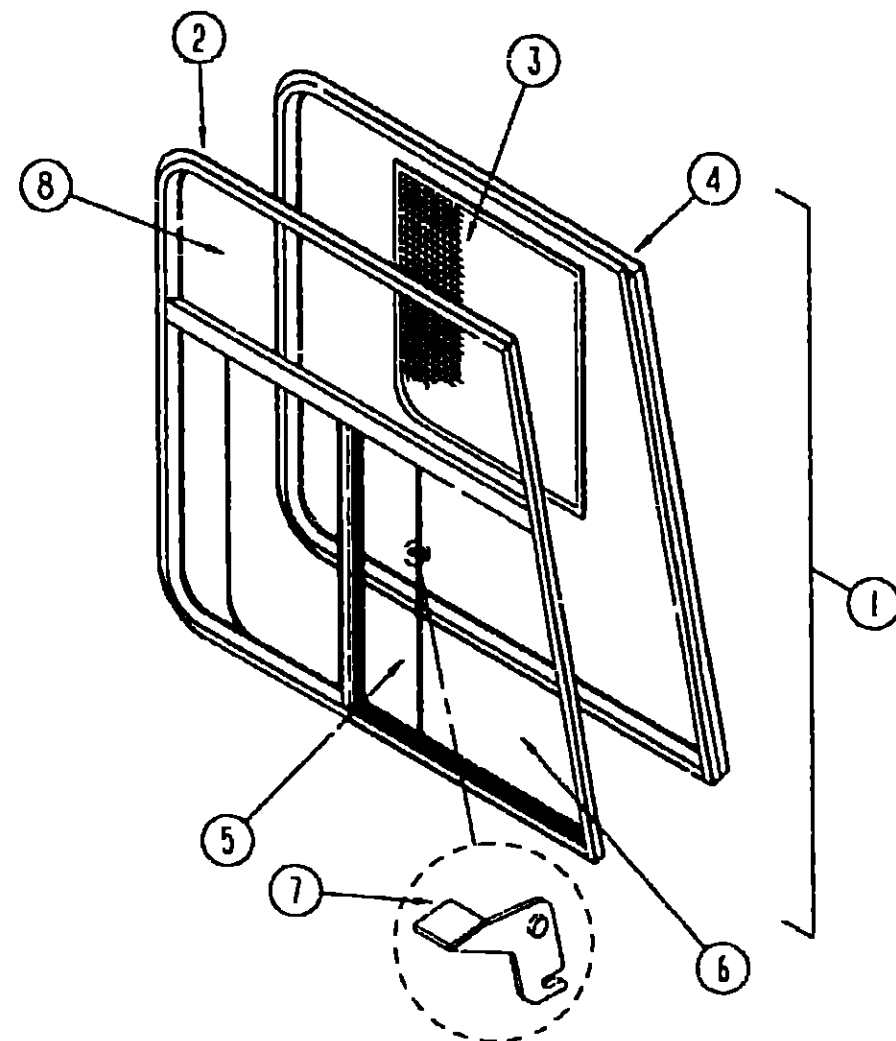
1993 WINNEBAGO TABLE OF CONTENTS

INTRODUCTION	A 01 -	A-02
ABBREVIATIONS		A-03
ALPHABETICAL INDEX	A-04 -	A-06
WCF27RC	A 07 -	F-02
WCF27RQ	F-03 -	J-20

1993 WCF27RQ INDEX

FLOOR PLAN	F 03	F 04
ACCESSORIES		F 05
AUDIO VIDEO	F-06	F 08
BATH	F 09	F 10
BEDROOM	F-11	F-12
CHASSIS	F-13	F 24
CURTAIN & CUSHION	G-01	G-10
DINETTE	G-11	G-12
DRIVERS COMPARTMENT	G-13	G-17
ELECTRICAL	G-18	G-24
EXTERIOR BODY	H-01	H-08
GALLEY	H-09	H-13
GENERATOR	H-14	H-15
HEATING & A/C	H-16	H-22
INTERIOR FINISH	H-23	I-02
LABELS	I 03	I 11
LP		I-12
I LOUNGE	I-13	I-14
SEALANTS & FASTENERS	I 15	I-18
WATER & SEWAGE	I-19	I-24
WINDOW, VENT AND EXTERIOR DOOR	J 01	J-18
WINDSHIELD/WIPER	J-19	J 20

WINDOW, VENT & EXTERIOR DOOR GROUP (CONTINUED)
DRIVER & PASSENGER CAB SIDE WINDOWS



KEY	PART NUMBER	U/M	DESCRIPTION
1	103658 02-01A	EA	WINDOW ASM CAB PASSENGER - H322-ARR FROM 00-00 00 THRU 08 22-92
1	103558 06 01A	EA	WINDOW ASM-CAB PASSENGER - H373-ARR FROM 08 23 92 THRU 99-99 99
1	103658-01-01A	FA	WINDOW ASM-CAB DRIVER - H 373-ARR FROM 00-00-00 THRU 08-22 92
1	103658-05 01A	EA	WINDOW ASM-CAB,DRIVER - H 373-ARR FROM 08 23 92 THRU 99 99-99
2	103658 02 702	EA	WINDOW-SLIDER CAB - W/O INSIDE FRAME - PASSENGER H322-A2R EXCEL FROM 00 00-00 THRU 08-22-92
2	103658 06-701	EA	WINDOW-SLIDER CAB - W/O INSIDE FRAME - PASSENGER - H373 A2R EXCEL FROM 08-23 92 THRU 99 99-99
2	103658 01-704	EA	WINDOW-SLIDER CAB - W/O INSIDE FRAME - DRIVER H322-A2L EXCEL FROM 00-00 00 THRU 08 22-92
2	103658 05 703	EA	WINDOW-SLIDER CAB - W/O INSIDE FRAME - DRIVER - H373-A2L EXCEL FROM 08-23-92 THRU 99 99-99
3	103658 02-700	EA	SCREEN ASM WINDOW, PASSENGER - H322-03R EXCEL
3	103658 01 700	EA	SCREEN ASM -WINDOW DRIVER - H322-03L EXCEL
4	103658 02-703	EA	FRAME-INSIDE PASSENGER - H322-67R EXCEL FROM 00-00 00 THRU 08-22-92
4	103558 05-700	EA	FRAME-INSIDE, PASSENGER - H373 67&77 EXCEL FROM 08 23 92 THRU 99-99 99
4	103658 01-705	EA	FRAME-INSIDE DRIVER - H322-67L EXCEL FROM 00 00 00 THRU 08 22 92
4	103656 05 702	EA	FRAME-INSIDE, DRIVER - H373-67&77 EXCEL FROM 08 23-92 THRU 99 99-99
5	103658 02-701	EA	GLASS-SLIDING W/SASH&LATCH - PASSENGER - H322-A9R EXCEL
5	103658 01-703	EA	GLASS-SLIDING, W/SASH&LATCH - DRIVER - H322-A9L EXCEL
6	103658-01 702	EA	GLASS-STATIONARY BOTTOM - 106-017700 EXCEL
7	098644 01 700	EA	LATCH REPAIR KIT
8	103658 01 701	EA	GLASS STATIONARY TOP - 106-017699 EXCEL FROM 00-00-00 THRU 08 22 92
8	103658-05 701	EA	GLASS-STATIONARY, TOP - 106 018480 EXCEL FROM 08 23 92 THRU 99 99 99
	100322 01-703	FT	STRIP-GLAZING BUTYL - EXCEL 132-010723
	098644-01-706	FT	WEATHERSTRIP EXCEL 171-010603
	098644 01-708	FT	CHANNEL PIERCED RUN, EXCEL 122 016543
	098644-01 710	FT	TRACK-SCREEN SPACER 12" LENGTH - EXCEL M401 31
	098644 01 711	FT	WEATHERSTRIP SCREEN, BLACK EXCEL 171-016965
	098644-C1 713	EA	SPRING SCREEN FRAME (CLIP) PLASTIC - BLACK - EXCEL 226-016966
	098644 01-716	FT	PLUG-FILLER EXCEL 132 014470
	098644 01 717	FT	SPLINE-SCREEN, EXCEL 132 004716

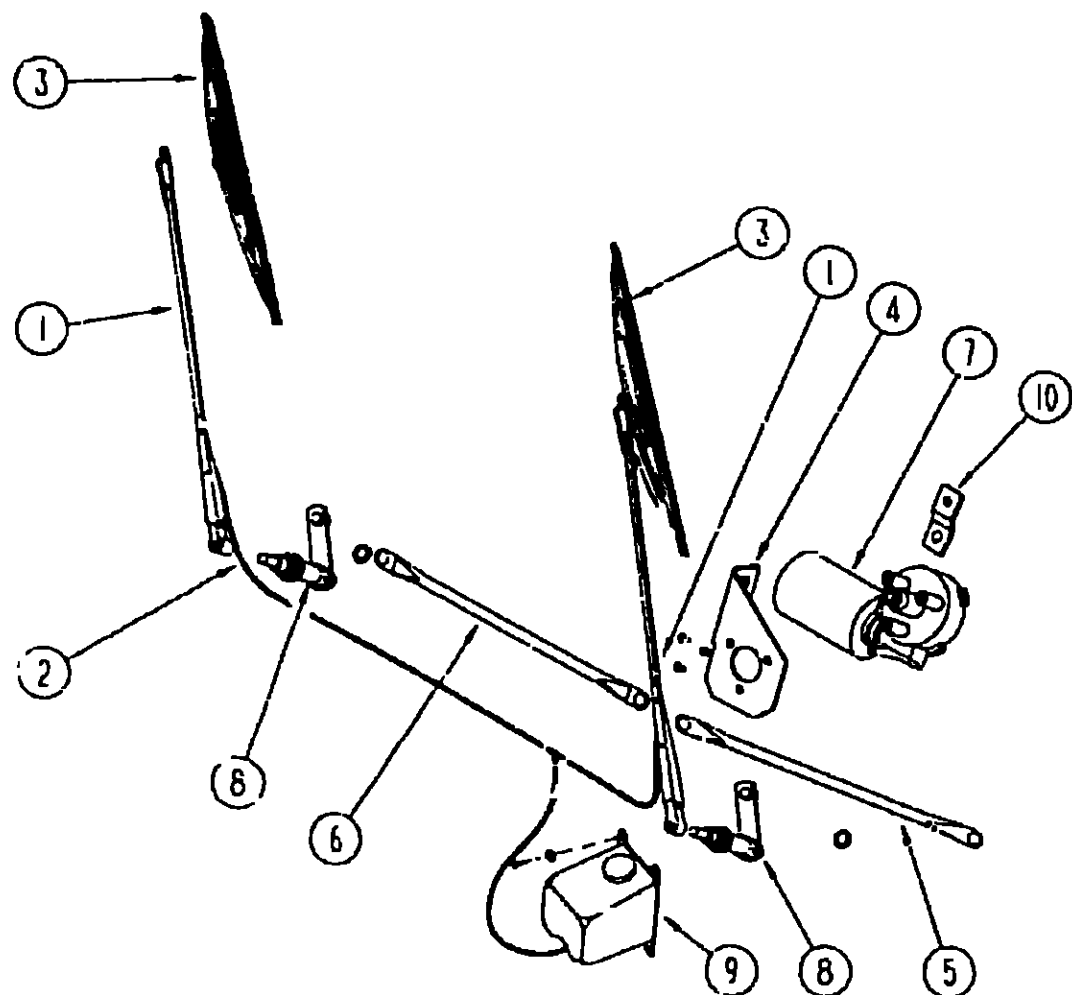
**1993 WINNERAGO
TABLE OF CONTENTS**

INTRODUCTION	A-01	A-02
ABBREVIATIONS		A-03
ALPHABETICAL INDEX	A-04	A-06
WCF27RC	A-07	F-02
WCF27RO	F-03	J-20

1993 WCF27RQ INDEX

FLOOR PLAN	F-03	F-04
ACCESSORIES		F-05
AUDIO VIDEO	F-06	F-08
BATH	F-09	F-10
BEDROOM	F-11	F-12
CHASSIS	F-13	F-24
CURTAIN & CUSHION	G-01	G-10
DINETTE	G-11	G-12
DRIVERS COMPARTMENT	G-13	G-17
ELECTRICAL	G-18	G-24
EXTERIOR BODY	H-01	H-09
GALLEY	H-09	H-13
GENERATOR	H-14	H-15
HEATING & A/C	H-16	H-22
INTERIOR FINISH	H-23	I-02
LABELS	I-03	I-11
LP		I-12
LOUNGE	I-13	I-14
SEALANTS & FASTENERS	I-15	I-18
WATER & SEWAGE	I-19	I-24
WINDOW, VENT AND EXTERIOR DOOR	J-01	J-18
WINDSHIELD/WIPER	J-19	J-20

WINDSHIELD & WIPER GROUP

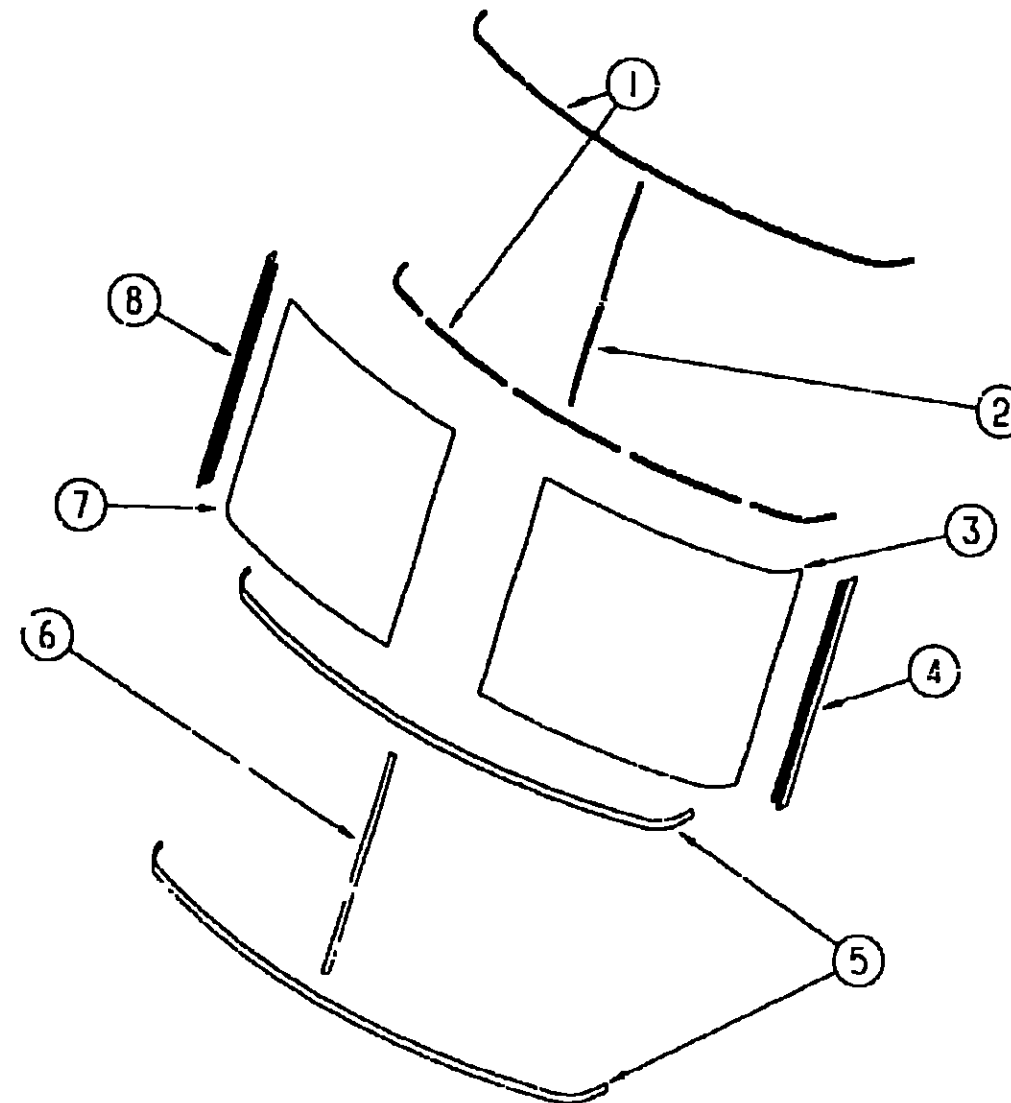


WIPER COMPONENTS

KEY	PART NUMBER	U/M	DESCRIPTION
1	103671-01-000	EA	ARM WIPER PANTOGRAPH - 24"
	094931-01-700	FT	HOSE WIPER TO BLADE
	096931 01 701	EA	NOZZLE HARDWARE KIT INCLUDES NOZZEL NUT SHORT THREAD SCREW LONG THREAD SCREW AND PLASTIC CAP
2	015791-01-000	FT	HOSE WASHER WINDSHIELD - 5/32" ID - BLACK
3	095964 01 000	EA	BLADE WIPER 24"
	095964-01-700	EA	REFILL-WIPER BLADE, 24" PAIR
4	104549 01 000	EA	BRACKET ASM-WIPER
4	103726 01 000	EA	BRACKET-WIPER MOTOR
5	103672 01 000	EA	LINK ASM CONNECTING - DRIVERS
6	103672 02 000	EA	LINK ASM CONNECTING - PASSENGERS
7	104346 01-000	EA	MOTOR WIPER
8	096505-02-000	EA	PIVOT & SHAFT ASM WIPER PASSENGER WINDSHIELD
			FROM 00-00 00 THRU 04-20-93
8	096505 05 000	EA	PIVOT & SHAFT ASM WIPER PASSENGER WINDSHIELD
			FROM 04-21-93 THRU 99-99-99
8	096505 03 000	FA	PIVOT & SHAFT ASM WIPER DRIVER WINDSHIELD
			FROM 00-00-00 THRU 12-18-92
8	096505 06 000	EA	PIVOT & SHAFT ASM WIPER DRIVER WINDSHIELD
			FROM 12-19-92 THRU 99-99-99
	096526 01-000	EA	SCREW HEX 1/4 - 28
	056000 02 000	EA	WASHER-WINDSHIELD BOTTLE & PUMP
10	104347-01-000	EA	ARM-DRIVE WIPER MOTOR 1' 4"
	056000-01-700	FT	VACUUM HOSE - 7/64 - 5/32
	061603-01-000	EA	GROMMET-SNAP 3/16 ID - 3/8 HOLE - PLASTIC - BLACK
	067189 01-000	EA	STUD-CRANK,WIPER
	110742 01-000	EA	GASKET-WIPER

FROM 01-11-93 THRU 99-99-99

WINDSHIELD & WIPER GROUP (CONTINUED)



WINDSHIELD MOLDINGS & GLASS

KEY	PART NUMBER	U/M	DESCRIPTION
1	102935 01-000	EA	CARRIER-REVEAL 50" - WINDSHIELD
2	102935 02 000	EA	CARRIER-REVEAL, 38" - WINDSHIELD
			FROM 00-00 00 THRU 12-13-92
2	110268-02-000	FA	CARRIER-REVEAL 38" - WINDSHIELD
			FROM 12-14-92 THRU 99-99-99
	110268-05-000	EA	CARRIER-REVEAL 2" - WINDSHIELD
			FROM 12-14-92 THRU 99-99-99
	110268-07-000	EA	CARRIER-REVEAL 42 1" - WINDSHIELD
			FROM 12-14-92 THRU 93-99-99
3	088793-04-000	EA	GLASS WINDSHIELD DRIVER
4	103107-02-01A	EA	TRIM - WINDSHIELD - DRIVER SIDE - BLACK
5	102936-01 000	FT	MOLDING - REVEAL - WINDSHIELD
6	102936 01-000	FT	MOLDING - REVEAL - WINDSHIELD - CENTER
7	088793-03-000	EA	GLASS-WINDSHIELD PASSENGER
8	103107-01-01A	EA	TRIM - WINDSHIELD - PASSENGER SIDE - BLACK
	098788 06-000	EA	CHANNEL - 49" PCV
	077922-03 000	EA	HEADER WINDSHIELD END - RIGHT
	077922-04 000	EA	HEADER WINDSHIELD END - LEFT
	077922 05 000	EA	HEADER WINDSHIELD - CENTER
	078579 07-000	EA	TRIM - WINDSHIELD - UPPER INNER - RIGHT - OFF WHITE
	078579-08 000	FA	TRIM - WINDSHIELD - UPPER INNER - LEFT - OFF WHITE
	079765-07 000	EA	TRIM - WINDSHIELD - CENTER INNER - OFF WHITE
	077847-02 000	EA	SUPPORT - WINDSHIELD - LOWER - W/O BRACKETS
	002328-02 000	FA	BLOCK WINDSHIELD 062" X 5" X 99"

**1993 WINNEBAGO
TABLE OF CONTENTS**

INTRODUCTION	A 01 -	A 02
ABBREVIATIONS		A 03
ALPHABETICAL INDEX	A 04 -	A-06
WCF27RC	A-07	F-02
WCF27RQ	F-03 -	J-20

1993 WCF27RQ INDEX

FLOOR PLAN	F-03	F-04
ACCESSORIES		F-05
AUDIO VIDEO	F-06	F-08
BATH	F-09	F-10
BEDROOM	F-11	F-12
CHASSIS	F-13	F-24
CURTAIN & CUSHION	G-01	G-10
DINETTE	G-11	G-12
DRIVERS COMPARTMENT	G-13	G-17
ELECTRICAL	G-18	G-24
EXTERIOR BODY	H-01	H-08
GALLEY	H-03	H-13
GENERATOR	H-14	H-15
HEATING & A.C	H-16	H-22
INTERIOR FINISH	H-23	I-02
LABELS	I-03	I-11
LP		I-12
LOUNGE	I-13	I-14
SCALANTS & FASTENERS	I-15	I-18
WATER & SEWAGE	I-19	I-24
WINDOW, VENT AND EXTERIOR DOOR	J-01	J-18
WINDSHIELD/WIPER	J-19	J-20