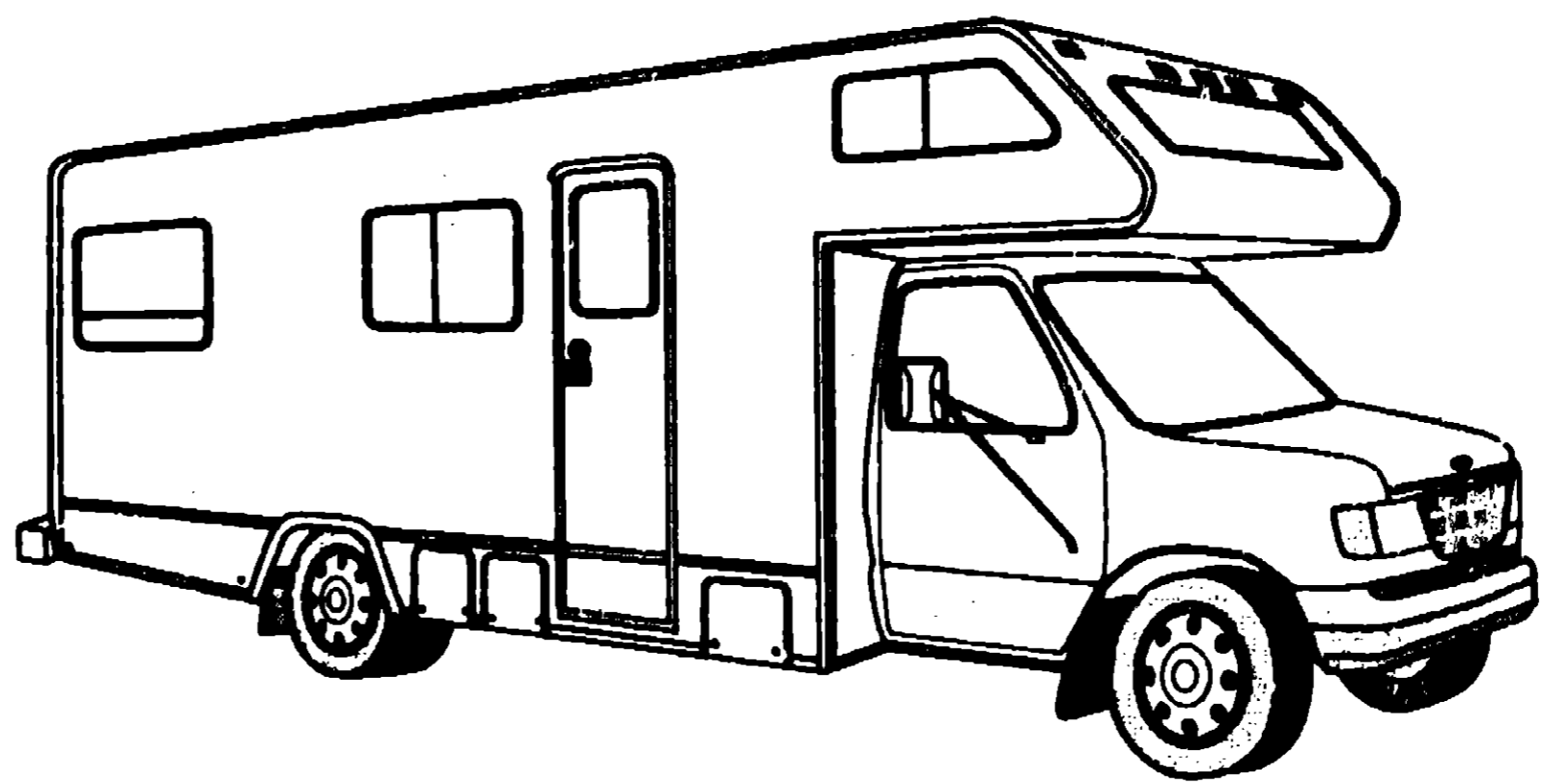


**1993 WINNEBAGO  
TABLE OF CONTENTS**

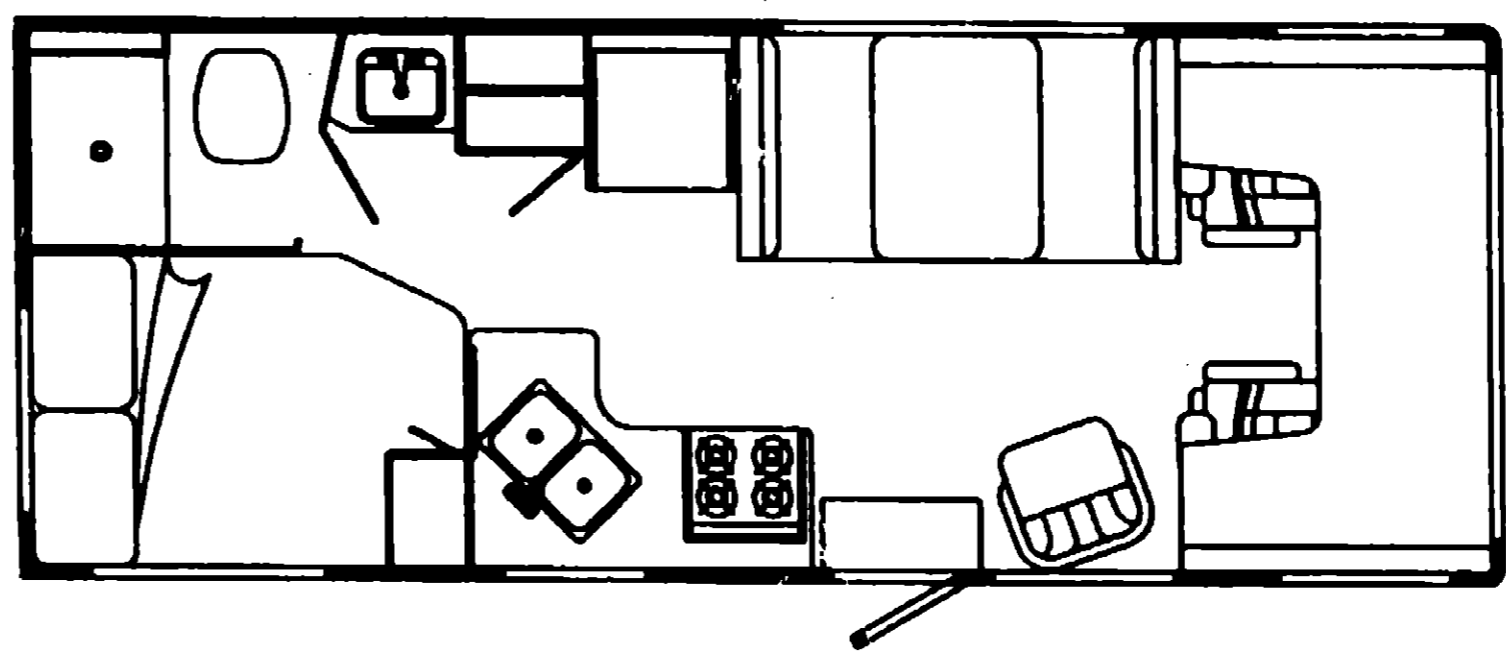
INTRODUCTION	A-01 - A-02
ABBREVIATIONS	A-03
ALPHABETICAL INDEX	A-04 - A-08
WC424RC	A-07 - E-02
WC422RG	E-03 - H-18



**1993  
WC424RC  
D04  
D05**

**1993 WC424RC INDEX**

FLOOR PLAN	A-07 - A-08
ACCESSORIES	A-09
AUDIO VIDEO	A-10 - A-11
BATH	A-12 - A-14
BEDROOM	A-15
CHASSIS	A-18 - A-20
CURTAIN & CUSHION	A-21 - B-08
DINETTE	B-09 - B-10
DRIVERS COMPARTMENT	B-11 - B-14
ELECTRICAL	B-15 - B-18
EXTERIOR BODY	B-19 - C-03
GALLEY	C-04 - C-07
GENERATOR	C-08
HEATING & A/C	C-09 - C-10
INTERIOR FINISH	C-11 - C-14
LABELS	C-15 - C-22
LP	C-23
LOUNGE	C-24
SEALANTS & FASTENERS	D-01 - D-04
WATER & SEWAGE	D-05 - D-10
WINDOW, VENT AND EXTERIOR DOOR	D-11 - E-02



## ACCESSORIES GROUP

### OPERATORS MANUAL

KEY	PART NUMBER	U/M DESCRIPTION
	054185-33-000	EA MANUAL-OPERATOR, 1993 MINNIE WINNIE
	092319-01-000	EA BINDER-3 RING, MOTOR HOME MANUAL
	092319-01-000	EA PAGE-POCKET, 3 RING BINDER - PLASTIC
	108272-01-000	DW TOP LEVEL DRAWING - 1993 C-BODY

## AUDIO VIDEO GROUP

### RADIO SYSTEM & ANTENNA

KEY	PART NUMBER	U/M DESCRIPTION
	090982-01-000	EA RADIO-AM/FM CASSETTE, ELECTRIC TUNE - CHEVY - AUDIOVOX HCC-1036
	091211-01-000	EA MOUNT KIT-RADIO, CHEVY
	106460-01-000	EA RADIO-AM/FM CASSETTE, ELECTRIC TUNE - FORD - AUDIOVOX FD-CXF
	108137-01-000	EA PLUG-ANTENNA HOLE (FORD)
	007004-01-000	EA ANTENNA-RADIO, AUTO - CHEVY ONLY
	089340-02-000	EA GRILLE-SPEAKER, 6.5" SQUARE (OVHD CABINETS)
	089340-03-000	EA SPACER-SPEAKER GRILLE, TAN - MAGNADYNE G514 (OVHD CABINETS)
	094097-01-000	EA SPEAKER-RADIO, W/O GRILLE - 5.25" DIA - AUDIOVOX 110C3030 (OVHD CABINETS)
	087883-01-000	EA RADIO-AM/FM STEREO W/CASSETTE AUDIOVOX 144D1569 (PATIO ENTERTAINMENT)
	090944-01-000	EA ANTENNA-RADIO, 18" RUBBER (PATIO ENTERTAINMENT)
	077089-02-000	EA CABLE-ANTENNA, RADIO - EXTENSION 98" - ARA 6700867
	090862-01-000	EA BRACKET-HAT, ANTENNA - 3.1" X 3.9" - STEEL - BLACK (PATIO ENTERTAINMENT)
	104899-01-004	EA PLATE-RADIO MOUNTING (PATIO ENTERTAINMENT)
	073741-03-000	EA SPEAKER-OVAL, 4" X 6" - AUDIOVOX 110-2074 (PATIO ENTERTAINMENT) FROM: 00-00-00 THRU: 12-20-92
	110469-01-000	EA SPEAKER-OVAL, 4" X 6" - MAGNADYNE F46XB-12 (PATIO ENTERTAINMENT) FROM: 12-21-92 THRU: 99-99-99
	073741-04-000	EA GRILLE-SPEAKER, OVAL - 4" X 6" - AUDIOVOX 138-1157 (PATIO ENTERTAINMENT) FROM: 00-00-00 THRU: 12-20-92
	110470-01-01A	EA GRILLE-SPEAKER, OVAL - 4" X 6" - BLACK - MAGNADYNE G48WI (PATIO ENTERTAINMENT) FROM: 12-21-92 THRU: 99-99-99

## 1993 WINNEBAGO TABLE OF CONTENTS

INTRODUCTION	A-01	A-02
ABBREVIATIONS		A-03
ALPHABETICAL INDEX	A-04	A-06
WC424RC	A-07	E-02
WC422RG	E-03	H-16

## 1993 WC424RC INDEX

FLOOR PLAN	A-07	A-08
ACCESSORIES		A-09
AUDIO VIDEO	A-10	A-11
BATH	A-12	A-14
BEDROOM		A-15
CHASSIS	A-16	A-20
CURTAIN & CUSHION	A-21	B-08
DINETTE	B-09	B-10
DRIVERS COMPARTMENT	B-11	B-14
ELECTRICAL	B-15	B-18
EXTERIOR BODY	B-19	C-03
GALLEY	C-04	C-07
GENERATOR		C-08
HEATING & A/C	C-09	C-10
INTERIOR FINISH	C-11	C-14
LABELS	C-15	C-22
LP		C-23
LOUNGE		C-24
SEALANTS & FASTENERS	D-01	D-04
WATER & SEWAGE	D-05	D-10
WINDOW, VENT AND EXTERIOR DOOR	D-11	E-02

## AUDIO VIDEO GROUP (CONTINUED)

### TV, VCR SYSTEMS & ANTENNA

KEY	PART NUMBER	U/M	DESCRIPTION
	092310-03-000	EA	TV-COLOR, 9" - AC/DC - W/SWIVEL - MAGNAVOX RD0945
	092310-02-700	EA	REMOTE FOR TV
	098448-03-000	EA	VCR-VHS, CABLE READY - REMOTE - MAGNAVOX VR0010 FROM: 00-00-00 THRU: 10-04-92
	098448-03-700	EA	REMOTE FOR MODEL #9010 - 0974688
	098448-04-000	EA	VCR-VHS, CABLE READY - REMOTE - MAGNAVOX VR0110 FROM: 10-06-92 THRU: 99-99-99
	098448-04-700	EA	REMOTE FOR MODEL #9110
	108433-02-000	EA	BRACKET-VCR
	078319-01-000	EA	ANTENNA-TV, ROOF MOUNT - 44.5" MAST - RVA W02
	078319-01-700	EA	HEAD-ANTENNA, AMPLIFIED - WINEGARD# RVSA U/V
	078319-01-701	EA	GEAR-ELEVATING, PLASTIC - WINEGARD# 2200048
	078319-01-702	EA	SHAFT ASM-ELEVATING, WINEGARD# RVF-400A
	078319-01-703	EA	BEARING-NYLON, .5"OD - WINEGARD# 3200866
	078319-01-705	EA	GROMMET-NYLON, 7/8"ID - WINEGARD# 3200858
	078319-01-706	EA	CRANK-ELEVATING, W/SET SCREW - WINEGARD# 5755100
	078319-01-707	EA	SPRING-HANDLE, WINEGARD# 5180800
	078319-01-709	EA	PLATE-DIRECTIONAL, FOR HEAD - WINEGARD #3200644
	078319-08-000	EA	ADAPTER-CABLE ROOF PLATE, WINEGARD RPJ-1
	082134-01-000	EA	ADAPTER-TV, CABLE TO CABLE - WINEGARD F-81M
	082138-01-000	EA	NUT-HEX JAM 3/8-32, WINEGARD
	078319-08-000	EA	WALLPLATE-CABLE RECEPTACLE, TV - SINGLE - BROWN
	088777-03-000	EA	WALLPLATE-TV CABLE, W/ANTENNA SWITCH - IVORY
	108043-01-000	EA	CABLE TIE-SCREW MOUNT 8" DENNISON 08415
	078319-03-000	FT	CABLE-COAXIAL, 75 OHM
	078319-12-000	EA	CONNECTOR-COAXIAL- ONE PIECE
	086756-01-000	EA	SPLITTER-TV, 2 WAY
	088757-03-000	EA	CONTROL CENTER-SWITCH, VCR/TV - MAGNADYNE VCS-6
	088777-04-000	EA	PLATE-WALL, ANTENNA/POWER - BROWN FROM: 00-00-00 THRU: 04-14-93
	088777-08-000	EA	PLATE-WALL, ANTENNA/POWER - BROWN - WINEGARD RV-0931 FROM: 04-15-93 THRU: 99-99-99

## BATH GROUP

### EXTERIOR SHOWER COMPONENTS

KEY	PART NUMBER	U/M	DESCRIPTION
	075241-05-000	EA	FAUCET-SHOWER, BONE (EXTERIOR SHOWER)
	093527-02-000	EA	BRACKET-SQUEEGEE/SHOWER HEAD (EXTERIOR SHOWER)
	103082-01-000	EA	SHOWER HEAD-W/90 IN HOSE (EXTERIOR SHOWER)
	103082-01-700	EA	BRACKET-SHOWER HEAD
	106289-02-000	EA	BRACKET-SUPPORT, FAUCET (EXTERIOR SHOWER)

### BATH PRIVACY DOOR

KEY	PART NUMBER	U/M	DESCRIPTION
	106394-01-01A	EA	JAMB-DOOR, EXTRUDED PLASTIC - 7' LONG - OAK
	M87868-09-C03	EA	DOOR-PRIVACY, BATH - W/O HARDWARE FROM: 00-00-00 THRU: 02-21-93
	M87868-17-D04	EA	DOOR-PRIVACY, BATH - W/O HARDWARE FROM: 02-22-93 THRU: 99-99-99
	094485-01-01A	EA	KNOB-DOOR-POLISHED BRASS FROM: 00-00-00 THRU: 09-23-92
	094485-02-01A	EA	KNOB-DOOR-POLISHED BRASS FROM: 02-24-92 THRU: 99-99-99
	103257-01-000	EA	STOP-DOOR

## 1993 WINNEBAGO TABLE OF CONTENTS

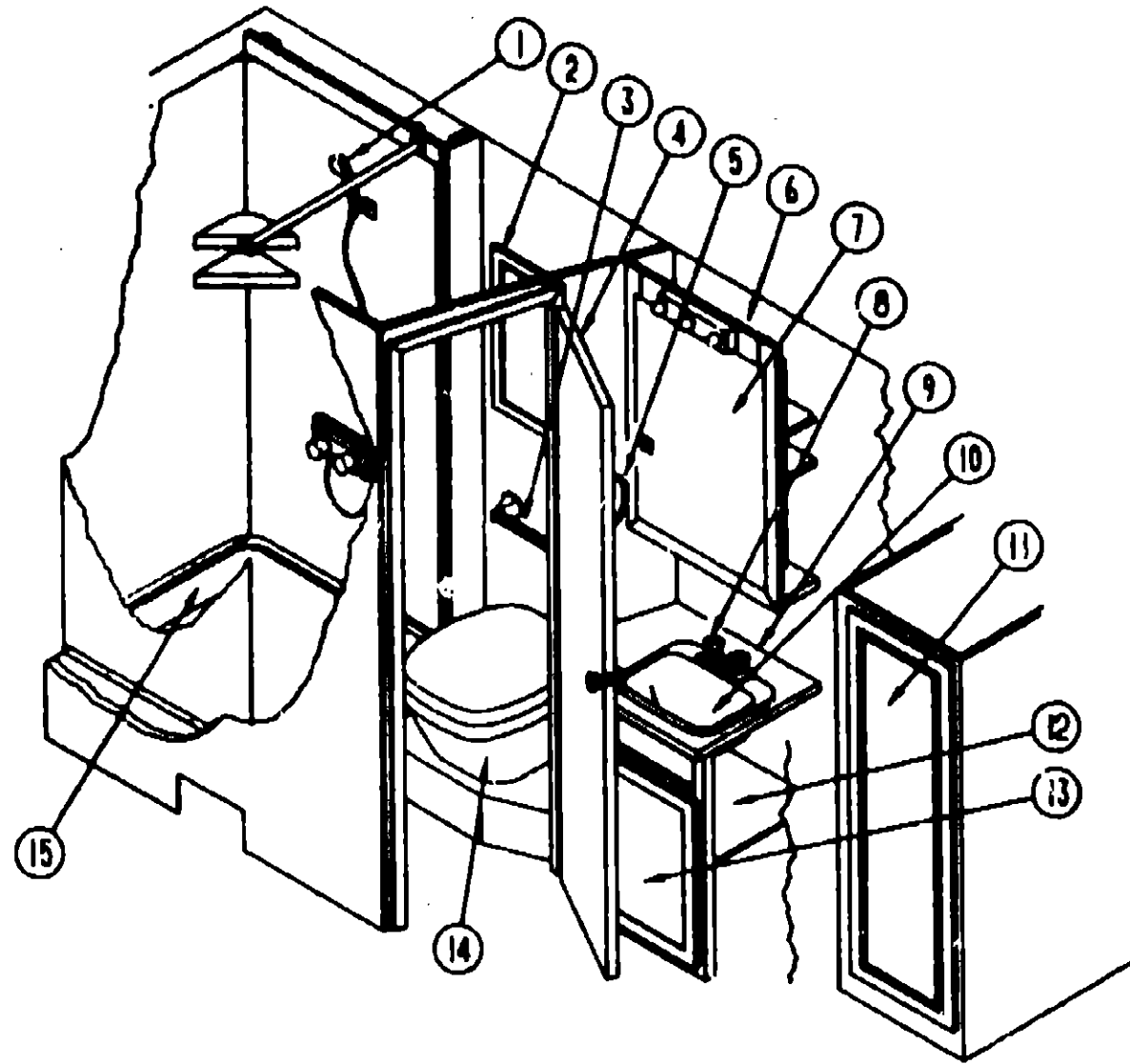
INTRODUCTION	A-01	-	A-02
ABBREVIATIONS			A-03
ALPHABETICAL INDEX	A-04	-	A-08
WC424RC	A-07	-	E-02
WC422RG	E-03	-	H-18

## 1993 WC424RC INDEX

FLOOR PLAN	A-07	-	A-08
ACCESSORIES			A-09
AUDIO VIDEO	A-10	-	A-11
BATH	A-12	-	A-14
BEDROOM			A-15
CHASSIS	A-18	-	A-20
CURTAIN & CUSHION	A-21	-	B-08
DINETTE	B-09	-	B-10
DRIVERS COMPARTMENT	B-11	-	B-14
ELECTRICAL	B-15	-	B-18
EXTERIOR BODY	B-19	-	C-03
GALLEY	C-04	-	C-07
GENERATOR			C-08
HEATING & A/C	C-09	-	C-10
INTERIOR FINISH	C-11	-	C-14
LABELS	C-15	-	C-22
LP			C-23
LOUNGE			C-24
SEALANTS & FASTENERS	D-01	-	D-04
WATER & SEWAGE	D-05	-	D-10
WINDOW, VENT AND EXTERIOR DOOR	D-11	-	E-02

## BATH GROUP (CONTINUED)

### BATH & SHOWER CABINETS & FIXTURES



KEY	PART NUMBER	U/M DESCRIPTION
10	099927-01-01A	EA SINK-LAVATORY, RECTANGULAR - PLASTIC - BONE
	099927-01-700	EA SINK-STOPPER
	099927-01-701	EA TAILPIECE-SINK STOPPER
11	P06223-44-D04	EA DOOR-CABINET, W/O HARDWARE - 395 X 1155MM
	042438-01-000	EA DOWEL-WOOD, CLOTHES ROD - 1" DIAMETER X 4'
	009112-01-000	EA FLANGE-1" ROD, CLOTHES - PLASTIC - OFF WHITE
	091253-01-000	EA GASKET-FAUCET, LAVATORY/GALLEY
12	M05752-01-D04	EA CABINET-LAVATORY, W/O DOOR & HARDWARE
12	M05752-01-D05	EA CABINET-LAVATORY, W/O DOOR & HARDWARE
12	M05752-02-D04	EA CABINET-LAVATORY, W/O DOOR & HARDWARE (CANADIAN)
12	M05752-02-D05	EA CABINET-LAVATORY, W/O DOOR & HARDWARE (CANADIAN)
13	P05223-84-C03	EA DOOR-CABINET, W/O HARDWARE - 385 X 555MM
	075452-02-000	EA HOLDER-TOILET TISSUE, BRASS
14	087487-01-000	EA TOILET-12.37", IVORY - HAND FLUSH - THETFORD 150110
	063740-01-700	EA LEVER-WATER, THETFORD 12514
	063740-01-701	EA LEVER-FLUSH, THETFORD 12515
	063740-01-706	EA BOLT PACKAGE-CLOSET, THETFORD 12524
	063740-01-710	EA LINK, THETFORD 12513
	063740-01-711	EA SPRING-RETURN LEVER, THETFORD 12523
	063740-01-713	EA SEAL-BALL VALVE TO BOWL, THETFORD 12502
	063740-01-714	EA VALVE ASM-WATER, THETFORD 12492
	063740-01-718	EA SEAT & COVER, THETFORD 15017
	063740-01-717	EA TUBE-FLUSH, TOILET - THETFORD 12509
	057871-01-000	EA COVER-SCREW, #8 - PLASTIC - OFF WHITE
15	M02673-05-B13	EA PAN-SHOWER, 29.8" X 22.7" X 5.7" - OFF WHITE - PLASTIC
	066436-01-000	EA NUT-SLIP, TAILPIECE - 1.5"
	066440-01-000	EA STRAINER-SHOWER, W/RUBBER WASHER
	069735-01-000	EA WASHER-STRAINER TO TAILPIECE, PLASTIC - 1.5"

## 1993 WINNEBAGO TABLE OF CONTENTS

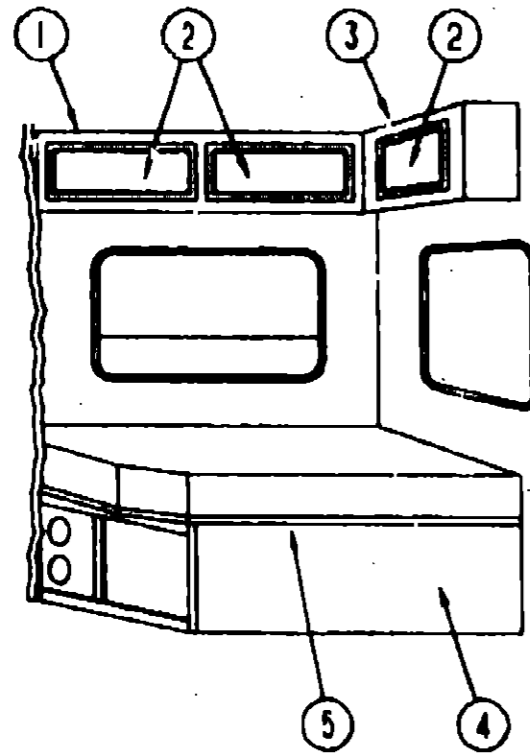
INTRODUCTION	A-01 - A-02
ABBREVIATIONS	A-03
ALPHABETICAL INDEX:	A-04 - A-08
WC424RC	A-07 - E-02
WC422RG	E-03 - H-18

## 1993 WC424RC INDEX

FLOOR PLAN	A-07 - A-08
ACCESSORIES	A-09
AUDIO VIDEO	A-10 - A-11
BATH	A-12 - A-14
BEDROOM	A-15
CHASSIS	A-16 - A-20
CURTAIN & CUSHION	A-21 - B-08
DINETTE	B-09 - B-10
DRIVERS COMPARTMENT	B-11 - B-14
ELECTRICAL	B-15 - B-18
EXTERIOR BODY	B-19 - C-03
GALLEY	C-04 - C-07
GENERATOR	C-08
HEATING & A/C	C-09 - C-10
INTERIOR FINISH	C-11 - C-14
LABELS	C-15 - C-22
LP	C-23
LOUNGE	C-24
SEALANTS & FASTENERS	D-01 - D-04
WATER & SEWAGE	D-05 - D-10
WINDOW, VENT AND	
EXTERIOR DOOR	D-11 - E-02

KEY	PART NUMBER	U/M DESCRIPTION
1	103092-01-000	EA HEAD-SHOWER, W/60 IN HOSE
	103092-01-700	EA BRACKET-SHOWER HEAD
	075241-05-000	EA FAUCET-SHOWER, BONE
	075606-01-000	EA PANEL-FAUCET BACK, SHOWER - 5" X 9" - PLASTIC
2	058331-21-000	EA MIRROR-GLASS, SAFETY - 436 X 836MM
3	075453-02-000	EA BAR-TOWEL, 18" BRASS
4	M87869-09-C03	EA DOOR-BATH PRIVACY, W/O HARDWARE
5	075454-02-000	EA RING-TOWEL, W/MOUNTING HARDWARE - BRASS
6	106978-02-C03	EA CABINET-MEDICINE, W/O DOOR & HARDWARE
7	P03661-01-C03	EA DOOR-CABINET, W/MIRROR - W/O HARDWARE - 15.5" X 29.5"
	093446-10-B05	EA MIRROR-WOOD FRAMED
	M03450-11-000	EA TRIM-MIRROR, WOOD - OAK
	058331-32-000	EA MIRROR-GLASS, SAFETY - 13.6" X 27.6"
8	075240-06-000	EA FAUCET-LAVATORY, BONE
9	107154-11-D04	EA COUNTERTOP-CABINET, LAVATORY
9	107154-11-D05	EA COUNTERTOP-CABINET, LAVATORY

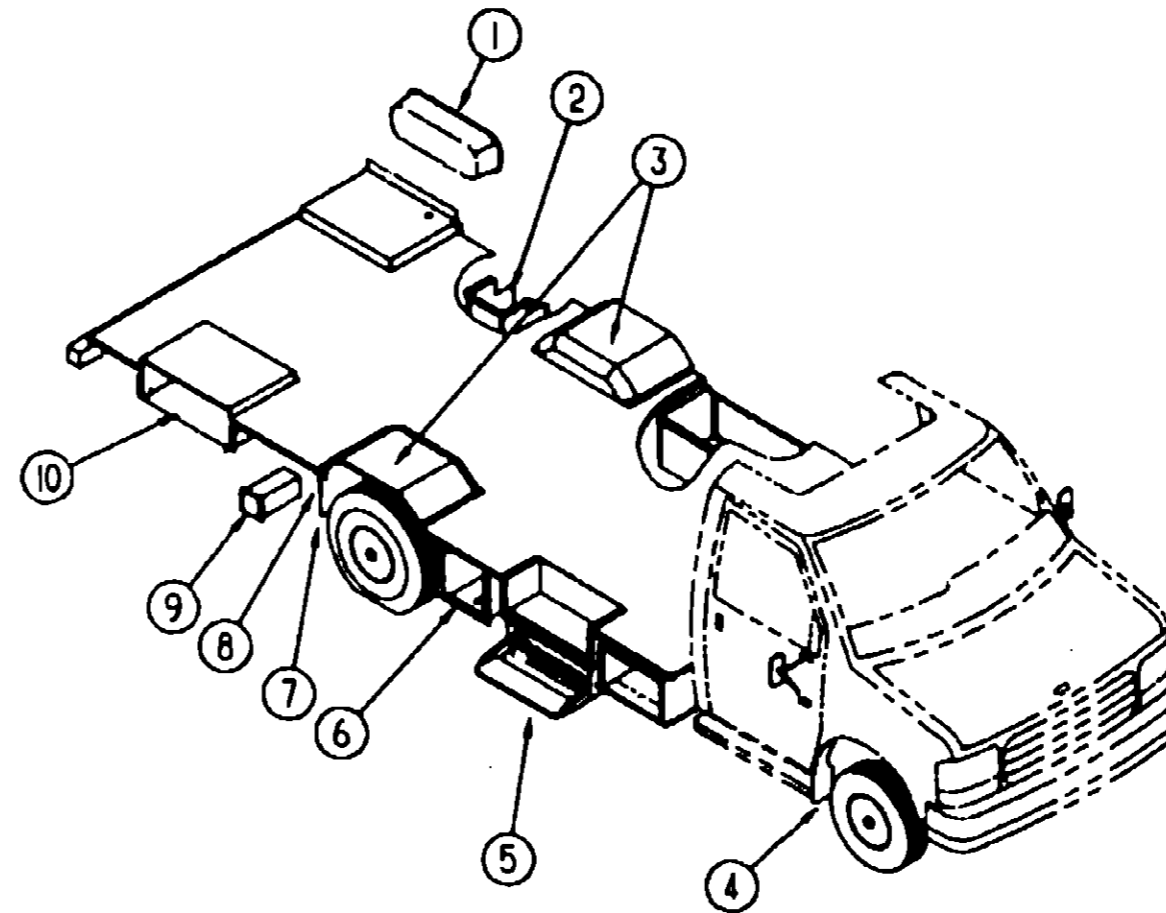
## BEDROOM GROUP



### DOUBLE BEDROOM

KEY	PART NUMBER	U/M	DESCRIPTION
1	M05778-38-D04	EA	CABINET-OVERHEAD, REAR RIGHT - W/O DOOR & HARDWARE
1	M05778-38-D05	EA	CABINET-OVERHEAD, REAR RIGHT - W/O DOOR & HARDWARE
2	P05223-42-D04	EA	DOOR-CABINET, W/O HARDWARE - 400 X 710MM
3	M05778-39-D04	EA	CABINET-OVERHEAD, REAR - W/O DOOR & HARDWARE
3	M05778-39-D05	EA	CABINET-OVERHEAD, REAR - W/O DOOR & HARDWARE
4	P07083-01-C52	EA	CABINET-DOUBLE BED, W/O CABINET TOPS
4	P05223-36-C03	EA	DOOR-CABINET, BED CABINET - W/O HARDWARE - 305 X 555MM
5	M05747-02-C52	EA	TOP-CABINET, DOUBLE BED - DRIVER SIDE
5	M05747-01-000	EA	TOP-CABINET, DOUBLE BED - PASSENGER SIDE
	089076-03-000	EA	SUPPORT-BED, H-CHANNEL - 1.96' X 7.17' - ALUMINUM - BEIGE

## CHASSIS GROUP



### COMPARTMENTS

KEY	PART NUMBER	U/M	DESCRIPTION
1	106208-01-01A	EA	COMPARTMENT-SHOWER, EXTERIOR - OFF WHITE
2	101868-06-000	EA	COMPARTMENT-POWER CORD (CHEVY)
2	101868-07-000	EA	COMPARTMENT-POWER CORD (FORD)
3	096322-01-000	EA	WHEELWELL-PLASTIC
4	064089-01-700	EA	FLAP-MUD, FRONT - SET OF 2 RUBBER - BLACK
5	077848-02-000	EA	STEP-PULLOUT
	076241-09-000	EA	SUPPORT-STEP, ENTRY DOOR
	091176-01-000	EA	SUPPORT-BASE, ENTRANCE STEP
6	105203-02-000	EA	COMPARTMENT-BATTERY
	084993-01-000	EA	STRAP-BATTERY, 1100MM LONG
	084993-02-000	EA	STRAP-BATTERY, 1400MM LONG
7	017516-01-000	EA	FLAP-MUD, 14" X 18" - BLACK - REAR
8	045731-04-000	EA	GUARD-ROCK, REAR
9	085967-01-000	EA	COMPARTMENT-SEWER HOSE, 6" X 6.6" X 17.8' - PLASTIC
10	105471-04-000	EA	COMPARTMENT-GENERATOR
	065450-02-000	EA	TIEDOWN-BATTERY, 14.3 TUBE
	058027-01-000	FT	SEAL - D SHAPED, HOLLOW - SPONGE RUBBER - BLACK
	061420-01-000	EA	PLUG-PLASTIC, 1.75" - BROWN
	077931-01-000	EA	CAP-PLASTIC, .56" ID - BLACK

## 1993 WINNEBAGO TABLE OF CONTENTS

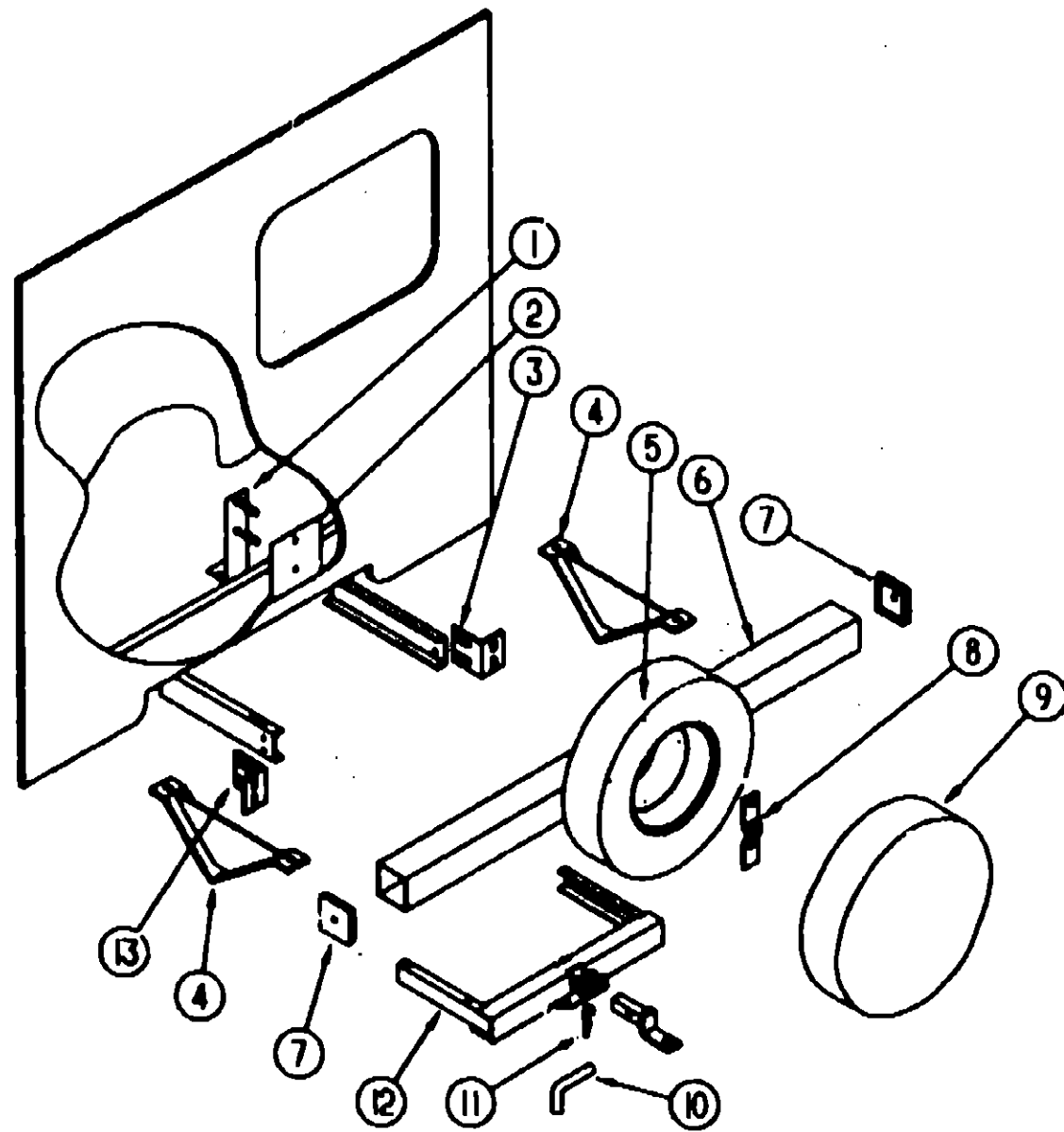
INTRODUCTION	A-01 - A-02
ABBREVIATIONS	A-03
ALPHABETICAL INDEX	A-04 - A-08
WC424RC	A-07 - E-02
WC422RQ	E-03 - H-18

### 1993 WC424RC INDEX

FLOOR PLAN	A-07 - A-08
ACCESSORIES	A-09
AUDIO VIDEO	A-10 - A-11
BATH	A-12 - A-14
BEDROOM	A-15
CHASSIS	A-16 - A-20
CURTAIN & CUSHION	A-21 - B-08
DINETTE	B-09 - B-10
DRIVERS COMPARTMENT	B-11 - B-14
ELECTRICAL	B-15 - B-18
EXTERIOR BODY	B-19 - C-03
GALLEY	C-04 - C-07
GENERATOR	C-08
HEATING & A/C	C-09 - C-10
INTERIOR FINISH	C-11 - C-14
LABELS	C-15 - C-22
LP	C-23
LOUNGE	C-24
SEALANTS & FASTENERS	D-01 - D-04
WATER & SEWAGE	D-05 - D-10
WINDOW, VENT AND EXTERIOR DOOR	D-11 - E-02

# CHASSIS GROUP (CONTINUED)

## REAR BUMPER, HITCH & SPARE TIRE CARRIER



KEY	PART NUMBER	UOM	DESCRIPTION
1	105208-05-C62	EA	BRACKET ASM-SPARE TIRE
2	105208-01-000	EA	PLATE-SPARE TIRE
3	104420-01-000	EA	SUPPORT-ANGLE, BUMPER REAR-RIGHT
4	083378-01-000	EA	PLATE-SKID, 13.2" X 6" X 2" - STEEL
5	108715-01-000	EA	TIRE-LT 225/75R18 LRD, 550 AS - GENERAL 0104924 (CHEVY) RIMS CHASSIS PROVIDED
5	070917-04-000	EA	TIRE-LT 215 - 86R18 LRD - 4RS - FIRESTONE 273296 (CHEVY)
5	083425-08-000	EA	TIRE-LT225/75R18 LRD, MICHELIN XCH4 (FORD) FROM: 00-00-00 THRU: 10-05-92
5	083425-09-000	EA	TIRE-LT225/75R18 LRD, MICHELIN XCH4 (FORD) FROM: 10-06-92 THRU: 99-99-99
5	083817-03-000	EA	WHEEL-STEEL, 16.0X8 - ACCURIDE 28618 (FORD)
	051377-01-000	EA	STEM-VALVE, TR 500
	051377-03-000	EA	STEM-VALVE, TR 600
	077030-02-000	EA	EXTENSION-VALVE STEM, 1.25"
	095012-03-000	EA	EXTENSION-VALVE STEM, DUAL WHEEL
	080208-01-000	EA	WRENCH-LUG, 1.06 X 1.00 - CHEVY
	080208-02-000	EA	BAR-LEVERAGE, LUG WRENCH - CHEVY
	108818-01-000	EA	KNOB-HOLD DOWN, JACK - FORD (MOUNTED UNDER HOOD) JACK IS CHASSIS PROVIDED & MOUNTED UNDER HOOD
	112358-01-000	EA	WRENCH-LUG, 7/8 - L-SHAPE (FORD CHASSIS PROVIDED EARLIER) FROM: 05-10-93 THRU: 99-99-99
6	103422-02-01A	EA	BUMPER-SQUARE, ALUMINUM-OFF WHITE
7	039779-01-000	EA	CAP-BUMPER, RUBBER - 4" X 4" - BLACK
8	105531-02-000	EA	RETAINER ASM-SPARE TIRE
9	104408-05-D04	EA	COVER-TIRE, 32" MINNIE WINNIE - SILKSCREENED - OFF WHITE
10	034512-01-000	EA	PIN-LOCKING, DRAWBAR
11	034513-01-000	EA	PIN-HITCH, 3/16" WIRE
12	077617-02-000	EA	HITCH-TRAILER, W/O DRAWBAR - 41.1" WIDE - STEEL - BLACK
	077613-01-000	EA	DRAWBAR ASM ONLY
13	104420-02-000	EA	SUPPORT-ANGLE, BUMPER REAR-LEFT
	097744-01-000	EA	HOUSING-TRAILER PIN, 12"
	097744-02-000	EA	HOUSING-TRAILER PIN, 48"
	097748-01-000	EA	HOUSING CAP-TRAILER PIN
	097745-01-000	EA	HOUSING-TRAILER RECEPTACLE-12"
	097745-02-000	EA	HOUSING-RECEPTACLE, TRAILER - 48" WIRE LENGTH

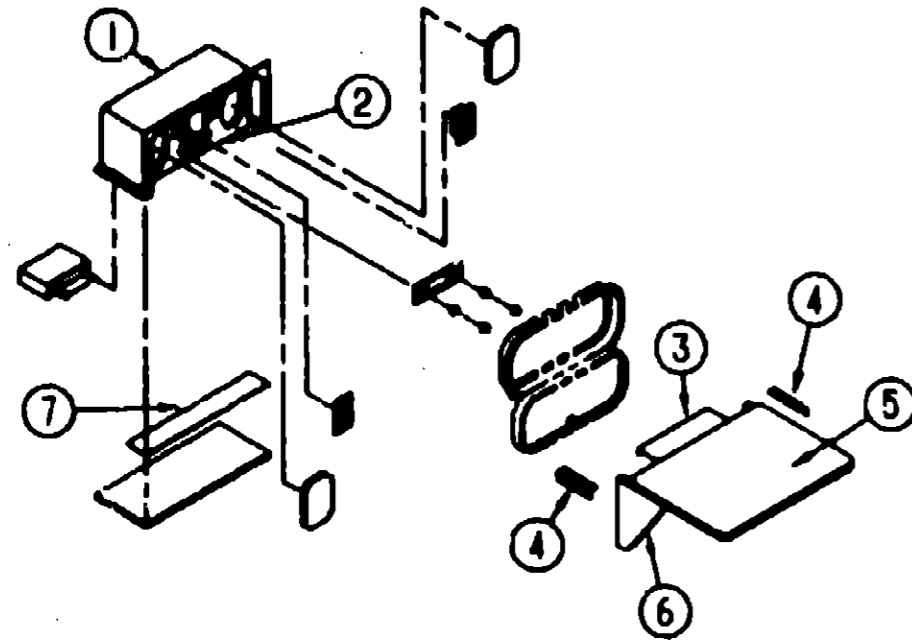
## 1993 WINNEBAGO TABLE OF CONTENTS

INTRODUCTION	A-01 - A-02
ABBREVIATIONS	A-03
ALPHABETICAL INDEX	A-04 - A-08
WC424RC	A-07 - E-02
WC422RG	E-03 - H-18

## 1993 WC424RC INDEX

FLOOR PLAN	A-07 - A-08
ACCESSORIES	A-09
AUDIO VIDEO	A-10 - A-11
BATH	A-12 - A-14
BEDROOM	A-15
CHASSIS	A-16 - A-20
CURTAIN & CUSHION	A-21 - B-08
DINETTE	B-09 - B-10
DRIVERS COMPARTMENT	B-11 - B-14
ELECTRICAL	B-15 - B-18
EXTERIOR BODY	B-19 - C-03
GALLEY	C-04 - C-07
GENERATOR	C-08
HEATING & A/C	C-09 - C-10
INTERIOR FINISH	C-11 - C-14
LABELS	C-15 - C-22
LP	C-23
LOUNGE	C-24
SEALANTS & FASTENERS	D-01 - D-04
WATER & SEWAGE	D-05 - D-10
WINDOW, VENT AND EXTERIOR DOOR	D-11 - E-02

### CHASSIS GROUP (CONTINUED)



#### ENTERTAINMENT COMPARTMENT

KEY	PART NUMBER	U/M	DESCRIPTION
1	104897-01-01A	EA	BOX-ENTERTAINMENT CENTER, OFF WHITE
2	104899-01-004	EA	PLATE-RADIO MOUNTING
3	105377-01-01A	EA	BRACKET-TABLE HANGER - OFF WHITE
	105377-01-03A	EA	BRACKET-TABLE HANGER - MILL
4	105376-01-02A	EA	HINGE-CONTINUOUS, 2" X 140MM - OFF WHITE
5	105230-11-005	EA	SHELF ASM.
6	105230-12-009	EA	SUPPORT ASM.
7	104898-01-01A	EA	PLATE-PLASTIC BOTTOM, OFF WHITE

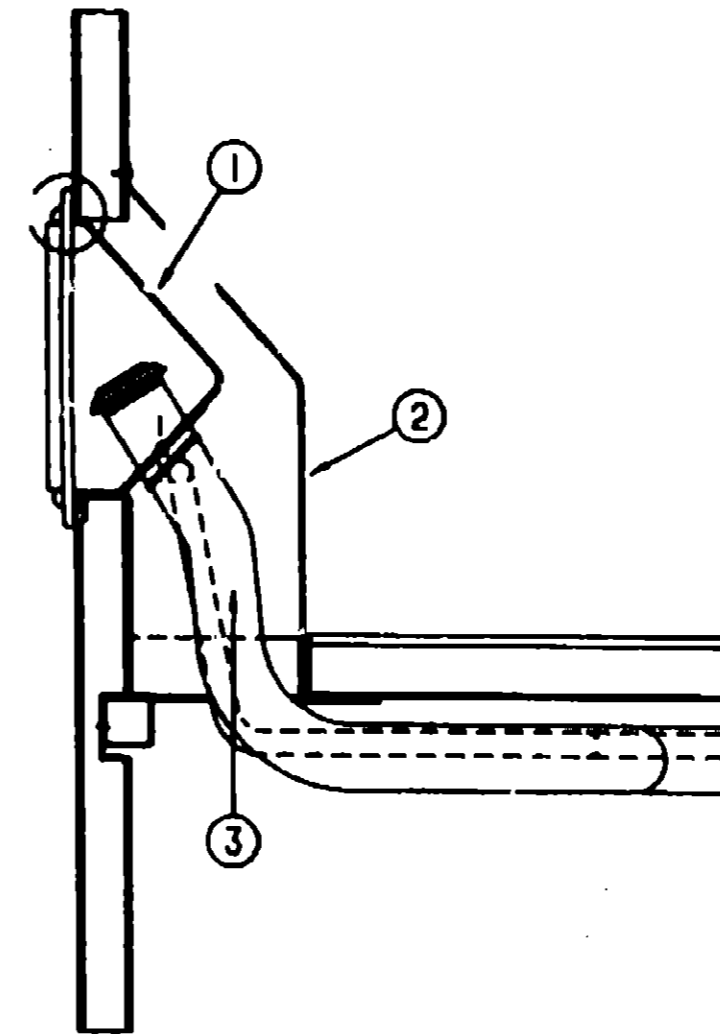
#### EXHAUST SYSTEM

KEY	PART NUMBER	U/M	DESCRIPTION
	091182-01-000	EA	SHIELD-HEAT, LP

#### WHEEL LINERS & COVERS

KEY	PART NUMBER	U/M	DESCRIPTION
	108068-01-000	EA	COVER-WHEEL, 16" - SET OF 4 - DICOR #SHUB16
	108068-01-700	EA	COVER-WHEEL, 16" - 1 ONLY - SHUB16-1 DICOR
	091209-11-000	EA	LINER-WHEEL, SET 4 E350-KAPER II (FRONT ONLY)
	091209-10-700	EA	COVER-AXLE, FRONT - 8 LUG - FORD
	091209-10-701	EA	COVER-AXLE, REAR - 8 LUG - FORD
	091209-10-704	EA	NUT-LUG, W/WASHER - SHORT - KAPER 52
	091209-10-705	EA	COVER-LUG NUT
	091209-10-706	EA	GASKET-FRONT AXLE COVER, RUBBER
	091209-11-700	EA	LINER-WHEEL, FRONT - 8 LUG - FORD
	091209-11-701	EA	LINER-WHEEL, REAR - 8 LUG - FORD
	091209-11-702	EA	NUT-LUG, W/WASHER - LONG - KAPER 51

### CHASSIS GROUP (CONTINUED)



#### FUEL SYSTEM COMPONENTS

KEY	PART NUMBER	U/M	DESCRIPTION
1	095854-01-02A	EA	SHROUD-FUEL FILL, PLASTIC - OFF WHITE
2	078040-06-000	EA	SHROUD-FUEL FILL, UPPER - PLASTIC
3	074888-03-000	EA	NECK-FUEL FILL, MAIN - CHEVY
3	074888-04-000	EA	NECK-FUEL FILL, MAIN - CHEVY
			FROM: 00-00-00 THRU: 05-30-93
3	106412-01-000	EA	NECK-FUEL FILL, MAIN - FORD - GAS
3	106412-02-000	EA	NECK-FUEL FILL, MAIN - FORD - DIESEL
	078200-01-000	EA	GASKET-FUEL FILL, 3.5"OD X 2"ID
	007063-01-000	FT	HOSE-GAS 1/4"ID X 1/2"OD
	044317-01-000	FT	HOSE-FUEL, 3/8" ID
	087269-01-000	EA	TEE-1/4" X 1/4" X 1/4", BRASS
			FROM: 05-31-93 THRU: 99-99-99

### 1993 WINNEBAGO TABLE OF CONTENTS

INTRODUCTION	A-01	A-02
ABBREVIATIONS		A-03
ALPHABETICAL INDEX	A-04	A-08
WC424RC	A-07	E-02
WC422RG	E-03	H-18

### 1993 WC424RC INDEX

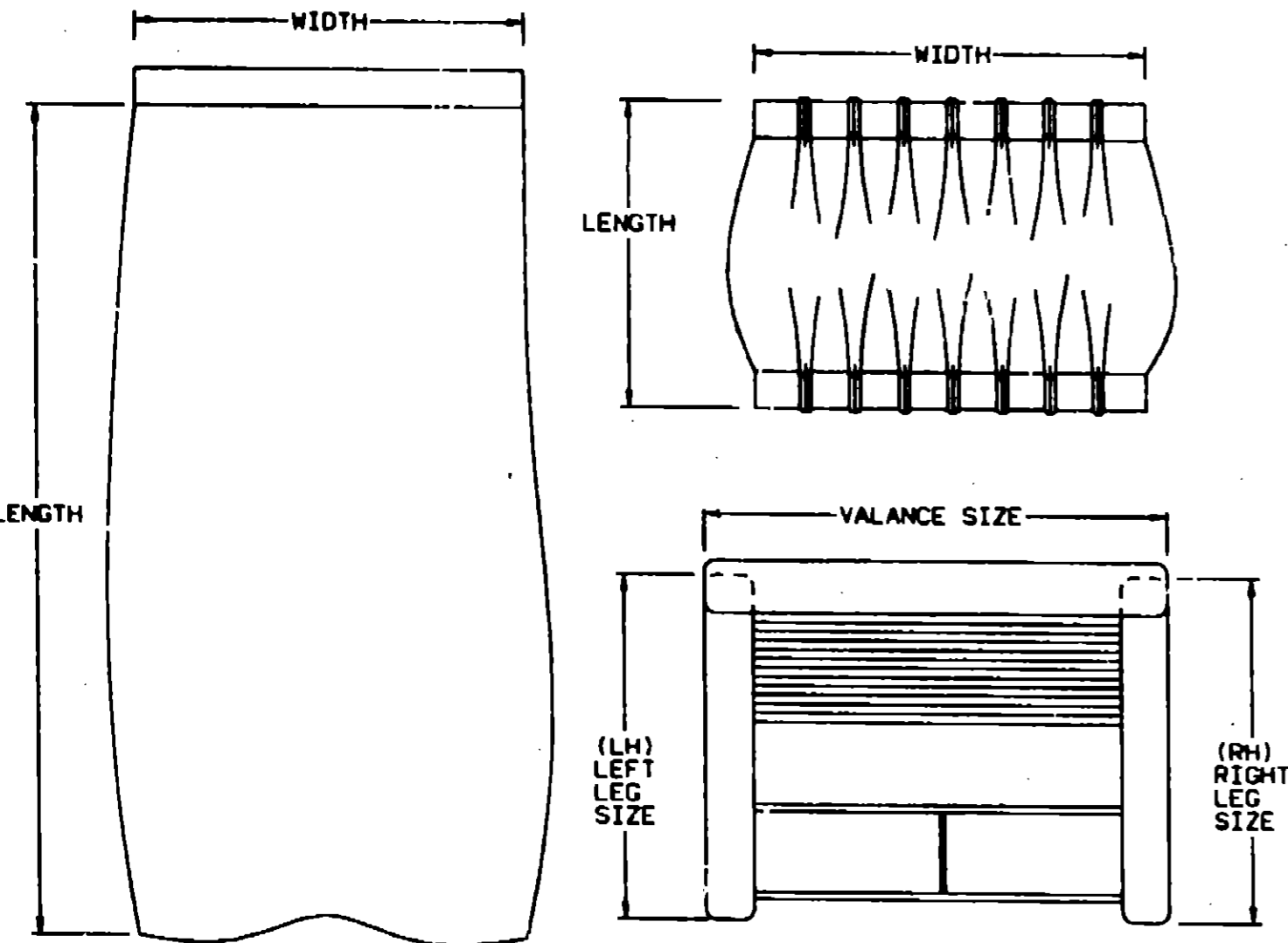
FLOOR PLAN	A-07	A-08
ACCESSORIES		A-09
AUDIO VIDEO	A-10	A-11
BATH	A-12	A-14
BEDROOM		A-15
CHASSIS	A-16	A-20
CURTAIN & CUSHION	A-21	B-08
DINETTE	B-09	B-10
DRIVERS COMPARTMENT	B-11	B-14
ELECTRICAL	B-15	B-18
EXTERIOR BODY	B-19	C-03
GALLEY	C-04	C-07
GENERATOR		C-08
HEATING & A/C	C-09	C-10
INTERIOR FINISH	C-11	C-14
LABELS	C-15	C-22
LP		C-23
LOUNGE		C-24
SEALANTS & FASTENERS	D-01	D-04
WATER & SEWAGE	D-05	D-10
WINDOW, VENT AND EXTERIOR DOOR	D-11	E-02

## CURTAIN & CUSHION GROUP

### NOTICE

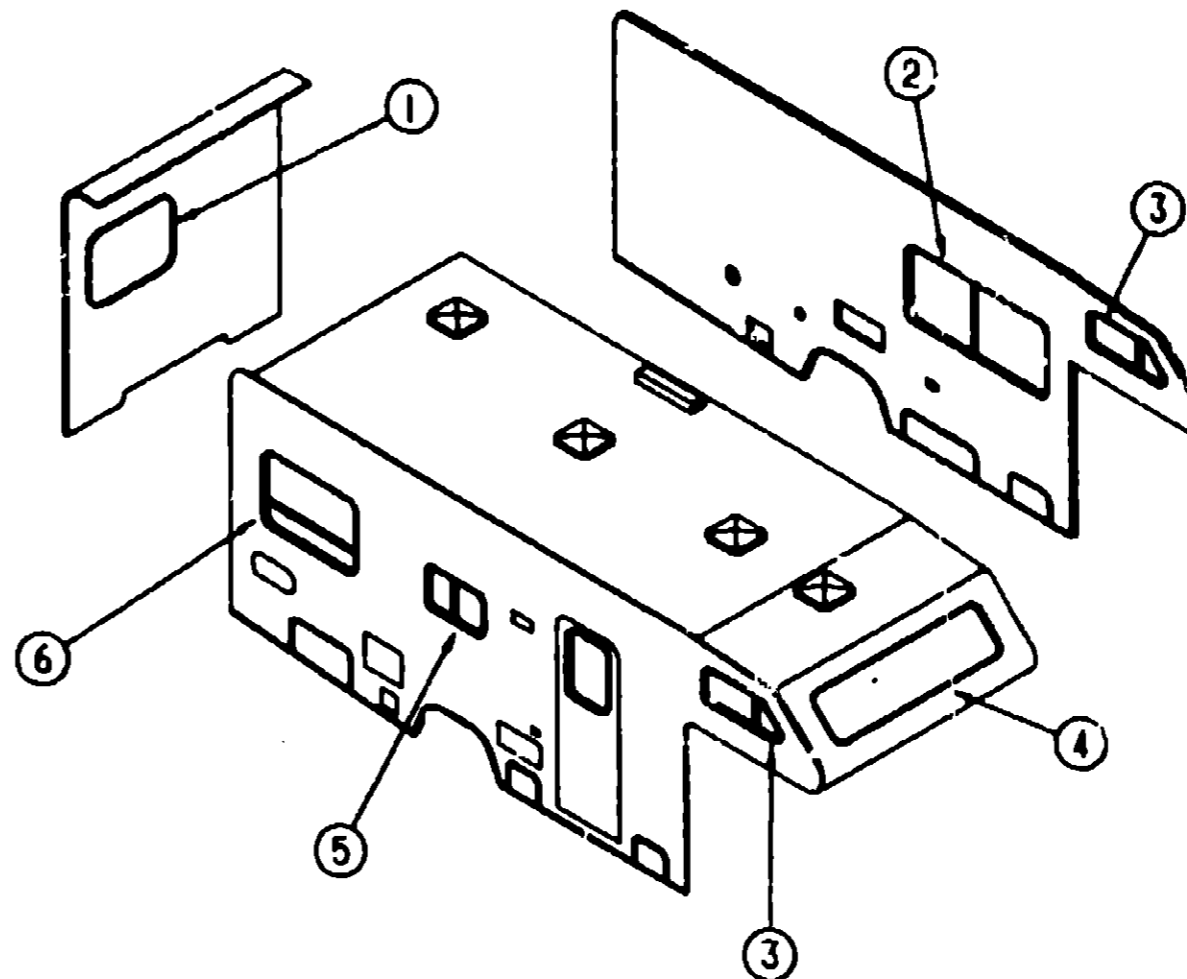
IN ORDER TO ASSIST OUR PARTS SALES DEPT. IN PROVIDING INTERIOR SOFTWARE ITEMS, PLEASE INCLUDE THE SERIAL NUMBER AND THE COLOR CODE NUMBER FROM THE VEHICLE CERTIFICATION LABEL WHEN ORDERING. THIS LABEL IS LOCATED ON THE LEFT SIDEWALL AT THE END OF THE DASH (A-BODY), OR ON THE DRIVER'S DOOR LATCH PLATE (C-BODY).

AN EXAMPLE OF A COLOR CODE NUMBER IS B07, WHICH DESIGNATES AN OVERALL COLOR SCHEME OF A PARTICULAR UNIT. THE COLOR LISTED AFTER THE ITEM DESCRIPTION ON THE MICROFICHE, INDICATES THE OVERALL UNIT COLOR. ORDER THE ITEM YOU DESIRE ACCORDING TO UNIT COLOR CODE.



NOTE: USE THIS ILLUSTRATION WHEN DETERMINING LENGTH AND WIDTH MEASUREMENTS FOR CURTAINS. YOU WILL NOTE THE WIDTH MEASUREMENT IS TAKEN ON THE TOP OF THE CURTAIN WITH THE CURTAIN FULLY EXTENDED. THE LENGTH MEASUREMENT IS TAKEN FROM TOP TO BOTTOM. LEFT AND RIGHT WINDOW LEGS ARE DETERMINED WHEN FACING

## CURTAIN & CUSHION GROUP (CONTINUED)



## 1993 WINNEBAGO TABLE OF CONTENTS

INTRODUCTION	A-01 - A-02
ABBREVIATIONS	A-03
ALPHABETICAL INDEX	A-04 - A-08
WC424RC	A-07 - E-02
WC422RG	E-03 - H-18

### CURTAINS & WINDOW TREATMENT

KEY	PART NUMBER	U/M	DESCRIPTION	
1	107893-07-D04	EA	VALANCE-WINDOW, 41"	
1	107893-07-D05	EA	VALANCE-WINDOW, 41"	
1	104157-01-C26	EA	LEG-CURTAIN, 27" - RIGHT (D04)	
1	104157-01-C52	EA	LEG-CURTAIN, 27" - RIGHT (D05)	
1	104157-02-C26	EA	LEG-CURTAIN, 27" - LEFT (D04)	
1	104157-02-C52	EA	LEG-CURTAIN, 27" - LEFT (D05)	
1	084755-86-D04	EA	SHADE-PULL, 49.25"	FROM: 00-00-00 THRU: 08-16-92
1	084755-86-D05	EA	SHADE-PULL, 49.25"	FROM: 00-00-00 THRU: 08-16-92
1	084755-86-DA4	EA	SHADE-PULL, 49.25"	FROM: 08-17-92 THRU: 99-99-99
1	073260-52-D04	EA	TIEBACK-CURTAIN, 3" X 15" - GATHERED	
1	073260-52-D05	EA	TIEBACK-CURTAIN, 3" X 15" - GATHERED	
2	107993-01-D04	EA	VALANCE-WINDOW, 65"	
2	107993-02-D05	EA	VALANCE-WINDOW, 65"	
2	109041-01-02A	EA	BLIND-MINI, 62" X 28.5" - PURE SILVER (D04)	
2	109041-01-01A	EA	BLIND-MINI, 62" X 28.5" - GLOSS FAWN (D05)	

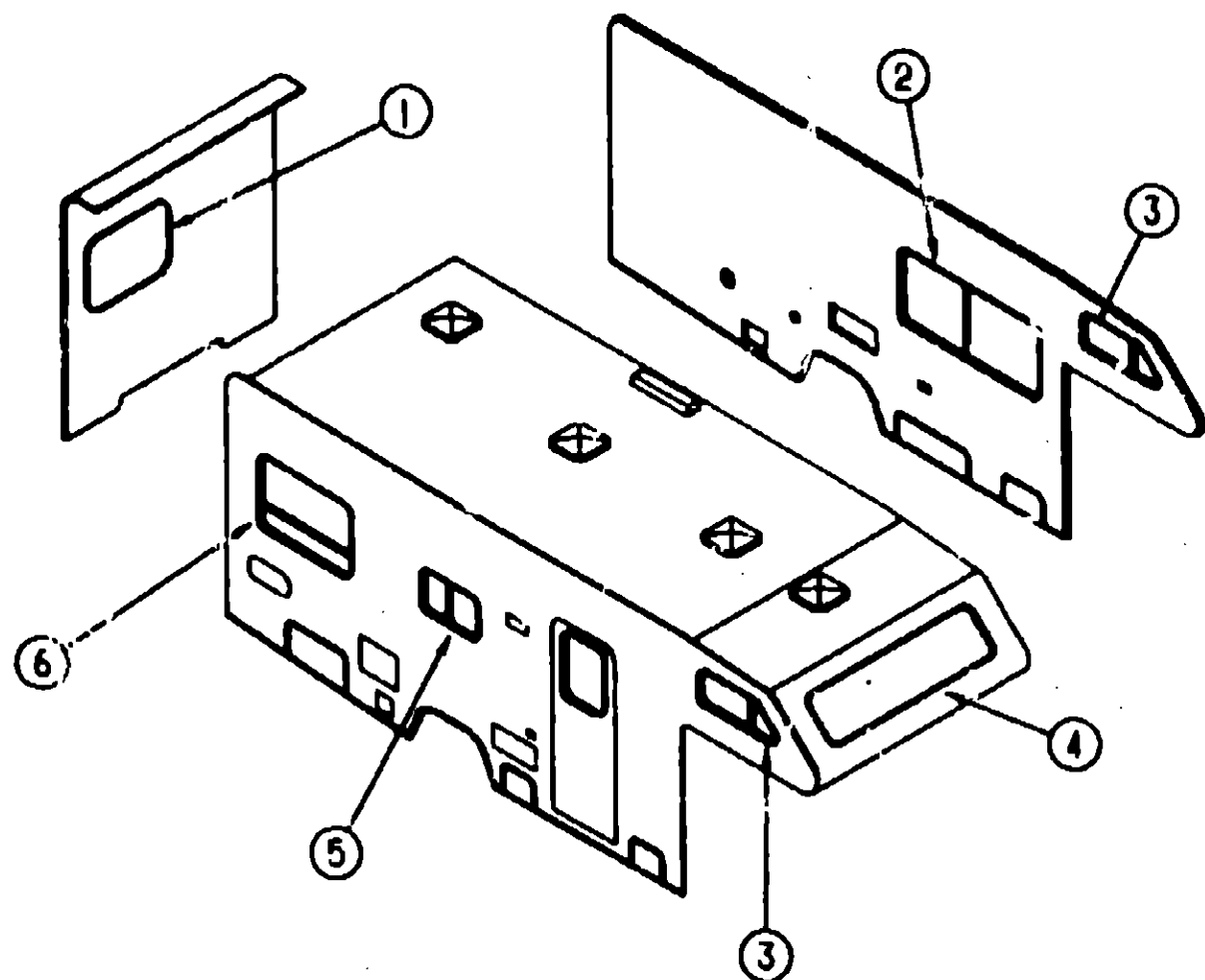
### 1993 WC424RC INDEX

FLOOR PLAN	A-07 - A-08
ACCESSORIES	A-09
AUDIO VIDEO	A-10 - A-11
BATH	A-12 - A-14
BEDROOM	A-15
CHASSIS	A-16 - A-20
CURTAIN & CUSHION	A-21 - B-08
DINETTE	B-09 - B-10
DRIVERS COMPARTMENT	B-11 - B-14
ELECTRICAL	B-15 - B-18
EXTERIOR BODY	B-19 - C-03
GALLEY	C-04 - C-07
GENERATOR	C-08
HEATING & A/C	C-09 - C-10
INTERIOR FINISH	C-11 - C-14
LABELS	C-15 - C-22
LP	C-23
LOUNGE	C-24
SEALANTS & FASTENERS	D-01 - D-04
WATER & SEWAGE	D-05 - D-10
WINDOW, VENT AND EXTERIOR DOOR	D-11 - E-02



## CURTAIN & CUSHION GROUP (CONTINUED)

### CURTAINS & WINDOW TREATMENT (CONTINUED)



KEY	PART NUMBER	U/M	DESCRIPTION
8	107893-08-D04	EA	VALANCE-WINDOW, 45"
8	107893-08-D05	EA	VALANCE-WINDOW, 45"
8	104157-01-C26	EA	LEG-CURTAIN, 27" - RIGHT (D04)
8	104157-01-C52	EA	LEG-CURTAIN, 27" - RIGHT (D05)
8	104157-02-C26	EA	LEG-CURTAIN, 27" - LEFT (D04)
8	104157-02-C52	EA	LEG-CURTAIN, 27" - LEFT (D05)
8	084755-09-D04	EA	SHADE-PULL, 42.25" (D04)
8	084755-09-D05	EA	SHADE-PULL, 42.25" (D05)
6	084755-09-DA4	EA	SHADE-PULL, 42.25" (D04, D05)
8	073260-52-D04	EA	TIEBACK-CURTAIN, 3" X 15" - GATHERED
8	073260-52-D05	EA	TIEBACK-CURTAIN, 3" X 15" - GATHERED
	101668-36-D04	EA	CURTAIN-TAPE TOP, ROOM DIVIDER - BEDROOM PRIVACY - 70" X 60"
	101668-36-D05	EA	CURTAIN-TAPE TOP, ROOM DIVIDER - BEDROOM PRIVACY - 70" X 60"
	073260-59-D04	EA	TIEBACK-CURTAIN, BEDROOM PRIVACY - 4" X 15" - GATHERED
	073260-59-D05	EA	TIEBACK-CURTAIN, BEDROOM PRIVACY - 4" X 15" - GATHERED
	084481-24-C24	EA	CURTAIN-SHOWER, 69" X 42" (D04)
	084481-24-D05	EA	CURTAIN-SHOWER, 69" X 42" (D05)
	073260-54-C30	EA	TIEBACK-CURTAIN, SHOWER - 3" X 16" (D04)
	073260-54-D36	EA	TIEBACK-CURTAIN, SHOWER - 3" X 16" (D05)
	101668-37-D04	EA	CURTAIN-TAPE TOP, PASSENGER WINDSHIELD PRIVACY - 30" X 50"
	101668-39-D04	EA	CURTAIN-TAPE TOP, PASSENGER WINDSHIELD PRIVACY - 35" X 50"
	101668-37-D05	EA	CURTAIN-TAPE TOP, PASSENGER WINDSHIELD PRIVACY - 30" X 50"
	101668-39-D05	EA	CURTAIN-TAPE TOP, PASSENGER WINDSHIELD PRIVACY - 35" X 50"
	101668-38-D04	EA	CURTAIN-TAPE TOP, DRIVER WINDSHIELD PRIVACY - 30" X 50"
	101668-40-D04	EA	CURTAIN-TAPE TOP, DRIVER WINDSHIELD PRIVACY - 35" X 50"
	101668-38-D05	EA	CURTAIN-TAPE TOP, DRIVER WINDSHIELD PRIVACY - 30" X 50"
	101668-40-D05	EA	CURTAIN-TAPE TOP, DRIVER WINDSHIELD PRIVACY - 35" X 50"
	073260-23-D04	EA	TIEBACK-CURTAIN, WINDSHIELD PRIVACY - 3" X 18" (D04)
	073260-23-D05	EA	TIEBACK-CURTAIN, WINDSHIELD PRIVACY - 3" X 18" (D05)
	076892-18-D04	EA	CURTAIN-SNAP TOP, BUNK PRIVACY - 50" X 72"
	076892-18-D05	EA	CURTAIN-SNAP TOP, BUNK PRIVACY - 50" X 72"
	057534-01-000	EA	TIEBACK/TIEDOWN-BED/CURTAIN/DOOR, 6" - PLASTIC - CLEAR

## 1993 WINNEBAGO TABLE OF CONTENTS

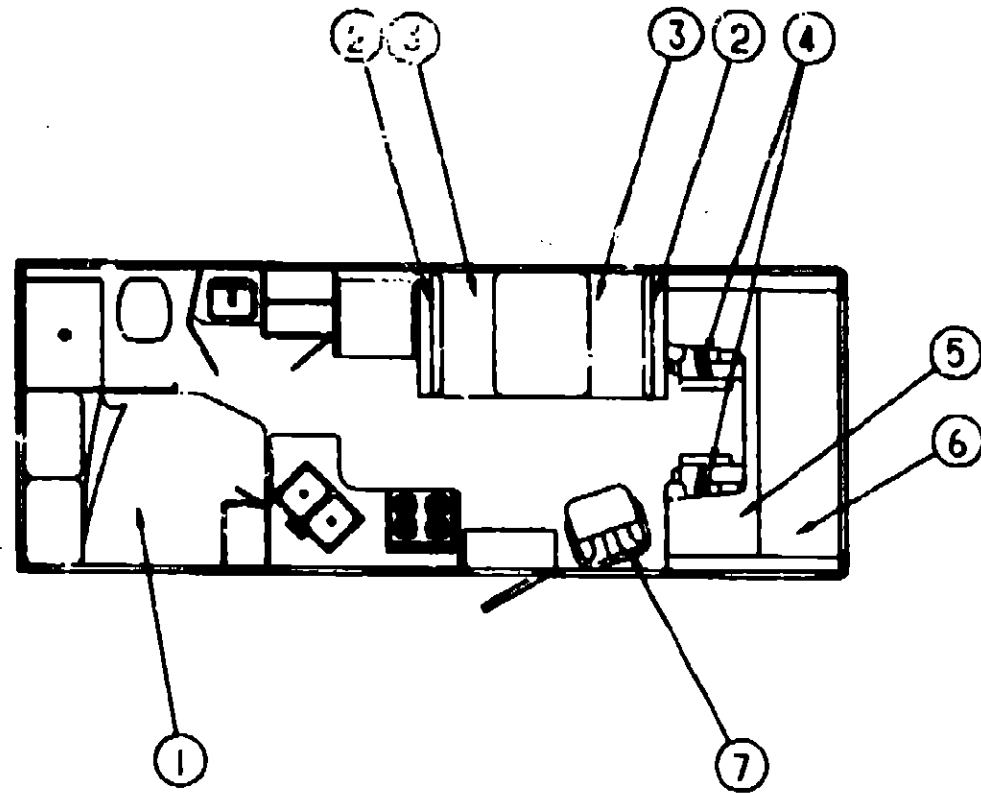
INTRODUCTION	A-01 - A-02
ABBREVIATIONS	A-03
ALPHABETICAL INDEX	A-04 - A-06
WC424RC	A-07 - E-02
WC422RG	E-03 - 11-16

## 1993 WC424RC INDEX

FLOOR PLAN	A-07 - A-08
ACCESSORIES	A-09
AUDIO VIDEO	A-10 - A-11
BATH	A-12 - A-14
BEDROOM	A-15
CHASSIS	A-16 - A-20
CURTAIN & CUSHION	A-21 - B-06
DINETTE	B-09 - B-10
DRIVERS COMPARTMENT	B-11 - B-14
ELECTRICAL	B-15 - B-18
EXTERIOR BODY	B-19 - C-03
GALLEY	C-04 - C-07
GENERATOR	C-08
HEATING & A/C	C-09 - C-10
INTERIOR FINISH	C-11 - C-14
LABELS	C-15 - C-22
LP	C-23
LOUNGE	C-24
SEALANTS & FASTENERS	D-01 - D-04
WATER & SEWAGE	D-05 - D-10
WINDOW, VENT AND EXTERIOR DOOR	D-11 - E-02

KEY	PART NUMBER	U/M	DESCRIPTION
3	101034-14-D04	EA	CURTAIN-DARTED TAPE TOP & BOTTOM, 16" X 28" FROM: 00-00-00 THRU: 09-13-92
3	101034-22-D04	EA	CURTAIN-DARTED TAPE TOP & BOTTOM, RIGHT - 16" X 28" FROM: 09-14-92 THRU: 99-99-99
3	101034-23-D04	EA	CURTAIN-DARTED TAPE TOP & BOTTOM, LEFT - 16" X 28" FROM: 09-14-92 THRU: 99-99-99
3	101034-14-D05	EA	CURTAIN-DARTED TAPE TOP & BOTTOM, 16" X 28" FROM: 00-00-00 THRU: 09-13-92
3	101034-22-D05	EA	CURTAIN-DARTED TAPE TOP & BOTTOM, RIGHT - 16" X 28" FROM: 09-14-92 THRU: 99-99-99
3	101034-23-D05	EA	CURTAIN-DARTED TAPE TOP & BOTTOM, LEFT - 16" X 28" FROM: 09-14-92 THRU: 99-99-99
4	101034-15-D04	EA	CURTAIN-DARTED TAPE TOP & BOTTOM, 21" X 45" FROM: 00-00-00 THRU: 09-13-92
4	101034-20-D04	EA	CURTAIN-DARTED TAPE TOP & BOTTOM, RIGHT - 21" X 60" FROM: 09-14-92 THRU: 99-99-99
4	101034-21-D04	EA	CURTAIN-DARTED TAPE TOP & BOTTOM, LEFT - 21" X 60" FROM: 09-14-92 THRU: 99-99-99
4	101034-15-D05	EA	CURTAIN-DARTED TAPE TOP & BOTTOM, 21" X 45" FROM: 06-05-92 THRU: 09-13-92
4	101034-20-D05	EA	CURTAIN-DARTED TAPE TOP & BOTTOM, RIGHT - 21" X 60" FROM: 09-14-92 THRU: 99-99-99
4	101034-21-D05	EA	CURTAIN-DARTED TAPE TOP & BOTTOM, LEFT - 21" X 60" FROM: 09-14-92 THRU: 99-99-99
5	109353-03-01A	EA	SLATS-BLIND, 27" - GLOSS FAWN
5	109353-04-000	EA	CLIP-VALANCE, SLAT MOUNTING - CLEAR PLASTIC - PAIR
5	093475-32-16A	EA	BLIND-MINI, 27" X 18.5" DROP - PURE SILVER (D04)
5	093475-32-15A	EA	BLIND-MINI, 27" X 18.5" DROP - GLOSS FAWN (D05)
5	109041-17-01A	EA	BLIND-MINI, 28.5" X 18.5" DROP (D04)
5	109041-17-02A	EA	BLIND-MINI, 28.5" X 18.5" DROP (D05)

**CURTAIN & CUSHION GROUP (CONTINUED)**



**DOUBLE BEDSPREAD, PILLOW & MATTRESS**

KEY	PART NUMBER	U/M	DESCRIPTION
1	092371-18-D04	EA	BEDSPREAD-DOUBLE, 54" WRUFFLE - LEFT CUT CORNERS
1	092371-18-D05	EA	BEDSPREAD-DOUBLE, 54" WRUFFLE - LEFT CUT CORNERS
1	081997-09-D04	EA	PILLOW/SHAM-W/4" RUFFLE
1	081997-09-D05	EA	PILLOW/SHAM-W/4" RUFFLE
1	101123-03-000	EA	MATTRESS-FOAM, 53" X 74" - W/CUT CORNER
1	P01123-03-000	EA	COVER-MATTRESS, FOAM, 53" X 74" - W/CUT CORNER

**DINETTE CUSHIONS**

KEY	PART NUMBER	U/M	DESCRIPTION
2	104146-01-D04	EA	CUSHION-BACKREST, 13.5" X 38" X 5"
2	104146-01-D05	EA	CUSHION-BACKREST, 13.5" X 38" X 5"
2	P04146-01-D04	EA	COVER-CUSHION, BACKREST - 13.5" X 38" X 5"
2	P04146-01-D05	EA	COVER-CUSHION, BACKREST - 13.5" X 38" X 5"
2	079155-01-000	EA	STRAF-SNAP, BACKREST CUSHION
3	093927-87-D04	EA	CUSHION-SEATBASE, 23" X 38" X 5"
3	088927-87-D05	EA	CUSHION-SEATBASE, 23" X 38" X 5"
3	M88927-87-D04	EA	COVER-CUSHION, SEATBASE - 23" X 38" X 5"
3	M88927-87-D05	EA	COVER-CUSHION, SEATBASE - 23" X 38" X 5"

**BUCKET SEATS**

KEY	PART NUMBER	U/M	DESCRIPTION
4	083909-40-D04	EA	SEAT-BUCKET, DRIVER - W/O PEDESTALS & SKIRTS (CHEVY) FROM: 00-00-00 THRU: 08-25-92
4	083909-50-D04	EA	SEAT-BUCKET, DRIVER - W/O PEDESTALS & SKIRTS (CHEVY) FROM: 08-26-92 THRU: 99-99-99
4	083909-41-D04	EA	SEAT-BUCKET, PASSENGER - W/O PEDESTALS & SKIRTS (CHEVY) FROM: 00-00-00 THRU: 08-25-92
4	083909-51-D04	EA	SEAT-BUCKET, PASSENGER - W/O PEDESTALS & SKIRTS (CHEVY) FROM: 08-26-92 THRU: 99-99-99

**BUCKET SEATS (CONTINUED)**

KEY	PART NUMBER	U/M	DESCRIPTION
4	083909-40-D05	EA	SEAT-BUCKET, DRIVER - W/O PEDESTALS & SKIRTS (CHEVY) FROM: 00-00-00 THRU: 08-25-92
4	083909-50-D05	EA	SEAT-BUCKET, DRIVER - W/O PEDESTALS & SKIRTS (CHEVY) FROM: 08-26-92 THRU: 99-99-99
4	083909-41-D05	EA	SEAT-BUCKET, PASSENGER - W/O PEDESTALS & SKIRTS (CHEVY) FROM: 00-00-00 THRU: 08-25-92
4	083909-51-D05	EA	SEAT-BUCKET, PASSENGER - W/O PEDESTALS & SKIRTS (CHEVY) FROM: 08-26-92 THRU: 99-99-99
4	083909-56-D04	EA	SEAT-BUCKET, DR/PASS - W/O PEDESTALS & SKIRTS (FORD) FROM: 00-00-00 THRU: 08-25-92
4	083909-57-D04	EA	SEAT-BUCKET, DR/PASS - W/O PEDESTALS & SKIRTS (FORD) FROM: 08-26-92 THRU: 99-99-99
4	083909-57-D05	EA	SEAT-BUCKET, DR/PASS - W/O PEDESTALS & SKIRTS (FORD) FROM: 08-26-92 THRU: 99-99-99
4	083909-42-D04	EA	SEAT-BUCKET, DRIVER - W/O PEDESTALS & SKIRTS (RECLINING OPTION) FROM: 00-00-00 THRU: 06-21-92
4	083909-48-D04	EA	SEAT-BUCKET, DRIVER - W/O PEDESTALS & SKIRTS (RECLINING OPTION) FROM: 06-22-92 THRU: 08-25-92
4	083909-52-D04	EA	SEAT-BUCKET, DRIVER - W/O PEDESTALS & SKIRTS (RECLINING OPTION) FROM: 08-26-92 THRU: 99-99-99
4	083909-42-D05	EA	SEAT-BUCKET, DRIVER - W/O PEDESTALS & SKIRTS (RECLINING OPTION) FROM: 00-00-00 THRU: 06-21-92
4	083909-48-D05	EA	SEAT-BUCKET, DRIVER - W/O PEDESTALS & SKIRTS (RECLINING OPTION) FROM: 06-22-92 THRU: 08-25-92
4	083909-52-D05	EA	SEAT-BUCKET, DRIVER - W/O PEDESTALS & SKIRTS (RECLINING OPTION) FROM: 08-26-92 THRU: 99-99-99
4	083909-43-D04	EA	SEAT-BUCKET, PASSENGER - W/O PEDESTALS & SKIRTS (RECLINING OPTION) FROM: 00-00-00 THRU: 06-21-92
4	083909-49-D04	EA	SEAT-BUCKET, PASSENGER - W/O PEDESTALS & SKIRTS (RECLINING OPTION) FROM: 06-22-92 THRU: 08-25-92
4	083909-53-D04	EA	SEAT-BUCKET, PASSENGER - W/O PEDESTALS & SKIRTS (RECLINING OPTION) FROM: 08-26-92 THRU: 99-99-99
4	083909-43-D05	EA	SEAT-BUCKET, PASSENGER - W/O PEDESTALS & SKIRTS (RECLINING OPTION) FROM: 00-00-00 THRU: 06-21-92
4	083909-49-D05	EA	SEAT-BUCKET, PASSENGER - W/O PEDESTALS & SKIRTS (RECLINING OPTION) FROM: 06-22-92 THRU: 08-25-92
4	083909-53-D05	EA	SEAT-BUCKET, PASSENGER - W/O PEDESTALS & SKIRTS (RECLINING OPTION) FROM: 08-26-92 THRU: 99-99-99

**BUNK CUSHIONS**

KEY	PART NUMBER	U/M	DESCRIPTION
5	105573-10-D04	EA	CUSHION-BUNK, REAR - 27" X 23" X 80" X 5"
5	105573-10-D05	EA	CUSHION-BUNK, REAR - 27" X 23" X 80" X 5"
5	P05573-10-D04	EA	COVER-CUSHION, BUNK - REAR - 27" X 23" X 80" X 5"
5	P05573-10-D05	EA	COVER-CUSHION, BUNK - REAR - 27" X 23" X 80" X 5"
6	105573-09-D04	EA	CUSHION-BUNK, FRONT - 32.5" X 80" X 5"
6	105573-09-D05	EA	CUSHION-BUNK, FRONT - 32.5" X 80" X 5"
6	P05573-09-D04	EA	COVER-CUSHION, BUNK - FRONT - 32.5" X 80" X 5"
6	P05573-09-D05	EA	COVER-CUSHION, BUNK - FRONT - 32.5" X 80" X 5"

**SWIVEL CHAIR**

KEY	PART NUMBER	U/M	DESCRIPTION
7	107891-01-D04	EA	CHAIR-SWIVEL, W/O PEDESTAL & SKIRT FROM: 00-00-00 THRU: 08-25-92
7	107891-04-D04	EA	CHAIR-SWIVEL, W/O PEDESTAL & SKIRT FROM: 08-26-92 THRU: 99-99-99
7	107891-01-D05	EA	CHAIR-SWIVEL, W/O PEDESTAL & SKIRT

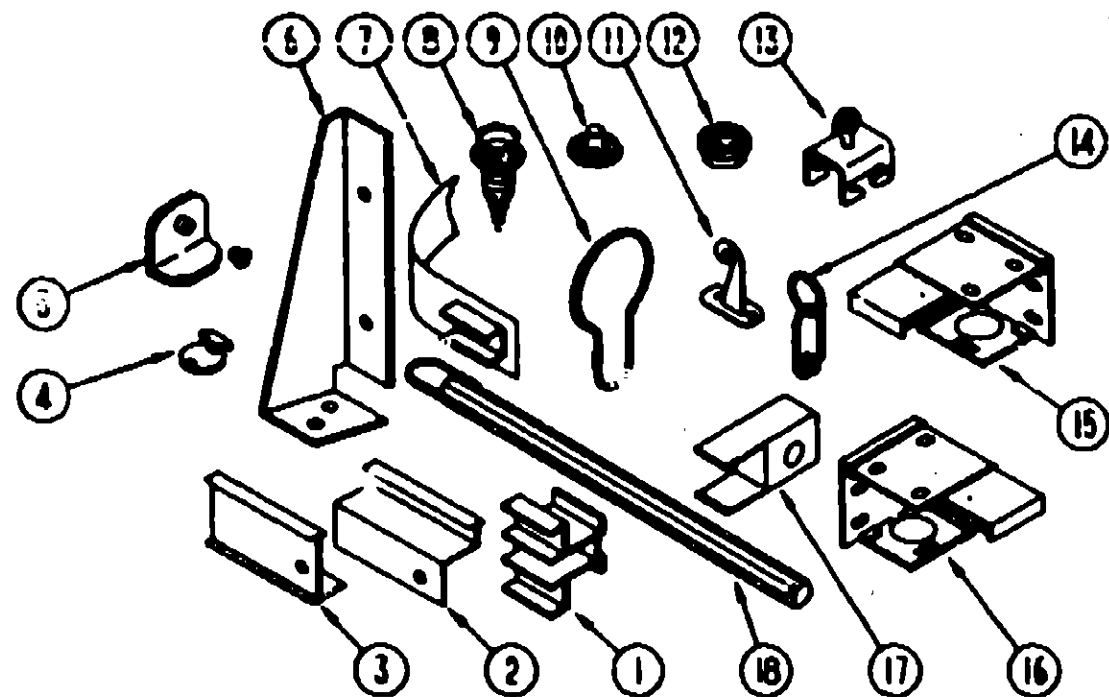
**1993 WINNEBAGO  
TABLE OF CONTENTS**

INTRODUCTION	A-01 - A-02
ABBREVIATIONS	A-03
ALPHABETICAL INDEX	A-04 - A-06
WC424RC	A-07 - E-02
WC422RG	E-03 - H-16

**1993 WC424RC INDEX**

FLOOR PLAN	A-07 - A-08
ACCESSORIES	A-09
AUDIO VIDEO	A-10 - A-11
BATH	A-12 - A-14
BEDROOM	A-15
CHASSIS	A-16 - A-20
CURTAIN & CUSHION	A-21 - B-08
DINETTE	B-09 - B-10
DRIVERS COMPARTMENT	B-11 - B-14
ELECTRICAL	B-15 - B-18
EXTERIOR BODY	B-19 - C-03
GALLEY	C-04 - C-07
GENERATOR	C-08
HEATING & A/C	C-09 - C-10
INTERIOR FINISH	C-11 - C-14
LABELS	C-15 - C-22
LP	C-23
LOUNGE	C-24
SEALANTS & FASTENERS	D-01 - D-04
WATER & SEWAGE	D-05 - D-10
WINDOW, VENT AND EXTERIOR DOOR	D-11 - E-02

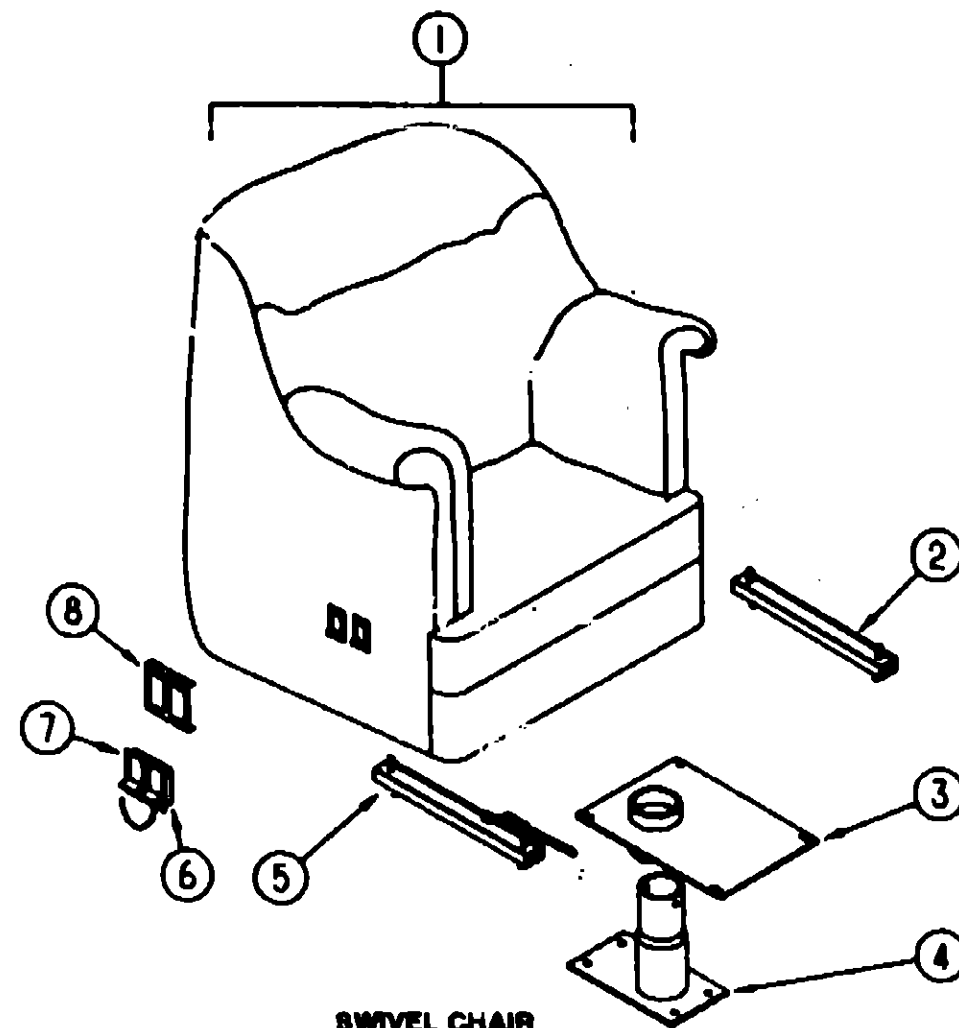
**CURTAIN & CUSHION GROUP (CONTINUED)**



**CURTAIN & BLIND HARDWARE**

KEY	PART NUMBER	U/M	DESCRIPTION
1	101033-03-000	FT	TRACK-WALL, WHITE - CT225 - SHAPCO
2	105450-04-01A	EA	TRACK-CURTAIN, 59" LONG - ALUMINUM - OFF WHITE
3	092464-05-01A	EA	TRACK-CURTAIN, OFF WHITE
3	009700-04-001	EA	TRACK-CURTAIN, L-SHAPED - 192" LONG - OFF WHITE
4	102555-01-000	EA	CLEAT-CORD, BLIND - OFF WHITE
5	106544-01-000	EA	PULL-SHADE, BRASS
6	076827-04-000	EA	BRACKET-BED/BUNK, 2.9" X 1/8" TRIANGLE - METAL - OFF WHITE
7	101031-01-000	YD	TAPE-GLIDE, CURTAIN - 4.25" SPACING
8	029130-01-000	EA	SCREW-SNAP SOCKET, 8 PH X 5/8"
9	009136-02-000	EA	HANGER-RING, PIN TYPE - CURTAIN - BRASS
10	029155-01-000	EA	CAP-SNAP, NICKEL
11	109441-01-000	EA	HOLD DOWN-BLIND, HOOK
12	029156-01-000	EA	SOCKET-SNAP FASTENER, NICKEL
13	009702-01-000	EA	END STOP-CURTAIN CARRIER, L ROD
14	009701-01-000	EA	CARRIER-CURT/IN, L ROD
15	083170-01-000	EA	BRACKET-BLIND, RIGHT SIDE
16	083170-02-000	EA	BRACKET-BLIND, LEFT SIDE
17	101033-02-000	EA	END CAP-TRACK, CLEAR
18	093475-01-700	EA	WAND-BLIND, W/METAL CLIP - 8" LONG
	093475-01-701	EA	END CAP-BLIND, W/STUD
	048867-01-000	EA	GROMMET-BRASS, 7/16" ID X 1" OD
	048394-02-000	YD	VELCRO TAPE-HOOK, ADHESIVE BACK - .75" WIDE - BEIGE
	056003-01-000	EA	BRACKET-DRAPERY RETAINING, RIGHT - METAL
	058003-02-000	EA	BRACKET-DRAPERY RETAINING, LEFT - METAL
	068716-01-001	EA	BRACE-90 DEGREE L-ANGLE, 192" - EXTRUDED ALUMINUM
	075943-01-000	EA	BRACE-ANGLE, WHOLES - 1" X 1.5" X 20" - ALUMINUM - BEIGE
	075943-02-000	EA	BRACE-ANGLE, WHOLES - 1" X 1.5" X 14" - ALUMINUM - BEIGE
	084432-06-000	FT	SLAT-ROLLER SHADE, PLASTIC
	084434-01-000	EA	BRACKET-MOUNTING, ROLLER SHADE - 1 3/8"
	086792-01-000	YD	VELCRO-HOOK, .75" WIDE - BEIGE
	088792-02-000	YD	VELCRO TAPE-LOOP, ADHESIVE BACKED - .75" WIDE - BEIGE
	096843-01-000	EA	SPRING-REWIND, ROLLER SHADE

**CURTAIN & CUSHION GROUP (CONTINUED)**



**SWIVEL CHAIR**

KEY	PART NUMBER	U/M	DESCRIPTION
1	107891-01-D04	EA	CHAIR-SWIVEL, W/O PEDESTAL & SKIRT
1	107891-04-D04	EA	CHAIR-SWIVEL, W/O PEDESTAL & SKIRT
1	107891-01-D05	EA	CHAIR-SWIVEL, W/O PEDESTAL & SKIRT
	P07891-01-D04	EA	COVER-CHAIR, SWIVEL
	P07891-04-D04	EA	COVER-CHAIR, SWIVEL
	P07891-01-D05	EA	COVER-CHAIR, SWIVEL
2	069246-06-000	EA	ADJUSTER-SWIVEL CHAIR, MANUAL - FORWARD & BACK
3	107921-06-000	EA	TOP PLATE-W/O SEAT BELT BAR - FLEXSTEEL 2759PDP
	107921-06-000	EA	BEARING KIT, FLEXSTEEL
4	093481-02-000	EA	BASE-PEDESTAL, W/10" EXTENSION
4	107921-01-000	EA	BASE-PEDESTAL, W/9.75" EXTENSION - FLEXSTEEL 3060 MSPD
5	069246-08-000	EA	ADJUSTER-SWIVEL CHAIR, FORWARD & BACK - REMOTE - SCHROCK
	069246-05-700	EA	SPRING-REMOTE SLIDE ADJUSTER, 9ST-TS-108-5
	069246-05-701	EA	CLIP ONLY-CABLE ASM., SLIDE ADJUSTER
	007221-01-000	EA	SPACER-SEAT, ADJUSTER - 4 USED PER SWIVEL CHAIR
6	108049-01-000	EA	CABLE-SWIVEL, W/SWITCH, 28" - FLEXSTEEL PED 23602
	108049-02-000	EA	CLIP-CABLE, PEDESTAL - FLEXSTEEL 2592-CA
7	089368-04-000	EA	CABLE-SLIDE, W/SWITCH
8	097683-02-000	EA	BRACKET-MOUNT, REMOTE
	107892-01-D04	EA	SKIRT-CHAIR, SWIVEL
	107892-02-D04	EA	SKIRT-CHAIR, SWIVEL
	107892-01-D05	EA	SKIRT-CHAIR, SWIVEL

**1993 WINNEBAGO  
TABLE OF CONTENTS**

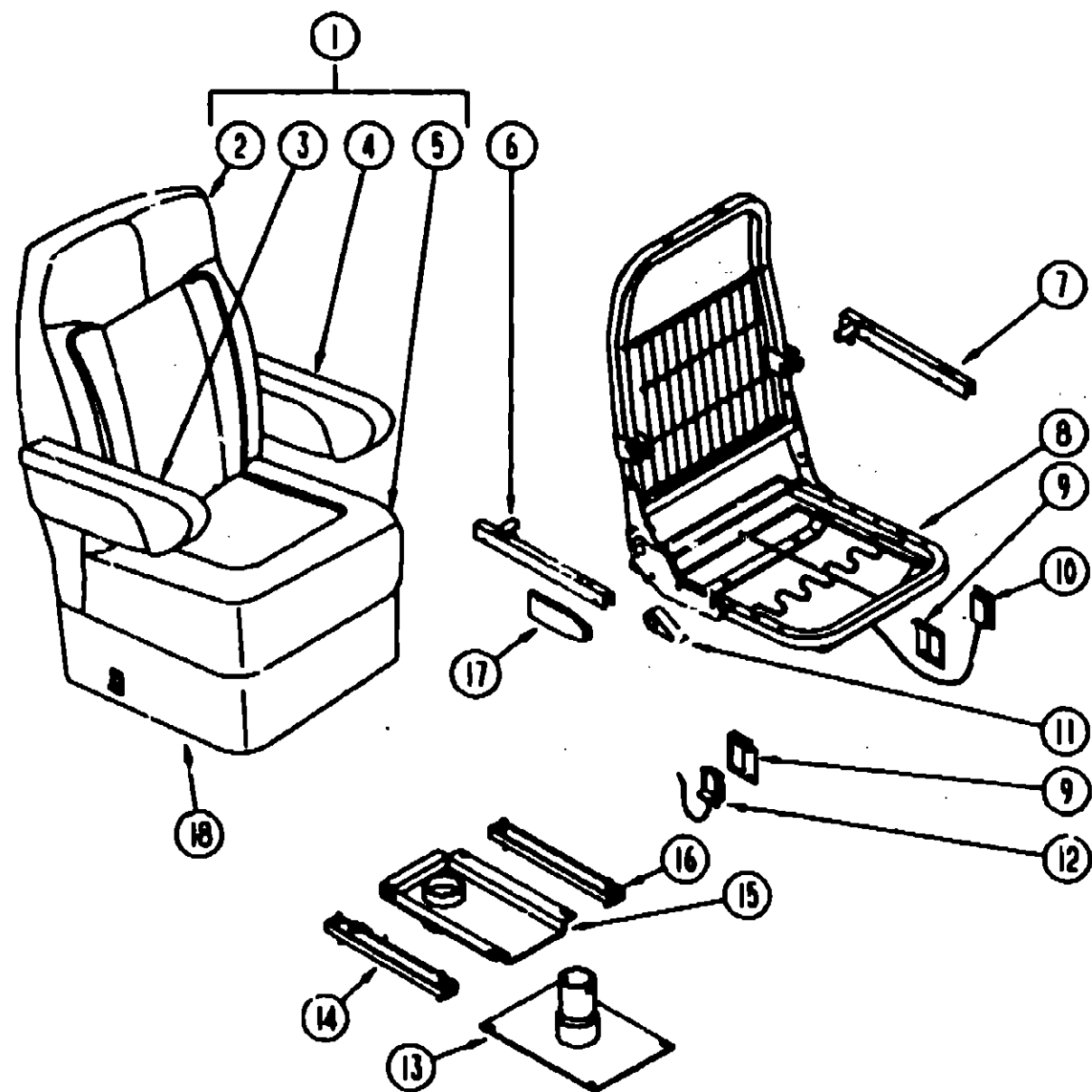
INTRODUCTION	A-01	A-02
ABBREVIATIONS		A-03
ALPHABETICAL INDEX	A-04	A-08
WC424RC	A-07	E-02
WC422RG	E-03	H-16

**1993 WC424RC INDEX**

FLOOR PLAN	A-07	A-08
ACCESSORIES		A-09
AUDIO VIDEO	A-10	A-11
BATH	A-12	A-14
BEDROOM		A-15
CHASSIS	A-16	A-20
CURTAIN & CUSHION	A-21	B-08
DINETTE	B-09	B-10
DRIVERS COMPARTMENT	B-11	B-14
ELECTRICAL	B-15	B-18
EXTERIOR BODY	B-19	C-03
GALLEY	C-04	C-07
GENERATOR		C-08
HEATING & A/C	C-09	C-10
INTERIOR FINISH	C-11	C-14
LABELS	C-15	C-22
LP		C-23
LOUNGE		C-24
SEALANTS & FASTENERS	D-01	D-04
WATER & SEWAGE	D-05	D-10
WINDOW, VENT AND		
EXTERIOR DOOR	D-11	E-02

**CURTAIN & CUSHION GROUP (CONTINUED)**

**BUCKET SEATS**



**1993 WINNEBAGO  
TABLE OF CONTENTS**

INTRODUCTION	A-01 - A-02
ABBREVIATIONS	A-03
ALPHABETICAL INDEX	A-04 - A-06
WC424RC	A-07 - E-02
WC422RG	E-03 - H-18

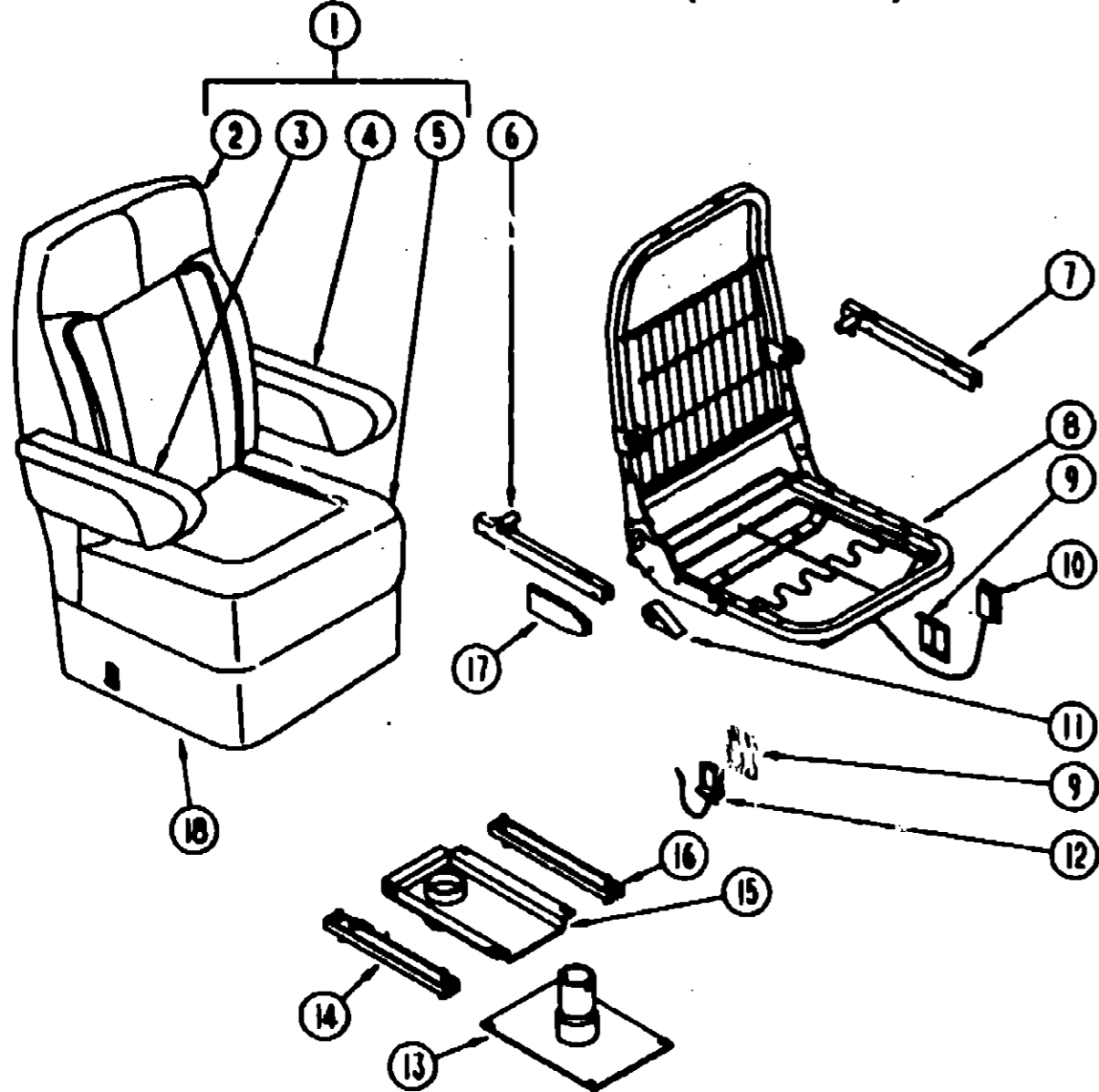
**1993 WC424RC INDEX**

FLOOR PLAN	A-07 - A-08
ACCESSORIES	A-09
AUDIO VIDEO	A-10 - A-11
BATH	A-12 - A-14
BEDROOM	A-15
CHASSIS	A-16 - A-20
CURTAIN & CUSHION	A-21 - B-08
DINETTE	B-09 - B-10
DRIVERS COMPARTMENT	B-11 - B-14
ELECTRICAL	B-15 - B-18
EXTERIOR BODY	B-19 - C-03
GALLEY	C-04 - C-07
GENERATOR	C-08
HEATING & A/C	C-09 - C-10
INTERIOR FINISH	C-11 - C-14
LABELS	C-15 - C-22
LP	C-23
LOUNGE	C-24
SEALANTS & FASTENERS	D-01 - D-04
WATER & SEWAGE	D-05 - D-10
WINDOW, VENT AND EXTERIOR DOOR	D-11 - E-02

KEY	PART NUMBER	U/M DESCRIPTION
1	083909-57-D05	EA SEAT-BUCKET, DR/PASS - W/O PEDESTALS & SKIRTS (FORD)
1	083909-42-D04	EA SEAT-BUCKET, DRIVER - W/O PEDESTALS & SKIRTS (CHEVY RECLINING OPTION) FROM: 00-00-00 THRU: 08-21-92
1	083909-48-D04	EA SEAT-BUCKET, DRIVER - W/O PEDESTALS & SKIRTS (CHEVY RECLINING OPTION) FROM: 08-22-92 THRU: 08-25-92
1	083909-52-D04	EA SEAT-BUCKET, DRIVER - W/O PEDESTALS & SKIRTS (CHEVY RECLINING OPTION) FROM: 08-26-92 THRU: 99-99-99
1	083909-42-D05	EA SEAT-BUCKET, DRIVER - W/O PEDESTALS & SKIRTS (CHEVY RECLINING OPTION) FROM: 00-00-00 THRU: 08-21-92
1	083909-48-D05	EA SEAT-BUCKET, DRIVER - W/O PEDESTALS & SKIRTS (CHEVY RECLINING OPTION) FROM: 08-22-92 THRU: 08-25-92
1	083909-52-D05	EA SEAT-BUCKET, DRIVER - W/O PEDESTALS & SKIRTS (CHEVY RECLINING OPTION) FROM: 08-26-92 THRU: 99-99-99
1	083909-43-D04	EA SEAT-BUCKET, PASS - W/O PEDESTALS & SKIRTS (CHEVY RECLINING OPTION) FROM: 00-00-00 THRU: 08-21-92
1	083909-49-D04	EA SEAT-BUCKET, PASS - W/O PEDESTALS & SKIRTS (CHEVY RECLINING OPTION) FROM: 08-22-92 THRU: 08-25-92
1	083909-53-D04	EA SEAT-BUCKET, PASS - W/O PEDESTALS & SKIRTS (CHEVY RECLINING OPTION) FROM: 08-26-92 THRU: 99-99-99
1	083909-43-D05	EA SEAT-BUCKET, PASS - W/O PEDESTALS & SKIRTS (CHEVY RECLINING OPTION) FROM: 00-00-00 THRU: 08-21-92
1	083909-49-D05	EA SEAT-BUCKET, PASS - W/O PEDESTALS & SKIRTS (CHEVY RECLINING OPTION) FROM: 08-22-92 THRU: 08-25-92
1	083909-53-D05	EA SEAT-BUCKET, PASS - W/O PEDESTALS & SKIRTS (CHEVY RECLINING OPTION) FROM: 08-26-92 THRU: 99-99-99
1	083909-54-D04	EA SEAT-BUCKET, DR/PASS - W/O PEDESTALS & SKIRTS (FORD RECLINING OPTION) FROM: 00-00-00 THRU: 08-21-92
1	083909-45-D04	EA SEAT-BUCKET, DR/PASS - W/O PEDESTALS & SKIRTS (FORD RECLINING OPTION) FROM: 08-22-92 THRU: 08-25-92
1	083909-55-D04	EA SEAT-BUCKET, DR/PASS - W/O PEDESTALS & SKIRTS (FORD RECLINING OPTION) FROM: 08-26-92 THRU: 99-99-99
1	083909-54-D05	EA SEAT-BUCKET, DR/PASS - W/O PEDESTALS & SKIRTS (FORD RECLINING OPTION) FROM: 00-00-00 THRU: 08-21-92
1	083909-46-D05	EA SEAT-BUCKET, DR/PASS - W/O PEDESTALS & SKIRTS (FORD RECLINING OPTION) FROM: 08-22-92 THRU: 99-99-99
2	M03445-70-D04	EA COVER-BACK, BUCKET SEAT (CHEVY)
2	M03445-70-D05	EA COVER-BACK, BUCKET SEAT (CHEVY)
2	M03445-70-D04	EA COVER-BACK, BUCKET SEAT (FORD) FROM: 00-00-00 THRU: 08-25-92
2	M03445-86-D04	EA COVER-BACK, BUCKET SEAT (FORD) FROM: 08-26-92 THRU: 99-99-99
2	M03445-70-D05	EA COVER-BACK, BUCKET SEAT (FORD)
3	080243-49-C17	EA ARMREST-RIGHT SIDE, BUCKET SEAT (D04)
3	080243-49-C08	EA ARMREST-RIGHT SIDE, BUCKET SEAT (D05)
	M80243-49-C17	EA COVER-ARMREST, RIGHT SIDE (D04)
	M80243-49-C08	EA COVER-ARMREST, RIGHT SIDE (D05)
4	080243-50-C17	EA ARMREST-LEFT SIDE, BUCKET SEAT (D04)
4	080243-50-C06	EA ARMREST-LEFT SIDE, BUCKET SEAT (D05)
	M80243-50-C17	EA COVER-ARMREST, LEFT SIDE (D04)
	M80243-50-C06	EA COVER-ARMREST, LEFT SIDE (D05)
5	M03445-71-D04	EA COVER-SEAT, BUCKET SEAT (CHEVY)
5	M03445-71-D05	EA COVER-SEAT, BUCKET SEAT (CHEVY)
5	M03445-71-D04	EA COVER-SEAT, BUCKET SEAT (FORD) FROM: 00-00-00 THRU: 08-25-92
5	M03445-87-D04	EA COVER-SEAT, BUCKET SEAT (FORD) FROM: 08-26-92 THRU: 99-99-99
5	M03445-71-D05	EA COVER-SEAT, BUCKET SEAT (FORD)
6	081268-01-000	EA ROD & CHANNEL-ARMREST, RIGHT - METAL
7	081268-02-000	EA ROD & CHANNEL-ARMREST, LEFT - METAL
	081361-01-000	EA ROD-ARMREST, METAL - RIGHT OR LEFT HAND

KEY	PART NUMBER	U/M DESCRIPTION
1	083909-40-D04	EA SEAT-BUCKET, DRIVER - W/O PEDESTALS & SKIRTS (CHEVY) FROM: 00-00-00 THRU: 08-25-92
1	083909-50-D04	EA SEAT-BUCKET, DRIVER - W/O PEDESTALS & SKIRTS (CHEVY) FROM: 08-26-92 THRU: 99-99-99
1	083909-41-D04	EA SEAT-BUCKET, PASSENGER - W/O PEDESTALS & SKIRTS (CHEVY) FROM: 00-00-00 THRU: 08-25-92
1	083909-51-D04	EA SEAT-BUCKET, PASSENGER - W/O PEDESTALS & SKIRTS (CHEVY) FROM: 08-26-92 THRU: 99-99-99
1	083909-40-D05	EA SEAT-BUCKET, DRIVER - W/O PEDESTALS & SKIRTS (CHEVY) FROM: 00-00-00 THRU: 08-25-92
1	083909-50-D05	EA SEAT-BUCKET, DRIVER - W/O PEDESTALS & SKIRTS (CHEVY) FROM: 08-26-92 THRU: 99-99-99
1	083909-41-D05	EA SEAT-BUCKET, PASSENGER - W/O PEDESTALS & SKIRTS (CHEVY) FROM: 00-00-00 THRU: 08-25-92
1	083909-51-D05	EA SEAT-BUCKET, PASSENGER - W/O PEDESTALS & SKIRTS (CHEVY) FROM: 08-26-92 THRU: 99-99-99
1	083909-56-D04	EA SEAT-BUCKET, DR/PASS - W/O PEDESTALS & SKIRTS (FORD) FROM: 00-00-00 THRU: 08-25-92
1	083909-57-D04	EA SEAT-BUCKET, DR/PASS - W/O PEDESTALS & SKIRTS (FORD) FROM: 08-26-92 THRU: 99-99-99

**CURTAIN & CUSHION GROUP (CONTINUED)**



**BUCKET SEATS (CONTINUED)**

KEY	PART NUMBER	U/M DESCRIPTION
8	M80908-08-000	EA FRAME-SEAT & BACK & SPRING
8	M80908-07-000	EA FRAME-SEAT & BACK & SPRING - RECLINING
9	097683-03-000	EA BRACKET-REMOTE, SIDE MOUNT - SINGLE
10	089358-04-000	EA SWITCH & CABLE-SLIDE, SHROCK
	080730-02-000	EA RECLINER-SEAT BACK, LEFT HAND
11	090730-03-700	EA HANDLE KIT-RECLINER
	080730-04-000	EA SCREW-RECLINER, HANDLE - KEIPER 300818-07
12	108049-01-000	EA SWITCH & CABLE-SWIVEL, 28" - FLEXSTEEL PED 23602
	108049-02-000	EA CLIP-CABLE, PEDESTAL - FLEXSTEEL 2592-CA
13	089585-41-000	EA PLATE-BASE
		FROM: 00-00-00 THRU: 02-21-93
	069585-02-000	EA PEDESTAL-LOWER, W/EXTENSION - 9" X 5" - STEEL (CHEVY) MOUNTS BETWEEN UPPER PEDESTAL AND BASEPLATE
		FROM: 00-00-00 THRU: 02-21-93
	069585-03-000	EA PEDESTAL-LOWER, W/EXTENSION - 9" X 5" - STEEL (FORD) MOUNTS BETWEEN UPPER PEDESTAL AND BASEPLATE
		FROM: 00-00-00 THRU: 02-21-93
	069585-28-000	EA BAR-SEATBELT, 18" LONG
		FROM: 00-00-00 THRU: 02-21-93
13	107921-10-000	EA PEDESTAL ASM.-SEAT, CHEVY DRIVER - W/BASE PLATE, EXTENSION & TOP PLATE FLEXSTEEL 2953-PDDB
		FROM: 02-22-93 THRU: 99-99-99
13	107921-11-000	EA PEDESTAL ASM.-SEAT, CHEVY PASS - W/BASE PLATE, EXTENSION & TOP PLATE FLEXSTEEL 2954-PDPB
		FROM: 02-22-93 THRU: 99-99-99

**CURTAIN & CUSHION GROUP (CONTINUED)**

**BUCKET SEATS (CONTINUED)**

KEY	PART NUMBER	U/M DESCRIPTION
13	107921-09-000	EA PEDESTAL ASM.-SEAT FORD, WBASE PLATE, EXTENSION & TOP PLATE FLEXSTEEL 3067-PDMB
		FROM: 02-22-93 THRU: 99-99-99
14	089246-06-000	EA ADJUSTER-SEAT/CHAIR, W/REMOTE - FORWARD & BACK
	089246-05-700	EA SPRING-ADJUSTER, FOR REMOTE
	089246-05-701	EA CLIP-CABLE, FOR REMOTE
15	083481-04-000	EA TOP PLATE-PEDESTAL, BUCKET SEAT - W/O SEATBELT BAR
		FROM: 00-00-00 THRU: 02-21-93
15	107921-05-000	EA TOP PLATE-PEDESTAL, CHEVY BUCKET SEAT - W/SEATBELT BAR
		FROM: 02-22-93 THRU: 99-99-99
15	107921-08-000	EA TOP PLATE-PEDESTAL, FORD BUCKET SEAT - W/SEATBELT BAR
		FROM: 02-22-93 THRU: 99-99-99
	107921-08-000	EA BEARING KIT, PEDESTAL
		FROM: 02-22-93 THRU: 99-99-99
16	089246-02-000	EA ADJUSTER-SEAT/CHAIR, W/O LOCK - FORWARD & BACK
17	089369-08-000	EA SHIELD-CABLE, REMOTE RECLINER - BUCKET SEAT
18	071126-41-004	EA SKIRT-BUCKET SEAT, 7" SINGLE (D04)
18	071126-41-005	EA SKIRT-BUCKET SEAT, 7" SINGLE (D05)

**ASSIST HANDLE & SEATBELTS**

KEY	PART NUMBER	U/M DESCRIPTION
	079349-04-AA1	YD WELTING-FABRIC (D04)
	079349-04-C06	YD WELTING-FABRIC (D05)
	084415-46-000	YD TRIM-BRAID, BLUE (D04)
	084415-47-000	YD TRIM-BRAID, BROWN (D05)
	057534-01-000	EA TIEBACK/TIEDOWN-BED/CURTAIN/DOOR, 6" - CLEAR PLASTIC
	053552-02-AA8	EA HANDLE-ASSIST, INTERIOR - ENTRY DOOR - VINYL - OFF WHITE
	089178-02-000	EA BRACKET-MOUNTING, ASSIST HANDLE - L ANGLE - W/HOLES - ST
	000C16-07-168	EA BOLT-CARRIAGE, ASSIST HANDLE - 7/16" - 14 X 1" ZN
	000D20-07-008	EA NUT-ACORN, ASSIST HANDLE - 7/16" X 14 ZN
	057759-01-000	EA WASHER BRACKET-SEAT BELT, 4" DIAMETER
	007021-01-000	EA BELT-SEAT, 2" X 90" - BLACK
	056271-02-000	EA BELT-SEAT, 2" X 72" - BLACK

**FABRICS**

KEY	PART NUMBER	U/M DESCRIPTION
	072333-92-000	YD FABRIC-DRAPERY, BIRCHWOOD SLATE (D04)
	072333-93-000	YD FABRIC-DRAPERY, BIRCHWOOD TAUPE (D05)
	072333-96-000	YD FABRIC-DRAPERY, GALAXY ANTIQUE WHITE (D04, D05)
	087272-01-000	YD FABRIC-LINING, CURTAIN - 48" WIDE - IVORY
	087272-03-000	YD FABRIC-LINING, CURTAIN - 54" WIDE - IVORY
		FROM: 00-00-00 THRU: 09-30-92
		FROM: 10-01-92 THRU: 99-99-99
	088273-67-000	YD FABRIC-BEDSPREAD/CURTAIN, PLAIN - 54" WIDE - SLATE (D04)
	088273-89-000	YD FABRIC-BEDSPREAD/CURTAIN, PLAIN - 54" WIDE - LILAC (D05)
	103907-01-01A	YD FABRIC-VINYL, 54" WIDE - OFF WHITE
	104233-31-000	YD FABRIC-UPHOLSTERY/CURTAIN, PLAIN VELOUR - 54" WIDE - BLUE (D04)
	104233-28-000	YD FABRIC-UPHOLSTERY/CURTAIN, PLAIN VELOUR - 54" WIDE - BROWN (D05)
	104233-70-000	YD FABRIC-UPHOLSTERY, STRIPED WOVEN - 54" WIDE - STEEL (D04)
	108448-10-000	YD FABRIC-UPHOLSTERY, STRIPED WOVEN - 54" WIDE - WHEAT (D05)
	104233-79-000	YD FABRIC-UPHOLSTERY, WOVEN PATTERN - 54" WIDE - BLUE/BEIGE (D04)
	104233-81-000	YD FABRIC-UPHOLSTERY, PATTERN VELOUR - 54" WIDE - BROWNS/BLUE (D05)
	104233-30-000	YD FABRIC-UPHOLSTERY, PATTERN VELOUR - 54" WIDE - BLUE (D04)
	104233-82-000	YD FABRIC-UPHOLSTERY, TEXTURED PATTERN VELOUR - 54" WIDE - BROWN (D05)
	105745-17-000	YD FABRIC-BEDSPREAD/CURTAIN, PATTERN - CREAM/GOULD/PINK/GREEN (D04)
	105745-06-000	YD FABRIC-BEDSPREAD/CURTAIN, PATTERN - GRAY/MAUVE/TAUPE (D05)

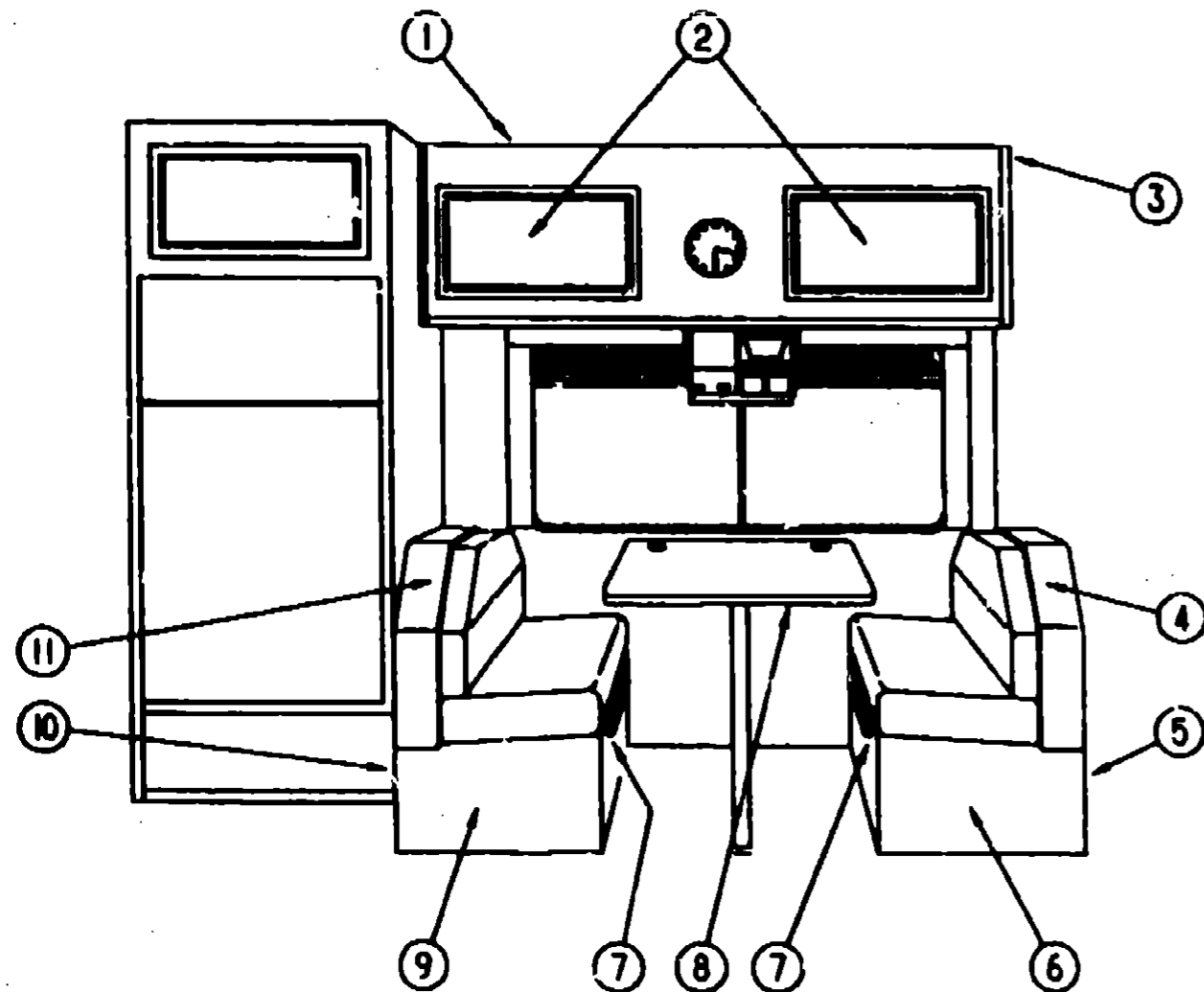
**1993 WINNEBAGO  
TABLE OF CONTENTS**

INTRODUCTION	A-01 - A-02
ABBREVIATIONS	A-03
ALPHABETICAL INDEX	A-04 - A-08
WC424RC	A-07 - E-02
WC422RG	E-03 - H-18

**1993 WC424RC INDEX**

FLOOR PLAN	A-07 - A-08
ACCESSORIES	A-09
AUDIO VIDEO	A-10 - A-11
BATH	A-12 - A-14
BEDROOM	A-15
CHASSIS	A-16 - A-20
CURTAIN & CUSHION	A-21 - B-08
DINETTE	B-09 - B-10
DRIVERS COMPARTMENT	B-11 - B-14
ELECTRICAL	B-15 - B-18
EXTERIOR BODY	B-19 - C-03
GALLEY	C-04 - C-07
GENERATOR	C-08
HEATING & A/C	C-09 - C-10
INTERIOR FINISH	C-11 - C-14
LABELS	C-15 - C-22
LP	C-23
LOUNGE	C-24
SEALANTS & FASTENERS	D-01 - D-04
WATER & SEWAGE	D-05 - D-10
WINDOW, VENT AND EXTERIOR DOOR	D-11 - E-02

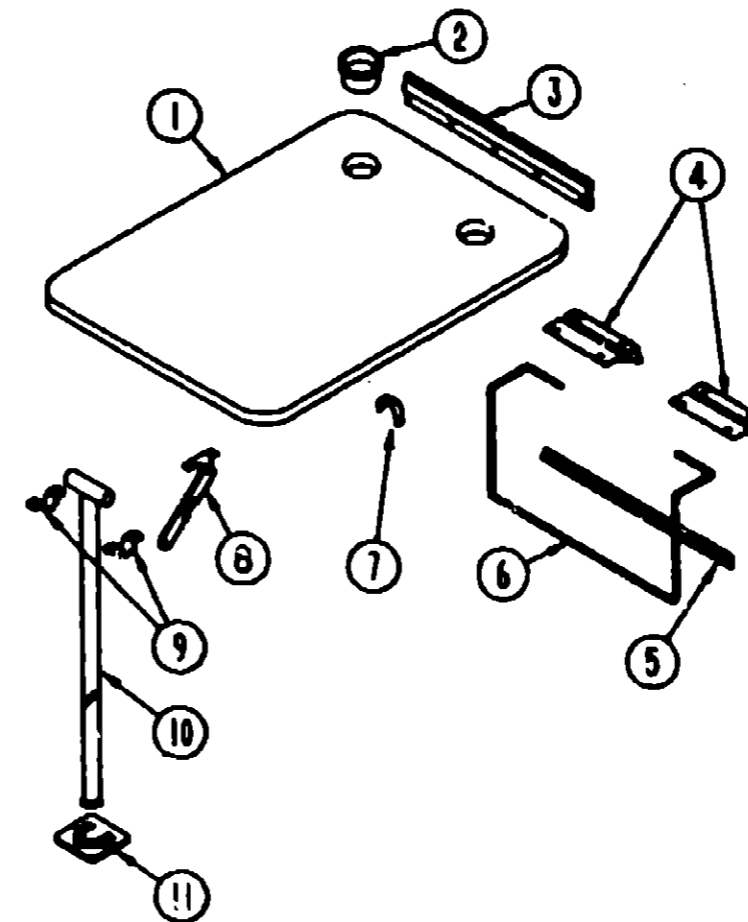
**DINETTE GROUP**



**DINETTE CABINETS, TABLE & PADS**

KEY	PART NUMBER	U/M DESCRIPTION
1	106887-01-D04	EA CABINET-OVERHEAD, DINETTE - W/O DOOR & HARDWARE FROM: 00-00-00 THRU: 11-22-92
1	110447-01-D04	EA CABINET-OVERHEAD, DINETTE - W/O DOOR & HARDWARE FROM: 11-23-92 THRU: 04-10-93
1	110447-02-D04	EA CABINET-OVERHEAD, DINETTE - W/O DOOR & HARDWARE FROM: 04-19-93 THRU: 99-99-99
1	106887-01-D05	EA CABINET-OVERHEAD, DINETTE - W/O DOOR & HARDWARE FROM: 00-00-00 THRU: 11-22-92
1	110447-01-D05	EA CABINET-OVERHEAD, DINETTE - W/O DOOR & HARDWARE FROM: 11-23-92 THRU: 04-18-93
1	110447-02-D05	EA CABINET-OVERHEAD, DINETTE - W/O DOOR & HARDWARE FROM: 04-19-93 THRU: 99-99-99
2	P05223-45-D04	EA DOOR-CABINET, W/O HARDWARE - 400 X 710MM (MIRRORED)
2	F05223-42-D04	EA DOOR-CABINET, W/O HARDWARE - 400 X 710MM (WOOD PANEL)
3	10-4335-08-C52	EA END CAP-CABINET, OVERHEAD
4	104787-01-D32	EA PAD-BACKREST, RIGHT SIDE (D04)
4	104787-01-C04	EA PAD-BACKREST, RIGHT SIDE (D05)
5	M04174-28-C52	EA CABINET-BACKREST, RIGHT SIDE
6	M04175-29-C03	EA CABINET-SEATBASE, RIGHT SIDE
	081518-01-B03	EA SEAT ASM
7	081296-01-AAB	EA SUPPORT-BED, DINETTE - 28"
8	M02115-09-D32	EA TABLE-DINETTE (D04)
8	M02115-09-D09	EA TABLE-DINETTE (D05)
9	M04175-30-C03	EA CABINET-SEATBASE, LEFT SIDE
	081518-01-B03	EA SEAT ASM
10	M04174-29-C52	EA CABINET-BACKREST, LEFT SIDE
11	104787-02-D04	EA PAD-BACKREST, LEFT SIDE (D04)
11	104787-02-C04	EA PAD-BACKREST, LEFT SIDE (D05)

**DINETTE GROUP (CONTINUED)**



**DINETTE TABLE & HARDWARE**

KEY	PART NUMBER	U/M DESCRIPTION
1	M02115-09-D32	EA TABLE-DINETTE (D04)
1	M02115-09-D09	EA TABLE-DINETTE (D05)
2	064791-06-000	EA HOLDER-CUP, TWO STEP - OFF WHITE
3	053200-12-000	EA BRACKET-TABLE SUPPORT, UPPER WALL MOUNTED - 18.5° - OFF WHITE
4	080410-02-000	EA BRACKET-LIFT, TABLE MOUNTED - OFF WHITE
5	024281-15-C00	EA BRACKET-LIFT ROD, LOWER WALL MOUNTED - 17.12° - OFF WHITE
6	024275-13-000	EA ROD-TABLE LIFT, 9" X 18.5" - OFF WHITE
7	024283-01-000	EA CLIP-LEG, 1" - 1.125" OD - BLACK
8	024282-01-000	EA BRACE-TABLE LEG, HINGED
9	084050-05-000	EA CLAMP-SADDLE, LEG HINGE - OFF WHITE
10	024278-23-000	EA LEG-TABLE, METAL - OFF WHITE
11	049493-11-700	EA CATCH-LEG-FLOOR MOUNTED - 2.5" X 2.7" - METAL - E-COAT

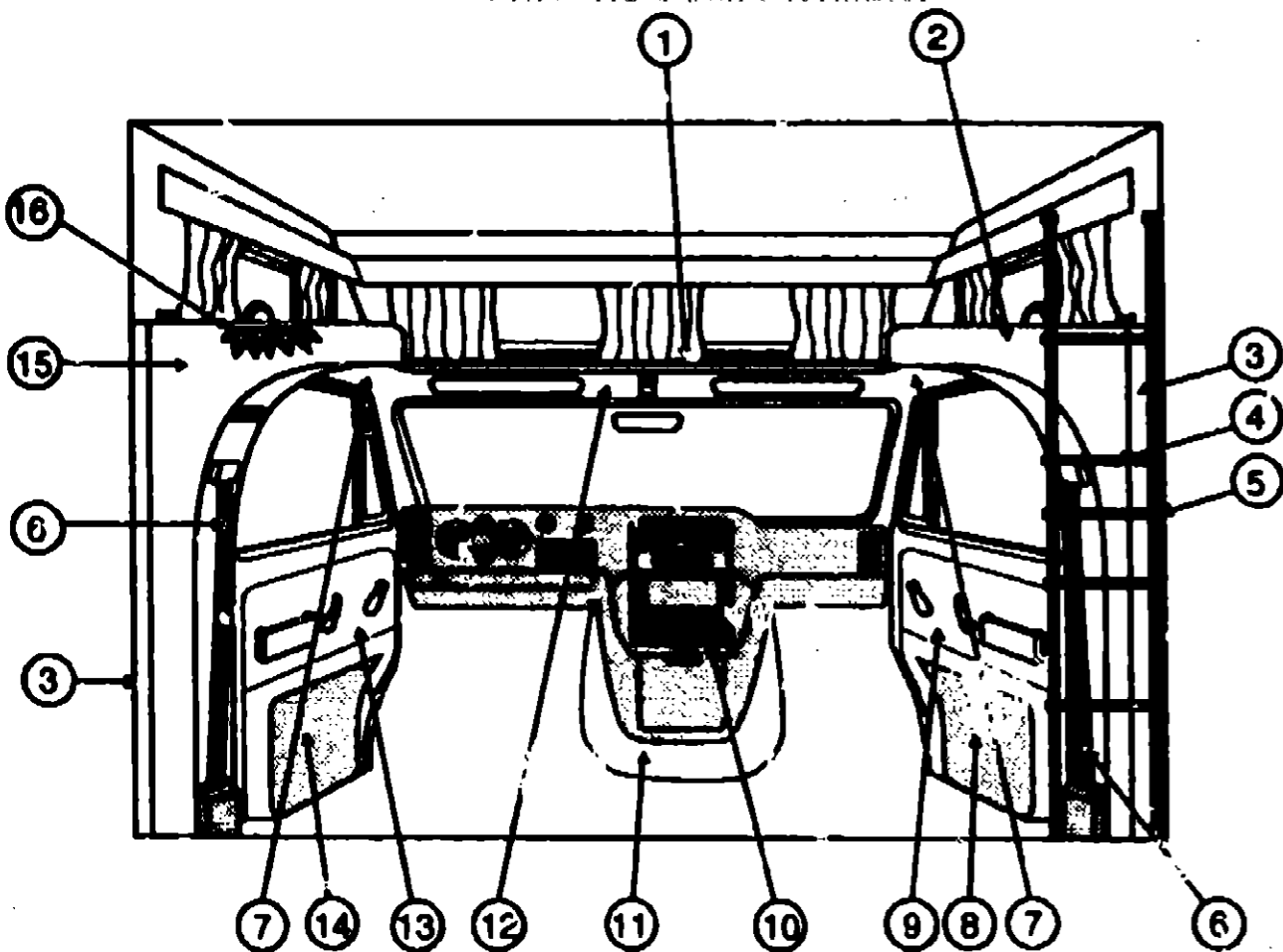
**1993 WINNEBAGO  
TABLE OF CONTENTS**

INTRODUCTION	A-01 - A-02
ABBREVIATIONS	A-03
ALPHABETICAL INDEX	A-04 - A-08
WC424RC	A-07 - E-02
WC422RG	E-03 - H-16

**1993 WC424RC INDEX**

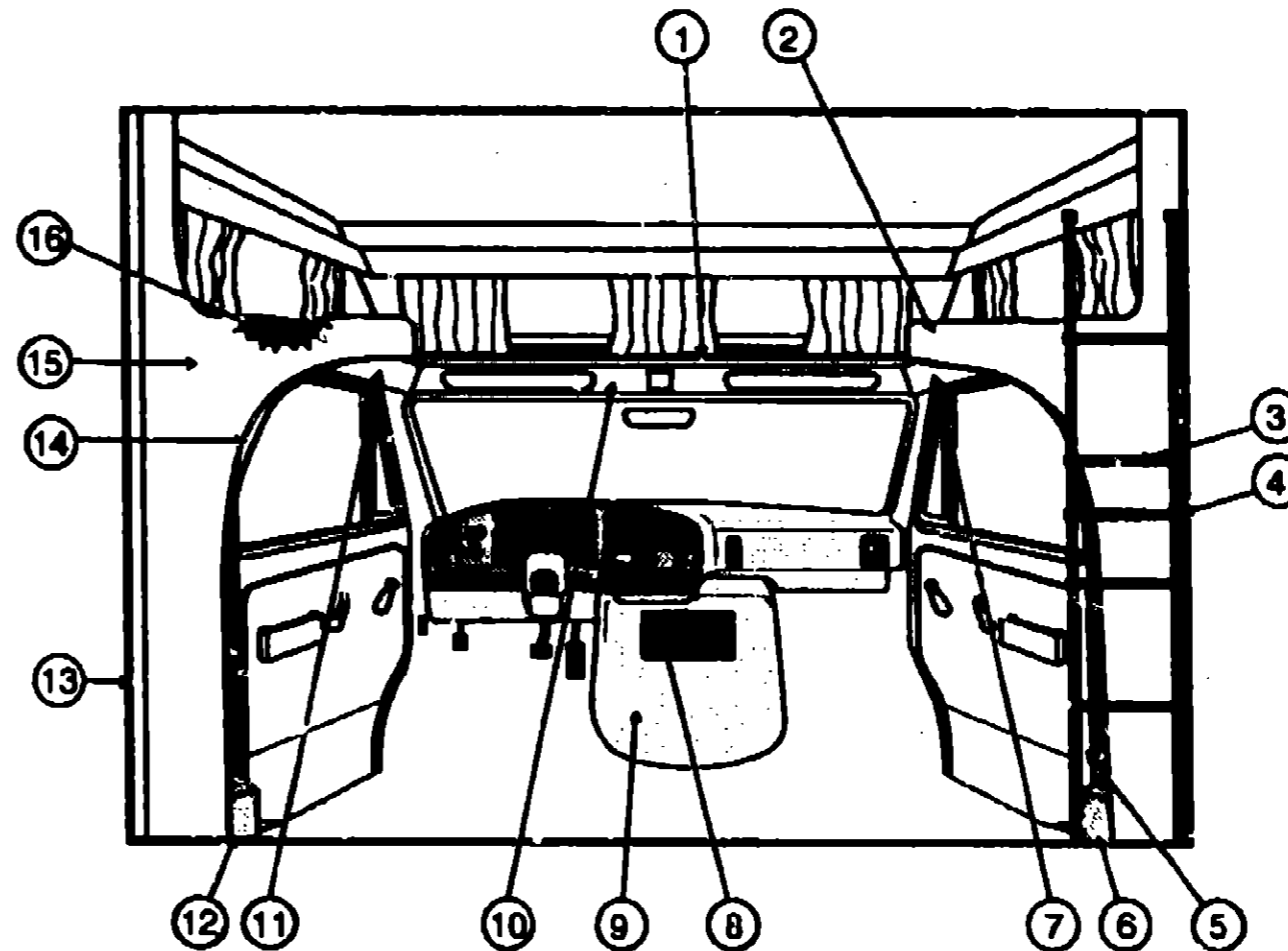
FLOOR PLAN	A-07 - A-08
ACCESSORIES	A-09
AUDIO VIDEO	A-10 - A-11
BATH	A-12 - A-14
BEDROOM	A-15
CHASSIS	A-16 - A-20
CURTAIN & CUSHION	A-21 - B-08
DINETTE	B-09 - B-10
DRIVERS COMPARTMENT	B-11 - B-14
ELECTRICAL	B-15 - B-18
EXTERIOR BODY	B-19 - C-03
GALLEY	C-04 - C-07
GENERATOR	C-08
HEATING & A/C	C-09 - C-10
INTERIOR FINISH	C-11 - C-14
LABELS	C-15 - C-22
LP	C-23
LOUNGE	C-24
SEALANTS & FASTENERS	D-01 - D-04
WATER & SEWAGE	D-05 - D-10
WINDOW, VENT AND EXTERIOR DOOR	E-01 - E-02

**DRIVERS COMPARTMENT**



**CHEVY DRIVERS COMPARTMENT**

**DRIVERS COMPARTMENT (CONTINUED)**



**FORD DRIVERS COMPARTMENT**

**1993 WINNEBAGO  
TABLE OF CONTENTS**

INTRODUCTION	A-01 - A-02
ABBREVIATIONS	A-03
ALPHABETICAL INDEX	A-04 - A-08
WC424RC	A-07 - E-02
WC422RG	E-03 - H-18

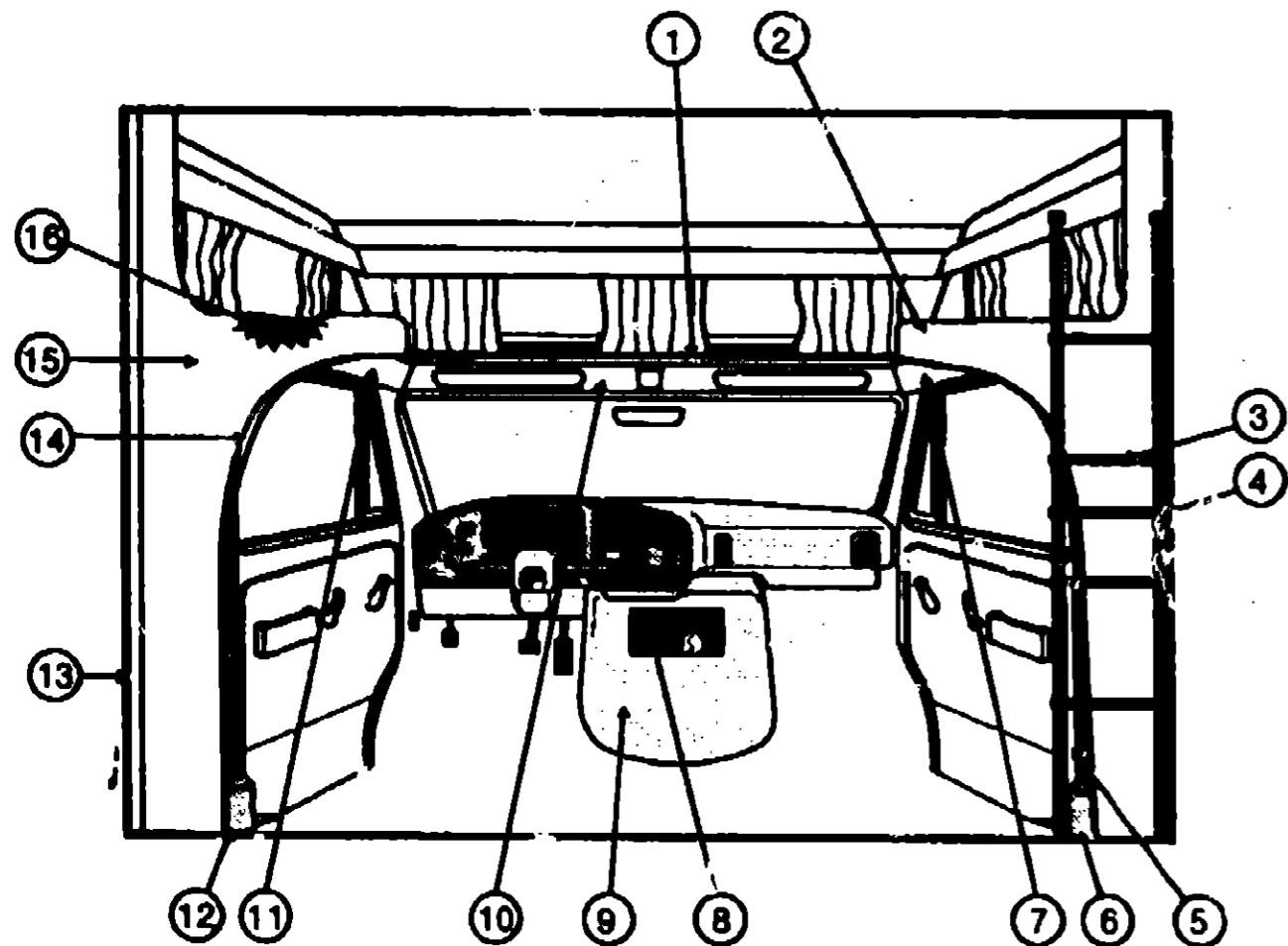
KEY	PART NUMBER	U/M DESCRIPTION
1	106444-31-01A	EA TRIM-SLEEPERBOARD, INNER OFF WHITE FROM: 00-00-00 THRU: 09-05-92
1	079800-07-000	EA TRIM-SLEEPERBOARD, INNER - METAL - OFF WHITE FROM: 09-06-92 THRU: 99-99-99
1	080742-03-000	FT TRIM-VINYL, SLEEPER BOARD - OFF WHITE
2	105664-01-D04	EA WINGWALL ASM-INNER, RIGHT
2	105664-01-D05	EA WINGWALL ASM-INNER, RIGHT
3	082081-26-C03	EA COVER-WINGWALL, VINYL TRIM - OFF WHITE
4	106025-01-01A	EA LADDER-BUNK, BLACK - 1434 MM
	106025-01-700	EA BRACKET SET, F/BUNK LADDER
5	099856-03-000	EA STRAP ASM-TIEDOWN, BUNK LADDER
6	076302-03-000	EA BELT-SEAT, DRIVER AND PASSENGER
	087932-03-000	EA BRACKET ASM-SHOULDER HARNESS, ANGLE W/WELD NUT & GUSSET - LEFT
	087932-04-000	EA BRACKET ASM-SHOULDER HARNESS, ANGLE W/WELD NUT & GUSSET - RIGHT
7	091825-02-AA5	EA HEADLINER-VINYL COVERED, SIDE - 2 USED - OFF WHITE
8	082552-02-B88	EA PANEL-DOOR, CAB (D04)
8	082552-02-B88	EA PANEL-DOOR, CAB (D05)
9	059491-01-D04	EA PANEL-SIDE, DOOR - RIGHT (D04)
9	059491-01-B88	EA PANEL-SIDE, DOOR - RIGHT (D05)
10	100516-01-B27	EA TRAY-BEVERAGE (D04)
10	100516-01-B05	EA TRAY-BEVERAGE (D05)
	046886-03-000	EA ASHTRAY-CHROME, W/COVER
11	074891-07-B27	EA COV 3-MOTOR (D04)
11	074891-07-B88	EA COVER-MOTOR (D05)
12	091829-01-B05	EA HEADLINER-VINYL COVERED, FRONT - OFF WHITE
13	059492-01-D04	EA PANEL-SIDE, DOOR - LEFT (D04)
13	059492-01-B88	EA PANEL-SIDE, DOOR - LEFT (D05)
14	082552-03-B88	EA PANEL-DOOR, CAB (D04)
14	082552-03-B88	EA PANEL-DOOR, CAB (D05)
15	105664-02-D04	EA WINGWALL ASM-INNER, LEFT
15	105664-02-D05	EA WINGWALL ASM-INNER, LEFT
16	109894-02-D04	EA CABINET-HAMPER, FRONT
		FROM: 09-06-92 THRU: 99-99-99
16	109894-02-D05	EA CABINET-HAMPER, FRONT
		FROM: 09-06-92 THRU: 99-99-99

KEY	PART NUMBER	U/M DESCRIPTION
1	106444-01-01A	EA TRIM-SLEEPERBOARD, INNER - OFF WHITE FROM: 00-00-00 THRU: 09-05-92
1	079800-07-000	EA TRIM-SLEEPERBOARD, INNER - OFF WHITE FROM: 09-06-92 THRU: 99-99-99
1	080742-03-000	FT TRIM-VINYL, SLEEPER BOARD - OFF WHITE
2	106440-01-D04	EA WINGWALL ASM-INNER, RIGHT
2	106440-01-D05	EA WINGWALL ASM-INNER, RIGHT
2	109803-01-D04	EA WINGWALL ASM-INNER, UPPER FROM: 00-00-00 THRU: 09-05-92
2	109803-01-D05	EA WINGWALL ASM-INNER, UPPER FROM: 09-06-92 THRU: 99-99-99
2	109805-01-D04	EA WINGWALL ASM-INNER, RIGHT LOWER FROM: 09-06-92 THRU: 99-99-99
2	109805-01-D05	EA WINGWALL ASM-INNER, RIGHT LOWER FROM: 09-06-92 THRU: 99-99-99
	106445-01-C03	EA TRIM ASM-WINGWALL WRAP, RIGHT - BETWEEN CAB STEEL & B PILLAR TRIM
	1C9804-01-D04	EA CAP-SLEEPERBOARD, DRIVER/PASSENGER SIDE - 80 X 596MM FROM: 09-06-92 THRU: 99-99-99
	109804-01-D05	EA CAP-SLEEPERBOARD, DRIVER/PASSENGER SIDE - 80 X 596MM FROM: 09-06-92 THRU: 99-99-99
4	106025-02-01A	EA LADDER-BUNK, BLACK - 1434 MM
4	106025-01-700	EA BRACKET SET FOR BUNK LADDER
5	099856-03-000	EA STRAP ASM-TIEDOWN, BUNK LADDER
6	106446-01-C03	EA TRIM ASM-CAB, B-PILLAR - RIGHT
6	106431-01-01A	EA COVER-SEATBELT RECOIL, RIGHT - OFF WHITE
7	106447-01-C03	EA TRIM ASM-CAB DOOR, UPPER - RIGHT
8	108899-01-D04	EA TRAY-BEVERAGE, OAK
9	069885-16-D04	EA COVER-MOTOR, W/POCKET (D04)
9	069885-16-C04	EA COVER-MOTOR, W/POCKET (D05)

**1993 WC424RC INDEX**

FLOOR PLAN	A-07 - A-08
ACCESSORIES	A-09
AUDIO VIDEO	A-10 - A-11
BATH	A-12 - A-14
BEDROOM	A-15
CHASSIS	A-16 - A-20
CURTAIN & CUSHION	A-21 - B-08
DINETTE	B-09 - B-10
DRIVERS COMPARTMENT	B-11 - B-14
ELECTRICAL	B-15 - B-18
EXTERIOR BODY	B-19 - C-03
GALLEY	C-04 - C-07
GENERATOR	C-08
HEATING & A/C	C-09 - C-10
INTERIOR FINISH	C-11 - C-14
LABELS	C-15 - C-22
LP	C-23
LOUNGE	C-24
SEALANTS & FASTENERS	D-01 - D-04
WATER & SEWAGE	D-05 - D-10
WINDOW, VENT AND EXTERIOR DOOR	D-11 - E-02

**DRIVERS COMPARTMENT (CONTINUED)**



**FORD DRIVERS COMPARTMENT (CONTINUED)**

KEY	PART NUMBER	U/M DESCRIPTION
10	106448-01-C03	EA HEADLINER-VINYL COVERED, FRONT - OFF WHITE
11	106447-02-C03	EA TRIM ASM-CAB DOOR, UPPER - LEFT
12	106431-02-01A	EA COVER-SEATBELT RECOIL, LEFT - OFF WHITE
13	082081-18-C03	EA COVER-WINGWALL, 880MM LONG - VINYL - OFF WHITE
13	082081-20-C03	EA COVER-WINGWALL, 2002MM LONG - VINYL - OFF WHITE
	082071-12-C03	EA TRIM-WINGWALL TO SIDEWALL, W/O BUTTONS - VINYL - OFF WHITE
14	106446-02-C03	EA TRIM ASM-CAB, B-PILLAR - RIGHT
15	106440-04-D04	EA WINGWALL ASM-INNER, LEFT
15	106440-04-D05	EA WINGWALL ASM-INNER, LEFT
		FROM: 00-00-00 THRU: 09-05-92
15	109803-01-D04	EA WINGWALL ASM-INNER, UPPER
		FROM: 00-00-00 THRU: 09-05-92
15	109803-01-D05	EA WINGWALL ASM-INNER, UPPER
		FROM: 09-06-92 THRU: 99-99-99
15	109805-02-D04	EA WINGWALL ASM-INNER, RIGHT
		FROM: 09-06-92 THRU: 99-99-99
15	109805-02-D05	EA WINGWALL ASM-INNER, RIGHT
		FROM: 09-06-92 THRU: 99-99-99
	106445-02-C03	EA TRIM ASM-WINGWALL WRAP, LEFT - BETWEEN CAB STEEL & B PILLAR TRIM
18	109894-01-D04	EA CABINET-HAMPER, FRONT
		FROM: 09-06-92 THRU: 99-99-99
18	109894-01-D05	EA CABINET-HAMPER, FRONT
		FROM: 09-06-92 THRU: 99-99-99

**DRIVERS COMPARTMENT (CONTINUED)**

**INSTRUMENT CLUSTERS**

KEY	PART NUMBER	U/M DESCRIPTION
	094795-05-000	EA CLUSTER-INSTRUMENT PANEL, KILOMETER - 92 GAS CHEVY
	094795-08-000	EA CLUSTER-INSTRUMENT PANEL, KILOMETER - 92 DIESEL CHEVY
	094795-03-000	EA CLUSTER-INSTRUMENT PANEL, KILOMETER - FORD 92 E350
		FROM: 00-00-00 THRU: 01-31-93
	094795-04-000	EA CLUSTER-INSTRUMENT PANEL, KILOMETER - FORD 93 E350
		FROM: 02-01-93 THRU: 99-99-99
	094795-01-000	EA SPEEDOMETER-KILOMETER (FORD)
	046885-01-000	EA PLAQUE-MOUNTING, SWITCH - BATTERY/FUEL SWITCHES (CHEVY)
	081082-01-000	EA PLAQUE-MOUNTING, BATTERY/FUEL SWITCH - 2.4" X 1.4" - BLACK (FORD)
	100136-01-000	EA MODULE-DAYTIME RUNNING LIGHT
	024461-01-000	EA SWITCH-BATTERY, BATT/DUAL/MOM

**1993 WINNEBAGO  
TABLE OF CONTENTS**

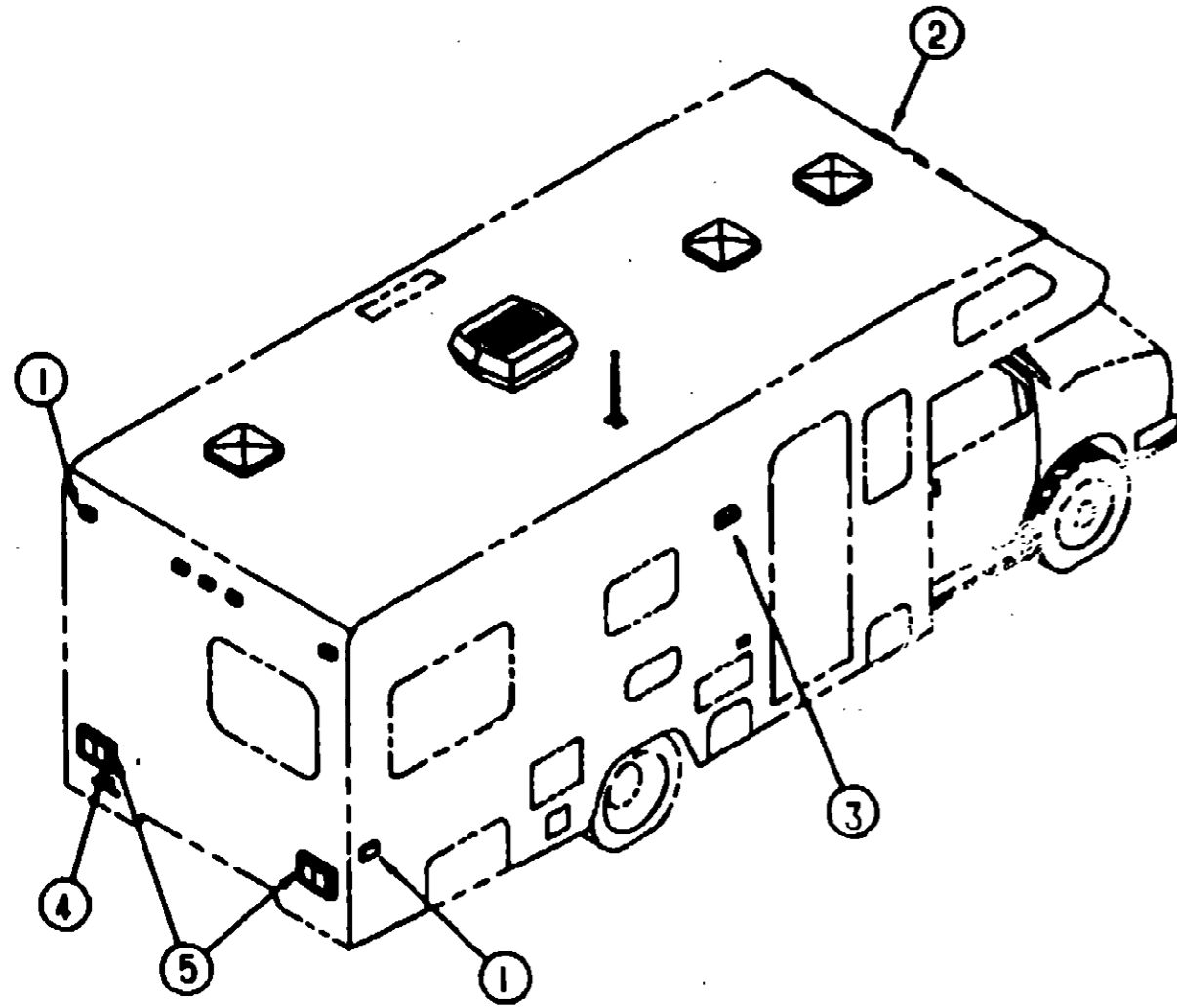
INTRODUCTION	A-01 - A-02
ABBREVIATIONS	A-03
ALPHABETICAL INDEX	A-04 - A-08
WC424RC	A-07 - E-02
WC422RG	E-03 - H-18

**1993 WC424RC INDEX**

FLOOR PLAN	A-07 - A-08
ACCESSORIES	A-09
AUDIO VIDEO	A-10 - A-11
BATH	A-12 - A-14
BEDROOM	A-15
CHASSIS	A-16 - A-20
CURTAIN & CUSHION	A-21 - B-08
DINETTE	B-09 - B-10
DRIVERS COMPARTMENT	B-11 - B-14
ELECTRICAL	B-15 - B-18
EXTERIOR BODY	B-19 - C-03
GALLEY	C-04 - C-07
GENERATOR	C-08
HEATING & A/C	C-09 - C-10
INTERIOR FINISH	C-11 - C-14
LABELS	C-15 - C-22
LP	C-23
LOUNGE	C-24
SEALANTS & FASTENERS	D-01 - D-04
WATER & SEWAGE	D-05 - D-10
WINDOW, VENT AND	
EXTERIOR DOOR	D-11 - E-02



## ELECTRICAL GROUP



### EXTERIOR LIGHTS

KEY	PART NUMBER	U/M DESCRIPTION
1	091983-01-000	EA GASKET-CLEARANCE/SIDEMARKER LIGHT
1	042405-01-000	EA LENS-CLEARANCE/SIDEMARKER LIGHT, W/REFLEX - RED
1	042405-03-000	EA BASE-CLEARANCE/SIDEMARKER LIGHT, W/BULB - PLASTIC - WHITE
1	111102-01-000	EA BASE-CLEARANCE/SIDEMARKER LIGHT, W/BULB - PLASTIC FROM: 00-00-00 THRU: 05-16-93
		FROM: 05-17-93 THRU: 99-99-99
	008213-01-000	EA BULB-12 V, NO. 57 - 24 AMP
2	091983-01-000	EA GASKET-CLEARANCE/SIDEMARKER LIGHT
2	042405-02-000	EA LENS-CLEARANCE/SIDEMARKER LIGHT, W/REFLEX - AMBER
2	042405-03-000	EA BASE-CLEARANCE/SIDEMARKER LIGHT, W/BULB - PLASTIC - WHITE
	008213-01-000	EA BULB-12 V, NO. 57 - 24 AMP
3	097917-01-01A	EA LIGHT-PORCH, ENTRY DOOR - OFF WHITE
3	008215-01-000	EA BULB-12V-#1003, 94AMP
3	097917-01-700	EA LENS-LIGHT, PORCH
4	066432-01-000	EA LIGHT-LICENSE PLATE, W/BRACKET
	066432-03-000	EA BRACKET-LIGHT, LICENSE PLATE
5	081638-01-000	EA TAILLIGHT-DOUBLE, W/BLACK TRIM - DRIVER & PASS SIDE
	037934-01-000	EA BULB# 1156 (BACK UP & TURN SIGNAL)
	037935-01-000	EA BULB# 2057 OR 1157 (BRAKE LIGHT)
5	081638-01-700	EA LENS-TAILLIGHT, RED
5	081638-01-701	EA LENS-TAILLIGHT, W/BACKUP
	103355-01-01A	EA POD-TAILLIGHT, OFF WHITE

## ELECTRICAL GROUP (CONTINUED)

### INTERIOR LIGHTS

KEY	PART NUMBER	U/M DESCRIPTION
	081424-01-000	EA LIGHT-AISLE, 12V - RECTANGULAR
	008103-01-000	EA BULB-DASH/AISLE LIGHT, #53 - 12 V - 12 AMP
	098024-01-01A	EA LIGHT-DOME, 1 BULB - US - IVORY
	008218-01-000	EA BULB-DOME LIGHT, 12V - NUMBER 1141
	098024-01-700	EA LENS-DOME LIGHT
	008024-03-01A	EA LIGHT-DOME, 2 BULB - IVORY
	008218-01-000	EA BULB-DOME LIGHT, 12V - NUMBER 1141
	098024-01-700	EA LENS-DOME LIGHT
	086280-01-000	EA LIGHT-SURFACE MOUNT, 12V - JENSEN 1236
	086280-01-700	EA BULB-12V, 6 WATT
	087694-01-000	EA LIGHT-WARDROBE/CLOSET, W/SWITCH
	087694-01-700	EA BULB-WARDROBE/CLOSET LIGHT

### SWITCHES, RECEPTACLES & COVER PLATES

KEY	PART NUMBER	U/M DESCRIPTION
	075723-01-000	EA BLOCK-SWITCH, SPACER W/O HOLE
	097734-01-01A	EA EXTENSION-RECEPTACLE, 3.2" X 5" X .7" - PLASTIC - IVORY
	097734-01-02A	EA EXTENSION-RECEPTACLE, 3.2" X 5" X .7" - PLASTIC - BROWN
	075736-02-000	EA COVER-EXTERIOR RECEPTACLE, OFF WHITE
	007940-01-000	EA RECEPTACLE-SLIDE, 16 TO 12 AWG - FEMALE END
	024924-02-000	EA RECEPTACLE-POWER CORD, W/PARTIAL PLATE
	058707-01-000	EA RECEPTACLE-ELECTRIC, SINGLE - BROWN
	058708-01-000	EA RECEPTACLE-ELECTRIC, DOUBLE - BROWN
	058708-02-000	EA RECEPTACLE-ELECTRIC, DOUBLE - IVORY
	080015-02-000	EA RECEPTACLE-FLAG, .185 - 18/14 GA - AMP 3
	080015-03-000	EA RECEPTACLE-FLAG, .250 - 14/16 GA
	084078-01-000	EA RECEPTACLE-GFI, 15A - 125V - IVORY
	084078-02-000	EA RECEPTACLE-GFI, 15A - 125V - BROWN
	095188-01-01A	EA SPACER-SWITCH, 2.3" X 3.4" - PLASTIC - DARK BROWN
	102568-01-B10	EA SPACER-RECEPTACLE, BETWEEN SIDEWALL & PLATE - WOOD
	077942-01-000	EA SWITCH-DUMMY - BLACK
	079384-01-000	EA SWITCH-ON/OFF ROCKER, 2 PRONGS - BROWN
	079384-03-000	EA SWITCH-ON/OFF ROCKER, 3 PRONGS - BROWN
	108355-01-000	EA HOUSING-SWITCH, CARLING VCH
	108357-08-000	EA SWITCH-ROCKER, DPDT ON/NONE/ON - VDD1500C-0
	108356-02-01A	EA ACTUATOR-SWITCH, DIMPLE II - CARLING VVAZC00 BLA
	084077-01-000	EA PLATE-COVER, RECEPTACLE - GFI - IVORY
	084077-02-000	EA PLATE-COVER, RECEPTACLE - GFI - BROWN
	098351-01-01A	EA PLATE-SWITCH, 1 GANG - POLISHED BRASS
	054520-04-000	EA COVER-ANGLED, W/O HOLE - 3.6" X 4.5" - PLASTIC - OFF WHITE

### CONTROL CENTER & CONVERTER

KEY	PART NUMBER	U/M DESCRIPTION
	083208-01-000	EA CONVERTER-POWER, 32A - 120V/12V - BW 6332
	094809-01-000	EA CENTER-LOAD, 240V - 125 AMP - YPL412CT (EXPORT OPTION)

### WIRING ASSEMBLIES

KEY	PART NUMBER	U/M DESCRIPTION
	103328-08-000	EA WIRE ASM-PUMP, EXTERIOR SHOWER
	106851-01-000	EA WIRE ASM-DAYTIME RUNNING LIGHTS-W/FUSE

## 1993 WINNEBAGO TABLE OF CONTENTS

INTRODUCTION	A-01 - A-02
ABBREVIATIONS	A-03
ALPHABETICAL INDEX	A-04 - A-06
WC424RC	A-07 - E-02
WC422RG	E-03 - H-16

## 1993 WC424RC INDEX

FLOOR PLAN	A-07 - A-08
ACCESSORIES	A-09
AUDIO VIDEO	A-10 - A-11
BATH	A-12 - A-14
BEDROOM	A-15
CHASSIS	A-16 - A-20
CURTAIN & CUSHION	A-21 - B-08
DINETTE	B-09 - B-10
DRIVERS COMPARTMENT	B-11 - B-14
ELECTRICAL	B-15 - B-18
EXTERIOR BODY	B-19 - C-03
GALLEY	C-04 - C-07
GENERATOR	C-08
HEATING & AC	C-09 - C-10
INTERIOR FINISH	C-11 - C-14
LABELS	C-15 - C-22
LP	C-23
LOUNGE	C-24
SEALANTS & FASTENERS	D-01 - D-04
WATER & SEWAGE	D-05 - D-10
WINDOW, VENT AND EXTERIOR DOOR	D-11 - E-02

**ELECTRICAL GROUP (CONTINUED)**

**FUSES & CIRCUIT BREAKERS**

KEY	PART NUMBER	U/M	DESCRIPTION
	082901-02-000	EA	FUSE-5 AMP-AUTOMOTIVE
	082901-05-000	EA	FUSE-15 AMP-AUTOMOTIVE
	008236-01-000	EA	FUSE-15 AMP-AUTOMOTIVE-12V
	100341-01-000	EA	FUSE HOLDER-IN LINE TYPE
	082037-01-000	EA	HOUSING-AUTO FUSE, NATURAL
	082036-02-000	EA	TERMINAL-PACK-CON. - 16/14 AWG
	107165-01-01A	EA	BOX-CIRCUIT BREAKER MOUNT-BLACK
	093864-01-000	EA	BREAKER-CIRCUIT, 6 AMP - HOUSE CONTROL PANEL
	083209-01-000	EA	BREAKER-CIRCUIT, 15 AMP - 120V - BW G-15(CANADIAN)
	083209-03-000	EA	BREAKER-CIRCUIT, 15/20AMP - 120V - BW - 0-15/20
	083209-04-000	EA	BREAKER-CIRCUIT, 30AMP - 120V - BW L-30
	083209-02-000	EA	BREAKER-CIRCUIT, 15/15AMP - 120V - BW H-15/15
	083209-06-000	EA	BREAKER-CIRCUIT, 30/15 AMP - 120V - 5W D-30/15
	094810-01-000	EA	BREAKER-CIRCUIT, 30AMP - 120V - GE THQL2130
	094811-01-000	EA	BREAKER-CIRCUIT, 20/20AMP - 120V - GE THQL2120
	093855-02-000	EA	BREAKER-CIRCUIT, 30 AMP - HOUSE CONTROL PANEL

**ELECTRIC BOXES, COVERS & POWER CORDS**

KEY	PART NUMBER	U/M	DESCRIPTION
	008288-01-000	EA	BOX-PLASTIC ELECTRIC, 3.94" X 3.13" X 1.81"
	008289-01-000	EA	BOX-ELECTRIC, STEEL - 1/2" AND 3/4" KNOCKOUTS - 4" X 4"
	008289-02-000	EA	BOX-ELECTRICAL, 4" X 4" - 1/2" & 3/4" KNOCKOUTS - CANADIAN
	058049-01-000	EA	BOX-ELECTRIC SWITCH, 2" X 3" X 2.25"
	091910-01-000	EA	BOX-ELECTRIC, 3.75" X 3.5" X 1.75" - PLASTIC
	091910-02-000	EA	BOX-ELECTRIC, 57 X88MM - PLASTIC
	093803-01-000	EA	BOX-ELECTRIC, STEEL - 4" X 2 1/8" X 2 1/8"
	073626-04-000	EA	COVER-ELECTRIC, 10.4" X 7.8" - PLASTIC - BEIGE
	087949-01-000	EA	BUSS BAR-2 POSITION, 6" X 1.5" - ALUMINUM
	008054-01-000	EA	CORD-POWER, 10/3 - 30 AMP - 25'
	008052-01-000	EA	CORD-POWER, 10/3 - 30 AMP - 25' - CANADIAN
	069238-01-000	EA	COVER-ELECTRICAL BOX, W/HOLE - 4" X 4" - GRAY - USED W/30 AMP RECEPTACLE
	008294-02-000	EA	COVER-ELECTRICAL BOX, BLANK STEEL - 4" X 4" - CANADIAN
	008108-01-000	EA	SOLENOID-3 POST, BATTERY CHANGE OVER

**CONDUIT**

KEY	PART NUMBER	U/M	DESCRIPTION
	041953-01-000	FT	CONDUIT-CONVOLUTE SLIT - .5" ID
	041953-03-000	FT	CONDUIT-CONVOLUTE SLIT - 1" ID (CLOTHES ROD COVER)
	041953-05-000	FT	CONDUIT-CONVOLUTE SLIT - .62" ID
	041953-06-000	FT	CONDUIT-CONVOLUTE SLIT - .375" ID
	041953-07-000	FT	CONDUIT-CONVOLUTE SLIT - .25" ID
	041953-08-000	FT	CONDUIT-CONVOLUTE SLIT - 1.50" ID
	041953-09-000	FT	CONDUIT-CONVOLUTE SLIT - .50" ID
	041953-10-000	FT	CONDUIT-CONVOLUTE SLIT - .75" ID
	041953-11-000	FT	CONDUIT-CONVOLUTE SLIT - 1.08" ID
	041953-12-000	FT	CONDUIT-CONVOLUTE NON SLIT - 1.1" ID

**ELECTRICAL GROUP (CONTINUED)**

**CONNECTORS, HOUSINGS, & TERMINALS**

KEY	PART NUMBER	U/M	DESCRIPTION
	007942-01-000	EA	TAB-WIRE, 18 TO 14 AWG
	007949-01-000	EA	TAB-HOUSING, 1 POSITION
	008312-01-000	EA	CONNECTOR-WIRE NUT, INSULATED - BLUE
	008355-01-000	EA	CONNECTOR-CABLE CLAMPING, 3/4"
	068028-01-000	EA	CONNECTOR-ELECTRICAL PIGTAIL, NYLON - CLEAR
	088475-01-000	EA	CONNECTOR-PIN, 14 TO 20 AWG
	088475-02-000	EA	CONNECTOR-PIN, 10 TO 12 AWG
	008356-01-000	EA	CONNECTOR-PLASTIC, 3/8" AVG
	088478-01-000	EA	CONNECTOR-SOCKET, BRASS - PRE-TIN
	088478-02-000	EA	CONNECTOR-SOCKET, 12-10 GA - PHOS. BRZ - PRE-TIN
	008420-01-000	EA	CONNECTOR-SWIVEL, 1/2" FPT X 5/8" TUBE - PLASTIC
	008311-01-000	EA	CONNECTOR-WIRE NUT, INSULATED - RED
	008314-01-000	EA	CONNECTOR-WIRE NUT, INSULATED - GRAY
	063910-01-000	EA	HOUSING-RELAY, BOSCH 3 334 485 008
	088473-01-000	EA	HOUSING-PIN, 4 ROWS OF 3
	088473-03-000	EA	HOUSING-PIN, 9 POSITION
	088473-05-000	EA	HOUSING-PIN, 6 POSITION (SINGLE ROW)
	088473-06-000	EA	HOUSING-PIN, 6 POSITION (TWO ROWS OF THREE)
	088473-07-000	EA	HOUSING-PIN, 5 CAVITY AMP 1-480763-0
	088473-08-000	EA	HOUSING-PIN, 4 POSITION
	088473-09-000	EA	HOUSING-PIN, 3 POSITION (SINGLE ROW)
	088473-10-000	EA	HOUSING-PIN, 2 POSITION
	088474-03-000	EA	HOUSING-SOCKET, 9 POSITION
	088474-06-000	EA	HOUSING-SOCKET, 6 POSITION (2 ROWS OF THREE)
	088474-07-000	EA	HOUSING-SOCKET, 5 CAVITY AMP 1-480764-0
	088474-08-000	EA	HOUSING-SOCKET, 4 POSITION (SINGLE ROW)
	088474-09-000	EA	HOUSING-SOCKET, 3 POSITION
	088474-10-000	EA	HOUSING-SOCKET, 2 POSITION
	008326-01-000	EA	TERMINAL-RING, 16/14 WIRE - 3/8" STUD
	008328-01-000	EA	TERMINAL-RING, 12/10 WIRE - #10 STUD FIT
	008331-01-000	EA	TERMINAL-RING, TONGUE - #4 WIRE - 3/8" STUD - COPPER
	008348-01-000	EA	TERMINAL-RING, 3/8" STUD - #2 WIRE
	035416-04-000	EA	TERMINAL-RING #10 STUD FIT, INSULATED BARREL #16/14
	047443-01-000	EA	TERMINAL-.250 RECEPTACLE FIT, INSULATED - 16/14 AWG
	047443-02-000	EA	TERMINAL-.250 RECEPTACLE FIT, INSULATED - 12/10 AWG
	090971-01-000	EA	SPLICE-CABLE, 110V
	090971-02-000	EA	SPLICE-CABLE, 110V - TAP

**1993 WINNEBAGO  
TABLE OF CONTENTS**

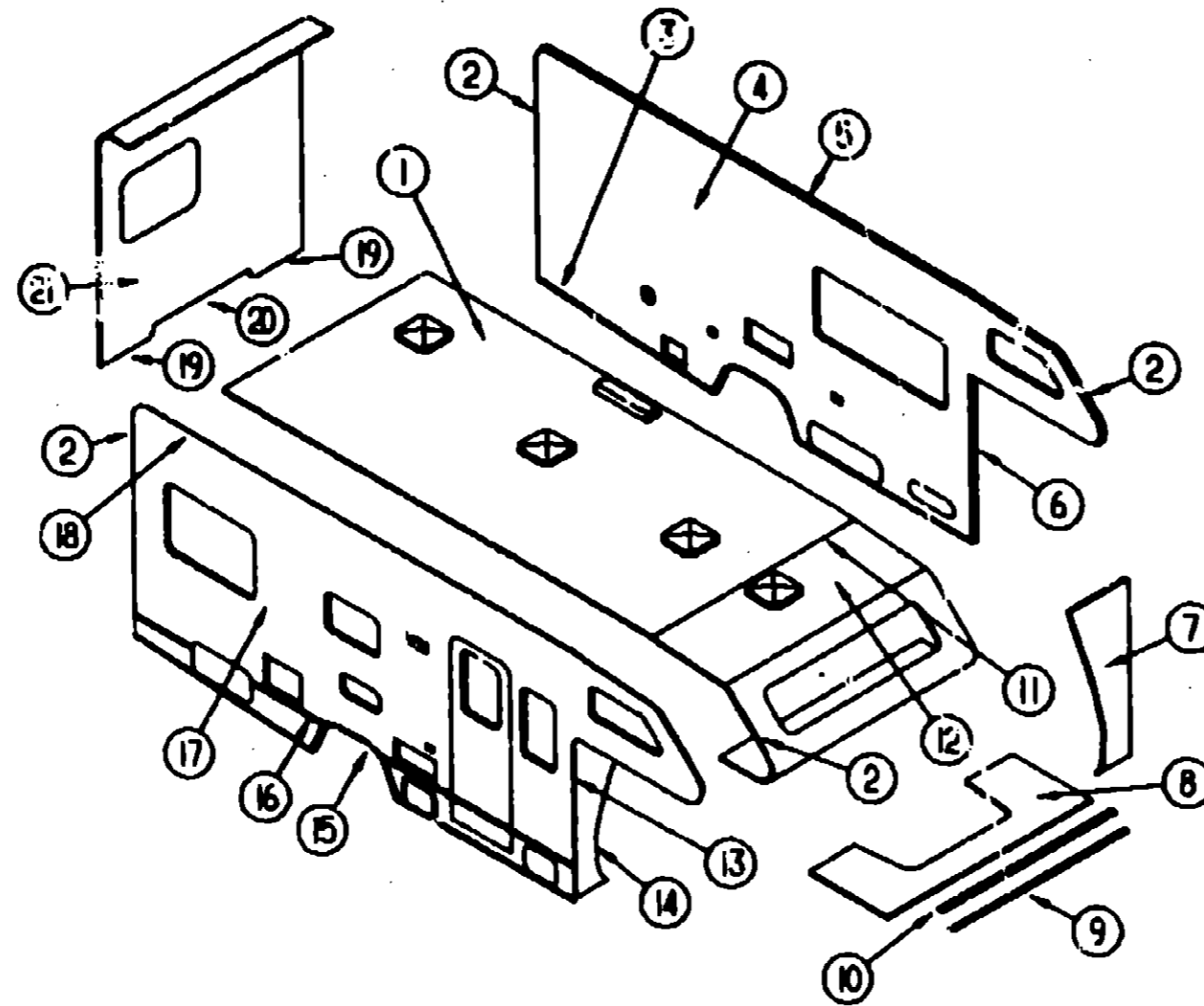
INTRODUCTION	A-01	A-02
ABBREVIATIONS		A-03
ALPHABETICAL INDEX	A-04	A-08
WC424RC	A-07	E-02
WC422RG	E-03	H-18

**1993 WC424RC INDEX**

FLOOR PLAN	A-07	A-08
ACCESSORIES		A-09
AUDIO VIDEO	A-10	A-11
BATH	A-12	A-14
BEDROOM		A-15
CHASSIS	A-16	A-20
CURTAIN & CUSHION	A-21	B-08
DINETTE	B-09	B-10
DRIVERS COMPARTMENT	B-11	B-14
ELECTRICAL	B-15	B-18
EXTERIOR BODY	B-19	C-03
GALLEY	C-04	C-07
GENERATOR		C-08
HEATING & A/C	C-09	C-10
INTERIOR FINISH	C-11	C-14
LABELS	C-15	C-22
LP		C-23
LOUNGE		C-24
SEALANTS & FASTENERS	D-01	D-04
WATER & SEWAGE	D-05	D-10
WINDOW, VENT AND		
EXTERIOR DOOR	D-11	E-02

# EXTERIOR BODY GROUP

## EXTERIOR BODY PANELS



## 1993 WINNEBAGO TABLE OF CONTENTS

INTRODUCTION	A-01 - A-02
ABBREVIATIONS	A-03
ALPHABETICAL INDEX	A-04 - A-08
WC424RC	A-07 - E-02
WC422RG	E-03 - H-16

## 1993 WC424RC INDEX

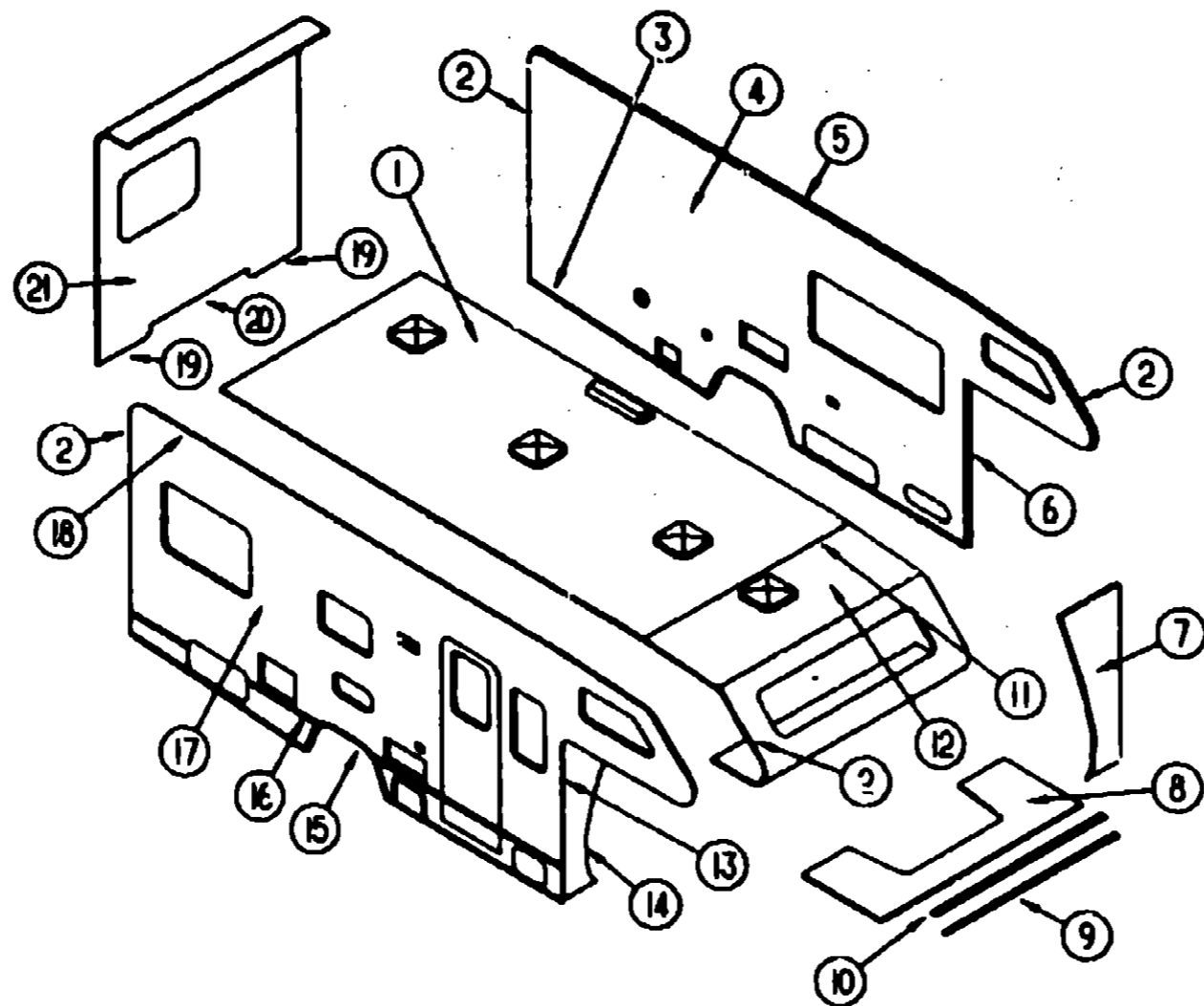
FLOOR PLAN	A-07 - A-08
ACCESSORIES	A-09
AUDIO VIDEO	A-10 - A-11
BATH	A-12 - A-14
BEDROOM	A-15
CHASSIS	A-16 - A-20
CURTAIN & CUSHION	A-21 - B-08
DINETTE	B-09 - B-10
DRIVERS COMPARTMENT	B-11 - B-14
ELECTRICAL	B-15 - B-18
EXTERIOR BODY	B-19 - C-03
GALLEY	C-04 - C-07
GENERATOR	C-08
HEATING & A/C	C-09 - C-10
INTERIOR FINISH	C-11 - C-14
LABELS	C-15 - C-22
LP	C-23
LOUNGE	C-24
SEALANTS & FASTENERS	D-01 - D-04
WATER & SEWAGE	D-05 - D-10
WINDOW, VENT AND EXTERIOR DOOR	D-11 - E-02

KEY	PART NUMBER	U/M DESCRIPTION
1	P06884-02-D04	EA ROOF ASM W/BASES FROM: 00-00-00 THRU: 09-05-92
1	P09079-02-D04	EA ROOF ASM W/BASES FROM: 09-06-92 THRU: 99-99-99
2	096854-01-01A	EA TRIM-CONTCUR, W/O VINYL INSERT - 108" - OFF WHITE
2	105312-01-01A	FT INSERT-TRIM, VINYL - OFF WHITE
3	098072-55-001	EA U-CHANNEL, EXTRUDED - 4877MM LONG - OFF WHITE
3	098072-55-002	EA U-CHANNEL, EXTRUDED - 2900MM LONG - OFF WHITE
4	P08844-01-D04	EA SIDEWALL-DRIVER SIDE, W/O WINDOW & DOORS FROM: 00-00-00 THRU: 09-05-92
4	P09720-01-D04	EA SIDEWALL-DRIVER SIDE, W/O WINDOW & DOORS FROM: 09-06-92 THRU: 99-99-99
4	P08844-01-D05	EA SIDEWALL-DRIVER SIDE, W/O WINDOW & DOORS FROM: 00-00-00 THRU: 09-05-92
4	P09720-01-D05	EA SIDEWALL-DRIVER SIDE, W/O WINDOW & DOORS FROM: 09-06-92 THRU: 99-99-99
4	P05739-12-D04	EA SIDEWALL-DRIVER SIDE, W/O WINDOW & DOORS (EUROPE EXPORT)
4	P05739-12-D05	EA SIDEWALL-DRIVER SIDE, W/O WINDOW & DOORS (EUROPE EXPORT)
5	096884-01-01A	EA TRIM-CONTOUR, ROOF TO SIDEWALL - DR OR PASS - 120"
	064675-54-003	EA STEEL-ANGLE, ROOF JOINT - 1220MM LONG - OFF WHITE
	064675-54-004	EA STEEL-ANGLE, ROOF JOINT - 545MM LONG - OFF WHITE

KEY	PART NUMBER	U/M DESCRIPTION
6	104479-04-01A	EA TRIM-CONTOUR, FRONT - DRIVER - OFF WHITE FROM: 00-00-00 THRU: 09-05-92
6	104479-06-01A	EA TRIM-CONTOUR, FRONT - DRIVER - OFF WHITE FROM: 09-06-92 THRU: 99-99-99
7	P05017-02-C03	EA WINGWALL-DRIVER SIDE, W/GUSSET (CHEVY)
7	P09858-02-D04	EA WINGWALL-DRIVER SIDE (CHEVY)
7	106438-02-C03	EA WINGWALL-DRIVER SIDE, W/GUSSET (FORD)
7	109659-02-D04	EA WINGWALL-DRIVER SIDE (FORD)
	089334-01-000	FT VINYL-EXTERIOR, BETWEEN WINGWALL & CAB SEAL. - WHITE
8	P06443-01-C03	EA SLEEPERBOARD ASM FROM: 00-00-00 THRU: 09-05-92
8	P09658-01-D29	EA SLEEPERBOARD ASM FROM: 09-06-92 THRU: 99-99-99
9	100086-02-01A	EA TRIM-SLEEPERBOARD, 2" X 90.7" - OFF WHITE
10	100085-03-01A	EA TRIM-SLEEPERBOARD, FLAT - 2.5" X 87.5" - OFF WHITE
11	078580-01-000	EA TRIM-ROOF TO FRONT CAP

# EXTERIOR BODY GROUP (CONTINUED)

## EXTERIOR BODY PANELS (CONTINUED)



### 1993 WINNEBAGO TABLE OF CONTENTS

INTRODUCTION	A-01 - A-02
ABBREVIATIONS	A-03
ALPHABETICAL INDEX	A-04 - A-06
WC424RC	A-07 - E-02
WC422RG	E-03 - H-16

### 1993 WC424RC INDEX

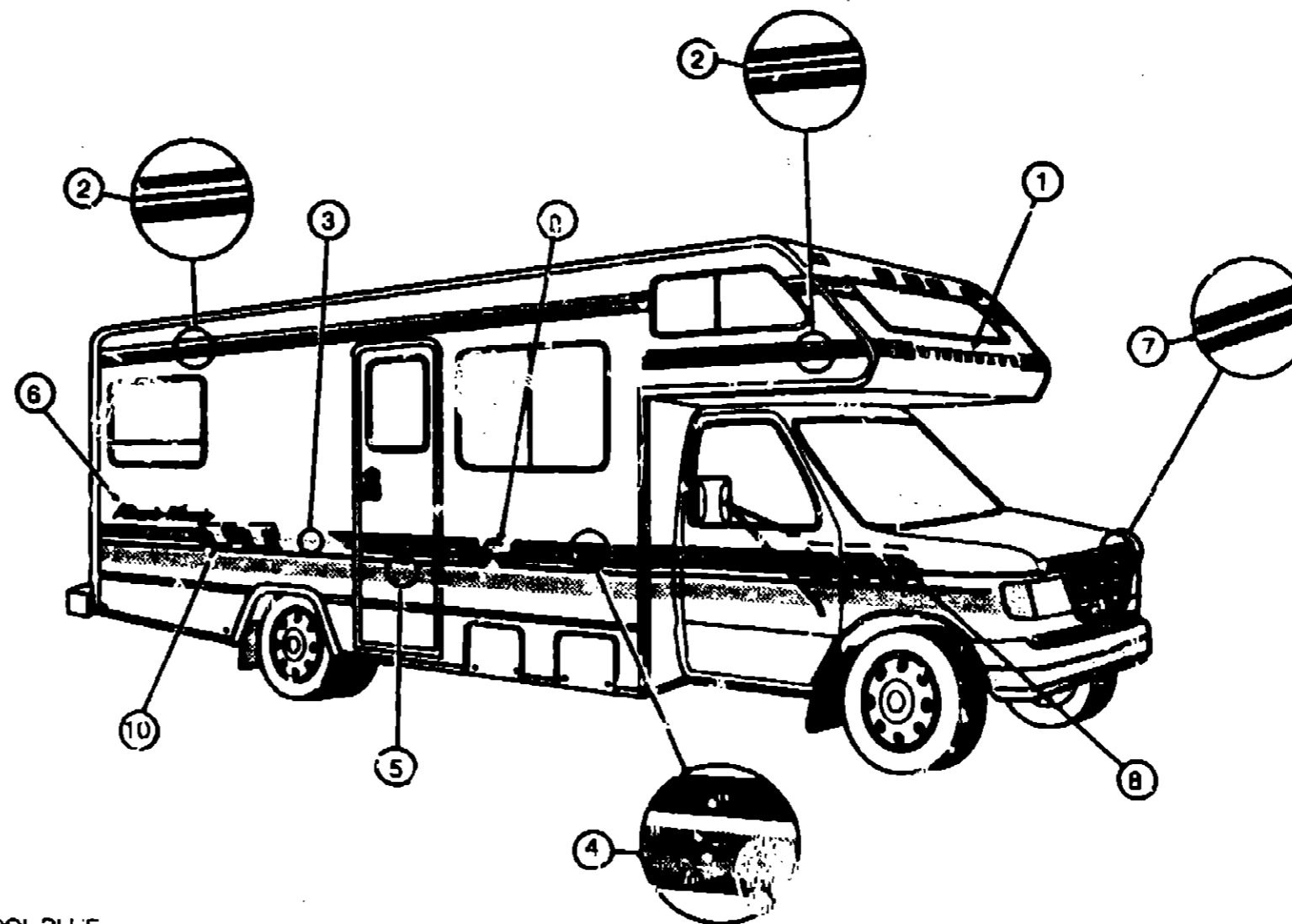
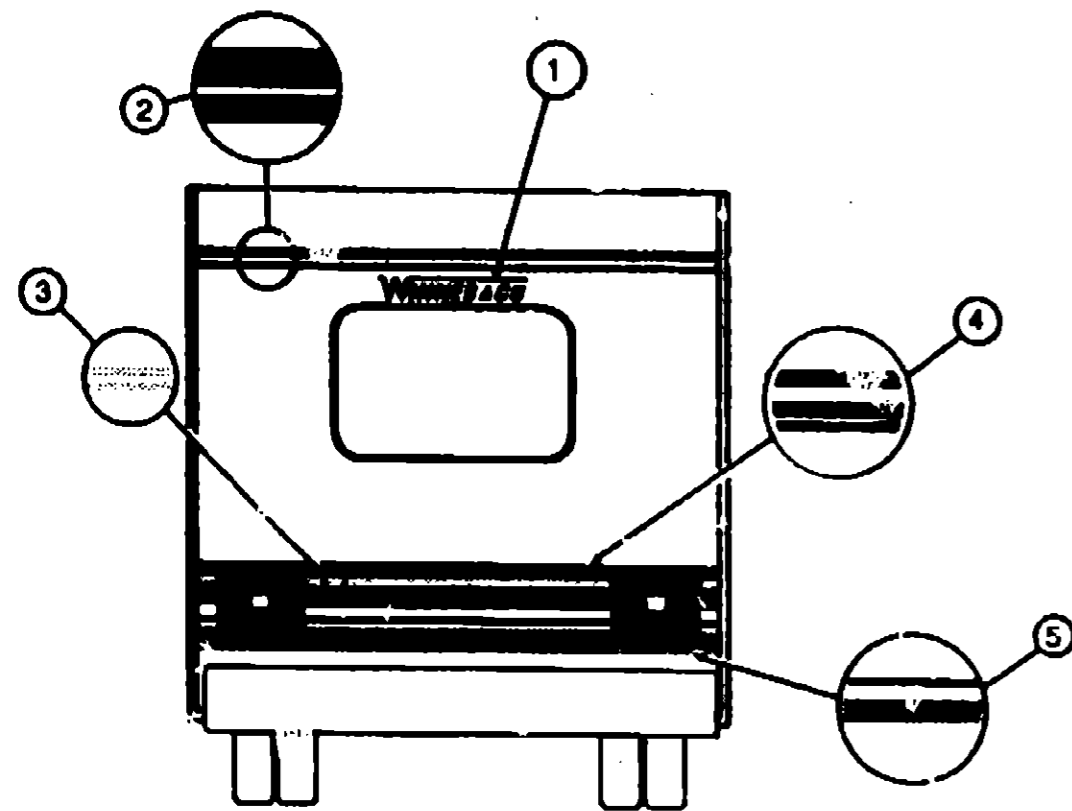
FLOOR PLAN	A-07 - A-08
ACCESSORIES	A-09
AUDIO VIDEO	A-10 - A-11
BATH	A-12 - A-14
BEDROOM	A-15
CHASSIS	A-16 - A-20
CURTAIN & CUSHION	A-21 - B-08
DINETTE	B-09 - B-10
DRIVERS COMPARTMENT	B-11 - B-14
ELECTRICAL	B-15 - B-18
EXTERIOR BODY	B-19 - C-03
GALLEY	C-04 - C-07
GENERATOR	C-08
HEATING & A/C	C-09 - C-10
INTERIOR FINISH	C-11 - C-14
LABELS	C-15 - C-22
LP	C-23
LOUNGE	C-24
SEALANTS & FASTENERS	D-01 - D-04
WATER & SEWAGE	D-05 - D-10
WINDOW, VENT AND EXTERIOR DOOR	D-11 - E-02

KEY	PART NUMBER	U/M DESCRIPTION
12	M76177-01-700	EA CAP-FRONT, OVERHEAD CAB TO FIRST SEAM OF ROOF
13	104479-03-01A	EA TRIM-CONTOUR, FRONT - DRIVER - OFF WHITE FROM: 00-00-00 THRU: 09-05-92
13	104479-05-01A	EA TRIM-CONTOUR, FRONT - DRIVER - OFF WHITE FROM: 09-06-92 THRU: 99-99-99
14	P05017-01-C03	EA WINGWALL-PASSENGER SIDE (CHEVY) FROM: 00-00-00 THRU: 09-05-92
14	P09858-01-D04	EA WINGWALL-PASSENGER SIDE (CHEVY) FROM: 09-06-92 THRU: 99-99-99
14	106438-01-C03	EA WINGWALL-PASSENGER SIDE (FORD) FROM: 00-00-00 THRU: 09-05-92
14	109659-01-D04	EA WINGWALL-PASSENGER SIDE (FORD) FROM: 09-06-92 THRU: 99-99-99
	089334-01-000	FT VINYL-EXTERIOR, BETWEEN WINGWALL & CAB SEAL - WHITE
15	105100-02-01A	EA TRIM-WHEELWELL, DRIVER & PASSENGER SIDE - OFF WHITE
16	009731-01-000	EA END CAP-FEATURE STRIP FROM: 00-00-00 THRU: 09-07-92
16	108651-01-01A	EA END CAP-FEATURE STRIP FROM: 09-08-92 THRU: 99-99-99
16	001030-02-003	EA INSERT-FEATURE STRIP, 17' LONG - OFF WHITE FROM: 00-00-00 THRU: 09-07-92
16	105312-01-01A	EA INSERT-FEATURE STRIP, 17' LONG - VINYL - OFF WHITE FROM: 09-08-92 THRU: 99-99-99

KEY	PART NUMBER	U/M DESCRIPTION
16	002444-04-002	EA STRIP-FEATURE, W/O INSERT - 15' LONG - OFF WHITE FROM: 00-00-00 THRU: 09-07-92
16	108688-01-01A	EA STRIP-FEATURE, W/O INSERT - 15' LONG - OFF WHITE FROM: 09-08-92 THRU: 99-99-99
17	P08843-01-D04	EA SIDEWALL-PASSENGER SIDE, W/O WINDOWS & DOORS FROM: 00-00-00 THRU: 09-05-92
17	P09719-01-D04	EA SIDEWALL-PASSENGER SIDE, W/O WINDOWS & DOORS FROM: 09-06-92 THRU: 99-99-99
17	P08843-01-D05	EA SIDEWALL-PASSENGER SIDE, W/O WINDOWS & DOORS FROM: 00-00-00 THRU: 09-05-92
17	P09719-01-D05	EA SIDEWALL-PASSENGER SIDE, W/O WINDOWS & DOORS FROM: 09-06-92 THRU: 99-99-99
17	P05739-11-D04	EA SIDEWALL-PASSENGER SIDE, W/O WINDOWS & DOORS (EUROPE EXPORT)
17	P05739-11-D05	EA SIDEWALL-PASSENGER SIDE, W/O WINDOWS & DOORS (EUROPE EXPORT)
18	100483-01-01A	EA TRIM-CONTOUR, ROOF TO SIDEWALL (AWNING) - OFF WHITE
	099583-55-001	EA RAIL-AWNING, 10' LONG - OFF WHITE
19	103334-02-01A	EA TRIM-BACKWALL, LOWER - OFF WHITE
20	103335-02-01A	EA TRIM-BACKWALL, LOWER - OFF WHITE
21	P06873-01-D04	EA BACKWALL ASM
21	P06873-01-D05	EA BACKWALL ASM
	002365-01-001	EA U-CHANNEL- 1" X 18" - SERRATED - MILL FINISHED ALUMINUM
	002726-01-001	EA U-CHANNEL, GARNISH - 1.38" X 19" - SERRATED - MILL ALUMINUM
	002754-01-001	EA ANGLE-EXTRUDED, .75" X .75" X 18" - MILL ALUMINUM

# EXTERIOR BODY GROUP (CONTINUED)

## DECALS, STRIPES & PAINT



### 1993 WINNEBAGO TABLE OF CONTENTS

INTRODUCTION	A-01 - A-02
ABBREVIATIONS	A-03
ALPHABETICAL INDEX	A-04 - A-08
WC424RC	A-07 - E-02
WC422RG	E-03 - H-16

### 1993 WC424RC INDEX

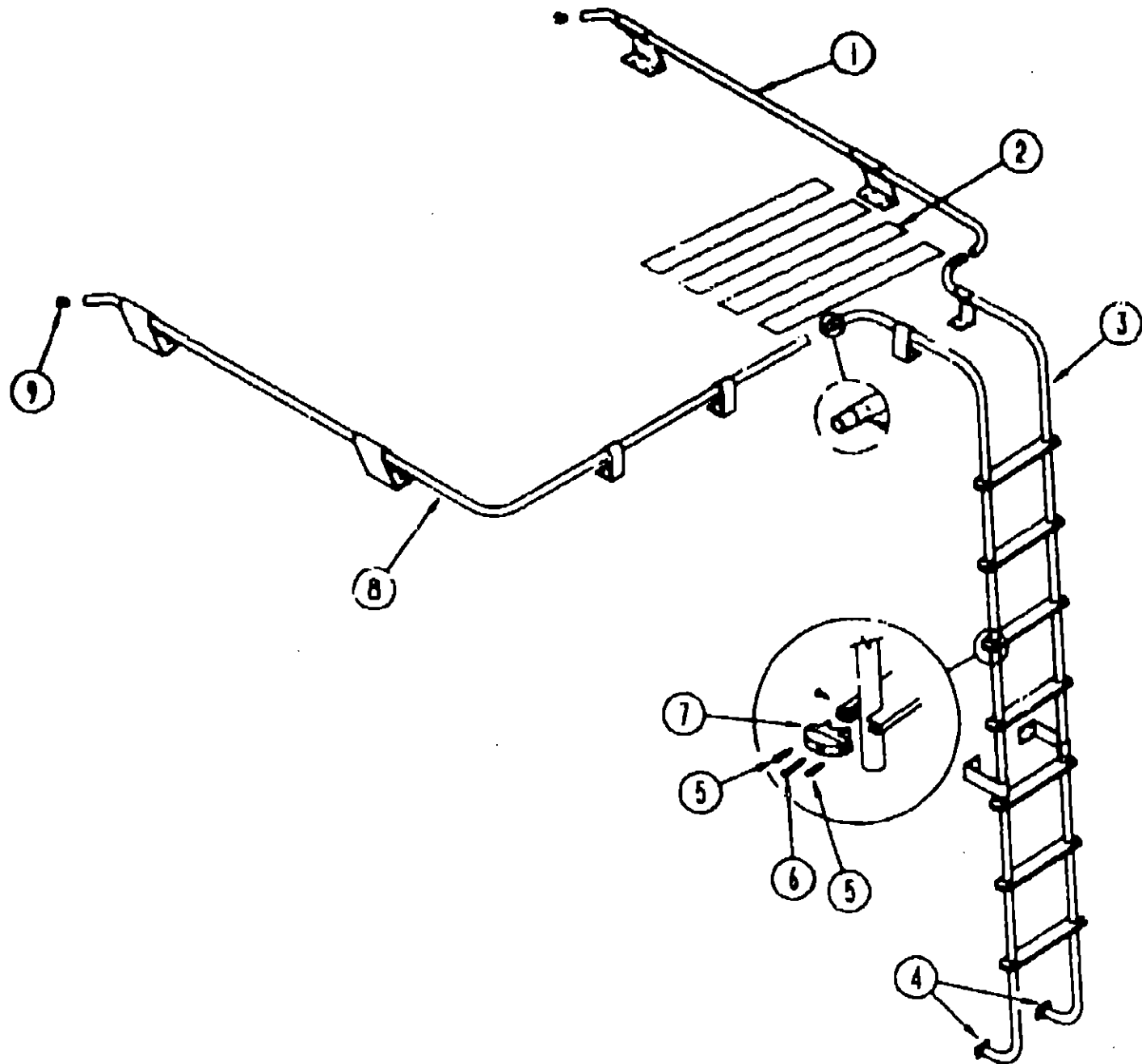
FLOOR PLAN	A-07 - A-08
ACCESSORIES	A-09
AUDIO VIDEO	A-10 - A-11
BATH	A-12 - A-14
BEDROOM	A-15
CHASSIS	A-16 - A-20
CURTAIN & CUSHION	A-21 - B-08
DINETTE	B-09 - B-10
DRIVERS COMPARTMENT	B-11 - B-14
ELECTRICAL	B-15 - B-18
EXTERIOR BODY	B-19 - C-03
GALLEY	C-04 - C-07
GENERATOR	C-08
HEATING & A/C	C-09 - C-10
INTERIOR FINISH	C-11 - C-14
LABELS	C-15 - C-22
LIP	C-23
LOUNGE	C-24
SEALANTS & FASTENERS	D-01 - D-04
WATER & SEWAGE	D-05 - D-10
WINDOW, VENT AND EXTERIOR DOOR	D-11 - E-02

KEY	PART NUMBER	U/M	DESCRIPTION
1	050313-54-000	EA	DECAL-LOGO, WINNEBAGO - 2.80" TALL - COOL BLUE
2	094443-14-01A	FT	MULTISTRIPE, 95.3MM WIDE - 3 LINES - SLATEGRAY/CARRIBEAN TEAL/COOL BLUE
3	105781-20-01A	FT	MULTISTRIPE, 35.0MM WIDE - LINES ORCHID/ORCHID
4	094443-15-01A	FT	MULTISTRIPE, 146.1MM WIDE - 3 LINES - COOL BLUE/CARRIBEAN TEAL
5	105781-10-01A	FT	MULTISTRIPE, 152.4MM WIDE - 2 LINES - CARRIBEAN TEAL/SLATE GRAY
6	105480-01-02A	EA	DECAL-LOGO, MINNIE WINNIE - OFF WHITE/CARRIBEAN BLUE/ORCHID
7	105781-07-02A	FT	MULTISTRIPE, 50.8MM WIDE - 2 LINES - COOL BLUE/SLATE GRAY
8	107545-01-01A	EA	DECAL-ANGLES, FRONT - RIGHT - COOL BLUE/CARRIBEAN TEAL
	107545-02-01A	EA	DECAL-ANGLES, FRONT - LEFT - COOL BLUE/CARRIBEAN TEAL
9	093831-09-01A	EA	DECAL-FLYING W, 210MM HIGH - COOL BLUE
10	107546-01-01A	EA	DECAL-ANGLES, REAR - RIGHT - COOL BLUE/CARRIBEAN TEAL
	107546-02-01A	EA	DECAL-ANGLES, REAR - LEFT - COOL BLUE/CARRIBEAN TEAL
	041561-03-000	EA	PAINT-LOW BAKE, 16 OZ SPRAY CAN - OFF WHITE
	044486-03-000	EA	PAINT-LOW BAKE, 16 OZ SPRAY CAN - BEIGE

#### DUPONT COLOR CODES

SLATE GRAY	G9955
COOL BLUE	G9631
CARRIBEAN TEAL	G9835
ORCHID	G9956
OFF WHITE	L8723A
BEIGE	L8729A

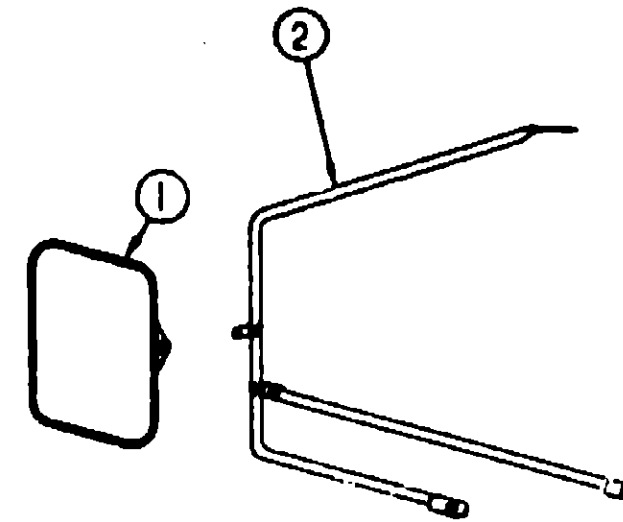
**EXTERIOR BODY GROUP (CONTINUED)**



**RACK & LADDER**

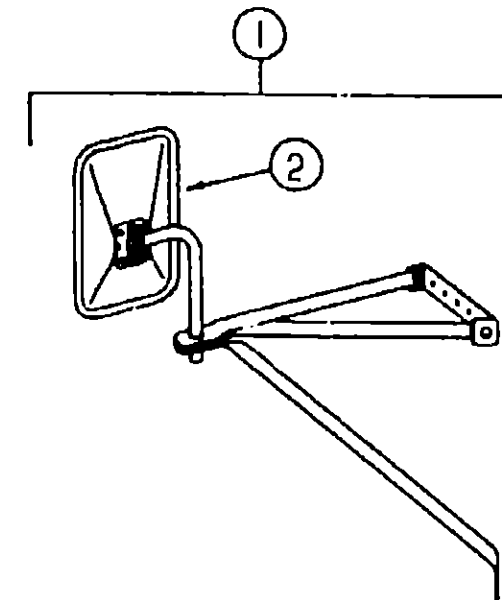
KEY	PART NUMBER	U/M DESCRIPTION
1	107438-05-C07	EA RACK-LUGGAGE, PASSENGER SIDE
	069726-02-000	EA BUMPER-.88"DIA X .40" BLACK
2	038327-01-000	EA TAPE-ANTI SLIP, 2" X 60"
3	102953-02-C03	EA LADDER ASM
4	067165-01-000	EA MOUNT'NG BRACKET-LADDER, LOWER
5	000639-06-10T	EA SCREW-SF/DR, 6-20 X 5/8 PPH - BLACK
6	000668-10-36T	EA SCREW-10-12 X 2.25 POH BLACK
7	075980-02-000	EA END CAP-STEP, BLACK
8	107438-05-C03	EA RACK-LUGGAGE, DRIVER SIDE
9	081114-01-000	EA PLUG-ROUND, RACK & LADDER ENDS - PLASTIC - 1" DIA.

**EXTERIOR BODY GROUP (CONTINUED)**



**CHEVROLET EXTERIOR MIRRORS**

KEY	PART NUMBER	U/M DESCRIPTION
1	049347-01-000	EA MIRROR HEAD-EXTERIOR, 10 1/2" X 7 1/2" - STAINLESS STEEL
	049347-01-700	EA GLASS-MIRROR HEAD
2	062047-01-000	EA ARM-WEST COAST MIRROR



**FORD EXTERIOR MIRRORS**

KEY	PART NUMBER	U/M DESCRIPTION
1	106860-01-01A	EA MIRROR-EXTERIOR, HEAD LOW MOUNT - OFF WHITE
2	106860-01-700	EA HEAD-MIRROR, EXTERIOR
	106860-01-701	EA ARM
	106860-01-703	EA BRACE LOWER FORWARD - DRIVER
	106860-01-704	EA BRACE LOWER FORWARD - PASSENGER
	106860-01-702	EA HARDWARE PACKAGE
	006043-01-000	EA MIRROR-EXTERIOR CONVEX, ADHESIVE BACKED

**1993 WINNEBAGO  
TABLE OF CONTENTS**

INTRODUCTION	A-01 - A-02
ABBREVIATIONS	A-03
ALPHABETICAL INDEX	A-04 - A-06
WC424RC	A-07 - E-02
WC422RG	E-03 - H-16

**1993 WC424RC INDEX**

FLOOR PLAN	A-07 - A-08
ACCESSORIES	A-09
AUDIO VIDEO	A-10 - A-11
BATH	A-12 - A-14
BEDROOM	A-15
CHASSIS	A-16 - A-20
CURTAIN & CUSHION	A-21 - B-08
DINETTE	B-09 - B-10
DRIVERS COMPARTMENT	B-11 - B-14
ELECTRICAL	B-15 - B-18
EXTERIOR BODY	B-19 - C-03
GALLEY	C-04 - C-07
GENERATOR	C-08
HEATING & A/C	C-09 - C-10
INTERIOR FINISH	C-11 - C-14
LABELS	C-15 - C-22
LP	C-23
LOUNGE	C-24
SEALANTS & FASTENERS	D-01 - D-04
WATER & SEWAGE	D-05 - D-10
WINDOW, VENT AND EXTERIOR DOOR	D-11 - E-02

## EXTERIOR BODY GROUP (CONTINUED)

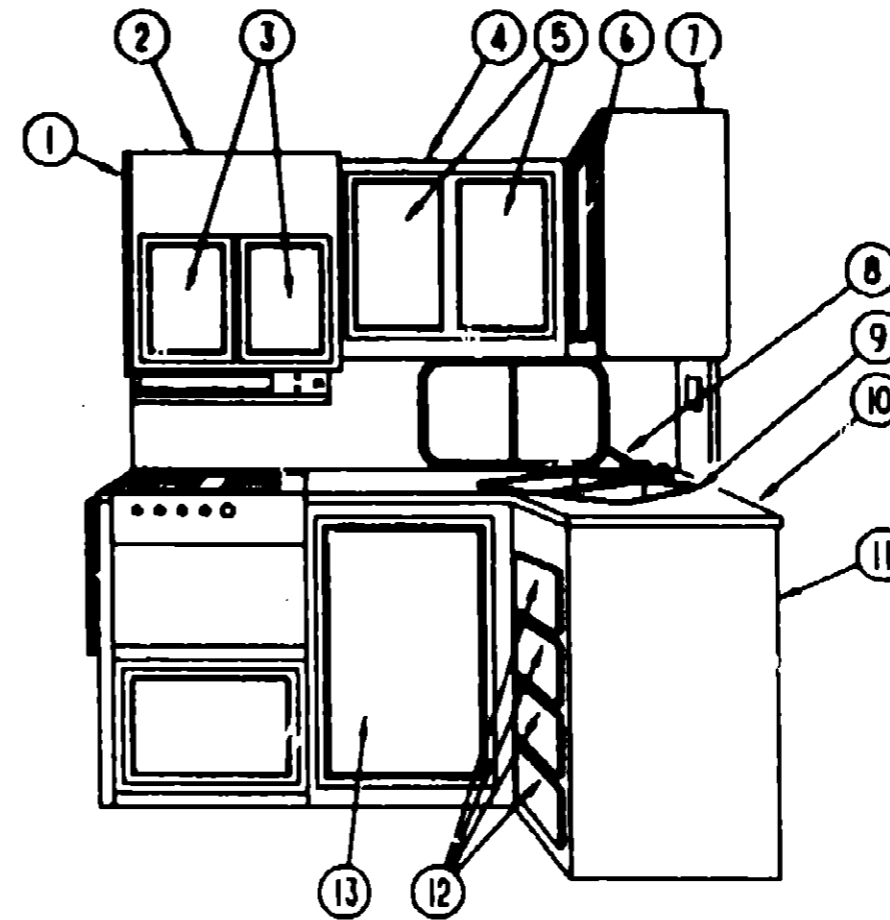
### RUNNING BOARDS

KEY	PART NUMBER	U/M	DESCRIPTION
	072884-19-000	EA	RUNNING BOARD SET-CHEVY, 27" - KEMBERLY RB202/B FROM: 00-00-00 THRU: 01-08-93
	072884-19-700	EA	BOARD-RUNNING, 27" - W/TAPE - CHEVY - KEMBERLY K-2 MISC08
	072884-19-701	EA	MUDFLAP-RUNNING BOARD, CHEVY - LEFT HAND FRONT - KEMBERLY MF4BOX
	072884-19-702	EA	MUDFLAP-RUNNING BOARD, CHEVY - RIGHT HAND FRONT - KEMBERLY MF4BOX
	072884-19-703	EA	END CAP-RUNNING BOARD, CHEVY - LEFT HAND - KEMBERLY RBEC401B
	072884-19-704	EA	END CAP-RUNNING BOARD, CHEVY - RIGHT HAND - KEMBERLY RBEC401B
	072884-19-705	EA	BAG-HARDWARE, RUNNING BOARD - CHEVY - KEMBERLY RBDS BG
	072884-26-000	EA	RUNNING BOARD SET-CHEVY, 27" - KEMBERLY K12 15527 FROM: 01-07-93 THRU: 99-99-99
	072884-20-000	EA	RUNNING BOARD SET-FORD, 39" - KEMBERLY K-7 (STANDARD) FROM: 00-00-00 THRU: 01-31-93
	072884-27-000	EA	RUNNING BOARD SET-FORD, 39" - KEMBERLY K-12 (STANDARD) FROM: 02-01-93 THRU: 99-99-99
	101396-01-000	EA	BOARD-RUNNING, FORD - PASSENGER SIDE (JAPAN EXPORT ONLY)
	101396-02-000	EA	BOARD-RUNNING, FORD - DRIVER SIDE (JAPAN EXPORT ONLY)
	101396-03-000	EA	KIT-HARDWARE, FORD (JAPAN EXPORT ONLY)

### FIBERGLASS & STYROFOAM

KEY	PART NUMBER	U/M	DESCRIPTION
	077517-24-000	EA	SHEET-FIBERGLASS, FLAT - 48" X 96" - OFF WHITE
	076054-H1-000	EA	SHEET-FIBERGLASS, 2438 X 2591MM - OFF WHITE
	076054-F3-000	EA	SHEET-FIBERGLASS, 2438 X 2438MM - OFF WHITE
	000870-03-000	SF	STYROFOAM-1.34 X 48" X 96" - INCREMENTS OF 32 SF
	000870-05-000	SF	STYROFOAM-.5" X 24" X 96" - INCREMENTS OF 16 SF
	083574-01-000	SF	STYROFOAM-DOW TYPE SM - 1.5" X 24" X 85.25" - INC OF 14 S
	083574-02-000	SF	STYROFOAM-DOW TYPE SM - 1.5" X 24" X 90.5" - INC OF 15 SF
	083574-03-000	SF	STYROFOAM-3/4" X 48" X 96" - INCREMENTS OF 32 SF

## GALLEY GROUP



## 1993 WINNEBAGO TABLE OF CONTENTS

INTRODUCTION	A-01 - A-07
ABBREVIATIONS	A-07 - A-08
ALPHABETICAL INDEX	A-04 - A-06
WC424RC	A-07 - E-02
WC422RG	E-03 - H-16

### GALLEY CABINETS & FIXTURES

KEY	PART NUMBER	U/M	DESCRIPTION
	090329-01-000	FT	SEAL-T, REFRIGERATOR CABINET - .6" WIDE TOP X 2" TAIL
	103251-02-01A	EA	INSERT-ACRYLIC BLACK - 19.53 X 16.06
	103251-03-01A	EA	INSERT-ACRYLIC BLACK - 19.53 X 32.20
	103251-04-01A	EA	INSERT-ACRYLIC BLACK - 19.53 X 39.20 (LARGE REFRIGERATOR OPTION ONLY)
1	108887-17-D04	EA	END CAP-CABINET, OVERHEAD
2	M05778-47-D04	EA	CABINET-OVERHEAD, W/O DOORS & HARDWARE - MICROWAVE
2	M05778-46-D04	EA	CABINET-OVERHEAD, W/O DOORS & HARDWARE - RANGE
3	P05223-40-D04	EA	DOOR-CABINET, W/O HARDWARE - 275 X 365MM
4	106885-01-C03	EA	CABINET-OVERHEAD, W/O DOORS & HARDWARE - SINK
5	P05223-41-D04	EA	DOOR-CABINET, W/O HARDWARE - 255 X 640MM
6	P05223-46-D04	EA	DOOR-CABINET, W/O HARDWARE - 390 X 650MM
7	M05778-34-D04	EA	CABINET-OVERHEAD, W/O DOORS & HARDWARE - CENTER
8	103245-01-000	EA	FAUCET-GALLEY, SINGLE CONTROL
9	104113-01-000	EA	SINK-STAINLESS STEEL, DOUBLE
	092303-01-000	EA	STRAINER-SINK, GALLEY W/BASKET
10	107351-13-D04	EA	COUNTERTOP-CABINET, GALLEY
10	107351-13-D05	EA	COUNTERTOP-CABINET, GALLEY
11	M05789-01-D04	EA	CABINET-GALLEY, W/O DOORS & HARDWARE
11	M05789-01-D05	EA	CABINET-GALLEY, W/O DOORS & HARDWARE
12	P07104-80-D04	EA	DRAWER-CABINET, W/O HARDWARE
13	P05223-37-C03	EA	DOOR-CABINET, W/O HARDWARE - 400 X 710MM
	080812-04-D32	EA	EXTENSION ASM-GALLEY (D04)
	080812-04-D09	EA	EXTENSION ASM-GALLEY (D05)
	103610-01-D32	EA	COVER-SINK (D04)
	103610-01-D09	EA	COVER-SINK (D05)

### 1993 WC424RC INDEX

FLOOR PLAN	A-07 - A-08
ACCESSORIES	A-09
AUDIO VIDEO	A-10 - A-11
BATH	A-12 - A-14
BEDROOM	A-15
CHASSIS	A-16 - A-20
CURTAIN & CUSHION	A-21 - B-08
DINETTE	B-09 - B-10
DRIVERS COMPARTMENT	B-11 - B-14
ELECTRICAL	B-15 - B-18
EXTERIOR BODY	B-19 - C-03
GALLEY	C-04 - C-07
GENERATOR	C-08
HEATING & A/C	C-09 - C-10
INTERIOR FINISH	C-11 - C-14
LABELS	C-15 - C-22
LP	C-23
LOUNGE	C-24
SEALANTS & FASTENERS	D-01 - D-04
WATER & SEWAGE	D-05 - D-10
WINDOW, VENT AND EXTERIOR DOOR	D-11 - E-02

**GALLEY GROUP (CONTINUED)**

**RANGE HOOD**

KEY	PART NUMBER	U/M	DESCRIPTION
	100258-16-01A	EA	HOOD-RANGE, W/O MONITOR PANEL - VENTLINE - US TCS5008NAD (STANDARD)
	100258-17-01A	EA	HOOD-RANGE, W/O MONITOR PANEL-VENTLINE-CSA-TCS5008NAC (CANADIAN)
	100258-18-01A	EA	HOOD-RANGE, W/O MONITOR PANEL-VENTLINE-US-TPS5007NAD (W/GENERATOR OPTION)
	090973-01-700	EA	MOTOR, LVS CA508-1
	090973-01-702	EA	BLADE-FAN, LVS VA183-1
	092868-01-709	EA	BULB-W12, VENTLINE VA415
	092906-01-710	EA	SOCKET-LIGHT, VENTLINE CB287-2
	098983-01-700	EA	SWITCH-ON/OFF, VENTLINE 108
	098983-01-702	EA	SWITCH-TWO WAY MOMENTARY, VENTLINE 112
	098983-01-707	EA	FILTER-GREASE, 8" X 8" - LVS CC248
	098983-01-708	EA	LENS-LAMP, VENTLINE CC179
	100258-01-700	EA	HOOD NOSE LABEL
	100258-10-01A	EA	METER-HOUR, VENTLINE 150
	083722-01-000	EA	SHROUD-RANGE, 18.5" X 20.8" X 18.2" - METAL - OFF WHITE

**RANGE**

KEY	PART NUMBER	U/M	DESCRIPTION
	055516-03-000	EA	BRACKET-TIEDOWN, RANGE W/OVEN - RIGHT FROM: 00-00-00 THRU: 01-03-93
	105458-03-000	EA	BRACKET-TIEDOWN, STOVE - RIGHT FROM: 01-04-93 THRU: 99-99-99
	055516-04-000	EA	BRACKET-TIEDOWN, RANGE W/OVEN - LEFT FROM: 00-00-00 THRU: 01-03-93
	105458-04-000	EA	BRACKET-TIEDOWN, STOVE - LEFT FROM: 01-04-93 THRU: 99-99-99
	102022-01-02A	EA	RANGE-16", 4 BURNER - MAGIC CHEF BT16RA-4Z
	055282-03-705	EA	TRIM-CABINET, LEFT - BLACK - MAGIC CHEF 3608F011-70
	055282-03-707	EA	TRIM-CABINET, RIGHT - BLACK - MAGIC CHEF 3608F012-70
	098507-02-701	EA	INSERT-BURNER (SLOTTED VENT), MAGIC CHEF 7214P015-60
	102020-01-700	EA	SHELF-OVEN, MAGIC CHEF - 7801-P027-60
	102020-01-701	EA	HANDLE-DOOR, MAGIC CHEF - 7701P092-60
	102020-01-702	EA	PANEL-MANIFOLD, MAGIC CHEF 2616F080-70
	102020-01-704	EA	PANEL-DOOR, BLACK - MAGIC CHEF - 2401F075-70
	102020-01-708	EA	BURNER ASSEMBLY-OVEN, MAGIC CHEF 3403W003-45
	102020-01-711	EA	GRATE-TOP, MAGIC CHEF 7518P012-60
	102020-01-712	EA	KNOB-BURNER VALVE, MAGIC CHEF 7733P044-60
	102020-01-713	EA	KNOB-THERMOSTAT, MAGIC CHEF 7731P042-60
	102020-01-714	EA	PILOT-OVEN, MAGIC CHEF 968-143
	102020-01-715	EA	PIPE-MANIFOLD, MAGIC CHEF 7513P095-60
	102020-01-717	EA	THERMOSTAT, MAGIC CHEF 7515P024-60
	102020-01-718	EA	TOP-MAIN, ALMOND - MAGIC CHEF 2001F085-84
	102020-01-720	EA	VALVE-MERCURY CONTROL, MAGIC CHEF 7501P056-60
	102020-01-722	EA	VALVE-TOP BURNER, MAGIC CHEF 7502P095-60
	102020-01-723	EA	PILOT-BURNER, MAGIC CHEF 7505P147-60
	102020-01-724	EA	BUMPER-MAIN TOP, MAGIC CHEF 8003P008-60
	102022-01-702	EA	PIPE-MANIFOLD, MAGIC CHEF 7513P096-60
	102022-01-703	EA	REGULATOR-PRESSURE, MAGIC CHEF 7510P031-60
	102022-01-706	EA	TRIM-LEFT, FLAT - MAGIC CHEF 3608W022-70
	102022-01-707	EA	TRIM-RIGHT, FLAT - MAGIC CHEF 3608W023-70

**GALLEY GROUP (CONTINUED)**

**MONITOR PANEL**

KEY	PART NUMBER	U/M	DESCRIPTION
	102785-04-01A	EA	MONITOR PANEL, W/PLUG - FOR 2 TANKS & WATER HEATER - LVS
	102785-02-01A	EA	MONITOR PANEL, W/PLUG - FOR 2 TANKS - LVS
	097817-01-702	EA	SWITCH-1/WAY, ALMOND - LVS 107
	097817-01-703	EA	CIRCUIT BOARD - LVS 5078-01
	102785-01-700	EA	SWITCH-ON-ON, ALMOND - 110-01
	097818-01-000	EA	WIRE ASM-MONITOR PANEL, W/4 WIRES & BLACK RESISTOR - LVS

**MICROWAVE & COFFEE MAKER**

KEY	PART NUMBER	U/M	DESCRIPTION
	091269-04-000	EA	OVEN-MICROWAVE, MAGIC CHEF M15-B FROM: 00-00-00 THRU: 07-19-92
	091269-08-000	EA	OVEN-MICROWAVE, MAGIC CHEFDM15-5B FROM: 07-20-92 THRU: 99-99-99
	094745-01-01A	EA	TRIM-MICROWAVE, LOWER - BLACK
	094774-03-01A	EA	TRIM-MICROWAVE, EITHER SIDE - 1.5" X 14.8" - METAL - BLACK
	098916-03-01A	EA	BRACE-MICROWAVE CABINET, LEFT - 9.4" X 7.5" - STEEL
	098918-04-01A	EA	BRACE-MICROWAVE CABINET, RIGHT - 9.4" X 7.5" - STEEL
	094750-01-000	EA	BRACKET-MICROWAVE, 90 DEGREE - STEEL
	103799-01-01A	EA	MAKER-COFFEE, ALMOND FROM: 00-00-00 THRU: 07-05-92
	103799-01-02A	EA	MAKER-COFFEE, GRAY - W/GLASS POT FROM: 07-06-92 THRU: 99-99-99
	104610-01-000	EA	STRAP ASM-COFFEE MAKER

**REFRIGERATOR**

KEY	PART NUMBER	U/M	DESCRIPTION
	093648-01-000	EA	BRACKET-TIEDOWN, REFRIGERATOR
	093846-02-000	EA	BRACKET-TIEDOWN, REFRIGERATOR
	054450-01-000	EA	LEVEL-REFRIGERATOR
	104138-04-01A	EA	REFRIGERATOR, SMALL DOUBLE DOOR - 2-WAY - NORCOLD 6162 RH BL
	075217-01-734	EA	FUSE-3 AMP, NORCOLD 61538822
	075217-01-738	EA	SWITCH-HUMIDITY, NORCOLD 61525922
	084879-03-700	EA	COOLING UNIT - HORIZONTAL BURNER, NORCOLD 61687237
	084880-01-713	EA	CONNECTOR-MALE, INLET FITTING - NORCOLD 615256
	084880-01-715	EA	VALVE-SHUT OFF, MANUAL - NORCOLD 61697922
	084880-01-718	EA	VALVE-GAS, NORCOLD 61551822
	084880-01-722	EA	CRISPER COVER - NORCOLD 615641
	084880-01-726	EA	HINGE BRACKET (CTR HINGE), NORCOLD 61566523
	084880-01-731	EA	HINGE PIN, NORCOLD 61578123
	084880-01-732	EA	LATCH, NORCOLD 61578522
	084880-01-734	EA	BRACKET-HINGE, TOP RH - BOTTOM LH - BROWN NORCOLD 61580837
	084890-01-735	EA	HINGE BRKT, TOP LH-BTM RH BRN - NORCOLD 61580937
	084880-01-739	EA	END CAP (SPRING CATCH) BRN - NORCOLD 61593722
	084880-01-740	EA	END CAP (STOP CATCH), NORCOLD 61593830
	084880-01-746	EA	CABLE, NORCOLD 61571522
	084880-01-747	EA	PLUG-HOLE, NORCOLD 61582022
	084880-01-749	EA	HINGE BUSHING - NORCOLD 615807
	084880-01-753	EA	THERMISTER 78" - NORCOLD 61693822
	084880-01-761	EA	END CAP (SPRING CATCH) BLACK 61593730
	084880-02-700	EA	LOWER FLANGE 866388683, NORCOLD 61622123
	084880-03-705	EA	BRACKET F/INT. REFRIG LIGHT - NORCOLD 61629722
	084880-03-706	EA	LAMP (BULB) - NORCOLD 61628922

**1993 WINNEBAGO  
TABLE OF CONTENTS**

INTRODUCTION	A-01	A-02
ABBREVIATIONS		A-03
ALPHABETICAL INDEX	A-04	A-08
WC424RC	A-07	E-02
WC422RG	E-03	H-16

**1993 WC424RC INDEX**

FLOOR PLAN	A-07	A-08
ACCESSORIES		A-09
AUDIO VIDEO	A-10	A-11
BATH	A-12	A-14
BEDROOM		A-15
CHASSIS	A-16	A-20
CURTAIN & CUSHION	A-21	B-08
DINETTE	B-09	B-10
DRIVERS COMPARTMENT	B-11	B-14
ELECTRICAL	B-15	B-18
EXTERIOR BODY	B-19	C-03
GALLEY	C-04	C-07
GENERATOR		C-08
HEATING & A/C	C-09	C-10
INTERIOR FINISH	C-11	C-14
LABELS	C-15	C-22
LP		C-23
LUNGE		C-24
SEALANTS & FASTENERS	D-01	D-04
WATER & SEWAGE	D-05	D-10
WINDOW, VENT AND EXTERIOR DOOR	D-11	E-02



**GALLEY GROUP (CONTINUED)**

**REFRIGERATOR (CONTINUED)**

KEY	PART NUMBER	U/M	DESCRIPTION
	084880-03-707	EA	COVER FLAMP OR BULB - NORCOLD 81827822
	088248-01-708	EA	BURNER-HORIZONTAL, NORCOLD 81588122
	088248-01-707	EA	ELECTROCE-SENSOR, (HORIZONTAL), NORCOLD 81573322
	088248-01-708	EA	ELECTRODE-IGNITION, (HORIZONTAL) - NORCOLD 81573222
	088248-01-708	EA	HEATER-AC, (HORIZONTAL) - NORCOLD 8158827
	088248-C1-710	EA	HEATER-DC, (HORIZONTAL) - 3 WAY - NORCOLD 8158828
	094038-01-700	EA	GASKET-LOWER, GRAY - NORCOLD 81587830
	094038-01-701	EA	LINER-DOOR, LOWER - BROWN/WHITE - NORCOLD 81581937-B
	094038-01-702	EA	LINER-DOOR, LOWER - BLACK/WHITE - NORCOLD 81581938-B
	094038-01-703	EA	HANDLE-DOOR, LOWER - BROWN - NORCOLD 81860137
	094038-01-704	EA	HANDLE-DOOR, LOWER - BLACK - NORCOLD 81860138
	094038-01-708	EA	CAB ASM-BLK, WHITE LINER - WITH FRAME - NORCOLD 81883138
	094038-01-703	EA	PLATE-HINGE, LH - BROWN - NORCOLD 81831422
	094038-01-704	EA	PLATE-HINGE, BLACK - NORCOLD 81831430
	094038-01-709	EA	PLATE-HINGE, TOP RH - LH BOTTOM - BROWN - NORCOLD 81831322
	094038-01-710	EA	PLATE-HINGE, BLACK - NORCOLD 81831330
	094038-01-712	EA	DOOR BIN(GRAY)SILVER BORDER - NORCOLD 81584080
	094038-01-718	EA	MILK BIN (GRAY)W/SILVER TRIM - NORCOLD 81579460
	094038-01-719	EA	DAIRY KEEPER (GRAY)SILVER TRIM, NORCOLD 81580480
	094038-01-722	EA	HOLE PLUG (BLK) HINGE HOLES - NORCOLD 81582030
	094038-01-723	EA	HINGE BRKT, TOP RH-BTM LH BLK - NORCOLD 81580838
	094038-01-724	EA	BRACKET-HINGE, TOP LH - BOTTOM RH - BLK - NORCOLD 81580938
	094038-01-725	EA	HINGE PIN (BLACK)(MALE) - NORCOLD 81578130
	094038-01-728	EA	SHELF-FREEZER EVAPORATOR, NORCOLD 815238
	094038-01-730	EA	HINGE PIN SHAFT(BLK) CTR HGE - NORCOLD 81588730
	094038-01-732	EA	FRONT COVER(BLK) BTM TRIM - NORCOLD 81822130
	094038-01-733	EA	WIRE SHELF (MIDDLE) - NORCOLD 81583822
	094038-01-734	EA	WIRE SHELF (TOP) WRISER - NORCOLD 81583722
	094038-01-735	EA	INSIDE DRIP TRAY (WHITE), NORCOLD 81572830
	094038-01-736	EA	SWITCH-LIGHT, BLACK - NORCOLD 8158810
	094038-01-739	EA	SHELF (CUTOUT), NORCOLD 81846722
	094038-04-700	EA	PC BOARD-2 WAY, NORCOLD 81647322
	094038-04-701	EA	EYEBROW (SHELL) 2 WAY - NORCOLD 81669822
	094038-04-702	EA	POWER SUPPLY (2 WAY) - NORCOLD 81647422

**GENERATOR GROUP**

**4.0 KW KOHLER GENERATOR**

KEY	PART NUMBER	U/M	DESCRIPTION
	106523-01-000	EA	GENERATOR-4KW LOW PROFILE, KOHLER 4CKM21
	106732-01-000	EA	TRAY-GENERATOR
	088494-01-000	EA	BRACKET-EXHAUST, W/DOUBLE BEND
	106628-01-000	EA	ARRESTER-SPARK, KOHLER 278821
	106529-01-000	EA	MUFFLER-FRONT EXHAUST, W/D SPARK - KOHLER 278734
	108172-01-000	EA	PIPE-EXHAUST ADAPTER
	002401-01-000	EA	STRAP-CONDUIT, 3/4" - 1 HOLE - GALVANIZED STEEL
	007067-01-000	SF	INSULATION-FIBERGLASS, 1" THICK X 4' - INCREMENTS OF 4 SF
	007131-01-000	EA	HANGER-TAILPIPE, 6 SLOTS
	007125-04-000	EA	CLAMP-MUFFLER, 1.1" DIA
	007125-01-000	EA	CLAMP-MUFFLER, 1.62 DIAMETER

**4.0 KW ONAN GENERATOR**

KEY	PART NUMBER	U/M	DESCRIPTION
	100974-01-000	EA	GENERATOR 4.0KW EMERALD PLUS, ONAN BGE-FA28100G
	105732-01-000	EA	TRAY-GENERATOR
	081364-01-000	EA	MUFFLER-GENERATOR, W/ 8.5" LONG TAILPIPE
	088252-01-000	EA	PIPE-EXHAUST, W/2 BOLT HOLE FLANGE
	088494-01-000	EA	BRACKET-EXHAUST, W/DOUBLE BEND
	094059-01-000	EA	SPACER-GENERATOR, ONAN
	008401-01-000	EA	STRAP-CONDUIT, 3/4" - 1 HOLE - GALVANIZED STEEL
	007067-01-000	SF	INSULATION-FIBERGLASS, 1" THICK X 4' - INCREMENTS OF 4 SF
	007131-01-000	EA	HANGER-TAILPIPE, 6 SLOTS
	007125-04-000	EA	CLAMP-MUFFLER, 1.1" DIA
	007125-01-000	EA	CLAMP-MUFFLER, 1.62 DIAMETER

**4.0 KW ONAN GENERATOR - EXPORT OPTION**

KEY	PART NUMBER	U/M	DESCRIPTION
	100974-04-000	EA	GENERATOR-4.0KW EMERALD PLUS, ONAN BGE-FN29236G
	105732-01-000	EA	TRAY-GENERATOR
	079654-01-700	EA	HINGE KIT-ONAN, EMERALD - ONAN 406-0569
	007067-01-000	SF	INSULATION-FIBERGLASS, 1" THICK X 4' - INCREMENTS OF 4 SF
	081364-01-000	EA	MUFFLER-GENERATOR, W/8.5" LONG TAILPIPE
	093511-01-000	EA	VAPOR KIT-LP, GENERATOR
	094059-01-000	EA	SPACER-GENERATOR, ONAN
	093591-02-000	EA	PIPE-EXHAUST, GENERATOR - CURVED - 1.5" OD
	078045-01-000	EA	STRAP-SUPPORT, GENERATOR - 4 HOLE
	084365-01-000	EA	STRAP-SUPPORT, GENERATOR - 2 HOLE
	008401-01-000	EA	STRAP-CONDUIT, 3/4" - 1 HOLE - GALVANIZED STEEL
	007131-01-000	EA	HANGER-TAILPIPE, 6 SLOTS
	007125-04-000	EA	CLAMP-MUFFLER, 1.1" DIA
	007125-01-000	EA	CLAMP-MUFFLER, 1.62 DIAMETER

**1993 WINNEBAGO  
TABLE OF CONTENTS**

INTRODUCTION	A-01	A-02
ABBREVIATIONS		A-03
ALPHABETICAL INDEX	A-04	A-08
WC424RC	A-07	E-02
WC422RG	E-03	H-18

**1993 WC424RC INDEX**

FLOOR PLAN	A-07	A-08
ACCESSORIES		A-09
AUDIO VIDEO	A-10	A-11
BATH	A-12	A-14
BEDROOM		A-15
CHASSIS	A-16	A-20
CURTAIN & CUSHION	A-21	B-08
DINETTE	B-09	B-10
DRIVERS COMPARTMENT	B-11	B-14
ELECTRICAL	B-15	B-18
EXTERIOR BODY	B-19	C-03
GALLEY	C-04	C-07
GENERATOR		C-08
HEATING & A/C	C-09	C-10
INTERIOR FINISH	C-11	C-14
LABELS	C-15	C-22
LP		C-23
LOUNGE		C-24
SEALANTS & FASTENERS	D-01	D-04
WATER & SEWAGE	D-05	D-10
WINDOW, VENT AND EXTERIOR DOOR	D-11	E-02

**HEATING & AIR CONDITIONING GROUP**

**SUBURBAN 25000 BTU FURNACE**

KEY	PART NUMBER	U/M	DESCRIPTION
	086308-04-000	EA	FURNACE-25000 BTU, SUBURBAN SF-25
	089L34-01-733	EA	RELAY, TIME DELAY 20&30 BTU - SUBURBAN 231202
	075995-01-709	EA	MICRO SWITCH (FOR MODELS 30 & 34B), SUBURBAN#230500
	090036-01-703	EA	ORFICE-MAIN BURNER, SUBURBAN# 180103
	090039-01-709	EA	GASKET, OBSERVATION HOLE CUR. 070367
	092300-01-704	FA	GASKET-ELECTRODE, SUBURBAN 070163
	098888-01-700	EA	CABINET FRONT, SUBURBAN 101242
	098888-01-701	EA	CABINET ASM, SUBURBAN 101299
	098888-01-702	EA	ELECTRODE, SUBURBAN 231740
	098888-01-703	EA	BURNER ASM, COMP.(SF-25) - SUBURBAN 010782
	098888-01-704	EA	VALVE, SUBURBAN 180938
	098888-01-705	EA	SWITCH-LIMIT, SUBURBAN 231830
	098888-01-706	EA	WHEEL-COMBUSTION AIR, SUBURBAN 350122
	098888-01-707	EA	VENT CAP & EXHAUST TUBE ASM, SUBURBAN 280193
	098888-01-708	EA	BLOWER ASM (COMBUSTION AIR), SUBURBAN 390441
	098888-01-709	EA	MOTOR ASM, FOR SF-25, SF-30 - SUBURBAN 231708
	098888-01-710	EA	BLOWER ASM (ROOM AIR), SUBURBAN 360440
	098888-01-711	EA	WHEEL, ROOM AIR - SUBURBAN 350123
	098888-01-712	EA	BOARD-MODULE, SUBURBAN 231741
	098888-01-713	EA	INTAKE VENT TUBE ASM, SUBURBAN - 061044
	098888-08-000	EA	DOOR-ACCESS, FURNACE - OFF WHITE - SUBURBAN 520574
	093385-01-000	EA	THERMOSTAT-WALL, FURNACE - SUBURBAN 0180902

**REAR HEATER**

KEY	PART NUMBER	U/M	DESCRIPTION
	084405-01-000	EA	HEATER ASM-REAR, DUCTED, W/MOTOR AID, EVANS
	084405-01-700	EA	HEATER CORE, FT200229
	084405-01-701	EA	FAN, HV029931
	084405-01-702	EA	MOTOR-12 VOLT ASSY, R0200180
	087202-01-000	EA	SWITCH-4 POSITION, W/KNOB
	098078-01-000	EA	DECAL-AUTO AIR & REAR HEATER

**HEATING SYSTEM**

KEY	PART NUMBER	U/M	DESCRIPTION
	058484-05-000	EA	REGISTER-PLASTIC, W/O DAMPER - 4" DIAMETER - GOLDEN
	009198-01-000	FT	DUCT-HEAT, FLEXIBLE - 4" ID X 25 FT
	009200-01-000	EA	TAPE-FURNACE, 1 1/2"
	023146-01-000	EA	CLAMP-SCREW TYPE, 4"
	089838-02-000	EA	CONNECTOR-DUCT, 4" ID - SUBURBAN 050715
	079059-01-000	EA	HOSE-90 DEGREE, 5/8" ID X 4" X 36"
	079059-02-000	EA	HOSE-90 DEGREE, .61" ID X 4" X 6"
	079059-03-000	EA	HOSE-90 DEGREE, .61" ID X 4" X 18"
	007108-01-000	FT	HOSE-HEATER, 5/8" ID - HI-TEMP - FORD ESE-M2D192-A
	088753-01-000	FT	TUBE-ALUMINIZED STEEL, 5/8" - 18 GAUGE
	068042-01-000	FT	TUBING-VINYL, .65" ID

**HEATING & AIR CONDITIONING GROUP (CONTINUED)**

**ROOF A/C**

KEY	PART NUMBER	U/M	DESCRIPTION
	108889-01-01A	EA	A/C-ROOF, 13,500 T8R HO - IVORY - COLEMAN 7330-887
	091225-01-709	EA	START RELAY, COLEMAN 1497-4151
	091225-01-710	EA	START CAPACITOR, COLEMAN# 1497-0881
	093308-01-701	EA	DECAL PACKAGE, LEFT & RIGHT - COLEMAN 87583591
	093308-01-712	EA	COMPRESSOR, COLEMAN# 8707C3679
	106820-01-704	EA	COMPRESSOR, RIGHT & LEFT - COLEMAN 1460-2009
	106820-01-708	EA	FOOT PACKAGE-COMPRESSOR, 3 PER PACKAGE - COLEMAN 8759-3081
	108889-01-700	EA	SHROUD (GREY/GREY) LESS LOGO - COLEMAN 8759-8421
	108889-01-702	EA	SHROUD (BUFF/BUFF) LESS LOGO - COLEMAN 8759-8411
	108889-01-703	EA	CONDENSER COIL, COLEMAN 1462-1301
	108889-01-704	EA	OVERLOAD (MRA#88893, COLEMAN 8759-3541
	108889-01-705	EA	MOTOR (115, 60HZ), COLEMAN 1488-3049
	108889-01-706	EA	IMPELLOR, COLEMAN 1472-1041
	108889-01-707	EA	RUN CAPACITOR (COMP-25MFD/370), COLEMAN 1499-5681
	108889-01-708	EA	FAN CAPACITOR (7.5MFD.370U), COLEMAN 1499-5481
	108889-01-709	EA	EVAPORATOR COIL, COLEMAN 1452-1311
	108889-01-710	EA	FILLER PAD-CONDITION AIR SEAL, COLEMAN 8759A3971
	108889-01-711	EA	GASKET PACKAGE, COLEMAN 8792-3301
	108889-01-712	EA	SUCTION LINE REDUCER (3/8 X 1/2), COLEMAN 1215-2181
	108889-01-713	EA	SUCTION LINE (3/8OD X .032 WALL), COLEMAN 8792-130
	108889-01-714	EA	DISCHARGE LINE ASM., COLEMAN 8792-531
	108889-01-715	EA	MOTOR MOUNT & SHAFT SEAL KIT, COLEMAN 8792-3381
	108891-01-01A	EA	CEILING ASM-A/C COOL T8R HO, COLEMAN 7330-714 IV
	042204-01-709	EA	THERMOSTAT-IN 64 OUT 58, COLEMAN 8701-3401
	073742-01-701	EA	SELECTOR SWITCH (5 TERMINAL), COLEMAN 8759-3251
	073742-01-702	EA	DECAL COOL ONLY, COLEMAN 8759C3431
	076303-01-707	EA	FILTER-6" X 14 3/4" X 1/2", 12 PER PACKAGE - COLEMAN 6703A3151
	081808-01-712	EA	CEILING SHROUD (IVORY), COLEMAN 8769-5081
	091225-01-713	EA	KNOB (2 PER PACKAGE), COLEMAN 8701-3351
	091225-01-717	EA	DECAL (THERMOSTAT) COOL ONLY, COLEMAN 8799A3441
	093768-02-701	EA	DECAL-LEFT SIDE, COLEMAN 8799-3971
	108891-01-700	EA	SINGLE PARTS PACKAGE (KNOBS & NUTS), COLEMAN 8792-5991
	108891-01-701	EA	RETAINER CLIPS FOR FILTER (6 PER PACKAGE), COLEMAN 8799-3141
	102289-01-000	EA	SPRING-SCREW, ROOF A/C GASKET - COLEMAN 8757-150
	022756-03-000	EA	COVER-BLANK, ROOF A/C - PLASTIC - OFF WHITE
	022756-02-000	EA	COVER-PROTECTIVE, 5.5" ENDS X 8.2" - PLASTIC - OFF WHITE

**A/C-13500 BTU-EUROPE**

KEY	PART NUMBER	U/M	DESCRIPTION
	092440-01-000	EA	A/C-ROOF, 13500 BTU - 220V - 50HZ - COLEMAN# 8713C750 FROM: 00-00-00 THRU: 08-31-92
	092441-01-000	EA	CEILING ASM-A/C, 220V - 50HZ - COLEMAN# 8712ET16 FROM: 00-00-00 THRU: 08-31-92
	108889-02-01A	EA	A/C-ROOF, 13500 BTU - 220V - TSR - IVORY - COLEMAN 7373-557 FROM: 09-01-92 THRU: 99-99-99
	108891-01-01A	EA	CEILING ASM-A/C, COOL - TSR - IVORY - COLEMAN 7330-714 FROM: 09-01-92 THRU: 99-99-99
	042204-01-709	EA	THERMOSTAT-IN 64 OUT 58, COLEMAN 8701-3401
	073742-01-701	EA	SELECTOR SWITCH (5 TERMINAL), COLEMAN 8759-3251
	073742-01-702	EA	DECAL COOL ONLY, COLEMAN 8759C3431
	076303-01-707	EA	FILTER-6" X 14 3/4" X 1/2", 12 PER PKG - COLEMAN 6703A3151
	081808-01-712	EA	CEILING SHROUD (IVORY), COLEMAN 8769-5081
	091225-01-713	EA	KNOB (2 PER PACKAGE), COLEMAN 8701-3351
	091225-01-717	EA	DECAL (THERMOSTAT) COOL ONLY, COLEMAN 8799A3441
	093768-02-701	EA	DECAL-LEFT SIDE, COLEMAN 8799-3971
	108891-01-700	EA	SINGLE PARTS PACKAGE (KNOBS & NUTS), COLEMAN 8792-5991
	108891-01-701	EA	RETAINER CLIPS FOR FILTER (6 PER PACKAGE), COLEMAN 8799-3141
	102289-01-000	EA	SPRING-SCREW, ROOF A/C GASKET - COLEMAN 8757-150
	022756-03-000	EA	COVER-BLANK, ROOF A/C - PLASTIC - OFF WHITE
	022756-02-000	EA	COVER-PROTECTIVE, 5.5" ENDS X 8.2" - PLASTIC - OFF WHITE

**1993 WINNEBAGO  
TABLE OF CONTENTS**

INTRODUCTION	A-01 - A-32
ABBREVIATIONS	A-03
ALPHABETICAL INDEX	A-04 - A-08
WC424RC	A-07 - E-02
WC422RG	E-03 - H-18

**1993 WC424RC INDEX**

FLOOR PLAN	A-07 - A-08
ACCESSORIES	A-09
AUDIO VIDEO	A-10 - A-11
BATH	A-12 - A-14
BEDROOM	A-15
CHASSIS	A-16 - A-20
CURTAIN & CUSHION	A-21 - E-08
DINETTE	B-09 - B-10
DRIVERS COMPARTMENT	B-11 - B-14
ELECTRICAL	B-15 - B-18
EXTERIOR BODY	B-19 - C-03
GALLEY	C-04 - C-07
GENERATOR	C-08
HEATING & A/C	C-09 - C-10
INTERIOR FINISH	C-11 - C-14
LABELS	C-15 - C-22
LP	C-23
LOUNGE	C-24
SEALANTS & FASTENERS	D-01 - D-04
WATER & SEWAGE	D-05 - D-10
WINDOW, VENT AND EXTERIOR DOOR	D-11 - E-02

**INTERIOR FINISH GROUP**

**MOLDINGS & TRIMS**

KEY	PART NUMBER	U/M	DESCRIPTION
	009787-12-000	FT	MOLDING-SIDEWALL TO CEILING/CABINET - WELTING - OFF WHITE
	009778-11-000	EA	U CHANNEL-PLASTIC, 1" WIDE X 8" LONG - IVORY
	009809-23-000	EA	MOLDING-CORNER, OUTSIDE - 1" - PLASTIC - IVORY
	009809-24-000	EA	MOLDING-CORNER, OUTSIDE - 1" - PLASTIC - THOR PECAN
	009812-24-000	EA	MOLDING-CORNER, OUTSIDE - .5" - PLASTIC - IVORY
	009812-25-000	EA	MOLDING-CORNER, OUTSIDE - .5" - PLASTIC - PECAN
	009815-09-000	EA	MOLDING-T, .75" WIDE - IVORY
	022992-01-000	FT	MOLDING-REVERSE COVE, T-SHAPED - VINYL - WHITE
	022992-11-000	FT	MOLDING-REVERSE COVE, T-SHAPED - VINYL - IVORY
	070504-01-000	FT	U-CHANNEL-PLASTIC, .085" WIDE - LIGHT BROWN - INC. OF 8"
	070504-20-000	FT	U-CHANNEL-PLASTIC, .815" WIDE - THOR PECAN - INC. OF 8"
	070504-24-000	FT	U-CHANNEL-PLASTIC, .875" WIDE - THOR PECAN - INC. OF 8"
	075249-01-000	EA	RAILING-OAK, 72" LONG - UNFINISHED
	078325-18-000	FT	MOLDING-EDGE BAND, 1 5/16" WIDE - WOODGRAIN - REGAL OAK
	078325-39-000	FT	MOLDING-EDGE BAND, 1 5/16" WIDE (D04)
	078325-40-000	FT	MOLDING-EDGE BAND, .875" WIDE (D04)
	078325-37-000	FT	MOLDING-EDGE BAND, 1 5/16" WIDE (D05)
	078325-38-000	FT	MOLDING-EDGE BAND, .875" WIDE (D05)
	081294-02-000	EA	MOLDING-SHELF, NOTCHED WOOD - 8" LONG
	083820-07-000	FT	MOLDING-T, END CAP EDGE - WEDGE LIPS - .75" - THOR PECAN
	083820-09-000	FT	MOLDING-T, END CAP EDGE - WEDGE LIPS - .75" - MODERN IVORY
	085284-86-000	FT	BATT STRIP-WOODGRAIN, ADHESIVE BACKED - FOREST OAK
	085284-73-000	FT	BATT STRIP-MAIN, W/ADHESIVE BACK - BUBBLES TWILIGHT (D04)
	085284-88-000	FT	BATT STRIP-MAIN, W/ADHESIVE BACK - ADRIAN MOCASSIN (D05)
	085284-89-000	FT	BATT STRIP-BATH/GALLEY, W/ADHESIVE BACK - FLORENCE TWILIGHT (D04)
	085284-70-000	FT	BATT STRIP-BATH/GALLEY, W/ADHESIVE BACK - GYPSY MOCASSIN (D05)
	085284-78-000	FT	BATT STRIP-BATH/SHOWER, W/ADHESIVE BACK - ANTIQUE WHITE
	085284-59-000	FT	BATT STRIP-CEILING, W/ADHESIVE BACK - TROWELL WORK FAWN
	085746-01-000	FT	TRIM-J, CARPET - 1.2" X .5" ANGLE - 10" LONG - PVC - BEIGE
	098263-71-000	EA	BATT STRIP-CEILING, 8" LONG - TROWELL WORK FAWN
	098263-80-000	EA	BATT STRIP-BATH & GALLEY, 8" LONG - FLORENCE TWILIGHT (D04)
	098263-81-000	EA	BATT STRIP-BATH & GALLEY, 8" LONG - BYPSY MOCASSIN (D05)
	098263-84-000	EA	BATT STRIP-MAIN DECORATIVE, 8" LONG - BUBBLES TWILIGHT (D04)
	098263-79-000	EA	BATT STRIP-MAIN DECORATIVE, 8" LONG - ADRIAN MOCASSIN (D05)
	092330-D2-438	EA	LUMBER-VINYL WRAPPED, .7" X 1.5" X 8" - WOODGRAIN
	092330-03-000	EA	LUMBER-VINYL WRAPPED, 2" X 96" - WOODGRAIN - REGAL OAK
	092330-05-000	EA	LUMBER-VINYL WRAPPED, 2.5" X 96" - WOODGRAIN - REGAL OAK
	092331-D2-134	EA	MOLDING-VINYL WRAPPED, .7" X 1.57" X 84" - WOODGRAIN
	092331-F2-134	EA	MOLDING-VINYL WRAPPED, .7" X 2.5" X 7" - WOODGRAIN
	092331-F2-438	EA	MOLDING-VINYL WRAPPED, .7" X 2.5" X 96" - WOODGRAIN
	100659-01-B05	EA	MOLDING-TRIM, VINYL FLOOR - 1" X 72" - WOOD
	100819-01-01A	EA	MOLDING-VINYL WRAPPED, 1.65" X 4" X 7" - REGAL OAK
	100819-01-01A	EA	MOLDING-VINYL WRAPPED, L-SHAPED - 1.5" X 1.5" X 7" - OAK
	103186-01-02A	FT	MOLDING-EDGE, SHELF - .78" WIDE - PLASTIC - REGAL OAK
	104676-01-01A	FT	MOLDING-T, 5/16" RIGID - GOLD
	105004-01-01A	EA	MOLDING-VINYL WRAP, 1" X 8" - REGAL OAK
	135709-01-000	FT	MOLDING-T, 1" - PLASTIC - MODERN IVORY

**INTERIOR FINISH GROUP (CONTINUED)**

**PANELING, LAMINATES & PLASTIC**

KEY	PART NUMBER	U/M	DESCRIPTION
	074497-15-000	SF	PANELING-CEILING, 4' X 8' - INCREMENTS OF 32 SF
	074497-20-000	SF	PANELING-WOODGRAIN, 4' X 8' - INCREMENTS OF 32 SF
	074498-24-010	SF	LAMINATE-PLASTIC, 5' X 8' - REGAL OAK
	074498-45-000	SF	LAMINATE-PLASTIC, 5' X 8' - FAVORITE MIX (D04)
	074498-46-000	SF	LAMINATE-PLASTIC, 5' X 8' - TAUPE MATRIX (D05)
	088272-98-000	SF	PANELING-BATH/SHOWER, 4' X 7' - ANTIQUE WHITE
	088272-A3-000	SF	PANELING-BATH/GALLEY, 4' X 7' - FLORENCE TWILIGHT (D04)
	088272-A4-000	SF	PANELING-BATH/GALLEY, 4' X 7' - GYPSY MOCASSIN (D05)
	088272-A5-000	SF	PANELING-MAIN, 4' X 7' - BUBBLES TWILIGHT (D04)
	088272-99-000	SF	PANELING-MAIN, 4' X 7' - ADRIAN MOCASSIN (D05)
	089297-01-000	SF	PLYWOOD-LUAN, OVERLAY GRADE - 4' X 8' - INC OF 32 SF
	093743-02-01A	SF	PLASTIC-ABS, 20" WIDE ROLL - OFF WHITE
	093743-03-01A	SF	PLASTIC-ABS, 10 8" WIDE - OFF WHITE
	098531-01-000	SF	PLYWOOD-RED OAK, 1/2"

**CARPETING & FLOOR MATS**

KEY	PART NUMBER	U/M	DESCRIPTION
	098080-23-000	SY	CARPET-ROLL 12' WIDE - BLUE MIST (D04)
	098080-33-000	SY	CARPET-ROLL 12' WIDE - LIGHT BROWN (D05)
	09286-01-000	SY	CARPET-COMPARTMENT, 54" WIDE - DARK GRAY
	102695-04-000	YD	TAPE-CARPET BIND, BLUE (D04)
	102695-10-000	YD	TAPE-CARPET BIND, FAWN (D05)
	047034-02-000	SF	PLASTIC-CARPET, 4" WIDE - CLEAR POLY
	075233-01-000	SY	PAD-CARPET, 3/8" X 8" ROLL
	007038-01-000	EA	MAT-FLOOR, ENTRANCE DOOR - W/WINNEBAGO LOGO - 10.5" X 26" - BLACK
	081075-03-000	EA	MAT-FLOOR, ENTRANCE - W/WINNEBAGO LOGO - GRAY (CAB TRIM GROUP)
	083218-01-000	EA	MAT-FLOOR, PASSENGER - W/W LOGO - CHEVY
	083218-02-000	EA	MAT-FLOOR, DRIVER - W/W LOGO - CHEVY
	106884-01-000	EA	MAT-FLOOR, PASSENGER - "W" - FORD
	106884-02-000	EA	MAT-FLOOR, DRIVER - "W" - FORD

**FIRE EXTINGUISHER, SMOKE DETECTOR & CLOCK**

KEY	PART NUMBER	U/M	DESCRIPTION
	072852-01-000	EA	DETECTOR-SMOKE, W/9 VOLT BATTERY
	072852-02-000	EA	DETECTOR-SMOKE, W/9 VOLT BATTERY (CANADIAN)
	034499-01-000	EA	EXTINGUISHER-FIRE, DRY W/MOUNTING BRACKET - 10 BC
	094499-02-000	EA	EXTINGUISHER-FIRE, DRY - 1A10BC - CANADIAN
	094499-01-700	EA	BRACKET-MOUNTING, W/PLASTIC STRAP - FIRE EXTINGUISHER
	104764-01-017	EA	CLOCK-WALL, SPARTUS
			FROM: 00-00-00 THRU: 04-18-93
	100793-02-01A	EA	CLOCK-WALL, BOLDEN - ROUND 11"
			FROM: 04-19-93 THRU: 99-99-99

**1993 WINNEBAGO  
TABLE OF CONTENTS**

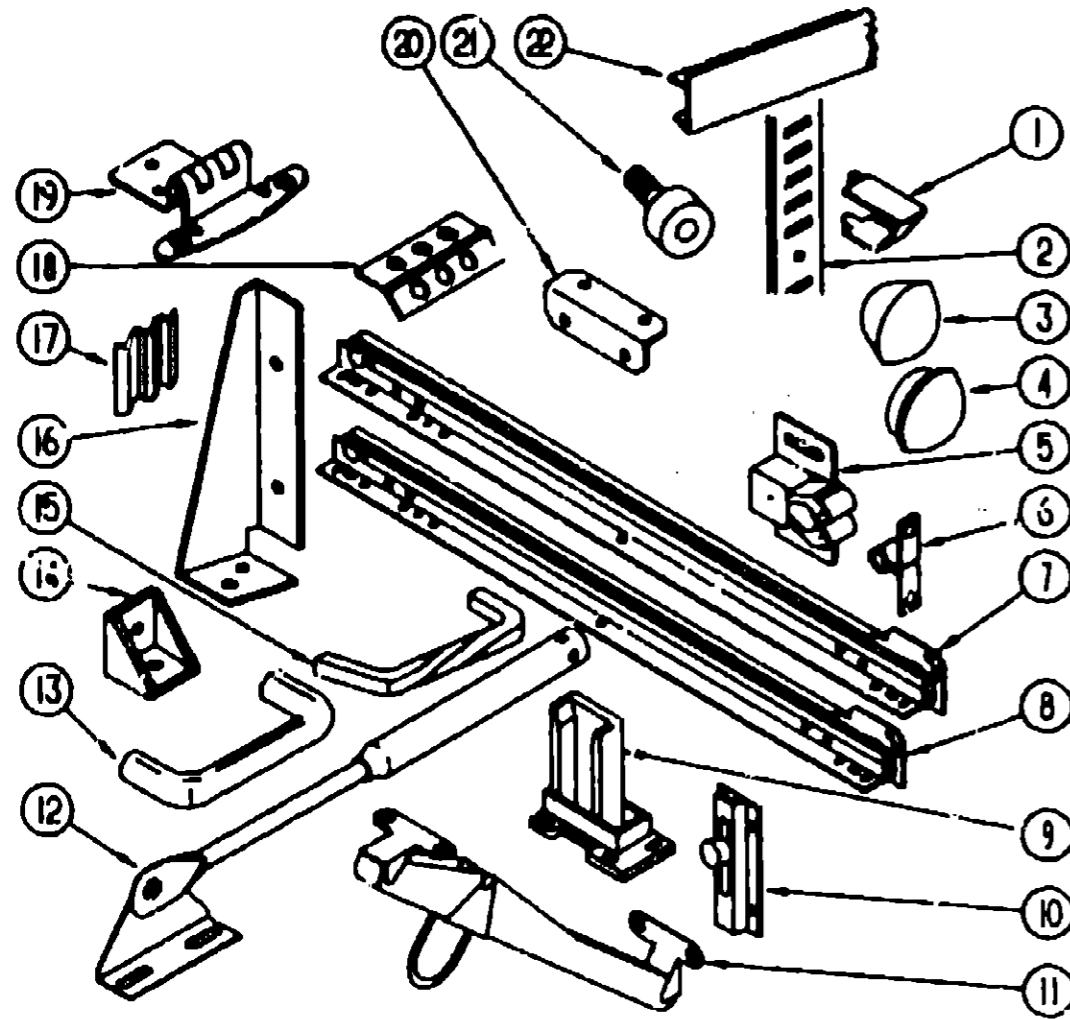
INTRODUCTION	A-01	A-02
ABBREVIATIONS		A-03
ALPHABETICAL INDEX	A-04	A-08
WC424RC	A-07	E-02
WC422RG	E-03	H-18

**1993 WC424RC INDEX**

FLOOR PLAN	A-07	A-08
ACCESSORIES		A-09
AUDIO VIDEO	A-10	A-11
BATH	A-12	A-14
BEDROOM		A-15
CHASSIS	A-16	A-20
CURTAIN & CUSHION	A-21	B-08
DINETTE	B-09	B-10
DRIVERS COMPARTMENT	B-11	B-14
ELECTRICAL	B-15	B-18
EXTERIOR BODY	B-19	C-03
GALLEY	C-04	C-07
GENERATOR		C-08
HEATING & A/C	C-09	C-10
INTERIOR FINISH	C-11	C-14
LABELS	C-15	C-22
LP		C-23
LOUNGE		C-24
SEALANTS & FASTENERS	D-01	D-04
WATER & SEWAGE	D-05	D-10
WINDOW, VENT AND EXTERIOR DOOR	D-11	E-02

# INTERIOR FINISH GROUP (CONTINUED)

## CABINET & TABLE HARDWARE



KEY	PART NUMBER	U/M DESCRIPTION
8	108913-01-000	EA SLIDE-DRAWER, CABINET MOUNTED - LEFT SIDE - 12"
8	108913-02-000	EA SLIDE-DRAWER, CABINET MOUNTED - RIGHT SIDE - 12"
8	108913-03-000	EA SLIDE-DRAWER, DRAWER MOUNTED - LEFT SIDE - 12"
8	108913-04-000	EA SLIDE-DRAWER, DRAWER MOUNTED - RIGHT SIDE - 12"
8	108913-05-000	EA SLIDE-DRAWER, CABINET MOUNTED - LEFT SIDE - 18"
8	108913-06-000	EA SLIDE-DRAWER, CABINET MOUNTED - RIGHT SIDE - 18"
8	108913-07-000	EA SLIDE-DRAWER, DRAWER MOUNTED - LEFT SIDE - 18"
8	108913-08-000	EA SLIDE-DRAWER, DRAWER MOUNTED - RIGHT SIDE - 18"
8	108913-17-000	EA SLIDE-DRAWER, CABINET MOUNTED - LEFT SIDE - 22"
8	108913-18-000	EA SLIDE-DRAWER, CABINET MOUNTED - RIGHT SIDE - 22"
8	108913-19-000	EA SLIDE-DRAWER, DRAWER MOUNTED - LEFT SIDE - 22"
8	108913-20-000	EA SLIDE-DRAWER, DRAWER MOUNTED - RIGHT SIDE - 22"
9	107030-01-000	EA BACKSOCKET-ADJUSTABLE, LEFT SIDE
9	107030-02-000	EA BACKSOCKET-ADJUSTABLE, RIGHT SIDE
10	061804-01-000	EA SLIDE-BOLT, ANTIQUE BRASS
11	104181-01-01A	EA SUPPORT-LEAF, 5.3" - EXTENDS TO 7.5" - SAFETY RING - METAL
12	074493-02-000	EA SUPPORT-PISTON SPRING, CABINET DOOR
13	109747-01-000	EA PULL-CABINET, ANTIQUE BRASS
14	065740-01-000	EA BRACE-CABINET CORNER, PLASTIC
15	096645-01-000	EA PULL-CABINET, BRASS - TWIST - 1.1" X 3.4"
16	076827-04-000	EA BRACKET-BUNK/BED, 2.9" X 1.8" TRIANGLE - METAL - OFF WHITE
17	105037-02-000	EA FASTENER-WOOD, CORNER - METAL - .5" X .6"
18	009058-01-000	EA HINGE-DOOR, 2" X 1.4" - BRASS
18	009058-02-000	EA HINGE-DOOR, 2" X 2.7" - BRASS
18	009063-01-000	EA HINGE-CONTINUOUS, 1 1/2" X 72" - UNPAINTED
19	108138-01-000	EA HINGE-DOOR, CABINET - BURNISHED BRASS
	000313-08-08G	EA SCREW-5-20 X 5/8 PPH, ANTIQUE BRASS (HINGE 108138-01-000)
20	016604-01-000	EA BRACE-CABINET, ANGLE - 2.5" - METAL - UNPAINTED
20	016604-03-000	EA BRACE-CABINET, ANGLE - 2.5" - METAL - BEIGE
21	079921-01-000	EA ROLLER-NYLON, W/SHAFT
22	103186-01-02A	FT MOLDING-SHELF EDGE, PLASTIC - REGAL OAK
	076790-01-000	EA SCREW, 6-20 X 1 1/4 PPH - BLACK
	004354-01-000	EA BUMPER-RUBBER, .5" DIA - BROWN
	023320-01-000	EA PAD-FELT, 3/8" DIAMETER - BROWN
	009112-01-000	EA FLANGE-1" ROD, CLOTHES - PLASTIC - OFF WHITE
	002766-01-001	EA ANGLE-EXTRUDED, 1" X 1.5" X 17" - ALUMINUM

FROM: 02-05-93 THRU: 99-99-99  
 FROM: 00-00-00 THRU: 02-04-93

## 1993 WINNEBAGO TABLE OF CONTENTS

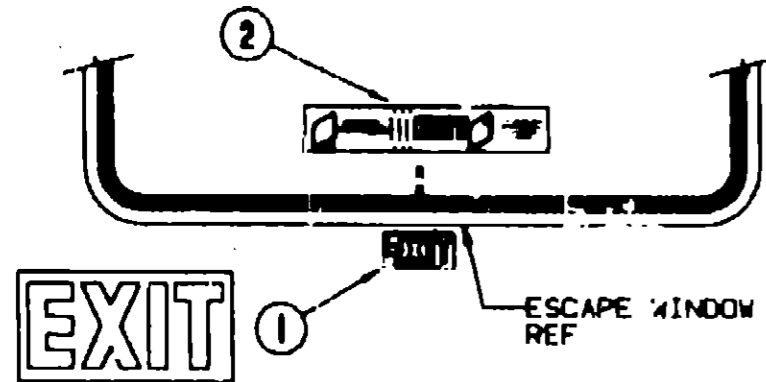
INTRODUCTION	A-01 - A-02
ABBREVIATIONS	A-03
ALPHABETICAL INDEX	A-04 - A-06
WC424RC	A-07 - E-02
WC422RG	E-03 - H-16

## 1993 WC424RC INDEX

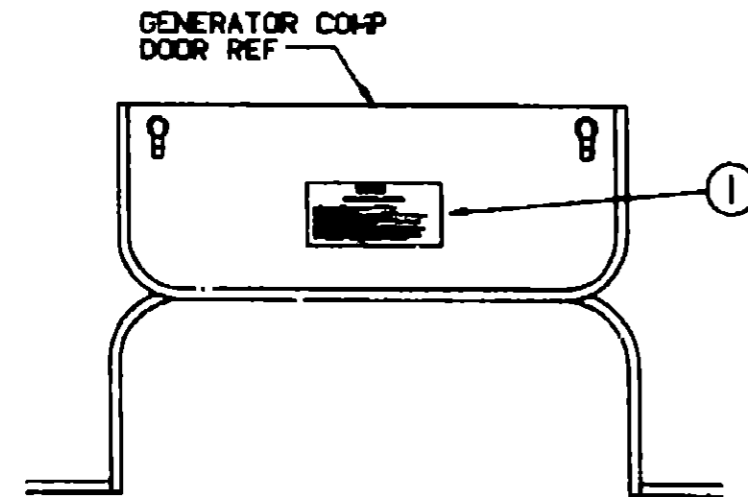
FLOOR PLAN	A-07 - A-09
ACCESSORIES	A-09
AUDIO VIDEO	A-10 - A-11
BATH	A-12 - A-14
BEDROOM	A-15
CHASSIS	A-16 - A-20
CURTAIN & CUSHION	A-21 - B-08
DINETTE	B-09 - B-10
DRIVERS COMPARTMENT	B-11 - B-14
ELECTRICAL	B-15 - B-18
EXTERIOR BODY	B-19 - C-03
GALLEY	C-04 - C-07
GENERATOR	C-08
HEATING & A/C	C-09 - C-10
INTERIOR FINISH	C-11 - C-14
LABELS	C-15 - C-22
LP	C-23
LOUNGE	C-24
SEALANTS & FASTENERS	D-01 - D-04
WATER & SEWAGE	D-05 - D-10
WINDOW, VENT AND EXTERIOR DOOR	D-11 - E-02

KEY	PART NUMBER	U/M DESCRIPTION
1	096779-01-000	EA CLIP-ADJUSTABLE SHELF
2	098960-01-000	EA PILASTER-ADJUSTABLE SHELF, 18" LONG
2	098980-04-000	EA PILASTER-ADJUSTABLE SHELF, 48" LONG
3	042356-01-000	EA PLUG-BUTTON, MAHOGANY - 3/8" DIAMETER - WOOD
4	074045-07-000	EA PLUG-WOOD, 1/2"
5	093586-03-000	EA CATCH-SPRING, ROLLER
6	093586-04-000	EA STRIKE-SPRING STEEL
7	101910-03-000	EA SLIDE-DRAWER, CABINET MOUNTED - SET OF 2 - 12" LONG
7	101910-04-000	EA SLIDE-DRAWER, DRAWER MOUNTED - SET OF 2 - 12" LONG

**LABELS GROUP**



KEY	PART NUMBER	U/M DESCRIPTION
1	039290-01-000	EA LABEL-WARNING-EXIT
2	107571-01-000	EA LABEL-EXIT-ESCAPE WINDOW



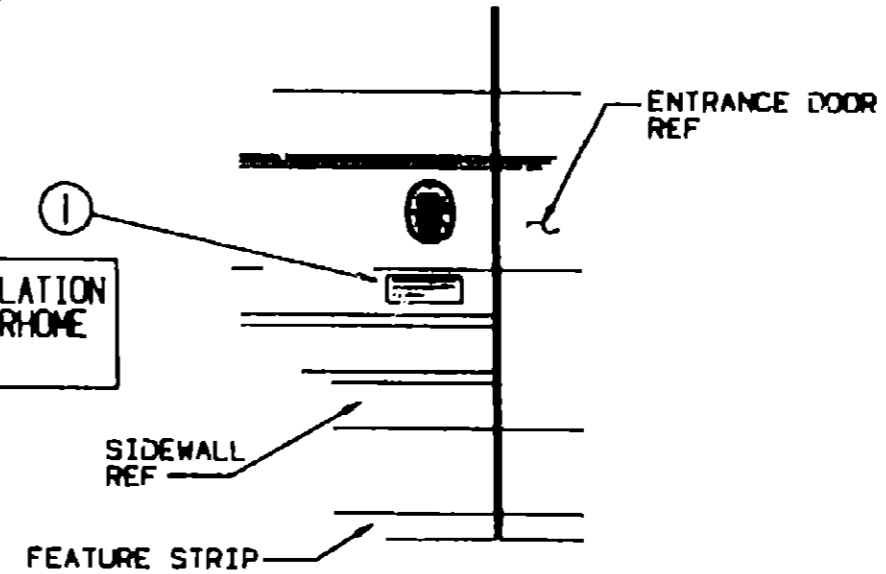
**WARNING**  
**WHEN ADDING A GENERATOR SET:**  
 HIGH VOLTAGE-USE EXTREME CAUTION WHEN WORKING ON ELECTRICAL COMPONENTS.  
 HAVE ALL ELECTRICAL INSTALLATION PERFORMED BY A QUALIFIED LICENSED ELECTRICIAN-FOLLOW ALL STATE AND LOCAL CODES.  
 ONLY INSTALL GENERATOR SET APPROVED FOR R.V. APPLICATION. HAVE INSTALLED BY QUALIFIED TECHNICIAN.  
 TO AVOID HEAT BUILD-UP AND TO GUARANTEE AN ADEQUATE AIR SUPPLY TO THE GENERATOR COMPARTMENT, FOLLOW INSTALLATION INSTRUCTIONS.  
 GENERATOR EXHAUST GASES ARE TOXIC AND MUST NOT PENETRATE UNDER THE VEHICLE-BODYPANEE EXHAUST AWAY FROM VEHICLE.

KEY	PART NUMBER	U/M DESCRIPTION
1	077510-01-000	EA LABEL-GENERATOR PREP

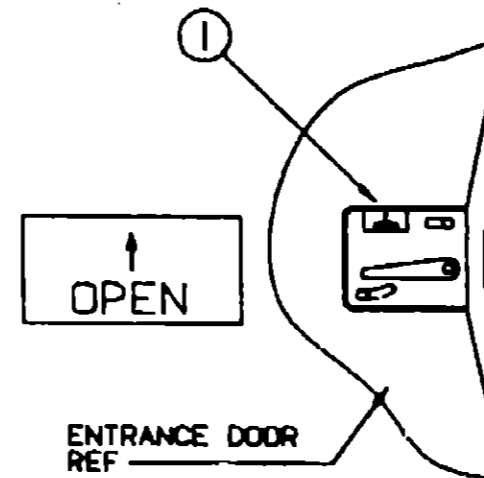
**LABELS GROUP (CONTINUED)**



FOR AWNING INSTALLATION  
 CONTACT YOUR MOTORHOME  
 DEALERSHIP



KEY	PART NUMBER	U/M DESCRIPTION
1	099509-01-000	EA LABEL-AWNING INSTALLATION



KEY	PART NUMBER	U/M DESCRIPTION
1	040944-01-000	EA LABEL-ENTRANCE DOOR, "OPEN"

**1993 WINNEBAGO  
 TABLE OF CONTENTS**

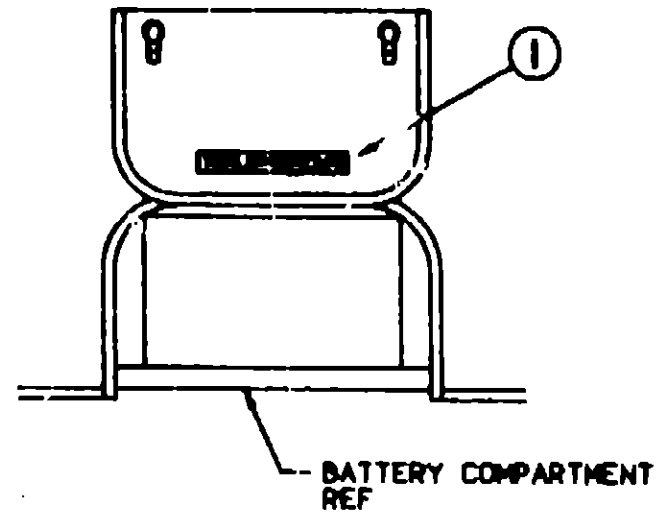
INTRODUCTION	A-01 - A-02
ABBREVIATIONS	A-03
ALPHABETICAL INDEX	A-04 - A-06
WC424RC	A-07 - E-02
WC422RG	E-03 - H-18

**1993 WC424RC INDEX**

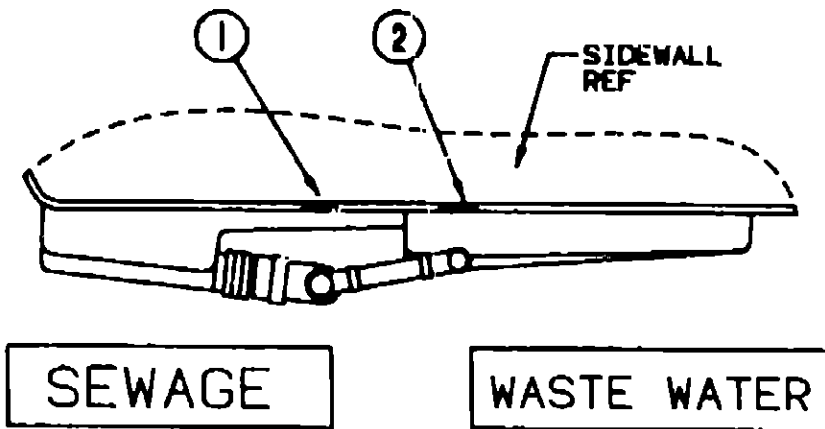
FLOOR PLAN	A-07 - A-08
ACCESSORIES	A-09
AUDIO VIDEO	A-10 - A-11
BATH	A-12 - A-14
BEDROOM	A-15
CHASSIS	A-16 - A-20
CURTAIN & CUSHION	A-21 - B-08
DINETTE	B-09 - B-10
DRIVERS COMPARTMENT	B-11 - B-14
ELECTRICAL	B-15 - B-18
EXTERIOR BODY	B-19 - C-03
GALLEY	C-04 - C-07
GENERATOR	C-08
HEATING & A/C	C-09 - C-10
INTERIOR FINISH	C-11 - C-14
LABELS	C-15 - C-22
LP	C-23
LOUNGE	C-24
SEALANTS & FASTENERS	D-01 - D-04
WATER & SEWAGE	D-05 - D-10
WINDOW, VENT AND EXTERIOR DOOR	D-11 - E-02

**LABELS GROUP (CONTINUED)**

**WARNING** DISCONNECT BATTERIES BEFORE CONNECTING EXTERNAL CHARGING EQUIPMENT.

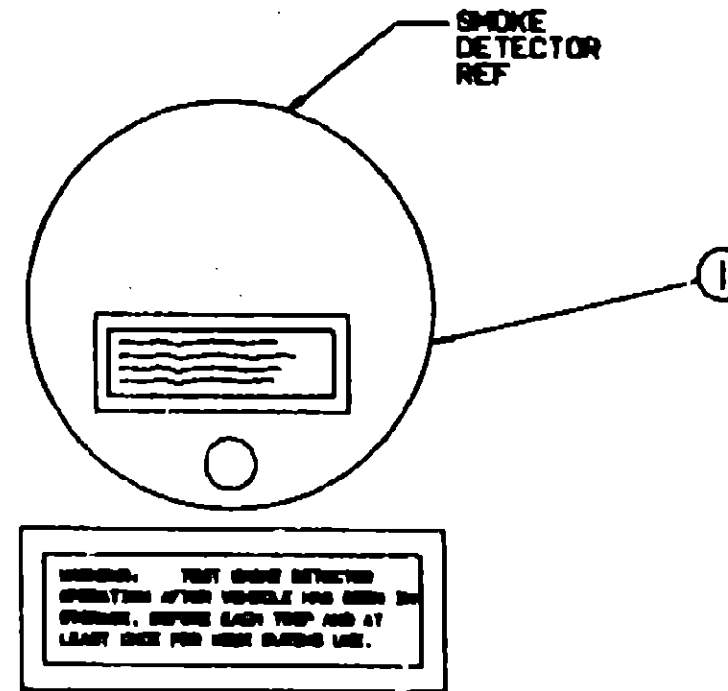


**KEY PART NUMBER U/M DESCRIPTION**  
 1 085748-01-000 EA LABEL-CAUTION-BATTERY CHARGING

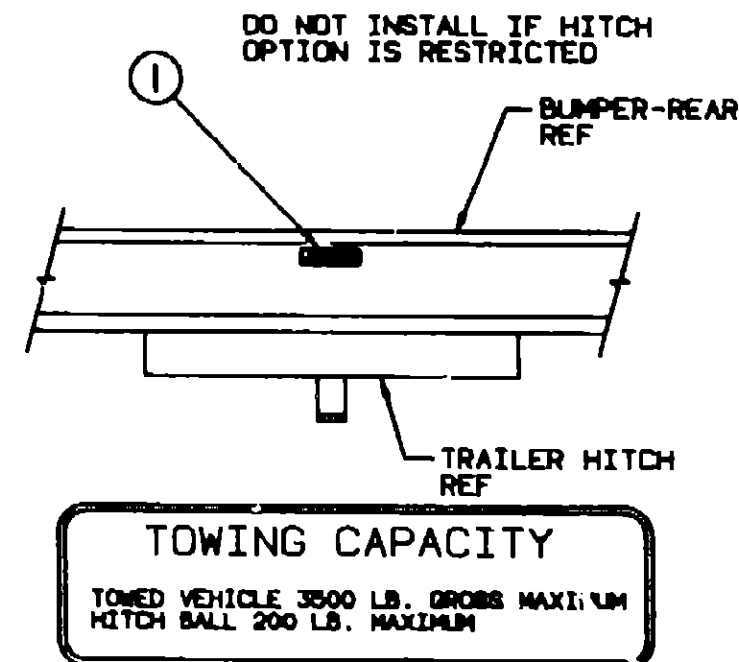


**KEY PART NUMBER U/M DESCRIPTION**  
 1 006187-01-000 EA LABEL-SEWAGE  
 2 006188-01-000 EA LABEL-WASTE WATER

**LABELS GROUP (CONTINUED)**



**KEY PART NUMBER U/M DESCRIPTION**  
 1 077956-01-000 EA LABEL-WARNING-SMOKE DETECTOR



**KEY PART NUMBER U/M DESCRIPTION**  
 1 075221-01-000 EA LABEL-TOWING CAPACITY

**1993 WINNEBAGO TABLE OF CONTENTS**

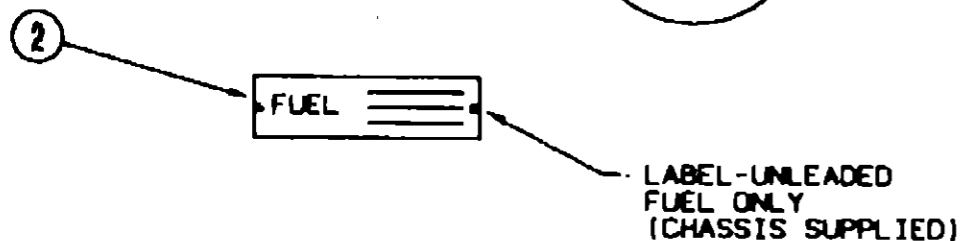
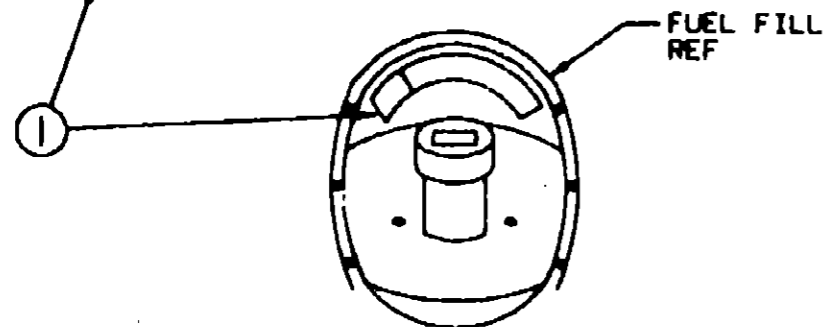
INTRODUCTION	A-01 - A-02
ABBREVIATIONS	A-03
ALPHABETICAL INDEX	A-04 - A-08
WC424RC	A-07 - E-02
WC422RG	E-03 - H-16

**1993 WC424RC INDEX**

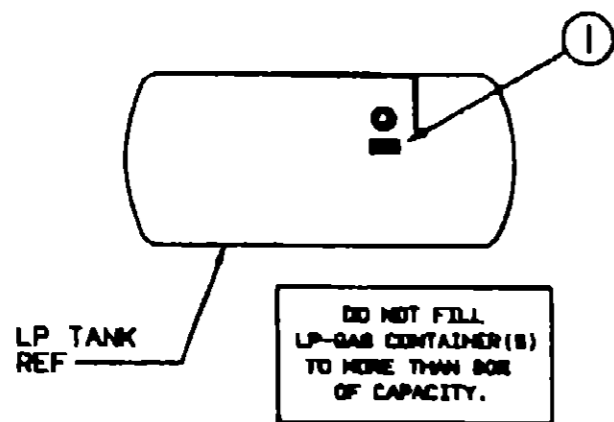
FLOOR PLAN	A-07 - A-08
ACCESSORIES	A-09
AUDIO VIDEO	A-10 - A-11
BATH	A-12 - A-14
BED, LCM	A-15
CHASSIS	A-16 - A-20
CURTAIN & CUSHION	A-21 - B-08
DINETTE	B-09 - B-10
DRIVERS COMPARTMENT	B-11 - B-14
ELECTRICAL	B-15 - B-18
EXTERIOR BODY	B-19 - C-03
GALLEY	C-04 - C-07
GENERATOR	C-08
HEATING & A/C	C-09 - C-10
INTERIOR FINISH	C-11 - C-14
LABELS	C-15 - C-22
LP	C-23
LOUNGE	C-24
SEALANTS & FASTENERS	D-01 - D-04
WATER & SEWAGE	D-05 - D-10
WINDOW, VENT AND EXTERIOR DOOR	D-11 - E-02

**LABELS GROUP (CONTINUED)**

<b>CAUTION</b>	TO HELP AVOID PERSONAL INJURY DURING REMOVAL OF FUEL FILLER CAP, SLOWLY LOOSEN CAP 1/2 TURN TO ALLOW ANY FUEL PRESSURE TO BE RELIEVED BEFORE TURNING CAP FURTHER.
<b>FUEL SPRAY MAY CAUSE PERSONAL INJURY</b>	STOP ADDING FUEL AFTER FIRST SHUTOFF BY AUTOMATIC NOZZLE WHEN TANK IS NEARLY FULL. DO NOT OVERFILL FUEL TANK. SEE OWNERS MANUAL FOR ADDITIONAL INFORMATION. PRINTED IN U.S.A. RLC PT NO 12611763

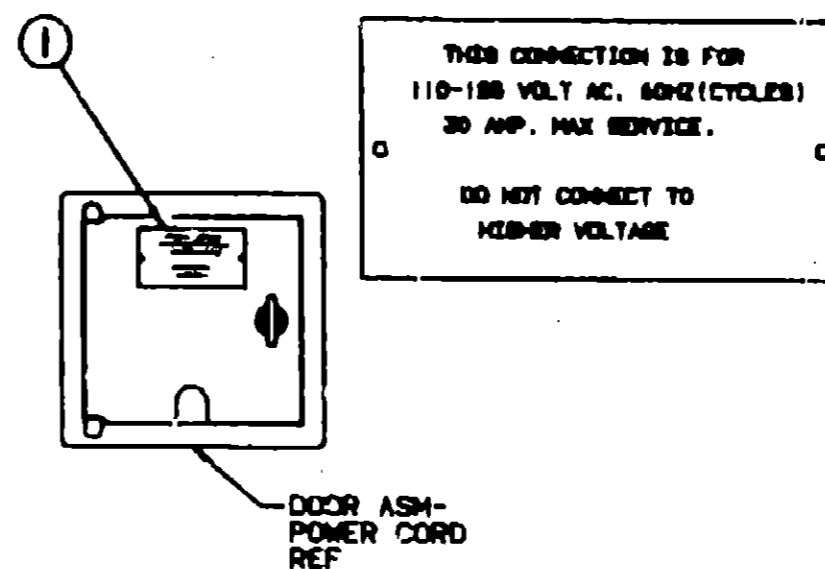


KEY PART NUMBER	U/M DESCRIPTION
1 087207-05-000	EA LABEL-GAS OVERFILL
2 062043-01-000	EA LABEL-FUEL-UNLEADED

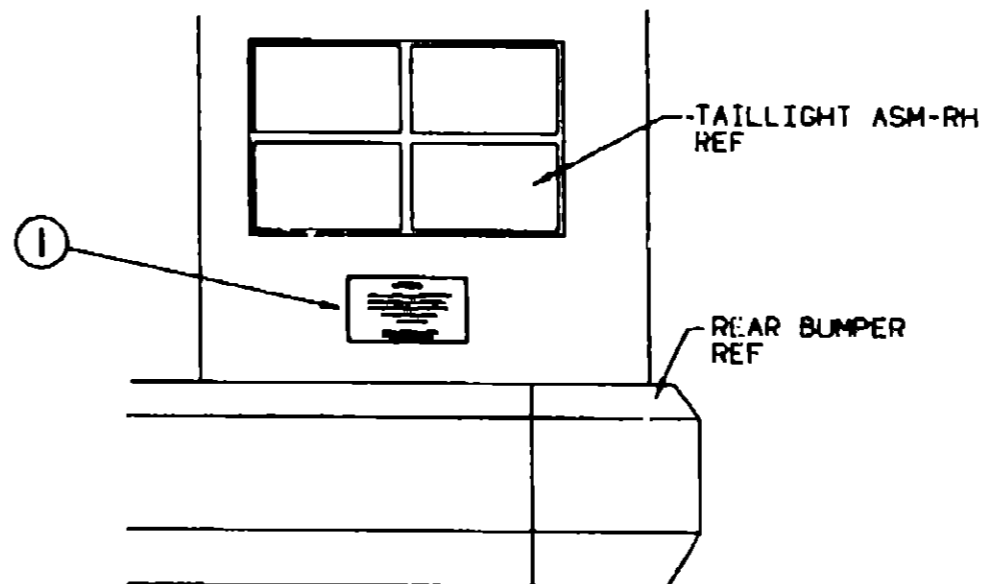


KEY PART NUMBER	U/M DESCRIPTION
1 054531-01-000	EA LABEL-LP GAS ONLY

**LABELS GROUP (CONTINUED)**



KEY PART NUMBER	U/M DESCRIPTION
1 066082-01-000	EA TAG-ELECTRIC-110V CONNECTION



**WARNING**

DO NOT EXCEED THE VEHICLE WEIGHT RATINGS OR LOADING RECOMMENDATIONS (E.G., GROSS VEHICLE, GROSS AXLE, GROSS COMBINED) OF THE CHASSIS MANUFACTURER OR WINNEBAGO INC.

REFER TO YOUR OWNERS MANUAL, BEFORE LOADING OR TOWING.

KEY PART NUMBER	U/M DESCRIPTION
1 075220-01-000	EA LABEL-WARNING-EXTERIOR LOAD

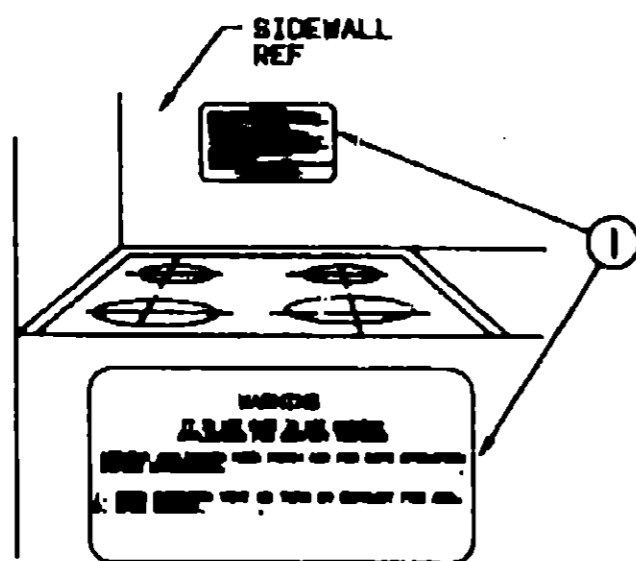
**1993 WINNEBAGO TABLE OF CONTENTS**

INTRODUCTION	A-01 - A-02
ABBREVIATIONS	A-03
ALPHABETICAL INDEX	A-04 - A-08
WC424RC	A-07 - E-02
WC422RC	E-03 - H-18

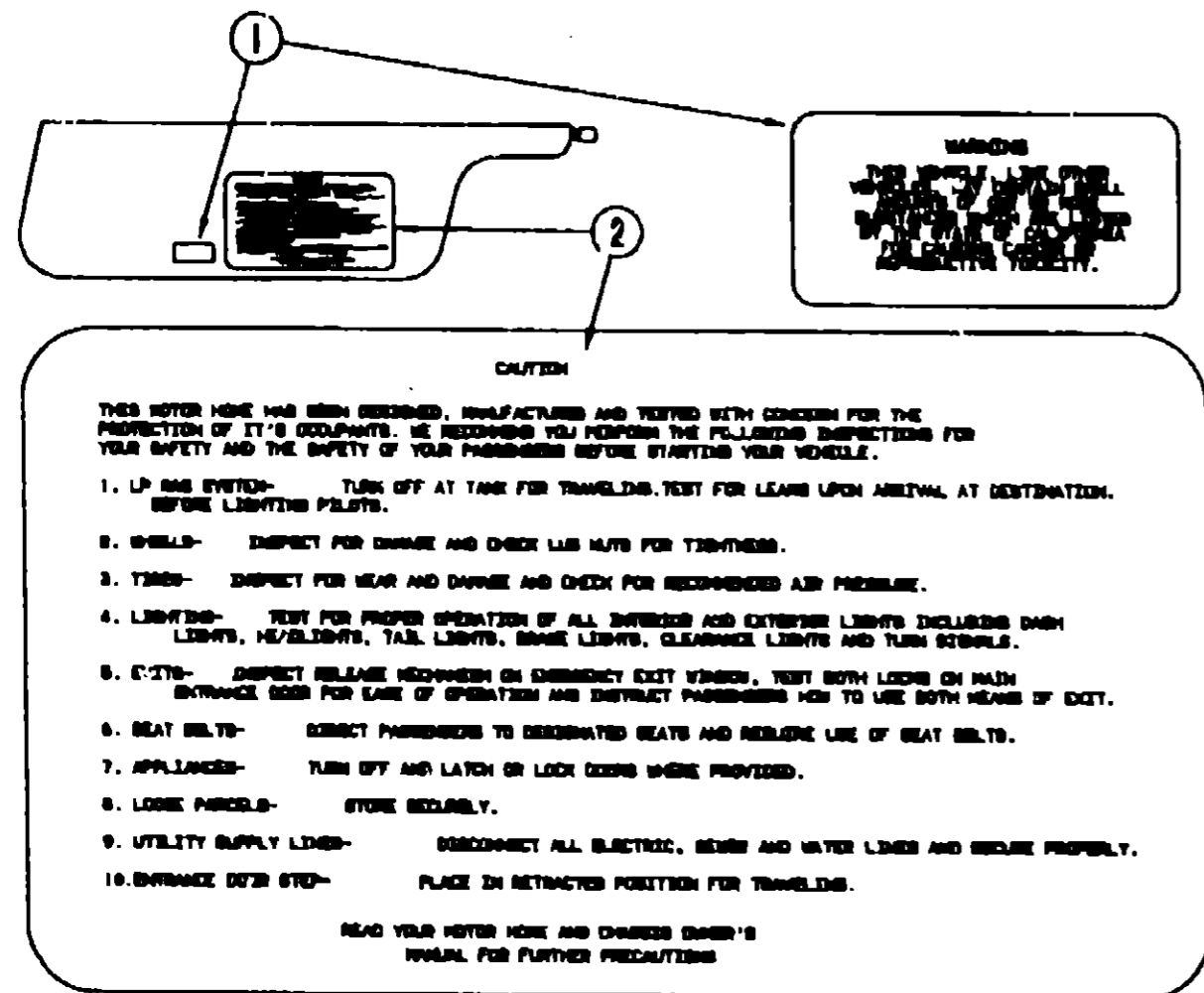
**1993 WC424RC INDEX**

FLOOR PLAN	A-07 - A-08
ACCESSORIES	A-09
AUDIO VIDEO	A-10 - A-11
BATH	A-12 - A-14
BEDROOM	A-15
CHASSIS	A-16 - A-20
CURTAIN & CUSHION	A-21 - B-08
DINETTE	B-09 - B-10
DRIVERS COMPARTMENT	B-11 - B-14
ELECTRICAL	B-15 - B-18
EXTERIOR BODY	B-19 - C-03
GALLEY	C-04 - C-07
GENERATOR	C-08
HEATING & A/C	C-09 - C-10
INTERIOR FINISH	C-11 - C-14
LABELS	C-15 - C-22
LP	C-23
LOUNGE	C-24
SEALANTS & FASTENERS	D-01 - D-04
WATER & SEWAGE	D-05 - D-10
WINDOW, VENT AND EXTERIOR DOOR	D-11 - E-02

**LABELS GROUP (CONTINUED)**



KEY	PART NUMBER	U/M DESCRIPTION
1	050225-01-000	EA LABEL-WARNING-STOVE VENT - US



KEY	PART NUMBER	U/M DESCRIPTION
1	099689-01-000	EA LABEL-WARNING-CANCER/TOXICITY
2	056259-01-000	EA LABEL-SAFETY CHECK LIST

**LABELS GROUP (CONTINUED)**

**MISCELLANEOUS LABELS**

KEY	PART NUMBER	U/M DESCRIPTION
	104236-01-000	EA LABEL-GENERATOR CIRCUIT
	008084-01-000	EA LABEL-SEAT W/O SEATBELT (US)
	002564-02-000	EA LABEL-SEAT W/O SEATBELT (CSA)
		NOT INTENDED FOR USE WHILE COACH IN MOTION
	091224-02-000	EA LABEL-TRAILER LIGHTING
	091243-01-000	EA LABEL-A/C COVER, "AIR CONDITIONING CIRCUIT. ETC."
	091243-02-000	EA LABEL-COVER, "MICROWAVE CIRCUIT. ETC."
	093236-06-000	EA LABEL-CIRCUIT BREAKER
	098641-01-000	EA LABEL-FUEL, UNLEADED - DASH
	098078-01-000	EA DECAL-AUTO AIR & REAR HEATER
	074559-01-000	EA DECAL-LOGO, LPG - RED - (CALIF CODE)
	073998-01-000	EA LABEL-LPG ODOR WARNING
	087207-06-000	EA LABEL-GAS OVERFILL, WARNING
	087236-01-000	EA LABEL-CABLE, INPUT
	061417-01-000	EA LABEL-FUEL, ON FUEL FILL DOOR
	006040-01-000	EA TAG-GAS REFUELING WARNING-US
	006040-02-000	EA TAG-GAS REFUEL WARNING-CANADIAN

**1993 WINNEBAGO  
TABLE OF CONTENTS**

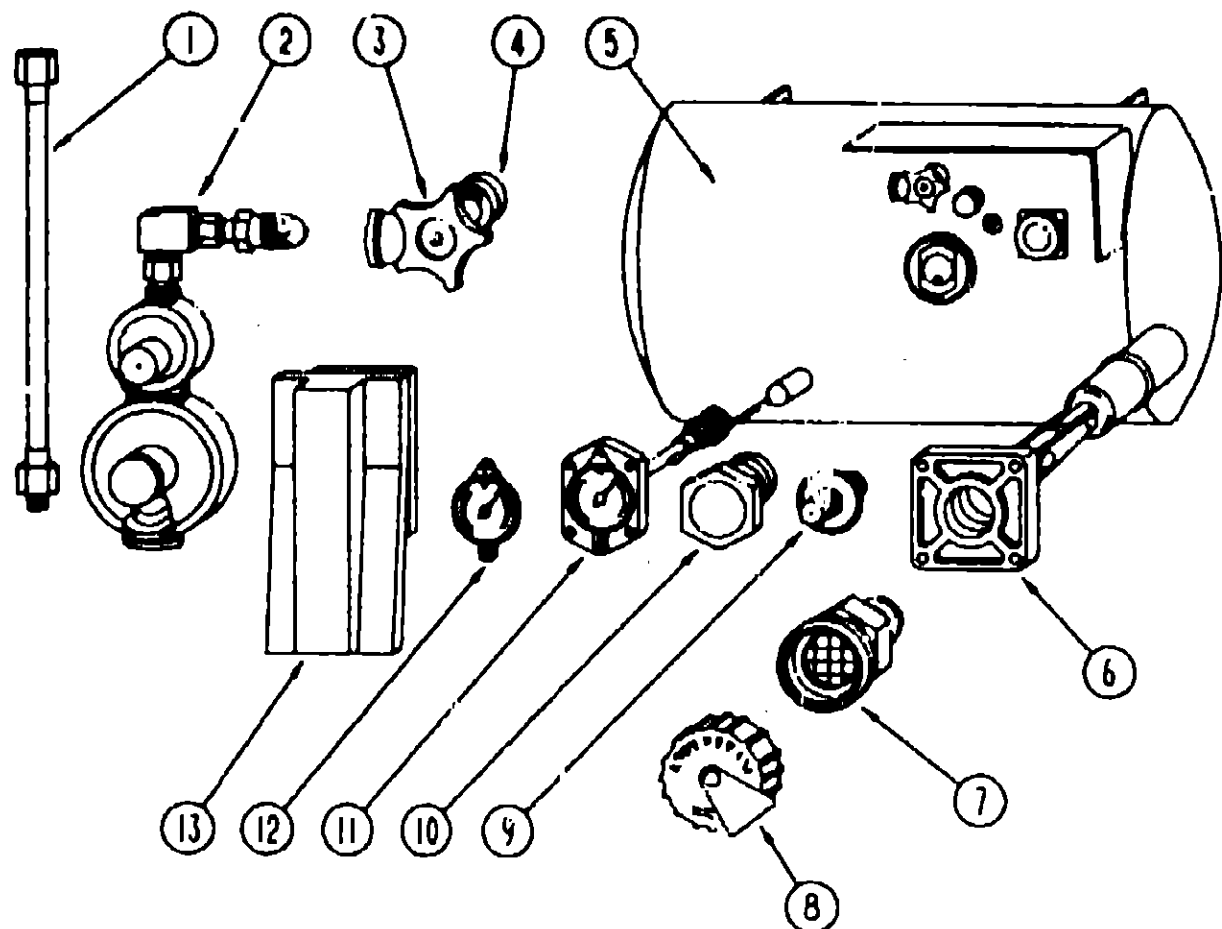
INTRODUCTION	A-01	A-02
ABBREVIATIONS		A-03
ALPHABETICAL INDEX	A-04	A-06
WC424RC	A-07	E-02
WC422RG	E-03	H-16

**1993 WC424RC INDEX**

FLOOR PLAN	A-07	A-08
ACCESSORIES		A-09
AUDIO VIDEO	A-10	A-11
BATH	A-12	A-14
BEDROOM		A-15
CHASSIS	A-16	A-20
CURTAIN & CUSHION	A-21	B-08
DINETTE	B-09	B-10
DRIVERS COMPARTMENT	B-11	B-14
ELECTRICAL	B-15	B-18
EXTERIOR BODY	B-19	C-03
GALLEY	C-04	C-07
GENERATOR		C-08
HEATING & A/C	C-09	C-10
INTERIOR FINISH	C-11	C-14
LABELS	C-15	C-22
LP		C-23
LOUNGE		C-24
SEALANTS & FASTENERS	D-01	D-04
WATER & SEWAGE	D-05	D-10
WINDOW, VENT AND EXTERIOR DOOR	D-11	E-C2



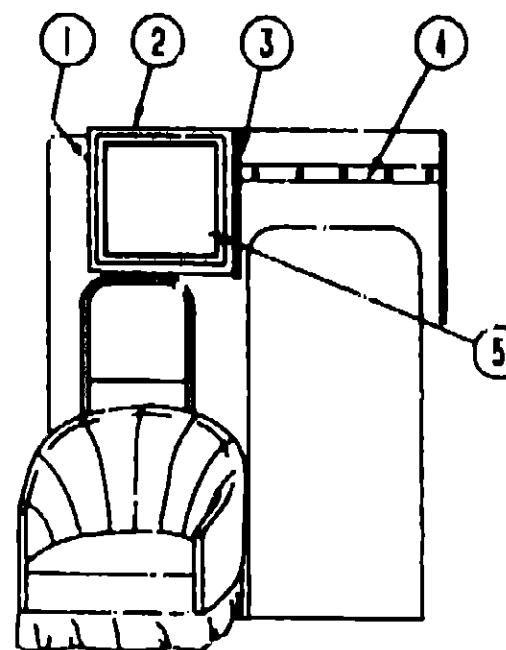
**LP GROUP**



**LP SYSTEM**

KEY	PART NUMBER	U/M	DESCRIPTION
1	045703-01-000	EA	HOSE-LP - 3/8" ID X 24" - 3/8 MPT X 1/2 F SWVEL - U.S.
1	045703-02-000	EA	HOSE-LP - 3/8" ID X 24" - 3/8" MPT X 1/2" F SWVEL - CANADA
2	106157-01-000	EA	REGULATOR-TWO STAGE, M'BRASS 293-00
3	040421-01-708	EA	HANDWHEEL-SERVICE VALVE - BRUNNER G-1015-A
4	040421-01-712	EA	VALVE-SERVICE W/O VAPOR RELIEF - 29000853
5	080450-01-000	EA	TANK-LP, 42 LB - 13" DIA X 24" LONG
6	040421-01-711	EA	VALVE-80% W/FLOAT - PLATE - BOLTS & GASKET - BRUNNER
7	040421-01-701	EA	VALVE-SHORT LP FILLER W/YELLOW CAP - BRUNNER 75478
8	040421-01-702	EA	CAP-LP FILLER VALVE - PLASTIC - YELLOW - BRUNNER G-1014-A
9	040421-01-700	EA	VALVE-LIQUID LEVEL - 20% LP - BRUNNER G-1013
10	040421-01-713	EA	VALVE-VAPOR ONLY - 29000587
11	074142-01-700	EA	FLOAT GAUGE-SCREW ON-MACHINE 13C-SCR
12	040421-01-708	EA	DIAL-LP TANK VOLUME - VISIBLE FACE (5-1769) - BRUNNER MA-8 ROCHESTER
13	105658-01-000	EA	COMPARTMENT-LP REGULATOR
	010323-01-000	EA	ADAPTER-BRASS - 3/8" X 1/2" MPT
	010285-01-000	EA	CROSS - 3/8" F X 3/8" F X 3/8" F X 1/2" FPT - BRASS
	010377-02-000	EA	NUT-BRASS - 3/8 FEMALE - FORGED
	010380-02-000	EA	NUT-BRASS - 1/2 FEMALE - FORGED
	010329-01-000	EA	ADAPTER-BRASS-1/2" X 1/2" MPT
	065318-02-000	EA	ELBOW-90 DEGREE - 3/8" MPT TO 3/8" FPT
	010265-01-000	EA	ELBOW-90 DEGREE, BRASS - 3/8" F X 1/2" FPT
	081642-01-000	EA	TEE - 1/2" MPT X 1/2" FL X 3/8" FL - BRASS
	095624-01-000	EA	ELBOW-90 DEGREE - 1/4" FPT X 1/4" FPT - BRASS
	071391-02-000	EA	NIPPLE-HEX, 1/4 PIPE - 3325X4 WEATHERHEAD
	008042-01-000	FT	TUBING-VINYL, .65" ID
	103613-01-000	EA	DETECTOR-LEAK, LP GAS

**LOUNGE GROUP**



**PASSENGER SIDE LOUNGE CABINETS**

KEY	PART NUMBER	U/M	DESCRIPTION
1	104335-09-C03	EA	END CAP-CABINET, OVERHEAD
1	104335-22-C52	EA	END CAP-CABINET, OVERHEAD (TV CABINET)
2	M05778-35-D04	EA	CABINET-OVERHEAD, W/O DOORS & HARDWARE
2	M05778-35-D05	EA	CABINET-OVERHEAD, W/O DOORS & HARDWARE
2	M05778-41-D04	EA	CABINET-OVERHEAD, W/O DOORS & HARDWARE (TV CABINET)
2	M05778-41-D05	EA	CABINET-OVERHEAD, W/O DOORS & HARDWARE (TV CABINET)
3	104335-08-C52	EA	END CAP-CABINET, OVERHEAD
3	104335-21-C52	EA	END CAP-CABINET, OVERHEAD (TV CABINET)
4	105847-05-C05	EA	HOLDER-KEY RING
	102130-01-000	EA	HOOK-CUP, BRASS - 1.25"
5	P05223-43-D04	EA	DOOR-CABINET, W/O HARDWARE - 400 X 520MM

**1993 WINNEBAGO  
TABLE OF CONTENTS**

INTRODUCTION	A-01 - A-02
ABBREVIATIONS	A-03
ALPHABETICAL INDEX	A-04 - A-09
WC424RC	A-7 - E-02
WC422RG	E-03 - H-16

**1993 WC424RC INDEX**

FLOOR PLAN	A-07 - A-08
ACCESSORIES	A-09
AUDIO VIDEO	A-10 - A-11
BATH	A-12 - A-14
BEDROOM	A-15
CHASSIS	A-16 - A-20
CURTAIN & CUSHION	A-21 - B-08
DINETTE	B-09 - B-10
DRIVERS COMPARTMENT	B-11 - B-14
ELECTRICAL	B-15 - B-18
EXTERIOR BODY	B-19 - C-03
GALLEY	C-04 - C-07
GENERATOR	C-08
HEATING & A/C	C-09 - C-10
INTERIOR FINISH	C-11 - C-14
LABELS	C-15 - C-22
LP	C-23
LOUNGE	C-24
SEALANTS & FASTENERS	D-01 - D-04
WATER & SEWAGE	D-05 - D-10
WINDOW, VENT AND EXTERIOR DOOR	D-11 - E-C2

## SEALANTS & FASTENERS GROUP

### ADHESIVE & FASTENERS

KEY	PART NUMBER	U/M	DESCRIPTION
	004020-01-000	QT	ADHESIVE-ABS CEMENT, QUART
	034552-02-000	EA	SILICONE-TUBE, 300 ML - W/O NOZZLE - CLEAR
	034552-06-000	EA	SILICONE-TUBE, 300 ML - W/O NOZZLE - OFF WHITE
	900390-01-000	EA	TIP-2 1/2" X 1/8" ORIFICE
	900390-02-000	EA	TIP-6" LN, 1/16" X 1/4" ORIFICE
	900390-03-000	EA	NOZZLES-#CSL D10
	002707-02-000	FT	TAPE-SEALER, 6/16" X 1/2"
	053786-02-000	EA	BEDDING COMPOUND-TUBE, WHITE SCHNEE# 5522
	053786-06-000	EA	BEDDING COMPOUND-TUBE, CLEAR
	053786-08-000	EA	BEDDING COMPOUND-TUBE, GRAY - SCHNEE# 5522
	083642-01-000	FT	TAPE-ADHESIVE, 10 MM X 1.5" WIDE X 180'
	069640-01-000	FT	SEALER-RIBBON, 1/4" DIAMETER
	069640-02-000	FT	SEALER-RIBBON, 1/2" X 1/8"
	069640-03-000	FT	SEALER-RIBBON, 5/16" X 1/8"
	069640-06-000	FT	SEALER-RIBBON, 3/4" X 1/8"
	069640-10-000	FT	SEALER-RIBBON, 1/32" X 1 1/2"
	069640-11-000	FT	SEALER-TAPE, 3/16" X 3/8", BLACK - MANUS
	069640-12-000	FT	SEALER-TAPE, 1/8" X 1.5" GRAY - MANUS
	069640-14-000	FT	SEALER-TAPE, 1/16" X 1" GRAY - MANUS
	072899-01-000	EA	SEALANT-URETHANE, BLACK - 1/10 - ESSEX 552.2
	076314-02-000	FT	TAPE-CARPET SEAM, HEAT-BOND - 4" WIDE
	076322-01-000	FT	TAPE-FOAM, DOUBLE COATED ADHESIVE BACKED - .75" X 216'
	076322-02-000	FT	TAPE-FOAM, DOUBLE COATED ADHESIVE BACKED - 1" X 108'
	076322-03-000	FT	TAPE-FOAM, DOUBLE COATED ADHESIVE BACKED - .5" X 108'
	076322-05-000	FT	TAPE-FOAM, DOUBLE COATED ADHESIVE BACKED - .025" X 1.5" X 108'
	087211-01-000	GL	PROMOTER-ADHESIVE
	091255-02-000	FT	SEAL-ADHESIVE BACKED FOAM, .18" THICK X 1.5" WIDE
	094401-01-000	EA	SEALER-BODY SEAM SEALER, 3M FLEXICLEAR
	102352-01-000	EA	SEALER-PUMPABLE, BLACK - COLORIMETRIC MS101
	108716-01-000	EA	SILICONE-TUBE, OFF WHITE LEVEL - CSL 510

### BOLTS, NUTS & WASHERS

KEY	PART NUMBER	U/M	DESCRIPTION
	000G45-05-168	EA	BOLT-LAG 5/16 - 9 X 1 ZN
	0MC31K-08-020	EA	BOLT-HEX, SER FLANGE - M8 X 020
	000C12-05-168	EA	BOLT-HEX, 5/16-18 X 1 - ZINC 5
	000C12-06-328	EA	BOLT-HEX-3/8-16 X 2 LG, ZN 5
	000C12-07-208	EA	BOLT-HEX, 7/16-14 X 1 1/4, ZN 5
	000C12-07-248	EA	BOLT-HEX, 7/16-14 X 1.50, ZN 5 - MC-90
	000C12-08-248	EA	BOLT-HEX, 1/2-13 X 1 1/2 - ZN 5
	000C12-10-248	EA	BOLT-HEX, 5/8-11 X 1 1/2 ZN - 5
	000C12-10-848	EA	BOLT-HEX, 5/8-11 X 4 ZN - 5
	000C13-07-488	EA	BOLT-HEX, 7/16 - 20 X 3 - ZN 5
	000C18-05-40A	EA	BOLT-ELEV, 5/16"-18 X 2 1/2" PL
	000C18-06-488	EA	BOLT-ELEV, 3/8-16 X 3 ZN - GDE 5
	000C28-04-108	EA	BOLT-HEX, SER FLG - 1/4-20 X 5/8 ZINC
	01JC26-05-128	EA	BOLT-HEX-SER FLG 5/16-18 X 3/4 - ZN
	051387-06-000	EA	BOLT-CARRIAGE, W/O HOLE - 5/16 - 18 X 9.5 - ZINC
	000D24-10-008	EA	NUT-HEX, SF/LK - 10-32 ZN
	000D29-09-008	EA	NUT-HEX, SF/LK - 9/16 - 12 ZN
	000D39-04-008	EA	NUT-HEX, SER FLG LK 1/4 - 20 ZN
	000D39-05-008	EA	NUT-HEX, SER FLG LK - 5/16 - 18 ZN
	000D39-06-008	EA	NUT-HEX, SER FLG LK - 3/8-16 ZN
	000D39-08-008	EA	NUT-HEX, SER FLG LK - 1/2-13 ZN
	000D44-07-008	EA	NUT-HEX, SER FLG LK - 7/16-20 ZN
	044384-02-000	EA	NUT-SPEED, FLAT - ROUND
	084081-02-000	EA	NUT-WING, 5/8" X 11 THREAD
	000E11-07-008	EA	WASHER-LK, 7/18 MED SPLIT ZN 05114-01-000

## SEALANTS & FASTENERS GROUP (CONTINUED)

### BOLTS, NUTS & WASHERS (CONTINUED)

KEY	PART NUMBER	U/M	DESCRIPTION
	000E13-14-008	EA	WASHER-FL, 1/4" WIDE ZN
	000E13-17-008	EA	WASHER-FLARE, 3/8" AR ZN
	000E13-20-008	EA	WASHER-FL, 7/18" WIDE - ZN
	000E13-21-008	EA	WASHER-FL, W/2 NAR ZN
	000E14-10-008	EA	WASHER-LK, NO 10 EXT TOOTH - ZN
	041322-01-000	EA	WASHER-FL, 15/32ID X 3/8 OD - FOR SEAT BELT MOUNT
	044533-01-000	EA	WASHER-PLASTIC, 1 3/16" OD - FOR BUTTONS

### SCREWS

KEY	PART NUMBER	U/M	DESCRIPTION
	000G11-06-108	EA	SCREW, 6-20 X 5/8 PPH - ZN
	000G11-06-10J	EA	SCREW, 6-20 X 5/8 PPH - BRASS
	000G11-07-088	EA	SCREW, 7-19 X 1/2 PPH - ZN
	000G11-08-068	EA	SCREW, 8-18 X 3/8 PPH ZN
	000G11-08-088	EA	SCREW, 8-18 X 1/2 PPH - ZN
	000G11-08-12B	EA	SCREW, 8-18 X 3/4 PPH ZN
	000G11-08-12D	EA	SCREW, 8-18 X 3/4 PPH - BLACK
	000G11-08-12E	EA	SCREW, 8-18 X .75 PPH CHROME ES0025.4
	000G11-08-12P	EA	SCREW, 8-18 X .75 PPH - DARK BROWN
	000G11-08-12R	EA	SCREW, 8-18 X 3/4 PPH - BEIGE
	000G11-08-12S	EA	SCREW, 8-18 X 3/4 PPH - OFF WHITE
	000G11-08-12T	EA	SCREW, 8-18 X 3/4 PPH - BLACK
	000G11-08-16S	EA	SCREW, 8-18 X 1.00 PPH - OFF WHITE
	000G11-10-12D	EA	SCREW, 10-16 X .75 PPH - BLACK
	000G11-10-12S	EA	SCREW, 10-16 X .75 PPH - OFF WHITE
	000G11-10-16B	EA	SCREW, 10-16 X 1 PPH - ZN
	000G11-10-24P	EA	SCREW, 10-16 X 1 1/2 PPH - DARK BROWN
	000G12-06-08T	EA	SCREW, 6-20 X .50 PPH - BLACK
	000G12-08-12R	EA	SCREW, 8-18 X .75OH - BEIGE
	000G12-08-12S	EA	SCREW, 8-18 X 3/4 PPH - OFF WHITE
	000G13-06-06B	EA	SCREW, 6-20 X 3/8 PPH ZN
	000G13-06-06B	EA	SCREW, 6-20 X 1/2 PPH ZN
	000G13-06-08G	EA	SCREW, 6-20 X 1/2 PPH - ANTIQUE BRASS
	000G13-06-16J	EA	SCREW, 6-20 X 1.00 PPH - BRASS
	000G13-06-16R	EA	SCREW, 6-20 X 1.00 PPH - BEIGE
	000G13-06-24J	EA	SCREW, 6-20 X 1.50 PPH - BRASS
	000G13-07-12B	EA	SCREW, 7-19 X 3/4 PPH ZN
	000G13-08-16B	EA	SCREW, 8-18 X 1 PPH - ZN
	000G13-10-12B	EA	SCREW, 10-16 X 3/4 PPH ZN
	000G18-08-16B	EA	SCREW-MACHINE, 8 X 32 X 1, PPH ZN
	000G18-08-22B	EA	SCREW-MACHINE, 8-32 X 1 3/8 PPH ZN
	000G32-10-06B	EA	SCREW-10-32 X 3/8" - PPH - ZINC
	000G39-06-08B	EA	SCREW-DR, 6-18 X 1/2 ZN
	000G39-06-10T	EA	SCREW-SF/DR, 6-20 X 5/8 PPH - BLACK
	000G39-06-10T	EA	SCREW-SF/DR, 6-20 X 5/8 PPH - BLACK
	000G39-06-16T	EA	SCREW-SF/DR, 6-20 X 1 PPH - BLACK
	000G39-08-06B	EA	SCREW-SF/DR, 8-18 X 3/8 PPH ZN
	000G39-08-08B	EA	SCREW-SF/DR, 8-18 X 1/2 PPH ZN
	000G39-08-08R	EA	SCREW-SF/DR, 8-18 X 1/2 PPH - BEIGE
	000G39-08-08S	EA	SCREW-SF/DR, 8-18 X 1/2 PPH - OFF WHITE
	000G39-08-12B	EA	SCREW-SF/DR, 8-18 X 3/4 PPH ZN
	000G39-08-16B	EA	SCREW-SF/DR, 8-18 X 1 PPH ZN
	000G39-08-16S	EA	SCREW-SF/DR, 8-18 X 1.00 PPH, OFF WHITE
	000G39-08-24B	EA	SCREW-SF/DR, 8-18 X 1 1/2 PPH ZN
	000G39-08-24S	EA	SCREW-SF/DR, 8-18 X 1 1/2 PPH - OFF WHITE
	000G39-10-129	EA	SCREW-SF/DR, 10-16 X 3/4 PPH - SILVER
	000G39-10-12D	EA	SCREW-SF/DR, 10-16 X 3/4 PPH - BLACK
	000G39-10-12R	EA	SCREW-SF/DR, 10-16 X 3/4 PPH - BEIGE

## 1993 WINNEBAGO TABLE OF CONTENTS

INTRODUCTION	A-01 - A-02
ABBREVIATIONS	A-03
ALPHABETICAL INDEX	A-04 - A-08
WC424RC	A-07 - E-02
WC422RG	E-03 - H-16

## 1993 WC424RC INDEX

FLOOR PLAN	A-07 - A-08
ACCESSORIES	A-09
AUDIO VIDEO	A-10 - A-11
BATH	A-12 - A-14
BEDROOM	A-15
CHASSIS	A-16 - A-20
CURTAIN & CUSHION	A-21 - B-08
DINETTE	B-09 - B-10
DRIVERS COMPARTMENT	B-11 - B-14
ELECTRICAL	B-15 - B-18
EXTERIOR BODY	B-19 - C-03
GALLEY	C-04 - C-07
GENERATOR	C-08
HEATING & A/C	C-09 - C-10
INTERIOR FINISH	C-11 - C-14
LABELS	C-15 - C-22
LP	C-23
LOUNGE	C-24
SEALANTS & FASTENERS	D-01 - D-14
WATER & SEWAGE	D-05 - D-10
WINDOW, VENT AND EXTERIOR DOOR	D-11 - E-02

**SEALANTS & FASTENERS GROUP (CONTINUED)**

**SCREWS (CONTINUED)**

KEY	PART NUMBER	U/M	DESCRIPTION
	000G39-10-20B	EA	SCREW-SF/DR, 10-16 X 1 1/4 PPH ZN
	000G39-10-32B	EA	SCREW-SF/DR, 10-16 X 2.00 PPH - ZN
	000G39-10-32I	EA	SCREW-SF/DR, 10-16 X 2.00 PPH - ZN PLATE-PASS BLACK
	000G39-12-12E	EA	SCREW-SF/DR, 12 - 14 X 3/4 PPH - CHROME
	000G42-04-12B	EA	SCREW-SF/DR, 1/4 - 1/4 X 3/4 HWH ZN
	000G42-04-16B	EA	SCREW-SF/DR, 1/4-1/4 X 1 HWH - ZN
	000G50-04-12B	EA	SCREW-MACHINE, 1/4-20 X 3/4 PPH ZN
	000G53-04-06B	EA	SCREW-MACHINE, 1/4-20 X 3/8 PPH ZN - UNDERCUT HEAD
	000G54-04-20B	EA	SCREW, 1/4-20 X 1 1/4 PTH - TYPE 23 - ZINC PLATED
	000G56-12-46B	EA	SCREW-WOOD, 12 - 11 X 3 POH - SPECIAL HARDENED
	000G60-10-28T	EA	SCREW-SF/DR, 10-16 X 1.75 - BLACK
	000G67-10-06B	EA	SCREW, 10-12 X 1/2 PPH ZN
	000G67-10-06R	EA	SCREW, 10-12 X 1/2 PPH - BEIGE - TYPE A
	000G67-10-10B	EA	SCREW, 10-12 X 5/8 PPH ZN - TYPE A
	000G67-10-10D	EA	SCREW, 10-12 X 5/8 PPH - BLACK - TYPE A
	000G67-10-10R	EA	SCREW, 10-12 X 5/8 PPH - TYPE A - BEIGE
	000G67-10-10S	EA	SCREW, 10-12 X 5/8 - PPH - OFF WHITE
	000G67-10-12D	EA	SCREW, 10-12 X 3/4 PPH - TAN
	000G67-10-12B	EA	SCREW, 10-12 X 3/4 PPH - ZN
	000G67-10-12P	EA	SCREW, 10-12 X .75 - PPH - DARK BROWN
	000G67-10-12R	EA	SCREW, 10-12 X .75 PPH - BEIGE
	000G67-10-16B	EA	SCREW, 10-12 X 1 PPH - ZN
	000G67-10-16P	EA	SCREW, 10-12 X 1 PPH - DARK BROWN
	000G67-10-20D	EA	SCREW, 10-12 X 1 1/4 PPH - BLACK
	000G67-10-24B	EA	SCREW, 10-12 X 1 1/2 PPH - ZN
	000G67-10-32B	EA	SCREW, 10-12 X 2 PPH - ZN
	000G68-06-10G	EA	SCREW, 6-18 X 5/8 POH - ANTIQUE BRASS
	000G68-10-36T	EA	SCREW-10-12 X 2.25 POH BLACK
	049465-03-000	EA	SCREW, 10-16 X 1 POH W/WASHER - OFF WHITE
	049465-04-000	EA	SCREW, 10-16 X 1 PTH W/WASHER - BEIGE
	074046-01-000	EA	SCREW, 8-18 X 1 1/2 PFH, BRONZE
	075908-01-000	EA	SCREW-MACHINE, 10-32 X .56 PTH - ZINC EXTERNAL TOOTH
	087721-01-000	EA	SCREW-FLAT HEAD, TAPPING - 1/4" X 1 1/4" LG ZN
	101289-01-01A	EA	SCREW-MACHINE, 8-32 X 4 - POH - BRASS - FOR EXTENDED KNOB

**SEALANTS & FASTENERS GROUP (CONTINUED)**

**CLAMPS, GROMMETS, CLIPS, HOLDERS & RIVETS**

KEY	PART NUMBER	U/M	DESCRIPTION
	000H16-04-06R	EA	RIVET-POP, AL 1/8 X .313-.375
	007181-01-000	EA	CLAMP-HOSE, SPRING TYPE - 1/2"
	010495-01-000	EA	CLAMP-CABLE, 9/16"
	010495-02-000	EA	CLAMP-CABLE, 3/8"
	010497-01-000	EA	CLAMP-CLOSED, 5/8" ID
	010499-01-000	EA	CLAMP-CLOSED, 3/8" ID
	016188-03-000	EA	GROMMET-L/P LINE, 3/8" HOLE X 2 1/2" LONG - RUBBER
	016188-05-000	EA	GROMMET-L/P LINE, 3/8" HOLE X 1 1/4" LONG - RUBBER
	023942-01-000	EA	GROMMET-RUBBER, 2" OD
	056134-01-000	EA	HOLDER-RING, 3.6" DIAMETER - METAL
	056134-02-000	EA	HOLDER-RING, 1.8" DIAMETER - METAL
	062401-01-000	EA	CLAMP-HOSE, WORMGEAR, 25° - 1"
	062401-02-000	EA	CLAMP-HOSE, WORMGEAR, 1.56° - 2.5°
	062401-04-000	EA	CLAMP-HOSE, WORMGEAR, 69° - 1.25°
	062401-06-000	EA	CLAMP-HOSE, WORMGEAR, 22° - .62"
	069592-02-000	EA	RIVET-T, (POP) - 1/4 X .093 - .156
	071015-11-000	EA	GROMMET-1.00" ID, FITS .12 MATL - MINOR RUBBER Z-3065
	071015-26-000	EA	GROMMET-RUBBER, 1.5" ID X 2.12" OC W/.06" GROOVE - BLACK
	071015-31-000	EA	GROMMET-RUBBER, .69" ID X 1.31" OD W/.12" GROOVE - BLACK
	075148-02-000	EA	CLAMP-GROUNDING, BRONZE SCREWS
	077953-01-000	EA	GROMMET-EDGE LINER, FITS 1"
	080734-02-000	EA	CLIP-WIRE, NYLON
	082149-01-000	EA	STUD-CLINCH, 3/8" X 24 X 1.12 GD5
	083609-01-000	EA	CLAMP-WIRE, DUAL EQUAL - 5/8" DIAMETER
	083610-01-000	EA	CLAMP-WIRE, DUAL - UNEQUAL DIAMETERS - .75" & 1.25"
	085774-01-000	FT	FASTENER-DUAL HOOK, 1" WIDE - ADHESIVE BACK - BLACK
	085774-02-000	FT	FASTENER-DUAL LOOP, 1" WIDE - ADHESIVE BACK - BLACK
	091952-01-000	EA	CLIP-GRIPPER, 1"
	101447-01-000	EA	CLIP-U TYPE, TINNERMAN - HOLDS SHOWER SURROUND TOGETHER

**1993 WINNEBAGO  
TABLE OF CONTENTS**

INTRODUCTION	A-01	A-02
ABBREVIATIONS		A-03
ALPHABETICAL INDEX	A-04	A-06
WC424RC	A-07	E-02
WC422RG	E-03	H-16

**1993 WC424RC INDEX**

FLOOR PLAN	A-07	A-08
ACCESSORIES		A-09
AUDIO VIDEO	A-10	A-11
BATH	A-12	A-14
BEDROOM		A-15
CHASSIS	A-16	A-20
CURTAIN & CUSHION	A-21	B-08
DINETTE	B-09	B-10
DRIVERS COMPARTMENT	B-11	B-14
ELECTRICAL	B-15	B-18
EXTERIOR BODY	B-19	C-03
GALLEY	C-04	C-07
GENERATOR		C-08
HEATING & A/C	C-09	C-10
INTERIOR FINISH	C-11	C-14
LABELS	C-15	C-22
LP		C-23
LOUNGE		C-24
SEALANTS & FASTENERS	D-01	D-04
WATER & SEWAGE	D-05	D-10
WINDOW, VENT AND EXTERIOR DOOR	D-11	E-02

## WATER & SEWAGE GROUP

### FRONT FRESH WATER TANK

KEY	PART NUMBER	U/M	DESCRIPTION
	074510-03-000	EA	TANK-WATER, W/FITTINGS - 18 GALLON - 33.4" X 11.4" X 10.6"
	074510-01-000	EA	TANK-WATER, W/O FITTINGS - 18 GALLON - 33.4" X 11.4" X 10.
	035539-01-00J	EA	ELBOW-PLASTIC, 3/8" MPT X 3/8" BARB
	049032-01-000	EA	PATCH-SPINWELD, 3/8" - PLASTIC
	052959-02-000	EA	CONNECTOR, 1/2" F X 1/2" MPT - PLASTIC - GRAY
	042989-02-000	EA	FITTING-WATER TANK, SPINWELD - 1/2" NPT - PLASTIC - WHITE
	042989-04-000	EA	FITTING-WATER TANK, SPINWELD - 3/8" FPT - PLASTIC - WHITE
	042989-05-000	EA	FITTING-WATER TANK, SPINWELD - 1/2" FPT - PLASTIC - WHITE
	077954-02-000	EA	FILTER-WATER TANK, SCREEN IN TANK
	079381-01-000	FT	TUBING-SMOOTH FLEXIBLE, 1 1/4" ID

### REAR FRESH WATER TANK

KEY	PART NUMBER	U/M	DESCRIPTION
	053520-10-000	EA	TANK-WATER, W/FITTINGS - 18 GALLON - 27" X 17.2" X 10"
	053520-01-000	EA	TANK-WATER, 18 GALLON - W/O FITTINGS - 17.2" X 27" X 10"
	039881-01-000	EA	SENDING UNIT-W/SCREW, WASHER, WELL NUT & TERMINAL RING
	023441-01-000	EA	TEE-BARB, 3/8" - PLASTIC
	035539-01-000	EA	ELBOW-PLASTIC, 3/8" MPT X 3/8" BARB
	052958-01-000	EA	TEE-1/2" F X 1/2" MPT X 1/2" F - PLASTIC
	052959-02-000	EA	CONNECTOR, 1/2" F X 1/2" MPT - PLASTIC - GRAY
	042989-03-000	EA	FITTING-WATER TANK, SPINWELD - 1 1/4" NPT - PLASTIC - WHITE
	042989-04-000	EA	FITTING-WATER TANK, SPINWELD - 3/8" FPT - PLASTIC - WHITE
	042989-05-000	EA	FITTING-WATER TANK, SPINWELD - 1/2" FPT - PLASTIC - WHITE
	049032-01-000	EA	PATCH-SPINWELD, 3/8" - PLASTIC
	077954-02-000	EA	FILTER-WATER TANK, SCREEN IN TANK

### WATER SYSTEM

KEY	PART NUMBER	U/M	DESCRIPTION
	087659-04-000	EA	FILL-WATER, CITY - OFF WHITE
	098449-01-000	EA	WIRE ASSEMBLY-WATER TANK TO MONITOR PANEL
	048128-01-000	EA	VALVE-DRAIN, PLASTIC - 1/2" FPT
	052980-01-000	EA	DRAIN VALVE-IN LINE, HEADER - 1/2" F X 1/2" F - GRAY PLAS
	052980-03-000	EA	DRAIN VALVE-IN LINE, HEADER - 5/8" F X 5/8" F - PLASTIC
	052959-02-000	EA	CONNECTOR, 1/2" F X 1/2" MPT - PLASTIC - GRAY
	052959-03-000	EA	CONNECTOR, 1/2" F X 3/8" MPT - PLASTIC - GRAY
	010219-01-000	EA	ELBOW-1 1/4" MPT X 1 1/4" BARB, PLASTIC
	057457-01-000	EA	ELBOW-UNION, 1/2" X 1/2" FLARE
	065120-01-000	EA	ELBOW-SWIVEL, 1/2" FPT X 1/2" FLARE - PLASTIC - GRAY
	052957-02-000	EA	ELBOW-MALE, 1/2" F X 1/2" MPT - PLASTIC - GRAY
	055290-01-000	EA	EI 30W-5/8" F X 1/2" MPT
	052952-01-000	EA	NUT-PLASTIC, 1/2" F X 1/2" TUBE - GRAY
	052952-02-000	EA	NUT-PLASTIC, 5/8" FLARE
	052955-03-000	EA	TEE-5/8" F X 5/8" F X 1/2" MPT - PLASTIC
	052958-02-000	EA	TEE-5/8" F X 1/2" MPT X 5/8" F, PLASTIC
	052958-01-000	EA	TEE, 1/2" F X 1/2" F X 1/2" F - PLASTIC - GRAY
	057974-01-000	EA	TEE-5/8" F X 1/2" F X 1/2" F, PLASTIC
	074483-01-000	EA	TEE-4 WAY, 1/2" FLARE - PLASTIC - GRAY
	052955-01-000	EA	TEE-WATER, 1/2" X 1/2" F X 1/2" MPT - PLASTIC - GRAY
	074482-02-000	FT	TUBING-VINYL, 3/8" ID - CLEAR
	079381-01-000	FT	TUBING-SMOOTH FLEXIBLE, 1 1/4" ID
	039800-01-000	FT	TUBING-POLYBUTYL, 1/2" OD - INCREMENTS OF 20' - BLACK
	039800-02-000	FT	TUBING-POLYBUTYL, 5/8" OD - INCREMENTS OF 20' - BLACK
	052954-01-000	EA	ADAPTER-NOSE CONE, 3/8" OR 1/2" TUBING - PLASTIC - GRAY
	079317-01-000	EA	ADAPTER-SWIVEL, 1/2" TUBE X 1/2" FPT - PLASTIC - GRAY
	101814-01-000	EA	COUPLING-FEMALE, 1/2" X 1/2" FPT
	108258-01-000	EA	CAP-INSERTABLE 1/2" FLARE - KEYCO 64398 BONNET

## WATER & SEWAGE GROUP (CONTINUED)

### EXTERIOR SHOWER

KEY	PART NUMBER	U/M	DESCRIPTION
	103092-01-000	EA	HEAD-SHOWER, W/60 IN HOSE (US & CANADIAN)
	103092-01-700	EA	BRACKET-SHOWER HEAD
	075241-05-000	EA	FAUCET-SHOWER, BONE
	105269-02-000	EA	BRACKET-SUPPORT, FAUCET
	091952-02-000	EA	CLIP-GRIPPER, 3/4"

### WATER PUMP

KEY	PART NUMBER	U/M	DESCRIPTION
	098607-01-000	EA	PUMP-WATER, W/5" MPT FITTING - SHURFLO 2.8 GPM, UL
	098607-01-700	EA	PUMPHEAD-REPLACEMENT - 94-236-08
	098607-01-701	EA	DRIVE ASSEMBLY - 94-234-03
	098607-01-702	EA	DIAPHRAGM KIT - 94-233-10
	098607-01-703	EA	VALVE ASSEMBLY - 94-232-00
	098607-01-704	EA	HOUSING-UPPER - 94-231-01
	098607-01-705	EA	CHECK VALVE KIT - 94-237-00
	098607-01-706	EA	UPPER HOUSING/SWITCH KIT - 94-231-20
	098607-01-707	EA	MOTOR/BASEPLATE REPLACEMENT - 94-235-03

## 1993 WINNEBAGO TABLE OF CONTENTS

INTRODUCTION	A-01	-	A-02
ABBREVIATIONS			A-03
ALPHABETICAL INDEX	A-04	-	A-06
WC424RC	A-07	-	E-02
WC422RG	E-03	-	H-16

## 1993 WC424RC INDEX

FLOOR PLAN	A-07	-	A-08
ACCESSORIES			A-09
AUDIO VIDEO	A-10	-	A-11
BATH	A-12	-	A-14
BEDROOM			A-15
CHASSIS	A-16	-	A-20
CURTAIN & CUSHION	A-21	-	B-08
DINETTE	B-09	-	B-10
DRIVERS COMPARTMENT	B-11	-	B-14
ELECTRICAL	B-15	-	B-18
EXTERIOR BODY	B-19	-	C-03
GALLEY	C-04	-	C-07
GENERATOR			C-08
HEATING & A/C	C-09	-	C-10
INTERIOR FINISH	C-11	-	C-14
LABELS	C-15	-	C-22
LP			C-23
LOUNGE			C-24
SEALANTS & FASTENERS	D-01	-	D-04
WATER & SEWAGE	D-05	-	D-10
WINDOW, VENT AND EXTERIOR DOOR	D-11	-	E-02

**WATER & SEWAGE GROUP (CONTINUED)**

**WATER HEATER W/O MOTOR AID**

KEY	PART NUMBER	U/M	DESCRIPTION
	051391-03-000	EA	HEATER-WATER, WELECTRIC IGNITION - ATWOOD G6A-3E
	051391-01-700	EA	HINGE KIT-W/CLIP, ATWOOD 92568 & 92569
	051391-01-704	EA	VALVE-RELIEF, 1/2" FITTING - ATWOOD 91804
	051391-01-705	EA	FASTENER-CAMLOC, ATWOOD 92809
	051391-01-708	EA	GRILLE-EXHAUST, ATWOOD 92787
	051391-01-708	EA	BURNER-MAIN, 3E ONLY - ATWOOD 92615
	051391-01-710	EA	ORIFICE-MAIN BURNER, ATWOOD 92742
	051391-01-715	EA	DRAIN PLUG, ATWOOD 91561
	051391-04-700	EA	TANK-INNER (G6A-3E), FRONT MOUNT - ATWOOD 91808
	051391-04-701	EA	THERMOSTAT 12 VDC-120 PRESET, ATWOOD 91470
	051391-04-708	EA	TANK-INNER, G6A-3E & 6E - FRONT MOUNT - ATWOOD 91641
	051393-01-702	EA	SWITCH-ENERGY CUT-OFF, ATWOOD 91951
	051393-01-703	EA	THERMOSTAT-REAR MOUNT, ATWOOD 91952
	051393-01-704	EA	CIRCUIT BOARD-W/BLACK BOX, ATWOOD 91420
	051393-01-705	EA	ORIFICE HOLDER-ATWOOD 91925
	051393-01-716	EA	SPARK & PROBE ASM, ATWOOD 91803
	051393-01-718	EA	VALVE-DUAL SOLENOID, ATWOOD 91805
	051393-01-721	EA	ECO&THERMOSTAT ASM-FRONT MOUNT, 140 DEGREE - ATWOOD 91447
	051393-03-700	EA	TANK-INNER (G6A-3E), REAR MT - ATWOOD 91409
	097967-01-000	EA	SWITCH-WATER HEATER, ATWOOD 91959

**WATER HEATER W/MOTOR AID & REAR HEATER**

KEY	PART NUMBER	U/M	DESCRIPTION
	051393-01-000	EA	HEATER-WATER-W/MOTOR AID-ATWOOD GH6-3E, GH6-4E, OR GH6-6E
	051391-01-700	EA	HINGE KIT-W/CLIP, ATWOOD 92568 & 92569
	051391-01-704	EA	VALVE-RELIEF, 1/2" FITTING - ATWOOD 91804
	051391-01-705	EA	FASTENER-CAMLOC, ATWOOD 92809
	051391-01-708	EA	GRILLE-EXHAUST, ATWOOD 92787
	051391-01-708	EA	BURNER-MAIN, 3E ONLY - ATWOOD 92615
	051391-01-710	EA	ORIFICE-MAIN BURNER, ATWOOD 92742
	051391-01-714	EA	ELBOW-45 DEGREE, 3/8" F X 3/8" MPT - ATWOOD 91044
	051391-01-715	EA	DRAIN PLUG, ATWOOD 91561
	051391-04-701	EA	THERMOSTAT 12 VDC-120 PRESET, ATWOOD 91470
	051391-04-704	EA	TANK-INNER, FRONT MOUNT - GH6-4E & 6E - ATWOOD 91642
	051393-01-700	EA	TANK-INNER, 3E FRONT MOUNT - ATWOOD 91023
	051393-01-702	EA	SWITCH-ENERGY CUT-OFF, ATWOOD 91951

**STANDARD WATER HEATER**

KEY	PART NUMBER	U/M	DESCRIPTION
	051391-01-000	EA	HEATER-WATER, ATWOOD G6A-3
	051391-01-700	EA	HINGE KIT-W/CLIP, ATWOOD 92568 & 92569
	051391-01-702	EA	TANK-INNER, G6A-2E - 3E - 6E - WATER HEATER, ATWOOD 91412
	051391-01-704	EA	VALVE-RELIEF, 1/2" FITTING - ATWOOD 91804
	051391-01-705	EA	FASTENER-CAMLOC, ATWOOD 92809
	051391-01-708	EA	GRILLE-EXHAUST, ATWOOD 92787
	051391-01-708	EA	BURNER-MAIN, 3E ONLY - ATWOOD 92615
	051391-01-709	EA	PILOT ASM-W/THERMOCOUPLER & TUBE, 91803 ATWOOD 91214
	051391-01-710	EA	ORIFICE-MAIN BURNER, ATWOOD 92742
	051391-01-711	EA	ELBOW-ORIFICE, MAIN BURNER - 92741 ATWOOD
	051391-01-712	EA	THERMOSTAT-3/8" NPT INLET, 91801 ATWOOD 91043
	051391-01-714	EA	ELBOW-45 DEGREE, 3/8" F X 3/8" MPT - ATWOOD 91044
	051391-01-715	EA	DRAIN PLUG, ATWOOD 91561

**WATER & SEWAGE GROUP (CONTINUED)**

**EUROPEAN EXPORT WATER HEATER**

KEY	PART NUMBER	U/M	DESCRIPTION
	111129-01-000	EA	HEATER-WATER, ELECTRIC IGNITION - 220V - ATWOOD 94720 ICH68E
	111129-01-700	EA	PACKAGE-WALL SWITCH, ATWOOD 91208
	111129-01-701	EA	PRESSURE/DRAIN VALVE, 2 BAR - ATWOOD 91190
	111129-01-702	EA	PRESSURE DRAIN VALVE, 3.5 BAR - ATWOOD 91210
	111129-01-703	EA	THERMOSTAT, (60") ECO (82") KIT - ATWOOD 91191
	111129-01-704	EA	BOARD-IGNITION, ATWOOD 91194
	111129-01-705	EA	REGULATOR-GAS PRESSURE, WNO.10 - ATWOOD 91198
	111129-01-708	EA	ORIFICE-WALL SWITCH, W/FITTING - ATWOOD 91017
	111129-01-707	EA	KIT-WALL SWITCH, ATWOOD 91204
	111129-01-708	EA	KIT-IGNITION, SPARK/PROBE - ATWOOD 91196
	111129-01-709	EA	FLUE ASSEMBLY, ATWOOD 91045
	111129-01-710	EA	ACCESS DOOR, W/LOCK - ATWOOD 91203
	111129-01-711	EA	CORNER BRACKETS (SET OF 4) - ATWOOD 91928
	111129-01-712	EA	HARDWARE KIT, W/LOCK - ATWOOD 91193
	111129-01-713	EA	TANK INNER, ICH6-6E - ATWOOD 91188
	111129-01-714	EA	THERMOSTAT, ELECTRIC - 220V - ATWOOD 91207
	111129-01-715	EA	RELAY, 220 V/12 VDC - ATWOOD 91208
	111129-01-716	EA	ELEMENT-HEATING, 220V/500WATT - ATWOOD 91081
	111129-01-717	EA	BUSHING, STRAIN RELIEF - ATWOOD 91372

**1993 WINNEBAGO  
TABLE OF CONTENTS**

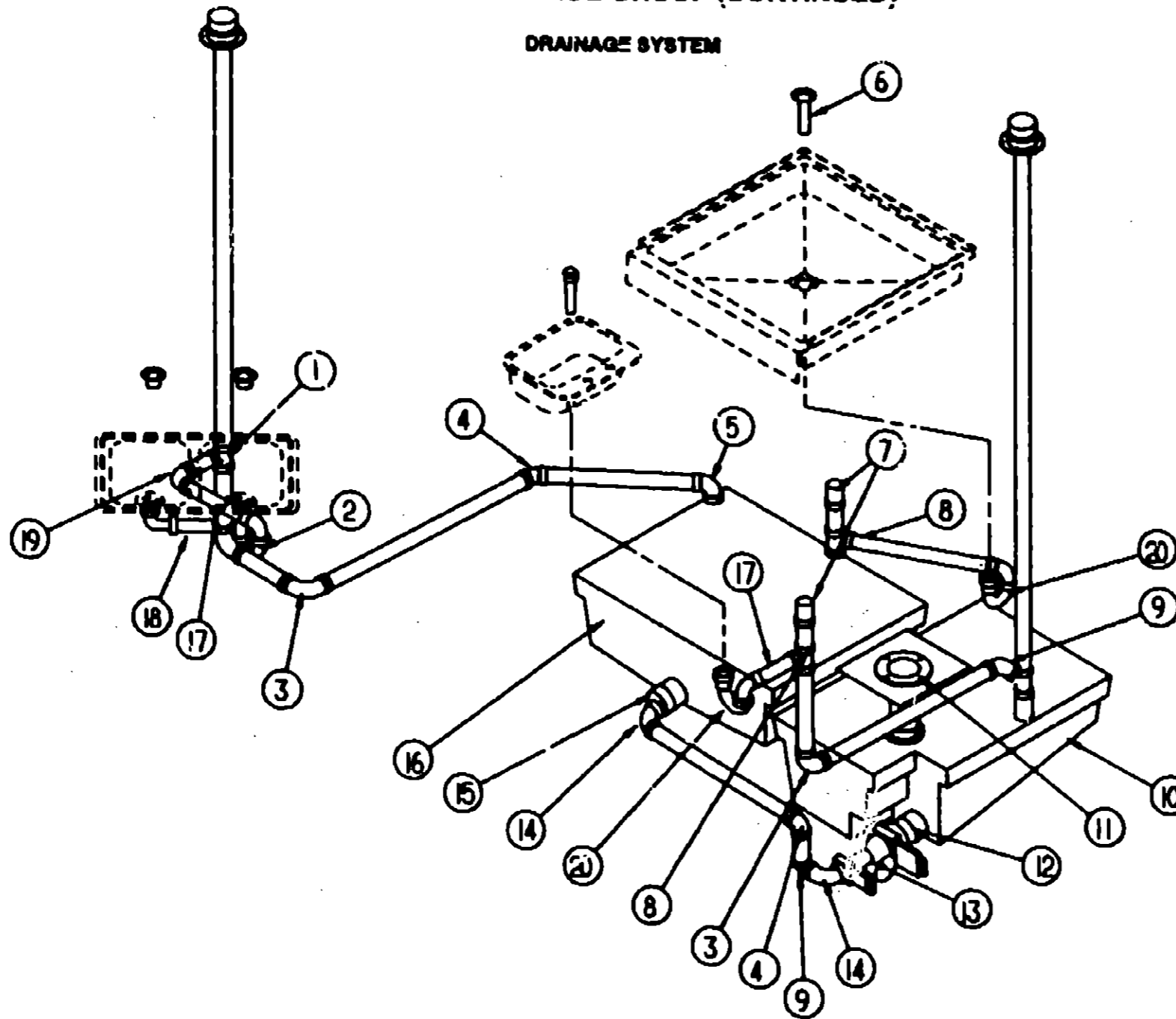
INTRODUCTION	A-01	A-02
ABBREVIATIONS		A-03
ALPHABETICAL INDEX	A-04	A-08
WC424RC	A-07	E-02
WC422RG	E-03	H-16

**1993 WC424RC INDEX**

FLOOR PLAN	A-07	A-08
ACCESSORIES		A-09
AUDIO VIDEO	A-10	A-11
BATH	A-12	A-14
BEDROOM		A-15
CHASSIS	A-16	A-20
CURTAIN & CUSHION	A-21	B-08
DINETTE	B-09	B-10
DRIVERS COMPARTMENT	B-11	B-14
ELECTRICAL	B-15	B-18
EXTERIOR BODY	B-19	C-03
GALLEY	C-04	C-07
GENERATOR		C-08
HEATING & A/C	C-09	C-10
INTERIOR FINISH	C-11	C-14
LABELS	C-15	C-22
L <sup>o</sup>		C-23
LOUNGE		C-24
SEALANTS & FASTENERS	D-01	D-04
WATER & SEWAGE	D-05	D-10
WINDOW, VENT AND EXTERIOR DOOR	D-11	E-02

# WATER & SEWAGE GROUP (CONTINUED)

## DRAINAGE SYSTEM



### 1993 WINNEBAGO TABLE OF CONTENTS

INTRODUCTION	A-01 - A-02
ABBREVIATIONS	A-03
ALPHABETICAL INDEX	A-04 - A-06
WC424RC	A-07 - E-02
WC422RG	E-03 - H-16

### 1993 WC424RC INDEX

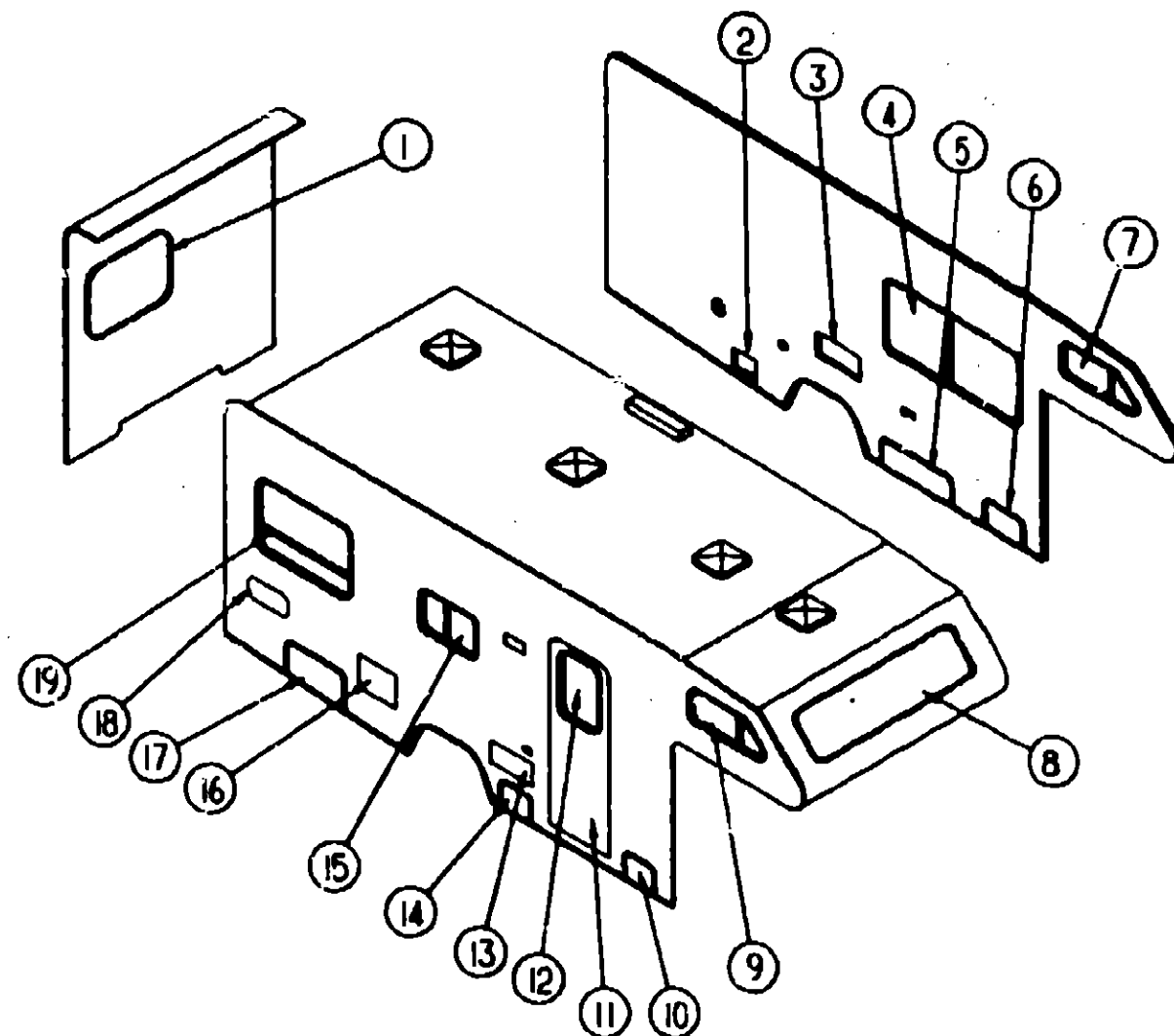
FLOOR PLAN	A-07 - A-08
ACCESSORIES	A-09
AUDIO VIDEO	A-10 - A-11
BATH	A-12 - A-14
BEDROOM	A-15
CHASSIS	A-16 - A-20
CURTAIN & CUSHION	A-21 - B-08
DINETTE	B-09 - B-10
DRIVERS COMPARTMENT	B-11 - B-14
ELECTRICAL	B-15 - B-18
EXTERIOR BODY	B-19 - C-03
GALLEY	C-04 - C-07
GENERATOR	C-08
HEATING & A/C	C-09 - C-10
INTERIOR FINISH	C-11 - C-14
LABELS	C-15 - C-22
LP	C-23
LOUNGE	C-24
SEALANTS & FASTENERS	D-01 - D-04
WATER & SEWAGE	D-05 - D-10
WINDOW, VENT AND EXTERIOR DOOR	D-11 - E-02

KEY	PART NUMBER	U/M	DESCRIPTION
1	010071-01-000	EA	TEE-SANITARY, 1 1/2" HUB X HUB X HUB - PLASTIC - BLACK
2	107538-01-000	EA	P TRAP-PLASTIC, 1 1/4" W/EXT ARM
2	053335-01-000	EA	P TRAP-PLASTIC, 1 1/4" - H X H W/UNION (CANADIAN)
3	010008-01-000	EA	ELBOW-90 DEGREE, 1/4 BEND - 1 1/2" HUB X HUB - BLACK PLASTIC
4	010008-01-000	EA	ELBOW-45 DEGREE, 1/8 BEND - 1 1/2" HUB X HUB - BLACK PLASTIC
5	034250-01-000	EA	ELBOW-90 DEGREE, LONG TURN - 1 1/2" HUB X HUB - ABS
6	011089-02-000	EA	TAILPIECE-TUB/SHOWER, 1 1/2" X 1 1/4" X 4" - BRASS
	088438-01-000	EA	NUT-SLIP, TAILPIECE - 1.5"
	088440-01-000	EA	STRAINER-SHOWER, W/RUBBER WASHER
	038735-01-000	EA	WASHER-STRAINER TO TAILPIECE, PLASTIC, 1.5"
7	070988-01-000	EA	VENT-MECH. TRAP ARM, ANTI-SIPHON - 2" DIA X 7.3" - PLASTIC
8	010079-01-000	EA	TEE-SANITARY - 1 1/2" X 1 1/2" X 1 1/4" H - PLASTIC - BLACK
9	010051-01-000	EA	ELBOW-45 DEGREE BEND, 1 1/2" SPIGOT AND HUB - PLASTIC - BLACK
10	074870-01-000	EA	TANK-HOLDING, W/O GROMMETS - 30 GAL - 38.5" X 13.3" X 23"
	061807-01-000	EA	GROMMET-HOLDING TANK, 1 1/2" NPS
	061807-02-000	EA	GROMMET-HOLDING TANK, 3" NPS
11	003841-01-000	EA	FLANGE-CLOSET, 4" X 3"
12	078408-01-000	EA	COUPLER-RUBBER, W/CLAMPS - 3" X 3"

KEY	PART NUMBER	U/M	DESCRIPTION
13	070918-01-000	EA	VALVE-DUAL DUMP, W/CAP - 3" X 1 1/2" - PLASTIC - BLACK
	070918-01-700	EA	VALVE ONLY, 3"
	070918-01-701	EA	VALVE ONLY, 1 1/2"
	010201-01-000	EA	HOSE-SEWER, 3" ID X 8'
	062418-01-000	EA	ADAPTER-SEWER HOSE TO 3" PIPE
14	033781-01-000	EA	ELBOW-TURN, 1/4 BEND - (1.5" HUB X 1.5" SPIGOT - BLK PLASTIC
15	062422-01-000	EA	ADAPTER-OFFSET REDUCER, 3" X 1 1/2" - PLASTIC - BLACK
18	074881-01-000	EA	TANK-HOLDING, W/O GROMMETS - 35 GALLON - 35" X 11" X 27"
	061807-01-000	EA	GROMMET-HOLDING TANK, 1 1/2" NPS
17	107537-01-000	EA	ADAPTER-P TRAP, 1 1/4" SLIP
18	011091-02-000	EA	PIPE-DRAIN, DOUBLE SINK - BAFFLE TEE - 1 1/2" ONE PIPE W/TEE TO DRAIN BOTH SIDES OF SINK
18	011091-03-000	EA	PIPE-DRAIN, W/SEALS - DOUBLE SINK - EXTENDS 9" TO 16" (CANADIAN)
19	031111-01-000	EA	ELBOW-90 DEGREE, 1/4 BEND - 1 1/4" - PLASTIC
20	107538-01-000	EA	P TRAP-PLASTIC, 1 1/4" W/EXT ARM
20	011088-02-000	EA	P TRAP-PLASTIC, 1 1/4" (CANADIAN)
	050787-01-000	EA	ADAPTER-CLEANOUT, NIBCO 5803-2
	091208-01-000	EA	WASHER-RUBBER, .06" X .75" X .5"
	010166-01-000	EA	PLUG-THREADED, 1 1/4" DIAMETER - PLASTIC - BLACK

# WINDOW, VENT & EXTERIOR DOOR GROUP

## WINDOWS & DOORS



## 1993 WINNEBAGO TABLE OF CONTENTS

INTRODUCTION	A-01 - A-02
ABBREVIATIONS	A-03
ALPHABETICAL INDEX	A-04 - A-06
WC424RC	A-07 - E-02
WC422RG	E-03 - H-16

## 1993 WC424RC INDEX

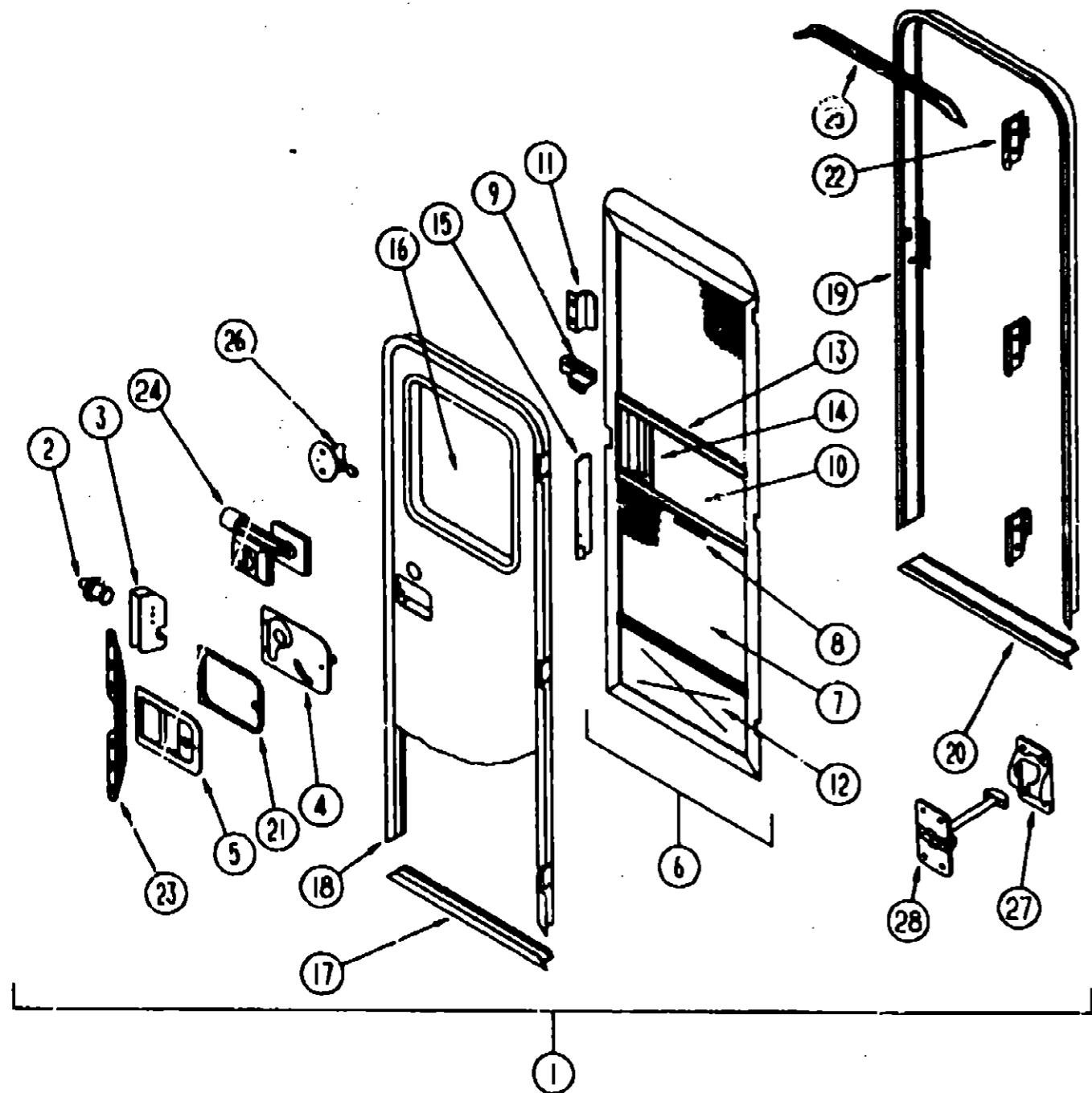
FLOOR PLAN	A-07 - A-08
ACCESSORIES	A-09
AUDIO VIDEO	A-10 - A-11
BATH	A-12 - A-14
BEDROOM	A-15
CHASSIS	A-16 - A-20
CURTAIN & CUSHION	A-21 - B-08
DINETTE	B-09 - B-10
DRIVERS COMPARTMENT	B-11 - B-14
ELECTRICAL	B-15 - B-18
EXTERIOR BODY	B-19 - C-03
GALLEY	C-04 - C-07
GENERATOR	C-08
HEATING & A/C	C-09 - C-10
INTERIOR FINISH	C-11 - C-14
LABELS	C-15 - C-22
LP	C-23
LOUNGE	C-24
SEALANTS & FASTENERS	D-01 - D-04
WATER & SEWAGE	D-05 - D-10
WINDOW, VENT AND EXTERIOR DOOR	D-11 - E-02

KEY	PART NUMBER	U/M	DESCRIPTION
1	078529-04-C05	EA	WINDOW-ESCAPE, W/O INSIDE FRAME
2	088794-01-000	EA	DOOR-POWER CORD - WHATCH - OFF WHITE
3	084103-03-000	EA	DOOR-REFRIGERATOR, VENTED - OFF WHITE
	084104-03-000	EA	JAMB-DOOR, REFRIGERATOR - OFF WHITE
	084104-01-700	EA	LOCK-MALE, FASTENER - REFRIGERATOR DOOR
	084104-01-701	EA	LOCK-FEMALE, FASTENER - REFRIGERATOR DOOR
4	088847-10-02A	EA	WINDOW-HORIZONTAL SLIDER, W/INSIDE FRAME
4	111555-02-01A	EA	WINDOW-HORIZONTAL SLIDER, W/INSIDE FRAME (EUROPEAN EXCHANGE)
5	108897-22-004	EA	DOOR-COMPARTMENT, STORAGE
6	078720-02-T15	EA	DOOR-COMPARTMENT, LP - 16.9" X 5.4" - ALUMINUM - OFF WHITE
	009003-01-000	EA	LOCK-TWIST TYPE, W/CLIP
7	088846-06-01A	EA	WINDOW-SLANTED SLIDER, W/INSIDE FRAME - DRIVER
			FROM: 00-00-00 THRU: 07-12-92
7	088847-19-01A	EA	WINDOW-SLIDER, W/INSIDE FRAME - DRIVER
			FROM: 07-13-92 THRU: 99-99-99
8	103313-01-B05	EA	WINDOW-PICTURE, W/O INSIDE FRAME
9	088846-05-01A	EA	WINDOW-SLANTED SLIDER, W/INSIDE FRAME - PASSENGER
			FROM: 00-00-00 THRU: 07-12-92
9	088847-18-01A	EA	WINDOW-SLIDER, W/INSIDE FRAME - PASSENGER
			FROM: 07-13-92 THRU: 99-99-99

KEY	PART NUMBER	U/M	DESCRIPTION
10	108887-23-004	EA	DOOR-COMPARTMENT, LOWER - FRONT
11	M01870-32-004	EA	DOOR-ENTRY, W/WINDOW, SCREEN & JAMB - OFF WHITE
11	M01870-32-006	EA	DOOR-ENTRY, W/WINDOW, SCREEN & JAMB - OFF WHITE
12	079733-07-AA8	EA	WINDOW-ENTRY DOOR, W/O INSIDE FRAME - 17" X 25" - FROSTED GLASS
13	105118-01-C05	EA	DOOR-COMPARTMENT, ENTERTAINMENT
14	105174-09-C03	EA	DOOR-COMPARTMENT, LOWER - FRONT
			FROM: 00-00-00 THRU: 11-29-92
14	105174-18-D04	EA	DOOR-COMPARTMENT, LOWER - FRONT
			FROM: 11-30-92 THRU: 99-99-99
15	088847-06-02A	EA	WINDOW-HORIZONTAL SLIDER, W/INSIDE FRAME
15	111555-08-01A	EA	WINDOW-HORIZONTAL SLIDER, W/INSIDE FRAME (EUROPEAN EXCHANGE)
16	052009-01-000	EA	DOOR-WATER HEATER - OFF WHITE - ATWOOD 5576-27
17	108897-21-004	EA	DOOR-COMPARTMENT, LOWER - REAR
16	105118-02-C05	EA	DOOR-COMPARTMENT, EXTERIOR SHOWER
19	092235-12-Y12	EA	WINDOW-SINGLE TIPOUT, W/O INSIDE FRAME
19	111555-03-01A	EA	WINDOW-HORIZONTAL SLIDER, W/INSIDE FRAME (EUROPEAN EXCHANGE)
	081240-03-000	EA	DOOR-WATER FILL-LOCKABLE-4" X 4 5/8" - OFF WHITE
	082884-01-700	EA	KEY-SINGLE

# WINDOW, VENT & EXTERIOR DOOR GROUP (CONTINUED)

## ENTRY DOOR



KEY	PART NUMBER	U/M	DESCRIPTION
1	M01870-32-004	EA	DOOR-ENTRY, W/WINDOW- SCREEN & JAMB - OFF WHITE
1	M01870-32-005	EA	DOOR-ENTRY, W/WINDOW- SCREEN & JAMB - OFF WHITE
2	039539-01-000	EA	STRIKE-LOCK, ENTRY DOOR - ROUND/THREADED WASHER
3	039540-01-000	EA	LATCH MECHANISM-HOOK, ENTRY DOOR - INTERIOR
	039715-01-000	EA	NUT-SEPT, 1/4" DIAMETER - 20 THREADS
4	039979-04-000	EA	COVER-INTERIOR LATCH; W/TRIP ARM - RIGHT - BLACK
	039984-01-000	EA	CAP-ROUND, VINYL - .28" ID X .62" LONG - BLACK
	041548-03-000	EA	BRACKET-DOOR ANGLE, 5" X 1.9" - BEIGE - METAL
5	045017-11-000	EA	LATCH-ENTRY DOOR, MECHANISM W/LOCK & KEY - BLACK
	045017-11-701	EA	KEY-BLANK, ROUND TOP - SILVER - TRUMARK
	056748-01-000	EA	PLUG-CAP, 1.5" DIAMETER
	058025-02-000	EA	CLIP-ROLLER, LATCH CATCH - SCREEN DOOR
	063729-04-000	EA	RIVNUT, 10-32 UNF - 010-080
	072893-01-000	EA	NUTSERT-M5 X 0.8
	075671-04-000	FT	SEAL-SPONGE, LAZY T SHAPE - W/ADHESIVE STRIPE - .5" WIDE
6	079012-01-U01	EA	DOOR-SCREEN
7	002293-02-000	SF	SCREENING-WINDOW/DOOR, 26" - CHARCOAL
8	002294-01-000	FT	SPLINE-SCREENING, .135" X .138" - BLACK
	002748-01-000	EA	CORNER KEY-DOOR
9	109403-01-000	EA	CATCH-SINGLE ROLLER, SCREEN DOOR
10	001014-01-013	EA	INSERT-CENTER, 10.25" X 16.31" - UNPAINTED
11	050712-04-000	EA	HANDLE-SCREEN DOOR, ALUMINUM - OFF WHITE
11	050712-05-000	EA	HANDLE-SCREEN DOOR, UNPAINTED
12	078552-03-000	EA	INSERT-SCREEN DOOR, LOWER - MILL
	078595-01-000	EA	FLATE-SCREEN DOOR
13	078777-01-000	EA	CHANNEL-SLIDE, SCREEN DOOR CENTER SLIDER COVER - 17.4"
14	079086-02-000	EA	SLIDER-SCREEN DOOR, OFF WHITE
15	079087-02-000	EA	STRIKE-SLIDER, W/LIP FOR ELBOW CATCH - 1.5" X 8.6"
16	067609-32-000	EA	FRAME-WINDOW, ENTRY DOOR - OFF WHITE
16	079733-07-AA8	EA	WINDOW-ENTRY DOOR, 17" X 25" - FROSTED GLASS
16	050216-02-000	FT	SPLINE-GLASS, EXTERIOR - VINYL - .19" - BLACK
16	002181-07-000	EA	GLASS-WINDOW, .182" X 16.25" X 24" - FROSTED
16	087561-01-000	FT	SEAL-GLASS, EXTERIOR - .5" WIDE - VINYL - BLACK
	081914-01-000	EA	BUMPER-RUBBER, ROUND - .43" DIAMETER - BLACK
17	089748-01-000	EA	FRAME-DOOR, ENTRANCE - BOTTOM - OFF WHITE
	090340-01-000	FT	SEAL-FOAM, CLOSED CELL - 1/4" X 1/2" X 50"
18	095278-01-01A	EA	FRAME-DOOR, ENTRANCE - TOP & SIDES - OFF WHITE
19	095277-02-01A	EA	JAMB-ENTRY DOOR, 25.9" X 74.5" W/BOTTOM - OFF WHITE
	095278-01-01A	EA	JAMB-DOOR, ENTRANCE - 25.9" X 74.6" - UNPAINTED
20	051049-01-000	EA	JAMB-DOOR, ENTRANCE - BOTTOM - 25.9 - UNPAINTED
	079207-01-000	EA	STRIKER-ROLLER CATCH, WELDED TO DOOR JAMB - .4" X 1.15"
21	096810-01-01A	EA	PLATE-LATCH, ENTRY DOOR - PLASTIC - BLACK
22	097724-01-04A	EA	HINGE-ENTRY DOOR, UNPAINTED
23	098173-01-04A	EA	STIFFENER-ENTRY DOOR, SUPPORTS LATCH/STRIKE
	100128-02-000	FT	SEAL-PILE, ADHESIVE BACK - SCREEN DOOR - GRAY
24	101145-01-01A	EA	DEADBOLT-ENTRY DOOR, W/2 KEYS W/O BOLT OR SCREWS
	095229-01-700	EA	KEY BLANK
	101147-01-000	EA	BOLT-SECURITY, 4.12" BACKSET
	102524-01-000	EA	BUMPER-RUBBER, FLAT - BLACK
25	044582-02-000	EA	CAP-DRIP, DOOR JAMB MOUNTED - OFF WHITE
	075639-19-000	EA	GARNISH-ENTRANCE DOOR, OFF WHITE
26	100412-01-000	EA	CATCH-SCREEN DOOR, THUMB CLIP W/BLACK PLASTIC CAP
	077461-U3-000	EA	COVER-STRIKE, ENTRY DOOR - 6.5" X 2.5" - PLASTIC - WHITE
27	104099-02-01A	EA	CATCH-DOOR HOLDER, RETAINER - PLASTIC - OFF WHITE
28	104099-01-01A	EA	CATCH-DOOR HOLDER, STRIKE - PLASTIC - OFF WHITE
	009128-02-000	EA	HANDLE-ASSIST-ENTRY DOOR - BLACK

## 1993 WINNEBAGO TABLE OF CONTENTS

INTRODUCTION	A-01 - A-02
ABBREVIATIONS	A-03
ALPHABETICAL INDEX	A-04 - A-06
WC424RC	A-07 - E-02
WC422RG	E-03 - H-16

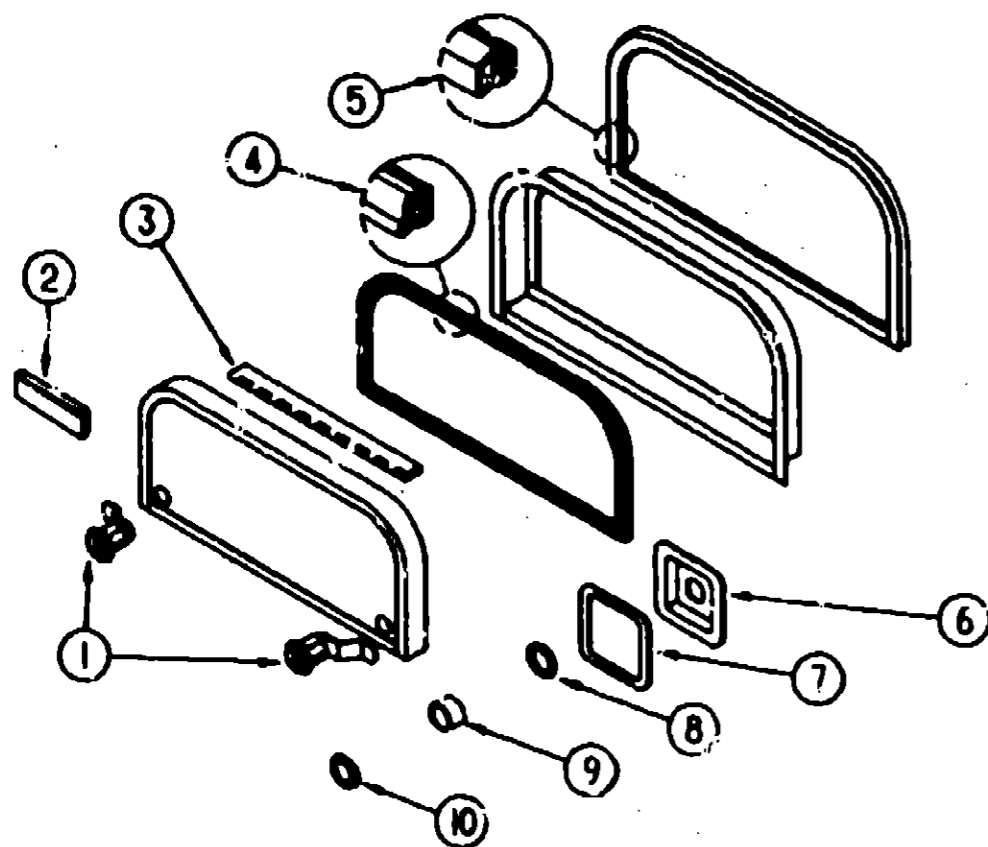
## 1993 WC424RC INDEX

FLOOR PLAN	A-07 - A-08
ACCESSORIES	A-09
AUDIO VIDEO	A-10 - A-11
BATH	A-12 - A-14
BEDROOM	A-15
CHASSIS	A-16 - A-20
CURTAIN & CUSHION	A-21 - B-08
DINETTE	B-09 - B-10
DRIVERS COMPARTMENT	B-11 - B-14
ELECTRICAL	B-15 - B-18
EXTERIOR BODY	B-19 - C-03
GALLEY	C-04 - C-07
GENERATOR	C-08
HEATING & A/C	C-09 - C-10
INTERIOR FINISH	C-11 - C-14
LABELS	C-15 - C-22
LP	C-23
LOUNGE	C-24
SEALANTS & FASTENERS	D-01 - D-04
WATER & SEWAGE	D-05 - D-10
WINDOW, VENT AND EXTERIOR DOOR	D-11 - E-02



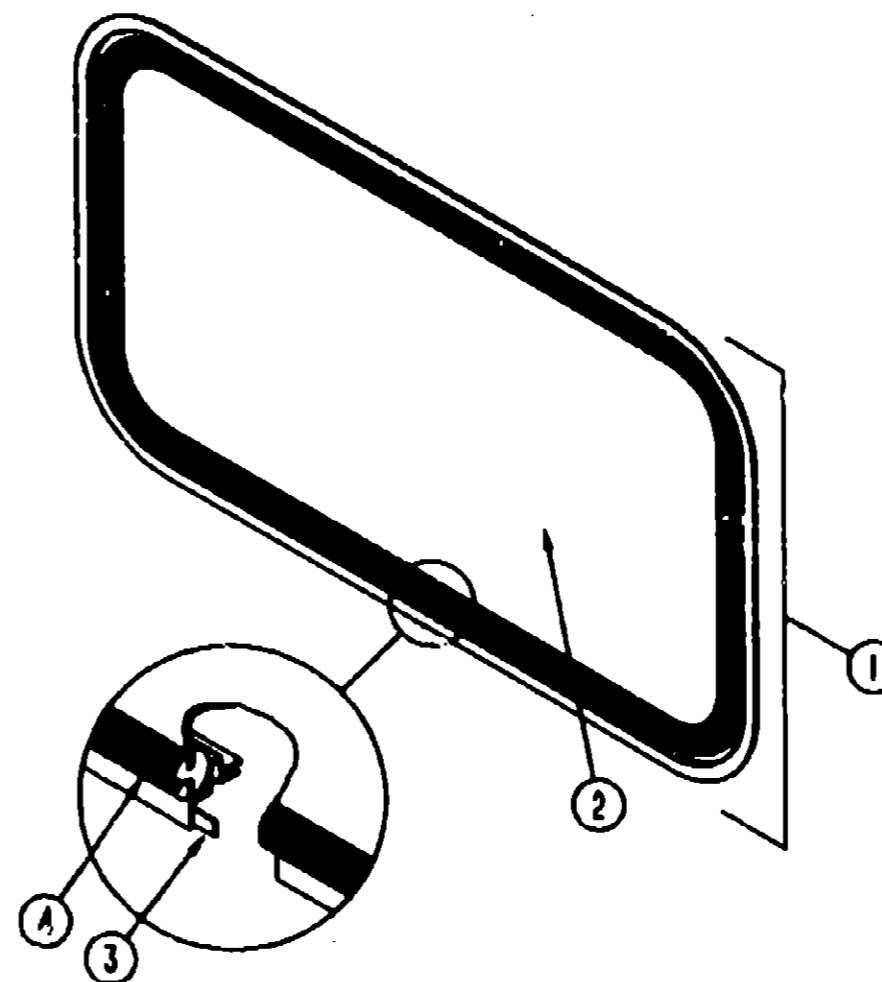
1993 WINNEBAGO  
TABLE OF CONTENTS

INTRODUCTION	A-01 - A-02
ABBREVIATIONS	A-03
ALPHABETICAL INDEX	A-04 - A-08
WC424RC	A-07 - E-02
WC422RG	E-03 - H-18



EXTERIOR DOORS

KEY	PART NUMBER	U/M	DESCRIPTION
1	079386-04-000	EA	LOCK-DOOR, KEY TYPE W/O KEYS - 1.9 OFF SET (ENTERTAINMENT & EXTERIOR SHOWER DOORS ONLY)
1	079386-05-000	EA	LOCK-DOOR, KEY TYPE W/O KEYS - 1.60 OFF SET
	082834-01-700	EA	KEY - BLANK
	009003-01-000	EA	LOCK-DOOR, TWIST TYPE - W/CLIP
	079927-04-000	EA	LOCK-DOOR, TWIST TYPE - 1.80 OFF SET
2	102768-01-000	EA	HOLDER-COMPARTMENT/ENTRY DOOR, METAL - MILL FINISH
3	081801-02-000	EA	HINGE-PIANO, CONTINUOUS - 2" X 96" OFF WHITE
	009065-01-000	EA	HINGE-CONTINUOUS, 1 1/2" X 96" - UNPAINTED
	034007-40-000	EA	HINGE-CONTINUOUS, 1 1/2" X 96" - ALUMINUM - OFF WHITE
4	084075-07-000	FT	SEAL-BULB, W/WIRED U CHANNEL - .3" X .5" CHANNEL - BLACK
5	081832-02-000	FT	SEAL-BULB, DOOR - W/WIRE CARRIER - .8" WIDE - RUBBER - BLACK
	058027-01-000	FT	SEAL-D SHAPED, HOLLOW - SPONGE RUBBER - BLACK
	099418-01-000	FT	SEAL-D SHAPED, W/SIDE ADHESIVE - .4" X .1" - SPONGE RUBBER - BLACK FROM: 00-00-00 THRU: 03-14-93 FROM: 03-15-93 THRU: 99-99-99
	090340-01-000	FT	SEAL-FOAM, CLOSED CELL - 1/4" X 1/2" X 50'
	104692-01-000	FT	SEAL-ADHESIVE BACK, 3/4" X 34'
6	097111-01-01A	EA	POCKET-LOCK, VALANCE - OFF WHITE
7	098338-01-000	EA	GASKET-LOCK POCKET
8	109834-01-000	EA	WASHER, .840X.752"D SST - HUDSON LOCK
9	107697-51-001	EA	SPACER-EXTRUDED, 0015 - 24
10	109833-01-000	EA	RING-BEAUTY, .870 X .780"ID - SST - HUDSON LOCK
	098217-55-001	EA	U-CHANNEL, 17.5"LONG - OFF WHITE
	091878-01-000	EA	RETAINER-DOOR, 1.9" X .8" - METAL



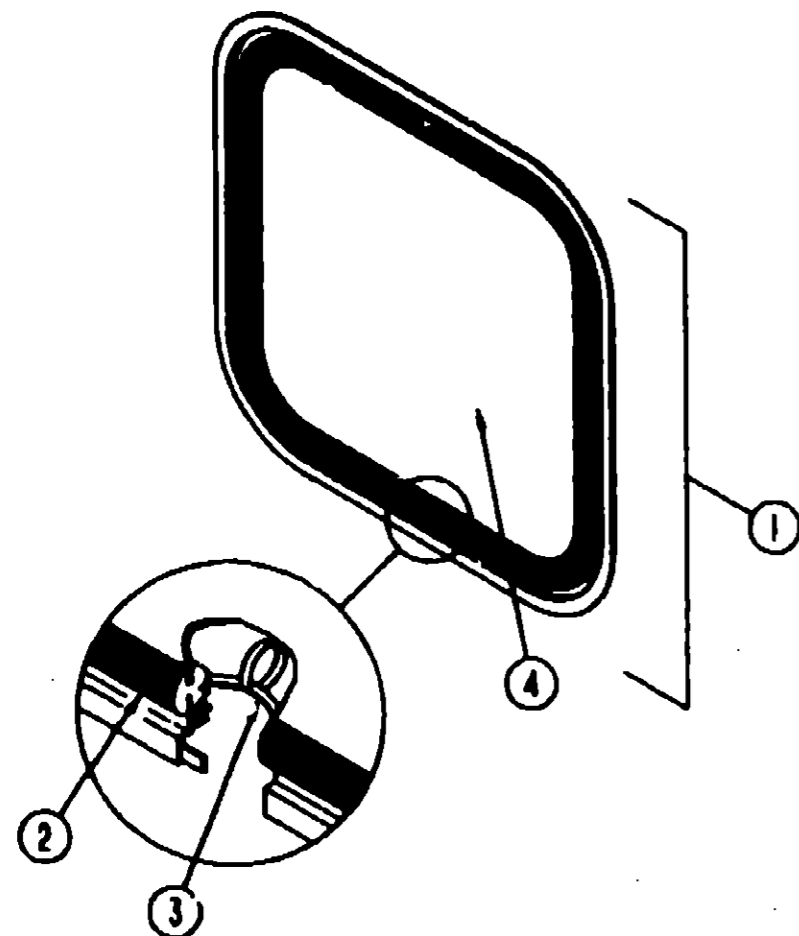
OVERHEAD BUNK FRONT WINDOW

KEY	PART NUMBER	U/M	DESCRIPTION
	067809-33-000	EA	FRAME-INSIDE, WINDOW
1	103313-01-805	EA	WINDOW-PICTURE, W/O INSIDE FRAME
2	002181-15-000	EA	GLASS-PICTURE, 11.25" X 58.1" - GRAY
3	069840-11-000	FT	SEALER-TAPE, 3/16" X 3/8" - BLACK
4	099154-01-000	FT	CHANNEL-GLAZING, STATIONARY GLASS - .82" X .45" - BLACK

1993 WC424RC INDEX

FLOOR PLAN	A-07 - A-08
ACCESSORIES	/ 09
AUDIO VIDEO	A-10 - A-11
BATH	A-12 - A-14
BEDROOM	A-15
CHASSIS	A-16 - A-20
CURTAIN & CUSHION	A-21 - B-08
DINETTE	B-09 - B-10
DRIVERS COMPARTMENT	B-11 - B-14
ELECTRICAL	B-15 - B-18
EXTERIOR BODY	B-19 - C-03
GALLEY	C-04 - C-07
GENERATOR	C-08
HEATING & A/C	C-09 - C-10
INTERIOR FINISH	C-11 - C-14
LABELS	C-15 - C-22
LP	C-23
LOUNGE	C-24
SEALANTS & FASTENERS	D-01 - D-04
WATER & SEWAGE	D-05 - D-10
WINDOW, VENT AND EXTERIOR DOOR	D-11 - E-02

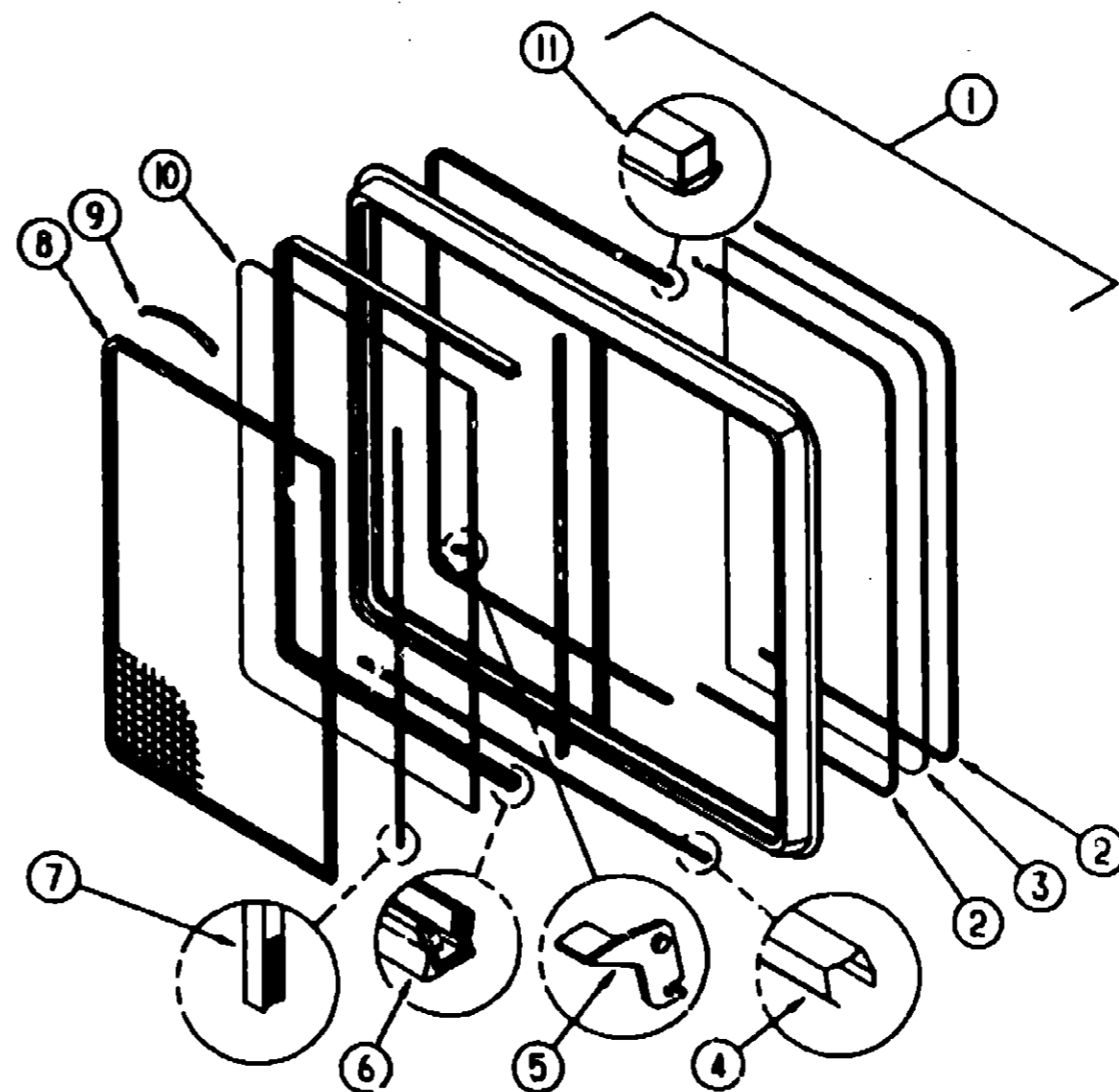
WINDOW, VENT & EXTERIOR DOOR GROUP (CONTINUED)



BACKWALL ESCAPE WINDOW

KEY	PART NUMBER	U/M	DESCRIPTION
	074818-09-000	EA	FRAME-INSIDE, ESCAPE - OFF WHITE
	074818-07-000	EA	FRAME-INSIDE, ESCAPE - BLACK (EUROPEAN EXCHANGE)
1	078528-04-C05	EA	WINDOW-ESCAPE, REAR - 27" X 48"
2	002282-08-000	EA	WEATHERSTRIP, .125" X 133.25" - BLACK
	077086-01-702	EA	TAPE ASM-ESCAPE, WINDOW
3	002285-01-000	FT	FILLER-WEATHER STRIP, RUBBER - BLACK
4	078337-09-000	EA	GLASS-WINDOW, ESCAPE - 832.8 X 597.8MM

WINDOW, VENT & EXTERIOR DOOR GROUP (CONTINUED)



DINETTE SINGLE SLIDING WINDOW

KEY	PART NUMBER	U/M	DESCRIPTION
	098647-10-02A	EA	WINDOW-HORIZONTAL SLIDER, W/INSIDE FRAME
	098647-09-704	EA	FRAME-INSIDE, OFF-WHITE - W024-67 EXCEL-WHITE
1	098647-10-700	EA	WINDOW-HORIZONTAL SLIDER, W/O INSIDE FRAME - BLACK
2	098644-01-705	FT	GLAZING STRIP, EXCEL M926-12
3	098647-09-700	EA	GLASS-STATIONARY - 108-017193 EXCEL
4	098644-01-710	FT	TRACK-SCREEN SPACER 12" LENGTH - EXCEL M401-31
5	098644-01-700	EA	LATCH REPAIR KIT
6	098644-01-708	FT	CHANNEL-PIERCED RUN EXCEL 122-016543
7	098644-01-711	FT	WEATHERSTRIP-SCREEN BLACK - EXCEL 171-016965
8	098647-09-705	EA	SCREEN W/SPRING&WEATHERSTRIP - 410-018484 EXCEL
9	098644-01-713	EA	SPRING-SCREEN FRAME (CLIP) PLASTIC - BLACK - EXCEL 226-016966
	098644-01-716	FT	PLUG-FILLER, EXCEL 132-014470
	098644-01-717	FT	SPLINE-SCREEN MFG, EXCEL 32-004716
10	098647-09-701	EA	GLASS-SLIDING, W/SASH&LATCH - H024-G9 EXCEL
11	098644-01-706	FT	WEATHERSTRIP, EXCEL 171-010668
	111555-02-01A	EA	WINDOW-HORIZONTAL SLIDER, W/INSIDE FRAME - THERMOPANE (EUROPEAN)
	111555-01-700	EA	GLASS-INSULATED, STATIONARY & SLIDING - RSR15032
	111555-01-702	FT	TAPE-GLAZING, 1/16 X 3/8 - 600
	111555-01-703	FT	GLAZING-RUBBER, (SPLINE) - 8158
	111555-01-704	FT	WATERSHED-RUBBER, 8155
	111555-01-705	EA	DRAWN SLOT COVER (ALL)
	111555-01-708	EA	SASH LOCK, 830201
	111555-02-700	EA	SCREEN ASM-LH - F/1115550201A

1993 WINNEBAGO  
TABLE OF CONTENTS

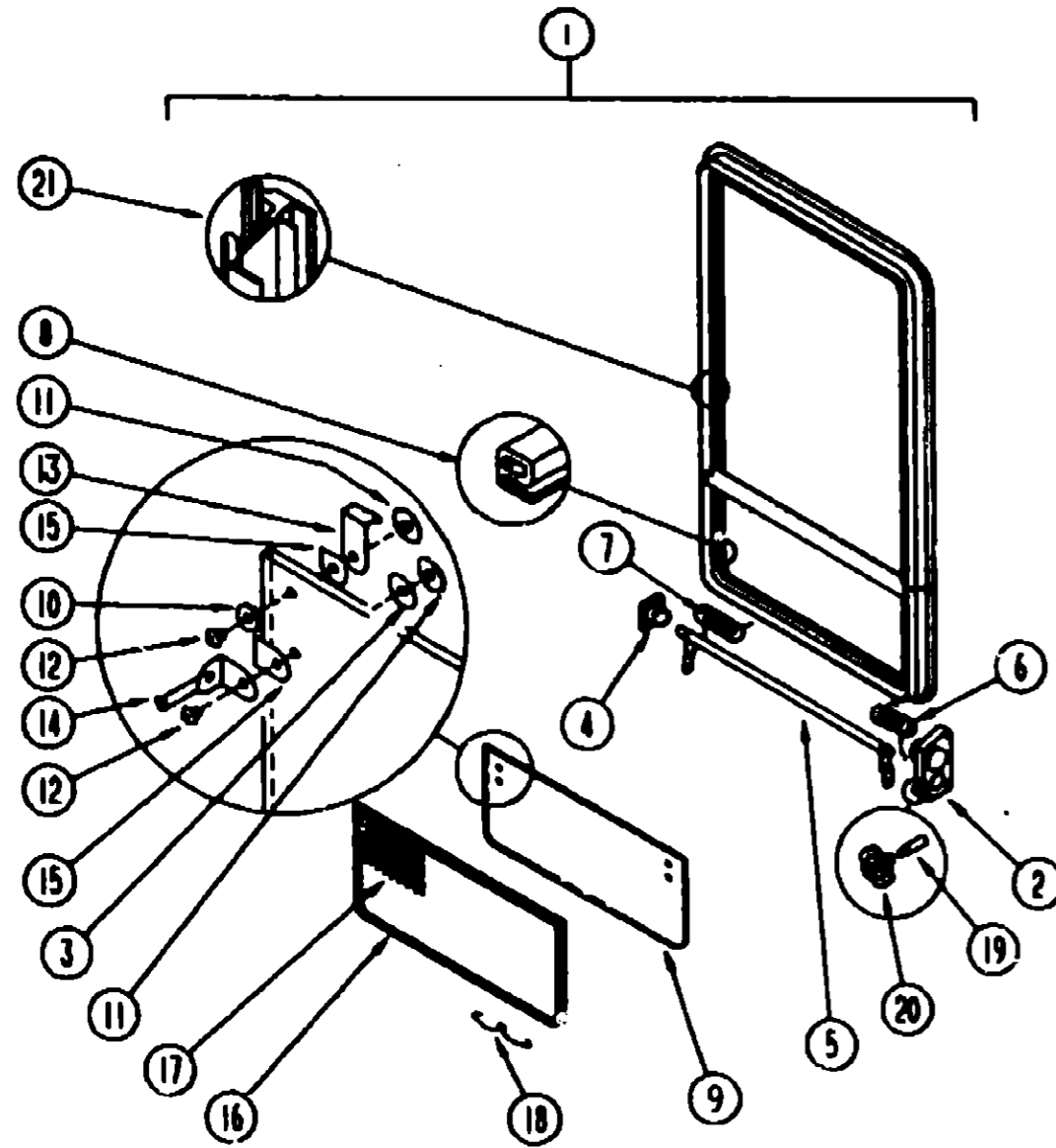
INTRODUCTION	A-01 - A-02
ABBREVIATIONS	A-03
ALPHABETICAL INDEX	A-04 - A-06
WC424RC	A-07 - E-02
WC422RG	E-03 - H-18

1993 WC424RC INDEX

FLOOR PLAN	A-07 - A-08
ACCESSORIES	A-09
AUDIO VIDEO	A-10 - A-11
BATH	A-12 - A-14
BEDROOM	A-15
CHASSIS	A-16 - A-20
CURTAIN & CUSHION	A-21 - B-08
DINETTE	B-09 - B-10
DRIVERS COMPARTMENT	B-11 - B-14
ELECTRICAL	B-15 - B-18
EXTERIOR BODY	B-19 - C-03
GALLEY	C-04 - C-07
GENERATOR	C-08
HEATING & A/C	C-09 - C-10
INTERIOR FINISH	C-11 - C-14
LABELS	C-15 - C-22
LP	C-23
LOUNGE	C-24
SEALANTS & FASTENERS	D-01 - D-04
WATER & SEWAGE	D-05 - D-10
WINDOW, VENT AND EXTERIOR DOOR	D-11 - E-02

# WINDOW, VENT & EXTERIOR DOOR GROUP (CONTINUED)

## BEDROOM TIPOUT WINDOW



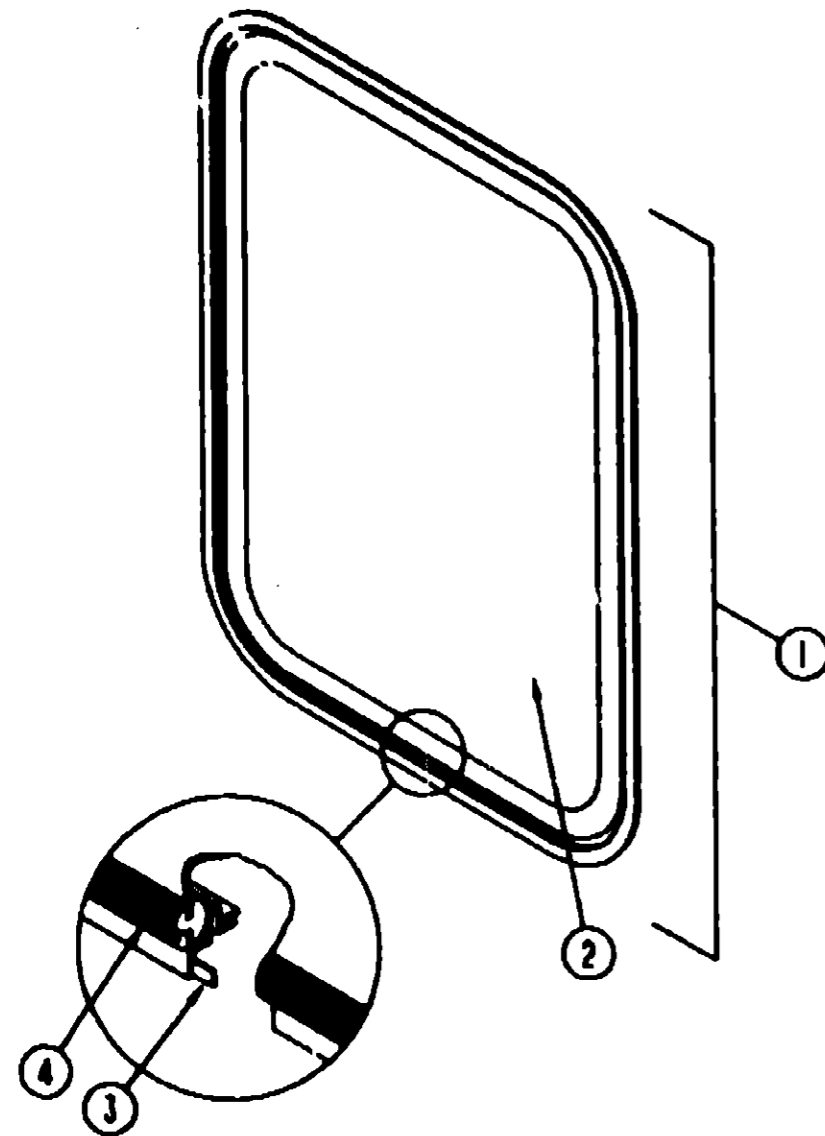
KEY	PART NUMBER	U/M	DESCRIPTION
	090883-18-02A	EA	FRAME-INSIDE, WINDOW RETAINER - OFF WHITE
1	082235-12-Y12	EA	WINDOW-SINGLE TIPOUT, W/INSIDE FRAME - BLACK
	000H14-08-14R	EA	RIVET-MANDREL, BLIND - 3/16"
2	035302-02-000	EA	OPERATOR-TORQUE, TIPOUT WINDOW - LEFT
3	088927-03-000	EA	SEAL-WINDOW, RUBBER - ROUND - .60" DIA. - BLACK
4	081354-01-000	EA	SLEEVE-TORQUE TUBE, TIPOUT WINDOW - 1.3" X 1.2" X .7"
	081649-01-000	EA	RING-SNAP, 7/32 SHAFT DIAMETER
5	083150-12-000	EA	TUBE ASM-TORQUE, WINDOW
6	080918-01-000	EA	SPRING-TORQUE TUBE, LEFT
7	080918-02-000	EA	SPRING-TORQUE TUBE, RIGHT
8	084087-02-000	FT	SEAL-E SHAPED, SPONGE - TIPOUT WINDOW - .42" X .38" - BLACK
9	084068-17-000	EA	GLASS-TIPOUT, 9.2" X 26"
10	084453-02-000	EA	WASHER, .08" X .5" X .25" - PLASTIC
11	086782-01-000	EA	T NUT, 10-32
12	086783-01-000	EA	SCREW-MACHINE, 10 - 32 X 1/4 PTH
13	089913-01-000	EA	HINGE-TIPOUT WINDOW, BLACK
14	097578-01-000	EA	LINKAGE-TIPOUT WINDOW
	084453-01-000	EA	WASHER, .08" X .5" X .135" - PLASTIC
15	084473-01-000	EA	SEAL-FLAT, W/CENTER HOLE & ADHESIVE SIDE - .8" X .9" - BLK
	085315-01-000	EA	RIVET-SHOULDER, TIPOUT WINDOW
16	100235-04-807	EA	SCREEN-SINGLE, TIPOUT WINDOW
17	080218-03-000	SF	SCREENING-FIBERGLASS, 12" WIDE
18	100168-01-000	EA	CLIP-SPRING, SCREEN
	100240-01-000	FT	SPLINE-SCREEN, T-SHAPED
19	009439-06-000	EA	EXTENSION-CRANK HANDLE, WINDOW/ROOF VENT - BLACK
20	009439-05-000	EA	KNOB-OPERATOR, TIPOUT WINDOW - W/SPRING & ARM
	009439-07-000	EA	SCREW, 8-32 X 1 1/4 POH - BLACK
21	069640-11-000	FT	TAPE-SEALER, 3/16" X 3/8" - BLACK
	111555-03-01A	EA	WINDOW-HORIZONTAL SLIDER, RH (EUROPEAN)
	111555-01-702	FT	TAPE-GLAZING, 1/16 X 3/8 - 600
	111555-01-703	FT	GLAZING-RUBBER, (SPLINE) - 8158
	111555-01-704	FT	WATERSHED-RUBBER, 8155
	111555-01-705	EA	DRAWIN SLOT COVER (ALL)
	111555-01-706	EA	SASH LOCK, 830201
	111555-03-700	EA	GLASS-INSULATED, STATIONARY & SLIDING - R5R15033
	111555-03-701	EA	SCREEN ASM-RH, F/1115550301A

## 1993 WINNEBAGO TABLE OF CONTENTS

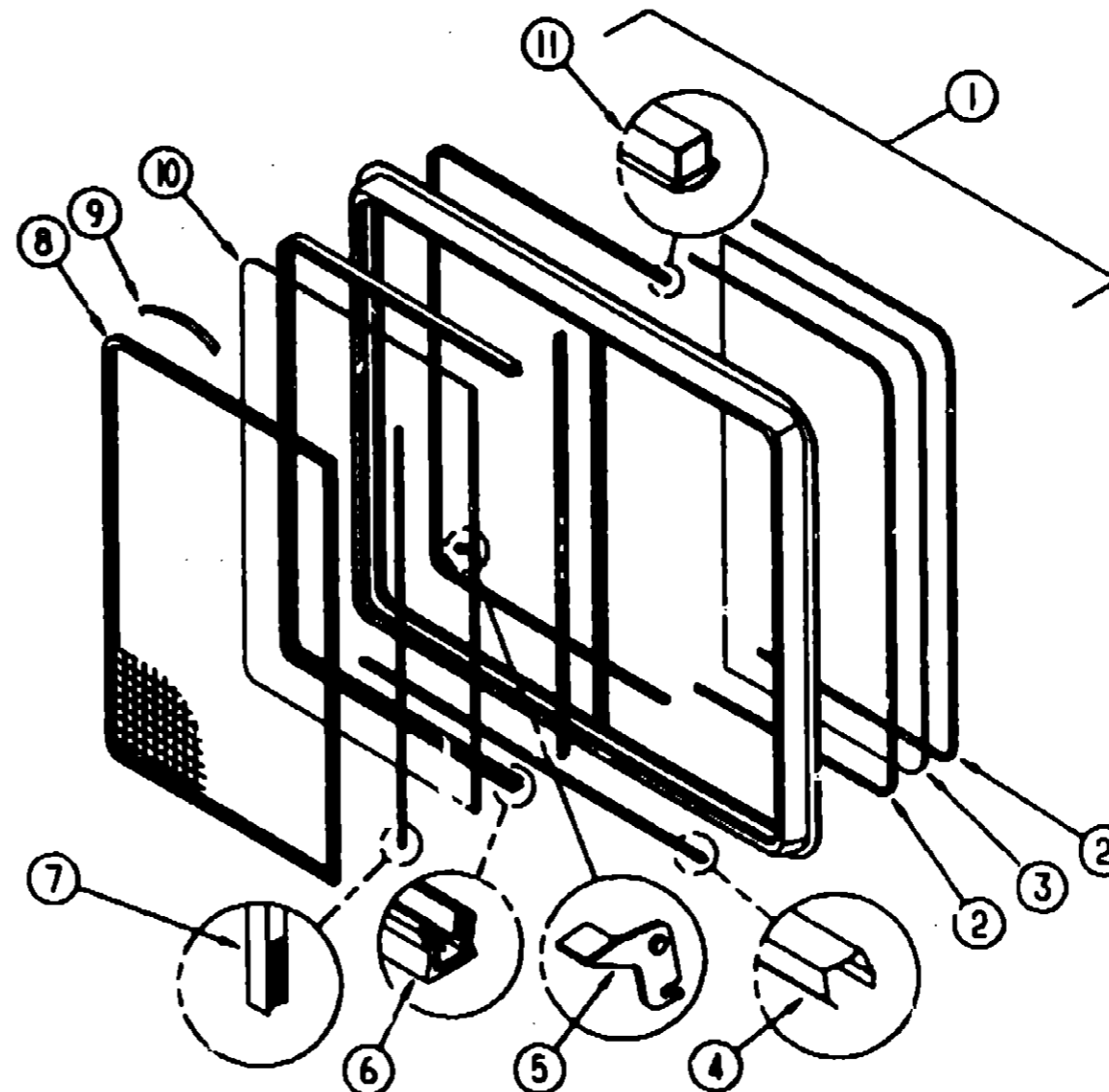
INTRODUCTION	A-01 - A-02
ABBREVIATIONS	A-03
ALPHABETICAL INDEX	A-04 - A-06
WC424RC	A-07 - E-02
WC422RG	E-03 - H-16

## 1993 WC424RC INDEX

FLOOR PLAN	A-07 - A-08
ACCESSORIES	A-09
AUDIO VIDEO	A-10 - A-11
BATH	A-12 - A-14
BEDROOM	A-15
CHASSIS	A-16 - A-20
CURTAIN & CUSHION	A-21 - B-08
DINETTE	B-09 - B-10
DRIVERS COMPARTMENT	B-11 - B-14
ELECTRICAL	B-15 - B-18
EXTERIOR BODY	B-19 - C-03
GALLEY	C-04 - C-07
GENERATOR	C-08
HEATING & A/C	C-09 - C-10
INTERIOR FINISH	C-11 - C-14
LABELS	C-15 - C-22
LP	C-23
LOUNGE	C-24
SEALANTS & FASTENERS	D-01 - D-04
WATER & SEWAGE	D-05 - D-10
WINDOW, VENT AND EXTERIOR DOOR	D-11 - E-02



ENTRY DOOR WINDOW



GALLEY SLIDING WINDOW

1993 WINNEBAGO  
TABLE OF CONTENTS

INTRODUCTION	A-01 - A-02
ABBREVIATIONS	A-03
ALPHABETICAL INDEX	A-04 - A-08
WC424RC	A-07 - E-02
WC422RG	E-03 - H-16

1993 WC424RC INDEX

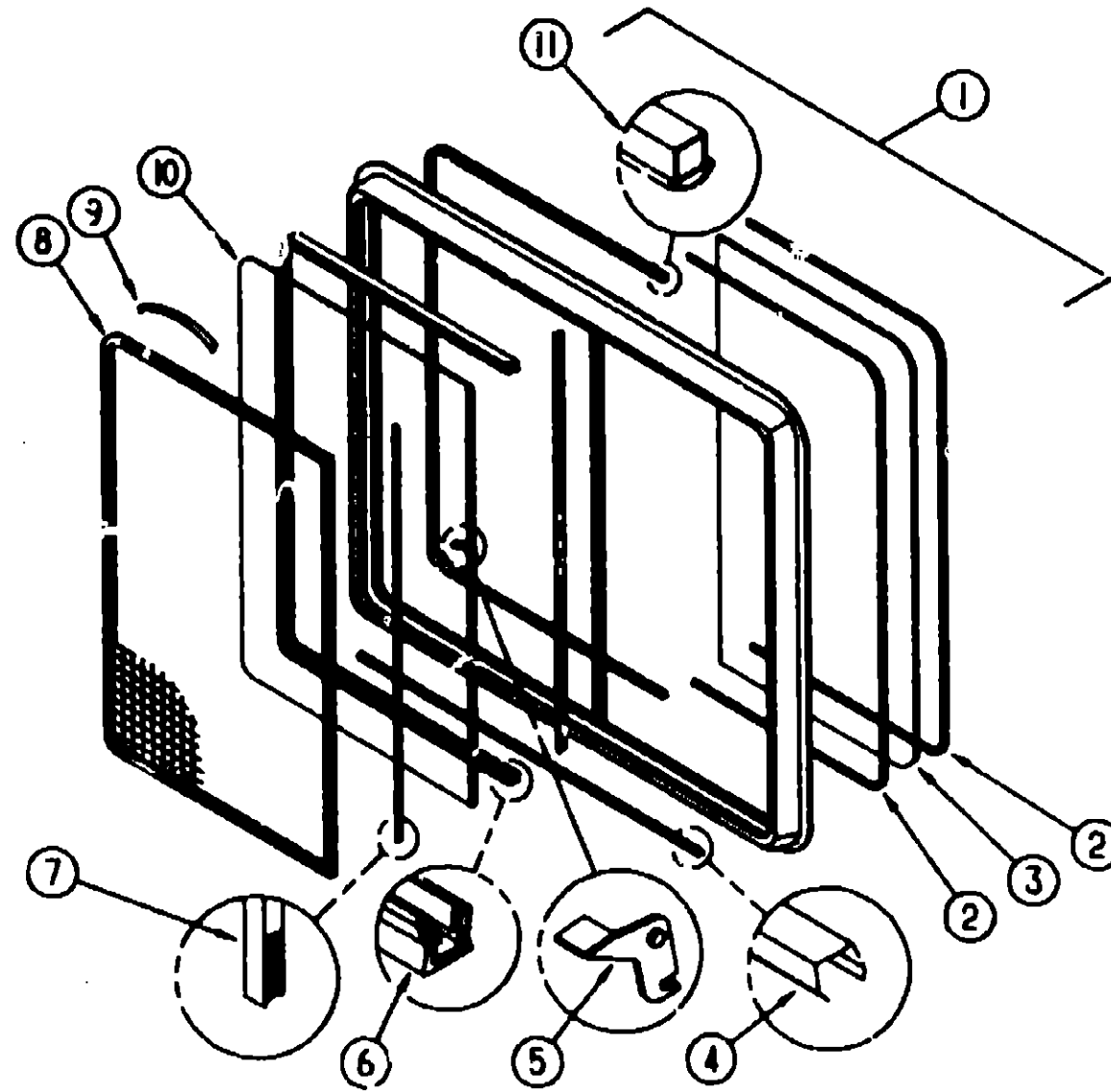
FLOOR PLAN	A-07 - A-08
ACCESSORIES	A-09
AUDIO VIDEO	A-10 - A-11
BATH	A-12 - A-14
BEDROOM	A-15
CHASSIS	A-16 - A-20
CURTAIN & CUSHION	A-21 - B-08
DINETTE	B-09 - B-10
DRIVERS COMPARTMENT	B-11 - B-14
ELECTRICAL	B-15 - B-18
EXTERIOR BODY	B-19 - C-03
GALLEY	C-04 - C-07
GENERATOR	C-08
HEATING & A/C	C-09 - C-10
INTERIOR FINISH	C-11 - C-14
LABELS	C-15 - C-22
LP	C-23
LOUNGE	C-24
SEALANTS & FASTENERS	D-01 - D-04
WATER & SEWAGE	D-05 - D-10
WINDOW, VENT AND EXTERIOR DOOR	D-11 - E-02

KEY	PART NUMBER	U/M DESCRIPTION
	067609-32-000	EA FRAME-WINDOW, ENTRY DOOR - OFF WHITE
	067609-27-000	EA FRAME-WINDOW, ENTRY DOOR - BLACK (EUROPEAN EXCHANGE)
1	079733-07-AA8	EA WINDOW-ENTRY DOOR, 17" X 25" - FROSTED GLASS
2	002181-07-000	EA GLASS-WINDOW, .182" X 18.25" X 24" - FROSTED
3	050216-02-000	FT SPLINE-GLASS, EXTERIOR - VINYL - .19" - BLACK
4	067561-01-000	FT SEAL-GLASS, EXTERIOR - .5" WIDE - VINYL - BLACK

KEY	PART NUMBER	U/M DESCRIPTION
	099647-06-02A	EA WINDOW-HORIZONTAL SLIDER, WINSIDE FRAME - OFF WHITE
	099647-06-708	EA FRAME-INSIDE, W024-67 EXCEL - WHITE
1	099647-06-705	EA WINDOW-HORIZONTAL SLIDER, W/O INSIDE FRAME - LEFT - OFF WHITE
2	099644-01-705	FT GLAZING STRIP, EXCEL M928-12
3	099647-06-700	EA GLASS-STATIONARY - 106-016921 EXCEL
4	099644-01-710	FT TRACK-SCREEN SPACER 12' LENGTH - EXCEL M401-31
5	099644-01-700	EA LATCH REPAIR KIT
6	099644-01-708	FT CHANNEL-PIERCED RUN EXCEL 122-016543
7	099644-01-711	FT WEATHERSTRIP-SCREEN BLACK - EXCEL 171-018965
8	099647-06-703	EA SCREEN W/SPRING&WEATHERSTRIP - 410-016477 EXCEL
9	099644-01-713	EA SPRING-SCREEN FRAME (CLIP) PLASTIC - BLACK - EXCEL 226-010966
	099644-01-716	FT PLUG-FILLER, EXCEL 132-014470
	099644-01-717	FT SPLINE-SCREEN MFG, EXCEL 32-004716
10	099647-06-702	EA GLASS-SLIDING, WSASH&LATCH - 410-016477 EXCEL
11	099644-01-708	FT WEATHERSTRIP, EXCEL 171-010968
	111555-06-01A	EA WINDOW-HORIZONTAL SLIDER, WINSIDE FRAME (EUROPEAN)
	111555-01-702	FT TAPE-GLAZING, 1/16 X 3/8 - 600
	111555-01-703	FT GLAZING-RUBBER, (SPLINE) - 8153
	111555-01-704	FT WATERSHED-RUBBER, 8156
	111555-01-705	EA DRAWIN SLOT COVER (ALL)
	111555-01-706	EA SASH LOCK, 830201
	111555-06-700	EA GLASS-INSULATED, STATIONARY & SLIDING - RSR15034
	111555-06-701	EA SCREEN ASM-RH, F/1115550601A

# WINDOW, VENT & EXTERIOR DOOR GROUP (CONTINUED)

## OVERHEAD BUNK SLIDING WINDOWS



**SLANTED SLIDER**  
FROM: 00-00-00 THRU: 07-12-02

**SLIDER WINDOW**  
FROM: 07-13-02 THRU: 99-99-99

### 1993 WINNEBAGO TABLE OF CONTENTS

INTRODUCTION	A-01 - A-02
ABBREVIATIONS	A-03
ALPHABETICAL INDEX	A-04 - A-06
WC424RC	A-07 - E-02
WC422RG	E-03 - H-16

### 1993 WC424RC INDEX

FLOOR PLAN	A-07 - A-08
ACCESSORIES	A-09
AUDIO VIDEO	A-10 - A-11
BATH	A-12 - A-14
BEDROOM	A-15
CHASSIS	A-16 - A-20
CURTAIN & CUSHION	A-21 - B-08
DINETTE	B-09 - B-10
DRIVERS COMPARTMENT	B-11 - B-14
ELECTRICAL	B-15 - B-18
EXTERIOR BODY	B-19 - C-03
GALLEY	C-04 - C-07
GENERATOR	C-08
HEATING & A/C	C-09 - C-10
INTERIOR FINISH	C-11 - C-14
LABELS	C-15 - C-22
LP	C-23
LOUNGE	C-24
SEALANTS & FASTENERS	D-01 - D-04
WATER & SEWAGE	D-05 - D-10
WINDOW, VENT AND EXTERIOR DOOR	D-11 - E-02

KEY	PART NUMBER	U/M	DESCRIPTION
	098646-05-01A	EA	WINDOW-SLANTED SLIDER, W/INSIDE FRAME - PASSENGER SIDE
	098646-06-01A	EA	WINDOW-SLANTED SLIDER, W/INSIDE FRAME - DRIVER SIDE
	098646-01-707	EA	FRAME-INSIDE, PASSENGER - OFF WHITE
	098646-02-702	EA	FRAME-INSIDE, DRIVER - OFF WHITE
2	098644-01-705	FT	GLAZING STRIP, EXCEL M926-12
3	098646-05-700	EA	GLASS-STATIONARY - 106-015285 EXCEL
4	098644-01-710	FT	TRACK-SCREEN SPACER 12' LENGTH - EXCEL M401-31
5	098644-01-700	EA	LATCH REPAIR KIT
6	098644-01-708	FT	CHANNEL-PIERCED RUN EXCEL 122-016543
7	098644-01-711	FT	WEATHERSTRIP-SCREEN BLACK - EXCEL 171-016965
8	098646-01-704	EA	SCREEN W/SPRING&WEATHERSTRIP - 410-016475 EXCEL
9	098644-01-713	EA	SPRING-SCREEN FRAME (CLIP) PLASTIC - BLACK - EXCEL 226-016966
	098644-01-718	FT	PLUG-FILLER, EXCEL 132-014470
	098644-01-717	FT	SPLINE-SCREEN MFG, EXCEL 32-004718
10	098646-05-701	EA	GLASS-SLIDING, W/SASH&LATCH - B948-G8 EXCEL
11	098644-01-706	FT	WEATHERSTRIP, EXCEL 171-010668

KEY	PART NUMBER	U/M	DESCRIPTION
	098647-18-01A	EA	WINDOW-SLIDING, W/INSIDE FRAME - PASSENGER SIDE - EXCEL B951-PRR
	098647-19-01A	EA	WINDOW-SLIDING, W/INSIDE FRAME - DRIVER SIDE - EXCEL B951-PRL
	098647-18-700	EA	FRAME-WINDOW, INSIDE - WHITE - EXCEL V951-67
1	098647-18-702	EA	WINDOW-SLIDING, W/O INSIDE FRAME - PASSENGER SIDE - EXCEL B951-G2R
1	098647-19-700	EA	WINDOW-SLIDING, W/O INSIDE FRAME - DRIVER SIDE - EXCEL B951-G2R
2	098644-01-705	FT	GLAZING STRIP, EXCEL M926-12
3	098647-18-701	EA	GLASS-STATIONARY, EXCEL 106011829
4	098644-01-710	FT	TRACK-SCREEN SPACER 12' LENGTH - EXCEL M401-31
5	098644-01-700	EA	LATCH REPAIR KIT
6	098644-01-708	FT	CHANNEL-PIERCED RUN EXCEL 122-016543
7	098644-01-711	FT	WEATHERSTRIP-SCREEN BLACK - EXCEL 171-016965
8	098646-03-705	EA	SCREEN W/SPRING&WEATHERSTRIP - 410016475 EXCEL
9	098644-01-713	EA	SPRING-SCREEN FRAME (CLIP) PLASTIC - BLACK - EXCEL 226-016966
	098644-01-718	FT	PLUG-FILLER, EXCEL 132-014470
	098644-01-717	FT	SPLINE-SCREEN MFG, EXCEL 32-004718
10	098646-01-702	EA	GLASS-SLIDING, W/SASH & LOCK - EXCEL B948-G9
11	098644-01-706	FT	WEATHERSTRIP, EXCEL 171-010668

**WINDOW, VENT & EXTERIOR DOOR GROUP (CONTINUED)**

**POWERED ROOF VENT**

KEY	PART NUMBER	U/M	DESCRIPTION
	008439-01-001	EA	CRANK HANDLE-ROOF VENT
	008439-04-000	EA	SCREW 8-32 X 1 1/4" POH
	008439-02-000	EA	KNOB-ROOF VENT MILL
	008439-03-000	EA	EXTENSION-CRANK HANDLE ROOF VENT - 9" - MILL
	080384-01-Y12	EA	VENT-ROOF POWERED
			FROM: 00-00-00 THRU: 10-04-92
	055218-01-000	EA	COVER-ROOF VENT, PLASTIC
	002825-01-000	EA	WEATHER STRIP-ROOF VENT GRAY
	008195-01-000	EA	SWITCH-ROOF VENT PUSH BUTTON 12V
	006343-01-000	EA	TIE-WIRE 6"
	008388-01-000	EA	GROMMET-SNAP 3/8"
	009440-01-000	EA	GEAR/ARM-VENT COVER LIFT
	015811-01-000	EA	TRACK-LIFT ARM SLIDE - ROOF VENT
	048648-01-000	EA	MOTOR-ROOF VENT 1/8 SHAFT - 12V - JENSEN
	048649-01-000	EA	FAN-ROOF VENT 6 BLADES - 6" - JENSEN
	052639-01-001	EA	HINGE-VENT COVER 18"
	052639-01-200	EA	HINGE-EXTRUSION ROOF VENT 7"
	081803-01-000	EA	GROMMET-SNAP 3/16" ID - 3/8" HOLE - PLASTIC - BLACK
	078785-01-Y12	EA	SCREEN-ROOF VENT POWERED
	002291-02-000	SF	SCREENING-ROOF VENT/WINDOW 16" - BLACK
	002298-02-000	FT	SPLINE-VENT/WINDOW SCREEN 129 DIAMETER - BLACK
	064469-08-000	EA	VENT-ROOF, POWERED - 14" X 14" - 12V - JENSEN C-727 (CANADIAN)
			FROM: 00-00-00 THRU: 10-04-92
	048648-01-000	EA	MOTOR-ROOF VENT, 1/8 SHAFT - 12V - JENSEN
	048649-01-000	EA	FAN-ROOF VENT, 6 BLADES - 6" - JENSEN
	064469-03-702	EA	LID-VENT, WHITE - JENSEN 290-VH
	064469-03-708	EA	MECHANISM-LIFT, ROOF VENT - JENSEN RP-1022
	110051-01-701	EA	GARNISH W/SCREEN & FRAME-2", JENSEN 29-800-01
			FITS 1" AND 2" THICK ROOFS
	110051-03-01A	EA	VENT-ROOF, POWERED - 2" ROOF - JENSEN 7757
			FROM: 10-05-92 THRU: 99-99-99
	110051-05-01A	EA	VENT-ROOF, POWERED - 2" ROOF - JENSEN C7757 (CANADIAN)
			FROM: 10-05-92 THRU: 99-99-99
	048648-01-000	EA	MOTOR-12V NONVENTED 1/8 SFT
	048649-01-000	EA	FAN-PLASTIC, 6" - 6 BLADED
	064470-01-700	EA	COVER ROOF VENT, JENSEN 7291
	110051-01-701	EA	GARNISH W/SCREEN & FRAME 2", JENSEN 29-800-01
	110051-01-702	EA	HAND CRANK & OPERATOR ASM., JENSEN RP-1000B
	110051-01-703	EA	HANDLE CRANK, JENSEN RP1031-B

**WINDOW, VENT & EXTERIOR DOOR GROUP (CONTINUED)**

**NONPOWERED ROOF VENT**

KEY	PART NUMBER	U/M	DESCRIPTION
	008439-01-000	EA	CRANK HANDLE-ROOF VENT
	008439-04-000	EA	SCREW 8-32 X 1 1/4" POH
	008439-02-000	EA	KNOB-ROOF VENT MILL
	008439-03-000	EA	EXTENSION-CRANK HANDLE ROOF VENT - 9" - MILL
	008439-04-000	EA	SCREW 8-32 X 1 1/4" POH
	080385-01-Y12	EA	VENT-ROOF NONPOWERED
			FROM: 00-00-00 THRU: 10-04-92
	055218-01-000	EA	COVER ROOF VENT, PLASTIC
	002825-01-000	EA	WEATHER STRIP-ROOF VENT GRAY
	009440-01-000	EA	GEAR/ARM-VENT COVER LIFT
	015811-01-000	EA	TRACK-LIFT ARM SLIDE - ROOF VENT
	052639-01-001	EA	HINGE-VENT COVER 18"
	052639-01-200	EA	HINGE-EXTRUSION ROOF VENT 7"
	078788-01-Y12	EA	SCREEN-ROOF VENT NON POWERED - WHITE
	002291-02-000	SF	SCREENING-ROOF VENT/WINDOW 16" - BLACK
	002298-02-000	FT	SPLINE-VENT/WINDOW SCREEN 128 DIAMETER - BLACK
	110051-01-01A	EA	VENT-ROOF, NONPOWERED - 2" ROOF - JENSEN 7724
			FROM: 10-05-92 THRU: 99-99-99
	064470-01-700	EA	COVER ROOF VENT, JENSEN 7291
	110051-01-701	EA	GARNISH W/SCREEN & FRAME 2", JENSEN 29-800-01
	110051-01-702	EA	HAND CRANK & OPERATOR ASM., JENSEN RP-1000B
	110051-01-703	EA	HANDLE CRANK, JENSEN RP-1031-B

**VENTS, SHROUDS AND ROOF COVERS**

KEY	PART NUMBER	U/M	DESCRIPTION
	084073-04-000	EA	BASE-VENT, REFRIGERATOR - ROOF - NORCOLD - OFF WHITE
	084073-03-000	EA	CAP-VENT, REFRIGERATOR - ROOF - NORCOLD - BLACK
	084878-09-000	EA	VENT-RANGE HOOD, EXTERIOR - SHORT - LVS
	084818-01-000	EA	SHROUD-RANGE HOOD VENT, OFF WHITE
	083558-03-000	EA	VENT-PLUMBING PIPE ROOF W/COVER - OFF WHITE
	080508-01-000	EA	PANEL-SKYLITE, INNER - PLEXIGLASS - 23.25" X 20.3"
	080507-01-000	EA	PANEL-SKYLIGHT, OUTER - PLEXIGLASS - 23.25" X 20.3"

**1993 WINNEBAGO  
TABLE OF CONTENTS**

INTRODUCTION	A-01 - A-02
ABBREVIATIONS	A-03
ALPHABETICAL INDEX	A-04 - A-08
WC424RC	A-07 - E-02
WC422RG	E-03 - H-16

**1993 WC424RC INDEX**

FLOOR PLAN	A-07 - A-08
ACCESSORIES	A-09
AUDIO VIDEO	A-10 - A-11
BATH	A-12 - A-14
BEDROOM	A-15
CH. SSIS	A-16 - A-20
CURTAIN & CUSHION	A-21 - B-08
DINETTE	B-09 - B-10
DRIVERS COMPARTMENT	B-11 - B-14
ELECTRICAL	B-15 - B-18
EXTERIOR BODY	B-19 - C-03
GALLEY	C-04 - C-07
GENERATOR	C-08
HEATING & A/C	C-09 - C-10
INTERIOR FINISH	C-11 - C-14
LABELS	C-15 - C-22
LP	C-23
LOUNGE	C-24
SEALANTS & FASTENERS	D-01 - D-04
WATER & SEWAGE	D-05 - D-10
WINDOW, VENT AND EXTERIOR DOOR	D-11 - E-02