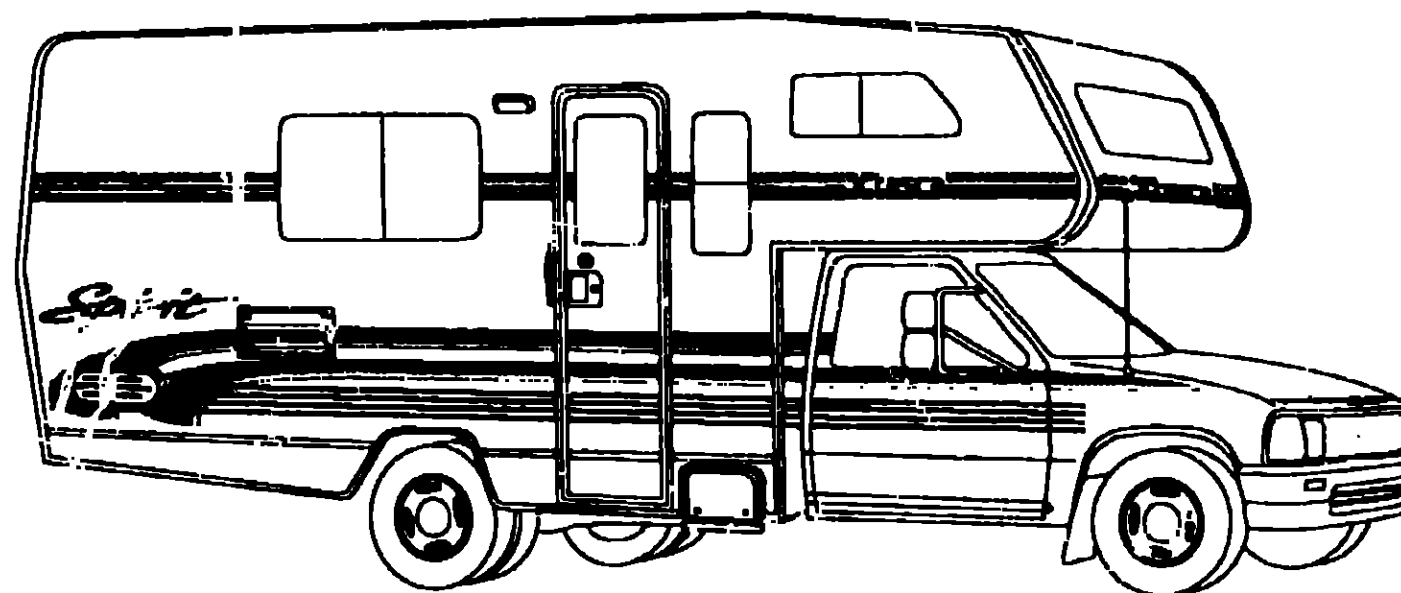


**1993 ITASCA  
TABLE OF CONTENTS**

INTRODUCTION	A-01 -	A-02
ABBREVIATIONS		A-03
ALPHABETICAL INDEX	A-04 -	A-06
IT321RB	A-07 -	C-24
IT321RL	D-01 -	F-18
IT321RD	F-19 -	I-12



**1993  
IT321RL**

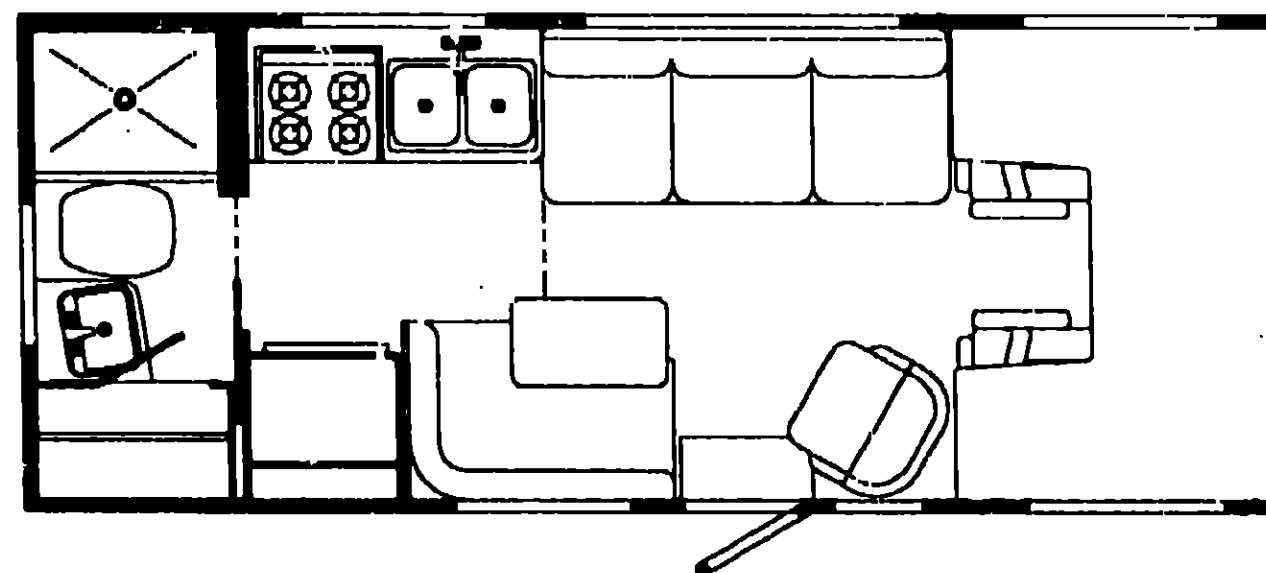
**D24**

**D25**

**D26**

**1993 IT321RL INDEX**

FLOOR PLAN	D-01 -	D-02
ACCESSORIES		D-03
AUDIO VIDEO		D-04
BATH	D-05 -	D-06
CHASSIS	D-07 -	D-08
CURTAIN & CUSHION	D-09 -	D-15
DINETTE		D-16
DRIVERS COMPARTMENT		D-17
ELECTRICAL	D-18 -	D-21
EXTERIOR BODY	D-22 -	E-02
GALLEY	E-03 -	E-07
GENERATOR		E-08
HEATING & AC		E-09
INTERIOR FINISH	E-10 -	E-12
LABELS	E-13 -	E-18
LP		E-19
LOUNGE		E-20
SEALANTS & FASTENERS	E-21 -	E-22
WATER & SEWAGE	E-23 -	F-02
WINDOW, VENT AND EXTERIOR DOOR	F-03 -	F-18



**ACCESSORIES GROUP  
OPERATORS MANUAL & BINDER**

KEY	PART NUMBER	U/M DESCRIPTION
	054185-44-000	EA MANUAL-OPERATOR, 1993 SPIRIT
	092318-01-000	EA BINDER-3 RING, MOTOR HOME MANUAL
	092319-01-000	EA POCKET PAGE-3 RING BINDER, PLASTIC
	107581-01-000	DW TOP LEVEL DRAWING FOR 1993 MICRO-MINIS

**AUDIO VIDEO GROUP  
RADIO SYSTEM COMPONENTS & ANTENNA**

KEY	PART NUMBER	U/M DESCRIPTION
	090050-01-000	EA ANTENNA-RADIO, TOYOTA - AUDIOVOX FMF22T
	090051-02-000	EA SPEAKER-4" ROUND, AUDIOVOX
	089340-02-000	EA GRILLE-SPEAKER, 6.5" SQUARE
	094097-01-000	EA SPEAKER-RADIO, W/O GRILLE - 5.25" DIA - AUDIOVOX 110C303G
	074979-01-000	EA SHIELD-SPEAKER, BACK - MOLDED PLASTIC - 8" X 9" - BEIGE
	090052-05-000	EA MOUNT-TRIM KIT, RADIO - TOYOTA - AUDIOVOX IM-TOY-92 FROM: 00-00-00 THRU: 12-06-92
	104089-01-000	EA RADIO-AM/FM STEREO, CASSETTE - AUDIOVOX IM-DXF FROM: 00-00-00 THRU: 12-06-92
	110267-01-000	EA RADIO-AM/FM STEREO, AUDIOVOX IM-200 FROM: 12-07-92 THRU: 99-99-99
	097459-01-000	EA RADIO-AM/FM STEREO, CASSETTE - AUDIOVOX IM-DXA - CAB TRIM OPTION FROM: 00-00-00 THRU: 01-10-93
	110267-02-000	EA RADIO-AM/FM STEREO, AUDIOVOX IM-300 - CAB TRIM OPTION FROM: 01-11-93 THRU: 99-99-99

**TV ANTENNA**

KEY	PART NUMBER	U/M DESCRIPTION
	076319-02-000	EA ANTENNA-TV, ROOF MOUNT - 23.5" MAST - WINEGARD RVA-WD1
	076319-01-700	EA HEAD-ANTENNA, AMPLIFIED - WINEGARD # VSA U/V
	076319-01-701	EA GEAR-ELEVATING, PLASTIC - WINEGARD #2200046
	076319-01-702	EA SHAFT ASM-ELEVATING, WINEGARD# VP-400A
	076319-01-703	EA BEARING-NYLON, 5"OD - WINEGARD # 3200656
	076319-01-705	EA GROMMET NYLON, 7/8"ID - WINEGARD # 3200658
	076319-01-706	EA CRANK-ELEVATING, W/SET SCREW - WINEGARD #5753100
	076319-01-707	EA SPRING-HANDLE, WINEGARD# 5160800
	076319-01-709	EA PLATE-DIRECTIONAL, FOR HEAD - WINEGARD #3200644
	076319-01-710	EA CRANK-ELEVATING, HALF MOON - WINEGARD #2750897
	082134-01-000	EA ADAPTER-TV, CABLE TO CABLE - WINEGARD F-81M
	082136-01-000	EA NUT-HEX JAM 3/8-32 WINEGARD
	076319-03-000	FT CABLE-COAXIAL, 75 OHM
	076319-12-000	EA CONNECTOR-COAXIAL, ONE PIECE
	086777-32-000	EA WALLPLATE-TV CABLE, W/ANTENNA SWITCH - BROWN

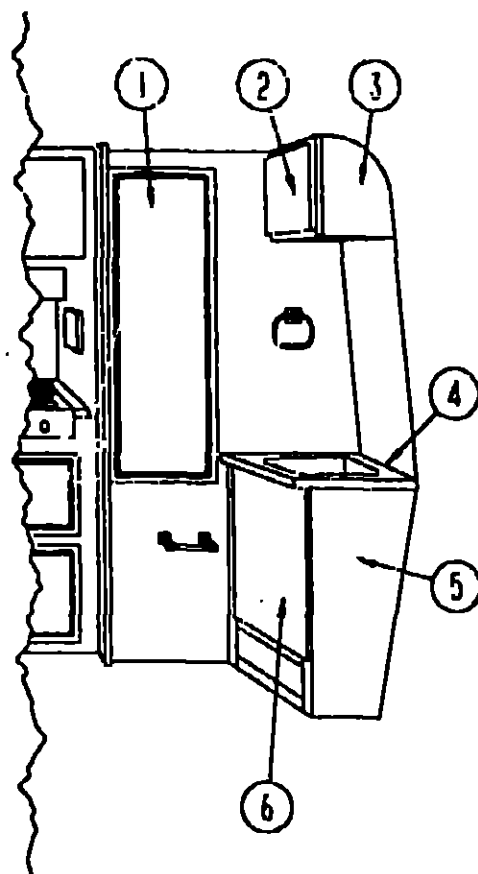
**1993 ITASCA  
TABLE OF CONTENTS**

INTRODUCTION	A-01	A-02
ABBREVIATIONS		A-03
ALPHABETICAL INDEX	A-04	A-06
IT321RB	A-07	C-24
IT321RL	D-01	F-18
IT321RD	F-19	I-12

**1993 IT321RL INDEX**

FLOOR PLAN	D-01	D-02
ACCESSORIES		D-03
AUDIO VIDEO		D-04
BATH	D-05	D-06
CHASSIS	D-07	D-08
CURTAIN & CUSHION	D-09	D-15
DINETTE		D-16
DRIVERS COMPARTMENT		D-17
ELECTRICAL	D-18	D-21
EXTERIOR BODY	D-22	F-02
GALLEY	E-03	E-07
GENERATOR		E-08
HEATING & A/C		E-09
INTERIOR FINISH	E-10	E-12
LABELS	E-13	E-18
LP		E-19
LOUNGE		E-20
SEALANTS & FASTENERS	E-21	E-22
WATER & SEWAGE	E-23	F-02
WINDOW, VENT AND EXTERIOR DOOR	F-03	F-18

**BATH GROUP**



**BATH CABINETS & FIXTURES**

**BATH GROUP (CONTINUED)**

**BATH CABINET HARDWARE**

KEY	PART NUMBER	U/M DESCRIPTION
	009148-01-000	EA PULL-FINGER, 75° DIAMETER - BRASS
	098410-01-01A	EA PULL-FINGER, OVAL - BRASS
	059783-01-000	FT ROD-CLOTHES, SLOTTED - ALUMINUM - 7' LENGTH
	092464-03-01A	EA TRACK-SHOWER, CURVED - OFF WHITE
	009700-04-002	EA TRACK, L-SHAPED 195 2" - STRAIGHT - OFF WHITE
	009136-02-000	EA HANGER-RINGS, PIN TYPE - CURTAIN - BRASS
	009701-01-000	EA CARRIER-CURTAIN, L ROD
	009702-01-000	EA END STOP-CURTAIN CARRIER, L ROD
	039175-02-000	EA BRACKET-CURTAIN ROD, EXTENDING CAFE - DELUXE OPTION
	039175-03-000	EA ROD-CAFE, CURTAIN - EXTENDS 28" TO 48" - DELUXE OPTION
	039175-05-000	EA BRACKET-CURTAIN ROD, CENTER CAFE

**TOILET**

KEY	PART NUMBER	U/M DESCRIPTION
	063740-01-000	EA TOILET-HIGH, HAND FLUSH - THETFORD, 150120
	063740-01-700	EA LEVER-WATER, THETFORD 12514
	063740-01-701	EA LEVER-FLUSH, THETFORD 12515
	063740-01-706	EA BOLT PACKAGE-CLOSET, THETFORD 12524
	063740-01-710	EA LINK, THETFORD 12513
	063740-01-711	EA SPRING-RETURN LEVER, THETFORD 12523
	063740-01-713	EA SEAL-BALL VALVE TO BOWL, THETFORD 12502
	063740-01-714	EA VALVE ASSEMBLY-WATER, THETFORD 12492
	063740-01-716	EA SEAT & COVER, THETFORD 15017 - IVORY
	063740-01-717	EA TUBE-FLUSH, TOILET
	063740-02-700	EA SEAT & COVER, PARCHMENT - THETFORD 20829
	063641-01-000	EA FLANGE-CLOSET, 4" X 3"

**SHOWER COMPONENTS**

KEY	PART NUMBER	U/M DESCRIPTION
	075453-02-000	EA BAR-TOWEL, 18" BRASS
	103092-01-000	EA SHOWER HEAD-W/60" HOSE
	103092-01-700	EA BRACKET ONLY-CLEAR, F/SHOWER HEAD - 2328028
	075241-05-000	EA FAUCET-SHOWER, BONE
	075606-01-000	EA PANEL-FAUCET BACK, SHOWER - 5" X 9" - PLASTIC
	M02630-03-U28	EA SHOWER PAN W/NUT, STRAINER & WASHER
	066436-01-000	EA NUT-SLIP, TAILPIECE - 1 5"
	066440-01-000	EA STRAINER-SHOWER, W/RUBBER WASHER
	069735-01-000	EA WASHER-STRAINER TO TAILPIECE PLASTIC, 1 5"
	057671-01-000	EA COVER-SCREW, #8 - PLASTIC - OFF WHITE
	084724-02-000	EA TRIM-SHOWER, OFF WHITE
	080549-07-805	EA PANEL-DOOR, W/PULL

**1993 ITASCA  
TABLE OF CONTENTS**

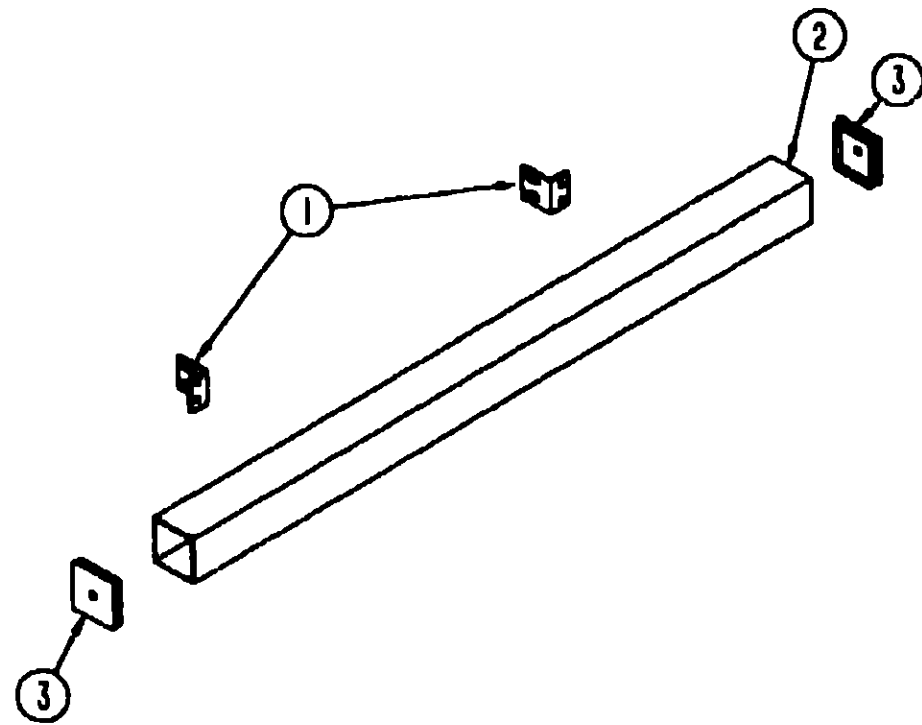
INTRODUCTION	A-01	A-02
ABBREVIATIONS		A-03
ALPHABETICAL INDEX	A-04	A-06
IT321RB	A-07	C-24
IT321RL	D-01	F-18
IT321RD	F-19	I-12

**1993 IT321RL INDEX**

FLOOR PLAN	D-01	D-07
ACCESSORIES		D-03
AUDIO VIDEO		D-04
BATH	D-05	D-06
CHASSIS	D-07	D-08
CURTAIN & CUSHION	D-09	D-15
DINETTE		D-16
DRIVERS COMPARTMENT		D-17
ELECTRICAL	D-18	D-21
EXTERIOR BODY	D-22	E-02
GALLEY	E-03	E-07
GENERATOR		E-08
HEATING & A/C		E-09
INTERIOR FINISH	E-10	E-12
LABELS	E-13	E-18
LP		E-19
LOUNGE		E-20
SEALANTS & FASTENERS	E-21	E-22
WATER & SEWAGE	E-23	F-02
WINDOW, VENT AND EXTERIOR DOOR	F-03	F-18

KEY	PART NUMBER	U/M DESCRIPTION
1	P04536-12-D24	EA DOOR-CABINET, MIRROR - W/O HARDWARE - 15 5" X 45 5"
2	P04536-11-D24	EA DOOR-CABINET, MIRROR - W/O HARDWARE - 12" X 29.1"
3	M05160-05-D24	EA CABINET-OVERHEAD, MEDICINE - W/O DOORS OR HARDWARE
4	099928-11-D24	EA COUNTERTOP-LAVATORY CABINET
5	M99920-03-D24	EA CABINET-LAVATORY W/COUNTERTOP
5	M99928-03-D25	EA CABINET-LAVATORY W/COUNTERTOP
5	M99928-03-D26	EA CABINET-LAVATORY W/COUNTERTOP
6	P03702-71-D24	EA DOOR-CABINET, W/O HARDWARE - 12" X 21 8"
	078238-23-D24	EA PANEL-ACCESS, 358 MM X 162 MM
	099968-01-D24	EA DOOR-SLIDING, 680 MM X 1780 MM - W/PULL
	103874-01-000	EA HANGER-SLIDING DOOR
	064467-01-000	EA GUIDE-POCKET, SLIDING DOOR - WALL MOUNTED
	103868-06-01A	EA TRACK-SLIDING DOOR, 51 2" - OFF WHITE
	075452-02-000	EA HOLDER-TOILET TISSUE, BRASS
	075454-02-000	EA RING-TOWEL, W/MOUNTING HARDWARE - BRASS
	075240-06-000	EA FAUCET-LAVATORY, BONE
	091253-01-000	EA GASKET-FAUCET, LAVATORY/GALLEY
	096927-01-01A	EA SINK-LAVATORY, RECTANGULAR - PLASTIC - BONE
	096927-01-700	EA SINK-STOPPER
	096927-01-701	EA TAILPIECE-SINK

### CHASSIS GROUP



#### REAR BUMPER & BRACKETS

KEY	PART NUMBER	U/M DESCRIPTION
1	108762-01-01A	EA BRACKET-BUMPER, OFF WHITE
2	103422-02-01A	EA BUMPER-REAR, OFF WHITE
3	039779-01-000	EA CAP-BUMPER, RUBBER - 4" X 4" - BLACK

#### SPARE TIRE W/RIM & MOUNTING BRACKET

KEY	PART NUMBER	U/M DESCRIPTION
	MD0080-65-000	EA TIRE-SPARE, W/RIM - 185R14LT - BRIDGESTONE
	MD0080-65-700	EA CARRIER-SPARE TIRE, TOYOTA
	MD0080-65-701	EA TIRE-SPARE, W/RIM - 185R14LT - DUNLOP
	064773-01-000	EA BRACKET-MOUNTING, SPARE TIRE

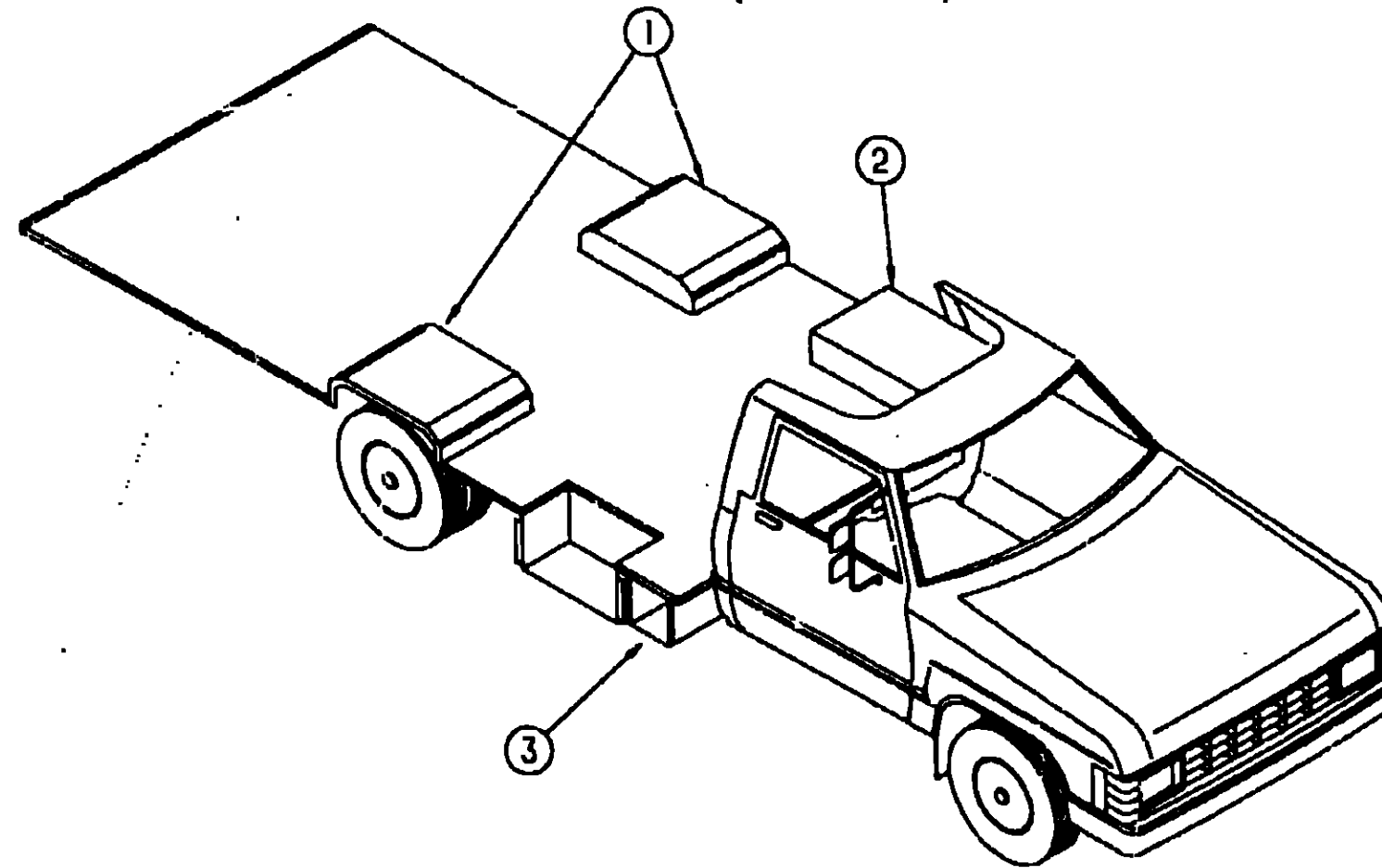
#### FUEL SYSTEM COMPONENTS

KEY	PART NUMBER	U/M DESCRIPTION
	007063-01-000	FT HOSE-GAS 1/4"ID X 1/2"OD
	084884-01-000	EA PLUG-BRASS, 3/8"
	087269-01-000	EA TEE-1/4" X 1/4" X 1/4", BRASS
	100599-01-000	EA NECK-FILLER, MAIN - UNLEADED FUEL
	078200-01-000	EA GASKET-FUEL FILL, 3.5"OD X 2"ID
	095854-01-02A	EA SHROUD-FUEL FILL, OFF WHITE

#### MISCELLANEOUS CHASSIS COMPONENTS

KEY	PART NUMBER	U/M DESCRIPTION
	093048-04-000	EA PLATE ASM-SKID
	086780-01-000	EA GUARD-SPLASH, RUBBER - TOYOTA - SET OF 2 - BLACK
	102627-01-01A	EA COVER-HUB W/BOLT - GRAY - KAPER II
	102627-01-700	EA BOLT-HUB COVER, KAPER II
	055278-51-259	EA TUBING-STEEL, 75" X 1.5" X 12.5'
	008042-01-000	FT TUBING-VINYL, 65" ID

### CHASSIS GROUP (CONTINUED)



#### COMPARTMENTS, WHEELWELL & STEP LINER

KEY	PART NUMBER	U/M DESCRIPTION
1	084637-01-000	EA WHEELWELL-PLASTIC
2	083665-02-000	EA TRAY-GENERATOR/STORAGE COMPARTMENT
2	096302-03-000	EA COMPARTMENT-GENERATOR, 25 1" WIDE X 17 7" DEEP
2	096304-01-000	EA COVER-BAFFLE, GENERATOR
	077953-01-000	EA GROMMET-EDGE LINER, FITS 1"
	058027-01-000	FT SEAL, D SHAPED - HOLLOW - SPONGE RUBBER - BLACK
	099418-01-000	EA SEAL-D, W/SIDE ADHESIVE - 4 X 10" - SPONGE RUBBER - BLACK
		FROM 00-00-00 THRU 03-15-93
		FROM 03-16-93 THRU 99-99-99
3	100824-01-000	EA COMPARTMENT-BATTERY, PLASTIC
	084993-01-000	EA STRAP-BATTERY
	106208-01-01A	EA COMPARTMENT-SHOWER, EXTERIOR - OFF WHITE

#### EXHAUST SYSTEM COMPONENTS

KEY	PART NUMBER	U/M DESCRIPTION
	007125-06-000	EA CLAMP-MUFFLER, 2.25" DIAMETER
	084696-02-000	EA EXTENSION-TAILPIPE, 2" DIAMETER

#### HEAR AIR BAG SYSTEM

KEY	PART NUMBER	U/M DESCRIPTION
	100293-02-000	EA AIRSPRING SYSTEM-4" DIAMETER, MICRO MINI - 3-T'S 9E3 POS
	100293-01-701	EA HOSE, W/MALE VALVES - 3T T9AL
	100293-02-700	EA AIR BAG KIT, BAG W/CABLE - 3T RK-E3
	100332-01-000	EA PLATE-VALVE, AIR SPRING

### 1993 ITASCA TABLE OF CONTENTS

INTRODUCTION	A-01	A-02
ABBREVIATIONS	A-03	A-03
ALPHABETICAL INDEX	A-04	A-06
IT321RB	A-07	C-24
IT321RL	D-01	F-18
IT321RD	F-19	I-12

### 1993 IT321RL INDEX

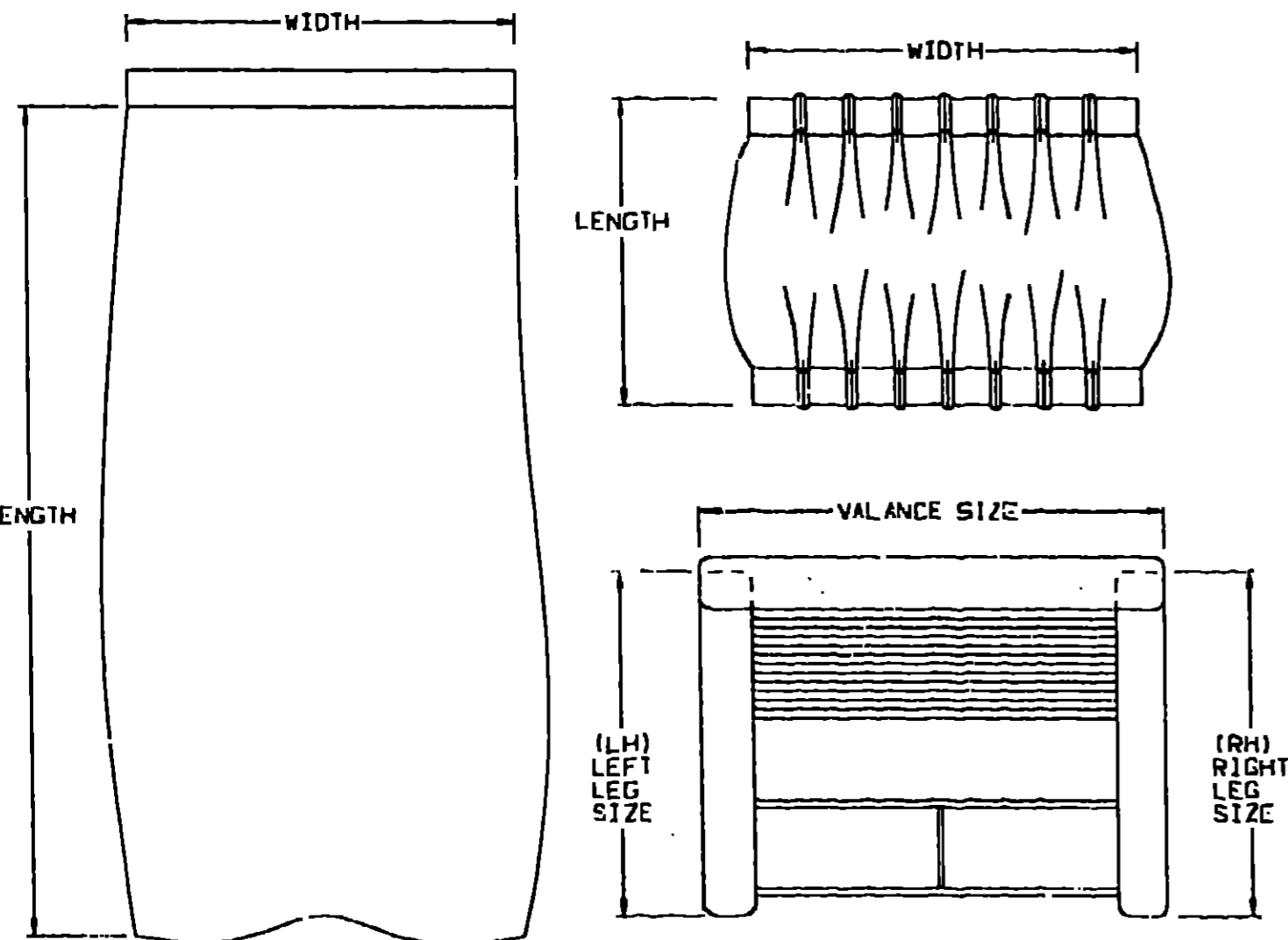
FLOOR PLAN	D-01	D-02
ACCESSORIES		D-03
AUDIO VIDEO		D-04
BATH	D-05	D-06
CHASSIS	D-07	D-08
CURTAIN & CUSHION	D-09	D-15
DINETTE		D-15
DRIVERS COMPARTMENT		D-17
ELECTRICAL	D-18	D-21
EXTERIOR BODY	D-22	E-02
GALLEY	E-03	E-07
GENERATOR		E-08
HEATING & A/C		E-09
INTERIOR FINISH	E-10	E-12
LABELS	E-13	E-18
LP		E-19
LOUNGE		E-20
SEALANTS & FASTENERS	E-21	E-22
WATER & SEWAGE	E-23	F-02
WINDOW, VENT AND EXTERIOR DOOR	F-03	F-18

## CURTAIN & CUSHION GROUP

### NOTICE

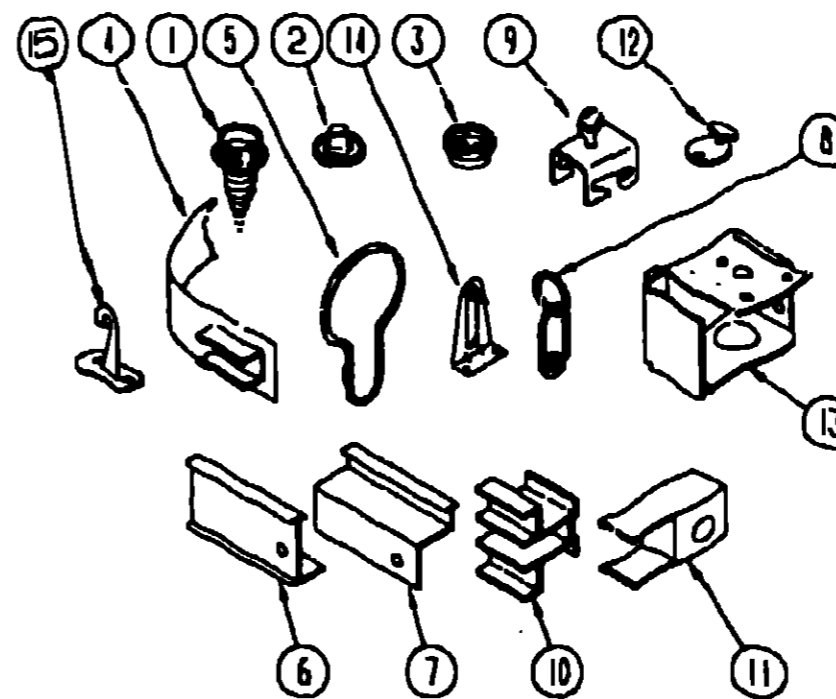
IN ORDER TO ASSIST OUR PARTS SALES DEPT. IN PROVIDING INTERIOR SOFTGOODS ITEMS, PLEASE INCLUDE THE SERIAL NUMBER AND THE COLOR CODE NUMBER FROM THE VEHICLE CERTIFICATION LABEL WHEN ORDERING. THIS LABEL IS LOCATED ON THE LEFT SIDEWALL AT THE END OF THE DASH (A-BODY), OR ON THE DRIVER'S DOOR LATCH PLATE (C-BODY).

AN EXAMPLE OF A COLOR CODE NUMBER IS B07, WHICH DESIGNATES AN OVERALL COLOR SCHEME OF A PARTICULAR UNIT. THE COLOR LISTED AFTER THE ITEM DESCRIPTION ON THE MICROFICHE, INDICATES THE OVERALL UNIT COLOR. ORDER THE ITEM YOU DESIRE ACCORDING TO UNIT COLOR CODE.



NOTE USE THIS ILLUSTRATION WHEN DETERMINING LENGTH AND WIDTH MEASUREMENTS FOR CURTAINS. YOU WILL NOTE THE WIDTH MEASUREMENT IS TAKEN ON THE TOP OF THE CURTAIN WITH THE CURTAIN FULLY EXTENDED. THE LENGTH MEASUREMENT IS TAKEN FROM TOP TO BOTTOM. LEFT AND RIGHT WINDOW LEGS ARE DETERMINED WHEN FACING THE WINDOW.

## CURTAIN & CUSHION GROUP (CONTINUED)



CURTAIN, BLIND & SHADE HARDWARE

KEY	PART NUMBER	U/M	DESCRIPTION
1	029130-01-000	EA	SCREW-SNAP SOCKET 8 PH X 5/8"
2	029155-01-000	EA	CAP-SNAP NICKEL
3	029156-01-000	EA	SOCKET-SNAP FASTENER NICKEL
4	101031-01-000	YD	TAPE-GLIDE CURTAIN, 4 25" SPACING
5	009136-02-000	EA	HANGER-RING, PIN TYPE - CURTAIN - BRASS
6	092464-03-01 A	EA	TRACK-SHOWER, CURVED - OFF WHITE
6	009700-04-002	EA	TRACK, L-SHAPED 195 2" - STRAIGHT - OFF WHITE
7	105450-05-01 A	EA	TRACK-CURTAIN, 79" LONG - ALUMINUM - OFF WHITE
8	009701-01-000	EA	CARRIER-CURTAIN L ROD
9	009702-01-000	EA	END STOP-CURTAIN CARRIER L ROD
10	101033-03-000	FT	TRACK-CURTAIN LOW PROFILE - WHITE
11	101033-02-000	EA	END CAP-TRACK CLEAR
12	102555-01-000	EA	CLEAT-CORD, BLIND - OFF WHITE
13	083170-01-000	EA	BRACKET-BLIND, RIGHT SIDE
13	083170-02-000	EA	BRACKET-BLIND, LEFT SIDE
	093475-01-700	EA	WAND-BLIND, W/METAL CLIP - 8" LONG
	093475-01-701	EA	END CAP-BLIND, W/STUD
14	095591-02-000	EA	BRACKET-HOLD DOWN, W/PIN - BLIND - METAL
			FROM 00-00-00 THRU 07-19-92
15	109441-01-000	EA	HOLD DOWN-BLIND, HOOK
			FROM 07-20-92 THRU 99-99-99
	089522-03-000	EA	PANEL-LEG, TWO SIDE 27" LONG - PLASTIC - BLACK
	089522-04-000	EA	PANEL-LEG, TWO SIDE 31.5" LONG - PLASTIC - BLACK
	089916-01-000	EA	MOUNT-WINDOW LEG, 23.75" - ALUMINUM - BLACK
			23.75" LONG - 3" BETWEEN SCREW HOLES
	103986-01-000	FT	TRIM-VALANCE, U-CHANNEL - 75" WIDE - BRASS
	046867-01-000	EA	GROMMET-BRASS, 7/16" ID X 1" OD
	088792-01-000	YD	VELCRO-HOOK, 75" WIDE - BEIGE
	048394-02-000	YD	VELCRO TAPE-HOOK, ADHESIVE BACKED - 75" WIDE - BEIGE
	088792-02-000	YD	VELCRO TAPE-LOOP, ADHESIVE BACKED - 75" WIDE - BEIGE
	039175-02-000	EA	BRACKET-CURTAIN ROD, EXTENDING CAFE - DELUXE OPTION
	039175-03-000	EA	ROD-CAFE, CURTAIN - EXTENDS 28" TO 48" - DELUXE OPTION
	039175-05-000	EA	BRACKET-CURTAIN ROD, CENTER CAFE - DELUXE OPTION

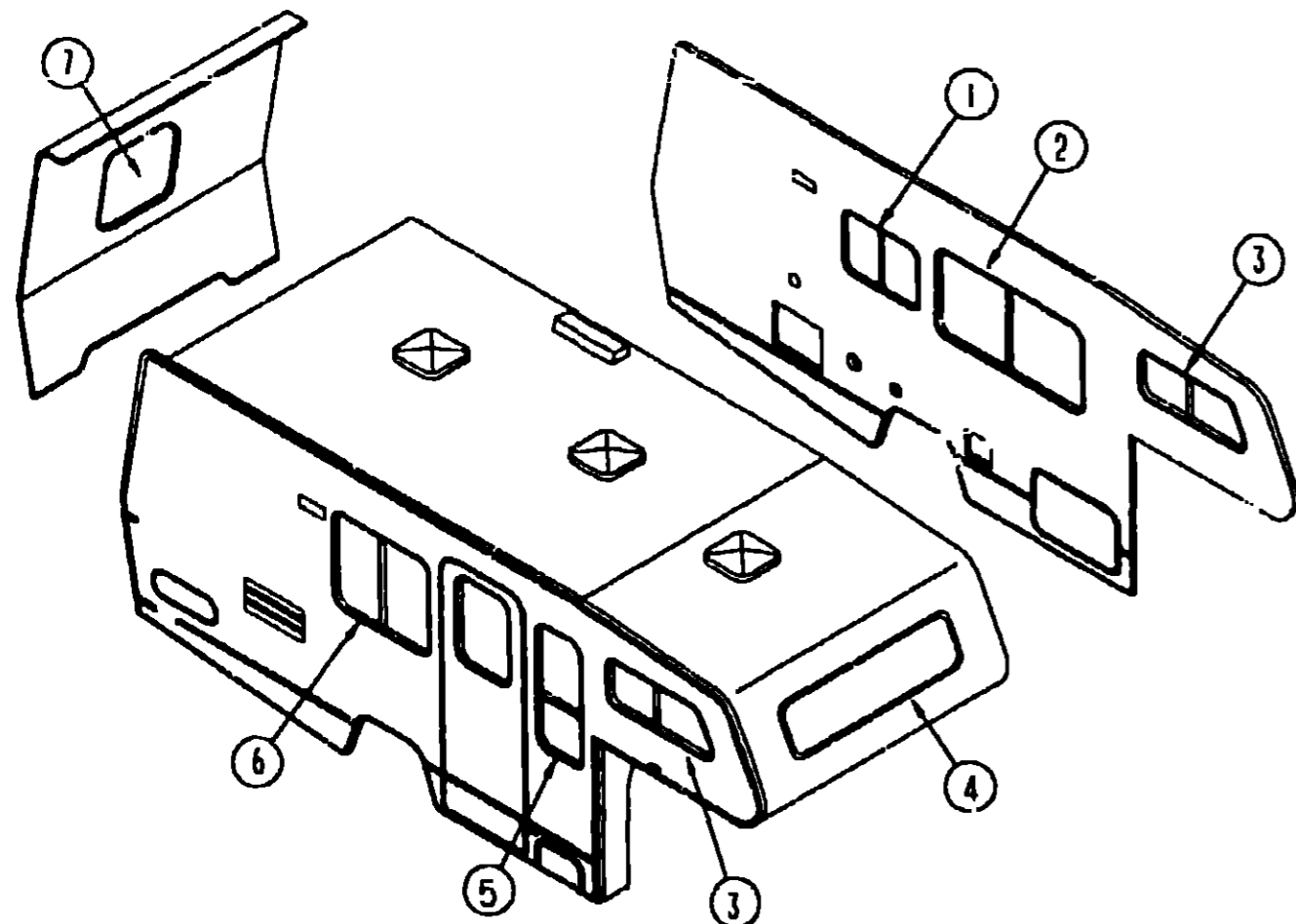
## 1993 ITASCA TABLE OF CONTENTS

INTRODUCTION	A-01	A-02
ABBREVIATIONS		A-03
ALPHABETICAL INDEX	A-04	A-06
IT321RB	A-07	C-24
IT321RL	D-01	F-18
IT321RD	F-19	I-12

## 1993 IT321RL INDEX

FLOOR PLAN	D-01	D-02
ACCESSORIES		D-03
AUDIO VIDEO		D-04
BATH	D-05	D-06
CHASSIS	D-07	D-08
CURTAIN & CUSHION	D-09	D-13
DINETTE		D-16
DRIVERS COMPARTMENT		D-17
ELECTRICAL	D-18	D-21
EXTERIOR BODY	D-22	E-02
GALLEY	E-03	E-07
GENERATOR		E-08
HEATING & A/C		E-09
INTERIOR FINISH	E-10	E-12
LABELS	E-13	E-18
LP		E-19
LOUNGE		E-20
SEALANTS & FASTENERS	E-21	E-22
WATER & SEWAGE	E-23	F-02
WINDOW, VENT AND EXTERIOR DOOR	F-03	F-18

**CURTAIN & CUSHION GROUP (CONTINUED)**  
WINDOW TREATMENT



KEY	PART NUMBER	U/M DESCRIPTION
4	101034-05-D24	EA CURTAIN-16" X 28", TAPE TOP & BOTTOM (D24) FROM 00-00-00 THRU 09-13-92
4	101034-06-D02	EA CURTAIN-16" X 28", TAPE TOP & BOTTOM (D25) FROM 00-00-00 THRU 09-13-92
4	101034-06-D03	EA CURTAIN-16" X 28", TAPE TOP & BOTTOM (D26) FROM 00-00-00 THRU 09-13-92
4	101034-29-D24	EA CURTAIN-16" X 50", TAPE TOP & BOTTOM - RIGHT FROM 09-14-92 THRU 99-99-99
4	101034-29-D25	EA CURTAIN-16" X 50", TAPE TOP & BOTTOM - RIGHT FROM 09-14-92 THRU 99-99-99
4	101034-29-D26	EA CURTAIN-16" X 50", TAPE TOP & BOTTOM - RIGHT FROM 09-14-92 THRU 99-99-99
4	101034-30-D24	EA CURTAIN-16" X 50", TAPE TOP & BOTTOM - LEFT FROM 09-14-92 THRU 99-99-99
4	101034-30-D25	EA CURTAIN-16" X 50", TAPE TOP & BOTTOM - LEFT FROM 09-14-92 THRU 99-99-99
4	101034-30-D26	EA CURTAIN-16" X 50", TAPE TOP & BOTTOM - LEFT FROM 09-14-92 THRU 99-99-99
5	104021-02-D24	EA VALANCE-20", W/BRASS TRIM
5	104021-02-D25	EA VALANCE-20", W/BRASS TRIM
5	104021-02-D26	EA VALANCE-20", W/BRASS TRIM
5	093475-65-07A	EA BLIND-MINI, 17" X 36" DROP (D24/D25)
5	093475-65-06A	EA BLIND-MINI, 17" X 36" DROP (D26)
6	104021-11-D24	EA VALANCE-34", W/BRASS TRIM
6	104021-11-D25	EA VALANCE-34", W/BRASS TRIM
6	104021-11-D26	EA VALANCE-34", W/BRASS TRIM
6	100281-43-D24	EA LEG-31 5" TALL, RIGHT SIDE (D24)
6	100281-43-C05	EA LEG-31 5" TALL, RIGHT SIDE (D25)
6	100281-43-D26	EA LEG-31 5" TALL, RIGHT SIDE (D26)
6	100281-44-D24	EA LEG-31 5" TALL, LEFT SIDE (D24)
6	100281-44-C05	EA LEG-31 5" TALL, LEFT SIDE (D25)
6	100281-44-D26	EA LEG-31 5" TALL, LEFT SIDE (D26)
6	093475-53-05A	EA BLIND-MINI, 30" X 29" DROP (D24/D25)
6	093475-53-04A	EA BLIND-MINI, 30" X 29" DROP (D26)
7	104021-06-D24	EA VALANCE-28 5", W/BRASS TRIM
7	104021-06-D25	EA VALANCE-28 5", W/BRASS TRIM
7	104021-06-D26	EA VALANCE-28 5", W/BRASS TRIM
7	093475-43-08A	EA BLIND-MINI, 26 5" X 24" DROP (D24/D25)
7	093475-43-09A	EA BLIND-MINI, 26 5" X 24" DROP (D26)
	076892-03-C09	EA CURTAIN-SHOWER TOP, 35" X 55" - BEIGE (D24/D25/D26)
	101668-18-D24	EA CURTAIN-38 5" X 50", RIGHT - TAPE TOP (D24)
	101668-18-D02	EA CURTAIN-38 5" X 50", RIGHT - TAPE TOP (D25)
	101668-18-D03	EA CURTAIN-38 5" X 50", RIGHT - TAPE TOP (D26)
	101668-19-D24	EA CURTAIN-38 5" X 50", LEFT - TAPE TOP (D24)
	101668-19-D02	EA CURTAIN-38 5" X 50", LEFT - TAPE TOP (D25)
	101668-19-D01	EA CURTAIN-38 5" X 50", LEFT - TAPE TOP (D26)
	066226-53-D24	EA VALANCE-ROD POCKET TOP, 8" X 60" (D24) - DELUXE OPTION FROM 00-00-00 THRU 08-02-92
	066226-53-DA2	EA VALANCE-ROD POCKET TOP, 8" X 60" (D24) - DELUXE OPTION FROM 08-03-92 THRU 99-99-99
	066226-53-D25	EA VALANCE-ROD POCKET TOP, 8" X 60" (D25) - DELUXE OPTION
	066226-53-D26	EA VALANCE-ROD POCKET TOP, 8" X 60" (D26) - DELUXE OPTION
	084481-14-C30	EA CURTAIN-SHOWER, VINYL - 65" X 42" (D24)
	084481-14-D02	EA CURTAIN-SHOWER, VINYL - 65" X 42" (D25)
	084481-14-C10	EA CURTAIN-SHOWER, VINYL - 65" X 42" (D26)
	073260-54-C30	EA TIEBACK-CURTAIN, SHOWER - 3" X 16" (D24)
	073260-54-D36	EA TIEBACK-CURTAIN, SHOWER - 3" X 16" (D25)
	073260-54-C10	EA TIEBACK-CURTAIN, SHOWER - 3" X 16" (D26)
	073260-49-D24	EA TIEBACK-CURTAIN, 3" X 18" (D24)
	073260-49-D02	EA TIEBACK-CURTAIN, 3" X 18" (D25)
	073260-49-D03	EA TIEBACK-CURTAIN, 3" X 18" (D26)
	057534-01-000	EA TIEBACK/TIEDOWN-BED/CURTAIN/DOOR, 6" - PLASTIC - CLEAR
	084415-46-000	YD TRIM-BRAID, CURTAIN - BLUE (D24)
	084415-44-000	YD TRIM-BRAID, CURTAIN - EGGPLANT (D25)
	084415-45-000	YD TRIM-BRAID, CURTAIN - TEAL (D26)

KEY	PART NUMBER	U/M DESCRIPTION
1	104021-06-D24	EA VALANCE-28 5", W/BRASS TRIM
1	104021-06-D25	EA VALANCE-28 5", W/BRASS TRIM
1	104021-06-D26	EA VALANCE-28 5", W/BRASS TRIM
1	093475-32-16A	EA BLIND-MINI, 27" X 18 5" DROP (D24/D25)
1	093475-32-15A	EA BLIND-MINI, 27" X 18 5" DROP (D26)
2	104021-09-D24	EA VALANCE-53", W/BRASS TRIM
2	104021-09-D25	EA VALANCE-53", W/BRASS TRIM
2	104021-09-D26	EA VALANCE-53", W/BRASS TRIM
2	100281-45-D24	EA LEG-RIGHT (D24)
2	100281-45-C05	EA LEG-RIGHT (D25)
2	100281-45-D03	EA LEG-RIGHT (D26)
2	100281-46-D24	EA LEG-LEFT (D24)
2	100281-46-C05	EA LEG-LEFT (D25)
2	100281-46-D03	EA LEG-LEFT (D26)
2	093475-42-05A	EA BLIND-MINI, 49" X 29" DROP (D24/D25)
2	093475-42-04A	EA BLIND-MINI, 49" X 29" DROP (D26)
3	101034-06-D24	EA CURTAIN-16" X 28", TAPE TOP & BOTTOM (D24) FROM 00-00-00 THRU 09-13-92
3	101034-06-D02	EA CURTAIN-16" X 28", TAPE TOP & BOTTOM (D25) FROM 00-00-00 THRU 09-13-92
3	101034-06-D03	EA CURTAIN-16" X 28", TAPE TOP & BOTTOM (D26) FROM 00-00-00 THRU 09-13-92
3	101034-31-D24	EA CURTAIN-16" X 28", TAPE TOP & BOTTOM - RIGHT FROM 09-14-92 THRU 99-99-99
3	101034-31-D25	EA CURTAIN-16" X 28", TAPE TOP & BOTTOM - RIGHT FROM 09-14-92 THRU 99-99-99
3	101034-31-D26	EA CURTAIN-16" X 28", TAPE TOP & BOTTOM - RIGHT FROM 09-14-92 THRU 99-99-99
3	101034-32-D24	EA CURTAIN-16" X 28", TAPE TOP & BOTTOM - LEFT FROM 09-14-92 THRU 99-99-99
3	101034-32-D25	EA CURTAIN-16" X 28", TAPE TOP & BOTTOM - LEFT FROM 09-14-92 THRU 99-99-99
3	101034-32-D26	EA CURTAIN-16" X 28", TAPE TOP & BOTTOM - LEFT FROM 09-14-92 THRU 99-99-99

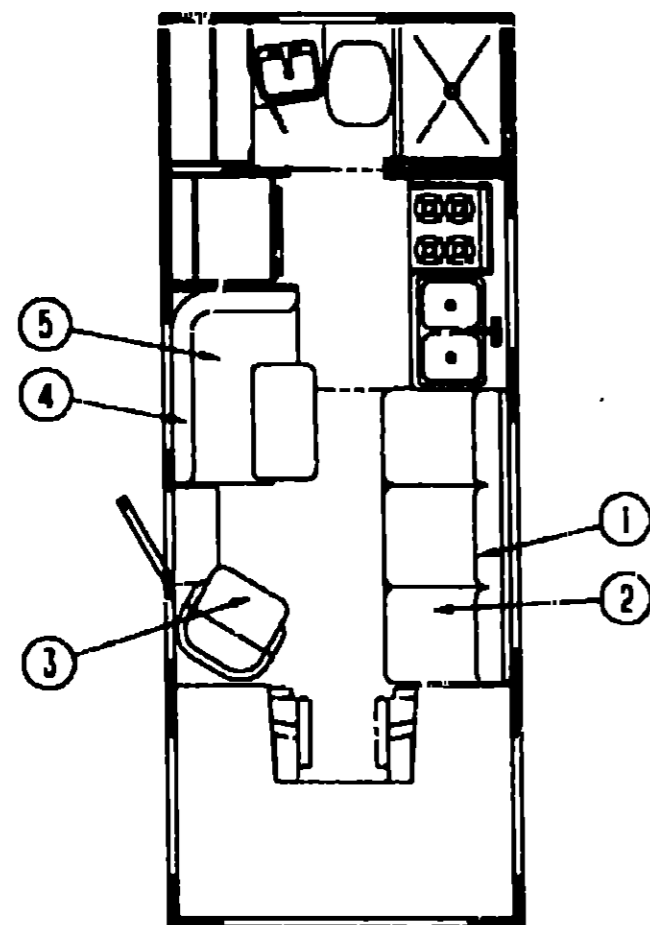
**1993 ITASCA  
TABLE OF CONTENTS**

INTRODUCTION	A-01	A-02
ABBREVIATIONS		A-03
ALPHABETICAL INDEX	A-04	A-06
IT321RB	A-07	C-24
IT321RL	D-01	F-18
IT321RD	F-19	I-12

**1993 IT321RL INDEX**

FLOOR PLAN	D-01	D-02
ACCESSORIES		D-03
AUDIO VIDEO		D-04
BATH	D-05	D-06
CHASSIS	D-07	D-08
CURTAIN & CUSHION	D-09	D-15
DINETTE		D-16
DRIVERS COMPARTMENT		D-17
ELECTRICAL	D-18	D-21
EXTERIOR BODY	D-22	E-02
GALLEY	E-03	E-07
GENERATOR		E-08
HEATING & A/C		E-09
INTERIOR FINISH	E-10	E-12
LABELS	E-13	E-18
LP		E-19
LOUNGE		E-20
SEALANTS & FASTENERS	E-21	E-22
WATER & SEWAGE	E-23	F-02
WINDOW VENT AND EXTERIOR DOOR	F-03	F-18

**CURTAIN & CUSHION GROUP (CONTINUED)**



**COUCH & COUCH PILLOWS**

KEY	PART NUMBER	U/M DESCRIPTION
1	100032-35-D24	EA COUCH-BACKREST, W/O ARMS - 66 5" (D24)
1	100032-35-D25	EA COUCH-BACKREST, W/O ARMS - 66 5" (D24)
1	100032-35-D26	EA COUCH-BACKREST, W/O ARMS - 66 5" (D24)
	P00032-35-D24	EA COVER-COUCH, BACKREST - W/O ARMS - 66 5" (D24)
	P00032-35-D25	EA COVER-COUCH, BACKREST - W/O ARMS - 66 5" (D24)
	P00032-35-D26	EA COVER-COUCH, BACKREST - W/O ARMS - 66 5" (D24)
	101085-09-000	EA FRAME-BACK, COUCH - 66 5"
2	100032-36-D24	EA COUCH-SEAT, W/O ARMS - 66 5"
2	100032-36-D25	EA COUCH-SEAT, W/O ARMS - 66 5"
2	100032-36-D26	EA COUCH-SEAT, W/O ARMS - 66 5"
	F00032-36-D24	EA COVER-COUCH, SEAT - W/O ARMS - 66 5"
	P00032-36-D25	EA COVER-COUCH, SEAT - W/O ARMS - 66 5"
	P00032-36-D26	EA COVER-COUCH, SEAT - W/O ARMS - 66 5"
	101085-01-000	EA FRAME-SEAT, COUCH - 66 5"
	101085-03-000	EA FRAME-BASE, COUCH - 66 5"
	103669-01-B38	EA PILLOW-THROW, 16" X 16" (D24)
	103669-01-C03	EA PILLOW-THROW, 16" X 16" (D25)
	103669-01-D11	EA PILLOW-THROW, 16" X 16" (D26)
	085060-05-B27	EA PILLOW-THROW, 15" X 15" (D24) - DELUXE OPTION
	085060-05-C09	EA PILLOW-THROW, 15" X 15" (D25) - DELUXE OPTION
	065060-05-B04	EA PILLOW-THROW, 15" X 15" (D26) - DELUXE OPTION

**SWIVEL CHAIR**

KEY	PART NUMBER	U/M DESCRIPTION
3	096100-06-D24	EA CHAIR-SWIVEL, W/O PEDESTAL OR SKIRT
3	096100-06-D25	EA CHAIR-SWIVEL, W/O PEDESTAL OR SKIRT
3	096100-06-D26	EA CHAIR-SWIVEL, W/O PEDESTAL OR SKIRT
	M96100-06-D24	EA COVER-SWIVEL CHAIR
	M96100-06-D25	EA COVER-SWIVEL CHAIR
	M96100-06-C26	EA COVER-SWIVEL CHAIR
	088245-01-000	EA BASE-CHAIR, SWIVEL - W/LEGS
	007221-01-000	EA SPACER-SEAT, ADJUSTER
	069246-06-000	EA ADJUSTER-SWIVEL CHAIR, MANUAL - FORWARD & BACK
	069246-07-000	EA ADJUSTER-SWIVEL CHAIR, W/LOCKING ARM - FORWARD & BACK
	069705-02-000	EA BAR-SEAT BELT, 2 5" X 12.75"
	087330-01-000	EA BRACKET-STOP, SLIDING TRACK
	088245-03-000	EA PLATE-TOP, SWIVEL W/O TILT - W/LOCK
	088245-07-000	EA EXTENSION-BASE TO TOP PLATE, 6" LONG

**DINETTE CUSHIONS**

KEY	PART NUMBER	U/M DESCRIPTION
4	098642-11-D24	EA CUSHION-BACK, L-SHAPED (D24/D25)
4	098642-11-D26	EA CUSHION-BACK, L-SHAPED (D26)
	M98642-11-D24	EA COVER-CUSHION, L-SHAPED BACK (D24/D25)
	M98642-11-D26	EA COVER-CUSHION, L-SHAPED BACK (D26)
5	098642-06-D24	EA CUSHION-SEAT (D24/D25)
5	098642-06-D26	EA CUSHION-SEAT (D26)
	M98642-06-D24	EA COVER-CUSHION, SEAT (D24/D25)
	M98642-06-D26	EA COVER-CUSHION, SEAT (D26)

**BUNK CUSHIONS & BUNK PILLOWS**

KEY	PART NUMBER	U/M DESCRIPTION
	084753-36-D24	EA CUSHION-53 5" X 81 5" X 5", U-SHAPED BUNK
	084753-36-D25	EA CUSHION-53 5" X 81 5" X 5", U-SHAPED BUNK
	084753-36-D26	EA CUSHION-53 5" X 81 5" X 5", U-SHAPED BUNK
	M84753-36-D24	EA COVER-CUSHION, U-SHAPED - 53 5" X 81 5" X 5"
	M84753-36-D25	EA COVER-CUSHION, U-SHAPED - 53 5" X 81 5" X 5"
	M84753-36-D26	EA COVER-CUSHION, U-SHAPED - 53 5" X 81 5" X 5"
	084753-35-D24	EA CUSHION-24 5" X 44 5" X 5", BUNK FILLER
	084753-35-D25	EA CUSHION-24 5" X 44 5" X 5", BUNK FILLER
	084753-35-D26	EA CUSHION-24 5" X 44 5" X 5", BUNK FILLER
	M84753-35-D24	EA COVER-CUSHION, FILLER - 24 5" X 44 5" X 5"
	M84753-35-D25	EA COVER-CUSHION, FILLER - 24 5" X 44 5" X 5"
	M84753-35-D26	EA COVER-CUSHION, FILLER - 24 5" X 44 5" X 5"
	065060-04-D24	EA PILLOW-THROW, 15" X 15" - DELUXE OPTION
	085060-04-D25	EA PILLOW-THROW, 15" X 15" - DELUXE OPTION
	085060-04-D26	EA PILLOW-THROW, 15" X 15" - DELUXE OPTION

**1993 ITASCA  
TABLE OF CONTENTS**

INTRODUCTION	A-01 -	A-02
ABBREVIATIONS		A-03
ALPHABETICAL INDEX	A-04 -	A-06
IT321RB	A-07 -	C-24
IT321RL	D-01 -	F-18
IT321RD	F-19 -	I-12

**1993 IT321RL INDEX**

FLOOR PLAN	D-01 -	D-02
ACCESSORIES		D-03
AUDIO VIDEO		D-04
BATH	D-05 -	D-06
CHASSIS	D-07 -	D-08
CURTAIN & CUSHION	D-09 -	D-15
DINETTE		D-16
DRIVERS COMPARTMENT		D-17
ELECTRICAL	D-18 -	D-21
EXTERIOR BODY	D-22 -	E-02
GALLEY	E-03 -	E-07
GENERATOR		E-08
HEATING & A/C		E-09
INTERIOR FINISH	E-10 -	E-12
LABELS	E-13 -	E-13
LP		E-19
LOUNGE		E-20
SEALANTS & FASTENERS	E-21 -	E-22
WATER & SEWAGE	E-23 -	F-02
WINDOW, VENT AND EXTERIOR DOOR	F-03 -	F-18

**CURTAIN & CUSHION GROUP (CONTINUED)**

**BUCKET SEAT COVERS**

KEY	PART NUMBER	U/M DESCRIPTION
	086740-07-D24	EA COVER ASM-SEAT & HEADREST, DRIVER
	086740-07-D25	EA COVER ASM-SEAT & HEADREST, DRIVER
	086740-07-D26	EA COVER ASM-SEAT & HEADREST, DRIVER
	M86740-07-D24	EA COVER-SEAT, DRIVER
	M86740-07-D25	EA COVER-SEAT, DRIVER
	M86740-07-D26	EA COVER-SEAT, DRIVER
	102860-01-D24	EA COVER-HEADREST
	102860-01-D25	EA COVER-HEADREST
	102860-01-D26	EA COVER-HEADREST
	086740-06-D24	EA COVER ASM-SEAT & HEADREST, PASSENGER
	086740-06-D25	EA COVER ASM-SEAT & HEADREST, PASSENGER
	086740-06-D26	EA COVER ASM-SEAT & HEADREST, PASSENGER
	M86740-06-D24	EA COVER-SEAT, PASSENGER
	M86740-06-D25	EA COVER-SEAT, PASSENGER
	M86740-06-D26	EA COVER-SEAT, PASSENGER
	102860-01-D24	EA COVER-HEADREST
	102860-01-D25	EA COVER-HEADREST
	102860-01-D26	EA COVER-HEADREST

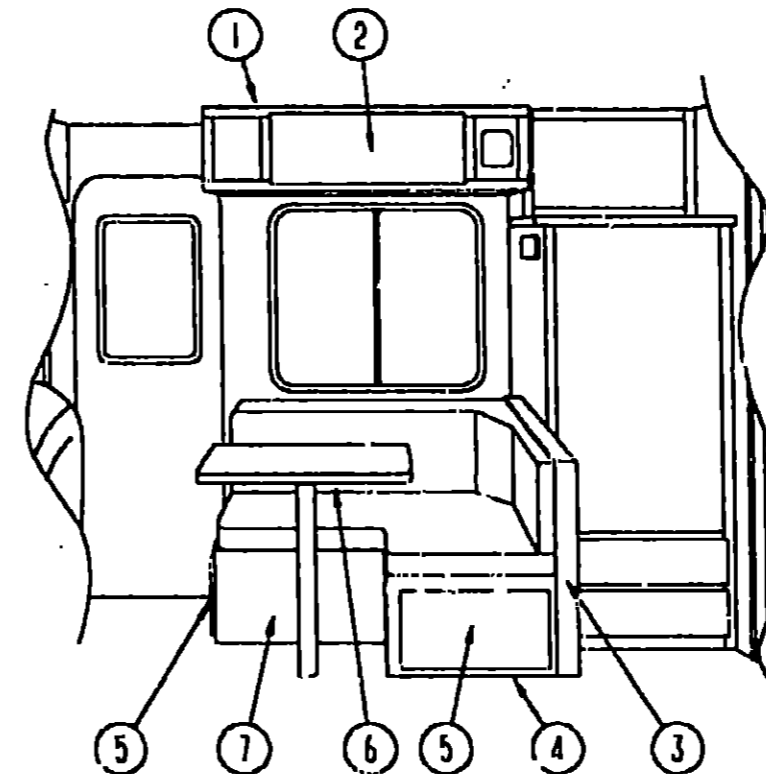
**FABRIC**

KEY	PART NUMBER	U/M DESCRIPTION
	103907-01-01A	YD FABRIC-VINYL, 54" WIDE - OFF WHITE
	029219-01-000	YD FABRIC-VINYL, 54" WIDE - WHITE
	072333-82-000	YD FABRIC-CURTAIN, 54" WIDE - BEIGE
	104233-31-000	YD FABRIC-UPHOLSTERY, PLAIN VELOUR - 54" WIDE (D24)
	104233-29-000	YD FABRIC-UPHOLSTERY, PLAIN VELOUR - 54" WIDE (D25)
	104233-30-000	YD FABRIC-UPHOLSTERY, PLAIN VELOUR - 54" WIDE (D26)
	104233-69-000	YD FABRIC-UPHOLSTERY, WOVEN PATTERN - 54" WIDE (D24/D25)
	104233-71-000	YD FABRIC-UPHOLSTERY, PATTERN VELOUR - 54" WIDE (D26)
	104233-70-000	YD FABRIC-UPHOLSTERY, STRIPED WOVEN - 54" WIDE (D24)
	104233-78-000	YD FABRIC-UPHOLSTERY, STRIPED WOVEN - 54" WIDE (D25)
	104233-72-000	YD FABRIC-UPHOLSTERY, DOTTED VELOUR - 54" WIDE (D26)
	088273-95-000	YD FABRIC-CURTAIN/BEDSPREAD, PATTERNED - 54" WIDE (D24) FROM 00-00-00 THRU 08-02-92
	105745-37-000	YD FABRIC-CURTAIN/BEDSPREAD PATTERNED - 54" WIDE (D24) FROM 08-03-92 THRU 99-99-99
	088273-83-000	YD FABRIC-CURTAIN/BEDSPREAD, PATTERNED - 54" WIDE (D25)
	105745-15-000	YD FABRIC-CURTAIN/BEDSPREAD, PATTERNED - 54" WIDE (D26)

**ASSIST HANDLE, SEATBELTS & BUTTONS**

KEY	PART NUMBER	U/M DESCRIPTION
	053552-02-AA8	EA HANDLE-ASSIST, INTERIOR - ENTRY DOOR - VINYL - OFF WHITE
	069178-02-000	EA BRACKET-MOUNTING, ASSIST HANDLE - L ANGLE - STEEL
	000C16-07-1G3	EA CARRIAGE BOLT-ASSIST HANDLE
	006D20-07-0J8	EA NUT-ACORN, ASSIST HANDLE
	007021-01-000	EA BELT-SEAT 2" X 90" - BLACK
	056271-01-000	EA BELT-SEAT 2" X 102" - BLACK
	078300-03-000	EA BRACKET-SEATBELT
	057759-01-000	EA WASHFR BRACKET-SEAT BELT 4" DIAMETER
	070578-01-B27	EA BUTTON-SCREW STUD, #30 (D24)
	070578-01-C03	EA BUTTON-SCREW STUD, #30 (D25)
	070578-01-B06	EA BUTTON-SCREW STUD, #30 (D26)

**DINETTE GROUP**



**CABINETS & PADS**

KEY	PART NUMBER	U/M DESCRIPTION
	1 M05160-30-D24	EA CABINET-OVERHEAD, W/O DOORS OR HARDWARE
	1 M05159-30-D25	EA CABINET-OVERHEAD, W/O DOORS OR HARDWARE
	1 M05159-30-D26	EA CABINET-OVERHEAD, W/O DOORS OR HARDWARE
	2 P03702-73-D24	EA DOOR-CABINET, W/O HARDWARE - 10" X 25 2"
	105847-01-C25	EA KEY RING HOLDER - DELUXE OPTION
	103130-01-000	EA HOOK-CUP, BRASS - 1 25" - DELUXE OPTION
	103869-03-D24	EA PAD-DINETTE (D24)
	103869-03-D02	EA PAD-DINETTE (D25)
	103869-03-D26	EA PAD-DINETTE (D26)
	3 M04136-08-D24	EA CABINET-BACKREST, DINETTE
	4 MC4139-04-D24	EA CABINET-SEATBASE, REAR DINETTE - W/O DOOR - NEXT TO REFRIGERATOR
	5 P03702-13-D24	EA DOOR-CABINET, W/O HARDWARE - 16" X 19"
	6 081298-10-D24	EA TABLE-DINETTE, PEDESTAL
	7 M04139-03-D24	EA CABINET-SEATBASE, FRONT DINETTE - W/O DOOR - NEAR ENTRY DOOR
	041194-01-000	EA BASE-TABLE, FLUSH - FLOOR MOUNTED
	009040-03-000	EA BASE-TABLE, RAISED - TABLE MOUNTED
	009040-02-000	EA LEG-TABLE, PEDESTAL - 27 5" X 2 25" OD - CHROME
	081518-04-B44	EA SEAT-DINETTE TOP, PLYWOOD

**1993 ITASCA  
TABLE OF CONTENTS**

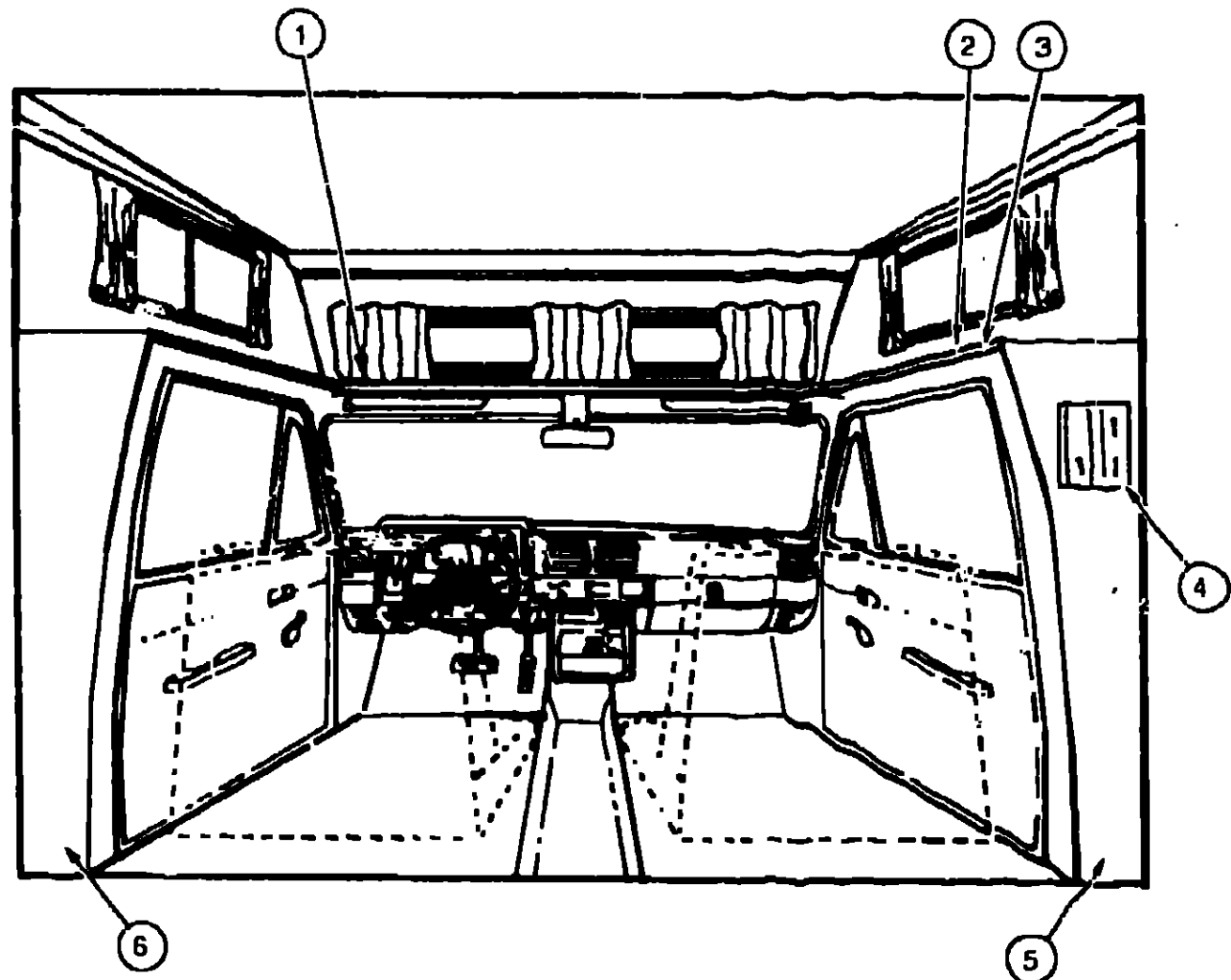
INTRODUCTION	A-01	A-02
ABBREVIATIONS		A-03
ALPHABETICAL INDEX	A-04	A-06
IT321RB	A-07	C-24
IT321RL	D-01	F-18
IT321RD	F-19	I-12

**1993 IT321RL INDEX**

FLOOR PLAN	D-01	D-02
ACCESSORIES		I-03
AUDIO VIDEO		J-04
BATH	J-05	D-06
CHASSIS	D-07	D-08
CURTAIN & CUSHION	J-09	D-15
DINETTE		D-15
DRIVERS COMPARTMENT		D-17
ELECTRICAL	D-18	D-21
EXTERIOR BODY	D-22	E-02
GALLEY	E-03	E-07
GENERATOR		E-08
HEATING & A/C		E-09
INTERIOR FINISH	E-10	E-12
LABELS	E-13	E-18
LP		E-19
LOUNGE		E-20
SEALANTS & FASTENERS	E-21	E-22
WATER & SEWAGE	E-23	F-02
WINDOW, VENT AND EXTERIOR DOOR	F-03	F-18

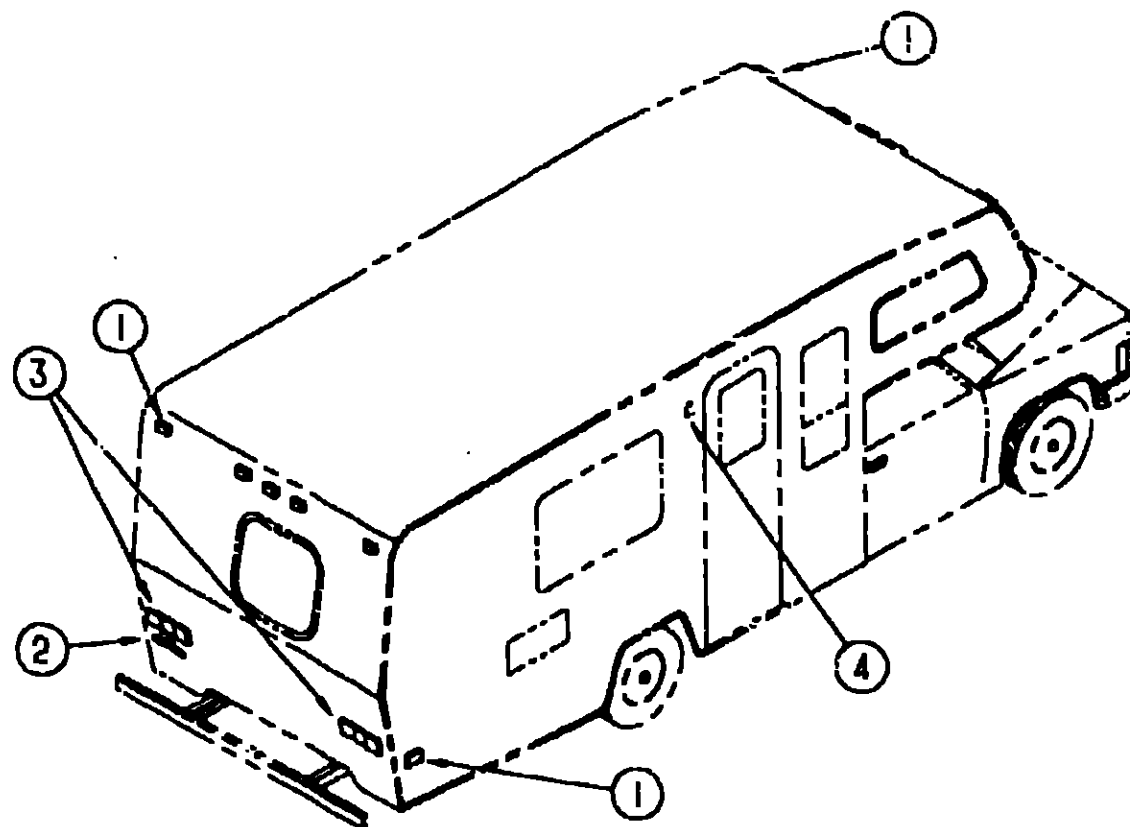


**DRIVERS COMPARTMENT GROUP**



**DRIVERS COMPARTMENT**

**ELECTRICAL GROUP**



**EXTERIOR LIGHTS**

**1993 ITASCA  
TABLE OF CONTENTS**

INTRODUCTION	A-01 -	A-02
ABBREVIATIONS		A-03
ALPHABETICAL INDEX	A-04 -	A-06
IT321RB	A-07 -	C-24
IT321RL	D-01 -	F-18
IT321RD	F-19 -	I-12

**1993 IT321RL INDEX**

FLOOR PLAN	D-01 -	D-02
ACCESSORIES		D-03
AUDIO VIDEO		D-04
BATH	D-05 -	D-06
CHASSIS	D-07 -	D-08
CURTAIN & CUSHION	D-09 -	D-15
DINETTE		D-16
DRIVERS COMPARTMENT		D-17
ELECTRICAL	D-18 -	D-21
EXTERIOR BODY	D-22 -	E-02
GALLEY	E-03 -	E-07
GENERATOR		E-08
HEATING & A/C		E-09
INTERIOR FINISH	E-10 -	E-12
LABELS	E-13 -	E-18
LP		E-19
LOUNGE		E-20
SEALANTS & FASTENERS	E-21 -	E-22
WATER & SEWAGE	E-23 -	F-02
WINDOW, VENT AND		
EXTERIOR DOOR	F-03 -	F-18

KEY	PART NUMBER	U/M	DESCRIPTION
1	P00072-01-B05	EA	PANEL-SLEEPERBOARD, W/O INTERIOR TRIM
	100085-01-01A	EA	TRIM-STRAP, SLEEPERBOARD - FLAT W/SCREW HOLES
	100086-01-01A	EA	TRIM-SLEEPERBOARD TO ROOF - OFF WHITE
2	079800-06-000	EA	TRIM-SLEEPERBOARD INNER - OFF WHITE
3	080742-03-000	FT	TRIM-VINYL-SLEEPER BOARD - OFF WHITE
4	086120-01-B27	EA	PAD ASM-MAP POCKET, 12" X 16" (D24)
4	086120-01-D02	EA	PAD ASM-MAP POCKET, 12" X 16" (D25)
4	086120-01-B06	EA	PAD ASM-MAP POCKET, 12" X 16" (D26)
	M86120-01-B27	EA	COVER-MAP POCKET (D24)
	M86120-01-C05	EA	COVER-MAP POCKET (D25)
	M86120-01-B06	EA	COVER-MAP POCKET (D26)
5	M95402-03-000	EA	WINGWALL-INNER, PASSENGER - W/O CARPET
6	M95402-02-000	EA	WINGWALL-INNER, DRIVER - W/O CARPET
	100138-01-000	EA	MODULE-DAYTIME RUNNING LIGHT - CANADIAN
	100159-05-000	EA	WIRE ASM-DAYTIME RUNNING LIGHTS, W/FUSE - CANADIAN
	100715-03-000	EA	SPEEDOMETER-KILOMETER, TOYOTA 83110-35220

KEY	PART NUMBER	U/M	DESCRIPTION
1	091983-01-000	EA	GASKET-CLEARANCE/SIDEMARKER LIGHT
1	042405-01-000	EA	LENS-CLEARANCE/SIDEMARKER LIGHT W/REFLEX - RED
1	042405-02-000	EA	LENS-CLEARANCE/SIDEMARKER LIGHT W/REFLEX - AMBER
1	042405-03-000	EA	BASE-CLEARANCE/SIDEMARKER LIGHT W/BULB - PLASTIC - WHITE
1	008213-01-000	EA	BULB-12V, 024 AMP - #57
2	066432-01-000	EA	LIGHT-LICENSE PLATE W/BACKET, OFF WHITE
3	081638-02-000	EA	TAILLIGHT-TRIPLE, W/OFF WHITE TRIM - DRIVER & PASSENGER SIDE
3	081638-01-700	EA	LENS-TAILLIGHT, RED - BARGMAN 30-84-010
3	081638-01-701	EA	LENS-TAILLIGHT, W/BACKUP - BARGMAN 30-84-700
3	081638-02-700	EA	LENS-TAILLIGHT, AMBER - BARGMAN 30-84-016
3	037934-01-000	EA	BULB-12V, - 2 1 AMP - #1156 - CLEAR GLASS (PARK UP & TURN SIGNAL)
3	039735-01-000	EA	BULB-12V, 2 1 AMP - #2057 OR 1157 CLEAR GLASS (BRAKE LIGHT)
3	081638-03-000	EA	WEDGE-TAILLIGHT, OFF WHITE - DRIVER OR PASSENGER SIDE
4	097917-01-01A	EA	LIGHT-PORCH, ENTRY DOOR - OFF WHITE
4	097917-01-700	EA	LENS-LIGHT, PORCH
4	008215-01-000	EA	BULB-12V, 94 AMP - #1003

**ELECTRICAL GROUP (CONTINUED)**  
**EXPCRT ELECTRIC CONVERSION OPT.ON L048**

KEY	PART NUMBER	U/M DESCRIPTION
	092615-01-000	EA CONVERTER-40 AMP, W/CHARGER - B-W 32400P
	094809-01-000	EA CENTER-LOAD, 240V - 125A - TPL412CT
	094810-01-000	EA BREAKER-CIRCUIT, DOUBLE 30 AMP - GE THQL2130
	094811-01-000	EA BREAKER-CIRCUIT, DOUBLE 20 AMP - GE THQL2120

**CANADIAN OPTION L265**

KEY	PART NUMBER	U/M DESCRIPTION
	008289-02-000	EA BOX-ELECTRICAL, 4" X 4" - 1/2" X 3/4" KNOCKOUTS
	008294-02-000	EA COVER-ELECTRICAL BOX, BLANK STEEL - 4" X 4"
	083209-02-000	EA CIRCUIT BREAKER-15/15AMP, 120V - B-W H-15/15
	083209-06-000	EA CIRCUIT BREAKER-30/15 AMP, 120V - B-W D-30/15
	083210-02-000	EA CIRCUIT BREAKER-GFI, 15A - 120V - 9W U-15

**INTERIOR LIGHTS, SWITCHES & RECEPTACLES**

KEY	PART NUMBER	U/M DESCRIPTION
	104173-01-01A	EA LIGHT-DESIGNER, BRASS - #81-905 - U S
	008215-01-000	EA BULB-12V, 94 AMP - #1003
	104172-01-01A	EA LIGHT-BULLET, BEIGE - #787 SERIES - CANADIAN
	008215-01-000	EA BULB-12V, 94 AMP - #1003
	098024-01-01A	EA LIGHT-DOME, 1 BULB - US - IVORY
	098024-03-01A	EA LIGHT-DOME, 2 BULB - IVORY
	098024-01-700	EA LENS-DOME LIGHT
	008218-01-000	EA BULB-DOME LIGHT, 12V - #1141
	075723-01-000	EA SPACER-SWITCH, W/O HOLE - 2" X 9" X 2" - METAL - OFF WHITE
	095188-01-01A	EA SPACER-SWITCH, 2 3" X 3 4" - PLASTIC - DARK BROWN
	079364-01-000	EA SWITCH-ON/OFF ROCKER, 2 PRONGS - BROWN
	098351-01-01A	EA PLATE-SWITCH, 1 GANG - POLISHED BRASS
	081994-02-000	EA PLATE-SWITCH, EXTERIOR SHOWER
		FROM 00-00-00 THRU 01-06-93
	108356-02-01A	EA COVER-SWITCH W/DIMPLES - EXTERIOR SHOWER - CARLING VVAZC00 BLA
	108357-08-000	EA SWITCH-ROCKER DPDT ON/NONE/ON - EXTERIOR SHOWER CARLING VDD1500C-0
	075736-02-000	EA COVER-EXTERIOR RECEPTACLE, OFF WHITE
	058708-01-000	EA RECEPTACLE-ELECTRIC, DOUBLE - BROWN
	158708-02-000	EA RECEPTACLE-ELECTRIC, DOUBLE - IVORY
	058707-01-000	EA RECEPTACLE-ELECTRIC, SINGLE - BROWN
	097734-01-01A	EA EXTENSION-RECEPTACLE, 3 2" X 5" X 7" - PLASTIC - IVORY
	084076-01-000	EA RECEPTACLE-GFI, 15A - 125V - IVORY
	084076-02-000	EA RECEPTACLE-GFI, 15A - 125V - BROWN
	084077-01-000	EA PLATE-COVER RECEPTACLE - GFI - IVORY
	084077-02-000	EA PLATE-COVER RECEPTACLE - GFI - BROWN
	024724-02-000	EA RECEPTACLE-POWER CORD W/PARTIAL PLATE

**ELECTRICAL GROUP (CONTINUED)**  
**CIRCUIT BREAKERS & FUSES**

KEY	PART NUMBER	U/M DESCRIPTION
	093655-02-000	EA CIRCUIT BREAKER-30 AMP, HOUSE CONTROL PANEL
	083209-03-000	EA CIRCUIT BREAKER-15/20AMP, 120V - BW D-15/20
	083209-04-000	EA CIRCUIT BREAKER-30A, 120V - BW L-30
	083209-05-000	EA CIRCUIT BREAKER-20A, 120V - BW J-20
	003235-01-000	EA FUSE-AUTOMOTIVE 12V - 15AMP
	062901-02-000	EA FUSE-5 AMPS, AUTOMOTIVE
	062901-05-000	EA FUSE-15 AMPS, AUTOMOTIVE
	100341-01-000	EA FUSE HOLDER-IN LINE TYPE
	107333-01-01A	EA MOUNT-CIRCUIT BREAKER, 3 9" X 2" - BLACK PLASTIC
	087949-01-000	EA BUSS BAR-2 POSITION, 6" X 1 5" - ALUMINUM

**ELECTRICAL CONNECTORS**

KEY	PART NUMBER	U/M DESCRIPTION
	007940-01-000	EA RECEPTACLE-SLIDE, 16 TO 12 AWG - FEMALE END
	006311-01-000	EA CONNECTOR-WIRE NUT, INSULATED - RED
	008314-01-000	EA CONNECTOR-WIRE NUT, INSULATED - GRAY
	009326-01-000	EA TERMINAL-RING, 16/14 WIRE - 3/8" STUD
	008328-01-000	EA TERMINAL-RING, 12/10 WIRE - #10 STUD FIT
	008331-01-000	EA TERMINAL-RING, TONGUE - #4 WIRE - 3/8" STUD - COPPER
	008348-01-000	EA TERMINAL-RING, 3/8" STUD - #2 WIRE CONNECTS CABLE TO DISCONNECT RELAY AND BATTERY
	008355-01-000	EA CONNECTOR-CABLE CLAMPING, 3/4"
	008356-01-000	EA CONNECTOR-PLASTIC, 3/8" AVG
	008398-01-000	EA CONNECTOR-1/2" X 90 DEGREE, FLEX CONDUIT - UL AND CSA
	035416-04-000	EA TERMINAL-RING #10 STUD FIT, INSULATED BARRIL #16/14
	047443-01-000	EA TERMINAL-250 RECEPT FIT, INSULATED - 16/14 AWG
	058028-01-000	EA CONNECTOR-ELECTRICAL PIGTAIL, NYLON - CLEAR
	063910-01-000	EA HOUSING-RELAY, BOSCH 3 334 485 008
	080015-02-000	EA RECEPTACLE-FLAG, 185 - 16/14 GA - AMP 3
	088473-03-000	EA HOUSING-PIN, 9-POSITION
	088473-08-000	EA HOUSING-PIN, 4 POSITION
	088473-10-000	EA PIN-HOUSING, 2 POSITION
	088474-03-000	EA HOUSING-SOCKET 9-POSITION
	088474-07-000	EA HOUSING-SOCKET, 5 CAVITY - AMP 1-480764-0
	088474-08-000	EA SOCKET-HOUSING, 4 POSITION (SINGLE ROW)
	088474-09-000	EA HOUSING-SOCKET, 3 POSITION
	088474-10-000	EA HOUSING-SOCKET, 2 POSITION
	088475-01-000	EA PIN-CONNECTOR, 14 TO 20 AWG
	088476-01-000	EA SOCKET-CONNECTOR, BRASS - PRE-TIN
	088476-02-000	EA SOCKET-CONNECTOR, 12-10 GA - PHOS BRONZE - PRE-TIN
	088474-10-000	EA HOUSING-SOCKET, 2 POSITION

**1993 ITASCA**  
**TABLE OF CONTENTS**

INTRODUCTION	A-01	A-02
ABBREVIATIONS		A-03
ALPHABETICAL INDEX	A-04	A-06
IT321RE	A-07	C-24
IT321RL	D-01	F-18
IT321RD	F-19	I-12

**1993 IT321RL INDEX**

FLOOR PLAN	D-01	D-02
ACCESSORIES		D-03
AUDIO VIDEO		D-04
BATTERY	D-05	D-06
CHASSIS	D-07	D-08
CURTAIN & CUSHION	D-09	D-15
DINETTE		D-16
DRIVERS COMPARTMENT		D-17
ELECTRICAL	D-18	D-21
EXTERIOR BODY	D-22	E-02
GALLEY	E-03	E-07
GENERATOR		E-08
HEATING & AC		E-09
INTERIOR FINISH	E-10	E-12
LABELS	E-13	E-18
LP		E-19
LOUNGE		E-20
SEALANTS & FASTENERS	E-21	E-22
WATER & SEWAGE	E-23	F-02
WINDOW, VENT AND EXTERIOR DOOR	F-03	F-18

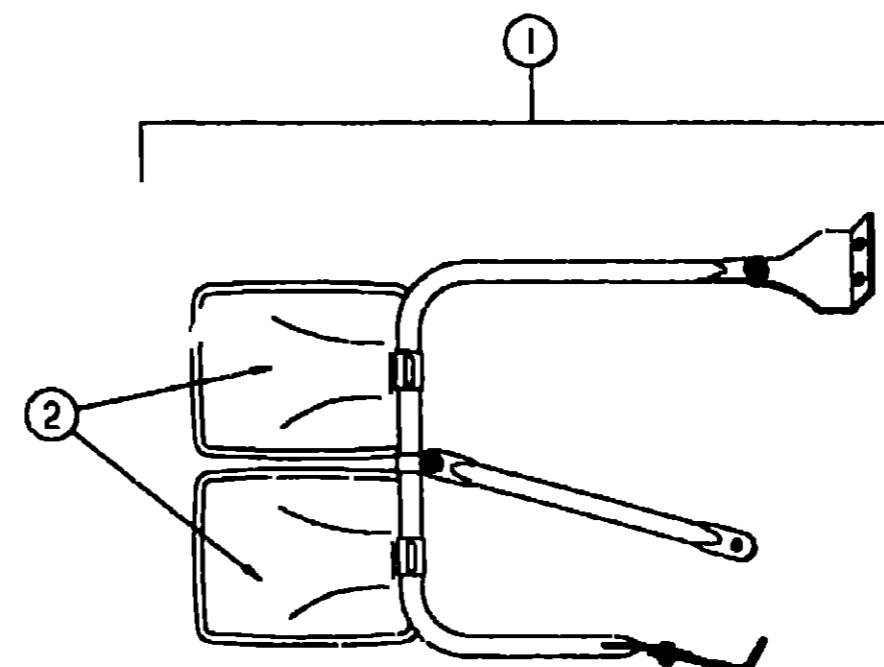
**ELECTRICAL GROUP (CONTINUED)**  
**BOXES, CONDUIT & COVERS**

KEY	PART NUMBER	U/M DESCRIPTION
	008288-01-000	EA BOX-ELECTRIC, PLASTIC, 3" X 3 1/2"
	008289-01-000	EA BOX-ELECTRIC, STEEL - 1/2" AND 3/4" KNOCKOUTS - 4" X 4"
	058049-01-000	EA BOX-ELECTRIC SWITCH, 2" X 3" X 2 25"
	091910-01-000	EA BOX-ELECTRIC, 3.75" X 3.5" X 1.75" - PLASTIC
	093603-01-000	EA BOX-ELECTRIC, 4" X 2 1/8" X 2 1/8" - STEEL
	107165-01-01A	EA BOX-CIRCUIT BREAKER MOUNT, 14 6" X 4" - BLACK PLASTIC
	041953-01-000	FT CONDUIT-CONVOLUTE SLIT, 5" ID
	041953-03-000	FT CONDUIT-CONVOLUTE SLIT, 1" ID (CLOTHES ROD COVER)
	041953-05-000	FT CONDUIT-CONVOLUTE SOLID, 62" ID
	041953-06-000	FT CONDUIT-CONVOLUTE, SLIT 375" ID
	041953-07-000	FT CONDUIT-CONVOLUTE, SLIT - 25" ID
	041953-09-000	FT CONDUIT-CONVOLUTE, SLIT 50" ID
	008294-01-000	EA COVER-ELECTRICAL BOX, BLANK/STEEL - 4" X 4" - GRAY
	054250-04-000	EA COVER-ANGLED, W/O HOLE - 3 6" X 4 5" - PLASTIC - OFF WHITE ELECTRICAL PLATE SUPPORT
	069238-01-000	EA COVER-ELECTRICAL BOX, W/HOLE - 4" X 4" - GRAY EQUIPPED WITH 30 AMP RECEPTACLE
	073626-01-000	EA COVER-ELECTRIC, 10 4" X 7 8" - BEIGE PLASTIC

**SOLENOID, POWER CONVERTER & POWER CORDS**

KEY	PART NUMBER	U/M DESCRIPTION
	008188-01-000	EA SOLENOID-3 POST, BATTERY CHANGE OVER
	083208-01-000	EA CONVERTER-POWER 32A -120V/12V - BW 6332
	008052-01-000	EA CORD-POWER, 10/3 - 30 AMP - 25' - CANADIAN
	008054-02-000	EA CORD-POWER, 10-3 - 30 AMP - 33'

**EXTERIOR BODY GROUP**



**1993 ITASCA**  
**TABLE OF CONTENTS**

INTRODUCTION	A-01	A-02
ABBREVIATIONS		A-03
ALPHABETICAL INDEX	A-04	A-05
IT321RB	A-07	C-24
IT321RL	D-01	F-10
IT321RD	F-19	I-12

**EXTERIOR MIRRORS**

KEY	PART NUMBER	U/M DESCRIPTION
1	084445-03-000	EA MIRROR-EXTERIOR, PASSENGER SIDE - VELVAC 712724-7
1	084445-04-000	EA MIRROR-EXTERIOR, DRIVER SIDE - VELVAC 712725-7
2	084445-03-700	EA HEAD-MIRROR, FLAT GLASS - DRIVER OR PASS SIDE - VELVAC 704176-5
2	084445-03-701	EA HEAD-MIRROR, CONVEX GLASS - DRIVER OR PASS SIDE - VELVAC 704187-5

**ALUMINUM, FIBERGLASS & STYROFOAM**

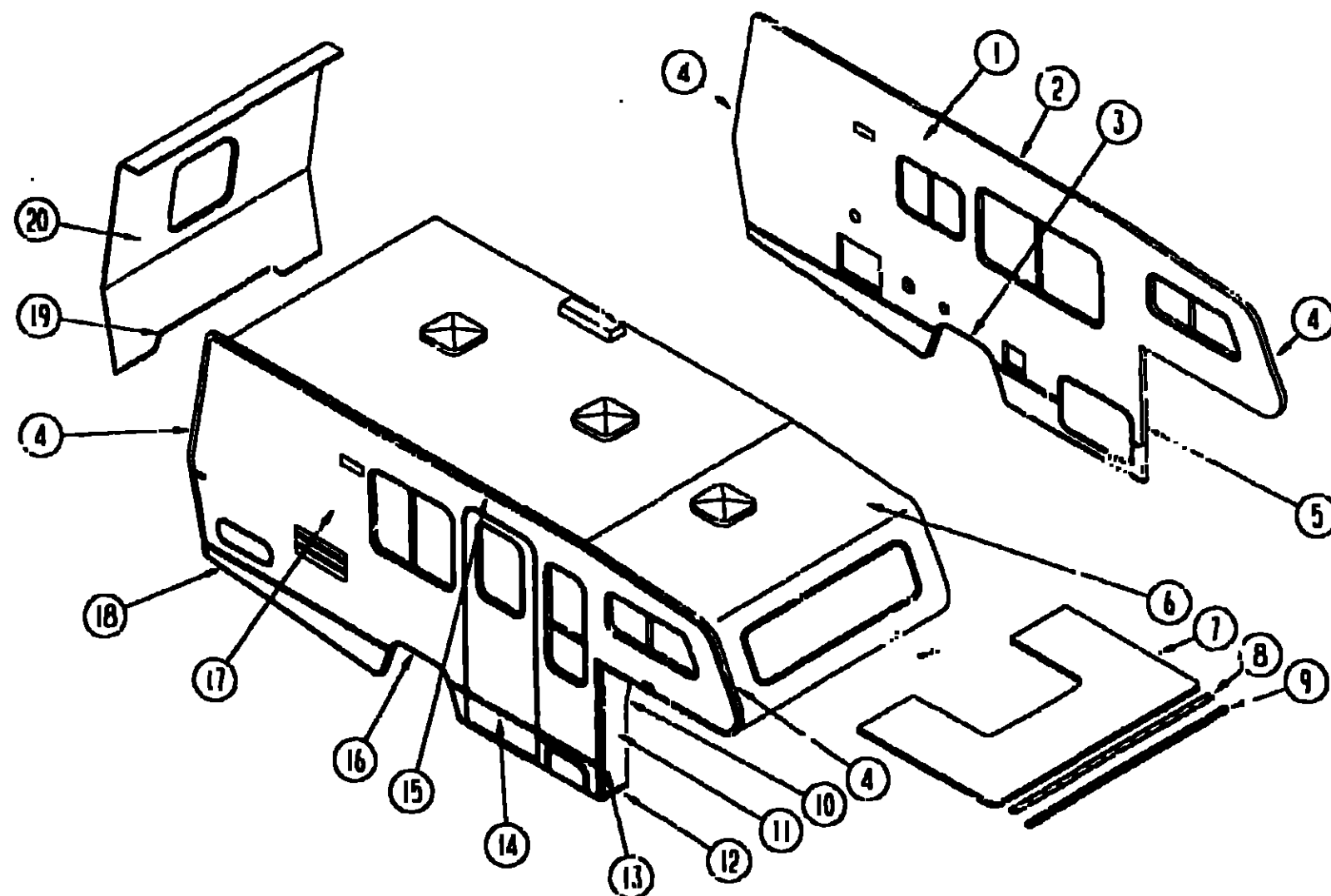
KEY	PART NUMBER	U/M DESCRIPTION
	044487-01-001	EA SHEET-ALUMINUM, (ROOF) - 019" X 96" X 360" - MILL FINISH
	001054-01-011	EA SHEET-ALUMINUM, FLAT - 024" X 48" X 96" - OFF WHITE
	077517-24-000	EA SHEET-FIBERGLASS, FLAT - 48" X 96" - OFF WHITE
	076054-D3-005	EA SHEET-FIBERGLASS, FLAT - 48" X 224" - OFF WHITE
	076054-G7-001	EA SHEET-FIBERGLASS, FLAT - 41" X 27" - OFF WHITE
	076054-A2-000	EA SHEET-FIBERGLASS, FLAT - 25" X 48" - OFF WHITE
	000870-02-000	SF STYROFOAM-1 1/2" X 48" X 96", INCREMENTS OF 32 SF
	000870-05-000	SF STYROFOAM-5" X 24" X 96" - INCREMENTS OF 16 SF
	083574-03-000	SF STYROFOAM-3/4" X 48" X 96" - INCREMENTS OF 32 SF

**1993 IT321RL INDEX**

FLOOR PLAN	D-01	D-02
ACCESSORIES		D-03
AUDIO VIDEO		D-04
BATH	D-05	D-06
CHASSIS	D-07	D-08
CURTAIN & CUSHION	D-09	D-15
DINETTE		D-16
DRIVERS COMPARTMENT		D-17
ELECTRICAL	D-18	D-21
EXTERIOR BODY	D-22	E-02
GALLEY	E-03	E-07
GENERATOR		E-08
HEATING & A/C		E-09
INTERIOR FINISH	E-10	E-12
LABELS	E-13	E-18
LP		E-19
LOUNGE		E-20
SEALANTS & FASTENERS	E-21	E-22
WATER & SEWAGE	E-23	F-02
WINDOW, VENT AND EXTERIOR DOOR	F-03	F-18

**EXTERIOR BODY GROUP (CONTINUED)**

**EXTERIOR BODY PANELS & TRIM**



**1993 ITASCA  
TABLE OF CONTENTS**

INTRODUCTION	A-01	A-02
ABBREVIATIONS		A-03
ALPHABETICAL INDEX	A-04	A-06
IT321RB	A-07	C-24
IT321RL	D-01	F-18
IT321RD	F-19	I-12

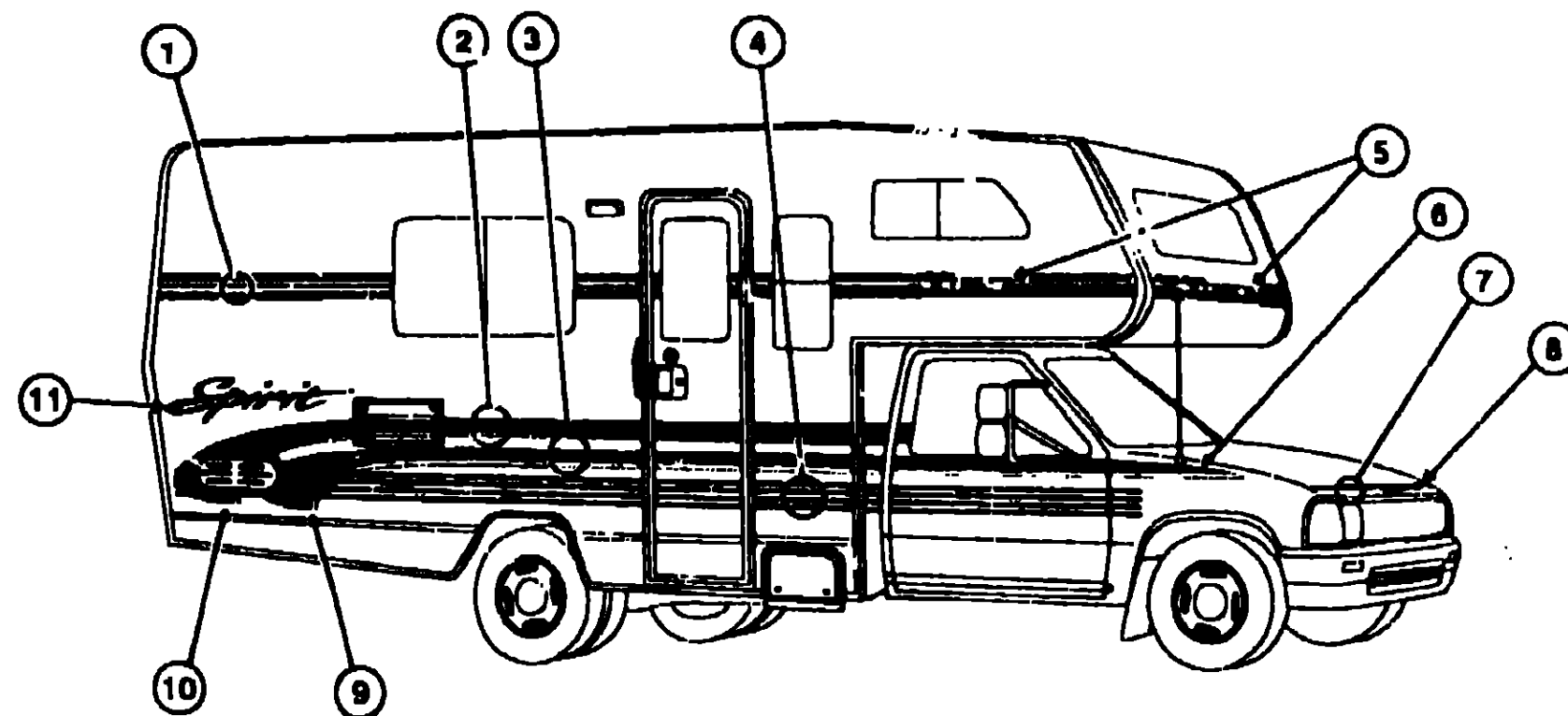
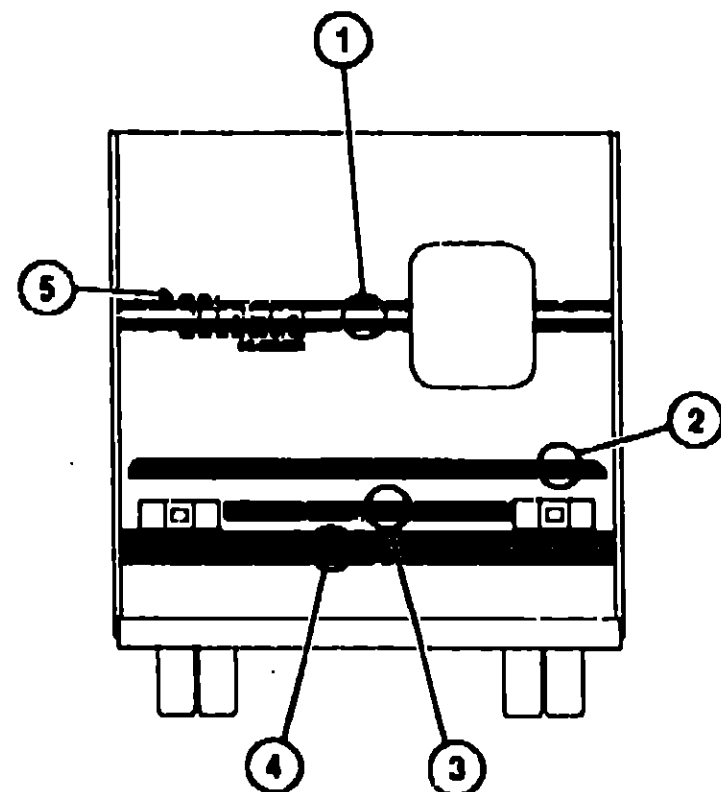
**1993 IT321RL INDEX**

FLOOR PLAN	D-01	D-02
ACCESSORIES		D-03
AUDIO VIDEO		D-04
BATH	D-05	D-06
CHASSIS	D-07	D-08
CURTAIN & CUSHION	D-09	D-15
DINETTE		D-16
DRIVERS COMPARTMENT		D-17
ELECTRICAL	D-18	D-21
EXTERIOR BODY	D-22	E-02
GALLEY	E-03	E-07
GENERATOR		E-08
HEATING & A/C		E-09
INTERIOR FINISH	E-10	E-12
LABELS	E-13	E-18
LP		E-19
LOUNGE		E-20
SEALANTS & FASTENERS	E-21	E-27
WATER & SEWAGE	E-23	F-02
WINDOW, VENT AND EXTERIOR DOOR	F-03	F-18

KEY	PART NUMBER	U/M	DESCRIPTION
1	P03567-01-D24	EA	SIDEWALL-DRIVER SIDE, W/O DOORS OR WINDOWS
	002726-01-001	EA	GARNISH-U-CHANNEL, 1 3/8" X 1 9/16" - SERRATED - MILL ALUMINUM
2	096864-01-01A	EA	TRIM-CONTOUR, ROOF TO SIDEWALL - DR OR PASS - 120"
3	100500-02-J1A	EA	TRIM-WHEELWELL, REAR - DRIVER SIDE - OFF WHITE
4	096854-01-01A	EA	TRIM-CONTOUR, W/O VINYL INSERT - 108" - OFF WHITE
	079295-01-01A	FT	INSERT-VINYL, ON EXTERIOR TRIM - 81" - OFF WHITE
			FROM 00-00-00 THRU 09-30-91
	1C5312-01-01A	FT	INSERT-TRIM VINYL - OFF WHITE
			FROM 10-01-91 THRU 99-99-99
5	093970-06-01A	EA	TRIM-WINGWALL, DRIVER SIDE VERTICAL - 46 5" - OFF WHITE
			FROM 00-00-00 THRU 09-27-92
5	104479-08-01A	EA	TRIM-WINGWALL, DRIVER SIDE - VERTICAL - OFF WHITE
			FROM 09-28-92 THRU 99-99-99
6	P07830-01-D01	EA	ROOF ASSEMBLY-W/O VENTS OR LIGHTS
	M76177-01-700	EA	SECTION-ROOF, OVER CAB TO FIRST ROOF SEAM
7	P00072-01-B05	EA	PANEL-SLEEPERBOARD, W/O INTERIOR TRIM
8	100085-01-01A	EA	TRIM-STRAP, SLEEPERBOARD - FLAT W/SCREW HOLES
9	100086-01-01A	EA	TRIM-SLEEPERBOARD TO ROOF - OFF WHITE
10	089334-01-000	FT	VINYL-EXTERIOR, BETWEEN WINGWALL & CAB SEAL - WHITE
	080267-11-000	EA	TRIM-SIDEWALL, U-CHANNEL - 5 4" - OFF WHITE
	002754-01-001	EA	ANGLE-EXTRUDED, 75" X 75" X 18" - MILL ALUMINUM
11	100682-01-B05	EA	WINGWALL-PASSENGER
	100682-02-B05	EA	WINGWALL-DRIVER
12	084704-02-000	EA	TRIM-WINGWALL, OFF WHITE - DRIVER OR PASS SIDE

KEY	PART NUMBER	U/M	DESCRIPTION
13	096970-05-01A	EA	TRIM-WINGWALL, PASSENGER SIDE VERTICAL - 46 5" - OFF WHITE
			FROM 00-00-00 THRU 09-27-92
	104479-07-01A	EA	TRIM-WINGWALL, PASSENGER SIDE - VERTICAL - OFF WHITE
			FROM 09-28-92 THRU 99-99-99
14	002444-04-002	EA	STRIP-FEATURE, W/O INSERT - 15" LONG - OFF WHITE
			FROM 00-00-00 THRU 03-16-93
	009731-01-000	EA	END CAP-FEATURE STRIP
			FROM 00-00-00 THRU 03-16-93
	001030-02-003	EA	INSERT-FEATURE STRIP, 17" LONG - OFF WHITE
	108651-01-000	EA	CAP-FEATURE STRIP, MILL
			FROM 03-17-93 THRU 99-99-99
	108688-01-01A	EA	STRIP-FEATURE, W/O INSERT - 15" LONG - OFF WHITE
			FROM 03-17-93 THRU 99-99-99
	069726-02-000	EA	BUMPER- 88" DIAMETER X 40", BLACK
15	100483-01-01A	EA	TRIM-CONTOUR, ROOF (AWNING) - OFF WHITE
	099583-55-001	EA	RAIL-AWNING, 10' LONG - OFF WHITE
16	100800-01-01A	EA	TRIM-WHEELWELL, REAR - PASS SIDE - OFF WHITE
17	P07586-01-D24	EA	SIDEWALL-PASSENGER SIDE, W/O DOORS OR WINDOWS
18	092776-03-012	EA	EXTRUSION-U CHANNEL, 1 7/8" X 1 9/16" - OFF WHITE
	102766-51-001	EA	EXTRUSION-U CHANNEL, 1 5/8" X 1 1/2" LONG - MILL ALUMINUM
	096787-51-001	EA	EXTRUSION-U CHANNEL, 10 DEGREE ANGLE - 1 26" X 15' LONG - MILL ALUMINUM
19	085004-01-000	EA	TRIM-BACKWALL, LOWER - OFF WHITE - DRIVER OR PASSENGER SIDE
	002365-01-001	EA	U-CHANNEL, 1" X 1 1/8" - SERRATED - MILL ALUMINUM
20	P07584-01-D24	EA	BACKWALL-W/O WINDOW LIGHTS, OR DECALS

**EXTERIOR BODY GROUP (CONTINUED)**  
DECALS, STRIPES & PAINT



**1993 ITASCA  
TABLE OF CONTENTS**

INTRODUCTION	A-01	A-02
ABBREVIATIONS		A-03
ALPHABETICAL INDEX	A-04	A-05
IT321RB	A-06	C-23
IT321RL	D-01	F-18
IT321RD	F-19	I-12

**1993 IT321RL INDEX**

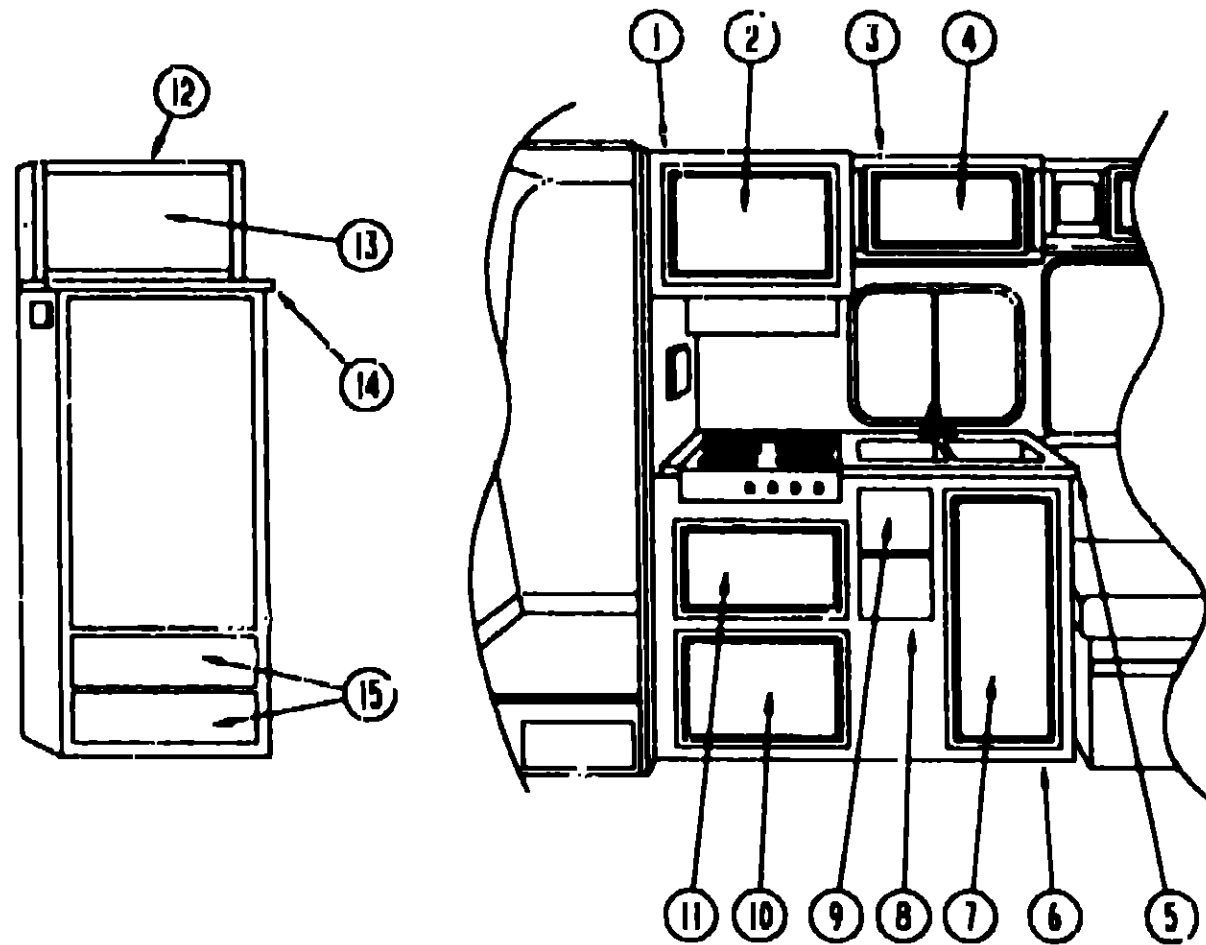
FLOOR PLAN	D-01	D-02
ACCESSORIES		D-03
AUDIO VIDEO		D-04
BATH	D-05	D-05
CHASSIS	D-07	D-08
CURTAIN & CUSHION	D-09	D-15
DINETTE		D-16
DRIVERS COMPARTMENT		D-17
ELECTRICAL	D-18	D-21
EXTERIOR BODY	D-22	E-02
GALLEY	E-03	E-07
GENERATOR		E-08
HEATING & A/C		E-09
INTERIOR FINISH	E-10	E-12
LABELS	E-13	E-18
LP		E-19
LOUNGE		E-20
SEALANTS & FASTENERS	E-21	E-22
WATER & SEWAGE	E-23	F-02
WINDOW, VENT AND EXTERIOR DOOR	F-03	F-18

KEY	PART NUMBER	U/M	DESCRIPTION
1	094443-13-01A	FT	FILM-MULTISTRIPE, 3 STRIPES - 120.7 MM
2	105781-08-01A	FT	FILM-MULTISTRIPE, 2 STRIPES - 88.9 MM
3	105781-02-05A	FT	FILM-MULTISTRIPE, 2 STRIPES - 63.5 MM
4	093689-13-01A	FT	FILM-MULTISTRIPE, 4 STRIPES - 88.9 MM
5	078852-30-000	EA	DECAL-LOGO, ITASCA - 5' TALL
6	107424-01-01A	EA	DECAL-FENDER, PASSENGER SIDE
	107424-02-01A	EA	DECAL-FENDER, DRIVER SIDE
7	105781-07-01A	FT	FILM-MULTISTRIPE, 2 STRIPES - 50.8 MM
8	107427-02-01A	EA	DECAL-SPIRIT, SMALL
9	107425-01-01A	EA	DECAL-SWEEP, FRONT PASSENGER SIDE
	107425-02-01A	EA	DECAL-SWEEP, FRONT DRIVER SIDE
10	107426-01-01A	EA	DECAL-SWEEP, REAR PASSENGER SIDE
	107426-02-01A	EA	DECAL-SWEEP, REAR DRIVER SIDE
11	107427-01-01A	EA	DECAL-SPIRIT, LARGE
	084075-01-000	EA	DECAL-"BY WINNEBAGO INDUSTRIES", BLACK

**DUPONT COLOR CODES**

OFF WHITE	L8723
SLATE GREY PEARL	G9955
LIGHT RUTILE	G9659K
ROSEMIST	G9850

**GALLEY GROUP**  
GALLEY CABINETS & COMPONENTS



**1993 ITASCA**  
**TABLE OF CONTENTS**

INTRODUCTION	A-01	A-02
ABBREVIATIONS		A-03
ALPHABETICAL INDEX	A-04	A-05
IT321RB	A-07	C-24
IT321L	D-01	F-16
IT321RD	F-19	I-12

**1993 IT321RL INDEX**

FLOOR PLAN	D-01	D-02
ACCESSORIES		D-03
AUDIO VIDEO		D-04
BATH	D-05	D-06
CHASSIS	D-07	D-08
CURTAIN & CUSHION	D-09	D-15
DINETTE		D-16
DRIVERS COMPARTMENT		D-17
ELECTRICAL	D-18	D-21
EXTERIOR BODY	D-22	E-02
GALLEY	E-03	E-07
GENERATOR		E-08
HEATING & A/C		E-09
INTERIOR FINISH	E-10	E-12
LABELS	E-13	E-18
LP		E-19
LOUNGE		E-20
SEALANTS & FASTENERS	F-21	E-22
WATER & SEWAGE	E-23	F-02
WINDOW VENT AND		
EXTERIOR DOOR	F-03	F-18

KEY	PART NUMBER	U/M	DESCRIPTION
1	M05160-01-D24	EA	CABINET-OVERHEAD, W/O DOORS OR HARDWARE
2	P03702-77-D24	EA	DOOR-CABINET, W/O HARDWARE - 14 9" X 21 8"
3	M05160-03-D24	EA	CABINET-OVERHEAD, W/O DOORS OR HARDWARE
4	P03702-78-D24	EA	DOOR-CABINET, W/O HARDWARE - 12" X 21 8"
	103235-01-B27	EA	RACK-SPICE - DELUXE OPTION
5	107556-11-D24	EA	COUNTERTOP-GALLEY CABINET
6	M04164-23-D24	EA	CABINET-GALLEY, W/O DOORS OR HARDWARE - STANDARD US
6	M04164-24-D24	EA	CABINET-GALLEY, W/O DOORS OR HARDWARE - CANADIAN OPTION
6	M04164-23-D24	EA	CABINET-GALLEY, W/O DOORS OR HARDWARE - CANADIAN OPTION FROM 03-00-00 THRU 03-07-93
6	M04164-27-D24	EA	CABINET-GALLEY, W/O DOORS OR HARDWARE - RANGE W/OVEN OPTION US
6	M04164-28-D24	EA	CABINET-GALLEY, W/O DOORS OR HARDWARE - RANGE W/OVEN OPTION CANADA FROM 00-00-00 THRU 03-07-93
6	M04164-27-D24	EA	CABINET-GALLEY, W/O DOORS OR HARDWARE - RANGE W/OVEN OPTION CANADA FROM 03-08-93 THRU 99-99-99
6	M04164-25-D24	EA	CABINET-GALLEY, W/O DOORS OR HARDWARE MICROWAVE OVEN & POWER PACK OPTIONS US
6	M04164-26-D24	EA	CABINET-GALLEY, W/O DOORS OR HARDWARE MICROWAVE OVEN & POWER PACK OPTIONS - CANADIAN FROM 00-00-00 THRU 03-07-93
6	M04164-25-D24	EA	CABINET-GALLEY, W/O DOORS OR HARDWARE MICROWAVE OVEN & POWER PACK OPTIONS - CANADIAN FROM 03-08-93 THRU 99-99-99
7	P03702-15-D24	EA	DOOR-CABINET, W/O HARDWARE - 12" X 25 9"
8	P07104-C4-D24	EA	DRAWER-CABINET, W/O HARDWARE - 5 1" X 12" FACE SIZE
9	P07104-C6-D24	EA	DRAWER-CABINET, W/O HARDWARE - 6 1" X 12" FACE SIZE

KEY	PART NUMBER	U/M	DESCRIPTION
10	P03702-76-D24	EA	DOOR-CABINET, W/O HARDWARE - 21 8" X 14 9"
11	P03702-75-D24	EA	DOOR-CABINET, W/O HARDWARE - 21 8" X 12"
	099856-02-000	EA	STRAP-TIEDOWN, MICROWAVE - BLACK
	098335-02-D24	EA	RAIL-GALLEY, 22 2" LONG
	103243-01-000	EA	FAUCET-GALLEY, DUAL CONTROL - 8" CENTERSET
	066437-01-000	EA	STRAINER-SINK, GALLEY W/BASKET
	066437-01-700	EA	BASKET-STRAINER, GALLEY SINK
	066435-01-000	EA	NUT-STRAINER
	102551-03-000	EA	SINK-GALLEY, DOUBLE W/MOUNTING HARDWARE - STAINLESS STEEL
	102551-04-000	EA	SINK-GALLEY, DOUBLE W/MOUNTING HARDWARE - STAINLESS STEEL - CANADIAN
	103610-02-D24	EA	COVER-SINK
	090329-01-000	FT	SEAL-T. REFRIGERATOR CABINET - 6" WIDE TOP X 2" TAIL
12	M05160-11-D24	EA	CABINET-OVERHEAD, W/O DOOR OR HARDWARE - DELUXE OPTION
13	P03702-79-D24	EA	DOOR-CABINET, W/O HARDWARE - 10" X 19 1" - DELUXE OPTION
	058331-18-000	EA	MIRROR-GLASS, SAFETY - 11 25" X 22 4" - DELUXE OPTION
	058331-46-000	EA	MIRROR-GLASS, SAFETY - 9 8" X 22 4" - DELUXE OPTION
14	107557-11-D24	EA	COUNTERTOP-REFRIGERATOR CABINET
15	P07104-C2-D24	EA	DRAWER-CABINET W/O HARDWARE - 6 1" X 23" FACE SIZE

**GALLEY GROUP (CONTINUED)**  
STANDARD REFRIGERATOR

KEY	PART NUMBER	U/M DESCRIPTION
	101991-02-000	EA REFRIGERATOR-2 WAY, 4 CU FT - DOMESTIC RM2410
	101991-01-713	EA DRIP CHUTE, DOMESTIC 2007507003
	101991-01-715	EA SHELF LOCK, OUTER - DOMESTIC 2007393016
	101991-01-716	EA SHELF LOCK, INNER - DOMESTIC 2007392018
	101991-01-717	EA SPRING HOUSING LH DOMESTIC 2002236004
	101991-01-718	EA SPRING HOUSING RH DOMESTIC 2002236012
	101991-01-719	EA SPRING LH DOMESTIC 2002237002
	101991-01-720	EA SPRING RH DOMESTIC 2002237010
	101991-01-721	EA CARRIER DOMESTIC 2002238000
	101991-01-725	EA SHUTTER CPL WHITE DOMESTIC 2002239065
	101991-01-726	EA HINGE DOMESTIC 2002244008
	101991-01-727	EA BASKET, DOMESTIC 2000917019
	101991-01-728	EA PUSH BUTTON GRAY/BROWN - DOMESTIC 2007479054
	101991-01-730	EA KNOB-SELECTOR 12/120V - GRAY/BROWN - DOMESTIC 2007480177
	101991-01-740	EA THERMO ELECTRIC SAFETY VALVE DOMESTIC 2007422005
	101991-01-742	EA COUPLING DOMESTIC 2007518000
	101991-01-743	EA THERMOSTAT DUAL, DOMESTIC 2007199009
	101991-01-744	EA BYPASS SCREW DOMESTIC 0172814034
	101991-01-745	EA CUTOFF VALVE DOMESTIC 2007430008
	101991-01-746	EA SWITCH, DOMESTIC 2007432004
	101991-01-747	EA SPRING DOMESTIC 2007577014
	101991-01-748	EA SPRING, DOMESTIC 2007578004
	101991-01-749	EA LIGHTER, DOMESTIC 2007423003
	101991-01-750	EA SPRING, DOMESTIC 2007425008
	101991-01-752	EA ELECTRODE, DOMESTIC 2930374009
	101991-01-753	EA SEALING RING DOMESTIC 0140748005
	101991-01-754	EA SNAP CATCH FOR 12/120V, DOMESTIC 2930066028
	101991-01-756	EA BURNER RETAINER DOMESTIC 2007651009
	101991-01-757	EA BURNER JET NO 39 FOR PROPANE DOMESTIC 2007419159
	101991-01-759	EA HEATER 120V/160W - DOMESTIC 0173756016
	101991-02-700	EA DECORATION #14 DOMESTIC 2931583-039
	101991-02-701	EA HANDLE #8, DOMESTIC 2931600-015
	101991-02-702	EA DOOR #1 DOMESTIC 2931586-115
	101991-02-703	EA FRONT PANEL #19 DOMESTIC 2931293-027
	101991-02-706	EA COOLING UNIT 335A - DOMESTIC 2934335999
	101991-02-707	EA HOLDER BOTTLE 7 1/2" - DOMESTIC 2930715-053
	101991-02-708	EA HOLDER BOTTLE, 8" - DOMESTIC 2930715-061
	101991-02-709	EA SHELF-DOOR, DOMESTIC 2002261-22/E
	101991-02-710	EA SHELF-DOOR, DOMESTIC 2000571-22/D
	101991-02-711	EA KNOB, DOMESTIC 2007480-21/9
	101991-02-714	EA HINGE-UPPER, DOMESTIC 2931291013
	101991-02-715	EA PLATE-MOUNTING, RIGHT - DOMESTIC 293129701A
	101991-02-716	EA PLATE-MOUNTING, LEFT DOMESTIC 293129702/B
	101991-02-717	EA PIN-HINGE, UPPER - DOMESTIC 293128001/9
	101991-02-718	EA HINGE-LOWER, RIGHT - DOMESTIC 293153301/5
	101991-02-719	EA HINGE-LOWER, LEFT - DOMESTIC 293153801/7
	101991-02-720	EA PIN-HINGE, LOWER - DOMESTIC 293128601/3
	101991-02-721	EA PLUG - DOMESTIC 293151003/2
	101991-02-722	EA SEALING - DOMESTIC 2931574012
	101991-02-723	EA BASE-FRONT, DOMESTIC 2931528018
	101991-02-724	EA CATCH - DOMESTIC 2931511014
	101991-02-725	EA SHELF W/NOTCH OUT - DOMESTIC 2930133133
	101991-02-726	EA SHELF - DOMESTIC 2002652333
	101991-02-727	EA THERMOCOUPLE, DOMESTIC 2007417005
	101991-02-728	EA TERMINAL BLOCK, DOMESTIC 7627202562
	101991-02-730	EA TERMINAL BLOCK, DOMESTIC 2002633010
	101991-02-731	EA SHAFT-THERMOSTAT, DOMESTIC 20074771002
	101991-02-732	EA SHAFT-SWITCH, DOMESTIC 20074775003
	103251-01-01A	EA INSERT-1/8" X 20 3/4 X 27 3/8, BLACK ACRYLIC - DELUXE OPTION

**GALLEY GROUP (CONTINUED)**  
JAPAN EXPORT OPTION L048

KEY	PART NUMBER	U/M DESCRIPTION
	064473-04-000	EA REFRIGERATOR-3 WAY, 4.9 CU FT NORCOLD 675 E.G3
	064473-03-700	EA ELECTRODE ASSY NORCOLD 616078
	064473-03-701	EA HEATER-AC (HORIZONTAL BURNER) NORCOLD 615625
	064473-03-704	EA DOOR GASKET (ALMOND)
	064473-03-709	EA PIN & CHAIN TRAVEL LOCK
	064473-03-710	EA RIB BREAKER STRIP (BFIN)
	064473-03-712	EA DOOR ASM-FREEZER, BROWN - NORCOLD 615246
	064473-03-714	EA MODE SELECTOR KNOB
	064473-03-715	EA THERMOSTAT KNOB
	064473-03-716	EA SWITCH 3-WAY, F/O-2 & E.G-3 - NORCOLD 616113
	064473-03-718	EA COOLING UNIT (HORIZONTAL BURNER) - NORCOLD 616R/137
	064473-03-719	EA FLUE-HORIZONTAL BURNER NORCOLD 616162
	064473-03-720	EA RELIGHTER, NORCOLD 616088
	064473-03-721	EA COMBINATION CONTROL - NORCOLD 616084
	064473-03-724	EA DOOR ASM FREEZER, BLACK
	064473-03-727	EA LATCH-TRAVEL MIDDLE - BLACK
	046955-01-713	EA PIN-HINGE NORCOLD 611146
	064472-01-700	EA THERMOCOUPLE NORCOLD 614363
	064472-01-728	EA HINGE TOP-LH CTR-LH LOWER RH, NORCOLD 61352922
	064472-03-700	EA HINGE PIN-BOTTOM, NORCOLD 615507
	064473-01-702	EA ORIFICE, NORCOLD 61452122
	064473-01-708	EA TOP BREAKER STRIP, NORCOLD 613536-32
	064473-01-716	EA CRISPER-COFFEE, 4 & 6 EG-2 - NORCOLD 615191
	064473-01-717	EA HINGE PINS NORCOLD 614736
	064473-01-720	EA DAIRY KEEPER, DOWN, NORCOLD 61465837
	064473-01-721	EA DOOR GASKET, NORCOLD 613507-30
	064473-01-726	EA DOOR FRAME, NORCOLD 614286
	064473-01-727	EA CRISPER, NORCOLD 615180
	084880-01-713	EA MALE CONNECTOR (INLET FITTING) - NORCOLD 615256222
	084880-01-715	EA VALVE-SHUT OFF, MANUAL - NORCOLD 61697922
	088248-01-706	EA BURNER HORIZONTAL, NORCOLD 61588122

**REFRIGERATOR HARDWARE**

KEY	PART NUMBER	U/M DESCRIPTION
	054450-01-000	EA LEVEL-REFRIGERATOR
	065225-03-000	EA PLATE-TIEDOWN, REFRIGERATOR
	093646-05-000	EA BRACKET ASM-TIEDOWN - REFRIGERATOR

**MONITOR PANEL**

KEY	PART NUMBER	U/M DESCRIPTION
	097618-01-000	EA WIRE ASM-MONITOR PANEL W/3 W. RES & ORANGE RESISTOR - LVS
	096449-01-000	EA WIRE ASSEMBLY-WATER TANK TO MONITOR PANEL
	102765-02-01A	EA PANEL-MONITOR, W/PLUG - FOR 2 TANKS - LVS
	097617-01-702	EA SWITCH-1/WAY, ALMOND - LVS 107
	097617-01-703	EA CIRCUIT BOARD - LVS 5075-01
	102765-01-700	EA SWITCH-ON-ON, ALMOND - 110-01

**RANGE HOODS**

KEY	PART NUMBER	U/M DESCRIPTION
	100258-16-01A	EA HOOD-RANGE, W/O MONITOR PANEL - VENTLINE - US TCS: 008NAD
	100258-17-01A	EA HOOD-RANGE, W/O MONITOR PANEL - VENTLINE - CANADIAN
	090973-01-700	EA MOTOR - LVS CA508-1
	090973-01-702	EA BLADE-FAN, LVS VA183-1
	092696-01-709	EA BULB-912, VENTLINE VA415
	092696-01-710	EA SOCKET-LIGHT, VENTLINE CB267-2
	096983-01-700	EA SWITCH-ON/OFF, VENTLINE 108
	096983-01-702	EA SWITCH-TWO WAY MOMENTARY, VENTLINE 112
	096983-01-707	EA FILTER-GREASE, 8" X 8" - LVS CC246
	096983-01-708	EA LENS-LAMP, VENTLINE CC179
	103258-01-700	EA HOOD-NOSE LABEL, CC428
	100258-10-01A	EA METER-HOUR, VENTLINE 150

**1993 ITASCA**  
**TABLE OF CONTENTS**

INTRODUCTION	A-01	A-02
ABBREVIATIONS		A-03
ALPHABETICAL INDEX	A-04	A-06
IT321RB	A-07	C-24
IT321RL	D-01	F-18
IT321RD	F-19	I-12

**1993 IT321RL INDEX**

FLOOR PLAN	D-01	D-02
ACCESSORIES		D-03
AUDIO VIDEO		D-04
BATH	D-05	D-06
CHASSIS	D-07	D-08
CURTAIN & CUSHION	D-09	D-15
DINETTE		D-16
DRIVERS COMPARTMENT		D-17
ELECTRICAL	D-18	D-21
EXTERIOR BODY	D-22	E-02
GALLEY	E-03	E-07
GENERATOR		E-08
HEATING & A/C		E-09
INTERIOR FINISH	E-10	E-12
LABELS	E-13	E-18
LP		E-19
LOUNGE		E-20
SEALANTS & FASTENERS	E-21	E-22
WATER & SEWAGE	E-23	F-02
WINDOW, VENT AND		
EXTERIOR DOOR	F-03	F-18

**GALLEY GROUP (CONTINUED)**

**RANGE WOVEN OPTION L13B**

KEY	PART NUMBER	U/M DESCRIPTION
	102022-01-02A	EA RANGE-16", 4 BURNER - MAGIC CHEF BT16RA-4Z
	055282-03-705	EA TRIM-CABINET, LEFT - BLACK - MAGIC CHEF 3608F011-70
	055282-03-707	EA TRIM-CABINET, RIGHT - BLACK - MAGIC CHEF 3608F012-70
	070507-02-701	EA INSERT-BURNER (SLOTTED VENT), MAGIC CHEF 7214P015-60
	102020-01-700	EA SHELF-OVEN, MAGIC CHEF 7801-P027-60
	102020-01-701	EA HANDLE-DOOR, MAGIC CHEF 7701P092-60
	102020-01-702	EA PANEL-MANIFOLD, MAGIC CHEF 2616F080-70
	102020-01-704	EA PANEL-DOOR, BLACK - MAGIC CHEF 2401F075-70
	102020-01-708	EA BURNER ASSEMBLY-TOP, MAGIC CHEF 7403W003-45
	102020-01-711	EA GRATE-TOP, MAGIC CHEF 7518P012-60
	102020-01-712	EA KNOB-BURNER VALVE, MAGIC CHEF 7733P044-60
	102020-01-713	EA KNOB-THERMOSTAT, MAGIC CHEF 7731P042-60
	102020-01-714	EA PILOT-OVEN, MAGIC CHEF 968-143
	102020-01-715	EA PIPE-MANIFOLD, MAGIC CHEF 7513P095-60
	102020-01-717	EA THERMOSTAT, MAGIC CHEF 7515P024-60
	102020-01-718	EA TOP-MAIN, ALMOND - MAGIC CHEF 2001F085-84
	102020-01-720	EA VALVE-MERCURY CONTROL, MAGIC CHEF 7501P056-60
	102020-01-722	EA VALVE-TOP BURNER, MAGIC CHEF 7502P095-60
	102020-01-723	EA PILOT-BURNER, MAGIC CHEF 7505P147-60
	102020-01-724	EA BUMPER MAIN TOP, MAGIC CHEF 8003P008-60
	102022-01-702	EA PIPE-MANIFOLD, MAGIC CHEF 7513P095-60
	102022-01-703	EA REGULATOR-PRESSURE, MAGIC CHEF 7510P031-60
	102022-01-706	EA TRIM-LEFT, FLAT - MAGIC CHEF 3608W022-70
	102022-01-707	EA TRIM-RIGHT, FLAT - MAGIC CHEF 3608W023-70
	055516-03-000	EA BRACKET-REAR TIEDOWN, RANGE W/OVEN FROM 00-00-00 THRU 01-03-93
	055516-04-000	EA BRACKET-FRONT TIEDOWN, RANGE W/OVEN FROM 00-00-00 THRU 01-03-93
	105458-03-000	EA BRACKET-TIEDOWN, STOVE - RIGHT FROM 01-04-93 THRU 99-99-99
	105458-04-000	EA BRACKET-TIEDOWN, STOVE - LEFT FROM 01-04-93 THRU 99-99-99

**STANDARD RANGE**

KEY	PART NUMBER	U/M DESCRIPTION
	102019-01-01A	EA TOP-RANGE, ALMOND TOP W/ALMOND TRIM - MAGIC CHEF BT85RA-4
	052583-04-701	EA KNOB-TOP BURNER, MAGIC CHEF 7733P039-60
	102019-01-700	EA TRIM-RIGHT, ALMOND - MAGIC CHEF 3608F015-74
	102019-01-701	EA TRIM-LEFT, ALMOND - MAGIC CHEF 3608F016-74
	102019-01-702	EA TRIM-REAR, ALMOND - MAGIC CHEF 3608F009-74
	102020-01-702	EA PANEL-MANIFOLD, MAGIC CHEF 2616F080-70
	102020-01-709	EA BUMPER-GRATE, MAGIC CHEF 8007P018-60
	102020-01-711	EA GRATE-TOP, MAGIC CHEF 7518P012-60
	102020-01-718	EA TOP-MAIN, ALMOND - MAGIC CHEF 2001F085-84
	102020-01-721	EA VALVE-SHUT OFF, MAGIC CHEF 7506F096-60
	102020-01-722	EA VALVE-TOP BURNER, MAGIC CHEF 7502P095-60
	102020-01-724	EA BUMPER-MAIN TOP, MAGIC CHEF 8003P008-60
	102022-01-703	EA REGULATOR-PRESSURE, MAGIC CHEF 7510P031-60
	081587-03-000	EA BRACKET-TIEDOWN, RANGE - RIGHT
	081587-04-000	EA BRACKET-TIEDOWN, RANGE - LEFT

**MICROWAVE OVEN**

KEY	PART NUMBER	U/M DESCRIPTION
	103049-01-000	EA OVEN-MICROWAVE, QUASAR MQS-0803W

**GENERATOR GROUP**

**2,500 WATT KOHLER GENERATOR OPTION L32Y**

KEY	PART NUMBER	U/M DESCRIPTION
	007067-01-000	SF INSULATION-FIBERGLASS, 1" THICK X 4' - INCREMENTS OF 4 SF
	080662-03-000	EA PIPE-EXHAUST, GENERATOR
	080749-02-000	EA MUFFLER-KOHLER 2.5CM - 21 - KOHLER PA-228158
	080749-03-000	EA HARDWARE KIT-MUFFLER, 2.5 KOHLER - PA-228296
	083561-04-000	EA GENERATOR-2.5KW KOHLER, PA-177111 - W/CONTROL PANEL ASM

**POWER PACK PACKAGE OPTION L38J**

KEY	PART NUMBER	U/M DESCRIPTION
	007067-01-000	SF INSULATION-FIBERGLASS, 1" THICK X 4' - INCREMENTS OF 4 SF
	080662-03-000	EA PIPE-EXHAUST, GENERATOR
	080749-02-000	EA MUFFLER-KOHLER, 2.5CM - 21 - KOHLER PA-228158
	080749-03-000	EA HARDWARE KIT-MUFFLER, 2.5 KOHLER - PA-228296
	083561-04-000	EA GENERATOR-2.5KW KOHLER, PA-177111 - W/CONTROL PANEL ASM

**1993 ITASCA  
TABLE OF CONTENTS**

INTRODUCTION	A 01	A 02
ABBREVIATIONS		A 03
ALPHABETICAL INDEX	A 04	A 06
IT321RB	A 07	C-24
IT321RL	D 01	F 18
IT321RD	F 19	I 12

**1993 IT321RL INDEX**

FLOOR PLAN	D-01	D-02
ACCESSORIES		D-03
AUDIO VIDEO		D-04
BATH	D-05	D-06
CHASSIS	D-07	D-08
CURTAIN & CUSHION	D-09	D-15
DINETTE		D-16
DRIVERS COMPARTMENT		D-17
ELECTRICAL	D-18	D-21
EXTERIOR BODY	D-22	E-02
GALLEY	E-03	E-07
GENERATOR		E-08
HEATING & A/C		E-09
INTERIOR FINISH	E-10	E-12
LABELS	E-13	E-18
LP		E-19
LOUNGE		E-20
SEALANTS & FASTENERS	E-21	E-22
WATER & SEWAGE	E-23	F-02
WINDOW, VENT AND EXTERIOR DOOR	F-03	F-18



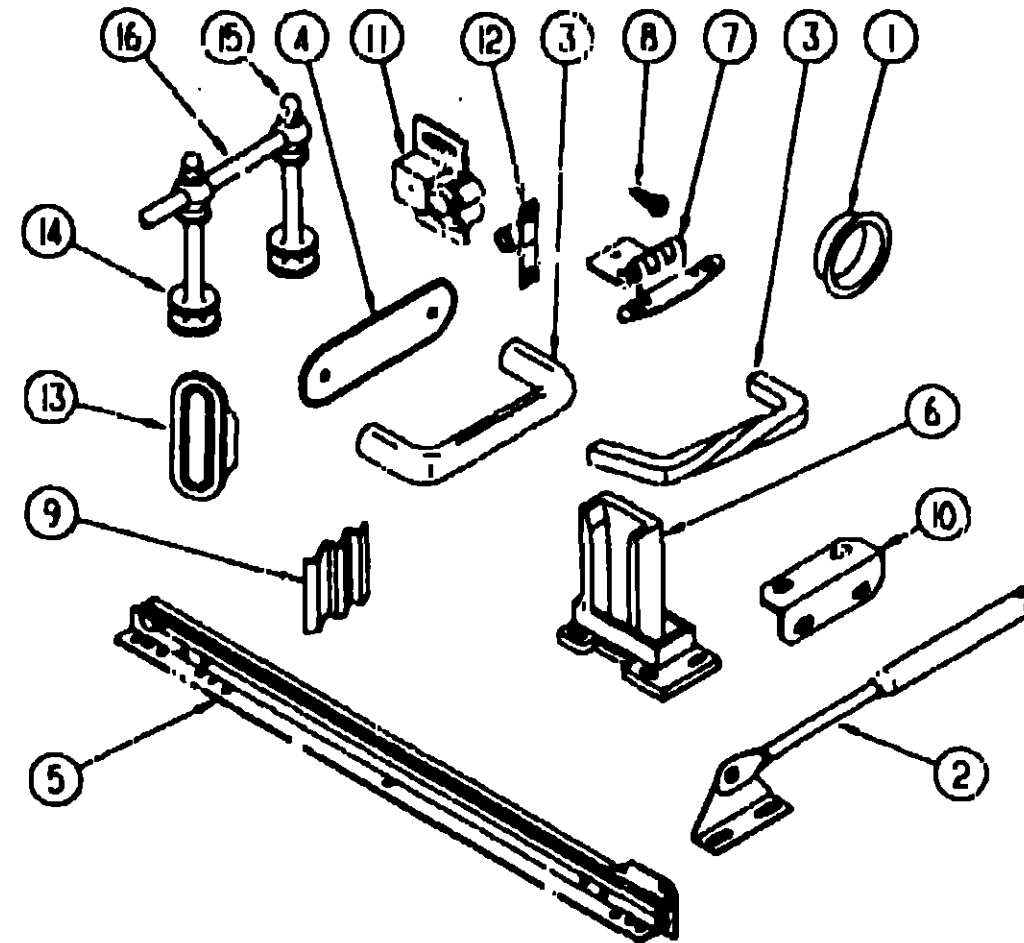
**HEATING & AIR CONDITIONING GROUP**  
**ROOF A/C**

KEY	PART NUMBER	U/M	DESCRIPTION
	093306-01-01A	EA	A/C ROOF 7100 BTU - ROTARY - IVORY - COLEMAN 6727D709
	093306-01-700	EA	SHROUD-IVORY / BRONZE - W/O LOGO - COLEMAN 6727A5721
	093306-01-701	EA	DECAL PKG, LEFT & RIGHT - COLEMAN 6798B3591
	093306-01-702	EA	FAN CAPACITOR, FAN 5 MFD - COLEMAN 14994421
	093306-01-703	EA	FAN-4 BLADE, 9" DIAMETER - COLEMAN 67073321
	093306-01-704	EA	OVERLOAD, COLEMAN 6707A3751
	093306-01-705	EA	MOTOR-115V1 6A60H2-RPM - COLEMAN 67273119
	093306-01-706	EA	BLOWER WHEEL, 6 5/16" X 2 7/8" WVD - COLEMAN 67073281
	093306-01-707	EA	START CAPACITOR, 47 - 56 MFD - 250 - COLEMAN 62503421
	093306-01-708	EA	START RELAY, COLEMAN 9436-3151
	093306-01-711	EA	CONDENSER COIL - COLEMAN 14520701
	093306-01-717	EA	COMPRESSOR-PANASONIC, COLEMAN 1450-2019
	093306-01-716	EA	COMPRESSOR-TECUMSEH, COLEMAN 6727-3659
	093306-01-712	EA	COMPRESSOR, COLEMAN 6707C3579
	073742-02-704	EA	RUN CAPACITOR (COMPRESSOR), COLEMAN 14994661
	093306-01-713	EA	EVAPORATOR, COLEMAN 14520601
	037648-01-714	EA	PACKAGE-GASKET, COLEMAN 6759-3281
	093307-01-700	EA	CEILING ASM-A/C COOL, IVORY - COLEMAN 6727D714
	093306-01-709	EA	DECAL F/THERMOSTAT AND SELECTOR, COLEMAN 6727A3341
	076303-01-710	EA	THERMOSTAT, COLEMAN 67333411
	076303-01-707	EA	FILTER 6" X 14 75" X 5", 12 PER PKG - COLEMAN 6703A3151
	093306-01-710	EA	SHROUD-CEILING, IVORY W/DECAL - COLEMAN 67273511
	093306-01-714	EA	SWITCH-SELECTOR, COLEMAN 67273251
	076303-01-708	EA	KNOB & BOLT PKG, COLEMAN 67275841
	076303-01-701	EA	KNOB-CONTROL, COLEMAN 67333241
	102289-01-000	EA	SPRING-SCREW, ROOF A/C GASKET - COLEMAN 6757-150

**FURNACE**

KEY	PART NUMBER	U/M	DESCRIPTION
	101990-01-000	EA	FURNACE-17,000 BTU, SUBURBAN DD-17DSI
	069634-01-706	EA	MODULE BOARD, SUBURBAN 231427
	069634-01-716	EA	VALVE-MANUAL SHUTOFF, SUBURBAN 160740
	101990-01-700	EA	MICROSWITCH, SUBURBAN 231759
	101990-01-701	EA	COMBUSTION AIR WHEEL, SUBURBAN 350126
	101990-01-702	EA	BURNER, SUBURBAN 010763
	101990-01-703	EA	ROOM AIR IMPELLER, SUBURBAN 350125
	101990-01-704	EA	MOTOR, SUBURBAN 231761
	101990-01-705	EA	TIME DELAY RELAY, SUBURBAN 231769
	101990-01-706	EA	TERMINAL STRIP, SUBURBAN 231770
	101990-01-707	EA	VALVE, SUBURBAN 160952
	101990-01-708	EA	ELECTRODE, SUBURBAN 231762
	101990-01-709	EA	GRILLE ASSEMBLY, SUBURBAN 030769
	101990-01-710	EA	LIMIT SWITCH, SUBURBAN 231768
	101990-01-711	EA	ORIFICE, SUBURBAN 530415
	101990-01-713	EA	MOTOR GASKET, SUBURBAN 070249
	101990-01-714	EA	MICROSWITCH GASKET, SUBURBAN 230877
	101990-01-715	EA	COMBUSTION AIR GASKET - FRONT - SUBURBAN 390536
	101990-01-716	EA	COMBUSTION AIR GASKET - REAR - SUBURBAN 070860
	101990-01-717	EA	MANIFOLD GASKET, SUBURBAN 070847
	101990-01-718	EA	BURNER ACCESS DOOR GASKET, SUBURBAN 070850
	101990-01-719	EA	MODULE BOARD (IF BEFORE DATE CODE 9112), SUBURBAN 231328
	101990-02-000	EA	VENT-FURNACE, OUTSIDE - 4-6" - SUBURBAN 260198

**INTERIOR FINISH GROUP**



**1993 ITASCA**  
**TABLE OF CONTENTS**

INTRODUCTION	A-01	A-02
ABBREVIATIONS		A-03
ALPHABETICAL INDEX	A-04	A-05
IT321RB	A-07	C-24
IT321RL	D-01	F-18
IT321RD	F-19	I-12

**CABINET DOOR & DRAWER HARDWARE**

KEY	PART NUMBER	U/M	DESCRIPTION
1	009148-01-000	EA	PULL-FINGER, 75" DIAMETER - BRASS
2	074493-02-000	EA	SUPPORT-PISTON SPRING, CABINET DOOR
3	096645-01-000	EA	PULL-CABINET, BRASS - TWIST - 1 1/4" X 3/4"
			FROM 00-00-00 THRU 02-04-93
3	109747-01-000	EA	PULL-CABINET, BRASS
			FROM 02-05-93 THRU 99-99-99
4	081376-01-000	EA	BACKPLATE-DOOR PULL, OVAL - BRASS - 8" X 4 25"
			FROM 00-00-00 THRU 08-16-92
5	106913-05-000	EA	SLIDE-DRAWER, CABINET - LEFT SIDE - 18"
5	106913-06-000	EA	SLIDE-DRAWER, CABINET - RIGHT SIDE - 18"
5	106913-07-000	EA	SLIDE-DRAWER, DRAWER MOUNT - LEFT SIDE - 18"
5	106913-08-000	EA	SLIDE-DRAWER, DRAWER MOUNT - RIGHT SIDE - 18"
5	106913-09-000	EA	SLIDE-DRAWER, CABINET - LEFT SIDE - 16"
5	106913-10-000	EA	SLIDE-DRAWER, CABINET - RIGHT SIDE - 16"
5	106913-11-000	EA	SLIDE-DRAWER, DRAWER MOUNT - LEFT SIDE - 15"
5	106913-12-000	EA	SLIDE-DRAWER, DRAWER MOUNT - RIGHT SIDE - 16"
6	107030-01-000	EA	BACKSOCKET-ADJUSTABLE, LEFT SIDE
6	107030-02-000	EA	BACKSOCKET-ADJUSTABLE, RIGHT SIDE
7	108138-01-000	EA	HINGE-CABINET DOOR, BURNISHED BRASS
8	000G13-06-03G	EA	SCREW-6-20 X 5/8 PFH - ANTIQUE BRASS
9	105037-02-000	EA	FASTENER-WOOD, CORNER - METAL - 5" X 6"
10	016604-01-000	EA	BRACE-CABINET, ANGLE - 2 5" - METAL - UNPAINTED
10	016604-03-000	EA	BRACE-CABINET, ANGLE - 2 5" - METAL - BEIGE
11	093586-03-000	EA	CATCH-SPRING, ROLLER
12	093586-04-000	EA	STRIKE-SPRING STEEL
13	098410-01-01A	EA	PULL-FINGER, OVAL - BRASS
14	084070-01-000	EA	POST-CENTER, 2 4" - BRASS - DELUXE OPTION
15	084070-02-000	EA	POST-END, 2 4" - BRASS - DELUXE OPTION
16	084071-07-000	EA	ROD-BRASS, 18 1" LONG - DELUXE OPTION
16	084071-10-000	EA	ROD-BRASS, 588 MM LONG - DELUXE OPTION
16	084071-11-000	EA	ROD-BRASS, 356 MM LONG - DELUXE OPTION
	004354-01-000	EA	BUMPER-RUBBER, 5" DIA - BROWN
	023320-01-000	EA	PAD-FELT, 3/8" DIAMETER - BROWN

**1993 IT321RL INDEX**

FLOOR PLAN	D-01	D-02
ACCESSORIES		D-03
AUDIO VIDEO		D-04
BATH	D-05	D-06
CHASSIS	D-07	D-08
CURTAIN & CUSHION	D-09	D-15
DINETTE		D-16
DRIVERS COMPARTMENT		D-17
ELECTRICAL	D-18	D-21
EXTERIOR BODY	D-22	E-02
GALLEY	E-03	E-07
GENERATOR		E-08
HEATING & A/C		E-09
INTERIOR FINISH	E-10	E-12
LABELS	E-13	E-18
LP		E-19
LOUNGE		E-20
SEALANTS & FASTENERS	E-21	E-22
WATER & SEWAGE	E-23	F-02
WINDOW, VENT AND		
EXTERIOR DOOR	F-03	F-18

**INTERIOR FINISH GROUP (CONTINUED)**  
**MOLDINGS & TRIMS**

KEY	PART NUMBER	U/M	DESCRIPTION
	009767-12-000	FT	MOLDING-SIDEWALL TO CEILING/CABINET - WELTING - OFF WHITE
	009778-11-000	FT	U-CHANNEL-PLASTIC 1" WIDE X 8" INCREMENTS - IVORY
	009809-21-000	EA	MOLDING-CORNER, OUTSIDE - 1" - PLASTIC - WOODGRAIN
	009809-23-000	EA	MOLDING-CORNER, OUTSIDE - 1" - PLASTIC - IVORY
	009812-22-000	EA	MOLDING-CORNER, OUTSIDE - 5" X 7" - PLASTIC - BROWN
	022992-11-000	FT	MOLDING-FEVERSE COVE T-SHAPED - VINYL - IVORY
	070504-01-000	FT	U-CHANNEL-PLASTIC, 065" WIDE - LIGHT BROWN - INC OF 8"
	070504-18-000	FT	U-CHANNEL-PLASTIC, 065" WIDE - IVORY - INC OF 8"
	070504-23-000	FT	U-CHANNEL-PLASTIC, 875" WIDE - WOODGRAIN - INC OF 8"
	069731-80-000	EA	BATT STRIP-WOODGRAIN, 8' LONG - WINNI OAK
	085714-76-000	FT	BATT STRIP-SHOWER, ADHESIVE BACKED - OFF WHITE
	085284-59-000	FT	BATT STRIP-CEILING, ADHESIVE BACKED
	085284-64-000	FT	BATT STRIP-DECORATIVE, PLAIN - ADHESIVE BACKED
	085284-65-000	FT	BATT STRIP-DECORATIVE, DRY BATH - ADHESIVE BACKED
	088263-78-000	EA	BATT STRIP-SHOWER, 8' LONG - OFF WHITE
	088263-71-000	EA	BATT STRIP-CEILING, 8' LONG - FAWN
	088263-76-000	EA	BATT STRIP-DECORATIVE, PLAIN - 8' LONG
	088263-77-000	EA	BATT STRIP-DECORATIVE, DRY BATH - 8' LONG
	100040-01-000	EA	LUMBER-VINYL WRAPPED, 7" X 1 5/8" X 8" - RAMBLING OAK
	100040-03-000	EA	LUMBER-VINYL WRAPPED, 7 1/2" X 7" X 8" - RAMBLING OAK
	100041-01-000	EA	MOLDING-VINYL WRAPPED, 7" X 1 5/8" X 84 02" - RAMBLING OAK
	100041-02-000	EA	MOLDING-VINYL WRAPPED, 7" X 2 5/8" X 84" - RAMBLING OAK
	035746-01-000	FT	TRIM-J, CARPET - 1 2" X 5" ANGLE - 10' LONG - PVC - BEIGE
	100659-01-005	EA	TRIM-FLOOR, 72" X 1" X 1/2" - WOOD
	086279-02-000	FT	TRIM-INSERT, 9" - PLASTIC - OFF WHITE
	086229-01-000	EA	RETAINER-BATTEN CEILING - 75" WIDE - 7 6" LONG

**CARPETING & FLOOR MATS**

KEY	PART NUMBER	U/M	DESCRIPTION
	096060-23-000	SY	CARPET-12' ROLL, INCREMENTS OF 4 SY (D24)
	096060-41-000	SY	CARPET-12' ROLL, INCREMENTS OF 4 SY (D25)
	096060-42-000	SY	CARPET-12' ROLL, INCREMENTS OF 4 SY (D26)
	047034-02-000	SF	PLASTIC-CARPET, 4' WIDE - CLEAR POLY
	091178-01-C30	EA	MAT-FLOOR, DRIVER (D24)
	091178-01-C09	EA	MAT-FLOOR, DRIVER (D25)
	091178-01-D03	EA	MAT-FLOOR, DRIVER (D26)
	091179-01-C30	EA	MAT-FLOOR, PASSENGER (D24)
	091179-01-C09	EA	MAT-FLOOR, PASSENGER (D25)
	091179-01-D03	EA	MAT-FLOOR, PASSENGER (D26)
	091261-01-000	FT	SLIPNOT ANTISLIP-1" WIDE (100' ROLL)

**INTERIOR FINISH GROUP (CONTINUED)**  
**FIRE EXTINGUISHER, SMOKE DETECTOR & CLOCK**

KEY	PART NUMBER	U/M	DESCRIPTION
	094499-02-001	EA	EXTINGUISHER-FIRE, DRY - 1A10BC - CANADIAN
	094499-01-000	EA	EXTINGUISHER-FIRE, DRY W/MOUNTING BRACKET - 10 BC
	094499-01-700	EA	BRACKET-MOUNTING, W/PLASTIC STRAP - FIRE EXTINGUISHER
	072852-01-000	EA	DETECTOR-SMOKE, W/9 VOLT BATTERY
	072852-02-000	EA	DETECTOR-SMOKE, W/9 VOLT BATTERY - CANADIAN
	101333-01-000	EA	BACKPLATE-CLOCK, 6" X 6" - PLASTIC - BLACK
	104764-01-01A	EA	CLOCK-WALL, SPARTUS 5616-42

**PANELING, LAMNATES & PLASTIC**

KEY	PART NUMBER	U/M	DESCRIPTION
	074497-19-000	SF	PANELING-CEILING, 4' X 8' - INCREMENTS OF 32 SF
	074497-21-000	SF	PANELING-WOODGRAIN, 4' X 8' - INCREMENTS OF 32 SF
	079666-02-000	SF	PANELING-CLOSET, SOLID CEDAR - 4' X 8' - INCREMENTS OF 32 SF
	083618-02-000	SF	PLYWOOD-OAK, 1 SIDE FINISHED - 3/16" X 4' X 8' - INCREMENTS OF 32 SF
	088272-98-000	SF	PANELING-SHOWER, OFF WHITE - 4' X 7' - INCREMENTS OF 28 SF
	088272-96-000	SF	PANELING-DECORATIVE, PLAIN - 4' X 7' - INCREMENTS OF 28 SF
	088272-97-000	SF	PANELING-DECORATIVE, W/FLOWERS - 4' X 7' - INCREMENTS OF 28 SF
	074498-45-000	SF	LAMINATE-PLASTIC, 5' X 8' - TAUPE - INCREMENTS OF 40 SF
	076325-39-000	FT	MOLDING-EDGE BAND, 1 5/16" WIDE
	076325-40-000	FT	MOLDING-EDGE BAND, 875" WIDE
	000885-56-000	SF	PARTICLE BOARD-3/8" X 48" X 96", 1 SIDE VINYL - WOODGRAIN - INC OF 32 SF
	089297-01-000	SF	PLYWOOD-LUAN, OVERLAY GRADE - 2 7 MM X 4' X 8' INCREMENTS OF 32 SF FROM 00-00-00, HPIU 07-26-92
	093743-01-02A	SF	PLASTIC-ABS 11 5" WIDE ROLL - OFF WHITE
	093743-02-01A	SF	PLASTIC-ABS 20" WIDE ROLL - OFF WHITE

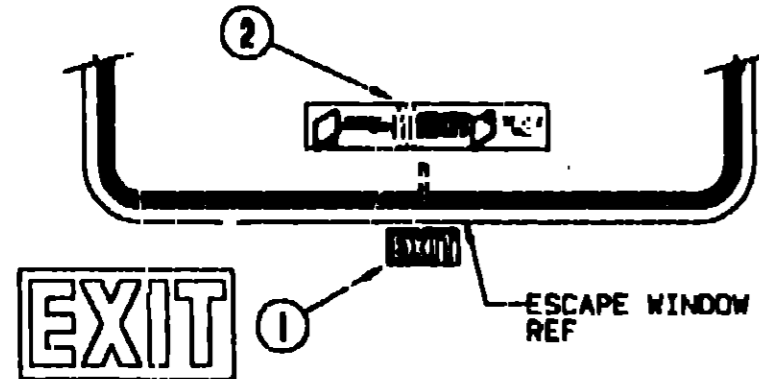
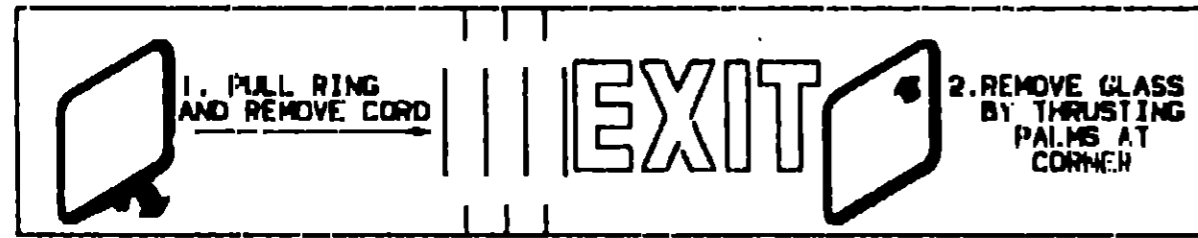
**1993 ITASCA**  
**TABLE OF CONTENTS**

INTRODUCTION	A 01	A-02
ABBREVIATIONS		A-03
ALPHABETICAL INDEX	A 04	A 06
IT321RB	A-07	C-24
IT321RL	D-01	F-18
IT321RD	F 19	I 12

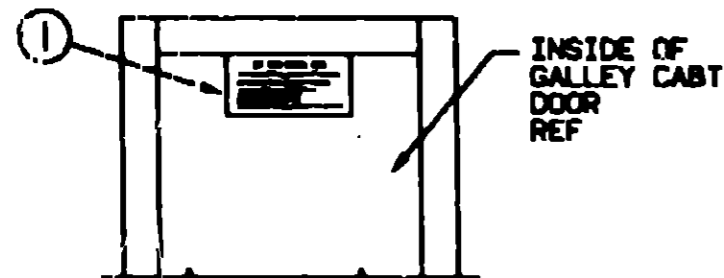
**1993 IT321RL INDEX**

FLOOR PLAN	D-01	D-02
ACCESSORIES		D-03
AUDIO VIDEO		D-04
BATH	D-05	D-06
CHASSIS	D-07	D-08
CURTAIN & CUSHION	D-09	D-15
DINETTE		D-16
DRIVERS COMPARTMENT		D-17
ELECTRICAL	D-18	D-21
EXTERIOR BODY	D-22	E-02
GALLEY	E-03	E-07
GENERATOR		E-08
HEATING & A/C		E-09
INTERIOR FINISH	E-10	E-12
LABELS	E-13	E-18
LP		E-19
LOUNGE		F-20
SEALANTS & FASTENERS	E-21	E-22
WATER & SEWAGE	E-23	F-02
WINDOW VENT AND		
EXTERIOR DOOR	F-03	F-19

**LABELS GROUP**



KEY	PART NUMBER	U/M DESCRIPTION
1	039290-01-000	EA LABEL-WARNING, EXIT
2	107571-01-000	EA LABEL-ESCAPE/EXIT WINDOW

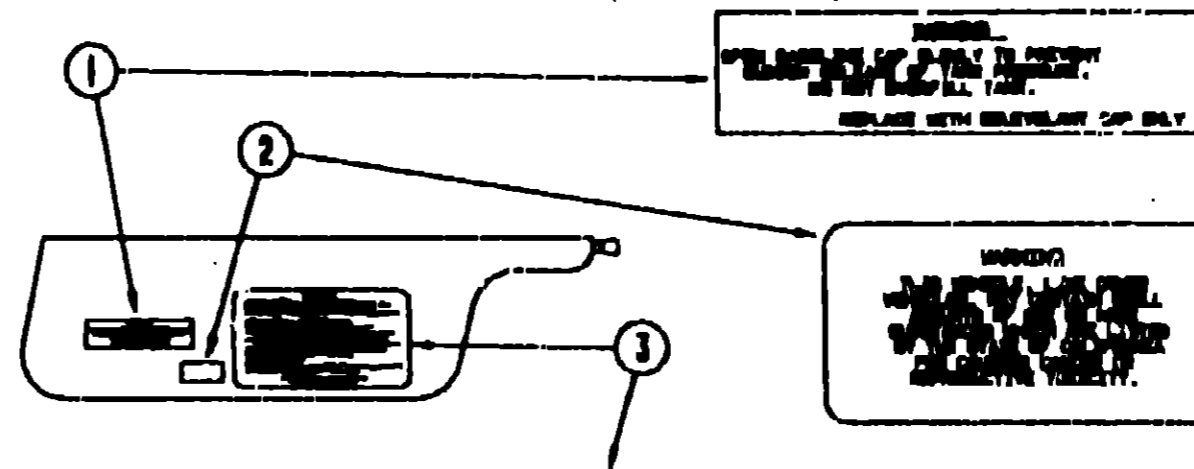


**IF YOU SMELL GAS**

1. EXTINGUISH ANY OPEN FLAME, PILOT LIGHTS AND ALL BURNS MATERIALS.
2. SHUT OFF THE GAS SUPPLY AT THE TANK VALVE OR GAS SUPPLY CONNECTION.
3. OPEN DOORS AND OTHER VENTILATED SPACES.
4. DO NOT TOUCH ELECTRICAL SWITCHES.
5. LEAVE THE AREA UNTIL GAS CLEAR.
6. HAVE THE GAS SYSTEM CHECKED AND LEAKAGE SOURCE CORRECTED BEFORE LEAVING AREA.

KEY	PART NUMBER	U/M DESCRIPTION
1	073998-01-000	EA LABEL-LPG ODOR WARNING

**LABELS GROUP (CONTINUED)**



**CAUTION**

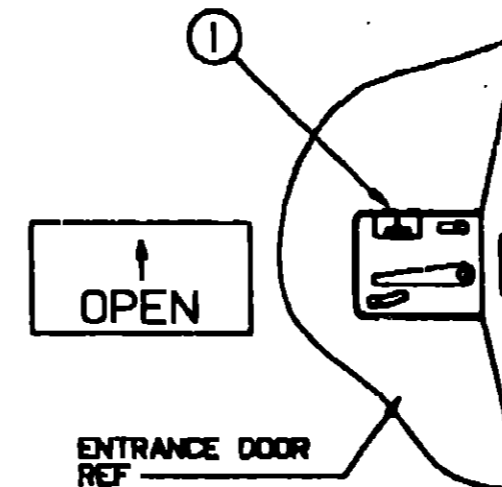
THIS MOTOR HOME HAS BEEN DESIGNED, MANUFACTURED AND TESTED WITH CONSIDERATION FOR THE PROTECTION OF IT'S OCCUPANTS. WE REQUEST YOU FULFILL THE FOLLOWING CHECKPOINTS FOR YOUR SAFETY AND THE SAFETY OF YOUR PASSENGERS BEFORE STARTING YOUR VEHICLE.

1. LP GAS SYSTEM- TURN OFF AT TANK FOR TRAVELING. TEST FOR LEAKS UPON ARRIVAL AT DESTINATION. BEFORE LIGHTING PILOTS.
2. WHEELS- INSPECT FOR DAMAGE AND CHECK TIRE WATS FOR TIGHTNESS.
3. TIRES- INSPECT FOR WEAR AND DAMAGE AND CHECK FOR RECOMMENDED AIR PRESSURE.
4. LIGHTING- TEST FOR PROPER OPERATION OF ALL INTERIOR AND EXTERIOR LIGHTS INCLUDING BURN LIGHTS, HALLLIGHTS, TAIL LIGHTS, BRAKE LIGHTS, CLEARANCE LIGHTS AND TURN SIGNALS.
5. EXITS- INSPECT RELEASE MECHANISM ON EMERGENCY EXIT WINDOWS. TEST BOTH LEADS (4) FROM ENTRANCE OVER FOR EASE OF OPERATION AND INSTRUCT PASSENGERS HOW TO USE BOTH LEADS OF EXIT.
6. SEAT BELTS- INSTRUCT PASSENGERS TO WEAR SEAT BELTS AND REMEMBER USE OF SEAT BELTS.
7. APPLIANCES- TURN OFF AND LATCH OR LOCK DOWN WHERE PROVIDED.
8. LOOSE PACKS- STOW SECURELY.
9. UTILITY SUPPLY LINES- DISCONNECT ALL ELECTRIC, GAS AND WATER LINES AND SECURE PROPERLY.
10. ENTRANCE OVER STOP- PLACE IN RETRACTED POSITION FOR TRAVELING.

READ YOUR MOTOR HOME AND CHECKED OWNER'S MANUAL FOR FURTHER PRECAUTIONS

KEY	PART NUMBER	U/M DESCRIPTION
1	087207-05-000	EA LABEL-FUEL CAP REMOVAL
2	099689-01-000	EA LABEL-WARNING, CANCER/TOXICITY
3	056259-01-000	EA LABEL-SAFETY CHECK LIST

FROM 00-00-00 THRU 08-10-92



KEY	PART NUMBER	U/M DESCRIPTION
1	040944-01-000	EA LABEL-ENTRANCE DOOR, "OPEN"

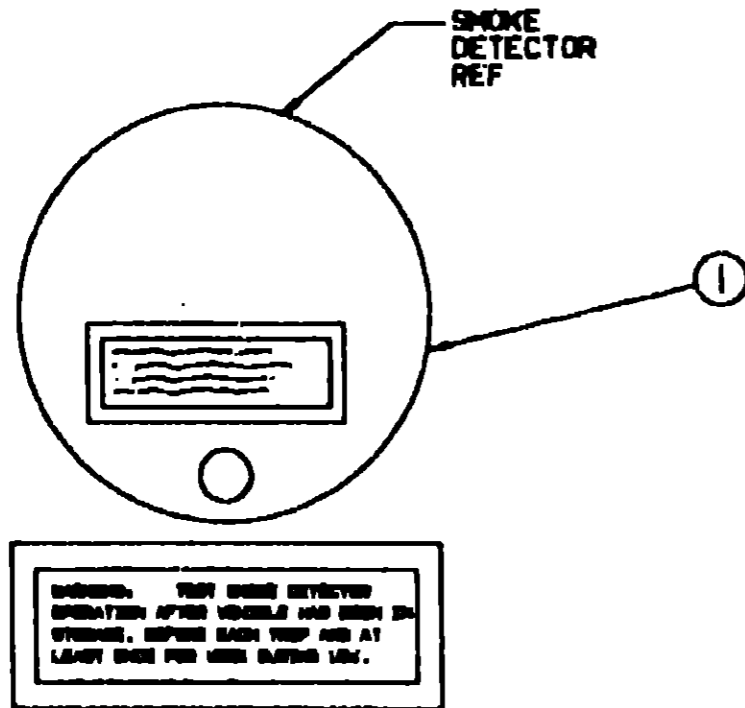
**1993 ITASCA  
TABLE OF CONTENTS**

INTRODUCTION	A 01	A 02
ABBREVIATIONS		A 03
ALPHABETICAL INDEX	A 04	A 06
IT321RB	A 07	C-24
IT321RL	D-01	F-18
IT321RD	F-19	I-12

**1993 IT321RL INDEX**

1st FLOOR PLAN	D-01	D-02
ACCESSORIES		D-03
AUDIO VIDEO		D-04
BATH	D-05	D-06
CHASSIS	D-07	D-08
CURTAIN & CUSHION	D-09	D-15
DINETTE		D-16
DRIVERS COMPARTMENT		D-17
ELECTRICAL	D-18	D-21
EXTERIOR BODY	D-22	E-02
GALLEY	E-03	E-07
GENERATOR		E-08
HEATING & A/C		E-09
INTERIOR FINISH	E-10	E-12
LABELS	E-13	E-18
LP		E-19
LOUNGE		E-20
SEALANTS & FASTENERS	E-21	E-22
WATER & SEWAGE	E-23	F-02
WINDOW, VENT AND EXTERIOR DOOR	F-03	F-18

**LABELS GROUP (CONTINUED)**



KEY	PART NUMBER	U/M DESCRIPTION
1	077956-01-000	EA LABEL-WARNING SMOKE DETECTOR

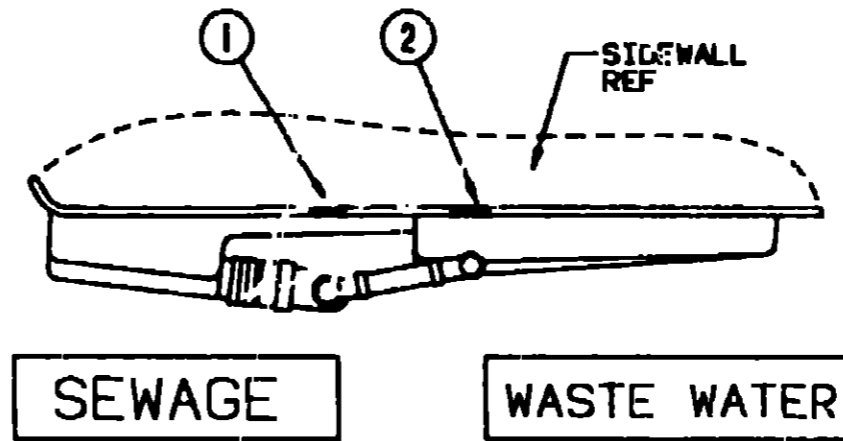
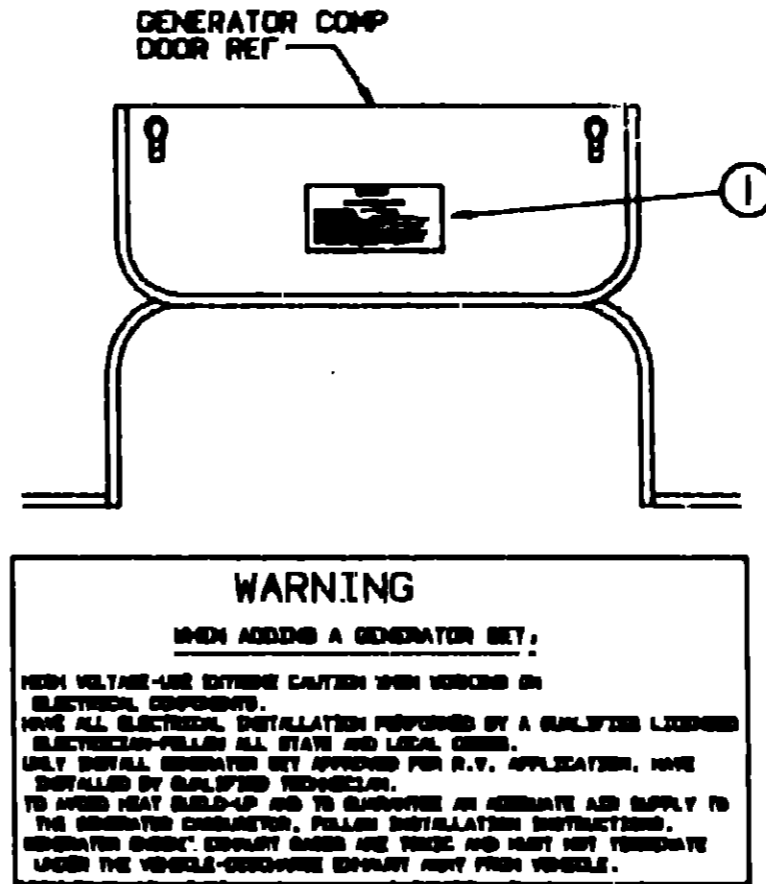
**MISCELLANEOUS LABELS**

KEY	PART NUMBER	U/M DESCRIPTION
	091243-01-000	EA LABEL-AC COVER
	091243-02-000	EA LABEL-COVER, "MICROWAVE CIRCUIT ETC"
	109522-01-000	EA LABEL-"WHEN INSTALLING LOAD CARRYING EQUIPMENT"
	098641-01-000	EA LABEL-FUEL, UNLEADED - DASH
	006062-01-000	EA LABEL-ELECTRIC, 110V CONNECTION
	099509-01-000	EA LABEL-AWNING INSTALLATION
	006064-01-000	EA LABEL-SEAT W/O SEATBELT
	006064-02-000	EA LABEL-SEAT W/O SEATBELT, CANADIAN
	093237-06-000	EA LABEL-CIRCUIT BREAKER, FRONT - REAR PANEL
	033237-07-000	EA LABEL-CIRCUIT BREAKER, FRONT - REAR PNL/CONV

KEY	PART NUMBER	U/M DESCRIPTION
1	077510-01-000	EA LABEL-GENERATOR PREP

KEY	PART NUMBER	U/M DESCRIPTION
1	006187-01-000	EA LABEL-SEWAGE
2	006188-01-000	EA LABEL-WASTE WATER

**LABELS GROUP (CONTINUED)**



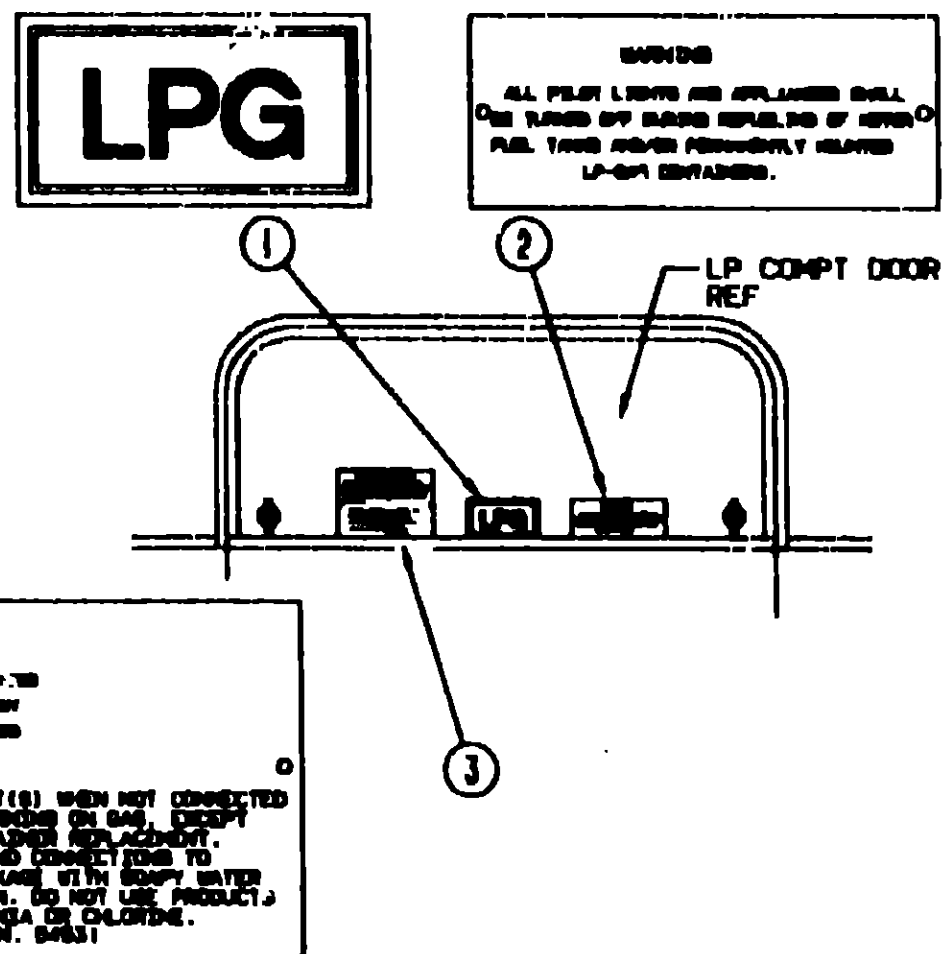
**1993 ITASCA  
TABLE OF CONTENTS**

INTRODUCTION	A-01	A-02
ABBREVIATIONS		A-03
ALPHABETICAL INDEX	A-04	A-05
IT321RB	A-07	C-24
IT321RL	D-01	F-18
IT321RD	F-19	I-12

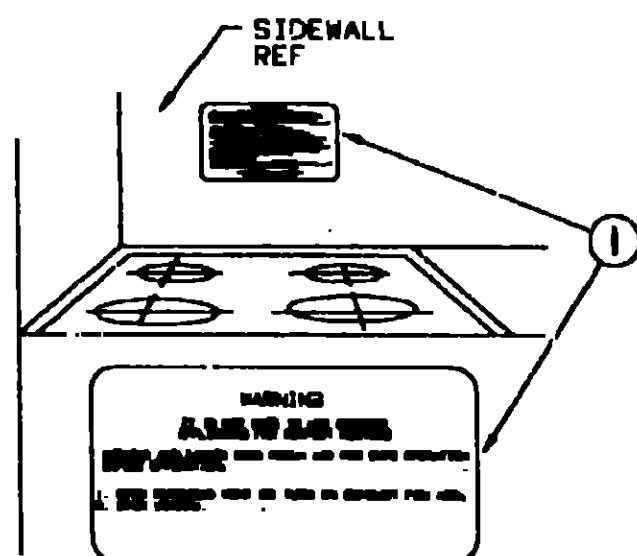
**1993 IT321RL INDEX**

FLOOR PLAN	D-01	D-02
ACCESSORIES		D-03
AUDIO VIDEO		D-04
BATH	D-05	D-06
CHASSIS	D-07	D-08
CURTAIN & CUSHION	D-09	D-15
DINETTE		D-16
DRIVERS COMPARTMENT		D-17
ELECTRICAL	D-18	D-21
EXTERIOR BODY	D-22	E-02
GALLEY	E-03	E-07
GENERATOR		E-08
HEATING & A/C		E-09
INTERIOR FINISH	E-10	E-12
LABELS	E-13	E-18
LP		E-19
LOUNGE		E-20
SEALANTS & FASTENERS	E-21	E-22
WATER & SEWAGE	E-23	F-02
WINDOW, VENT AND		
EXTERIOR DOOR	F-03	F-18

**LABELS GROUP (CONTINUED)**

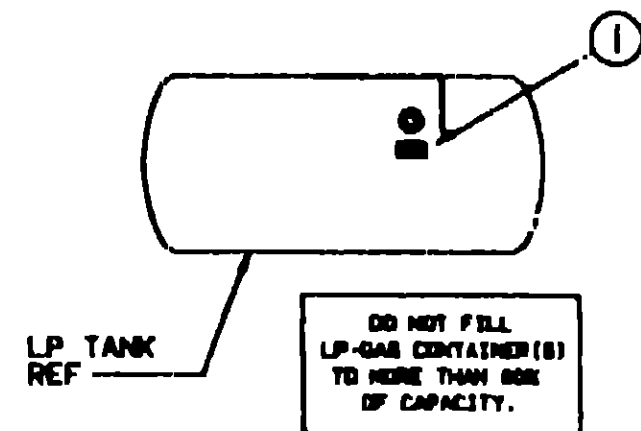


KEY	PART NUMBER	U/M DESCRIPTION
1	074553 01-000	EA DECAL-LOGO LPG - RED - (CALIF CODE)
2	006040 01-000	EA TAG-GAS REFUELING WARNING
2	006040 02-000	EA TAG-GAS REFUEL WARNING, CANADIAN
3	054531 01-000	EA LABEL-LP GAS ONLY
3	023769 01-000	EA LABEL-WARNING, LPG - CANADIAN

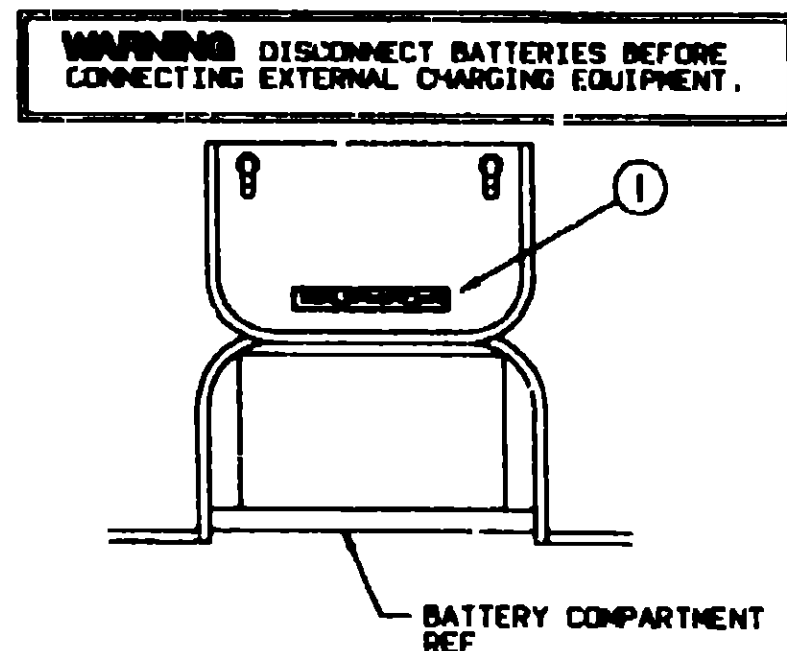


KEY	PART NUMBER	U/M DESCRIPTION
1	050225 01-000	EA LABEL-WARNING, STOVE VENT - US
1	050222 01-000	EA LABEL-WARNING, STOVE VENT - CANADIAN

**LABELS GROUP (CONTINUED)**



KEY PART NUMBER	U/M DESCRIPTION
1 079965 01-000	EA LABEL-LPG 80 CAPACITY



KEY PART NUMBER	U/M DESCRIPTION
1 065748 01 000	EA LABEL-CAUTION BATTERY CHARGING

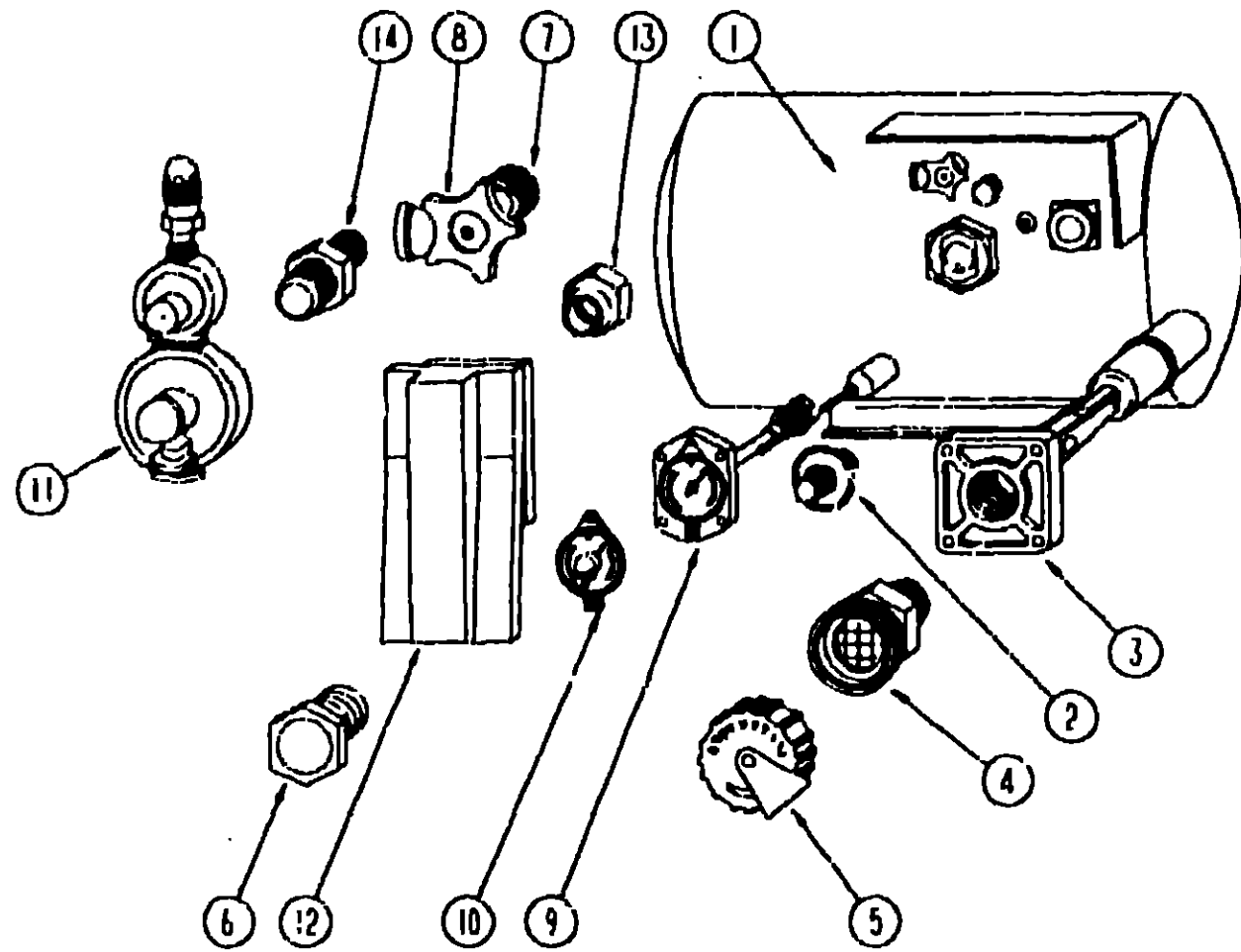
**1993 ITASCA  
TABLE OF CONTENTS**

INTRODUCTION	A 01	A 02
ABBREVIATIONS		A 03
ALPHABETICAL INDEX	A 04	A 05
IT321RIB	A-07	C 24
IT321RL	D 01	F 18
IT321RID	F 19	L 12

**1993 IT321RL INDEX**

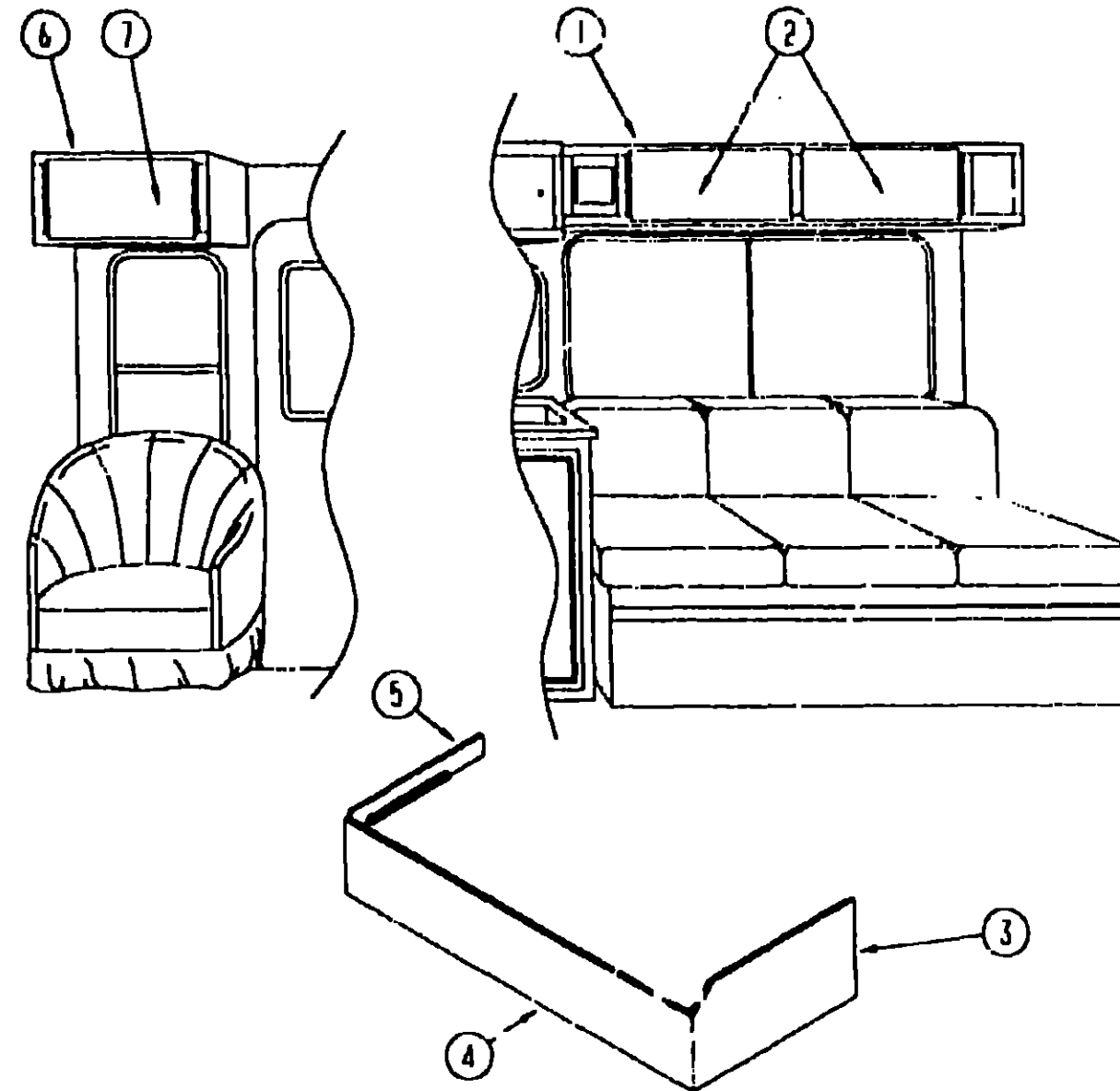
FLOOR PLAN	D-01	D 02
ACCESSORIES		D 03
AUDIO VIDEO		D 04
BATH	D-05	D-06
CHASSIS	D 07	D 08
CURTAIN & CUSHION	D 09	D 15
DINETTE		D 16
DRIVERS COMPARTMENT		D-17
ELECTRICAL	D 18	D 21
EXTERIOR BODY	D 22	E 02
GALEBY	E-03	E 07
GENERATOR		E 08
HEATING & A/C		E 09
INTERIOR FINISH	E-10	E 12
LABELS	E 13	E-18
LP		E-19
LOUNGE		E 20
SEALANTS & FASTENERS	E-21	E 22
WATER & SEWAGE	E-23	F 02
WINDOW VENT AND EXTERIOR DOOR	F-03	F 18

### LP GROUP



LP TANK & COMPONENTS

### LOUNGE GP



LOUNGE CABINETS

### 1993 ITASCA TABLE OF CONTENTS

INTRODUCTION	A-01	A-02
ABBREVIATIONS		A-03
ALPHABETICAL INDEX	A-04	A-06
IT321RB	A-07	C-24
IT321RL	D-01	F-18
IT321RD	F-13	F-12

### 1993 IT321RL INDEX

FLOOR PLAN	D-01	D-02
ACCESSORIES		D-03
AUDIO VIDEO		D-04
BATH	D-05	D-06
CHASSIS	D-07	D-08
CURTAIN & CUSHION	D-09	D-15
DINETTE		D-16
DRIVERS COMPARTMENT		D-17
ELECTRICAL	D-18	D-21
EXTERIOR BODY	D-22	E-02
GALLEY	E-03	E-07
GENERATOR		E-08
HEATING & A/C		E-09
INTERIOR FINISH	E-10	E-12
LABELS	E-13	E-18
LP		E-19
LOUNGE		E-20
SEALANTS & FASTENERS	E-21	E-22
WATER & SEWAGE	E-23	F-02
WINDOW, VENT AND EXTERIOR DOOR	F-03	F-18

KEY	PART NUMBER	U/M DESCRIPTION
1	074039-03-000	EA TANK-LP, 28 LB - BOTTOM MOUNT - 10" DIA X 23" LONG
2	040421-01-700	EA VALVE-LIQUID LEVEL, 20% LP - BRUNNER G-1013
3	040421-01-711	EA VALVE-80% W/FLOAT, PLATE, BOLTS & GASKET - BRUNNER
4	040421-01-701	EA VALVE-FILLER, LP SHORT - BRUNNER 75478
5	040421-01-702	EA CAP-LP FILLER VALVE, PLASTIC - YELLOW - BRUNNER G-1014-A
6	040421-01-713	EA VALVE-VAPOR ONLY, 29000587
7	040421-01-712	EA VALVE-SERVICE W/HANDWHEEL, W/O VAPOR RELIEF - 29000853
8	040421-01-708	EA HANDWHEEL-SERVICE VALVE, BRUNNER G-1015-A
9	074039-01-700	EA FLOAT ASM-BOLT ON, F/10" DIA TANK - BRUNNER 10C
10	040440-02-000	EA DIAL-TRANSMITTER, 0-90 OHM
11	105150-03-000	EA REGULATOR-TWO STAGE LPG, M'BRASS 295-00
12	105658-01-000	EA COMPARTMENT-LP REGULATOR
	103613-01-000	EA DETECTOR-LP GAS
	065741-01-000	EA GAUGE-DIAPHRAGM PRESSURE - MARSHALLTOWN MFG
	065742-01-000	EA TEE, 3/8" F X 3/8" F X 25" FPT - BRASS
13	010377-02-000	EA NUT-BRASS, 3/8 FEMALE - FORGED
14	010323-01-000	EA ADAPTER-BRASS, 3/8" F X 1/2" MPT
	010265-01-000	EA ELBOW-BRASS, 90 DEGREE - 3/8" F X 1/2" FPT
	010251-01-000	EA ELBOW-BRASS, 90 DEGREE - 3/8" F X 3/8" MPT
	008042-01-000	FT TUBING-VINYL, 65" ID

KEY	PART NUMBER	U/M DESCRIPTION
1	M05160-13-D24	EA CABINET-OVERHEAD, W/O DOORS OR HARDWARE
1	M05160-13-D25	FA CABINET-OVERHEAD, W/O DOORS OR HARDWARE
1	M05160-13-D26	EA CABINET-OVERHEAD, W/O DOORS OR HARDWARE
2	P03702-73-D24	EA DOOR-CABINET, W/O HARDWARE - 10" X 25 2"
3	M04187-61-D24	EA CABINET-COUCH, LEFT SIDE W/FABRIC (D24/D25)
3	M04187-61-D26	EA CABINET-COUCH, LEFT SIDE W/FABRIC (D26)
4	M04187-60-D24	EA CABINET-COUCH, FRONT FACE W/FABRIC (D24/D25)
4	M04187-60-D26	EA CABINET-COUCH, FRONT FACE W/FABRIC (D26)
5	M04187-62-D24	EA CABINET-COUCH, RIGHT SIDE W/FABRIC (D24/D25)
5	M04187-62-D26	EA CABINET-COUCH, RIGHT SIDE W/FABRIC (D26)
	082525-02-000	EA BRACE-COUCH, FLOOR MOUNT - ANGLE 3" LONG - METAL
	050101-01-002	EA EXTRUSION-L SHAPED, 192" - ALUMINUM
	083125-05-000	EA BRACE-ANGLE, COUCH - 2 5" - BEIGE
6	M05160-09-D24	EA CABINET-OVERHEAD, W/O DOORS OR HARDWARE
7	P03702-79-D24	EA DOOR-CABINET, W/O HARDWARE - 10" X 19.1"

**SEALANTS & FASTENERS GROUP  
SCREWS**

KEY	PART NUMBER	U/M DESCRIPTION
	000G68-06-10G	EA SCREW 8-18 X 5/8 PPH - ANTIQUE BRASS
	000G13-06-06B	EA SCREW 6-20 X 3/8 PFH - ZINC
	000G13-06-08B	EA SCREW 6-20 X 1/2 PFH - ZINC
	000G13-06-08G	EA SCREW 6-20 X 50 PFH - ANTIQUE BRASS
	000G13-07-12B	EA SCREW 7-19 X 3/4 PFH - ZINC
	000G11-06-10J	EA SCREW 7-19 X 1/2 PPH - ZINC
	000G11-08-06B	EA SCREW 8-18 X 3/8 PPH ZN
	000G11-08-12B	EA SCREW 8-18 X 3/4 PPH ZN
	000G11-08-12R	EA SCREW 8-18 X 3/4 PPH - BEIGE
	000G11-08-12S	EA SCREW 8-18 X 75 PPH, OFF WHITE
	000G11-08-16S	EA SCREW 8-18 X 1 00 PPH - OFF WHITE
	000G12-08-12S	EA SCREW 8-18 X 75 PPH OFF WHITE
	000G12-08-16S	EA SCREW 8-18 X 1 00 PPH - OFF WHITE
	000G13-08-16B	EA SCREW 8-18 X 1 PFH - ZINC
	000G67-10-08B	EA SCREW 10-12 X 1/2 PPH ZN
	000G67-10-08R	EA SCREW 10-12 X 1/2 PPH - BEIGE - TYPE A
	000G67-10-10B	EA SCREW 10-12 X 5/8 PPH ZN - TYPE A
	000G67-10-10R	EA SCREW 10-12 X 5/8 PPH - TYPE A - BEIGE
	000G67-10-10S	EA SCREW 10-12 X 5/8" PPH - OFF WHITE
	000G67-10-12B	EA SCREW 10-12 X 3/4" PPH - ZN
	000G67-10-12P	EA SCREW 10-12 X 75" PPH - DARK BROWN
	000G67-10-16B	EA SCREW 10-12 X 1 PPH - ZN
	000G67-10-24B	EA SCREW 10-12 X 1 1/2 PPH - ZN
	000G67-10-32B	EA SCREW 10-12 X 2 PPH - ZN
	000G11-10-12D	EA SCREW 10-16 X 3/4 PPH - BLACK
	000G36-10-12E	EA SCREW 10-24 X 3/4 PFH TYPE 23 - CHROME PLATED
	000G32-10-06B	EA SCREW 10-32 X 3/8" - PPH - ZINC
	000G18-08-12B	EA SCREW-MACHINE 8-32 X 3/4" PPH ZINC
	000G53-04-06B	EA SCREW-MACHINE 1/4-20 X 3/8 PPH -ZINC - UNDERCUT HEAD
	000G39-06-08B	EA SCREW-DR 6-18X1/2 ZN
	000G39-08-08B	EA SCREW-SF/DR 8-18 X 1 2 PPH ZN
	000G39-08-08R	EA SCREW-SF/DR 8-18 X 1/2 PPH - BEIGE
	000G39-08-08S	EA SCREW-SF/DR 8-18 X 1/2 PPH - OFF WHITE
	000G39-08-12B	EA SCREW-SF/DR 8-18 X 3/4 PPH ZN
	000G55-08-12M	EA SCREW-SF/DR 8-18 X 75 PPH - GRAY
	000G39-08-16S	EA SCREW-SF/DR 8-18 X 1 00 PPH - OFF WHITE
	000G39-08-24S	EA SCREW-SF/DR 8-18 X 1 50 - OFF WHITE
	000G39-10-10S	EA SCREW-SF/DR 10-16 X 62" PPH - OFF WHITE
	000G39-10-12D	EA SCREW-SF/DR 10-16 X 3/4 PPH - BLACK
	000G39-10-12R	EA SCREW-SF/DR 10-16 X 3/4 PPH - BEIGE
	000G39-10-20B	EA SCREW-SF/DR 10-16 X 1 1/4 PPH - ZINC
	000G42-04-16B	EA SCREW-SF/DR 1/4-14 X 1 HWH - ZINC
	000G54-04-20B	EA SCREW 1/4-20 X 1 1/4 PTH - TYPE 23 - ZINC PLATED
	087721-01-000	EA SCREW-FLAT HEAD TAPPING - 1/4" X 1 1/4" LG ZINC
	075908-01-000	EA SCREW-MACHINE 10-32 X 56 PTH - ZINC EXTERNAL TOOTH
	076790-01-000	EA SCREW 6-20 X 1 1/4 PPH - BLACK
	101289-01-01A	EA SCREW-MACHINE 8-32 X 4 - PPH - BRASS - FOR EXTENDED KNOB

**ADHESIVE AND SEALANTS**

KEY	PART NUMBER	U/M DESCRIPTION
	072707-02-000	FT TAPE-SEALER 5/16" X 1/2" - INCREMENTS OF 50 FT
	004020-01-000	QT ADHESIVE-ABS CEMENT QUART
	034552-02-000	EA SILICONE-TUBE 300 ML - CLEAR
	034552-06-000	EA SILICONE-TUBE 300 ML - OFF WHITE
	039518-01-000	EA SILICONE-TUBE 300 ML - BLACK
	108716-01-000	EA SILICONE-TUBE, OFF WHITE LEVEL - CSL 510
	053766-02-000	EA BEDDING COMPOUND-TUBE - WHITE

**SEALANTS & FASTENERS GROUP (CONTINUED)  
ADHESIVE AND SEALANTS CONT'D**

KEY	PART NUMBER	U/M DESCRIPTION
	053766-08-000	EA BEDDING COMPOUND-TUBE - GRAY
	063842-01-000	FT TAPE-ADHESIVE 10MM X 15" WIDE
	069640-10-000	FT SEALER-RIBBON 1/32" X 1 1/2" INCREMENTS OF 50'
	069640-01-000	FT SEALER-RIBBON 1/4" DIAMETER - INCREMENTS OF 30'
	069640-02-000	FT SEALER-RIBBON 1/2" X 1/2" - INCREMENTS OF 30' OR 60'
	069640-03-000	FT SEALER-RIBBON 3/4" X 1/8" - INCREMENTS OF 60'
	069640-07-000	FT SEALER-RIBBON 2" X 3/32" - INCREMENTS OF 30' OR 45'
	069640-11-000	FT SEALER-RIBBON 3/16" X 3/8" - BLACK
	069640-12-000	FT SEALER-RIBBON 1/8" X 1 5" - GRAY - INCREMENTS OF 30'
		FROM 00-00-00 THRU 09-21-92
	069640-14-000	FT SEALER-RIBBON 1/16" X 1" - GRAY
		FROM 09-22-92 THRU 11-99-99
	072889-01-000	EA SEALANT-URETHANE, BLACK - 1/10" - ESSEX 552 2
	076322-01-000	FT TAPE-FOAM, DOUBLE COATED ADHESIVE BACKED - 75" X 216"
	076322-02-000	FT TAPE-FOAM, DOUBLE COATED ADHESIVE BACKED - 1" X 108"
	076322-05-000	FT TAPE-FOAM, DOUBLE COATED - 025" X 1 5"
	091255-02-000	FT SEAL-ADHESIVE BACKED FOAM, 18" THICK X 1 5" WIDE
	087211-01-000	GL PROMOTER-ADHESIVE
	102352-01-000	EA SEALER-PUMPABLE BLACK

**NUTS, BOLTS AND GROMMETS**

KEY	PART NUMBER	U/M DESCRIPTION
	040921-04-000	EA NUT-SPEED U TYPE - NO 8 - 59" LENGTH X 44" WIDTH
	005081-01-000	EA NUT-SPEED C TYPE - NO 8 SCREW
	000D24-10-00B	EA NUT-HEX, SF/LK - 10-32 ZN
	000D39-05-00B	EA NUT-HEX, SER FLG LK - 5/16 - 18 ZN
	000D39-06-00B	EA NUT-HEX, SER FLG LK - 3/8-16 ZN
	000D39-08-00B	EA NUT-HEX, SER FLG LK - 1/2-13 ZN
	000D44-07-00B	EA NUT-HEX, SER FLG LK - 7/16-20 ZN
	000C12-05-12B	EA BOLT-HEX-5/16-18X3/4 ZN 5
	000C12-06-32B	EA BOLT-HEX-3/8-16X2LG ZN 5
	000C13-07-48B	EA BOLT-HEX 7/16 - 20 X 3 - ZN 5
	000C18-05-40A	EA BOLT-ELEV, 5/16"-18 X 2 1/2" PL
	000C26-05-12B	EA BOLT-HEX-SER FLG 5/16-18X3/4 ZN
	000C26-05-20B	EA BOLT-HEX, SER FLG 5/16 - 18 X 1 1/4 ZINC
	071015-04-000	EA GROMMET-RUBBER 18" ID X 88" OD W/03" GROOVE - BLACK

**MISCELLANEOUS FASTENERS**

KEY	PART NUMBER	U/M DESCRIPTION
	044533-01-000	EA WASHER-PLASTIC 1 3/8"OD - FOR BUTTONS
	000E13-11-00B	EA WASHER-FLAT, 3/16" WIDE - ZN
	000E13-20-00B	EA WASHER-FL, 7/16" WIDE - ZN
	041322-01-000	EA WASHER-FL, 15/32" ID X 2 3/8" OD - FOR SEAT BELT MOUNT
	056134-01-000	EA HOLDER-RING 36" DIAMETER - METAL
	007161-01-000	EA CLAMP-HOSE, SPRING TYPE - 1/2"
	010495-01-000	EA CLAMP-CABLE, 9/16"
	010497-01-000	EA CLAMP-CLOSED, 5/8" ID
	010497-03-000	EA CLAMP-CLOSED, 1" ID - CUSHIONED
	010499-01-000	EA CLAMP-CLOSED, 3/8" ID
	062401-01-000	EA CLAMP-HOSE, WORMGEAR 25" - 1"
	062401-02-000	EA CLAMP-HOSE, WORMGEAR, 1 56" - 2 5"
	062401-06-000	EA CLAMP-HOSE, WORMGEAR 22" - 62"
	075148-02-000	EA CLAMP-GROUNDING BRONZE SCREWS
	083605-01-000	EA CLAMP-WIRE, DUAL EQUAL - 5/8" DIAMETER
	080734-02-000	EA CLIP-WIRE NYLON

**1993 ITASCA  
TABLE OF CONTENTS**

INTRODUCTION	A-01	A-02
ABBREVIATIONS		A-03
ALPHABETICAL INDEX	A-04	A-06
IT321RB	A-07	C-24
IT321RL	D-01	F-18
IT321RD	F-19	I-12

**1993 IT321RL INDEX**

FLOOR PLAN	D-01	D-02
ACCESSORIES		D-03
AUDIO VIDEO		D-04
BATH	D-05	D-06
CHASSIS	D-07	D-08
CURTAIN & CUSHION	D-09	D-15
DINETTE		D-16
DRIVERS COMPARTMENT		D-17
ELECTRICAL	D-18	D-21
EXTERIOR BODY	D-22	E-02
GALLEY	E-03	E-07
GENERATOR		E-08
HEATING & A/C		E-09
INTERIOR FINISH	E-10	E-12
LABELS	E-13	E-18
LP		E-19
LOUNGE		E-20
SEALANTS & FASTENERS	E-21	E-22
WATER & SEWAGE	E-23	F-02
WINDOW, VENT AND		
EXTERIOR DOOR	F-03	F-18

**WATER & SEWAGE GROUP  
FRESH WATER TANK**

KEY	PART NUMBER	U/M DESCRIPTION
	084677-03-002	EA TANK-WATER, W/FITTINGS - 14 GALLON - 11" X 20" X 16"
	084677-01-000	EA TANK-WATER, 12.5 GALLON - W/O FITTINGS - 11" X 20" X 16"
	077954-02-000	EA FILTER-WATER TANK SCREEN IN TANK
	079781-01-000	FT TUBING-SMOOTH, FLEXIBLE - 1 1/4" ID
	042989-03-000	EA FITTING-WATER TANK, SPINWELD - 1 1/4"NPT - PLASTIC - WHITE
	042989-04-000	EA FITTING-WATER TANK, SPINWELD - 3/8" FPT - PLASTIC - WHITE
	042989-05-000	EA FITTING-WATER TANK, SPINWELD - 1/2" FPT - PLASTIC - WHITE
	049032-01-000	EA PATCH-SPINWELD 3/8" - PLASTIC
	039861-01-000	EA SENDING UNIT W/SCREW, WASHER, WELL NUT AND TERMINAL RING

**WATER SYSTEM**

KEY	PART NUMBER	U/M DESCRIPTION
	106258-01-000	EA CAP-INSERTABLE, 1/2" FLARE
	010224-01-000	EA ADAPTER-HOSE TO PIPE, 3/8" MPT X 3/8" BARB - BLACK PLASTIC
	044927-01-000	EA ADAPTER-HOSE TO PIPE 1 1/4" MPT X 1 1/4" BARB - BLACK PLASTIC
	079377-01-000	EA ADAPTER-SWIVEL, 1/2" TUBE X 1/2" FPT - PLASTIC - GRAY
	052960-01-000	EA DRAIN VALVE-IN LINE, HEADER - 1/2" F X 1/2" F - GRAY PLASTIC
	052961-01-000	EA DRAIN VALVE-IN LINE, HEADER - 1/2" F X 1/2" F X 1/2" F - PLASTIC
	091208-01-000	EA WASHER-RUBBER, 06" X 75" X 5"
	098417-01-000	EA CONNECTOR-5/8" F X 1/2" MPT, PLASTIC - KEVCO
	098420-01-000	EA CONNECTOR-SWIVEL, 1/2" FPT X 5/8" TUBE - PLASTIC
	101814-01-000	EA COUPLING-FEMALE, 1/2" X 1/2" FPT
	055290-01-000	EA ELBOW-5/8" F X 1/2" MPT
	057457-01-000	EA ELBOW-UNION, 1/2" X 1/2" FLARE
	087659-04-000	EA FILL-WATER, CITY - OFF WHITE
	065120-01-000	EA ELBOW-SWIVEL 1/2" FPT X 1/2" FLARE - PLASTIC - GRAY
	052952-01-000	EA NUT-PLASTIC, 1/2" F X 1/2" TUBE - GRAY
	052952-02-000	EA NUT-PLASTIC, 5/8" FLARE
	052953-01-000	EA NUT-FAUCET, 1/2" TUBE X 1/2" FPT - PLASTIC - GRAY
	052954-01-000	EA ADAPTER-NOSE CONE, 3/8" OR 1/2" TUBING - PLASTIC - GRAY
	039798-01-000	EA TEE-1/2" MPT X 1/2" MPT X 1/2" MPT, PLASTIC
	052955-01-000	EA TEE-WATER 1/2" F X 1/2" F X 1/2" MPT - PLASTIC - GRAY
	055291-01-000	EA TEE-PLASTIC, 5/8" F X 5/8" F X 5/8" F
	057974-01-000	EA TEE-5/8" F X 1/2" F X 1/2" F, PLASTIC
	052955-03-000	EA TEE-5/8" F X 5/8" F X 1/2" MPT - PLASTIC
	052958-01-000	EA TEE 1/2" F X 1/2" F X 1/2" F - PLASTIC - GRAY
	039800-01-000	FT TUBING-POLYBUTYL, 1/2" OD - INCREMENTS OF 20' - BLACK
	039800-02-000	FT TUBING-POLYBUTYL, 5/8" OD - INCREMENTS OF 20' - BLACK
	074462-02-000	FT TUBING-VINYL 3/8" ID - CLEAR

**WATER PUMP**

KEY	PART NUMBER	U/M DESCRIPTION
	073607-01-000	EA PUMP-WATER W/ 5" MPT FITTING - FLOW 2.8 GPM
	048607-01-700	EA PUMPHEAD-REPLACEMENT SHURFLO# 94-236-08
	098607-01-701	EA DRIVE ASM SHURFLO# 94-234-03
	098607-01-702	EA DIAPHRAGM-KIT SHURFLO# 94-233-10
	098607-01-703	EA VALVE ASM SHURFLO# 94-232-00
	098607-01-704	EA HOUSING-UPPER SHURFLO# 94-231-01
	098607-01-705	EA CHECK VALVE-KIT SHURFLO# 94-237-00
	098607-01-706	EA SWITCH ASM-COMplete SHURFLO# 94-230-00
	098607-01-707	EA MOTOR/BASEPLATE REPLACEMENT SHURFLO# 94-234-03

**WATER & SEWAGE GROUP (CONTINUED)  
WATER HEATER W/MOTOR AID**

KEY	PART NUMBER	U/M DESCRIPTION
	051391-02-000	EA HEATER-WATER, ATWOOD G4-SM
	051391-01-700	EA HINGE KIT-W/CLIP, ATWOOD# 92568 & 92569
	051391-01-704	EA VALVE-RELIEF, 1/2" FITTING - ATWOOD# 91604
	051391-01-705	EA FASTENER-CAMLOC, ATWOOD# 92609
	051391-01-706	EA GRILLE-EXHAUST, ATWOOD# 92787
	051391-01-708	EA BURNER-MAIN 3E ONLY - ATWOOD# 92615
	051391-01-709	EA PILOT ASM-W/HERMOUCOUPLE & TUBE - ATWOOD# 91603
	051391-01-710	EA ORIFICE-MAIN BURNER, ATWOOD# 92742
	051391-01-711	EA ELBOW-ORIFICE, MAIN BURNER - ATWOOD# 92741
	051391-01-712	EA THERMOSTAT-3/8" NPT INLET - ATWOOD# 91601
	051391-01-714	EA ELBOW-45 DEGREE, 3/8" F X 3/8" MPT - ATWOOD# 91044
	051391-01-715	EA DRAIN PLUG, ATWOOD# 91561
	051391-02-700	EA TANK-INNER FOR G4-SM - ATWOOD# 91414
	008042-01-000	FT TUBING-VINYL, 85" ID

**EXTERIOR SHOWER OPTION L64R**

KEY	PART NUMBER	U/M DESCRIPTION
	046128-01-000	EA VALVE-DRAIN, PLASTIC - 1/2" FPT
	052959-02-000	EA CONNECTOR, 1/2" F X 1/2" MPT - PLASTIC - GRAY
	075241-05-000	EA FAUCET-SHOWER, BONE
	103092-01-000	EA SHOWER HEAD-W/60" HOSE
	103092-01-700	EA BRACKET ONLY-CLEAR, F/SHOWER HEAD - 232802B
	093527-02-000	EA BRACKET-SQUEEGEE/SHOWER HEAD
		FROM 10-02-92 THRU 99-99-99
	091952-02-000	EA CLIP-GRIPPER, 3/4"
		FROM 10-02-92 THRU 99-99-99
	081994-02-000	EA PLATE-SWITCH, EXTERIOR SHOWER
		FROM 00-00-00 THRU 01-06-93
	108356-02-01A	EA COVER-SWITCH W/DIMPLES, CARLING VVAZC00 BLA
	108357-08-000	EA SWITCH-ROCKER DPDT ON/NONE/ON - CARLING VDD1500C-0

**1993 ITASCA  
TABLE OF CONTENT'S**

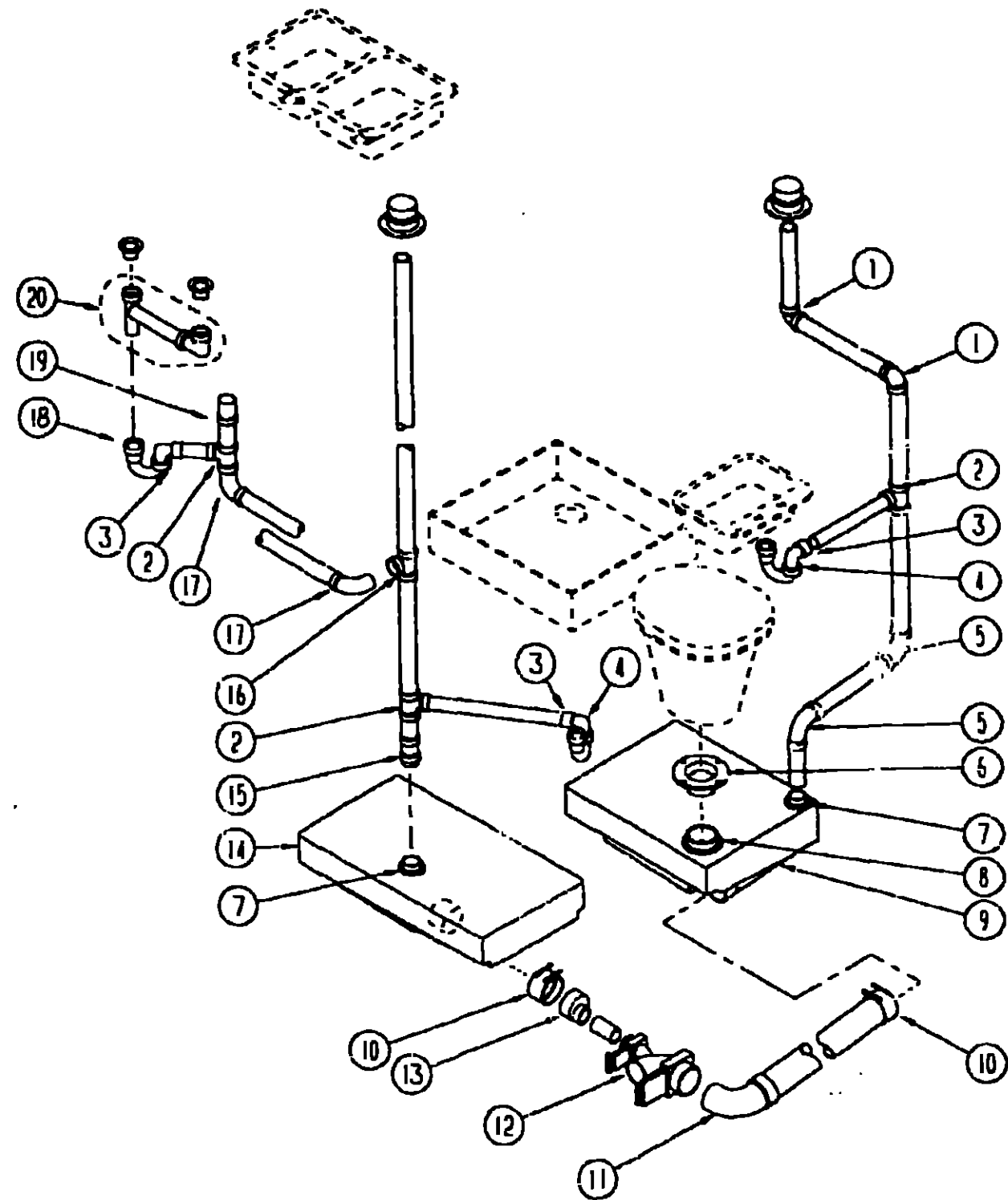
INTRODUCTION	A-01	A-02
ABBREVIATIONS		A-03
ALPHABETICAL INDEX	A-04	A-05
IT321RB	A-07	C-24
IT321RL	D-01	F-18
IT321RD	F-19	I-12

**1993 IT321RL INDEX**

FLOOR PLAN	D-01	D-02
ACCESSORIES		D-03
AUDIO VIDEO		D-04
BATH	D-05	D-05
CHASSIS	D-07	D-08
CURTAIN & CUSHION	D-09	L-15
DINETTE		D-16
DRIVERS COMPARTMENT		D-17
ELECTRICAL	D-18	D-21
EXTERIOR BODY	D-22	E-02
GALLEY	E-03	E-07
GENERATOR		E-08
HEATING & A/C		E-09
INTERIOR FINISH	E-10	E-12
LABELS	E-13	E-18
LP		E-19
LOUNGE		E-20
SEALANTS & FASTENERS	E-21	E-22
WATER & SEWAGE	E-23	F-02
WINDOW, VENT AND		
EXTERIOR DOOR	F-03	F-18



**WATER & SEWAGE GROUP (CONTINUED)**



**DRAINAGE SYSTEM**

KEY	PART NUMBER	U/M DESCRIPTION
1	010006-01-000	EA ELBOW-45 DEG. 1/2 BEND - 1 1/2" HUB X HUB - BLACK PLASTIC
2	010079-01-000	EA TEE-SANITARY 1 1/2" H X 1 1/2" H X 1 1/4" H - PLASTIC - BLACK FROM 00-00-00 THRU 12-15-92
2	010071-01-000	EA TEE-SANITARY, 1 1/2" HUB X HUB X HUB - PLASTIC - BLACK FROM 12-16-92 THRU 99-99-99
3	107527-01-000	EA ADAPTER-P TRAP, 1 1/4" SLIP - US FROM 00-00-00 THRU 12-15-92
3	109571-01-000	EA ADAPTER-P TRAP, 1 1/2" P X 1 1/4" MPT - US FROM 12-16-92 THRU 99-99-99
4	011063-03-700	EA P-TRAP KIT-1 1/2" X 1 1/4" P-TRAP W/1 1/2" TO 1 1/4" REDUCER - CANADIAN
4	107538-01-000	EA P-TRAP-PLASTIC, 1 1/4" W/EXT ARM - US
	011069-03-000	EA TAILPIECE-SHOWER/TUB, 1 1/2" X 1 3/4" - PLASTIC
5	010008-01-000	EA ELBOW-90 DEG. 1/4 BEND - 1 1/2" HUB X HUB - BLACK PLASTIC
6	063641-01-000	EA FLANGE-CLOSET, 4" X 3"
7	061607-01-000	EA GROMMET-HOLDING TANK, 1 1/2" NPS
8	061607-02-000	EA GROMMET-HOLDING TANK, 3" NPS
9	074300-01-000	EA TANK-HOLDING, 12 GALLON - 10 15" X 24 64" X 19 68"
10	078406-01-000	EA COUPLER-RUBBER, W/CLAMPS - 3" X 3"
11	041956-01-000	EA ELBOW-STREET, PLASTIC - 1/4" BD 3 X 90 XLT
12	070916-01-000	EA VALVE-DUAL DUMP, W/CAP - 3" X 1 1/2" - PLASTIC - BLACK
	070916-01-700	EA VALVE ONLY, 3"
	070916-01-701	EA VALVE ONLY, 1 1/2"
13	062422-01-000	EA ADAPTER-OFFSET REDUCER, 3" X 1 1/2" - PLASTIC - BLACK
	062415-01-000	EA CAP-SEWER 3" DIAMETER
	062415-01-700	EA STRING SEWER CAP
	010201-01-000	EA HOSE-SEWER 3" ID X 8"
	062416-01-000	EA ADAPTER-SEWER HOSE TO 3" PIPE
14	084679-01-000	EA TANK-HOLDING, 12 GALLON - 31 6" X 17 7" X 10 1"
	039861-01-000	EA SENDING UNIT W/SCREW, WASHER, WELL NUT AND TERMINAL RING
15	010115-01-000	EA COUPLING-1 1/2" HUB X HUB PLASTIC FROM 12-15-92 THRU 99-99-99
16	010071-01-000	EA TEE-SANITARY 1 1/2" HUB X HUB X HUB - PLASTIC - BLACK
17	033761-01-000	EA ELBOW-TURN, 1/4 BEND X 1 5" HUB X 1 5" SPIGOT - PLASTIC - BLACK
18	107538-01-000	EA P-TRAP-PLASTIC, 1 1/4" W/EXT ARM - US
18	011071-01-000	EA P-TRAP-1 1/2" PLASTIC - CANADIAN
19	079958-01-000	EA VENT-MECH TRAP ARM ANTI-SIPHON - 2" DIA X 73" - PLASTIC
20	011091-02-000	EA PIPE-DRAIN, DOUBLE SINK - BAFFLE TEE - 1 1/2" - US
20	011091-03-000	EA PIPE-DRAIN, W/SEALS - DOUBLE SINK - EXTENDS 9" TO 15" - CANADIAN
	066435-01-000	EA NUT-STRAINER

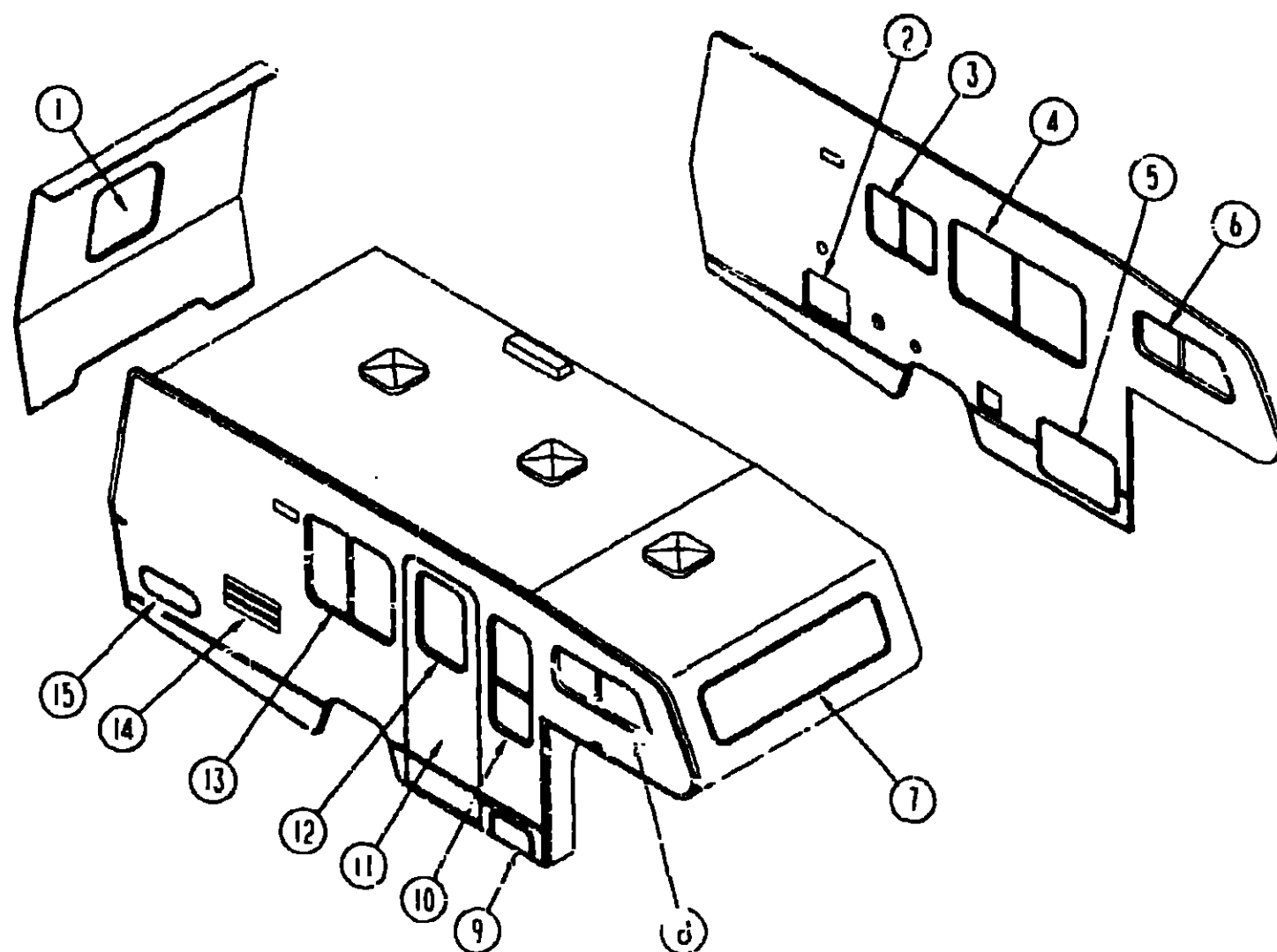
**1993 ITASCA  
TABLE OF CONTENTS**

INTRODUCTION	A-01	A-02
ABBREVIATIONS		A-03
ALPHABETICAL INDEX	A-04	A-06
IT321RB	A-07	C-24
IT321RL	D-01	F-18
IT321RD	F-19	I-12

**1993 IT321RL INDEX**

FLOOR PLAN	D-01	D-02
ACCESSORIES		D-03
AUDIO VIDEO		D-04
BATH	D-05	D-06
CHASSIS	D-07	D-08
CURTAIN & CUSHION	D-09	D-15
DINETTE		D-15
DRIVERS COMPARTMENT		D-17
ELECTRICAL	D-18	D-21
EXTERIOR BODY	D-22	E-02
GALLEY	E-03	E-07
GENERATOR		E-08
HEATING & A/C		E-09
INTERIOR FINISH	E-10	E-12
LABELS	E-13	E-18
LP		E-19
LOUNGE		E-20
SEALANTS & FASTENERS	E-21	E-22
WATER & SEWAGE	E-23	F-02
WINDOW VENT AND EXTERIOR DOOR	F-03	F-10

**WINDOW, VENT & EXTERIOR DOOR GROUP**  
WINDOWS & DOORS



**1993 ITASCA  
TABLE OF CONTENTS**

INTRODUCTION	A-01 -	A-02
ABBREVIATIONS		A-03
ALPHABETICAL INDEX	A-04 -	A-06
IT321RB	A-07 -	C-24
IT321RL	D-01 -	F-18
IT321RD	F-19 -	I-12

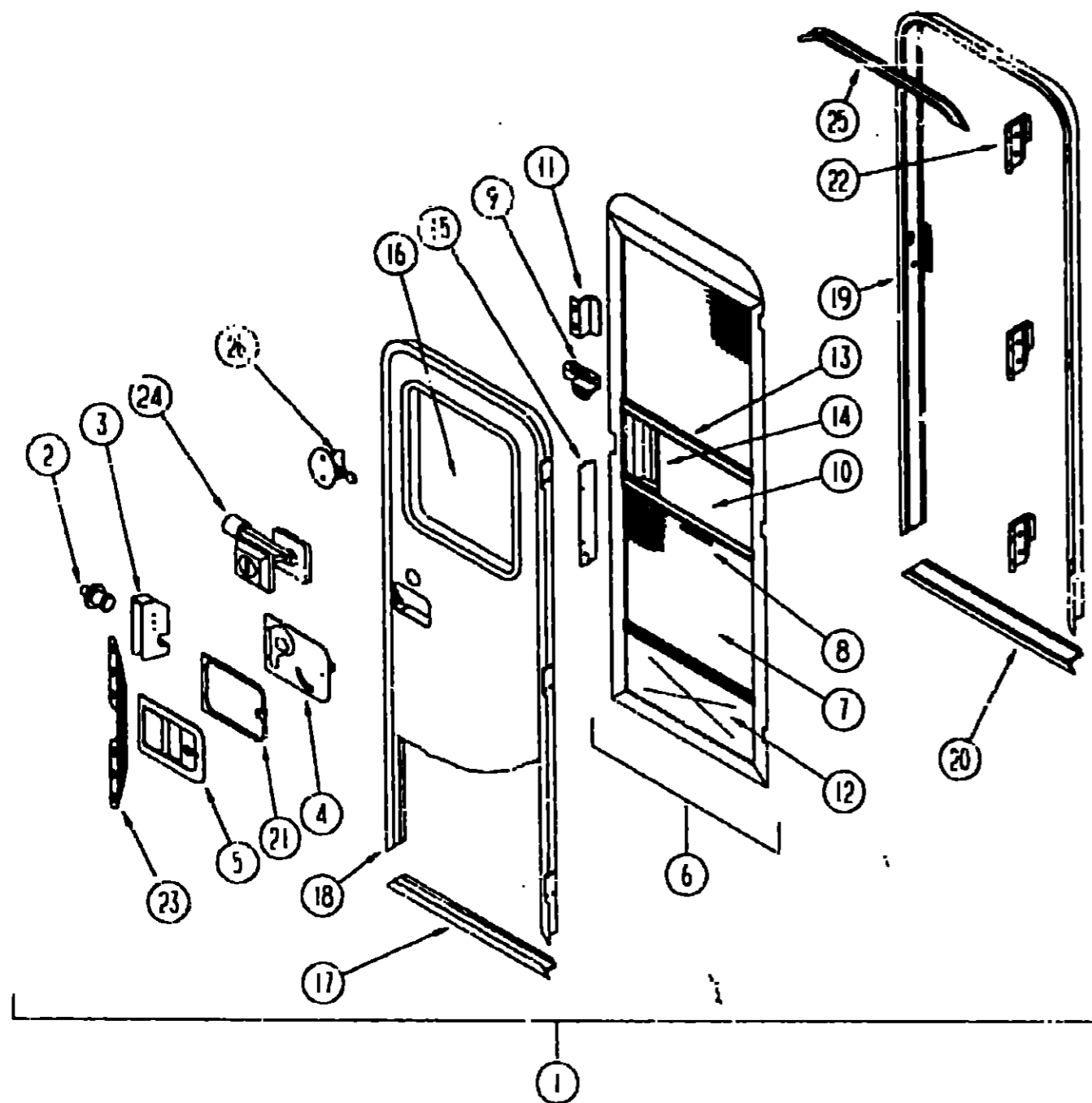
**1993 IT321RL INDEX**

FLOOR PLAN	D-01 -	D-02
ACCESSORIES		D-03
AUDIO VIDEO		D-04
BATH	D-05 -	D-06
CHASSIS	D-07 -	D-08
CURTAIN & CUSHION	D-09 -	D-15
DINETTE		D-16
DRIVERS COMPARTMENT		D-17
ELECTRICAL	D-18 -	D-21
EXTERIOR BODY	D-22 -	E-02
GALLEY	E-03 -	E-07
GENERATOR		E-08
HEATING & A/C		E-09
INTERIOR FINISH	E-10 -	E-12
LABELS	E-13 -	E-18
L.P.		E-19
LOUNGE		E-20
SEALANTS & FASTENERS	E-21 -	E-22
WATER & SEWAGE	E-23 -	F-02
WINDOW VENT AND EXTERIOR DOOR	F-03 -	F-18

KEY	PART NUMBER	U/M	DESCRIPTION
1	079729-02-T03	EA	WINDOW ESCAPE REAR - 22" X 24"
2	052009-01-002	EA	DOOR-WATER HEATER, OFF WHITE - ATWOOD 5576-27
3	098647-07-02A	EA	WINDOW-SLIDING W/OFF WHITE INSIDE FRAME - EXCEL B969-PRL
4	098647-12-02A	EA	WINDOW-SLIDING W/OFF WHITE INSIDE FRAME - EXCEL H023-PRL
5	122036-01-B05	EA	DOOR-GENERATOR W/POWER CORD HATCH 24" X 15 7" - OFF WHITE
5	102038-02-B05	EA	DOOR-LUGGAGE W/POWER CORD HATCH, 16 1" X 24 5" - OFF WHITE
5	004426-02-000	EA	HATCH: DOOR, POWER CORD - OFF WHITE
6	098646-04-02A	EA	WINDOW-DRIVER SIDE W/OFF WHITE INSIDE FRAME - EXCEL H245-MRL FROM 00-00-00 THRU 07-19-92
6	098647-19-01A	EA	WINDOW-DRIVER SIDE W/WHITE INSIDE FRAME - EXCEL B951-PRL FROM 07-20-92 THRU 99-99-99
7	103313-02-C09	EA	WINDOW-PICTURE, 58 6" X 11 6" - W/O INSIDE FRAME
8	098646-03-02A	EA	WINDOW-PASSENGER SIDE, W/OFF WHITE INSIDE FRAME - EXCEL H245-MRR FROM 00-00-00 THRU 07-19-92
8	098647-13-01A	EA	WINDOW-PASSENGER SIDE, W/WHITE INSIDE FRAME - EXCEL B951-PRL FROM 07-20-92 THRU 99-99-99

KEY	PART NUMBER	U/M	DESCRIPTION
9	079455-09-B05	EA	DOOR-BATTERY, 13 2" X 8" - OFF WHITE
10	098644-02-02A	EA	WINDOW-VERTICAL SLIDER W/O/WHITE I/S FRAME - EXCEL H079-PR
11	M01870-38-D24	EA	DOOR-ENTRANCE, W/WINDOW & SCREEN DOOR
12	079733-07-AA8	EA	WINDOW-ENTRY DOOR, 17" X 25" - FROSTED GLASS - W/O INSIDE FRAME
13	098647-09-02A	EA	WINDOW-SLIDING, W/OFF WHITE INSIDE FRAME - EXCEL H022-PRR
14	084103-03-000	EA	DOOR-REFRIGERATOR, VENTED W/O JAMB - OFF WHITE
	084104-01-700	EA	LOCK-MALE, FASTENER - REFRIGERATOR DOOR
	084104-01-701	EA	LOCK-FEMALE, FASTENER - REFRIGERATOR DOOR
	084104-03-000	EA	JAMB-DOOR, REFRIGERATOR - OFF WHITE
15	078720-02-T15	EA	DOOR-COMPARTMENT, LP - 16 9" X 5 4" - ALUMINUM - O/W
	102768-01-000	EA	HOLDER-COMPARTMENT/ENTRY DOOR, METAL - MILL FINISH
	081240-03-000	EA	DOOR-WATER FILL, LOCKABLE, 4" X 4 5/8" - OFF WHITE
	105118-02-C05	EA	DOOR-EXTERIOR SHOWER, 17 5" X 7 5"

**WINDOW, VENT & EXTERIOR DOOR GROUP (CONTINUED)**  
**ENTRY DOOR**



KEY	PART NUMBER	U/M	DESCRIPTION
1	M01870-38-D24	EA	DOOR-ENTRANCE, W/WINDOW & SCREEN DOOR
2	039539-01-000	EA	STRIKE-LOCK ENTRY DOOR - ROUND/THREADED WASHER
3	039540-01-000	EA	LATCH MECHANISM-HOOK, ENTRY DOOR - INTERIOR
	039715-01-000	EA	NUT-SERT 1/4" DIAMETER - 20 THREADS
4	039979-04-000	EA	COVER-INTERIOR LATCH, W/TRIP ARM - RIGHT - BLACK
	039984-01-000	EA	CAP-ROUND, VINYL - 28" ID X 62" LONG - BLACK
	041546-03-000	EA	BRACKET-DOOR ANGLE, 5" X 1 9" - BEIGE - METAL
5	045017-11-000	EA	LATCH-ENTRY DOOR MECHANISM W/LOCK & KEY - BLACK
	045017-11-701	EA	KEY-BLANK ROUND TOP - SILVER - TRIMARK
	056746-01-000	EA	PLUG-CAP, 1" DIAMETER
	058025-02-000	EA	CLIP-ROLLER LATCH CATCH, SCREEN DOOR
	058806-01-000	EA	PLUG-TAPERED, FOR DEADBOLT - PLASTIC - 66" DIA - RED
	058806-03-000	EA	PLUG-TAPERED, PLASTIC - RED
	063729-04-000	EA	RIVNUT, 10-32 UNF - 010-080
	072893-01-000	EA	NUTSERT-M5 X 0.8
	075671-04-000	FT	SEAL-SPONGE, LAZY T SHAPE - W/ADHESIVE STRIPE - 5" WIDE
6	079012-04-AA3	EA	DOOR-SCREEN
7	002293-02-000	SF	SCREENING-WINDOW/DOOR, 26" - CHARCOAL
8	002294-01-000	FT	SPLINE-SCREENING, 135" X 136" - BLACK
	002748-01-000	EA	CORNER KEY-DOOR
9	009018-01-000	EA	CATCH-SINGLE ROLLER, SCREEN DOOR
10	001014-01-013	EA	INSERT-CENTER, 10 25" X 16 31" - UNPAINTED
11	050712-04-000	EA	HANDLE-SCREEN DOOR, ALUMINUM - OFF WHITE
11	050712-05-000	EA	HANDLE-SCREEN DOOR, UNPAINTED
12	078552-05-000	EA	INSERT-SCREEN DOOR LOWER - MILL
	078595-02-000	EA	PLATE-SCREEN DOOR
13	078777-03-000	EA	CHANNEL-SLIDE, SCREEN DOOR CENTER SLIDER COVER - 17 4"
14	079086-02-000	EA	SLIDER-SCREEN DOOR, OFF WHITE
15	079097-02-000	EA	STRIKE-SLIDER, W/LIP FOR ELBOW CATCH - 1 5" X 8 6" - OFF WHITE
16	067609-32-000	EA	FRAME-WINDOW, ENTRY DOOR - OFF WHITE
16	079733-07-AA8	EA	WINDOW-ENTRY DOOR, 17" X 25" - FROSTED GLASS
16	002151-07-000	EA	GLASS-WINDOW 182" X 16 25" X 24" - FROSTED
16	087561-01-000	FT	SEAL-GLASS, EXTERIOR - 5" WIDE - VINYL - BLACK
16	079370-04-000	FT	COVER-SCREW, WINDOW - VINYL - BLACK
	081914-01-000	EA	BUMPER-RUBBER, ROUND - 43" DIAMETER - BLACK
17	089748-05-000	EA	FRAME-DOOR, ENTRANCE - BOTTOM - OFF WHITE
	090340-01-000	FT	SEAL-FOAM, CLOSED CELL - 1/4" X 1/2" X 50"
18	095276-02-01A	EA	FRAME-DOOR, ENTRANCE - TOP & SIDES - OFF WHITE
19	095277-03-01A	EA	JAMB-ENTRY DOOR W/BOTTOM, OFF WHITE
20	051049-04-000	EA	JAMB-DOOR, ENTRANCE - BOTTOM - UNPAINTED
	079207-01-000	EA	STRIKER-ROLLER CATCH, WELDED TO DOOR JAMB - 4" X 1 15"
21	096810-01-01A	EA	PLATE-LATCH, ENTRY DOOR - PLASTIC - BLACK
22	097724-01-04A	EA	HINGE-ENTRY DOOR, UNPAINTED
23	098173-01-04A	EA	STIFFENER-ENTRY DOOR, SUPPORTS LATCH/STRIKE - UNPAINTED
	100128-02-000	FT	SEAL-PILE, ADHESIVE BACK - SCREEN DOOR - GRAY
24	101145-01-01A	EA	DEADBOLT-ENTRY DOOR, W/2 KEYS W/O BOLT OR SCREWS
	095229-01-700	EA	KEY-BLANK, DEADBOLT
	101147-01-000	EA	BOLT-SECURITY, 4 12" BACKSET
	102524-01-000	EA	BUMPER-RUBBER, FLAT - BLACK
25	044582-25-000	EA	CAP-DRIP, DOOR JAMB MOUNTED - OFF WHITE
	075539-12-000	EA	GARNISH ENTRANCE DOOR, OFF WHITE
26	100412-01-000	EA	CATCH-SCREEN DOOR THUMB CLIP W/BLACK PLASTIC CAP
	076725-01-000	EA	COVER-ACCESS/HINGE - 6" X 3 2" - PLASTIC - BEIGE
	009126-02-000	EA	HANDLE-ASSIST, ENTRY DOOR - BLACK
	077451-03-000	EA	COVER-STRIKE ENTRY DOOR - 6 5" X 2 5" - PLASTIC - WHITE
	102248-01-000	EA	SHIM-DOOR

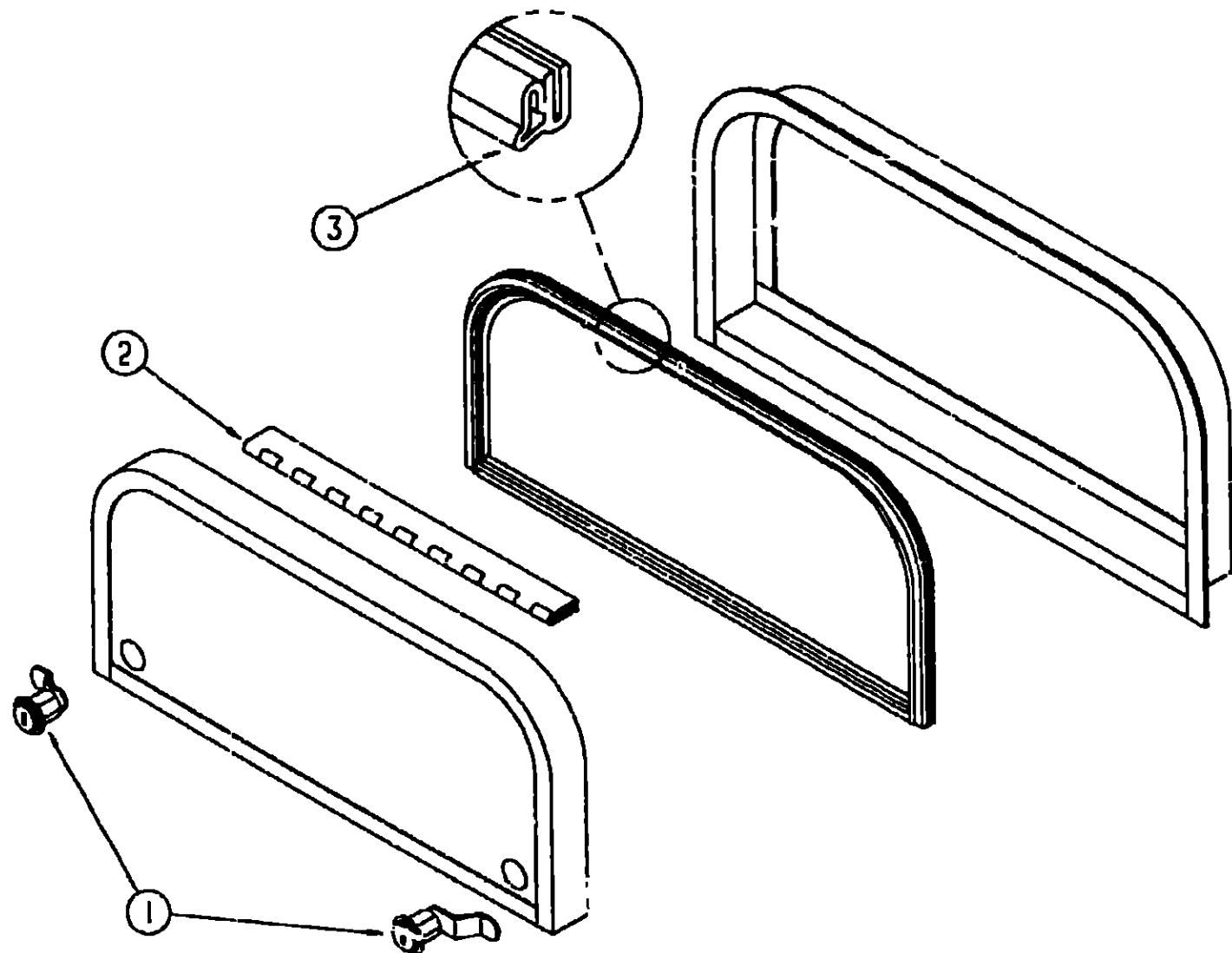
**1993 ITASCA**  
**TABLE OF CONTENTS**

INTRODUCTION	A-01	A-02
ABBREVIATIONS		A-03
ALPHABETICAL INDEX	A-04	A-06
IT321RB	A-07	C-24
IT321RL	D-01	F-18
IT321RD	F-19	I-12

**1993 IT321RL INDEX**

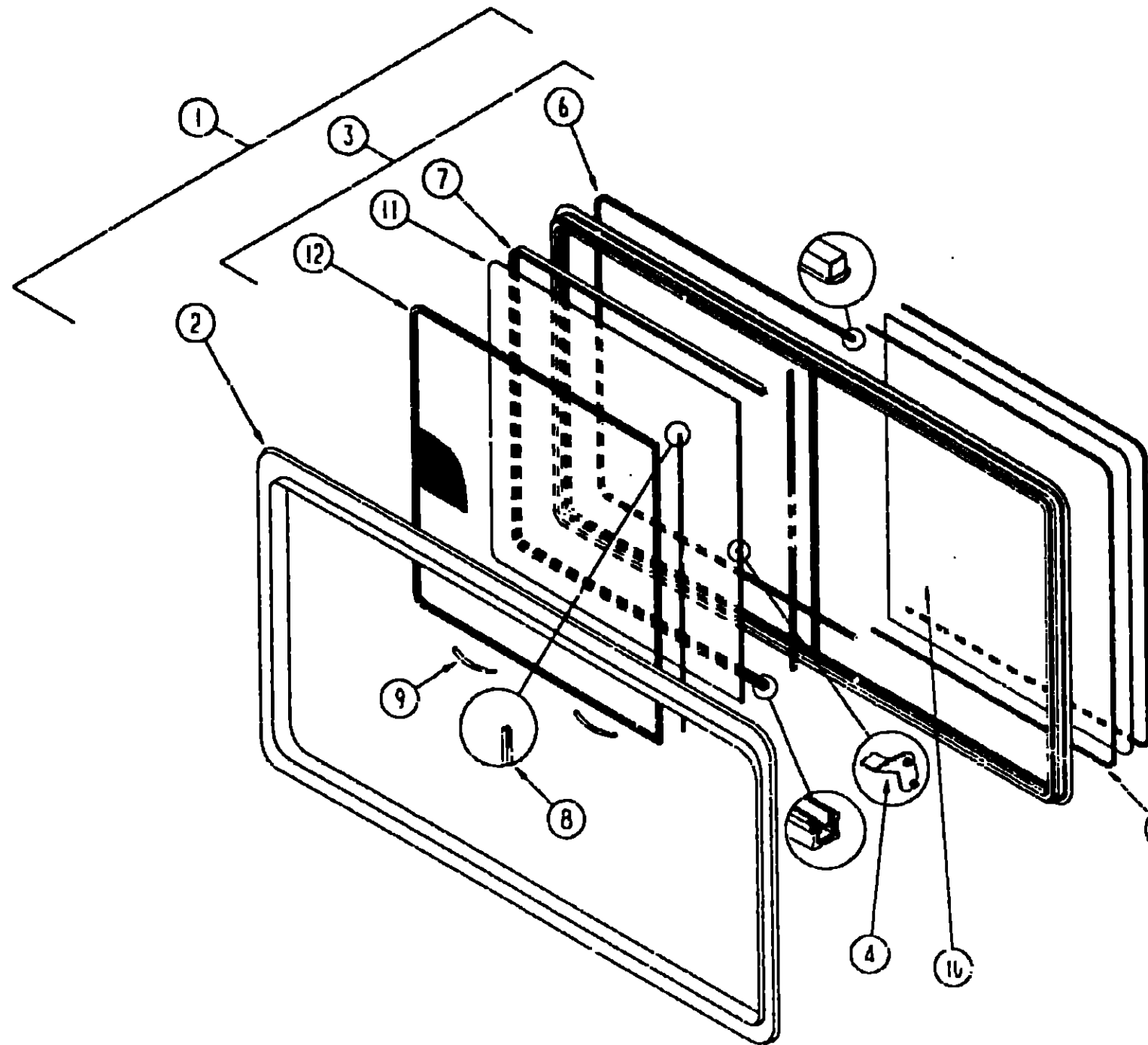
FLOOR PLAN	D-01	D-02
ACCESSORIES		D-03
AUDIO VIDEO		D-04
BATH	D-05	D-06
CHASSIS	D-07	D-08
CURTAIN & CUSHION	D-09	D-15
DINETTE		D-16
DRIVERS COMPARTMENT		D-17
ELECTRICAL	D-18	D-21
EXTERIOR BODY	D-22	E-02
GALLEY	E-03	E-07
GENERATOR		E-08
HEATING & A/C		E-09
INTERIOR FINISH	E-10	E-12
LABELS	E-13	E-18
LP		E-19
LOUNGE		E-20
SEALANTS & FASTENERS	E-21	E-22
WATER & SEWAGE	E-23	F-02
WINDOW VENT AND EXTERIOR DOOR	F-03	F-18

**WINDOW, VENT & EXTERIOR DOOR GROUP (CONTINUED)**



**EXTERIOR DOORS**

**WINDOW, VENT & EXTERIOR DOOR GROUP (CONTINUED)**



**LOUNGE SINGLE SLIDING WINDOW**

**1993 ITASCA  
TABLE OF CONTENTS**

INTRODUCTION	A-01	A-02
ABBREVIATIONS		A-03
ALPHABETICAL INDEX	A-04	A-06
IT321RB	A-07	C-24
IT321RL	D-01	F-18
IT321RD	F-19	I-12

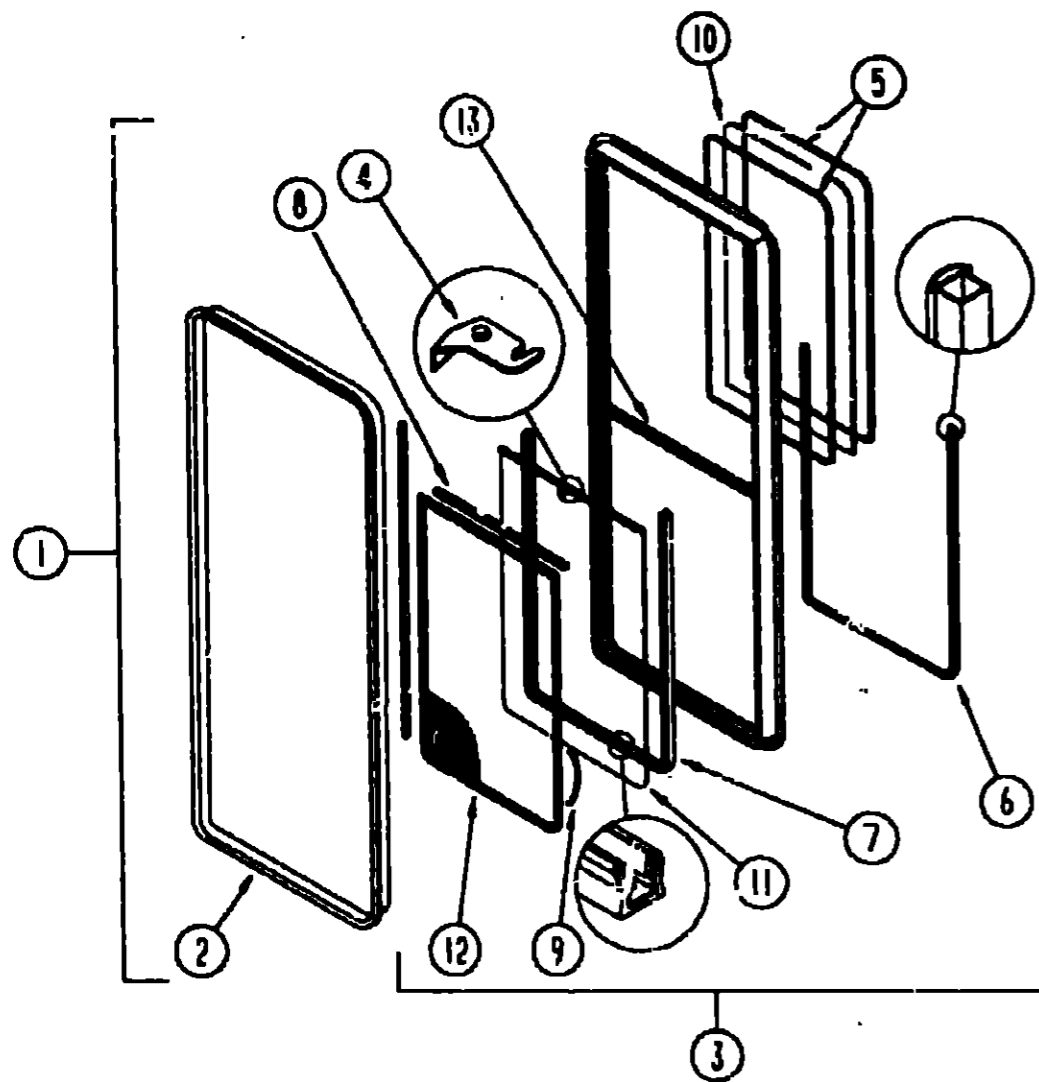
**1993 IT321RL INDEX**

FLOOR PLAN	D-01	D-02
ACCESSORIES		D-03
AUDIO /VIDEO		D-04
BATH	D-05	D-06
CHASSIS	D-07	D-08
CURTAIN & CUSHION	D-09	D-15
DINETTE		D-16
DRIVERS COMPARTMENT		D-17
ELECTRICAL	D-18	D-21
EXTERIOR BODY	D-22	E-02
GALLEY	E-03	E-07
GENERATOR		E-08
HEATING & A/C		E-09
INTERIOR FINISH	E-10	E-12
LABELS	E-13	E-18
LP		E-19
LOUNGE		E-20
SEALANTS & FASTENERS	E-21	E-22
WATER & SEWAGE	E-23	F-02
WINDOW VENT AND EXTERIOR DOOR	F-03	F-18

KEY	PART NUMBER	U/M DESCRIPTION
1	079366-04-000	EA LOCK-DOOR, KEY TYPE W/O KEYS - 1 9 OFF SET
	083223-03-000	EA LOCK-KEY TYPE (SET OF 1) W/O KEY (LUGGAGE DOOR)
	082684-01-700	EA KEY-COMPARTMENT DOOR LOCK, BH024
	009003-01-000	EA LOCK-TWIST TYPE W/CLIP
2	034007-40-000	EA HINGE-PIANO, 1 5" X 96" - ALUMINUM - OFF WHITE
2	009065-01-000	EA HINGE-ALUMINUM, 1 1/2" X 95" - UNPAINTED
2	081801-02-000	EA HINGE-2" X 96", OF: WHITE
3	064075-07-000	FT SEAL-BULB W/WIRED U-CHANNEL - 3" X 5" CHANNEL - BLACK
	002748-01-000	EA CORNER KEY-DOOR
	103226-51-003	EA TRIM-EXTRUDED, Z ANGLE - 41MM - ALUMINUM - EXTERIOR SHOWER
	091576-01-000	EA RETAINER-DOOR, 1 9" X 8" - METAL
	091341-01-000	FT SEAL-FOAM, CLOSED CELL - 1/4" X 1/2" X 50'
	104692-01-000	FT SEAL-ADHESIVE BACK, 3/4" X 34"
	107597-51-001	EA SPACER- 25" X 6", ALUMINUM - EXTERIOR SHOWER
	109833-01-000	EA BEAUTY RING, 67" X 78" ID - STAINLESS STEEL - HUDSON LOCK EXTERIOR SHOWER
	109834-01-000	EA WASHER- 64" X 752" ID, STAINLESS STEEL - EXTERIOR SHOWER

KEY	PART NUMBER	U/M DESCRIPTION
1	098647-12-02A	EA WINDOW-SLIDING W/OFF WHITE INSIDE FRAME - EXCEL H023-PRL
2	098647-11-705	EA FRAME-INSIDE, OFF WHITE - EXCEL W023-67
3	098647-12-700	EA WINDOW-SLIDING, SINGLE - W/O INSIDE FRAME - 27" X 49" - EXCEL H023-GGL
4	098644-01-700	EA LATCH-REPAIR KIT, EXCEL B801-CK
	098644-01-716	FT PLUG-FILLER, EXCEL 132-014-70
	098644-01-717	FT SPLINE-SCREEN, EXCEL 132-004716
5	098644-01-705	FT GLAZING STRIP, EXCEL M926-12
6	098644-01-706	FT WEATHERSTRIP, EXCEL 171-010668
7	098644-01-708	FT CHANNEL-PIERCED RUN, EXCEL 122-016543
	098644-01-710	FT TRACK-SCREEN SPACER, 12' LENGTH - EXCEL M401-31
	098644-01-711	FT WEATHERSTRIP-SCREEN, BLACK - EXCEL 171-016965
9	098644-01-713	EA SPRING-SCREEN FRAME (CLIP), PLASTIC - BLACK
10	098647-12-701	EA GLASS-STATIONARY, EXCEL 106-017262
	098647-08-705	EA RAIL-LOCKING W/WEATHERSTRIP, EXCEL H022-17
11	098647-11-701	EA GLASS-SLIDING W/SASH & LOCK - EXCEL H023-69
12	098647-11-704	EA SCREEN-W/SPRING & WEATHERSTRIP - EXCEL 410016-463

**WINDOW, VENT & EXTERIOR DOOR GROUP (CONTINUED)**  
**LOUNGE VERTICAL SLIDING WINDOW**



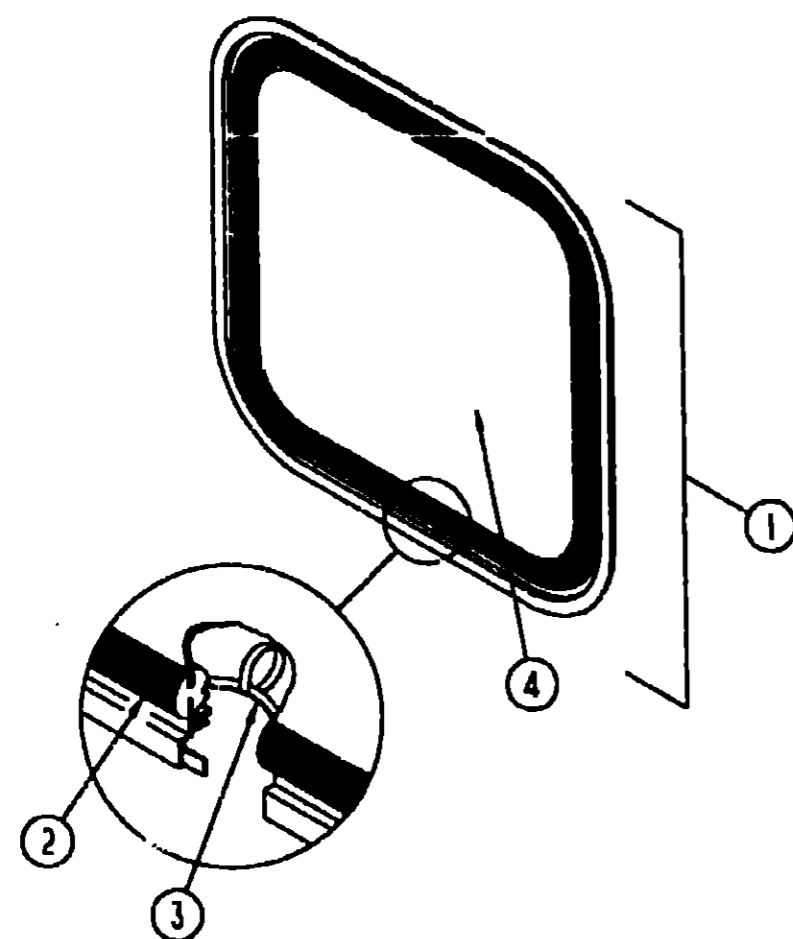
KEY	PART NUMBER	U/M	DESCRIPTION
1	098644-02-02A	EA	WINDOW-VERTICAL SLIDER W/WHITE INSIDE FRAME, EXCEL H079-PR
2	098644-02-706	EA	FRAME-INSIDE, OFF WHITE - EXCEL V961-67
3	098644-02-705	EA	WINDOW-VERTICAL SLIDER W/O INSIDE FRAME, 34 25" X 15" - EXCEL H079-GR
4	098644-01-700	EA	LATCH-REPAIR KIT, EXCEL B801-CK
	098644-01-716	FT	PLUG-FILLER, EXCEL 132-014470
	098644-01-717	FT	SPLINE-SCREEN, EXCEL 132-004716
5	098644-01-705	FT	GLAZING STRIP, EXCEL M926-12
6	098644-01-706	FT	WEATHERSTRIP, EXCEL 171-010668
7	098644-01-708	FT	CHANNEL-PIERCED RUN, EXCEL 122-016543
	098644-01-710	FT	TRACK-SCREEN SPACER, 12' LENGTH - EXCEL M401-31
8	098644-01-711	FT	WEATHERSTRIP-SCREEN, BLACK - EXCEL 171-016965
9	098644-01-713	EA	SPRING-SCREEN FRAME (CLIP), PLASTIC - BLACK - EXCEL 226-016966
10	098644-02-700	EA	GLASS-STATIONARY, 16 15" X 13 77" - EXCEL 106-011864
11	098644-02-701	EA	GLASS-SLIDING W/SASH & LATCH - EXCEL B961-G9
12	098644-02-703	EA	SCREEN W/WEATHERSTRIP & FRAME SPRING (CLIP), EXCEL 410-016
13	098644-01-707	EA	RAIL-LOCKING, W/WEATHERSTRIP - EXCEL B370-17

**1993 ITASCA**  
**TABLE OF CONTENTS**

INTRODUCTION	A-01	A-02
ABBREVIATIONS		A-03
ALPHABETICAL INDEX	A-04	A-06
IT321RB	A-07	C-24
IT321RL	D-01	F-18
IT321RD	F-19	I-12

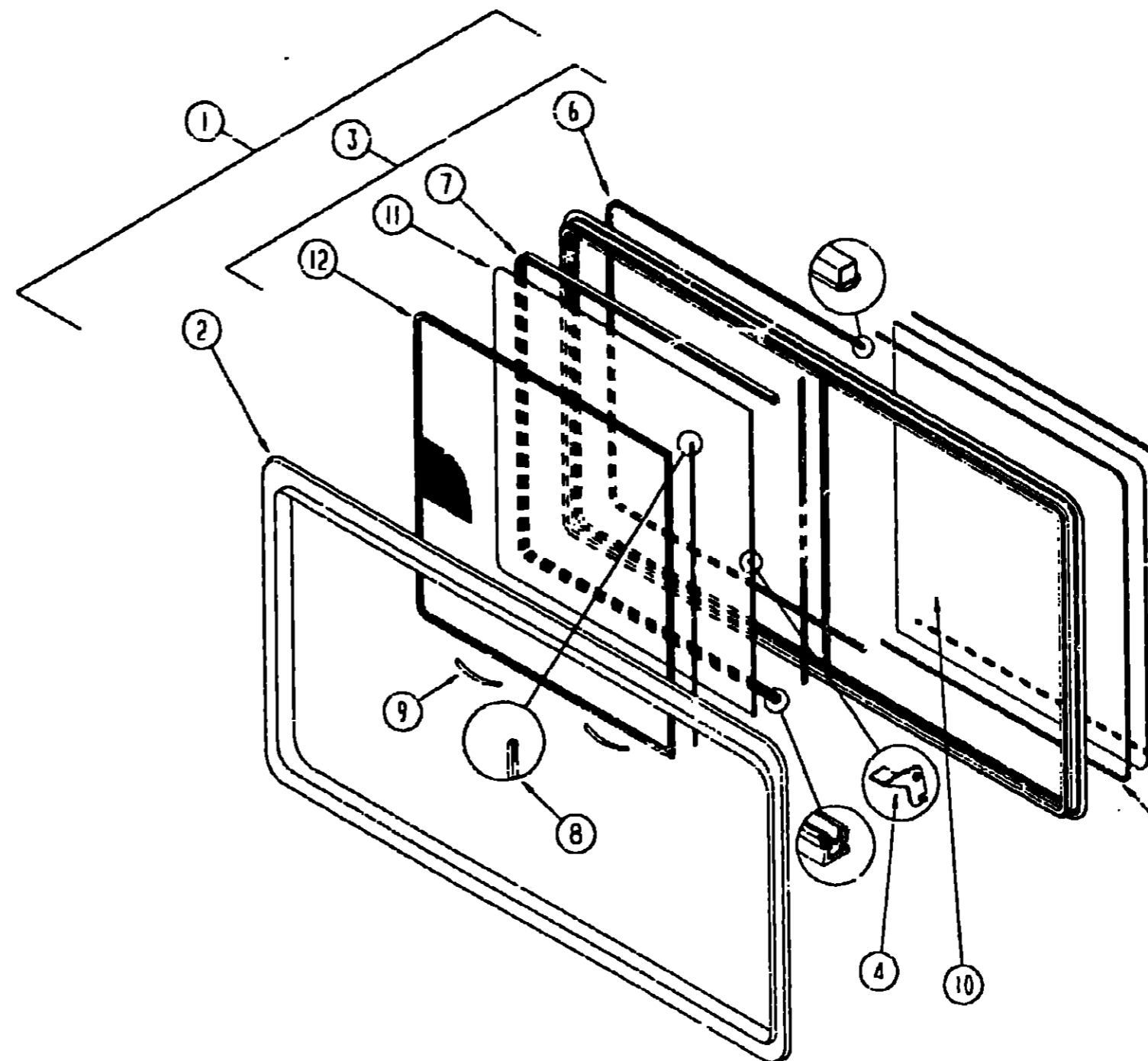
**1993 IT321RL INDEX**

FLOOR PLAN	D-01	D-02
ACCESSORIES		D-03
AUDIO VIDEO		D-04
BATH	D-05	D-06
CHASSIS	D-07	D-08
CURTAIN & CUSHION	D-09	D-15
DINETTE		D-16
DRIVERS COMPARTMENT		D-17
ELECTRICAL	D-18	D-21
EXTERIOR BODY	D-22	E-02
GALLEY	E-03	E-07
GENERATOR		E-08
HEATING & A/C		E-09
INTERIOR FINISH	E-10	E-12
LABELS	E-13	E-18
I.P.		E-19
LOUNGE		E-20
SEALANTS & FASTENERS	E-21	E-22
WATER & SEWAGE	E-23	F-02
WINDOW VENT AND EXTERIOR DOOR	F-03	F-18



BACKWALL ESCAPE WINDOW

KEY	PART NUMBER	U/M DESCRIPTION
	020749-10-000	EA FRAME-WINDOW INSIDE - OFF WHITE
1	079729-02-T03	EA WINDOW-ESCAPE, REAR - 22" X 24"
2	002282-02-000	EA WEATHERSTRIP-WINDOW, 125" VULCANIZED - 79 1" LONG - BLACK
	077066-01-702	EA TAPE ASM-ESCAPE WINDOW, RED
3	002285-01-000	FT FILLER-WEATHER STRIP, RUBBER - BLACK
4	041392-03-000	EA GLASS-WINDOW, 1/8" X 21 65" X 19 61"



GALLEY SINGLE SLIDING WINDOW

KEY	PART NUMBER	U/M DESCRIPTION
1	098647-07-02A	EA WINDOW-SLIDING W/OFF WHITE INSIDE FRAME - EXCEL B969-PRL
2	098647-06-706	EA FRAME-INSIDE, OFF WHITE - EXCEL V969-67
3	098647-07-700	EA WINDOW-SLIDING, SINGLE - W/O INSIDE FRAME - 15" X 23 75" - EXCEL B969 G2L
4	098644-01-700	EA LATCH-REPAIR KIT, EXCEL B801-CK
	098644-01-716	FT PLUG-FILLER, EXCEL 132-014470
	098644-01-717	FT SPLINE-SCREEN, EXCEL 132-004716
5	098644-01-705	FT GLAZING STRIP, EXCEL M926-12
6	098644-01-706	FT WEATHERSTRIP, EXCEL 171-010658
7	098644-01-708	FT CHANNEL-PIERCED RUN, EXCEL 122-016543
	098644-01-710	FT TRACK-SCREEN SPACER, 12" LENGTH - EXCEL M401-31
	098644-01-711	FT WEATHERSTRIP-SCREEN, BLACK - EXCEL 171-016965
8	098644-01-713	EA SPRING-SCREEN FRAME (CLIP), PLASTIC - BLACK
9	098647-06-700	EA GLASS-STATIONARY, 10 91" X 13 77" - EXCEL 106-016921
	098647-06-701	EA RAIL-LOCKING W/WEATHERSTRIP, EXCEL B938-17
10	098647-06-702	EA GLASS-SLIDING, W/SASH & LATCH - EXCEL B969-G9
11	098647-06-703	EA SCREEN W/WEATHERSTRIP & FRAME SPRING (CLIP) EXCEL 410-G16

1993 ITASCA  
TABLE OF CONTENTS

INTRODUCTION	A-01	F-02
ABBREVIATIONS	A-02	A-03
ALPHABETICAL INDEX	A-04	A-06
IT321RB	A-07	C-24
IT321RL	D-01	F-18
IT321RD	F-19	I-12

1993 IT321RL INDEX

FLOOR PLAN	D-01	D-02
ACCESSORIES		D-03
AUDIO VIDEO		D-04
BATH	D-05	D-06
CHASSIS	D-07	D-08
CURTAIN & CUSHION	D-09	D-15
DINETTE		D-16
DRIVERS COMPARTMENT		D-17
ELECTRICAL	D-18	D-21
EXTERIOR BODY	D-22	E-02
GALLEY	E-03	E-07
GENERATOR		E-08
HEATING & A/C		E-09
INTERIOR FINISH	E-10	E-12
LABELS	E-13	E-18
LP		E-19
LOUNGE		E-20
SEALANTS & FASTENERS	E-21	E-22
WATER & SEWAGE	E-23	F-02
WINDOW, VENT AND EXTERIOR DOOR	F-03	F-18

**WINDOW, VENT & EXTERIOR DOOR GROUP (CONTINUED)**

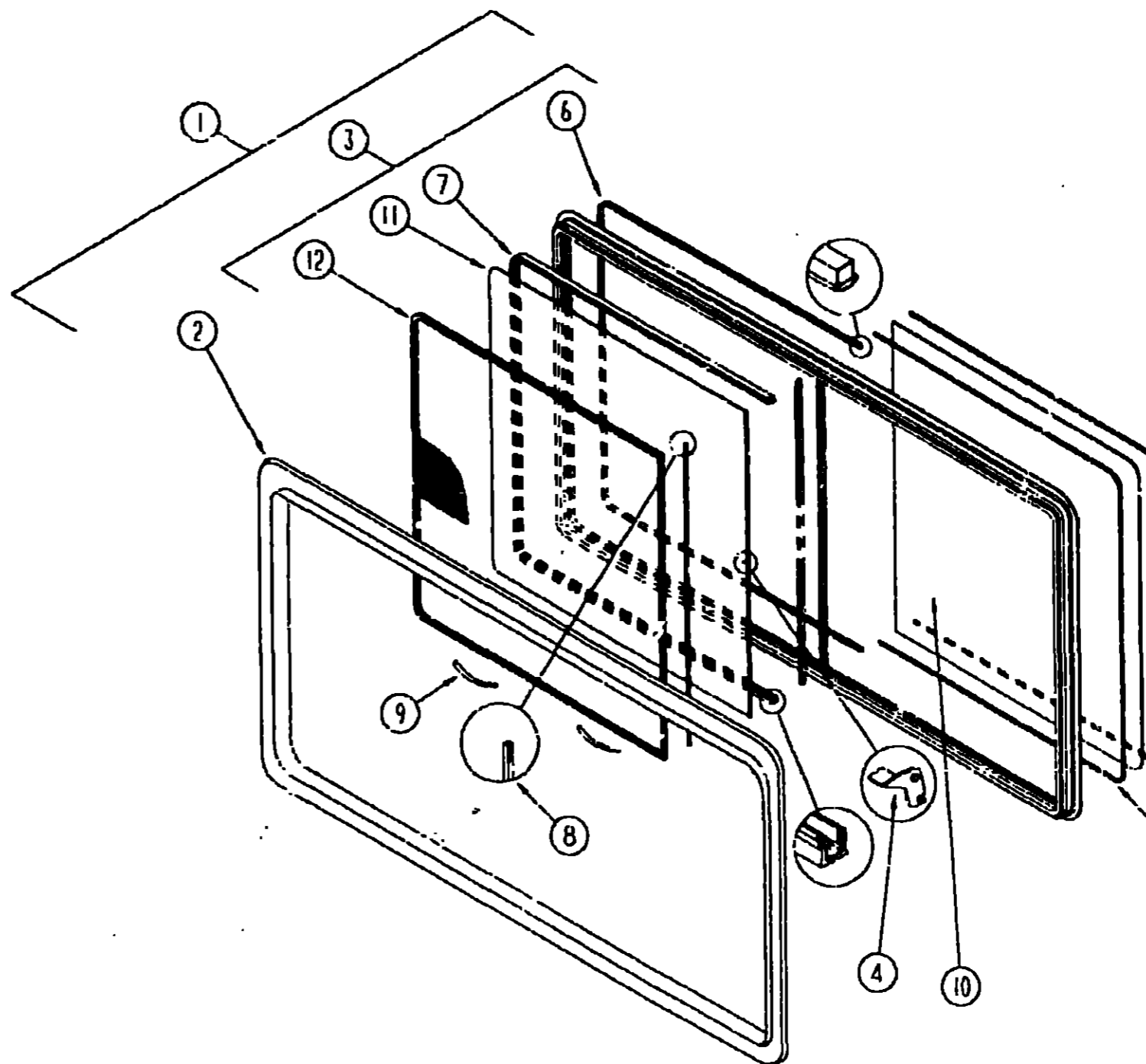
**PASSENGER SIDE BUNK SLANTED SLIDER WINDOWS**

KEY	PART NUMBER	U/M DESCRIPTION
	098646-03-02A	EA WINDOW-PASSENGER SIDE, W/OFF WHITE INSIDE FRAME - EXCEL H245-MRR FROM 00-00-00 THRU 07-19-92
	098646-03-703	EA TRIM-INSIDE, PASSENGER SIDE - OFF WHITE - EXCEL W245-57R
	098646-03-707	EA WINDOW-SLIDING, W/O INSIDE FRAME - EXCEL H245G1R
	098644-01-700	EA LATCH-REPAIR KIT, EXCEL B801-CK
	098644-05-701	EA GLASS-SLIDING, W/SASH & LATCH - EXCEL B948-G8
	098644-01-705	FT GLAZING STRIP, EXCEL M926-12
	098644-01-706	FT WEATHERSTRIP, EXCEL 171-010668
	098644-01-708	FT CHANNEL-PIERCED RUN, EXCEL 122-016543
	098644-01-710	FT TRACK-SCREEN SPACER, 12' LENGTH - EXCEL M401-31
	098644-01-711	FT WEATHERSTRIP-SCREEN, BLACK - EXCEL 171-016965
	098644-01-713	EA SPRING-SCREEN FRAME (CLIP), PLASTIC - BLACK
	098644-01-716	FT PLUG-FILLER, EXCEL 132-014470
	098644-01-717	FT SPLINE-SCREEN, EXCEL 132-004716
	098646-03-700	EA FILLER STRIP, EXCEL G03726
	098646-03-705	EA SCREEN ASSEMBLY - EXCEL 410016475
	098646-03-704	EA GLASS-STATIONARY, EXCEL 106017492

**DRIVER SIDE BUNK SLANTED SLIDER WINDOWS**

KEY	PART NUMBER	U/M DESCRIPTION
	098646-04-02A	EA WINDOW-DRIVER SIDE, W/OFF WHITE INSIDE FRAME - EXCEL H245-MRL FROM 00-00-00 THRU 07-19-92
	098646-04-702	EA TRIM-INSIDE, PASSENGER SIDE - OFF WHITE - EXCEL W245-67L
	098646-04-703	EA WINDOW-SLIDING, W/O INSIDE FRAME - EXCEL H245G1R
	098644-01-700	EA LATCH-REPAIR KIT, EXCEL B801-CK
	098644-05-701	EA GLASS-SLIDING, W/SASH & LATCH - EXCEL B948-G8
	098644-01-705	FT GLAZING STRIP, EXCEL M926-12
	098644-01-706	FT WEATHERSTRIP, EXCEL 171-010668
	098644-01-708	FT CHANNEL-PIERCED RUN, EXCEL 122-016543
	098644-01-710	FT TRACK-SCREEN SPACER, 12' LENGTH - EXCEL M401-31
	098644-01-711	FT WEATHERSTRIP-SCREEN, BLACK - EXCEL 171-016965
	098644-01-713	EA SPRING-SCREEN FRAME (CLIP), PLASTIC - BLACK
	098644-01-716	FT PLUG-FILLER, EXCEL 132-014470
	098644-01-717	FT SPLINE-SCREEN, EXCEL 132-004716
	098646-03-700	EA FILLER STRIP, EXCEL G03726
	098646-03-705	EA SCREEN ASSEMBLY - EXCEL 410016475
	098646-03-704	EA GLASS-STATIONARY, EXCEL 106017492

**WINDOW, VENT & EXTERIOR DOOR GROUP (CONTINUED)**



**BUNK SLIDING WINDOWS**

KEY	PART NUMBER	U/M DESCRIPTION
	098647-18-01A	EA WINDOW-PASSENGER SIDE, W/WHITE INSIDE FRAME - EXCEL B951-PRR FROM 07-20-92 THRU 99-99-99
1	098647-19-01A	EA WINDOW-DRIVER SIDE, W/WHITE INSIDE FRAME - EXCEL B951-PRL FROM 07-20-92 THRU 99-99-99
2	098647-18-700	EA FRAME-WINDOW, INSIDE - WHITE - EXCEL V951-E7
3	098647-18-702	EA WINDOW-SLIDING, W/O INSIDE FRAME PASS SIDE - 12' X 24' - EXCEL B951-G2R
3	098647-19-700	EA WINDOW-SLIDING, W/O INSIDE FRAME - DRIVER SIDE - 12' X 24' - EXCEL B951-PRL
4	098644-01-700	EA LATCH-REPAIR KIT, EXCEL B801-CK
5	098644-01-705	FT GLAZING STRIP, EXCEL M926-12
6	098644-01-706	FT WEATHERSTRIP, EXCEL 171-010668
7	098644-01-708	FT CHANNEL-PIERCED RUN, EXCEL 122-016543
8	098644-01-711	FT WEATHERSTRIP-SCREEN, BLACK - EXCEL 171-016965
9	098644-01-713	EA SPRING-SCREEN FRAME (CLIP), PLASTIC - BLACK - EXCEL 226-010966
10	098647-18-701	EA GLASS-STATIONARY, EXCEL 106011829
	098646-01-701	EA RAIL-LOCKING W/WEATHERSTRIP, EXCEL B862-17
	098644-01-716	FT PLUG-FILLER, EXCEL 132-014470
	098644-01-710	FT TRACK-SCREEN SPACER, 12' LENGTH - EXCEL M401-31
	098644-01-717	FT SPLINE-SCREEN, EXCEL 132-004716
11	098646-01-702	EA GLASS-SLIDING, W/SASH & LOCK - EXCEL B948-G9
12	098646-03-705	EA SCREEN ASSEMBLY - EXCEL 410016475

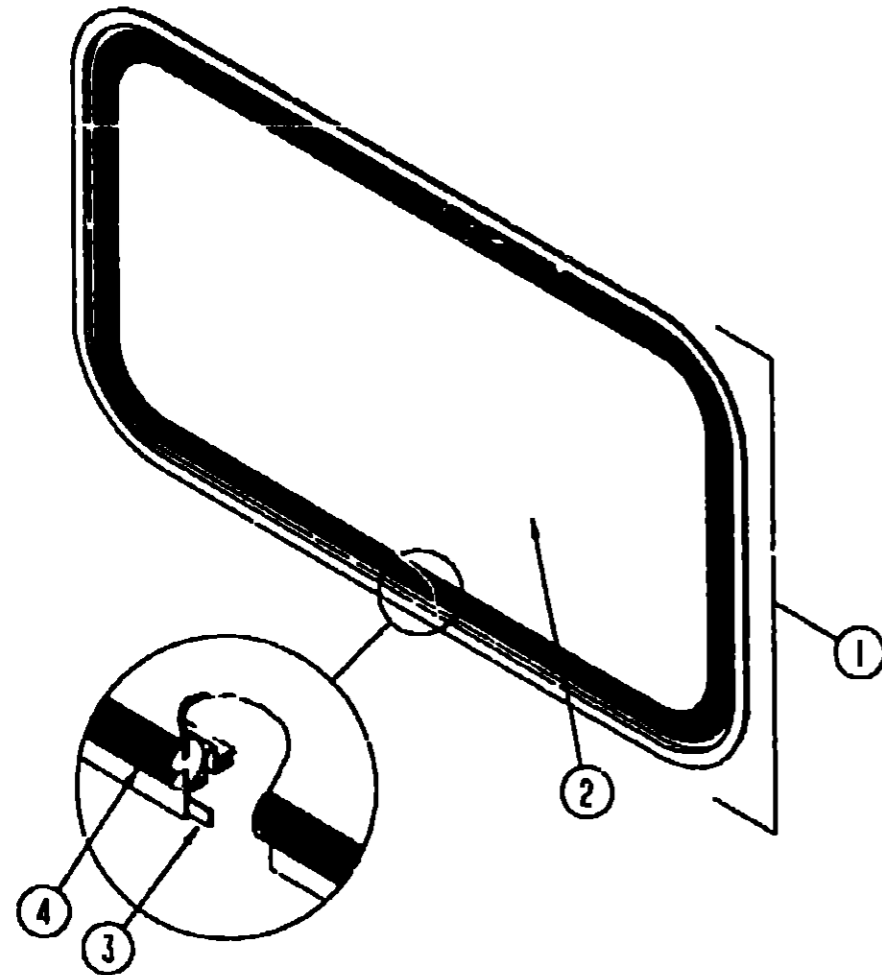
**1993 ITASCA  
TABLE OF CONTENTS**

INTRODUCTION	A-01 -	A-02
ABBREVIATIONS		A-03
ALPHABETICAL INDEX	A-04 -	A-06
IT321RB	A-07 -	C-24
IT321RL	D-01 -	F-18
IT321RD	F-19 -	I-12

**1993 IT321RL INDEX**

FLOOR PLAN	D-01 -	D-02
ACCESSORIES		D-03
AUDIO VIDEO		D-04
BATH	D-05 -	D-06
CHASSIS	D-07 -	D-08
CURTAIN & CUSHION	D-09 -	D-15
DINETTE		D-16
DRIVERS COMPARTMENT		D-17
ELECTRICAL	D-18 -	D-21
EXTERIOR BODY	D-22 -	E-02
GALLEY	E-03 -	E-07
GENERATOR		E-09
HEATING & A/C		E-09
INTERIOR FINISH	E-10 -	E-12
LABELS	E-13 -	E-18
LP		E-19
LOUNGE		E-20
SEALANTS & FASTENERS	E-21 -	E-22
WATER & SEWAGE	E-23 -	F-02
WINDOW VENT AND EXTERIOR DOOR	F-03 -	F-18

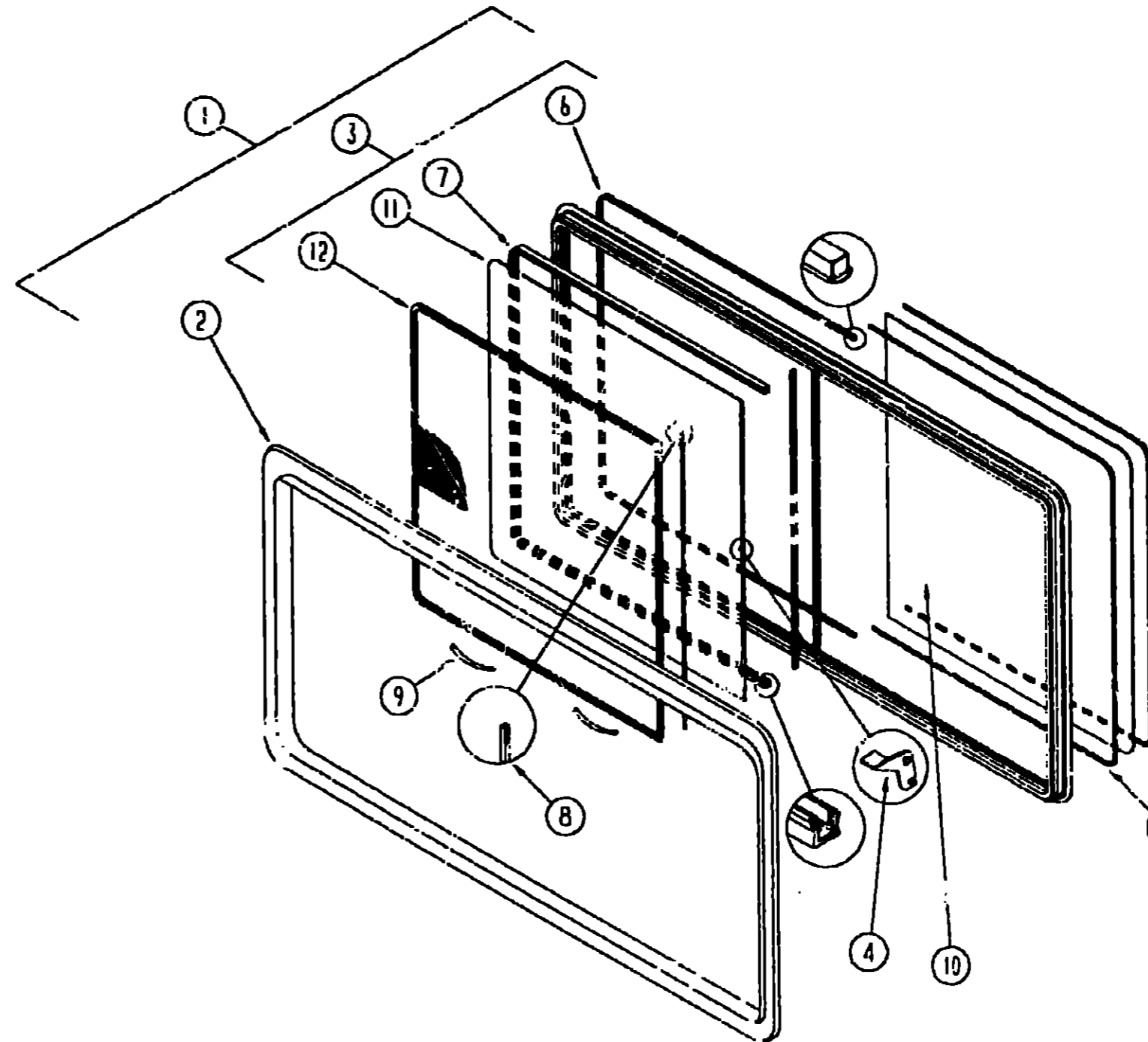
**WINDOW, VENT & EXTERIOR DOOR GROUP (CONTINUED)**



**OVERHEAD BUNK FRONT WINDOW**

KEY	PART NUMBER	U/M DESCRIPTION
	067609-34-000	EA FRAME-WINDOW, INSIDE - OFF WHITE
1	103313-02-C09	EA WINDOW-PICTURE, 58.6" X 11.6" - W/O INSIDE FRAME
2	002181-16-000	EA GLASS-PICTURE, 11.25" X 58.1" - GRAY
3	059640-11-000	FT SEALER-TAPE, 3/16" X 3/8" BLACK
4	099154-01-000	FT CHANNEL-GLAZING, STATIONARY GLASS - 62" X 45" - BLACK

**WINDOW, VENT & EXTERIOR DOOR GROUP (CONTINUED)**



**DINETTE SINGLE SLIDING WINDOW**

KEY	PART NUMBER	U/M DESCRIPTION
1	098647-08-02A	EA WINDOW-SLIDING, W/OFF WHITE INSIDE FRAME - EXCEL H022-PRR
2	098647-08-704	EA FRAME-INSIDE, OFF WHITE - EXCEL W022-67
3	098647-08-701	EA WINDOW-SLIDING, W/O INSIDE FRAME - EXCEL H022-GRR
4	098644-01-700	EA LATCH-REPAIR KIT, EXCEL B801-CK
	098644-01-716	FT PLUG-FILLER, EXCEL 132-014470
	098644-01-717	FT SPLINE-SCREEN, EXCEL 132-004716
5	098644-01-705	FT GLAZING STRIP, EXCEL M926-12
6	098644-01-706	FT WEATHERSTRIP, EXCEL 171-010658
7	098644-01-708	FT CHANNEL-PIERCED RUN, EXCEL 122-016543
	098644-01-710	FT TRACK-SCREEN SPACER, 12' LENGTH - EXCEL M401-31
8	098644-01-711	FT WEATHERSTRIP-SCREEN, BLACK - EXCEL 171-016955
9	098644-01-713	EA SPRING-SCREEN FRAME (CLIP), PLASTIC - BLACK
10	098647-08-700	EA GLASS-STATIONARY, EXCEL 106-014759
	098647-08-705	EA RAIL-LOCKING W/WEATHERSTRIP, EXCEL H022-17
11	098647-08-703	EA GLASS-SLIDING, W/SASH & LOCK - EXCEL H022-G9
12	098647-08-706	EA SCREEN W/WEATHERSTRIP & SPRING - EXCEL 410-016-462

**1993 ITASCA  
TABLE OF CONTENTS**

INTRODUCTION	A-01 -	A-02
ABBREVIATIONS		A-03
ALPHABETICAL INDEX	A-04 -	A-05
IT321RB	A-07 -	C-24
IT321RL	D-01 -	F-18
IT321RD	F-19 -	I-12

**1993 IT321RL INDEX**

FLOOR PLAN	D-01 -	D-02
ACCESSORIES		D-03
AUDIO VIDEO		D-04
BATH	D-05 -	D-06
CHASSIS	D-07 -	D-08
CURTAIN & CUSHION	D-09 -	D-15
DINETTE		D-16
DRIVERS COMPARTMENT		D-17
ELECTRICAL	D-18 -	D-21
EXTERIOR BODY	D-22 -	E-02
GALLEY	E-03 -	E-07
GENERATOR		E-08
HEATING & A/C		E-09
INTERIOR FINISH	E-10 -	E-12
LABELS	E-13 -	E-18
LP		E-19
LOUNGE		F-20
SEALANTS & FASTENERS	E-21 -	E-22
WATER & SEWAGE	E-23 -	F-02
WINDOW, VENT AND EXTERIOR DOOR	F-03 -	F-18



**WINDOW, VENT & EXTERIOR DOOR GROUP (CONTINUED)**

**POWERED ROOF VENT ( FROM: 00-00-00 THRU: 10-04-92 )**

KEY	PART NUMBER	U/M DESCRIPTION
	090394-01-Y12	EA VENT-ROOF, POWERED
	002825-01-000	EA WEATHER STRIP-ROOF VENT, GRAY
	009195-01-000	EA SWITCH-ROOF VENT, PUSH BUTTON, 12V
	008343-01-000	EA TIE-WIRE, 6"
	008386-01-000	EA GROMMET-SNAP, 3/8"
	009140-01-000	EA GEAR/ARM-VENT COVER, LIFT
	015910-03-000	EA BRACKET-HANDLE, ROOF VENT - OFF WHITE
	015911-01-000	EA TRACK-LIFT ARM, SLIDE - ROOF VENT
	048648-01-000	EA MOTOR-ROOF VENT, 1/8 SHAFT - 12V - JENSEN
	048649-01-000	EA FAN-ROOF VENT, 6 BLADES - 6" - JENSEN
	055218-01-000	EA COVER-ROOF VENT
	052639-01-200	EA HINGE-EXTRUSION, ROOF VENT 7"
	052639-01-001	EA HINGE-VENT COVER, 16"
	061603-01-000	EA GROMMET-SNAP, 3/16"ID - 3/8" HOLE - PLASTIC - BLACK
	078785-01-Y12	EA SCREEN-ROOF VENT, POWERED
	002291-02-000	SF SCREENING-ROOF VENT/WINDOW, 16" - BLACK
	002298-02-000	FT SPLINE-VENT/WINDOW SCREEN, 128 DIAMETER - BLACK
	009439-01-000	EA CRANK HANDLE-ROOF VENT
	009439-03-000	EA EXTENSION-CRANK HANDLE ROOF VENT - 9" - MILL
	009439-04-000	EA SCREW 8-32 X 1 1/4" POH

**POWERED ROOF VENT ( FROM: 10-05-92 THRU: 99-99-99 )**

KEY	PART NUMBER	U/M DESCRIPTION
	110051-03-01A	EA VENT-ROOF, POWERED - 2" ROOF - JENSEN 7757 WHE
	048648-01-000	EA MOTOR-ROOF VENT, 1/8 SHAFT - 12V - JENSEN
	048649-01-000	EA FAN-ROOF VENT, 6 BLADES - 6" - JENSEN
	064470-01-700	EA COVER-ROOF VENT, JENSEN 7291
	110051-01-701	EA GARNISH W/SCREEN & FRAME-2", JENSEN 29-800-01
	110051-01-702	EA LIFT ASM-VENT LID W/O CRANK, JENSEN RP-1000B
	110051-01-703	EA CRANK, JENSEN RP-1031-B

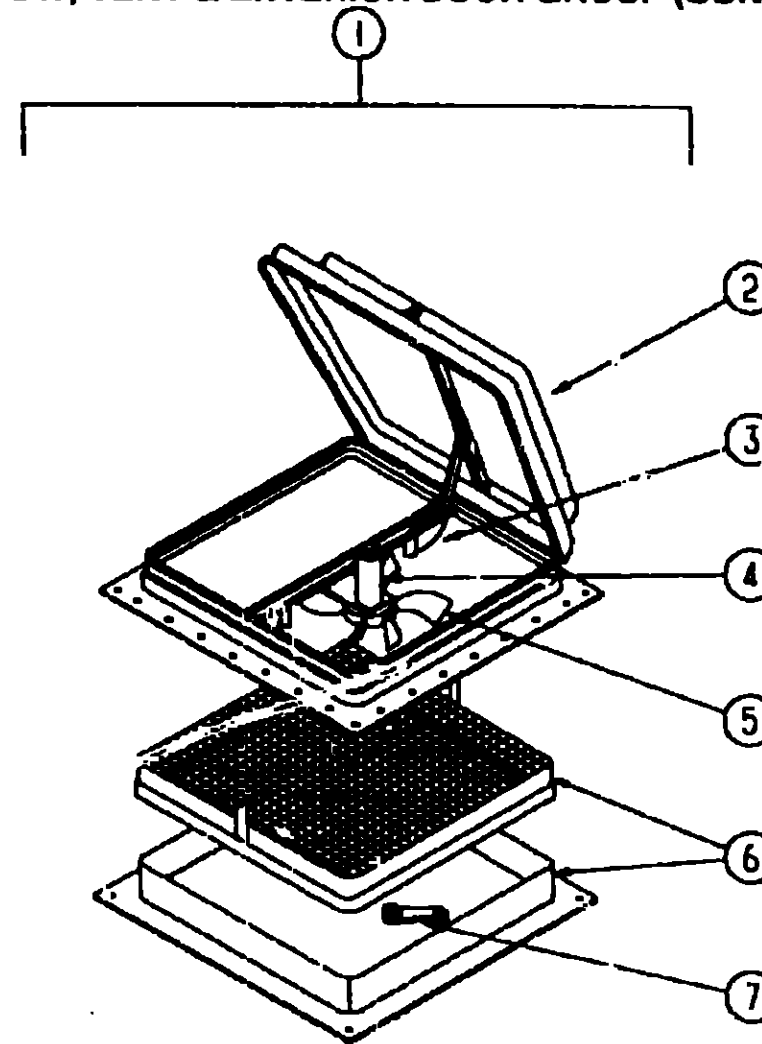
**NONPOWERED ROOF VENT ( FROM: 00-00-00 THRU: 10-04-92 )**

KEY	PART NUMBER	U/M DESCRIPTION
	090395-01-Y12	EA VENT-ROOF, NONPOWERED
	009439-01-000	EA CRANK HANDLE-ROOF VENT
	009439-03-000	EA EXTENSION-CRANK HANDLE ROOF VENT - 9" - MILL
	009439-04-000	EA SCREW 8-32 X 1 1/4" POH
	002825-01-000	EA WEATHER STRIP-ROOF VENT, GRAY
	009440-01-000	EA GEAR/ARM-VENT COVER, LIFT
	015910-03-000	EA BRACKET-HANDLE, ROOF VENT - OFF WHITE
	015911-01-000	EA TRACK-LIFT ARM, SLIDE - ROOF VENT
	055218-01-000	EA COVER-ROOF VENT
	052639-01-001	EA HINGE-VENT COVER, 16"
	052639-01-200	EA HINGE-EXTRUSION, ROOF VENT 7"
	078785-01-Y12	EA SCREEN-ROOF VENT, NON POWERED - WHITE
	002291-02-000	SF SCREENING-ROOF VENT/WINDOW, 16" - BLACK
	002298-02-000	FT SPLINE-VENT/WINDOW SCREEN, 128 DIAMETER - BLACK

**POWERED ROOF VENT ( FROM: 10-05-92 THRU: 99-99-99 )**

KEY	PART NUMBER	U/M DESCRIPTION
	110051-01-01A	EA VENT-ROOF, NONPOWERED - 2" ROOF - JENSEN 7724 WHE
	064470-01-700	EA COVER-ROOF VENT, JENSEN 7291
	110051-01-701	EA GARNISH W/SCREEN & FRAME-2", JENSEN 29-800-01
	110051-01-702	EA LIFT ASM-VENT LID W/O CRANK, JENSEN RP-1000B
	110051-01-703	EA CRANK, JENSEN RP-1031-B

**WINDOW, VENT & EXTERIOR DOOR GROUP (CONTINUED)**



**POWERED ROOF VENT - JENSEN - CANADIAN**

KEY	PART NUMBER	U/M DESCRIPTION
1	064469-08-000	EA VENT-ROOF POWERED - 14" X 14" - 12V - JENSEN C 727 - CSA FROM 00-00-00 THRU 10-04-92
1	110051-05-01A	EA VENT-ROOF, POWERED - 2" ROOF - CSA - JENSEN C7757 WHE FROM 10-05-92 THRU 99-99-99
2	064469-03-702	EA LID-VENT, WHITE - JENSEN 290-WH FROM 00-00-00 THRU 10-04-92
2	064470-01-700	EA COVER-ROOF VENT JENSEN 7291 FROM 10-05-92 THRU 99-99-99
3	064469-03-706	EA LIFT MECHANISM FROM 00-00-00 THRU 10-04-92
3	110051-01-702	EA LIFT ASM-VENT LID W/O CRANK, JENSEN RP-1000B FROM 10-05-92 THRU 99-99-99
4	048648-01-000	EA MOTOR-ROOF VENT 1/8 SHAFT - 12V
5	048649-01-000	EA FAN-ROOF VENT, 6 BLADES - 6"
6	110051-01-701	EA GARNISH W/SCREEN & FRAME-2" JENSEN 29-800-01
7	009439-01-000	EA CRANK HANDLE-ROOF VENT FROM 00-00-00 THRU 10-04-92
	110051-01-703	EA CRANK HANDLE-ROOF VENT JENSEN RP-1031-B FROM 10-05-92 THRU 99-99-99
	009439-04-000	EA SCREW 8-32 X 1 1/4" POH FROM 00-00-00 THRU 10-04-92
	009439-03-000	EA EXTENSION-CRANK HANDLE ROOF VENT - 9" - MILL FROM 00-00-00 THRU 10-04-92

**REFRIGERATOR, RANGE HOOD & PLUMBING VENTS**

KEY	PART NUMBER	U/M DESCRIPTION
	065103-03-000	EA BASE-VENT, REFRIGERATOR - ROOF - DOMETIC 3100529 01
	055103-04-000	EA CAP-VENT, REFRIGERATOR - ROOF - DOMETIC 3100529 019
	084616-01-000	EA SHROUD-RANGE HOOD VENT, OFF WHITE
	084878-09-000	EA VENT-RANGE HOOD, SHORT - LVS
	083558-03-000	EA VENT-PLUMBING PIPE ROOF W/COVER - OFF WHITE

**1993 ITASCA  
TABLE OF CONTENTS**

INTRODUCTION	A-01	A-02
ABBREVIATIONS		A-03
ALPHABETICAL INDEX	A-04	A-05
IT321RB	A-07	C-24
IT321RL	D-01	F-18
IT321RD	F-19	I-12

**1993 IT321RL INDEX**

FLOOR PLAN	D-01	D-02
ACCESSORIES		D-03
AUDIO VIDEO		D-04
BATH	D-05	D-06
CHASSIS	D-07	D-08
CURTAIN & CUSHION	D-09	D-15
DINETTE		D-16
DRIVERS COMPARTMENT		D-17
ELECTRICAL	D-18	D-21
EXTERIOR BODY	D-22	E-02
GALLEY	E-03	E-07
GENERATOR		E-08
HEATING & A/C		E-09
INTERIOR FINISH	E-10	E-12
LABELS	E-13	E-18
LP		E-19
LOUNGE		E-20
SEALANTS & FASTENERS	E-21	E-22
WATER & SEWAGE	E-23	F-02
WINDOW VENT AND EXTERIOR DOOR	F-03	F-13