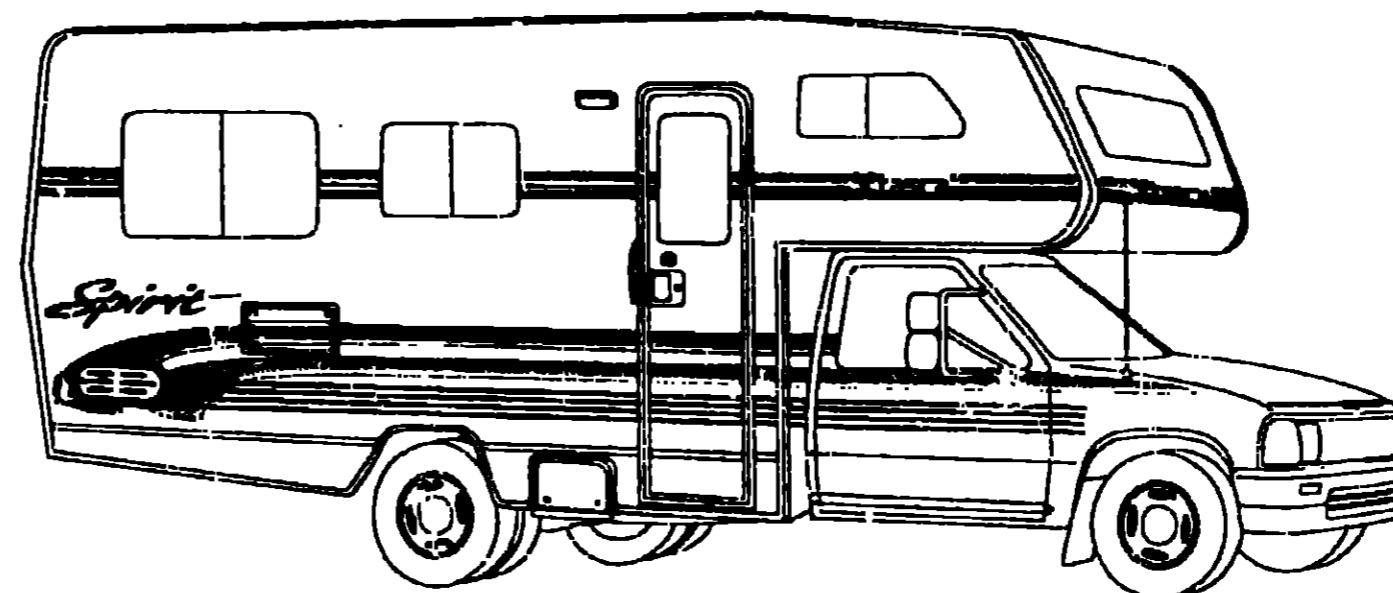


**1993 ITASCA
TABLE OF CONTENTS**

INTRODUCTION	A-01	A-02
ABBREVIATIONS		A-03
ALPHABETICAL INDEX	A-04	A-05
IT321RB	A-07	C-24
IT321RL	D-01	F-18
IT321RD	F-19	I-12

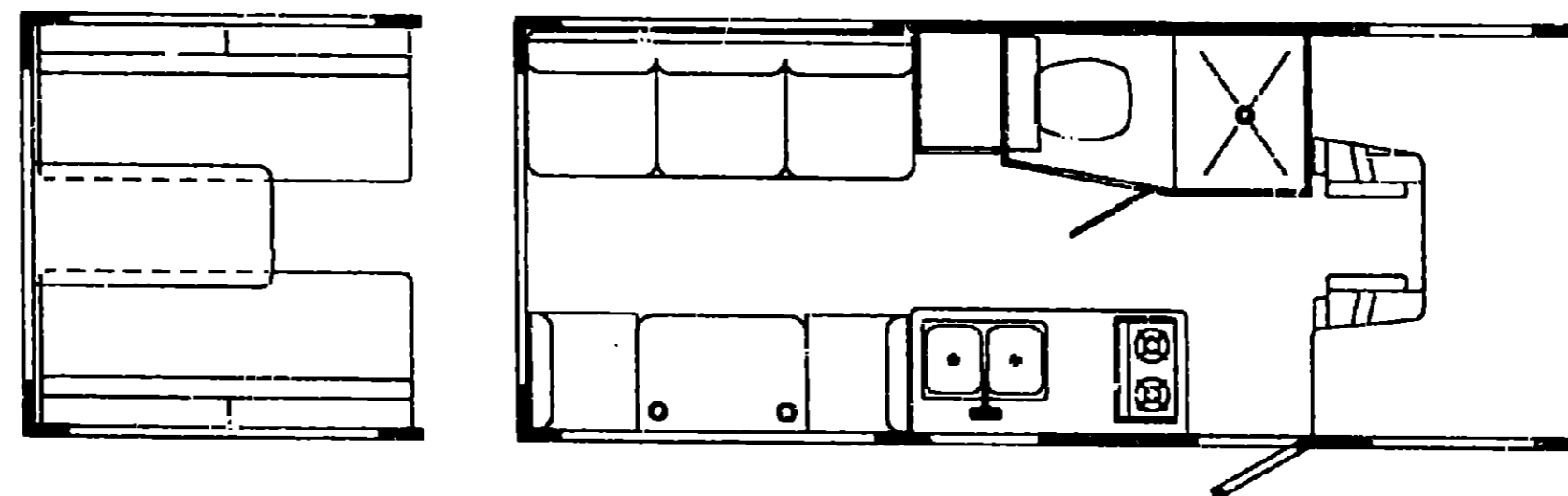


**1993
IT321RD**

D24

D25

D26



1993 IT321RD INDEX

FLOOR PLAN	F-19	F-20
ACCESSORIES		F-21
AUDIO VIDEO		F-22
BATH	F-23	F-24
CHASSIS	G-01	G-02
CURTAIN & CUSHION	G-03	G-09
DINETTE	G-10	G-12
DRIVERS COMPARTMENT		G-13
ELECTRICAL	G-14	G-17
EXTERIOR BODY	G-18	G-22
GALLEY	G-23	H-02
GENERATOR		H-03
HEATING & A/C		H-04
INTERIOR FINISH	H-05	H-08
LABELS	H-09	H-14
LP		H-15
LOUNGE		H-16
SEALANTS & FASTENERS	H-17	H-18
WATER & SEWAGE	H-19	H-22
WINDOW VENT AND EXTERIOR DOOR	H-23	I-12

**ACCESSORIES GROUP
OPERATORS MANUAL & BINDER**

KEY	PART NUMBER	U/M DESCRIPTION
	034185-44-000	EA MANUAL-OPERATOR, 1993 SPIRIT
	092318 01-000	EA BINDER-3 RING, MOTOR HOME MANUAL
	092319-01-000	EA POCKET PAGE-3 RING BINDER, PLASTIC
	107581 01-000	DW TOP LEVEL DRAWING FOR 1993 MICHO-MINIS

**AUDIO VIDEO GROUP
RADIO SYSTEM COMPONENTS & ANTENNA**

KEY	PART NUMBER	U/M DESCRIPTION
	0900 01-01-000	EA ANTENNA-RADIO, TOYOTA - AUDIOVOX FMF22T
	090051-02-000	EA SPEAKER-4" ROUND, AUDIOVOX
	089340-02-000	EA GRILLE-SPEAKER, 6.5" SQUARE
	094097-01-000	EA SPEAKER-RADIO, W/O GRILLE - 5.25" DIA - AUDIOVOX 110C3030
	074979-01-000	EA SHIELD SPEAKER, BACK MOLDED PLASTIC - 8" X 9" - BEIGE
	090052 05-000	EA MOUNT-TRIM KIT, RADIO - TOYOTA - AUDIOVOX IM-TOY-92 FROM 00-00-00 THRU 12-06-92
	104089-01-000	EA RADIO-AM/FM STEREO, CASSETTE - AUDIOVOX IM-DXF FROM 00-00-00 THRU 12-06-92
	110267-01-000	EA RADIO-AM/FM STEREO, AUDIOVOX IM-200 FROM 12-07-92 THRU 99-99-99
	097459-01-000	EA RADIO-AM/FM STEREO, CASSETTE - AUDIOVOX IM-DXA - CAB TRIM OPTION FROM 00-00-00 THRU 01-10-93
	110267 02-000	EA RADIO-AM/FM STEREO, AUDIOVOX IM-300 - CAB TRIM OPTION FROM 01-11-93 THRU 99-99-99

TV ANTENNA

KEY	PART NUMBER	U/M DESCRIPTION
	076319-02-000	EA ANTENNA-TV, ROOF MOUNT - 23.5" MAST - WINEGARD RVA-W01
	076319-01-700	EA HEAD-ANTENNA, AMPLIFIED - WINEGARD # VSA U/V
	076319-01-701	EA GEAR-ELEVATING, PLASTIC - WINEGARD #2200C46
	076319-01-702	EA SHAFT ASM-ELEVATING, WINEGARD# VP-400A
	076319-01-703	EA BEARING-NYLON, 5"OD - WINEGARD # 3200656
	076319-01-705	EA GROMMET-NYLON, 7/8"ID - WINEGARD # 3200658
	076319-01-706	EA CRANK-ELEVATING, W/SET SCREW - WINEGARD #5755100
	076319-01-707	EA SPRING-HANDLE, WINEGARD# 51E0800
	076319 01-709	EA PLATE-DIRECTIONAL, FOR HEAD - WINEGARD #3200644
	076319-01-710	EA CRANK-ELEVATING, HALF MOON WINEGARD #2750897
	092134-01-000	EA ADAPTER-TV, CABLE TO CABLE - WINEGARD F-81M
	082136-01-000	EA NUT-HEX JAM 3/8-32 - WINEGARD
	076319-03 000	FT CABLE COAXIAL, 75 OHM
	076319 12 000	EA CONNECTOR COAXIAL ONE PIECE
	086777 02 000	EA WALLPLATE TV CABLE, W/ANTENNA SWITCH BROWN

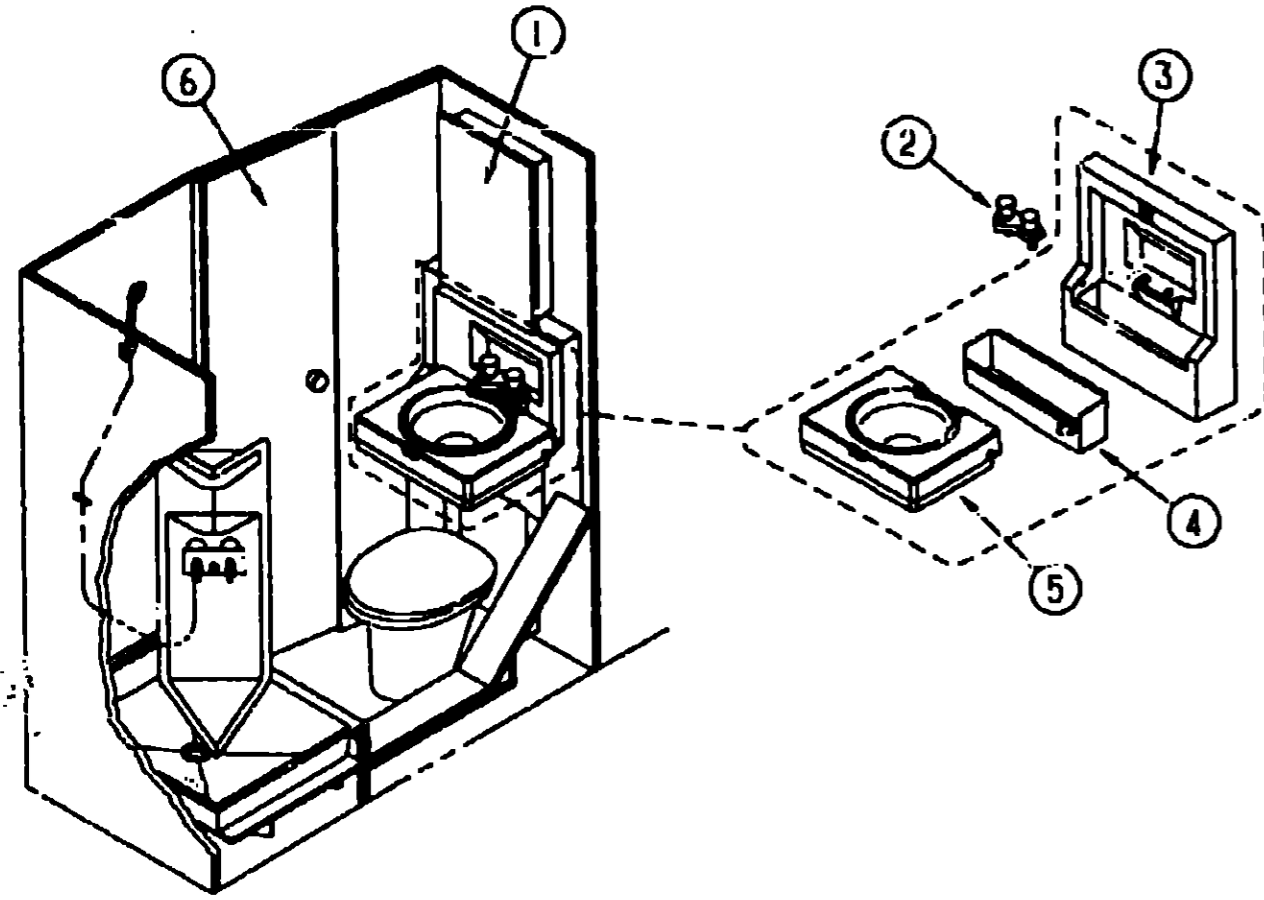
**1993 ITASCA
TABLE OF CONTENTS**

INTRODUCTION	A 01 -	A-02
ABBREVIATIONS		A-03
ALPHABETICAL INDEX	A-04 -	A-06
IT321REI	A-07 -	C-24
IT321RL	D 01 -	F 18
IT321RD	F-19 -	I-12

1993 IT321RD INDEX

FLOOR PLAN	F 19 -	F-20
ACCESSORIES		F 21
AUDIO VIDEO		F 22
BATH	F 23 -	F 24
CHASSIS	G 01 -	G 02
CURTAIN & CUSHION	G 03 -	G 09
DINETTE	G-10 -	G 12
DRIVERS COMPARTMENT		G 13
ELECTRICAL	G 14 -	G-17
EXTERIOR BODY	G 18 -	G 22
GALLEY	G 23 -	H-02
GENERATOR		H 03
HEATING & A/C		H-04
INTERIOR FINISH	H-05 -	H 08
LABELS	H 09 -	H 14
LP		H-15
LOUNGE		H 16
SEALANTS & FASTENERS	H-17 -	H 18
WATER & SEWAGE	H-19 -	H 22
WINDC'W VENT AND EXTERIOR DOOR	H 23 -	I-12

BATH GROUP



BATH CABINETS & FIXTURES

KEY	PART NUMBER	U/M DESCRIPTION
1	099006-01-01A	EA CABINET-MEDICINE, METAL FRAME - W/DOOR
2	075240-06-000	EA FAUCET-LAVATORY, BONE
3	101418-01-01A	EA BACKSPASH-LAVATORY, PLASTIC - OFF WHITE
	101330-01-000	EA LATCH-PADDLE, FOLD UP SINK
	057898-01-000	EA STRIKE-PADDLE LATCH, PLASTIC - BLACK
4	101419-01-01A	EA CATCH BASIN-FOLD UP SINK
	011083-01-000	EA PLUG-SINK, W/TAILPIECE - 1 25" X 5"
5	101413-01-B05	EA SINK ASM-FOLD UP LAVATORY
	101414-01-01A	EA SINK-FOLD UP, TOP - OFF WHITE
	101415-01-01A	EA SINK-FOLD UP, LOWER - OFF WHITE
	074470-03-000	EA PULL-PIN, HINGE RELEASE - RIGHT SIDE
	074470-04-000	EA PULL-PIN, HINGE RELEASE - LEFT SIDE
	075454-02-000	EA RING-TOWEL, W/MOUNTING HARDWARE - BRASS
	075452-02-000	EA HOLDER-TOILET TISSUE BRASS
	075453-02-000	EA BAR-TOWEL, 18" BRASS
	1087868-15-D24	EA DOOR-BATH, 1811 MM X 479 MM - W/O HARDWARE
	094485-01-01A	EA KNOB-DOOR, POLISHED BRASS
		FROM 00-00-00 THRU 09-23-92
	094485-02-01A	EA KNOB-DOOR, BRASS - INTERTEK YDLC20
		FROM 09-24-92 THRU 99-99-99
	009059-02-000	EA HINGE-DOOR, 2" X 2 7" - BRASS
	103257-01-000	EA STOP-DOOR
	105394-01-02A	EA JAMB-DOOR, 7" LONG - OAK PLASTIC

BATH GROUP (CONTINUED)

BATH CABINET HARDWARE

KEY	PART NUMBER	U/M DESCRIPTION
	092464-05-C1A	EA TRACK-SHOWER, CURVED - OFF WHITE
	009700-04-002	EA TRACK, L-SHAPED 195 2" - STRAIGHT - OFF WHITE
	009130-02-000	EA HANGER-RING, PIN TYPE - CURTAIN - BRASS
	009701-01-000	EA CAPTIVE CURTAIN, L ROD
	009702-01-000	EA END STOP-CURTAIN CARRIER, L ROD

TOILET

KEY	PART NUMBER	U/M DESCRIPTION
	063740-01-000	EA TOILET-HIGH, HAND FLUSH - THETFORD, 150120
	063740-01-700	EA LEVER-WATER, THETFORD 12514
	063740-01-701	EA LEVER-FLUSH, THETFORD 12515
	063740-01-706	EA BOLT PACKAGE-CLOSET, THETFORD 12524
	063740-01-710	EA LINK, THETFORD 12513
	063740-01-711	EA SPRING-RETURN LEVER, THETFORD 12523
	063740-01-713	EA SEAL-BALL VALVE TO BOWL, THETFORD 12502
	063740-01-714	EA VALVE ASM-WATER, THETFORD 12492
	063740-01-716	EA SEAT & COVER, THETFORD 15017 - IVORY
	063740-01-717	EA TUBE-FLUSH, TOILET
	063740-02-700	EA SEAT & COVER, PARCHMENT - THETFORD 20829
	063641-01-000	EA FLANGE-CLOSET, 4" X 3"

SHOWER COMPONENTS

KEY	PART NUMBER	U/M DESCRIPTION
	103092-01-000	EA SHOWER HEAD-W/60" HOSE
	103092-01-700	EA BRACKET ONLY-CLEAR, F/SHOWER HEAD - 2328028
	075241-05-000	EA FAUCET-SHOWER, BONE
	105707-01-01A	EA CADDY-SHOWER, CARRIER - OFF WHITE PLASTIC
	075606-01-000	EA PANEL-FAUCET BACK, SHOWER - 5" X 9" - PLASTIC
	M02673-05-B13	EA SHOWER PAN W/NUT, STRAINER & WASHER
	066436-01-000	EA NUT-SLIP, TAILPIECE - 1 5"
	066440-01-000	EA STRAINER-SHOWER, W/RUBBER WASHER
	069735-01-000	EA WASHER-STRAINER TO TAILPIECE PLASTIC, 1 5"
	066435-01-000	EA NUT-STRAINER
	057671-01-000	EA COVER-SCREW, #8 - PLASTIC - OFF WHITE
	084724-02-000	EA TRIM-SHOWER, OFF WHITE
	108536-09-02A	EA MIRROR-GLASS, FLORAL - 432 MM X 1143 MM
	105004-01-02A	EA MOLDING-VINYL WRAP, MIRROR TRIM - OAK

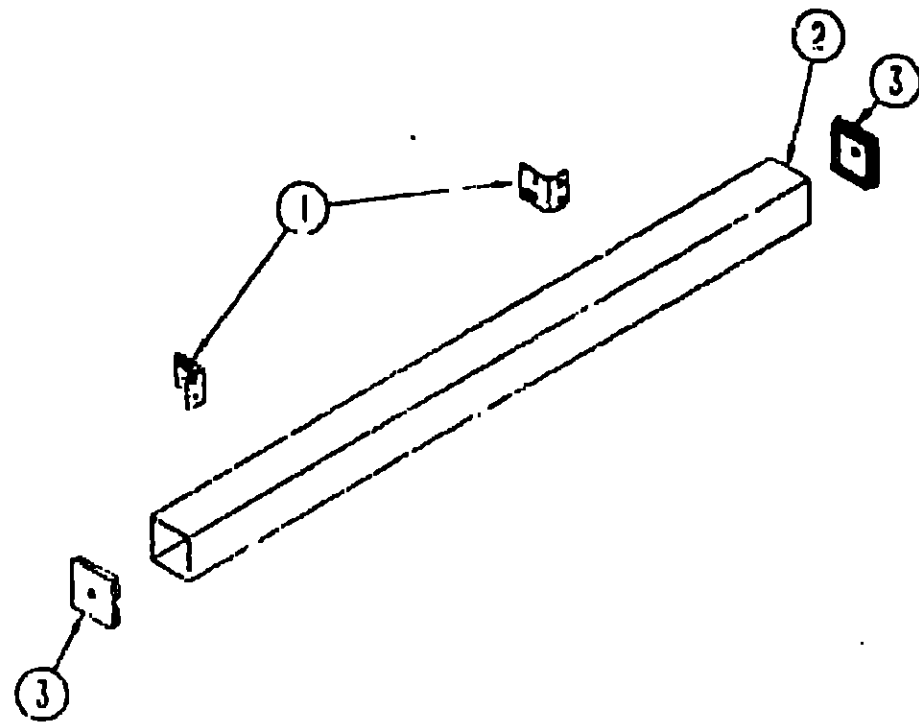
**1993 ITASCA
TABLE OF CONTENTS**

INTRODUCTION	A-01	A-02
ABBREVIATIONS		A-03
ALPHABETICAL INDEX	A-04	A-06
IT321RB	A-07	C-24
IT321RL	D-01	F-18
IT321RD	F-19	I-12

1993 IT321RD INDEX

FLOOR PLAN	F-19	F-20
ACCESSORIES		F-21
AUDIO VIDEO		F-22
BATH	F-23	F-24
CHASSIS	G-01	G-02
CURTAIN & CUSHION	G-03	G-09
DINETTE	G-10	G-12
DRIVERS COMPARTMENT		G-13
ELECTRICAL	G-14	G-17
EXTERIOR BODY	G-18	G-22
GALLEY	G-23	H-02
GENERATOR		H-03
HEATING & A/C		H-04
INTERIOR FINISH	H-05	H-08
LABELS	H-09	H-14
LP		H-15
LOUNGE		H-16
SEALANTS & FASTENERS	H-17	H-18
WATER & SEWAGE	H-19	H-22
WINDOW, VENT AND EXTERIOR DOOR	H-23	I-12

CHASSIS GROUP



REAR BUMPER & BRACKET

KEY	PART NUMBER	U/M DESCRIPTION
1	103752-01-01A	EA BRACKET-BUMPER, OFF WHITE
2	103422-03-01A	EA BUMPER-REAR, OFF WHITE
3	039779-01-000	EA CAP-BUMPER RUBBER, 4" X 4", BLACK

SPARE TIRE W/RIM & MOUNTING BRACKET

KEY	PART NUMBER	U/M DESCRIPTION
	1A00080-65-000	EA TIRE-SPARE, W/RIM, 185R14LT, BRIDGESTONE
	M00080-65-700	EA CARRIER-SPARE TIRE TOYOTA
	M00080-65-701	EA TIRE-SPARE W/RIM, 185R14LT, DUNLOP
	094773-01-000	EA BRACKET-MOUNTING, SPARE TIRE

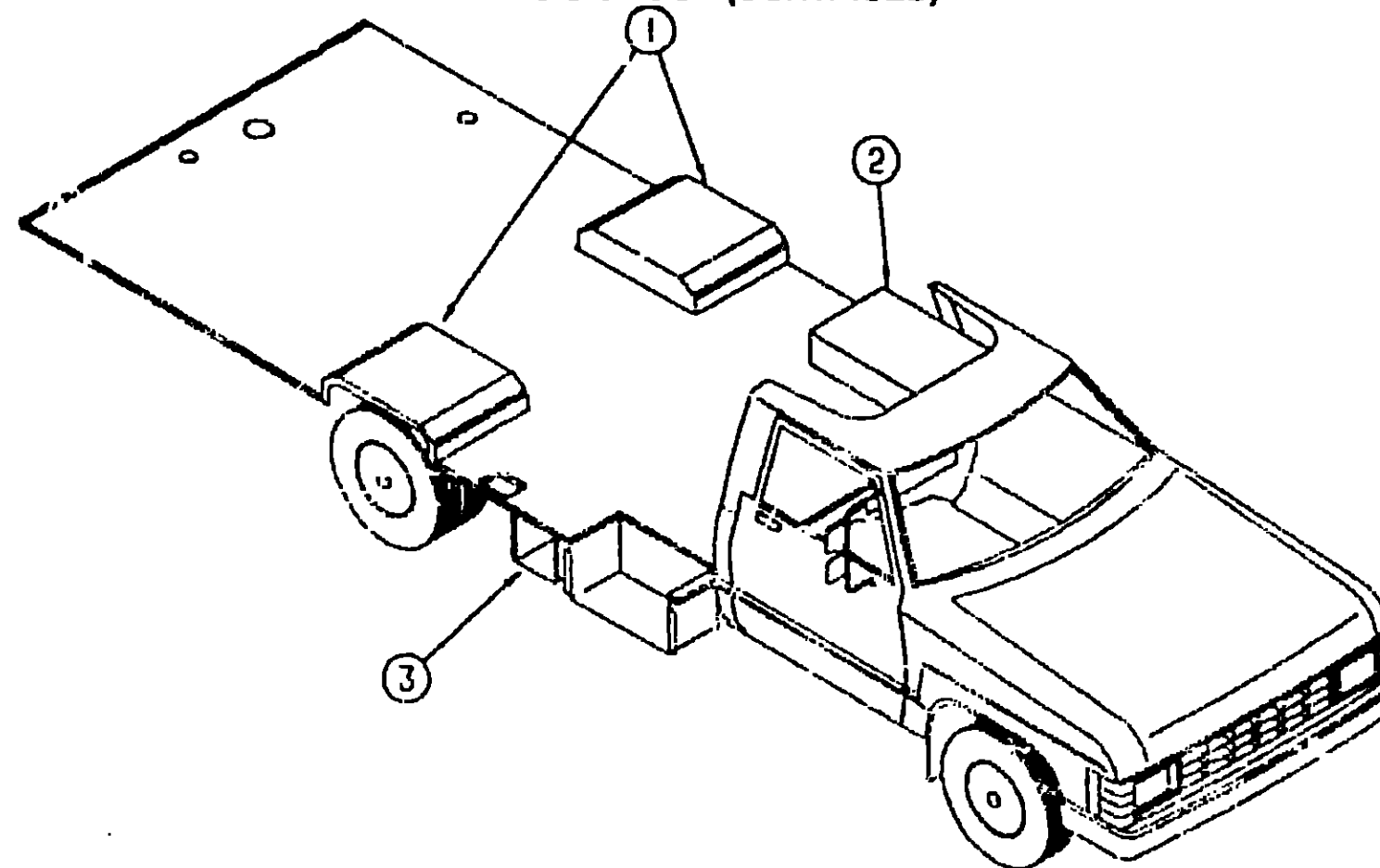
FUEL SYSTEM COMPONENTS

KEY	PART NUMBER	U/M DESCRIPTION
	007053-01-000	FT HOSE-GAS, 1/4" ID X 1/2" OD
	007111-03-000	EA HOSE-FUEL FILL, 1.75" ID X 3'
	056732-01-000	FT HOSE-FUEL FILL, 62" ID
	084884-01-000	EA PLUG-BRASS, 3/8"
	087259-01-000	EA TEE-1/4" X 1/4" X 1/4", BRASS
	078200-01-000	EA GASKET-FUEL FILL, 3.5" OD X 2" ID
	095854-01-02A	EA SHROUD-FUEL FILL, OFF WHITE

MISCELLANEOUS CHASSIS COMPONENTS

KEY	PART NUMBER	U/M DESCRIPTION
	093048-01-000	EA PLATE ASM-SKID
	086780-01-000	EA GUARD-SPLASH, RUBBER - TOYOTA - SET OF 2 - BLACK
	102627-01-01A	EA COVER-HUB W/OLT - GRAY - KAPEL II
	102627-01-700	EA BOLT-HUB COVER, KAPEL II
	055278-51-259	EA TUBING-STEEL, 75" X 1.5" X 12.5'
	008042-01-000	FT TUBING-VINYL, 65" ID

CHASSIS GROUP (CONTINUED)



COMPARTMENTS, WHEELWELL & STEP LINER

KEY	PART NUMBER	U/M DESCRIPTION
1	084537-01-000	EA WHEELWELL-PLASTIC
2	083865-02-000	EA TRAY-GENERATOR/STORAGE COMPARTMENT
2	055102-03-000	EA COMPARTMENT-GENERATOR, 25.1" WIDE X 17.7" DEEP
2	096104-01-000	EA COVER-BAFFLE-GENERATOR
	077953-01-000	EA GROMMET-EDGE LINER, FITS 1"
	058027-01-000	FT SEAL, D SHAPED - HOLLOW - SPONGE RUBBER - BLACK
	099418-01-000	EA SEAL, D, W/SIDE ADHESIVE - 4" X 10" - SPONGE RUBBER - BLACK
		FROM 00-00-00 THRU 03-15-93
		FROM 03-16-93 THRU 99-99-99
3	100524-01-000	EA COMPARTMENT-BATTERY PLASTIC
	084593-01-000	EA STRAP-BATTERY
	106208-01-01A	EA COMPARTMENT-SHOWER, EXTERIOR - OFF WHITE

EXHAUST SYSTEM COMPONENTS

KEY	PART NUMBER	U/M DESCRIPTION
	007125-05-000	EA CLAMP-MUFFLER, 2.00" DIAMETER
	007131-01-000	EA HANGER-TAILPIPE, 6 SLOTS

REAR AIR BAG SYSTEM

KEY	PART NUMBER	U/M DESCRIPTION
	100290-02-000	EA AIRSPRING SYSTEM, 4" DIAMETER, MICRO MINI - 3-T'S 9E3 POS
	100293-01-701	EA HOSE, W/M/L VALVES - 3" T9AL
	100293-02-700	EA AIR BAG KIT, BAG W/CABLE - 3T RK
	100332-01-000	EA PLATE-VALVE, AIR SPRING

1993 ITASCA TABLE OF CONTENTS

INTRODUCTION	A-01	A-02
ABBREVIATIONS		A-03
ALPHABETICAL INDEX	A-04	A-05
IT321RB	A-07	C-24
IT321RL	D-01	F-19
IT321RD	F-19	I-12

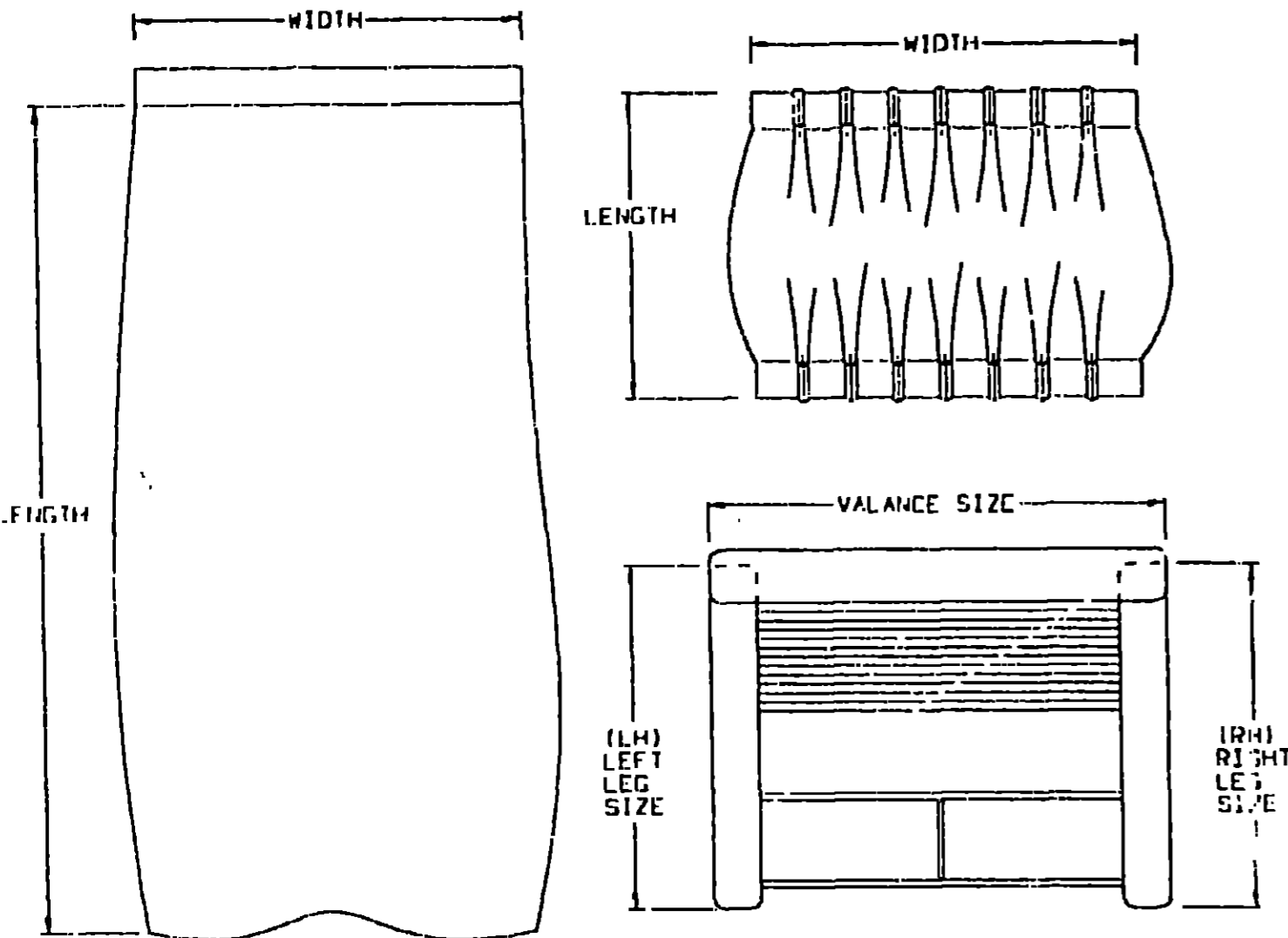
1993 IT321RD INDEX

FLOOR PLAN	F-19	F-20
ACCESSORIES		F-21
AUDIO VIDEO		F-22
BATH	F-23	F-24
CHASSIS	G-01	G-02
CURTAIN & CUSHION	G-03	G-09
DINETTE	G-10	G-12
DRIVERS COMPARTMENT		G-13
ELECTRICAL	G-14	G-17
EXTERIOR BODY	G-18	G-22
GALLEY	G-23	H-02
GENERATOR		H-03
HEATING & A/C		H-04
INTERIOR FINISH	H-05	H-08
LABELS	H-09	H-14
LP		H-15
LOUNGE		H-16
SEALANTS & FASTENERS	H-17	H-18
WATER & SEWAGE	H-19	H-22
WINDOW VENT AND EXTERIOR DOOR	H-23	I-12

CURTAIN & CUSHION GROUP NOTICE

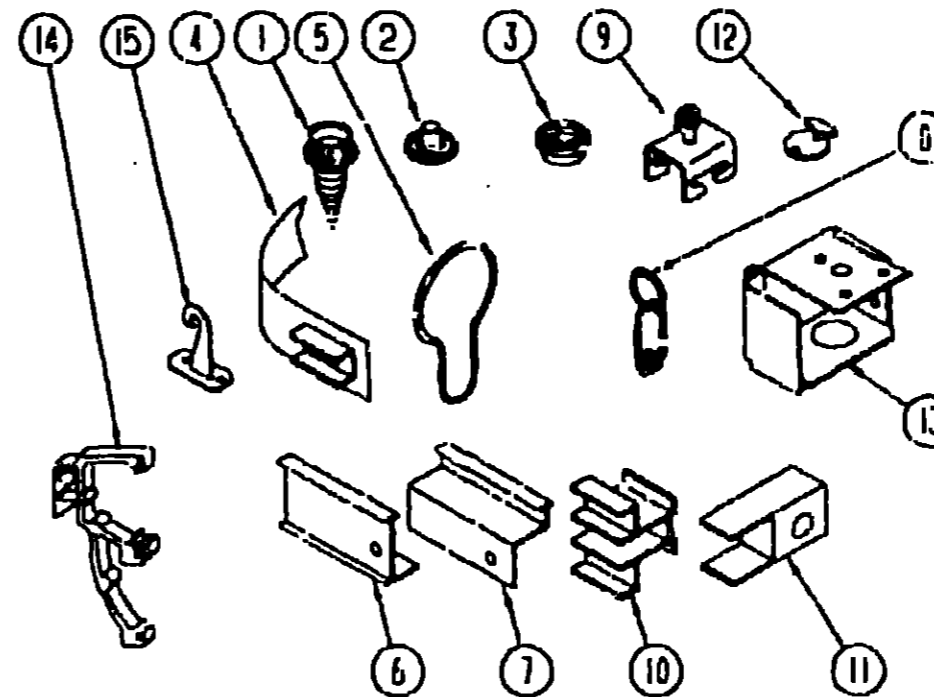
IN ORDER TO ASSIST OUR PARTS SALES DEPT. IN PROVIDING INTERIOR SOFTGOODS ITEMS PLEASE INCLUDE THE SERIAL NUMBER AND THE COLOR CODE NUMBER FROM THE VEHICLE CERTIFICATION LABEL WHEN ORDERING. THIS LABEL IS LOCATED ON THE LEFT SIDEWALL AT THE END OF THE DASH (A-BODY) OR ON THE DRIVER'S DOOR LATCH PLATE (C-BODY).

AN EXAMPLE OF A COLOR CODE NUMBER IS 607, WHICH DESIGNATES AN OVERALL COLOR SCHEME OF A PARTICULAR UNIT. THE COLOR LISTED AFTER THE ITEM DESCRIPTION ON THE MICROFICHE, INDICATES THE OVERALL UNIT COLOR. ORDER THE ITEM YOU DESIRE ACCORDING TO UNIT COLOR CODE.



NOTE USE THIS ILLUSTRATION WHEN DETERMINING LENGTH AND WIDTH MEASUREMENTS FOR CURTAINS. YOU WILL NOTE THE WIDTH MEASUREMENT IS TAKEN ON THE TOP OF THE CURTAIN WITH THE CURTAIN FULLY EXTENDED. THE LENGTH MEASUREMENT IS TAKEN FROM TOP TO BOTTOM. LEFT AND RIGHT WINDOW LEGS ARE DETERMINED WHEN FACING THE WINDOW.

CURTAIN & CUSHION GROUP (CONTINUED)



CURTAIN, BLIND & SHADE HARDWARE

KEY	PART NUMBER	U/M	DESCRIPTION
1	029130-01-000	EA	SCREW-SNAP SOCKET 8 PH X 5/8"
2	029155-01-000	EA	CAP-SNAP NICKEL
3	029156-01-000	EA	SOCKET-SNAP FASTENER NICKEL
4	101031-01-000	YD	TAPE-GLIDE CURTAIN, 4 25" SPACING
5	009125-02-000	EA	HANGER-RING PIN TYPE - CURTAIN - BRASS
6	092464-05-01A	EA	TRACK-SHOWER, CURVED - OFF WHITE
6	009700-04-002	EA	TRACK, L-SHAPED 195 2" - STRAIGHT - OFF WHITE
7	105450-05-01A	EA	TRACK-CURTAIN, 79" LONG - ALUMINUM - OFF WHITE
8	009701-01-000	EA	CARRIER-CURTAIN L ROD
9	009702-01-000	EA	END STOP-CURTAIN CARRIER L ROD
10	101033-03-000	FT	TRACK-CURTAIN LOW PROFILE - WHITE
11	101033-02-000	EA	END CAP-TRACK CLEAR
12	102555-01-000	EA	CLEAT-CORD, BLIND - OFF WHITE
13	083170-01-000	EA	BRACKET-BLIND, RIGHT SIDE
13	083170-02-000	EA	BRACKET-BLIND, LEFT SIDE
14	109353-04-000	EA	CLIP-VALANCE SLAT MOUNTING PAR
15	109441-01-000	EA	HOLD DOWN-BLIND, HOOK
	103986-01-000	FT	TRIM-VALANCE, U-CHANNEL - 75" WIDE - BRASS
	046867-01-000	EA	GROMMET-BRASS - 7/16" ID X 1" OD
	088792-01-000	EA	VELCRO-HOOK, 75" WIDE - BEIGE
	048394-02-000	YD	VELCRO TAPE-HOOK, ADHESIVE BACK - 75" WIDE - BEIGE
	088792-02-000	YD	VELCRO TAPE-LOOP, ADHESIVE BACKED - 75" WIDE - BEIGE

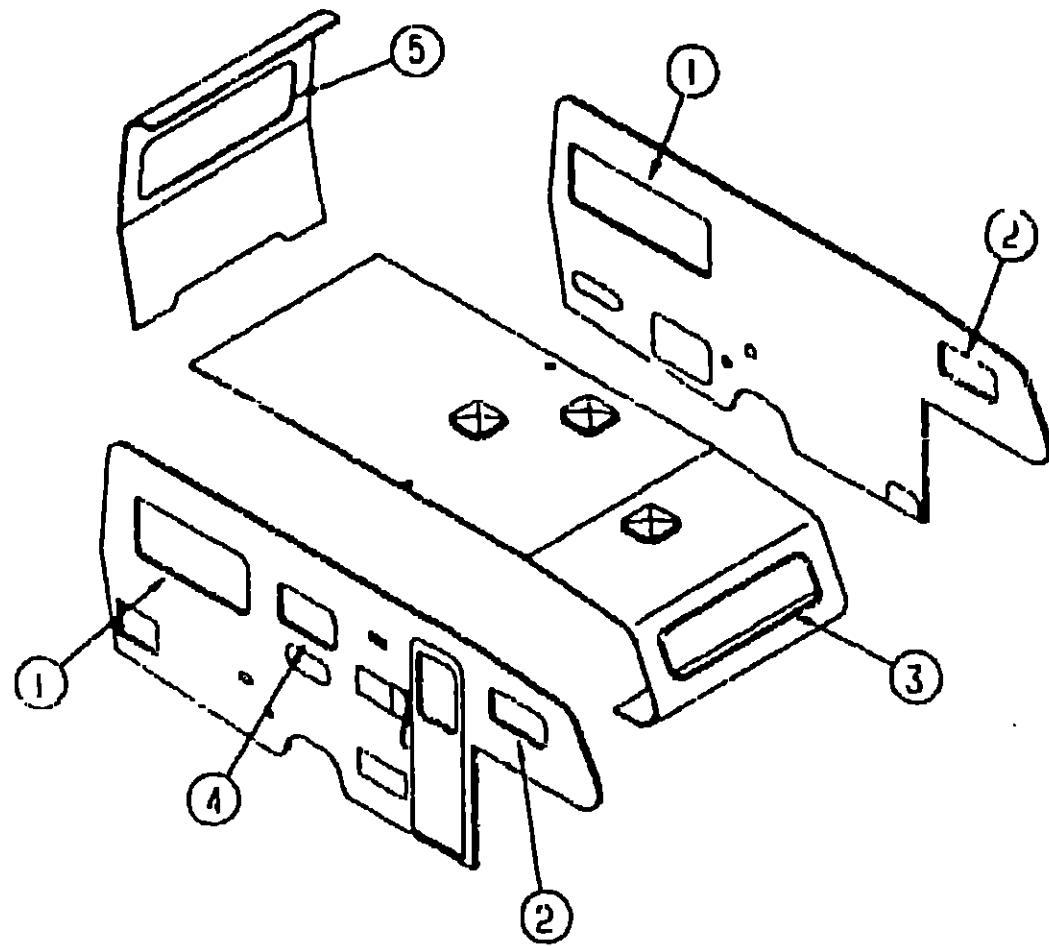
1993 ITASCA TABLE OF CONTENTS

INTRODUCTION	A-01	A-02
ABBREVIATIONS		A-03
ALPHABETICAL INDEX	A-04	A-06
IT321RB	A-07	C-24
IT321PL	D-01	F-10
IT321RD	F-19	I-12

1993 IT321RD INDEX

FLOOR PLAN	F-19	F-20
ACCESSORIES		F-21
AUDIO VIDEO		F-22
BATH	F-23	F-24
CHASSIS	G-01	G-02
CURTAIN & CUSHION	G-03	G-09
DINETTE	G-10	G-12
DRIVERS COMPARTMENT		G-13
ELECTRICAL	G-14	G-17
EXTERIOR BODY	G-18	G-22
GALLEY	G-23	H-02
GENERATOR		H-03
HEATING & A/C		H-04
INTERIOR FINISH	H-05	H-08
LABELS	H-09	H-14
LP		H-15
LOUNGE		H-16
SEALANTS & FASTENERS	H-17	H-18
WATER & SEWAGE	H-19	H-22
WINDOW VENT AND EXTERIOR DOOR	H-23	I-12

CURTAIN & CUSHION GROUP (CONTINUED)
WINDOW TREATMENT



KEY	PART NUMBER	U/M DESCRIPTION
4	109353-05-02A	EA VALANCE-SLAT, 25 5" LONG (D24/D25)
4	109353-05-01A	EA VALANCE-SLAT, 25 5" LONG (D26)
4	109041-08-02A	EA BLIND-MINI, 25 5" X 20" DROP (D24/D25)
4	109041-08-01A	EA BLIND-MINI, 25 5" X 20" DROP (D26)
5	10421-32-D24	EA VALANCE-73" W/BRASS TRIM
5	10421-32-D25	EA VALANCE-73" W/BRASS TRIM
5	104021-32-D26	EA VALANCE-73" W/BRASS TRIM
5	109041-07-02A	EA BLIND-MINI, 71" X 27" DROP (D24/D25)
5	109041-07-01A	EA BLIND-MINI, 71" X 27" DROP (D26)
	075892-03-C09	EA CURTAIN-SNAP TOP, 35" X 55" - BEIGE (D24/D25/D26)
	101668-10-D24	EA CURTAIN-38 5" X 50", RIGHT - TAPE TOP (D24)
	101668-18-D02	EA CURTAIN-38 5" X 50", RIGHT - TAPE TOP (D25)
	101668-18-D03	EA CURTAIN-38 5" X 50", RIGHT - TAPE TOP (D26)
	101668-19-D24	EA CURTAIN-38 5" X 50", LEFT - TAPE TOP (D24)
	101668-19-D02	EA CURTAIN-38 5" X 50", LEFT - TAPE TOP (D25)
	101668-19-D03	EA CURTAIN-38 5" X 50", LEFT - TAPE TOP (D26)
	084481-22-C08	EA CURTAIN-SHOWER, VINYL - 65" X 40" (D24)
	084481-22-D36	EA CURTAIN-SHOWER, VINYL - 65" X 40" (D25)
	084481-22-C27	EA CURTAIN-SHOWER, VINYL - 65" X 40" (D26)
	073260-54-C30	EA TIEBACK CURTAIN, SHOWER - 3" X 15" (D24)
	073260-54-D36	EA TIEBACK CURTAIN, SHOWER - 3" X 16" (D25)
	073260-54-C10	EA TIEBACK CURTAIN, SHOWER - 3" X 15" (D26)
	073260-49-D24	EA TIEBACK CURTAIN, 3" X 18" (D24)
	073260-49-D02	EA TIEBACK CURTAIN, 3" X 18" (D25)
	073260-49-D03	EA TIEBACK CURTAIN, 3" X 18" (D26)
	C57534-01-000	EA TIEBACK/TIEDOWN-BED/CURTAIN/DOOR & PLASTIC CLEAN
	084415-46-000	YD TRIM-BRAID, CURTAIN - BLUE (D24)
	084415-44-000	YD TRIM-BRAID, CURTAIN - EGGPLANT (D25)
	084415-45-000	YD TRIM-BRAID, CURTAIN - TEAL (D26)

**1993 ITASCA
TABLE OF CONTENTS**

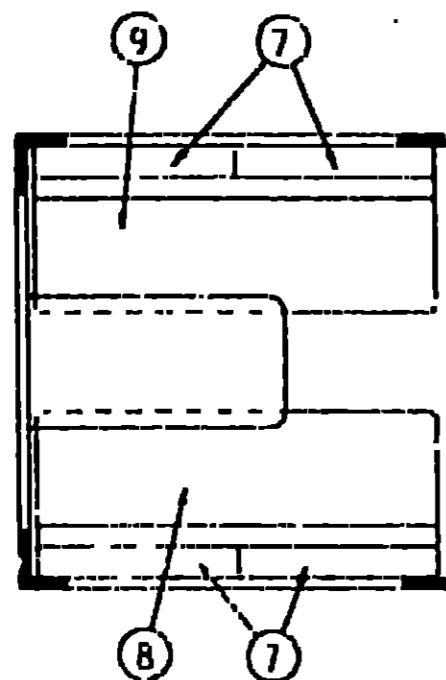
INTRODUCTION	A-01	A-02
ABBREVIATIONS		A-03
ALPHABETICAL INDEX	A-04	A-06
IT321RB	A-07	C-24
IT321RL	D-01	F-18
IT321RD	F-19	I-12

1993 IT321RD INDEX

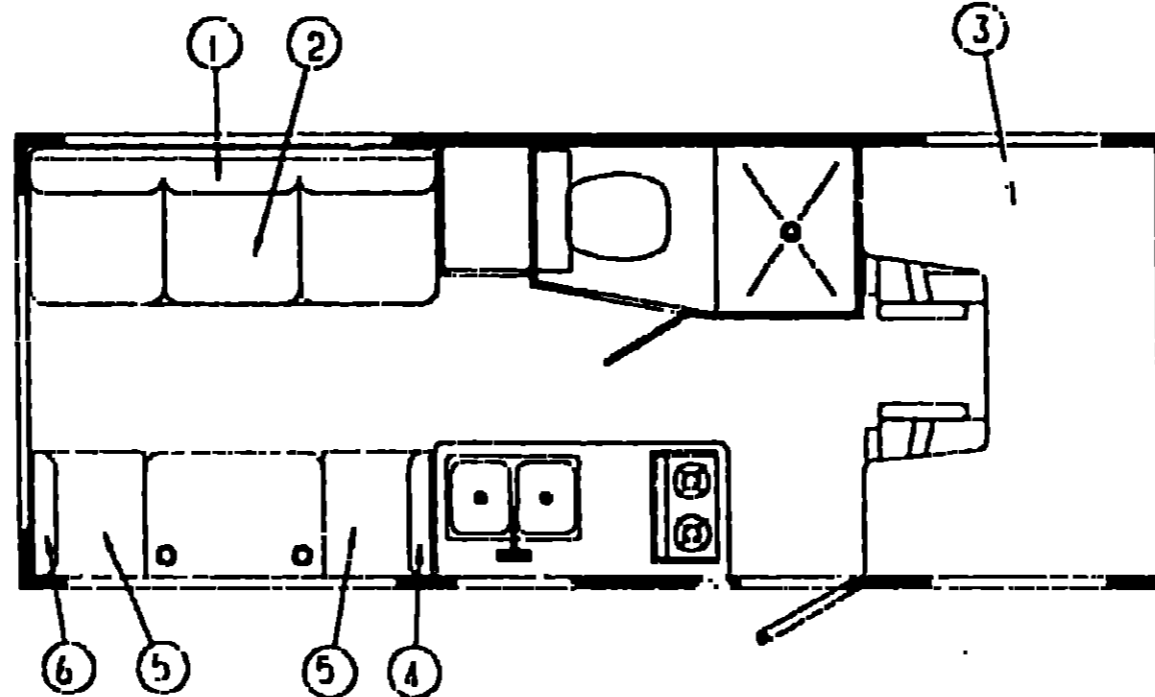
FLOOR PLAN	F-19	F-20
ACCESSORIES		F-21
AUDIO/VIDEO		F-22
BATH	F-23	F-24
CHASSIS	G-01	G-02
CURTAIN & CUSHION	G-03	G-09
DINETTE	G-10	G-12
DRIVER'S COMPARTMENT		G-13
ELECTRICAL	G-14	G-17
EXTERIOR BODY	G-18	G-22
GALLEY	G-23	H-02
GENERATOR		H-03
HEATING & A/C		H-04
INTERIOR FINISH	H-05	H-08
LABELS	H-09	H-14
LP		H-15
LOUNGE		H-16
SEALANTS & FASTENERS	H-17	H-18
WATER & SEWAGE	H-19	H-22
WINDOW VENT AND EXTERIOR DOOR	H-23	I-12

KEY	PART NUMBER	U/M DESCRIPTION
1	104021-12-D32	EA VALANCE-65" W/BRASS TRIM (D24)
1	104021-12-D33	EA VALANCE-65" W/BRASS TRIM (D25)
1	104021-12-D34	EA VALANCE-65" W/BRASS TRIM (D26)
1	109041-10-02A	EA BLIND-MINI, 63" X 27" DROP (D24/D25)
1	109041-10-01A	EA BLIND-MINI, 63" X 27" DROP (D26)
2	101034-31-D24	EA CURTAIN-16" X 28", TAPE TOP & BOTTOM - RIGHT (D24)
2	101034-31-D02	EA CURTAIN-16" X 28", TAPE TOP & BOTTOM - RIGHT (D25)
2	101034-31-D03	EA CURTAIN-16" X 28", TAPE TOP & BOTTOM - RIGHT (D26)
2	101034-32-D24	EA CURTAIN-16" X 28", TAPE TOP & BOTTOM - LEFT (D24)
2	101034-32-D02	EA CURTAIN-16" X 28", TAPE TOP & BOTTOM - LEFT (D25)
2	101034-32-D03	EA CURTAIN-16" X 28", TAPE TOP & BOTTOM - LEFT (D26)
3	101034-29-D24	EA CURTAIN-16" X 50", TAPE TOP & BOTTOM - RIGHT (D24)
3	101034-29-D02	EA CURTAIN-16" X 50", TAPE TOP & BOTTOM - RIGHT (D25)
3	101034-29-D03	EA CURTAIN-16" X 50", TAPE TOP & BOTTOM - RIGHT (D26)
3	101034-30-D24	EA CURTAIN-16" X 50", TAPE TOP & BOTTOM - LEFT (D24)
3	101034-30-D02	EA CURTAIN-16" X 50", TAPE TOP & BOTTOM - LEFT (D25)
3	101034-30-D03	EA CURTAIN-16" X 50", TAPE TOP & BOTTOM - LEFT (D26)

CURTAIN & CUSHION GROUP (CONTINUED)



COUCH & COUCH PILLOW



DINETTE CUSHIONS

**1993 ITASCA
TABLE OF CONTENTS**

INTRODUCTION	A 01	A 02
ABBREVIATIONS		A 03
ALPHABETICAL INDEX	A 04	A 05
IT321RB	A 07	G 24
IT321RL	D 01	F 18
IT321RD	F 19	I 12

KEY	PART NUMBER	U/M DESCRIPTION
1	100032 24 D32	EA COUCH BACKREST W/O ARMS - 74" (D24)
1	100032 24 D33	EA COUCH BACKREST W/O ARMS - 74" (D25)
1	100032 24 D34	EA COUCH BACKREST W/O ARMS - 74" (D26)
1	100032 24 D32	EA COVER COUCH BACKREST - W/O ARMS - 74" (D24)
1	100032 24 D33	EA COVER COUCH BACKREST - W/O ARMS - 74" (D25)
1	100032 24 D34	EA COVER COUCH BACKREST - W/O ARMS - 74" (D26)
1	101085 10 D00	EA FRAME BACK COUCH - 74 5"
2	100032 30 D22	EA COUCH SEAT W/O ARMS - 74" (D24/D25)
2	100032 30 D34	EA COUCH SEAT W/O ARMS - 74" (D26)
2	100032 30 D32	EA COVER COUCH SEAT W/O ARMS - 74" (D24/D25)
2	100032 30 D33	EA COVER COUCH SEAT - W/O ARMS - 74" (D26)
2	101085 04 D00	EA FRAME SEAT COUCH - 74 75"
2	101085 07 D00	EA FRAME BASE COUCH - 74 75"
2	103661 01 D38	EA PILLOW THROW - 16" X 16" (D24)
2	103661 01 D03	EA PILLOW THROW - 16" X 16" (D25)
2	103661 01 D11	EA PILLOW THROW - 16" X 16" (D26)

BUNK CUSHIONS

KEY	PART NUMBER	U/M DESCRIPTION
3	084753 36 D24	EA CUSHION - 53 5" X 81 5" X 5" U SHAPED BUNK
3	084753 36 D25	EA CUSHION - 53 5" X 81 5" X 5" U SHAPED BUNK
3	084753 36 D26	EA CUSHION - 53 5" X 81 5" X 5" U SHAPED BUNK
3	M84753 36 D24	EA COVER CUSHION U SHAPED - 53 5" X 81 5" X 5"
3	M84753 36 D25	EA COVER CUSHION U-SHAPED - 53 5" X 81 5" X 5"
3	M84753 36 D26	EA COVER CUSHION U-SHAPED - 53 5" X 81 5" X 5"
3	084753 35 D24	EA CUSHION 24 5" X 44 5" X 5" BUNK FILLER
3	084753 35 D25	EA CUSHION 24 5" X 44 5" X 5" BUNK FILLER
3	084753 35 D26	EA CUSHION 24 5" X 44 5" X 5" BUNK FILLER
3	M84753 35 D24	EA COVER CUSHION FILLER - 24 5" X 44 5" X 5"
3	M84753 35 D25	EA COVER CUSHION FILLER - 24 5" X 44 5" X 5"
3	M84753 35 D26	EA COVER CUSHION FILLER - 24 5" X 44 5" X 5"

KEY	PART NUMBER	U/M DESCRIPTION
4	108141 03 D24	EA CUSHION BACK - 13 5" X 24 5" X 5" (D24/D25)
4	108141 03 D26	EA CUSHION BACK - 13 5" X 24 5" X 5" (D26)
4	P08141 03 D24	EA COVER CUSHION FRONT BACKREST - 13 5" X 24 5" X 5" (D24-D25)
4	P08141 03 D26	EA COVER CUSHION FRONT BACKREST - 13 5" X 24 5" X 5" (D26)
5	105603 05 D24	EA CUSHION SEAT - 23" X 24 5" X 5" (D24/D25)
5	105603 05 D26	EA CUSHION SEAT - 23" X 24 5" X 5" (D26)
5	P05603 05 D24	EA COVER CUSHION SEAT - 23" X 24 5" X 5" (D24-D25)
5	P05603 05 D26	EA COVER CUSHION SEAT - 23" X 24 5" X 5" (D26)
6	108141 04 D24	EA CUSHION BACK - 13 5" X 24 5" X 5" (D24/D25)
6	108141 04 D26	EA CUSHION BACK - 13 5" X 24 5" X 5" (D26)
6	P08141 04 D24	EA COVER CUSHION REAR BACKREST - 13 5" X 24 5" X 5" (D24/D25)
6	P08141 04 D26	EA COVER CUSHION REAR BACKREST - 13 5" X 24 5" X 5" (D26)
6	D78125 01 D00	EA STRAP NAP BACKREST CUSHION

TWIN BED OPTION CUSHIONS

KEY	PART NUMBER	U/M DESCRIPTION
7	109765 01 D24	EA CUSHION BACK BOLSTER - 12" X 9" X 5" X 37" (D24/D25)
7	109765 01 D26	EA CUSHION BACK BOLSTER - 12" X 9" X 5" X 37" (D26)
7	P09765 01 D24	EA COVER CUSHION BACK BOLSTER - 12" X 9" X 5" X 37" (D24/D25)
7	P09765 01 D26	EA COVER CUSHION BACK BOLSTER - 12" X 9" X 5" X 37" (D26)
8	105603 04 D24	EA CUSHION SEAT PASSENGER SIDE - 29 5" X 74" X 3 5" (D24/D25)
8	105603 04 D26	EA CUSHION SEAT PASSENGER SIDE - 29 5" X 74" X 3 5" (D26)
8	P05603 04 D24	EA COVER CUSHION SEAT PASSENGER SIDE - 29 5" X 74" X 3 5" (D24/D25)
8	P05603 04 D26	EA COVER CUSHION SEAT PASSENGER SIDE - 29 5" X 74" X 3 5" (D26)
9	105603 06 D24	EA CUSHION SEAT DRIVER SIDE - 29 5" X 76" X 3 5" (D24/D25)
9	105603 06 D26	EA CUSHION SEAT DRIVER SIDE - 29 5" X 76" X 3 5" (D26)
9	P05603 06 D24	EA COVER CUSHION SEAT - DRIVER SIDE - 29 5" X 76" X 3 5" (D24-D25)
9	P05603 06 D26	EA COVER CUSHION SEAT - DRIVER SIDE - 29 5" X 76" X 3 5" (D26)

1993 IT321RD INDEX

FLOOR PLAN	F 19	F 20
ACCEL. SCALES		F 21
AIRC. SYSTEMS		F 22
BATH	F 23	F 24
CHASSIS	F 01	F 02
CURTAIN & CUSHION	F 03	F 04
DINETTE	F 10	F 11
DRIVERS COMPARTMENT		F 12
ELECTRICAL	F 13	F 14
EXTERIOR BODY	F 15	F 16
GALLEY	F 23	F 24
GENERATOR		F 25
HEATING & A/C		F 26
INTERIOR FINISH	F 05	F 06
LABELS	F 09	F 10
LP		F 11
LOUNGE		F 12
SEALANTS & FASTENERS	F 17	F 18
WATER & SEWAGE	F 19	F 20
WINDOW VENT AND		F 21
EXTERIOR DOOR	F 23	F 24

CURTAIN & CUSHION GROUP (CONTINUED)
BUCKET SEAT COVERS

KEY	PART NUMBER	U/M DESCRIPTION
	085740-07-D24	EA COVER ASM-SEAT & HEADREST, DRIVER
	086740-07-D25	EA COVER ASM-SEAT & HEADREST, DRIVER
	085740-07-D26	EA COVER ASM-SEAT & HEADREST, DRIVER
	M86740-07-D24	EA COVER-SEAT, DRIVER
	M86740-07-D25	EA COVER-SEAT, DRIVER
	M86740-07-D26	EA COVER-SEAT, DRIVER
	102850-01-D24	EA COVER-HEADREST
	102850-01-D25	EA COVER-HEADREST
	102850-01-D26	EA COVER-HEADREST
	086740-06-D24	EA COVER ASM-SEAT & HEADREST, PASSENGER
	086740-06-D25	EA COVER ASM-SEAT & HEADREST, PASSENGER
	086740-06-D26	EA COVER ASM-SEAT & HEADREST, PASSENGER
	M86740-06-D24	EA COVER-SEAT, PASSENGER
	M86740-06-D25	EA COVER-SEAT, PASSENGER
	M86740-06-D26	EA COVER-SEAT, PASSENGER
	102850-01-D24	EA COVER-HEADREST
	102850-01-D25	EA COVER-HEADREST
	102850-01-D26	EA COVER-HEADREST

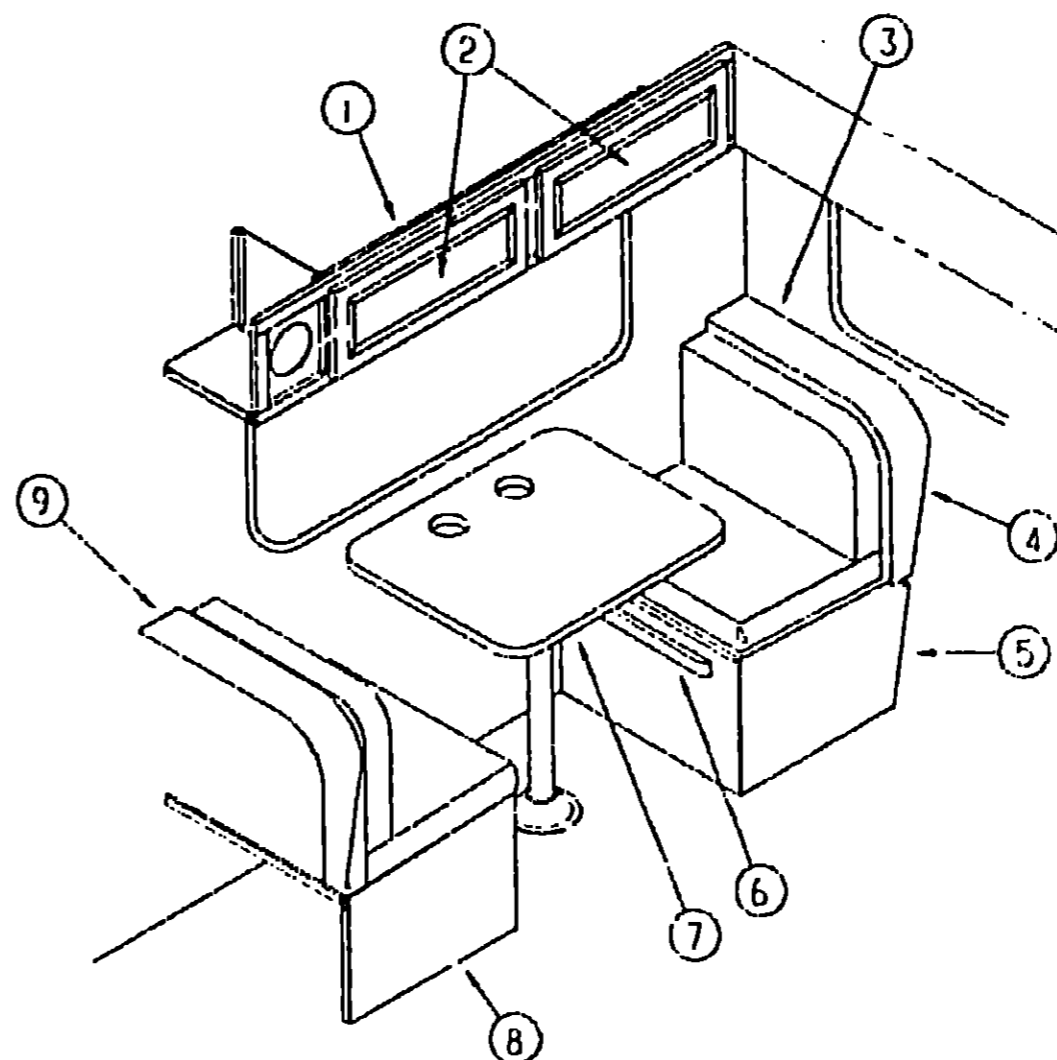
FABRIC

KEY	PART NUMBER	U/M DESCRIPTION
	072333-62-000	YD FABRIC CURTAIN, 54" WIDE - BEIGE
	104233-31-000	YD FABRIC UPHOLSTERY, PLAIN VELOUR - 54" WIDE (D24)
	104233-29-000	YD FABRIC UPHOLSTERY, PLAIN VELOUR - 54" WIDE (D25)
	104233-30-000	YD FABRIC UPHOLSTERY, PLAIN VELOUR - 54" WIDE (D26)
	104233-69-000	YD FABRIC UPHOLSTERY, WOVEN PATTERN - 54" WIDE (D24/D25)
	104233-71-000	YD FABRIC UPHOLSTERY, PATTERN VELOUR - 54" WIDE (D26)
	104233-70-000	YD FABRIC UPHOLSTERY, STRIPED WOVEN - 54" WIDE (D24)
	104233-78-000	YD FABRIC UPHOLSTERY, STRIPED WOVEN - 54" WIDE (D25)
	104233-72-000	YD FABRIC UPHOLSTERY, DOTTED VELOUR - 54" WIDE (D26)

SEATBELTS & BUTTONS

KEY	PART NUMBER	U/M DESCRIPTION
	007021-01-000	EA BELT-SEAT, 2" X 90" - BLACK
	056271-01-000	EA BELT-SEAT, 2" X 102" - BLACK
	079300-01-000	EA BRACKET-SEATBELT
	070578-01-B27	EA BUTTON-SCREW STUD #30 (D24)
	070578-01-C03	EA BUTTON-SCREW STUD #30 (D25)
	070578-01-D06	EA BUTTON-SCREW STUD #30 (D26)

DINETTE GROUP



CABINETS & PADS

KEY	PART NUMBER	U/M DESCRIPTION
	1 M05160-35-D24	EA CABINET-OVERHEAD, W/O DOORS OR HARDWARE
	1 M05160-35-D25	EA CABINET-OVERHEAD, W/O DOORS OR HARDWARE
	1 M05160-35-D26	EA CABINET-OVERHEAD, W/O DOORS OR HARDWARE
	2 P03702-73-D24	EA DOOR-CABINET, W/O HARDWARE - 10" X 25 2"
	3 109105-01-D24	EA PAD-DINETTE (D24)
	3 109105-01-D02	EA PAD-DINETTE (D25)
	3 109106-01-D03	EA PAD-DINETTE (D26)
	4 M04174-39-D24	EA CABINET-BACKREST, REAR
	5 M04175-39-D24	EA CABINET-SEATBASE, REAR
	6 081295-07-C07	EA SUPPORT-BASE, DINETTE - 1 5" X 18 1" - WOOD
	7 081296-11-D04	EA TABLE-DINETTE, W/O CUPHOLDERS
	064781-06-000	EA HOLDER-CUP, TWO STEP - OFF WHITE
	009040-03-000	EA BASE-TABLE, RAISED
	009040-02-000	EA LEG-TABLE, PEDESTAL - 27 5" X 2 25" DIA - CHROME
	8 M04175-38-D24	EA CABINET-SEATBASE, FRONT
	081518-12-D24	EA SEAT-DINETTE TOP, PLYWOOD
	9 103869-05-D24	EA PAD-DINETTE (D24)
	9 103869-05-D02	EA PAD-DINETTE (D25)
	9 103869-05-D03	EA PAD-DINETTE (D26)

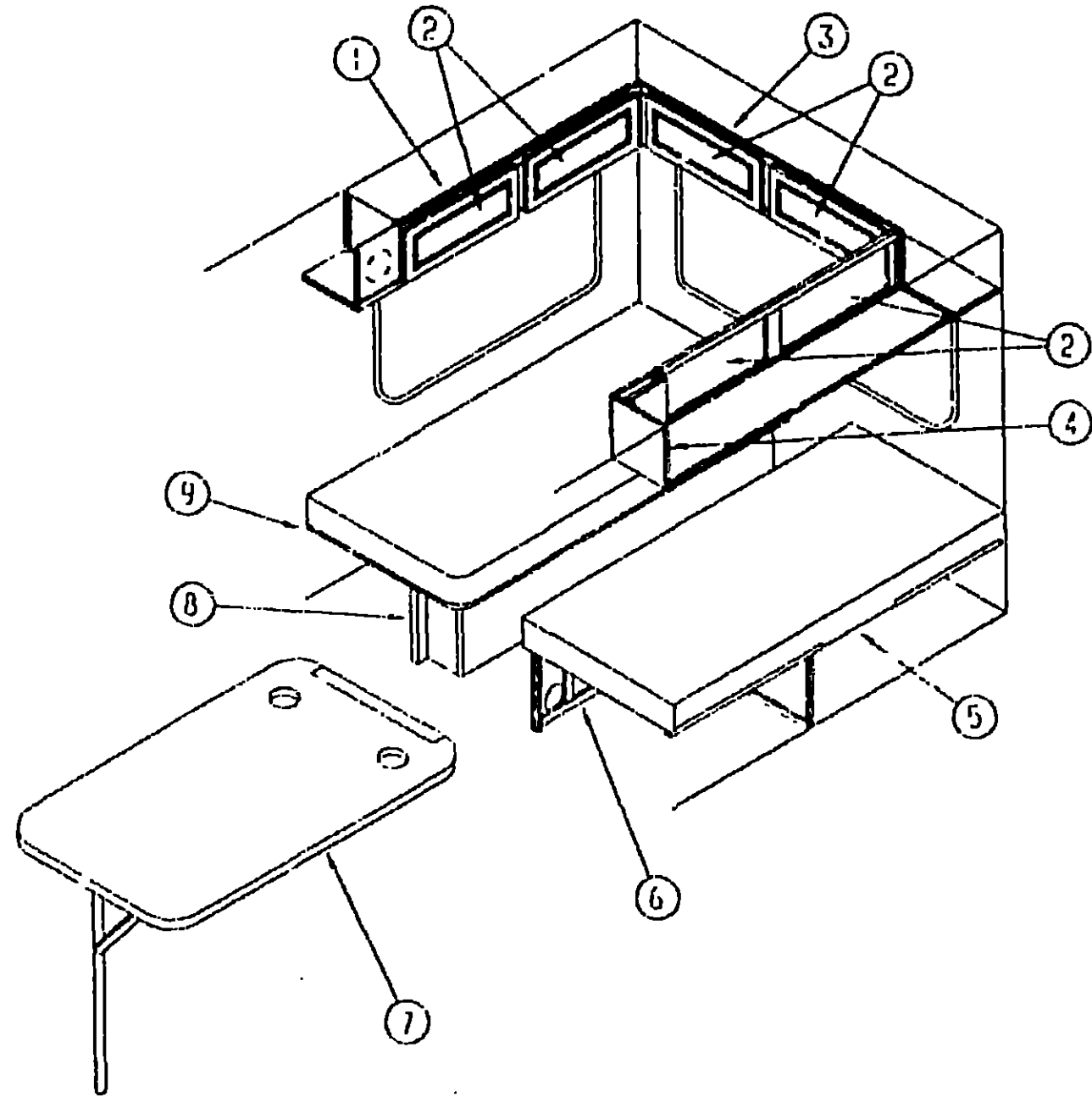
1993 ITASCA
TABLE OF CONTENTS

INTRODUCTION	A-01	A-02
ABBREVIATIONS		A-03
ALPHABETICAL INDEX	A-04	A-06
IT321RB	A-07	C-24
IT321RL	D-01	F-16
IT321RD	F-19	I-12

1993 IT321RD INDEX

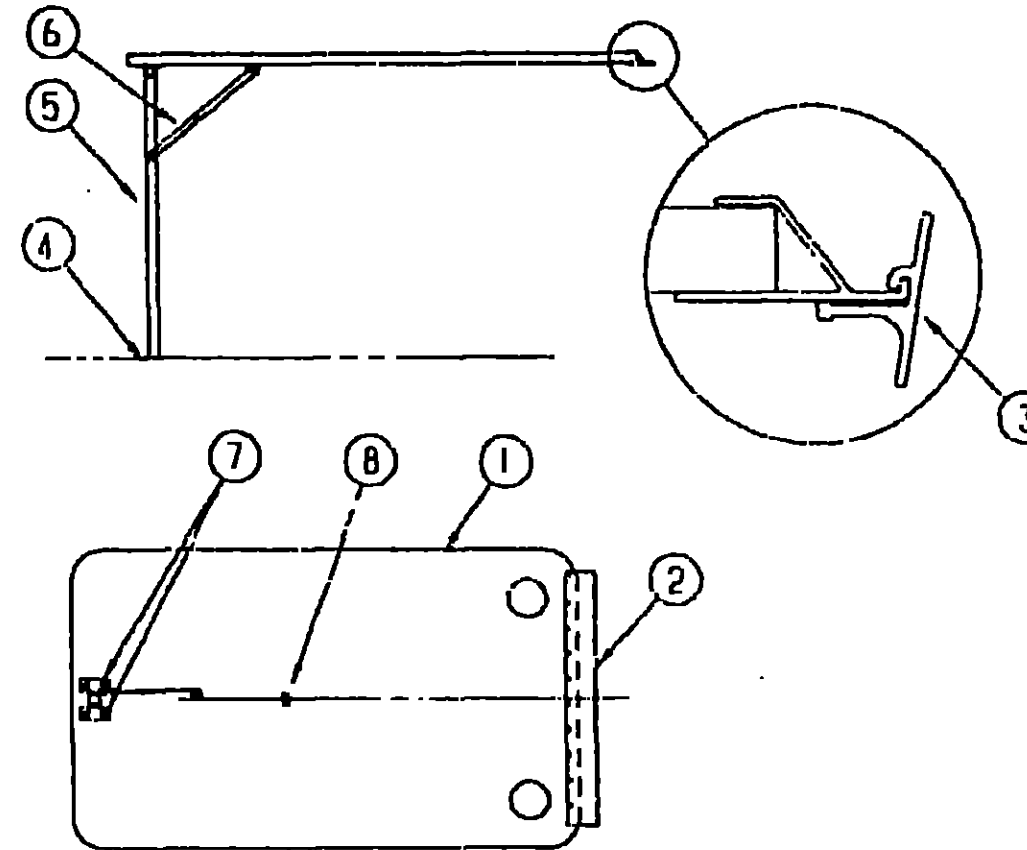
FLOOR PLAN	F-19	F-20
ACCESSORIES		F-21
AUDIO VIDEO		F-22
BATH	F-23	F-24
CHASSIS	G-01	G-02
CURTAIN & CUSHION	G-03	G-09
DINETTE	G-10	G-12
DRIVERS COMPARTMENT		G-13
ELECTRICAL	G-14	G-17
EXTERIOR BODY	G-18	G-22
GALLEY	G-23	H-02
GENERATOR		H-03
HEATING & A/C		H-04
INTERIOR FINISH	H-05	H-08
LABELS	H-09	H-14
LP		H-15
LOUNGE		H-16
SEALANTS & FASTENERS	H-17	H-18
WATER & SEWAGE	H-19	H-22
WINDOW, VENT AND EXTERIOR DOOR	H-23	I-12

DINETTE GROUP (CONTINUED)



TWIN BED OPTION CABINETS

DINETTE GROUP (CONTINUED)



TWIN BED OPTION TABLE

**1993 ITASCA
TABLE OF CONTENTS**

INTRODUCTION	A-01	A-02
ABBREVIATIONS		A-03
ALPHABETICAL INDEX	A-04	A-05
IT321RB	A-07	C-24
IT321RL	D-01	F-10
IT321RD	F-19	I-12

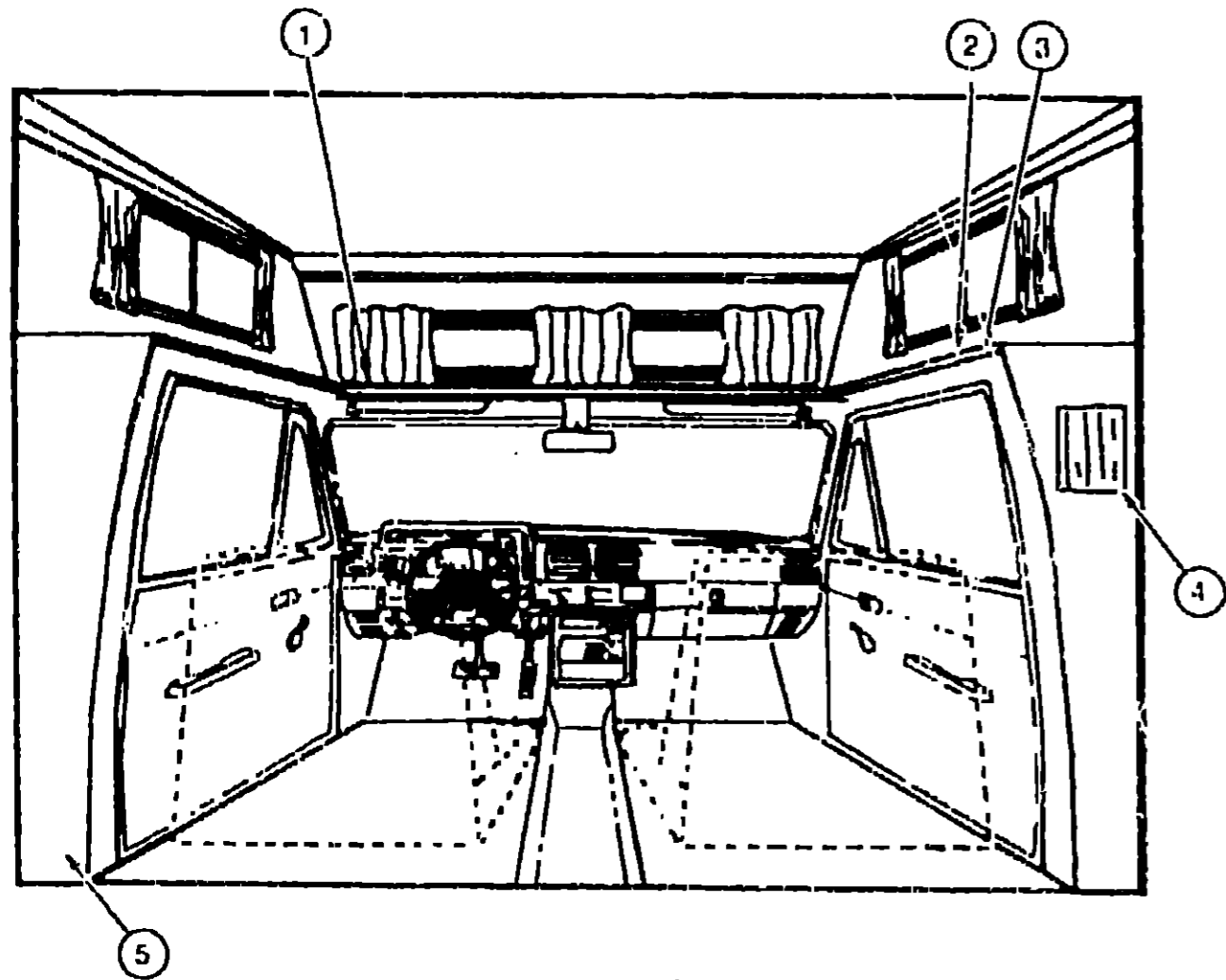
1993 IT321RD INDEX

FLOOR PLAN	F-19	F-20
ACCESSORIES		F-21
AUDIO VIDEO		F-22
BATH	F-23	F-24
CHASSIS	G-01	G-02
CURTAIN & CUSHION	G-03	G-09
DINETTE	G-10	G-12
DRIVERS COMPARTMENT		G-13
ELECTRICAL	G-14	G-17
EXTERIOR BODY	G-18	G-22
GALLEY	G-23	H-02
GENERATOR		H-03
HEATING & A/C		H-04
INTERIOR FINISH	H-05	H-08
LABELS	H-09	H-14
LP		H-15
LOUNGE		H-16
SEALANTS & FASTENERS	H-17	H-19
WATER & SEWAGE	H-19	H-22
WINDOW, VENT AND EXTERIOR DOOR	H-23	I-12

KEY	PART NUMBER	U/M	DESCRIPTION
1	M05160-35-D24	EA	CABINET-OVERHEAD, W/O DOORS OR HARDWARE
1	M05160-35-D25	EA	CABINET-OVERHEAD, W/O DOORS OR HARDWARE
1	M05160-35-D26	EA	CABINET-OVERHEAD, W/O DOORS OR HARDWARE
2	F03702-73-D24	EA	DOOR-CABINET, W/O HARDWARE - 10" X 25 2"
3	M05160-37-D24	EA	CABINET-OVERHEAD, W/O DOORS OR HARDWARE
4	M05160-36-D24	EA	CABINET-OVERHEAD, W/O DOORS OR HARDWARE
4	M05160-36-D25	EA	CABINET-OVERHEAD, W/O DOORS OR HARDWARE
4	M05160-36-D26	EA	CABINET-OVERHEAD, W/O DOORS OR HARDWARE
5	M05923-02-000	EA	TOP-TWIN BED, DRIVER SIDE
	057205-03-000	EA	ANGLE-SUPPORT, BED - 1" X 1 5" X 74" - METAL - OFF WHITE
6	P10037-01-D24	EA	CABINET-TWIN BED, DRIVER SIDE
	P03702-45-D24	EA	DOOR-CABINET, W/O HARDWARE - 12" X 26"
7	081322-11-D24	EA	TABLE-DINETTE, W/O CUPHOLDERS
8	P10036-01-D24	EA	CABINET-TWIN BED, PASSENGER SIDE
9	M05923-01-000	EA	TOP-TWIN BED, PASSENGER SIDE

KEY	PART NUMBER	U/M	DESCRIPTION
1	091322-11-D24	EA	TABLE-DINETTE, W/O CUPHOLDERS
	064781-05-000	EA	HOLDER-CUP, TWO STEP - OFF WHITE
2	074581-05-000	EA	HANGER-TABLE, 600 MM - OFF WHITE
3	074579-07-000	EA	SUPPORT-TABLE, WALL MOUNTED - 24 75" LONG - OFF WHITE
4	049493-13-000	EA	CATCH-TABLE LEG, OFF WHITE
5	024276-23-000	EA	LEG-TABLE, OFF WHITE
6	024282-01-000	EA	BRACE-TABLE LEG, HINGED
7	064050-05-000	EA	HINGE-TABLE LEG, OFF WHITE
8	024283-01-000	EA	CLIP-LEG, 1" - 1 125" OD - BLACK

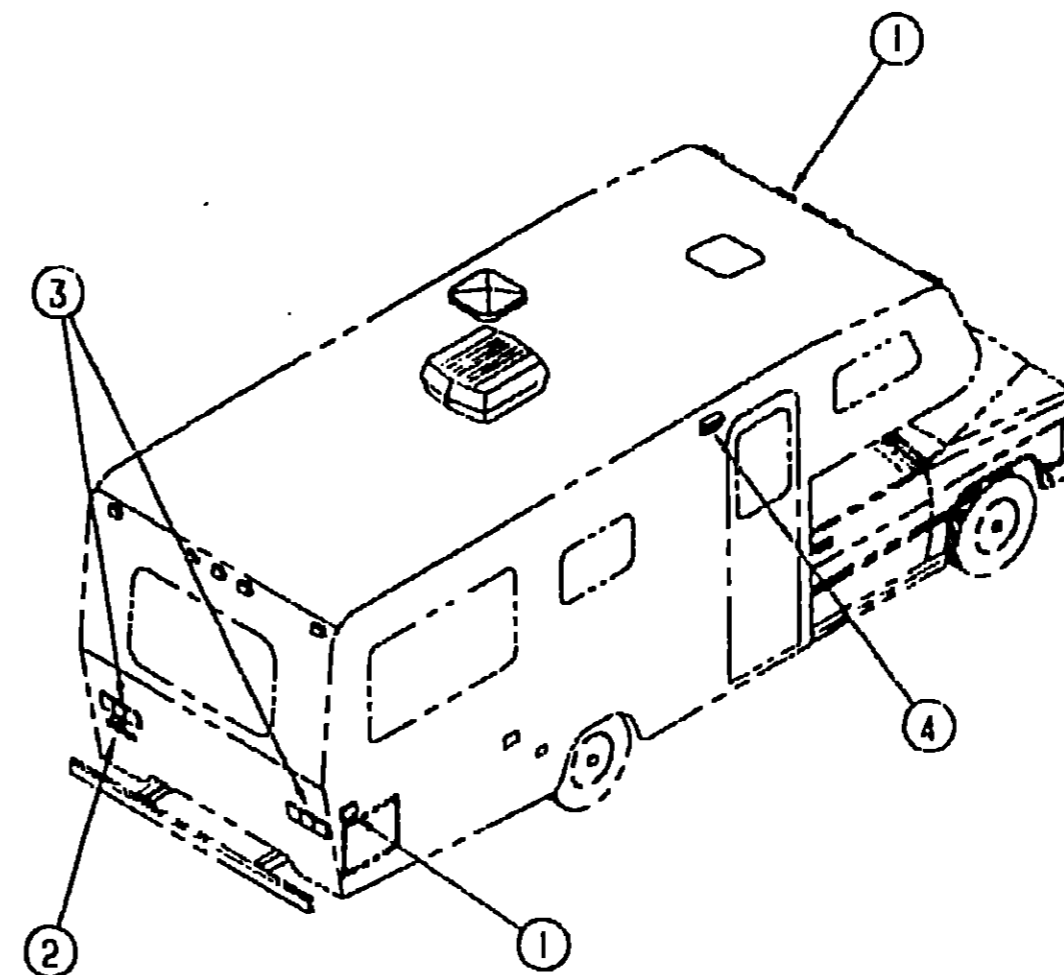
DRIVERS COMPARTMENT GROUP



DRIVERS COMPARTMENT

KEY	PART NUMBER	U/M DESCRIPTION
1	F00072-01-B05	EA PANEL-SLEEPERBOARD, W/O INTERIOR TRIM
	100085-01-01A	EA TRIM-STRAP, SLEEPERBOARD - FLAT W/SCREW HOLES
	100086-01-01A	EA TRIM-SLEEPERBOARD TO FLOOR - OFF WHITE
2	D75800-06-000	EA TRIM-SLEEPERBOARD INNER - OFF WHITE
3	080742-03-000	EA TRIM-VINYL-SLEEPER BOARD - OFF WHITE
4	086120-01-B27	EA PAD ASM-MAP POCKET, 12" X 16" (D24)
4	086120-01-D02	EA PAD ASM-MAP POCKET, 12" X 15" (D25)
4	086120-01-B05	EA PAD ASM-MAP POCKET, 12" X 16" (D26)
	M06120-01-B27	EA COVER-MAP POCKET (D24)
	M06120-01-C05	EA COVER-MAP POCKET (D25)
	M06120-01-B06	EA COVER-MAP POCKET (D26)
5	M95402-02-000	EA WINGWALL-INNER, DRIVER - W/O CARPET
	100138-01-000	EA MODULE-DAYTIME RUNNING LIGHT - CANADIAN
	100159-05-000	EA WIRE ASM-DAYTIME RUNNING LIGHTS, W/FUSE - CANADIAN
	100715-03-000	EA SPEEDOMETER-KILOMETER, TOYOTA B3110-35220

ELECTRICAL GROUP



EXTERIOR LIGHTS

KEY	PART NUMBER	U/M DESCRIPTION
1	091983-01-000	EA GASKET-CLEARANCE/SIDEMARKER LIGHT
1	042405-01-000	EA LENS-CLEARANCE/SIDEMARKER LIGHT W/REFLEX - RED
1	042405-02-000	EA LENS-CLEARANCE/SIDEMARKER LIGHT W/REFLEX - AMBER
1	042405-03-000	EA BASE-CLEARANCE/SIDEMARKER LIGHT W/BULB - PLASTIC - WHITE
1	008213-01-000	EA BULB-12V, 0.24 AMP - #57
2	066432-01-000	EA LIGHT-LICENSE PLATE W/BRACKET - OFF WHITE
3	031628-02-000	EA TAILLIGHT-TRIPLE, W/OFF WHITE TRIM - DRIVER & PASSENGER SIDE
3	031638-01-700	EA LENS-TAILLIGHT - RED - BARGMAN 30-84-010
3	081638-01-701	EA LENS-TAILLIGHT, W/BACKUP - BARGMAN 30-84-700
3	081638-02-700	EA LENS-TAILLIGHT, AMBER - BARGMAN 30-84-016
3	037931-01-000	EA BULB-12V, - 2.1 AMP - #1155 - CLEAR GLASS (BACK UP & TURN SIGNAL)
3	C39735-01-000	EA BULB-12V, 2.1 AMP - #2057 OR 1157 CLEAR GLASS (BRAKE LIGHT)
3	081638-03-000	EA WEDGE-TAILLIGHT, OFF WHITE - DRIVER OR PASSENGER SIDE
4	097917-01-01A	EA LIGHT-PORCH, ENTRY DOOR - OFF WHITE
4	097917-01-700	EA LENS-LIGHT PORCH
4	008215-01-000	EA BULB-12V, 94 AMP - #1003

1993 ITASCA TABLE OF CONTENT'S

INTRODUCTION	A-01	A-02
ABBREVIATIONS		A-03
ALPHABETICAL INDEX	A-04	A-05
IT321RB	A-07	C-24
IT321RL	D-01	F-18
IT321RD	F-19	I-12

1993 IT321RD INDEX

FLOOR PLAN	F-19	F-20
ACCESSORIES		F-21
AUDIO VIDEO		F-22
BATH	F-23	F-24
CHASSIS	G-01	G-02
CURTAIN & CUSHION	G-03	G-09
DINETTE	G-10	G-12
DRIVERS COMPARTMENT		G-13
ELECTRICAL	G-14	G-17
EXTERIOR BODY	G-18	G-22
GALLEY	G-23	H-02
GENERATOR		H-03
HEATING & A/C		H-04
INTERIOR FINISH	H-05	H-08
LABELS	H-09	H-14
I/P		H-15
LOUNGE		H-16
SEALANTS & FASTENERS	H-17	H-18
WATER & SEWAGE	H-19	H-22
WINDOW, VENT AND EXTERIOR DOOR	H-23	I-12

ELECTRICAL GROUP (CONTINUED)

CANADIAN OPTION L265

KEY	PART NUMBER	U/M DESCRIPTION
	005289-02-000	EA BOX-ELECTRICAL, 4" X 4" - 1/2" & 3/4" KNOCKOUTS
	008294-02-000	EA COVER-ELECTRICAL BOX, BLANK STEEL - 4" X 4"
	083209-02-000	EA CIRCUIT BREAKER-15/15AMP, 120V - B-W H-15/15
	083209-06-000	EA CIRCUIT BREAKER-30/15 AMP, 120V - B-W D-30/15
INTERIOR LIGHTS, SWITCHES & RECEPTACLES		
KEY	PART NUMBER	U/M DESCRIPTION
	104173-01-01A	EA LIGHT-DESIGNER BRASS - #01-905 - U.S.
	008215-01-000	EA BULB-12V, 94 AMP - #1003
	104172-01-01A	EA LIGHT-BULLET, BEIGE - #787 SERIES - CANADIAN
	008215-01-000	EA BULB-12V, 94 AMP - #1003
	058024-01-01A	EA LIGHT-DOME, 1 BULB - US - IVORY
	058024-03-01A	EA LIGHT-DOME, 2 BULB - IVORY
	058024-01-700	EA LENS-DOME LIGHT
	068218-01-000	EA BULB-DOME LIGHT, 12V - #1141
	075723-01-000	EA SPACER-SWITCH W/O HOLE - 2" X 9" X 2" - METAL - OFF WHITE
	055189-01-01A	EA SPACER-SWITCH 2 3" X 3 4" - PLASTIC - DARK BROWN
	079364-01-000	EA SWITCH-ON/OFF ROCKER, 2 PRONGS - BROWN
	056241-03-000	EA SWITCH-BLANK
	088351-01-01A	EA PLATE-SWITCH, 1 GANG - POLISHED BRASS
	108355-02-01A	EA COVER-SWITCH W/DIMPLES - EXTERIOR SHOWER - CARLING VVAZCOO BLA
	108357-08-000	EA SWITCH-ROCKER, DPTD ON/NONE/ON - EXTERIOR SHOWER CARLING VDD1S00C-0
	075736-02-000	EA COVER-EXTERIOR RECEPTACLE OFF WHITE
	058708-01-000	EA RECEPTACLE-ELECTRIC DOUBLE - BROWN
	058708-02-000	EA RECEPTACLE-ELECTRIC DOUBLE - IVORY
	058707-01-000	EA RECEPTACLE-ELECTRIC SINGLE - BROWN
	097734-01-01A	EA EXTENSION-RECEPTACLE 3 2" X 5" X 7" - PLASTIC - IVORY
	084076-01-000	EA RECEPTACLE-GFI, 15A - 125V - IVORY
	084076-02-000	EA RECEPTACLE-GFI, 15A - 125V - BROWN
	084077-01-000	EA PLATE-COVER RECEPTACLE - GFI - IVORY
	084077-02-000	EA PLATE-COVER RECEPTACLE - GFI - BROWN

ELECTRICAL GROUP (CONTINUED)

CIRCUIT BREAKERS & FUSES

KEY	PART NUMBER	U/M DESCRIPTION
	093655-03-000	EA CIRCUIT BREAKER-40 AMP, USD 17440-4E03A2A
	083209-03-000	EA CIRCUIT BREAKER-15/20AMP, 120V - BW D-15/20
	083209-05-000	EA CIRCUIT BREAKER-20A, 120V - BW J-20
	083209-07-000	EA CIRCUIT BREAKER-20/20A, 120V - BW K-20/20
	008235-01-000	EA FUSE-AUTOMOTIVE 12V - 15AMP
	052901-02-000	EA FUSE-5 AMPS, AUTOMOTIVE
	062901-05-000	EA FUSE-15 AMPS AUTOMOTIVE
	100341-01-000	EA FUSE HOLDER-IN LINE TYPE
	107333-01-01A	EA MOUNT-CIRCUIT BREAKER, 3 9" X 2" - BLACK PLASTIC

ELECTRICAL CONNECTORS

KEY	PART NUMBER	U/M DESCRIPTION
	007940-01-000	EA RECEPTACLE-SLIDE, 16 TO 12 AWG - FEMALE END
	008311-01-000	EA CONNECTOR-WIRE NUT INSULATED - RED
	008314-01-000	EA CONNECTOR-WIRE NUT, INSULATED - GRAY
	008325-01-000	EA TERMINAL-RING, 16/14 WIRE - 3/8" STUD
	008328-01-000	EA TERMINAL-RING, 12/10 WIRE - #10 STUD FIT
	008331-01-000	EA TERMINAL-RING TONGUE - #4 WIRE - 3/8" STUD - COPPER
	008348-01-000	EA TERMINAL-RING, 3/8" STUD - #2 WIRE CONNECTS CABLE TO DISCONNECT RELAY AND BATTERY
	008355-01-000	EA CONNECTOR-CABLE CLAMPING, 3/4"
	008358-01-000	EA CONNECTOR-PLASTIC, 3/8" AVG
	008358-01-000	EA CONNECTOR-1/2" X 90 DEGREE, FLEX CONDUIT - UL AND CSA
	035416-04-000	EA TERMINAL-RING #10 STUD FIT, INSULATED BARREL #15/14
	047443-01-000	EA TERMINAL-250 RECEPT FIT INSULATED - 16/14 AWG
	050028-01-000	EA CONNECTOR-ELECTRICAL PIGTAIL, NYLON - CLEAR
	053910-01-000	EA HOUSING-RELAY, BOSCH 3 334 485 008
	080015-02-000	EA RECEPTACLE-FLAG, 185 - 16/14 GA - AMP 3
	088473-07-000	EA HOUSING-PIN, 5 CAVITY - AMP 1-480763-0
	088473-08-000	EA HOUSING-PIN, 4 POSITION
	088473-10-000	EA PIN-HOUSING, 2 POSITION
	088474-07-000	EA HOUSING-SOCKET 5 CAVITY - AMP 1-480764-0
	088474-08-000	EA SOCKET-HOUSING 4 POSITION (SINGLE ROW)
	088474-09-000	EA HOUSING-SOCKET 3 POSITION
	088474-10-000	EA HOUSING-SOCKET, 2 POSITION
	088475-01-000	EA PIN-CONNECTOR, 14 TO 20 AWG
	088475-02-000	EA PIN-CONNECTOR 10 TO 12 AWG
	088476-01-000	EA SOCKET-CONNECTOR, BRASS - PRE-TIN
	088476-02-000	EA SOCKET-CONNECTOR 12-10 GA - PHOS BRONZE - PRE-TIN

**1993 ITASCA
TABLE OF CONTENTS**

INTRODUCTION	A-01	A-02
ABBREVIATIONS		A-03
ALPHABETICAL INDEX	A-04	A-05
IT321PB	A-07	C-24
IT321RL	D-01	F-18
IT321RD	F-19	I-12

1993 IT321RD INDEX

FLOOR PLAN	F-19	F-20
ACCESSORIES		F-21
AUDIO/VIDEO		F-22
BATH	F-23	F-24
CHASSIS	G-01	G-02
CURTAIN & CUSHION	G-03	G-09
DINETTE	G-10	G-12
DRIVERS COMPARTMENT		G-13
ELECTRICAL	G-14	G-17
EXTERIOR BODY	G-18	G-22
GALLEY	G-23	H-02
GENERATOR		H-03
HEATING & A/C		H-04
INTERIOR FINISH	H-05	H-08
LABELS	H-09	H-14
LP		H-15
LOUNGE		H-16
SEALANTS & FASTENERS	H-17	H-18
WATER & SEWAGE	H-19	H-22
WINDOW VENT AND EXTERIOR DOOR	H-23	I-12

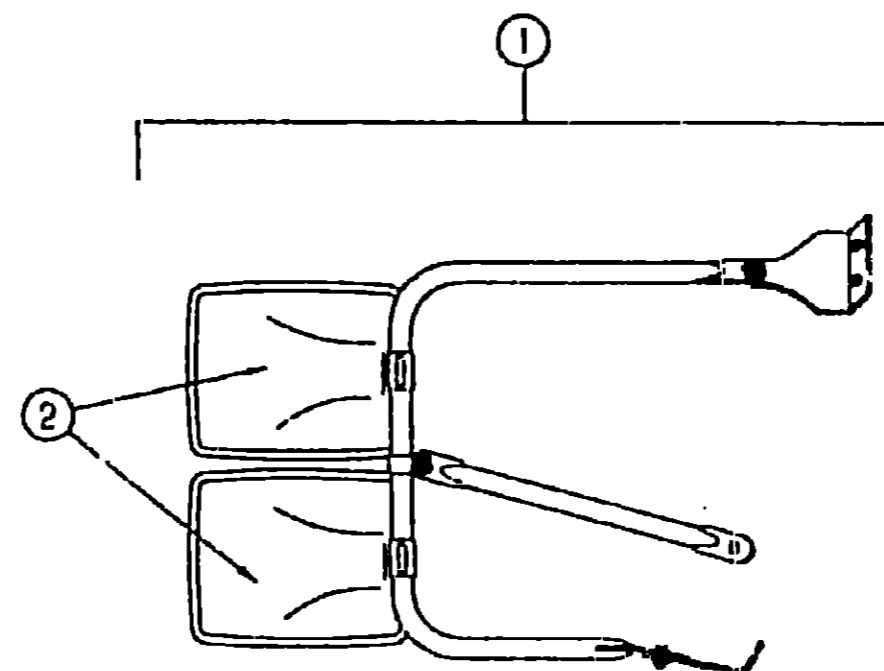
ELECTRICAL GROUP (CONTINUED)
BOXES, CONDUIT & COVERS

KEY	PART NUMBER	U/M	DESCRIPTION
	008288-01-000	EA	BOX-PLASTIC ELECTRIC, 3" X 3 1/2"
	008289-01-000	EA	BOX-ELECTRIC, STEEL - 1/2" AND 3/4" KNOCKOUTS - 4" X 4"
	056049-01-000	EA	BOX-ELECTRIC SWITCH, 2" X 3" X 2 25"
	091910-01-000	EA	BOX-ELECTRIC, 3 75" X 3 5" X 1 75" - PLASTIC
	093603-01-000	EA	BOX-ELECTRIC, 4" X 2 1/8" X 2 1/8" - STEEL
	093257-02-000	EA	BOX-ELECTRIC, CIRCUIT BREAKER - B&W RV80 3
	107165-01-01A	EA	BOX-CIRCUIT BREAKER MOUNT 14 6" X 4" - BLACK PLASTIC
	041953-01-000	FT	CONDUIT-CONVOLUTE SLIT, 5" ID
	041953-05-000	FT	CONDUIT-CONVOLUTE SOLID, 62" ID
	041953-07-000	FT	CONDUIT-CONVOLUTE SLIT, 25" ID
	041953-09-000	FT	CONDUIT-CONVOLUTE SLIT, 50" ID
	008294-01-000	EA	COVER-ELECTRICAL BOX, BLANK/STEEL - 4" X 4" - 3RAY
	054250-04-000	EA	COVER-ANGLED, W/D HOLE - 3 6" X 4 5" - PLASTIC - OFF WHITE ELECTRICAL PLATE SUPPORT
	073626-04-000	EA	COVER-ELECTRIC, 10 4" X 7 8" - BEIGE PLASTIC

SOLENOID, POWER CONVERTER & POWER CORDS

KEY	PART NUMBER	U/M	DESCRIPTION
	008168-01-000	EA	SOLENOID-3 POST BATTERY CHANGE OVER
	109171-01-000	EA	CONVERTER-40 AMP, ELECTRONIC - MAGNETEK 7240X
	009052-01-000	EA	CORD-POWER 10-3 - 30 AMP - 25' CANADIAN
	008054-01-000	EA	CORD-POWER 10-3 - 30 AMP - 25'

EXTERIOR BODY GROUP



1993 ITASCA
TABLE OF CONTENTS

INTRODUCTION	A-01	A-02
ABBREVIATIONS		A-03
ALPHABETICAL INDEX	A-04	A-06
IT321RB	A-07	C-24
IT321RL	D-01	F-18
IT321RD	F-19	I-12

EXTERIOR MIRRORS

KEY	PART NUMBER	U/M	DESCRIPTION
1	084445-03-000	EA	MIRROR-EXTERIOR PASSENGER SIDE - VELVAC 712724 1
1	084445-04-000	EA	MIRROR-EXTERIOR, DRIVER SIDE - VELVAC 712725-7
2	084445-03-700	EA	HEAD-MIRROR FLAT GLASS - DRIVER OR PASS SIDE - VELVAC 704175-5
2	084445-03-701	EA	HEAD-MIRROR, CONVEX GLASS - DRIVER OR PASS SIDE - VELVAC 704187-5

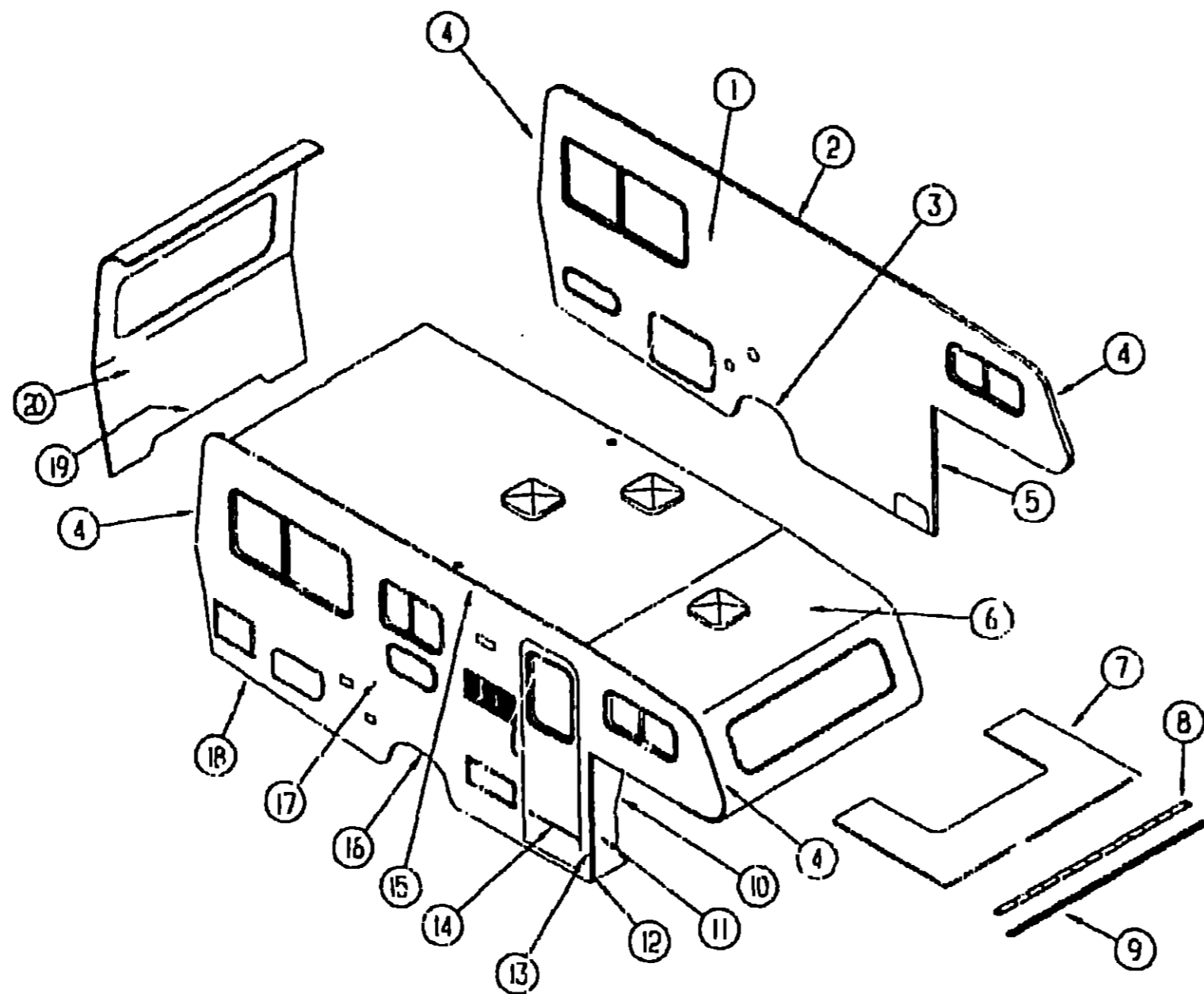
ALUMINUM, FIBERGLASS & STYROFOAM

KEY	PART NUMBER	U/M	DESCRIPTION
	044487-01-001	EA	SHEET-ALUMINUM (ROOF) - 019" X 95" X 360" - MILL FINISH
	001054-01-011	EA	SHEET-ALUMINUM FLAT - 024" X 48" X 96" - OFF WHITE
	077517-24-000	EA	SHEET-FIBERGLASS FLAT - 48" X 96" - OFF WHITE
	076054-D3-005	EA	SHEET-FIBERGLASS FLAT - 48" X 224" - OFF WHITE
	076054-G7-001	EA	SHEET-FIBERGLASS FLAT - 41" X 27" - OFF WHITE
	076054-A2-000	EA	SHEET-FIBERGLASS FLAT - 25" X 48" - OFF WHITE
	000670-02-000	SF	STYROFOAM-1 1/2" X 48" X 96" - INCREMENTS OF 32 SF
	000870-05-000	SF	STYROFOAM- 5" X 24" X 96" - INCREMENTS OF 16 SF
	083574-03-000	SF	STYROFOAM-3/4" X 48" X 96" - INCREMENTS OF 32 SF

1993 IT321RD INDEX

FLOOR PLAN	F-19	F-20
ACCESSORIES		F-21
AUDIO VIDEO		F-22
BATH	F-23	F-24
CHASSIS	G-01	G-02
CURTAIN & CUSHION	G-03	G-09
DINETTE	G-10	G-12
DRIVERS COMPARTMENT		G-13
ELECTRICAL	G-14	G-17
EXTERIOR BODY	G-19	G-22
GALLEY	G-23	H-02
GENERATOR		H-03
HEATING & A/C		H-04
INTERIOR FINISH	H-05	H-08
LABELS	H-09	H-14
LP		H-15
LOUNGE		H-16
SEALANTS & FASTENERS	H-17	H-18
WATER & SEWAGE	H-19	H-22
WINDOW, VENT AND EXTERIOR DOOR	H-23	I-12

EXTERIOR BODY GROUP (CONTINUED)
EXTERIOR BODY PANELS & TRIM



**1993 ITASCA
TABLE OF CONTENTS**

INTRODUCTION	A-01	A-02
ABBREVIATIONS		A-03
ALPHABETICAL INDEX	A-04	A-06
IT321R B	A-07	C-24
IT321RL	D-01	F-18
IT321R	F-19	I-12

1993 IT321RD INDEX

FLOOR PLAN	F-19	F-20
ACCESSORIES		F-21
AUDIO VIDEO		F-22
BATH	F-23	F-24
CHASSIS	G-01	G-02
CURTAIN & CUSHION	G-03	G-09
DINETTE	G-10	G-12
DRIVERS COMPARTMENT		G-13
ELECTRICAL	G-14	G-17
EXTERIOR BODY	G-18	G-22
GALLEY	G-23	H-02
GENERATOR		H-03
HEATING & A/C		H-04
INTERIOR FINISH	H-05	H-08
LABELS	H-09	H-14
LP		H-15
LOUNGE		H-16
SEALANTS & FASTENERS	H-17	H-18
WATER & SEWAGE	H-19	H-22
WINDOW, VENT AND EXTERIOR DOOR	H-23	I-12

KEY	PART NUMBER	U/M DESCRIPTION
1	F05132-01-D24	EA SIDEWALL-DRIVER SIDE, W/O DOORS OR WINDOWS
	002726-01-001	EA GARNISH-U-CHANNEL, 1 3/8" X 1 9/16" - SERRATED - MILL ALUMINUM
2	095864-01-01A	EA TRIM-CONTOUR, ROOF TO SIDEWALL - DR OR PASS - 120"
3	100000-09-01A	EA TRIM-WHEELWELL, REAR - DRIVER SIDE - OFF WHITE
4	096854-01-01A	EA TRIM-CONTOUR, W/O VINYL INSERT - 108" - OFF WHITE
	105312-01-01A	FT INSERT-TRIM, VINYL - OFF WHITE
5	096970-06-01A	EA TRIM-WINGWALL, DRIVER SIDE VERTICAL - 46 5/8" - OFF WHITE
		FROM 00-00-00 THRU 09-27-92
5	104479-08-01A	EA TRIM-WINGWALL, DRIVER SIDE VERTICAL - OFF WHITE
		FROM 09-28-92 THRU 99-99-99
6	P03807-01-D01	EA ROOF ASSEMBLY-W/O VENTS OR LIGHTS
	M76177-01-700	EA SECTION-ROOF, OVER CAB TO FIRST ROOF SEAM
7	P00072-01-B05	EA PANEL-SLEEPERBOARD, W/O INTERIOR TRIM
8	100085-01-01A	EA TRIM-STRAP, SLEEPERBOARD - FLAT W/SCREW HOLES
9	100085-01-01A	EA TRIM-SLEEPERBOARD TO ROOF - OFF WHITE
10	089334-01-000	FT VINYL-EXTERIOR, BETWEEN WINGWALL & CAB SEAL - WHITE
11	100682-03-D01	EA WINGWALL-PASSENGER
	100682-02-B05	EA WINGWALL-DRIVER
12	084704-02-000	EA TRIM-WINGWALL, OFF WHITE - DRIVER OR PASS SIDE
13	096970-05-01A	EA TRIM-WINGWALL, PASSENGER SIDE VERTICAL - 46 5/8" - OFF WHITE
		FROM 00-00-00 THRU 09-27-92
13	104479-07-01A	EA TRIM-WINGWALL, PASSENGER SIDE VERTICAL - OFF WHITE
		FROM 09-28-92 THRU 99-99-99

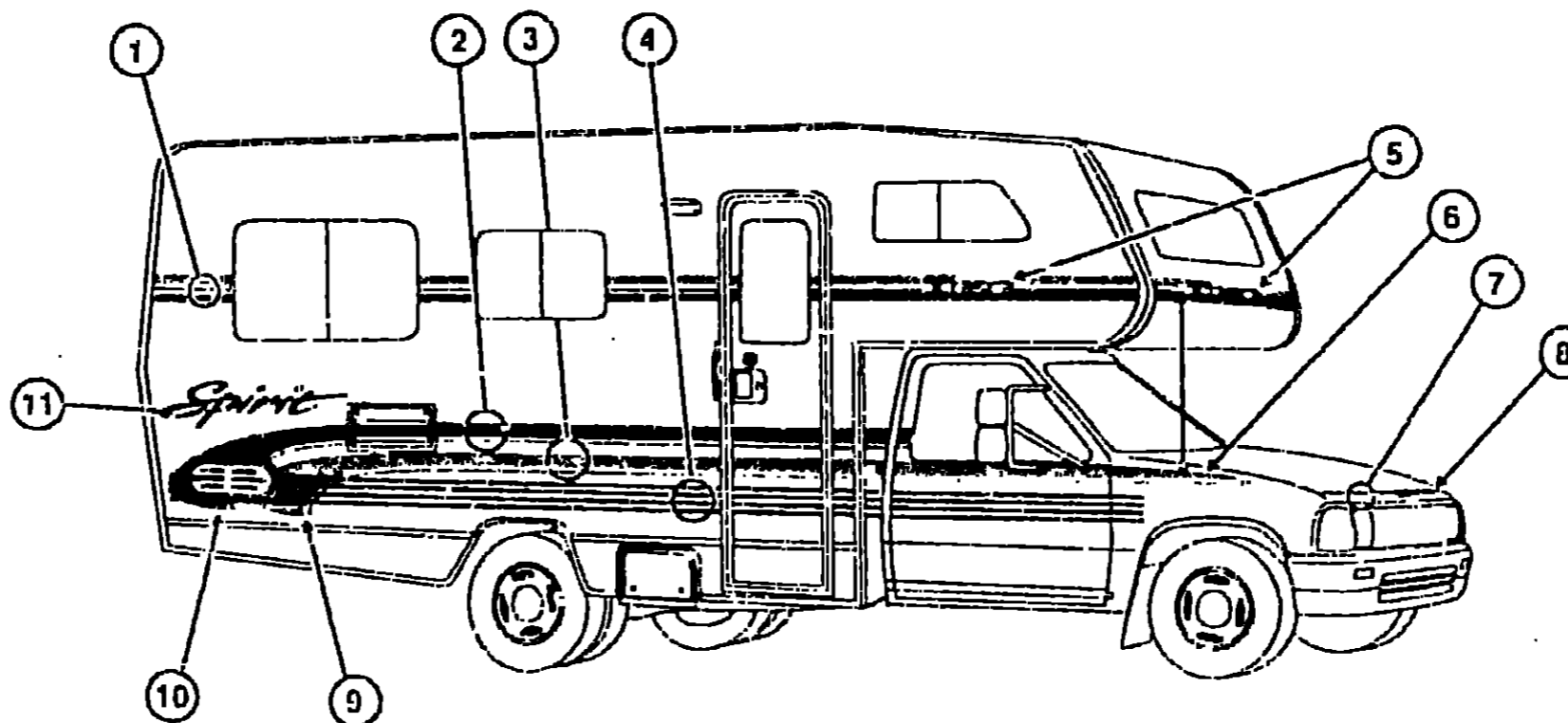
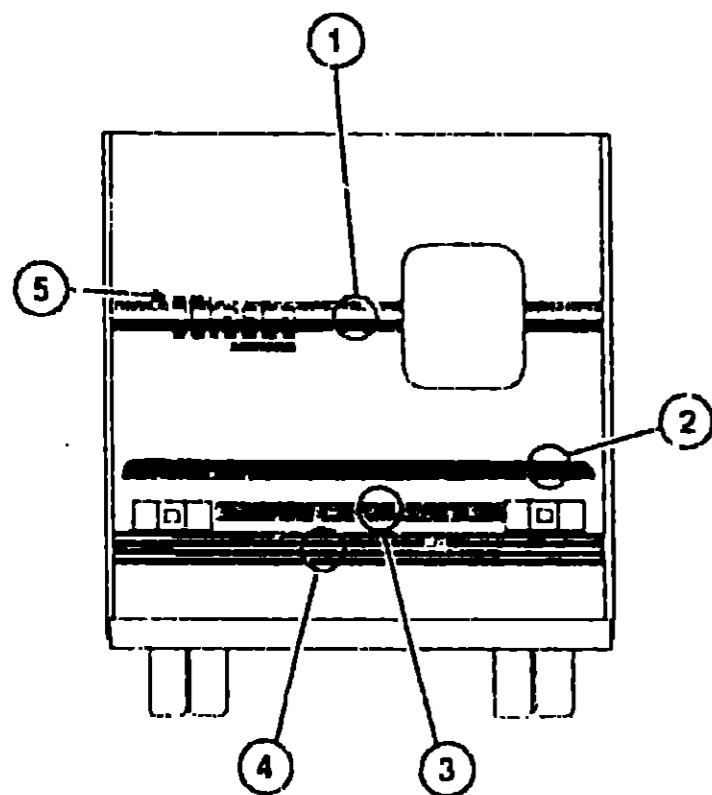
KEY	PART NUMBER	U/M DESCRIPTION
14	002444-04-002	EA STRIP-FEATURE, W/O INSERT - 15' LONG - OFF WHITE
		FROM 00-00-00 THRU 03-15-93
	009731-01-000	EA END CAP-FEATURE STRIP
		FROM 00-00-00 THRU 03-15-93
	001030-02-003	EA INSERT-FEATURE STRIP, 17' LONG - OFF WHITE
	108651-01-000	EA CAP-FEATURE STRIP MILL
	108680-01-01A	EA STRIP-FEATURE, W/O INSERT - 15' LONG - OFF WHITE
		FROM 03-17-93 THRU 99-99-99
	069726-02-000	EA BUMPER- 88" DIAMETER X 40" - BLACK
	055278-51-259	EA TUBING-STEEL, 75" X 1 5/8" X 12 5/8"
15	100483-01-01A	EA TRIM-CONTOUR, ROOF (AWNING) - OFF WHITE
	099583-55-001	EA RAIL-AWNING, 10' LONG - OFF WHITE
16	100800-08-01A	EA TRIM-WHEELWELL, REAR - PASS SIDE - OFF WHITE
17	P08531-01-D24	EA SIDEWALL-PASSENGER SIDE, W/O DOORS OR WINDOWS
18	002776-03-012	EA EXTRUSION-U CHANNEL, 1 5/8" X 1 9/16" - OFF WHITE
	102766-51-001	EA EXTRUSION-U CHANNEL, 1 5/8" X 12' LONG - MILL ALUMINUM
	096787-51-001	EA EXTRUSION-U CHANNEL, 10 DEGREE ANGLE - 1 26" X 15' LONG - MILL ALUMINUM
	002754-01-001	EA ANGLE-EXTRUDED, 75" X 75" X 18" - MILL ALUMINUM
19	085004-01-000	EA TRIM-BACKWALL, LOWER - OFF WHITE - DRIVER OR PASSENGER SIDE
	002365-01-001	EA U-CHANNEL, 1" X 1 1/2" - SERRATED - MILL ALUMINUM
20	P08806-01-D24	EA BACKWALL-W/O WINDOW LIGHTS, OR DECALS

EXTERIOR BODY GROUP (CONTINUED)

DECALS STRIPES & PAINT

1993 ITASCA
TABLE OF CONTENTS

INTRODUCTION	A-01	A-02
ABBREVIATIONS		A-03
ALPHABETICAL INDEX	A-04	A-05
IT321RB	A-07	C-24
IT321RL	D-01	F-18
IT321RD	F-19	I-12



KEY	PART NUMBER	U/M DESCRIPTION
1	094443-13-01A	FT FILM-MULTISTRIPE, 3 STRIPES - 120.7 MM
2	105781-08-01A	FT FILM-MULTISTRIPE, 2 STRIPES - 80.9 MM
3	105701-02-05A	FT FILM-MULTISTRIPE, 2 STRIPES - 63.5 MM
4	093889-13-01A	FT FILM-MULTISTRIPE, 4 STRIPES - 80.9 MM
5	078852-30-000	EA DECAL-LOGO, ITASCA - 5' TALL
6	107424-01-01A	EA DECAL-FENDER, PASSENGER SIDE
	107424-02-01A	EA DECAL-FENDER, DRIVER SIDE
7	105781-07-01A	FT FILM-MULTISTRIPE, 2 STRIPES - 50.8 MM
8	107427-02-01A	EA DECAL-SPIRIT, SMALL
9	107425-01-01A	EA DECAL-SWEEP, FRONT PASSENGER SIDE
	107425-02-01A	EA DECAL-SWEEP, FRONT DRIVER SIDE
10	107426-01-01A	EA DECAL-SWEEP, REAR PASSENGER SIDE
	107426-02-01A	EA DECAL-SWEEP, REAR DRIVER SIDE
11	107427-01-01A	EA DECAL-SPIRIT, LARGE
	084075-01-000	EA DECAL-"BY WINNEBAGO INDUSTRIES" BLACK

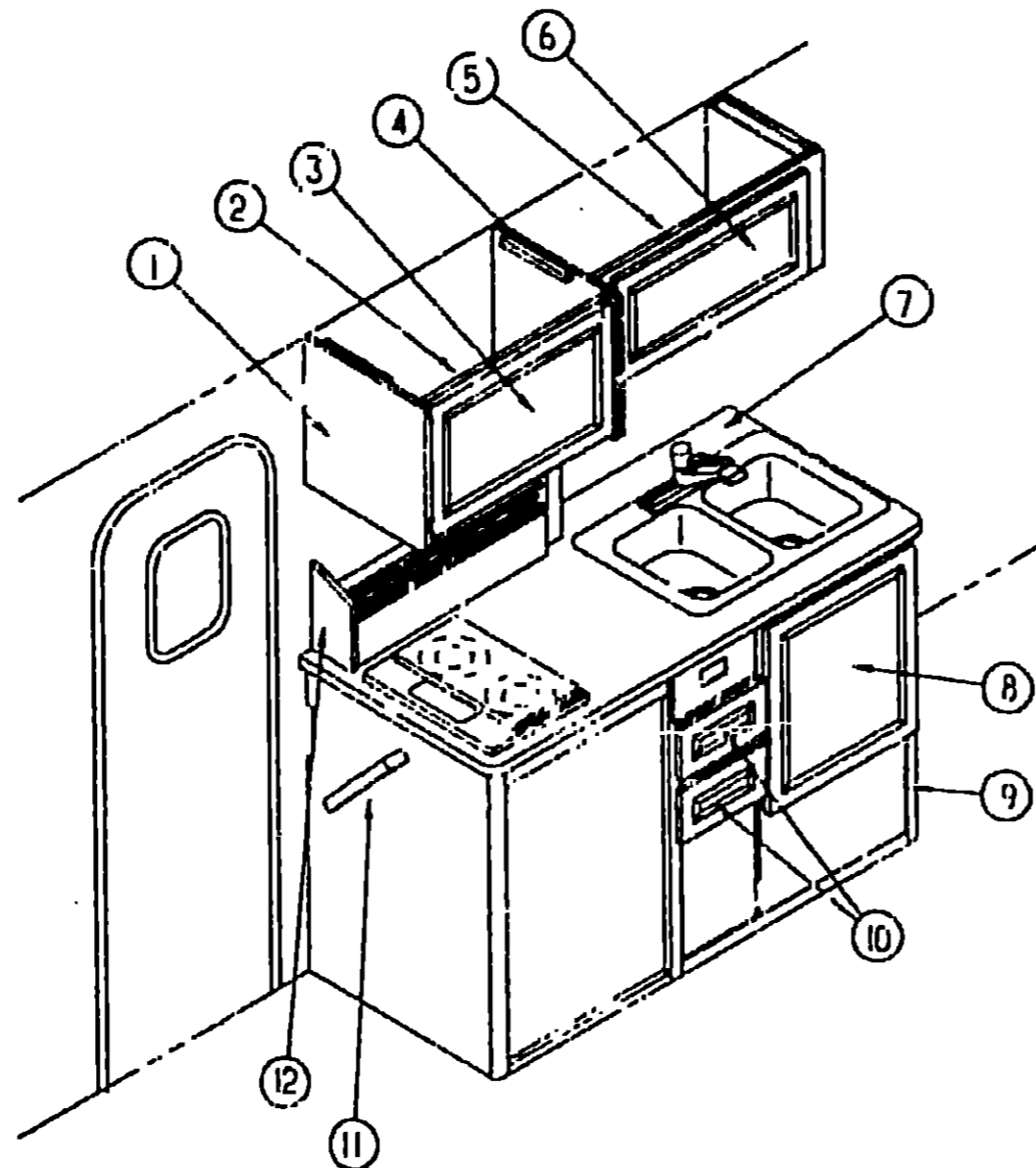
DUPONT COLOR CODES

OFF WHITE	L8723
SLATE GREY PEARL	G9955
LIGHT RUTILE	G9859K
ROSEMIST	G9950

1993 IT321RD INDEX

FLOOR PLAN	F-19	F-20
ACCESSORIES		F-21
AUDIO VIDEO		F-22
BATH	F-23	F-24
CHASSIS	G-01	G-02
CURTAIN & CUSHION	G-03	G-09
DINETTE	G-10	G-12
DRIVERS COMPARTMENT		G-13
ELECTRICAL	G-14	G-17
EXTERIOR BODY	G-18	G-22
GALLEY	G-23	H-02
GENERATOR		H-03
HEATING & A/C		H-04
INTERIOR FINISH	H-05	H-08
LABELS	H-09	H-14
LP		H-15
LCUNGE		H-15
SEALANTS & FASTENERS	H-17	H-18
WATER & SEWAGE	H-19	H-22
WINDOW VENT AND EXTERIOR DOOR	H-23	I-12

GALLEY GROUP
GALLEY CABINETS & COMPONENTS



1993 ITASCA
TABLE OF CONTENTS

INTRODUCTION	A-01	A-02
ABBREVIATIONS		A-03
ALPHABETICAL INDEX	A-04	A-05
IT321RB	A-07	C-24
IT321RL	D-01	F-18
IT321RD	F-19	I-12

1993 IT321RD INDEX

FLOOR PLAN	F-19	F-20
ACCESSORIES		F-21
AUDIO VIDEO		F-22
BATH	F-23	F-24
CHASSIS	G-01	G-02
CURTAIN & CUSHION	G-03	G-09
DINETTE	G-10	G-12
DRIVERS COMPARTMENT		G-13
ELECTRICAL	G-14	G-17
EXTERIOR BODY	G-18	G-22
GALLEY	G-23	H-02
GENERATOR		H-03
HEATING & A/C		H-04
INTERIOR FINISH	H-05	H-08
LABELS	H-09	H-14
LP		H-15
LOUNGE		H-16
SEALANTS & FASTENERS	H-17	H-18
WATER & SEWAGE	H-19	H-22
WINDOW, VENT AND EXTERIOR DOOR	H-23	I-12

KEY	PART NUMBER	U/M	DESCRIPTION
1	104335-25-D24	EA	CAP-END OVERHEAD CABINET - MICROWAVE OVEN OPTION ONLY
2	M05160-38-D24	EA	CABINET OVERHEAD, W/O DOORS OR HARDWARE
3	P03702-39-D24	EA	DOOR-CABINET, W/O HARDWARE - 12" X 21 3/4"
4	104335-24-D24	EA	CAP-END OVERHEAD CABINET
5	M05160-34-D24	EA	CABINET OVERHEAD, W/O DOORS OR HARDWARE
6	P03702-15-D24	EA	DOOR-CABINET W/O HARDWARE - 12" X 25"
7	P08744-11-D24	EA	COUNTERTOP-GALLEY CABINET
8	P03702-16-D24	EA	DOOR-CABINET, W/O HARDWARE - 19 3/4" X 21 8"
9	M05525-01-D24	EA	CABINET GALLEY, W/O DOORS OR HARDWARE
9	M05525-02-D24	EA	CABINET GALLEY W/O DOORS OR HARDWARE - TWIN BED OPTION

KEY	PART NUMBER	U/M	DESCRIPTION
	103243-01-000	EA	FAUCET-GALLEY, DUAL CONTROL - 8" CENTER SET
	066437-01-000	EA	STRAINER-SINK, GALLEY W/BASKET
	066437-01-700	EA	BASKET-STRAINER, GALLEY SINK
	066435-01-000	EA	NUT-STRAINER
	102551-03-000	EA	SINK GALLEY, DOUBLE W/MOUNTING HARDWARE - STAINLESS STEEL
	102551-04-000	EA	SINK-GALLEY, DOUBLE W/MOUNTING HARDWARE - STAINLESS STEEL - CANADIAN
	103610-02-D24	EA	COVER-SINK
	090329-01-000	FT	SEAL-T, REFRIGERATOR CABINET - 6" WIDE TOP X 2" TAIL
	008280-01-000	EA	GROMMET-RUBBER, 5/8" HOLE X 1 1/2" DIAMETER - BLACK
10	P07104-S5-D24	EA	DRAWER-CABINET, W/O HARDWARE - 6 1/4" X 11 5/8" FACE SIZE
11	091257-05-000	EA	HANDLE-ASSIST, WOOD
12	108904-01-D24	EA	RACK-SPICE W/RAILING
	075249-01-000	EA	RAILING-SPICE RACK, OAK - 72" EA - UNFINISHED

**GALLEY GROUP (CONTINUED)
REFRIGERATOR**

KEY	PART NUMBER	U/M DESCRIPTION
	101991-02-000	EA REFRIGERATOR-2 WAY, 4 CU FT - DOMETIC RM2410
	101991-01-713	EA DRIP CHUTE, DOMETIC 2007507003
	101991-01-715	EA SHELF LOCK, OUTER - DOMETIC 2007393016
	101991-01-716	EA SHELF LOCK, INNER - DOMETIC 2007392019
	101991-01-717	EA SPRING HOUSING, LH - DOMETIC 2002236004
	101991-01-718	EA SPRING HOUSING, RH - DOMETIC 2002236012
	101991-01-719	EA SPRING, LH - DOMETIC 2002237002
	101991-01-720	EA SPRING, RH - DOMETIC 2002237010
	101991-01-721	EA CARRIER, DOMETIC 2002238000
	101991-01-725	EA SHUTTER CPL, WHITE - DOMETIC 2002239065
	101991-01-726	EA HINGE, DOMETIC 2002244008
	101991-01-727	EA GASKET, DOMETIC 2000917019
	101991-01-728	EA PUSH BUTTON, GRAY/BROWN - DOMETIC 2007479054
	101991-01-730	EA KNOB-SELECTOR, 12/120V - GRAY/BROWN - DOMETIC 2007480177
	101991-01-740	EA THERMO ELECTRIC SAFETY VALVE, DOMETIC 2007422005
	101991-01-742	EA COUPLING, DOMETIC 2007518000
	101991-01-743	EA THERMOSTAT-DUAL, DOMETIC 2007199009
	101991-01-744	EA BYPASS SCREW, DOMETIC 0172819039
	101991-01-745	EA CUTOFF VALVE, DOMETIC 2007430008
	101991-01-746	EA SWITCH, DOMETIC 2007432004
	101991-01-747	EA SPRING, DOMETIC 2007577014
	101991-01-748	EA SPRING, DOMETIC 2007578004
	101991-01-749	EA LIGHTER, DOMETIC 2007423003
	101991-01-750	EA SPRING, DOMETIC 2007425008
	101991-01-752	EA ELECTRODE, DOMETIC 2930379009
	101991-01-753	EA SEALING RING, DOMETIC 0140748005
	101991-01-754	EA SNAP CATCH FOR 12/120V, DOMETIC 2930066028
	101991-01-756	EA BURNER RETAINER, DOMETIC 2007651009
	101991-01-757	EA BURNER JET NO 39 FOR PROPANE, DOMETIC 2007419159
	101991-01-759	EA HEATER, 120V/150W - DOMETIC 0173756016
	101991-02-700	EA DECORATION-#14, DOMETIC 2931583-03/9
	101991-02-701	EA HANDLE-#8, DOMETIC 2931600-01/5
	101991-02-702	EA DOOR-#1, DOMETIC 2931580-11/5
	101991-02-703	EA FRONT PANEL-#19, DOMETIC 2931293-02/7
	101991-02-706	EA COOLING UNIT, 335A - DOMETIC 293433599/9
	101991-02-707	EA HOLDER-BOTTLE, 7 1/2" - DOMETIC 2930715-05/3
	101991-02-708	EA HOLDER-BOTTLE, 8" - DOMETIC 2930715-06/1
	101991-02-709	EA SHELF-DOOR, DOMETIC 2002261-22/6
	101991-02-710	EA SHELF-DOOR, DOMETIC 2000571-22/0
	101991-02-711	EA KNOB, DOMETIC 2007480-21/9
	101991-02-714	EA HINGE-UPPER, DOMETIC 293129101/3
	101991-02-715	EA PLATE-MOUNTING, RIGHT - DOMETIC 293129701/0
	101991-02-716	EA PLATE-MOUNTING, LEFT - DOMETIC 293129702/8
	101991-02-717	EA PIN-HINGE, UPPER - DOMETIC 293128801/9
	101991-02-718	EA HINGE-LOWER, RIGHT - DOMETIC 293153901/5
	101991-02-719	EA HINGE-LOWER, LEFT - DOMETIC 293153801/7
	101991-02-720	EA PIN-HINGE, LOWER - DOMETIC 293128601/3
	101991-02-721	EA PLUG - DOMETIC 293151003/2
	101991-02-722	EA SEALING - DOMETIC 2931574012
	101991-02-723	EA BASE-FRONT, DOMETIC 2931528018
	101991-02-724	EA CATCH - DOMETIC 2931511014
	101991-02-725	EA SHELF W/NOTCH OUT - DOMETIC 2930133133
	101991-02-726	EA SHELF - DOMETIC 2002552333
	101991-02-727	EA THERMOCOUPLE, DOMETIC 2007417005
	101991-02-728	EA TERMINAL BLOCK, DOMETIC 7627202562
	101991-02-730	EA TERMINAL BLOCK, DOMETIC 2002633010
	101991-02-731	EA SHAFT-THERMOSTAT, DOMETIC 20074771002
	101991-02-732	EA SHAFT-SWITCH, DOMETIC 20074775003

REFRIGERATOR LEVEL & VENTILATOR

KEY	PART NUMBER	U/M DESCRIPTION
	054450-01-000	EA LEVEL-REFRIGERATOR
	110421-01-000	EA VENTILATOR-POWERED, REFRIGERATOR - DOMETIC 3104726-000

H-01

**GALLEY GROUP (CONTINUED)
RANGE**

KEY	PART NUMBER	U/M DESCRIPTION
	101593-01-000	EA RANGE-2 BURNER, W/O OVEN, WEDGEWOOD D25C
	101593-01-700	EA GRATE-DESIGNER STYLE, WEDGEWOOD 53304
	101593-01-701	EA SCREW-THUMB, WEDGEWOOD 52537
	101593-01-702	EA TOP BRUSHED CHROME, WEDGEWOOD 53305
	101593-01-703	EA KNOB-BURNER, WEDGEWOOD 53000
	101593-01-704	EA VALVE-BURNER, WEDGEWOOD 52506
	101593-01-705	EA MANIFOLD, WEDGEWOOD 52503
	101593-01-706	EA TOP-ALMOND, WEDGEWOOD 53307

MONITOR PANEL

KEY	PART NUMBER	U/M DESCRIPTION
	097616-01-000	EA WIRE ASM-MONITOR PANEL W/3 WIRES & ORANGE RESISTOR - LVS
	096449-01-000	EA WIRE ASSEMBLY-WATER TANK TO MONITOR PANEL
	102765-02-01A	EA PANEL-MONITOR, W/PLUG - FOR 2 TANKS - LVS
	102765-01-700	EA SWITCH-ON/OFF ALM, RD - LVS 110-01
	097617-01-702	EA SWITCH-1/WAY ALMOND - LVS 107
	097617-01-703	EA CIRCUIT BOARD - LVS 5076-01

RANGE HOODS

KEY	PART NUMBER	U/M DESCRIPTION
	100258-16-02A	EA HOOD-RANGE, W/O MONITOR PANEL - VENTLINE - JS
	100258-17-02A	EA HOOD-RANGE, W/O MONITOR PANEL - VENTLINE - CANADIAN
	090973-01-700	EA MOTOR - LVS CA508-1
	090973-01-702	EA BLADE-FAN, LVS VA183-1
	092696-01-709	EA BULB-912, VENTLINE VA415
	092696-01-710	EA SOCKET-LIGHT, VENTLINE CB267-2
	096983-01-700	EA SWITCH-ON/OFF, VENTLINE 108
	096983-01-702	EA SWITCH-TWO WAY MOMENTARY, VENTLINE 112
	096983-01-707	EA FILTER-GREASE, 8" X 8" - LVS CC246
	096983-01-709	EA LENS-LAMP, VENTLINE CC179
	100258-01-700	EA HOOD-NOSE LABEL, CC428
	100258-10-01A	EA METER HOUR, VENTLINE 150

**1993 ITASCA
TABLE OF CONTENTS**

INTRODUCTION	A-01	A-02
ABBREVIATIONS		A-03
ALPHABETICAL INDEX	A-04	A-06
IT321RB	A-07	C-24
IT321RL	D-01	F-18
IT321RD	F-19	I-12

1993 IT321RD INDEX

FLOOR PLAN	F-19	F-20
ACCESSORIES		F-21
AUDIO VIDEO		F-22
BATH	F-23	F-24
CHASSIS	G-01	G-02
CURTAIN & CUSHION	G-03	G-09
DINETTE	G-10	G-12
DRIVERS COMPARTMENT		G-13
ELECTRICAL	G-14	G-17
EXTERIOR BODY	G-18	G-22
GALLEY	G-23	H-02
GENERATOR		H-03
HEATING & A/C		H-04
INTERIOR FINISH	H-05	H-08
LABELS	H-09	H-14
LP		H-15
LOUNGE		H-16
SEALANTS & FASTENERS	H-17	H-18
WATER & SEWAGE	H-19	H-22
WINDOW, VENT AND		
EXTERIOR DOOR	H-23	I-12

H-02

GENERATOR GROUP
2,500 WATT KOHLER GENERATOR OPTION L32Y

KEY	PART NUMBER	U/M DESCRIPTION
	007057-01-000	SF INSULATION-FIBERGLASS, 1" THICK X 4' - INCREMENTS OF 4 SF
	080562-03-000	EA PIPE-EXHAUST, GENERATOR
	080749-02-000	EA MUFFLER-KOHLER, 2 5CM - 21 - KOHLER PA-228158
	080749-03-000	EA HARDWARE KIT-MUFFLER, 2 5 KOHLER - PA-228296
	083551-04-000	EA GENERATOR-2 5KW KOHLER, PA-177111 - W/CONTROL PANEL ASM

POWER PACK PACKAGE OPTION L30R

KEY	PART NUMBER	U/M DESCRIPTION
	007057-01-000	SF INSULATION-FIBERGLASS, 1" THICK X 4' - INCREMENTS OF 4 SF
	080562-03-000	EA PIPE-EXHAUST, GENERATOR
	080749-02-000	EA MUFFLER-KOHLER, 2 5CM - 21 - KOHLER PA-228158
	080749-03-000	EA HARDWARE KIT-MUFFLER, 2 5 KOHLER - PA-228296
	083551-04-000	EA GENERATOR-2 5KW KOHLER, PA-177111 - W/CONTROL PANEL ASM

HEATING & AIR CONDITIONING GROUP
ROOF A/C

KEY	PART NUMBER	U/M DESCRIPTION
	093308-01-01A	EA A/C ROOF 7100 BTU - ROTARY - IVORY - COLEMAN 6727D709
	093306-01-700	EA SHROUD-IVORY / BRONZE - W/O LOGO - COLEMAN 6727A5721
	093306-01-701	EA DECAL PKG. LEFT & RIGHT - COLEMAN 6798B3591
	093308-01-702	EA FAN CAPACITOR, FAN 5 MFD - COLEMAN 14994421
	093306-01-703	EA FAN-4 BLADE, 9" DIAMETER - COLEMAN 67073321
	093306-01-704	EA OVERLOAD, COLEMAN 6707A3751
	093306-01-705	EA MOTOR-115V1 6A60H2-RPM - COLEMAN 67273119
	093306-01-706	EA BLOWER WHEEL, 6 5/16" X 2 7/8" WVD - COLEMAN 67073281
	093306-01-707	EA START CAPACITOR, 47 - 56 MFD - 250 - COLEMAN 62503421
	093306-01-708	EA START RELAY, COLEMAN 9436-3151
	093306-01-711	EA CONDENSER COIL - COLEMAN 14520701
	093306-01-717	EA COMPRESSOR-PANASONIC, COLEMAN 1450-2019
	093306-01-716	EA COMPRESSOR-TECUMSEH, COLEMAN 6727-3659
	093306-01-712	EA COMPRESSOR, COLEMAN 6707C3579
	073742-02-704	EA RUN CAPACITOR (COMPRESSOR), COLEMAN 14994661
	093306-01-713	EA EVAPORATOR, COLEMAN 14520601
	037648-01-714	EA PACKAGE-GASKET, COLEMAN 6759-3281
	093307-01-000	EA CEILING ASM-A/C COOL, IVORY - COLEMAN 6727D714
	093306-01-709	EA DECAL F/THERMOSTAT AND SELECTOR, COLEMAN 6727A3341
	076303-01-710	EA THERMOSTAT, COLEMAN 67333411
	076303-01-707	EA FILTER-6" X 14 7/8" X 5", 12 PER PKG - COLEMAN 6703A3151
	093306-01-710	EA SHROUD-CEILING, IVORY W/DECAL - COLEMAN 67073511
	093306-01-714	EA SWITCH-SELECTOR, COLEMAN 67273251
	076303-01-708	EA KNOB & BOLT PKG, COLEMAN 67275841
	076303-01-701	EA KNOB-CONTROL, COLEMAN 67333241
	102289-01-000	EA SPRING-SCREW, ROOF A/C GASKET - COLEMAN 6757-150

FURNACE

KEY	PART NUMBER	U/M DESCRIPTION
	101990-01-000	EA FURNACE-17,000 BTU, SUBURBAN DD-17DSI
	069634-01-706	EA MODULE BOARD, SUBURBAN 231427
	069634-01-716	EA VALVE-MANUAL SHUTOFF, SUBURBAN 100740
	101990-01-700	EA MICROSWITCH, SUBURBAN 231759
	101990-01-701	EA COMBUSTION AIR WHEEL, SUBURBAN 350125
	101990-01-702	EA BURNER, SUBURBAN 010763
	101990-01-703	EA ROOM AIR IMPELLER, SUBURBAN 350125
	101990-01-704	EA MOTOR, SUBURBAN 231751
	101990-01-705	EA TIME DELAY RELAY, SUBURBAN 231769
	101990-01-705	EA TERMINAL STRIP, SUBURBAN 231770
	101990-01-707	EA VALVE, SUBURBAN 160952
	101990-01-708	EA ELECTRODE, SUBURBAN 231762
	101990-01-709	EA GRILLE ASSEMBLY, SUBURBAN 070769
	101990-01-710	EA LIMIT SWITCH, SUBURBAN 231768
	101990-01-711	EA ORIFICE, SUBURBAN 530415
	101990-01-713	EA MOTOR GASKET, SUBURBAN 070849
	101990-01-714	EA MICROSWITCH GASKET, SUBURBAN 230877
	101990-01-715	EA COMBUSTION AIR GASKET - FRONT - SUBURBAN 390536
	101990-01-716	EA COMBUSTION AIR GASKET - REAR - SUBURBAN 070860
	101990-01-717	EA MANIFOLD GASKET, SUBURBAN 070847
	101990-01-718	EA BURNER ACCESS DOOR GASKET, SUBURBAN 070850
	101990-01-719	EA MODULE BOARD (IF BEFORE DATE CODE 9112), SUBURBAN 231328
	101990-02-000	EA VENT-FURNACE, OUTSIDE - 4-6" - SUBURBAN 250199

1993 ITASCA
TABLE OF CONTENTS

INTRODUCTION	A-01 -	A-02
ABBREVIATIONS		A-03
ALPHABETICAL INDEX	A-04 -	A-05
IT321RB	A-07 -	C-24
IT321RL	D-01 -	F-18
IT321RD	F-19 -	I-12

1993 IT321RD INDEX

FLOOR PLAN	F-19 -	F-20
ACCESSORIES		F-21
AUDIO VIDEO		F-22
BATH	F-23 -	F-24
CHASSIS	G-01 -	G-02
CURTAIN & CUSHION	G-03 -	G-09
DINETTE	G-10 -	G-12
DRIVERS COMPARTMENT		G-13
ELECTRICAL	G-14 -	G-17
EXTERIOR BODY	G-18 -	G-22
GALLEY	G-23 -	H-02
GENERATOR		H-03
HEATING & A/C		H-04
INTERIOR FINISH	H-05 -	H-08
LABELS	H-09 -	H-14
LP		H-15
LOUNGE		H-15
SEALANTS & FASTENERS	H-17 -	H-19
WATER & SEWAGE	H-19 -	H-22
WINDOW VENT AND EXTERIOR DOOR	H-23 -	I-12

**INTERIOR FINISH GROUP
MOLDINGS & TRIMS**

KEY	PART NUMBER	U/M DESCRIPTION
	009767-12-000	FT MOLDING-SIDEWALL TO CEILING/CABINET - WELTING - OFF WHITE
	009809-21-000	EA MOLDING-CORNER, OUTSIDE - 1" - PLASTIC - WOODGRAIN
	009812-22-000	EA MOLDING-CORNER, OUTSIDE - 5" X 7" - PLASTIC - BROWN
	009812-24-000	EA MOLDING-PLASTIC, OUTSIDE CORNER - 50" - IVORY
	022992-11-000	FT MOLDING-REVERSE COVE, T-SHAPED - VINYL - IVORY
	070504-19-000	FT U-CHANNEL-PLASTIC, 815" WIDE - BROWN - INC OF 8"
	070504-23-000	FT U-CHANNEL-PLASTIC, 875" WIDE - WOODGRAIN - INC OF 8"
	075249-01-000	EA RAILING-OAK, 72" EA - UNFINISHED
	079653-09-000	EA BATT STRIP-KERFED, WOODGRAIN
	069733-80-000	EA BATT STRIP-WOODGRAIN, 8' LONG - WINNI OAK
	085284-59-000	FT BATT STRIP-CEILING, ADHESIVE BACKED
	085284-64-000	FT BATT STRIP-DECORATIVE, PLAIN - ADHESIVE BACKED
	085284-65-000	FT BATT STRIP-DECORATIVE, DRY BATH - ADHESIVE BACKED
	088263-78-000	EA BATT STRIP-SHOWER, 8' LONG - OFF WHITE
	088263-71-000	EA BATT STRIP-CEILING, 8' LONG - FAWN
	088263-76-000	EA BATT STRIP-DECORATIVE, PLAIN - 8' LONG
	088263-77-000	EA BATT STRIP-DECORATIVE, DRY BATH - 8' LONG
	105394-01-02A	EA JAMB-DOOR, 7' LONG - OAK PLASTIC
	100040-01-000	EA LUMBER-VINYL WRAPPED, 7" X 1 5/8" X 8" - RAMBLING OAK
	100040-03-000	EA LUMBER-VINYL WRAPPED, 7 1/2" X 2" X 8" - RAMBLING OAK
	100041-01-000	EA MOLDING-VINYL WRAPPED, 7" X 1 5/8" X 84 02" - RAMBLING OAK
	100041-02-000	EA MOLDING-VINYL WRAPPED, 7" X 2 5/8" X 84" - RAMBLING OAK
	083620-07-000	FT MOLDING-T END CAP EDGE - W/EDGE LIPS - 75" - THOR PECAN
	105709-01-000	FT T-MOLDING-1", MODERN IVORY
	105004-01-02A	EA MOLDING-VINYL WRAP, MIRROR TRIM - OAK
	077309-02-000	EA TRIM-STEPWELL, ENTRY DOOR
	100559-01-825	EA TRIM-FLOOR, 72" X 1" X 1/2" - WOOD
	086279-02-000	FT TRIM-INSERT, 9" - PLASTIC - OFF WHITE
	086279-01-000	EA RETAINER-BATTEN, CEILING - 75" WIDE - 7 6" LONG

CARPETING & FLOOR MATS

KEY	PART NUMBER	U/M DESCRIPTION
	096060-23-000	SY CARPET-12' ROLL INCREMENTS OF 4 SY (D24)
	096060-41-000	SY CARPET-12' ROLL INCREMENTS OF 4 SY (D25)
	096060-42-000	SY CARPET-12' ROLL INCREMENTS OF 4 SY (D26)
	047034-02-000	SF PLASTIC-CARPET, 4" WIDE - CLEAR POLY
	091178-01-C30	EA MAT-FLOOR, DRIVER (D24)
	091178-01-C09	EA MAT-FLOOR, DRIVER (D25)
	091178-01-D03	EA MAT-FLOOR, DRIVER (D26)
	091179-01-C30	EA MAT-FLOOR, PASSENGER (D24)
	091179-01-C09	EA MAT-FLOOR, PASSENGER (D25)
	091179-01-D13	EA MAT-FLOOR, PASSENGER (D26)
	091261-01-000	FT SLIPNOT-ANTISLIP, 1" WIDE (100' ROLL)

**INTERIOR FINISH GROUP (CONTINUED)
FIRE EXTINGUISHER & SMOKE DETECTOR**

KEY	PART NUMBER	U/M DESCRIPTION
	094499-02-000	EA EXTINGUISHER-FIRE, DRY - 1A10BC - CANADIAN
	094499-01-000	EA EXTINGUISHER-FIRE, DRY W/MOUNTING BRACKET - 10 BC
	094499-01-700	EA BRACKET-MOUNTING, W/PLASTIC STRAP - FIRE EXTINGUISHER
	072852-01-000	EA DETECTOR-SMOKE, W/9 VOLT BATTERY
	072852-02-000	EA DETECTOR-SMOKE, W/9 VOLT BATTERY - CANADIAN

PANELING, LAMINATES & PLASTIC

KEY	PART NUMBER	U/M DESCRIPTION
	074497-19-000	SF PANELING-CEILING, 4' X 8' - INCREMENTS OF 32 SF
	074497-21-000	SF PANELING-WOODGRAIN, 4' X 8' - INCREMENTS OF 32 SF
	083618-02-000	SF PLYWOOD-OAK, 1 SIDE FINISHED - 3/16" X 4' X 8' - INCREMENTS OF 32 SF
	088272-98-000	SF PANELING-SHOWER, OFF WHITE - 4' X 7' - INCREMENTS OF 28 SF
	088272-95-000	SF PANELING-DECORATIVE, PLAIN - 4' X 7' - INCREMENTS OF 28 SF
	088272-97-000	SF PANELING-DECORATIVE, DRY BATH - 4' X 7' - INCREMENTS OF 28 SF
	074498-34-000	SF LAMINATE-PLASTIC, 5' X 8' - OAK - INCREMENTS OF 40 SF
	074498-45-000	SF LAMINATE-PLASTIC, 5' X 8' - TAUPE - INCREMENTS OF 40 SF
	076325-39-000	FT MOLDING-EDGEBAND, 1 5/16" WIDE
	089297-01-000	SF PLYWOOD-LUAN, OVERLAY GRADE - 27 MM X 4' X 8' - INCREMENTS OF 32 SF
	093743-01-02A	SF PLASTIC-ABS 11 5" WIDE ROLL - OFF WHITE
	093743-02-01A	SF PLASTIC-ABS 20" WIDE ROLL - OFF WHITE
	079666-02-000	SF PANELING-CLOSET, SOLID CEDAR - 4' X 8' - INCREMENTS OF 32 SF
	000885-56-000	SF PARTICLE BOARD-3/8" X 48" X 96", 1 SIDE VINYL - WOODGRAIN - INC OF 32 SF

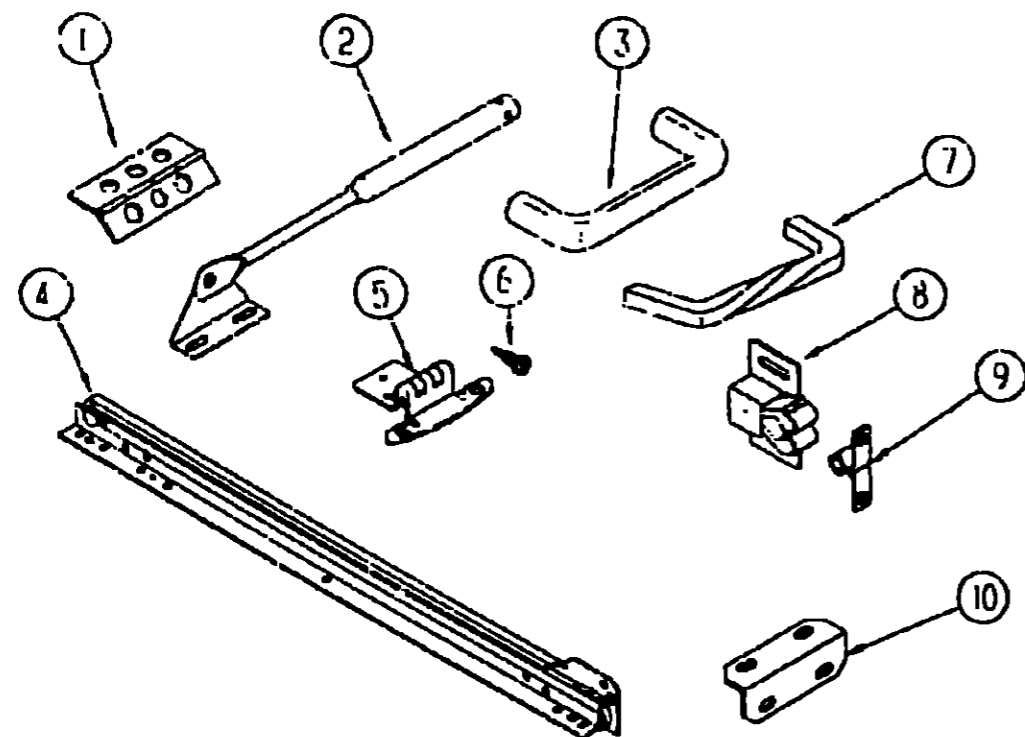
**1993 ITASCA
TABLE OF CONTENTS**

INTRODUCTION	A-01	A-02
ABBREVIATIONS		A-03
ALPHABETICAL INDEX	A-04	A-06
IT321PB	A-07	C-24
IT321RL	D-01	F-18
IT321RD	F-19	I-12

1993 IT321RD INDEX

FLOOR PLAN	F-19	F-20
ACCESSORIES		F-21
AUDIO VIDEO		F-22
BATH	F-23	F-24
CHASSIS	G-01	G-02
CURTAIN & CUSHION	G-03	G-09
DINETTE	G-10	G-12
DRIVERS COMPARTMENT		G-13
ELECTRICAL	G-14	G-17
EXTERIOR BODY	G-18	G-21
GALLEY	G-23	H-02
GENERATOR		H-03
HEATING & A/C		H-04
INTERIOR FINISH	H-05	H-08
LABELS	H-09	H-14
LP		H-15
LOUNGE		H-16
SEALANTS & FASTENERS	H-17	H-18
WATER & SEWAGE	H-19	H-22
WINDOW VENT AND EXTERIOR DOOR	H-23	I-12

INTERIOR FINISH GROUP (CONTINUED)
CABINET DOOR & DRAWER HARDWARE



KEY	PART NUMBER	U/M	DESCRIPTION
1	009059-02-000	EA	HINGE-DOOR 2" X 2 7" - BRASS
2	074403-02-000	EA	SUPPORT-PISTON SPRING, CABINET DOOR
3	109747-01-000	EA	PULL-CABINET, BRASS
4	106913-09-000	EA	SLIDE-DRAWER, CABINET - LEFT SIDE - 16"
4	106913-10-000	EA	SLIDE-DRAWER, CABINET - RIGHT SIDE - 16"
4	106913-11-000	EA	SLIDE-DRAWER, DRAWER MOUNT - LEFT SIDE - 16"
4	106913-12-000	EA	SLIDE-DRAWER, DRAWER MOUNT - RIGHT SIDE - 16"
5	108138-01-000	EA	HINGE-CABINET DOOR, BURNISHED BRASS
6	C00G13-06-08G	EA	SCREW-6-20 X 5/8 PFH - ANTIQUE BRASS
7	095545-01-000	EA	PULL-CABINET, BRASS - TWIST - 1 1" X 3 4"
8	093586-03-000	EA	CATCH-SPRING, ROLLER
9	093585-04-000	EA	STRIKE-SPRING STEEL
10	016604-01-000	EA	BRACE-CABINET, ANGLE - 2 5" - METAL - UNPAINTED
10	016604-03-000	EA	BRACE-CABINET, ANGLE - 2 5" - METAL - BEIGE
10	004354-01-000	EA	BUMPER-RUBBER, 5" DIA - BROWN
10	023320-01-000	EA	PAD-FELT, 3/8" DIAMETER - BROWN

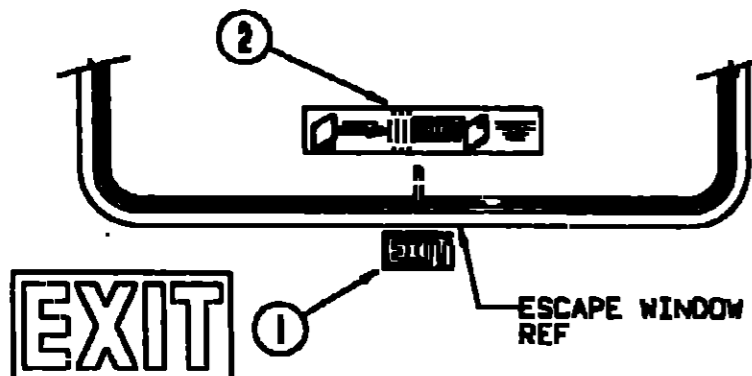
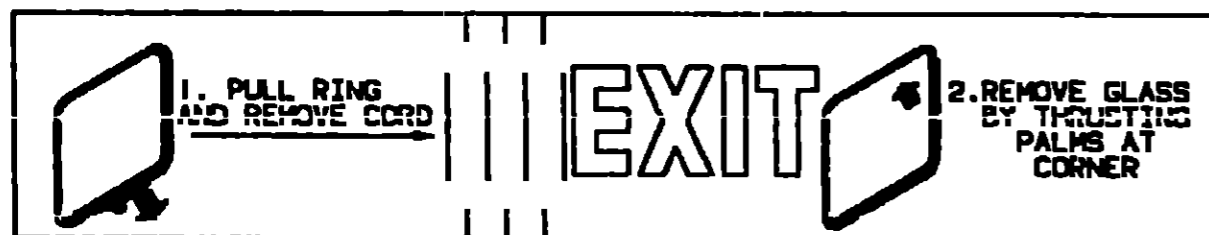
1993 ITASCA
TABLE OF CONTENTS

INTRODUCTION	A-01	A-02
ABBREVIATIONS		A-03
ALPHABETICAL INDEX	A-04	A-05
IT321RB	A-07	C-24
IT321RL	D-01	F-13
IT321RD	F-13	I-12

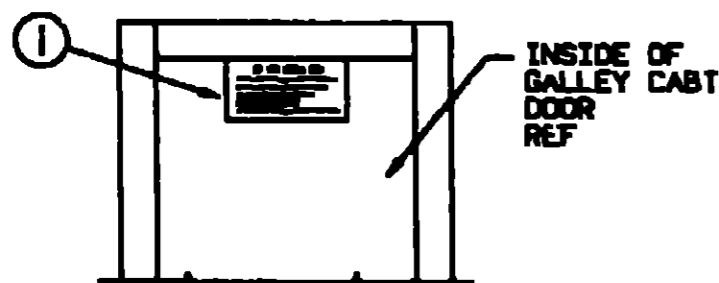
1993 IT321RD INDEX

FLOOR PLAN	F-19	F-20
ACCESSORIES		F-21
AUDIO VIDEO		F-22
BATH	F-23	F-24
CHASSIS	G-01	G-02
CURTAIN & CUSHION	G-03	G-09
DINETTE	G-10	G-12
DRIVERS COMPARTMENT		G-13
ELECTRICAL	G-14	G-17
EXTERIOR BODY	G-18	G-22
GALLEY	G-23	H-02
GENERATOR		H-03
HEATING & A/C		H-04
INTERIOR FINISH	H-05	H-08
LABELS	H-09	H-14
LP		H-15
LOUNGE		H-15
SEALANTS & FASTENERS	H-17	H-18
WATER & SEWAGE	H-19	H-22
WINDOW VENT AND EXTERIOR DOOR	H-23	I-12

LABELS GROUP



KEY	PART NUMBER	U/M DESCRIPTION
1	033290-01 (33)	EA LABEL-WARNING, EXIT
2	107571-01-03	EA LABEL-ESCAPE/EXIT WINDOW

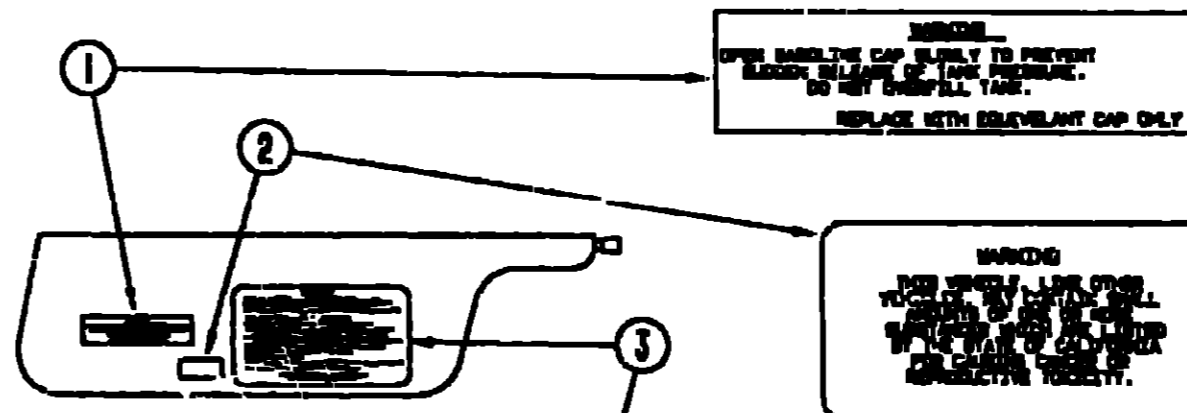


IF YOU SMELL GAS

1. DETERMINE ANY OPEN FLAME, PILOT LIGHTS AND ALL OTHERS.
2. SHUT OFF THE GAS SUPPLY AT THE TANK VALVE OR GAS SUPPLY REGULATOR.
3. OPEN DOORS AND OR OR VENTILATING SPINDLES.
4. DO NOT TOUCH ELECTRICAL SWITCHES.
5. LEAVE THE AREA UNTIL AIR IS CLEAR.
6. HAVE THE GAS SYSTEM CHECKED AND LEAKAGE SOURCE CORRECTED BEFORE LEAVING AGAIN.

KEY	PART NUMBER	U/M DESCRIPTION
1	073958-01-000	EA LABEL-LPG ODOR WARNING

LABELS GROUP (CONTINUED)



WARNING
DO NOT TOUCH THE FUEL SYSTEM COMPONENTS OR ELECTRICAL SYSTEMS OF THE VEHICLE OR ENGINE WHILE THE ENGINE IS RUNNING OR WHILE THE VEHICLE IS IN MOTION.

CAUTION

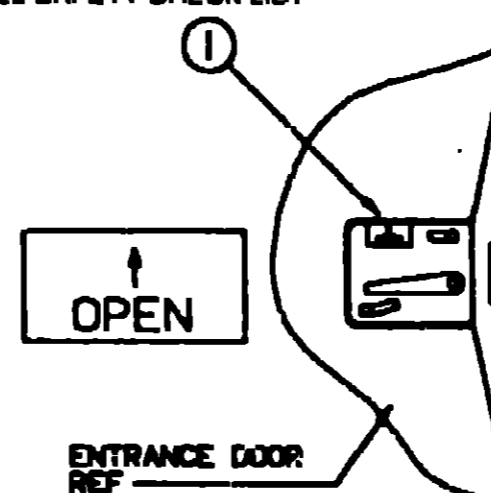
THIS MOTOR HOME HAS BEEN DESIGNED, MANUFACTURED AND TESTED WITH CONSIDERATION FOR THE PROTECTION OF IT'S OCCUPANTS. WE REQUESTED YOU PERFORM THE FOLLOWING INSPECTIONS FOR YOUR SAFETY AND THE SAFETY OF YOUR PASSENGERS BEFORE STARTING YOUR VEHICLE.

1. LP GAS SYSTEM- TURN OFF AT TANK FOR TRAVELING. TEST FOR LEAKS UPON ARRIVAL AT DESTINATION. BEFORE LIGHTING PILOTS.
2. WHEELS- INSPECT FOR DAMAGE AND CHECK LUB RENTS FOR TIGHTNESS.
3. TIRES- INSPECT FOR WEAR AND DAMAGE AND CHECK FOR RECOMMENDED AIR PRESSURE.
4. LIGHTS- TEST FOR PROPER OPERATION OF ALL INTERIOR AND EXTERIOR LIGHTS INCLUDING DASH LIGHTS, HEADLIGHTS, TAIL LIGHTS, BRAKE LIGHTS, CLEARANCE LIGHTS AND TURN SIGNALS.
5. EXITS- INSPECT RELEASE MECHANISM ON EMERGENCY EXIT DEVICES. TEST BOTH LOCKS ON MAIN ENTRANCE DOOR FOR EASE OF OPERATION AND INSTRUCT PASSENGERS HOW TO USE BOTH REARS OF EXIT.
6. SEAT BELTS- INSTRUCT PASSENGERS TO SECURATE SEATS AND RESUME USE OF SEAT BELTS.
7. APPLIANCES- TURN OFF AND LATCH OR LOCK DOORS WHERE PROVIDED.
8. LOOSE PARTS- STORE SECURELY.
9. UTILITY SUPPLY LINES- DISCONNECT ALL ELECTRIC, WATER AND WASH LINES AND SECURE PROPERLY.
10. ENTRANCE DOOR STOP- PLACE IN RETRACTED POSITION FOR TRAVELING.

READ YOUR MOTOR HOME AND CHECKER BOOK'S MANUAL FOR FURTHER PRECAUTIONS

KEY	PART NUMBER	U/M DESCRIPTION
1	087207-05-000	EA LABEL-FUEL CAP REMOVAL
2	099589-01-000	EA LABEL-WARNING, CANCER/TOXICITY
3	056259-01-000	EA LABEL-SAFETY CHECK LIST

FROM 00-00-00 THRU 08-10-92



KEY	PART NUMBER	U/M DESCRIPTION
1	040944-01-000	EA LABEL-ENTRANCE DOOR, "OPEN"

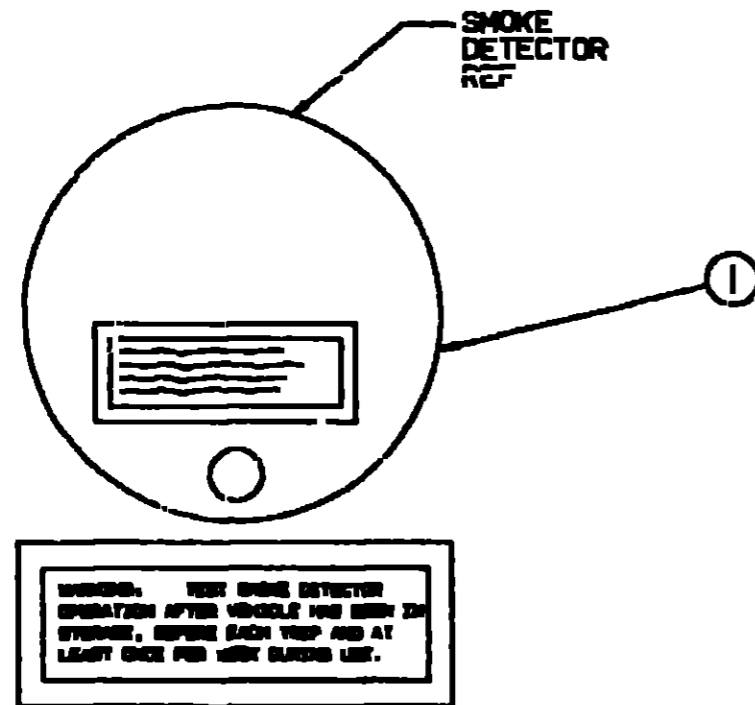
**1993 ITASCA
TABLE OF CONTENTS**

INTRODUCTION	A-01	A-02
ABBREVIATIONS		A-03
ALPHABETICAL INDEX	A-04	A-05
IT321RB	A-07	C-24
IT321RL	D-01	F-18
IT321RD	F-19	I-12

1993 IT321RD INDEX

FLOOR PLAN	F-19	F-20
ACCESSORIES		F-21
AUDIO VIDEO		F-22
BATH	F-23	F-24
CHASSIS	G-01	G-02
CURTAIN & CUSHION	G-03	G-09
DINETTE	G-10	G-12
DRIVERS COMPARTMENT		G-13
ELECTRICAL	G-14	G-17
EXTERIOR BODY	G-18	G-22
GALLEY	G-23	H-02
GENERATOR		H-03
HEATING & A/C		H-04
INTERIOR FINISH	H-05	H-08
LABELS	H-09	H-14
LP		H-15
LOUNGE		H-15
SEALANTS & FASTENERS	H-17	H-18
WATER & SEWAGE	H-19	H-22
WINDOW VENT AND EXTERIOR DOOR	H-23	I-12

LABELS GROUP (CONTINUED)

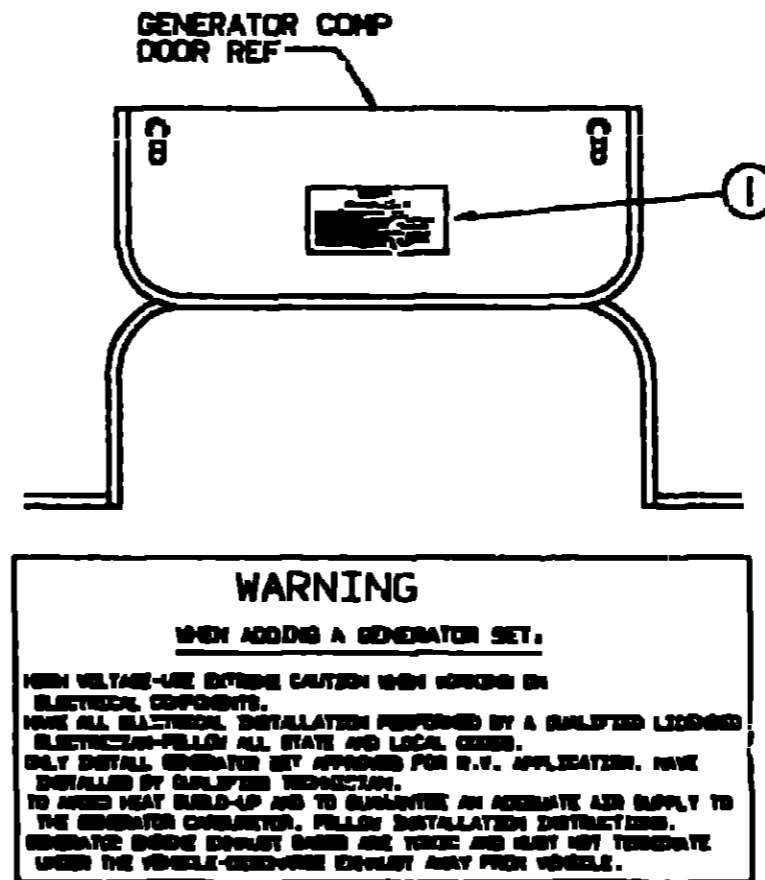


KEY	PART NUMBER	U/M DESCRIPTION
1	077956-01-000	EA LABEL-WARNING SMOKE DETECTOR

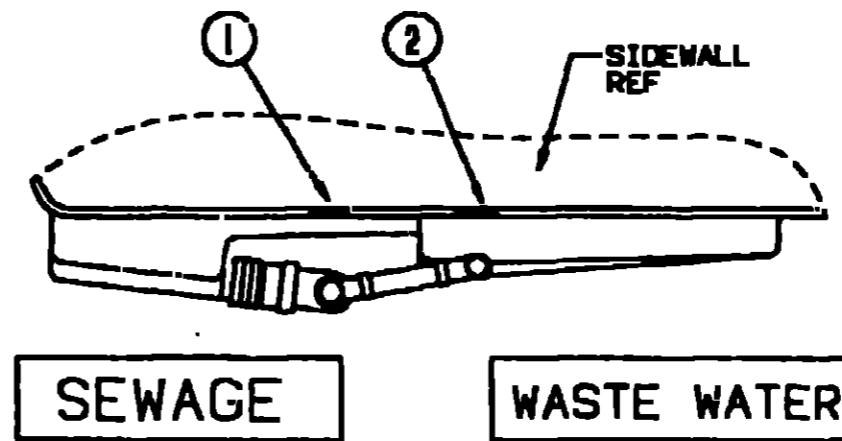
MISCELLANEOUS LABELS

KEY	PART NUMBER	U/M DESCRIPTION
	091243-01-000	EA LABEL-AC COVER
	091243-02-000	EA LABEL-COVER, "MICROWAVE CIRCUIT ETC"
	109522-01-000	EA LABEL-"WHEN INSTALLING LOAD CARRYING EQUIPMENT"
	098641-01-000	EA LABEL-FUEL, UNLEADED - DASH
	006062-01-000	EA LABEL-ELECTRIC, 110V CONNECTION
	099509-01-000	EA LABEL-AIRING INSTALLATION
	006064-01-000	EA LABEL-SEAT W/O SEATBELT
	006064-02-000	EA LABEL-SEAT W/O SEATBELT CANADIAN
	093237-06-000	EA LABEL CIRCUIT BREAKER FRONT - REAR PANEL
	093237-07-000	EA LABEL-CIRCUIT BREAKER FRONT - REAR PNL/CONV

LABELS GROUP (CONTINUED)



KEY	PART NUMBER	U/M DESCRIPTION
1	077510-01-000	EA LABEL-GENERATOR PREP



KEY	PART NUMBER	U/M DESCRIPTION
1	006187-01-000	EA LABEL-SEWAGE
2	006188-01-000	EA LABEL WASTE WATER

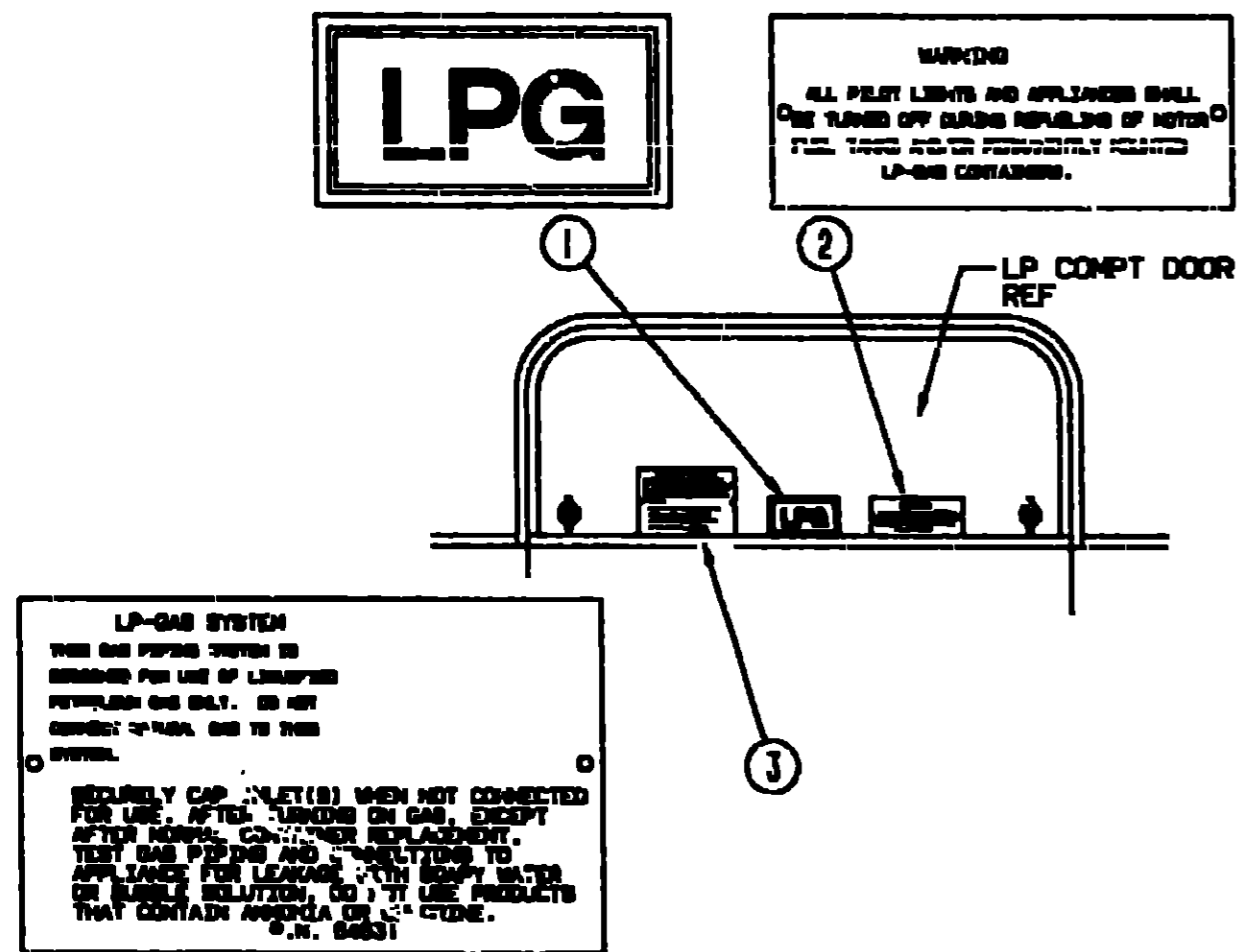
**1993 ITASCA
TABLE OF CONTENTS**

INTRODUCTION	A-01	A-02
ABBREVIATIONS		A-03
ALPHABETICAL INDEX	A-04	A-05
IT321RB	A-07	C-24
IT321RL	D-01	F-18
IT321RD	F-19	I-12

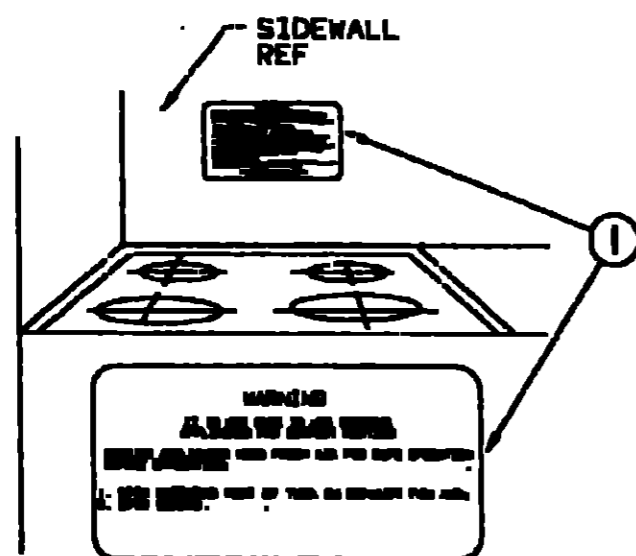
1993 IT321RD INDEX

FLOOR PLAN	F-19	F-20
ACCESSORIES		F-21
AUDIO VIDEO		F-22
BATH	F-23	F-24
CHASSIS	G-01	G-02
CURTAIN & CUSHION	G-03	G-09
DINETTE	G-10	G-12
DRIVERS COMPARTMENT		G-13
ELECTRICAL	G-14	G-17
EXTERIOR BODY	G-18	G-22
GALLEY	G-23	H-02
GENERATOR		H-03
HEATING & A/C		H-04
INTERIOR FINISH	H-05	H-08
LABELS	H-09	H-14
LP		H-15
LOUNGE		H-16
SEALANTS & FASTENERS	H-17	H-18
WATER & SEWAGE	H-19	H-22
WINDOW, VENT AND		
EXTERIOR DOOR	H-23	I-12

LABELS GROUP (CONTINUED)

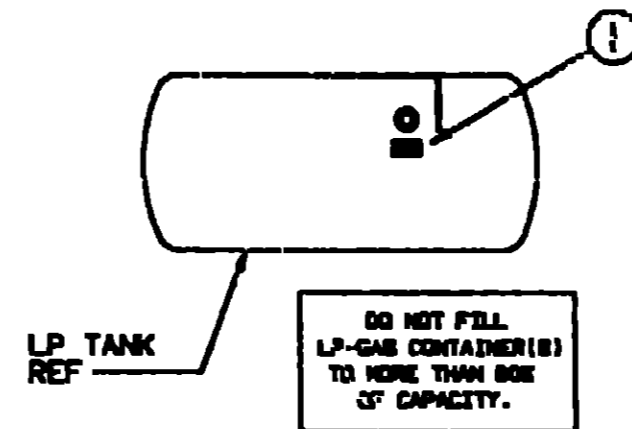


KEY	PART NUMBER	U/M DESCRIPTION
1	074559-01-000	EA DECAL-LOGO, LPG - RED - (CALIF CODE)
2	006040-01-000	EA TAG-GAS REFUELING WARNING
2	006040-02-000	EA TAG-GAS REFUEL WARNING, CANADIAN
3	054531-01-000	EA LABEL-LP GAS ONLY
3	023759-01-000	EA LABEL-WARNING, LPG - CANADIAN

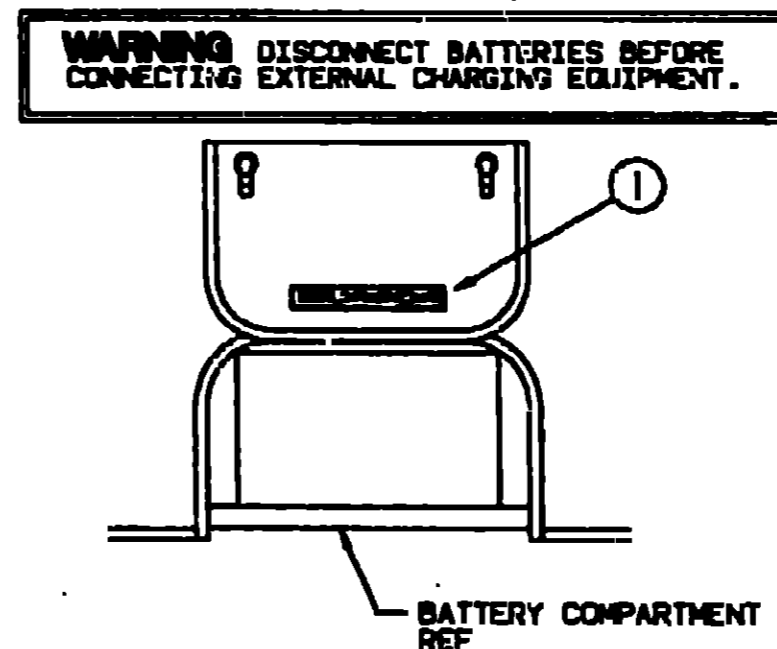


KEY	PART NUMBER	U/M DESCRIPTION
1	050225-01-000	EA LABEL-WARNING, STOVE VENT - US
1	050222-01-000	EA LABEL-WARNING, STOVE VENT - CANADIAN

LABELS GROUP (CONTINUED)



KEY PART NUMBER	U/M DESCRIPTION
1 079965-01-000	EA LABEL-LPG 80 CAPACITY



KEY PART NUMBER	U/M DESCRIPTION
1 065748-01-000	EA LABEL-CAUTION, BATTERY CHARGING

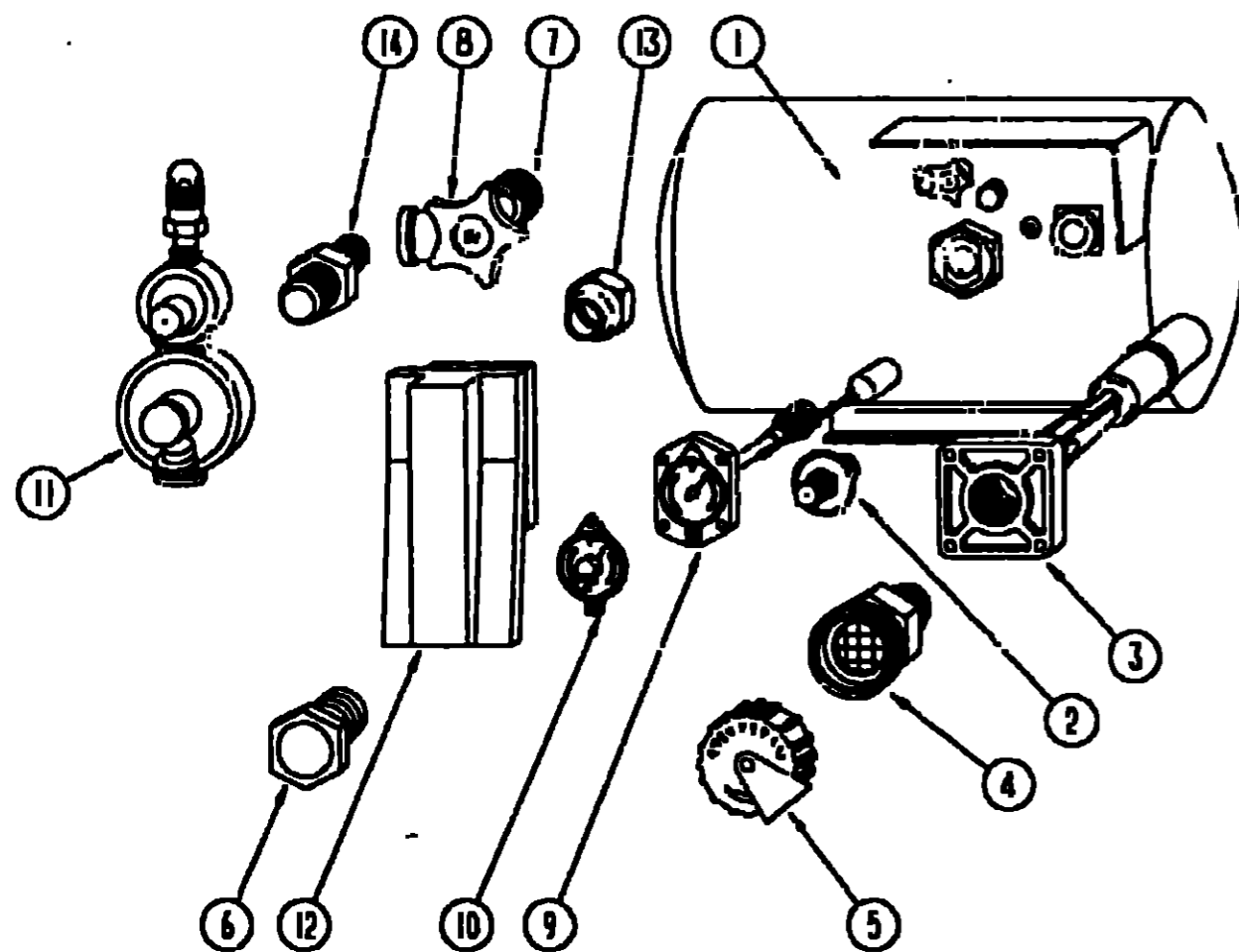
**1993 ITASCA
TABLE OF CONTENTS**

INTRODUCTION	A-01	A-02
ABBREVIATIONS		A-03
ALPHABETICAL INDEX	A-04	A-06
IT321RS	A-07	C-24
IT321RL	D-01	F-18
IT321RD	F-19	I-12

1993 IT321RD INDEX

FLOOR PLAN	F-19	F-20
ACCESSORIES		F-21
AUDIO VIDEO		F-22
BATH	F-23	F-24
CHASSIS	G-01	G-02
CURTAIN & CUSHION	G-03	G-09
DINETTE	G-10	G-12
DRIVERS COMPARTMENT		G-13
ELECTRICAL	G-14	G-17
EXTERIOR BODY	G-18	G-22
GALLEY	G-23	H-02
GENERATOR		H-03
HEATING & A/C		H-04
INTERIOR FINISH	H-05	H-08
LABELS	H-09	H-14
LP		H-15
LOUNGE		H-16
SEALANTS & FASTENERS	H-17	H-18
WATER & SEWAGE	H-19	H-22
WINDOW VENT AND EXTERIOR DOOR	H-23	I-12

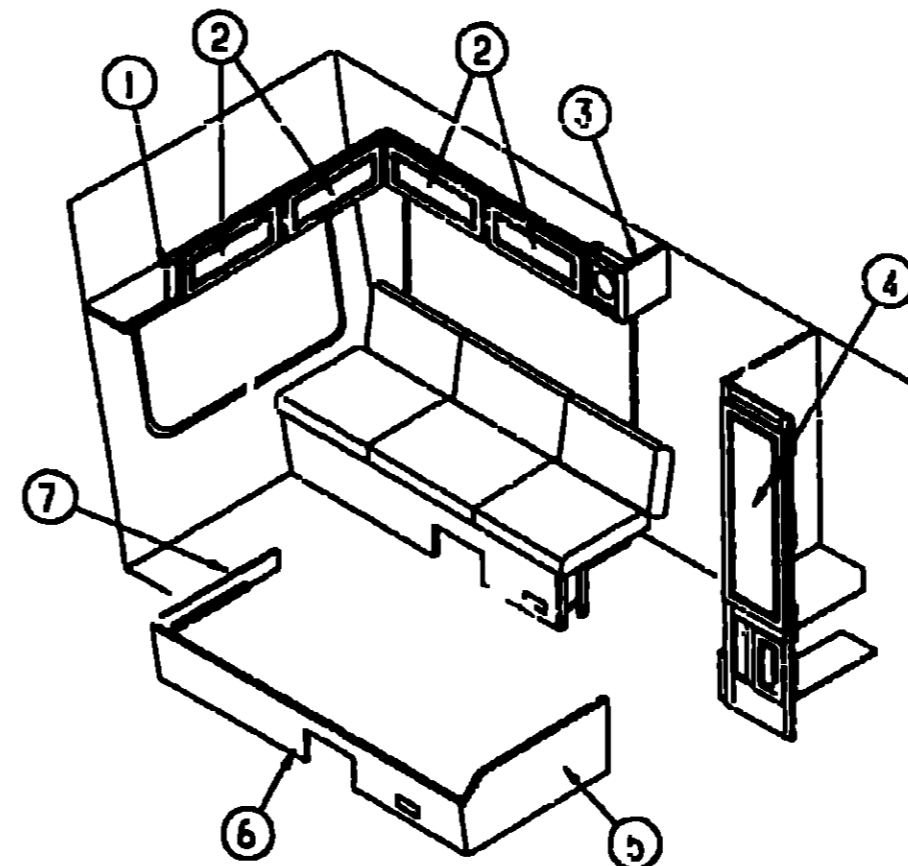
LP GROUP



LP TANK & COMPONENTS

KEY	PART NUMBER	U/M DESCRIPTION
1	074039-03-000	EA TANK-LP, 28 LB - BOTTOM MOUNT - 10" DIA X 23" LONG
2	040421-01-700	EA VALVE-LIQUID LEVEL, 20% LP - BRUNNER G-1013
3	040421-01-711	EA VALVE-80% W/FLOAT. PLATE, BOLTS & GASKET - BRUNNER
4	040421-01-701	EA VALVE-FILLER, LP SHORT - BRUNNER 754, B
5	040421-01-702	EA CAP-LP FILLER VALVE, PLASTIC - YELLOW - BRUNNER G-1014-A
6	040421-01-713	EA VALVE-VAPOR ONLY, 29000587
7	040421-01-712	EA VALVE-SERVICE W/HANDWHEEL, W/O VAPOR RELIEF - 29000853
8	040421-01-700	EA HANDWHEEL-SERVICE VALVE, BRUNNER G-1015-A
9	074039-01-700	EA FLOAT ASSEMBLY, 10" DIA TANK - BRUNNER 10C
10	040440-02-000	EA DIAL-TRANSMITTER, 0-50 OHM
11	106150-03-000	EA REGULATOR-TWO STAGE LPG, BRASS 295-00
12	105658-01-000	EA COMPARTMENT-LP REGULATOR
	103613-01-000	EA DETECTOR-LP GAS
	065741-01-000	EA GAUGE-DIAPHRAGM, PRESSURE - MARSHALL TOYBI MFG
	065742-01-000	EA TEE, 3/8" F X 3/8" F X 25" FPT - BRASS
13	010377-02-000	EA NUT-BRASS, 3/8" FEMALE - FORGED
14	010323-01-000	EA ADAPTER-BRASS, 3/8" F X 1/2" MPT
14	010329-01-000	EA ADAPTER-BRASS, 1/2" F X 1/2" MPT
	010380-02-000	EA NUT-BRASS, 1/2" FEMALE - FORGED
	010251-01-000	EA ELBOW-BRASS, 90 DEGREE - 3/8" F X 3/8" MPT
	071391-02-000	EA NIPPLE-HEX, 1/4" PIPE - 3325X4 WEATHERHEAD
	008042-01-000	FT TUBING-VINYL, 65" ID

LOUNGE GROUP



LOUNGE CABINETS

KEY	PART NUMBER	U/M DESCRIPTION
1	M05160-37-D24	EA CABINET-OVERHEAD, W/O DOORS OR HARDWARE
2	P03702-73-D24	EA DOOR CABINET, W/O HARDWARE - 10" X 25 2"
3	M05160-36-D24	EA CABINET-OVERHEAD, W/O DOORS OR HARDWARE
3	M05160-36-D25	EA CABINET-OVERHEAD, W/O DOORS OR HARDWARE
3	M05160-35-D26	EA CABINET-OVERHEAD, W/O DOORS OR HARDWARE
4	P03702-M1-D24	EA DOOR-CABINET, W/O HARDWARE - 395 MM X 1155 MM
	059783-01-000	FT ROD-CLOTHES, SLOTTED - ALUMINUM - 7" LENGTH
5	M04187-50-D24	EA CABINET-COUCH, LEFT SIDE W/FABRIC (D24/D25)
5	M04187-50-D26	EA CABINET-COUCH, LEFT SIDE W/FABRIC (D26)
6	M04187-49-D24	EA CABINET-COUCH, FRONT FACE W/FABRIC (D24/D25)
6	M04187-49-D26	EA CABINET-COUCH, FRONT FACE W/FABRIC (D26)
7	M04187-51-D24	EA CABINET-COUCH, RIGHT SIDE W/FABRIC (D24/D25)
7	M04187-51-D26	EA CABINET-COUCH, RIGHT SIDE W/FABRIC (D26)
	082525-01-000	EA BRACE-COUCH, FLOOR MOUNT - ANGLE 3" LONG - METAL
	050101-01-002	EA EXTRUSION-L SHAPED, 192" - ALUMINUM
	093125-05-000	EA BRACE-ANGLE, COUCH - 2 5" - BEIGE

**1993 ITASCA
TABLE OF CONTENTS**

INTRODUCTION	A-01 -	A-02
ABBREVIATIONS		A-03
ALPHABETICAL INDEX	A-04 -	A-06
IT321RB	A-07 -	C-24
IT321RL	C-01 -	F-18
IT321RD	F-19 -	I-12

1993 IT321RD INDEX

FLOOR PLAN	F-19 -	F-20
ACCESSORIES		F-21
AUDIO VIDEO		F-22
BATH	F-23 -	F-24
CHASSIS	G-01 -	G-02
CURTAIN & CUSHION	G-03 -	G-09
DINETTE	G-10 -	G-12
DRIVERS COMPARTMENT		G-13
ELECTRICAL	G-14 -	G-17
EXTERIOR BODY	G-18 -	G-22
GALLEY	G-23 -	H-02
GENERATOR		H-03
HEATING & A/C		H-04
INTERIOR FINISH	H-05 -	H-08
LABELS	H-09 -	H-14
LP		H-15
LOUNGE		H-16
SEALANTS & FASTENERS	H-17 -	H-18
WATER & SEWAGE	H-19 -	H-22
WINDOW VENT AND EXTERIOR DOOR	H-23 -	H-12

**SEALANTS & FASTENERS GROUP
SCREWS**

KEY	PART NUMBER	U/M DESCRIPTION
	000G58-05-10G	EA SCREW-6-18 X 5/8 POH - ANTIQUE BRASS
	000G13-06-08B	EA SCREW-6-20 X 1/2 PFH - ZINC
	000G13-07-08G	EA SCREW-6-20 X 50 PFH - ANTIQUE BRASS
	000G13-08-15J	EA SCREW, 6-20 X 1 00 PFH - BRASS
	000G13-07-12B	EA SCREW-7-19 X 3/4 PFH - ZINC
	000G11-06-10B	EA SCREW, 5-20 X 5/8 PPH ZN
	000G11-06-10J	EA SCREW-7-19 X 1/2 PPH - ZINC
	000G11-08-06B	EA SCREW, 8-18 X 3/8 PPH ZN
	000G11-08-12B	EA SCREW, 8-18 X 3/4 PPH ZN
	000G11-08-12F	EA SCREW, 8-18 X 75 PPH - DARK BROWN
	000G11-08-12R	EA SCREW, 8-18 X 3/4 PPH - BEIGE
	000G11-08-12S	EA SCREW-8-18 X 75 PPH OFF WHITE
	000G11-08-16S	EA SCREW, 8-18 X 1 00 PPH - OFF WHITE
	000G11-10-12D	EA SCREW-10-16 X 3/4 PPH - BLACK
	000G11-10-12S	EA SCREW-10-16X 75 PPH OFF WHT
	000G12-08-12S	EA SCREW-8-18X 75 POH OFF WHITE
	000G12-08-16S	EA SCREW, 8-18 X 1 00 POH - OFF WHITE
	000G13-08-16B	EA SCREW-8-18 X 1 PFH - ZINC
	000G18-08-22B	EA SCREW-MACH, 8-32 X 1 3/8 PPH ZN
	000G39-06-10T	EA SCREW-SF/DR, 6-20 X 5/8 PPH - BLACK
	000G39-10-32B	EA SCREW-SF/DR, 10-18 X 2 00 PPH - ZINC
	000G67-10-08B	EA SCREW, 10-12 X 1/2 PPH ZN
	000G67-10-08R	EA SCREW, 10-12 X 1/2 PPH - BEIGE - TYPE A
	000G67-10-10D	EA SCREW, 10-12 X 5/8 PPH - BLACK - TYPE A
	000G67-10-10R	EA SCREW, 10-12 X 5/8 PPH - TYPE A - BEIGE
	000G67-10-10S	EA SCREW, 10-12 X 5/8" - PPH - OFF WHITE
	000G67-10-12B	EA SCREW, 10-12 X 3/4" PPH - ZN
	000G67-10-12P	EA SCREW, 10-12 X 75" - PPH - DARK BROWN
	000G67-10-16B	EA SCREW 10-12 X 1 PPH - ZN
	000G67-10-24B	EA SCREW, 10-12 X 1 1/2 PPH - ZN
	000G67-10-32B	EA SCREW, 10-12 X 2 PPH - ZN
	000G36-10-12E	EA SCREW-10-24 X 3/4 PFH TYPE 23 - CHROME PLATED
	000G32-10-06B	EA SCREW-10-32 X 3/8" - PPH - ZINC
	000G18-08-12B	EA SCREW-MACHINE-8-32 X 3/4" PPH ZINC
	000G53-04-06B	EA SCREW-MACHINE-1/4-20 X 3/8 PPH -ZINC - UNDERCL. HEAD
	000G39-06-08B	EA SCREW-DR-6-18X1/2 ZN
	000G39-08-08B	EA SCREW-SF/DR, 8-18 X 1/2 PPH ZN
	000G39-08-08R	EA SCREW-SF/DR, 8-18 X 1/2 PPH - BEIGE
	000G39-08-08S	EA SCREW-SF/DR, 8-18 X 1/2 PPH - OFF WHITE
	000G39-08-12B	EA SCREW-SF/DR, 8-18 X 3/4 PPH ZN
	000G55-08-12M	EA SCREW-SF/DR-8-18 X 75 PWH - GRAY
	000G39-08-16S	EA SCREW-SF/DR 8-18 X 1 00 PPH - OFF WHITE
	000G33-08-24S	EA SCREW-SF/DR-8-18 X1 50 - OFF WHITE
	000G39-10-10S	EA SCREW-SF/DR 10-16 X 62" PPH - OFF WHITE
	000G39-10-12D	EA SCREW-SF/DR 10-16 X 3/4 PPH - BLACK
	000G39-10-20B	EA SCREW-SF/DR 10-16 X 1 1/4 PPH - ZINC
	000G42-04-16B	EA SCREW-SF/DR 1/4-14 X 1 HWH - ZINC
	000G54-04-20B	EA SCREW 1/4-20 X 1 1/4 PTH - TYPE 23 - ZINC PLATED
	087721-01-000	EA SCREW-FLAT HEAD TAPPING - 1/4" X 1 1/4" LG ZINC
	075908-01-000	EA SCREW-MACHINE 10-32 X 56 PTH - ZINC EXTERNAL TOOTH
	076790-01-000	EA SCREW, 6-20 X 1 1/4 PPH - BLACK
	101289-01-01A	EA SCREW-MACHINE, 8-32 X 4 - POH - BRASS - FOR EXTENDED KNOB

ADHESIVE AND SEALANTS

KEY	PART NUMBER	U/M DESCRIPTION
	002707-02-000	FT TAPE-SEALER 5/16" X 1/2" - INCREMENTS OF 50 FT
	004020-01-000	QT ADHESIVE-ABS CEMENT QUART
	034552-02-000	EA SILICONE-TUBE 300 ML - CLEAR
	034552-06-000	EA SILICONE-TUBE 300 ML - OFF WHITE
	039518-01-000	EA SILICONE-TUBE 300 ML - BLACK
	053766-02-000	EA BEDDING COMPOUND-TUBE - WHITE

**SEALANTS & FASTENERS GROUP (CONTINUED)
ADHESIVE AND SEALANTS CONT'D**

KEY	PART NUMBER	U/M DESCRIPTION
	053766-06-000	EA BEDDING COMPOUND-TUBE, CLEAR
	063642-01-000	FT TAPE-ADHESIVE 10MM X 15' WIDE
	069640-10-000	FT SEALER-RIBBON 1/32" X 1 1/2" INCREMENTS OF 90'
	069640-09-000	FT SEALER-RIBBON 1/32" X 2 1/2" - INCREMENTS OF 90'
	069640-01-000	FT SEALER-RIBBON 1/4" DIAMETER - INCREMENTS OF 30'
	069640-02-000	FT SEALER-RIBBON 1/2" X 1/8" - INCREMENTS OF 30' OR 60'
	069640-03-000	FT SEALER-RIBBON 3/4" X 1/8" - INCREMENTS OF 50'
	069640-07-000	FT SEALER-RIBBON 2" X 3/32" - INCREMENTS OF 30' OR 45'
	069640-11-000	FT SEALER-RIBBON 3/16" X 3/8" - BLACK
	072889-01-000	EA SEALANT-URETHANE, BLACK - 1/10 - ESSEX 552 2
	076322-01-000	FT TAPE-FOAM, DOUBLE COATED ADHESIVE BACKED - 75' X 216'
	076322-02-000	FT TAPE-FOAM, DOUBLE COATED ADHESIVE BACKED - 1" X 108'
	076322-03-000	FT TAPE-FOAM, DOUBLE COATED ADHESIVE BACKED - 5" X 108'
	076322-05-000	FT TAPE-FOAM, DOUBLE COATED - 025" X 1 5"
	087211-01-000	GL PROMOTER-ADHESIVE
	102352-01-000	EA SEALER-PUMPABLE BLACK

NUTS, BOLTS AND GROMMETS

KEY	PART NUMBER	U/M DESCRIPTION
	040921-04-000	EA NUT-SPEED U TYPE - NO 8 - 59" LENGTH X 44" WIDTH
	005081-01-000	EA NUT-SPEED C TYPE - NO 8 SCREW
	000D24-10-00B	EA NUT-HEX, SF/LK - 10-32 ZN
	000D39-05-00B	EA NUT-HEX, SER FLG LK - 5/16 - 18 ZN
	000D39-06-00B	EA NUT-HEX, SER FLG LK - 3/8-16 ZN
	000D39-08-00B	EA NUT-HEX, SER FLG LK - 1/2-13 ZN
	000D44-07-00B	EA NUT-HEX, SER FLG LK - 7/16-20 ZN
	000C12-05-12B	EA BOLT-HEX-5/16-18X3/4 ZN 5
	000C12-05-16B	EA BOLT-HEX, 5/16-18 X 1 - ZINC 5
	000C12-06-32B	EA BOLT-HEX-3/8-16X2LG,ZN 5
	000C12-05-44B	EA BOLT-HEX-3/8-16X2 3/4 ZN 5
	000C13-07-48B	EA BOLT-HEX, 7/16 - 20 X 3 - ZN 5
	000C18-05-40A	EA BOLT-ELEV, 5/16"-18 X 2 1/2" PL
	000C26-05-12B	EA BOLT HEX SER FLG 5/16-18X3/4 ZN
	000C26-05-20B	EA BOLT-HEX, SER FLG 5/16 - 18 X 1 1/4 ZINC
	071015-04-000	EA GROMMET-RUBBER 18" ID X 88" OD W/3" GROOVE - BLACK

MISCELLANEOUS FASTENERS

KEY	PART NUMBER	U/M DESCRIPTION
	044533-01-000	EA WASHER-PLASTIC 1 3/8"OD - FOR BUTTONS
	000E13-11-00B	EA WASHER-FLAT, 3/16" WIDE - ZN
	000E13-20-00B	EA WASHER-FL, 7/16" WIDE - 7N
	041322-01-000	EA WASHER-FL, 15/32" ID X 2 3/8" OD - FOR SEAT BELT MOUNT
	056134-02-000	EA HOLDER-RING 1 8" DIAMETER - METAL
	007161-01-000	EA CLAMP-HOSE, SPRING TYPE - 1/2"
	010495-01-000	EA CLAMP-CABLE, 9/16"
	010497-01-000	EA CLAMP-CLOSED, 5/8" ID
	010497-03-000	EA CLAMP-CLOSED 1" ID - CUSHIONED
	062401-01-000	EA CLAMP-HOSE, WORMGEAR, 25" - 1"
	062401-02-000	EA CLAMP-HOSE, WORMGEAR, 1 56" - 2 5"
	062401-03-000	EA CLAMP-HOSE, WORMGEAR 22" - 1"
	062401-06-000	EA CLAMP-HOSE, WORMGEAR, 22" - 62"
	075148-02-000	EA CLAMP-GROUNDING BRONZE SCREWS
	083609-01-000	EA CLAMP-WIRE, DUAL EQUAL - 5/8" DIAMETER
	080734-02-000	EA CLIP-WIRE NYLON

**1993 ITASCA
TABLE OF CONTENTS**

INTRODUCTION	A-01	A-02
ABBREVIATIONS		A-03
ALPHABETICAL INDEX	A-04	A-06
IT321RB	A-07	C-24
IT321RL	D-01	F-18
IT321RD	F-19	I-12

1993 IT321RD INDEX

FLOOR PLAN	F-19	F-20
ACCESSORIES		F-21
AUDIO VIDEO		F-22
BATH	F-23	F-24
CHASSIS	G-01	G-02
CURTAIN & CUSHION	G-03	G-09
DINETTE	G-10	G-12
DRIVERS COMPARTMENT		G-13
ELECTRICAL	G-14	G-17
EXTERIOR BODY	G-18	G-22
GALLEY	G-23	H-02
GENERATOR		H-03
HEATING & A/C		H-04
INTERIOR FINISH	H-05	H-08
LABELS	H-09	H-14
LP		H-15
LOUNGE		H-16
SEALANTS & FASTENERS	H-17	H-18
WATER & SEWAGE	H-19	H-22
WINDOW, VENT AND EXTERIOR DOOR	H-23	I-12

**WATER & SEWAGE GROUP
FRESH WATER TANK**

KEY	PART NUMBER	U/M DESCRIPTION
	084677-03-000	EA TANK-WATER, 12.5 GALLON - W/FITTINGS - 11" X 20" X 16"
	084677-01-000	EA TANK-WATER, 12.5 GALLON - W/O FITTINGS - 11" X 20" X 16"
	077954-02-000	EA FILTER-WATER TANK, SCREEN IN TANK
	079361-01-000	FT TUBING-SMOOTH, FLEXIBLE - 1 1/4" ID
	042989-03-000	EA FITTING-WATER TANK, SPINWELD - 1 1/4"NPT - PLASTIC - WHITE
	042989-04-000	EA FITTING-WATER TANK, SPINWELD - 3/8" FPT - PLASTIC - WHITE
	042989-05-000	EA FITTING-WATER TANK, SPINWELD - 1/2" FPT - PLASTIC - WHITE
	045032-01-000	EA PATCH-SPINWELD 3/8" - PLASTIC
	039861-01-000	EA SENDING UNIT W/SCREW, WASHER, WELL NUT AND TERMINAL RING

WATER SYSTEM

KEY	PART NUMBER	U/M DESCRIPTION
	106258-01-000	EA CAP-INSERTABLE, 1/2" FLARE
	044927-01-000	EA ADAPTER-HOSE TO PIPE 1 1/4" MPT X 1 1/4" BARB - BLACK PLASTIC
	052960-01-000	EA DRAIN VALVE-IN LINE, HEADER - 1/2" F X 1/2" F - GRAY PLASTIC
	052961-01-000	EA DRAIN VALVE-IN LINE, HEADER - 1/2" F X 1/2" F X 1/2" F X 1/2" F - PLASTIC
	098420-01-000	EA CONNECTOR-SWIVEL, 1/2" FPT X 5/8" TUBE - PLASTIC
	101814-01-000	EA COUPLING-FEMALE, 1/2" X 1/2" FPT
	010219-01-000	EA ELBOW-1 1/4" MPT X 1 1/4" BARB, WATER FILL - PLASTIC
	055290-01-000	EA ELBOW-5/8" F X 1/2" MPT
	057457-01-000	EA ELBOW-UNION, 1/2" X 1/2" FLARE
	087659-04-000	EA FILL-WATER, CITY - OFF WHITE
	065120-01-000	EA ELBOW-SWIVEL 1/2" FPT X 1/2" FLARE - PLASTIC - GRAY
	052952-01-000	EA NUT-PLASTIC, 1/2" F X 1/2" TUBE - GRAY
	052952-02-000	EA NUT-PLASTIC, 5/8" FLARE
	052953-01-000	EA NUT-FAUCET, 1/2" TUBE X 1/2" FPT - PLASTIC - GRAY
	052954-01-000	EA ADAPTER-NOSE CONE, 3/8" OR 1/2" TUBING - PLASTIC - GRAY
	052956-01-000	EA TEE-1/2" F X 1/2" MPT X 1/2" F - PLASTIC
	052957-01-000	EA ELBOW-PLASTIC, 1/2" F X 3/8" MPT
	052957-02-000	EA ELBOW-MALE, 1/2" F X 1/2" MPT - PLASTIC - GRAY
	039798-01-000	EA TEE-1/2" MPT X 1/2" MPT X 1/2" MPT, PLASTIC
	052955-01-000	EA TEE-WATER 1/2" F X 1/2" F X 1/2" MPT - PLASTIC - GRAY
	052958-01-000	EA TEE 1/2" F X 1/2" F X 1/2" F - PLASTIC - GRAY
	093217-01-000	EA TEE-SWIVEL, 1/2" - PLASTIC
	035800-01-000	FT TUBING-POLYBUTYL 1/2" OD - INCREMENTS OF 20" - BLACK
	039800-02-000	FT TUBING-POLYBUTYL, 5/8" OD - INCREMENTS OF 20" - BLACK
	074462-02-000	FT TUBING-VINYL 3/8" ID - CLEAR

WATER PUMP

KEY	PART NUMBER	U/M DESCRIPTION
	098607-01-000	EA PUMP-WATER W/ 5" MPT FITTING - FLOW 2.8 GPM
	098607-01-700	EA PUMPHEAD-REPLACEMENT SHURFLOW# 94-235-08
	098607-01-701	EA DRIVE ASM SHURFLOW# 94-234-03
	098607-01-702	EA DIAPHRAGM-KIT SHURFLOW# 94-233-10
	098607-01-703	EA VALVE ASM SHURFLOW# 94-232-00
	098607-01-704	EA HOUSING-UPPER SHURFLOW# 94-231-01
	098607-01-705	EA CHECK VALVE-KIT SHURFLOW# 94-237-00
	098607-01-706	EA SWITCH ASM-COMplete SHURFLOW# 94-230-00
	098607-01-707	EA MOTOR/BASEPLATE REPLACEMENT SHURFLOW# 94-234-03

**WATER & SEWAGE GROUP (CONTINUED)
WATER HEATER W/MOTOR AID**

KEY	PART NUMBER	U/M DESCRIPTION
	051391-02-000	EA HEATER-WATER, ATWOOD G4-SM
	051391-01-700	EA HINGE KIT-W/CLIP, ATWOOD# 92563 & 92559
	051391-01-704	EA VALVE-RELIEF, 1/2" FITTING - ATWOOD# 91604
	051391-01-705	EA FASTENER-CAMLOC, ATWOOD# 92609
	051391-01-706	EA GRILLE-EXHAUST, ATWOOD# 92787
	051391-01-708	EA BURNER-MAIN, 3E ONLY - ATWOOD# 92615
	051391-01-709	EA PILOT ASM-W/THRM.COUPLE & TUBE - ATWOOD# 91603
	051391-01-710	EA ORIFICE-MAIN BURNER, ATWOOD# 92742
	051391-01-711	EA ELBOW-ORIFICE, MAIN BURNER - ATWOOD# 92741
	051391-01-712	EA THERMOSTAT-3/8" NPT INLET - ATWOOD# 91501
	051391-01-714	EA ELBOW-45 DEGREE, 3/8" F X 3/8" MPT - ATWOOD# 91044
	051391-01-715	EA DRAIN PLUG, ATWOOD# 91561
	051391-02-700	EA TANK-INNER FOR G4SM - ATWOOD# 91414
	008042-01-000	FT TUBING-VINYL, 65" ID

EXTERIOR SHOWER OPTION L64R

KEY	PART NUMBER	U/M DESCRIPTION
	046128-01-000	EA VALVE-DRAIN, PLASTIC - 1/2" FPT
	075241-05-000	EA FAUCET-SHOWER, BONE
	103092-01-000	EA SHOWER HEAD-W/ED HOSE
	103092-01-700	EA BRACKET ONLY-CLEAR, F/SHOWER HEAD - 2328028
	095527-02-000	EA BRACKET-SQUEEGEE/SHOWER HEAD
		FROM 10-02-92 THRU 99-99-99
	091952-02-000	EA CLIP-GRIPPER, 3/4"
		FROM 10-02-92 THRU 99-99-99
	108355-02-01A	EA COVER-SWITCH W/DIMPLES CARLING VVAZCOO BLA
	108357-08-000	EA SWITCH-ROCKER, DPDT - ON/NONE/ON - CARLING VDD1500C-0
	096241-03-000	EA SWITCH-BLANK

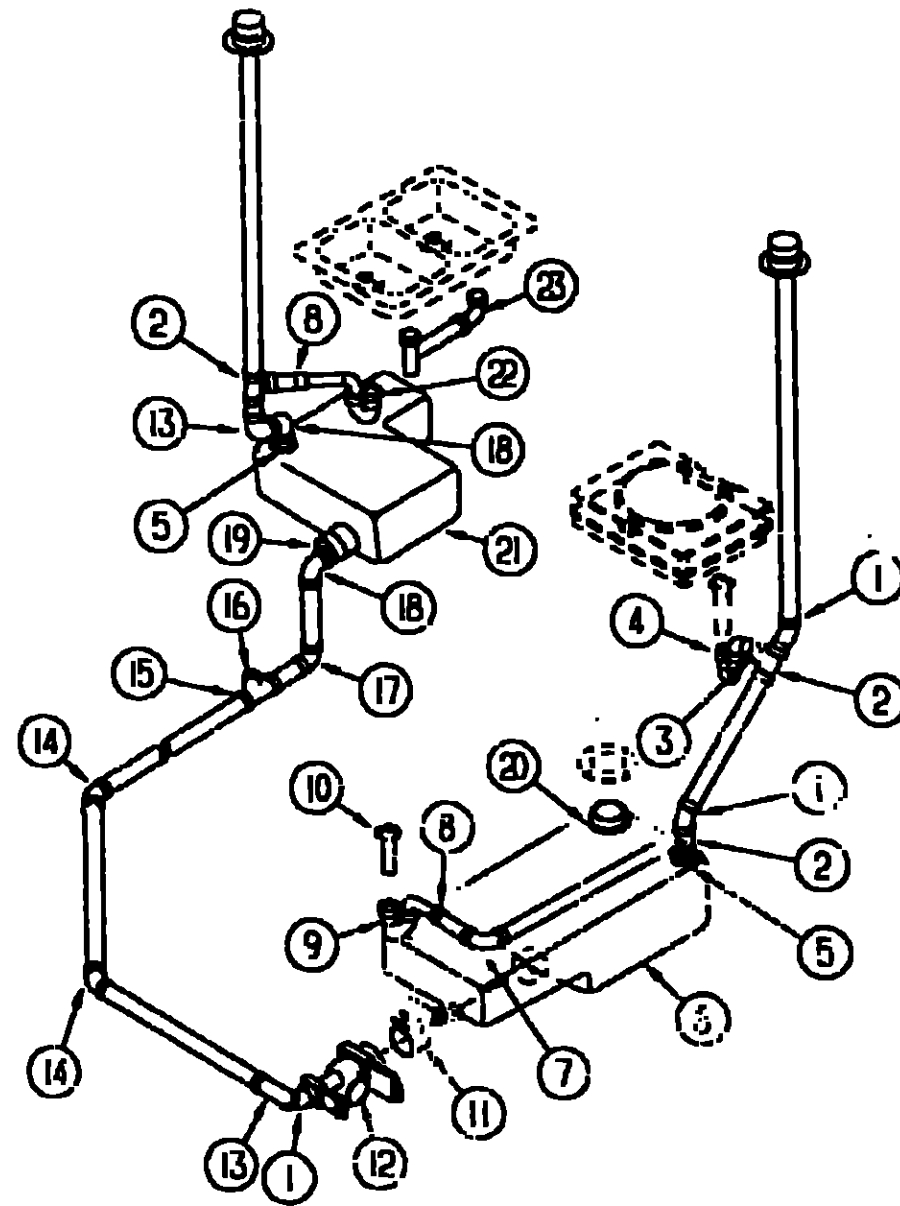
**1993 ITASCA
TABLE OF CONTENTS**

INTRODUCTION	A-01	A-02
ABBREVIATIONS		A-03
ALPHABETICAL INDEX	A-04	A-05
IT321RB	A-07	C-24
IT321RL	D-01	F-18
IT321RD	F-19	I-12

1993 IT321RD INDEX

FLOOR PLAN	F-19	F-20
ACCESSORIES		F-21
AUDIO/VIDEO		F-22
BATH	F-23	F-24
CHASSIS	G-01	G-02
CURTAIN & CUSHION	G-03	G-09
DINETTE	G-10	G-11
DRIVERS COMPARTMENT		G-11
ELECTRICAL	G-14	G-17
EXTERIOR BODY	G-13	G-22
GALLEY	G-23	H-02
GENERATOR		H-03
HEATING & A/C		H-04
INTERIOR FINISH	H-05	H-08
LABELS	H-09	H-14
LP		H-15
LOUNGE		H-16
SEALANTS & FASTENERS	H-17	H-18
WATER & SEWAGE	H-19	H-22
WINDOW, VENT AND EXTERIOR DOOR	H-23	I-12

WATER & SEWAGE GROUP (CONTINUED)
DRAINAGE SYSTEM



KEY	PART NUMBER	U/M DESCRIPTION
1	010051-01-000	EA ELBOW-45 DEG BEND, 1 1/2" SPIGOT AND HUB - PLASTIC - BLACK
2	010079-01-000	EA TEE-SANITARY 1 1/2" H X 1 1/2" H X 1 1/4" H - PLASTIC - BLACK
3	109571-01-000	EA ADAPTER-P-TRAP, 1 1/2" P X 1 1/4" MPT
4	053335-01-000	EA P-TRAP, 1 1/4" HUB X HUB, W/UNION
5	061607-01-000	EA GROMMET-HOLDING TANK, 1 1/2" NPS
6	108387-01-000	EA TANK-HOLDING, 20 GAL - 954 MM X 413 MM X 284 MM
7	039861-01-000	EA SENDING UNIT W/SCREW, WASHER, WELL NUT AND TERMINAL RING
8	031111-01-000	EA ELBOW-90 DEG, 1/4 BEND - 1 1/4" - BLACK PLASTIC
9	107537-01-000	EA ADAPTER-P-TRAP, 1 1/4" SLIP
9	107538-01-000	EA P-TRAP-PLASTIC, 1 1/4" W/EXT. ARM - US
9	011066-03-700	EA P-TRAP KIT-1 1/2" X 1 1/4" P-TRAP W/1 1/2" TO 1 1/4" REDUCER - CANADIAN
10	011069-03-000	EA TAILPIECE-SHOWER/TUB, 1 1/2" X 1 3/4" - PLASTIC
11	078405-01-000	EA COUPLER-RUBBER, W/CLAMPS - 3" X 3"
12	070916-01-000	EA VALVE-DUAL DUMP, W/CAP - 3" X 1 1/2" - PLASTIC - BLACK
	070916-01-700	EA VALVE ONLY, 3"
	070916-01-701	EA VALVE ONLY, 1 1/2"
	062415-01-000	EA CAP-SEWER 3" DIAMETER
	062415-01-700	EA STRING SEWER CAP
	010201-01-000	EA HOSE-SEWER 3" ID X 8'
	062416-01-000	EA ADAPTER-SEWER HOSE TO 3" PIPE
13	033761-01-000	EA ELBOW-TURN, 1/4 BEND X 1 5" HUB X 1 5" SPIGOT - PLASTIC - BLACK
14	010006-01-000	EA ELBOW-45 DEG, 1/8 BEND - 1 1/2" HUB X HUB - BLACK PLASTIC
15	010073-01-000	EA WYE-45 DEG, 1 1/2" HUB X HUB X HUB - BLACK PLASTIC
16	010166-01-000	EA PLUG-THREADED, 1 1/4" DIAMETER - PLASTIC - BLACK
16	010121-01-000	EA BUSHING-REDUCER, 1 1/2" SMOOTH X 1 1/4" HUB - PLASTIC - BLACK
16	050787-01-000	EA ADAPTER-CLEANOUT, NIBCO 5803-2
17	010008-01-000	EA ELBOW-90 DEG 1/4 BEND - 1 1/2" HUB X HUB - BLACK PLASTIC
18	034250-01-000	EA ELBOW-90 DEG, LONG TURN - 1 1/2" HUB X HUB - ABS
19	062422-01-000	EA ADAPTER-OFFSET REDUCER, 3" X 1 1/2" - PLASTIC - BLACK
20	061607-02-000	EA GROMMET HOLDING TANK, 3" NPS
21	108388-01-000	EA TANK-HOLDING, 8 GAL - 532 MM X 500 MM X 188 MM
	039861-01-000	EA SENDING UNIT W/SCREW, WASHER, WELL NUT AND TERMINAL RING
22	107538-01-000	EA P-TRAP-PLASTIC, 1 1/4" W/EXT ARM - US
22	011071-01-000	EA P-TRAP-1 1/2", PLASTIC - CANADIAN
23	011091-02-000	EA PIPE DRAIN, W/SEAL - DOUBLE SINK - BAFFLE TEE - 1 1/2" - US
23	011091-03-000	EA PIPE DRAIN, W/SEAL - DOUBLE SINK - EXTENDS 9" TO 16" - CANADIAN

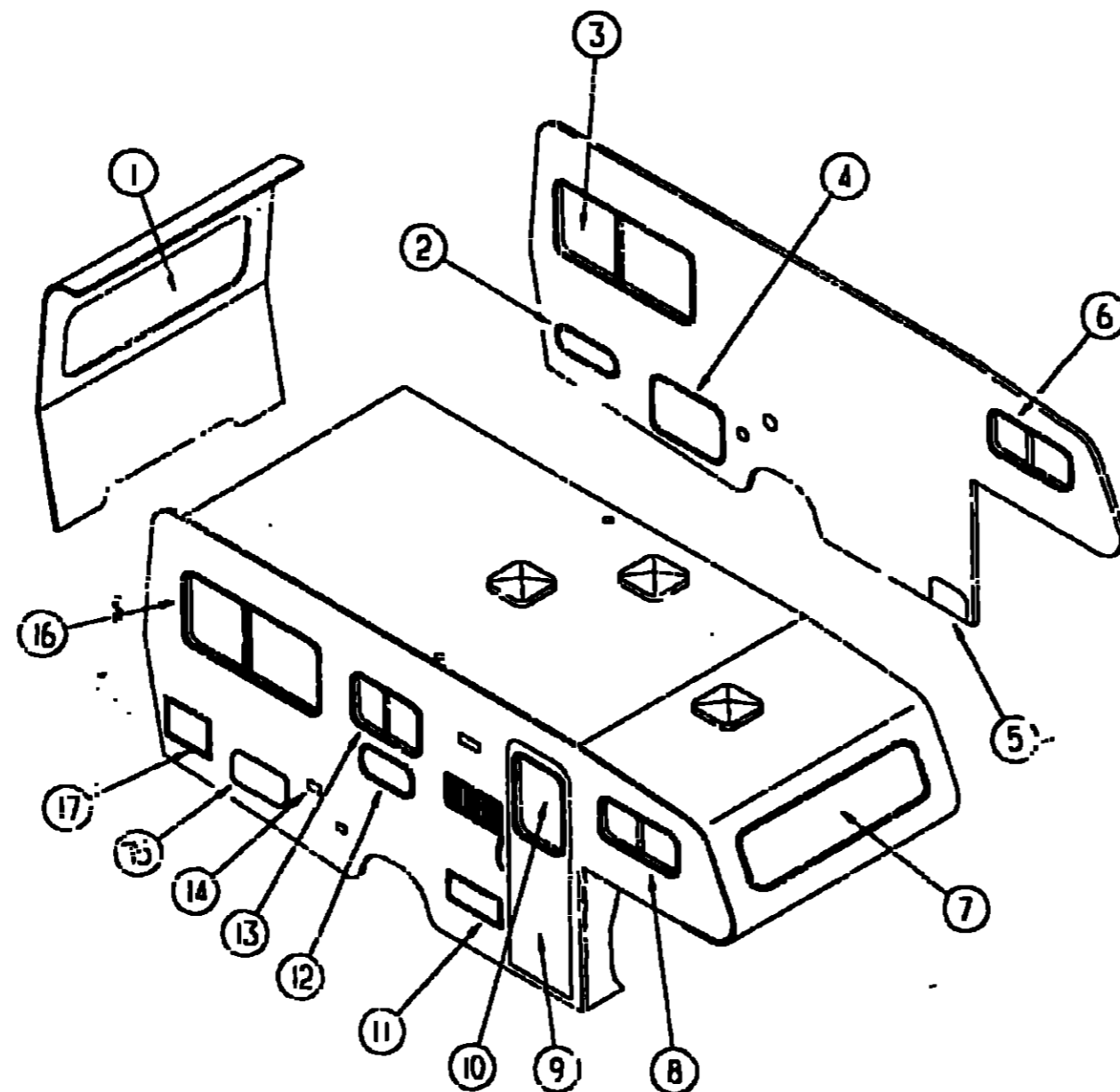
1993 ITASCA
TABLE OF CONTENTS

INTRODUCTION	A-01	A-02
ABBREVIATIONS		A-03
ALPHABETICAL INDEX	A-04	A-05
IT321RB	A-07	C-24
IT321RL	D-01	F-19
IT321RD	F-19	I-12

1993 IT321RD INDEX

FLOOR PLAN	F-19	F-0
ACCESSORIES		F-21
AUDIO VIDEO		F-22
BATH	F-23	F-24
CHASSIS	G-01	G-02
CURTAIN & CUSHION	G-03	G-09
DINETTE	G-10	G-12
DRIVERS COMPARTMENT		G-13
ELECTRICAL	G-14	G-17
EXTERIOR BODY	G-18	G-22
GALLEY	G-23	H-02
GENERATOR		H-03
HEATING & A/C		H-04
INTERIOR FINISH	H-05	H-08
LABELS	H-09	H-14
LP		H-15
LOUNGE		H-15
SEALANTS & FASTENERS	H-17	H-18
WATER & SEWAGE	H-19	H-22
WINDOW, VENT AND		
EXTERIOR DOOR	H-23	I-12

WINDOW, VENT & EXTERIOR DOOR GROUP
WINDOWS & DOORS



**1993 ITASCA
TABLE OF CONTENTS**

INTRODUCTION	A-01 -	A-02
ABBREVIATIONS		A-03
ALPHABETICAL INDEX	A-04 -	A-05
IT321RB	A-07 -	C-23
IT321RL	D-01 -	F-18
IT321RD	F-19	I-17

1993 IT321RD INDEX

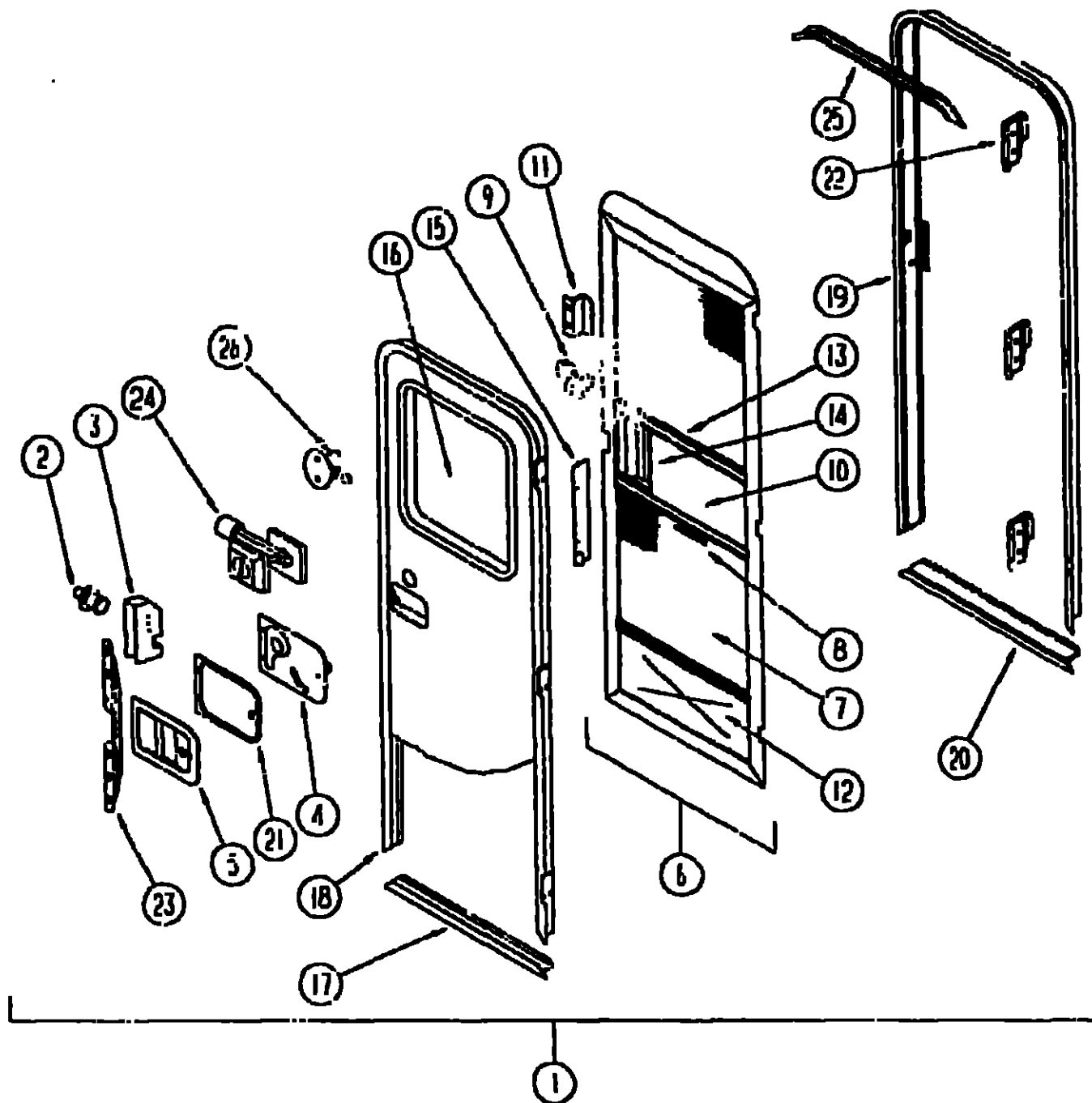
FLOOR PLAN	F-19 -	F-20
ACCESSORIES		F-21
AUDIO VIDEO		F-22
BATH	F-23 -	F-24
CHASSIS	G-01 -	G-02
CURTAIN & CUSHION	G-03 -	G-09
DINETTE	G-10 -	G-12
DRIVERS COMPARTMENT		G-13
ELECTRICAL	G-14 -	G-17
EXTERIOR BODY	G-18 -	G-22
GALLEY	G-23 -	H-02
GENERATOR		H-03
HEATING & A/C		H-04
INTERIOR FINISH	H-05 -	H-08
LABELS	H-09 -	H-14
LP		H-15
LOUNGE		H-16
SEALANTS & FASTENERS	H-17 -	H-18
WATER & SEWAGE	H-19 -	H-22
WINDOW, VENT AND EXTERIOR DOOR	H-23	I-12

KEY	PART NUMBER	U/M DESCRIPTION
1	078536-01-T03	EA WINDOW-ESCAPE BACKWALL - 23" X 68"
2	078720-02-T15	EA DOOR-COMPARTMENT LP - 16 9" X 5 4" - ALUMINUM - OFF WHITE
3	098647-17-01A	EA WINDOW-SLIDING W/WHITE INSIDE FRAME - EXCEL H021-PRL
4	102038-01-B05	EA DOOR-GENERATOR W/POWER CORD HATCH 24" X 15 7" - OFF WHITE
4	102038-02-B05	EA DOOR-LUGGAGE W/POWER CORD HATCH 16 1" X 24 5" - OFF WHITE
4	009425-02-000	EA HATCH-DOOR POWER CORD - OFF WHITE
5	079455-09-E05	EA DOOR-BATTERY, 13 2" X 8" - OFF WHITE
6	098547-19-01A	EA WINDOW-DRIVER SIDE, W/WHITE INSIDE FRAME - EXCEL B951-PRL
7	103713-02-C09	EA WINDOW-PICTURE 58 6" X 11 6" - W/O INSIDE FRAME
8	098647-18-01A	EA WINDOW-PASSENGER SIDE W/WHITE INSIDE FRAME - EXCEL B951-PRR
9	M01870-38-D24	EA DOOR-ENTRANCE W/WINDOW & SCREEN DOOR
10	J79733-07-AAB	EA WINDOW-ENTRY DOOR, 17" X 25" - FROSTED GLASS - W/O INSIDE FRAME
	*02768-01-000	EA HCLDR COMPARTMENT-ENTRY DOOR METAL - MILL FINISH

KEY	PART NUMBER	U/M DESCRIPTION
11	084103-03-000	EA DOOR-REFRIGERATOR VENTED W/O JAMB - OFF WHITE
	084104-01-700	EA LOCK-MALE, FASTENER - REFRIGERATOR DOOR
	084104-01-701	EA LOCK-FEMALE, FASTENER - REFRIGERATOR DOOR
11	084104-02-000	EA JAMB-DOOR, REFRIGERATOR - OFF WHITE
12	105118-02-C05	EA DOOR-EXTERIOR SHOWER, 17 5" X 7 6"
13	098647-06-02A	EA WINDOW-SLIDING, W/OFF WHITE INSIDE FRAME - EXCEL B969PRR
14	081240-03-000	EA DOOR-WATER FILL, LOCKABLE, 4" X 4 5/8" - OFF WHITE
15	106987-01-C05	EA DOOR-STORAGE, 22 1" X 11 1/2" - OFF WHITE - TWIN BED OPTION
15	098647-1E-01A	EA WINDOW-SLIDING, W/WHITE INSIDE FRAME - EXCEL H021-PRR
17	052009-01-000	EA DOOR-WATER HEATER OFF WHITE - ATWOOD 5576-27

WINDOW, VENT & EXTERIOR DOOR GROUP (CONTINUED)

ENTRY DOOR



KEY	PART NUMBER	U/M DESCRIPTION
1	M01870-38-D24	EA DOOR-ENTRANCE, W/WINDOW & SCREEN DOOR
2	039539-01-000	EA STRIKE LOCK ENTRY DOOR - ROUND/THREADED WASHER
3	035540-01-000	EA LATCH MECHANISM-HOOK, ENTRY DOOR - INTERIOR
4	035715-01-000	EA NUT-SERT, 1/4" DIAMETER - 20 THREADS
4	039979-04-000	EA COVER-INTERIOR LATCH, W/TRIP ARM - RIGHT - BLACK
	039984-01-000	EA CAP-ROUND, VINYL - 28" ID X 62" LONG - BLACK
	041546-03-000	EA BRACKET-DOOR ANGLE, 5" X 1 9/16" - BEIGE - METAL
5	045017-11-000	EA LATCH ENTRY DOOR MECHANISM W/LOCK & KEY - BLACK
	045017-11-701	EA KEY-BLANK ROUND TOP - SILVER - TRIMARK
	056746-01-000	EA PLUG-CAP, 1" DIAMETER
	058025-02-000	EA CLIP-ROLLER LATCH CATCH, SCREEN DOOR
	058805-01-000	EA PLUG-TAPERED, PLASTIC - 9/16" DIA - RED
	058806-03-000	EA PLUG-TAPERED, PLASTIC - 1 05" DIA - RED
	063729-04-000	EA RIVNUT, 10-32 UNF - 010-090
	072853-01-000	EA NUTSERT-M5 X 0, 8
	075671-04-000	FT SEAL-SPONGE, LAZY T SHAPE - W/ADHESIVE STRIPE - 5 1/2" WIDE
6	079012-04-AA3	EA DOOR-SCREEN
7	002293-02-000	SF SCREENING-WINDOW/DOOR, 26" - CHARCOAL
8	002294-01-000	FT SPLINE-SCREENING, 135" X 138" - BLACK
	002748-01-000	EA CORNER KEY-DOOR
9	109403-01-000	EA CATCH-SINGLE ROLLER, SCREEN DOOR
10	001014-01-013	EA INSERT-CENTER, 10 25" X 16 31" - UNPAINTED
11	050712-04-000	EA HANDLE-SCREEN DOOR ALUMINUM - OFF WHITE
11	050712-05-000	EA HANDLE-SCREEN DOOR, UNPAINTED
12	078552-05-000	EA INSERT-SCREEN DOOR LOWER - MILL
	078595-02-000	EA PLATE-SCREEN DOOR
13	078777-03-000	EA CHANNEL-SLIDE, SCREEN DOOR CENTER SLIDER COVER - 17 4"
14	079085-02-000	EA SLIDER-SCREEN DOOR OFF WHITE
15	079097-02-000	EA STRIKE-SLIDER, W/LIP FOR ELBOW CATCH - 1 5" X 8 6" - OFF WHITE
16	057609-32-000	EA FRAME-WINDOW, ENTRY DOOR - OFF WHITE
16	079733-07-AA8	EA WINDOW-ENTRY DOOR, 17" X 25" - FROSTED GLASS
16	002181-07-000	EA GLASS-WINDOW, 16 25" X 16 25" X 24" - FROSTED
16	087561-01-000	FT SEAL-GLASS, EXTERIOR - 5" WIDE - VINYL - BLACK
16	079370-04-000	FT COVER-SCREW, WINDOW - VINYL - BLACK
	081914-01-000	EA BUMPER-RUBBER, ROUND - 43" DIAMETER - BLACK
17	089748-05-000	EA FRAME-DOOR, ENTRANCE - BOTTOM - OFF WHITE
	090340-01-000	FT SEAL-FOAM, CLOSED CELL - 1/4" X 1/2" X 50'
18	095276-02-01A	EA FRAME-DOOR, ENTRANCE - TOP & SIDES - OFF WHITE
19	095277-03-01A	EA JAMB-ENTRY DOOR W/BOTTOM, OFF WHITE
20	051049-04-000	EA JAMB-DOOR, ENTRANCE - BOTTOM - UNPAINTED
	075207-01-000	EA STRIKER-ROLLER CATCH, WELDED TO DOOR JAMB - 4" X 1 15/16"
21	096810-01-01A	EA PLATE-LATCH, ENTRY DOOR - PLASTIC - BLACK
22	097724-01-04A	EA HINGE-ENTRY DOOR, UNPAINTED
23	098173-01-04A	EA STIFFENER-ENTRY DOOR, SUPPORTS LATCH/STRIKE - UNPAINTED
	100128-02-000	FT SEAL-PILE, ADHESIVE BACK - SCREEN DOOR - GRAY
24	101145-01-01A	EA DEADBOLT-ENTRY DOOR, W/2 KEYS W/O BOLT OR SCREWS
	095229-01-700	EA KEY-BLANK, DEADBOLT
	101147-01-000	EA BOLT-SECURITY, 4 1/2" BACKSET
	102524-01-000	EA BUMPER-RUBBER, FLAT - BLACK
25	044582-26-000	EA CAP-DRIP, DOOR JAMB MOUNTED - OFF WHITE
	075639-12-000	EA GARNISH-ENTRANCE DOOR, OFF WHITE
26	100412-01-000	EA CATCH-SCREEN DOOR, THUMB CLIP W/BLACK PLASTIC CAP
	076725-01-000	EA COVER-ACCESS-HINGE - 6" X 3 2" - PLASTIC - BEIGE
	009126-02-000	EA HANDLE-ASSIST, ENTRY DOOR - BLACK
	077461-03-000	EA COVER-STRIKE ENTRY DOOR - 6 5" X 2 5" - PLASTIC - WHITE
	102242-01-000	EA SHIM-DOOR

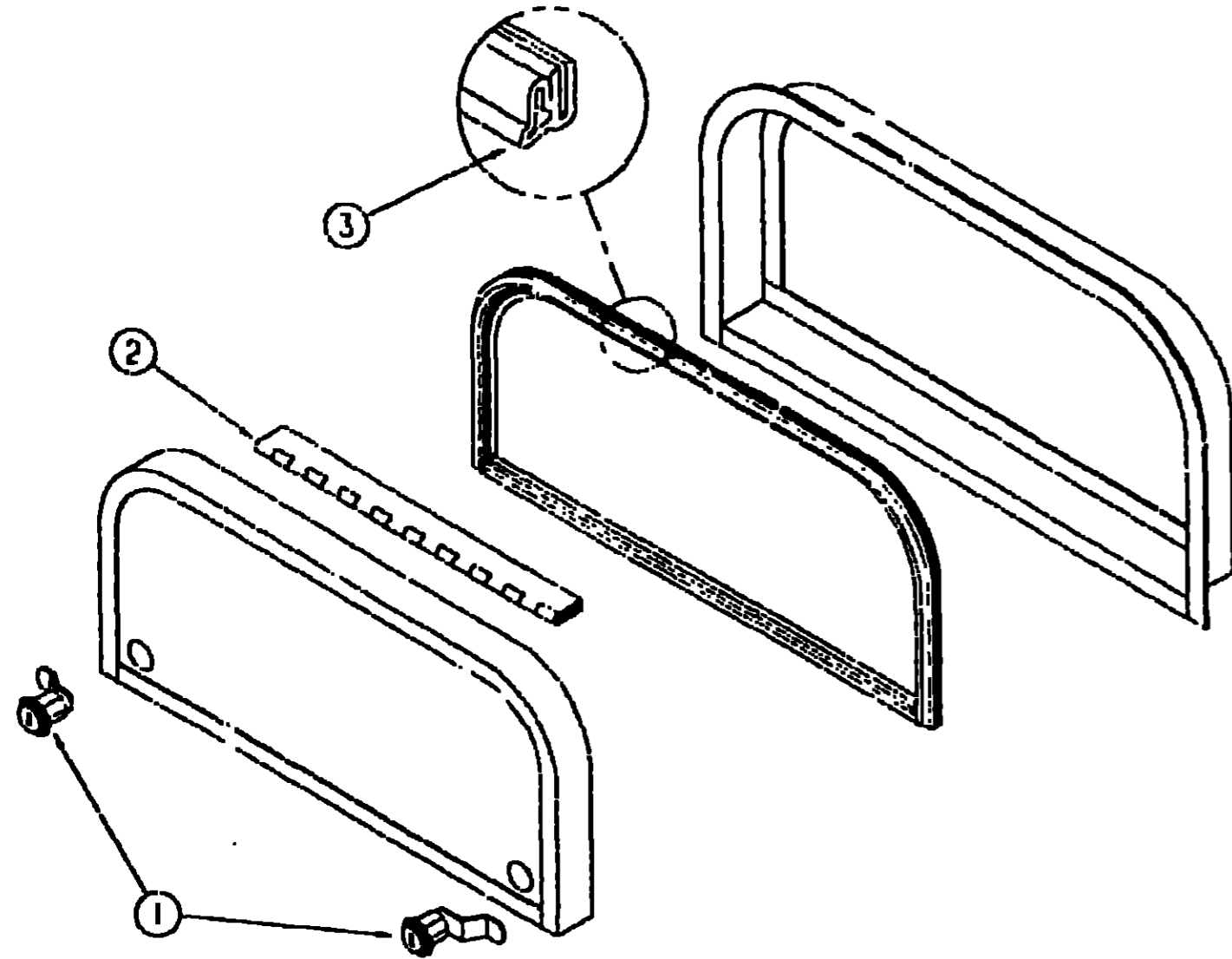
1993 ITASCA
TABLE OF CONTENTS

INTRODUCTION	A-01	A-02
ABBREVIATIONS		A-03
ALPHABETICAL INDEX	A-04	A-06
IT321HB	A-07	C-24
IT321RL	D-01	F-19
IT321RD	F-15	I-12

1993 IT321RD INDEX

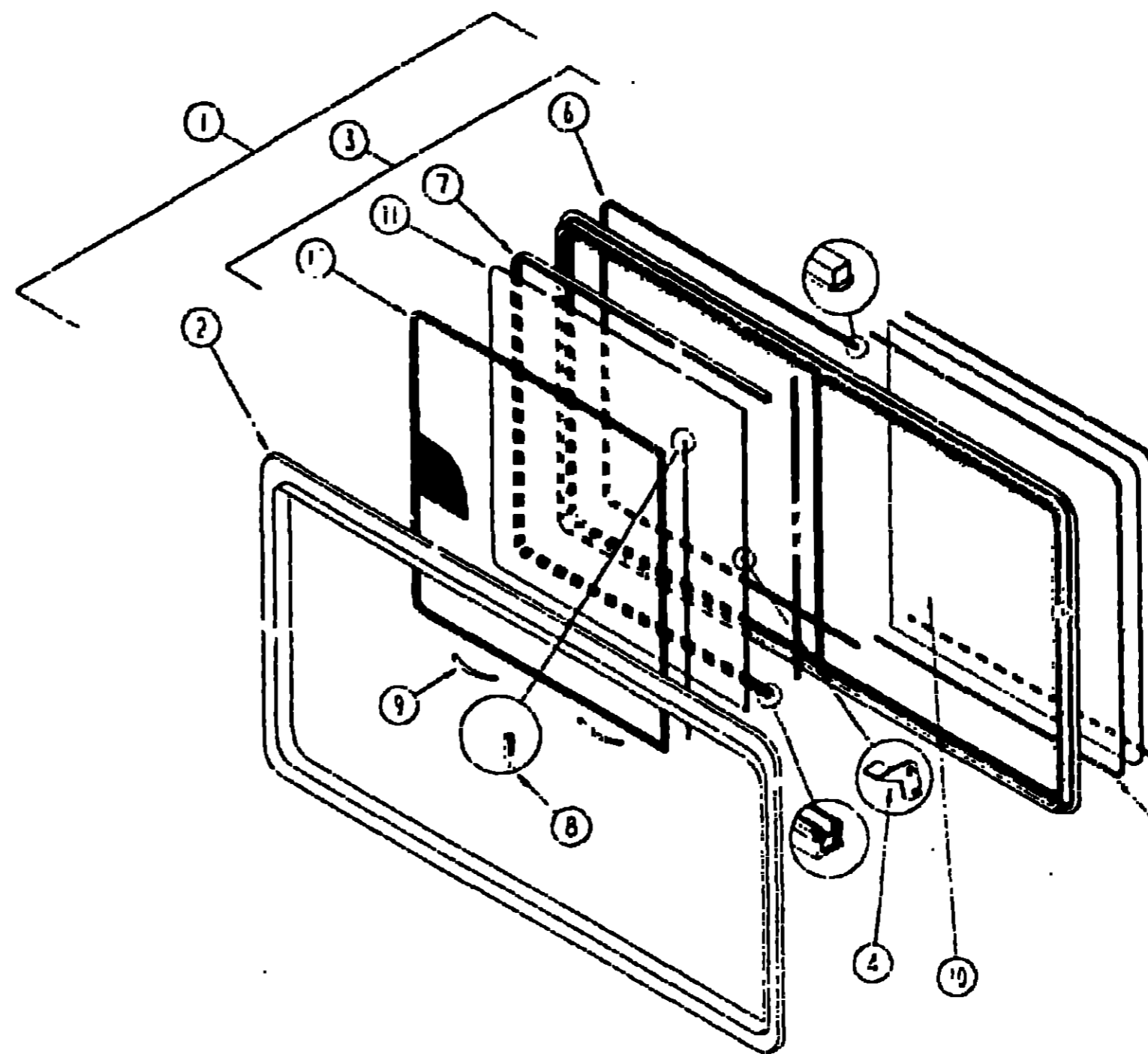
FLOOR PLAN	F-19	F-20
ACCESSORIES		F-21
AUDIO VIDEO		F-22
BATH	F-23	F-24
CHASSIS	G-01	G-02
CURTAIN & CUSHION	G-03	G-09
DINETTE	G-10	G-12
DRIVER'S COMPARTMENT		G-13
ELECTRICAL	G-14	G-17
EXTERIOR BODY	G-18	G-22
GALLEY	G-23	H-02
GENERATOR		H-03
HEATING & A/C		H-04
INTERIOR FINISH	H-05	H-08
LABELS	H-09	H-14
LP		H-15
LOUNGE		H-15
SEALANTS & FASTENERS	H-17	H-19
WATER & SEWAGE	H-19	H-22
WINDOW, VENT AND EXTERIOR DOOR	H-23	I-12

WINDOW, VENT & EXTERIOR DOOR GROUP (CONTINUED)



EXTERIOR DOORS

WINDOW, VENT & EXTERIOR DOOR GROUP (CONTINUED)



DRIVER SIDE REAR SINGLE SLIDING WINDOW

1993 ITASCA
TABLE OF CONTENTS

INTRODUCTION	A-01	A-02
ABBREVIATIONS		A-03
ALPHABETICAL INDEX	A-04	A-06
IT321RB	A-07	C-24
IT321RL	D-01	F-18
IT321RD	F-19	I-12

1993 IT321RD INDEX

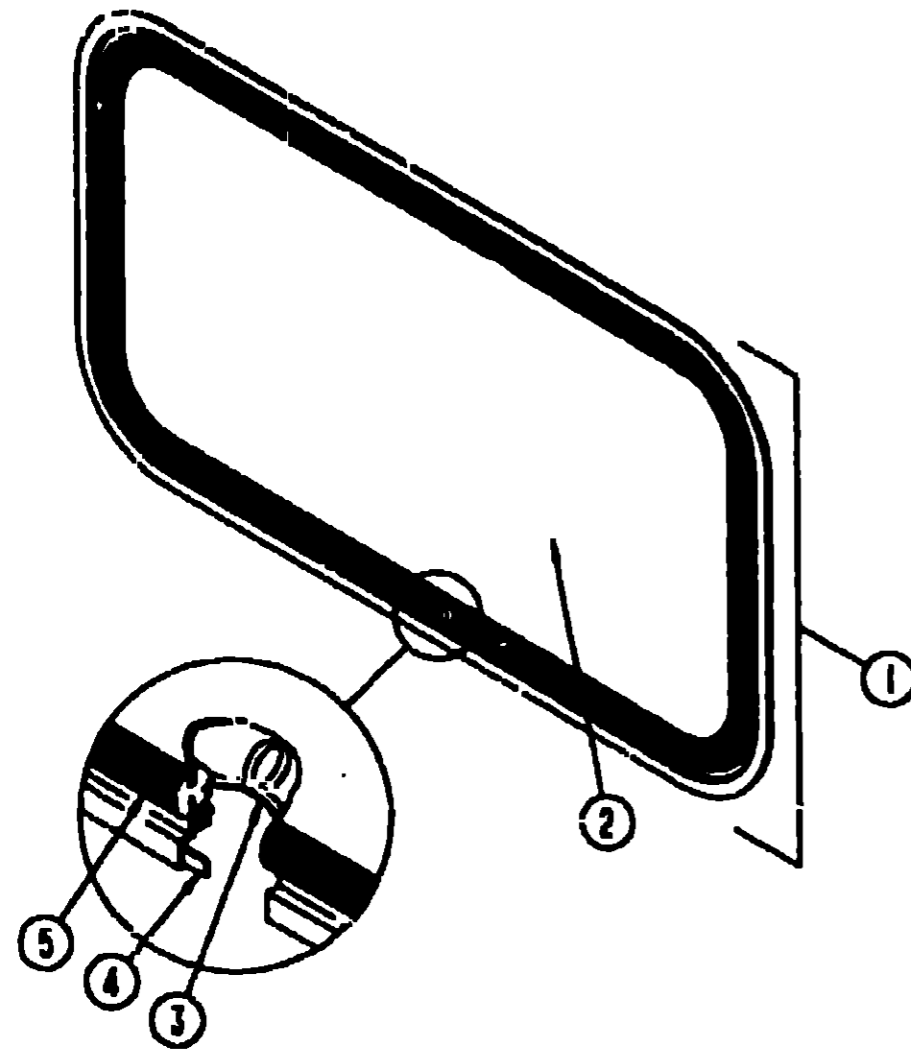
FLOOR PLAN	F-19	F-20
ACCESSORIES		F-21
AUDIO VIDEO		F-22
BATH	F-23	F-24
CHASSIS	G-01	G-02
CURTAIN & CUSHION	G-03	G-09
DINETTE	G-10	G-12
DRIVERS COMPARTMENT		G-13
ELECTRICAL	G-14	G-17
EXTERIOR BODY	G-18	G-22
GALLEY	G-23	H-02
GENERATOR		H-03
HEATING & A/C		H-04
INTERIOR FINISH	H-05	H-08
LABELS	H-09	H-14
LP		H-15
LOUNGE		H-16
SEALANTS & FASTENERS	H-17	H-18
WATER & SEWAGE	H-19	H-22
WINDOW VENT AND EXTERIOR DOOR	H-23	I-12

KEY	PART NUMBER	U/M DESCRIPTION
1	079366-04-000	EA LOCK-DOOR KEY TYPE W/O KEYS - 1 9 OFF SET
	083223-03-000	EA LOCK-KEY TYPE (SET OF 1) W/O KEY (LUGGAGE DOOR)
	092684-01-700	EA KEY-COMPARTMENT DOOR LOCK BH024
	009093-01-000	EA LOCK-TWIST TYPE W/CLIP
	079927-03-000	EA LOCK-TWIST TYPE DOUBLE CAM - 2 10" OFF SET - TWIN RED OPTION
2	034007-40-000	EA HINGE-PIANO, 1 5" X 96" - ALUMINUM - OFF WHITE
2	009065-01-000	EA HINGE-ALUMINUM 1 1/2" X 96" - UNPAINTED
2	081801-02-000	EA HINGE-2" X 96" - OFF WHITE
3	054075-07-000	FT SEAL-BULB W/WIRED U-CHANNEL - 3" X 5" CHANNEL - BLACK
	002746-01-000	EA CORNER KEY-DOOR
	091876-01-000	EA RETAINER-DOOR 1 9" X 8" - METAL
	090340-01-000	FT SEAL-FOAM, CLOSED CELL - 1/4" X 1/2" X 50'
	104692-01-000	FT SEAL-ADHESIVE BACK, 3/4" X 3/4"
	107997-51-001	EA SPACER- 86" X 6", ALUMINUM - EXTERIOR SHOWER
	105833-01-000	EA BEAUTY RING, 67" X 78" ID - STAINLESS STEEL - HUDSON LOCK EXTERIOR SHOWER
	109834-01-000	EA WASHER- 64" X 752" ID, STAINLESS STEEL - EXTERIOR SHOWER

KEY	PART NUMBER	U/M DESCRIPTION
1	098547-17-01A	EA WINDOW-SLIDING W/WHITE INSIDE FRAME - EXCEL H021-PRL
2	098547-15-700	EA FRAME-INSIDE WHITE - EXCEL V402-67
3	098547-17-700	EA WINDOW-SINGLE SLIDER W/O INSIDE FRAME EXCEL H021-G2
4	098544-01-700	EA LATCH-REPAIR KIT EXCEL B801-CX
	098544-01-716	FT PLUG-FILLER, EXCEL 132 014470
	098544-01-717	FT SPLINE-SCREEN, EXCEL 132-004716
5	098544-01-705	FT GLAZING STRIP, EXCEL M926-12
6	098544-01-706	FT WEATHERSTRIP, EXCEL 171-010653
7	098544-01-708	FT CHANNEL-PIERCED RUN EXCEL 122-015543
	098544-01-710	FT TRACK-SCREEN SPACER, 12" LENGTH - EXCEL M401-31
8	098544-01-711	FT WEATHERSTRIP-SCREEN, BLACK - EXCEL 171-016955
9	098544-01-713	EA SPRING-SCREEN FRAME (CLIP), PLASTIC - BLACK
10	098547-15-701	EA GLASS-STATIONARY, EXCEL 106018466
	098547-08-705	EA RAIL-LOCKING W/WEATHERSTRIP, EXCEL H022-17
11	098547-15-702	EA GLASS-SLIDING, W/SASH & LATCH - EXCEL 5881-G9
12	098547-15-703	EA SCREEN W/WEATHERSTRIP & FRAME SPRING, EXCEL 40016428

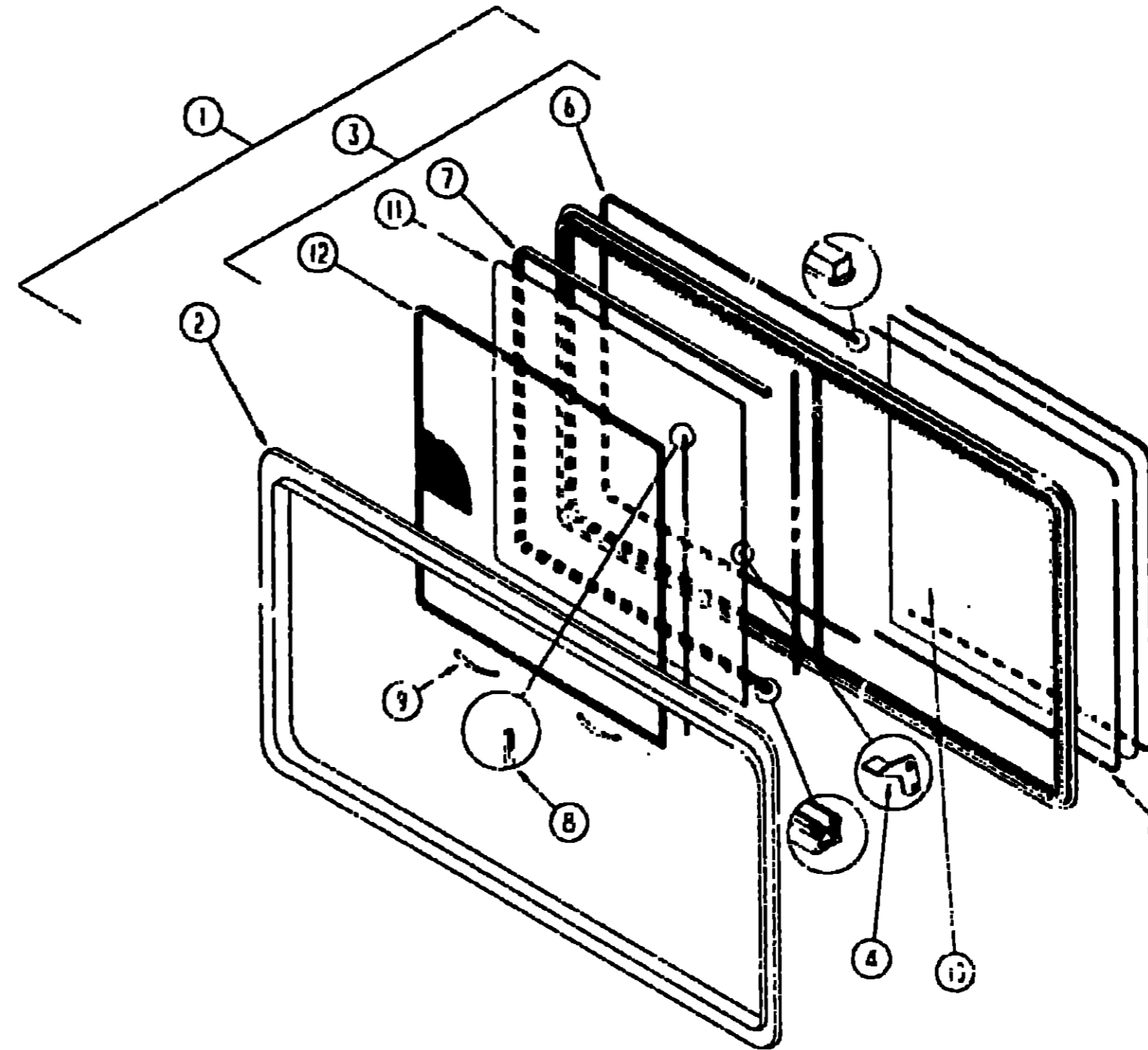
1993 ITASCA
TABLE OF CONTENTS

INTRODUCTION	A-01	A-02
ABBREVIATIONS		A-03
ALPHABETICAL INDEX	A-04	A-05
IT321RB	F-07	C-24
IT321RL	D-01	F-18
IT321RD	F-19	I-12



BACKWALL ESCAPE WINDOW

KEY	PART NUMBER	U/M DESCRIPTION
	042027-13-000	EA FRAME-WINDOW, INSIDE - 58" X 24 1/2" - OFF WHITE
1	078535-01-T03	EA WINDOW-ESCAPE, BACKWALL - 23" X 68"
2	002178-01-000	EA GLASS-19 1/2" X 64 1/8"
3	002285-01-000	FT FILLER-WEATHER STRIP, RUBBER - BLACK
4	059540-11-000	FT SEALER-TAPE, 3/16"X3/8" BLACK
5	002282-08-000	EA WEATHERSTRIP-WINDOW, 125" - BLACK
	077055-01-702	EA TAPE ASM-ESCAPE WINDOW RED



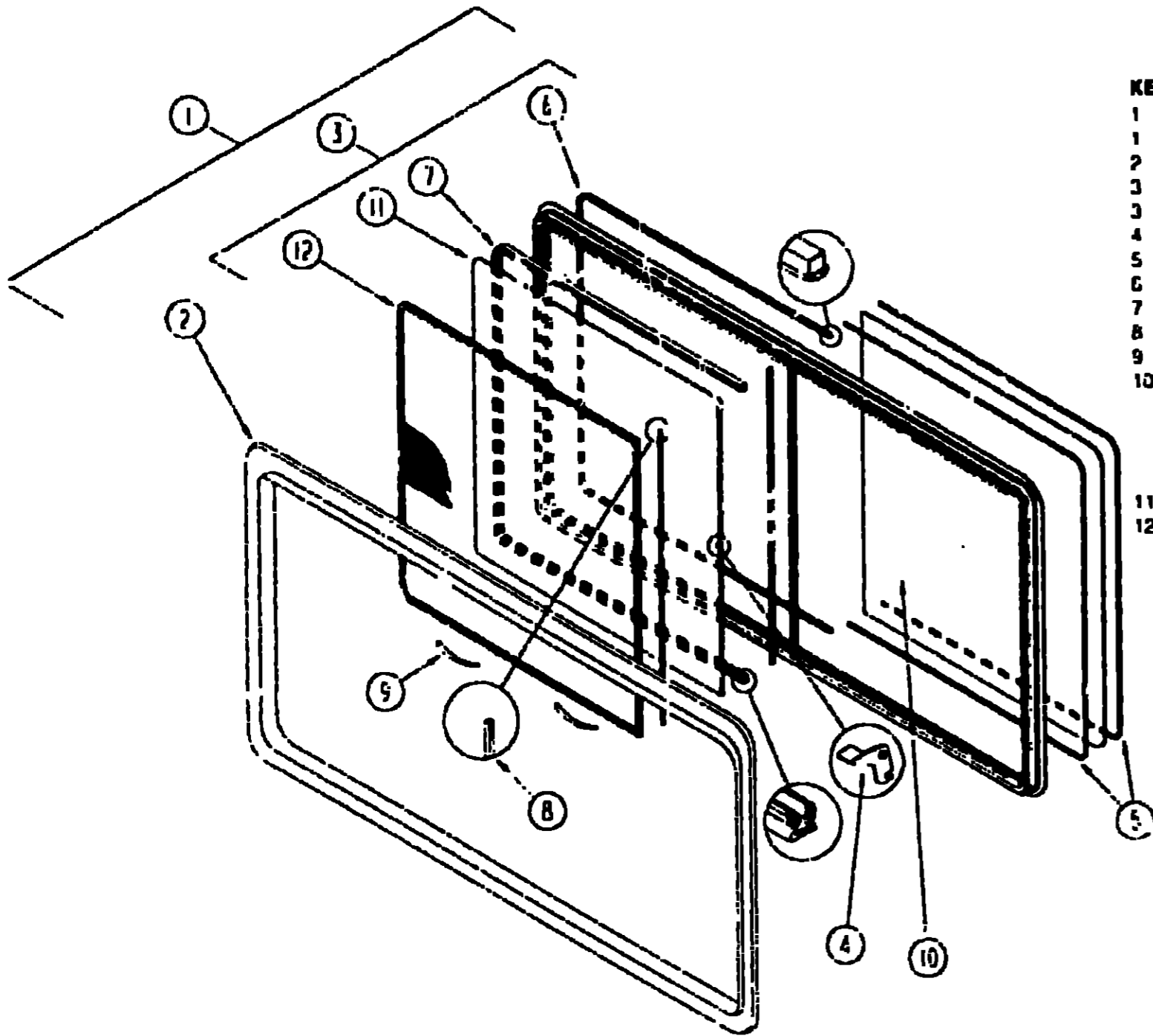
GALLEY SINGLE SLIDING WINDOW

KEY	PART NUMBER	U/M DESCRIPTION
1	098647-05-02A	EA WINDOW-SLIDING W/OFF WHITE INSIDE FRAME - EXCEL B969PRR
2	098647-05-705	EA FRAME-INSIDE, OFF WHITE - EXCEL V959-57
3	098647-05-705	EA WINDOW-SLIDING SINGLE - W/O INSIDE FRAME - 15" X 23 7/8" - EXCEL B969-G2R
4	098644-01-700	EA LATCH-REPAIR KIT EXCEL B801-CK
	098644-01-715	FT PLUG-FILLER, EXCEL 132-014470
	098644-01-717	FT SPLINE-SCREEN EXCEL 132-004716
5	098644-01-705	FT GLAZING STRIP, EXCEL M926-12
6	098644-01-705	FT WEATHERSTRIP EXCEL 171-010668
7	098644-01-708	FT CHANNEL-PIERCED RUN EXCEL 122-016543
	098644-01-710	FT TRACK-SCREEN SPACER, 12" LENGTH - EXCEL M401-31
8	098644-01-711	FT WEATHERSTRIP-SCREEN, BLACK - EXCEL 171-016565
9	098644-01-713	EA SPRING-SCREEN FRAME (CLIP), PLASTIC - BLACK
10	098647-05-700	EA GLASS-STATIONARY, 10 9/16" X 13 7/8" - EXCEL 106-015921
	098647-05-701	EA RAIL-LOCKING W/WEATHERSTRIP, EXCEL B938-17
11	098647-05-702	EA GLASS-SLIDING, W/SASH & LATCH - EXCEL B969-G9
12	098647-05-703	EA SCREEN W/WEATHERSTRIP & FRAME SPRING (CLIP), EXCEL 410-01C

1993 IT321RD INDEX

FLOOR PLAN	F-14	F-20
ACCESSORIES		F-21
AUDIO VIDEO		F-22
BATH	F-23	F-24
CHASSIS	G-01	G-02
CURTAINS & CUSHION	G-03	G-05
DUETTE	G-10	G-12
DRIVERS COMPARTMENT		G-13
ELECTRICAL	G-14	G-17
EXTERIOR BODY	G-18	G-22
GALLEY	G-23	H-02
GENERATOR		H-03
HEATING & A/C		H-04
INTERIOR FINISH	H-05	H-08
LABELS	H-09	H-14
LP		H-15
LOUNGE		H-16
SEALANTS & FASTENERS	H-17	H-18
WATER & SEWAGE	H-19	H-22
WINDOW VENT AND EXTERIOR DOOR	I-23	I-22

WINDOW, VENT & EXTERIOR DOOR GROUP (CONTINUED)
BUNK SLIDING WINDOWS



KEY	PART NUMBER	U/M	DESCRIPTION
1	058547-18-01A	EA	WINDOW PASSENGER SIDE, W/WHITE INSIDE FRAME - EXCEL B951-PRL
1	058547-19-01A	EA	WINDOW-DRIVER SIDE W/WHITE INSIDE FRAME - EXCEL B951-PRL
2	058547-18-700	EA	FRAME WINDOW, INSIDE - WHITE - EXCEL V951-67
3	058547-18-702	EA	WINDOW-SLIDING, W/O INSIDE FRAME - PASS SIDE - EXCEL B951-G2R
3	058547-19-700	EA	WINDOW-SLIDING, W/O INSIDE FRAME - DRIVER SIDE - EXCEL B951-PRL
4	058544-01-700	EA	LATCH-REPAIR KIT EXCEL 9801-CK
5	058544-01-705	FT	GLAZING STRIP EXCEL M925-12
6	058544-01-706	FT	WEATHERSTRIP EXCEL 171-010068
7	058544-01-709	FT	CHANNEL-PINCHED FOR EXCEL 122-016543
8	058544-01-711	FT	WEATHERSTRIP-SCREEN BLACK - EXCEL 171-010065
9	058544-01-713	EA	SPRING-SCREEN FRAME (CLIP) PLASTIC - BLACK - EXCEL 225-010065
10	058547-18-701	EA	GLASS-STATIONARY EXCEL 105011829
	058546-01-701	EA	RAIL-LOCKING W/WEATHERSTRIP EXCEL B952-17
	058544-01-716	FT	PLUG-FILLER EXCEL 132-014470
	058544-01-710	FT	TRACK SCREEN SPACER 12" LENGTH EXCEL M401-31
	058544-01-717	FT	SPLINE SCREEN EXCEL 132-004715
11	058546-01-702	EA	GLASS-SLIDING, W/SASH & LOCK - EXCEL B948-G9
12	058546-03-705	EA	SCREEN ASSEMBLY - EXCEL 410016475

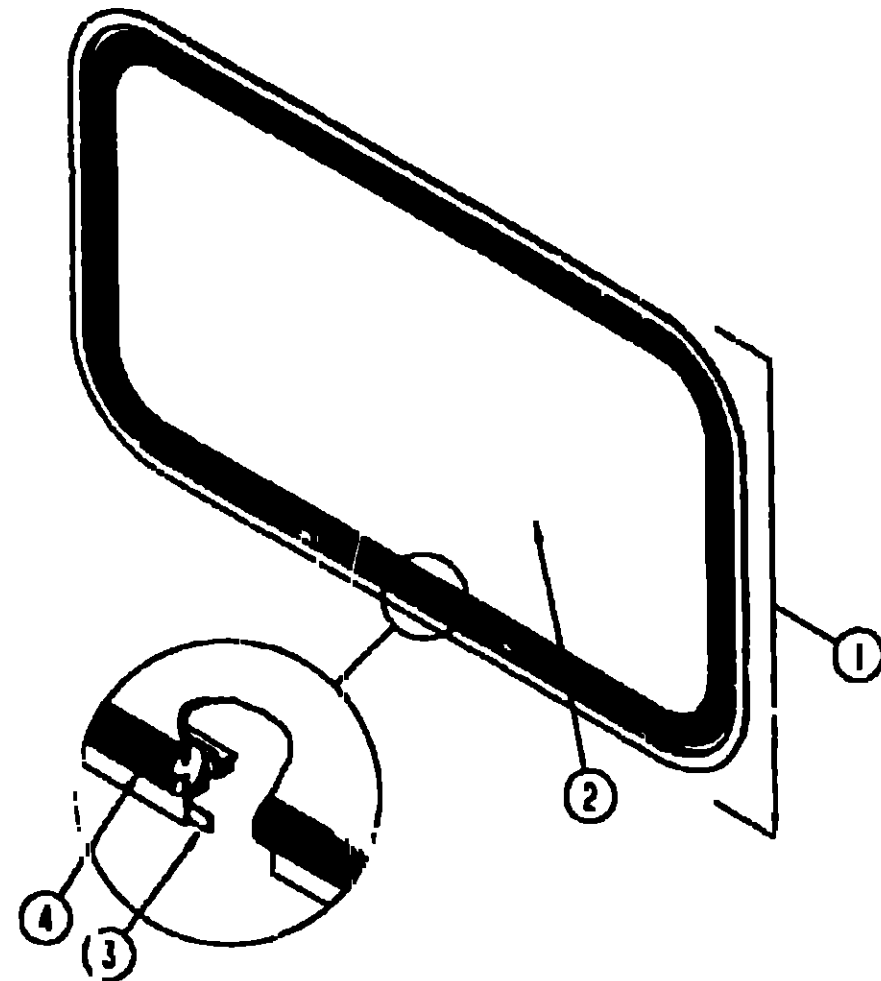
1993 ITASCA
TABLE OF CONTENTS

INTRODUCTION	A 01 -	A 02
ABBREVIATIONS		A 03
ALPHABETICAL INDEX	A 04 -	A 05
IT321RB	A 07 -	C 24
IT321RL	D 01 -	F 18
IT321RD	F 19 -	I 12

1993 IT321RD INDEX

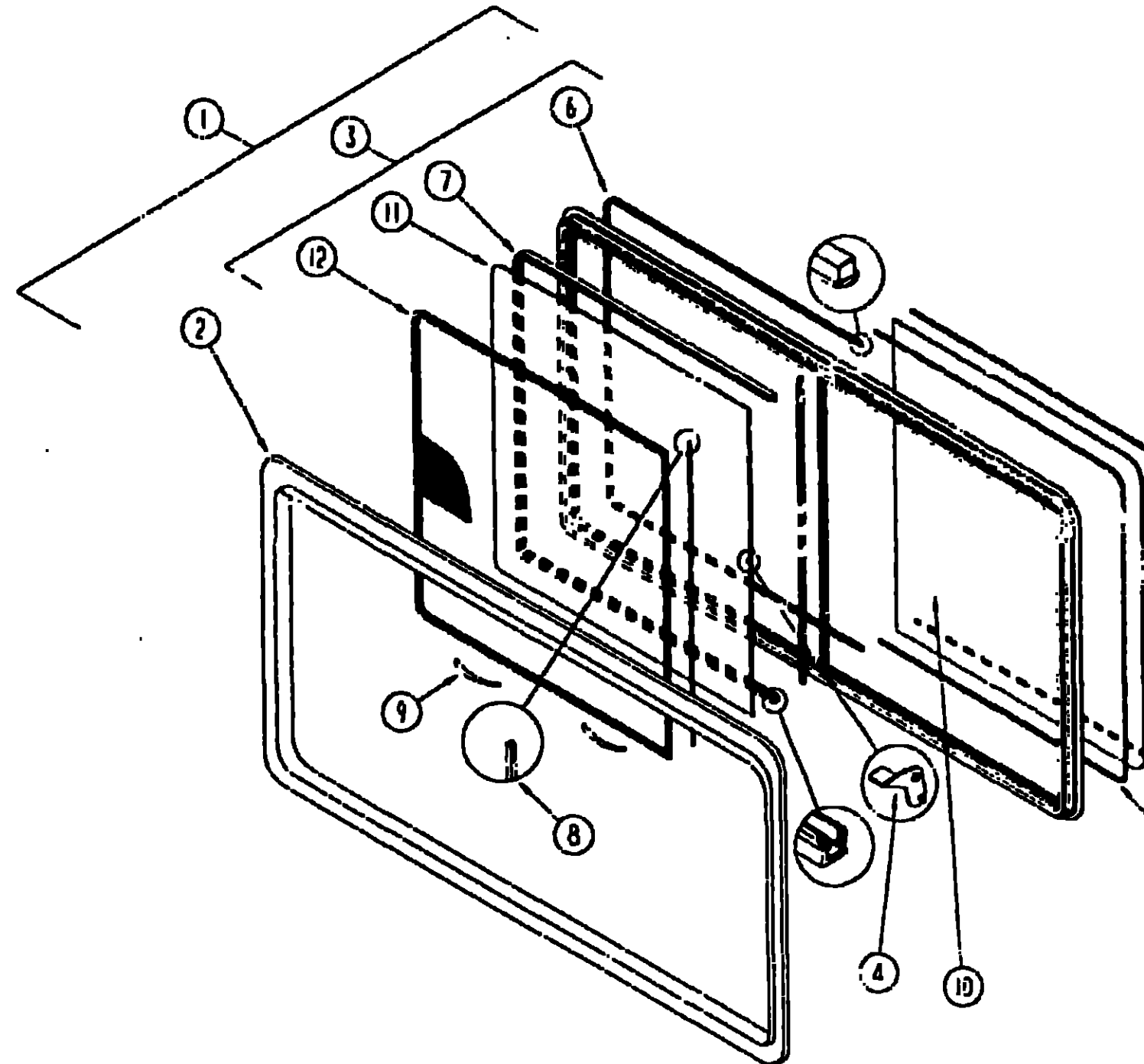
FLOOR PLAN	F 19 -	F 20
ACCESSORIES		F 21
ALCOHOLIC		F 22
BATH	F 23 -	F 24
CHASSIS	G 01 -	G 02
CURTAIN & CUSHION	G 03 -	G 09
DIETTE	G 10 -	G 12
DRIVERS COMPARTMENT		G 13
ELECTRICAL	G 14 -	G 17
EXTERIOR BODY	G 18 -	G 22
GALLEY	G 23 -	H 02
GENERATOR		H 03
HEATING & A/C		H 04
INTERIOR FINISH	H 05 -	H 08
LABELS	H 09 -	H 14
LP		H 15
LOUNGE		H 15
SEALANTS & FASTENERS	H 17 -	H 18
WATER & SEWAGE	H 19 -	H 22
WINDOW, VENT AND EXTERIOR DOOR	H 23 -	I 12

WINDOW, VENT & EXTERIOR DOOR GROUP (CONTINUED)



OVERHEAD BUNK FRONT WINDOW

WINDOW, VENT & EXTERIOR DOOR GROUP (CONTINUED)



PASSENGER SIDE REAR SINGLE SLIDING WINDOW

1993 ITASCA
TABLE OF CONTENTS

INTRODUCTION	A-01	A-02
ABBREVIATIONS		A-03
ALPHABETICAL INDEX	A-04	A-06
IT321FB	A-07	C-24
IT321RL	D-01	F-18
IT321RD	F-19	I-12

1993 IT321RD INDEX

FLOOR PLAN	F-19	F-20
ACCESSORIES		F-21
AUDIO VIDEO		F-22
BATH	F-23	F-24
CHASSIS	G-01	G-02
CURTAIN & CUSHION	G-03	G-09
DILETTE	G-10	G-12
DRIVERS COMPARTMENT		G-13
ELECTRICAL	G-14	G-17
EXTERIOR BODY	G-18	G-22
GALLEY	G-23	H-02
GENERATOR		H-03
HEATING & A/C		H-04
INTERIOR FINISH	H-05	H-08
LABELS	H-09	H-14
LP		H-15
LOUNGE		H-16
SEALANTS & FASTENERS	H-17	H-19
WATER & SEWAGE	H-18	H-22
WINDOW, VENT AND EXTERIOR DOOR	H-23	I-12

KEY	PART NUMBER	U/M DESCRIPTION
	057609 34-000	EA FRAME-WINDOW, INSIDE - OFF WHITE
1	103313 02-009	EA WINDOW-PICTURE 59 5" X 11 5" - W/O INSIDE FRAME
2	002181-16-000	EA GLASS-PICTURE 11 25" X 58 1" - GRAY
3	069540-11-000	FT SEALER-TAPE 3/16"X3/8" BLACK
4	093154 01-000	FT CHANNEL-GLAZING STATIONARY GLASS - 62" X 45" - BLACK

KEY	PART NUMBER	U/M DESCRIPTION
1	098647-16-01A	EA WINDOW-SLIDING, W/WHITE INSIDE FRAME - EXCEL H021-PRR
2	098647-16-700	EA FRAME-INSIDE, WHITE - EXCEL V402-67
3	098647-16-704	EA WINDOW-SINGLE SLIDER W/O INSIDE FRAME, EXCEL H021-G2L
4	098644-01-700	EA LATCH REPAIR KIT, EXCEL B801-CK
	098644-01-716	FT PLUG-FILLER, EXCEL 132-014470
	098644-01-717	FT SPLINE-SCREEN, EXCEL 132-004716
5	098644-01-705	FT GLAZING STRIP, EXCEL M925-12
6	098644-01-705	FT WEATHERSTRIP, EXCEL 171-010568
7	098644-01-708	FT CHANNEL-PIERCED RUN, EXCEL 122-010543
	098644-01-710	FT TRACK-SCREEN SPACER, 12" LENGTH - EXCEL M401-31
8	098644-01-711	FT WEATHERSTRIP-SCREEN, BLACK - EXCEL 171-016965
9	098644-01-713	EA SPRING-SCREEN FRAME (CLIP), PLASTIC - BLACK
10	098647-16-701	EA GLASS-STATIONARY, EXCEL 106018466
	098647-08-705	EA RAIL-LOCKING W/WEATHERSTRIP, EXCEL H022-17
11	098647-16-702	EA GLASS-SLIDING, W/SASH & LATCH - EXCEL B881-G9
12	098647-16-703	EA SCREEN W/WEATHERSTRIP & FRAME SPRING, EXCEL 40016428

WINDOW, VENT & EXTERIOR DOOR GROUP (CONTINUED)

POWERED ROOF VENT (FROM: 00-00-00 THRU: 10-04-92)

KEY	PART NUMBER	U/M DESCRIPTION
	090354-01-Y12	EA VENT ROOF POWERED
	002825-01-000	EA WEATHER STRIP-ROOF VENT GRAY
	008105-01-000	EA SWITCH ROOF VENT, PUSH BUTTON, 12V
	008343-01-000	EA TIE-WIRE 5"
	008385-01-000	EA GROMMET-SNAP 3/8"
	009440-01-000	EA GEAR/ARM-VENT COVER LIFT
	015910-03-000	EA BRACKET-HANDLE ROOF VENT - OFF WHITE
	015911-01-000	EA TRACK-LIFT ARM SLIDE - ROOF VENT
	048548-01-000	EA MOTOR ROOF VENT 1/8 SHAFT - 12V - JENSEN
	045549-01-000	EA FAN-ROOF VENT 5 BLADES - 5" - JENSEN
	055218-01-000	EA COVER-ROOF VENT
	052639-01-200	EA HINGE-EXTRUSION ROOF VENT 7"
	052639-01-001	EA HINGE-VENT COVER 15"
	051603-01-000	EA GROMMET-SNAP 3/16" ID - 3/8" HOLE - PLASTIC - BLACK
	078785-01-Y12	EA SCREEN ROOF VENT, POWERED
	002291-02-000	SF SCREENING-ROOF VENT/WINDOW 16" - BLACK
	002298-02-000	FT SPLINE VENT/WINDOW SCREEN 128 DIAMETER - BLACK
	009439-01-000	EA CRANK HANDLE-ROOF VENT
	009439-03-000	EA EXTENSION-CRANK HANDLE ROOF VENT - 9" - MILL
	009439-04-000	EA SCREW 8-32 X 1 1/4" POH

POWERED ROOF VENT (FROM: 10-05-92 THRU: 99-99-99)

KEY	PART NUMBER	U/M DESCRIPTION
	110051-03-01A	EA VENT-ROOF POWERED - 2" ROOF - JENSEN 7757 WHE
	048548-01-000	EA MOTOR ROOF VENT 1/8 SHAFT - 12V - JENSEN
	045549-01-000	EA FAN-ROOF VENT, 6 BLADES 5" - JENSEN
	064470-01-700	EA COVER ROOF VENT JENSEN 7291
	110051-01-701	EA GARNISH W/SCREEN & FRAME-2" JENSEN 29 800-01
	110051-01-702	EA LIFT ASM-VENT LID W/O CRANK, JENSEN RP 1000B
	110051-01-703	EA CRANK JENSEN RP-1031-B

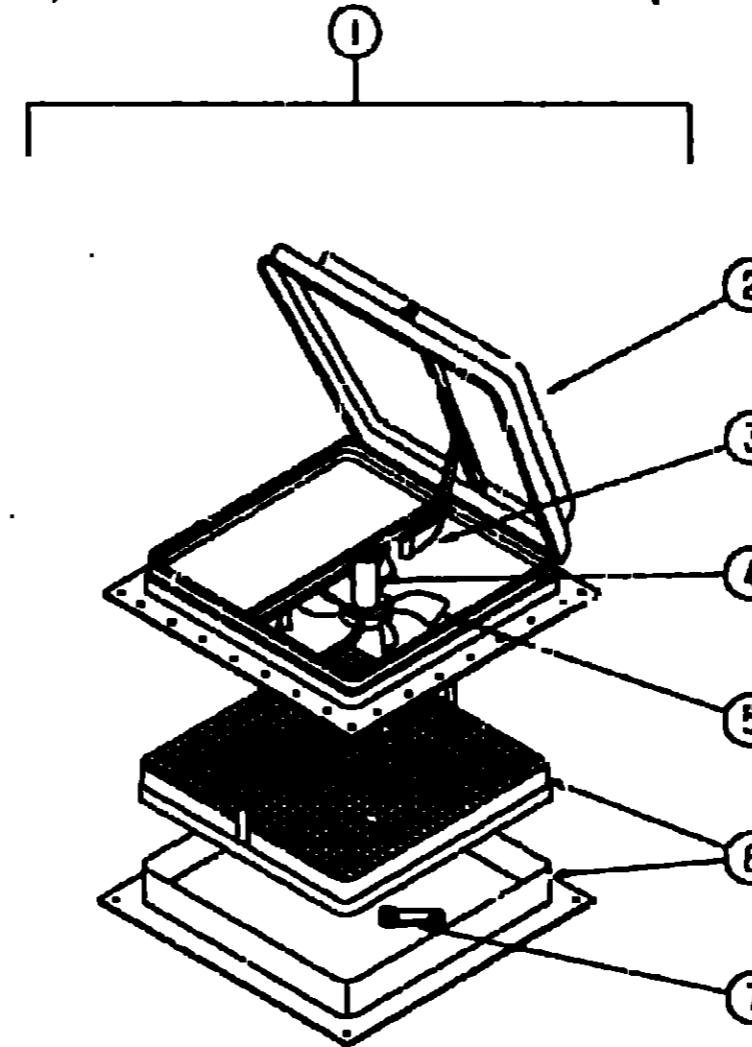
NONPOWERED ROOF VENT (FROM: 00-00-00 THRU: 10-04-92)

KEY	PART NUMBER	U/M DESCRIPTION
	090355-01-Y12	EA VENT-ROOF NONPOWERED
	009439-01-000	EA CRANK HANDLE-ROOF VENT
	009439-03-000	EA EXTENSION-CRANK HANDLE ROOF VENT - 9" - MILL
	009439-04-000	EA SCREW 8-32 X 1 1/4" POH
	002825-01-000	EA WEATHER STRIP-ROOF VENT, GRAY
	009440-01-000	EA GEAR/ARM-VENT COVER LIFT
	015910-03-000	EA BRACKET-HANDLE ROOF VENT - OFF WHITE
	015911-01-000	EA TRACK-LIFT ARM SLIDE - ROOF VENT
	055218-01-000	EA COVER-ROOF VENT
	052639-01-001	EA HINGE-VENT COVER, 15"
	052639-01-200	EA HINGE-EXTRUSION ROOF VENT 7"
	078785-01-Y12	EA SCREEN-ROOF VENT, NON POWERED - WHITE
	002291-02-000	SF SCREENING-ROOF VENT/WINDOW 16" - BLACK
	002298-02-000	FT SPLINE-VENT/WINDOW SCREEN, 128 DIAMETER - BLACK

NONPOWERED ROOF VENT (FROM: 10-05-92 THRU: 99-99-99)

KEY	PART NUMBER	U/M DESCRIPTION
	110051-01-01A	EA VENT-ROOF, NONPOWERED - 2" ROOF - JENSEN 7724 WHE
	064470-01-700	EA COVER-ROOF VENT, JENSEN 7291
	110051-01-701	EA GARNISH W/SCREEN & FRAME-2", JENSEN 29-800-01
	110051-01-702	EA LIFT ASM-VENT LID W/O CRANK, JENSEN RP-1000B
	110051-01-703	EA CRANK, JENSEN RP-1031-B

WINDOW, VENT & EXTERIOR DOOR GROUP (CONTINUED)



POWERED ROOF VENT - JENSEN - CANADIAN

KEY	PART NUMBER	U/M DESCRIPTION
1	054459 08 000	EA VENT-ROOF, POWERED - 14" X 14" - 12V - JENSEN C-727 - CSA FROM 00-00-00 THRU 10-04-92
1	110051-05-01A	EA VENT ROOF POWERED - 2" ROOF - CSA - JENSEN C7757 WHE FROM 10-05-92 THRU 99-99-99
2	054459-03 702	EA LID-VENT, WHITE - JENSEN 250-WH FROM 00-00-00 THRU 10-04-92
2	064470-01-700	EA COVER-ROOF VENT JENSEN 7291 FROM 10-05-92 THRU 99-99-99
3	054459-03-706	EA LIFT MECHANISM FROM 00-00-00 THRU 10-04-92
3	110051 01-702	EA LIFT ASM-VENT LID W/O CRANK, JENSEN RP-1000B FROM 10-05-92 THRU 99-99-99
4	048548-01-000	EA MOTOR-ROOF VENT, 1/8 SHAFT - 12V
5	048549-01-000	EA FAN-ROOF VENT, 6 BLADES - 5"
6	110051-01-701	EA GARNISH W/SCREEN & FRAME-2", JENSEN 29-800-01
7	009439-01-000	EA CRANK HANDLE-ROOF VENT FROM 00-00-00 THRU 10-04-92
	110051-01-703	EA CRANK HANDLE-ROOF VENT, JENSEN RP-1031-B FROM 10-05-92 THRU 99-99-99
	009439-04-000	EA SCREW 8-32 X 1 1/4" POH FROM 00-00-00 THRU 10-04-92
	009439 03-000	EA EXTENSION-CRANK HANDLE ROOF VENT - 9" - MILL FROM 00-00-00 THRU 10-04-92

REFRIGERATOR, RANGE HOOD & PLUMBING VENTS

KEY	PART NUMBER	U/M DESCRIPTION
	109682-01-01A	EA VENT-PANEL, LOUVERED - DOMETIC #123
	084916-01-000	EA SHROUD-RANGE HOOD VENT, OFF WHITE
	084878-09-000	EA VENT-RANGE HOOD, SHORT - LVS
	083558-03-000	EA VENT-PLUMBING PIPE ROOF W/COVER - OFF WHITE

**1993 ITASCA
TABLE OF CONTENTS**

INTRODUCTION	A-01 - A-02
ABBREVIATIONS	A-03
ALPHABETICAL INDEX	A-04 - A-05
IT321RB	A-07 - C-24
IT321RL	D-01 - F-19
IT321RD	F-19 - I-12

1993 IT321RD INDEX

FLOOR PLAN	F-19 - F-20
ACCESSORIES	- F-21
AUDIO VIDEO	- F-22
BATH	F-23 - F-24
CHASSIS	G-01 - G-02
CURTAIN & CUSHION	G-03 - G-09
DINETTE	G-10 - G-12
DRIVERS COMPARTMENT	- G-13
ELECTRICAL	G-14 - G-17
EXTERIOR BODY	G-18 - G-22
GALLEY	G-23 - H-02
GENERATOR	- H-03
HEATING & A/C	- H-04
INTERIOR FINISH	H-05 - H-08
LABELS	H-09 - H-14
LP	H-15
LOUNGE	H-16
SEALANTS & FASTENERS	H-17 - H-18
WATER & SEWAGE	H-19 - H-22
WINDOW, VENT AND EXTERIOR DOOR	H-23 - I-12