

**1993 ITASCA
TABLE OF CONTENTS**

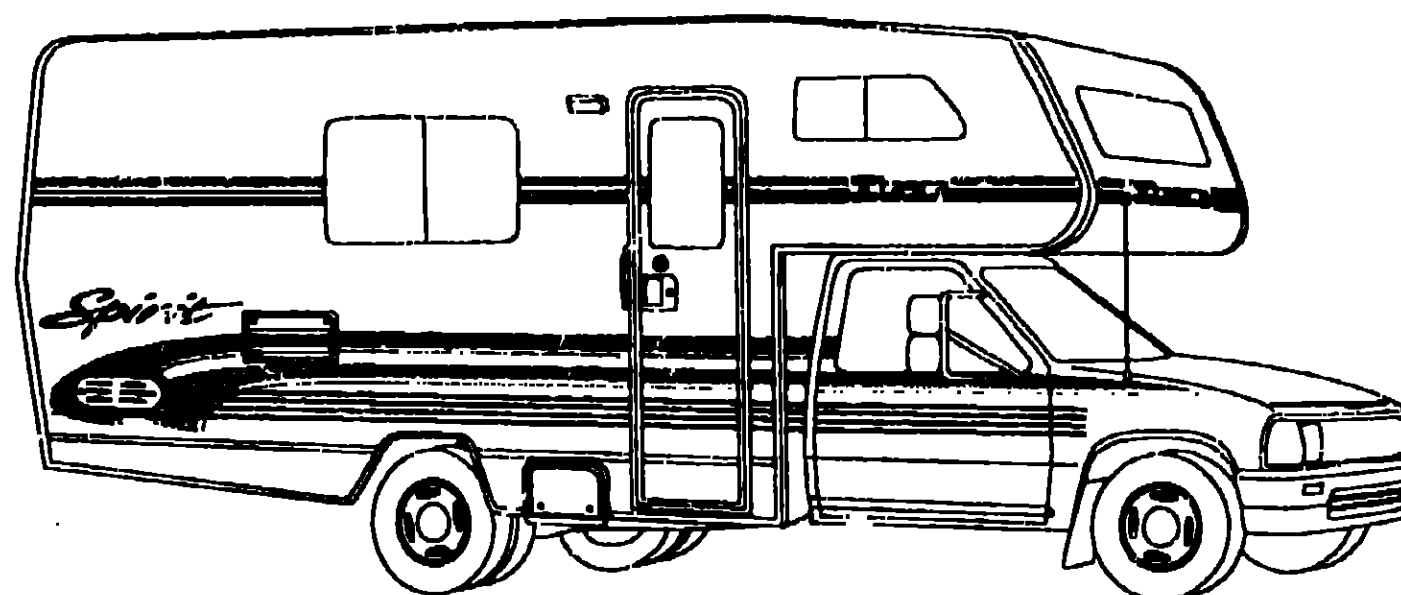
| | | |
|--------------------|------|------|
| INTRODUCTION | A-01 | A-02 |
| ABBREVIATIONS | | A-03 |
| ALPHABETICAL INDEX | A-04 | A-06 |
| IT321RB | A-07 | C-24 |
| IT321RL | D-01 | F-18 |
| IT321RD | F-19 | I-12 |

**1993
IT321RB**

D24

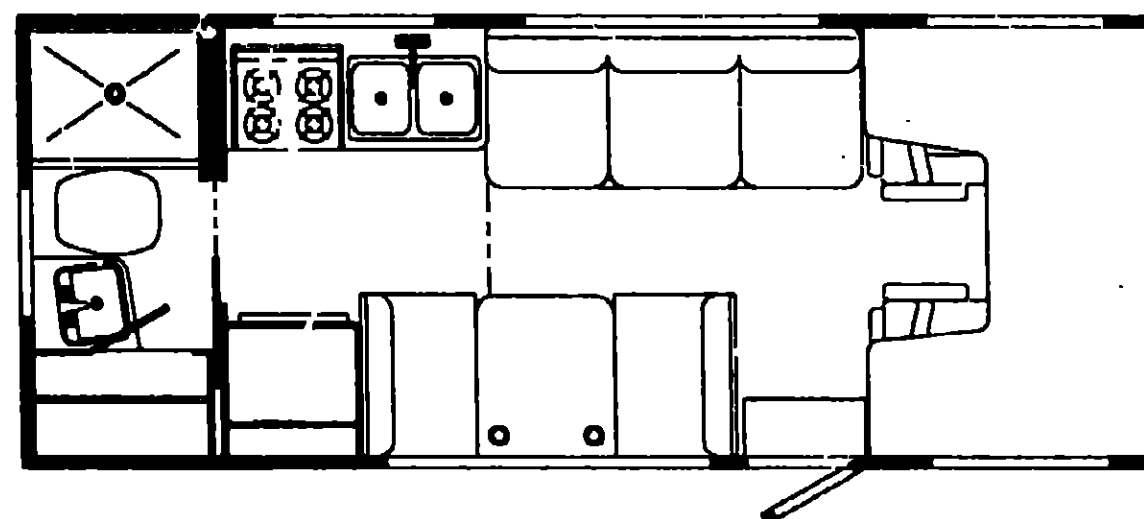
D25

D26



1993 IT321RB INDEX

| | | |
|--------------------------------|------|------|
| FLOOR PLAN | A-07 | A-08 |
| ACCESSORIES | | A-09 |
| AUDIO VIDEO | | A-10 |
| BATH | A-11 | A-12 |
| CHASSIS | A-13 | A-14 |
| CURTAIN & CUSHION | A-15 | A-21 |
| DINETTE | | A-22 |
| DRIVERS COMPARTMENT | | A-23 |
| ELECTRICAL | A-24 | B-03 |
| EXTERIOR BODY | B-04 | B-08 |
| GALLEY | B-09 | B-14 |
| GENERATOR | | B-15 |
| HEATING & A/C | | B-16 |
| INTERIOR FINISH | B-17 | B-20 |
| LABELS | B-21 | C-02 |
| LP | | C-03 |
| LOUNGE | | C-04 |
| SEALANTS & FASTENERS | C-05 | C-06 |
| WATER & SEWAGE | C-07 | C-10 |
| WINDOW, VENT AND EXTERIOR DOOR | C-11 | C-24 |



**ACCESSORIES GROUP
OPERATORS MANUAL & BINDER**

| KEY | PART NUMBER | U/M DESCRIPTION |
|-----|---------------|---|
| | 054185-44-000 | EA MANUAL OPERATOR, 1993 SPIRIT |
| | 092318-01-000 | EA BINDER-3 RING, MOTOR HOME MANUAL |
| | 092319-01-000 | EA POCKET PAGE-3 RING BINDER, PLASTIC |
| | 107581-01-000 | DW TOP LEVEL DRAWING FOR 1993 MICRO-MINIS |

**AUDIO VIDEO GROUP
RADIO SYSTEM COMPONENTS & ANTENNA**

| KEY | PART NUMBER | U/M DESCRIPTION |
|-----|---------------|--|
| | 090050-01-000 | EA ANTENNA-RADIO, TOYOTA - AUDIOVOX FMF22T |
| | 090051-02-000 | EA SPEAKER-4" ROUND, AUDIOVOX |
| | 089340-02-000 | EA GRILLE-SPEAKER, 6 5" SQUARE |
| | 094097-01-000 | EA SPEAKER-RADIO, W/O GRILLE - 5 25" DIA - AUDIOVOX 110C3030 |
| | 074979-01-000 | EA SHIELD-SPEAKER, BACK - MOLDED PLASTIC - 8" X 9" - BEIGE |
| | 090052-05-000 | EA MOUNT-TRIM KIT, RADIO - TOYOTA - AUDIOVOX IM-TOY-92 FROM 00-00-00 THRU 12-06-92 |
| | 104089-01-000 | EA RADIO-AM/FM STEREO, CASSETTE - AUDIOVOX IM-DXF FROM 00-00-00 THRU 12-06-92 |
| | 110267-01-000 | EA RADIO-AM/FM STEREO, AUDIOVOX IM-200 FROM 12-07-92 THRU 99-99-99 |
| | 097459-01-000 | EA RADIO-AM/FM STEREO, CASSETTE - AUDIOVOX IM-DXA - CAB TRIM OPTION FROM 00-00-00 THRU 01-10-93 |
| | 110267-02-000 | EA RADIO-AM/FM STEREO, AUDIOVOX IM-300 - CAB TRIM OPTION FROM 01-11-93 THRU 99-99-99 |

TV ANTENNA

| KEY | PART NUMBER | U/M DESCRIPTION |
|-----|---------------|---|
| | 076319-02-000 | EA ANTENNA-TV, ROOF MOUNT - 23 5' MAST - WINEGARD RVA-W01 |
| | 076319-01-700 | EA HEAD-ANTENNA, AMPLIFIED - WINEGARD # VSA U/V |
| | 076319-01-701 | EA GEAR-ELEVATING, PLASTIC - WINEGARD #2200046 |
| | 076319-01-702 | EA SHAFT ASM-ELEVATING, WINEGARD# VP-400A |
| | 076319-01-703 | EA BEARING-NYLON, 5"OD - WINEGARD # 3200656 |
| | 076319-01-705 | EA GROMMET-NYLON, 7/8"ID - WINEGARD # 3200658 |
| | 076319-01-706 | EA CRANK-ELEVATING, W/SET SCREW - WINEGARD #5755100 |
| | 076319-01-707 | EA SPRING-HANDLE WINEGARD# 5160800 |
| | 076319-01-709 | EA PLATE-DIRECTIONAL, FOR HEAD - WINEGARD #3200644 |
| | 076319-01-710 | EA CRANK-ELEVATING, HALF MOON - WINEGARD #2750897 |
| | 082134-01-000 | EA ADAPTER-TV, CABLE TO CABLE - WINEGARD F-81M |
| | 082136-01-000 | EA NUT-HEX JAM 3/8-32 - WINEGARD |
| | 076319-03-000 | FT CABLE-COAXIAL, 75 OHM |
| | 076319-12-000 | EA CONNECTOR-COAXIAL, ONE PIECE |
| | 086777-02-000 | EA WALLPLATE-TV CABLE, W/ANTENNA SWITCH - BROWN |

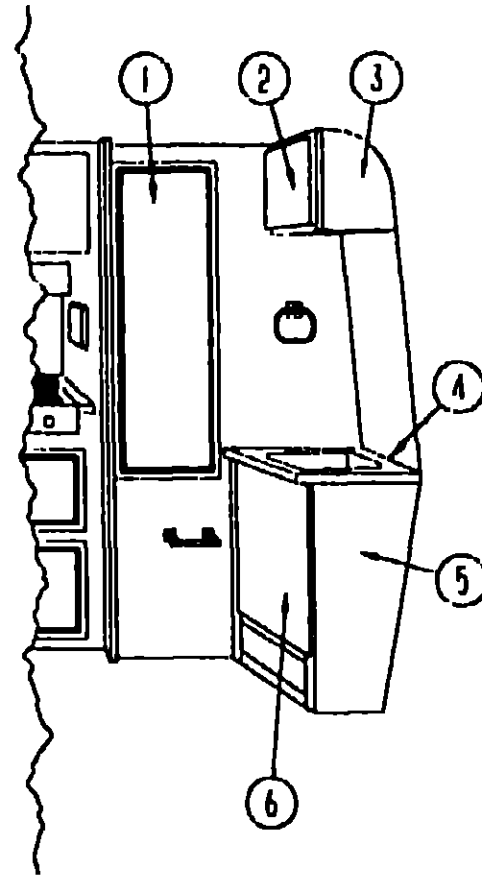
**1993 ITASCA
TABLE OF CONTENTS**

| | | |
|--------------------|------|------|
| INTRODUCTION | A-01 | A-02 |
| ABBREVIATIONS | | A-03 |
| ALPHABETICAL INDEX | A-04 | A-06 |
| IT321RB | A-07 | C-24 |
| IT321RL | D-01 | F-18 |
| IT321RD | F-19 | I-12 |

1993 IT321RB INDEX

| | | |
|-----------------------------------|------|------|
| FLOOR PLAN | A-07 | A-08 |
| ACCESSORIES | | A-09 |
| AUDIO VIDEO | | A-10 |
| BATH | A-11 | A-12 |
| CHASSIS | A-13 | A-14 |
| CURTAIN & CUSHION | A-15 | A-21 |
| DINETTE | | A-22 |
| DRIVERS COMPARTMENT | | A-23 |
| ELECTRICAL | A-24 | B-03 |
| EXTERIOR BODY | B-04 | B-08 |
| GALLEY | B-09 | B-14 |
| GENERATOR | | B-15 |
| HEATING & A/C | | B-16 |
| INTERIOR FINISH | B-17 | B-20 |
| LABELS | B-21 | C-02 |
| LP | | C-03 |
| LOUNGE | | C-04 |
| SEALANTS & FASTENERS | C-05 | C-06 |
| WATER & SEWAGE | C-07 | C-10 |
| WINDOW, VENT AND EXTERIOR DOOR | C-11 | C-24 |

BATH GROUP



BATH CABINETS & FIXTURES

| KEY | PART NUMBER | U/M DESCRIPTION |
|-----|---------------|--|
| 1 | P04536-12-D24 | EA DOOR-CABINET, MIRROR - W/O HARDWARE - 15 5" X 45 5" |
| 2 | P04536-11-D24 | EA DOOR-CABINET, MIRROR - W/O HARDWARE - 12" X 29 1" |
| 3 | M05160-05-D24 | EA CABINET-OVERHEAD, MEDICINE - W/O DOORS OR HARDWARE |
| 4 | 099928-11-D24 | EA COUNTERTOP-LAVATORY CABINET |
| 5 | M99928-05-D24 | EA CABINET-LAVATORY W/COUNTERTOP - EL MONTE OPTION |
| 5 | M99928-03-D24 | EA CABINET-LAVATORY W/COUNTERTOP |
| 5 | M99928-03-D25 | EA CABINET-LAVATORY W/COUNTERTOP |
| 5 | M99928-03-D26 | EA CABINET-LAVATORY W/COUNTERTOP |
| 6 | P03702-71-D24 | EA DOOR-CABINET, W/O HARDWARE - 12" X 21 8" |
| | 076238-23-D24 | EA PANEL-ACCESS, 358 MM X 162 MM |
| | 099968-01-D24 | EA DOOR-SLIDING, 680 MM X 1780 MM - W/PULL |
| | 103874-01-000 | EA HANGER-SLIDING DOOR |
| | 064467-01-000 | EA GUIDE-POCKET, SLIDING DOOR - WALL MOUNTED |
| | 103868-06-01A | EA TRACK-SLIDING DOOR, 51 2" - OFF WHITE |
| | 075452-02-000 | EA HOLDER-TOILET TISSUE, BRASS |
| | 075454-02-000 | EA RING-TOWEL, W/MOUNTING HARDWARE - BRASS |
| | 075240-06-000 | EA FAUCET-LAVATORY, BONE |
| | 091253-01-000 | EA GASKET-FAUCET, LAVATORY/GALLEY |
| | 096927-01-01A | EA SINK-LAVATORY, RECTANGULAR - PLASTIC - BONE |
| | 096927-01-700 | EA SINK-STOPPER |
| | 096927-01-701 | EA TAILPIECE-SINK |

BATH GROUP (CONTINUED)

BATH CABINET HARDWARE

| KEY | PART NUMBER | U/M DESCRIPTION |
|-----|---------------|---|
| | 009148-01-000 | EA PULL-FINGER, 75" DIAMETER - BRASS |
| | 098410-01-01A | EA PULL-FINGER, OVAL - BRASS |
| | 059783-01-000 | FT ROD-CLOTHES, SLOTTED - ALUMINUM - 7" LENGTH |
| | 092484-03-01A | EA TRACK-SHOWER, CURVED - OFF WHITE |
| | 009700-04-002 | EA TRACK, L-SHAPED 195 2" - STRAIGHT - OFF WHITE |
| | 009136-02-000 | EA HANGER-RING, PIN TYPE - CURTAIN - BRASS |
| | 009701-01-000 | EA CARRIER-CURTAIN, L ROD |
| | 009702-01-000 | EA END STOP-CURTAIN CARRIER, L ROD |
| | 039175-02-000 | EA BRACKET-CURTAIN ROD, EXTENDING CAFE - DELUXE OPTION |
| | 039175-03-000 | EA ROD-CAFE, CURTAIN - EXTENDING 28" TO 48" - DELUXE OPTION |
| | 039175-05-000 | EA BRACKET-CURTAIN ROD, CENTER CAFE - DELUXE OPTION |

TOILET

| KEY | PART NUMBER | U/M DESCRIPTION |
|-----|---------------|---|
| | 063740-01-000 | EA TOILET-HIGH, HAND FLUSH - THETFORD, 150120 |
| | 063740-01-700 | EA LEVER-WATER, THETFORD 12514 |
| | 063740-01-701 | EA LEVER-FLUSH, THETFORD 12515 |
| | 063740-01-706 | EA BOLT PACKAGE-CLOSET, THETFORD 12524 |
| | 063740-01-710 | EA LINK, THETFORD 12513 |
| | 063740-01-711 | EA SPRING-RETURN LEVER, THETFORD 12523 |
| | 063740-01-713 | EA SEAL-BALL VALVE TO BOWL, THETFORD 12502 |
| | 063740-01-714 | EA VALVE ASM-WATER, THETFORD 12492 |
| | 063740-01-716 | EA SEAT & COVER, THETFORD 15017 - IVORY |
| | 063740-01-717 | EA TUBE-FLUSH, TOILET |
| | 063740-02-700 | EA SEAT & COVER, PARCHMENT - THETFORD 20829 |
| | 063641-01-000 | EA FLANGE-CLOSET, 4" X 3" |

SHOWER COMPONENTS

| KEY | PART NUMBER | U/M DESCRIPTION |
|-----|---------------|--|
| | 075453-02-000 | EA BAR-TOWEL, 18" BRASS |
| | 103092-01-000 | EA SHOWER HEAD-W/60" HOSE |
| | 103092-01-700 | EA BRACKET ONLY-CLEAR, F/SHOWER HEAD - 2328028 |
| | 075241-05-000 | EA FAUCET-SHOWER, BONE |
| | 075606-01-000 | EA PANEL-FAUCET BACK, SHOWER - 5" X 9" - PLASTIC |
| | M02630-03-U28 | EA SHOWER PAN W/NUT, STRAINER & WASHER |
| | 066436-01-000 | EA NUT-SLIP, TAILPIECE - 1.5" |
| | 066440-01-000 | EA STRAINER-SHOWER W/RUBBER WASHER |
| | 069735-01-000 | EA WASHER-STRAINER TO TAILPIECE PLASTIC, 1 5" |
| | 057671-01-000 | EA COVER-SCREW, #8 - PLASTIC - OFF WHITE |
| | 084724-02-000 | EA TRIM-SHOWER, OFF WHITE |
| | 080549-07-B05 | EA PANEL-DOOR, W/PULL |

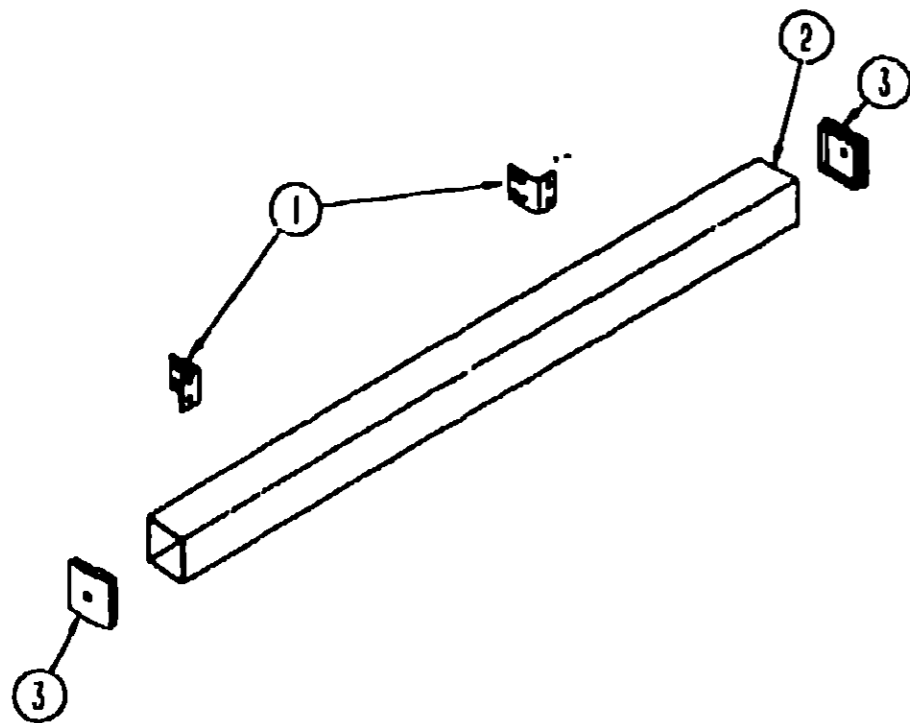
**1993 ITASCA
TABLE OF CONTENTS**

| | | |
|--------------------|------|------|
| INTRODUCTION | A-01 | A-02 |
| ABBREVIATIONS | | A-03 |
| ALPHABETICAL INDEX | A-04 | A-05 |
| IT321RB | A-07 | C-24 |
| IT321RL | D-01 | F-18 |
| IT321HD | F-19 | I-12 |

1993 IT321RB INDEX

| | | |
|-----------------------------------|------|------|
| FLOOR PLAN | A-07 | A-08 |
| ACCESSORIES | | A-09 |
| AUDIO VIDEO | | A-10 |
| BATH | A-11 | A-12 |
| CHASSIS | A-13 | A-14 |
| CURTAIN & CUSHION | A-15 | A-21 |
| DINETTL | | A-22 |
| DRIVERS COMPARTMENT | | A-23 |
| ELECTRICAL | A-24 | B-03 |
| EXTERIOR BODY | B-04 | B-08 |
| GALLEY | B-09 | B-14 |
| GENERATOR | | B-15 |
| HEATING & A/C | | B-15 |
| INTERIOR FINISH | B-17 | B-20 |
| LABELS | B-21 | C-02 |
| LP | | C-03 |
| LOUNGE | | C-04 |
| SEALANTS & FASTENERS | C-05 | C-06 |
| WATER & SEWAGE | C-07 | C-10 |
| WINDOW, VENT AND EXTERIOR DOOR | C-11 | C-24 |

CHASSIS GROUP



REAR BUMPER & BRACKETS

| KEY | PART NUMBER | U/M DESCRIPTION |
|-----|---------------|---|
| 1 | 108762-01-01A | EA BRACKET-BUMPER, OFF WHITE |
| 2 | 103422-03-01A | EA BUMPER-REAR, OFF WHITE |
| 3 | 039779-01-000 | EA CAP-BUMPER, RUBBER - 4' X 4' - BLACK |

SPARE TIRE W/RIM & MOUNTING BRACKET

| KEY | PART NUMBER | U/M DESCRIPTION |
|-----|---------------|--|
| | M00080-65-000 | EA TIRE-SPARE, W/RIM - 185R14LT - BRIDGESTONE |
| | M00080-65-700 | EA CARRIER-SPARE TIRE, TOYOTA |
| | M00080-65-701 | EA TIRE-SPARE, W/RIM - 185R14LT - DUNLOP |
| | 084773-01-000 | EA BRACKET-MOUNTING, SPARE TIRE |
| | 100723-01-000 | EA PLATE-MOUNTING, SPARE TIRE - 6" SQUARE - PRIMED STEEL - EL MONTE OPTION |
| | 100723-02-000 | EA PLATE-MOUNTING, SPARE TIRE - 6" SQUARE - PRIMED STEEL - EL MONTE OPTION |
| | 100723-C3-000 | EA PLATE-MOUNTING, W/BOLT - SPARE TIRE - PRIMED STEEL - EL MONTE OPTION |

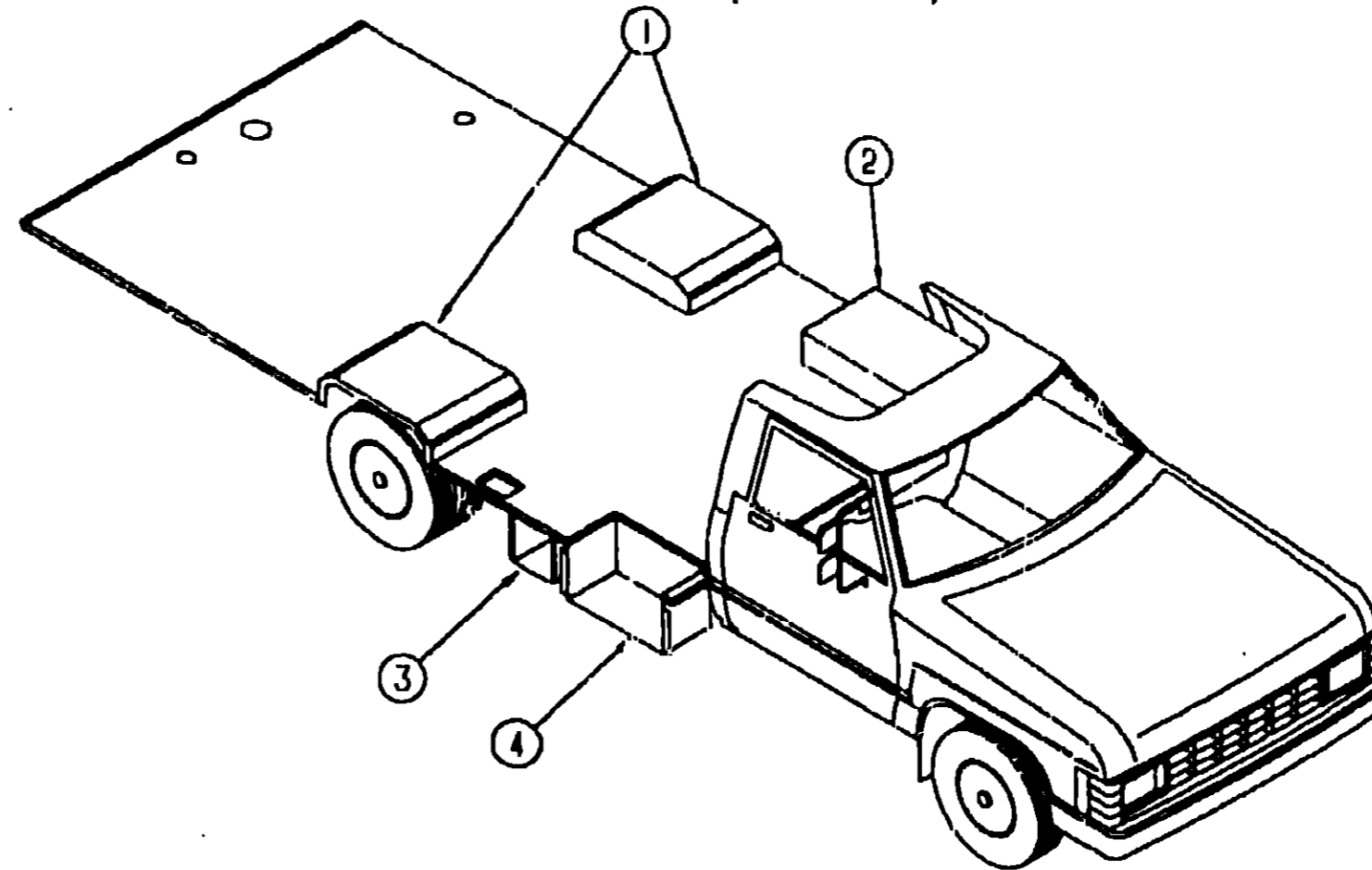
FUEL SYSTEM COMPONENTS

| KEY | PART NUMBER | U/M DESCRIPTION |
|-----|---------------|--|
| | 007063-01-000 | FT HOSE-GAS 1/4"ID X 1/2"OD |
| | 084884-01-000 | EA PLUG-BRASS, 3/8" |
| | 087269-01-000 | EA TEE-1/4" X 1/4" X 1/4", BRASS |
| | 100939-01-000 | EA NECK-FILLER, FUEL - MAIN - UNLEADED |
| | 078040-03-000 | EA SHROUD-FUEL FILL, UPPER |
| | 078200-01-000 | EA GASKET-FUEL FILL, 3.5"OD X 2"ID |
| | 095854-01-02A | EA SHROUD-FUEL FILL, OFF WHITE |

MISCELLANEOUS CHASSIS COMPONENTS

| KEY | PART NUMBER | U/M DESCRIPTION |
|-----|---------------|---|
| | 093048-04-000 | EA PLATE ASM-SKID |
| | 086780-01-000 | EA GUARD-SPLASH, RUBBER - TOYOTA - SET OF 2 - BLACK |
| | 102627-01-01A | EA COVER-HUB W/BOLT - GRAY - KAPER II |
| | 102627-01-700 | EA BOLT-HUB COVER, KAPER II |
| | 055278-51-259 | EA TUBING-STEEL, .75" X 1.5" X 12.5' |
| | 008042-01-000 | FT TUBING-VINYL, .65" ID |

CHASSIS GROUP (CONTINUED)



COMPARTMENTS, WHEELWELL & STEP LINER

| KEY | PART NUMBER | U/M DESCRIPTION |
|-----|---------------|---|
| 1 | 084637-01-000 | EA WHEELWELL-PLASTIC |
| 2 | 083665-02-000 | EA TRAY-GENERATOR/STORAGE COMPARTMENT |
| 2 | 096302-03-000 | EA COMPARTMENT-GENERATOR, 25 1" WIDE X 17 7" DEEP |
| 2 | 096304-01-000 | EA COVER-BAFFLE, GENERATOR |
| | 077953-01-000 | EA GROMMET-EDGE LINER, FITS 1" |
| | 058027-01-000 | FT SEAL, D SHAPED - HOLLOW - SPONGE RUBBER - BLACK |
| | | FROM 00-00-00 THRU 03-15-93 |
| | 099418-01-000 | EA SEAL-D, W/SIDE ADHESIVE - 4" X 10" - SPONGE RUBBER - BLACK |
| | | FROM 03-16-93 THRU 99-99-99 |
| 3 | 100824-01-000 | EA COMPARTMENT-BATTERY, PLASTIC |
| | 084993-01-000 | EA STRAP-BATTERY |
| 4 | 100796-01-000 | EA LINER-STEP, PLASTIC - OFF WHITE - EL MONTE OPTION |
| | 038327-01-000 | EA TAPE-ANTI SLIP, 2" X 60' |
| | 106208-01-01A | EA COMPARTMENT-SHOWER, EXTERIOR - OFF WHITE |

EXHAUST SYSTEM COMPONENTS

| KEY | PART NUMBER | U/M DESCRIPTION |
|-----|---------------|------------------------------------|
| | 007125-06-000 | EA CLAMP-MUFFLER, 2.25" DIAMETER |
| | 084596-02-000 | EA EXTENSION-TAILPIPE, 2" DIAMETER |

REAR AIR BAG SYSTEM

| KEY | PART NUMBER | U/M DESCRIPTION |
|-----|---------------|---|
| | 100293-02-000 | EA AIRSPRING SYSTEM-4" DIAMETER, MICRO MINI - 3-T'S 9E3 POS |
| | 100293-01-701 | EA HOSE, W/MALE VALVES - 3T T9AL |
| | 100293-02-700 | EA AIR BAG KIT, BAG W/CABLE - 3T RK-E3 |
| | 100332-01-000 | EA PLATE-VALVE, AIR SPRING |

1993 ITASCA TABLE OF CONTENTS

| | |
|--------------------|-------------|
| INTRODUCTION | A-01 - A-02 |
| ABBREVIATIONS | A-03 |
| ALPHABETICAL INDEX | A-04 - A-06 |
| IT321RB | A-07 - C-24 |
| IT321FL | D-01 - F-18 |
| IT321RD | F-19 - I-12 |

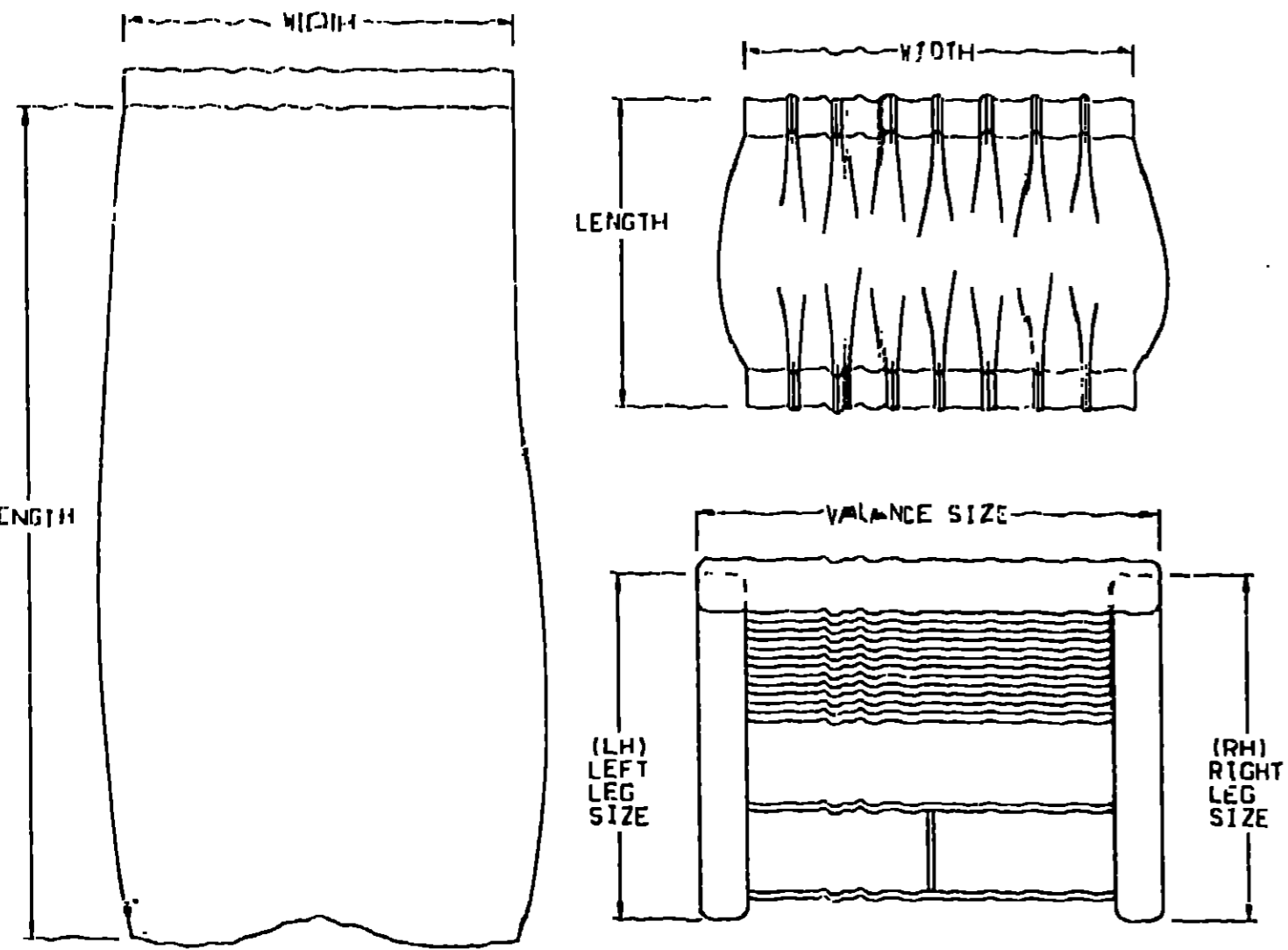
1993 IT321RB INDEX

| | |
|--------------------------------|-------------|
| FLOOR PLAN | A-07 - A-08 |
| ACCESSORIES | - A-09 |
| AUDIO VIDEO | - A-10 |
| BATH | A-11 - A-12 |
| CHASSIS | A-13 - A-14 |
| CURTAIN & CUSHION | A-15 - A-21 |
| DINETTE | - A-22 |
| DRIVERS COMPARTMENT | - A-23 |
| ELECTRICAL | A-24 - B-03 |
| EXTERIOR BODY | B-04 - B-08 |
| GALLEY | B-09 - B-14 |
| GENERATOR | - B-15 |
| HEATING & A/C | - B-16 |
| INTERIOR FINISH | B-17 - B-20 |
| LABELS | B-21 - C-02 |
| LP | - C-03 |
| LOUNGE | - C-04 |
| SEALANTS & FASTENERS | C-05 - C-06 |
| WATER & SEWAGE | C-07 - C-10 |
| WINDOW, VENT AND EXTERIOR DOOR | C-11 - C-24 |

**CURTAIN & CUSHION GROUP
NOTICE**

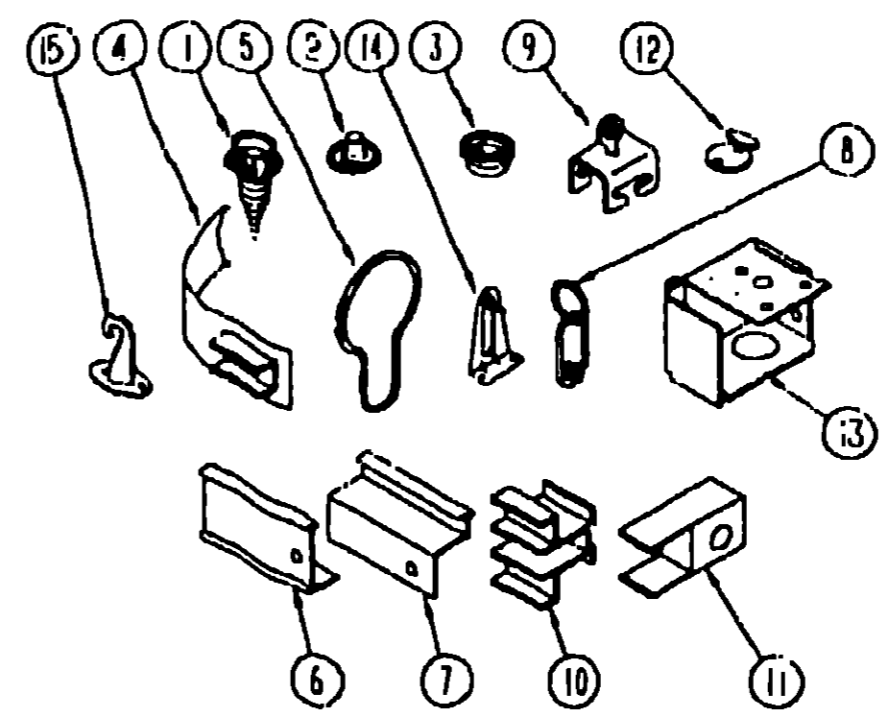
IN ORDER TO ASSIST OUR PARTS SALES DEPT IN PROVIDING INTERIOR SOFTGOODS ITEMS, PLEASE INCLUDE THE SERIAL NUMBER AND THE COLOR CODE NUMBER FROM THE VEHICLE CERTIFICATION LABEL WHEN ORDERING. THIS LABEL IS LOCATED ON THE LEFT SIDEWALL AT THE END OF THE DASH (A-BODY), OR ON THE DRIVER'S DOOR PLATE (C-BODY).

AN EXAMPLE OF A COLOR CODE NUMBER IS B07, WHICH DESIGNATES AN OVERALL COLOR SCHEME OF A PARTICULAR UNIT. THE COLOR LISTED AFTER THE ITEM DESCRIPTION ON THE MICROFICHE, INDICATES THE OVERALL UNIT COLOR. ORDER THE ITEM YOU DESIRE ACCORDING TO UNIT COLOR CODE.



NOTE: USE THIS ILLUSTRATION WHEN DETERMINING LENGTH AND WIDTH MEASUREMENTS FOR CURTAINS. YOU WILL NOTE THE WIDTH MEASUREMENT IS TAKEN ON THE TOP OF THE CURTAIN WITH THE CURTAIN FULLY EXTENDED. THE LENGTH MEASUREMENT IS TAKEN FROM TOP TO BOTTOM. LEFT AND RIGHT WINDOW LEGS ARE DETERMINED WHEN FACING THE WINDOW.

CURTAIN & CUSHION GROUP (CONTINUED)



CURTAIN, BLIND & SHADE HARDWARE

| KEY | PART NUMBER | U/M | DESCRIPTION |
|-----|---------------|-----|--|
| 1 | 029130-01-000 | EA | SCREW-SNAP SOCKET 8 PH X 5/8" |
| 2 | 029155-01-000 | EA | CAP-SNAP NICKEL |
| 3 | 029156-01-000 | EA | SOCKET-SNAP FASTENER NICKEL |
| 4 | 101031-01-000 | YD | TAPE-SLIDE CURTAIN- 4 25" SPACING |
| 5 | 009136-02-000 | EA | HANGER-RING, PIN TYPE - CURTAIN - BRASS |
| 6 | 092464-03-01A | EA | TRACK-SHOWER, CURVED - OFF WHITE |
| 6 | 009700-04-002 | EA | TRACK, L-SHAPED 195 2" - STRAIGHT - OFF WHITE |
| 7 | 105450-05-01A | EA | TRACK-CURTAIN, 79" LONG - ALUMINUM - OFF WHITE |
| 8 | 009701-01-000 | EA | CARRIER-CURTAIN L ROD |
| 9 | 009702-01-000 | EA | END STOP-CURTAIN CARRIER L ROD |
| 10 | 101033-03-000 | FT | TRACK-CURTAIN LOW PROFILE - WHITE |
| 11 | 101033-02-000 | EA | END CAP-TRACK CLEAR |
| 12 | 102555-01-000 | EA | CLEAT-CORD, BLIND - OFF WHITE |
| 13 | 083170-01-000 | EA | BRACKET-BLIND, RIGHT SIDE |
| 13 | 083170-02-000 | EA | BRACKET-BLIND, LEFT SIDE |
| | 093475-01-700 | EA | WAND-BLIND, W/METAL CLIP - 8" LONG |
| | 093475-01-701 | EA | END CAP-BLIND, W/STUD |
| 14 | 095591-02-000 | EA | BRACKET-HOLD DOWN, W/PIN - BLIND - METAL |
| | | | FROM 00-00-00 THRU 07-19-92 |
| 15 | 109441-01-000 | EA | HOLD DOWN-BLIND, HOOK |
| | | | FROM 07-20-92 THRU 99-99-99 |
| | 089522-03-000 | EA | PANEL-LEG, TWO SIDE 27" LONG - PLASTIC - BLACK |
| | 089916-01-000 | EA | MOUNT-WINDOW LEG, 23 75" - ALUMINUM - BLACK |
| | | | 23 75" LONG - 6.3" BETWEEN SCREW HOLES |
| | 103986-01-000 | FT | TRIM-VALANCE, U-CHANNEL - .75" WIDE - BRASS |
| | 046867-01-000 | EA | GROMMET-BRASS - 7/16" ID X 1" OD |
| | 088792-01-000 | YD | VELCRO-HOOK, .75" WIDE - BEIGE |
| | 048394-02-000 | YD | VELCRO TAPE-HOOK, ADHESIVE BACK - .75" WIDE - BEIGE |
| | 088792-02-000 | YD | VELCRO TAPE-LOOP, ADHESIVE BACKED - .75" WIDE - BEIGE |
| | 039175-02-000 | EA | BRACKET-CURTAIN ROD, EXTENDING CAFE - DELUXE OPTION |
| | 039175-03-000 | EA | ROD-CAFE, CURTAIN - EXTENDS 28" TO 48" - DELUXE OPTION |
| | 039175-05-000 | EA | BRACKET-CURTAIN ROD, CENTER CAFE - DELUXE OPTION |

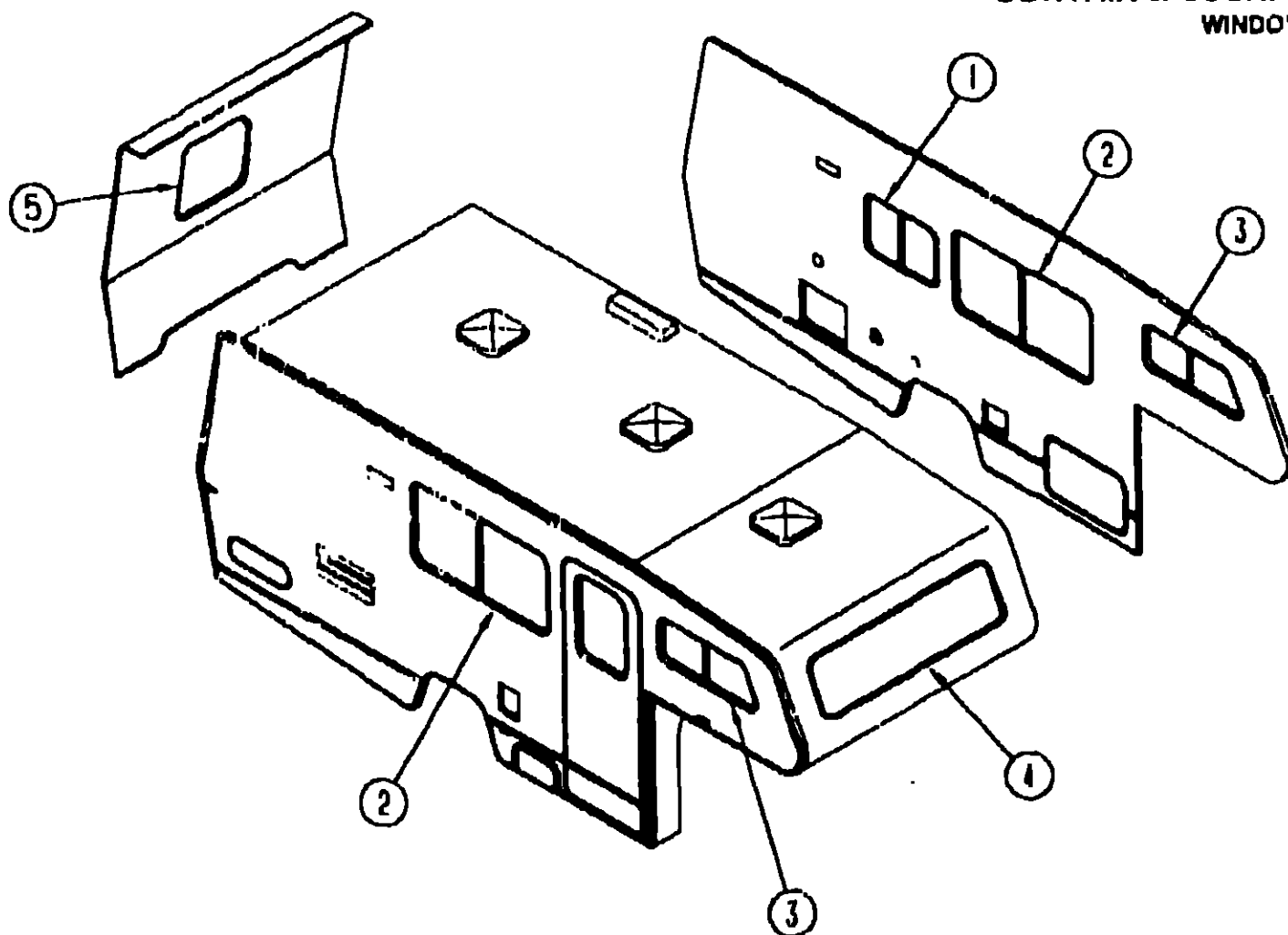
**1993 ITASCA
TABLE OF CONTENTS**

| | | |
|--------------------|------|------|
| INTRODUCTION | A-01 | A-02 |
| ABBREVIATIONS | | A-03 |
| ALPHABETICAL INDEX | A-04 | A-05 |
| IT321RB | A-07 | C-24 |
| IT321RL | D-01 | F-18 |
| IT321RD | F-19 | I-12 |

1993 IT321RB INDEX

| | | |
|--------------------------------|------|------|
| FLOOR PLAN | A-07 | A-08 |
| ACCESSORIES | | A-09 |
| AUDIO VIDEO | | A-10 |
| BATH | A-11 | A-12 |
| CABINETS | A-13 | A-14 |
| CURTAIN & CUSHION | A-15 | A-21 |
| DINETTE | | A-22 |
| DRIVERS COMPARTMENT | | A-23 |
| ELECTRICAL | A-24 | B-03 |
| EXTERIOR BODY | B-04 | B-08 |
| GALLEY | B-09 | B-14 |
| GENERATOR | | B-15 |
| HEATING & A/C | | B-16 |
| INTERIOR FINISH | B-17 | B-20 |
| LABELS | B-21 | C-02 |
| LP | | C-03 |
| LOUNGE | | C-04 |
| SEALANTS & FASTENERS | C-05 | C-06 |
| WATER & SEWAGE | C-07 | C-10 |
| WINDOW, VENT AND EXTERIOR DOOR | C-11 | C-24 |

CURTAIN & CUSHION GROUP (CONTINUED)
WINDOW TREATMENT



**1993 ITASCA
TABLE OF CONTENTS**

| | | |
|--------------------|------|------|
| INTRODUCTION | A-01 | A-02 |
| ABBREVIATIONS | | A-03 |
| ALPHABETICAL INDEX | A-04 | A-06 |
| IT321RB | A-07 | C-24 |
| IT321RL | D-01 | F-13 |
| IT321RD | F-19 | I-12 |

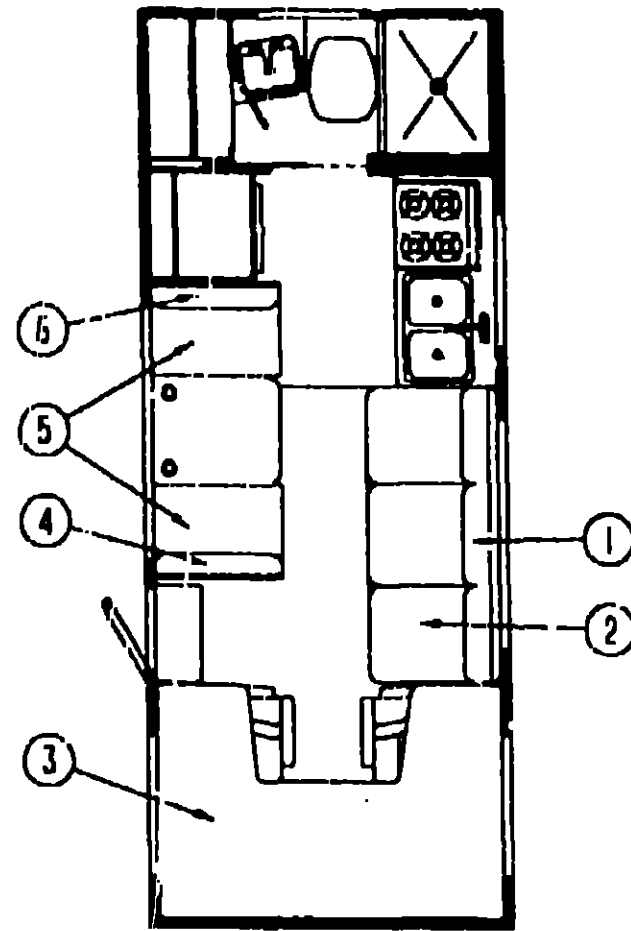
1993 IT321RB INDEX

| | | |
|--------------------------------|------|------|
| FLOOR PLAN | A-07 | A-08 |
| ACCESSORIES | | A-09 |
| AUDIO VIDEO | | A-10 |
| BATH | A-11 | A-12 |
| CHASSIS | A-13 | A-14 |
| CURTAIN & CUSHION | A-15 | A-21 |
| DINETTE | | A-22 |
| DRIVERS COMPARTMENT | | A-23 |
| ELECTRICAL | A-24 | B-03 |
| EXTERIOR BODY | B-04 | B-08 |
| GALLEY | B-09 | B-14 |
| GENERATOR | | B-15 |
| HEATING & A/C | | B-15 |
| INTERIOR FINISH | B-17 | B-20 |
| LABELS | B-21 | C-02 |
| LP | | C-03 |
| LOUNGE | | C-04 |
| SEALANTS & FASTENERS | C-05 | C-06 |
| WATER & SEWAGE | C-07 | C-10 |
| WINDOW, VENT AND EXTERIOR DOOR | C-11 | C-24 |

| KEY | PART NUMBER | U/M DESCRIPTION |
|-----|---------------|---|
| 4 | 101034-06-D24 | EA CURTAIN-16" X 28", TAPE TOP & BOTTOM (D24) FROM: 00-00-00 THRU 09-13-92 |
| 4 | 101034-06-D02 | EA CURTAIN-16" X 28", TAPE TOP & BOTTOM (D25) FROM: 00-00-00 THRU 09-13-92 |
| 4 | 101034-06-D03 | EA CURTAIN-16" X 28", TAPE TOP & BOTTOM (D26) FROM: 00-00-00 THRU 09-13-92 |
| 4 | 101034-29-D24 | EA CURTAIN-16" X 50", TAPE TOP & BOTTOM - RIGHT FROM: 09-14-92 THRU 99-99-99 |
| 4 | 101034-29-D25 | EA CURTAIN-16" X 50", TAPE TOP & BOTTOM - RIGHT FROM: 09-14-92 THRU 99-99-99 |
| 4 | 101034-29-D26 | EA CURTAIN-16" X 50", TAPE TOP & BOTTOM - RIGHT FROM: 09-14-92 THRU 99-99-99 |
| 4 | 101034-30-D24 | EA CURTAIN-16" X 50", TAPE TOP & BOTTOM - LEFT FROM: 09-14-92 THRU 99-99-99 |
| 4 | 101034-30-D25 | EA CURTAIN-16" X 50", TAPE TOP & BOTTOM - LEFT FROM: 09-14-92 THRU 99-99-99 |
| 4 | 101034-30-D26 | EA CURTAIN-16" X 50", TAPE TOP & BOTTOM - LEFT FROM: 09-14-92 THRU 99-99-99 |
| 5 | 104021-06-D24 | EA VALANCE-28 5", W/BRASS TRIM |
| 5 | 104021-06-D25 | EA VALANCE-28 5", W/BRASS TRIM |
| 5 | 104021-06-D26 | EA VALANCE-28 5", W/BRASS TRIM |
| 5 | 093475-43-08A | EA BLIND-MINI, 26 5" X 24" DROP (D24/D25) |
| 5 | 093475-43-09A | EA BLIND-MINI, 26 5" X 24" DROP (D26) |
| | 076892-03-C09 | EA CURTAIN-SNAP TOP, 35" X 55" - BEIGE |
| | 101668-18-D24 | EA CURTAIN-38 5" X 50", RIGHT - TAPE TOP (D24) |
| | 101668-18-D02 | EA CURTAIN-38 5" X 50", RIGHT - TAPE TOP (D25) |
| | 101668-18-D03 | EA CURTAIN-38 5" X 50", RIGHT - TAPE TOP (D26) |
| | 101668-19-D24 | EA CURTAIN-38 5" X 50", LEFT - TAPE TOP (D24) |
| | 101668-19-D02 | EA CURTAIN-38 5" X 50", LEFT - TAPE TOP (D25) |
| | 101668-19-D03 | EA CURTAIN-38 5" X 50", LEFT - TAPE TOP (D26) |
| | 066226-53-D24 | EA VALANCE-ROD POCKET TOP, 8" X 60" - DELUXE OPTION (D24) FROM: 00-00-00 THRU 08-02-92 |
| | 066226-53-DA2 | EA VALANCE-ROD POCKET TOP, 8" X 60" - DELUXE OPTION (D24) FROM: 08-03-92 THRU 99-99-99 |
| | 066226-53-D25 | EA VALANCE-ROD POCKET TOP, 8" X 60" - DELUXE OPTION (D25) |
| | 066226-53-D26 | EA VALANCE-ROD POCKET TOP, 8" X 60" - DELUXE OPTION (D26) |
| | 084481-14-C30 | EA CURTAIN-SHOWER, VINYL - 65" X 42" (D24) |
| | 084481-14-D02 | EA CURTAIN-SHOWER, VINYL - 65" X 42" (D25) |
| | 084481-14-C10 | EA CURTAIN-SHOWER, VINYL - 65" X 42" (D26) |
| | 073260-54-C30 | EA TIEBACK-CURTAIN, SHOWER - 3" X 16" (D24) |
| | 073260-54-D36 | EA TIEBACK-CURTAIN, SHOWER - 3" X 16" (D25) |
| | 073260-54-C10 | EA TIEBACK-CURTAIN, SHOWER - 3" X 16" (D26) |
| | 073260-49-D24 | EA TIEBACK-CURTAIN, 3" X 18" (D24) |
| | 073260-49-D02 | EA TIEBACK-CURTAIN, 3" X 18" (D25) |
| | 073260-49-D03 | EA TIEBACK-CURTAIN, 3" X 18" (D26) |
| | 057534-01-000 | EA TIEBACK/TIEDOWN-BED/CURTAIN/DOOR, 6" - PLASTIC - CLEAR |
| | 034415-46-000 | YD TRIM-BRAID, CURTAIN - BLUE (D24) |
| | 084415-44-000 | YD TRIM-BRAID, CURTAIN - EGGPLANT (D25) |
| | 084415-45-000 | YD TRIM-BRAID, CURTAIN - TEAL (D26) |

| KEY | PART NUMBER | U/M DESCRIPTION |
|-----|---------------|---|
| 1 | 104021-06-D24 | EA VALANCE-28 5", W/BRASS TRIM |
| 1 | 104021-06-D25 | EA VALANCE-28 5", W/BRASS TRIM |
| 1 | 104021-06-D26 | EA VALANCE-28 5", W/BRASS TRIM |
| 1 | 093475-32-16A | EA BLIND-MINI, 27" X 18 5" DROP (D24/D25) |
| 1 | 093475-32-15A | EA BLIND-MINI, 27" X 18 5" DROP (D26) |
| 2 | 104021-09-D24 | EA VALANCE-53", W/BRASS TRIM |
| 2 | 104021-09-D25 | EA VALANCE-53", W/BRASS TRIM |
| 2 | 104021-09-D26 | EA VALANCE-53", W/BRASS TRIM |
| 2 | 100281-45-D24 | EA LEG-RIGHT (D24) |
| 2 | 100281-45-C05 | EA LEG-RIGHT (D25) |
| 2 | 100281-45-D03 | EA LEG-RIGHT (D26) |
| 2 | 100281-46-D24 | EA LEG-LEFT (D24) |
| 2 | 100281-46-C05 | EA LEG-LEFT (D25) |
| 2 | 100281-46-D03 | EA LEG-LEFT (D26) |
| 2 | 093475-42-05A | EA BLIND-MINI, 49" X 29" DROP (D24/D25) |
| 2 | 093475-42-04A | EA BLIND-MINI, 49" X 29" DROP (D26) |
| 3 | 101034-06-D24 | EA CURTAIN-16" X 28", TAPE TOP & BOTTOM (D24) FROM: 00-00-00 THRU 09-13-92 |
| 3 | 101034-06-D02 | EA CURTAIN-16" X 28", TAPE TOP & BOTTOM (D25) FROM: 00-00-00 THRU 09-13-92 |
| 3 | 101034-06-D03 | EA CURTAIN-16" X 28", TAPE TOP & BOTTOM (D26) FROM: 00-00-00 THRU 09-13-92 |
| 3 | 101034-31-D24 | EA CURTAIN-16" X 28", TAPE TOP & BOTTOM - RIGHT FROM: 09-14-92 THRU 99-99-99 |
| 3 | 101034-31-D25 | EA CURTAIN-16" X 28", TAPE TOP & BOTTOM - RIGHT FROM: 09-14-92 THRU 99-99-99 |
| 3 | 101034-31-D26 | EA CURTAIN-16" X 28", TAPE TOP & BOTTOM - RIGHT FROM: 09-14-92 THRU 99-99-99 |
| 3 | 101034-32-D24 | EA CURTAIN-16" X 28", TAPE TOP & BOTTOM - LEFT FROM: 09-14-92 THRU 99-99-99 |
| 3 | 101034-32-D25 | EA CURTAIN-16" X 28", TAPE TOP & BOTTOM - LEFT FROM: 09-14-92 THRU 99-99-99 |
| 3 | 101034-32-D26 | EA CURTAIN-16" X 28", TAPE TOP & BOTTOM - LEFT FROM: 09-14-92 THRU 99-99-99 |

CURTAIN & CUSHION GROUP (CONTINUED)



COUCH & COUCH PILLOWS

| KEY | PART NUMBER | U/M DESCRIPTION |
|-----|---------------|--|
| 1 | 100032-35-D24 | EA COUCH-BACKREST, W/O ARMS - 66 5" |
| 1 | 100032-35-D25 | EA COUCH-BACKREST, W/O ARMS - 66 5" |
| 1 | 100032-35-D26 | EA COUCH-BACKREST, W/O ARMS - 66 5" |
| | P00032-35-D24 | EA COVER-COUCH, BACKREST - W/O ARMS - 66 5" |
| | P00032-35-D25 | EA COVER-COUCH, BACKREST - W/O ARMS - 66 5" |
| | P00032-35-D26 | EA COVER-COUCH, BACKREST - W/O ARMS - 66 5" |
| | 101085-09-000 | EA FRAME-BACK, COUCH - 66 5" |
| 2 | 100032-36-D24 | EA COUCH-SEAT, W/O ARMS - 66 5" |
| 2 | 100032-36-D25 | EA COUCH-SEAT, W/O ARMS - 66 5" |
| 2 | 100032-36-D26 | EA COUCH-SEAT, W/O ARMS - 66 5" |
| | P00032-36-D24 | EA COVER-COUCH, SEAT - W/O ARMS - 66 5" |
| | P00032-36-D25 | EA COVER-COUCH, SEAT - W/O ARMS - 66 5" |
| | P00032-36-D26 | EA COVER-COUCH, SEAT - W/O ARMS - 66 5" |
| | 101085-01-000 | EA FRAME-SEAT, COUCH - 66 5" |
| | 101085-03-000 | EA FRAME-BASE, COUCH - 66 5" |
| | 103669-01-B38 | EA PILLOW-THROW, 16" X 16" (D24) |
| | 103669-01-C03 | EA PILLOW-THROW, 16" X 16" (D25) |
| | 103669-01-D11 | EA PILLOW-THROW, 16" X 16" (D26) |
| | 085060-05-B27 | EA PILLOW-THROW, 15" X 15" (D24) - DELUXE OPTION |
| | 085060-05-C09 | EA PILLOW-THROW, 15" X 15" (D25) - DELUXE OPTION |
| | 085060-05-B04 | EA PILLOW-THROW, 15" X 15" (D26) - DELUXE OPTION |

BUNK CUSHIONS & BUNK PILLOWS

| KEY | PART NUMBER | U/M DESCRIPTION |
|-----|---------------|---|
| 3 | 084753-36-D24 | EA CUSHION-53 5" X 81 5" X 5", U-SHA/PE/ED BUNK |
| 3 | 084753-36-D25 | EA CUSHION-53 5" X 81 5" X 5", U-SHA/PE/ED BUNK |
| 3 | 084753-36-D26 | EA CUSHION-53 5" X 81 5" X 5", U-SHA/PE/ED BUNK |
| | M84753-36-D24 | EA COVER-CUSHION, U-SHAPED - 53 5" X 81 5" X 5" |
| | M84753-36-D25 | EA COVER-CUSHION, U-SHAPED - 53 5" X 81 5" X 5" |
| | M84753-36-D26 | EA COVER-CUSHION, U-SHAPED - 53 5" X 81 5" X 5" |
| 3 | 084753-35-D24 | EA CUSHION-24 5" X 44 5" X 5", BUNK FILLER |
| 3 | 084753-35-D25 | EA CUSHION-24 5" X 44 5" X 5", BUNK FILLER |
| 3 | 084753-35-D26 | EA CUSHION-24 5" X 44 5" X 5", BUNK FILLER |
| | M84753-35-D24 | EA COVER-CUSHION, FILLER - 24 5" X 44 5" X 5" |
| | M84753-35-D25 | EA COVER-CUSHION, FILLER - 24 5" X 44 5" X 5" |
| | M84753-35-D26 | EA COVER-CUSHION, FILLER - 24 5" X 44 5" X 5" |
| | 085060-04-D24 | EA PILLOW-THROW, 15" X 15" - DELUXE OPTION |
| | 085060-04-D25 | EA PILLOW-THROW, 15" X 15" - DELUXE OPTION |
| | 085060-04-D26 | EA PILLOW-THROW, 15" X 15" - DELUXE OPTION |

DINETTE CUSHIONS

| KEY | PART NUMBER | U/M DESCRIPTION |
|-----|---------------|---|
| 4 | 088927-97-D24 | EA CUSHION-BACK, 13" X 30 5" X 5" (D24/D25) |
| 4 | 088927-97-D26 | EA CUSHION-BACK, 13" X 30 5" X 5" (D26) |
| | M88927-97-D24 | EA COVER-CUSHION, FRONT BACKREST - 13" X 30 5" X 5" (D24/D25) |
| | M88927-97-D26 | EA COVER-CUSHION, FRONT BACKREST - 13" X 30 5" X 5" (D26) |
| 5 | 088927-85-D24 | EA CUSHION-SEAT, 22" X 30 5" X 5" (D24/D25) |
| 5 | 088927-85-D26 | EA CUSHION-SEAT, 22" X 30 5" X 5" (D26) |
| | M88927-85-D24 | EA COVER-CUSHION, SEAT - 22" X 30 5" X 5" (D24/D25) |
| | M88927-85-D26 | EA COVER-CUSHION, SEAT - 22" X 30 5" X 5" (D26) |
| 6 | 088927-96-D24 | EA CUSHION-BACK, 13" X 30 5" X 5" (D24/D25) |
| 6 | 088927-96-D26 | EA CUSHION-BACK, 13" X 30 5" X 5" (D26) |
| | M88927-96-D24 | EA COVER-CUSHION, REAR BACKREST - 13" X 30 5" X 5" (D24/D25) |
| | M88927-96-D26 | EA COVER-CUSHION, REAR BACKREST - 13" X 30 5" X 5" (D26) |
| | 078155-01-000 | EA STRAP SNAP, BACKREST CUSHION |

**1993 ITASCA
TABLE OF CONTENTS**

| | | |
|--------------------|------|------|
| INTRODUCTION | A-01 | A-02 |
| ABBREVIATIONS | | A-03 |
| ALPHABETICAL INDEX | A-04 | A-05 |
| IT321RB | A-07 | C-24 |
| IT321RL | D-01 | F-18 |
| IT321RD | F-15 | I-12 |

1993 IT321RB INDEX

| | | |
|----------------------|------|------|
| FLOOR PLAN | A-07 | A-08 |
| ACCESSORIES | | A-09 |
| AUDIO VIDEO | | A-10 |
| BATH | A-11 | A-12 |
| CHASSIS | A-13 | A-14 |
| CURTAIN & CUSHION | A-15 | A-21 |
| DINETTE | | A-22 |
| DRIVERS COMPARTMENT | | A-23 |
| ELECTRICAL | A-24 | B-03 |
| EXTERIOR BODY | B-04 | B-08 |
| GALLEY | B-09 | B-14 |
| GENERATOR | | B-15 |
| HEATING & A/C | | B-16 |
| INTERIOR FINISH | B-17 | B-20 |
| LABELS | B-21 | C-02 |
| LP | | C-03 |
| LOUNGE | | C-04 |
| SEALANTS & FASTENERS | C-05 | C-06 |
| WATER & SEWAGE | C-07 | C-10 |
| WINDOW, VENT AND | | |
| EXTERIOR DOOR | C-11 | C-24 |

CURTAIN & CUSHION GROUP (CONTINUED)

BUCKET SEAT COVERS

| KEY | PART NUMBER | U/M DESCRIPTION |
|-----|---------------|---|
| | 0B6740-07-D24 | EA COVER ASM-SEAT & HEADREST, DRIVER |
| | 0B6740-07-D25 | EA COVER ASM-SEAT & HEADREST, DRIVER |
| | 0B6740-07-D26 | EA COVER ASM-SEAT & HEADREST, DRIVER |
| | M86740-07-D24 | EA COVER-SEAT, DRIVER |
| | M86740-07-D25 | EA COVER-SEAT, DRIVER |
| | M86740-07-D26 | EA COVER-SEAT, DRIVER |
| | 102860-01-D24 | EA COVER-HEADREST |
| | 102860-01-D25 | EA COVER-HEADREST |
| | 102860-01-D26 | EA COVER-HEADREST |
| | 0B6740-06-D24 | EA COVER ASM-SEAT & HEADREST, PASSENGER |
| | 0B6740-06-D25 | EA COVER ASM-SEAT & HEADREST, PASSENGER |
| | 0B6740-06-D26 | EA COVER ASM-SEAT & HEADREST, PASSENGER |
| | M86740-06-D24 | EA COVER-SEAT, PASSENGER |
| | M86740-06-D25 | EA COVER-SEAT, PASSENGER |
| | M86740-06-D26 | EA COVER-SEAT, PASSENGER |
| | 102860-01-D24 | EA COVER-HEADREST |
| | 102860-01-D25 | EA COVER-HEADREST |
| | 102860-01-D26 | EA COVER-HEADREST |

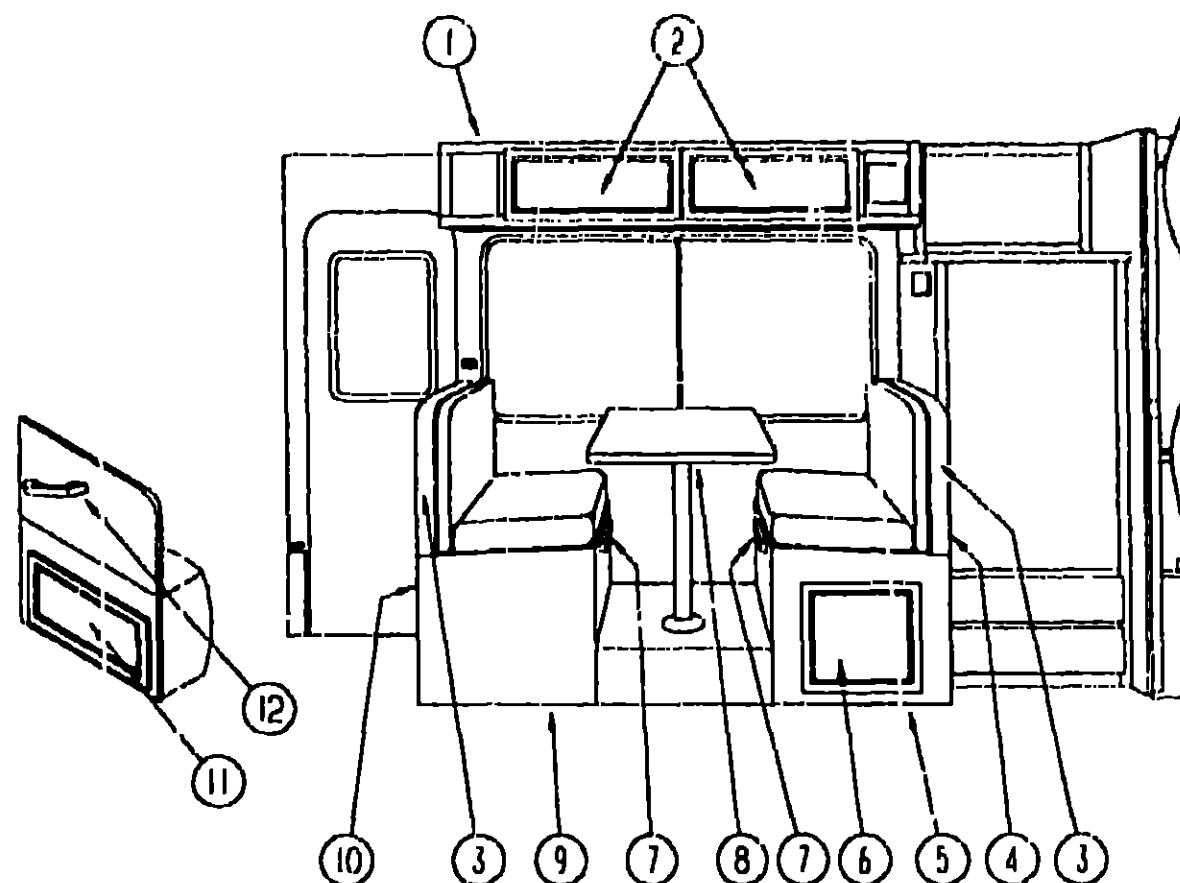
FABRIC

| KEY | PART NUMBER | U/M DESCRIPTION |
|-----|---------------|--|
| | 103507-01-01A | YD FABRIC-VINYL, 54" WIDE - OFF WHITE |
| | 079580-07-000 | YD FABRIC-VINYL, 54" WIDE - BEIGE |
| | 072333-82-000 | YD FABRIC-CURTAIN, 54" WIDE - BEIGE |
| | 104233-31-000 | YD FABRIC-UPHOLSTERY, PLAIN VELOUR - 54" WIDE (D24) |
| | 104233-29-000 | YD FABRIC-UPHOLSTERY, PLAIN VELOUR - 54" WIDE (D25) |
| | 104233-30-000 | YD FABRIC-UPHOLSTERY, PLAIN VELOUR - 54" WIDE (D26) |
| | 104233-69-000 | YD FABRIC-UPHOLSTERY, WOVEN PATTERN - 54" WIDE (D24/D25) |
| | 104233-71-000 | YD FABRIC-UPHOLSTERY, PATTERN VELOUR - 54" WIDE (D26) |
| | 104233-70-000 | YD FABRIC-UPHOLSTERY, STRIPED WOVEN - 54" WIDE (D24) |
| | 104233-78-000 | YD FABRIC-UPHOLSTERY, STRIPED WOVEN - 54" WIDE (D25) |
| | 104233-72-000 | YD FABRIC-UPHOLSTERY, DOTTED VELOUR - 54" WIDE (D26) |
| | 088273-95-000 | YD FABRIC-CURTAIN/BEDSPREAD, PATTERNED - 54" WIDE (D24) FROM: 00-00-00 THRU: 06-02-92 |
| | 105745-37-000 | YD FABRIC-CURTAIN/BEDSPREAD, PATTERNED - 54" WIDE (D24) FROM: 08-03-92 THRU: 99-99-99 |
| | 088273-83-000 | YD FABRIC-CURTAIN/BEDSPREAD, PATTERNED - 54" WIDE (D25) |
| | 105745-15-000 | YD FABRIC-CURTAIN/BEDSPREAD, PATTERNED - 54" WIDE (D26) |

ASSIST HANDLE, SEATBELTS & BUTTONS

| KEY | PART NUMBER | U/M DESCRIPTION |
|-----|---------------|---|
| | 053552-02-AA8 | EA HANDLE-ASSIST, INTERIOR - ENTRY DOOR - VINYL - OFF WHITE |
| | 069178-02-000 | EA BRACKET-MOUNTING, ASSIST HANDLE - L ANGLE - STEEL |
| | 030C16-07-16B | EA CARRIAGE BOLT-ASSIST HANDLE |
| | 050D20-07-00B | EA NUT-ACORN, ASSIST HANDLE |
| | 007021-01-000 | EA BELT-SEAT, 2" X 90" - BLACK |
| | 056271-01-000 | EA BELT-SEAT, 2" X 102" - BLACK |
| | 078300-03-000 | EA BRACKET-SEATBELT |
| | 057759-01-000 | EA WASHER BRACKET-SEAT BELT 4" DIAMETER |
| | 070578-01-B27 | EA BUTTON-SCREW STUD, #30 (D24) |
| | 070578-01-C03 | EA BUTTON-SCREW STUD, #30 (D25) |
| | 070578-01-B06 | EA BUTTON-SCREW STUD, #30 (D26) |

DINETTE GROUP



CABINETS & PADS

| KEY | PART NUMBER | U/M DESCRIPTION |
|-----|---------------|--|
| | M05160-29-D24 | EA CABINET-OVERHEAD, W/O DOORS OR HARDWARE |
| | M05160-29-D25 | EA CABINET-OVERHEAD, W/O DOORS OR HARDWARE |
| | M05160-29-D26 | EA CABINET-OVERHEAD, W/O DOORS OR HARDWARE |
| | M05160-01-C29 | EA CABINET-OVERHEAD, W/O DOORS OR HARDWARE - EL MONTE OPTION |
| | P03702-73-D24 | EA DOOR-CABINET, W/O HARDWARE - 10" X 25 2" |
| | P03702-73-C29 | EA DOOR-CABINET, W/O HARDWARE - 10" X 25 2" - EL MONTE OPTION |
| | 105847-01-C25 | EA KEY RING HOLDER - DELUXE OPTION |
| | M05156-01-B27 | EA KEY RING HOLDER - EL MONTE OPTION |
| | 103130-01-000 | EA HOOK-CUP, BRASS - 1 25" - DELUXE & EL MONTE OPTIONS |
| | 103859-01-D24 | EA PAD-DINETTE (D24) |
| | 103869-01-D02 | EA PAD-DINETTE (D25) |
| | 103869-01-D03 | EA PAD-DINETTE (D26) |
| | M04136-06-D24 | EA CABINET-BACKREST, REAR |
| | M05162-01-D24 | EA CABINET-BACKREST, REAR - EL MONTE OPTION |
| | M04139-01-B27 | EA CABINET-SEATBASE, REAR |
| | M05161-01-B27 | EA CABINET-SEATBASE, REAR - EL MONTE OPTION |
| | P03702-74-D24 | EA DOOR-CABINET, W/O HARDWARE - 15 7" X 20 5" |
| | 081295-06-B27 | EA SUPPORT-BASE, DINETTE - 1 5" X 25 2" - WOOD |
| | 081298-09-D24 | EA TABLE-DINETTE, W/O CUPHOLDERS |
| | 064781-06-000 | EA HOLDER-CUP, TWO STEP - OFF WHITE |
| | 009040-03-000 | EA BASE-TABLE, RAISED |
| | 009040-01-000 | EA LEG-TABLE, PEDESTAL - 25 5" - CHROME |
| | M04139-02-B27 | EA CABINET-SEATBASE, FRONT |
| | M05161-02-B27 | EA CABINET-SEATBASE, FRONT - EL MONTE OPTION |
| | 081518-04-B44 | EA SEAT-DINETTE TOP, PLYWOOD |
| | M04136-07-D24 | EA CABINET-BACKREST, FRONT - W/O DOORS OR HARDWARE |
| | M05162-02-D24 | EA CABINET-BACKREST, FRONT - W/O DOORS OR HARDWARE - EL MONTE OPTION |
| | P03701-03-D24 | EA DOOR-CABINET, W/O HARDWARE - 14 4" X 26 8" |
| | 103236-01-B27 | EA RACK-MAGAZINE, STAINED - DELUXE & EL MONTE OPTION |
| | P03236-01-000 | EA RACK-MAGAZINE, UNSTAINED - DELUXE & EL MONTE OPTION |
| | 091257-05-000 | EA HANDLE-ASSIST, WOOD |

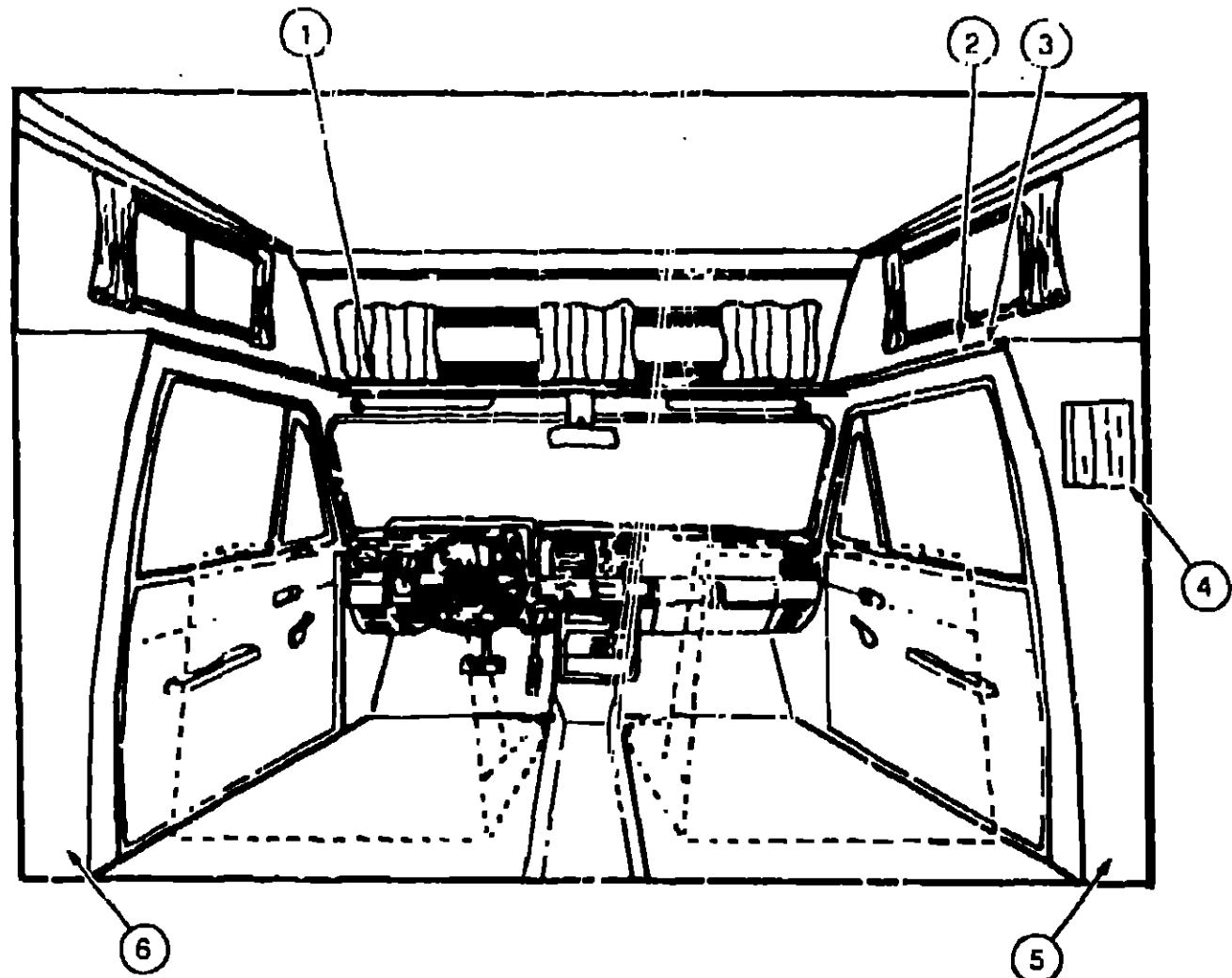
**1993 ITASCA
TABLE OF CONTENTS**

| | | |
|--------------------|-----|-----|
| INTRODUCTION | A01 | A02 |
| ABBREVIATIONS | | A03 |
| ALPHABETICAL INDEX | A04 | A05 |
| IT321RB | A07 | C24 |
| IT321RL | D01 | F18 |
| IT321RD | F19 | I12 |

1993 IT321RB INDEX

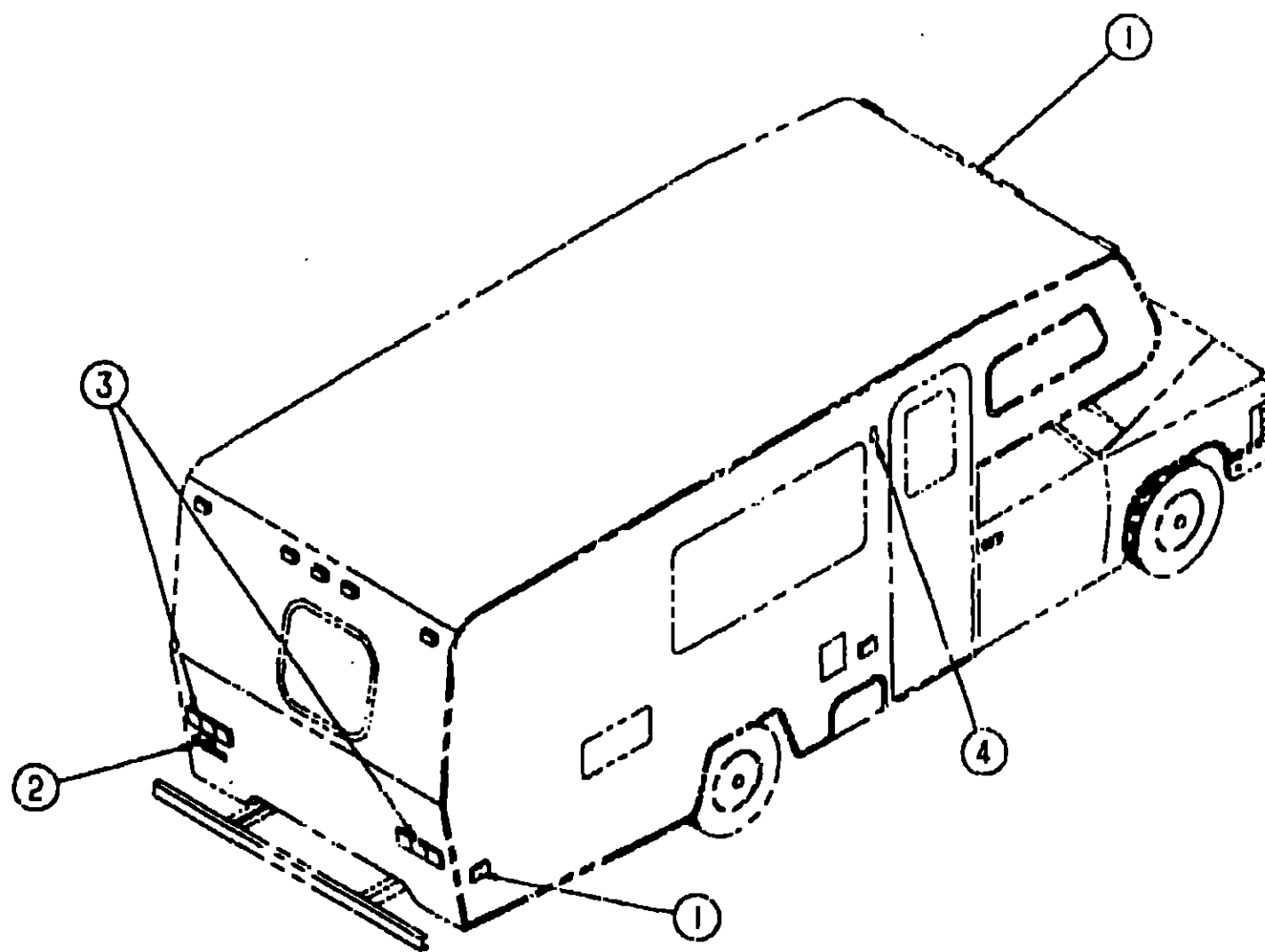
| | | |
|--------------------------------|------|------|
| FLOOR PLAN | A-07 | A-08 |
| ACCESSORIES | | A-09 |
| AUDIO VIDEO | | A-10 |
| BATH | A-11 | A-12 |
| CHASSIS | A-13 | A-14 |
| CURTAIN & CUSHION | A-15 | A-21 |
| DINETTE | | A-22 |
| DRIVERS COMPARTMENT | | A-23 |
| ELECTRICAL | A-24 | B-03 |
| EXTERIOR BODY | B-04 | B-08 |
| GALLEY | B-09 | B-14 |
| GENERATOR | | B-15 |
| HEATING & A/C | | B-16 |
| INTERIOR FINISH | B-17 | B-20 |
| LABELS | B-21 | C-02 |
| LP | | C-03 |
| LOUNGE | | C-04 |
| SEALANTS & FASTENERS | C-05 | C-06 |
| WATER & SEWAGE | C-07 | C-10 |
| WINDOW, VENT AND EXTERIOR DOOR | C-11 | C-24 |

DRIVERS COMPARTMENT GROUP



DRIVERS COMPARTMENT

ELECTRICAL GROUP



EXTERIOR LIGHTS

**1993 ITASCA
TABLE OF CONTENTS**

| | | |
|--------------------|------|------|
| INTRODUCTION | A-01 | A-02 |
| ABBREVIATIONS | | A-03 |
| ALPHABETICAL INDEX | A-04 | A-05 |
| IT321RB | A-07 | C-24 |
| IT321RL | D-01 | F-18 |
| IT321RD | F-19 | I-12 |

1993 IT321RB INDEX

| | | |
|-----------------------------------|------|------|
| FLOOR PLAN | A-07 | A-08 |
| ACCESSORIES | | A-09 |
| AUDIO VIDEO | | A-10 |
| BATH | A-11 | A-12 |
| CHASSIS | A-13 | A-14 |
| CURTAIN & CUSHION | A-15 | A-21 |
| DINETTE | | A-22 |
| DRIVERS COMPARTMENT | | A-23 |
| ELECTRICAL | A-24 | B-03 |
| EXTERIOR BODY | B-04 | B-08 |
| GALLEY | B-09 | B-14 |
| GENERATOR | | B-15 |
| HEATING & A/C | | B-16 |
| INTERIOR FINISH | B-17 | E-22 |
| LABELS | B-21 | C-02 |
| LP | | C-03 |
| LOUNGE | | C-04 |
| SEALANTS & FASTENERS | C-05 | C-05 |
| WATER & SEWAGE | C-07 | C-10 |
| WINDOW, VENT AND EXTERIOR DOOR | C-11 | C-24 |

| KEY | PART NUMBER | U/M DESCRIPTION |
|-----|---------------|--|
| 1 | PC0072-01-B05 | EA PANEL-SLEEPERBOARD, W/O INTERIOR TRIM |
| | 100085-01-01A | EA TRIM-STRAP, SLEEPERBOARD - FLAT W/SCREW HOLES |
| | 100086-01-01A | EA TRIM-SLEEPERBOARD TO ROOF - OFF WHITE |
| 2 | 079800-06-000 | EA TRIM-SLEEPERBOARD INNER - OFF WHITE |
| 3 | 080742-03-000 | FT TRIM-VINYL-SLEEPER BOARD - OFF WHITE |
| 4 | 086120-01-B27 | EA PAD ASM-MAP POCKET, 12" X 16" (D24) |
| 4 | 086120-01-D02 | EA PAD ASM-MAP POCKET, 12" X 16" (D25) |
| 4 | 086120-01-B06 | EA PAD ASM-MAP POCKET, 12" X 16" (D26) |
| | M86120-01-B27 | EA COVER-MAP POCKET (D24) |
| | M86120-01-C05 | EA COVER-MAP POCKET (D25) |
| | M86120-01-B06 | EA COVER-MAP POCKET (D26) |
| 5 | M95402-03-000 | EA WINGWALL INNER, PASSENGER - W/O CARPET FROM 00-00-00 THRU 07-01-92 |
| 5 | M95402-01-000 | EA WINGWALL INNER, PASSENGER - W/O CARPET FROM 07-02-92 THRU 99-99-99 |
| 6 | M95402-02-000 | EA WINGWALL INNER, DRIVER - W/O CARPET |
| | 100138-01-000 | EA MODULE-DAYTIME RUNNING LIGHT - CANADIAN |
| | 100159-05-000 | EA WIRE ASM-DAYTIME RUNNING LIGHTS, W/FUSE - CANADIAN |
| | 100715-03-000 | EA SPEEDOMETER-KILOMETER, TOYOTA 83110 35220 |

| KEY | PART NUMBER | U/M DESCRIPTION |
|-----|---------------|--|
| 1 | 091983-01-000 | EA GASKET-CLEARANCE/SIDEMARKER LIGHT |
| 1 | 042405-01-000 | EA LENS-CLEARANCE/SIDEMARKER LIGHT W/REFLEX - RED |
| 1 | 042405-02-000 | EA LENS-CLEARANCE/SIDEMARKER LIGHT W/REFLEX - AMBER |
| 1 | 042405-03-000 | EA BASE-CLEARANCE/SIDEMARKER LIGHT W/BULB - PLASTIC - WHITE |
| 1 | 008213-01-000 | EA BULB-12V, 024 AMP - #57 |
| 2 | 066432-01-000 | EA LIGHT-LICENSE PLATE W/BRACKET, OFF WHITE |
| 3 | 081638-02-000 | EA TAILLIGHT-TRIPLE, W/OFF WHITE TRIM - DRIVER & PASSENGER SIDE |
| 3 | 081638-01-700 | EA LENS-TAILLIGHT, RED - BARGMAN 30-84-010 |
| 3 | 081638-01-701 | EA LENS-TAILLIGHT, W/BACKUP - BARGMAN 30-84-700 |
| 3 | 081638-02-700 | EA LENS-TAILLIGHT, AMBER - BARGMAN 30-84-016 |
| 3 | 037934-01-000 | EA BULB-12V, - 2.1 AMP - #1156 - CLEAR GLASS (BACK UP & TURN SIGNAL) |
| 3 | 039735-01-000 | EA BULB-12V, 2.1 AMP - #2057 OR 1157 CLEAR GLASS (BRAKE LIGHT) |
| 3 | 081638-03-000 | EA WEDGE-TAILLIGHT, OFF WHITE - DRIVER OR PASSENGER SIDE |
| 4 | 097917-01-01A | EA LIGHT-PORCH, ENTRY DOOR - OFF WHITE |
| 4 | 097917-01-700 | EA LENS-LIGHT, PORCH |
| 4 | 078215-01-000 | EA BULB-12V, 94 AMP - #1003 |

ELECTRICAL GROUP (CONTINUED)
EXPORT ELECTRIC CONVERSION OPTION L040

| KEY | PART NUMBER | U/M DESCRIPTION |
|-----|---------------|---|
| | 092515-01-00C | EA CONVERTER-40 AMP, W/CHARGER - B-W 32400P |
| | 094809-01-000 | EA CENTER-LOAD, 240V - 125A - TPL412CT |
| | 094810-01-000 | EA BREAKER-CIRCUIT, DOUBLE 30 AMP - GE THQL2130 |
| | 094811-01-000 | EA BREAKER-CIRCUIT, DOUBLE 20 AMP - GE THQL2120 |

CANADIAN OPTION L285

| KEY | PART NUMBER | U/M DESCRIPTION |
|-----|---------------|--|
| | 008289-02-000 | EA BOX-ELECTRICAL, 4" X 4" - 1/2" X 3/4" KNOCKOUTS |
| | 008294-02-000 | EA COVER-ELECTRICAL BOX, BLANK STEEL - 4" X 4" |
| | 083209-02-000 | EA CIRCUIT BREAKER-15/15AMP, 120V - B-W H-15/15 |
| | 083209-06-000 | EA CIRCUIT BREAKER-30/15 AMP, 120V - B-W D-30/15 |
| | 083210-02-000 | EA CIRCUIT BREAKER-GFI, 15A - 120V - BW U-15 |

INTERIOR LIGHTS, SWITCHES & RECEPTACLES

| KEY | PART NUMBER | U/M DESCRIPTION |
|-----|---------------|---|
| | 104173-01-01A | EA LIGHT-DESIGNER, BRASS - #81-905 - U.S. |
| | 008215-01-000 | EA BULB-12V, .94 AMP - #1003 |
| | 104172-01-01A | EA LIGHT-BULLET, BEIGE - #787 SERIES - CANADIAN |
| | 008215-01-000 | EA BULB-12V, .94 AMP - #1003 |
| | 099024-01-01A | EA LIGHT-DOME, 1 BULB - US - IVORY |
| | 098024-03-01A | EA LIGHT-DOME, 2 BULB - IVORY |
| | 098024-01-700 | EA LENS-DOME LIGHT |
| | 008218-01-000 | EA BULB-DOME LIGHT, 12V - #1141 |
| | 075722-01-000 | EA SPACER-SWITCH, W/O HOLE - 2" X 9" X 2" - METAL - OFF WHITE |
| | 095188-01-01A | EA SPACER-SWITCH, 2.3" X 3.4" - PLASTIC - DARK BROWN |
| | 079354-01-000 | EA SWITCH-ON/OFF ROCKER, 2 PRONGS - BROWN |
| | 098351-01-01A | EA PLATE-SWITCH, 1 GANG - POLISHED BRASS |
| | 081994-02-000 | EA PLATE-SWITCH, EXTERIOR SHOWER |
| | | FROM: 00-00-00 THRU: 01-06-93 |
| | 108356-02-01A | EA COVER-SWITCH W/DIMPLES - EXTERIOR SHOWER - CARLING VVAZC00 BLA |
| | 108357-08-000 | EA SWITCH-ROCKER, DPDT ON/NONE/ON - EXTERIOR SHOWER CARLING VDD1S00C-0 |
| | 075736-02-000 | EA COVER-EXTERIOR RECEPTACLE, OFF WHITE |
| | 058708-01-000 | EA RECEPTACLE-ELECTRIC, DOUBLE - BROWN |
| | 058708-02-000 | EA RECEPTACLE-ELECTRIC, DOUBLE - IVORY |
| | 058707-01-000 | EA RECEPTACLE-ELECTRIC, SINGLE - BROWN |
| | 097731-01-01A | EA EXTENSION-RECEPTACLE, 3 2" X 5" X 7" - PLASTIC - IVORY |
| | | FROM: 00-00-00 THRU: 03-07-93 |
| | 084076-01-000 | EA RECEPTACLE-GFI, 15A - 125V - IVORY |
| | 084076-02-000 | EA RECEPTACLE-GFI, 15A - 125V - BROWN |
| | 084077-01-000 | EA PLATE-COVER RECEPTACLE - GFI - IVORY |
| | 084077-02-000 | EA PLATE-COVER RECEPTACLE - GFI - BROWN |
| | 024924-02-000 | EA RECEPTACLE-POWER CORD W/PARTIAL PLATE |

ELECTRICAL GROUP (CONTINUED)
CIRCUIT BREAKERS & FUSES

| KEY | PART NUMBER | U/M DESCRIPTION |
|-----|---------------|---|
| | 093655-02-000 | EA CIRCUIT BREAKER-30 AMP, HOUSE CONTROL PANEL |
| | 083209-03-000 | EA CIRCUIT BREAKER-15/20AMP, 120V - BW D-15/20 |
| | 083209-04-000 | EA CIRCUIT BREAKER-30A, 120V - BW L-30 |
| | 083209-05-000 | EA CIRCUIT BREAKER-20A, 120V - BW J-20 |
| | 008235-01-000 | EA FUSE-AUTOMOTIVE 12V - 15AMP |
| | 062901-02-000 | EA FUSE-5 AMPS, AUTOMOTIVE |
| | 062901-05-000 | EA FUSE-15 AMPS, AUTOMOTIVE |
| | 100341-01-000 | EA FUSE HOLDER-IN LINE TYPE |
| | 107333-01-01A | EA MOUNT-CIRCUIT BREAKER, 3.9" X 2" - BLACK PLASTIC |
| | 087949-01-000 | EA BUSS BAR-2 POSITION, .6" X 1.5" - ALUMINUM |

ELECTRICAL CONNECTORS

| KEY | PART NUMBER | U/M DESCRIPTION |
|-----|---------------|--|
| | 007940-01-000 | EA RECEPTACLE-SLIDE, 16 TO 12 AWG - FEMALE END |
| | 008311-01-000 | EA CONNECTOR-WIRE NUT, INSULATED - RED |
| | 008314-01-000 | EA CONNECTOR-WIRE NUT, INSULATED - GRAY |
| | 008326-01-000 | EA TERMINAL-RING, 16/14 WIRE - 3/8" STUD |
| | 008329-01-000 | EA TERMINAL-RING, 12/10 WIRE - #10 STUD FIT |
| | 008331-01-000 | EA TERMINAL-RING, TONGUE - #4 WIRE - 3/8" STUD - COPPER |
| | 008348-01-000 | EA TERMINAL-RING, 3/8" STUD - #2 WIRE |
| | | CONNECTS CABLE TO DISCONNECT RELAY AND BATTERY |
| | 008355-01-000 | EA CONNECTOR-CABLE CLAMPING, 3/4" |
| | 008356-01-000 | EA CONNECTOR-PLASTIC, 3/8" AVG |
| | 008398-01-000 | EA CONNECTOR-1/2" X 90 DEGREE, FLEX CONDUIT - UL AND CSA |
| | 035416-04-000 | EA TERMINAL-RING #10 STUD FIT, INSULATED BARREL #16/14 |
| | C47443-01-000 | EA TERMINAL-25G RECP. FIT, INSULATED - 16/14 AWG |
| | 058028-01-000 | EA CONNECTOR-ELECTRICAL PIGTAIL, NYLON - CLEAR |
| | 063910-01-000 | EA HOUSING-RELAY, BOSCH 3 334 485 008 |
| | 080015-02-000 | EA RECEPTACLE-FLAG, .185 - 16/14 GA - AMP 3 |
| | 088473-03-000 | EA HOUSING-PIN, 9-POSITION |
| | 088473-08-000 | EA HOUSING-PIN, 4 POSITION |
| | 088473-09-000 | EA HOUSING-PIN, 3 CAVITY - AMP 1-480700-0 |
| | 088473-10-000 | EA PIN-HOUSING, 2 POSITION |
| | 088474-03-000 | EA HOUSING-SOCKET, 9-POSITION |
| | 088474-07-000 | EA HOUSING-SOCKET, 5 CAVITY - AMP 1-480764-0 |
| | 088474-08-000 | EA SOCKET-HOUSING, 4 POSITION (SINGLE ROW) |
| | 088474-09-000 | EA HOUSING-SOCKET, 3 POSITION |
| | 088474-10-000 | EA HOUSING-SOCKET, 2 POSITION |
| | 088475-01-000 | EA PIN-CONNECTOR, 14 TO 20 AWG |
| | 088476-01-000 | EA SOCKET-CONNECTOR, BRASS - PRE-TIN |
| | 088476-02-000 | EA SOCKET-CONNECTOR, 12-10 GA - PHOS BRONZE - PRE-TIN |
| | 088474-10-000 | EA HOUSING-SOCKET, 2 POSITION |

1993 ITASCA
TABLE OF CONTENTS

| | | |
|--------------------|------|------|
| INTRODUCTION | A-01 | A-02 |
| ABBREVIATIONS | | A-03 |
| ALPHABETICAL INDEX | A-04 | A-06 |
| IT321RB | A-07 | C-24 |
| IT321RL | D-01 | F-18 |
| IT321RD | F-19 | I-12 |

1993 IT321RB INDEX

| | | |
|----------------------|------|------|
| FLOOR PLAN | A-07 | A-08 |
| ACCESSORIES | | A-09 |
| AUDIO VIDEO | | A-10 |
| BATH | A-11 | A-12 |
| CHASSIS | A-13 | A-14 |
| CURTAIN & CUSHION | A-15 | A-21 |
| DINETTE | | A-22 |
| DRIVERS COMPARTMENT | | A-23 |
| ELECTRICAL | A-24 | B-03 |
| EXTERIOR BODY | B-04 | B-08 |
| GALLEY | B-09 | B-14 |
| GENERATOR | | B-15 |
| HEATING & A/C | | B-16 |
| INTERIOR FINISH | B-17 | B-20 |
| LABELS | B-21 | C-02 |
| LP | | C-03 |
| LOUNGE | | C-04 |
| SEALANTS & FASTENERS | C-05 | C-06 |
| WATER & SEWAGE | C-07 | C-10 |
| WINDOW, VENT AND | | |
| EXTERIOR DOOR | C-11 | C-24 |

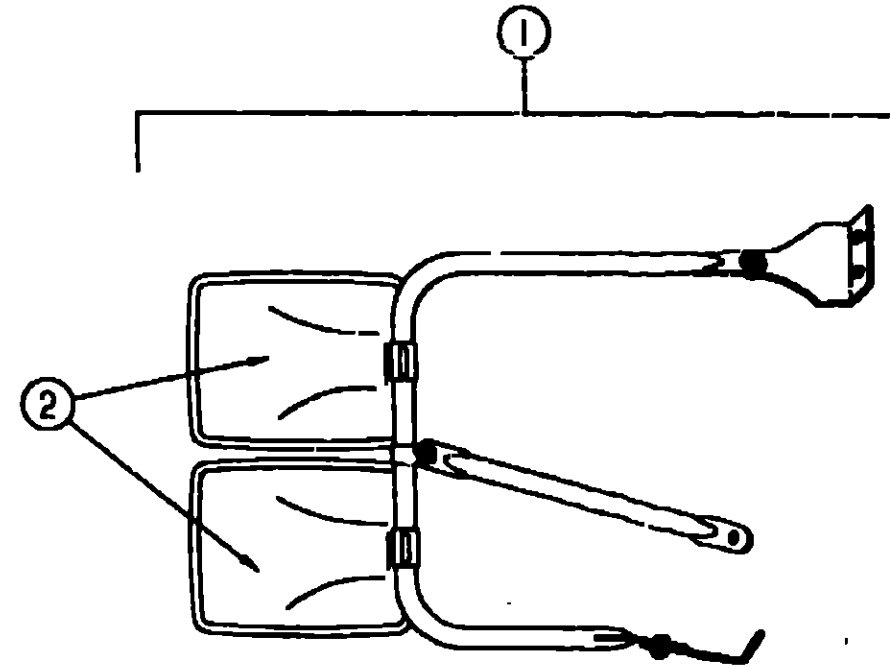
ELECTRICAL GROUP (CONTINUED)
BOXES, CONDUIT & COVERS

| KEY | PART NUMBER | U/M DESCRIPTION |
|-----|---------------|---|
| | 008280-01-000 | EA BOX-PLASTIC ELECTRIC, 3" X 3 1/2" |
| | 008289-01-000 | EA BOX-ELECTRIC, STEEL - 1/2" AND 3/4" KNOCKOUTS - 4" X 4" |
| | 058049-01-000 | EA BOX-ELECTRIC SWITCH, 2" X 3" X 2.25" |
| | 091910-01-000 | EA BOX-ELECTRIC, 3.75" X 3 5/8" X 1.75" - PLASTIC |
| | 093603-01-000 | EA BOX-ELECTRIC, 4" X 2 1/8" X 2 1/8" - STEEL |
| | 107165-01-01A | EA BOX-CIRCUIT BREAKER MOUNT, 14.6" X 4" - BLACK PLASTIC |
| | 041953-01-000 | FT CONDUIT-CONVOLUTE SLIT, .5" ID |
| | 041953-03-000 | FT CONDUIT-CONVOLUTE SLIT, 1" ID (CLOTHES ROD COVER) |
| | 041953-05-000 | FT CONDUIT-CONVOLUTE SOLID, .62" ID |
| | 041953-06-000 | FT CONDUIT-CONVOLUTE SLIT, .375" ID |
| | 041953-07-000 | FT CONDUIT-CONVOLUTE SLIT, .25" ID |
| | 041953-09-000 | FT CONDUIT-CONVOLUTE SLIT, .50" ID |
| | 008294-01-000 | EA COVER-ELECTRICAL BOX, BLANK/STEEL - 4" X 4" - GRAY |
| | 054250-04-000 | EA COVER-ANGLED, W/O HOLE - 3 6" X 4 5" - PLASTIC - OFF WHITE ELECTRICAL PLATE SUPPORT |
| | 069238-01-000 | EA COVER-ELECTRICAL BOX, W/HOLE - 4" X 4" - GRAY USED WITH 30 AMP RECEPTACLE |
| | 073626-04-000 | EA COVER-ELECTRIC, 10 4" X 7 8" - BEIGE PLASTIC |

SOLENOID, POWER CONVERTER & POWER CORDS

| KEY | PART NUMBER | U/M DESCRIPTION |
|-----|---------------|---|
| | 008188-01-000 | EA SOLENOID-3 POST. BATTERY CHANGE OVER |
| | 083208-01-000 | EA CONVERTER-POWER 32A -120V/12V - BW 6332 |
| | 008052-01-000 | EA CORD-POWER, 10/3 - 30 AMP - 25' - CANADIAN |
| | 008054-02-000 | EA CORD-POWER, 10-3 - 30 AMP - 33' |

EXTERIOR BODY GROUP



1993 ITASCA
TABLE OF CONTENTS

| | | |
|--------------------|------|------|
| INTRODUCTION | A-01 | A-02 |
| ABBREVIATIONS | | A-03 |
| ALPHABETICAL INDEX | A-04 | A-06 |
| IT321RB | A-07 | C-24 |
| IT321RL | D-01 | F-18 |
| IT321RD | F-19 | I-12 |

EXTERIOR MIRRORS

| KEY | PART NUMBER | U/M DESCRIPTION |
|-----|---------------|--|
| | 084445-03-000 | EA MIRROR-EXTERIOR, PASSENGER SIDE - VELVAC 712724-7 |
| | 084445-04-000 | EA MIRROR-EXTERIOR, DRIVER SIDE - VELVAC 712725-7 |
| | 084445-03-700 | EA HEAD-MIRROR, FLAT GLASS - DRIVER OR PASS SIDE - VELVAC 704176-5 |
| | 084445-03-701 | EA HEAD-MIRROR, CONVEX GLASS - DRIVER OR PASS SIDE - VELVAC 704187-5 |

ALUMINUM, FIBERGLASS & STYROFOAM

| KEY | PART NUMBER | U/M DESCRIPTION |
|-----|---------------|--|
| | 044487-01-001 | EA SHEET-ALUMINUM, (ROOF) - .019" X 96" X 360" - MILL FINISH |
| | 001054-01-011 | EA SHEET-ALUMINUM, FLAT - .024" X 48" X 96" - OFF WHITE |
| | 077517-24-000 | EA SHEET-FIBERGLASS, FLAT - 48" X 96" - OFF WHITE |
| | 076054-D3-005 | EA SHEET-FIBERGLASS, FLAT - 48" X 224" - OFF WHITE |
| | 076054-G7-001 | EA SHEET-FIBERGLASS, FLAT - 41" X 27" - OFF WHITE |
| | 076054-A2-000 | EA SHEET FIBERGLASS, FLAT - 25" X 48" - OFF WHITE |
| | 000870-02-000 | SF STYROFOAM-1 1/2" X 48" X 96" - INCREMENTS OF 32 SF |
| | 000870-05-000 | SF STYROFOAM- 5" X 24" X 96" - INCREMENTS OF 16 SF |
| | 003574-03-000 | SF STYROFOAM-3/4" X 48" X 96" - INCREMENTS OF 32 SF |

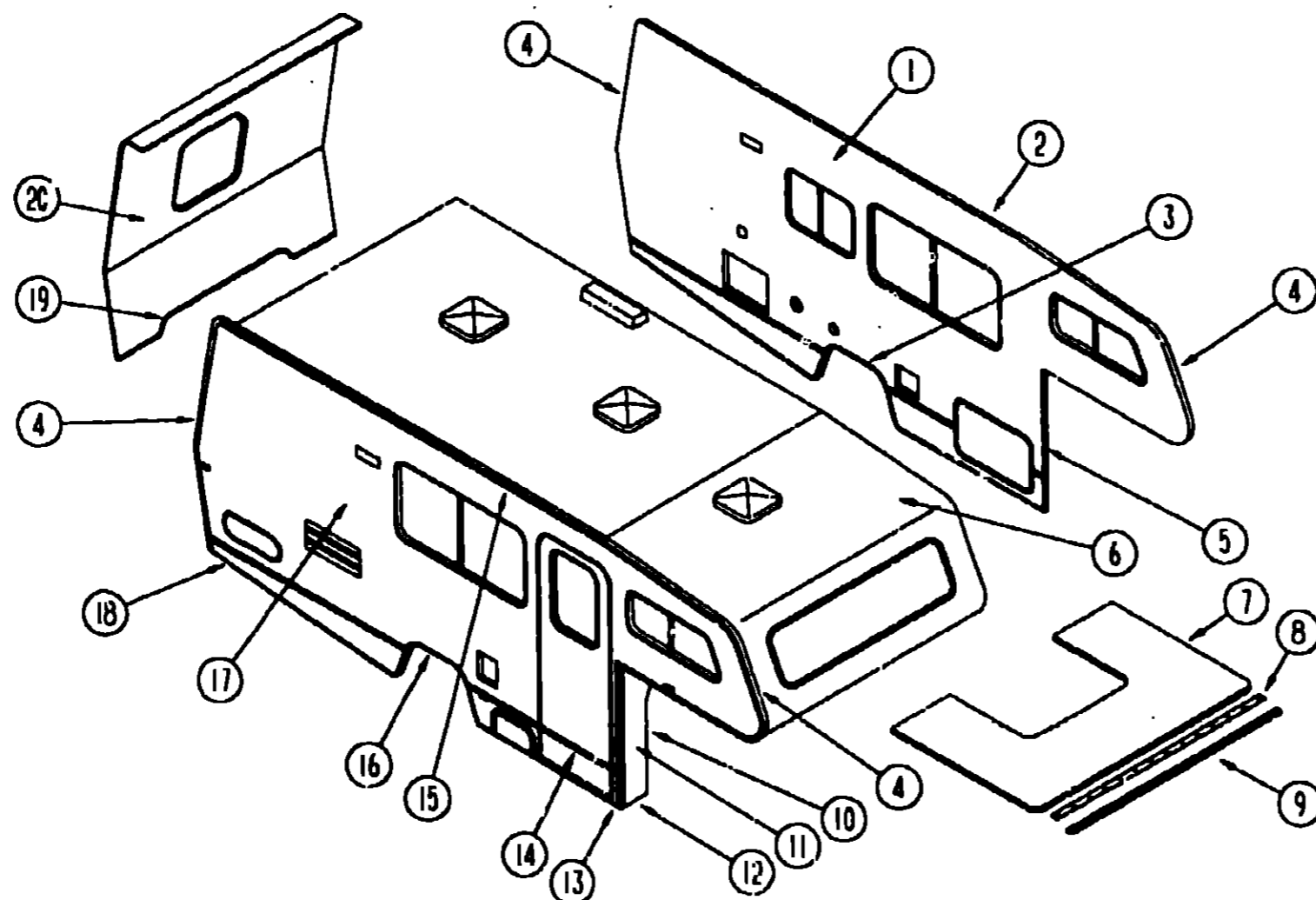
1993 IT321RB INDEX

| | | |
|----------------------|------|------|
| FLOOR FLAN | A-07 | A-08 |
| ACCESSORIES | | A-09 |
| AUDIO VIDEO | | A-10 |
| BATH | A-11 | A-12 |
| CHASSIS | A-13 | A-14 |
| CURTAIN & CUSHION | A-15 | A-21 |
| DINETTE | | A-22 |
| DRIVERS COMPARTMENT | | A-23 |
| ELECTRICAL | A-24 | B-03 |
| EXTERIOR BODY | B-04 | B-08 |
| GALLEY | B-09 | B-14 |
| GENERATOR | | B-15 |
| HEATING & A/C | | B-16 |
| INTERIOR FINISH | B-17 | B-20 |
| LABELS | B-21 | C-02 |
| LP | | C-03 |
| LOUNGE | | C-04 |
| SEALANTS & FASTENERS | C-05 | C-06 |
| WATER & SEWAGE | C-07 | C-10 |
| WINDOW, VENT AND | | |
| EXTERIOR DOOR | C-11 | C-24 |

EXTERIOR BODY GROUP (CONTINUED)
EXTERIOR BODY PANELS & TRIM

1993 ITASCA
TABLE OF CONTENTS

| | | |
|--------------------|------|------|
| INTRODUCTION | A-01 | A-02 |
| ABBREVIATIONS | | A-03 |
| ALPHABETICAL INDEX | A-04 | A-06 |
| IT321RB | A-07 | C-24 |
| IT321RL | D-01 | F-18 |
| IT321RD | F-19 | I-12 |



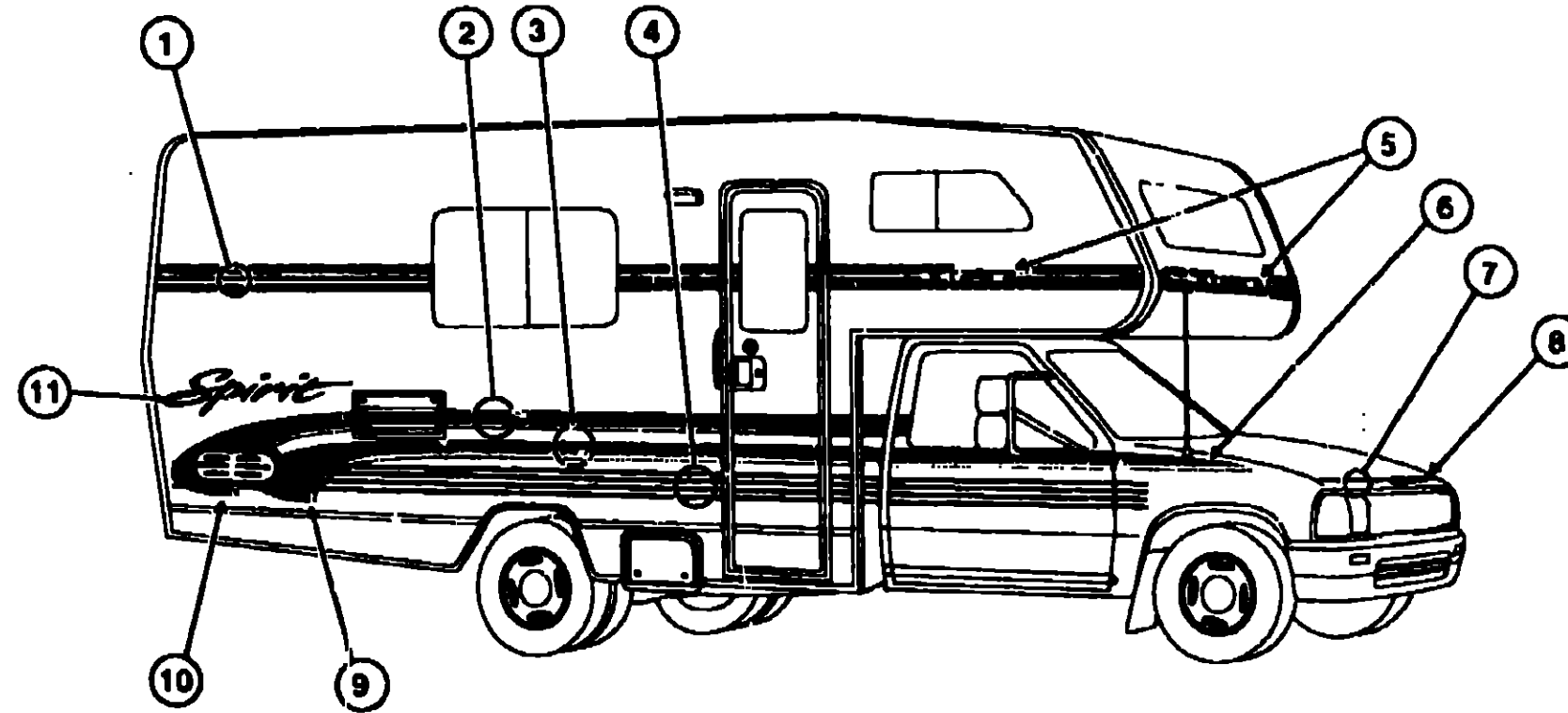
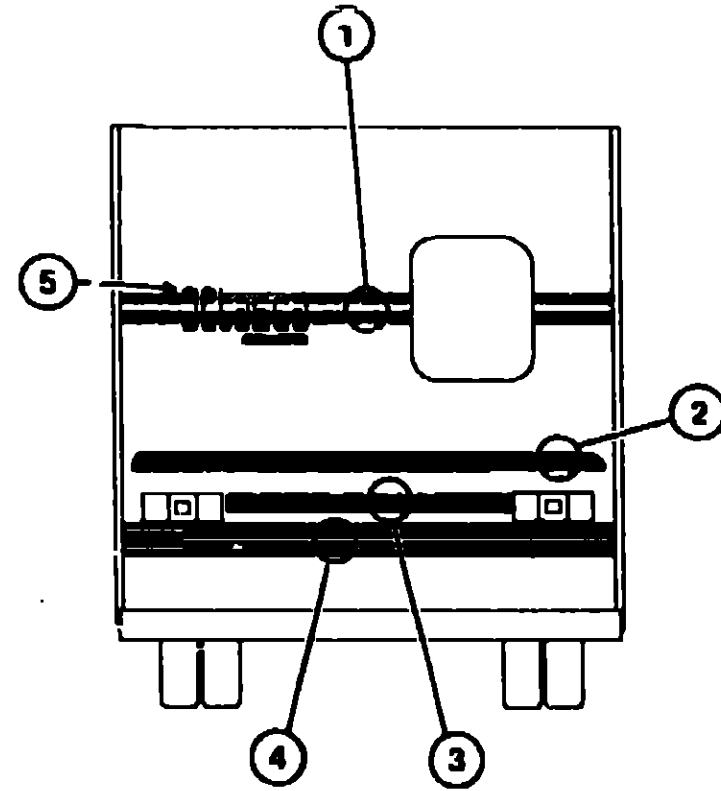
1993 IT321RB INDEX

| | | |
|--------------------------------|------|------|
| FLOOR PLAN | A-07 | A-08 |
| ACCESSORIES | | A-09 |
| AUDIO VIDEO | | A-10 |
| BATH | A-11 | A-12 |
| CHASSIS | A-13 | A-14 |
| CURTAIN & CUSHION | A-15 | A-21 |
| DINETTE | | A-22 |
| DRIVERS COMPARTMENT | | A-23 |
| ELECTRICAL | A-24 | B-03 |
| EXTERIOR BODY | B-04 | B-08 |
| GALLEY | B-09 | B-14 |
| GENERATOR | | B-15 |
| HEATING & A/C | | B-16 |
| INTERIOR FINISH | B-17 | B-20 |
| LABELS | B-21 | C-02 |
| LP | | C-03 |
| LOUNGE | | C-04 |
| SEALANTS & FASTENERS | C-05 | C-06 |
| WATER & SEWAGE | C-07 | C-10 |
| WINDOW, VENT AND EXTERIOR DOOR | C-11 | C-24 |

| KEY | PART NUMBER | U/M DESCRIPTION |
|-----|---------------|---|
| 1 | P03567-01-D24 | EA SIDEWALL-DRIVER SIDE, W/O DOORS OR WINDOWS |
| | 002726-01-001 | EA GARNISH-U-CHANNEL, 1 3/8" X 1 9/16" - SERRATED - MILL ALUMINUM |
| 2 | 096864-01-01A | EA TRIM-CONTOUR, ROOF TO SIDEWALL - DR OR PASS - 120" |
| 3 | 100800-02-01A | EA TRIM-WHEELWELL, REAR - DRIVER SIDE - OFF WHITE |
| 4 | 096854-01-01A | EA TRIM-CONTOUR, W/O VINYL INSERT - 108" - OFF WHITE |
| | 105312-01-01A | FT INSERT-TRIM, VINYL - OFF WHITE |
| 5 | 096970-06-01A | EA TRIM-WINGWALL, DRIVER SIDE VERTICAL - 46 5/8" - OFF WHITE |
| | | FROM: 00-00-00 THRU 09-27-92 |
| 5 | 104479-08-01A | EA TRIM-WINGWALL, DRIVER SIDE VERTICAL - OFF WHITE |
| | | FROM 09-28-92 THRU 99-99-99 |
| 6 | P07830-01-D01 | EA ROOF ASSEMBLY-W/O VENTS OR LIGHTS |
| | M75177-01-700 | EA SECTION-ROOF, OVER CAB TO FIRST ROOF SEAM |
| 7 | P00072-01-B05 | EA PANEL-SLEEPERBOARD, W/O INTERIOR TRIM |
| 8 | 100085-01-01A | EA TRIM-STRAP, SLEEPERBOARD - FLAT W/SCREW HOLES |
| 9 | 100086-01-01A | EA TRIM-SLEEPERBOARD TO ROOF - OFF WHITE |
| 10 | 089334-01-000 | FT VINYL-EXTERIOR, BETWEEN WINGWALL & CAB SEAL - WHITE |
| 11 | 100632-01-B05 | EA WINGWALL-PASSENGER |
| | 100682-02-B05 | EA WINGWALL-DRIVER |
| 12 | 084704-02-000 | EA TRIM-WINGWALL, OFF WHITE - DRIVER OR PASS SIDE |
| 13 | 096970-05-01A | EA TRIM-WINGWALL, PASSENGER SIDE VERTICAL - 46 5/8" - OFF WHITE |
| | | FROM 00-00-00 THRU 09-27-92 |
| 13 | 104479-07-01A | EA TRIM-WINGWALL, PASSENGER SIDE VERTICAL - OFF WHITE |
| | | FROM 09-28-92 THRU 99-99-99 |

| KEY | PART NUMBER | U/M DESCRIPTION |
|-----|---------------|--|
| 14 | 002444-04-002 | EA STRIP-FEATURE, W/O INSERT - 15' LONG - OFF WHITE |
| | | FRM: 00-00-00 THRU 03-16-93 |
| | 009731-01-000 | EA END CAP-FEATURE STRIP |
| | | FRM: 04-00-00 THRU 03-16-93 |
| | 001030-02-003 | EA INSERT-FEATURE STRIP, 17' LONG - OFF WHITE |
| | 108651-01-000 | EA CAP-FEATURE STRIP, MILL |
| | | FROM 03-17-93 THRU 99-99-99 |
| | 108688-01-01A | EA STRIP-FEATURE, W/O INSERT - 15' LONG - OFF WHITE |
| | | FROM 03-17-93 THRU 99-99-99 |
| | 069726-02-000 | EA BUMPER-88" DIAMETER X .40", BLACK |
| 15 | 100483-01-01A | EA TRIM-CONTOUR, ROOF (AWNING) - OFF WHITE |
| | 099583-55-001 | EA RAIL-AWNING, 10' LONG - OFF WHITE |
| 16 | 100800-03-01A | EA TRIM-WHEELWELL, REAR - PASS SIDE - OFF WHITE |
| 17 | P07585-01-D24 | EA SIDEWALL-PASSENGER SIDE, W/O DOORS OR WINDOWS |
| 18 | 002776-03-012 | EA EXTRUSION-U CHANNEL, 1 7/8" X 1 3/4" - OFF WHITE |
| | 102766-51-001 | EA EXTRUSION-U CHANNEL, 1 5/8" X 1 1/2" LONG - MILL ALUMINUM |
| | 096787-51-001 | EA EXTRUSION-U CHANNEL, 10 DEGREE ANGLE - 1 26" X 15' LONG - MILL ALUMINUM |
| 19 | 085004-01-000 | EA TRIM-BACKWALL, LOWER - OFF WHITE - DRIVER OR PASSENGER SIDE |
| | 002365-01-001 | EA U-CHANNEL, 1" X 1 1/2" - SERRATED - MILL ALUMINUM |
| 20 | P07584-01-D24 | EA BACKWALL-W/O WINDOW, LIGHTS, OR DECALS |

EXTERIOR BODY GROUP (CONTINUED)
DECALS STRIPES & PAINT



**1993 ITASCA
TABLE OF CONTENTS**

| | | |
|--------------------|------|------|
| INTRODUCTION | A-01 | A-02 |
| ABBREVIATIONS | | A-03 |
| ALPHABETICAL INDEX | A-04 | A-05 |
| IT321RB | A-07 | C-24 |
| IT321RL | D-01 | F-18 |
| IT321RD | F-19 | I-12 |

| KEY | PART NUMBER | U/M | DESCRIPTION |
|-----|---------------|-----|--|
| 1 | 094443-13-01A | FT | FILM-MULTISTRIPE, 3 STRIPES - 120.7 MM |
| 2 | 105781-08-01A | FT | FILM-MULTISTRIPE, 2 STRIPES - 88.9 MM |
| 3 | 105781-02-05A | FT | FILM-MULTISTRIPE, 2 STRIPES - 63.5 MM |
| 4 | 093689-13-01A | FT | FILM-MULTISTRIPE, 4 STRIPES - 88.9 MM |
| 5 | 078852-30-000 | EA | DECAL-LOGO, ITASCA - 5' TALL |
| 6 | 107424-01-01A | EA | DECAL-FENDER, PASSENGER SIDE |
| | 107424-02-01A | EA | DECAL-FENDER, DRIVER SIDE |
| 7 | 105781-07-01A | FT | FILM-MULTISTRIPE, 2 STRIPES - 50.8 MM |
| 8 | 107427-02-01A | EA | DECAL-SPIRIT, SMALL |
| 9 | 107425-01-01A | EA | DECAL-SWEEP, FRONT PASSENGER SIDE |
| | 107425-02-01A | EA | DECAL-SWEEP, FRONT DRIVER SIDE |
| 10 | 107426-01-01A | EA | DECAL-SWEEP, REAR PASSENGER SIDE |
| | 107426-02-01A | EA | DECAL-SWEEP, REAR DRIVER SIDE |
| 11 | 107427-01-01A | EA | DECAL-SPIRIT, LARGE |
| | 084075-01-000 | EA | DECAL-"BY WINNEBAGO INDUSTRIES". BLACK |

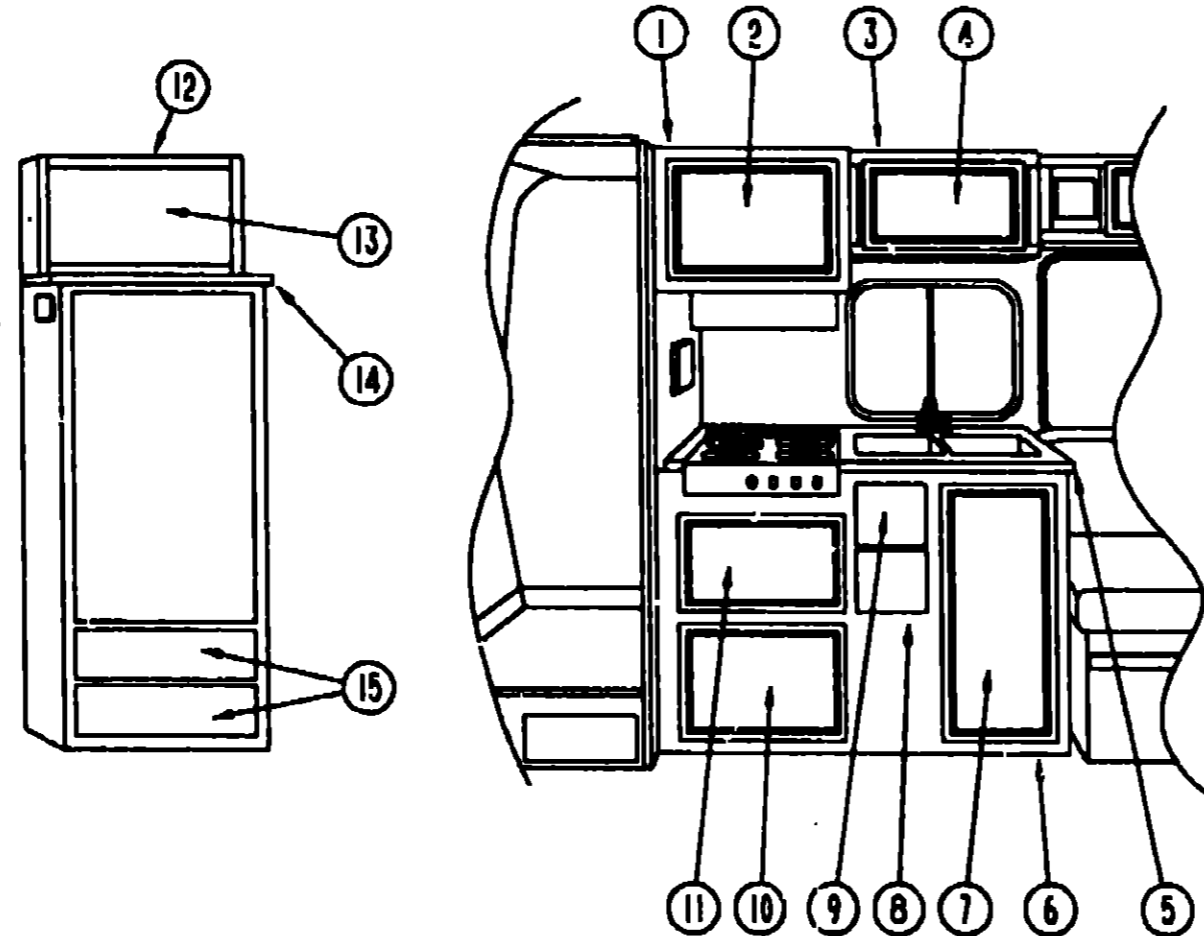
DUPONT COLOR CODES

| | |
|------------------|--------|
| OFF WHITE | L8723 |
| SLATE GREY PEARL | G9955 |
| LIGHT RUTILE | G9859K |
| ROSEMIST | G9850 |

1993 IT321RB INDEX

| | | |
|--------------------------------|------|------|
| FLOOR PLAN | A-07 | A-08 |
| ACCESSORIES | | A-09 |
| AUDIO VIDEO | | A-10 |
| BATH | A-11 | A-12 |
| CHASSIS | A-13 | A-14 |
| CURTAIN & CUSHION | A-15 | A-21 |
| DINETTE | | A-22 |
| DRIVERS COMPARTMENT | | A-23 |
| ELECTRICAL | A-24 | B-03 |
| EXTERIOR BODY | B-04 | B-08 |
| GALLEY | B-09 | B-14 |
| GENERATOR | | B-15 |
| HEATING & A/C | | B-16 |
| INTERIOR FINISH | B-17 | B-20 |
| LABELS | B-21 | C-02 |
| LP | | C-03 |
| LOUNGE | | C-04 |
| SEALANTS & FASTENERS | C-05 | C-06 |
| WATER & SEWAGE | C-07 | C-10 |
| WINDOW, VENT AND EXTERIOR DOOR | C-11 | C-24 |

**GALLEY GROUP
GALLEY CABINETS & COMPONENTS**



**1993 ITASCA
TABLE OF CONTENTS**

| | | |
|--------------------|--------|------|
| INTRODUCTION | A-01 - | A-02 |
| ABBREVIATIONS | | A-03 |
| ALPHABETICAL INDEX | A-04 - | A-06 |
| IT321RB | A-07 - | C-24 |
| IT321RL | D-01 - | F-18 |
| IT321RD | F-19 | I-12 |

1993 IT321RB INDEX

| | | |
|--------------------------------|--------|------|
| FLOOR PLAN | A-07 - | A-08 |
| ACCESSORIES | | A-09 |
| AUDIO VIDEO | | A-10 |
| BATH | A-11 - | A-12 |
| CHASSIS | A-13 - | A-14 |
| CURTAIN & CUSHION | A-15 - | A-21 |
| DINETTE | | A-22 |
| DRIVERS COMPARTMENT | | A-23 |
| ELECTRICAL | A-24 - | B-03 |
| EXTERIOR BODY | B-04 - | B-08 |
| GALLEY | B-09 - | B-14 |
| GENERATOR | | B-15 |
| HEATING & A/C | | B-16 |
| INTERIOR FINISH | B-17 - | B-20 |
| LABELS | B-21 - | C-02 |
| LP | | C-03 |
| LOUNGE | | C-04 |
| SEALANTS & FASTENERS | C-05 - | C-06 |
| WATER & SEWAGE | C-07 - | C-10 |
| WINDOW, VENT AND EXTERIOR DOOR | C-11 - | C-24 |

| KEY | PART NUMBER | U/M DESCRIPTION |
|-----|---------------|---|
| 1 | M05160-04-D24 | EA CABINET-OVERHEAD, W/O DOORS OR HARDWARE |
| 2 | P03702-77-D24 | EA DOOR-CABINET, W/O HARDWARE - 14.9" X 21.8" |
| | 108104-01-000 | EA BRACKET ASM-MICROWAVE, RIGHT - EL MONTE OPTION |
| | 108104-02-000 | EA BRACKET ASM-MICROWAVE, LEFT - EL MONTE OPTION |
| | 064219-01-000 | EA RETAINER-MICROWAVE TIEDOWN STRAP - EL MONTE OPTION |
| | 108106-01-01A | EA TRIM-MICROWAVE - EL MONTE OPTION |
| 3 | M05160-03-D24 | EA CABINET-OVERHEAD, W/O DOORS OR HARDWARE |
| 4 | P03702-78-D24 | EA DOOR-CABINET, W/O HARDWARE - 12" X 21 8" |
| | 103235-01-B27 | EA RACK-SPICE - DELUXE & EL MONTE OPTION |
| 5 | 107556-11-D24 | EA COUNTERTOP-GALLEY CABINET |
| 6 | M04164-23-D24 | EA CABINET-GALLEY, W/O DOORS OR HARDWARE - STANDARD US |
| 6 | M04164-24-D24 | EA CABINET-GALLEY, W/O DOORS OR HARDWARE - CANADIAN OPTION |
| | | FROM: 00-00-00 THRU: 03-07-93 |
| 6 | M04164-23-D24 | EA CABINET-GALLEY, W/O DOORS OR HARDWARE - CANADIAN OPTION |
| | | FROM: 03-08-93 THRU: 99-99-99 |
| 6 | M04164-27-D24 | EA CABINET-GALLEY, W/O DOORS OR HARDWARE - RANGE W/OVEN OPTION US |
| 6 | M04164-28-D24 | EA CABINET-GALLEY, W/O DOORS OR HARDWARE - RANGE W/OVEN OPTION CANADA |
| | | FROM: 00-00-00 THRU: 03-07-93 |
| 6 | M04164-27-D24 | EA CABINET-GALLEY, W/O DOORS OR HARDWARE - RANGE W/OVEN OPTION CANADA |
| | | FROM: 03-08-93 THRU 99-99-99 |
| 6 | M04164-25-D24 | EA CABINET-GALLEY, W/O DOORS OR HARDWARE |
| | | MICROWAVE OVEN & POWER PACK OPTIONS US |
| 6 | M04164-26-D24 | EA CABINET-GALLEY, W/O DOORS OR HARDWARE |
| | | MICROWAVE OVEN & POWER PACK OPTIONS - CANADIAN |
| | | FROM: 00-00-00 THRU 03-07-93 |
| 6 | M04164-25-D24 | EA CABINET-GALLEY, W/O DOORS OR HARDWARE |
| | | MICROWAVE OVEN & POWER PACK OPTIONS - CANADIAN |
| | | FROM: 03-08-93 THRU 99-99-99 |
| 7 | P03702-15-D24 | EA DOOR-CABINET, W/O HARDWARE - 12" X 25.9" |
| 8 | P07104-C4-D24 | EA DRAWER-CABINET, W/O HARDWARE - 6 1" X 12" FACE SIZE |
| 9 | P07104-C6-D24 | EA DRAWER-CABINET, W/O HARDWARE - 8 1" X 12" FACE SIZE |

| KEY | PART NUMBER | U/M DESCRIPTION |
|-----|---------------|---|
| 10 | P03702-76-D24 | EA DOOR-CABINET, W/O HARDWARE - 21 8" X 14 9" |
| 11 | P03702-75-D24 | EA DOOR-CABINET, W/O HARDWARE - 21 8" X 12" |
| | 099856-02-000 | EA STRAP-TIEDOWN, MICROWAVE - BLACK |
| | 098335-02-D24 | EA RAIL-GALLEY, 22 2" LONG |
| | 103243-01-000 | EA FAUCET-GALLEY, DUAL CONTROL - 8" CENTERSET |
| | 066437-01-000 | EA STRAINER-SINK, GALLEY W/BASKET |
| | 066437-01-700 | EA BASKET-STRAINER, GALLEY SINK |
| | 066435-01-000 | EA NUT-STRAINER |
| | 102551-03-000 | EA SINK-GALLEY, DOUBLE W/MOUNTING HARDWARE - STAINLESS STEEL |
| | 102551-04-000 | EA SINK-GALLEY, DOUBLE W/MOUNTING HARDWARE - STAINLESS STEEL - CANADIAN |
| | 103610-02-D24 | EA COVER-SINK |
| | 090329-01-000 | FT SEAL-T, REFRIGERATOR CABINET - .6" WIDE TOP X 2" TAIL |
| | 008380-01-000 | EA GROMMET-RUBBER, 5/8" HOLE X 1 1/2" DIAMETER - BLACK |
| 12 | M05160-11-D24 | EA CABINET-OVERHEAD, W/O DOOR OR HARDWARE - DELUXE OPTION |
| 13 | P03702-79-D24 | EA DOOR-CABINET, W/O HARDWARE - 10" X 19.1" - DELUXE OPTION |
| | 058331-18-000 | EA MIRROR-GLASS, SAFETY - 11.25" X 22 4" - DELUXE OPTION |
| | 058331-46-000 | EA MIRROR-GLASS, SAFETY - 9 8" X 22 4" - DELUXE OPTION |
| | 058331-48-000 | EA MIRROR-GLASS, SAFETY - 19 8" X 21 8" - EL MONTE OPTION |
| | 009089-01-000 | EA CLIP-MIRROR |
| 14 | 107557-11-D24 | EA COUNTERTOP-REFRIGERATOR CABINET |
| | 084070-01-000 | EA POST-CENTER, 2.4" - BRASS - DELUXE OPTION |
| | 084070-02-000 | EA POST-END, 2.4" - BRASS - DELUXE OPTION |
| | 084071-07-000 | EA ROD-BRASS, 18.1" LONG - DELUXE OPTION |
| | 084071-10-000 | EA ROD-BRASS, 588 MM LONG - DELUXE OPTION |
| | 084071-11-000 | EA ROD-BRASS, 356 MM LONG - DELUXE OPTION |
| 15 | P07104-C2-D24 | EA DRAWER-CABINET, W/O HARDWARE - 6.1" X 23" FACE SIZE |

GALLEY GROUP (CONTINUED)
STANDARD REFRIGERATOR

| KEY | PART NUMBER | U/M DESCRIPTION |
|-----|---------------|---|
| | 101991-02-000 | EA REFRIGERATOR-2 WAY, 4 CU FT - DOMETIC RM2410 |
| | 101991-01-713 | EA DRIP CHUTE, DOMETIC 2007507003 |
| | 101991-01-715 | EA SHELF LOCK, OUTER - DOMETIC 2007393016 |
| | 101991-01-716 | EA SHELF LOCK, INNER - DOMETIC 2007392018 |
| | 101991-01-717 | EA SPRING HOUSING, LH - DOMETIC 2002236004 |
| | 101991-01-718 | EA SPRING HOUSING, RH - DOMETIC 2002236012 |
| | 101991-01-719 | EA SPRING, LH - DOMETIC 2002237002 |
| | 101991-01-720 | EA SPRING, RH - DOMETIC 2002237010 |
| | 101991-01-721 | EA CARRIER, DOMETIC 2002238000 |
| | 101991-01-725 | EA SHUTTER, CPL /WHITE - DOMETIC 2002239065 |
| | 101991-01-726 | EA HINGE, DOMETIC 2002244008 |
| | 101991-01-727 | EA GASKET, DOMETIC 2000917019 |
| | 101991-01-728 | EA PUSH BUTTON, GRAY/BROWN - DOMETIC 2007479054 |
| | 101991-01-730 | EA KNOB-SELECTOR, 12/120V - GRAY/BROWN - DOMETIC 2007480177 |
| | 101991-01-740 | EA THERMO ELECTRIC SAFETY VALVE, DOMETIC 2007422005 |
| | 101991-01-742 | EA COUPLING, DOMETIC 2007518000 |
| | 101991-01-743 | EA THERMOSTAT-DUAL, DOMETIC 2007199009 |
| | 101991-01-744 | EA BYPASS SCREW, DOMETIC 0172819039 |
| | 101991-01-745 | EA CUTOFF VALVE, DOMETIC 2007430008 |
| | 101991-01-746 | EA SWITCH, DOMETIC 2007432004 |
| | 101991-01-747 | EA SPRING, DOMETIC 2007577014 |
| | 101991-01-748 | EA SPRING, DOMETIC 2007578004 |
| | 101991-01-749 | EA LIGHTER, DOMETIC 2007423003 |
| | 101991-01-750 | EA SPRING, DOMETIC 2007425008 |
| | 101991-01-752 | EA ELECTRODE, DOMETIC 2930379009 |
| | 101991-01-753 | EA SEALING RING, DOMETIC 0140748005 |
| | 101991-01-754 | EA SNAP CATCH FOR 12/120V, DOMETIC 2930066028 |
| | 101991-01-756 | EA BURNER RETAINER, DOMETIC 2007651009 |
| | 101991-01-757 | EA BURNER JET NO.39 FOR PROPANE, DOMETIC 2007419159 |
| | 101991-01-757 | EA HEATER, 120V/160W - DOMETIC 0173756016 |
| | 101991-01-700 | EA DECORATION-#14, DOMETIC 2931583-03/9 |
| | 101991-02-701 | EA HANDLE-#8, DOMETIC 2931600-01/5 |
| | 101991-02-702 | EA DOOR-#1, DOMETIC 2931586-11/5 |
| | 101991-02-703 | EA FRONT PANEL-#19, DOMETIC 2931293-02/7 |
| | 101991-02-706 | EA COOLING UNIT, 335A - DOMETIC 293433599/9 |
| | 101991-02-707 | EA HOLDER-BOTTLE, 7 1/2" - DOMETIC 2930715-05/3 |
| | 101991-02-708 | EA HOLDER-BOTTLE, 6" - DOMETIC 2930715-06/1 |
| | 101991-02-709 | EA SHELF-DOOR, DOMETIC 2002261-22/5 |
| | 101991-02-710 | EA SHELF-DOOR, DOMETIC 2000571-22/3 |
| | 101991-02-711 | EA KNOB, DOMETIC 2007480-21/9 |
| | 101991-02-714 | EA HINGE-UPPER, DOMETIC 293129101/3 |
| | 101991-02-715 | EA PLATE-MOUNTING, RIGHT - DOMETIC 293129701/8 |
| | 101991-02-716 | EA PLATE-MOUNTING, LEFT - DOMETIC 293129702/8 |
| | 101991-02-717 | EA PIN-HINGE, UPPER - DOMETIC 293128801/9 |
| | 101991-02-718 | EA HINGE-LOWER, RIGHT - DOMETIC 293153901/5 |
| | 101991-02-719 | EA HINGE-LOWER, LEFT - DOMETIC 293153801/7 |
| | 101991-02-720 | EA PIN-HINGE, LOWER - DOMETIC 293153801/3 |
| | 101991-02-721 | EA PLUG - DOMETIC 293151003/2 |
| | 101991-02-722 | EA SEALING - DOMETIC 2931574012 |
| | 101991-02-723 | EA BASE-FRONT, DOMETIC 2931528018 |
| | 101991-02-724 | EA CATCH - DOMETIC 2931511014 |
| | 101991-02-725 | EA SHELF W/NOTCH OUT - DOMETIC 2930133133 |
| | 101991-02-726 | EA SHELF - DOMETIC 2002652333 |
| | 101991-02-727 | EA THERMOCOUPLE, DOMETIC 2007417005 |
| | 101991-02-728 | EA TERMINAL BLOCK, DOMETIC 7827202562 |
| | 101991-02-730 | EA TERMINAL BLOCK, DOMETIC 2002633010 |
| | 101991-02-731 | EA SHAFT-THERMOSTAT, DOMETIC 20074771002 |
| | 101991-02-732 | EA SHAFT-SWITCH, DOMETIC 20074775003 |
| | 103251-01-01A | EA INSERT-1/8" X 20 3/4" X 27 8/8", BLACK ACRYLIC - DELUXE & EL MONTE OPTIONS |

GALLEY GROUP (CONTINUED)
JAPAN EXPORT OPTION L048

| KEY | PART NUMBER | U/M DESCRIPTION |
|-----|---------------|--|
| | 064473-04-000 | EA REFRIGERATOR-3 WAY, 4.9 CU FT - NORCOLD 875-EG3 |
| | 064473-03-700 | EA ELECTRODE ASSY, NORCOLD 616078 |
| | 064473-03-701 | EA HEATER-AC (HORIZONTAL BURNER), NORCOLD 615625 |
| | 064473-03-704 | EA DOOR GASKET (ALMOND) |
| | 064473-03-709 | EA PIN & CHAIN TRAVEL LOCK |
| | 064473-03-710 | EA RH BREAKER STRIP(BRN) |
| | 064473-03-712 | EA DOOR ASM-FREEZER, BROWN - NORCOLD 615246 |
| | 064473-03-714 | EA MODE SELECTOR KNOB |
| | 064473-03-715 | EA THERMOSTAT KNOB |
| | 064473-03-716 | EA SWITCH-3-WAY, F/EG-2 & EG-3 - NORCOLD 616113 |
| | 064473-03-718 | EA COOLING UNIT (HORIZONTAL BURNER) - NORCOLD 61687137 |
| | 064473-03-719 | EA FLUE-HORIZONTAL BURNER, NORCOLD# 616162 |
| | 064473-03-720 | EA RELIGHTER, NORCOLD 616088 |
| | 064473-03-721 | EA COMBINATION CONTROL - NORCOLD 616084 |
| | 064473-03-724 | EA DOOR ASM-FREEZER, BLACK |
| | 064473-03-727 | EA LATCH-TRAVEL, MIDDLE - BLACK |
| | 048955-01-713 | EA PIN-HINGE, NORCOLD 611146 |
| | 064472-01-700 | EA THERMOCOUPLE, NORCOLD 614363 |
| | 064472-01-728 | EA HINGE TOP-LH CTR-LH LOWER RH, NORCOLD 61352922 |
| | 064472-03-700 | EA HINGE PIN-BOTTOM, NORCOLD 615507 |
| | 064473-01-702 | EA ORIFICE, NORCOLD 61452122 |
| | 064473-01-708 | EA TOP BREAKER STRIP, NORCOLD 613536-32 |
| | 064473-01-716 | EA CRISPER-COFFEE, 4&6 EG-2 - NORCOLD 615191 |
| | 064473-01-717 | EA HINGE PINS, NORCOLD 614736 |
| | 064473-01-720 | EA DAIRY KEEPER, BROWN, NORCOLD 61466837 |
| | 064473-01-721 | EA DOOR GASKET, NORCOLD 613507-30 |
| | 064473-01-726 | EA DOOR FRAME, NORCOLD 614286 |
| | 064473-01-727 | EA CRISPER, NORCOLD 615180 |
| | 084880-01-713 | EA MALE CONNECTOR(INLET FITTING) - NORCOLD 615256222 |
| | 084880-01-715 | EA VALVE-SHUT OFF, MANUAL - NORCOLD 61697922 |
| | 088248-01-706 | EA BURNER-HORIZONTAL, NORCOLD 61588122 |

REFRIGERATOR HARDWARE

| KEY | PART NUMBER | U/M DESCRIPTION |
|-----|---------------|---------------------------------------|
| | 054450-01-000 | EA LEVEL-REFRIGERATOR |
| | 065225-03-000 | EA PLATE-TIEDOWN, REFRIGERATOR |
| | 093646-05-000 | EA BRACKET ASM-TIEDOWN - REFRIGERATOR |

1993 ITASCA
TABLE OF CONTENTS

| | | |
|--------------------|------|------|
| INTRODUCTION | A01 | A-02 |
| ABBREVIATIONS | | A-03 |
| ALPHABETICAL INDEX | A04 | A-06 |
| IT321RB | A07 | C-24 |
| IT321RL | D01 | F-18 |
| IT321RD | F-19 | I-12 |

1993 IT321RB INDEX

| | | |
|--------------------------------|------|------|
| FLOOR PLAN | A07 | A-08 |
| ACCESSORIES | | A-09 |
| AUDIO VIDEO | | A-10 |
| BATH | A-11 | A-12 |
| CHASSIS | A-13 | A-14 |
| CURTAIN & CUSHION | A-15 | A-21 |
| DINETTE | | A-22 |
| DRIVERS COMPARTMENT | | A-23 |
| ELECTRICAL | A-24 | B-03 |
| EXTERIOR BODY | B-04 | B-08 |
| GALLEY | B-09 | B-14 |
| GENERATOR | | B-15 |
| HEATING & A/C | | B-16 |
| INTERIOR FINISH | B-17 | B-20 |
| LABELS | B-21 | C-02 |
| LP | | C-03 |
| LOUNGE | | C-04 |
| SEALANTS & FASTENERS | C-05 | C-06 |
| WATER & SEWAGE | C-07 | C-10 |
| WINDOW, VENT AND EXTERIOR DOOR | C-11 | C-24 |

GALLEY GROUP (CONTINUED)
RANGE W/OVEN OPTION L13B

| KEY | PART NUMBER | U/M DESCRIPTION |
|-----|---------------|---|
| | 102022-01-02A | EA RANGE-16", 4 BURNER - MAGIC CHEF BT16RA-4Z |
| | 055282-03-705 | CA TRIM-CABINET, LEFT - BLACK - MAGIC CHEF 3608F011-70 |
| | 055282-03-707 | EA TRIM-CABINET, RIGHT - BLACK - MAGIC CHEF 3608F012-70 |
| | 098507-02-701 | EA INSERT-BURNER (SLOTTED VENT), MAGIC CHEF 7214P015-60 |
| | 102020-01-700 | EA SHELF-OVEN, MAGIC CHEF 7801-P027-60 |
| | 102020-01-701 | EA HANDLE-DOOR, MAGIC CHEF 7701P092-6G |
| | 102020-01-702 | EA PANEL-MANIFOLD, MAGIC CHEF 2616F080-70 |
| | 102020-01-704 | EA PANEL-DOOR, BLACK - MAGIC CHEF 2401F075-70 |
| | 102020-01-708 | EA BURNER ASSEMBLY-OVEN, MAGIC CHEF 3403W003-45 |
| | 102020-01-711 | EA GRATE-TOP, MAGIC CHEF 7518P012-60 |
| | 102020-01-712 | EA KNOB-BURNER VALVE, MAGIC CHEF 7733P044-60 |
| | 102020-01-713 | EA KNOB-THERMOSTAT, MAGIC CHEF 7731P042-60 |
| | 102020-01-714 | EA PILOT-OVEN, MAGIC CHEF 968-143 |
| | 102020-01-715 | EA PIPE-MANIFOLD, MAGIC CHEF 7513P015-60 |
| | 102020-01-717 | EA THERMOSTAT, MAGIC CHEF 7515P024-60 |
| | 102020-01-718 | EA TOP-MAIN, ALMOND - MAGIC CHEF 2001F085-84 |
| | 102020-01-720 | EA VALVE-MERCURY CONTROL, MAGIC CHEF 7501P056-60 |
| | 102020-01-722 | EA VALVE-TOP BURNER, MAGIC CHEF 7502P055-60 |
| | 102020-01-723 | EA PILOT-BURNER, MAGIC CHEF 7505P147-60 |
| | 102020-01-724 | EA BUMPER-MAIN TOP, MAGIC CHEF 8003P008-60 |
| | 102022-01-702 | EA PIPE-MANIFOLD, MAGIC CHEF 7513P096-60 |
| | 102022-01-703 | EA REGULATOR-PRESSURE, MAGIC CHEF 7510P031-60 |
| | 102022-01-706 | EA TRIM-LEFT, FLAT - MAGIC CHEF 3608W022-70 |
| | 102022-01-707 | EA TRIM-RIGHT, FLAT - MAGIC CHEF 3608W023-70 |
| | 055516-03-000 | EA BRACKET-REAR TIEDOWN, RANGE W/OVEN FROM: 00-00-00 THRU: 01-03-93 |
| | 055516-04-000 | EA BRACKET-FRONT TIEDOWN, RANGE W/OVEN FROM: 00-00-00 THRU: 01-03-93 |
| | 105458-03-000 | EA BRACKET-TIEDOWN, STOVE - RIGHT FROM 01-04-93 THRU: 99-99-99 |
| | 105458-04-000 | EA BRACKET-TIEDOWN, STOVE - LEFT FROM: 01-04-93 THRU: 99-99-99 |

STANDARD RANGE

| KEY | PART NUMBER | U/M DESCRIPTION |
|-----|---------------|--|
| | 102019-01-01A | EA TOP-RANGE, ALMOND TOP W/ALMOND TRIM - MAGIC CHEF BT85RA-4 |
| | 052583-04-701 | EA KNOB-TOP BURNER, MAGIC CHEF 7733P039-60 |
| | 102019-01-700 | EA TRIM-RIGHT, ALMOND - MAGIC CHEF 3608F015-74 |
| | 102019-01-701 | EA TRIM-LEFT, ALMOND - MAGIC CHEF 3608F016-74 |
| | 102019-01-702 | EA TRIM-REAR, ALMOND - MAGIC CHEF 3608F009-74 |
| | 102020-01-702 | EA PANEL-MANIFOLD, MAGIC CHEF 2616F080-70 |
| | 102020-01-709 | EA BUMPER-GRATE, MAGIC CHEF 8007P018-60 |
| | 102020-01-711 | EA GRATE-TOP, MAGIC CHEF 7518P012-60 |
| | 102020-01-718 | EA TOP-MAIN, ALMOND - MAGIC CHEF 2001F085-84 |
| | 102020-01-721 | EA VALVE-SHUT OFF, MAGIC CHEF 7506F096-60 |
| | 102020-01-722 | EA VALVE-TOP BURNER, MAGIC CHEF 7502P095-60 |
| | 102020-01-724 | EA BUMPER-MAIN TOP, MAGIC CHEF 8003P008-60 |
| | 102022-01-703 | EA REGULATOR-PRESSURE, MAGIC CHEF 7510P031-60 |
| | 081587-03-000 | EA BRACKET-TIEDOWN, RANGE - RIGHT |
| | 081587-04-000 | EA BRACKET-TIEDOWN, RANGE - LEFT |

GALLEY GROUP (CONTINUED)
MONITOR PANEL

| KEY | PART NUMBER | U/M DESCRIPTION |
|-----|---------------|---|
| | 097618-01-000 | EA WIRE ASM-MONITOR PANEL W/3 WIRES & ORANGE RESISTOR - LVS |
| | 096449-01-000 | EA WIRE ASSEMBLY-WATER TANK TO MONITOR PANEL |
| | 102765-04-01A | EA PANEL-MONITOR, W/PLUG - FOR 2 TANKS & WATER HEATER - LVS - EL MONTE OP |
| | 102765-02-01A | EA PANEL-MONITOR, W/PLUG - FOR 2 TANKS - LVS |
| | 102765-01-700 | EA SWITCH-ON/OFF ALMOND - LVS 110-01 |
| | 097617-01-702 | EA SWITCH-1/WAY ALMOND - LVS 107 |
| | 097617-01-703 | EA CIRCUIT BOARD - LVS 5076-01 |

MICROWAVE OVEN

| KEY | PART NUMBER | U/M DESCRIPTION |
|-----|---------------|-------------------------------------|
| | 103049-01-000 | EA OVEN-MICROWAVE, QUASAR MQS-0803W |

RANGE HOODS

| KEY | PART NUMBER | U/M DESCRIPTION |
|-----|---------------|---|
| | 100258-16-01A | EA HOOD-RANGE, W/O MONITOR PANEL - VENTLINE - US TCS5008NAD |
| | 100258-17-01A | EA HOOD-RANGE, W/O MONITOR PANEL - VENTLINE - CANADIAN |
| | 090973-01-700 | EA MOTOR - LVS CA508-1 |
| | 090973-01-702 | EA BLADE-FAN, LVS VA183-1 |
| | 092696-01-709 | EA BULB-912, VENTLINE VA415 |
| | 092696-01-710 | EA SOCKET-LIGHT, VENTLINE CB267-2 |
| | 096983-01-700 | EA SWITCH-ON/OFF, VENTLINE 108 |
| | 096983-01-702 | EA SWITCH-TWO WAY MOMENTARY, VENTLINE 112 |
| | 096983-01-707 | EA FILTER-GREASE, 8" X 8" - LVS CC246 |
| | 096983-01-708 | EA LENS-LAMP, VENTLINE CC179 |
| | 100258-01-700 | EA HOOD-NOSE LABEL, CC428 |
| | 100258-10-01A | EA METEH-HOUR, VENTLINE 150 |

1993 ITASCA
TABLE OF CONTENTS

| | | |
|--------------------|------|------|
| INTRODUCTION | A-01 | A-02 |
| ABBREVIATIONS | | A-03 |
| ALPHABETICAL INDEX | A-04 | A-06 |
| IT321RB | A-07 | C-24 |
| IT321RL | D-01 | F-18 |
| IT321RD | F-19 | I-12 |

1993 IT321RB INDEX

| | | |
|--------------------------------|------|------|
| FLOOR PLAN | A-07 | A-08 |
| ACCESSORIES | | A-09 |
| AUDIO VIDEO | | A-10 |
| BATH | A-11 | A-12 |
| CHASSIS | A-13 | A-14 |
| CURTAIN & CUSHION | A-15 | A-21 |
| DINETTE | | A-22 |
| DRIVERS COMPARTMENT | | A-23 |
| ELECTRICAL | A-24 | B-03 |
| EXTERIOR BODY | B-04 | B-08 |
| GALLEY | B-09 | B-14 |
| GENERATOR | | B-15 |
| HEATING & A/C | | B-16 |
| INTERIOR FINISH | B-17 | B-20 |
| LABELS | B-21 | C-02 |
| LP | | C-03 |
| LOUNGE | | C-04 |
| SEALANTS & FASTENERS | C-05 | C-06 |
| WATER & SEWAGE | C-07 | C-10 |
| WINDOW, VENT AND EXTERIOR DOOR | C-11 | C-24 |

GENERATOR GROUP
2,500 WATT KOHLER GENERATOR OPTION L32Y

| KEY | PART NUMBER | U/M DESCRIPTION |
|-----|---------------|--|
| | 007067-01-000 | SF INSULATION-FIBERGLASS, 1" THICK X 4' - INCREMENTS OF 4 SF |
| | 080662-03-000 | EA PIPE-EXHAUST, GENERATOR |
| | 080749-02-000 | EA MUFFLER-KOHLER, 2.5CM - 21 - KOHLER PA-22B158 |
| | 080749-03-000 | EA HARDWARE KIT-MUFFLER, 2.5 KOHLER - PA-22B296 |
| | 083561-04-000 | EA GENERATOR-2.5KW KOHLER, PA-177111 - W/CONTROL PANEL ASM. |

POWER PACK PACKAGE OPTION L35J

| KEY | PART NUMBER | U/M DESCRIPTION |
|-----|---------------|--|
| | 007067-01-000 | SF INSULATION-FIBERGLASS, 1" THICK X 4' - INCREMENTS OF 4 SF |
| | 080662-03-000 | EA PIPE-EXHAUST, GENERATOR |
| | 080749-02-000 | EA MUFFLER-KOHLER, 2.5CM - 21 - KOHLER PA-22B158 |
| | 080749-03-000 | EA HARDWARE KIT-MUFFLER, 2.5 KOHLER - PA-22B296 |
| | 083561-04-000 | EA GENERATOR-2.5KW KOHLER, PA-177111 - W/CONTROL PANEL ASM |

HEATING & AIR CONDITIONING GROUP
ROOF A/C

| KEY | PART NUMBER | U/M DESCRIPTION |
|-----|---------------|--|
| | 093306-01-01A | EA AC ROOF 7100 BTU - ROTARY - IVORY - COLEMAN 6727D709 |
| | 093306-01-700 | EA SHROUD-IVORY / BRONZE - W/O LOGO - COLEMAN 6727A5721 |
| | 093306-01-701 | EA DECAL PKG, LEFT & RIGHT - COLEMAN 6798B3591 |
| | 093306-01-702 | EA FAN CAPACITOR, FAN 5 MFD - COLEMAN 14994421 |
| | 093306-01-703 | EA FAN-4 BLADE, 9" DIAMETER - COLEMAN 67073321 |
| | 093306-01-704 | EA OVERLOAD COLEMAN 6707A3751 |
| | 093306-01-705 | EA MOTOR-115V1 6A60H2-RPM - COLEMAN 67273119 |
| | 093306-01-706 | EA BLOWER WHEEL, 6 5/16" X 2 7/8" WVD - COLEMAN 67073281 |
| | 093306-01-707 | EA START CAPACITOR, 47 - 56 MFD - 250 - COLEMAN 62103421 |
| | 093306-01-708 | EA START RELAY, COLEMAN 9436-3151 |
| | 093306-01-711 | EA CONDENSER COIL - COLEMAN 14520701 |
| | 093306-01-717 | EA COMPRESSOR-PANASONIC, COLEMAN 1450-2019 |
| | 093306-01-716 | EA COMPRESSOR-TECUMSEH, COLEMAN 6727-3659 |
| | 093306-01-712 | EA COMPRESSOR, COLEMAN 6707C3579 |
| | 073742-02-704 | EA RUN CAPACITOR (COMPRESSOR), COLEMAN 14994661 |
| | 093306-01-713 | EA EVAPORATOR, COLEMAN 14520601 |
| | 037648-01-714 | EA PACKAGE-GASKET, COLEMAN 6759-3281 |
| | 093307-01-000 | EA CEILING ASM-AC COOL, IVORY - COLEMAN 6727D714 |
| | 093306-01-709 | EA DECAL F/THERMOSTAT AND SELECTOR, COLEMAN 6727A3341 |
| | 076303-01-710 | EA THERMOSTAT, COLEMAN 67333411 |
| | 076303-01-707 | EA FILTER 6" X 14.75" X 5", 12 PER PKG - COLEMAN 6703A3151 |
| | 093306-01-710 | EA SHROUD-CEILING, IVORY W/DECAL - COLEMAN 67273511 |
| | 093306-01-714 | EA SWITCH-SELECTOR, COLEMAN 67273251 |
| | 076303-01-708 | EA KNOB & BOLT PKG, COLEMAN 67275841 |
| | 076303-01-701 | EA KNOB-CONTROL, COLEMAN 67333241 |
| | 102289-01-000 | EA SPRING-SCREW, ROOF A/C GASKET - COLEMAN 6757-150 |

FURNACE

| KEY | PART NUMBER | U/M DESCRIPTION |
|-----|---------------|---|
| | 101990-01-000 | EA FURNACE-17,000 BTU, SUBURBAN DD-17DSI |
| | 069634-01-706 | EA MODULE BOARD, SUBURBAN 231427 |
| | 069634-01-716 | EA VALVE-MANUAL SHUTOFF, SUBURBAN 160740 |
| | 101990-01-700 | EA MICROSWITCH, SUBURBAN 231759 |
| | 101990-01-701 | EA COMBUSTION AIR WHEEL, SUBURBAN 350126 |
| | 101990-01-702 | EA BURNER, SUBURBAN 010763 |
| | 101990-01-703 | EA ROOM AIR IMPELLER, SUBURBAN 350125 |
| | 101990-01-704 | EA MOTOR, SUBURBAN 231761 |
| | 101990-01-705 | EA TIME DELAY RELAY, SUBURBAN 231769 |
| | 101990-01-706 | EA TERMINAL STRIP, SUBURBAN 231770 |
| | 101990-01-707 | EA VALVE, SUBURBAN 160952 |
| | 101990-01-708 | EA ELECTRODE, SUBURBAN 231762 |
| | 101990-01-709 | EA GRILLE ASSEMBLY, SUBURBAN 030769 |
| | 101990-01-710 | EA LIMIT SWITCH, SUBURBAN 231768 |
| | 101990-01-711 | EA ORIFICE, SUBURBAN 530415 |
| | 101990-01-713 | EA MOTOR GASKET, SUBURBAN 070849 |
| | 101990-01-714 | EA MICROSWITCH GASKET, SUBURBAN 230877 |
| | 101990-01-715 | EA COMBUSTION AIR GASKET - FRONT - SUBURBAN 390536 |
| | 101990-01-716 | EA COMBUSTION AIR GASKET - REAR - SUBURBAN 070860 |
| | 101990-01-717 | EA MANIFOLD GASKET, SUBURBAN 070847 |
| | 101990-01-718 | EA BURNER ACCESS DOOR GASKET, SUBURBAN 070850 |
| | 101990-01-719 | EA MODULE BOARD (IF BEFORE DATE CODE 5112), SUBURBAN 231328 |
| | 101990-02-000 | EA VENT-FURNACE, OUTSIDE - 4-6" - SUBURBAN 260198 |

**1993 ITASCA
TABLE OF CONTENTS**

| | | |
|--------------------|--------|------|
| INTRODUCTION | A-01 - | A-02 |
| ABBREVIATIONS | | A-03 |
| ALPHABETICAL INDEX | A-04 - | A-06 |
| IT321RB | A-07 - | C-24 |
| IT321RL | D-01 - | F-18 |
| IT321RD | F-19 - | I-12 |

1993 IT321RB INDEX

| | | |
|--------------------------------|--------|------|
| FLOOR PLAN | A-07 - | A-08 |
| ACCESSORIES | | A-09 |
| AUDIO VIDEO | | A-10 |
| BATH | A-11 - | A-12 |
| CHASSIS | A-13 - | A-14 |
| CURTAIN & CUSHION | A-15 - | A-21 |
| DINETTE | | A-22 |
| DRIVERS COMPARTMENT | | A-23 |
| ELECTRICAL | A-24 - | B-03 |
| EXTERIOR BODY | B-04 - | B-08 |
| GALLEY | B-09 - | B-14 |
| GENERATOR | | B-15 |
| HEATING & A/C | | B-16 |
| INTERIOR FINISH | B-17 - | B-20 |
| LABELS | B-21 - | C-02 |
| LP | | C-03 |
| LOUNGE | | C-04 |
| SEALANTS & FASTENERS | C-05 - | C-06 |
| WATER & SEWAGE | C-07 - | C-10 |
| WINDOW, VENT AND EXTERIOR DOOR | C-11 - | C-24 |

**INTERIOR FINISH GROUP
MOLDINGS & TRIMS**

| KEY | PART NUMBER | U/M | DESCRIPTION |
|-----|---------------|-----|---|
| | 009767-12-000 | FT | MOLDING-SIDEWALL TO CEILING/CABINET - WELTING - OFF WHITE |
| | 009778-11-000 | FT | U-CHANNEL-PLASTIC 1" WIDE X 8' INCREMENTS - IVORY |
| | 009778-15-000 | FT | U-CHANNEL-PLASTIC, 1 25" X 8' INCREMENTS - RAMBLING OAK |
| | 009809-21-000 | EA | MOLDING-CORNER, OUTSIDE - 1" - PLASTIC - WOODGRAIN |
| | 009809-23-000 | EA | MOLDING-CORNER, OUTSIDE - 1" - PLASTIC - IVORY |
| | 009812-17-000 | EA | MOLDING-CORNER, OUTSIDE - .5" - PLASTIC - LIGHT OAK |
| | 009812-22-000 | EA | MOLDING-CORNER, OUTSIDE - .5" X 7' - PLASTIC - BROWN |
| | 009812-24-000 | EA | MOLDING-CORNER, OUTSIDE - .5" - PLASTIC - IVORY |
| | 022992-11-000 | FT | MOLDING-REVERSE COVE, T-SHAPED - VINYL - IVORY |
| | 070504-01-000 | FT | U-CHANNEL-PLASTIC, .065" WIDE - LIGHT BROWN - INC. OF 8' |
| | 070504-06-000 | FT | U-CHANNEL-PLASTIC, .815" WIDE - LIGHT OAK - INC. OF 8' |
| | 070504-19-000 | FT | U-CHANNEL-PLASTIC, .815" WIDE - BROWN - INC. OF 8' |
| | 070504-23-000 | FT | U-CHANNEL-PLASTIC, .875" WIDE - BROWN - INC. OF 8' |
| | 069733-80-000 | EA | BATT STRIP-WOODGRAIN, 8' LONG - WINNI OAK |
| | 085284-76-000 | FT | BATT STRIP-SHOWER, ADHESIVE BACKED - OFF WHITE |
| | 085284-59-000 | FT | BATT STRIP-CEILING, ADHESIVE BACKED |
| | 085284-64-000 | FT | BATT STRIP-DECORATIVE, PLAIN - ADHESIVE BACKED |
| | 085284-65-000 | FT | BATT STRIP-DECORATIVE, DRY BATH - ADHESIVE BACKED |
| | 088263-78-000 | EA | BATT STRIP-SHOWER, 8' LONG - OFF WHITE |
| | 088263-71-000 | EA | BATT STRIP-CEILING, 8' LONG - FAWN |
| | 088263-76-000 | EA | BATT STRIP-DECORATIVE, PLAIN - 8' LONG |
| | 088263-77-000 | EA | BATT STRIP-DECORATIVE, DRY BATH - 8' LONG |
| | 100040-01-000 | EA | LUMBER-VINYL WRAPPED, 7" X 1.5" X 8" - RAMBLING OAK |
| | 100040-03-000 | EA | LUMBER-VINYL WRAPPED, 7 1/2" X 2" X 8" - RAMBLING OAK |
| | 100041-01-000 | EA | MOLDING-VINYL WRAPPED, .7" X 1 5/8" X 84.02" - RAMBLING OAK |
| | 100041-02-000 | EA | MOLDING-VINYL WRAPPED, .7" X 2 5/8" X 84" - RAMBLING OAK |
| | 100659-01-B25 | EA | TRIM-FLOOR, 72" X 1" X 1/2" - WOOD |
| | 066279-02-000 | FT | TRIM-INSERT, 9" - PLASTIC - OFF WHITE |
| | 086229-01-000 | EA | RETAINER-BATTEN, CEILING - 75" WIDE - 7 6' LONG |

CARPETING & FLOOR MATS

| KEY | PART NUMBER | U/M | DESCRIPTION |
|-----|---------------|-----|---|
| | 096060-23-000 | SY | CARPET-12' ROLL, INCREMENTS OF 4 SY (D24) |
| | 096060-41-000 | SY | CARPET-12' ROLL, INCREMENTS OF 4 SY (D25) |
| | 096060-42-000 | SY | CARPET-12' ROLL, INCREMENTS OF 4 SY (D26) |
| | 047034-02-000 | SF | PLASTIC-CARPET, 4' WIDE - CLEAR POLY |
| | 091178-01-C30 | EA | MAT-FLOOR, DRIVER (D24) |
| | 091178-01-C09 | EA | MAT-FLOOR, DRIVER (D25) |
| | 091178-01-D03 | EA | MAT-FLOOR, DRIVER (D26) |
| | 091179-01-C30 | EA | MAT-FLOOR, PASSENGER (D24) |
| | 091179-01-C09 | EA | MAT-FLOOR, PASSENGER (D25) |
| | 091179-01-D03 | EA | MAT-FLOOR, PASSENGER (D26) |
| | 091261-01-000 | FT | SLIPNOT-ANTISLIP-1" WIDE (100' ROLL) |

**INTERIOR FINISH GROUP (CONTINUED)
FIRE EXTINGUISHER, SMOKE DETECTOR & CLOCK**

| KEY | PART NUMBER | U/M | DESCRIPTION |
|-----|---------------|-----|---|
| | 094499-02-000 | EA | EXTINGUISHER-FIRE, DRY - 1A10BC - CANADIAN |
| | 094499-01-000 | EA | EXTINGUISHER-FIRE, DRY W/MOUNTING BRACKET - 10 BC |
| | 094499-01-700 | EA | BRACKET-MOUNTING, W/PLASTIC STRAP - FIRE EXTINGUISHER |
| | 095014-02-C09 | EA | HOLDER ASM-RECESSED, FIRE EXTINGUISHER W/STRAP FROM 07-01-92 THRU 99-99-99 |
| | 109293-01-000 | EA | STRAP-TIEDOWN, FIRE EXTINGUISHER |
| | 094651-01-03A | EA | HOLDER-RECESSED, FIRE EXTINGUISHER - PLASTIC - OFF WHITE |
| | 072852-01-000 | EA | DETECTOR-SMOKE, W/9 VOLT BATTERY |
| | 072852-02-000 | EA | DETECTOR-SMOKE, W/9 VOLT BATTERY - CANADIAN |
| | 101333-01-000 | EA | BACKPLATE-CLOCK, 6" X 6" - PLASTIC - BLACK |
| | 104764-01-01A | EA | CLOCK-WALL, SPARTUS 5616-42 |

PANELING, LAMINATES & PLASTIC

| KEY | PART NUMBER | U/M | DESCRIPTION |
|-----|---------------|-----|---|
| | 074497-19-000 | SF | PANELING-CEILING, 4' X 8' - INCREMENTS OF 32 SF |
| | 074497-21-000 | SF | PANELING-WOODGRAIN, 4' X 8' - INCREMENTS OF 32 SF |
| | 079666-02-000 | SF | PANELING-CLOSET, SOLID CEDAR - 4' X 8' - INCREMENTS OF 32 SF |
| | 083618-02-000 | SF | PLYWOOD-OAK, 1 SIDE FINISHED - 3/16" X 4' X 8' - INCREMENTS OF 32 SF |
| | 088272-98-000 | SF | PANELING-SHOWER, OFF WHITE - 4' X 7' - INCREMENTS OF 28 SF |
| | 088272-96-000 | SF | PANELING-DECORATIVE, PLAIN - 4' X 7' - INCREMENTS OF 28 SF |
| | 088272-97-000 | SF | PANELING-DECORATIVE, DRY BATH - 4' X 7' - INCREMENTS OF 28 SF |
| | 074498-45-000 | SF | LAMINATE-PLASTIC, 5' X 7' - TAUPE - INCREMENTS OF 40 SF |
| | 076325-39-000 | FT | MOLDING-EDGE BAND, 1 5/16" WIDE |
| | 076325-40-000 | FT | MOLDING-EDGE BAND, .875" WIDE |
| | 000885-56-000 | SF | PARTICLE BOARD-3/8" X 48" X 96", 1 SIDE VINYL - WOODGRAIN - INC OF 32 SF |
| | 089297-01-000 | SF | PLYWOOD-LUAN, OVERLAY GRADE - 2 7 MM X 4' X 8' - INCREMENTS OF 32 SF FROM 00-00-00 THRU 07-26-92 |
| | 093743-01-02A | SF | PLASTIC-ABS 11.5" WIDE ROLL - OFF WHITE |
| | 093743-02-01A | SF | PLASTIC-ABS 20" WIDE ROLL - OFF WHITE |

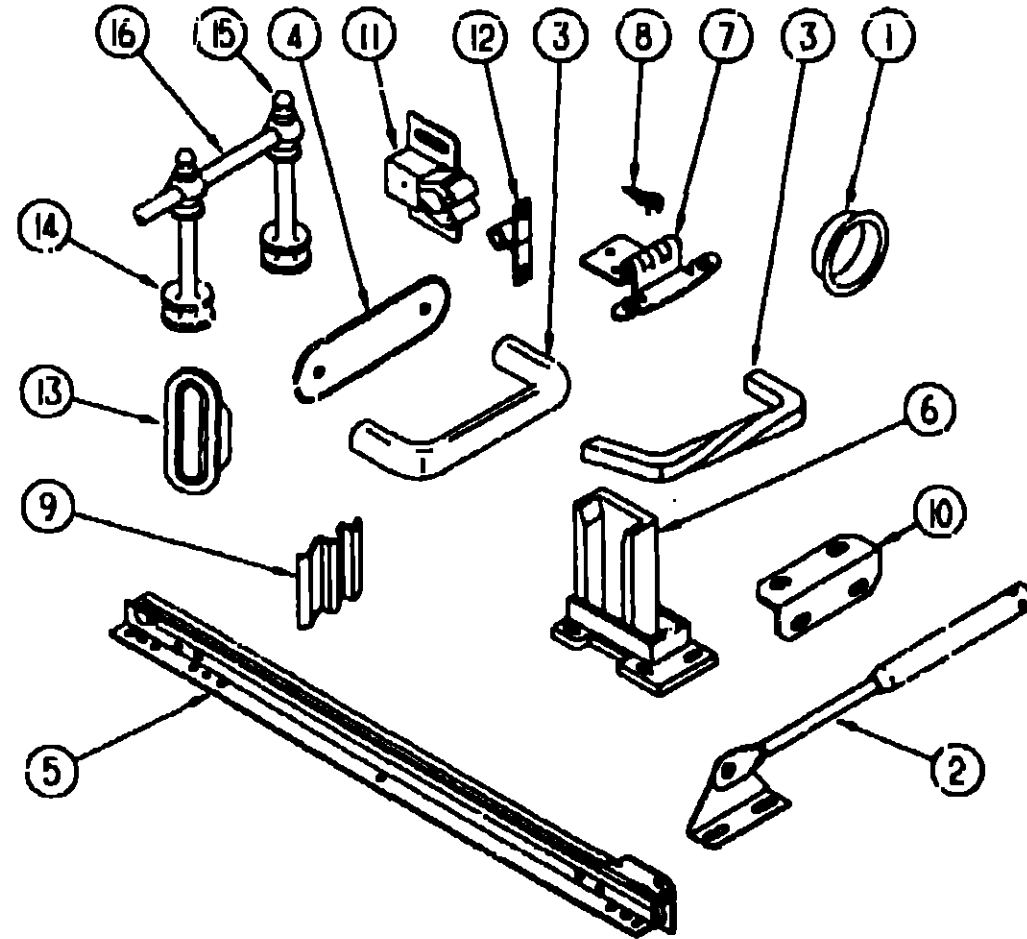
**1993 ITASCA
TABLE OF CONTENTS**

| | | |
|--------------------|------|------|
| INTRODUCTION | A-01 | A-02 |
| ABBREVIATIONS | | A-03 |
| ALPHABETICAL INDEX | A-04 | A-06 |
| IT321RB | A-07 | C-24 |
| IT321RL | D-01 | F-18 |
| IT321RD | F-19 | I-12 |

1993 IT321RB INDEX

| | | |
|-----------------------------------|------|------|
| FLOOR PLAN | A-07 | A-08 |
| ACCESSORIES | | A-09 |
| AUDIO VIDEO | | A-10 |
| BATH | A-11 | A-12 |
| CHASSIS | A-13 | A-14 |
| CURTAIN & CUSHION | A-15 | A-21 |
| DINETTE | | A-22 |
| DRIVERS COMPARTMENT | | A-23 |
| ELECTRICAL | A-24 | B-03 |
| EXTERIOR BODY | B-04 | B-08 |
| GALLEY | B-09 | B-14 |
| GENERATOR | | B-15 |
| HEATING & A/C | | B-16 |
| INTERIOR FINISH | B-17 | B-20 |
| LABELS | B-21 | C-02 |
| LP | | C-03 |
| LOUNGE | | C-04 |
| SEALANTS & FASTENERS | C-05 | C-06 |
| WATER & SEWAGE | C-07 | C-10 |
| WINDOW, VENT AND EXTERIOR DOOR | C-11 | C-24 |

INTERIOR FINISH GROUP (CONTINUED)
CABINET DOOR & DRAWER HARDWARE



| KEY | PART NUMBER | U/M DESCRIPTION |
|-----|---------------|---|
| 1 | 009148-01-000 | EA PULL-FINGER .75" DIAMETER - BRASS |
| 2 | 074493-02-000 | EA SUPPORT-PISTON SPRING, CABINET DOOR |
| 3 | 096645-01-000 | EA PULL-CABINET, BRASS - TWIST - 1.1" X 3.4" |
| | | FROM 00-00-00 THRU: 02-04-93 |
| 3 | 109747-01-000 | EA FULL-CABINET, BRASS |
| | | FROM: 02-05-93 THRU: 99-99-99 |
| 4 | 081376-01-000 | EA BACKPLATE-DOOR FULL, OVAL - BRASS - 8" X 4.25" - EL MONTE OPTION |
| 5 | 106913-05-000 | EA SLIDE-DRAWER, CABINET - LEFT SIDE - 18" |
| 5 | 106913-06-000 | EA SLIDE-DRAWER, CABINET - RIGHT SIDE - 18" |
| 5 | 106913-07-000 | EA SLIDE-DRAWER, DRAWER MOUNT - LEFT SIDE - 18" |
| 5 | 106913-08-000 | EA SLIDE-DRAWER, DRAWER MOUNT - RIGHT SIDE - 18" |
| 5 | 106913-09-000 | EA SLIDE-DRAWER, CABINET - LEFT SIDE - 16" |
| 5 | 106913-10-000 | EA SLIDE-DRAWER, CABINET - RIGHT SIDE - 16" |
| 5 | 106913-11-000 | EA SLIDE-DRAWER, DRAWER MOUNT - LEFT SIDE - 16" |
| 5 | 106913-12-000 | EA SLIDE-DRAWER, DRAWER MOUNT - RIGHT SIDE - 16" |
| 6 | 107030-01-000 | EA BACKSOCKET-ADJUSTABLE, LEFT SIDE |
| 6 | 107030-02-000 | EA BACKSOCKET-ADJUSTABLE, RIGHT SIDE |
| 7 | 108138-01-000 | EA HINGE-CABINET DOOR, BURNISHED BRASS |
| 8 | 000G13-06-08G | EA SCREW-6-20 X 5/8 PFH - ANTIQUE BRASS |
| 9 | 105037-02-000 | EA FASTENER-WOOD, CORNER - METAL - 5" X 6" |
| 10 | 016604-01-000 | EA BRACE-CABINET, ANGLE - 2.5" - METAL - UNPAINTED |
| 10 | 016604-03-000 | EA BRACE-CABINET, ANGLE - 2.5" - METAL - BEIGE |
| 11 | 093586-03-000 | EA CATCH-SPRING, ROLLER |
| 12 | 093586-04-000 | EA STRIKE-SPRING STEEL |
| 13 | 098410-01-01A | EA PULL-FINGER, OVAL - BRASS |
| 14 | 084070-01-000 | EA POST-CENTER, 2.4" - BRASS - DELUXE OPTION |
| 15 | 084070-02-000 | EA POST-END, 2.4" - BRASS - DELUXE OPTION |
| 16 | 084071-07-000 | EA ROD-BRASS, 18 1" LONG - DELUXE OPTION |
| 16 | 084071-10-000 | EA ROD-BRASS, 588 MM LONG - DELUXE OPTION |
| 16 | 084071-11-000 | EA ROD-BRASS, 356 MM LONG - DELUXE OPTION |
| | 004354-01-000 | EA BUMPER-RUBBER, 5" DIA - BROWN |
| | 023320-01-000 | EA PAD-FELT, 3/8" DIAMETER - BROWN |

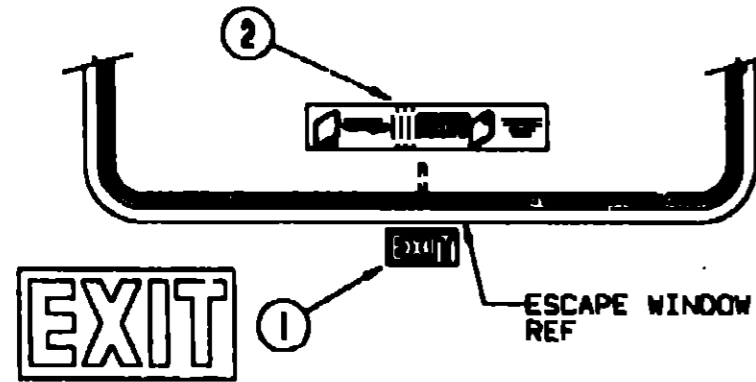
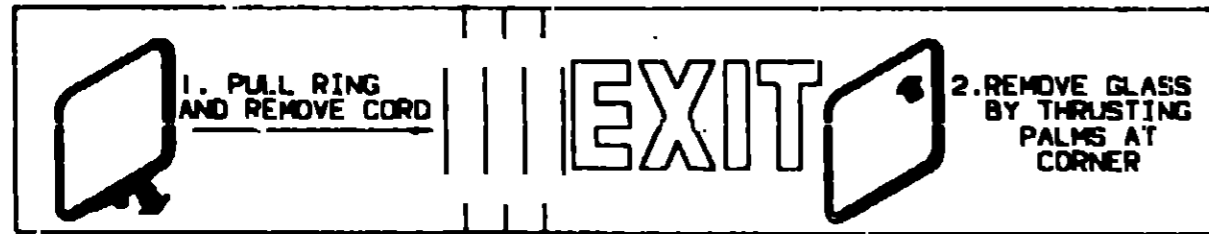
1993 ITASCA
TABLE OF CONTENTS

| | | |
|--------------------|------|------|
| INTRODUCTION | A-01 | A-02 |
| ABBREVIATIONS | | A-03 |
| ALPHABETICAL INDEX | A-04 | A-06 |
| IT321RB | A-07 | C-24 |
| IT321RL | D-01 | F-18 |
| IT321RD | F-19 | I-11 |

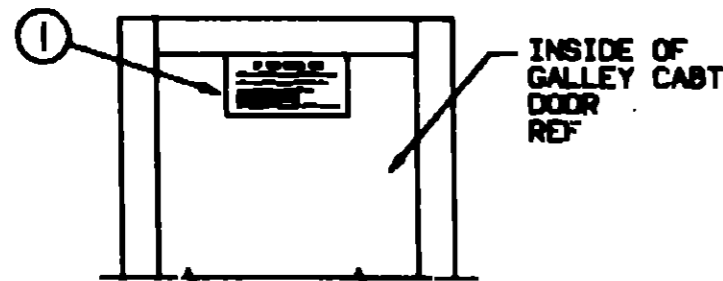
1993 IT321RB INDEX

| | | |
|--------------------------------|------|------|
| FLOOR PLAN | A-07 | A-08 |
| ACCESSORIES | | A-09 |
| AUDIO VIDEO | | A-10 |
| BATH | A-11 | A-12 |
| CHASSIS | A-13 | A-14 |
| CURTAIN & CUSHION | A-15 | A-21 |
| DINETTE | | A-22 |
| DRIVERS COMPARTMENT | | A-23 |
| ELECTRICAL | A-24 | B-03 |
| EXTERIOR BODY | B-04 | B-08 |
| GALLEY | B-09 | B-14 |
| GENERATOR | | B-15 |
| HEATING & A/C | | B-16 |
| INTERIOR FINISH | B-17 | B-20 |
| LABELS | B-21 | C-02 |
| LP | | C-03 |
| LOUNGE | | C-04 |
| SEALANTS & FASTENERS | C-05 | C-06 |
| WATER & SEWAGE | C-07 | C-10 |
| WINDOW, VENT AND EXTERIOR DOOR | C-11 | C-24 |

LABELS GROUP



| KEY | PART NUMBER | U/M DESCRIPTION |
|-----|---------------|-----------------------------|
| 1 | 039290-01-007 | EA LABEL-WARNING, EXIT |
| 2 | 107471-01-000 | EA LABEL-ESCAPE/EXIT WINDOW |

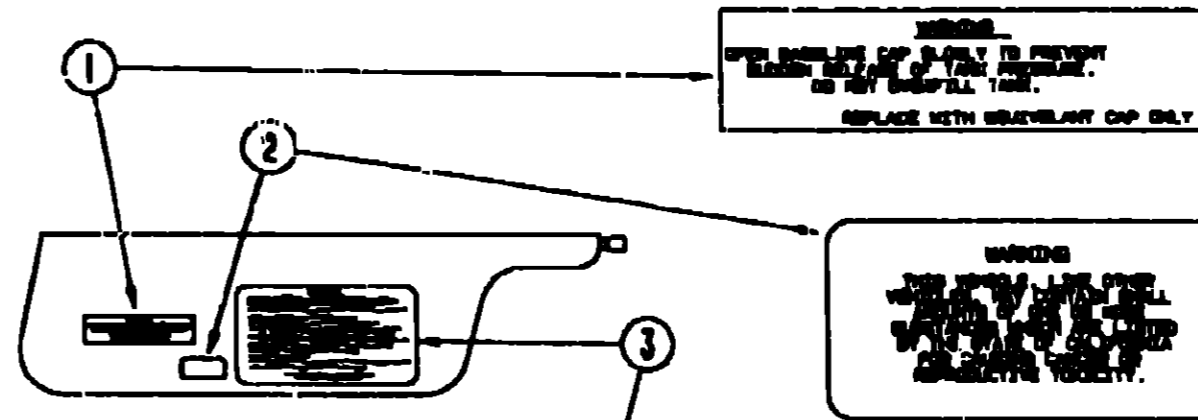


IF YOU SMELL GAS

1. EXTINGUISH ANY OPEN FLAME, PILOT LIGHTS AND ALL BURNING MATERIALS.
2. SHUT OFF THE GAS SUPPLY AT THE TANK VALVE OR GAS SUPPLY CONNECTION.
3. OPEN DOORS AND OTHER VENTILATING OPENINGS.
4. DO NOT TOUCH ELECTRICAL SWITCHES.
5. LEAVE THE AREA UNTIL CLEAR.
6. HAVE THE GAS SYSTEM CHECKED AND LEAKAGE SOURCE CORRECTED BEFORE USING AGAIN.

| KEY | PART NUMBER | U/M DESCRIPTION |
|-----|---------------|---------------------------|
| 1 | 073998-01-000 | EA LABEL-LPG ODOR WARNING |

LABELS GROUP (CONTINUED)



CAUTION

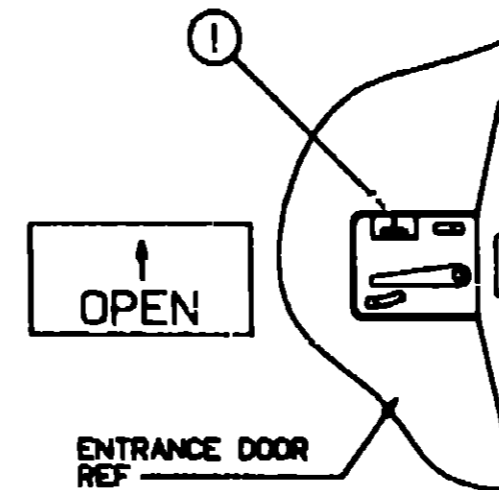
THIS VEHICLE HAS BEEN DESIGNED, MANUFACTURED AND TESTED WITH CONCERN FOR THE PROTECTION OF IT'S OCCUPANTS. WE REQUEST YOU PERFORM THE FOLLOWING INSPECTIONS FOR YOUR SAFETY AND THE SAFETY OF YOUR PASSENGERS BEFORE STARTING YOUR VEHICLE.

1. LP GAS SYSTEM- TURN OFF AT TANK FOR TRAVELING. TEST FOR LEAKS UPON ARRIVAL AT DESTINATION. BEFORE LIGHTING PILOTS.
2. WHEELS- INSPECT FOR DAMAGE AND CHECK LUB RATS FOR TIGHTNESS.
3. TIRES- INSPECT FOR WEAR AND DAMAGE AND CHECK FOR RECOMMENDED AIR PRESSURE.
4. LIGHTS- TEST FOR PROPER OPERATION OF ALL INTERIOR AND EXTERIOR LIGHTS INCLUDING DASH LIGHTS, HEADLIGHTS, TAIL LIGHTS, BRAKE LIGHTS, CLEARANCE LIGHTS AND TURN SIGNALS.
5. EXITS- INSPECT RELEASE MECHANISM ON EMERGENCY EXIT WINDOW. TEST BOTH LOCKS ON MAIN ENTRANCE DOOR FOR EASE OF OPERATION AND INSTRUCT PASSENGERS HOW TO USE BOTH WEARS OF EXIT.
6. SEAT BELTS- INSTRUCT PASSENGERS TO RECLINATE SEATS AND REMOVE USE OF SEAT BELTS.
7. APPLIANCES- TURN OFF AND LATCH OR LOCK DOORS WHERE PROVIDED.
8. LOOSE PARCELS- STORE SECURELY.
9. UTILITY SUPPLY LINES- DISCONNECT ALL ELECTRICAL, SEWER AND WATER LINES AND SECURE PROPERLY.
10. ENTRANCE DOOR STOP- PLACE IN RETRACTED POSITION FOR TRAVELING.

READ YOUR OWNER'S MANUAL AND CHECKS OWNER'S MANUAL FOR FURTHER PRECAUTIONS

| KEY | PART NUMBER | U/M DESCRIPTION |
|-----|---------------|-----------------------------------|
| 1 | 087207-05-000 | EA LABEL-FUEL CAP REMOVAL |
| 2 | 099689-01-000 | EA LABEL-WARNING, CANCER/TOXICITY |
| 3 | 056259-01-000 | EA LABEL-SAFETY CHECK LIST |

FROM 00-00-00 THRU 08-10-92



| KEY | PART NUMBER | U/M DESCRIPTION |
|-----|---------------|--------------------------------|
| 1 | 040944-01-000 | EA LABEL-ENTRANCE DOOR, "OPEN" |

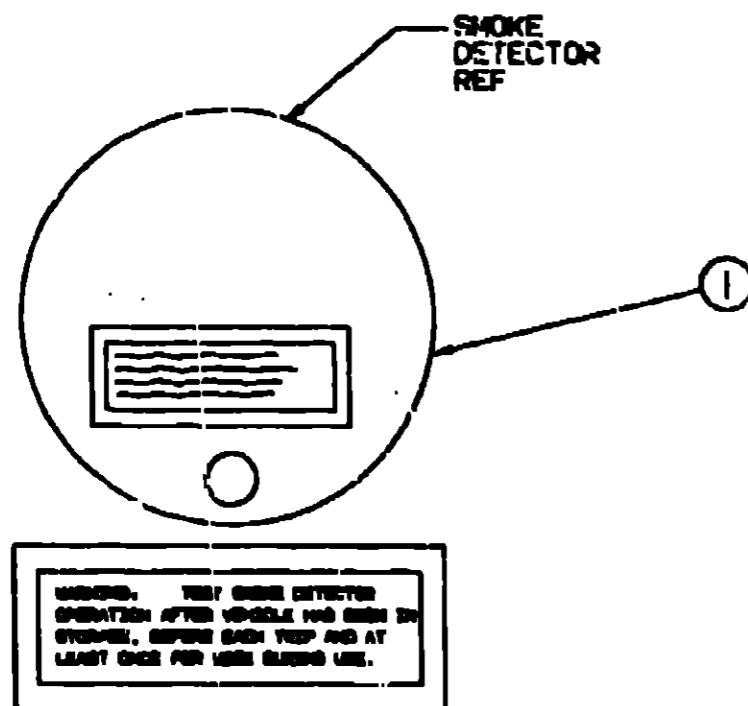
**1993 ITASCA
TABLE OF CONTENTS**

| | | |
|--------------------|------|------|
| INTRODUCTION | A-01 | A-02 |
| ABBREVIATIONS | | A-03 |
| ALPHABETICAL INDEX | A-04 | A-06 |
| IT321RB | A-07 | C-24 |
| IT321RL | D-01 | F-18 |
| IT321RD | F-19 | I-12 |

1993 IT321RB INDEX

| | | |
|--------------------------------|------|------|
| FLOOR PLAN | A-07 | A-08 |
| ACCESSORIES | | I-09 |
| AUDIO VIDEO | | A-10 |
| BATH | A-11 | A-12 |
| CHASSIS | A-13 | A-14 |
| CURTAIN & CUSHION | A-15 | A-21 |
| DINETTE | | A-22 |
| DRIVERS COMPARTMENT | | A-23 |
| ELECTRICAL | A-24 | B-03 |
| EXTERIOR BODY | B-04 | B-08 |
| GALLEY | B-09 | B-14 |
| GENERATOR | | B-15 |
| HEATING & AC | | B-16 |
| INTERIOR FINISH | B-17 | B-20 |
| LABELS | B-21 | C-02 |
| LP | | C-03 |
| LOUNGE | | C-04 |
| SEALANTS & FASTENERS | C-05 | C-06 |
| WATER & SEWAGE | C-07 | C-10 |
| WINDOW, VENT AND EXTERIOR DOOR | C-11 | C-24 |

LABELS GROUP (CONTINUED)

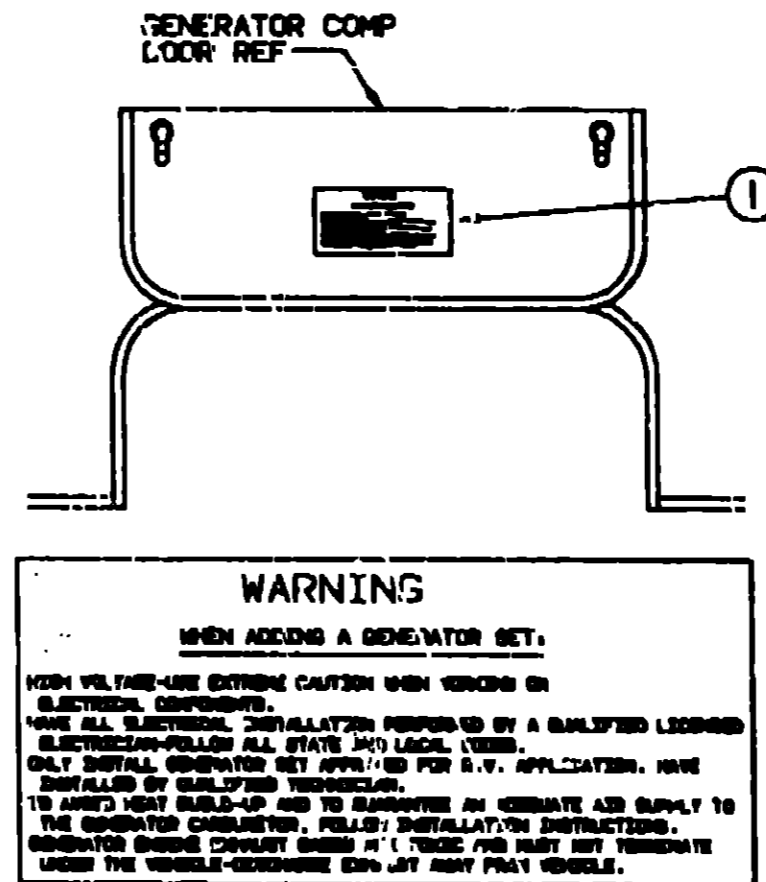


| KEY | PART NUMBER | U/M DESCRIPTION |
|-----|---------------|----------------------------------|
| 1 | 077956-01-000 | EA LABEL-WARNING, SMOKE DETECTOR |

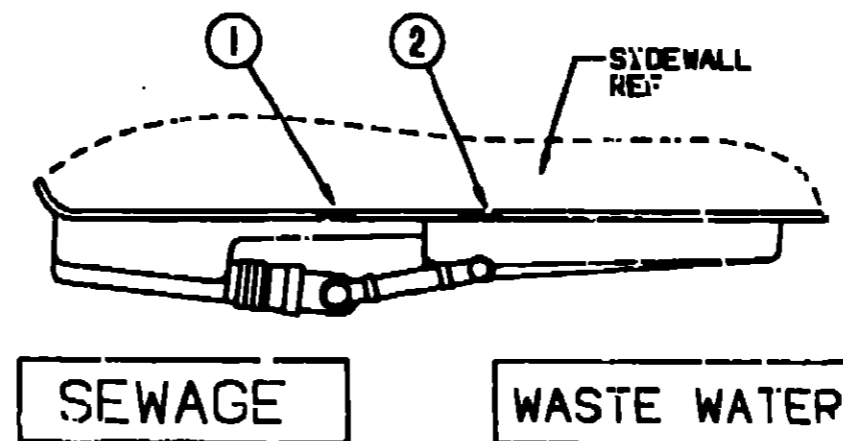
MISCELLANEOUS LABELS

| KEY | PART NUMBER | U/M DESCRIPTION |
|-----|---------------|--|
| | 091243-01-000 | EA LABEL-A/C COVER |
| | 091243-02-000 | EA LABEL-COVER, "MICROWAVE CIRCUIT ETC." |
| | 109522-01-000 | EA LABEL-"WHEN INSTALLING LOAD CARRYING EQUIPMENT" |
| | 098641-01-000 | EA LABEL-FUEL, UNLEADED - DASH |
| | 006062-01-000 | EA LABEL-ELECTRIC, 110V CONNECTION |
| | C99509-01-000 | EA LABEL-AWNING INSTALLATION |
| | 006064-01-000 | EA LABEL-SEAT W/O SEATBELT |
| | 006064-02-000 | EA LABEL-SEAT W/O SEATBELT, CANADIAN |
| | 093237-06-000 | EA LABEL-CIRCUIT BREAKER, FRONT - REAR PANEL |
| | 093237-07-000 | EA LABEL-CIRCUIT BREAKER, FRONT - REAR PNL/CONV |

LABELS GROUP (CONTINUED)



| KEY | PART NUMBER | U/M DESCRIPTION |
|-----|---------------|-------------------------|
| 1 | 077510-01-000 | EA LABEL-GENERATOR PREP |



| KEY | PART NUMBER | U/M DESCRIPTION |
|-----|---------------|----------------------|
| 1 | 006187-01-000 | EA LABEL-SEWAGE |
| 2 | 006188-01-000 | EA LABEL-WASTE WATER |

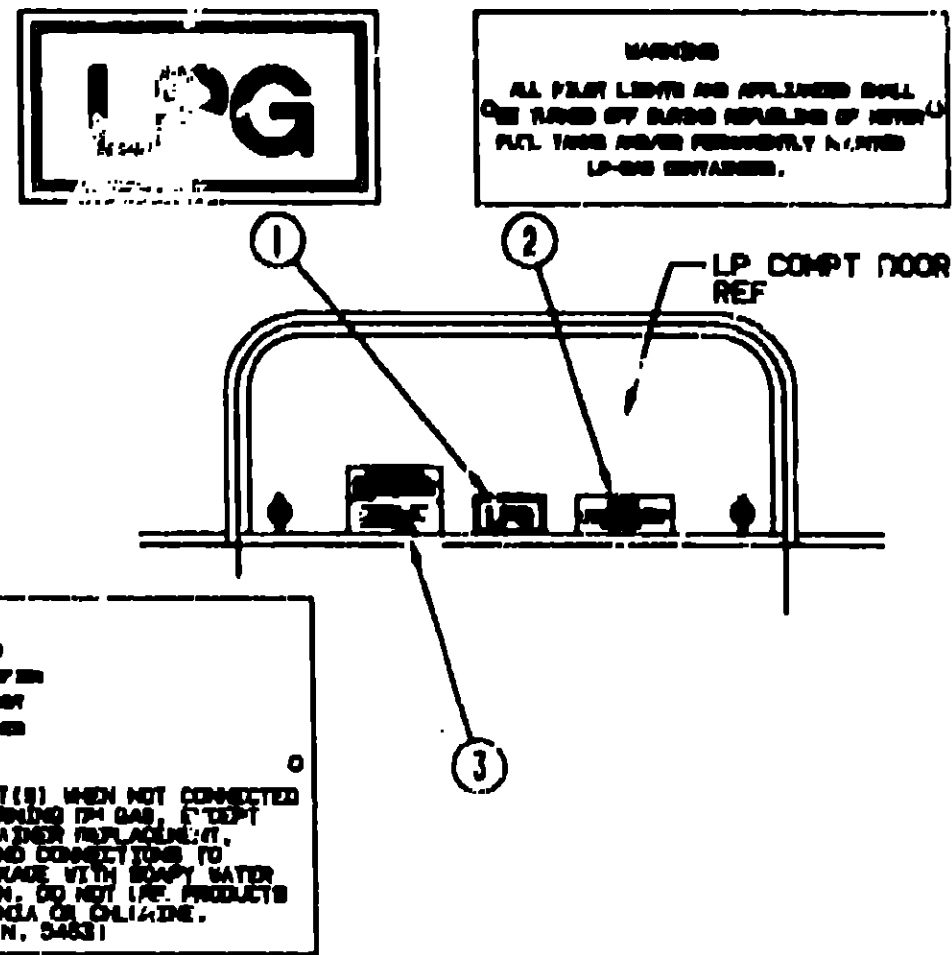
**1993 ITASCA
TABLE OF CONTENTS**

| | | |
|--------------------|--------|------|
| INTRODUCTION | A-01 - | A-02 |
| ABBREVIATIONS | | A-03 |
| ALPHABETICAL INDEX | A-04 - | A-06 |
| IT321RE | A-07 - | C-24 |
| IT321RL | D-01 - | F-18 |
| IT321RD | F-19 - | I-12 |

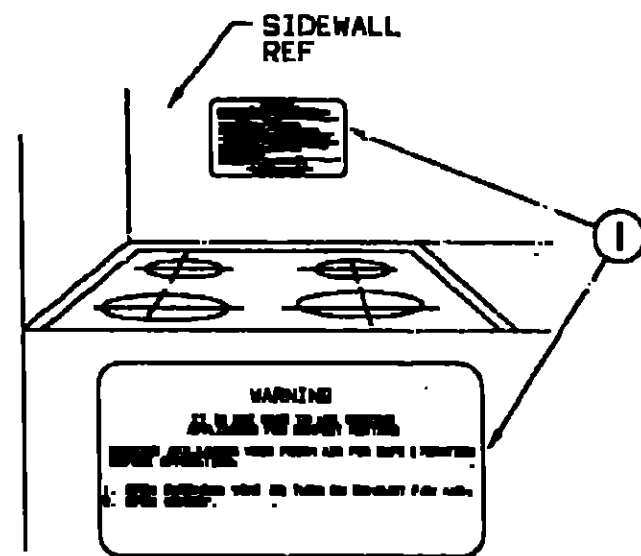
1993 IT321RB INDEX

| | | |
|----------------------|--------|------|
| FLOOR PLAN | A-07 - | A-08 |
| ACCESSORIES | | A-09 |
| AUDIO VIDEO | | A-10 |
| BATH | A-11 - | A-12 |
| CHASSIS | A-13 - | A-14 |
| CURTAIN & CUSHION | A-15 - | A-21 |
| DINETTE | | A-22 |
| DRIVERS COMPARTMENT | | A-23 |
| ELECTRICAL | A-24 - | B-03 |
| EXTERIOR BODY | B-04 - | B-08 |
| GALLEY | B-09 - | B-14 |
| GENERATOR | | B-15 |
| HEATING & A/C | | B-16 |
| INTERIOR FINISH | B-17 - | B-20 |
| LABELS | B-21 - | C-02 |
| LP | | C-03 |
| LOUNGE | | C-04 |
| SEALANTS & FASTENERS | C-05 - | C-06 |
| WATER & SEWAGE | C-07 - | C-10 |
| WINDOW, VENT AND | | |
| EXTERIOR DOOR | C-11 - | C-24 |

LABELS GROUP (CONTINUED)

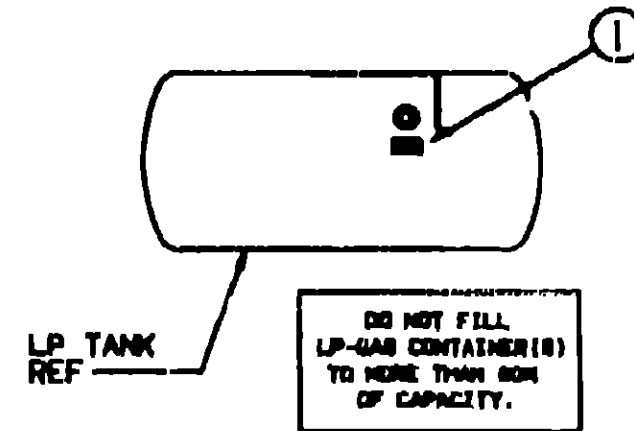


| KEY | PART NUMBER | U/M DESCRIPTION |
|-----|---------------|---|
| 1 | 074559-01-000 | EA DECAL-LOGO, LPG - RED - (CALIF CCDE) |
| 2 | 006040-01-000 | EA TAG-GAS REFUELING WARNING |
| 2 | 006040-02-000 | EA TAG-GAS REFUEL WARNING, CANADIAN |
| 3 | 054531-01-000 | EA LABEL-LP GAS ONLY |
| 3 | 023769-01-000 | EA LABEL-WARNING, LPG - CANADIAN |

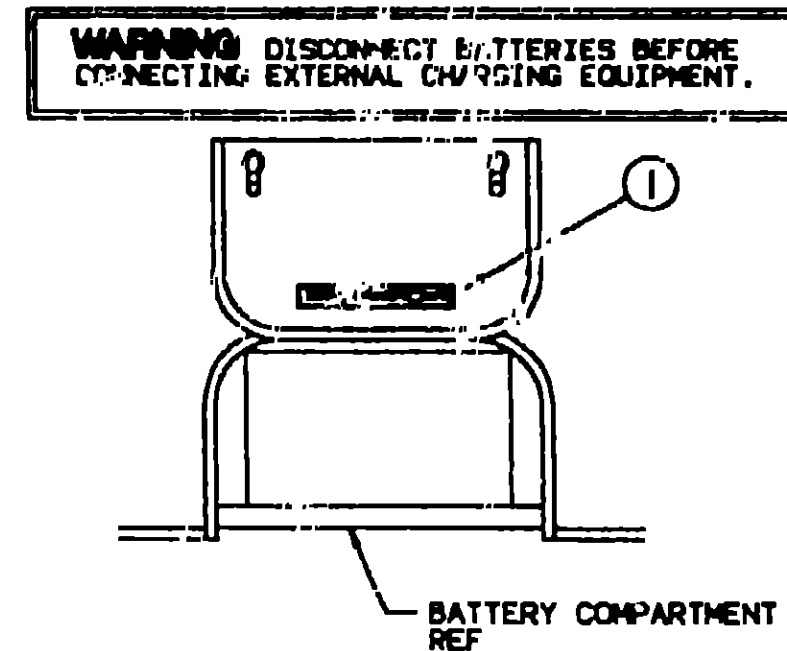


| KEY | PART NUMBER | U/M DESCRIPTION |
|-----|---------------|---|
| 1 | 050225-01-000 | EA LABEL-WARNING, STOVE VENT - US |
| 1 | 050222-01-000 | EA LABEL-WARNING, STOVE VENT - CANADIAN |

LABELS GROUP (CONTINUED)



| KEY PART NUMBER | U/M DESCRIPTION |
|-----------------|--------------------------|
| 1 079965-01-000 | EA LABEL-LPG 80 CAPACITY |



| KEY PART NUMBER | U/M DESCRIPTION |
|-----------------|------------------------------------|
| 1 065748-01-000 | EA LABEL-CAUTION, BATTERY CHARGING |

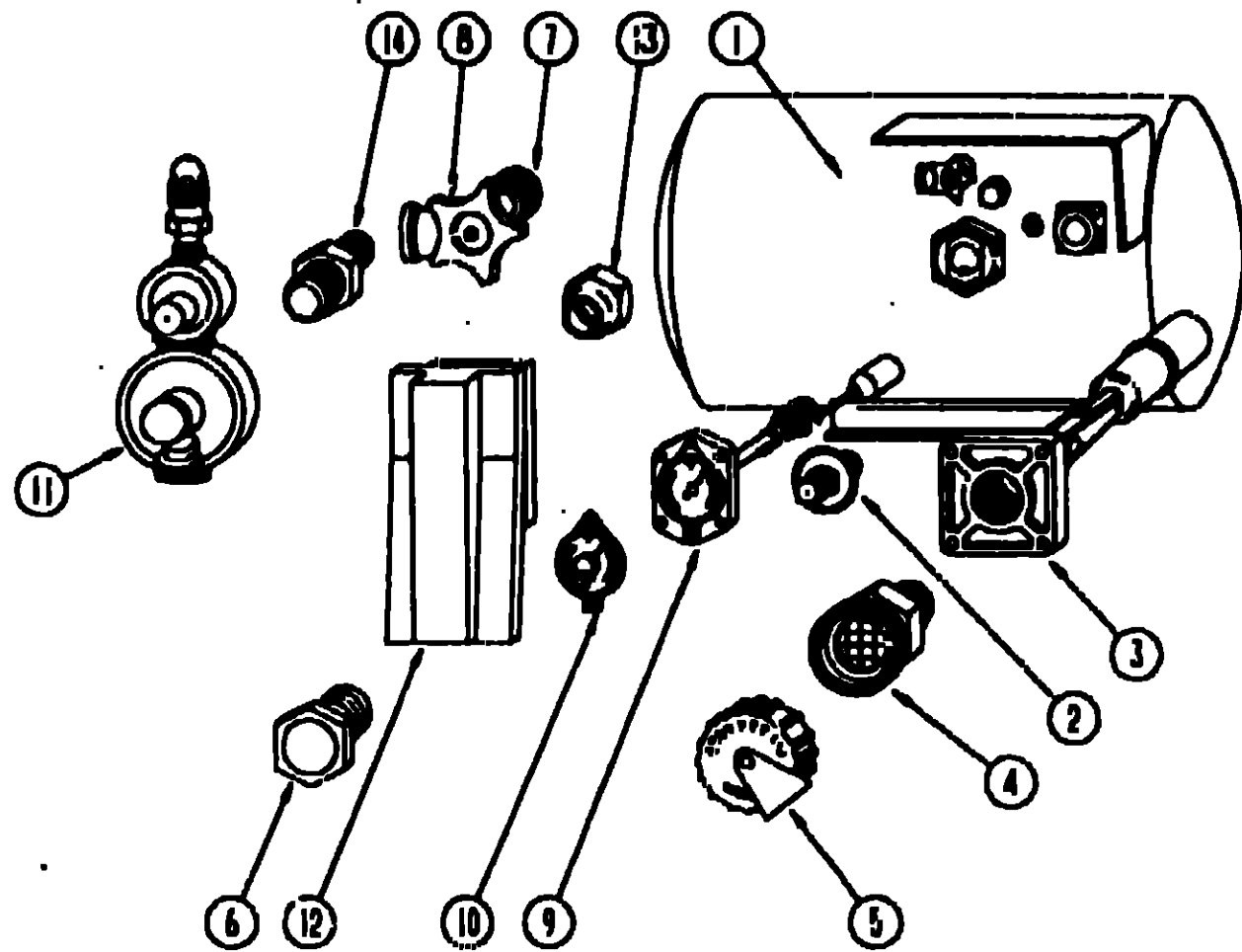
**1993 ITASCA
TABLE OF CONTENTS**

| | |
|--------------------|-------------|
| INTRODUCTION | A-01 - A-02 |
| ABBREVIATIONS | A-03 |
| ALPHABETICAL INDEX | A-04 - A-06 |
| IT321RB | A-07 - C-24 |
| IT321RL | D-01 - F-18 |
| IT321RD | F-19 - I-12 |

1993 IT321RB INDEX

| | |
|----------------------------------|-------------|
| FLOOR PLAN | A-07 - A-08 |
| ACCESSORIES | A-09 |
| AUDIO VIDEO | A-10 |
| BATTERY | A-11 - A-12 |
| CHASSIS | A-13 - A-14 |
| CURTAIN & CUSHION | A-15 - A-21 |
| DINETTE | A-22 |
| DRIVERS COMPARTMENT | A-23 |
| ELECTRICAL | A-24 - B-03 |
| EXTERIOR BODY | B-04 - B-08 |
| GALLEY | B-09 - B-14 |
| GENERATOR | B-15 |
| HEATING & A/C | B-16 |
| INTERIOR FINISH | B-17 - B-20 |
| LABELS | B-21 - C-02 |
| LP | C-03 |
| LOUNGE | C-04 |
| SEALANTS & FASTENERS | C-05 - C-06 |
| WATER & SEWAGE | C-07 - C-10 |
| WINDOW VENT AND EXTERIOR DOOR | C-11 - C-24 |

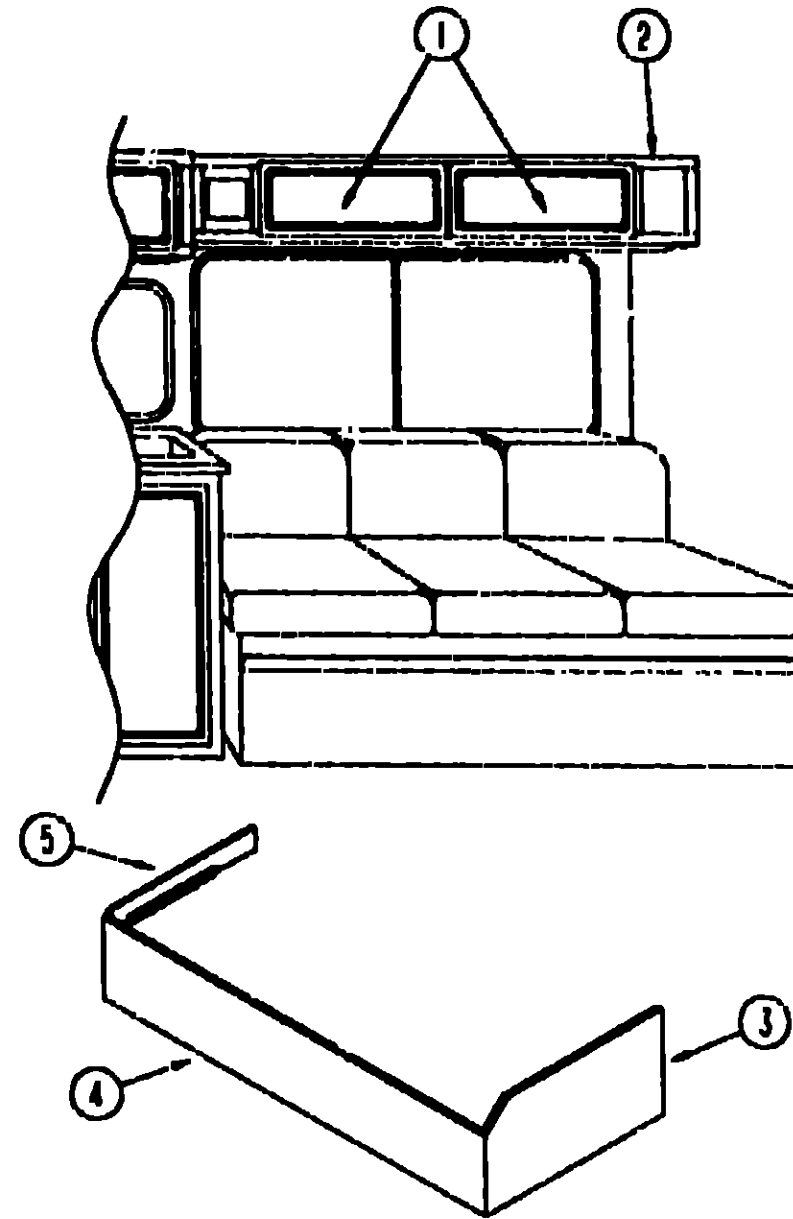
LP GROUP



LP TANK & COMPONENTS

| KEY | PART NUMBER | U/M | DESCRIPTION |
|-----|---------------|-----|--|
| 1 | 074039-03-000 | EA | TANK-LP, 28 LB - BOTTOM MOUNT - 10" DIA X 23" LONG |
| 2 | 040421-01-700 | EA | VALVE-LIQUID LEVEL, 20% LP - BRUNNER G-1013 |
| 3 | 040421-01-711 | EA | VALVE-80% W/FLOAT, PLATE, BOLTS & GASKET - BRUNNER |
| 4 | 040421-01-701 | EA | VALVE-FILLER, LP SHORT - BRUNNER 75478 |
| 5 | 040421-01-702 | EA | CAP-LP FILLER VALVE, PLASTIC - YELLOW - BRUNNER G-1014-A |
| 6 | 040421-01-713 | EA | VALVE-VAPOR ONLY, 29000587 |
| 7 | 040421-01-712 | EA | VALVE-SERVICE W/HANDWHEEL, W/O VAPOR RELIEF - 29000853 |
| 8 | 040421-01-708 | EA | HANDWHEEL-SERVICE VALVE, BRUNNER G-1015-A |
| 9 | 074039-01-700 | EA | FLOAT ASM-BOLT ON, F/10" DIA TANK - BRUNNER 10C |
| 10 | 040440-02-000 | EA | DIAL-TRANSMITTER, 0-90 OHM |
| 11 | 106150-03-000 | EA | REGULATOR-TWO STAGE LPG, M'BRASS 295-00 |
| 12 | 105658-01-000 | EA | COMPARTMENT-LP REGULATOR |
| | 103613-01-000 | EA | DETECTOR-LP GAS |
| | 065741-01-000 | EA | GAUGE-DIAPHRAGM, PRESSURE - MARSHALLTOWN MFG |
| | 065742-01-000 | EA | TEE, 3/8" F X 3/8" F X 25" FPT - BRASS |
| 13 | 010377-02-000 | EA | NUT-BRASS, 3/8" FEMALE - FORGED |
| 14 | 010323-01-000 | EA | ADAPTER-BRASS, 3/8" F X 1/2" MPT |
| | 010265-01-000 | EA | ELBOW-BRASS, 90 DEGREE - 3/8" F X 1/2" FPT |
| | 033759-01-000 | EA | ELBOW-3/8" F X 3/8" F X 90 DEG, BRASS |
| | 074458-01-000 | EA | ELBOW-3/8" M FL TO 3/8" F FL SVL, ANCHOR BRASS A800 |
| | 010251-01-000 | EA | ELBOW-BRASS, 90 DEGREE - 3/8" F X 3/8" MPT |
| | 008042-01-000 | FT | TUBING-VINYL, 65" ID |

LOUNGE GROUP



LOUNGE CABINETS

| KEY | PART NUMBER | U/M | DESCRIPTION |
|-----|---------------|-----|--|
| 1 | P03702-73-D24 | EA | DOOR-CABINET, W/O HARDWARE - 10" X 25 2" |
| 1 | P03702-73-C29 | EA | DOOR-CABINET, W/O HARDWARE - 10" X 25 2" - EL MONTE OPTION |
| 2 | M05160-13-D24 | EA | CABINET-OVERHEAD, W/O DOORS OR HARDWARE |
| 2 | M05160-13-D25 | EA | CABINET-OVERHEAD, W/O DOORS OR HARDWARE |
| 2 | M05160-13-D26 | EA | CABINET-OVERHEAD, W/O DOORS OR HARDWARE |
| 2 | M05160-02-C29 | EA | CABINET-OVERHEAD, W/O DOORS OR HARDWARE - EL MONTE OPTION |
| 3 | M04187-61-D24 | EA | CABINET-COUCH, LEFT SIDE W/FABRIC (D24/D25) |
| 3 | M04187-61-D26 | EA | CABINET-COUCH, LEFT SIDE W/FABRIC (D26) |
| 3 | M04187-37-D24 | EA | CABINET-COUCH, LEFT SIDE W/FABRIC (D24/D25) - EL MONTE OPTION |
| 3 | M04187-22-D26 | EA | CABINET-COUCH, LEFT SIDE W/FABRIC (D26) - EL MONTE OPTION |
| 4 | M04187-60-J24 | EA | CABINET-COUCH, FRONT FACE W/FABRIC (D24/D25) |
| 4 | M04187-60-D26 | EA | CABINET-COUCH, FRONT FACE W/FABRIC (D26) |
| 5 | M04187-62-D24 | EA | CABINET-COUCH, RIGHT SIDE W/FABRIC (D24/D25) |
| 5 | M04187-62-D26 | EA | CABINET-COUCH, RIGHT SIDE W/FABRIC (D26) |
| 5 | M04187-23-D24 | EA | CABINET-COUCH, RIGHT SIDE W/FABRIC (D24/D25) - EL MONTE OPTION |
| 5 | M04187-23-D26 | EA | CABINET-COUCH, RIGHT SIDE W/FABRIC (D26) - EL MONTE OPTION |
| | 082525-02-000 | EA | BRACE-COUCH, FLOOR MOUNT - ANGLE 3" LONG - METAL |
| | 050101-01-002 | EA | EXTRUSION-L SHAPED, 192" - ALUMINUM |
| | 083125-05-000 | EA | BRACE-ANGLE, COUCH - 2 5" - BEIGE |

1993 ITASCA TABLE OF CONTENTS

| | | |
|--------------------|------|------|
| INTRODUCTION | A-01 | A-02 |
| ABBREVIATIONS | | A-03 |
| ALPHABETICAL INDEX | A-04 | A-05 |
| IT321RB | A-07 | C-24 |
| IT321RL | D-01 | F-18 |
| IT321RD | F-19 | I-12 |

1993 IT321RB INDEX

| | | |
|--------------------------------|------|------|
| FLOOR PLAN | A-07 | A-08 |
| ACCESSORIES | | A-09 |
| AUDIO VIDEO | | A-10 |
| BATH | A-11 | A-12 |
| CHASSIS | A-13 | A-14 |
| CURTAIN & CUSHION | A-15 | A-21 |
| DINETTE | | A-22 |
| DRIVERS COMPARTMENT | | A-23 |
| ELECTRICAL | A-24 | B-03 |
| EXTERIOR BODY | B-04 | B-08 |
| GALLEY | B-09 | B-14 |
| GENERATOR | | B-15 |
| HEATING & A/C | | B-16 |
| INTERIOR FINISH | B-17 | B-20 |
| LABELS | B-21 | C-02 |
| LP | | C-03 |
| LOUNGE | | C-04 |
| SEALANTS & FASTENERS | C-05 | C-06 |
| WATER & SEWAGE | C-07 | C-10 |
| WINDOW, VENT AND EXTERIOR DOOR | C-11 | C-24 |

**SEALANTS & FASTENERS GROUP
SCREWS**

| KEY | PART NUMBER | U/M DESCRIPTION |
|-----|---------------|--|
| | 000G68-08-10G | EA SCREW-8-18 X 5/8 PPH - ANTIQUE BRASS |
| | 000G13-06-08B | EA SCREW-8-20 X 3/8 PFH - ZINC |
| | 000G13-06-08R | EA SCREW-8-20 X 1/2 PFH - ZINC |
| | 000G13-08-08C | EA SCREW-8-20 X 5/8 PFH - ANTIQUE BRASS |
| | 000G13-07-12B | EA SCREW-7-12 X 3/4 PFH - ZINC |
| | 000G11-08-10J | EA SCREW-7-12 X 1/2 PPH - ZINC |
| | 000G11-08-06B | EA SCREW-8-18 X 3/8 PPH ZN |
| | 000G11-08-12B | EA SCREW-8-18 X 3/4 PPH ZN |
| | 000G11-08-12D | EA SCREW-8-18 X 3/4 PPH - BLACK |
| | 000G11-08-12H | EA SCREW-8-18 X 3/4 PPH - BEIGE |
| | 000G11-08-12S | EA SCREW-8-18 X 7/8 PPH, OFF WHITE |
| | 000G11-08-16S | EA SCREW-8-18 X 1 00 PPH - OFF WHITE |
| | 000G12-08-12S | EA SCREW-8-18X 7/8 PPH OFF WHITE |
| | 000G12-08-16S | EA SCREW-8-18 X 1 00 PPH - OFF WHITE |
| | 000G13-08-16B | EA SCREW-8-18 X 1 PFH - ZINC |
| | 000G67-10-08B | EA SCREW, 10-12 X 1/2 PPH ZN |
| | 000G67-10-08R | EA SCREW, 10-12 X 1/2 PPH - BEIGE - TYPE A |
| | 000G67-10-10B | EA SCREW, 10-12 X 5/8 PPH ZN - TYPE A |
| | 000G67-10-10R | EA SCREW, 10-12 X 5/8 PPH - TYPE A - BEIGE |
| | 000G67-10-10S | EA SCREW, 10-12 X 5/8" - PPH - OFF WHITE |
| | 000G67-10-12B | EA SCREW, 10-12 X 3/4" PPH - ZN |
| | 000G67-10-12P | EA SCREW, 10-12 X 7/8" - PPH - DARK BROWN |
| | 000G67-10-16B | EA SCREW, 10-12 X 1 PPH - ZN |
| | 000G67-10-24B | EA SCREW, 10-12 X 1 1/2 PPH - ZN |
| | 000G67-10-32B | EA SCREW, 10-12 X 2 PPH - ZN |
| | 000G11-10-12D | EA SCREW-10-16 X 3/4 PPH - BLACK |
| | 000G36-10-12E | EA SCREW-10-24 X 3/4 PFH TYPE 23 - CHROME PLATED |
| | 000G32-10-06B | EA SCREW-10-32 X 3/8" - PPH - ZINC |
| | 000G18-08-12B | EA SCREW-MACHINE-8-32 X 3/4" PPH ZINC |
| | 000G53-04-06B | EA SCREW-MACHINE-1/4-20 X 3/8 PPH -ZINC - UNDERCUT HEAD |
| | 000G39-06-08B | EA SCREW-DR-8-18X1/2 ZN |
| | 000G39-08-08B | EA SCREW-SF/DR, 8-18 X 1/2 PPH ZN |
| | 000G39-08-08R | EA SCREW-SF/DR, 8-18 X 1/2 PPH - BEIGE |
| | 000G39-08-08S | EA SCREW-SF/DR, 8-18 X 1/2 PPH - OFF WHITE |
| | 000G39-08-12B | EA SCREW-SF/DR 8-18 X 3/4 PPH ZN |
| | 000G55-08-12M | EA SCREW-SF/DR-8-18 X 7/8 PWH - GRAY |
| | 000G39-08-16S | EA SCREW-SF/DR 8-18 X 1 00 PPH - OFF WHITE |
| | 000G39-08-24S | EA SCREW-SF/DR-8-18 X 1 50 - OFF WHITE |
| | 000G39-10-10S | EA SCREW-SF/DR 10-16 X 62" PPH - OFF WHITE |
| | 000G39-10-12D | EA SCREW-SF/DR 10-16 X 3/4 PPH - BLACK |
| | 000G39-10-20B | EA SCREW-SF/DR 10-16 X 1 1/4 PPH - ZINC |
| | 000G42-04-16B | EA SCREW-SF/DR 1/4-14 X 1 HWH - ZINC |
| | 000G54-04-20B | EA SCREW 1/4-20 X 1 1/4 PTH - TYPE 23 - ZINC PLATED |
| | 087721-01-000 | EA SCREW-FLAT HEAD TAPPING - 1/4" X 1 1/4" LG ZINC |
| | 075908-01-000 | EA SCREW-MACHINE 10-32 X 5/8 PTH - ZINC EXTERNAL TOOTH |
| | 075790-01-000 | EA SCREW, 6-20 X 1 1/4 PPH - BLACK |
| | 101289-01-01A | EA SCREW-MACHINE, 8-32 X 4 - PPH - BRASS - FOR EXTENDED KNOB |

ADHESIVE AND SEALANTS

| KEY | PART NUMBER | U/M DESCRIPTION |
|-----|---------------|---|
| | 002707-02-000 | FT TAPE-SEALER 5/16" X 1/2" - INCREMENTS OF 50 FT |
| | 004020-01-000 | QT ADHESIVE-ABS CEMENT QUART |
| | 034552-02-000 | EA SILICONE-TUBE 300 ML - CLEAR |
| | 034552-06-000 | EA SILICONE-TUBE 300 ML - OFF WHITE |
| | 039518-01-000 | EA SILICONE-TUBE 300 ML - BLACK |
| | 108716-01-000 | EA SILICONE-TUBE, OFF WHITE LEVEL - CSL 510 |
| | 053765-02-000 | EA BEDDING COMPOUND-TUBE - WHITE |

**SEALANTS & FASTENERS GROUP (CONTINUED)
ADHESIVE AND SEALANTS CONT'D**

| KEY | PART NUMBER | U/M DESCRIPTION |
|-----|---------------|--|
| | 053765-08-000 | EA BEDDING COMPOUND-TUBE - GRAY |
| | 063642-01-000 | FT TAPE-ADHESIVE 10MM X 15" WIDE |
| | 065640-10-000 | FT SEALER-RIBBON 1/32" X 1 1/2" INCREMENTS OF 90' |
| | 065640-09-000 | FT SEALER-RIBBON 1/32" X 2 1/2" - INCREMENTS OF 80' |
| | 065640-01-000 | FT SEALER-RIBBON 1/4" DIAMETER - INCREMENTS OF 30' |
| | 065640-02-000 | FT SEALER-RIBBON 1/2" X 1/8" - INCREMENTS OF 30' OR 60' |
| | 065640-03-000 | FT SEALER-RIBBON 3/4" X 1/8" - INCREMENTS OF 60' |
| | 065640-07-000 | FT SEALER-RIBBON 2" X 3/32" - INCREMENTS OF 30' OR 45' |
| | 065640-11-000 | FT SEALER-RIBBON 3/16" X 3/16" - BLACK |
| | 065640-12-000 | FT SEALER-RIBBON 1/8" X 1 1/2" GRAY - INCREMENTS OF 50' FROM 00-00-00 THRU 09-21-92 |
| | 065640-14-000 | FT SEALER-RIBBON 1/16" X 1" - GRAY FROM 09-22-92 THRU 99-99-99 |
| | 072889-01-000 | EA SEALANT-URETHANE, BLACK - 1/10 - ESSEX 552 2 |
| | 076322-01-000 | FT TAPE-FOAM, DOUBLE COATED ADHESIVE BACKED - 75" X 216" |
| | 076322-02-000 | FT TAPE-FOAM, DOUBLE COATED ADHESIVE BACKED - 1" X 108" |
| | 076322-05-000 | FT TAPE-FOAM, DOUBLE COATED - 025" X 1 5" |
| | 091255-02-000 | FT SEAL-ADHESIVE, BACKED FOAM, 18" THICK X 1 5" WIDE |
| | 087211-01-000 | GL PROMOTER-ADHESIVE |
| | 102352-01-000 | EA SEALER-PUMPABLE BLACK |

NUTS, BOLTS AND GROMMETS

| KEY | PART NUMBER | U/M DESCRIPTION |
|-----|---------------|---|
| | 040921-04-000 | EA NUT-SPEED U TYPE - NO 8 - 59" LENGTH X 44" WIDTH |
| | 005081-01-000 | EA NUT-SPEED C TYPE - NO 8 SCREW |
| | 000D24-10-00B | EA NUT-HEX, SF/LK - 10-32 ZN |
| | 000D39-04-00B | EA NUT-HEX, SER FLG LK 1/4 - 20 ZN |
| | 000D39-05-00B | EA NUT-HEX, SER FLG LK - 5/16 - 18 ZN |
| | 000D39-06-00B | EA NUT-HEX, SER FLG LK - 3/8-16 ZN |
| | 000D39-08-00B | EA NUT-HEX, SER FLG LK - 1/2-13 ZN |
| | 000D44-07-00B | EA NUT-HEX, SER FLG LK - 7/16-20 ZN |
| | 064081-01-000 | EA NUT-WING, 3/8" X 16 THREAD |
| | 064081-02-000 | EA NUT-WING, 5/8" X 11 THREAD - EL MONTE OPTION |
| | 000C12-05-12B | EA BOLT-HEX-5/16-18X3/4 ZN 5 |
| | 000C12-05-16B | EA BOLT-HEX, 5/16-18 X 1 - ZINC 5 |
| | 000C12-06-32B | EA BOLT-HEX-3/8-16X2LG,ZN 5 |
| | 000C13-07-48B | EA BOLT-HEX, 7/16 - 20 X 3 - ZN 5 |
| | 000C18-05-40A | EA BOLT-ELEV, 5/16"-18 X 2 1/2" PL |
| | 000C26-05-12B | EA BOLT-HEX-SER FLG 5/16-18X3/4 ZN |
| | 000C26-05-20B | EA BOLT-HEX, SER FLG 5/16 - 18 X 1 1/4 ZINC |
| | 071015-04-000 | EA GROMMET-RUBBER 18" ID X 88" OD W/3" GROOVE - BLACK |

MISCELLANEOUS FASTENERS

| KEY | PART NUMBER | U/M DESCRIPTION |
|-----|---------------|--|
| | 044533-01-000 | EA WASHER-PLASTIC 1 3/8"OD - FOR BUTTONS |
| | 000E13-04-00F | EA WASHER-FLAT, 1/4" WIDE - SS |
| | 000E13-11-00B | EA WASHER-FLAT, 3/16" WIDE - ZN |
| | 000F13-20-00B | EA WASHER-FL-7/16" WIDE - ZN |
| | 041022-01-00J | EA WASHER-FL, 15/32ID X 2 3/8 OD - FOR SEAT BELT MOUNT |
| | 056134-01-000 | EA HOLDER-RING 36" DIAMETER - METAL |
| | 007161-01-000 | EA CLAMP-HOSE, SPRING TYPE - 1/2" |
| | 010495-01-000 | EA CLAMP-CABLE, 9/16" |
| | 010497-01-000 | EA CLAMP-CLOSED, 5/8" ID |
| | 010497-03-00J | EA CLAMP-CLOSED, 1" ID - CUSHIONED |
| | 010499-01-000 | EA CLAMP-CLOSED, 3/8" ID |
| | 062401-01-000 | EA CLAMP-HOSE, WORMGEAR 25" - 1" |
| | 062401-02-000 | EA CLAMP-HOSE, WORMGEAR, 1.56" - 2 5" |
| | 062401-06-000 | EA CLAMP-HOSE, WORMGEAR 22" - 62" |
| | 075148-02-000 | EA CLAMP-P-GROUNDING BRONZE SCREWS |
| | 083609-01-000 | EA CLAMP-WIRE, DUAL EQUAL - 5/8" DIAMETER |
| | 080734-02-000 | EA CLIP-WIRE NYLON |

**1993 ITASCA
TABLE OF CONTENTS**

| | | |
|--------------------|------|------|
| INTRODUCTION | A01 | A02 |
| ABBREVIATIONS | | A03 |
| ALPHABETICAL INDEX | A04 | A05 |
| IT321RB | A07 | C24 |
| IT321RL | D01 | F-18 |
| IT321RD | F-19 | I-12 |

1993 IT321RB INDEX

| | | |
|----------------------------------|------|------|
| FLOORPLAN | A-07 | A-08 |
| ACCESSORIES | | A-09 |
| AUDIO VIDEO | | A-10 |
| BATH | A-11 | A-12 |
| CHASSIS | A-13 | A-14 |
| CURTAIN CUSHION | A-15 | A-21 |
| DINETTE | | A-22 |
| DRIVERS COMPARTMENT | | A-23 |
| ELECTRICAL | A-24 | B-03 |
| EXTERIOR BODY | B-04 | B-08 |
| GALLEY | B-09 | B-14 |
| GENERATOR | | B-15 |
| HEATING & A/C | | B-16 |
| INTERIOR FINISH | B-17 | B-20 |
| LABELS | B-21 | C-02 |
| LP | | C-03 |
| LOUNGE | | C-04 |
| SEALANT S& FASTENERS | C-05 | C-05 |
| WATER SE WAGE | C-07 | C-10 |
| WINDOW VENT AND EXTERIOR DOOR | C-11 | C-24 |

**WATER & SEWAGE GROUP
FRESH WATER TANK**

| KEY | PART NUMBER | U/M DESCRIPTION |
|-----|---------------|---|
| | 084877-03-000 | EA TANK-WATER, W/FITTINGS - 14 GALLON - 11" X 20" X 16" |
| | 084877-01-000 | EA TANK-WATER, 12.5 GALLON - W/O FITTINGS - 11" X 20" X 16" |
| | 077954-02-000 | EA FILTER-WATER TANK, SCREEN IN TANK |
| | 079381-01-000 | FT TUBING-SMOOTH, FLEXIBLE - 1 1/4" ID |
| | 042989-03-000 | EA FITTING-WATER TANK, SPINWELD - 1 1/4"NPT - PLASTIC - WHITE |
| | 042989-04-000 | EA FITTING-WATER TANK, SPINWELD - 3/8" FPT - PLASTIC - WHITE |
| | 042989-05-000 | EA FITTING-WATER TANK, SPINWELD - 1/2" FPT - PLASTIC - WHITE |
| | 045032-01-000 | EA PATCH-SPINWELD 3/8" - PLASTIC |
| | 039861-01-000 | EA SENDING UNIT W/SCREW, W/ADJL 1 WELL NUT AND TERMINAL RING |

WATER SYSTEM

| KEY | PART NUMBER | U/M DESCRIPTION |
|-----|---------------|---|
| | 106258-01-000 | EA CAP-INSERTABLE, 1/2" FLARE |
| | 010224-01-000 | EA ADAPTER-HOSE TO PIPE, 3/8" MPT X 3/8" BARB - BLACK PLASTIC |
| | 044927-01-000 | EA ADAPTER-HOSE TO PIPE 1 1/4" MPT X 1 1/4" BARB - BLACK PLASTIC |
| | 079317-01-000 | EA ADAPTER-SWIVEL, 1/2" TUBE X 1/2" FPT - PLASTIC - GRAY |
| | 052960-01-000 | EA DRAIN VALVE-IN LINE, HEADER - 1/2" F X 1/2" F - GRAY PLASTIC |
| | 052961-01-000 | EA DRAIN VALVE-IN LINE, HEADER - 1/2" F X 1/2" F X 1/2" F - PLASTIC |
| | 098417-01-000 | EA CONNECTOR-5/8" F X 1/2" MPT, PLASTIC - KEVCO |
| | 098420-01-000 | EA CONNECTOR-SWIVEL, 1/2" FPT X 5/8" TUBE - PLASTIC |
| | 101814-01-000 | EA COUPLING-FEMALE, 1/2" X 1/2" FPT |
| | 055290-01-000 | EA ELBOW-5/8" F X 1/2" MPT |
| | 057457-01-000 | EA ELBOW-UNION, 1/2" X 1/2" FLARE |
| | 087659-04-000 | EA FILL-WATER, CITY - OFF WHITE |
| | 065120-01-000 | EA ELBOW-SWIVEL 1/2" FPT X 1/2" FLARE - PLASTIC - GRAY |
| | 052952-01-000 | EA NUT-PLASTIC, 1/2" F X 1/2" TUBE - GRAY |
| | 052952-02-000 | EA NUT-PLASTIC, 5/8" FLARE |
| | 052953-01-000 | EA NUT-FAUCET, 1/2" TUBE X 1/2" FPT - PLASTIC - GRAY |
| | 052954-01-000 | EA ADAPTER-NOSE CONE, 3/8" OR 1/2" TUBING - PLASTIC - GRAY |
| | 039798-01-000 | EA TEE-1/2" MPT X 1/2" MPT X 1/2" MPT, PLASTIC |
| | 052955-01-000 | EA TEE-WATER 1/2" F X 1/2" F X 1/2" MPT - PLASTIC - GRAY |
| | 055291-01-000 | EA TEE-PLASTIC, 5/8" F X 5/8" F X 5/8" F |
| | 057974-01-000 | EA TEE-5/8" F X 1/2" F X 1/2" F, PLASTIC |
| | 052955-03-000 | EA TEE-5/8" F X 5/8" F X 1/2" MPT - PLASTIC |
| | 052958-01-000 | EA TEE 1/2" F X 1/2" F X 1/2" F - PLASTIC - GRAY |
| | 039800-01-000 | FT TUBING-POLYBUTYL, 1/2" OD - INCREMENTS OF 20" - BLACK |
| | 039800-02-000 | FT TUBING-POLYBUTYL, 5/8" OD - INCREMENTS OF 20" - BLACK |
| | 074462-02-000 | FT TUBING-VINYL 3/8" ID - CLEAR |

WATER PUMP

| KEY | PART NUMBER | U/M DESCRIPTION |
|-----|---------------|---|
| | 098607-01-000 | EA PUMP-WATER W/ 5" MPT FITTING - FLOW 2.8 GPM |
| | 098607-01-700 | EA PUMP-HEAD-REPLACEMENT SHURFLO# 94-236-08 |
| | 098607-01-701 | EA DRIVE ASM SHURFLO# 94-234-03 |
| | 098607-01-702 | EA DIAPHRAGM-KIT SHURFLO# 94-233-10 |
| | 098607-01-703 | EA VALVE ASM SHURFLO# 94-232-00 |
| | 098607-01-704 | EA HOUSING-UPPER SHURFLO# 94-231-01 |
| | 098607-01-705 | EA CHECK VALVE-KIT SHURFLO# 94-237-00 |
| | 098607-01-706 | EA SWITCH ASM-COMplete SHURFLO# 94-230-00 |
| | 098607-01-707 | EA MOTOR-BASE-LATE REPLACEMENT SHURFLO# 94-234-03 |

**WATER & SEWAGE GROUP (CONTINUED)
WATER HEATER W/MOTOR AID**

| KEY | PART NUMBER | U/M DESCRIPTION |
|-----|---------------|---|
| | 051391-02-000 | EA HEATER-WATER, ATWOOD# G4-SM |
| | 051391-01-700 | EA HINGE KIT-W/CLIP, ATWOOD# 92568 & 92559 |
| | 051391-01-704 | EA VALVE-RELIEF, 1/2" FITTING - ATWOOD# 91604 |
| | 051391-01-705 | EA FASTENER-CAMLOC, ATWOOD# 92609 |
| | 051391-01-708 | EA GRILLE-EXHAUST, ATWOOD# 92787 |
| | 051391-01-708 | EA BURNER-MAIN, 3E ONLY - ATWOOD# 92615 |
| | 051391-01-709 | EA PILOT ASM-W/THERMOCOUPLE & TUBE - ATWOOD# 91603 |
| | 051391-01-710 | EA ORIFICE-MAIN BURNER, ATWOOD# 92742 |
| | 051391-01-711 | EA ELBOW-ORIFICE, MAIN BURNER - ATWOOD# 92741 |
| | 051391-01-712 | EA THERMOSTAT-3/8"NPT INLET - ATWOOD# 91601 |
| | 051391-01-714 | EA ELBOW-45 DEGREE, 3/8" F X 3/8" MPT - ATWOOD# 91044 |
| | 051391-01-715 | EA DRAIN PLUG, ATWOOD# 91561 |
| | 051391-02-700 | EA TANK-INNER FOR G4SM - ATWOOD# 91414 |
| | 051391-03-000 | EA HEATER-WATER, W/ELECTRIC IGNITION - ATWOOD# G6A-3E - EL MONTE OPTION |
| | 051391-01-700 | EA HINGE KIT-W/CLIP, ATWOOD# 92568 & 92559 |
| | 051391-01-704 | EA VALVE-RELIEF, 1/2" FITTING - ATWOOD# 91604 |
| | 051391-01-705 | EA FASTENER-CAMLOC, ATWOOD# 92609 |
| | 051391-01-706 | EA GRILLE-EXHAUST, ATWOOD# 92787 |
| | 051391-01-708 | EA BURNER-MAIN, 3E ONLY - ATWOOD# 92615 |
| | 051391-01-710 | EA ORIFICE-MAIN BURNER, ATWOOD# 92742 |
| | 051391-01-715 | EA DRAIN PLUG, ATWOOD# 91561 |
| | 051391-04-700 | EA TANK-INNER (G6A-3E), FRT MT - ATWOOD# 91608 |
| | 051391-04-701 | EA THERMOSTAT 12 VDC-120 PRESET, FRONT MOUNT ONLY - ATWOOD# 91470 |
| | 051391-04-706 | EA TANK-INNER, G6A-4E & 6E - FRONT MOUNT - ATWOOD# 91641 |
| | 097967-01-000 | EA SWITCH-WATER HEATER, REMOTE W/LIGHT - ATWOOD# 91959 |
| | 051393-01-702 | EA SWITCH-ENERGY CUT-OFF, ATWOOD# 91951 |
| | 051393-01-703 | EA THERMOSTAT-REAR MOUNT, ATWOOD# 91952 |
| | 051393-01-704 | EA CIRCUIT BOARD-W/BLACK BOX, ATWOOD# 91420 |
| | 051393-01-705 | EA ORIFICE HOLDER-ATWOOD# 91925 |
| | 051393-01-716 | EA SPARK & PROBE ASM, ATWOOD# 91606 |
| | 051393-01-718 | EA VALVE-DUAL SOLENOID, ATWOOD# 91605 |
| | 051393-01-721 | EA ECO&THERMOSTAT ASM-FRONT MOUNT, 140 DEGREE - ATWOOD# 91447 |
| | 051393-03-700 | EA TANK-INNER (G6A-3E), REAR MT - ATWOOD# 91409 |
| | 008042-01-000 | FT TUBING-VINYL, 65" ID |

EXTERIOR SHOWER OPTION L64R

| KEY | PART NUMBER | U/M DESCRIPTION |
|-----|---------------|---|
| | 046128-01-000 | EA VALVE-DRAIN, PLASTIC - 1/2" FPT |
| | 052959-02-000 | EA CONNECTOR, 1/2" F X 1/2" MPT - PLASTIC - GRAY |
| | 075241-05-000 | EA FAUCET-SHOWER, BONE |
| | 103092-01-000 | EA SHOWER HEAD-W/60" HOSE |
| | 103092-01-700 | EA BRACKET ONLY-CLEAR, F/SHOWER HEAD - 2328028 |
| | 093527-02-000 | EA BRACKET-SQUEEGEE/SHOWER HEAD |
| | | FROM 10-02-92 THRU 99-99-99 |
| | 091952-02-000 | EA CLIP-GRIPPER, 3/4" |
| | | FROM 10-02-92 THRU 99-99-99 |
| | 081994-02-000 | EA PLATE-SWITCH, EXTERIOR SHOWER |
| | | FROM 00-00-00 THRU 01-06-93 |
| | 108356-02-01A | EA COVER-SWITCH W/DIMPLES, CARLING VVAZC00 BLA |
| | 108357-08-000 | EA SWITCH-ROCKER, DPDT - ON/NO/NE/ON - CARLING VDD1500C-0 |

**1993 ITASCA
TABLE OF CONTENTS**

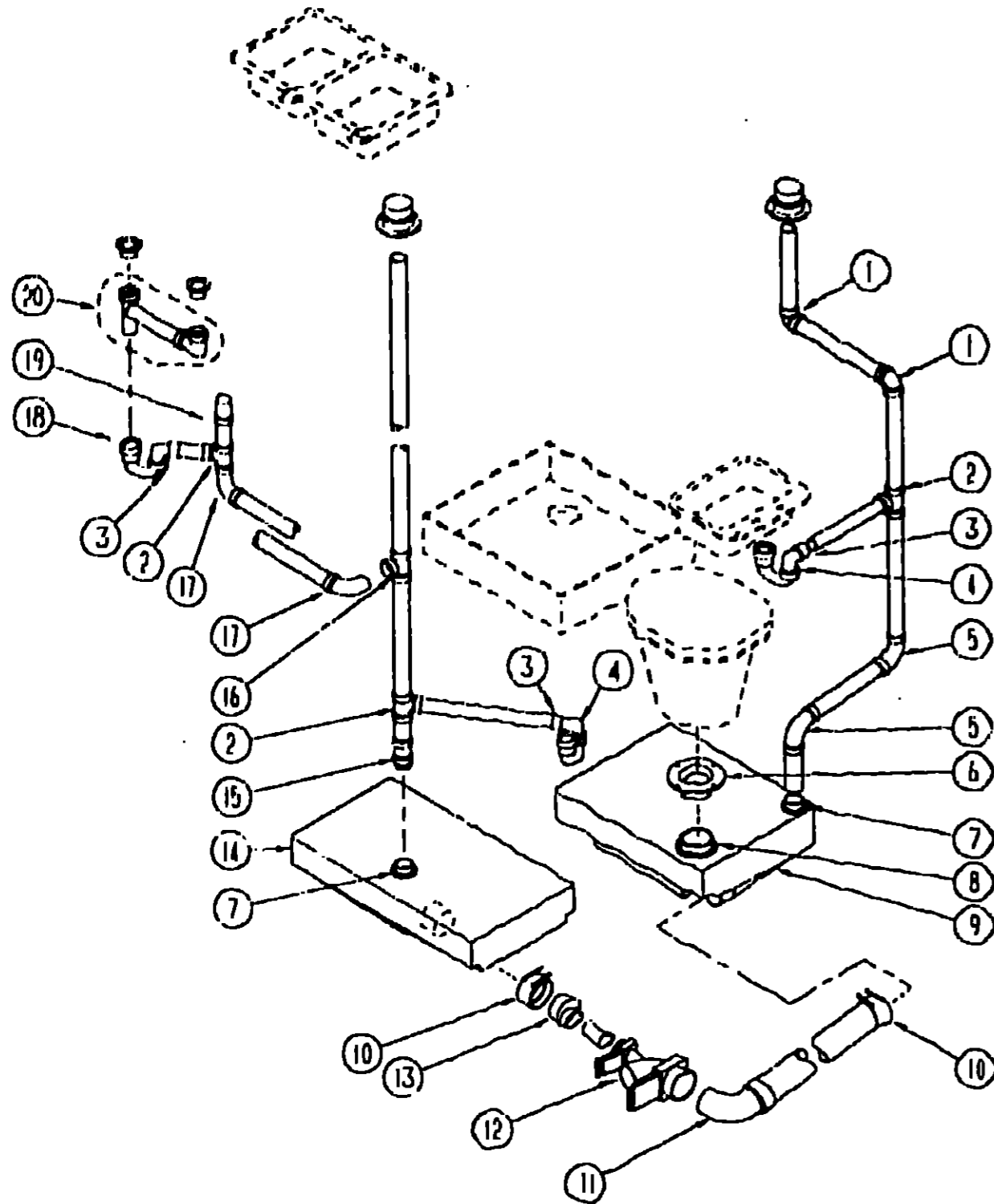
| | | |
|--------------------|------|------|
| INTRODUCTION | A-01 | A-02 |
| ABBREVIATIONS | | A-03 |
| ALPHABETICAL INDEX | A-04 | A-06 |
| IT321RB | A-07 | C-24 |
| IT321RL | D-01 | F-18 |
| IT321RD | F-19 | I-12 |

1993 IT321RB INDEX

| | | |
|----------------------|------|------|
| FLOOR PLAN | A-07 | A-08 |
| ACCESSORIES | | A-09 |
| AUDIO VIDEO | | A-10 |
| BATH | A-11 | A-12 |
| CHASSIS | A-13 | A-14 |
| CURTAIN & CUSHION | A-15 | A-21 |
| DINETTE | | A-22 |
| DRIVERS COMPARTMENT | | A-23 |
| ELECTRICAL | A-24 | B-03 |
| EXTERIOR BODY | B-04 | B-08 |
| GALLEY | B-09 | B-14 |
| GENERATOR | | B-15 |
| HEATING & A/C | | B-16 |
| INTERIOR FINISH | B-17 | B-20 |
| LABELS | B-21 | C-02 |
| LP | | C-03 |
| LOUNGE | | C-04 |
| SEALANTS & FASTENERS | C-05 | C-06 |
| WATER & SEWAGE | C-07 | C-10 |
| WINDOW, VENT AND | | |
| EXTERIOR DOOR | C-11 | C-24 |

WATER & SEWAGE GROUP (CONTINUED)

DRAINAGE SYSTEM



| KEY | PART NUMBER | U/M DESCRIPTION |
|-----|---------------|--|
| 1 | 010008-01-000 | EA ELBOW-45 DEG, 1/8 BEND - 1 1/2" HUB X HUB - BLACK PLASTIC |
| 2 | 010079-01-000 | EA TEE-SANITARY, 1 1/2" H X 1 1/2" H X 1 1/4" H - PLASTIC - BLACK FROM 00-00-00 THRU 12-15-92 |
| 2 | 010071-01-000 | EA TEE-SANITARY, 1 1/2" HUB X HUB X HUB - PLASTIC - BLACK FROM 12-16-92 THRU 99-99-99 |
| 3 | 107537-01-000 | EA ADAPTER-P-TRAP, 1 1/4" SLIP - US FROM 00-00-00 THRU 12-15-92 |
| 3 | 109571-01-000 | EA ADAPTER-P-TRAP, 1 1/2" P X 1 1/4" MPT - US FROM 12-16-92 THRU 99-99-99 |
| 4 | 011006-03-700 | EA P-TRAP KIT-1 1/2" X 1 1/4" P-TRAP W/1 1/2" TO 1 1/4" REDUCER - CANADIAN |
| 4 | 107538-01-000 | EA P-TRAP-PLASTIC, 1 1/4" W/EXT ARM - US |
| 4 | 011069-03-700 | EA TAILPIECE-SHOWER/TUB, 1 1/2" X 1 3/4" - PLASTIC |
| 5 | 010008-01-000 | EA ELBOW-90 DEG, 1/4 BEND - 1 1/2" HUB X HUB - BLACK PLASTIC |
| 6 | 063841-01-000 | EA FLANGE-CLOSET, 4" X 3" |
| 7 | 061607-01-000 | EA GROMMET-HOLDING TANK, 1 1/2" NPS |
| 8 | 061607-02-000 | EA GROMMET-HOLDING TANK, 3" NPS |
| 9 | 074300-01-000 | EA TANK-HOLDING, 12 GALLON - 10 15" X 24 64" X 19 68" |
| 10 | 078406-01-000 | EA COUPLER-RUBBER, W/CLAMPS - 3" X 3" |
| 11 | 041958-01-000 | EA ELBOW-STREET, PLASTIC - 1/4" BD 3 X 90 XLT |
| 12 | 070916-01-000 | EA VALVE-DUAL DUMP, W/CAP - 3" X 1 1/2" - PLASTIC - BLACK |
| | 070916-01-700 | EA VALVE ONLY, 3" |
| | 070916-01-701 | EA VALVE ONLY, 1 1/2" |
| 13 | 062422-01-000 | EA ADAPTER-OFFSET REDUCER, 3" X 1 1/2" - PLASTIC - BLACK |
| | 062415-01-000 | EA CAP-SEWER 3" DIAMETER |
| | 062415-01-700 | EA STRING SEWER CAP |
| | 010201-01-000 | EA HOSE-SEWER 3" ID X 8' |
| | 062416-01-000 | EA ADAPTER-SEWER HOSE TO 3" PIPE |
| 14 | 084679-01-000 | EA TANK-HOLDING, 12 GALLON - 31 6" X 17 7" X 10 1" |
| | 039861-01-000 | EA SENDING UNIT W/SCREW, WASHER, WELL NUT AND TERMINAL RING |
| 15 | 010115-01-000 | EA COUPLING-1 1/2" HUB X HUB, PLASTIC FROM 12-16-92 THRU 99-99-99 |
| 16 | 010071-01-000 | EA TEE-SANITARY, 1 1/2" HUB X HUB X HUB - PLASTIC - BLACK |
| 17 | 033761-01-000 | EA ELBOW-TURN, 1/4 BEND X 1 5" HUB X 1 5" SPIGOT - PLASTIC - BLACK |
| 18 | 107538-01-000 | EA P-TRAP-PLASTIC, 1 1/4" W/EXT ARM - US |
| 18 | 011071-01-000 | EA P-TRAP-1 1/2" PLASTIC - CANADIAN |
| 19 | 079968-01-000 | EA VENT-MECH TRAP ARM ANTI-SIPHON - 2" DIA X 73" - PLASTIC |
| 20 | 011091-02-000 | EA PIPE-DRAIN, DOUBLE SINK - BAFFLE TEE - 1 1/2" - US |
| 20 | 011091-03-000 | EA PIPE-DRAIN, W/SEALS - DOUBLE SINK - EXTENDS 9" TO 16" - CANADIAN |
| | 066435-01-000 | EA NUT-STRAINER |

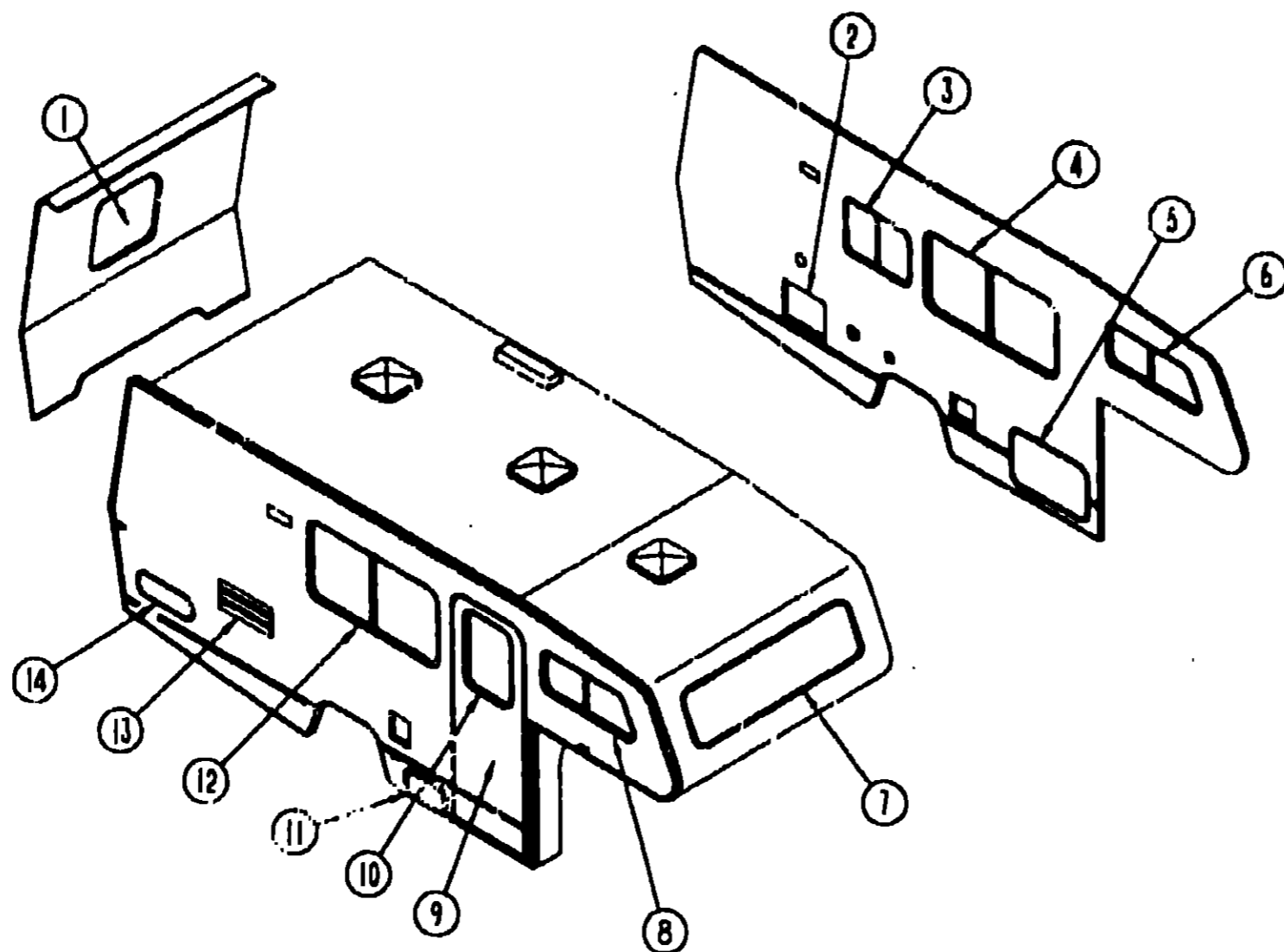
**1993 ITASCA
TABLE OF CONTENTS**

| | | |
|--------------------|------|------|
| INTRODUCTION | A-01 | A-02 |
| ABBREVIATIONS | | A-03 |
| ALPHABETICAL INDEX | A-04 | A-06 |
| IT321RB | A-07 | C-24 |
| IT321RL | D-01 | F-18 |
| IT321RD | F-19 | I-12 |

1993 IT321RB INDEX

| | | |
|-----------------------------------|------|------|
| FLOOR PLAN | A-07 | A-08 |
| ACCESSORIES | | A-09 |
| AUDIO VIDEO | | A-10 |
| BATH | A-11 | A-12 |
| CHASSIS | A-13 | A-14 |
| CURTAIN & CUSHION | A-15 | A-21 |
| DINETTE | | A-22 |
| DRIVERS COMPARTMENT | | A-23 |
| ELECTRICAL | A-24 | B-03 |
| EXTERIOR BODY | B-04 | B-08 |
| GALLEY | B-09 | B-14 |
| GENERATOR | | B-15 |
| HEATING & A/C | | B-16 |
| INTERIOR FINISH | B-17 | B-20 |
| LABELS | B-21 | C-02 |
| LP | | C-03 |
| LOUNGE | | C-04 |
| SEALANTS & FASTENERS | C-05 | C-06 |
| WATER & SEWAGE | C-07 | C-10 |
| WINDOW, VENT AND EXTERIOR DOOR | C-11 | C-24 |

WINDOW, VENT & EXTERIOR DOOR GROUP
WINDOWS & DOORS



**1993 ITASCA
TABLE OF CONTENTS**

| | | |
|--------------------|--------|------|
| INTRODUCTION | A 01 - | A 02 |
| ABBREVIATIONS | | A 03 |
| ALPHABETICAL INDEX | A 04 - | A 06 |
| IT321RB | A 07 - | C-24 |
| IT321RL | D-01 - | F-18 |
| IT321RD | F-19 - | I-12 |

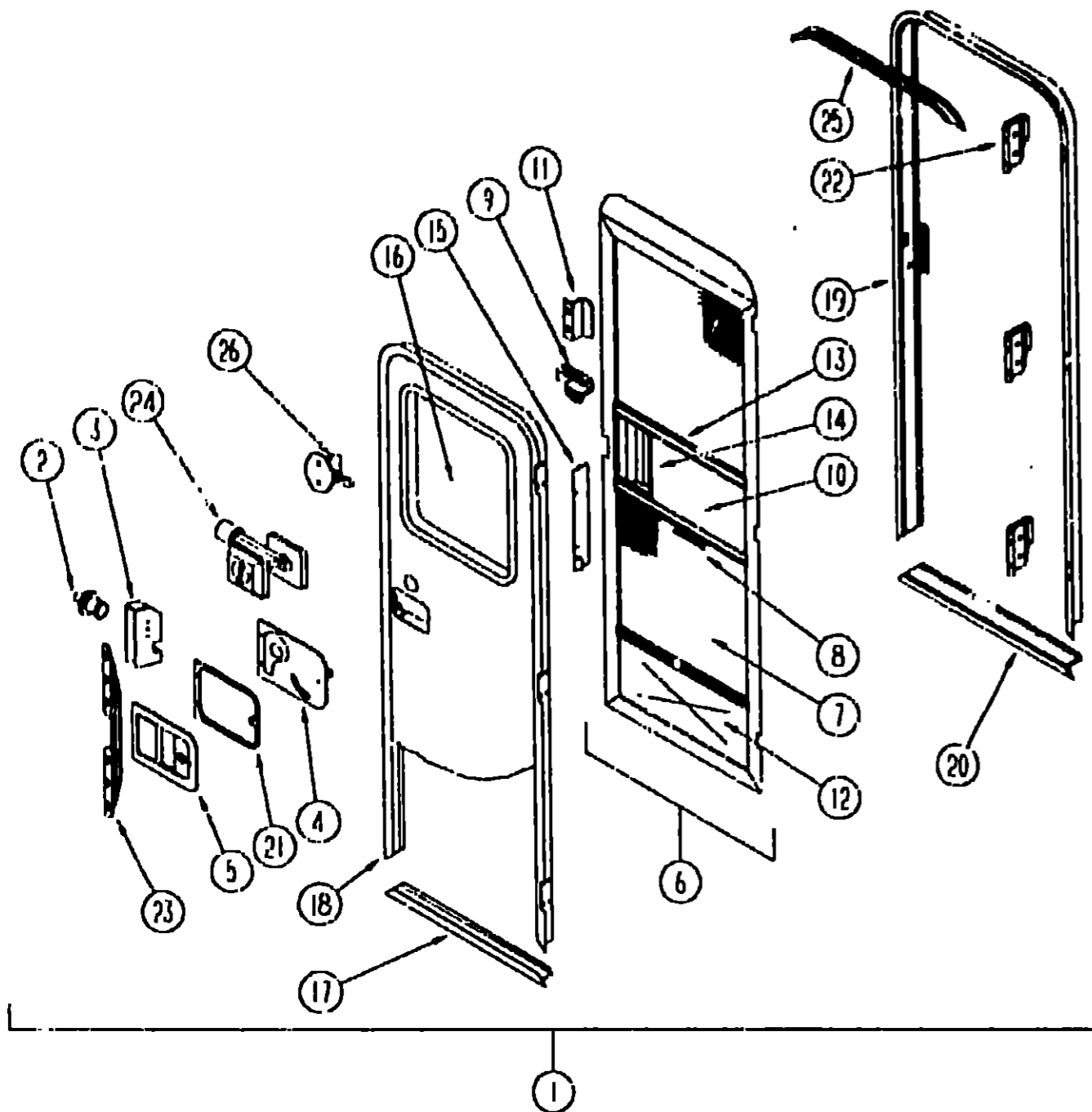
1993 IT321RB INDEX

| | | |
|--------------------------------|--------|------|
| FLOOR PLAN | A-07 - | A-08 |
| ACCESSORIES | | A-09 |
| AUDIO VIDEO | | A-10 |
| BATH | A-11 - | A-12 |
| CHASSIS | A-13 - | A-14 |
| CURTAIN & CUSHION | A-15 - | A-21 |
| DINETTE | | A-22 |
| DRIVERS COMPARTMENT | | A-23 |
| ELECTRICAL | A-24 - | B-03 |
| EXTERIOR BODY | B-04 - | B-08 |
| GALLEY | B-09 - | B-14 |
| GENERATOR | | B-15 |
| HEATING & A/C | | B-16 |
| INTERIOR FINISH | B-17 - | B-20 |
| LABELS | B-21 - | C-02 |
| LP | | C-03 |
| LOUNGE | | C-04 |
| SEALANTS & FASTENERS | C-05 - | C-06 |
| WATER & SEWAGE | C-07 - | C-10 |
| WINDOW, VENT AND EXTERIOR DOOR | C-11 - | C-24 |

| KEY | PART NUMBER | U/M DESCRIPTION |
|-----|---------------|---|
| 1 | 079729-02-T03 | EA WINDOW-ESCAPE REAR - 22" X 24" |
| 2 | 052009-01-000 | EA DOOR-WATER HEATER OFF WHITE - ATWOOD 5576-27 |
| 3 | 098647-07-02A | EA WINDOW-SLIDING, W/OFF WHITE INSIDE FRAME - EXCEL B969-PRL |
| 4 | 098647-12-02A | EA WINDOW-SLIDING W/OFF WHITE INSIDE FRAME - EXCEL H023-PRL |
| 5 | 102038-C1-B05 | EA DOOR-GENERATOR W/POWER CORD HATCH, 24" X 15 7" - OFF WHITE |
| 5 | 102038-02-B05 | EA DOOR-LUGGAGE W/POWER CORD HATCH, 16 1" X 24 5" - OFF WHITE |
| 5 | 009426-02-000 | EA HATCH-DOOR, POWER CORD - OFF WHITE |
| 6 | 098646-04-02A | EA WINDOW-DRIVER SIDE, W/OFF WHITE INSIDE FRAME - EXCEL H245-MRL FROM: 00-00-00 THRU 07-19-92 |
| 6 | 098647-19-01A | EA WINDOW-DRIVER SIDE, W/WHITE INSIDE FRAME - EXCEL B951-PRL FROM: 07-20-92 THRU 99-99-99 |
| 7 | 103313-02-C09 | EA WINDOW-PICTURE, 58 6" X 11 6" - W/O INSIDE FRAME |
| 8 | 098646-03-02A | EA WINDOW-PASSENGER SIDE, W/OFF WHITE INSIDE FRAME - EXCEL H245-MRR FROM: 00-00-00 THRU 07-19-92 |
| 8 | 098647-18-01A | EA WINDOW-PASSENGER SIDE, W/WHITE INSIDE FRAME - EXCEL B951-PRR FROM: 07-20-92 THRU 99-99-99 |

| KEY | PART NUMBER | U/M DESCRIPTION |
|-----|---------------|--|
| 9 | MD1870-38-D24 | EA DOOR-ENTRANCE, W/WINDOW & SCREEN DOOR |
| 10 | 079733-07-AA8 | EA WINDOW-ENTRY DOOR, 17" X 25" - FROSTED GLASS - W/O INSIDE FRAME |
| 11 | 079455-09-B05 | EA DOOR-BATTERY, 13 2" X 8" - OFF WHITE |
| 12 | 098647-11-02A | EA WINDOW-SLIDING, W/OFF WHITE INSIDE FRAME EXCEL H023-PRL |
| 13 | 084103-03-000 | EA DOOR-REFRIGERATOR, VENTED W/O JAMB - OFF WHITE |
| | 084104-01-700 | EA LOCK-MALE, FASTENER - REFRIGERATOR DOOR |
| | 084104-01-701 | EA LOCK-FEMALE, FASTENER - REFRIGERATOR DOOR |
| | 084104-03-000 | EA JAMB-DOOR, REFRIGERATOR - OFF WHITE |
| 14 | 078720-02-T15 | EA DOOR-COMPARTMENT, LP - 16 9" X 5 4" - ALUMINUM - O/W |
| | 102768-01-000 | EA HOLDER-COMPARTMENT/ENTRY DOOR, METAL - MILL FINISH |
| | 081240-03-000 | EA DOOR-WATER FIL L, LOCKABLE, 4" X 4 5/8" - OFF WHITE |
| | 105118-02-C05 | EA DOOR-EXTERIOR SHOWER, 17 5" X 7 6" |

WINDOW, VENT & EXTERIOR DOOR GROUP (CONTINUED)
ENTRY DOOR



| KEY | PART NUMBER | U/M DESCRIPTION |
|-----|---------------|---|
| 1 | M01R70-38-D24 | EA DOOR-ENTRANCE, W/WINDOW & SCREEN DOOR |
| 2 | 039539-01-000 | EA STRIKE-LOCK ENTRY DOOR - ROUND/T HREADED WASHER |
| 3 | 039540-01-000 | EA LATCH MECHANISM-HOOK, ENTRY DOOR - INTERIOR |
| | 039715-01-000 | EA NUT-SERT, 1/4" DIAMETER - 20 THREADS |
| 4 | 039979-04-000 | EA COVER-INTERIOR LATCH, W/TRIP ARM - RIGHT - BLACK |
| | 039984-01-000 | EA CAP-ROUND, VINYL - 28" ID X 62" LONG - BLACK |
| | 041646-03-000 | EA BRACKET-DOOR ANGLE, 5" X 1 9" - BEIGE - METAL |
| 5 | 045017-11-000 | EA LATCH-ENTRY DOOR MECHANISM W/LOCK & KEY - BLACK |
| | 045017-11-701 | EA KEY-BLANK ROUND TOP - SILVER - TRIM/MARK |
| | 058748-01-000 | EA PLUG-CAP, 1" DIAMETER |
| | 058825-02-000 | EA CLIP-ROLLER LATCH CATCH, SCREEN DOOR |
| | 058806-01-000 | EA PLUG-TAPERED, PLASTIC - 9/4" DIA - RED |
| | 058806-03-000 | EA PLUG-TAPERED, PLASTIC - 1 06" DIA - RED |
| | 063729-04-000 | EA RIVNUT, 10-32 UNF - 010-080 |
| | 072893-01-000 | EA NUTSERT-M5 X 0, R |
| | 075671-04-000 | FT SEAL-SPONGE, LAZY T SHAPE - W/ADHESIVE STRIPE 5" WIDE |
| 6 | 079012-04-AAJ | EA DOOR-SCREEN |
| 7 | 002293-02-000 | SF SCREENING-WINDOW/DOOR, 76" - CHARCOAL |
| 8 | 002294-01-000 | FT SPLINE-SCREENING, 135" X 138" - BLACK |
| | 002748-01-000 | EA CORNER KEY-DOOR |
| 9 | 109403-01-000 | EA CATCH-SINGLE ROLLER, SCREEN DOOR |
| 10 | 001014-01-013 | EA INSERT-CENTER, 10 25" X 16 31" - UNPAINTED |
| 11 | 050712-04-000 | EA HANDLE-SCREEN DOOR ALUMINUM - OFF WHITE |
| 11 | 050712-05-000 | EA HANDLE-SCREEN DOOR, UNPAINTED |
| 12 | 078552-05-000 | EA INSERT-SCREEN DOOR, LOWER - MILL |
| | 078595-02-000 | EA PLATE-SCREEN DOOR |
| 13 | 078777-03-000 | EA CHANNEL-SLIDE, SCREEN DOOR CENTER SLIDER COVER - 17 4" |
| 14 | 079086-02-000 | EA SLIDER-SCREEN DOOR, OFF WHITE |
| 15 | 079087-02-000 | EA STRIKE-SLIDER, W/LIP FOR ELBOW CATCH - 1 5" X 8 6" - OFF WHITE |
| 16 | 067609-32-000 | EA FRAME-WINDOW, ENTRY DOOR - OFF WHITE |
| 16 | 079733-07-AA | EA WINDOW-ENTRY DOOR, 17" X 25" - FROSTED GLASS |
| 16 | 002181-07-000 | EA GLASS-WINDOW, 102" X 16 25" X 24" - FROSTED |
| 16 | 087561-01-000 | FT SEAL-GLASS, EXTERIOR - 5" WIDE - VINYL - BLACK |
| 16 | 079370-04-000 | FT COVER-SCREW, WINDOW - VINYL - BLACK |
| | 081914-01-000 | EA BUMPER-RUBBER, ROUND - 43" DIAMETER - BLACK |
| 17 | 089748-05-000 | EA FRAME-DOOR, ENTRANCE - BOTTOM - OFF WHITE |
| | 090340-01-000 | FT SEAL-FOAM, CLOSED CELL - 1/4" X 1/2" X 50" |
| 18 | 095276-02-01A | EA FRAME-DOOR, ENTRANCE - TOP & SIDES - OFF WHITE |
| 19 | 095277-03-01A | EA JAMB-ENTRY DOOR W/BOTTOM, OFF WHITE |
| 20 | 051049-04-000 | EA JAMB-DOOR, ENTRANCE - BOTTOM - UNPAINTED |
| | 079207-01-000 | EA STRIKER-ROLLER CATCH, WELDED TO DOOR JAMB - 4" X 1 15" |
| 21 | 096810-01-01A | EA PLATE-LATCH, ENTRY DOOR - PLASTIC - BLACK |
| 22 | 097724-01-04A | EA HINGE-ENTRY DOOR, UNPAINTED |
| 23 | 098173-01-04A | EA STIFFENER-ENTRY DOOR, SUPPORTS LATCH/STRIKE - UNPAINTED |
| | 100128-02-000 | FT SEAL-PILE, ADHESIVE BACK - SCREEN DOOR - GRAY |
| 24 | 101145-01-01A | EA DEADBOLT-ENTRY DOOR, W/2 KEYS W/O BOLT OR CREWS |
| | 095229-01-700 | EA KEY-BLANK, DEADBOLT |
| | 101147-01-000 | EA BOLT-SECURITY, 4 12" BACKSET |
| | 102524-01-000 | EA BUMPER-RUBBER, FLAT - BLACK |
| 25 | 044582-26-000 | EA CAP-DRIP, DOOR JAMB MOUNTED - OFF WHITE |
| | 075639-12-000 | EA GARNISH-ENTRANCE DOOR, OFF WHITE |
| 26 | 100412-01-000 | EA CATCH-SCREEN DOOR, THUMB CLIP W/BLACK PLASTIC CAP |
| | 076725-01-000 | EA COVER-ACCESS/HINGE - 6" X 3 2" - PLASTIC - BEIGE |
| | 009126-02-000 | EA HANDLE-ASSIST, ENTRY DOOR - BLACK |
| | 077461-03-000 | EA COVER-STRIKE ENTRY DOOR - 6 5" X 2 5" - PLASTIC - WHITE |
| | 102248-01-000 | EA SHIM-DOOR |

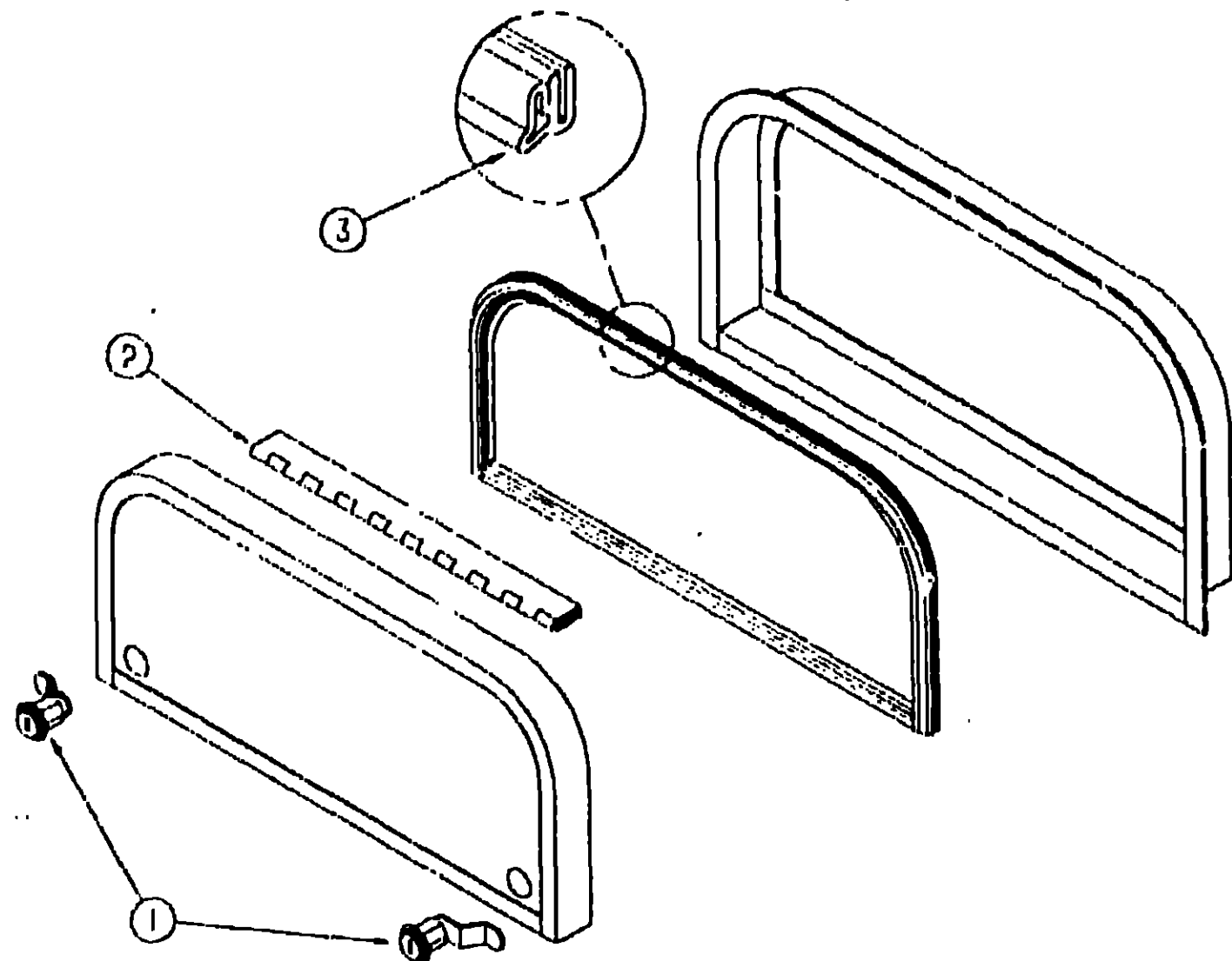
1993 ITASCA
TABLE OF CONTENTS

| | | |
|--------------------|--------|------|
| INTRODUCTION | A 01 - | A 02 |
| ABBREVIATIONS | | A 03 |
| ALPHABETICAL INDEX | A 04 - | A 06 |
| IT321RB | A 07 - | C-24 |
| IT321RL | D 01 - | F-18 |
| IT321RD | F-19 - | I-12 |

1993 IT321RB INDEX

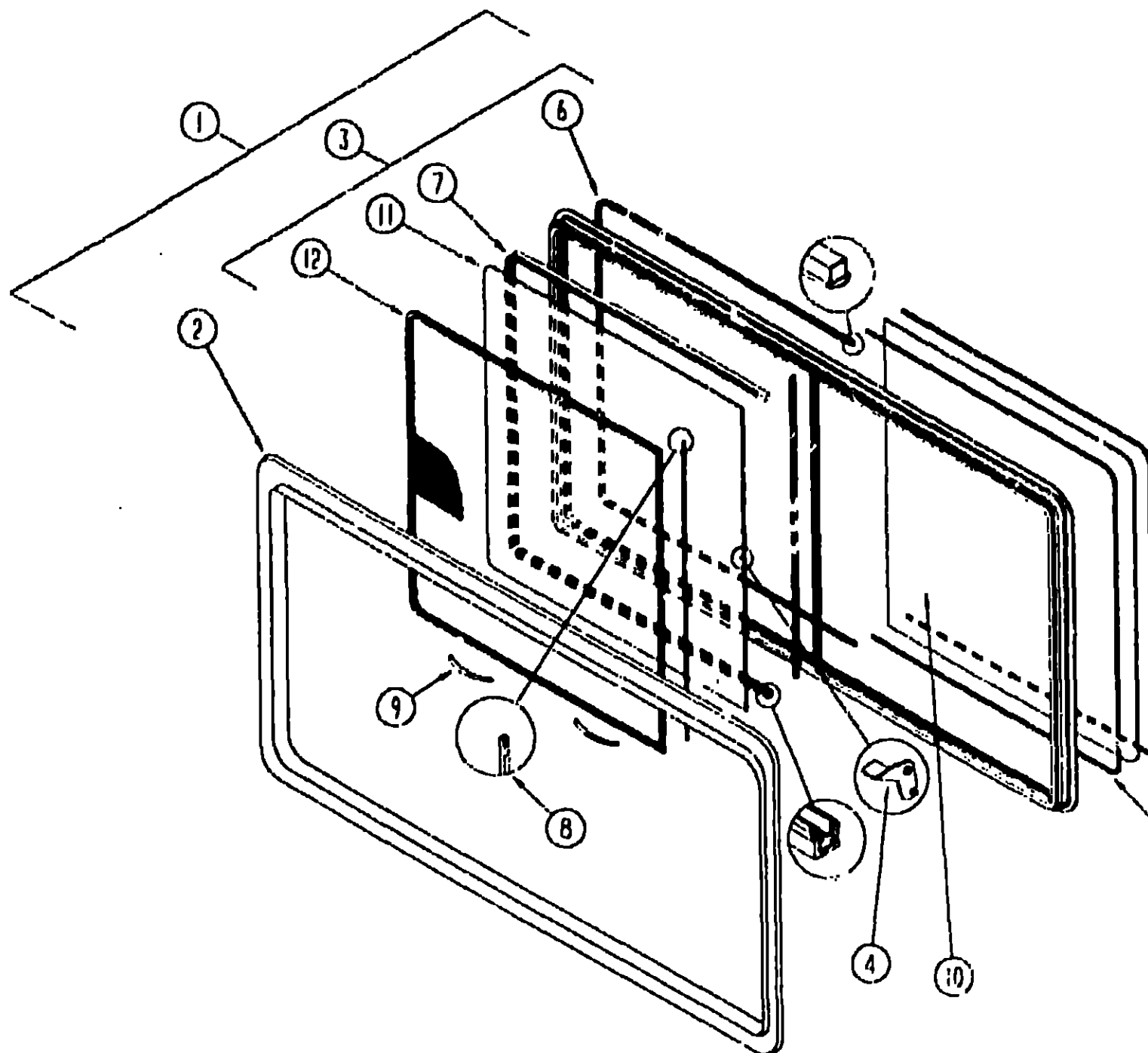
| | | |
|-------------------------------|--------|------|
| FLOOR PLAN | A-07 - | A-08 |
| ACCESSORIES | | A-09 |
| AUDIO VIDEO | | A-10 |
| BATH | A-11 - | A-12 |
| CHASSIS | A-13 - | A-14 |
| CURTAIN & CUSHION | A-15 - | A-21 |
| DINETTE | | A-22 |
| DRIVERS COMPARTMENT | | A-23 |
| ELECTRICAL | A-24 - | B-03 |
| EXTERIOR BODY | B-04 - | B-08 |
| GALLEY | B-09 - | B-14 |
| GENERATOR | | B-15 |
| HEATING & A/C | | B-16 |
| INTERIOR FINISH | B-17 - | B-20 |
| LABELS | B-21 - | C-02 |
| LP | | C-03 |
| LOUNGE | | C-04 |
| SEALANTS & FASTENERS | C-05 - | C-06 |
| WATER & SEWAGE | C-07 - | C-10 |
| WINDOW VENT AND EXTERIOR DOOR | C-11 - | C-24 |

WINDOW, VENT & EXTERIOR DOOR GROUP (CONTINUED)



EXTERIOR DOORS

WINDOW, VENT & EXTERIOR DOOR GROUP (CONTINUED)



LOUNGE SINGLE SLIDING WINDOW

1993 ITASCA
TABLE OF CONTENTS

| | | |
|--------------------|------|------|
| INTRODUCTION | A-01 | A-02 |
| ABBREVIATIONS | | A-03 |
| ALPHABETICAL INDEX | A-04 | A-05 |
| IT321RB | A-07 | C-24 |
| IT321PL | D-01 | F-18 |
| IT321HD | I-19 | I-12 |

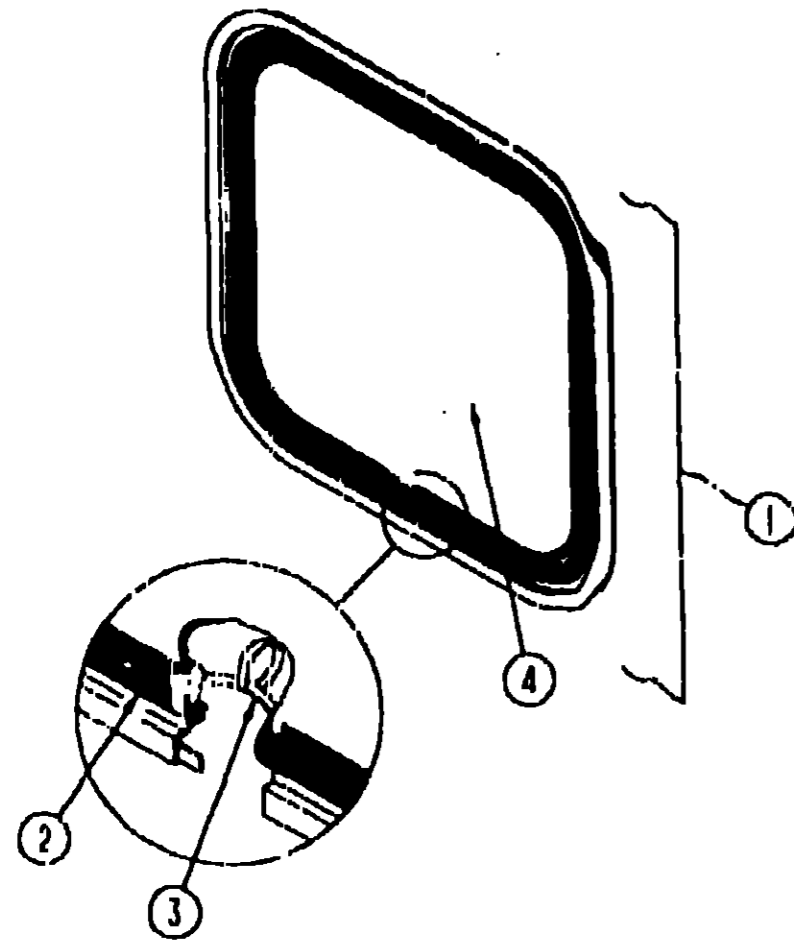
1993 IT321RB INDEX

| | | |
|---------------------------------|------|------|
| FLOOR PLAN | A-07 | A-08 |
| ACCESSORIES | | A-09 |
| AUDIO VIDEO | | A-10 |
| BATH | A-11 | A-12 |
| CHASSIS | A-13 | A-14 |
| CURTAIN & CUSHION | A-15 | A-21 |
| DINETTE | | A-22 |
| DRIVERS COMPARTMENT | | A-23 |
| ELECTRICAL | A-24 | B-03 |
| EXTERIOR BODY | B-04 | B-08 |
| GALLEY | B-09 | B-14 |
| GENERATOR | | B-15 |
| HEATING & A/C | | B-16 |
| INTERIOR FINISH | B-17 | B-20 |
| LABELS | B-21 | C-02 |
| LP | | C-03 |
| LOUNGE | | C-04 |
| SEALANTS & FASTENERS | C-05 | C-06 |
| WATER & SEWAGE | C-07 | C-10 |
| WINDOW, VENT AND EXTERIOR DOORS | C-11 | C-24 |

| KEY | PART NUMBER | U/M DESCRIPTION |
|-----|---------------|--|
| 1 | 079366-04-000 | EA LOCK-DOOR, KEY TYPE W/O KEYS - 1 9 OFF SET |
| | 083223-03-000 | EA LOCK-KEY TYPE (SET OF 1) W/O KEY (LUGGAGE DOOR) |
| | 082684 01 700 | EA KEY-COMPARTMENT DOOR LOCK, BH024 |
| | 052950-01-000 | EA LOCK-TWIST TYPE WHITE - PLASTIC |
| | | FROM 00-00-00 THRU 06-13-92 |
| | 009003-01-000 | EA LOCK-TWIST TYPE W/CLIP |
| | | FROM 06-14-92 THRU 99-99-99 |
| 2 | 034007-40-000 | EA HINGE-PIANO, 1 5" X 96" - ALUMINUM - OFF WHITE |
| 2 | 009065-01-000 | EA HINGE-ALUMINUM, 1 1/2" X 96" - UNPAINTED |
| 2 | 081801-02-000 | EA HINGE-2" X 96", OFF WHITE |
| 3 | 064075-07-000 | FT SEAL-BULB W/WIRED U-CHANNEL - 3" X 5" CHANNEL - BLACK |
| | 002748-01-000 | EA CORNER KEY-DOOR |
| | 091876-01-000 | EA RETAINER-DOOR, 1 9" X 8" - METAL |
| | 090340-01-000 | FT SEAL-FOAM, CLOSED CELL - 1/4" X 1/2" X 50" |
| | 104692-01-000 | FT SEAL-ADHESIVE BACK, 3/4" X 34" |
| | 107997-51-001 | EA SPACER-86" X 6", ALUMINUM - EXTERIOR SHOWER |
| | 109833-01-000 | EA BEAUTY RING, 67" X 78" ID - STAINLESS STEEL - HUDSON LOCK EXTERIOR SHOWER |
| | 109834-01-000 | EA WASHER-64" X 752" ID, STAINLESS STEEL - EXTERIOR SHOWER |

| KEY | PART NUMBER | U/M DESCRIPTION |
|-----|---------------|---|
| 1 | 098647-12-02A | EA WINDOW-SLIDING W/OFF WHITE INSIDE FRAME - EXCEL H023-PRL |
| 2 | 098647-11-705 | EA FRAME-INSIDE, OFF WHITE - EXCEL W023-57 |
| 3 | 098647-12-700 | EA WINDOW-SLIDING, SINGLE - W/O INSIDE FRAME - 27" X 49" - EXCEL H023-GGL |
| 4 | 098644-01-700 | EA LATCH-REPAIR KIT, EXCEL B801-CK |
| | 098644-01-716 | FT PLUG-FILLER, EXCEL 132-014470 |
| | 098644-01-717 | FT SPLINE-SCREEN, EXCEL 132-004716 |
| 5 | 098644-01-705 | FT GLAZING STRIP, EXCEL M526-12 |
| 6 | 098644-01-706 | FT WEATHERSTRIP, EXCEL 171-010668 |
| 7 | 098644-01-708 | FT CHANNEL-PIERCED RUN, EXCEL 122-016543 |
| | 098644 01-710 | FT TRACK-SCREEN SPACER, 12" LENGTH - EXCEL M401-31 |
| 8 | 098644-01-711 | FT WEATHERSTRIP-SCREEN, BLACK - EXCEL 171-016965 |
| 9 | 098644-01-713 | EA SPRING-SCREEN FRAME (CLIP), PLASTIC - BLACK |
| 10 | 098647-12-701 | EA GLASS-STATIONARY, EXCEL 106-017262 |
| | 098647-03-705 | EA RAIL-LOCKING W/WEATHERSTRIP, EXCEL H022-17 |
| 11 | 098647-11-701 | EA GLASS-SLIDING, W/SASH & LOCK - EXCEL H023-59 |
| 12 | 098647-11-704 | EA SCREEN-W/SPRING & WEATHERSTRIP - EXCEL 410016-463 |

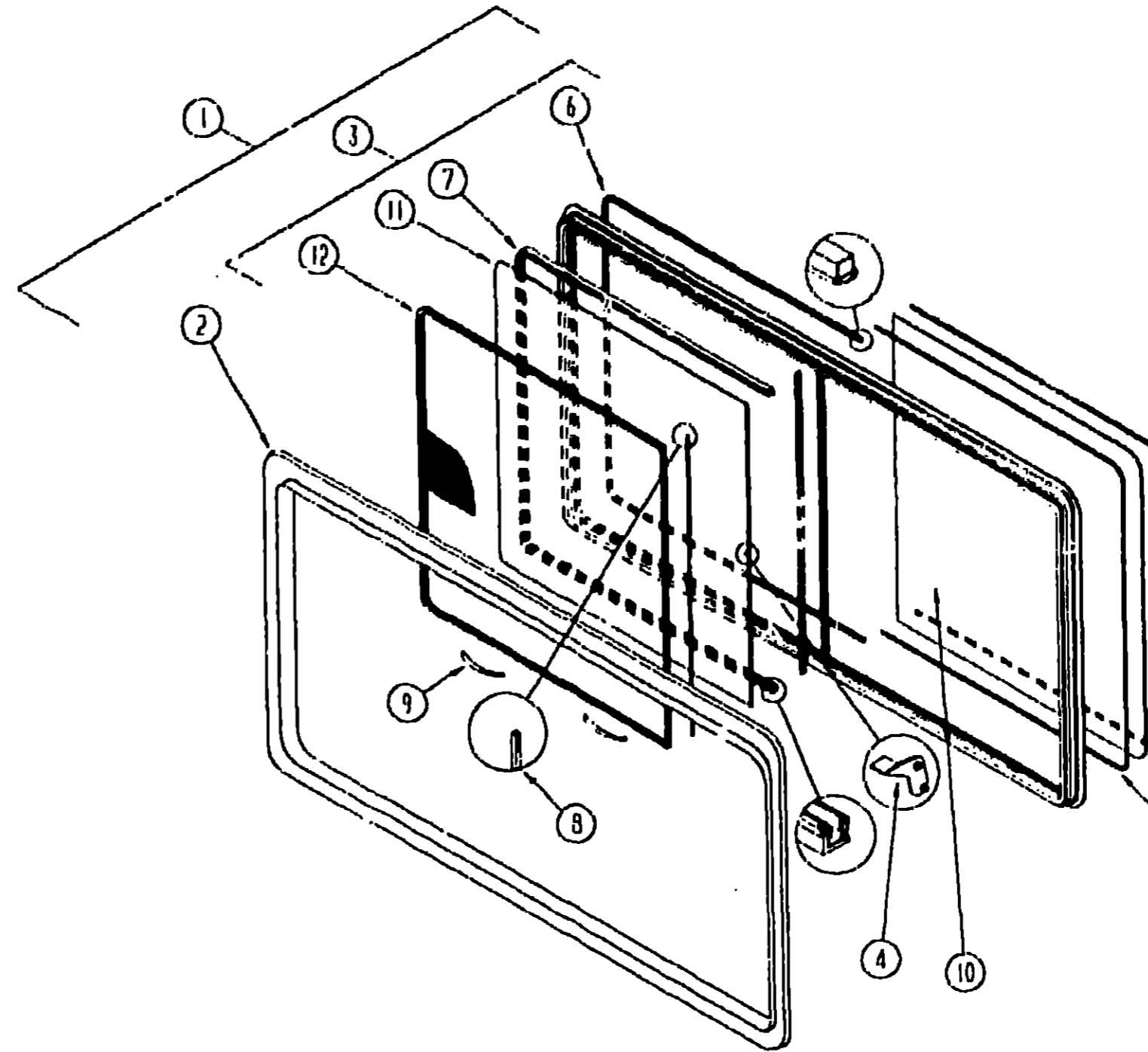
WINDOW, VENT & EXTERIOR DOOR GROUP (CONTINUED)



BACKWALL ESCAPE WINDOW

| KEY | PART NUMBER | U/M DESCRIPTION |
|-----|---------------|--|
| | 020749-10-000 | FA FRAME-WINDOW INSIDE - OFF WHITE |
| 1 | 079729-02-127 | EA WINDOW-ESCAPE, REAR - 22" X 24" |
| 2 | 002282-02-000 | EA WEATHERSTRIP-WINDOW, 125° VULCANIZED - 79.1" LONG - BLACK |
| | 077065-1-702 | EA TAPE ASM-ESCAPE WINDOW, REAR |
| 3 | 002285-01-000 | FT FILLER-WEATHER STRIP RUBBER - BLACK |
| 4 | 041392-03-000 | EA GLASS-WINDOW 1/8" X 21.65" X 19.61" |

WINDOW, VENT & EXTERIOR DOOR GROUP (CONTINUED)



GALLEY SINGLE SLIDING WINDOW

| KEY | PART NUMBER | U/M DESCRIPTION |
|-----|---------------|--|
| 1 | 098647-07-02A | EA WINDOW-SLIDING W/OFF WHITE INSIDE FRAME - EXCEL B969-PRL |
| 2 | 098647-06-706 | EA FRAME-INSIDE, OFF WHITE - EXCEL V969-67 |
| 3 | 098647-07-700 | EA WINDOW-SLIDING, SINGLE - W/O INSIDE FRAME - 15" X 23.75" - EXCEL B969-G2L |
| 4 | 098644-01-700 | EA LATCH-REPAIR KIT, EXCEL B801-CK |
| | 098644-01-716 | FT PLUG-FILLER, EXCEL 132-014470 |
| | 098644-01-717 | FT SPLINE-SCREEN, EXCEL 132-004718 |
| 5 | 098644-01-705 | FT GLAZING STRIP, EXCEL M926-12 |
| 6 | 098644-01-706 | FT WEATHERSTRIP, EXCEL 171-010668 |
| 7 | 098644-01-708 | FT CHANNEL-PIERCED RUN, EXCEL 122-016543 |
| | 098644-01-710 | FT TRACK-SCREEN SPACER, 12" LENGTH - EXCEL M401-31 |
| 8 | 098644-01-711 | FT WEATHERSTRIP-SCREEN, BLACK - EXCEL 171-016965 |
| 9 | 098644-01-713 | EA SPRING-SCREEN FRAME (CLIP), PLASTIC - BLACK |
| 10 | 098647-06-700 | EA GLASS-STATIONARY, 10.91" X 13.77" - EXCEL 106-016921 |
| | 098647-06-701 | EA RAIL-LOCKING W/WEATHERSTRIP, EXCEL B938-17 |
| 11 | 098647-06-702 | EA GLASS-SLIDING, W/SASH & LATCH - EXCEL B969-G9 |
| 12 | 098647-06-703 | EA SCREEN W/WEATHERSTRIP & FRAME SPRING (CLIP), EXCEL 410-016 |

1993 ITASCA
TABLE OF CONTENTS

| | |
|--------------------|-------------|
| INTRODUCTION | A-01 - A-02 |
| ABBREVIATIONS | A-03 |
| ALPHABETICAL INDEX | A-04 - A-06 |
| IT321RB | A-07 - C-24 |
| IT321RL | D-01 - F-18 |
| IT321RD | F-19 - I-12 |

1993 IT321RB INDEX

| | |
|--------------------------------|-------------|
| FLOOR PLAN | A-07 - A-08 |
| ACCESSORIES | A-09 |
| AUDIO VIDEO | A-10 |
| BATH | A-11 - A-12 |
| CHASSIS | A-13 - A-14 |
| CURTAIN & CUSHION | A-15 - A-21 |
| DINETTE | A-22 |
| DRIVERS COMPARTMENT | A-23 |
| ELECTRICAL | A-24 - B-03 |
| EXTERIOR BODY | B-04 - B-08 |
| GALLEY | B-09 - B-14 |
| GENERATOR | B-15 |
| HEATING & A/C | B-16 |
| INTERIOR FINISH | B-17 - B-20 |
| LABELS | B-21 - C-02 |
| LP | C-03 |
| LOUNGE | C-04 |
| SEALANTS & FASTENERS | C-05 - C-06 |
| WATER & SEWAGE | C-07 - C-10 |
| WINDOW, VENT AND EXTERIOR DOOR | C-11 - C-24 |

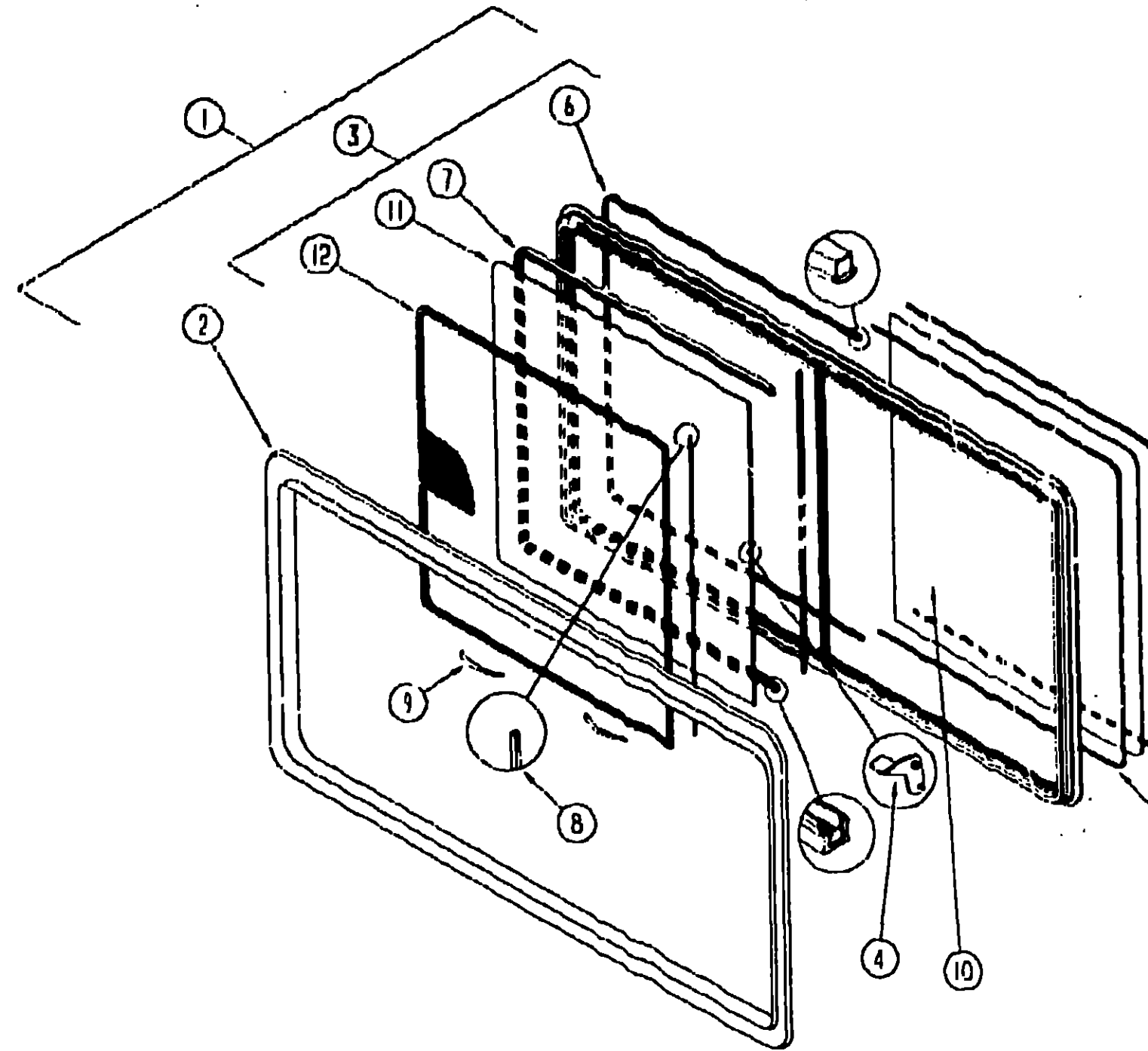
WINDOW, VENT & EXTERIOR DOOR GROUP (CONTINUED)
PASSENGER SIDE BUNK SLANTED SLIDER WINDOWS

| KEY | PART NUMBER | U/M DESCRIPTION |
|-----|---------------|---|
| | 098646-03-02A | EA WINDOW-PASSENGER SIDE, W/OFF WHITE INSIDE FRAME - EXCEL H245-MRR FROM 00-00-00 THRU 07-19-92 |
| | 098646-03-703 | EA TRIM-INSIDE, PASSENGER SIDE - OFF WHITE - EXCEL W245-67R |
| | 098646-03-707 | EA WINDOW-SLIDING, W/O INSIDE FRAME - EXCEL H245G1R |
| | 098644-01-700 | EA LATCH-REPAIR KIT, EXCEL B801-CK |
| | 098644-05-701 | EA GLASS-SLIDING, W/SASH & LATCH - EXCEL B948-G8 |
| | 098644-01-705 | FT GLAZING STRIP, EXCEL M926-12 |
| | 098644-01-706 | FT WEATHERSTRIP, EXCEL 171-010668 |
| | 098644-01-706 | FT CHANNEL-PIERCED RUN, EXCEL 122-016543 |
| | 098644-01-710 | FT TRACK-SCREEN SPACER, 12' LENGTH - EXCEL M401-31 |
| | 098644-01-711 | FT WEATHERSTRIP-SCREEN, BLACK - EXCEL 171-016965 |
| | 098644-01-713 | EA SPRING-SCREEN FRAME (CLIP), PLASTIC - BLACK |
| | 098644-01-716 | FT PLUG-FILLER, EXCEL 132-014470 |
| | 098644-01-717 | FT SPLINE-SCREEN, EXCEL 132-004716 |
| | 098646-03-700 | EA FILLER STRIP, EXCEL G03726 |
| | 098646-03-705 | EA SCREEN ASSEMBLY - EXCEL 410016475 |
| | 098646-03-704 | EA GLASS-STATIONARY, EXCEL 106017492 |

DRIVER SIDE BUNK SLANTED SLIDER WINDOWS

| KEY | PART NUMBER | U/M DESCRIPTION |
|-----|---------------|--|
| | 098646-04-02A | EA WINDOW-DRIVER SIDE, W/OFF WHITE INSIDE FRAME - EXCEL H245-MRL FROM 00-00-00 THRU 07-19-92 |
| | 098646-04-702 | EA TRIM-INSIDE, PASSENGER SIDE - OFF WHITE - EXCEL W245-67L |
| | 098646-04-703 | EA WINDOW-SLIDING, W/O INSIDE FRAME - EXCEL H245G1R |
| | 098644-01-700 | EA LATCH-REPAIR KIT, EXCEL B801-CK |
| | 098644-05-701 | EA GLASS-SLIDING, W/SASH & LATCH - EXCEL B948-G8 |
| | 098644-01-705 | FT GLAZING STRIP, EXCEL M926-12 |
| | 098644-01-706 | FT WEATHERSTRIP, EXCEL 171-010668 |
| | 098644-01-708 | FT CHANNEL-PIERCED RUN, EXCEL 122-016543 |
| | 098644-01-710 | FT TRACK-SCREEN SPACER, 12' LENGTH - EXCEL M401-31 |
| | 098644-01-711 | FT WEATHERSTRIP-SCREEN, BLACK - EXCEL 171-016965 |
| | 098644-01-713 | EA SPRING-SCREEN FRAME (CLIP), PLASTIC - BLACK |
| | 098644-01-716 | FT PLUG-FILLER, EXCEL 132-014470 |
| | 098644-01-717 | FT SPLINE-SCREEN, EXCEL 132-004716 |
| | 098646-03-700 | EA FILLER STRIP, EXCEL G03726 |
| | 098646-03-705 | EA SCREEN ASSEMBLY - EXCEL 410016475 |
| | 098646-03-704 | EA GLASS-STATIONARY, EXCEL 106017492 |

WINDOW, VENT & EXTERIOR DOOR GROUP (CONTINUED)



BUNK SLIDING WINDOWS

| KEY | PART NUMBER | U/M DESCRIPTION |
|-----|---------------|---|
| 1 | 098647-18-01A | EA WINDOW-PASSENGER SIDE, W/WHITE INSIDE FRAME - EXCEL B851-PRR FROM 07-20-92 THRU 99-99-99 |
| 1 | 098647-19-01A | EA WINDOW-DRIVER SIDE, W/WHITE INSIDE FRAME - EXCEL B951-PRL FROM 07-20-92 THRU 99-99-99 |
| 2 | 098647-18-700 | EA FRAME-WINDOW, INSIDE - WHITE - EXCEL V951-67 |
| 3 | 098647-18-702 | EA WINDOW-SLIDING, W/O INSIDE FRAME - PASS SIDE - 12" X 24" - EXCEL B951-G2R |
| 3 | 098647-19-700 | EA WINDOW-SLIDING, W/O INSIDE FRAME - DRIVER SIDE - 12" X 24" - EXCEL B951-PRL |
| 4 | 098644-01-700 | EA LATCH-REPAIR KIT, EXCEL B801-CK |
| 5 | 098644-01-705 | FT GLAZING STRIP, EXCEL M926-12 |
| 6 | 098644-01-706 | FT WEATHERSTRIP, EXCEL 171-010668 |
| 7 | 098644-01-708 | FT CHANNEL-PIERCED RUN, EXCEL 122-016543 |
| 8 | 098644-01-711 | FT WEATHERSTRIP-SCREEN, BLACK - EXCEL 171-016965 |
| 9 | 098644-01-713 | EA SPRING-SCREEN FRAME (CLIP), PLASTIC - BLACK - EXCEL 225-016966 |
| 10 | 098647-18-701 | EA GLASS-STATIONARY, EXCEL 106011829 |
| | 098646-01-701 | EA RAIL-LOCKING W/WEATHERSTRIP, EXCEL B852-17 |
| | 098644-01-715 | FT PLUG-FILLER, EXCEL 132-014470 |
| | 098644-01-710 | FT TRACK-SCREEN SPACER, 12' LENGTH - EXCEL M401-31 |
| | 098644-01-717 | FT SPLINE-SCREEN, EXCEL 132-004716 |
| 11 | 098646-01-702 | EA GLASS-SLIDING, W/SASH & LOCK - EXCEL B948-G9 |
| 12 | 098646-03-705 | EA SCREEN ASSEMBLY - EXCEL 410016475 |

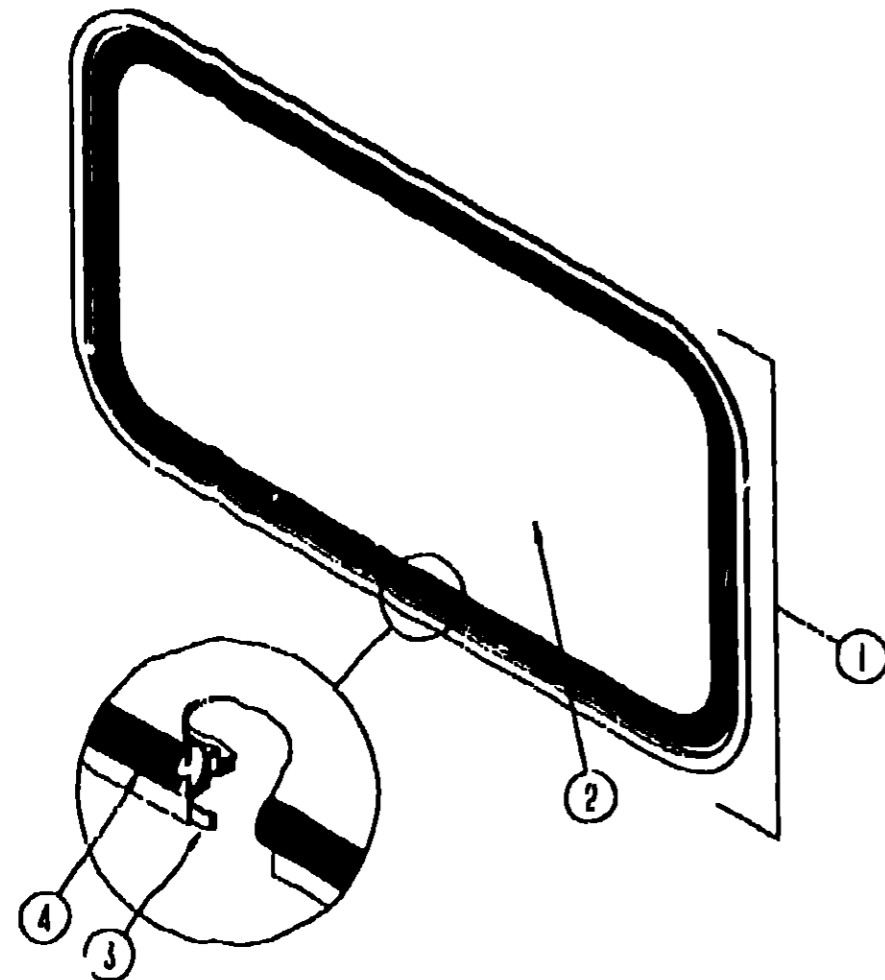
1993 ITASCA
TABLE OF CONTENTS

| | | |
|--------------------|------|------|
| INTRODUCTION | A-01 | A-02 |
| ABBREVIATIONS | | A-03 |
| ALPHABETICAL INDEX | A-04 | A-05 |
| IT321RB | A-07 | C-24 |
| IT321HL | D-01 | F-18 |
| IT321RD | F-19 | I-17 |

1993 IT321RB INDEX

| | | |
|-------------------------------|------|------|
| FLOOR PLAN | A-07 | A-08 |
| ACCESSORIES | | A-09 |
| AUDIO VIDEO | | A-10 |
| BATH | A-11 | A-12 |
| CHASSIS | A-13 | A-14 |
| CURTAIN & CUSHION | A-15 | A-21 |
| DINETTE | | A-22 |
| DRIVERS COMPARTMENT | | A-23 |
| ELECTRICAL | A-24 | B-03 |
| EXTERIOR BODY | B-04 | B-08 |
| GALLEY | B-09 | B-14 |
| GENERATOR | | B-15 |
| HEATING & A/C | | B-16 |
| INTERIOR FINISH | B-17 | B-20 |
| LABELS | B-21 | C-02 |
| LP | | C-03 |
| LOUNGE | | C-04 |
| SEALANTS & FASTENERS | C-05 | C-06 |
| WATER & SEWAGE | C-07 | C-10 |
| WINDOW VENT AND EXTERIOR DOOR | C-11 | C-24 |

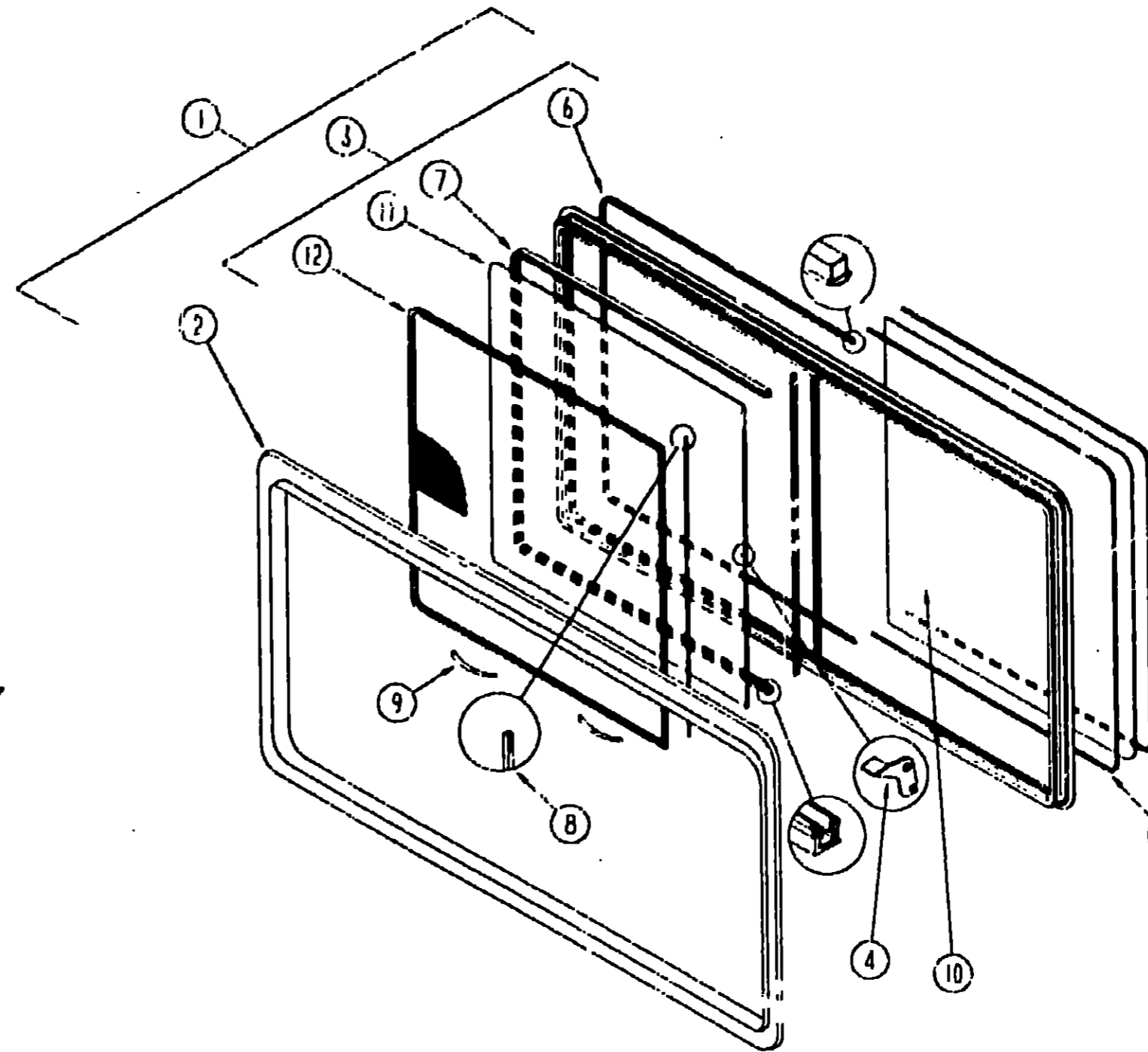
WINDOW, VENT & EXTERIOR DOOR GROUP (CONTINUED)



OVERHEAD BUNK FRONT WINDOW

| KEY | PART NUMBER | U/M DESCRIPTION |
|-----|---------------|--|
| | 067609-34-000 | EA FRAME-WINDOW, INSIDE - OFF WHITE |
| 1 | 103313-02-C09 | EA WINDOW-PICTURE, 58 6" X 11 6" - W/O INSIDE FRAME |
| 2 | 002181-16-000 | EA GLASS-PICTURE, 11 25" X 58 1" - GRAY |
| 3 | 069640-11-000 | FT SEALER-TAPE, 3/16" X 3/8" BLACK |
| 4 | 099154-01-000 | FT CHANNEL-GLAZING, STATIONARY GLASS - 62" X 45" - BLACK |

WINDOW, VENT & EXTERIOR DOOR GROUP (CONTINUED)



DINETTE SINGLE SLIDING WINDOW

| KEY | PART NUMBER | U/M DESCRIPTION |
|-----|---------------|---|
| | 098647-11-02A | EA WINDOW-SLIDING, W/OFF WHITE INSIDE FRAME - EXCEL H023-PRR |
| 1 | 098647-11-705 | EA FRAME-INSIDE, OFF WHITE - EXCEL W023-67 |
| 2 | 098647-11-703 | EA WINDOW-SLIDING, SINGLE - W/O INSIDE FRAME - 27" X 49" - EXCEL H023-GGR |
| 3 | 098644-01-700 | EA LATCH-REPAIR KIT, EXCEL 3801-CK |
| 4 | 098644-01-716 | FT PLUG-FILLER, EXCEL 132-014470 |
| | 098644-01-717 | FT SPLINE-SCREEN, EXCEL 132-004716 |
| 5 | 098644-01-705 | FT GLAZING STRIP, EXCEL M926-12 |
| 6 | 098644-01-706 | FT WEATHERSTRIP, EXCEL 171-010668 |
| 7 | 098644-01-708 | FT CHANNEL-PIERCED RUN, EXCEL 122-016543 |
| | 098644-01-710 | FT TRACK-SCREEN SPACER, 12" LENGTH - EXCEL M401-31 |
| 8 | 098644-01-711 | FT WEATHERSTRIP-SCREEN, BLACK - EXCEL 171-016955 |
| 9 | 098644-01-713 | EA SPRING-SCREEN FRAME (CLIP), PLASTIC - BLACK |
| 10 | 098647-12-701 | EA GLASS-STATIONARY, EXCEL 106-017262 |
| | 098647-08-705 | EA RAIL-LOCKING W/WEATHERSTRIP, EXCEL H022-17 |
| 11 | 098647-11-701 | EA GLASS-SLIDING, WSASH & LOCK - EXCEL H023-69 |
| 12 | 098647-11-704 | EA SCREEN-W/SPRING & WEATHERSTRIP - EXCEL 410015-463 |

1993 ITASCA
TABLE OF CONTENTS

| | | |
|--------------------|------|------|
| INTRODUCTION | A-01 | A-02 |
| ABBREVIATIONS | | A-03 |
| ALPHABETICAL INDEX | A-04 | A-05 |
| IT321RB | A-07 | C-24 |
| IT321RL | D-01 | F-18 |
| IT321RD | F-19 | I-12 |

1993 IT321RB INDEX

| | | |
|--------------------------------|------|------|
| FLOOR PLAN | A-07 | A-08 |
| ACCESSORIES | | A-09 |
| AUDIO VIDEO | | A-10 |
| BATH | A-11 | A-12 |
| CHASSIS | A-13 | A-14 |
| CURTAIN & CUSHION | A-15 | A-21 |
| DINETTE | | A-22 |
| DRIVERS COMPARTMENT | | A-23 |
| ELECTRICAL | A-24 | B-02 |
| EXTERIOR BODY | B-04 | B-08 |
| GALLEY | B-09 | B-14 |
| GENERATOR | | B-15 |
| HEATING & A/C | | B-16 |
| INTERIOR FINISH | B-17 | B-20 |
| LABELS | B-21 | C-02 |
| LP | | C-03 |
| LOUNGE | | C-04 |
| SEALANTS & FASTENERS | C-05 | C-06 |
| WATER & SEWAGE | C-07 | C-10 |
| WINDOW, VENT AND EXTERIOR DOOR | C-11 | C-24 |

WINDOW, VENT & EXTERIOR DOOR GROUP (CONTINUED)

POWERED ROOF VENT (FROM: 00-00-00 THRU: 10-04-92)

| KEY | PART NUMBER | U/M DESCRIPTION |
|-----|---------------|---|
| | 000394-01-Y12 | EA VENT-ROOF, POWERED |
| | 002825-01-000 | EA WEATHER STRIP-ROOF VENT, GRAY |
| | 002195-01-000 | EA SWITCH-ROOF VENT, PUSH BUTTON, 12V |
| | 004343-01-000 | EA TIE-WIRE, 6" |
| | 008386-01-000 | EA GROMMET-SNAP, 3/8" |
| | 009440-01-000 | EA GEAR/ARM-VENT COVER, LIFT |
| | 015910-03-000 | EA BRACKET-HANDLE, ROOF VENT - OFF WHITE |
| | 015911-01-000 | EA TRACK-LIFT ARM, SLIDE - ROOF VENT |
| | 048648-01-000 | EA MOTOR-ROOF VENT, 1/8 SHAFT - 12V - JENSEN |
| | 048649-01-000 | EA FAN-ROOF VENT 6 BLADES - 6" - JENSEN |
| | 055218-01-000 | EA COVER-ROOF VENT |
| | 052639-01-200 | EA HINGE-EXTRUSION, ROOF VENT 7" |
| | 052639-01-001 | EA HINGE-VENT COVER, 16" |
| | 061603-01-000 | EA GROMMET-SNAP, 3/16" ID - 3/8" HOLE - PLASTIC - BLACK |
| | 078785-01-Y12 | EA SCREEN-ROOF VENT, POWERED |
| | 002291-02-000 | SF SCREENING-ROOF VENT/WINDOW, 16" - BLACK |
| | 002298-02-000 | FT SPLINE-VENT/WINDOW SCREEN, 128 DIAMETER - BLACK |
| | 009439-01-000 | EA CRANK HANDLE-ROOF VENT |
| | 009439-03-000 | EA EXTENSION-CRANK HANDLE ROOF VENT - 9" - MILL |
| | 009439-04-000 | EA SCREW 8-32 X 1 1/4" POH |

POWERED ROOF VENT (FROM: 10-05-92 THRU: 99-99-99)

| KEY | PART NUMBER | U/M DESCRIPTION |
|-----|---------------|---|
| | 110051-03-01A | EA VENT-ROOF, POWERED - 2" ROOF - JENSEN 7757 WHE |
| | 048648-01-000 | EA MOTOR-ROOF VENT, 1/8 SHAFT - 12V - JENSEN |
| | 048649-01-000 | EA FAN-ROOF VENT, 6 BLADES - 6" - JENSEN |
| | 064470-01-700 | EA COVER-ROOF VENT, JENSEN 7291 |
| | 110051-01-701 | EA GARNISH W/SCREEN & FR/ ME-2" JENSEN 29-800-01 |
| | 110051-01-702 | EA LIFT ASM-VENT LID W/O CRANK, JENSEN RP-1000B |
| | 110051-01-703 | EA CRANK, JENSEN RP-1031-B |

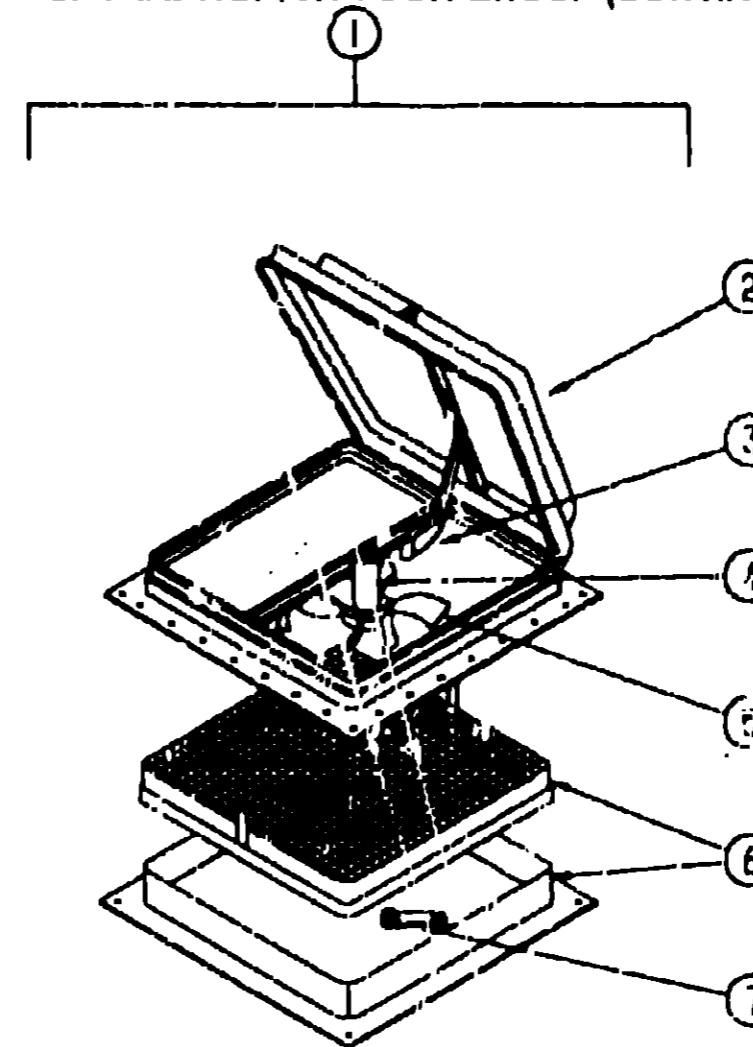
NONPOWERED ROOF VENT (FROM: 00-00-00 THRU: 10-04-92)

| KEY | PART NUMBER | U/M DESCRIPTION |
|-----|---------------|--|
| | 090395-01-Y12 | EA VENT-ROOF, NONPOWERED |
| | 009439-01-000 | EA CRANK HANDLE-ROOF VENT |
| | 009439-03-000 | EA EXTENSION-CRANK HANDLE ROOF VENT - 9" - MILL |
| | 009439-04-000 | EA SCREW 8-32 X 1 1/4" POH |
| | 002825-01-000 | EA WEATHER STRIP ROOF VENT, GRAY |
| | 009440-01-000 | EA GEAR/ARM-VENT COVER, LIFT |
| | 015910-03-000 | EA BRACKET-HANDLE, ROOF VENT - OFF WHITE |
| | 015911-01-000 | EA TRACK-LIFT ARM, SLIDE - ROOF VENT |
| | 055218-01-000 | EA COVER-ROOF VENT |
| | 052639-01-001 | EA HINGE-VENT COVER, 16" |
| | 052639-01-200 | EA HINGE-EXTRUSION, ROOF VENT 7" |
| | 078785-01-Y12 | EA SCREEN-ROOF VENT, NON POWERED - WHITE |
| | 002291-02-000 | SF SCREENING-ROOF VENT/WINDOW, 16" - BLACK |
| | 002298-02-000 | FT SPLINE-VENT/WINDOW SCREEN, 128 DIAMETER - BLACK |

POWERED ROOF VENT (FROM: 10-05-92 THRU: 99-99-99)

| KEY | PART NUMBER | U/M DESCRIPTION |
|-----|---------------|--|
| | 110051-01-01A | EA VENT-ROOF, NONPOWERED - 2" ROOF - JENSEN 7724 WHE |
| | 064470-01-700 | EA COVER-ROOF VENT, JENSEN 7291 |
| | 110051-01-701 | EA GARNISH W/SCREEN & FRAME-2" JENSEN 29-800-01 |
| | 110051-01-702 | EA LIFT ASM-VENT LID W/O CRANK, JENSEN RP-1000B |
| | 110051-01-703 | EA CRANK, JENSEN RP-1031-B |

WINDOW, VENT & EXTERIOR DOOR GROUP (CONTINUED)



POWERED ROOF VENT - JENSEN - CANADIAN

| KEY | PART NUMBER | U/M DESCRIPTION |
|-----|---------------|--|
| 1 | 064469-08-000 | EA VENT-ROOF, POWERED - 14" X 14" - 12V - JENSEN C-727 - CSA FROM 00-00-00 THRU 10-04-92 |
| 1 | 110051-05-01A | EA VENT-ROOF, POWERED - 2" ROOF - CSA - JENSEN C7757 WHE FROM 10-05-92 THRU 99-99-99 |
| 2 | 064469-03-702 | EA LID-VENT, WHITE - JENSEN 290 WH FROM 00-00-00 THRU 10-04-92 |
| 2 | 064470-01-700 | EA COVER-ROOF VENT, JENSEN 7291 FROM 10-05-92 THRU 99-99-99 |
| 3 | 064469-03-706 | EA LIFT MECHANISM FROM 00-00-00 THRU 10-04-92 |
| 3 | 110051-01-702 | EA LIFT ASM-VENT LID W/O CRANK JENSEN RP-1000B FROM 10-05-92 THRU 99-99-99 |
| 4 | 048648-01-000 | EA MOTOR-ROOF VENT, 1/8 SHAFT - 12V |
| 5 | 048649-01-000 | EA FAN-ROOF VENT, 6 BLADES - 6" |
| 6 | 110051-01-701 | EA GARNISH W/SCREEN & FRAME-2" JENSEN 29-800-01 |
| 7 | 009439-01-000 | EA CRANK HANDLE-ROOF VENT FROM 00-00-00 THRU 10-04-92 |
| | 110051-01-703 | EA CRANK HANDLE-ROOF VENT, JENSEN RP-1031-B FROM 10-05-92 THRU 99-99-99 |
| | 009439-04-000 | EA SCREW 8-32 X 1 1/4" POH FROM 00-00-00 THRU 10-04-92 |
| | 009439-03-000 | EA EXTENSION-CRANK HANDLE ROOF VENT - 9" - MILL FROM 00-00-00 THRU 10-04-92 |

REFRIGERATOR, RANGE HOOD & PLUMBING VENTS

| KEY | PART NUMBER | U/M DESCRIPTION |
|-----|---------------|--|
| | 065103-03-000 | EA BASE-VENT, REFRIGERATOR - ROOF - DOMETIC 3100529 01 |
| | 065103-04-000 | EA CAP-VENT, REFRIGERATOR - ROOF - DOMETIC 3100529 019 |
| | 084616-01-000 | EA SHROUD-RANGE HOOD VENT, OFF WHITE |
| | 084278-09-000 | EA VENT-RANGE HOOD, SHORT - LVS |
| | 083558-03-000 | EA VENT-PLUMBING PIPE ROOF W/COVER - OFF WHITE |

1993 ITASCA TABLE OF CONTENTS

| | | |
|--------------------|------|------|
| INTRODUCTION | A-01 | A-02 |
| ABBREVIATIONS | | A-03 |
| ALPHABETICAL INDEX | A-04 | A-06 |
| IT321RB | A-07 | C-24 |
| IT321R | D-01 | F-18 |
| IT321RD | F-19 | I-12 |

1993 IT321RB INDEX

| | | |
|-------------------------------|------|------|
| FLOOR PLAN | A-07 | A-08 |
| ACCESSORIES | | A-09 |
| AUDIO VIDEO | | A-10 |
| BATH | A-11 | A-12 |
| CHASSIS | A-13 | A-14 |
| CURTAIN & CUSHION | A-15 | A-21 |
| DINETTE | | A-22 |
| DRIVERS COM. MGMT | | A-23 |
| ELECTRICAL | A-24 | B-03 |
| EXTERIOR BODY | B-04 | B-08 |
| GALLEY | B-09 | E-14 |
| GENERATOR | | B-15 |
| HEATING & A/C | | B-16 |
| INTERIOR FINISH | B-17 | B-20 |
| LABELS | B-21 | C-02 |
| LP | | C-03 |
| LOUNGE | | C-04 |
| SEALANTS & FASTENERS | C-05 | C-06 |
| WATER & SEWAGE | C-07 | C-10 |
| WINDOW VENT AND EXTERIOR DOOR | C-11 | C-24 |